

SKYTRAK[®]

Illustrated Parts Manual

Model
6036

PVC
2111

P/N
31211739

November 1, 2023 - Rev C

JLG[®]
An Oshkosh Corporation Company

EFFECTIVITY PAGE

November 1, 2021 - A - Original Issue of Manual (Edited to B/M 1001169968 Revision AW)

March 31, 2022 - B - Revised Manual (Edited to B/M 1001169968 Revision AW)

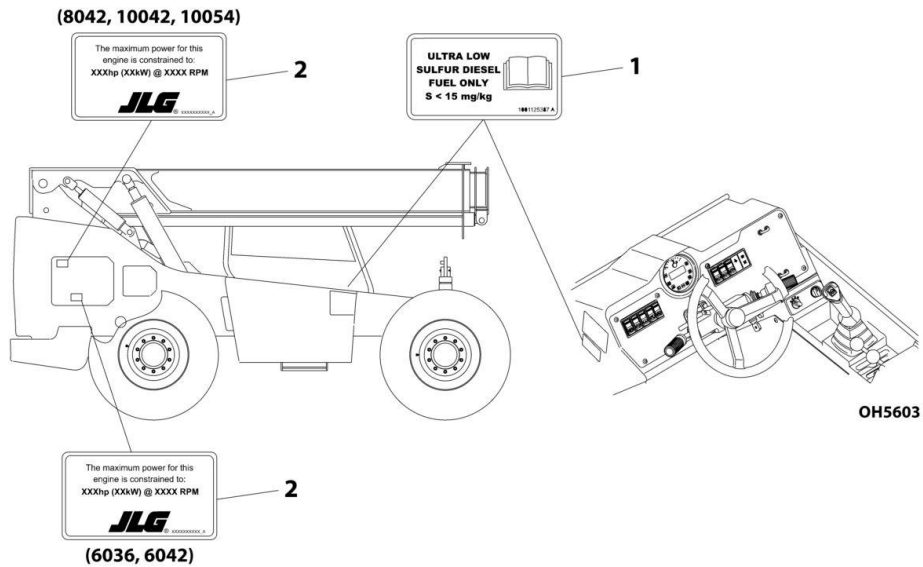
November 1, 2023 - C - Revised Manual (Edited to B/M 1001169968 Revision AW)

Machine Configuration

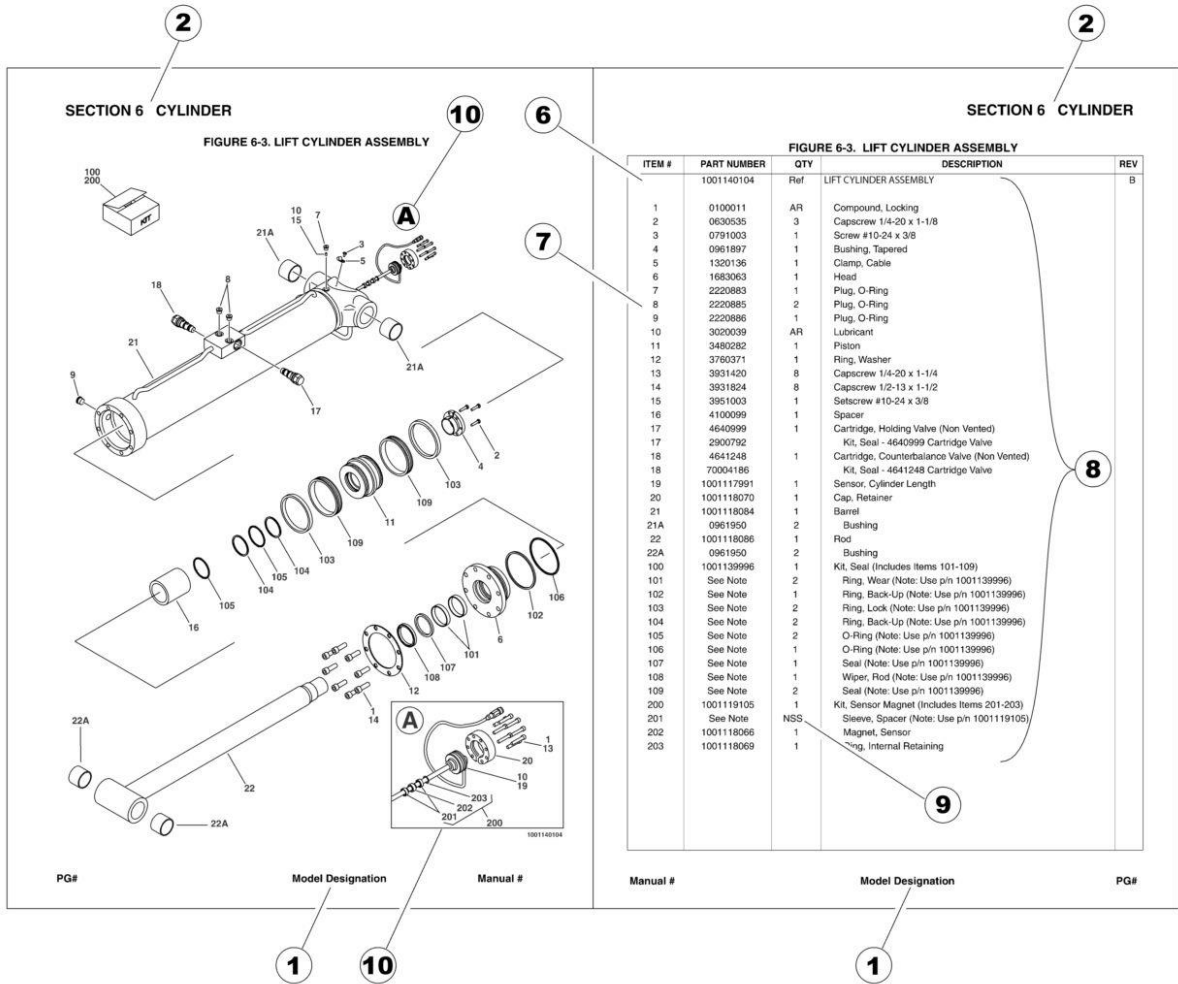
Two configurations of each machine are included in this manual. Determine if machine is equipped with Ultra Sulfur Fuel Decal (1) as indicated below.

- If equipped with the Ultra Low Sulfur decal, all specific references to this machine configuration will be referred to as Ultra Low Sulfur (ULS) from this point forward.
- If not equipped with the Ultra Low Sulfur decal, all specific references to this machine configuration will be referred to as Low Sulfur (LS) from this point forward.

Engine horsepower can be found on the decals (2) located inside the engine compartment doors.



GENERAL INFORMATION



1) MACHINE IDENTIFICATION

Machines are identified by model and in some cases a combination of models, serial number (SN) or regional standard (i.e ANSI, CE, CSA). Components may also be identified by SN or manufacturer. Common components that may be identified by these characteristics are engines and hydraulic components.

2) PARTS MANUAL ORGANIZATION

Product information in this manual is organized under section titles. Frame, Cylinder, Hydraulic and Electrical are a few examples. Each section is organized by figure and page number. The information within the Figure is then organized by item number, part number, description and corresponding illustration (s).

3) TABLE OF CONTENTS (NOT SHOWN)

A table of contents is found toward the beginning of the manual. Figure number, description and page number are provided for quick reference to the page containing the related information.

4) RECOMMENDED SPARE PARTS (NOT SHOWN)

The Recommended Spare Parts List, located near the end of the manual, reference most frequently used maintenance parts.

5) PART NUMBER INDEX (NOT SHOWN)

A numerical index listing all part numbers and the corresponding page number(s) appears at the back of the manual.

GENERAL INFORMATION

6) NON-SERVICED PARTS

In some instances, it is necessary to display non-serviced parts, assemblies or installations. In the case of assemblies and installations there will be a Ref in the Qty. column. In case of parts that are not available for service within assemblies or components, there will be a NSS (Not Sold Separately) or NLA (No Longer Available) listed in the Qty. column of the manual.

7) PARTS LIST ITEM NUMBERS

Numbers shown in the item# column correspond to numbers used in the associated illustration (s). Item numbers which are missing from the sequence in the parts list are not used on that page.

8) INDENTED PARTS DESCRIPTION

An indented part description is included in the item under which it is indented.

9) ABBREVIATION AND SYMBOLS

AC.....	Alternating Current	L.....	Liter
ADE.....	Advanced Design Electronics	LB(LBS).....	Pounds
AG.....	Agricultural	LCD.....	Liquid Crystal Display
ANSI.....	American National Standards Institute	LED.....	Light Emitting Diodes
AR.....	As Required	LH.....	Left Hand
ASSY.....	Assembly	LRC.....	Low Rated Countries
AUS.....	Australia	LSS.....	Load Sensing System
AUX.....	Auxiliary	M(m).....	Metric/Meter
AWG.....	American Wire Gauge	MM(mm).....	Milimeter
B/M.....	Bill of Material	mA.....	Miliamps
CAC.....	Charge Air Cooler	NLA.....	No Longer Available
CE.....	European Conformity	NPT.....	National Pipe Threads
CCW.....	Counter Clockwise	NSS.....	Not Sold Separately
CM.....	Centimeter	OD.....	Outside Diameter
CW.....	Clockwise	ORB.....	O-Ring Boss
CSA.....	Canadian Standards Association	ORFS.....	O-Ring Face Seal
CYL.....	Cylinder	OZ (oz).....	Ounces
DIA.....	Diameter	PG.....	Page
DC.....	Direct Current	PN.....	Part Number
DEF.....	Diesel Exhaust Fluid	QT(qt.).....	Quarts
EMS.....	Emergency Stop	QTY.....	Quantity
ENG.....	Engine	REF.....	Reference
FT(ft).....	Feet	REV.....	Revision Level
GA(Ga).....	Gauge	RH.....	Right Hand
HRC.....	High Rated Countries	SAE.....	Society of Automotive Engineers
HVAC.....	Heating, Ventilating, and Air Conditioning	SN.....	Serial Number
HYD.....	Hydraulic	SPEC(S).....	Specifications
Hz.....	Hertz	T/T.....	Turntable
ID.....	Inside Diameter	UGM.....	Universal Ground Module
IN.....	inches	V.....	Volts
ISO.....	International Organization for Standards	W.....	Watts
JIC.....	Joint Industry Council	#.....	Number
KG.....	Kilogram		

10) ILLUSTRATION REFERENCE LETTERS

When necessary, illustrations may contain reference letters that are intended to track information (i. e. hoses, harnesses) from one point to another or to track visual enlargement of components to show details that may be located in another area on the illustration.

Note: Due to continuous product improvements, JLG Industries, Inc. reserves the right to make specification changes without prior notification. Contact JLG Industries, Inc. for updated information.

TABLE OF CONTENTS

SECTION 1 - FRAME AND ATTACHING PARTS.....	15
FIGURE 1-1. FRAME COMPONENTS INSTALLATION - 74HP (ULS).....	16
FIGURE 1-2. FRAME COMPONENTS INSTALLATION - 85HP (LS).....	18
FIGURE 1-3. FRAME COVERS INSTALLATION - 74HP (AIR SHUT OFF VALVE).....	20
FIGURE 1-4. FRAME COVERS INSTALLATION - 74HP (ULS).....	22
FIGURE 1-5. FRAME COVERS INSTALLATION - 85HP (LS).....	24
FIGURE 1-6. HYDRAULIC/FUEL/DEF TANK ASSEMBLY (LS).....	26
FIGURE 1-7. HYDRAULIC/FUEL TANK ASSEMBLY (ULS).....	28
SECTION 2 - BOOM.....	31
FIGURE 2-1. BOOM INSTALLATION.....	32
FIGURE 2-2. EXTEND CHAIN ASSEMBLY.....	38
FIGURE 2-3. HOSE PULLEY ASSEMBLY.....	40
FIGURE 2-4. LOCK PIN ASSEMBLY.....	42
FIGURE 2-5. QUICK COUPLER ASSEMBLY.....	44
FIGURE 2-6. RETRACT CHAIN ASSEMBLY (6036).....	46
SECTION 3 - ATTACHMENTS.....	49
FIGURE 3-1. BASKET, PERSONNEL (1.2MX2.4M) (DOMESTIC).....	50
FIGURE 3-2. BASKET, PERSONNEL (1.2MX2.4M) (ISO).....	52
FIGURE 3-3. BASKET, PERSONNEL (1.2MX2.4M) (FRENCH LANGUAGE).....	54
FIGURE 3-4. BASKET, PERSONNEL ASSEMBLY.....	56
FIGURE 3-5. BOOM - ADJUSTABLE.....	58
FIGURE 3-6. BOOM - ADJUSTABLE (FORK MOUNTED).....	60
FIGURE 3-7. BOOM - 3 FOOT WITH WINCH.....	62
FIGURE 3-8. BOOM - 12 FOOT WITH WINCH.....	64
FIGURE 3-9. BOOM - 12FT WITHOUT WINCH.....	66
FIGURE 3-10. BOOM - 15FT WITHOUT WINCH.....	68
FIGURE 3-11. BUCKET (60 INCH).....	70
FIGURE 3-12. BUCKET (72 INCH).....	72
FIGURE 3-13. BUCKET (96 INCH).....	74
FIGURE 3-14. BUCKET - GRAPPLE (96 INCH).....	76
FIGURE 3-15. BUCKET (102 INCH).....	78
FIGURE 3-16. CARRIAGE ASSEMBLY - 48IN SIDE SHIFT.....	80
FIGURE 3-17. CARRIAGE ASSEMBLY - 50IN.....	82
FIGURE 3-18. CARRIAGE ASSEMBLY - 50IN DUAL FORK POSITIONING.....	84
FIGURE 3-19. CARRIAGE ASSEMBLY - 50IN/12000# CAPICITY SIDE TILT.....	86
FIGURE 3-20. CARRIAGE ASSEMBLY - 60IN.....	88
FIGURE 3-21. CARRIAGE ASSEMBLY - 60IN/12000# CAPACITY SIDE TILT.....	90
FIGURE 3-22. CARRIAGE ASSEMBLY - 72IN.....	92
FIGURE 3-23. CARRIAGE ASSEMBLY - 72IN/12000# CAPACITY SIDE TILT.....	94
FIGURE 3-24. CARRIAGE ASSEMBLY - 72IN SWING.....	96
FIGURE 3-25. FORK 1.75X7X60 - DUAL TAPERED 5400#.....	98
FIGURE 3-26. FORK 2X2X48 - CUBING/BLOCKING 1940#.....	100
FIGURE 3-27. FORK 2X6X72 - DUAL TAPERED 6613#.....	102

TABLE OF CONTENTS

FIGURE 3-28. FORK 2.36X4X48 PALLET 5000#.....	104
FIGURE 3-29. FORK 2.36X4X48 PALLET 5475#.....	106
FIGURE 3-30. FORK 2.36X4X60 PALLET 5000#.....	108
FIGURE 3-31. FORK 2.36X5X48 PALLET 6850#.....	110
FIGURE 3-32. FORK 2.36X5X60 PALLET 6850#.....	112
FIGURE 3-33. FORK 2.36X5X72 PALLET 6850#.....	114
FIGURE 3-34. FORK 2.36X6X60 PALLET 8150#.....	116
FIGURE 3-35. FORK EXTENSION (90 INCH).....	118
FIGURE 3-36. FORK PIN LOCK INSTALLATION	120
FIGURE 3-37. HOOK - COUPLER MOUNTED	122
FIGURE 3-38. HOOK - FORK MOUNTED.....	124
FIGURE 3-39. MAST (8 FOOT)	126
FIGURE 3-40. SHEET MATERIAL HANDLER INSTALLATION	130
FIGURE 3-41. SHEET MATERIAL HANDLE FORK SUPPORT ASSEMBLY (LH).....	132
FIGURE 3-42. SHEET MATERIAL HANDLE FORK SUPPORT ASSEMBLY (RH)	134
FIGURE 3-43. SWEEPER ASSEMBLY	136
FIGURE 3-44. SWEEPER - BODY ASSEMBLY	138
FIGURE 3-45. SWEEPER - CORE ASSEMBLY.....	140
FIGURE 3-46. SWEEPER - HOPPER ASSEMBLY	142
FIGURE 3-47. SWEEPER - HYDRAULIC SINGLE MOTOR ASSEMBLY	144
FIGURE 3-48. SWEEPER - IDLER ASSEMBLY.....	146
FIGURE 3-49. SWEEPER - MOTOR ASSEMBLY	148
FIGURE 3-50. TRASH HOPPER - FORK MOUNTED	150
SECTION 4 - ENGINE AND ATTACHING PARTS.....	153
FIGURE 4-1. ENGINE COMPONENT INSTALLATION - 74HP (ULS).....	154
FIGURE 4-2. ENGINE COMPONENT INSTALLATION - 85HP (ULS).....	156
FIGURE 4-3. ENGINE INSTALLATION - 74HP (ULS).....	158
FIGURE 4-4. ENGINE INSTALLATION - 85HP (LS).....	160
FIGURE 4-5. ENGINE - 74HP (ULS)	162
FIGURE 4-6. ENGINE - 85HP (LS).....	164
FIGURE 4-7. A/C COMPONENTS INSTALLATION, 74HP.....	166
FIGURE 4-8. A/C COMPONENTS INSTALLATION, 85HP.....	168
FIGURE 4-9. AIR CLEANER INSTALLATION (LS).....	170
FIGURE 4-10. AIR CLEANER INSTALLATION (ULS).....	172
FIGURE 4-11. AIR CLEANER ASSEMBLY (LS).....	174
FIGURE 4-12. AIR CLEANER ASSEMBLY (ULS).....	176
FIGURE 4-13. AIR INTAKE SHUT OFF VALVE INSTALLATION.....	178
FIGURE 4-14. COOLING INSTALLATION, 74HP.....	180
FIGURE 4-15. COOLING INSTALLATION, 85HP.....	182
FIGURE 4-16. DEAERATION TANK ASSEMBLY.....	184
FIGURE 4-17. EXHAUST INSTALLATION - 74HP (ULS).....	186
FIGURE 4-18. EXHAUST INSTALLATION - 85HP (LS)	188
FIGURE 4-19. FAN INSTALLATION - 74HP.....	190
FIGURE 4-20. FAN INSTALLATION - 85HP	192
FIGURE 4-21. FUEL PLUMBING INSTALLATION (LS).....	194

TABLE OF CONTENTS

FIGURE 4-22. FUEL PLUMBING INSTALLATION (ULS)	196
FIGURE 4-23. HEATER BREATHER	198
FIGURE 4-24. ISOLATION COUPLER INSTALLATION	200
FIGURE 4-25. PLUMBING COOLING INSTALLATION (LS).....	202
FIGURE 4-26. PLUMBING COOLING INSTALLATION (ULS)	204
FIGURE 4-27. RADIATOR ASSEMBLY, 74HP	206
FIGURE 4-28. RADIATOR ASSEMBLY, 85HP	208
SECTION 5 - DRIVE TRAIN	211
FIGURE 5-1. TRANSMISSION INSTALLATION	212
FIGURE 5-2. TRANSMISSION ASSEMBLY	214
FIGURE 5-3. TRANSMISSION, ENGINE CONNECTION AND CONVERTER	216
FIGURE 5-4. TRANSMISSION, CONTROL UNIT	218
FIGURE 5-5. TRANSMISSION, COUPLING GROUP 1	220
FIGURE 5-6. TRANSMISSION, COUPLING GROUP 2	222
FIGURE 5-7. TRANSMISSION, COUPLING GROUP 3	224
FIGURE 5-8. TRANSMISSION, COUPLING GROUP 4	226
FIGURE 5-9. TRANSMISSION, GEARBOX HOUSING	228
FIGURE 5-10. TRANSMISSION, INPUT SHAFTS.....	230
FIGURE 5-11. TRANSMISSION, OIL PUMP AND FILTER.....	232
FIGURE 5-12. TRANSMISSION, OUTPUT	234
FIGURE 5-13. TRANSMISSION, REVERSING GEAR GROUP 1	236
FIGURE 5-14. TRANSMISSION, REVERSING GEAR GROUP 2	238
FIGURE 5-15. TRANSMISSION, VALVE BLOCK ASSEMBLY	240
FIGURE 5-16. TRANSMISSION, VALVE HOUSING ASSEMBLY	242
FIGURE 5-17. DRIVE SHAFT INSTALLATION.....	246
FIGURE 5-18. FRONT DRIVE SHAFT ASSEMBLY.....	248
FIGURE 5-19. REAR DRIVE SHAFT ASSEMBLY	250
FIGURE 5-20. DRIVE SHAFT INPUT.....	252
FIGURE 5-21. AXLES INSTALLATION (6036).....	254
FIGURE 5-22. FRONT AXLE SUB-ASSEMBLY.....	256
FIGURE 5-23. FRONT AXLE ASSEMBLY	258
FIGURE 5-24. FRONT AXLE, BRAKES	260
FIGURE 5-25. FRONT AXLE, CENTRAL HOUSING	262
FIGURE 5-26. FRONT AXLE, DIFFERENTIAL	264
FIGURE 5-27. FRONT AXLE, HUB REDUCTION.....	266
FIGURE 5-28. FRONT AXLE, STEERING	270
FIGURE 5-29. FRONT AXLE, TRUNNION.....	272
FIGURE 5-30. REAR AXLE ASSEMBLY.....	274
FIGURE 5-31. REAR AXLE, BRAKES	276
FIGURE 5-32. REAR AXLE, CENTRAL HOUSING.....	278
FIGURE 5-33. REAR AXLE, DIFFERENTIAL	280
FIGURE 5-34. REAR AXLE, HUB REDUCTION	282
FIGURE 5-35. REAR AXLE, STEERING.....	286
FIGURE 5-36. REAR AXLE, TRUNNION	288
FIGURE 5-37. FENDER INSTALLATION.....	290

TABLE OF CONTENTS

FIGURE 5-38. TIRE SET, 13.00-24 PNEUMATIC	292
FIGURE 5-39. TIRE SET, 13.00-24 FOAM FILLED	294
FIGURE 5-40. TIRE SET, 370/75-28 PNEUMATIC	296
FIGURE 5-41. TIRE SET, 370/75-28 FOAM FILLED	298
FIGURE 5-42. TIRE SET, 315/95-28/8.5 SOLID.....	300
FIGURE 5-43. TIRE SET, 370/75-28 PNEUMATIC NON-MARKING.....	302
FIGURE 5-44. TIRE SET, 370/75-28 FOAM FILLED NON-MARKING	304
FIGURE 5-45. TIRE SET 18 X 625 PNEUMATIC TURF/SAND.....	306
SECTION 6 - CAB	309
FIGURE 6-1. CAB INSTALLATION.....	310
FIGURE 6-2. CAB INSTALLATION - OPEN CAB	312
FIGURE 6-3. CAB ASSEMBLY - OPEN CAB	316
FIGURE 6-4. CAB INSTALLATION - ENCLOSED CAB WITH HEATER.....	318
FIGURE 6-5. CAB ASSEMBLY - ENCLOSED CAB WITH HEATER	322
FIGURE 6-6. CAB INSTALLATION - ENCLOSED CAB WITH HEATER/AC	324
FIGURE 6-7. CAB ASSEMBLY - ENCLOSED CAB WITH HEATER/AC	328
FIGURE 6-8. CAB DOOR	330
FIGURE 6-9. CAB ENCLOSURE INSTALLATION	332
FIGURE 6-10. CAB ENCLOSURE INSTALLATION - WITH HVAC	334
FIGURE 6-11. CAB HEATER LINES INSTALLATION.....	336
FIGURE 6-12. CAB HEATER/AC LINES INSTALLATION	338
FIGURE 6-13. CAB SEAT.....	340
FIGURE 6-14. FIRE EXTINGUISHER INSTALLATION	342
FIGURE 6-15. FLOOR HEATER.....	344
FIGURE 6-16. FRONT WIPER ASSEMBLY	346
FIGURE 6-17. HEATER VALVE	348
FIGURE 6-18. INSTALLTION, REAR WINDOW EXIT (ENG/SP).....	350
FIGURE 6-19. REAR DROPOUT WINDOW INSTALLATION (ANSI).....	352
FIGURE 6-20. REAR DROPOUT WINDOW INSTALLATION (ENGLISH/FRENCH).....	354
FIGURE 6-21. REAR DROPOUT WINDOW INSTALLATION (ISO)	356
FIGURE 6-22. RH SLIDER WINDOW.....	358
FIGURE 6-23. ROOF BOX HVAC.....	360
FIGURE 6-24. ROOF HEATER BOX	364
FIGURE 6-25. SEAT BELT INSTALLATION (3IN WIDTH)	366
FIGURE 6-26. SKYLIGHT WIPER ASSEMBLY	368
SECTION 7 - CONTROLS.....	371
FIGURE 7-1. BRAKE ASSEMBLY	372
FIGURE 7-2. PILOT JOYSTICK CONTROL	374
FIGURE 7-3. SECONDARY CONTROLS INSTALLATION.....	376
FIGURE 7-4. SECONDARY SHORT CONTROL.....	378
FIGURE 7-5. SECONDARY TALL CONTROL.....	380
SECTION 8 - HYDRAULIC CIRCUITS	383
FIGURE 8-1. HYDRAULIC INSTALLATION	384

TABLE OF CONTENTS

FIGURE 8-2. AXLE (FRONT) HYDRAULICS INSTALLATION.....	386
FIGURE 8-3. AXLE (FRONT) HYDRAULICS ASSEMBLY.....	388
FIGURE 8-4. AXLE (REAR) HYDRAULICS INSTALLATION.....	390
FIGURE 8-5. AXLE (REAR) HYDRAULICS ASSEMBLY.....	392
FIGURE 8-6. BOOM AUXILIARY HYDRAULICS.....	394
FIGURE 8-7. BOOM EXTEND/RETRACT HYDRAULICS (MAIN VALVE TO BOOM).....	396
FIGURE 8-8. BRAKE & FITTINGS ASSEMBLY.....	398
FIGURE 8-9. BRAKE HYDRAULICS.....	400
FIGURE 8-10. CAB HYDRAULICS INSTALLATION.....	402
FIGURE 8-11. FRAME AUXILIARY HYDRAULICS.....	404
FIGURE 8-12. FRAME TILT HYDRAULICS.....	406
FIGURE 8-13. FORK HYDRAULICS (MAIN VALVE TO BOOM).....	408
FIGURE 8-14. HYDRAULIC OIL COOLER HYDRAULICS.....	410
FIGURE 8-15. HYDRAULIC PUMP INSTALLATION.....	412
FIGURE 8-16. LIFT CYLINDER HYDRAULICS.....	414
FIGURE 8-17. MAIN CONTROL VALVE INSTALLATION.....	416
FIGURE 8-18. MAIN CONTROL VALVE & FITTINGS ASSEMBLY.....	418
FIGURE 8-19. PILOT CONTROL VALVE AND FITTINGS ASSEMBLY.....	420
FIGURE 8-20. PILOT CONTROL VALVE HYDRAULICS.....	422
FIGURE 8-21. PISTON PUMP AND FITTINGS ASSEMBLY.....	424
FIGURE 8-22. REAR BULKHEAD TO COMPENSATION CYLINDERS HYDRAULICS.....	426
FIGURE 8-23. SECONDARY VALVE & FITTINGS ASSEMBLY.....	428
FIGURE 8-24. STEER VALVE & FITTINGS ASSEMBLY.....	430
FIGURE 8-25. STEER/SECONDARY VALVES HYDRAULICS.....	432
FIGURE 8-26. STEERING HYDRAULICS.....	434
FIGURE 8-27. STEERING VALVE AND FITTINGS ASSEMBLY.....	436
FIGURE 8-28. TRANSMISSION COOLER HYDRAULICS.....	438
SECTION 9 - HYDRAULIC COMPONENTS.....	441
FIGURE 9-1. CYLINDER - CARRIAGE SIDE SHIFT.....	442
FIGURE 9-2. CYLINDER - CARRIAGE SIDE TILT.....	444
FIGURE 9-3. CYLINDER - CARRIAGE SWING.....	446
FIGURE 9-4. CYLINDER - COMPENSATION.....	448
FIGURE 9-5. CYLINDER - EXTEND/RETRACT.....	450
FIGURE 9-6. CYLINDER - FORK POSITIONING.....	452
FIGURE 9-7. CYLINDER - FORK TILT.....	454
FIGURE 9-8. CYLINDER - FRAME LEVEL.....	456
FIGURE 9-9. CYLINDER - GRAPPLE BUCKET.....	458
FIGURE 9-10. CYLINDER - LIFT.....	460
FIGURE 9-11. FLOW DIVIDER VALVE.....	462
FIGURE 9-12. PUMP - PISTON.....	464
FIGURE 9-13. VALVE - AIR SHUT OFF.....	466
FIGURE 9-14. VALVE - BRAKE.....	468
FIGURE 9-15. VALVE - CARRIAGE.....	470
FIGURE 9-16. VALVE - MAIN CONTROL.....	472
FIGURE 9-17. VALVE - SECONDARY CONTROL.....	474

TABLE OF CONTENTS

FIGURE 9-18. VALVE - STEERING SELECT.....	476
SECTION 10 - ELECTRICAL.....	479
FIGURE 10-1. ELECTRICAL INSTALLATION - 74HP	480
FIGURE 10-2. ELECTRICAL INSTALLATION - 85HP	484
FIGURE 10-3. AIR SHUT OFF VALVE HARNESS - CAB	488
FIGURE 10-4. AIR SHUT OFF VALVE HARNESS - T4F	490
FIGURE 10-5. ALARM INSTALLATION - BACK UP	492
FIGURE 10-6. ALARM INSTALLATION - WHITE NOSE	494
FIGURE 10-7. BATTERY INSTALLATION.....	496
FIGURE 10-8. BATTERY BLANKET INSTALLATION	498
FIGURE 10-9. BEACON INSTALLATION (OPEN CAB)	500
FIGURE 10-10. BEACON INSTALLATION (ENCLOSED CAB).....	502
FIGURE 10-11. BEACON OPTION HARNESS	504
FIGURE 10-12. CAB POWER DISTRIBUTION HARNESS	506
FIGURE 10-13. CAMERA INSTALLATION - REVERSE MULTI-VIEW.....	512
FIGURE 10-14. CAMERA OPTION HARNESS - REVERSE	514
FIGURE 10-15. CLEARSKY INSTALLATION 3-WIRE (ANSI).....	516
FIGURE 10-16. CLEARSKY INSTALLATION 3-WIRE (CE)	518
FIGURE 10-17. CLEARSKY INSTALLATION CANBUS (ANSI)	520
FIGURE 10-18. CLEARSKY INSTALLATION CANBUS (CE).....	522
FIGURE 10-19. CLEARSKY TELEMATICS HARNESS (3-WIRE).....	524
FIGURE 10-20. CLEARSKY TELEMATICS HARNESS (CANBUS)	526
FIGURE 10-21. CLEARSKY TELEMATICS 3-WIRE INSTALLATION	528
FIGURE 10-22. CLEARSKY TELEMATICS 3-WIRE HARNESS	530
FIGURE 10-23. COLD WEATHER PACKAGE INSTALLATION	532
FIGURE 10-24. COLD WEATHER PACKAGE INSTALLATION	534
FIGURE 10-25. ENGINE HARNESS - 74HP (ULS)	536
FIGURE 10-26. ENGINE HARNESS - 85HP (ULS)	542
FIGURE 10-27. HVAC HARNESS	546
FIGURE 10-28. LIGHTS - ROADLIGHT PACKAGE INSTALLATION	548
FIGURE 10-29. LIGHTS - ROADLIGHT ASSEMBLY (LH)	550
FIGURE 10-30. LIGHTS - ROADLIGHT ASSEMBLY (RH).....	552
FIGURE 10-31. LIGHTS - ROADLIGHT BRACKET ASSEMBLY (LH).....	554
FIGURE 10-32. LIGHTS - ROADLIGHT BRACKET ASSEMBLY (RH).....	556
FIGURE 10-33. LIGHTS - ROADLIGHT OPTION HARNESS.....	558
FIGURE 10-34. LIGHTS - ROADLIGHT/WORKLIGHT OPTION HARNESS	560
FIGURE 10-35. LIGHTS - WORKLIGHT OPTION HARNESS (BOOM).....	562
FIGURE 10-36. LIGHTS - WORKLIGHT PACKAGE INSTALLATION	564
FIGURE 10-37. LIGHTS - WORKLIGHT ASSEMBLY (RH) (LED).....	566
FIGURE 10-38. LIGHTS - WORKLIGHT ASSEMBLY (RH) (LED).....	568
FIGURE 10-39. LIGHTS - WORKLIGHT OPTION HARNESS	570
FIGURE 10-40. RELAY PANEL INSTALLATION.....	572
FIGURE 10-41. RELAY PANEL COVER ASSEMBLY	574
FIGURE 10-42. REVERSE SENSOR INSTALLATION.....	576
FIGURE 10-43. REVERSE SENSOR HARNESS	578

TABLE OF CONTENTS

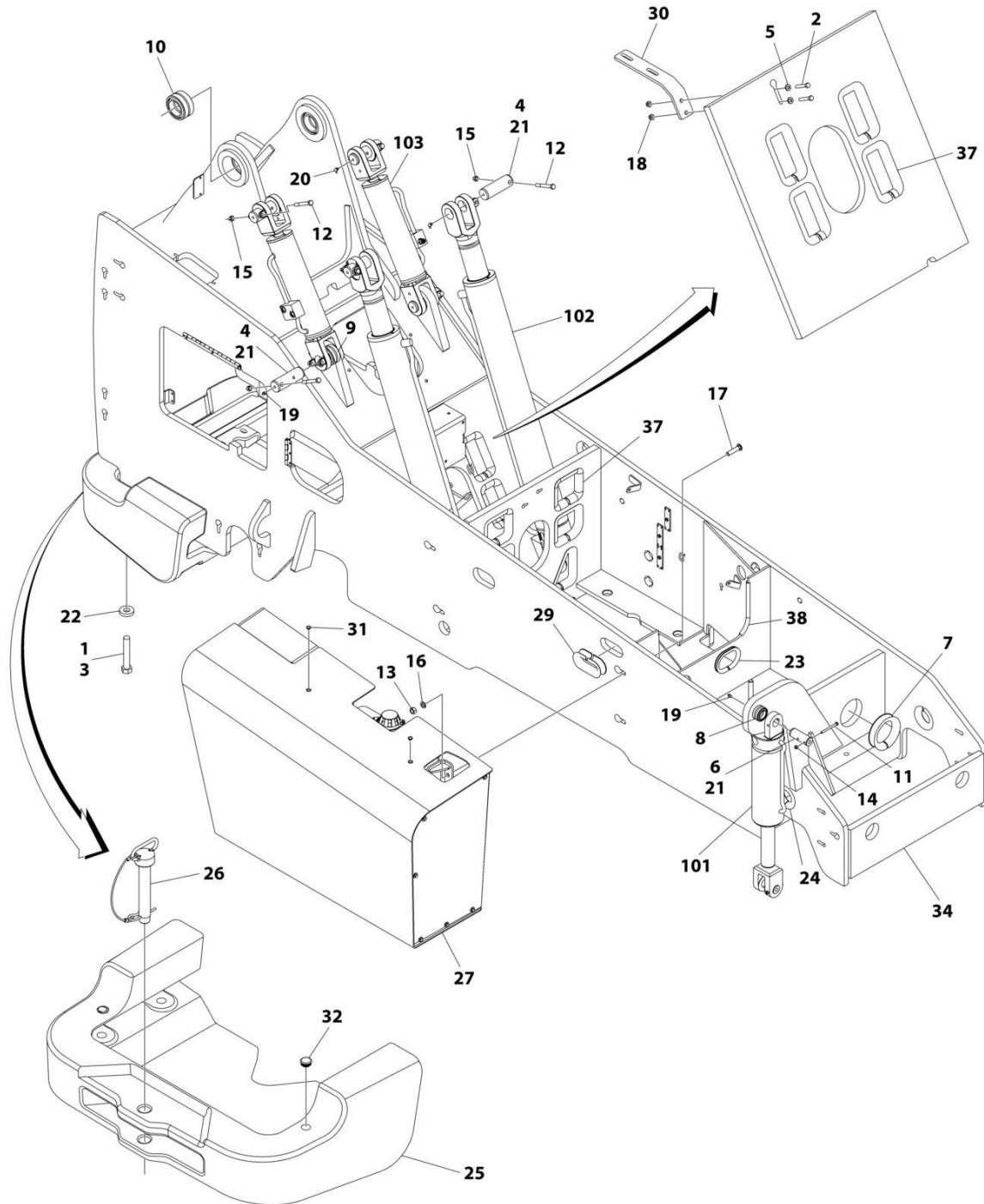
FIGURE 10-44. TANK (HYDRAULIC) HEATER INSTALLATION	580
FIGURE 10-45. TBAP HARNESS	582
FIGURE 10-46. WIPER HARNESS	584
SECTION 11 - DECALS.....	587
FIGURE 11-1. DECAL INSTALLATION - 74HP (ANSI).....	588
FIGURE 11-2. DECAL INSTALLATION - 74HP (ENGLISH/FRENCH).....	592
FIGURE 11-3. DECAL INSTALLATION - 74HP (ENGLISH/SPANISH).....	596
FIGURE 11-4. DECAL INSTALLATION (ISO)	600
FIGURE 11-5. BOOM DECALS INSTALLATION (6036)	604
FIGURE 11-6. CAPACITY CHART (ANSI)	606
FIGURE 11-7. CAPACITY CHART - SUPPLEMENTAL (ISO)	608
FIGURE 11-8. CLEARSKY DECAL INSTALLATION.....	610
FIGURE 11-9. REVERSE SENSOR SYSTEM DECAL (ENGLISH)	612
FIGURE 11-10. REVERSE SENSOR SYSTEM DECAL (ENGLISH/FRENCH)	614
FIGURE 11-11. REVERSE SENSOR SYSTEM DECAL (ENGLISH/SPANISH)	616
FIGURE 11-12. REVERSE SENSOR SYSTEM DECAL (ISO).....	618
SECTION 12 - RECOMMENDED SERVICE PARTS STOCK	621
FIGURE 12-1. RECOMMENDED SERVICE PARTS STOCK	622
SECTION 13 - SPECIAL OPTIONS/ACCESSORIES/KITS	625
FIGURE 13-1. SPECIAL OPTIONS/ACCESSORIES/KITS	626
PART NUMBER INDEX	629

SECTION 1 - FRAME AND ATTACHING PARTS

SECTION 1 - FRAME AND ATTACHING PARTS

SECTION 1 - FRAME AND ATTACHING PARTS

FIGURE 1-1. FRAME COMPONENTS INSTALLATION - 74HP (ULS)



ART_1001205684_H

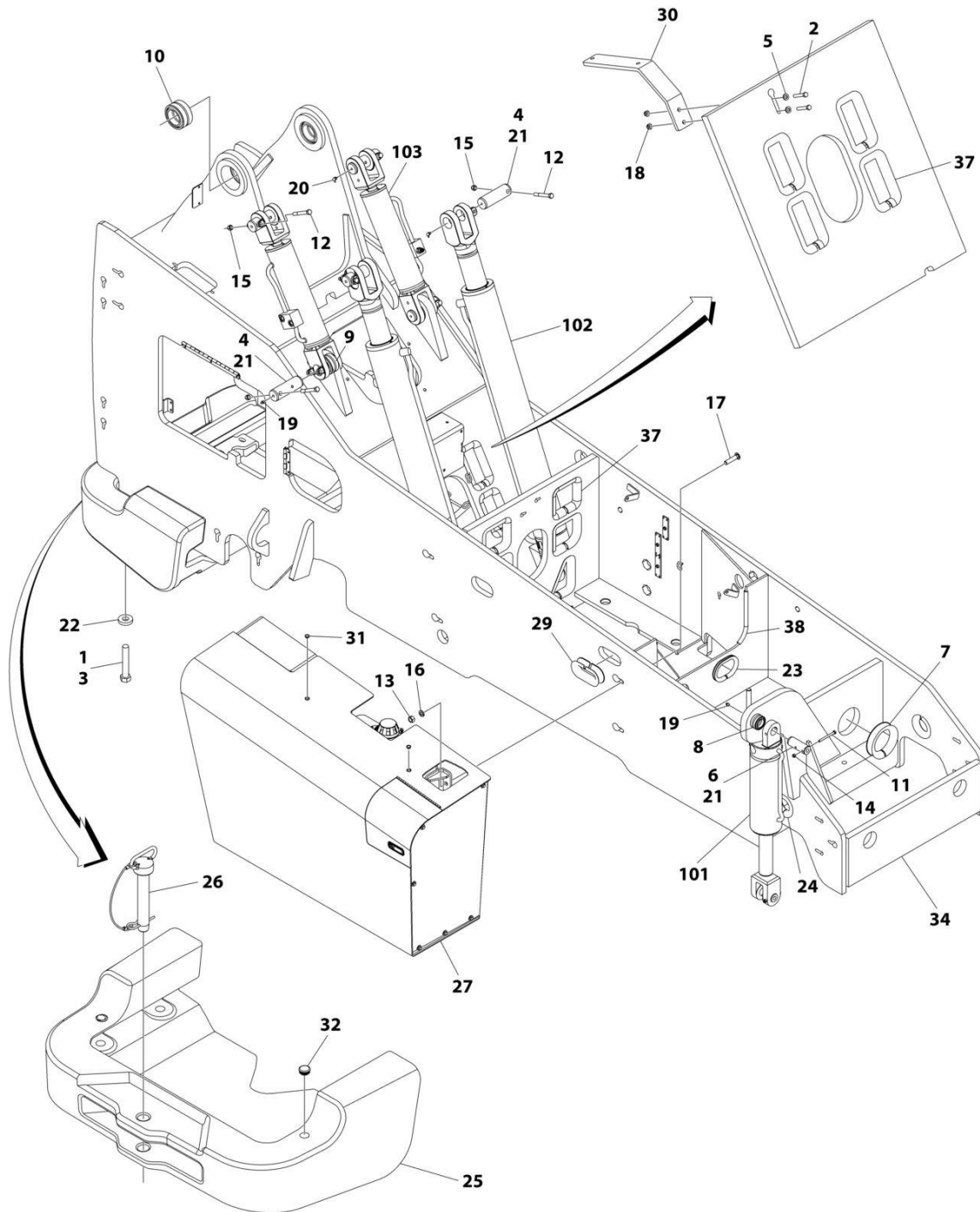
SECTION 1 - FRAME AND ATTACHING PARTS

FIGURE 1-1. FRAME COMPONENTS INSTALLATION - 74HP (ULS)

ITEM	PART NUMBER	QTY	DESCRIPTION	REV
	1001205684	Ref	FRAME COMPONENTS INSTALLATION, 74HP (6036)	H
1	0100019	AR	Compound, Locking	
2	0641618	2	Bolt 3/8 x 2-1/4	
3	0682648	4	Bolt 1 x 6	
4	3423227	8	Pin, Cylinder	
5	4891600	2	Washer 3/8	
6	7137142	2	Pin, Cylinder	
7	7139613	1	Conduit 1 x 18	
8	8050001	1	Bearing, Self-Align	
9	8065640	4	Bearing, Self-Align	
10	8065641	2	Bearing, Self-Align	
11	8303752	2	Bolt 5/16 x 3-1/2	
12	8303782	8	Bolt 1/2 x 4	
13	8305014	4	Nut 5/8	
14	8305626	2	Nut 5/16	
15	8305644	8	Nut 1/2	
16	8307009	4	Washer 5/8	
17	88411148	4	Bolt 5/8 x 2-1/2	
18	8310522	2	Nut 3/8	
19	8520001	6	Fitting, Straight Lube 1/8	
20	8520003	4	Fitting, 90 Lube 1/8	
21	8522012	AR	Lube, Anti-Seize	
22	80241137	4	Washer, Special	
23	7124301	1	Conduit 1/2 x 15-1/2	
24	7124471	3	Conduit 1 x 12-1/2	
25	1001208662	1	Counterweight, Rear	
26	1001160250	1	Pin, Hitch	
27	1001227211	1	Fuel/Hydraulic Tank Assembly (See Separate Breakdown in this Section)	
29	1001174229	1	Conduit 1 x 13-1/2	
30	1001166237	1	Bracket, Air Filter	
31	1001195826	2	Plug	
32	1001195952	2	Plug, Tube	
34	1001201561	1	Weldment, Frame	
37	1001174227	10	Conduit 1 x 21-1/2	
38	1001201923	2	Conduit 1 x 10-1/2	
101	1001091901	1	Cylinder, Frame Level (See Separate Breakdown in HYDRAULIC COMPONENTS Section)	
102	1001267967	2	Cylinder, Lift (See Separate Breakdown in HYDRAULIC COMPONENTS Section)	
103	1001196110	2	Cylinder, Compensation (See Separate Breakdown in HYDRAULIC COMPONENTS Section)	

SECTION 1 - FRAME AND ATTACHING PARTS

FIGURE 1-2. FRAME COMPONENTS INSTALLATION - 85HP (LS)



ART_1001201559_G

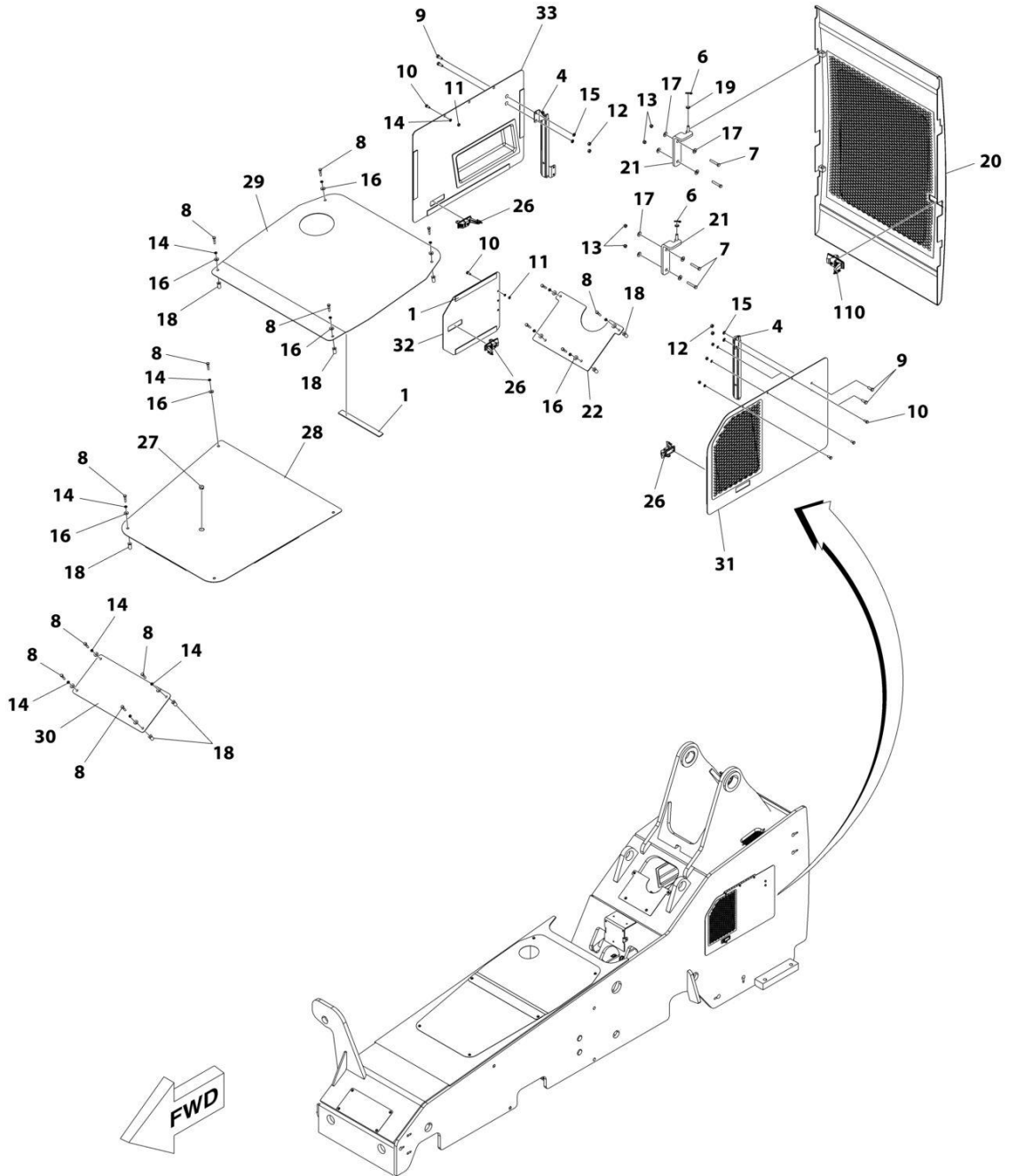
SECTION 1 - FRAME AND ATTACHING PARTS

FIGURE 1-2. FRAME COMPONENTS INSTALLATION - 85HP (LS)

ITEM	PART NUMBER	QTY	DESCRIPTION	REV
	1001201559	Ref	FRAME COMPONENTS INSTALLATION, 85HP (IF EQUIPPED FOR LS) (6036)	G
1	0100019	AR	Compound, Locking	
2	0641618	2	Bolt 3/8 x 2-1/4	
3	0682648	4	Bolt 1 x 6	
4	3423227	8	Pin, Cylinder	
5	4891600	2	Washer 3/8	
6	7137142	2	Pin, Cylinder	
7	7139613	1	Conduit 1 x 18	
8	8050001	1	Bearing, Self-Align	
9	8065640	4	Bearing, Self-Align	
10	8065641	2	Bearing, Self-Align	
11	8303752	2	Bolt 5/16 x 3-1/2	
12	8303782	8	Bolt 1/2 x 4	
13	8305014	4	Nut 5/8	
14	8305626	2	Nut 5/16	
15	8305644	8	Nut 1/2	
16	8307009	4	Washer 5/8	
17	88411148	4	Bolt 5/8 x 2-1/2	
18	8310522	2	Nut 3/8	
19	8520001	6	Fitting, Straight Lube 1/8	
20	8520003	4	Fitting, 90 Degree Lube 1/8	
21	8522012	AR	Lube, Anti-Seize	
22	80241137	4	Washer, Special	
23	7124301	1	Conduit 1/2 x 15-1/2	
24	7124471	2	Conduit 1 x 12-1/2	
25	1001208662	1	Counterweight, Rear	
26	1001160250	1	Pin, Hitch	
27	1001169466	1	Weldment, Fuel/Hydraulic/DEF Tank (See Separate Breakdown in this Section)	
29	1001174229	1	Conduit 1 x 13-1/2	
30	1001190306	1	Bracket, Air Filter	
31	1001195826	2	Plug	
32	1001195952	2	Plug, Tube	
34	1001201561	1	Weldment, Frame	
37	1001174227	10	Conduit 1 x 21-1/2	
38	1001201923	2	Conduit 1 x 10-1/2	
101	1001091901	1	Cylinder, Frame Level (See Separate Breakdown in HYDRAULIC COMPONENTS Section)	
102	1001267967	2	Cylinder, Lift (See Separate Breakdown in HYDRAULIC COMPONENTS Section)	
103	1001196110	2	Cylinder, Compensation (See Separate Breakdown in HYDRAULIC COMPONENTS Section)	

SECTION 1 - FRAME AND ATTACHING PARTS

FIGURE 1-3. FRAME COVERS INSTALLATION - 74HP (AIR SHUT OFF VALVE)



ART_1001228508

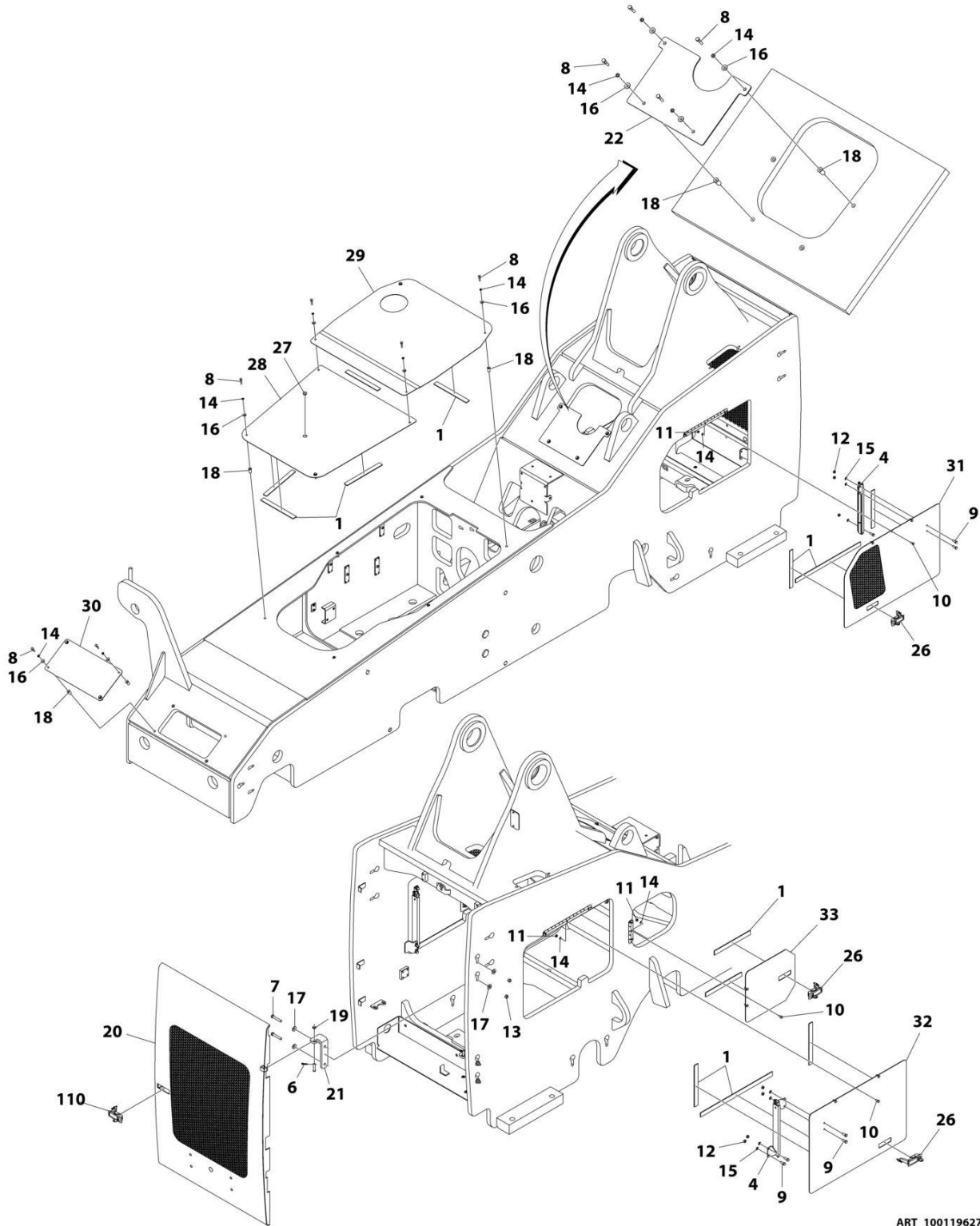
SECTION 1 - FRAME AND ATTACHING PARTS

FIGURE 1-3. FRAME COVERS INSTALLATION - 74HP (AIR SHUT OFF VALVE)

ITEM	PART NUMBER	QTY	DESCRIPTION	REV
	1001228508	Ref	FRAME COVERS INSTALLATION, 74HP (AIR SHUT OFF VALVE)	E
1	4420037	150 in	Tape, Insulation	
4	7139714	2	Prop, Side Door	
6	8302470	2	Pin, Cotter	
7	0641618	4	Bolt 3/8 x 2-1/4	
8	8303615	14	Bolt 1/4 x 1-1/4	
9	8303656	8	Bolt 5/16 x 7/8	
10	8303729	9	Bolt 1/4 x 5/8	
11	8305004	9	Nut 1/4	
12	8305006	8	Nut 5/16	
13	8305645	4	Nut 3/8	
14	8307002	23	Washer 1/4	
15	8307004	8	Washer 5/16	
16	8307202	14	Washer 1/4	
17	8307204	8	Washer 3/8	
18	8580420	14	Nut, Well	
19	10732150	2	Washer M10	
20	1001156283	1	Door, Rear (Includes item 110)	O
21	1001159319	2	Mount, Rear Door	
22	1001167793	1	Plate, Air Intake Baffle	
26	1001190341	3	Latch, Adjustable Trigger	
27	3520030	1	Plug	
28	7139406	1	Lower Cover, Transmission	
29	7139455	1	Upper Cover, Transmission	
30	7150608	1	Cover, Front	
31	1001168930	1	Panel, Left Side Access	
32	1001216589	1	Panel, Engine Access Right Side	
33	1001171385	1	Panel, Air Cleaner Access	
110	1001190341	1	Latch, Adjustable Trigger	

SECTION 1 - FRAME AND ATTACHING PARTS

FIGURE 1-4. FRAME COVERS INSTALLATION - 74HP (ULS)



ART_1001196279

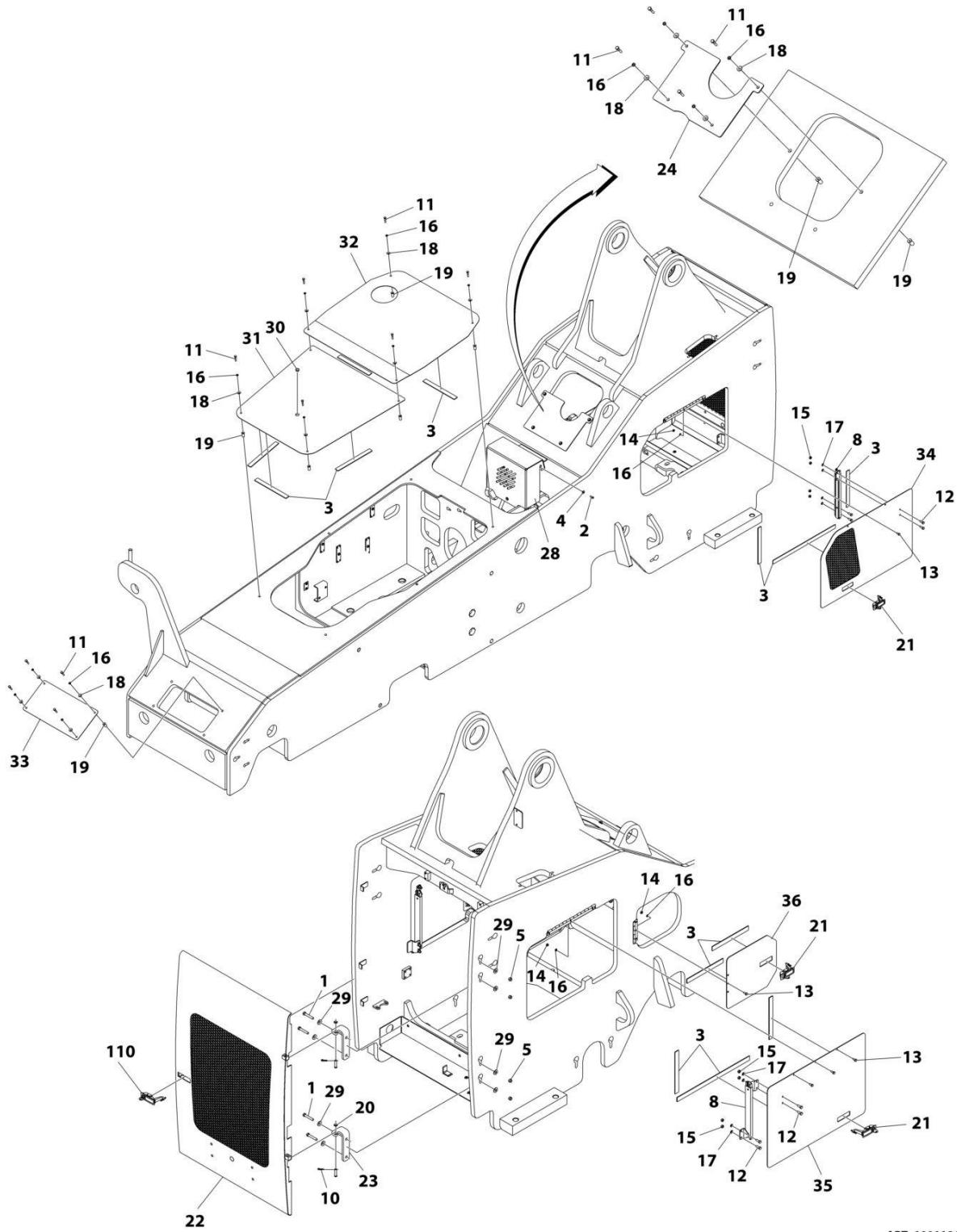
SECTION 1 - FRAME AND ATTACHING PARTS

FIGURE 1-4. FRAME COVERS INSTALLATION - 74HP (ULS)

ITEM	PART NUMBER	QTY	DESCRIPTION	REV
	1001196279	Ref	FRAME COVERS INSTALLATION	F
1	4420037	150 in	Tape, Insulation	
4	7139714	2	Side Door	
6	8302470	2	Pin, Cotter	
7	0641618	4	Bolt 3/8 x 2-1/4	
8	8303615	14	Bolt 1/4 x 1-1/4	
9	8303656	8	Bolt 5/16 x 7/8	
10	8303729	9	Bolt 1/4 x 5/8	
11	8305004	9	Nut 1/4	
12	8305006	8	Nut 5/16	
13	8305645	4	Nut 3/8	
14	8307002	23	Washer 1/4	
15	8307004	8	Washer 5/16	
16	8307202	14	Washer 1/4	
17	8307204	8	Washer 3/8	
18	8580420	14	Nut, Well	
19	10732150	2	Washer M10	
20	1001156283	1	Door, Rear (Includes item 110)	O
21	1001159319	2	Mount, Rear Door	
22	1001167793	1	Plate, Air Intake Baffle	
26	1001190341	3	Latch, Adjustable Trigger	
27	3520030	1	Plug	
28	7139406	1	Lower Cover, Transmission	
29	7139455	1	Upper Cover, Transmission	
30	7150608	1	Cover, Front	
31	1001168930	1	Panel, Left Side Access	
32	1001171383	1	Panel, Engine Access Right Side	
33	1001171385	1	Panel, Air Cleaner Access	
110	1001190341	1	Latch, Adjustable Trigger	

SECTION 1 - FRAME AND ATTACHING PARTS

FIGURE 1-5. FRAME COVERS INSTALLATION - 85HP (LS)



ART_1001186535

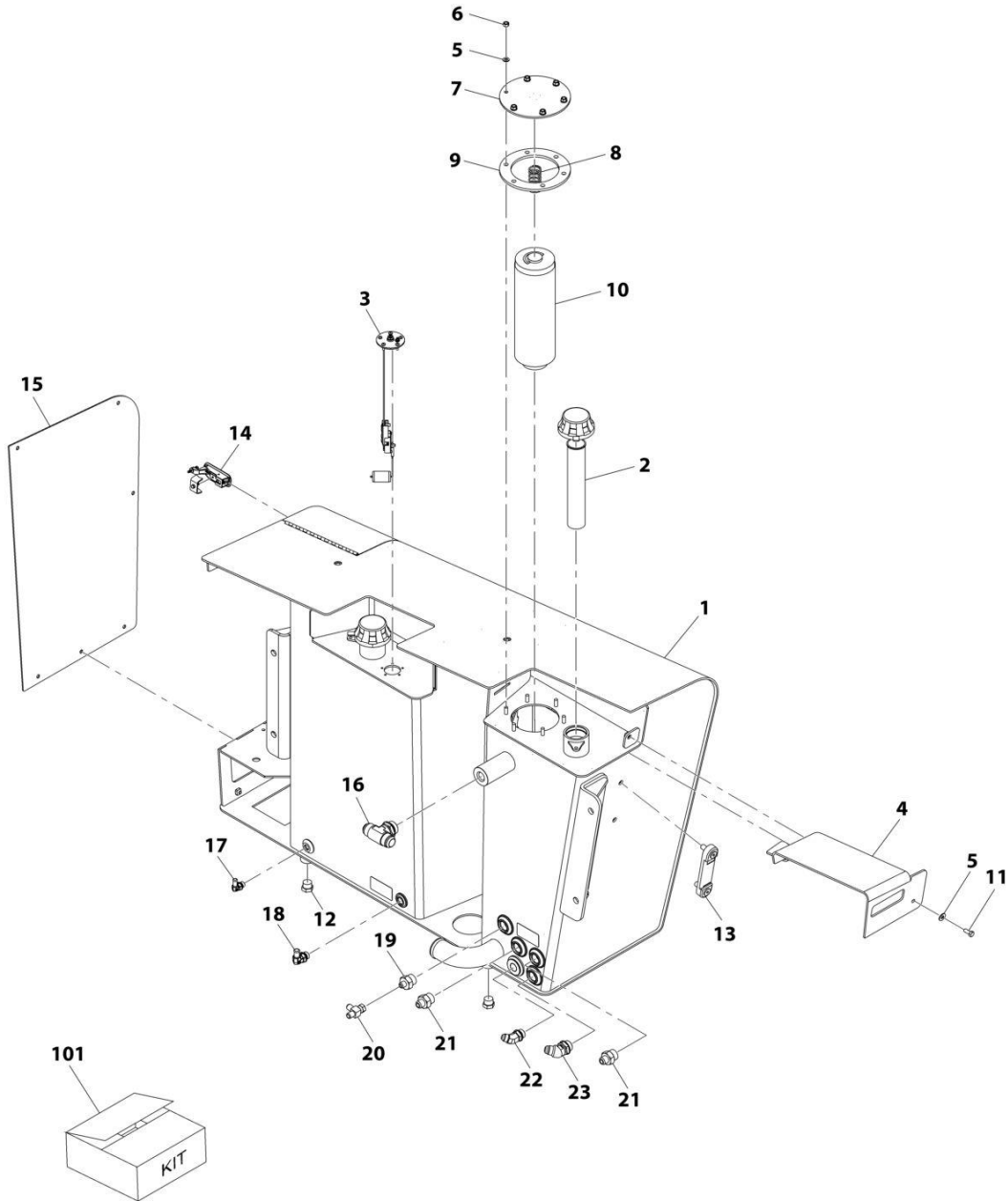
SECTION 1 - FRAME AND ATTACHING PARTS

FIGURE 1-5. FRAME COVERS INSTALLATION - 85HP (LS)

ITEM	PART NUMBER	QTY	DESCRIPTION	REV
	1001186535	Ref	FRAME COVERS INSTALLATION, 85HP	I
1	0641618	4	Bolt 3/8 x 2-1/4	
2	0760610	3	Bolt M6 x 20	
3	4420037	150 in	Tape, Insulation	
4	4811702	3	Washer M6	
5	8305645	4	Nut 3/8	
8	7139714	2	Prop, Side Door	
10	8302470	2	Pin, Hair	
11	8303615	14	Bolt 1/4 x 1-1/4	
12	8303656	8	Bolt 5/16 x 7/8	
13	8303729	9	Bolt 1/4 x 5/8	
14	8305004	9	Nut 1/4	
15	8305006	8	Nut 5/16	
16	8307002	23	Washer 1/4	
17	8307004	8	Washer 5/16	
18	8307202	14	Washer 1/4	
19	8580420	14	Nut, Well	
20	10732150	2	Washer M10	
21	1001190341	3	Latch, Adjustable Trigger	
22	1001156283	1	Door, Rear (Includes item 110)	O
23	1001159319	2	Mount, Rear Door	
24	1001208280	1	Plate, Air Intake Baffle	
28	1001211690	1	Bracket, ECM Cover	
29	8307204	8	Washer	
30	3520030	1	Plug	
31	7139406	1	Cover, Lower Transmission	
32	7139455	1	Cover, Upper Transmission	
33	7150608	1	Cover, Front	
34	1001168930	1	Panel, Left Side Access	
35	1001171383	1	Panel, Engine Access Right Side	
36	1001171385	1	Panel, Air Cleaner Access	
110	1001190341	1	Latch, Adjustable Trigger	

SECTION 1 - FRAME AND ATTACHING PARTS

FIGURE 1-6. HYDRAULIC/FUEL/DEF TANK ASSEMBLY (LS)



ART_1001169466

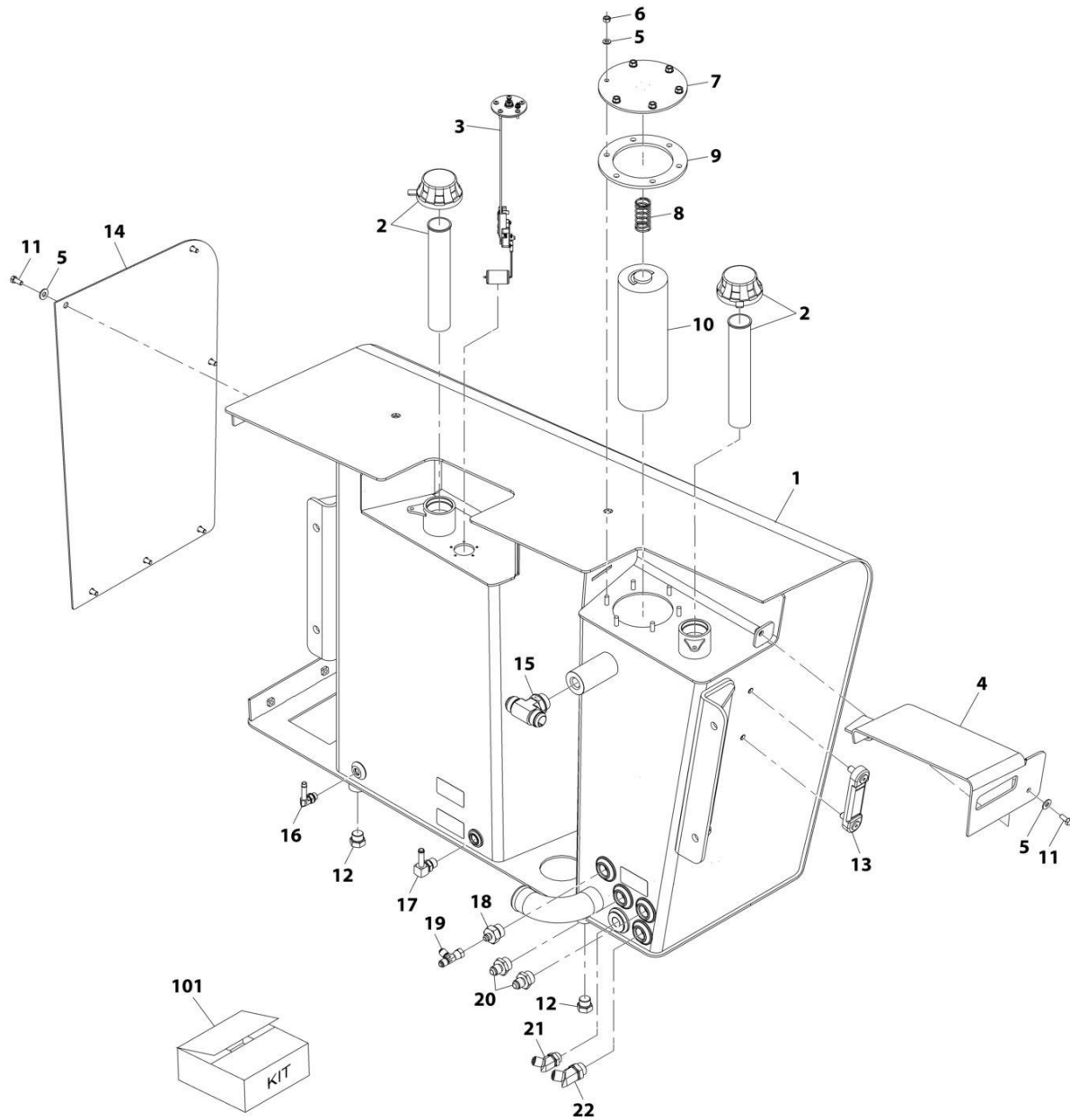
SECTION 1 - FRAME AND ATTACHING PARTS

FIGURE 1-6. HYDRAULIC/FUEL/DEF TANK ASSEMBLY (LS)

ITEM	PART NUMBER	QTY	DESCRIPTION	REV
	1001169466	Ref	Hydraulic/Fuel/DEF Tank Assembly (LS)	M
1	N.S.S.	1	Weldment, Hydraulic/Fuel Tank	
2	7139077	2	Filler/Breather	
3	1001145026	1	Sensor, Fuel	
4	1001199116	1	Panel, Hydraulic Fill Cover	
5	1001170329	7	Washer, Flat M8	
6	3300429	6	Nut, Hex 31-18	
7	1001199135	1	Assembly, Cover	
8	1001199136	1	Spring	
9	1001199177	1	Seal	
10	1001199205	1	Element, Filter	
11	8303697	1	Bolt, Hex Hd 5/16-18X3/4	
12	2220239	2	Plug	
13	7024441	1	Gauge, Sight	
14	1001199199	1	Latch	
15	1001199181	1	Cover, DEF Tank	
16	8760552	1	Tee, Branch	
17	1001178776	1	Elbow, 90	
18	1001199210	1	Elbow, 90	
19	2220577	1	Adapter	
20	2220635	1	Tee, Run	
21	2220375	2	Adapter	
22	2220499	1	Elbow, 45	
23	8770048	1	Elbow, 45	
101	70024152	1	Kit, Filter (Includes Items 9 & 10)	

SECTION 1 - FRAME AND ATTACHING PARTS

FIGURE 1-7. HYDRAULIC/FUEL TANK ASSEMBLY (ULS)



ART_1001227211

SECTION 1 - FRAME AND ATTACHING PARTS

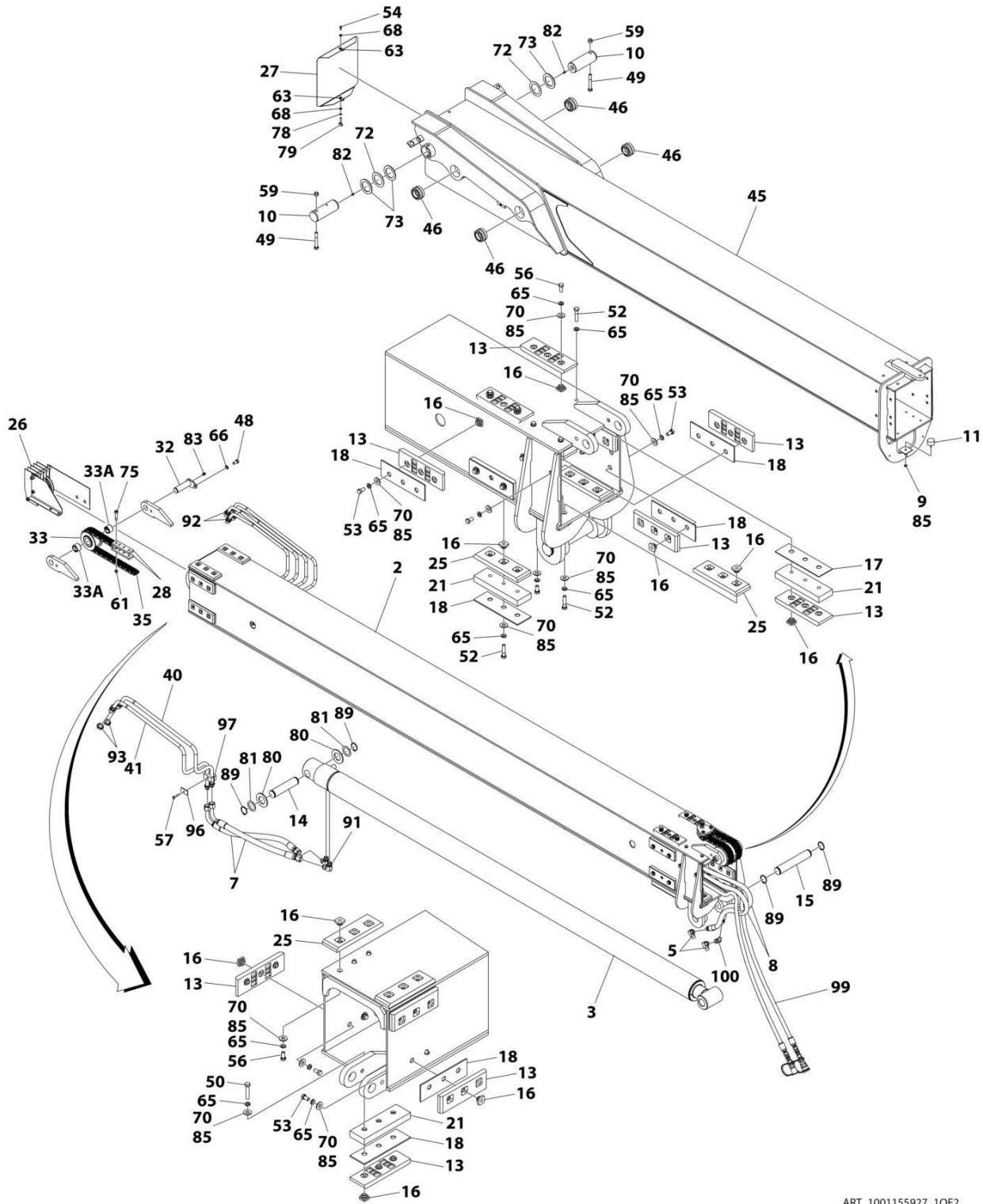
FIGURE 1-7. HYDRAULIC/FUEL TANK ASSEMBLY (ULS)

ITEM	PART NUMBER	QTY	DESCRIPTION	REV
	1001227211	Ref	Hydraulic/Fuel Tank Assembly (ULS)	B
1	N.S.S.	1	Tank, Hydraulic/Fuel	
2	7139077	2	Filler/Breather	
3	1001145026	1	Sensor, Fuel	
4	1001199116	1	Panel, Hydraulic Fill Cover	
5	1001170329	13	Washer, Flat M8	
6	3300429	6	Nut 5/16	
7	1001199135	1	Assembly, Cover	
8	1001199136	1	Spring	
9	1001199177	1	Seal	
10	1001199205	1	Element, Filter	
11	8303697	7	Bolt 5/16 X 3/4	
12	2220239	2	Plug	
13	7024441	1	Gauge, Sight	
14	1001199181	1	Cover, DEF Tank	
15	8760552	1	Tee, Branch	
16	1001178776	1	Elbow, 90	
17	1001199210	1	Elbow, 90	
18	2220577	1	Adapter	
19	2220635	1	Tee, Run	
20	2220375	2	Adapter	
21	2220499	1	Elbow, 45	
22	8770048	1	Elbow, 45	
101	70024152	1	Kit, Filter (Includes Items 9 & 10)	

SECTION 2 - BOOM

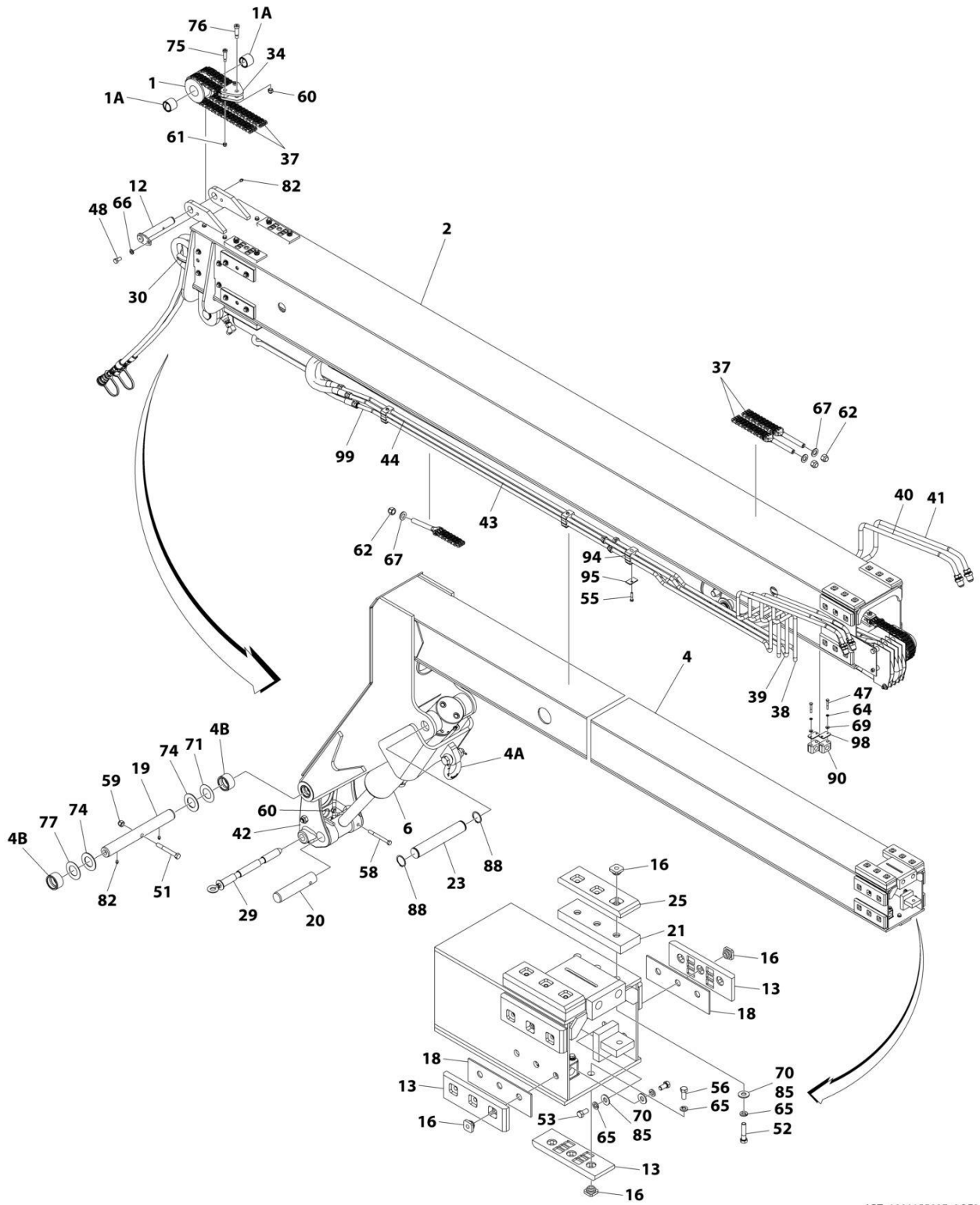
SECTION 2 - BOOM

FIGURE 2-1. BOOM INSTALLATION



ART_1001155927_1OF2

SECTION 2 - BOOM



ART_1001155927_2OF2

SECTION 2 - BOOM

FIGURE 2-1. BOOM INSTALLATION

ITEM	PART NUMBER	QTY	DESCRIPTION	REV
	1001155927	Ref	BOOM INSTALLATION (6036)	H
1	1001101861	1	Sheave Assembly - Retract (6036)	
1A	5906392	2	Bushing	
2	1001155928	1	Boom, Second Section	
3	1001156013	1	Cylinder, Extend/Retract (See Separate Breakdown in HYDRAULIC COMPONENTS Section)	
4	1001210818	1	Boom, Fly	
4A	1001204045	1	Clevis	
4B	7085542	2	Bushing	
5	2220596	2	Adapter, 90 (6036)	
6	2716614	1	Cylinder, Fork Tilt (See Separate Breakdown in HYDRAULIC COMPONENTS Section)	
7	2716760	2	Hose	
8	2716788	2	Hose	
9	3311601	1	Nut 3/8	
10	3423226	2	Pin, Boom Pivot	
11	5724622	1	Bumper, Rubber	
12	7063432	1	Pin	
13	7079572	22	Pad, Wear	
14	7081621	1	Pin, Base End	
15	7081631	1	Pin, Rod End	
16	7082311	68	Insert, Wear Pad	
17	7082342	AR	Shim, Wear Pad	
18	7082362	AR	Shim, Wear Pad	
19	7083922	1	Pin, Carriage Pivot	
20	7083992	1	Pin, Rod End	
21	7085442	7	Spacer, Wear Pad	
23	7095522	1	Pin	
24	7096491	6	Spacer	
25	7111572	8	Pad, Wear	
26	7116773	1	Assembly, Hose Pulley (See Separate Breakdown in this Section) (6036)	
27	7116822	1	Cover	
28	7117031	2	Link	
29	7118892	1	Assembly, Lock Pin (See Separate Breakdown in this Section)	
30	7125811	2	Conduit	
32	7138977	1	Pin, Retract Chain Sheave	
33	7138986	1	Sheave Assembly - Retract Chain	
33A	7138979	2	Bushing	
34	7139180	2	Yoke, Extend Chain	
35	7139689	1	Assembly, Retract Chain (See Separate Breakdown in this Section) (6036)	
37	7139692	2	Assembly, Extend Chain (See Separate Breakdown in this Section) (6036)	
38	7139726	1	Tube	
39	7139727	1	Tube	
40	7139730	1	Tube	
41	7139731	1	Tube	
42	7139864	1	Assembly, Quick Coupler (See Separate Breakdown in this Section) (Prior to SN 0160101449)	

SECTION 2 - BOOM

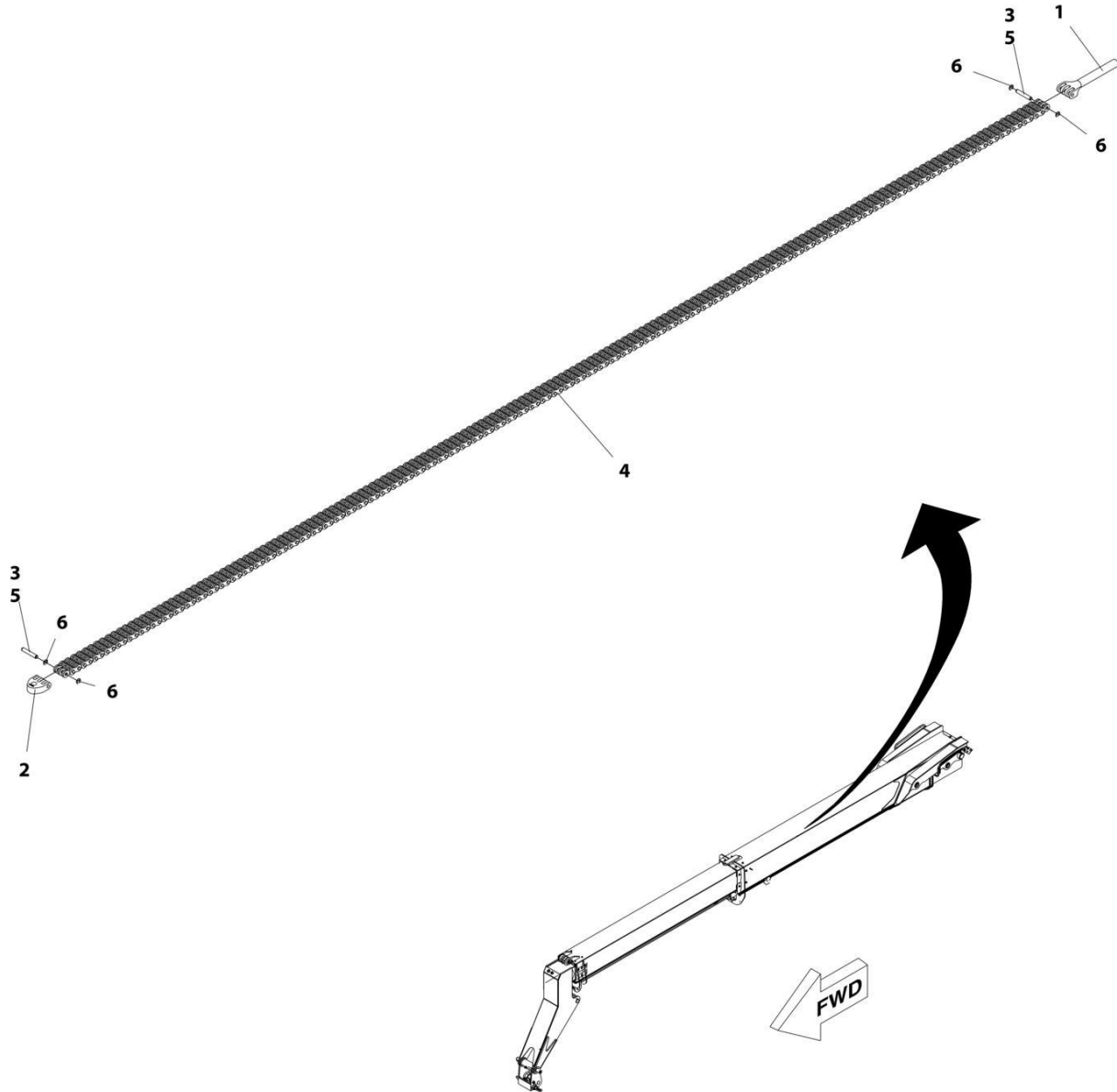
ITEM	PART NUMBER	QTY	DESCRIPTION	REV
42	1001242996	1	Assembly, Quick Coupler (See Separate Breakdown in this Section) (SN 0160101449 to Present)	
43	7150837	1	Tube	
44	7150838	1	Tube	
45	7302056	1	Boom, First Section	
46	8065640	4	Bearing, Self-Align	
47	8303090	4	Bolt 1/4 x 1-3/4	
48	8303624	2	Bolt 1/2 x 1	
49	8303655	2	Bolt 5/8 x 4-1/2	
50	8303657	2	Bolt 3/8 x 2	
51	8303666	1	Bolt 5/8 x 5	
52	8303679	20	Bolt 3/8 x 1-3/4	
53	8303681	32	Bolt 3/8 x 3/4	
54	8303697	1	Bolt 5/16 x 3/4	
55	8303715	3	Bolt 5/16 x 1-1/2	
56	8303738	14	Bolt 3/8 x 7/8	
57	8303746	1	Bolt 5/16 x 1-3/4	
58	8303772	1	Bolt 1/2 x 5	
59	8305643	3	Nut 5/8	
60	8305644	2	Nut 1/2	
61	8305645	4	Nut 3/8	
62	8305646	3	Nut 3/4	
63	8305906	2	Nut 5/16	
64	8307002	4	Washer 1/4	
65	8307005	68	Washer 3/8	
66	8307007	2	Washer 1/2	
67	8307104	3	Washer 3/4	
68	8307106	2	Washer 5/16	
69	8307109	8	Washer 1/4	
70	8307204	64	Washer 3/8	
71	8307904	AR	Washer, Shim	
72	8307910	AR	Washer, Shim	
73	8307911	AR	Washer, Shim	
74	8307918	2	Washer, Shim	
75	8310019	4	Screw, Shoulder 1/2 x 3/8	
76	8310020	1	Screw, Shoulder 5/8 x 1/2	
77	8310093	AR	Washer, Shim	
78	8310431	1	Washer 5/16	
79	8310497	1	Screw 5/16 x 1-1/2	
80	8310708	2	Washer 1	
81	8310712	2	Washer, Shim	
82	8520001	5	Fitting, Straight Lube	
83	8520003	1	Fitting, 90 Lube	
84	8522012	AR	Lube, Anti-Seize (not shown)	
85	8526007	AR	Compound, Thread Locking	
86	8526048	AR	Sealant, Compound (not shown)	
87	8526406	AR	Sealant, Varnish (not shown)	
88	8642224	2	Ring, Retaining	
89	8642234	4	Ring, Retaining	
90	8750029	2	Clamp Set, 3/4	
91	2220567	2	Adapter, 90	
92	8760465	2	Adapter, Bulkhead Nut	

SECTION 2 - BOOM

ITEM	PART NUMBER	QTY	DESCRIPTION	REV
93	8760468	2	Adapter, Bulkhead Nut	
94	8769122	3	Clamp Set, Twin 5/8	
95	8769123	3	Cover Plate, Twin	
96	8769128	1	Cover Plate, Twin	
97	8769139	1	Clamp Set, Twin 3/4	
98	8769153	2	Cover Plate, Single	
99	7139968	1	Assembly, Boom Auxiliary Hydraulics (See Separate Breakdown in this Section)	
100	2220683	1	Adapter	

SECTION 2 - BOOM

FIGURE 2-2. EXTEND CHAIN ASSEMBLY



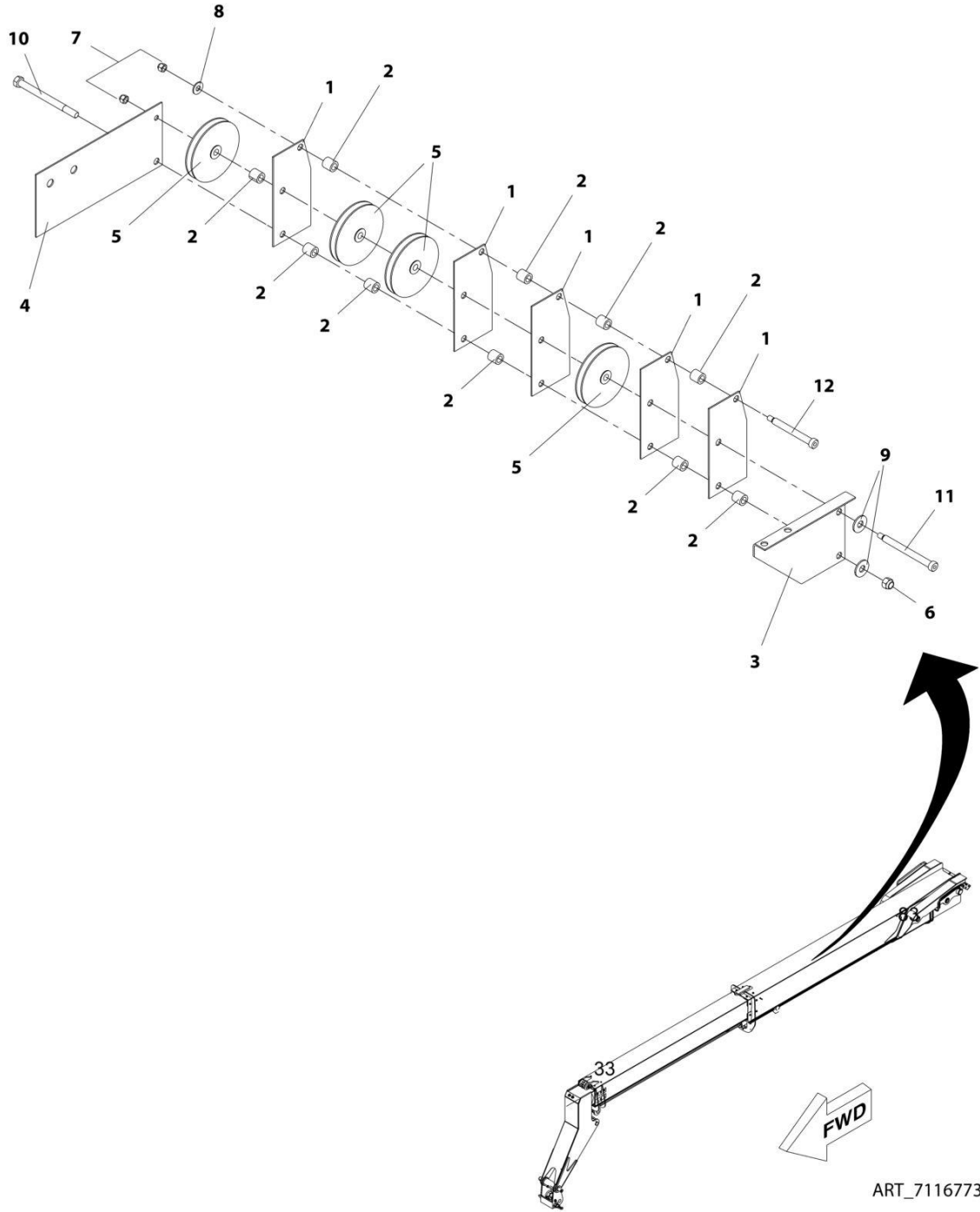
ART_7139692_B

FIGURE 2-2. EXTEND CHAIN ASSEMBLY

ITEM	PART NUMBER	QTY	DESCRIPTION	REV
	7139692	Ref	Chain and Clevis Assembly	B
1	7139032	1	Clevis, Female Anchor	
2	7139416	1	Clevis, Female Anchor	
3	8124138	2	Pin, Chain Clevis	
4	8127024	1	Chain, Leaf	
5	8522012	AR	Lube, Anti-Seize	
6	8642237	4	Ring, Retaining	

SECTION 2 - BOOM

FIGURE 2-3. HOSE PULLEY ASSEMBLY



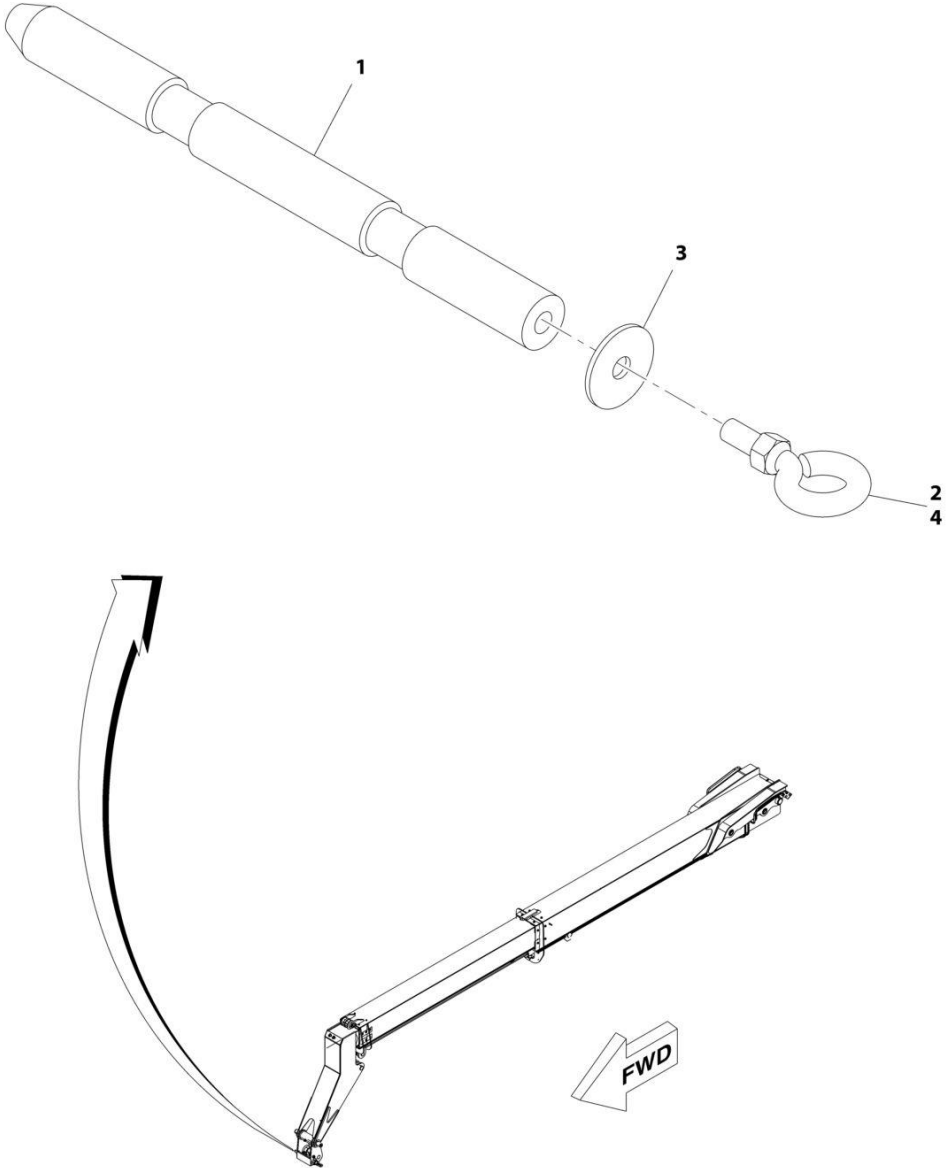
ART_7116773_E

FIGURE 2-3. HOSE PULLEY ASSEMBLY

ITEM	PART NUMBER	QTY	DESCRIPTION	REV
	7116773	Ref	Hose Pulley Assembly - 6036 (6036)	E
1	7116642	5	Divider	
2	7116691	10	Spacer	
3	7116742	1	Bracket, RH	
4	7116752	1	Bracket, LH	
5	7116812	4	Wheel, Roller	
6	8305644	1	Nut, Lock 1/2-13	
7	8305645	2	Nut, Lock 3/8-16	
8	8307204	1	Washer, Plain 3/8	
9	8307206	2	Washer, Plain 1/2	
10	8310209	1	Bolt, 1/2-13X6	
11	8310235	1	Screw, Shoulder 1/2X5	
12	8310245	1	Screw, Shoulder 1/2X4	

SECTION 2 - BOOM

FIGURE 2-4. LOCK PIN ASSEMBLY



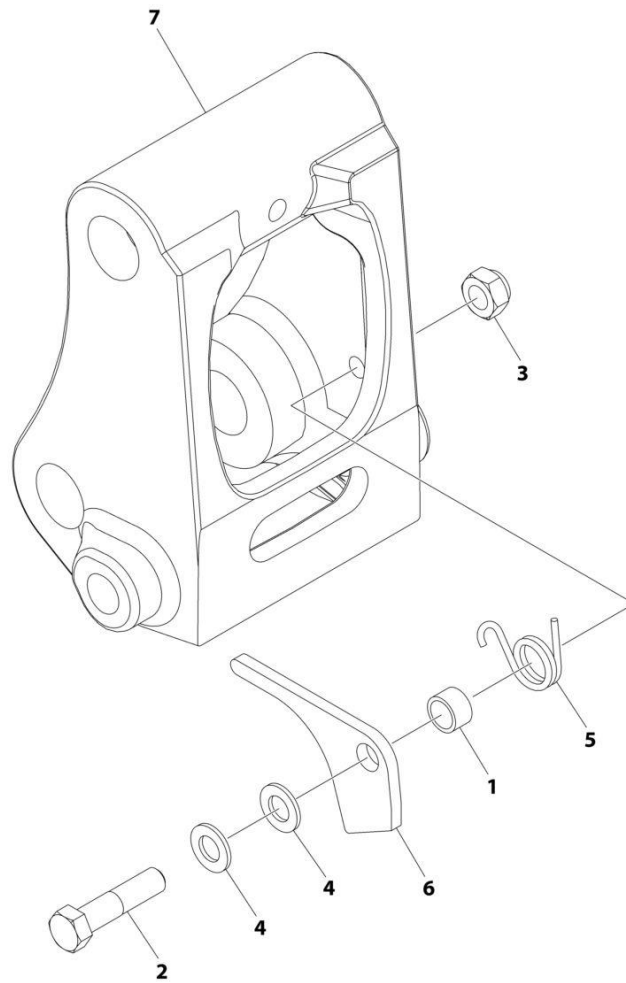
ART_7118892-B

FIGURE 2-4. LOCK PIN ASSEMBLY

ITEM	PART NUMBER	QTY	DESCRIPTION	REV
	7118892	Ref	Lock Pin Assembly	B
1	7118882	1	Pin	
2	8310266	2	Bolt, Eye 1/2-13X2	
3	8310276	3	Washer	
4	8526007	AR	Compound, Locking	

SECTION 2 - BOOM

FIGURE 2-5. QUICK COUPLER ASSEMBLY



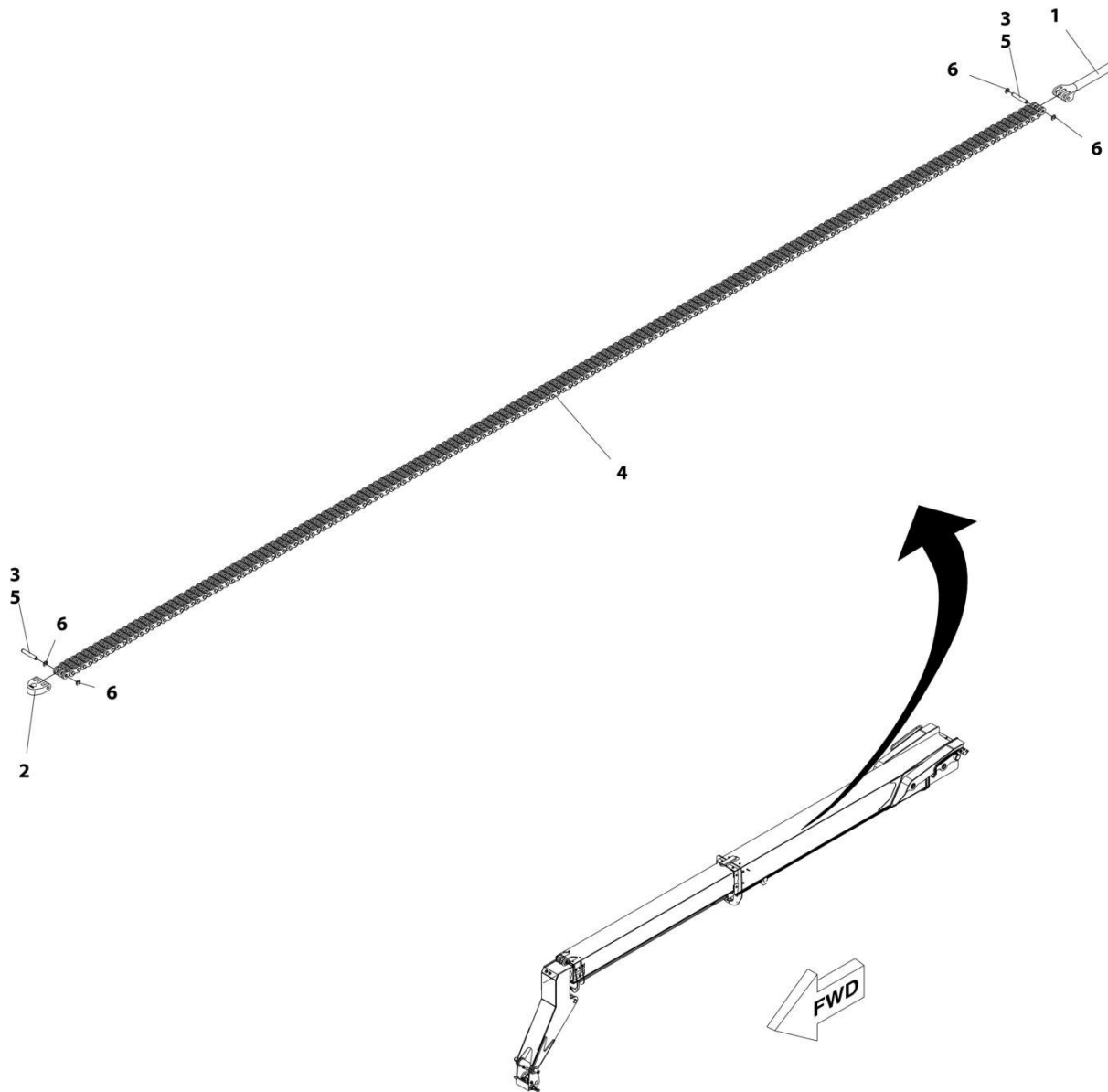
ART_1001242996_C

FIGURE 2-5. QUICK COUPLER ASSEMBLY

ITEM	PART NUMBER	QTY	DESCRIPTION	REV
	1001242996	Ref	COUPLER ASSEMBLY	C
1	7085571	1	Spacer	
2	8303640	1	Bolt	
3	8305619	1	Nut 3/4	
4	8307104	2	Washer 3/4	
5	1001243025	1	Spring, Torsion	
6	1001243026	1	Plate, Pin Latch	
7	1001243219	1	Coupler, Link	

SECTION 2 - BOOM

FIGURE 2-6. RETRACT CHAIN ASSEMBLY (6036)



ART_7139689_B

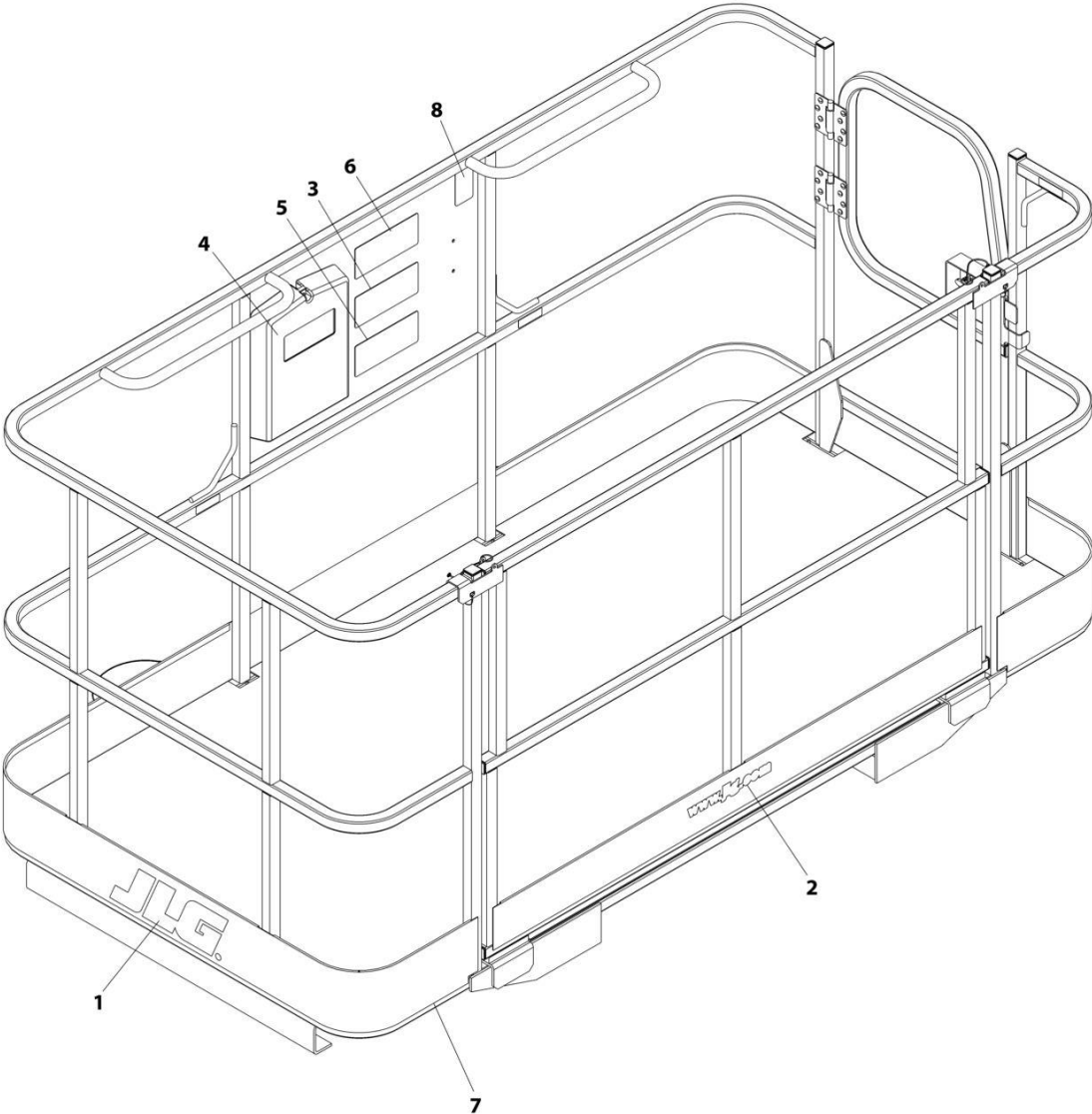
FIGURE 2-6. RETRACT CHAIN ASSEMBLY (6036)

ITEM	PART NUMBER	QTY	DESCRIPTION	REV
	7139689	Ref	Retract Chain and Clevis Assembly - 6036 (6036)	B
1	7139032	1	Clevis, Female Anchor	
2	7139416	1	Clevis, Female Anchor	
3	8124138	2	Pin, Chain Clevis	
4	8127021	1	Chain, Leaf	
5	8522012	AR	Lube, Anti-Seize	
6	8642237	4	Ring, Retaining	

SECTION 3 - ATTACHMENTS

SECTION 3 - ATTACHMENTS

FIGURE 3-1. BASKET, PERSONNEL (1.2MX2.4M) (DOMESTIC)



ART_1001238653-A

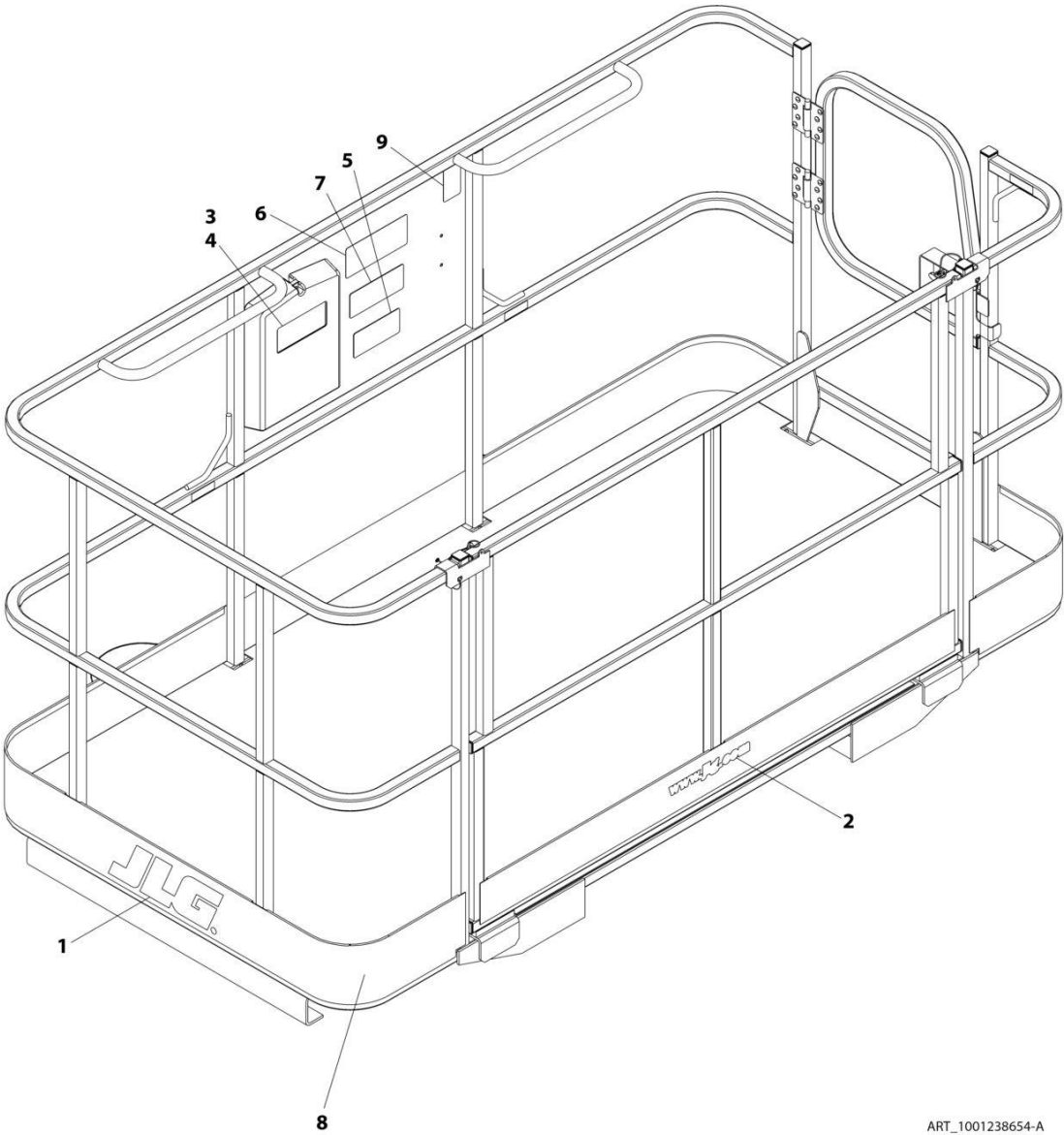
SECTION 3 - ATTACHMENTS

FIGURE 3-1. BASKET, PERSONNEL (1.2MX2.4M) (DOMESTIC)

ITEM	PART NUMBER	QTY	DESCRIPTION	REV
	1001238653	Ref	FORK MOUNTED PLATFORM	B
1	1702773	2	Decal, JLG	
2	1704885	1	Decal, Website	
3	1706892	1	Decal, Platform Warning	
4	31200160	1	Manual, Personnel Work Platform Operation and Safety	
5	1001092481	1	Decal, Warning Attachment	
6	1001092482	1	Decal, Platform Capacity	
7	1001238565	1	Platform, Fork Mounted (See Separate Breakdown in this Section)	
8	See Note	NSS	SN Plate (Note: Stamped Part - Not Available for Purchase)	

SECTION 3 - ATTACHMENTS

FIGURE 3-2. BASKET, PERSONNEL (1.2MX2.4M) (ISO)



ART_1001238654-A

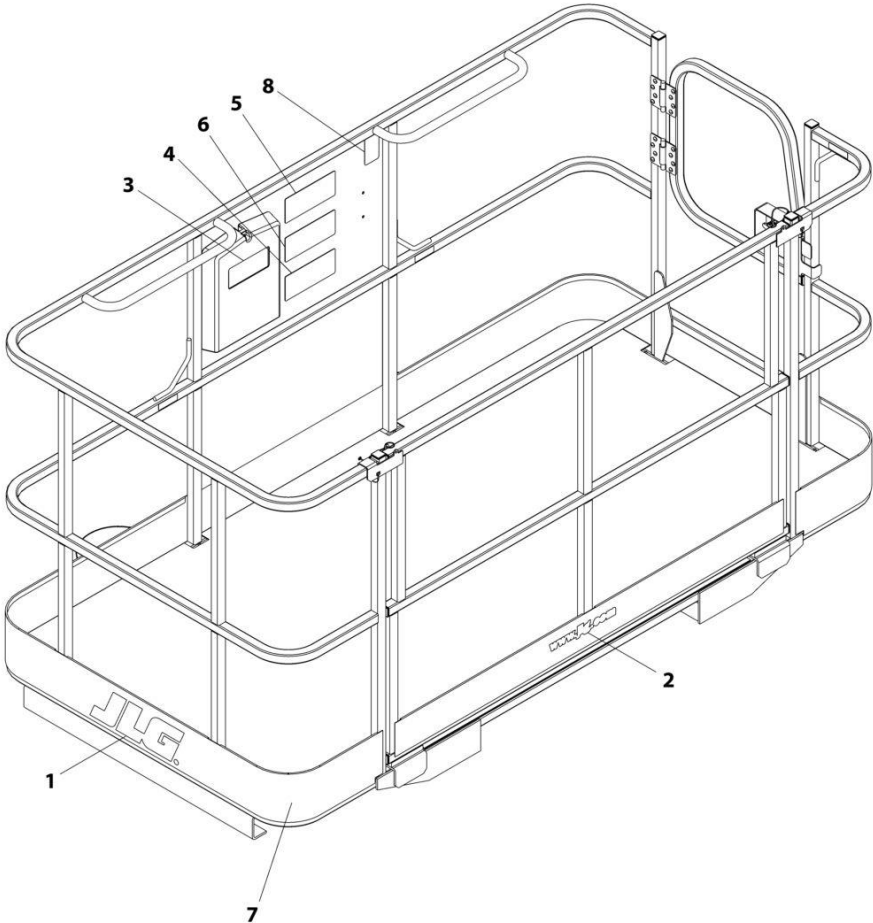
SECTION 3 - ATTACHMENTS

FIGURE 3-2. BASKET, PERSONNEL (1.2MX2.4M) (ISO)

ITEM	PART NUMBER	QTY	DESCRIPTION	REV
	1001238654	Ref	BASKET, PERSONNEL	B
1	1702773	2	Decal, JLG	
2	1704885	1	Decal, Website	
3	31200387	1	Manual, Operation and Safety, Spanish	
4	31200388	1	Manual, Operation and Safety, Portuguese	
5	1001096021	1	Decal, Warning Attachment	
6	1001096023	1	Decal, Platform Capacity	
7	1001096025	1	Decal, Platform Warning	
8	1001238565	1	Platform, Fork Mounted (ANSI) (See Separate Breakdown in this Section)	
9	See Note	NSS	SN Plate (Note: Stamped Part - Not Available for Purchase)	

SECTION 3 - ATTACHMENTS

FIGURE 3-3. BASKET, PERSONNEL (1.2MX2.4M) (FRENCH LANGUAGE)



ART_1001238655-A

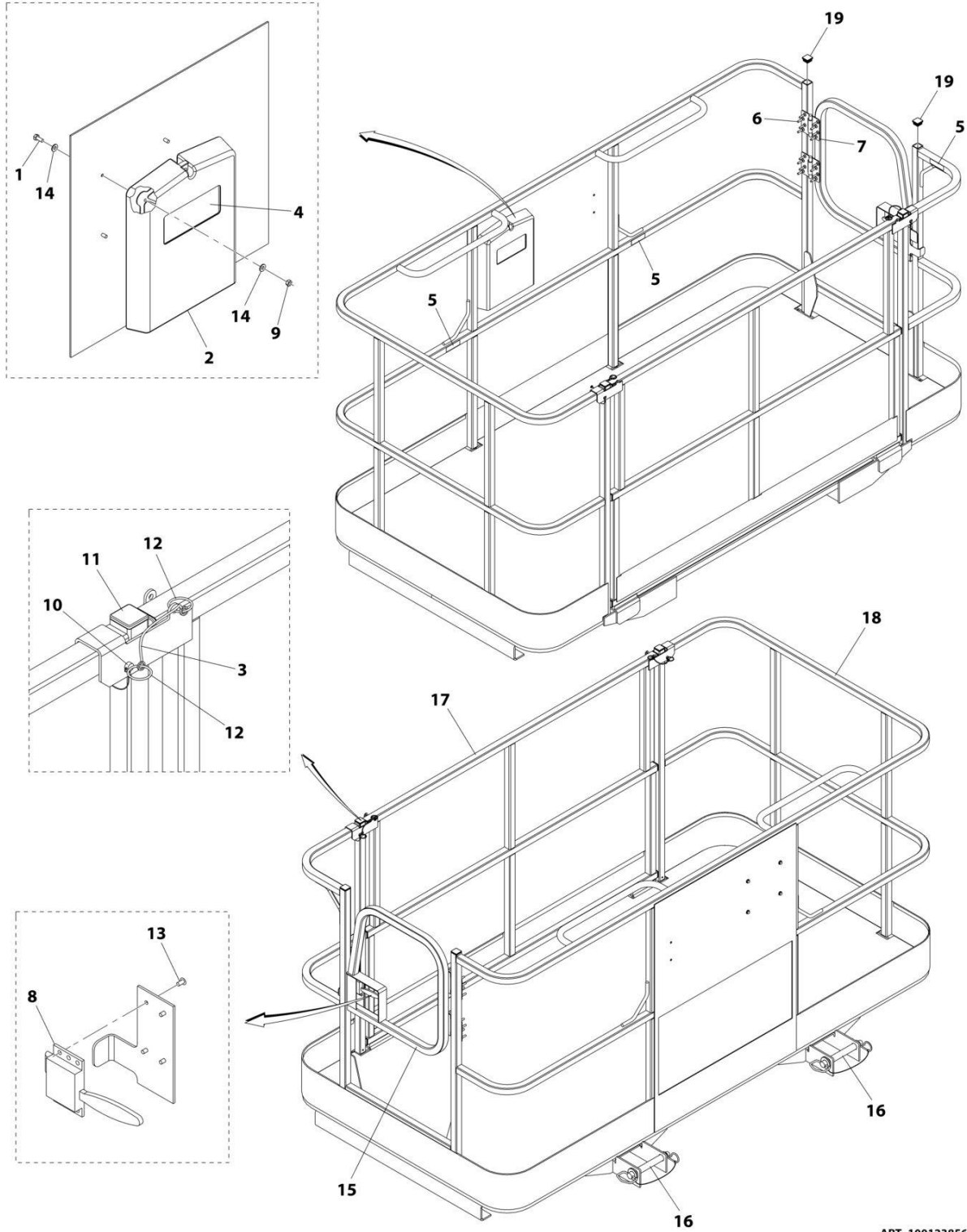
SECTION 3 - ATTACHMENTS

FIGURE 3-3. BASKET, PERSONNEL (1.2MX2.4M) (FRENCH LANGUAGE)

ITEM	PART NUMBER	QTY	DESCRIPTION	REV
	1001238655	Ref	BASKET, PERSONNEL	B
1	1702773	2	Decal, JLG	
2	1704885	1	Decal, Website	
3	31200386	1	Manual, Operation and Safety (French)	
4	1001096019	1	Decal, Warning Attachment (French)	
5	1001096020	1	Decal, Platform Capacity (French)	
6	1001096024	1	Decal, Platform Warning (French)	
7	1001238565	1	Platform, Fork Mounted (ANSI) (See Separate Breakdown in this Section)	
8	See Note	NSS	SN Plate (Note: Stamped Part - Not Available for Purchase)	

SECTION 3 - ATTACHMENTS

FIGURE 3-4. BASKET, PERSONNEL ASSEMBLY



ART_1001238565

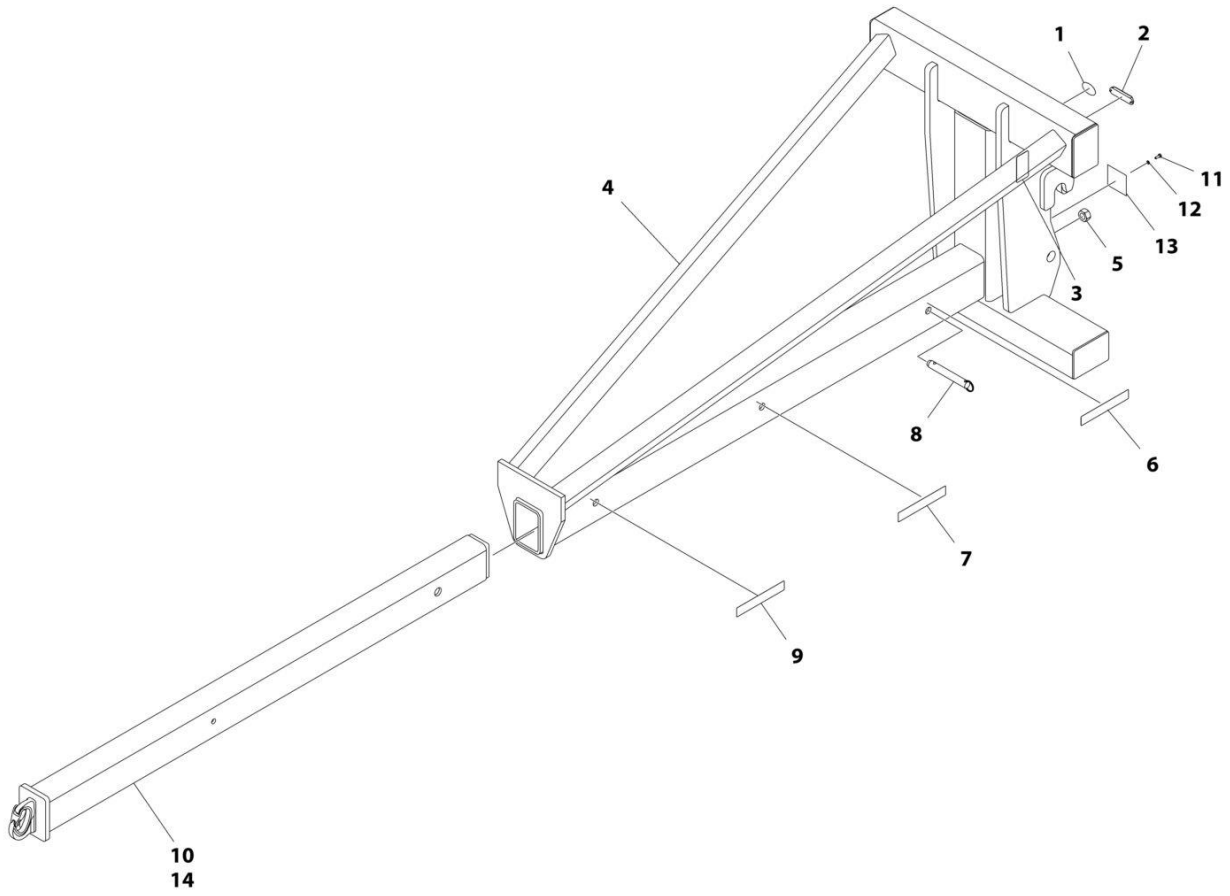
SECTION 3 - ATTACHMENTS

FIGURE 3-4. BASKET, PERSONNEL ASSEMBLY

ITEM	PART NUMBER	QTY	DESCRIPTION	REV
	1001238565	Ref	FORK MOUNTED PLATFORM ASSEMBLY	F
1	0641405	4	Bolt 1/4 x 5/8	
2	0860520	1	Box, Manual Storage	
3	1060379	2	Cable, Lanyard	
4	1701509	1	Decal, Manual	
5	1704277	3	Decal, Lanyard Attach	
6	2080040	16	Fastener	
7	2600281	2	Hinge	
8	2940074	1	Latch	
9	3311405	4	Nut 1/4	
10	3421453	2	Pin	
11	3520072	7	Plug	
12	3760170	4	Ring	
13	3820020	4	Rivet	
14	4711400	8	Washer 1/4	
15	1001144629J	1	Gate	
16	1001238560	2	Pin, Hitch	
17	1001095810	1	Gate	
18	See Note	NSS	Platform, Fork Mounted	
19	3520198	4	Plug	

SECTION 3 - ATTACHMENTS

FIGURE 3-5. BOOM - ADJUSTABLE



ART_1001176515_D

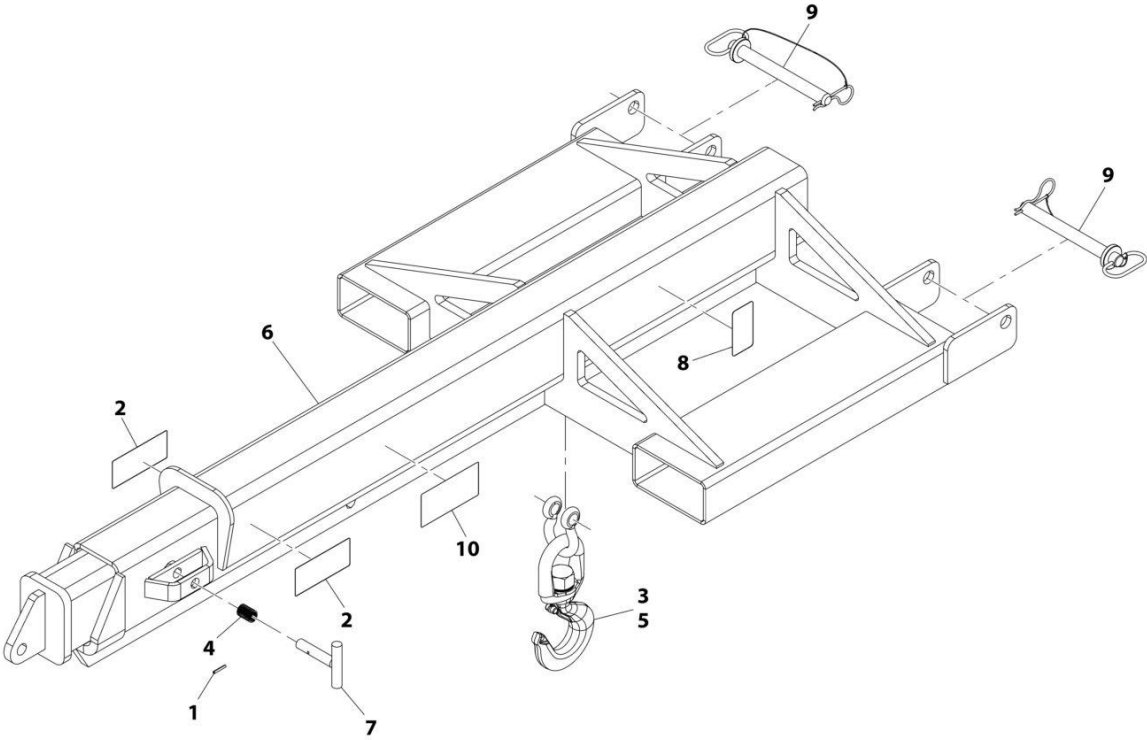
SECTION 3 - ATTACHMENTS

FIGURE 3-5. BOOM - ADJUSTABLE

ITEM	PART NUMBER	QTY	DESCRIPTION	REV
	1001176515	Ref	ADJUSTABLE TRUSS BOOM	E
1	90554016	1	Decal, Made in USA	
2	1001227670	1	Tag, RFID	
3	See Note	NSS	SN Plate (Note: Stamped Part - Not Available for Purchase)	
4	See Note	NSS	Truss Boom, Adjustable (Note: Purchase Complete Assembly)	
5	70021440	1	Nut, Lock	
6	70024062	2	Decal, 4000 lbs cap	
7	70026944	2	Decal, 3000 lbs cap	
8	70026946	1	Pin	
9	70026699	2	Decal, 2000 lbs cap	
10	70026747	1	Seal	
11	90554033	1	Bolt 3/4 x 1/4	
12	90554034	1	Washer 1/4	
13	70026948	1	Plate, Stop	
14	70026949	1	Boom, Telescopic	

SECTION 3 - ATTACHMENTS

FIGURE 3-6. BOOM - ADJUSTABLE (FORK MOUNTED)



ART_1001230241-H

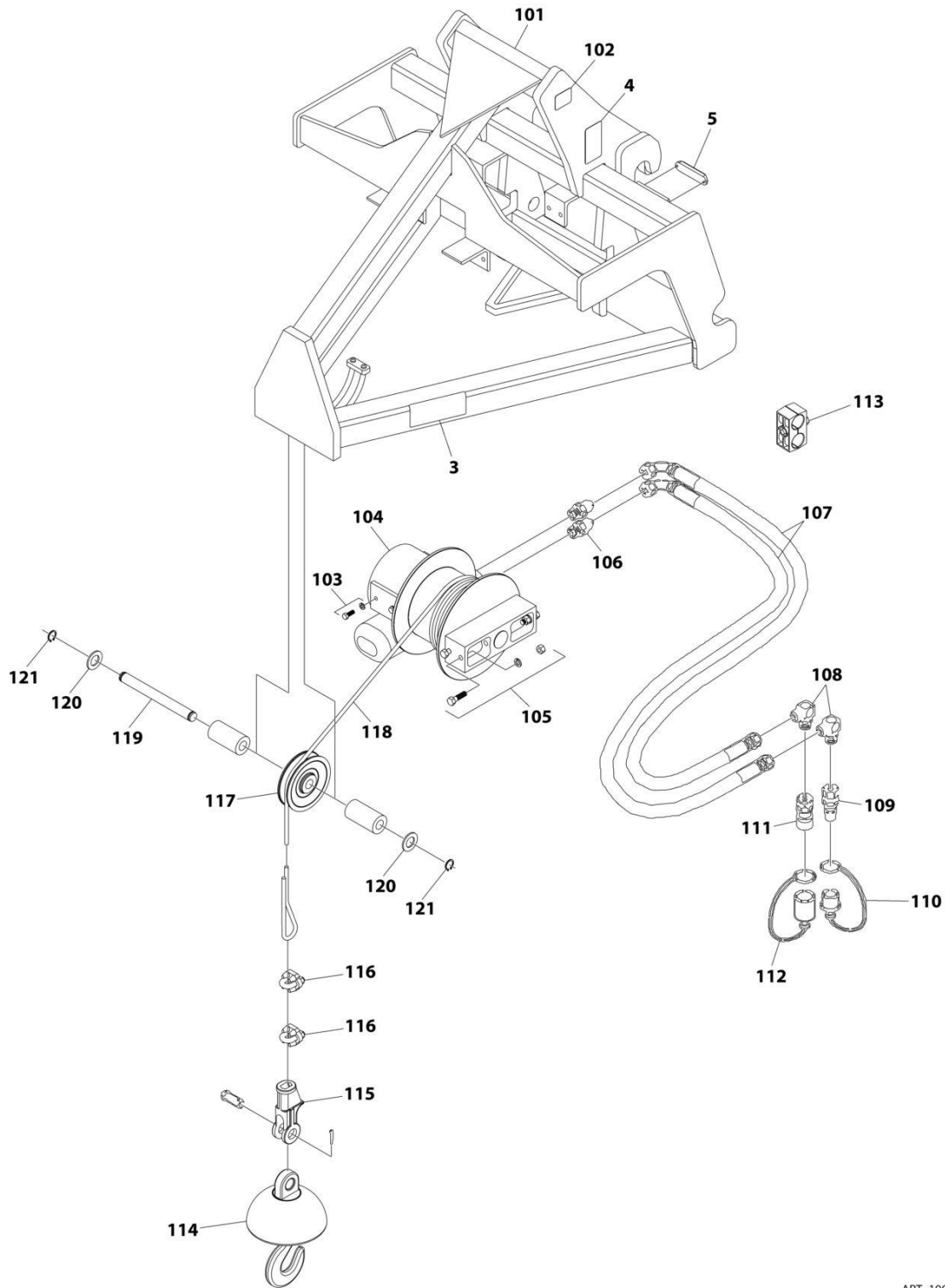
SECTION 3 - ATTACHMENTS

FIGURE 3-6. BOOM - ADJUSTABLE (FORK MOUNTED)

ITEM	PART NUMBER	QTY	DESCRIPTION	REV
	1001230241	Ref	Adjustable Truss Boom Installation (Fork Mounted)	J
1	3440620	1	Pin	
2	4110422	2	Decal, Danger Swinging Loads	
3	91403448	1	Hook, Swivel	
4	1001128890	1	Spring	
5	1001146160	1	Shackle	
6	See Note	NSS	Boom, Truss - Adjustable (Note: Purchase Complete Assembly)	
7	1001230239	1	Pin	
8	See Note	NSS	SN Plate (Note:Stamped Part - Not Available for Purchase)	
9	1001231692	2	Pin	
10	1001232500	1	Decal, Load Capacities	

SECTION 3 - ATTACHMENTS

FIGURE 3-7. BOOM - 3 FOOT WITH WINCH



ART_1001100967_H

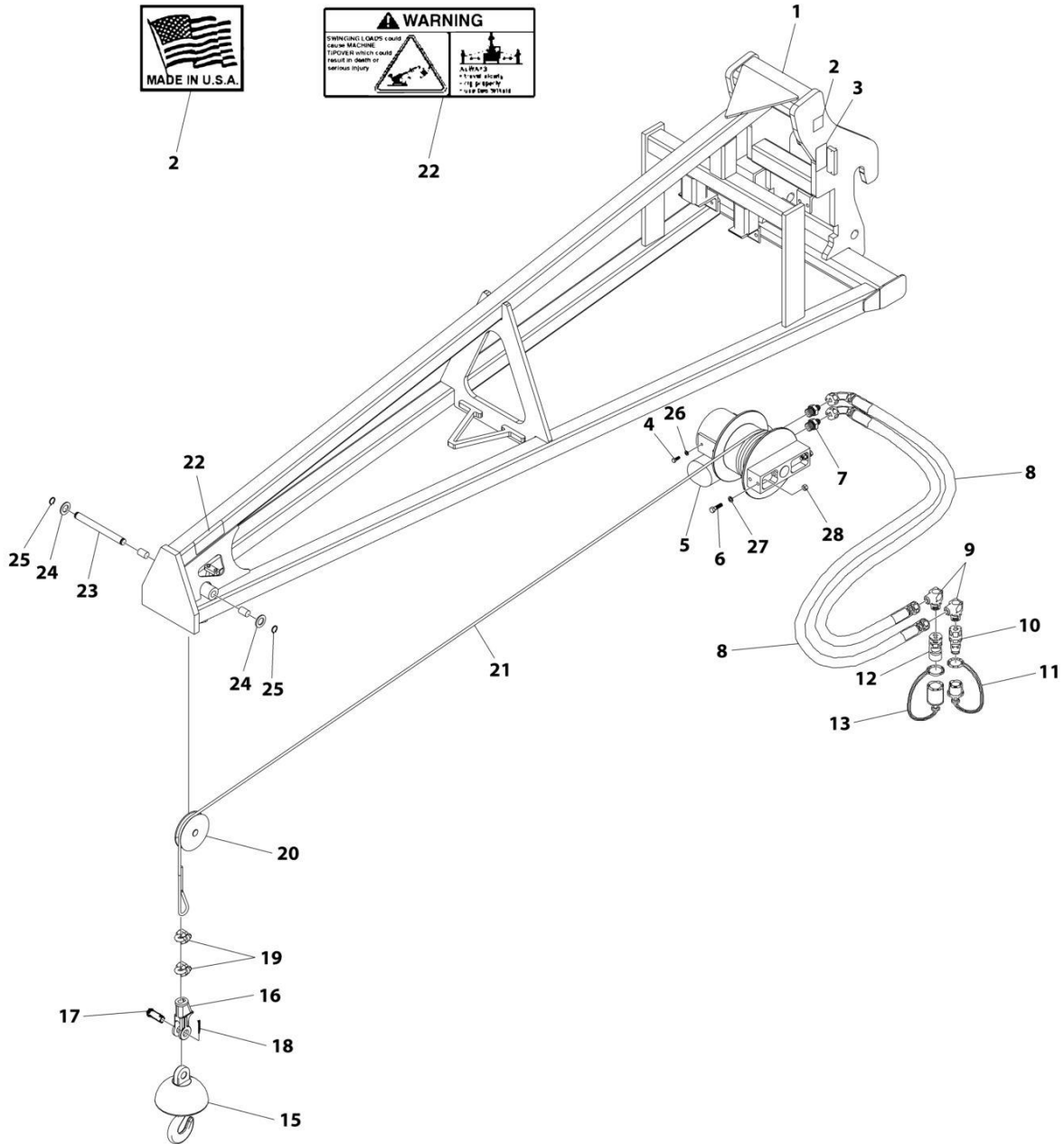
SECTION 3 - ATTACHMENTS

FIGURE 3-7. BOOM - 3 FOOT WITH WINCH

ITEM	PART NUMBER	QTY	DESCRIPTION	REV
	1001100967	Ref	TRUSS BOOM ASSEMBLY (3 FOOT WITH WINCH) (INCLUDES ITEMS 3, 4, 5 & 101 THRU 121)	H
3	4110422	2	Decal, Danger, Swinging Loads	
4	See Note	NSS	S/N Plate (Note: Stamped Part - Not Available for Purchase)	
5	1001227670	1	Tag, RFID	
101	See Note	NSS	Truss Boom Frame (Note: Purchase Complete Assembly)	
102	90554016	1	Decal	
103	70021349	4	Bolt	
103	90554042	4	Washer	
104	70021921	1	Winch, Truss Boom	
105	70024059	4	Bolt	
105	90554054	4	Nut	
105	90554020	4	Washer	
106	70021415	2	Fitting	
107	70021977	2	Hose 32in (Boom Front Disconnect)	
107	70031445	2	Hose 48in (Boom Side Disconnect)	
108	70022527	2	Fitting, 90	
109	91403414	1	Fitting, Straight	
110	8420053	1	Cap	
111	91403413	1	Fitting, Straight	
112	8420055	1	Plug	
113	70021387	1	Clamp	
114	70021978	1	Ball Swivel Safety Hook	
115	70021979	1	Assembly, Socket	
116	70022528	2	Clamp	
117	70021935	1	Pulley	
118	70022028	1	Cable	
119	70022529	1	Pin	
120	70027009	2	Washer	
121	70026698	2	Ring, Snap	

SECTION 3 - ATTACHMENTS

FIGURE 3-8. BOOM - 12 FOOT WITH WINCH



ART_1001099351

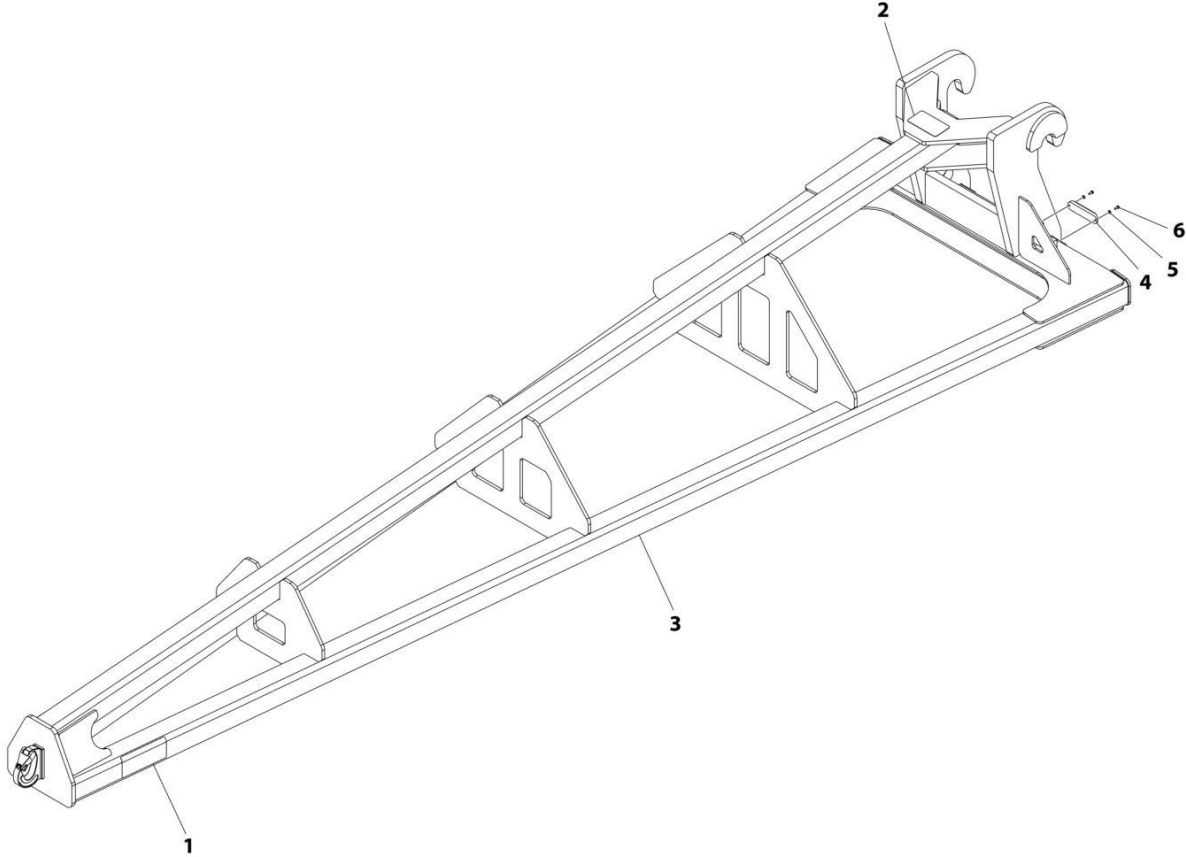
SECTION 3 - ATTACHMENTS

FIGURE 3-8. BOOM - 12 FOOT WITH WINCH

ITEM	PART NUMBER	QTY	DESCRIPTION	REV
	1001099351	Ref	TRUSS BOOM (0.9 TON - 3.7M WITH WINCH)	L
1	See Note	NSS	Frame, Truss Boom (Note: Purchase Complete Assembly)	
2	90554016	1	Decal, Made in USA	
	See Note	NSS	S/N Plate (Note: Stamped Part - Not Available for Purchase)	
4	70021349	4	Bolt 3/8 x 1	
5	70021921	1	Motor, Truss Boom Winch	
6	70024059	2	Bolt 1/2 x 1-3/4	
7	70021415	2	Connector	
8	70021977	2	Hose 32in (Boom Front Disconnect)	
8	70031445	2	Hose 48in (Boom Side Disconnect)	
9	70022527	2	Fitting, 90	
10	7029692	1	Fitting, Straight	
11	90554062	1	Cap, Dust	
12	70021342	1	Fitting, Straight	
13	90554076	1	Cap, Dust	
15	70021978	1	Ball Swivel with Safety Hook	
16	70021979	1	Assembly, Socket (includes items 17 thru 18)	
17	See Note	NSS	Pin (Note: Use Item 16)	
18	See Note	NSS	Pin, Cotter (Note: Use Item 16)	
19	70022528	2	Clamp	
20	70021935	1	Pulley	
21	70022028	1	Cable	
22	4110422	2	Decal, Warning Swinging Loads	
23	70022529	1	Pin	
24	70024060	2	Washer	
25	70026698	2	Ring, Snap	
26	90554042	4	Washer 3/8	
27	90554020	2	Washer 1/2	
28	90554054	2	Nut 1/2	

SECTION 3 - ATTACHMENTS

FIGURE 3-9. BOOM - 12FT WITHOUT WINCH



ART_1001099902_H

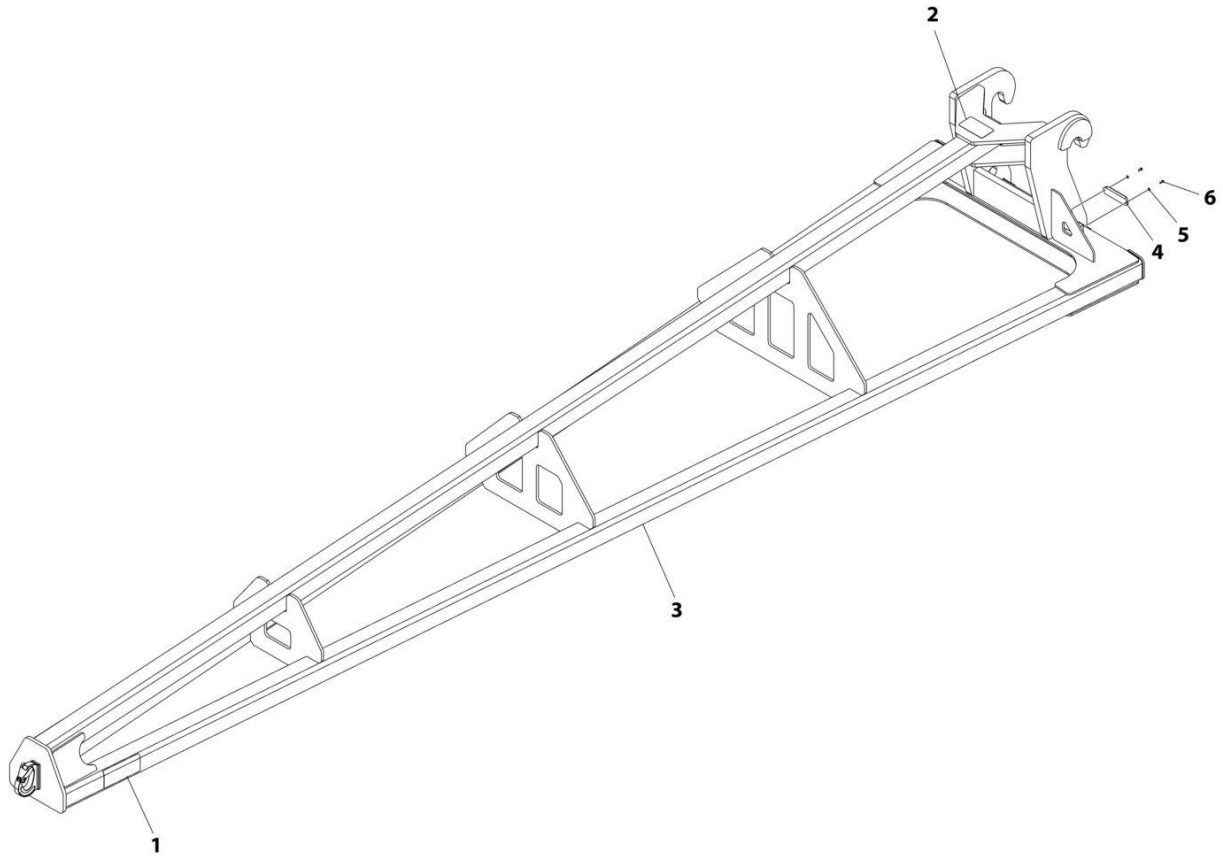
SECTION 3 - ATTACHMENTS

FIGURE 3-9. BOOM - 12FT WITHOUT WINCH

ITEM	PART NUMBER	QTY	DESCRIPTION	REV
	1001099902	Ref	TRUSS BOOM (0.9 TON - 3.7M)	H
1	4110422	2	Decal, Danger Swinging Loads	
2	See Note	NSS	SN Plate (Note:Stamped Part - Not Available for Purchase)	
3	See Note	NSS	Boom, Truss (Note: Purchase Complete Assembly)	
4	1001227670	1	Tag, RFID	
5	4811400	2	Washer M4	
6	0760405	2	Bolt M4 x 10	

SECTION 3 - ATTACHMENTS

FIGURE 3-10. BOOM - 15FT WITHOUT WINCH



ART_1001099901_H

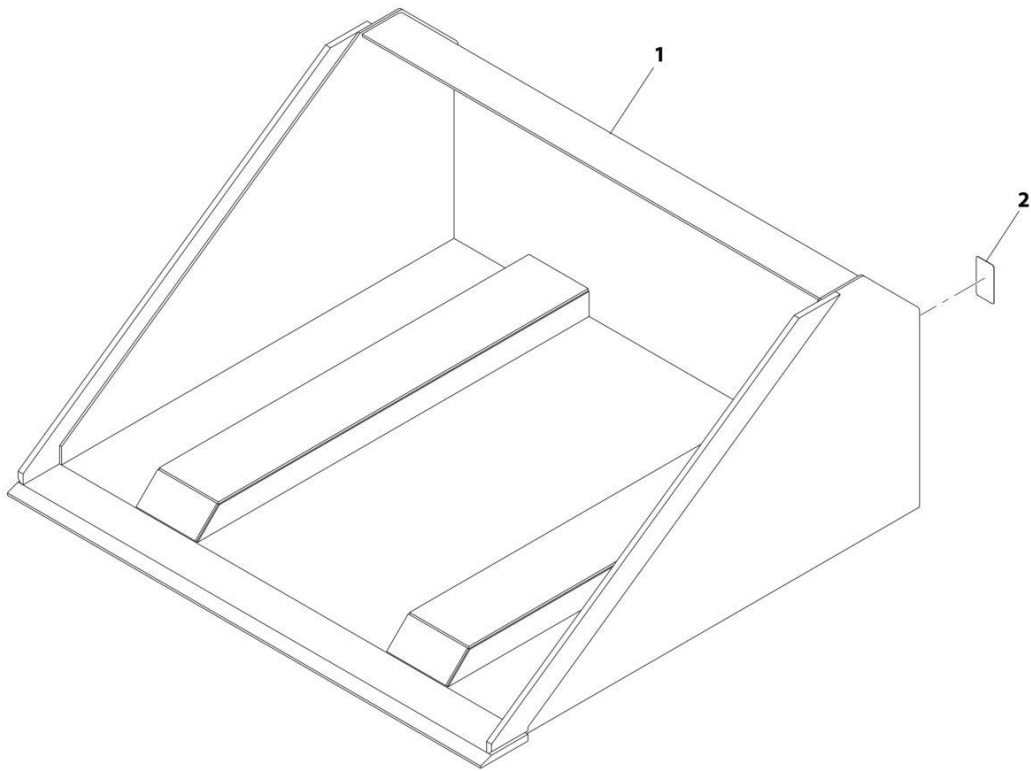
SECTION 3 - ATTACHMENTS

FIGURE 3-10. BOOM - 15FT WITHOUT WINCH

ITEM	PART NUMBER	QTY	DESCRIPTION	REV
	1001099901	Ref	TRUSS BOOM (15 FOOT)	H
1	4110422	2	Decal, Danger Swinging Loads	
2	See Note	NSS	SN Plate (Note:Stamped Part - Not Available for Purchase)	
3	See Note	NSS	Boom, Truss (Note: Purchase Complete Assembly)	
4	1001227670	1	Tag, RFID	
5	4811400	2	Washer M4	
6	0760405	2	Bolt M4 x 10	

SECTION 3 - ATTACHMENTS

FIGURE 3-11. BUCKET (60 INCH)



ART_1001195970-D

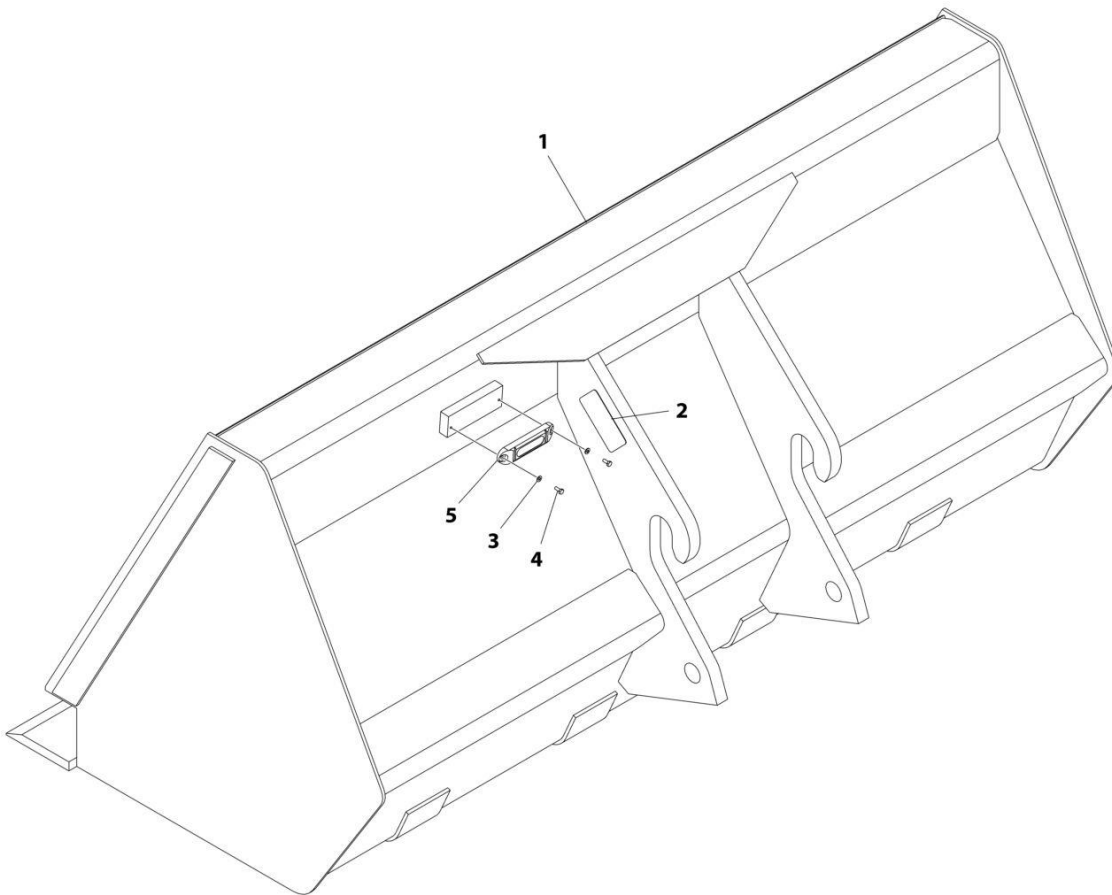
SECTION 3 - ATTACHMENTS

FIGURE 3-11. BUCKET (60 INCH)

ITEM	PART NUMBER	QTY	DESCRIPTION	REV
1	1001195970	Ref	Bucket 1.0 m ³ (Fork Mounted)	E
2	See Note	NSS	S/N Plate (Note: Stamped Part - Not Available for Purchase)	

SECTION 3 - ATTACHMENTS

FIGURE 3-12. BUCKET (72 INCH)



ART_1001100822_I

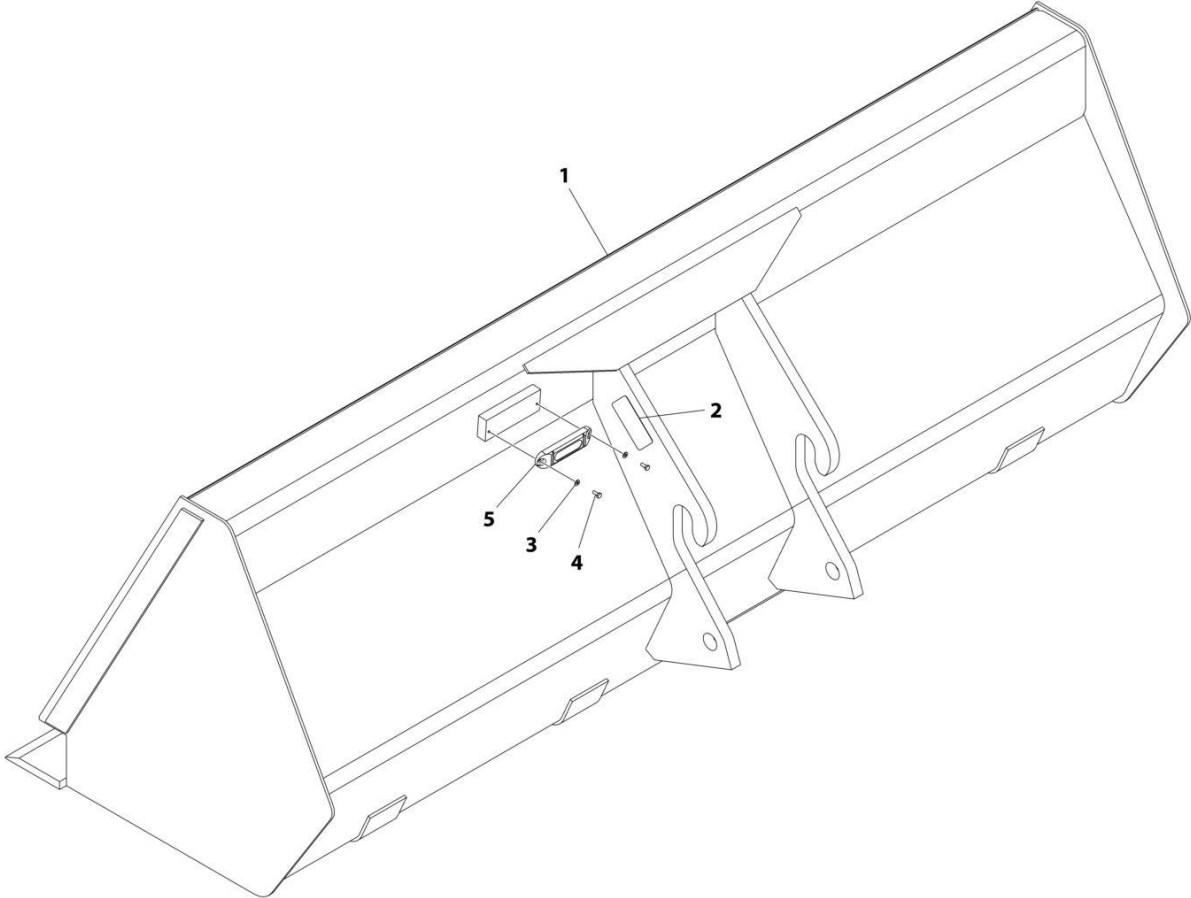
SECTION 3 - ATTACHMENTS

FIGURE 3-12. BUCKET (72 INCH)

ITEM	PART NUMBER	QTY	DESCRIPTION	REV
	1001100822	Ref	BUCKET 1.0 YD ³ (ANSI - JLG)	I
1	1001100265	1	Bucket Weldment	
2	See Note	NSS	SN Plate (Note:Stamped Part - Not Available for Purchase)	
3	4811400	2	Washer M4	
4	0760405	2	Bolt M4 x 10	
5	1001227670	1	Tag, RFID	

SECTION 3 - ATTACHMENTS

FIGURE 3-13. BUCKET (96 INCH)



ART_1001100823_I

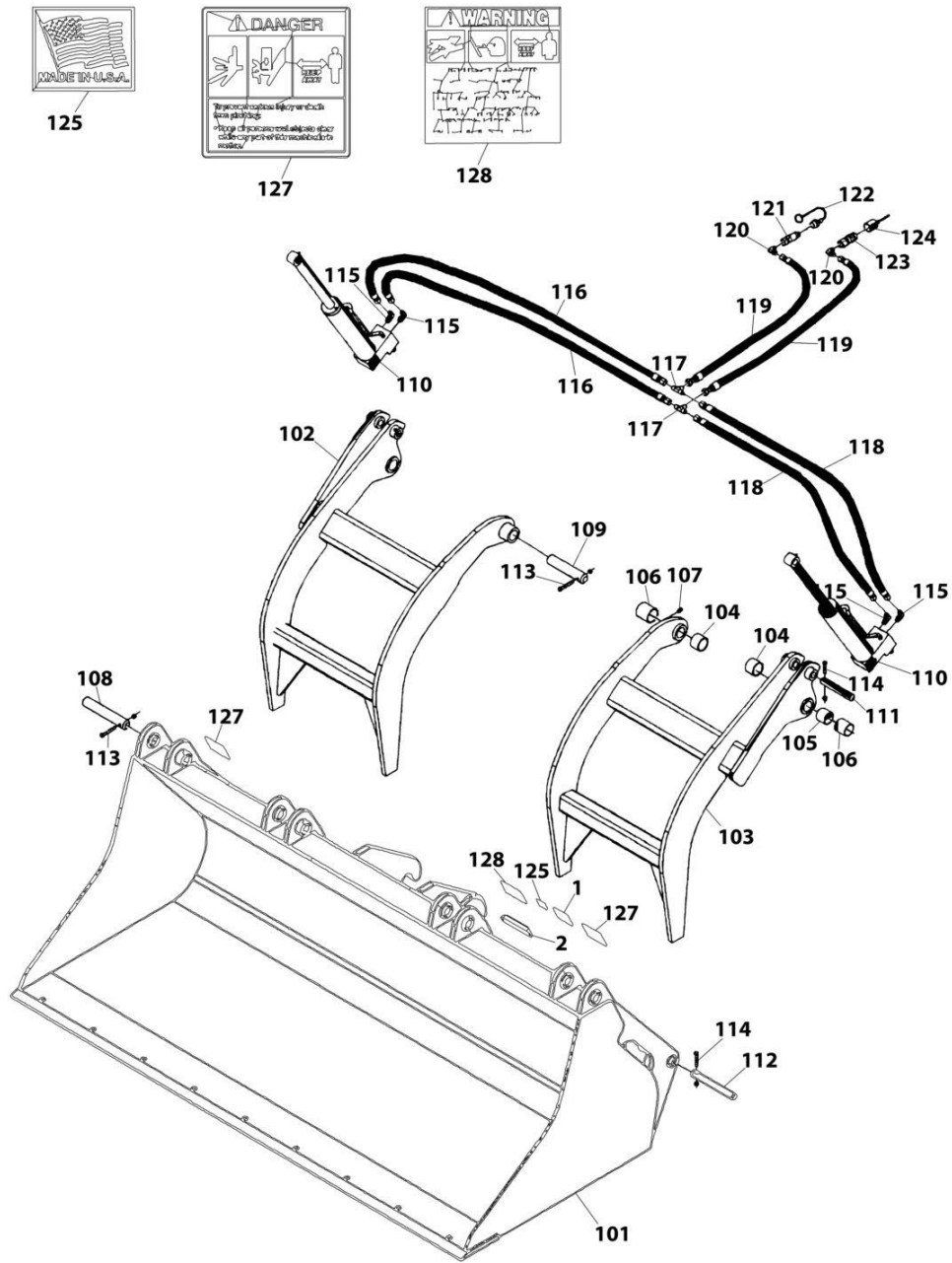
SECTION 3 - ATTACHMENTS

FIGURE 3-13. BUCKET (96 INCH)

ITEM	PART NUMBER	QTY	DESCRIPTION	REV
	1001100823	Ref	BUCKET (1.15 M ³)	I
1	1001100266	1	Bucket	
2	See Note	NSS	SN Plate (Note:Stamped Part - Not Available for Purchase)	
3	4811400	2	Washer M4	
4	0760405	2	Bolt M4 x 10	
5	1001227670	1	Tag, RFID	

SECTION 3 - ATTACHMENTS

FIGURE 3-14. BUCKET - GRAPPLE (96 INCH)



ART_0930020

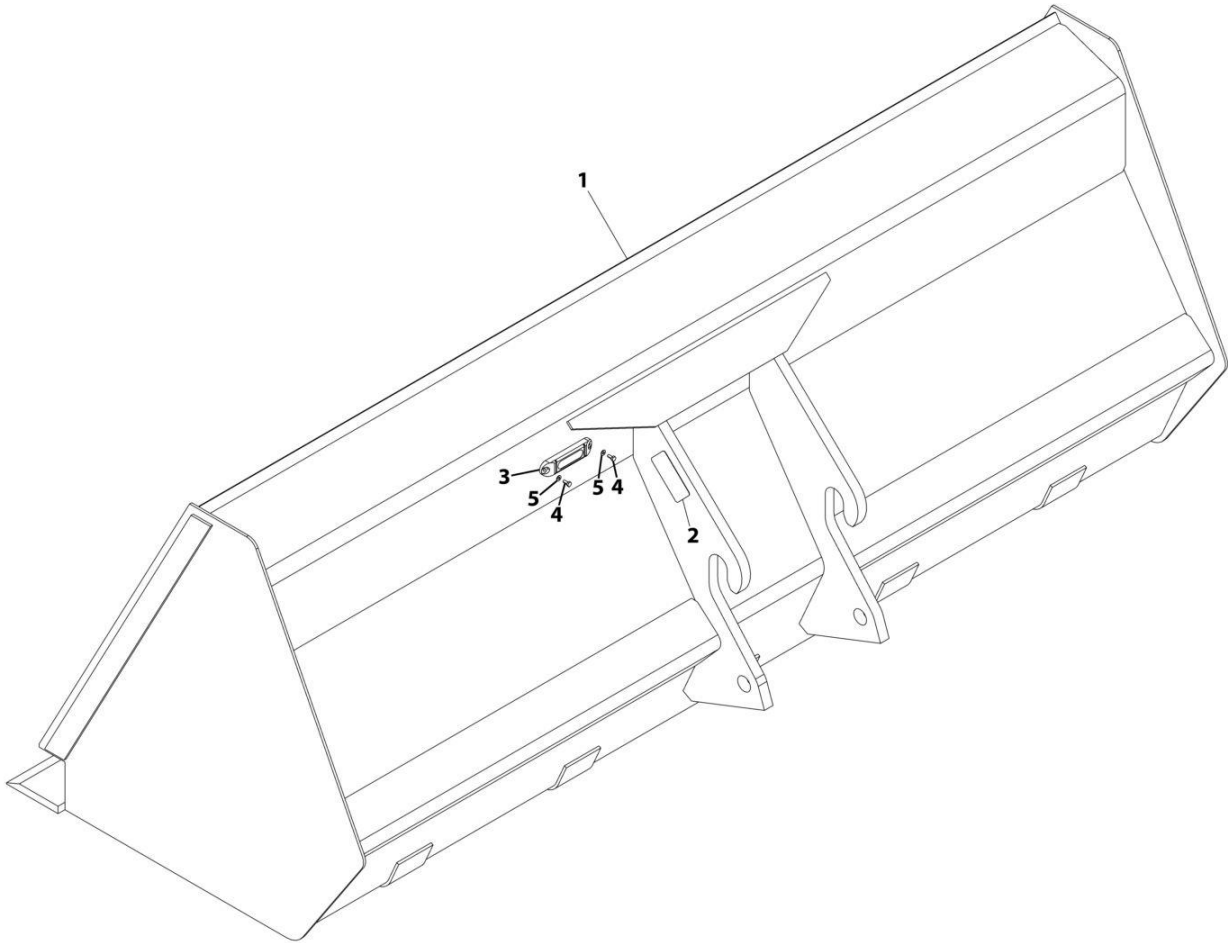
SECTION 3 - ATTACHMENTS

FIGURE 3-14. BUCKET - GRAPPLE (96 INCH)

ITEM	PART NUMBER	QTY	DESCRIPTION	REV
	0930020	Ref	Multi-Purpose Grapple Bucket (2450 MM)	L
1	See Note	NSS	S/N Plate (Note: Stamped Part - Not Available for Purchase)	
2	1001227670	1	Tag, RFID	
101	N.S.S.	1	Bucket	
101	70021387	4	Clamp, Hose	
102	70021391	1	Hook, RH Grapple	
103	70021392	1	Hook, LH Grapple	
104	70021358	4	Bushing	
105	70021359	2	Spacer	
106	70021360	4	Bushing	
107	7029714	4	Fitting, Grease	
108	70021361	2	Pin	
109	70021362	2	Pin	
110	70021393	2	Cylinder, Grapple Bucket (See Separate Breakdown in HYDRAULIC COMPONENTS Section)	
111	70021364	2	Pin	
112	70021365	2	Pin	
113	70021366	4	Bolt, 3/8X2-3/4	
113	70021367	4	Nut 3/8	
114	70021399	4	Bolt, 3/8X2-1/4	
114	70021367	4	Nut, Lock 3/8	
115	90554065	4	Fitting, 90	
116	70021980	2	Hose	
117	70020562	2	Fitting, Tee	
118	70021981	2	Hose	
119	70021982	2	Hose 34in (Boom Front Disconnect)	
119	70031446	2	Hose 45in (Boom Side Disconnect)	
120	70022527	2	Fitting, 90	
121	7029692	1	Coupler	
122	90554062	1	Cover	
123	70021342	1	Coupler	
124	90554076	1	Cover	
125	90554016	1	Decal, Made in USA	
127	90554017	2	Decal, Danger Pinch Point	
128	90554018	1	Decal, Warning High Pressure	

SECTION 3 - ATTACHMENTS

FIGURE 3-15. BUCKET (102 INCH)



ART_1001100824

SECTION 3 - ATTACHMENTS

FIGURE 3-15. BUCKET (102 INCH)

ITEM	PART NUMBER	QTY	DESCRIPTION	REV
	1001100824	Ref	Bucket (102 Inch)	H
1	1001100267	NLA	Bucket (Note: Purchase PN 1001100824)	
2	See Note	NSS	S/N Plate (Note: Stamped Part - Not Available for Purchase)	
3	1001227670	1	Tag, RFID	
4	0760405	2	Bolt M4 x 10	
5	4811400	2	Washer M4	

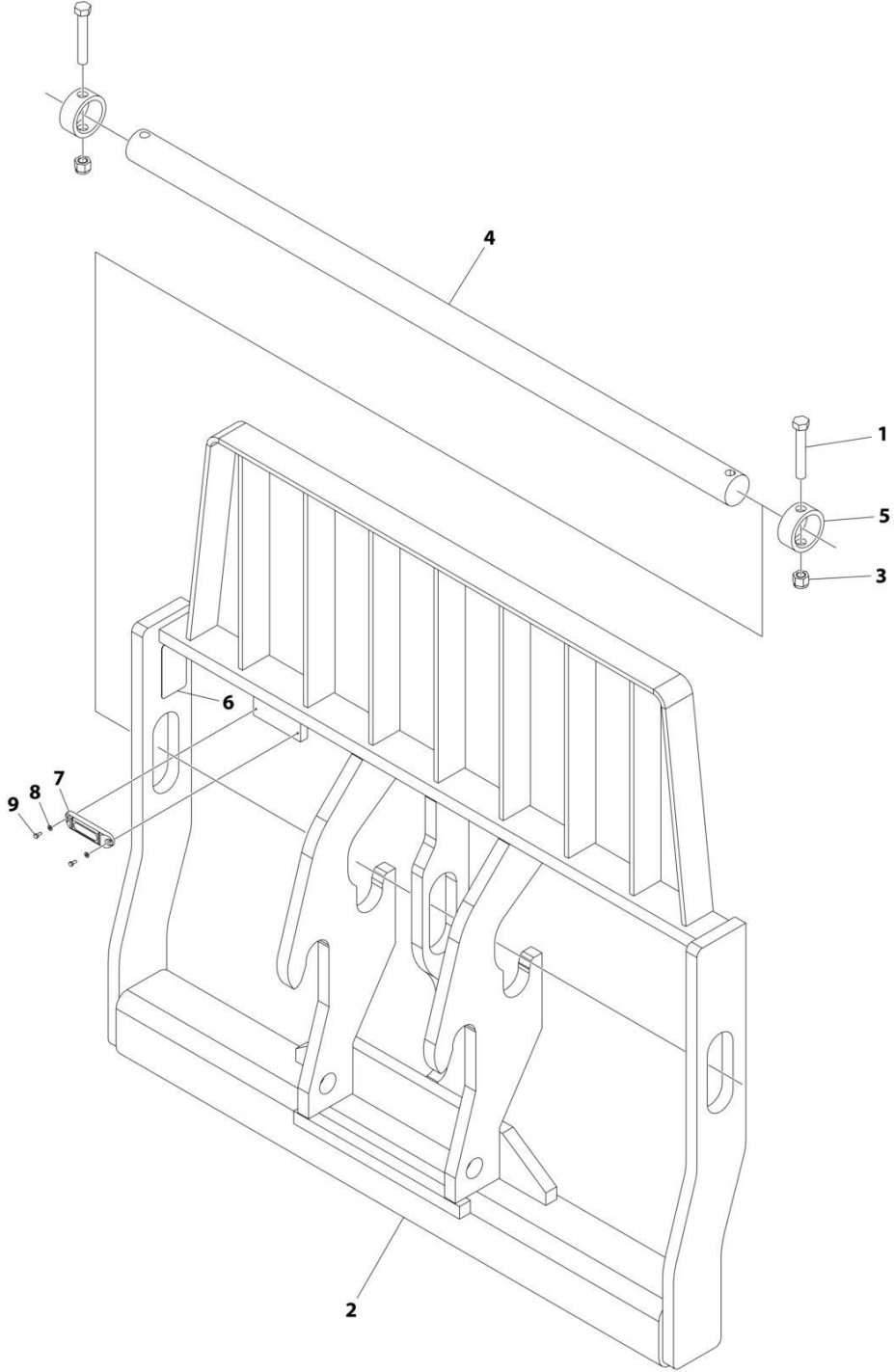
SECTION 3 - ATTACHMENTS

FIGURE 3-16. CARRIAGE ASSEMBLY - 48IN SIDE SHIFT

ITEM	PART NUMBER	QTY	DESCRIPTION	REV
	1001242644	Ref	SIDE SHIFT CARRIAGE ASSEMBLY (48 INCH)	C
1	70020028	2	Bushing	
2	70021382	4	Bolt 1/2 x 1-1/2	
3	70020002	2	Bolt 1/2 x 4	
4	90554067	2	Washer 5/16	
5	90554020	4	Washer 1/2	
6	70021379	2	Washer	
7	70027642	2	Washer	
8	70030141	2	Elbow	
9	90554065	2	Elbow 90	
10	90554016	1	Decal - Made in USA	
11	70021389	2	Fitting 90	
12	70021378	2	Capscrew	
13	70021351	1	Pin	
14	91403413	1	Adapter	
15	91403414	1	Adapter	
16	8420053	1	Cap, Dust	
17	8420055	1	Plug, Dust	
18	70030142	2	Plate	
19	70030143	2	Hose 30in (Boom Front Disconnect)	
19	70031444	2	Hose 55in (Boom Side Disconnect)	
20	90554017	2	Decal - Danger Pinch Point	
21	7029711	1	Decal - High Pressure	
22	See Note	NSS	SN Plate (Note: Stamped Part - Not Available for Purchase)	
23	70021376	1	Cylinder Assembly (See Separate Breakdown in HYDRAULIC COMPONENTS Section)	
24	70021377	1	Pin	
25	70030144	1	Pin	
26	70030145	1	Pin	
27	See Note	NSS	Frame - Rear (Note: Purchase Complete Assembly)	
28	See Note	NSS	Frame - Front (Note: Purchase Complete Assembly)	
29	1001227670	1	Tag, RFID	

SECTION 3 - ATTACHMENTS

FIGURE 3-17. CARRIAGE ASSEMBLY - 50IN



ART_1170021_I

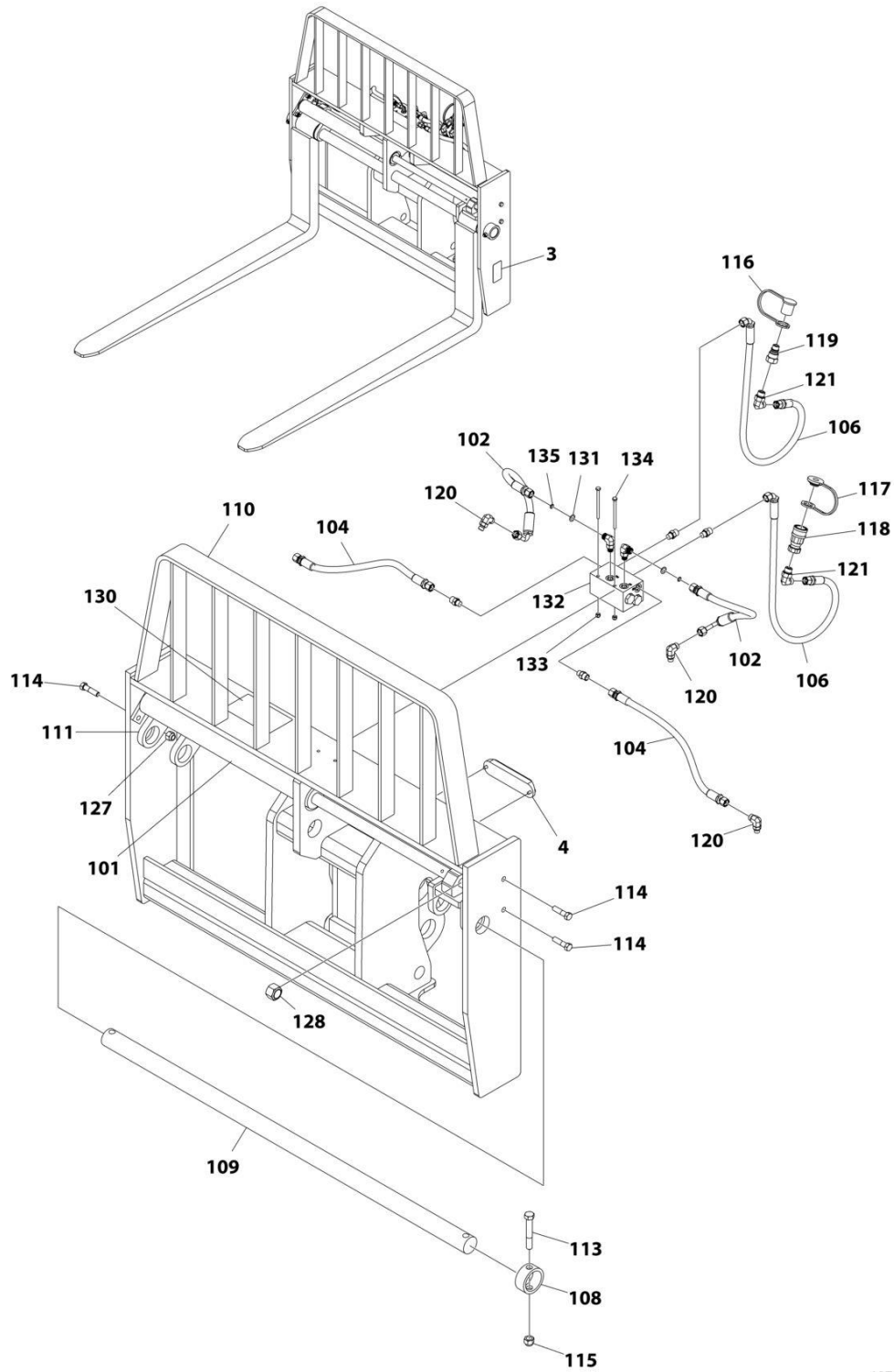
SECTION 3 - ATTACHMENTS

FIGURE 3-17. CARRIAGE ASSEMBLY - 50IN

ITEM	PART NUMBER	QTY	DESCRIPTION	REV
	1170021	Ref	CARRIAGE ASSEMBLY (50 INCH)	1
1	0642032	2	Bolt 5/8-11 x 4	
2	See Note	NSS	Carriage (Note: Purchase Complete Assembly)	
3	3300240	2	Nut 5/8-11	
4	3423275	1	Pin, Fork	
5	90200003	2	Collar, Fork Pin	
6	See Note	NSS	SN Plate (Note: Stamped Part - Not Available for Purchase)	
7	1001227670	1	Tag, RFID	
8	4811400	2	Washer M4	
9	0760405	2	Bolt M4 x 10	

SECTION 3 - ATTACHMENTS

FIGURE 3-18. CARRIAGE ASSEMBLY - 50IN DUAL FORK POSITIONING



ART_7301295_L

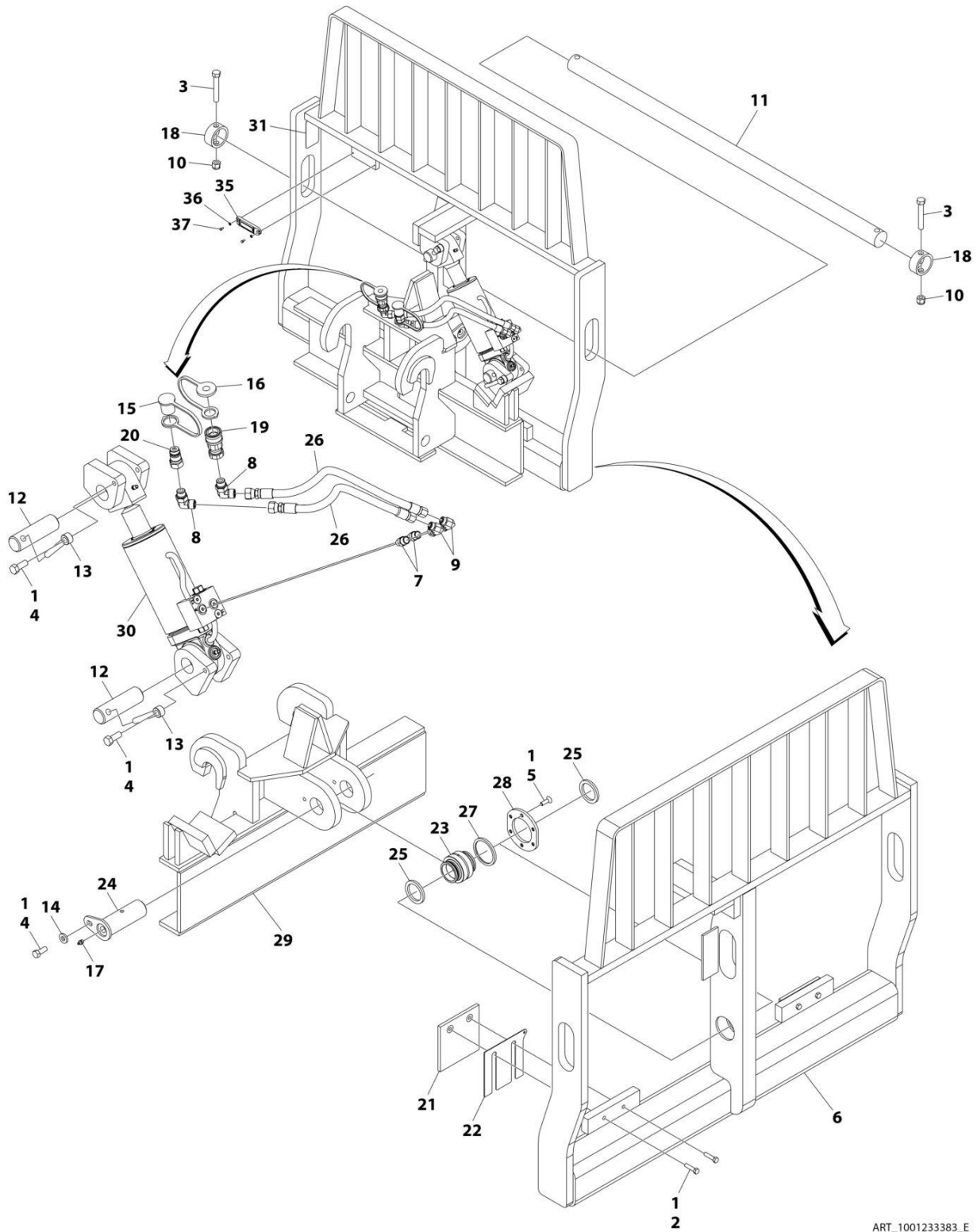
SECTION 3 - ATTACHMENTS

FIGURE 3-18. CARRIAGE ASSEMBLY - 50IN DUAL FORK POSITIONING

ITEM	PART NUMBER	QTY	DESCRIPTION	REV
	7301295	Ref	FORK POSITIONING CARRIAGE WITH FORKS (4.5 TON)	L
3	N.S.S.	1	S/N Plate	
4	1001227670	1	Tag, RFID	
101	2717283	2	Cylinder, Fork Positioning (See Separate Breakdown in HYDRAULIC COMPONENTS Section)	
102	2717160	2	Hose	
104	2717161	2	Hose	
106	2717162	2	Hose 36in (Boom Front Disconnect)	
106	70031443	2	Hose 44in (Boom Side Disconnect)	
108	90200003	2	Collar, Fork Pin	
109	90451058	1	Shaft, Fork	
110	N.S.S.	1	Weldment, Carriage	
111	N.S.S.	1	Weldment, Fork Adapter	
113	8303634	2	Bolt 5/8 x 4	
114	8303658	4	Bolt 1/2 x 2	
115	8305643	2	Nut 5/8	
116	8420053	1	Cap, Dust	
117	8420055	1	Plug, Dust	
118	91403413	1	Adapter, Quick Disconnect	
119	91403414	1	Adapter, Quick Disconnect	
120	2130606	4	Adapter, 90 Straight	
121	2130608	2	Adapter, 90 Straight	
127	8310302	4	Nut 1/2	
128	10705034	2	Nut 1	
130	4110473	1	Decal, Warning Route Hoses	
131	7139918	2	Disk, Orifice	
132	4641502	1	Assembly, Dual Fork Carriage Valve (See Separate Breakdown in HYDRAULIC COMPONENTS Section)	
133	8305624	2	Nut 1/4	
134	8310435	2	Bolt 1/4 x 3-3/4	
135	8630003	2	O-Ring	

SECTION 3 - ATTACHMENTS

FIGURE 3-19. CARRIAGE ASSEMBLY - 50IN/12000# CAPICITY SIDE TILT



ART_1001233383_E

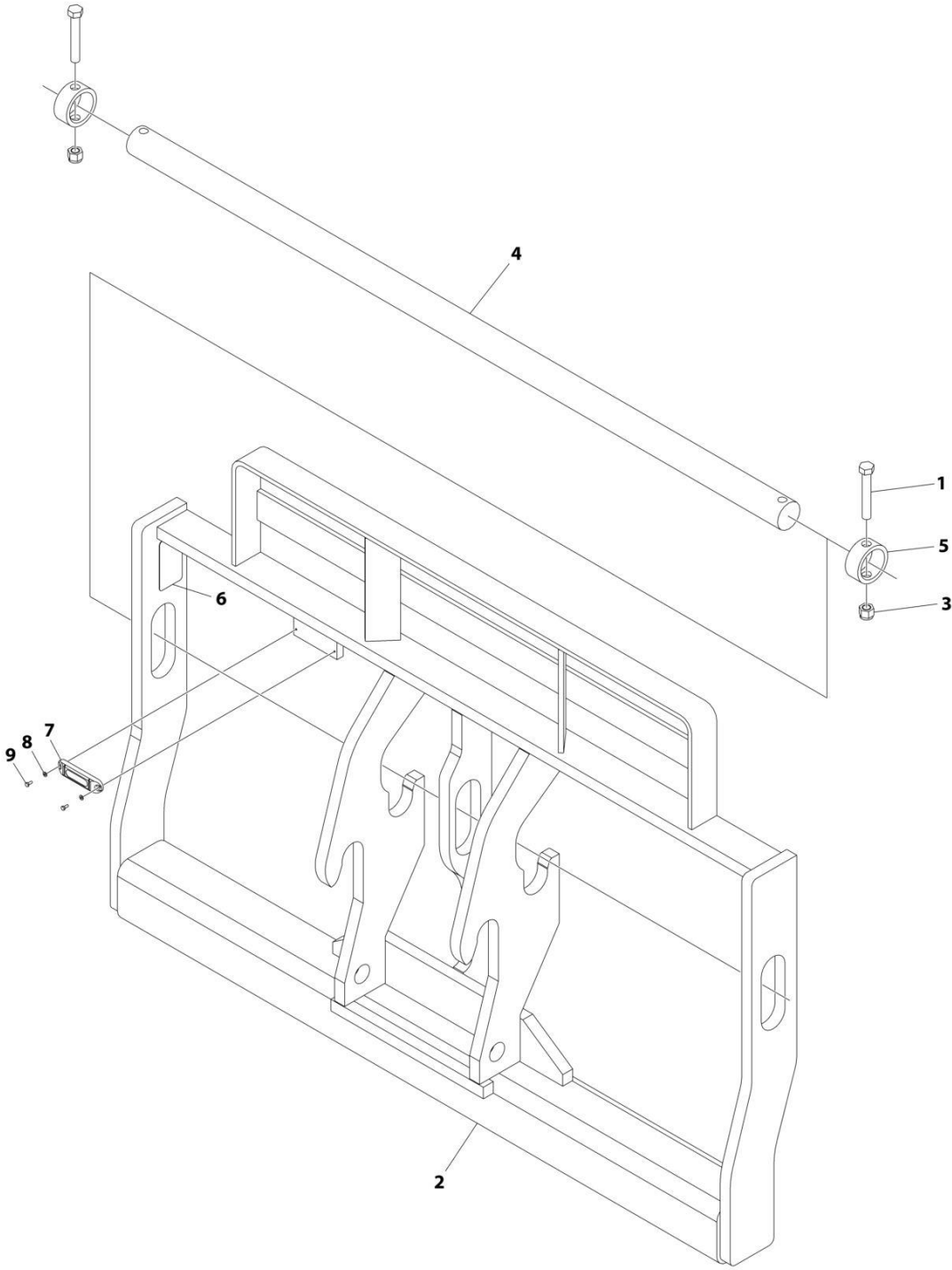
SECTION 3 - ATTACHMENTS

FIGURE 3-19. CARRIAGE ASSEMBLY - 50IN/12000# CAPICITY SIDE TILT

ITEM	PART NUMBER	QTY	DESCRIPTION	REV
	1001233383	NLA	SIDE TILT CARRIAGE ASSEMBLY (50 INCH) (No longer available, use item 1 to 37 for service or 1001277290 for replacement)	E
1	0100011	AR	Compound, Locking	
2	0641612	4	Bolt 3/8 x 1-1/2	
3	0642032	2	Bolt 5/8 x 4	
4	0681810	3	Bolt 1/2 x 1-1/4	
5	0741610	6	Screw 3/8 x 1.25	
6	See Note	NSS	Carriage (Note: Purchase Complete Assembly)	
7	2110606	2	Fitting, Straight ORFS	
8	2130808	2	Adapter, 90	
9	2172106	2	Fitting, 90 ORFS	
10	3300240	2	Nut 5/8	
11	3423275	1	Pin	
12	3423307	2	Pin	
13	3841203	2	Keeper	
14	4891800	1	Flatwasher	
15	8420053	1	Cap	
16	8420055	1	Plug	
17	88671001	1	Fitting, Grease	
18	90200003	2	Collar	
19	91403413	1	Fitting, Straight	
20	91403414	1	Fitting, Straight	
21	1001090063	2	Pad	
22	1001090064	AR	Shim	
23	1001090140	1	Bearing	
24	1001099113	1	Pin	
25	1001099115	2	Sleeve	
26	1001239734	2	Hose	
27	1001120914	1	Shim	
28	1001120915	1	Plate	
29	See Note	NSS	Carriage, Base Plate (Note: Purchase Complete Assembly)	
30	1001163414	1	Cylinder, Side Tilt (See Separate Breakdown in HYDRAULIC COMPONENTS Section)	
31	See Note	NSS	SN Plate (Note: Stamped Part - Not Available for Purchase)	
35	1001227670	1	Tag, RFID	
36	4811400	2	Washer M4	
37	0760405	2	Bolt M4 x 10	

SECTION 3 - ATTACHMENTS

FIGURE 3-20. CARRIAGE ASSEMBLY - 60IN



ART_1170024_I

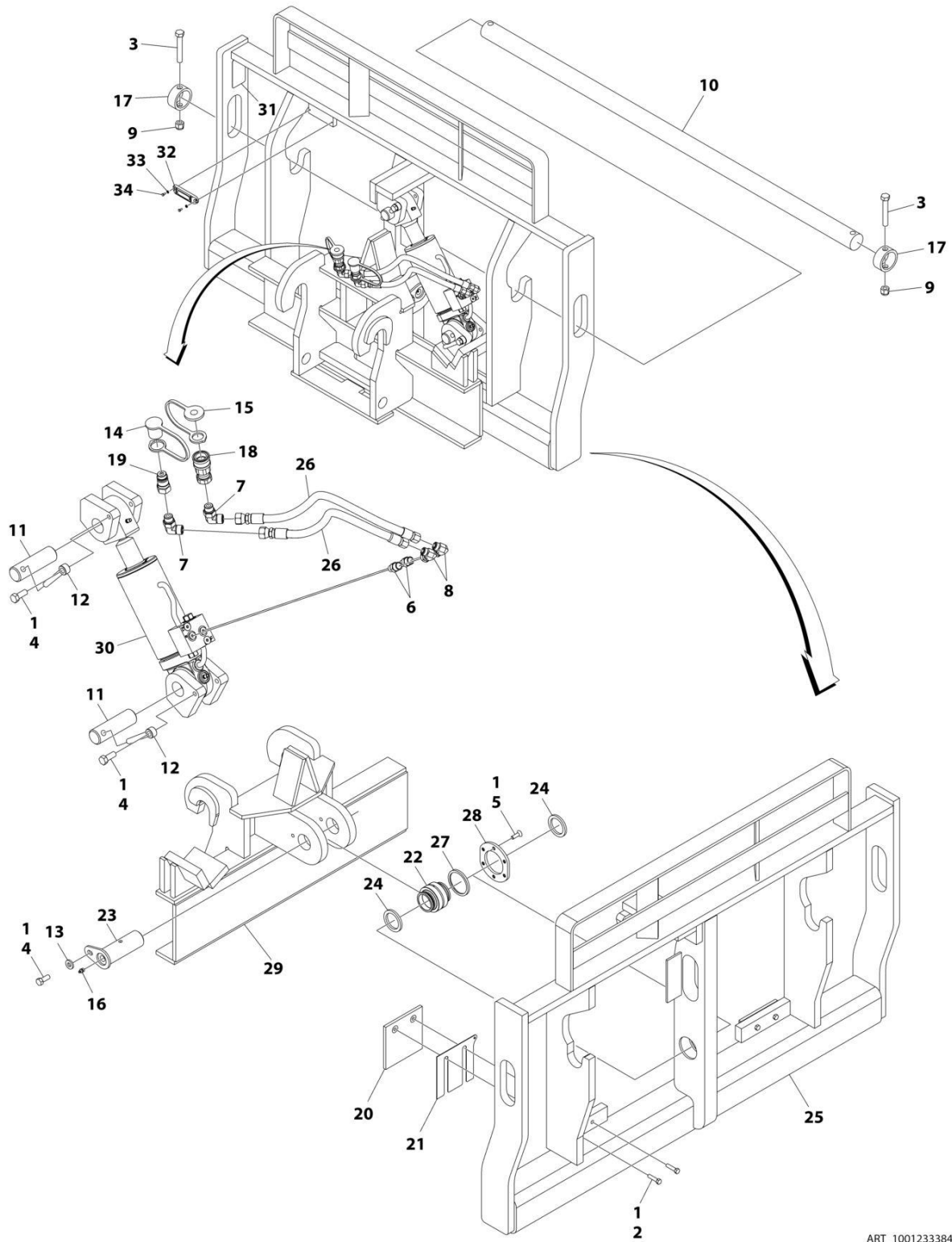
SECTION 3 - ATTACHMENTS

FIGURE 3-20. CARRIAGE ASSEMBLY - 60IN

ITEM	PART NUMBER	QTY	DESCRIPTION	REV
	1170024	Ref	CARRIAGE ASSEMBLY (1524 MM)	1
1	0642032	2	Bolt 5/8 x 4	
2	See Note	NSS	Carriage (Note: Purchase Complete Assembly)	
3	3300240	2	Nut 5/8	
4	3423242	1	Pin	
5	90200003	2	Sleeve	
6	See Note	NSS	SN Plate (Note:Stamped Part - Not Available for Purchase)	
7	1001227670	1	Tag, RFID	
8	4811400	2	Washer M4	
9	0760405	2	Bolt M4 x 10	

SECTION 3 - ATTACHMENTS

FIGURE 3-21. CARRIAGE ASSEMBLY - 60IN/12000# CAPACITY SIDE TILT



ART_1001233384_F

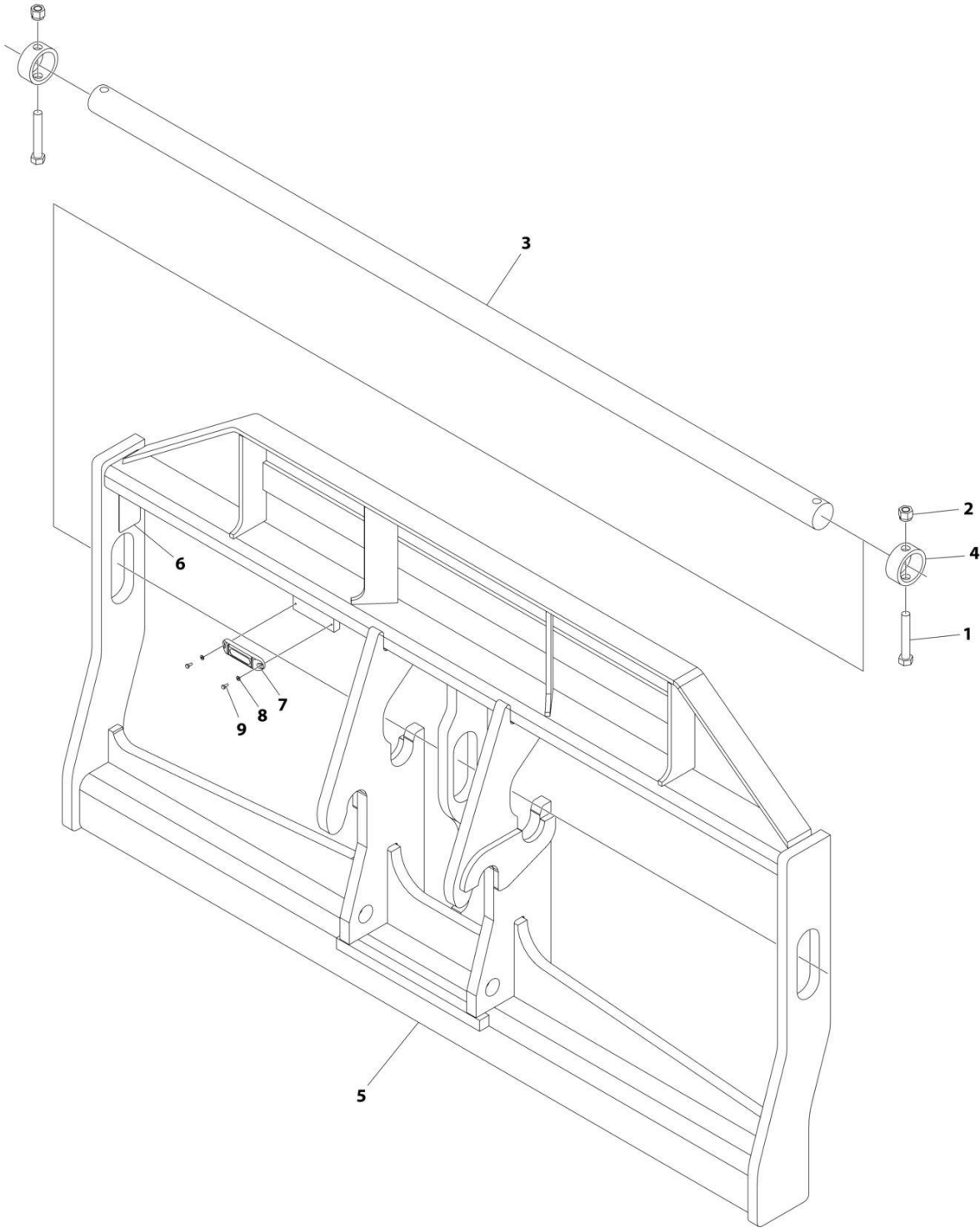
SECTION 3 - ATTACHMENTS

FIGURE 3-21. CARRIAGE ASSEMBLY - 60IN/12000# CAPACITY SIDE TILT

ITEM	PART NUMBER	QTY	DESCRIPTION	REV
	1001233384	Ref	SIDE TILT CARRIAGE ASSEMBLY (60 INCH)	F
1	0100011	AR	Compound, Locking	
2	0641612	4	Bolt 3/8 x 1-1/2	
3	0642032	2	Bolt 5/8 x 4	
4	0681810	3	Bolt 1/2 x 1-1/4	
5	0741610	6	Screw 3/8 x 1-1/4	
6	2110606	2	Fitting, Straight	
7	2130808	2	Adapter, 90	
8	2172106	2	Fitting, 90	
9	3300240	2	Nut 5/8	
10	3423242	1	Pin	
11	3423307	2	Pin	
12	3841203	2	Keeper	
13	4891800	1	Washer	
14	8420053	1	Cap	
15	8420055	1	Plug	
16	88671001	1	Fitting, Grease	
17	90200003	2	Collar	
18	91403413	1	Fitting, Straight	
19	91403414	1	Fitting, Straight	
20	1001090063	2	Pad	
21	1001090064	AR	Shim	
22	1001090140	1	Bearing	
23	1001099113	1	Pin	
24	1001099115	2	Sleeve	
25	See Note	NSS	Carriage, Side Tilt (Note: Purchase Complete Assembly)	
26	1001239734	2	Hose	
27	1001120914	1	Shim	
28	1001120915	1	Plate	
29	1001133072	1	Carriage, Base Pivot	
30	1001163414	1	Cylinder, Side Tilt (See Separate Breakdown in HYDRAULIC COMPONENTS Section)	
31	See Note	NSS	SN Plate (Note: Stamped Part - Not Available for Purchase)	
32	1001227670	1	Tag, RFID	
33	4811400	2	Washer M4	
34	0760405	2	Bolt M4 x 10	

SECTION 3 - ATTACHMENTS

FIGURE 3-22. CARRIAGE ASSEMBLY - 72IN



ART_1001211516_E

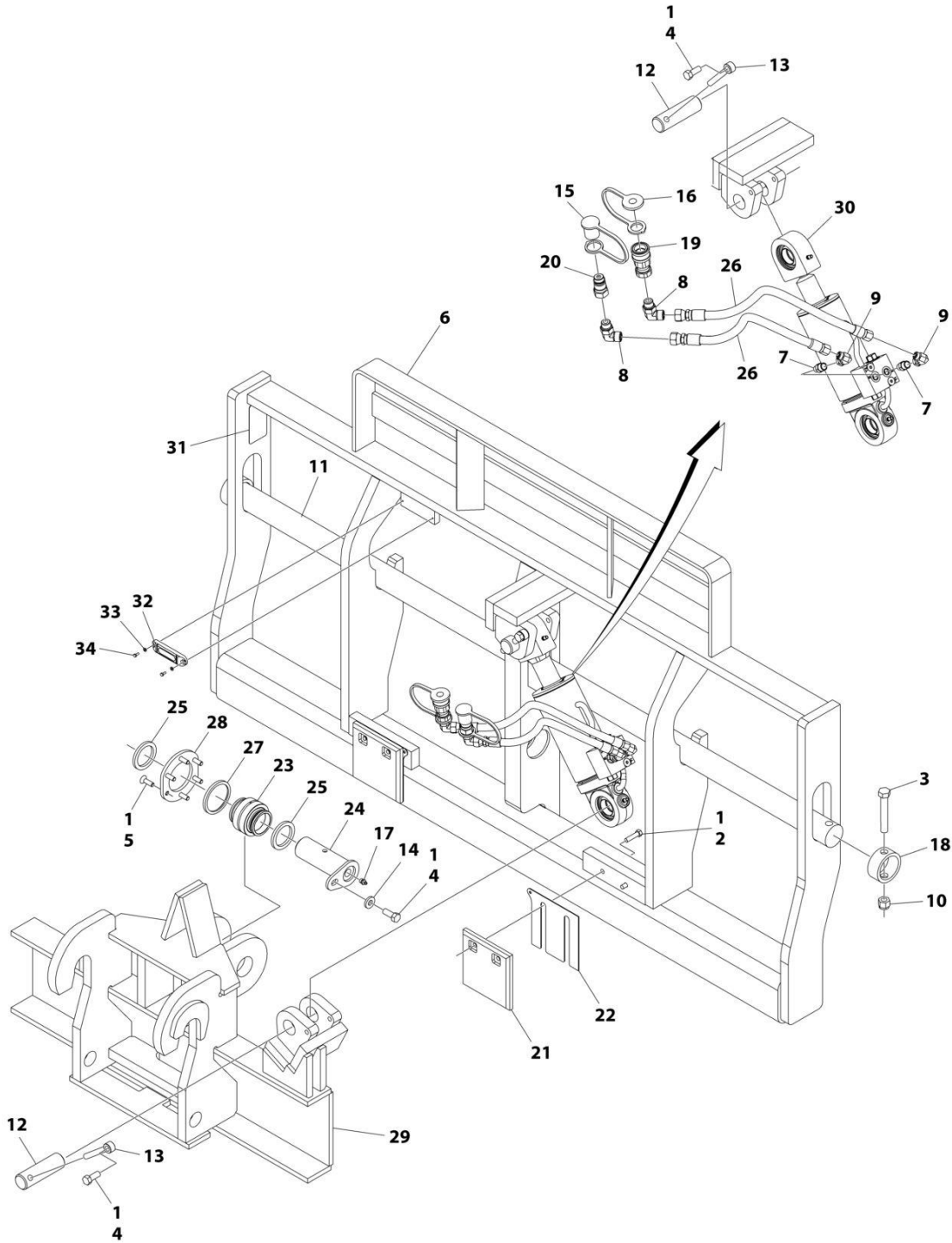
SECTION 3 - ATTACHMENTS

FIGURE 3-22. CARRIAGE ASSEMBLY - 72IN

ITEM	PART NUMBER	QTY	DESCRIPTION	REV
	1001211516	Ref	CARRIAGE ASSEMBLY (72 INCH)	F
1	0642032	2	Bolt 5/8 x 4	
2	3300240	2	Nut 5/8	
3	3423276	1	Pin	
4	90200003	2	Sleeve	
5	See Note	NSS	Carriage (Note: Purchase Complete Assembly)	
6	See Note	NSS	SN Plate (Note:Stamped Part - Not Available for Purchase)	
7	1001227670	1	Tag, RFID	
8	4811400	2	Washer M4	
9	0760405	2	Bolt M4 x 10	

SECTION 3 - ATTACHMENTS

FIGURE 3-23. CARRIAGE ASSEMBLY - 72IN/12000# CAPACITY SIDE TILT



ART_1001233385_E

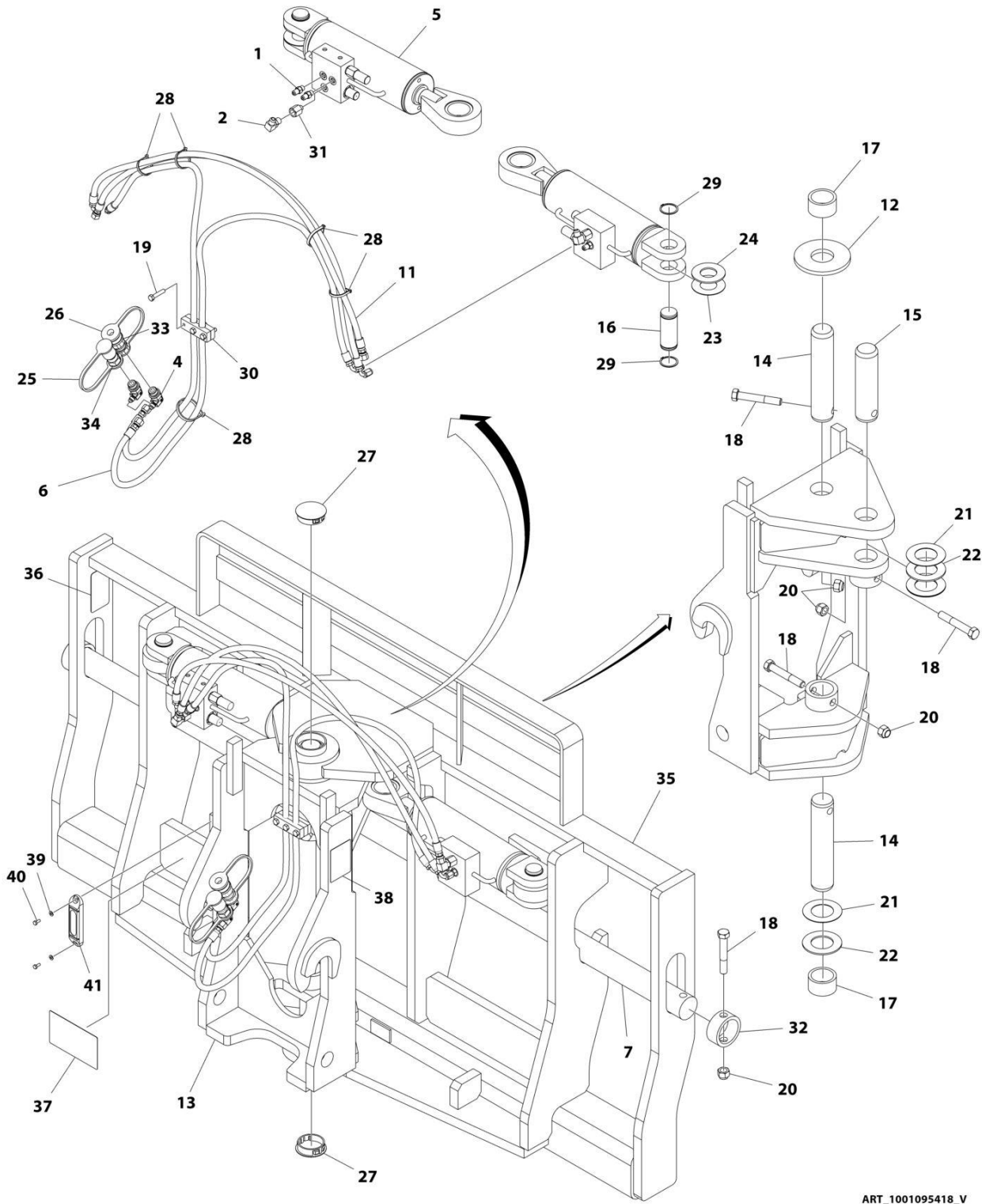
SECTION 3 - ATTACHMENTS

FIGURE 3-23. CARRIAGE ASSEMBLY - 72IN/12000# CAPACITY SIDE TILT

ITEM	PART NUMBER	QTY	DESCRIPTION	REV
	1001233385	NLA	SIDE TILT CARRIAGE ASSEMBLY (72 INCH) (No longer available, use item 1 to 34 for service or 1001276666 for replacement)	E
1	0100011	AR	Compound, Locking	
2	0641612	4	Bolt 3/8 x 1-1/2	
3	0642032	2	Bolt 5/8 x 4	
4	0681810	3	Bolt 1/2 x 1-1/4	
5	0741610	6	Screw 3/8 x 1-1/4	
5	See Note	NSS	Carriage, Side Tilt (Note: Purchase Complete Assembly)	
7	2110606	2	Adapter, Straight	
8	2130808	2	Adapter, 90	
9	2172106	2	Adapter, 90	
10	3300240	2	Nut 5/8	
11	3423276	1	Pin, Fork	
12	3423307	2	Pin, Side Tilt Cylinder	
13	3841203	2	Keeper, Rod	
14	4891800	1	Washer 1/2	
15	8420053	1	Cap, Dust	
16	8420055	1	Plug, Dust	
17	88671001	1	Fitting, Grease	
18	90200003	2	Collar, Fork Pin	
19	91403413	1	Adapter	
20	91403414	1	Adapter	
21	1001090063	2	Pad, Wear	
22	1001090064	AR	Shim, Wear Pad	
23	1001090140	1	Bearing, Side Tilt Spherical	
24	1001099113	1	Pin, Side Tilt Frame Pivot	
25	1001099115	2	Sleeve, Tilt Bearing Spacer	
26	1001239734	2	Hose	
27	1001120914	1	Shim, Bearing Retainer	
28	1001120915	1	Plate, Bearing Retainer	
29	1001133072	1	Carriage, Base Pivot	
30	1001163414	1	Cylinder, Side Tilt (See Separate Breakdown in HYDRAULIC COMPONENTS Section)	
31	See Note	NSS	SN Plate (Note: Stamped Part - Not Available for Purchase)	
32	1001227670	1	Tag, RFID	
33	4811400	2	Washer M4	
34	0760405	2	Bolt M4 x 10	

SECTION 3 - ATTACHMENTS

FIGURE 3-24. CARRIAGE ASSEMBLY - 72IN SWING



ART_1001095418_V

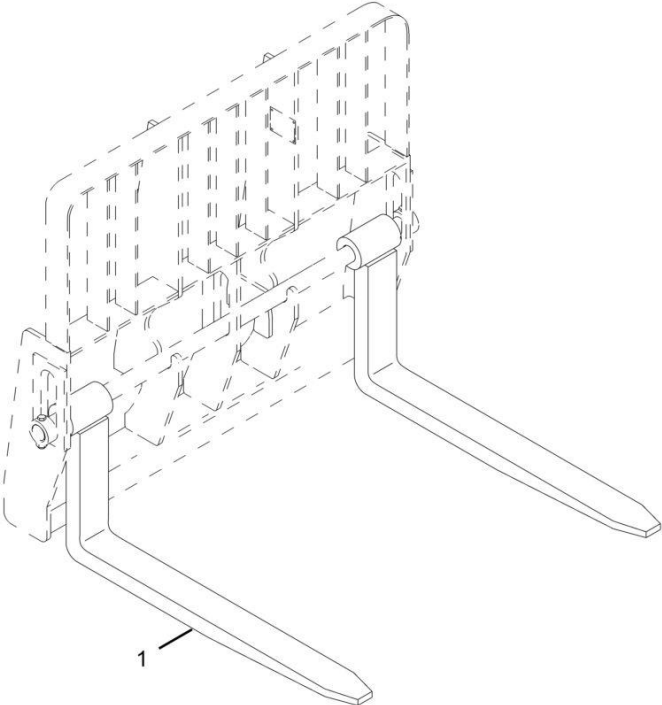
SECTION 3 - ATTACHMENTS

FIGURE 3-24. CARRIAGE ASSEMBLY - 72IN SWING

ITEM	PART NUMBER	QTY	DESCRIPTION	REV
	1001095418	Ref	CARRIAGE ASSEMBLY - SWING (72 INCH)	V
1	2220415	4	Fitting, Straight ORFS	
2	2220473	2	Fitting, 90 ORFS	
4	1001211139	2	Adapter, 90	
5	1001103182	1	Swing Carriage Cylinder (See Separate Breakdown in HYDRAULIC COMPONENTS Section)	
6	2717287	2	Hose 58IN (Boom Front Disconnect)	
6	1001301599	1	Hose 66IN (Boom Side Disconnect)	
6	1001301600	1	Hose 46IN (Boom Side Disconnect)	
7	3423276	1	Pin	
11	6604662	2	Hose	
12	7062922	1	Washer	
13	See Note	NSS	Pivot (Note: Purchase Complete Assembly)	
14	7110702	2	Pin	
15	7110712	1	Pin	
16	7110722	2	Pin	
17	8065062	2	Bushing	
18	8303634	5	Bolt 5/8 x 4	
19	8303715	3	Bolt 5/16 x 1-1/2	
20	8305643	5	Nut 5/8	
21	8307904	AR	Washer	
22	8307918	AR	Washer	
23	8310160	AR	Washer	
24	8310161	AR	Washer	
25	8420053	1	Cap	
26	8420055	1	Plug	
27	8580315	2	Plug	
28	8584001	5	Tie Wrap	
29	8642207	4	Ring, Retaining	
30	8769132	2	Clamp	
31	8770016	2	Fitting, Straight ORFS	
32	90200003	2	Collar	
33	91403413	1	Fitting, Straight ORFS	
34	91403414	1	Fitting, Straight	
35	See Note	NSS	Carriage (Note: Purchase Complete Assembly)	
36	See Note	NSS	SN Plate (Note: Stamped Part - Not Available for Purchase)	
37	1001110704	1	Decal, Warning Crushing Hazard	
38	1001111190	2	Decal, Warning	
39	4811400	2	Washer M4	
40	0760405	2	Bolt M4 x 10	
41	1001227670	1	Tag - RFID	

SECTION 3 - ATTACHMENTS

FIGURE 3-25. FORK 1.75X7X60 - DUAL TAPERED 5400#



ART_2340046

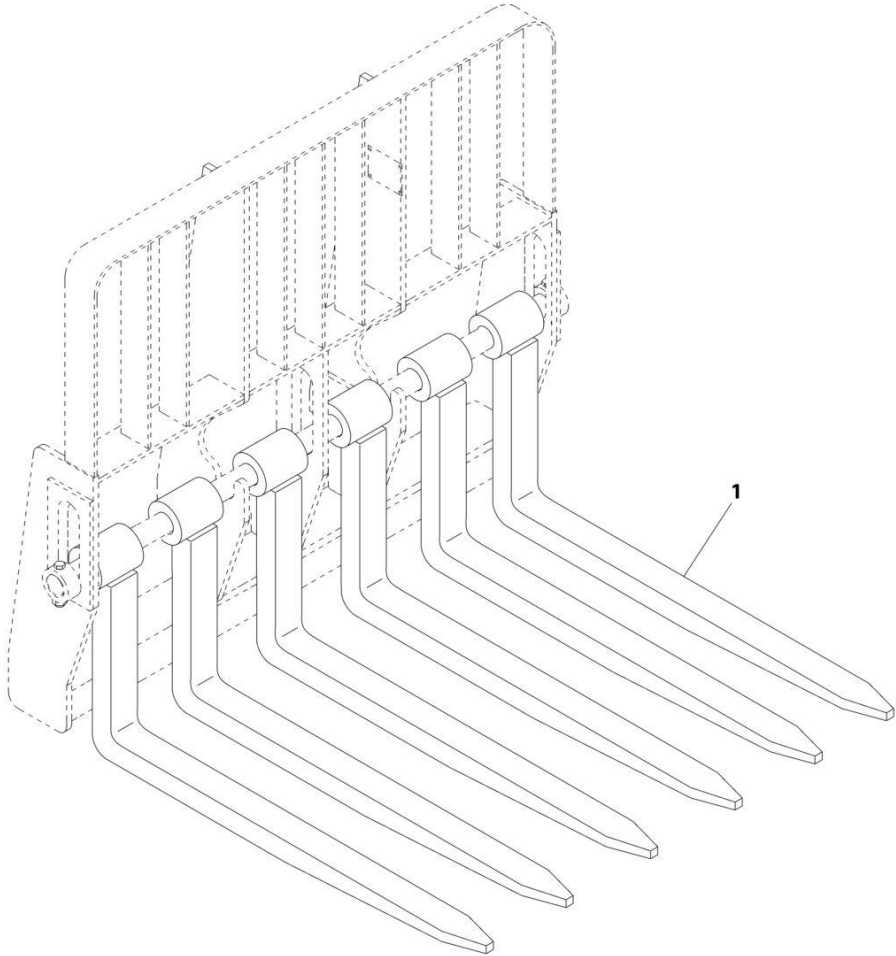
SECTION 3 - ATTACHMENTS

FIGURE 3-25. FORK 1.75X7X60 - DUAL TAPERED 5400#

ITEM	PART NUMBER	QTY	DESCRIPTION	REV
1	2340046	2	Dual Taper Fork (60X7X1.75)	
N1	Note	Ref	FORKS RATED LESS THAN THE ATTACHMENT OR MACHINE'S CAPACITY DECREASES CAPACITY OF THE ATTACHMENT OR MACHINE TO THAT OF THE FORKS. FORKS RATED MORE THAN THE ATTACHMENT OR MACHINE'S CAPACITY DO NOT INCREASE ATTACHMENT OR MACHINE'S CAPACITY.	
N2	Note	Ref	PLEASE CONSULT JLG PARTS DEPARTMENT TO DETERMINE THE CORRECT FORKS APPLICABLE TO YOUR SPECIFIC CARRIAGE ASSEMBLY AND APPLICATION.	

SECTION 3 - ATTACHMENTS

FIGURE 3-26. FORK 2X2X48 - CUBING/BLOCKING 1940#



ART_2340037

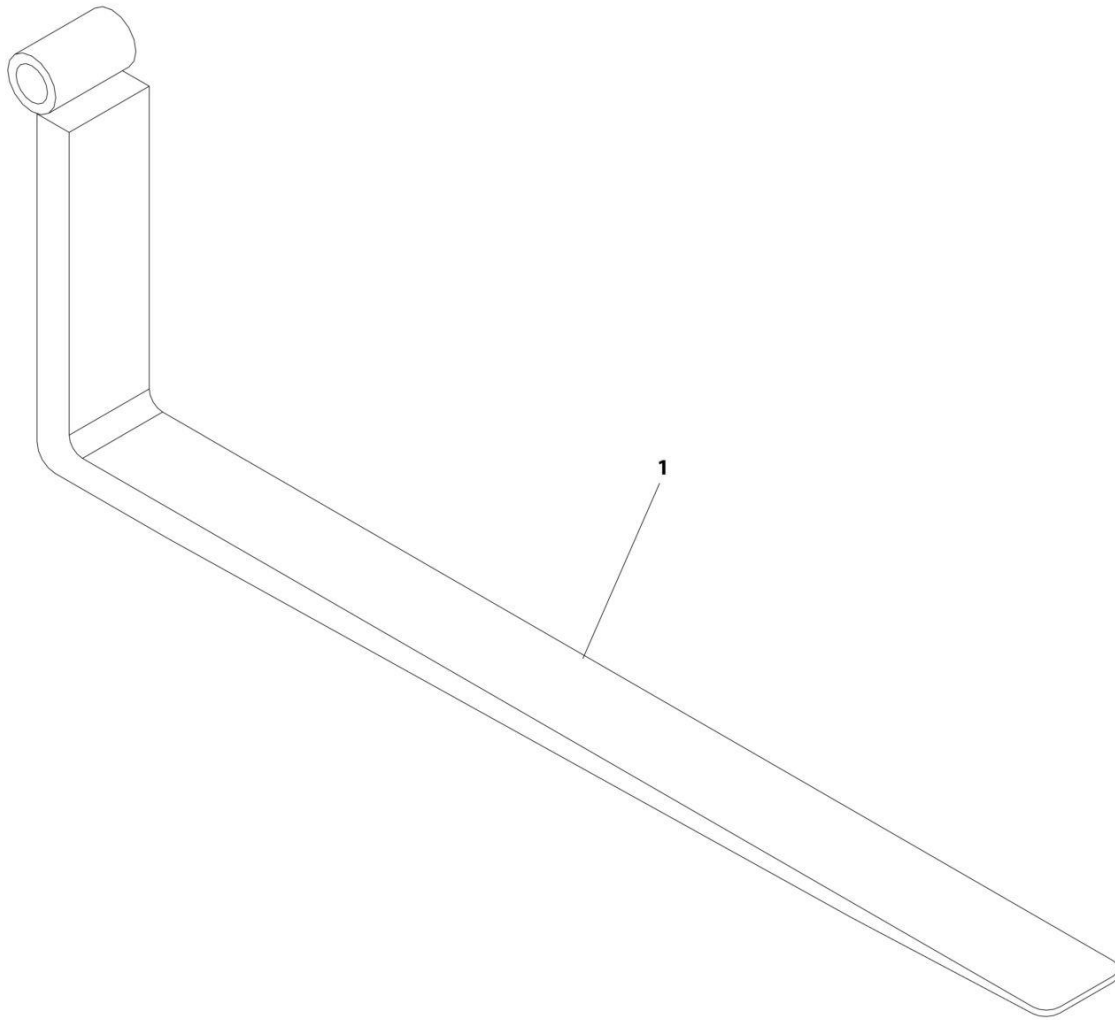
SECTION 3 - ATTACHMENTS

FIGURE 3-26. FORK 2X2X48 - CUBING/BLOCKING 1940#

ITEM	PART NUMBER	QTY	DESCRIPTION	REV
1	2340037	1	Cubing Fork (2.00X2X48)	A
	Note	Ref	FORKS RATED LESS THAN THE ATTACHMENT OR MACHINE'S CAPACITY DECREASES CAPACITY OF THE ATTACHMENT OR MACHINE TO THAT OF THE FORKS. FORKS RATED MORE THAN THE ATTACHMENT OR MACHINE'S CAPACITY DO NOT INCREASE ATTACHMENT OR MACHINE'S CAPACITY.	
	Note	Ref	PLEASE CONSULT JLG PARTS DEPARTMENT TO DETERMINE THE CORRECT FORKS APPLICABLE TO YOUR SPECIFIC CARRIAGE ASSEMBLY AND APPLICATION.	

SECTION 3 - ATTACHMENTS

FIGURE 3-27. FORK 2X6X72 - DUAL TAPERED 6613#



ART_1001259206

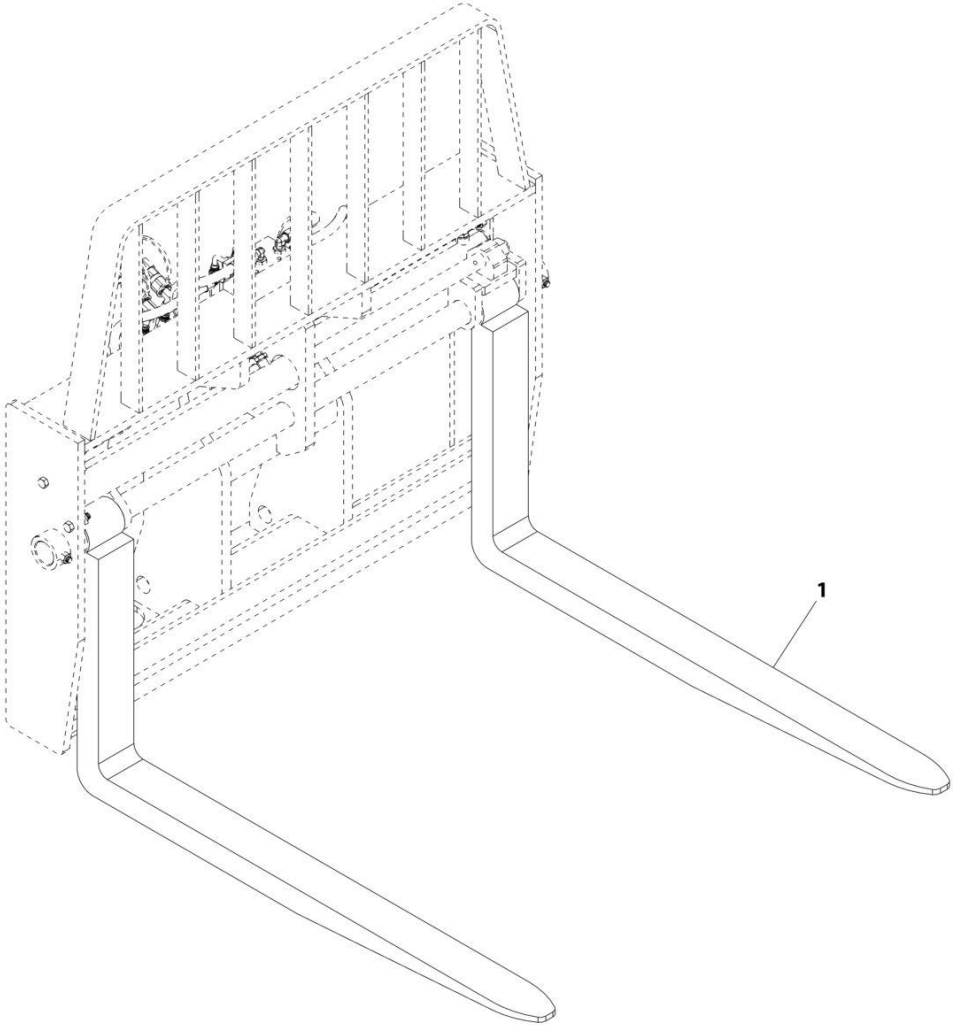
SECTION 3 - ATTACHMENTS

FIGURE 3-27. FORK 2X6X72 - DUAL TAPERED 6613#

ITEM	PART NUMBER	QTY	DESCRIPTION	REV
1	1001259206	2	Dual Taper Fork (2.00X6X72)	A
	Note	Ref	FORKS RATED LESS THAN THE ATTACHMENT OR MACHINE'S CAPACITY DECREASES CAPACITY OF THE ATTACHMENT OR MACHINE TO THAT OF THE FORKS. FORKS RATED MORE THAN THE ATTACHMENT OR MACHINE'S CAPACITY DO NOT INCREASE ATTACHMENT OR MACHINE'S CAPACITY.	
	Note	Ref	PLEASE CONSULT JLG PARTS DEPARTMENT TO DETERMINE THE CORRECT FORKS APPLICABLE TO YOUR SPECIFIC CARRIAGE ASSEMBLY AND APPLICATION.	

SECTION 3 - ATTACHMENTS

FIGURE 3-28. FORK 2.36X4X48 PALLET 5000#



ART_7301408

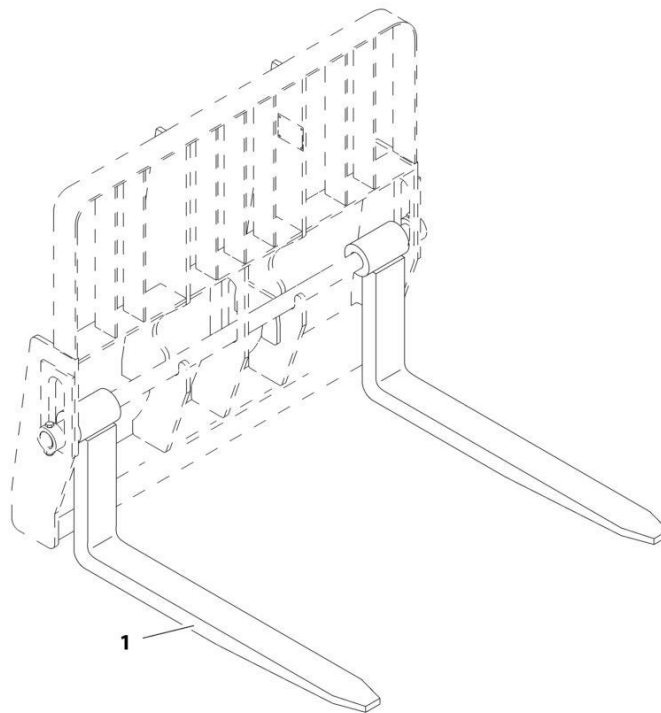
SECTION 3 - ATTACHMENTS

FIGURE 3-28. FORK 2.36X4X48 PALLET 5000#

ITEM	PART NUMBER	QTY	DESCRIPTION	REV
1	7301408	2	Pallet Fork (2.36X4X48)	D
N1	Note	Ref	FORKS RATED LESS THAN THE ATTACHMENT OR MACHINE'S CAPACITY DECREASES CAPACITY OF THE ATTACHMENT OR MACHINE TO THAT OF THE FORKS. FORKS RATED MORE THAN THE ATTACHMENT OR MACHINE'S CAPACITY DO NOT INCREASE ATTACHMENT OR MACHINE'S CAPACITY.	
N2	Note	Ref	PLEASE CONSULT JLG PARTS DEPARTMENT TO DETERMINE THE CORRECT FORKS APPLICABLE TO YOUR SPECIFIC CARRIAGE ASSEMBLY AND APPLICATION.	

SECTION 3 - ATTACHMENTS

FIGURE 3-29. FORK 2.36X4X48 PALLET 5475#



ART_2340045

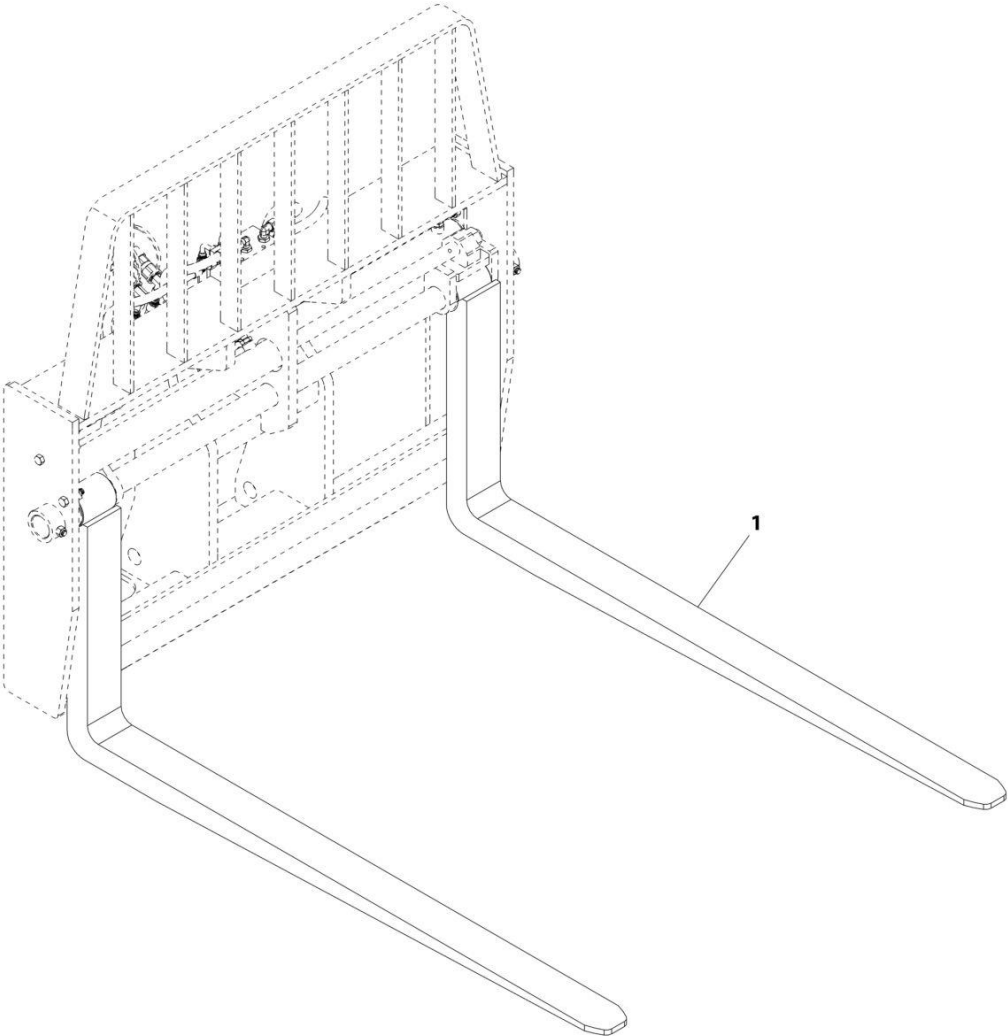
SECTION 3 - ATTACHMENTS

FIGURE 3-29. FORK 2.36X4X48 PALLET 5475#

ITEM	PART NUMBER	QTY	DESCRIPTION	REV
1	2340045	2	Pallet Fork (2.36X4X48)	
	Note	Ref	FORKS RATED LESS THAN THE ATTACHMENT OR MACHINE'S CAPACITY DECREASES CAPACITY OF THE ATTACHMENT OR MACHINE TO THAT OF THE FORKS. FORKS RATED MORE THAN THE ATTACHMENT OR MACHINE'S CAPACITY DO NOT INCREASE ATTACHMENT OR MACHINE'S CAPACITY.	
	Note	Ref	PLEASE CONSULT JLG PARTS DEPARTMENT TO DETERMINE THE CORRECT FORKS APPLICABLE TO YOUR SPECIFIC CARRIAGE ASSEMBLY AND APPLICATION.	

SECTION 3 - ATTACHMENTS

FIGURE 3-30. FORK 2.36X4X60 PALLET 5000#



ART_1001227379

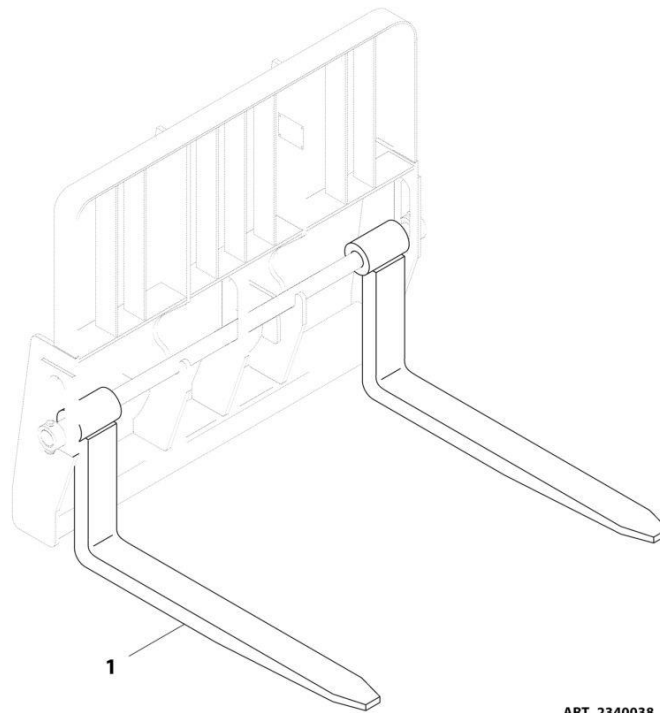
SECTION 3 - ATTACHMENTS

FIGURE 3-30. FORK 2.36X4X60 PALLET 5000#

ITEM	PART NUMBER	QTY	DESCRIPTION	REV
1	1001227379	2	Pallet Fork (2.36X4X60)	A
N1	Note	Ref	FORKS RATED LESS THAN THE ATTACHMENT OR MACHINE'S CAPACITY DECREASES CAPACITY OF THE ATTACHMENT OR MACHINE TO THAT OF THE FORKS. FORKS RATED MORE THAN THE ATTACHMENT OR MACHINE'S CAPACITY DO NOT INCREASE ATTACHMENT OR MACHINE'S CAPACITY.	
N2	Note	Ref	PLEASE CONSULT JLG PARTS DEPARTMENT TO DETERMINE THE CORRECT FORKS APPLICABLE TO YOUR SPECIFIC CARRIAGE ASSEMBLY AND APPLICATION.	

SECTION 3 - ATTACHMENTS

FIGURE 3-31. FORK 2.36X5X48 PALLET 6850#



ART_2340038

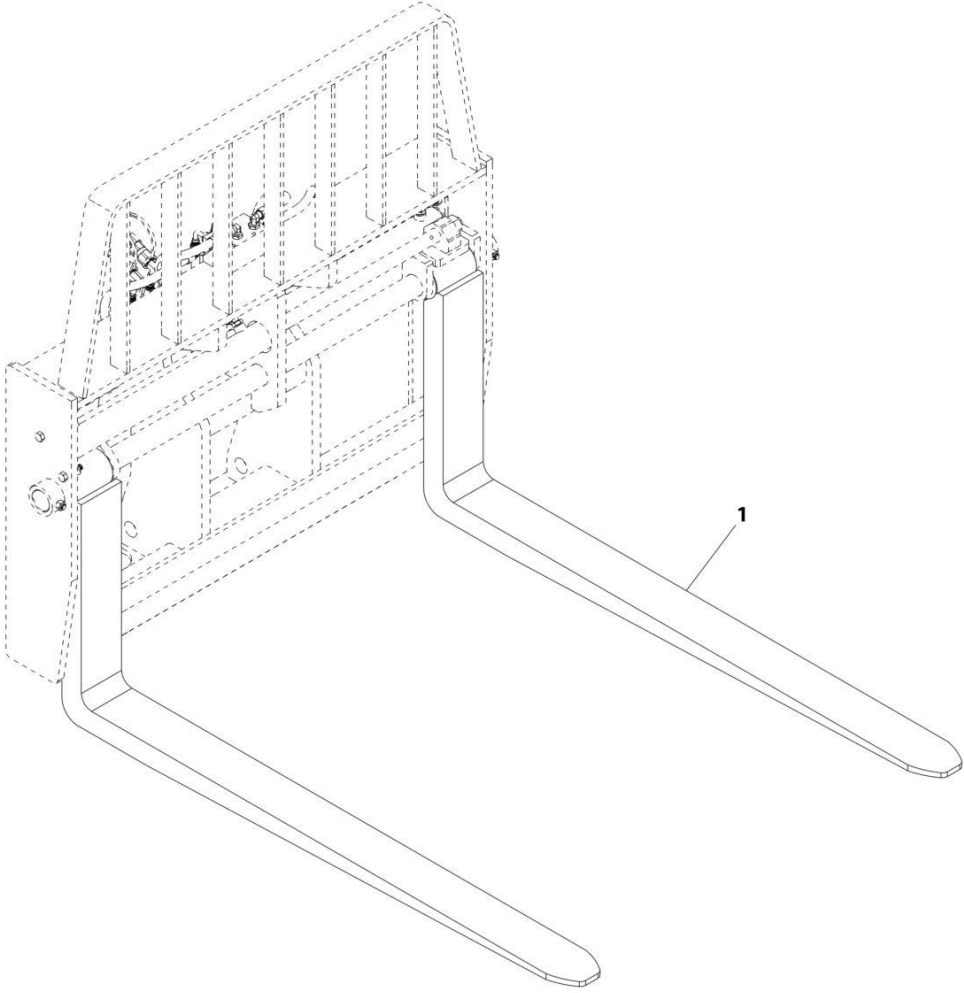
SECTION 3 - ATTACHMENTS

FIGURE 3-31. FORK 2.36X5X48 PALLET 6850#

ITEM	PART NUMBER	QTY	DESCRIPTION	REV
1	2340038	2	Pallet Fork (2.36X5X48)	B
	Note	Ref	FORKS RATED LESS THAN THE ATTACHMENT OR MACHINE'S CAPACITY DECREASES CAPACITY OF THE ATTACHMENT OR MACHINE TO THAT OF THE FORKS. FORKS RATED MORE THAN THE ATTACHMENT OR MACHINE'S CAPACITY DO NOT INCREASE ATTACHMENT OR MACHINE'S CAPACITY.	
	Note	Ref	PLEASE CONSULT JLG PARTS DEPARTMENT TO DETERMINE THE CORRECT FORKS APPLICABLE TO YOUR SPECIFIC CARRIAGE ASSEMBLY AND APPLICATION.	

SECTION 3 - ATTACHMENTS

FIGURE 3-32. FORK 2.36X5X60 PALLET 6850#



ART_1001227382

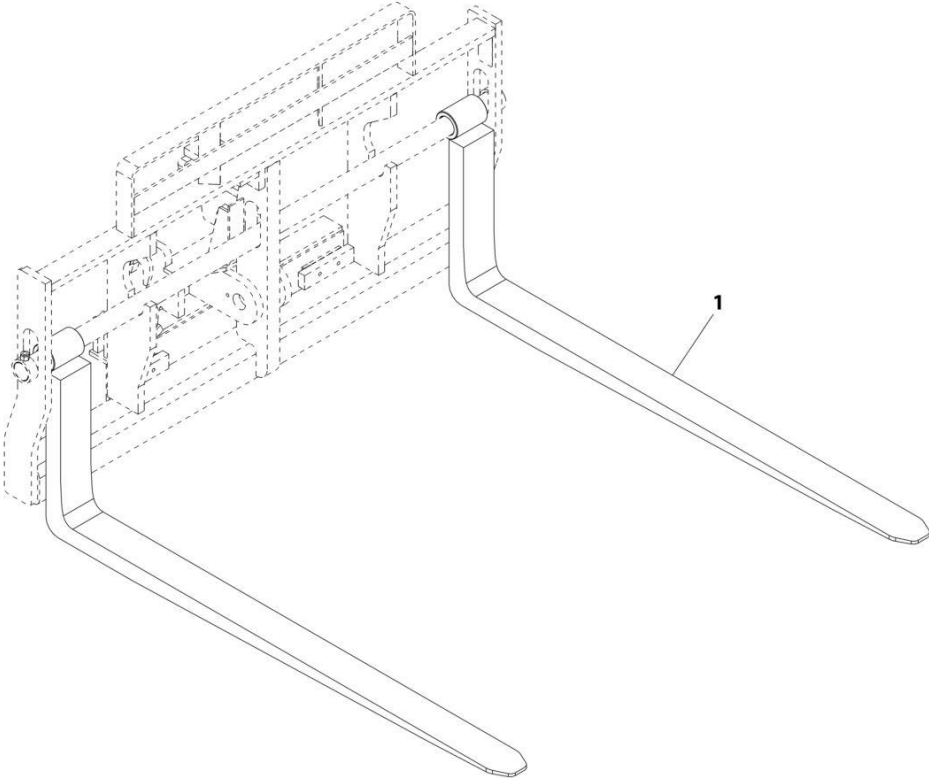
SECTION 3 - ATTACHMENTS

FIGURE 3-32. FORK 2.36X5X60 PALLET 6850#

ITEM	PART NUMBER	QTY	DESCRIPTION	REV
1	1001227382	1	Pallet Fork (2.36X5X60)	A
N1	Note	Ref	FORKS RATED LESS THAN THE ATTACHMENT OR MACHINE'S CAPACITY DECREASES CAPACITY OF THE ATTACHMENT OR MACHINE TO THAT OF THE FORKS. FORKS RATED MORE THAN THE ATTACHMENT OR MACHINE'S CAPACITY DO NOT INCREASE ATTACHMENT OR MACHINE'S CAPACITY.	
N2	Note	Ref	PLEASE CONSULT JLG PARTS DEPARTMENT TO DETERMINE THE CORRECT FORKS APPLICABLE TO YOUR SPECIFIC CARRIAGE ASSEMBLY AND APPLICATION.	

SECTION 3 - ATTACHMENTS

FIGURE 3-33. FORK 2.36X5X72 PALLET 6850#



ART_1001232355

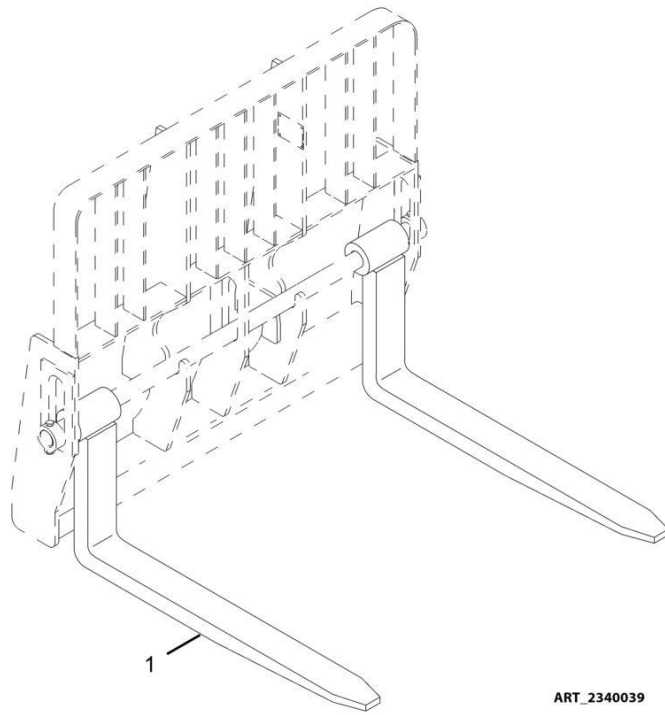
SECTION 3 - ATTACHMENTS

FIGURE 3-33. FORK 2.36X5X72 PALLET 6850#

ITEM	PART NUMBER	QTY	DESCRIPTION	REV
	1001232355	1 pr	Pallet Fork (2.36X5X72)	A
	Note	Ref	FORKS RATED LESS THAN THE ATTACHMENT OR MACHINE'S CAPACITY DECREASES CAPACITY OF THE ATTACHMENT OR MACHINE TO THAT OF THE FORKS. FORKS RATED MORE THAN THE ATTACHMENT OR MACHINE'S CAPACITY DO NOT INCREASE ATTACHMENT OR MACHINE'S CAPACITY.	
	Note	Ref	PLEASE CONSULT JLG PARTS DEPARTMENT TO DETERMINE THE CORRECT FORKS APPLICABLE TO YOUR SPECIFIC CARRIAGE ASSEMBLY AND APPLICATION.	

SECTION 3 - ATTACHMENTS

FIGURE 3-34. FORK 2.36X6X60 PALLET 8150#



ART_2340039

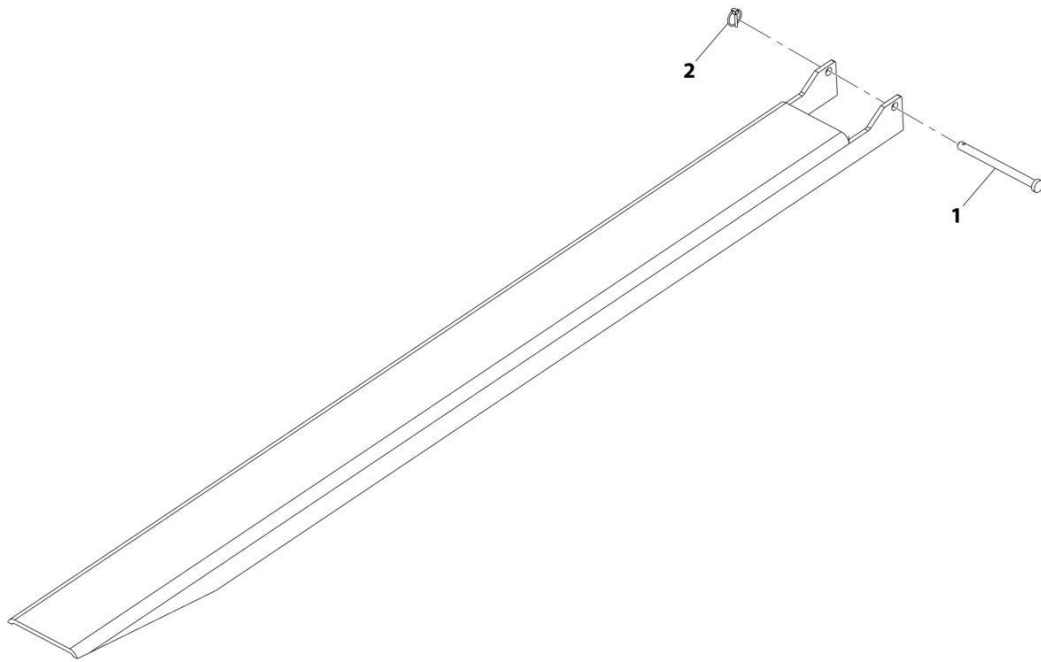
SECTION 3 - ATTACHMENTS

FIGURE 3-34. FORK 2.36X6X60 PALLET 8150#

ITEM	PART NUMBER	QTY	DESCRIPTION	REV
1	2340039	2	Lumber Fork (60X150X1524)	
	Note	Ref	FORKS RATED LESS THAN THE ATTACHMENT OR MACHINE'S CAPACITY DECREASES CAPACITY OF THE ATTACHMENT OR MACHINE TO THAT OF THE FORKS. FORKS RATED MORE THAN THE ATTACHMENT OR MACHINE'S CAPACITY DO NOT INCREASE ATTACHMENT OR MACHINE'S CAPACITY.	
	Note	Ref	PLEASE CONSULT JLG PARTS DEPARTMENT TO DETERMINE THE CORRECT FORKS APPLICABLE TO YOUR SPECIFIC CARRIAGE ASSEMBLY AND APPLICATION.	

SECTION 3 - ATTACHMENTS

FIGURE 3-35. FORK EXTENSION (90 INCH)



ART_1001137512-D

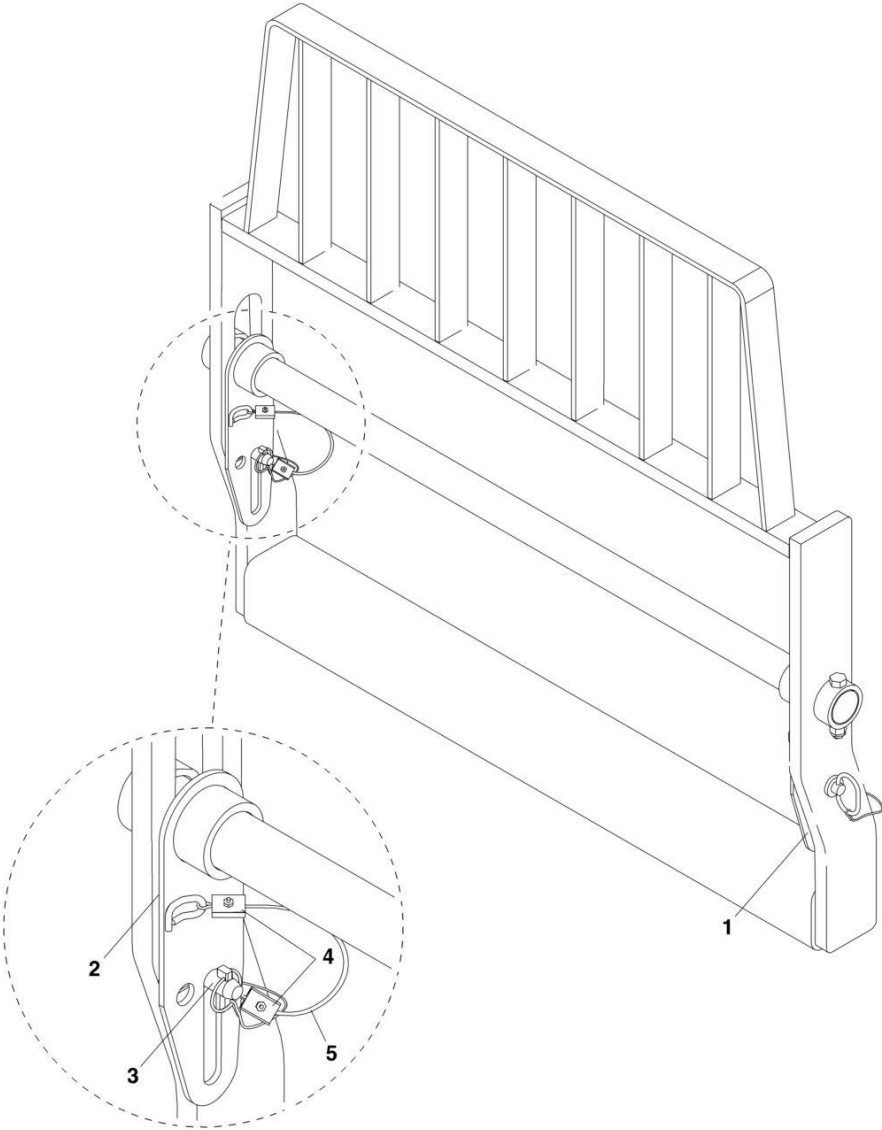
SECTION 3 - ATTACHMENTS

FIGURE 3-35. FORK EXTENSION (90 INCH)

ITEM	PART NUMBER	QTY	DESCRIPTION	REV
	1001137512	2 pr	Fork Extensions (62X163X2286)	D
1	70024306	1	Pin	
2	70024307	1	Clip	

SECTION 3 - ATTACHMENTS

FIGURE 3-36. FORK PIN LOCK INSTALLATION



ART_1001093465_B

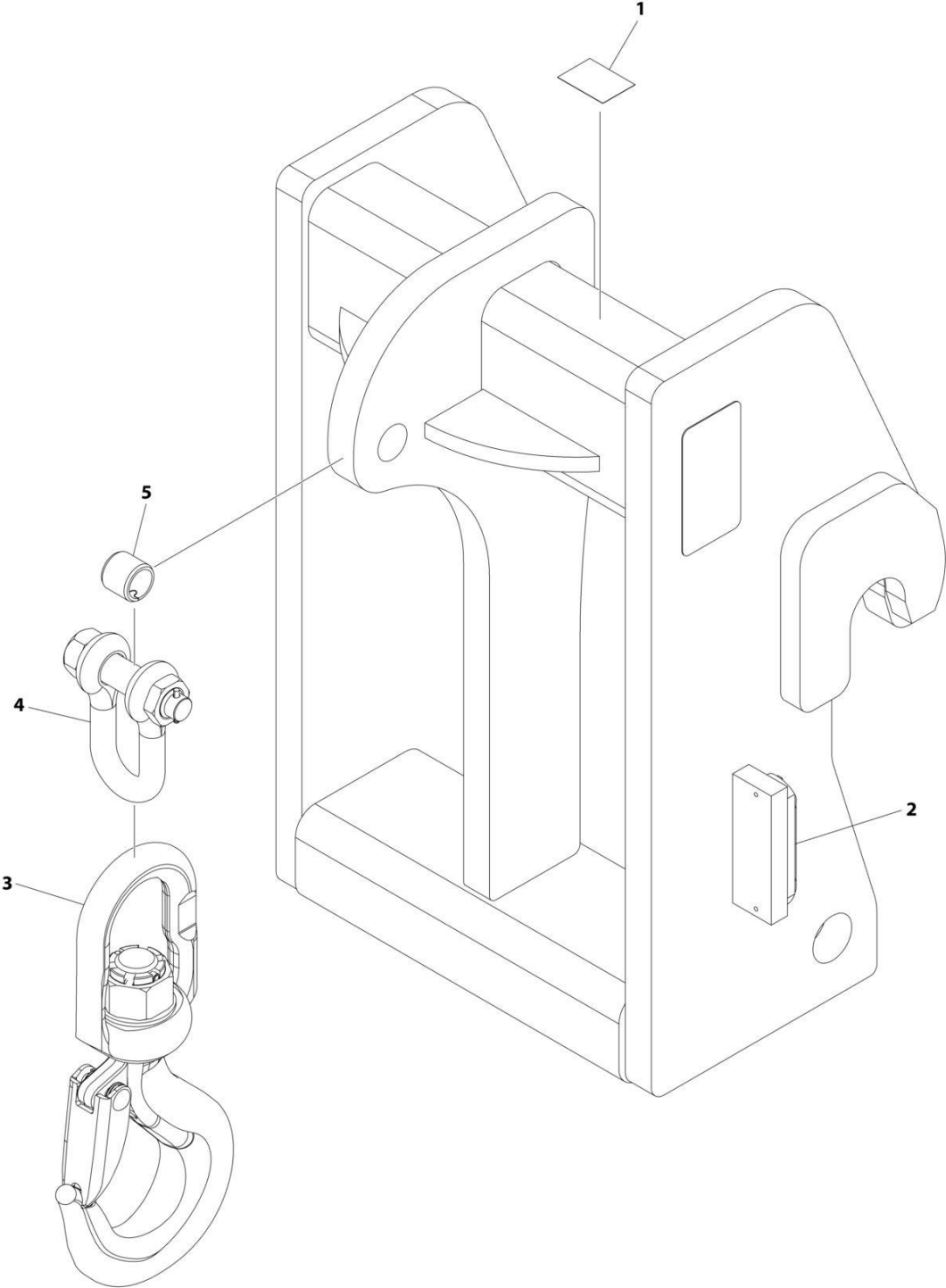
SECTION 3 - ATTACHMENTS

FIGURE 3-36. FORK PIN LOCK INSTALLATION

ITEM	PART NUMBER	QTY	DESCRIPTION	REV
	1001093465	Ref	Fork Pin Lock Installation	B
1	0240156	1	Lock, LH Fork Pin	
2	1001093273	1	Lock, RH Fork Pin	
3	1001093377	2	Pin, Hitch	
4	1001094830	4	Clamp	
5	1001094330	2	Lanyard	

SECTION 3 - ATTACHMENTS

FIGURE 3-37. HOOK - COUPLER MOUNTED



ART_1001207606_D

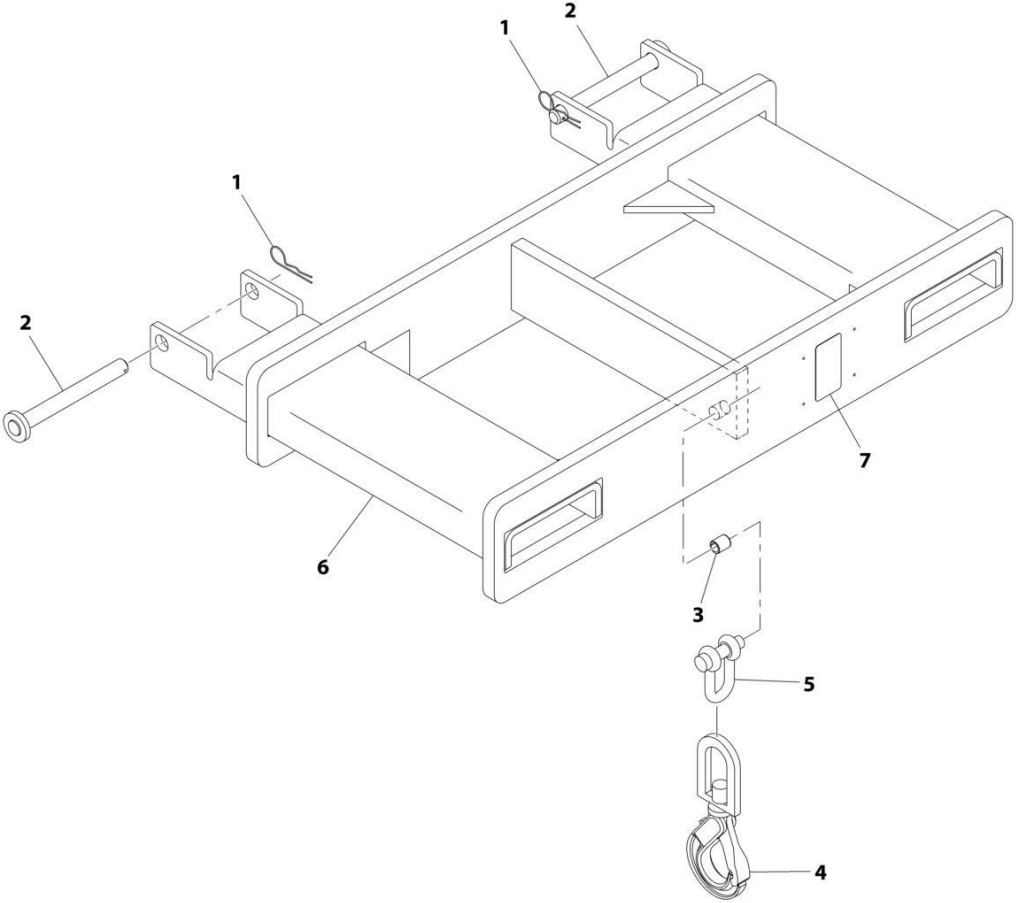
SECTION 3 - ATTACHMENTS

FIGURE 3-37. HOOK - COUPLER MOUNTED

ITEM	PART NUMBER	QTY	DESCRIPTION	REV
	1001207606	Ref	COUPLER MOUNTED HOOK	E
1	90554016	1	Decal	
2	1001227670	1	Tag, RFID	
3	70026745	1	Hook Swivel	
4	70026746	1	Shackle Chain	
5	70020555	1	Bushing	

SECTION 3 - ATTACHMENTS

FIGURE 3-38. HOOK - FORK MOUNTED



ART_1001097205-I

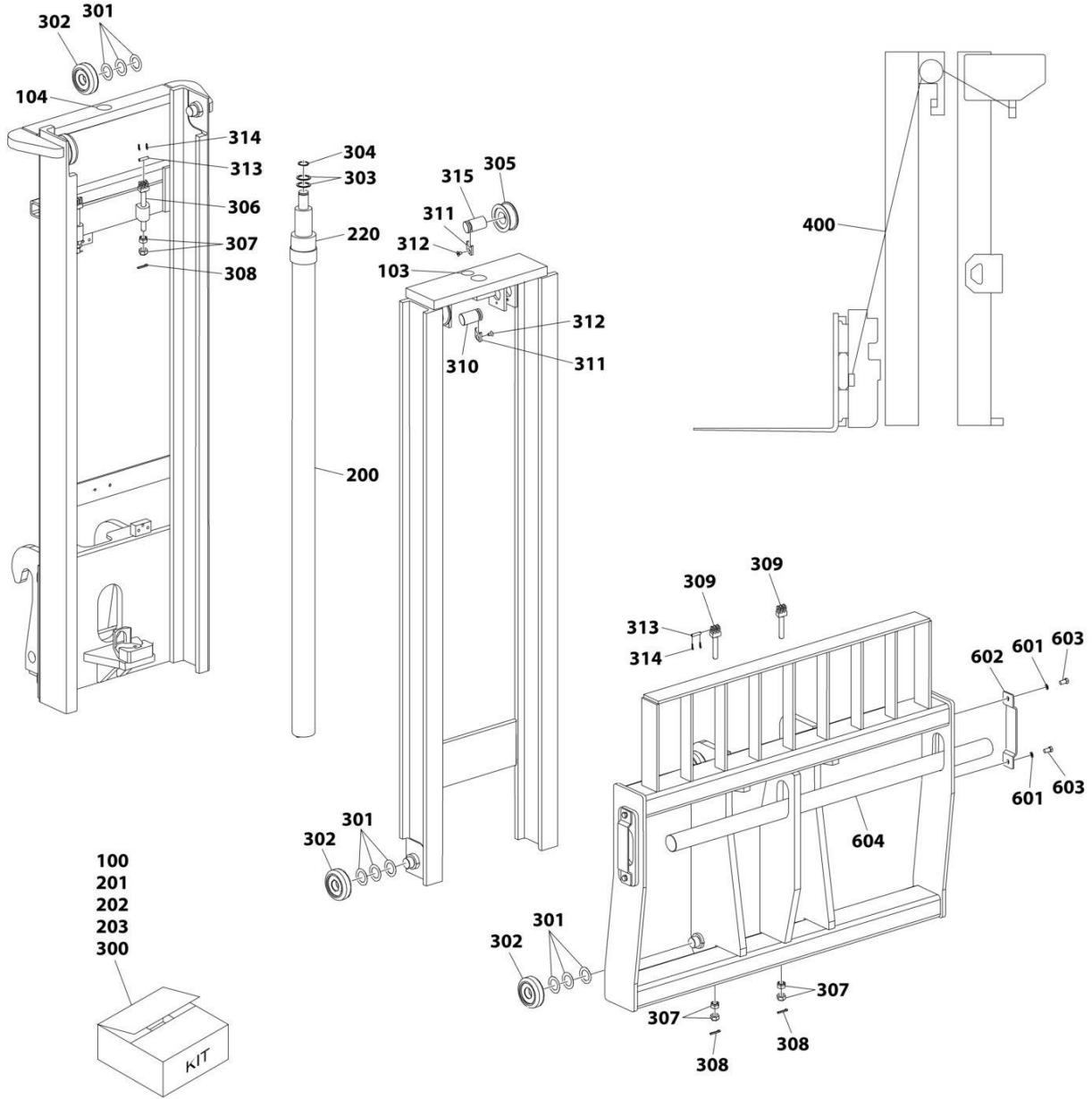
SECTION 3 - ATTACHMENTS

FIGURE 3-38. HOOK - FORK MOUNTED

ITEM	PART NUMBER	QTY	DESCRIPTION	REV
	1001097205	Ref	Fork Mounted Hook (4 Ton)	J
1	7029520	2	Pin, Cotter	
2	1001093171	2	Pin	
3	70020555	1	Bushing	
4	90554080	1	Hook	
5	7029521	1	Shackle	
6	See Note	NSS	Frame, Hook (Note: Purchase Complete Assembly)	
7	See Note	NSS	S/N Plate (Note: Stamped Part - Not Available for Purchase)	

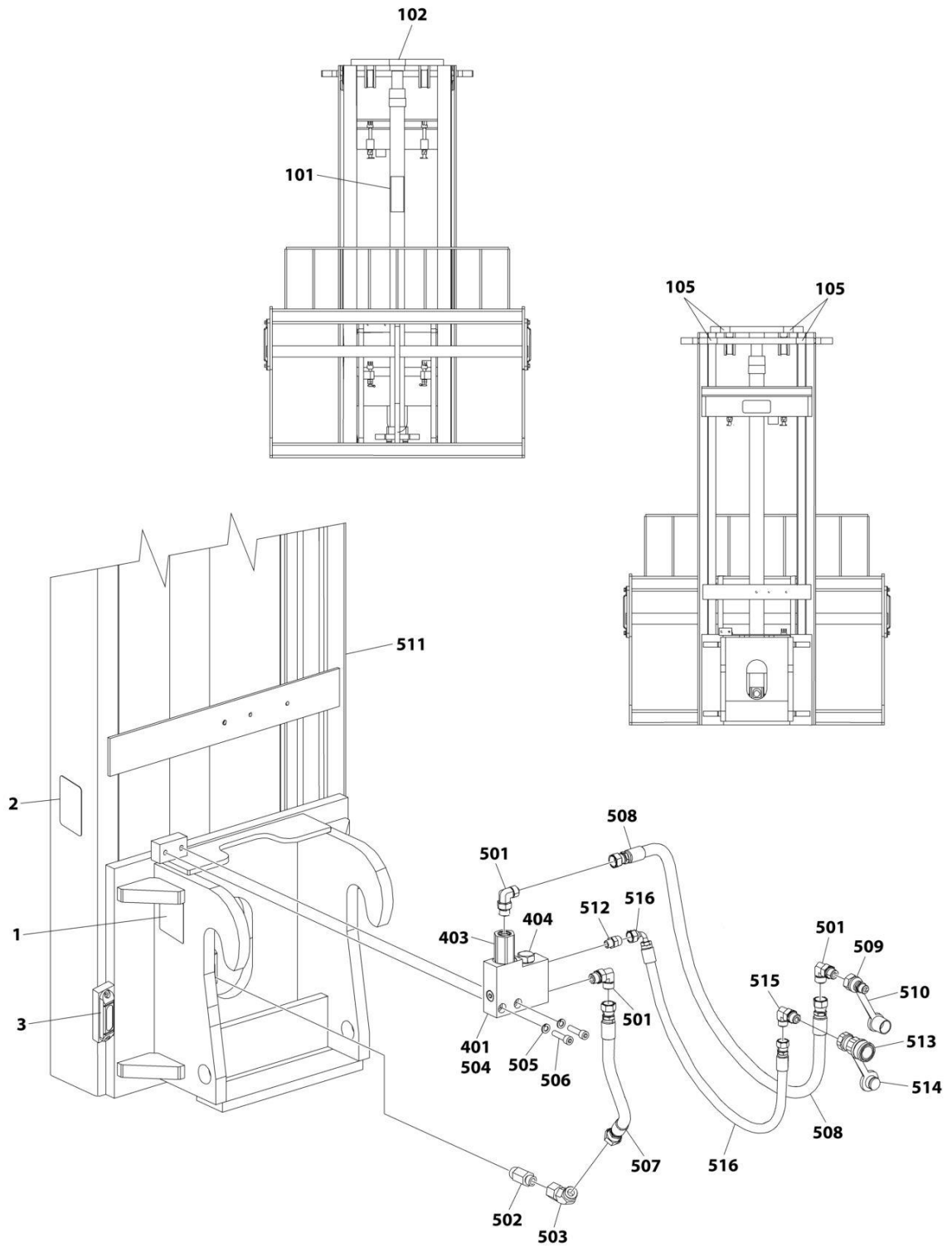
SECTION 3 - ATTACHMENTS

FIGURE 3-39. MAST (8 FOOT)



ART_1001108668_1OF2

SECTION 3 - ATTACHMENTS



ART_1001108668_20F2

SECTION 3 - ATTACHMENTS

FIGURE 3-39. MAST (8 FOOT)

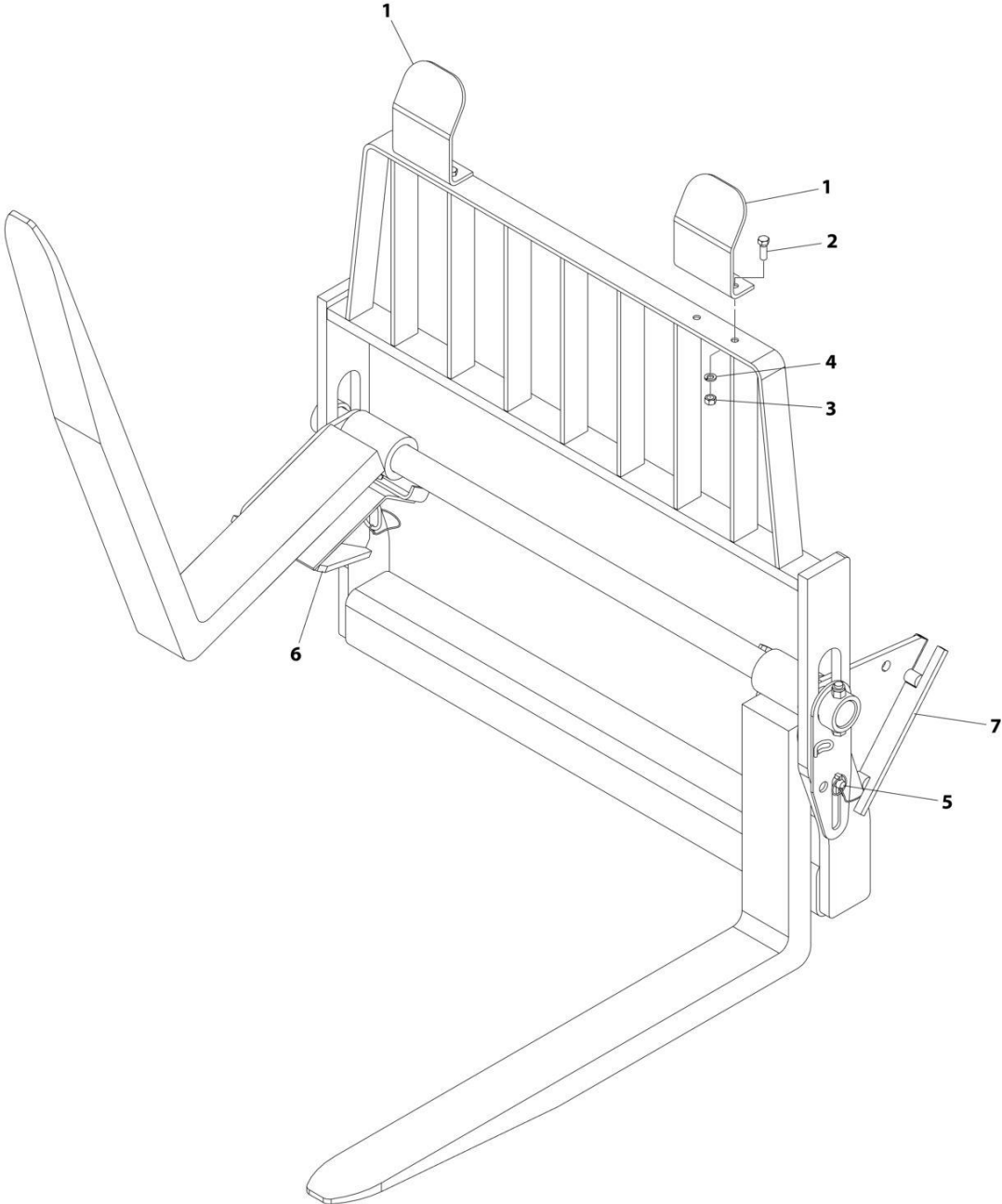
ITEM	PART NUMBER	QTY	DESCRIPTION	REV
	1001108668	Ref	MAST ASSEMBLY - 8FT	G
1	See Note	NSS	Nameplate, Serial Number (Note: Not Available for Purchase)	
2	1001111190	2	Decal - Warning	
3	1001227670	1	RFID Tag	
100	70023925	1	Decal Kit (includes items 1, Warning, No Step & Hose Routing Decals)	
101	See Note	NSS	Decal, Warning (Use Item 100)	
102	See Note	NSS	Decal, Warning (Use Item 100)	
103	See Note	NSS	Decal, No Step (Use Item 100)	
104	See Note	NSS	Decal, No Step (Use Item 100)	
105	See Note	NSS	Decal, Hands Off (Use Item 100)	
200	70023008	1	Cylinder Assembly - Lift (includes items 201-203 & 220. No Other Service Parts Available)	
201	70023005	1	Seal Kit - 70023008 Cylinder (includes Seals & Seal Retaining Hardware)	
202	70023006	1	Check Valve Kit (includes Mounting O-Rings & Hardware)	
203	70023007	1	Shim Kit (Includes items 303)	
220	70023004	1	Head/Retainer	
300	70023015	1	Mast Kit (includes items 100 & 301-315)	
301	70023014	24	Shim	
302	70022987	8	Bearing, Ball	
303	See Note	NLA	Shim (Note: Use item 203)	
304	70023016	1	Ring, Retaining	
305	70022969	2	Sheave	
306	70022960	2	Anchor, Chain	
307	70022957	8	Nut 5/8	
308	70022993	4	Pin, Cotter	
309	70022995	2	Anchor, Chain	
310	70022984	1	Shaft, Sheave	
311	70022970	2	Bar	
312	70023003	2	Screw	
313	70022994	4	Pin	
314	70022992	8	Pin, Cotter	
315	70022985	1	Shaft, Sheave	
400	70023009	2	Chain, Hoist	
401	70022932	1	Valve Assembly - Lowering Control	
403	70022931	1	Cartridge, Valve	
404	70023010	1	Cartridge, Valve	
501	70022934	3	Fitting, 90	
502	70022936	1	Fitting, Flow Limiter	
503	70022937	1	Fitting, 45	
504	70022932	1	Valve Assembly - Lowering Control (Note: Duplicate of Item 401 - Only Qty 1 Used)	
505	70022949	2	Washer, M10	
506	70022950	2	Bolt M10	
507	70022942	1	Hose	
508	70022952	1	Hose	
509	91403414	1	Fitting, Quick Disconnect Coupling (Male)	
510	91043126	1	Cap, Dust	
511	70023015	1	Mast Kit (Note: Duplicate of Item 300 - Only Qty 1 Used)	

SECTION 3 - ATTACHMENTS

ITEM	PART NUMBER	QTY	DESCRIPTION	REV
512	70022939	1	Fitting, Straight	
513	91403413	1	Fitting, Quick Disconnect Coupling (Female)	
514	91043125	1	Cap, Dust	
515	70022935	1	Fitting, 90	
516	70022946	1	Hose	
601	70022949	4	Washer M10	
602	70022980	2	Keeper, Pin	
603	70022998	4	Bolt M10 x 20	
604	70022990	1	Pin, Fork	

SECTION 3 - ATTACHMENTS

FIGURE 3-40. SHEET MATERIAL HANDLER INSTALLATION



ART_1001100227-B

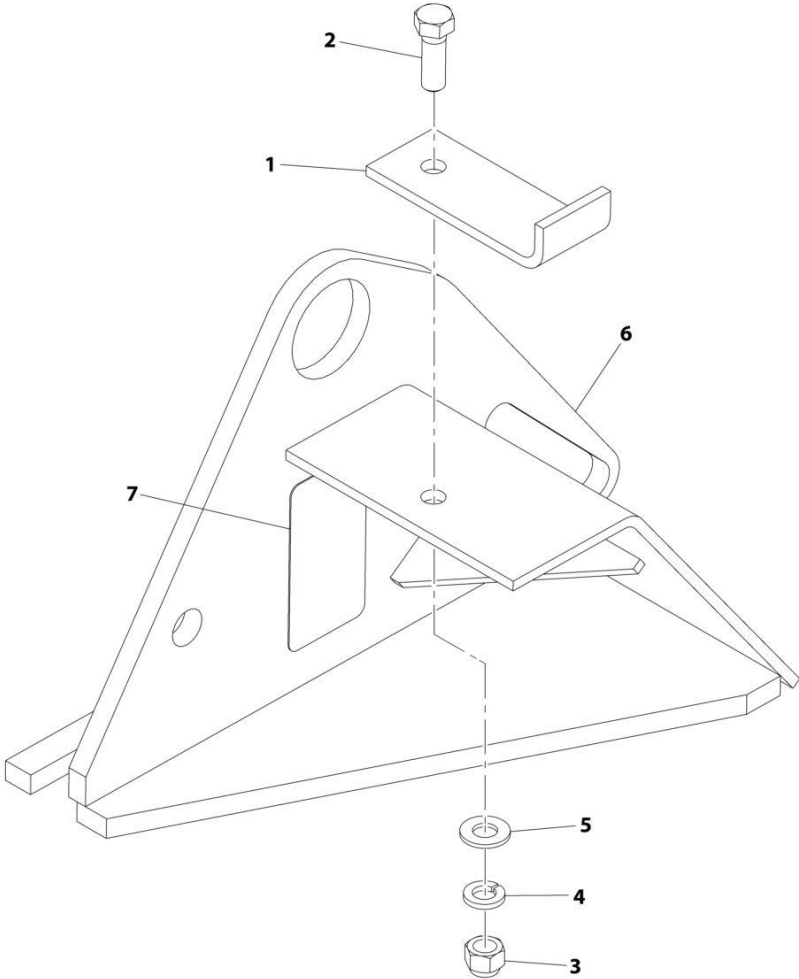
SECTION 3 - ATTACHMENTS

FIGURE 3-40. SHEET MATERIAL HANDLER INSTALLATION

ITEM	PART NUMBER	QTY	DESCRIPTION	REV
	1001100227	Ref	Sheet Material Handler Installation	B
1	7112642	2	Extension, Backrest	
2	8303626	4	Bolt, 1/2-13X1-1/2	
3	8305012	4	Nut, 1/2-13	
4	8307007	4	Washer, Lock 1/2	
5	1001093377	2	Pin, Hitch	
6	1001101115	1	Assembly, RH Fork Support (See Separate Breakdown in this Section)	
7	1001101116	1	Assembly, LH Fork Support (See Separate Breakdown in this Section)	

SECTION 3 - ATTACHMENTS

FIGURE 3-41. SHEET MATERIAL HANDLE FORK SUPPORT ASSEMBLY (LH)



ART_1001101116-E

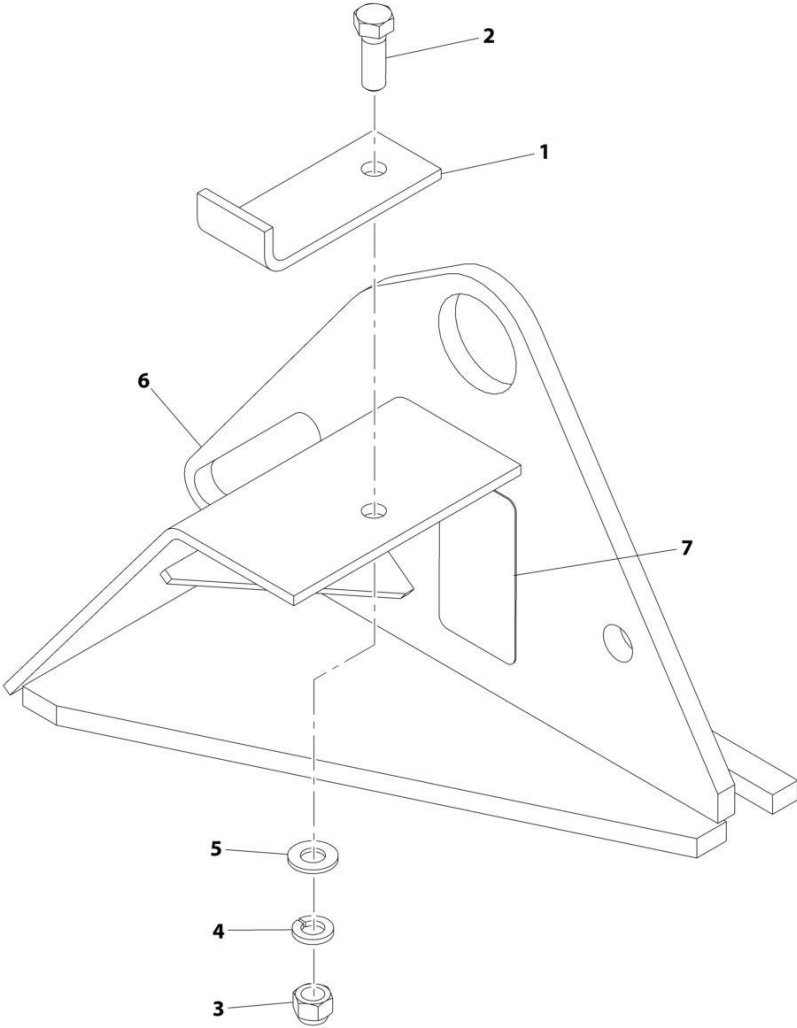
SECTION 3 - ATTACHMENTS

FIGURE 3-41. SHEET MATERIAL HANDLE FORK SUPPORT ASSEMBLY (LH)

ITEM	PART NUMBER	QTY	DESCRIPTION	REV
	1001101116	Ref	LH Fork Support Assembly	E
1	7114941	1	Bar, Lock	
2	8303626	1	Bolt, 1/2-13X1-1/2	
3	8305644	1	Nut, Lock 1/2-13	
4	8307007	1	Washer, Lock 1/2	
5	8307112	1	Washer, 1/2	
6	1001100229	1	Support, LH Fork	
7	N.S.S.	1	S/N Plate	

SECTION 3 - ATTACHMENTS

FIGURE 3-42. SHEET MATERIAL HANDLE FORK SUPPORT ASSEMBLY (RH)



ART_1001101115-D

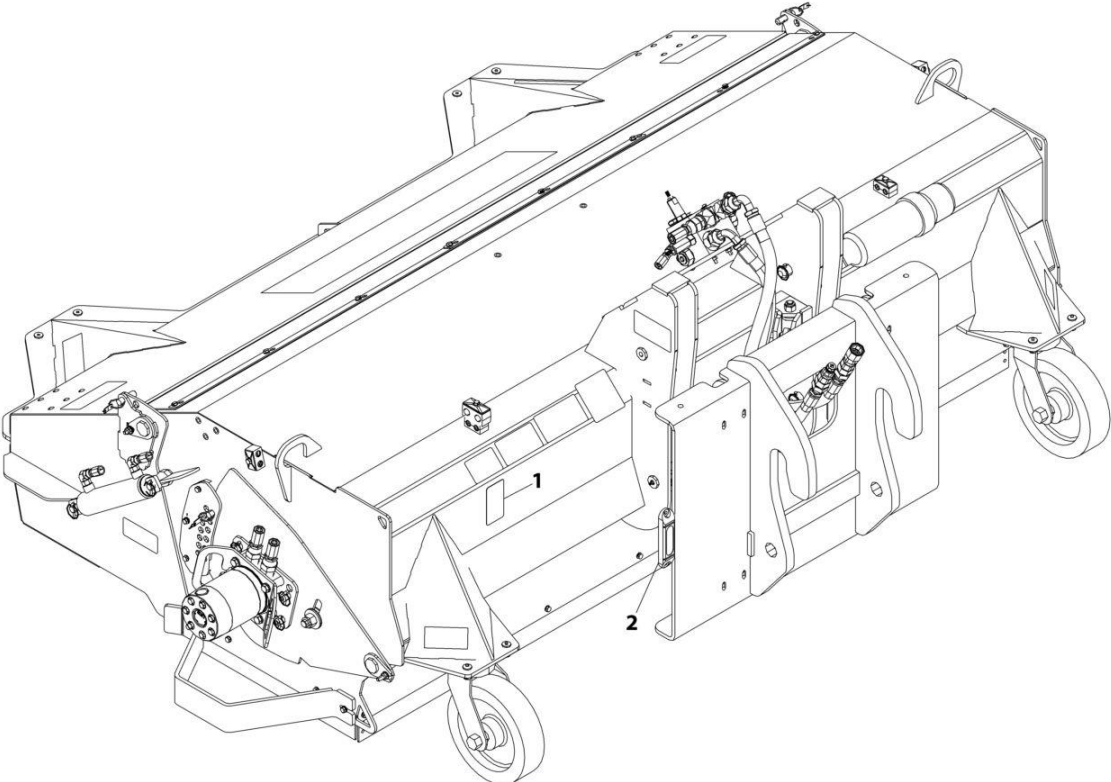
SECTION 3 - ATTACHMENTS

FIGURE 3-42. SHEET MATERIAL HANDLE FORK SUPPORT ASSEMBLY (RH)

ITEM	PART NUMBER	QTY	DESCRIPTION	REV
	1001101115	Ref	RH Fork Support Assembly	D
1	7114941	1	Bar, Lock	
2	8303626	1	Bolt, 1/2-13X1-1/2	
3	8305644	1	Nut, Lock 1/2-13	
4	8307007	1	Washer, Lock 1/2	
5	8307112	1	Washer, 1/2	
6	1001100228	1	Support, RH Fork	
7	N.S.S.	1	S/N Plate	

SECTION 3 - ATTACHMENTS

FIGURE 3-43. SWEEPER ASSEMBLY



ART_1001202904

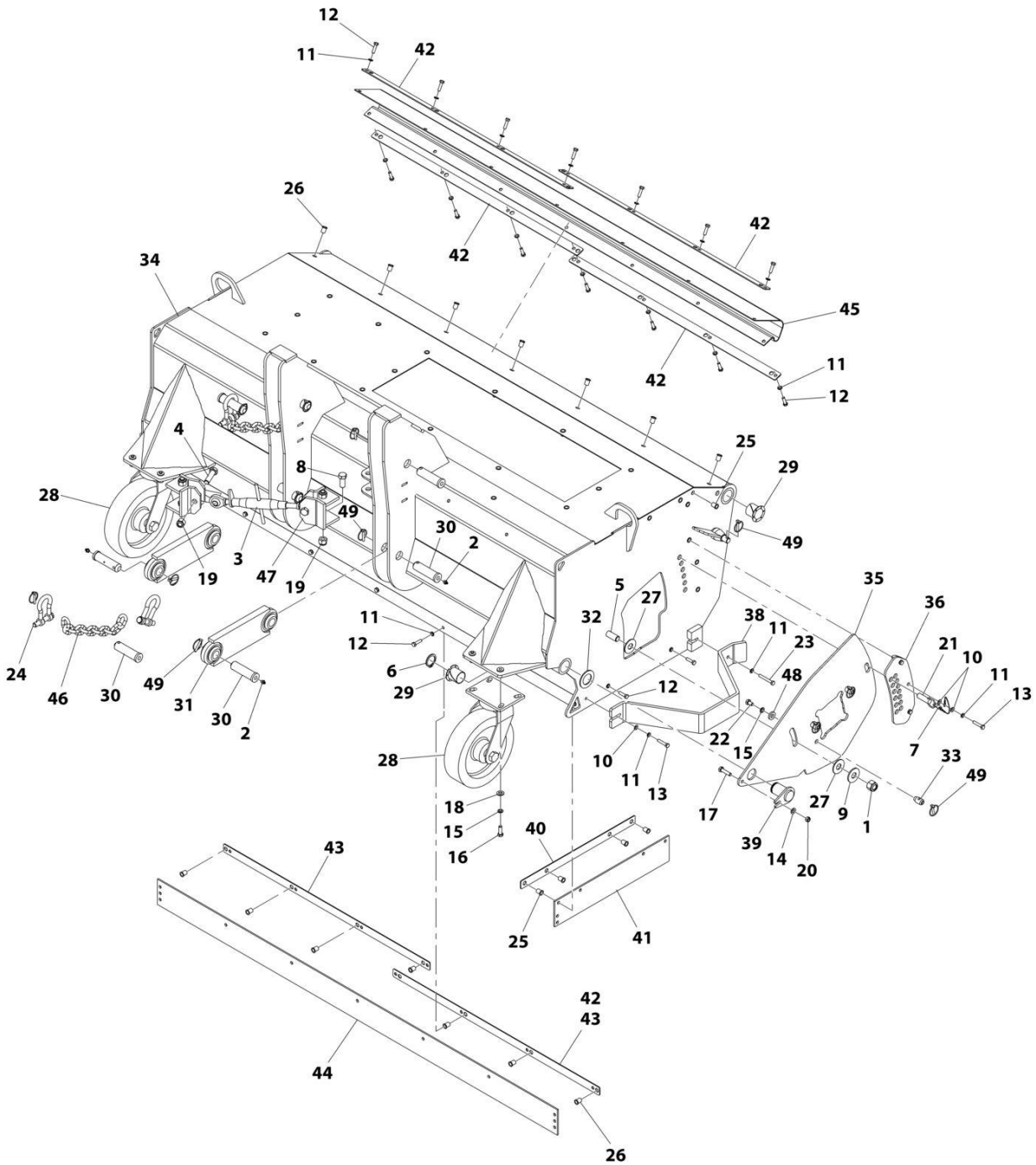
SECTION 3 - ATTACHMENTS

FIGURE 3-43. SWEEPER ASSEMBLY

ITEM	PART NUMBER	QTY	DESCRIPTION	REV
	1001202904	Ref	Sweeper Assembly	D
1	See Note	NSS	S/N Plate (Note: Stamped Part - Not Available for Purchase)	
2	1001227670	1	Tag, RFID	
		Ref	Sweeper Assembly- Hopper (See Separate Breakdown in this Section)	
		Ref	Sweeper Assembly - Body (See Separate Breakdown in this Section)	
		Ref	Sweeper Assembly - Motor (See Separate Breakdown in this Section)	
		Ref	Sweeper Assembly - Idler (See Separate Breakdown in this Section)	
		Ref	Sweeper Assembly - Core (See Separate Breakdown in this Section)	
		Ref	Sweeper Assembly - Hydraulic Single Motor (See Separate Breakdown in this Section)	

SECTION 3 - ATTACHMENTS

FIGURE 3-44. SWEEPER - BODY ASSEMBLY



ART_1001202904_2-B

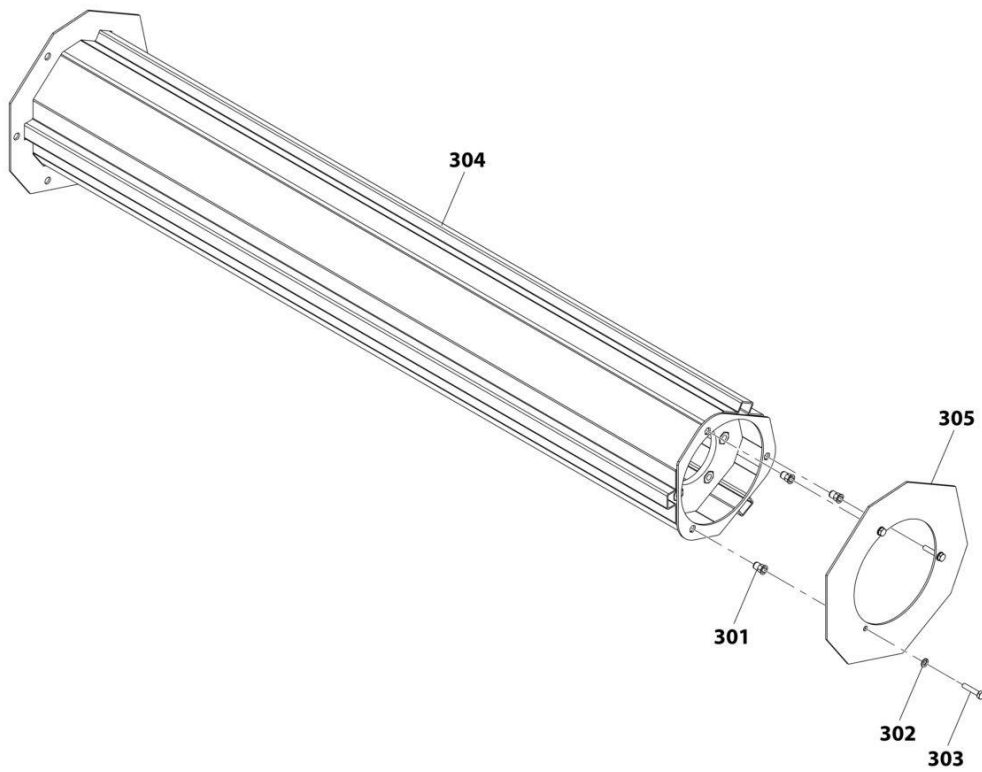
SECTION 3 - ATTACHMENTS

FIGURE 3-44. SWEEPER - BODY ASSEMBLY

ITEM	PART NUMBER	QTY	DESCRIPTION	REV
	1001202904	Ref	SWEEPER ASSEMBLY - BODY	
1	70029720	2	Nut	
2	70029721	4	Fitting, Grease	
3	70029722	1	Toplink	
4	70029723	2	Screw	
5	70020004	2	Screw	
6	70029724	2	Ring, Snap	
7	70029725	2	Lanyard	
8	70029726	4	Screw	
9	70029728	2	Washer	
10	70029732	6	Washer	
11	70029734	38	Washer	
12	70029735	32	Screw	
13	70029736	4	Screw	
14	70029738	2	Washer	
15	70029739	14	Washer	
16	70029741	8	Screw	
17	70029742	2	Screw	
18	70029743	8	Washer	
19	70029745	6	Nut	
20	70029747	2	Nut	
21	70029729	2	Pin	
22	70029751	6	Screw	
23	70029752	2	Screw	
24	70029755	4	Shackle	
25	70029756	45	Nut	
26	70029757	25	Nut	
27	70029760	4	Washer	
28	70029762	2	Assembly, Caster	
29	70029764	4	Bearing	
30	70029765	8	Pin	
31	70029766	2	Link	
32	70029767	2	Washer	
33	70029768	6	Stud	
34	See Note	NSS	Body, Sweeper (Note: Purchase Complete Assembly)	
35	70029773	2	Plate	
36	70029774	2	Plate	
37	70029775	2	Plate	
38	70029776	2	Plate	
39	70029777	2	Pin	
40	70029778	2	Plate	
41	70029779	2	Flap	
42	70029780	6	Plate	
43	70029781	3	Plate	
44	70029784	1	Flap	
45	70029786	1	Flap	
46	70029788	2	Chain	
47	70029790	2	Toplink	
48	70029793	6	Washer	
49	70029794	16	Pin, Lynch	

SECTION 3 - ATTACHMENTS

FIGURE 3-45. SWEEPER - CORE ASSEMBLY



ART_1001202904_5-B

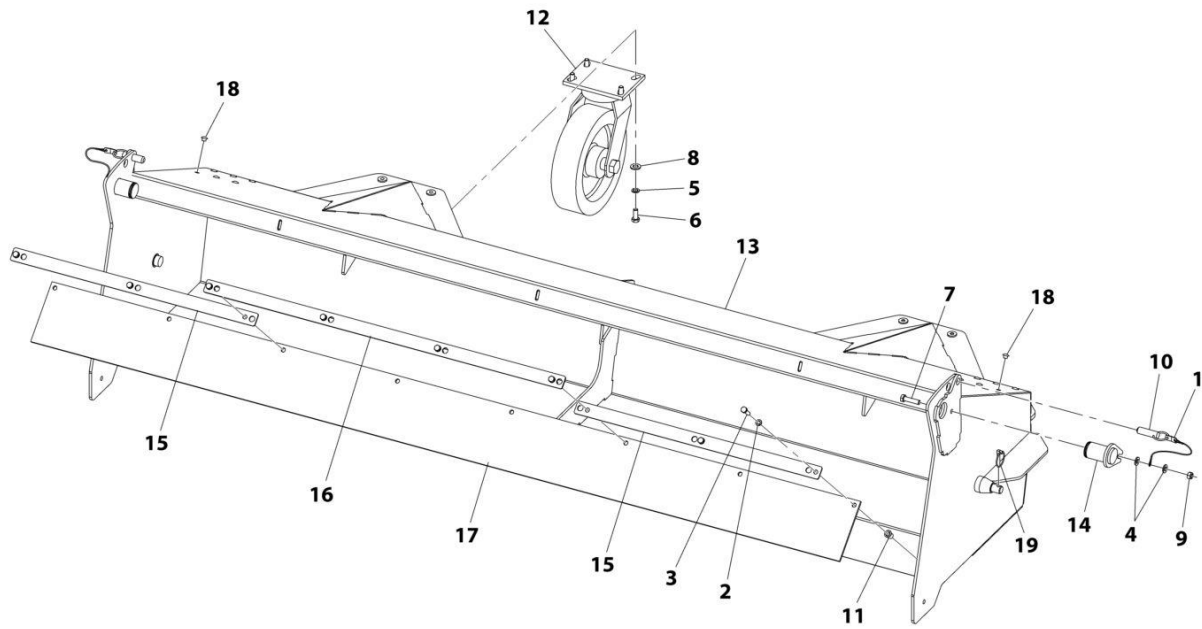
SECTION 3 - ATTACHMENTS

FIGURE 3-45. SWEEPER - CORE ASSEMBLY

ITEM	PART NUMBER	QTY	DESCRIPTION	REV
	1001202904	1	SWEEPER ASSEMBLY - CORE	
301	70029727	3	Nut	
302	70029730	3	Washer	
303	70029731	3	Screw	
304	70029782	1	Core	
305	70029783	1	Plate	

SECTION 3 - ATTACHMENTS

FIGURE 3-46. SWEEPER - HOPPER ASSEMBLY



ART_1001202904_1-B

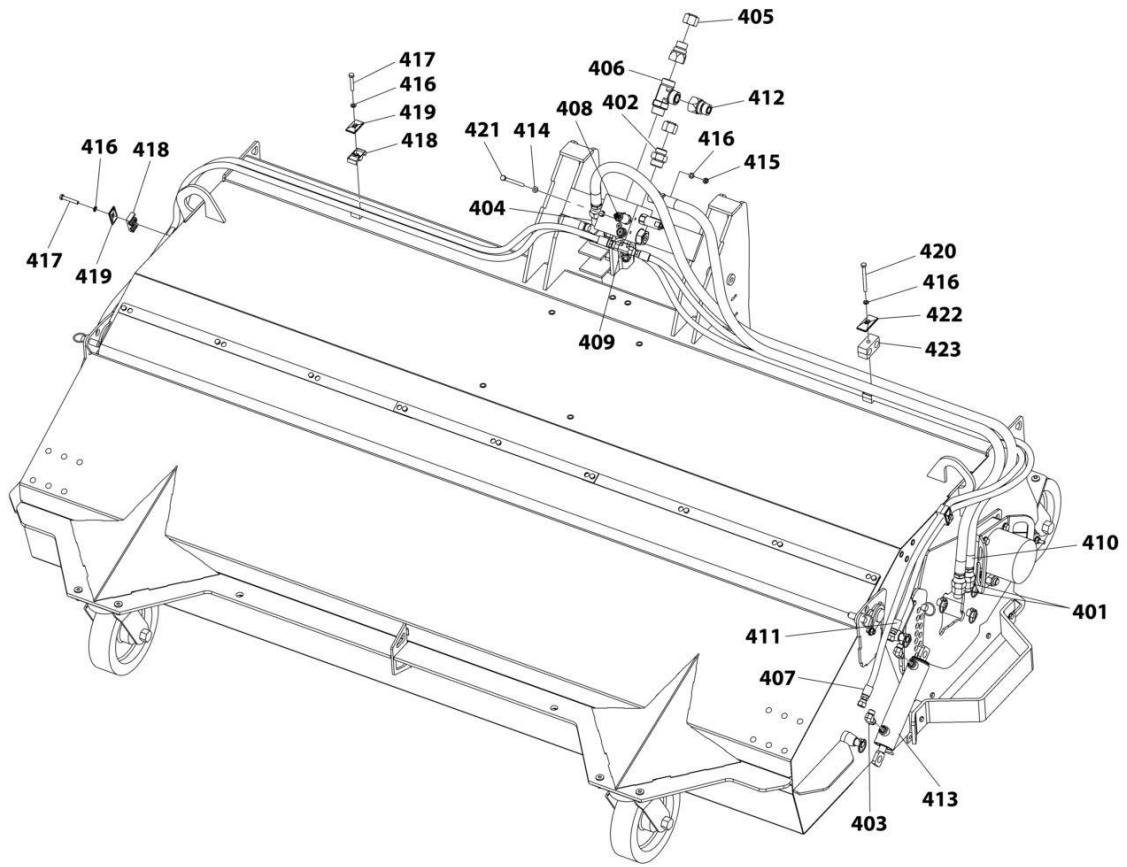
SECTION 3 - ATTACHMENTS

FIGURE 3-46. SWEEPER - HOPPER ASSEMBLY

ITEM	PART NUMBER	QTY	DESCRIPTION	REV
	1001202904	Ref	SWEEPER ASSEMBLY - HOPPER	
1	70029725	2	Lanyard	
2	70029734	8	Washer	
3	70029735	8	Screw	
4	70029738	4	Washer	
5	70029739	8	Washer	
6	70029740	8	Screw	
7	70029742	2	Screw	
8	70029743	8	Washer	
9	70029747	2	Nut	
10	70029750	2	Pin	
11	70029756	8	Nut	
12	70029762	2	Assembly, Caster	
13	See Note	NSS	Hopper (Note: Purchase Complete Assembly)	
14	70029777	2	Pin	
15	70029780	2	Plate	
16	70029781	1	Plate	
17	70029785	1	Flap	
18	70029792	12	Plug	
19	70029794	2	Pin, Lynch	

SECTION 3 - ATTACHMENTS

FIGURE 3-47. SWEEPER - HYDRAULIC SINGLE MOTOR ASSEMBLY



ART_1001202904_6-B

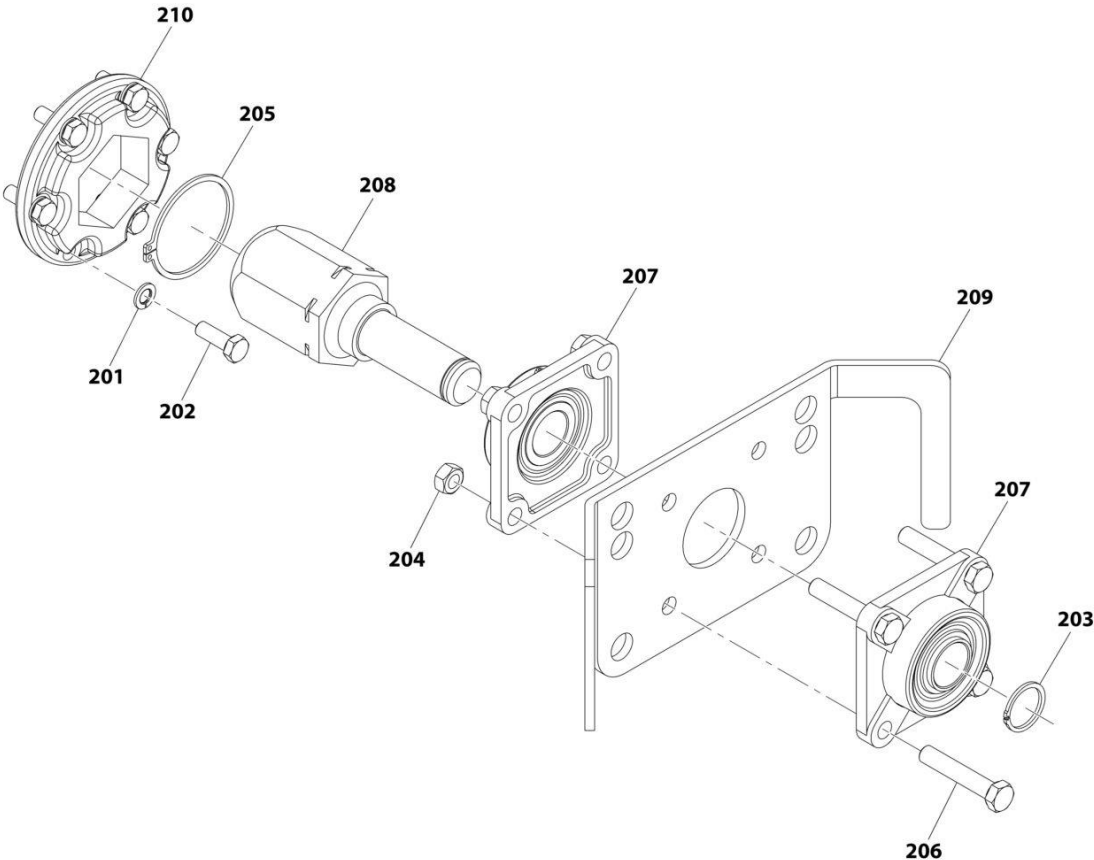
SECTION 3 - ATTACHMENTS

FIGURE 3-47. SWEEPER - HYDRAULIC SINGLE MOTOR ASSEMBLY

ITEM	PART NUMBER	QTY	DESCRIPTION	REV
	1001202904	Ref	SWEEPER ASSEMBLY - HYDRAULICS	
401	70029704	2	Fitting	
402	70029705	1	Fitting	
403	70029706	4	Fitting, 90	
404	70029707	1	Fitting, 90	
405	70029708	2	Cap	
406	70029709	1	Fitting, Tee	
407	70029710	2	Hose	
408	70029711	1	Manifold	
409	70029712	2	Fitting, Tee	
410	70029713	2	Hose	
411	70029714	2	Hose	
412	70029715	2	Fitting	
413	70029716	2	Cylinder	
413	70029791	1	Kit, Seal	
414	70029732	2	Washer	
415	70029733	2	Nut	
416	70029734	6	Washer	
417	70029737	3	Screw	
418	70029753	8	Hose	
419	70029754	3	Cover	
420	70029758	1	Screw	
421	70029759	2	Screw	
422	70029795	1	Cover	
423	70029796	1	Cradle, Hose	

SECTION 3 - ATTACHMENTS

FIGURE 3-48. SWEEPER - IDLER ASSEMBLY



ART_1001202904_4-B

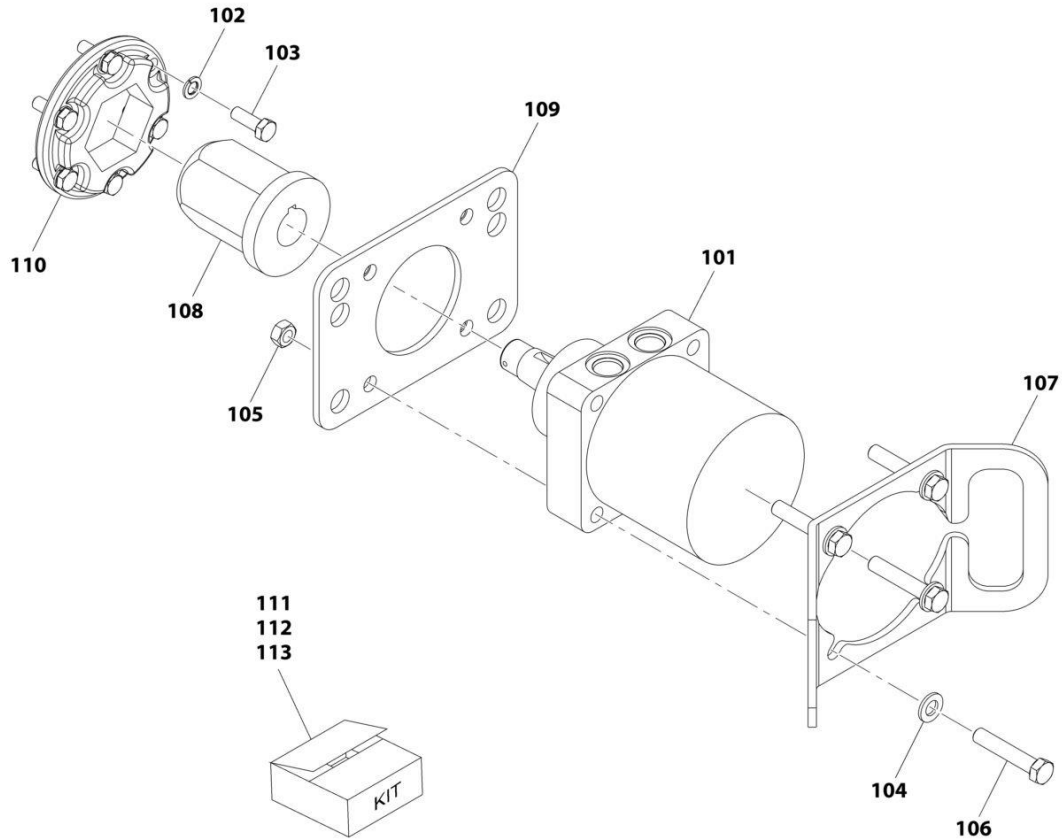
SECTION 3 - ATTACHMENTS

FIGURE 3-48. SWEEPER - IDLER ASSEMBLY

ITEM	PART NUMBER	QTY	DESCRIPTION	REV
	1001202904	Ref	SWEEPER ASSEMBLY - IDLER	
201	70029739	6	Washer	
202	70029741	6	Screw	
203	70029744	1	Ring, Snap	
204	70029746	4	Nut	
205	70029748	1	Ring, Snap	
206	70029749	4	Screw	
207	70029763	2	Bearing	
208	70029770	1	Hub	
209	70029787	1	Plate	
210	70029789	1	Plate	

SECTION 3 - ATTACHMENTS

FIGURE 3-49. SWEEPER - MOTOR ASSEMBLY



ART_1001202904_3-B

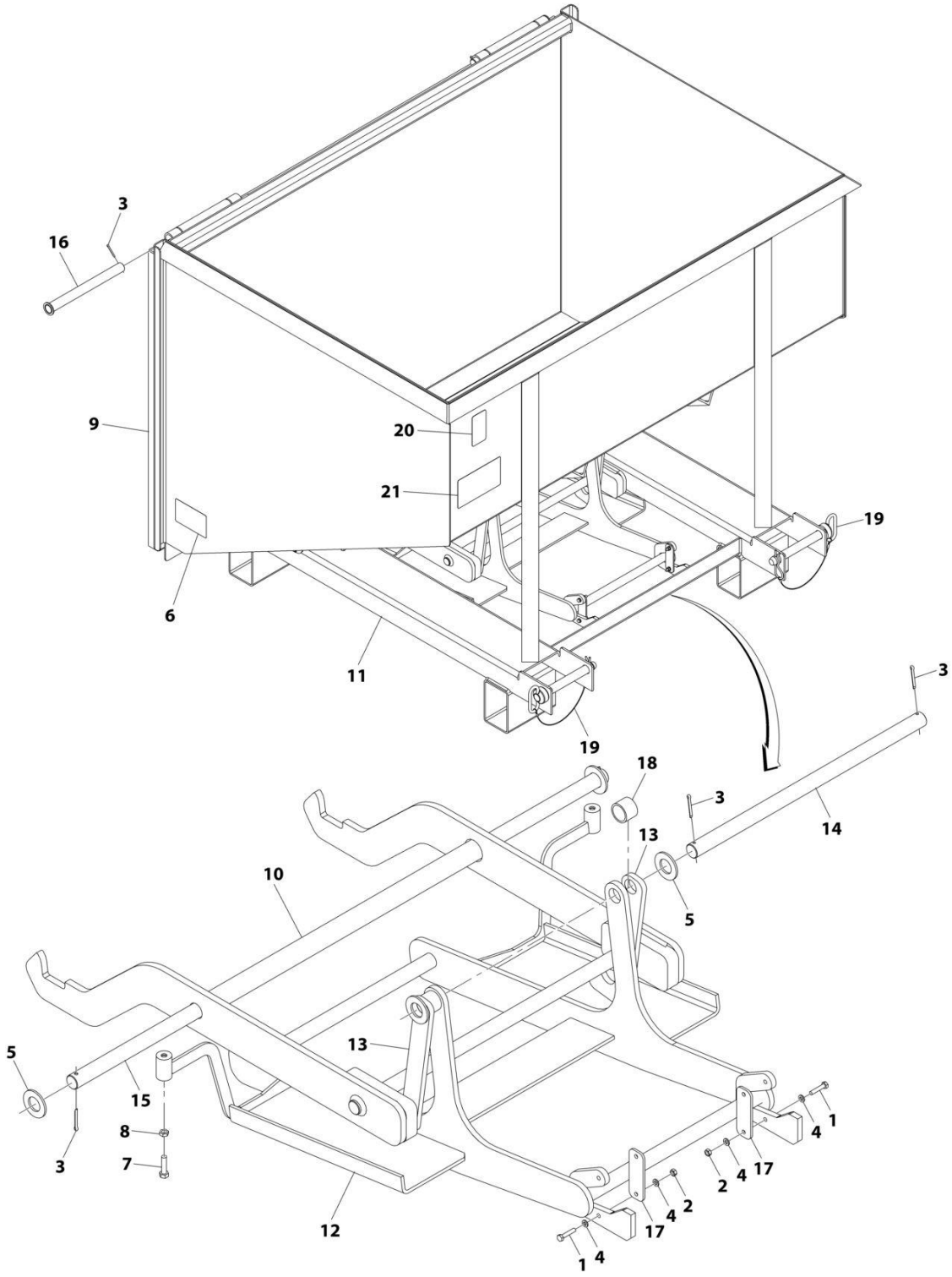
SECTION 3 - ATTACHMENTS

FIGURE 3-49. SWEEPER - MOTOR ASSEMBLY

ITEM	PART NUMBER	QTY	DESCRIPTION	REV
	1001202904	Ref	SWEEPER ASSEMBLY - MOTOR	
101	70029717	1	Motor	
102	70029739	6	Washer	
103	70029741	6	Screw	
104	70029743	4	Washer	
105	70029746	4	Nut	
106	70029749	4	Screw	
107	70029769	1	Plate	
108	70029771	1	Hub	
109	70029772	1	Plate	
110	70029789	1	Plate	
111	70029719	1	Nut, Motor Shaft Lock	
112	70029718	1	Kit, Seal	
113	70029761	1	Key	

SECTION 3 - ATTACHMENTS

FIGURE 3-50. TRASH HOPPER - FORK MOUNTED



ART_1001238566-B

SECTION 3 - ATTACHMENTS

FIGURE 3-50. TRASH HOPPER - FORK MOUNTED

ITEM	PART NUMBER	QTY	DESCRIPTION	REV
	1001238566	Ref	FORK MOUNTED TRASH HOPPER	C
1	0700614	4	Bolt M6 x 30	
2	3290601	4	Nut M6 x 1	
3	3391410	6	Pin	
4	4811700	8	Washer M6	
5	5242400	4	Washer M24	
6	1706302	2	Decal, Pinch Point	
7	0641510	2	Bolt 5/16 x 1-1/4	
8	3311502	2	Nut 5/16	
9	1001192711	1	Door Assembly	
10	1001192720	1	Hook Assembly	
11	See Note	NSS	Hopper, Trash (Note: Purchase Complete Assembly)	
12	1001192875	1	Tray Assembly	
13	1001192876	2	Arm, Swing	
14	1001192877	1	Rod, Swing	
15	1001238570	1	Bar	
16	1001193540	2	Pin	
17	1001193729	2	Plate	
18	1001198355	2	Spacer	
19	1001238560	2	Pin	
20	See Note	NSS	SN Plate (Note: Stamped Part - Not Available for Purchase)	
21	1001203503	1	Decal, Trash Hopper Operation	

SECTION 4 - ENGINE AND ATTACHING PARTS

SECTION 4 - ENGINE AND ATTACHING PARTS

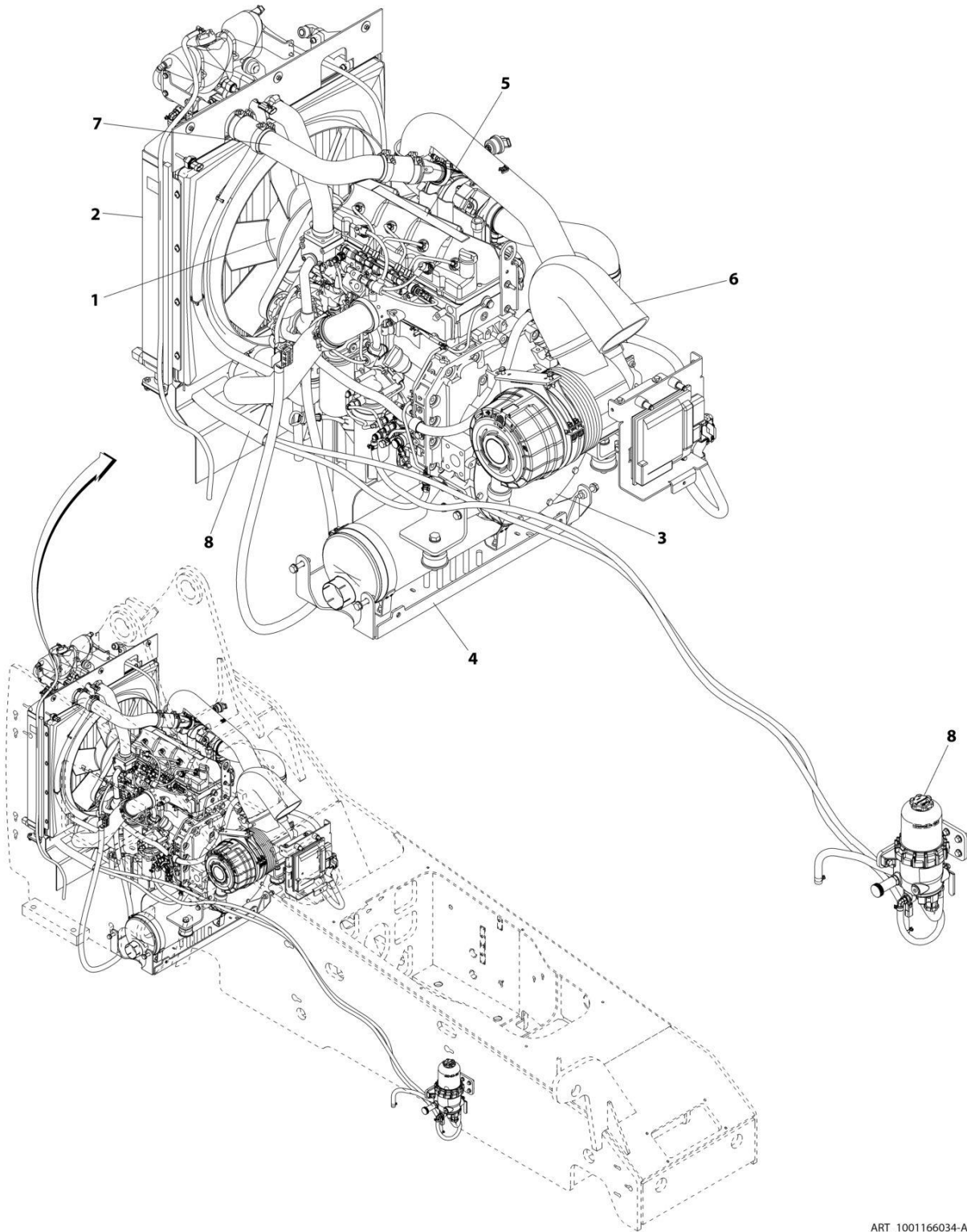
SECTION 4 - ENGINE AND ATTACHING PARTS

FIGURE 4-1. ENGINE COMPONENT INSTALLATION - 74HP (ULS)

ITEM	PART NUMBER	QTY	DESCRIPTION	REV
	1001196127	Ref	Engine Component Installation, 74HP (ULS)	A
1	1001165669	Ref	Installation, Air Cleaner (See Separate Breakdown in this Section)	
2	1001165672	Ref	Installation, Fuel Plumbing (See Separate Breakdown in this Section)	
3	1001165673	Ref	Installation, Plumbing Cooling (See Separate Breakdown in this Section)	
4	1001166229	Ref	Installation, Isolation Coupler (See Separate Breakdown in this Section)	
5	1001196124	Ref	Installation, Engine (74HP) (See Separate Breakdown in this Section)	
6	1001196125	Ref	Installation, Exhaust (See Separate Breakdown in this Section)	
7	1001196736	Ref	Installation, Fan (See Separate Breakdown in this Section)	
8	1001196737	Ref	Installation, Cooling (See Separate Breakdown in this Section)	

SECTION 4 - ENGINE AND ATTACHING PARTS

FIGURE 4-2. ENGINE COMPONENT INSTALLATION - 85HP (ULS)



ART_1001166034-A

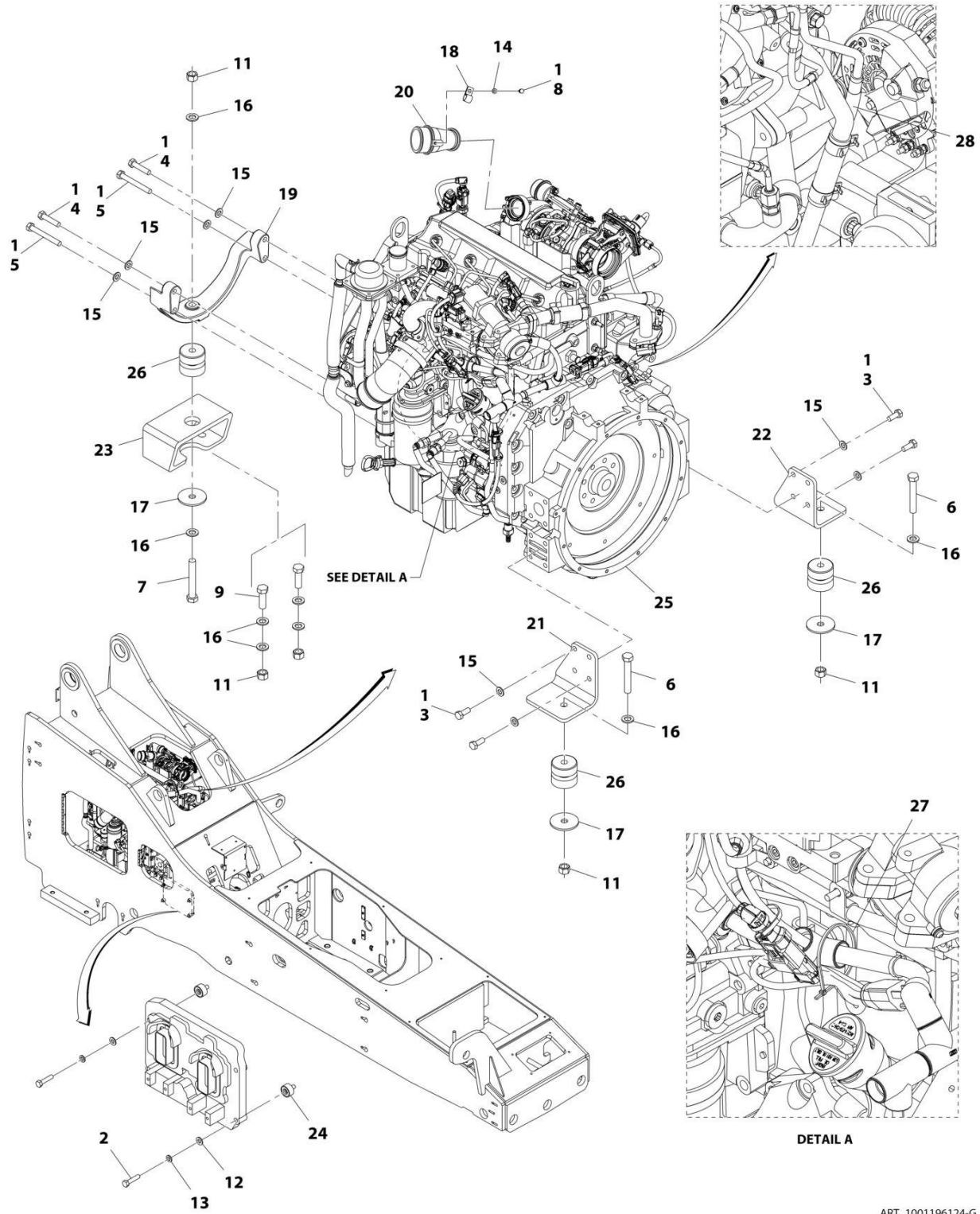
SECTION 4 - ENGINE AND ATTACHING PARTS

FIGURE 4-2. ENGINE COMPONENT INSTALLATION - 85HP (ULS)

ITEM	PART NUMBER	QTY	DESCRIPTION	REV
	1001166034	Ref	Engine Component Installation, 85HP (LS)	A
1	1001165668	Ref	Installation, Fan (See Separate Breakdown in this Section)	
2	1001165670	Ref	Installation, Cooling (See Separate Breakdown in this Section)	
3	1001166229	Ref	Installation, Isolation Coupler (See Separate Breakdown in this Section)	
4	1001185649	Ref	Installation, Exhaust (See Separate Breakdown in this Section)	
5	1001185650	Ref	Installation, Engine (See Separate Breakdown in this Section)	
6	1001185651	Ref	Installation, Air Cleaner (See Separate Breakdown in this Section)	
7	1001185652	Ref	Installation, Plumbing Cooling (See Separate Breakdown in this Section)	
8	1001186490	Ref	Installation, Fuel Plumbing (See Separate Breakdown in this Section)	

SECTION 4 - ENGINE AND ATTACHING PARTS

FIGURE 4-3. ENGINE INSTALLATION - 74HP (ULS)



ART_1001196124-G

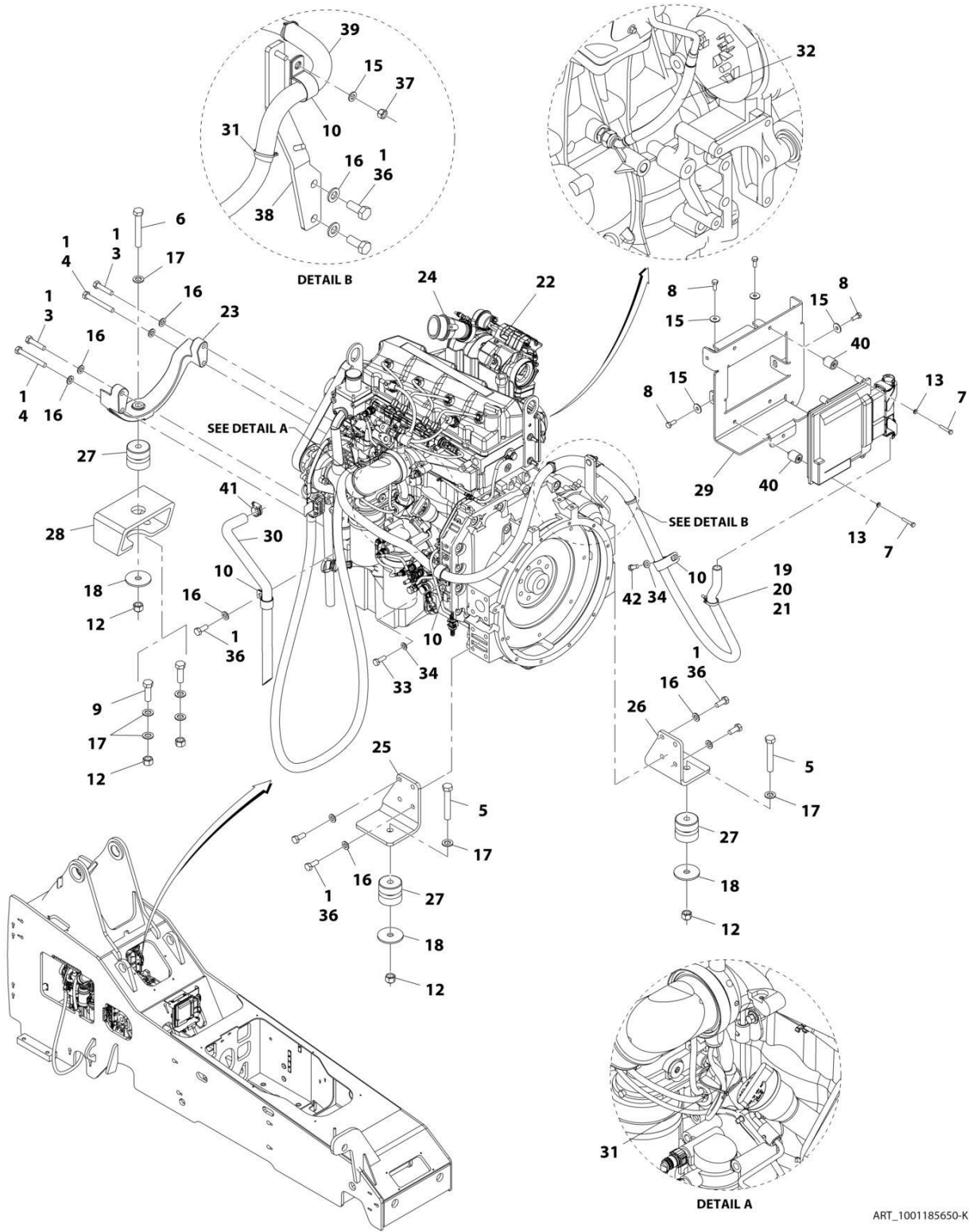
SECTION 4 - ENGINE AND ATTACHING PARTS

FIGURE 4-3. ENGINE INSTALLATION - 74HP (ULS)

ITEM	PART NUMBER	QTY	DESCRIPTION	REV
	1001196124	Ref	Engine Installation, 74HP (if equipped for ULS)	G
1	0100011	AR	Compound, Locking	
2	0641511	4	Bolt, 5/16-18X1-3/8	
3	0711214	8	Bolt, M12X30	
4	0711219	2	Bolt, M12X55	
5	0711227	2	Bolt, M12X100	
6	0711627	2	Bolt, M16X100	
7	0711628	1	Bolt, M16X110	
8	0760605	1	Bolt, M6X10	
9	0771618	2	Bolt, M16X50	
11	3331615	5	Nut, Lock M16X12	
12	4711500	4	Washer, 5/16	
13	4761500	4	Washer, Lock 5/16	
14	4811700	1	Washer, M6	
15	4812100	12	Washer, M12	
16	4812300	8	Washer, M16	
17	7300435	3	Washer, Rebound	
18	8406112	1	Clip, Tube 5/8	
19	1001160116	1	Bracket, Engine Mount Casting	
20	1001161920	1	Adapter	
21	1001165517	1	Bracket, Engine Mount	
22	1001165518	1	Bracket, Engine Mount	
23	1001180473	1	Bracket, Rear Engine Mount	
24	1001186373	4	Mount, Isolator ECM	
25	1001196665	1	Engine (See Separate Breakdown in this Section)	
26	1001165660	3	Mount, Isolator Engine	
27	4240099	1	Strap, Tie	
28	7125871	1	Conduit 0.5X8	

SECTION 4 - ENGINE AND ATTACHING PARTS

FIGURE 4-4. ENGINE INSTALLATION - 85HP (LS)



ART_1001185650-K

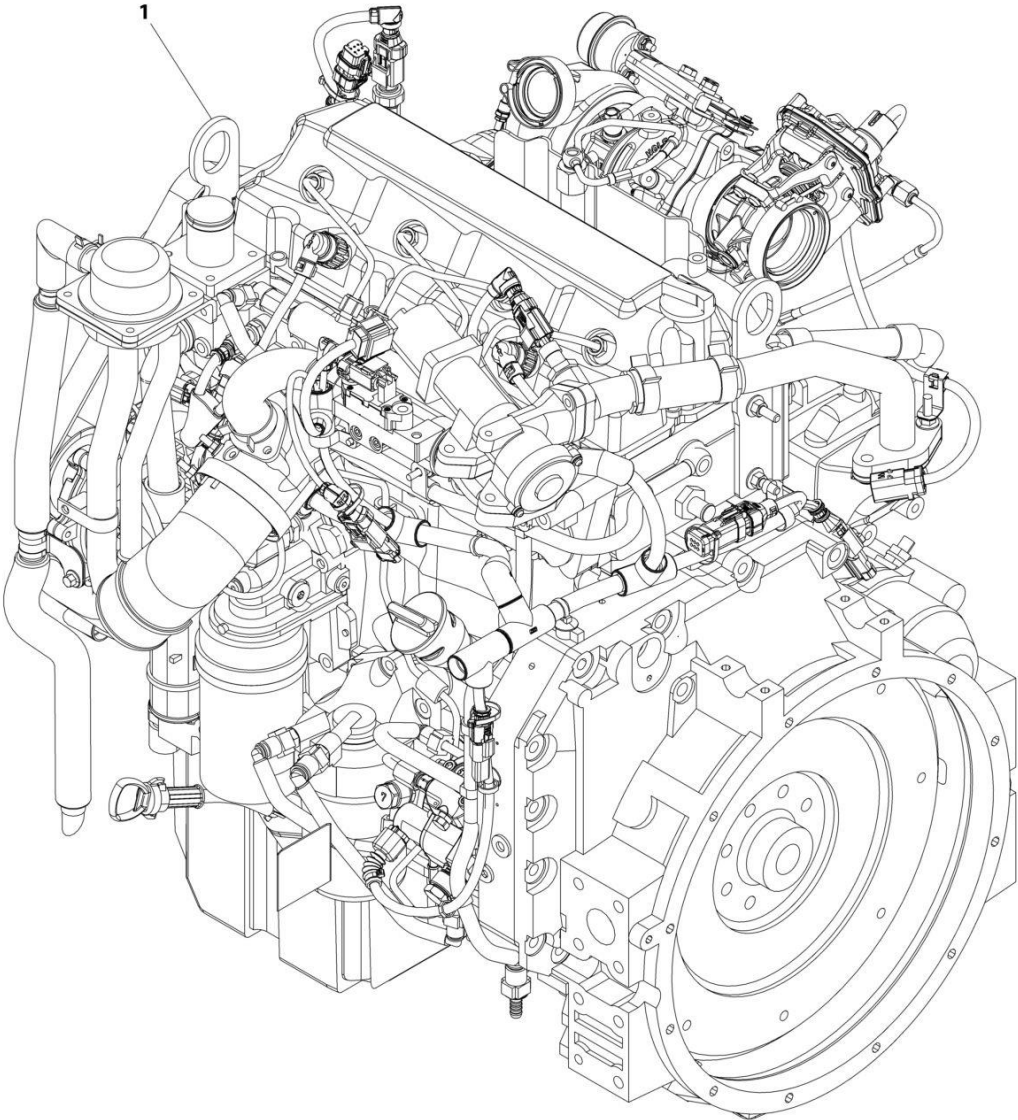
SECTION 4 - ENGINE AND ATTACHING PARTS

FIGURE 4-4. ENGINE INSTALLATION - 85HP (LS)

ITEM	PART NUMBER	QTY	DESCRIPTION	REV
	1001185650	Ref	Engine Installation (if equipped for LS)	K
1	0100011	AR	Compound, Locking	
3	0711219	2	Bolt, M12X55	
4	0711227	2	Bolt, M12X100	
5	0711627	2	Bolt, M16X100	
6	0711628	1	Bolt, M16X110	
7	0760614	4	Bolt, M6X30	
8	0760810	4	Bolt, M8X20	
9	0771618	2	Bolt, M16X50	
10	8406303	4	Clip, Tube 1-3/16	
12	3331615	5	Nut, Lock M16X2	
13	4811700	4	Washer, M6	
15	4811902	5	Washer, M8	
16	4812100	15	Washer, M12	
17	4812300	7	Washer, M16	
18	7300435	3	Washer, Rebound	
19	8881800	1	Strap, Cable	
20	88261015	1	Bolt, 1/4-20X5/8	
21	1001138645	1	Mount, Cable Tie	
22	1001154790	1	Engine (See Separate Breakdown in this Section)	
23	1001160116	1	Bracket, Engine Mount Casting	
24	1001161920	1	Adapter	
25	1001165517	1	Bracket, Engine Mount	
26	1001165518	1	Bracket, Engine Mount	
27	1001165660	3	Mount, Isolator Engine	
28	1001180473	1	Bracket, Rear Engine Mount	
29	1001211688	1	Bracket, ECM Mount	
30	1001192134	1	Hose	
31	4240099	3	Strap, Tie	
32	7125871	1	Conduit	
33	0761014	1	Capscrew, 10X30	
34	4812000	2	Washer, M10	
36	0711214	11	Bolt, M12X30	
37	3290805	1	Nut, Lock M8X1-1/4	
38	1001197233	1	Bracket	
39	1001186718	1	Insulate, Heat Shield Tube	
40	1001211697	4	Mount, Isolator ECM	
41	1001173535	1	Clamp	
42	0641608	1	Bolt, 3/8-16X1	

SECTION 4 - ENGINE AND ATTACHING PARTS

FIGURE 4-5. ENGINE - 74HP (ULS)



ART_1001196665

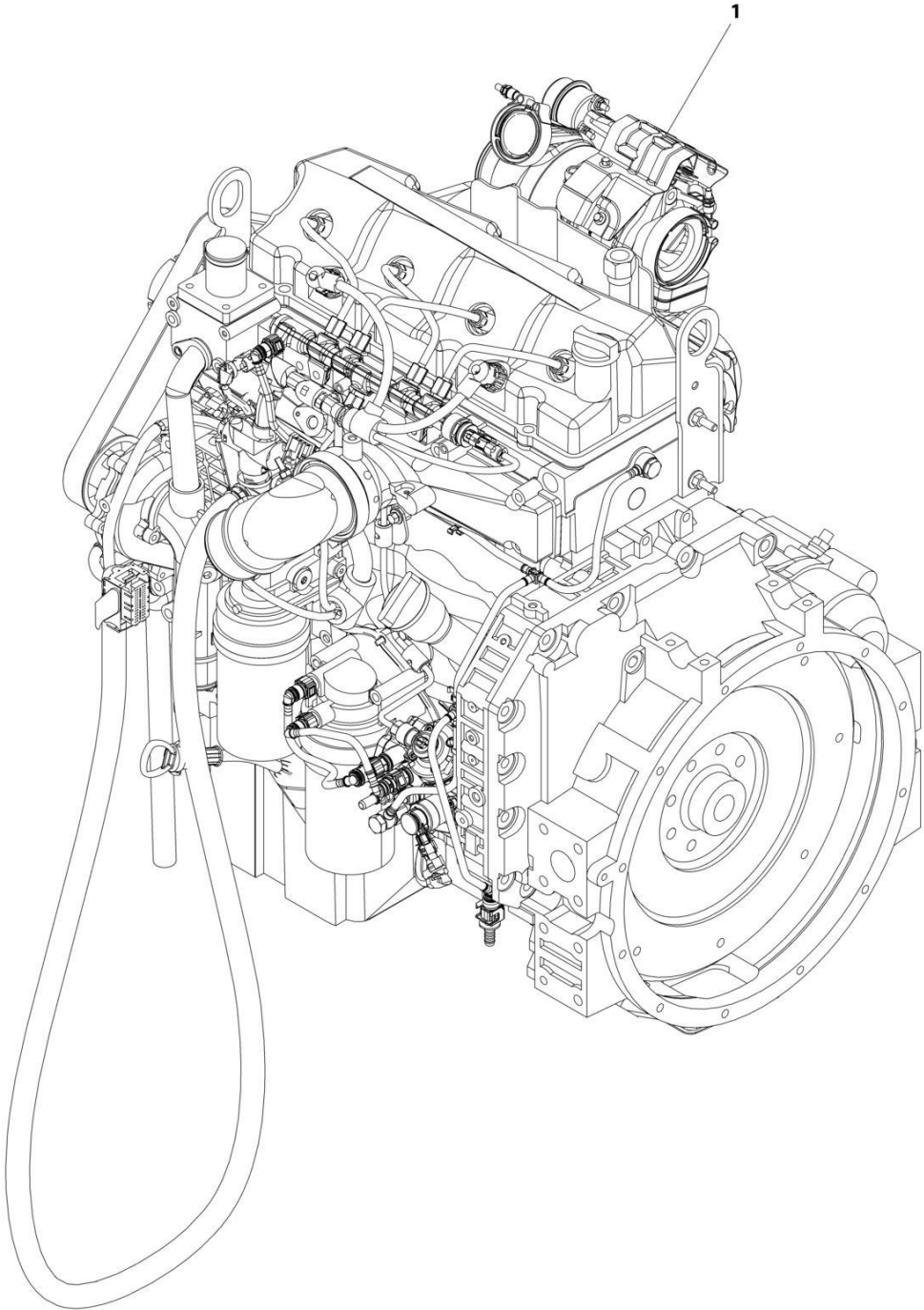
SECTION 4 - ENGINE AND ATTACHING PARTS

FIGURE 4-5. ENGINE - 74HP (ULS)

ITEM	PART NUMBER	QTY	DESCRIPTION	REV
1	1001196665	Ref	Engine, 74HP (if equipped for ULS)	O
	70026220	1	Assembly, Secondary Fuel Filter (includes filter head, seal and element)	
	70026453	1	Element, Fuel Filter	
	70026221	1	Head, Fuel Filter	
	70026222	1	Assembly, Flywheel Housing	
	70027281	1	Pan, Oil	
	70026224	1	Seal, Oil Pan	
	70026225	1	Plug, Oil Pan	
	70026226	1	Seal, Oil Pan Plug	
	1001128594	1	Starter	
	70026228	1	Filler Cap, Valve Cover	
	70026229	1	Fan Belt, V-Ribbed	
	70026230	1	Support, Fan	
	70026231	1	Pulley, Fan	
	70026232	1	Alternator	
	70028450	1	Assembly, Primary Fuel Filter	
	70026234	1	Element, Fuel Filter	
	70026235	1	Assembly, Dipstick Oil Level	
	70026241	1	Assembly, Fuel Filter Plug	
	70026237	1	Filter, Oil	
	70023933	1	O-Ring, Oil Pressure Switch	
	70041620	2	Ring, Retaining	
	70041616	1	Bolt	
	70041617	1	Bearing, Ball	
	70041619	1	Retainer, Fan Hub	
	1322039	1	Spacer, Fan Pilot	
	1321094	19	Screw	
	70024016	1	Cap, Side Oil Fill	
	70022634	1	Flywheel w/Ring Gear	
	70023736	1	Ring Gear, Flywheel	
	1322040	1	Plug, Flywheel	
	70031148	1	Sensor, Speed	

SECTION 4 - ENGINE AND ATTACHING PARTS

FIGURE 4-6. ENGINE - 85HP (LS)



ART_1001154790

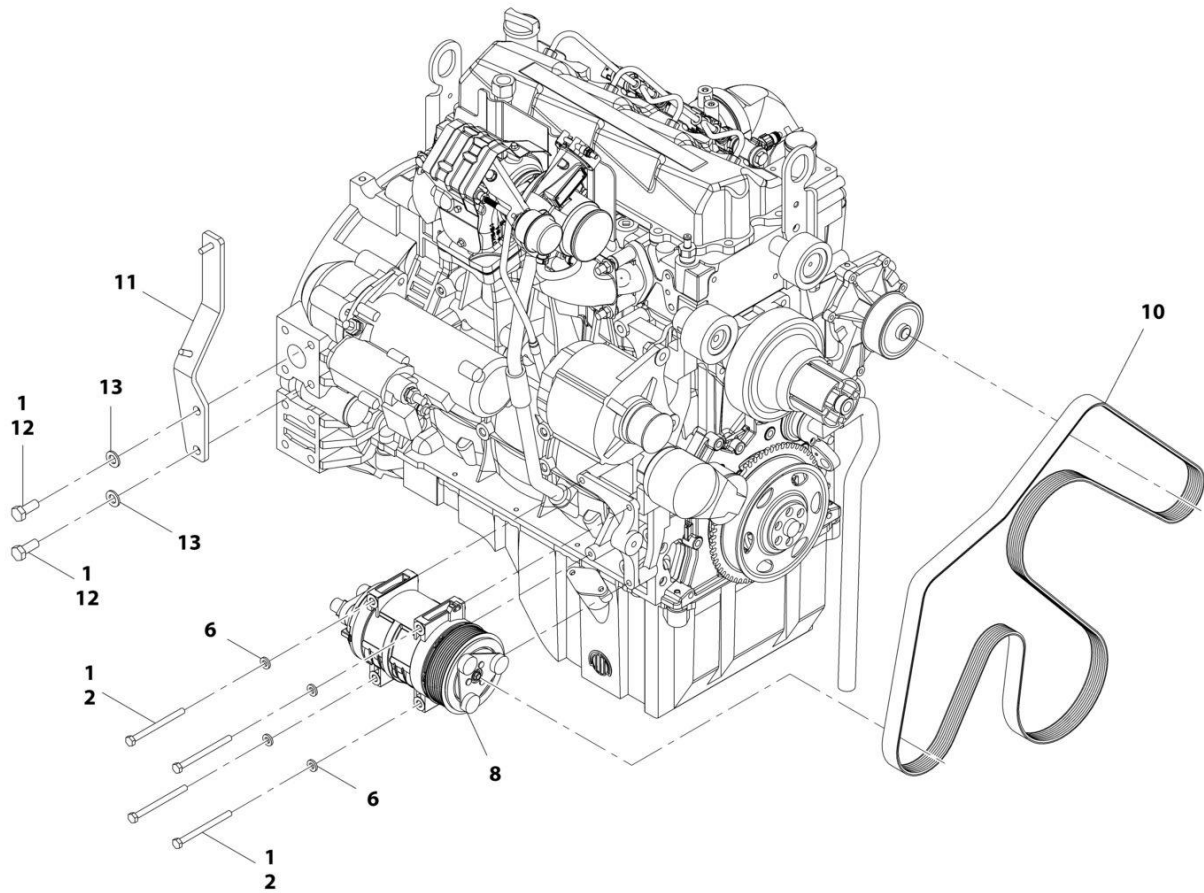
SECTION 4 - ENGINE AND ATTACHING PARTS

FIGURE 4-6. ENGINE - 85HP (LS)

ITEM	PART NUMBER	QTY	DESCRIPTION	REV
1	1001154790	Ref	3.8L Engine (LS)	L
	70026800	1	Fuel Filter Assembly	
	70026801	1	Fuel Filter Element	
	70026222	1	Assembly, Flywheel Housing	
	70027281	1	Pan, Oil	
	70026224	1	Seal, Oil Pan	
	70026225	1	Plug, Oil Pan	
	70026226	1	Seal, Oil Pan Plug	
	1001128594	1	Starter	
	70026228	1	Filler Cap, Valve Cover	
	70026229	1	Fan Belt, V-Ribbed	
	70026230	1	Support, Fan	
	70026231	1	Pulley, Fan	
	70026232	1	Alternator	
	70026233	1	Assembly, Primary Fuel Filter	
	70026234	1	Element, Fuel Filter	
	70026235	1	Assembly, Dipstick Oil Level	
	70026241	1	Assembly, Fuel Filter Plug	
	70026237	1	Filter, Oil	
	70041620	2	Ring, Retaining	
	70041616	1	Bolt	
	70041617	1	Bearing, Ball	
	70041619	1	Retainer, Fan Hub	
	1322039	1	Spacer, Fan Pilot	
	1321094	17	Screw	
	70024016	1	Cap, Side Oil Fill	
	70022634	1	Flywheel w/Ring Gear	
	70023736	1	Ring Gear, Flywheel	
	1322040	1	Plug, Flywheel	

SECTION 4 - ENGINE AND ATTACHING PARTS

FIGURE 4-7. A/C COMPONENTS INSTALLATION, 74HP



ART_1001190295-B

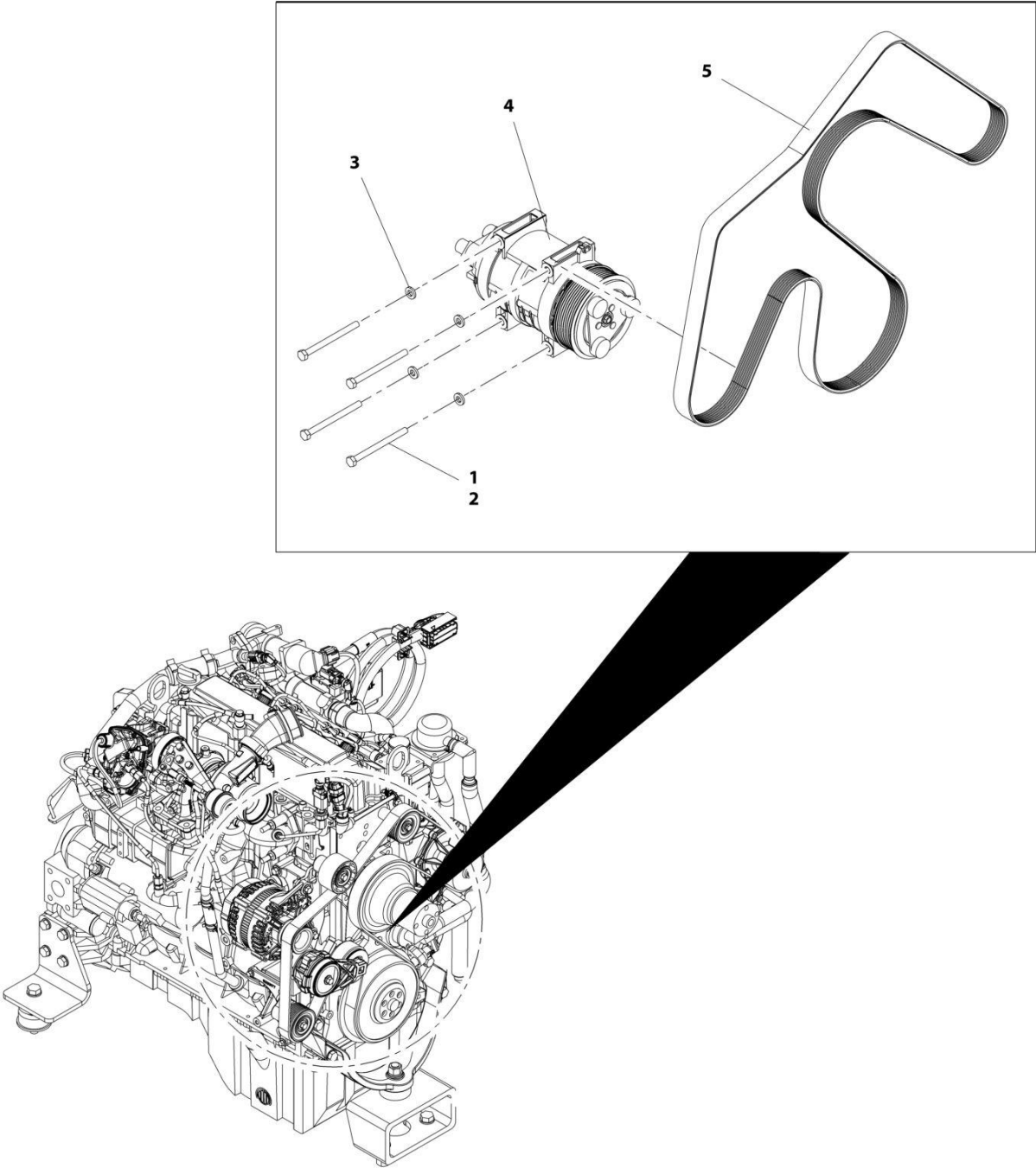
SECTION 4 - ENGINE AND ATTACHING PARTS

FIGURE 4-7. A/C COMPONENTS INSTALLATION, 74HP

ITEM	PART NUMBER	QTY	DESCRIPTION	REV
	1001190295	Ref	A/C Components Installation (if equipped for LS)	B
1	0100011	AR	Compound, Locking	
2	0700827	4	Bolt, M8X100	
6	5240800	4	Washer, M8	
8	1001157663	1	Compressor, A/C	
10	1001167357	1	Belt	
11	1001197233	1	Bracket, AC Hose Support	
12	0711214	2	Bolt, M12X30	
13	4812100	2	Washer, M12	

SECTION 4 - ENGINE AND ATTACHING PARTS

FIGURE 4-8. A/C COMPONENTS INSTALLATION, 85HP



ART_1001166008_A

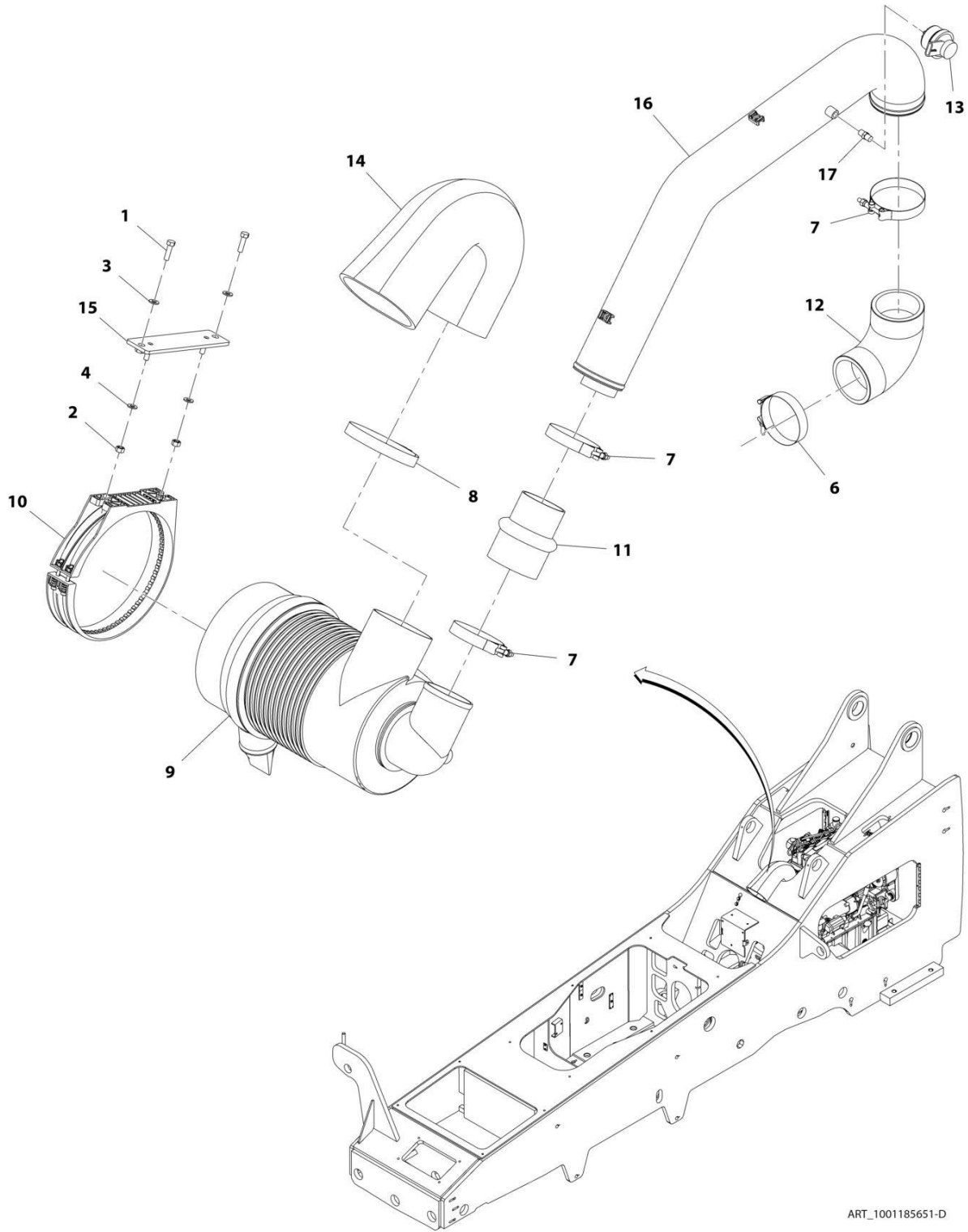
SECTION 4 - ENGINE AND ATTACHING PARTS

FIGURE 4-8. A/C COMPONENTS INSTALLATION, 85HP

ITEM	PART NUMBER	QTY	DESCRIPTION	REV
	1001166008	Ref	A/C Components Installation	A
1	0100011	AR	Compound, Locking	
2	0700827	4	Bolt, M8X100	
3	5240800	4	Washer, M8	
4	1001157663	1	Compressor, A/C	
5	1001167357	1	Belt	

SECTION 4 - ENGINE AND ATTACHING PARTS

FIGURE 4-9. AIR CLEANER INSTALLATION (LS)



ART_1001185651-D

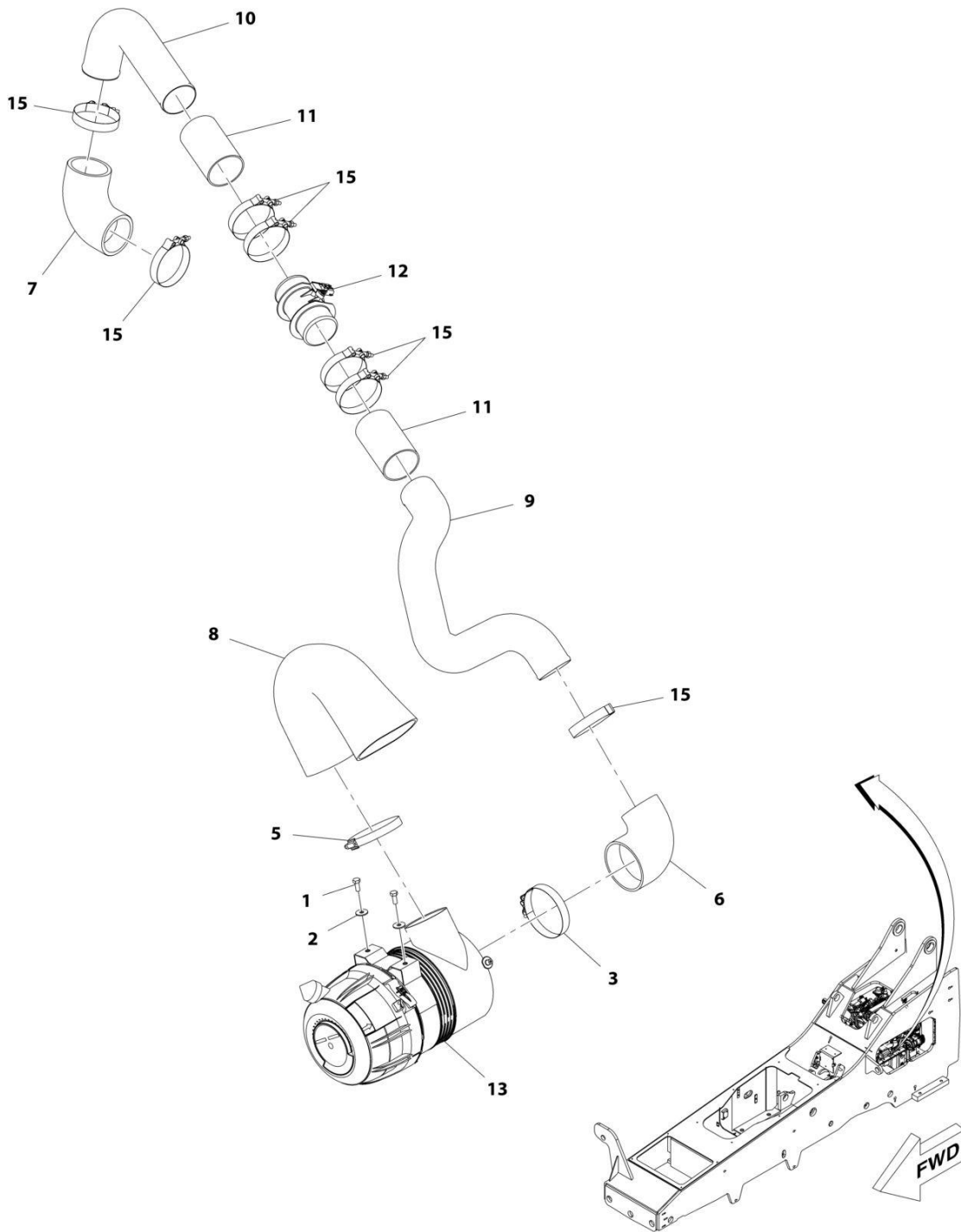
SECTION 4 - ENGINE AND ATTACHING PARTS

FIGURE 4-9. AIR CLEANER INSTALLATION (LS)

ITEM	PART NUMBER	QTY	DESCRIPTION	REV
	1001185651	Ref	Air Cleaner Installation (if equipped for LS)	D
1	0760815	2	Bolt, M8X35	
2	8305043	2	Nut, M8X1.25	
3	8307106	2	Washer, Plain 5/16	
4	8307222	2	Washer, Plain M8	
6	90028631	1	Clamp, T-Bolt	
7	8405307	3	Clamp, T-Bolt	
8	8410021	1	Clamp, T-Bolt	
9	10268515	1	Assembly, Air Cleaner (See Separate Breakdown in this Section)	
10	10268516	1	Band, Mounting	
11	91293003	1	Hose, Hump Reducer	
12	91083129	1	Elbow, Reducer	
13	1001166715	1	Restriction, Indicator	
14	1001190005	1	Hose, Air Intake	
15	1001190183	1	Bracket, Air Filter Band Mount	
16	1001212670	1	Pipe, Air Intake	
17	2180798	1	Fitting	

SECTION 4 - ENGINE AND ATTACHING PARTS

FIGURE 4-10. AIR CLEANER INSTALLATION (ULS)



ART_1001165669-D

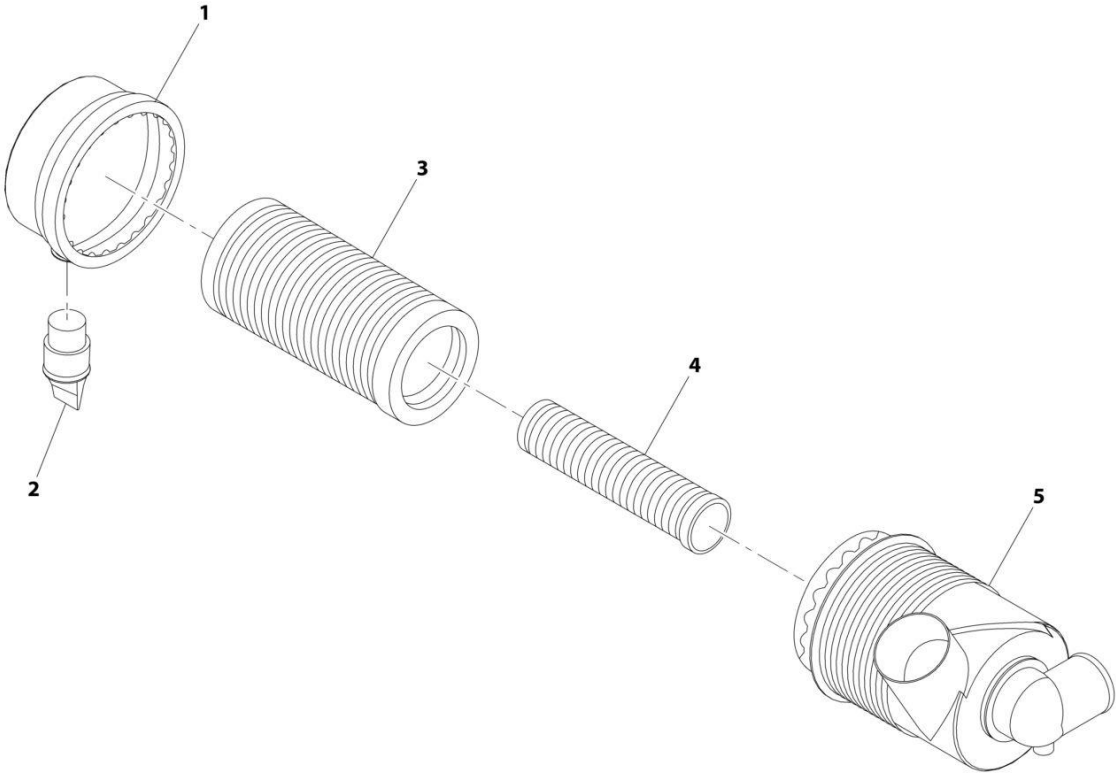
SECTION 4 - ENGINE AND ATTACHING PARTS

FIGURE 4-10. AIR CLEANER INSTALLATION (ULS)

ITEM	PART NUMBER	QTY	DESCRIPTION	REV
	1001165669	Ref	Air Cleaner Installation (if equipped for ULS)	D
1	0760810	2	Bolt, M8X20	
2	4811902	2	Washer, M8	
3	8405404	1	Clamp, T-Bolt	
5	10719267	1	Clamp, Hose	
6	1001201831	1	Hose, Air Intake	
7	1001120083	1	Hose, Air Intake	
8	1001165818	1	Hose, Air Intake	
9	1001168051	1	Pipe, Air Intake	
10	1001168052	1	Pipe, Air Intake	
11	1001168053	2	Hose, Sleeve	
12	1001169077	1	Sensor, PRS Temperature	
13	1001166566	1	Assembly, Air Cleaner (See Separate Breakdown in this Section)	
15	8410007	7	Clamp, T-Bolt	

SECTION 4 - ENGINE AND ATTACHING PARTS

FIGURE 4-11. AIR CLEANER ASSEMBLY (LS)



ART_10268515-D

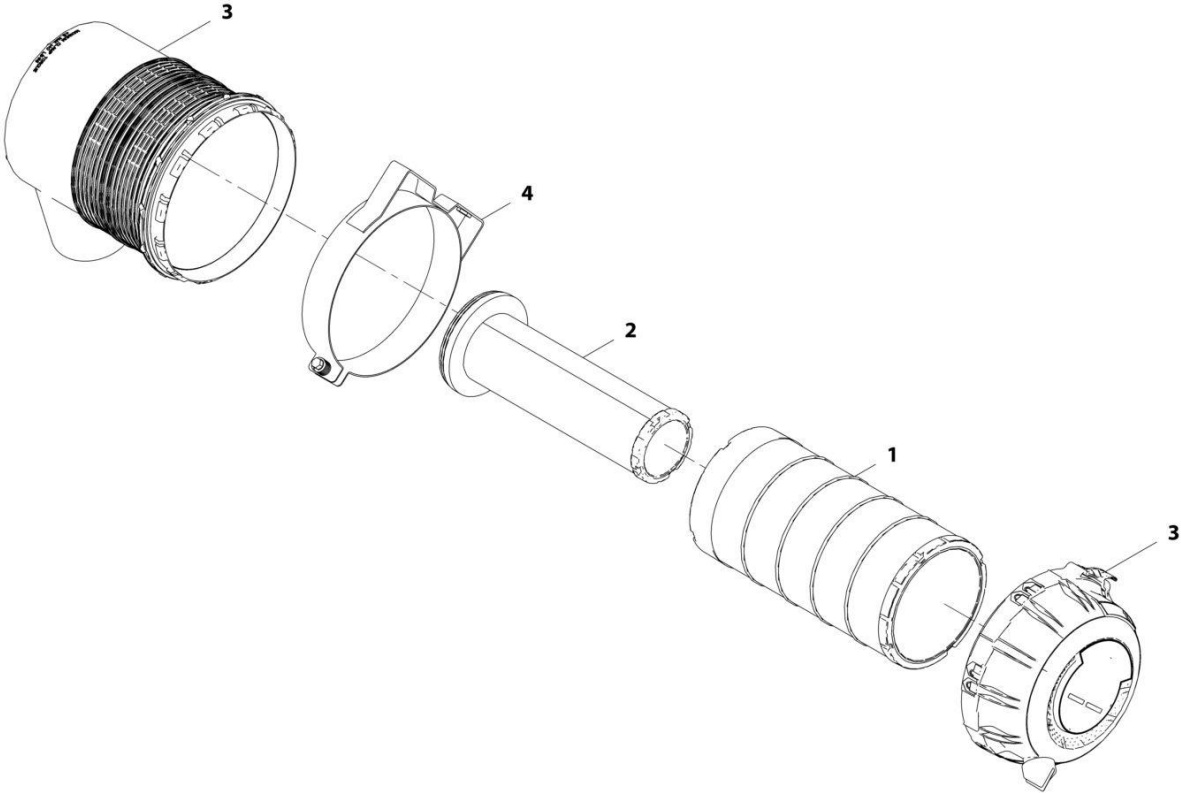
SECTION 4 - ENGINE AND ATTACHING PARTS

FIGURE 4-11. AIR CLEANER ASSEMBLY (LS)

ITEM	PART NUMBER	QTY	DESCRIPTION	REV
	10268515	Ref	Air Cleaner Assembly (if equipped for LS)	D
1	91364023	1	Cover Assembly	
2	80373094	1	Vacuator Valve	
3	1101312	1	Primary Filter Element	
4	1101313	1	Secondary Filter Element	
5	See Note	NSS	Air Cleaner Body (Note; Purchase Complete Assembly)	

SECTION 4 - ENGINE AND ATTACHING PARTS

FIGURE 4-12. AIR CLEANER ASSEMBLY (ULS)



ART_1001166566-G

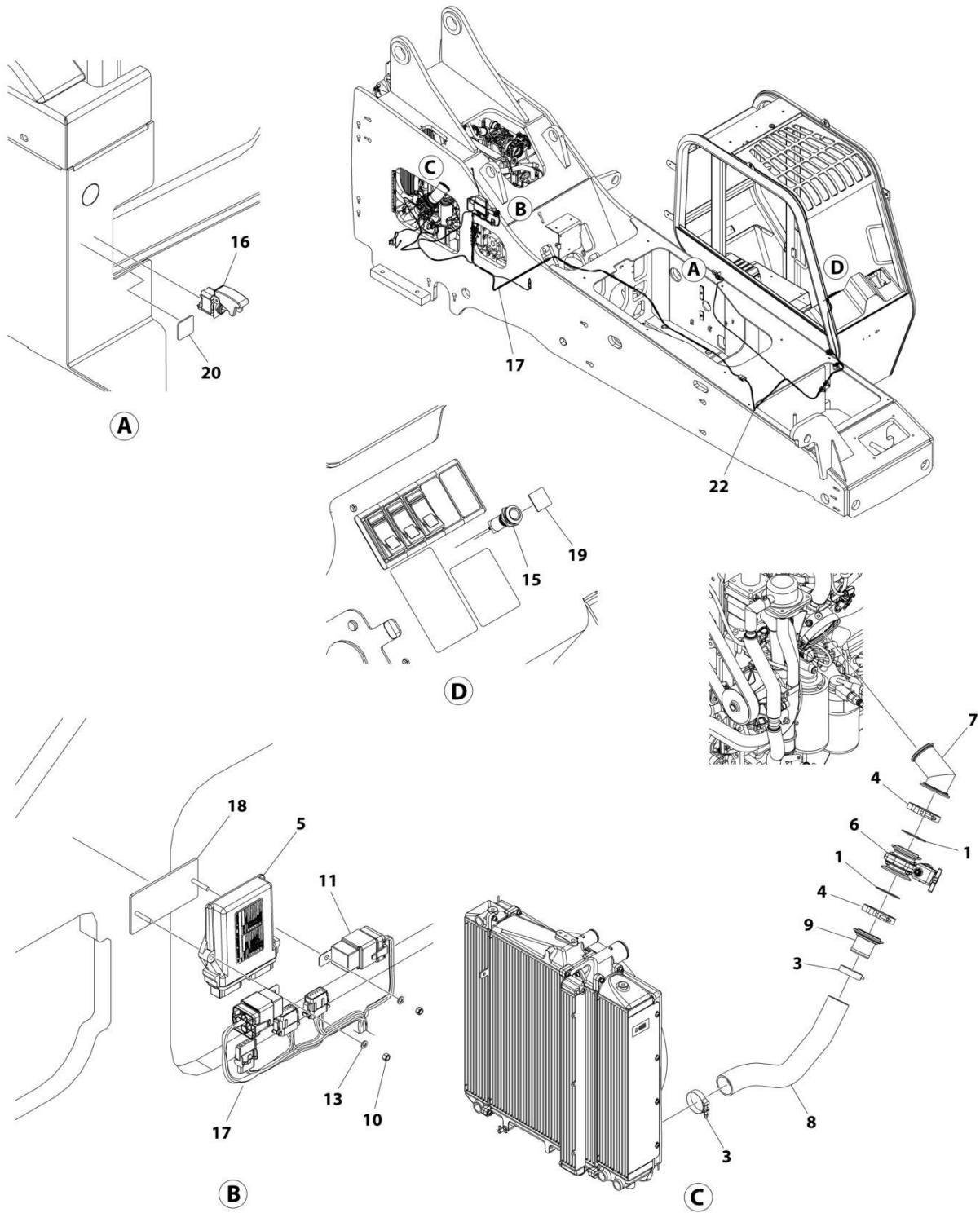
SECTION 4 - ENGINE AND ATTACHING PARTS

FIGURE 4-12. AIR CLEANER ASSEMBLY (ULS)

ITEM	PART NUMBER	QTY	DESCRIPTION	REV
	1001166566	Ref	Air Cleaner Assembly (74.4KW)	G
1	70025852	1	Filter, Air Cylindrical Primary	
2	70025853	1	Filter, Air Cylindrical Secondary	
3	70026393	1	Cover, Air Cleaner	
4	70026394	1	Bracket, Mounting Band	

SECTION 4 - ENGINE AND ATTACHING PARTS

FIGURE 4-13. AIR INTAKE SHUT OFF VALVE INSTALLATION



ART_1001202304_F

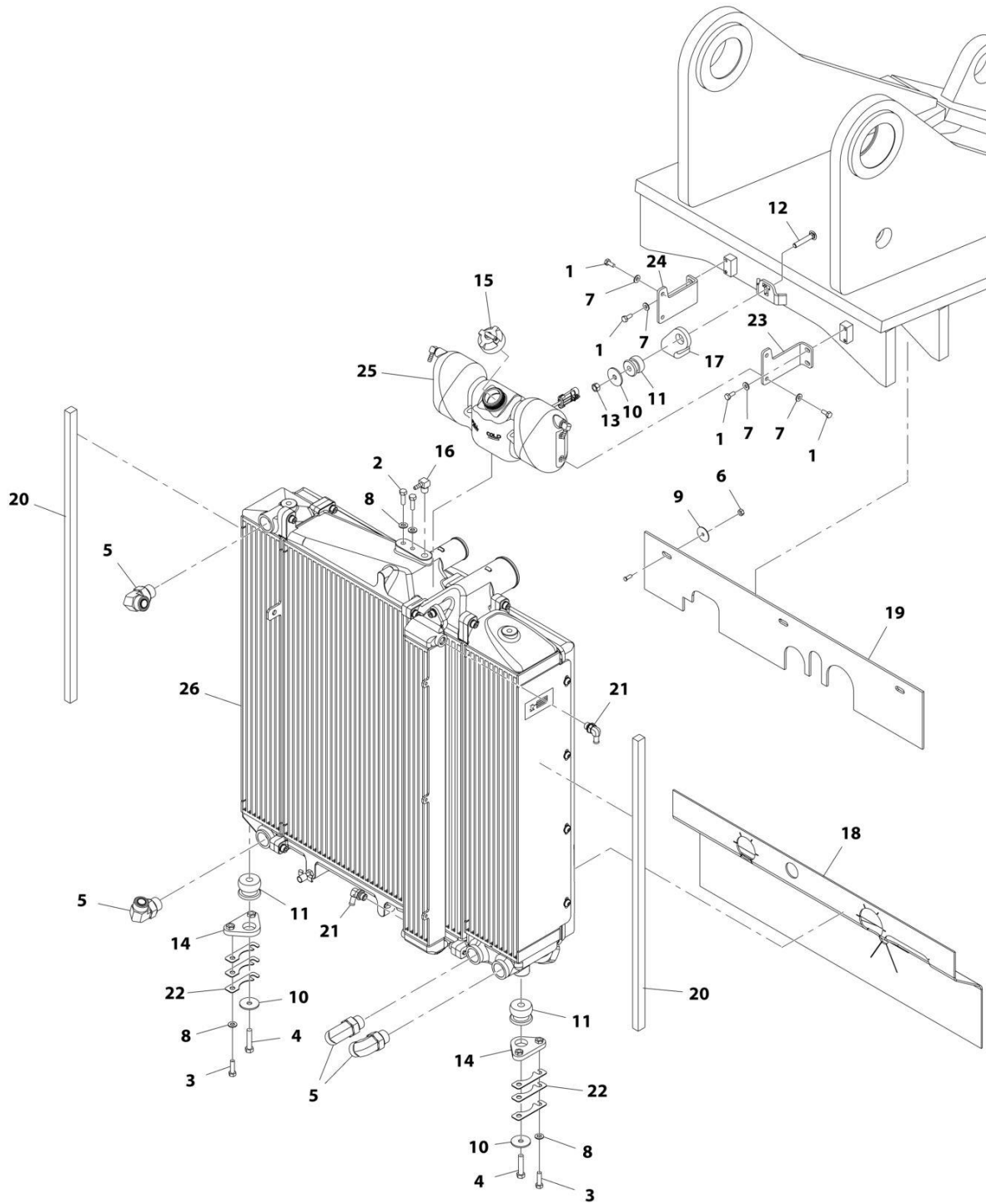
SECTION 4 - ENGINE AND ATTACHING PARTS

FIGURE 4-13. AIR INTAKE SHUT OFF VALVE INSTALLATION

ITEM	PART NUMBER	QTY	DESCRIPTION	REV
	1001202304	Ref	Air Intake Shut Off Valve Installation	F
1	3790152	2	Ring	
3	8405212	2	Clamp	
4	1001202247	2	Clamp	
5	1001203181	1	Accessory, Control	
6	1001204032	1	Valve, Air Shut Off (See Separate Breakdown in HYDRAULIC COMPONENTS Section)	
7	1001206956	1	Pipe	
8	1001206983	1	Hose	
9	1001206985	1	Adapter	
10	3290505	2	Nut M5 Grade 8	
11	3740080	2	Relay	
13	4811600	2	Washer, M5	
14	91053419	AR	Strap, Cable (not shown)	
15	1001239539	1	Lamp	
16	1001215941	1	Switch	
17	1001216455	1	Harness, POSI Air Shut Off Valve T4F (See Separate Breakdown in ELECTRICAL Section)	
18	1001219082	1	Bracket	
19	1001227077	1	Decal, Air Shut Off	
20	1001227964	1	Decal, ASOV Test	
22	1001231560	1	Harness, POSI Air Shut Off Valve Cab (See Separate Breakdown in ELECTRICAL Section)	

SECTION 4 - ENGINE AND ATTACHING PARTS

FIGURE 4-14. COOLING INSTALLATION, 74HP



ART_1001196737-E

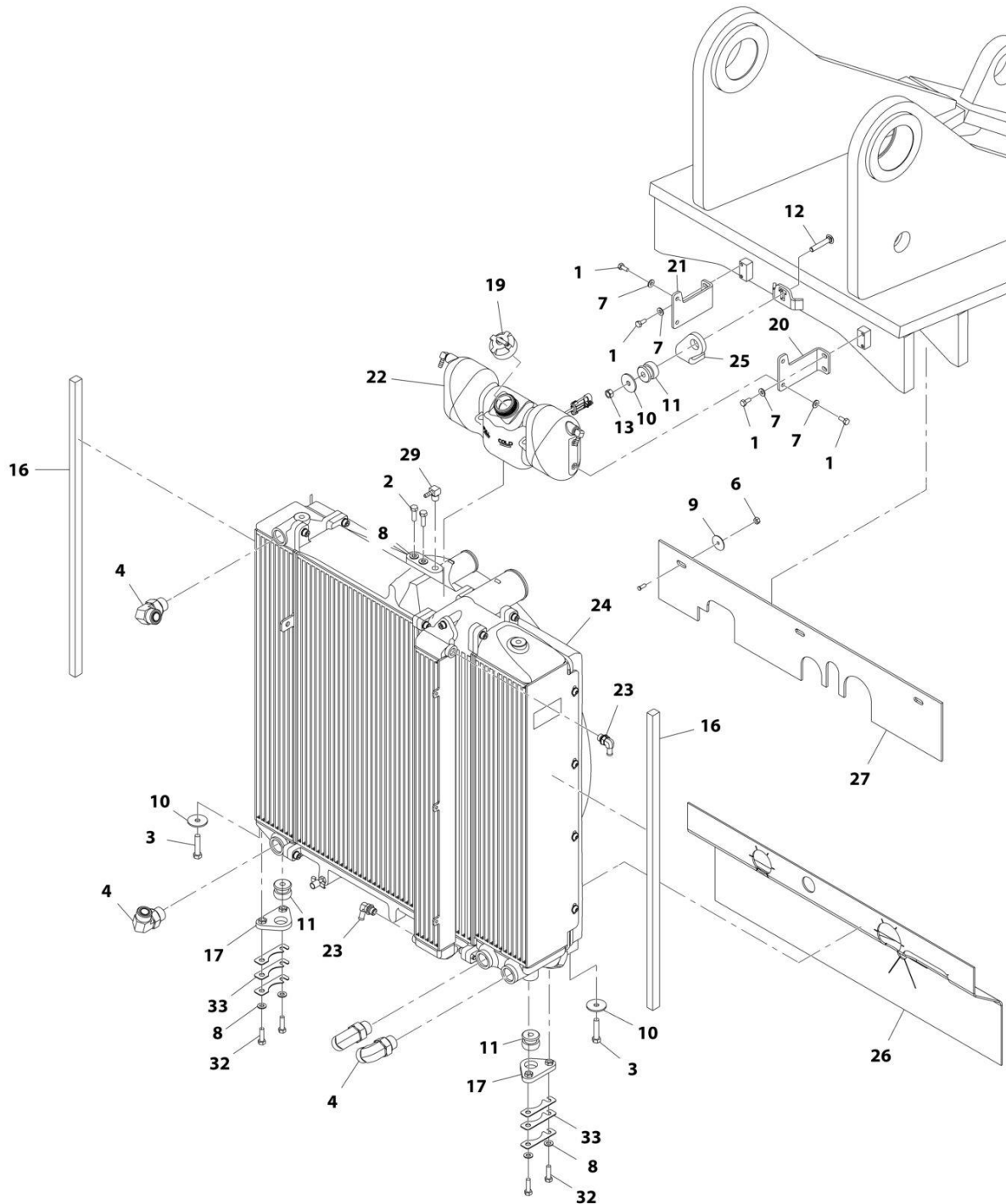
SECTION 4 - ENGINE AND ATTACHING PARTS

FIGURE 4-14. COOLING INSTALLATION, 74HP

ITEM	PART NUMBER	QTY	DESCRIPTION	REV
	1001196737	Ref	Cooling Installation, 74HP	E
1	0641405	8	Bolt, 1/4-20X5/8	
2	0641508	2	Bolt, 5/16-18X1	
3	0641509	4	Bolt, 5/16-18X1-1/8	
4	0641614	2	Bolt, 3/8-16X1-3/4	
5	2131212	4	Adapter, 90	
6	3311401	3	Nut, 1/4-20	
7	4711400	8	Washer, 1/4	
8	4711500	6	Washer, 5/16	
9	4740362	3	Washer, Fender, 1/4	
10	7057141	3	Washer, Flat	
11	8278020	3	Mount, Rubber Isolator	
12	8310281	1	Bolt, Carriage 3/8-16X2-1/4	
13	8305008	1	Nut, 3/8-16	
14	1001120869	2	Bracket, Cooler Mount Lower	
15	1001128341	1	Cap, Deaeration Tank	
16	1001134488	1	Fitting, Barbed 90	
17	1001169059	1	Mount, Cooler Bracket	
18	1001170117	1	Panel, Air Dam	
19	1001170186	1	Panel, Air Dam Upper	
20	1001178582	2	Seal, Foam Gasket	
21	1001178776	2	Fitting, Hose Barb 90	
22	1001179845	6	Shim	
23	1001181584	1	Bracket, LH Tank	
24	1001181585	1	Bracket, RH Tank	
25	1001182255	1	Assembly, Deaeration Tank (See Separate Breakdown in this Section)	
26	1001197475	1	Assembly, Radiator (See Separate Breakdown in this Section)	

SECTION 4 - ENGINE AND ATTACHING PARTS

FIGURE 4-15. COOLING INSTALLATION, 85HP



ART_1001165670-K

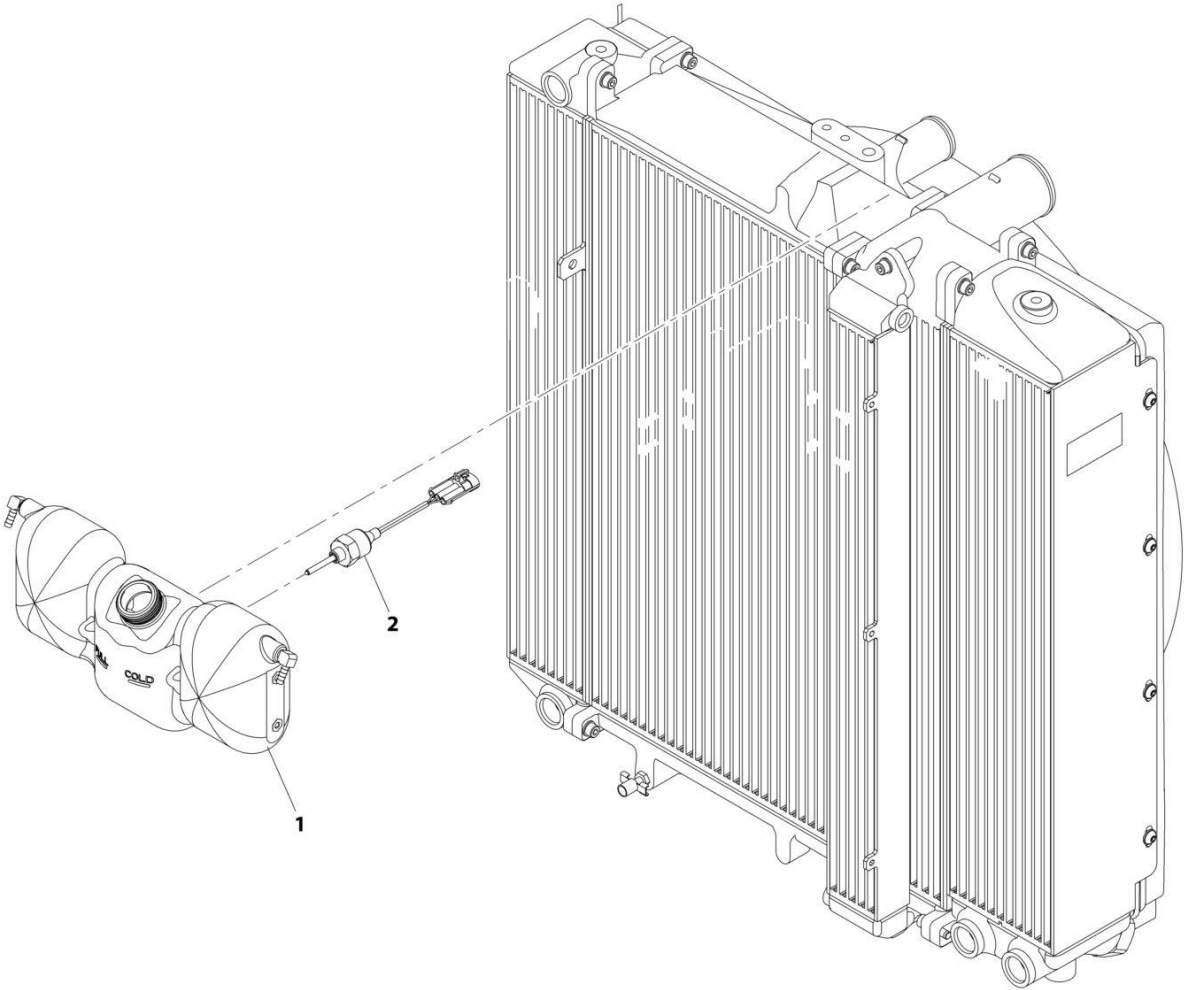
SECTION 4 - ENGINE AND ATTACHING PARTS

FIGURE 4-15. COOLING INSTALLATION, 85HP

ITEM	PART NUMBER	QTY	DESCRIPTION	REV
	1001165670	Ref	Cooling Installation, 85HP	K
1	0641405	8	Bolt, 1/4-20X5/8	
2	0641508	2	Bolt, 5/16-18X1	
3	0641614	2	Bolt, 3/8-16X1-3/4	
4	2131212	4	Adapter, 90	
6	3311401	3	Nut, 1/4-20	
7	4711400	8	Washer, 1/4	
8	4711500	6	Washer, 5/16	
9	4740362	3	Washer, Fender 1/4	
10	7057141	3	Washer, Flat	
11	8278020	3	Mount, Rubber Isolator	
12	8310281	1	Bolt, Carriage 3/8-16X2-1/4	
13	8305008	1	Nut, 3/8-16	
16	1001178582	2	Seal, Foam Gasket	
17	1001120869	2	Bracket, Cooler Mount Lower	
19	1001128341	1	Cap, Deaeration Tank	
20	1001181584	1	Bracket, LH Tank	
21	1001181585	1	Bracket, RH Tank	
22	1001182255	1	Assembly, Deaeration Tank (See Separate Breakdown in this Section)	
23	1001178776	2	Fitting, Hose Barb 90	
24	1001168478	1	Assembly, Radiator (See Separate Breakdown in this Section)	
25	1001169059	1	Mount, Cooler Bracket	
26	1001170117	1	Panel, Air Dam	
27	1001170186	1	Panel, Air Dam Upper	
29	1001134488	1	Fitting, Barbed 90	
32	0641509	4	Bolt, 5/16-18X1-1/8	
33	1001179845	6	Shim	

SECTION 4 - ENGINE AND ATTACHING PARTS

FIGURE 4-16. DEAERATION TANK ASSEMBLY



ART_1001182255-K

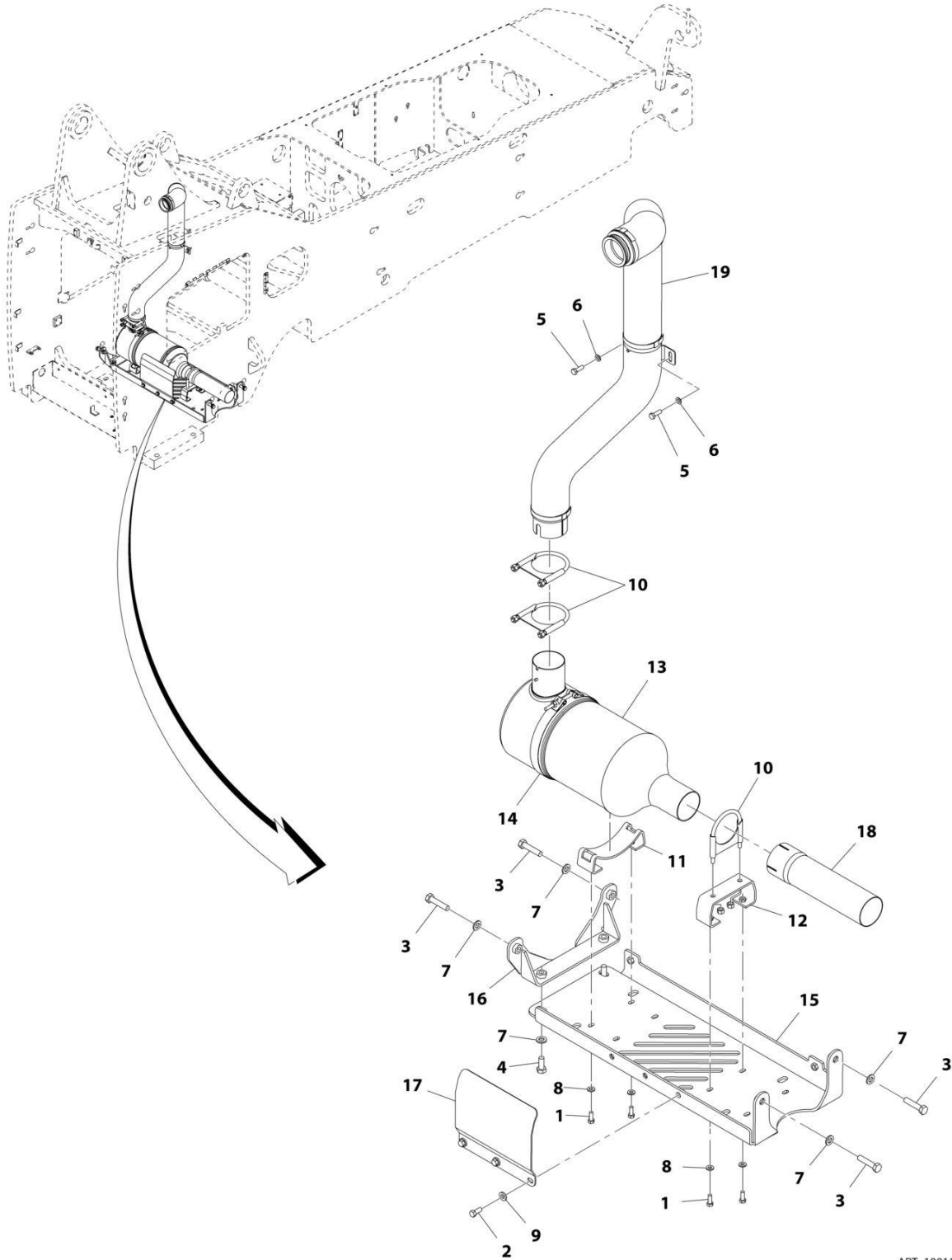
SECTION 4 - ENGINE AND ATTACHING PARTS

FIGURE 4-16. DEAERATION TANK ASSEMBLY

ITEM	PART NUMBER	QTY	DESCRIPTION	REV
	1001182255	Ref	Deaeration Tank Assembly	K
1	1001153912	1	Tank, Deaeration	
2	1001245478	1	Sensor, Coolant Level	

SECTION 4 - ENGINE AND ATTACHING PARTS

FIGURE 4-17. EXHAUST INSTALLATION - 74HP (ULS)



ART_1001196125-B

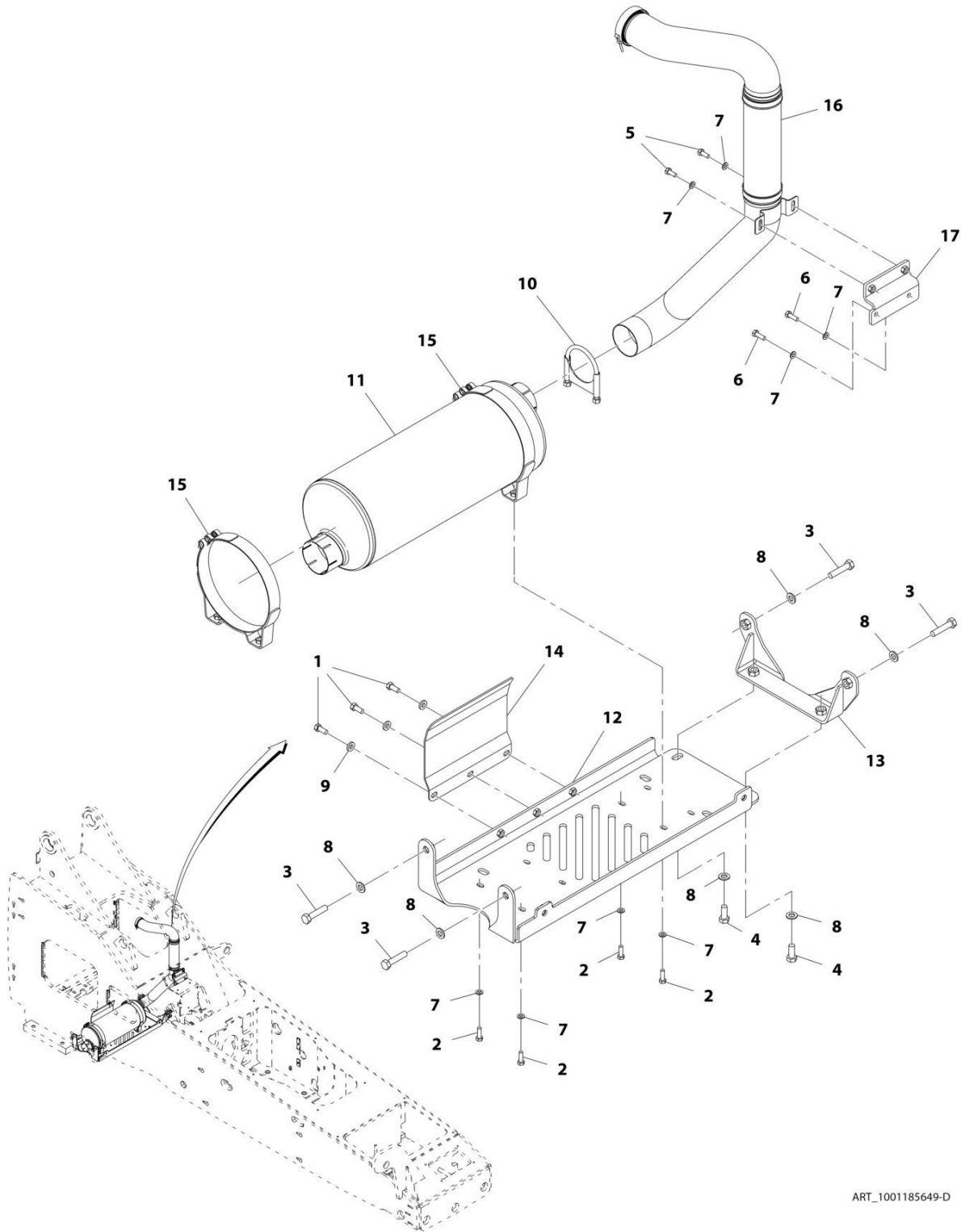
SECTION 4 - ENGINE AND ATTACHING PARTS

FIGURE 4-17. EXHAUST INSTALLATION - 74HP (ULS)

ITEM	PART NUMBER	QTY	DESCRIPTION	REV
	1001196125	Ref	Exhaust Installation, 74HP (if equipped for ULS)	B
1	0641507	4	Bolt, 5/16-18X7/8	
2	0641607	3	Bolt, 3/8-16X7/8	
3	0701219	4	Bolt, M12X55	
4	0711214	2	Bolt, M12X30	
5	0760812	2	Bolt, M8X25	
6	4811900	2	Washer, M8	
7	4812100	6	Washer, M12	
8	4891500	4	Washer, 5/16	
9	4891600	3	Washer, 3/8	
10	24921332	3	Clamp	
11	1001128363	1	Bracket	
12	1001128364	1	Bracket	
13	1001128714	1	Muffler	
14	1001128901	1	Strap	
15	1001166935	1	Bracket	
16	1001169057	1	Bracket	
17	1001174327	1	Shield	
18	1001196396	1	Pipe, Exhaust	
19	1001196397	1	Pipe, Exhaust	

SECTION 4 - ENGINE AND ATTACHING PARTS

FIGURE 4-18. EXHAUST INSTALLATION - 85HP (LS)



ART_1001185649-D

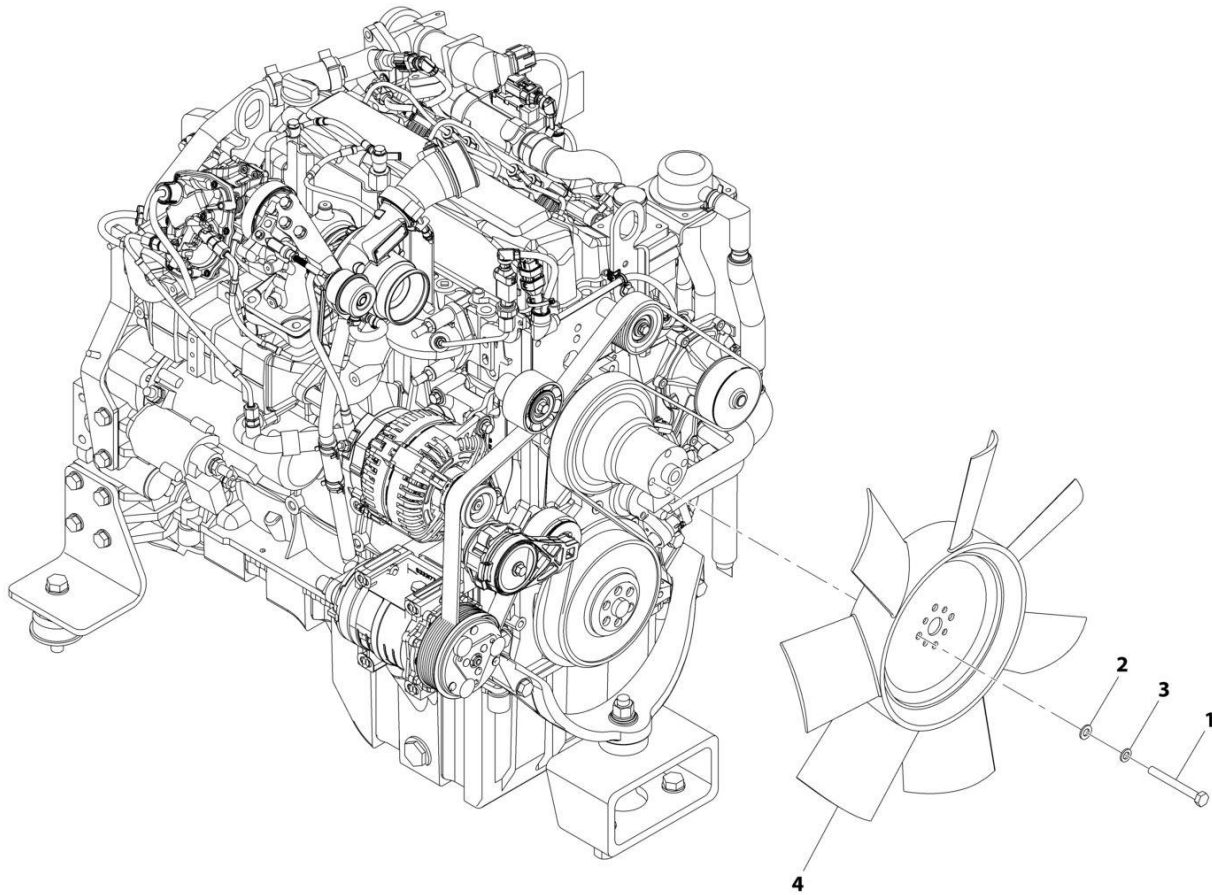
SECTION 4 - ENGINE AND ATTACHING PARTS

FIGURE 4-18. EXHAUST INSTALLATION - 85HP (LS)

ITEM	PART NUMBER	QTY	DESCRIPTION	REV
	1001185649	Ref	Exhaust Installation, 85HP (if equipped for LS)	D
1	0641607	3	Bolt, 3/8-16X7/8	
2	0700812	4	Bolt, M8X25	
3	0701219	4	Bolt, M12X55	
4	0711214	2	Bolt, M12X30, Grade 10.9	
5	0760810	2	Bolt, M8X20	
6	0760812	2	Bolt, M8X25	
7	4811900	8	Washer, M8	
8	4812100	6	Washer, M12	
9	4891600	3	Washer, 3/8	
10	24921332	1	Clamp	
11	91163035	1	Muffler	
12	1001166935	1	Bracket	
13	1001169057	1	Bracket	
14	1001174327	1	Shield	
15	1001180227	2	Muffler, Band Clamp	
16	1001190962	1	Pipe, Exhaust	
17	1001190990	1	Bracket, Exhaust Support	

SECTION 4 - ENGINE AND ATTACHING PARTS

FIGURE 4-19. FAN INSTALLATION - 74HP



ART_1001196736-C

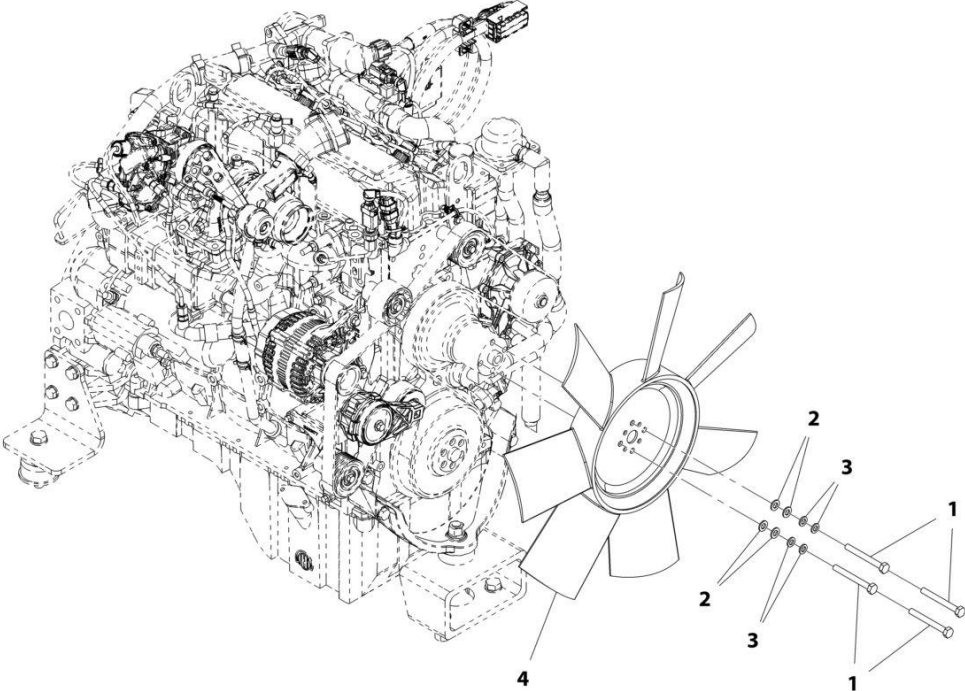
SECTION 4 - ENGINE AND ATTACHING PARTS

FIGURE 4-19. FAN INSTALLATION - 74HP

ITEM	PART NUMBER	QTY	DESCRIPTION	REV
	1001196736	Ref	Fan Installation, 74HP	C
1	0701026	4	Bolt, M10X90	
2	4812000	4	Washer, M10	
3	4832000	4	Washer, Lock M10	
4	1001210351	1	Fan	

SECTION 4 - ENGINE AND ATTACHING PARTS

FIGURE 4-20. FAN INSTALLATION - 85HP



ART_1001165668-B

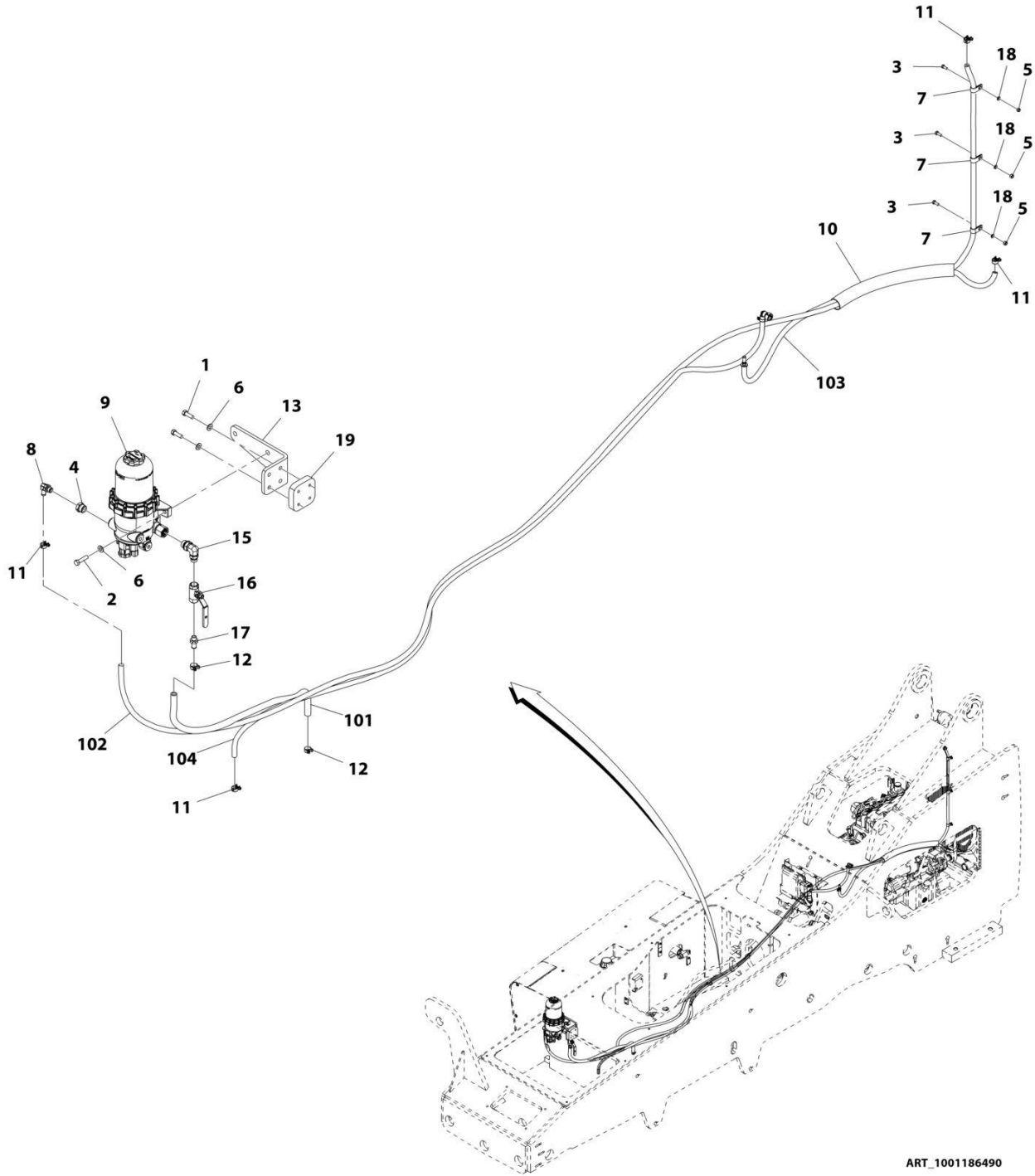
SECTION 4 - ENGINE AND ATTACHING PARTS

FIGURE 4-20. FAN INSTALLATION - 85HP

ITEM	PART NUMBER	QTY	DESCRIPTION	REV
	1001165668	Ref	Fan Installation, 85HP	B
1	0701026	4	Bolt, M10X90	
2	4812000	4	Washer, M10	
3	4832000	4	Washer, Lock M10	
4	1001174822	1	Fan	

SECTION 4 - ENGINE AND ATTACHING PARTS

FIGURE 4-21. FUEL PLUMBING INSTALLATION (LS)



ART_1001186490

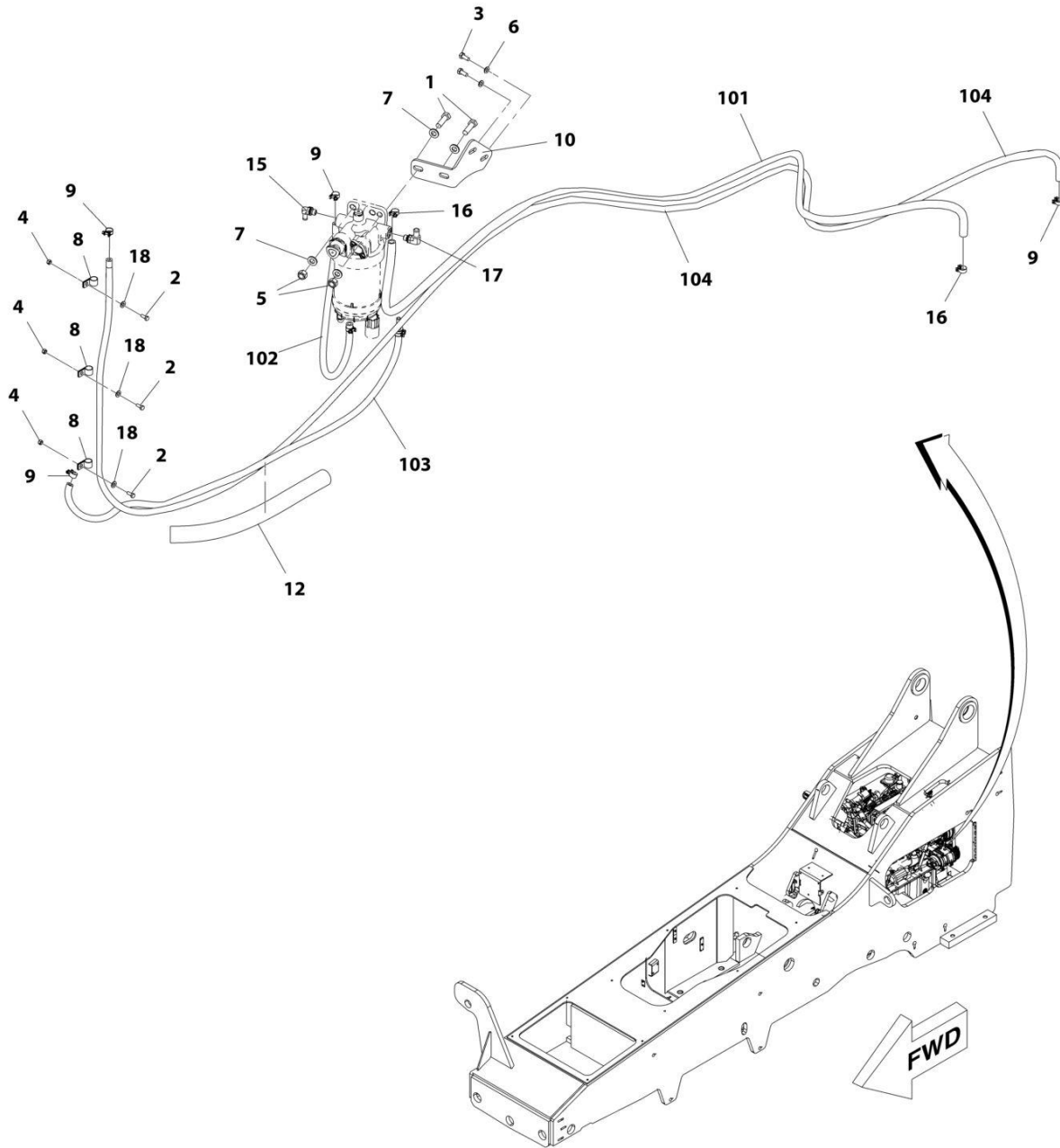
SECTION 4 - ENGINE AND ATTACHING PARTS

FIGURE 4-21. FUEL PLUMBING INSTALLATION (LS)

ITEM	PART NUMBER	QTY	DESCRIPTION	REV
	1001186490	Ref	Fuel Plumbing Installation (if equipped for LS)	J
1	0641609	4	Bolt, 3/8-16X1-1/8	
2	0641612	2	Bolt, 3/8-16X1-1/2	
3	0760608	3	Bolt, M6X16	
4	2220218	1	Adapter, Straight	
5	3290605	3	Nut, Lock M6X1	
6	4711600	6	Washer, 3/8	
7	8406112	3	Clip, Tube 5/8	
8	1001178776	1	Elbow, 90	
9	1001133534	1	Filter, Fuel	
10	1001136358	1	Sleeve, Abrasion	
11	1001136975	4	Clamp, Fuel Hose	
12	1001175568	2	Clip, Hose	
13	1001190349	1	Bracket, Support	
15	1001190629	1	Adapter, 90	
16	1001190630	1	Valve Shutoff, Female	
17	1001190631	1	Fitting, Hose Barb	
18	4811600	3	Washer, M6	
19	1001190344	1	Bracket	
100	1001190372	1	Hose Kit (Not Shown)	
101	1001190370	1	Hose	
102	1001190371	1	Hose	
103	1001201111	1	Hose	
104	1001171805	1	Hose	

SECTION 4 - ENGINE AND ATTACHING PARTS

FIGURE 4-22. FUEL PLUMBING INSTALLATION (ULS)



ART_1001165672-H

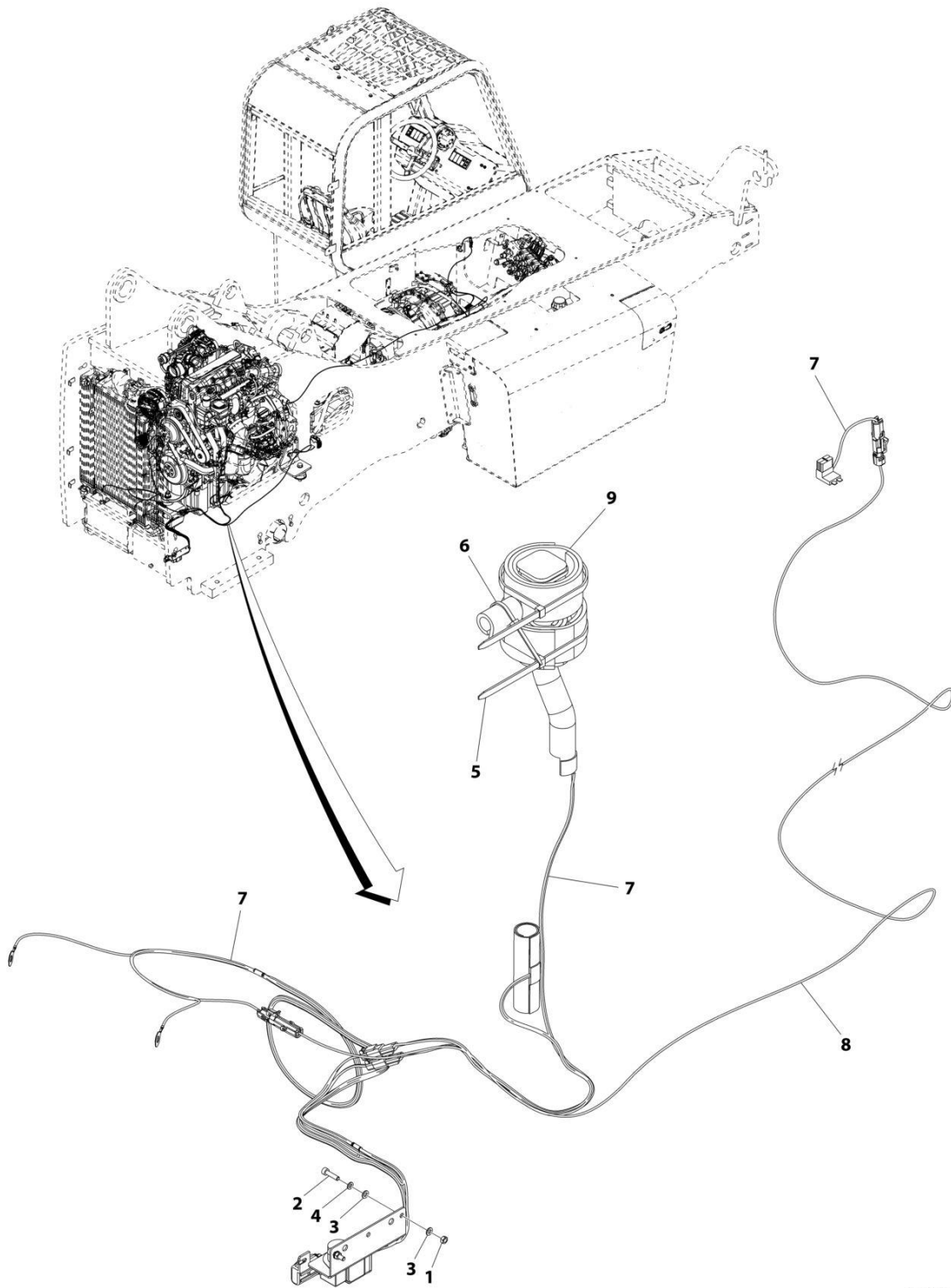
SECTION 4 - ENGINE AND ATTACHING PARTS

FIGURE 4-22. FUEL PLUMBING INSTALLATION (ULS)

ITEM	PART NUMBER	QTY	DESCRIPTION	REV
	1001165672	Ref	Fuel Plumbing Installation (if equipped for ULS)	H
1	0701216	2	Bolt, M12X40	
2	0760608	3	Bolt, M6X16	
3	0761012	2	Bolt, M10X25	
4	3290605	3	Nut, Lock M6X1	
5	3291205	2	Nut, Lock M12X1-3/4	
6	4812000	2	Washer, M10	
7	4812100	4	Washer, M12	
8	8406112	3	Clip, Tube 5/8	
9	1001136975	5	Clamp, Fuel Hose	
10	1001182603	1	Bracket, Filter Mount	
12	1001136358	1	Sleeve, Abrasion	
15	1001182094	1	Adapter, Banjo M14X3/8	
16	1001175568	2	Clip, Hose	
17	1001179375	1	Adapter, Banjo M14X1/2	
18	4811700	3	Washer, M6	
101	1001171802	1	Hose	
102	1001171803	1	Hose	
103	1001201111	1	Hose	
104	1001171805	1	Hose	

SECTION 4 - ENGINE AND ATTACHING PARTS

FIGURE 4-23. HEATER BREATHER



ART_1001232750-A

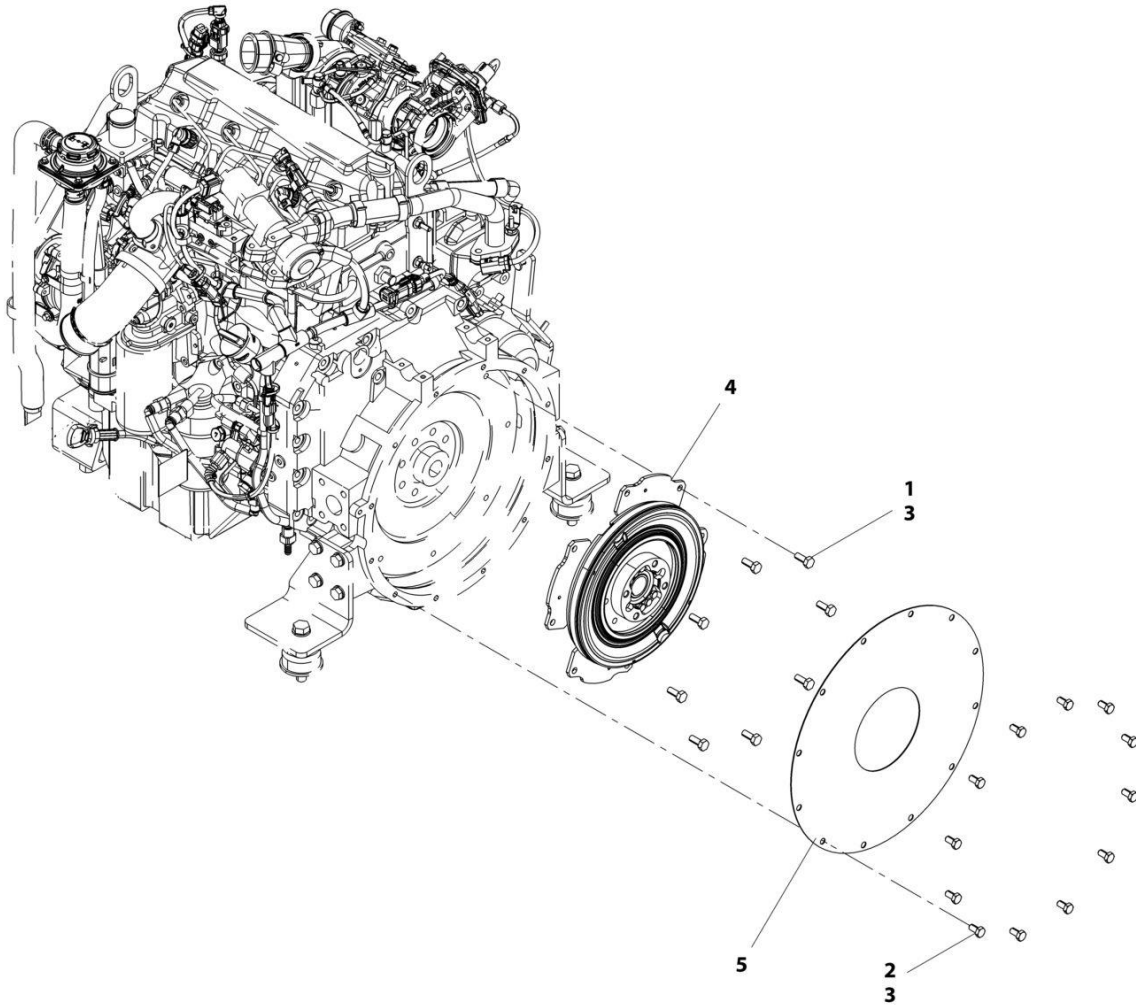
SECTION 4 - ENGINE AND ATTACHING PARTS

FIGURE 4-23. HEATER BREATHER

ITEM	PART NUMBER	QTY	DESCRIPTION	REV
	1001232750	Ref	Heater Breather - 74 HP	A
1	3290501	2	Nut, M5X0.8	
2	4031608	2	Screw, M5X20	
3	4811600	4	Washer, M5	
4	4831600	2	Washer, Lock M5	
5	01043892	2	Strap, Tie	
6	86683122	1	Strap, Tie	
7	1001232439	1	Engine, Cummins Breather Kit	
8	1001232599	1	Harness, Cummins Breather Heater	
9	1001232624	1	Insulate, Cummins Insulation	

SECTION 4 - ENGINE AND ATTACHING PARTS

FIGURE 4-24. ISOLATION COUPLER INSTALLATION



ART_1001166229_B

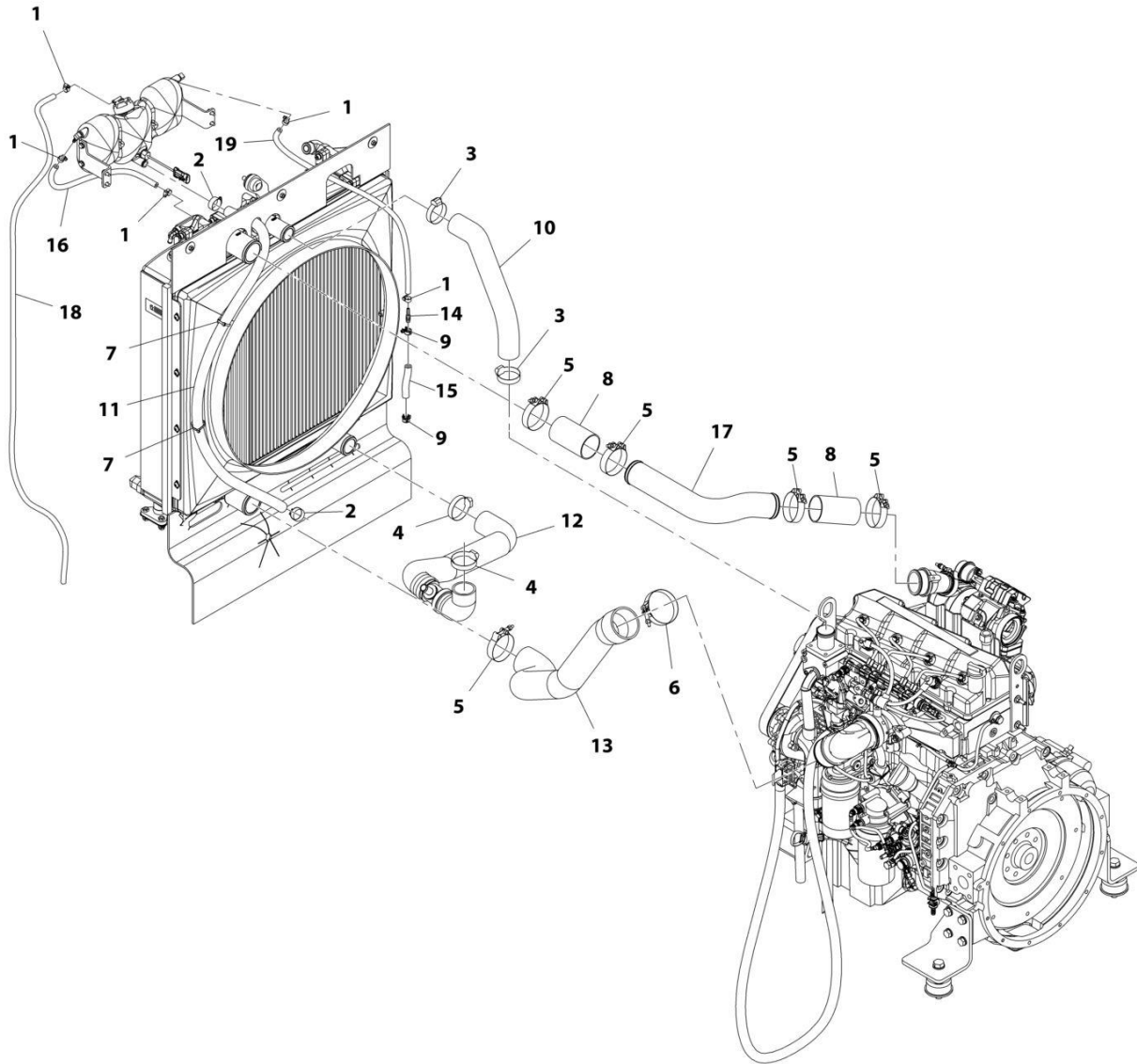
SECTION 4 - ENGINE AND ATTACHING PARTS

FIGURE 4-24. ISOLATION COUPLER INSTALLATION

ITEM	PART NUMBER	QTY	DESCRIPTION	REV
	1001166229	Ref	Isolation Coupler Installation	B
1	0761012	8	Bolt, M10X25	
2	8303784	12	Bolt, M10X20	
3	8526007	AR	Compound, Locking	
4	1001180244	1	Coupling, Torsion Damper	
5	1001185071	1	Panel, Isolation Coupler	

SECTION 4 - ENGINE AND ATTACHING PARTS

FIGURE 4-25. PLUMBING COOLING INSTALLATION (LS)



ART_1001185652-D

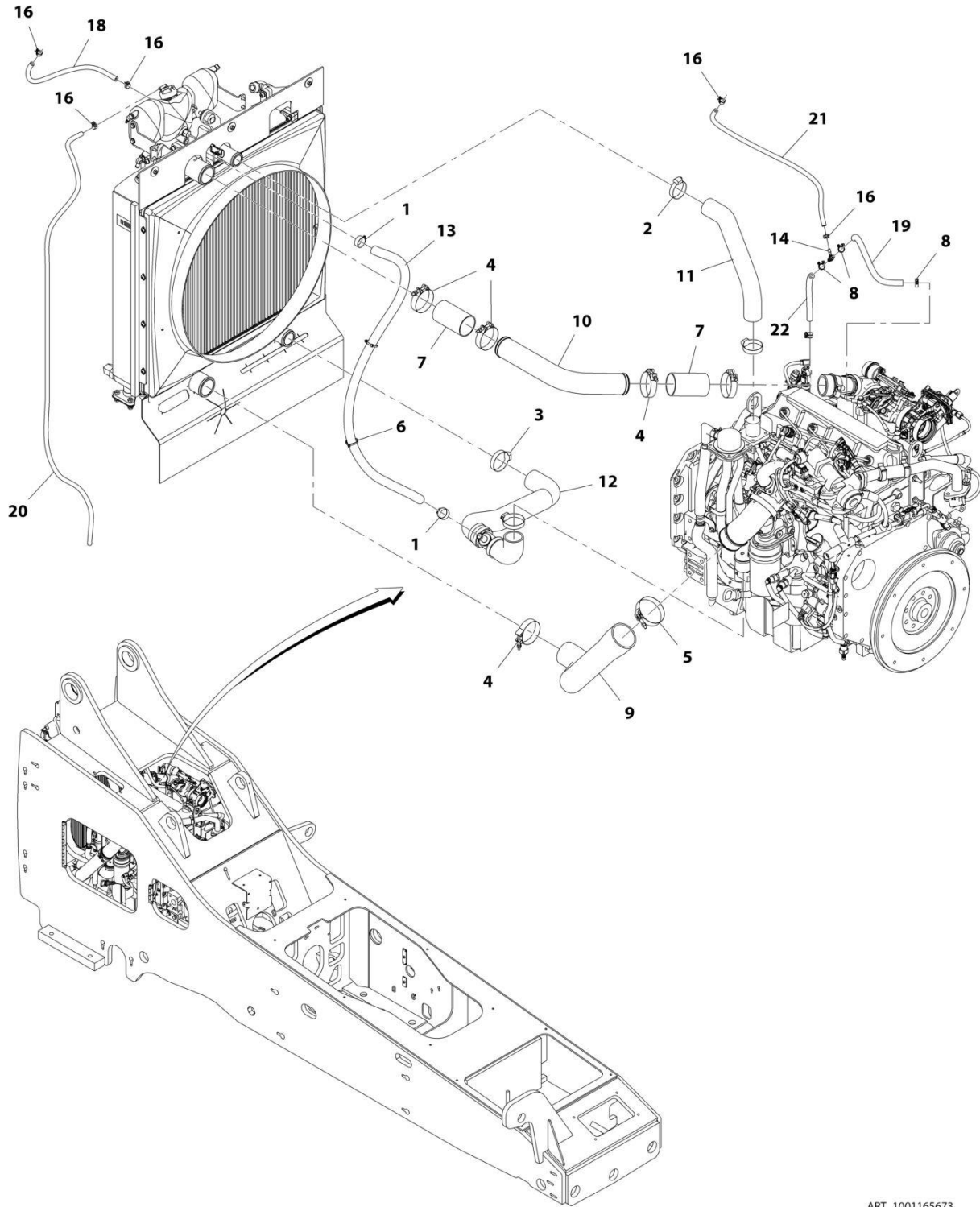
SECTION 4 - ENGINE AND ATTACHING PARTS

FIGURE 4-25. PLUMBING COOLING INSTALLATION (LS)

ITEM	PART NUMBER	QTY	DESCRIPTION	REV
	1001185652	Ref	Plumbing Cooling Installation (if equipped for LS)	D
1	1320022	5	Clamp, Fuel Line	
2	8405007	2	Clamp, Gear 1-1/4	
3	8405104	2	Clamp, Gear 2-1/4	
4	8405201	2	Clamp, Gear 2-1/2	
5	8405212	5	Clamp, T-Bolt	
6	8405305	1	Clamp, T-Bolt	
7	1001004720	2	Strap, Cable	
8	1001114495	2	Hose, CAC Straight	
9	1001136975	2	Clamp, Fuel Hose	
10	1001169272	1	Hose, Upper Radiator	
11	1001169274	1	Hose, Draw Down	
12	1001201945	1	Hose, Lower Radiator	
13	1001189318	1	Hose, CAC Outlet	
14	1001189602	1	Fitting, Union Tee	
15	1001189712	1	Hose, Vent Line 3/8	
16	1001203969	1	Hose, Vent 1/4	
17	1001189715	1	Pipe, CAC Inlet	
18	1001204097	1	Hose, Vent 1/4	
19	1001204098	1	Hose, Vent 1/4	

SECTION 4 - ENGINE AND ATTACHING PARTS

FIGURE 4-26. PLUMBING COOLING INSTALLATION (ULS)



ART_1001165673

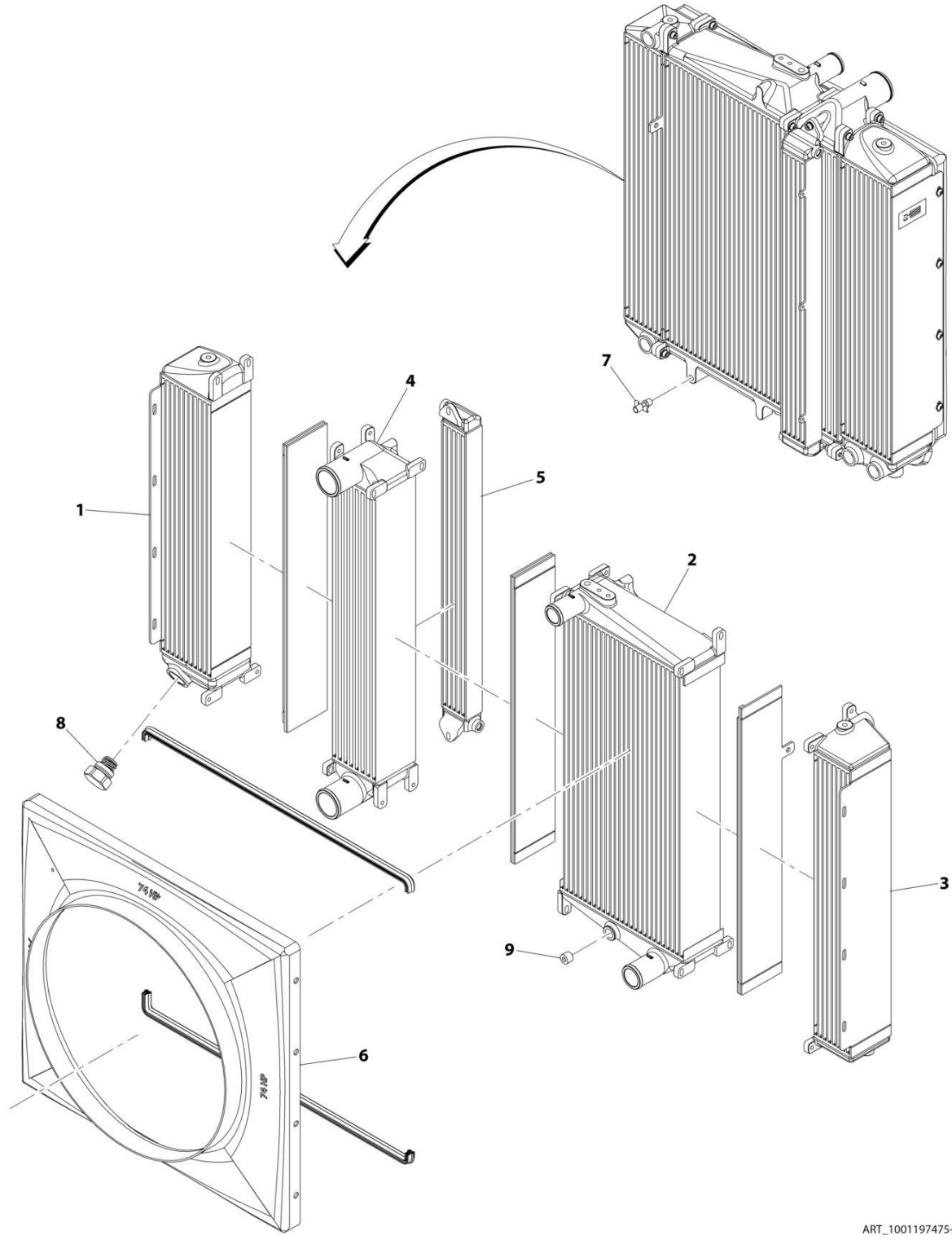
SECTION 4 - ENGINE AND ATTACHING PARTS

FIGURE 4-26. PLUMBING COOLING INSTALLATION (ULS)

ITEM	PART NUMBER	QTY	DESCRIPTION	REV
	1001165673	Ref	Plumbing Cooling Installation (if equipped for ULS)	1
1	8405007	2	Clamp, Gear 1-1/4	
2	8405104	2	Clamp, Gear 2-1/4	
3	8405201	2	Clamp, Gear 2-1/2	
4	8405212	5	Clamp, T-Bolt	
5	8405305	1	Clamp, T-Bolt	
6	1001004720	2	Strap, Cable	
7	1001114495	2	Hose, CAC Straight	
8	1001136975	4	Clamp, Fuel Hose	
9	1001201983	1	Hose, CAC Outlet	
10	1001169271	1	Pipe, CAC Inlet	
11	1001169272	1	Hose, Upper Radiator	
12	1001201945	1	Hose, Lower Radiator	
13	1001169274	1	Hose, Draw Down	
14	1001235725	1	Fitting, Union Tee	
16	1001213938	5	Clamp, Fuel Line	
18	1001203969	1	Hose, Vent Line	
19	1001203970	1	Hose, Vent Line	
20	1001204097	1	Hose, Vent Line	
21	1001204098	1	Hose, Vent Line	
22	1001204099	1	Hose, Vent Line	

SECTION 4 - ENGINE AND ATTACHING PARTS

FIGURE 4-27. RADIATOR ASSEMBLY, 74HP



ART_1001197475-D

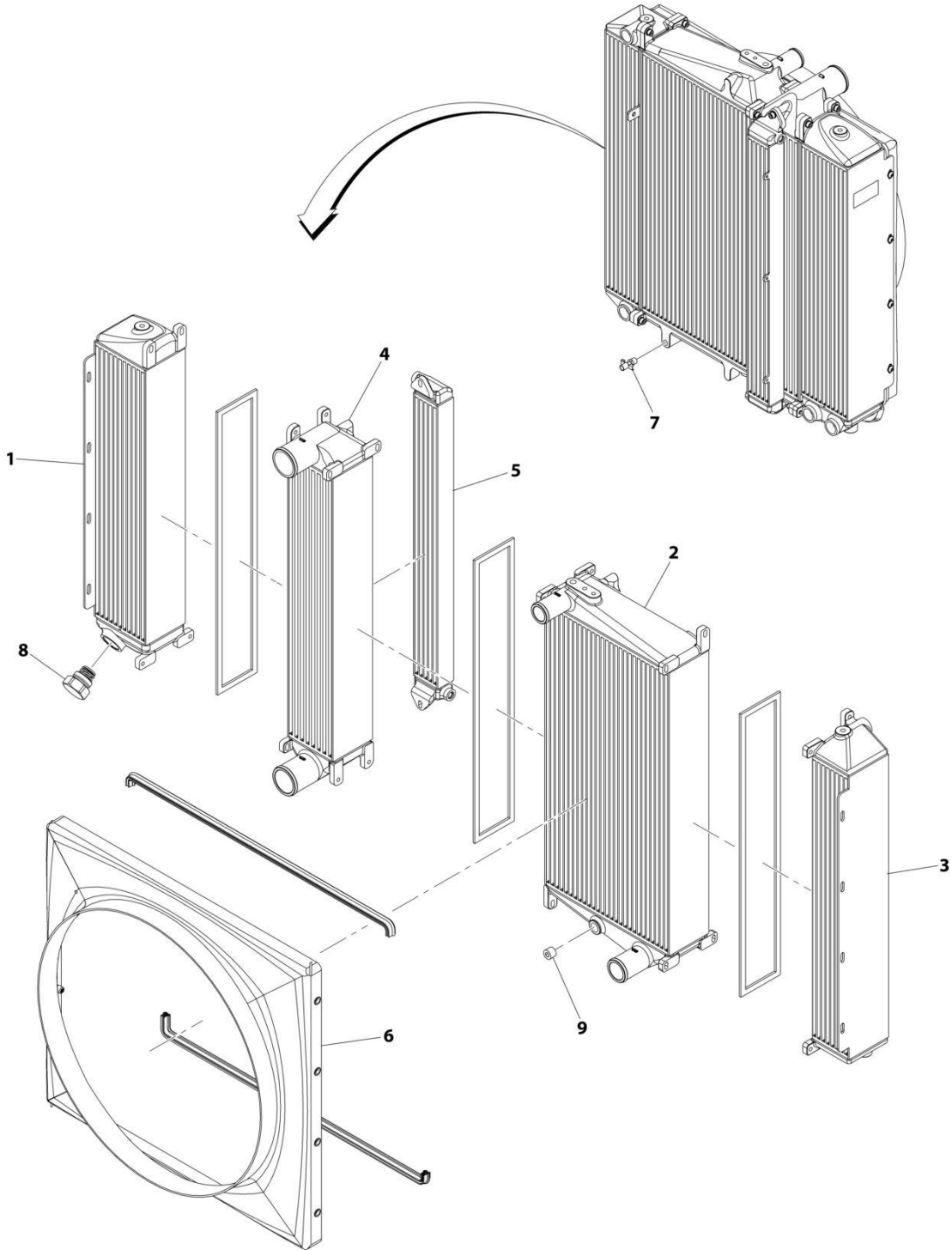
SECTION 4 - ENGINE AND ATTACHING PARTS

FIGURE 4-27. RADIATOR ASSEMBLY, 74HP

ITEM	PART NUMBER	QTY	DESCRIPTION	REV
	1001197475	Ref	Radiator Assembly (74HP)	D
1	70026075	1	Transmission Oil Cooler	
2	70026076	1	Radiator	
3	70026077	1	Hydraulic Oil Cooler	
4	70026078	1	Charge Air Cooler	
5	70026079	1	Fuel Cooler	
6	70027094	1	Fan Shroud	
7	70026081	1	Petcock	
8	70026082	1	Valve, Bypass	
9	70026083	1	Plug, Hex	

SECTION 4 - ENGINE AND ATTACHING PARTS

FIGURE 4-28. RADIATOR ASSEMBLY, 85HP



ART_1001168478

SECTION 4 - ENGINE AND ATTACHING PARTS

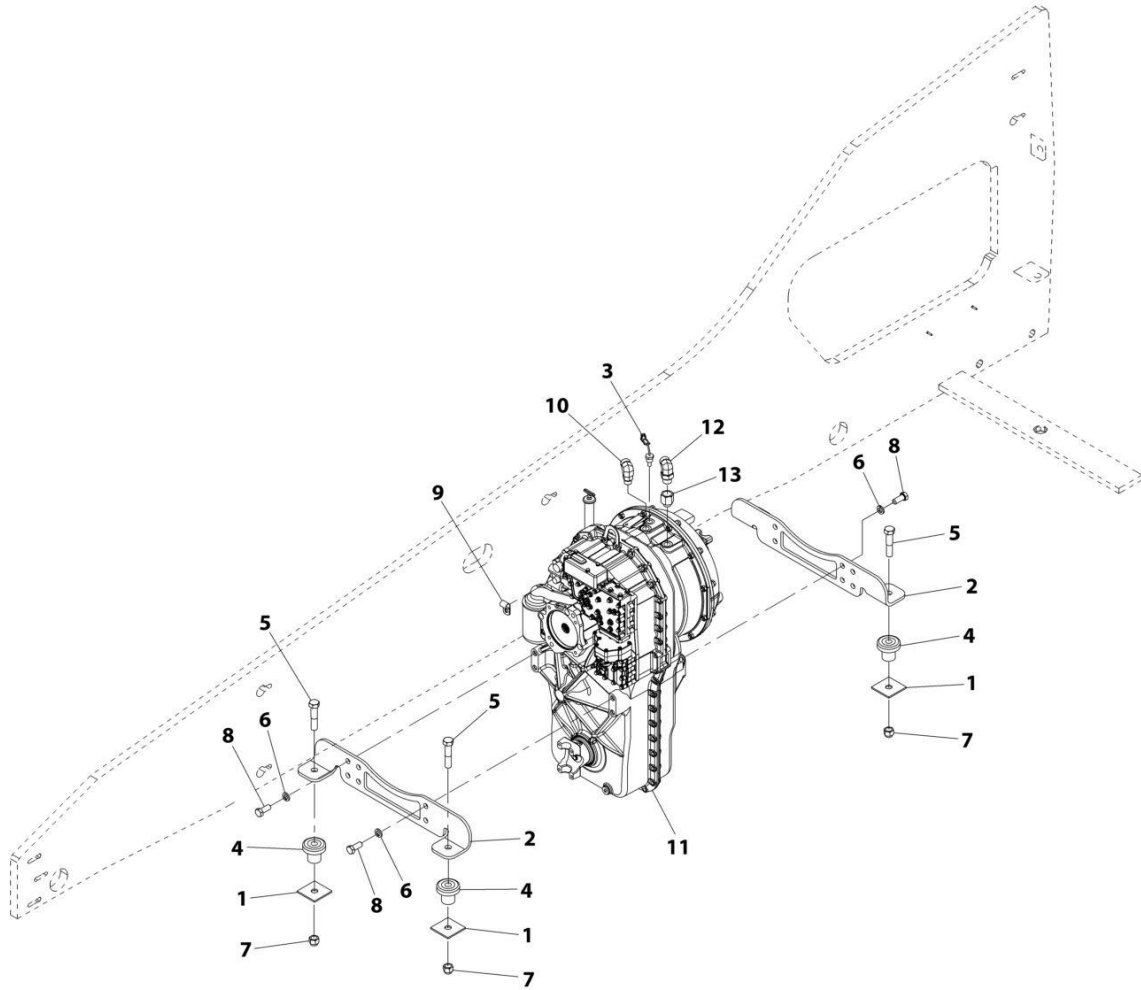
FIGURE 4-28. RADIATOR ASSEMBLY, 85HP

ITEM	PART NUMBER	QTY	DESCRIPTION	REV
	1001168478	Ref	Radiator Assembly	F
1	70026075	1	Transmission Oil Cooler	
2	70026076	1	Radiator	
3	70026077	1	Hydraulic Oil Cooler	
4	70026078	1	Charge Air Cooler	
5	70026079	1	Fuel Cooler	
6	70026080	1	Shroud, Fan	
7	70026081	1	Petcock	
8	70026082	1	Valve, Bypass	
9	70026083	1	Plug, Hex	

SECTION 5 - DRIVE TRAIN

SECTION 5 - DRIVE TRAIN

FIGURE 5-1. TRANSMISSION INSTALLATION



ART_1001108524-B

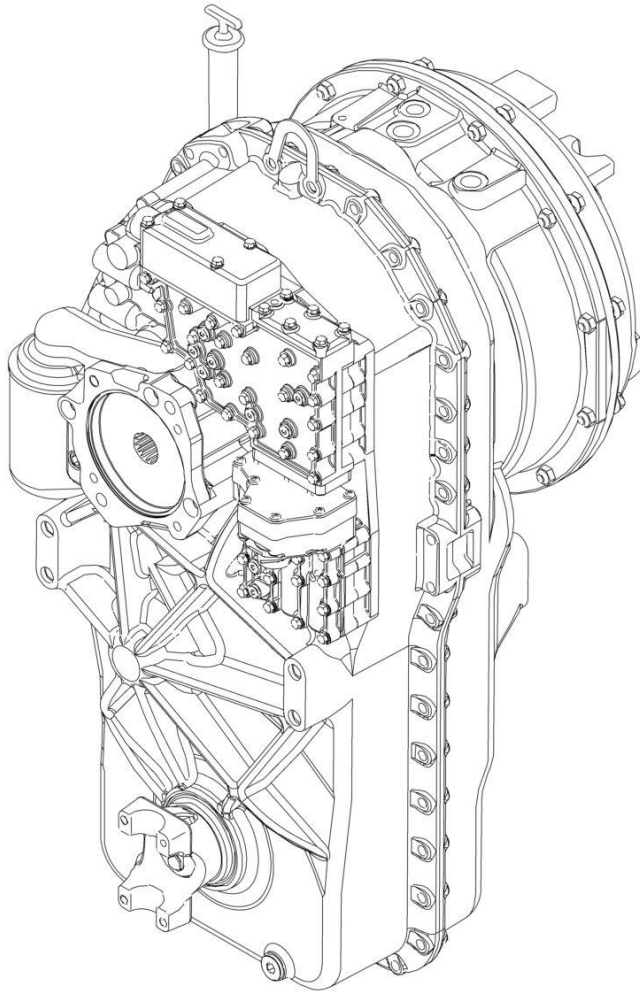
SECTION 5 - DRIVE TRAIN

FIGURE 5-1. TRANSMISSION INSTALLATION

ITEM	PART NUMBER	QTY	DESCRIPTION	REV
	1001108524	Ref	Transmission Installation	B
1	7054351	4	Washer, Rebound	
2	7138634	2	Bracket, Transmission Mount	
3	8223232	1	Switch, Transmission Temperature	
4	91403097	4	Mount, Rubber	
5	8303724	4	Bolt, 3/4-10X3-1/2	
6	8307049	8	Washer, Lock M16	
7	8310067	4	Nut, Lock 3/4-10	
8	8310215	8	Bolt, M16X40	
9	8406105	1	Clip, Tube	
10	2131210	1	Adapter, 90	
11	8841036	1	Transmission, 4-Speed (See Separate Breakdown in this Section)	
12	2131212	1	Adapter, 90	
13	8760548	1	Adapter, Straight	

SECTION 5 - DRIVE TRAIN

FIGURE 5-2. TRANSMISSION ASSEMBLY



ART_8841036_1-C

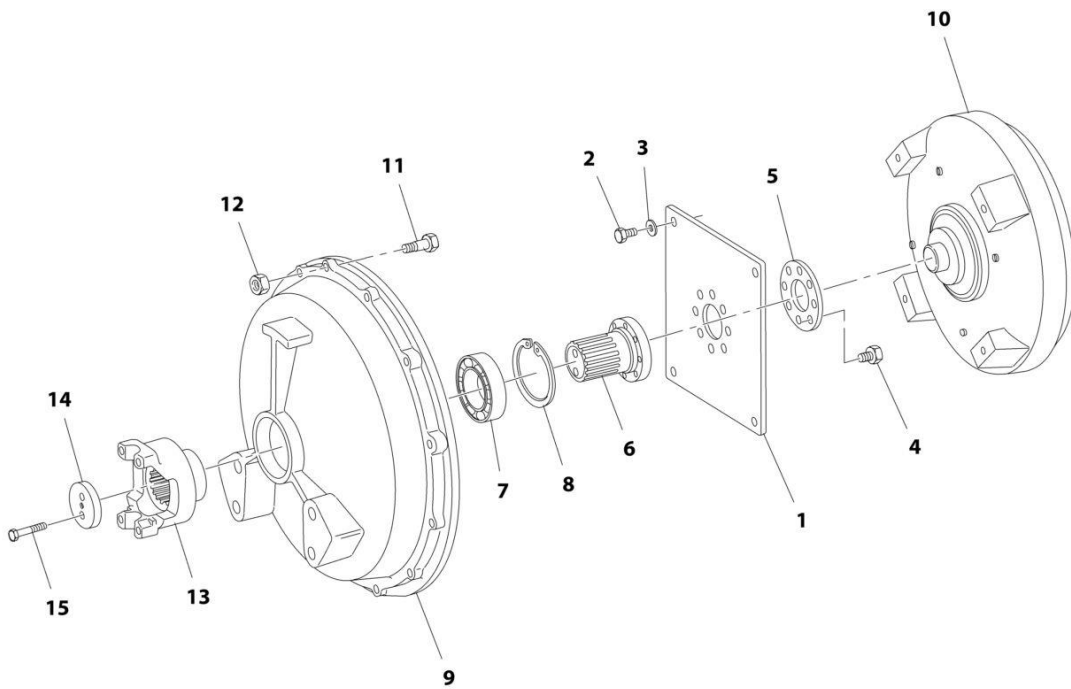
SECTION 5 - DRIVE TRAIN

FIGURE 5-2. TRANSMISSION ASSEMBLY

ITEM	PART NUMBER	QTY	DESCRIPTION	REV
	8841036	Ref	TRANSMISSION ASSEMBLY	C
		Ref	Transmission - Engine Connection and Converter (See Separate Breakdown in this Section)	
		Ref	Transmission - Input Shafts (See Separate Breakdown in this Section)	
		Ref	Transmission - Gearbox Housing (See Separate Breakdown in this Section)	
		Ref	Transmission - Coupling Group 1 (See Separate Breakdown in this Section)	
		Ref	Transmission - Coupling Group 2 (See Separate Breakdown in this Section)	
		Ref	Transmission - Coupling Group 3 (See Separate Breakdown in this Section)	
		Ref	Transmission - Coupling Group 4 (See Separate Breakdown in this Section)	
		Ref	Transmission - Reversing Gear Group 1 (See Separate Breakdown in this Section)	
		Ref	Transmission - Reversing Gear Group 2 (See Separate Breakdown in this Section)	
		Ref	Transmission - Output (See Separate Breakdown in this Section)	
		Ref	Transmission - Control Unit (See Separate Breakdown in this Section)	
		Ref	Transmission - Valve Housing Assembly (See Separate Breakdown in this Section)	
		Ref	Transmission - Valve Block Assembly (See Separate Breakdown in this Section)	
		Ref	Transmission - Oil Pump and Filter (See Separate Breakdown in this Section)	

SECTION 5 - DRIVE TRAIN

FIGURE 5-3. TRANSMISSION, ENGINE CONNECTION AND CONVERTER



ART_8841036_2-C

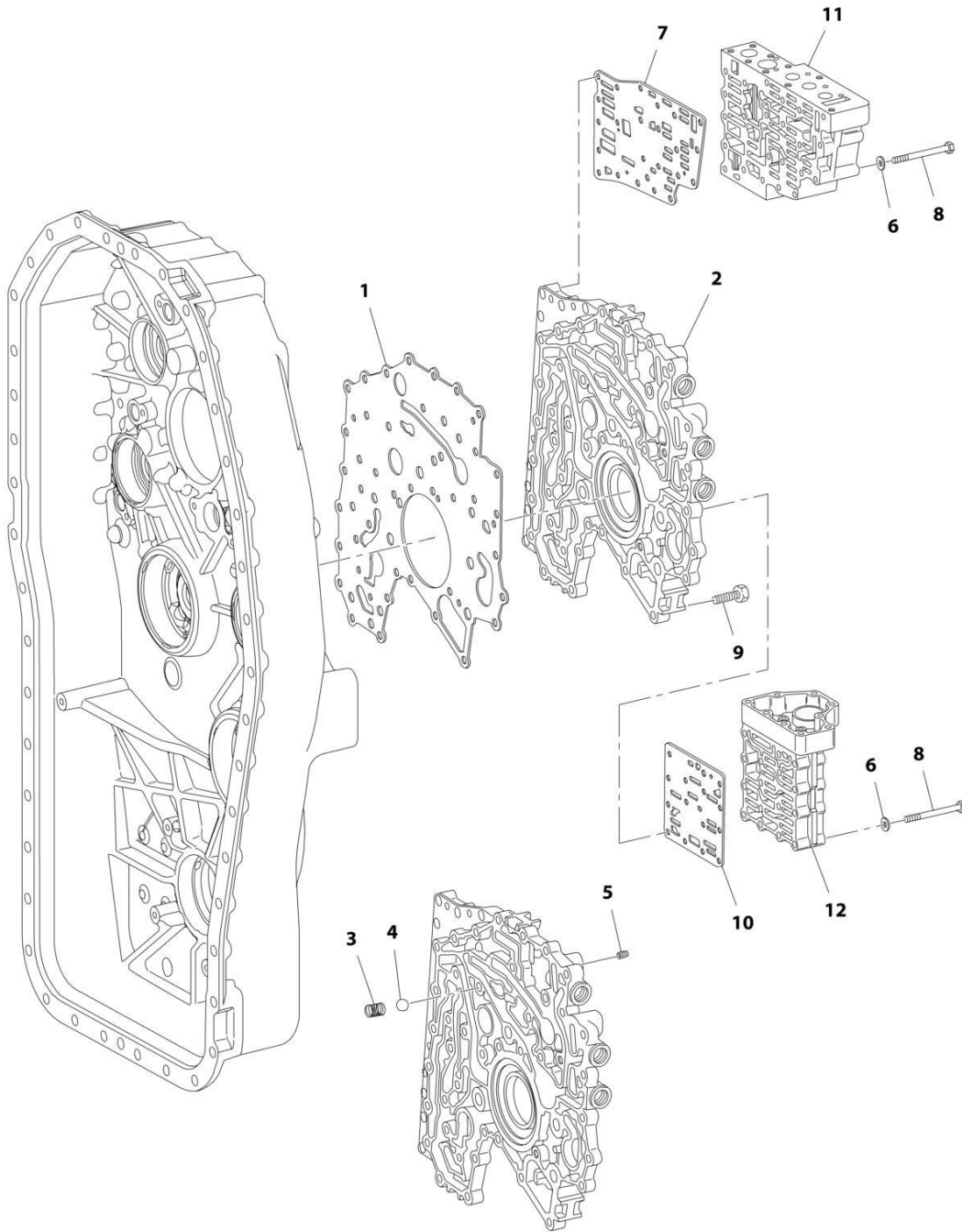
SECTION 5 - DRIVE TRAIN

FIGURE 5-3. TRANSMISSION, ENGINE CONNECTION AND CONVERTER

ITEM	PART NUMBER	QTY	DESCRIPTION	REV
	8841036	Ref	TRANSMISSION - ENGINE CONNECTION AND CONVERTER	
1	1319203	1	Diaphragm	
2	1319204	4	Bolt, M10X18	
3	10732095	4	Washer	
4	10731702	8	Bolt, M10X16	
5	1319213	1	Washer	
6	70023482	1	Shaft, Input	
7	1319209	1	Bearing, Ball	
8	1319210	1	Ring, Retaining	
9	8036021	1	Cover	
10	8036022	1	Converter	
11	10731748	12	Bolt, M10X45	
12	10731751	12	Nut, M10	
13	1319211	1	Yoke, End	
14	1319205	1	Washer	
15	70023483	2	Bolt	

SECTION 5 - DRIVE TRAIN

FIGURE 5-4. TRANSMISSION, CONTROL UNIT



ART_8841036_12-C

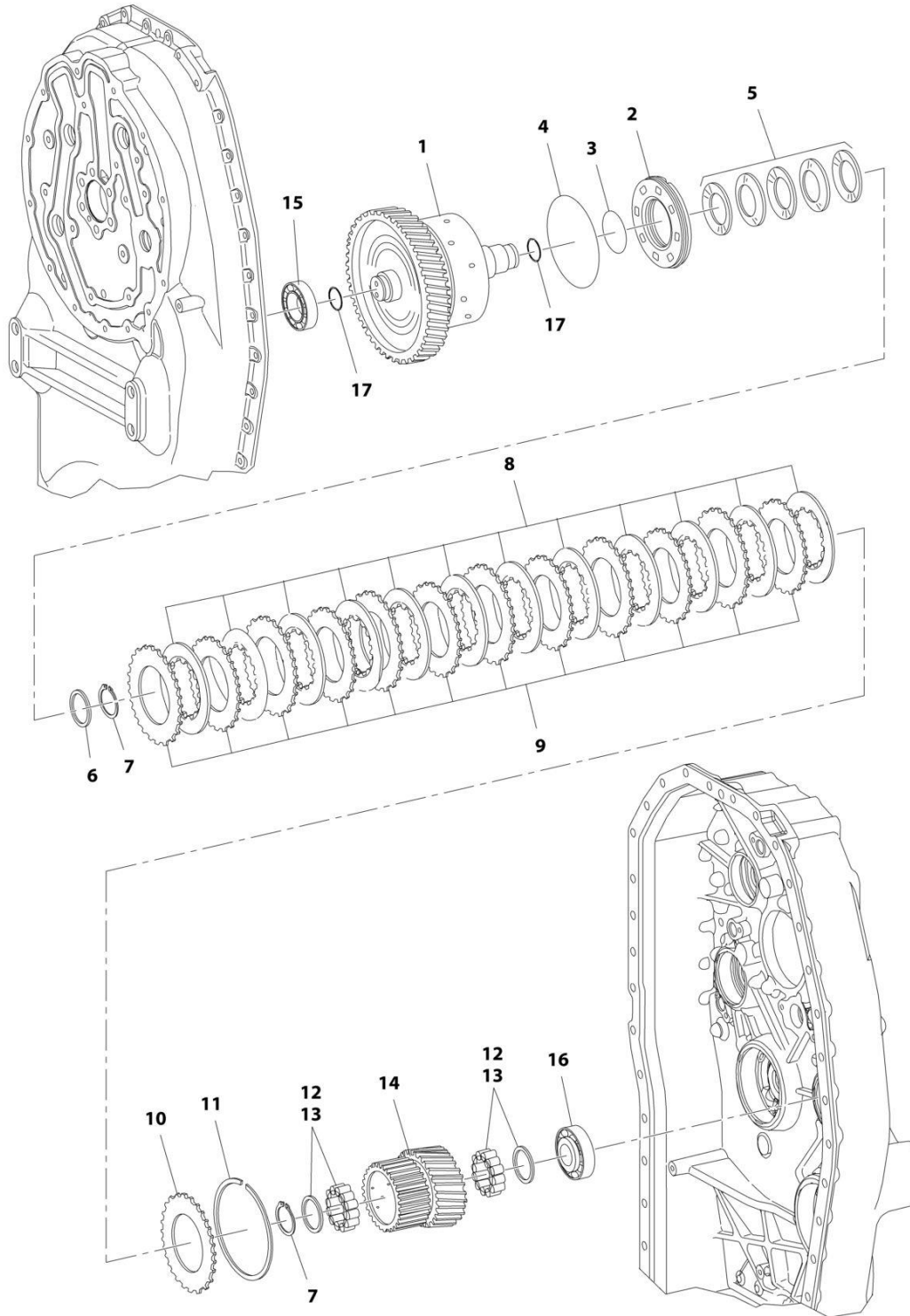
SECTION 5 - DRIVE TRAIN

FIGURE 5-4. TRANSMISSION, CONTROL UNIT

ITEM	PART NUMBER	QTY	DESCRIPTION	REV
	8841036	Ref	TRANSMISSION - CONTROL UNIT	
1	1319650	1	Gasket	
2	8036033	1	Plate, Duct	
3	10732072	1	Spring, Compression	
4	10732071	1	Ball	
5	1319652	1	Orifice	
6	1319661	19	Washer, 6.4	
7	70020425	1	Plate, Intermediate	
8	7029037	19	Bolt, M6X60	
9	1319659	43	Screw, Torx M8X30	
10	70020426	1	Plate, Intermediate	
11		Ref	Housing, Valve (See Separate Breakdown in this Section)	
12		Ref	Block, Valve (See Separate Breakdown in this Section)	

SECTION 5 - DRIVE TRAIN

FIGURE 5-5. TRANSMISSION, COUPLING GROUP 1



ART_8841036_5-C

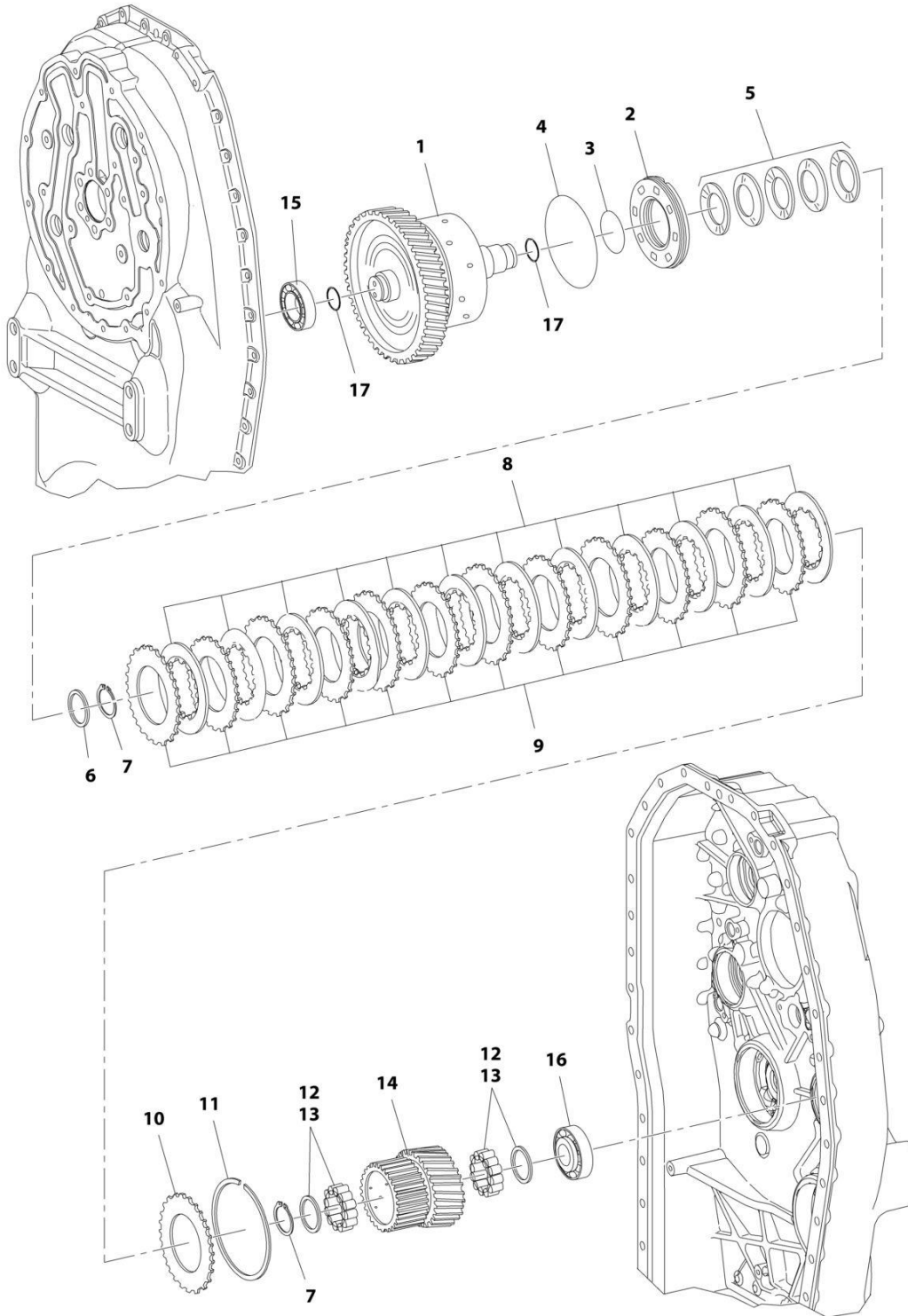
SECTION 5 - DRIVE TRAIN

FIGURE 5-5. TRANSMISSION, COUPLING GROUP 1

ITEM	PART NUMBER	QTY	DESCRIPTION	REV
	8841036	Ref	TRANSMISSION - COUPLING GROUP 1	
1	1319591	1	Coupling	
2	1319592	1	Piston	
3	1319593	1	O-Ring, 52X3	
4	1319594	1	O-Ring, 115X3	
5	1319595	5	Spring, Cup	
6	1319596	1	Shim	
7	10731845	2	Ring, Retaining	
8	7026758	12	Disc, Inner Clutch	
9	7026759	12	Disc, Outer Clutch	
10	7026760	1	Shim, End	
11	1319600	1	Ring, Snap 4	
11	1319601	1	Ring, Snap 3-1/2	
11	1319602	1	Ring, Snap 3	
11	1319603	1	Ring, Snap 2-1/2	
11	1319604	1	Ring, Snap 2	
12	1319605	2	Cage, Roller	
13	1319606	2	Cage, Roller	
14	1319607	1	Carrier, Disc	
15	1319608	1	Bearing, Roller	
16	1319609	1	Bearing, Roller	
16	1319610	1	Bearing, Roller	
16	1319611	1	Bearing, Roller	
17	1319612	2	Ring, Piston 30X2	

SECTION 5 - DRIVE TRAIN

FIGURE 5-6. TRANSMISSION, COUPLING GROUP 2



ART_8841036_6-C

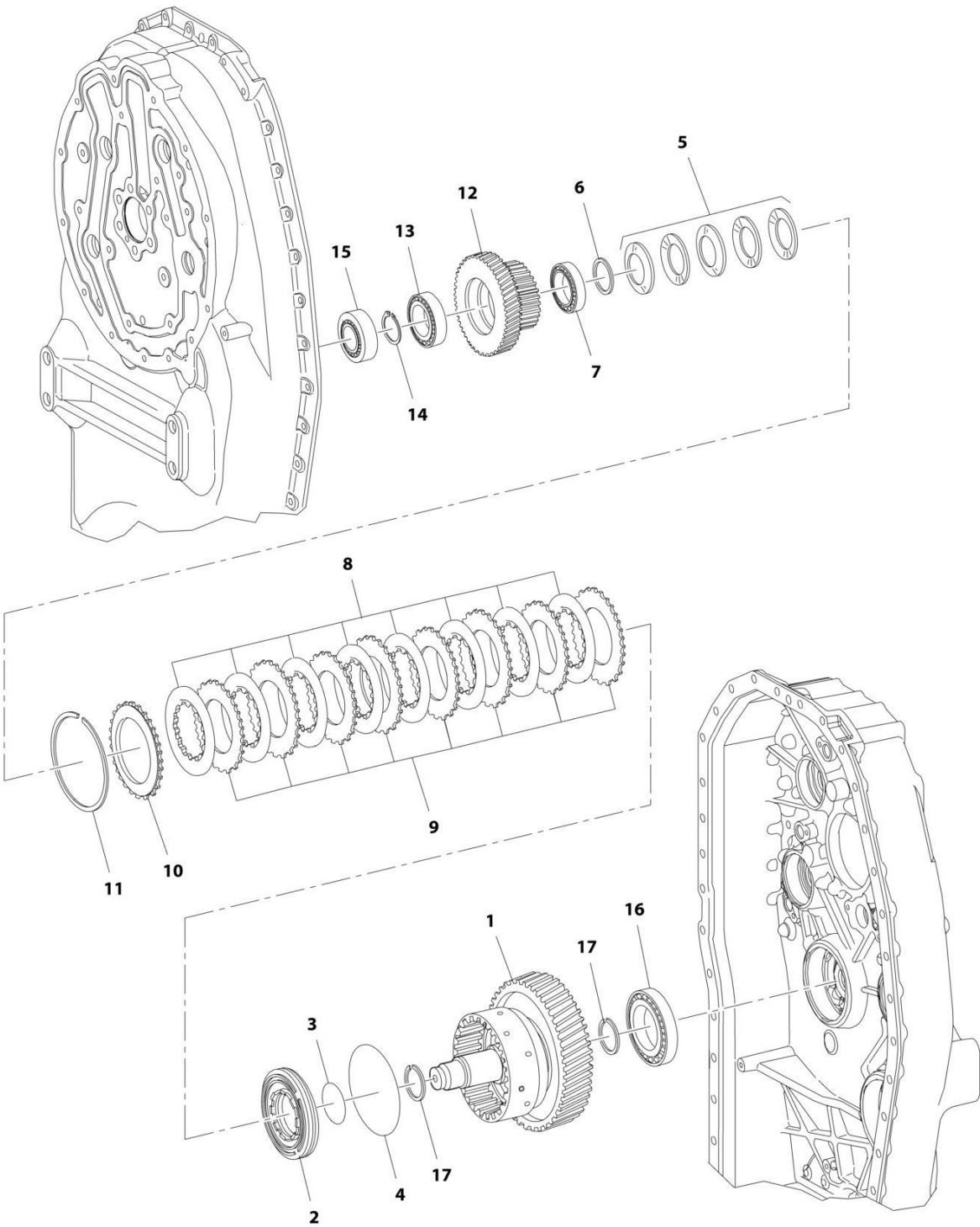
SECTION 5 - DRIVE TRAIN

FIGURE 5-6. TRANSMISSION, COUPLING GROUP 2

ITEM	PART NUMBER	QTY	DESCRIPTION	REV
	8841036	Ref	TRANSMISSION - COUPLING GROUP 2	
1	1319613	1	Coupling	
2	8036029	1	Piston	
3	1319593	1	O-Ring, 52X3	
4	1319594	1	O-Ring, 115X3	
5	1319595	5	Spring, Cup	
6	1319596	1	Shim	
7	10731845	2	Ring, Retaining	
8	7026758	8	Disc, Inner Clutch	
9	7026759	8	Disc, Outer Clutch	
10	7026760	1	Shim, End	
11	1319600	1	Ring, Snap 4	
11	1319601	1	Ring, Snap 3-1/2	
11	1319602	1	Ring, Snap 3	
11	1319603	1	Ring, Snap 2-1/2	
11	1319604	1	Ring, Snap 2	
12	1319605	2	Cage, Roller	
13	1319606	2	Cage, Roller	
14	1319614	1	Carrier, Disc	
15	1319615	1	Bearing, Roller	
16	8036190	1	Assembly, Roller Bearing	
16	7029532	1	Ring, Outer	
16	7029533	1	Ring, Inner	
17	1319612	2	Ring, Piston 30X2	

SECTION 5 - DRIVE TRAIN

FIGURE 5-7. TRANSMISSION, COUPLING GROUP 3



ART_8841036_7-C

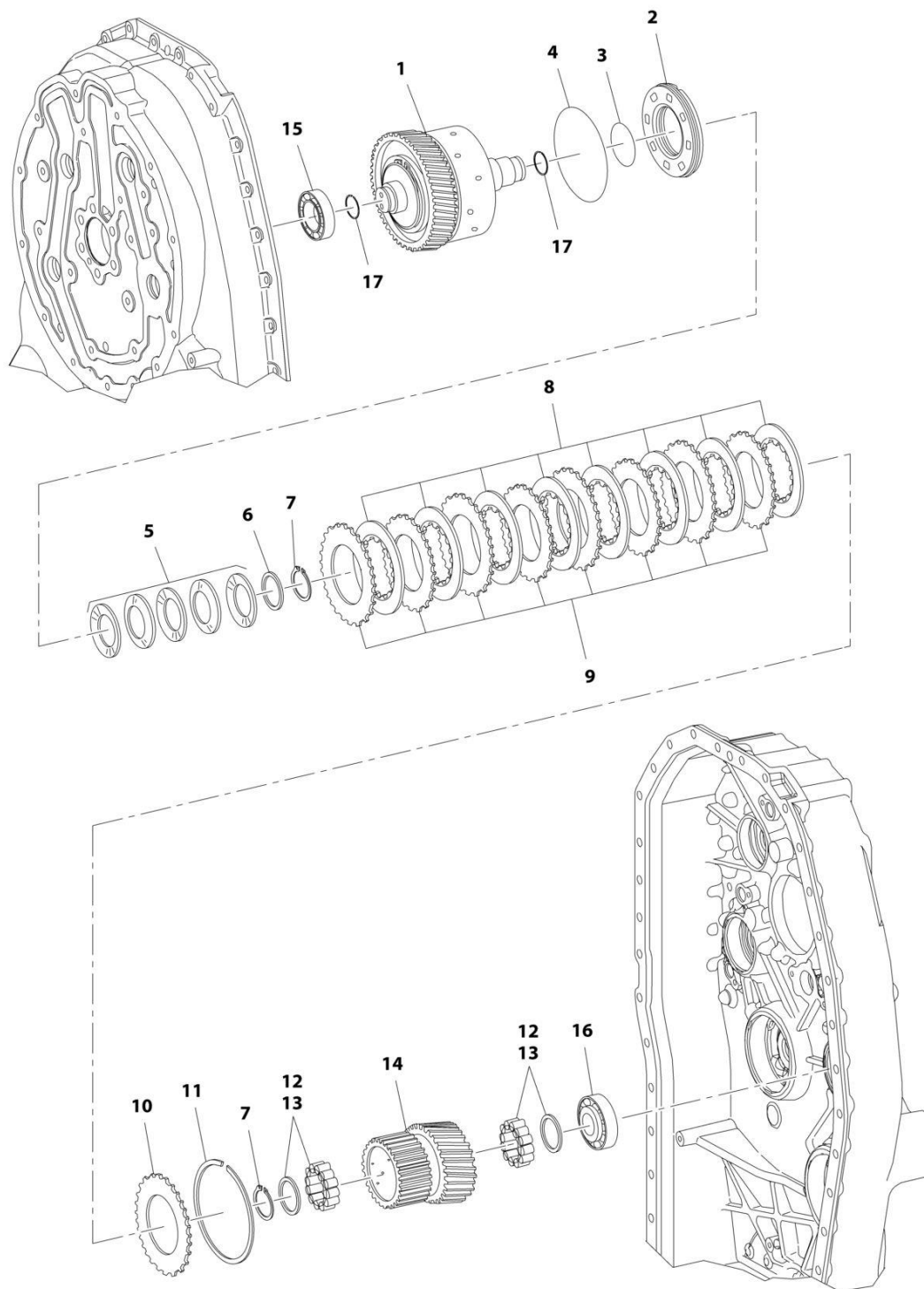
SECTION 5 - DRIVE TRAIN

FIGURE 5-7. TRANSMISSION, COUPLING GROUP 3

ITEM	PART NUMBER	QTY	DESCRIPTION	REV
	8841036	Ref	TRANSMISSION - COUPLING GROUP 3	
1	1319616	1	Coupling	
2	8036029	1	Piston	
3	1319593	1	O-Ring, 52X3	
4	1319594	1	O-Ring, 115X3	
5	1319595	5	Spring, Cup	
6	1319617	1	Shim, Support	
7	1319618	1	Bearing, Roller	
8	7026758	8	Disc, Inner Clutch	
9	7026759	8	Disc, Outer Clutch	
10	7026760	1	Shim, End	
11	1319600	1	Ring, Snap 4	
11	1319601	1	Ring, Snap 3-1/2	
11	1319602	1	Ring, Snap 3	
11	1319603	1	Ring, Snap 2-1/2	
11	1319604	1	Ring, Snap 2	
12	1319619	1	Carrier, Disc	
13	1319620	1	Bearing, Roller	
14	1319621	1	Ring, Retaining 3.2	
14	1319622	1	Ring, Retaining 3.1	
14	1319623	1	Ring, Retaining 3	
14	1319624	1	Ring, Retaining 2.9	
14	1319625	1	Ring, Retaining 2.8	
14	1319626	1	Ring, Retaining 2.7	
14	1319627	1	Ring, Retaining 2.6	
14	1319628	1	Ring, Retaining 2.5	
14	1319629	1	Ring, Retaining 2.4	
14	1319630	1	Ring, Retaining 2.3	
14	1319631	1	Ring, Retaining 2.2	
14	1319632	1	Ring, Retaining 2.1	
15	8036190	1	Assembly, Roller Bearing	
15	7029532	1	Ring, Outer	
15	7029533	1	Ring, Inner	
16	1319633	1	Bearing, Roller	
17	1319612	2	Ring, Piston 30X2	

SECTION 5 - DRIVE TRAIN

FIGURE 5-8. TRANSMISSION, COUPLING GROUP 4



ART_8841036_8-C

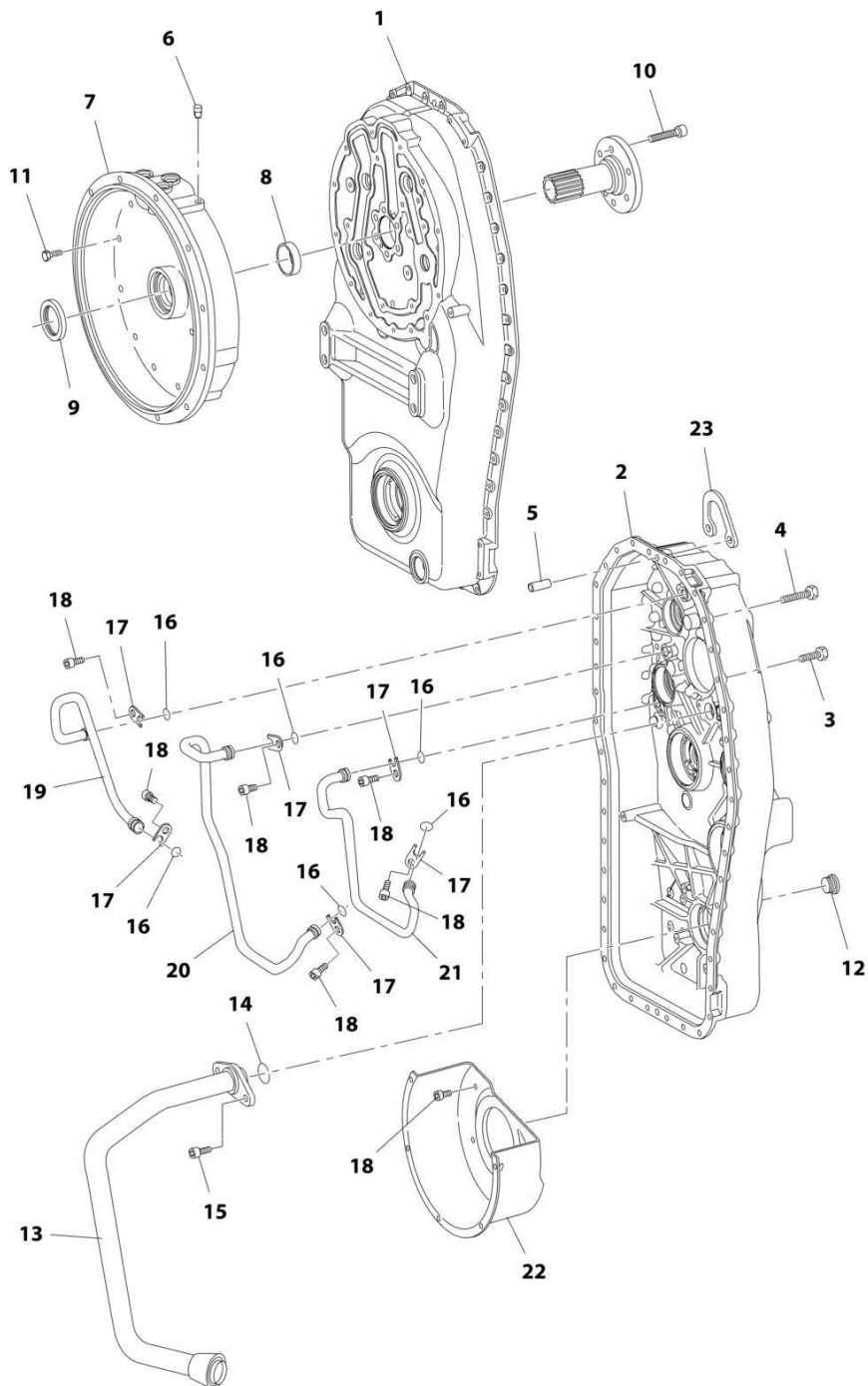
SECTION 5 - DRIVE TRAIN

FIGURE 5-8. TRANSMISSION, COUPLING GROUP 4

ITEM	PART NUMBER	QTY	DESCRIPTION	REV
	8841036	Ref	TRANSMISSION - COUPLING GROUP 4	
1	1319634	1	Coupling	
2	8036029	1	Piston	
3	1319593	1	O-Ring, 52X3	
4	1319594	1	O-Ring, 115X3	
5	1319595	5	Spring, Cup	
6	1319596	1	Shim	
7	10731845	2	Ring, Retaining	
8	7026758	8	Disc, Inner Clutch	
9	7026759	8	Disc, Outer Clutch	
10	7026760	1	Shim, End	
11	1319600	1	Ring, Snap 4	
11	1319601	1	Ring, Snap 3-1/2	
11	1319602	1	Ring, Snap 3	
11	1319603	1	Ring, Snap 2-1/2	
11	1319604	1	Ring, Snap 2	
12	1319605	2	Cage, Roller	
13	1319606	2	Cage, Roller	
14	1319635	1	Carrier, Disc	
15	1319615	1	Bearing, Roller	
16	1319636	1	Bearing, Roller	
17	1319612	2	Ring, Piston 30X2	

SECTION 5 - DRIVE TRAIN

FIGURE 5-9. TRANSMISSION, GEARBOX HOUSING



ART_8841036_4-C

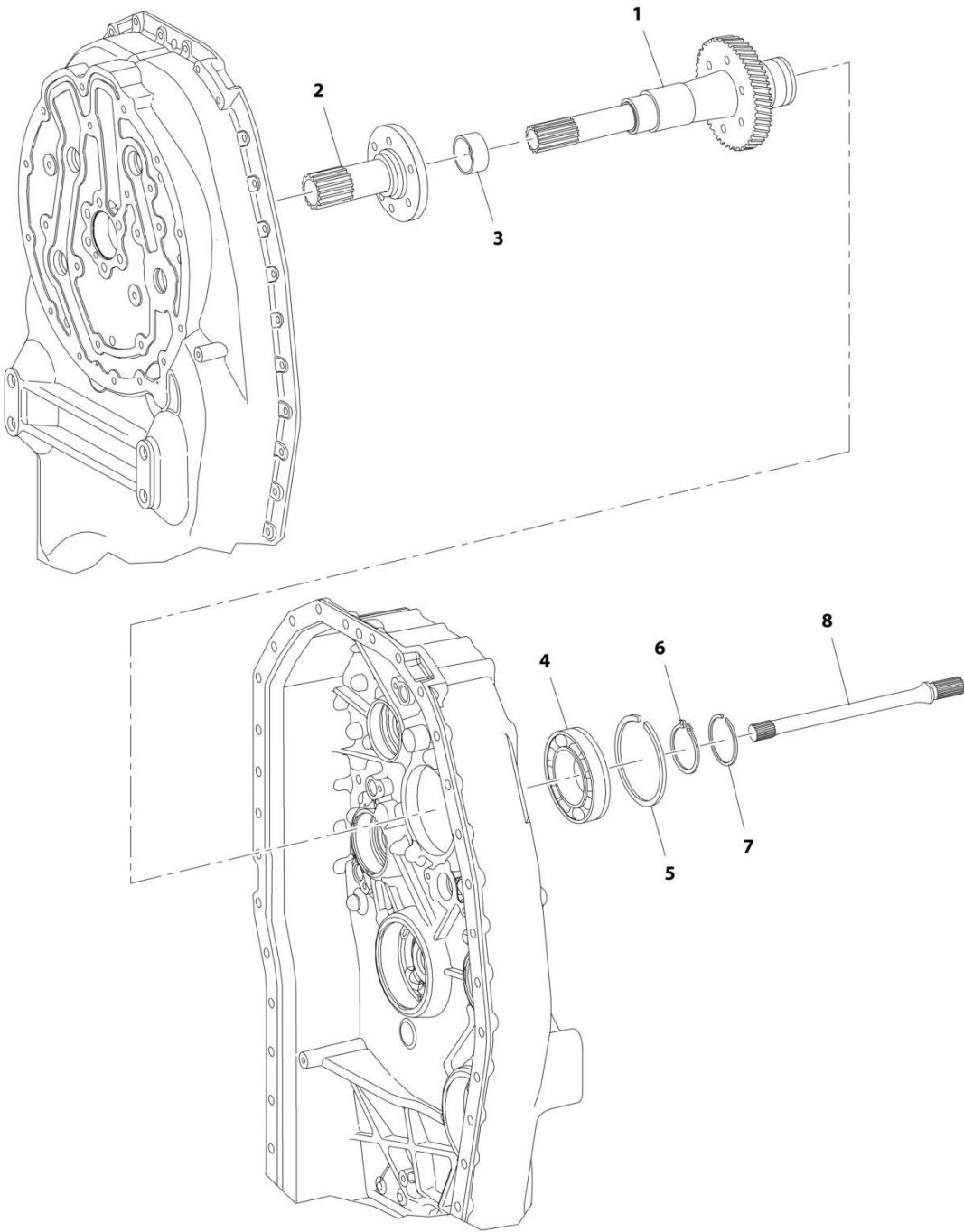
SECTION 5 - DRIVE TRAIN

FIGURE 5-9. TRANSMISSION, GEARBOX HOUSING

ITEM	PART NUMBER	QTY	DESCRIPTION	REV
	8841036	Ref	TRANSMISSION - GEARBOX HOUSING	
1	8036024	1	Housing I	
2	8036025	1	Housing II	
3	1319569	36	Bolt, M10X30	
4	1319570	6	Bolt, M10X50	
5	1319571	2	Pin, Cylindrical M6X24	
6	10731744	1	Breather	
7	1319574	1	Bell, Converter	
8	1319575	1	Bushing, Bearing	
9	1319576	1	Seal, Shaft	
10	1319577	6	Screw, M10X50	
11	1319569	23	Bolt, M10X30	
12	70023404	1	Plug, Screw	
13	8036026	1	Pipe, Oil Suction	
14	70023885	1	O-Ring	
15	1319582	2	Screw, M8X20	
16	1319583	6	O-Ring	
17	1319584	6	Plate, Fixing	
18	1319585	11	Screw, M8X16	
19	1319586	1	Pipe	
20	1319587	1	Pipe	
21	8036027	1	Pipe	
22	8036028	1	Sheet, Screen	
23	1319590	1	Bracket	

SECTION 5 - DRIVE TRAIN

FIGURE 5-10. TRANSMISSION, INPUT SHAFTS



ART_8841036_3-C

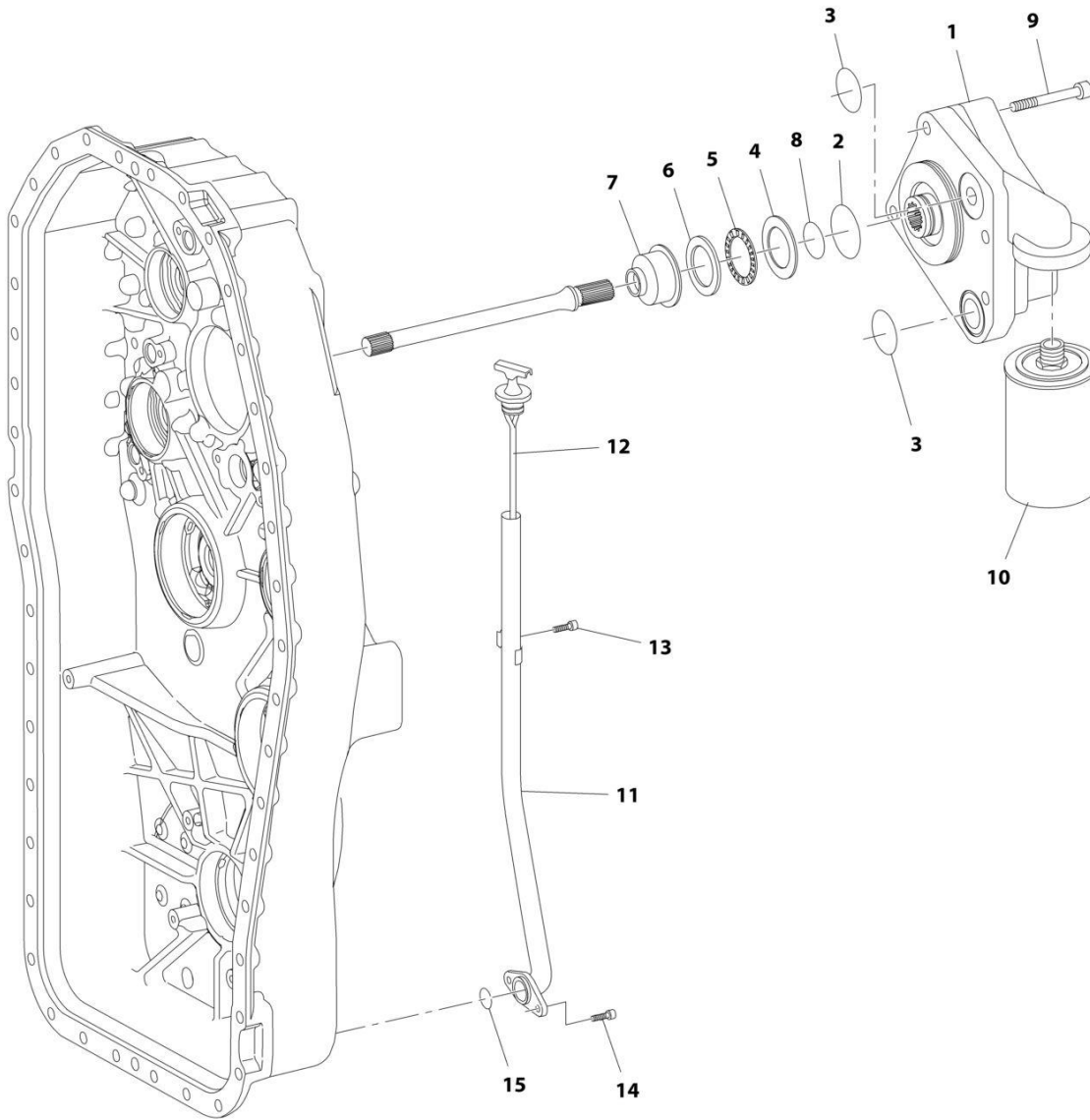
SECTION 5 - DRIVE TRAIN

FIGURE 5-10. TRANSMISSION, INPUT SHAFTS

ITEM	PART NUMBER	QTY	DESCRIPTION	REV
	8841036	Ref	TRANSMISSION - INPUT SHAFTS	
1	8036023	1	Shaft, Turbine	
2	1319557	1	Shaft, Stator	
3	1319558	1	Bushing, Bearing	
4	1319563	1	Bearing, Ball	
5	10731913	1	Ring, Snap	
6	80304405	1	Ring, Retaining	
7	1319565	1	Ring, Piston	
8	1319566	1	Shaft, Central	

SECTION 5 - DRIVE TRAIN

FIGURE 5-11. TRANSMISSION, OIL PUMP AND FILTER



ART_8841036_15-C

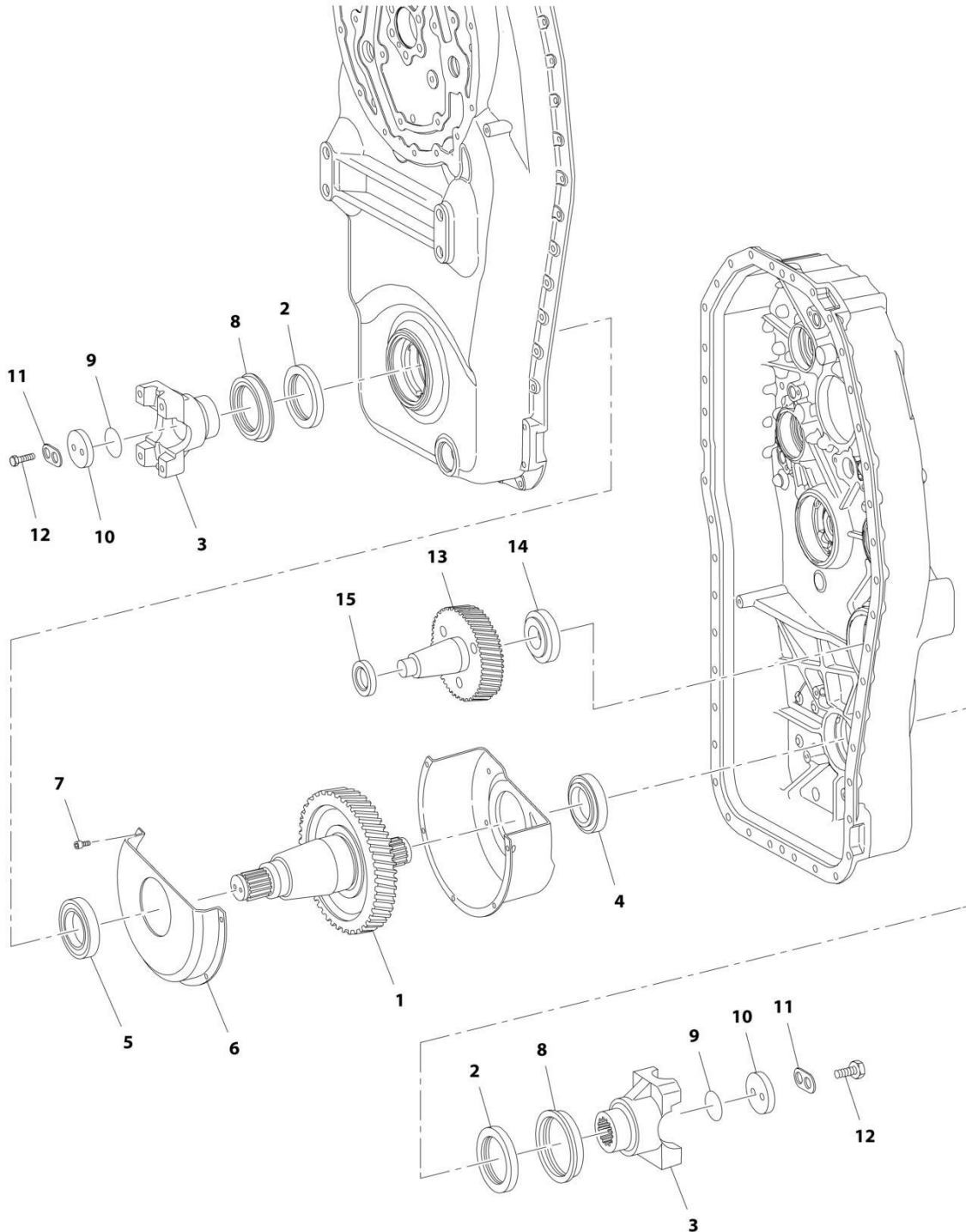
SECTION 5 - DRIVE TRAIN

FIGURE 5-11. TRANSMISSION, OIL PUMP AND FILTER

ITEM	PART NUMBER	QTY	DESCRIPTION	REV
	8841036	Ref	TRANSMISSION - OIL PUMP AND FILTER	
1	1319718	1	Pump	
1	7029417	1	O-Ring, (between pump halves), (not shown)	
2	8036250	1	O-Ring	
3	1319719	2	O-Ring	
4	1319720	1	Washer, Axial 40X60X1	
5	1319721	1	Cage, Axial Needle	
6	1319722	1	Disc, Angle	
7	1319723	1	Sleeve, Stop	
8	1319724	1	O-Ring	
9	1319725	4	Bolt, M12X115	
10	1319726	1	Filter, Transmission Oil	
11	8036041	1	Tube, Dipstick	
12	8036042	1	Dipstick	
13	1319585	1	Screw, M8X16	
14	1319582	1	Screw, M8X20	
15	70023885	1	O-Ring	

SECTION 5 - DRIVE TRAIN

FIGURE 5-12. TRANSMISSION, OUTPUT



ART_8841036_11-C

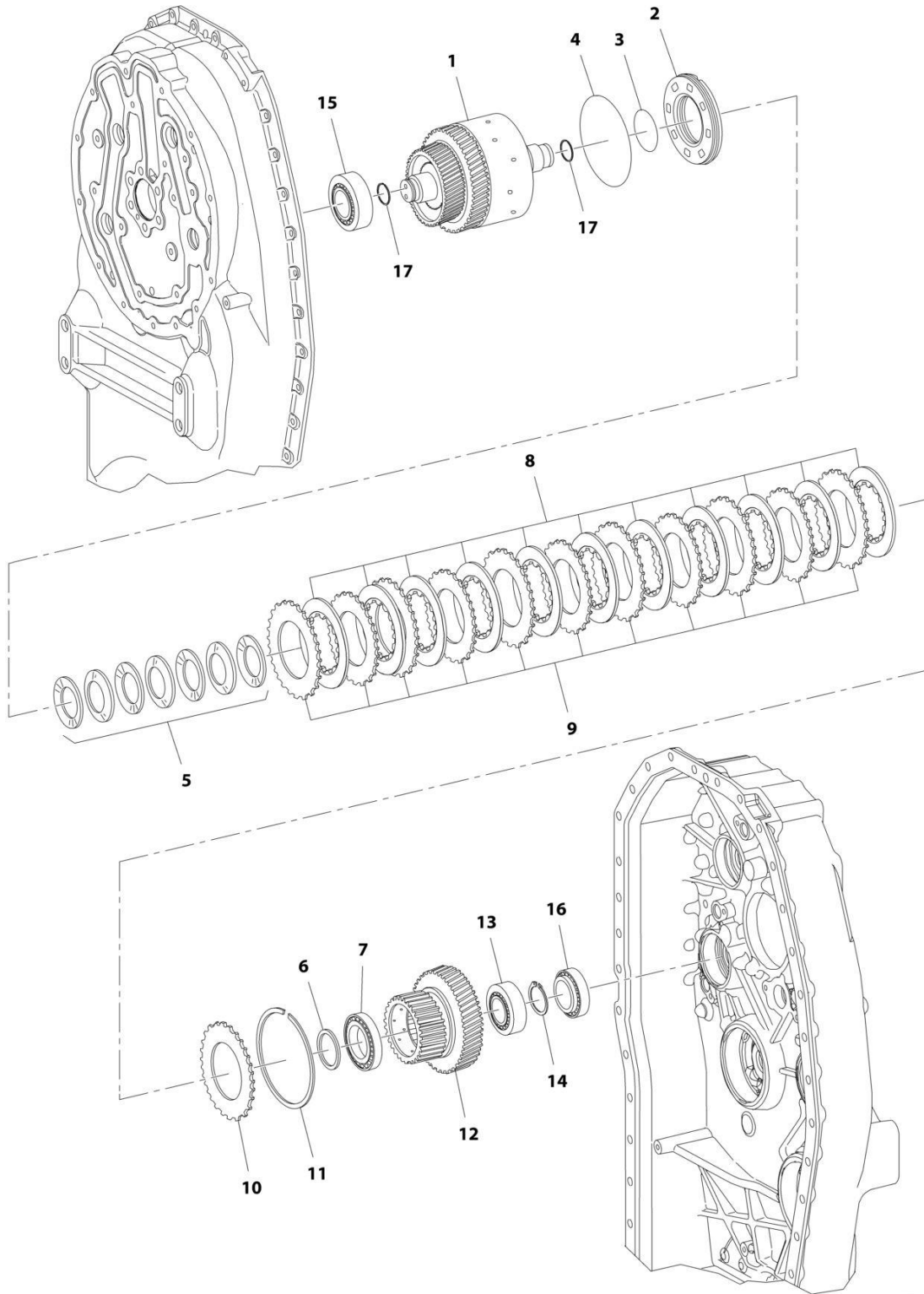
SECTION 5 - DRIVE TRAIN

FIGURE 5-12. TRANSMISSION, OUTPUT

ITEM	PART NUMBER	QTY	DESCRIPTION	REV
	8841036	Ref	TRANSMISSION - OUTPUT	
1	8036030	1	Shaft, Output	
2	1319641	2	Seal, Shaft	
3	7027273	2	Flange, Output	
4	N.S.S.	1	Assembly, Roller Bearing	
4	70020430	1	Cup, Bearing	
4	70020431	1	Cone, Bearing	
5	1319643	1	Bearing, Roller	
6	8036031	1	Sheet, Screen	
7	1319646	5	Bolt, M6X10	
8	1319647	2	Sheet, Screen	
9	10839156	2	O-Ring	
10	1319648	2	Washer, M10	
11	1319649	2	Washer, Tab	
12	10731959	4	Bolt, M8X25	
13	8036032	1	Shaft, Intermediate	
14	1319633	1	Bearing, Roller	
15	8036190	1	Assembly, Roller Bearing	
15	7029532	1	Ring, Outer	
15	7029533	1	Ring, Inner	

SECTION 5 - DRIVE TRAIN

FIGURE 5-13. TRANSMISSION, REVERSING GEAR GROUP 1



ART_8841036_9-C

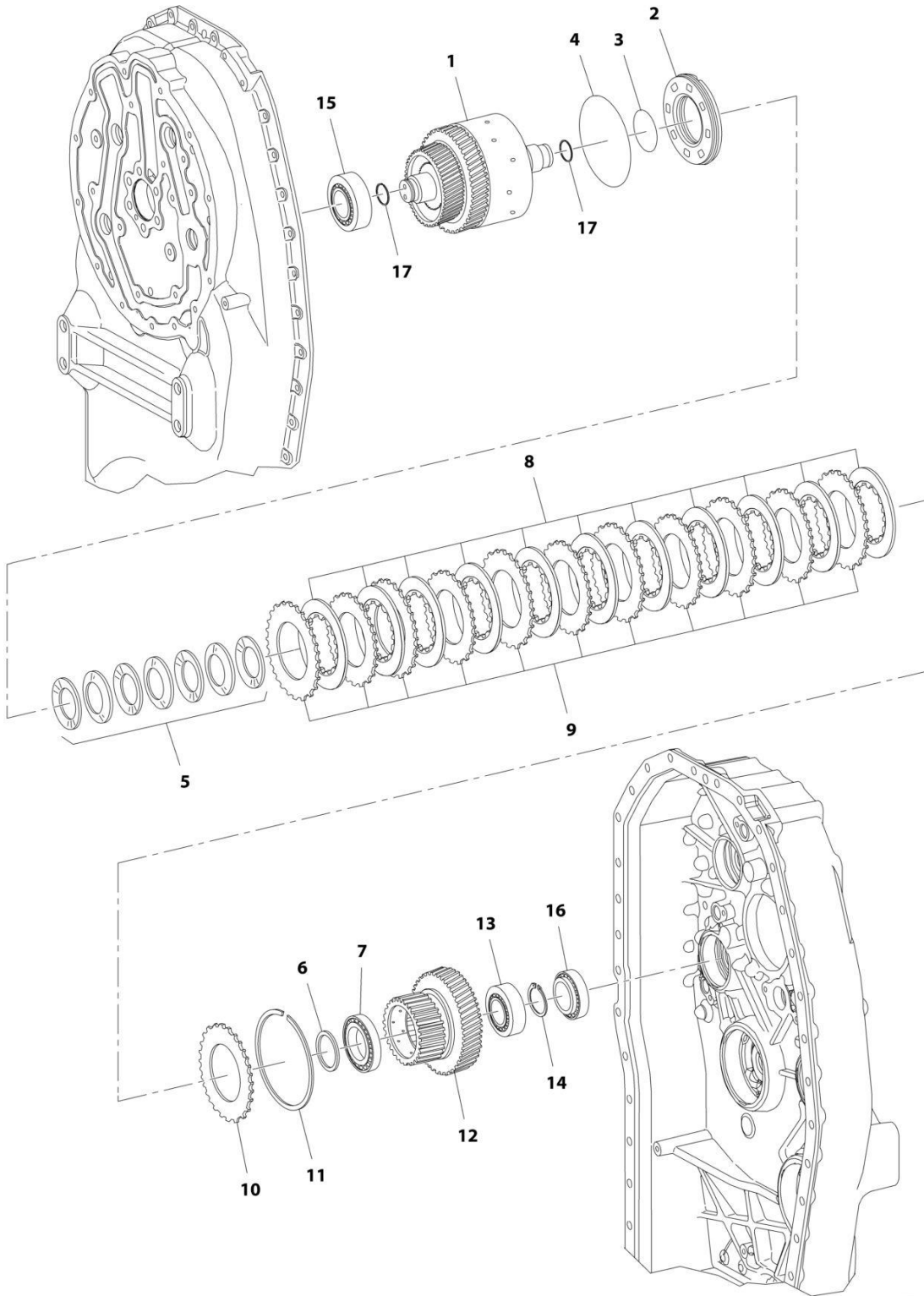
SECTION 5 - DRIVE TRAIN

FIGURE 5-13. TRANSMISSION, REVERSING GEAR GROUP 1

ITEM	PART NUMBER	QTY	DESCRIPTION	REV
	8841036	Ref	TRANSMISSION - REVERSE GEAR GROUP 1	
1	1319637	1	Coupling	
2	8036029	1	Piston	
3	1319593	1	O-Ring, 52X3	
4	1319594	1	O-Ring, 115X3	
5	1319595	7	Spring, Cup	
6	1319617	1	Shim, Support	
7	1319618	1	Bearing, Roller	
8	7026758	11	Disc, Inner Clutch	
9	7026759	11	Disc, Outer Clutch	
10	7026760	1	Shim, End	
11	1319600	1	Ring, Snap 4	
11	1319601	1	Ring, Snap 3-1/2	
11	1319602	1	Ring, Snap 3	
11	1319603	1	Ring, Snap 2-1/2	
11	1319604	1	Ring, Snap 2	
12	1319638	1	Disc, Carrier	
13	1319620	1	Bearing, Roller	
14	1319621	1	Ring, Retaining 3.2	
14	1319622	1	Ring, Retaining 3.1	
14	1319623	1	Ring, Retaining 3	
14	1319624	1	Ring, Retaining 2.9	
14	1319625	1	Ring, Retaining 2.8	
14	1319626	1	Ring, Retaining 2.7	
14	1319627	1	Ring, Retaining 2.6	
14	1319628	1	Ring, Retaining 2.5	
14	1319629	1	Ring, Retaining 2.4	
14	1319630	1	Ring, Retaining 2.3	
14	1319631	1	Ring, Retaining 2.2	
14	1319632	1	Ring, Retaining 2.1	
15	1319615	1	Bearing, Roller	
16	1319636	1	Bearing, Roller	
17	1319612	2	Ring, Piston 30X2	

SECTION 5 - DRIVE TRAIN

FIGURE 5-14. TRANSMISSION, REVERSING GEAR GROUP 2



ART_8841036_10-C

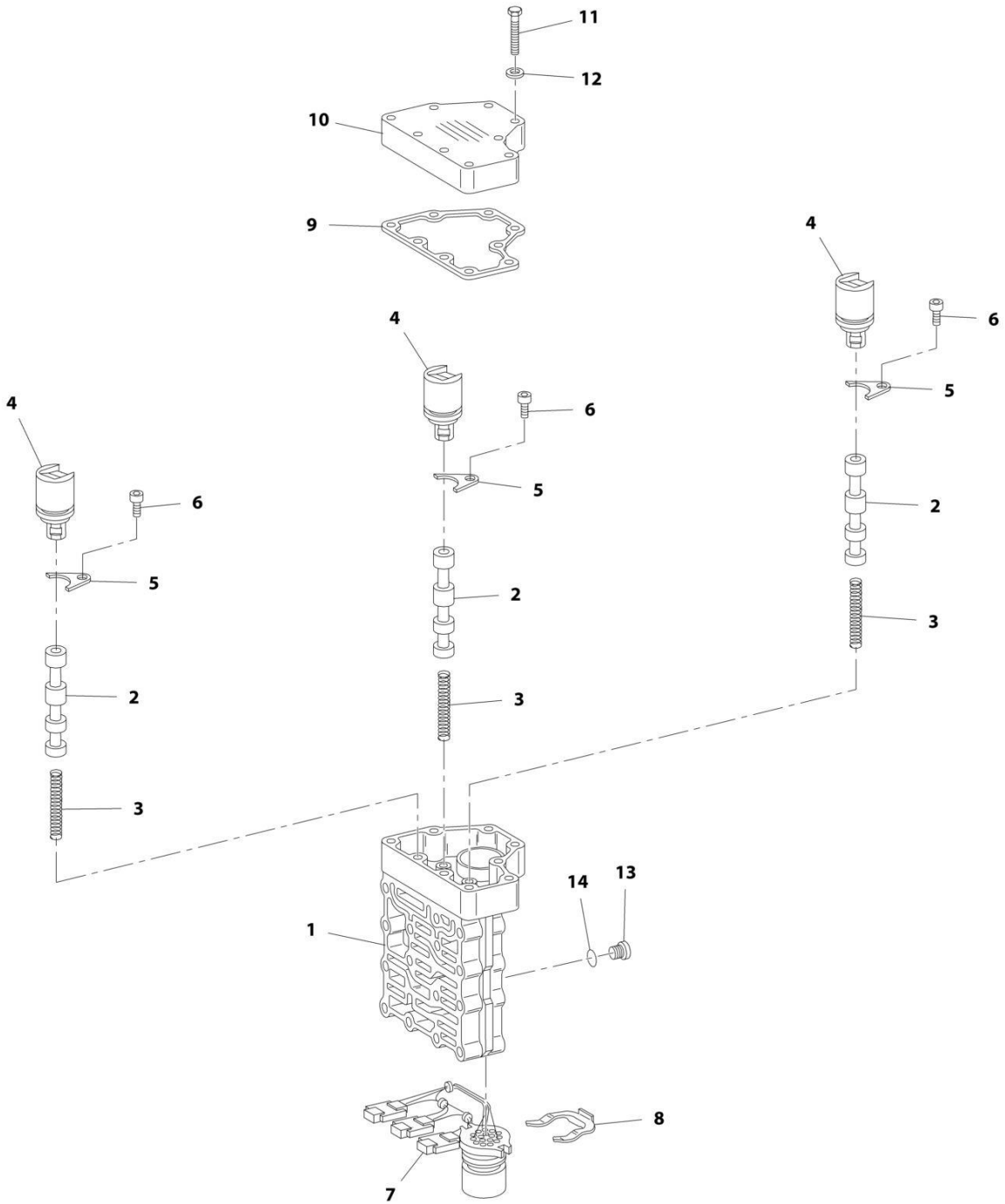
SECTION 5 - DRIVE TRAIN

FIGURE 5-14. TRANSMISSION, REVERSING GEAR GROUP 2

ITEM	PART NUMBER	QTY	DESCRIPTION	REV
	8841036	Ref	TRANSMISSION - REVERSING GEAR GROUP 2	
1	1319639	1	Coupling	
2	8036029	1	Piston	
3	1319593	1	O-Ring, 52X3	
4	1319594	1	O-Ring, 115X3	
5	1319595	7	Spring, Cup	
6	1319617	1	Shim, Support	
7	1319618	1	Bearing, Roller	
8	7026758	11	Disc, Inner Clutch	
9	7026759	11	Disc, Outer Clutch	
10	7026760	1	Shim, End	
11	1319600	1	Ring, Snap 4	
11	1319601	1	Ring, Snap 3-1/2	
11	1319602	1	Ring, Snap 3	
11	1319603	1	Ring, Snap 2-1/2	
11	1319604	1	Ring, Snap 2	
12	1319638	1	Disc, Carrier	
13	1319620	1	Bearing, Roller	
14	1319621	1	Ring, Retaining 3.2	
14	1319622	1	Ring, Retaining 3.1	
14	1319623	1	Ring, Retaining 3	
14	1319624	1	Ring, Retaining 2.9	
14	1319625	1	Ring, Retaining 2.8	
14	1319626	1	Ring, Retaining 2.7	
14	1319627	1	Ring, Retaining 2.6	
14	1319628	1	Ring, Retaining 2.5	
14	1319629	1	Ring, Retaining 2.4	
14	1319630	1	Ring, Retaining 2.3	
14	1319631	1	Ring, Retaining 2.2	
14	1319632	1	Ring, Retaining 2.1	
15	1319608	1	Bearing, Roller	
16	1319636	1	Bearing, Roller	
17	1319612	2	Ring, Piston 30X2	

SECTION 5 - DRIVE TRAIN

FIGURE 5-15. TRANSMISSION, VALVE BLOCK ASSEMBLY



ART_8841036_14-C

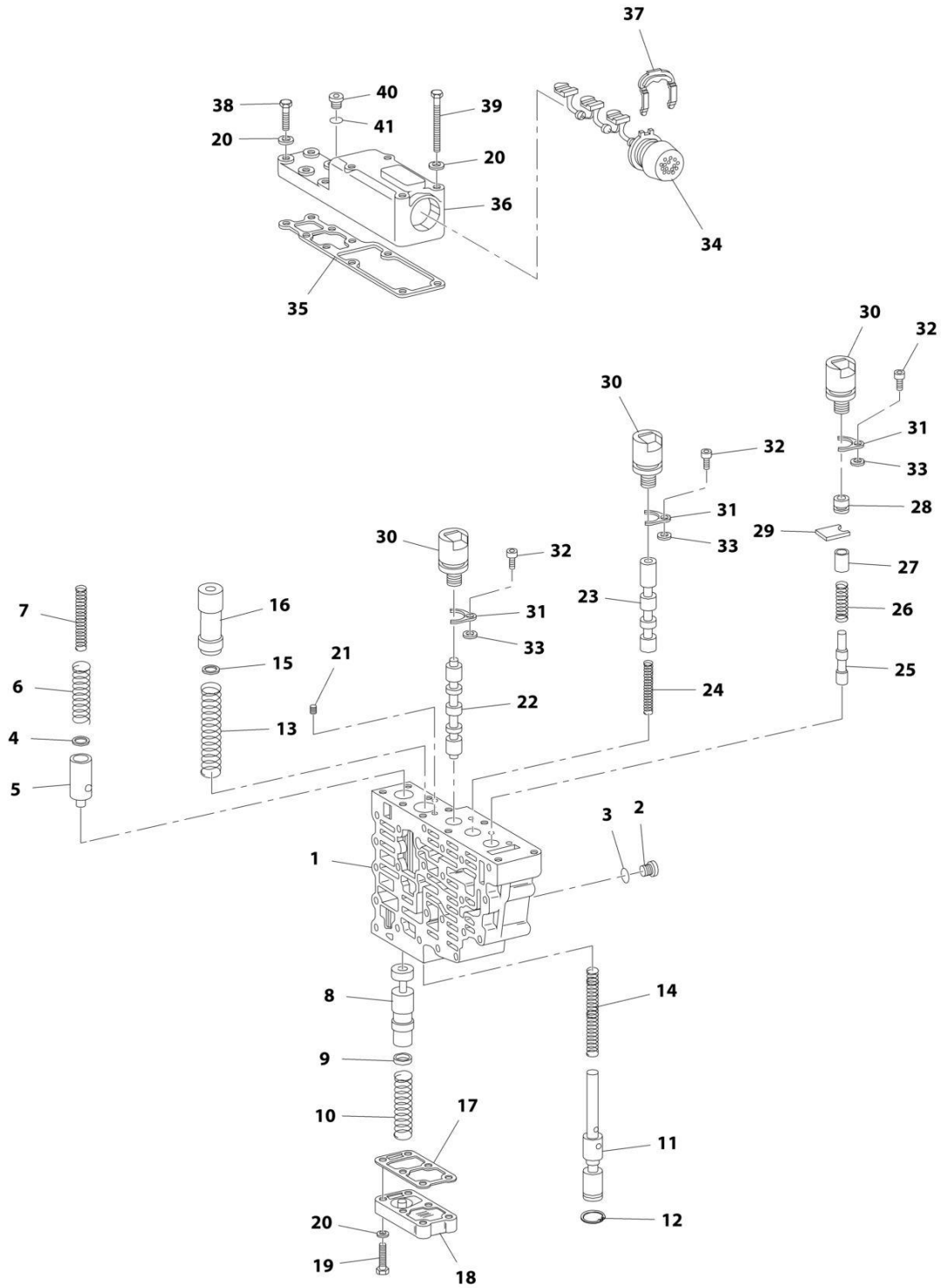
SECTION 5 - DRIVE TRAIN

FIGURE 5-15. TRANSMISSION, VALVE BLOCK ASSEMBLY

ITEM	PART NUMBER	QTY	DESCRIPTION	REV
	8841036	Ref	TRANSMISSION - VALVE BLOCK ASSEMBLY	
	1319717	Ref	Valve Block Assembly	
1	70020427	1	Block, Valve	
2	1319710	3	Piston	
3	1319696	3	Spring, Compression	
4	1319702	3	Valve, Solenoid	
5	10732063	3	Plate, Fixing	
6	1319703	3	Bolt, M5X12	
7	1319711	1	Harness, Wiring	
8	1319707	1	Clamp, Retaining	
9	1319712	1	Gasket	
10	1319713	1	Cover	
11	1319714	9	Bolt, M5X32	
12	1319715	9	Washer, 5.3	
13	1319670	3	Plug, Screw M10X1	
14	10731709	3	O-Ring	

SECTION 5 - DRIVE TRAIN

FIGURE 5-16. TRANSMISSION, VALVE HOUSING ASSEMBLY



ART_8841036_13-C

SECTION 5 - DRIVE TRAIN

FIGURE 5-16. TRANSMISSION, VALVE HOUSING ASSEMBLY

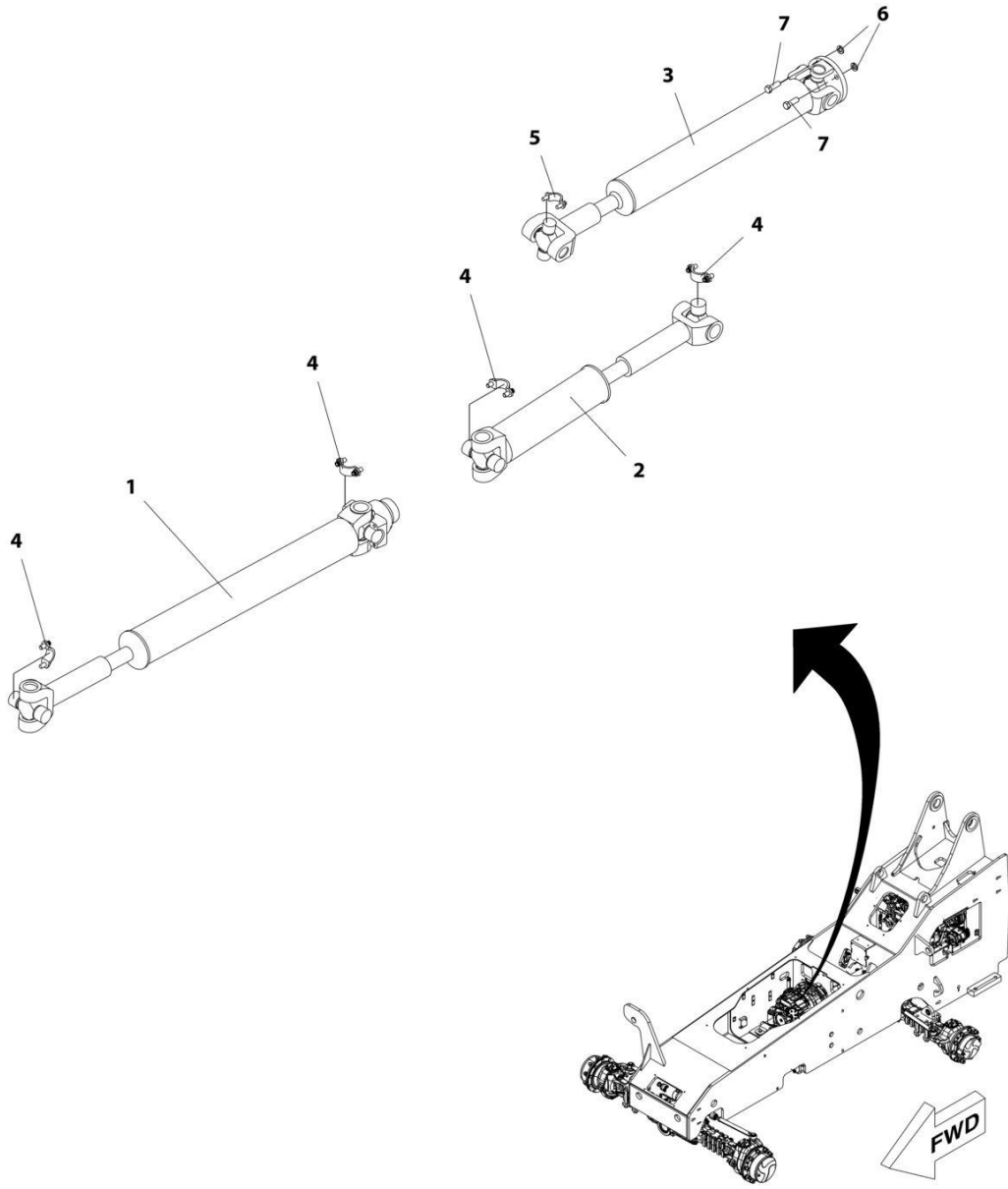
ITEM	PART NUMBER	QTY	DESCRIPTION	REV
	8841036	Ref	TRANSMISSION - VALVE HOUSING ASSEMBLY	
	8036040	Ref	Valve Housing Assembly	
1	1319671	1	Housing, Valve	
2	1319670	7	Plug, Screw M10X1	
3	10731709	7	O-Ring	
4	8036036	1	Washer, 1	
5	7029039	1	Piston	
6	1319673	1	Spring, Compression	
7	8036038	1	Spring, Compression	
8	1319674	1	Piston	
9	1319675	1	Washer, 3.6	
9	1319676	1	Washer, 3.2	
9	1319677	1	Washer, 2.8	
9	1319678	1	Washer, 2.4	
9	1319679	1	Washer, 2	
10	1319680	1	Spring, Compression	
11	1319681	1	Control, Piston	
12	1319682	1	Washer, Lock 12	
13	1319683	1	Spring, Compression	
14	1319684	1	Spring, Compression	
15	1319685	1	Washer, 2	
15	1319686	1	Washer, 1	
15	1319687	1	Washer, 0.5	
15	1319688	1	Washer, 0.3	
15	1319689	1	Washer, 0.2	
16	1319690	1	Piston	
17	1319691	1	Seal	
18	1319692	1	Cover	
19	1319693	6	Bolt, M6X25	
20	1319661	16	Washer, 6.4	
21	1319652	1	Orifice	
22	1319694	1	Valve	
23	1319695	1	Piston	
24	1319696	1	Spring, Compression	
25	1319697	1	Piston	
26	1319698	1	Spring, Compression	
27	1319699	1	Spacer, Sleeve	
28	1319700	1	Plug	
29	1319701	1	Plate, Fixing	
30	1319702	3	Valve, Solenoid	
31	10732063	3	Plate, Fixing	
32	1319703	3	Bolt, M5X12	
33	10732064	3	Washer, 2	
34	1319704	1	Harness, Wiring	
35	1319705	1	Seal	
36	8036039	1	Cover	
37	1319707	1	Clamp, Retaining	
38	1319693	6	Bolt, M6X25	
39	7029037	4	Bolt, M6X60	
40	1319670	1	Plug, Screw M10X1	

SECTION 5 - DRIVE TRAIN

ITEM	PART NUMBER	QTY	DESCRIPTION	REV
41	10731709	1	O-Ring	

SECTION 5 - DRIVE TRAIN

FIGURE 5-17. DRIVE SHAFT INSTALLATION



ART_1001166009_B

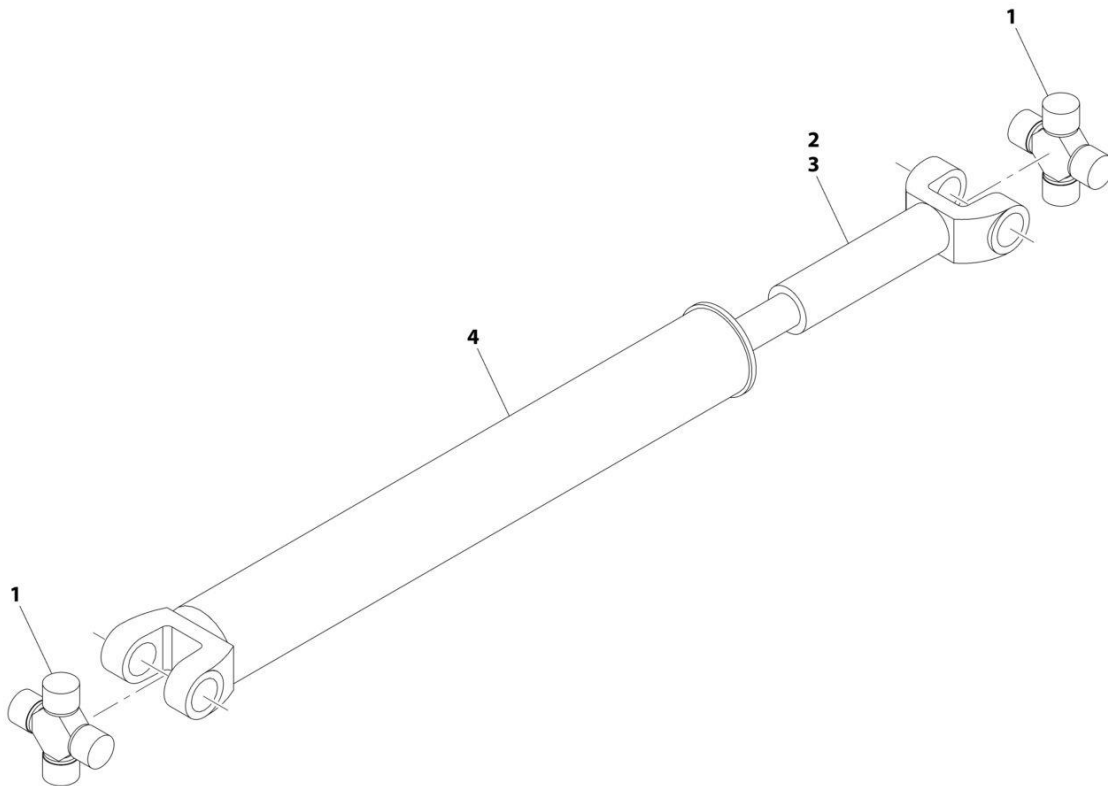
SECTION 5 - DRIVE TRAIN

FIGURE 5-17. DRIVE SHAFT INSTALLATION

ITEM	PART NUMBER	QTY	DESCRIPTION	REV
	1001166009	Ref	Drive Shaft Installation	B
1	7150579	1	Assembly, Front Drive Shaft (See Separate Breakdown in this Section)	
2	7150580	1	Assembly, Rear Drive Shaft (See Separate Breakdown in this Section)	
3	7302028	1	Input, Drive Shaft (See Separate Breakdown in this Section)	
4	8880218-OM	4	Kit, Strap	
5	8880219-OM	1	Kit, Strap	
6	8307006	4	Washer, Lock 7/16	
7	8310425	4	Bolt, 7/16-20X1-1/4, Grade 8	

SECTION 5 - DRIVE TRAIN

FIGURE 5-18. FRONT DRIVE SHAFT ASSEMBLY



ART_7150579-D

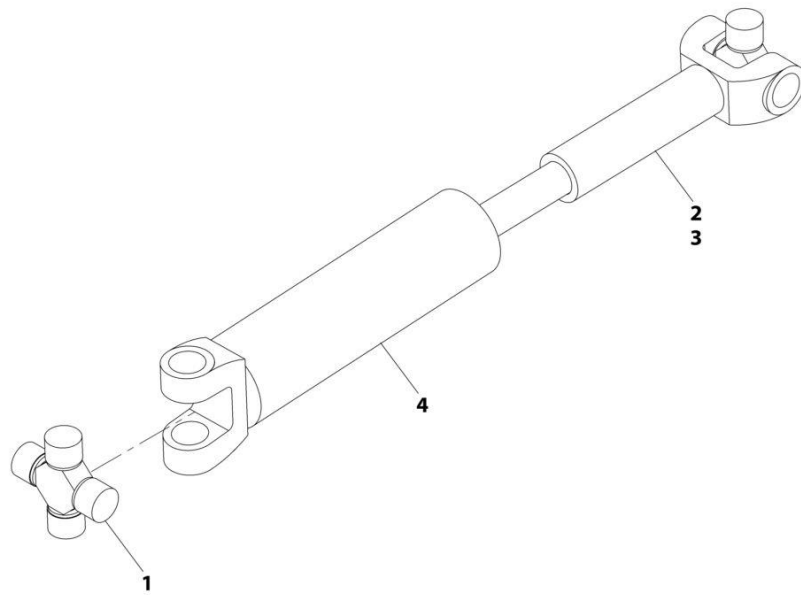
SECTION 5 - DRIVE TRAIN

FIGURE 5-18. FRONT DRIVE SHAFT ASSEMBLY

ITEM	PART NUMBER	QTY	DESCRIPTION	REV
	7150579	Ref	Front Drive Shaft Assembly	D
1	8036433	4	Kit, Cross and Bearing	
2	8035779	2	Kit, Dust Cap	
3	N.S.S.	1	Joint, Slip	
4	N.S.S.	1	Shaft, Yoke	

SECTION 5 - DRIVE TRAIN

FIGURE 5-19. REAR DRIVE SHAFT ASSEMBLY



ART_7150580-D

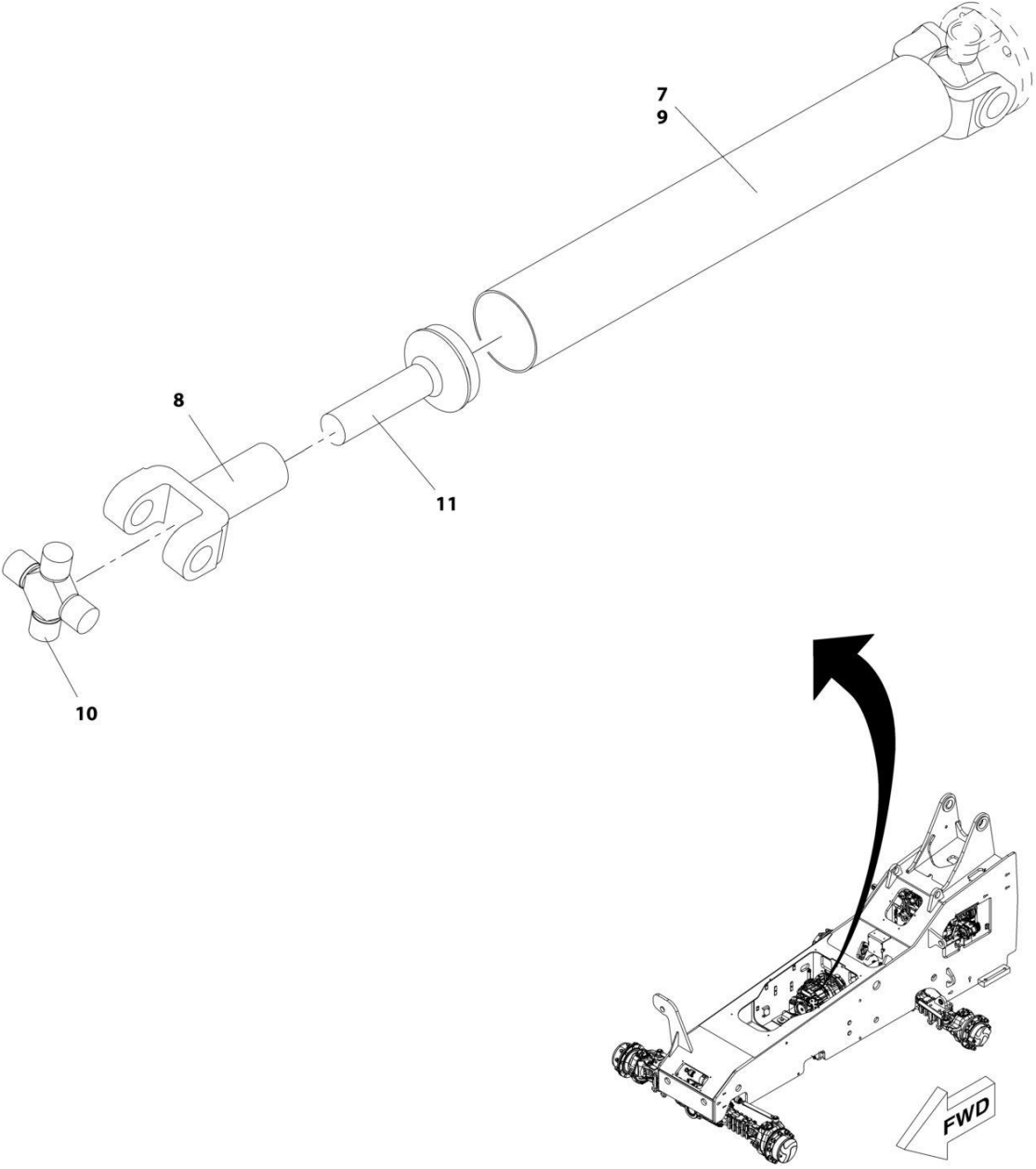
SECTION 5 - DRIVE TRAIN

FIGURE 5-19. REAR DRIVE SHAFT ASSEMBLY

ITEM	PART NUMBER	QTY	DESCRIPTION	REV
	7150580	Ref	Front Drive Shaft Assembly	D
1	8036433	4	Kit, Cross and Bearing	
2	8035779	2	Kit, Dust Cap	
3	N.S.S.	1	Joint, Slip	
4	N.S.S.	1	Shaft, Yoke	

SECTION 5 - DRIVE TRAIN

FIGURE 5-20. DRIVE SHAFT INPUT



ART_7302028_D

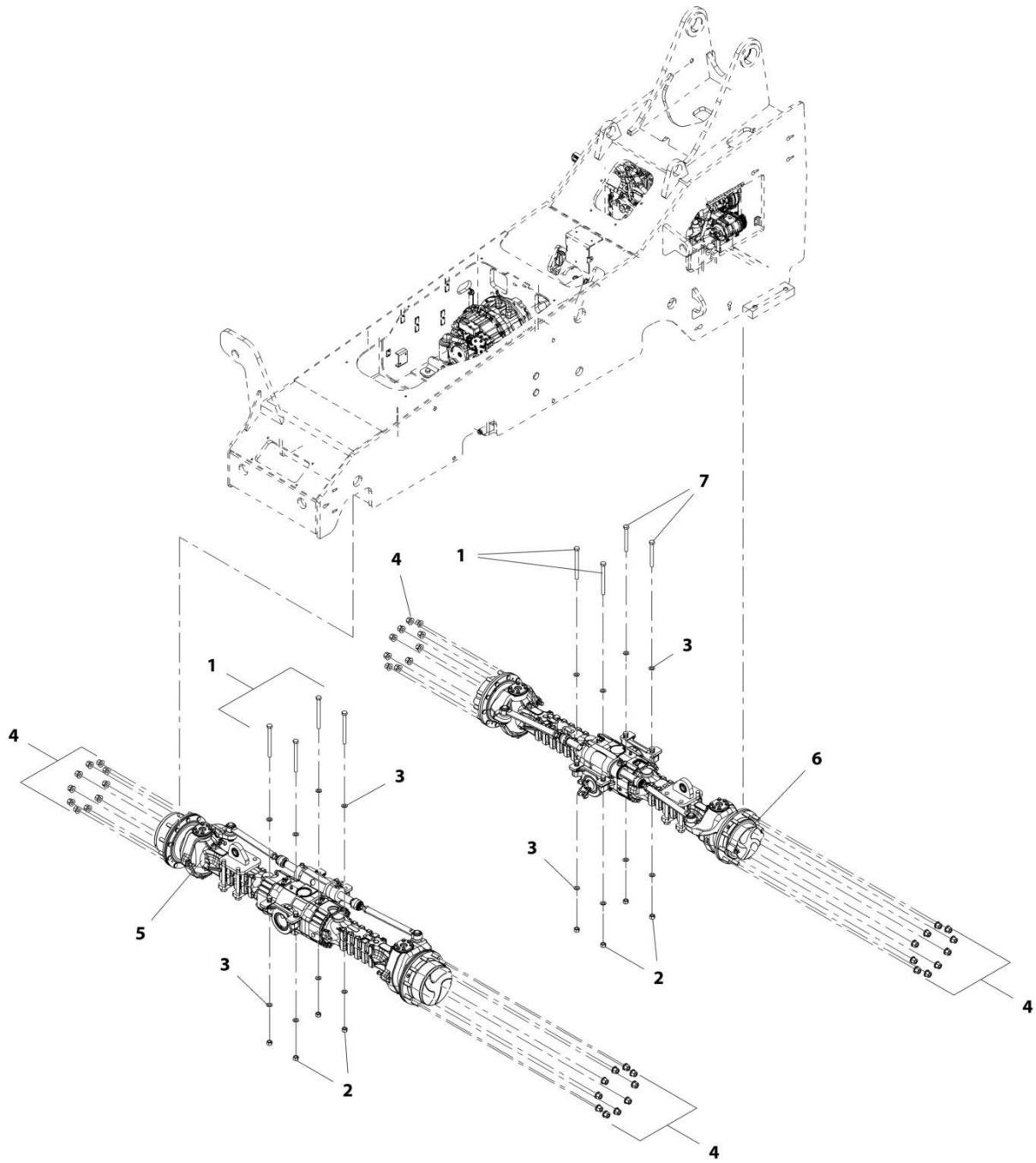
SECTION 5 - DRIVE TRAIN

FIGURE 5-20. DRIVE SHAFT INPUT

ITEM	PART NUMBER	QTY	DESCRIPTION	REV
	7302028	Ref	Drive Shaft Input	D
1	N.S.S.	1	Joint, Slip	
2	N.S.S.	1	Shaft, Yoke	
3	7029271	2	Kit, Cross and Bearing	
4	8033651	1	Kit, Dust Cap	

SECTION 5 - DRIVE TRAIN

FIGURE 5-21. AXLES INSTALLATION (6036)



ART_1001147874-C

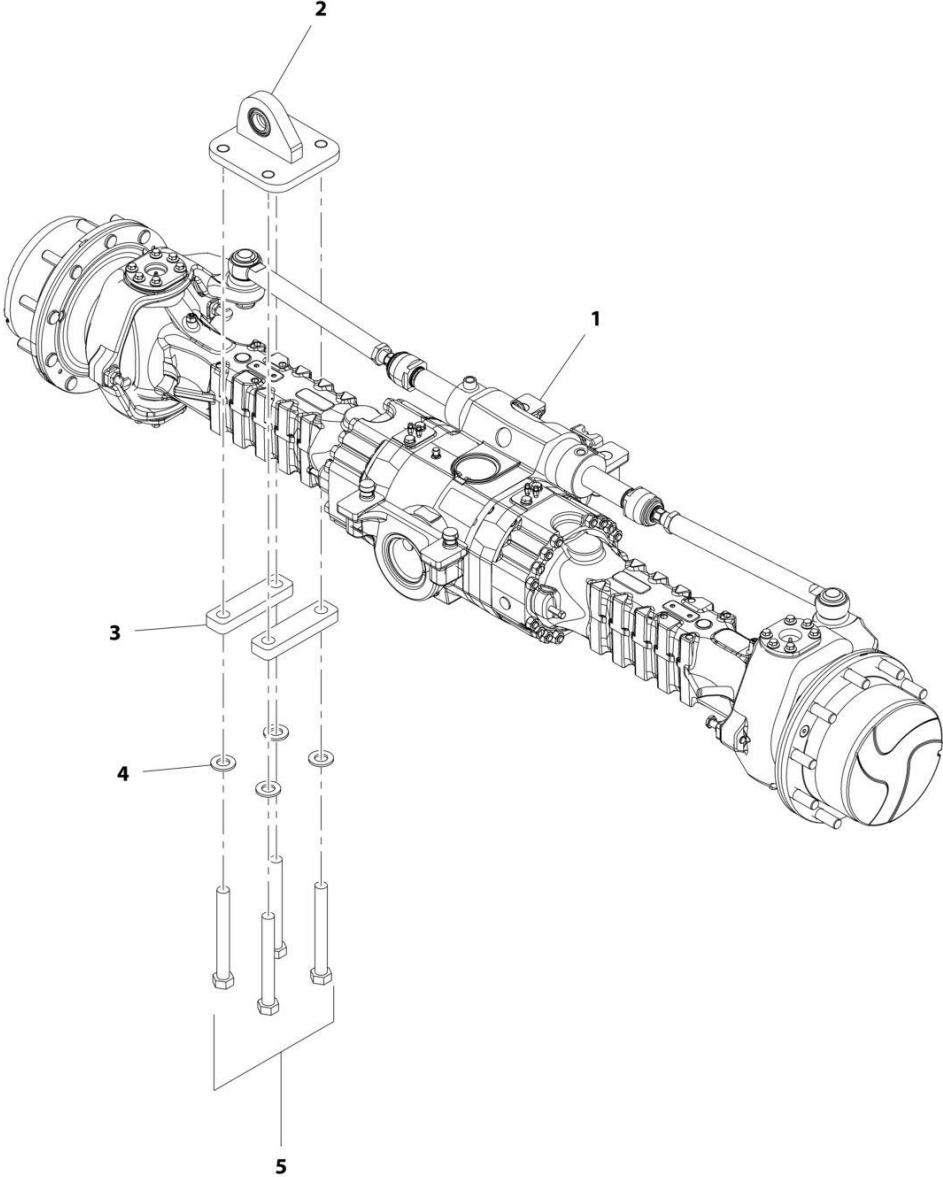
SECTION 5 - DRIVE TRAIN

FIGURE 5-21. AXLES INSTALLATION (6036)

ITEM	PART NUMBER	QTY	DESCRIPTION	REV
	1001147874	Ref	AXLES INSTALLATION - 6036 (6036)	C
1	0712040	6	Bolt, M20X230, Grade 10.9	
2	3332017	8	Nut, Lock M20X2-1/2	
3	8310620	16	Washer, M20	
4	91403193	40	Nut, Lug M22X1-1/2	
5	1001147378	1	Axle Sub-Assembly - Front (See Separate Breakdown in this Section)	
6	1001147379	1	Axle Assembly - Rear (See Separate Breakdown in this Section)	
7	1001150349	2	Bolt, M20X180, Grade 10.9	

SECTION 5 - DRIVE TRAIN

FIGURE 5-22. FRONT AXLE SUB-ASSEMBLY



ART_1001147378-A

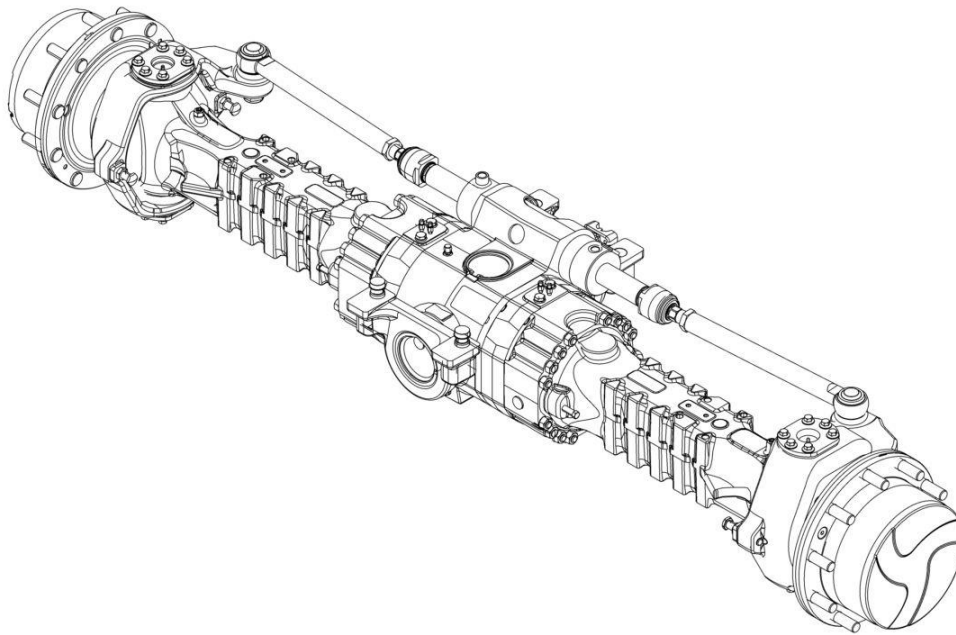
SECTION 5 - DRIVE TRAIN

FIGURE 5-22. FRONT AXLE SUB-ASSEMBLY

ITEM	PART NUMBER	QTY	DESCRIPTION	REV
	1001147378	Ref	FRONT AXLE SUB-ASSEMBLY	A
1	1001147377	1	Front Axle Assembly (See Separate Breakdown in this Section)	
2	1001147265	1	Bracket, Sway Pivot Assembly	
3	91471213	2	Plate, Retainer	
4	90027475	4	Washer	
5	83201147	4	Bolt, 1-8X8-1/2	

SECTION 5 - DRIVE TRAIN

FIGURE 5-23. FRONT AXLE ASSEMBLY



ART_1001147377_1-C

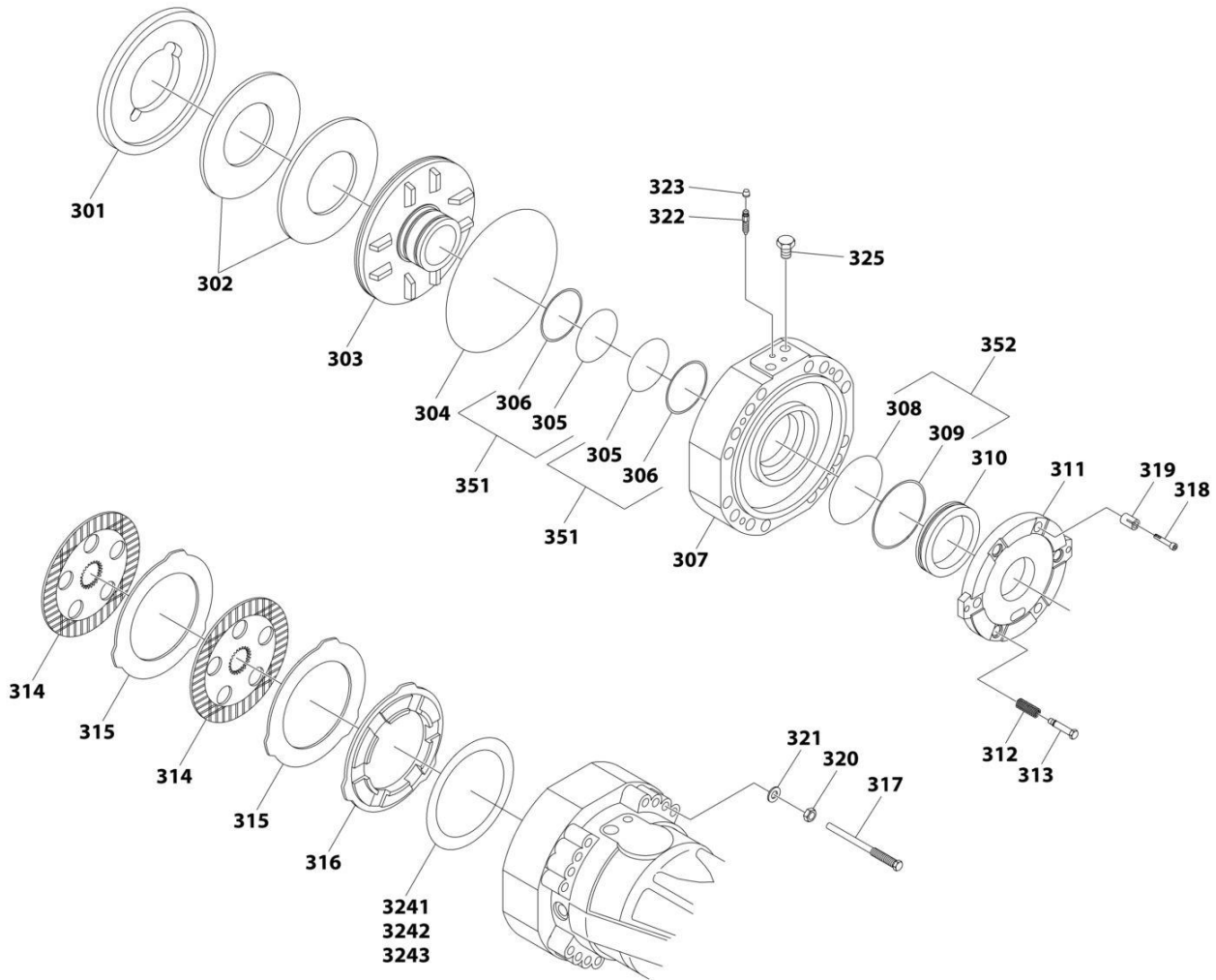
SECTION 5 - DRIVE TRAIN

FIGURE 5-23. FRONT AXLE ASSEMBLY

ITEM	PART NUMBER	QTY	DESCRIPTION	REV
	1001147377	Ref	FRONT AXLE ASSEMBLY	C
		Ref	Central Housing (See Separate Breakdown in this Section)	
		Ref	Differential (See Separate Breakdown in this Section)	
		Ref	Hub Reduction (See Separate Breakdown in this Section)	
		Ref	Brakes (See Separate Breakdown in this Section)	
		Ref	Steering (See Separate Breakdown in this Section)	
		Ref	Trunion (See Separate Breakdown in this Section)	

SECTION 5 - DRIVE TRAIN

FIGURE 5-24. FRONT AXLE, BRAKES



ART_1001147377_5-C

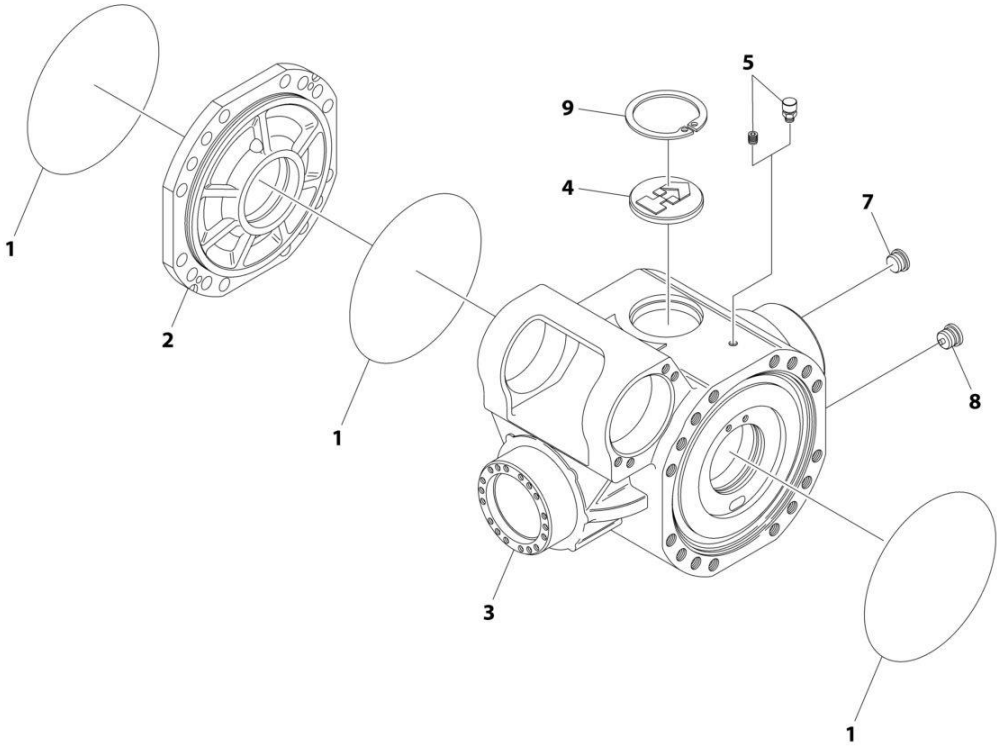
SECTION 5 - DRIVE TRAIN

FIGURE 5-24. FRONT AXLE, BRAKES

ITEM	PART NUMBER	QTY	DESCRIPTION	REV
	1001147377	Ref	FRONT AXLE - BRAKES	C
301	7028734	1	Spacer	
302	91474559	4	Spring	
303	91474560	2	Piston	
304	91474561	2	O-Ring	
305	91514167	NLA	O-Ring (Use Item 351 PN 70026262)	
306	91514153	NLA	Ring, Backup (Use Item 351 PN 70026262)	
307	7028735	2	Cover	
308	91474562	NLA	O-Ring (Use Item 352 PN 70026263)	
309	91474563	NLA	Ring, Backup (Use Item 352 PN 70026263)	
310	91474564	2	Piston	
311	91474565	2	Disc, Brake	
312	91514159	6	Spring	
313	91514160	6	Bolt, Adjusting	
314	91474568	8	Disc	
315	91474569	8	Disc, Brake	
316	91474570	2	Spacer	
317	7028736	4	Bolt	
318	7029788	6	Bolt, Adjusting	
319	91514165	6	Spring	
320	80204060	4	Nut	
321	80204108	4	Washer	
322	80204281	4	Bolt, Bleeding	
323	80204117	4	Plug	
325	91514154	4	Plug	
351	70026262	4	Kit, Seal (Includes Items 305 & 306)	
352	70026263	2	Kit, Seal (Includes Items 308 & 309)	
3241	91474571	2	Shim 0.20mm	
3242	91474572	2	Shim 0.30mm	
3243	91474573	2	Shim 0.50mm	

SECTION 5 - DRIVE TRAIN

FIGURE 5-25. FRONT AXLE, CENTRAL HOUSING



ART_1001147377_2-C

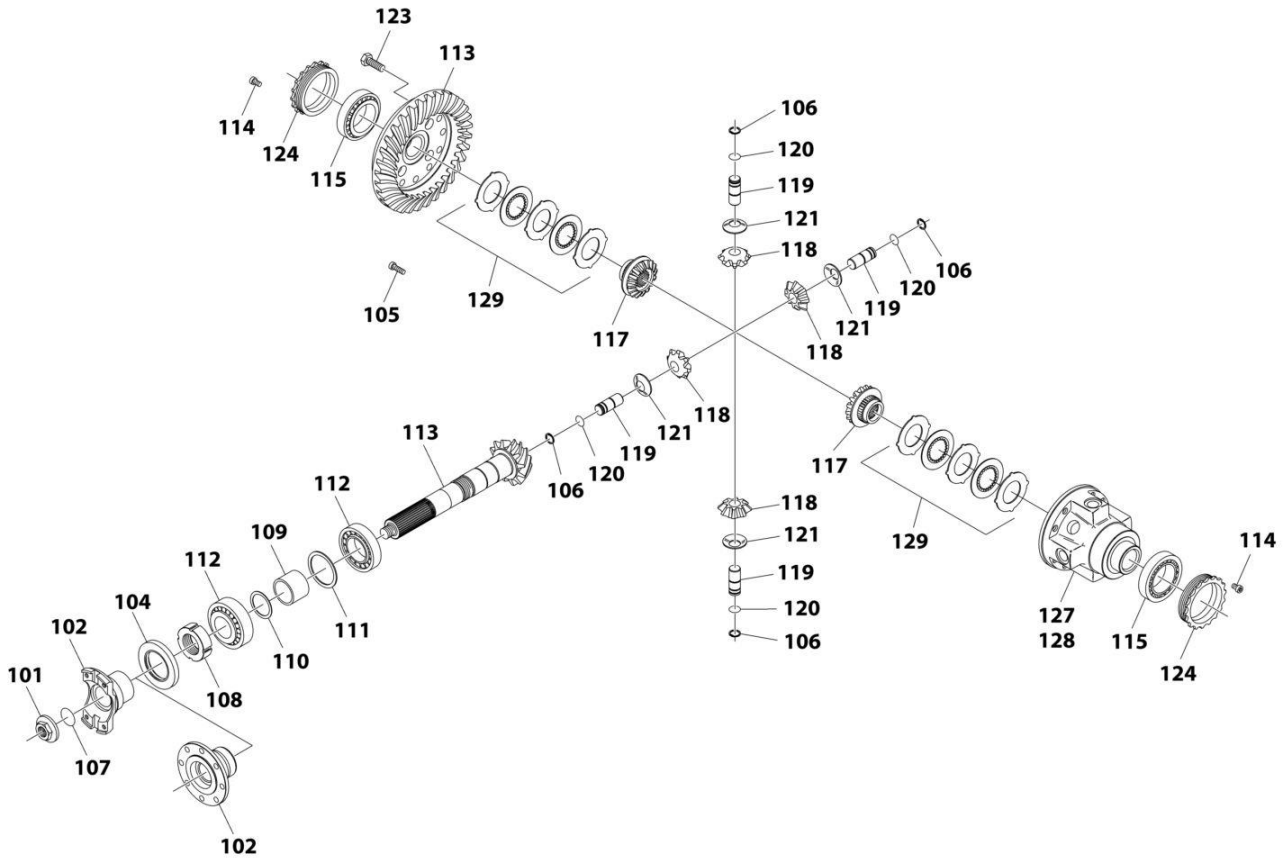
SECTION 5 - DRIVE TRAIN

FIGURE 5-25. FRONT AXLE, CENTRAL HOUSING

ITEM	PART NUMBER	QTY	DESCRIPTION	REV
	1001147377	Ref	FRONT AXLE - CENTRAL HOUSING	C
1	91474507	3	O-Ring	
2	70024872	1	Cover	
3	7029426	1	Housing	
4	91514098	1	Plug	
5	91474512	1	Vent	
7	91514188	1	Plug	
8	91474513	1	Plug, Magnet	
9	80204005	1	Circlip	

SECTION 5 - DRIVE TRAIN

FIGURE 5-26. FRONT AXLE, DIFFERENTIAL



ART_1001147377_3-C

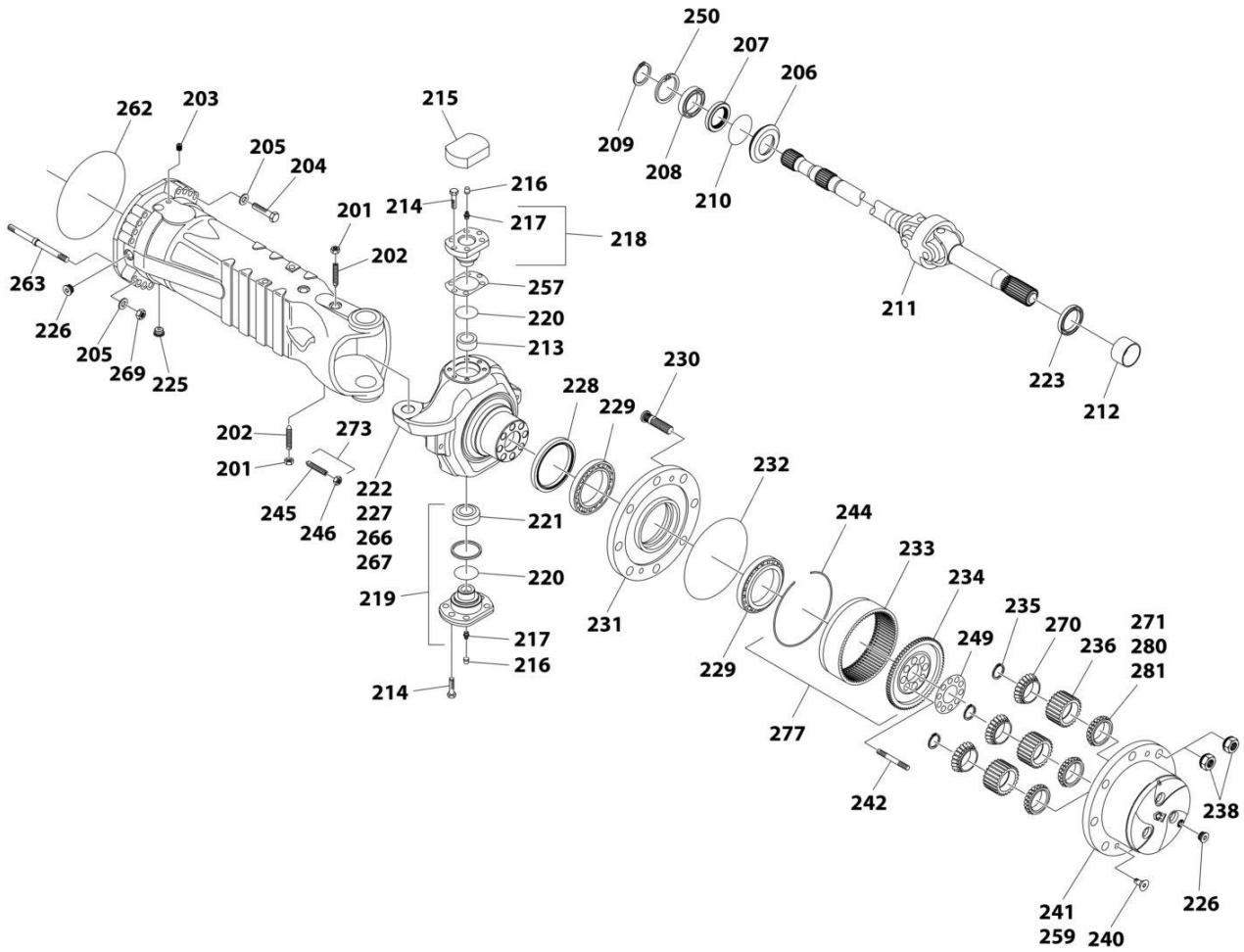
SECTION 5 - DRIVE TRAIN

FIGURE 5-26. FRONT AXLE, DIFFERENTIAL

ITEM	PART NUMBER	QTY	DESCRIPTION	REV
	1001147377	Ref	FRONT AXLE - DIFFERENTIAL	C
101	91474528	1	Nut	
102	70022797	1	Flange	
104	91474532	1	Seal	
105	91474591	4	Bolt	
106	91474550	4	Circlip	
107	91474529	1	O-Ring	
108	91474533	1	Ring Nut	
109	91474539	1	Spacer	
110	91474537	1	Shim	
111	91474542	1	Shim	
112	3968141	2	Bearing, Taper Roller	
113	70026134	1	Bevel Gear Set	
114	91514134	2	Bolt	
115	70026031	2	Bearing, Taper Roller	
117	91474549	2	Differential Side Gear	
118	7029129	4	Differential Pinion	
119	7029131	4	Kit, Pin and Circlip	
120	91474551	4	Circlip	
121	91474553	4	Washer, Friction	
123	91514123	12	Bolt	
124	91474547	2	Ring Nut	
127	8007751	1	Carrier, Differential	
128	7028710	1	Slip Differential	
129	8007755	2	Kit, Clutch Disc	

SECTION 5 - DRIVE TRAIN

FIGURE 5-27. FRONT AXLE, HUB REDUCTION



ART_1001147377_4-C

SECTION 5 - DRIVE TRAIN

FIGURE 5-27. FRONT AXLE, HUB REDUCTION

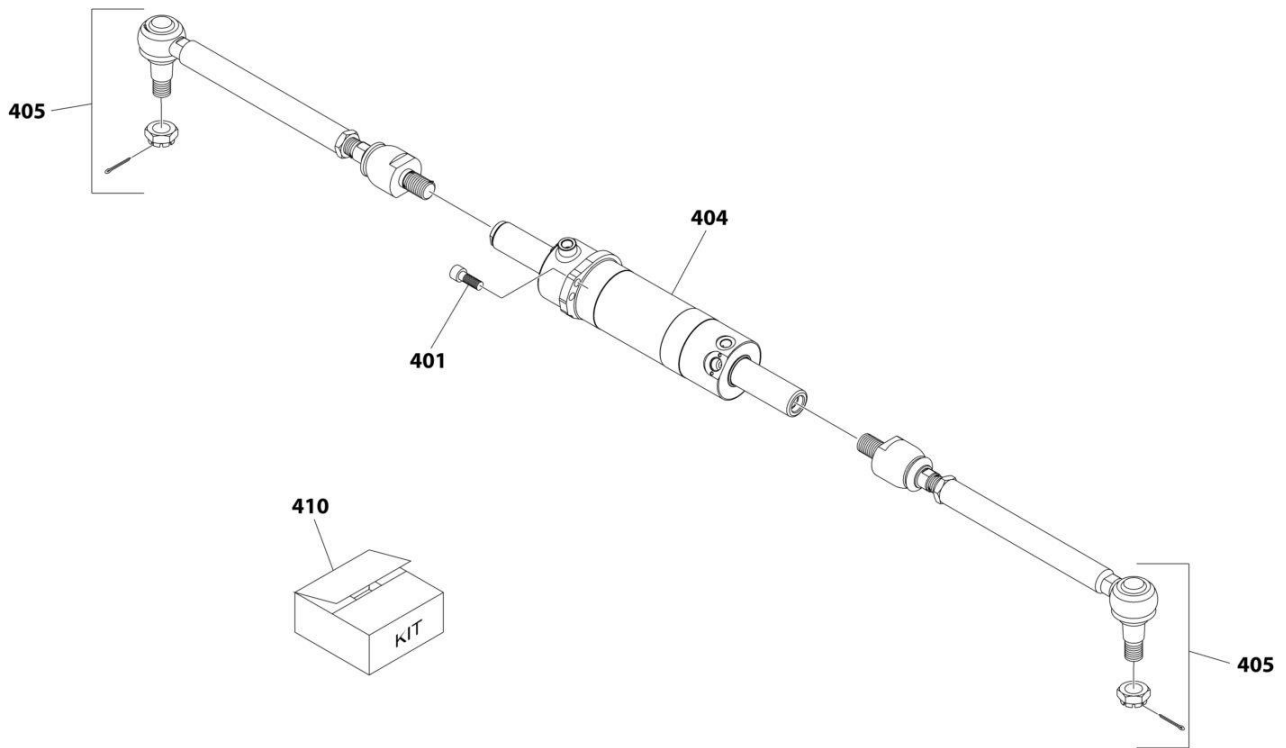
ITEM	PART NUMBER	QTY	DESCRIPTION	REV
	1001147377	Ref	FRONT AXLE - HUB REDUCTION	C
201	91514082	2	Nut	
202	91514081	2	Bolt	
203	70026135	2	Case, Axle	
204	70025548	24	Stud	
205	91514084	32	Washer	
206	91514149	2	Bushing, Reduction	
207	91514147	2	Seal	
208	91514146	2	Bearing, Ball	
209	80204071	2	Circlip	
210	91514148	2	O-Ring	
211	70026136	2	Joint, Double Universal	
212	91514111	1	Thrust Bushing	
213	7028714	2	Bushing	
214	91514123	24	Bolt	
215	91474524	2	Cover	
216	80204117	2	Plug	
217	91514099	2	Grease Fitting	
218	91514112	2	Pivot Pin	
219	7028715	2	Pivot Pin	
220	7028716	2	Dust Excluder	
221	91514095	2	Bearing	
222	7028717	1	Case, Steering (RH)	
223	70025857	2	Seal	
225	91474513	2	Magnet Plug	
226	91514188	4	Plug	
227	7028720	NLA	Case, Steering (LH) (Note: Use Item 7028730)	
228	7028721	2	Seal	
229	91474576	4	Bearing	
230	80214120	20	Stud	
231	7028722	2	Hub	
232	91514181	2	O-Ring	
233	70024147	2	Ring Gear	
234	7028723	2	Support, Ring Gear	
235	7028724	6	Circlip	
236	7028725	6	Pinion	
238	91474584	20	Nut	
240	91514189	4	Bolt	
241	7026731	2	Carrier, Planet Gear	
242	70027315	20	Stud	
244	91514175	2	Circlip	
245	91514117	4	Bolt	
246	80204065	4	Nut	
249	91474582	2	Plate, Locking	
250	80204005	2	Circlip	
257	91514115	6	Shim	
259	70040710	2	Carrier, Planet Gear	
262	91474507	2	O-Ring	
263	70025014	8	Stud	
266	7028729	1	Case, Steering (RH)	

SECTION 5 - DRIVE TRAIN

ITEM	PART NUMBER	QTY	DESCRIPTION	REV
267	7028730	1	Case, Steering (LH)	
269	91514083	32	Nut	
270	7028731	6	Bearing	
271	7028732	NLA	Bearing (Use Both PN 70031458 & 70031459 as Replacement)	
273	7028733	4	Bolt	
277	70025551	2	Support, Ring Gear	
280	70031458	6	Bearing	
281	70031459	6	Bearing	

SECTION 5 - DRIVE TRAIN

FIGURE 5-28. FRONT AXLE, STEERING



ART_1001147377_6-C

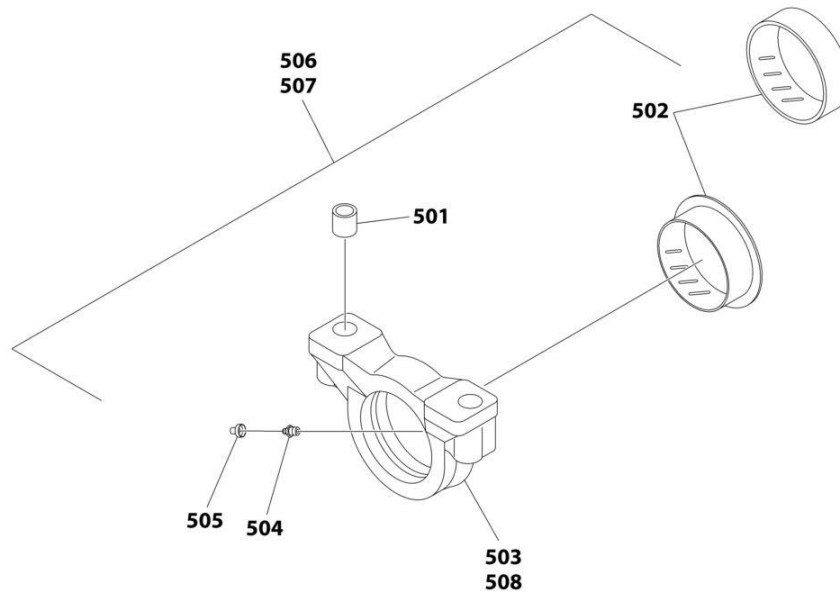
SECTION 5 - DRIVE TRAIN

FIGURE 5-28. FRONT AXLE, STEERING

ITEM	PART NUMBER	QTY	DESCRIPTION	REV
	1001147377	Ref	FRONT AXLE - STEERING	C
401	91474522	4	Bolt	
404	70026137	1	Cylinder (Includes Item 410)	
405	70026138	2	Bar	
410	70025842	1	Kit, Seal - 70026137 Cylinder	

SECTION 5 - DRIVE TRAIN

FIGURE 5-29. FRONT AXLE, TRUNNION



ART_1001147377_7-C

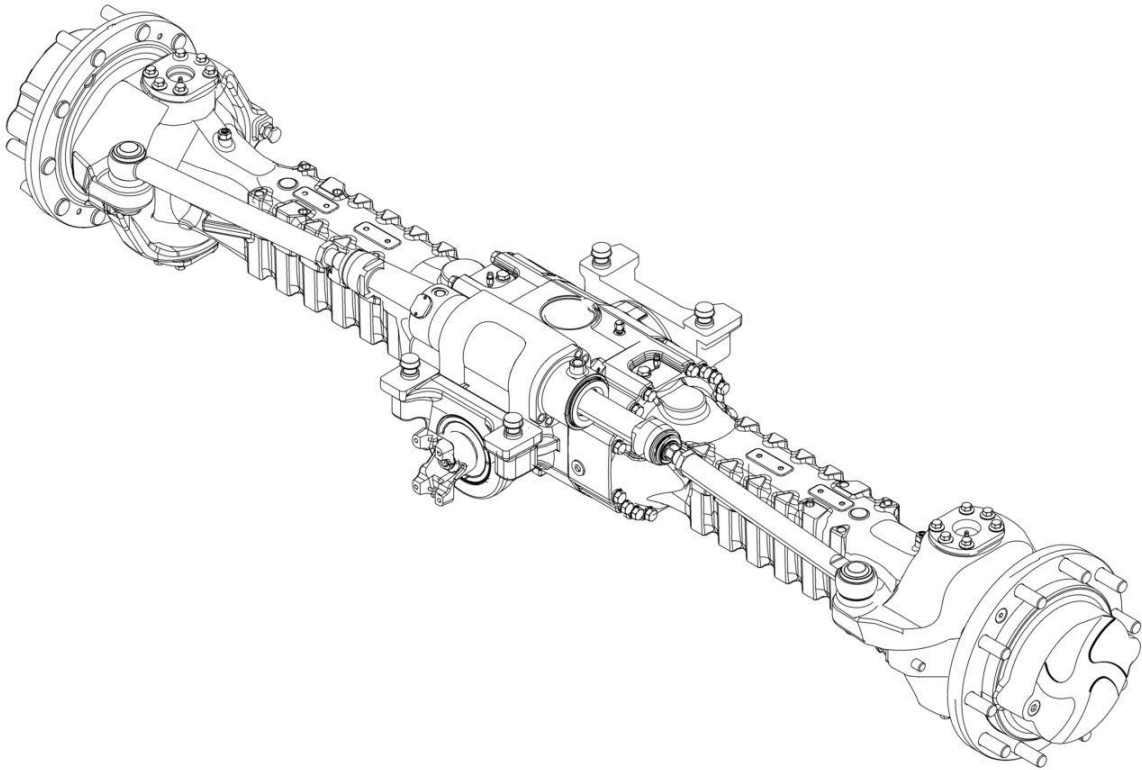
SECTION 5 - DRIVE TRAIN

FIGURE 5-29. FRONT AXLE, TRUNNION

ITEM	PART NUMBER	QTY	DESCRIPTION	REV
	1001147377	Ref	FRONT AXLE - TRUNION	C
501	91474516	2	Bushing, Reduction	
502	91474515	1	Bushing, Thrust	
503	See Note	NSS	Support (Note: Use PN 7029282)	
504	91514099	1	Fitting, Grease	
505	80204117	1	Plug	
506	7029282	1	Support Assembly	
507	7029283	1	Support Assembly	
508	See Note	NSS	Support (Note: Use PN 7029283)	

SECTION 5 - DRIVE TRAIN

FIGURE 5-30. REAR AXLE ASSEMBLY



ART_1001147379_1-C

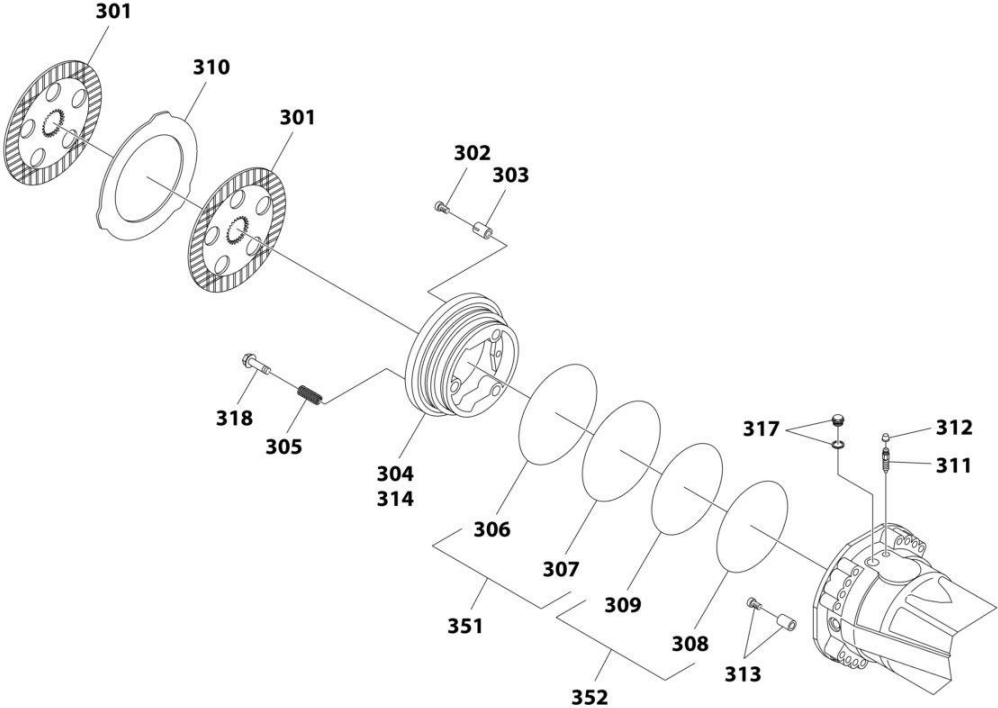
SECTION 5 - DRIVE TRAIN

FIGURE 5-30. REAR AXLE ASSEMBLY

ITEM	PART NUMBER	QTY	DESCRIPTION	REV
	1001147379	Ref	REAR AXLE ASSEMBLY	C
		Ref	Central Housing (See Separate Breakdown in this Section)	
		Ref	Differential (See Separate Breakdown in this Section)	
		Ref	Hub Reduction (See Separate Breakdown in this Section)	
		Ref	Brakes (See Separate Breakdown in this Section)	
		Ref	Steering (See Separate Breakdown in this Section)	
		Ref	Trunion (See Separate Breakdown in this Section)	

SECTION 5 - DRIVE TRAIN

FIGURE 5-31. REAR AXLE, BRAKES



ART_1001147379_5-C

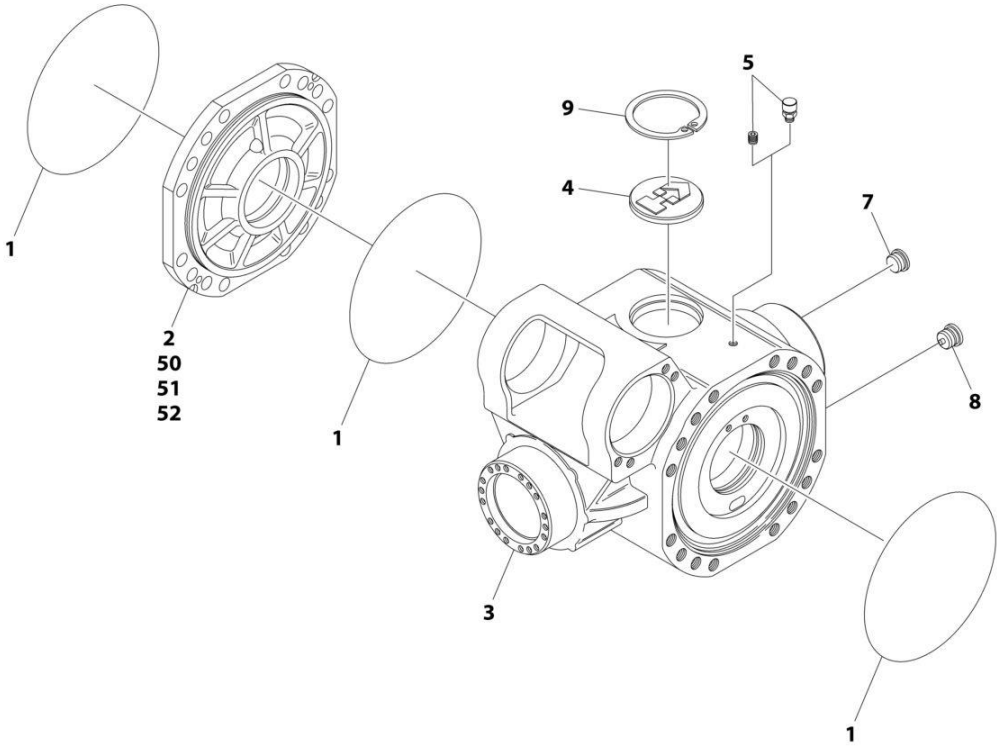
SECTION 5 - DRIVE TRAIN

FIGURE 5-31. REAR AXLE, BRAKES

ITEM	PART NUMBER	QTY	DESCRIPTION	REV
	1001147379	Ref	REAR AXLE - BRAKES	C
301	91474568	8	Disc, Brake	
302	7029786	6	Bolt, Adjusting	
303	70027317	6	Spring	
304	See Note	NSS	Piston (Note: Use PN 70024525)	
305	91514159	6	Spring	
306	3984436	NLA	Ring, Backup (Use PN 70025821)	
307	3984458	NLA	O-Ring (Use PN 70025821)	
308	3984447	NLA	Ring, Backup (Use PN 70025822)	
309	3984469	NLA	O-Ring (Use PN 70025822)	
310	91474569	10	Disc, Brake	
311	80204281	2	Bolt, Bleeding	
312	80204117	2	Plug	
313	70021613	2	Bolt, Pilot	
314	70028452	2	Kit, Piston Position	
317	91514154	2	Plug	
318	91514160	6	Bolt, Adjusting	
351	70025821	2	Kit, Seal (Includes Items 306 & 307)	
352	70025822	2	Kit, Seal (Includes Items 308 & 309)	

SECTION 5 - DRIVE TRAIN

FIGURE 5-32. REAR AXLE, CENTRAL HOUSING



ART_1001147379_2-C

SECTION 5 - DRIVE TRAIN

FIGURE 5-32. REAR AXLE, CENTRAL HOUSING

ITEM	PART NUMBER	QTY	DESCRIPTION	REV
	1001147379	Ref	REAR AXLE - CENTRAL HOUSING	C
1	91474507	3	O-Ring	
2	70024519	NLA	Cover (Use Items 50-52)	
3	70026749	1	Housing	
4	91514098	1	Plug	
5	91474512	1	Vent	
7	91514188	1	Plug	
8	7028706	1	Magnet Plug	
9	80204005	1	Circlip	
50	70027107	1	Cover	
51	70028906	2	Case, Axle	
52	70021613	1	Bolt	

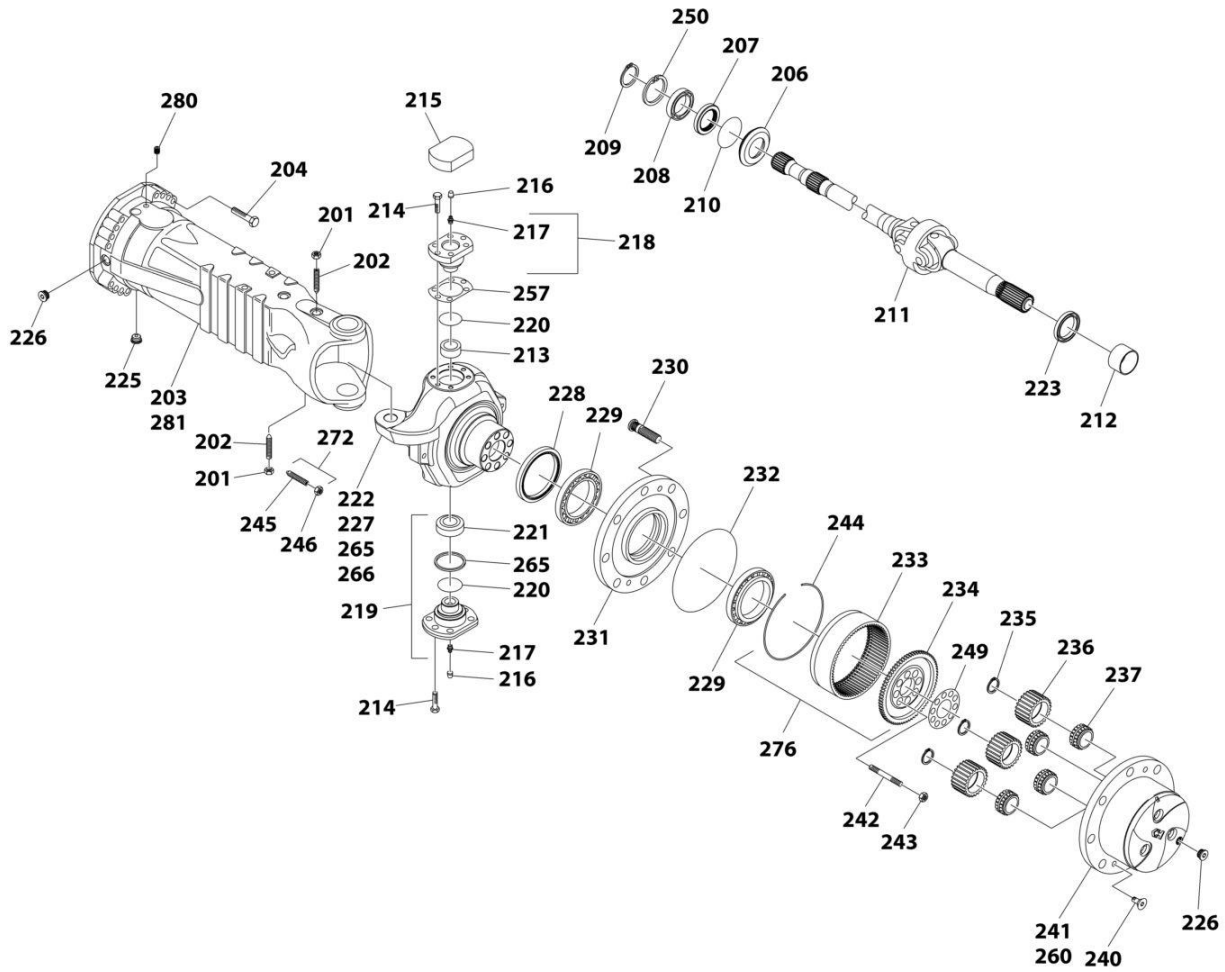
SECTION 5 - DRIVE TRAIN

FIGURE 5-33. REAR AXLE, DIFFERENTIAL

ITEM	PART NUMBER	QTY	DESCRIPTION	REV
	1001147379	Ref	REAR AXLE - DIFFERENTIAL	C
101	91474529	1	O-Ring	
102	91474537	1	Shim	
103	70026139	1	Bevel Gear Set	
104	70028471	2	Bearing, Taper Roller	
105	91474547	2	Ring Nut	
106	91474591	4	Bolt	
107	91514134	2	Bolt	
108	70025562	12	Bolt	
109	91474593	2	Washer, Friction	
110	91474594	2	Gear, Differential Side	
111	7029131	4	Kit, Pin and Circlip	
112	91474551	4	Circlip	
113	91474553	4	Washer, Friction	
114	91474554	4	Pinion, Differential	
115	91474595	1	Carrier, Differential	
116	3968141	2	Bearing, Taper Roller	
117	91474542	1	Shim	
118	91474539	1	Spacer	
119	91474533	1	Ring Nut	
120	91474532	1	Seal	
122	70022797	1	Kit, Flange and Cover	
123	70026631	1	Nut	
124	91474550	4	Circlip	
125	70029453	1	Kit, Differential	

SECTION 5 - DRIVE TRAIN

FIGURE 5-34. REAR AXLE, HUB REDUCTION



ART_1001147379_4-C

SECTION 5 - DRIVE TRAIN

FIGURE 5-34. REAR AXLE, HUB REDUCTION

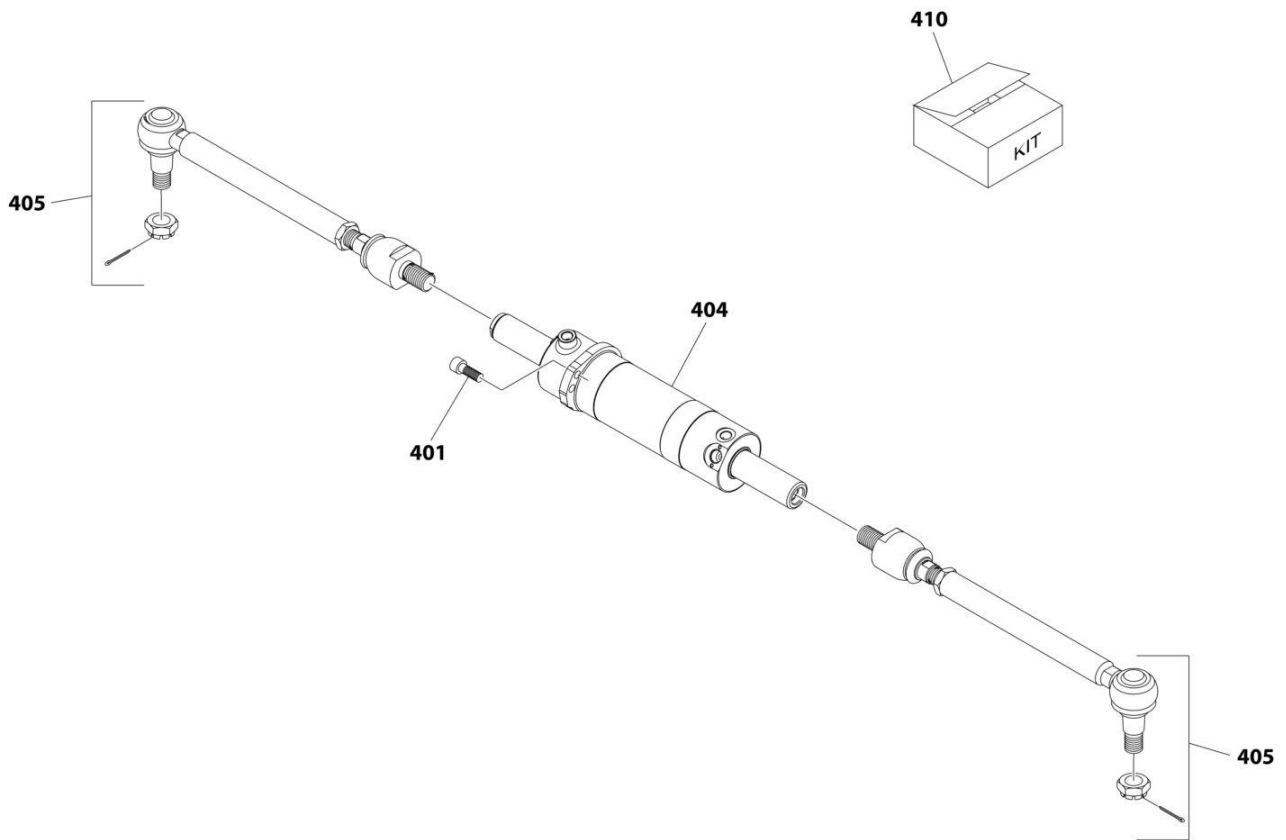
ITEM	PART NUMBER	QTY	DESCRIPTION	REV
	1001147379	Ref	REAR AXLE - HUB REDUCTION	C
201	91514082	2	Nut	
202	91514081	2	Bolt	
203	70026140	NLA	Case, Axle (Use PNs 70030150 & 70031523)	
204	70022799	32	Bolt	
206	70031449	2	Bushing, Reduction	
207	91514147	2	Seal	
208	91514146	2	Bearing, Ball	
209	80204071	2	Circlip	
210	91514148	2	O-Ring	
211	70026141	2	Joint, Double Universal	
212	91514111	1	Thrust Bushing	
213	7028714	2	Bushing	
214	70025562	24	Bolt	
215	70028392	2	Cover	
216	80204117	2	Plug	
217	70024881	2	Fitting, Grease	
218	91514112	2	Pin, Pivot	
219	7028715	2	Pin, Pivot	
220	7028716	2	Excluder, Dust	
221	91514095	2	Bearing	
222	7028717	1	Case, Steering (RH)	
223	70025857	2	Seal	
225	7028706	2	Plug	
226	91514188	4	Plug	
227	7028730	1	Case, Steering (LH)	
228	7028721	2	Seal	
229	91474576	4	Bearing	
230	80214120	20	Stud, Wheel	
231	7029737	2	Hub, Wheel	
232	91514181	2	O-Ring	
233	91474580	2	Gear, Ring	
234	91474581	2	Support, Ring Gear	
235	91474585	8	Circlip	
236	91474586	8	Gear, Planet	
237	91474587	8	Bearing	
240	91514189	4	Bolt	
241	7029286	2	Carrier, Planet Gear	
242	70027315	20	Stud	
243	91474584	20	Nut	
244	91474579	2	Circlip	
245	91514117	NLA	Bolt (Item 272 PN 7028733 Kit)	
246	80204065	4	Nut	
249	91474582	2	Plate, Locking	
250	80204005	2	Circlip	
257	91514115	2	Shim	
260	7029431	2	Carrier, Planet Gear	
265	7028729	1	Case, Steering (RH)	
266	7028730	1	Case, Steering (LH)	
272	7028733	4	Kit, Steering Bolt	

SECTION 5 - DRIVE TRAIN

ITEM	PART NUMBER	QTY	DESCRIPTION	REV
276	7029736	2	Support, Ring Gear	
280	70030150	2	Bolt	
281	70031523	2	Case, Axle	

SECTION 5 - DRIVE TRAIN

FIGURE 5-35. REAR AXLE, STEERING



ART_1001147379_6-C

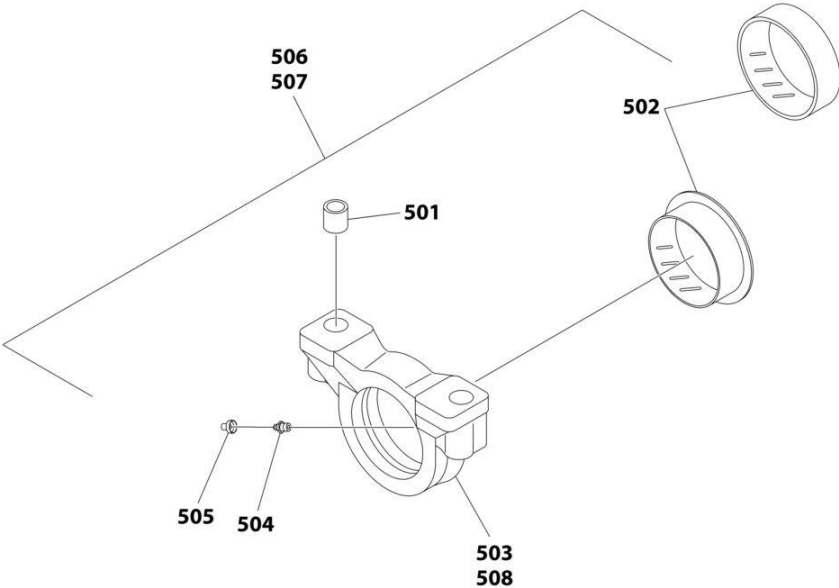
SECTION 5 - DRIVE TRAIN

FIGURE 5-35. REAR AXLE, STEERING

ITEM	PART NUMBER	QTY	DESCRIPTION	REV
	1001147379	Ref	REAR AXLE - STEERING	C
401	91474522	4	Bolt	
404	70026137	1	Cylinder	
405	70026138	2	Bar	
410	70025842	1	Kit, Seal - 70026137 Cylinder	

SECTION 5 - DRIVE TRAIN

FIGURE 5-36. REAR AXLE, TRUNNION



ART_1001147379_7-C

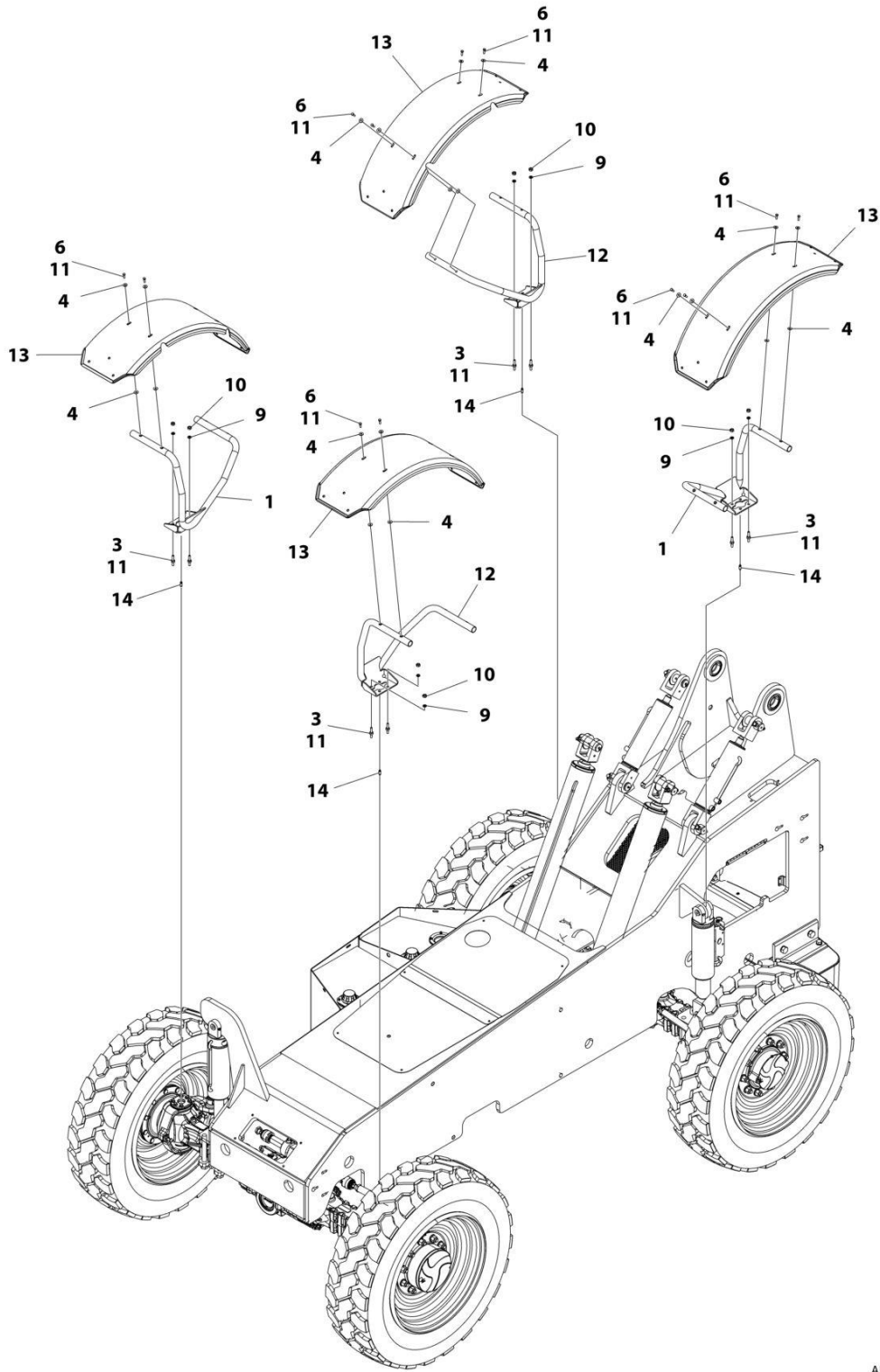
SECTION 5 - DRIVE TRAIN

FIGURE 5-36. REAR AXLE, TRUNNION

ITEM	PART NUMBER	QTY	DESCRIPTION	REV
	1001147379	Ref	REAR AXLE - TRUNION	C
501	91474516	2	Bushing, Reduction	
502	91474515	1	Thrust Bushing	
503	See Note	NSS	Support Assembly (Note: Use PN 7029283)	
504	70024881	1	Fitting, Grease	
505	80204117	1	Plug	
506	7029282	1	Support Assembly	
507	7029283	1	Support Assembly	
508	See Note	NSS	Support Assembly (Note: Use PN 7029282)	

SECTION 5 - DRIVE TRAIN

FIGURE 5-37. FENDER INSTALLATION



ART_1001150656

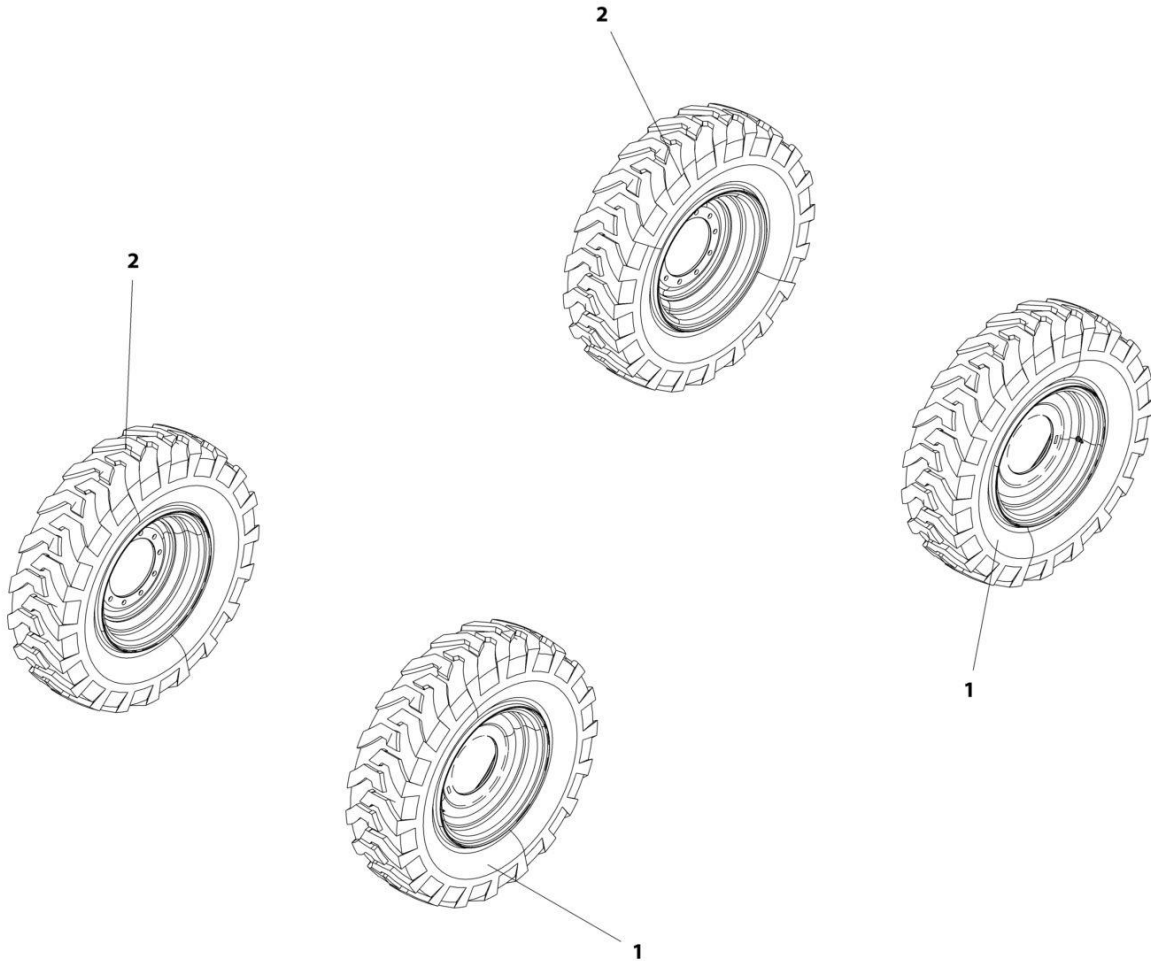
SECTION 5 - DRIVE TRAIN

FIGURE 5-37. FENDER INSTALLATION

ITEM	PART NUMBER	QTY	DESCRIPTION	REV
	1001150656	Ref	FENDER INSTALLATION	C
1	1001150652	2	Bracket, Fender Weldment	
14	1001225317	5	Fitting	
3	91514118	16	Stud, Fender	
4	4811902	32	Washer M8	
6	0760812	16	Bolt M8 x 25	
9	83191010	16	Washer M12	
10	91513266	16	Nut M12 x 1-1/4	
11	1001095650	AR	Compound, Locking	
12	1001150655	2	Bracket, Fender Weldment	
13	1001154055	4	Fender	

SECTION 5 - DRIVE TRAIN

FIGURE 5-38. TIRE SET, 13.00-24 PNEUMATIC



ART_4520368_B

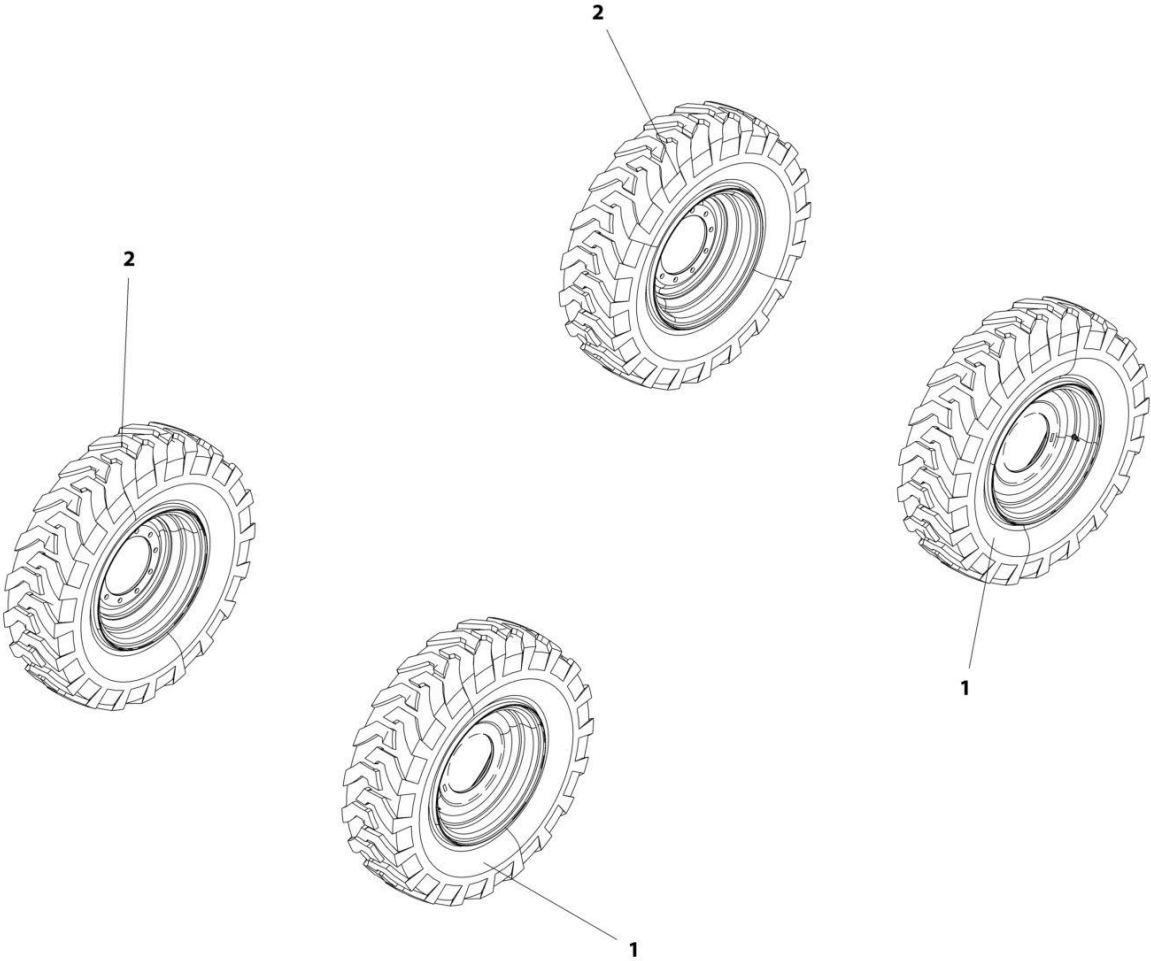
SECTION 5 - DRIVE TRAIN

FIGURE 5-38. TIRE SET, 13.00-24 PNEUMATIC

ITEM	PART NUMBER	QTY	DESCRIPTION	REV
	4520368	Ref	Tire Set, 13.00-24 Pneumatic	B
1	91405035	2	Assembly, RH Tire and Wheel (See Items 101-103 for Breakdown)	
1	8780031	2	Tire, 13.00x24 (1 per Assembly)	
1	8786514	2	Valve, Air (1 per Assembly)	
1	91473206	2	Wheel 24x9 (1 per Assembly)	
2	91405036	2	Assembly, LH Tire and Wheel (See Items 101-103 for Breakdown)	
2	8780031	2	Tire, 13.00x24 (1 per Assembly)	
2	8786514	2	Valve, Air (1 per Assembly)	
2	91473206	2	Wheel 24x9 (1 per Assembly)	

SECTION 5 - DRIVE TRAIN

FIGURE 5-39. TIRE SET, 13.00-24 FOAM FILLED



ART_4520370_B

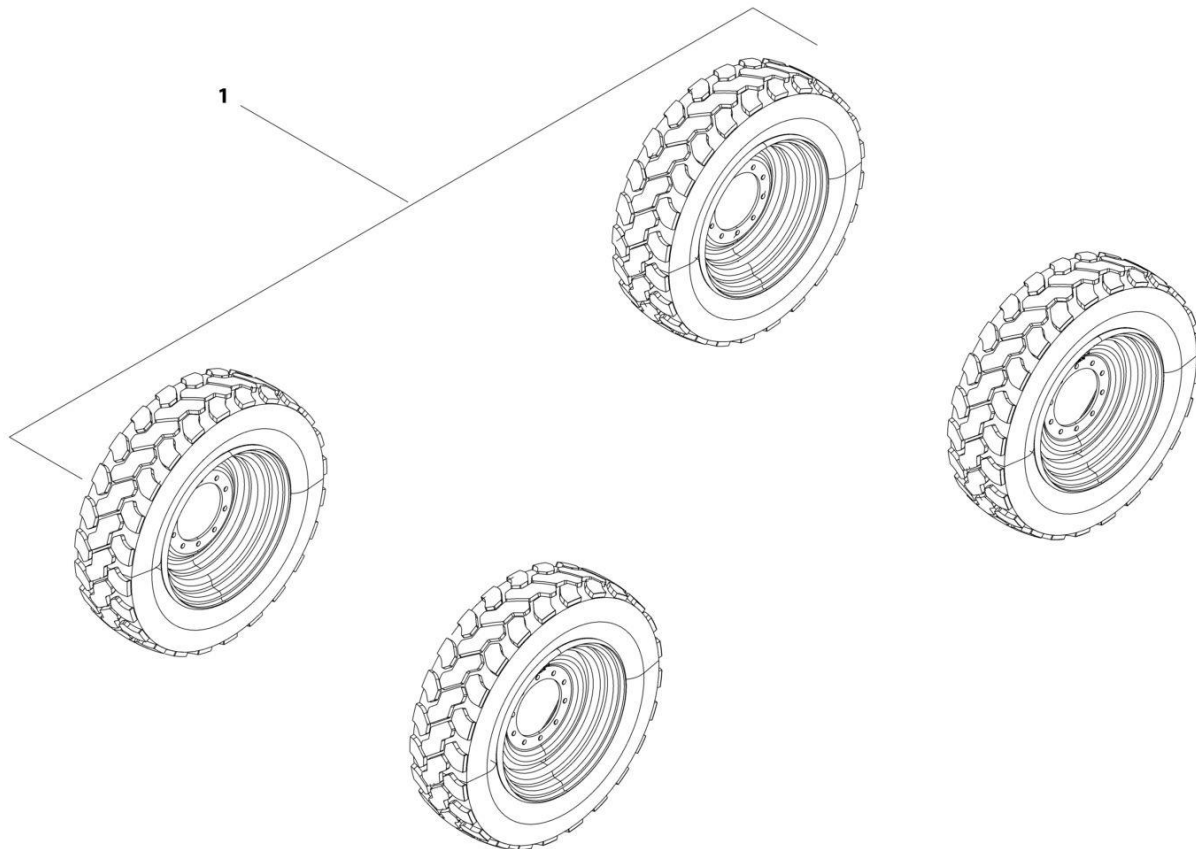
SECTION 5 - DRIVE TRAIN

FIGURE 5-39. TIRE SET, 13.00-24 FOAM FILLED

ITEM	PART NUMBER	QTY	DESCRIPTION	REV
	4520370	Ref	Tire/Wheel Set 13-24 12PR - Foam	B
		Ref	Note: Assemblies require ballast/foam filling to manufacture's specifications prior to installing on machine. Refer to Operation & Safety or Service & Maintenance Manuals.	
		Ref	Purchase individual tire and/or wheel only if able to foam fill tire & wheel assembly, otherwise purchase complete assembly.	
1	91475054	2	Tire/Wheel Assembly - RH 13-24 G-2 - Foam	
1	8780031	2	Tire, 13.00x24 TG 16 PLY G2, BIAS (1 Per Assembly)	
1	8786514	2	Valve, Stem (1 Per Assembly)	
1	91473206	2	Wheel, 24x9.00 GR (1 Per Assembly)	
2	91475055	2	Tire/Wheel Assembly - LH 13-24 G-2 - Foam	
2	8780031	2	Tire, 13.00x24 TG 16 PLY G2, BIAS (1 Per Assembly)	
2	8786514	2	Valve, Stem (1 Per Assembly)	
2	91473206	2	Wheel, 24x9.00 GR (1 Per Assembly)	

SECTION 5 - DRIVE TRAIN

FIGURE 5-40. TIRE SET, 370/75-28 PNEUMATIC



ART_1001120963_B

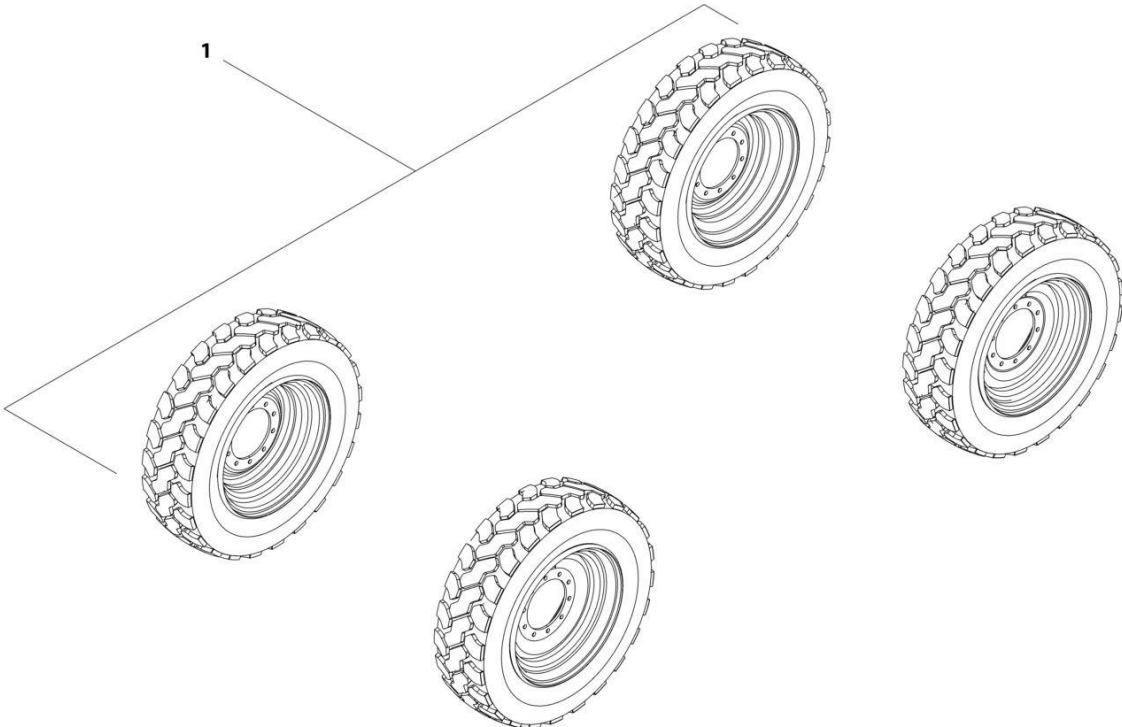
SECTION 5 - DRIVE TRAIN

FIGURE 5-40. TIRE SET, 370/75-28 PNEUMATIC

ITEM	PART NUMBER	QTY	DESCRIPTION	REV
	1001120963	Ref	Tire/Wheel Set 370/75-28 - Air	B
1	1001100323	4	Assembly, Tire/Wheel 370/75-28 - Air	
1	8786514	4	Valve, Air (1 per assembly)	
1	1001099976	4	Wheel (1 per assembly)	
1	1001100284	4	Tire (1 per assembly)	

SECTION 5 - DRIVE TRAIN

FIGURE 5-41. TIRE SET, 370/75-28 FOAM FILLED



ART_1001121519_B

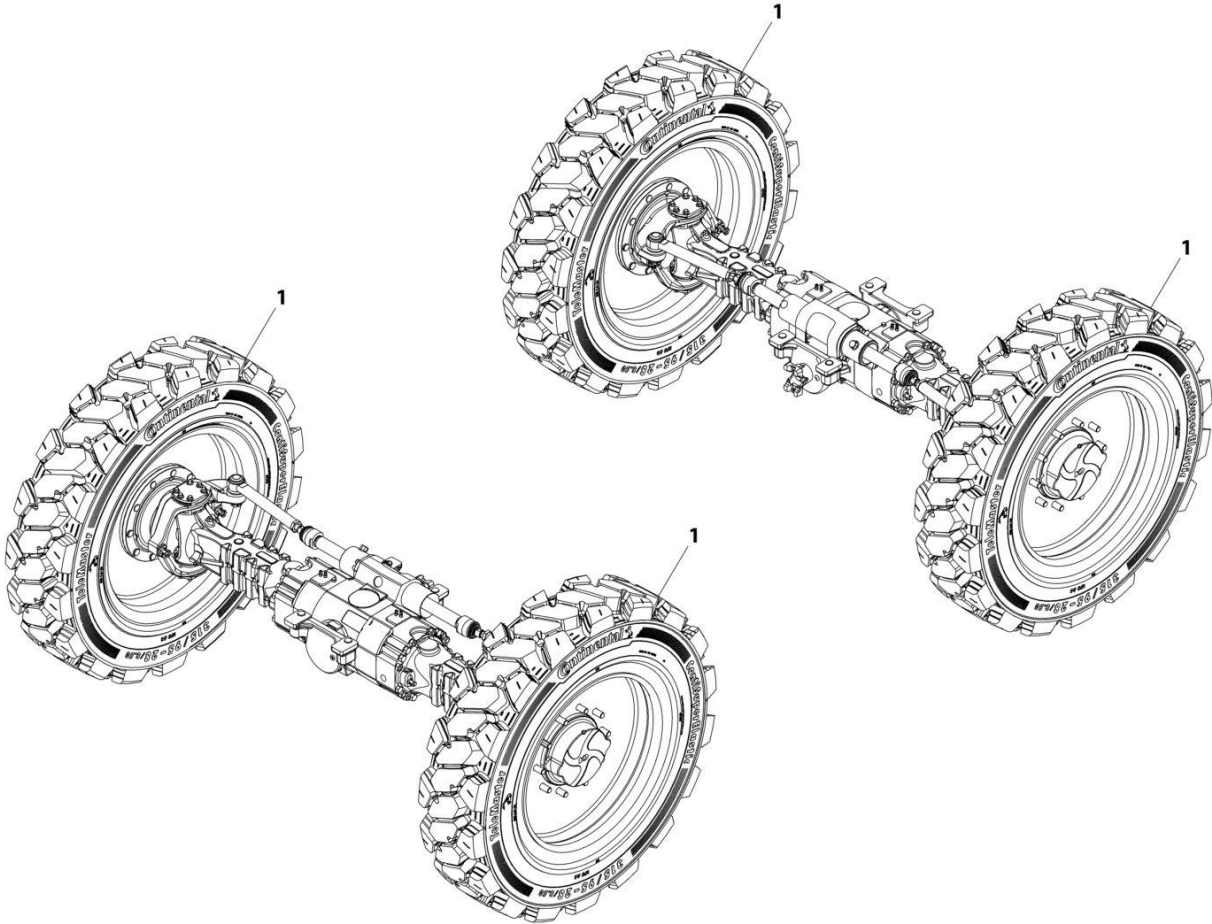
SECTION 5 - DRIVE TRAIN

FIGURE 5-41. TIRE SET, 370/75-28 FOAM FILLED

ITEM	PART NUMBER	QTY	DESCRIPTION	REV
	1001121519	Ref	Tire/Wheel Set 370/75-28 - Foam	B
		Ref	Note: Assemblies require ballast/foam filling to manufacture's specifications prior to installing on machine. Refer to Operation & Safety or Service & Maintenance Manuals.	
		Ref	Purchase individual tire and/or wheel only if able to foam fill tire & wheel assembly, otherwise purchase complete assembly.	
1	1001121101	4	Tire/Wheel Assembly 370/75-28 Foam	
1	8786514	4	Valve, Air (1 per assembly)	
1	1001099976	4	Wheel (1 per assembly)	
1	1001100284	4	Tire 370/75-28 Non-Marking (1 per assembly)	

SECTION 5 - DRIVE TRAIN

FIGURE 5-42. TIRE SET, 315/95-28/8.5 SOLID



ART_1001221500-A

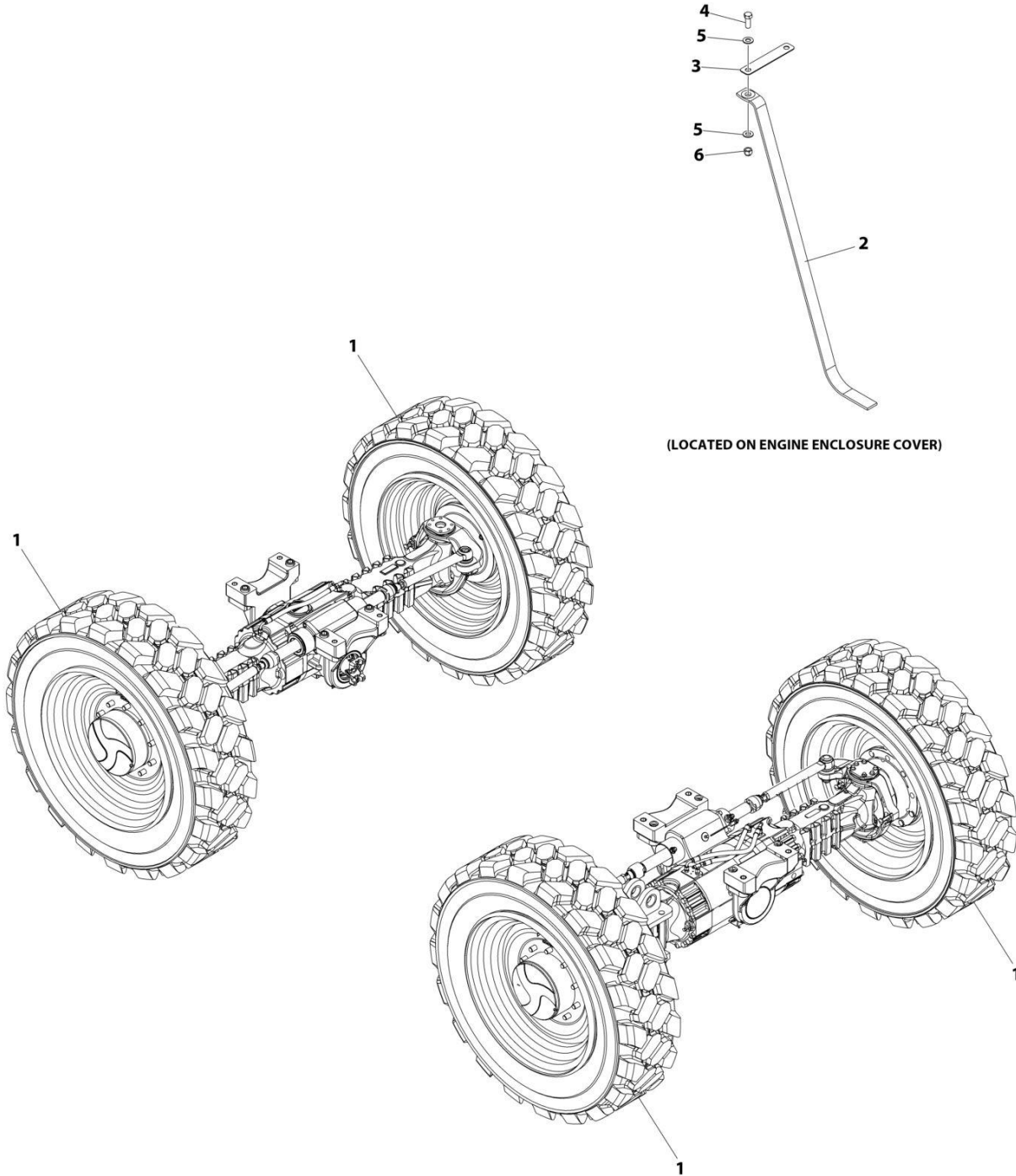
SECTION 5 - DRIVE TRAIN

FIGURE 5-42. TIRE SET, 315/95-28/8.5 SOLID

ITEM	PART NUMBER	QTY	DESCRIPTION	REV
1	1001221500 1001213199J	Ref 4	Tire Set, 315/95-28/8.5 Solid Tire & and Wheel Assembly - 315/95-28/8.5 Solid (Sold as an Assembly Only)	A

SECTION 5 - DRIVE TRAIN

FIGURE 5-43. TIRE SET, 370/75-28 PNEUMATIC NON-MARKING



ART_1001241846

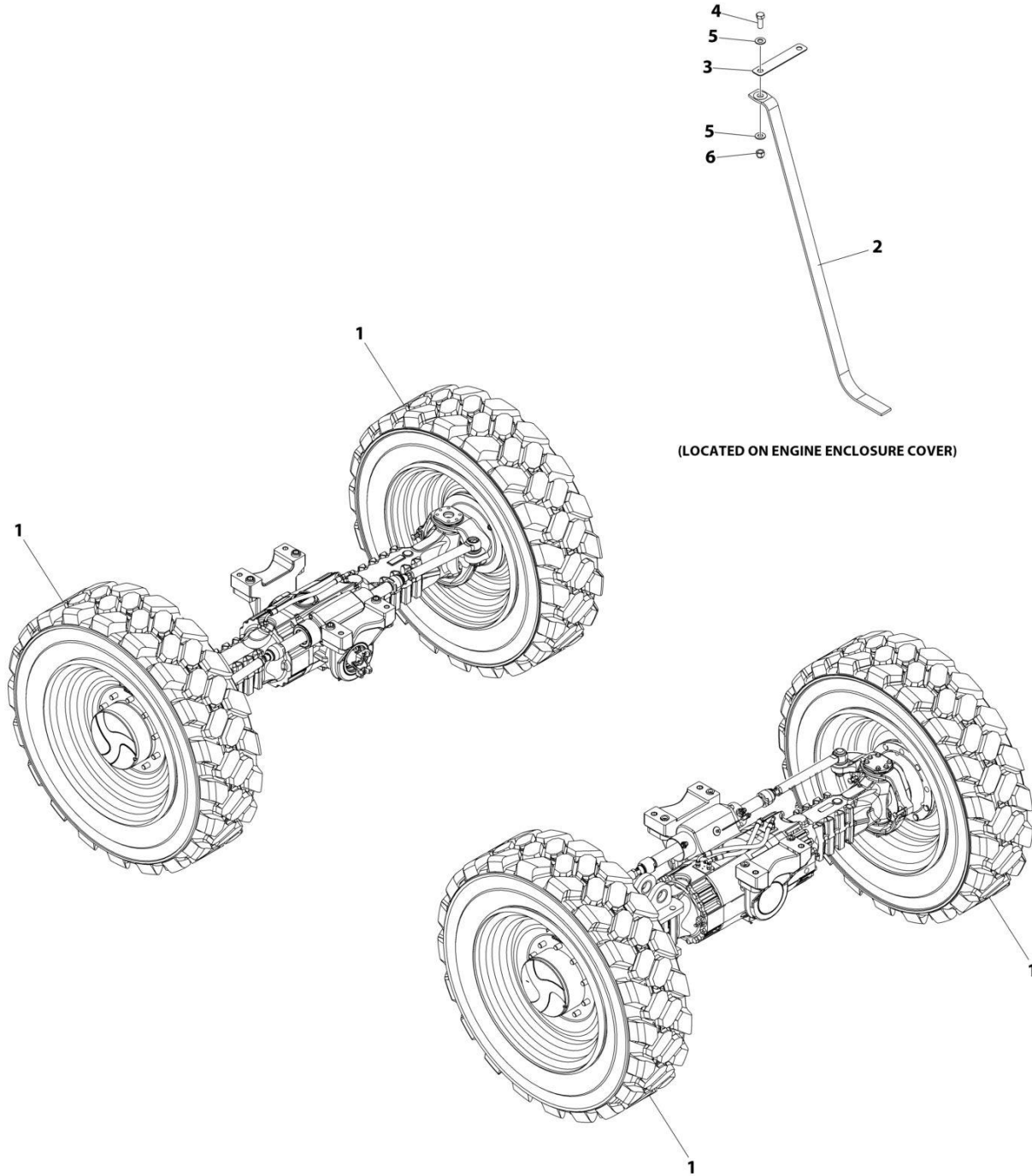
SECTION 5 - DRIVE TRAIN

FIGURE 5-43. TIRE SET, 370/75-28 PNEUMATIC NON-MARKING

ITEM	PART NUMBER	QTY	DESCRIPTION	REV
	1001241846	Ref	TIRE SET, 370/75-28 - PNEUMATIC NON-MARKING	B
1	1001241839	4	Tire and Wheel Assembly	
1	8786514	4	Valve, Air (1 per assembly)	
1	1001099976	4	Wheel (1 per assembly)	
1	1001241838	4	Tire 370/75-28 Non-Marking (1 per assembly)	
2	1001275637	1	Strap, Anti-Static	
3	1001275638	1	Bracket, Anti-Static Strap	
4	8303620	1	Bolt 3/8 x 1	
5	8307110	2	Washer 3/8	
6	8305645	1	Nut 3/8	

SECTION 5 - DRIVE TRAIN

FIGURE 5-44. TIRE SET, 370/75-28 FOAM FILLED NON-MARKING



ART_1001241847

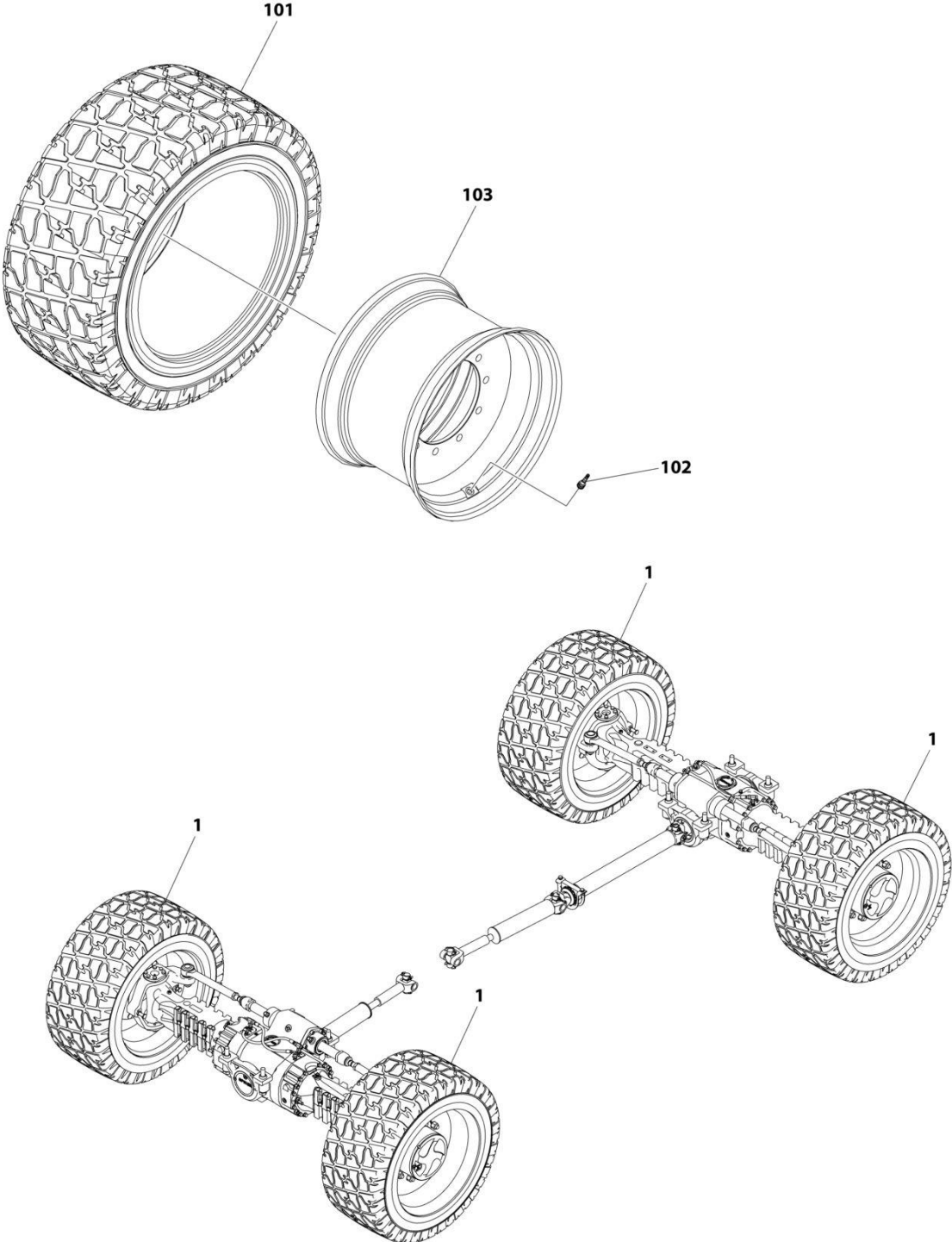
SECTION 5 - DRIVE TRAIN

FIGURE 5-44. TIRE SET, 370/75-28 FOAM FILLED NON-MARKING

ITEM	PART NUMBER	QTY	DESCRIPTION	REV
	1001241847	Ref	TIRE/WHEEL SET, 370/75-28 - FOAM NON-MARKING	B
		Ref	Note: Assemblies require ballast/foam filling to manufacture's specifications prior to installing on machine. Refer to Operation & Safety or Service & Maintenance Manuals.	
		Ref	Purchase individual tire and/or wheel only if able to foam fill tire & wheel assembly, otherwise purchase complete assembly.	
1	1001241840	4	Tire and Wheel, 370/75-28 - Foam Non-Marking	
1	8786514	4	Valve, Air (1 per assembly)	
1	1001099976	4	Wheel (1 per assembly)	
1	1001241838	4	Tire 370/75-28 Non-Marking (1 per assembly)	
2	1001275637	1	Strap, Anti-Static	
3	1001275638	1	Bracket, Anti-Static Strap	
4	8303620	1	Bolt 3/8 x 1	
5	8307110	2	Washer 3/8	
6	8305645	1	Nut 3/8	

SECTION 5 - DRIVE TRAIN

FIGURE 5-45. TIRE SET 18 X 625 PNUEMATIC TURF/SAND



ART_1001252986

SECTION 5 - DRIVE TRAIN

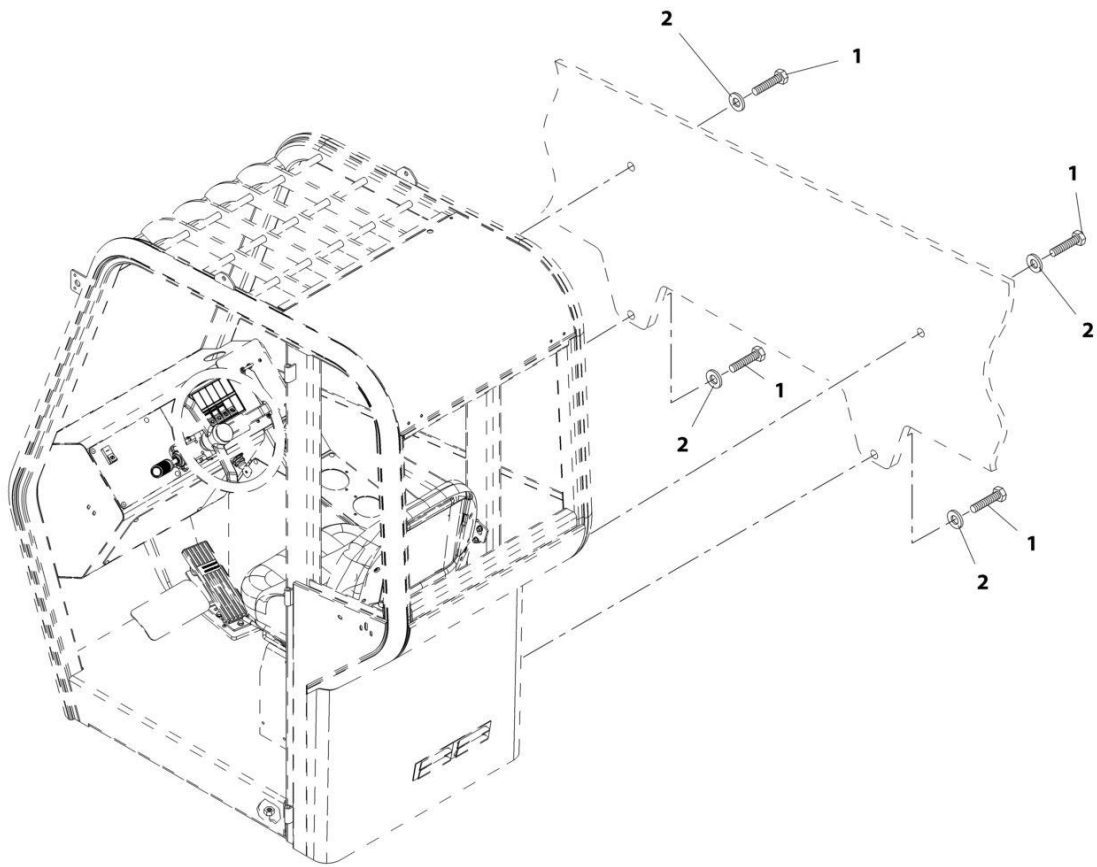
FIGURE 5-45. TIRE SET 18 X 625 PNEUMATIC TURF/SAND

ITEM	PART NUMBER	QTY	DESCRIPTION	REV
	1001252986	Ref	TIRE SET - 18 X 625 (TURF PNEUMATIC)	B
1	1001259635	4	Tire and Wheel Assembly	
101	4520356	4	Tire - 18 x 625 Turf/Sand (1 per assembly)	
102	4641122	4	Valve, Air (1 per assembly)	
103	1001246001	4	Wheel (1 per assembly)	

SECTION 6 - CAB

SECTION 6 - CAB

FIGURE 6-1. CAB INSTALLATION



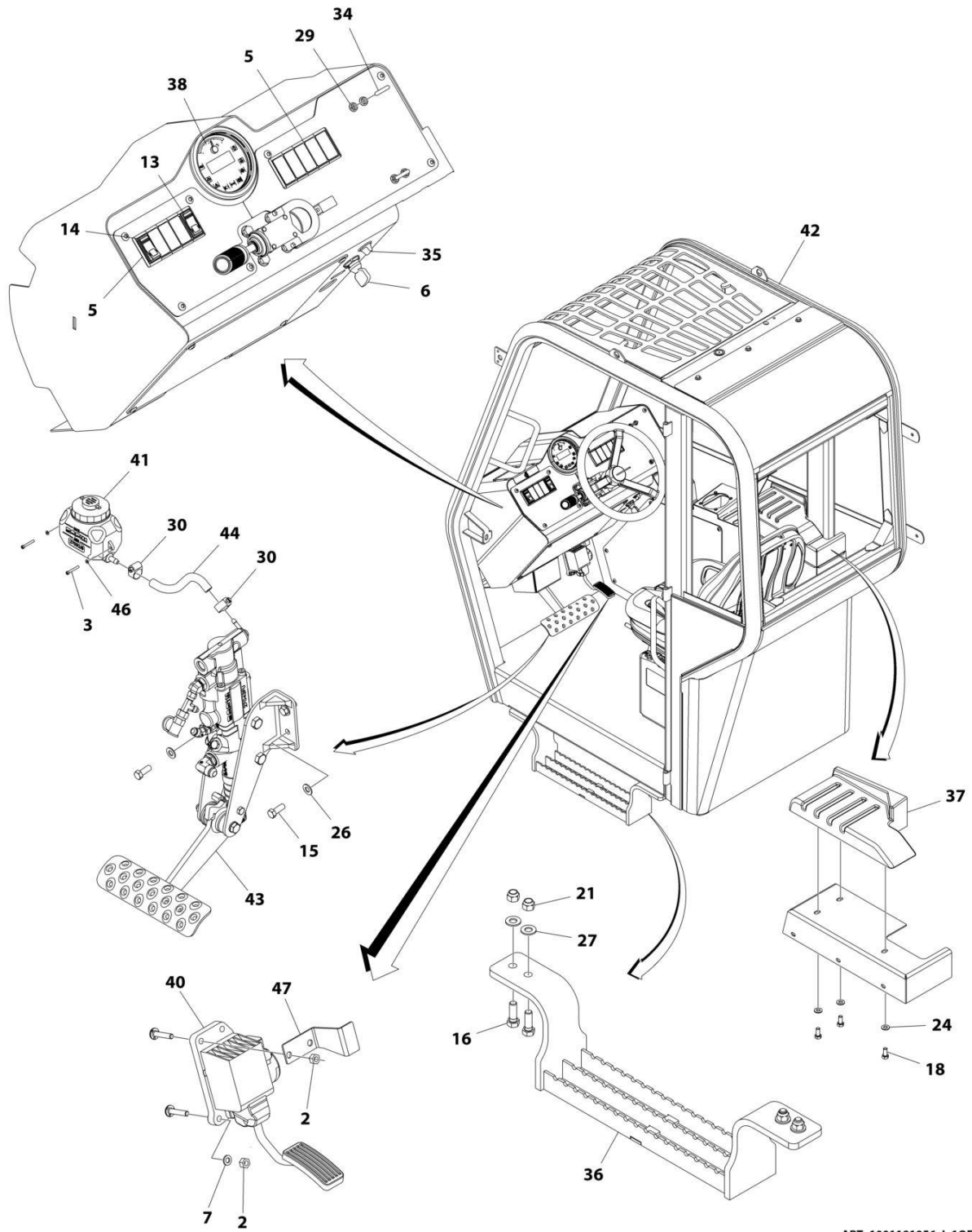
ART_713882_AA

FIGURE 6-1. CAB INSTALLATION

ITEM	PART NUMBER	QTY	DESCRIPTION	REV
	7138882	Ref	Cab Installation	AA
1	8310493	4	Bolt, 7/8-9X5-1/2, Grade 8	
2	8307011	4	Washer, Lock 7/8	

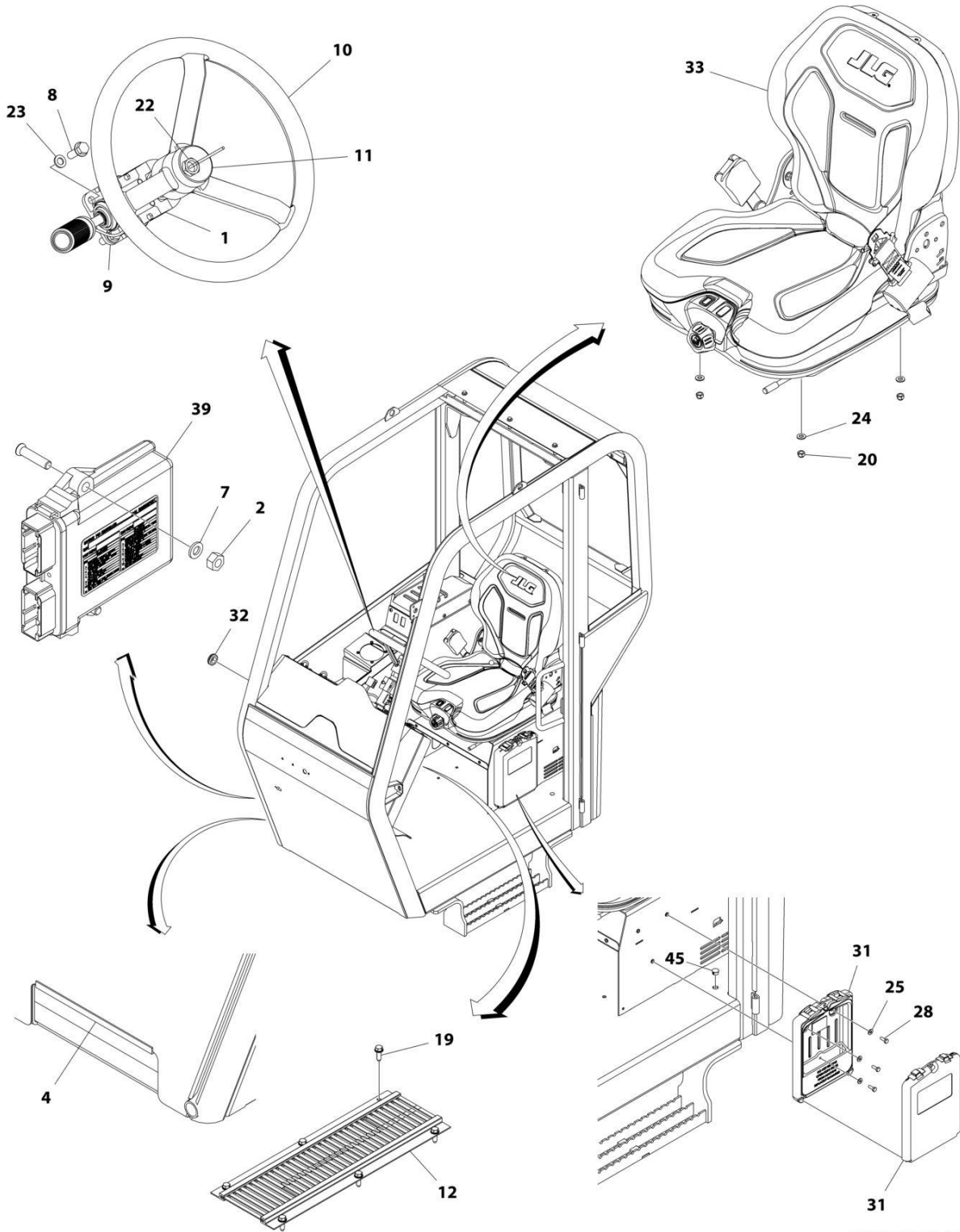
SECTION 6 - CAB

FIGURE 6-2. CAB INSTALLATION - OPEN CAB



ART_1001181956_I_10F2

SECTION 6 - CAB



ART_1001181956_I_20F2

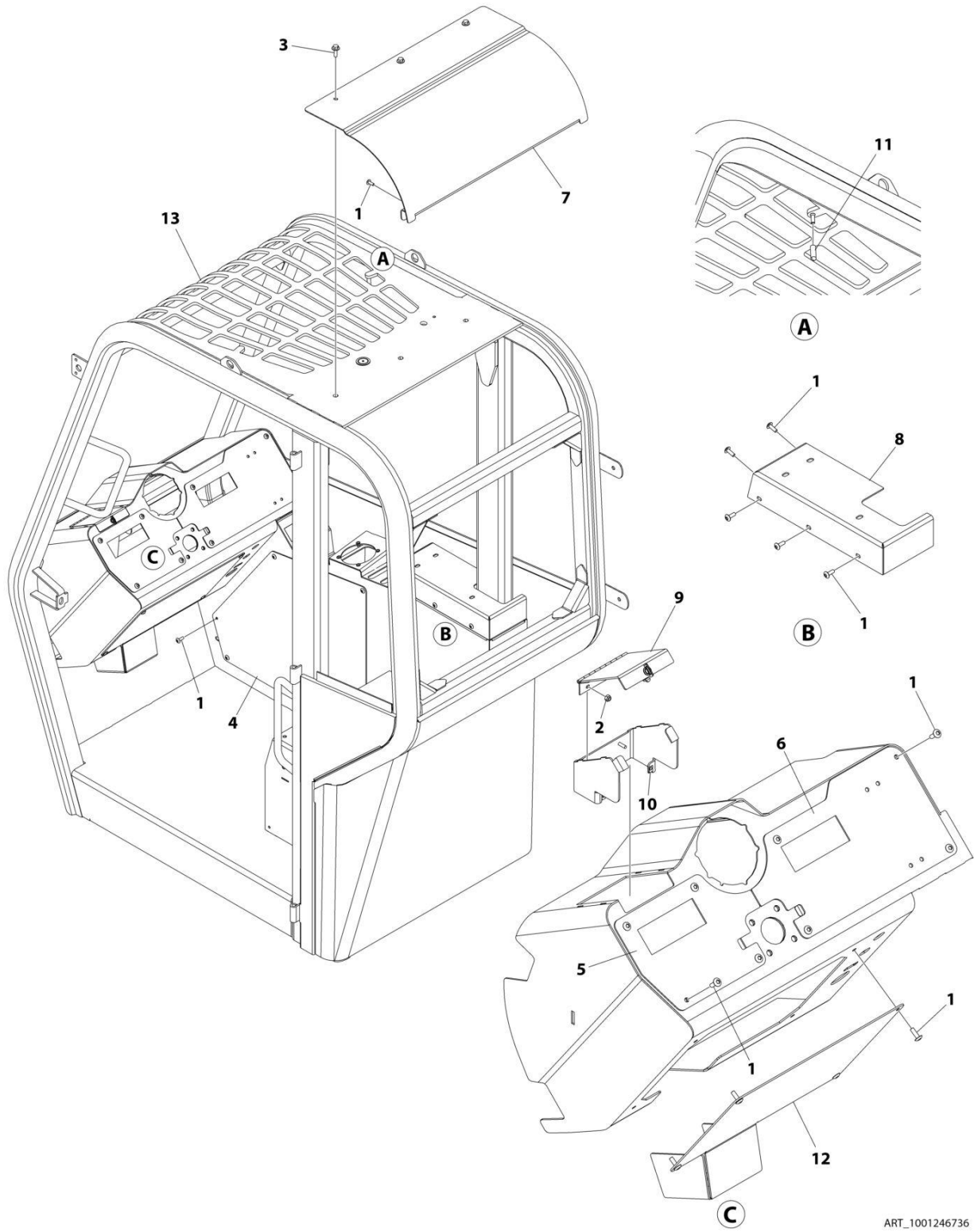
SECTION 6 - CAB

FIGURE 6-2. CAB INSTALLATION - OPEN CAB

ITEM	PART NUMBER	QTY	DESCRIPTION	REV
	1001181956	Ref	OPEN CAB INSTALLATION	I
1	1600429	1	Selector, Transmission Control	
2	3311401	5	Nut 1/4	
3	3930610	2	Bolt #6 x 5/8	
4	4060806	11 in	Flex-Trim	
5	4360569	2	Switch, Bezel	
6	4360690	1	Switch, Ignition	
6	8035807	1	Key (with cover)	
7	4761400	3	Washer 1/4	
8	5251014	4	Bolt M10 x 30	
9	7138833	1	Column, Steering	
10	7138836	1	Wheel, Steering	
11	7138878	1	Button, Horn	
12	7138944	2	Strips, Brush	
13	8223037	1	Switch, Steer Select	
14	8223054	1	Switch, Park Brake	
15	8303620	4	Bolt 3/8 x 1	
16	8303626	4	Bolt 1/2 x 1-1/2	
18	8303697	3	Bolt 5/16 x 3/4	
19	8303982	6	Screw 1/4 x 3/4	
20	8305626	4	Nut 5/16	
21	8305644	4	Nut 1/2	
22	8305916	1	Nut, Steering Column	
23	8307023	4	Washer M10	
24	8307106	7	Washer 5/16	
25	8307109	3	Washer 1/4	
26	8307110	4	Washer 3/8	
27	8307112	4	Washer 1/2	
28	8310026	3	Bolt 1/4 x 3/4	
29	8310382	8	Nut 1/4	
30	1320022	2	Clamp, Fuel Line	
31	8990147	1	Holder, Manual	
32	1001081049	1	Grommet, Split	
33	1001190229	1	Seat, Cab (See Separate Breakdown in this Section)	
34	1001102844	2	U-Bolt 1/4 x 1-1/4	
35	1001114867	1	Socket, 12V Power Point	
36	1001256519	1	Mount, Cab Step	
37	1001159878	1	Support, Armrest	
38	1001170738	1	Gauge	
39	1001210703	1	Controller	
40	1001264554	1	Accelerator (Note: No Serviceable Parts - Purchase Complete Assembly)	
41	1001183164	1	Reservoir, Brake Valve	
42	1001246736	1	Cab, Open (See Separate Breakdown in this Section)	
43	1001223052	1	Assembly, Brake (See Separate Breakdown in CONTROLS Section)	
44	1001201658	1	Hose	
45	1001207963	1	Plug, 5/8	
46	4710600	2	Washer	
47	1001265914	1	Cover, Pedal	

SECTION 6 - CAB

FIGURE 6-3. CAB ASSEMBLY - OPEN CAB

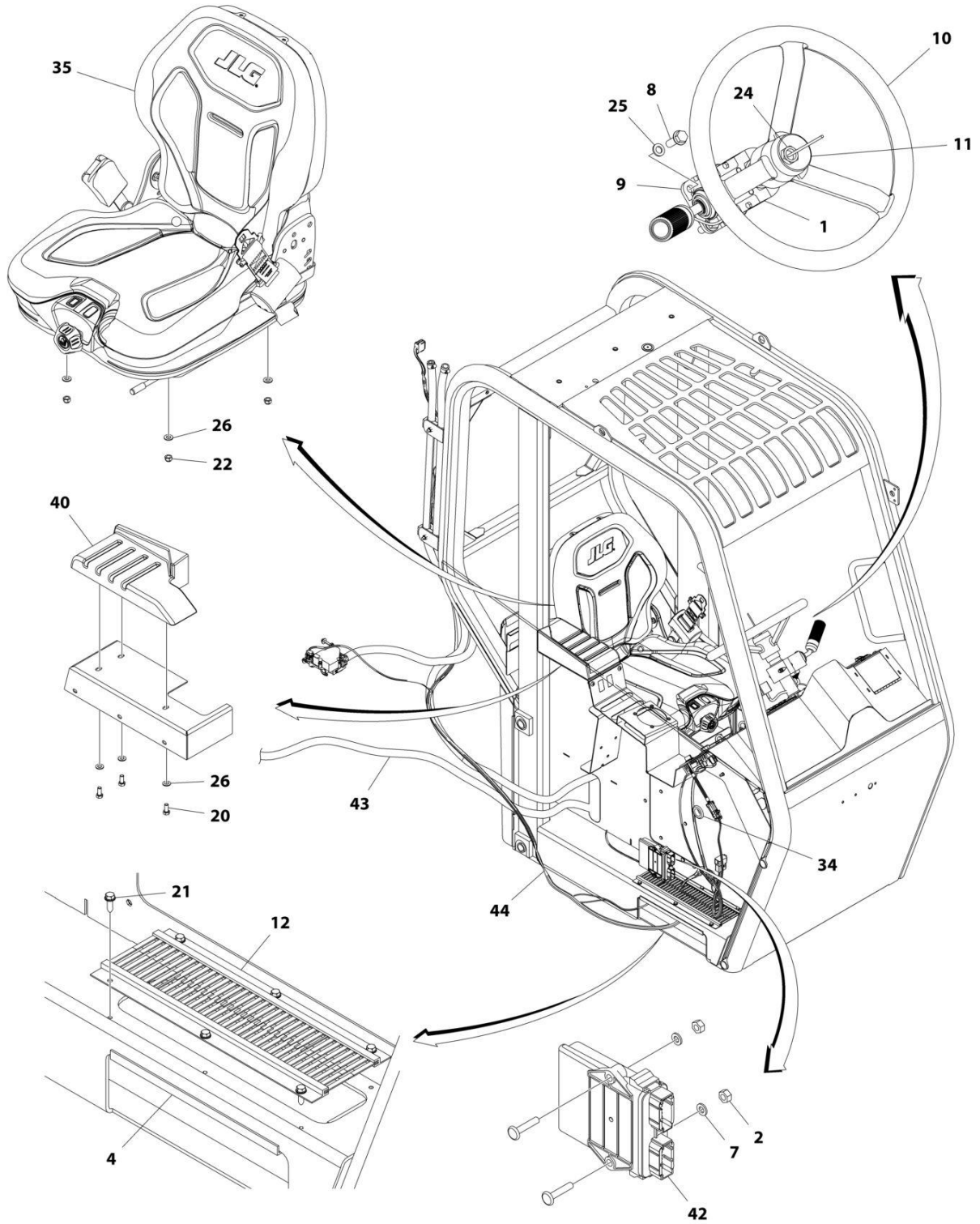


ART_1001246736

FIGURE 6-3. CAB ASSEMBLY - OPEN CAB

ITEM	PART NUMBER	QTY	DESCRIPTION	REV
	1001246736	Ref	CAB OPEN	D
1	8303034	25	Screw 1/4 x 3/4	
2	8310085	2	Nut M10	
3	1001149227	3	Screw 5/16 x 1	
4	1001160788	1	Panel, RH Console Access Plate	
5	1001160790	1	Panel, LH Dash Cover	
6	1001160791	1	Panel, RH Dash Cover	
7	1001160815	1	Panel, Roof Cover	
8	1001165617	1	Assembly, Side Console Access Panel	
9	1001202189	1	Door, Brake Reservoir	
10	1001202202	2	Nut	
11	1001202615	2	Cap, Silicon Stud Cover	
12	1001202746	1	Panel, Brake Access Plate	
13	1001246735	1	Cab Weldment	

SECTION 6 - CAB



ART_1001185776_L_20F2

SECTION 6 - CAB

FIGURE 6-4. CAB INSTALLATION - ENCLOSED CAB WITH HEATER

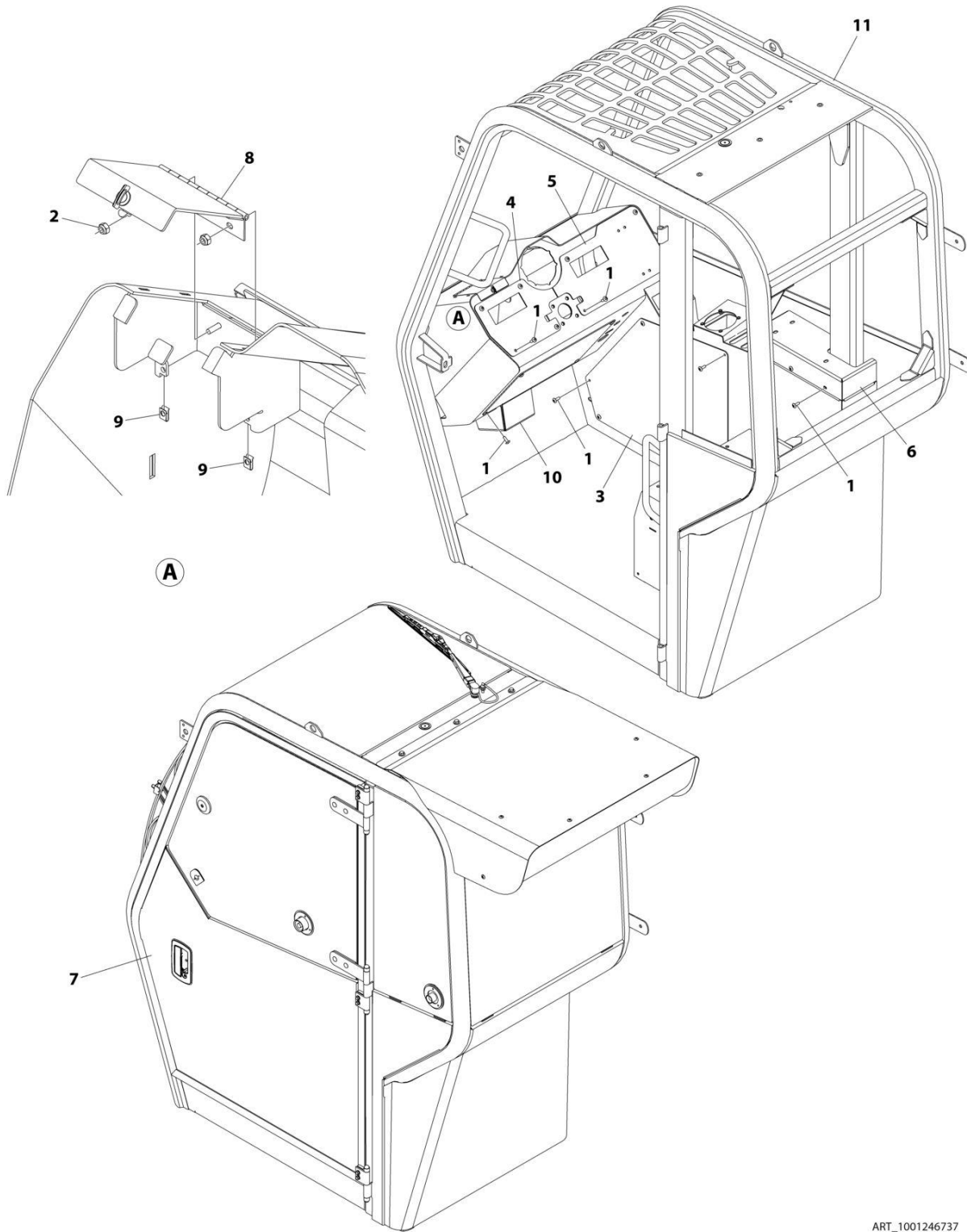
ITEM	PART NUMBER	QTY	DESCRIPTION	REV
	1001185776	Ref	ENCLOSED CAB WITH HEATER INSTALLATION	I
1	1600429	1	Selector, Transmission Control	
2	3311401	5	Nut 1/4	
3	3930610	2	Bolt 6 x 5/8	
4	4060806	11 in	Shield, Flex Trim, 5/16	
5	4360569	2	Switch, Bezel	
6	4360690	1	Switch, Ignition	
6	8035807	1	Key (with cover)	
7	4761400	3	Washer 1/4	
8	5251014	4	Bolt M10 x 30	
9	7138833	1	Column, Steering	
10	7138836	1	Wheel, Steering	
11	7138878	1	Button, Horn	
12	7138944	2	Strips, Brush	
13	8223037	1	Switch, Steer Select	
14	8223043	2	Switch, Windscreen Wiper	
15	8223044	1	Switch, Windscreen Washer	
16	8223054	1	Switch, Park Brake	
17	8303620	4	Bolt 3/8 x 1	
18	8303626	4	Bolt 1/2 x 1-1/2	
20	8303697	3	Bolt 5/16 x 3/4	
21	8303982	6	Screw 1/4 x 3/4	
22	8305626	4	Nut 5/16	
23	8305644	4	Nut 1/2	
24	8305916	1	Nut, Steering Column	
25	8307023	4	Washer M10	
26	8307106	7	Washer 5/16	
27	8307109	3	Washer 1/4	
28	8307110	4	Washer 3/8	
29	8307112	4	Washer 1/2	
30	8310026	3	Bolt 1/4 x 3/4	
31	8310382	8	Nut 1/4	
32	1320022	2	Clamp, Fuel Line	
33	8990147	1	Holder, Manual	
34	1001081049	1	Grommet, Split	
35	1001190229	1	Seat, Cab (See Separate Breakdown in this Section)	
36	1001102844	2	Bolt 1/4 x 1-1/4	
37	1001114867	1	Socket, 12V Power Point	
38	1001256519	1	Mount, Cab Step	
39	1001159850	1	Panel, Heater Control	
40	1001159878	1	Support, Armrest	
41	1001170738	1	Gauge	
42	1001210703	1	Controller	
43	1001171807	1	Installation, Cab Heater Lines (See Separate Breakdown in this Section)	
44	1001178347	1	Harness, HVAC (See Separate Breakdown in ELECTRICAL Section)	
45	1001264554	1	Accelerator (Note: No Serviceable Parts - Purchase Complete Assembly)	
46	1001183164	1	Reservoir, Brake Valve	

SECTION 6 - CAB

ITEM	PART NUMBER	QTY	DESCRIPTION	REV
47	1001246737	1	Cab, Enclosed with Heater (See Separate Breakdown in this Section)	
48	1001223052	1	Assembly, Brake (See Separate Breakdown in CONTROLS Section)	
49	1001201658	1	Hose	
50	1001207963	1	Plug, 5/8	
51	4710600	2	Washer #6	
52	1001265914	1	Cover, Pedal	

SECTION 6 - CAB

FIGURE 6-5. CAB ASSEMBLY - ENCLOSED CAB WITH HEATER



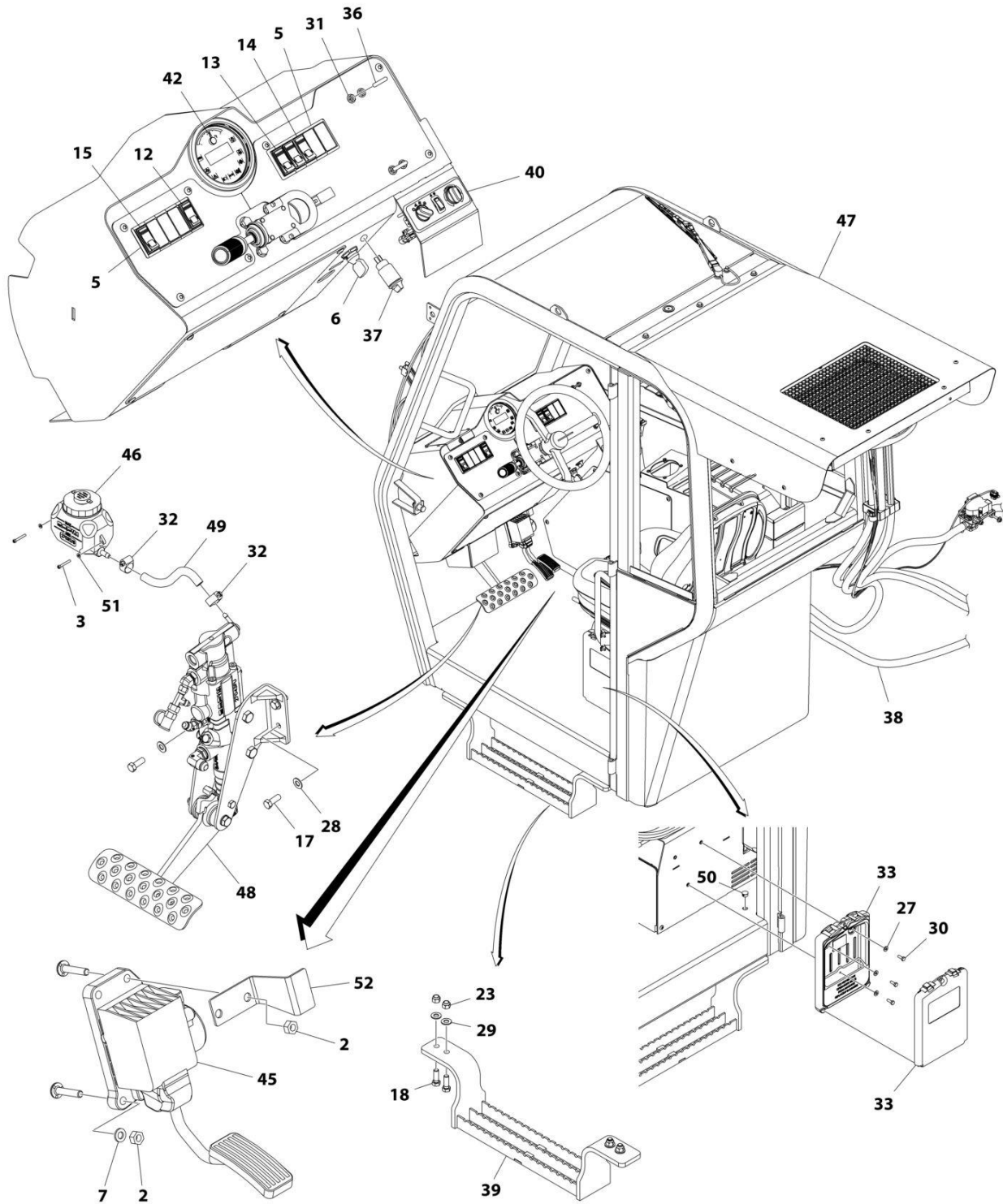
ART_1001246737

FIGURE 6-5. CAB ASSEMBLY - ENCLOSED CAB WITH HEATER

ITEM	PART NUMBER	QTY	DESCRIPTION	REV
	1001246737	Ref	CAB ENCLOSED WITH HEATER	G
1	8303034	22	Screw 1/4 x 3/4	
2	8310085	2	Nut	
3	1001160788	1	Panel, RH Console Access Plate	
4	1001160790	1	Panel, LH Dash Cover	
5	1001160791	1	Panel, RH Dash Cover	
6	1001165617	1	Assembly, Side Console Access Panel	
7	1001165823	1	Enclosure, Cab (See Separate Breakdown in this Section)	
8	1001202189	1	Door, Brake Reservoir	
9	1001202202	2	Nut	
10	1001202746	1	Panel, Brake Access Plate	
11	See Note	NSS	Cab (Purchase Complete Assembly)	

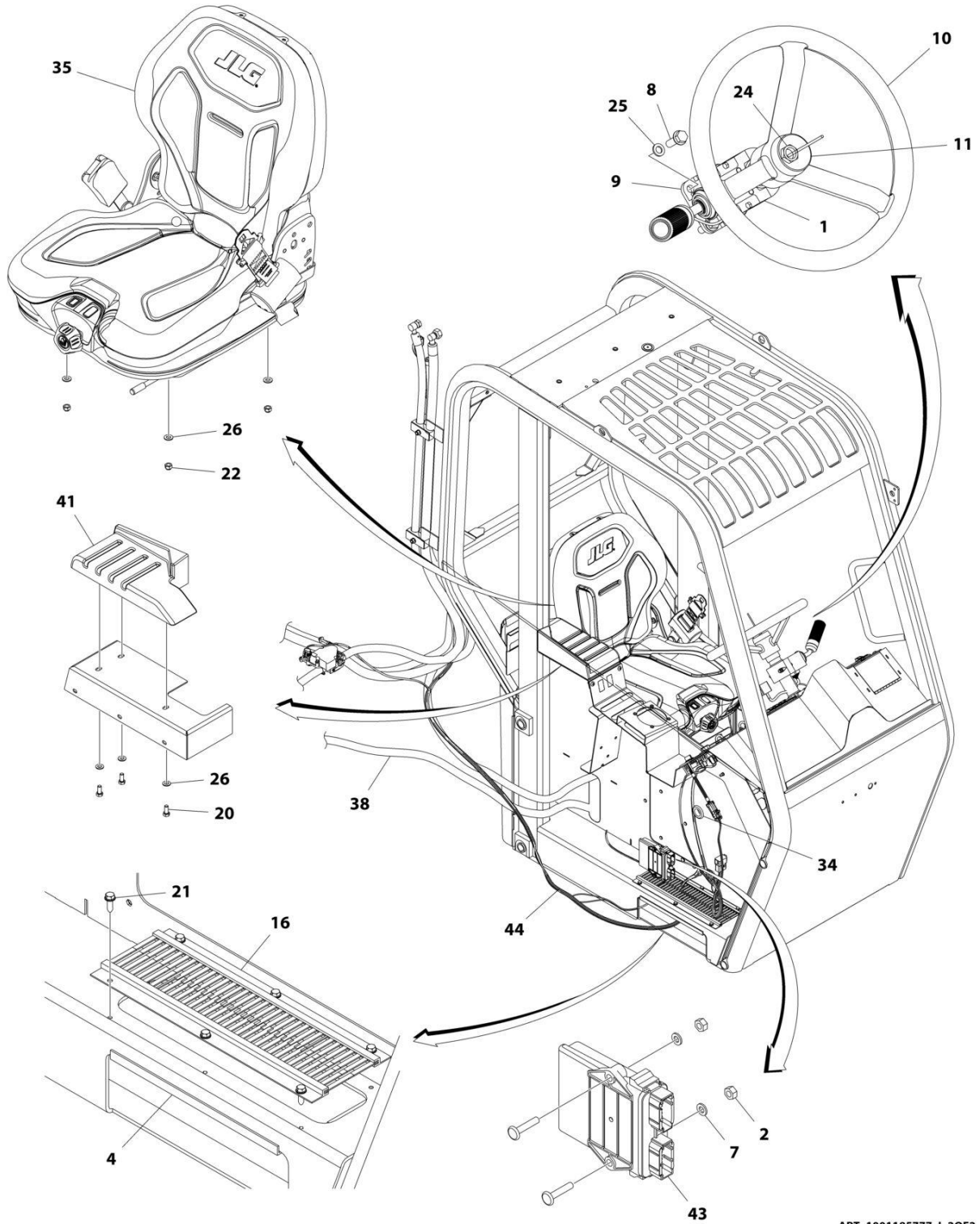
SECTION 6 - CAB

FIGURE 6-6. CAB INSTALLATION - ENCLOSED CAB WITH HEATER/AC



ART_1001185777_I_10F2

SECTION 6 - CAB



ART_1001185777_I_20F2

SECTION 6 - CAB

FIGURE 6-6. CAB INSTALLATION - ENCLOSED CAB WITH HEATER/AC

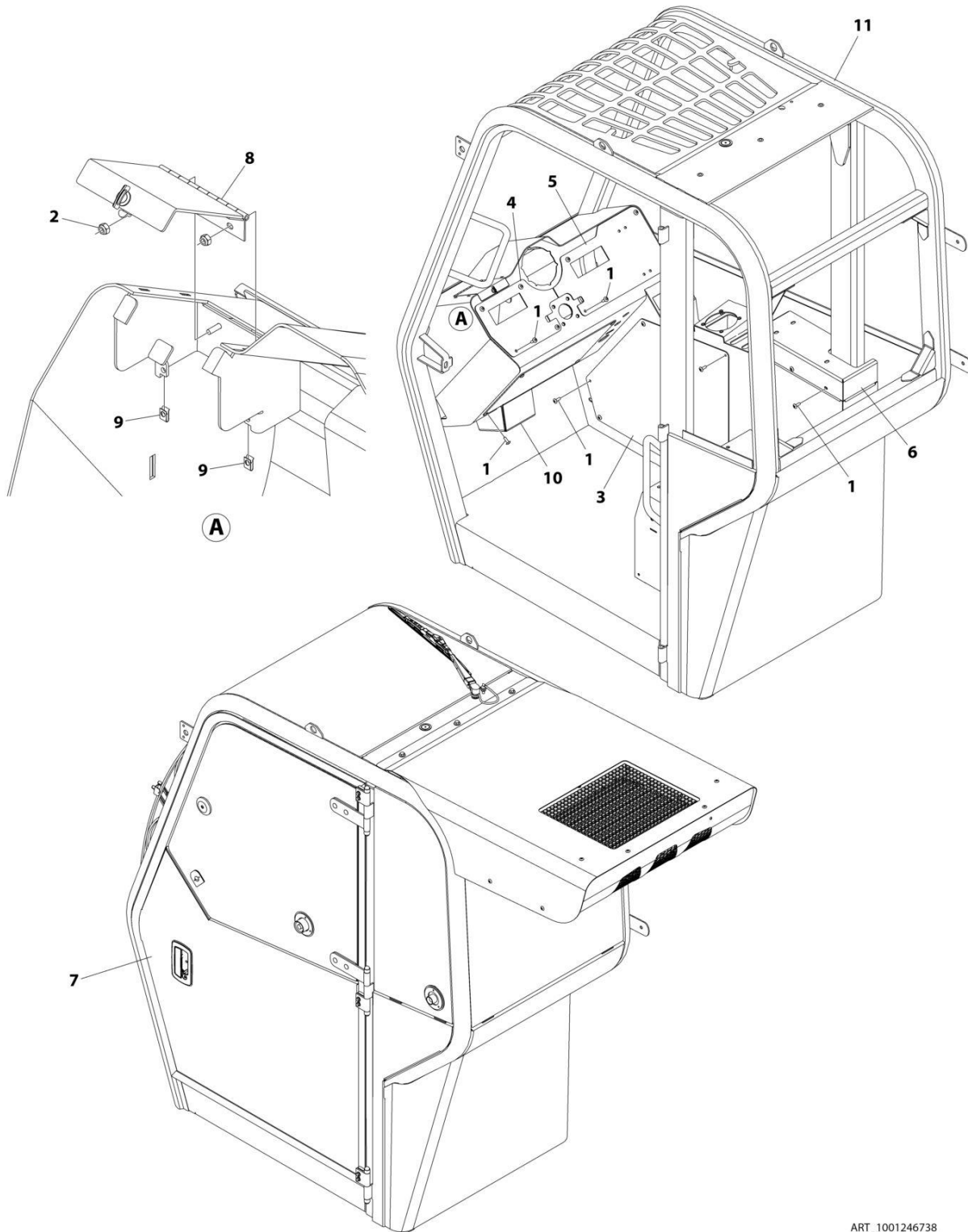
ITEM	PART NUMBER	QTY	DESCRIPTION	REV
	1001185777	Ref	ENCLOSED CAB WITH HEATER/AC INSTALLATION	I
1	1600429	1	Selector, Transmission Control	
2	3311401	5	Nut 1/4	
3	3930610	2	Bolt #6 x 5/8	
4	4060806	11 in	Shield, Flex Trim 5/16	
5	4360569	2	Switch, Bezel	
6	4360690	1	Switch, Ignition	
7	4761400	3	Washer 1/4	
8	5251014	4	Bolt M10 x 30	
9	7138833	1	Column, Steering	
10	7138836	1	Wheel, Steering	
11	7138878	1	Button, Horn	
12	8223037	1	Switch, Steer Select	
13	8223043	2	Switch, Windscreen Wiper	
14	8223044	1	Switch, Windscreen Washer	
15	8223054	1	Switch, Park Brake	
16	7138944	2	Strips, Brush	
17	8303620	4	Bolt 3/8 x 1	
18	8303626	4	Bolt 1/2 x 1-1/2	
20	8303697	3	Bolt 5/16 x 3/4	
21	8303982	6	Screw 1/4 x 3/4	
22	8305626	4	Nut 5/16	
23	8305644	4	Nut 1/2	
24	8305916	1	Nut, Steering Column	
25	8307023	4	Washer M10	
26	8307106	7	Washer 5/16	
27	8307109	3	Washer 1/4	
28	8307110	4	Washer 3/8	
29	8307112	4	Washer 1/2	
30	8310026	3	Bolt 1/4 x 3/4	
31	8310382	8	Nut 1/4	
32	1320022	2	Clamp, Fuel Line	
33	8990147	1	Holder, Manual	
34	1001081049	1	Grommet	
35	1001190229	1	Seat, Cab (See Separate Breakdown in this Section)	
36	1001102844	2	U-Bolt 1/4 x 1-1/4	
37	1001114867	1	Socket, 12V Power Point	
38	1001171806	1	Installation, Cab Heater/AC Lines (See Separate Breakdown in this Section)	
39	1001256519	1	Mount, Cab Step	
40	1001159851	1	Panel, HVAC Control	
40	1001204362	1	Switch, Fan	
40	7301265	1	Switch, A/C	
41	1001159878	1	Support, Armrest	
42	1001170738	1	Gauge	
43	1001210703	1	Controller	
44	1001178347	1	Harness, HVAC (See Separate Breakdown in ELECTRICAL Section)	
45	1001264554	1	Accelerator (Note: No Serviceable Parts - Purchase Complete Assembly)	

SECTION 6 - CAB

ITEM	PART NUMBER	QTY	DESCRIPTION	REV
46	1001183164	1	Reservoir, Brake Valve	
47	1001246738	1	Cab, Enclosed with Heater/AC (See Separate Breakdown in this Section)	
48	1001223052	1	Assembly, Brake (See Separate Breakdown in CONTROLS Section)	
49	1001201658	1	Hose	
50	1001207963	1	Plug, 5/8	
51	4710600	2	Washer #6	
52	1001265914	1	Cover, Pedal	

SECTION 6 - CAB

FIGURE 6-7. CAB ASSEMBLY - ENCLOSED CAB WITH HEATER/AC



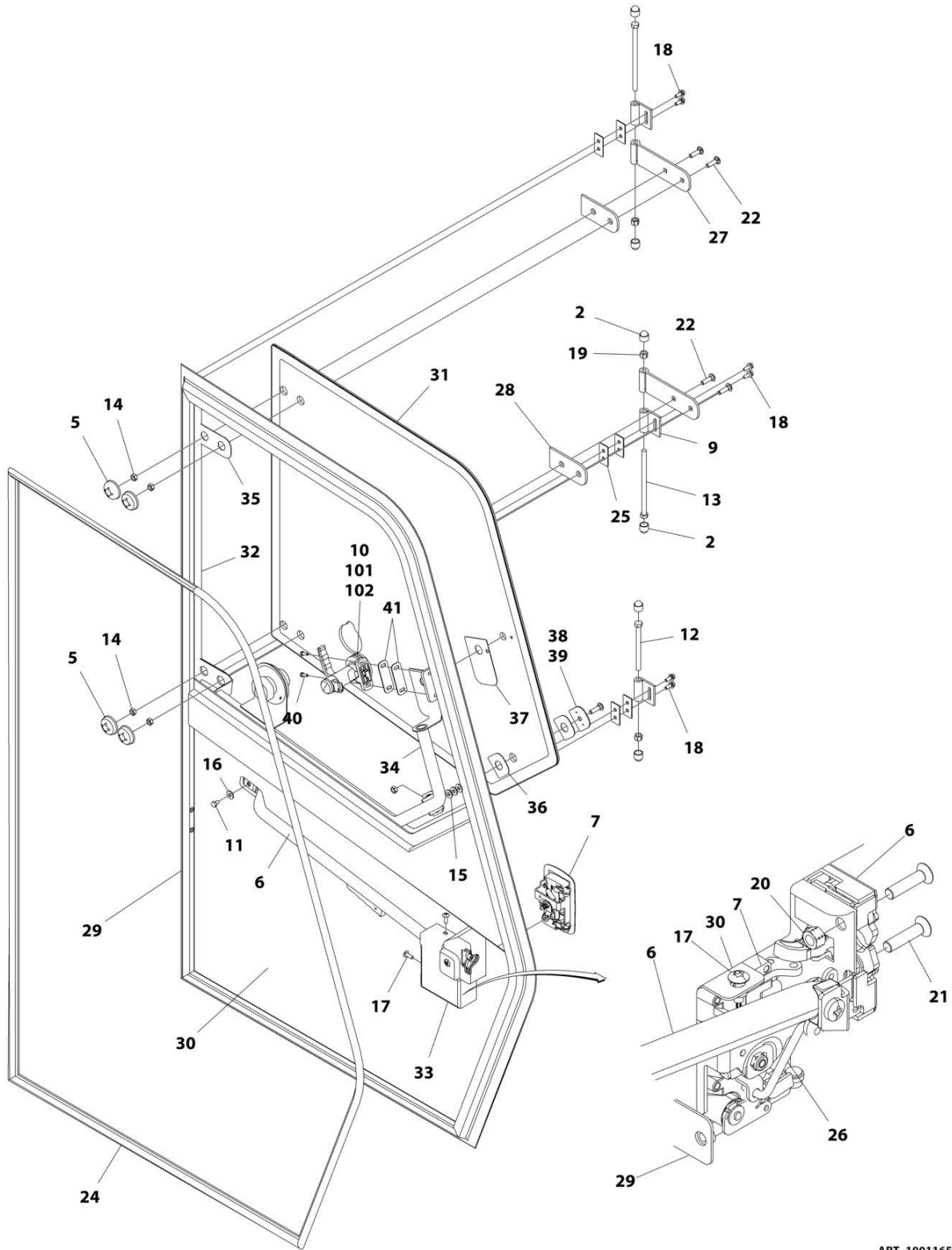
ART_1001246738

FIGURE 6-7. CAB ASSEMBLY - ENCLOSED CAB WITH HEATER/AC

ITEM	PART NUMBER	QTY	DESCRIPTION	REV
	1001246738	Ref	CAB ENCLOSED WITH HEATER/AC	F
1	8303034	22	Screw 1/4 x 3/4	
2	8310085	2	Nut	
3	1001160788	1	Panel, RH Console Access Plate	
4	1001160790	1	Panel, LH Dash Cover	
5	1001160791	1	Panel, RH Dash Cover	
6	1001165617	1	Assembly, Side Console Access Panel	
7	1001168066	1	Enclosure, Cab HVAC (See Separate Breakdown in this Section)	
8	1001202189	1	Door, Brake Reservoir	
9	1001202202	2	Nut M6	
10	1001202746	1	Panel, Brake Access Plate	
11	1001246735	1	Cab Weldment	

SECTION 6 - CAB

FIGURE 6-8. CAB DOOR



ART_1001165806

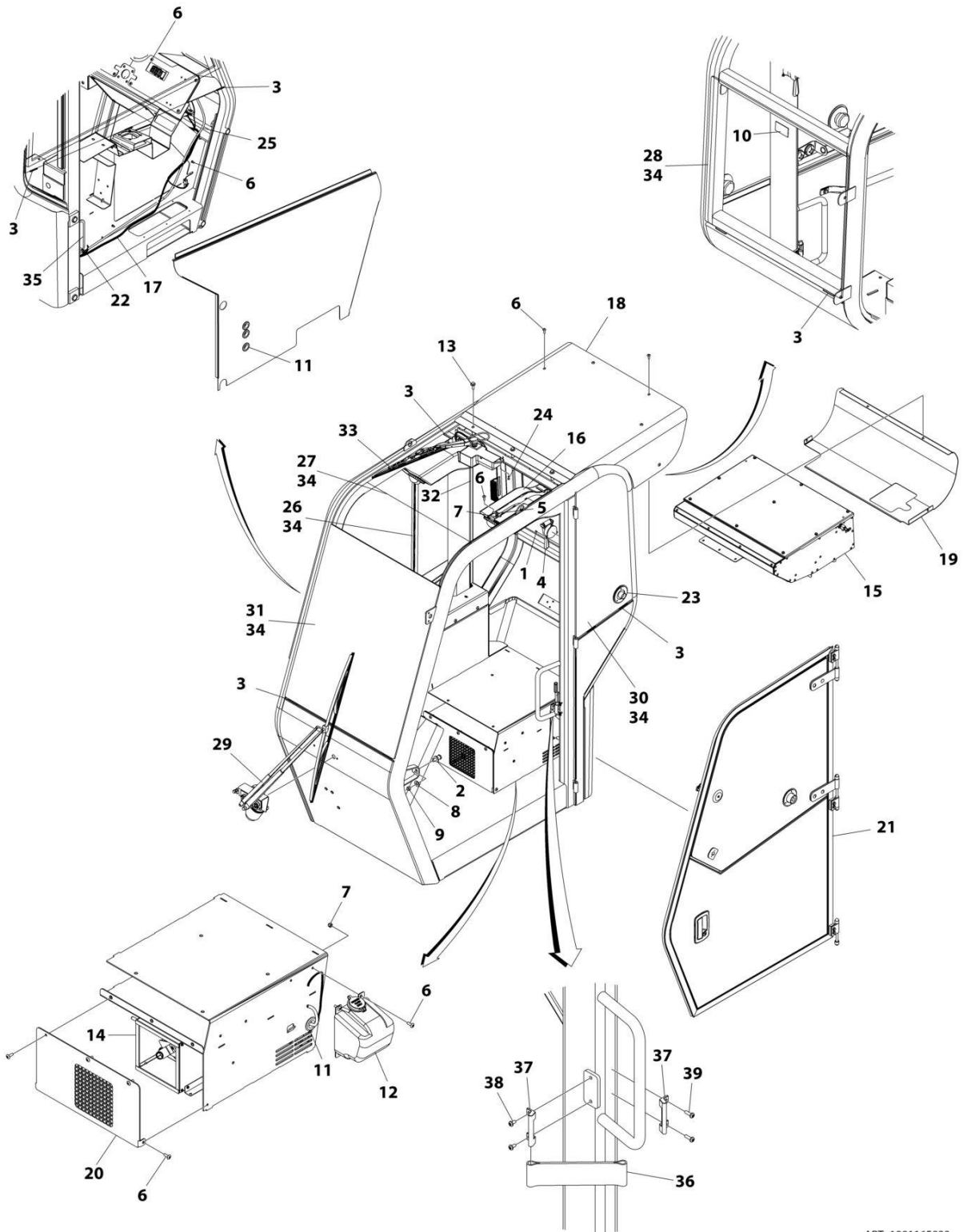
SECTION 6 - CAB

FIGURE 6-8. CAB DOOR

ITEM	PART NUMBER	QTY	DESCRIPTION	REV
	1001165806	Ref	CAB DOOR	I
1	1001183104	2	Fastener, Latch	
2	1001182663	6	Cap, Hex Dome	
5	1001081246	5	Cap, Nut M6	
6	1001081247	1	Handle, Interior Cab Door	
7	1001081241	1	Handle, Exterior Cab Door	
7	70021948	1	Key, Cab Door	
9	1001183209	3	Hinge, Slotted	
10	1001220260	1	Handle, Window	
11	0641403	1	Bolt 1/4 x 3/8	
12	0641636	1	Bolt 3/8 x 4-1/2	
13	0641652	2	Bolt 3/8 x 6-1/2	
14	3290801	5	Nut M8	
15	4711500	3	Washer 5/16	
16	4751400	1	Washer 1/4	
17	8303034	2	Screw 1/4 x 3/4	
18	8303119	6	Screw 1/4 x 5/8	
19	8305603	3	Nut 3/8	
20	8305638	2	Nut M8	
21	1001094312	2	Screw M8 x 30	
22	1001108575	5	Screw M8 x 30	
24	1001182408	1	Seal, Door	
25	1001182135	6	Shim, Door Hinge	
26	1001182514	1	Linkage, Exterior Latch	
27	1001081242	2	Hinge, Door	
28	1001081266	2	Spacer, Hinge	
29	1001182842	1	Weldment, Door	
30	1001182800	1	Foam, Door	
31	1001182808	1	Glass, Door	
32	1001182810	1	Seal, Glass	
33	1001182865	1	Cover, Latch	
34	1001182871	1	Handle, Door Glass	
35	1001182882	2	Shim, Hinge	
36	1001182883	2	Shim, Handle	
37	1001182884	1	Shim, Handle Latch	
38	1001183084	1	Plate, Window	
39	1001177746	1	Compound, Locking	
40	1001197099	2	Screw 1/4 x 5/8	
41	1001265272	AR	Shim	
101	1001165276	1	Striker Plate	
102	1001165275	1	Window Latch	
103	1001169787	1	Latch Seal (not shown)	
201	1001280231	1	Door Window Kit (Includes Items 5, 10, 14, 15, 22, 27, 28, 31, 32, 34-41 & Window Lock)	

SECTION 6 - CAB

FIGURE 6-9. CAB ENCLOSURE INSTALLATION



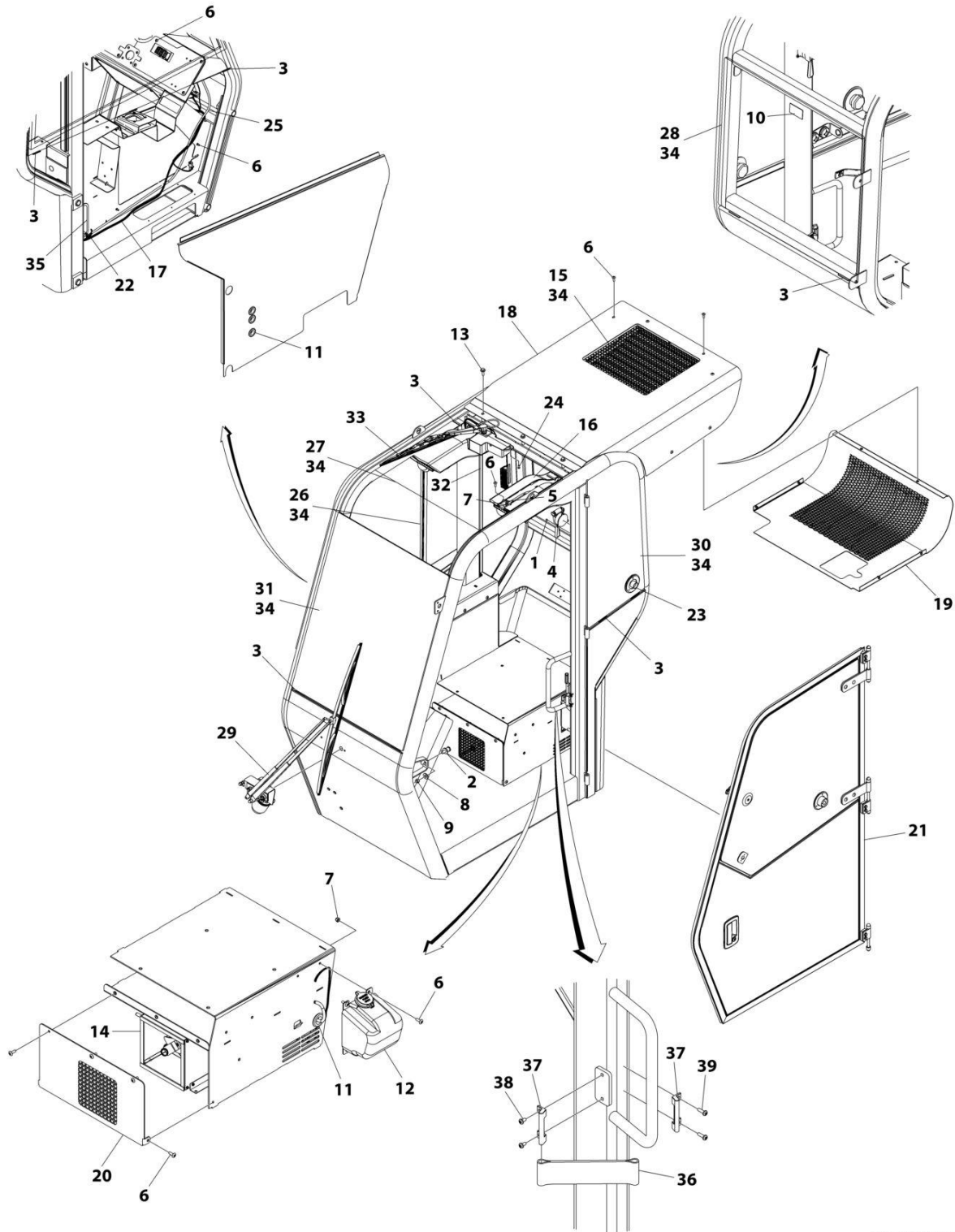
ART_1001165823

FIGURE 6-9. CAB ENCLOSURE INSTALLATION

ITEM	PART NUMBER	QTY	DESCRIPTION	REV
	1001165823	Ref	CAB ENCLOSURE	0
1	91404298	3	Rivet	
2	1001109478	1	Latch, Striker	
3	1001181968	13	Mould, Setting Block	
4	91404301	1	Hammer, Emergency	
5	4711400	2	Washer 1/4	
6	8303034	33	Screw 1/4 x 3/4	
7	8305624	4	Nut 1/4	
8	8307112	1	Washer 1/2	
9	8310109	1	Nut 7/164	
10	91404299	1	Decal, Escape	
11	1001081049	4	Grommet, Split	
12	1001111112	1	Tank, Window Washer Fluid	
12	70025480	1	Pump, Reservoir	
13	1001149227	3	Screw 5/16 x 1	
14	1001159856	1	Heater Assembly - Floor (See Separate Breakdown in this Section)	
15	1001159860	1	HVAC Assembly - Roof Top (See Separate Breakdown in this Section)	
16	1001160785	2	Duct, HVAC	
17	1001178349	1	Harness, Wiper (See Separate Breakdown in ELECTRICAL Section)	
18	1001164282	1	Hood, Top	
19	1001164284	1	Hood, Bottom	
20	1001164717	1	Panel, Floor Heater Access	
21	1001165806	1	Door, Cab (See Separate Breakdown in this Section)	
22	1001008742	1	Coupling, Tee	
23	1001081243	1	Retainer, Door Window Hold	
24	0630464	1	Screw #10 x 1/2	
25	82033997	168 in	Hose, Washer Fluid	
26	8036050	1	Window, RH Slider (See Separate Breakdown in this Section)	
27	7138958	1	Glass, Skylight	
28	1001181707	1	Window, Rear	
29	8036056	1	Assembly, Front Wiper (See Separate Breakdown in this Section)	
30	1001181893	1	Window, LH Rear	
31	1001181903	1	Window, Windshield	
32	1001182091	1	Duct, Wire	
33	1001182470	1	Wiper, Skylight (See Separate Breakdown in this Section)	
34	1001177746	AR	Compound, Locking	
35	4060803	16.5 in	Flex-Trim	
36	80384218	1	Strap, Door	
37	1001196128	2	Bracket, Strap Holder	
38	1001197098	2	Screw #10 x 3/8	
39	1001197099	2	Screw #10 x 5/8	

SECTION 6 - CAB

FIGURE 6-10. CAB ENCLOSURE INSTALLATION - WITH HVAC



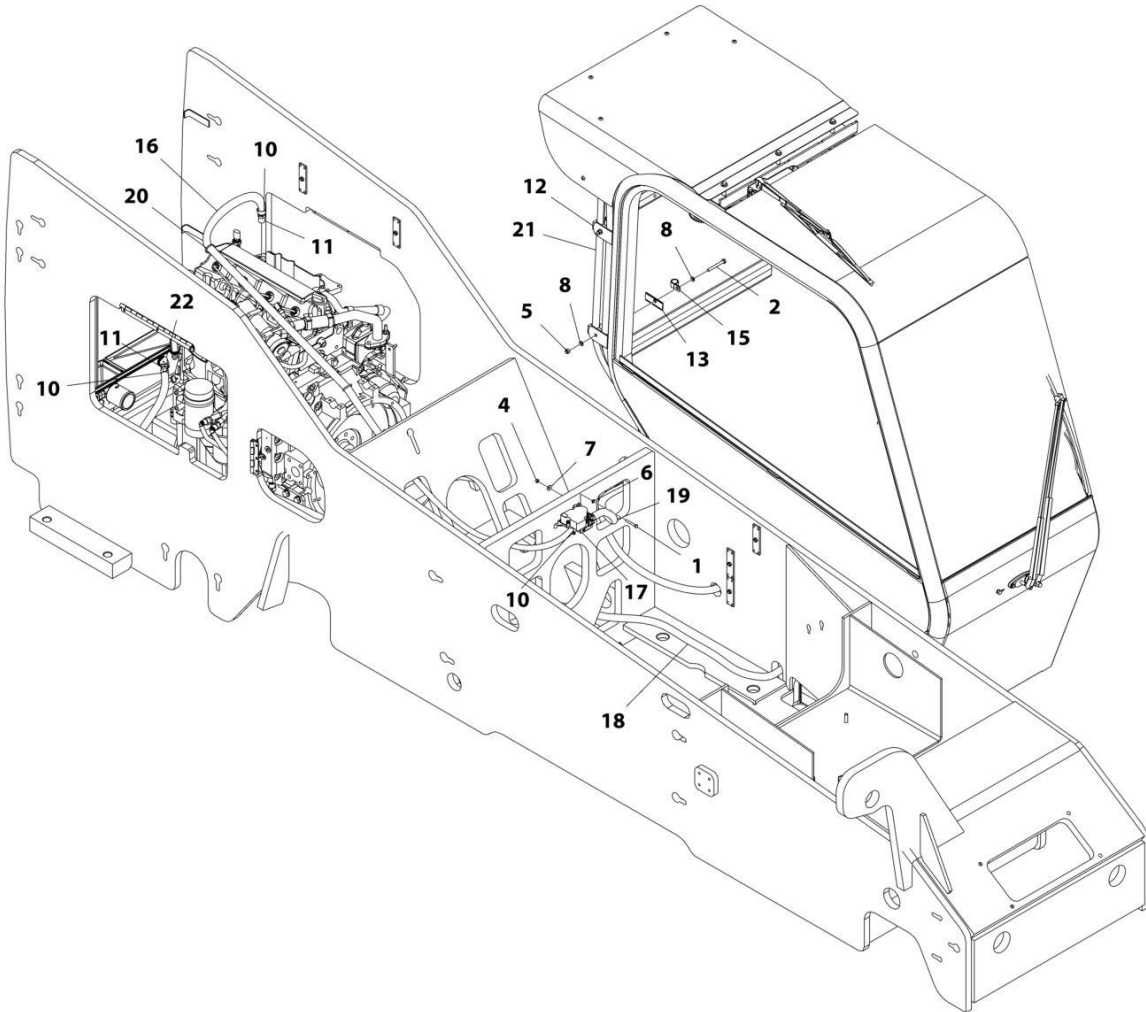
ART_1001168066

FIGURE 6-10. CAB ENCLOSURE INSTALLATION - WITH HVAC

ITEM	PART NUMBER	QTY	DESCRIPTION	REV
	1001168066	Ref	CAB HVAC ENCLOSURE	0
1	91404298	3	Rivet	
2	1001109478	1	Latch, Striker	
3	1001181968	13	Mould, Setting Block	
4	91404301	1	Hammer, Emergency	
5	4711400	2	Washer 1/4	
6	8303034	35	Screw 1/4 x 3/4	
7	8305624	4	Nut 1/4	
8	8307112	1	Washer 1/2	
9	8310109	1	Nut 7/16	
10	91404299	1	Decal, Escape	
11	1001081049	4	Grommet, Split	
12	1001111112	1	Tank, Window Washer Fluid	
12	70025480	1	Pump, Reservoir	
13	1001149227	3	Screw 5/16 x 1	
14	1001159856	1	Heater, Floor (See Separate Breakdown in this Section)	
15	1001159861	1	Box, Roof (See Separate Breakdown in this Section)	
16	1001160785	2	Duct, HVAC	
17	1001178349	1	Harness, Wiper (See Separate Breakdown in ELECTRICAL Section)	
18	1001164096	1	Hood, Top	
19	1001164099	1	Hood, Bottom	
20	1001164717	1	Panel, Floor Heater Access	
21	1001165806	1	Door, Cab (See Separate Breakdown in this Section)	
22	1001008742	1	Coupling, Tee	
23	1001081243	1	Retainer, Door Window Hold	
24	0630464	1	Screw #10 x 1/2	
25	82033997	168 in	Hose, Washer Fluid	
26	8036050	1	Window, RH Slider (See Separate Breakdown in this Section)	
27	7138958	1	Glass, Skylight	
28	1001181707	1	Window, Rear	
29	8036056	1	Assembly, Front Wiper (See Separate Breakdown in this Section)	
30	1001181893	1	Window, LH Rear	
31	1001181903	1	Window, Windshield	
32	1001182091	1	Duct, Wire	
33	1001182470	1	Wiper, Skylight (See Separate Breakdown in this Section)	
34	1001177746	AR	Compound, Locking	
35	4060803	16.5 in	Flex-Trim	
36	80384218	1	Strap, Door	
37	1001196128	2	Bracket, strap Holder	
38	1001197098	2	Screw #10 x 3/8	
39	1001197099	2	Screw #10 x 5/8	

SECTION 6 - CAB

FIGURE 6-11. CAB HEATER LINES INSTALLATION



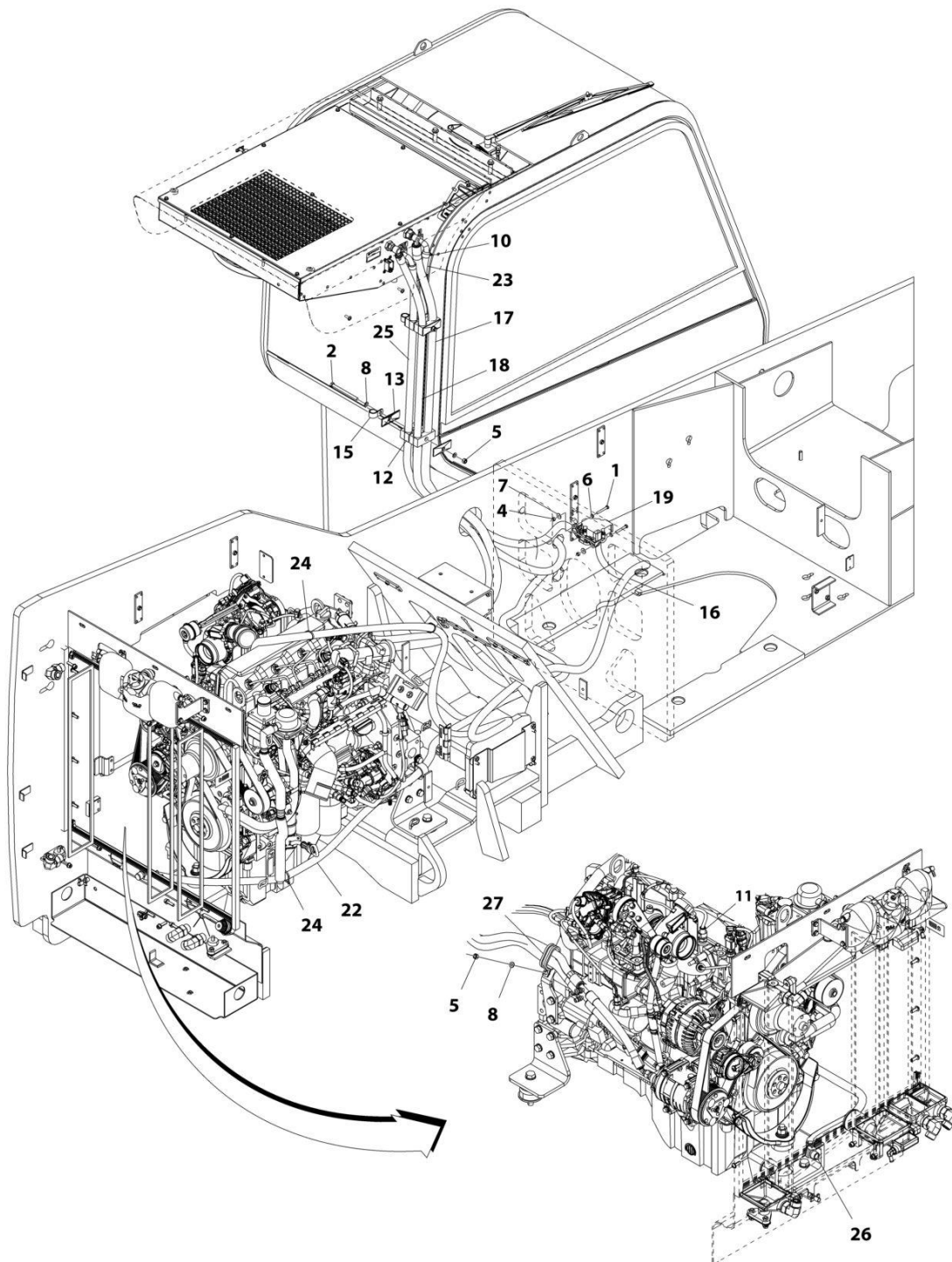
ART_1001171807-D

FIGURE 6-11. CAB HEATER LINES INSTALLATION

ITEM	PART NUMBER	QTY	DESCRIPTION	REV
	1001171807	Ref	Cab Heater Lines Installation	G
1	0700617	2	Bolt, M6X45	
2	0700822	2	Bolt, M8X70	
4	3290605	2	Nut, Lock M6X1	
5	3290805	2	Nut, Lock M8X1-1/4	
6	4811700	2	Washer, M6	
7	4811702	2	Washer, M6	
8	4811900	4	Washer, M8	
10	8405007	8	Clamp, Gear	
11	8430048	2	Reducer, Hose Barb	
12	77133133	2	Clamp, Twin	
13	77133134	2	Clamp, Cover Plate	
15	91043147	2	Clamp, Support	
16	1001158404	1	Hose, Cab Heater	
17	1001159844	1	Valve, Heater (See Separate Breakdown in this section)	
18	1001172537	1	Hose, Heater Return	
19	1001172561	1	Hose, Heater Send Valve to Roof	
20	8584001	4	Wrap, Tie	
21	1001173217	1	Hose, Heater Roof to Floor	
22	1001179229	1	Fitting, 45	

SECTION 6 - CAB

FIGURE 6-12. CAB HEATER/AC LINES INSTALLATION



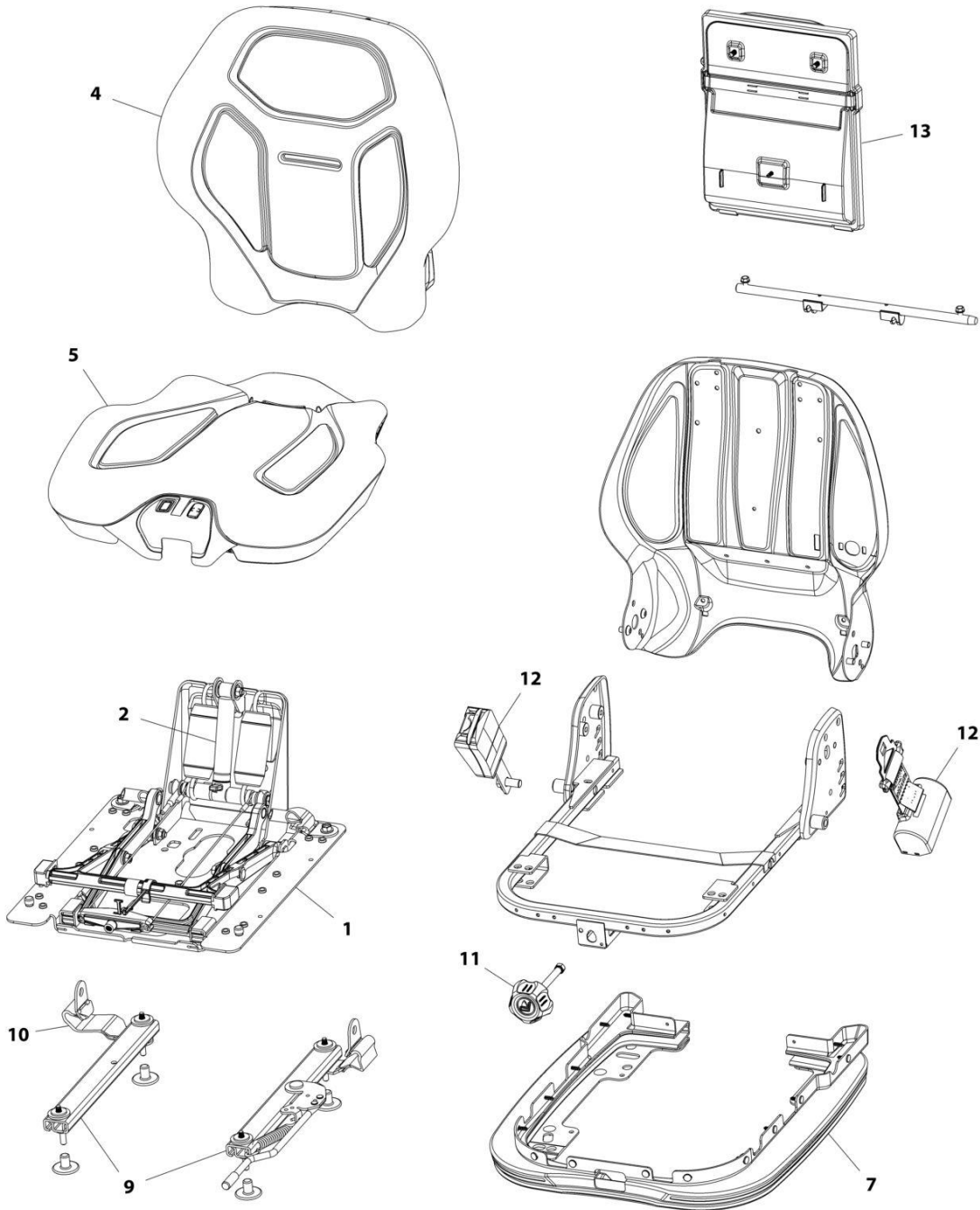
ART_1001171806-J

FIGURE 6-12. CAB HEATER/AC LINES INSTALLATION

ITEM	PART NUMBER	QTY	DESCRIPTION	REV
	1001171806	Ref	Cab Heater/AC Lines Installation	J
1	0700617	2	Bolt, M6X45	
2	0700828	2	Bolt, M8X110	
4	3290605	2	Nut, Lock M6X1	
5	3290805	3	Nut, Lock M8X1-1/4	
6	4811700	2	Washer, M6	
7	4811702	2	Washer, M6	
8	4811900	5	Washer, M8	
10	8405007	8	Clamp, Gear	
11	8430048	2	Reducer, Hose Barb	
12	77133133	4	Clamp, Twin	
13	77133134	4	Clamp, Cover Plate	
15	91043147	2	Clamp, Support	
16	1001158404	1	Hose, Cab Heater	
17	1001182798	1	Hose, A/C Compressor Suction	
18	1001182723	1	Hose, A/C Compressor Discharge	
19	1001159844	1	Valve, Heater (See Separate Breakdown in this section)	
22	1001172537	1	Hose, Heater Return	
23	1001172561	1	Hose, Heater Send Valve to Roof	
24	8584001	4	Wrap, Tie	
25	1001173217	1	Hose, Heater Roof to Floor	
26	1001179229	1	Fitting, 45	
27	1001164196	1	Clamp	

SECTION 6 - CAB

FIGURE 6-13. CAB SEAT



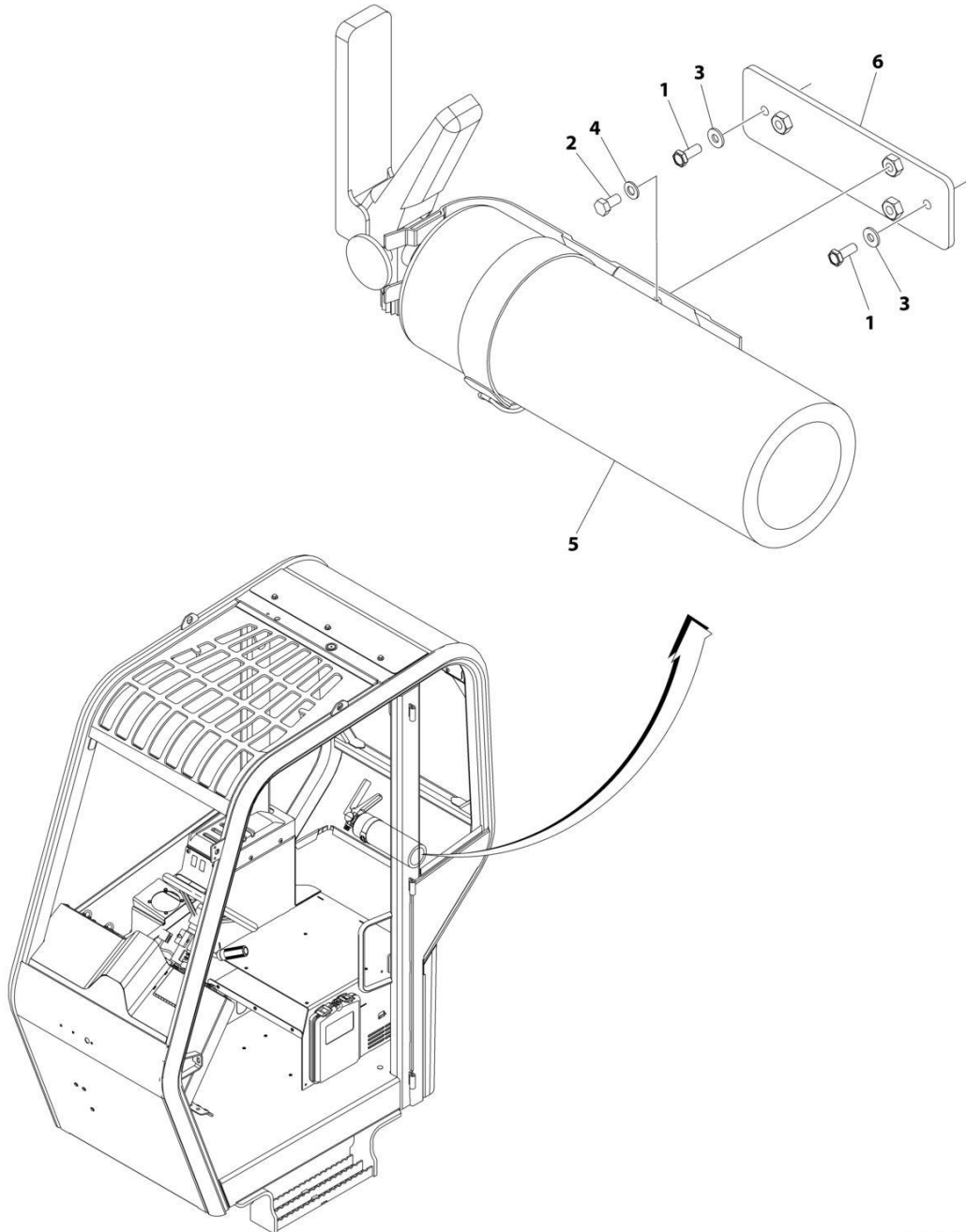
ART_1001190229-E

FIGURE 6-13. CAB SEAT

ITEM	PART NUMBER	QTY	DESCRIPTION	REV
	1001190229	Ref	Cab Seat	E
1	70027024	1	Suspension Assembly Kit	
2	70027025	1	Spring Saddle Assembly Kit	
4	70027026	1	Back Cushion Kit	
5	70027028	1	Seat Cushion Assembly Kit	
7	70027030	1	Boot Kit	
9	7026798	1	Adjuster Kit	
10	70027032	1	Tether strap	
11	70027033	1	Weight adjust knob kit	
12	70027034	2	Seat belt kit	
13	70027035	1	Document box kit	

SECTION 6 - CAB

FIGURE 6-14. FIRE EXTINGUISHER INSTALLATION



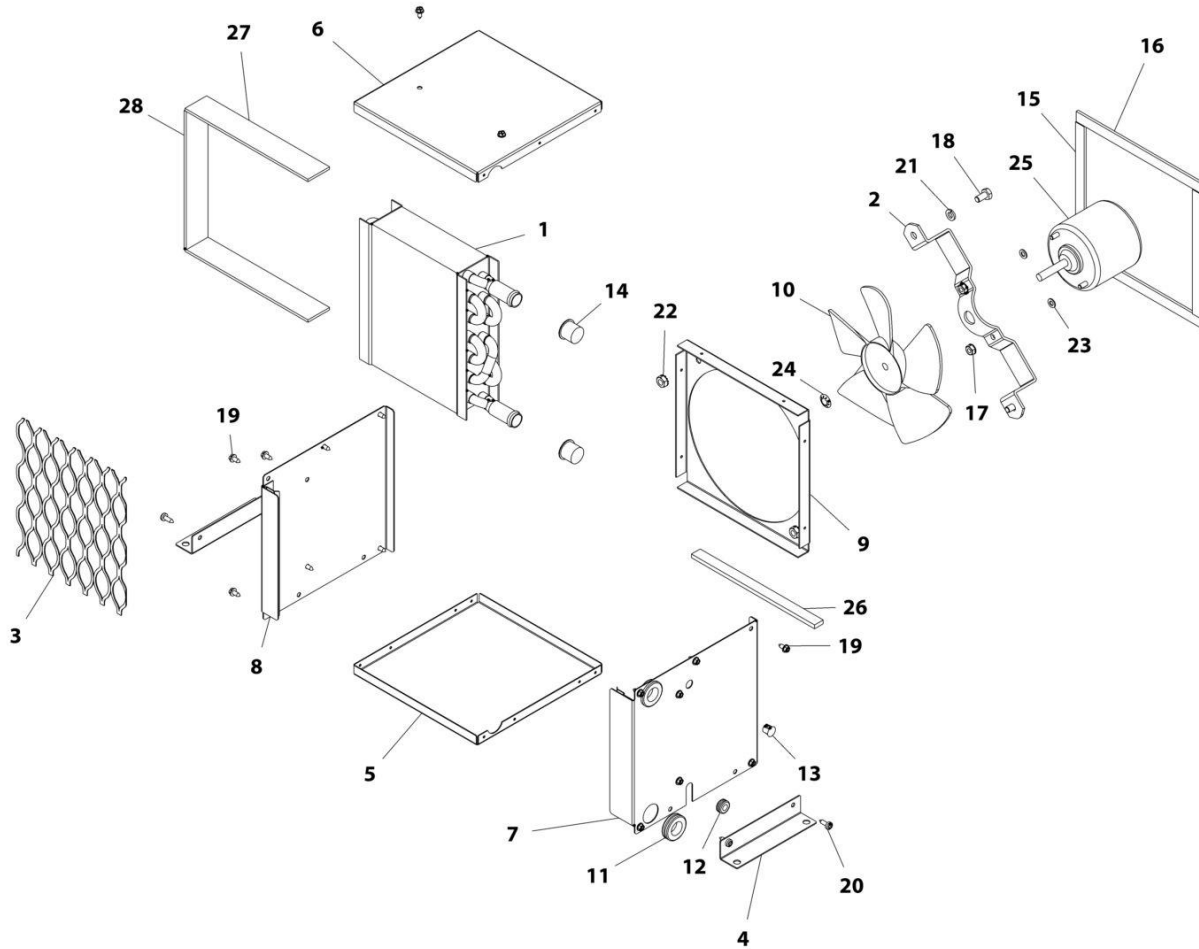
ART_1001258100

FIGURE 6-14. FIRE EXTINGUISHER INSTALLATION

ITEM	PART NUMBER	QTY	DESCRIPTION	REV
	1001258100	Ref	Skytrak Fire Extinguisher Installation	A
1	0721004	2	Screw M10X1/2	
2	0760505	3	Bolt M5X10	
3	4750800	2	Washer M8	
4	4811600	3	Washer M5	
5	1001099699	1	Extinguisher, Fire with Bracket	
5	1001100082	1	Bracket	
6	1001241305	1	Bracket	

SECTION 6 - CAB

FIGURE 6-15. FLOOR HEATER



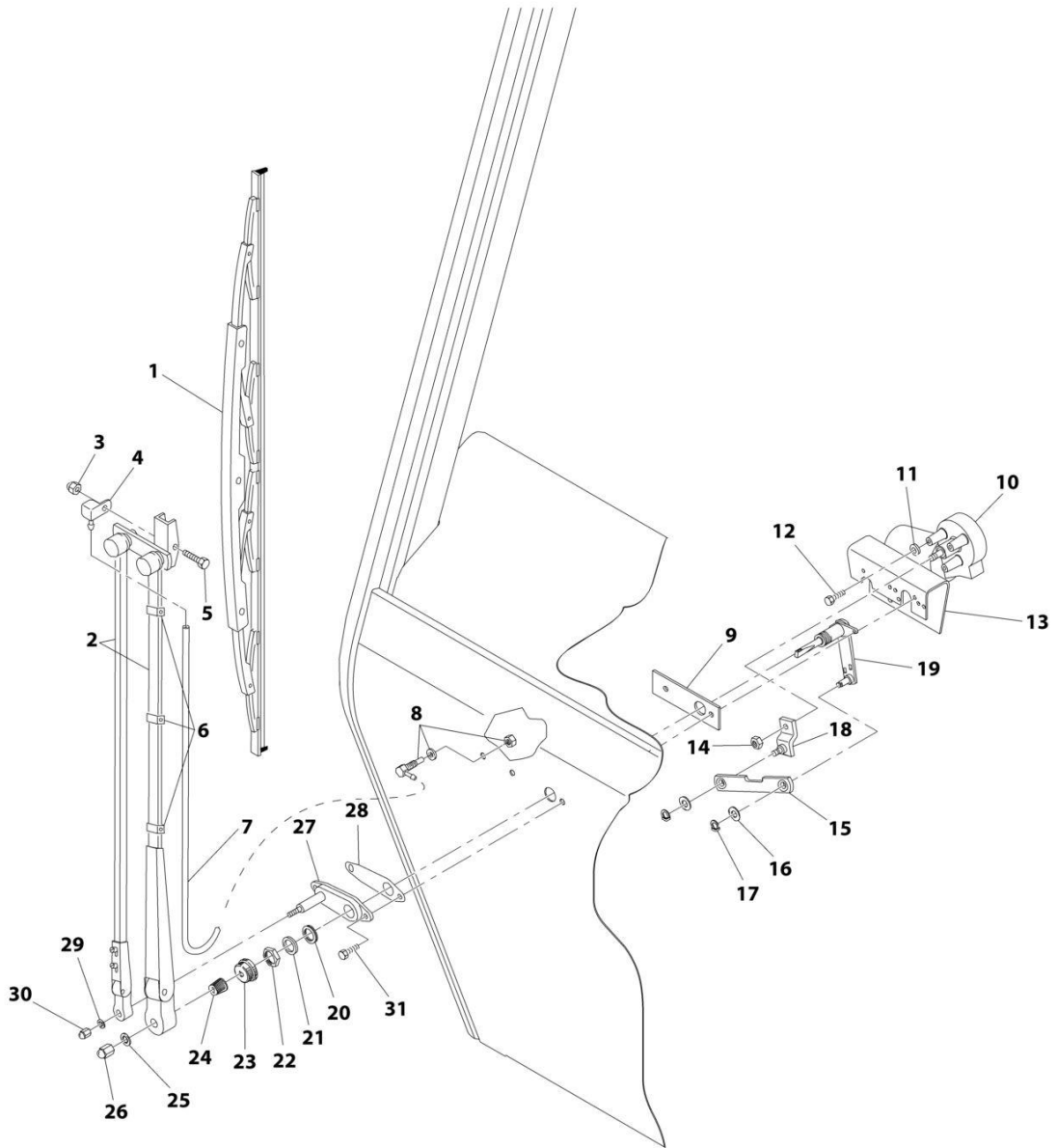
ART_1001159856-D

FIGURE 6-15. FLOOR HEATER

ITEM	PART NUMBER	QTY	DESCRIPTION	REV
	1001159856	Ref	Floor Heater	D
1	70026100	1	Coil, Heater	
2	70026101	1	Bracket, Motor	
3	70026102	1	Protector, Coil	
4	70026103	2	Bracket, Mounting	
5	70026104	1	Casing, Bottom	
6	70026105	1	Casing, Top	
7	70026106	1	Casing, RH Side	
8	70026107	1	Casing, LH Side	
9	70026108	1	Mount, Fan	
10	70026109	1	Fan	
11	70026110	2	Grommet	
12	70026111	1	Grommet, 3/8	
13	70026112	1	Plug, Hole 3/8	
14	70026113	2	Plug, 3/8	
15	70026114	2	Foam, 1/4X158	
16	70026114	2	Foam, 1/4X184	
17	70026115	2	Nut, 10-32	
18	70026116	2	Screw, 1/4-20X1/2	
19	70026117	16	Screw, 8X3/8	
20	70024855	4	Screw, Tap 8X1/2	
21	70026118	2	Lockwasher, 1/4	
22	70026119	2	Nut, Kep 1/4-20	
23	70026120	2	Washer, M5	
24	70026121	1	Retainer	
25	70026122	1	Motor Assembly, 12V	
26	70026123	1	Foam, 3/16X180	
27	70026124	2	Foam, 1/4X180	
28	70026124	1	Foam, 1/4X175	

SECTION 6 - CAB

FIGURE 6-16. FRONT WIPER ASSEMBLY



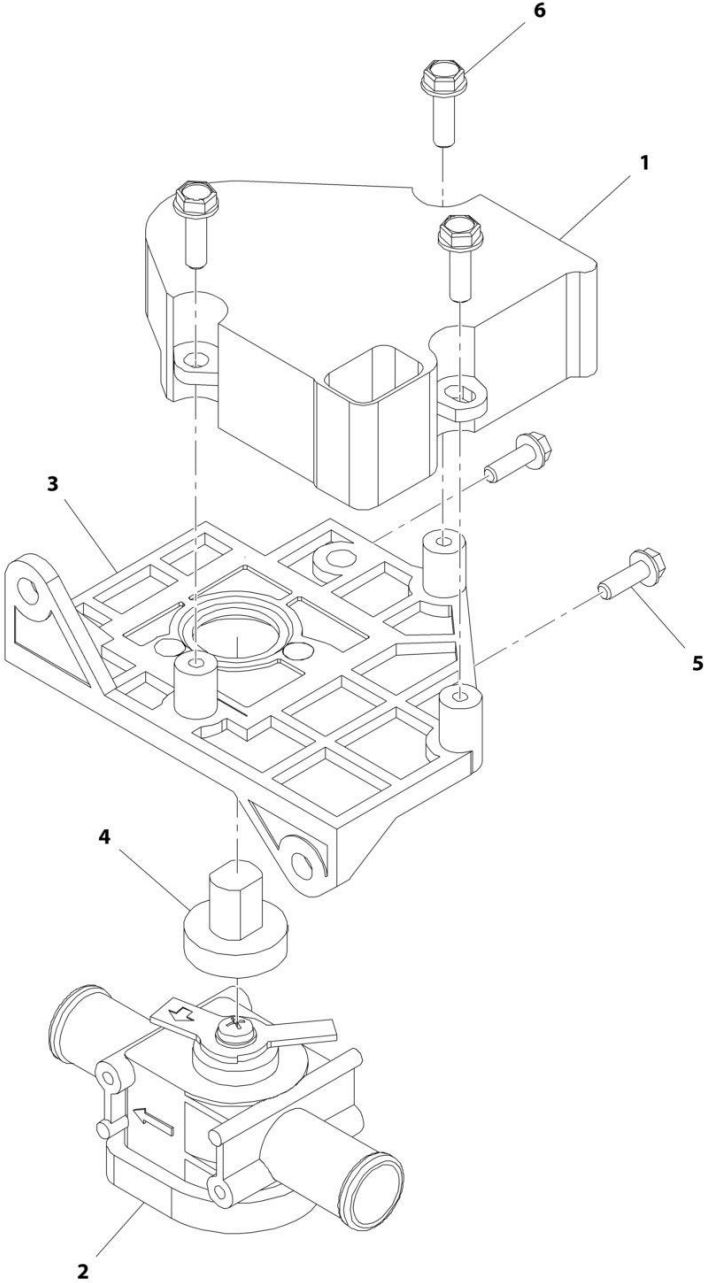
ART_8036056-A

FIGURE 6-16. FRONT WIPER ASSEMBLY

ITEM	PART NUMBER	QTY	DESCRIPTION	REV
	8036056	Ref	Front Wiper Assembly	A
1	80384213	1	Blade, Wiper	
2	8035393	1	Assembly, Wiper Arm	
3	N.S.S.	1	Nut, Lock	
4	N.S.S.	1	Nozzle, Sprayer	
5	N.S.S.	1	Bolt	
6	N.S.S.	3	Clip, Hose	
7	N.S.S.	1	Hose	
8	1001081310	1	Adaptor, Wet Arm	
9	8036100	1	Spacer, Front Wiper Motor	
10	7029860	1	Motor, Wiper 12V	
11	N.S.S.	3	Washer, 5/16	
12	N.S.S.	3	Bolt, 1/4-28X1	
13	N.S.S.	1	Bracket, Wiper Motor	
14	N.S.S.	1	Nut	
15	8035409	1	Link, Connecting	
16	N.S.S.	2	Washer, 0.56X0.251X0.015	
17	N.S.S.	2	Clip, Spring	
18	8035411	1	Drive, Wiper Arm	
19	8036099	1	Assembly, Wiper Shaft and Pivot	
20	N.S.S.	1	Washer, Rubber	
21	N.S.S.	1	Washer, Metal	
22	N.S.S.	1	Nut, Jam 11/16-18	
23	N.S.S.	1	Cap, Rubber	
24	N.S.S.	1	Driver, Knurled	
25	N.S.S.	1	Washer, Lock 3/8	
26	N.S.S.	1	Nut, Acorn 1/4-28	
27	8034815	1	Assembly, Panto Adaptor	
28	N.S.S.	1	Gasket	
29	N.S.S.	1	Washer, Lock 1/4	
30	N.S.S.	1	Nut, Acorn 1/4-28	
31	80384207	2	Bolt, 1/4-28X3/4	

SECTION 6 - CAB

FIGURE 6-17. HEATER VALVE



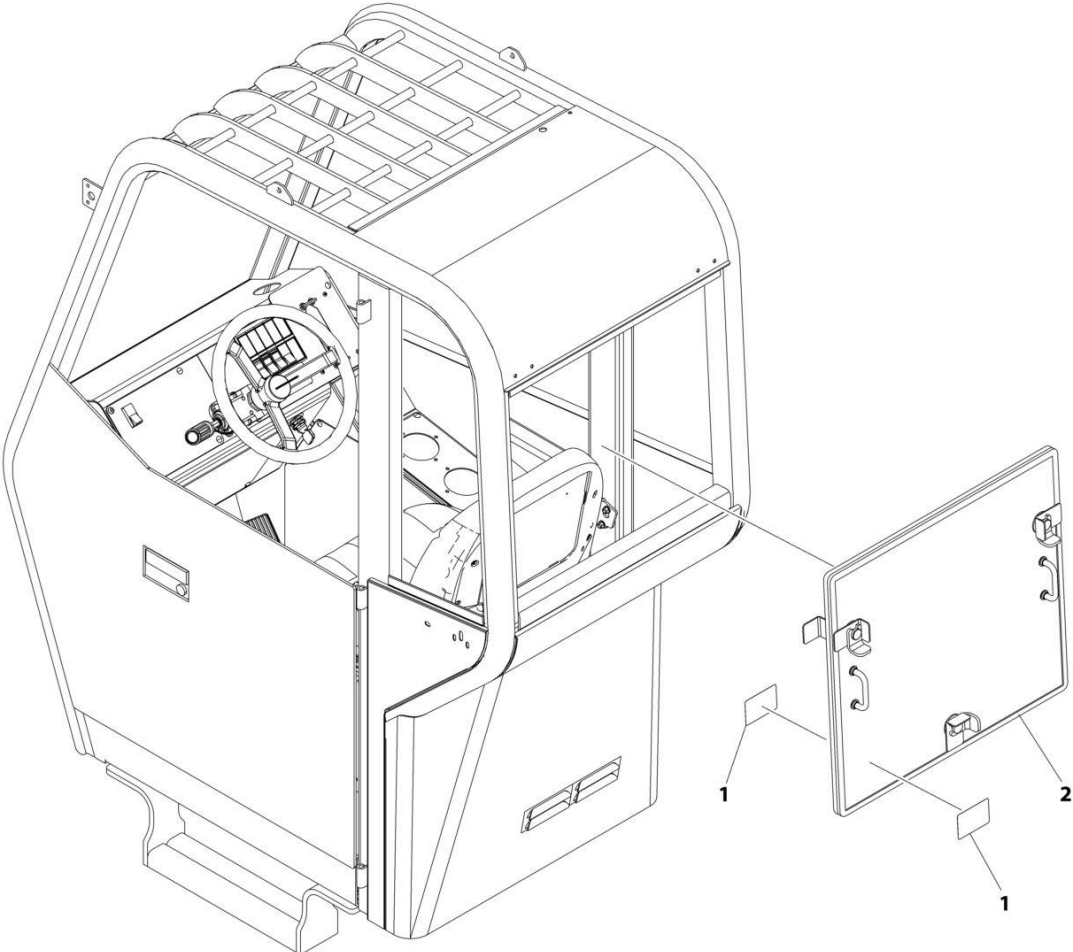
ART_1001159844-C

FIGURE 6-17. HEATER VALVE

ITEM	PART NUMBER	QTY	DESCRIPTION	REV
	1001159844	Ref	Heater Valve	C
1	70026088	1	Motor Actuator, 12V	
2	70026089	1	Assembly, Heater Valve	
3	70026090	1	Assembly, Valve Bracket	
4	70026091	1	Adapter, Shaft	
5	70026092	2	Screw, 8-18X1/2	
6	70026093	3	Screw, 10-16X5/8	

SECTION 6 - CAB

FIGURE 6-18. INSTALLTION, REAR WINDOW EXIT (ENG/SP)



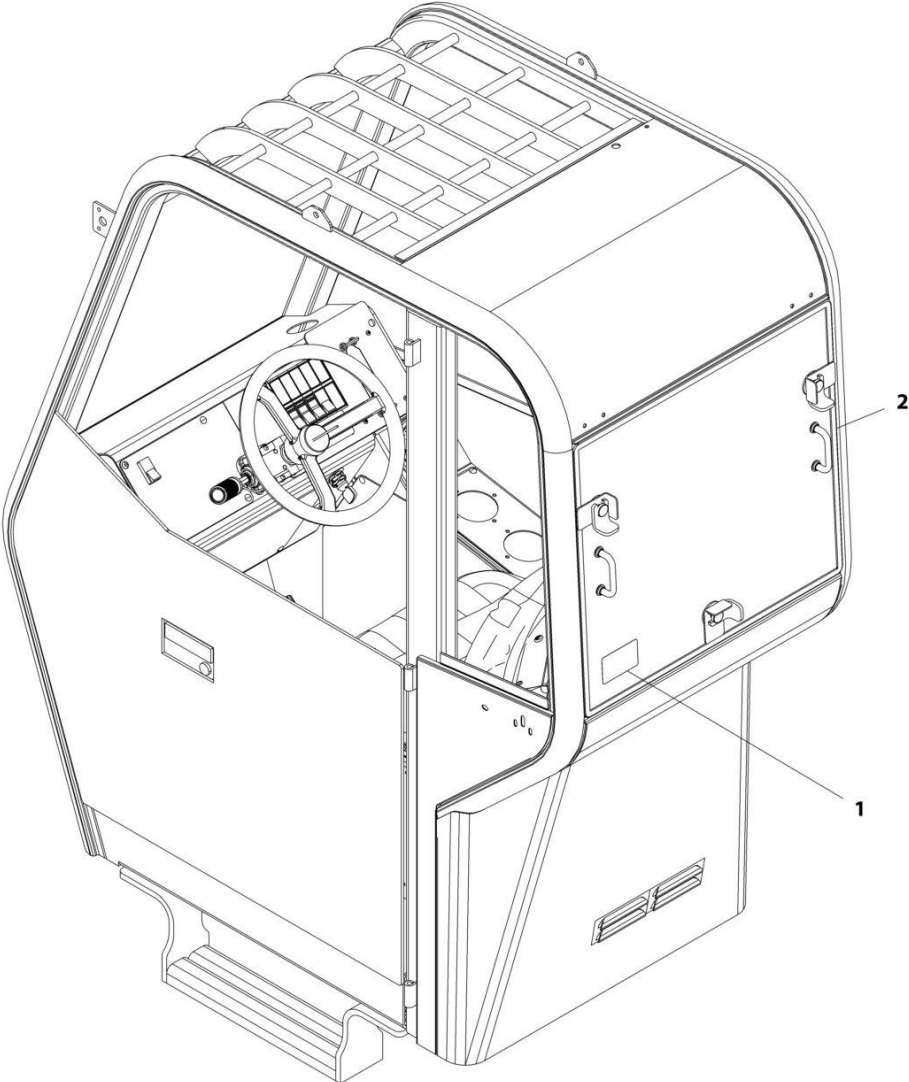
ART_1001242916

FIGURE 6-18. INSTALLTION, REAR WINDOW EXIT (ENG/SP)

ITEM	PART NUMBER	QTY	DESCRIPTION	REV
	1001242916	Ref	REAR WINDOW EXIT INSTALLATION (ENG/SP)	B
1	1001273850	2	Decal, Rear Window Entry/Exit	
2	1001162804	1	Window	

SECTION 6 - CAB

FIGURE 6-19. REAR DROPOUT WINDOW INSTALLATION (ANSI)



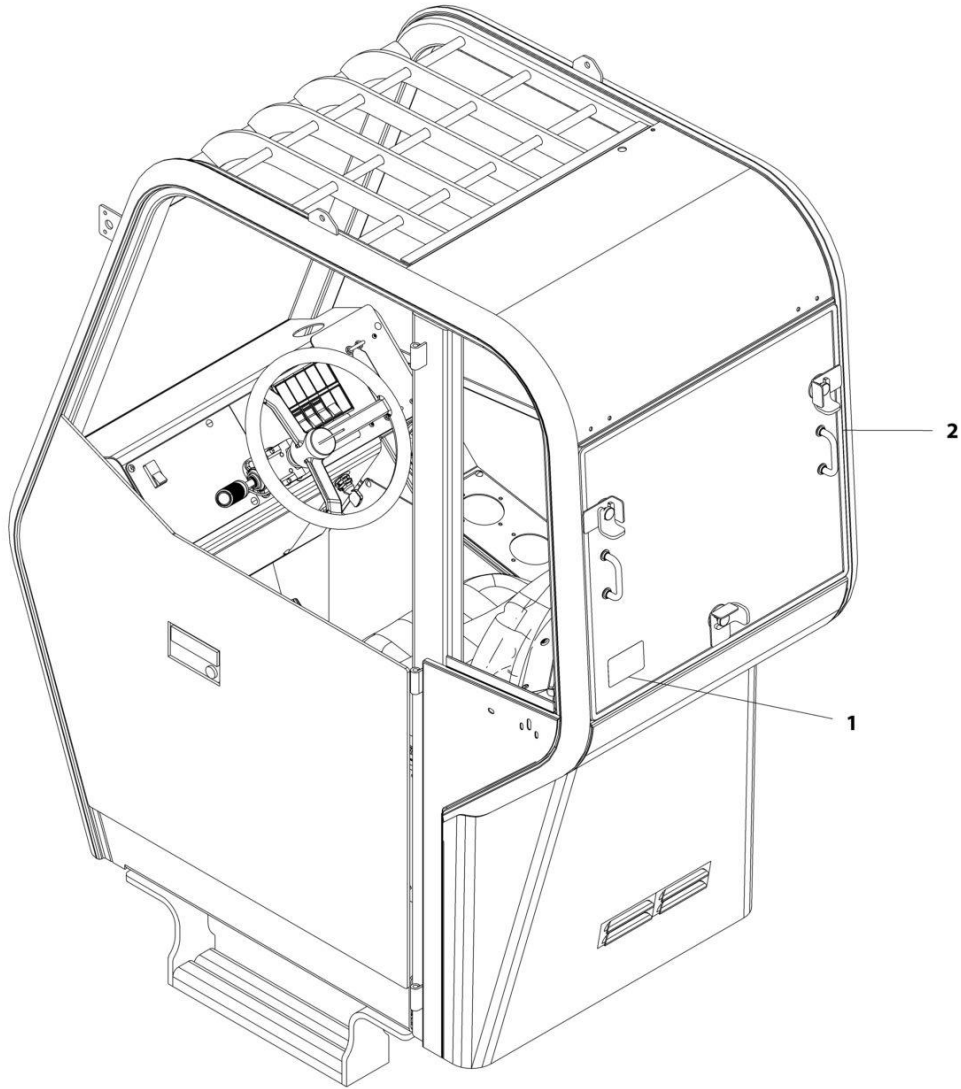
ART_1001162806-A

FIGURE 6-19. REAR DROPOUT WINDOW INSTALLATION (ANSI)

ITEM	PART NUMBER	QTY	DESCRIPTION	REV
	1001162806	Ref	Rear Dropout Window Installation (ANSI)	A
1	1001160071	2	Decal, Rear Emergency Exit	
2	1001162804	1	Window, Rear Dropout	

SECTION 6 - CAB

FIGURE 6-20. REAR DROPOUT WINDOW INSTALLATION (ENGLISH/FRENCH)



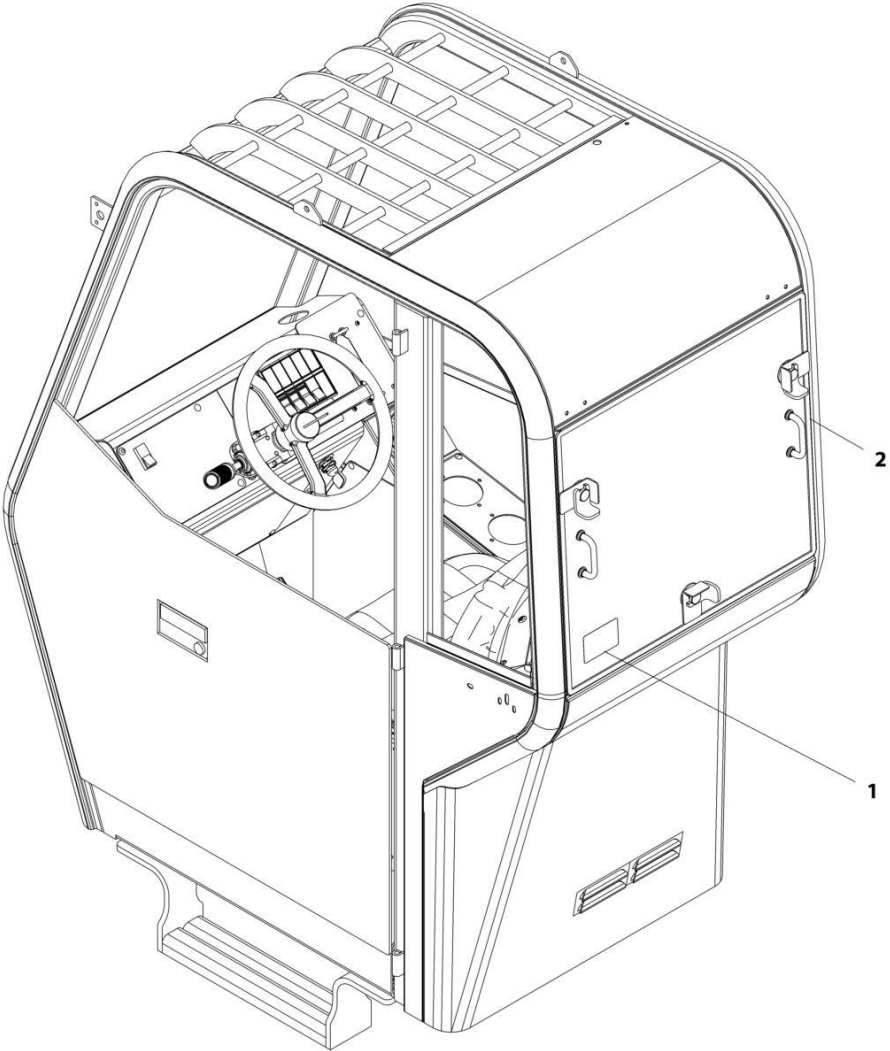
ART_1001167250-A

FIGURE 6-20. REAR DROPOUT WINDOW INSTALLATION (ENGLISH/FRENCH)

ITEM	PART NUMBER	QTY	DESCRIPTION	REV
	1001167250	Ref	Rear Dropout Window Installation (ENGLISH/FRENCH)	A
1	1001160787	2	Decal, Rear Emergency Exit	
2	1001162804	1	Window, Rear Dropout	

SECTION 6 - CAB

FIGURE 6-21. REAR DROPOUT WINDOW INSTALLATION (ISO)



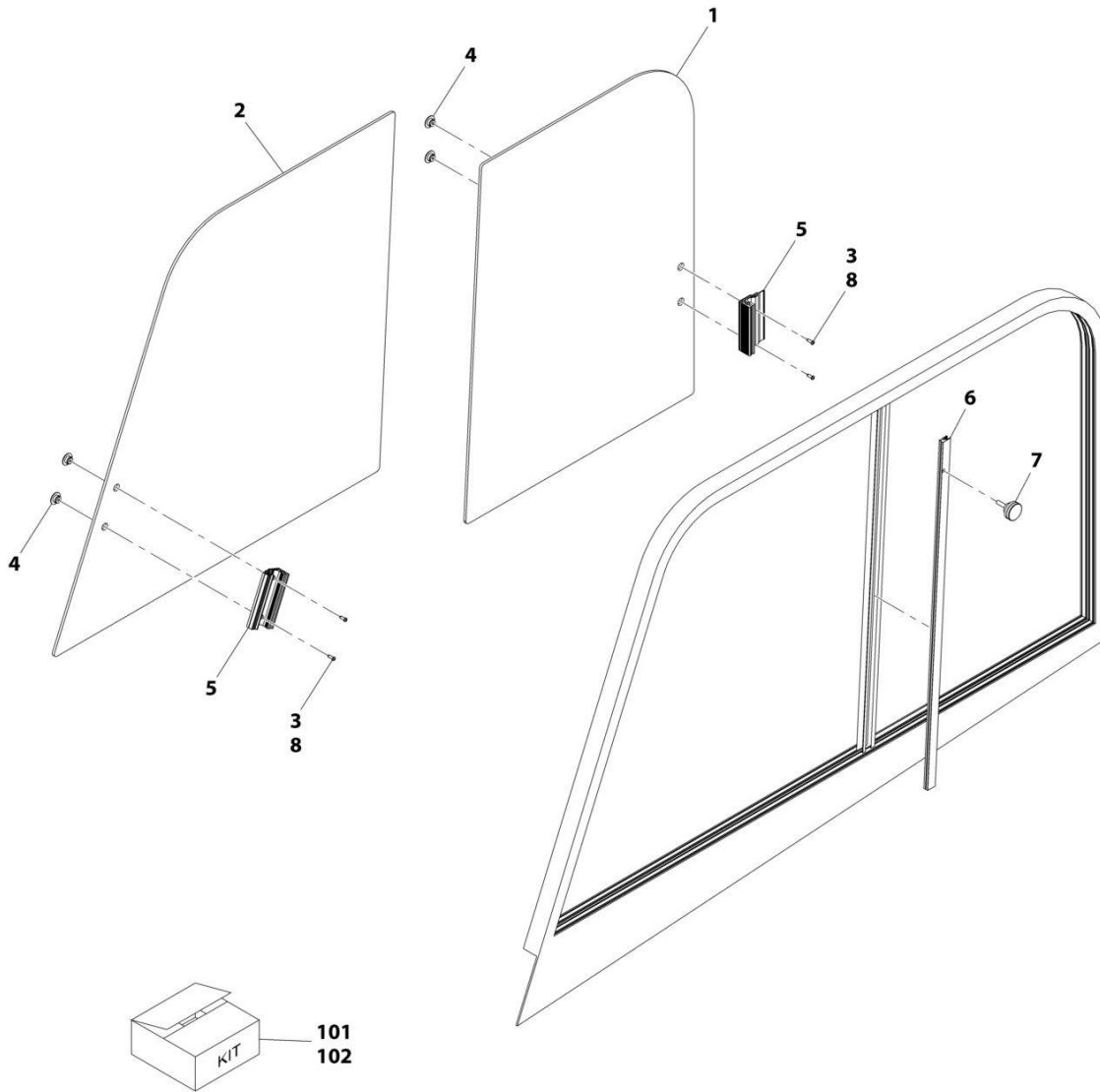
ART_1001167251-A

FIGURE 6-21. REAR DROPOUT WINDOW INSTALLATION (ISO)

ITEM	PART NUMBER	QTY	DESCRIPTION	REV
	1001167251	Ref	Rear Dropout Window Installation (ISO)	A
1	1001160912	2	Decal, Rear Emergency Exit	
2	1001162804	1	Window, Rear Dropout	

SECTION 6 - CAB

FIGURE 6-22. RH SLIDER WINDOW



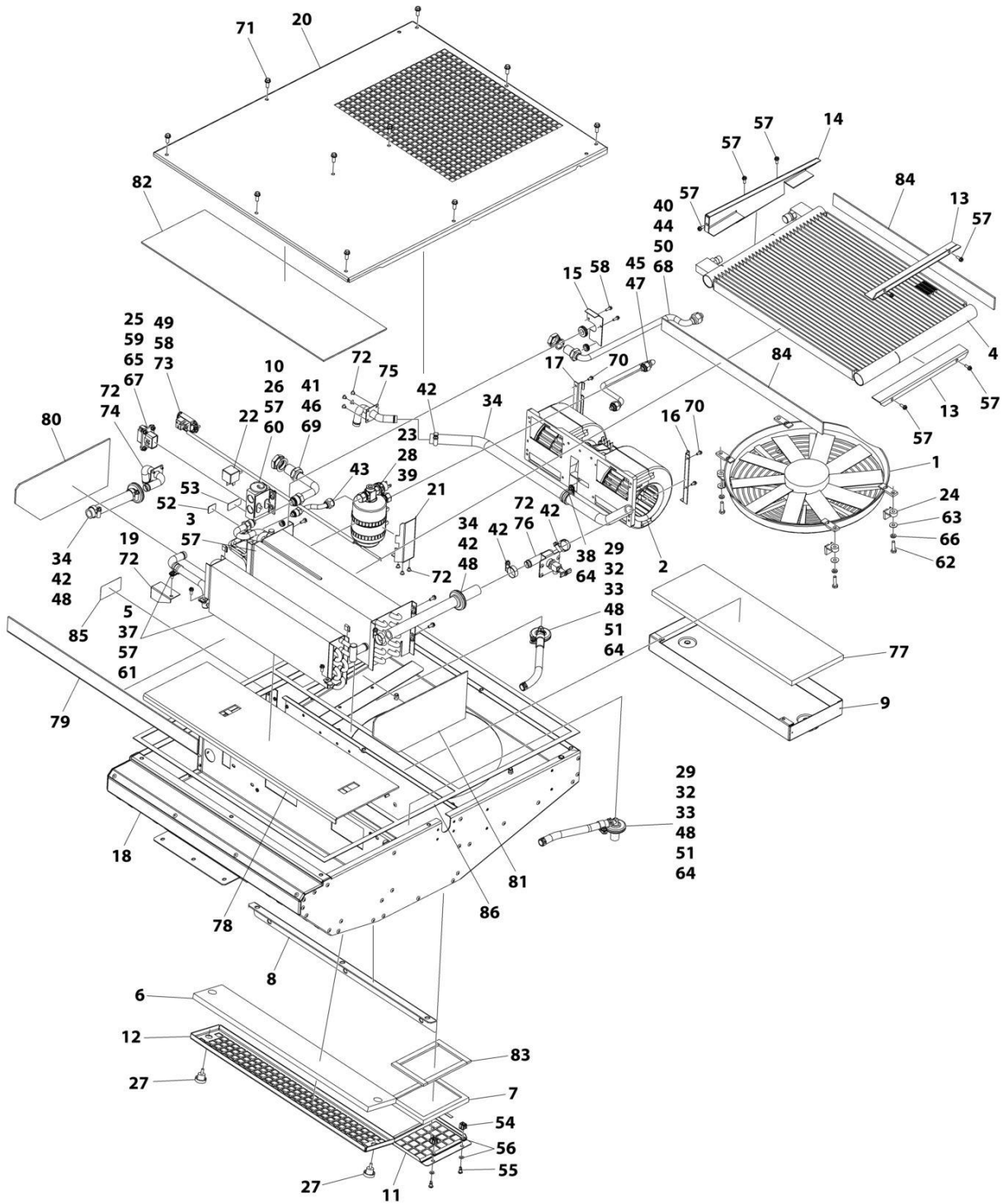
ART_8036050-B

FIGURE 6-22. RH SLIDER WINDOW

ITEM	PART NUMBER	QTY	DESCRIPTION	REV
	8036050	Ref	RH Slider Window	B
1	8036197	1	Glass, Rear Slide	
2	8036196	1	Glass, Front Slide	
3	Kit	NSS	Capscrew (Use Item 101)	
4	Kit	NSS	Spacer (Use Item 101)	
5	Kit	NSS	Latch (Use Item 101)	
6	Kit	NSS	Block, Lock (Use Item 102)	
7	Kit	NSS	Assembly, Knob (Use Item 102)	
8	8035523	AR	Compound, Locking	
101	80384445	1	Latch Assembly Kit (with Latch & Slider - Worthington Windows) (includes items 3 thru 5)	
101	8036199	1	Latch Assembly Kit (with Two Latches - Young Windows) (includes items 3 thru 5)	
102	8036198	1	Friction Lock Assembly Kit (includes items 6 & 7)	

SECTION 6 - CAB

FIGURE 6-23. ROOF BOX HVAC



ART_1001159861

FIGURE 6-23. ROOF BOX HVAC

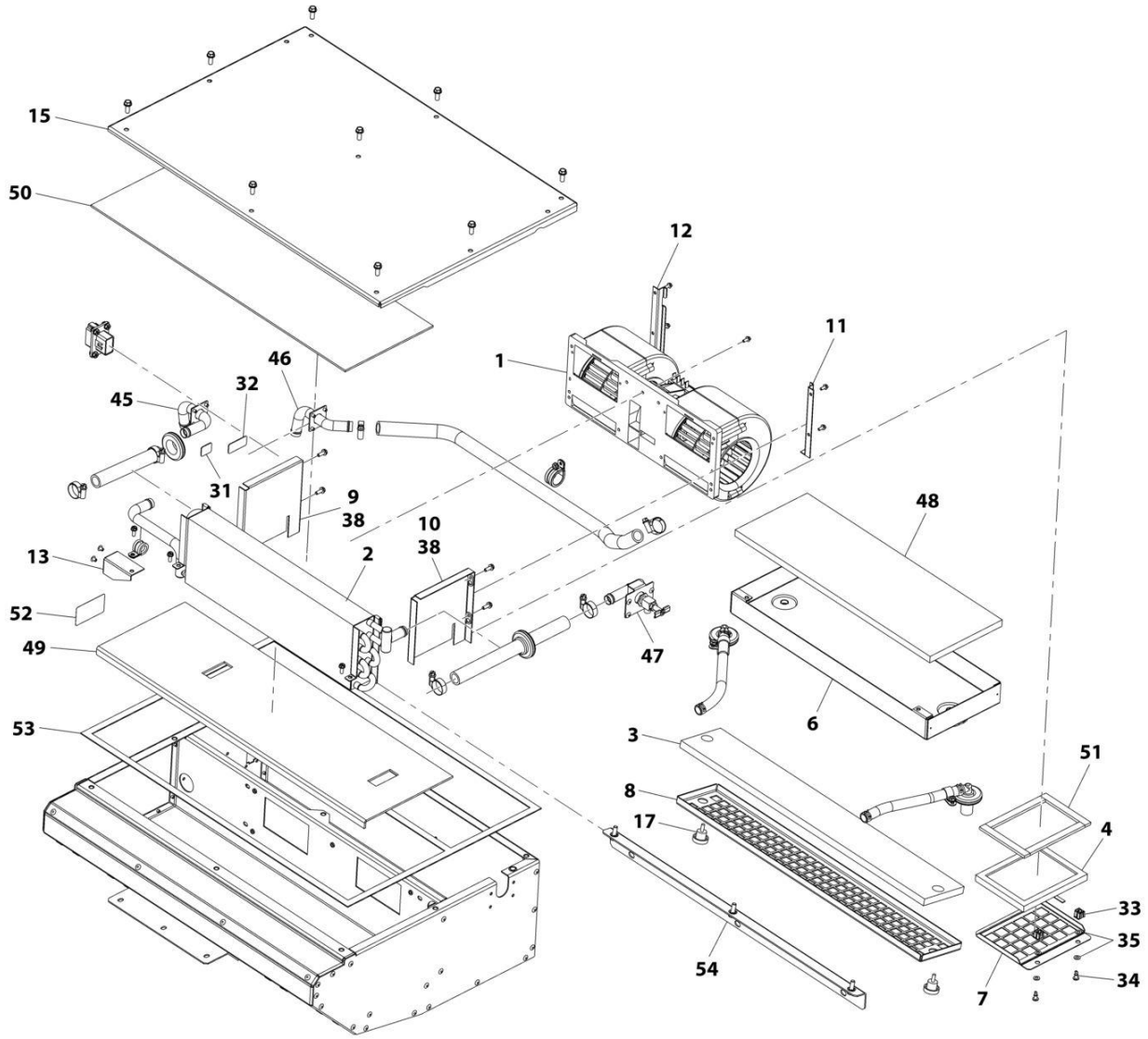
ITEM	PART NUMBER	QTY	DESCRIPTION	REV
	1001159861	Ref	ROOF BOX HVAC	B
1	70026945	1	Assembly, Fan	
2	70026978	1	Blower	
3	70026979	1	Coil, Evaporator	
4	70026980	1	Condenser	
5	70026981	1	Coil, Heater	
6	70026982	1	Filter, Air	
7	70026983	1	Filter, Air	
8	70030281	1	Bracket	
9	70029822	1	Pan, Drain	
10	NPN	1	Bracket	
11	70029823	1	Cover	
12	70029824	1	Cover	
13	NPN	2	Rail, Condenser	
14	NPN	1	Bracket, Condenser	
15	70031394	1	Bracket	
16	70029827	1	Bracket, Blower	
17	70029828	1	Bracket, Blower	
18	NPN	1	Housing	
19	70029829	1	Bracket	
20	70031395	1	Cover	
21	70031396	1	Bracket	
22	70026986	1	Relay	
23	70026854	1	Sensor, Pressure	
24	70029981	4	Mount, Fan	
25	70031397	1	Harness, Wiring	
26	70020876	1	Valve, Block	
27	8036726	2	Knob	
28	70026984	1	Drier, Receiver	
29	7029412	AR	Hose	
32	7029413	2	Fitting, 90	
33	7029415	4	Clamp	
34	70031398	AR	Hose	
37	70026987	1	Clamp	
38	70026988	1	Clamp	
39	70026989	2	Clamp	
40	70031402	1	Nut #8	
41	70031403	1	Nut #10	
42	70026990	6	Clamp	
43	70028782	1	Tube	
44	70028781	1	Tube	
45	70028780	1	Tube	
46	70028779	1	Tube	
47	70031404	1	Grommet	
48	70031405	4	Grommet	
49	70026111	1	Grommet	
50	70031406	1	Grommet	
51	NPN	2	Clamp	
52	70029832	1	Cover, In	
53	70029833	1	Cover, Out	

SECTION 6 - CAB

ITEM	PART NUMBER	QTY	DESCRIPTION	REV
54	70029834	2	Connector	
55	70029835	2	Screw	
56	70029836	4	Washer	
57	NPN	16	Bolt #10 x 1/2	
58	NPN	5	Bolt #8 x 1/2	
59	NPN	8	Washer #8	
60	NPN	2	Bolt 1/4 x 1-1/2	
61	70029837	2	Clip	
62	NPN	4	Bolt 1/4 x 1	
63	NPN	6	Washer 1/4	
64	NPN	3	Nut #10	
65	NPN	4	Nut #8	
66	70029984	4	Washer 1/4	
67	NPN	4	Bolt #8 x 1/2	
68	70031413	1	Washer	
69	70031414	1	Washer	
70	NPN	5	Bolt #8 x 3/8	
71	NPN	10	Bolt 1/4 x 5/8	
72	NPN	17	Rivet	
73	70026985	1	Thermostat	
74	70029838	1	Tube	
75	70029839	1	Tube	
76	70026991	1	Valve, Bleeder	
77	70029840	1	Foam	
78	70029841	1	Foam	
79	70031420	1	Foam	
80	70031421	1	Foam	
81	70031422	1	Foam	
82	70029842	1	Foam	
83	70026123	1	Insulation	
84	70026124	2	Foam	
85	NPN	1	Decal	
86	70029843	1	Foam	

SECTION 6 - CAB

FIGURE 6-24. ROOF HEATER BOX



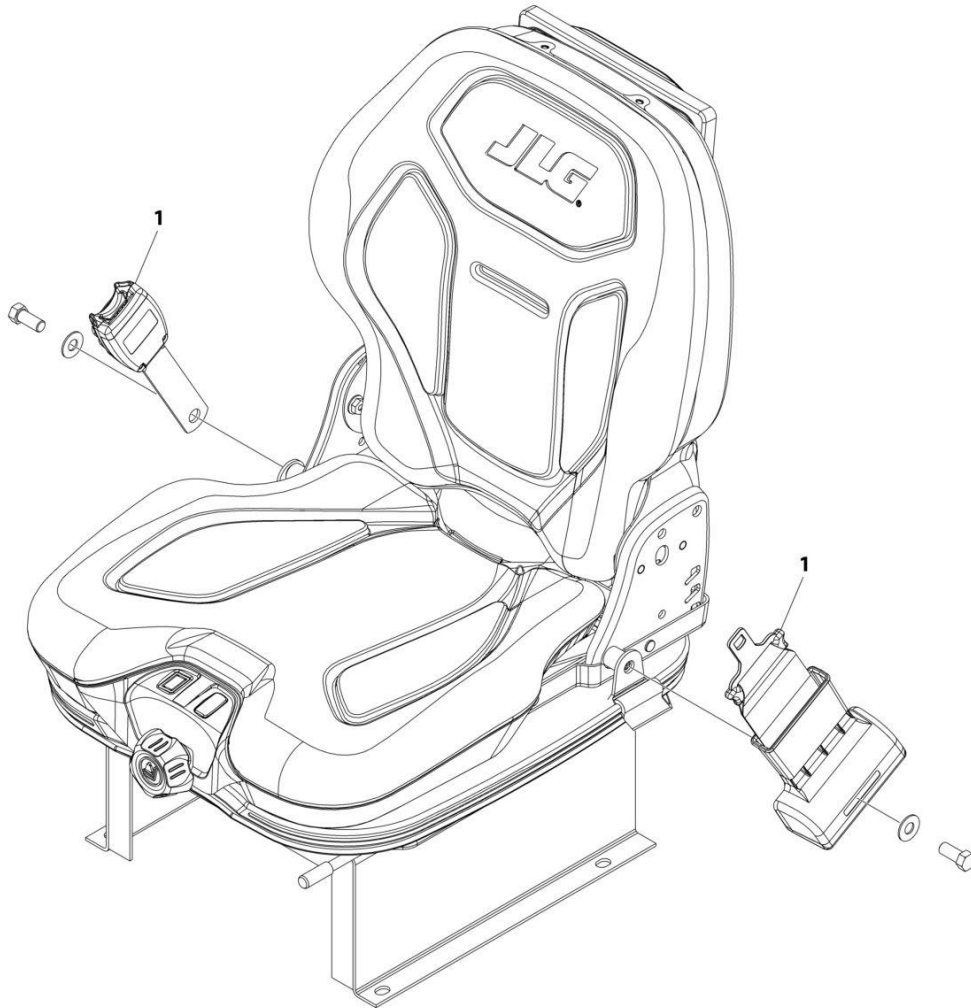
ART_1001159860-B

FIGURE 6-24. ROOF HEATER BOX

ITEM	PART NUMBER	QTY	DESCRIPTION	REV
	1001159860	Ref	Roof Heater Box	B
1	70026978	1	Blower, 12V	
2	70026981	1	Heater Coil	
3	70026982	1	Air Filter	
4	70026983	1	Air Filter	
6	70029822	1	Drain Pan	
7	70029823	1	Cover, Air Filter	
8	70029824	1	Cover, Air Filter	
9	70029825	1	Bracket, Coil (R)	
10	70029826	1	Bracket, Coil (L)	
11	70029827	1	Bracket, Blower	
12	70029828	1	Bracket, Blower	
13	70029829	1	Support Bracket	
15	70029830	1	Cover	
16	70029831	1	Harness (not shown)	
17	8036726	2	Knob	
31	70029832	1	Overlay In	
32	70029833	1	Overlay Out	
33	70029834	2	Receptacle	
34	70029835	2	Stud, Oval Slotted	
35	70029836	4	Retainer	
38	70029837	2	Panel, Coil Clip	
45	70029838	1	Tube Assembly	
46	70029839	1	Tube Assembly	
47	70026991	1	Valve, Bleeder	
48	70029840	1	Foam	
49	70029841	1	Foam, Closed Cell	
50	70029842	1	Foam, Closed Cell	
51	70026123	1	Foam, 3/16X180	
52	See Note	1	Foam 456mm	
53	70029843	1	Foam, Closed Cell	
54	70029844	1	Bracket Assembly	

SECTION 6 - CAB

FIGURE 6-25. SEAT BELT INSTALLATION (3IN WIDTH)



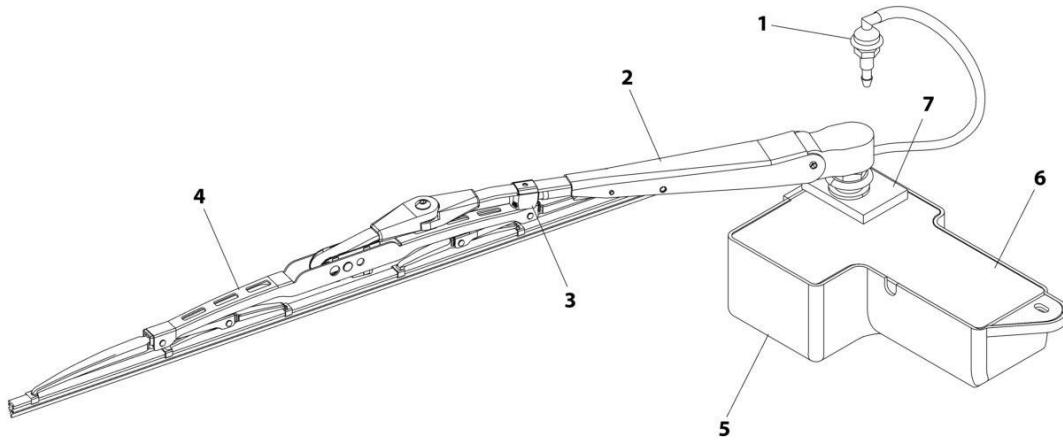
ART_1001258245

FIGURE 6-25. SEAT BELT INSTALLATION (3IN WIDTH)

ITEM	PART NUMBER	QTY	DESCRIPTION	REV
	1001258245	Ref	Seat Belt Installation (3in Width)	B
1	1001258244	1	Seat Belt (3in) (Black Strap)	
1	1001275933	1	Seat Belt (3in) (Orange Strap)	

SECTION 6 - CAB

FIGURE 6-26. SKYLIGHT WIPER ASSEMBLY



ART_1001182470

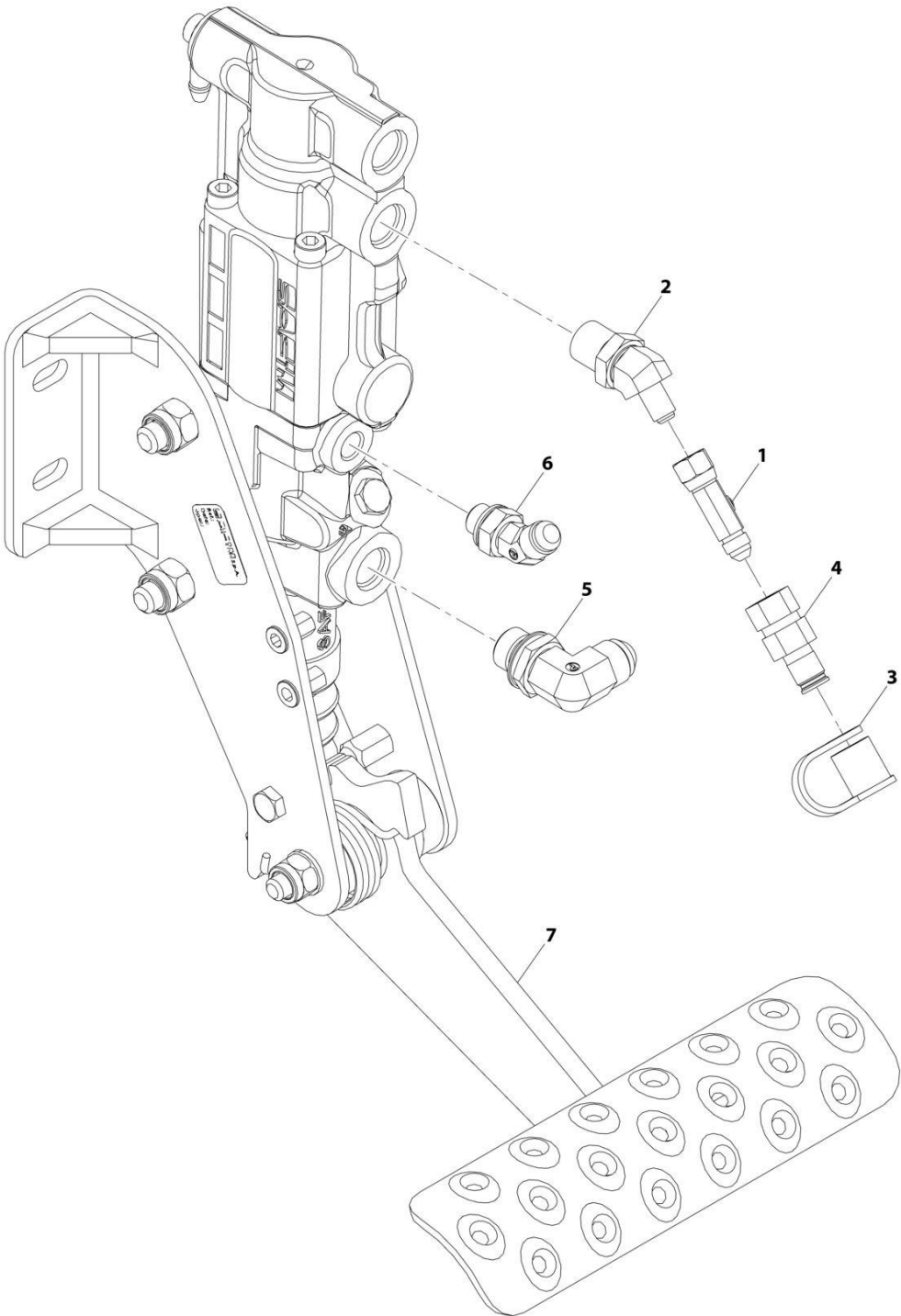
FIGURE 6-26. SKYLIGHT WIPER ASSEMBLY

ITEM	PART NUMBER	QTY	DESCRIPTION	REV
	1001182470	Ref	SKYLIGHT WIPER ASSEMBLY	B
1	1001081310	1	Adaptor, Wet Arm	
2	8035500	1	Arm, Wiper	
3	8035499	1	Arm, Wet Kit	
4	8035498	1	Blade, Wiper	
5	70020652	1	Motor, Wiper	
6	8035493	1	Cover, Wiper	
7	70026352	1	Block, Skylight Wiper Motor	

SECTION 7 - CONTROLS

SECTION 7 - CONTROLS

FIGURE 7-1. BRAKE ASSEMBLY



ART_1001223052-A

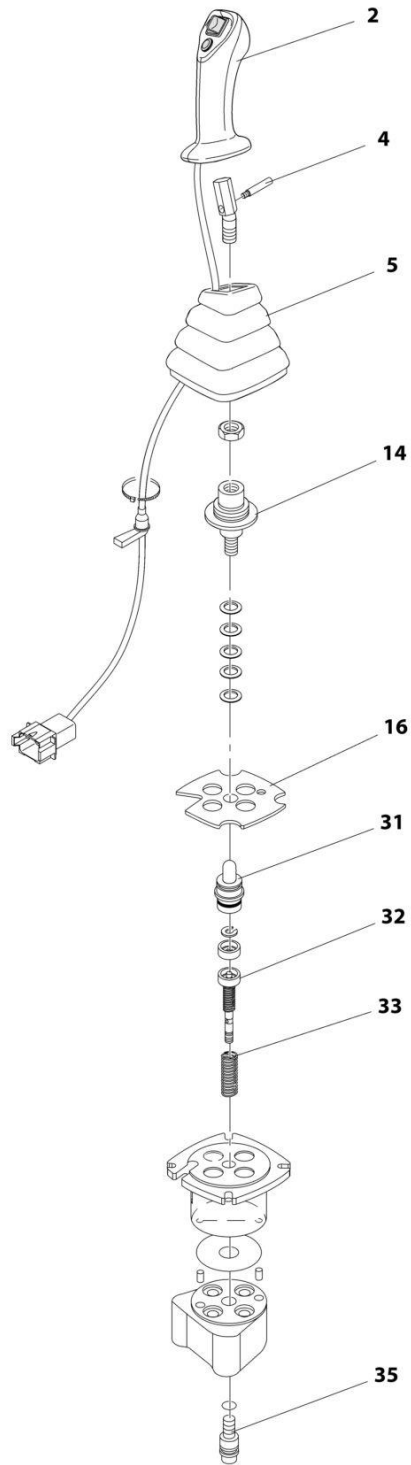
SECTION 7 - CONTROLS

FIGURE 7-1. BRAKE ASSEMBLY

ITEM	PART NUMBER	QTY	DESCRIPTION	REV
	1001223052	Ref	Brake Assembly - Safim	A
1	2220605	1	Adapter	
2	2221344	1	Adapter	
3	8430032	1	Plug, Dust Cap	
4	10727374	1	Adapter	
5	91473086	1	Adapter	
6	1001183341	1	Adapter	
7	1001223050	1	Installation, Hydraulic Brake Valve (See Separate Breakdown in HYDRAULIC CIRCUITS Section)	

SECTION 7 - CONTROLS

FIGURE 7-2. PILOT JOYSTICK CONTROL



ART_1001158002-B

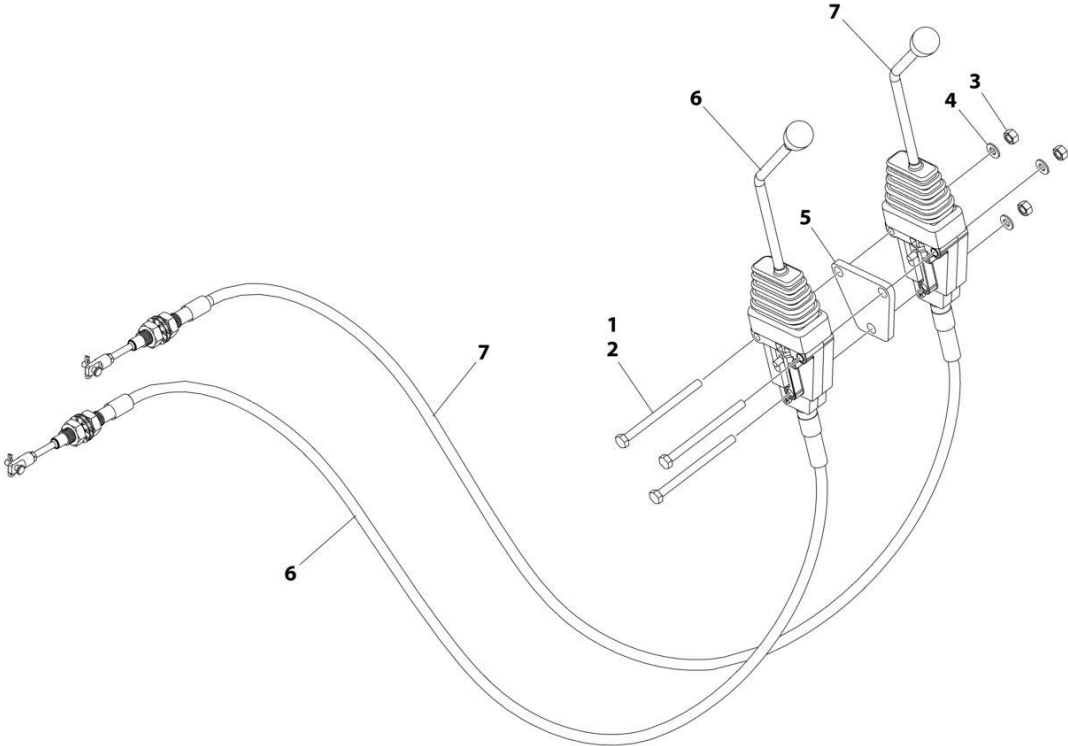
SECTION 7 - CONTROLS

FIGURE 7-2. PILOT JOYSTICK CONTROL

ITEM	PART NUMBER	QTY	DESCRIPTION	REV
	1001158002	Ref	Pilot Joystick Control	B
2	70026097	1	Handle	
4	91404011	1	Kit, Bent Lever	
5	80364095	1	Boot, Rubber	
14	80264138	1	Kit, Cardan	
16	91404013	1	Plate, Retaining	
31	91304025	2	Kit, Plunger (set of two)	
32	70026098	4	Unit, Regulating	
33	91514225	1	Spring, Return (set of four)	
35	91404326	1	Kit, Seal	

SECTION 7 - CONTROLS

FIGURE 7-3. SECONDARY CONTROLS INSTALLATION



ART_1001256070

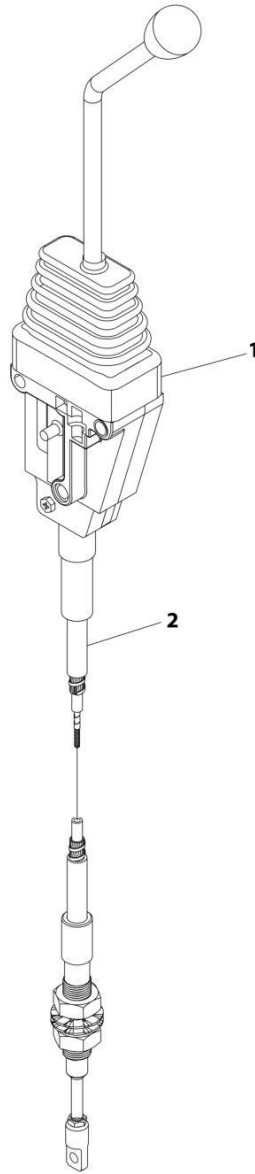
SECTION 7 - CONTROLS

FIGURE 7-3. SECONDARY CONTROLS INSTALLATION

ITEM	PART NUMBER	QTY	DESCRIPTION	REV
	1001256070	Ref	SECONDARY CONTROLS INSTALLATION	B
1	0100011	AR	Compound, Locking	
2	0700828	3	Bolt M8 x 110	
3	8305043	3	Nut M8 x 1.25	
4	8307222	3	Washer M8	
5	1001174340	1	Bracket, Control Spacer Plate	
6	1001256068	1	Secondary Tall Control (See Separate Breakdown in this Section)	
7	1001256069	1	Secondary Short Control (See Separate Breakdown in this Section)	

SECTION 7 - CONTROLS

FIGURE 7-4. SECONDARY SHORT CONTROL



ART_1001256069

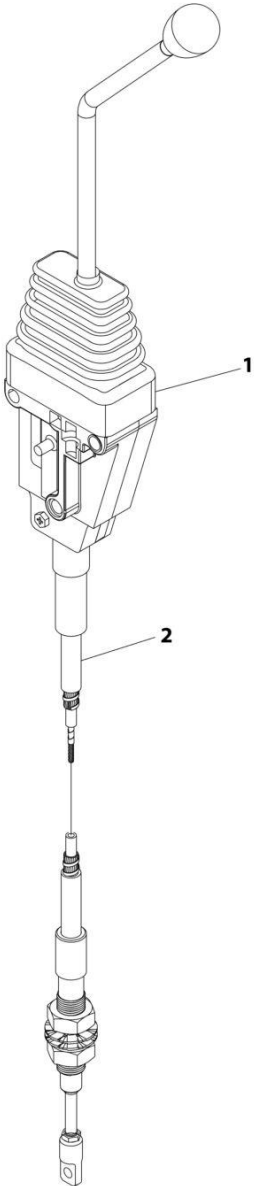
SECTION 7 - CONTROLS

FIGURE 7-4. SECONDARY SHORT CONTROL

ITEM	PART NUMBER	QTY	DESCRIPTION	REV
	1001256069	Ref	SECONDARY SHORT CONTROL	A
1	1001173582	1	Control	
2	1001256067	1	Cable	

SECTION 7 - CONTROLS

FIGURE 7-5. SECONDARY TALL CONTROL



ART_1001256068

SECTION 7 - CONTROLS

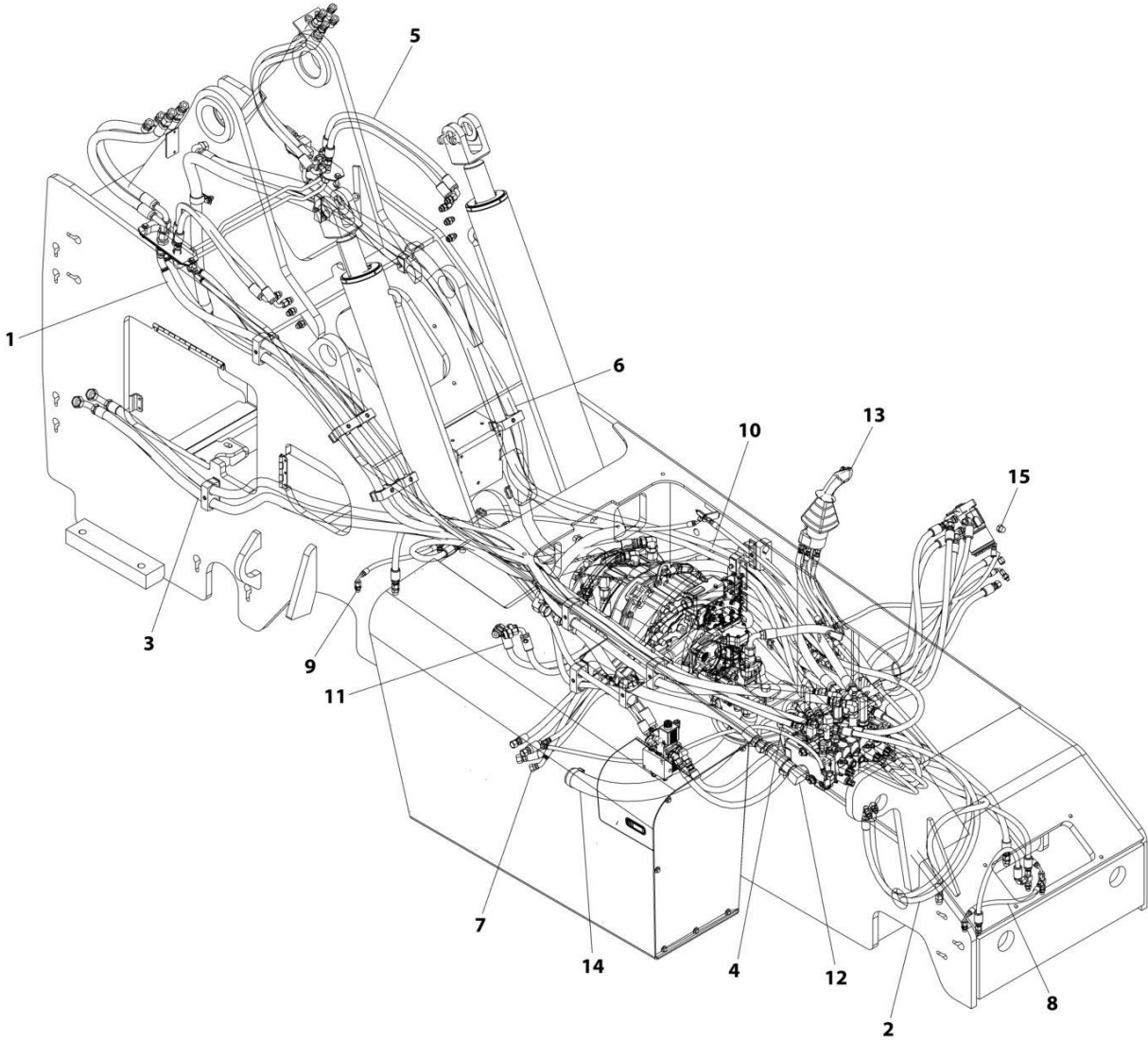
FIGURE 7-5. SECONDARY TALL CONTROL

ITEM	PART NUMBER	QTY	DESCRIPTION	REV
	1001256068	Ref	SECONDARY TALL CONTROL	A
1	1001173581	1	Control	
2	1001256067	1	Cable	

SECTION 8 - HYDRAULIC CIRCUITS

SECTION 8 - HYDRAULIC CIRCUITS

FIGURE 8-1. HYDRAULIC INSTALLATION



ART_1001205748

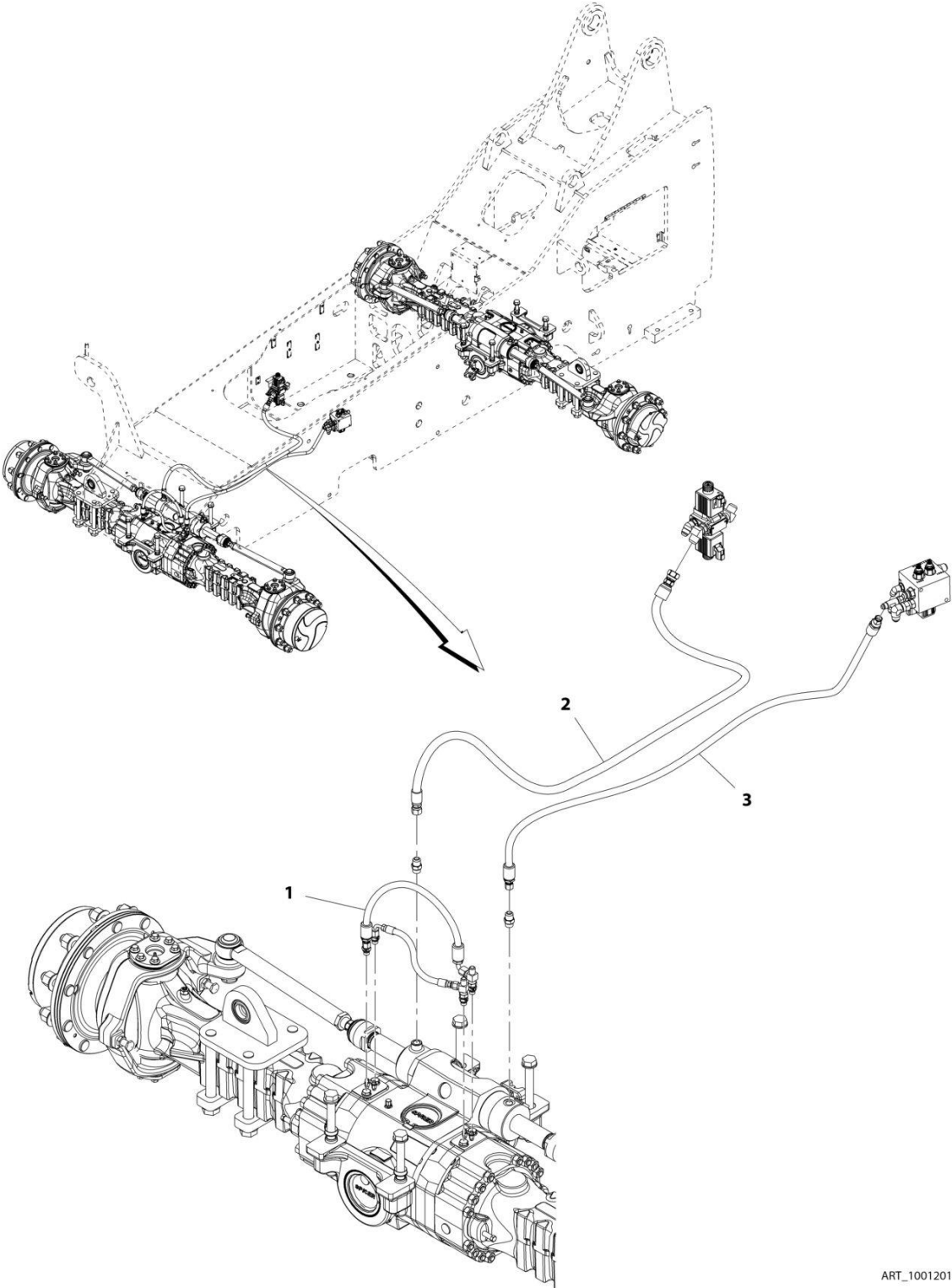
SECTION 8 - HYDRAULIC CIRCUITS

FIGURE 8-1. HYDRAULIC INSTALLATION

ITEM	PART NUMBER	QTY	DESCRIPTION	REV
	1001205748	Ref	HYDRAULIC INSTALLATION, 74HP (ULS)	E
1	1001159869	Ref	Hydraulic Extend Plumbing Installation (See Separate Breakdown in this Section)	
2	1001160825	Ref	Hydraulic Frame Tilt Plumbing Installation (See Separate Breakdown in this Section)	
3	1001171873	Ref	Hydraulic Transmission Cooler Plumbing Installation (See Separate Breakdown in this Section)	
4	1001196293	Ref	Hydraulic Fork Plumbing Installation (See Separate Breakdown in this Section)	
5	1001196388	Ref	Rear Bulkhead Installation (See Separate Breakdown in this Section)	
6	1001196668	Ref	Hydraulic Cooler Plumbing Installation (See Separate Breakdown in this Section)	
7	1001197421	Ref	Hydraulic Valves Installation (See Separate Breakdown in this Section)	
8	1001201987	Ref	Front Axle Hydraulic Installation (See Separate Breakdown in this Section)	
9	1001201989	Ref	Rear Axle Hydraulic Installation (See Separate Breakdown in this Section)	
10	1001202467	Ref	Frame Auxiliary Installation (See Separate Breakdown in this Section)	
11	1001215159	Ref	Hydraulic Frame Cylinders Installation (See Separate Breakdown in this Section)	
12	1001196290	Ref	Main Control Valve Installation (See Separate Breakdown in this Section)	
13	1001205754	Ref	Installation, Cab Hydraulics (See Separate Breakdown in this Section)	
14	1001196650	Ref	Hydraulic Pump Installation (See Separate Breakdown in this Section)	
15	1001211945	Ref	Brake Valve Plug Installation	
15	2220238	1	Plug	

SECTION 8 - HYDRAULIC CIRCUITS

FIGURE 8-2. AXLE (FRONT) HYDRAULICS INSTALLATION



ART_1001201987-C

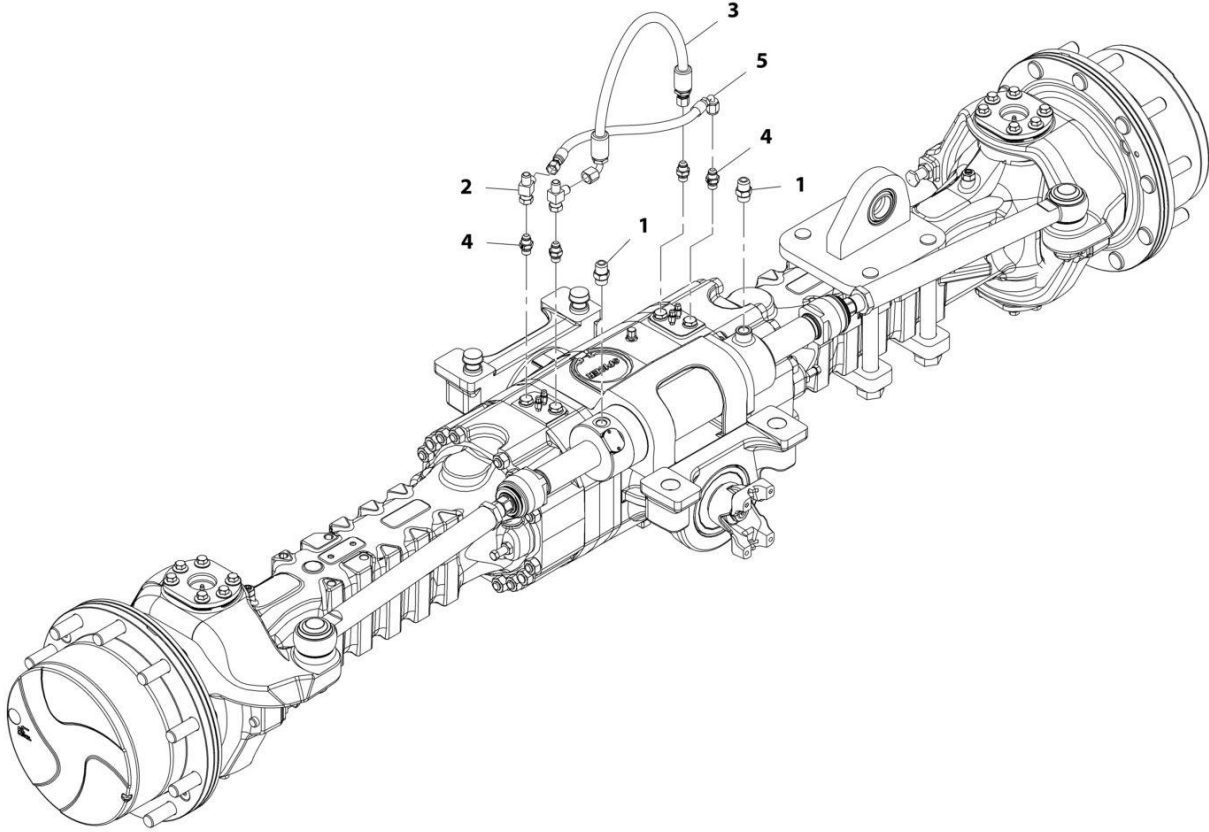
SECTION 8 - HYDRAULIC CIRCUITS

FIGURE 8-2. AXLE (FRONT) HYDRAULICS INSTALLATION

ITEM	PART NUMBER	QTY	DESCRIPTION	REV
1	1001201987	Ref	Front Axle Hydraulic Installation	C
	1001201988	1	Assembly, Front Axle Hydraulic (See Separate Breakdown in this Section)	
2	1001194757	1	Hose	
3	2716763	1	Hose	

SECTION 8 - HYDRAULIC CIRCUITS

FIGURE 8-3. AXLE (FRONT) HYDRAULICS ASSEMBLY



ART_1001201988-B

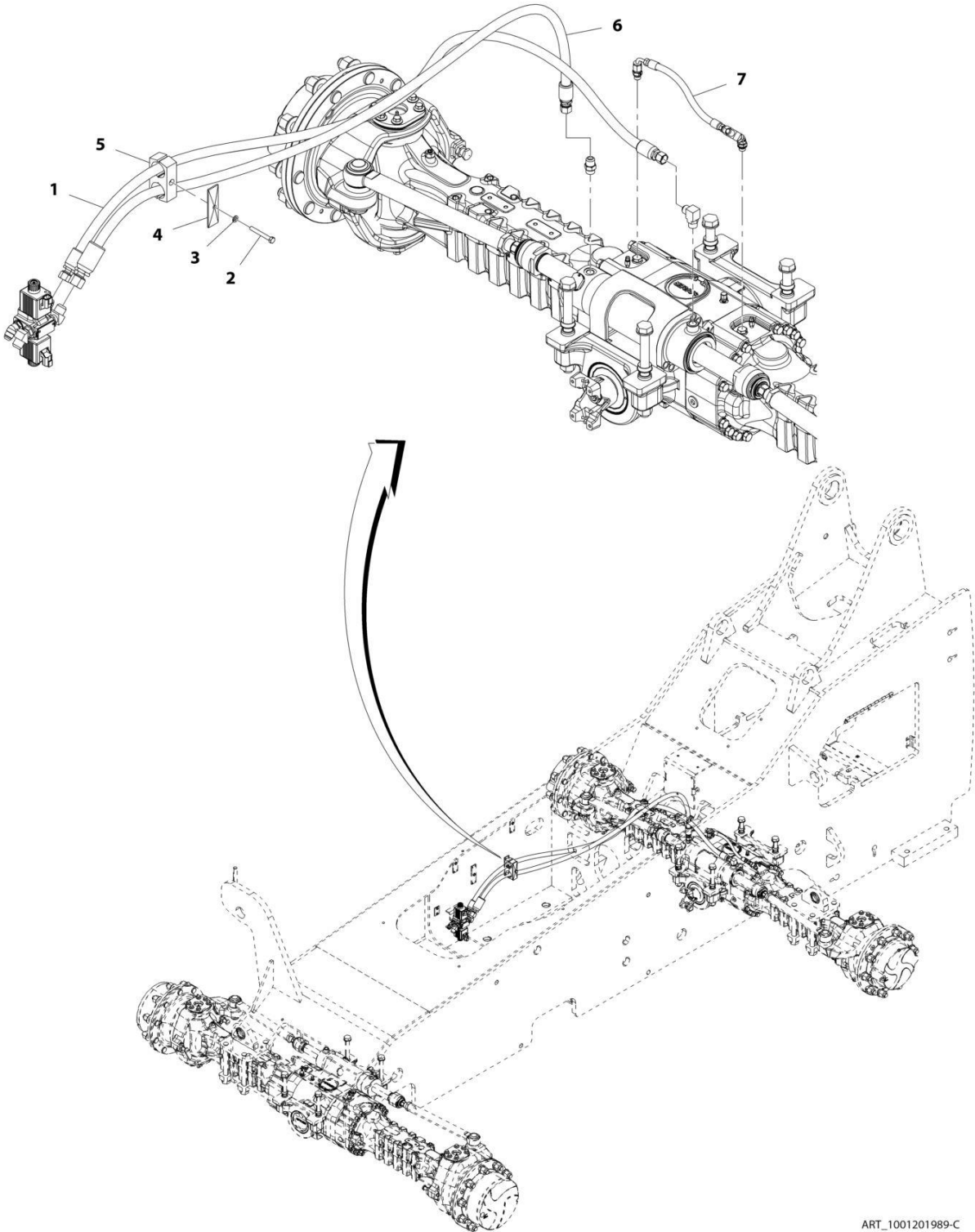
SECTION 8 - HYDRAULIC CIRCUITS

FIGURE 8-3. AXLE (FRONT) HYDRAULICS ASSEMBLY

ITEM	PART NUMBER	QTY	DESCRIPTION	REV
	1001201988	Ref	Front Axle Hydraulic Assembly	B
1	2220373	2	Adapter, Straight	
2	2220635	2	Adapter, Run Tee	
3	2716670	1	Hose	
4	8770064	4	Adapter, Straight	
5	1001210858	1	Hose	

SECTION 8 - HYDRAULIC CIRCUITS

FIGURE 8-4. AXLE (REAR) HYDRAULICS INSTALLATION



ART_1001201989-C

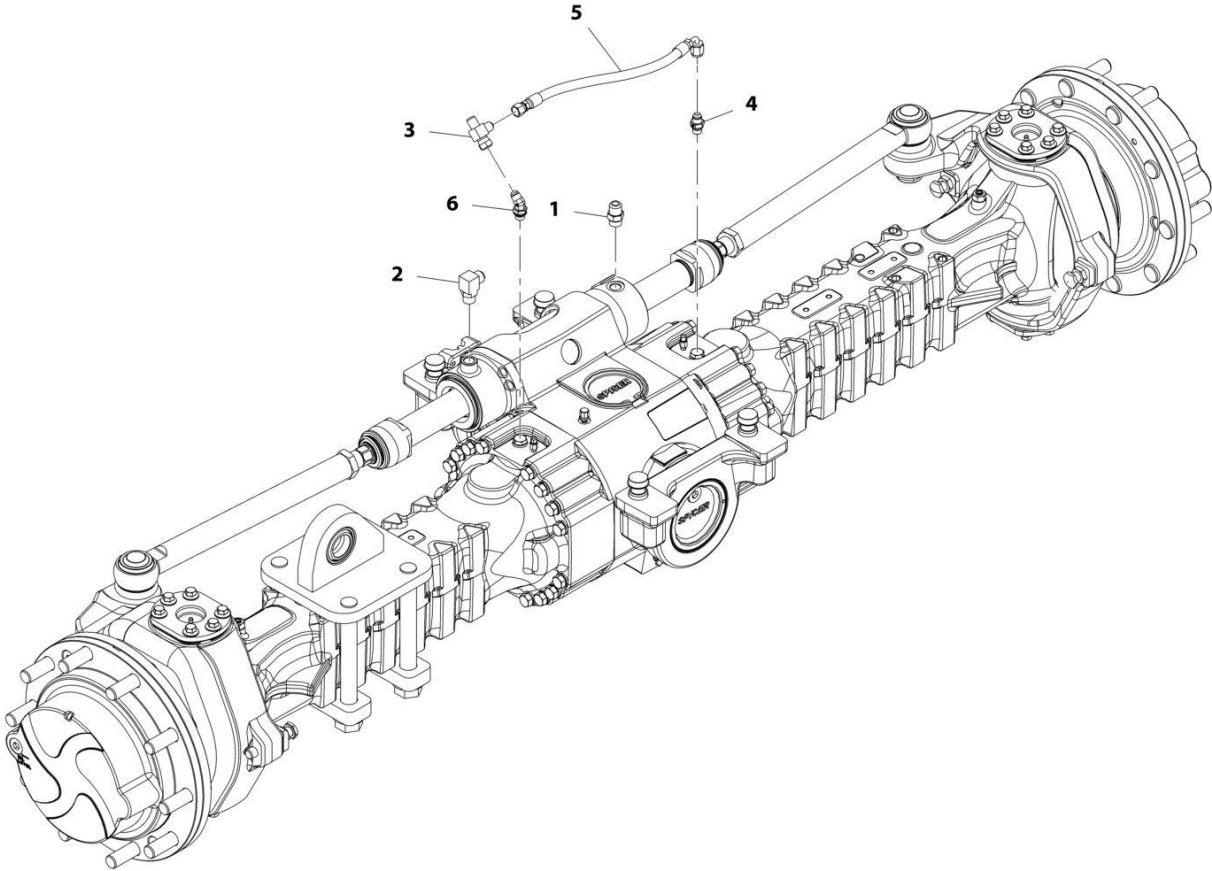
SECTION 8 - HYDRAULIC CIRCUITS

FIGURE 8-4. AXLE (REAR) HYDRAULICS INSTALLATION

ITEM	PART NUMBER	QTY	DESCRIPTION	REV
	1001201989	Ref	Rear Axle Hydraulic Installation	C
1	2716673	1	Hose	
2	8303757	1	Bolt, 5/16-18X2-1/2	
3	8307004	1	Washer, Lock 5/16	
4	8750025	1	Cover Plate, Twin	
5	8750040	1	Clamp Set, Twin	
6	1001178224	1	Hose	
7	1001201990	1	Assembly, Rear Axle Hydraulic (See Separate Breakdown in this Section)	

SECTION 8 - HYDRAULIC CIRCUITS

FIGURE 8-5. AXLE (REAR) HYDRAULICS ASSEMBLY



ART_1001201990-B

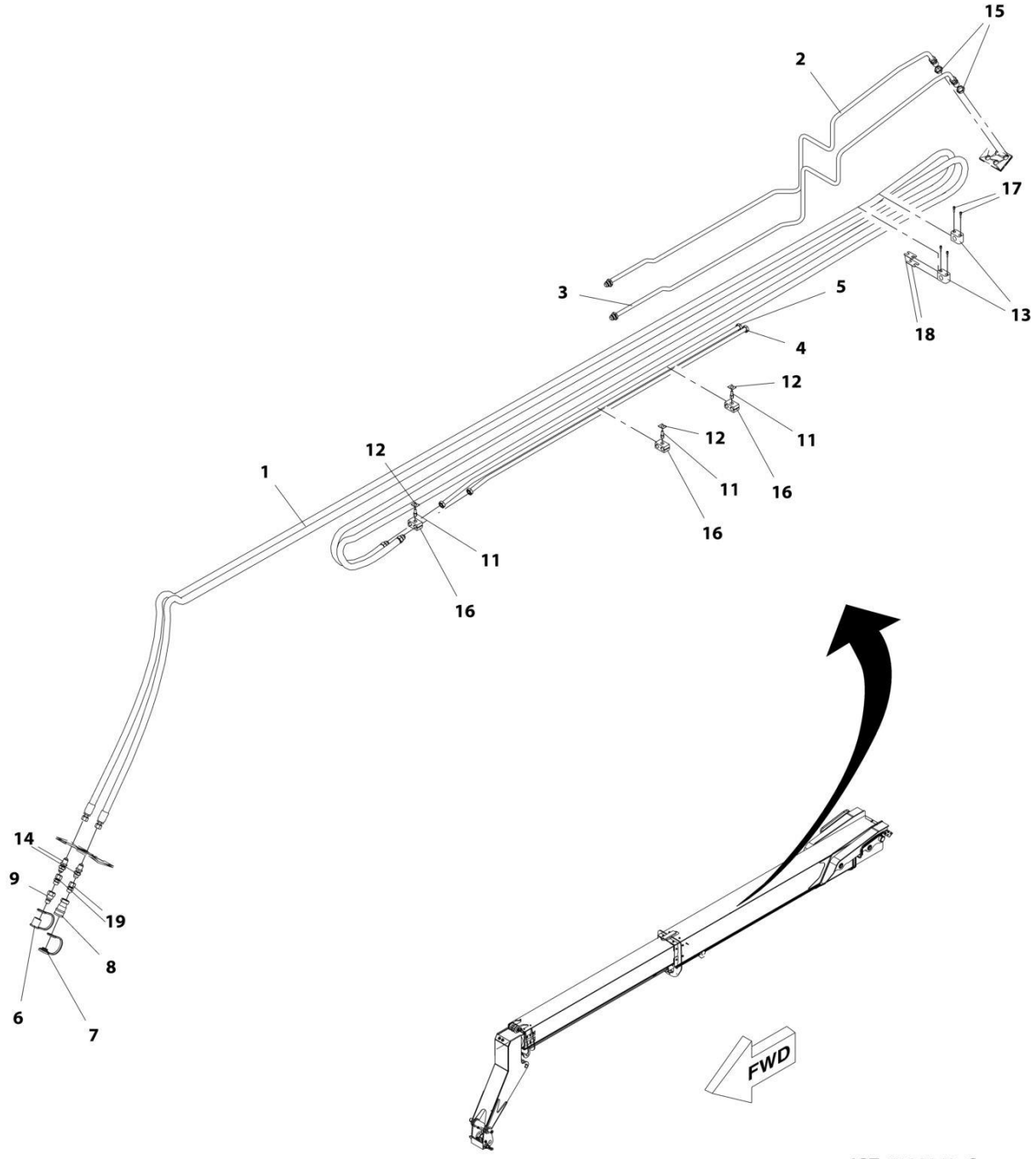
SECTION 8 - HYDRAULIC CIRCUITS

FIGURE 8-5. AXLE (REAR) HYDRAULICS ASSEMBLY

ITEM	PART NUMBER	QTY	DESCRIPTION	REV
	1001201990	Ref	Rear Axle Hydraulic Assembly	B
1	2220373	1	Adapter, Straight	
2	2220596	1	Adapter, 90	
3	2220635	1	Adapter, Run Tee	
4	8770064	1	Adapter, Straight	
5	1001210858	1	Hose	
6	1001202043	1	Adapter, 45	

SECTION 8 - HYDRAULIC CIRCUITS

FIGURE 8-6. BOOM AUXILIARY HYDRAULICS



ART_7139968_G

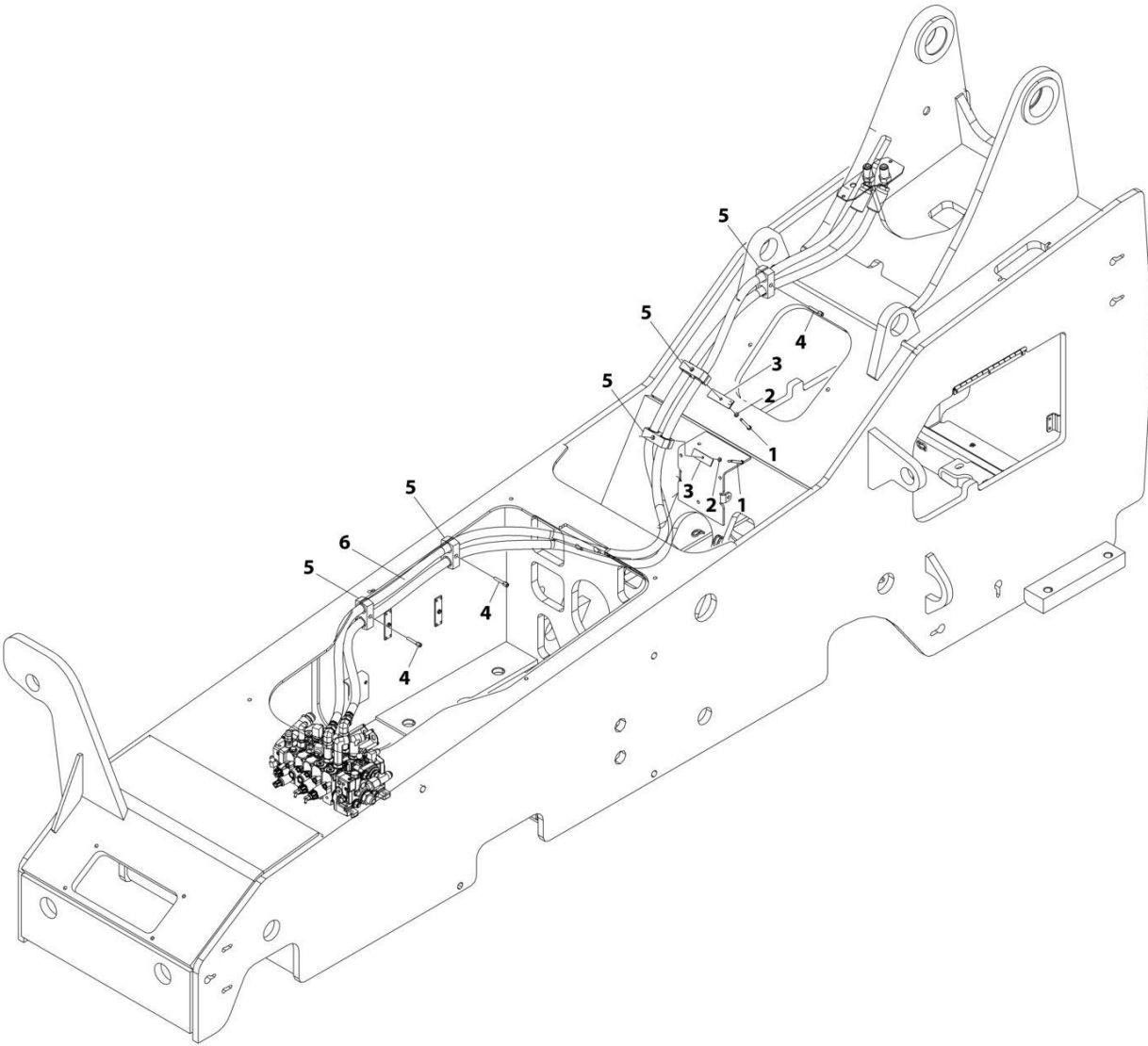
SECTION 8 - HYDRAULIC CIRCUITS

FIGURE 8-6. BOOM AUXILIARY HYDRAULICS

ITEM	PART NUMBER	QTY	DESCRIPTION	REV
	7139968	Ref	Boom Auxiliary Hydraulics Installation - 6036 (6036)	G
1	2716792	2	Hose	
2	7139728	1	Tube, Auxiliary Inside	
3	7139729	1	Tube, Auxiliary Outside	
4	7150837	1	Tube, Boom Extension Outside Pipe	
5	7150838	1	Tube, Boom Extension Inside Pipe	
6	8420053	1	Cap, Dust	
7	8420055	1	Plug, Dust	
8	91403413	1	Adapter, Quick Disconnect	
9	91403414	1	Adapter, Quick Disconnect	
11	8750011	3	Bolt, Stacking 5/16	
12	8750017	3	Plate, Twin Clamp Locking	
13	8750029	2	Clamp Set, Single 3/4	
14	2230025	2	Adapter, Bulkhead Straight	
15	8760465	2	Adapter, Bulkhead Nut	
16	8769122	3	Clamp Set, Twin 5/8	
17	8769155	4	Bolt, Stacking	
18	8769156	2	Plate, Single Safety Lock	
19	2220651	2	Adapter, Straight	

SECTION 8 - HYDRAULIC CIRCUITS

FIGURE 8-7. BOOM EXTEND/RETRACT HYDRAULICS (MAIN VALVE TO BOOM)



ART_1001159869

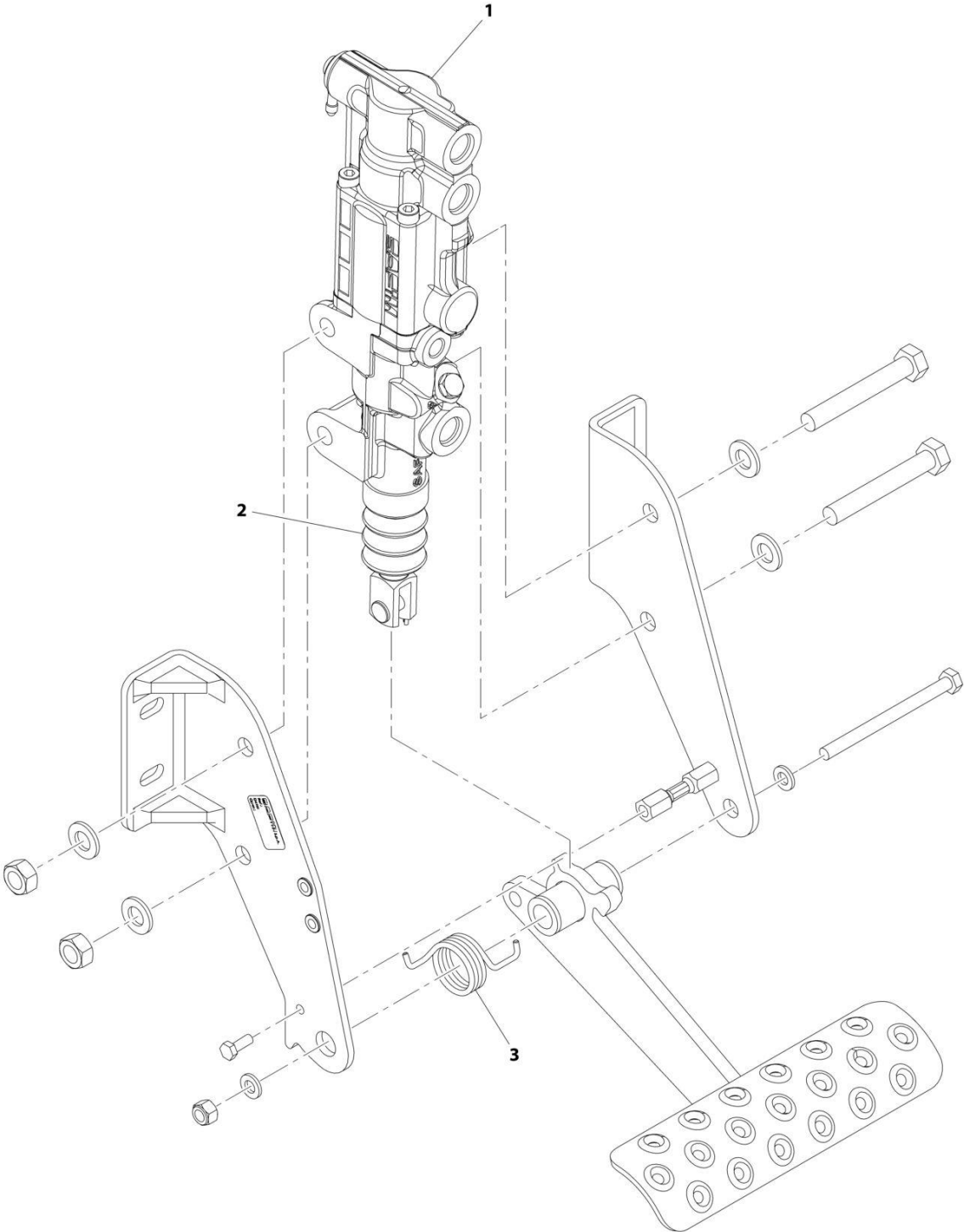
SECTION 8 - HYDRAULIC CIRCUITS

FIGURE 8-7. BOOM EXTEND/RETRACT HYDRAULICS (MAIN VALVE TO BOOM)

ITEM	PART NUMBER	QTY	DESCRIPTION	REV
	1001159869	Ref	HYDRAULIC EXTEND PLUMBING INSTALLATION	G
1	8303757	2	Bolt 5/16 x 2-1/2	
2	8307004	2	Washer 5/16	
3	8750025	2	Cover Plate, Twin	
4	8750026	3	Bolt, Stacking	
5	8750040	5	Clamp Set, Twin	
6	1001254087	2	Hose	

SECTION 8 - HYDRAULIC CIRCUITS

FIGURE 8-8. BRAKE & FITTINGS ASSEMBLY



ART_1001223050-B

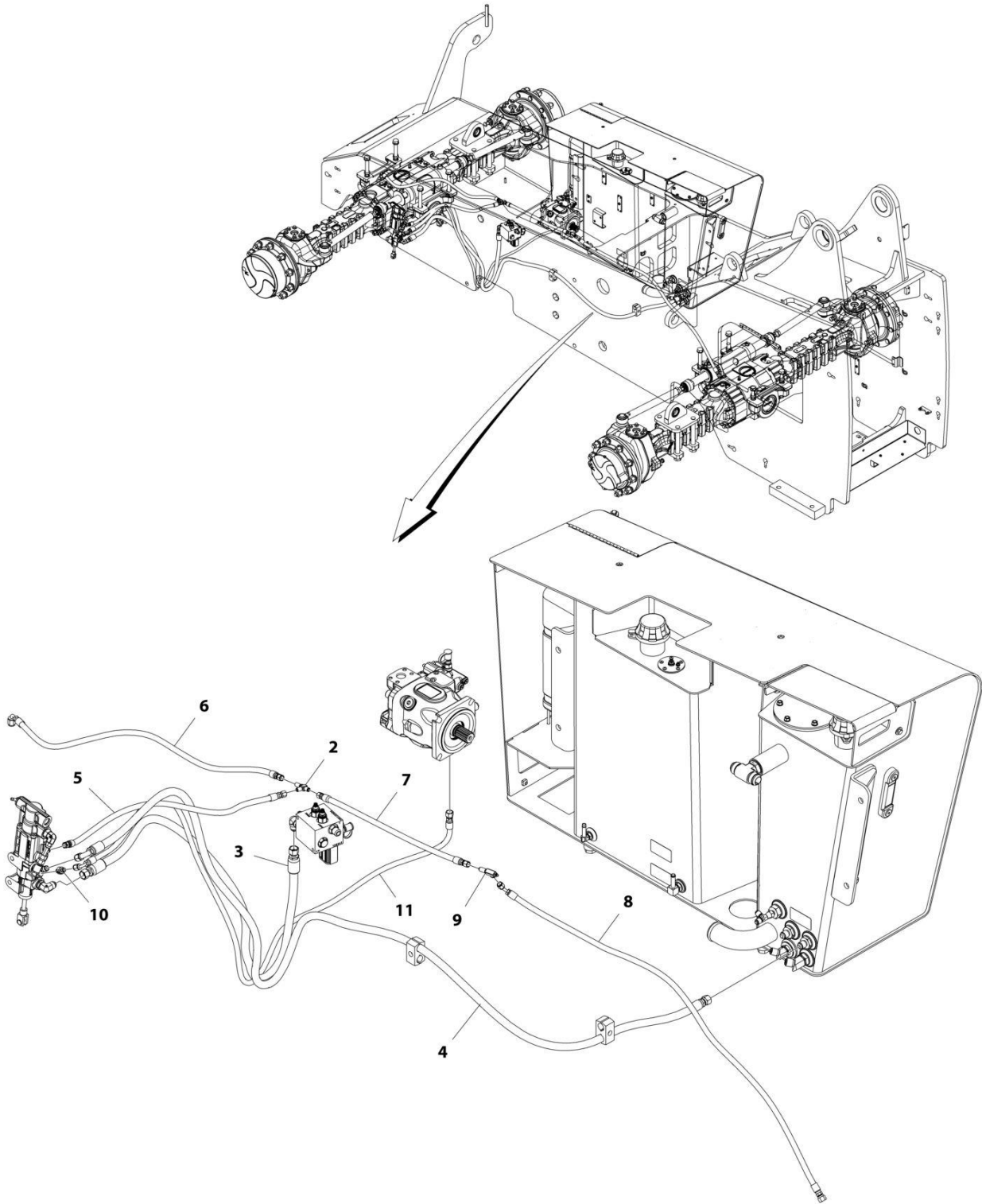
SECTION 8 - HYDRAULIC CIRCUITS

FIGURE 8-8. BRAKE & FITTINGS ASSEMBLY

ITEM	PART NUMBER	QTY	DESCRIPTION	REV
1	1001223050	Ref	Hydraulic Brake Valve Installation	B
	1001201721	1	Brake Valve (See Separate Breakdown in HYDRAULIC COMPONENTS Section)	
2	70025859	1	Dust Cover	
3	70028547	1	Spring, Return	

SECTION 8 - HYDRAULIC CIRCUITS

FIGURE 8-9. BRAKE HYDRAULICS



ART_1001205753

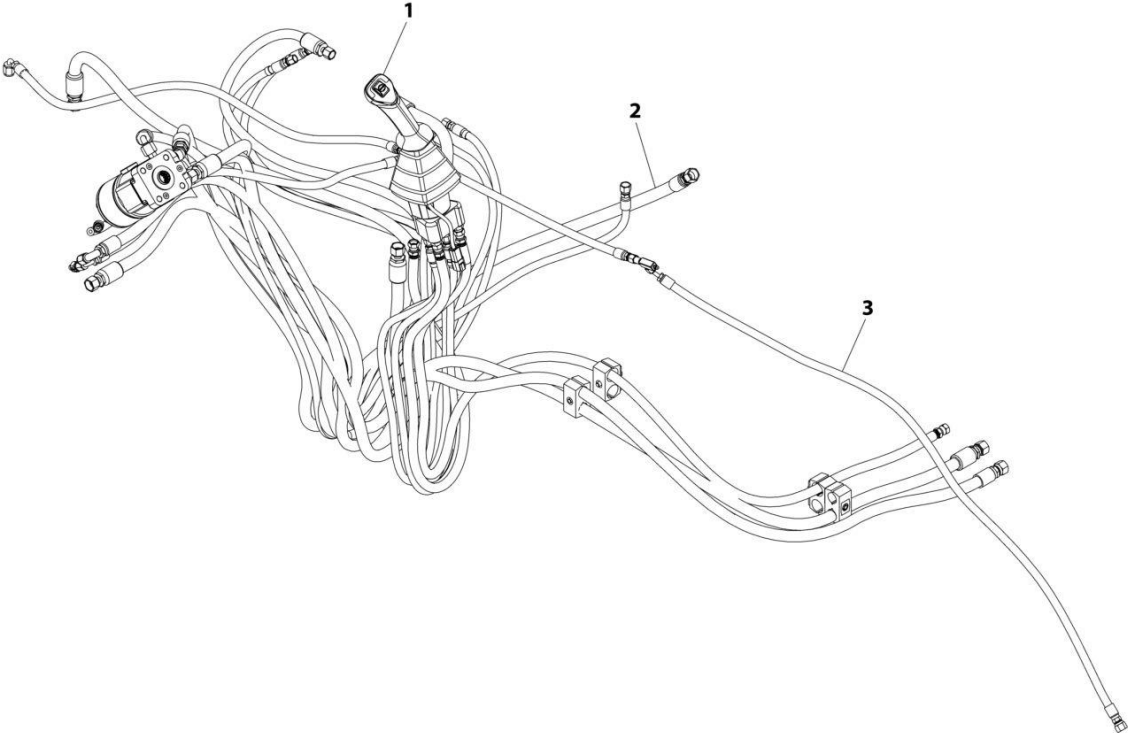
SECTION 8 - HYDRAULIC CIRCUITS

FIGURE 8-9. BRAKE HYDRAULICS

ITEM	PART NUMBER	QTY	DESCRIPTION	REV
	1001205753	Ref	BRAKE HYDRAULICS INSTALLATION, 74HP	D
2	10728823	1	Adapter, Run Tee	
3	1001201726	1	Hose	
4	1001201728	1	Hose	
5	1001210854	1	Hose	
6	1001210855	1	Hose	
7	1001210856	1	Hose	
8	1001210857	1	Hose	
9	1001201734	1	Manifold, Brake Bleeder Tee	
10	1001183370	1	Valve, Check	
11	1001209223	1	Hose	

SECTION 8 - HYDRAULIC CIRCUITS

FIGURE 8-10. CAB HYDRAULICS INSTALLATION



ART_1001205754

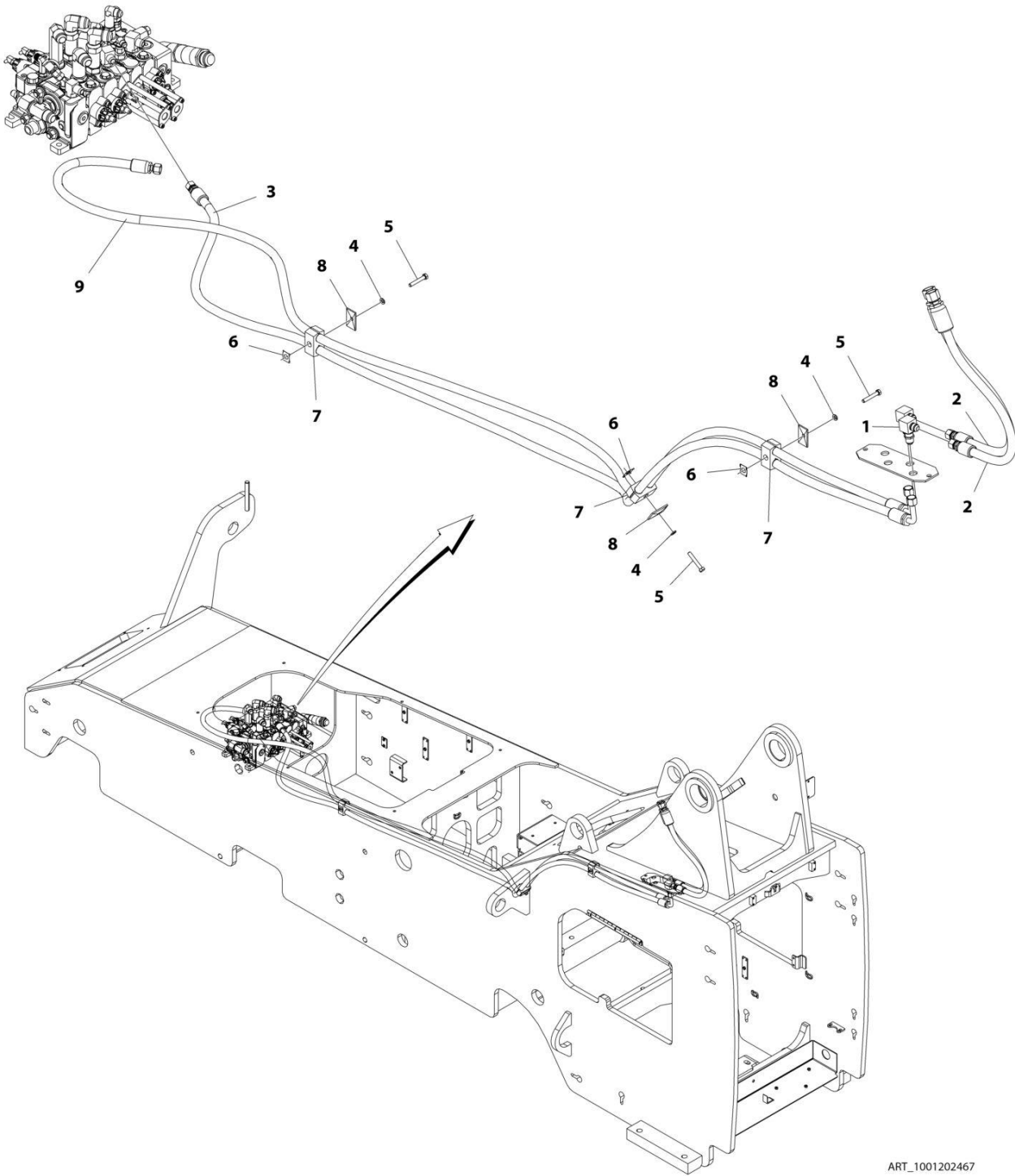
SECTION 8 - HYDRAULIC CIRCUITS

FIGURE 8-10. CAB HYDRAULICS INSTALLATION

ITEM	PART NUMBER	QTY	DESCRIPTION	REV
	1001205754	Ref	CAB HYDRAULICS INSTALLATION	C
1	1001158854	Ref	Installation, Pilot Control (See Separate Breakdown in this Section)	
2	1001158856	Ref	Installation, Steering Hydraulics (See Separate Breakdown in this Section)	
3	1001205753	Ref	Installation, Brake Hydraulics (See Separate Breakdown in this Section)	

SECTION 8 - HYDRAULIC CIRCUITS

FIGURE 8-11. FRAME AUXILIARY HYDRAULICS



ART_1001202467

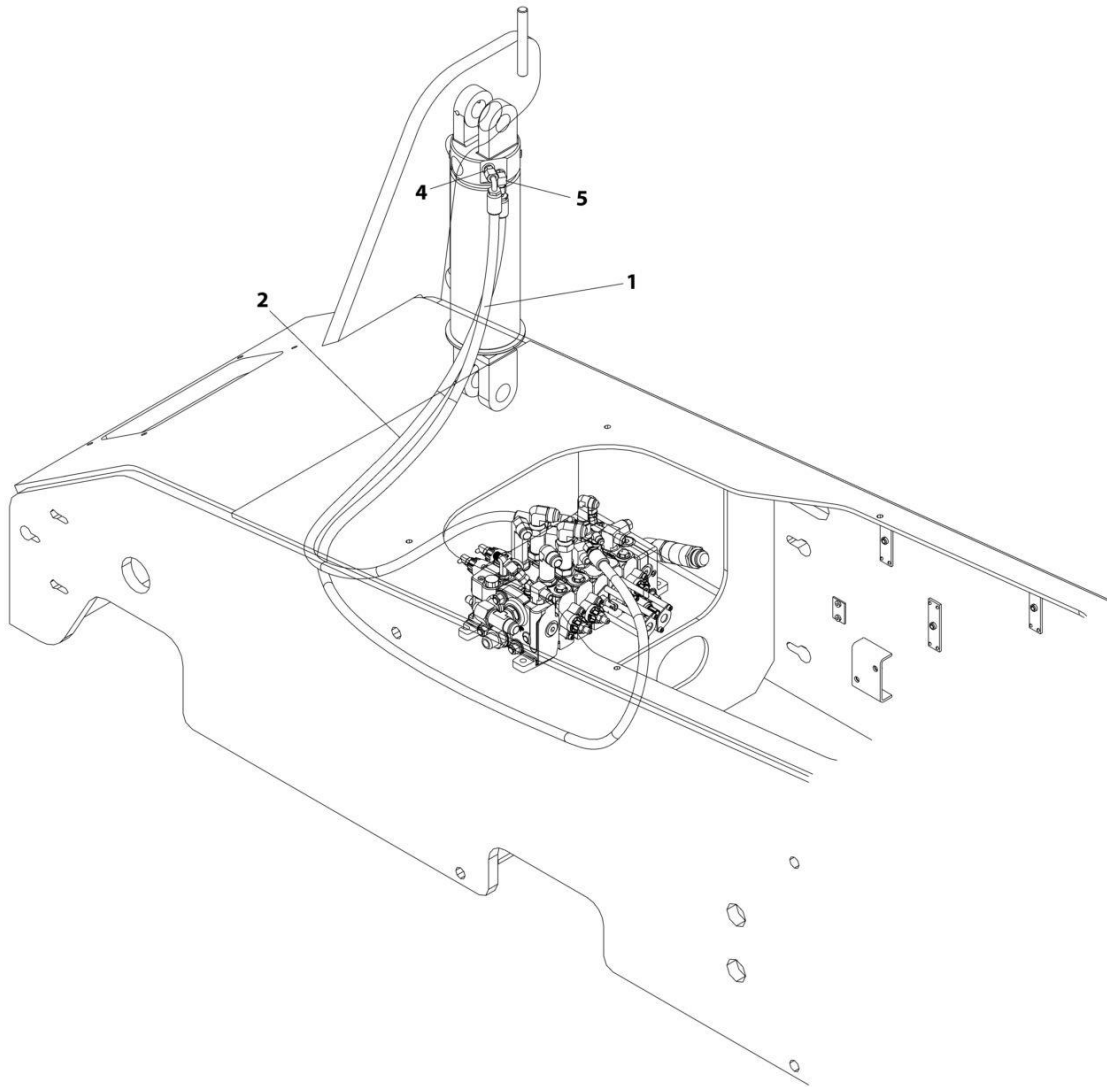
SECTION 8 - HYDRAULIC CIRCUITS

FIGURE 8-11. FRAME AUXILIARY HYDRAULICS

ITEM	PART NUMBER	QTY	DESCRIPTION	REV
	1001202467	Ref	FRAME AUXILIARY INSTALLATION	E
1	2230044	2	Adapter, Bulkhead 90 JIC	
2	2716713	2	Hose	
3	1001254102	1	Hose	
4	8307004	3	Washer 5/16	
5	8310009	3	Bolt 5/16 x 2	
6	8750017	3	Plate, Twin Clamp Locking	
7	8750027	3	Clamp Set, Twin	
8	8769128	3	Cover Plate, Twin	
9	1001254103	1	Hose	

SECTION 8 - HYDRAULIC CIRCUITS

FIGURE 8-12. FRAME TILT HYDRAULICS



ART_1001160825

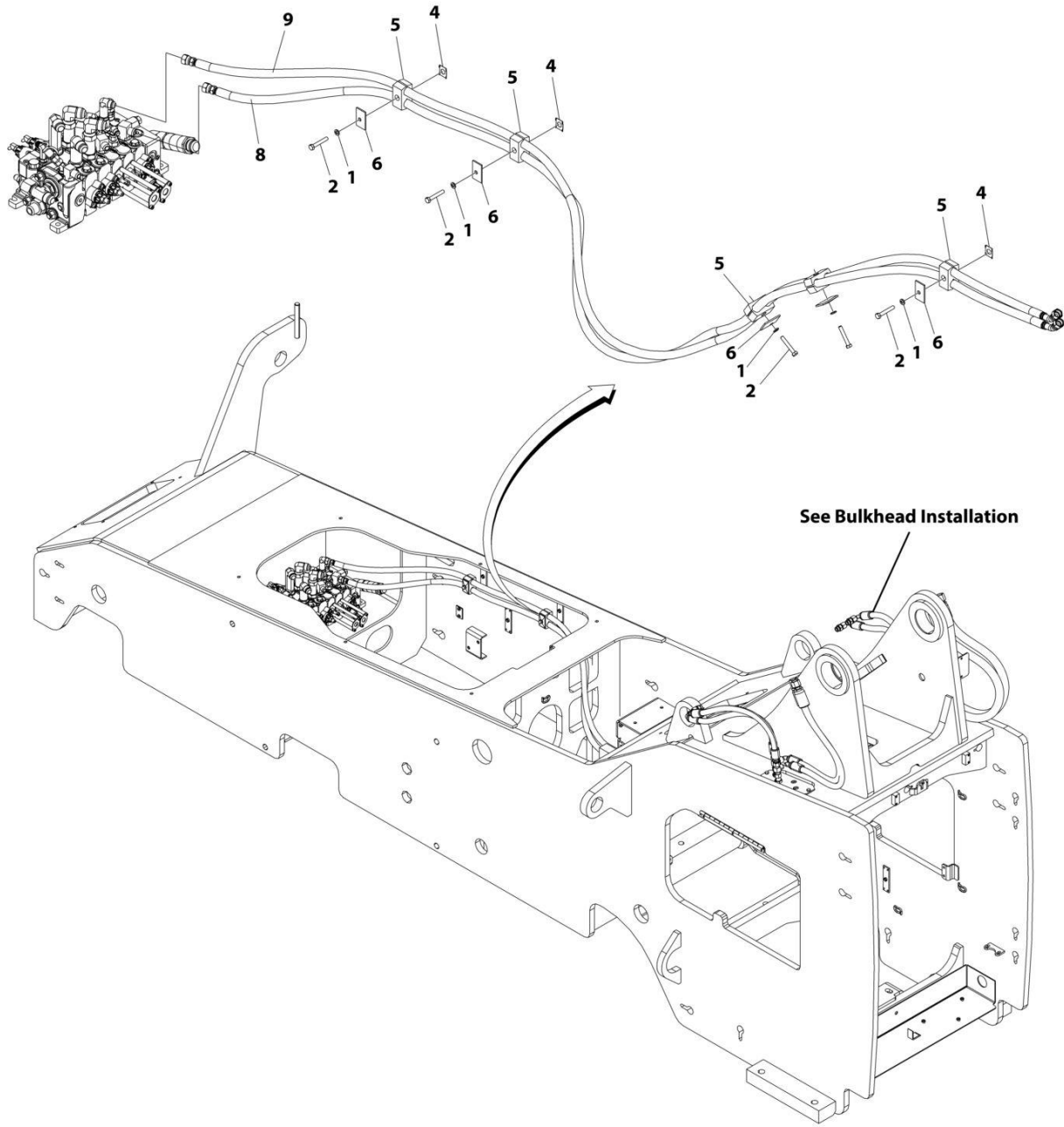
SECTION 8 - HYDRAULIC CIRCUITS

FIGURE 8-12. FRAME TILT HYDRAULICS

ITEM	PART NUMBER	QTY	DESCRIPTION	REV
	1001160825	Ref	HYDRAULIC FRAME TILT PLUMBING INSTALLATION	F
1	1001254106	1	Hose	
2	1001254107	1	Hose	
4	2220371	1	Fitting	
5	2220473	1	Fitting	

SECTION 8 - HYDRAULIC CIRCUITS

FIGURE 8-13. FORK HYDRAULICS (MAIN VALVE TO BOOM)



ART_1001196293

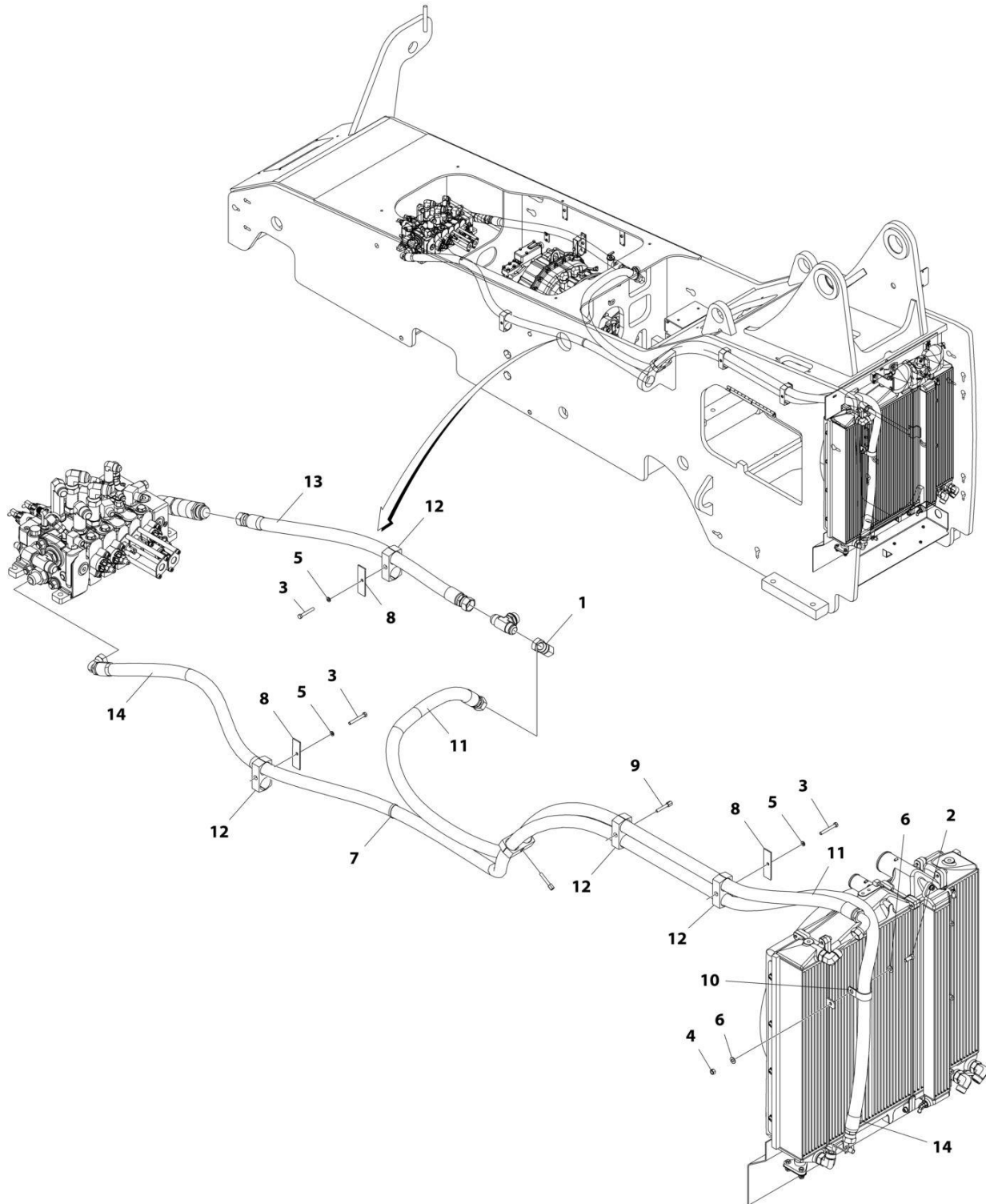
SECTION 8 - HYDRAULIC CIRCUITS

FIGURE 8-13. FORK HYDRAULICS (MAIN VALVE TO BOOM)

ITEM	PART NUMBER	QTY	DESCRIPTION	REV
	1001196293	Ref	HYDRAULIC FORK PLUMBING INSTALLATION	H
1	8307004	5	Washer 5/16	
2	8310009	5	Bolt 5/16 x 2	
4	8750017	3	Plate, Twin Clamp Locking	
5	8750027	5	Clamp Set, Twin	
6	8769128	5	Cover Plate, Twin	
8	1001254088	1	Hose	
9	1001254089	1	Hose	

SECTION 8 - HYDRAULIC CIRCUITS

FIGURE 8-14. HYDRAULIC OIL COOLER HYDRAULICS



ART_1001196668

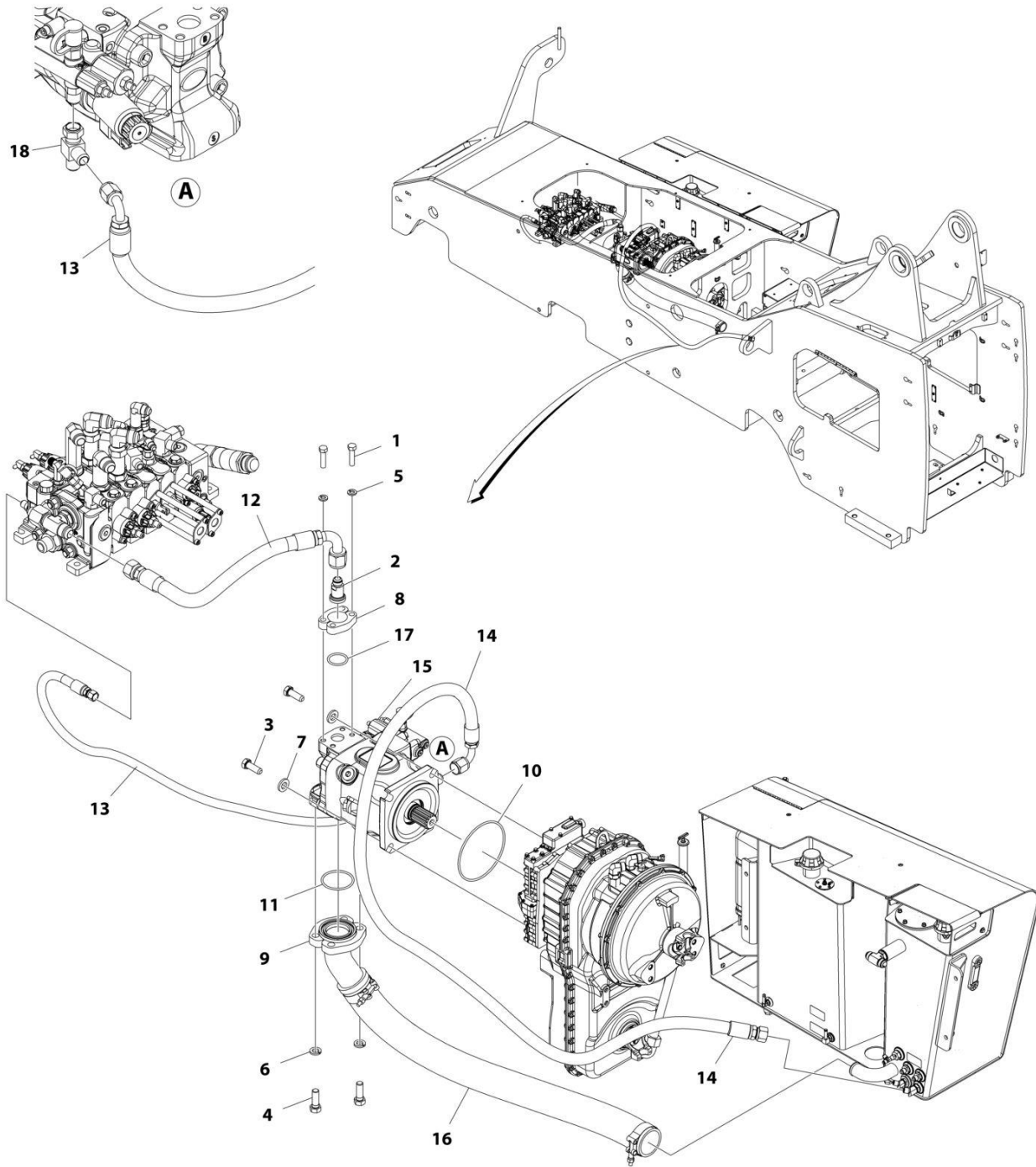
SECTION 8 - HYDRAULIC CIRCUITS

FIGURE 8-14. HYDRAULIC OIL COOLER HYDRAULICS

ITEM	PART NUMBER	QTY	DESCRIPTION	REV
	1001196668	Ref	HYDRAULIC COOLER PLUMBING INSTALLATION,	E
1	2220878	1	Adapter, 90	
2	8303620	1	Bolt 3/8 x 1	
3	8303757	3	Bolt 5/16 x 2-1/2	
4	8305008	1	Nut 3/8	
5	8307004	3	Washer 5/16	
6	8307110	2	Washer 3/8	
7	8584007	AR	Wrap, Tie	
8	8750025	3	Cover Plate, Twin	
9	8750026	2	Bolt, Stacking	
10	85841150	1	Clamp, Support	
11	1001192015	1	Hose	
12	1001196109	5	Clamp Set, Twin	
13	1001196669	1	Hose	
14	1001196671	1	Hose	

SECTION 8 - HYDRAULIC CIRCUITS

FIGURE 8-15. HYDRAULIC PUMP INSTALLATION



ART_1001196650

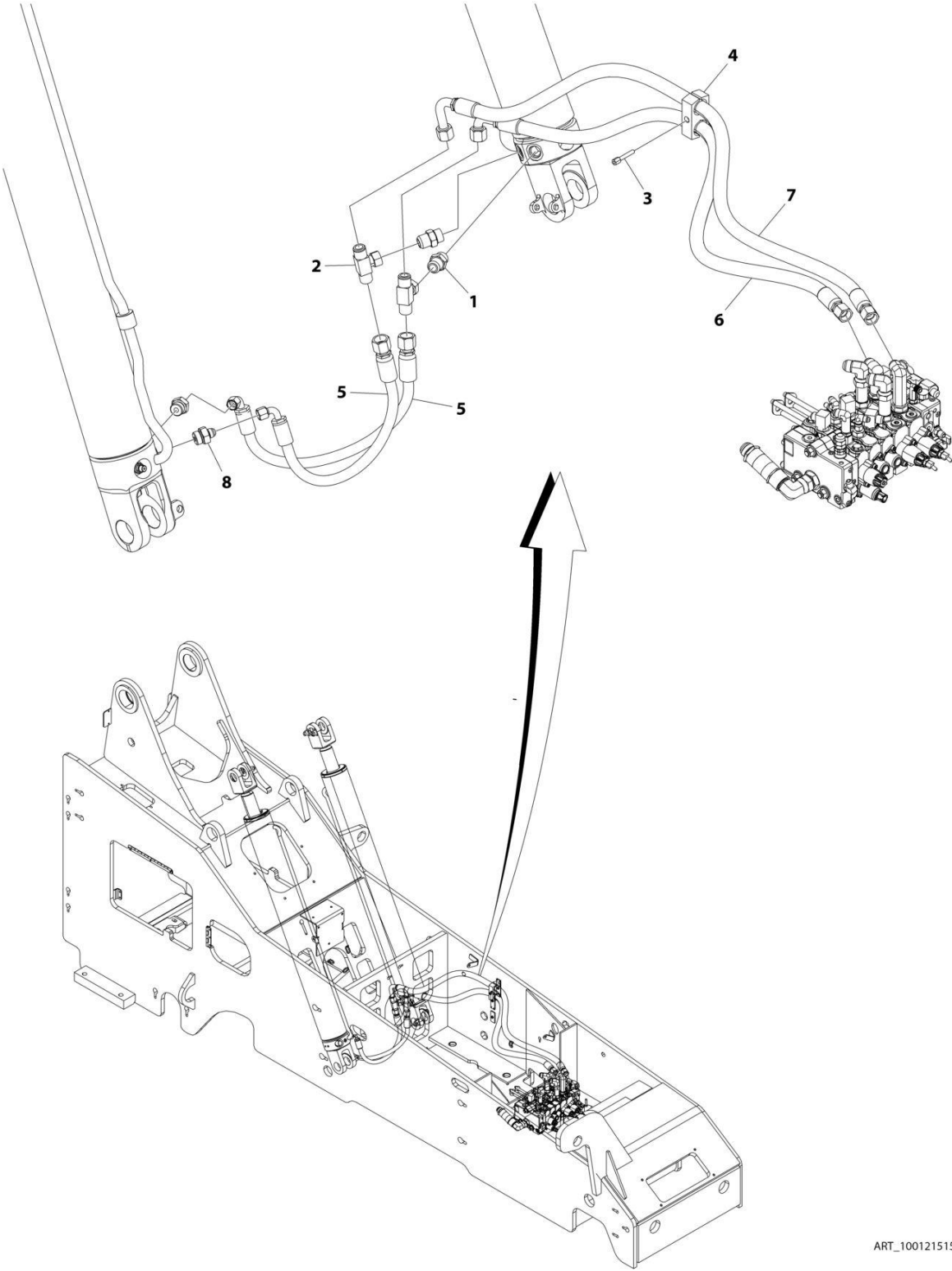
SECTION 8 - HYDRAULIC CIRCUITS

FIGURE 8-15. HYDRAULIC PUMP INSTALLATION

ITEM	PART NUMBER	QTY	DESCRIPTION	REV
	1001196650	Ref	HYDRAULIC PUMP INSTALLATION	H
1	0641612	4	Bolt 3/8 x 1-1/2	
2	1001213118	1	Adapter, 90	
3	8303519	4	Bolt M12 x 35	
4	8303626	4	Bolt 1/2 x 1-1/2	
5	8307005	4	Washer 3/8	
6	8307007	4	Washer 1/2	
7	8310356	4	Washer M12	
8	8530030	2	Flange Half	
9	8546407	2	Flange Half	
10	8630019	1	O-Ring	
11	8640208	1	O-Ring	
12	1001254104	1	Hose	
13	1001254105	1	Hose	
14	1001196649	1	Hose	
15	1001251426	1	Installation, Piston Pump (See Separate Breakdown in this Section)	
16	1001227508	1	Hose	
17	8640123	1	O-Ring	
18	2220635	1	Fitting	

SECTION 8 - HYDRAULIC CIRCUITS

FIGURE 8-16. LIFT CYLINDER HYDRAULICS



ART_1001215159

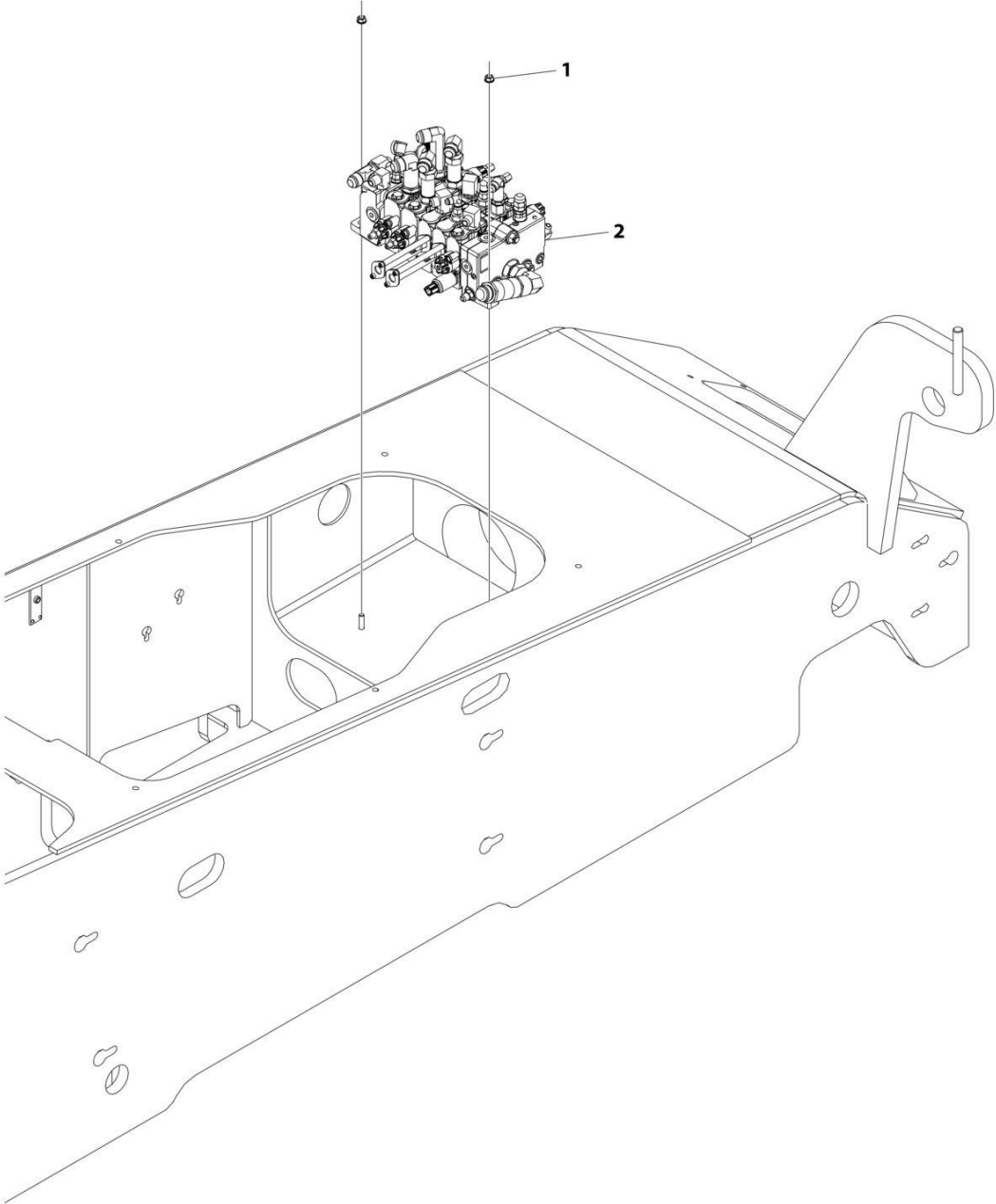
SECTION 8 - HYDRAULIC CIRCUITS

FIGURE 8-16. LIFT CYLINDER HYDRAULICS

ITEM	PART NUMBER	QTY	DESCRIPTION	REV
	1001215159	Ref	HYDRAULIC FRAME CYLINDERS INSTALLATION	B
1	2220451	2	Adapter	
2	2220682	2	Adapter	
3	8750026	1	Bolt, Stacking	
4	8750040	1	Clamp Set	
5	2716675	2	Hose	
6	1001254108	1	Hose	
7	1001254109	1	Hose	
8	2220375	2	Adapter	

SECTION 8 - HYDRAULIC CIRCUITS

FIGURE 8-17. MAIN CONTROL VALVE INSTALLATION



ART_1001196290_D

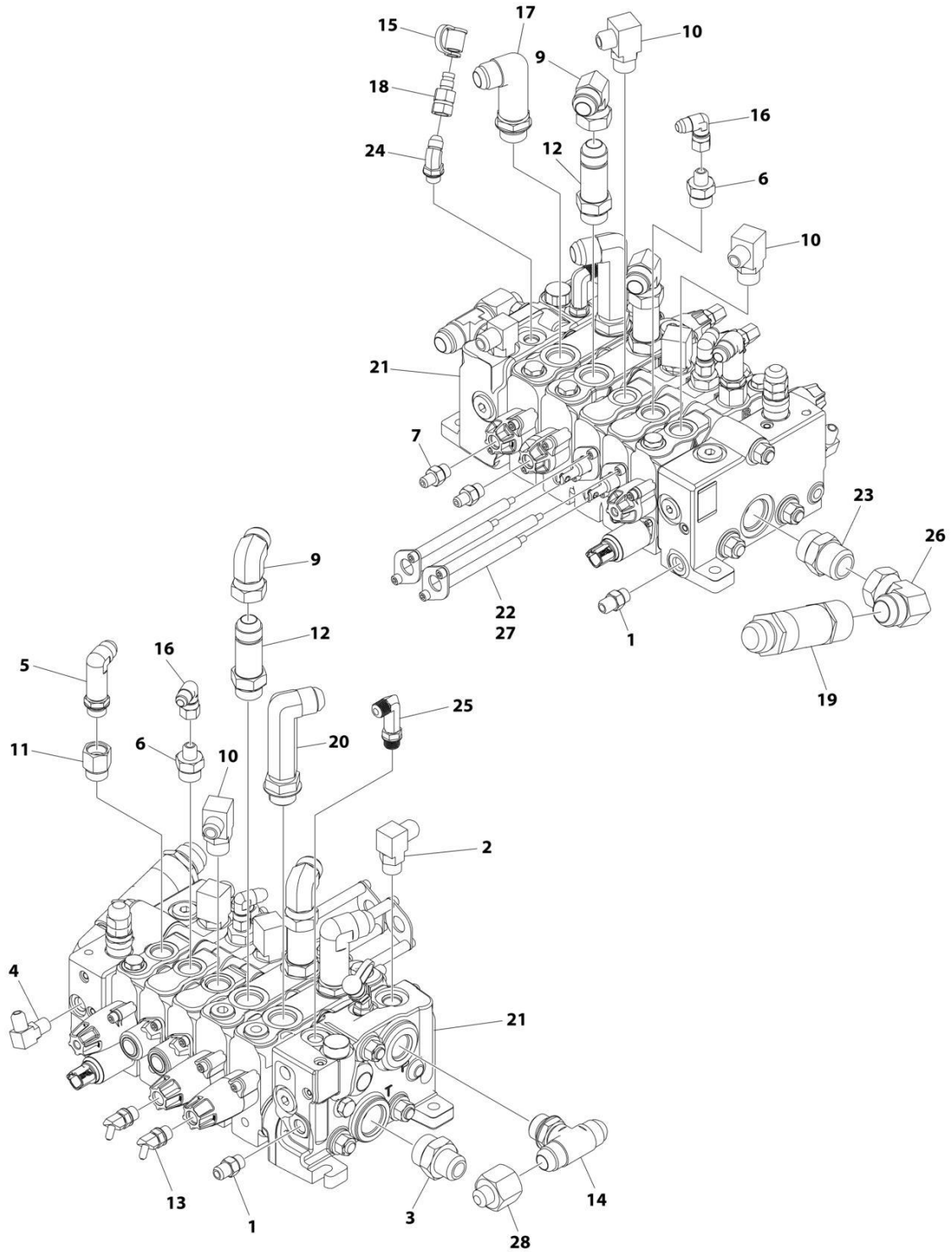
SECTION 8 - HYDRAULIC CIRCUITS

FIGURE 8-17. MAIN CONTROL VALVE INSTALLATION

ITEM	PART NUMBER	QTY	DESCRIPTION	REV
	1001196290	Ref	MAIN CONTROL VALVE INSTALLATION, 74HP	D
1	8310522	3	Nut 3/8	
2	1001252952	1	Assembly, Valve (See Separate Breakdown in this Section)	

SECTION 8 - HYDRAULIC CIRCUITS

FIGURE 8-18. MAIN CONTROL VALVE & FITTINGS ASSEMBLY



ART_1001252952

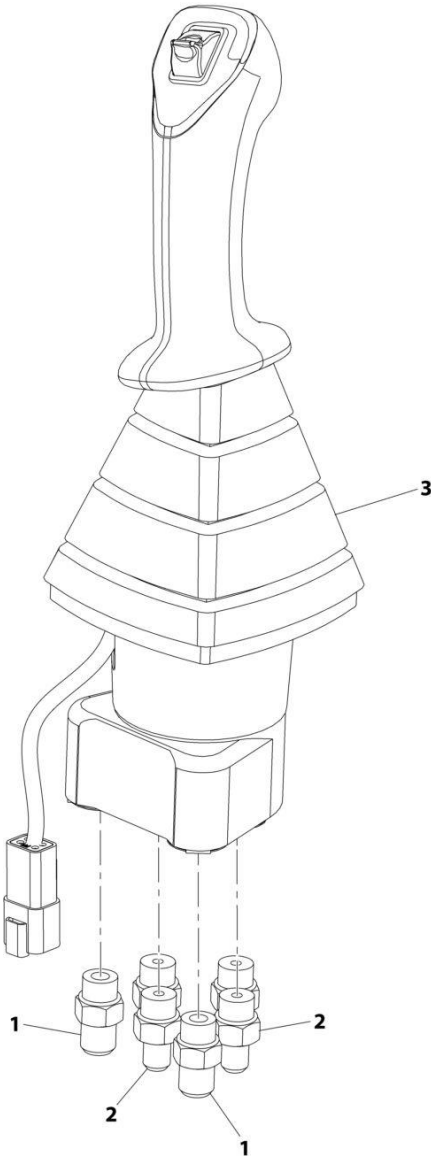
SECTION 8 - HYDRAULIC CIRCUITS

FIGURE 8-18. MAIN CONTROL VALVE & FITTINGS ASSEMBLY

ITEM	PART NUMBER	QTY	DESCRIPTION	REV
	1001252952	Ref	VALVE ASSEMBLY, 85HP	D
1	2220371	2	Adapter, Straight	
2	2220596	1	Adapter, 90	
3	2220435	1	Adapter, Straight	
4	2220473	1	Adapter, 90	
5	2220474	1	Adapter, 90	
6	2220497	2	Adapter	
7	2220582	2	Adapter, Straight	
9	2220655	2	Adapter, 90	
10	2220671	3	Adapter, 90	
11	2220810	1	Adapter, Straight	
12	2220974	2	Adapter, Long Straight	
13	2221040	2	Adapter, 45	
14	2220695	1	Adapter, Branch Tee	
15	8430032	1	Cap, Dust	
16	8760268	2	Adapter, 90	
17	8770157	1	Adapter, 90	
18	8430046	1	Adapter, Diagnostic	
19	1001174375	1	Valve, Check	
20	1001181576	1	Adapter, 90	
21	1001242925	1	Valve, Main Control (See Separate Breakdown in HYDRAULIC COMPONENTS Section)	
22	0100011	AR	Compound, Locking	
23	2220377	1	Adapter	
24	2220501	1	Adapter, 45	
25	2220819	1	Adapter, 90	
26	2220878	1	Adapter, 90	
27	1001254386	2	Mount, Cable Control	
28	2220622	1	Reducer	

SECTION 8 - HYDRAULIC CIRCUITS

FIGURE 8-19. PILOT CONTROL VALVE AND FITTINGS ASSEMBLY



ART_1001158004-B

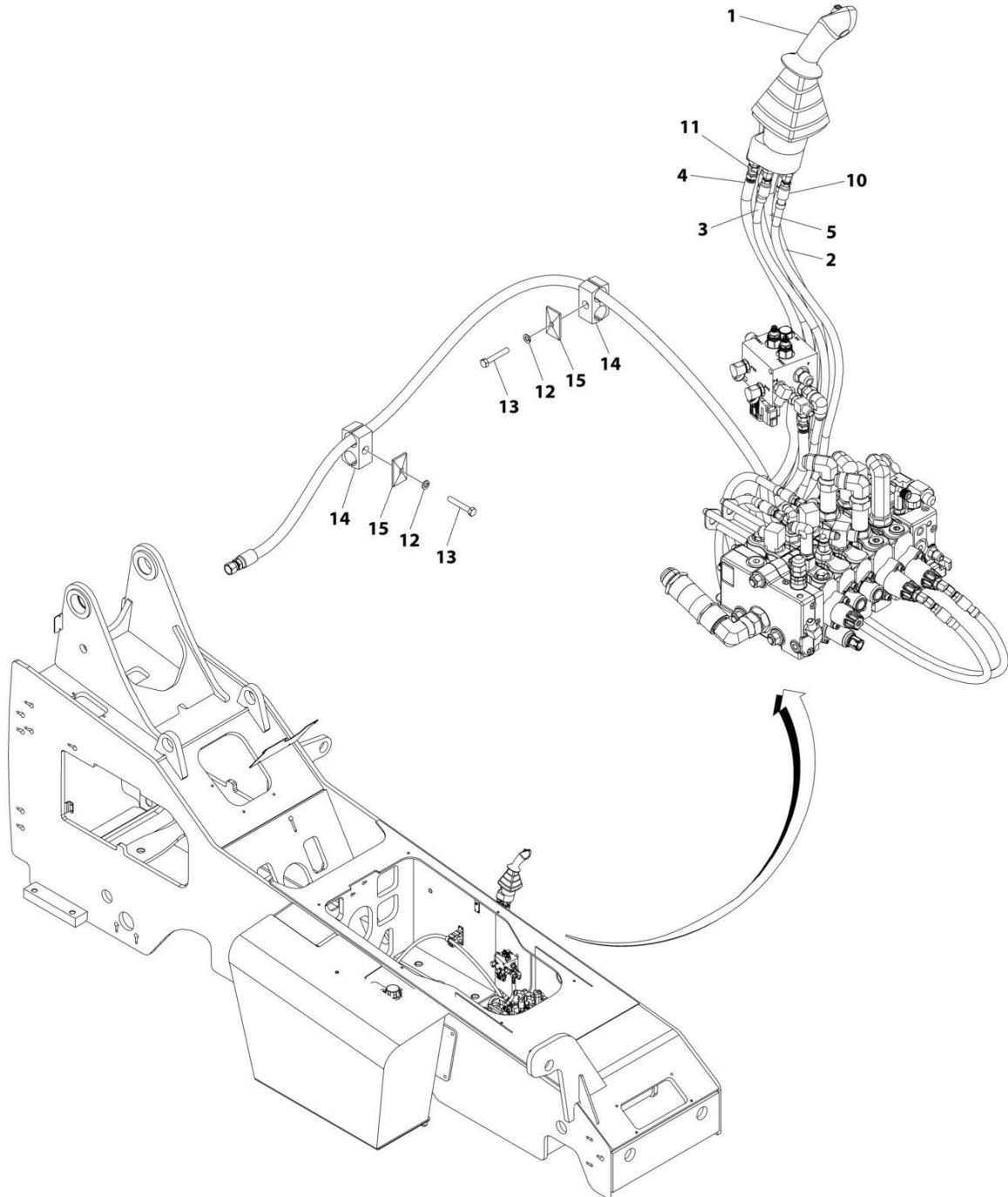
SECTION 8 - HYDRAULIC CIRCUITS

FIGURE 8-19. PILOT CONTROL VALVE AND FITTINGS ASSEMBLY

ITEM	PART NUMBER	QTY	DESCRIPTION	REV
	1001158004	Ref	Pilot Joystick & Fitting Assembly	B
1	2220371	2	Adapter, Straight JIC	
2	2220582	4	Adapter, Straight JIC	
3	1001158002	1	Control & Fittings Assembly - Pilot Joystick (See Separate Breakdown in CONTROLS Section)	

SECTION 8 - HYDRAULIC CIRCUITS

FIGURE 8-20. PILOT CONTROL VALVE HYDRAULICS



ART_1001158854

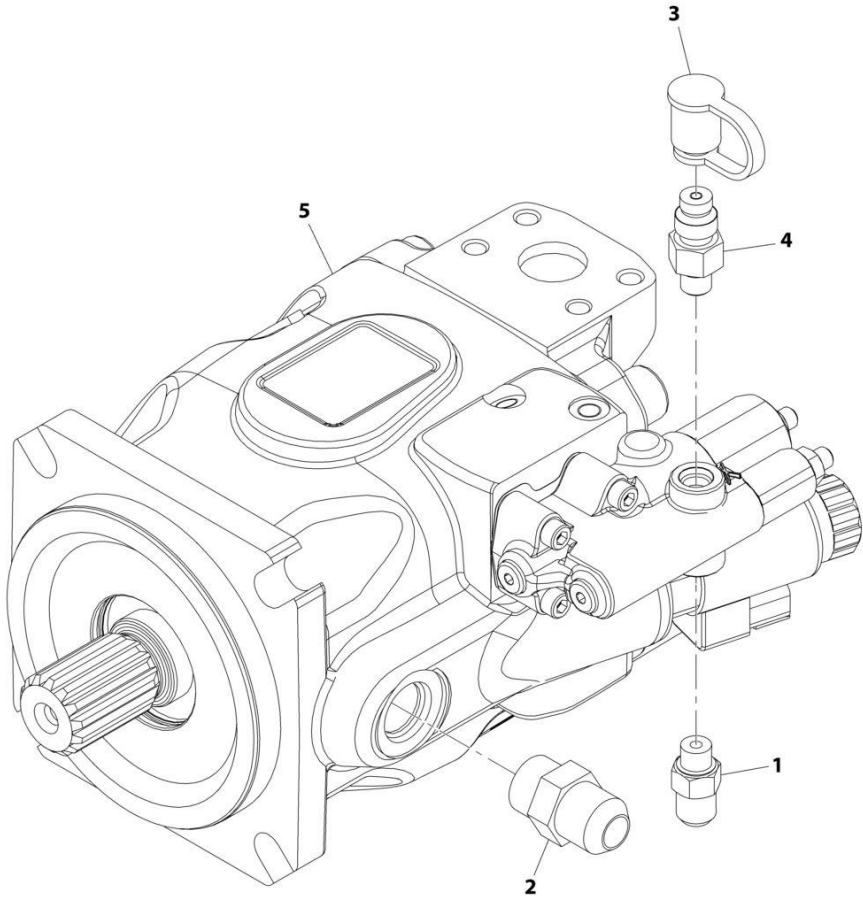
SECTION 8 - HYDRAULIC CIRCUITS

FIGURE 8-20. PILOT CONTROL VALVE HYDRAULICS

ITEM	PART NUMBER	QTY	DESCRIPTION	REV
	1001158854	Ref	PILOT CONTROLS INSTALLATION	H
1	1001158004	1	Assembly, Pilot Joystick (See Separate Breakdown in this Section)	
2	1001254096	1	Hose	
3	1001254094	1	Hose	
4	1001254099	1	Hose	
5	1001254098	1	Hose	
10	1001254097	1	Hose	
11	1001254095	1	Hose	
12	8307004	2	Washer 5/16	
13	8310009	2	Bolt 5/16 x 2	
14	8769127	2	Clamp	
15	8769128	2	Plate, Cover	

SECTION 8 - HYDRAULIC CIRCUITS

FIGURE 8-21. PISTON PUMP AND FITTINGS ASSEMBLY



ART_1001251426-A

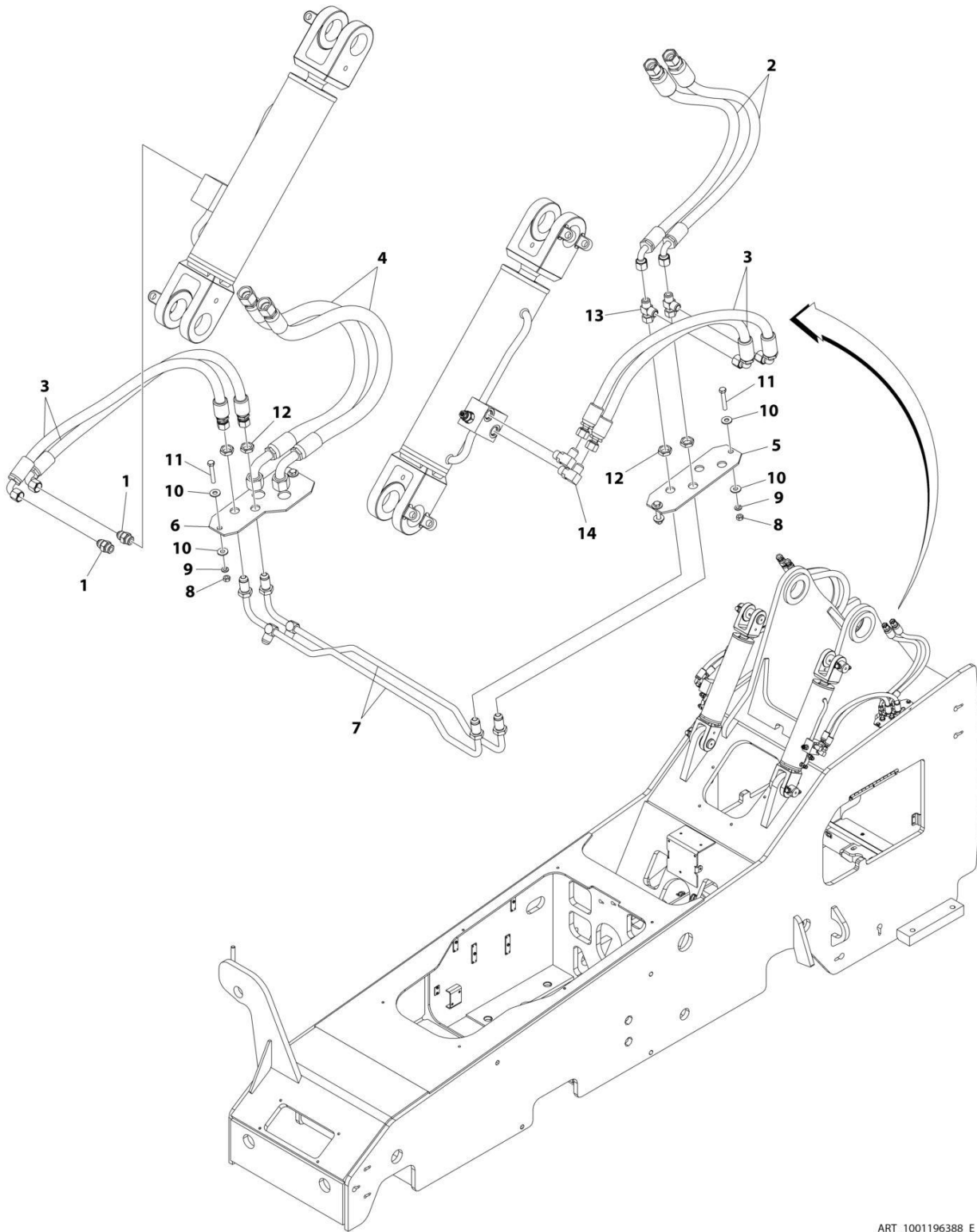
SECTION 8 - HYDRAULIC CIRCUITS

FIGURE 8-21. PISTON PUMP AND FITTINGS ASSEMBLY

ITEM	PART NUMBER	QTY	DESCRIPTION	REV
	1001251426	Ref	Piston Pump Installation	A
1	2220603	1	Adapter, Straight	
2	2220947	1	Adapter, Straight	
3	8430032	1	Cap Dust	
4	8430033	1	Adapter	
5	1001251423	1	Pump, Piston (See Separate Breakdown in HYDRAULIC COMPONENTS Section)	

SECTION 8 - HYDRAULIC CIRCUITS

FIGURE 8-22. REAR BULKHEAD TO COMPENSATION CYLINDERS HYDRAULICS



ART_1001196388_E

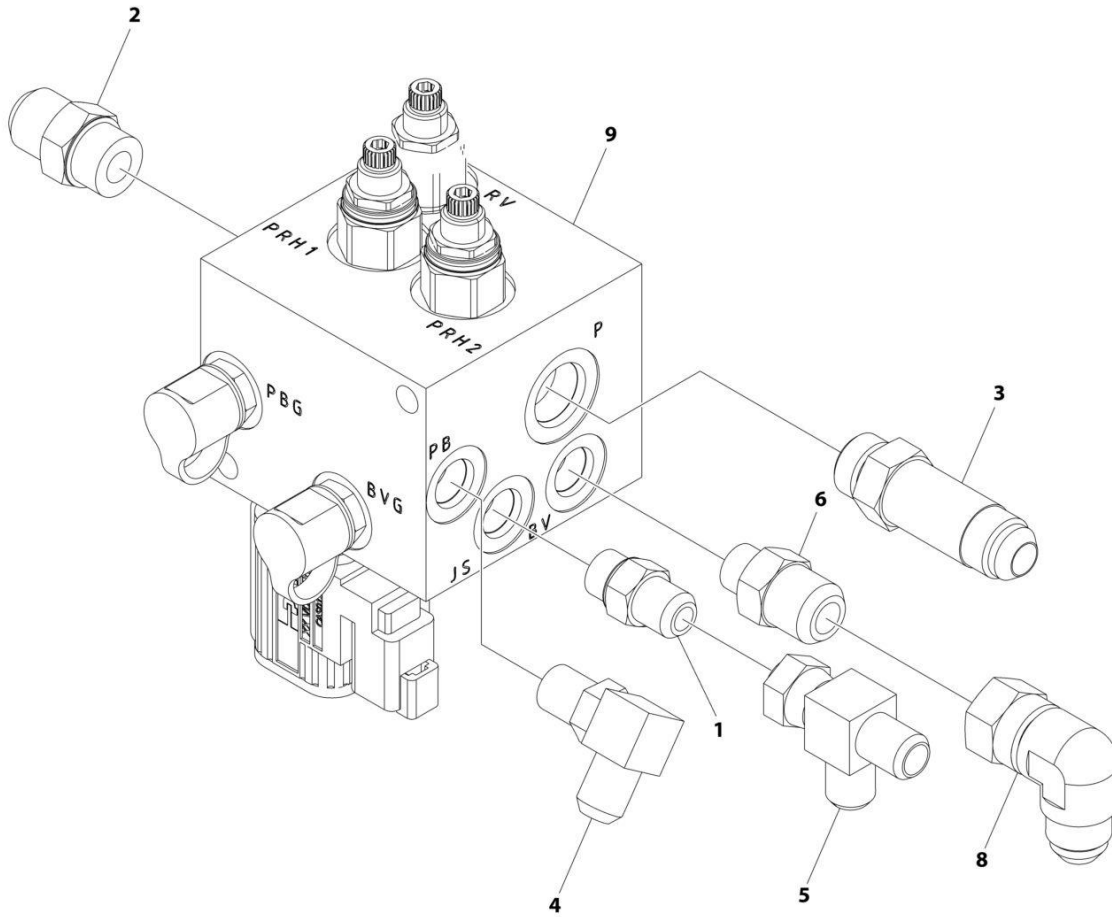
SECTION 8 - HYDRAULIC CIRCUITS

FIGURE 8-22. REAR BULKHEAD TO COMPENSATION CYLINDERS HYDRAULICS

ITEM	PART NUMBER	QTY	DESCRIPTION	REV
	1001196388	Ref	REAR BULKHEAD INSTALLATION (6036)	E
1	2220373	2	Adapter, Straight JIC	
2	2716714	2	Hose	
3	2716773	4	Hose	
4	2755060	2	Hose	
5	7139504	1	Sheet, Bulkhead	
6	7139505	1	Sheet, Bulkhead	
7	1001257571	2	Tube	
8	8305006	4	Nut 5/16	
9	8307004	4	Washer 5/16	
10	8307203	8	Washer 5/16	
11	8310009	4	Bolt 5/16 x 2	
12	8760463	4	Adapter, Bulkhead Nut	
13	2220385	2	Adapter, Run Tee	
14	2220596	2	Adapter, 90	

SECTION 8 - HYDRAULIC CIRCUITS

FIGURE 8-23. SECONDARY VALVE & FITTINGS ASSEMBLY



ART_1001197422_E

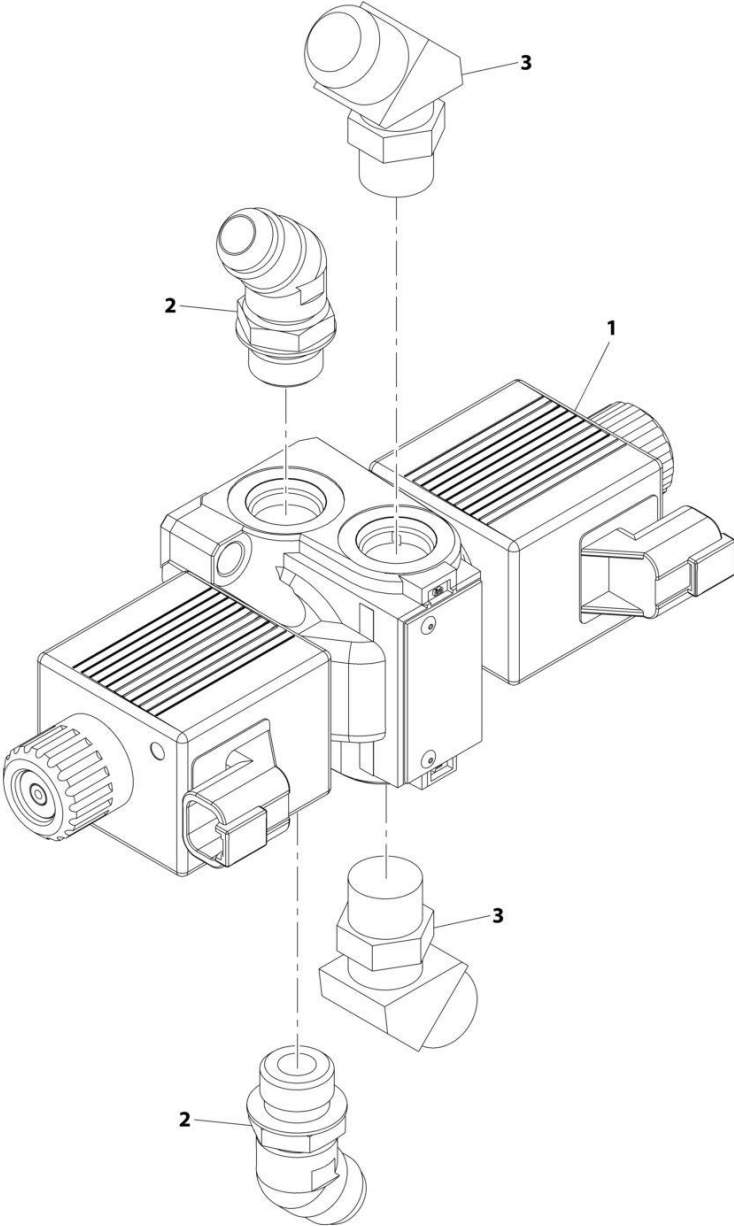
SECTION 8 - HYDRAULIC CIRCUITS

FIGURE 8-23. SECONDARY VALVE & FITTINGS ASSEMBLY

ITEM	PART NUMBER	QTY	DESCRIPTION	REV
	1001197422	Ref	SECONDARY VALVE INSTALLATION, 74HP (IF EQUIPPED)	E
1	2220371	1	Adapter, Straight	
2	2220373	1	Adapter, Straight	
3	2220381	1	Adapter, Straight	
4	2220473	1	Adapter, 90	
5	2220635	1	Adapter, Run Tee	
6	2220600	1	Adapter, Straight	
8	8765204	1	Adapter, 90	
9	1001266771	1	Valve, Secondary Control (See Separate Breakdown in HYDRAULIC COMPONENTS Section)	

SECTION 8 - HYDRAULIC CIRCUITS

FIGURE 8-24. STEER VALVE & FITTINGS ASSEMBLY



ART_1001228677-A

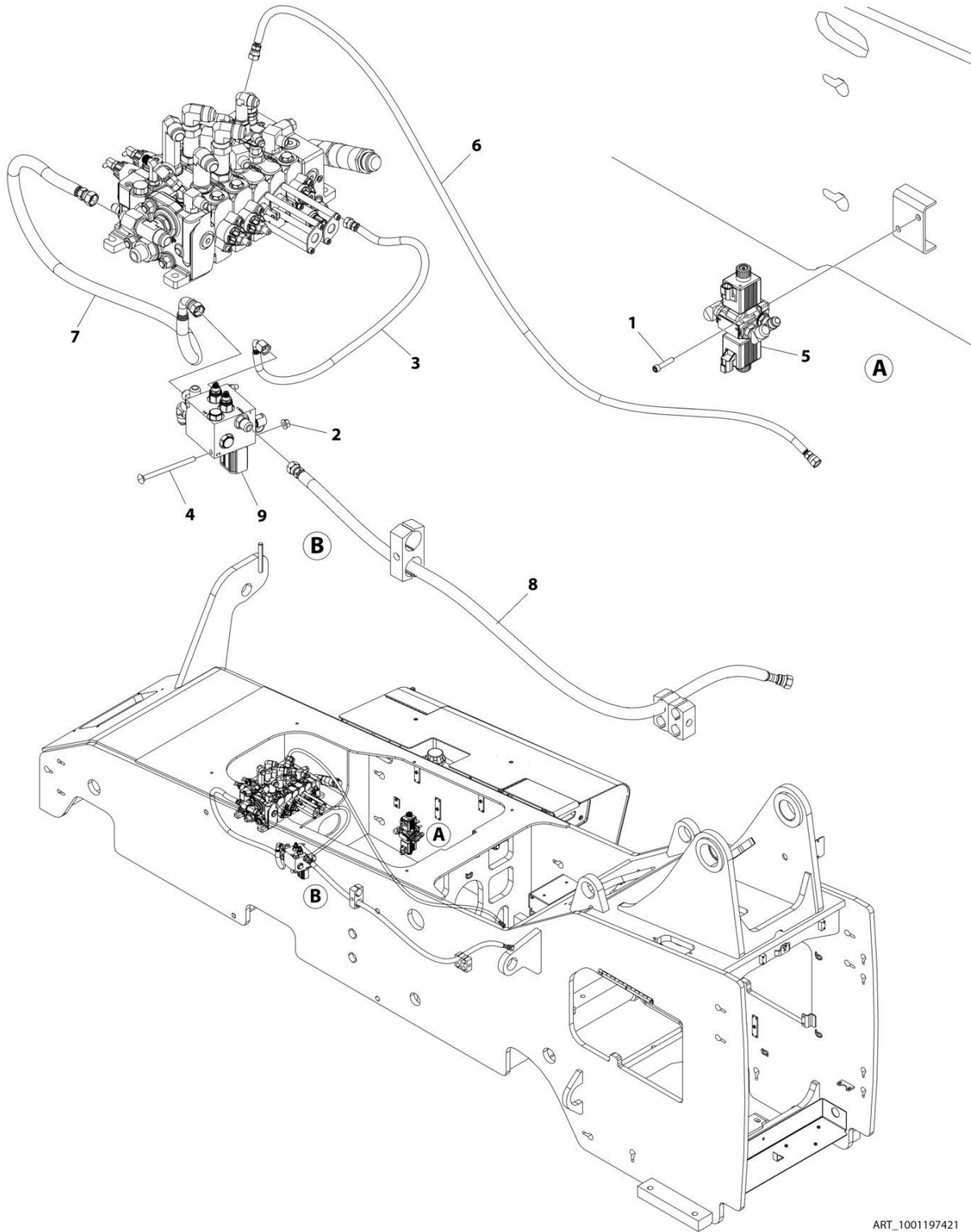
SECTION 8 - HYDRAULIC CIRCUITS

FIGURE 8-24. STEER VALVE & FITTINGS ASSEMBLY

ITEM	PART NUMBER	QTY	DESCRIPTION	REV
1	1001228677	Ref	Steer Select Valve Assembly	A
	1001153748	1	Valve, Steer Select (See Separate Breakdown in HYDRAULIC COMPONENTS Section)	
2	2220500	2	Adapter, 45	
3	2220950	2	Adapter, 45	

SECTION 8 - HYDRAULIC CIRCUITS

FIGURE 8-25. STEER/SECONDARY VALVES HYDRAULICS



ART_1001197421

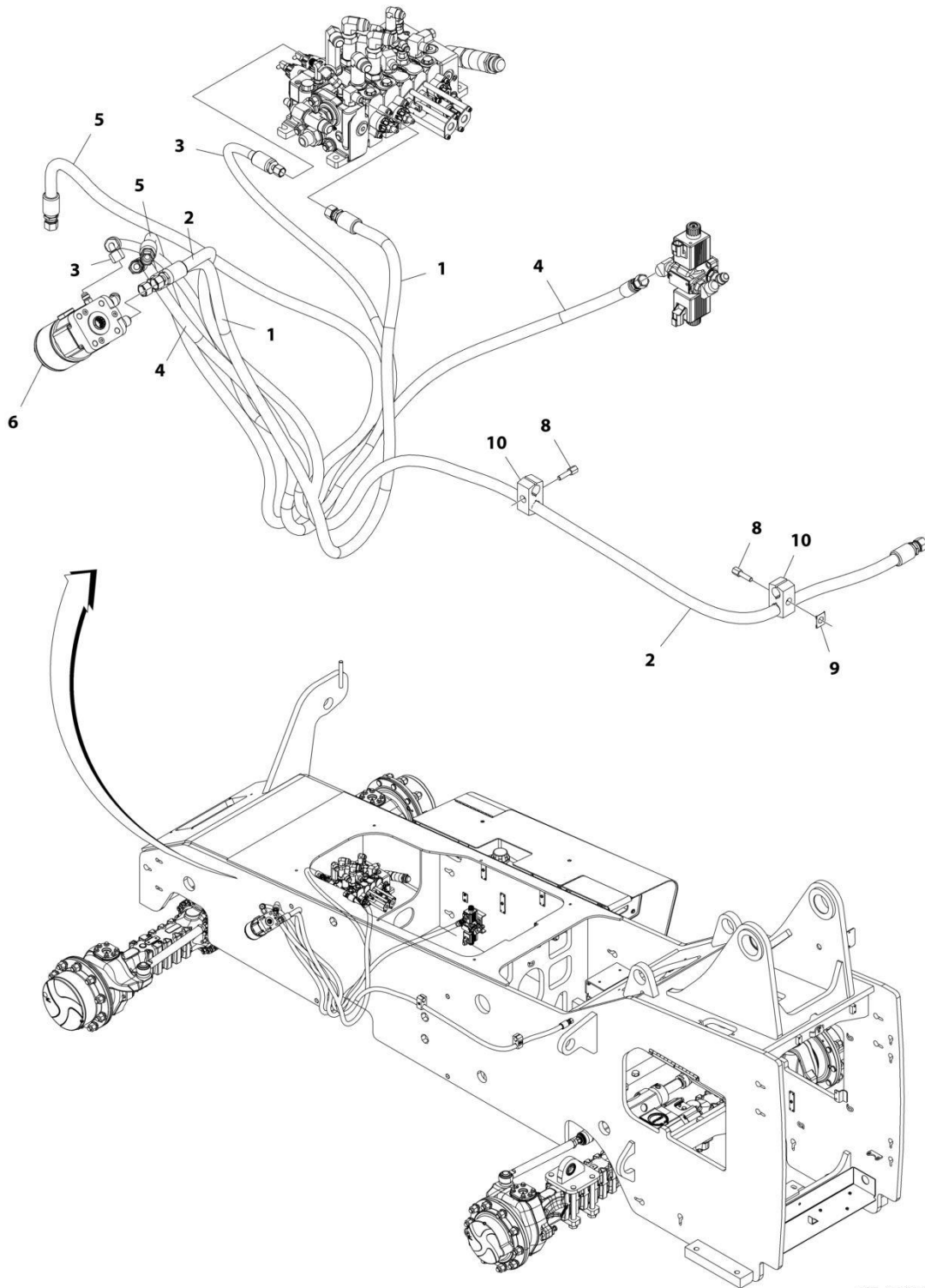
SECTION 8 - HYDRAULIC CIRCUITS

FIGURE 8-25. STEER/SECONDARY VALVES HYDRAULICS

ITEM	PART NUMBER	QTY	DESCRIPTION	REV
	1001197421	Ref	HYDRAULIC VALVES INSTALLATION	F
1	8304608	2	Screw 5/16 x 1-1/2	
2	8310420	2	Nut 5/16	
3	1001254090	1	Hose	
4	1001163685	2	Bolt 5/16 x 4-1/2	
5	1001228677	1	Assembly, Steer Select Valve (See Separate Breakdown in this Section)	
6	1001244302	1	Hose	
7	1001254092	1	Hose	
8	1001254093	1	Hose	
9	1001197422	1	Installation, Secondary Valve (See Separate Breakdown in this Section)	

SECTION 8 - HYDRAULIC CIRCUITS

FIGURE 8-26. STEERING HYDRAULICS



ART_1001158856

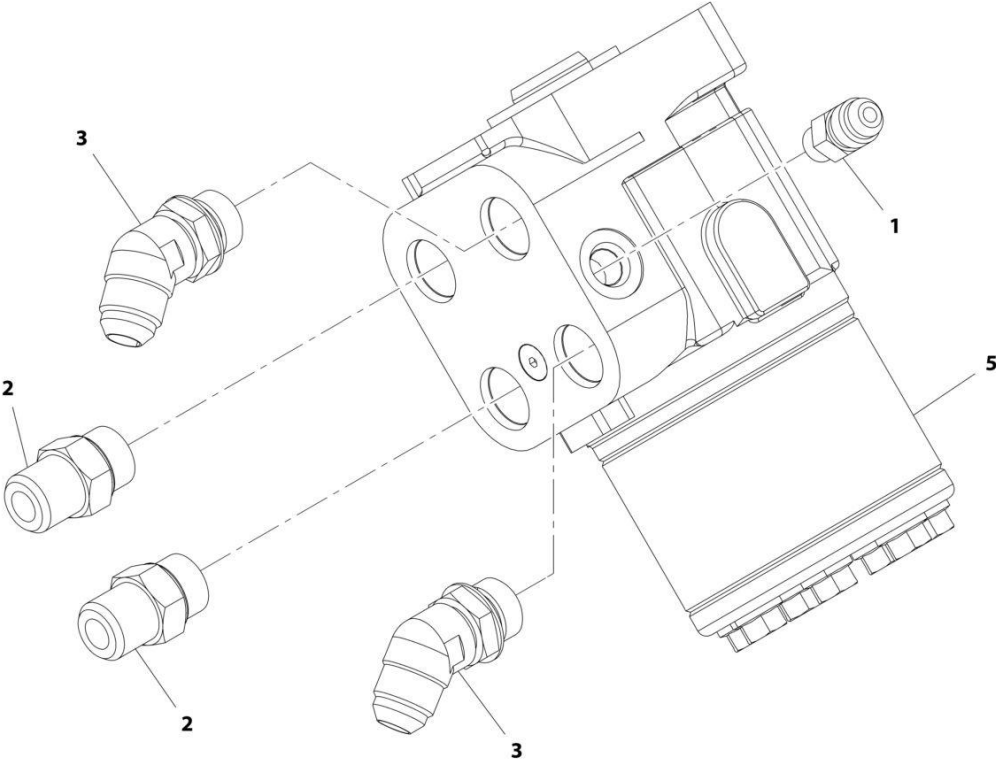
SECTION 8 - HYDRAULIC CIRCUITS

FIGURE 8-26. STEERING HYDRAULICS

ITEM	PART NUMBER	QTY	DESCRIPTION	REV
	1001158856	Ref	STEERING HYDRAULICS INSTALLATION	I
1	1001254100	1	Hose	
2	1001158266	1	Hose	
3	1001254101	1	Hose	
4	1001173230	1	Hose	
5	1001158337	1	Hose	
6	1001158528	1	Installation, Steering Valve (See Separate Breakdown in this Section)	
8	8750012	2	Bolt, Stacking	
9	8750017	1	Plate, Twin Clamp Locking	
10	8750027	2	Clamp Set, Twin	

SECTION 8 - HYDRAULIC CIRCUITS

FIGURE 8-27. STEERING VALVE AND FITTINGS ASSEMBLY



ART_1001158528-C

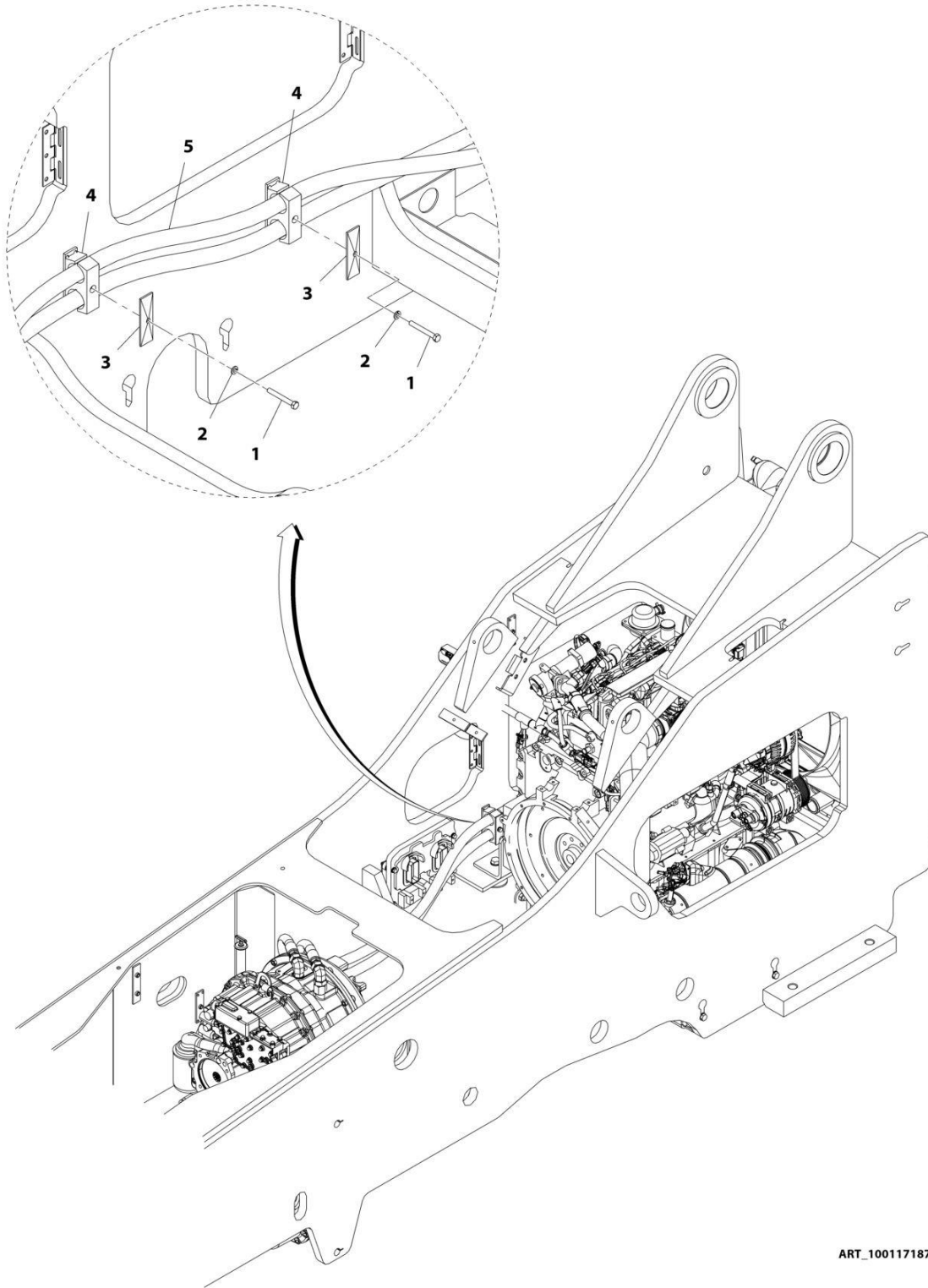
SECTION 8 - HYDRAULIC CIRCUITS

FIGURE 8-27. STEERING VALVE AND FITTINGS ASSEMBLY

ITEM	PART NUMBER	QTY	DESCRIPTION	REV
	1001158528	1	Steering Valve & Fitting Assembly	C
1	2220603	1	Adapter, Straight JIC	
2	2220373	2	Adapter, Straight JIC	
3	2220500	2	Adapter, 45 JIC	
5	1001158527	1	Valve, Steering	
5	70026401	1	Seal Kit - Steering Valve	

SECTION 8 - HYDRAULIC CIRCUITS

FIGURE 8-28. TRANSMISSION COOLER HYDRAULICS



ART_1001171873-C

SECTION 8 - HYDRAULIC CIRCUITS

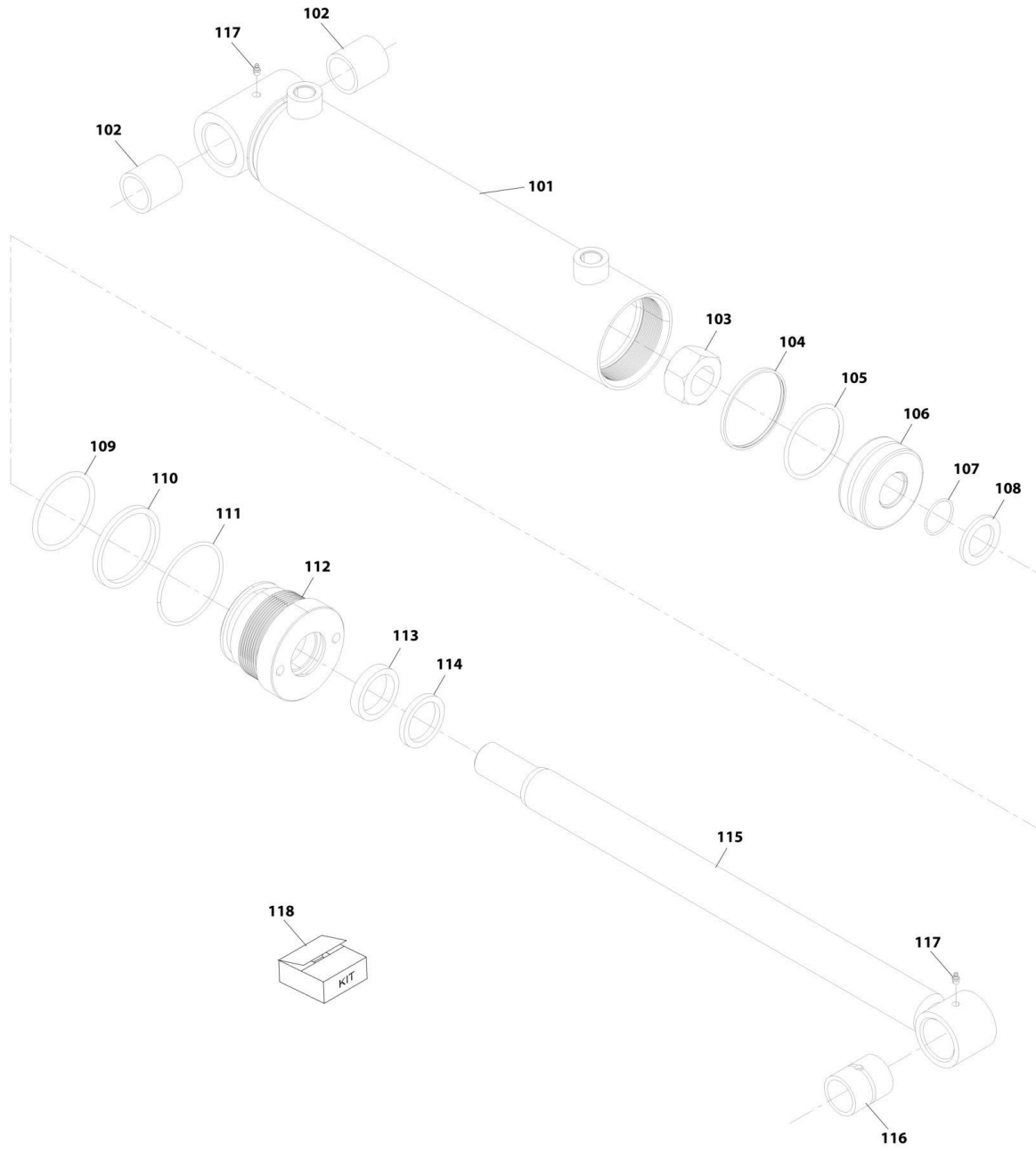
FIGURE 8-28. TRANSMISSION COOLER HYDRAULICS

ITEM	PART NUMBER	QTY	DESCRIPTION	REV
	1001171873	Ref	Hydraulic Transmission Cooler Plumbing Installation	C
1	8303757	2	Bolt, 5/16X2-1/2	
2	8307004	2	Washer, Lock 5/16	
3	8750025	2	Cover Plate, Twin	
4	8750040	2	Clamp Set, Twin	
5	1001171986	2	Hose	

SECTION 9 - HYDRAULIC COMPONENTS

SECTION 9 - HYDRAULIC COMPONENTS

FIGURE 9-1. CYLINDER - CARRIAGE SIDE SHIFT



ART_70021376

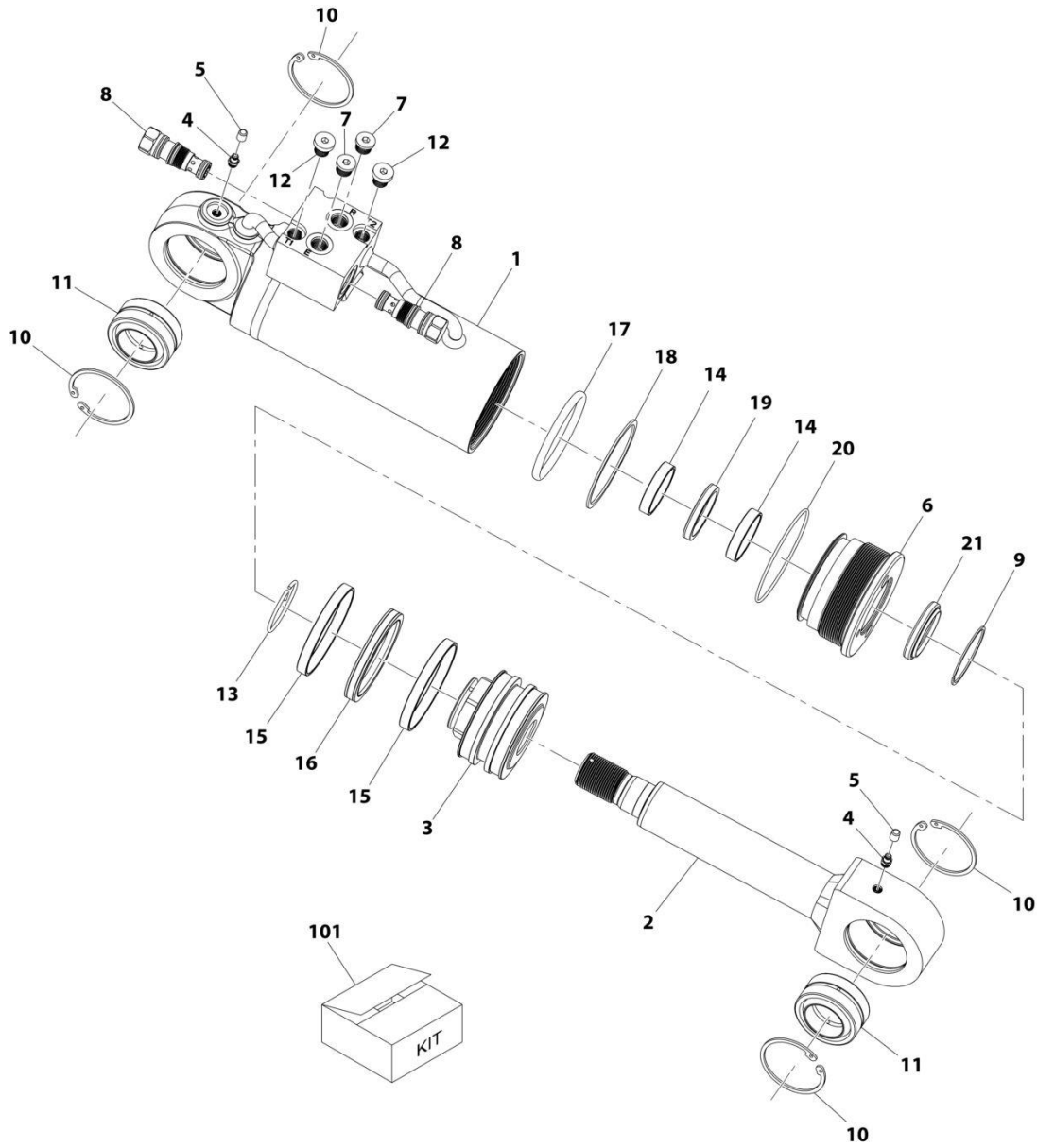
SECTION 9 - HYDRAULIC COMPONENTS

FIGURE 9-1. CYLINDER - CARRIAGE SIDE SHIFT

ITEM	PART NUMBER	QTY	DESCRIPTION	REV
	70021376	1	Cylinder Assembly, Side Shift Carriage 12K	
		Ref	Note: Original Cylinder May Have Been Replaced with Service Replacement. Identify PN Stamped on Cylinder Before Ordering Parts.	
101	See Note	NSS	Barrel (Note: Use PN 70021376)	
102	70021448	2	Bushing	
103	70021440	1	Nut	
104	See Note	NSS	Ring, Piston (Note Use Item 118)	
105	See Note	NSS	O-Ring (Note: Use Item 118)	
106	70021451	1	Piston	
107	See Note	NSS	O-Ring (Note: Use Item 118)	
108	70021444	1	Spacer, Sheave	
109	See Note	NSS	O-Ring (Note: Use Item 118)	
110	See Note	NSS	Washer, Back-Up (Note: Use Item 118)	
111	See Note	NSS	O-Ring (Note: Use Item 118)	
112	70021446	1	Head	
113	See Note	NSS	Seal (Note: Use Item 118)	
114	See Note	NSS	Wiper, Rod (Note: Use Item 118)	
115	70021445	1	Rod	
116	70021447	1	Bushing	
117	90554045	2	Grease Fitting	
118	70021452	1	Seal Kit, (includes items 104, 105, 107, 109, 110, 111, 113 & 114)	

SECTION 9 - HYDRAULIC COMPONENTS

FIGURE 9-2. CYLINDER - CARRIAGE SIDE TILT



ART_1001163414-A

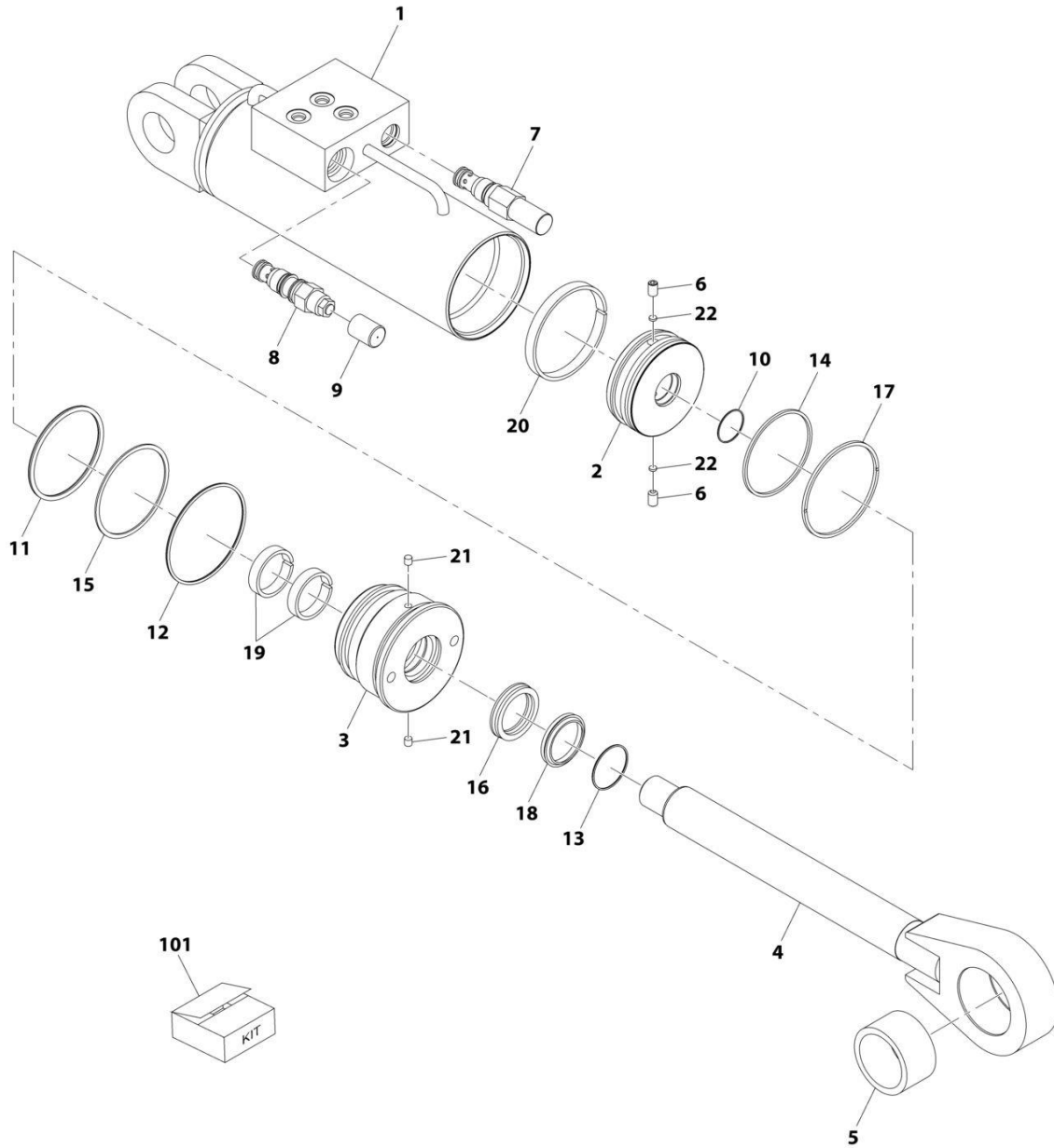
SECTION 9 - HYDRAULIC COMPONENTS

FIGURE 9-2. CYLINDER - CARRIAGE SIDE TILT

ITEM	PART NUMBER	QTY	DESCRIPTION	REV
	1001163414	Ref	Side Tilt Cylinder	A
		Ref	Note: Original Cylinder May Have Been Replaced with Service Replacement. Identify PN Stamped on Cylinder Before Ordering Parts.	
1	70026056	1	Barrel	
2	70026057	1	Rod	
3	70026058	1	Piston	
4	70025606	2	Nipple, Grease	
5	70024020	2	Fitting, Grease	
6	70003849	1	Head	
7	70025959	2	Plug	
8	70026059	2	Valve, Check	
9	70002219	1	Ring, Retaining	
10	70026060	4	Ring, Retaining	
11	70026061	2	Bearing	
12	70024262	2	Plug	
13	70002224	1	Ring, Lock	
14	Kit	NSS	Ring, Rod Bearing (Note: Use Item 101)	
15	Kit	NSS	Ring, Piston Bearing (Note: Use Item 101)	
16	Kit	NSS	Seal, Piston (Note: Use Item 101)	
17	Kit	NSS	O-Ring (Note: Use Item 101)	
18	Kit	NSS	Ring, Back-Up (Note: Use Item 101)	
19	Kit	NSS	Seal, Rod (Note: Use Item 101)	
20	Kit	NSS	O-Ring (Note: Use Item 101)	
21	Kit	NSS	Seal, Wiper (Note: Use Item 101)	
101	70026062	1	Kit, Seal (includes items 14 thru 21)	

SECTION 9 - HYDRAULIC COMPONENTS

FIGURE 9-3. CYLINDER - CARRIAGE SWING



ART_1001103182-B

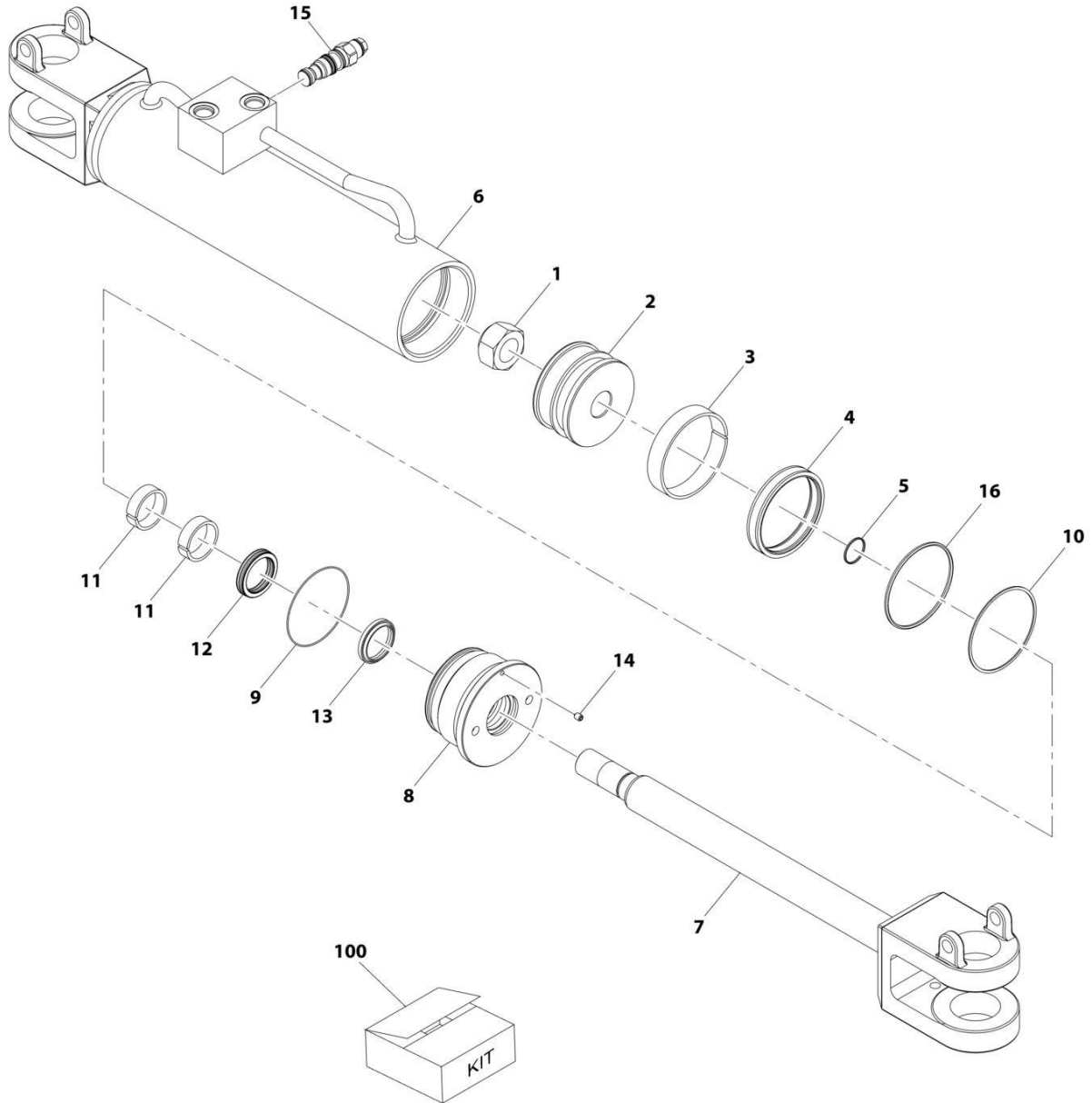
SECTION 9 - HYDRAULIC COMPONENTS

FIGURE 9-3. CYLINDER - CARRIAGE SWING

ITEM	PART NUMBER	QTY	DESCRIPTION	REV
	1001103182	Ref	Swing Carriage Cylinder	B
1	70022044	1	Barrel	
2	8035863	1	Piston	
3	8035862	1	Head	
4	70022045	1	Rod	
5	70022046	1	Bearing	
6	8035536	2	Setscrew 5/16X1/2	
7	70020428	1	Valve, Relief	
7	7024574	1	Kit, Seal	
8	8033786	1	Valve, Counterbalance	
8	8205655	1	Kit, Seal	
9	70021812	1	Tamper-proof Cap	
10	See Note	NSS	O-Ring (Note: Use Item 101)	
11	See Note	NSS	O-Ring (Note: Use Item 101)	
12	See Note	NSS	O-Ring (Note: Use Item 101)	
13	See Note	NSS	O-Ring (Note: Use Item 101)	
14	See Note	NSS	Ring, Square (Note: Use Item 101)	
15	See Note	NSS	Ring, Backup (Note: Use Item 101)	
16	See Note	NSS	Seal (Note: Use Item 101)	
17	See Note	NSS	Seal, Piston (Note: Use Item 101)	
18	See Note	NSS	Wiper, Rod (Note: Use Item 101)	
19	See Note	NSS	Ring, Wear (Note: Use Item 101)	
20	See Note	NSS	Ring, Wear (Note: Use Item 101)	
21	See Note	NSS	Insert (Note: Use Item 101)	
22	See Note	NSS	Insert (Note: Use Item 101)	
101	2915023	1	Kit, Seal (includes items 11 thru 22)	

SECTION 9 - HYDRAULIC COMPONENTS

FIGURE 9-4. CYLINDER - COMPENSATION



ART_1001196110-D

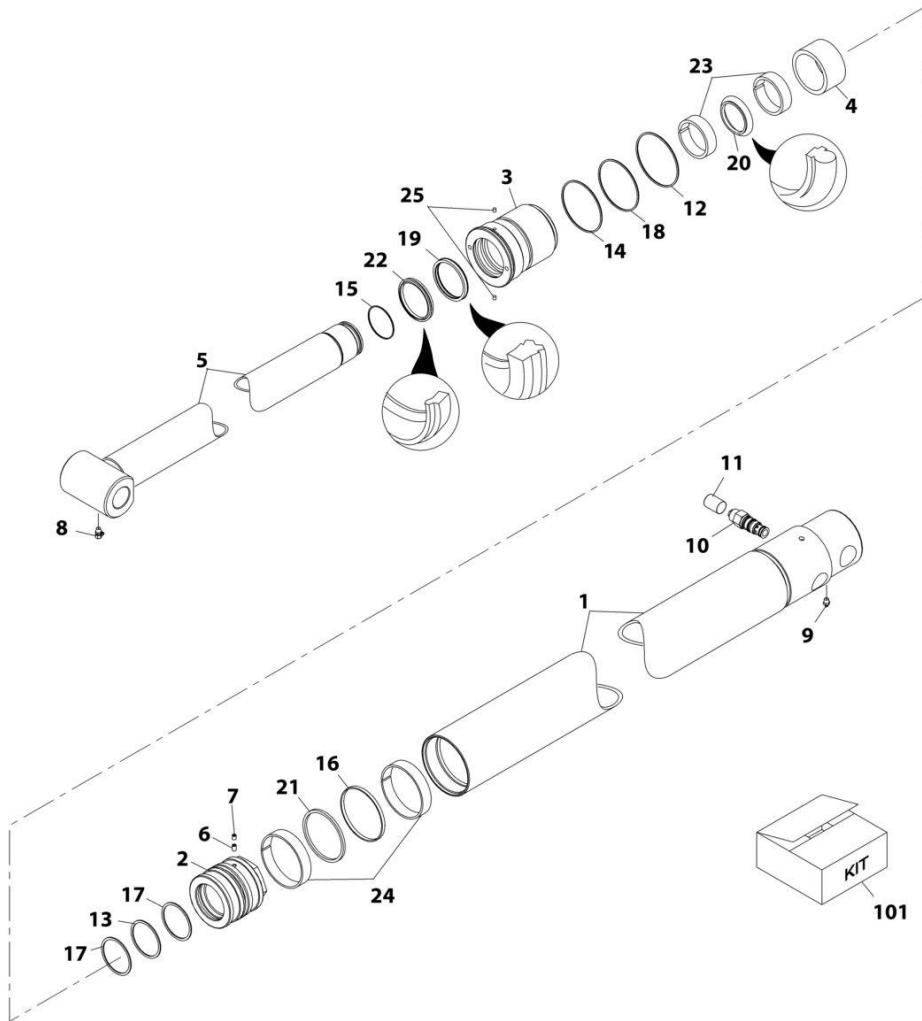
SECTION 9 - HYDRAULIC COMPONENTS

FIGURE 9-4. CYLINDER - COMPENSATION

ITEM	PART NUMBER	QTY	DESCRIPTION	REV
	1001196110	Ref	Compensation Cylinder	D
		Ref	Note: Original Cylinder May Have Been Replaced with Service Replacement. Identify PN Stamped on Cylinder Before Ordering Parts.	
1	8036778	1	Nut, Lock	
2	7029247	1	Piston	
3	Kit	NSS	Ring, Wear	
4	Kit	NSS	Seal, Piston	
5	Kit	NSS	O-Ring	
6	N.S.S.	NSS	Barrel (Note Use PN 1001196110)	
7	7029251	1	Rod	
8	70028160	1	Guide, Rod	
9	Kit	NSS	O-Ring	
10	Kit	NSS	Ring, Back-Up	
11	Kit	NSS	Ring, Wear	
12	Kit	NSS	Z-Seal	
13	Kit	NSS	Ring, Wiper	
14	Kit	NSS	Screw	
15	1001232216	1	Valve, Counterbalance	
16	Kit	NSS	O-Ring	
100	70028159	1	Seal Kit (includes items 3, 4, 5, 9 thru 14 & 16)	

SECTION 9 - HYDRAULIC COMPONENTS

FIGURE 9-5. CYLINDER - EXTEND/RETRACT



ART_1001156013-C

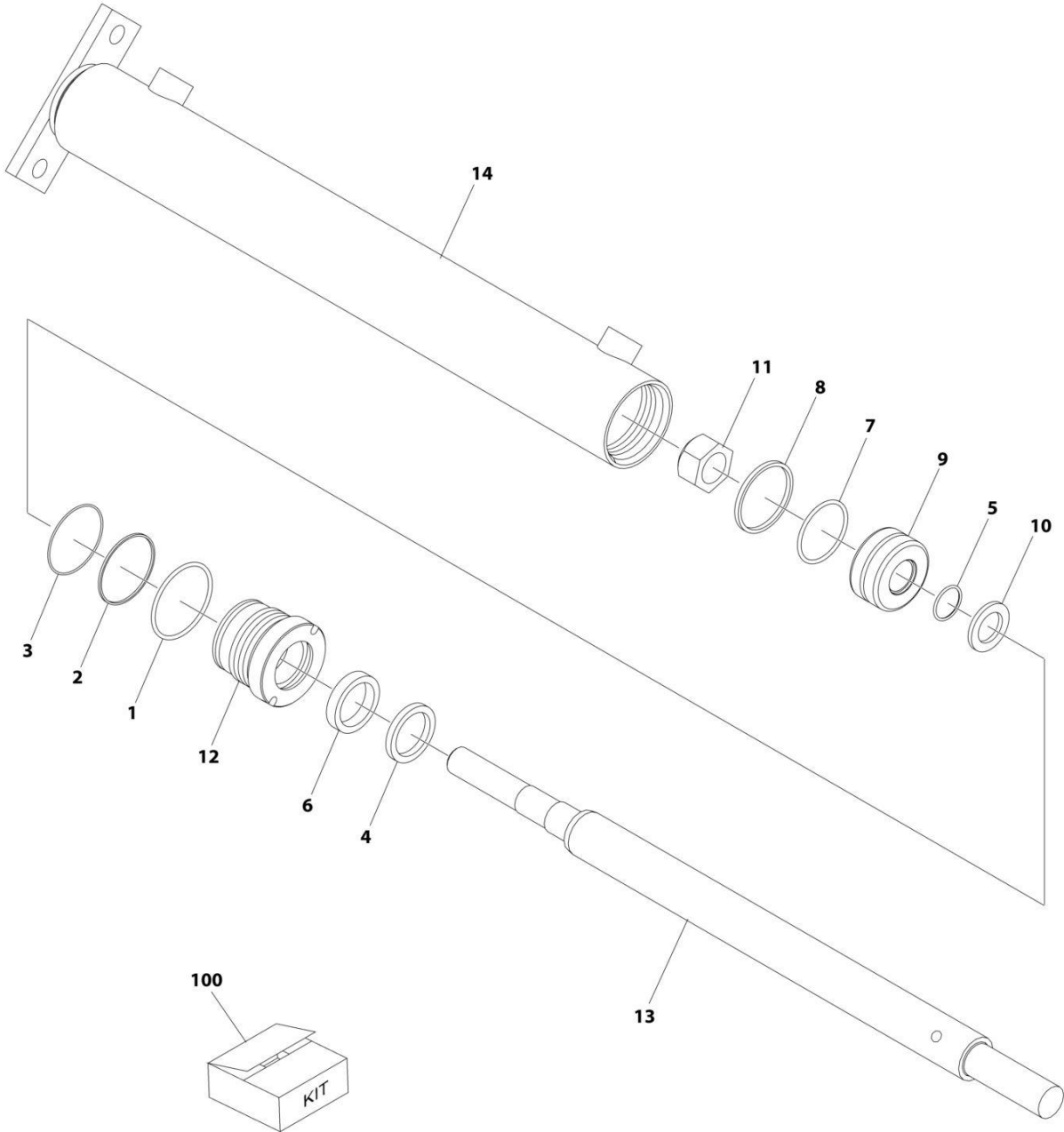
SECTION 9 - HYDRAULIC COMPONENTS

FIGURE 9-5. CYLINDER - EXTEND/RETRACT

ITEM	PART NUMBER	QTY	DESCRIPTION	REV
	1001156013	Ref	Extend/Retract Cylinder - 6036 (6036)	C
		Ref	Note: Original Cylinder May Have Been Replaced with Service Replacement. Identify PN Stamped on Cylinder Before Ordering Parts.	
1	70026033	1	Barrel	
2	8036402	1	Piston	
3	8036403	1	Head	
4	8036404	1	Spacer, Rod	
5	8036405	1	Rod	
6	8036406	1	Setscrew 5/16 x 3/8	
7	8035536	1	Setscrew 5/16X1/2	
8	8520021	1	Fitting, 90 Lube	
9	70020375	1	Fitting, Straight Lube	
10	70026034	1	Valve, Counterbalance	
11	8036407	1	Cap, Tamperproof	
12	Kit	NSS	O-Ring	
13	Kit	NSS	O-Ring	
14	Kit	NSS	O-Ring	
15	Kit	NSS	O-Ring	
16	Kit	NSS	Ring, Square	
17	Kit	NSS	Ring, Backup	
18	Kit	NSS	Ring, Backup	
19	Kit	NSS	U-Cup	
20	Kit	NSS	Seal, Buffer	
21	Kit	NSS	Seal, Piston	
22	Kit	NSS	Seal, Wiper	
23	Kit	NSS	Ring, Wear	
24	Kit	NSS	Ring, Wear	
25	Kit	NSS	Insert, Locking	
101	8036502	1	Kit, Seal (includes items 12 thru 25)	

SECTION 9 - HYDRAULIC COMPONENTS

FIGURE 9-6. CYLINDER - FORK POSITIONING



ART_2717283

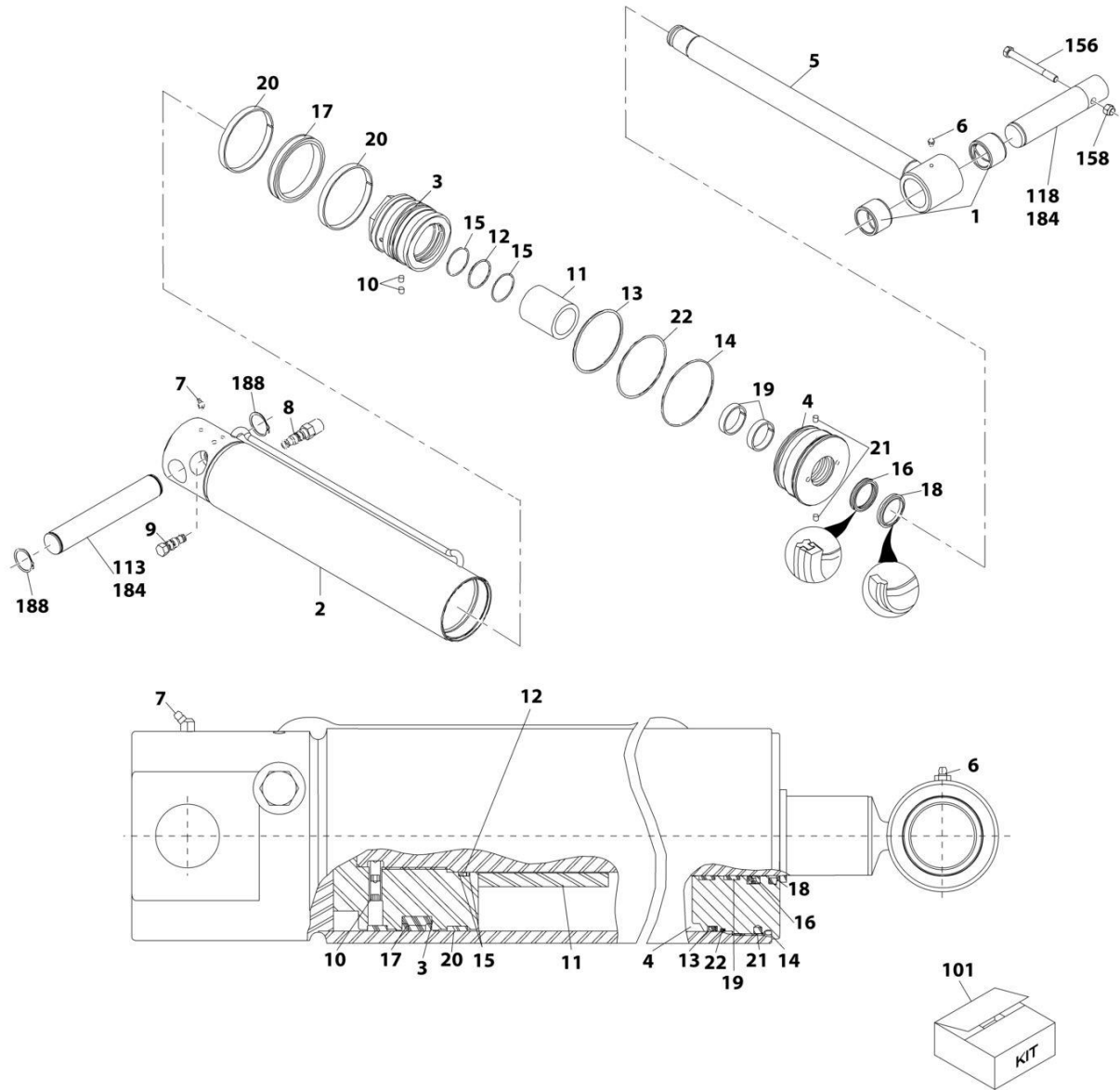
SECTION 9 - HYDRAULIC COMPONENTS

FIGURE 9-6. CYLINDER - FORK POSITIONING

ITEM	PART NUMBER	QTY	DESCRIPTION	REV
	2717283	Ref	FORK POSITIONING CYLINDER	B
		Ref	Note: Original Cylinder May Have Been Replaced with Service Replacement. Identify PN Stamped on Cylinder Before Ordering Parts.	
1	See Note	NSS	O-Ring (Use Item 100)	
2	See Note	NSS	Ring, Back-up (Use Item 100)	
3	See Note	NSS	O-Ring (Use Item 100)	
4	See Note	NSS	Seal (Use Item 100)	
5	See Note	NSS	O-Ring (Use Item 100)	
6	See Note	NSS	Seal (Use Item 100)	
7	See Note	NSS	O-Ring (Use Item 100)	
8	See Note	NSS	Seal (Use Item 100)	
9	70026771	1	Piston	
10	70026775	1	Washer	
11	70026770	1	Nut	
12	70026774	1	Head	
13	70026773	1	Rod	
14	See Note	NSS	Barrel (Note: Use PN 2717283)	
100	8036733	1	Seal Kit (includes items 1 thru 8)	

SECTION 9 - HYDRAULIC COMPONENTS

FIGURE 9-7. CYLINDER - FORK TILT



ART_2716614-E

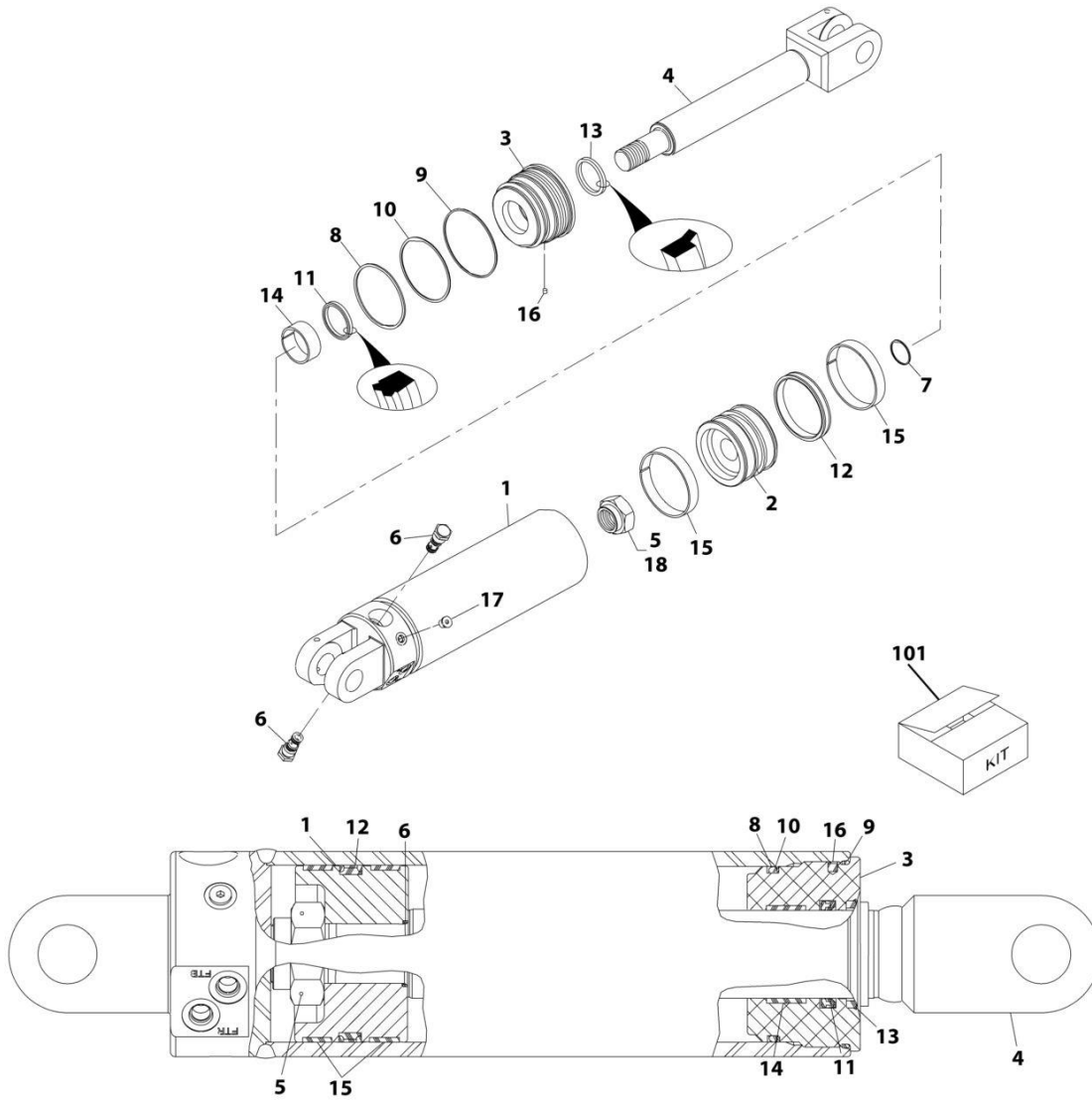
SECTION 9 - HYDRAULIC COMPONENTS

FIGURE 9-7. CYLINDER - FORK TILT

ITEM	PART NUMBER	QTY	DESCRIPTION	REV
	2716614	Ref	Fork Tilt Cylinder	E
		Ref	Note: Original Cylinder May Have Been Replaced with Service Replacement. Identify PN Stamped on Cylinder Before Ordering Parts.	
1	8036149	2	Bearing	
2	70023265	1	Barrel	
3	8036392	1	Piston	
4	8036391	1	Head	
5	8036389	1	Rod	
6	8036144	1	Fitting, Straight Lube	
7	8520034	1	Fitting, 45 Lube	
8	8035321	1	Valve, Counterbalance	
8	8035327	1	Seal Kit - 8035321 Valve	
9	8036393	1	Valve, Check	
9	8205655	1	Seal Kit - 8036393 Valve	
10	8035536	2	Setscrew 5/16X1/2	
11	8036390	1	Spacer, Rod	
12	Kit	NSS	O-Ring (Note: Use Item 101)	
13	Kit	NSS	O-Ring (Note: Use Item 101)	
14	Kit	NSS	O-Ring (Note: Use Item 101)	
15	Kit	NSS	Ring, Back-Up (Note: Use Item 101)	
16	Kit	NSS	Z-Seal (Note: Use Item 101)	
17	Kit	NSS	T-Seal (Note: Use Item 101)	
18	Kit	NSS	Seal, Wiper (Note: Use Item 101)	
19	Kit	NSS	Ring, Wear (Note: Use Item 101)	
20	Kit	NSS	Ring, Wear (Note: Use Item 101)	
21	Kit	NSS	Insert, Locking (Note: Use Item 101)	
22	Kit	NSS	Ring, Back-Up (Note: Use Item 101)	
101	8035720	1	Kit, Seal (includes items 12 thru 22)	

SECTION 9 - HYDRAULIC COMPONENTS

FIGURE 9-8. CYLINDER - FRAME LEVEL



ART_1001091901-C

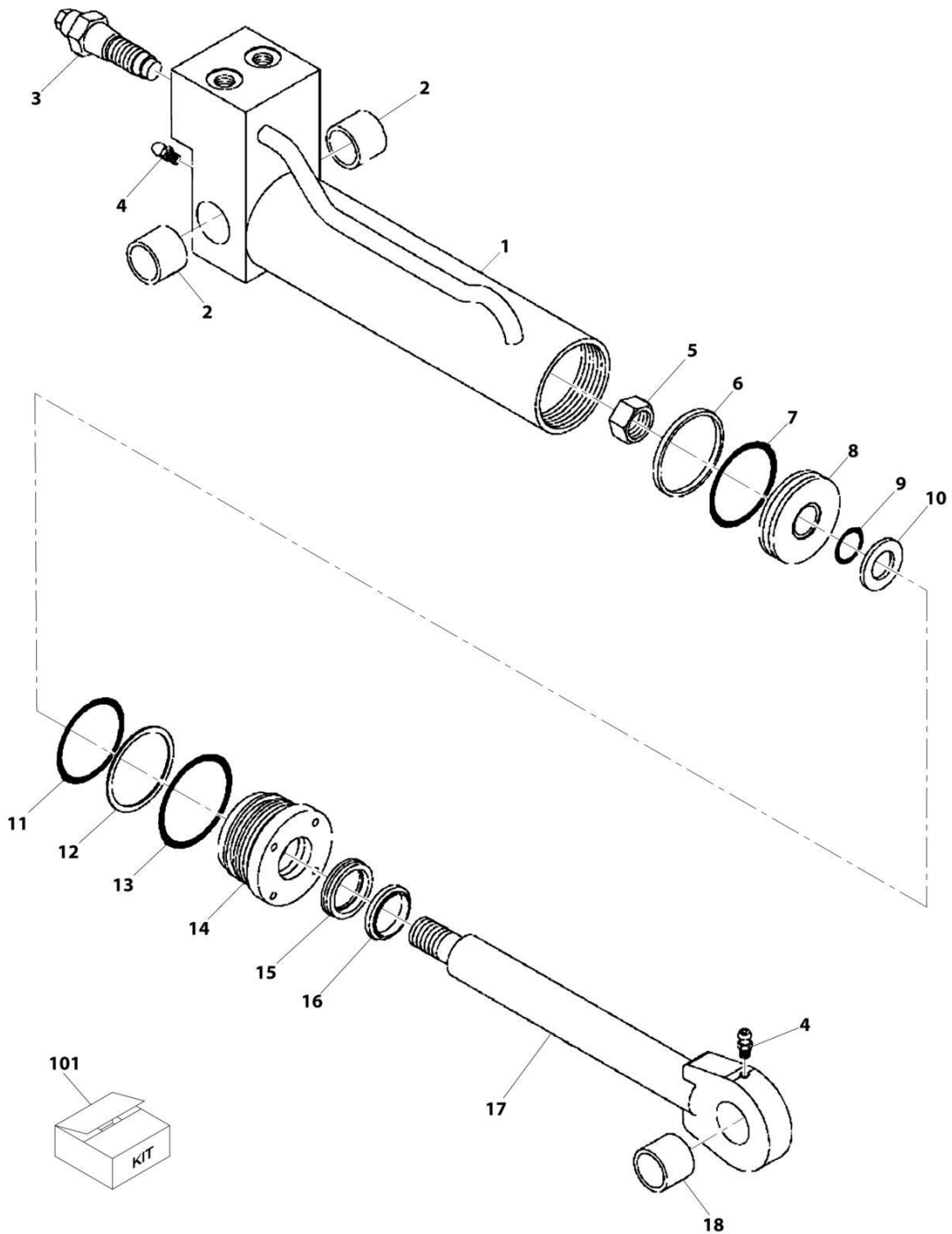
SECTION 9 - HYDRAULIC COMPONENTS

FIGURE 9-8. CYLINDER - FRAME LEVEL

ITEM	PART NUMBER	QTY	DESCRIPTION	REV
	1001091901	Ref	Frame Level Cylinder Assembly (6036)	C
		Ref	Note: Original Cylinder May Have Been Replaced with Service Replacement. Identify PN Stamped on Cylinder Before Ordering Parts.	
1	N.S.S.	NSS	Barrel (Note: Use PN 1001091901)	
2	8035323	1	Piston	
3	8035324	1	Head	
4	8035758	1	Rod	
5	8035322	1	Nut 1-1/2	
6	1001091885	2	Valve, Counterbalance	
6	70021583	2	Seal Kit - 1001091885 Valve	
7	Kit	NSS	O-Ring (Note: Use Item 101)	
8	Kit	NSS	O-Ring (Note: Use Item 101)	
9	Kit	NSS	O-Ring (Note: Use Item 101)	
10	Kit	NSS	Ring, Back-Up (Note: Use Item 101)	
11	Kit	NSS	Z-Seal (Note: Use Item 101)	
12	Kit	NSS	T-Seal (Note: Use Item 101)	
13	Kit	NSS	Seal, Wiper (Note: Use Item 101)	
14	Kit	NSS	Ring, Wear (Note: Use Item 101)	
15	Kit	NSS	Ring, Wear (Note: Use Item 101)	
16	Kit	NSS	Insert, Locking (Note: Use Item 101)	
17	8035785	2	Plug	
18	8526011	AR	Compound, Locking	
101	8035326	1	Kit, Seal (includes items 7 thru 16)	

SECTION 9 - HYDRAULIC COMPONENTS

FIGURE 9-9. CYLINDER - GRAPPLE BUCKET



ART_70021393-A

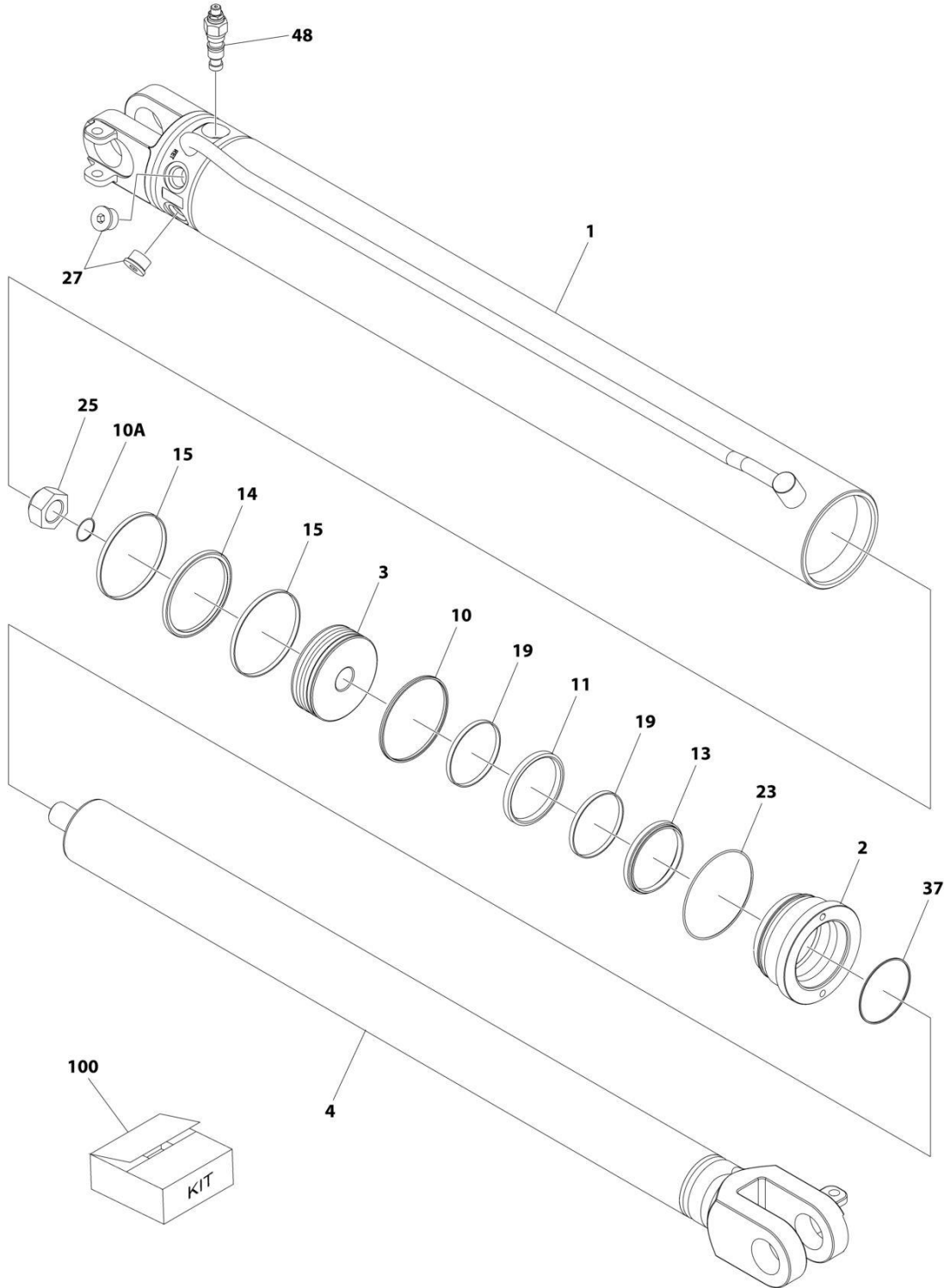
SECTION 9 - HYDRAULIC COMPONENTS

FIGURE 9-9. CYLINDER - GRAPPLE BUCKET

ITEM	PART NUMBER	QTY	DESCRIPTION	REV
	70021393	Ref	Grapple Bucket Cylinder	A
		Ref	Note: Original Cylinder May Have Been Replaced with Service Replacement. Identify PN Stamped on Cylinder Before Ordering Parts.	
1	70021465	1	Barrel	
2	70021448	2	Bushing	
3	70021464	2	Cartridge, Valve	
4	90554045	2	Fitting, Grease	
5	70021440	1	Nut	
6	Kit	NSS	Ring, Piston (Note: Use Item 101)	
7	Kit	NSS	O-Ring (Note: Use Item 101)	
8	70021451	1	Piston	
9	Kit	NSS	O-Ring (Note: Use Item 101)	
10	70021444	1	Washer	
11	Kit	NSS	O-Ring (Note: Use Item 101)	
12	Kit	NSS	Washer, Back-Up (Note: Use Item 101)	
13	Kit	NSS	O-Ring (Note: Use Item 101)	
14	70021446	1	Head	
15	Kit	NSS	Seal, Poly-Pak (Note: Use Item 101)	
16	Kit	NSS	Wiper, Rod (Note: Use Item 101)	
17	70021466	1	Rod	
18	70021447	1	Bushing	
101	70021452	1	Kit, Seal (includes items 6, 7, 9, 11 thru 13, 15 & 16)	

SECTION 9 - HYDRAULIC COMPONENTS

FIGURE 9-10. CYLINDER - LIFT



ART_1001267967

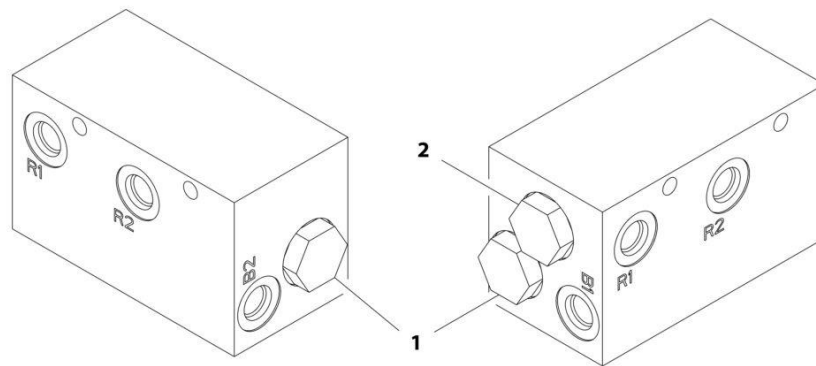
SECTION 9 - HYDRAULIC COMPONENTS

FIGURE 9-10. CYLINDER - LIFT

ITEM	PART NUMBER	QTY	DESCRIPTION	REV
	1001267967	Ref	CYLINDER ASSEMBLY	B
		Ref	Note: Original Cylinder May Have Been Replaced with Service Replacement. Identify PN Stamped on Cylinder Before Ordering Parts.	
1	See Note	NSS	Barrel (Note: Purchase PN 1001267967)	
2	70030382	1	Head	
3	70030383	1	Piston	
4	70030384	1	Rod	
10	See Note	NSS	Seal, Dual (Note: Use Item 100)	
10A	See Note	NSS	O-Ring (Note: Use Item 100)	
11	See Note	NSS	Seal, Rod (Note: Use Item 100)	
13	See Note	NSS	Wiper (Note: Use Item 100)	
14	See Note	NSS	Seal, Piston (Note: Use Item 100)	
15	See Note	NSS	Ring, Wear (Note: Use Item 100)	
19	See Note	NSS	Ring, Wear (Note: Use Item 100)	
23	See Note	NSS	Seal (Note: Use Item 100)	
25	70030385	1	Nut	
27	2220888	2	Plug	
37	70030386	1	Mask, Wiper	
48	7029327	1	Cartridge, Valve	
100	70030387	1	Seal Kit (Includes Items 10, 10A, 11, 13, 14, 15, 19 & 23)	

SECTION 9 - HYDRAULIC COMPONENTS

FIGURE 9-11. FLOW DIVIDER VALVE



ART_4641501-A

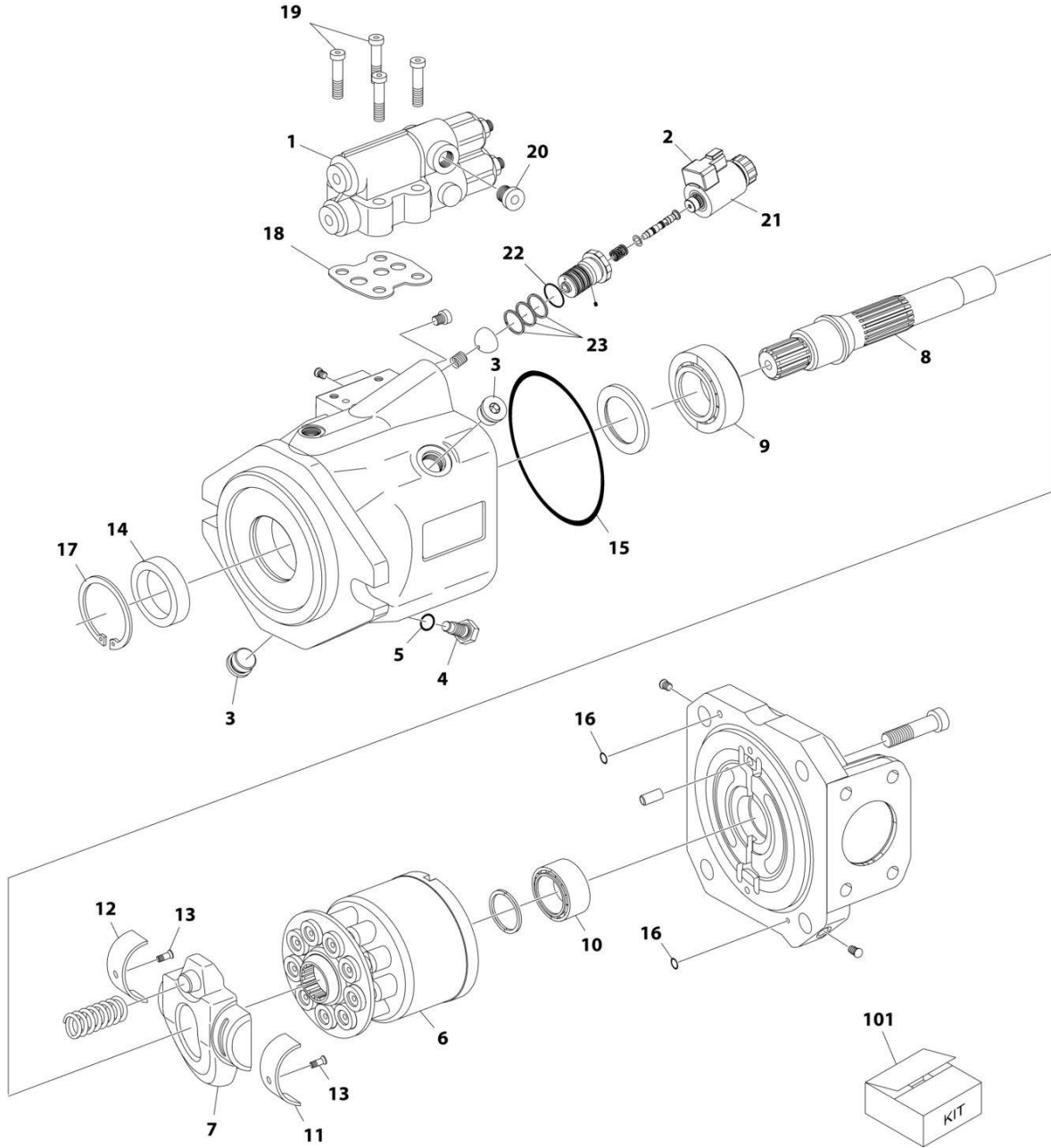
SECTION 9 - HYDRAULIC COMPONENTS

FIGURE 9-11. FLOW DIVIDER VALVE

ITEM	PART NUMBER	QTY	DESCRIPTION	REV
	4641501	Ref	Flow Divider Valve	A
1	70023928	2	Valve, Check	
2	70023929	1	Valve, Cartridge	

SECTION 9 - HYDRAULIC COMPONENTS

FIGURE 9-12. PUMP - PISTON



ART_1001251423_C

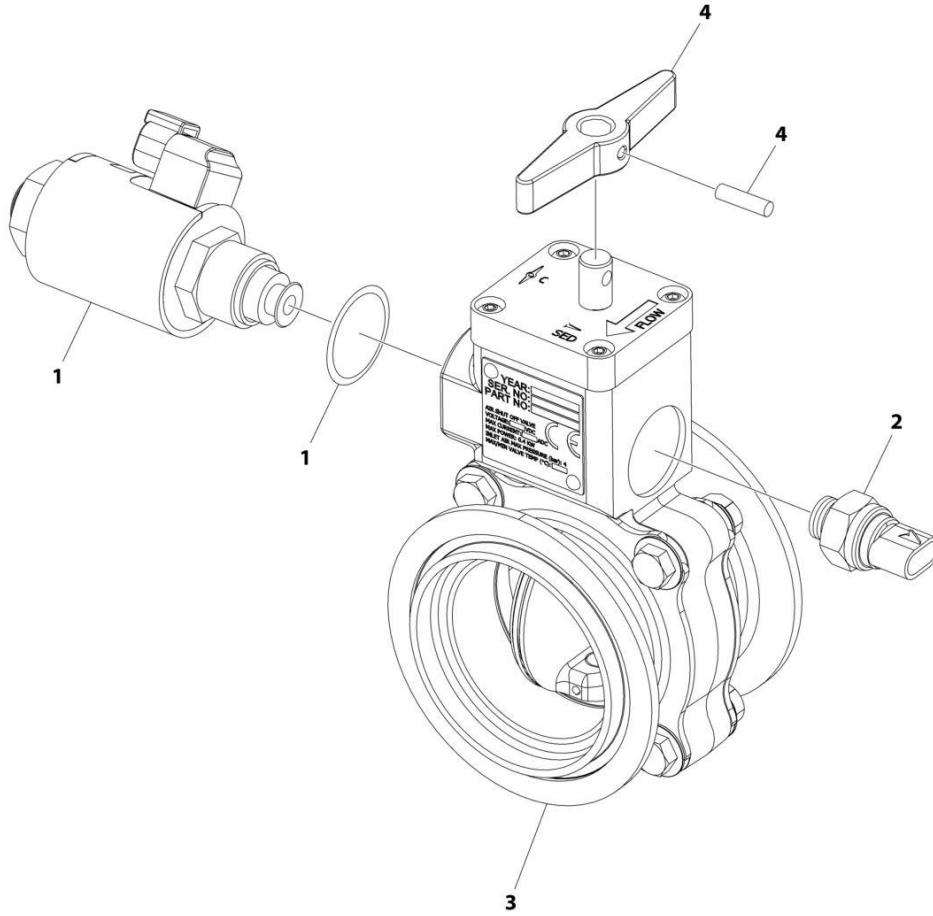
SECTION 9 - HYDRAULIC COMPONENTS

FIGURE 9-12. PUMP - PISTON

ITEM	PART NUMBER	QTY	DESCRIPTION	REV
	1001251423	Ref	PISTON PUMP	C
1	70003738	1	Control Valve	
2	70024186	1	Control Valve	
3	70024407	2	Plug	
4	70024408	1	Stop Screw	
4	See Note	NSS	O-Ring (Note: Use Item 101)	
6	70024411	1	Rotary Group	
7	70024412	1	Swash Plate	
8	7024939	1	Drive Shaft	
9	7024943	1	Bearing	
10	7024944	1	Bearing	
11	70024414	1	Bearing-Liner	
12	70024415	1	Bearing-Liner	
13	7024953	2	Screw	
14	80634004	1	Shaft Seal	
15	See Note	NSS	O-Ring (Note: Use Item 101)	
16	See Note	NSS	Seal (Note: Use Item 101)	
17	80334277	1	Ring, Retaining	
18	70021867	1	Gasket	
19	7024954	4	Capscrew	
20	70024416	1	Plug	
21	70025897	1	Solenoid	
22	See Note	NSS	O-Ring (Note: Use Item 101)	
23	See Note	NSS	R-Ring (Note: Use Item 101)	
101	70024189	1	Seal Kit (Includes Items 5, 15,16,22 & 23)	

SECTION 9 - HYDRAULIC COMPONENTS

FIGURE 9-13. VALVE - AIR SHUT OFF



ART_1001204032_C

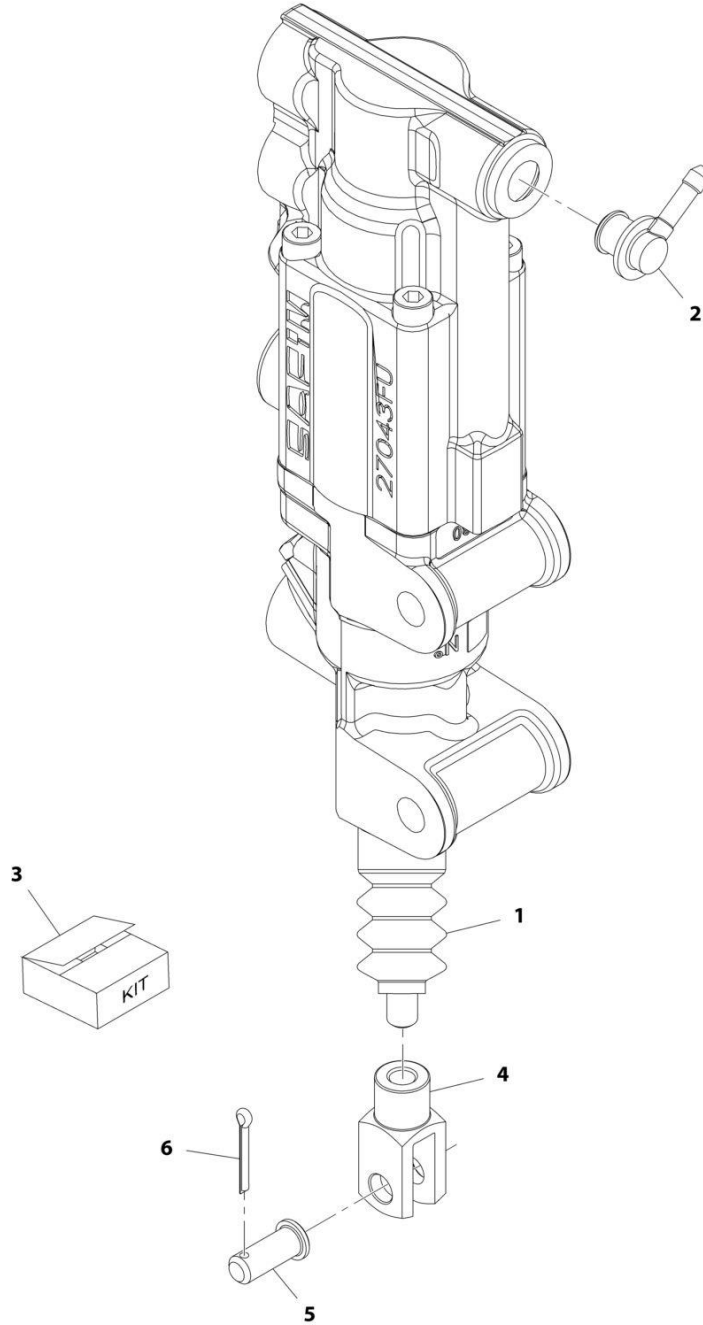
SECTION 9 - HYDRAULIC COMPONENTS

FIGURE 9-13. VALVE - AIR SHUT OFF

ITEM	PART NUMBER	QTY	DESCRIPTION	REV
	1001204032	Ref	Air Shut Off Valve	C
1	70028514	1	Kit, Solenoid 12V (Includes Solenoid, Coil, O-Ring)	
2	70028515	1	Kit, Switch (Includes Ball Switch & O-Ring)	
3	70028516	1	Kit, Flange and Hardware (Includes Flanges (Male & Female) & Mounting Hardware)	
4	70028517	1	Kit, Handle (Includes Handle & Pin)	

SECTION 9 - HYDRAULIC COMPONENTS

FIGURE 9-14. VALVE - BRAKE



ART_1001201721-D

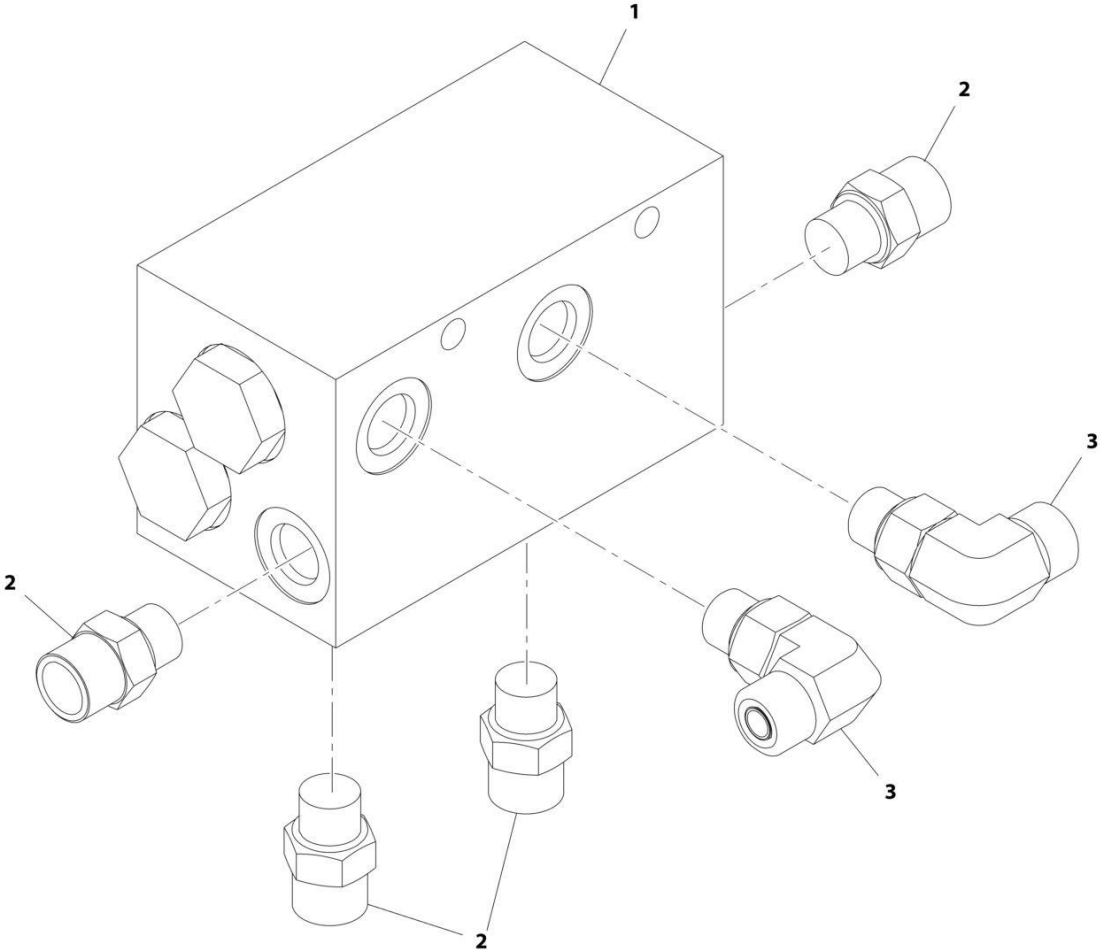
SECTION 9 - HYDRAULIC COMPONENTS

FIGURE 9-14. VALVE - BRAKE

ITEM	PART NUMBER	QTY	DESCRIPTION	REV
	1001201721	Ref	Brake Valve	D
1	70025859	1	Dust Cover	
2	70027275	1	Reservoir Joint	
3	70027276	1	Seal Kit	
4	70022650	1	Yoke	
5	70020743	1	Pin, Yoke	
6	70020745	1	Pin, Cotter	

SECTION 9 - HYDRAULIC COMPONENTS

FIGURE 9-15. VALVE - CARRIAGE



ART_4641502-B

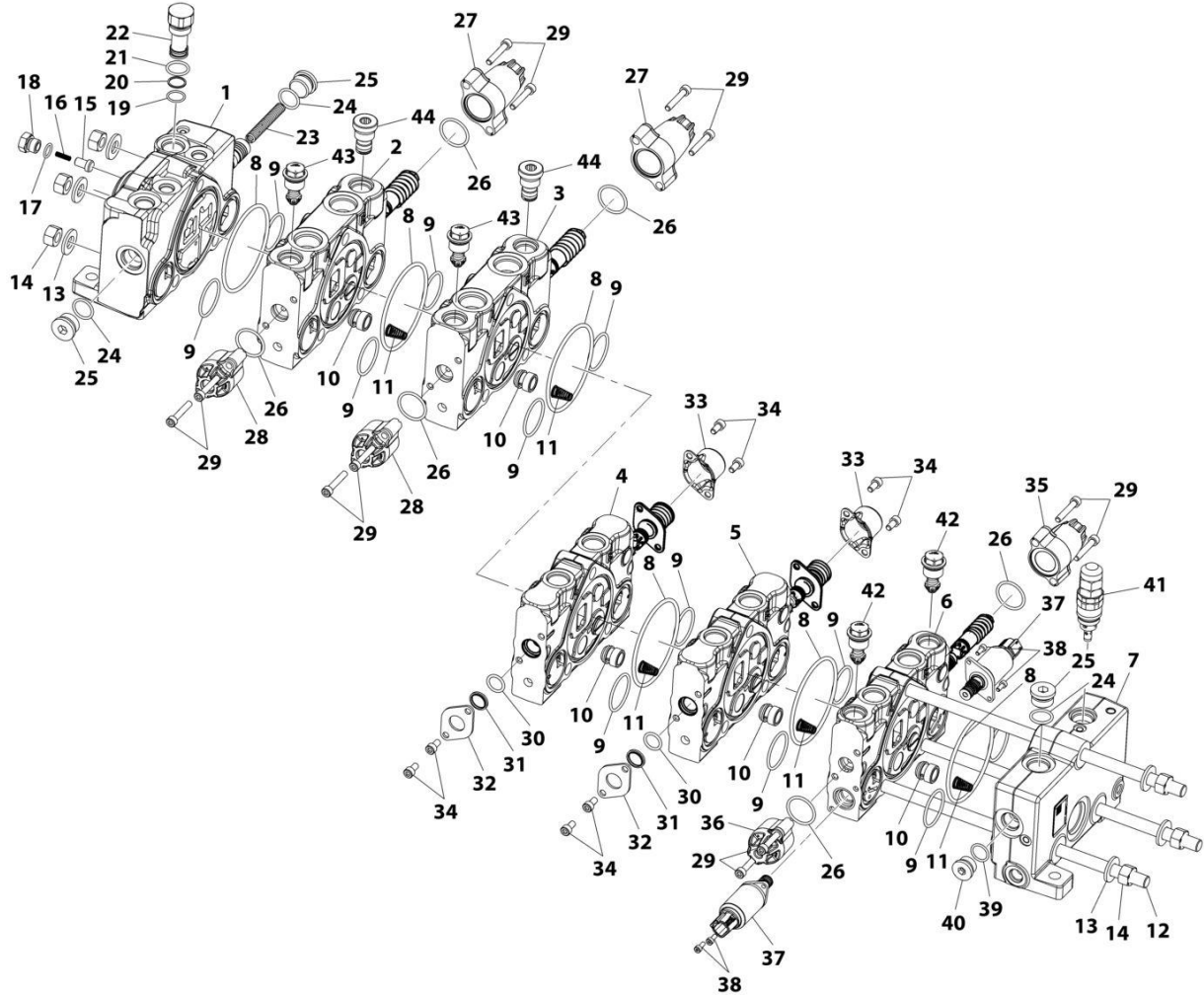
SECTION 9 - HYDRAULIC COMPONENTS

FIGURE 9-15. VALVE - CARRIAGE

ITEM	PART NUMBER	QTY	DESCRIPTION	REV
	4641502	Ref	Dual Fork Carriage Valve Assembly	B
1	4641501	1	Valve, Flow Divider (See Separate Breakdown in this Section)	
2	2110606	4	Fitting, Straight ORFS	
3	2130606	2	Fitting, 90	

SECTION 9 - HYDRAULIC COMPONENTS

FIGURE 9-16. VALVE - MAIN CONTROL



ART_1001242925

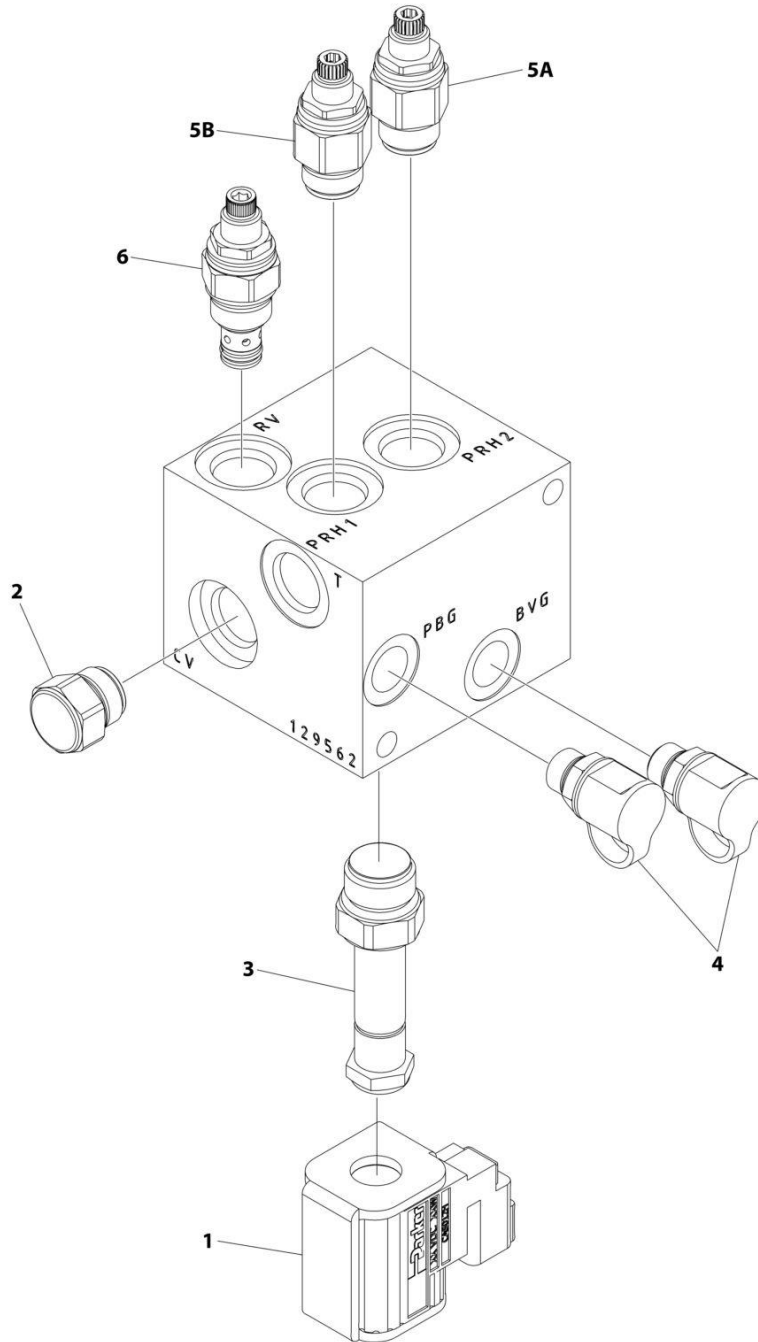
SECTION 9 - HYDRAULIC COMPONENTS

FIGURE 9-16. VALVE - MAIN CONTROL

ITEM	PART NUMBER	QTY	DESCRIPTION	REV
	1001242925	Ref	MAIN CONTROL VALVE	F
1	70030023	1	Inlet Section Assembly	
2	70030001	1	Lift Section Assembly	
3	70030002	1	Extend/Retract Section Assembly	
4	70030003	1	Aux Section Assembly	
5	70030004	1	Sway Section Assembly	
6	70030005	1	Tilt Section Assembly	
7	70030006	1	Outlet Section Assembly	
8	8034697	6	O-Ring	
9	70030007	12	O-Ring	
10	8903015	5	Poppet CV	
11	70030012	5	Spring	
12	70030038	3	Tie Rod	
13	70030039	6	Washer	
14	8035347	6	Nut	
15	70030009	1	Poppet, CV	
16	70030010	1	Spring	
17	70030040	1	O-Ring	
18	70030011	1	Plug	
19	70026370	1	O-Ring	
20	70026376	1	Back-Up Ring	
21	10837928	1	O-Ring	
22	70030041	1	Drain Regulator Assembly	
23	70030008	1	Spring	
24	70026652	3	O-Ring	
25	70026653	3	Plug	
26	70030013	6	O-Ring	
27	70030015	2	Spool Cap	
28	70030014	2	Spool Cap	
29	70030016	12	Screw	
30	8037109	2	O-Ring	
31	70030018	2	Wiper	
32	70030017	2	Sealing Plate	
33	70030019	2	Cap Spool	
34	70026133	8	Screw	
35	70030021	1	Spool Cap	
36	70030020	1	Spool Cap	
37	70029874	2	Valve, Solenoid Cartridge	
38	70022014	4	Screw	
39	70024202	1	O-Ring	
40	8035382	1	Plug Assembly	
41	70030022	1	Valve Assembly, LS Relief	
42	70027134	2	Valve Assembly, Relief	
43	70025982	2	Valve Assembly, Relief	
44	70022008	2	Shut-Off Plug Assembly	

SECTION 9 - HYDRAULIC COMPONENTS

FIGURE 9-17. VALVE - SECONDARY CONTROL



ART_1001266771

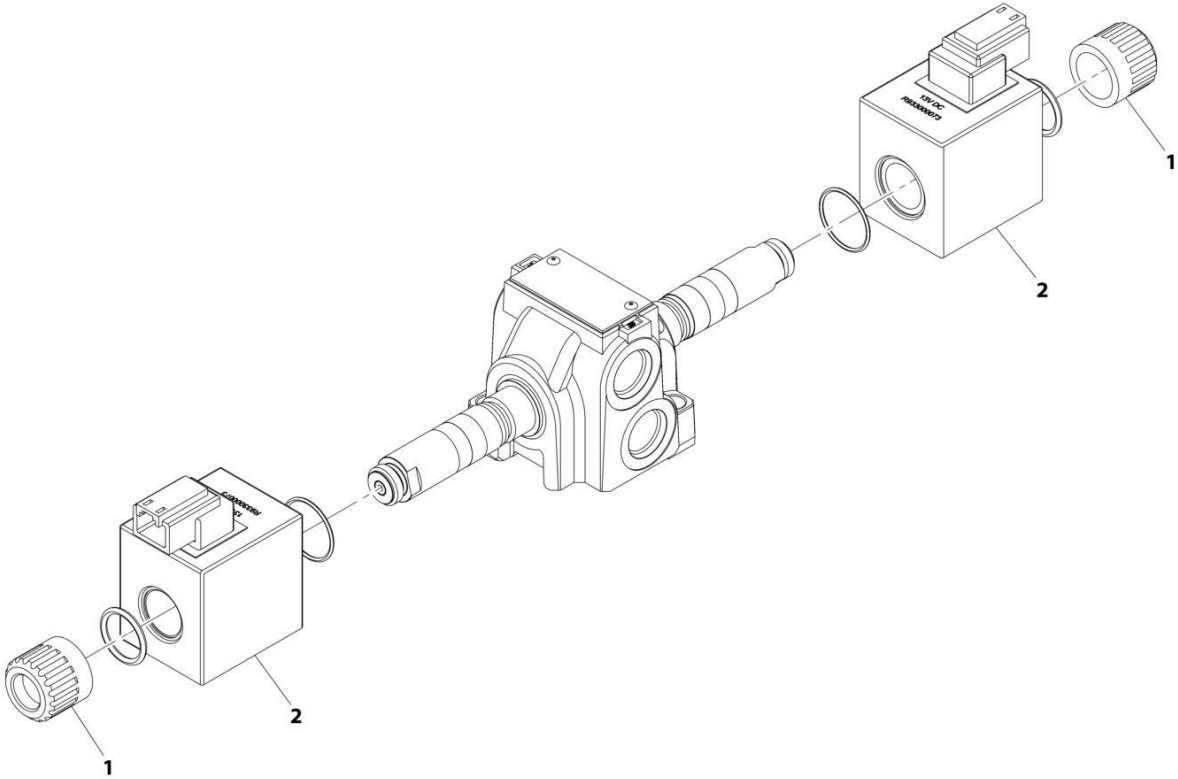
SECTION 9 - HYDRAULIC COMPONENTS

FIGURE 9-17. VALVE - SECONDARY CONTROL

ITEM	PART NUMBER	QTY	DESCRIPTION	REV
	1001266771	Ref	VALVE ASSEMBLY - SECONDARY	B
1	70026085	1	Coil	
2	91474023	1	Cartridge, Check Valve	
	7010769	1	Seal Kit - 91474023 Valve	
3	70026087	1	Cartridge, Solenoid Less Coil	
	8032695	1	Seal Kit - 70026087 Valve	
4	See Note	N.S.S.	Fitting, Straight	
5A	70029558	1	Cartridge, Pressure Relief Valve	
	8032694	1	Seal Kit - 70029558 Valve	
5B	70029584	1	Cartridge, Pressure Relief Valve	
	8032694	1	Seal Kit - 70029584 Valve	
6	70030292	1	Cartridge, Pressure Relief Valve	
	7010769	1	Seal Kit - 70030292 Valve	

SECTION 9 - HYDRAULIC COMPONENTS

FIGURE 9-18. VALVE - STEERING SELECT



ART_1001153748-C

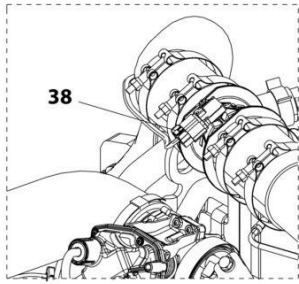
SECTION 9 - HYDRAULIC COMPONENTS

FIGURE 9-18. VALVE - STEERING SELECT

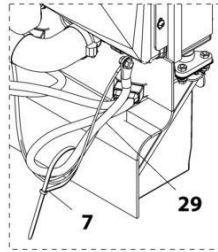
ITEM	PART NUMBER	QTY	DESCRIPTION	REV
	1001153748	Ref	Steering Select Valve	C
1	70020867	2	Nut, Coil	
2	70026582	2	Coil	

SECTION 10 - ELECTRICAL

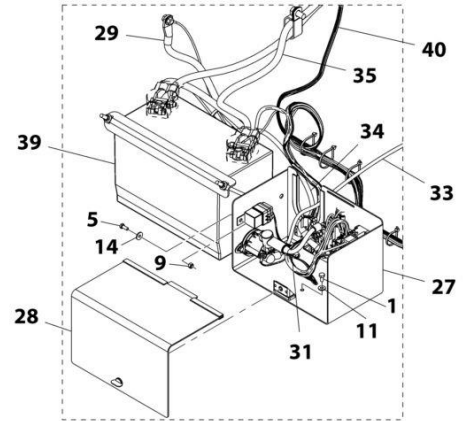
SECTION 10 - ELECTRICAL



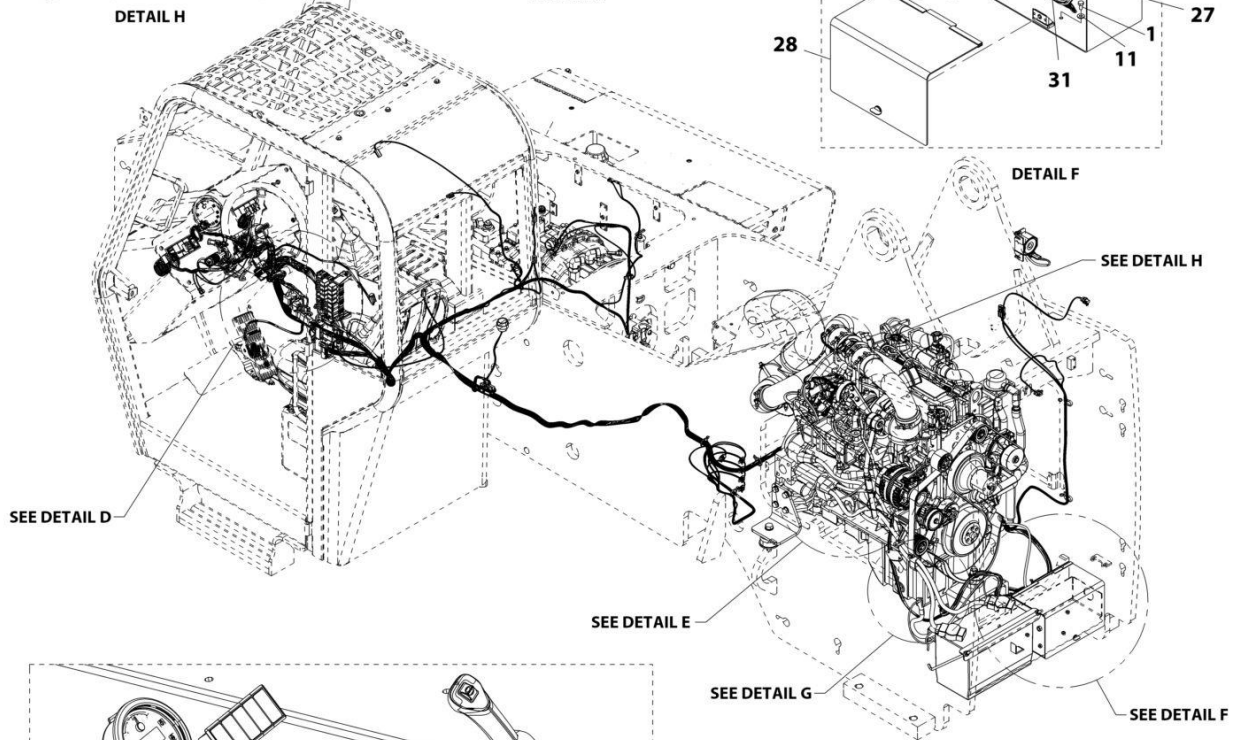
DETAIL H



DETAIL G



DETAIL F



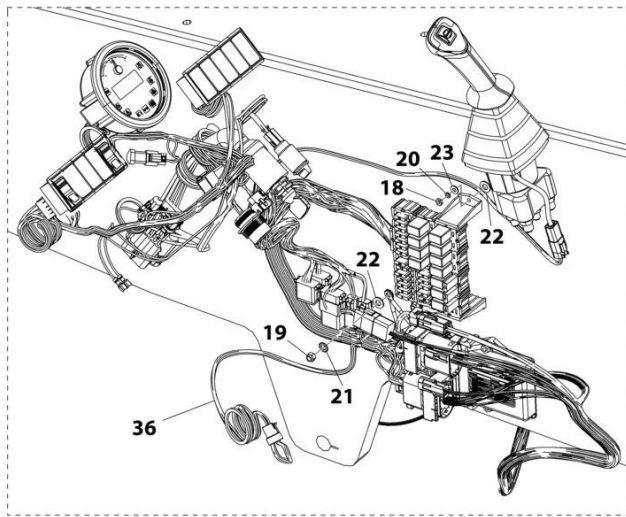
SEE DETAIL D

SEE DETAIL E

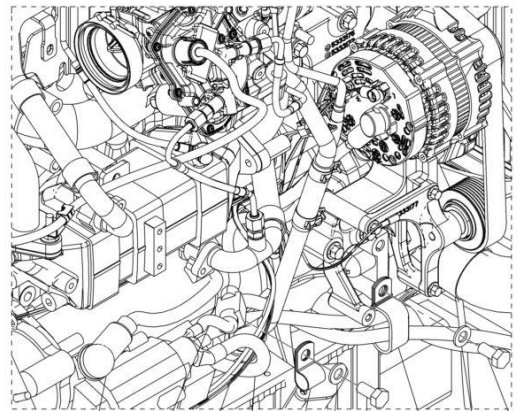
SEE DETAIL G

SEE DETAIL H

SEE DETAIL F



DETAIL D



DETAIL E

ART_1001199891_2-F

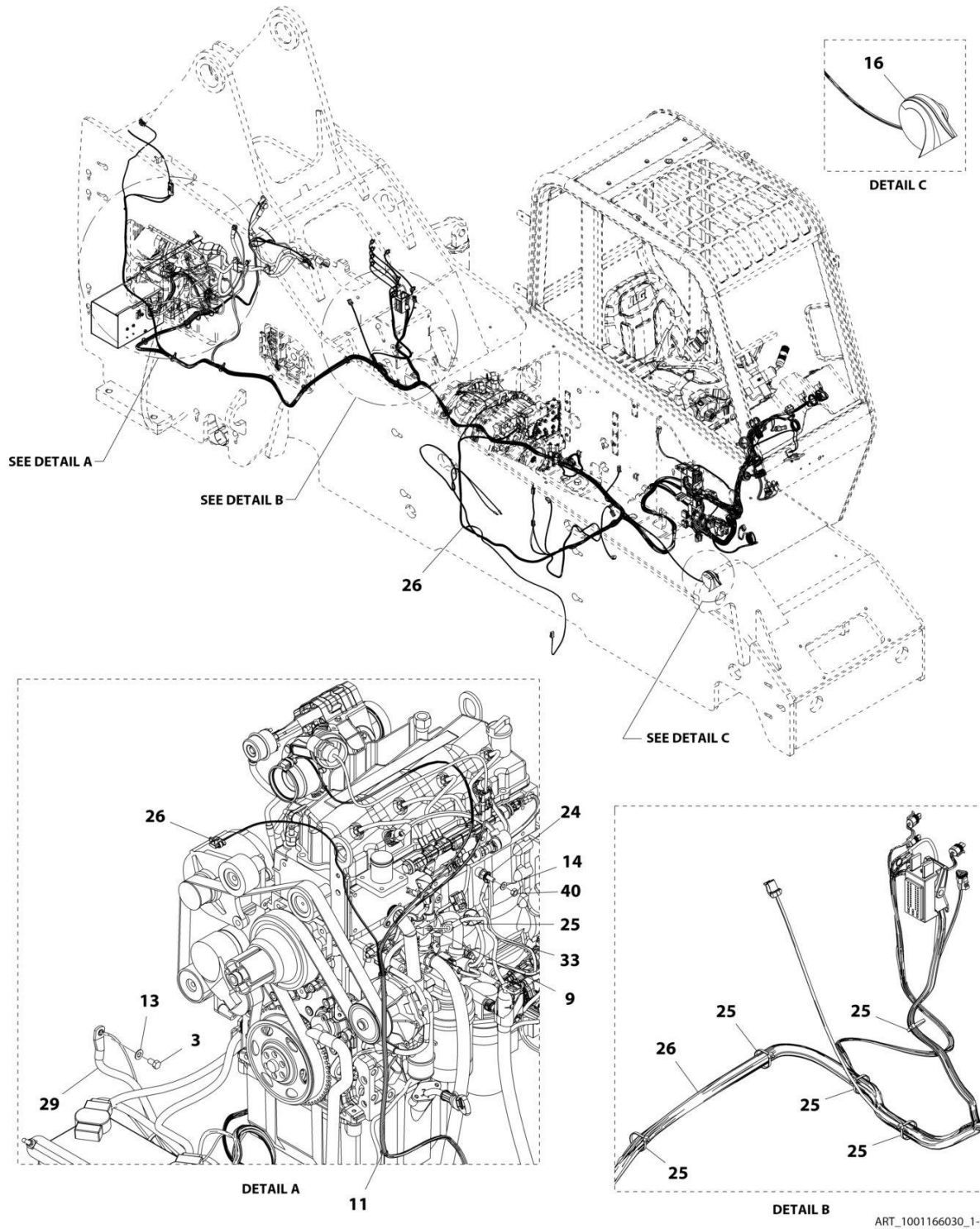
SECTION 10 - ELECTRICAL

FIGURE 10-1. ELECTRICAL INSTALLATION - 74HP

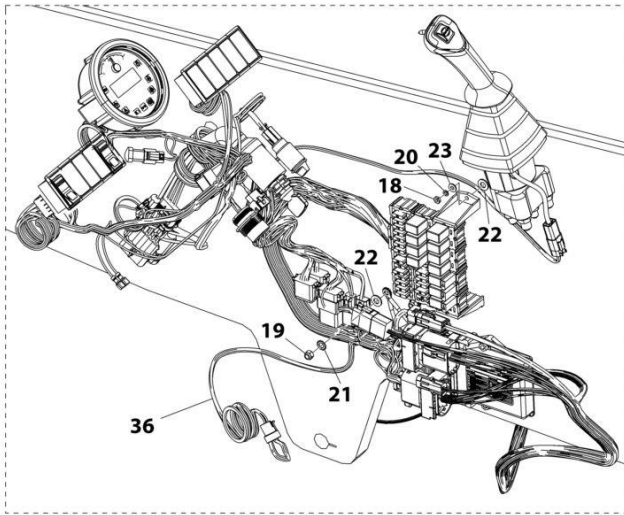
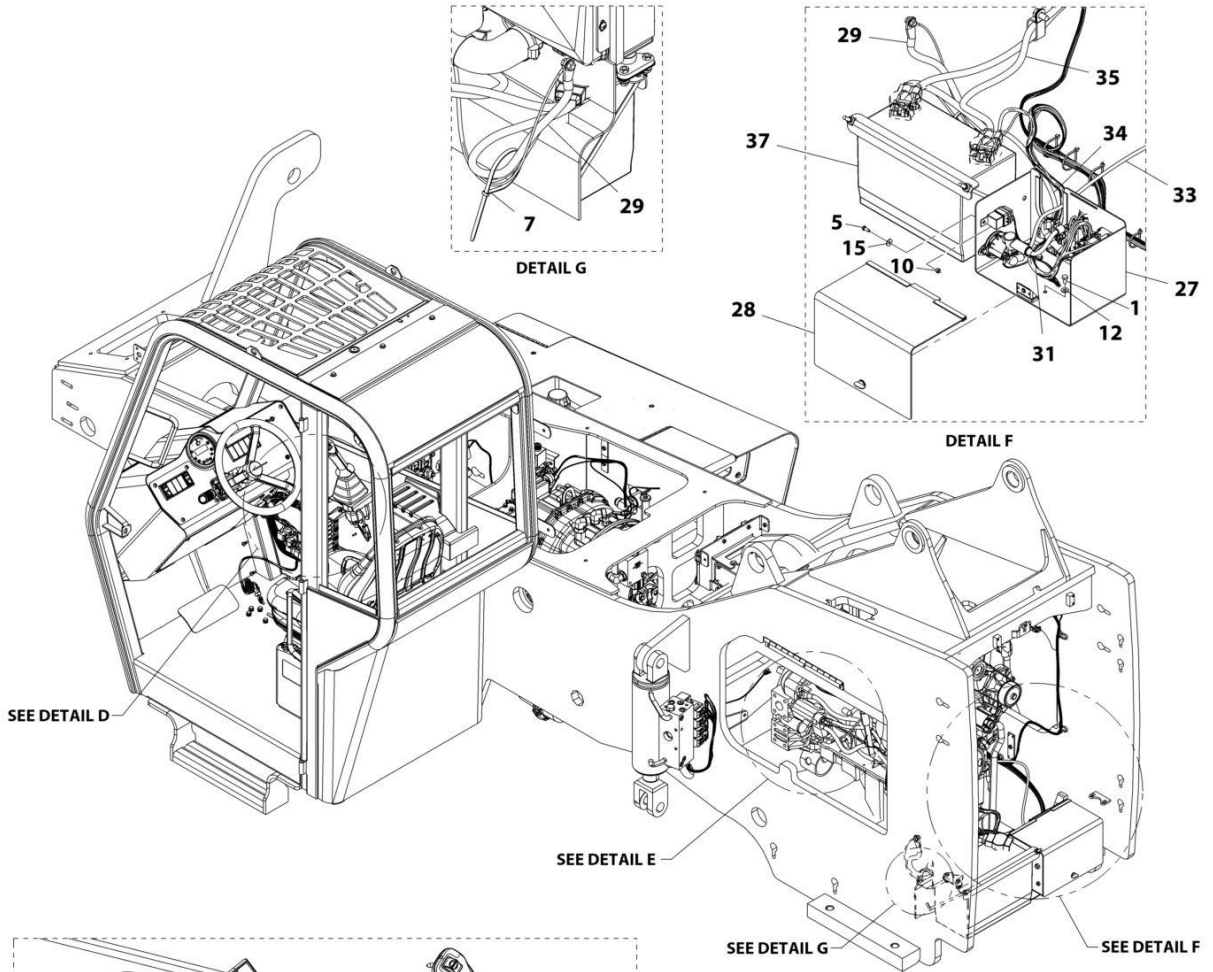
ITEM	PART NUMBER	QTY	DESCRIPTION	REV
	1001199891	Ref	Electrical Installation, 74HP - 6036 (if equipped for ULS) (6036)	F
1	0641404	3	Bolt 1/4X1/2	
3	0641605	1	Bolt 3/8X5/8	
5	8303545	1	Bolt M8X14	
6	0761212	2	Bolt M12X25	
7	1062255	1	Strap, Tie	
8	3290601	1	Nut M6X1	
9	3290605	1	Nut M6X1	
10	4240017	3	Strap, Tie	
11	4711400	3	Washer 1/4	
12	4711600	1	Washer 3/8	
13	4811900	1	Washer M8	
14	4811702	1	Washer M6	
15	4812100	2	Washer M12	
16	8270620	1	Horn, Signal	
18	8305002	3	Nut #10	
19	8305624	2	Nut, Lock 1/4	
20	8307003	3	Washer M10	
21	8307027	4	Washer, Lock 5/16	
22	8307106	5	Washer 5/16	
23	8307111	3	Washer M10	
24	8310046	1	Washer, Lock M10	
25	8406105	1	Clip, Tube	
26	8584001	12	Wrap, Tie	
27	1001170233	1	Installation, Relay Panel (See Separate Breakdown in this Section)	
28	1001170234	1	Assembly, Relay Panel Cover (See Separate Breakdown in this Section)	
29	1001171234	1	Cable, Battery Negative	
30	1001171236	1	Cable, Starter Ground	
31	1001171237	1	Cable, Grid Heater to Fuse Power	
32	1001171238	1	Cable, Alternator Power	
33	1001171239	1	Cable, Grid Heater Power	
34	1001171633	1	Cable, Buss Power	
35	1001171757	1	Cable, Starter Power	
36	1001178285	1	Harness, Cab Power Distribution (See Separate Breakdown in this Section)	
37	1001181899	1	Clamp	
38	1001184835	1	Harness, TBAP (See Separate Breakdown in this Section)	
39	1001186841	1	Installation, Battery (See Separate Breakdown in this Section)	
40	1001199889	1	Engine Harness - 74HP (See Separate Breakdown in this Section)	
41	3290801	1	Nut M8X1.25	

SECTION 10 - ELECTRICAL

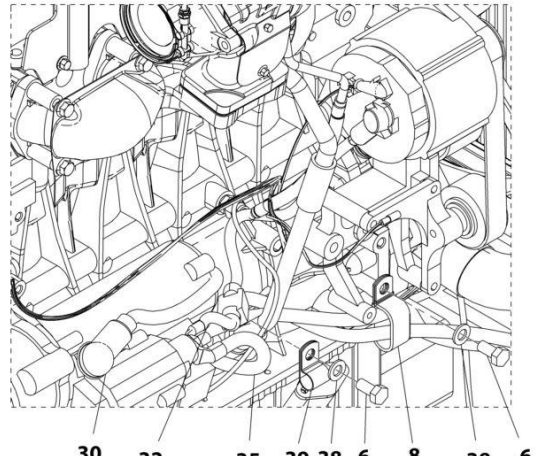
FIGURE 10-2. ELECTRICAL INSTALLATION - 85HP



SECTION 10 - ELECTRICAL



DETAIL D



DETAIL E

ART_1001166030_2-1

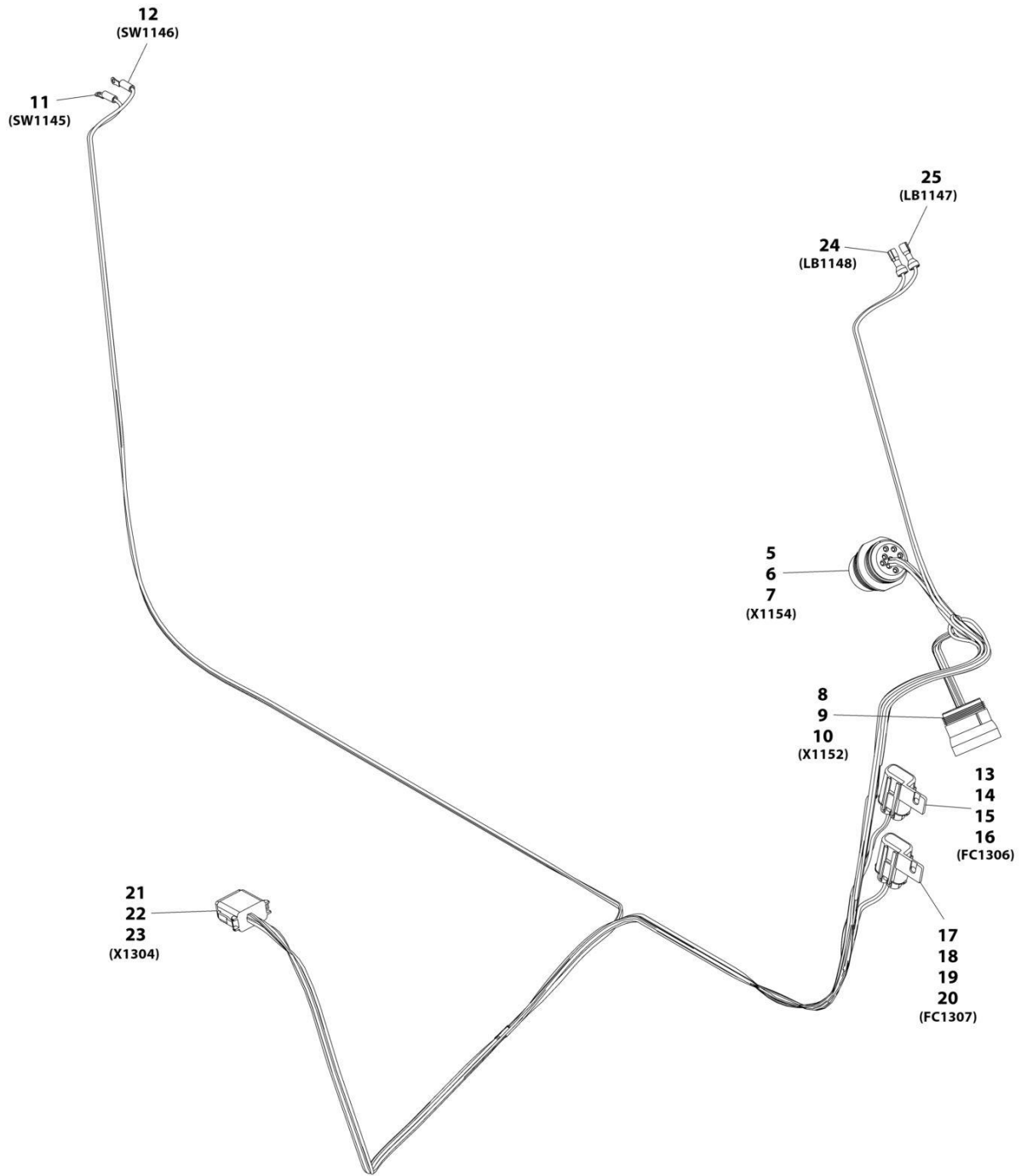
SECTION 10 - ELECTRICAL

FIGURE 10-2. ELECTRICAL INSTALLATION - 85HP

ITEM	PART NUMBER	QTY	DESCRIPTION	REV
	1001166030	Ref	Electrical Installation, 85HP - 6036 (if equipped for LS) (6036)	I
1	0641404	3	Bolt, 1/4-20X1/2	
3	0641605	1	Bolt, 3/8-16X5/8	
5	8303545	1	Bolt, M8X14	
6	0761212	2	Bolt, M12X25	
7	1062255	1	Strap, Tie	
8	1001181899	1	Clamp	
9	3290601	1	Nut, M6X1	
10	3290605	1	Nut, M6X1	
11	4240017	3	Strap, Tie	
12	4711400	3	Washer, 1/4	
13	4711600	1	Washer, 3/8	
14	4811900	1	Washer, M8	
15	4811702	1	Washer, M6	
16	8270620	1	Horn, Signal	
18	8305002	3	Nut, 10-24	
19	8305624	2	Nut, Lock 1/4-20	
20	8307003	3	Washer, Lock M10	
21	8307027	4	Washer, Lock 5/16	
22	8307106	5	Washer, 5/16	
23	8307111	3	Washer, M10	
24	8310046	1	Washer, Lock External Tooth M10	
25	8584001	13	Wrap, Tie	
26	1001189488	1	Engine Harness (See Separate Breakdown in this Section)	
27	1001170233	1	Installation, Relay Panel (See Separate Breakdown in this Section)	
28	1001170234	1	Assembly, Relay Panel Cover (See Separate Breakdown in this Section)	
29	1001171234	1	Cable, Battery Negative	
30	1001171236	1	Cable, Starter Ground	
31	1001171237	1	Cable, Grid Heater to Fuse Power	
32	1001171238	1	Cable, Alternator Power	
33	1001171239	1	Cable, Grid Heater Power	
34	1001171633	1	Cable, Buss Power	
35	1001171757	1	Cable, Starter Power	
36	1001178285	1	Harness, Cab Power Distribution (See Separate Breakdown in this Section)	
37	1001186841	1	Installation, Battery (See Separate Breakdown in this Section)	
38	4812100	2	Washer, M12	
39	8406105	1	Clip, Tube	
40	3290801	1	Nut, M8X1.25	

SECTION 10 - ELECTRICAL

FIGURE 10-3. AIR SHUT OFF VALVE HARNESS - CAB



ART_1001231560-C

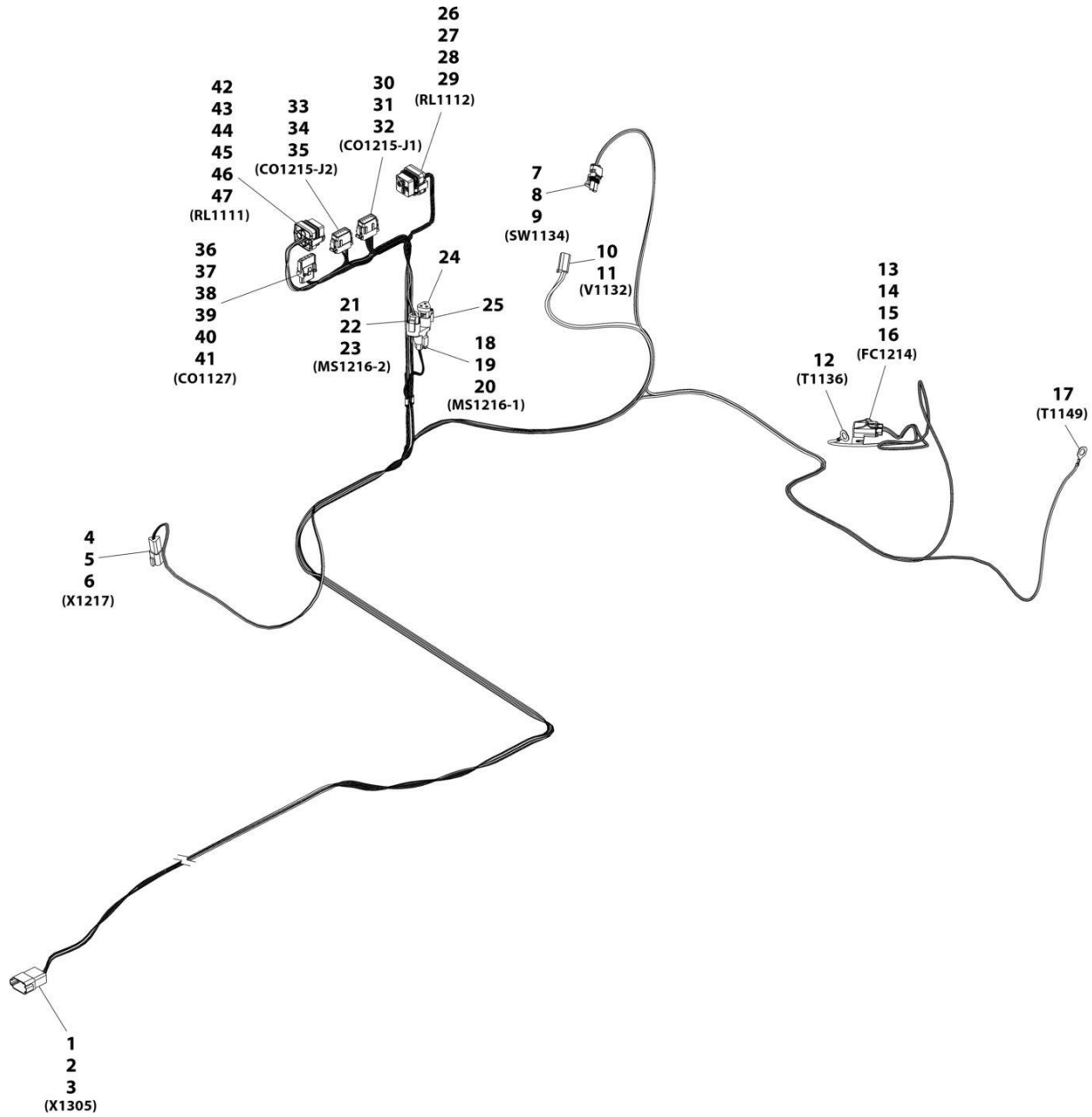
SECTION 10 - ELECTRICAL

FIGURE 10-3. AIR SHUT OFF VALVE HARNESS - CAB

ITEM	PART NUMBER	QTY	DESCRIPTION	REV
	1001231560	Ref	POSI Air Shut Off Valve Cab, Harness	C
5	1001112612	1	Connector	
6	4460464	6	Terminal	
7	4460466	3	Plug	
8	1001116945	1	Connector	
9	4460465	6	Terminal	
10	4460466	3	Plug	
11	8220035	1	Terminal, Ring	
12	8220035	1	Terminal, Ring	
13	1001231397	1	Connector	
14	8229261	1	Fuse 5A	
15	1001231400	2	Terminal	
16	1001231404	2	Plug	
17	1001231397	1	Connector	
18	8229234	1	Fuse 10A	
19	1001231400	2	Terminal	
20	1001231404	2	Plug	
21	4460930	1	Connector	
22	4460465	6	Terminal	
23	4460466	2	Plug	
24	8220108	1	Connector	
25	8220108	1	Connector	

SECTION 10 - ELECTRICAL

FIGURE 10-4. AIR SHUT OFF VALVE HARNESS - T4F



ART_1001216455

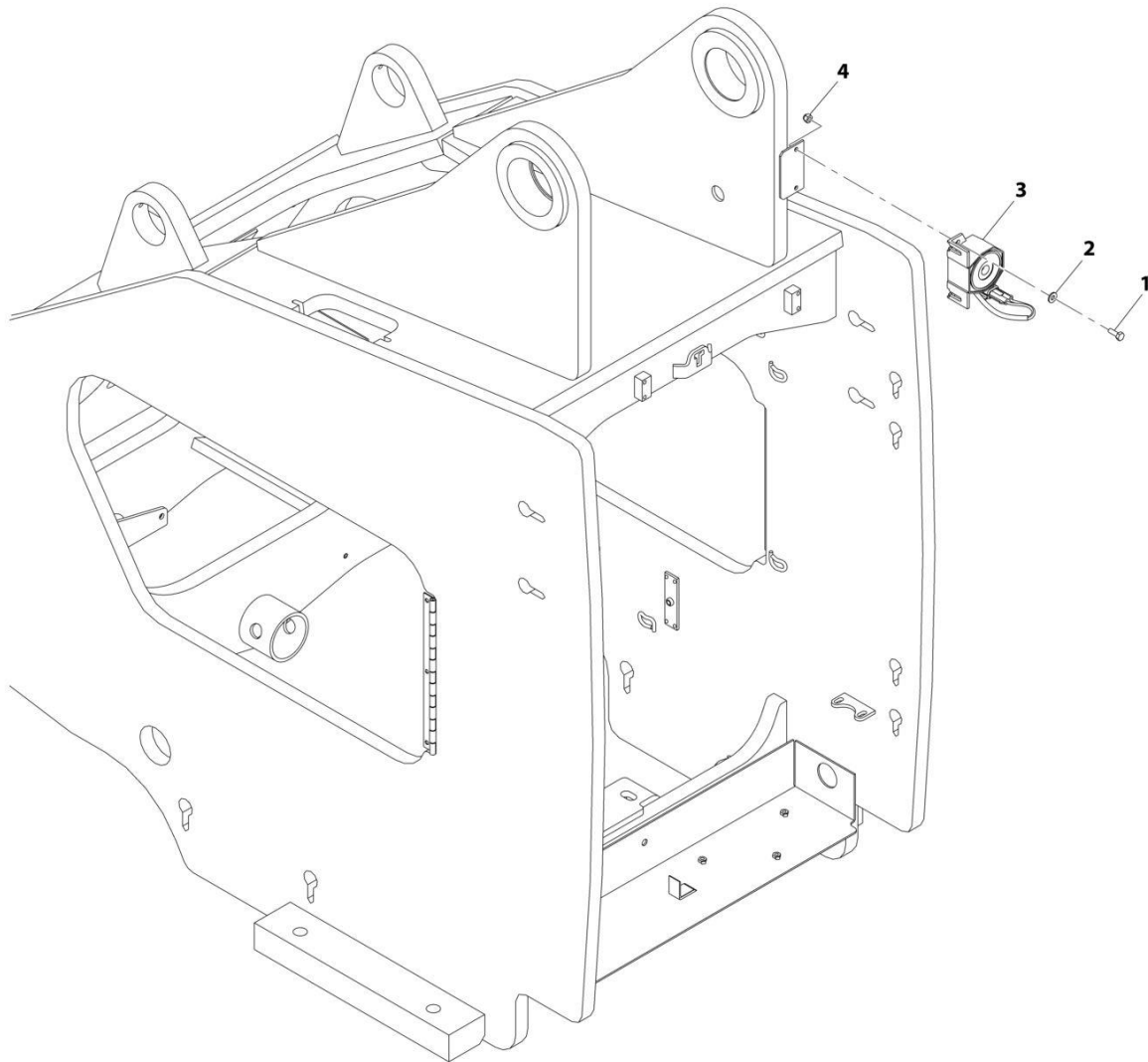
SECTION 10 - ELECTRICAL

FIGURE 10-4. AIR SHUT OFF VALVE HARNESS - T4F

ITEM	PART NUMBER	QTY	DESCRIPTION	REV
	1001216455	Ref	POSI Air Shut Off Valve T4F, Harness	F
1	4460931	1	Connector	
2	4460464	6	Terminal	
3	4460466	2	Plug	
4	1001144147	1	Connector	
5	4460464	2	Terminal	
6	4460466	1	Plug	
7	4460742	1	Connector	
8	4460475	2	Terminal	
9	4460458	2	Seal	
10	4460891	1	Connector	
11	1001157890	2	Terminal	
12	1001187078	1	Terminal, Ring	
13	1001231397	1	Connector	
14	8229235	1	Fuse 20A	
15	1001231401	2	Terminal	
16	1001230402	2	Seal	
17	1001187078	1	Connector	
18	1001116812	1	Connector	
19	4460465	2	Terminal	
20	4460466	1	Plug	
21	4460539	1	Connector	
22	4460465	2	Terminal	
23	4460466	1	Plug	
24	1001116815	1	Connector, 3 Pin	
25	4460945	1	Terminal, 3 Way "T" Receptacle	
26	1001231398	1	Connector	
27	1001231400	4	Terminal	
28	1001231406	1	Plug	
29	1001231404	4	Seal	
30	1001116808	1	Connector	
31	1001126008	9	Terminal	
32	4460518	3	Plug	
33	1001116774	1	Connector	
34	4460518	8	Plug	
35	1001126008	4	Terminal	
36	4460761	1	Connector	
37	4460321	1	Connector - 4 Position	
38	4460809	4	Plug	
39	1001118378	4	Terminal	
40	1001143551	1	Seal	
41	1001218358	1	Lanyard, Rope	
42	1001231398	1	Connector	
43	1001231401	2	Terminal	
44	1001231400	2	Terminal	
45	1001231406	1	Plug	
46	1001231402	2	Seal	
47	1001231404	2	Seal	

SECTION 10 - ELECTRICAL

FIGURE 10-5. ALARM INSTALLATION - BACK UP



ART_1001206542-A

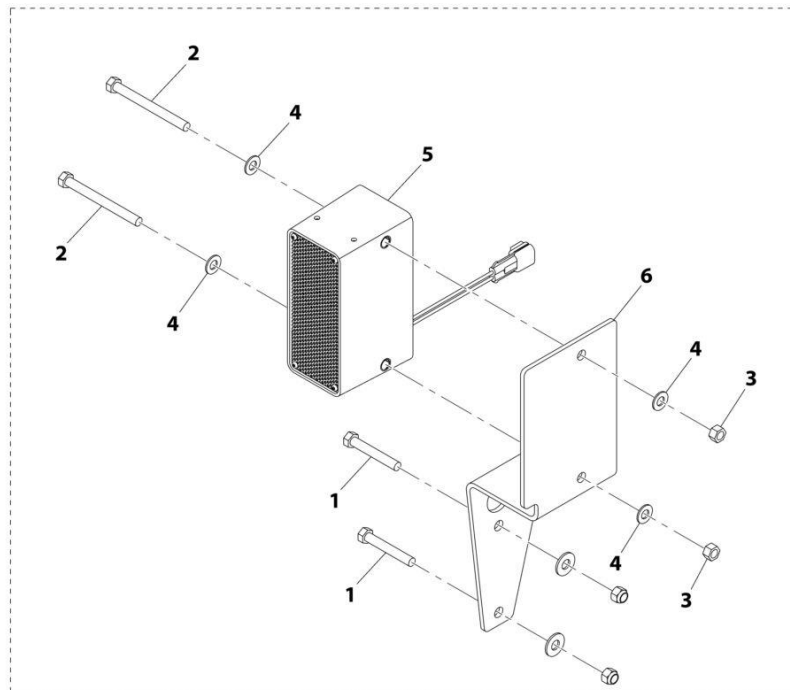
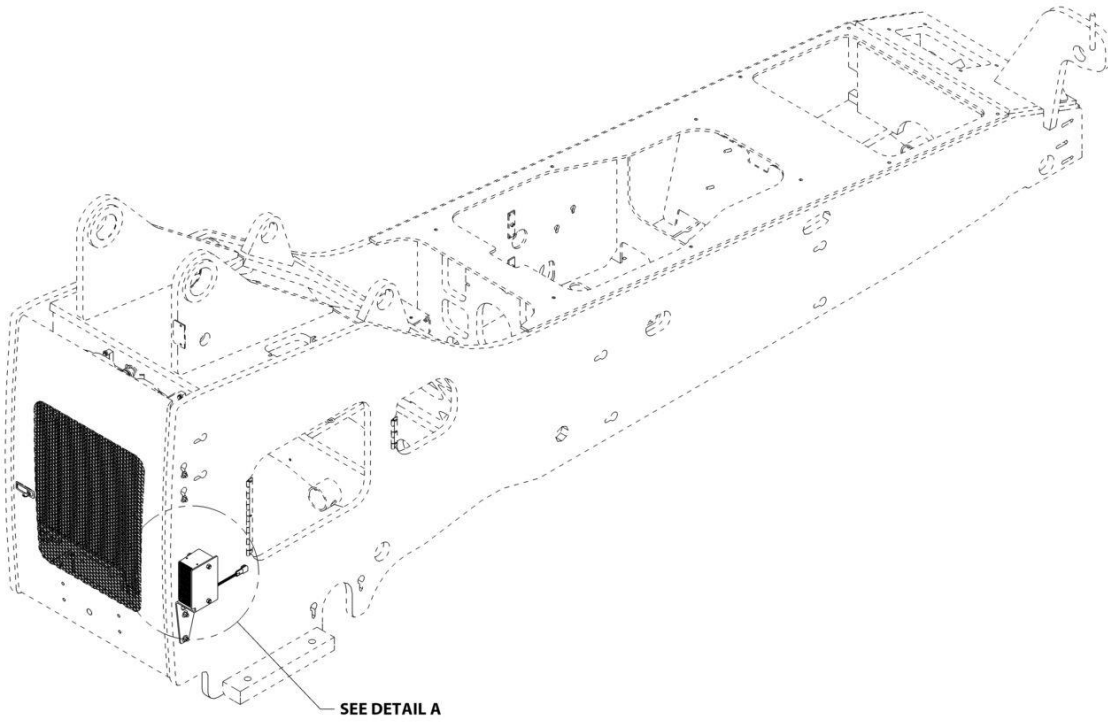
SECTION 10 - ELECTRICAL

FIGURE 10-5. ALARM INSTALLATION - BACK UP

ITEM	PART NUMBER	QTY	DESCRIPTION	REV
	1001206542	Ref	Back-Up Alarm Installation	A
1	0641406	2	Bolt 1/4X3/4	
2	4711400	2	Washer 1/4	
3	8270621	1	Alarm, Back-Up	
4	8305624	2	Nut 1/4	

SECTION 10 - ELECTRICAL

FIGURE 10-6. ALARM INSTALLATION - WHITE NOSE



DETAIL A

ART_1001206543-A

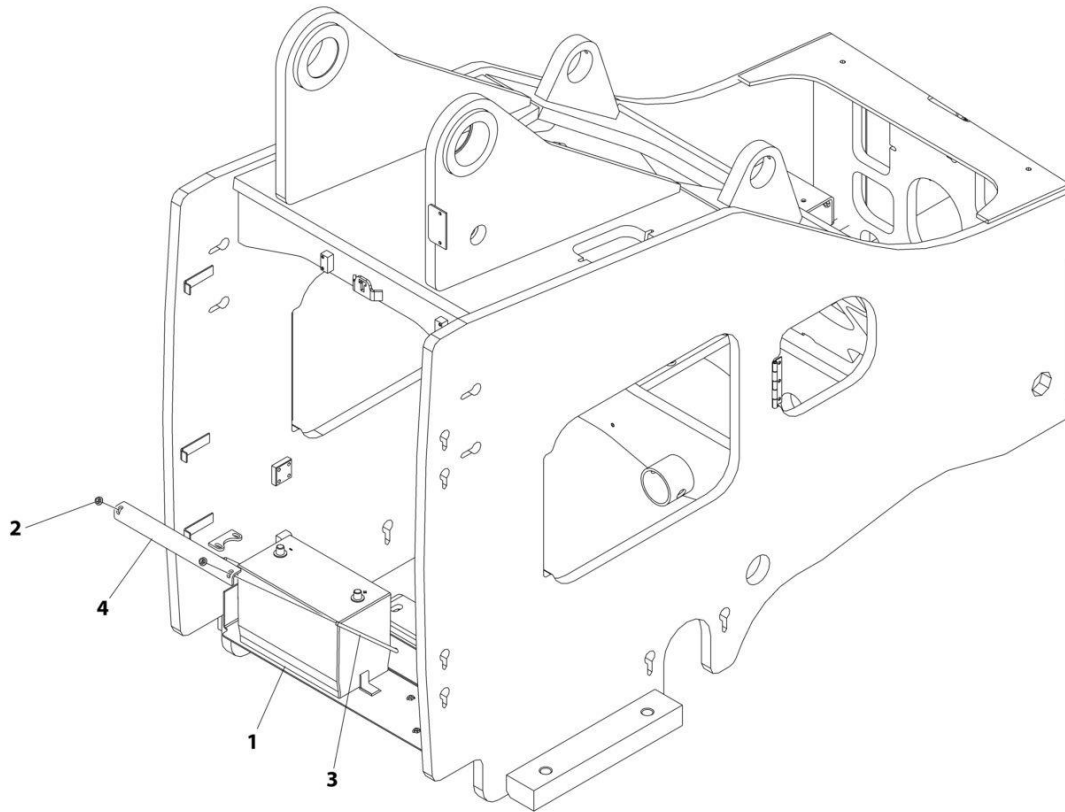
SECTION 10 - ELECTRICAL

FIGURE 10-6. ALARM INSTALLATION - WHITE NOISE

ITEM	PART NUMBER	QTY	DESCRIPTION	REV
	1001206543	Ref	Back-Up Alarm Installation (White Noise)	A
1	0641620	2	Bolt 3/82-1/2	
2	0641632	2	Bolt 3/8X4	
3	3311605	2	Nut 3/8	
4	4711600	4	Washer 3/8	
5	1001198728	1	Alarm	
6	1001213574	1	Bracket	

SECTION 10 - ELECTRICAL

FIGURE 10-7. BATTERY INSTALLATION



ART_1001186841

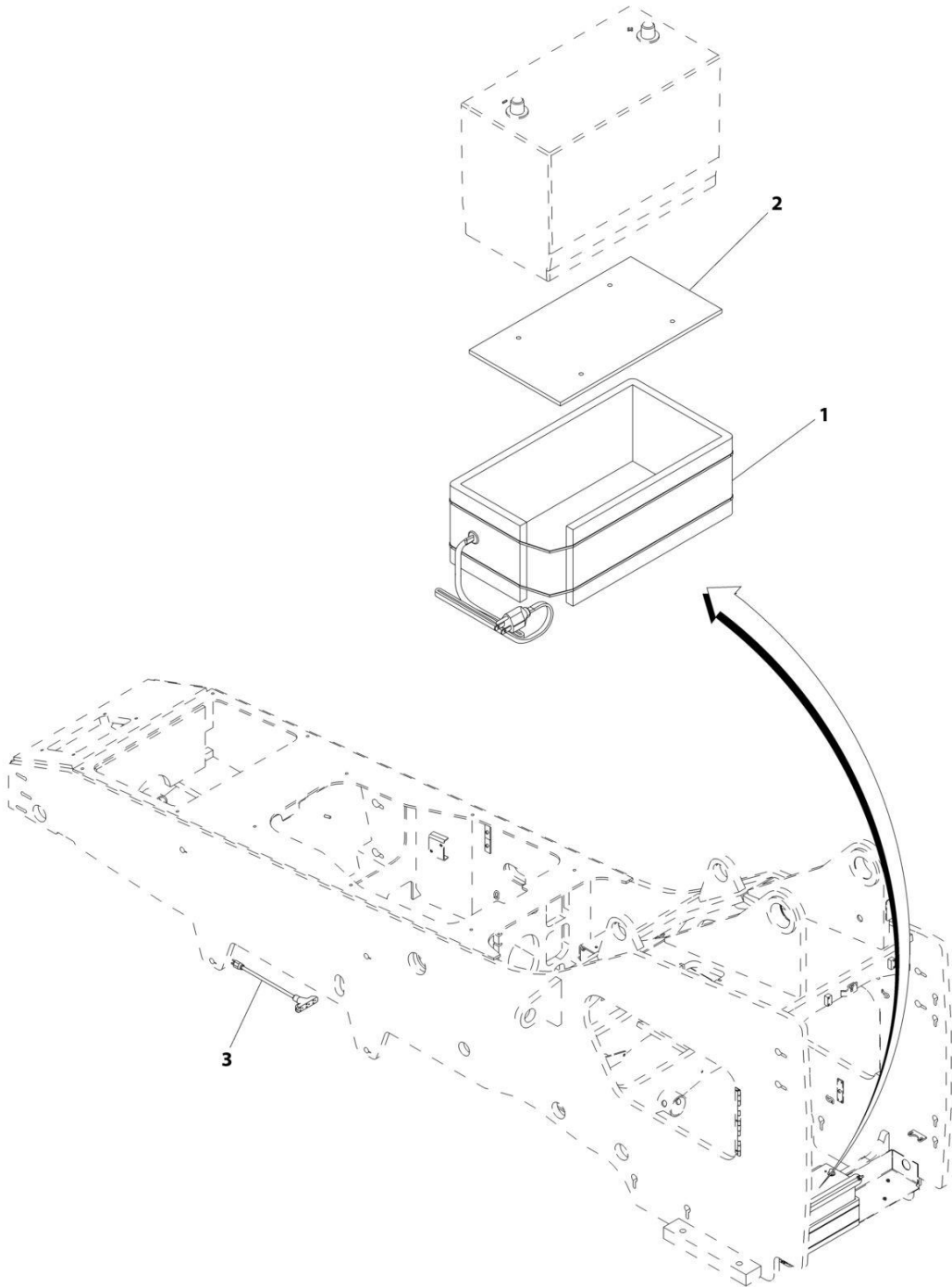
SECTION 10 - ELECTRICAL

FIGURE 10-7. BATTERY INSTALLATION

ITEM	PART NUMBER	QTY	DESCRIPTION	REV
	1001186841	Ref	Battery Installation	B
1	0400075	1	Battery, 12V	
2	77143006	2	Nut 5/16	
3	91081640	2	Bolt, Battery Hold Down	
4	1001258991	1	Plate, Battery Hold Down	

SECTION 10 - ELECTRICAL

FIGURE 10-8. BATTERY BLANKET INSTALLATION



ART_1001234216-A

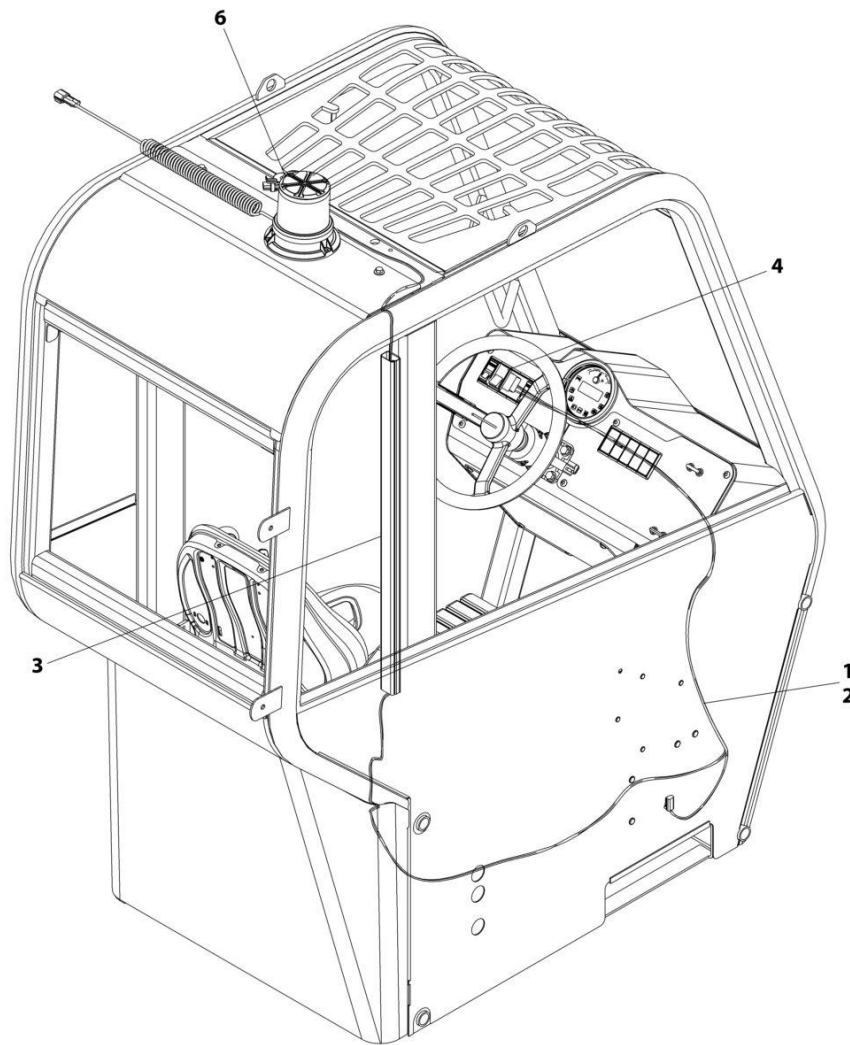
SECTION 10 - ELECTRICAL

FIGURE 10-8. BATTERY BLANKET INSTALLATION

ITEM	PART NUMBER	QTY	DESCRIPTION	REV
	1001234216	Ref	Battery Blanket Installation	A
1	1001093564	1	Battery Heater	
2	1001119278	1	Battery Insulate	
3	1060626	1	3 Way Plug	

SECTION 10 - ELECTRICAL

FIGURE 10-9. BEACON INSTALLATION (OPEN CAB)



ART_1001161212_I

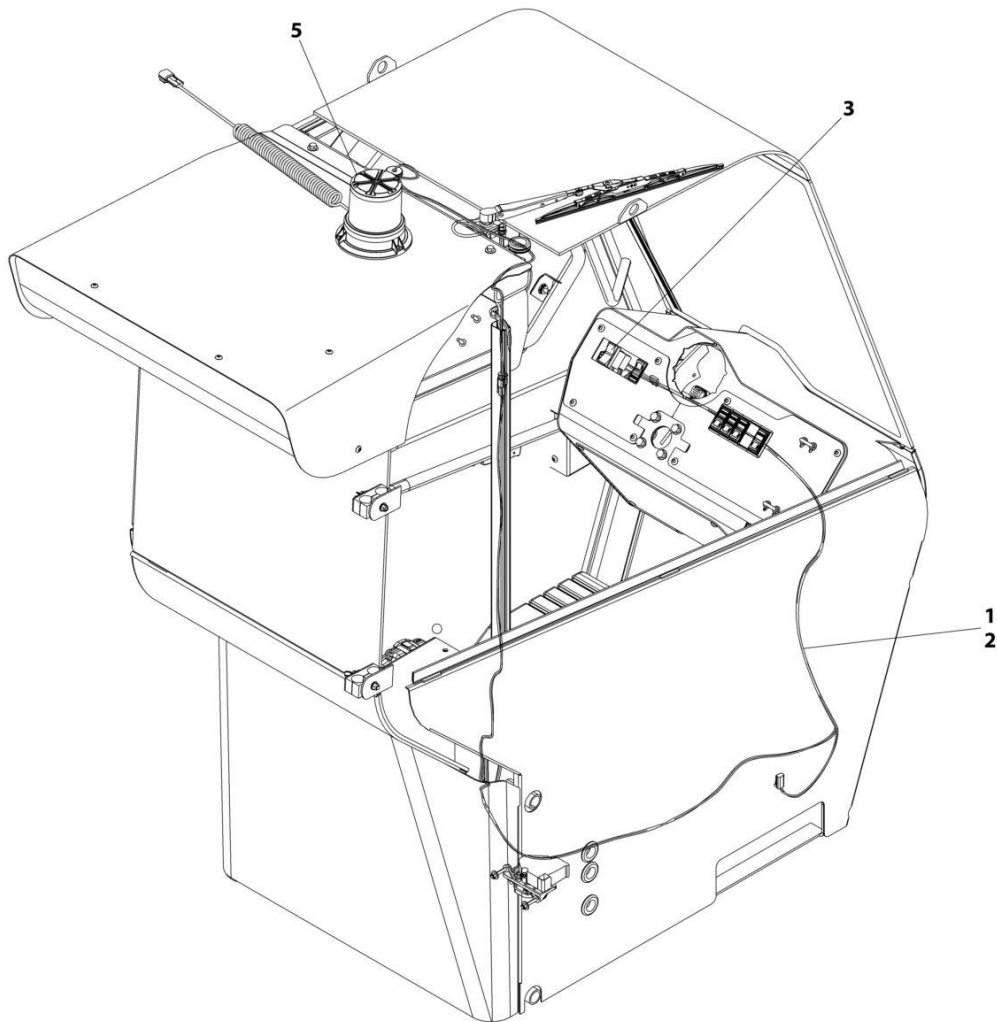
SECTION 10 - ELECTRICAL

FIGURE 10-9. BEACON INSTALLATION (OPEN CAB)

ITEM	PART NUMBER	QTY	DESCRIPTION	REV
	1001161212	Ref	LIGHTS - BEACON LIGHT INSTALLATION (OPEN CAB)	I
1	0100009	AR	Sealant	
2	1001178345	1	Harness, Beacon Option (See Separate Breakdown in this Section)	
3	1001182091	1	Duct, Upper Wire	
4	8223038	1	Switch, Beacon	
6	1001271586	1	Light, Rotating Beacon	

SECTION 10 - ELECTRICAL

FIGURE 10-10. BEACON INSTALLATION (ENCLOSED CAB)



ART_1001161213_G

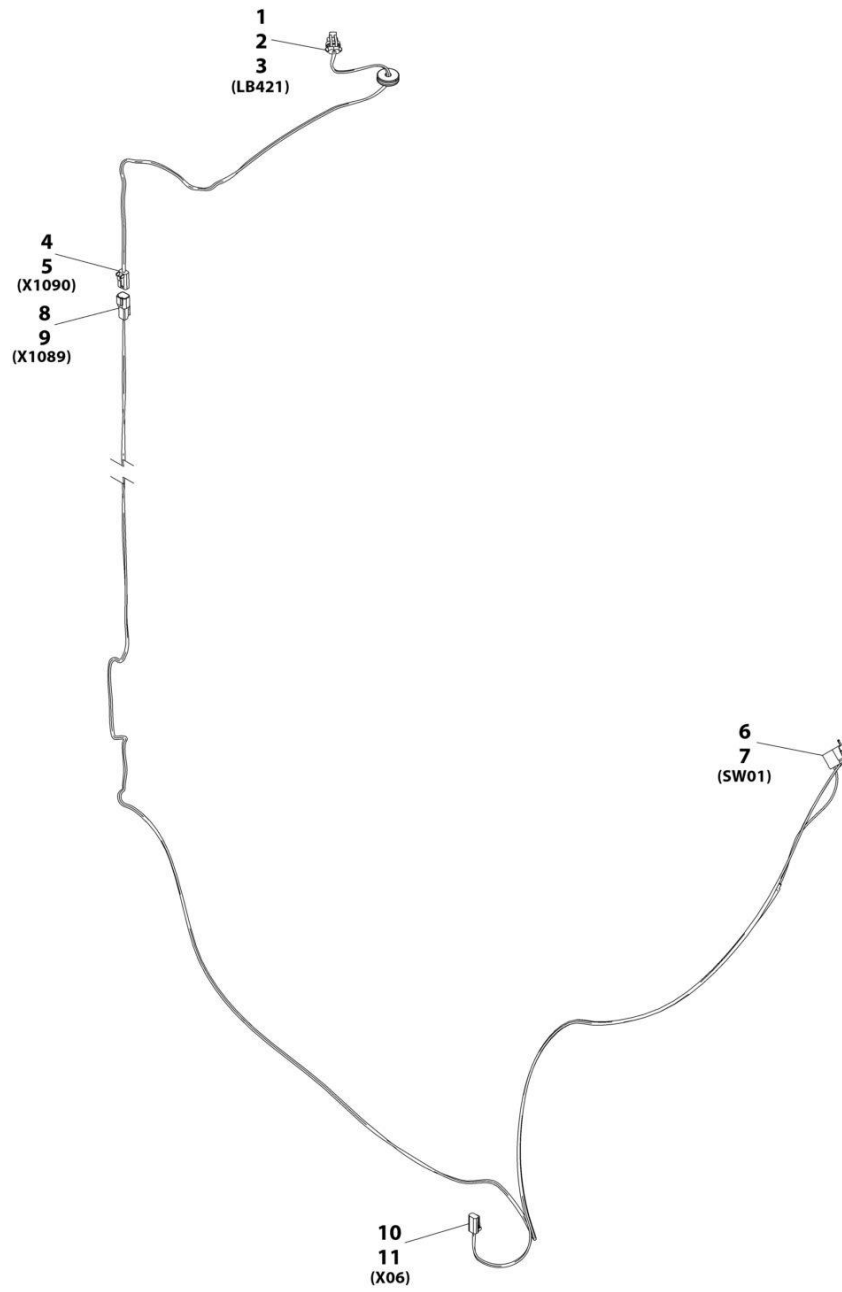
SECTION 10 - ELECTRICAL

FIGURE 10-10. BEACON INSTALLATION (ENCLOSED CAB)

ITEM	PART NUMBER	QTY	DESCRIPTION	REV
	1001161213	Ref	LIGHTS - BEACON LIGHT INSTALLATION (ENCLOSED CAB)	G
1	0100009	AR	Sealant	
2	1001178345	1	Harness, Beacon Option (See Separate Breakdown in this Section)	
3	8223038	1	Switch, Beacon	
5	1001271586	1	Light, Rotating Beacon	

SECTION 10 - ELECTRICAL

FIGURE 10-11. BEACON OPTION HARNESS



ART_1001178345-H

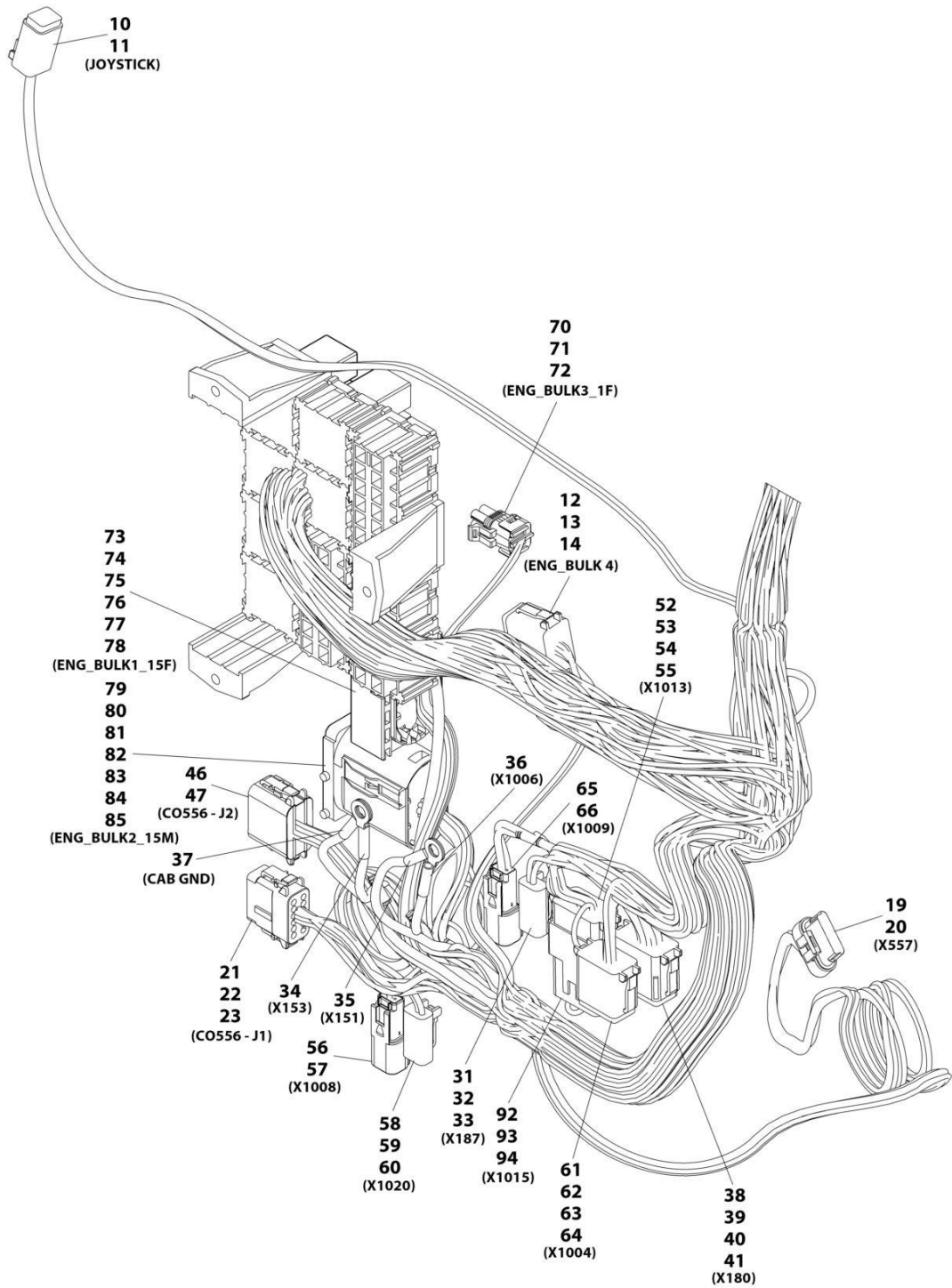
SECTION 10 - ELECTRICAL

FIGURE 10-11. BEACON OPTION HARNESS

ITEM	PART NUMBER	QTY	DESCRIPTION	REV
	1001178345	Ref	Beacon Option Harness	H
1	1001117021	1	Connector	
2	1001116728	2	Terminal	
3	4460458	2	Seal	
4	4460891	1	Connector	
5	4460465	2	Terminal	
6	8220904	1	Connector	
7	4460419	5	Terminal	
8	4460897	1	Connector	
9	4460464	2	Terminal	
10	4460891	1	Connector	
11	4460465	2	Terminal	

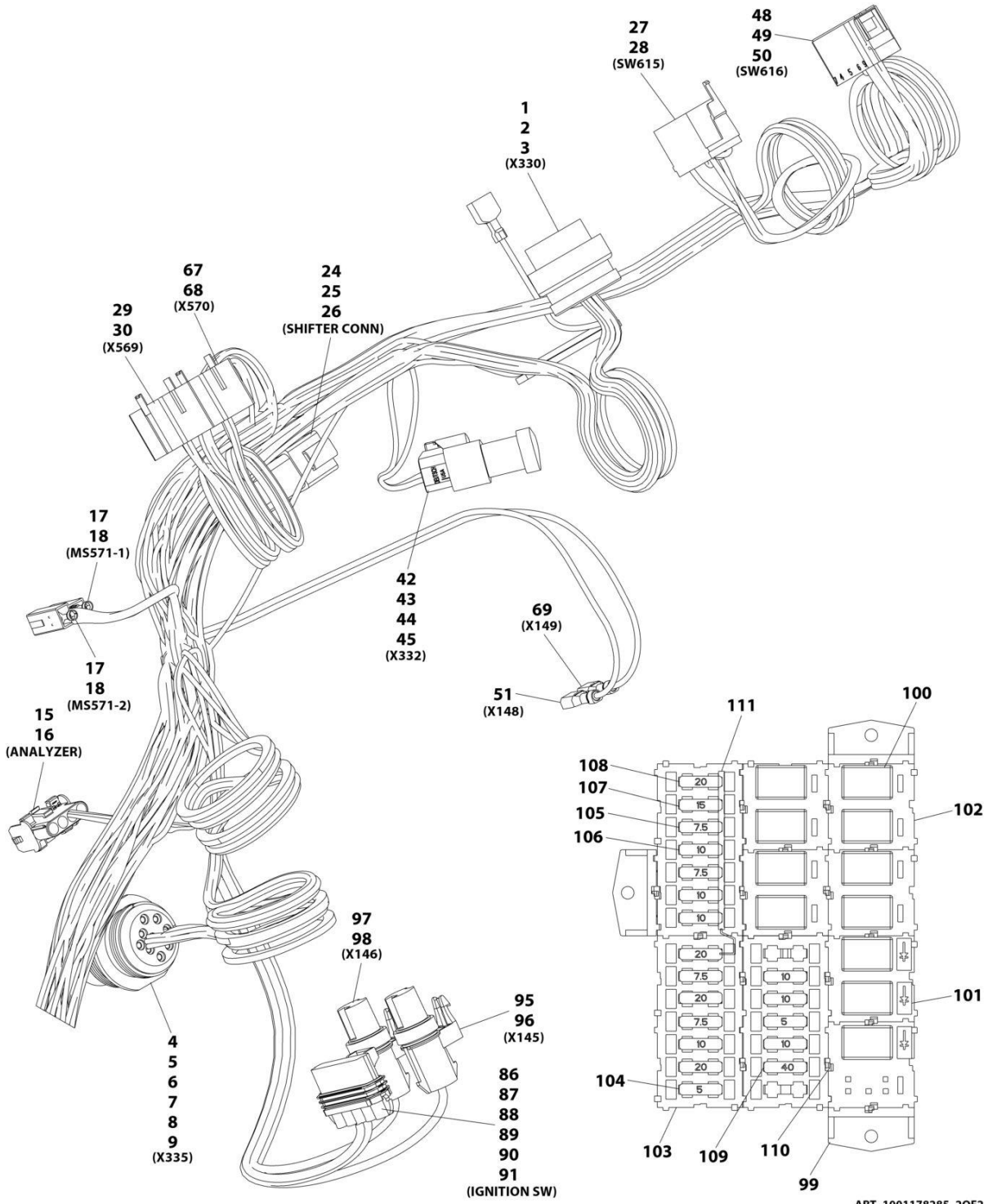
SECTION 10 - ELECTRICAL

FIGURE 10-12. CAB POWER DISTRIBUTION HARNESS



ART_1001178285_10F2

SECTION 10 - ELECTRICAL



ART_1001178285_20F2

SECTION 10 - ELECTRICAL

FIGURE 10-12. CAB POWER DISTRIBUTION HARNESS

ITEM	PART NUMBER	QTY	DESCRIPTION	REV
	1001178285	Ref	Cab Power Distribution Harness	O
1	4460872	1	Connector	
2	4460871	10	Terminal, Socket	
3	4460905	4	Plug, Seal	
4	1001112612	1	Connector	
5	1001149712	1	Cap	
6	1001125784	1	Lockwasher	
7	1001125785	1	Nut	
8	4460464	6	Terminal	
9	4460466	3	Plug	
10	4460884	1	Connector	
11	4460465	4	Terminal	
12	4460930	1	Connector	
13	4460465	6	Terminal	
14	4460466	2	Plug	
15	4460761	1	Connector	
16	1001118378	4	Terminal	
17	4460994	2	Connector	
18	1001200833	4	Terminal	
19	1001230931	1	Connector	
20	1001116748	6	Terminal	
21	1001116808	1	Connector	
22	1001126008	10	Terminal, Socket	
23	4460518	2	Terminal, Plug	
24	4460970	1	Connector	
25	4460464	9	Terminal	
26	4460466	3	Plug	
27	8220904	1	Connector	
28	4460419	6	Terminal	
29	1001117119	1	Connector	
30	1001159186	4	Terminal	
31	4460891	1	Connector	
32	1001157890	1	Terminal	
33	4460942	1	Terminal	
34	1001117106	1	Terminal, Ring	
35	1001117106	1	Terminal, Ring	
36	1001117106	1	Terminal, Ring	
37	1001117106	1	Terminal, Ring	
38	4460836	1	Connector	
39	4460509	5	Terminal, Socket	
40	4460465	6	Terminal	
41	4460466	1	Plug	
42	1001116812	1	Connector	
43	4461070	1	Connector	
44	4460465	2	Terminal	
45	4460466	1	Plug	
46	1001116774	1	Connector	
47	1001126008	12	Terminal, Socket	
48	8220904	1	Connector	
49	4460419	8	Terminal	

SECTION 10 - ELECTRICAL

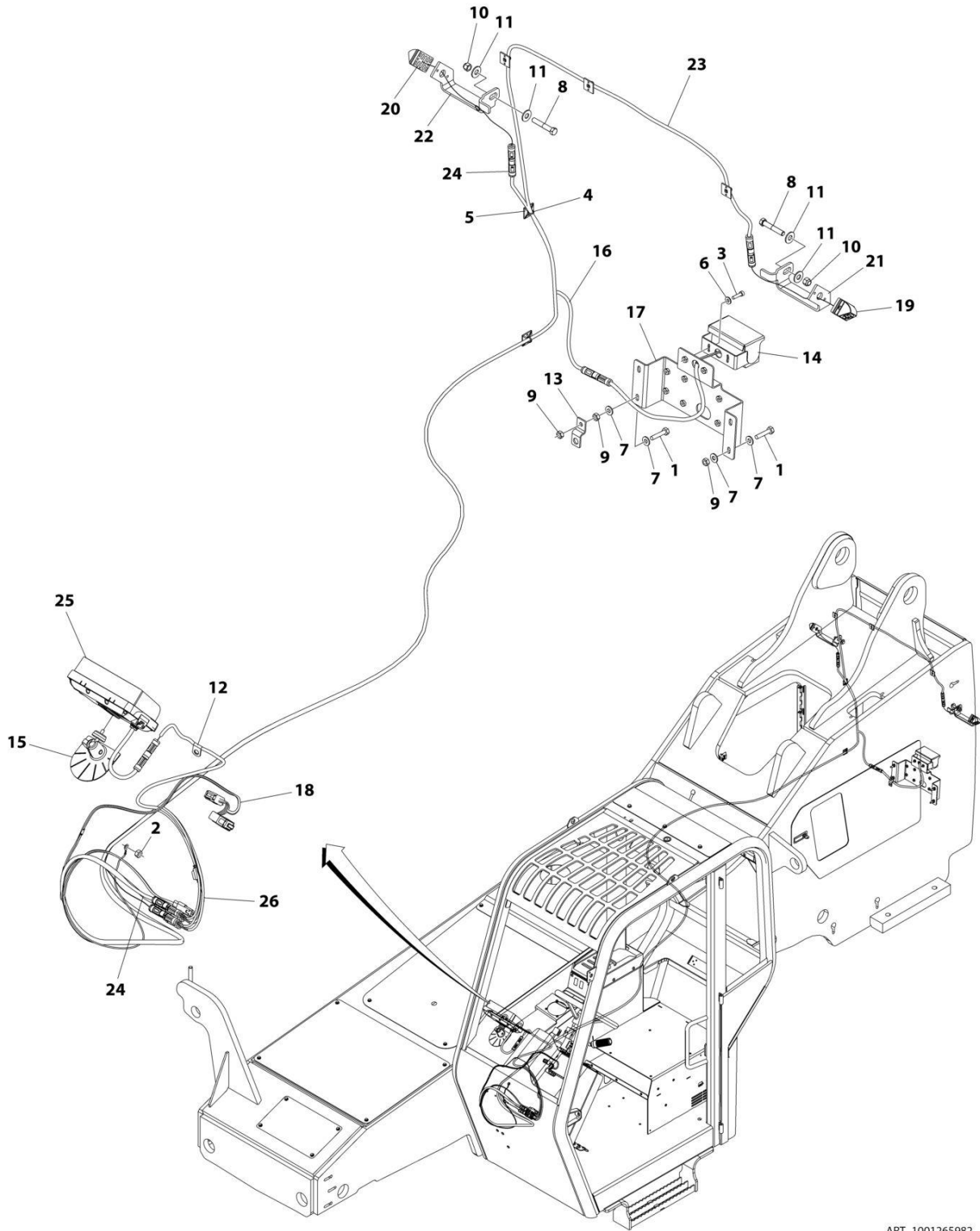
ITEM	PART NUMBER	QTY	DESCRIPTION	REV
50	1001195760	2	Terminal	
51	8220051	1	Terminal	
52	4460933	1	Connector	
53	1001003174	3	Terminal, Socket	
54	4460465	7	Terminal	
55	4460466	2	Terminal	
56	4460897	1	Connector	
57	4460464	2	Terminal	
58	4460891	1	Connector	
59	4460465	1	Terminal	
60	1001157890	1	Terminal	
61	4460930	1	Connector	
62	4460465	3	Terminal	
63	1001157890	2	Terminal	
64	4460466	3	Plug	
65	4461017	1	Connector	
66	4460508	2	Terminal, Socket	
67	1001117119	1	Connector	
68	1001159186	2	Terminal	
69	8220051	1	Terminal	
70	80963061	1	Connector	
71	4460790	4	Terminal, Socket	
72	8220089	4	Seal	
73	8220927	1	Connector	
74	1001116726	10	Terminal	
75	8220097	4	Terminal	
76	8220098	1	Terminal	
77	4460458	14	Seal	
78	4460789	1	Seal	
79	8220929	1	Connector	
80	1001116745	3	Terminal	
81	8220162	3	Terminal	
82	1001116729	8	Terminal	
83	1001116727	1	Plug	
84	4460458	11	Seal	
85	80963067	3	Seal	
86	1001121726	1	Connector	
87	8220125	2	Terminal	
88	8220089	2	Seal	
89	1001116726	1	Terminal	
90	4460458	1	Seal	
91	1001116727	2	Plug	
92	4460970	1	Connector	
93	4460466	6	Terminal	
94	4460464	6	Terminal	
95	1001121728	1	Connector, Packard Female, 1POS	
96	1001121730	1	Terminal	
97	1001121728	1	Connector, Packard Female, 1POS	
98	1001121730	1	Terminal	
99	1001200845	3	Leg, Mounting	
100	1001205172	11	Relay, Micro 280, 12V, 35 Amp	

SECTION 10 - ELECTRICAL

ITEM	PART NUMBER	QTY	DESCRIPTION	REV
101	1001129285	3	Fuse, Mini Diode	
102	1001177198	6	Module, 2 Fuse	
103	1001187952	3	Assembly, Electrical	
104	8229261	2	Fuse, Type 5 A	
105	8229233	4	Fuse, Type 7.5 A	
106	8229234	7	Fuse, Type 10 A	
107	8229237	1	Fuse, Type 15 A	
108	8229235	4	Fuse, Type 20 A	
109	8229238	1	Fuse, Type 40 A	
110	4461103	17	Relay, Locking Wedge	
111	1001210779	1	Terminal	
112	1001116710	43	Terminal	
113	1001116712	12	Terminal	
114	1001210779	1	Terminal	
115	1001192050	10	Terminal	
116	1001210776	4	Terminal	
117	1001192049	11	Terminal	
118	1001210778	2	Terminal	
119	1001210777	8	Terminal	

SECTION 10 - ELECTRICAL

FIGURE 10-13. CAMERA INSTALLATION - REVERSE MULTI-VIEW



ART_1001265982

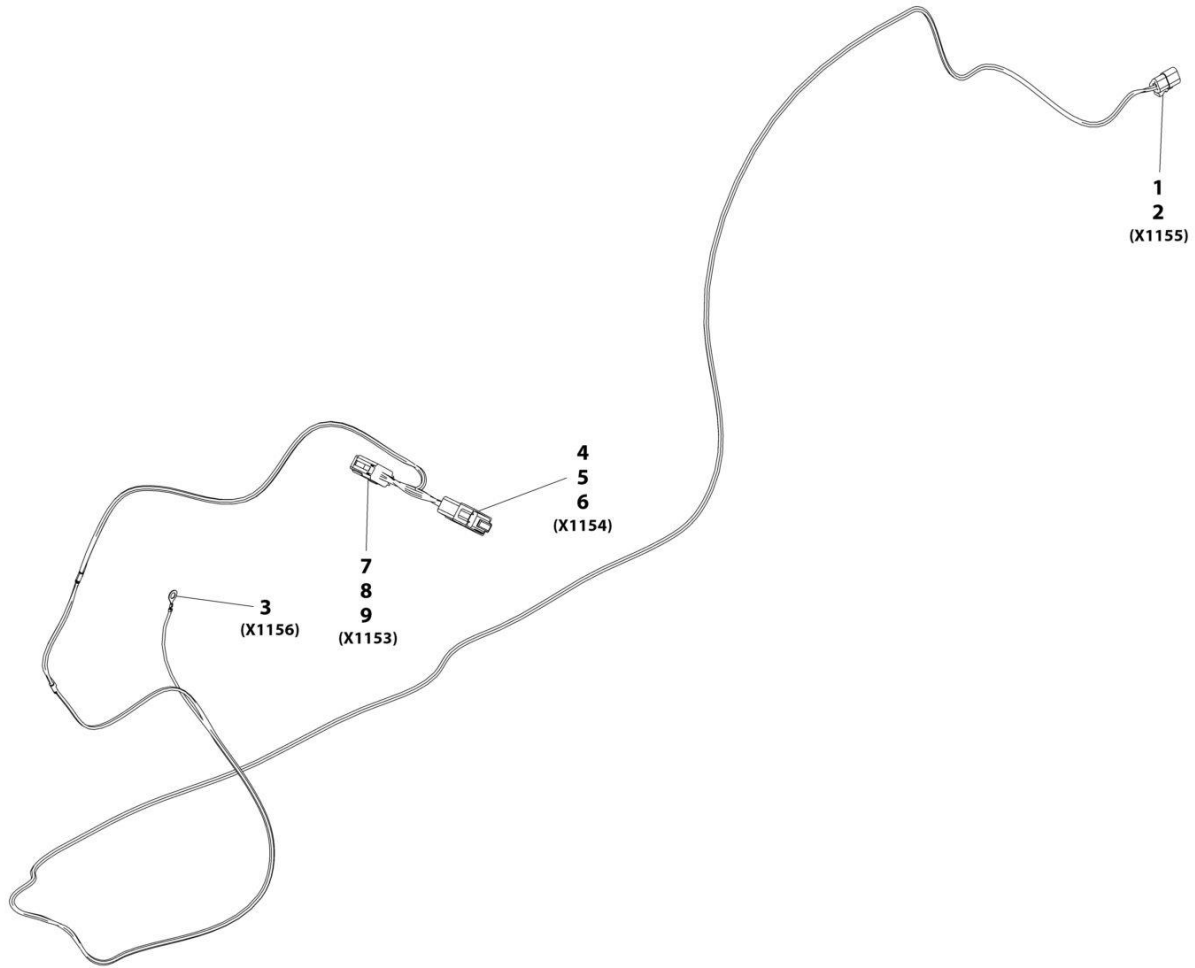
SECTION 10 - ELECTRICAL

FIGURE 10-13. CAMERA INSTALLATION - REVERSE MULTI-VIEW

ITEM	PART NUMBER	QTY	DESCRIPTION	REV
	1001265982	Ref	SKYTRAK BACKUP CAMERA INSTALLATION	A
1	0641410	4	Bolt 1/4 x 1	
2	3311401	1	Nut 1/4	
3	3931012	2	Capscrew, #10 x 3/4	
4	4240032	1	Tie-Strap	
5	4460234	1	Mount, Tie-Strap	
6	4711000	2	Washer M10	
7	4711400	8	Washer 1/4	
8	8303771	1	Bolt 3/8 x 2-1/4	
9	8305004	5	Nut 1/4	
10	8305645	2	Nut 3/8	
11	8307204	4	Washer 3/8	
12	8406010	1	Clip	
13	1001204692	1	Bracket	
14	1001233174	1	Camera, Rear View	
15	1001233217	1	Bracket, Monitor Mount	
16	1001233434	1	Harness, Extension Cable Camera	
17	1001233828	1	Bracket, Camera Mount	
18	1001233976	1	Harness, Rear Camera Option (See Separate Breakdown in this Section)	
19	1001264534	1	Camera (LH)	
19	70031717	1	Cable, Camera	
20	1001264536	1	Camera (RH)	
20	70031717	1	Cable, Camera	
21	1001265679	1	Bracket, Camera (LH)	
22	1001265680	1	Bracket, Camera (RH)	
23	1001265979	1	Harness, Extension (LH)	
24	1001265980	1	Harness, Extension (RH)	
25	1001265986	1	Monitor, Display	
26	1001265987	1	Harness, Monitor/Display	

SECTION 10 - ELECTRICAL

FIGURE 10-14. CAMERA OPTION HARNESS - REVERSE



ART_1001233976-A

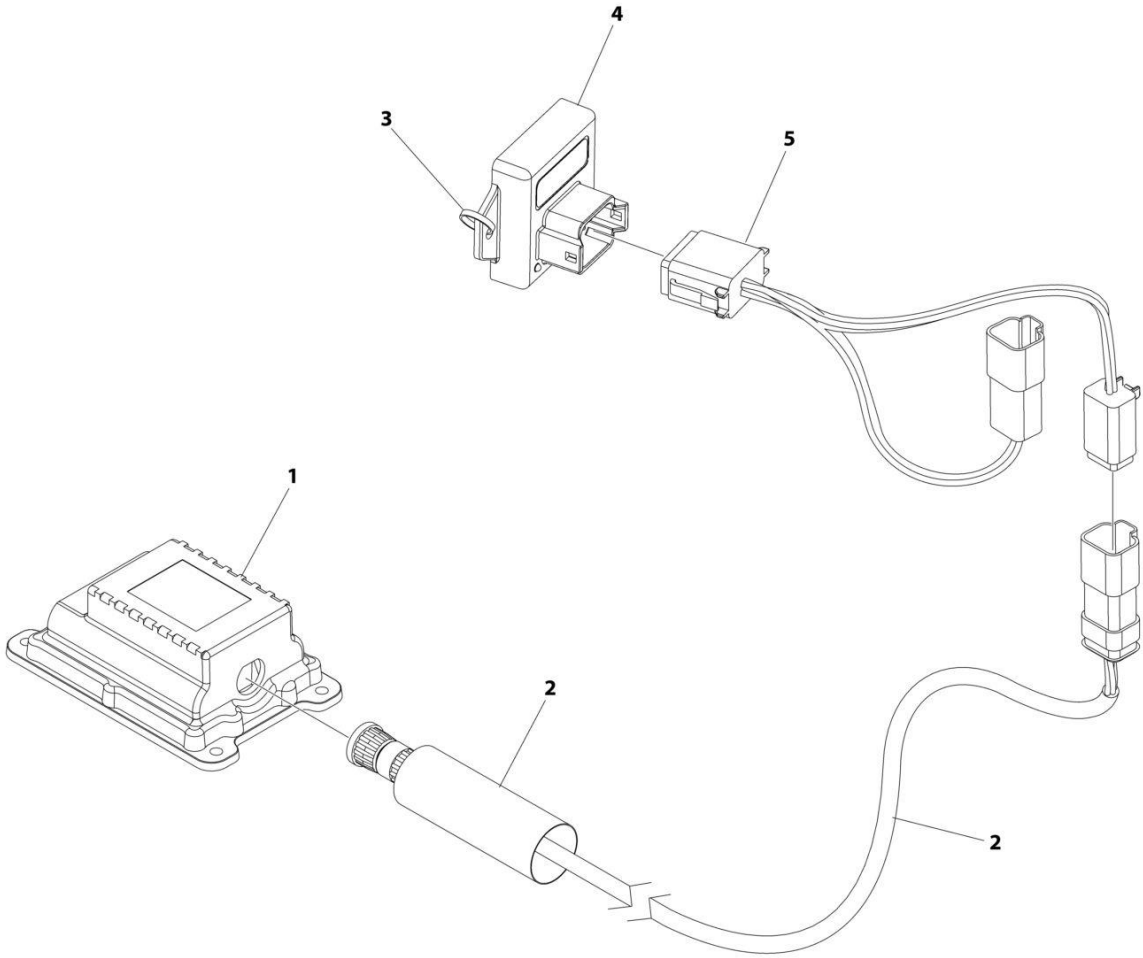
SECTION 10 - ELECTRICAL

FIGURE 10-14. CAMERA OPTION HARNESS - REVERSE

ITEM	PART NUMBER	QTY	DESCRIPTION	REV
	1001233976	Ref	Skytrak Rear Camera Option Harness	A
1	4460539	1	Connector	
2	4460465	3	Terminal	
3	1001207173	1	Terminal, Ring	
4	4460970	1	Connector	
5	4460464	9	Terminal	
6	4460466	3	Plug	
7	4460933	1	Connector	
8	4460465	9	Terminal	
9	4460466	3	Plug	

SECTION 10 - ELECTRICAL

FIGURE 10-15. CLEARSKY INSTALLATION 3-WIRE (ANSI)



ART_1001229107

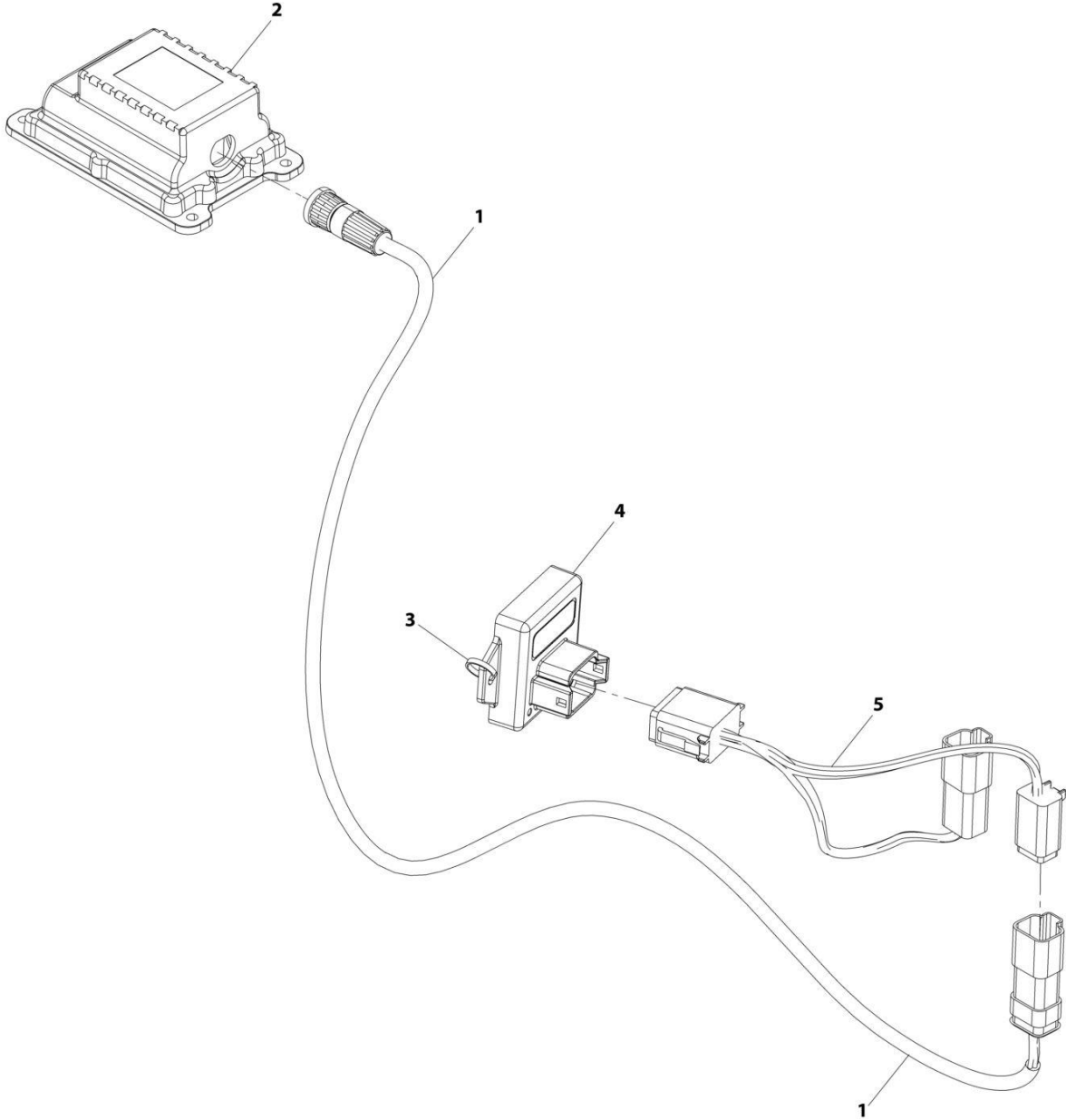
SECTION 10 - ELECTRICAL

FIGURE 10-15. CLEARSKY INSTALLATION 3-WIRE (ANSI)

ITEM	PART NUMBER	QTY	DESCRIPTION	REV
	1001229107	Ref	CLEARSKY INSTALLATION 3-WIRE	D
1	1001226328	1	Module, 3W TCU	
2	1001227066	1	Telematics ClearSky Harness (See Separate Breakdown in this Section)	
3	4240032	AR	Tie-Strap	
4	1001262960	1	Voltage Regulator	
5	1001262963	1	Harness, Xirgo Jumper	

SECTION 10 - ELECTRICAL

FIGURE 10-16. CLEARSKY INSTALLATION 3-WIRE (CE)



ART_1001233237

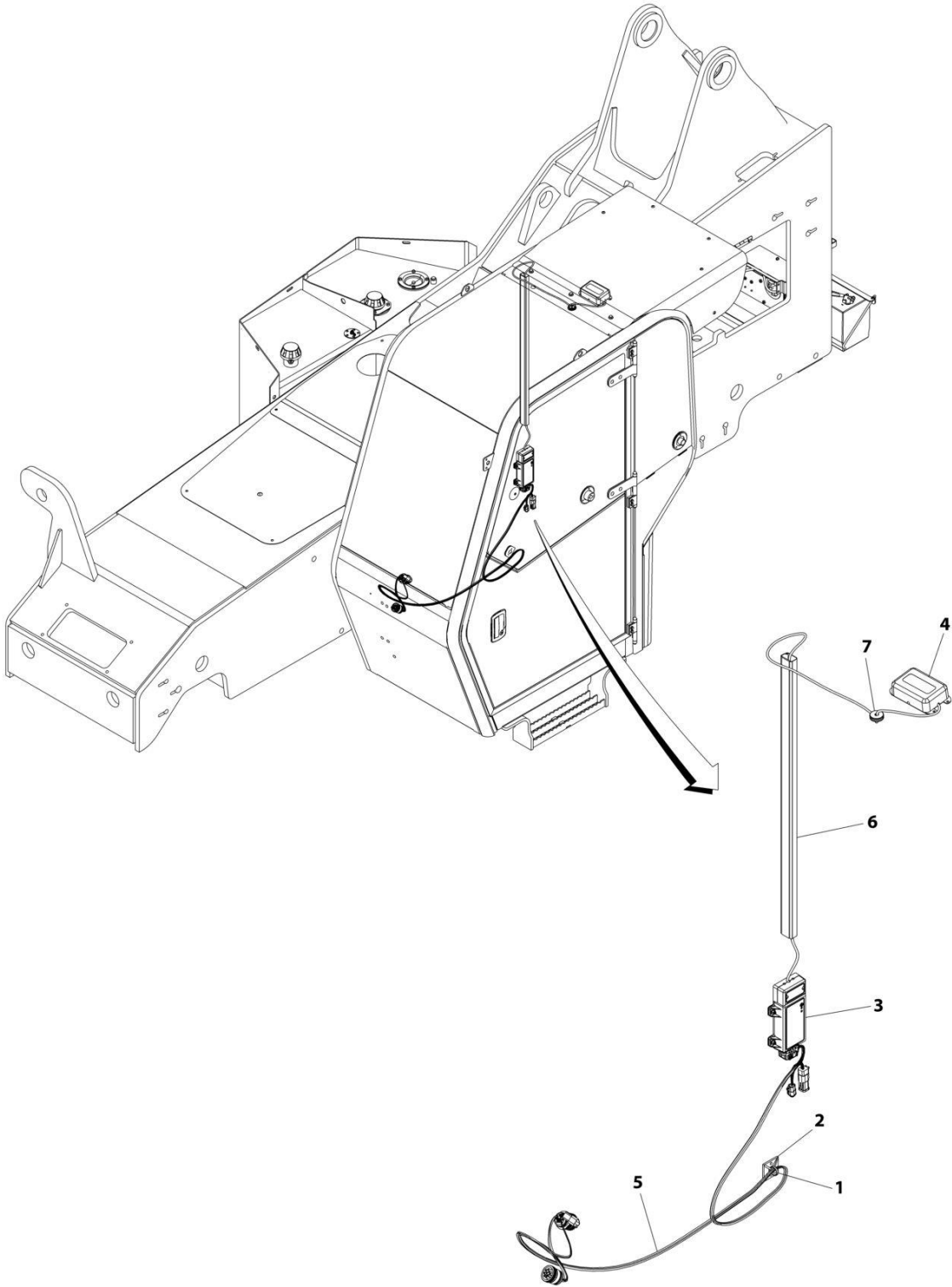
SECTION 10 - ELECTRICAL

FIGURE 10-16. CLEARSKY INSTALLATION 3-WIRE (CE)

ITEM	PART NUMBER	QTY	DESCRIPTION	REV
	1001233237	Ref	Clearsky Installation 3-Wire (CE)	E
1	1001227066	1	Telematics Harness (See Separate Breakdown in this Section)	
2	1001233236	1	Module, 3W TCU	
3	4240032	AR	Tie Strap	
4	1001262960	1	Voltage Regulator	
5	1001262963	1	Harness, Xirgo Jumper	

SECTION 10 - ELECTRICAL

FIGURE 10-17. CLEARSKY INSTALLATION CANBUS (ANSI)



ART_1001227459_E

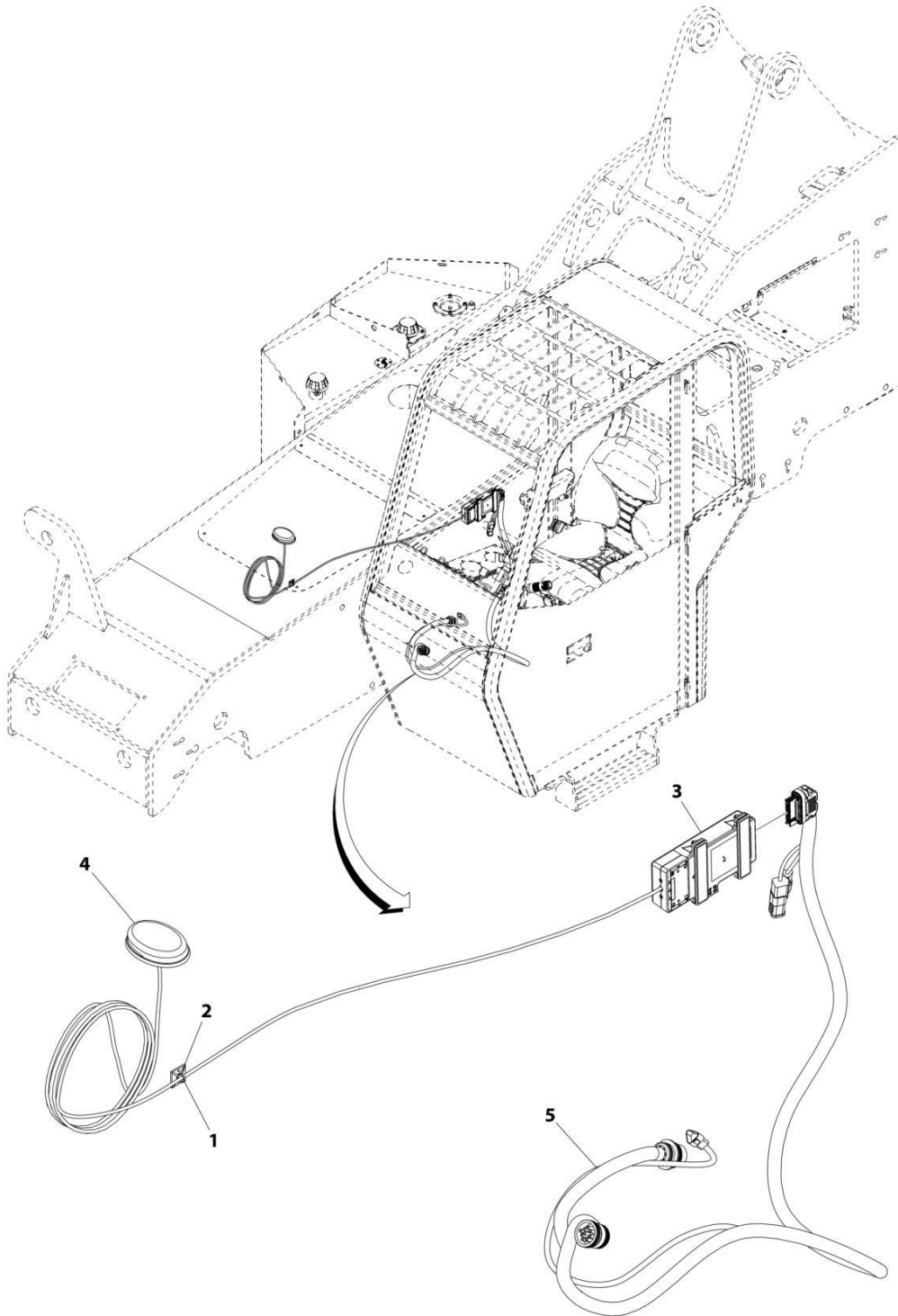
SECTION 10 - ELECTRICAL

FIGURE 10-17. CLEARSKY INSTALLATION CANBUS (ANSI)

ITEM	PART NUMBER	QTY	DESCRIPTION	REV
	1001227459	Ref	CLEARSKY INSTALLATION	E
1	4240032	AR	Tie-Strap	
2	4460234	AR	Mount, Tie-Strap	
3	1001262322	1	Module (4G)	
4	1001262327	1	Antenna (4G)	
5	1001226856	1	Harness, Clearsky (See Separate Breakdown in this Section)	
6	1001182091	1	Duct, Wire	
7	1001195913	1	Grommet	

SECTION 10 - ELECTRICAL

FIGURE 10-18. CLEARSKY INSTALLATION CANBUS (CE)



ART_1001239250-A

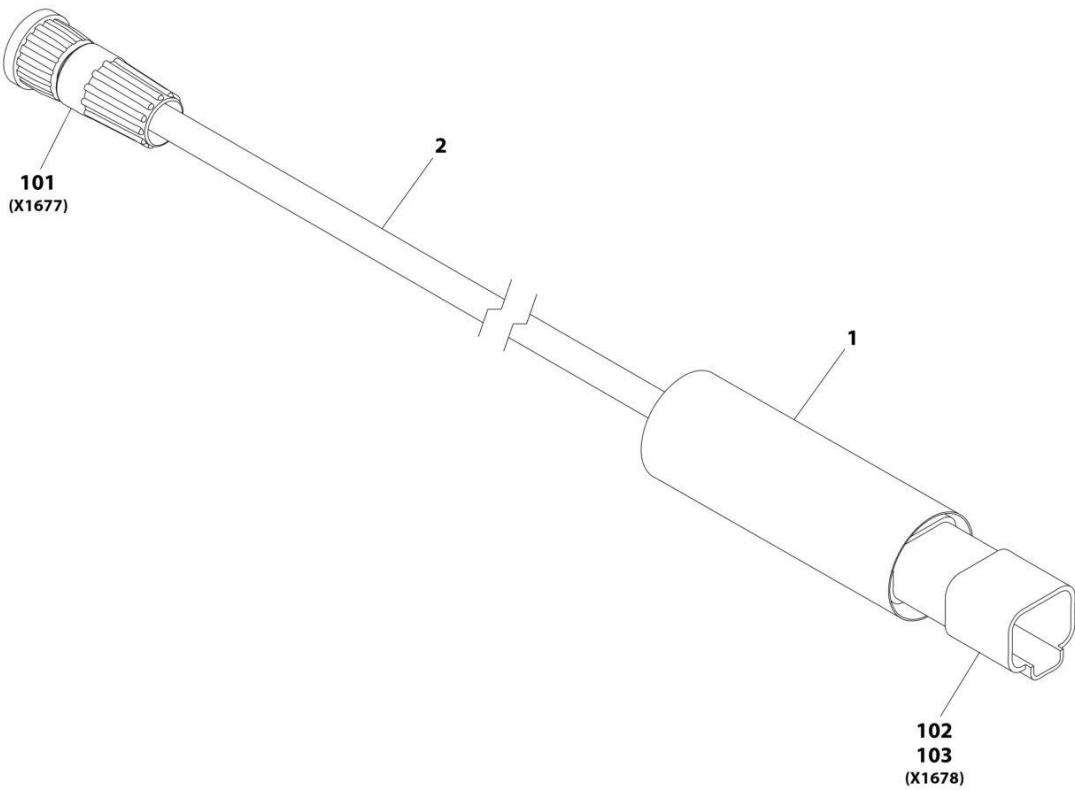
SECTION 10 - ELECTRICAL

FIGURE 10-18. CLEARSKY INSTALLATION CANBUS (CE)

ITEM	PART NUMBER	QTY	DESCRIPTION	REV
	1001239250	Ref	Clearsky Installation (CE)	A
1	4240032	AR	Tie-Strap	
2	4460234	AR	Mount, Tie-Strap	
3	1001228954	1	Module	
4	1001226799	1	Antenna	
5	1001226856	1	Harness, Clearsky (See Separate Breakdown in this Section)	

SECTION 10 - ELECTRICAL

FIGURE 10-19. CLEARSKY TELEMATICS HARNESS (3-WIRE)



ART_1001227066-A

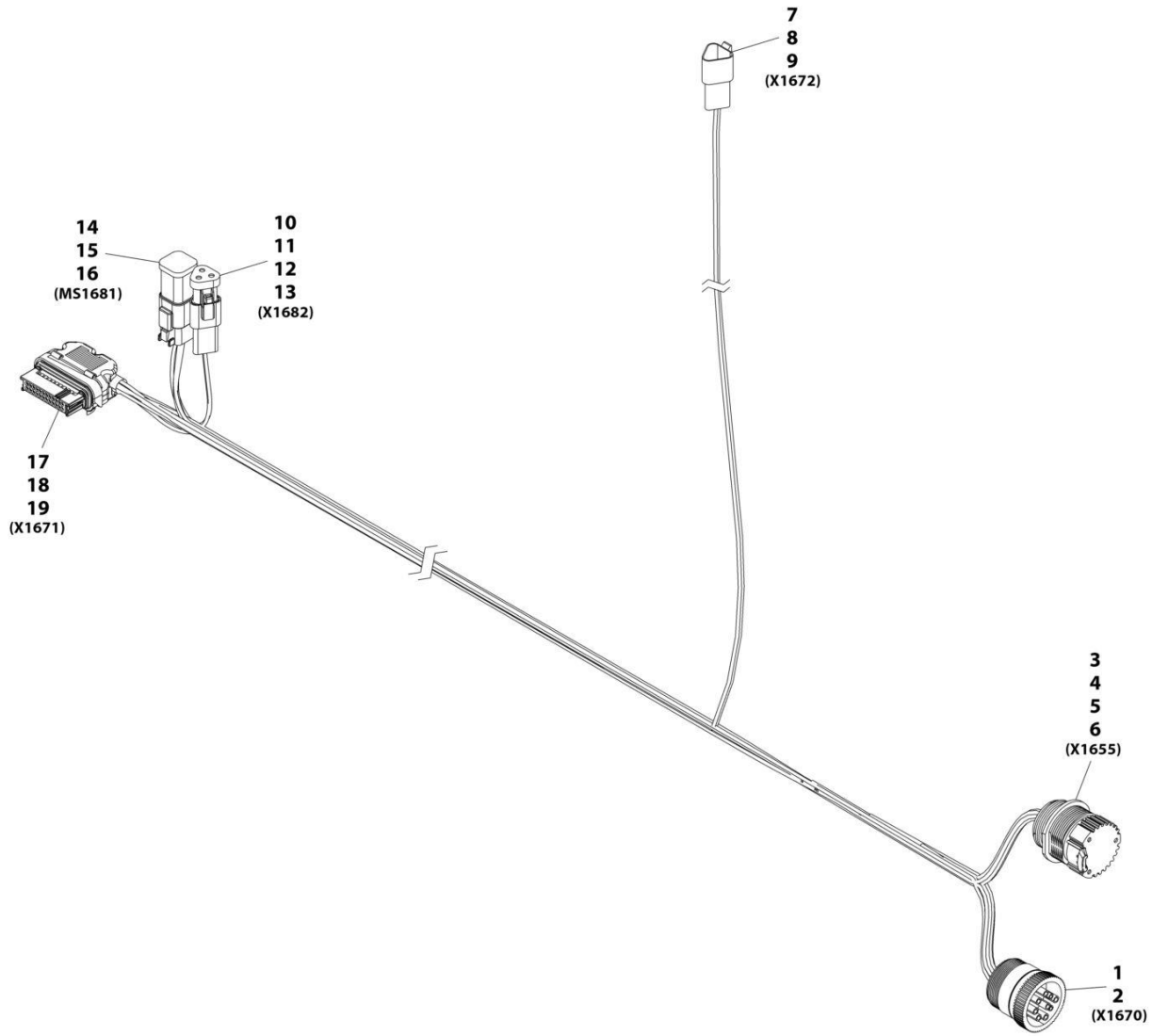
SECTION 10 - ELECTRICAL

FIGURE 10-19. CLEARSKY TELEMATICS HARNESS (3-WIRE)

ITEM	PART NUMBER	QTY	DESCRIPTION	REV
	1001227066	Ref	CLEARSKY TELEMATICS HARNESS	A
1	1001226400	0.33 ft	Insulate, Heat Shrink	
2	1001227068	3.3 ft	Cable	
101	1001227266	1	Connector	
102	1001129407	1	Connector	
103	4460464	4	Terminal	

SECTION 10 - ELECTRICAL

FIGURE 10-20. CLEARSKY TELEMATICS HARNESS (CANBUS)



ART_1001226856-A

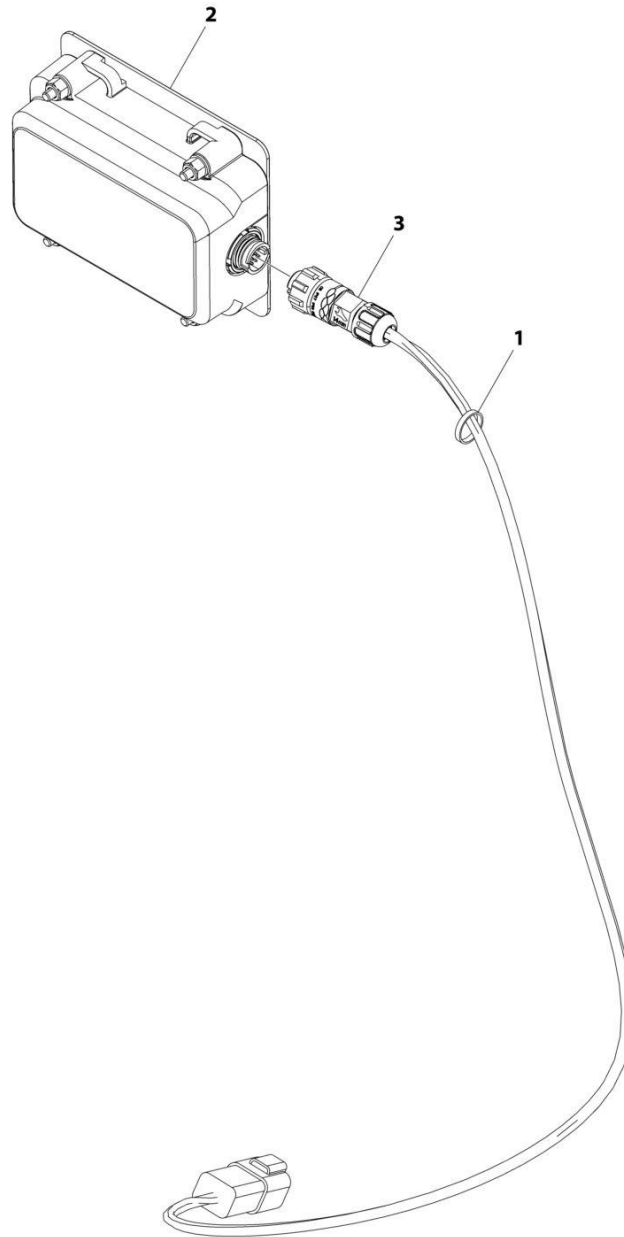
SECTION 10 - ELECTRICAL

FIGURE 10-20. CLEARSKY TELEMATICS HARNESS (CANBUS)

ITEM	PART NUMBER	QTY	DESCRIPTION	REV
	1001226856	Ref	Clearsky Telematics Harness	A
1	1001112796	1	Connector	
2	4460465	9	Terminal	
3	1001112612	1	Connector	
4	1001149712	1	Cap	
5	1001116693	6	Terminal	
6	4460466	3	Plug	
7	1001144147	1	Connector	
8	4460464	2	Terminal	
9	4460466	1	Plug	
10	1001144147	1	Connector	
11	1001116815	1	Plug	
12	4460464	2	Terminal	
13	4460466	1	Plug	
14	4460894	1	Connector	
15	1001226541	1	Bussbar	
16	4460465	6	Terminal	
17	1001226636	1	Connector	
18	1001116731	16	Plug	
19	1001226637	8	Terminal	

SECTION 10 - ELECTRICAL

FIGURE 10-21. CLEARSKY TELEMATICS 3-WIRE INSTALLATION



ART_1001276920

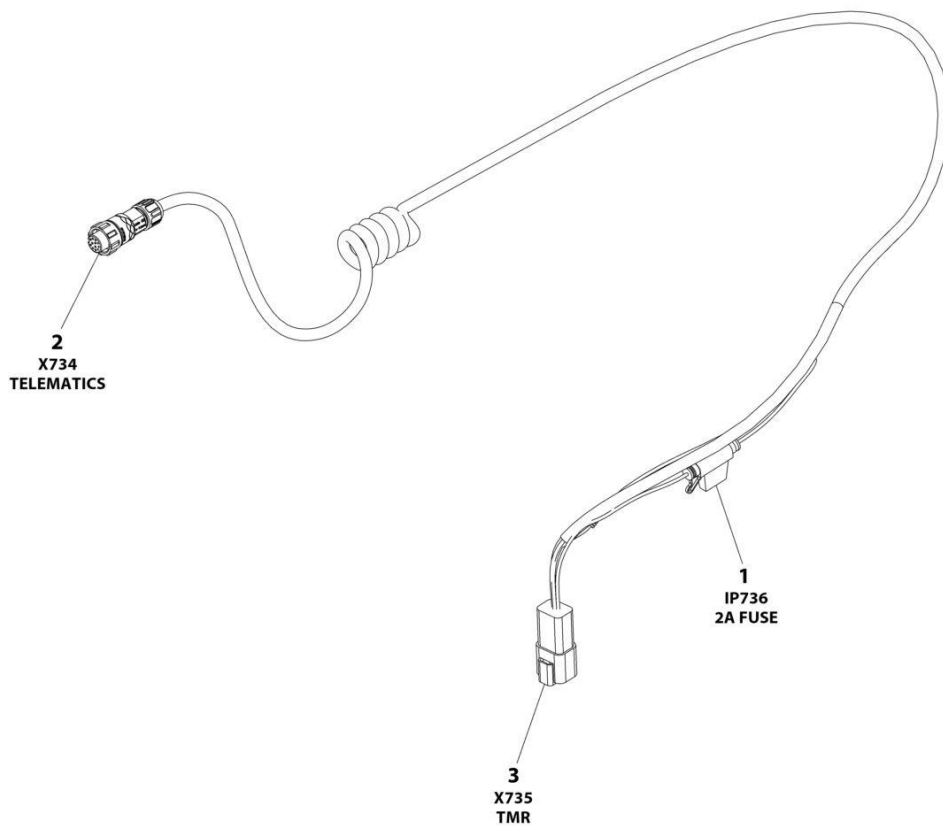
SECTION 10 - ELECTRICAL

FIGURE 10-21. CLEARSKY TELEMATICS 3-WIRE INSTALLATION

ITEM	PART NUMBER	QTY	DESCRIPTION	REV
	1001276920	Ref	CLEARSKY TELEMATICS 3-WIRE INSTALLATION	A
1	4240032	AR	Tie, Strap	
2	1001272659	1	Module - GT1030	
3	1001273012	1	ClearSky Telematics 3-Wire Harness (See Separate Breakdown in this Section)	

SECTION 10 - ELECTRICAL

FIGURE 10-22. CLEARSKY TELEMATICS 3-WIRE HARNESS



ART_1001273012

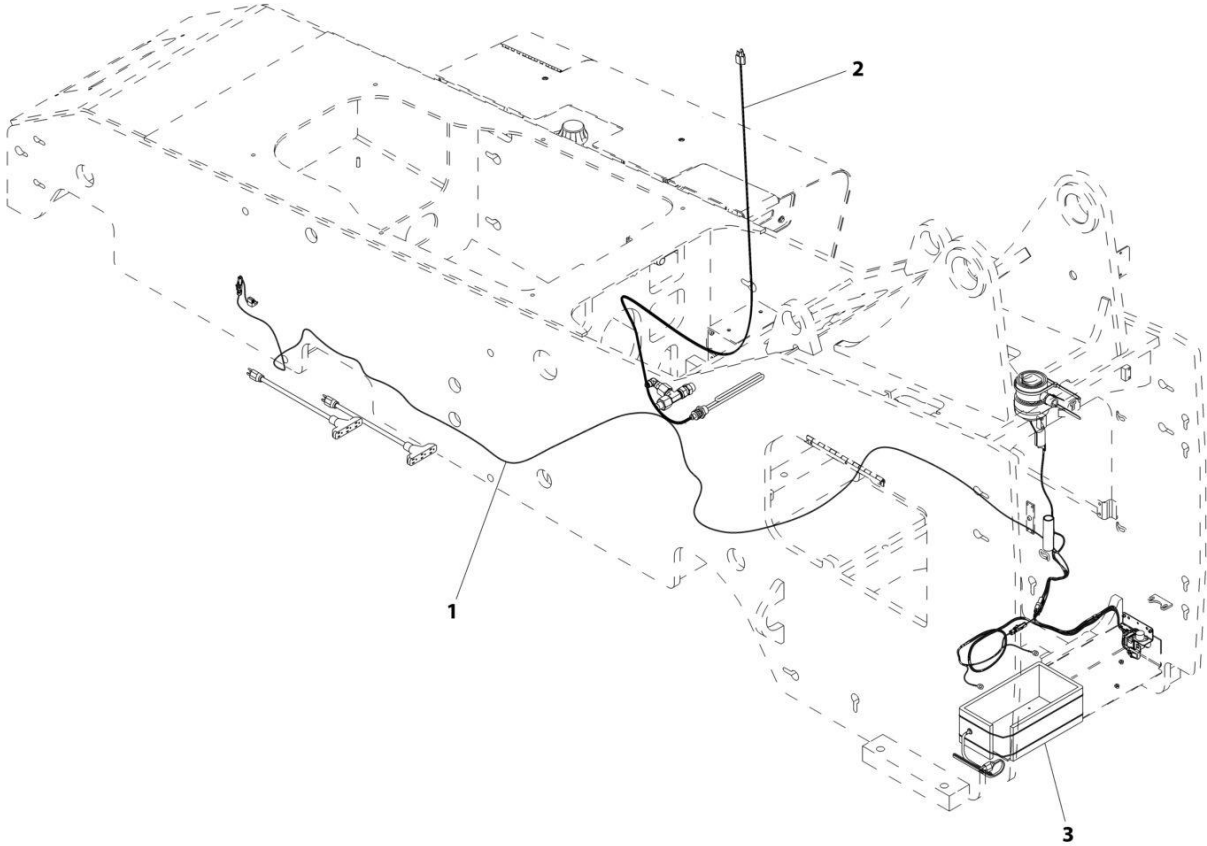
SECTION 10 - ELECTRICAL

FIGURE 10-22. CLEARSKY TELEMATICS 3-WIRE HARNESS

ITEM	PART NUMBER	QTY	DESCRIPTION	REV
	1001273012	Ref	CLEARSKY TELEMATICS HARNESS - GT1030	D
1	1001255901	1	Fuseholder	
1	1001196634	1	Fuse - 2Amp	
2	1001272997	1	Connector - 12 Position	
2		Ref	Terminal	
3	4460932	1	Receptacle, Female - 4 Position	
3	4460464	4	Pin, Male	

SECTION 10 - ELECTRICAL

FIGURE 10-23. COLD WEATHER PACKAGE INSTALLATION



ART_1001234531-A

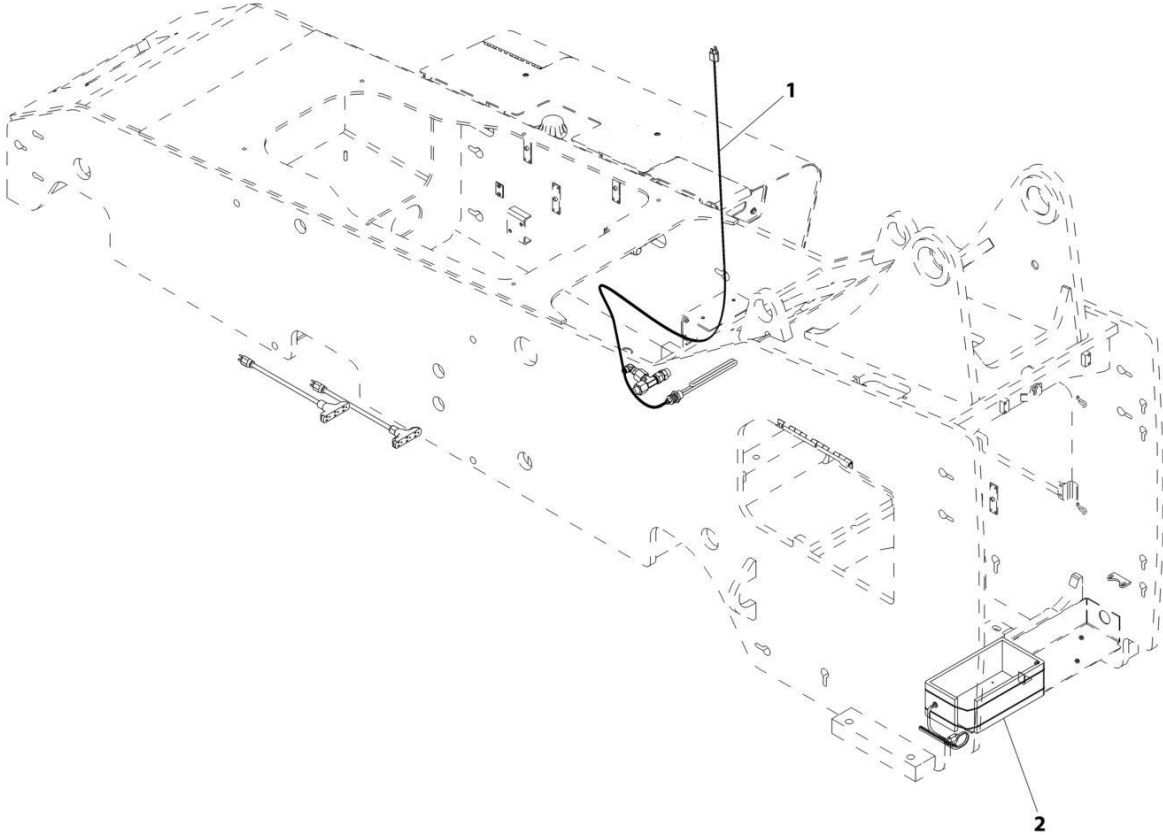
SECTION 10 - ELECTRICAL

FIGURE 10-23. COLD WEATHER PACKAGE INSTALLATION

ITEM	PART NUMBER	QTY	DESCRIPTION	REV
1	1001234531	Ref	Arctic Weather Package Installation - 74 HP (ULS)	A
	1001232750	Ref	Heater, Breather - 74 HP (See Separate Breakdown in ENGINE AND ATTACHING PARTS Section)	
2	1001234098	Ref	Installation, Tank Heater (See Separate Breakdown in this Section)	
3	1001234216	Ref	Installation, Battery Blanket (See Separate Breakdown in this Section)	

SECTION 10 - ELECTRICAL

FIGURE 10-24. COLD WEATHER PACKAGE INSTALLATION



ART_1001239959-A

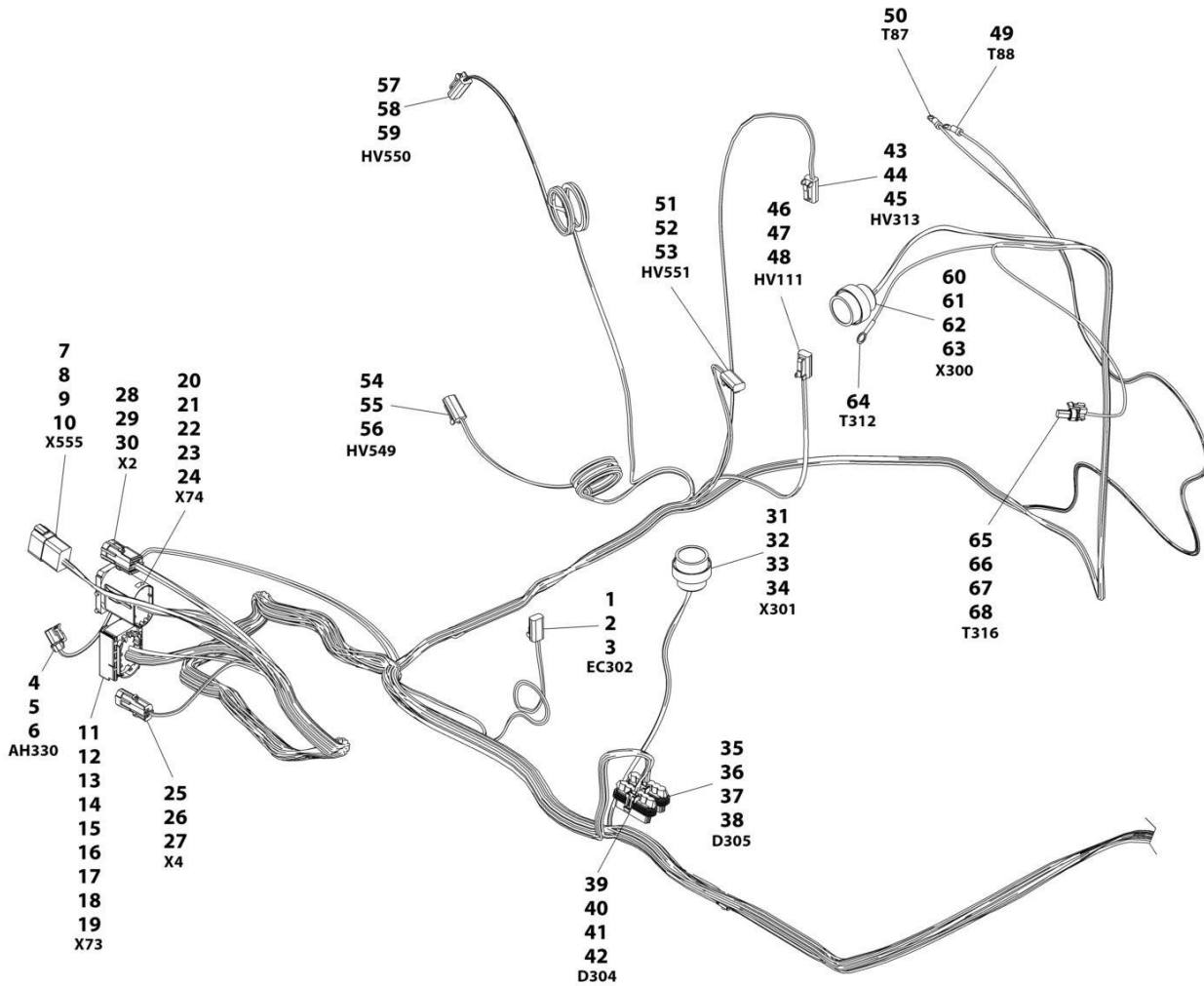
SECTION 10 - ELECTRICAL

FIGURE 10-24. COLD WEATHER PACKAGE INSTALLATION

ITEM	PART NUMBER	QTY	DESCRIPTION	REV
1	1001239959	Ref	Cold Weather Package Installation	A
	1001234098	1	Installation, Tank Heater (See Separate Breakdown in this Section)	
2	1001234216	1	Installation, Battery Blanket (See Separate Breakdown in this Section)	

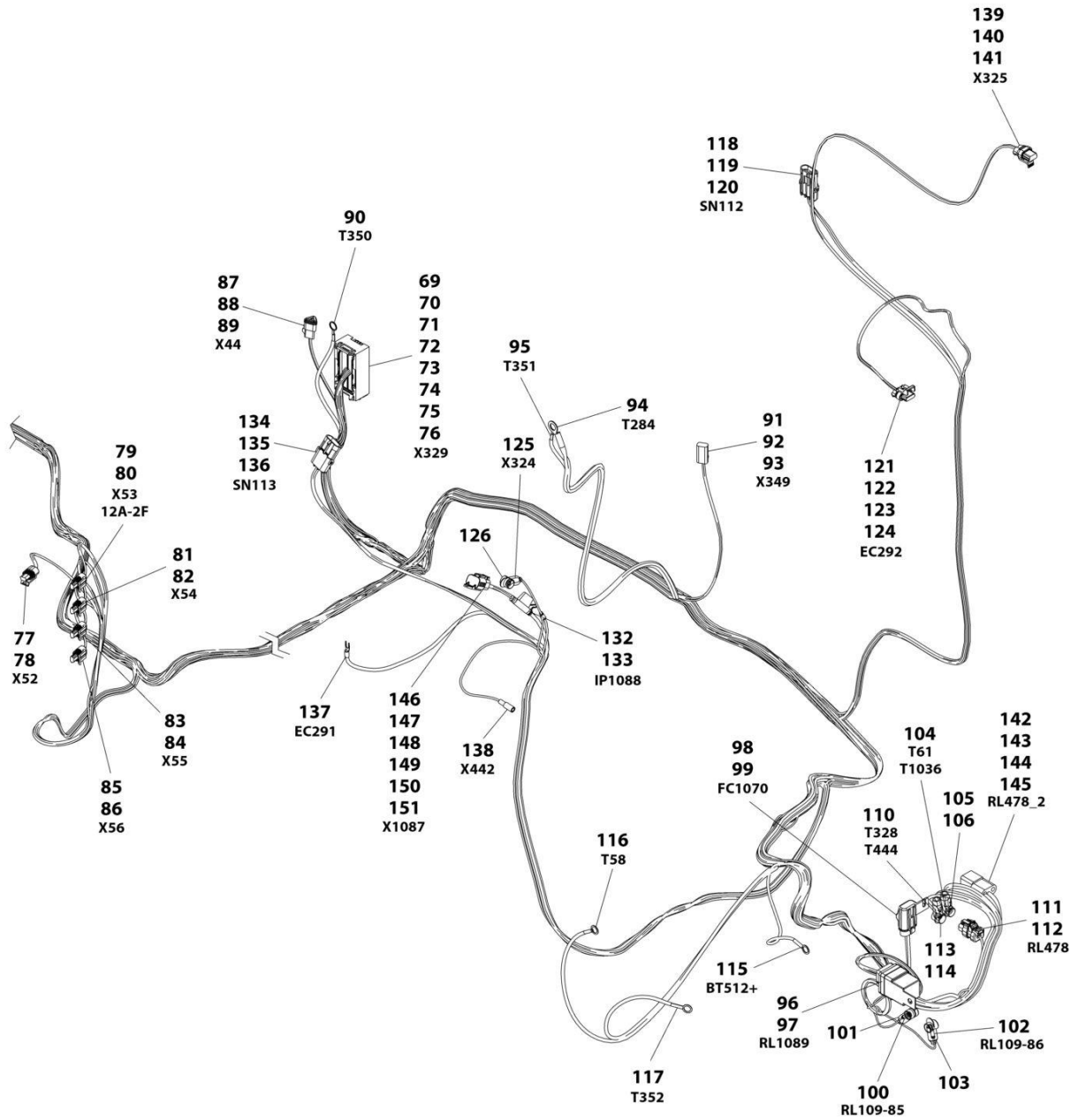
SECTION 10 - ELECTRICAL

FIGURE 10-25. ENGINE HARNESS - 74HP (ULS)



ART_1001199889_1OF2

SECTION 10 - ELECTRICAL



ART_1001199889_2OF2

SECTION 10 - ELECTRICAL

FIGURE 10-25. ENGINE HARNESS - 74HP (ULS)

ITEM	PART NUMBER	QTY	DESCRIPTION	REV
	1001199889	Ref	ENGINE HARNESS 74HP (IF EQUIPPED FOR ULS)	I
1	4460891	1	Connector	
2	80604018	1	Lock, Wedge	
3	4460465	2	Terminal	
4	1001117068	1	Connector	
5	8220124	2	Terminal	
6	80963067	2	Seal	
6	4460608	2	Seal	
7	4460931	1	Connector	
8	91503106	1	Lock, Wedge	
9	4460464	4	Terminal	
10	4460466	4	Plug	
11	8220927	1	Connector	
12	70024256	1	Lock, Slide	
13	70024255	1	Seal, Connector	
14	70024254	1	Lock, Secondary	
15	8220097	10	Terminal	
16	4460458	10	Seal	
17	8220098	3	Terminal	
18	80963067	3	Seal	
19	1001116727	2	Plug	
20	8220929	1	Connector	
21	70024253	1	Lock, Secondary	
22	1001116745	1	Terminal	
23	1001116729	14	Terminal	
24	4460458	15	Seal	
25	4461157	1	Connector	
26	4460475	2	Terminal	
27	4460458	2	Seal	
28	80963062	1	Connector	
29	4460850	4	Terminal	
30	80963067	4	Seal	
31	8220536	1	Connector	
32	1001116758	12	Plug	
33	1001116757	4	Terminal	
34	1001189875	4	Seal	
35	4460744	1	Connector	
36	1001116728	4	Terminal	
37	1001116727	2	Plug	
38	8220081	4	Seal	
39	4460744	1	Connector	
40	1001116728	4	Terminal	
41	1001116727	2	Plug	
42	8220081	4	Seal	
43	4460891	1	Connector	
44	80604018	1	Lock, Wedge	
45	4460465	2	Terminal	
46	4460891	1	Connector	
47	80604018	1	Lock, Wedge	
48	4460465	2	Terminal	

SECTION 10 - ELECTRICAL

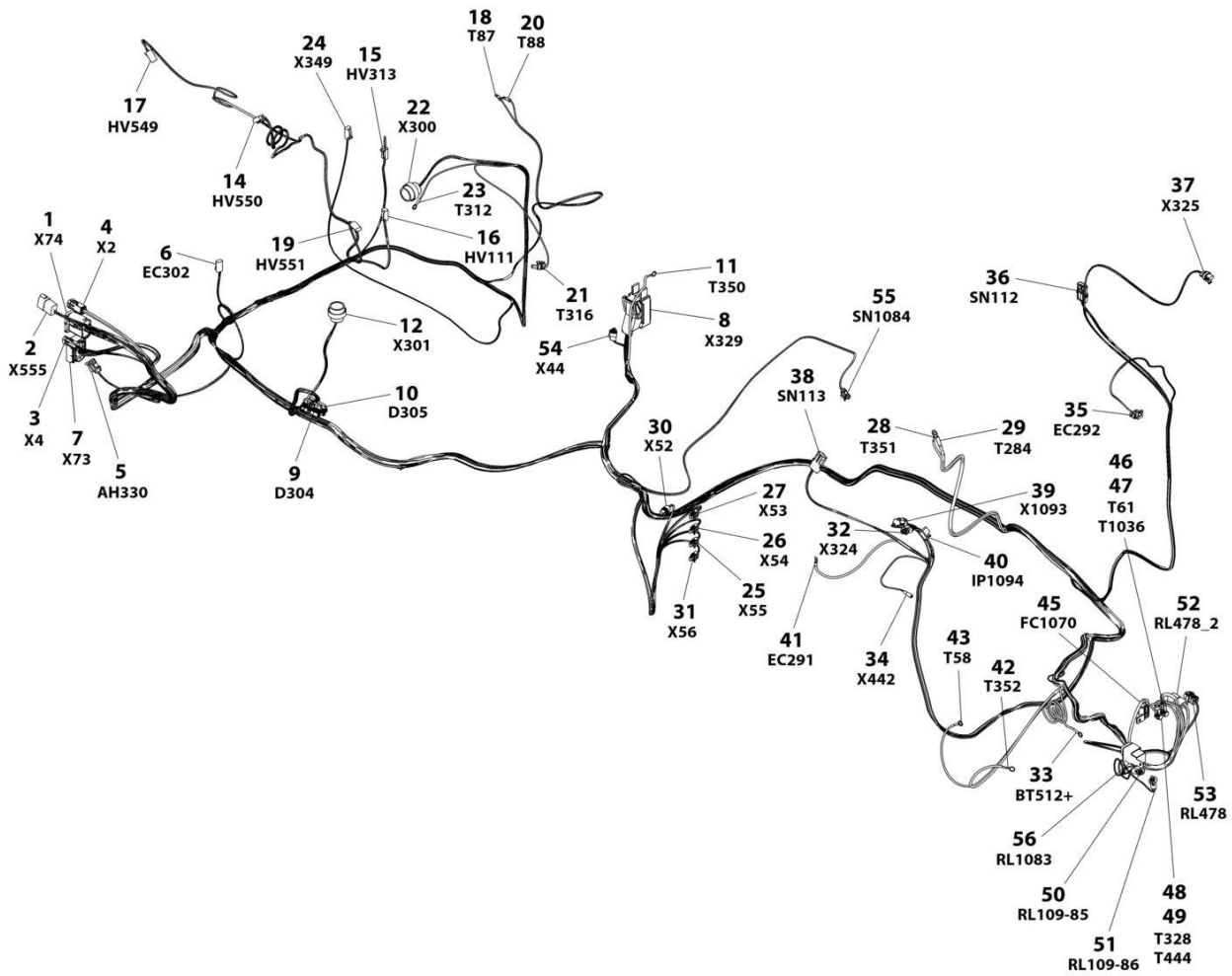
ITEM	PART NUMBER	QTY	DESCRIPTION	REV
49	4460042	1	Terminal, Ring	
50	4460042	1	Terminal, Ring	
51	4460891	1	Connector	
52	80604018	1	Lock, Wedge	
53	4460465	2	Terminal	
54	4460891	1	Connector	
55	80604018	1	Lock, Wedge	
56	4460465	2	Terminal	
57	4460891	1	Connector	
58	80604018	1	Lock, Wedge	
59	4460465	2	Terminal	
60	8220536	1	Connector	
61	1001116757	4	Terminal	
62	1001116758	12	Plug	
63	1001189875	4	Seal	
64	4460256	1	Terminal, Ring	
65	1001119004	1	Connector	
66	8220889	1	Lock, Secondary	
67	1001116728	1	Terminal	
68	4460458	1	Seal	
69	1001167641	1	Connector	
70	1001167643	1	Cover	
71	1001167644	1	Lock, Secondary	
72	1001167646	1	Lock, Secondary	
73	1001167647	1	Boot, Rubber	
74	1001167648	10	Terminal	
75	1001167650	75	Plug	
76	1001167649	11	Terminal	
77	4460955	1	Connector	
78	1001116748	2	Terminal	
79	4460955	1	Connector	
80	1001116748	2	Terminal	
81	4460955	1	Connector	
82	1001116748	2	Terminal	
83	4460955	1	Connector	
84	1001116748	2	Terminal	
85	4460955	1	Connector	
86	1001116748	2	Terminal	
87	4461095	1	Connector	
88	4460465	2	Terminal	
89	4460466	1	Plug	
90	4460019	1	Terminal, Ring	
91	4460891	1	Connector	
92	80604018	1	Lock, Wedge	
93	4460465	2	Terminal	
94	8220164	2	Terminal, Ring	
95	4460019	1	Terminal, Ring	
96	1001145707	1	Connector	
97	1001116732	4	Terminal	
98	1001117070	1	Connector	
99	1001116734	2	Terminal	

SECTION 10 - ELECTRICAL

ITEM	PART NUMBER	QTY	DESCRIPTION	REV
100	4460247	1	Terminal, Ring	
101	1001195057	1	Red Boot	
102	4460247	1	Terminal, Ring	
103	1001195055	1	Red Boot	
104	4460312	1	Terminal, Ring	
105	4460312	1	Terminal, Ring	
106	1001195087	1	Red Boot	
110	4460312	1	Terminal, Ring	
111	1001116950	1	Connector	
112	4460465	2	Terminal	
113	4460312	2	Terminal, Ring	
114	1001195087	1	Red Boot	
115	4460019	1	Terminal, Ring	
115	4460312	1	Terminal, Ring	
116	4460019	1	Terminal, Ring	
117	4460019	1	Terminal, Ring	
118	4460476	1	Connector	
119	4460475	3	Terminal	
120	4460458	3	Seal	
121	1001125027	1	Connector	
122	70026217	1	Lock, Secondary	
123	8220124	3	Terminal	
124	4460608	3	Seal	
125	8220058	1	Terminal, Ring	
126	1001195055	1	Red Boot	
132	2400060	1	Fuse Holder	
133	8229242	1	Fuse 5A	
134	4460476	1	Connector	
135	4460475	3	Terminal	
136	4460458	3	Seal	
137	1001117111	1	Terminal, Fork	
138	1001117125	1	Terminal, Snap Plug	
138	1001246391	1	Terminal, Snap Plug	
139	1001117021	1	Connector	
140	1001116728	2	Terminal	
141	8220081	2	Seal	
142	1001117103	1	Connector	
143	7026404	1	Lock, Connector	
144	1001121730	2	Terminal	
145	8220160	2	Seal	
146	4460884	1	Connector	
147	80604021	1	Lock, Wedge	
148	1001157890	1	Terminal	
149	1001116692	2	Terminal	
150	4460466	1	Plug	
151	1001192401	1	Dust Cap	

SECTION 10 - ELECTRICAL

FIGURE 10-26. ENGINE HARNESS - 85HP (ULS)



ART_1001189488

SECTION 10 - ELECTRICAL

FIGURE 10-26. ENGINE HARNESS - 85HP (ULS)

ITEM	PART NUMBER	QTY	DESCRIPTION	REV
	1001189488	Ref	ENGINE HARNESS	K
1	8220929	1	Connector	
	1001116745	1	Terminal	
	1001116729	14	Terminal	
	4460458	15	Seal	
2	4460931	1	Connector	
	80604024	1	Lock, Wedge	
	4460464	4	Terminal	
	4460466	4	Plug	
3	4461157	1	Connector	
	4460475	2	Terminal	
	4460458	2	Seal	
4	80963062	1	Connector	
	4460850	4	Terminal	
	80963067	4	Seal	
5	1001117068	1	Connector	
	8220124	2	Terminal	
	80963067	2	Seal	
6	4460891	1	Connector	
	80604018	1	Lock, Wedge	
	4460465	2	Terminal	
7	8220927	1	Connector	
	8220097	12	Terminal	
	8220098	2	Terminal	
	1001116727	1	Plug	
	4460458	11	Seal	
	80963067	2	Seal	
	1001189877	1	Seal	
8	1001133173	1	Connector	
	1001138643	6	Terminal	
	1001126356	77	Terminal	
	1001138642	8	Terminal	
	1001126351	3	Terminal	
	1001126353	6	Seal	
9	4460744	1	Connector	
	1001116728	4	Terminal	
	1001116727	2	Plug	
	8220081	4	Seal	
10	4460744	1	Connector	
	1001116728	4	Terminal	
	1001116727	2	Plug	
	8220081	4	Seal	
11	4460019	1	Terminal, Ring	
12	8220536	1	Connector	
	1001116758	12	Plug	
	1001116757	4	Terminal	
	1001189875	4	Seal	
14	4460891	1	Connector	
	80604018	1	Lock, Wedge	
	4460465	2	Terminal	

SECTION 10 - ELECTRICAL

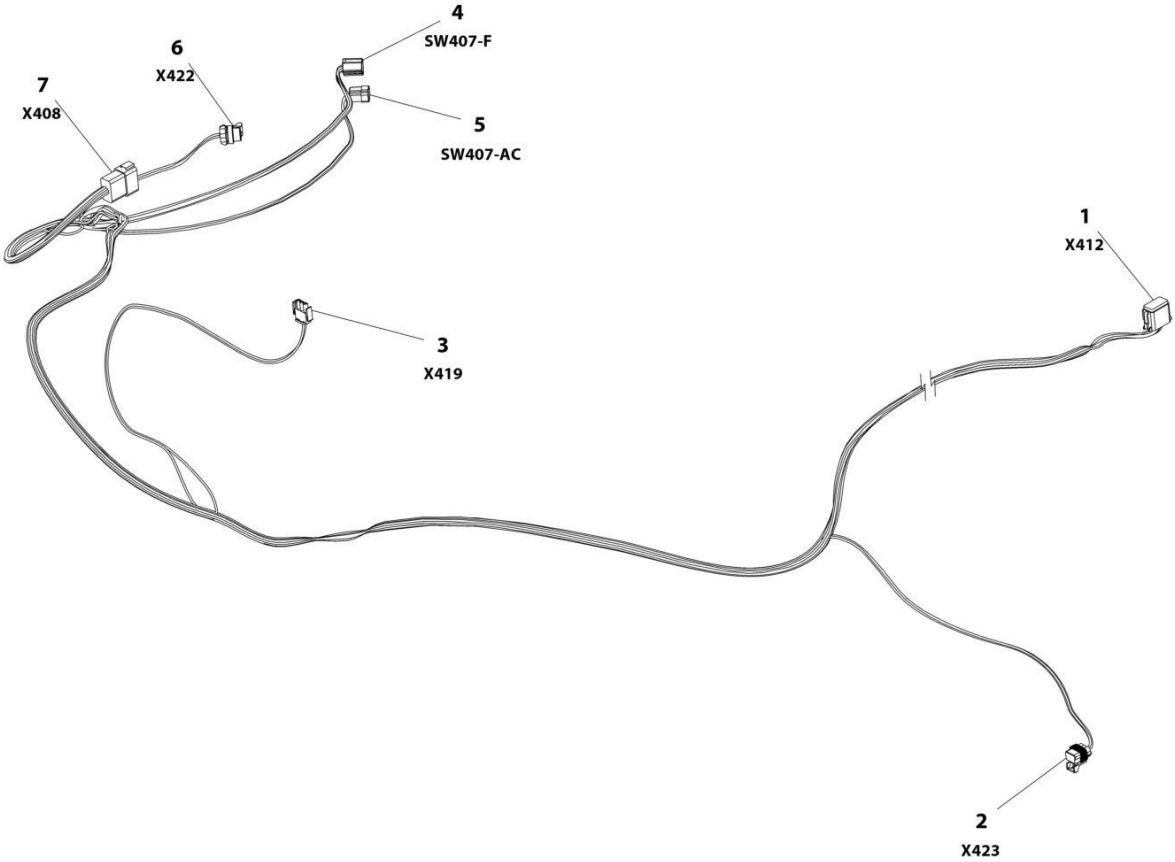
ITEM	PART NUMBER	QTY	DESCRIPTION	REV
15	4460891	1	Connector	
	80604018	1	Lock, Wedge	
	4460465	2	Terminal	
16	4460891	1	Connector	
	80604018	1	Lock, Wedge	
	4460465	2	Terminal	
17	4460891	1	Connector	
	80604018	1	Lock, Wedge	
	4460465	2	Terminal	
18	4460042	1	Terminal, Ring	
19	4460891	1	Connector	
	80604018	1	Lock, Wedge	
	4460465	2	Terminal	
20	4460042	1	Terminal, Ring	
21	1001119004	1	Connector	
	1001116728	1	Terminal	
	4460458	1	Seal	
22	8220536	1	Connector	
	1001116757	4	Terminal	
	1001116758	12	Plug	
	1001189875	4	Seal	
23	4460256	1	Terminal, Ring	
24	4460891	1	Connector	
	80604018	1	Lock, Wedge	
	4460465	2	Terminal	
25	4460955	1	Connector	
	1001116748	2	Terminal	
26	4460955	1	Connector	
	1001116748	2	Terminal	
27	4460955	1	Connector	
	1001116748	2	Terminal	
28	4460019	1	Terminal, Ring	
29	8220164	1	Terminal, Ring	
30	4460955	1	Connector	
	1001116748	2	Terminal	
31	4460955	1	Connector	
	1001116748	2	Terminal	
32	8220058	1	Terminal, Ring	
33	4460019	1	Terminal, Ring	
34	1001117125	1	Terminal, Snap Plug	
35	1001125027	1	Connector	
	8220124	3	Terminal	
	4460608	3	Seal	
36	4460476	1	Connector	
	4460475	3	Terminal	
	4460458	3	Seal	
37	1001117021	1	Connector	
	1001116728	2	Terminal	
	8220081	2	Seal	
38	4460476	1	Connector	
	4460475	3	Terminal	

SECTION 10 - ELECTRICAL

ITEM	PART NUMBER	QTY	DESCRIPTION	REV
	4460458	3	Seal	
39	4460884	1	Connector	
	80604021	1	Lock, Wedge	
	4460465	3	Terminal	
	4460466	1	Plug	
	1001192401	1	Dust Cap	
40	2400060	1	Fuse Holder	
41	4460142	1	Connector	
	1001117111	1	Terminal	
42	4460019	1	Terminal, Ring	
43	4460019	1	Terminal, Ring	
45	1001117070	1	Connector	
	1001116734	2	Terminal	
46	4460312	1	Terminal, Ring	
	1001195087	1	Red Boot	
47	4460312	2	Terminal, Ring	
48	4460312	2	Terminal, Ring	
	1001195087	1	Red Boot	
49	4460312	1	Terminal, Ring	
50	4460247	1	Terminal, Ring	
	1001195057	1	Black Boot	
51	4460247	1	Terminal, Ring	
	1001195055	1	Red Boot	
52	1001117103	1	Connector	
	1001121730	2	Terminal	
53	1001116950	1	Connector	
	4460465	2	Terminal	
54	4461095	1	Plug	
	4461070	1	Connector	
	4460465	2	Terminal	
	4460466	1	Terminal	
55	1001209097	1	Connector	
	8220124	2	Terminal	
56	1001145707	1	Connector	
	1001116732	4	Terminal	

SECTION 10 - ELECTRICAL

FIGURE 10-27. HVAC HARNESS



ART_1001178347-E

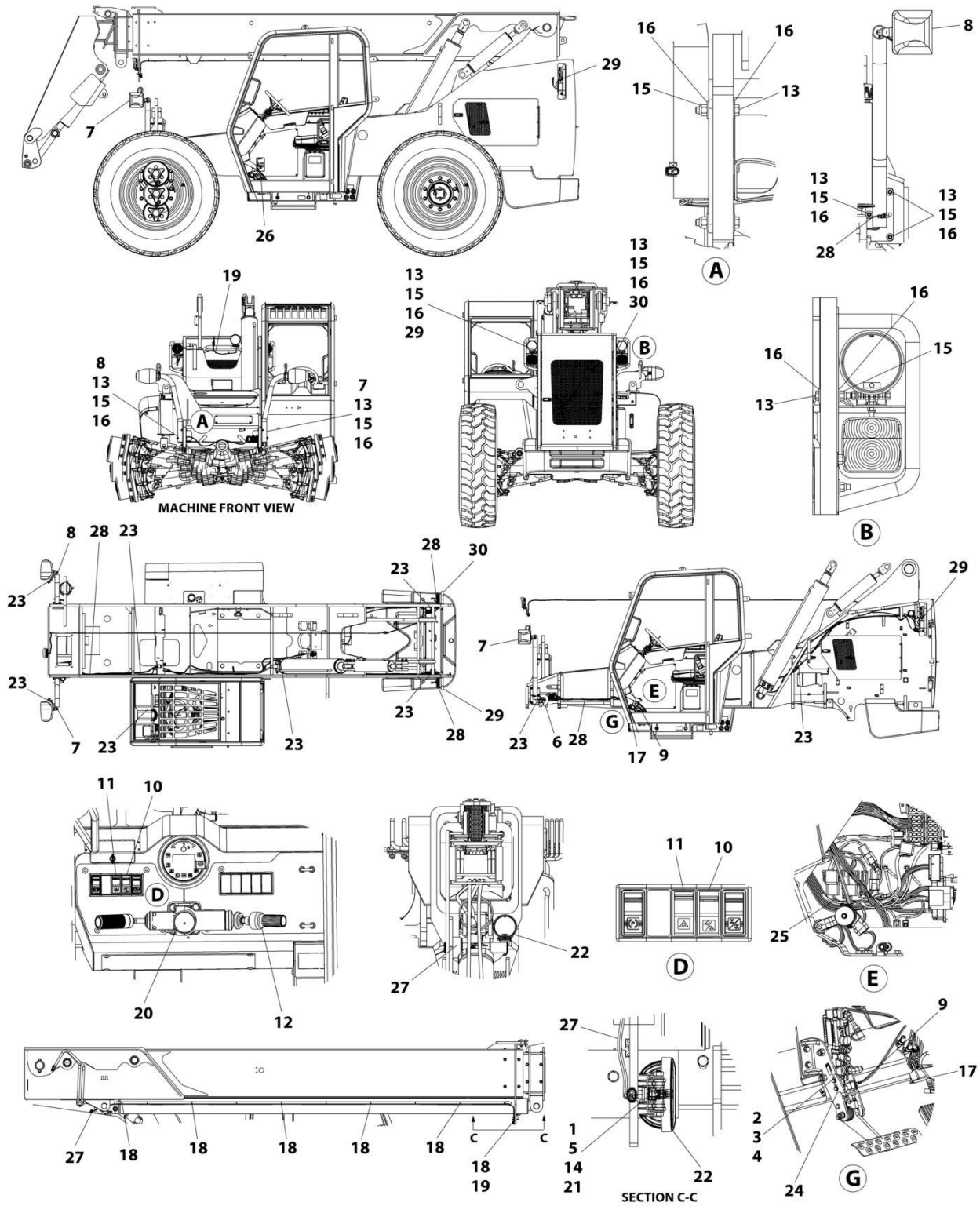
SECTION 10 - ELECTRICAL

FIGURE 10-27. HVAC HARNESS

ITEM	PART NUMBER	QTY	DESCRIPTION	REV
	1001178347	Ref	HVAC Harness	E
1	4460933	1	Connector	
	80604016	1	Lock, Wedge	
	4460942	9	Terminal	
	4460465	2	Terminal	
	4460466	1	Terminal	
2	8220895	1	Connector	
	70026216	1	Lock, Secondary	
	8220124	3	Terminal	
	1001116751	3	Terminal, Plug	
3	4460326	1	Connector	
	4460268	2	Terminal	
4	1001117080	1	Connector	
	1001116723	5	Terminal	
5	1001117059	1	Connector	
	1001116736	3	Terminal	
6	1001125027	1	Connector	
	70026217	1	Lock, Secondary	
	8220124	3	Terminal	
7	4460950	1	Connector	
	80363179	1	Lock, Wedge	
	1001157891	5	Terminal	
	4460464	6	Terminal	
	4460466	1	Terminal	

SECTION 10 - ELECTRICAL

FIGURE 10-28. LIGHTS - ROADLIGHT PACKAGE INSTALLATION



ART_1001251494

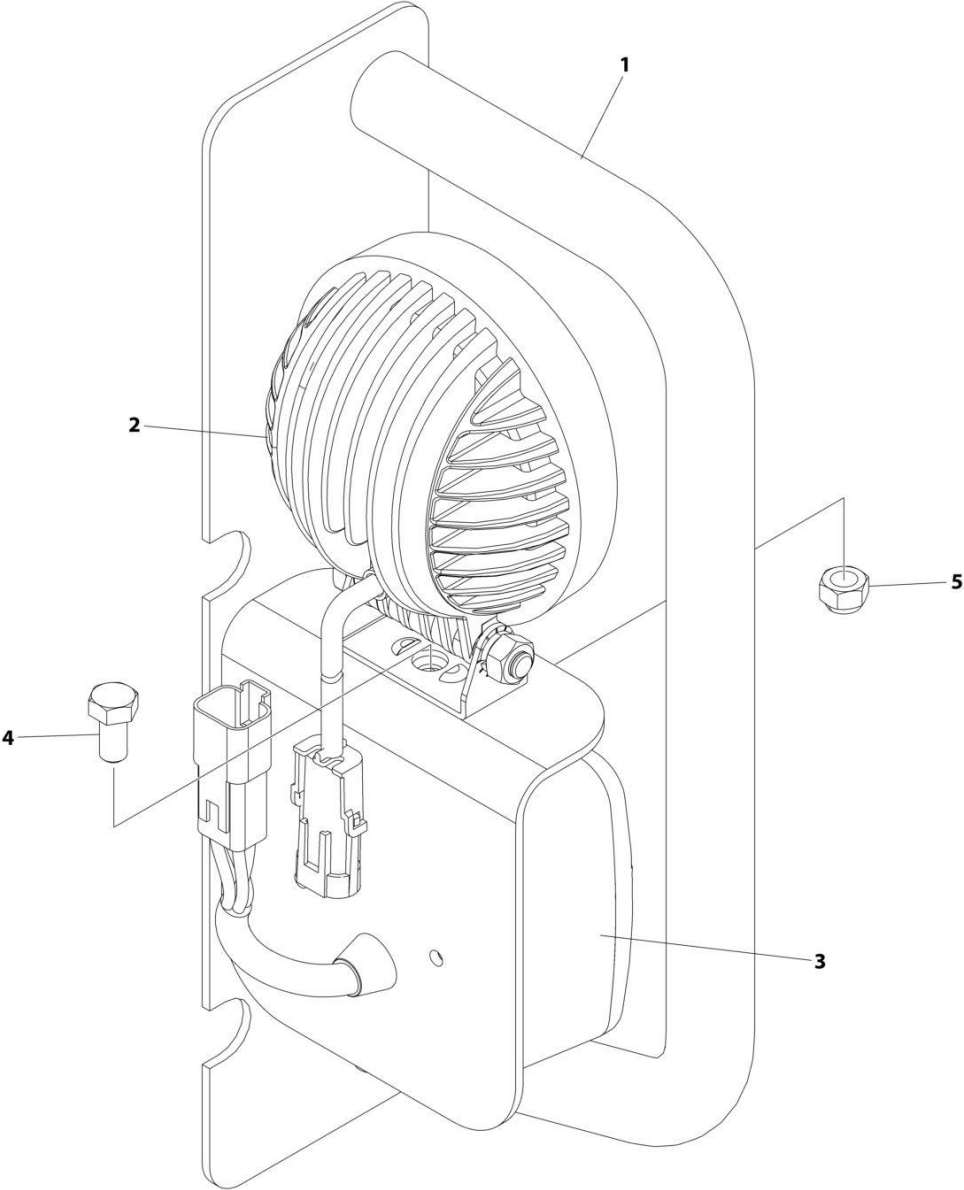
SECTION 10 - ELECTRICAL

FIGURE 10-28. LIGHTS - ROADLIGHT PACKAGE INSTALLATION

ITEM	PART NUMBER	QTY	DESCRIPTION	REV
	1001251494	Ref	LED WORKLIGHT INSTALLATION	A
1	0641512	1	Bolt 5/16 x 1	
2	0700614	2	Bolt M6 x 30	
3	4811700	2	Washer M6	
4	4831700	2	Washer M6	
5	4891600	2	Washer 3/8	
6	7124471	1	Conduit 1 x 12.5	
7	7150699	1	Assembly, LH Roadlight Bracket (See Separate Breakdown in this Section)	
8	7150716	1	Assembly, RH Roadlight Bracket (See Separate Breakdown in this Section)	
9	8223025	1	Switch, Brake Lights	
10	8223059	1	Switch, Work Light	
11	8223060	1	Switch, Hazard	
12	8223073	1	Control, Turn Signal	
13	8303771	10	Bolt, 3/8 x 1/4	
14	8305626	1	Nut 5/16	
15	8305645	10	Nut 3/8	
16	8307204	20	Washer 3/8	
17	8500203	1	Flasher, Hazard Warning 12V	
18	8584001	32	Wrap, Tie	
19	8584018	2	Mount, Cable Tie	
20	88211516	2	Screw M10	
21	88501005	1	Nut 5/16	
22	1001176337	1	Lamp, LED Worklight	
23	1001178346	1	Harness, Road Light Option (See Separate Breakdown in this Section)	
24	1001201752	1	Bracket, Brake Switch	
25	1001205248	1	Harness, Roadlight Worklight (See Separate Breakdown in this Section)	
26	1001205264	1	Decal, Light Fuse Panel	
27	1001238111	1	Harness, Boom Worklight (See Separate Breakdown in this Section)	
28	1001238199	1	Harness, Work Light Option (See Separate Breakdown in this Section)	
29	1001251270	1	Installation, LH Roadlight (See Separate Breakdown in this Section)	
30	1001251271	1	Installation, RH Roadlight (See Separate Breakdown in this Section)	

SECTION 10 - ELECTRICAL

FIGURE 10-29. LIGHTS - ROADLIGHT ASSEMBLY (LH)



ART_1001251270

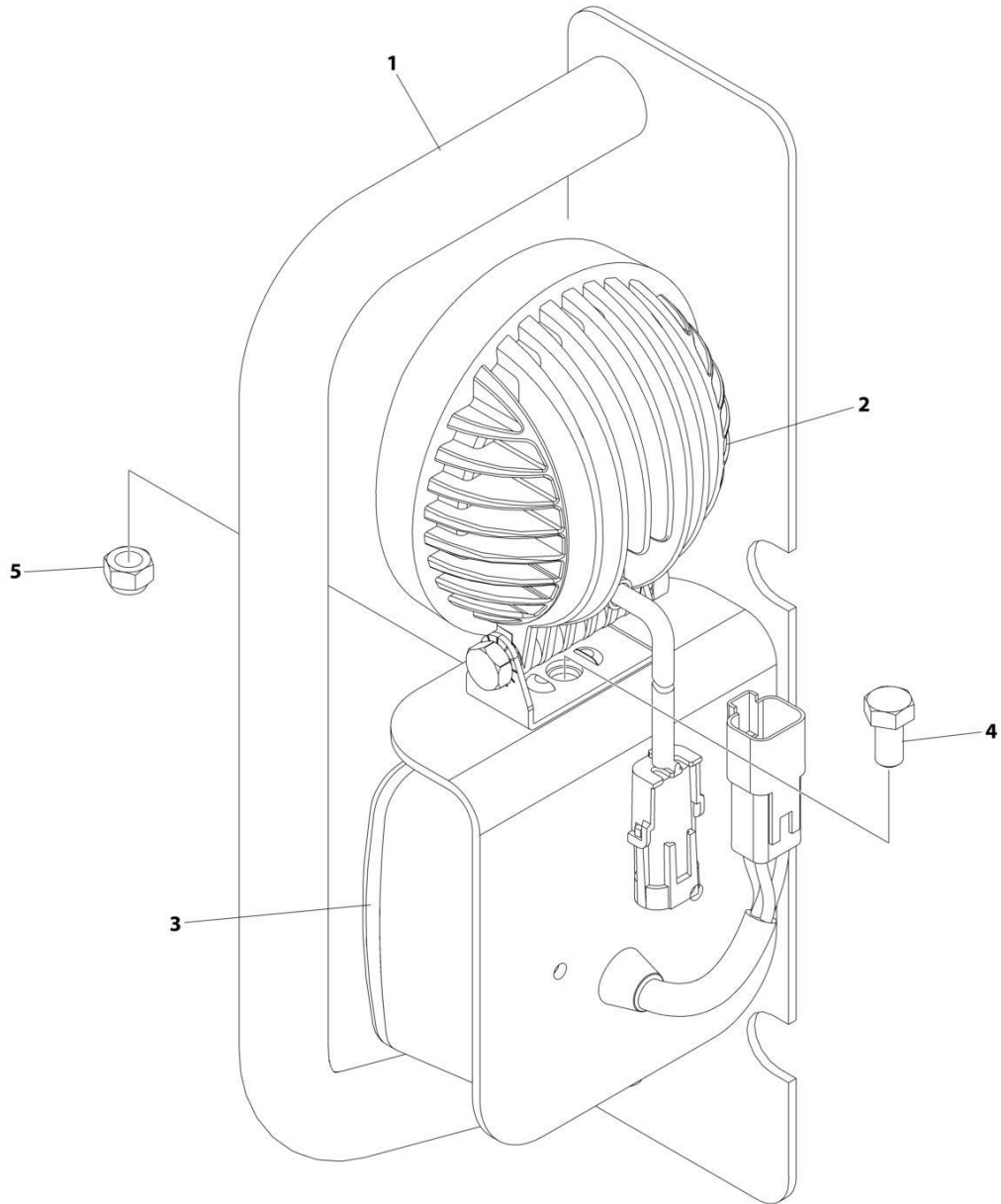
SECTION 10 - ELECTRICAL

FIGURE 10-29. LIGHTS - ROADLIGHT ASSEMBLY (LH)

ITEM	PART NUMBER	QTY	DESCRIPTION	REV
	1001251270	Ref	LH ROADLIGHT ASSEMBLY	A
1	7150681	1	Assembly, LH Roadlight Bracket	
2	1001176337	1	Lamp, LED Worklight	
3	7150690	1	Light, Tail/Indicator	
4	8303745	1	Bolt 5/16 x 5/8	
5	8305626	1	Nut 5/16	

SECTION 10 - ELECTRICAL

FIGURE 10-30. LIGHTS - ROADLIGHT ASSEMBLY (RH)



ART_1001251271

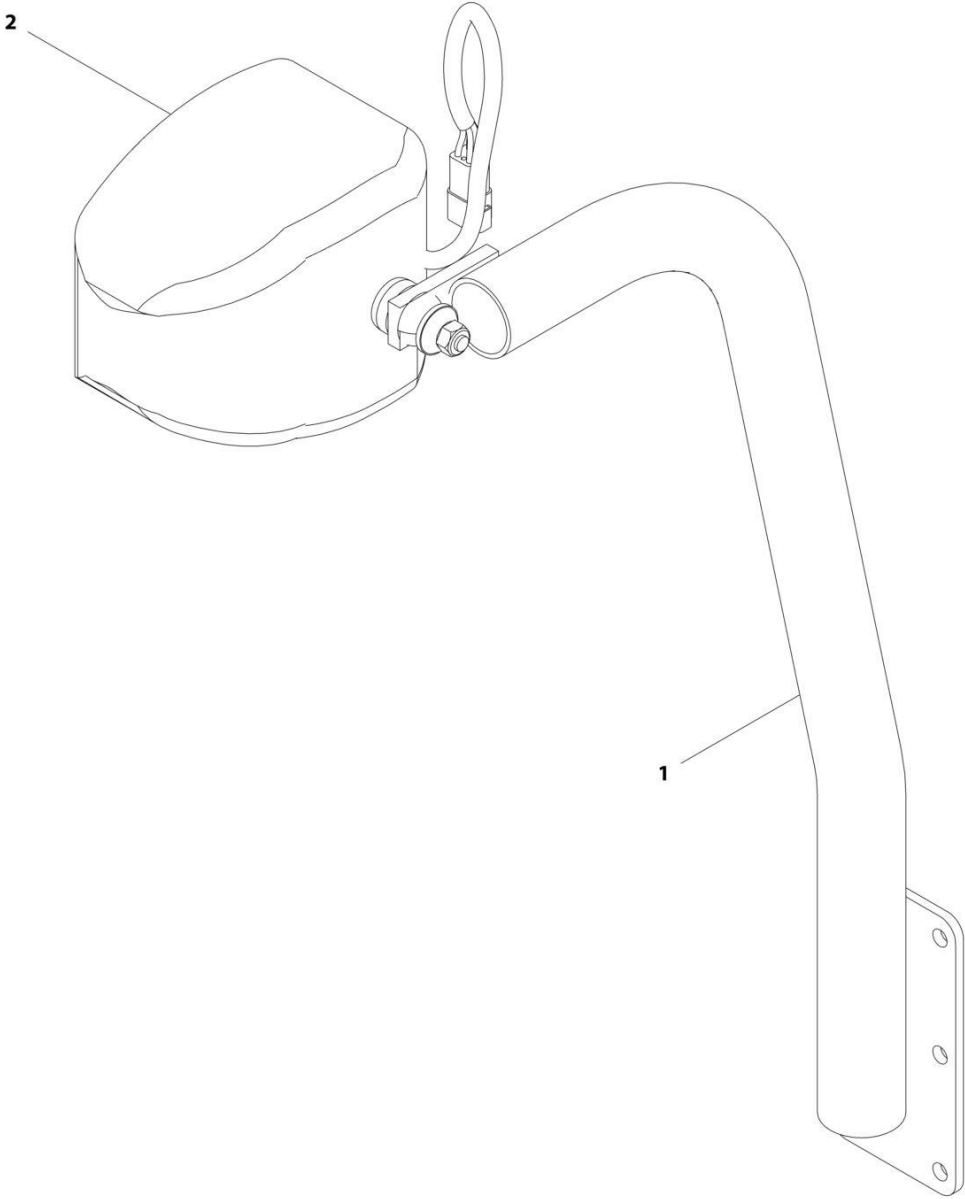
SECTION 10 - ELECTRICAL

FIGURE 10-30. LIGHTS - ROADLIGHT ASSEMBLY (RH)

ITEM	PART NUMBER	QTY	DESCRIPTION	REV
	1001251271	Ref	RH ROADLIGHT ASSEMBLY	A
1	7150680	1	Assembly, RH Roadlight Bracket	
2	1001176337	1	Lamp, LED Worklight	
3	7150690	1	Light, Tail/Indicator	
4	8303745	1	Bolt 5/16 x 5/8	
5	8305626	1	Nut 5/16	

SECTION 10 - ELECTRICAL

FIGURE 10-31. LIGHTS - ROADLIGHT BRACKET ASSEMBLY (LH)



ART_7150699-B

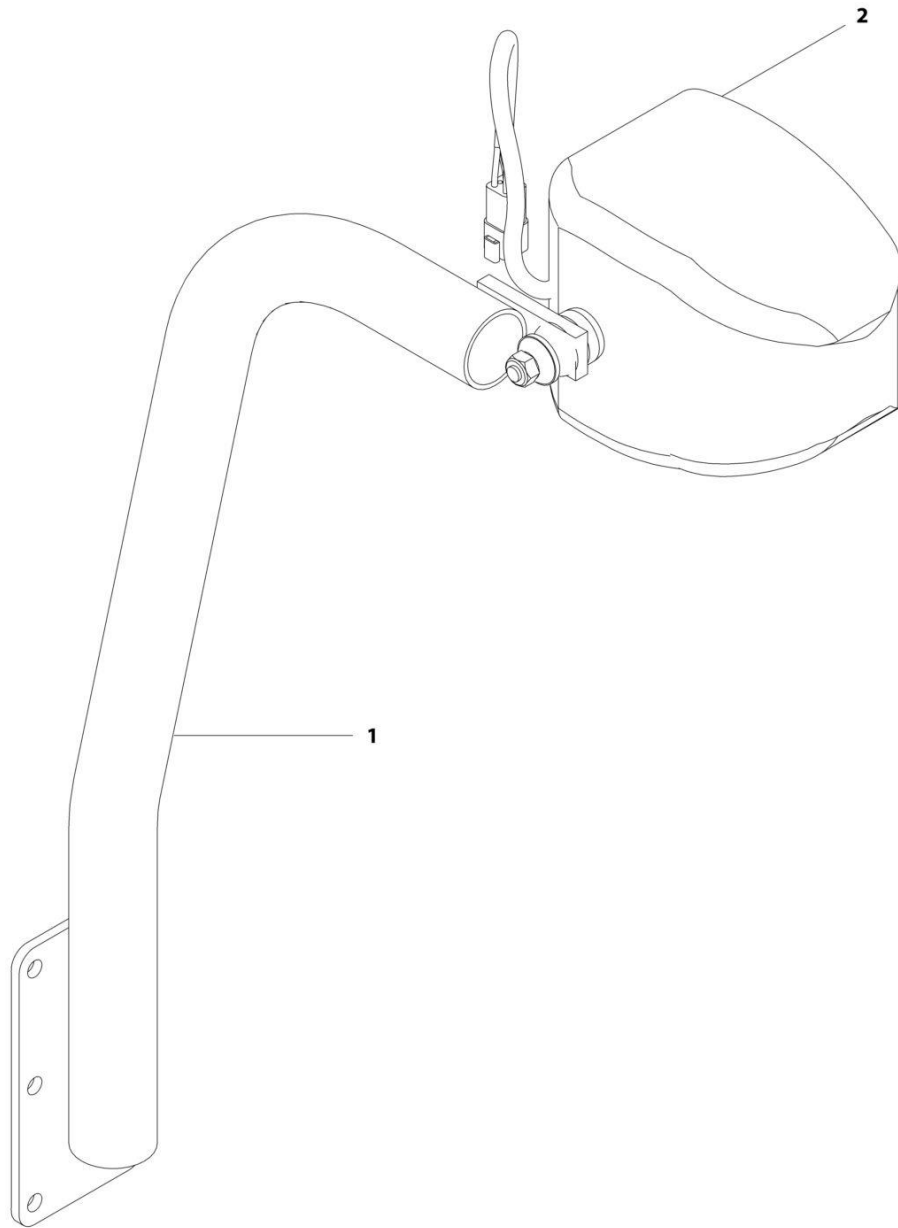
SECTION 10 - ELECTRICAL

FIGURE 10-31. LIGHTS - ROADLIGHT BRACKET ASSEMBLY (LH)

ITEM	PART NUMBER	QTY	DESCRIPTION	REV
	7150699	Ref	LH Roadlight Bracket Assembly	B
1	7150685	1	Bracket, LH Roadlight	
2	7150702	1	Roadlight, LH Front	
2	8036216	6	Screw, Headlight Lens	
2	8036212	1	Lens, Headlight	
2	8036213	1	Bulb, Headlight 12V, 60/55W	
2	8036214	1	Bulb, Blinker 12V, 5W	
2	8036215	1	Harness, Wiring (includes 6-way connector)	
2	8036209	1	Lens, Left Amber Headlight	

SECTION 10 - ELECTRICAL

FIGURE 10-32. LIGHTS - ROADLIGHT BRACKET ASSEMBLY (RH)



ART_7150716-B

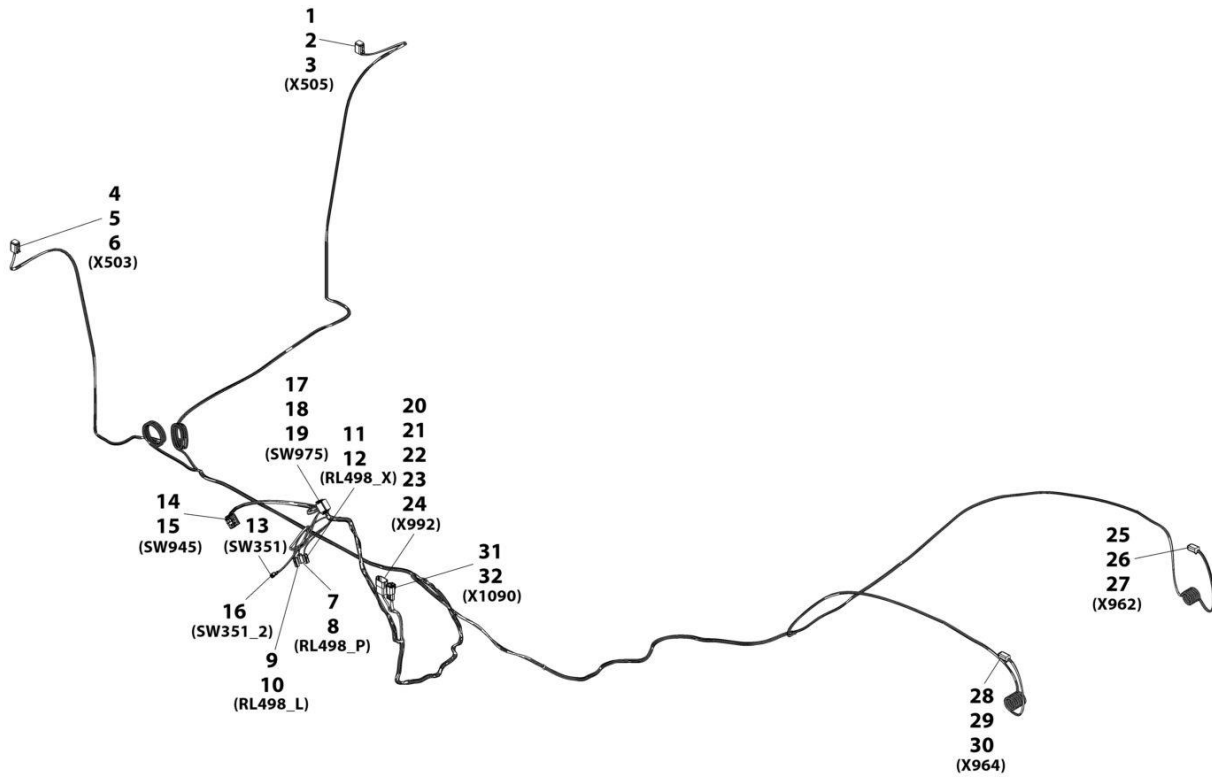
SECTION 10 - ELECTRICAL

FIGURE 10-32. LIGHTS - ROADLIGHT BRACKET ASSEMBLY (RH)

ITEM	PART NUMBER	QTY	DESCRIPTION	REV
	7150716	Ref	RH Roadlight Bracket Assembly	B
1	7150717	1	Bracket, RH Roadlight	
2	7150703	1	Roadlight, LH Front	
2	8036210	1	Lens, Right Amber Headlight	
2	8036216	6	Screw, Headlight Lens	
2	8036212	1	Lens, Headlight	
2	8036213	1	Bulb, Headlight, 12V, 60/55W	
2	8036214	1	Bulb, Blinker 12V, 5W	
2	8036215	1	Harness, Wiring (includes 6-way connector)	

SECTION 10 - ELECTRICAL

FIGURE 10-33. LIGHTS - ROADLIGHT OPTION HARNESS



ART_1001178346-H

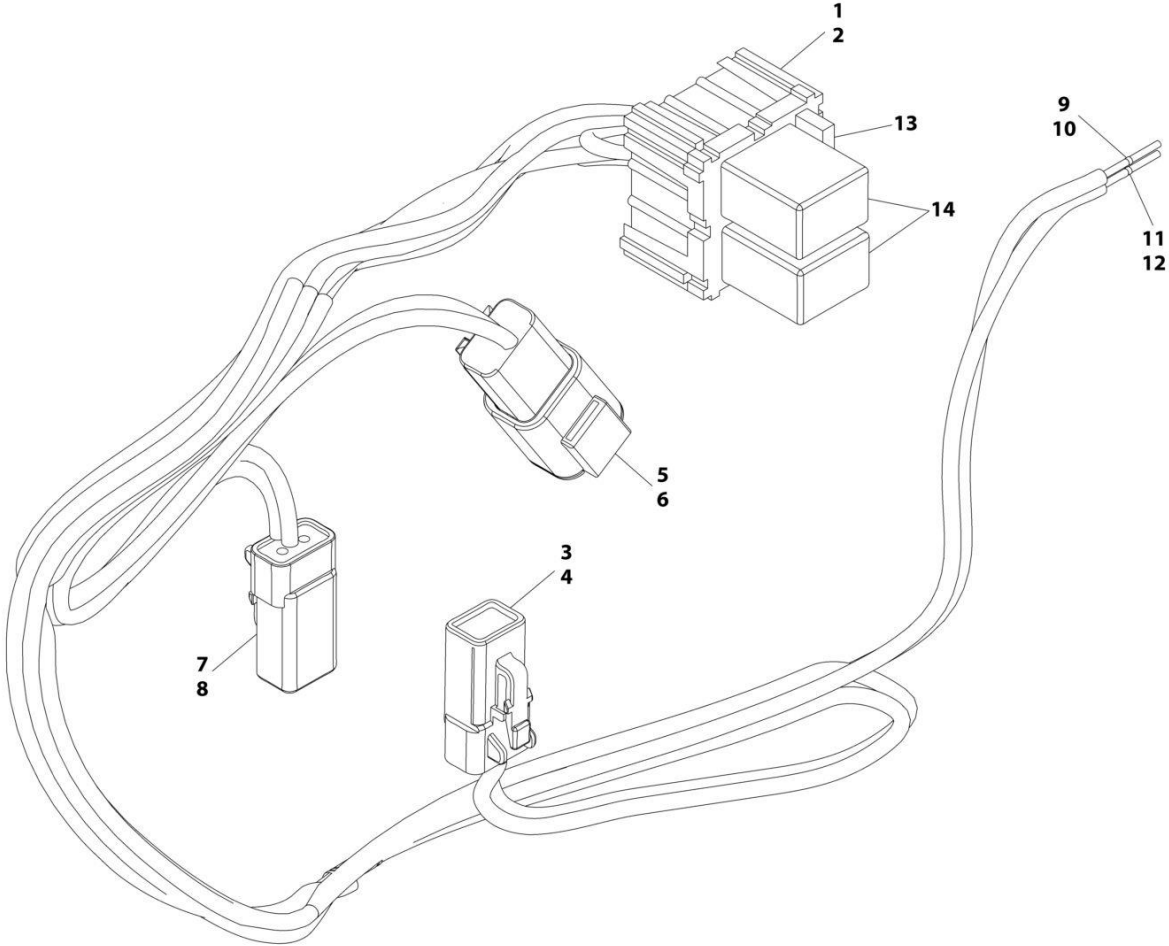
SECTION 10 - ELECTRICAL

FIGURE 10-33. LIGHTS - ROADLIGHT OPTION HARNESS

ITEM	PART NUMBER	QTY	DESCRIPTION	REV
	1001178346	Ref	ROAD LIGHT OPTION HARNESS	H
1	4460894	1	Connector	
2	4460465	5	Terminal	
3	4460466	1	Plug	
4	4460894	1	Connector	
5	4460465	5	Terminal	
6	4460466	1	Plug	
7	7116572	1	Connector	
8	1001116736	1	Terminal	
9	7116572	1	Connector	
10	1001116736	1	Terminal	
11	7116572	1	Connector	
12	1001116736	1	Terminal	
13	8220051	1	Terminal, Ring	
14	1001117079	1	Connector	
15	4460419	9	Terminal	
16	8220051	1	Terminal, Ring	
17	4460933	1	Connector	
18	4460465	8	Terminal	
19	4460466	4	Plug	
20	4460931	1	Connector	
21	4460466	3	Plug	
22	4460464	2	Terminal	
23	1001157891	2	Terminal	
24	4460941	1	Terminal	
25	4460884	1	Connector	
26	4460465	3	Terminal	
27	4460942	1	Terminal	
28	4460884	1	Connector	
29	4460465	3	Terminal	
30	4460942	1	Terminal	
31	4461017	1	Connector	
32	4460508	2	Terminal	

SECTION 10 - ELECTRICAL

FIGURE 10-34. LIGHTS - ROADLIGHT/WORKLIGHT OPTION HARNESS



ART_1001205248_A

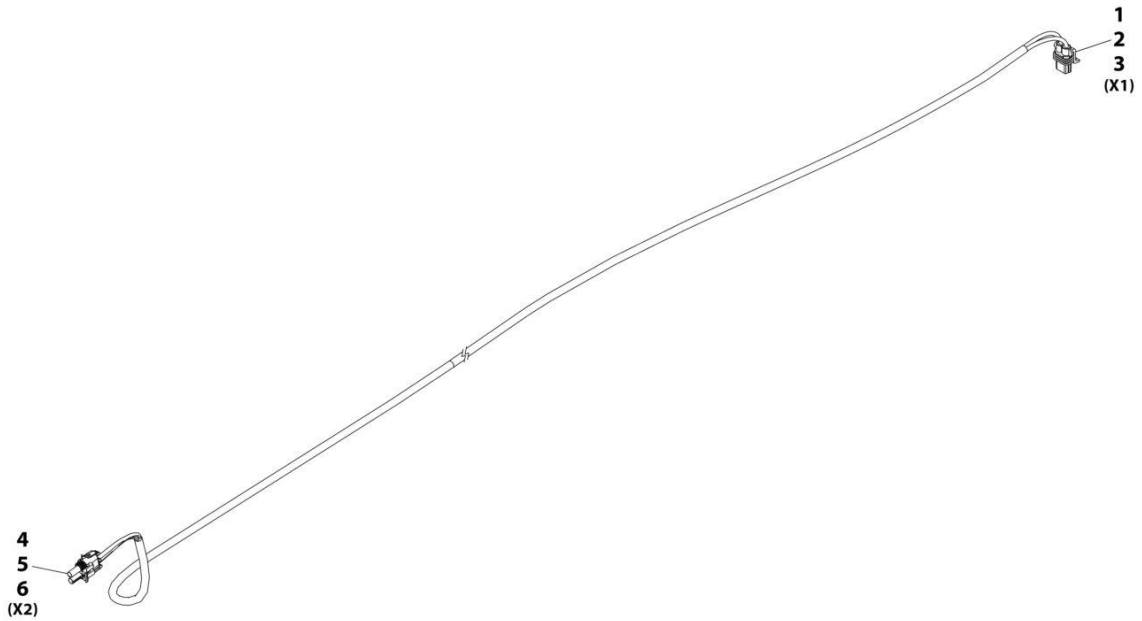
SECTION 10 - ELECTRICAL

FIGURE 10-34. LIGHTS - ROADLIGHT/WORKLIGHT OPTION HARNESS

ITEM	PART NUMBER	QTY	DESCRIPTION	REV
	1001205248	Ref	Roadlight Worklight Harness	A
1	1001177198	1	Connector	
2	1001116712	12	Terminal	
3	4461018	1	Connector	
4	4460509	2	Terminal	
5	4461017	1	Connector	
6	4460508	2	Terminal	
7	4461018	1	Connector	
8	4460509	2	Terminal	
9	4460790	1	Terminal, Socket	
10	8220089	1	Seal	
11	4460790	1	Terminal, Socket	
12	8220089	1	Seal	
13	8229245	2	Fuse 30Amp	
14	1001205172	2	Relay	

SECTION 10 - ELECTRICAL

FIGURE 10-35. LIGHTS - WORKLIGHT OPTION HARNESS (BOOM)



ART_1001238111

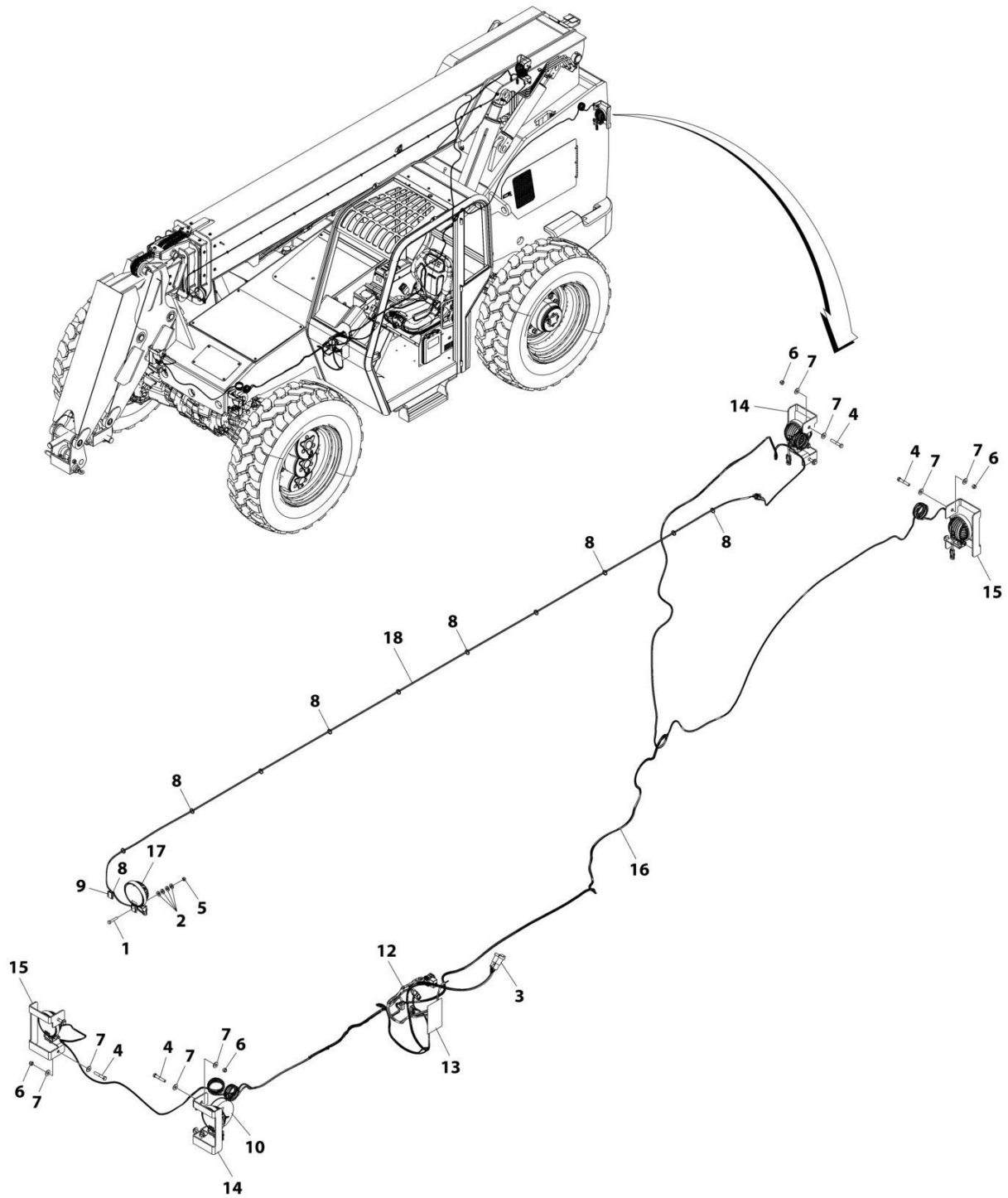
SECTION 10 - ELECTRICAL

FIGURE 10-35. LIGHTS - WORKLIGHT OPTION HARNESS (BOOM)

ITEM	PART NUMBER	QTY	DESCRIPTION	REV
	1001238111	Ref	Boom Worklight Harness	B
1	1001117021	1	Connector	
2	1001116747	2	Terminal	
3	4460789	2	Seal	
4	4460742	1	Connector	
5	4460457	2	Terminal	
6	4460789	2	Seal	

SECTION 10 - ELECTRICAL

FIGURE 10-36. LIGHTS - WORKLIGHT PACKAGE INSTALLATION



ART_1001237847

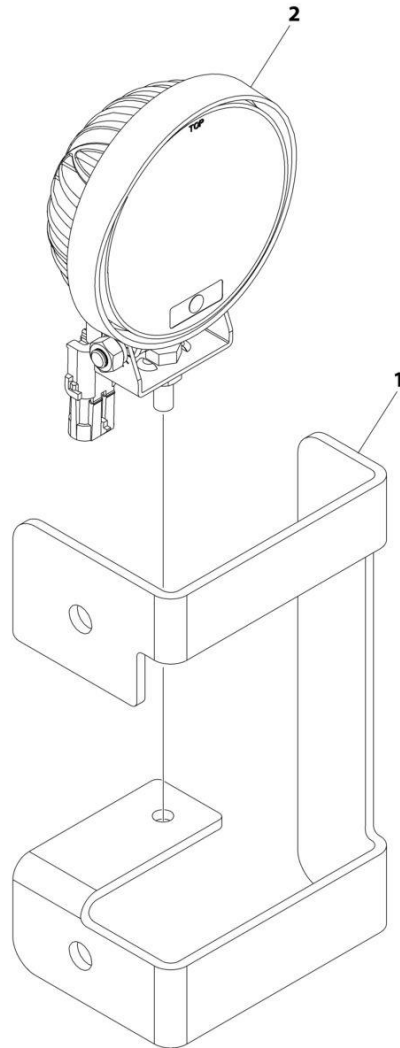
SECTION 10 - ELECTRICAL

FIGURE 10-36. LIGHTS - WORKLIGHT PACKAGE INSTALLATION

ITEM	PART NUMBER	QTY	DESCRIPTION	REV
	1001237847	Ref	LIGHTS - LED WORK LIGHT PACKAGE INSTALLATION	C
1	0641514	1	Bolt 5/16 x 1-3/8	
2	4891600	AR	Washer 3/8	
3	8223059	1	Switch, Work Light	
4	8303771	8	Bolt 3/8 x 2-1/4	
5	8305626	1	Nut 5/16	
6	8305645	8	Nut 3/8	
7	8307204	16	Washer 3/8	
8	8584001	AR	Wrap, Tie	
9	8584018	4	Mount, Tie-Strap	
10	7124471	1	Conduit, 1 x 12.5	
11	88501005	AR	Nut 5/16	
12	1001205248	1	Harness, Roadlight Worklight (See Separate Breakdown in this Section)	
13	1001205264	1	Decal, Light Fuse Panel	
14	1001237853	2	Assembly, LED RH Worklight (See Separate Breakdown in this Section)	
15	1001237854	2	Assembly, LED LH Worklight (See Separate Breakdown in this Section)	
16	1001238199	1	Harness, Work Light Option (See Separate Breakdown in this Section)	
17	1001176337	1	Lamp, LED Worklight	
18	1001238111	1	Harness, Boom Worklight (See Separate Breakdown in this Section)	

SECTION 10 - ELECTRICAL

FIGURE 10-37. LIGHTS - WORKLIGHT ASSEMBLY (RH) (LED)



ART_1001237853

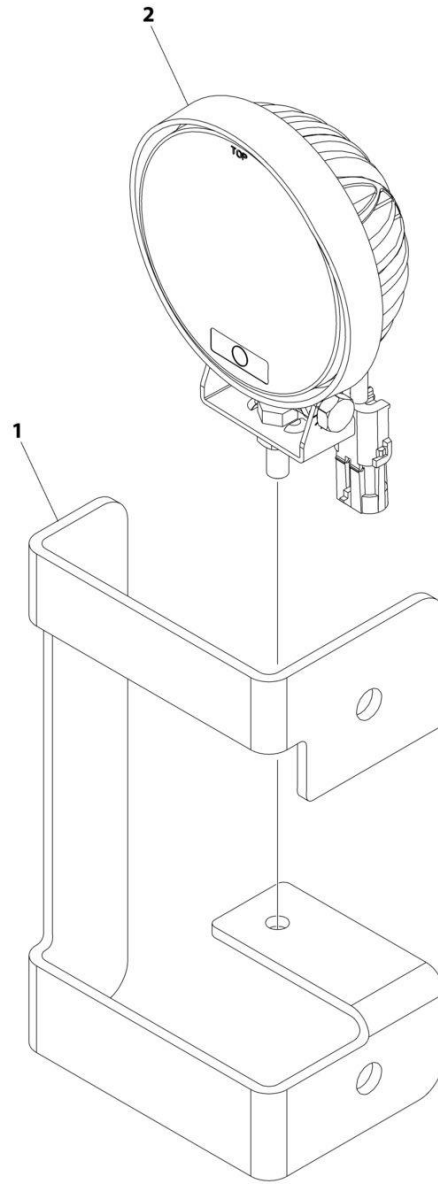
SECTION 10 - ELECTRICAL

FIGURE 10-37. LIGHTS - WORKLIGHT ASSEMBLY (RH) (LED)

ITEM	PART NUMBER	QTY	DESCRIPTION	REV
	1001237853	Ref	LIGHTS - WORK LIGHT ASSEMBLY - LED (RH)	A
1	1001097079	1	Bracket, RH Worklight Mount	
2	1001176337	1	Lamp, LED Worklight	

SECTION 10 - ELECTRICAL

FIGURE 10-38. LIGHTS - WORKLIGHT ASSEMBLY (RH) (LED)



ART_1001237854

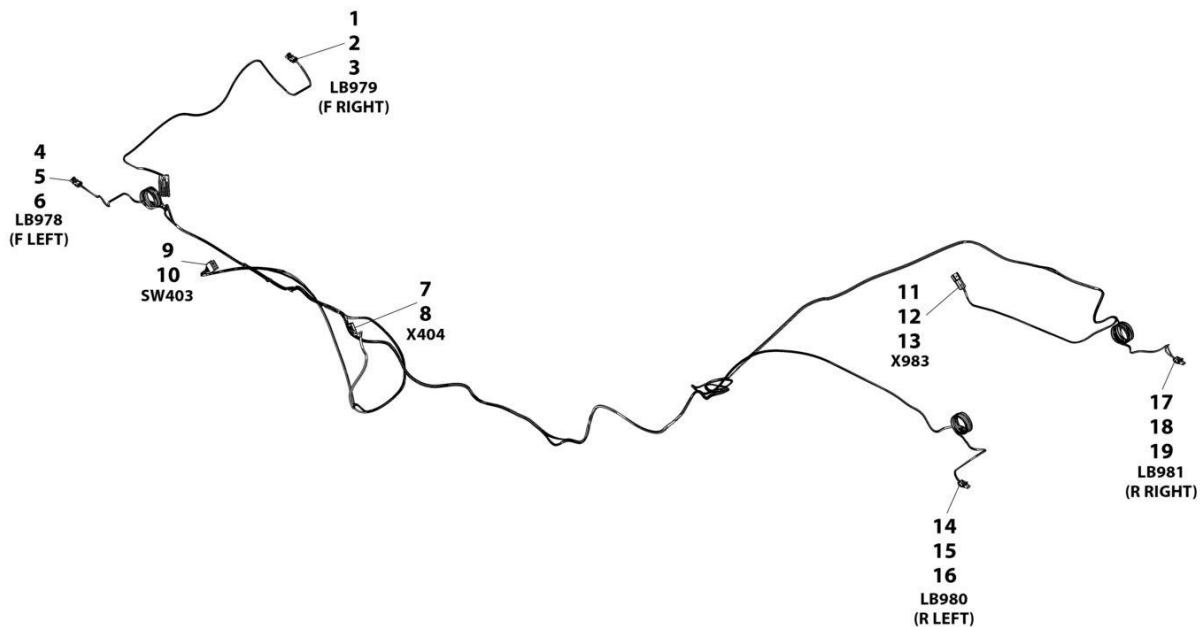
SECTION 10 - ELECTRICAL

FIGURE 10-38. LIGHTS - WORKLIGHT ASSEMBLY (RH) (LED)

ITEM	PART NUMBER	QTY	DESCRIPTION	REV
	1001237854	Ref	LIGHTS - WORK LIGHT ASSEMBLY - LED (LH)	A
1	1001097080	1	Bracket, LH Worklight Mount	
2	1001176337	1	Lamp, LED Worklight	

SECTION 10 - ELECTRICAL

FIGURE 10-39. LIGHTS - WORKLIGHT OPTION HARNESS



ART_1001238199-A

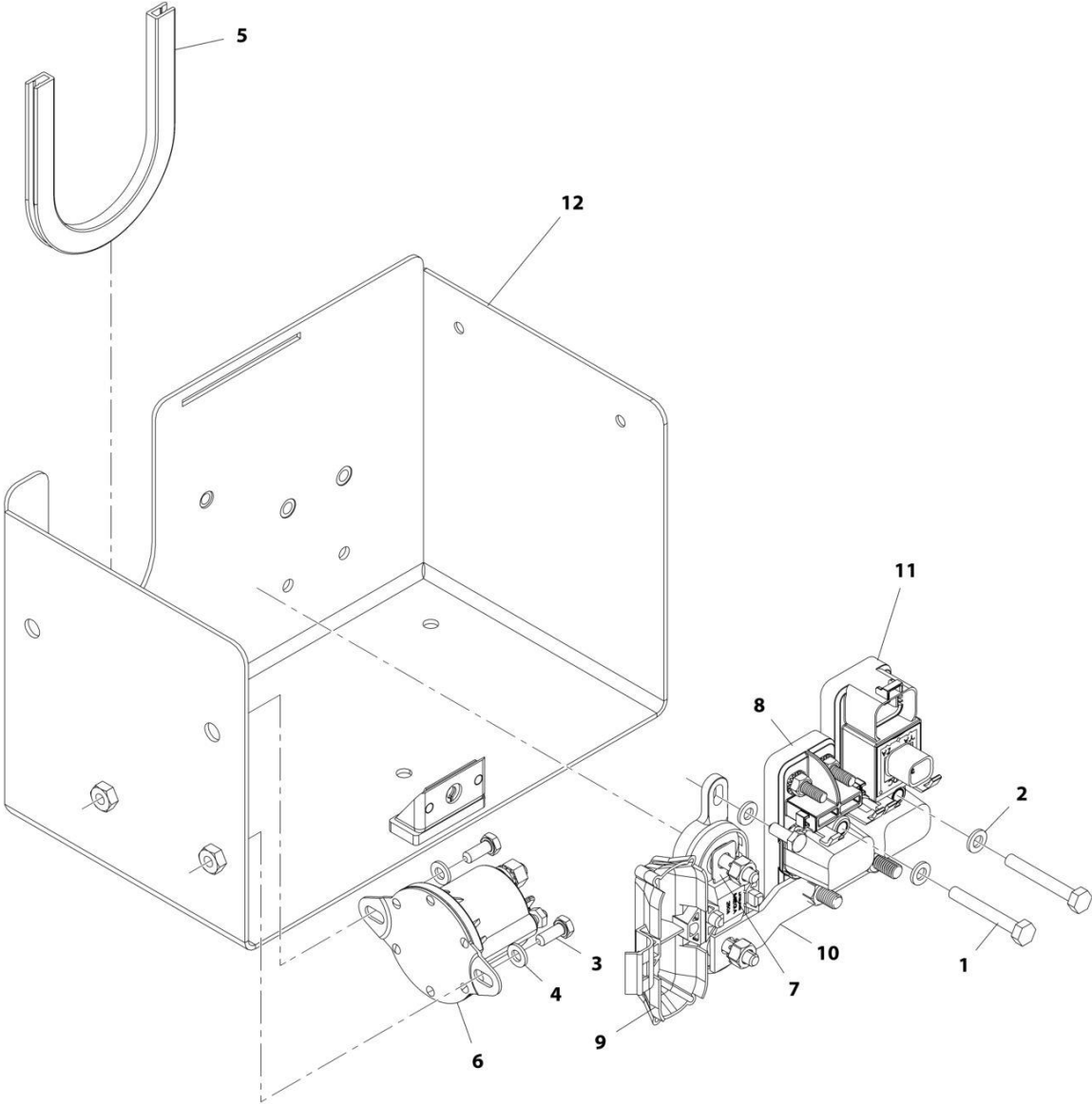
SECTION 10 - ELECTRICAL

FIGURE 10-39. LIGHTS - WORKLIGHT OPTION HARNESS

ITEM	PART NUMBER	QTY	DESCRIPTION	REV
	1001238199	Ref	Work Lighting Option Harness	A
1	4460742	1	Connector	
2	4460457	2	Terminal	
3	4460789	2	Seal	
4	4460742	1	Connector	
5	4460457	2	Terminal	
6	4460789	2	Seal	
7	4461018	1	Connector	
8	4460509	2	Terminal	
9	8220904	1	Connector	
10	4460419	6	Terminal	
11	1001117026	1	Connector	
12	1001116729	2	Terminal	
13	8220081	2	Seal	
14	4460742	1	Connector	
15	4460457	2	Terminal	
16	4460789	2	Seal	
17	4460742	1	Connector	
18	4460457	2	Terminal	
19	4460457	2	Seal	

SECTION 10 - ELECTRICAL

FIGURE 10-40. RELAY PANEL INSTALLATION



ART_1001170233-F

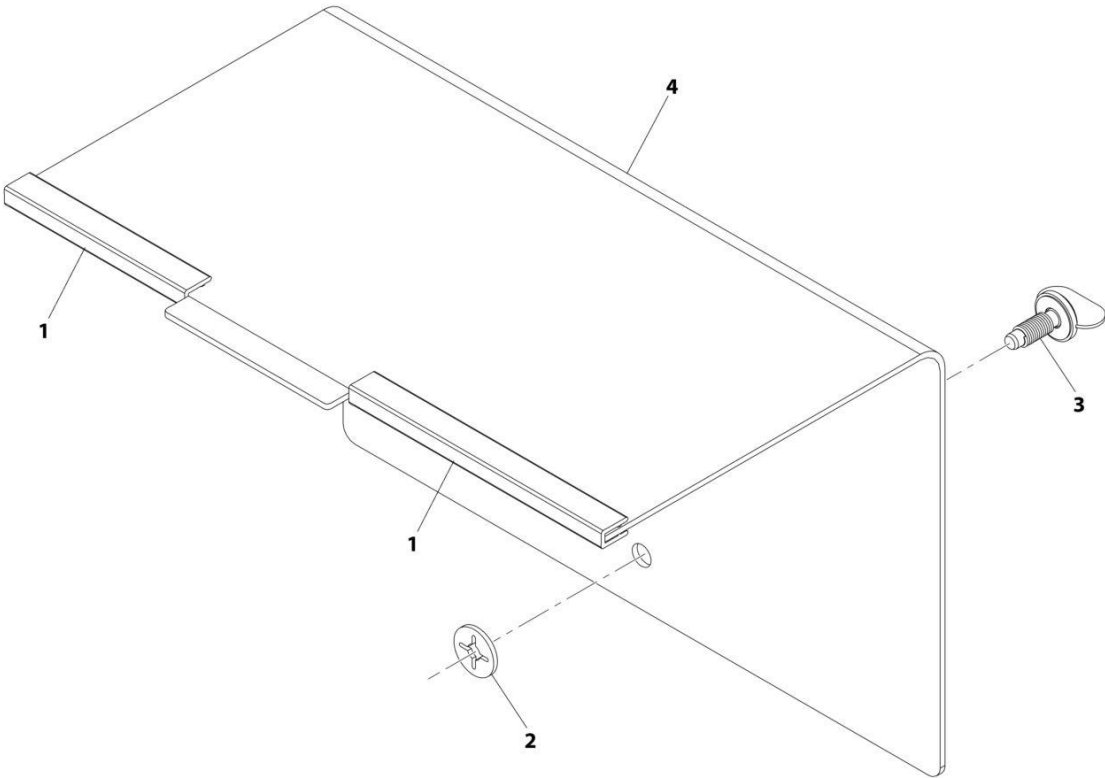
SECTION 10 - ELECTRICAL

FIGURE 10-40. RELAY PANEL INSTALLATION

ITEM	PART NUMBER	QTY	DESCRIPTION	REV
	1001170233	Ref	Relay Panel Installation	F
1	0641415	2	Bolt 1/4X1-7/8	
2	4761400	2	Washer 1/4	
3	8303545	4	Bolt M6X14	
4	8307219	4	Washer M6	
5	90206196	257 mm	Trim, Vinyl Edge	
6	1001186417	1	Relay, 150 Amp	
7	1001118245	1	Fuse, 250 Amp	
8	1001127699	1	Fuse, Power Module	
9	1001127700	1	Holder, AMG Fuse	
10	1001129615	1	Bar, Buss Connector	
11	1001184316	1	Relay, Power Module	
12	1001170230	1	Bracket, Relay Mount	

SECTION 10 - ELECTRICAL

FIGURE 10-41. RELAY PANEL COVER ASSEMBLY



ART_1001170234-B

SECTION 10 - ELECTRICAL

FIGURE 10-41. RELAY PANEL COVER ASSEMBLY

ITEM	PART NUMBER	QTY	DESCRIPTION	REV
	1001170234	Ref	Relay Panel Cover Assembly	B
1	90206196	220 mm	Trim, Vinyl Edge	
2	1001135770	1	Washer, Push-On Retainer	
3	1001135777	1	Screw, Fastener Assembly Wing Head	
4	1001170235	1	Cover, Relay Panel	

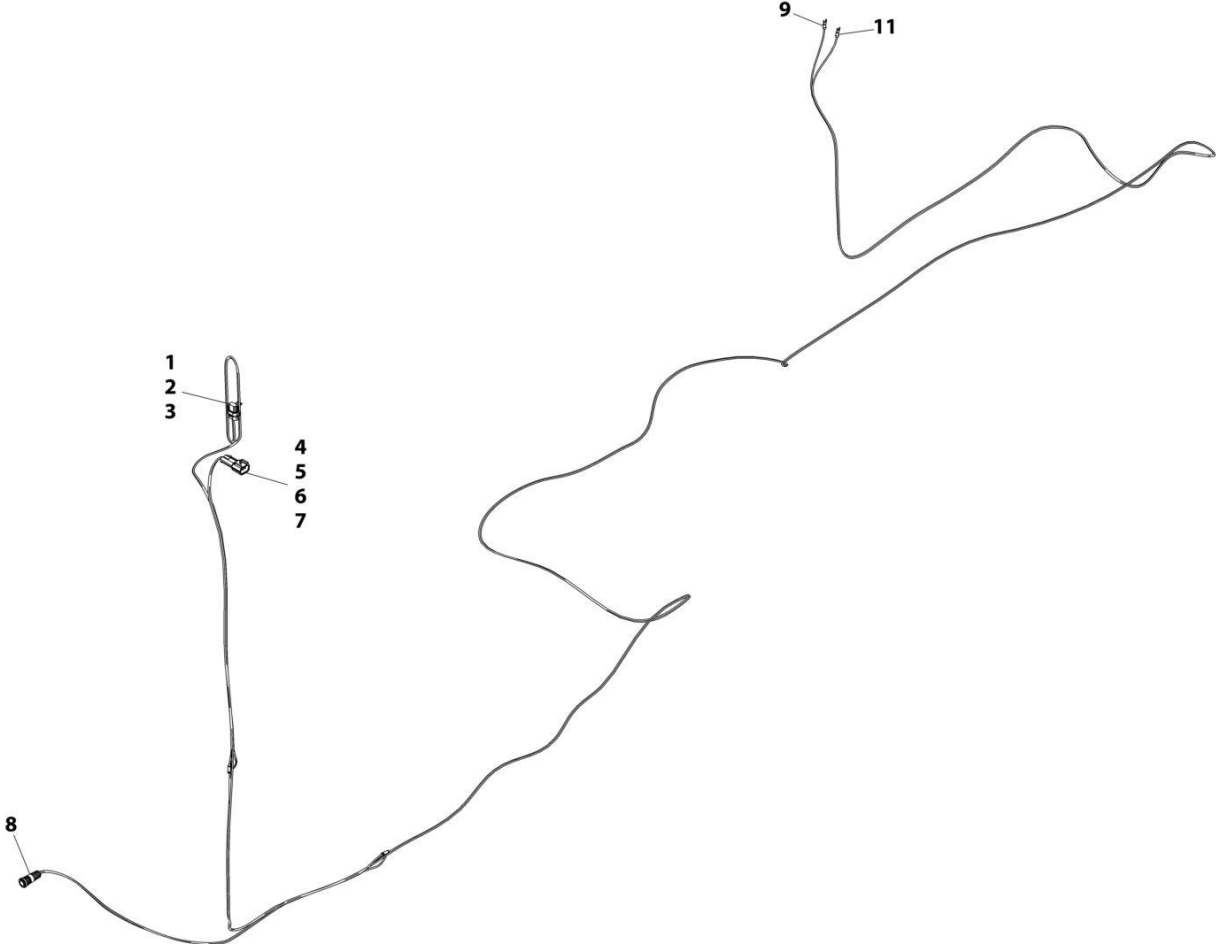
SECTION 10 - ELECTRICAL

FIGURE 10-42. REVERSE SENSOR INSTALLATION

ITEM	PART NUMBER	QTY	DESCRIPTION	REV
	1001189871	Ref	REVERSE SENSOR INSTALLATION	B
1	0140011	1	Audible, Signal Device	
2	0641410	4	Bolt 1/4 x 1	
3	0641620	2	Bolt 3/8 x 2	
4	3931012	4	Capscrew #10 x 3/4	
5	4711400	8	Washer 1/4	
6	8305004	5	Nut 1/4	
7	8307002	1	Washer 1/4	
8	8307005	2	Washer 3/8	
9	8584001	AR	Wrap, Tie 3/16	
10	1001004720	3	Strap, Cable	
11	1001154375	1	Bracket	
12	1001247421	1	Control, Reverse Sensor	
13	1001189886	1	Harness, Reverse Sensor (See Separate Breakdown in this Section)	
14	1001204692	3	Bracket	

SECTION 10 - ELECTRICAL

FIGURE 10-43. REVERSE SENSOR HARNESS



ART_1001189886-B

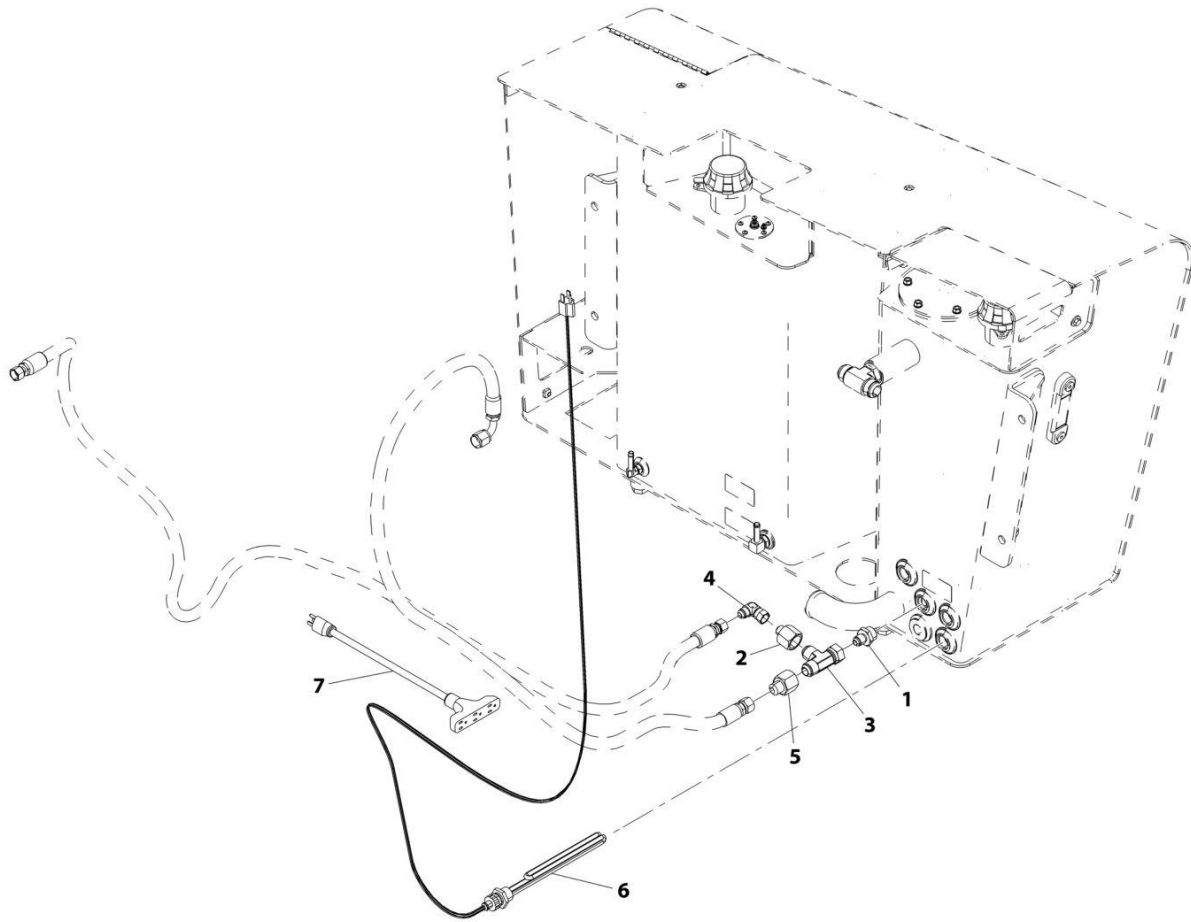
SECTION 10 - ELECTRICAL

FIGURE 10-43. REVERSE SENSOR HARNESS

ITEM	PART NUMBER	QTY	DESCRIPTION	REV
	1001189886	Ref	Reverse Sensor Harness	B
1	1001117021	1	Connector	
2	1001116728	2	Terminal	
3	4460458	2	Seal	
4	1001117026	1	Connector	
5	8220890	1	Lock, Secondary	
6	1001116745	2	Terminal	
7	4460458	2	Seal	
8	1001175733	1	Connector	
9	4460183	1	Fork Terminal	
11	4460183	1	Fork Terminal	

SECTION 10 - ELECTRICAL

FIGURE 10-44. TANK (HYDRAULIC) HEATER INSTALLATION



ART_1001234098-A

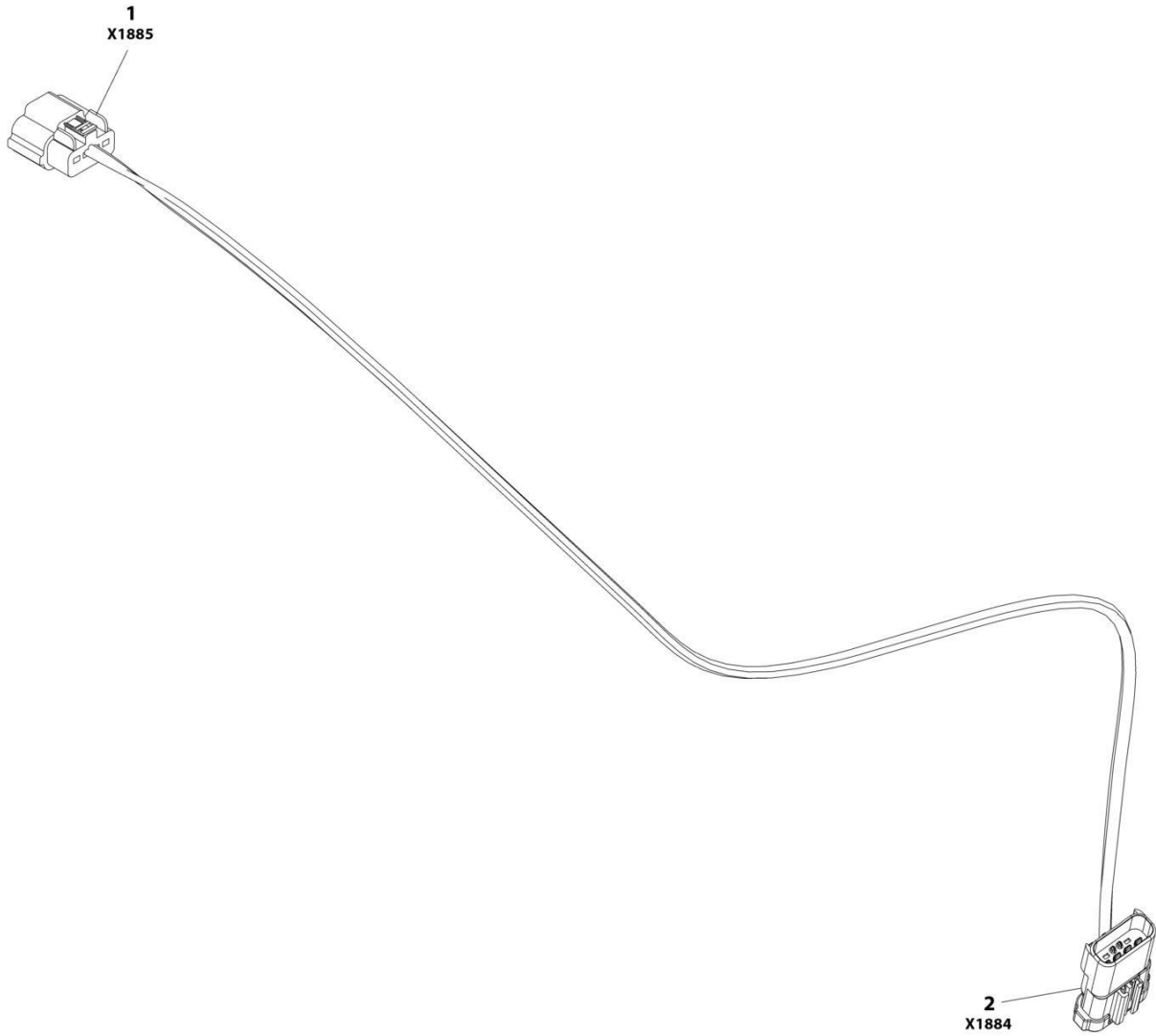
SECTION 10 - ELECTRICAL

FIGURE 10-44. TANK (HYDRAULIC) HEATER INSTALLATION

ITEM	PART NUMBER	QTY	DESCRIPTION	REV
	1001234098	Ref	Hydraulic Tank Heater Installation	A
1	2220451	1	Connector	
2	2220622	1	Reducer	
3	2220700	1	Tee Fitting	
4	8765204	1	Elbow	
5	1001094696	1	Adapter	
6	1001105886	1	Immersion Heater	
7	1060626	1	3 Way Plug	

SECTION 10 - ELECTRICAL

FIGURE 10-45. TBAP HARNESS



ART_1001184835

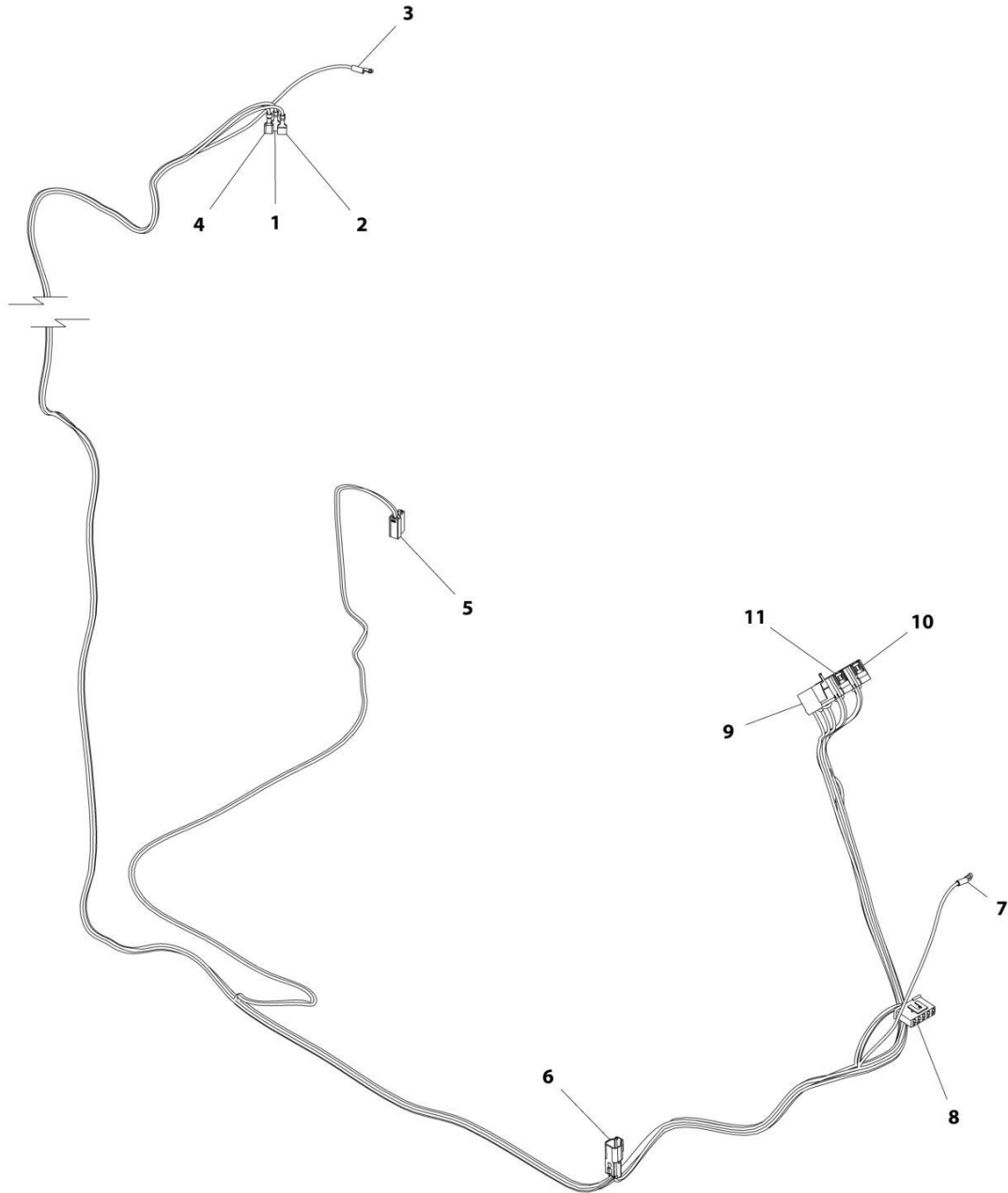
SECTION 10 - ELECTRICAL

FIGURE 10-45. TBAP HARNESS

ITEM	PART NUMBER	QTY	DESCRIPTION	REV
1	1001184835	Ref	TBAP Harness	C
	10011184495	1	Connector	
	1001260509	4	Terminal	
	1001184496	4	Seal	
2	1001184491	1	Connector	
	1001184493	4	Terminal	

SECTION 10 - ELECTRICAL

FIGURE 10-46. WIPER HARNESS



ART_1001178349-D

SECTION 10 - ELECTRICAL

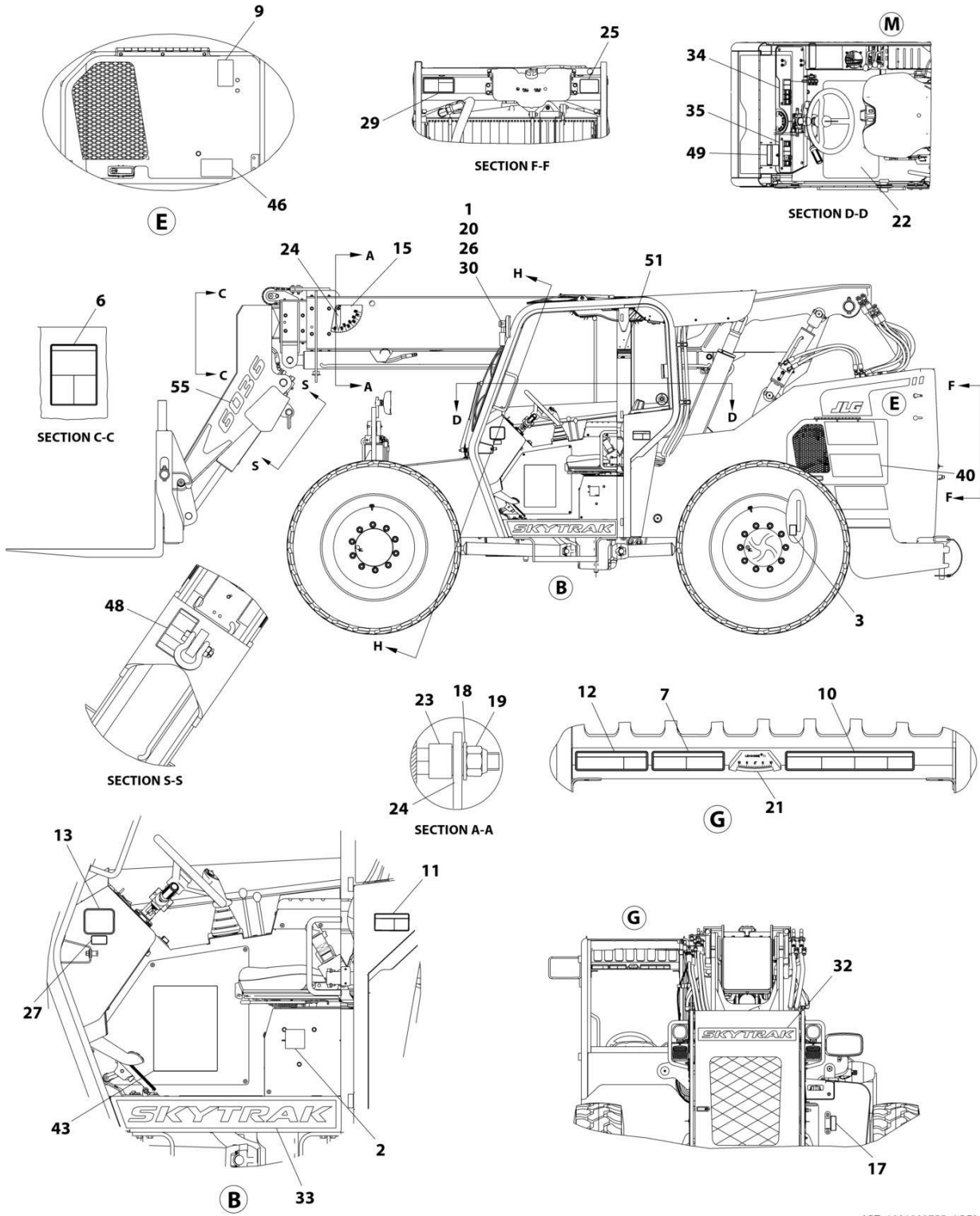
FIGURE 10-46. WIPER HARNESS

ITEM	PART NUMBER	QTY	DESCRIPTION	REV
	1001178349	Ref	Wiper Harness	D
1	8220051	1	Terminal	
2	8220051	1	Terminal	
3	8220035	1	Terminal, Ring	
4	8220051	1	Terminal	
5	4460994	1	Housing, Terminal	
	1001169816	2	Terminal	
6	4460897	1	Connector	
	80604017	1	Lock, Wedge	
	4460464	2	Terminal	
7	8220007	1	Terminal, Ring	
8	1001127066	1	Connector	
	1001116720	3	Terminal	
9	8220904	1	Connector	
	4460419	5	Terminal	
10	1001117081	1	Connector	
	4460419	9	Terminal	
11	1001117081	1	Connector	
	4460419	9	Terminal	

SECTION 11 - DECALS

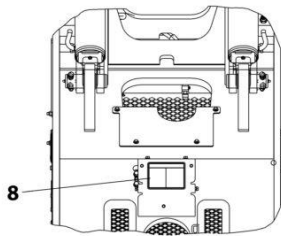
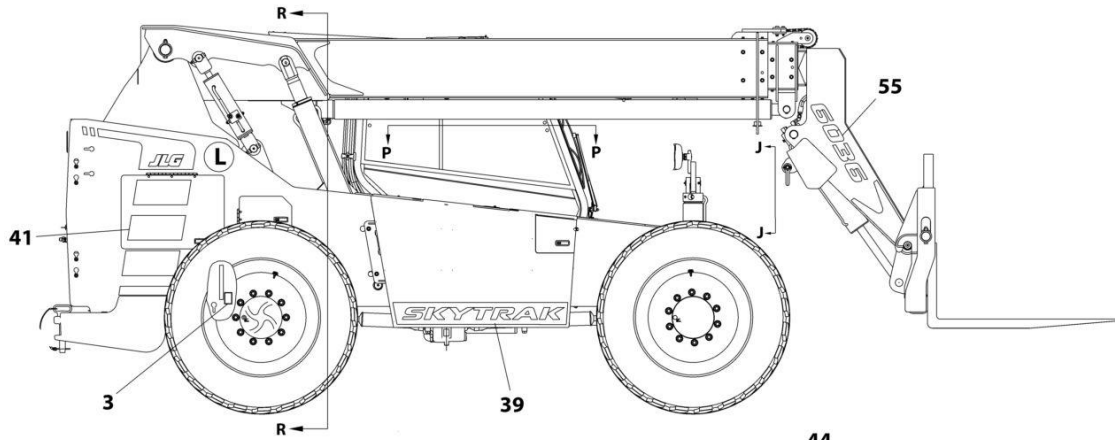
SECTION 11 - DECALS

FIGURE 11-1. DECAL INSTALLATION - 74HP (ANSI)

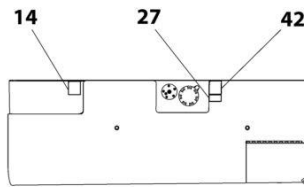


ART_1001202755_10F2

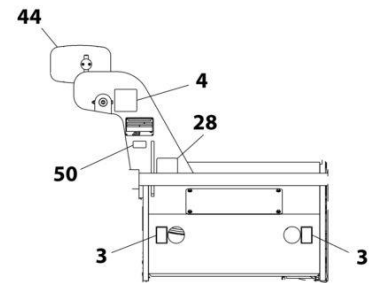
SECTION 11 - DECALS



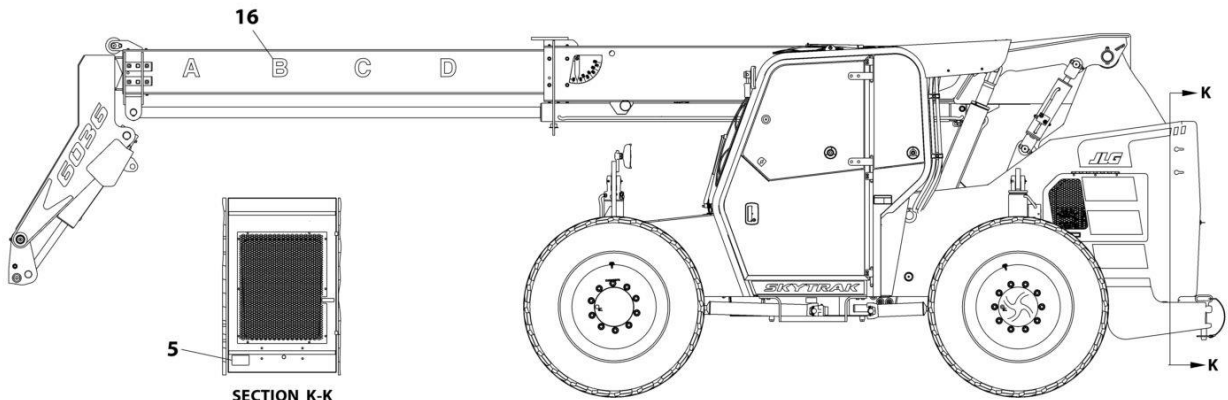
SECTION R-R



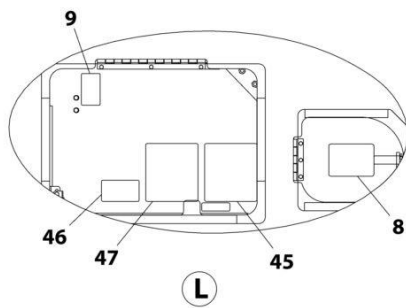
SECTION P-P



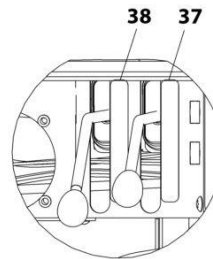
VIEW J



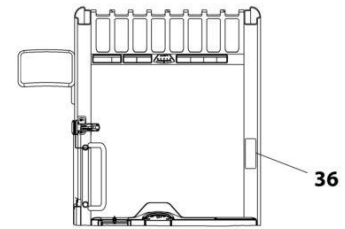
SECTION K-K



L



M



SECTION H-H

ART_1001202755_20F2

SECTION 11 - DECALS

FIGURE 11-1. DECAL INSTALLATION - 74HP (ANSI)

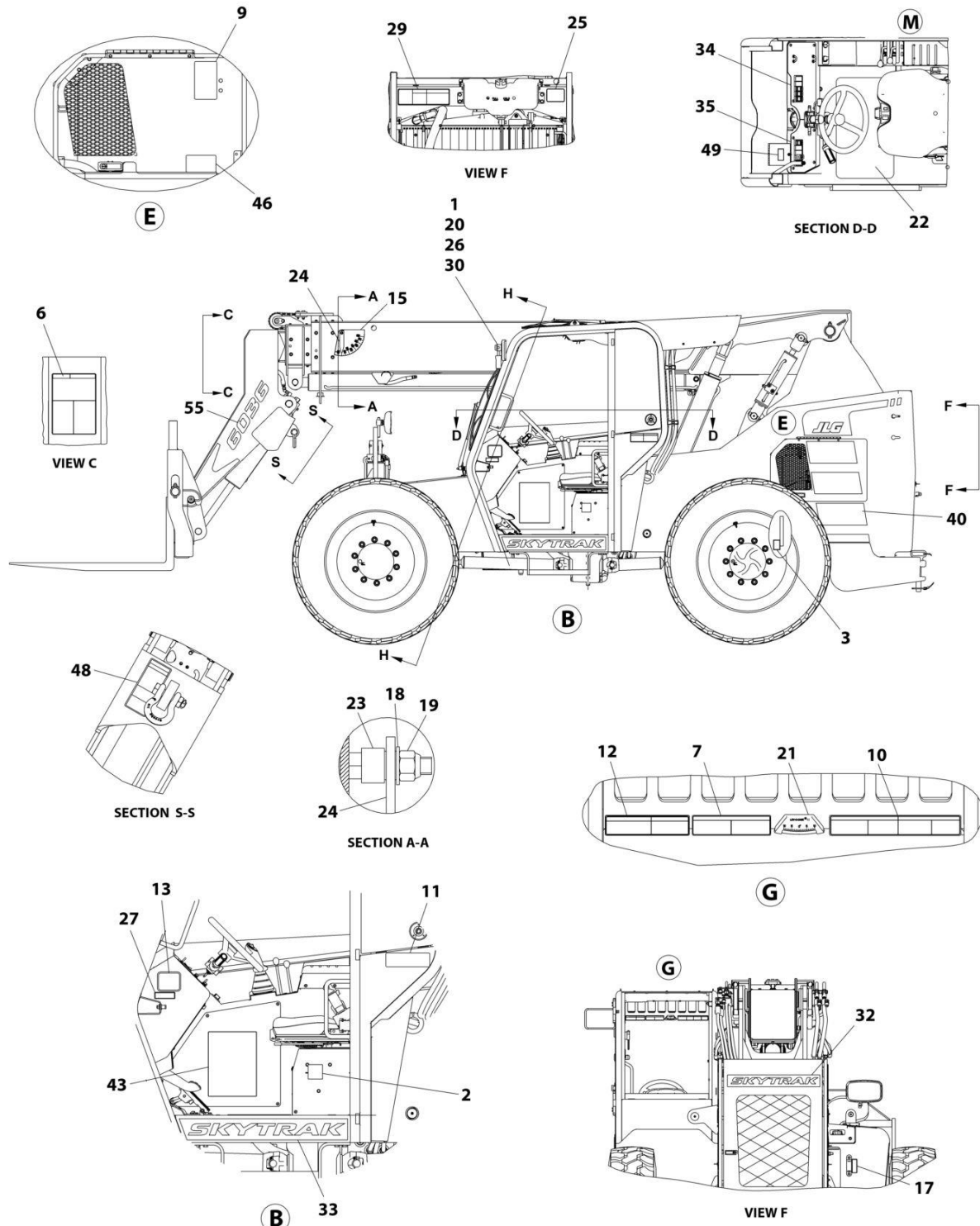
ITEM	PART NUMBER	QTY	DESCRIPTION	REV
	1001202755	Ref	DECAL INSTALLATION, 74HP (ANSI) (6036)	L
1	0700610	2	Bolt M6 x 20	
2	1701640	1	Decal, Manual	
3	1702300	4	Decal, Tie Down	
4	1702631	1	Decal, Bar Code	
5	1706296	1	Decal, Battery Hazard	
6	1706298	1	Decal, Carry Personnel	
7	1706299	1	Decal, Contacting Power Lines Warning	
8	1706300	2	Decal, Ether Starting Warning	
9	1706301	2	Decal, Keep Clear of Rotating Parts Warning	
10	1706306	1	Decal, Tip Over Warning	
11	1706768	1	Decal, No Riders	
12	1706850	1	Decal, Crush Hazard Warning	
13	3251813	1	Decal, USA	
14	4100181	1	Decal, Hydraulic Oil Fill	
15	4105262	1	Decal, Boom Angle Indicator	
16	4107442	1	Decal, Boom Extend Letters	
17	4108302	1	Decal, Hydraulic Oil Level	
18	4711600	1	Washer 3/8	
19	8305645	1	Nut 3/8	
20	8307024	2	Washer M6	
21	8466306	1	Gage, Tilt Angle	
22	10139087	1	Tread, Safety	
23	1001096404	1	Sleeve, Angle Indicator Spacer	
24	1001098769	1	Plate, Boom Angle Indicator	
25	1001109053	1	Decal, Coolant Fill	
26	1001114675	1	Arm, Mirror	
27	1001125387	2	Decal, Ultra Low Sulfur Fuel	
28	1001131271	1	Decal, Telehandlers Patent	
29	1001139578	1	Decal, Hot Fluid Warning	
30	1001148177	1	Mirror, Rectangular	
32	1001259303	1	Decal, Tank Side	
33	1001259302	1	Decal, Cab Side	
34	1001158272	1	Decal, RH Overlay	
35	1001158319	1	Decal, LH Overlay	
36	1001162734	1	Decal, Joystick Control	
37	1001162735	1	Decal, Sway Control	
38	1001162736	1	Decal, Auxiliary Control	
39	1001263821	1	Decal, Rear Door	
40	1001263819	1	Decal, Right Side Stripe	
41	1001263820	1	Decal, Left Side Stripe	
42	1001189017	1	Decal, Diesel Fuel Fill	
43	1001189327	1	Decal, Main Fuse Panel	
44	1001191635	1	Mirror Assembly, RH	
45	1001191992	1	Decal, Lubrication Chart	
46	1001202626	2	Decal, 74HP	
47	1001202627	1	Decal, Maintenance Chart	
48	1001207217	1	Decal, Danger Swinging Load	
49	1001218659	1	Decal, Brake Fluid	
50	1001223453	1	Decal, ICES (CAN)	

SECTION 11 - DECALS

ITEM	PART NUMBER	QTY	DESCRIPTION	REV
51	1001231801	1	Decal, Warning Prop 65 Diesel	
55	1001263593	2	Decal, Model Boom Head	

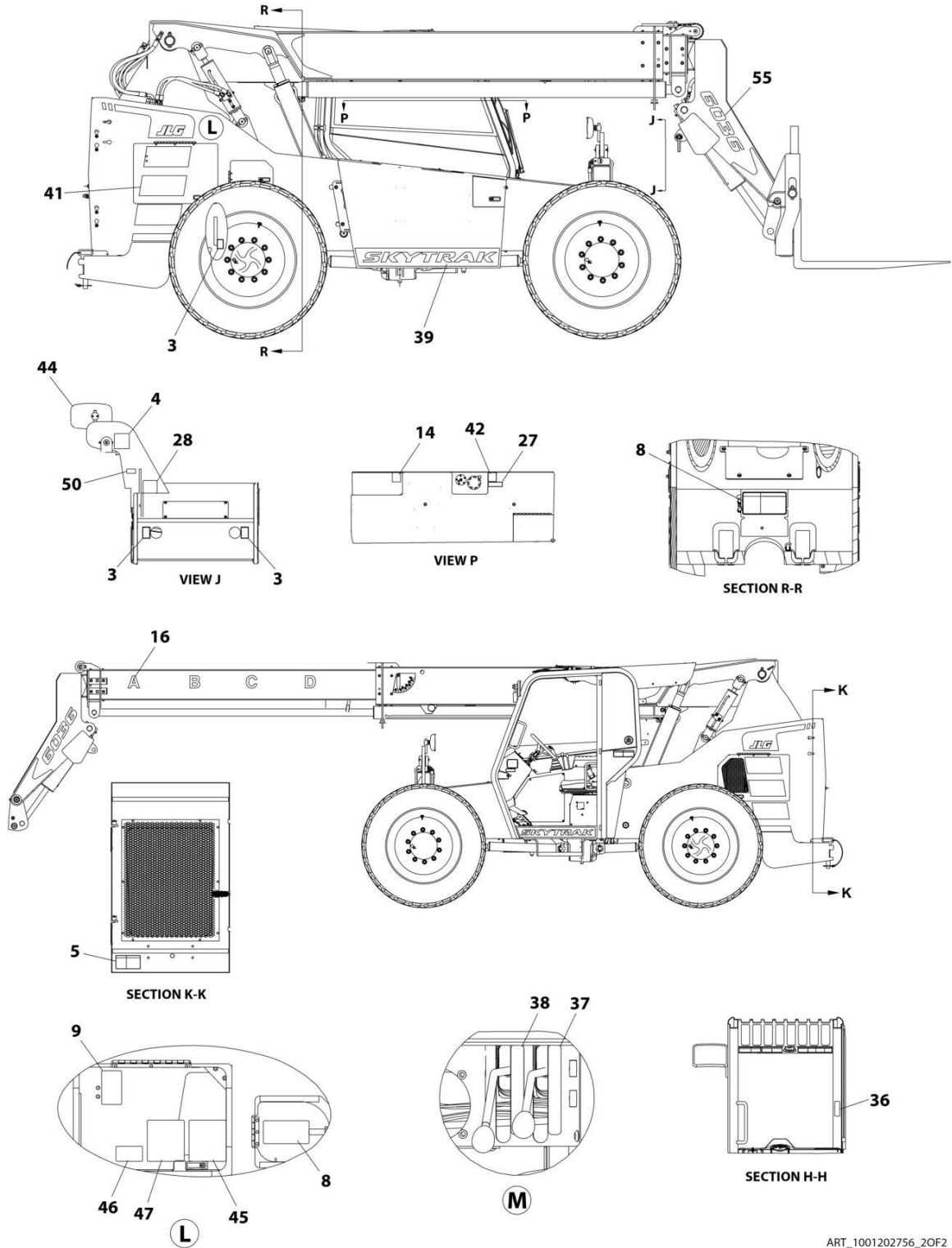
SECTION 11 - DECALS

FIGURE 11-2. DECAL INSTALLATION - 74HP (ENGLISH/FRENCH)



ART_1001202756_10F2

SECTION 11 - DECALS



ART_1001202756_20F2

SECTION 11 - DECALS

FIGURE 11-2. DECAL INSTALLATION - 74HP (ENGLISH/FRENCH)

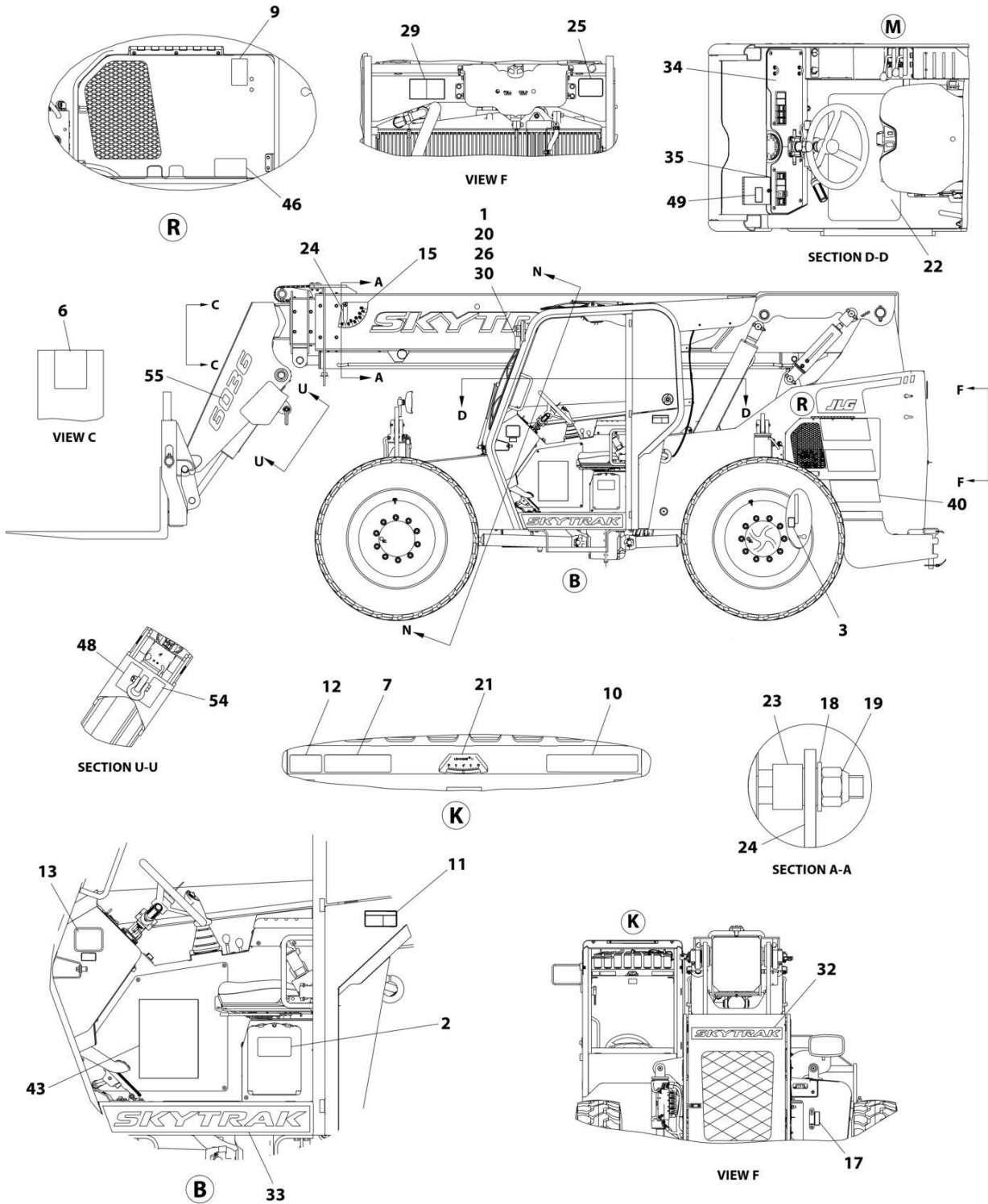
ITEM	PART NUMBER	QTY	DESCRIPTION	REV
	1001202756	Ref	DECAL INSTALLATION, 74HP (ENGLISH/FRENCH) (6036)	K
1	0700610	2	Bolt M6 x 20	
2	1701640	1	Decal, Manual	
3	1702300	4	Decal, Tie Down	
4	1702631	1	Decal, Bar Code	
5	1001163174	1	Decal, Battery Warning	
6	1001163206	1	Decal, Carry Personnel	
7	1001163210	1	Decal, Electrocution Hazard	
8	1001163212	2	Decal, No Ether Warning	
9	1001163222	2	Decal, Moving Parts	
10	1001163285	1	Decal, Tip Over Warning	
11	1001163300	1	Decal, No Riders	
12	1001163304	1	Decal, Crush Hazard Warning	
13	3251813	1	Decal, USA	
14	4100181	1	Decal, Hydraulic Oil Fill	
15	4105262	1	Decal, Boom Angle Indicator	
16	4107442	1	Decal, Boom Extend Letters	
17	4108302	1	Decal, Hydraulic Oil Level	
18	4711600	1	Washer 3/8	
19	8305645	1	Nut 3/8	
20	8307024	2	Washer M6	
21	8466306	1	Gage, Tilt Angle	
22	10139087	1	Tread, Safety	
23	1001096404	1	Sleeve, Angle Indicator Spacer	
24	1001098769	1	Plate, Boom Angle Indicator	
25	1001109053	1	Decal, Coolant Fill	
26	1001114675	1	Arm, Mirror	
27	1001163355	2	Decal, Ultra Low Sulfur Diesel	
28	1001131271	1	Decal, Telehandlers Patent	
29	1001163323	1	Decal, Hot Fluid Warning	
30	1001148177	1	Mirror, Rectangular	
32	1001259303	1	Decal, Tank Side	
33	1001259302	1	Decal, Cab Side	
34	1001180175	1	Decal, RH Overlay	
35	1001180176	1	Decal, LH Overlay	
36	1001162734	1	Decal, Joystick Control	
37	1001162735	1	Decal, Sway Control	
38	1001162736	1	Decal, Auxiliary Control	
39	1001263821	1	Decal, Rear Door	
40	1001263819	1	Decal, Right Side Stripe	
41	1001263820	1	Decal, Left Side Stripe	
42	1001189017	1	Decal, Diesel Fuel Fill	
43	1001189327	1	Decal, Main Fuse Panel	
44	1001191635	1	Mirror Assembly, RH	
45	1001191992	1	Decal, Lubrication Chart	
46	1001202626	2	Decal, 74HP	
47	1001202627	1	Decal, Maintenance Chart	
48	1001211278	1	Decal, Swinging Load Decal KIT (CAN)	
49	1001219211	1	Decal, Brake Fluid	
50	1001223453	1	Decal, ICES (CAN)	

SECTION 11 - DECALS

ITEM	PART NUMBER	QTY	DESCRIPTION	REV
55	1001263593	2	Decal, Model Boom Head	

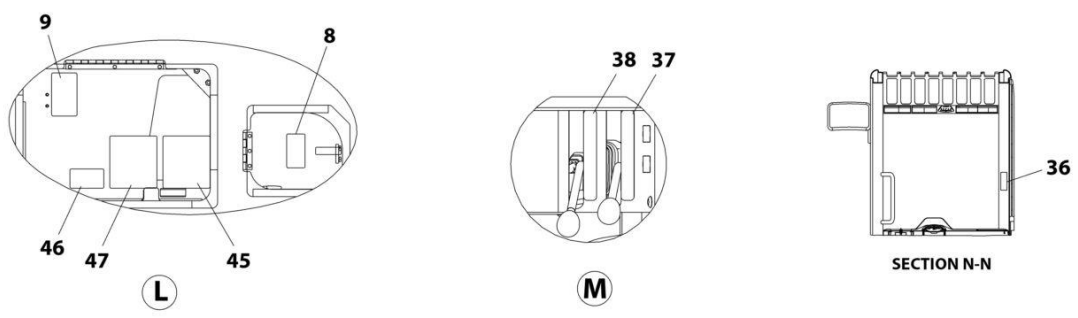
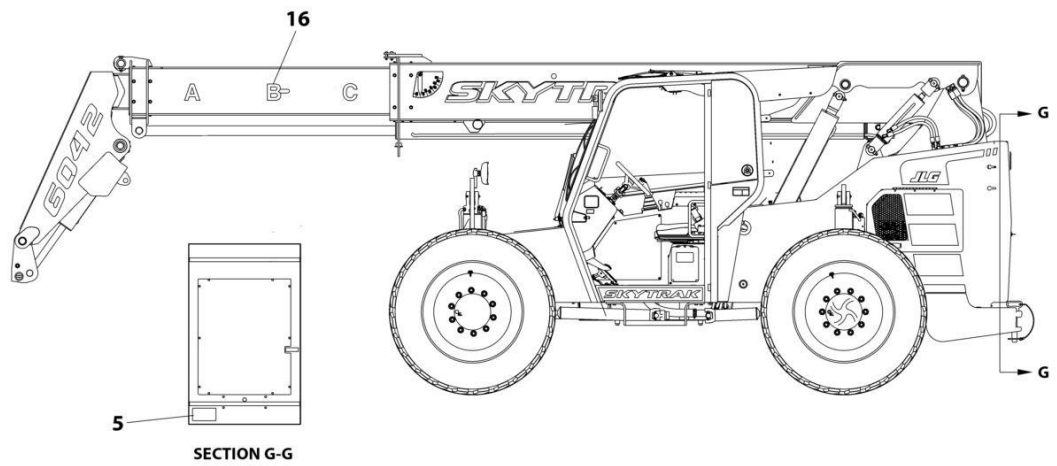
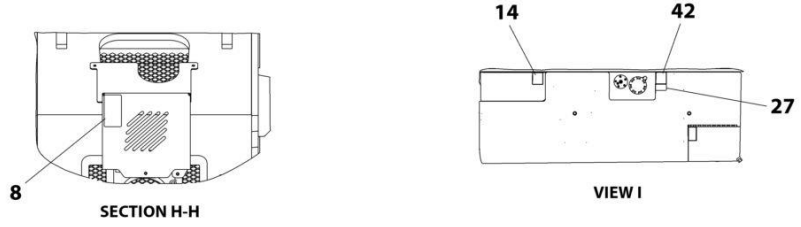
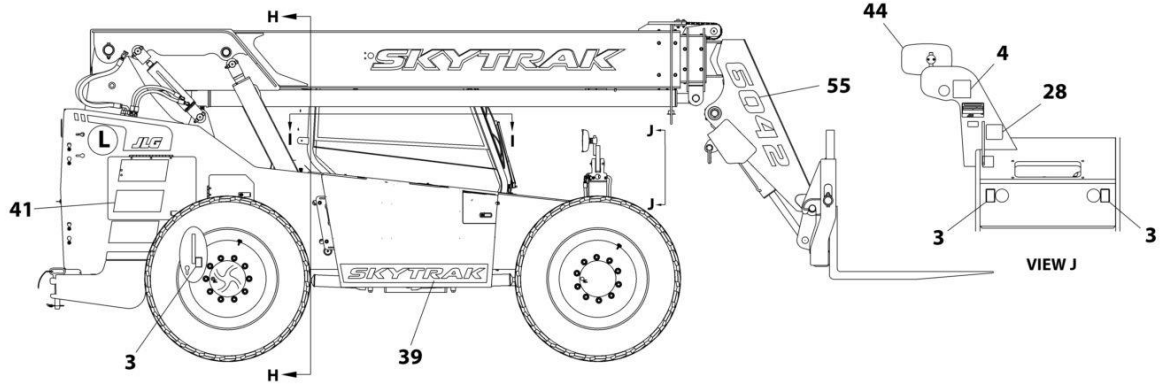
SECTION 11 - DECALS

FIGURE 11-3. DECAL INSTALLATION - 74HP (ENGLISH/SPANISH)



ART_1001242914_10F2

SECTION 11 - DECALS



ART_1001242914_20F2

SECTION 11 - DECALS

FIGURE 11-3. DECAL INSTALLATION - 74HP (ENGLISH/SPANISH)

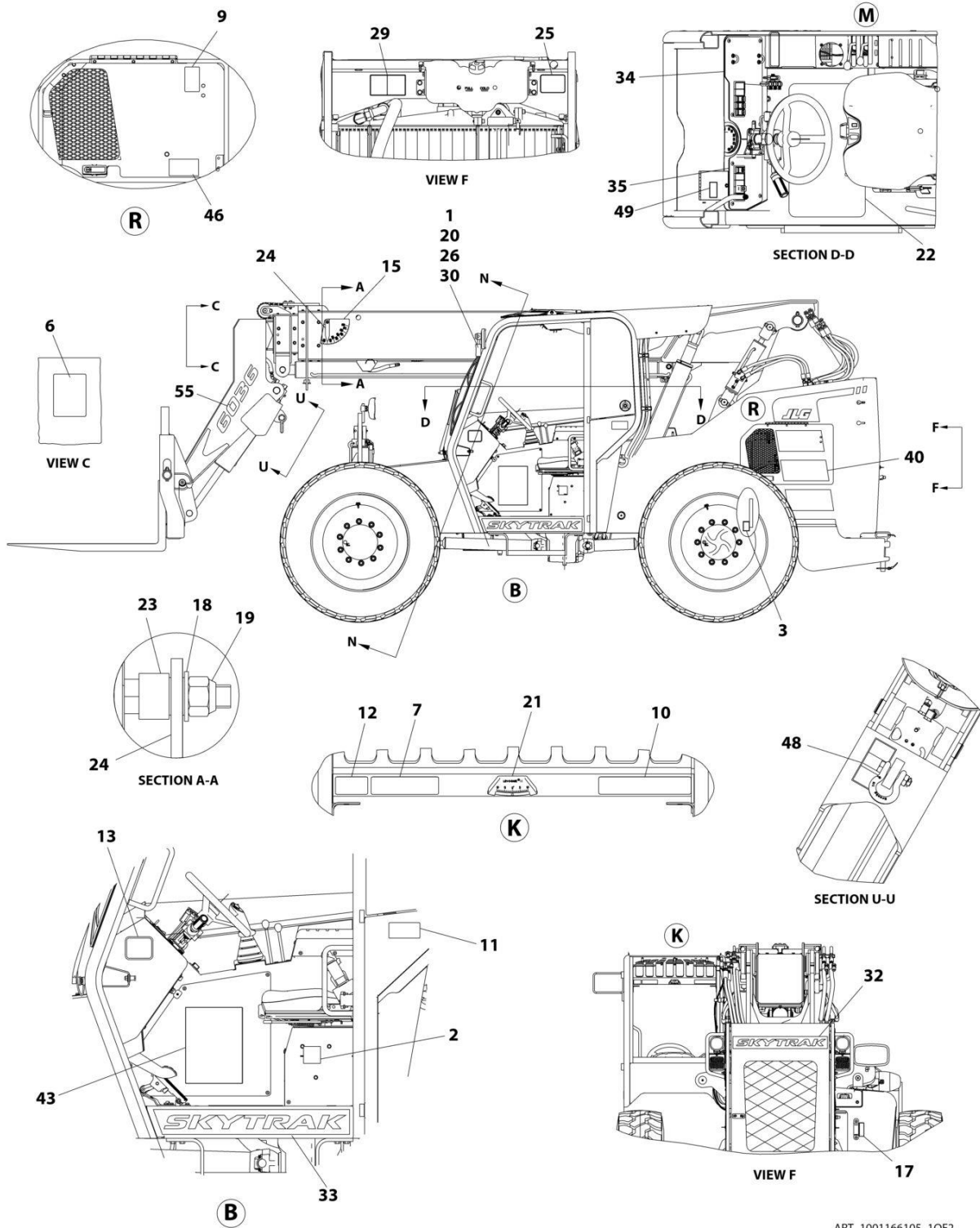
ITEM	PART NUMBER	QTY	DESCRIPTION	REV
	1001242914	Ref	DECAL INSTALLATION (ENGLISH/SPANISH)	F
1	0700610	2	Bolt M6 x 20	
2	1701640	1	Decal, Manual	
3	1702300	4	Decal, Tie Down	
4	1702631	1	Decal, Bar Code	
5	1001235794	1	Decal, Battery Warning	
6	1001235796	1	Decal, Carry Personnel	
7	1001235797	1	Decal, Electrocution Hazard	
8	1001235798	2	Decal, Ether Starting Warning	
9	1001235799	2	Decal, Moving Parts	
10	1001235801	1	Decal, Tip Over Warning	
11	1001235802	1	Decal, No Riders	
12	1001235803	1	Decal, Crush Hazard Warning	
13	3251813	1	Decal, USA	
14	4100181	1	Decal, Hydraulic Oil Fill	
15	4105262	1	Decal, Boom Angle Indicator	
16	4107442	1	Decal, Boom Extend Letters	
17	4108302	1	Decal, Hydraulic Oil Level	
18	4711600	1	Washer 3/8	
19	8305645	1	Nut 3/8	
20	8307024	2	Washer M6	
21	8466306	1	Gage, Tilt Angle	
22	10139087	1	Tread, Safety	
23	1001096404	1	Sleeve, Angle Indicator Spacer	
24	1001098769	1	Plate, Boom Angle Indicator	
25	1001109053	1	Decal, Coolant Fill	
26	1001114675	1	Arm, Mirror	
27	1001235804	2	Decal, Ultra Low Sulfur Diesel (SPAN)	
28	1001131271	1	Decal, Telehandlers Patent	
29	1001235805	1	Decal, Hot Fluid Warning	
30	1001148177	1	Mirror, Rectangular	
32	1001259303	1	Decal, Tank Side	
33	1001259302	1	Decal, Cab Side	
34	1001242172	1	Decal, RH Overlay	
35	1001242173	1	Decal, LH Overlay	
36	1001162734	1	Decal, Joystick Control	
37	1001162735	1	Decal, Sway Control	
38	1001162736	1	Decal, Auxiliary Control	
39	1001263821	1	Decal, Rear Door	
40	1001263819	1	Decal, Right Side Stripe	
41	1001263820	1	Decal, Left Side Stripe	
42	1001189017	1	Decal, Diesel Fuel Fill	
43	1001189327	1	Decal, Main Fuse Panel	
44	1001191635	1	Mirror, RH	
45	1001191992	1	Decal, Lubrication Chart	
46	1001236313	2	Decal, MCO 74HP	
47	1001202627	1	Decal, Maintenance Chart (74HP)	
48	1001246078	1	Decal, Danger Swinging Load	
49	1001219211	1	Decal, Brake Fluid	
54	1001242179	1	Decal, Danger Swinging Load	

SECTION 11 - DECALS

ITEM	PART NUMBER	QTY	DESCRIPTION	REV
55	1001263593	2	Decal, Model Boom Head	

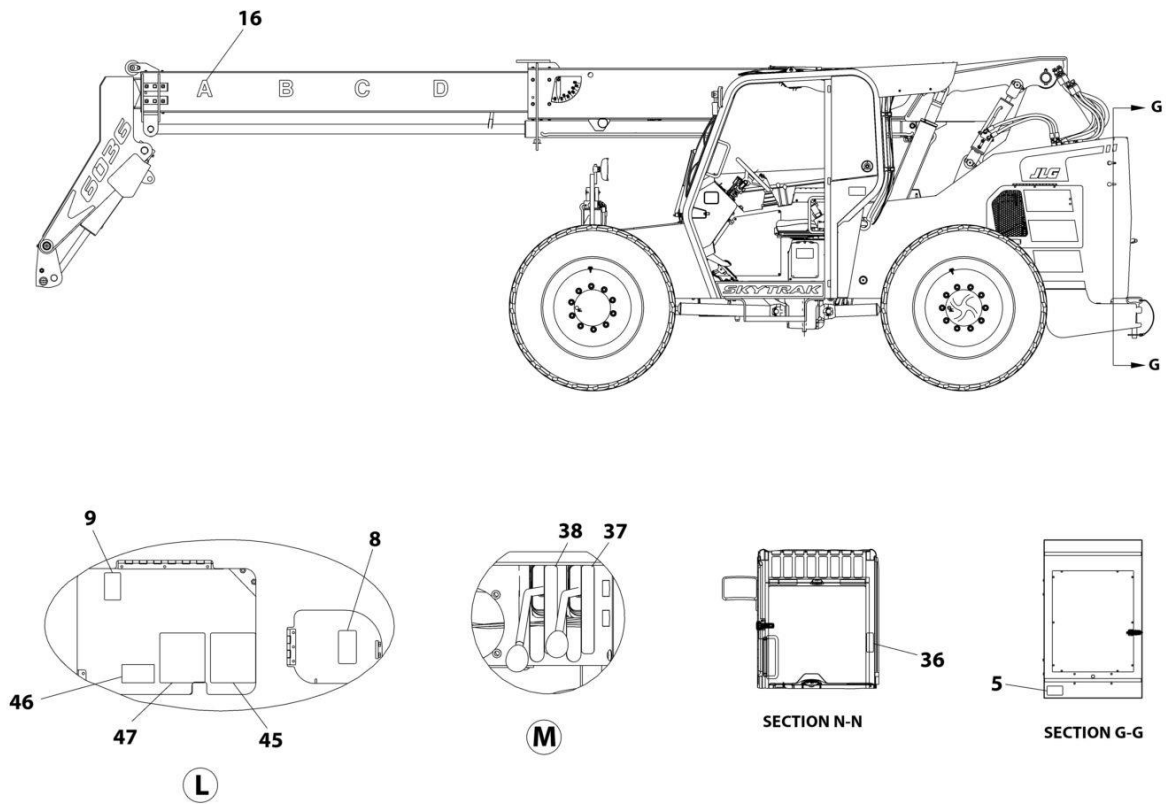
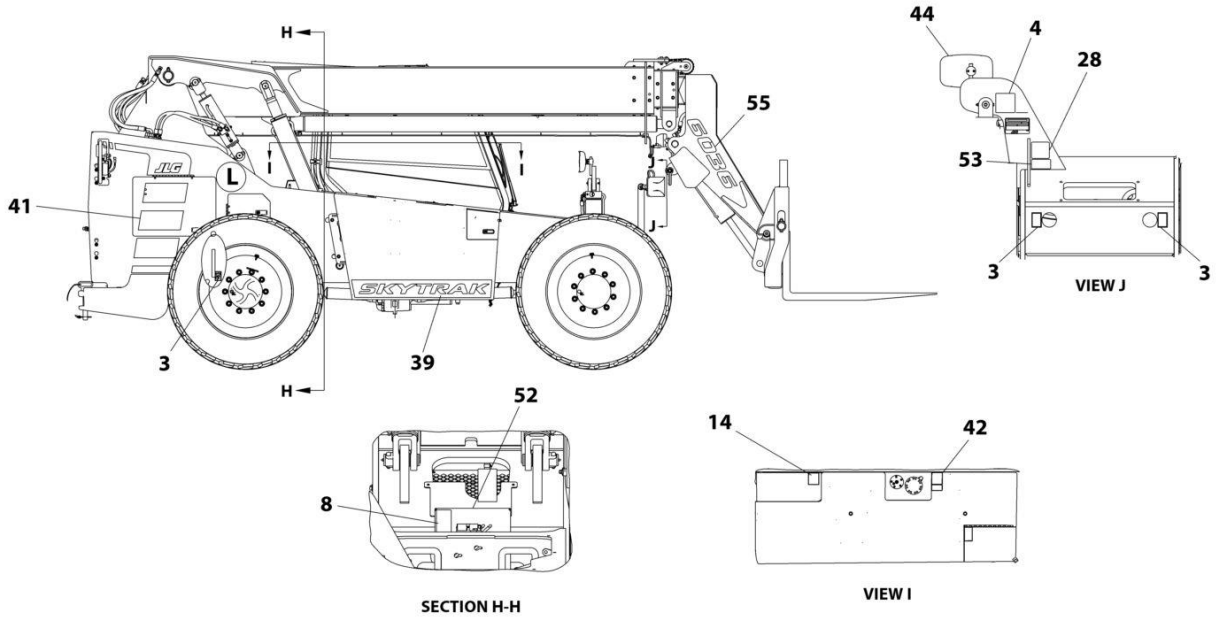
SECTION 11 - DECALS

FIGURE 11-4. DECAL INSTALLATION (ISO)



ART_1001166105_10F2

SECTION 11 - DECALS



ART_1001166105_2OF2

SECTION 11 - DECALS

FIGURE 11-4. DECAL INSTALLATION (ISO)

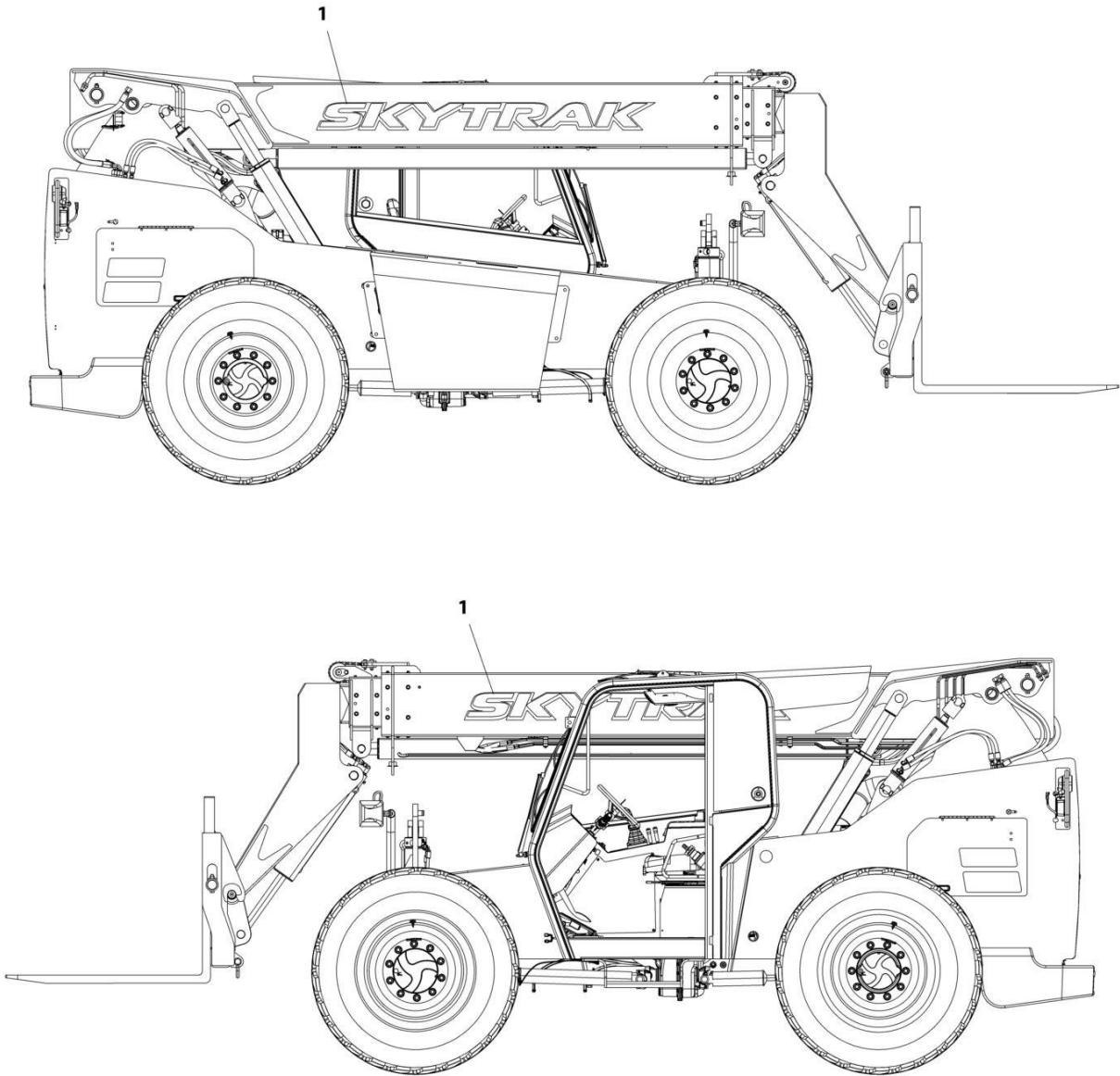
ITEM	PART NUMBER	QTY	DESCRIPTION	REV
	1001166105	Ref	DECAL INSTALLATION (ISO) (6036)	K
1	0700610	2	Bolt M6 x 20	
2	1701640	1	Decal, Manual	
3	1702300	4	Decal, Tie Down	
4	1702631	1	Decal, Bar Code	
5	1706281	1	Decal, Battery Warning	
6	1706282	1	Decal, Carry Personnel	
7	1706284	1	Decal, Electrocution Hazard	
8	1706098	2	Decal, Ether Starting Warning	
9	1706285	2	Decal, Moving Parts	
10	1706288	1	Decal, Tip Over Warning	
11	1001092878	1	Decal, No Riders	
12	1001092877	1	Decal, Crush Hazard Warning	
13	3251813	1	Decal, USA	
14	4100181	1	Decal, Hydraulic Oil Fill	
15	4105262	1	Decal, Boom Angle Indicator	
16	4107442	1	Decal, Boom Extend Letters	
17	4108302	1	Decal, Hydraulic Oil Level	
18	4711600	1	Washer 3/8	
19	8305645	1	Nut 3/8	
20	8307024	2	Washer M6	
21	8466306	1	Gage, Tilt Angle	
22	10139087	1	Tread, Safety	
23	1001096404	1	Sleeve, Angle Indicator Spacer	
24	1001098769	1	Plate, Boom Angle Indicator	
25	1001109053	1	Decal, Coolant Fill	
26	1001114675	1	Arm, Mirror	
28	1001131271	1	Decal, Telehandlers Patent	
29	1001139942	1	Decal, Hot Fluid Warning	
30	1001148177	1	Mirror, Rectangular	
32	1001259303	1	Decal, Tank Side	
33	1001259302	1	Decal, Cab Side	
34	1001158320	1	Decal, LH Overlay	
35	1001158321	1	Decal, RH Overlay	
36	1001162734	1	Decal, Joystick Control	
37	1001162735	1	Decal, Sway Control	
38	1001162736	1	Decal, Auxiliary Control	
39	1001263821	1	Decal, Rear Door	
40	1001263819	1	Decal, Right Side Stripe	
41	1001263820	1	Decal, Left Side Stripe	
42	1001189017	1	Decal, Diesel Fuel Fill	
43	1001189327	1	Decal, Main Fuse Panel	
44	1001191635	1	Mirror, RH	
45	1001191992	1	Decal, Lubrication Chart	
46	1001173423	2	Decal, MCO 85HP	
47	1001174152	1	Decal, Maintenance Chart (85HP)	
47	1001202627	1	Decal, Maintenance Chart (74HP)	
48	1001207218	1	Decal, Danger Swinging Load	
49	1001219211	1	Decal, DEF Fluid	
52	1001142452	1	Decal, No Step	

SECTION 11 - DECALS

ITEM	PART NUMBER	QTY	DESCRIPTION	REV
53	1001143852	1	Decal, LRC EPA	
55	1001263593	2	Decal, Model Boom Head	

SECTION 11 - DECALS

FIGURE 11-5. BOOM DECALS INSTALLATION (6036)



ART_1001158071

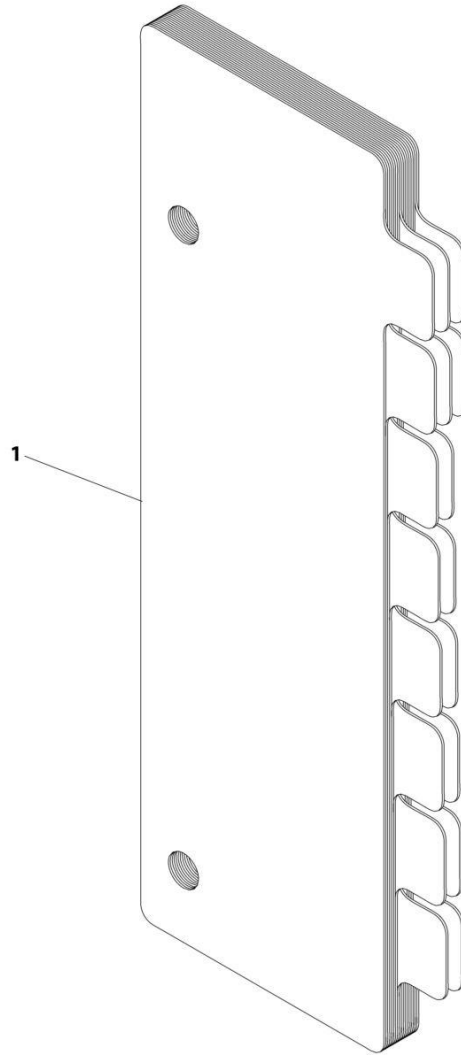
SECTION 11 - DECALS

FIGURE 11-5. BOOM DECALS INSTALLATION (6036)

ITEM	PART NUMBER	QTY	DESCRIPTION	REV
1	1001158071	Ref	BOOM DECALS INSTALLATION (6036)	B
	1001262057	2	Decal, Boom	

SECTION 11 - DECALS

FIGURE 11-6. CAPACITY CHART (ANSI)



ART_1001211867-F

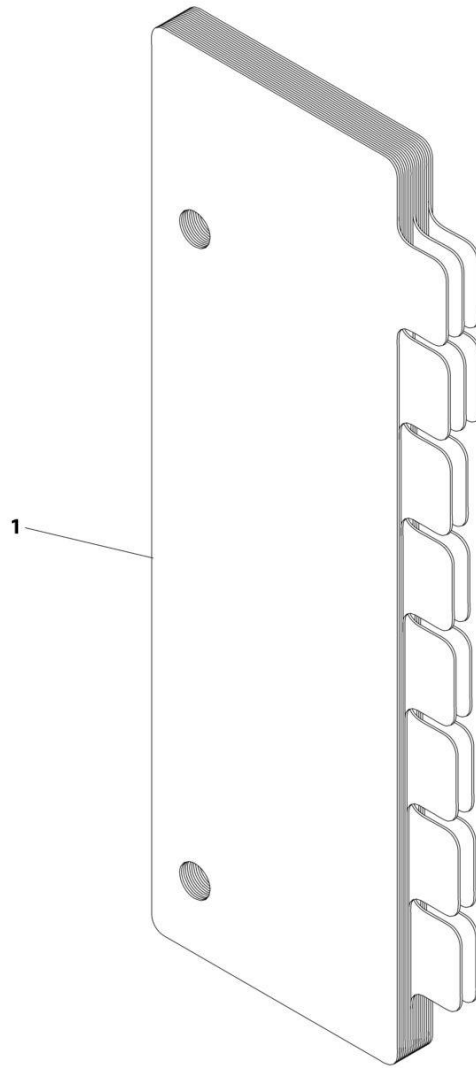
SECTION 11 - DECALS

FIGURE 11-6. CAPACITY CHART (ANSI)

ITEM	PART NUMBER	QTY	DESCRIPTION	REV
1	1001211867	1	Capacity Chart (ANSI) - 6036	F

SECTION 11 - DECALS

FIGURE 11-7. CAPACITY CHART - SUPPLEMENTAL (ISO)



ART_1001211868-F

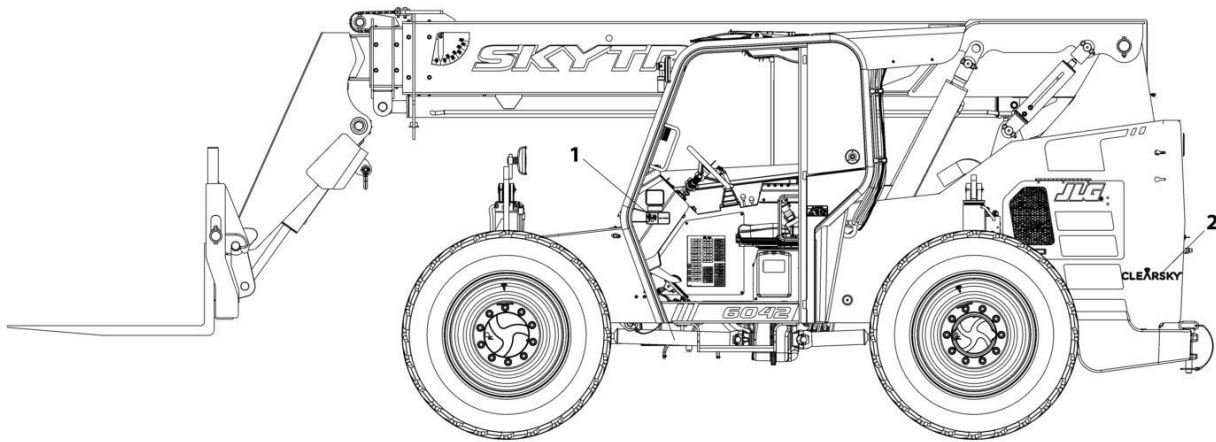
SECTION 11 - DECALS

FIGURE 11-7. CAPACITY CHART - SUPPLEMENTAL (ISO)

ITEM	PART NUMBER	QTY	DESCRIPTION	REV
1	1001211868	1	Capacity Chart (ISO) - 6036	F

SECTION 11 - DECALS

FIGURE 11-8. CLEARSKY DECAL INSTALLATION



ART_1001229703-B

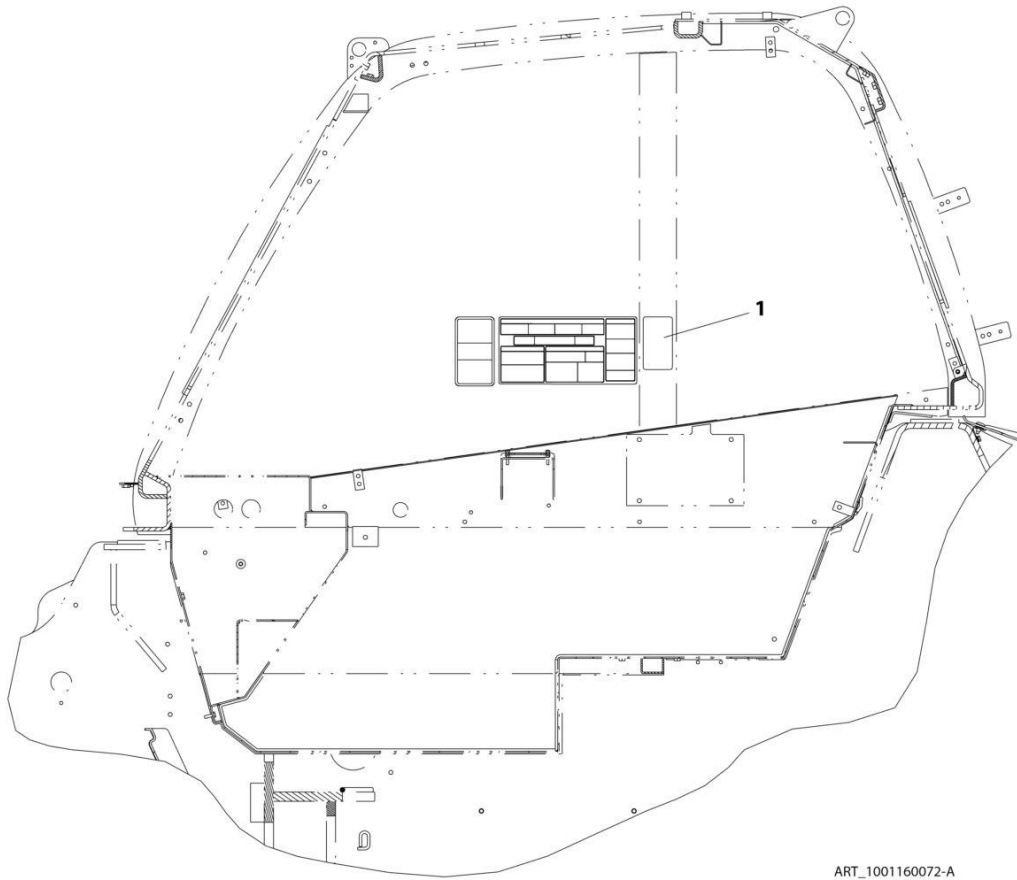
SECTION 11 - DECALS

FIGURE 11-8. CLEARSKY DECAL INSTALLATION

ITEM	PART NUMBER	QTY	DESCRIPTION	REV
	1001229703	Ref	Clearsky Decal Installation	B
1	1001120989	1	Decal, Radio Frequency	
2	1001116208	1	Decal, Clear Sky	

SECTION 11 - DECALS

FIGURE 11-9. REVERSE SENSOR SYSTEM DECAL (ENGLISH)



ART_1001160072-A

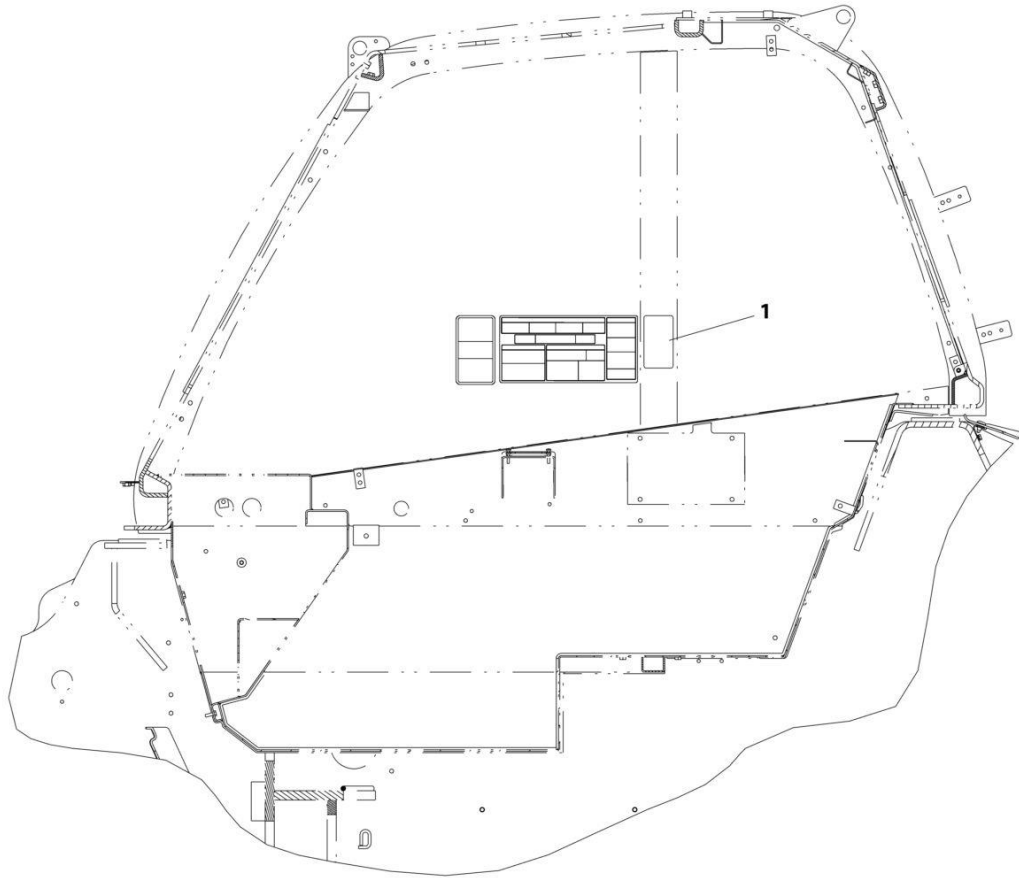
SECTION 11 - DECALS

FIGURE 11-9. REVERSE SENSOR SYSTEM DECAL (ENGLISH)

ITEM	PART NUMBER	QTY	DESCRIPTION	REV
1	1001160072	1	Reverse Sensor System Decal (English)	A

SECTION 11 - DECALS

FIGURE 11-10. REVERSE SENSOR SYSTEM DECAL (ENGLISH/FRENCH)



ART_1001160945-A

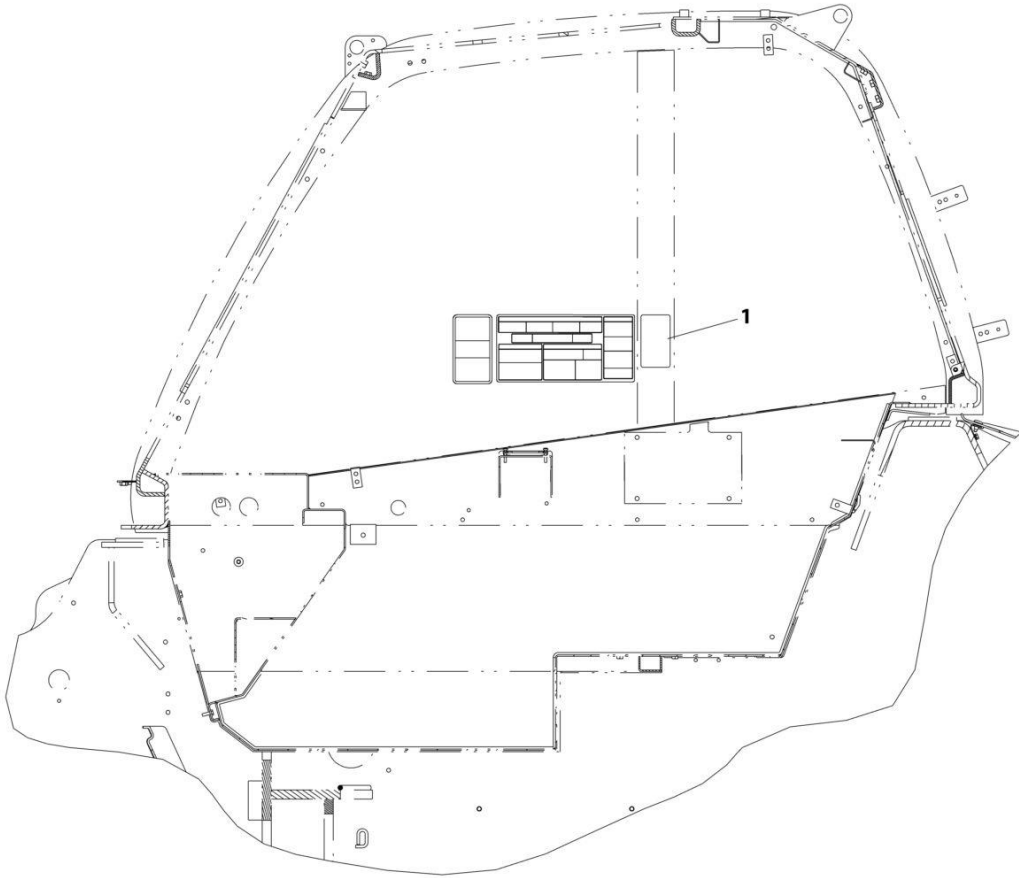
SECTION 11 - DECALS

FIGURE 11-10. REVERSE SENSOR SYSTEM DECAL (ENGLISH/FRENCH)

ITEM	PART NUMBER	QTY	DESCRIPTION	REV
1	1001160945	1	Reverse Sensor System Decal (ENGLISH/FRENCH)	A

SECTION 11 - DECALS

FIGURE 11-11. REVERSE SENSOR SYSTEM DECAL (ENGLISH/SPANISH)



ART_1001237846-A

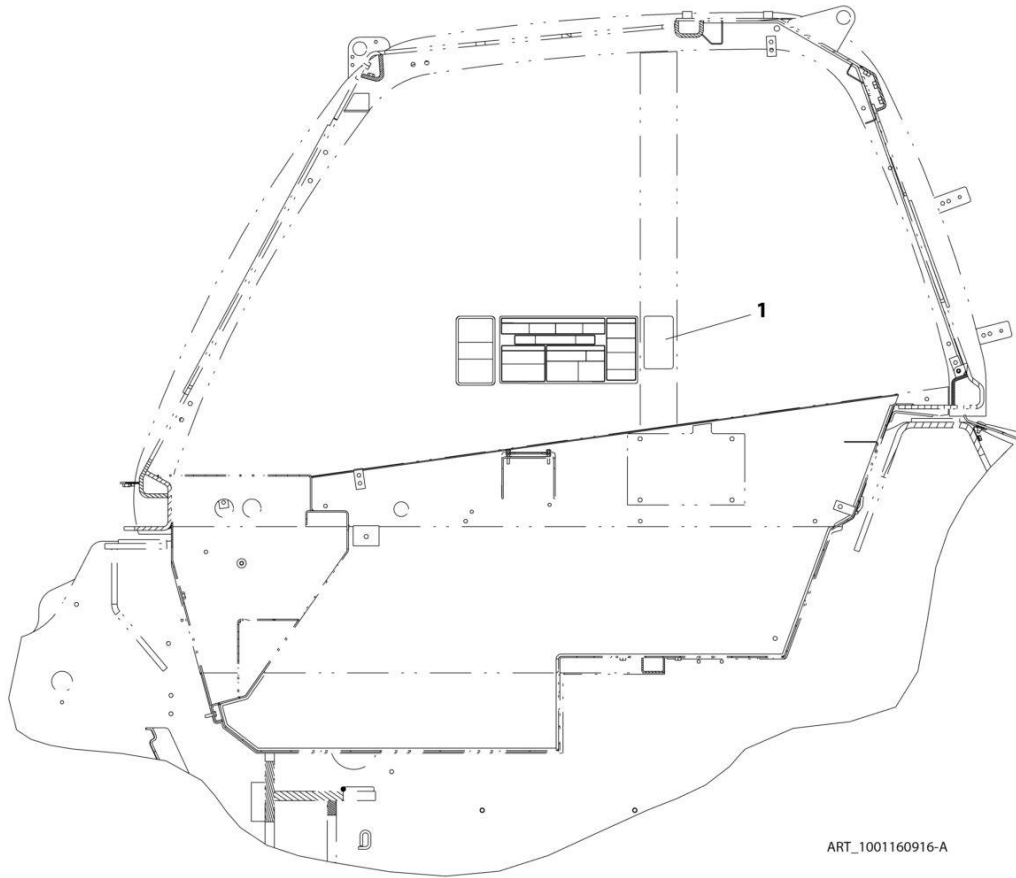
SECTION 11 - DECALS

FIGURE 11-11. REVERSE SENSOR SYSTEM DECAL (ENGLISH/SPANISH)

ITEM	PART NUMBER	QTY	DESCRIPTION	REV
1	1001237846	Ref	REVERSE SENSOR SYSTEM DECAL (ENGLISH/SPANISH LANGUAGES)	A

SECTION 11 - DECALS

FIGURE 11-12. REVERSE SENSOR SYSTEM DECAL (ISO)



SECTION 11 - DECALS

FIGURE 11-12. REVERSE SENSOR SYSTEM DECAL (ISO)

ITEM	PART NUMBER	QTY	DESCRIPTION	REV
1	1001160916	1	Reverse Sensor System Decal (ISO)	A

SECTION 12 - RECOMMENDED SERVICE PARTS STOCK

SECTION 12 - RECOMMENDED SERVICE PARTS STOCK

SECTION 12 - RECOMMENDED SERVICE PARTS STOCK

FIGURE 12-1. RECOMMENDED SERVICE PARTS STOCK

ITEM	PART NUMBER	QTY	DESCRIPTION	REV
		Ref	Note: The following list will service one machine (built to current production per date on the front cover) with emergency repair parts which can be installed in the field. Parts from the list should be replaced when inventory is depleted to keep service parts stock supplied. For further information, contact your JLG dealer or the JLG Industries Parts Department.	
	70026085	1	Coil (Secondary Control Valve)	
	70026582	1	Coil (Steering Select Valve)	
	1001158002	1	Controller, Pilot Joystick	
	1001173581	1	Controller, Short (Secondary Controls)	
	1001173582	1	Controller, Tall (Secondary Controls)	
	1600429	1	Controller, Transmission	
	8223073	1	Controller, Turn Signal	
		Ref	Engine - 74HP (ULS)	
	70025852	12	Element, Primary Air Cylindrical Filter	
	70025853	12	Element, Secondary Air Cylindrical Filter	
	70026234	12	Element, Primary Fuel Filter	
	70026453	12	Element, Secondary Fuel Filter	
	70026237	12	Filter, Oil	
	8229242	2	Fuse, 5A	
		Ref	Engine - 85HP (LS)	
	1101312	12	Element, Primary Air Filter	
	1101313	12	Element, Secondary Air Filter	
	70026234	12	Element, Primary Fuel Filter	
	70026801	12	Element, Secondary Fuel Filter	
	70026237	12	Filter, Oil	
	1001199205	12	Element, Filter (Hydraulic/Fuel/DEF Tank)	
	7139077	1	Filler/Breather	
	8229261	2	Fuse, 5A (ASOV & Cab Power Harness)	
	8229233	2	Fuse, 7.5A (Cab Power Harness)	
	8229234	2	Fuse, 10A (ASOV & Cab Power Harness)	
	8229237	2	Fuse, 15A (Cab Power Harness)	
	8229235	2	Fuse, 20A (ASOV & Cab Power Harness)	
	8229238	2	Fuse, 40A (Cab Power Harness)	
	1001118245	2	Fuse, 250A (Relay Panel)	
	1001129285	2	Fuse, Mini Diode (Cab Power Harness)	
	1001127699	2	Fuse, Power Module (Relay Panel)	
	8035807	1	Key (Ignition)	
	70021948	1	Key, Cab Door	
	2940074	1	Latch (Personal Basket)	
	1001203181	1	Module, Accessory Control (ASOV)	
	1001226328	1	Module, 3W TCU (ClearSky 3-Wire ANSI)	
	1001233236	1	Module, 3W TCU (ClearSky 3-Wire CE)	
	1001210703	1	Module, Cab Control	
	1001262322	1	Module, ClearSky (Canbus ANSI)	
	1001228954	1	Module, ClearSky (Canbus CE)	
	3740080	1	Relay (ASOV)	
	70026986	1	Relay, 12V 30/40A (Roof Box HVAC)	
	1001186417	1	Relay, 150 Amp (Relay Panel)	

SECTION 12 - RECOMMENDED SERVICE PARTS STOCK

ITEM	PART NUMBER	QTY	DESCRIPTION	REV
	1001205172	1	Relay, Micro 280, 12V, 35 Amp (Cab Power Harness)	
	1001184316	1	Relay, Power Module (Relay Panel)	
	1001245478	1	Sensor, Coolant Level (Deaeration Tank)	
	1001145026	1	Sensor, Fuel (Hydraulic/Fuel/DEF Tank)	
	70026854	1	Sensor, Pressure (Roof Box HVAC)	
	1001169077	1	Sensor, PRS Temperature (Air Cleaner - ULS)	
	1001247421	1	Sensor, Reverse	
	70028514	1	Solenoid (ASOV)	
	70025897	1	Solenoid (Piston Pump)	
	1319702	1	Solenoid (Transmission Valve)	
	1001215941	1	Switch (ASOV)	
	8223038	1	Switch, Beacon	
	8223025	1	Switch, Brake Lights (Roadlight Package)	
	8223060	1	Switch, Hazard (Roadlight Package)	
	1001159850	1	Switch, Heater Control	
	7138878	1	Switch, Horn	
	4360690	1	Switch, Ignition	
	8223054	1	Switch, Park Brake	
	8223037	1	Switch, Steer Select	
	8223044	1	Switch, Windscreen Washer (Enclosed Cab)	
	8223043	1	Switch, Windscreen Wiper (Enclosed Cab)	
	8223059	1	Switch, Work Light (Roadlight & Worklight Package)	

SECTION 13 - SPECIAL OPTIONS/ACCESSORIES/KITS

SECTION 13 - SPECIAL OPTIONS/ACCESSORIES/KITS

SECTION 13 - SPECIAL OPTIONS/ACCESSORIES/KITS

FIGURE 13-1. SPECIAL OPTIONS/ACCESSORIES/KITS

ITEM	PART NUMBER	QTY	DESCRIPTION	REV
	See Note	Ref	Note: This list is to accommodate machines ordered with special equipment. Options may not be applicable to all models. For more specific parts information contact JLG Parts Department.	
		Ref	SPECIAL OPTIONS/ACCESSORIES/KITS	
	1001273266	Ref	Accelerator Extension Harness (for Accelerator 1001264554) (Note: Verify cab power harness version before purchasing)	
	1001273267	Ref	Accelerator Extension Harness (for Accelerator 1001180555) (Note: Verify cab power harness version before purchasing)	
	1001243577	Ref	Access Control Kit	
	1001213547	Ref	Aftermarket Kits	N
	1001239455	Ref	Backup Camera Kit	
	1001214398	Ref	Battery Disconnect Kit	
	8024025	Ref	Boom Chain Kit - Extend	
	8024026	Ref	Boom Chain Kit - Retract	
	2910994	Ref	Boom Wear Pads Kit	
	1001167008	Ref	Brake inlet Pressure Hose Kit	
	1001171117	Ref	Brake Valve Fittings Kit	
	1001201455	Ref	Cab A/C Kit	
	1001154226	Ref	Cab Cooler Vent Kit	
	1001280231	Ref	Cab Door Window Kit	
	1001201453	Ref	Cab Enclosure Kit	
	1001193427	Ref	Cab Enclosure Kit with Heater	
	1001193428	Ref	Cab Enclosure Kit with HVAC	
	1001201454	Ref	Cab HVAC Kit	
	1001201456	Ref	Cab Heater Kit	
	1001162831	Ref	Cab Window Dropout Kit (ANSI)	
	1001162832	Ref	Cab Window Dropout Kit (English/French)	
	1001162833	Ref	Cab Window Dropout Kit (ISO)	
	1001268341	Ref	Camera Kit - Multi-View Rear	
	1001243184	Ref	ClearSky Telematics Kit - Canbus (CE)	
	1001243183	Ref	ClearSky Telematics Kit - Canbus (North America)	
	1001276923	Ref	ClearSky Telematics Add-on Kit (Contact JLG for Approved Countries)	
	1001242196	Ref	Cold Weather Kit	
	1001238934	Ref	Cold Weather - w/ Crankcase Breather Heater	
	1001262151	Ref	Decal Kit	
		Ref	Electrical Connector Kits	
	1001148902	Ref	Amp/Tyco Electrical Connectors	
	1001148903	Ref	Deutsch DT Electrical Connectors	
	1001148904	Ref	Deutsch HD Electrical Connectors	
	1001148905	Ref	Packard Electrical Connectors	
	1001148906	Ref	Various Electrical Connectors	
	1001177168	Ref	Engine Removal Brackets Kit	
	1001128806	Ref	Fan Shroud Kit	
	1001201461	Ref	Fender Kit	
	1001199737	Ref	Filter Kit - 250Hour	
	1001199738	Ref	Filter Kit - 1000Hour	
	1001239988	Ref	Fire Extinguisher Kit	
	1001253916	Ref	Latch Catch Kit (ANSI)	

SECTION 13 - SPECIAL OPTIONS/ACCESSORIES/KITS

ITEM	PART NUMBER	QTY	DESCRIPTION	REV
	1001201459	Ref	Lights - Beacon Lights Kit	
	1001213944	Ref	Lights - Roadlights Kit (Eaton Brakes)	
	1001201458	Ref	Lights - Roadlights Kit (Safim Brakes)	
	1001238893	Ref	Lights - Worklight Kit (LED)	
	1001188068	Ref	Luk Coupler Kit	
	1001253829	Ref	Reverse Sensing System Kit	
	1001130717	Ref	Service Kits	Z
	1001265373	Ref	Skytrak Telematics Harness Kit	
	1001274718	Ref	Tire Kit (Set of 4) Solid 13x24 Directional	
	1001248570	Ref	Tire Kit (Set of 4) G2 13x24 Foam-Filled	
	1001248571	Ref	Tire Kit (Set of 4) G2 13x24 Pneumatic	
	1001274257	Ref	Tire Kit (Set of 4) Solid 13x28 Directional	
	1001274302	Ref	Tire Kit (Set of 4) Solid 13x28 Non-Directional	
	1001274721	Ref	Tire Kit (Set of 4) Solid 14x24 Directional	
	1001274305	Ref	Tire Kit (Set of 4) Solid 14x28 Directional	
	1001274307	Ref	Tire Kit (Set of 4) Solid 14x28 Non-Directional	
		Ref	Tools for Service	
	1001249695	Ref	Analyzer and Cable Kit	
	1001249941	Ref	Analyzer and Cable Kit (Battery Powered)	
	70022871	Ref	Counter Support, ZF Transmission	
	7002821	Ref	Crimper, Wire	
	70023174	Ref	Eye Bolt Assortment, ZF Transmission	
	70022872	Ref	Internal Extractor, 45-58mm, ZF Transmission	
	7002823	Ref	Pin Extractor - Universal (For Electrical Connectors with Pins and Sockets)	
	4460510	Ref	Pin Extractor - 12-14 Gauge (For Removal of Pin/Sockets from Deutsch Connectors)	
	4460467	Ref	Pin Extractor - 16-18 Gauge (For Removal of Pin/Sockets from Deutsch Connectors)	
	7016654	Ref	Screwdriver, Magnetic	
	7002822	Ref	Screwdriver, Potentiometer	
	7004275	Ref	Seal Tool 1in (For Cylinders)	
	7004276	Ref	Seal Tool 1-1/2in (For Cylinders)	
	70026448	Ref	Spanner Wrench	
	7002828	Ref	Stripper, Wire	
	70010239	Ref	Two-Armed Puller, 160-150mm, ZF Transmission	
	1001262436	Ref	Turf Tire Kit	
	1001262959	Ref	Voltage Regulator Relocation Kit (for ClearSky)	
	1001200204	Ref	White Noise Alarm Kit	
	1001213885	Ref	White Noise Alarm Kit	

SECTION 13 - SPECIAL OPTIONS/ACCESSORIES/KITS

PART NUMBER INDEX

SECTION 13 - SPECIAL OPTIONS/ACCESSORIES/KITS

0100009.....501, 503	0760810 161, 173, 189	1001100229 133	1001116950.....540, 545
0100011..87, 91, 95, 159, 161, 167, 169, 377, 419	0760812 187, 189, 291	1001100265 73	1001117021.....505, 540, 544, 563, 579
0100019.....17, 19	0760815 171	1001100266 75	1001117026.....571, 579
01043892.....199	0761012 197, 201	1001100267 79	1001117059.....547
0140011.....577	0761014 161	1001100284 297, 299	1001117068.....538, 543
0240156.....121	0761212 482, 486	1001100323 297	1001117070.....539, 545
0400075.....497	0771618 159, 161	1001100822 73	1001117079.....559
0630464.....333, 335	0860520 57	1001100823 75	1001117080.....547
0641403.....331	0930020 77	1001100824 79	1001117081.....585
0641404.....482, 486	1001003174 509	1001100967 63	1001117103.....540, 545
0641405.....57, 181, 183	1001004720 203, 205, 577	1001101115 131, 135	1001117106.....508
0641406.....493	1001008742 333, 335	1001101116 131, 133	1001117111.....540, 545
0641410.....513, 577	1001081049 314, 320, 326, 333, 335	1001101861 34	1001117119.....508, 509
0641415.....573	1001081241 331	1001102844 314, 320, 326	1001117125.....540, 544
0641507.....187	1001081242 331	1001103182 97, 447	1001118245.....573, 622
0641508.....181, 183	1001081243 333, 335	1001105886 581	1001118378.....491, 508
0641509.....181, 183	1001081246 331	1001108524 213	10011184495.....583
0641510.....151	1001081247 331	1001108575 331	1001119004.....539, 544
0641511.....159	1001081266 331	1001108668 128	1001119278.....499
0641512.....549	1001081310 347, 369	1001109053 590, 594, 598, 602	1001120083.....173
0641514.....565	1001090063 87, 91, 95	1001109478 333, 335	1001120869.....181, 183
0641605.....482, 486	1001090064 87, 91, 95	1001110704 97	1001120914.....87, 91, 95
0641607.....187, 189	1001090140 87, 91, 95	1001111112 333, 335	1001120915.....87, 91, 95
0641608.....161	1001091885 457	1001111190 97, 128	1001120963.....297
0641609.....195	1001091901 .. 17, 19, 457	1001112612 489, 508, 527	1001120989.....611
0641612..87, 91, 95, 195, 413	1001092481 51	1001112796 527	1001121101.....299
0641614.....181, 183	1001092482 51	1001114495 203, 205	1001121519.....299
0641618....17, 19, 21, 23, 25	1001092877 602	1001114675 590, 594, 598, 602	1001121726.....509
0641620.....495, 577	1001092878 602	1001114867 314, 320, 326	1001121728.....509
0641632.....495	1001093171 125	1001116208 611	1001121730.....509, 540, 545
0641636.....331	1001093273 121	1001116692 540	1001125027.....540, 544, 547
0641652.....331	1001093377 121, 131	1001116693 527	1001125387.....590
0642032....83, 87, 89, 91, 93, 95	1001093465 121	1001116699 527	1001125784.....508
0681810.....87, 91, 95	1001093564 499	1001116710 510	1001125785.....508
0682648.....17, 19	1001094312 331	1001116712 510, 561	1001126008.....491, 508
0700610....590, 594, 598, 602	1001094330 121	1001116720 585	1001126351.....543
0700614.....151, 549	1001094696 581	1001116723 547	1001126353.....543
0700617.....337, 339	1001094830 121	1001116726 509	1001126356.....543
0700812.....189	1001095418 97	1001116727 509, 538, 543	1001127066.....585
0700822.....337	1001095650 291	1001116728 509, 538, 539, 540, 543, 544, 579	1001127699.....573, 622
0700827.....167, 169	1001095810 57	1001116729 509, 538, 543, 571	1001127700.....573
0700828.....339, 377	1001096019 55	1001116731 527	1001128341.....181, 183
0701026.....191, 193	1001096020 55	1001116732 539, 545	1001128363.....187
0701216.....197	1001096021 53	1001116733 539, 545	1001128364.....187
0701219.....187, 189	1001096023 53	1001116734 539, 545	1001128594.....163, 165
0711214....159, 161, 167, 187, 189	1001096024 55	1001116736 547, 559	1001128714.....187
0711219.....159, 161	1001096025 53	1001116745 509, 538, 543, 579	1001128806.....626
0711227.....159, 161	1001096404 590, 594, 598, 602	1001116747 563	1001128890.....61
0711627.....159, 161	1001097079 567	1001116748 508, 539, 544	1001128901.....187
0711628.....159, 161	1001097080 569	1001116751 547	1001129285.....510, 622
0712040.....255	1001097205 125	1001116757 538, 539, 543, 544	1001129407.....525
0721004.....343	1001098769 590, 594, 598, 602	1001116758 538, 539, 543, 544	1001129615.....573
0741610.....87, 91, 95	1001099113 87, 91, 95	1001116774 491, 508	1001130717.....627
0760405....67, 69, 73, 75, 79, 83, 87, 89, 91, 93, 95, 97	1001099115 87, 91, 95	1001116808 491, 508	1001131271.....590, 594, 598, 602
0760505.....343	1001099351 65	1001116812 491, 508	1001133072.....91, 95
0760605.....159	1001099699 343	1001116815 491, 527	1001133173.....543
0760608.....195, 197	1001099901 69	1001116945 489	1001133534.....195
0760610.....25	1001099902 67		1001134488.....181, 183
0760614.....161	1001099976 297, 299, 303, 305		1001135770.....575

SECTION 13 - SPECIAL OPTIONS/ACCESSORIES/KITS

1001137512 119	1001159319..... 21, 23, 25	1001165617..... 317, 323,	1001171239 482, 486
1001138642 543	1001159844..... 337, 339,	329	1001171383 23, 25
1001138643 543	349	1001165660..... 159, 161	1001171385 21, 23, 25
1001138645 161	1001159850..... 320, 623	1001165668..... 157, 193	1001171633 482, 486
1001139578 590	1001159851..... 326	1001165669..... 155, 173	1001171757 482, 486
1001139942 602	1001159856..... 333, 335,	1001165670..... 157, 183	1001171802 197
1001142452 602	345	1001165672..... 155, 197	1001171803 197
1001143551 491	1001159860..... 333, 365	1001165673..... 155, 205	1001171805 195, 197
1001143852 603	1001159861..... 335, 361	1001165806..... 331, 333,	1001171806 326, 339
1001144147 491, 527	1001159869..... 385, 397	335	1001171807 320, 337
1001144629J 57	1001159878..... 314, 320,	1001165818..... 173	1001171873 385, 439
1001145026 .. 27, 29, 623	326	1001165823..... 323, 333	1001171986 439
1001145707 539, 545	1001160071..... 353	1001166008..... 169	1001172537 337, 339
1001146160 61	1001160072..... 613	1001166009..... 247	1001172561 337, 339
1001147265 257	1001160116..... 159, 161	1001166030..... 486	1001173217 337, 339
1001147377 257, 259,	1001160250..... 17, 19	1001166034..... 157	1001173230 435
261, 263, 265, 267,	1001160785..... 333, 335	1001166105..... 602	1001173423 602
271, 273	1001160787..... 355	1001166229..... 155, 157,	1001173535 161
1001147378 255, 257	1001160788..... 317, 323,	201	1001173581 381, 622
1001147379 255, 275,	329	1001166237 17	1001173582 379, 622
277, 279, 281, 283,	1001160790..... 317, 323,	1001166566..... 173, 177	1001174152 602
287, 289	329	1001166715..... 171	1001174227 17, 19
1001147874 255	1001160791..... 317, 323,	1001166935..... 187, 189	1001174229 17, 19
1001148177 590, 594,	329	1001167008..... 626	1001174327 187, 189
598, 602	1001160815..... 317	1001167250..... 355	1001174340 377
1001148902 626	1001160825..... 385, 407	1001167251..... 357	1001174375 419
1001148903 626	1001160912..... 357	1001167357..... 167, 169	1001174822 193
1001148904 626	1001160916..... 619	1001167641..... 539	1001175568 195, 197
1001148905 626	1001160945..... 615	1001167643..... 539	1001175733 579
1001148906 626	1001161212..... 501	1001167644..... 539	1001176337 549, 551,
1001149227 317, 333,	1001161213..... 503	1001167646..... 539	553, 565, 567, 569
335	1001161920..... 159, 161	1001167647..... 539	1001176515 59
1001149712 508, 527	1001162734..... 590, 594,	1001167648..... 539	1001177168 626
1001150349 255	598, 602	1001167649..... 539	1001177198 510, 561
1001150652 291	1001162735..... 590, 594,	1001167650..... 539	1001177746 331, 333,
1001150655 291	598, 602	1001167793..... 21, 23	335
1001150656 291	1001162736..... 590, 594,	1001168051..... 173	1001178224 391
1001153748 431, 477	598, 602	1001168052..... 173	1001178285 482, 486,
1001153912 185	1001162804..... 351, 353,	1001168053..... 173	508
1001154055 291	355, 357	1001168066..... 329, 335	1001178345 501, 503,
1001154226 626	1001162806..... 353	1001168478..... 183, 209	505
1001154375 577	1001162831..... 626	1001168930..... 21, 23, 25	1001178346 549, 559
1001154790 161, 165	1001162832..... 626	1001169057..... 187, 189	1001178347 320, 326,
1001155927 34	1001162833..... 626	1001169059..... 181, 183	547
1001155928 34	1001163174..... 594	1001169077 173, 623	1001178349 333, 335,
1001156013 34, 451	1001163206..... 594	1001169271 205	585
1001156283 21, 23, 25	1001163210..... 594	1001169272..... 203, 205	1001178582 181, 183
1001157663 167, 169	1001163212..... 594	1001169274..... 203, 205	1001178776 . 27, 29, 181,
1001157890 491, 508,	1001163222..... 594	1001169466..... 19, 27	183, 195
509, 540	1001163285..... 594	1001169787 331	1001179229 337, 339
1001157891 547, 559	1001163300..... 594	1001169816..... 585	1001179375 197
1001158002 375, 421,	1001163304..... 594	1001170117 181, 183	1001179845 181, 183
622	1001163323..... 594	1001170186 181, 183	1001180175 594
1001158004 421, 423	1001163355..... 594	1001170230..... 573	1001180176 594
1001158071 605	1001163414..... 87, 91, 95,	1001170233..... 482, 486,	1001180227 189
1001158266 435	445	573	1001180244 201
1001158272 590	1001163685..... 433	1001170234..... 482, 486,	1001180473 159, 161
1001158319 590	1001164096..... 335	575	1001181576 419
1001158320 602	1001164099..... 335	1001170235..... 575	1001181584 181, 183
1001158321 602	1001164196..... 339	1001170329..... 27, 29	1001181585 181, 183
1001158337 435	1001164282..... 333	1001170738..... 314, 320,	1001181707 333, 335
1001158404 337, 339	1001164284..... 333	326	1001181893 333, 335
1001158527 437	1001164717..... 333, 335	1001171117 626	1001181899 482, 486
1001158528 435, 437	1001165275..... 331	1001171234..... 482, 486	1001181903 333, 335
1001158854 403, 423	1001165276..... 331	1001171236..... 482, 486	1001181956 314
1001158856 403, 435	1001165517..... 159, 161	1001171237 482, 486	1001181968 333, 335
1001159186 508, 509	1001165518..... 159, 161	1001171238..... 482, 486	

SECTION 13 - SPECIAL OPTIONS/ACCESSORIES/KITS

1001182091.....333, 335, 501, 521	1001190183..... 171	1001197233 161, 167	1001203970.....205
1001182094..... 197	1001190229..... 314, 320, 326, 341	1001197421 385, 433	1001204032..... 179, 467
1001182135.....331	1001190295..... 167	1001197422 429, 433	1001204045..... 34
1001182255.....181, 183, 185	1001190306..... 19	1001197475 181, 207	1001204097..... 203, 205
1001182408.....331	1001190341 21, 23, 25	1001198355 151	1001204098..... 203, 205
1001182470.....333, 335, 369	1001190344 195	1001198728 495	1001204099.....205
1001182514.....331	1001190349 195	1001199116 27, 29	1001204362.....326
1001182603..... 197	1001190370 195	1001199135 27, 29	1001204692..... 513, 577
1001182663.....331	1001190371 195	1001199177 27, 29	1001205172..... 509, 561, 623
1001182723.....339	1001190372 195	1001199181 27, 29	1001205248..... 549, 561, 565
1001182798.....339	1001190629 195	1001199199 27	1001205264..... 549, 565
1001182800.....331	1001190630 195	1001199205 .. 27, 29, 622	1001205684..... 17
1001182808.....331	1001190631 195	1001199210 27, 29	1001205748..... 385
1001182810.....331	1001190962 189	1001199737 626	1001205753..... 401, 403
1001182842.....331	1001190990 189	1001199738 626	1001205754..... 385, 403
1001182865.....331	1001191635 590, 594, 598, 602	1001199889 482, 538	1001206542..... 493
1001182871.....331	1001191992 590, 594, 598, 602	1001199891 482	1001206543..... 495
1001182882.....331	1001192015 411	1001200204 627	1001206956..... 179
1001182883.....331	1001192049 510	1001200833 508	1001206983..... 179
1001182884.....331	1001192050 510	1001200845 509	1001206985..... 179
1001183084.....331	1001192134 161	1001201111 195, 197	1001207173..... 515
1001183104.....331	1001192134 161	1001201453 626	1001207217..... 590
1001183164.....314, 320, 327	1001192401 540, 545	1001201454 626	1001207218..... 602
1001183209.....331	1001192711 151	1001201455 626	1001207606..... 123
1001183341.....373	1001192720 151	1001201456 626	1001207963..... 314, 321, 327
1001183370.....401	1001192875 151	1001201458 627	1001208280..... 25
1001184316..... 573, 623	1001192876 151	1001201459 627	1001208662..... 17, 19
1001184491.....583	1001192877 151	1001201461 626	1001209097..... 545
1001184493.....583	1001193427 626	1001201559 19	1001209223..... 401
1001184496.....583	1001193428 626	1001201658 314, 321, 327	1001210351..... 191
1001184835..... 482, 583	1001193540 151	1001201721 399, 469	1001210703..... 314, 320, 326, 622
1001185071.....201	1001193729 151	1001201726 401	1001210776..... 510
1001185649..... 157, 189	1001194757 387	1001201728 401	1001210777..... 510
1001185650..... 157, 161	1001195055 540, 545	1001201734 401	1001210779..... 510
1001185651..... 157, 171	1001195057 540, 545	1001201752 549	1001210818..... 34
1001185652..... 157, 203	1001195087 540, 545	1001201831 173	1001210854..... 401
1001185776.....320	1001195760 509	1001201923 17, 19	1001210855..... 401
1001185777.....326	1001195826 17, 19	1001201945 203, 205	1001210856..... 401
1001186373..... 159	1001195913 521	1001201983 205	1001210857..... 401
1001186417 573, 622	1001195952 17, 19	1001201987 385, 387	1001210858..... 389, 393
1001186490..... 157, 195	1001195970 71	1001201988 387, 389	1001211139..... 97
1001186535.....25	1001196109 411	1001201989 385, 391	1001211278..... 594
1001186718..... 161	1001196110 .. 17, 19, 449	1001201990 391, 393	1001211516..... 93
1001186841 482, 486, 497	1001196124 155, 159	1001202043 393	1001211688..... 161
1001187078.....491	1001196125 155, 187	1001202189 317, 323, 329	1001211690..... 25
1001187952.....510	1001196127 155	1001202202 317, 323, 329	1001211697..... 161
1001188068.....627	1001196128 333, 335	1001202247 179	1001211867..... 607
1001189017 590, 594, 598, 602	1001196279 23	1001202304 179	1001211868..... 609
1001189318..... 203	1001196290 385, 417	1001202467 385, 405	1001211945..... 385
1001189327 590, 594, 598, 602	1001196293 385, 409	1001202615 317	1001212670..... 171
1001189488..... 486, 543	1001196388 385, 427	1001202626 590, 594	1001213118..... 413
1001189602.....203	1001196396 187	1001202627 590, 594, 598, 602	1001213199J..... 301
1001189712.....203	1001196397 187	1001202746 317, 323, 329	1001213547..... 626
1001189715.....203	1001196634 531	1001202755 590	1001213574..... 495
1001189871.....577	1001196649 413	1001202756 594	1001213885..... 627
1001189875..... 538, 539, 543, 544	1001196650 385, 413	1001202904 137, 139, 141, 143, 145, 147, 149	1001213938..... 205
1001189877..... 543	1001196665 159, 163	1001203181 179, 622	1001213944..... 627
1001189886..... 577, 579	1001196668 385, 411	1001203503 151	1001214398..... 626
1001190005..... 171	1001196669 411	1001203969 203, 205	1001215159..... 385, 415
	1001196671 411		1001215941..... 179, 623
	1001196736 155, 191		1001216455..... 179, 491
	1001196737 155, 181		1001216589..... 21
	1001197098 333, 335		
	1001197099 331, 333, 335		

SECTION 13 - SPECIAL OPTIONS/ACCESSORIES/KITS

10731751.....	217	1319611.....	221	1319698.....	243	2220218.....	195
10731845.....	221, 223, 227	1319612... ..	221, 223, 225, 227, 237, 239	1319699.....	243	2220238.....	385
10731913.....	231	1319613.....	223	1319700.....	243	2220239.....	27, 29
10731959.....	235	1319614.....	223	1319701.....	243	2220371....	407, 419, 421, 429
10732063.....	241, 243	1319615....	223, 227, 237	1319702....	241, 243, 623	2220373....	389, 393, 427, 429, 437
10732064.....	243	1319616.....	225	1319703.....	241, 243	2220375.....	27, 29, 415
10732071.....	219	1319617....	225, 237, 239	1319704.....	243	2220377.....	419
10732072.....	219	1319618....	225, 237, 239	1319705.....	243	2220381.....	429
10732095.....	217	1319619.....	225	1319707.....	241, 243	2220385.....	427
10732150.....	21, 23, 25	1319620....	225, 237, 239	1319710.....	241	2220415.....	97
10837928.....	473	1319621....	225, 237, 239	1319711.....	241	2220435.....	419
10839156.....	235	1319622....	225, 237, 239	1319712.....	241	2220451.....	415, 581
1101312.....	175, 622	1319623....	225, 237, 239	1319713.....	241	2220473.....	97, 407, 419, 429
1101313.....	175, 622	1319624....	225, 237, 239	1319714.....	241	2220474.....	419
1170021.....	83	1319625....	225, 237, 239	1319715.....	241	2220497.....	419
1170024.....	89	1319626....	225, 237, 239	1319717.....	241	2220499.....	27, 29
1319203.....	217	1319627....	225, 237, 239	1319718.....	233	2220500.....	431, 437
1319204.....	217	1319628....	225, 237, 239	1319719.....	233	2220501.....	419
1319205.....	217	1319629....	225, 237, 239	1319720.....	233	2220567.....	35
1319209.....	217	1319630....	225, 237, 239	1319721.....	233	2220577.....	27, 29
1319210.....	217	1319631....	225, 237, 239	1319722.....	233	2220582.....	419, 421
1319211.....	217	1319632....	225, 237, 239	1319723.....	233	2220596.....	34, 393, 419, 427
1319213.....	217	1319633....	225, 235	1319724.....	233	2220600.....	429
1319557.....	231	1319634.....	227	1319725.....	233	2220603.....	425, 437
1319558.....	231	1319635.....	227	1319726.....	233	2220605.....	373
1319563.....	231	1319636....	227, 237, 239	1320022... ..	203, 314, 320, 326	2220622.....	419, 581
1319565.....	231	1319637.....	237	1321094.....	163, 165	2220635 27, 29, 389, 393, 413, 429	
1319566.....	231	1319638.....	237, 239	1322039.....	163, 165	2220651.....	395
1319569.....	229	1319639.....	239	1322040.....	163, 165	2220655.....	419
1319570.....	229	1319641.....	235	1600429... ..	314, 320, 326, 622	2220671.....	419
1319571.....	229	1319643.....	235	1701509.....	57	2220682.....	415
1319574.....	229	1319646.....	235	1701640... ..	590, 594, 598, 602	2220683.....	36
1319575.....	229	1319647.....	235	1702300... ..	590, 594, 598, 602	2220695.....	419
1319576.....	229	1319648.....	235	1702631... ..	590, 594, 598, 602	2220700.....	581
1319577.....	229	1319649.....	235	1702773.....	51, 53, 55	2220810.....	419
1319582.....	229, 233	1319650.....	219	1704277.....	57	2220819.....	419
1319583.....	229	1319652.....	219, 243	1704885.....	51, 53, 55	2220878.....	411, 419
1319584.....	229	1319659.....	219	1706098.....	602	2220888.....	461
1319585.....	229, 233	1319661.....	219, 243	1706281.....	602	2220947.....	425
1319586.....	229	1319670.....	241, 243	1706282.....	602	2220950.....	431
1319587.....	229	1319671.....	243	1706284.....	602	2220974.....	419
1319590.....	229	1319673.....	243	1706285.....	602	2221040.....	419
1319591.....	221	1319674.....	243	1706288.....	602	2221344.....	373
1319592.....	221	1319675.....	243	1706296.....	590	2230025.....	395
1319593....	221, 223, 225, 227, 237, 239	1319676.....	243	1706298.....	590	2230044.....	405
1319594....	221, 223, 225, 227, 237, 239	1319677.....	243	1706299.....	590	2340037.....	101
1319595....	221, 223, 225, 227, 237, 239	1319678.....	243	1706300.....	590	2340038.....	111
1319596....	221, 223, 227	1319679.....	243	1706301.....	590	2340039.....	117
1319600....	221, 223, 225, 227, 237, 239	1319680.....	243	1706302.....	151	2340045.....	107
1319601....	221, 223, 225, 227, 237, 239	1319681.....	243	1706306.....	590	2340046.....	99
1319602....	221, 223, 225, 227, 237, 239	1319682.....	243	1706768.....	590	2400060.....	540, 545
1319603....	221, 223, 225, 227, 237, 239	1319683.....	243	1706850.....	590	24921332.....	187, 189
1319604....	221, 223, 225, 227, 237, 239	1319684.....	243	1706892.....	51	2600281.....	57
1319605.....	221, 223, 227	1319685.....	243	2080040.....	57	2716614.....	34, 455
1319606.....	221, 223, 227	1319686.....	243	2110606.. ..	87, 91, 95, 471	2716670.....	389
1319607.....	221	1319687.....	243	2130606.....	85, 471	2716673.....	391
1319608.....	221, 239	1319688.....	243	2130608.....	85	2716675.....	415
1319609.....	221	1319689.....	243	2130808.....	87, 91, 95	2716713.....	405
1319610.....	221	1319690.....	243	2131210.....	213	2716714.....	427
		1319691.....	243	2131212....	181, 183, 213	2716760.....	34
		1319692.....	243	2172106.....	87, 91, 95	2716763.....	387
		1319693.....	243	2180798.....	171	2716773.....	427
		1319694.....	243				
		1319695.....	243				
		1319696.....	241, 243				
		1319697.....	243				

SECTION 13 - SPECIAL OPTIONS/ACCESSORIES/KITS

2716788 34	4107442 ... 590, 594, 598, 602	4460891....491, 505, 508, 509, 538, 539, 543, 544	4891600 17, 19, 187, 189, 549, 565
2716792 395	4108302 ... 590, 594, 598, 602	4460894.....527, 559	4891800 87, 91, 95
2717160 85	4110422 ... 61, 63, 65, 67, 69	4460897.....505, 509, 585	5240800 167, 169
2717161 85	4110473 85	4460905.....508	5242400 151
2717162 85	4240017 482, 486	4460930.....489, 508, 509	5251014 314, 320, 326
2717283 85, 453	4240032 ... 513, 517, 519, 521, 523, 529	4460931....491, 538, 543, 559	5724622 34
2717287 97	4240099 159, 161	4460932.....531	5906392 34
2755060 427	4360569 ... 314, 320, 326	4460933....509, 515, 547, 559	6604662 97
2910994 626	4360690 ... 314, 320, 326, 623	4460941.....559	70002219 445
2915023 447	4420037 21, 23, 25	4460942.....508, 547, 559	70002224 445
2940074 57, 622	4460019 ... 539, 540, 543, 544, 545	4460945.....491	70003738 465
31200160 51	4460042 539, 544	4460950.....547	70003849 445
31200386 55	4460142 545	4460955.....539, 544	70010239 627
31200387 53	4460183 579	4460970.....508, 509, 515	70020002 81
31200388 53	4460234 513, 521, 523	4460994.....508, 585	70020375 451
3251813 ... 590, 594, 598, 602	4460247 540, 545	4461017.....509, 559, 561	70020425 219
3290501 199	4460256 539, 544	4461018.....561, 571	70020426 219
3290505 179	4460268 547	4461070.....508, 545	70020427 241
3290601 ... 151, 482, 486	4460312 540, 545	4461095.....539, 545	70020428 447
3290605 ... 195, 197, 337, 339, 482, 486	4460321 491	4461103.....510	70020430 235
3290801 ... 331, 482, 486	4460326 547	4461157.....538, 543	70020431 235
3290805 ... 161, 337, 339	4460419 ... 505, 508, 559, 571, 585	4520356.....307	70020555 123, 125
3291205 197	4460457 563, 571	4520368.....293	70020562 77
3300240 ... 83, 87, 89, 91, 93, 95	4460458 ... 491, 505, 509, 538, 539, 540, 543, 544, 545, 579	4520370.....295	70020652 369
3300429 27, 29	4460464 ... 489, 491, 505, 508, 509, 515, 525, 527, 531, 538, 543, 547, 559, 585	4641122.....307	70020743 469
3311401 ... 181, 183, 314, 320, 326, 513	4460465 ... 489, 491, 505, 508, 509, 515, 527, 538, 539, 540, 543, 544, 545, 547, 559	4641501.....463, 471	70020745 469
3311405 57	4460466 ... 489, 491, 508, 509, 515, 527, 538, 539, 540, 543, 545, 547, 559	4641502.....85, 471	70020867 477
3311502 151	4460467 627	4710600.....314, 321, 327	70020876 361
3311601 34	4460475 ... 491, 538, 540, 543, 544	4711000.....513	70021342 65, 77
3311605 495	4460476 540, 544	4711400.....57, 181, 183, 333, 335, 482, 486, 493, 513, 577	70021349 63, 65
3331615 159, 161	4460508 ... 509, 559, 561	4711500....159, 181, 183, 331	70021351 81
3332017 255	4460509 ... 508, 561, 571	4711600....195, 482, 486, 495, 590, 594, 598, 602	70021358 77
3391410 151	4460510 627	4740362.....181, 183	70021359 77
3421453 57	4460518 491, 508	4750800.....343	70021360 77
3423226 34	4460539 491, 515	4751400.....331	70021362 77
3423227 17, 19	4460608 ... 538, 540, 544	4761400....314, 320, 326, 573	70021364 77
3423242 89, 91	4460742 ... 491, 563, 571	4761500.....159	70021365 77
3423275 83, 87	4460744 538, 543	4811400....67, 69, 73, 75, 79, 83, 87, 89, 91, 93, 95, 97	70021366 77
3423276 93, 95, 97	4460761 491, 508	4811600....179, 195, 199, 343	70021367 77
3423307 87, 91, 95	4460789 ... 509, 563, 571	4811700....151, 159, 161, 197, 337, 339, 549	70021367 81, 443
3440620 61	4460790 509, 561	4811702.....25, 337, 339, 482, 486	70021377 81
3520030 21, 23, 25	4460809 491	4811900....187, 189, 337, 339, 482, 486	70021378 81
3520072 57	4460836 508	4811902.....161, 173, 291	70021379 81
3520198 57	4460850 538, 543	4812000....161, 191, 193, 197	70021382 81
3740080 179, 622	4460871 508	4812100....159, 161, 167, 187, 189, 197, 482, 486	70021387 63, 77
3760170 57	4460872 508	4812300.....159, 161	70021389 81
3790152 179	4460884 ... 508, 540, 545, 559	4831600.....199	70021391 77
3820020 57		4831700.....549	70021392 77
3841203 87, 91, 95		4832000.....191, 193	70021393 77, 459
3930610 ... 314, 320, 326		4891500.....187	70021399 77
3931012 513, 577			70021415 63, 65
3968141 265, 281			70021440 ... 59, 443, 459
3984436 277			70021444 443, 459
3984447 277			70021445 443
3984458 277			70021446 443, 459
3984469 277			70021447 443, 459
4031608 199			70021448 443, 459
4060803 333, 335			70021451 443, 459
4060806 ... 314, 320, 326			70021452 443, 459
4100181 ... 590, 594, 598, 602			70021464 459
4105262 ... 590, 594, 598, 602			70021465 459
			70021466 459
			70021583 457

SECTION 13 - SPECIAL OPTIONS/ACCESSORIES/KITS

70021613.....	277, 279	70023482.....	217	70026080.....	209	70026263.....	261
70021812.....	447	70023483.....	217	70026081.....	207, 209	70026352.....	369
70021867.....	465	70023736.....	163, 165	70026082.....	207, 209	70026370.....	473
70021921.....	63, 65	70023885.....	229, 233	70026083.....	207, 209	70026376.....	473
70021935.....	63, 65	70023925.....	128	70026085.....	475, 622	70026393.....	177
70021948.....	331, 622	70023928.....	463	70026087.....	475	70026394.....	177
70021977.....	63, 65	70023929.....	463	70026088.....	349	70026401.....	437
70021978.....	63, 65	70023933.....	163	70026089.....	349	70026448.....	627
70021979.....	63, 65	70024016.....	163, 165	70026090.....	349	70026453.....	163, 622
70021980.....	77	70024020.....	445	70026091.....	349	70026582.....	477, 622
70021981.....	77	70024059.....	63, 65	70026092.....	349	70026631.....	281
70021982.....	77	70024060.....	65	70026093.....	349	70026652.....	473
70022008.....	473	70024062.....	59	70026097.....	375	70026653.....	473
70022014.....	473	70024147.....	267	70026098.....	375	70026698.....	63, 65
70022028.....	63, 65	70024152.....	27, 29	70026100.....	345	70026699.....	59
70022044.....	447	70024186.....	465	70026101.....	345	70026745.....	123
70022045.....	447	70024189.....	465	70026102.....	345	70026746.....	123
70022046.....	447	70024202.....	473	70026103.....	345	70026747.....	59
70022527.....	63, 65, 77	70024253.....	538	70026104.....	345	70026749.....	279
70022528.....	63, 65	70024254.....	538	70026105.....	345	70026770.....	453
70022529.....	63, 65	70024255.....	538	70026106.....	345	70026771.....	453
70022634.....	163, 165	70024256.....	538	70026107.....	345	70026773.....	453
70022650.....	469	70024262.....	445	70026108.....	345	70026774.....	453
70022797.....	265, 281	70024306.....	119	70026109.....	345	70026775.....	453
70022799.....	283	70024307.....	119	70026110.....	345	70026800.....	165
70022871.....	627	70024407.....	465	70026111.....	345, 361	70026801.....	165, 622
70022872.....	627	70024408.....	465	70026112.....	345	70026854.....	361, 623
70022931.....	128	70024411.....	465	70026113.....	345	70026944.....	59
70022932.....	128	70024412.....	465	70026114.....	345	70026945.....	361
70022934.....	128	70024414.....	465	70026115.....	345	70026946.....	59
70022935.....	129	70024415.....	465	70026116.....	345	70026948.....	59
70022936.....	128	70024416.....	465	70026117.....	345	70026949.....	59
70022937.....	128	70024519.....	279	70026118.....	345	70026978.....	361, 365
70022939.....	129	70024855.....	345	70026119.....	345	70026979.....	361
70022942.....	128	70024872.....	263	70026120.....	345	70026980.....	361
70022946.....	129	70024881.....	283, 289	70026121.....	345	70026981.....	361, 365
70022949.....	128, 129	70025014.....	267	70026122.....	345	70026982.....	361, 365
70022950.....	128	70025480.....	333, 335	70026123.....	345, 362, 365	70026983.....	361, 365
70022952.....	128	70025548.....	267	70026124.....	345, 362	70026984.....	361
70022957.....	128	70025551.....	268	70026133.....	473	70026985.....	362
70022960.....	128	70025562.....	281, 283	70026134.....	265	70026986.....	361, 622
70022969.....	128	70025606.....	445	70026135.....	267	70026987.....	361
70022970.....	128	70025821.....	277	70026136.....	267	70026988.....	361
70022980.....	129	70025822.....	277	70026137.....	271, 287	70026989.....	361
70022984.....	128	70025842.....	271, 287	70026138.....	271, 287	70026990.....	361
70022985.....	128	70025852.....	177, 622	70026139.....	281	70026991.....	362, 365
70022987.....	128	70025853.....	177, 622	70026140.....	283	70027009.....	63
70022990.....	129	70025857.....	267, 283	70026141.....	283	70027024.....	341
70022992.....	128	70025859.....	399, 469	70026216.....	547	70027025.....	341
70022993.....	128	70025897.....	465, 623	70026217.....	540, 547	70027026.....	341
70022994.....	128	70025959.....	445	70026220.....	163	70027028.....	341
70022995.....	128	70025982.....	473	70026221.....	163	70027030.....	341
70022998.....	129	70026031.....	265	70026222.....	163, 165	70027032.....	341
70023003.....	128	70026033.....	451	70026224.....	163, 165	70027033.....	341
70023004.....	128	70026034.....	451	70026225.....	163, 165	70027034.....	341
70023005.....	128	70026056.....	445	70026226.....	163, 165	70027035.....	341
70023006.....	128	70026057.....	445	70026228.....	163, 165	70027094.....	207
70023007.....	128	70026058.....	445	70026229.....	163, 165	70027107.....	279
70023008.....	128	70026059.....	445	70026230.....	163, 165	70027134.....	473
70023009.....	128	70026060.....	445	70026231.....	163, 165	70027275.....	469
70023010.....	128	70026061.....	445	70026232.....	163, 165	70027276.....	469
70023014.....	128	70026062.....	445	70026233.....	165	70027281.....	163, 165
70023015.....	128	70026075.....	207, 209	70026234.....	163, 165, 622	70027315.....	267, 283
70023016.....	128	70026076.....	207, 209	70026235.....	163, 165	70027317.....	277
70023174.....	627	70026077.....	207, 209	70026237.....	163, 165, 622	70027642.....	81
70023265.....	455	70026078.....	207, 209	70026241.....	163, 165	70028159.....	449
70023404.....	229	70026079.....	207, 209	70026262.....	261	70028160.....	449

SECTION 13 - SPECIAL OPTIONS/ACCESSORIES/KITS

7002821	627	70029749	147, 149	70029841	362, 365	70031446	77
7002822	627	70029750	143	70029842	362, 365	70031449	283
7002823	627	70029751	139	70029843	362, 365	70031458	268
7002828	627	70029752	139	70029844	365	70031459	268
70028392	283	70029753	145	70029874	473	70031523	284
70028450	163	70029754	145	70029981	361	70031717	513
70028452	277	70029755	139	70029984	362	70040710	267
70028471	281	70029756	139, 143	70030001	473	70041616	163, 165
70028514	467, 623	70029757	139	70030002	473	70041617	163, 165
70028515	467	70029758	145	70030003	473	70041619	163, 165
70028516	467	70029759	145	70030004	473	70041620	163, 165
70028517	467	70029760	139	70030005	473	7004275	627
70028547	399	70029761	149	70030006	473	7004276	627
70028779	361	70029762	139, 143	70030007	473	7010769	475
70028780	361	70029763	147	70030008	473	7016654	627
70028781	361	70029764	139	70030009	473	7024441	27, 29
70028782	361	70029765	139	70030010	473	7024574	447
70028906	279	70029766	139	70030011	473	7024939	465
70029453	281	70029767	139	70030012	473	7024943	465
70029558	475	70029768	139	70030013	473	7024944	465
70029584	475	70029769	149	70030014	473	7024953	465
70029704	145	70029770	147	70030015	473	7024954	465
70029705	145	70029771	149	70030016	473	7026404	540
70029706	145	70029772	149	70030017	473	7026731	267
70029707	145	70029773	139	70030018	473	7026758 ...	221, 223, 225, 227, 237, 239
70029708	145	70029774	139	70030019	473	7026759 ...	221, 223, 225, 227, 237, 239
70029709	145	70029775	139	70030020	473	7026760 ...	221, 223, 225, 227, 237, 239
70029710	145	70029776	139	70030021	473	7026798	341
70029711	145	70029777	139, 143	70030022	473	7027273	235
70029712	145	70029778	139	70030023	473	7028706	279, 283
70029713	145	70029779	139	70030038	473	7028710	265
70029714	145	70029780	139, 143	70030039	473	7028714	267, 283
70029715	145	70029781	139, 143	70030040	473	7028715	267, 283
70029716	145	70029782	141	70030041	473	7028716	267, 283
70029717	149	70029783	141	70030141	81	7028717	267, 283
70029718	149	70029784	139	70030142	81	7028720	267
70029719	149	70029785	143	70030143	81	7028721	267, 283
70029720	139	70029786	139	70030144	81	7028722	267
70029721	139	70029787	147	70030145	81	7028723	267
70029722	139	70029788	139	70030150	284	7028724	267
70029723	139	70029789	147, 149	70030281	361	7028725	267
70029724	139	70029790	139	70030292	475	7028729	267, 283
70029725	139, 143	70029791	145	70030382	461	7028730	268, 283
70029726	139	70029792	143	70030383	461	7028731	268
70029727	141	70029793	139	70030384	461	7028732	268
70029728	139	70029794	139, 143	70030385	461	7028733	268, 283
70029729	139	70029795	145	70030386	461	7028734	261
70029730	141	70029796	145	70030387	461	7028735	261
70029731	141	70029822	361, 365	70031148	163	7028736	261
70029732	139, 145	70029823	361, 365	70031394	361	7029037	219, 243
70029733	145	70029824	361, 365	70031395	361	7029039	243
70029734	139, 143, 145	70029825	365	70031396	361	7029129	265
70029735	139, 143	70029826	365	70031397	361	7029131	265, 281
70029736	139	70029827	361, 365	70031398	361	7029247	449
70029737	145	70029828	361, 365	70031402	361	7029251	449
70029738	139, 143	70029829	361, 365	70031403	361	7029271	253
70029739	139, 143, 147, 149	70029830	365	70031404	361	7029282	273, 289
70029740	143	70029831	365	70031405	361	7029283	273, 289
70029741	139, 147, 149	70029832	361, 365	70031406	361	7029286	283
70029742	139, 143	70029833	361, 365	70031413	362	7029327	461
70029743	139, 143, 149	70029834	362, 365	70031414	362	7029412	361
70029744	147	70029835	362, 365	70031420	362	7029413	361
70029745	139	70029836	362, 365	70031421	362	7029415	361
70029746	147, 149	70029837	362, 365	70031422	362	7029417	233
70029747	139, 143	70029838	362, 365	70031443	85		
70029748	147	70029839	362, 365	70031444	81		
		70029840	362, 365	70031445	63, 65		

SECTION 13 - SPECIAL OPTIONS/ACCESSORIES/KITS

7029426.....263	7139406..... 21, 23, 25	8035323..... 457	8036402.....451
7029431.....283	7139416..... 39, 47	8035324..... 457	8036403.....451
7029520.....125	7139455..... 21, 23, 25	8035326..... 457	8036404.....451
7029521.....125	7139504..... 427	8035327..... 455	8036405.....451
7029532.....223, 225, 235	7139505..... 427	8035347..... 473	8036406.....451
7029533.....223, 225, 235	7139613..... 17, 19	8035382..... 473	8036407.....451
7029692.....65, 77	7139689..... 34, 47	8035393..... 347	80364095.....375
7029711.....81	7139692..... 34, 39	8035409..... 347	8036433.....249, 251
7029714.....77	7139714..... 21, 23, 25	8035411..... 347	8036502.....451
7029736.....284	7139726..... 34	8035493..... 369	8036726.....361, 365
7029737.....283	7139727..... 34	8035498..... 369	8036733.....453
7029786.....277	7139728..... 395	8035499..... 369	8036778.....449
7029788.....261	7139729..... 395	8035500..... 369	8037109.....473
7029860.....347	7139730..... 34	8035523..... 359	80373094.....175
7054351.....213	7139731..... 34	8035536.... 447, 451, 455	80384207.....347
7057141..... 181, 183	7139864..... 34	8035720..... 455	80384213.....347
7062922.....97	7139918..... 85	8035758..... 457	80384218.....333, 335
7063432.....34	7139968..... 36, 395	8035779..... 249, 251	80384445.....359
7079572.....34	7150579..... 247, 249	8035785..... 457	8050001..... 17, 19
7081621.....34	7150580..... 247, 251	8035807.... 314, 320, 622	80604016.....547
7081631.....34	7150608..... 21, 23, 25	8035862..... 447	80604017.....585
7082311.....34	7150680..... 553	8035863..... 447	80604018..538, 539, 543, 544
7082342.....34	7150681..... 551	8036021..... 217	80604021.....540, 545
7082362.....34	7150685..... 555	8036022..... 217	80604024.....543
7083922.....34	7150690..... 551, 553	8036023..... 231	80634004.....465
7083992.....34	7150699..... 549, 555	8036024..... 229	8065062.....97
7085442.....34	7150702..... 555	8036025..... 229	8065640..... 17, 19, 35
7085542.....34	7150703..... 557	8036026..... 229	8065641..... 17, 19
7085571.....45	7150716..... 549, 557	8036027..... 229	80963061.....509
7095522.....34	7150717..... 557	8036028..... 229	80963062.....538, 543
7096491.....34	7150837..... 35, 395	8036029... 223, 225, 227, 237, 239	80963067...509, 538, 543
7110702.....97	7150838..... 35, 395	8036030..... 235	8124138..... 39, 47
7110712.....97	7300435..... 159, 161	8036031..... 235	8127021.....47
7110722.....97	7301265..... 326	8036032..... 235	8127024.....39
7111572.....34	7301295..... 85	8036033..... 219	82033997.....333, 335
7112642.....131	7301408..... 105	8036036..... 243	8205655.....447, 455
7114941..... 133, 135	7302028..... 247, 253	8036038..... 243	8220007.....585
7116572.....559	7302056..... 35	8036039..... 243	8220035.....489, 585
7116642.....41	77133133..... 337, 339	8036040..... 243	8220051.....509, 559, 585
7116691.....41	77133134..... 337, 339	8036041..... 233	8220058.....540, 544
7116742.....41	77143006..... 497	8036042..... 233	8220081....538, 540, 543, 544, 571
7116752.....41	8007751..... 265	8036050.... 333, 335, 359	8220089.....509, 561
7116773.....34, 41	8007755..... 265	8036056.... 333, 335, 347	8220097....509, 538, 543
7116812.....41	80204005. 263, 267, 279, 283	8036099..... 347	8220098....509, 538, 543
7116822.....34	80204060..... 261	8036100..... 347	8220108.....489
7117031.....34	80204065..... 267, 283	8036144..... 455	8220124....538, 540, 543, 544, 545, 547
7118882.....43	80204071..... 267, 283	8036149..... 455	8220125.....509
7118892.....34, 43	80204108..... 261	8036190... 223, 225, 235	8220160.....540
7124301.....17, 19	80204117. 261, 267, 273, 277, 283, 289	8036196..... 359	8220162.....509
7124471.17, 19, 549, 565	80204281..... 261, 277	8036197..... 359	8220164.....539, 544
7125811.....34	80214120..... 267, 283	8036198..... 359	8220536....538, 539, 543, 544
7125871..... 159, 161	8024025..... 626	8036199..... 359	8220889.....539
7137142..... 17, 19	8024026..... 626	8036209..... 555	8220890.....579
7138634.....213	8024026..... 626	8036210..... 557	8220895.....547
7138833....314, 320, 326	80241137..... 17, 19	8036212..... 555, 557	8220904....505, 508, 571, 585
7138836....314, 320, 326	80264138..... 375	8036213..... 555, 557	8220927....509, 538, 543
7138878....314, 320, 326, 623	80304405..... 231	8036214..... 555, 557	8220929....509, 538, 543
7138882.....311	8032694..... 475	8036215..... 555, 557	8223025.....549, 623
7138944....314, 320, 326	8032695..... 475	8036216..... 555, 557	8223037....314, 320, 326, 623
7138958..... 333, 335	80334277..... 465	8036250..... 233	8223038....501, 503, 623
7138977.....34	8033651..... 253	80363179..... 547	8223043....320, 326, 623
7138979.....34	8033786..... 447	8036389..... 455	
7138986.....34	8034697..... 473	8036390..... 455	
7139032.....39, 47	8034815..... 347	8036391..... 455	
7139077..... 27, 29, 622	8035321..... 455	8036392..... 455	
7139180.....34	8035322..... 457	8036393..... 455	

SECTION 13 - SPECIAL OPTIONS/ACCESSORIES/KITS

8223044 320, 326, 623	8305624 85, 333, 335, 482, 486, 493	8310245.....41	8642207 97
8223054 ... 314, 320, 326, 623	8305626 17, 19, 314, 320, 326, 549, 551, 553, 565	8310266.....43	8642224 35
8223059 549, 565, 623	8305638 331	8310276.....43	8642234 35
8223060 549, 623	8305643 35, 85, 97	8310281..... 181, 183	8642237 39, 47
8223073 549, 622	8305644 ... 17, 19, 35, 41, 133, 135, 314, 320, 326	8310302.....85	86683122 199
8223232 213	8305645 ... 21, 23, 25, 35, 41, 303, 305, 513, 549, 565, 590, 594, 598, 602	8310356.....413	8750011 395
8229233 510, 622	8305646 35	8310382.....314, 320, 326	8750012 435
8229234 489, 510, 622	8305906 35	8310420.....433	8750017 ... 395, 405, 409, 435
8229235 491, 510, 622	8305916 314, 320, 326	8310425.....247	8750025 ... 391, 397, 411, 439
8229237 510, 622	8307002 ... 21, 23, 25, 35, 577	8310431.....35	8750026 397, 411, 415
8229238 510, 622	8307003 482, 486	8310435.....85	8750027 405, 409, 435
8229242 540, 622	8307004 .21, 23, 25, 391, 397, 405, 409, 411, 423, 427, 439	8310493.....311	8750029 35, 395
8229245 561	8307005 35, 413, 577	8310497.....35	8750040 ... 391, 397, 415, 439
8229261 ... 489, 510, 622	8307006 247	8310522..... 17, 19, 417	8760268 419
8270620 482, 486	8307007 35, 131, 133, 135, 413	8310620.....255	8760463 427
8270621 493	8307009 17, 19	8310708.....35	8760465 35, 395
8278020 181, 183	8307011 311	8310712.....35	8760468 36
8302470 21, 23, 25	8307023 ... 314, 320, 326	83191010.....291	8760548 213
8303034 ... 317, 323, 329, 331, 333, 335	8307024 ... 590, 594, 598, 602	83201147.....257	8760552 27, 29
8303090 35	8307027 482, 486	8405007 203, 205, 337, 339	8765204 429, 581
8303119 331	8307049 213	8405104.....203, 205	8769122 36, 395
8303519 413	8307104 35, 45	8405201.....203, 205	8769123 36
8303545 482, 486, 573	8307106 35, 171, 314, 320, 326, 482, 486	8405212..... 179, 203, 205	8769127 423
8303615 21, 23, 25	8307109 35, 314, 320, 326	8405305.....203, 205	8769128 36, 405, 409, 423
8303620 ... 303, 305, 314, 320, 326, 411	8307110 ... 303, 305, 314, 320, 326, 411	8405307 171	8769132 97
8303624 35	8307111 482, 486	8405404 173	8769139 36
8303626 ... 131, 133, 135, 314, 320, 326, 413	8307112 ... 133, 135, 314, 320, 326, 333, 335	8406010.....513	8769153 36
8303634 85, 97	8307202 21, 23, 25	8406105.....213, 482, 486	8769155 395
8303640 45	8307203 427	8406112..... 159, 195, 197	8769156 395
8303655 35	8307204 ... 21, 23, 25, 35, 41, 513, 549, 565	8406303 161	8770016 97
8303656 21, 23, 25	8307206 41	8410007 173	8770048 27, 29
8303657 35	8307219 573	8410021 171	8770064 389, 393
8303658 85	8307222 171, 377	8420053.... 63, 81, 85, 87, 91, 95, 97, 395	8770157 419
8303666 35	8307904 35, 97	8420055.... 63, 81, 85, 87, 91, 95, 97, 395	8780031 293, 295
8303679 35	8307910 35	8430032.... 373, 419, 425	8786514 ... 293, 295, 297, 299, 303, 305
8303681 35	8307911 35, 97	8430033.....425	88211516 549
8303697 . 27, 29, 35, 314, 320, 326	8307918 35, 97	8430046.....419	88261015 161
8303715 35, 97	8310009 ... 405, 409, 423, 427	8430048.....337, 339	8841036 ... 213, 215, 217, 219, 221, 223, 225, 227, 229, 231, 233, 235, 237, 239, 241, 243
8303724 213	8310019 35	8466306.... 590, 594, 598, 602	88411148 17, 19
8303729 21, 23, 25	8310020 35	8500203.....549	88501005 549, 565
8303738 35	8310026 314, 320, 326	8520001..... 17, 19, 35	88671001 87, 91, 95
8303745 551, 553	8310046 482, 486	8520003..... 17, 19, 35	8880218-OM 247
8303746 35	8310067 213	8520021 451	8880219-OM 247
8303752 17, 19	8310085 317, 323, 329	8520034.....455	8881800 161
8303757 ... 391, 397, 411, 439	8310093 35	8522012.... 17, 19, 35, 39, 47	8903015 473
8303771 513, 549, 565	8310109 333, 335	8526007 35, 43, 201	8990147 ... 314, 320, 326
8303772 35	8310160 97	8526011 457	90027475 257
8303782 17, 19	8310161 97	8526048 35	90028631 171
8303784 201	8310209 41	8526406 35	90200003 . 83, 85, 87, 89, 91, 93, 95, 97
8303982 ... 314, 320, 326	8310215 213	8530030 413	90206196 573, 575
8304608 433	8310235 41	8546407 413	90451058 85
8305002 482, 486		8580315 97	90554016 . 59, 63, 65, 77, 81, 123
8305004 . 21, 23, 25, 513, 577		8580420.....21, 23, 25	90554017 77, 81
8305006 .. 21, 23, 25, 427		8584001.....97, 337, 339, 482, 486, 549, 565, 577	90554018 77
8305008 181, 183, 411		8584007 411	90554020 63, 65, 81
8305012 131		8584018 549, 565	90554033 59
8305014 17, 19		85841150 411	90554034 59
8305043 171, 377		8630003 85	
8305603 331		8630019 413	
8305619 45		8640123 413	
		8640208 413	

SECTION 13 - SPECIAL OPTIONS/ACCESSORIES/KITS

90554042.....63, 65	91404326..... 375	91474562 261	91514084.....267
90554045.....443, 459	91405035 293	91474563 261	91514095.....267, 283
90554054.....63, 65	91405036 293	91474564 261	91514098.....263, 279
90554062.....65, 77	91471213 257	91474565 261	91514099.....267, 273
90554065.....77, 81	91473086 373	91474568 261, 277	91514111.....267, 283
90554067.....81	91473206 293, 295	91474569 261, 277	91514112.....267, 283
90554076.....65, 77	91474023 475	91474570 261	91514115.....267, 283
90554080.....125	91474507 .. 263, 267, 279	91474571 261	91514117.....267, 283
91043125.....129	91474512 263, 279	91474572 261	91514118.....291
91043126.....128	91474513 263, 267	91474573 261	91514123.....265, 267
91043147.....337, 339	91474515 273, 289	91474576 267, 283	91514134.....265, 281
91053419.....179	91474516 273, 289	91474579 283	91514146.....267, 283
91081640.....497	91474522 271, 287	91474580 283	91514147.....267, 283
91083129.....171	91474524 267	91474581 283	91514148.....267, 283
91163035.....189	91474528 265	91474582 267, 283	91514149.....267
91293003.....171	91474529 265, 281	91474584 267, 283	91514153.....261
91304025.....375	91474532 265, 281	91474585 283	91514154.....261, 277
91364023.....175	91474533 265, 281	91474586 283	91514159.....261, 277
91403097.....213	91474537 265, 281	91474587 283	91514160.....261, 277
91403193.....255	91474539 265, 281	91474591 265, 281	91514165.....261
91403413..63, 81, 85, 87, 91, 95, 97, 129, 395	91474542 265, 281	91474593 281	91514167.....261
91403414..63, 81, 85, 87, 91, 95, 97, 128, 395	91474547 265, 281	91474594 281	91514175.....267
91403448.....61	91474549 265	91474595 281	91514181.....267, 283
91404011.....375	91474550 265, 281	91475054 295	91514188..263, 267, 279, 283
91404013.....375	91474551 265, 281	91475055 295	91514189.....267, 283
91404298.....333, 335	91474553 265, 281	91503106 538	91514225.....375
91404299.....333, 335	91474554 281	91513266 291	
91404301.....333, 335	91474559 261	91514081 267, 283	
	91474560 261	91514082 267, 283	
	91474561 261	91514083 268	



**Corporate Office
JLG Industries, Inc.
1 JLG Drive
McConnellsburg, PA 17233-9533 USA**

☎ (717) 485-5161 (Corporate)
☎ (877) 554-5438 (Customer Support)
📠 (717) 485-6417

**Visit our website for JLG Worldwide Locations.
www.jlg.com**



OSHKOSH™