

SKYTRAK[®]

Illustrated Parts Manual

Model
10054

PVC
2111

P/N
31211743

November 1, 2023 - Rev D

JLG[®]
An Oshkosh Corporation Company

EFFECTIVITY PAGE

November 1, 2021 - A - Original Issue of Manual (Edited to B/M 1001169972 Revision AZ)

March 31, 2022 - B - Revised Manual (Edited to B/M 1001169972 Revision AZ)

August 31, 2022 - C - Revised Manual (Edited to B/M 1001169972 Revision AZ)

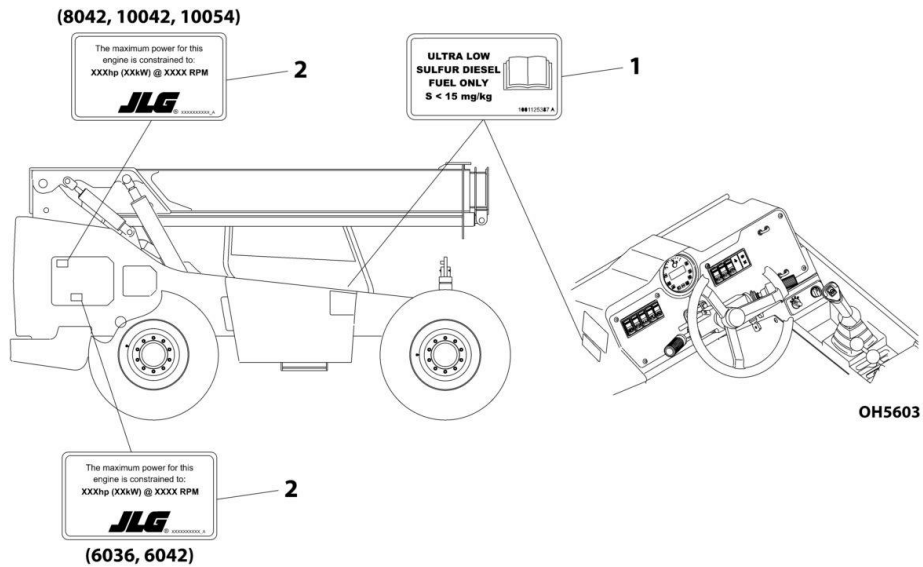
November 1, 2023 - D - Revised Manual (Edited to B/M 1001169972 Revision AZ)

Machine Configuration

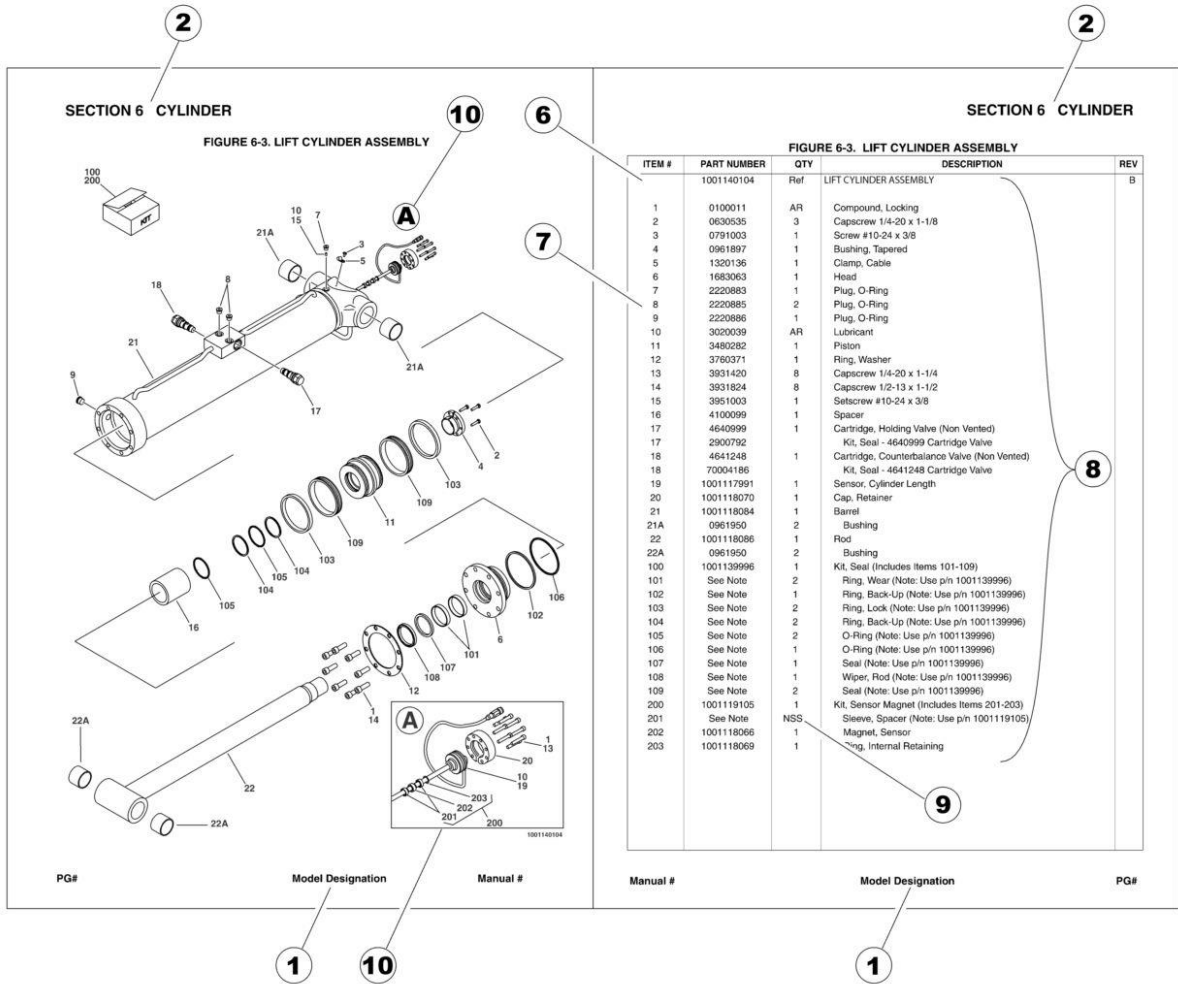
Two configurations of each machine are included in this manual. Determine if machine is equipped with Ultra Sulfur Fuel Decal (1) as indicated below.

- If equipped with the Ultra Low Sulfur decal, all specific references to this machine configuration will be referred to as Ultra Low Sulfur (ULS) from this point forward.
- If not equipped with the Ultra Low Sulfur decal, all specific references to this machine configuration will be referred to as Low Sulfur (LS) from this point forward.

Engine horsepower can be found on the decals (2) located inside the engine compartment doors.



GENERAL INFORMATION



1) MACHINE IDENTIFICATION

Machines are identified by model and in some cases a combination of models, serial number (SN) or regional standard (i.e ANSI, CE, CSA). Components may also be identified by SN or manufacturer. Common components that may be identified by these characteristics are engines and hydraulic components.

2) PARTS MANUAL ORGANIZATION

Product information in this manual is organized under section titles. Frame, Cylinder, Hydraulic and Electrical are a few examples. Each section is organized by figure and page number. The information within the Figure is then organized by item number, part number, description and corresponding illustration (s).

3) TABLE OF CONTENTS (NOT SHOWN)

A table of contents is found toward the beginning of the manual. Figure number, description and page number are provided for quick reference to the page containing the related information.

4) RECOMMENDED SPARE PARTS (NOT SHOWN)

The Recommended Spare Parts List, located near the end of the manual, reference most frequently used maintenance parts.

5) PART NUMBER INDEX (NOT SHOWN)

A numerical index listing all part numbers and the corresponding page number(s) appears at the back of the manual.

GENERAL INFORMATION

6) NON-SERVICED PARTS

In some instances, it is necessary to display non-serviced parts, assemblies or installations. In the case of assemblies and installations there will be a Ref in the Qty. column. In case of parts that are not available for service within assemblies or components, there will be a NSS (Not Sold Separately) or NLA (No Longer Available) listed in the Qty. column of the manual.

7) PARTS LIST ITEM NUMBERS

Numbers shown in the item# column correspond to numbers used in the associated illustration (s). Item numbers which are missing from the sequence in the parts list are not used on that page.

8) INDENTED PARTS DESCRIPTION

An indented part description is included in the item under which it is indented.

9) ABBREVIATION AND SYMBOLS

AC.....	Alternating Current	L.....	Liter
ADE.....	Advanced Design Electronics	LB(LBS).....	Pounds
AG.....	Agricultural	LCD.....	Liquid Crystal Display
ANSI.....	American National Standards Institute	LED.....	Light Emitting Diodes
AR.....	As Required	LH.....	Left Hand
ASSY.....	Assembly	LRC.....	Low Rated Countries
AUS.....	Australia	LSS.....	Load Sensing System
AUX.....	Auxiliary	M(m).....	Metric/Meter
AWG.....	American Wire Gauge	MM(mm).....	Milimeter
B/M.....	Bill of Material	mA.....	Miliamps
CAC.....	Charge Air Cooler	NLA.....	No Longer Available
CE.....	European Conformity	NPT.....	National Pipe Threads
CCW.....	Counter Clockwise	NSS.....	Not Sold Separately
CM.....	Centimeter	OD.....	Outside Diameter
CW.....	Clockwise	ORB.....	O-Ring Boss
CSA.....	Canadian Standards Association	ORFS.....	O-Ring Face Seal
CYL.....	Cylinder	OZ (oz).....	Ounces
DIA.....	Diameter	PG.....	Page
DC.....	Direct Current	PN.....	Part Number
DEF.....	Diesel Exhaust Fluid	QT(qt.).....	Quarts
EMS.....	Emergency Stop	QTY.....	Quantity
ENG.....	Engine	REF.....	Reference
FT(ft).....	Feet	REV.....	Revision Level
GA(Ga).....	Gauge	RH.....	Right Hand
HRC.....	High Rated Countries	SAE.....	Society of Automotive Engineers
HVAC.....	Heating, Ventilating, and Air Conditioning	SN.....	Serial Number
HYD.....	Hydraulic	SPEC(S).....	Specifications
Hz.....	Hertz	T/T.....	Turntable
ID.....	Inside Diameter	UGM.....	Universal Ground Module
IN.....	inches	V.....	Volts
ISO.....	International Organization for Standards	W.....	Watts
JIC.....	Joint Industry Council	#.....	Number
KG.....	Kilogram		

10) ILLUSTRATION REFERENCE LETTERS

When necessary, illustrations may contain reference letters that are intended to track information (i. e. hoses, harnesses) from one point to another or to track visual enlargement of components to show details that may be located in another area on the illustration.

Note: Due to continuous product improvements, JLG Industries, Inc. reserves the right to make specification changes without prior notification. Contact JLG Industries, Inc. for updated information.

TABLE OF CONTENTS

SECTION 1 - FRAME AND ATTACHING PARTS.....	15
FIGURE 1-1. FRAME COMPONENTS INSTALLATION (74HP ULS)	16
FIGURE 1-2. FRAME COMPONENTS INSTALLATION (110HP ULS)	20
FIGURE 1-3. FRAME COMPONENTS INSTALLATION (110HP LS).....	24
FIGURE 1-4. TANKS ASSEMBLY - HYDRAULIC/FUEL/DEF (74HP ULS)	28
FIGURE 1-5. TANKS INSTALLATION - HYDRAULIC/FUEL/DEF (110HP ULS)	30
FIGURE 1-6. TANKS ASSEMBLY - HYDRAULIC/FUEL (110HP ULS & LS).....	32
FIGURE 1-7. DEF TANK ASSEMBLY (110HP ULS).....	34
FIGURE 1-8. FRAME COVERS INSTALLATION (74HP ULS).....	36
FIGURE 1-9. FRAME COVERS INSTALLATION (74HP WITH AIR SHUT OFF VALVE)	38
FIGURE 1-10. FRAME COVERS INSTALLATION (110HP ULS).....	40
FIGURE 1-11. FRAME COVERS INSTALLATION (110HP ULS WITH AIR SHUT OFF VALVE)	42
FIGURE 1-12. FRAME COVERS INSTALLATION (110HP LS)	44
FIGURE 1-13. DUST SHIELD INSTALLATION.....	46
FIGURE 1-14. OUTRIGGER INSTALLATION.....	48
FIGURE 1-15. OUTRIGGER MOUNTING INSTALLATION	50
FIGURE 1-16. OUTRIGGER SUB-ASSEMBLY	52
SECTION 2 - BOOM	55
FIGURE 2-1. BOOM INSTALLATION.....	56
FIGURE 2-2. HOSE PULLEY ASSEMBLY	62
FIGURE 2-3. LOCK PIN ASSEMBLY	64
FIGURE 2-4. QUICK COUPLING ASSEMBLY.....	66
FIGURE 2-5. RETRACT CHAIN AND CLEVIS ASSEMBLY	68
FIGURE 2-6. EXTEND CHAIN AND CLEVIS ASSEMBLY - BOOM SECOND SECTION.....	70
FIGURE 2-7. EXTEND CHAIN AND CLEVIS ASSEMBLY - BOOM THIRD SECTION.....	72
FIGURE 2-8. HOSE AND CARRIER ASSEMBLY	74
SECTION 3 - ATTACHMENTS	77
FIGURE 3-1. BASKET, PERSONNEL - 4FT X 8FT DOMESTIC).....	78
FIGURE 3-2. BASKET, PERSONNEL - 4FT X 8FT (ISO).....	80
FIGURE 3-3. BASKET, PERSONNEL - 4FT X 8FT (FRENCH)	82
FIGURE 3-4. BASKET, FORK MOUNTED.....	84
FIGURE 3-5. BOOM - ADJUSTABLE (CARRIAGE MOUNTED).....	86
FIGURE 3-6. BOOM - ADJUSTABLE (FORK MOUNTED)	88
FIGURE 3-7. BOOM - 3FT WITH WINCH	90
FIGURE 3-8. BOOM - 12FT WITH WINCH	92
FIGURE 3-9. BOOM - 12FT WITHOUT WINCH.....	94
FIGURE 3-10. BOOM - 15FT WITHOUT WINCH.....	96
FIGURE 3-11. BUCKET - 60IN (1.3 CU YD) (FORK MOUNTED).....	98
FIGURE 3-12. BUCKET - 72IN (1.0 CU YD)	100
FIGURE 3-13. BUCKET - 96IN (1.5 CU YD)	102
FIGURE 3-14. BUCKET - 96IN GRAPPLE.....	104
FIGURE 3-15. BUCKET - 102IN (2.0 CU YD)	106
FIGURE 3-16. CARRIAGE ASSEMBLY - 48IN/12000# CAPACITY SIDE SHIFT	108

TABLE OF CONTENTS

FIGURE 3-17. CARRIAGE ASSEMBLY - 50IN/10000# CAPACITY DUAL FORK POSITIONING	110
FIGURE 3-18. CARRIAGE ASSEMBLY - 50IN/12000# CAPACITY STANDARD	112
FIGURE 3-19. CARRIAGE ASSEMBLY - 50IN/12000# CAPACITY SIDE TILT	114
FIGURE 3-20. CARRIAGE ASSEMBLY - 60IN/12000# CAPACITY STANDARD	116
FIGURE 3-21. CARRIAGE ASSEMBLY - 60IN/12000# CAPACITY SIDE TILT	118
FIGURE 3-22. CARRIAGE ASSEMBLY - 72IN/10000# CAPACITY 90 DEGREE SWING	120
FIGURE 3-23. CARRIAGE ASSEMBLY - 72IN/12000# CAPACITY SIDE TILT	122
FIGURE 3-24. CARRIAGE ASSEMBLY - 72IN/15000# CAPACITY STANDARD	124
FIGURE 3-25. FORK 1.75X7X60 / 5400# CAPACITY	126
FIGURE 3-26. FORK 2X2X48 / 1940# CAPACITY	128
FIGURE 3-27. FORK 2.00X6X72 / 6610# CAPACITY	130
FIGURE 3-28. FORK 2.36X4X48 / 5000# CAPACITY	132
FIGURE 3-29. FORK 2.36X4X48 / 5475# CAPACITY	134
FIGURE 3-30. FORK 2.36X4X60 / 5000# CAPACITY	136
FIGURE 3-31. FORK 2.36X5X48 / 6850# CAPACITY	138
FIGURE 3-32. FORK 2.36X5X60 / 6850# CAPACITY	140
FIGURE 3-33. FORK 2.36X5X72 / 6850# CAPACITY	142
FIGURE 3-34. FORK 2.36X6X60 / 8150# CAPACITY	144
FIGURE 3-35. FORK EXTENSION - 90IN	146
FIGURE 3-36. FORK PIN LOCK INSTALLATION	148
FIGURE 3-37. HOOK, COUPLING	150
FIGURE 3-38. HOOK, CRANE	152
FIGURE 3-39. MAST, VERTICAL - 8FT.....	154
FIGURE 3-40. PIPE HANDLER	158
FIGURE 3-41. SHEET MATERIAL HANDLER.....	162
FIGURE 3-42. SHEET MATERIAL HANDLER FORK SUPPORT (LH).....	164
FIGURE 3-43. SHEET MATERIAL HANDLER FORK SUPPORT (RH)	166
FIGURE 3-44. SWEEPER ASSEMBLY	168
FIGURE 3-45. SWEEPER ASSEMBLY - HOPPER	170
FIGURE 3-46. SWEEPER ASSEMBLY - BODY	172
FIGURE 3-47. SWEEPER ASSEMBLY - MOTOR.....	174
FIGURE 3-48. SWEEPER ASSEMBLY - IDLER.....	176
FIGURE 3-49. SWEEPER ASSEMBLY - CORE.....	178
FIGURE 3-50. SWEEPER ASSEMBLY - HYDRAULIC SINGLE MOTOR ASSEMBLY	180
FIGURE 3-51. TRASHER HOPPER	182
SECTION 4 - ENGINE AND ATTACHING PARTS.....	185
FIGURE 4-1. ENGINE INSTALLATION - 74HP (ULS).....	186
FIGURE 4-2. ENGINE COMPONENTS - 74HP (ULS).....	188
FIGURE 4-3. ENGINE INSTALLATION - 110HP (ULS).....	190
FIGURE 4-4. ENGINE COMPONENTS - 110HP (ULS).....	192
FIGURE 4-5. ENGINE INSTALLATION - 110HP (LS).....	194
FIGURE 4-6. ENGINE COMPONENTS - 110HP (LS)	196
FIGURE 4-7. AIR CLEANER INSTALLATION - 74HP & 110HP (ULS).....	198
FIGURE 4-8. AIR CLEANER ASSEMBLY - 74HP & 110HP (ULS).....	200
FIGURE 4-9. AIR CLEANER INSTALLATION - 110HP (LS)	202

TABLE OF CONTENTS

FIGURE 4-10. AIR CLEANER ASSEMBLY - 110HP (LS)	204
FIGURE 4-11. EXHAUST INSTALLATION - 74HP (ULS)	206
FIGURE 4-12. EXHAUST INSTALLATION - 110HP (ULS)	208
FIGURE 4-13. EXHAUST INSTALLATION - 110HP (LS).....	210
FIGURE 4-14. DEF SYSTEM INSTALLATION (ULS)	212
FIGURE 4-15. DEF PUMP ASSEMBLY	214
FIGURE 4-16. DEF COOLANT LINES INSTALLATION.....	216
FIGURE 4-17. DEF LINES INSTALLATION	218
FIGURE 4-18. FUEL LINES INSTALLATION - 74HP & 110HP (ULS)	220
FIGURE 4-19. FUEL LINES INSTALLATION - 110HP (LS)	222
FIGURE 4-20. COOLING LINES INSTALLATION - 74HP & 110HP (ULS)	224
FIGURE 4-21. COOLING LINES INSTALLATION - 110HP (LS).....	226
FIGURE 4-22. COOLING INSTALLATION - 74HP (ULS).....	228
FIGURE 4-23. COOLING INSTALLATION - 110HP (ULS & LS).....	230
FIGURE 4-24. DE-AERATION TANK ASSEMBLY - 74HP & 110HP (ULS).....	232
FIGURE 4-25. RADIATOR ASSEMBLY - 74HP (ULS).....	234
FIGURE 4-26. RADIATOR ASSEMBLY - 110HP (ULS & LS)	236
FIGURE 4-27. FAN INSTALLATION - 74HP (ULS).....	238
FIGURE 4-28. FAN INSTALLATION - 110HP (ULS & LS).....	240
FIGURE 4-29. ISOLATION COUPLER INSTALLATION - 74HP & 110HP (ULS & LS).....	242
FIGURE 4-30. AIR INTAKE SHUT OFF VALVE INSTALLATION	244
FIGURE 4-31. BREATHER HEATER INSTALLATION - 74HP	246
FIGURE 4-32. A/C COMPONENTS INSTALLATION - 74HP.....	248
FIGURE 4-33. A/C COMPONENTS INSTALLATION - 110HP	250
SECTION 5 - DRIVE TRAIN	253
FIGURE 5-1. TRANSMISSION INSTALLATION	254
FIGURE 5-2. TRANSMISSION ASSEMBLY	256
FIGURE 5-3. TRANSMISSION, ENGINE CONNECTION AND CONVERTER	258
FIGURE 5-4. TRANSMISSION, INPUT SHAFTS	260
FIGURE 5-5. TRANSMISSION, GEARBOX HOUSING	262
FIGURE 5-6. TRANSMISSION, COUPLING GROUP 1	264
FIGURE 5-7. TRANSMISSION, COUPLING GROUP 2	266
FIGURE 5-8. TRANSMISSION, COUPLING GROUP 3	268
FIGURE 5-9. TRANSMISSION, COUPLING GROUP 4	270
FIGURE 5-10. TRANSMISSION, REVERSING GEAR GROUP 1	272
FIGURE 5-11. TRANSMISSION, REVERSING GEAR GROUP 2	274
FIGURE 5-12. TRANSMISSION, OUTPUT	276
FIGURE 5-13. TRANSMISSION, CONTROL UNIT	278
FIGURE 5-14. TRANSMISSION, VALVE HOUSING ASSEMBLY	280
FIGURE 5-15. TRANSMISSION, VALVE BLOCK ASSEMBLY	284
FIGURE 5-16. TRANSMISSION, OIL PUMP AND FILTER.....	286
FIGURE 5-17. DRIVE SHAFT INSTALLATION.....	288
FIGURE 5-18. DRIVE SHAFT ASSEMBLY (INPUT).....	290
FIGURE 5-19. DRIVE SHAFT ASSEMBLY (FRONT)	292
FIGURE 5-20. DRIVE SHAFT ASSEMBLY (REAR).....	294

TABLE OF CONTENTS

FIGURE 5-21. AXLE INSTALLATION (110HP) (10042,10054,8042)	296
FIGURE 5-22. AXLE INSTALLATION (74HP).....	298
FIGURE 5-23. FRONT AXLE INSTALLATION (74HP)	300
FIGURE 5-24. FRONT AXLE - CENTRAL HOUSING (74HP)	302
FIGURE 5-25. FRONT AXLE - DIFFERENTIAL (74HP)	304
FIGURE 5-26. FRONT AXLE - HUB REDUCTION (74HP).....	306
FIGURE 5-27. FRONT AXLE - BRAKES (74HP).....	310
FIGURE 5-28. FRONT AXLE - STEERING (74HP)	312
FIGURE 5-29. REAR AXLE INSTALLATION (74HP).....	314
FIGURE 5-30. REAR AXLE - CENTRAL HOUSING (74HP).....	316
FIGURE 5-31. REAR AXLE - DIFFERENTIAL (74HP).....	318
FIGURE 5-32. REAR AXLE - HUB REDUCTION (74HP)	320
FIGURE 5-33. REAR AXLE - BRAKES (74HP)	324
FIGURE 5-34. REAR AXLE - STEERING (74HP).....	326
FIGURE 5-35. FRONT AXLE INSTALLATION (110HP)	328
FIGURE 5-36. FRONT AXLE - CENTRAL HOUSING (110HP)	330
FIGURE 5-37. FRONT AXLE - DIFFERENTIAL (110HP)	332
FIGURE 5-38. FRONT AXLE - HUB REDUCTION (110HP).....	334
FIGURE 5-39. FRONT AXLE - BRAKES (110HP)	338
FIGURE 5-40. FRONT AXLE - STEERING (110HP)	340
FIGURE 5-41. REAR AXLE INSTALLATION (110HP).....	342
FIGURE 5-42. REAR AXLE - CENTRAL HOUSING (110HP).....	344
FIGURE 5-43. FRONT AXLE - DIFFERENTIAL (110HP)	346
FIGURE 5-44. REAR AXLE - HUB REDUCTION (110HP)	348
FIGURE 5-45. REAR AXLE - BRAKES (110HP)	352
FIGURE 5-46. REAR AXLE - STEERING (110HP).....	354
FIGURE 5-47. TIRE SET - 17.2-25 PNEUMATIC	356
FIGURE 5-48. TIRE SET - 17.2-25 FOAM-FILLED.....	358
FIGURE 5-49. TIRE SET - 18 X 625 (TURF AND SAND PNEUMATIC).....	360
FIGURE 5-50. TIRE SET - 360/85-28 SOLID	362
FIGURE 5-51. TIRE SET - 400/75-28 PNEUMATIC	364
FIGURE 5-52. TIRE SET - 400/75-28 PNEUMATIC NON-MARKING	366
FIGURE 5-53. TIRE SET - 400/75-28 FOAM-FILLED.....	368
FIGURE 5-54. TIRE SET - 400/75-28 FOAM-FILLED NON-MARKING.....	370
FIGURE 5-55. FENDER INSTALLATION	372
SECTION 6 - CAB	375
FIGURE 6-1. CAB MOUNTING HARDWARE INSTALLATION	376
FIGURE 6-2. CAB INSTALLATION - OPEN	378
FIGURE 6-3. CAB ASSEMBLY - OPEN.....	382
FIGURE 6-4. CAB INSTALLATION - ENCLOSED WITH HEATER	384
FIGURE 6-5. CAB ASSEMBLY - ENCLOSED WITH HEATER	388
FIGURE 6-6. CAB ENCLOSURE WITH HEATER	390
FIGURE 6-7. CAB INSTALLATION - ENCLOSED WITH HEATER & AC.....	392
FIGURE 6-8. CAB ASSEMBLY - ENCLOSED WITH HEATER & AC	396
FIGURE 6-9. CAB ENCLOSURE WITH HEATER & AC.....	398

TABLE OF CONTENTS

FIGURE 6-10. CAB DOOR ASSEMBLY.....	400
FIGURE 6-11. SLIDER WINDOW ASSEMBLY (RH).....	402
FIGURE 6-12. WIPER INSTALLATION (FRONT).....	404
FIGURE 6-13. WIPER INSTALLATION (SKYLIGHT).....	406
FIGURE 6-14. CAB SEAT ASSEMBLY.....	408
FIGURE 6-15. SEAT BELT INSTALLATION (3 INCH).....	410
FIGURE 6-16. HEATER ASSEMBLY - FLOOR.....	412
FIGURE 6-17. HEATER BOX ASSEMBLY - HEATER.....	414
FIGURE 6-18. HEATER BOX ASSEMBLY - HEATER & AC.....	416
FIGURE 6-19. CAB HEATER LINES INSTALLATION - HEATER ONLY.....	420
FIGURE 6-20. CAB HEATER LINES INSTALLATION - HEATER & AC.....	422
FIGURE 6-21. HEATER VALVE ASSEMBLY.....	424
FIGURE 6-22. REAR WINDOW INSTALLATION (ANSI ENGLISH).....	426
FIGURE 6-23. REAR WINDOW INSTALLATION (ENGLISH/SPANISH).....	428
FIGURE 6-24. REAR WINDOW INSTALLATION (ENGLISH/SPANISH).....	430
FIGURE 6-25. REAR WINDOW INSTALLATION (ISO).....	432
FIGURE 6-26. SKYTRAK FIRE EXTINGUISHER INSTALLATION.....	434
SECTION 7 - CONTROLS.....	437
FIGURE 7-1. BRAKE ASSEMBLY.....	438
FIGURE 7-2. SECONDARY CONTROLS INSTALLATION.....	440
FIGURE 7-3. AUXILIARY CONTROL ASSEMBLY.....	442
FIGURE 7-4. FRAME LEVEL CONTROL ASSEMBLY.....	444
SECTION 8 - HYDRAULIC CIRCUITS.....	447
FIGURE 8-1. AUXILIARY CONTROLS HYDRAULICS INSTALLATION.....	448
FIGURE 8-2. AXLE HYDRAULICS INSTALLATION.....	450
FIGURE 8-3. AXLE HYDRAULICS INSTALLATION - FRONT.....	452
FIGURE 8-4. AXLE HYDRAULICS INSTALLATION - REAR.....	454
FIGURE 8-5. AXLE PIN LUBE HYDRAULICS INSTALLATION.....	456
FIGURE 8-6. BULKHEAD (REAR) INSTALLATION (10054).....	458
FIGURE 8-7. CAB HYDRAULICS INSTALLATION.....	460
FIGURE 8-8. CAB TO BRAKE HYDRAULICS INSTALLATION.....	462
FIGURE 8-9. CAB PILOT CONTROLS HYDRAULICS INSTALLATION.....	464
FIGURE 8-10. CAB PILOT JOYSTICK & FITTING ASSEMBLY.....	466
FIGURE 8-11. CAB TO STEERING HYDRAULICS INSTALLATION.....	468
FIGURE 8-12. CAB STEERING VALVE & FITTING ASSEMBLY.....	470
FIGURE 8-13. COOLER HYDRAULICS INSTALLATION.....	472
FIGURE 8-14. COOLER (TRANSMISSION) HYDRAULICS INSTALLATION.....	474
FIGURE 8-15. CYLINDER HYDRAULICS INSTALLATION - BOOM EXTEND.....	476
FIGURE 8-16. CYLINDER HYDRAULICS INSTALLATION - FRAME.....	478
FIGURE 8-17. CYLINDER HYDRAULICS INSTALLATION - TELESCOPE CYLINDER CUTOUT.....	480
FIGURE 8-18. FORK TILT HYDRAULICS INSTALLATION.....	482
FIGURE 8-19. OUTRIGGER VALVE & FITTING ASSEMBLY.....	484
FIGURE 8-20. MAIN CONTROL VALVE INSTALLATION.....	486
FIGURE 8-21. PUMP HYDRAULICS INSTALLATION.....	488

TABLE OF CONTENTS

FIGURE 8-22. SECONDARY VALVE AND FITTING ASSEMBLY.....	490
SECTION 9 - HYDRAULIC COMPONENTS	493
FIGURE 9-1. CYLINDER ASSEMBLY - CARRIAGE SIDE SHIFT.....	494
FIGURE 9-2. CYLINDER ASSEMBLY - CARRIAGE SIDE TILT.....	496
FIGURE 9-3. CYLINDER ASSEMBLY - CARRIAGE SWING	498
FIGURE 9-4. CYLINDER ASSEMBLY - COMPENSATION.....	500
FIGURE 9-5. CYLINDER ASSEMBLY - EXTEND/RETRACT.....	502
FIGURE 9-6. CYLINDER ASSEMBLY - FORK POSITIONING.....	504
FIGURE 9-7. CYLINDER ASSEMBLY - FORK TILT.....	506
FIGURE 9-8. CYLINDER ASSEMBLY - FRAME LEVEL	508
FIGURE 9-9. CYLINDER ASSEMBLY - GRAPPLE BUCKET.....	510
FIGURE 9-10. CYLINDER ASSEMBLY - LIFT.....	512
FIGURE 9-11. CYLINDER ASSEMBLY - OUTRIGGER	514
FIGURE 9-12. CYLINDER ASSEMBLY - PIPE HANDLER.....	516
FIGURE 9-13. CYLINDER ASSEMBLY - STABIL-TRAK.....	518
FIGURE 9-14. STICKJOY ASSEMBLY.....	520
FIGURE 9-15. VALVE ASSEMBLY - AIR SHUT OFF.....	522
FIGURE 9-16. VALVE SUB-ASSEMBLY - BRAKE.....	524
FIGURE 9-17. VALVE ASSEMBLY - BRAKE	526
FIGURE 9-18. VALVE ASSEMBLY - CARRIAGE FORK POSITIONING.....	528
FIGURE 9-19. VALVE ASSEMBLY - CARRIAGE PIPE GRAPPLE	530
FIGURE 9-20. VALVE ASSEMBLY - FLOW DIVIDER.....	532
FIGURE 9-21. VALVE ASSEMBLY - MAIN CONTROL	534
FIGURE 9-22. VALVE ASSEMBLY - OUTRIGGER.....	536
FIGURE 9-23. VALVE ASSEMBLY - SECONDARY.....	538
SECTION 10 - ELECTRICAL.....	541
FIGURE 10-1. ELECTRICAL INSTALLATION (74HP) (ULS)	542
FIGURE 10-2. ELECTRICAL INSTALLATION (110HP) (ULS)	546
FIGURE 10-3. ELECTRICAL INSTALLATION (110HP) (LS).....	550
FIGURE 10-4. AIR SHUT-OFF VALVE HARNESS - CAB	554
FIGURE 10-5. AIR SHUT-OFF VALVE HARNESS - ENGINE.....	556
FIGURE 10-6. BACKUP ALARM INSTALLATION	558
FIGURE 10-7. BACKUP ALARM INSTALLATION (WHITE NOISE).....	560
FIGURE 10-8. REVERSE CAMERA	562
FIGURE 10-9. BACKUP CAMERA HARNESS	564
FIGURE 10-10. BATTERY INSTALLATION.....	566
FIGURE 10-11. BATTERY BLANKET INSTALLATION	568
FIGURE 10-12. BOOM EXTEND HARNESS (10054).....	570
FIGURE 10-13. BREATHER HEATER INSTALLATION	572
FIGURE 10-14. CAB DISTRIBUTION HARNESS.....	574
FIGURE 10-15. CLEARSKY INSTALLATION - CANBUS.....	580
FIGURE 10-16. CLEARSKY INSTALLATION - CANBUS (CE).....	582
FIGURE 10-17. CLEARSKY HARNESS - CANBUS	584
FIGURE 10-18. CLEARSKY INSTALLATION - 3-WIRE (NORTH AMERICA).....	586

TABLE OF CONTENTS

FIGURE 10-19. CLEARSKY INSTALLATION - 3-WIRE (CE)	588
FIGURE 10-20. CLEARSKY HARNESS - 3-WIRE	590
FIGURE 10-21. CLEARSKY TELEMATICS 3-WIRE INSTALLATION.....	592
FIGURE 10-22. CLEARSKY TELEMATICS 3-WIRE HARNESS.....	594
FIGURE 10-23. COLD WEATHER PACKAGE (ULS).....	596
FIGURE 10-24. COLD WEATHER PACKAGE (LS)	598
FIGURE 10-25. ENGINE HARNESS (74HP).....	600
FIGURE 10-26. ENGINE HARNESS (110HP ULS).....	606
FIGURE 10-27. ENGINE HARNESS (110HP LS)	614
FIGURE 10-28. HVAC HARNESS.....	618
FIGURE 10-29. LIGHTS - BEACON LIGHT INSTALLATION (ENCLOSED CAB).....	620
FIGURE 10-30. LIGHTS - BEACON LIGHT INSTALLATION (OPEN CAB)	622
FIGURE 10-31. LIGHTS - BEACON LIGHT HARNESS	624
FIGURE 10-32. LIGHTS - BOOM WORK LIGHT HARNESS	626
FIGURE 10-33. LIGHTS - LED WORK LIGHT PACKAGE INSTALLATION.....	628
FIGURE 10-34. LIGHTS - ROADLIGHT PACKAGE INSTALLATION	630
FIGURE 10-35. LIGHTS - ROAD LIGHT ASSEMBLY (LH).....	632
FIGURE 10-36. LIGHTS - ROAD LIGHT ASSEMBLY (RH)	634
FIGURE 10-37. LIGHTS - ROAD LIGHT BRACKET ASSEMBLY (LH).....	636
FIGURE 10-38. LIGHTS - ROAD LIGHT BRACKET ASSEMBLY (RH)	638
FIGURE 10-39. LIGHTS - ROAD LIGHT WORK LIGHT HARNESS	640
FIGURE 10-40. LIGHTS - WORK LIGHT OPTIONS HARNESS	642
FIGURE 10-41. LIGHTS - WORK LIGHT ASSEMBLY - LED (LH).....	644
FIGURE 10-42. LIGHTS - WORK LIGHT ASSEMBLY - LED (RH)	646
FIGURE 10-43. LOGIC HARNESS (10054)	648
FIGURE 10-44. RELAY PANEL INSTALLATION	650
FIGURE 10-45. RELAY PANEL COVER INSTALLATION	652
FIGURE 10-46. REVERSE SENSING SYSTEM INSTALLATION.....	654
FIGURE 10-47. REVERSE SENSING HARNESS.....	656
FIGURE 10-48. TANK BLANKET INSTALLATION.....	658
FIGURE 10-49. TBAP HARNESS	660
FIGURE 10-50. WIPER HARNESS.....	662
FIGURE 10-51. ROAD LIGHT OPTION HARNESS	664
SECTION 11 - DECALS.....	667
FIGURE 11-1. DECALS INSTALLATION - 74HP (ANSI SPECS)	668
FIGURE 11-2. DECALS INSTALLATION - 74HP (ENGLISH/FRENCH SPECS)	672
FIGURE 11-3. DECALS INSTALLATION - 74HP ULS (ENGLISH/SPANISH SPECS)	676
FIGURE 11-4. DECALS INSTALLATION - 110HP ULS (ANSI SPECS)	680
FIGURE 11-5. DECALS INSTALLATION - 110HP ULS (ENGLISH/FRENCH SPECS)	684
FIGURE 11-6. DECALS INSTALLATION - 110HP ULS (ENGLISH/SPANISH SPECS)	688
FIGURE 11-7. DECALS INSTALLATION - 110HP LS (ISO DECALS).....	692
FIGURE 11-8. BOOM DECALS INSTALLATION	696
FIGURE 11-9. CLEARSKY DECALS INSTALLATION	698
FIGURE 11-10. LOAD CHART BOOKLET (ANSI)	700
FIGURE 11-11. LOAD CHART BOOKLET (ISO).....	702

TABLE OF CONTENTS

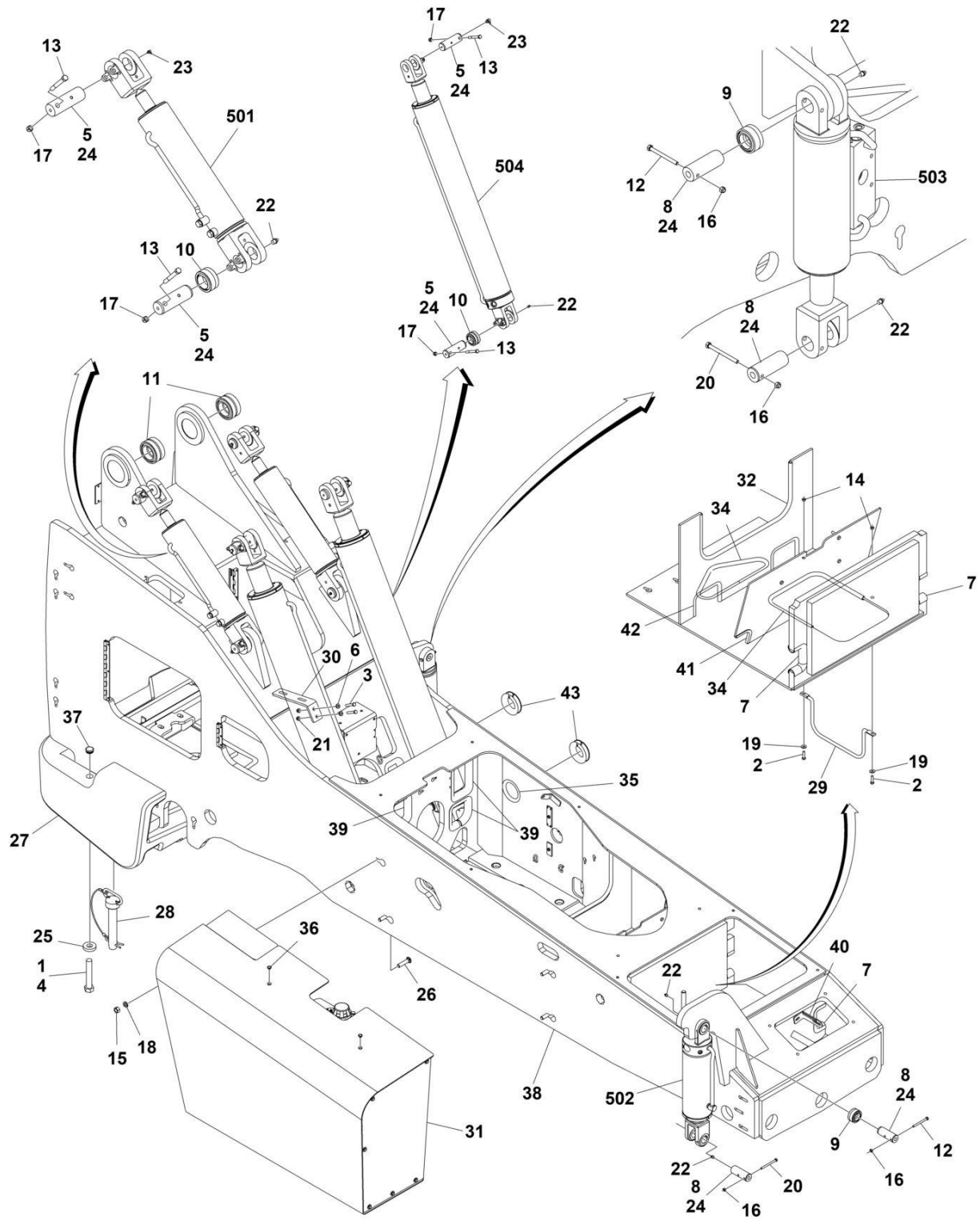
FIGURE 11-12. REVERSE SENSING SYSTEM DECAL INSTALLATION (ENGLISH)	704
FIGURE 11-13. REVERSE SENSING SYSTEM DECAL INSTALLATION (ENGLISH/FRENCH)	706
FIGURE 11-14. REVERSE SENSING SYSTEM DECAL INSTALLATION (ENGLISH/SPANISH).....	708
FIGURE 11-15. REVERSE SENSING SYSTEM DECAL INSTALLATION (ISO).....	710
SECTION 12 - RECOMMENDED SERVICE PARTS STOCK.....	713
FIGURE 12-1. RECOMMENDED SERVICE PARTS STOCK.....	714
SECTION 13 - SPECIAL OPTIONS/ACCESSORIES/KITS.....	717
FIGURE 13-1. SPECIAL OPTIONS/ACCESSORIES/KITS.....	718
PART NUMBER INDEX.....	721

SECTION 1 - FRAME AND ATTACHING PARTS

SECTION 1 - FRAME AND ATTACHING PARTS

SECTION 1 - FRAME AND ATTACHING PARTS

FIGURE 1-1. FRAME COMPONENTS INSTALLATION (74HP ULS)



ART_1001213430_L

SECTION 1 - FRAME AND ATTACHING PARTS

FIGURE 1-1. FRAME COMPONENTS INSTALLATION (74HP ULS)

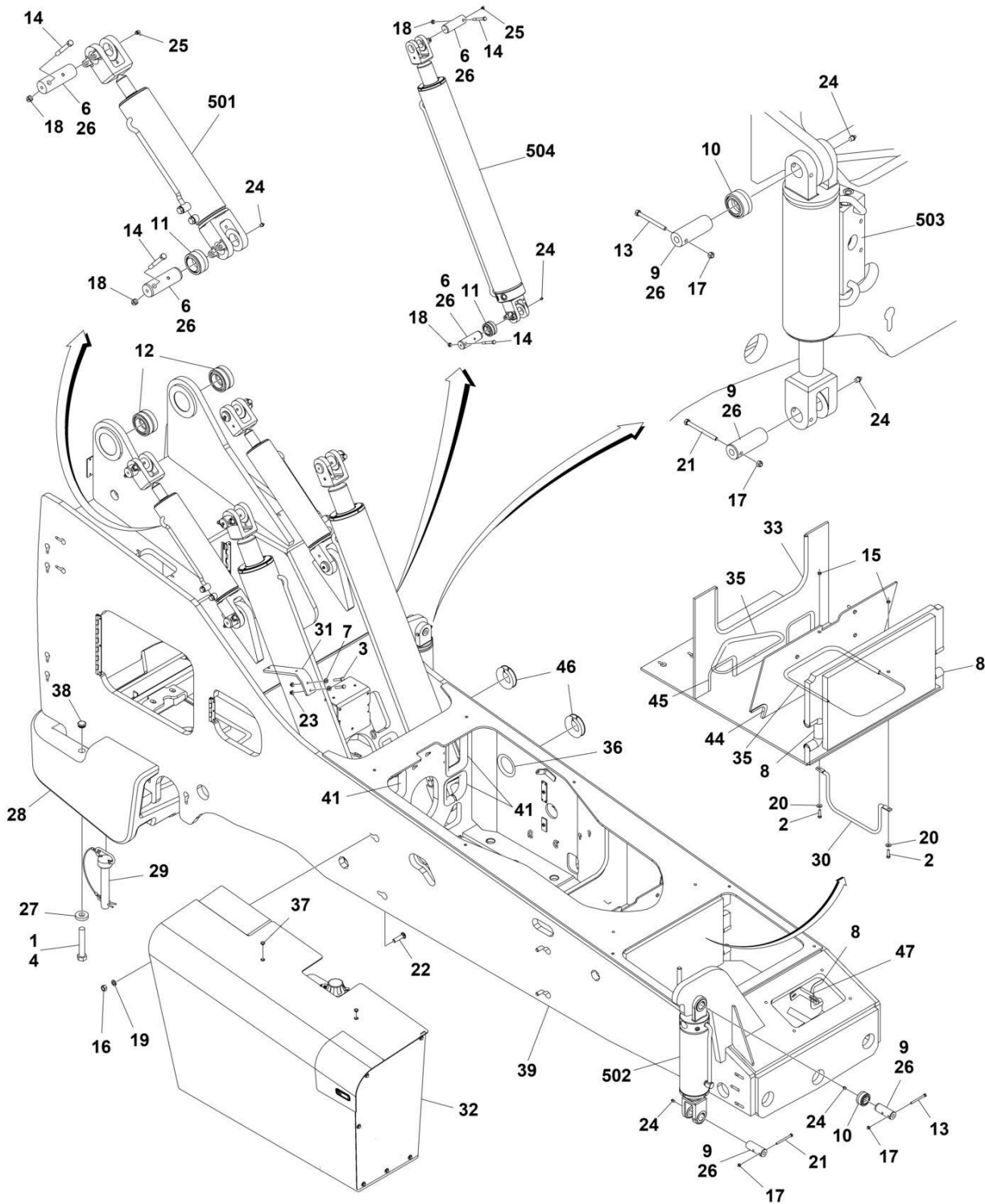
ITEM	PART NUMBER	QTY	DESCRIPTION	REV
	1001213430	Ref	Frame Components Installation, 74HP ULS	L
1	0100019	AR	Compound, Locking	
2	0641510	2	Bolt, 5/16 X 1	
3	0641618	2	Bolt, 3/8 X 2-1/4	
4	0682648	4	Bolt, 1 X 6	
5	3423227	8	Pin, Cylinder	
6	4891600	2	Washer, 3/8	
7	7124451	4	Conduit, 1X8	
8	7137142	4	Pin, Cylinder	
9	8050001	2	Bearing, Self-Align	
10	8065640	4	Bearing, Self-Align	
11	8065641	2	Bearing, Self-Align	
12	8303752	2	Bolt, 5/16 X 3-1/2	
13	8303782	8	Bolt, 1/2 X 4	
14	8305006	2	Nut 5/16	
15	8305014	4	Nut 5/8	
16	8305626	4	Nut 5/16	
17	8305644	8	Nut 1/2	
18	8307009	4	Washer 5/8	
19	8307203	2	Washer 5/16	
20	8310039	2	Bolt 5/16 X 3-3/4	
21	8310522	2	Nut 3/8	
22	8520001	1	Fitting, Straight	
23	8520003	4	Fitting, 90	
24	8522012	AR	Lube, Anti-Seize	
25	80241137	4	Washer	
26	88411148	4	Bolt 5/8 X 2-3/4	
27	1001208664	NLA	Counterweight, Rear	
28	1001160250	1	Pin, Hitch	
29	1001165057	1	Bracket, Cab Hose	
30	1001166238	1	Bracket, Air Filter	
30	1001227211	Ref	Fuel/Hydraulic Tank Assembly (See Separate Breakdown in this Section)	
32	1001172658	1	Conduit, 1/2X41	
34	1001177190	2	Conduit, 1/2X28	
35	1001177192	1	Conduit, 1/2X12-1/2	
36	1001195826	2	Plug, 1/2	
37	1001195952	2	Plug, Tube	
38	1001201554	NLA	Weldment, Frame	
39	1001174227	7	Conduit, 1X21-1/2	
40	4060804	4 in	Flex-Trim	
41	4060805	6 in	Flex-Trim	
42	7124301	2	Conduit, 1/2X15-1/2	
43	7124471	2	Conduit, 1X12-1/2	
500	1001201693	Ref	Cylinder Kit (Not Shown)	G
501	2714973	2	Cylinder, Compensation (See Separate Breakdown in HYDRAULIC COMPONENTS Section)	
502	1001180762	1	Cylinder, Frame Level (See Separate Breakdown in HYDRAULIC COMPONENTS Section)	

SECTION 1 - FRAME AND ATTACHING PARTS

ITEM	PART NUMBER	QTY	DESCRIPTION	REV
503	2717198	1	Cylinder, Stabil-Trak (See Separate Breakdown in HYDRAULIC COMPONENTS Section)	
504	1001296322	2	Cylinder, Lift (See Separate Breakdown in HYDRAULIC COMPONENTS Section)	

SECTION 1 - FRAME AND ATTACHING PARTS

FIGURE 1-2. FRAME COMPONENTS INSTALLATION (110HP ULS)



ART_1001201573_N

SECTION 1 - FRAME AND ATTACHING PARTS

FIGURE 1-2. FRAME COMPONENTS INSTALLATION (110HP ULS)

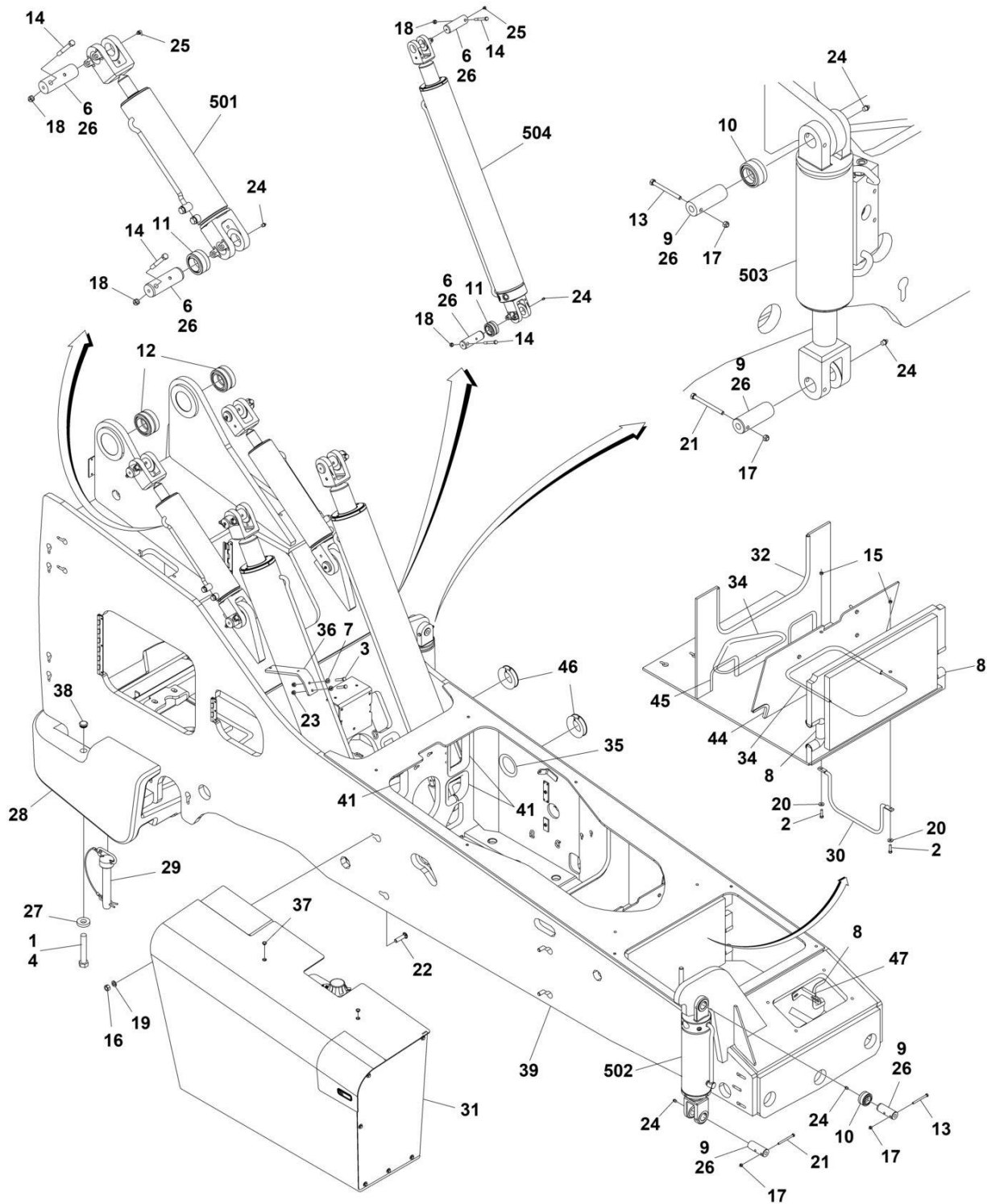
ITEM	PART NUMBER	QTY	DESCRIPTION	REV
	1001201573	Ref	Frame Components Installation, 110HP ULS	N
1	0100019	AR	Compound, Locking	
2	0641510	2	Bolt, 5/16 X 1	
3	0641618	2	Bolt, 3/8 x 2-1/4	
4	0682648	4	Bolt, 1 -8X6	
6	3423227	8	Pin, Cylinder	
7	4891600	2	Washer, 3/8	
8	7124451	4	Conduit, 1X8	
9	7137142	4	Pin, Cylinder	
10	8050001	2	Bearing, Self-Align	
11	8065640	4	Bearing, Self-Align	
12	8065641	2	Bearing, Self-Align	
13	8303752	2	Bolt, 5/16 X 3-1/2	
14	8303782	8	Bolt, 1/2 X 4	
15	8305006	2	Nut 5/16	
16	8305014	4	Nut 5/8	
17	8305626	4	Nut 5/16	
18	8305644	8	Nut 1/2	
19	8307009	4	Washer 5/8	
20	8307203	2	Washer 5/16	
21	8310039	2	Bolt 5/16 X 3-3/4	
22	88411148	4	Bolt 5/8 X 2-3/4	
23	8310522	2	Nut 3/8	
24	8520001	8	Fitting, Straight	
25	8520003	4	Fitting, 90	
26	8522012	AR	Lube, Anti-Seize	
27	80241137	4	Washer	
28	1001208664	NLA	Counterweight, Rear	
29	1001160250	1	Pin, Hitch	
30	1001165057	1	Bracket, Cab Hose	
31	1001166238	1	Bracket, Air Filter	
32	1001169329	1	Installation, Hydraulic/Fuel/DEF Tank (See Separate Breakdown in this Section)	
33	1001172658	1	Conduit, 1/2X41	
35	1001177190	2	Conduit, 1/2X28	
36	1001177192	1	Conduit, 1/2X12-1/2	
37	1001195826	2	Plug, 1/2	
38	1001195952	2	Plug, Tube	
39	1001201554	NLA	Weldment, Frame	
41	1001174227	7	Conduit, 1X21-1/2	
44	4060805	6 in	Flex-Trim	
45	7124301	2	Conduit, 1/2X15-1/2	
46	7124471	2	Conduit, 1X12.5	
47	4060804	4 in	Flex-Trim	
500	1001201693	Ref	Cylinder Kit (Not Shown)	G
501	2714973	2	Cylinder, Compensation (See Separate Breakdown in HYDRAULIC COMPONENTS Section)	
502	1001180762	1	Cylinder, Frame Level (See Separate Breakdown in HYDRAULIC COMPONENTS Section)	

SECTION 1 - FRAME AND ATTACHING PARTS

ITEM	PART NUMBER	QTY	DESCRIPTION	REV
503	2717198	1	Cylinder, Stabil-Trak (See Separate Breakdown in HYDRAULIC COMPONENTS Section)	
504	1001296322	2	Cylinder, Lift (See Separate Breakdown in HYDRAULIC COMPONENTS Section)	

SECTION 1 - FRAME AND ATTACHING PARTS

FIGURE 1-3. FRAME COMPONENTS INSTALLATION (110HP LS)



ART_1001201574_N

SECTION 1 - FRAME AND ATTACHING PARTS

FIGURE 1-3. FRAME COMPONENTS INSTALLATION (110HP LS)

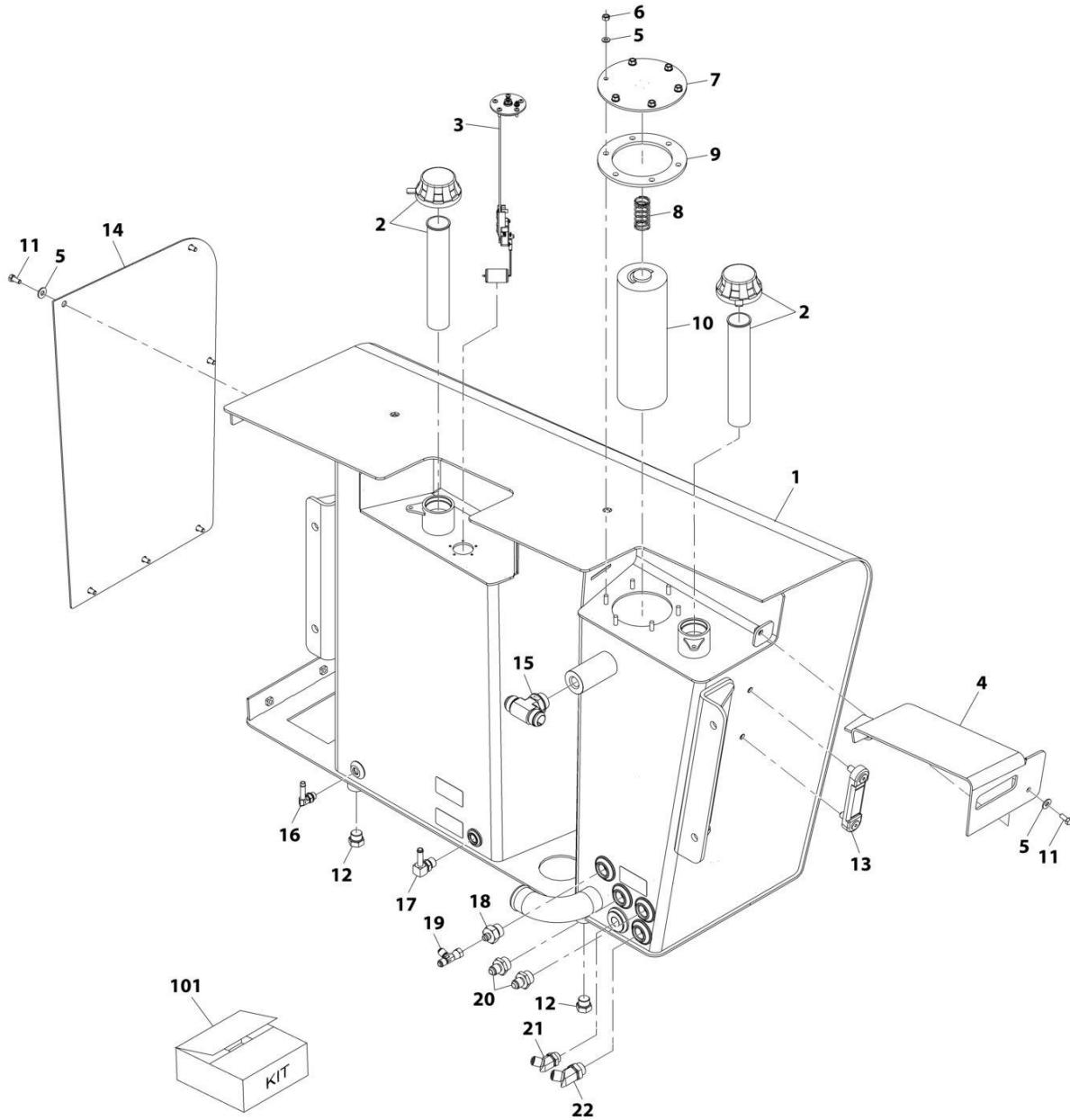
ITEM	PART NUMBER	QTY	DESCRIPTION	REV
	1001201574	Ref	Frame Components Installation - LS	N
1	0100019	AR	Compound, Locking	
2	0641510	2	Bolt 5/16 X 1	
3	0641618	2	Bolt 3/8 X 2-1/4	
4	0682648	4	Bolt, 1 X 6	
6	3423227	8	Pin, Cylinder	
7	4891600	2	Washer, 3/8	
8	7124451	4	Conduit, 1X8	
9	7137142	4	Pin, Cylinder	
10	8050001	2	Bearing, Self-Align	
11	8065640	4	Bearing, Self-Align	
12	8065641	2	Bearing, Self-Align	
13	8303752	2	Bolt 5/16 X 3-1/2	
14	8303782	8	Bolt 1/2 X 4	
15	8305006	2	Nut 5/16	
16	8305014	4	Nut 5/8	
17	8305626	4	Nut 5/16	
18	8305644	8	Nut 1/2	
19	8307009	4	Washer 5/8	
20	8307203	2	Washer 5/16	
21	8310039	2	Bolt 5/16 X 3-3/4	
22	88411148	4	Bolt 5/8 X 2-3/4	
23	8310522	2	Nut 3/8	
24	8520001	8	Fitting, Straight	
25	8520003	4	Fitting, 90	
26	8522012	AR	Lube, Anti-Seize	
27	80241137	4	Washer	
28	1001208664	NLA	Counterweight, Rear	
29	1001160250	1	Pin, Hitch	
30	1001165057	1	Bracket, Cab Hose	
31	1001169466	1	Weldment, Fuel/Hydraulic/DEF Tank (See Separate Breakdown in this Section)	
32	1001172658	1	Conduit, 1/2X41	
34	1001177190	2	Conduit, 1/2X28	
35	1001177192	1	Conduit, 1/2X12-1/2	
36	1001190007	1	Bracket, Air Filter	
37	1001195826	2	Plug	
38	1001195952	2	Plug, Tube	
39	1001201554	NLA	Weldment, Frame	
41	1001174227	7	Conduit, 1X21-1/2	
44	4060805	6 in	Flex-Trim	
45	7124301	2	Conduit, 1/2X15-1/2	
46	7124471	2	Conduit, 1X12-1/2	
47	4060804	4 in	Flex-Trim	
500	1001201693	Ref	Cylinder Kit (Not Shown)	G
501	2714973	2	Cylinder, Compensation (See Separate Breakdown in HYDRAULIC COMPONENTS Section)	
502	1001180762	1	Cylinder, Frame Level (See Separate Breakdown in HYDRAULIC COMPONENTS Section)	

SECTION 1 - FRAME AND ATTACHING PARTS

ITEM	PART NUMBER	QTY	DESCRIPTION	REV
503	2717198	1	Cylinder, Stabil-Trak (See Separate Breakdown in HYDRAULIC COMPONENTS Section)	
504	1001296322	2	Cylinder, Lift (See Separate Breakdown in HYDRAULIC COMPONENTS Section)	

SECTION 1 - FRAME AND ATTACHING PARTS

FIGURE 1-4. TANKS ASSEMBLY - HYDRAULIC/FUEL/DEF (74HP ULS)



ART_1001227211

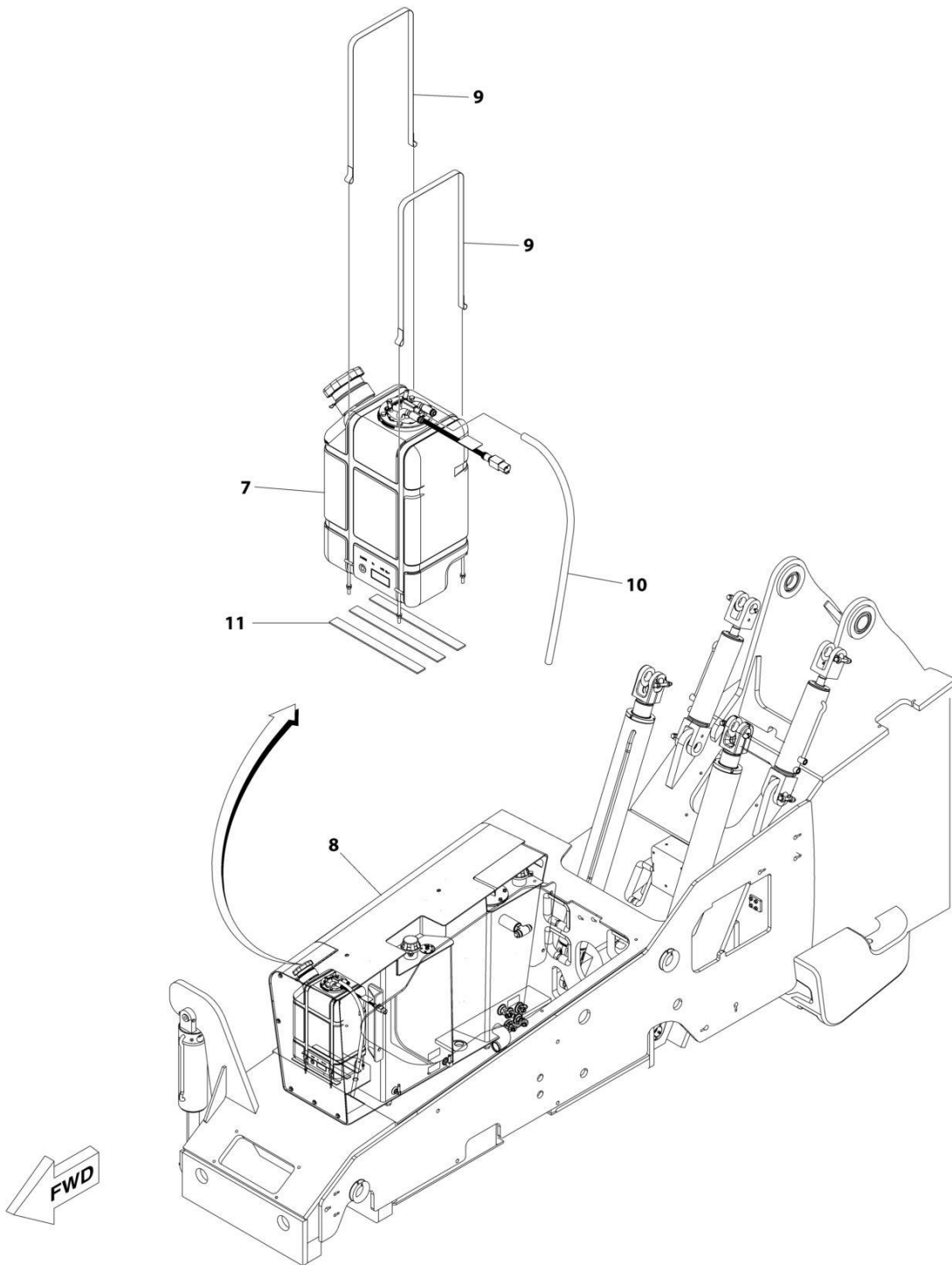
SECTION 1 - FRAME AND ATTACHING PARTS

FIGURE 1-4. TANKS ASSEMBLY - HYDRAULIC/FUEL/DEF (74HP ULS)

ITEM	PART NUMBER	QTY	DESCRIPTION	REV
	1001227211	Ref	Hydraulic/Fuel Tank Assembly (ULS)	B
1	N.S.S.	1	Tank, Hydraulic/Fuel	
2	7139077	2	Filler/Breather	
3	1001145026	1	Sensor, Fuel	
4	1001199116	1	Panel, Hydraulic Fill Cover	
5	1001170329	13	Washer, Flat M8	
6	3300429	6	Nut 5/16	
7	1001199135	1	Assembly, Cover	
8	1001199136	1	Spring	
9	1001199177	1	Seal	
10	1001199205	1	Element, Filter	
11	8303697	7	Bolt 5/16 X 3/4	
12	2220239	2	Plug	
13	7024441	1	Gauge, Sight	
14	1001199181	1	Cover, DEF Tank	
15	8760552	1	Tee, Branch	
16	1001178776	1	Elbow, 90	
17	1001199210	1	Elbow, 90	
18	2220577	1	Adapter	
19	2220635	1	Tee, Run	
20	2220375	2	Adapter	
21	2220499	1	Elbow, 45	
22	8770048	1	Elbow, 45	
101	70024152	1	Kit, Filter (Includes Items 9 & 10)	

SECTION 1 - FRAME AND ATTACHING PARTS

FIGURE 1-5. TANKS INSTALLATION - HYDRAULIC/FUEL/DEF (110HP ULS)



ART_1001169329_F

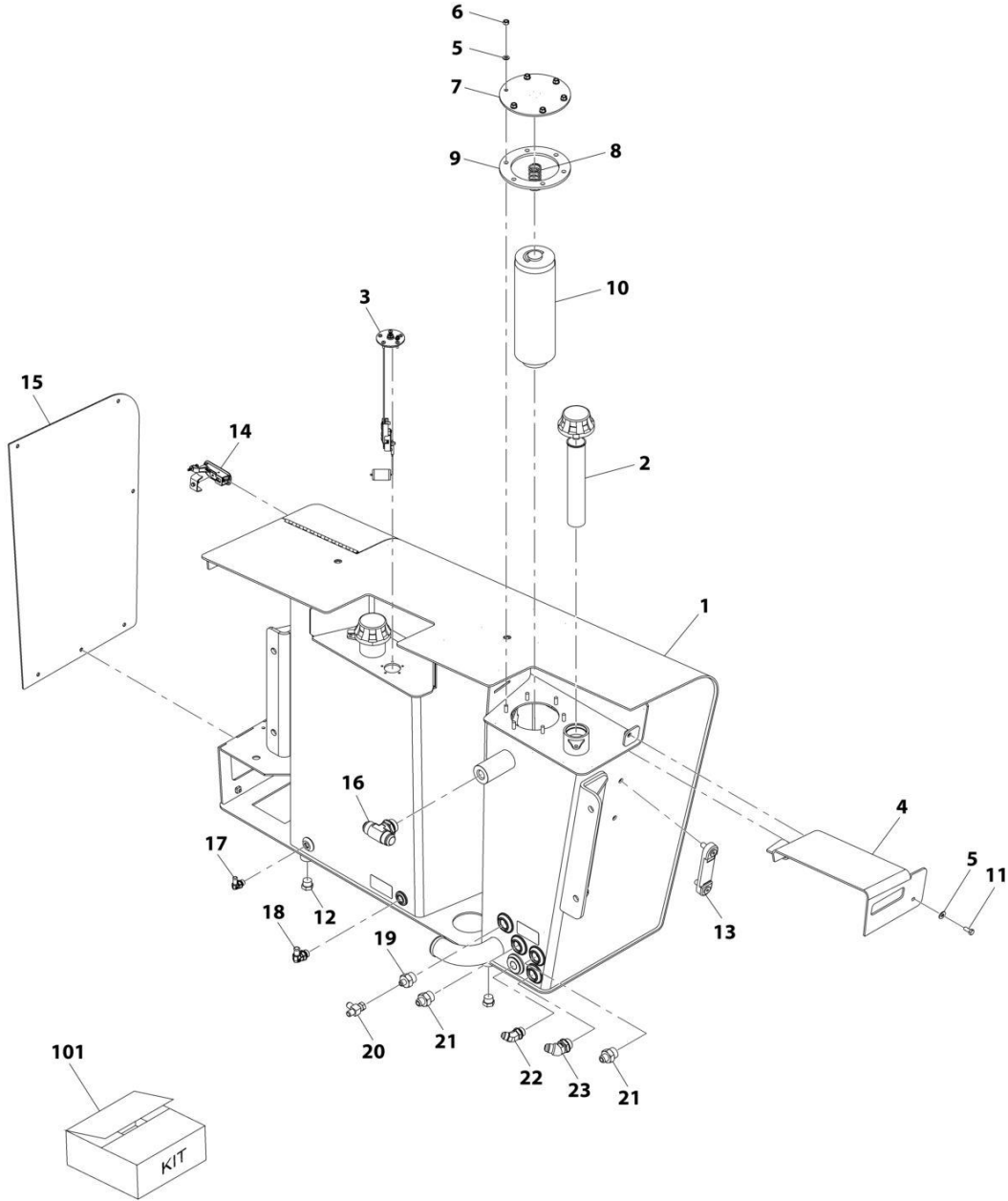
SECTION 1 - FRAME AND ATTACHING PARTS

FIGURE 1-5. TANKS INSTALLATION - HYDRAULIC/FUEL/DEF (110HP ULS)

ITEM	PART NUMBER	QTY	DESCRIPTION	REV
	1001169329	Ref	TANK INSTALLATION - HYDRAULIC/FUEL/DEF	F
7	1001228986	1	DEF Tank (See Separate Breakdown in this Section)	
8	1001169466	1	Weldment, Fuel/Hydraulic Tank (See Separate Breakdown in this Section)	
9	1001170856	2	Strap, DEF Tank	
10	1001229095	1	Hose, DEF Tank Vent	
11	4420037	AR	Tape, Insulation	

SECTION 1 - FRAME AND ATTACHING PARTS

FIGURE 1-6. TANKS ASSEMBLY - HYDRAULIC/FUEL (110HP ULS & LS)



ART_1001169466

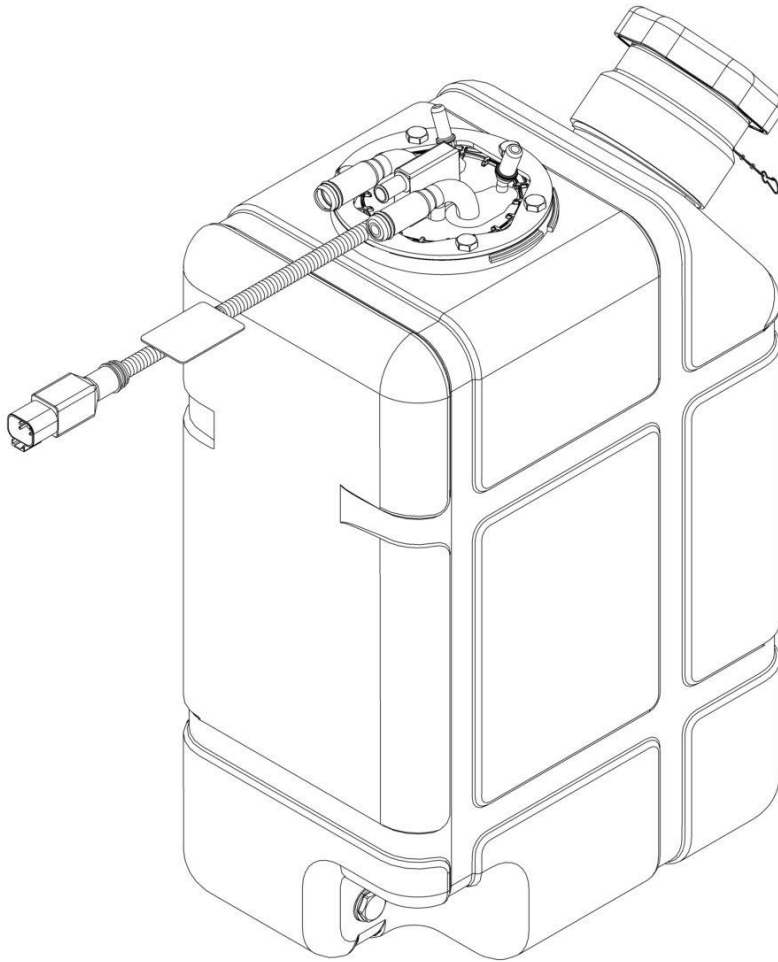
SECTION 1 - FRAME AND ATTACHING PARTS

FIGURE 1-6. TANKS ASSEMBLY - HYDRAULIC/FUEL (110HP ULS & LS)

ITEM	PART NUMBER	QTY	DESCRIPTION	REV
	1001169466	Ref	Hydraulic/Fuel/DEF Tank Assembly (LS)	M
1	N.S.S.	1	Weldment, Hydraulic/Fuel Tank	
2	7139077	2	Filler/Breather	
3	1001145026	1	Sensor, Fuel	
4	1001199116	1	Panel, Hydraulic Fill Cover	
5	1001170329	7	Washer, Flat M8	
6	3300429	6	Nut, Hex 31-18	
7	1001199135	1	Assembly, Cover	
8	1001199136	1	Spring	
9	1001199177	1	Seal	
10	1001199205	1	Element, Filter	
11	8303697	1	Bolt, Hex Hd 5/16-18X3/4	
12	2220239	2	Plug	
13	7024441	1	Gauge, Sight	
14	1001199199	1	Latch	
15	1001199181	1	Cover, DEF Tank	
16	8760552	1	Tee, Branch	
17	1001178776	1	Elbow, 90	
18	1001199210	1	Elbow, 90	
19	2220577	1	Adapter	
20	2220635	1	Tee, Run	
21	2220375	2	Adapter	
22	2220499	1	Elbow, 45	
23	8770048	1	Elbow, 45	
101	70024152	1	Kit, Filter (Includes Items 9 & 10)	

SECTION 1 - FRAME AND ATTACHING PARTS

FIGURE 1-7. DEF TANK ASSEMBLY (110HP ULS)



ART_1001228986-A

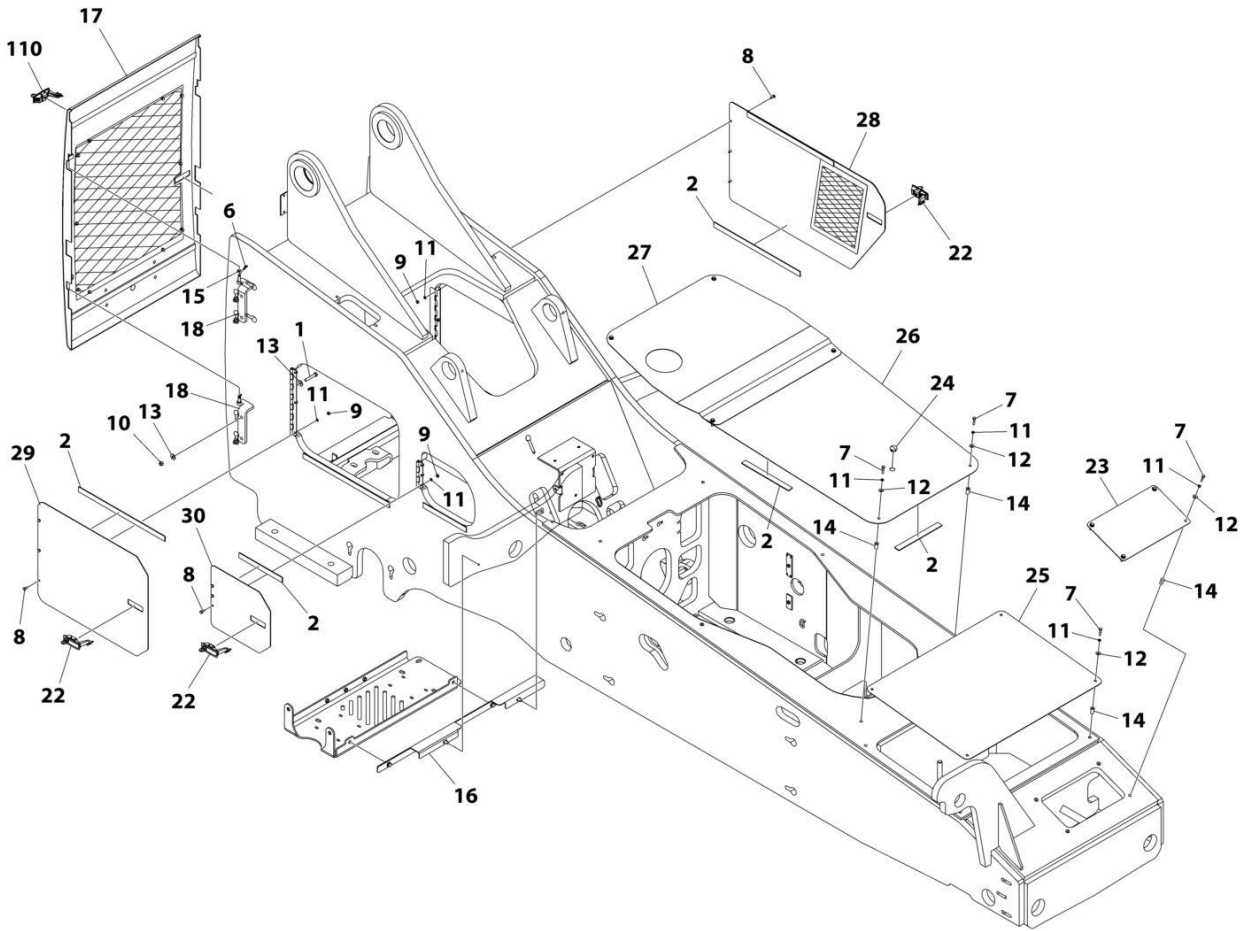
SECTION 1 - FRAME AND ATTACHING PARTS

FIGURE 1-7. DEF TANK ASSEMBLY (110HP ULS)

ITEM	PART NUMBER	QTY	DESCRIPTION	REV
	1001228986	1	DEF Tank Assembly, (Contact Cummins at 1-800-CUMMINS for all service if the DEF tank assembly is still within warranty. Warranty may be voided if service is conducted by anyone other than Cummins service personnel)	A

SECTION 1 - FRAME AND ATTACHING PARTS

FIGURE 1-8. FRAME COVERS INSTALLATION (74HP ULS)



ART_1001213432_F

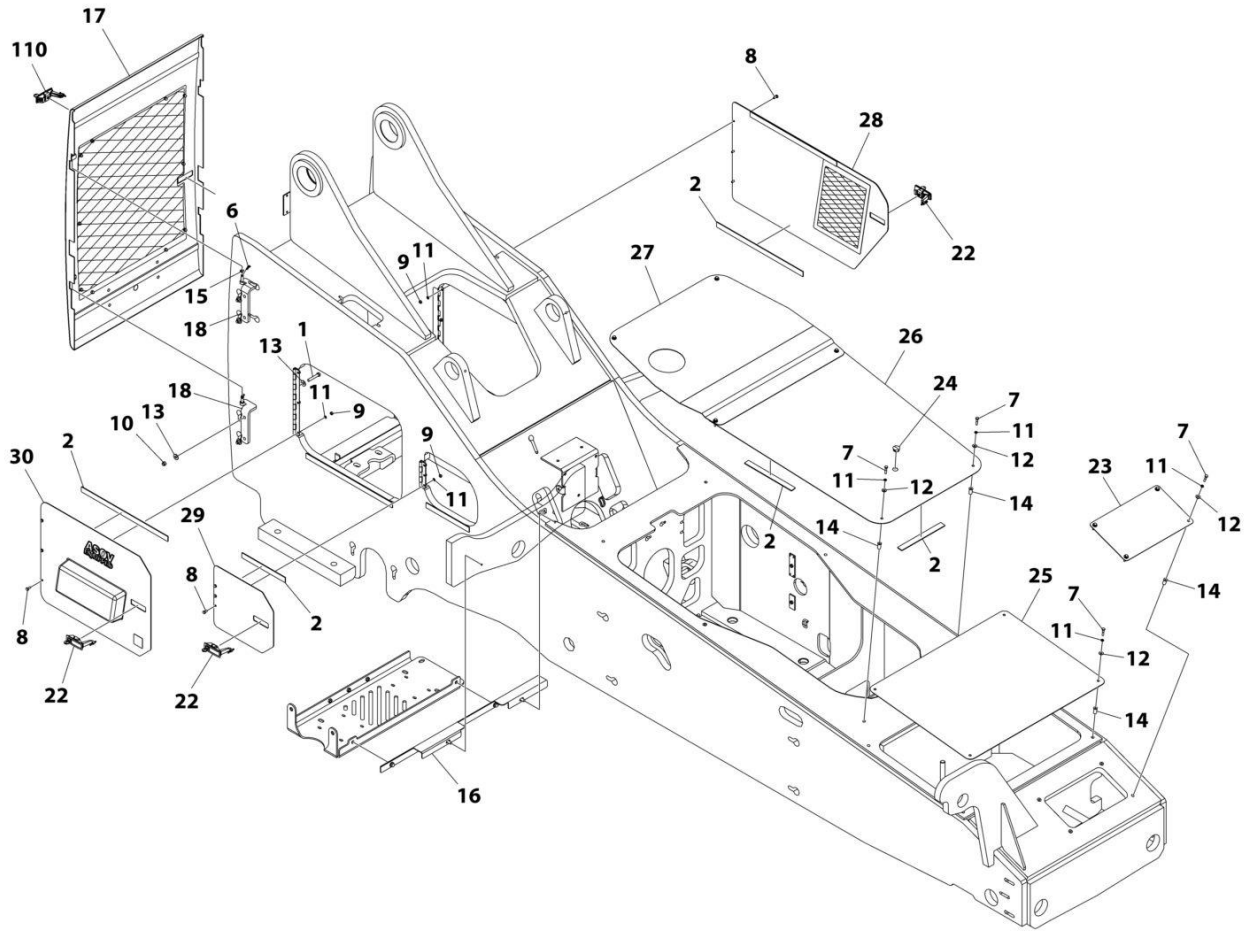
SECTION 1 - FRAME AND ATTACHING PARTS

FIGURE 1-8. FRAME COVERS INSTALLATION (74HP ULS)

ITEM	PART NUMBER	QTY	DESCRIPTION	REV
	1001213432	Ref	FRAME COVERS INSTALLATION	F
1	0641618	4	Bolt 3/8 x 2-1/4	
2	4420037	190 in	Tape, Insulation	
6	8302470	2	Pin, Hair	
7	8303615	14	Bolt 1/4 x 1-1/4	
8	8303729	9	Bolt 1/4 x 5/8	
9	8305004	9	Nut 1/4	
10	8305645	4	Nut 3/8	
11	8307002	23	Washer 1/4	
12	8307202	14	Washer 1/4	
13	8307204	8	Washer 3/8	
14	8580420	14	Nut, Well	
15	10732150	2	Washer M10	
16	1001127864	1	Installation, Dust Shield (See Separate Breakdown in this Section)	
17	1001156283	1	Door, Rear (Includes Item 110)	O
18	1001159319	2	Mount, Rear Door	
22	1001190341	3	Latch, Adjustable Trigger	
23	1001192390	1	Cover, Front	
24	3520030	1	Plug	
25	7139047	1	Cover, Counterweight	
26	1001242035	1	Cover, Lower Transmission	
27	7139407	1	Cover, Upper Transmission	
28	1001169006	1	Panel, Left Side Access	
29	1001171384	1	Panel, Engine Access Right Side	
30	1001171385	1	Panel, Air Cleaner Access	
110	1001190341	1	Latch, Adjustable Trigger	

SECTION 1 - FRAME AND ATTACHING PARTS

FIGURE 1-9. FRAME COVERS INSTALLATION (74HP WITH AIR SHUT OFF VALVE)



ART_1001228512_F

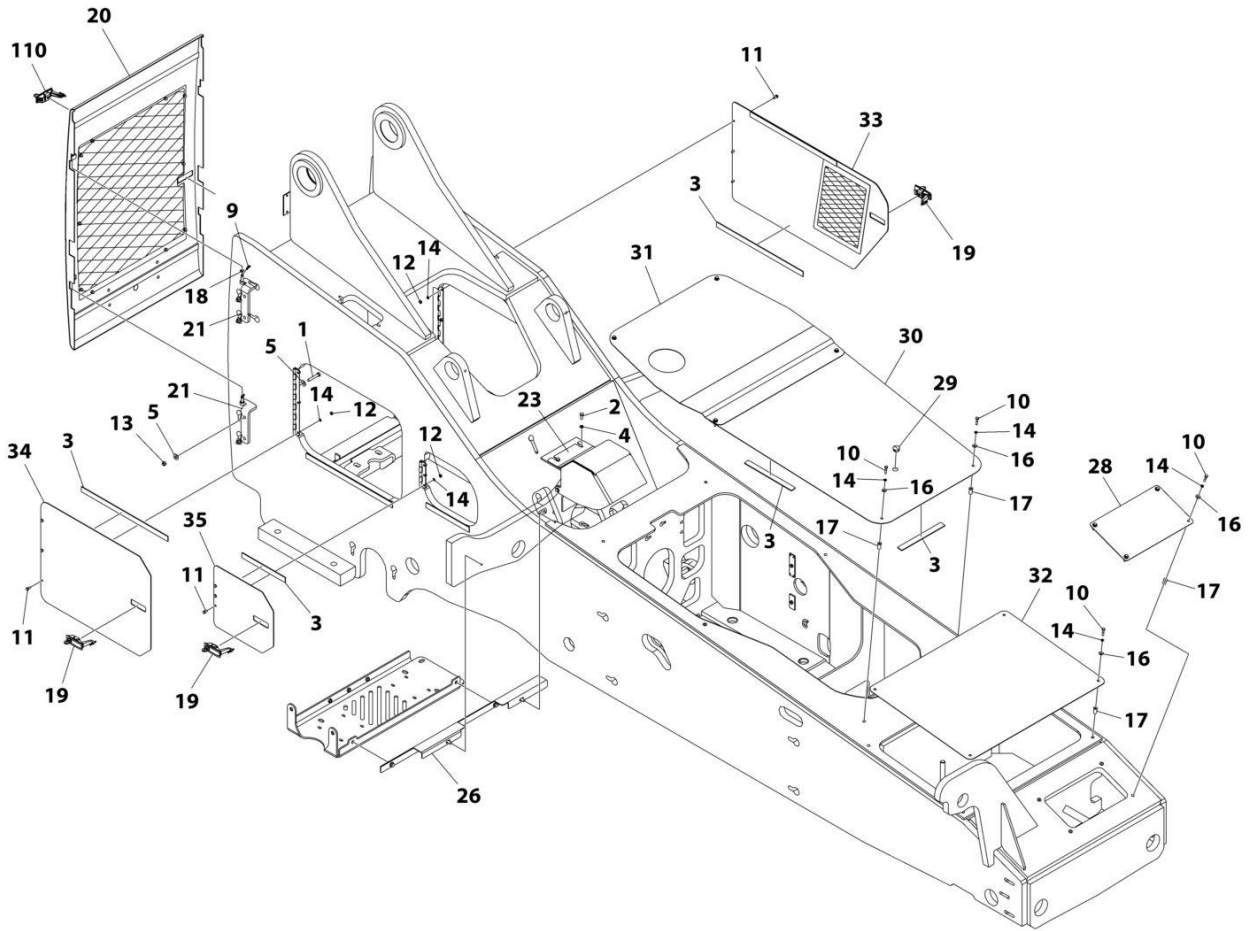
SECTION 1 - FRAME AND ATTACHING PARTS

FIGURE 1-9. FRAME COVERS INSTALLATION (74HP WITH AIR SHUT OFF VALVE)

ITEM	PART NUMBER	QTY	DESCRIPTION	REV
	1001228512	Ref	FRAME COVERS INSTALLATION	F
1	0641618	4	Bolt 3/8 x 2-1/4	
2	4420037	190 in	Tape, Insulation	
6	8302470	2	Pin, Hair	
7	8303615	14	Bolt 1/4 x 1-1/4	
8	8303729	9	Bolt 1/4 x 5/8	
9	8305004	9	Nut 1/4	
10	8305645	4	Nut 3/8	
11	8307002	23	Washer 1/4	
12	8307202	14	Washer 1/4	
13	8307204	8	Washer 3/8	
14	8580420	14	Nut, Well	
15	10732150	2	Washer M10	
16	1001127864	1	Installation, Dust Shield (See Separate Breakdown in this Section)	
17	1001156283	1	Door, Rear (Includes Item 110)	O
18	1001159319	2	Mount, Rear Door	
22	1001190341	3	Latch, Adjustable Trigger	
23	1001192390	1	Cover, Front	
24	3520030	1	Plug	
25	7139047	1	Cover, Counterweight	
26	1001242035	1	Cover, Lower Transmission	
27	7139407	1	Cover, Upper Transmission	
28	1001169006	1	Panel, Left Side Access	
29	1001171385	1	Panel, Air Cleaner Access	
30	1001216291	1	Panel, Engine Access Right Side	
110	1001190341	1	Latch, Adjustable Trigger	

SECTION 1 - FRAME AND ATTACHING PARTS

FIGURE 1-10. FRAME COVERS INSTALLATION (110HP ULS)



ART_1001166070_J

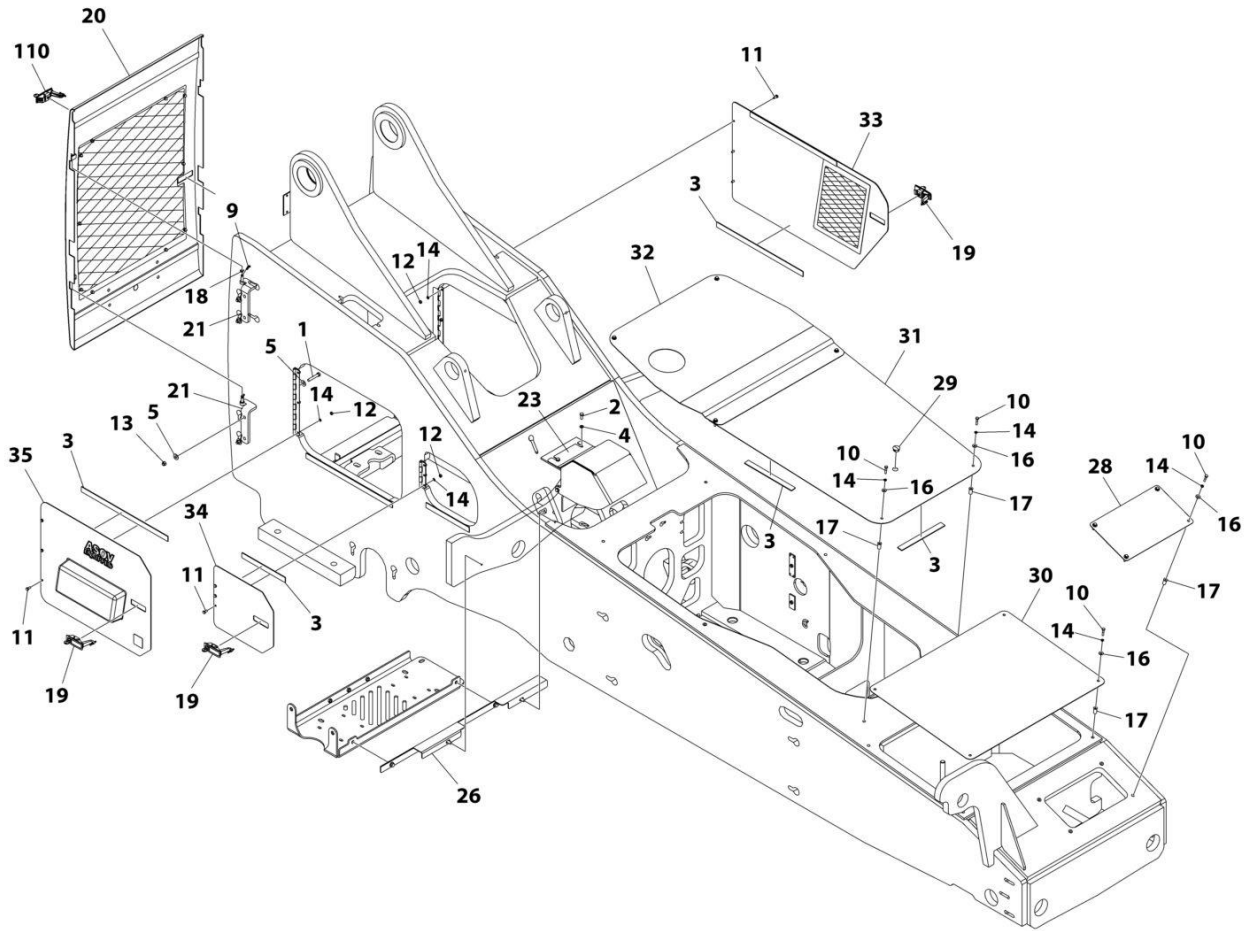
SECTION 1 - FRAME AND ATTACHING PARTS

FIGURE 1-10. FRAME COVERS INSTALLATION (110HP ULS)

ITEM	PART NUMBER	QTY	DESCRIPTION	REV
	1001166070	Ref	FRAME COVERS INSTALLATION	J
1	0641618	4	Bolt 3/8 x 2-1/4	
2	0760810	4	Bolt M8 x 20	
3	4420037	190 in	Tape, Insulation	
4	4811900	4	Washer M8	
5	8307204	8	Washer 3/8	
9	8302470	2	Pin, Hair	
10	8303615	14	Bolt 1/4 x 1-1/4	
11	8303729	9	Bolt 1/4 x 5/8	
12	8305004	9	Nut 1/4	
13	8305645	4	Nut 3/8	
14	8307002	23	Washer 1/4	
16	8307202	14	Washer 1/4	
17	8580420	14	Nut, Well	
18	10732150	2	Washer M10	
19	1001190341	3	Latch, Adjustable Trigger	
20	1001156283	1	Door, Rear (Includes Item 110)	O
21	1001159319	2	Mount, Rear Door	
23	1001169172	1	Cover, DEF Supply	
26	1001127864	1	Installation, Dust Shield (See Separate Breakdown in this Section)	
28	1001192390	1	Cover, Front	
29	3520030	1	Plug	
30	1001242035	1	Cover, Lower Transmission	
31	7139407	1	Cover, Upper Transmission	
32	7139047	1	Cover, Counterweight	
33	1001169006	1	Panel, Left Side Access	
34	1001171384	1	Panel, Engine Access Right Side	
35	1001171385	1	Panel, Air Cleaner Access	
110	1001190341	1	Latch, Adjustable Trigger	

SECTION 1 - FRAME AND ATTACHING PARTS

FIGURE 1-11. FRAME COVERS INSTALLATION (110HP ULS WITH AIR SHUT OFF VALVE)



ART_1001227208_F

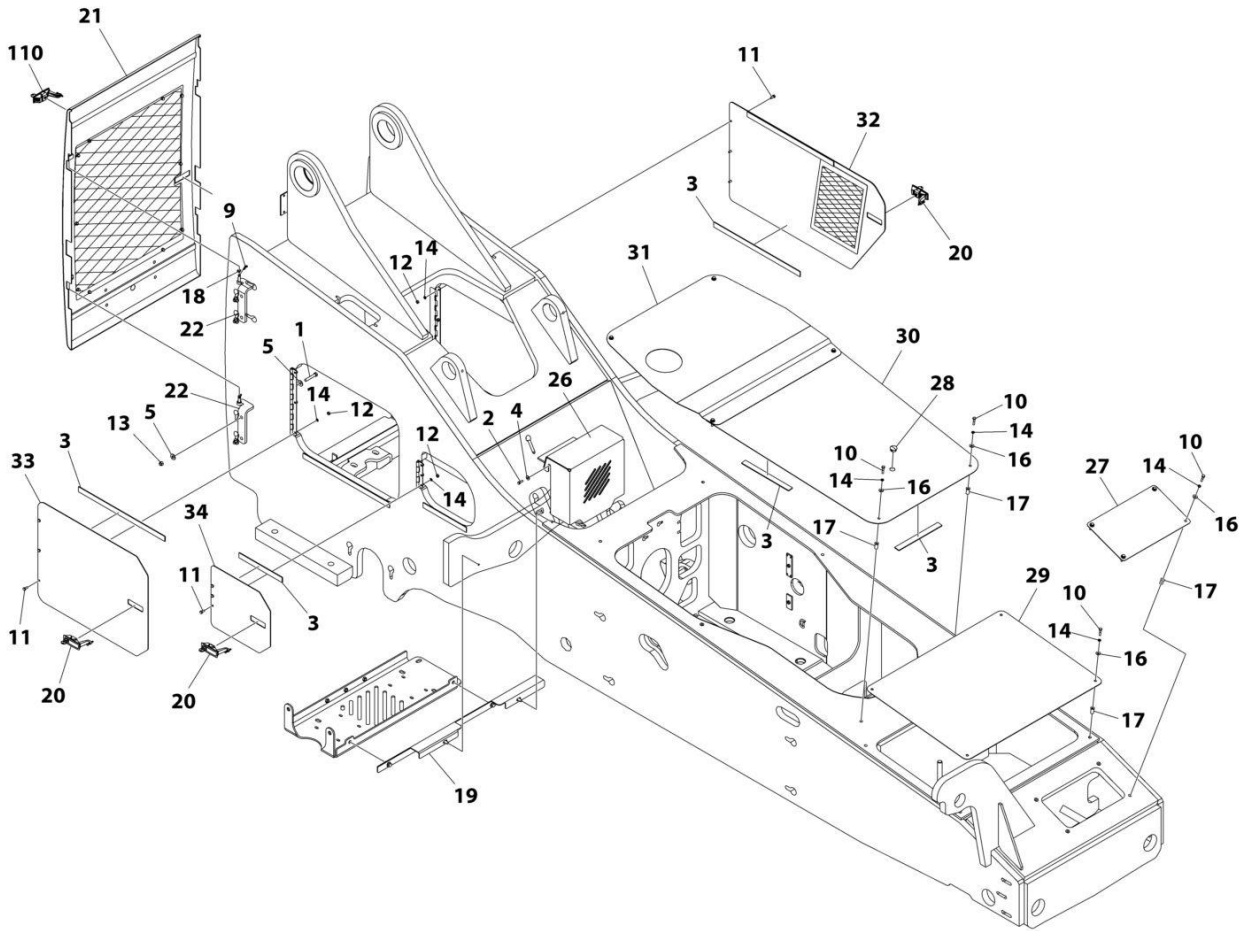
SECTION 1 - FRAME AND ATTACHING PARTS

FIGURE 1-11. FRAME COVERS INSTALLATION (110HP ULS WITH AIR SHUT OFF VALVE)

ITEM	PART NUMBER	QTY	DESCRIPTION	REV
	1001227208	Ref	FRAME COVERS INSTALLATION	F
1	0641618	4	Bolt 3/8 x 2-1/4	
2	0760810	4	Bolt M8 x 20	
3	4420037	190 in	Tape, Insulation	
4	4811900	4	Washer M8	
5	8307204	8	Washer 3/8	
9	8302470	2	Pin, Hair	
10	8303615	14	Bolt 1/4 x 1-1/4	
11	8303729	9	Bolt 1/4 x 5/8	
12	8305004	9	Nut 1/4	
13	8305645	4	Nut 3/8	
14	8307002	23	Washer 1/4	
16	8307202	14	Washer 1/4	
17	8580420	14	Nut, Well	
18	10732150	2	Washer M10	
19	1001190341	3	Latch, Adjustable Trigger	
20	1001156283	1	Door, Rear (Includes Item 110)	O
21	1001159319	2	Mount, Rear Door	
23	1001169172	1	Cover, DEF Supply	
26	1001127864	1	Installation, Dust Shield (See Separate Breakdown in this Section)	
28	1001192390	1	Cover, Front	
29	3520030	1	Plug	
30	7139047	1	Cover, Counterweight	
31	1001242035	1	Cover, Lower Transmission	
32	7139407	1	Cover, Upper Transmission	
33	1001169006	1	Panel, Left Side Access	
34	1001171385	1	Panel, Air Cleaner Access	
35	1001216291	1	Panel, Engine Access Right Side	
110	1001190341	1	Latch, Adjustable Trigger	

SECTION 1 - FRAME AND ATTACHING PARTS

FIGURE 1-12. FRAME COVERS INSTALLATION (110HP LS)



ART_1001186537_1

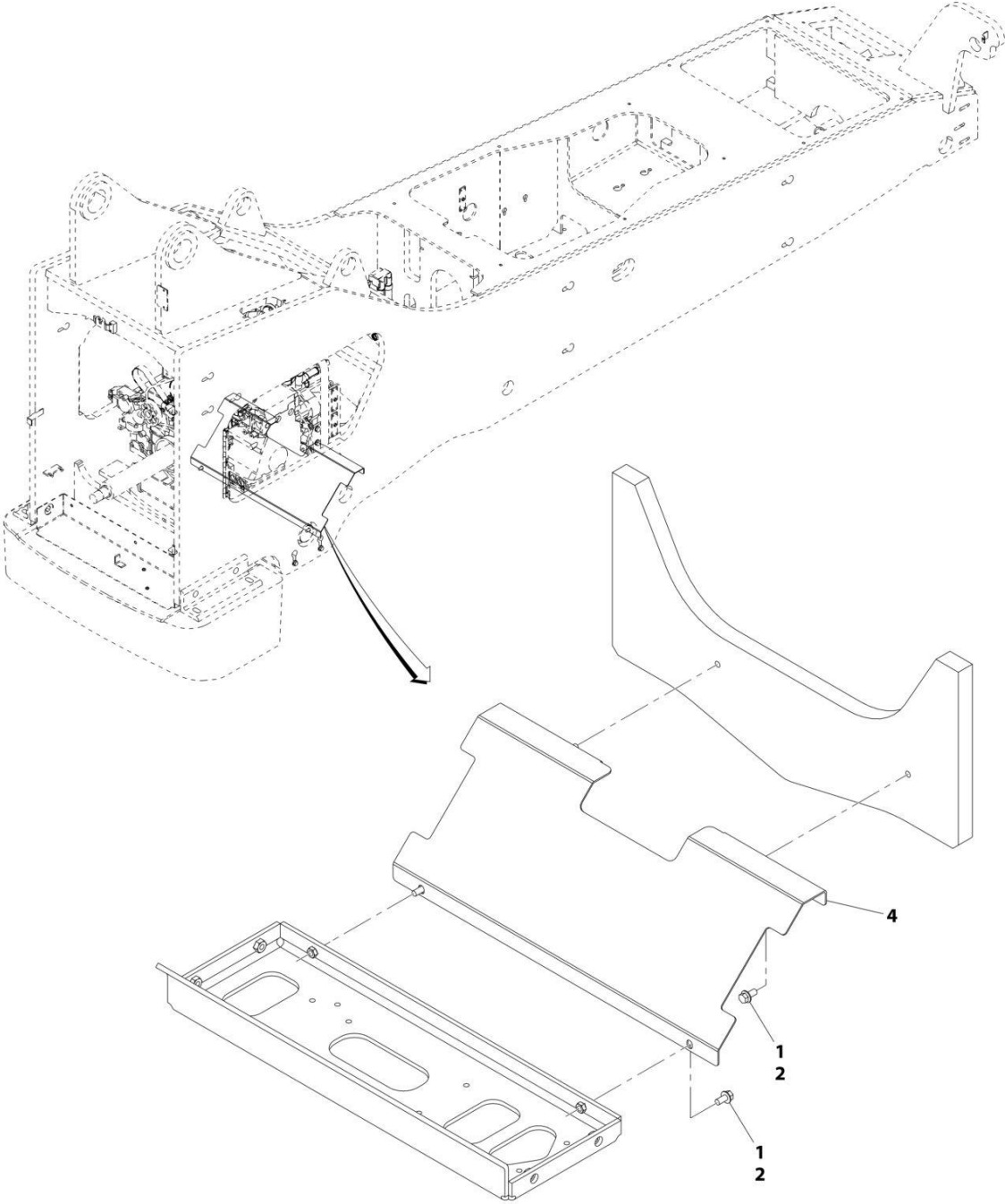
SECTION 1 - FRAME AND ATTACHING PARTS

FIGURE 1-12. FRAME COVERS INSTALLATION (110HP LS)

ITEM	PART NUMBER	QTY	DESCRIPTION	REV
	1001186537	Ref	FRAME COVERS INSTALLATION	I
1	0641618	4	Bolt 3/8 x 2-1/4	
2	0760610	3	Bolt M6 x 20	
3	4420037	190 in	Tape, Insulation	
4	4811702	3	Washer M6	
5	8307204	8	Washer 3/8	
9	8302470	2	Pin, Hair	
10	8303615	14	Bolt 1/4 x 1-1/4	
11	8303729	9	Bolt 1/4 x 5/8	
12	8305004	9	Nut 1/4	
13	8305645	4	Nut 3/8	
14	8307002	23	Washer 1/4	
16	8307202	14	Washer 1/4	
17	8580420	14	Nut, Well	
18	10732150	2	Washer M10	
19	1001127864	1	Installation, Dust Shield (See Separate Breakdown in this Section)	
20	1001190341	3	Latch, Adjustable Trigger	
21	1001156283	1	Door, Rear (Includes Item 110)	O
22	1001159319	2	Mount, Rear Door	
26	1001211690	1	Bracket, ECM Cover	
27	1001192390	1	Cover, Front	
28	3520030	1	Plug	
29	7139047	1	Cover, Counterweight	
30	1001242035	1	Cover, Lower Transmission	
31	7139407	1	Cover, Upper Transmission	
32	1001169006	1	Panel, Left Side Access	
33	1001171384	1	Panel, Engine Access Right Side	
34	1001171385	1	Panel, Air Cleaner Access	
110	1001190341	1	Latch, Adjustable Trigger	

SECTION 1 - FRAME AND ATTACHING PARTS

FIGURE 1-13. DUST SHIELD INSTALLATION



ART_1001127864-B

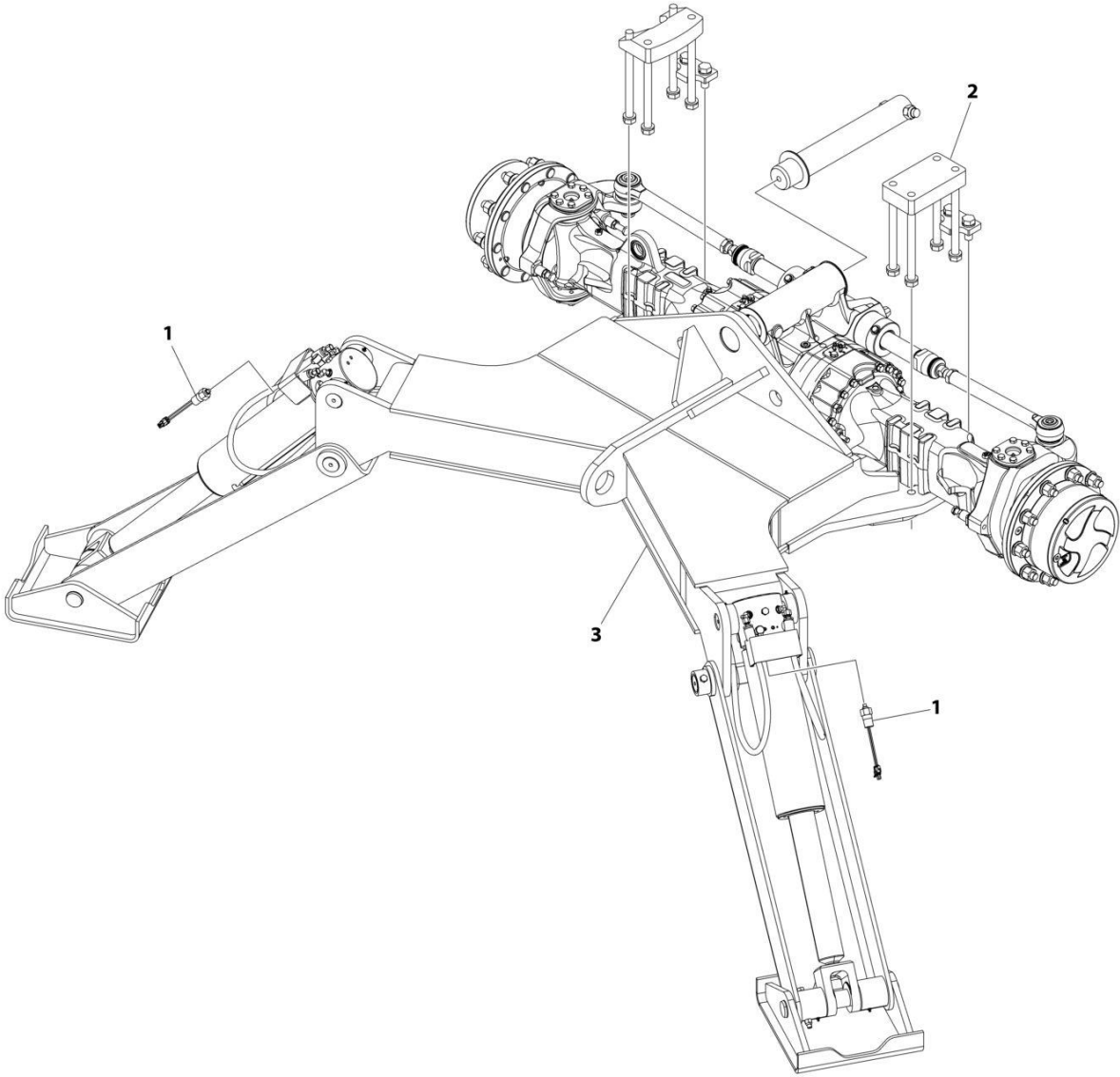
SECTION 1 - FRAME AND ATTACHING PARTS

FIGURE 1-13. DUST SHIELD INSTALLATION

ITEM	PART NUMBER	QTY	DESCRIPTION	REV
	1001127864	Ref	Dust Shield Installation	B
1	0100011	AR	Compound, Locking	
2	0791606	4	Bolt, 3/8-16X3/4	
4	1001127867	1	Panel, Dust Baffle Front	

SECTION 1 - FRAME AND ATTACHING PARTS

FIGURE 1-14. OUTRIGGER INSTALLATION



ART_1001224119

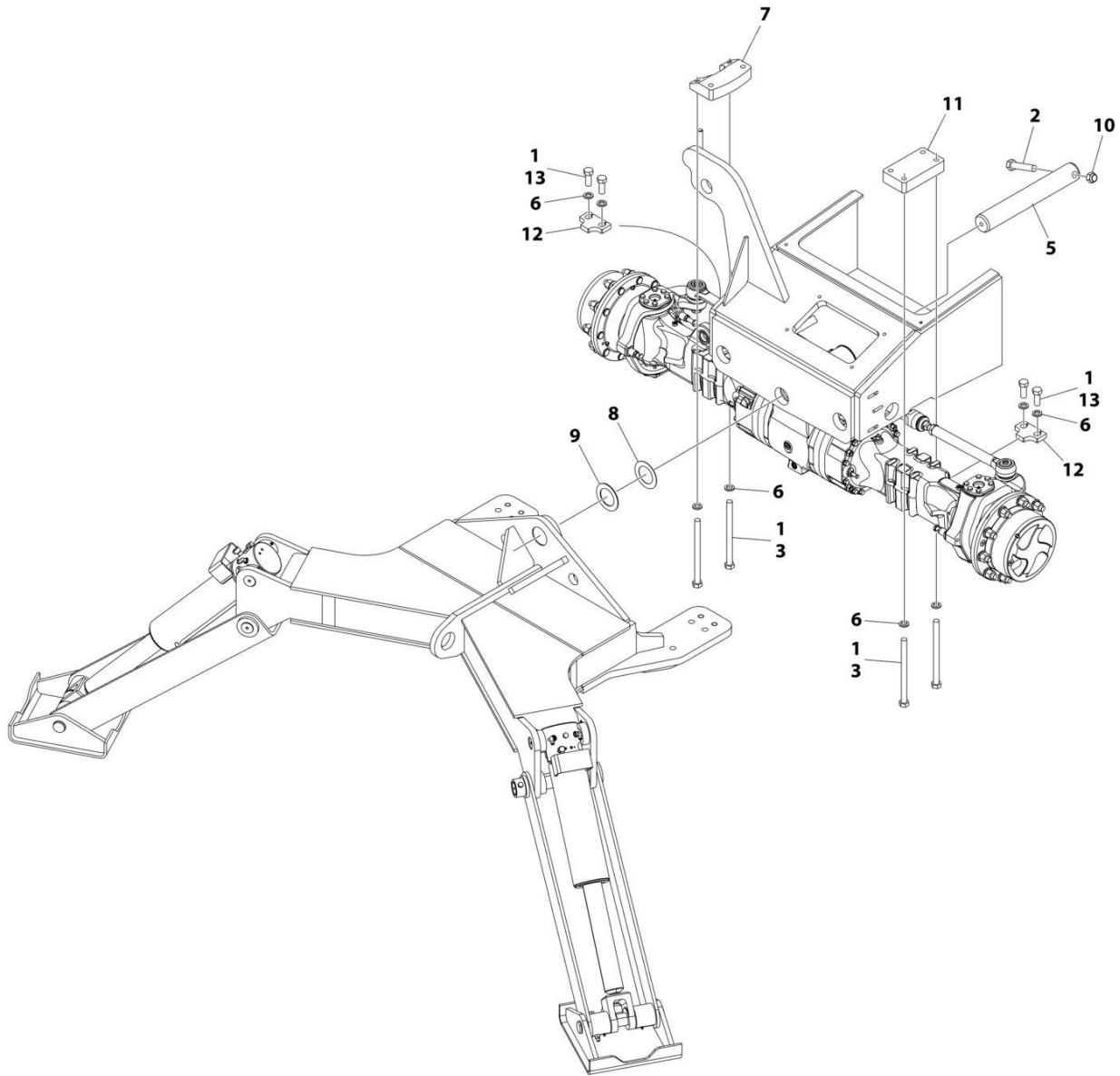
SECTION 1 - FRAME AND ATTACHING PARTS

FIGURE 1-14. OUTRIGGER INSTALLATION

ITEM	PART NUMBER	QTY	DESCRIPTION	REV
	1001224119	Ref	Outrigger Installation	C
1	8223536	2	Switch, Pressure	
2	1001222496	1	Installation, Outrigger Mounting (See Separate Breakdown in this Section)	
3	1001222497	1	Sub-Assembly, Outrigger (See Separate Breakdown in this Section)	

SECTION 1 - FRAME AND ATTACHING PARTS

FIGURE 1-15. OUTRIGGER MOUNTING INSTALLATION



ART_1001222496

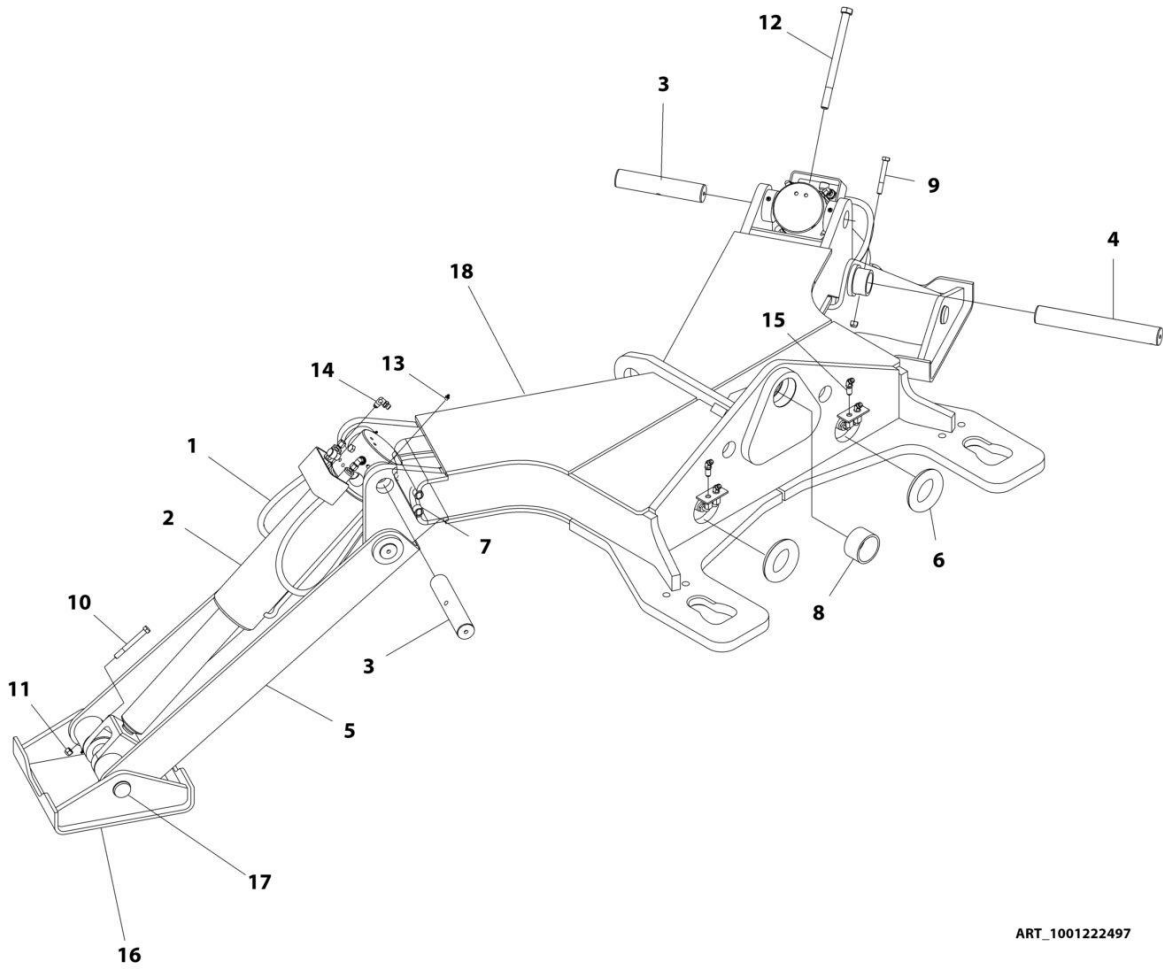
SECTION 1 - FRAME AND ATTACHING PARTS

FIGURE 1-15. OUTRIGGER MOUNTING INSTALLATION

ITEM	PART NUMBER	QTY	DESCRIPTION	REV
	1001222496	Ref	OUTRIGGER MOUNTING INSTALLATION	C
1	0100019	AR	Compound, Locking	
2	0642640	1	Bolt 1 x 5	
3	0682496	8	Bolt 7/8 x 12	
5	3423248	1	Pin, Axle/Outrigger	
6	4892400	12	Washer 7/8	
7	1001232517	1	Bracket, Outrigger Mounting	
8	8307912	AR	Washer, Shim	
9	8307913	AR	Washer, Shim	
10	8310116	1	Nut 1	
11	1001232518	1	Bracket, Outrigger Mounting	
12	1001244592	2	Stop, Block Outrigger	
13	0682418	4	Bolt 7/8 x 2-1/4	

SECTION 1 - FRAME AND ATTACHING PARTS

FIGURE 1-16. OUTRIGGER SUB-ASSEMBLY



ART_1001222497

SECTION 1 - FRAME AND ATTACHING PARTS

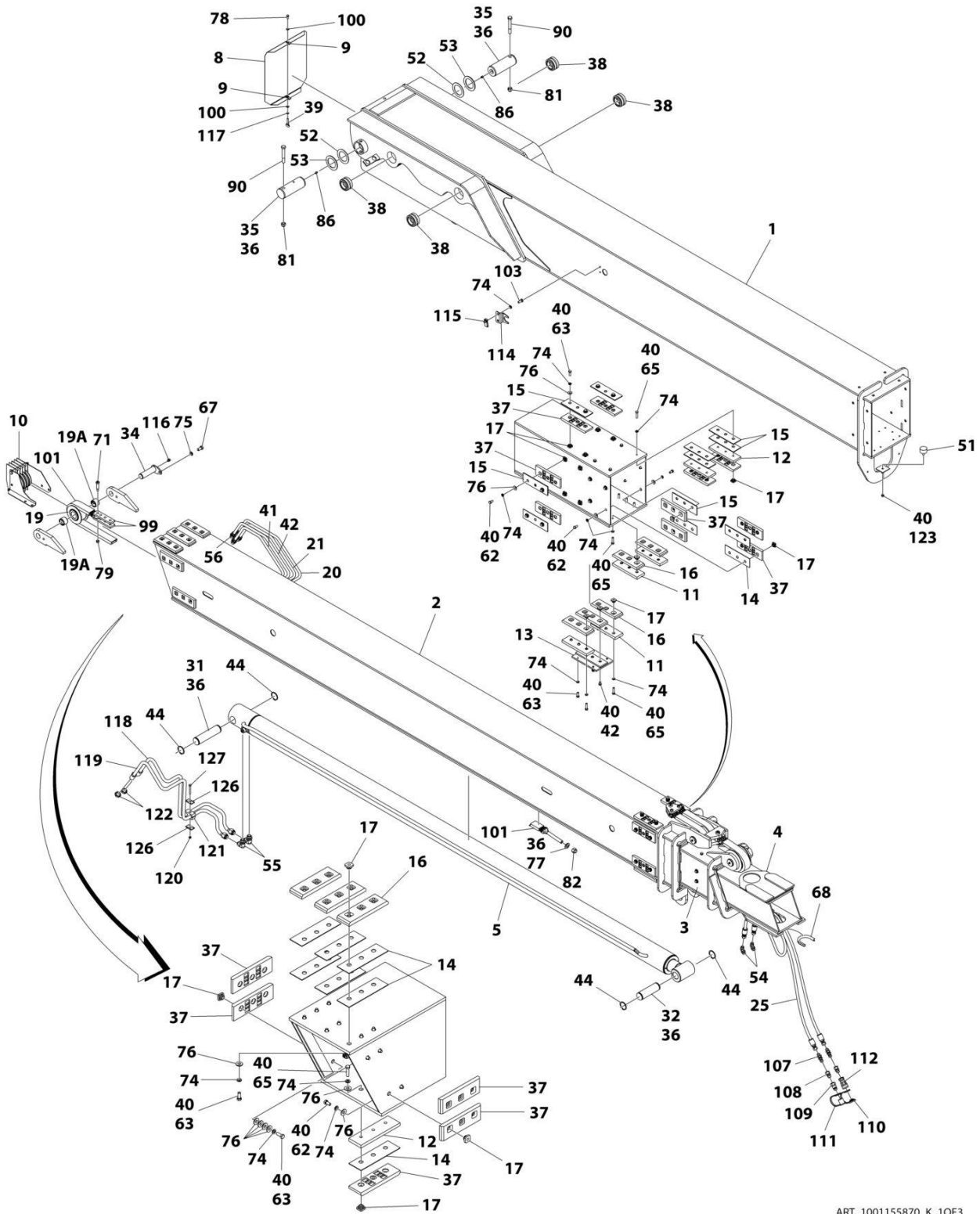
FIGURE 1-16. OUTRIGGER SUB-ASSEMBLY

ITEM	PART NUMBER	QTY	DESCRIPTION	REV
	1001222497	Ref	OUTRIGGER SUB-ASSEMBLY	C
1	2716709	4	Hose	
2	2717201	2	Cylinder, Outrigger (See Separate Breakdown in HYDRAULIC COMPONENTS Section)	
3	7090871	2	Pin, Cylinder Pivot Outrigger	
4	7090891	2	Pin, Leg Pivot Outrigger	
5	7091373	2	Leg, Outrigger	
6	7124491	2	Conduit, 1X15-1/2	
7	7125801	4	Conduit, 3/4X4	
8	8065063	1	Bushing	
9	8303628	2	Bolt 1/2 X 3-3/4	
10	8303629	2	Bolt 1/2 X 4-1/2	
11	8305644	6	Nut 1/2	
12	8310151	2	Bolt 1/2 X 7	
13	8520013	12	Fitting, Straight Lube	
14	2220473	4	Adapter, 90	
15	8770189	4	Adapter, 45	
16	1001141892	2	Stabilizer, Pad Weld	
17	1001147515	2	Pin, Outrigger Shoe	
18	1001242920	1	Frame, Outrigger	

SECTION 2 - BOOM

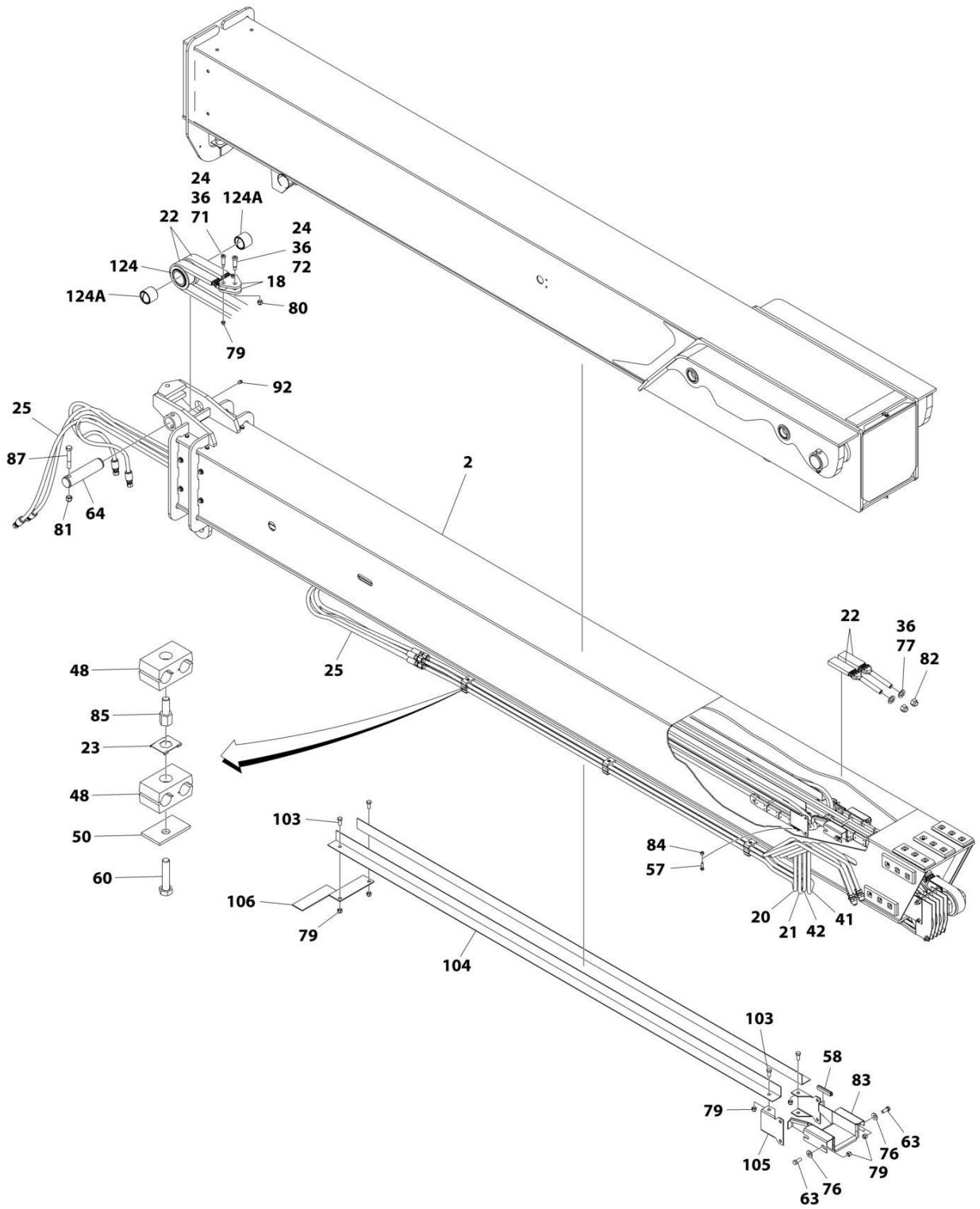
SECTION 2 - BOOM

FIGURE 2-1. BOOM INSTALLATION



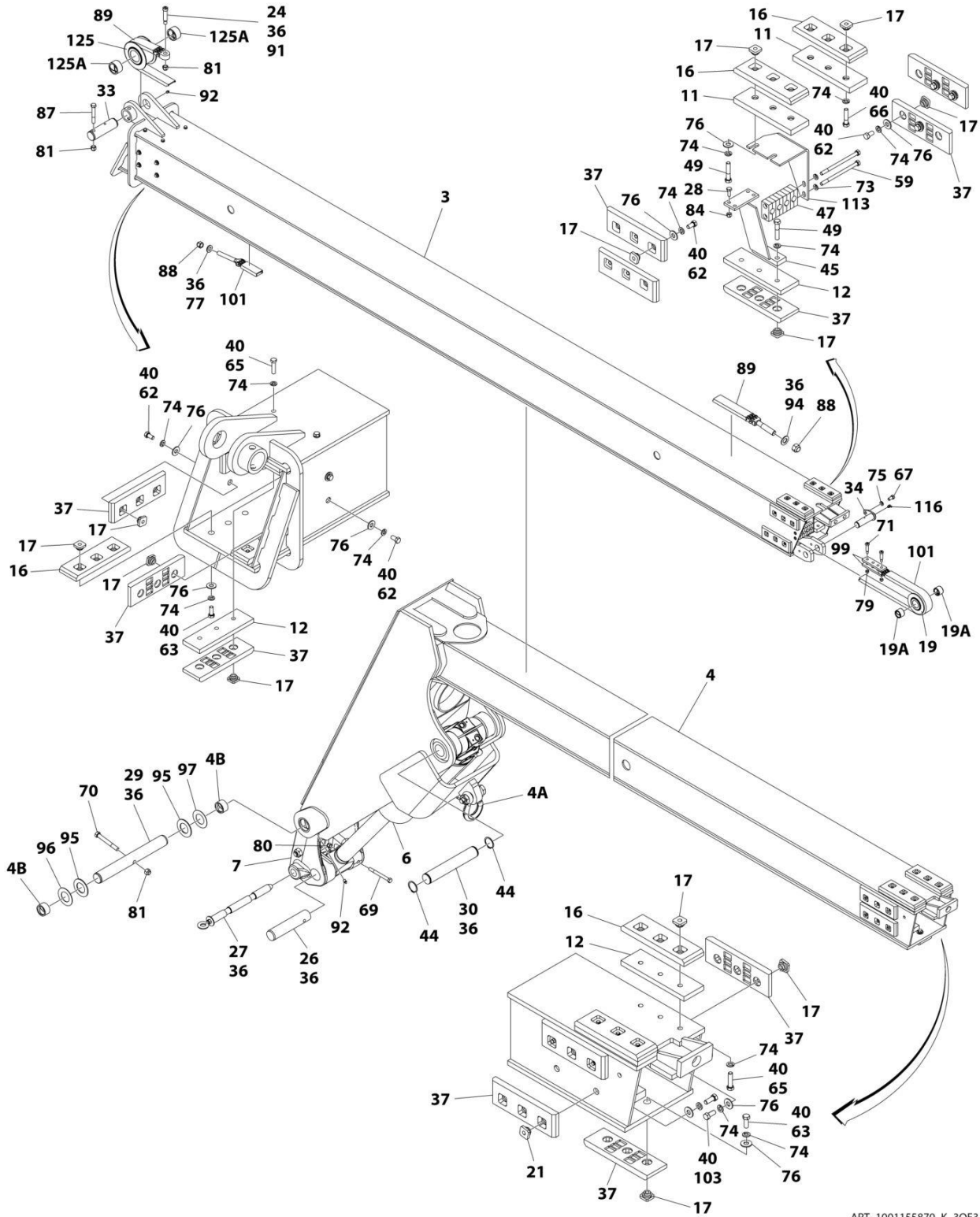
ART_1001155870_K_10F3

SECTION 2 - BOOM



ART_1001155870_K_2OF3

SECTION 2 - BOOM



ART_1001155870_K_30F3

SECTION 2 - BOOM

FIGURE 2-1. BOOM INSTALLATION

ITEM	PART NUMBER	QTY	DESCRIPTION	REV
	1001155870	Ref	Boom Installation	K
1	7302010	1	Boom, First Section	
2	1001155869	1	Boom, Second Section	
3	1001155867	1	Boom, Third Section	
4	1001269415	1	Boom, Fly	
4A	1001204045	1	Clevis	
4B	7095312	2	Bushing	
5	1001156009	1	Extend/Retract Cylinder (See Separate Breakdown in HYDRAULIC COMPONENTS Section)	
6	1001180763	1	Fork Tilt Cylinder (See Separate Breakdown in HYDRAULIC COMPONENTS Section)	
7	1001242996	1	Quick Attach Assembly (See Separate Breakdown in this Section)	
8	7116792	1	Cover	
9	8305906	2	Nut, Retainer 5/16	
10	7116733	1	Hose Pulley Assembly (See Separate Breakdown in this Section)	
11	7096882	6	Spacer, Wear Pad	
12	7096702	8	Spacer, Wear Pad	
13	7096772	1	Spacer, Wear Pad	
14	7082342	AR	Shim, Wear Pad	
15	7082362	AR	Shim, Wear Pad	
16	7111572	14	Pad, Wear	
17	7082311	107	Insert, Wear Pad	
18	7139180	2	Yoke, Extend Chain	
19	7138986	2	Sheave, Retract Chain	
19A	7138979	4	Bushing (2 Per Sheave)	
20	7300675	1	Tube	
21	7300674	1	Tube	
22	7139690	2	Extend Chain and Clevis Assembly (See Separate Breakdown in this Section)	
23	8750017	3	Lock Plate, Twin Clamp	
24	8526406	AR	Sealant, Varnish	
25	7112452	1	Hose and Carrier Assembly (See Separate Breakdown in this Section)	
26	7083992	1	Pin, Rod End	
27	7118892	1	Lock Pin Assembly (See Separate Breakdown in this Section)	
28	8310026	4	Bolt 1/4 X 3/4	
29	7095352	1	Pin, Carriage Pivot	
30	7095522	1	Pin, Base End	
31	7096552	1	Pin, Base End	
32	7096562	1	Pin, Rod End	
33	7117582	1	Pin, Extend Chain Sheave	
34	7138977	2	Pin, Retract Chain Sheave	
35	3423226	2	Pin, Boom Pivot	
36	8522012	AR	Lube, Anti-Seize	
37	7079572	33	Pad, Wear	
38	8065640	4	Bearing, Spherical	
39	8310497	1	Screw 5/16 X 1-1/2	
40	8526007	AR	Compound, Thread Locking	
41	7300672	1	Tube	
42	7300673	1	Tube	

SECTION 2 - BOOM

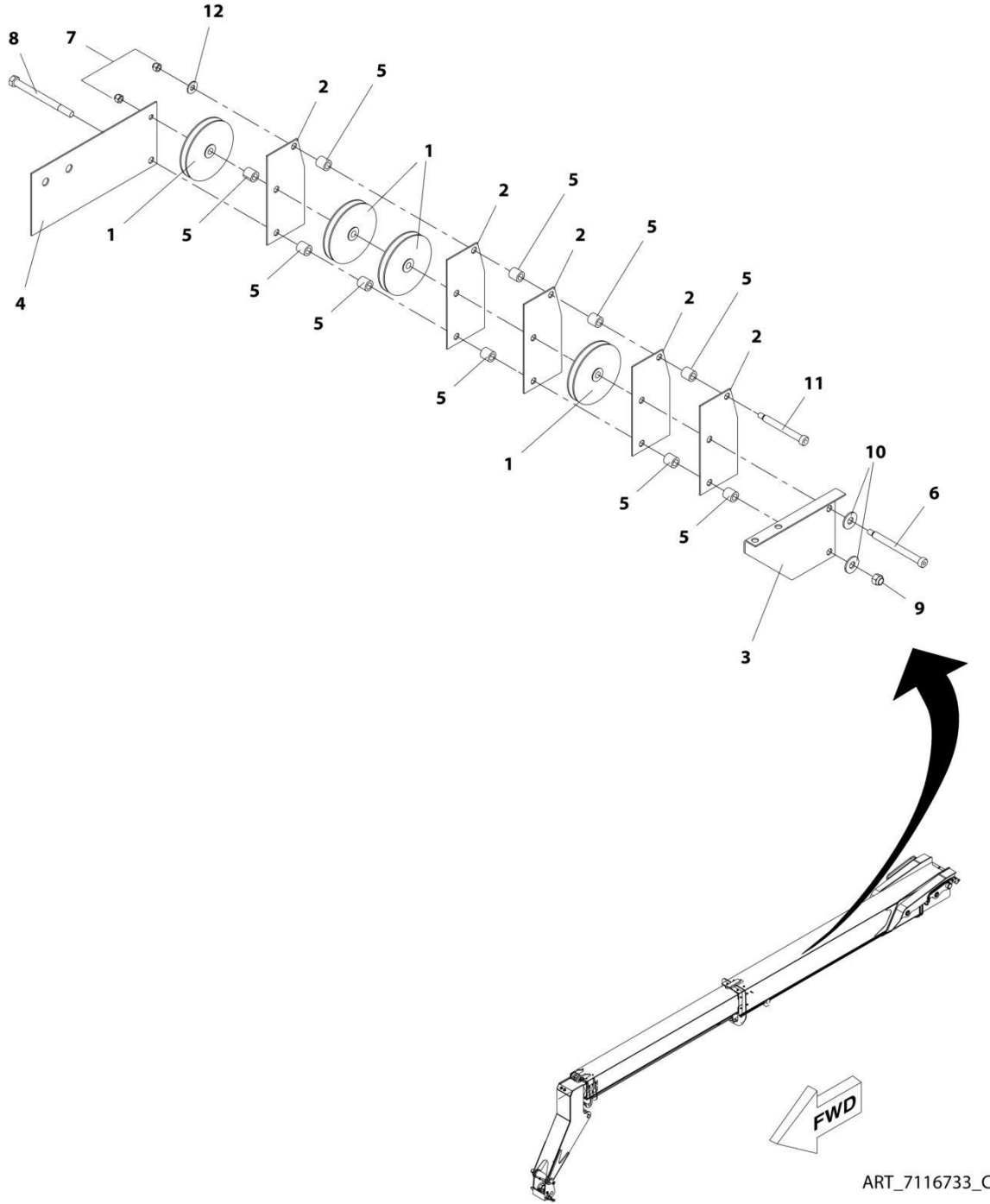
ITEM	PART NUMBER	QTY	DESCRIPTION	REV
44	8642224	6	Ring, Retaining	
45	7112732	1	Support, Hose Clamp	
47	8750003	8	Clamp, Half	
48	8769122	6	Clamp Set, Twin	
49	8303622	4	Bolt 3/8 X 2	
50	8769123	3	Cover Plate, Twin	
51	5724622	1	Bumper, Rubber	
52	8307910	AR	Washer, Shim	
53	8307911	AR	Washer, Shim	
54	2220500	2	Fitting, 45	
55	2220578	2	Fitting, 90	
56	8760465	4	Adapter, Bulkhead Nut	
57	8303540	4	Bolt 1/4 X 1	
58	5746411	2	Moulding	
59	8310081	2	Bolt 5/16 X 5	
60	8303715	3	Bolt 5/16 X 1-1/2	
61	8303041	3	Bolt 3/8 X 1/2	
62	8303681	38	Bolt 3/8 X 3/4	
63	8303620	34	Bolt 3/8 X 1	
64	1001097735	1	Pin, Extend Chain Sheave	
65	8303621	28	Bolt 3/8 X 1-1/2	
66	8303679	4	Bolt 3/8 X 1-3/4	
67	8303624	2	Bolt 1/2 X 1	
68	7125811	1	Conduit	
69	8303772	1	Bolt 1/2 X 5	
70	8303666	1	Bolt 5/8 X 5	
71	8310019	6	Screw 1/2 X 3/8	
72	8310020	1	Screw 5/8 X 1/2	
73	8307004	2	Washer 5/16	
74	8307005	110	Washer 3/8	
75	8307007	2	Washer 1/2	
76	8307204	83	Washer 3/8	
77	8307104	4	Washer 3/4	
78	8303697	1	Bolt 5/16 X 3/4	
79	8305645	12	Nut 3/8	
80	8305644	2	Nut 1/2	
81	8305643	6	Nut 5/8	
82	8305646	4	Nut 3/4	
83	7114922	1	Guide	
84	8305624	8	Nut 1/4	
85	8750011	3	Bolt, Stack	
86	8520013	2	Fitting, Straight	
87	8303634	2	Bolt 5/8 X 4	
88	8310210	1	Nut 1	
89	7139693	1	Extend Chain and Clevis Assembly (See Separate Breakdown in this Section)	
90	8303655	2	Bolt 5/8 X 4-1/2	
91	8310205	1	Bolt 3/4 X 5/8	
92	8520001	4	Fitting, Straight	
94	8310066	1	Washer 1	
95	8307918	2	Washer, Shim	
96	8310093	AR	Washer, Shim	

SECTION 2 - BOOM

ITEM	PART NUMBER	QTY	DESCRIPTION	REV
97	8307904	AR	Washer, Shim	
99	7117031	4	Link	
100	8307106	2	Washer 5/16	
101	7139692	2	Retract Chain and Clevis Assembly (See Separate Breakdown in this Section)	
102	8526048	AR	Sealant (Not Shown)	
103	8303738	8	Bolt 3/8 X 7/8	
104	7110172	2	Guide, Hose Carrier	
105	7127862	2	Support, Hose Guide, Rear	
106	7127852	1	Support, Hose Guide, Front	
107	2230025	2	Adapter, Bulkhead Straight	
108	2220651	2	Adapter, Straight	
109	91403414	1	Adapter, Quick Disconnect	
110	8420055	1	Plug, Dust	
111	8420053	1	Cap, Dust	
112	91403413	1	Adapter, Quick Disconnect	
113	7111402	1	Support, Clamp	
114	7138468	1	Clip	
115	8310113	2	Nut 3/8	
116	8520003	2	Fitting, 90	
117	8310431	1	Washer 5/16	
118	3460383	1	Tube	
119	3460384	1	Tube	
120	8305626	1	Nut 5/16	
121	8769139	1	Clamp Set, Twin	
122	8760468	2	Adapter, Bulkhead Nut	
123	3311601	1	Nut 3/8	
124	1001101845	1	Sheave Assembly	
124A	7126662	2	Bushing	
125	1001101867	1	Sheave Assembly	
125A	7117502	2	Bushing	
126	8769128	2	Cover Plate, Twin	
127	0641520	1	Bolt 5/16 X 2-1/2	

SECTION 2 - BOOM

FIGURE 2-2. HOSE PULLEY ASSEMBLY



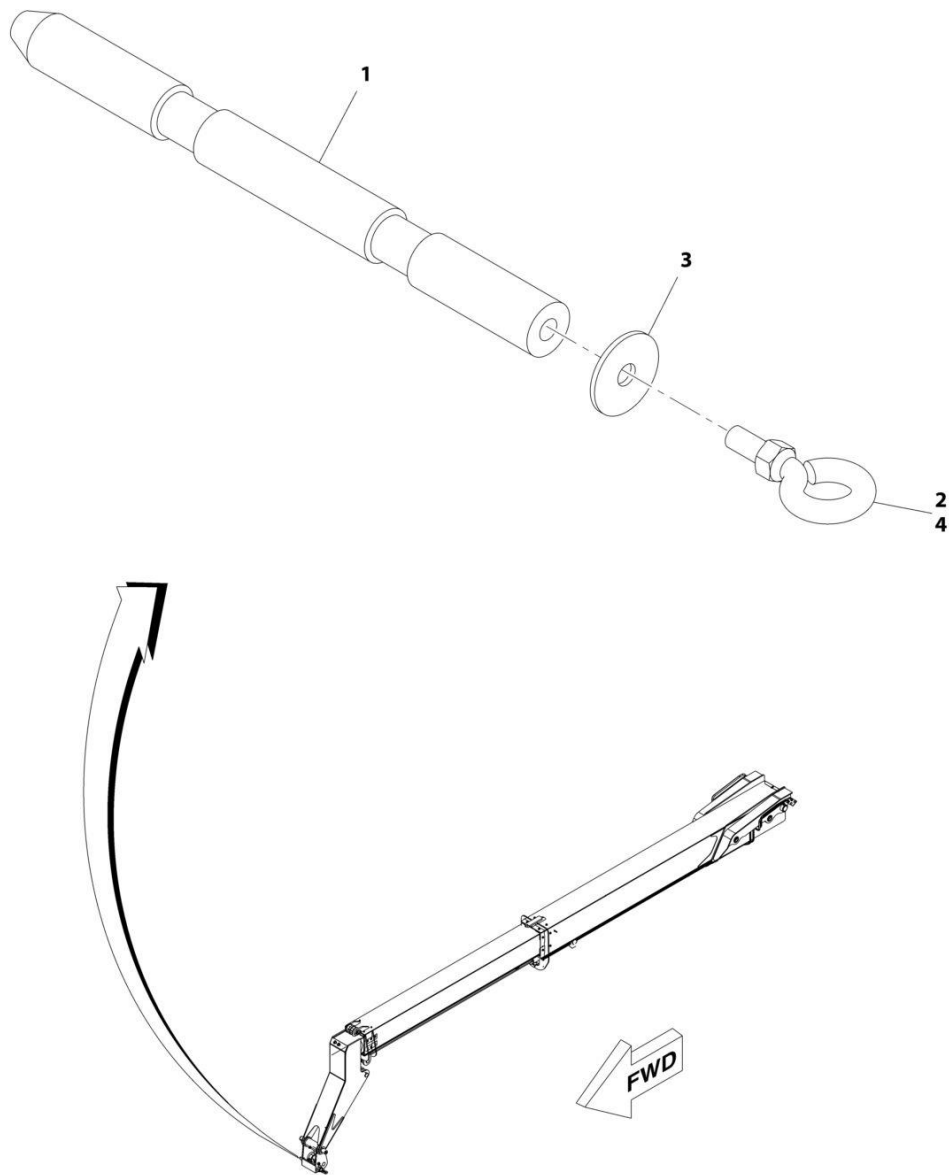
ART_7116733_C

FIGURE 2-2. HOSE PULLEY ASSEMBLY

ITEM	PART NUMBER	QTY	DESCRIPTION	REV
	7116733	Ref	Hose Pulley Assembly	C
1	7116812	4	Wheel, Roller	
2	7116642	5	Divider	
3	7116652	1	Bracket, RH	
4	7116662	1	Bracket, LH	
5	7116691	10	Spacer	
6	8310235	1	Screw, Shoulder 1/2X5	
7	8305645	2	Nut, Lock 3/8-16	
8	8310209	1	Bolt, 1/2-13X6	
9	8305644	1	Nut, Lock 1/2-13	
10	8307206	2	Washer, Plain 1/2	
11	8310245	1	Screw, Shoulder 1/2X4	
12	8307204	1	Washer, Plain 3/8	

SECTION 2 - BOOM

FIGURE 2-3. LOCK PIN ASSEMBLY



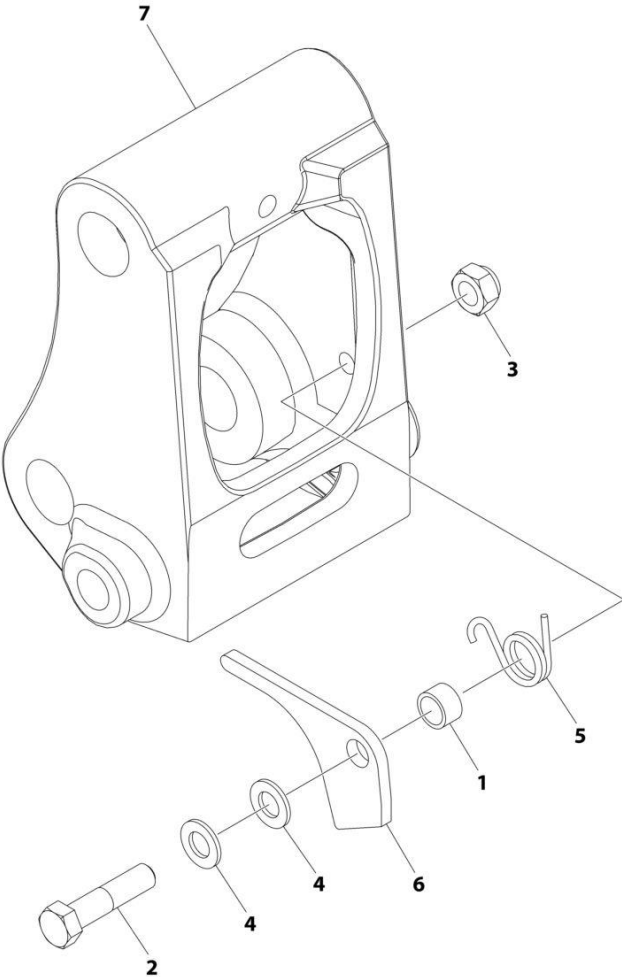
ART_7118892-B

FIGURE 2-3. LOCK PIN ASSEMBLY

ITEM	PART NUMBER	QTY	DESCRIPTION	REV
	7118892	Ref	Lock Pin Assembly	B
1	7118882	1	Pin	
2	8310266	2	Bolt, Eye 1/2-13X2	
3	8310276	3	Washer	
4	8526007	AR	Compound, Locking	

SECTION 2 - BOOM

FIGURE 2-4. QUICK COUPLING ASSEMBLY



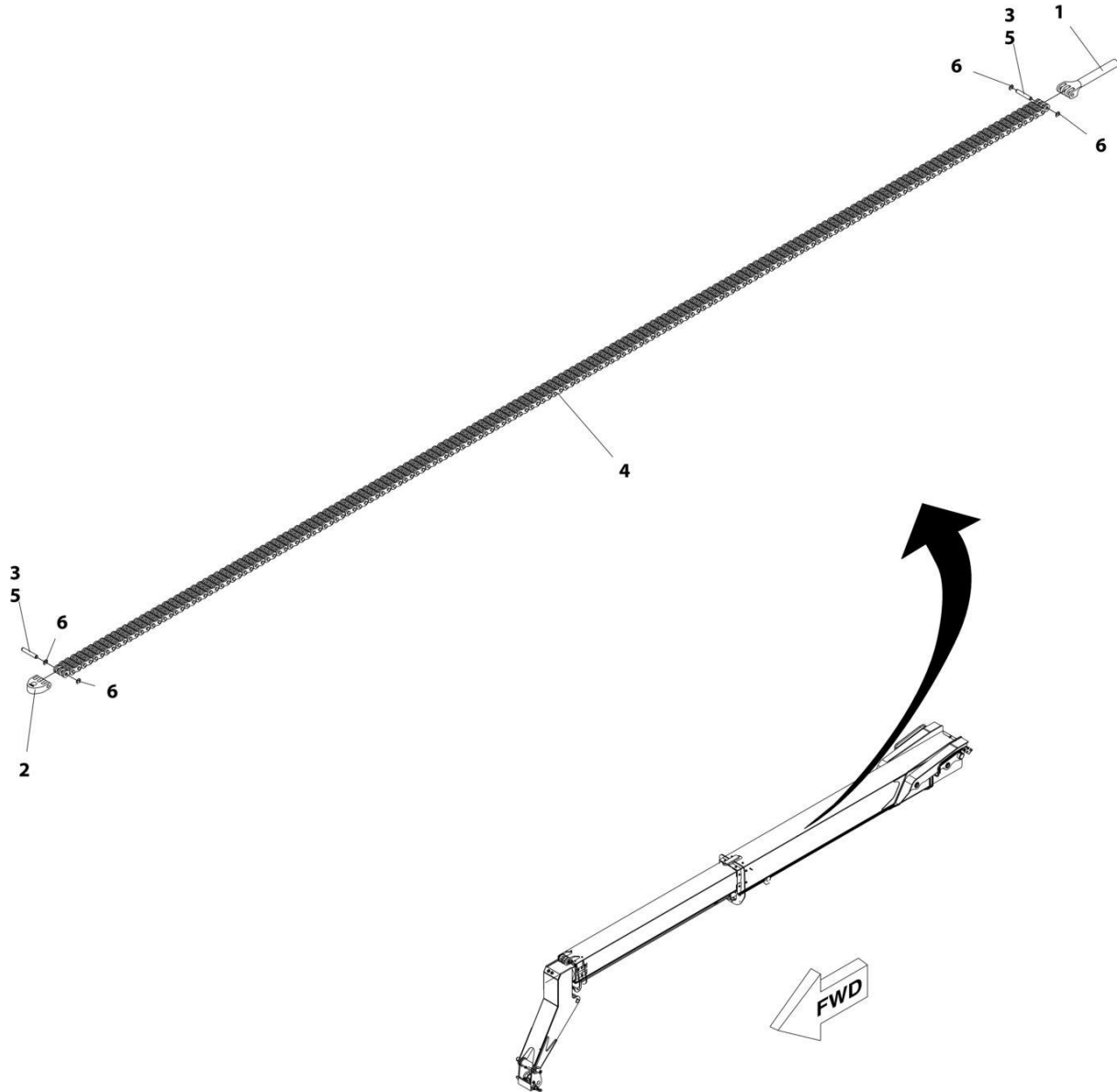
ART_1001242996_C

FIGURE 2-4. QUICK COUPLING ASSEMBLY

ITEM	PART NUMBER	QTY	DESCRIPTION	REV
	1001242996	Ref	COUPLER ASSEMBLY	C
1	7085571	1	Spacer	
2	8303640	1	Bolt	
3	8305619	1	Nut 3/4	
4	8307104	2	Washer 3/4	
5	1001243025	1	Spring, Torsion	
6	1001243026	1	Plate, Pin Latch	
7	1001243219	1	Coupler, Link	

SECTION 2 - BOOM

FIGURE 2-5. RETRACT CHAIN AND CLEVIS ASSEMBLY



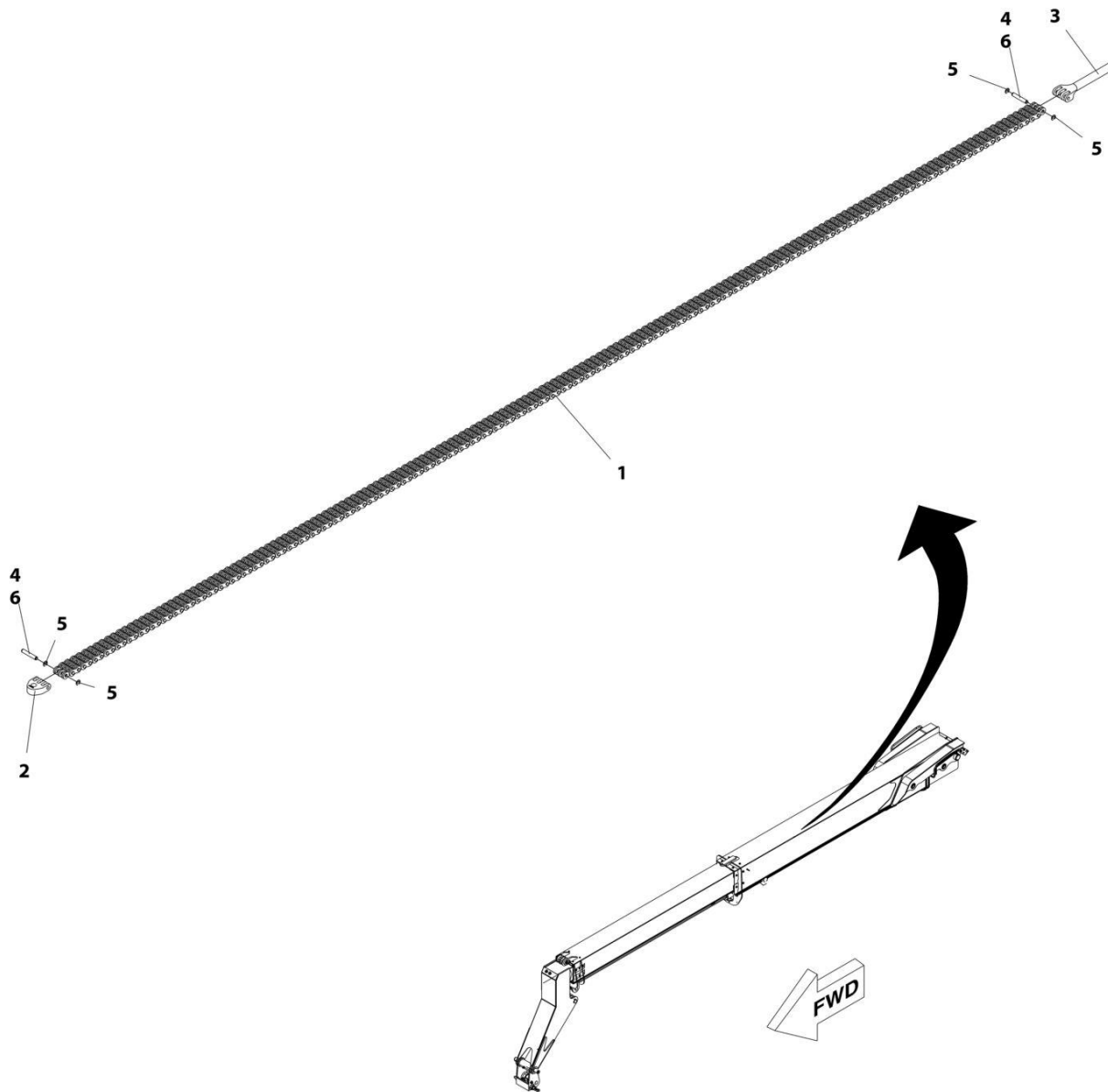
ART_7139692_B

FIGURE 2-5. RETRACT CHAIN AND CLEVIS ASSEMBLY

ITEM	PART NUMBER	QTY	DESCRIPTION	REV
	7139692	Ref	Chain and Clevis Assembly	B
1	7139032	1	Clevis, Female Anchor	
2	7139416	1	Clevis, Female Anchor	
3	8124138	2	Pin, Chain Clevis	
4	8127024	1	Chain, Leaf	
5	8522012	AR	Lube, Anti-Seize	
6	8642237	4	Ring, Retaining	

SECTION 2 - BOOM

FIGURE 2-6. EXTEND CHAIN AND CLEVIS ASSEMBLY - BOOM SECOND SECTION



ART_7139690_B

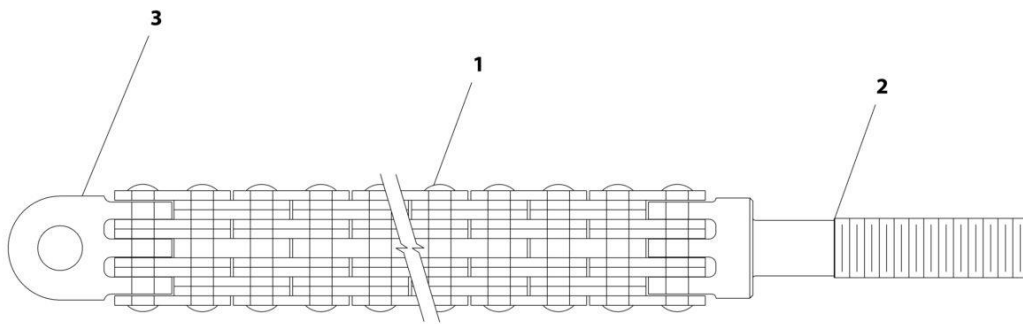
SECTION 2 - BOOM

FIGURE 2-6. EXTEND CHAIN AND CLEVIS ASSEMBLY - BOOM SECOND SECTION

ITEM	PART NUMBER	QTY	DESCRIPTION	REV
	7139690	Ref	Extend Chain Assembly	B
1	8127022	1	Chain, Leaf	
2	7139416	1	Clevis, Female Anchor	
3	7139032	1	Clevis, Female Anchor	
4	8124138	2	Pin, Chain Clevis	
5	8642237	4	Ring, Retaining	
6	8522012	AR	Lube, Anti-Seize	

SECTION 2 - BOOM

FIGURE 2-7. EXTEND CHAIN AND CLEVIS ASSEMBLY - BOOM THIRD SECTION



ART_7139693-C

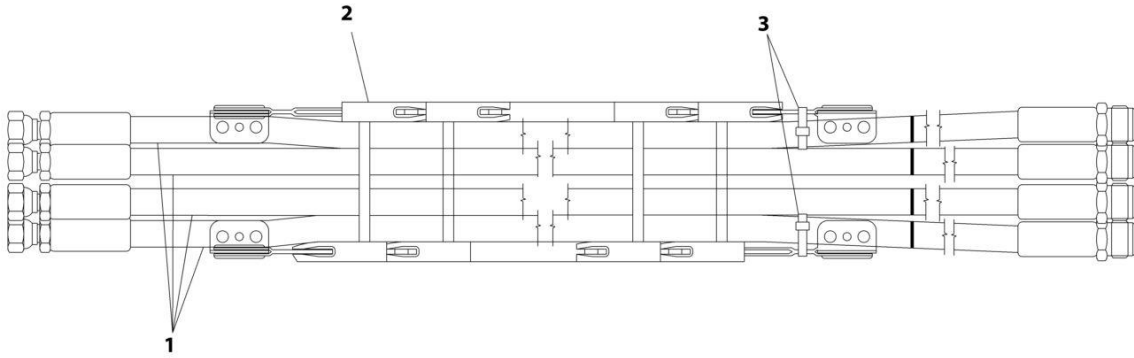
SECTION 2 - BOOM

FIGURE 2-7. EXTEND CHAIN AND CLEVIS ASSEMBLY - BOOM THIRD SECTION

ITEM	PART NUMBER	QTY	DESCRIPTION	REV
	7139693	Ref	Extend Chain and Clevis Assembly	C
1	8127009	1	Chain	
2	7113952	1	Clevis, Anchor	
3	7113982	1	Clevis, Anchor	

SECTION 2 - BOOM

FIGURE 2-8. HOSE AND CARRIER ASSEMBLY



ART_7112452-G

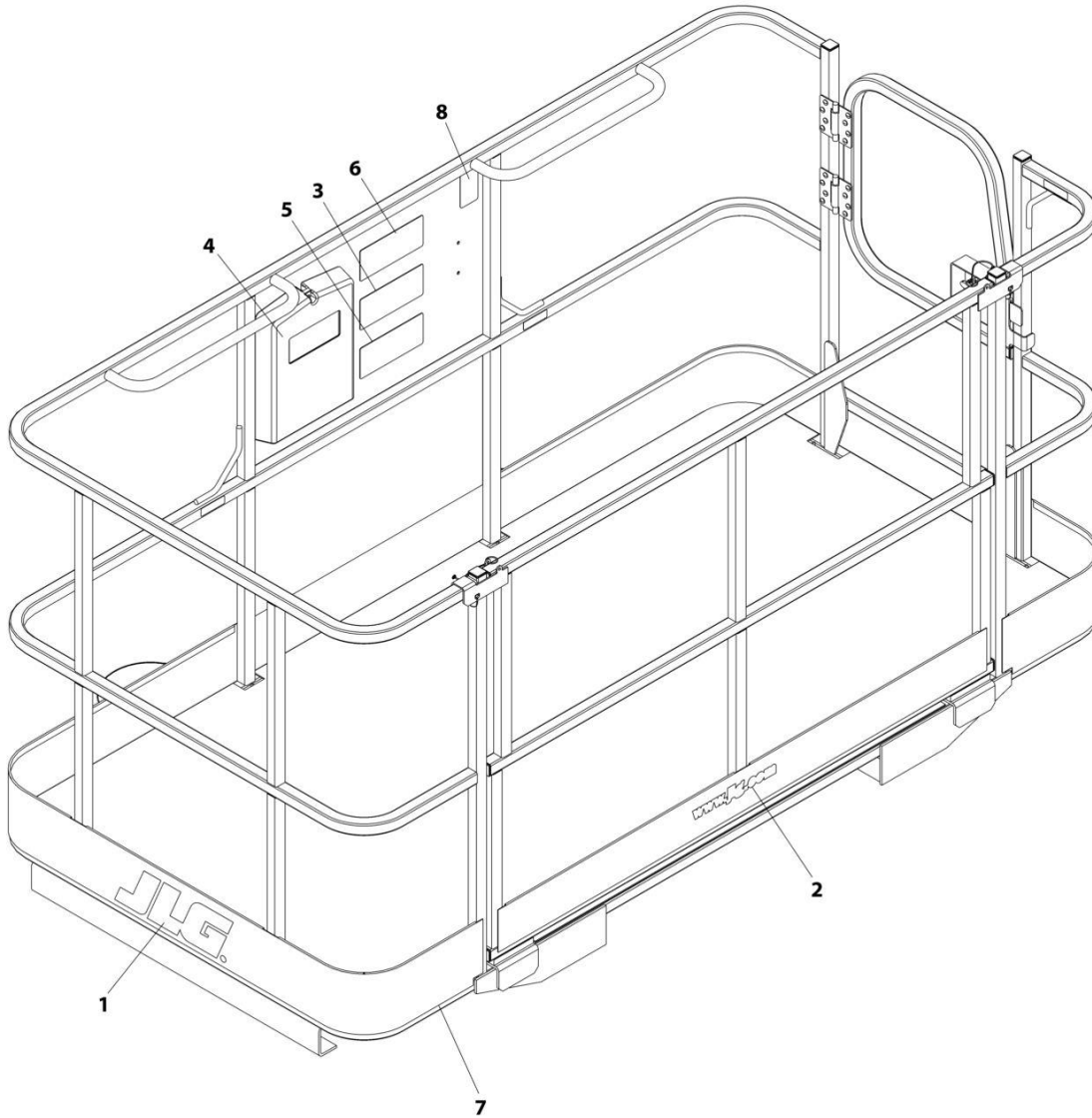
FIGURE 2-8. HOSE AND CARRIER ASSEMBLY

ITEM	PART NUMBER	QTY	DESCRIPTION	REV
	7112452	Ref	Hose and Carrier Assembly	G
1	2713642	4	Hose	
2	8584021	1	Carrier, Hose	
3	8584001	2	Wrap, Tie 3/16	

SECTION 3 - ATTACHMENTS

SECTION 3 - ATTACHMENTS

FIGURE 3-1. BASKET, PERSONNEL - 4FT X 8FT DOMESTIC)



ART_1001238653-A

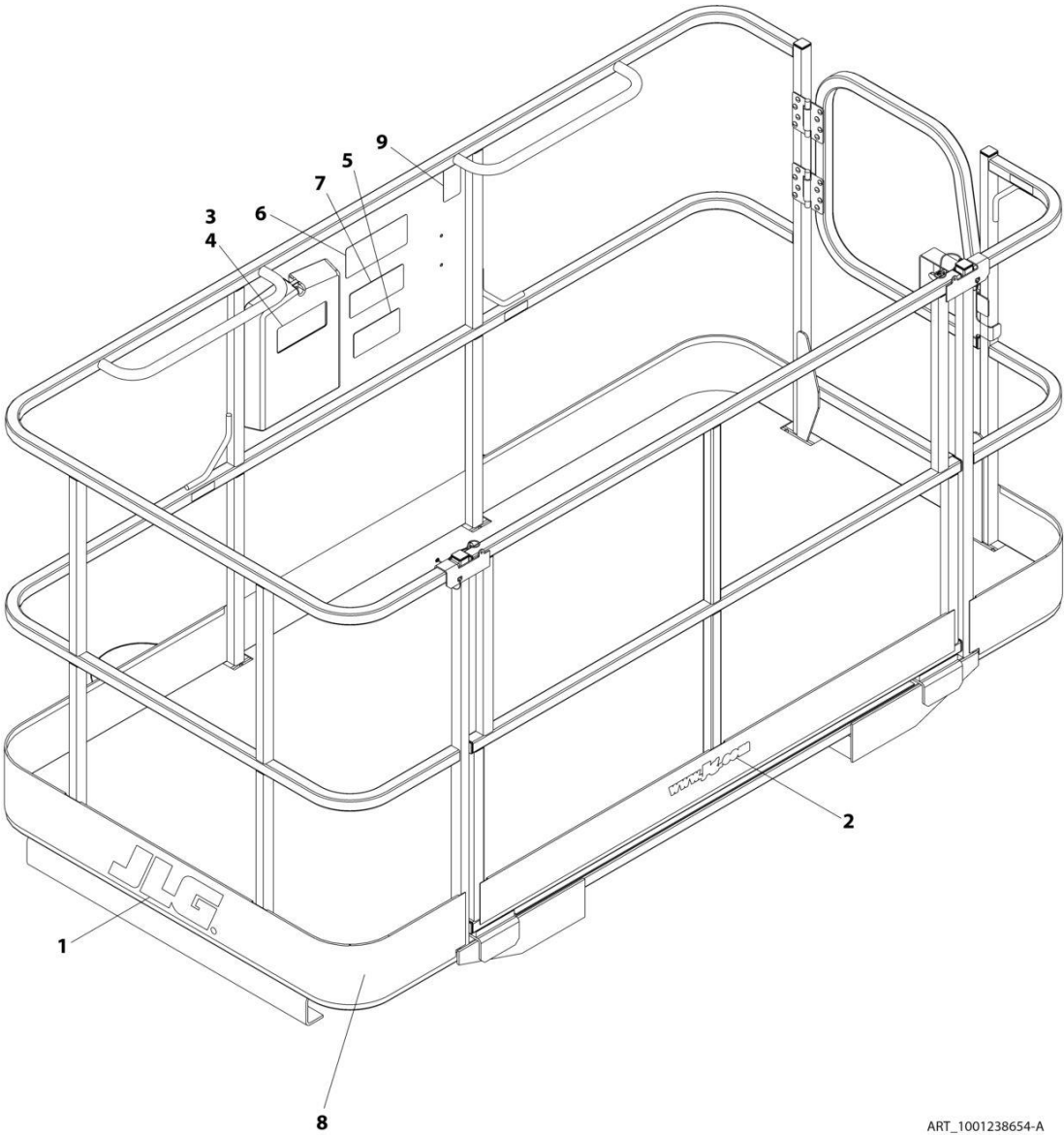
SECTION 3 - ATTACHMENTS

FIGURE 3-1. BASKET, PERSONNEL - 4FT X 8FT DOMESTIC)

ITEM	PART NUMBER	QTY	DESCRIPTION	REV
	1001238653	Ref	FORK MOUNTED PLATFORM	B
1	1702773	2	Decal, JLG	
2	1704885	1	Decal, Website	
3	1706892	1	Decal, Platform Warning	
4	31200160	1	Manual, Personnel Work Platform Operation and Safety	
5	1001092481	1	Decal, Warning Attachment	
6	1001092482	1	Decal, Platform Capacity	
7	1001238565	1	Platform, Fork Mounted (See Separate Breakdown in this Section)	
8	See Note	NSS	SN Plate (Note: Stamped Part - Not Available for Purchase)	

SECTION 3 - ATTACHMENTS

FIGURE 3-2. BASKET, PERSONNEL - 4FT X 8FT (ISO)



ART_1001238654-A

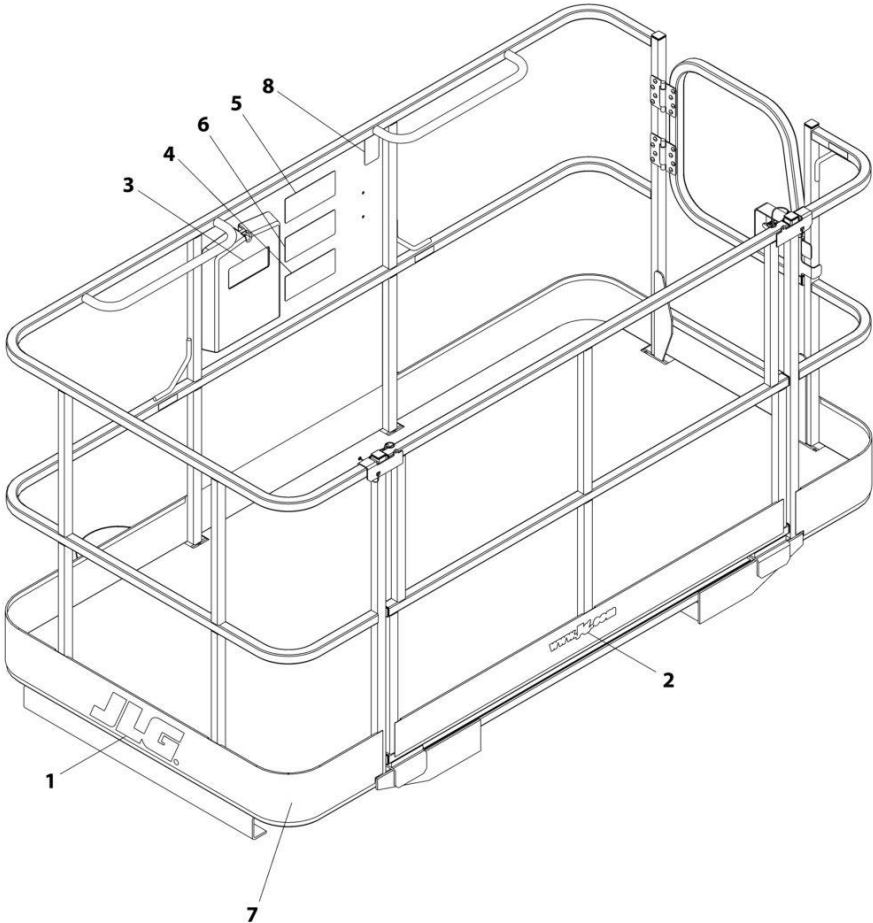
SECTION 3 - ATTACHMENTS

FIGURE 3-2. BASKET, PERSONNEL - 4FT X 8FT (ISO)

ITEM	PART NUMBER	QTY	DESCRIPTION	REV
	1001238654	Ref	BASKET, PERSONNEL	B
1	1702773	2	Decal, JLG	
2	1704885	1	Decal, Website	
3	31200387	1	Manual, Operation and Safety, Spanish	
4	31200388	1	Manual, Operation and Safety, Portuguese	
5	1001096021	1	Decal, Warning Attachment	
6	1001096023	1	Decal, Platform Capacity	
7	1001096025	1	Decal, Platform Warning	
8	1001238565	1	Platform, Fork Mounted (ANSI) (See Separate Breakdown in this Section)	
9	See Note	NSS	SN Plate (Note: Stamped Part - Not Available for Purchase)	

SECTION 3 - ATTACHMENTS

FIGURE 3-3. BASKET, PERSONNEL - 4FT X 8FT (FRENCH)



ART_1001238655-A

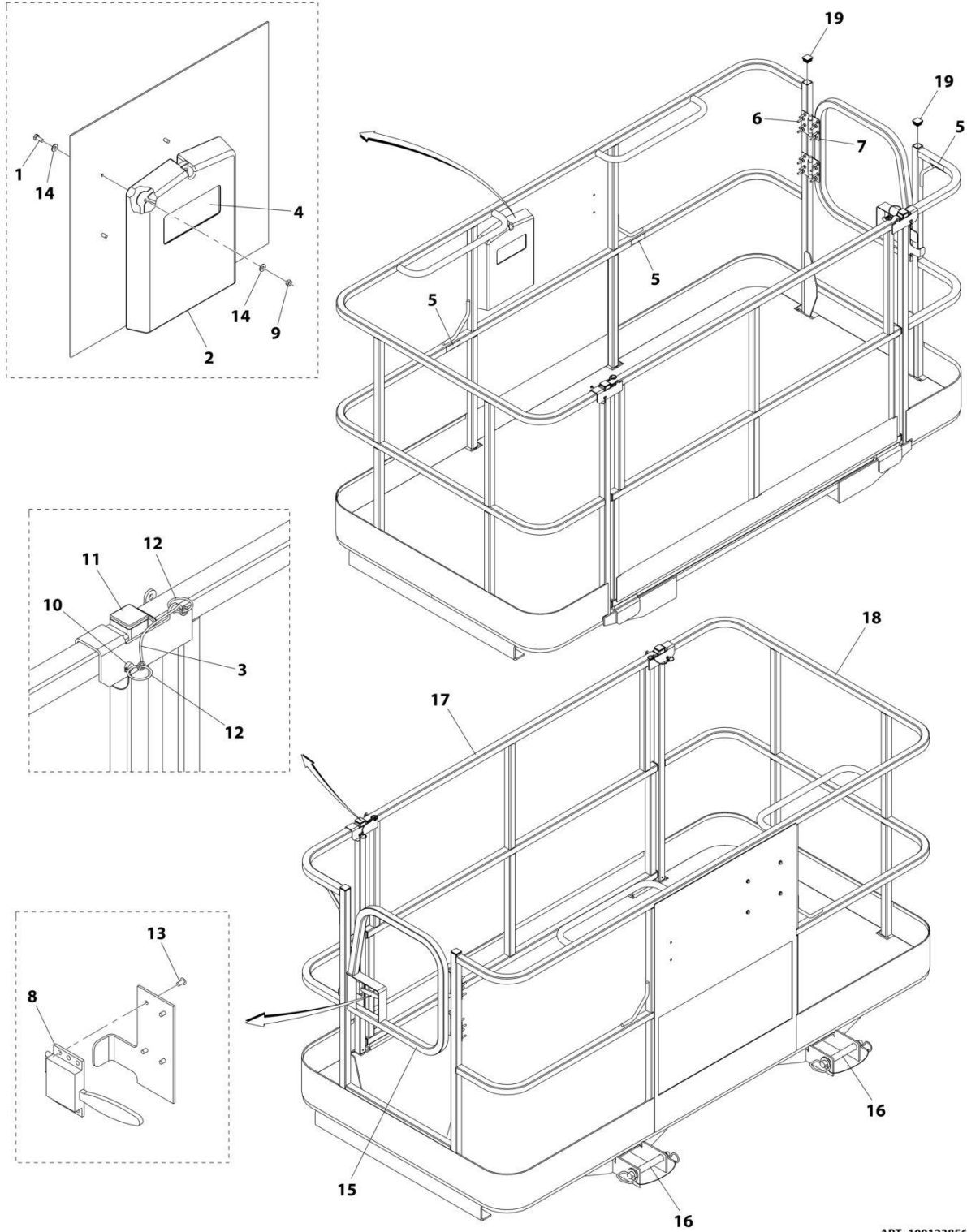
SECTION 3 - ATTACHMENTS

FIGURE 3-3. BASKET, PERSONNEL - 4FT X 8FT (FRENCH)

ITEM	PART NUMBER	QTY	DESCRIPTION	REV
	1001238655	Ref	BASKET, PERSONNEL	B
1	1702773	2	Decal, JLG	
2	1704885	1	Decal, Website	
3	31200386	1	Manual, Operation and Safety (French)	
4	1001096019	1	Decal, Warning Attachment (French)	
5	1001096020	1	Decal, Platform Capacity (French)	
6	1001096024	1	Decal, Platform Warning (French)	
7	1001238565	1	Platform, Fork Mounted (ANSI) (See Separate Breakdown in this Section)	
8	See Note	NSS	SN Plate (Note: Stamped Part - Not Available for Purchase)	

SECTION 3 - ATTACHMENTS

FIGURE 3-4. BASKET, FORK MOUNTED



ART_1001238565

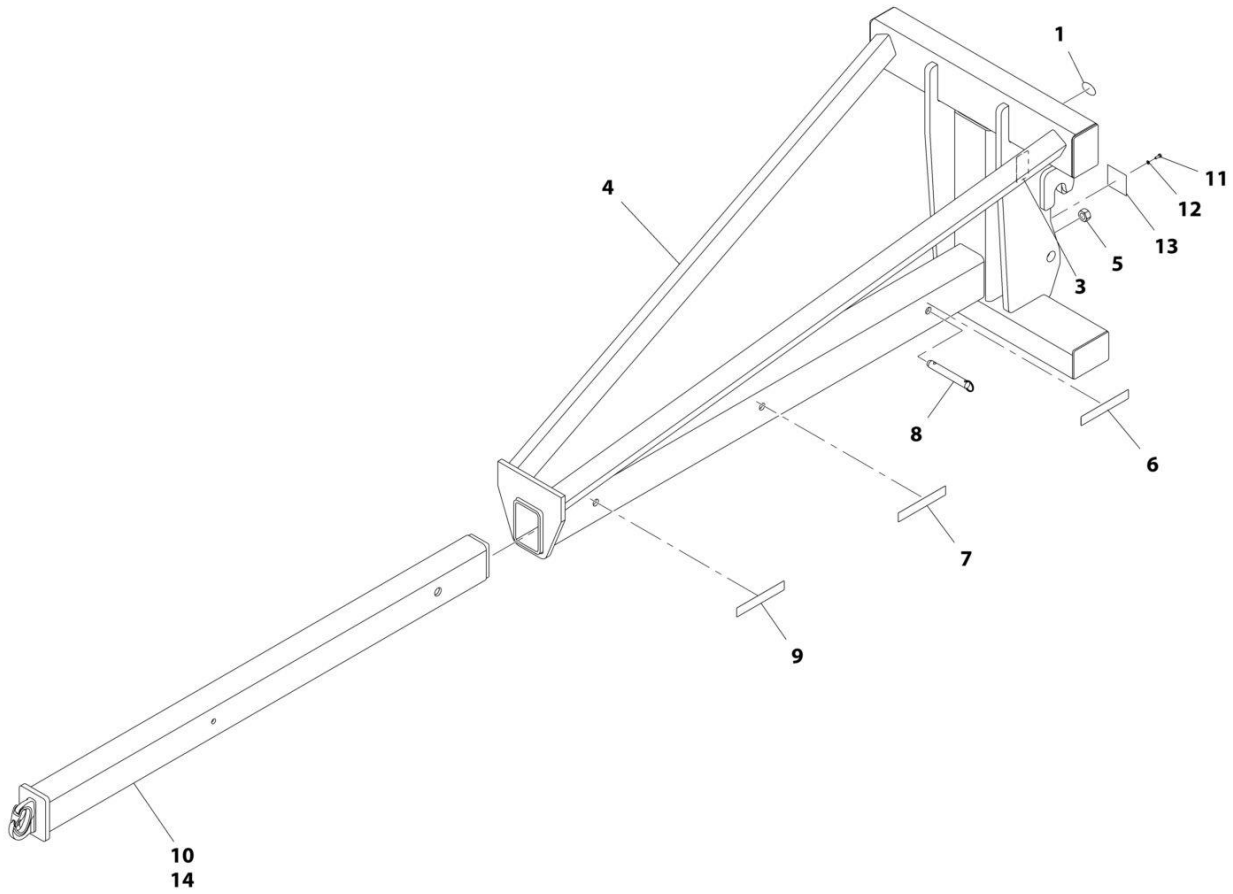
SECTION 3 - ATTACHMENTS

FIGURE 3-4. BASKET, FORK MOUNTED

ITEM	PART NUMBER	QTY	DESCRIPTION	REV
	1001238565	Ref	FORK MOUNTED PLATFORM ASSEMBLY	F
1	0641405	4	Bolt 1/4 x 5/8	
2	0860520	1	Box, Manual Storage	
3	1060379	2	Cable, Lanyard	
4	1701509	1	Decal, Manual	
5	1704277	3	Decal, Lanyard Attach	
6	2080040	16	Fastener	
7	2600281	2	Hinge	
8	2940074	1	Latch	
9	3311405	4	Nut 1/4	
10	3421453	2	Pin	
11	3520072	7	Plug	
12	3760170	4	Ring	
13	3820020	4	Rivet	
14	4711400	8	Washer 1/4	
15	1001144629J	1	Gate	
16	1001238560	2	Pin, Hitch	
17	1001095810	1	Gate	
18	See Note	NSS	Platform, Fork Mounted	
19	3520198	4	Plug	

SECTION 3 - ATTACHMENTS

FIGURE 3-5. BOOM - ADJUSTABLE (CARRIAGE MOUNTED)



ART_1001176515-C

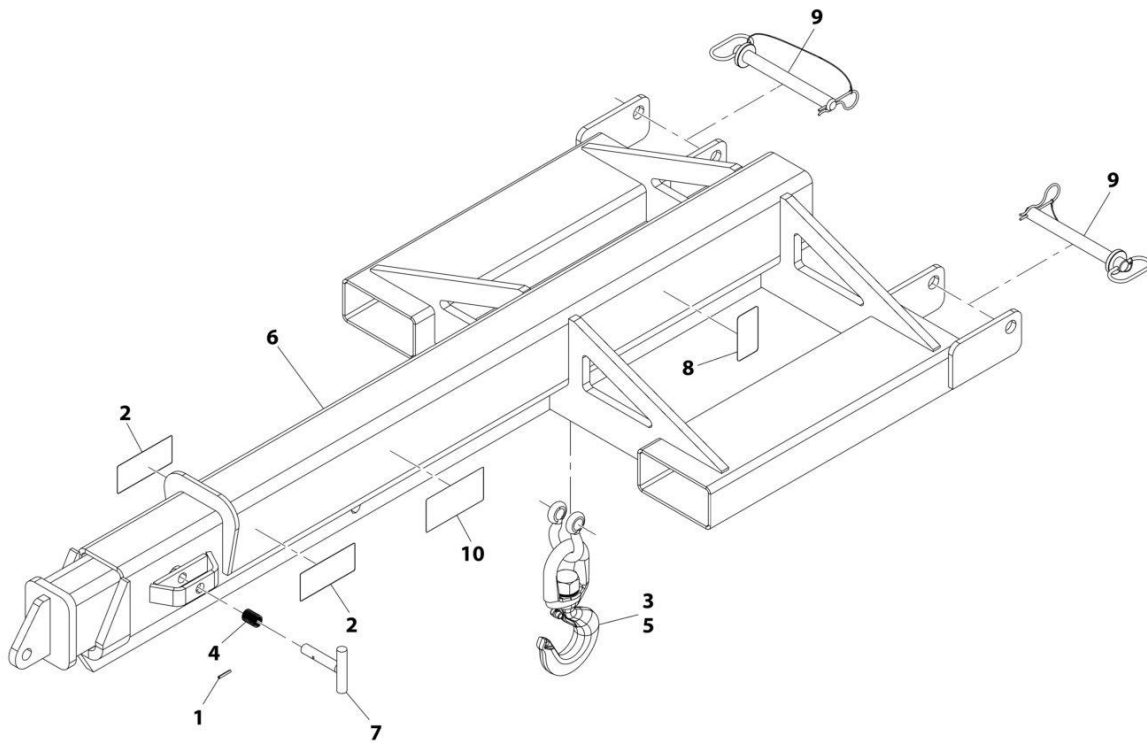
SECTION 3 - ATTACHMENTS

FIGURE 3-5. BOOM - ADJUSTABLE (CARRIAGE MOUNTED)

ITEM	PART NUMBER	QTY	DESCRIPTION	REV
	1001176515	Ref	ADJUSTABLE TRUSS BOOM	C
1	90554016	1	Decal, Made in USA	
3	See Note	NSS	S/N Plate (Note: Stamped Part - Not Available for Purchase)	
4	See Note	NSS	Truss Boom (Note: Purchase Complete Assembly)	
5	70021440	1	Nut	
6	70024062	2	Decal, 4000 lbs cap	
7	70026944	2	Decal, 3000 lbs cap	
8	70026946	1	Pin	
9	70026699	2	Decal, 2000 lbs cap	
10	70026747	1	Seal	
11	90554033	1	Bolt 3/4 x 1/4	
12	90554034	1	Washer 1/4	
13	70026948	1	Plate, Stop	
14	70026949	1	Boom, Telescopic	

SECTION 3 - ATTACHMENTS

FIGURE 3-6. BOOM - ADJUSTABLE (FORK MOUNTED)



ART_1001230241-H

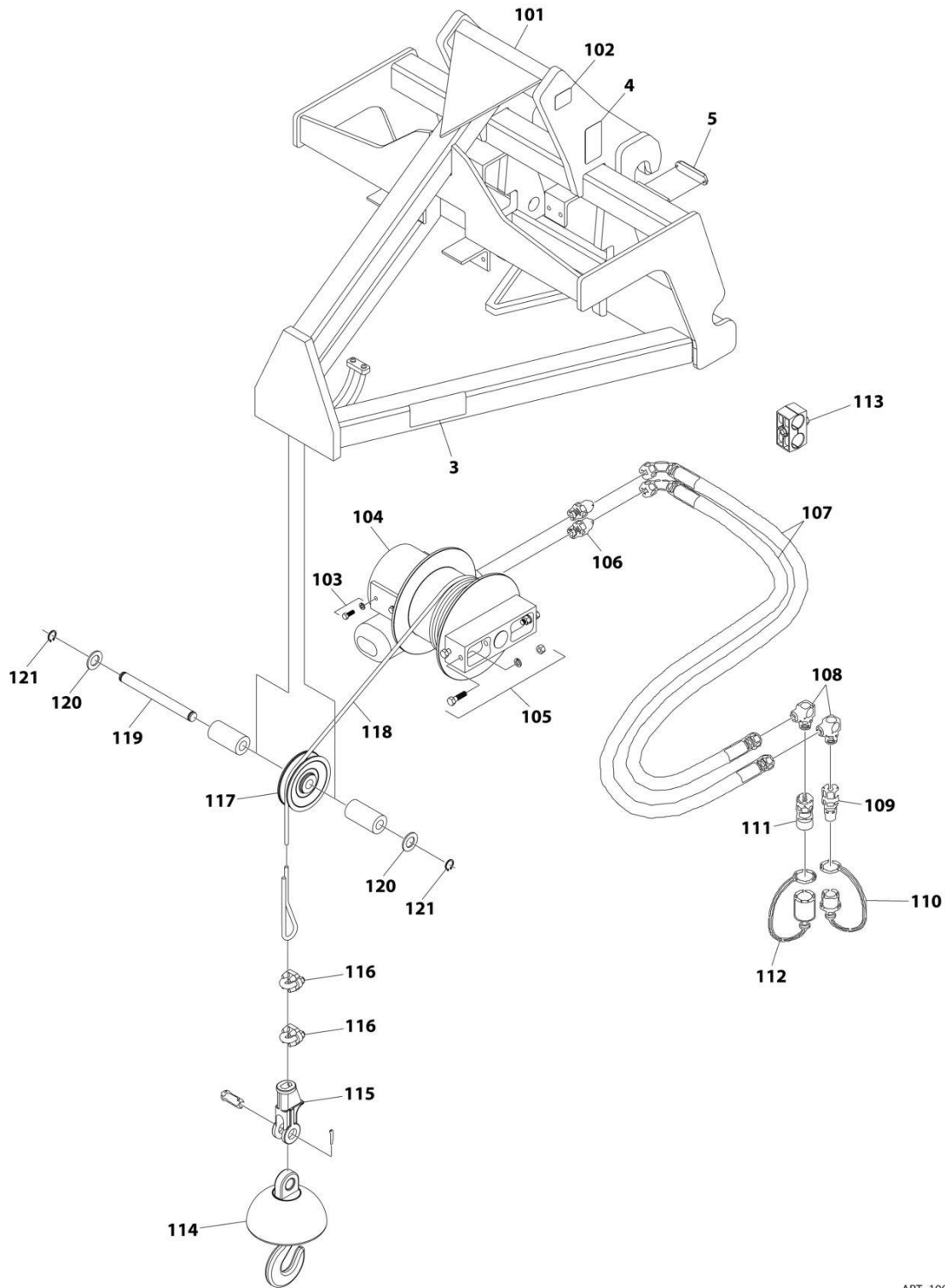
SECTION 3 - ATTACHMENTS

FIGURE 3-6. BOOM - ADJUSTABLE (FORK MOUNTED)

ITEM	PART NUMBER	QTY	DESCRIPTION	REV
	1001230241	Ref	Adjustable Truss Boom Installation (Fork Mounted)	J
1	3440620	1	Pin	
2	4110422	2	Decal, Danger Swinging Loads	
3	91403448	1	Hook, Swivel	
4	1001128890	1	Spring	
5	1001146160	1	Shackle	
6	See Note	NSS	Boom, Truss - Adjustable (Note: Purchase Complete Assembly)	
7	1001230239	1	Pin	
8	See Note	NSS	SN Plate (Note:Stamped Part - Not Available for Purchase)	
9	1001231692	2	Pin	
10	1001232500	1	Decal, Load Capacities	

SECTION 3 - ATTACHMENTS

FIGURE 3-7. BOOM - 3FT WITH WINCH



ART_1001100967_H

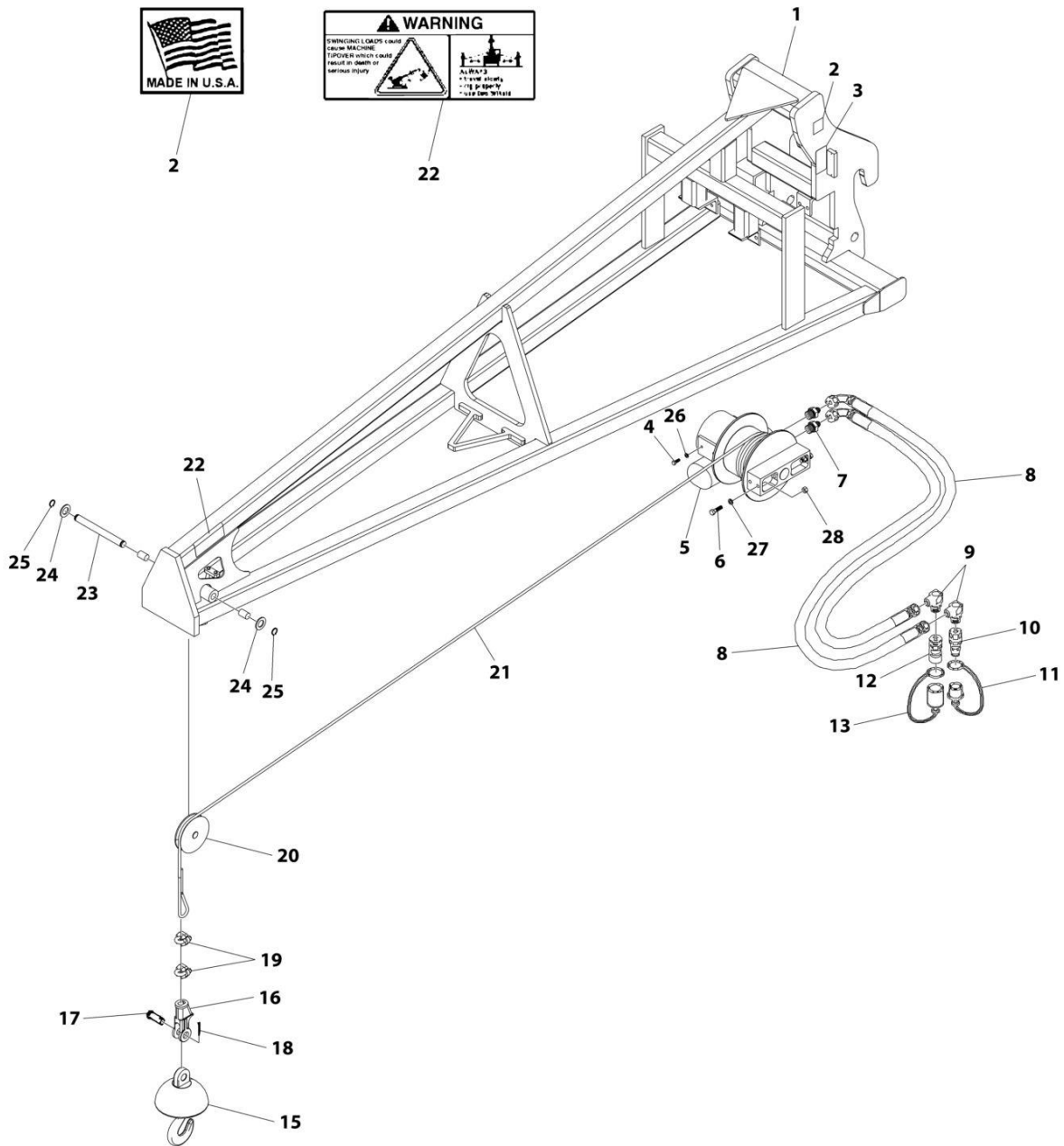
SECTION 3 - ATTACHMENTS

FIGURE 3-7. BOOM - 3FT WITH WINCH

ITEM	PART NUMBER	QTY	DESCRIPTION	REV
	1001100967	Ref	TRUSS BOOM ASSEMBLY (3 FOOT WITH WINCH) (INCLUDES ITEMS 3, 4, 5 & 101 THRU 121)	H
3	4110422	2	Decal, Danger, Swinging Loads	
4	See Note	NSS	S/N Plate (Note: Stamped Part - Not Available for Purchase)	
5	1001227670	1	Tag, RFID	
101	See Note	NSS	Truss Boom Frame (Note: Purchase Complete Assembly)	
102	90554016	1	Decal	
103	70021349	4	Bolt	
103	90554042	4	Washer	
104	70021921	1	Winch, Truss Boom	
105	70024059	4	Bolt	
105	90554054	4	Nut	
105	90554020	4	Washer	
106	70021415	2	Fitting	
107	70021977	2	Hose 32in (Boom Front Disconnect)	
107	70031445	2	Hose 48in (Boom Side Disconnect)	
108	70022527	2	Fitting, 90	
109	91403414	1	Fitting, Straight	
110	8420053	1	Cap	
111	91403413	1	Fitting, Straight	
112	8420055	1	Plug	
113	70021387	1	Clamp	
114	70021978	1	Ball Swivel Safety Hook	
115	70021979	1	Assembly, Socket	
116	70022528	2	Clamp	
117	70021935	1	Pulley	
118	70022028	1	Cable	
119	70022529	1	Pin	
120	70027009	2	Washer	
121	70026698	2	Ring, Snap	

SECTION 3 - ATTACHMENTS

FIGURE 3-8. BOOM - 12FT WITH WINCH



ART_1001099351

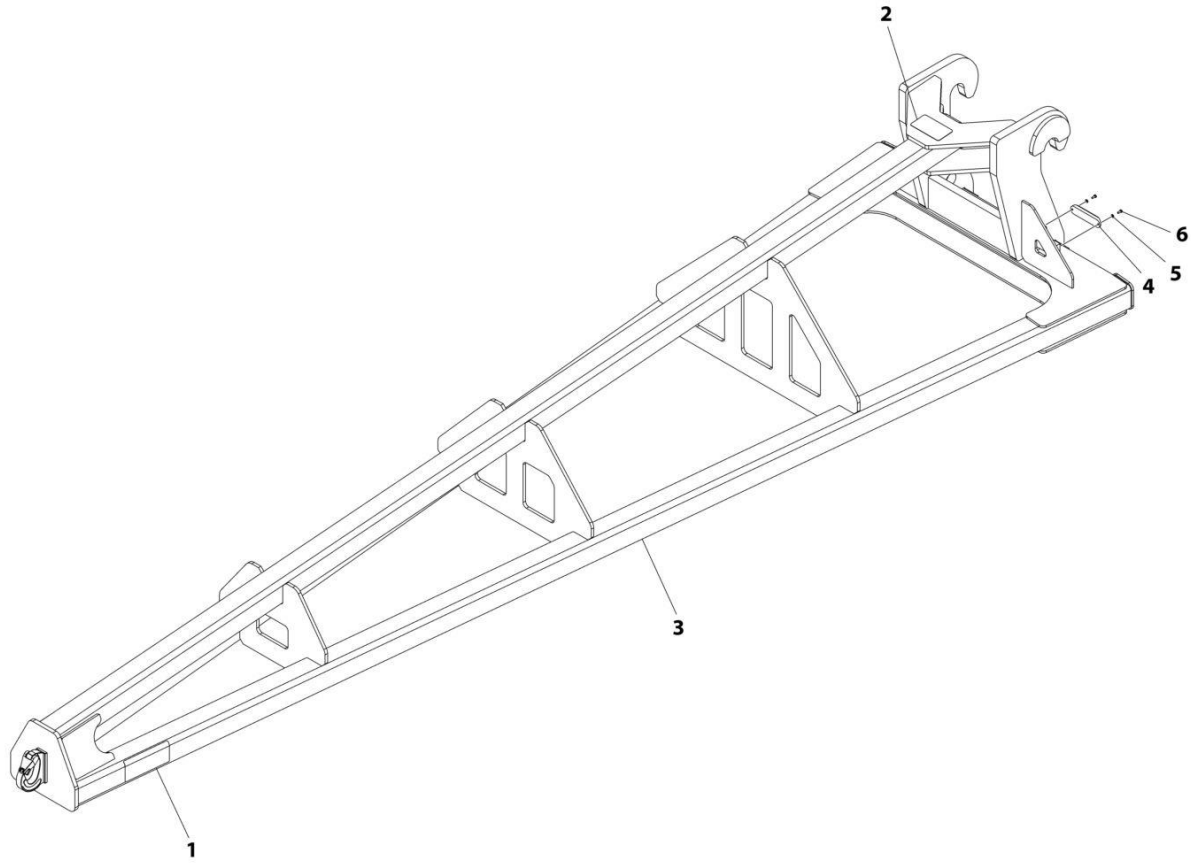
SECTION 3 - ATTACHMENTS

FIGURE 3-8. BOOM - 12FT WITH WINCH

ITEM	PART NUMBER	QTY	DESCRIPTION	REV
	1001099351	Ref	TRUSS BOOM (0.9 TON - 3.7M WITH WINCH)	L
1	See Note	NSS	Frame, Truss Boom (Note: Purchase Complete Assembly)	
2	90554016	1	Decal, Made in USA	
	See Note	NSS	S/N Plate (Note: Stamped Part - Not Available for Purchase)	
4	70021349	4	Bolt 3/8 x 1	
5	70021921	1	Motor, Truss Boom Winch	
6	70024059	2	Bolt 1/2 x 1-3/4	
7	70021415	2	Connector	
8	70021977	2	Hose 32in (Boom Front Disconnect)	
8	70031445	2	Hose 48in (Boom Side Disconnect)	
9	70022527	2	Fitting, 90	
10	7029692	1	Fitting, Straight	
11	90554062	1	Cap, Dust	
12	70021342	1	Fitting, Straight	
13	90554076	1	Cap, Dust	
15	70021978	1	Ball Swivel with Safety Hook	
16	70021979	1	Assembly, Socket (includes items 17 thru 18)	
17	See Note	NSS	Pin (Note: Use Item 16)	
18	See Note	NSS	Pin, Cotter (Note: Use Item 16)	
19	70022528	2	Clamp	
20	70021935	1	Pulley	
21	70022028	1	Cable	
22	4110422	2	Decal, Warning Swinging Loads	
23	70022529	1	Pin	
24	70024060	2	Washer	
25	70026698	2	Ring, Snap	
26	90554042	4	Washer 3/8	
27	90554020	2	Washer 1/2	
28	90554054	2	Nut 1/2	

SECTION 3 - ATTACHMENTS

FIGURE 3-9. BOOM - 12FT WITHOUT WINCH



ART_1001099902_H

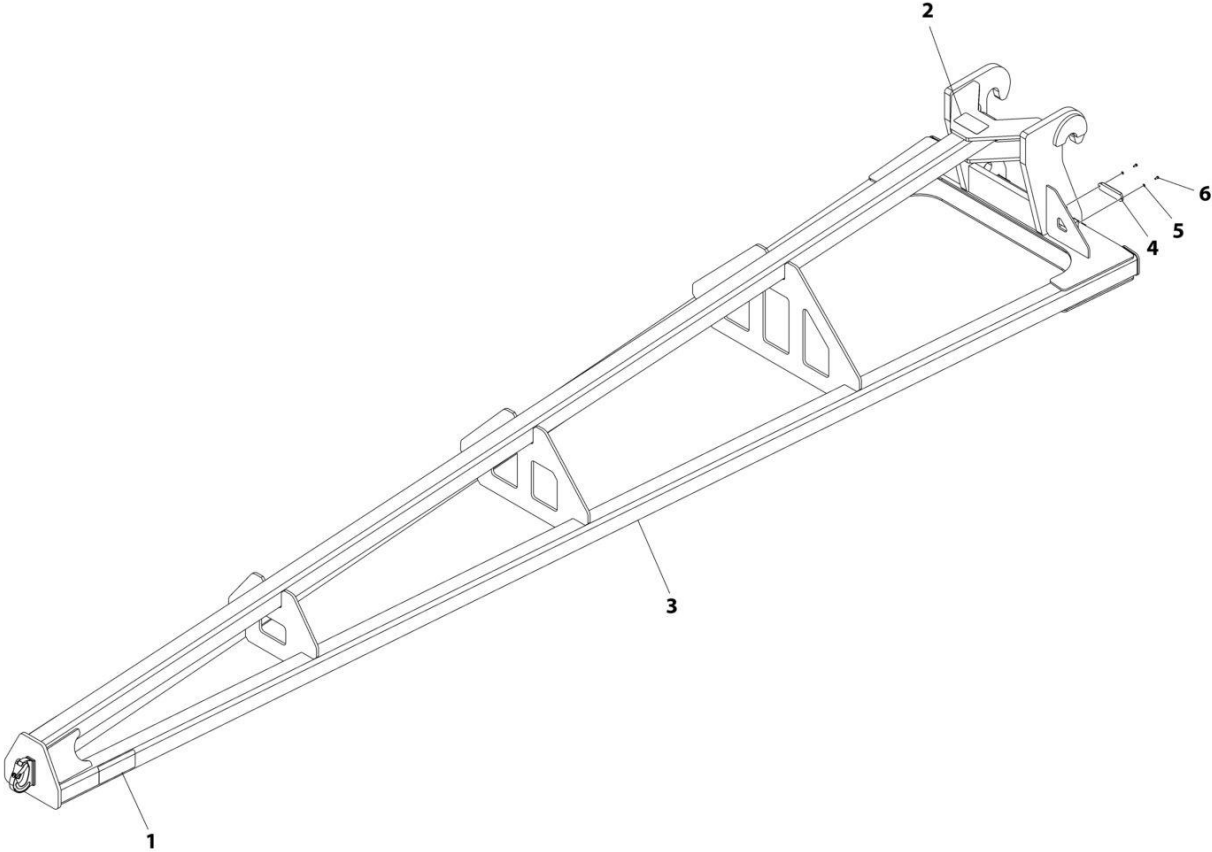
SECTION 3 - ATTACHMENTS

FIGURE 3-9. BOOM - 12FT WITHOUT WINCH

ITEM	PART NUMBER	QTY	DESCRIPTION	REV
	1001099902	Ref	TRUSS BOOM (0.9 TON - 3.7M)	H
1	4110422	2	Decal, Danger Swinging Loads	
2	See Note	NSS	SN Plate (Note:Stamped Part - Not Available for Purchase)	
3	See Note	NSS	Boom, Truss (Note: Purchase Complete Assembly)	
4	1001227670	1	Tag, RFID	
5	4811400	2	Washer M4	
6	0760405	2	Bolt M4 x 10	

SECTION 3 - ATTACHMENTS

FIGURE 3-10. BOOM - 15FT WITHOUT WINCH



ART_1001099901_H

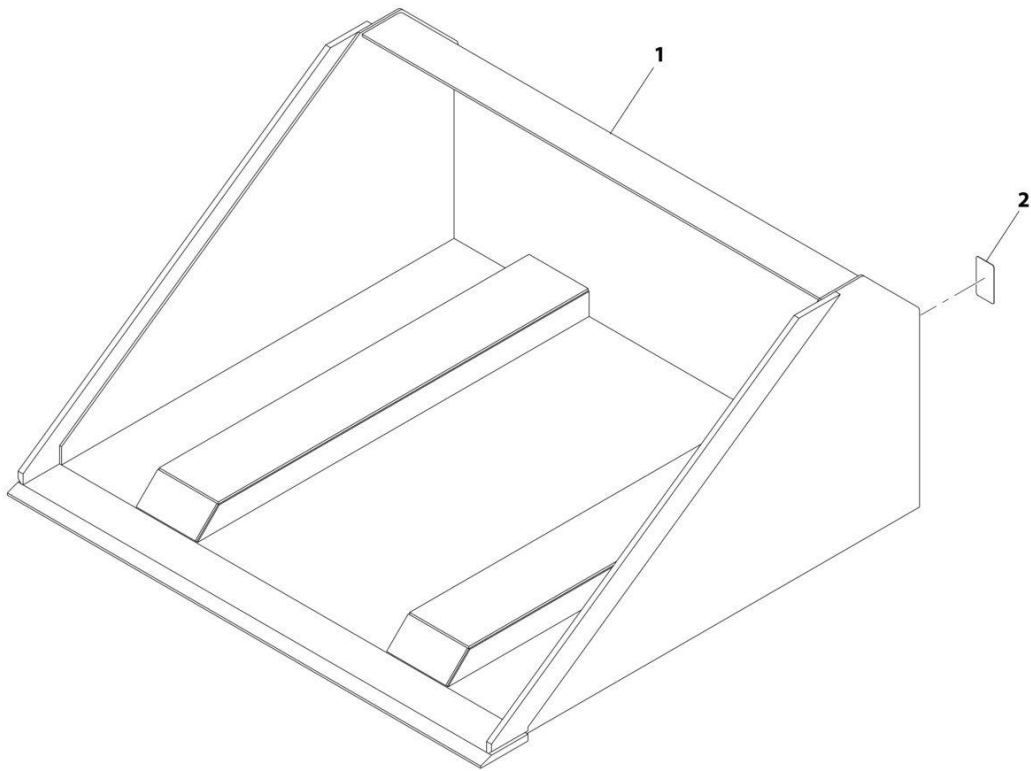
SECTION 3 - ATTACHMENTS

FIGURE 3-10. BOOM - 15FT WITHOUT WINCH

ITEM	PART NUMBER	QTY	DESCRIPTION	REV
	1001099901	Ref	TRUSS BOOM (15 FOOT)	H
1	4110422	2	Decal, Danger Swinging Loads	
2	See Note	NSS	SN Plate (Note:Stamped Part - Not Available for Purchase)	
3	See Note	NSS	Boom, Truss (Note: Purchase Complete Assembly)	
4	1001227670	1	Tag, RFID	
5	4811400	2	Washer M4	
6	0760405	2	Bolt M4 x 10	

SECTION 3 - ATTACHMENTS

FIGURE 3-11. BUCKET - 60IN (1.3 CU YD) (FORK MOUNTED)



ART_1001195970-D

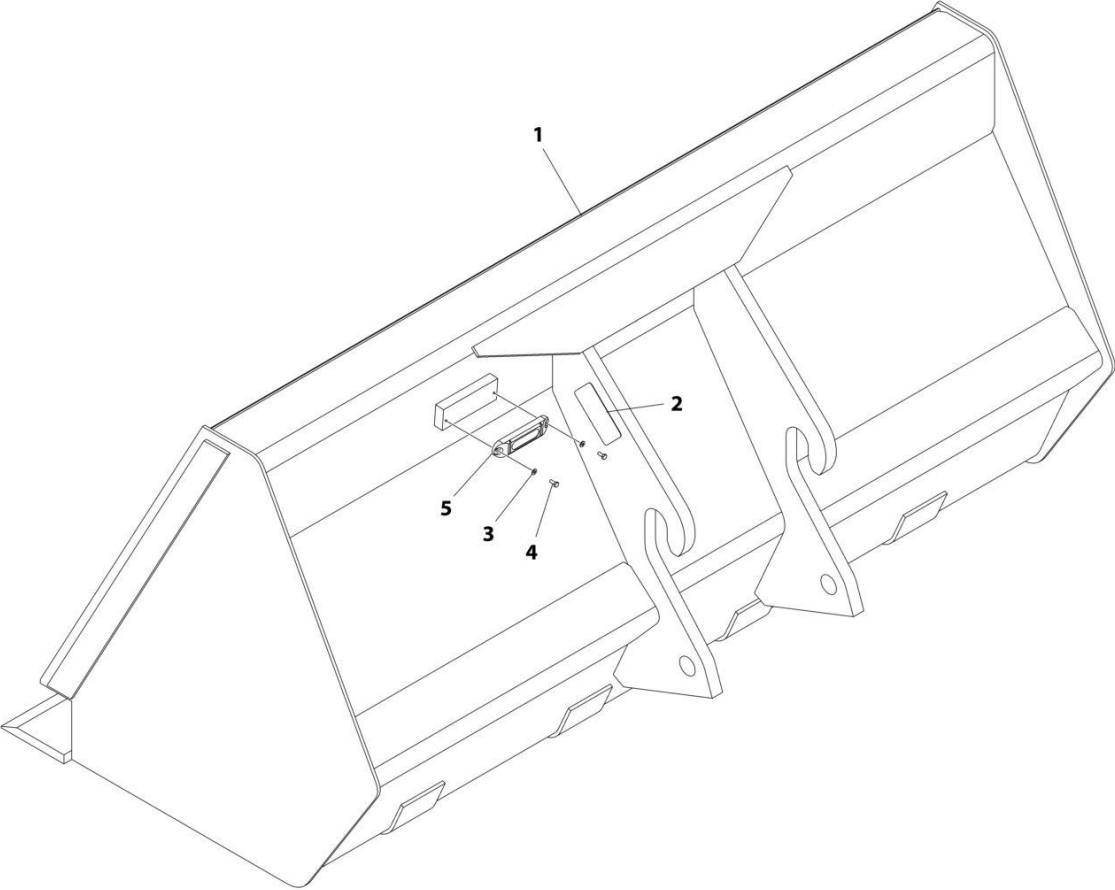
SECTION 3 - ATTACHMENTS

FIGURE 3-11. BUCKET - 60IN (1.3 CU YD) (FORK MOUNTED)

ITEM	PART NUMBER	QTY	DESCRIPTION	REV
1	1001195970	Ref	Bucket 1.0 m ³ (Fork Mounted)	E
2	See Note	NSS	S/N Plate (Note: Stamped Part - Not Available for Purchase)	

SECTION 3 - ATTACHMENTS

FIGURE 3-12. BUCKET - 72IN (1.0 CU YD)



ART_1001100822_I

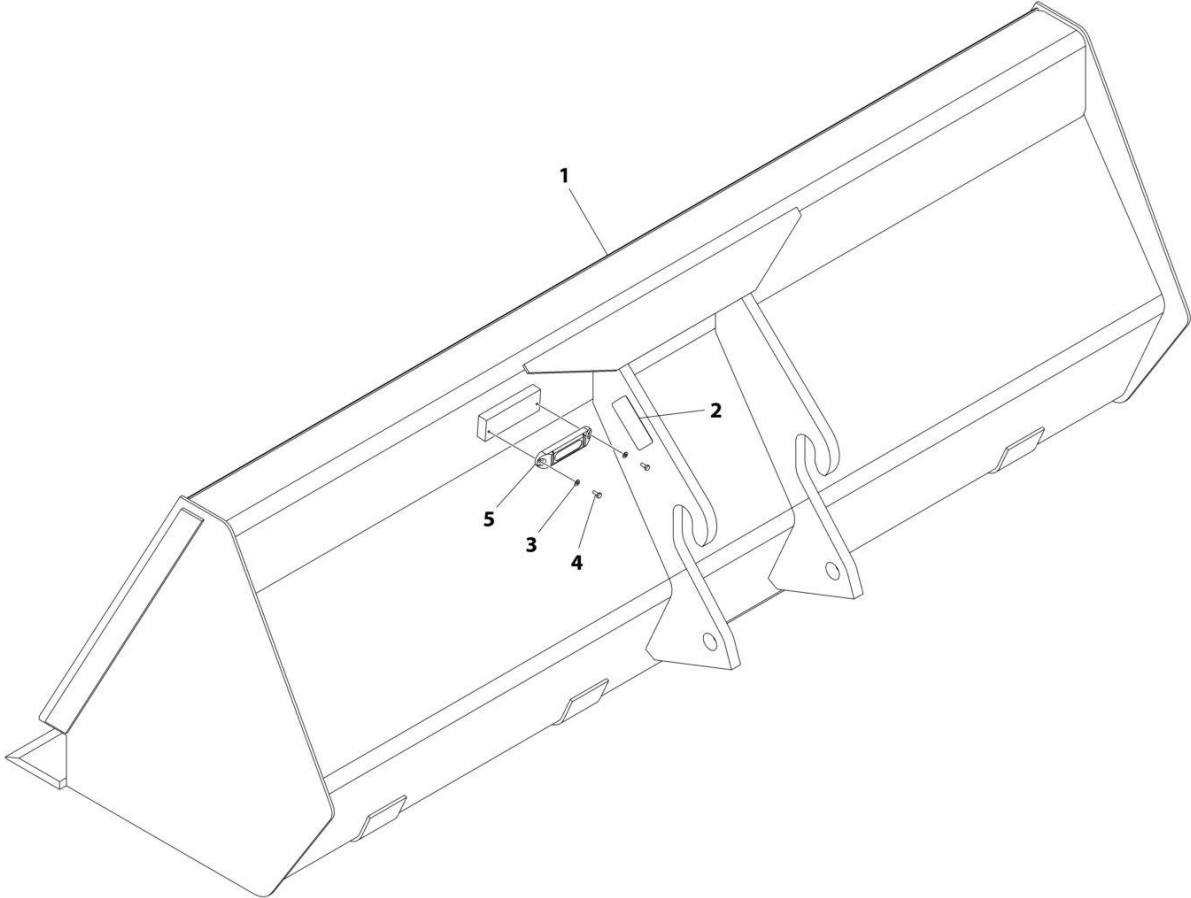
SECTION 3 - ATTACHMENTS

FIGURE 3-12. BUCKET - 72IN (1.0 CU YD)

ITEM	PART NUMBER	QTY	DESCRIPTION	REV
	1001100822	Ref	BUCKET 1.0 YD ³ (ANSI - JLG)	I
1	1001100265	1	Bucket Weldment	
2	See Note	NSS	SN Plate (Note:Stamped Part - Not Available for Purchase)	
3	4811400	2	Washer M4	
4	0760405	2	Bolt M4 x 10	
5	1001227670	1	Tag, RFID	

SECTION 3 - ATTACHMENTS

FIGURE 3-13. BUCKET - 96IN (1.5 CU YD)



ART_1001100823_I

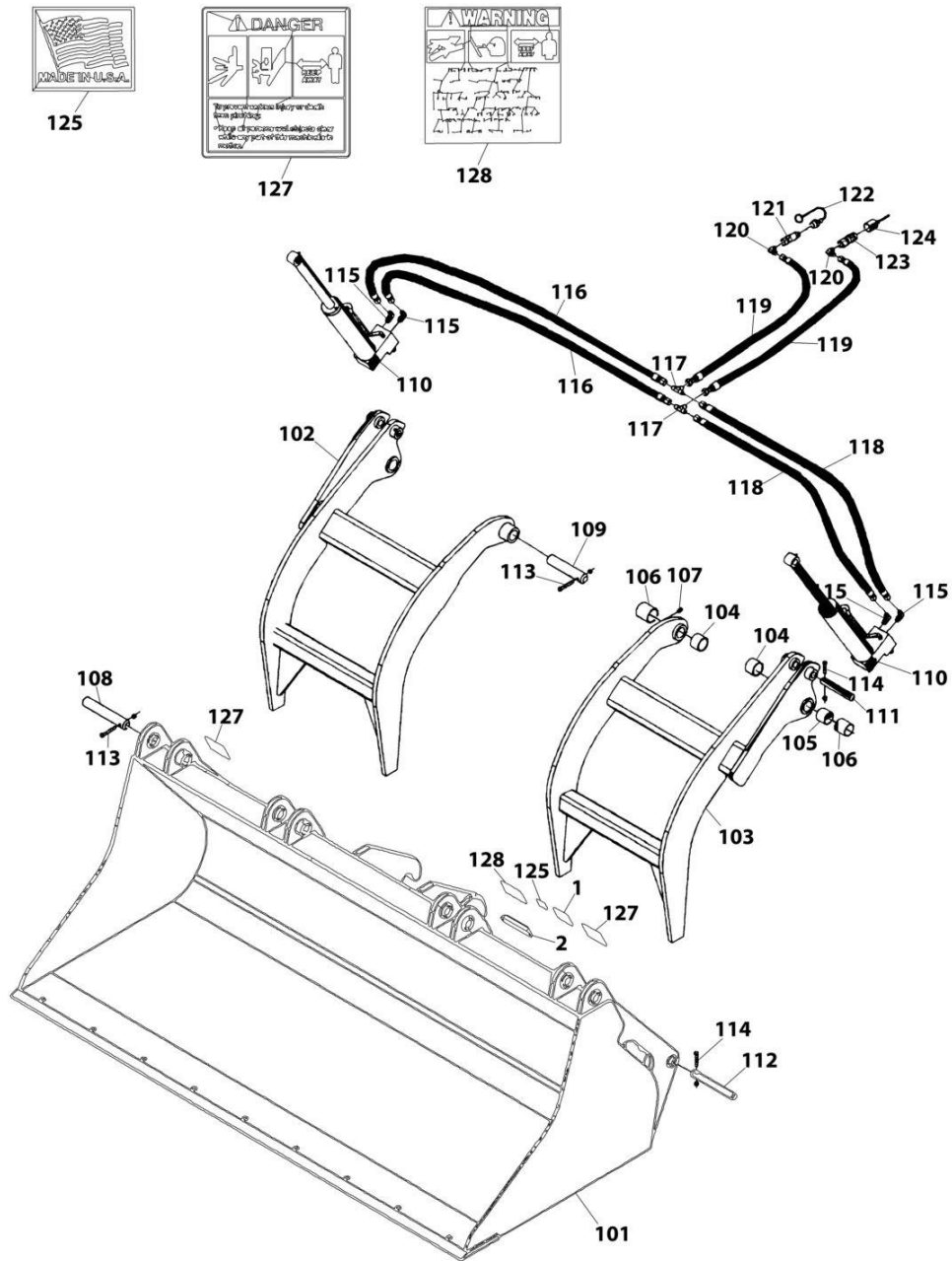
SECTION 3 - ATTACHMENTS

FIGURE 3-13. BUCKET - 96IN (1.5 CU YD)

ITEM	PART NUMBER	QTY	DESCRIPTION	REV
	1001100823	Ref	BUCKET (1.15 M ³)	I
1	1001100266	1	Bucket	
2	See Note	NSS	SN Plate (Note:Stamped Part - Not Available for Purchase)	
3	4811400	2	Washer M4	
4	0760405	2	Bolt M4 x 10	
5	1001227670	1	Tag, RFID	

SECTION 3 - ATTACHMENTS

FIGURE 3-14. BUCKET - 96IN GRAPPLE



ART_0930020

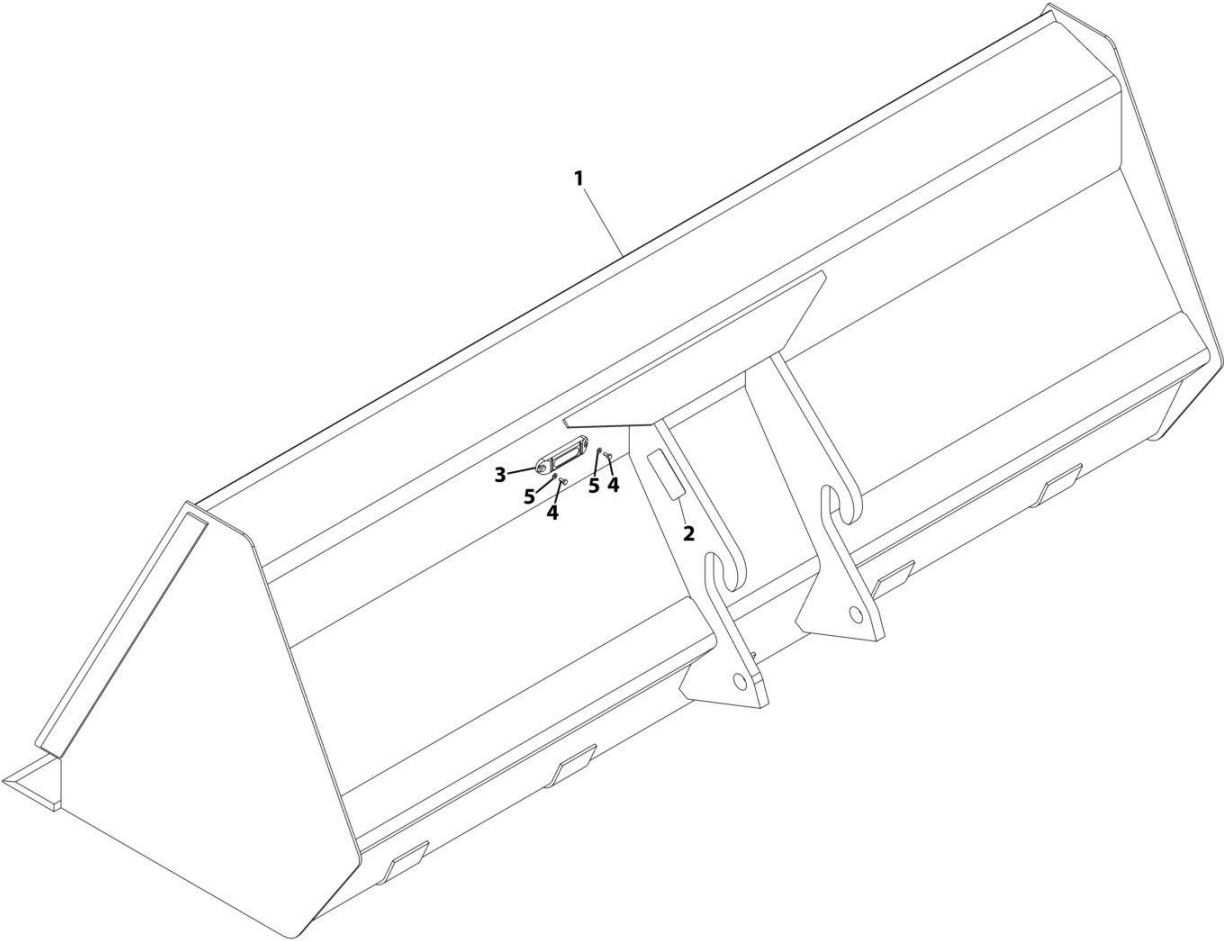
SECTION 3 - ATTACHMENTS

FIGURE 3-14. BUCKET - 96IN GRAPPLE

ITEM	PART NUMBER	QTY	DESCRIPTION	REV
	0930020	Ref	Multi-Purpose Grapple Bucket (2450 MM)	L
1	See Note	NSS	S/N Plate (Note: Stamped Part - Not Available for Purchase)	
2	1001227670	1	Tag, RFID	
101	N.S.S.	1	Bucket	
101	70021387	4	Clamp, Hose	
102	70021391	1	Hook, RH Grapple	
103	70021392	1	Hook, LH Grapple	
104	70021358	4	Bushing	
105	70021359	2	Spacer	
106	70021360	4	Bushing	
107	7029714	4	Fitting, Grease	
108	70021361	2	Pin	
109	70021362	2	Pin	
110	70021393	2	Cylinder, Grapple Bucket (See Separate Breakdown in HYDRAULIC COMPONENTS Section)	
111	70021364	2	Pin	
112	70021365	2	Pin	
113	70021366	4	Bolt, 3/8X2-3/4	
113	70021367	4	Nut 3/8	
114	70021399	4	Bolt, 3/8X2-1/4	
114	70021367	4	Nut, Lock 3/8	
115	90554065	4	Fitting, 90	
116	70021980	2	Hose	
117	70020562	2	Fitting, Tee	
118	70021981	2	Hose	
119	70021982	2	Hose 34in (Boom Front Disconnect)	
119	70031446	2	Hose 45in (Boom Side Disconnect)	
120	70022527	2	Fitting, 90	
121	7029692	1	Coupler	
122	90554062	1	Cover	
123	70021342	1	Coupler	
124	90554076	1	Cover	
125	90554016	1	Decal, Made in USA	
127	90554017	2	Decal, Danger Pinch Point	
128	90554018	1	Decal, Warning High Pressure	

SECTION 3 - ATTACHMENTS

FIGURE 3-15. BUCKET - 102IN (2.0 CU YD)



ART_1001100824

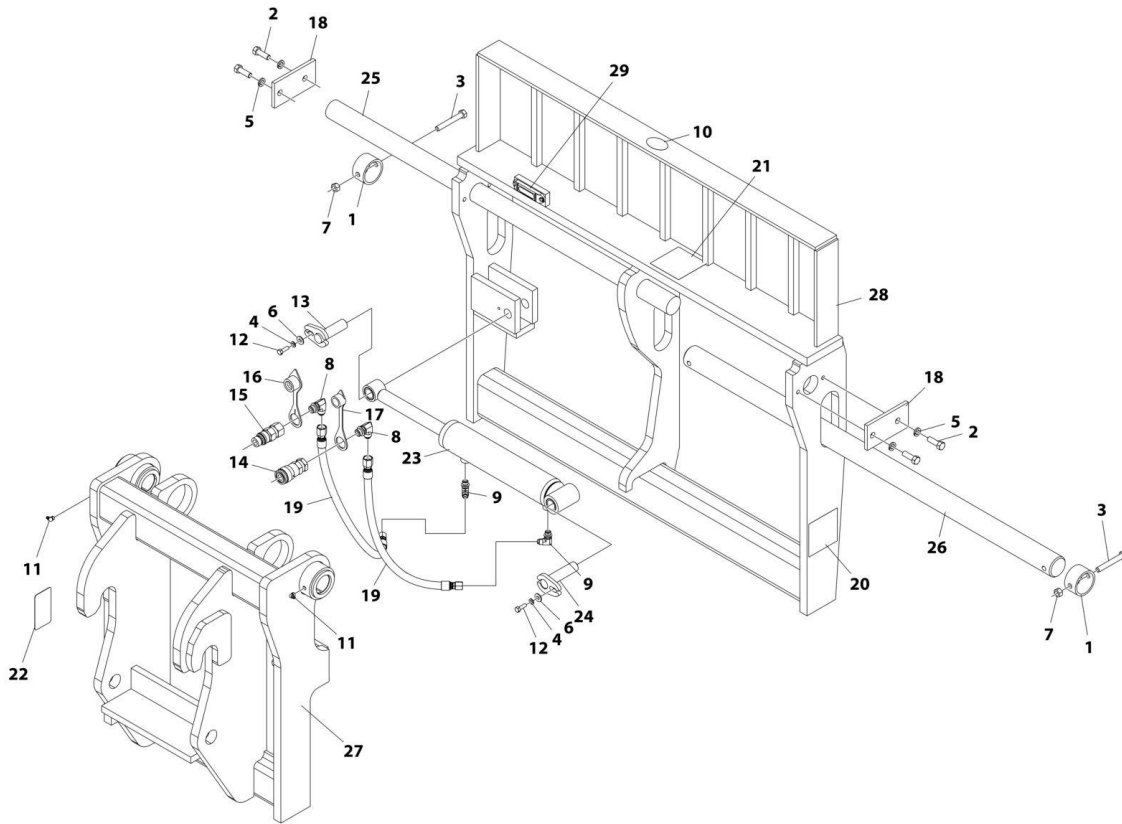
SECTION 3 - ATTACHMENTS

FIGURE 3-15. BUCKET - 102IN (2.0 CU YD)

ITEM	PART NUMBER	QTY	DESCRIPTION	REV
	1001100824	Ref	Bucket (102 Inch)	H
1	1001100267	NLA	Bucket (Note: Purchase PN 1001100824)	
2	See Note	NSS	S/N Plate (Note: Stamped Part - Not Available for Purchase)	
3	1001227670	1	Tag, RFID	
4	0760405	2	Bolt M4 x 10	
5	4811400	2	Washer M4	

SECTION 3 - ATTACHMENTS

FIGURE 3-16. CARRIAGE ASSEMBLY - 48IN/12000# CAPACITY SIDE SHIFT



ART_1001242644_C

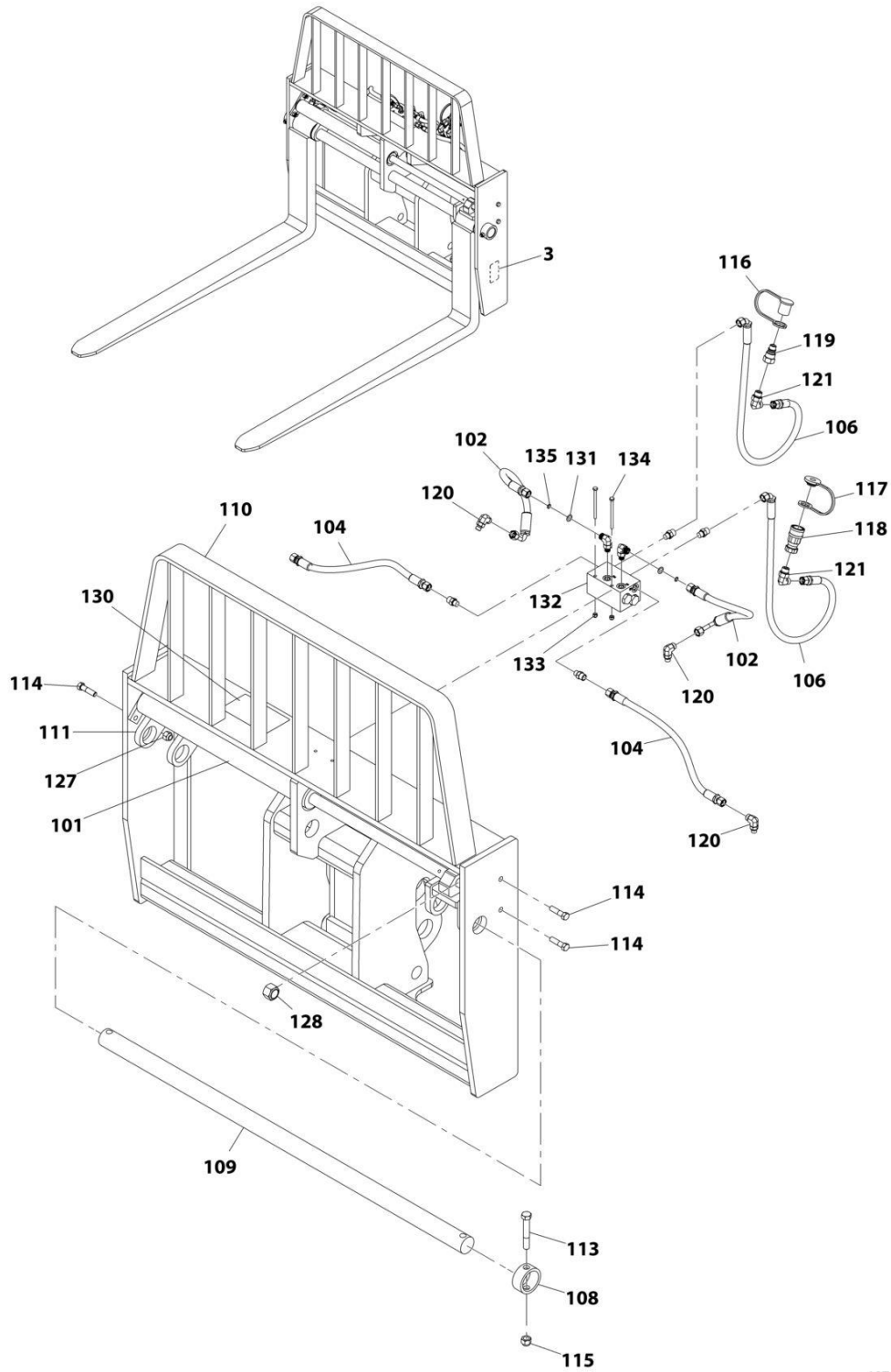
SECTION 3 - ATTACHMENTS

FIGURE 3-16. CARRIAGE ASSEMBLY - 48IN/12000# CAPACITY SIDE SHIFT

ITEM	PART NUMBER	QTY	DESCRIPTION	REV
	1001242644	Ref	SIDE SHIFT CARRIAGE ASSEMBLY (48 INCH)	C
1	70020028	2	Bushing	
2	70021382	4	Bolt 1/2 x 1-1/2	
3	70020002	2	Bolt 1/2 x 4	
4	90554067	2	Washer 5/16	
5	90554020	4	Washer 1/2	
6	70021379	2	Washer	
7	70027642	2	Washer	
8	70030141	2	Elbow	
9	90554065	2	Elbow 90	
10	90554016	1	Decal - Made in USA	
11	70021389	2	Fitting 90	
12	70021378	2	Capscrew	
13	70021351	1	Pin	
14	91403413	1	Adapter	
15	91403414	1	Adapter	
16	8420053	1	Cap, Dust	
17	8420055	1	Plug, Dust	
18	70030142	2	Plate	
19	70030143	2	Hose 30in (Boom Front Disconnect)	
19	70031444	2	Hose 55in (Boom Side Disconnect)	
20	90554017	2	Decal - Danger Pinch Point	
21	7029711	1	Decal - High Pressure	
22	See Note	NSS	SN Plate (Note: Stamped Part - Not Available for Purchase)	
23	70021376	1	Cylinder Assembly (See Separate Breakdown in HYDRAULIC COMPONENTS Section)	
24	70021377	1	Pin	
25	70030144	1	Pin	
26	70030145	1	Pin	
27	See Note	NSS	Frame - Rear (Note: Purchase Complete Assembly)	
28	See Note	NSS	Frame - Front (Note: Purchase Complete Assembly)	
29	1001227670	1	Tag, RFID	

SECTION 3 - ATTACHMENTS

FIGURE 3-17. CARRIAGE ASSEMBLY - 50IN/10000# CAPACITY DUAL FORK POSITIONING



ART_7301295-J

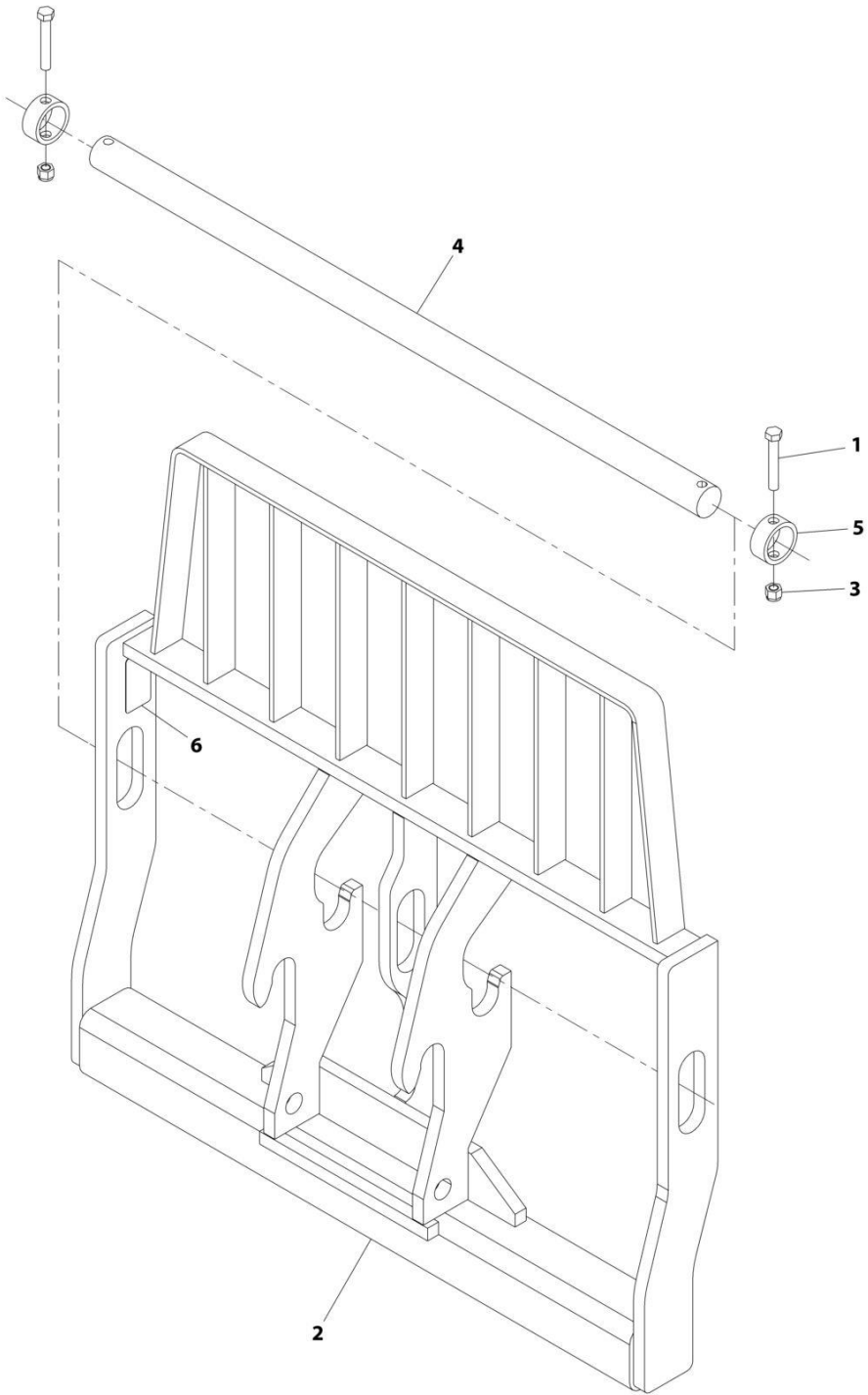
SECTION 3 - ATTACHMENTS

FIGURE 3-17. CARRIAGE ASSEMBLY - 50IN/10000# CAPACITY DUAL FORK POSITIONING

ITEM	PART NUMBER	QTY	DESCRIPTION	REV
	7301295	Ref	FORK POSITIONING CARRIAGE (4.5 TON)	J
3	N.S.S.	1	S/N Plate	
101	2717283	2	Cylinder, Fork Positioning (See Separate Breakdown in HYDRAULIC COMPONENTS Section)	
102	2717160	2	Hose	
104	2717161	2	Hose	
106	2717162	1	Hose 36in (Boom Front Disconnect)	
106	70031443	1	Hose 44in (Boom Side Disconnect)	
108	90200003	2	Collar, Fork Pin	
109	90451058	1	Shaft, Fork	
110	N.S.S.	1	Weldment, Carriage	
111	N.S.S.	1	Weldment, Fork Adapter	
113	8303634	2	Bolt 5/8 x 4	
114	8303658	4	Bolt 1/2 x 2	
115	8305643	2	Nut 5/8	
116	8420053	1	Cap, Dust	
117	8420055	1	Plug, Dust	
118	91403413	1	Adapter, Quick Disconnect	
119	91403414	1	Adapter, Quick Disconnect	
120	2130606	4	Adapter, 90 Straight	
121	2130608	2	Adapter, 90 Straight	
127	8310302	4	Nut 1/2	
128	10705034	2	Nut 1	
130	4110473	1	Decal, Warning Route Hoses	
131	7139918	2	Disk, Orifice	
132	4641502	1	Assembly, Dual Fork Carriage Valve (See Separate Breakdown in HYDRAULIC COMPONENTS Section)	
133	8305624	2	Nut 1/4	
134	8310435	2	Bolt 1/4 x 3-3/4	
135	8630003	2	O-Ring	

SECTION 3 - ATTACHMENTS

FIGURE 3-18. CARRIAGE ASSEMBLY - 50IN/12000# CAPACITY STANDARD



ART_1170021-H

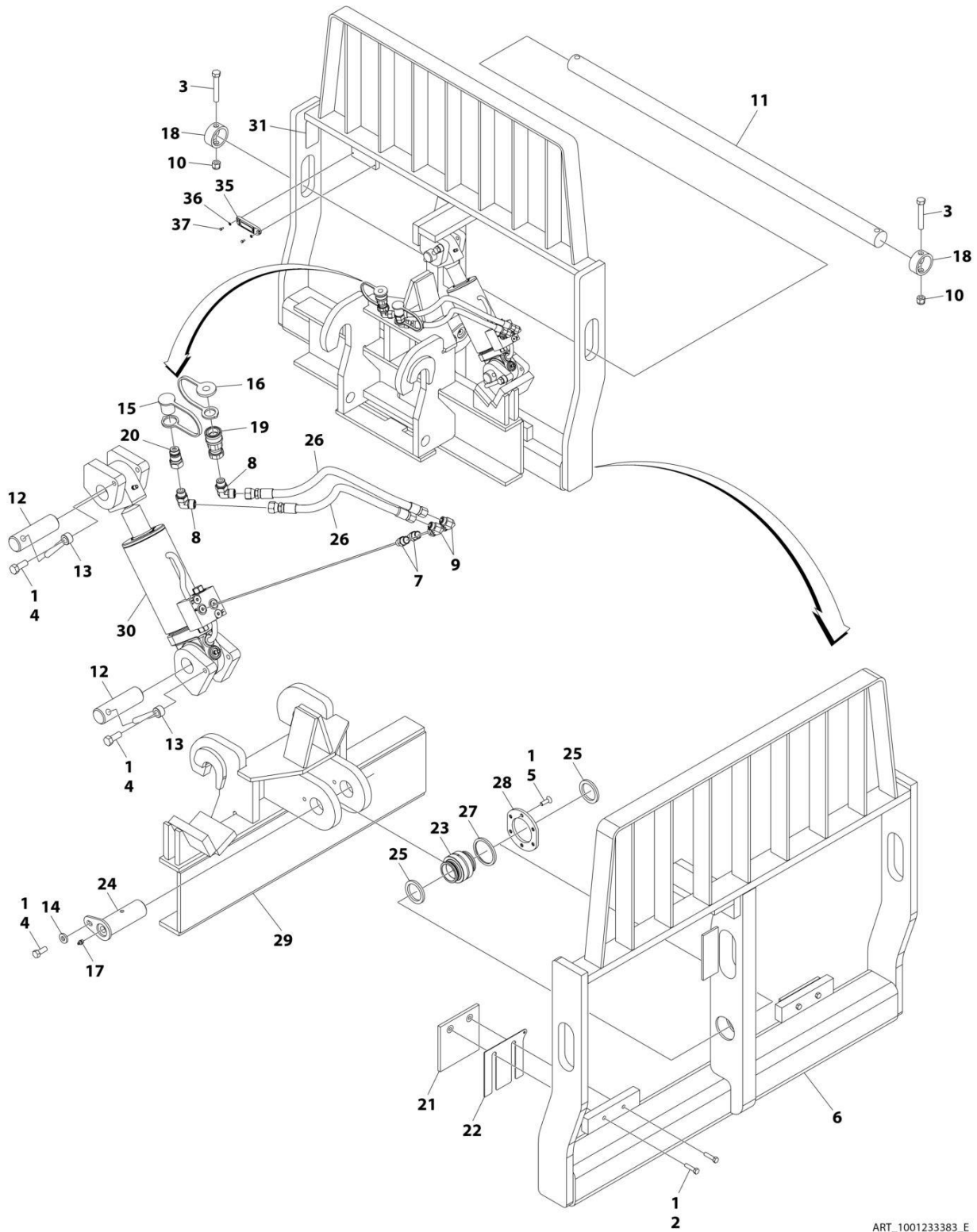
SECTION 3 - ATTACHMENTS

FIGURE 3-18. CARRIAGE ASSEMBLY - 50IN/12000# CAPACITY STANDARD

ITEM	PART NUMBER	QTY	DESCRIPTION	REV
	1170021	Ref	Carriage Assembly (50 INCH)	H
1	0642032	2	Bolt, 5/8-11X4	
2	1170012	1	Weldment, Carriage	
3	3300240	2	Nut, Lock 5/8-11	
4	3423275	1	Pin, Fork	
5	90200003	2	Collar, Fork Pin	
6	See Note	NSS	S/N Plate (Note: Stamped Part - Not Available for Purchase)	

SECTION 3 - ATTACHMENTS

FIGURE 3-19. CARRIAGE ASSEMBLY - 50IN/12000# CAPACITY SIDE TILT



ART_1001233383_E

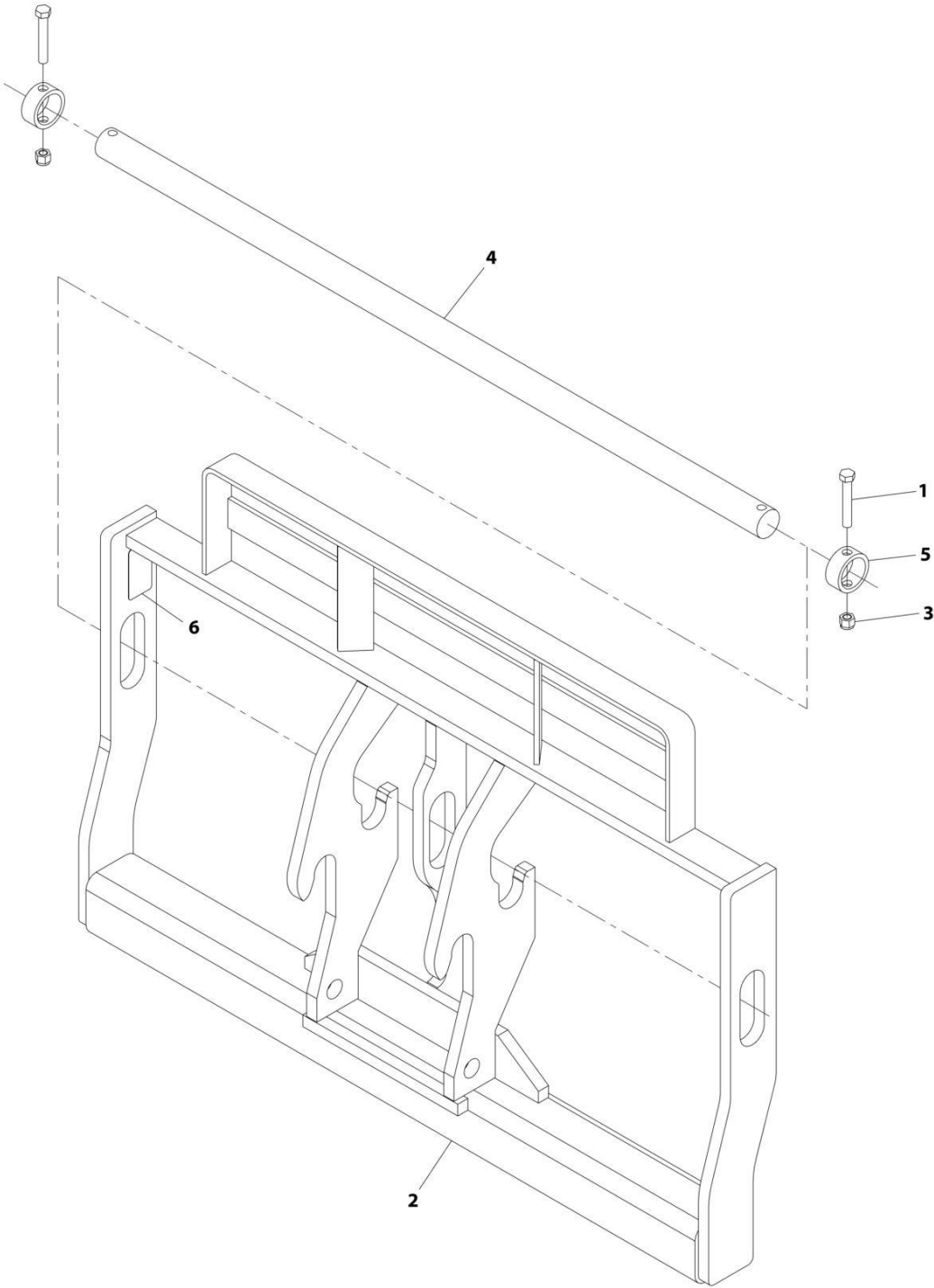
SECTION 3 - ATTACHMENTS

FIGURE 3-19. CARRIAGE ASSEMBLY - 50IN/12000# CAPACITY SIDE TILT

ITEM	PART NUMBER	QTY	DESCRIPTION	REV
	1001233383	NLA	SIDE TILT CARRIAGE ASSEMBLY (50 INCH) (No longer available, use item 1 to 37 for service or 1001277290 for replacement)	E
1	0100011	AR	Compound, Locking	
2	0641612	4	Bolt 3/8 x 1-1/2	
3	0642032	2	Bolt 5/8 x 4	
4	0681810	3	Bolt 1/2 x 1-1/4	
5	0741610	6	Screw 3/8 x 1.25	
6	See Note	NSS	Carriage (Note: Purchase Complete Assembly)	
7	2110606	2	Fitting, Straight ORFS	
8	2130808	2	Adapter, 90	
9	2172106	2	Fitting, 90 ORFS	
10	3300240	2	Nut 5/8	
11	3423275	1	Pin	
12	3423307	2	Pin	
13	3841203	2	Keeper	
14	4891800	1	Flatwasher	
15	8420053	1	Cap	
16	8420055	1	Plug	
17	88671001	1	Fitting, Grease	
18	90200003	2	Collar	
19	91403413	1	Fitting, Straight	
20	91403414	1	Fitting, Straight	
21	1001090063	2	Pad	
22	1001090064	AR	Shim	
23	1001090140	1	Bearing	
24	1001099113	1	Pin	
25	1001099115	2	Sleeve	
26	1001239734	2	Hose	
27	1001120914	1	Shim	
28	1001120915	1	Plate	
29	See Note	NSS	Carriage, Base Plate (Note: Purchase Complete Assembly)	
30	1001163414	1	Cylinder, Side Tilt (See Separate Breakdown in HYDRAULIC COMPONENTS Section)	
31	See Note	NSS	SN Plate (Note: Stamped Part - Not Available for Purchase)	
35	1001227670	1	Tag, RFID	
36	4811400	2	Washer M4	
37	0760405	2	Bolt M4 x 10	

SECTION 3 - ATTACHMENTS

FIGURE 3-20. CARRIAGE ASSEMBLY - 60IN/12000# CAPACITY STANDARD



ART_1170024-H

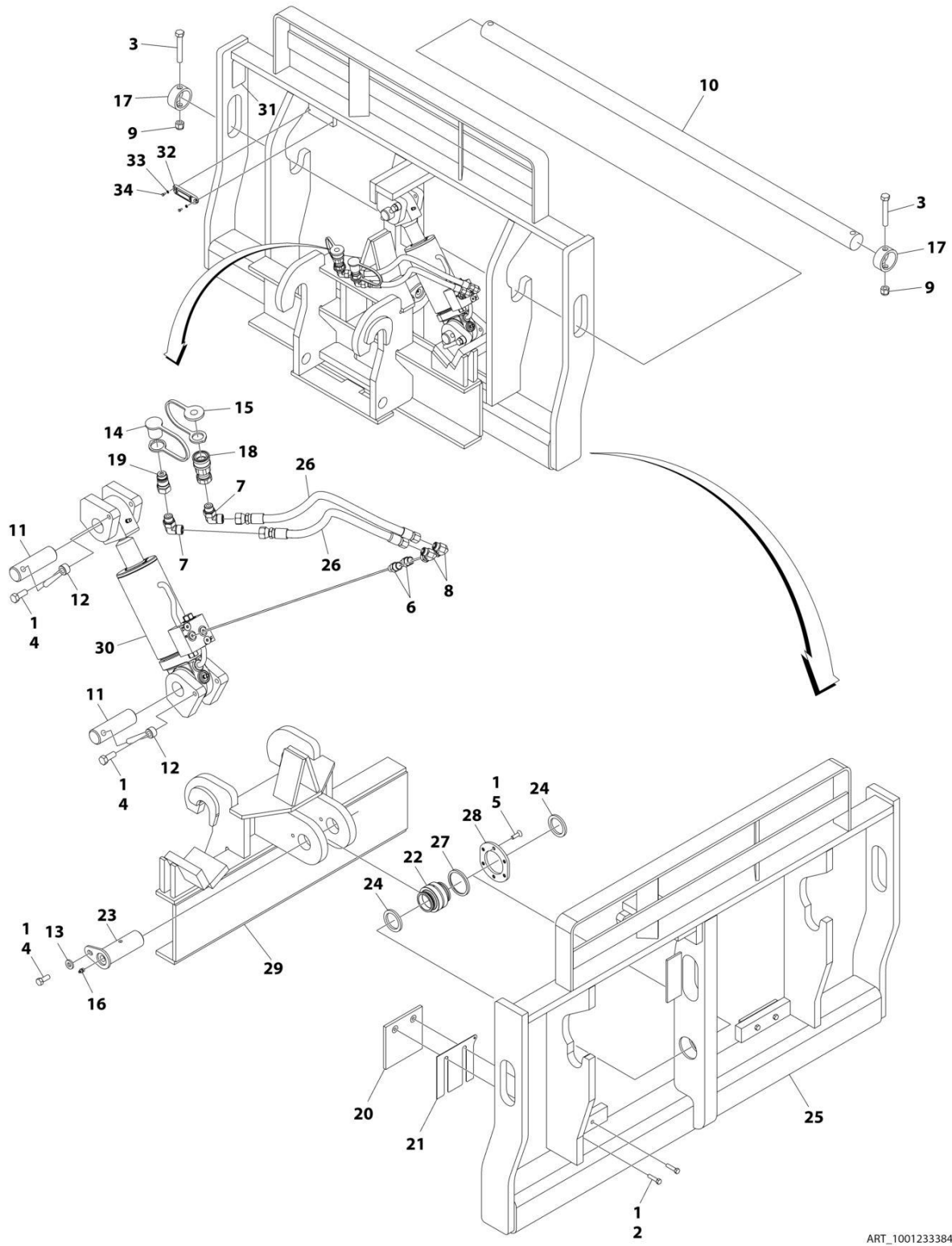
SECTION 3 - ATTACHMENTS

FIGURE 3-20. CARRIAGE ASSEMBLY - 60IN/12000# CAPACITY STANDARD

ITEM	PART NUMBER	QTY	DESCRIPTION	REV
	1170024	Ref	Carriage Assembly (1524 MM)	H
1	0642032	2	Bolt 5/8 x 4	
2	See Note	NSS	Carriage (Note: Purchase Complete Assembly)	
3	3300240	2	Nut 5/8	
4	3423242	1	Pin	
5	90200003	2	Sleeve	
6	See Note	NSS	S/N Plate (Note: Stamped Part - Not Available for Purchase)	

SECTION 3 - ATTACHMENTS

FIGURE 3-21. CARRIAGE ASSEMBLY - 60IN/12000# CAPACITY SIDE TILT



ART_1001233384_F

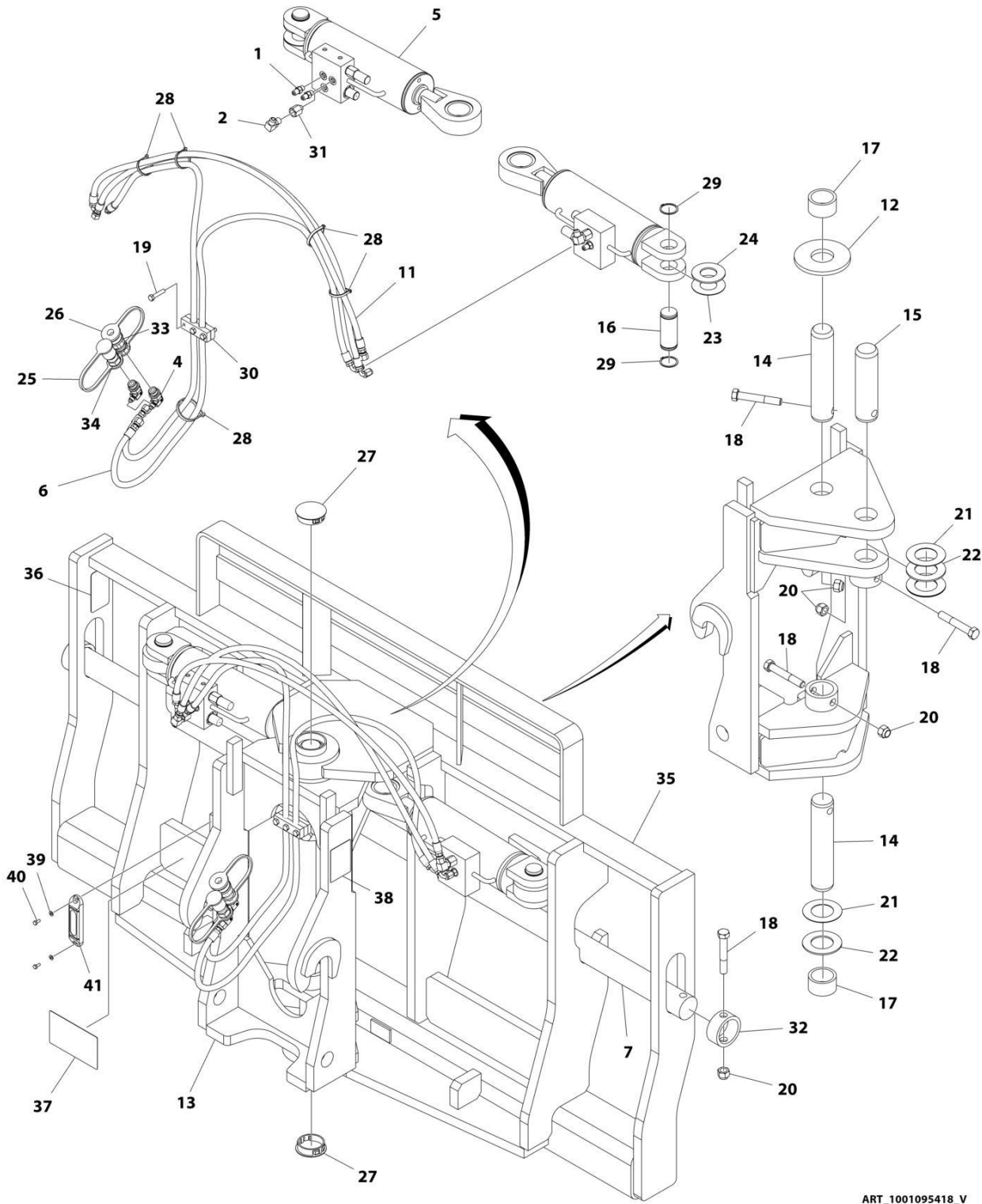
SECTION 3 - ATTACHMENTS

FIGURE 3-21. CARRIAGE ASSEMBLY - 60IN/12000# CAPACITY SIDE TILT

ITEM	PART NUMBER	QTY	DESCRIPTION	REV
	1001233384	Ref	SIDE TILT CARRIAGE ASSEMBLY (60 INCH)	F
1	0100011	AR	Compound, Locking	
2	0641612	4	Bolt 3/8 x 1-1/2	
3	0642032	2	Bolt 5/8 x 4	
4	0681810	3	Bolt 1/2 x 1-1/4	
5	0741610	6	Screw 3/8 x 1-1/4	
6	2110606	2	Fitting, Straight	
7	2130808	2	Adapter, 90	
8	2172106	2	Fitting, 90	
9	3300240	2	Nut 5/8	
10	3423242	1	Pin	
11	3423307	2	Pin	
12	3841203	2	Keeper	
13	4891800	1	Washer	
14	8420053	1	Cap	
15	8420055	1	Plug	
16	88671001	1	Fitting, Grease	
17	90200003	2	Collar	
18	91403413	1	Fitting, Straight	
19	91403414	1	Fitting, Straight	
20	1001090063	2	Pad	
21	1001090064	AR	Shim	
22	1001090140	1	Bearing	
23	1001099113	1	Pin	
24	1001099115	2	Sleeve	
25	See Note	NSS	Carriage, Side Tilt (Note: Purchase Complete Assembly)	
26	1001239734	2	Hose	
27	1001120914	1	Shim	
28	1001120915	1	Plate	
29	1001133072	1	Carriage, Base Pivot	
30	1001163414	1	Cylinder, Side Tilt (See Separate Breakdown in HYDRAULIC COMPONENTS Section)	
31	See Note	NSS	SN Plate (Note: Stamped Part - Not Available for Purchase)	
32	1001227670	1	Tag, RFID	
33	4811400	2	Washer M4	
34	0760405	2	Bolt M4 x 10	

SECTION 3 - ATTACHMENTS

FIGURE 3-22. CARRIAGE ASSEMBLY - 72IN/10000# CAPACITY 90 DEGREE SWING



ART_1001095418_V

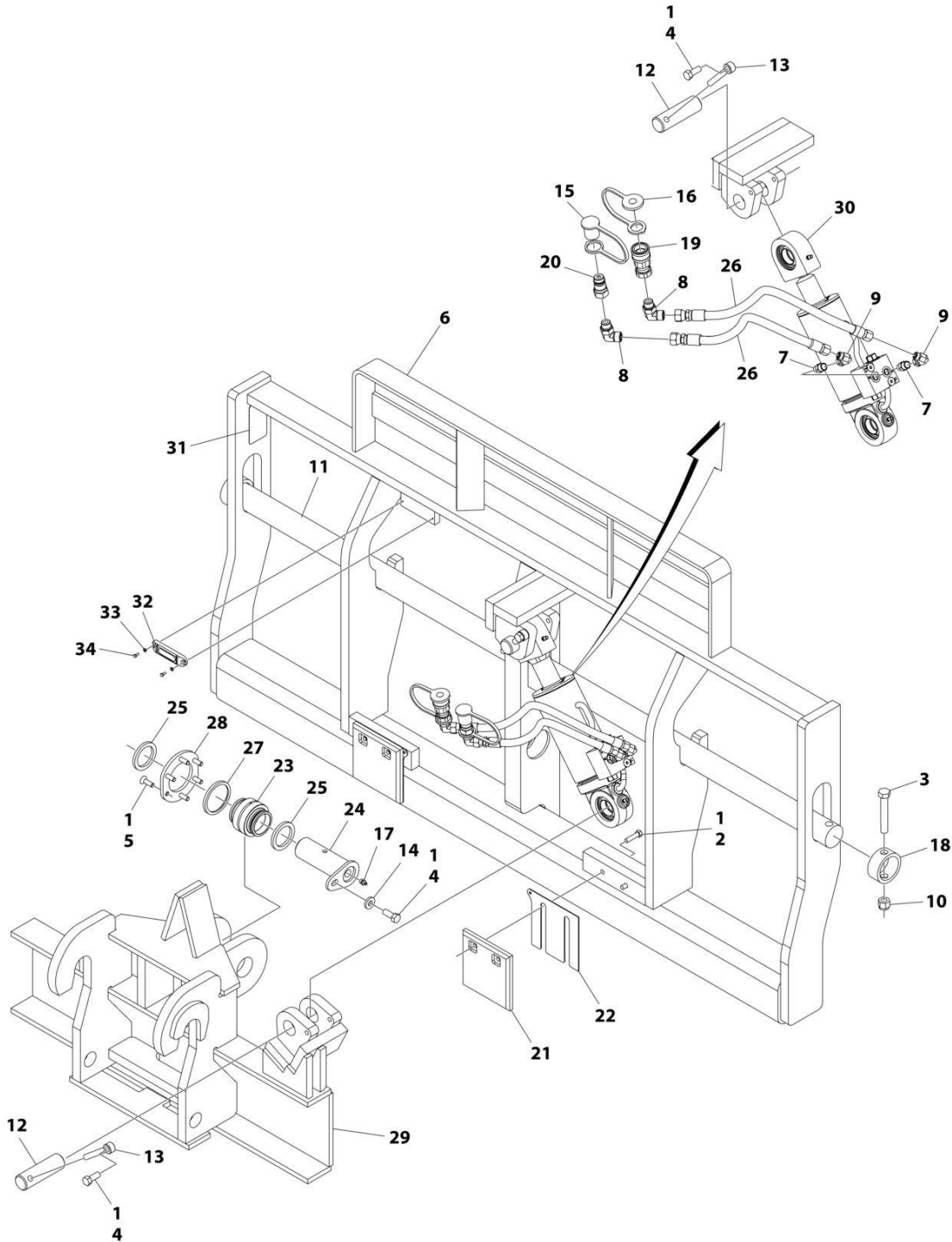
SECTION 3 - ATTACHMENTS

FIGURE 3-22. CARRIAGE ASSEMBLY - 72IN/10000# CAPACITY 90 DEGREE SWING

ITEM	PART NUMBER	QTY	DESCRIPTION	REV
	1001095418	Ref	CARRIAGE ASSEMBLY - SWING (72 INCH)	V
1	2220415	4	Fitting, Straight ORFS	
2	2220473	2	Fitting, 90 ORFS	
4	1001211139	2	Adapter, 90	
5	1001103182	1	Swing Carriage Cylinder (See Separate Breakdown in HYDRAULIC COMPONENTS Section)	
6	2717287	2	Hose 58IN (Boom Front Disconnect)	
6	1001301599	1	Hose 66IN (Boom Side Disconnect)	
6	1001301600	1	Hose 46IN (Boom Side Disconnect)	
7	3423276	1	Pin	
11	6604662	2	Hose	
12	7062922	1	Washer	
13	See Note	NSS	Pivot (Note: Purchase Complete Assembly)	
14	7110702	2	Pin	
15	7110712	1	Pin	
16	7110722	2	Pin	
17	8065062	2	Bushing	
18	8303634	5	Bolt 5/8 x 4	
19	8303715	3	Bolt 5/16 x 1-1/2	
20	8305643	5	Nut 5/8	
21	8307904	AR	Washer	
22	8307918	AR	Washer	
23	8310160	AR	Washer	
24	8310161	AR	Washer	
25	8420053	1	Cap	
26	8420055	1	Plug	
27	8580315	2	Plug	
28	8584001	5	Tie Wrap	
29	8642207	4	Ring, Retaining	
30	8769132	2	Clamp	
31	8770016	2	Fitting, Straight ORFS	
32	90200003	2	Collar	
33	91403413	1	Fitting, Straight ORFS	
34	91403414	1	Fitting, Straight	
35	See Note	NSS	Carriage (Note: Purchase Complete Assembly)	
36	See Note	NSS	SN Plate (Note: Stamped Part - Not Available for Purchase)	
37	1001110704	1	Decal, Warning Crushing Hazard	
38	1001111190	2	Decal, Warning	
39	4811400	2	Washer M4	
40	0760405	2	Bolt M4 x 10	
41	1001227670	1	Tag - RFID	

SECTION 3 - ATTACHMENTS

FIGURE 3-23. CARRIAGE ASSEMBLY - 72IN/12000# CAPACITY SIDE TILT



ART_1001233385_E

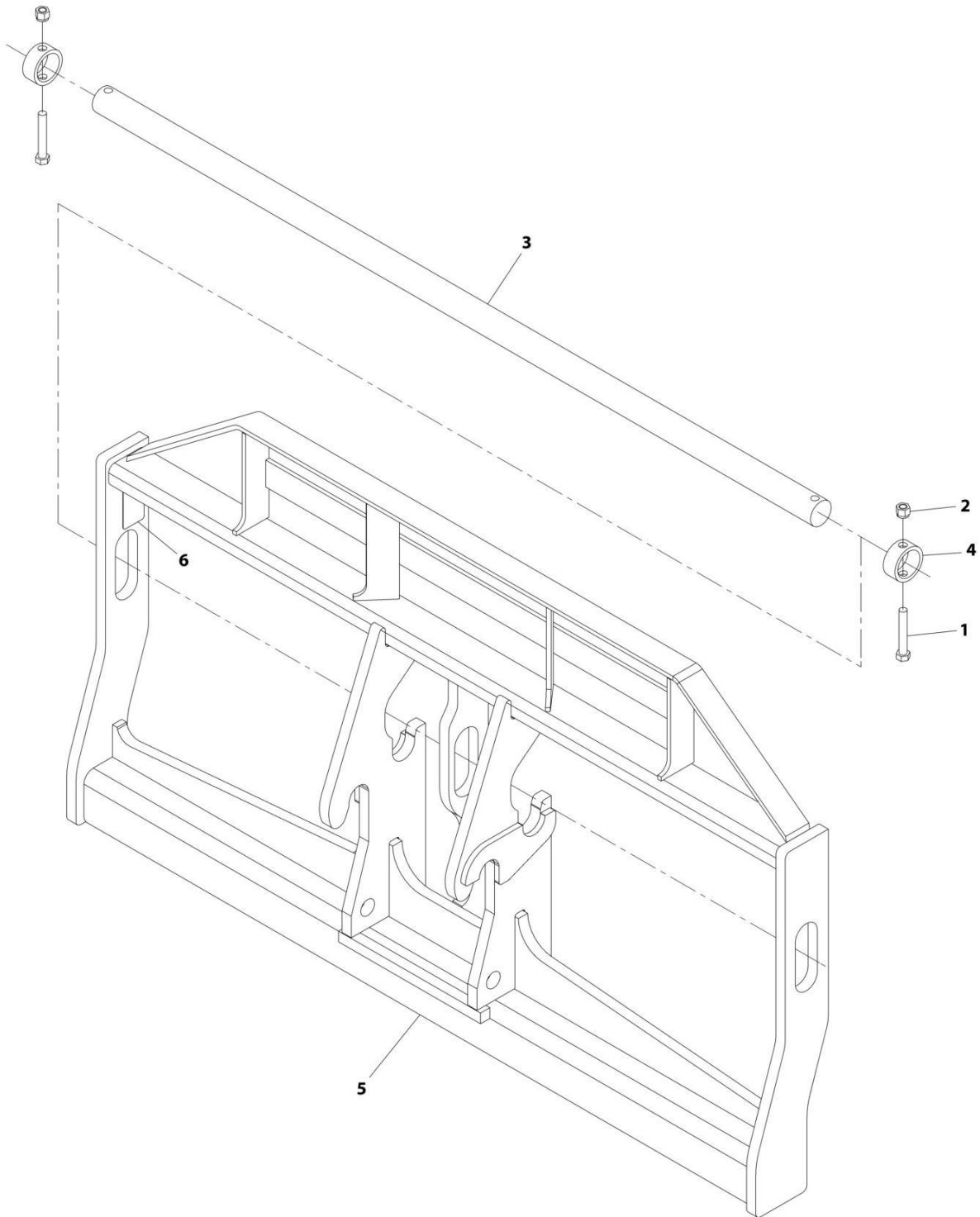
SECTION 3 - ATTACHMENTS

FIGURE 3-23. CARRIAGE ASSEMBLY - 72IN/12000# CAPACITY SIDE TILT

ITEM	PART NUMBER	QTY	DESCRIPTION	REV
	1001233385	NLA	SIDE TILT CARRIAGE ASSEMBLY (72 INCH) (No longer available, use item 1 to 34 for service or 1001276666 for replacement)	E
1	0100011	AR	Compound, Locking	
2	0641612	4	Bolt 3/8 x 1-1/2	
3	0642032	2	Bolt 5/8 x 4	
4	0681810	3	Bolt 1/2 x 1-1/4	
5	0741610	6	Screw 3/8 x 1-1/4	
5	See Note	NSS	Carriage, Side Tilt (Note: Purchase Complete Assembly)	
7	2110606	2	Adapter, Straight	
8	2130808	2	Adapter, 90	
9	2172106	2	Adapter, 90	
10	3300240	2	Nut 5/8	
11	3423276	1	Pin, Fork	
12	3423307	2	Pin, Side Tilt Cylinder	
13	3841203	2	Keeper, Rod	
14	4891800	1	Washer 1/2	
15	8420053	1	Cap, Dust	
16	8420055	1	Plug, Dust	
17	88671001	1	Fitting, Grease	
18	90200003	2	Collar, Fork Pin	
19	91403413	1	Adapter	
20	91403414	1	Adapter	
21	1001090063	2	Pad, Wear	
22	1001090064	AR	Shim, Wear Pad	
23	1001090140	1	Bearing, Side Tilt Spherical	
24	1001099113	1	Pin, Side Tilt Frame Pivot	
25	1001099115	2	Sleeve, Tilt Bearing Spacer	
26	1001239734	2	Hose	
27	1001120914	1	Shim, Bearing Retainer	
28	1001120915	1	Plate, Bearing Retainer	
29	1001133072	1	Carriage, Base Pivot	
30	1001163414	1	Cylinder, Side Tilt (See Separate Breakdown in HYDRAULIC COMPONENTS Section)	
31	See Note	NSS	SN Plate (Note: Stamped Part - Not Available for Purchase)	
32	1001227670	1	Tag, RFID	
33	4811400	2	Washer M4	
34	0760405	2	Bolt M4 x 10	

SECTION 3 - ATTACHMENTS

FIGURE 3-24. CARRIAGE ASSEMBLY - 72IN/15000# CAPACITY STANDARD



ART_1001211516-D

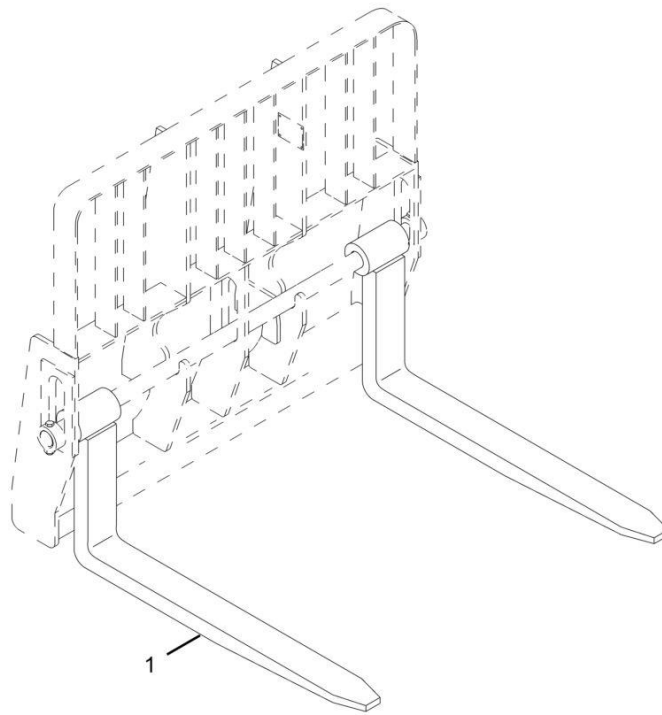
SECTION 3 - ATTACHMENTS

FIGURE 3-24. CARRIAGE ASSEMBLY - 72IN/15000# CAPACITY STANDARD

ITEM	PART NUMBER	QTY	DESCRIPTION	REV
	1001211516	Ref	CARRIAGE ASSEMBLY (72 INCH)	D
1	0642032	2	Bolt 5/8 x 4	
2	3300240	2	Nut 5/8	
3	3423276	1	Pin	
4	90200003	2	Sleeve	
5	See Note	NSS	Carriage (Note: Purchase Complete Assembly)	
6	See Note	NSS	S/N Plate (Note: Stamped Part - Not Available for Purchase)	

SECTION 3 - ATTACHMENTS

FIGURE 3-25. FORK 1.75X7X60 / 5400# CAPACITY



ART_2340046

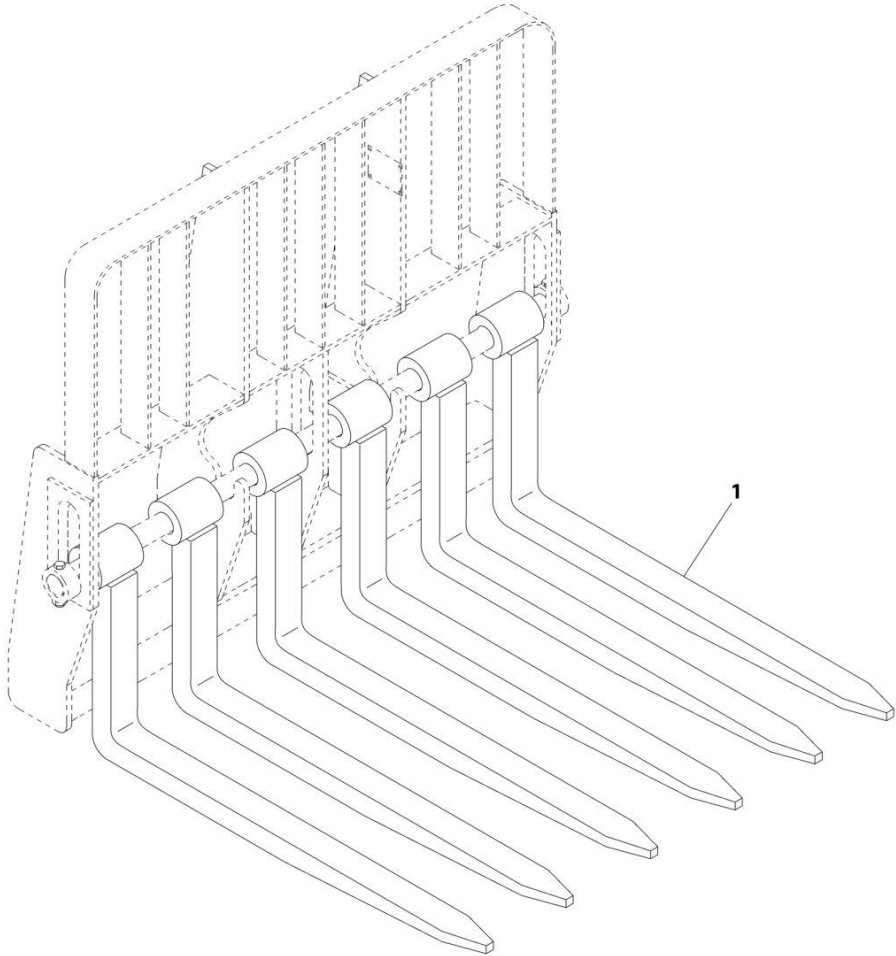
SECTION 3 - ATTACHMENTS

FIGURE 3-25. FORK 1.75X7X60 / 5400# CAPACITY

ITEM	PART NUMBER	QTY	DESCRIPTION	REV
1	2340046	2	Dual Taper Fork (60X7X1.75)	
N1	Note	Ref	FORKS RATED LESS THAN THE ATTACHMENT OR MACHINE'S CAPACITY DECREASES CAPACITY OF THE ATTACHMENT OR MACHINE TO THAT OF THE FORKS. FORKS RATED MORE THAN THE ATTACHMENT OR MACHINE'S CAPACITY DO NOT INCREASE ATTACHMENT OR MACHINE'S CAPACITY.	
N2	Note	Ref	PLEASE CONSULT JLG PARTS DEPARTMENT TO DETERMINE THE CORRECT FORKS APPLICABLE TO YOUR SPECIFIC CARRIAGE ASSEMBLY AND APPLICATION.	

SECTION 3 - ATTACHMENTS

FIGURE 3-26. FORK 2X2X48 / 1940# CAPACITY



ART_2340037

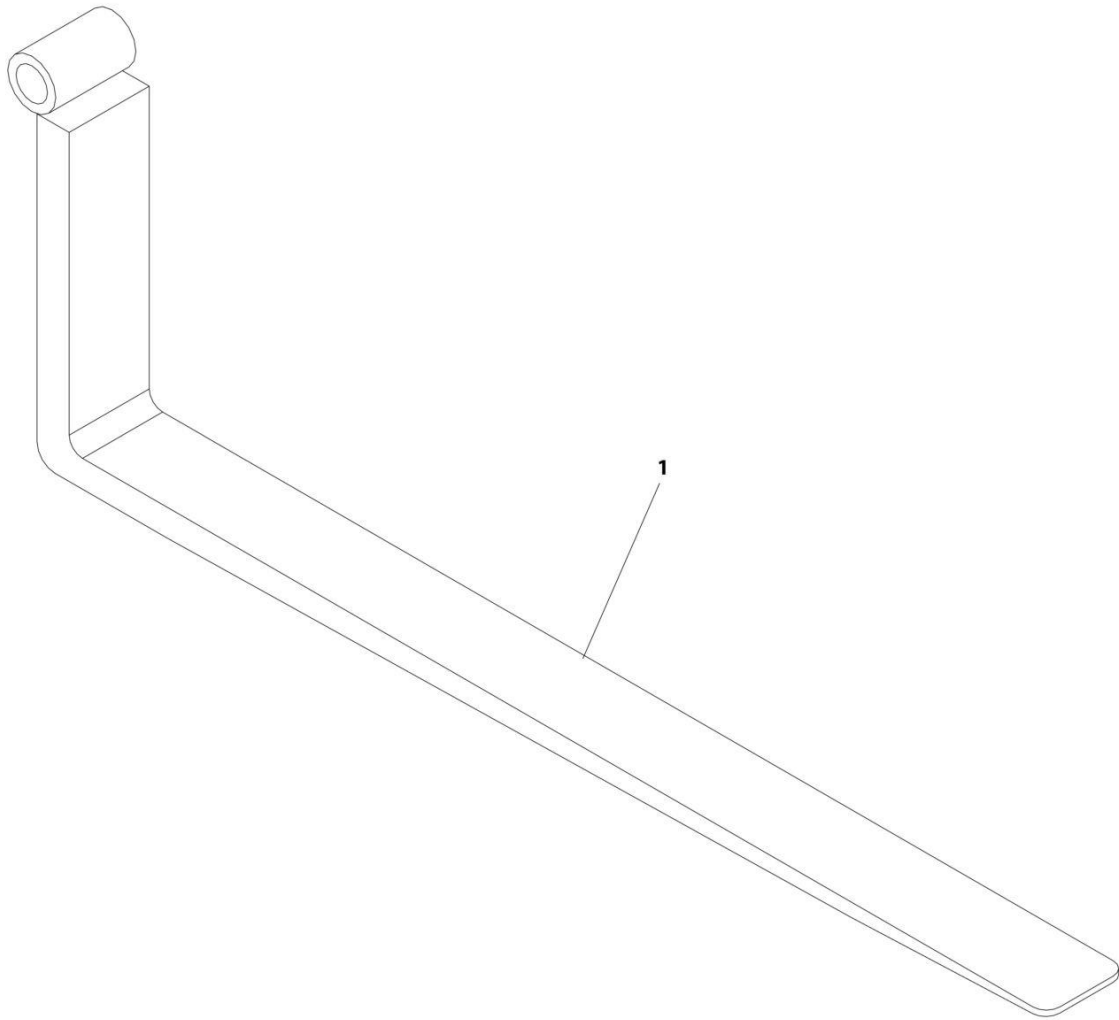
SECTION 3 - ATTACHMENTS

FIGURE 3-26. FORK 2X2X48 / 1940# CAPACITY

ITEM	PART NUMBER	QTY	DESCRIPTION	REV
1	2340037	1	Cubing Fork (2.00X2X48)	A
	Note	Ref	FORKS RATED LESS THAN THE ATTACHMENT OR MACHINE'S CAPACITY DECREASES CAPACITY OF THE ATTACHMENT OR MACHINE TO THAT OF THE FORKS. FORKS RATED MORE THAN THE ATTACHMENT OR MACHINE'S CAPACITY DO NOT INCREASE ATTACHMENT OR MACHINE'S CAPACITY.	
	Note	Ref	PLEASE CONSULT JLG PARTS DEPARTMENT TO DETERMINE THE CORRECT FORKS APPLICABLE TO YOUR SPECIFIC CARRIAGE ASSEMBLY AND APPLICATION.	

SECTION 3 - ATTACHMENTS

FIGURE 3-27. FORK 2.00X6X72 / 6610# CAPACITY



ART_1001259206

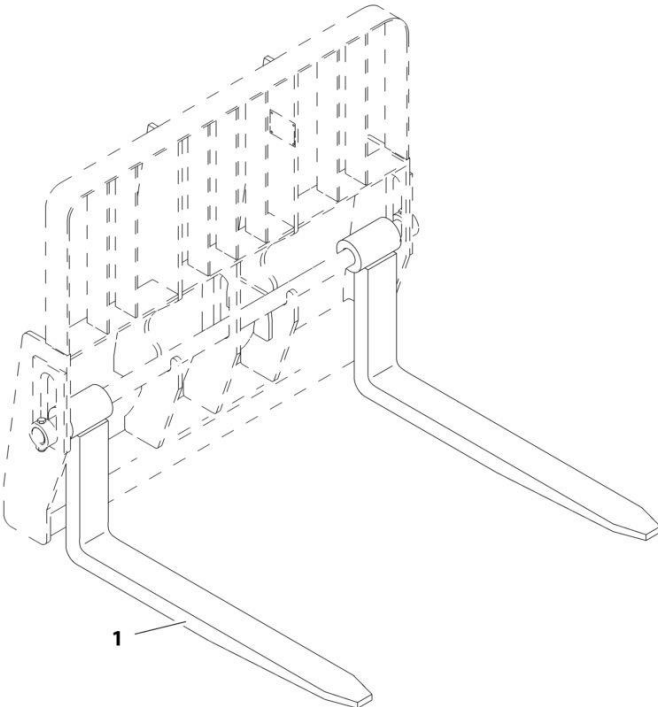
SECTION 3 - ATTACHMENTS

FIGURE 3-27. FORK 2.00X6X72 / 6610# CAPACITY

ITEM	PART NUMBER	QTY	DESCRIPTION	REV
1	1001259206	2	Dual Taper Fork (2.00X6X72)	A
	Note	Ref	FORKS RATED LESS THAN THE ATTACHMENT OR MACHINE'S CAPACITY DECREASES CAPACITY OF THE ATTACHMENT OR MACHINE TO THAT OF THE FORKS. FORKS RATED MORE THAN THE ATTACHMENT OR MACHINE'S CAPACITY DO NOT INCREASE ATTACHMENT OR MACHINE'S CAPACITY.	
	Note	Ref	PLEASE CONSULT JLG PARTS DEPARTMENT TO DETERMINE THE CORRECT FORKS APPLICABLE TO YOUR SPECIFIC CARRIAGE ASSEMBLY AND APPLICATION.	

SECTION 3 - ATTACHMENTS

FIGURE 3-28. FORK 2.36X4X48 / 5000# CAPACITY



ART_2340045

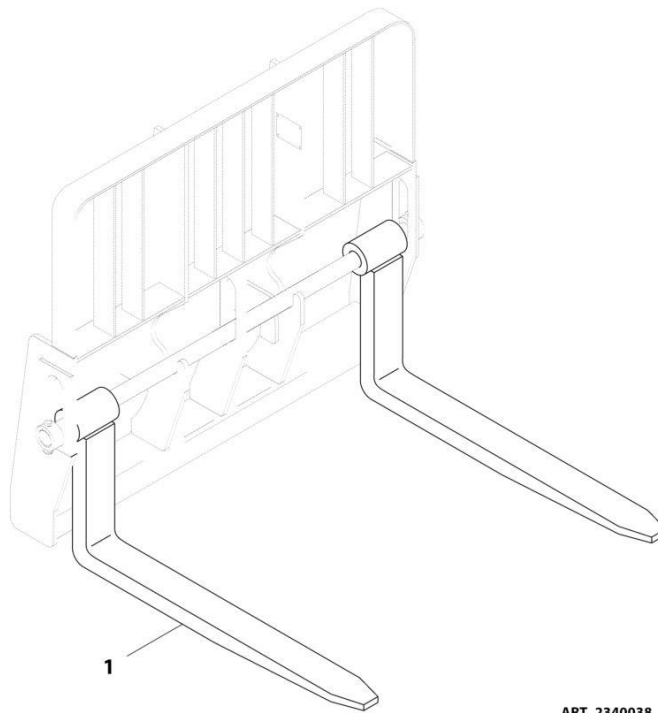
SECTION 3 - ATTACHMENTS

FIGURE 3-28. FORK 2.36X4X48 / 5000# CAPACITY

ITEM	PART NUMBER	QTY	DESCRIPTION	REV
1	2340045	2	Pallet Fork (2.36X4X48)	
	Note	Ref	FORKS RATED LESS THAN THE ATTACHMENT OR MACHINE'S CAPACITY DECREASES CAPACITY OF THE ATTACHMENT OR MACHINE TO THAT OF THE FORKS. FORKS RATED MORE THAN THE ATTACHMENT OR MACHINE'S CAPACITY DO NOT INCREASE ATTACHMENT OR MACHINE'S CAPACITY.	
	Note	Ref	PLEASE CONSULT JLG PARTS DEPARTMENT TO DETERMINE THE CORRECT FORKS APPLICABLE TO YOUR SPECIFIC CARRIAGE ASSEMBLY AND APPLICATION.	

SECTION 3 - ATTACHMENTS

FIGURE 3-29. FORK 2.36X4X48 / 5475# CAPACITY



ART_2340038

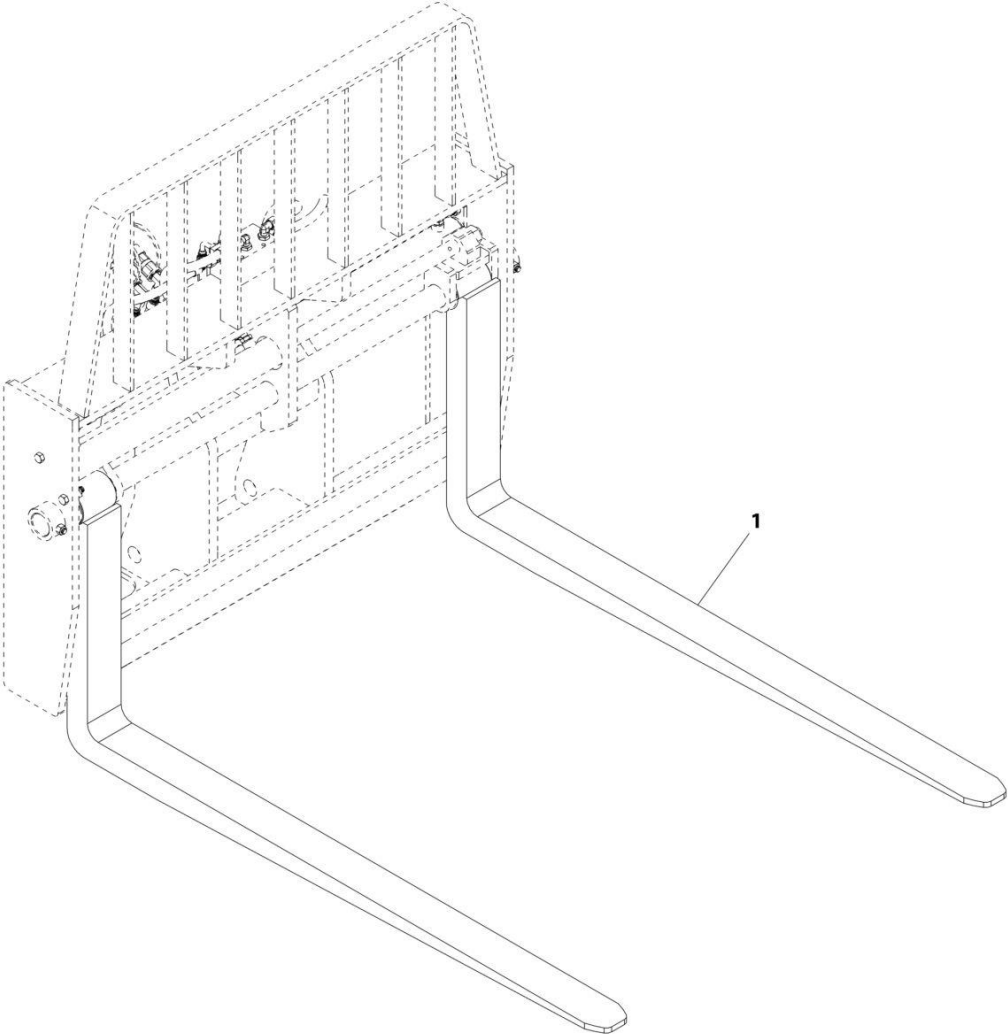
SECTION 3 - ATTACHMENTS

FIGURE 3-29. FORK 2.36X4X48 / 5475# CAPACITY

ITEM	PART NUMBER	QTY	DESCRIPTION	REV
1	2340038	2	Pallet Fork (2.36X5X48)	B
	Note	Ref	FORKS RATED LESS THAN THE ATTACHMENT OR MACHINE'S CAPACITY DECREASES CAPACITY OF THE ATTACHMENT OR MACHINE TO THAT OF THE FORKS. FORKS RATED MORE THAN THE ATTACHMENT OR MACHINE'S CAPACITY DO NOT INCREASE ATTACHMENT OR MACHINE'S CAPACITY.	
	Note	Ref	PLEASE CONSULT JLG PARTS DEPARTMENT TO DETERMINE THE CORRECT FORKS APPLICABLE TO YOUR SPECIFIC CARRIAGE ASSEMBLY AND APPLICATION.	

SECTION 3 - ATTACHMENTS

FIGURE 3-30. FORK 2.36X4X60 / 5000# CAPACITY



ART_1001227379

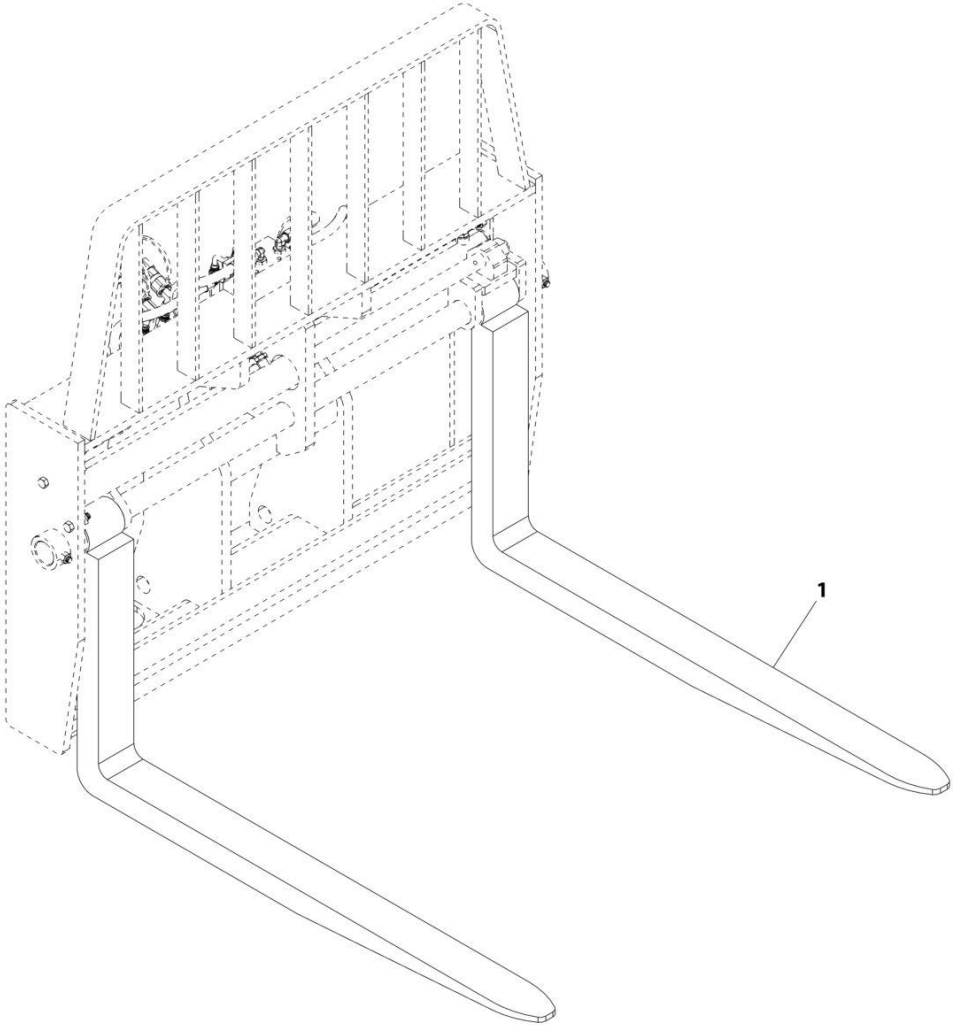
SECTION 3 - ATTACHMENTS

FIGURE 3-30. FORK 2.36X4X60 / 5000# CAPACITY

ITEM	PART NUMBER	QTY	DESCRIPTION	REV
1	1001227379	2	Pallet Fork (2.36X4X60)	A
N1	Note	Ref	FORKS RATED LESS THAN THE ATTACHMENT OR MACHINE'S CAPACITY DECREASES CAPACITY OF THE ATTACHMENT OR MACHINE TO THAT OF THE FORKS. FORKS RATED MORE THAN THE ATTACHMENT OR MACHINE'S CAPACITY DO NOT INCREASE ATTACHMENT OR MACHINE'S CAPACITY.	
N2	Note	Ref	PLEASE CONSULT JLG PARTS DEPARTMENT TO DETERMINE THE CORRECT FORKS APPLICABLE TO YOUR SPECIFIC CARRIAGE ASSEMBLY AND APPLICATION.	

SECTION 3 - ATTACHMENTS

FIGURE 3-31. FORK 2.36X5X48 / 6850# CAPACITY



ART_7301408

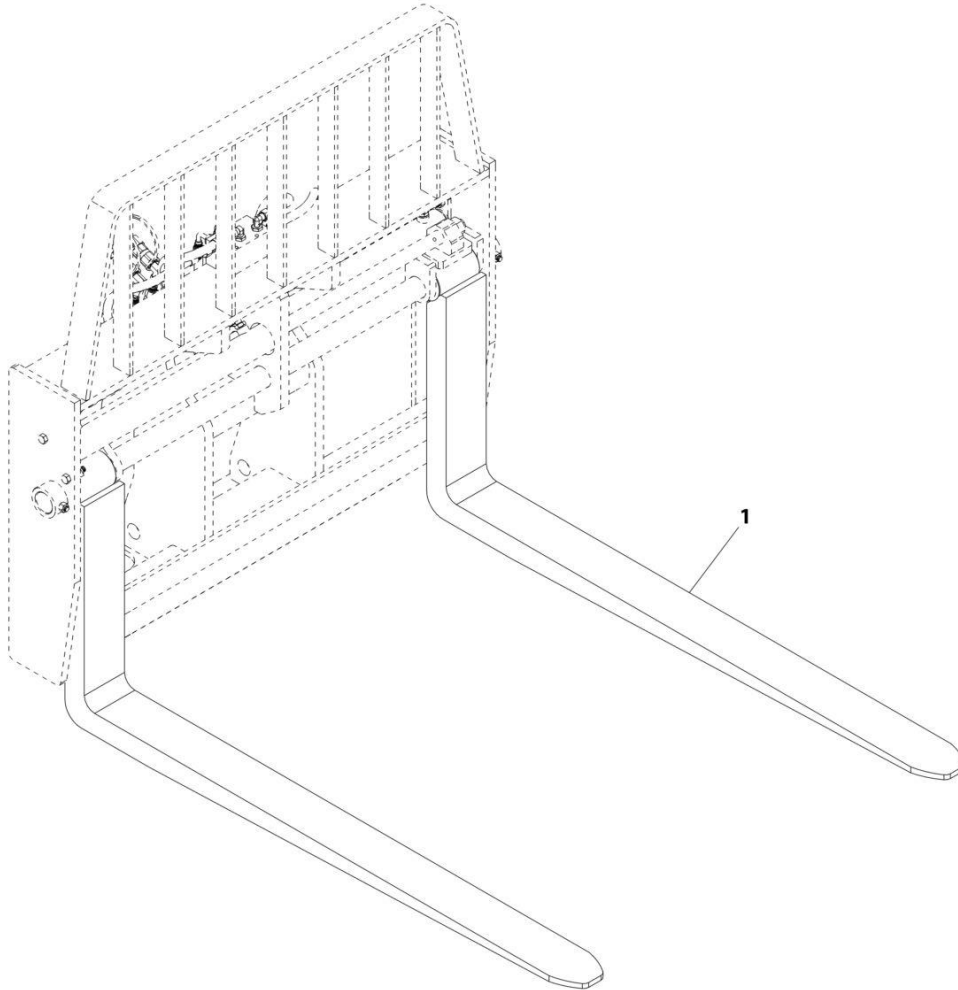
SECTION 3 - ATTACHMENTS

FIGURE 3-31. FORK 2.36X5X48 / 6850# CAPACITY

ITEM	PART NUMBER	QTY	DESCRIPTION	REV
1	7301408	2	Pallet Fork (2.36X4X48)	D
N1	Note	Ref	FORKS RATED LESS THAN THE ATTACHMENT OR MACHINE'S CAPACITY DECREASES CAPACITY OF THE ATTACHMENT OR MACHINE TO THAT OF THE FORKS. FORKS RATED MORE THAN THE ATTACHMENT OR MACHINE'S CAPACITY DO NOT INCREASE ATTACHMENT OR MACHINE'S CAPACITY.	
N2	Note	Ref	PLEASE CONSULT JLG PARTS DEPARTMENT TO DETERMINE THE CORRECT FORKS APPLICABLE TO YOUR SPECIFIC CARRIAGE ASSEMBLY AND APPLICATION.	

SECTION 3 - ATTACHMENTS

FIGURE 3-32. FORK 2.36X5X60 / 6850# CAPACITY



ART_1001227382

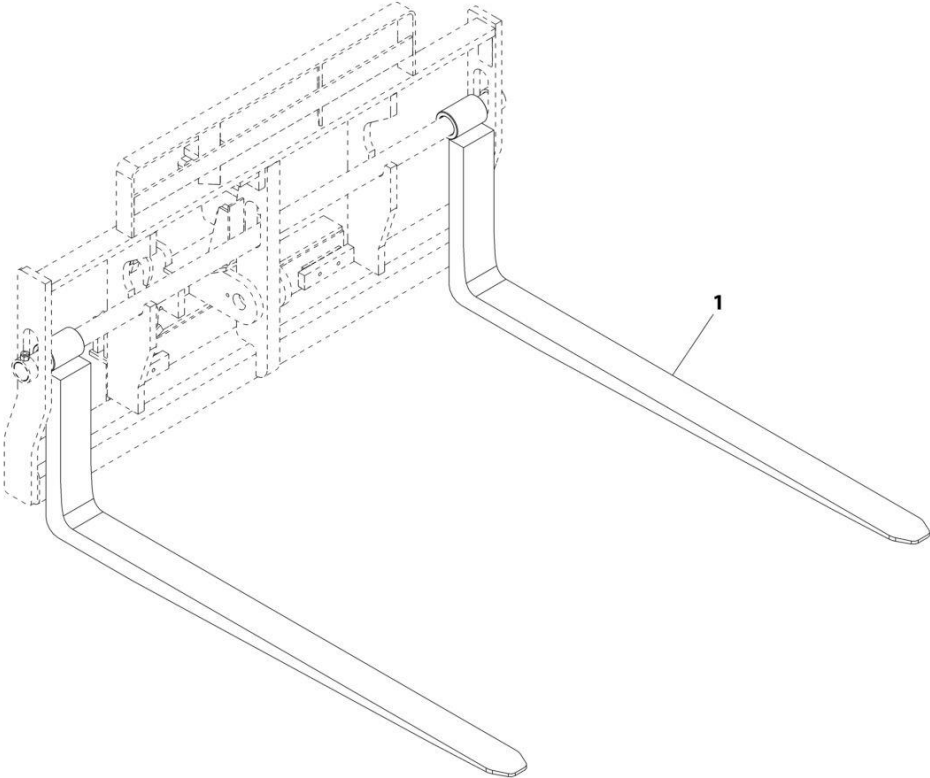
SECTION 3 - ATTACHMENTS

FIGURE 3-32. FORK 2.36X5X60 / 6850# CAPACITY

ITEM	PART NUMBER	QTY	DESCRIPTION	REV
1	1001227382	1	Pallet Fork (2.36X5X60)	A
N1	Note	Ref	FORKS RATED LESS THAN THE ATTACHMENT OR MACHINE'S CAPACITY DECREASES CAPACITY OF THE ATTACHMENT OR MACHINE TO THAT OF THE FORKS. FORKS RATED MORE THAN THE ATTACHMENT OR MACHINE'S CAPACITY DO NOT INCREASE ATTACHMENT OR MACHINE'S CAPACITY.	
N2	Note	Ref	PLEASE CONSULT JLG PARTS DEPARTMENT TO DETERMINE THE CORRECT FORKS APPLICABLE TO YOUR SPECIFIC CARRIAGE ASSEMBLY AND APPLICATION.	

SECTION 3 - ATTACHMENTS

FIGURE 3-33. FORK 2.36X5X72 / 6850# CAPACITY



ART_1001232355

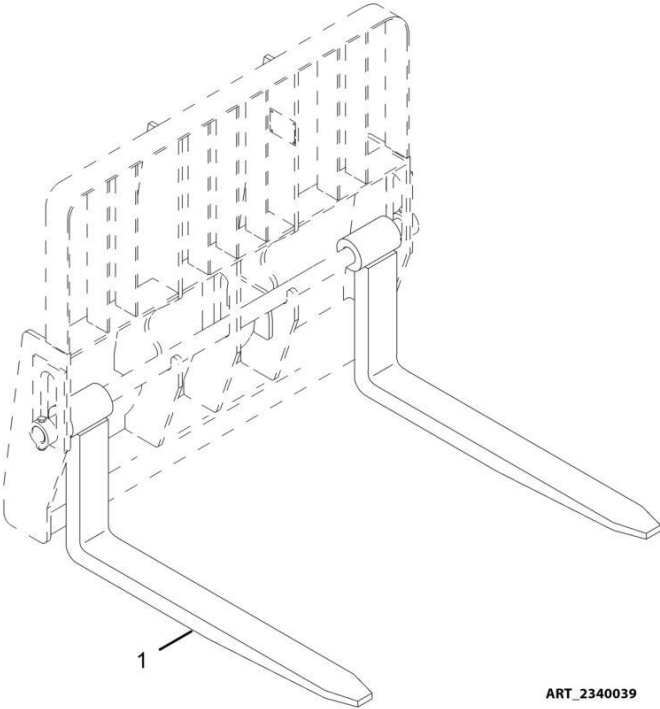
SECTION 3 - ATTACHMENTS

FIGURE 3-33. FORK 2.36X5X72 / 6850# CAPACITY

ITEM	PART NUMBER	QTY	DESCRIPTION	REV
	1001232355	1 pr	Pallet Fork (2.36X5X72)	A
	Note	Ref	FORKS RATED LESS THAN THE ATTACHMENT OR MACHINE'S CAPACITY DECREASES CAPACITY OF THE ATTACHMENT OR MACHINE TO THAT OF THE FORKS. FORKS RATED MORE THAN THE ATTACHMENT OR MACHINE'S CAPACITY DO NOT INCREASE ATTACHMENT OR MACHINE'S CAPACITY.	
	Note	Ref	PLEASE CONSULT JLG PARTS DEPARTMENT TO DETERMINE THE CORRECT FORKS APPLICABLE TO YOUR SPECIFIC CARRIAGE ASSEMBLY AND APPLICATION.	

SECTION 3 - ATTACHMENTS

FIGURE 3-34. FORK 2.36X6X60 / 8150# CAPACITY



ART_2340039

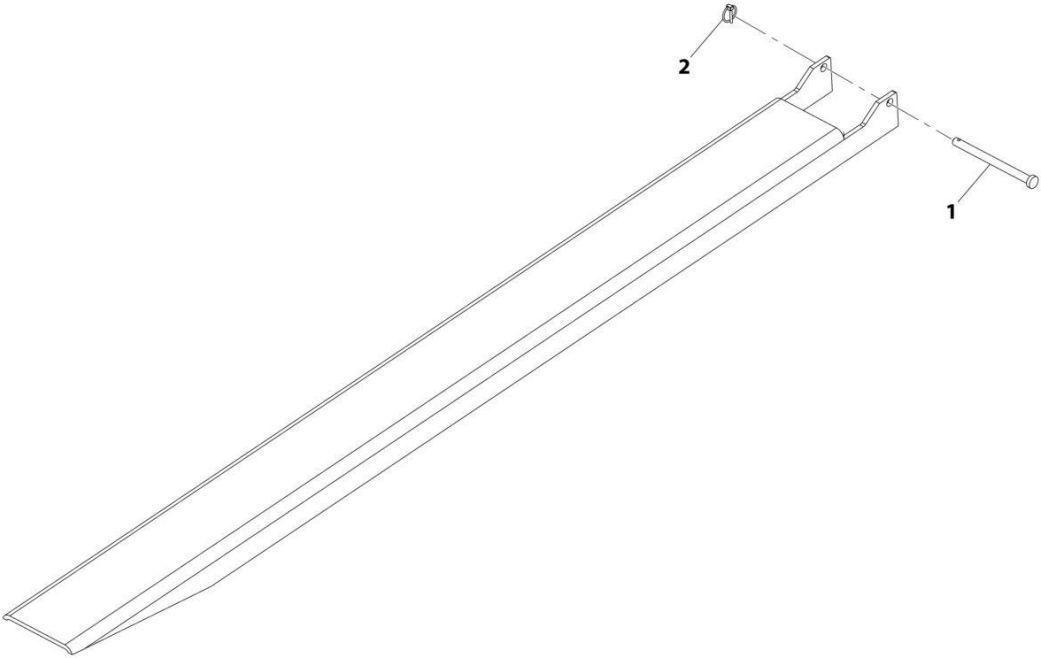
SECTION 3 - ATTACHMENTS

FIGURE 3-34. FORK 2.36X6X60 / 8150# CAPACITY

ITEM	PART NUMBER	QTY	DESCRIPTION	REV
1	2340039	2	Lumber Fork (60X150X1524)	
	Note	Ref	FORKS RATED LESS THAN THE ATTACHMENT OR MACHINE'S CAPACITY DECREASES CAPACITY OF THE ATTACHMENT OR MACHINE TO THAT OF THE FORKS. FORKS RATED MORE THAN THE ATTACHMENT OR MACHINE'S CAPACITY DO NOT INCREASE ATTACHMENT OR MACHINE'S CAPACITY.	
	Note	Ref	PLEASE CONSULT JLG PARTS DEPARTMENT TO DETERMINE THE CORRECT FORKS APPLICABLE TO YOUR SPECIFIC CARRIAGE ASSEMBLY AND APPLICATION.	

SECTION 3 - ATTACHMENTS

FIGURE 3-35. FORK EXTENSION - 90IN



ART_1001137512-D

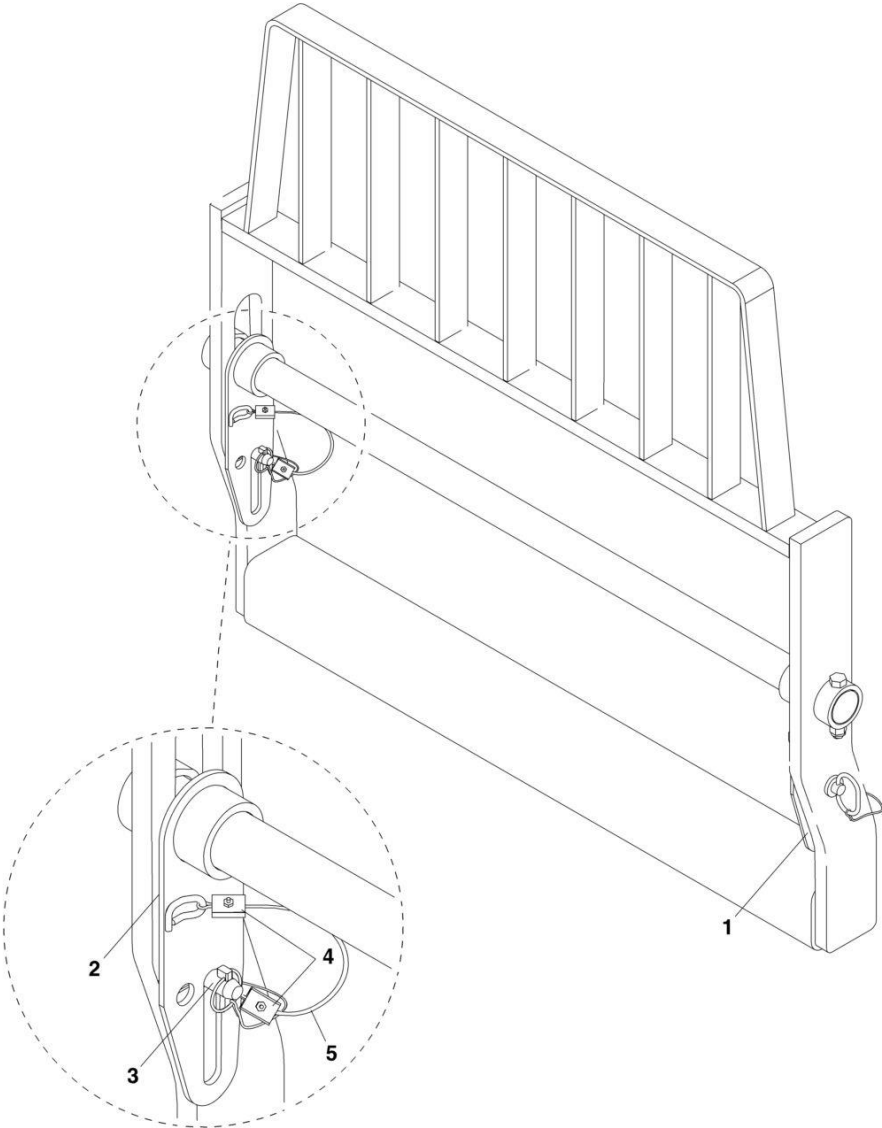
SECTION 3 - ATTACHMENTS

FIGURE 3-35. FORK EXTENSION - 90IN

ITEM	PART NUMBER	QTY	DESCRIPTION	REV
	1001137512	2 pr	Fork Extensions (62X163X2286)	D
1	70024306	1	Pin	
2	70024307	1	Clip	

SECTION 3 - ATTACHMENTS

FIGURE 3-36. FORK PIN LOCK INSTALLATION



ART_1001093465_B

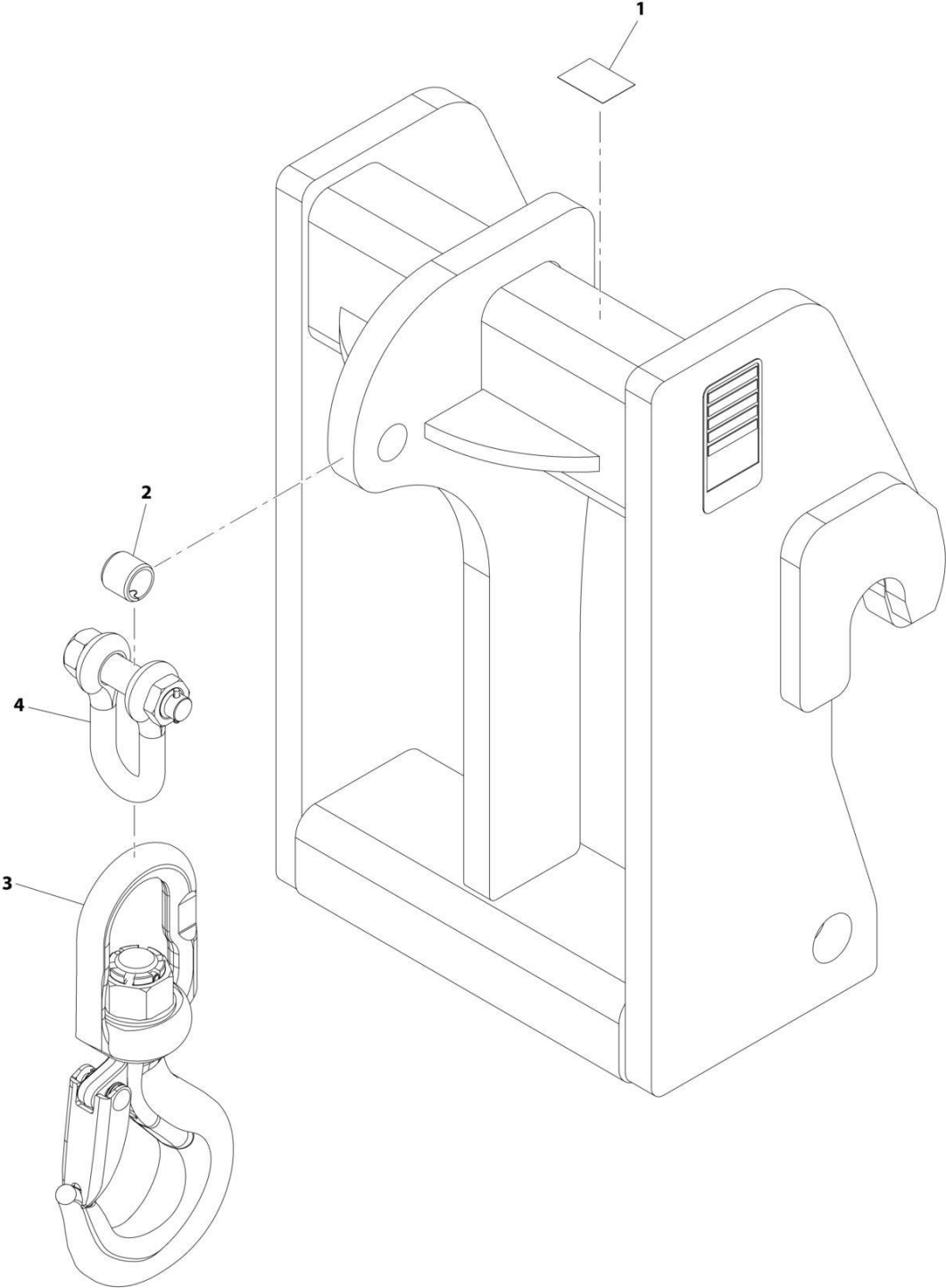
SECTION 3 - ATTACHMENTS

FIGURE 3-36. FORK PIN LOCK INSTALLATION

ITEM	PART NUMBER	QTY	DESCRIPTION	REV
	1001093465	Ref	Fork Pin Lock Installation	B
1	0240156	1	Lock, LH Fork Pin	
2	1001093273	1	Lock, RH Fork Pin	
3	1001093377	2	Pin, Hitch	
4	1001094830	4	Clamp	
5	1001094330	2	Lanyard	

SECTION 3 - ATTACHMENTS

FIGURE 3-37. HOOK, COUPLING



ART_1001207606-C

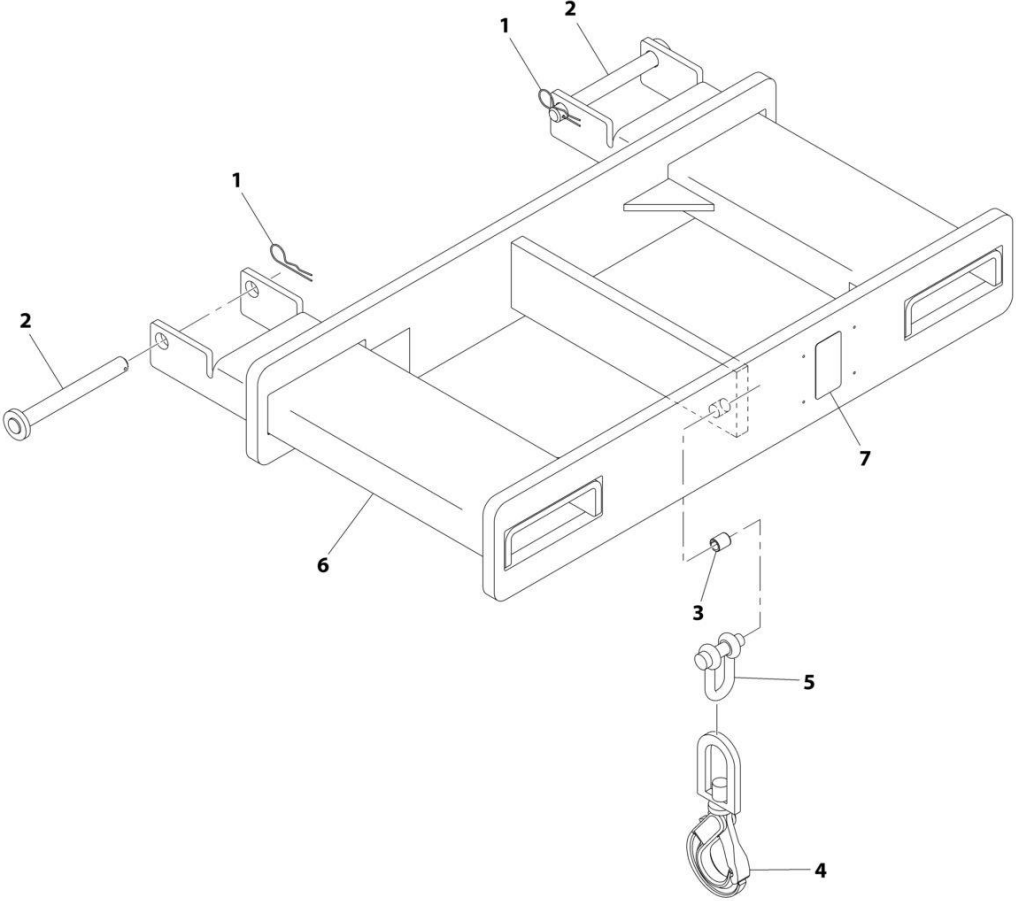
SECTION 3 - ATTACHMENTS

FIGURE 3-37. HOOK, COUPLING

ITEM	PART NUMBER	QTY	DESCRIPTION	REV
	1001207606	Ref	COUPLER MOUNTED HOOK	C
1	90554016	1	Decal	
2	70020555	1	Bushing	
3	70026745	1	Hook Swivel	
4	70026746	1	Shackle Chain	

SECTION 3 - ATTACHMENTS

FIGURE 3-38. HOOK, CRANE



ART_1001097205-I

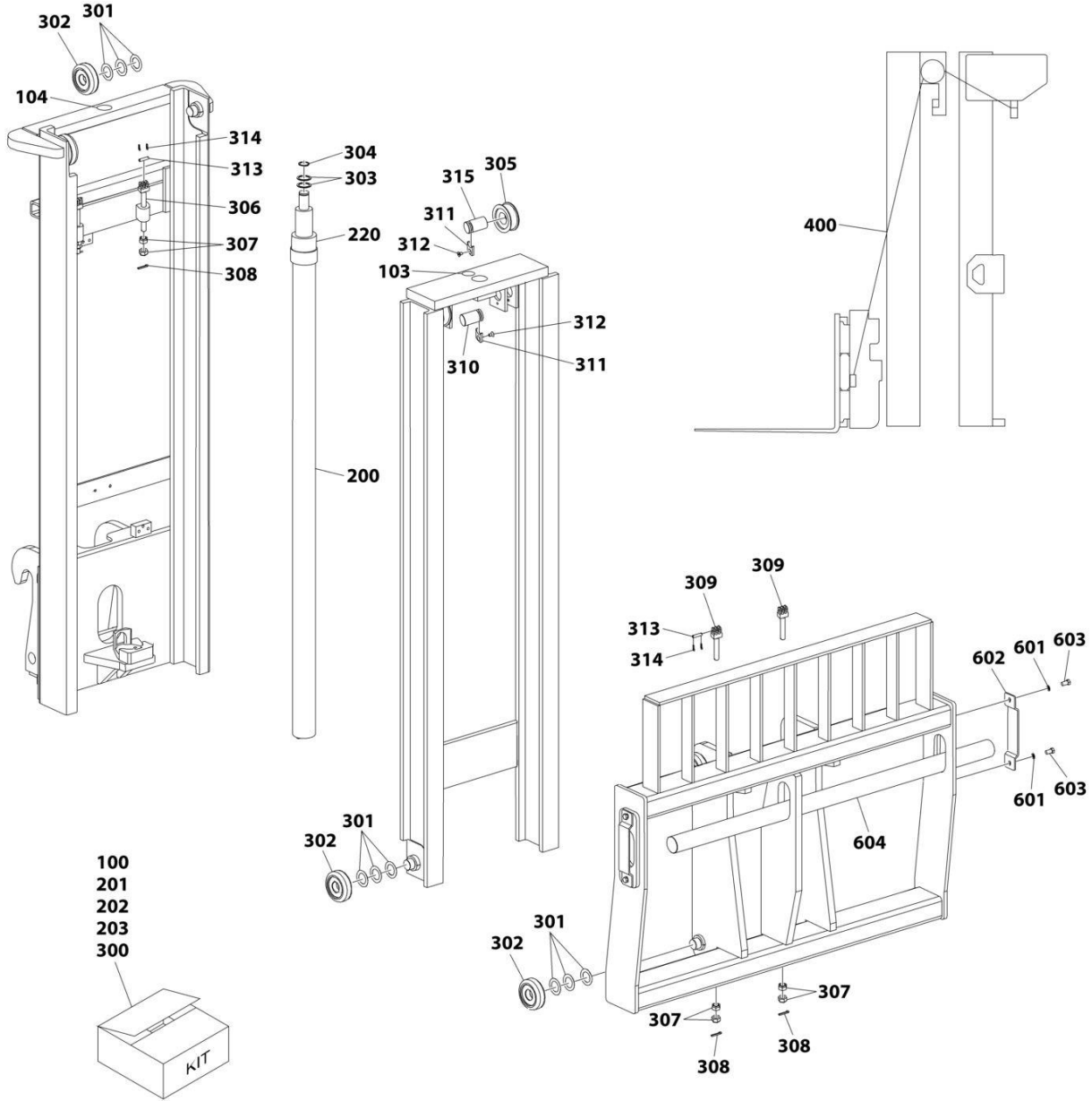
SECTION 3 - ATTACHMENTS

FIGURE 3-38. HOOK, CRANE

ITEM	PART NUMBER	QTY	DESCRIPTION	REV
	1001097205	Ref	Fork Mounted Hook (4 Ton)	J
1	7029520	2	Pin, Cotter	
2	1001093171	2	Pin	
3	70020555	1	Bushing	
4	90554080	1	Hook	
5	7029521	1	Shackle	
6	See Note	NSS	Frame, Hook (Note: Purchase Complete Assembly)	
7	See Note	NSS	S/N Plate (Note: Stamped Part - Not Available for Purchase)	

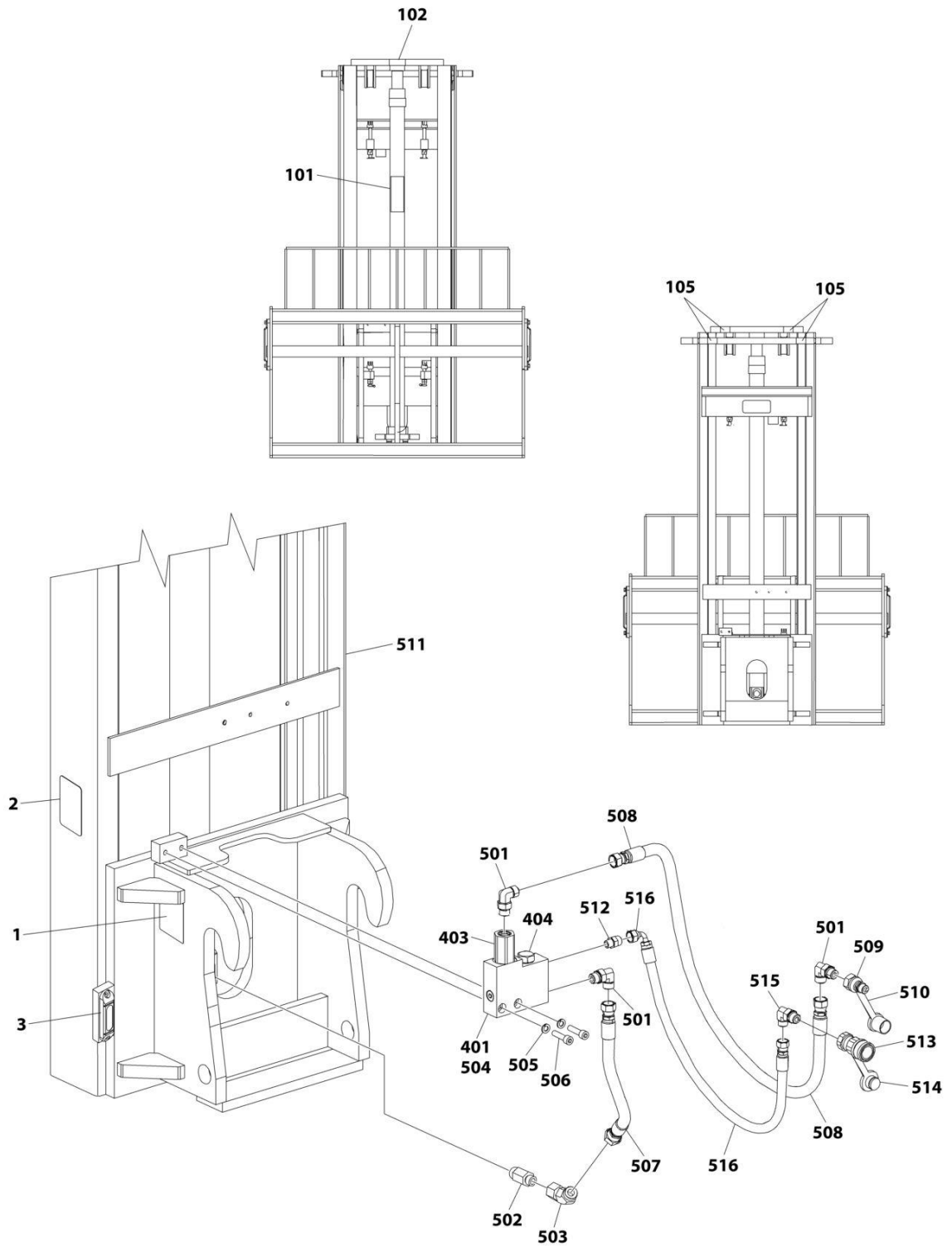
SECTION 3 - ATTACHMENTS

FIGURE 3-39. MAST, VERTICAL - 8FT



ART_1001108668_1OF2

SECTION 3 - ATTACHMENTS



ART_1001108668_20F2

SECTION 3 - ATTACHMENTS

FIGURE 3-39. MAST, VERTICAL - 8FT

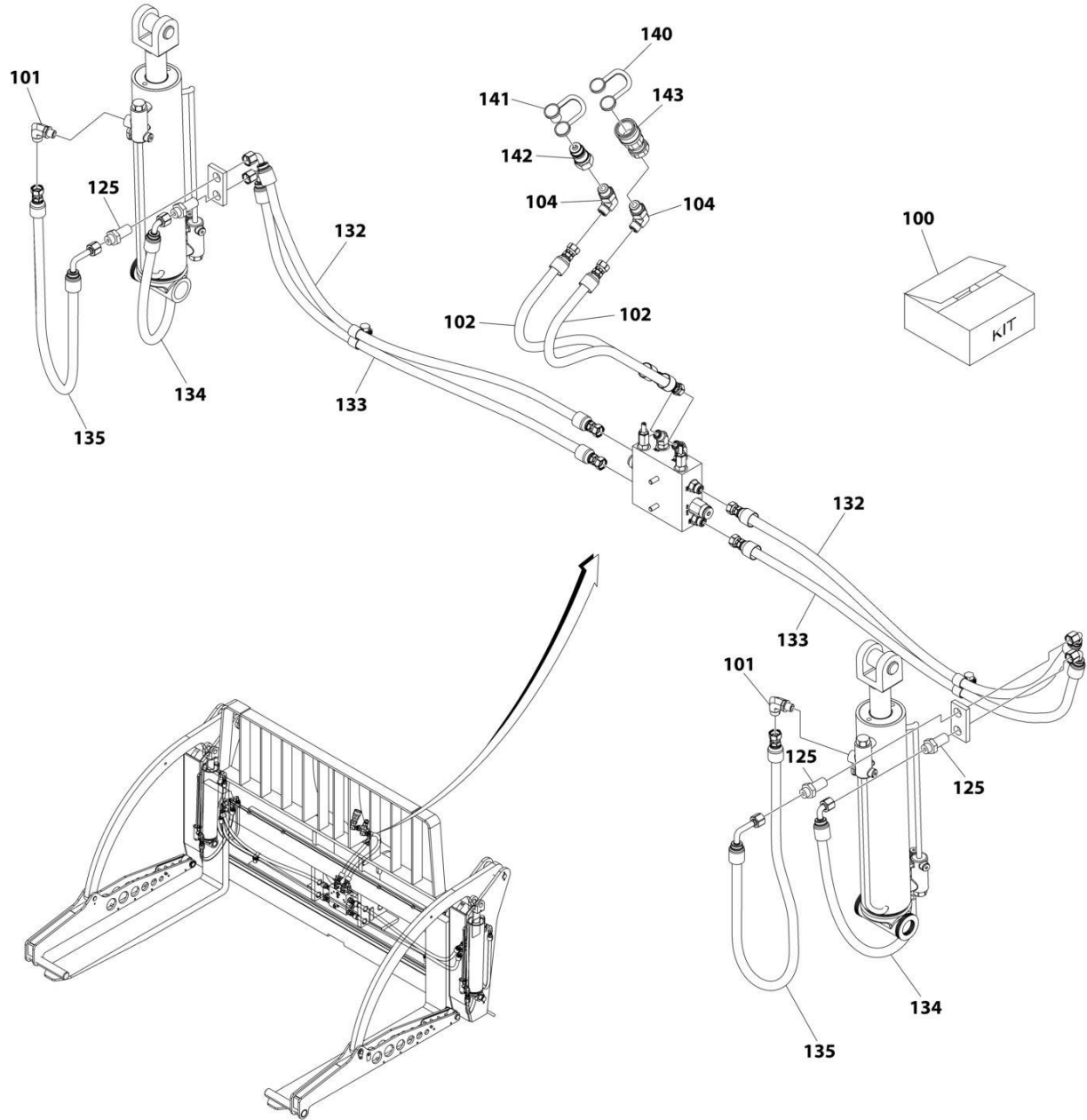
ITEM	PART NUMBER	QTY	DESCRIPTION	REV
	1001108668	Ref	MAST ASSEMBLY - 8FT	G
1	See Note	NSS	Nameplate, Serial Number (Note: Not Available for Purchase)	
2	1001111190	2	Decal - Warning	
3	1001227670	1	RFID Tag	
100	70023925	1	Decal Kit (includes items 1, Warning, No Step & Hose Routing Decals)	
101	See Note	NSS	Decal, Warning (Use Item 100)	
102	See Note	NSS	Decal, Warning (Use Item 100)	
103	See Note	NSS	Decal, No Step (Use Item 100)	
104	See Note	NSS	Decal, No Step (Use Item 100)	
105	See Note	NSS	Decal, Hands Off (Use Item 100)	
200	70023008	1	Cylinder Assembly - Lift (includes items 201-203 & 220. No Other Service Parts Available)	
201	70023005	1	Seal Kit - 70023008 Cylinder (includes Seals & Seal Retaining Hardware)	
202	70023006	1	Check Valve Kit (includes Mounting O-Rings & Hardware)	
203	70023007	1	Shim Kit (Includes items 303)	
220	70023004	1	Head/Retainer	
300	70023015	1	Mast Kit (includes items 100 & 301-315)	
301	70023014	24	Shim	
302	70022987	8	Bearing, Ball	
303	See Note	NLA	Shim (Note: Use item 203)	
304	70023016	1	Ring, Retaining	
305	70022969	2	Sheave	
306	70022960	2	Anchor, Chain	
307	70022957	8	Nut 5/8	
308	70022993	4	Pin, Cotter	
309	70022995	2	Anchor, Chain	
310	70022984	1	Shaft, Sheave	
311	70022970	2	Bar	
312	70023003	2	Screw	
313	70022994	4	Pin	
314	70022992	8	Pin, Cotter	
315	70022985	1	Shaft, Sheave	
400	70023009	2	Chain, Hoist	
401	70022932	1	Valve Assembly - Lowering Control	
403	70022931	1	Cartridge, Valve	
404	70023010	1	Cartridge, Valve	
501	70022934	3	Fitting, 90	
502	70022936	1	Fitting, Flow Limiter	
503	70022937	1	Fitting, 45	
504	70022932	1	Valve Assembly - Lowering Control (Note: Duplicate of Item 401 - Only Qty 1 Used)	
505	70022949	2	Washer, M10	
506	70022950	2	Bolt M10	
507	70022942	1	Hose	
508	70022952	1	Hose	
509	91403414	1	Fitting, Quick Disconnect Coupling (Male)	
510	91043126	1	Cap, Dust	
511	70023015	1	Mast Kit (Note: Duplicate of Item 300 - Only Qty 1 Used)	

SECTION 3 - ATTACHMENTS

ITEM	PART NUMBER	QTY	DESCRIPTION	REV
512	70022939	1	Fitting, Straight	
513	91403413	1	Fitting, Quick Disconnect Coupling (Female)	
514	91043125	1	Cap, Dust	
515	70022935	1	Fitting, 90	
516	70022946	1	Hose	
601	70022949	4	Washer M10	
602	70022980	2	Keeper, Pin	
603	70022998	4	Bolt M10 x 20	
604	70022990	1	Pin, Fork	

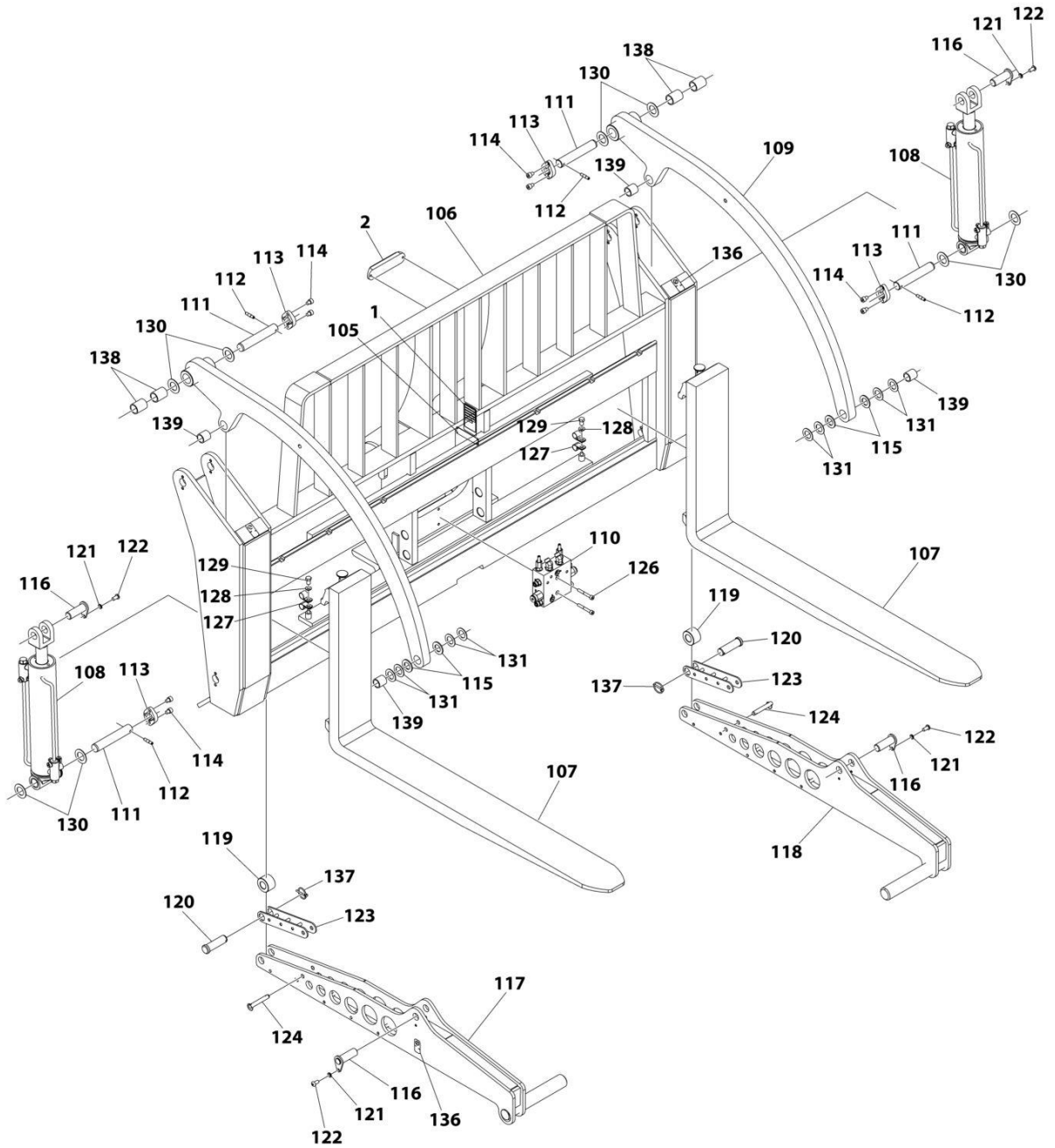
SECTION 3 - ATTACHMENTS

FIGURE 3-40. PIPE HANDLER



ART_1001142247_1

SECTION 3 - ATTACHMENTS



ART_1001142247_2

SECTION 3 - ATTACHMENTS

FIGURE 3-40. PIPE HANDLER

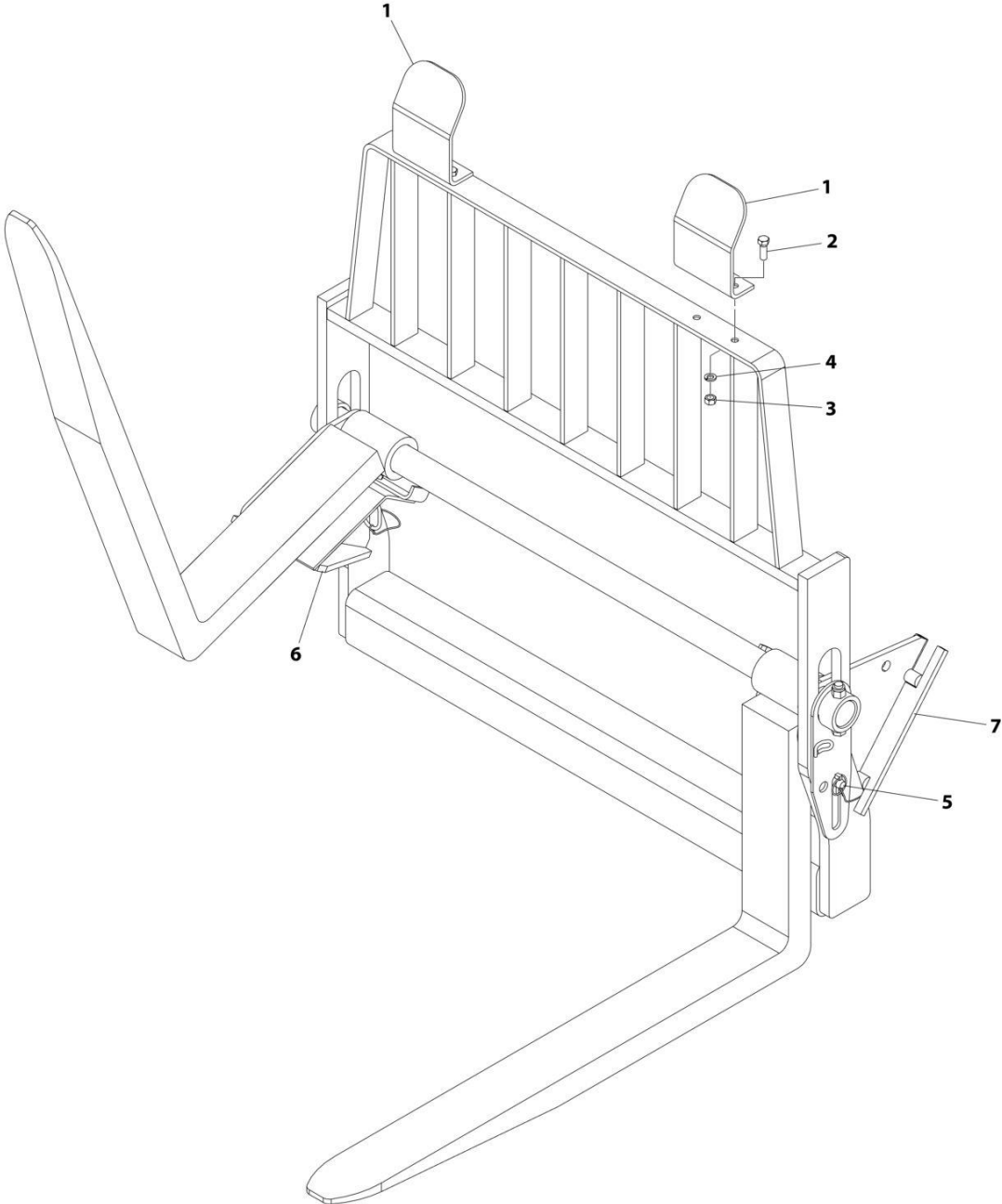
ITEM	PART NUMBER	QTY	DESCRIPTION	REV
	1001142247	Ref	PIPE HANDLER ASSEMBLY	G
1	See Note	NSS	JLG Plate (Note: Stamped Part - Not Available for Purchase)	
2	1001227670	1	Tag, RFID	
100	70026585	1	Disconnect & Hose Kit (Boom Front Disconnect) (Includes Items 101, 102, 104, 125, 132-135, 140-143)	
100	70031442	1	Disconnect Kit (Boom Side Disconnect) (Includes Items 102, 104, & 140-143)	
101	70024123	4	Fitting, 90	
102	70026347	2	Hose 20in (Boom Front Disconnect)	
102	70031448	2	Hose 44in (Boom Side Disconnect)	
104	70024550	2	Fitting, 90	
105	See Note	NSS	S/N Plate (Note: Stamped Part - Not Available for Purchase)	
106	See Note	NSS	Carriage (Note: Purchase Complete Assembly)	
107	70026586	2	Fork	
108	70026587	2	Cylinder, Pipe Handler (See Separate Breakdown in HYDRAULIC COMPONENTS Section)	
109	70026588	2	Arm	
110	70026589	1	Valve Assembly (See Separate Breakdown in HYDRAULIC CIRCUITS Section)	
111	70026470	4	Pin	
112	70026471	4	Pin Drive - Lock	
113	70026472	4	Retainer	
114	70026473	8	Capscrew, M10 x 12	
115	70026590	4	Thrust Washer	
116	70026591	4	Pin Weldment	
117	70026592	1	Contact Pad - RH	
118	70026593	1	Contact Pad - LH	
119	70026594	2	Roller	
120	70026595	2	Clevis Pin	
121	70026596	4	Lockwasher, M8	
122	70026597	4	Capscrew, M8 x 16	
123	70026598	2	Retainer	
124	70026599	2	Ring Detent Pin	
125	70023000	4	Fitting	
126	70026600	2	Capscrew, M8 x 60	
127	70026481	4	Hose Clamp	
128	70026482	2	Washer	
129	70022996	2	Capscrew, M10X16	
130	70026476	24	Shim	
131	70026601	8	Shim	
132	70026602	2	Hose	
133	70026603	2	Hose	
134	70026604	2	Hose	
135	70026605	2	Hose	
136	70024538	4	Warning Decal	
137	70026606	2	Lynch Pin, 3/16	
138	70026501	4	Bushing	
139	70026607	4	Bushing	
140	70026608	1	Plug	
141	70026609	1	Cap	

SECTION 3 - ATTACHMENTS

ITEM	PART NUMBER	QTY	DESCRIPTION	REV
142	91403414	1	Coupler - Male	
143	91403413	1	Coupler - Female	

SECTION 3 - ATTACHMENTS

FIGURE 3-41. SHEET MATERIAL HANDLER



ART_1001100227-B

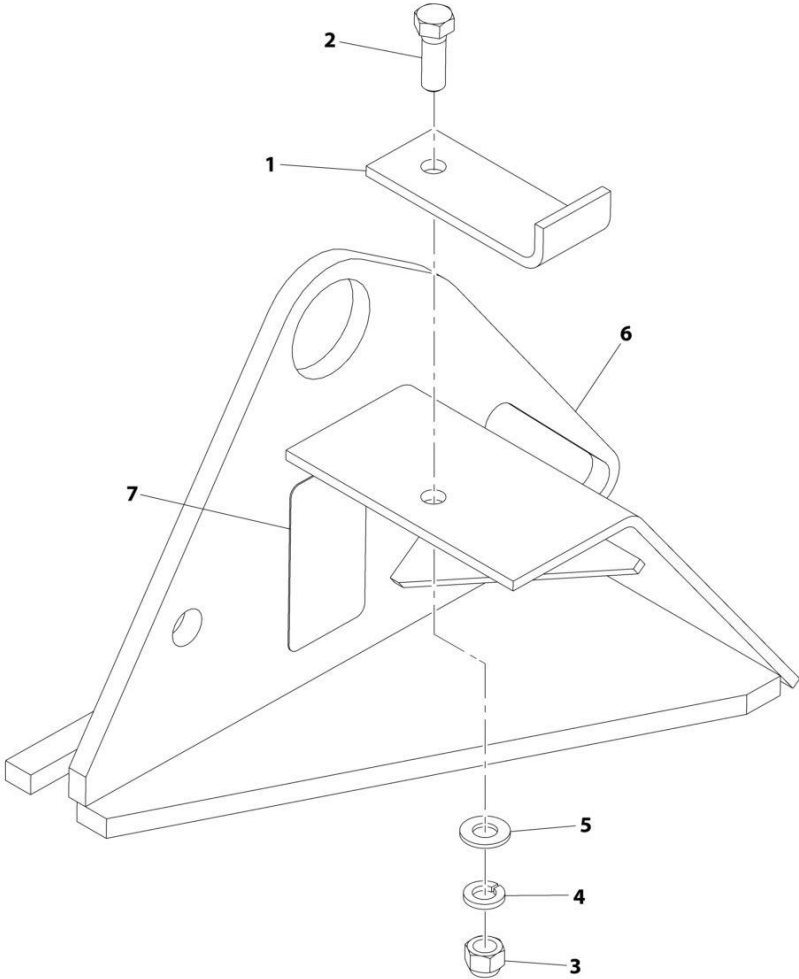
SECTION 3 - ATTACHMENTS

FIGURE 3-41. SHEET MATERIAL HANDLER

ITEM	PART NUMBER	QTY	DESCRIPTION	REV
	1001100227	Ref	Sheet Material Handler Installation	B
1	7112642	2	Extension, Backrest	
2	8303626	4	Bolt, 1/2-13X1-1/2	
3	8305012	4	Nut, 1/2-13	
4	8307007	4	Washer, Lock 1/2	
5	1001093377	2	Pin, Hitch	
6	1001101115	1	Assembly, RH Fork Support (See Separate Breakdown in this Section)	
7	1001101116	1	Assembly, LH Fork Support (See Separate Breakdown in this Section)	

SECTION 3 - ATTACHMENTS

FIGURE 3-42. SHEET MATERIAL HANDLER FORK SUPPORT (LH)



ART_1001101116-E

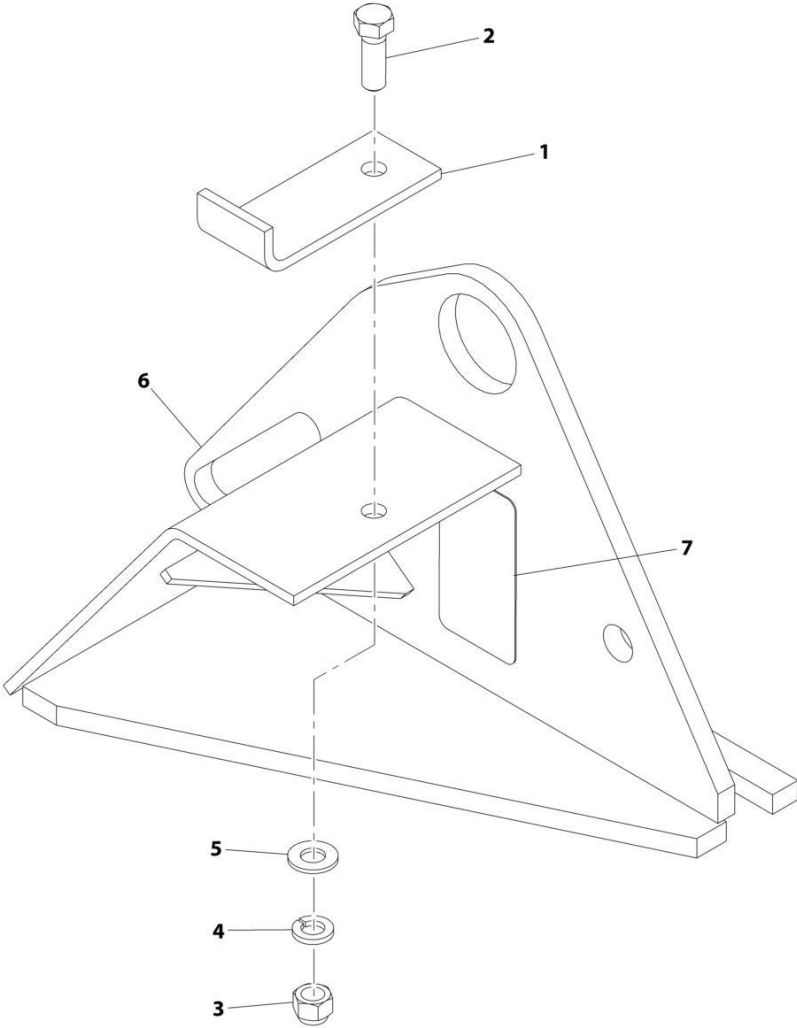
SECTION 3 - ATTACHMENTS

FIGURE 3-42. SHEET MATERIAL HANDLER FORK SUPPORT (LH)

ITEM	PART NUMBER	QTY	DESCRIPTION	REV
	1001101116	Ref	LH Fork Support Assembly	E
1	7114941	1	Bar, Lock	
2	8303626	1	Bolt, 1/2-13X1-1/2	
3	8305644	1	Nut, Lock 1/2-13	
4	8307007	1	Washer, Lock 1/2	
5	8307112	1	Washer, 1/2	
6	1001100229	1	Support, LH Fork	
7	N.S.S.	1	S/N Plate	

SECTION 3 - ATTACHMENTS

FIGURE 3-43. SHEET MATERIAL HANDLER FORK SUPPORT (RH)



ART_1001101115-D

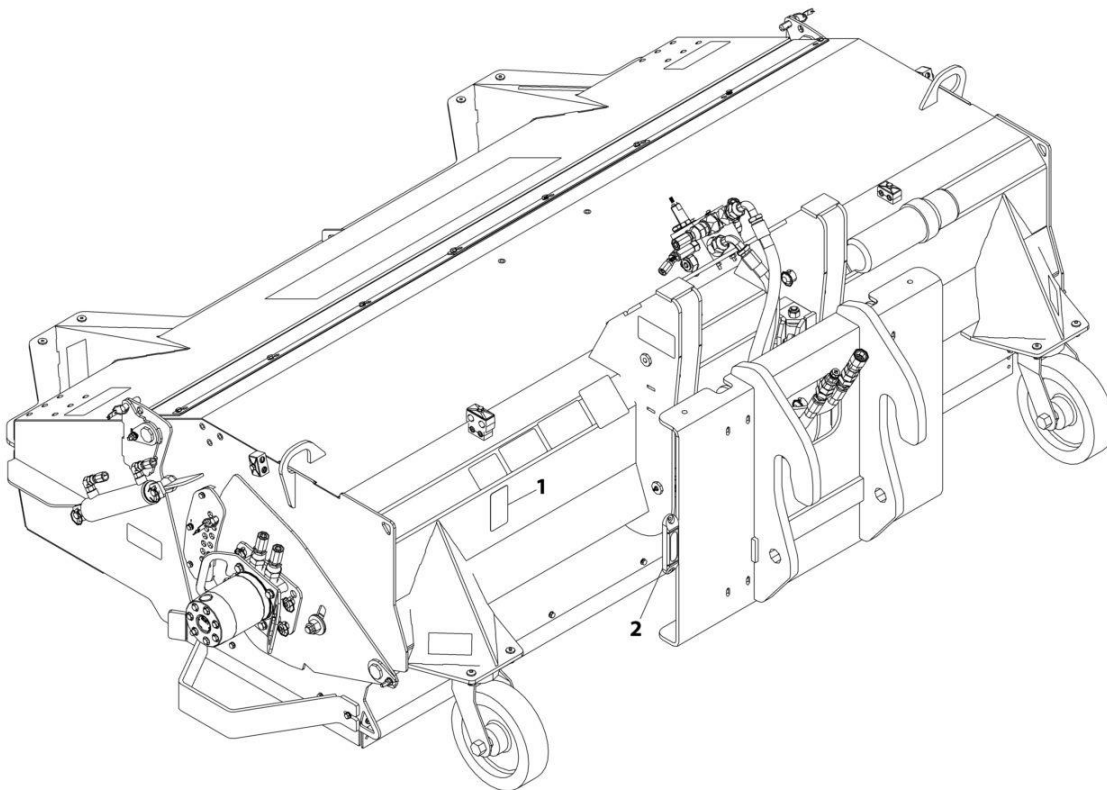
SECTION 3 - ATTACHMENTS

FIGURE 3-43. SHEET MATERIAL HANDLER FORK SUPPORT (RH)

ITEM	PART NUMBER	QTY	DESCRIPTION	REV
	1001101115	Ref	RH Fork Support Assembly	D
1	7114941	1	Bar, Lock	
2	8303626	1	Bolt, 1/2-13X1-1/2	
3	8305644	1	Nut, Lock 1/2-13	
4	8307007	1	Washer, Lock 1/2	
5	8307112	1	Washer, 1/2	
6	1001100228	1	Support, RH Fork	
7	N.S.S.	1	S/N Plate	

SECTION 3 - ATTACHMENTS

FIGURE 3-44. SWEEPER ASSEMBLY



ART_1001202904

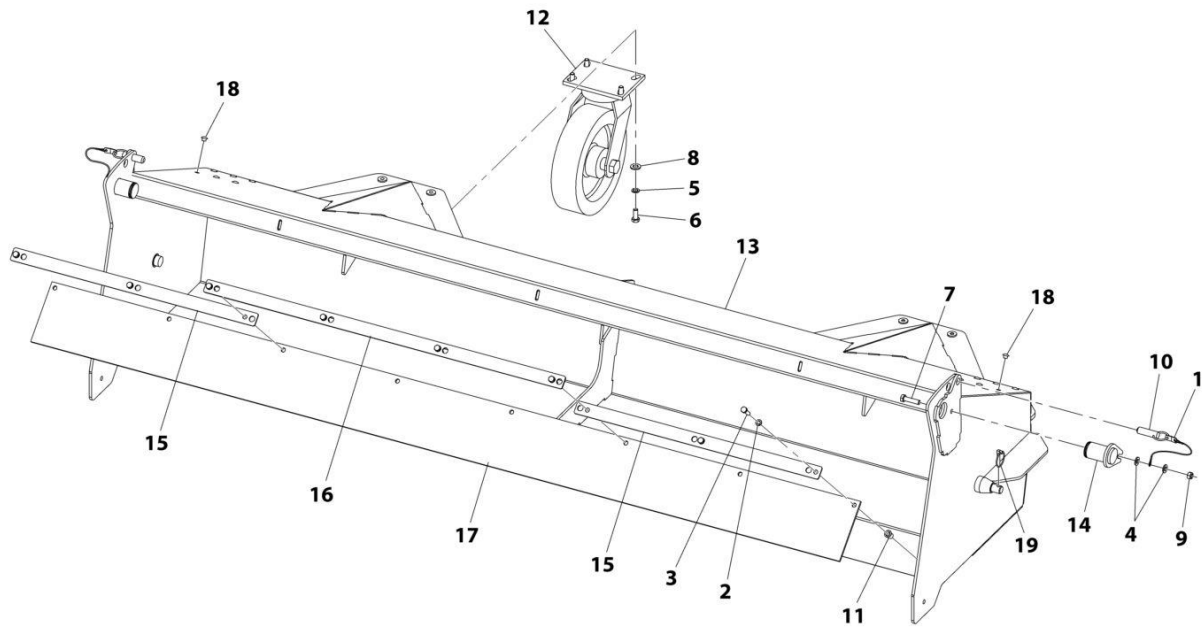
SECTION 3 - ATTACHMENTS

FIGURE 3-44. SWEEPER ASSEMBLY

ITEM	PART NUMBER	QTY	DESCRIPTION	REV
	1001202904	Ref	Sweeper Assembly	D
1	See Note	NSS	S/N Plate (Note: Stamped Part - Not Available for Purchase)	
2	1001227670	1	Tag, RFID	
		Ref	Sweeper Assembly- Hopper (See Separate Breakdown in this Section)	
		Ref	Sweeper Assembly - Body (See Separate Breakdown in this Section)	
		Ref	Sweeper Assembly - Motor (See Separate Breakdown in this Section)	
		Ref	Sweeper Assembly - Idler (See Separate Breakdown in this Section)	
		Ref	Sweeper Assembly - Core (See Separate Breakdown in this Section)	
		Ref	Sweeper Assembly - Hydraulic Single Motor (See Separate Breakdown in this Section)	

SECTION 3 - ATTACHMENTS

FIGURE 3-45. SWEEPER ASSEMBLY - HOPPER



ART_1001202904_1-B

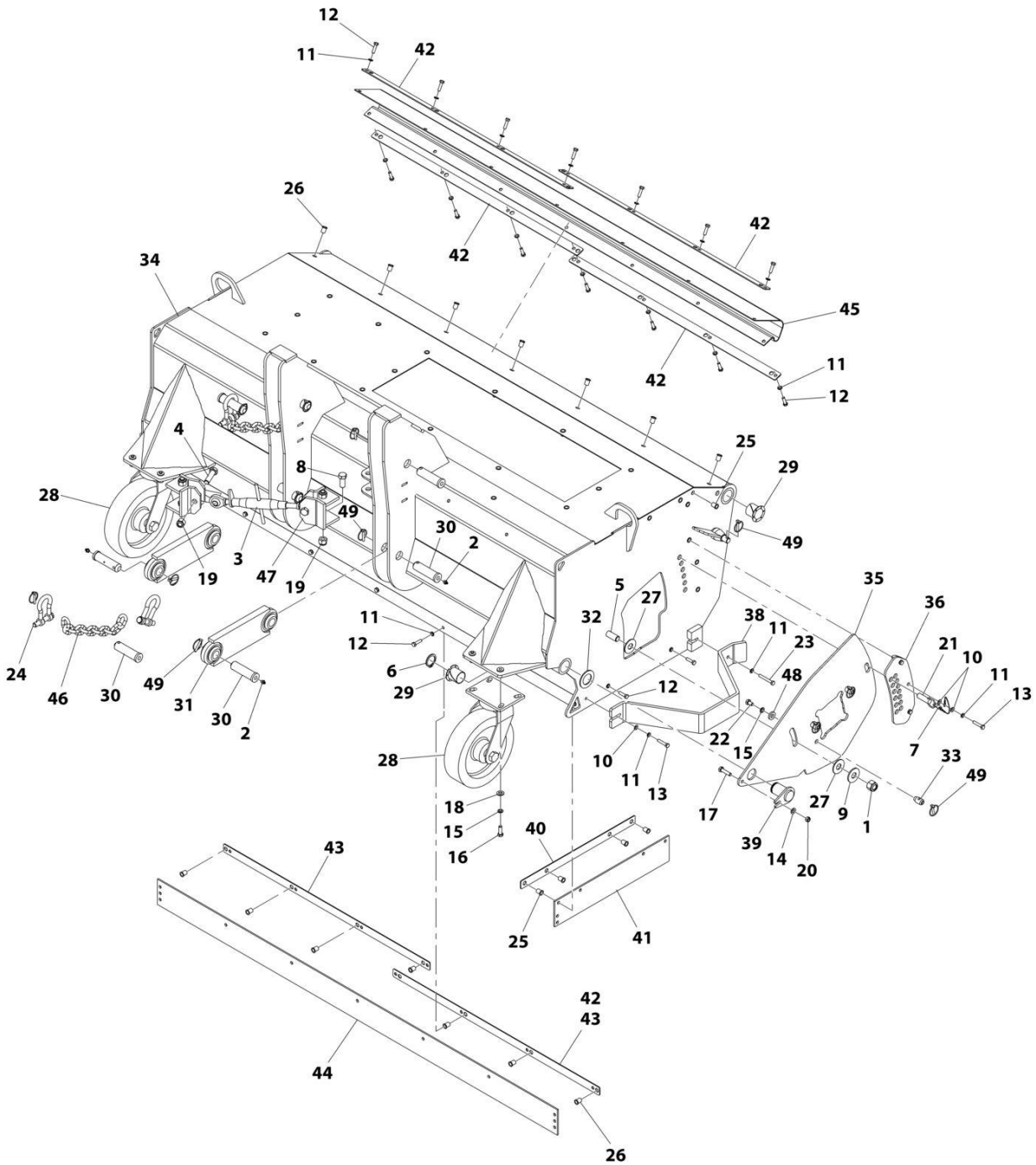
SECTION 3 - ATTACHMENTS

FIGURE 3-45. SWEEPER ASSEMBLY - HOPPER

ITEM	PART NUMBER	QTY	DESCRIPTION	REV
	1001202904	Ref	SWEEPER ASSEMBLY - HOPPER	
1	70029725	2	Lanyard	
2	70029734	8	Washer	
3	70029735	8	Screw	
4	70029738	4	Washer	
5	70029739	8	Washer	
6	70029740	8	Screw	
7	70029742	2	Screw	
8	70029743	8	Washer	
9	70029747	2	Nut	
10	70029750	2	Pin	
11	70029756	8	Nut	
12	70029762	2	Assembly, Caster	
13	See Note	NSS	Hopper (Note: Purchase Complete Assembly)	
14	70029777	2	Pin	
15	70029780	2	Plate	
16	70029781	1	Plate	
17	70029785	1	Flap	
18	70029792	12	Plug	
19	70029794	2	Pin, Lynch	

SECTION 3 - ATTACHMENTS

FIGURE 3-46. SWEEPER ASSEMBLY - BODY



ART_1001202904_2-B

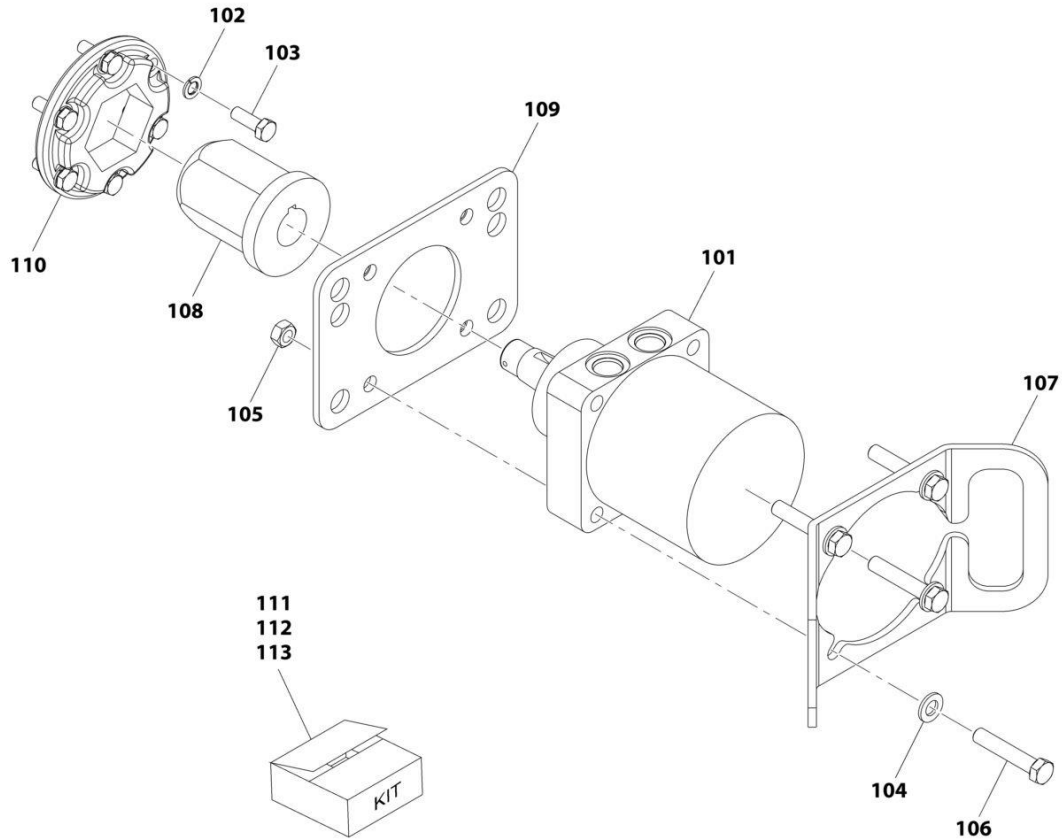
SECTION 3 - ATTACHMENTS

FIGURE 3-46. SWEEPER ASSEMBLY - BODY

ITEM	PART NUMBER	QTY	DESCRIPTION	REV
	1001202904	Ref	SWEEPER ASSEMBLY - BODY	
1	70029720	2	Nut	
2	70029721	4	Fitting, Grease	
3	70029722	1	Toplink	
4	70029723	2	Screw	
5	70020004	2	Screw	
6	70029724	2	Ring, Snap	
7	70029725	2	Lanyard	
8	70029726	4	Screw	
9	70029728	2	Washer	
10	70029732	6	Washer	
11	70029734	38	Washer	
12	70029735	32	Screw	
13	70029736	4	Screw	
14	70029738	2	Washer	
15	70029739	14	Washer	
16	70029741	8	Screw	
17	70029742	2	Screw	
18	70029743	8	Washer	
19	70029745	6	Nut	
20	70029747	2	Nut	
21	70029729	2	Pin	
22	70029751	6	Screw	
23	70029752	2	Screw	
24	70029755	4	Shackle	
25	70029756	45	Nut	
26	70029757	25	Nut	
27	70029760	4	Washer	
28	70029762	2	Assembly, Caster	
29	70029764	4	Bearing	
30	70029765	8	Pin	
31	70029766	2	Link	
32	70029767	2	Washer	
33	70029768	6	Stud	
34	See Note	NSS	Body, Sweeper (Note: Purchase Complete Assembly)	
35	70029773	2	Plate	
36	70029774	2	Plate	
37	70029775	2	Plate	
38	70029776	2	Plate	
39	70029777	2	Pin	
40	70029778	2	Plate	
41	70029779	2	Flap	
42	70029780	6	Plate	
43	70029781	3	Plate	
44	70029784	1	Flap	
45	70029786	1	Flap	
46	70029788	2	Chain	
47	70029790	2	Toplink	
48	70029793	6	Washer	
49	70029794	16	Pin, Lynch	

SECTION 3 - ATTACHMENTS

FIGURE 3-47. SWEEPER ASSEMBLY - MOTOR



ART_1001202904_3-B

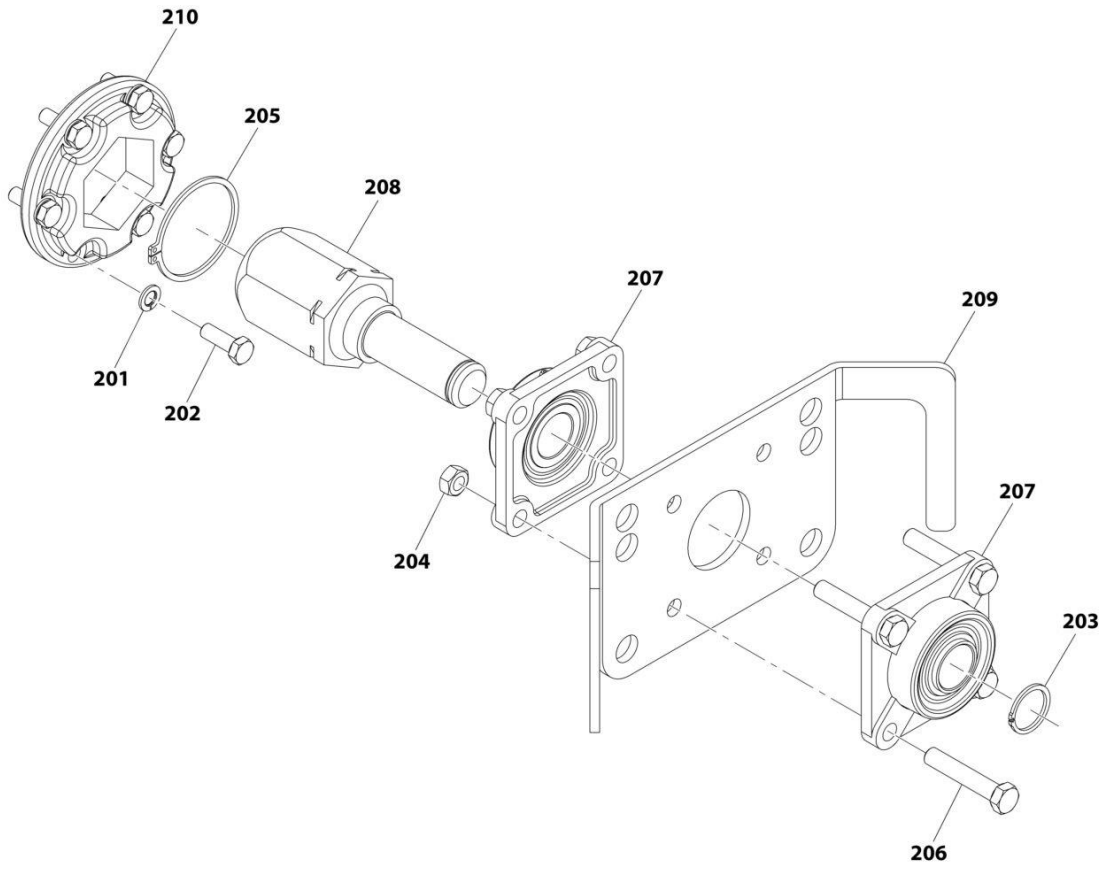
SECTION 3 - ATTACHMENTS

FIGURE 3-47. SWEEPER ASSEMBLY - MOTOR

ITEM	PART NUMBER	QTY	DESCRIPTION	REV
	1001202904	Ref	SWEEPER ASSEMBLY - MOTOR	
101	70029717	1	Motor	
102	70029739	6	Washer	
103	70029741	6	Screw	
104	70029743	4	Washer	
105	70029746	4	Nut	
106	70029749	4	Screw	
107	70029769	1	Plate	
108	70029771	1	Hub	
109	70029772	1	Plate	
110	70029789	1	Plate	
111	70029719	1	Nut, Motor Shaft Lock	
112	70029718	1	Kit, Seal	
113	70029761	1	Key	

SECTION 3 - ATTACHMENTS

FIGURE 3-48. SWEEPER ASSEMBLY - IDLER



ART_1001202904_4-B

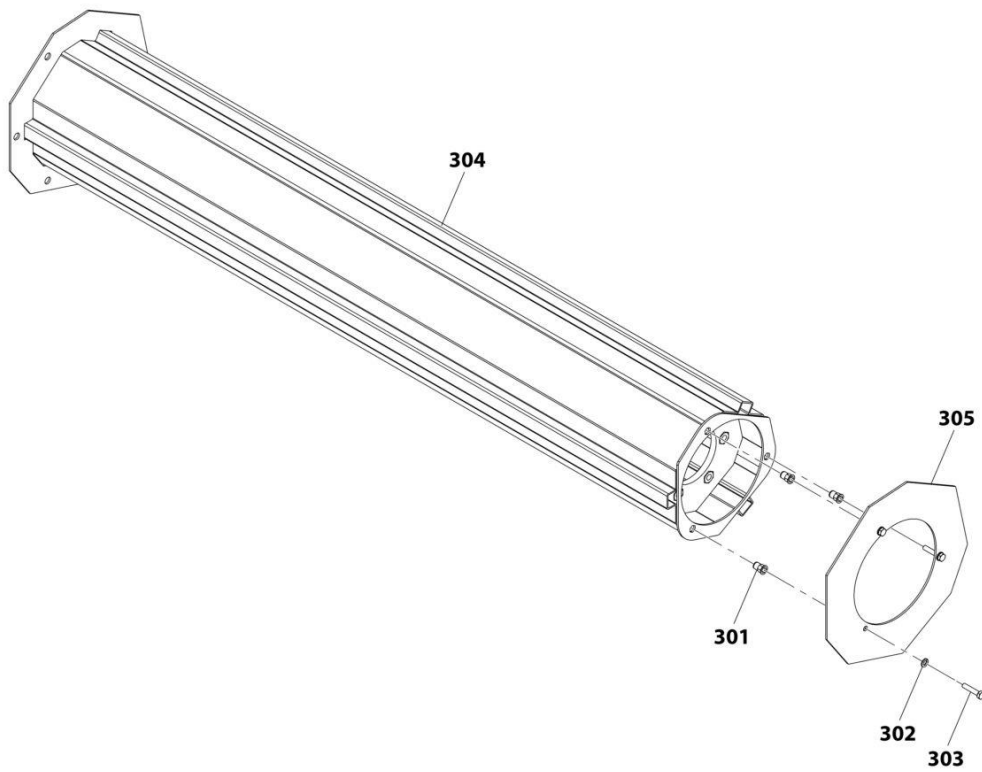
SECTION 3 - ATTACHMENTS

FIGURE 3-48. SWEEPER ASSEMBLY - IDLER

ITEM	PART NUMBER	QTY	DESCRIPTION	REV
	1001202904	Ref	SWEEPER ASSEMBLY - IDLER	
201	70029739	6	Washer	
202	70029741	6	Screw	
203	70029744	1	Ring, Snap	
204	70029746	4	Nut	
205	70029748	1	Ring, Snap	
206	70029749	4	Screw	
207	70029763	2	Bearing	
208	70029770	1	Hub	
209	70029787	1	Plate	
210	70029789	1	Plate	

SECTION 3 - ATTACHMENTS

FIGURE 3-49. SWEEPER ASSEMBLY - CORE



ART_1001202904_5-B

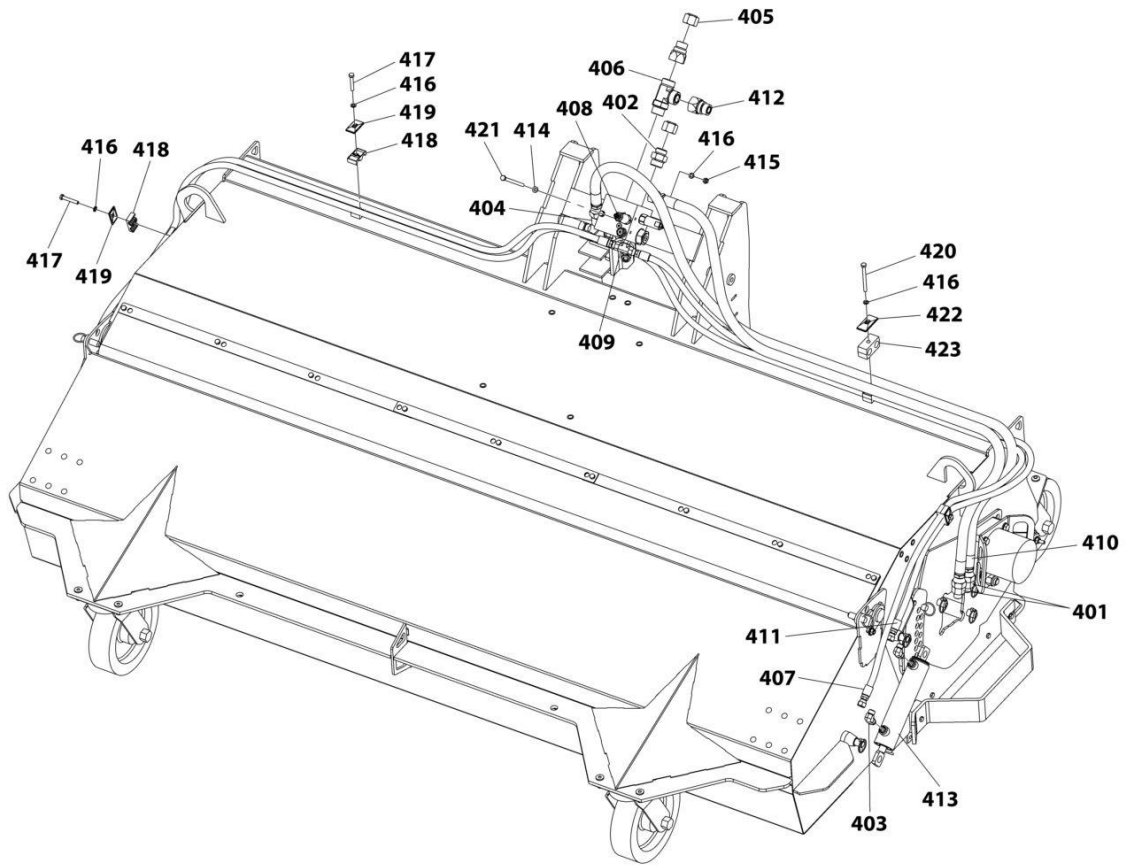
SECTION 3 - ATTACHMENTS

FIGURE 3-49. SWEEPER ASSEMBLY - CORE

ITEM	PART NUMBER	QTY	DESCRIPTION	REV
	1001202904	1	SWEEPER ASSEMBLY - CORE	
301	70029727	3	Nut	
302	70029730	3	Washer	
303	70029731	3	Screw	
304	70029782	1	Core	
305	70029783	1	Plate	

SECTION 3 - ATTACHMENTS

FIGURE 3-50. SWEEPER ASSEMBLY - HYDRAULIC SINGLE MOTOR ASSEMBLY



ART_1001202904_6-B

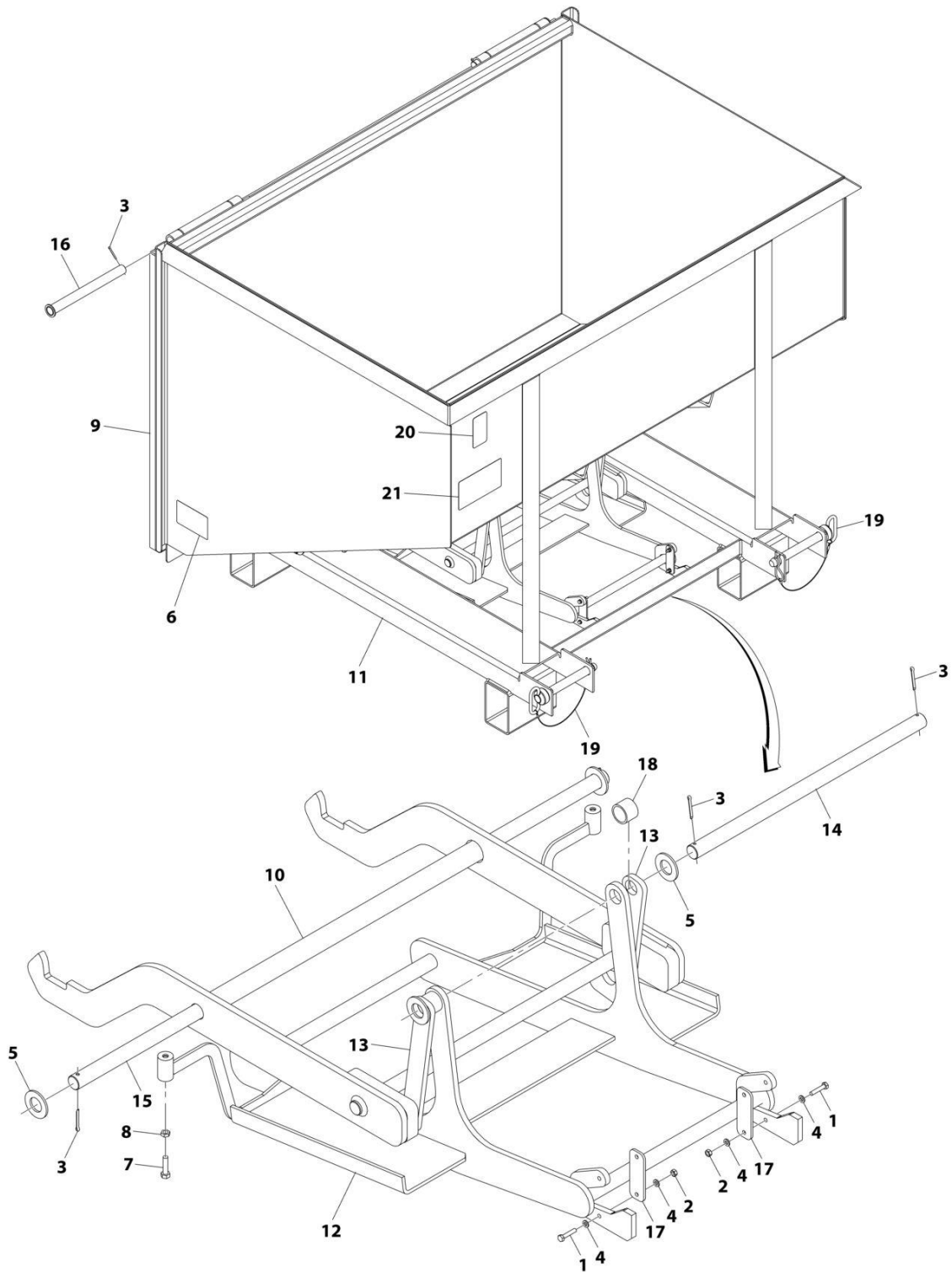
SECTION 3 - ATTACHMENTS

FIGURE 3-50. SWEEPER ASSEMBLY - HYDRAULIC SINGLE MOTOR ASSEMBLY

ITEM	PART NUMBER	QTY	DESCRIPTION	REV
	1001202904	Ref	SWEEPER ASSEMBLY - HYDRAULICS	
401	70029704	2	Fitting	
402	70029705	1	Fitting	
403	70029706	4	Fitting, 90	
404	70029707	1	Fitting, 90	
405	70029708	2	Cap	
406	70029709	1	Fitting, Tee	
407	70029710	2	Hose	
408	70029711	1	Manifold	
409	70029712	2	Fitting, Tee	
410	70029713	2	Hose	
411	70029714	2	Hose	
412	70029715	2	Fitting	
413	70029716	2	Cylinder	
413	70029791	1	Kit, Seal	
414	70029732	2	Washer	
415	70029733	2	Nut	
416	70029734	6	Washer	
417	70029737	3	Screw	
418	70029753	8	Hose	
419	70029754	3	Cover	
420	70029758	1	Screw	
421	70029759	2	Screw	
422	70029795	1	Cover	
423	70029796	1	Cradle, Hose	

SECTION 3 - ATTACHMENTS

FIGURE 3-51. TRASHER HOPPER



ART_1001238566-B

SECTION 3 - ATTACHMENTS

FIGURE 3-51. TRASHER HOPPER

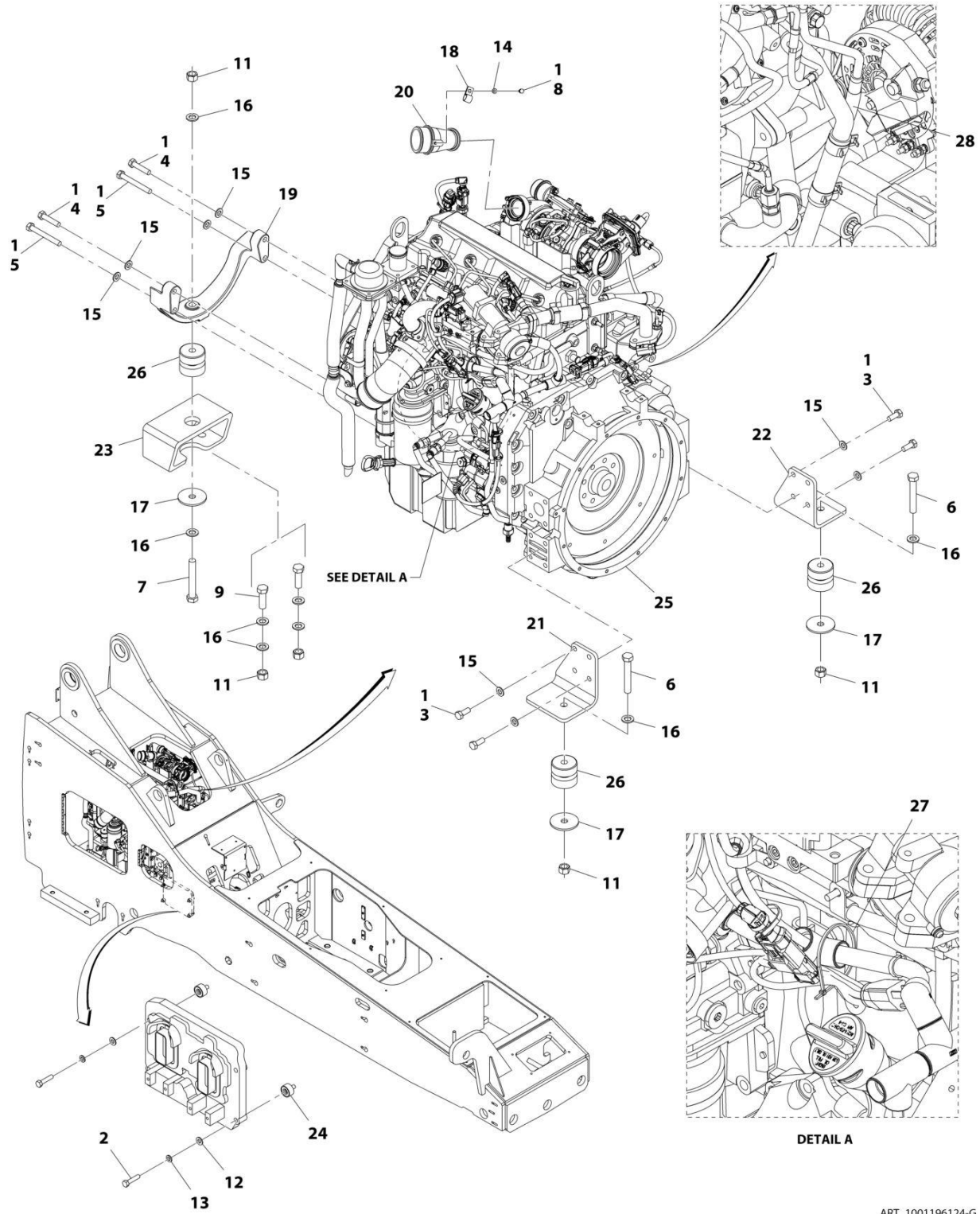
ITEM	PART NUMBER	QTY	DESCRIPTION	REV
	1001238566	Ref	FORK MOUNTED TRASH HOPPER	C
1	0700614	4	Bolt M6 x 30	
2	3290601	4	Nut M6 x 1	
3	3391410	6	Pin	
4	4811700	8	Washer M6	
5	5242400	4	Washer M24	
6	1706302	2	Decal, Pinch Point	
7	0641510	2	Bolt 5/16 x 1-1/4	
8	3311502	2	Nut 5/16	
9	1001192711	1	Door Assembly	
10	1001192720	1	Hook Assembly	
11	See Note	NSS	Hopper, Trash (Note: Purchase Complete Assembly)	
12	1001192875	1	Tray Assembly	
13	1001192876	2	Arm, Swing	
14	1001192877	1	Rod, Swing	
15	1001238570	1	Bar	
16	1001193540	2	Pin	
17	1001193729	2	Plate	
18	1001198355	2	Spacer	
19	1001238560	2	Pin	
20	See Note	NSS	SN Plate (Note: Stamped Part - Not Available for Purchase)	
21	1001203503	1	Decal, Trash Hopper Operation	

SECTION 4 - ENGINE AND ATTACHING PARTS

SECTION 4 - ENGINE AND ATTACHING PARTS

SECTION 4 - ENGINE AND ATTACHING PARTS

FIGURE 4-1. ENGINE INSTALLATION - 74HP (ULS)



ART_1001196124-G

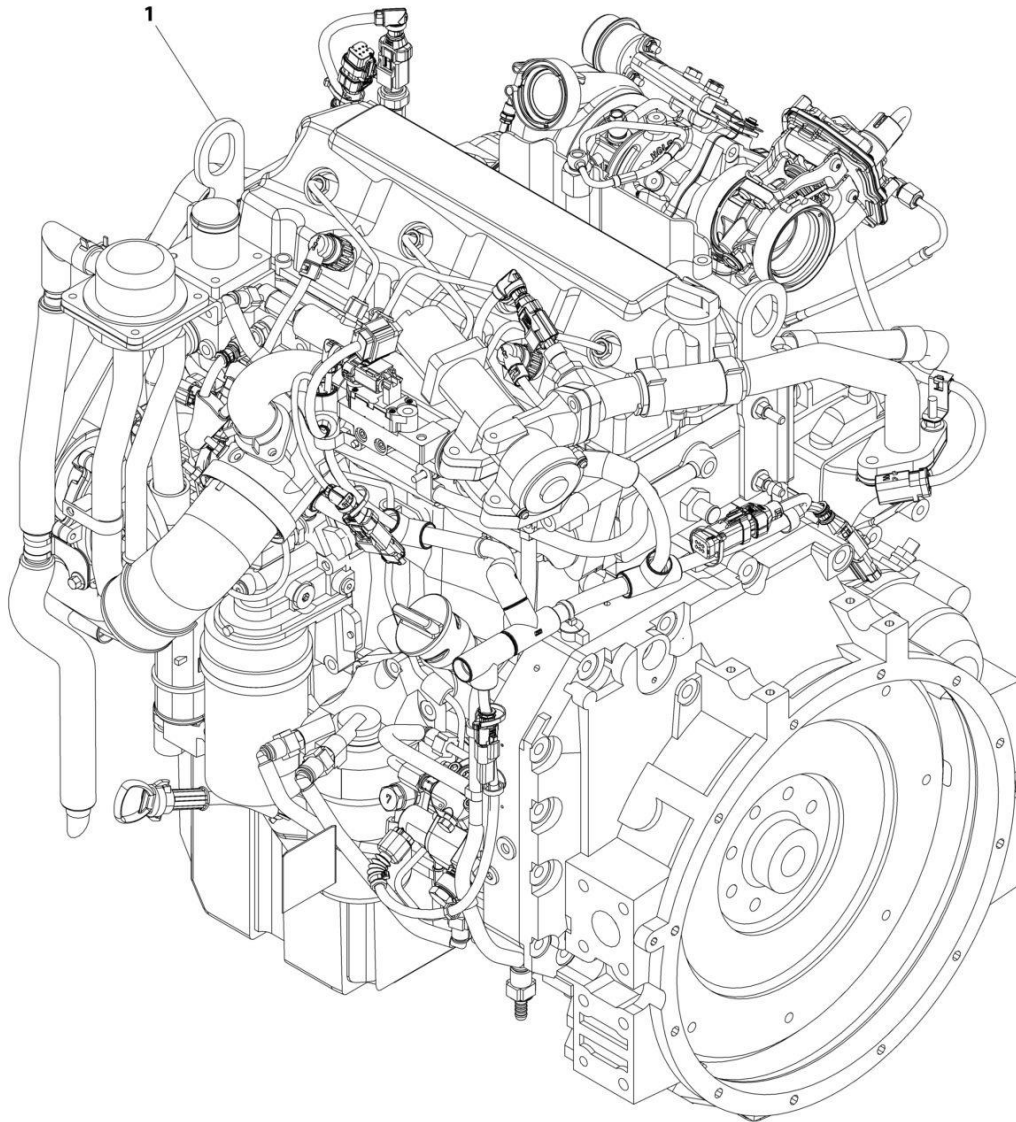
SECTION 4 - ENGINE AND ATTACHING PARTS

FIGURE 4-1. ENGINE INSTALLATION - 74HP (ULS)

ITEM	PART NUMBER	QTY	DESCRIPTION	REV
	1001196124	Ref	Engine Installation, 74HP (if equipped for ULS)	G
1	0100011	AR	Compound, Locking	
2	0641511	4	Bolt, 5/16-18X1-3/8	
3	0711214	8	Bolt, M12X30	
4	0711219	2	Bolt, M12X55	
5	0711227	2	Bolt, M12X100	
6	0711627	2	Bolt, M16X100	
7	0711628	1	Bolt, M16X110	
8	0760605	1	Bolt, M6X10	
9	0771618	2	Bolt, M16X50	
11	3331615	5	Nut, Lock M16X12	
12	4711500	4	Washer, 5/16	
13	4761500	4	Washer, Lock 5/16	
14	4811700	1	Washer, M6	
15	4812100	12	Washer, M12	
16	4812300	8	Washer, M16	
17	7300435	3	Washer, Rebound	
18	8406112	1	Clip, Tube 5/8	
19	1001160116	1	Bracket, Engine Mount Casting	
20	1001161920	1	Adapter	
21	1001165517	1	Bracket, Engine Mount	
22	1001165518	1	Bracket, Engine Mount	
23	1001180473	1	Bracket, Rear Engine Mount	
24	1001186373	4	Mount, Isolator ECM	
25	1001196665	1	Engine (See Separate Breakdown in this Section)	
26	1001165660	3	Mount, Isolator Engine	
27	4240099	1	Strap, Tie	
28	7125871	1	Conduit 0.5X8	

SECTION 4 - ENGINE AND ATTACHING PARTS

FIGURE 4-2. ENGINE COMPONENTS - 74HP (ULS)



ART_1001196665

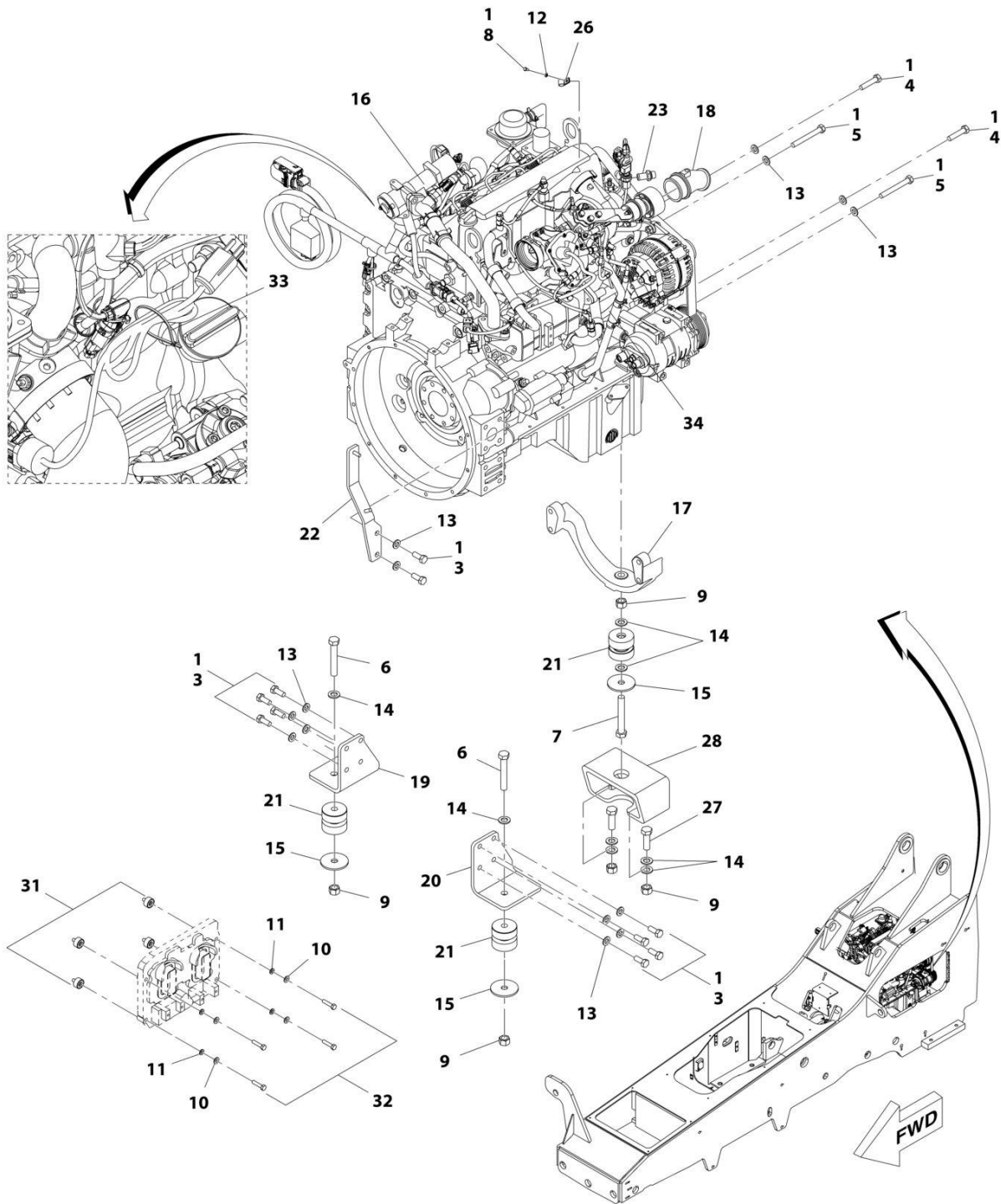
SECTION 4 - ENGINE AND ATTACHING PARTS

FIGURE 4-2. ENGINE COMPONENTS - 74HP (ULS)

ITEM	PART NUMBER	QTY	DESCRIPTION	REV
1	1001196665	Ref	Engine, 74HP (if equipped for ULS)	O
	70026220	1	Assembly, Secondary Fuel Filter (includes filter head, seal and element)	
	70026453	1	Element, Fuel Filter	
	70026221	1	Head, Fuel Filter	
	70026222	1	Assembly, Flywheel Housing	
	70027281	1	Pan, Oil	
	70026224	1	Seal, Oil Pan	
	70026225	1	Plug, Oil Pan	
	70026226	1	Seal, Oil Pan Plug	
	1001128594	1	Starter	
	70026228	1	Filler Cap, Valve Cover	
	70026229	1	Fan Belt, V-Ribbed	
	70026230	1	Support, Fan	
	70026231	1	Pulley, Fan	
	70026232	1	Alternator	
	70028450	1	Assembly, Primary Fuel Filter	
	70026234	1	Element, Fuel Filter	
	70026235	1	Assembly, Dipstick Oil Level	
	70026241	1	Assembly, Fuel Filter Plug	
	70026237	1	Filter, Oil	
	70023933	1	O-Ring, Oil Pressure Switch	
	70041620	2	Ring, Retaining	
	70041616	1	Bolt	
	70041617	1	Bearing, Ball	
	70041619	1	Retainer, Fan Hub	
	1322039	1	Spacer, Fan Pilot	
	1321094	19	Screw	
	70024016	1	Cap, Side Oil Fill	
	70022634	1	Flywheel w/Ring Gear	
	70023736	1	Ring Gear, Flywheel	
	1322040	1	Plug, Flywheel	
	70031148	1	Sensor, Speed	

SECTION 4 - ENGINE AND ATTACHING PARTS

FIGURE 4-3. ENGINE INSTALLATION - 110HP (ULS)



ART_1001160845-L

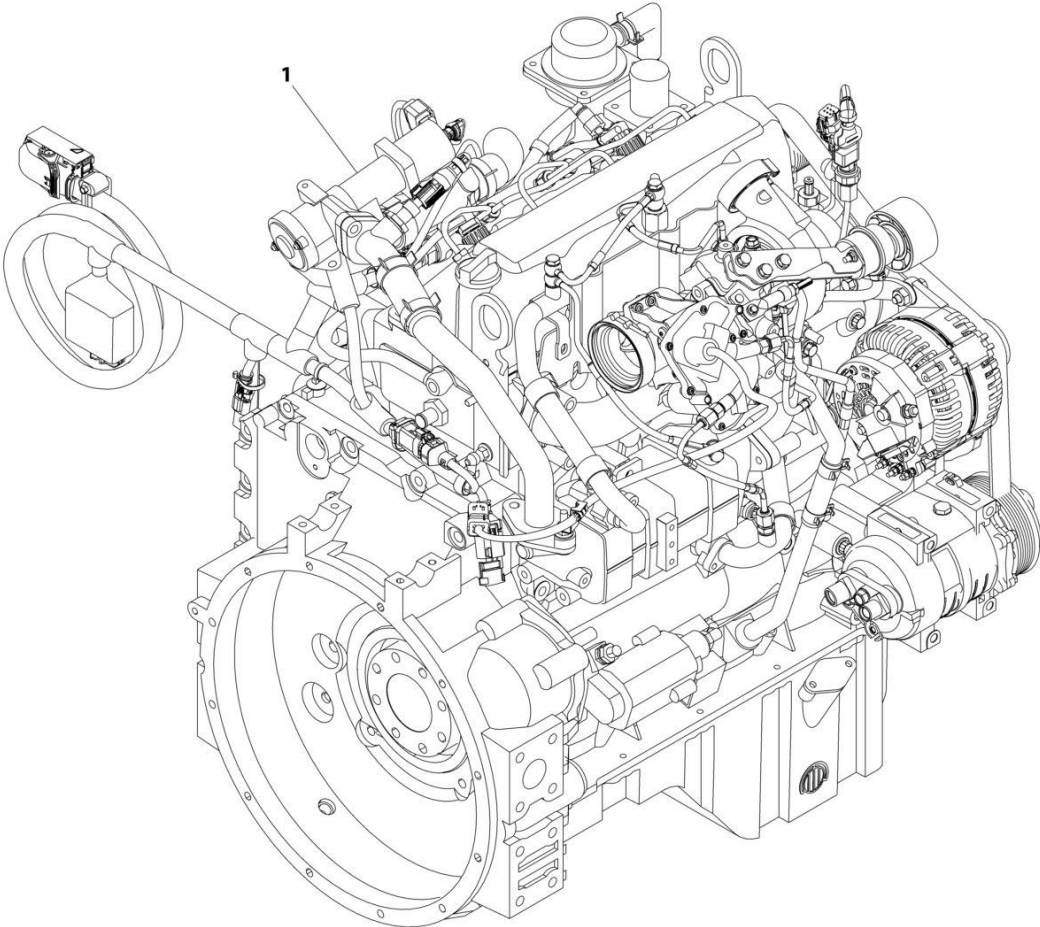
SECTION 4 - ENGINE AND ATTACHING PARTS

FIGURE 4-3. ENGINE INSTALLATION - 110HP (ULS)

ITEM	PART NUMBER	QTY	DESCRIPTION	REV
	1001160845	Ref	Engine Installation, 110HP (if equipped for ULS)	L
1	0100011	AR	Compound, Locking	
3	0711214	10	Bolt, M12X30	
4	0711219	2	Bolt, M12X55	
5	0711227	2	Bolt, M12X100	
6	0711627	2	Bolt, 16-2X100	
7	0711628	1	Bolt, 16-2X110	
8	0760605	1	Bolt, M6X10	
9	3331615	5	Nut, Lock M16X2	
10	4711500	4	Washer, Plain 5/16	
11	4761500	4	Washer, Lock 5/16	
12	4811700	1	Washer, M6	
13	4812100	14	Washer, M12	
14	4812300	8	Washer, M16	
15	7300435	3	Washer, Rebound	
16	1001154511	1	Engine (ULS) (See Separate Breakdown in this Section)	
17	1001160116	1	Bracket, Engine Mount Casting	
18	1001161920	1	Adapter	
19	1001165517	1	Bracket, Engine Mount	
20	1001165518	1	Bracket, Engine Mount	
21	1001165660	3	Mount, Isolator Engine	
22	1001197233	1	Bracket, Hose Support	
23	1001168822	1	Fitting, Hose Barb	
26	8406112	1	Clip, Tube 5/8	
27	0771618	2	Bolt, M16X50	
28	1001180473	1	Bracket, Rear Engine Mount	
31	1001186373	4	Mount, Isolator ECM	
32	0641511	4	Bolt, 5/16-18X1-3/8	
33	4240099	1	Strap, Tie	
34	7125871	1	Conduit, 1/2X8	

SECTION 4 - ENGINE AND ATTACHING PARTS

FIGURE 4-4. ENGINE COMPONENTS - 110HP (ULS)



ART_1001154511

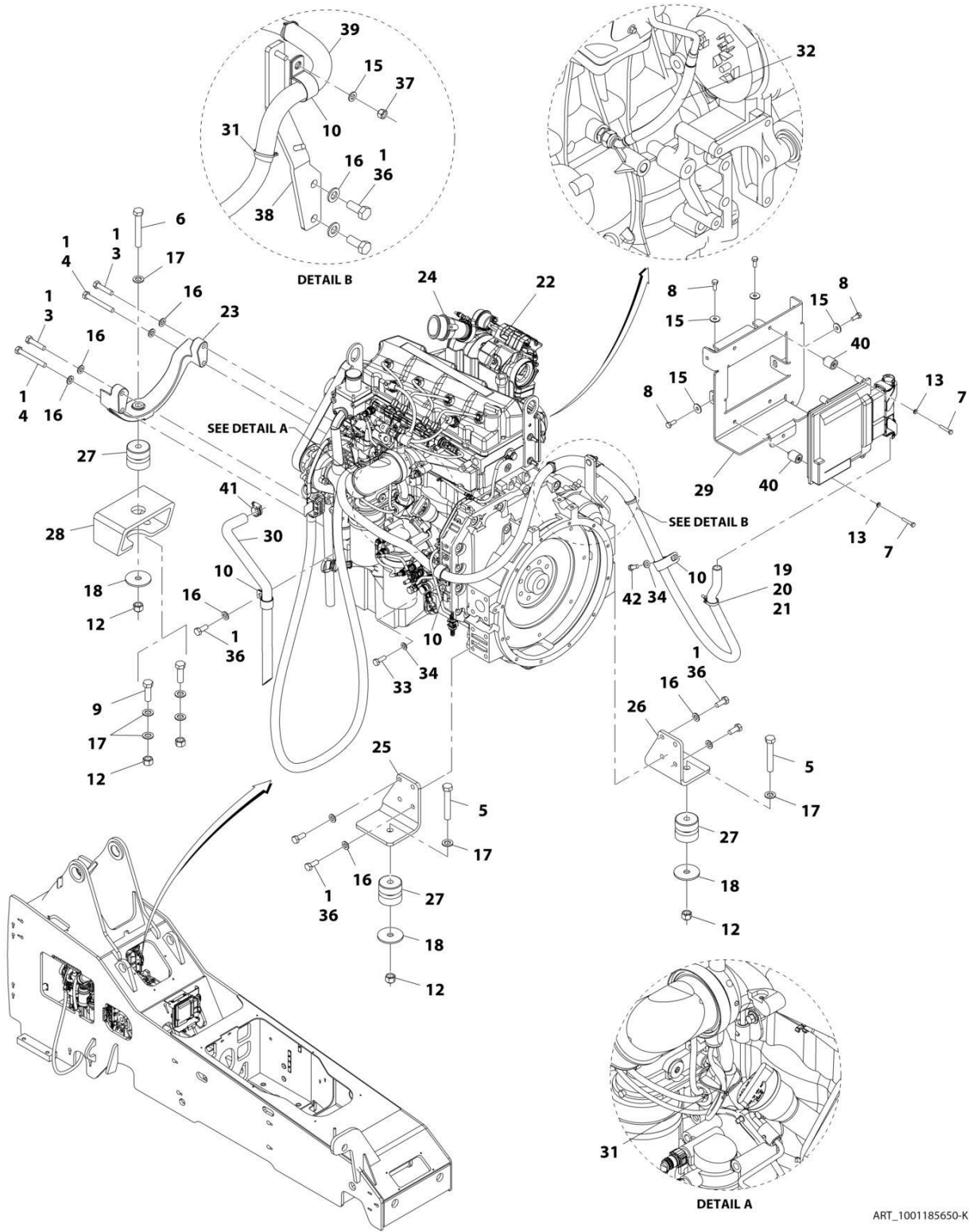
SECTION 4 - ENGINE AND ATTACHING PARTS

FIGURE 4-4. ENGINE COMPONENTS - 110HP (ULS)

ITEM	PART NUMBER	QTY	DESCRIPTION	REV
1	1001154511	Ref	Engine, QSF 3.8L (if equipped for ULS)	W
	70026220	1	Assembly, Secondary Fuel Filter (includes shell, seal and cartridge)	
	70026453	1	Cartridge, Fuel Filter	
	70031350	1	Rail, Fuel	
	70031351	1	Sensor, Fuel Pressure	
	70031352	1	Valve, Fuel Pressure Relief Valve	
	70026223	1	Pan, Oil	
	70026224	1	Seal, Oil Pan	
	70026225	1	Plug, Oil Pan	
	70026226	1	Seal, Oil Pan Plug	
	1001128594	1	Starter	
	70026228	1	Filler Cap, Valve Cover	
	70026229	1	Fan Belt, V-Ribbed	
	70026230	1	Support, Fan	
	70026231	1	Pulley, Fan	
	70026232	1	Alternator	
	70028450	1	Assembly, Primary Fuel Filter, (includes filter head, seal and element)	
	70026235	1	Assembly, Dipstick Oil Level	
	70026236	1	Assembly, Block Heater	
	70026241	1	Assembly, Fuel Filter Plug	
	70026237	1	Filter, Oil	
	70023933	1	O-Ring, Oil Pressure Switch	
	70041620	2	Ring, Retaining	
	70041616	1	Bolt, Fan Drive	
	70041617	1	Bearing, Ball	
	70041619	1	Retainer, Fan Hub	
	1322039	1	Spacer, Fan Pilot	
	1321094	16	Bolt, Oil Pan	
	70024016	1	Cap, Side Oil Fill	
	70022634	1	Flywheel w/Ring Gear	
	70023736	1	Ring Gear, Flywheel	
	1322040	1	Plug, Flywheel	
	70030317	1	Connection, Fuel Actuator	
	70030347	1	Valve, Exhaust Throttle	
	70031380	1	Harness, ECM	

SECTION 4 - ENGINE AND ATTACHING PARTS

FIGURE 4-5. ENGINE INSTALLATION - 110HP (LS)



ART_1001185650-K

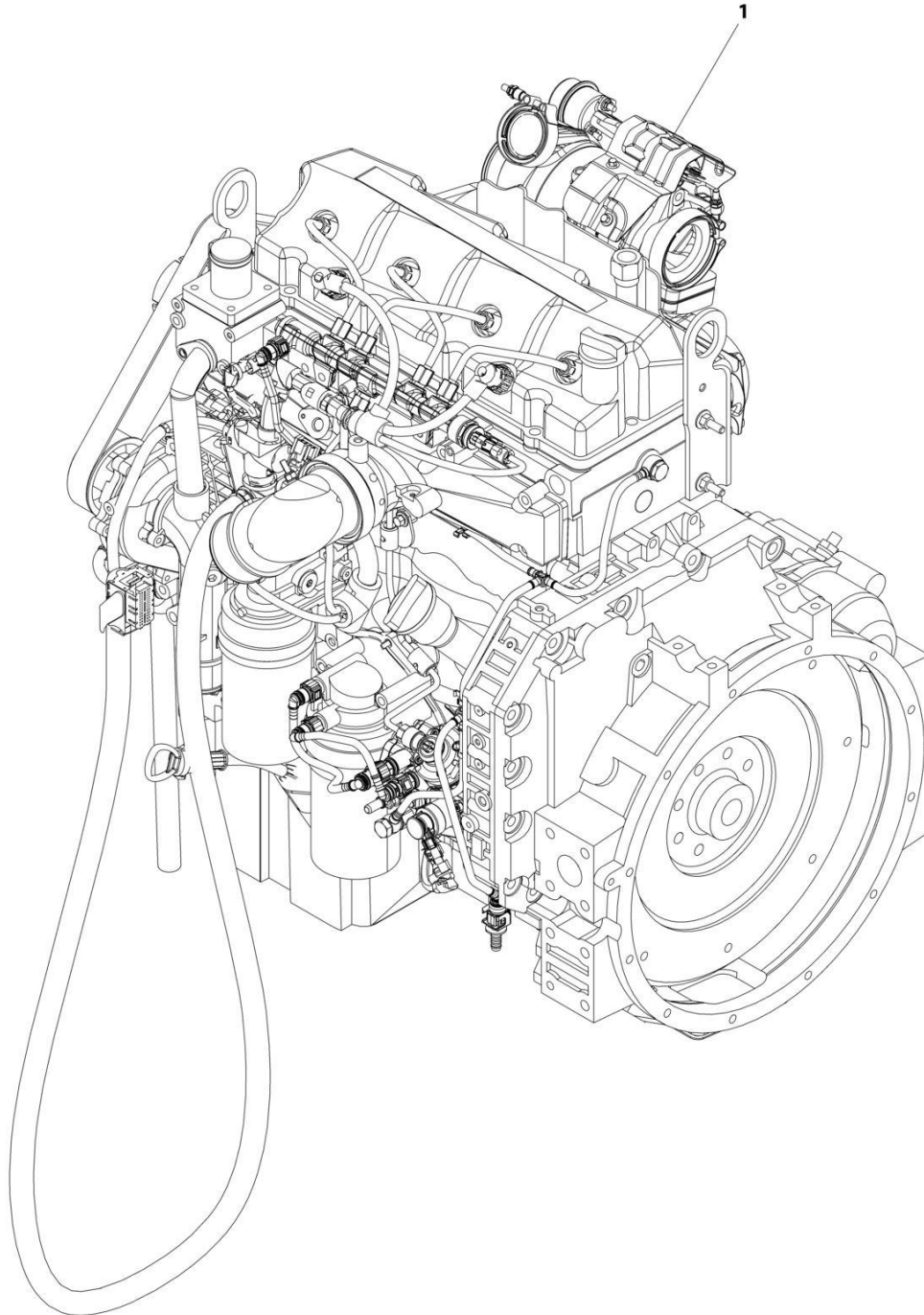
SECTION 4 - ENGINE AND ATTACHING PARTS

FIGURE 4-5. ENGINE INSTALLATION - 110HP (LS)

ITEM	PART NUMBER	QTY	DESCRIPTION	REV
	1001185650	Ref	Engine Installation (if equipped for LS)	K
1	0100011	AR	Compound, Locking	
3	0711219	2	Bolt, M12X55	
4	0711227	2	Bolt, M12X100	
5	0711627	2	Bolt, M16X100	
6	0711628	1	Bolt, M16X110	
7	0760614	4	Bolt, M6X30	
8	0760810	4	Bolt, M8X20	
9	0771618	2	Bolt, M16X50	
10	8406303	4	Clip, Tube 1-3/16	
12	3331615	5	Nut, Lock M16X2	
13	4811700	4	Washer, M6	
15	4811902	5	Washer, M8	
16	4812100	15	Washer, M12	
17	4812300	7	Washer, M16	
18	7300435	3	Washer, Rebound	
19	8881800	1	Strap, Cable	
20	88261015	1	Bolt, 1/4-20X5/8	
21	1001138645	1	Mount, Cable Tie	
22	1001154790	1	Engine (See Separate Breakdown in this Section)	
23	1001160116	1	Bracket, Engine Mount Casting	
24	1001161920	1	Adapter	
25	1001165517	1	Bracket, Engine Mount	
26	1001165518	1	Bracket, Engine Mount	
27	1001165660	3	Mount, Isolator Engine	
28	1001180473	1	Bracket, Rear Engine Mount	
29	1001211688	1	Bracket, ECM Mount	
30	1001192134	1	Hose	
31	4240099	3	Strap, Tie	
32	7125871	1	Conduit	
33	0761014	1	Capscrew, 10X30	
34	4812000	2	Washer, M10	
36	0711214	11	Bolt, M12X30	
37	3290805	1	Nut, Lock M8X1-1/4	
38	1001197233	1	Bracket	
39	1001186718	1	Insulate, Heat Shield Tube	
40	1001211697	4	Mount, Isolator ECM	
41	1001173535	1	Clamp	
42	0641608	1	Bolt, 3/8-16X1	

SECTION 4 - ENGINE AND ATTACHING PARTS

FIGURE 4-6. ENGINE COMPONENTS - 110HP (LS)



ART_1001154790

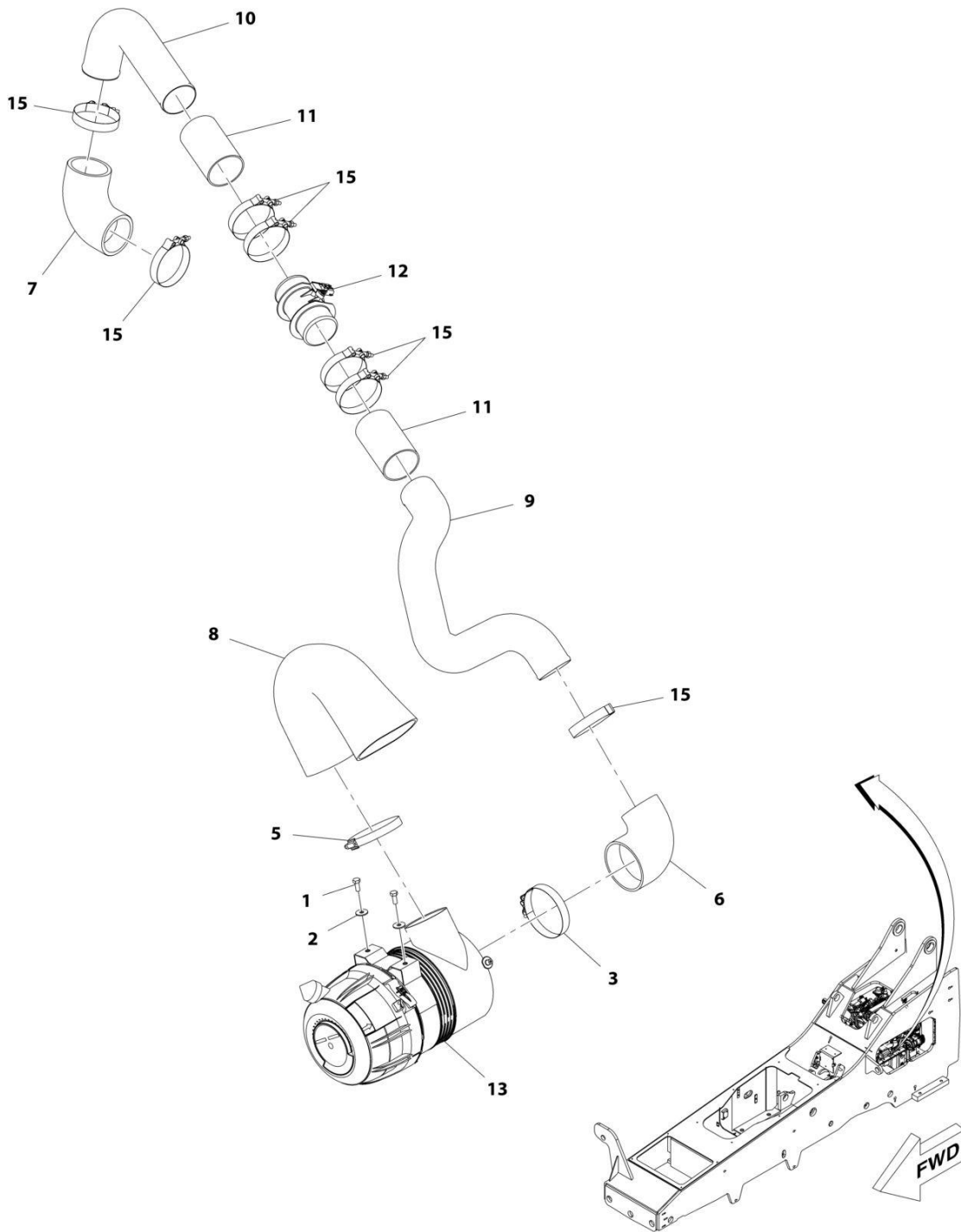
SECTION 4 - ENGINE AND ATTACHING PARTS

FIGURE 4-6. ENGINE COMPONENTS - 110HP (LS)

ITEM	PART NUMBER	QTY	DESCRIPTION	REV
1	1001154790	Ref	3.8L Engine (LS)	L
	70026800	1	Fuel Filter Assembly	
	70026801	1	Fuel Filter Element	
	70026222	1	Assembly, Flywheel Housing	
	70027281	1	Pan, Oil	
	70026224	1	Seal, Oil Pan	
	70026225	1	Plug, Oil Pan	
	70026226	1	Seal, Oil Pan Plug	
	1001128594	1	Starter	
	70026228	1	Filler Cap, Valve Cover	
	70026229	1	Fan Belt, V-Ribbed	
	70026230	1	Support, Fan	
	70026231	1	Pulley, Fan	
	70026232	1	Alternator	
	70026233	1	Assembly, Primary Fuel Filter	
	70026234	1	Element, Fuel Filter	
	70026235	1	Assembly, Dipstick Oil Level	
	70026241	1	Assembly, Fuel Filter Plug	
	70026237	1	Filter, Oil	
	70041620	2	Ring, Retaining	
	70041616	1	Bolt	
	70041617	1	Bearing, Ball	
	70041619	1	Retainer, Fan Hub	
	1322039	1	Spacer, Fan Pilot	
	1321094	17	Screw	
	70024016	1	Cap, Side Oil Fill	
	70022634	1	Flywheel w/Ring Gear	
	70023736	1	Ring Gear, Flywheel	
	1322040	1	Plug, Flywheel	

SECTION 4 - ENGINE AND ATTACHING PARTS

FIGURE 4-7. AIR CLEANER INSTALLATION - 74HP & 110HP (ULS)



ART_1001165669-D

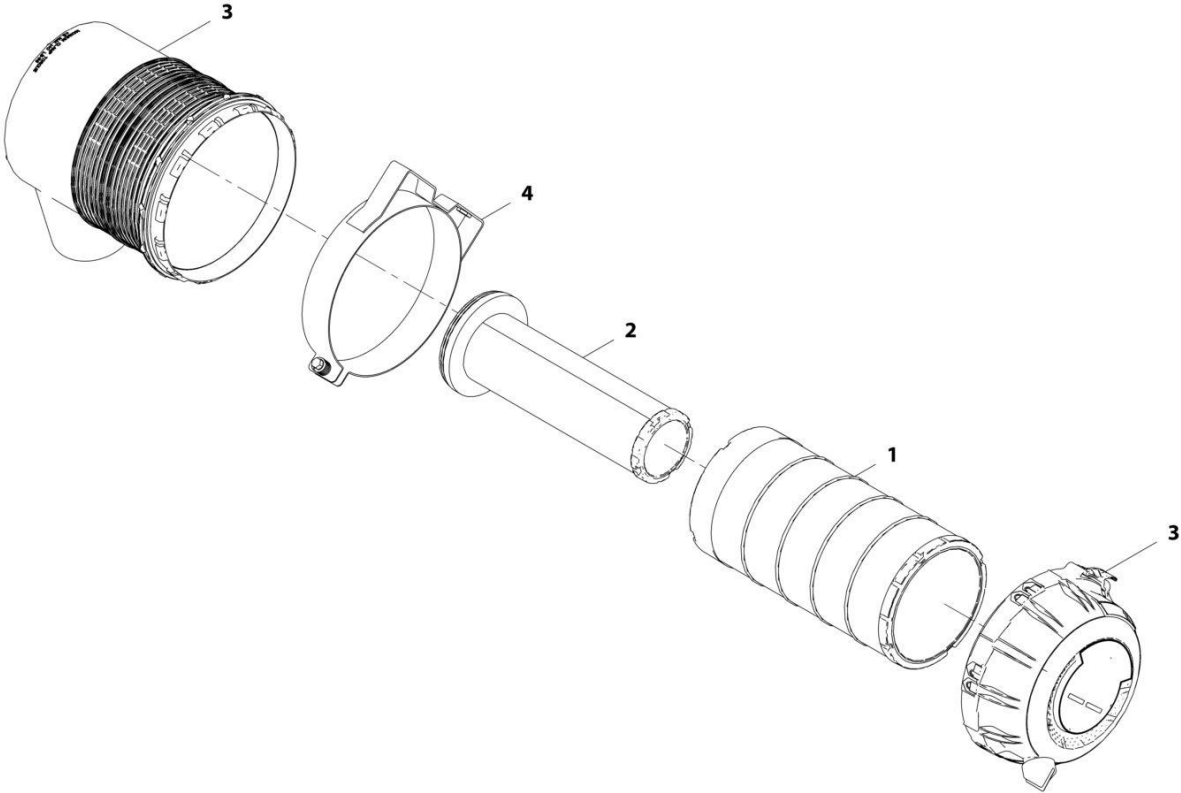
SECTION 4 - ENGINE AND ATTACHING PARTS

FIGURE 4-7. AIR CLEANER INSTALLATION - 74HP & 110HP (ULS)

ITEM	PART NUMBER	QTY	DESCRIPTION	REV
	1001165669	Ref	Air Cleaner Installation (if equipped for ULS)	D
1	0760810	2	Bolt, M8X20	
2	4811902	2	Washer, M8	
3	8405404	1	Clamp, T-Bolt	
5	10719267	1	Clamp, Hose	
6	1001201831	1	Hose, Air Intake	
7	1001120083	1	Hose, Air Intake	
8	1001165818	1	Hose, Air Intake	
9	1001168051	1	Pipe, Air Intake	
10	1001168052	1	Pipe, Air Intake	
11	1001168053	2	Hose, Sleeve	
12	1001169077	1	Sensor, PRS Temperature	
13	1001166566	1	Assembly, Air Cleaner (See Separate Breakdown in this Section)	
15	8410007	7	Clamp, T-Bolt	

SECTION 4 - ENGINE AND ATTACHING PARTS

FIGURE 4-8. AIR CLEANER ASSEMBLY - 74HP & 110HP (ULS)



ART_1001166566-G

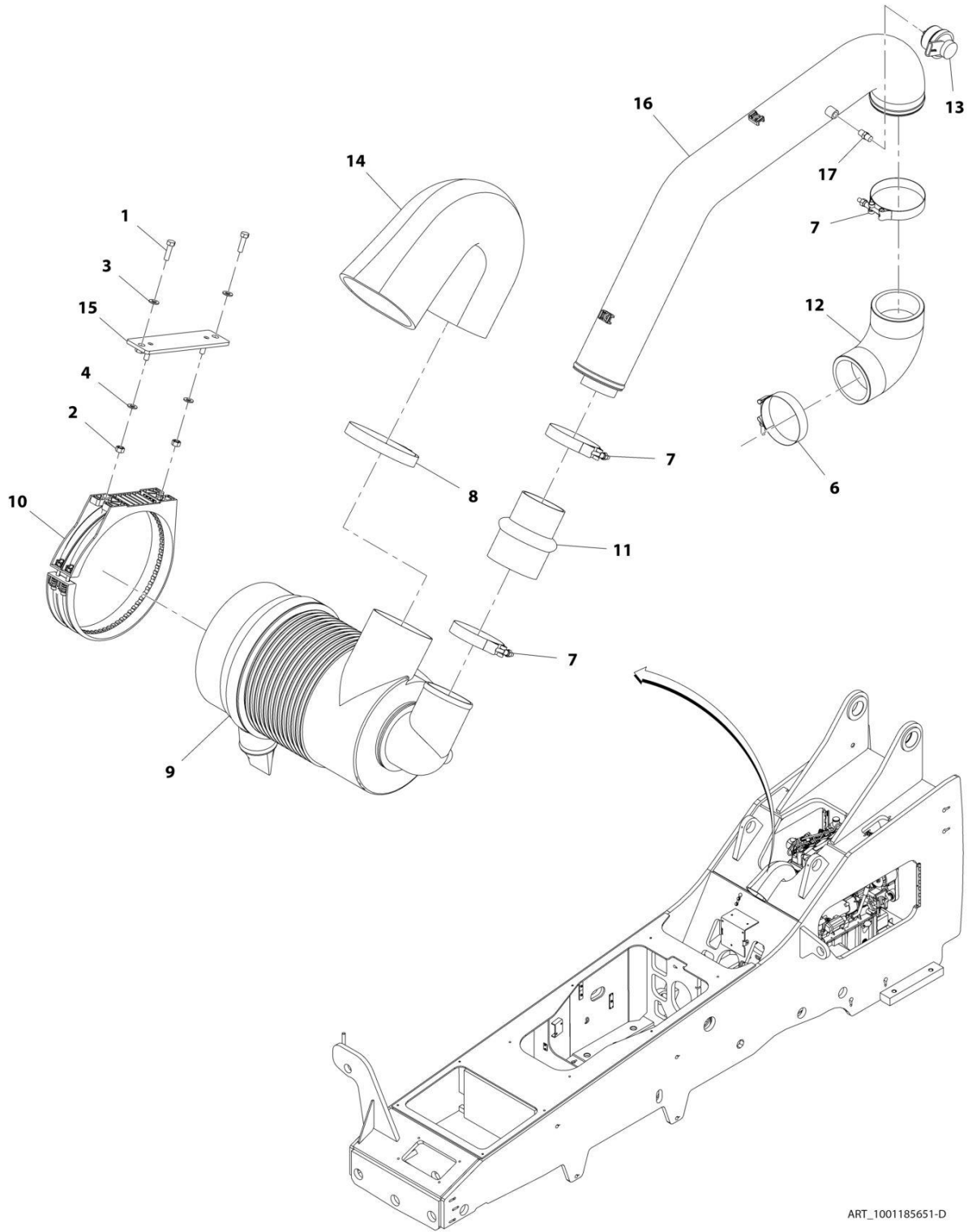
SECTION 4 - ENGINE AND ATTACHING PARTS

FIGURE 4-8. AIR CLEANER ASSEMBLY - 74HP & 110HP (ULS)

ITEM	PART NUMBER	QTY	DESCRIPTION	REV
	1001166566	Ref	Air Cleaner Assembly (74.4KW)	G
1	70025852	1	Filter, Air Cylindrical Primary	
2	70025853	1	Filter, Air Cylindrical Secondary	
3	70026393	1	Cover, Air Cleaner	
4	70026394	1	Bracket, Mounting Band	

SECTION 4 - ENGINE AND ATTACHING PARTS

FIGURE 4-9. AIR CLEANER INSTALLATION - 110HP (LS)



ART_1001185651-D

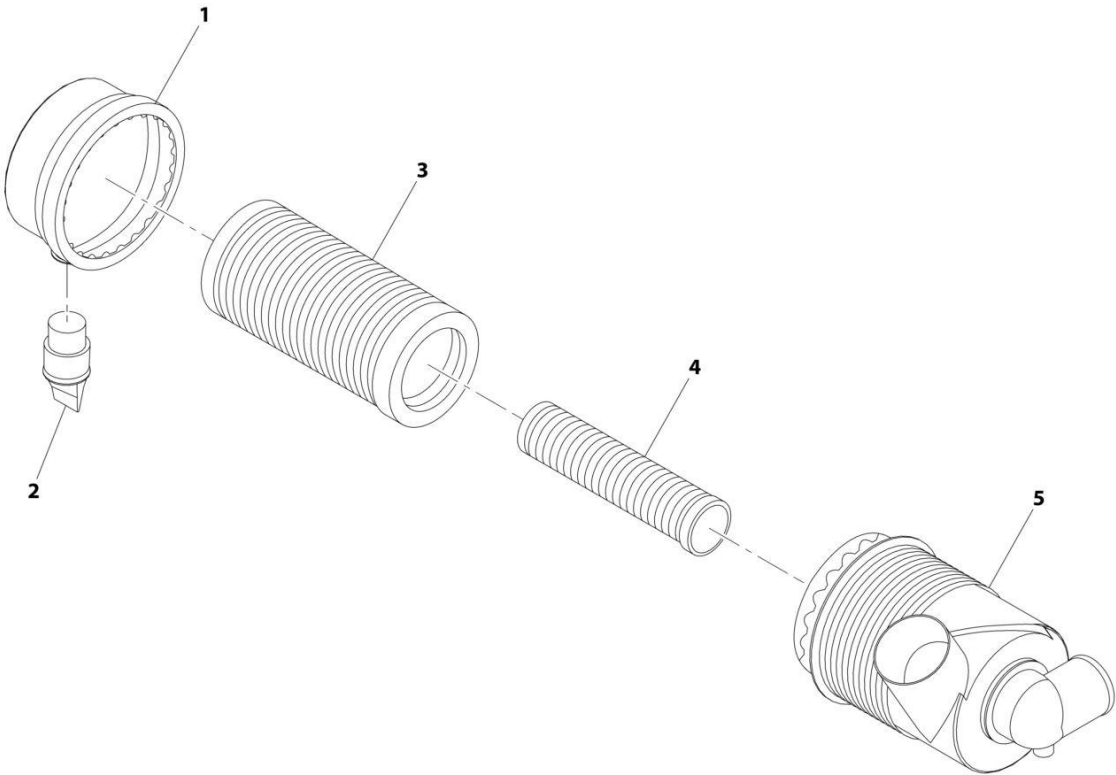
SECTION 4 - ENGINE AND ATTACHING PARTS

FIGURE 4-9. AIR CLEANER INSTALLATION - 110HP (LS)

ITEM	PART NUMBER	QTY	DESCRIPTION	REV
	1001185651	Ref	Air Cleaner Installation (if equipped for LS)	D
1	0760815	2	Bolt, M8X35	
2	8305043	2	Nut, M8X1.25	
3	8307106	2	Washer, Plain 5/16	
4	8307222	2	Washer, Plain M8	
6	90028631	1	Clamp, T-Bolt	
7	8405307	3	Clamp, T-Bolt	
8	8410021	1	Clamp, T-Bolt	
9	10268515	1	Assembly, Air Cleaner (See Separate Breakdown in this Section)	
10	10268516	1	Band, Mounting	
11	91293003	1	Hose, Hump Reducer	
12	91083129	1	Elbow, Reducer	
13	1001166715	1	Restriction, Indicator	
14	1001190005	1	Hose, Air Intake	
15	1001190183	1	Bracket, Air Filter Band Mount	
16	1001212670	1	Pipe, Air Intake	
17	2180798	1	Fitting	

SECTION 4 - ENGINE AND ATTACHING PARTS

FIGURE 4-10. AIR CLEANER ASSEMBLY - 110HP (LS)



ART_10268515-D

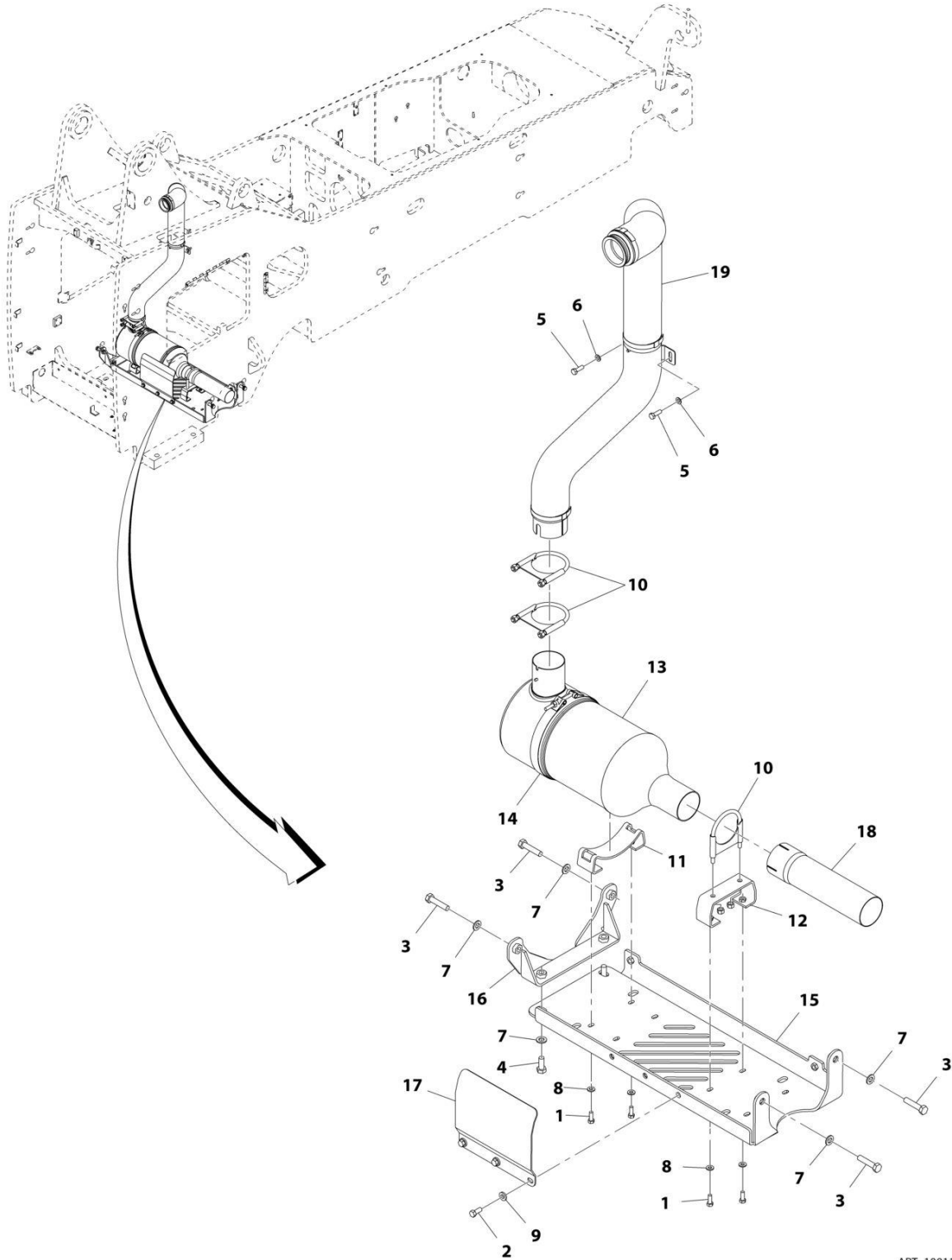
SECTION 4 - ENGINE AND ATTACHING PARTS

FIGURE 4-10. AIR CLEANER ASSEMBLY - 110HP (LS)

ITEM	PART NUMBER	QTY	DESCRIPTION	REV
	10268515	Ref	Air Cleaner Assembly (if equipped for LS)	D
1	91364023	1	Cover Assembly	
2	80373094	1	Vacuator Valve	
3	1101312	1	Primary Filter Element	
4	1101313	1	Secondary Filter Element	
5	See Note	NSS	Air Cleaner Body (Note; Purchase Complete Assembly)	

SECTION 4 - ENGINE AND ATTACHING PARTS

FIGURE 4-11. EXHAUST INSTALLATION - 74HP (ULS)



ART_1001196125-B

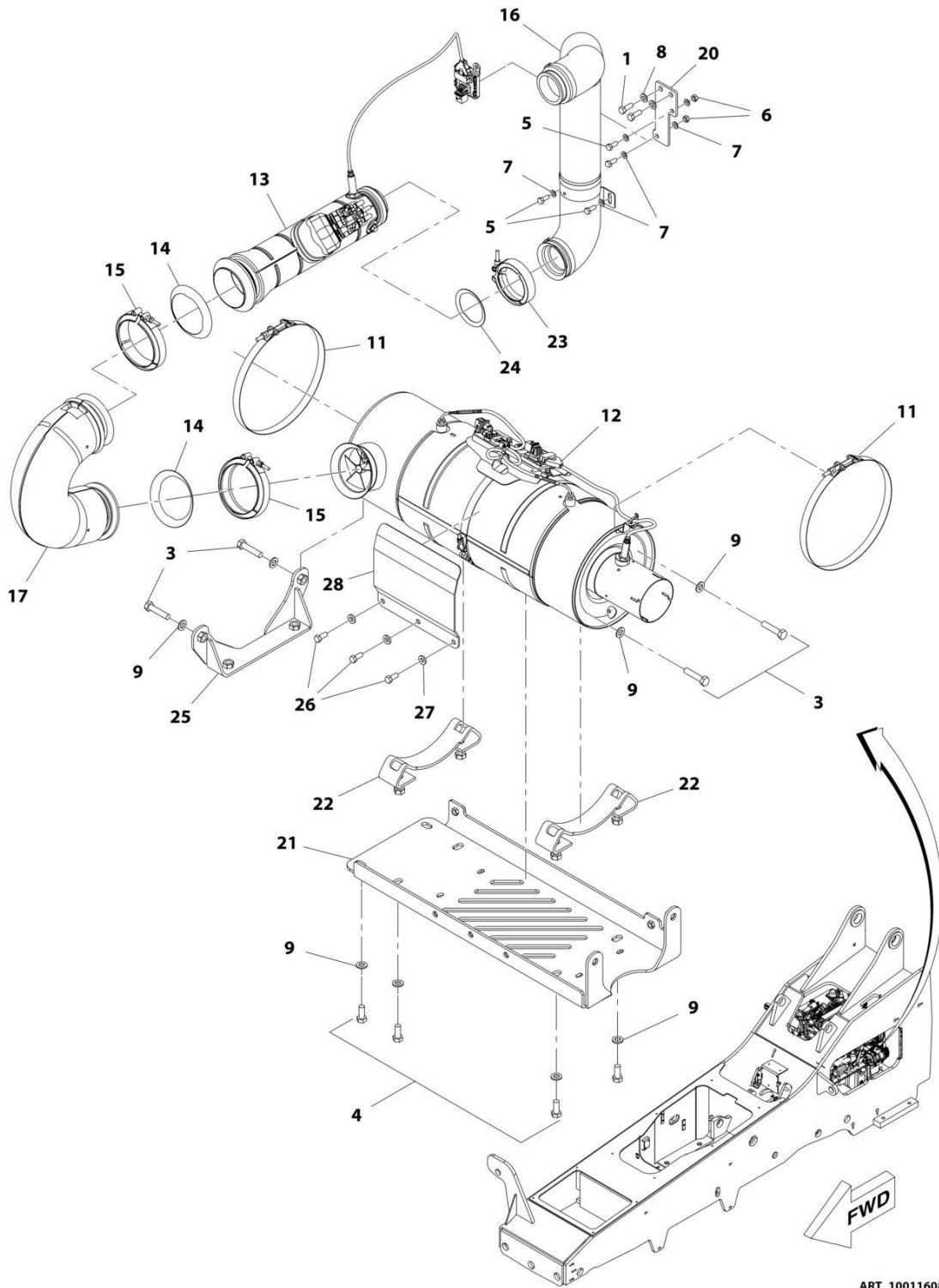
SECTION 4 - ENGINE AND ATTACHING PARTS

FIGURE 4-11. EXHAUST INSTALLATION - 74HP (ULS)

ITEM	PART NUMBER	QTY	DESCRIPTION	REV
	1001196125	Ref	Exhaust Installation, 74HP (if equipped for ULS)	B
1	0641507	4	Bolt, 5/16-18X7/8	
2	0641607	3	Bolt, 3/8-16X7/8	
3	0701219	4	Bolt, M12X55	
4	0711214	2	Bolt, M12X30	
5	0760812	2	Bolt, M8X25	
6	4811900	2	Washer, M8	
7	4812100	6	Washer, M12	
8	4891500	4	Washer, 5/16	
9	4891600	3	Washer, 3/8	
10	24921332	3	Clamp	
11	1001128363	1	Bracket	
12	1001128364	1	Bracket	
13	1001128714	1	Muffler	
14	1001128901	1	Strap	
15	1001166935	1	Bracket	
16	1001169057	1	Bracket	
17	1001174327	1	Shield	
18	1001196396	1	Pipe, Exhaust	
19	1001196397	1	Pipe, Exhaust	

SECTION 4 - ENGINE AND ATTACHING PARTS

FIGURE 4-12. EXHAUST INSTALLATION - 110HP (ULS)



ART_1001160844_H

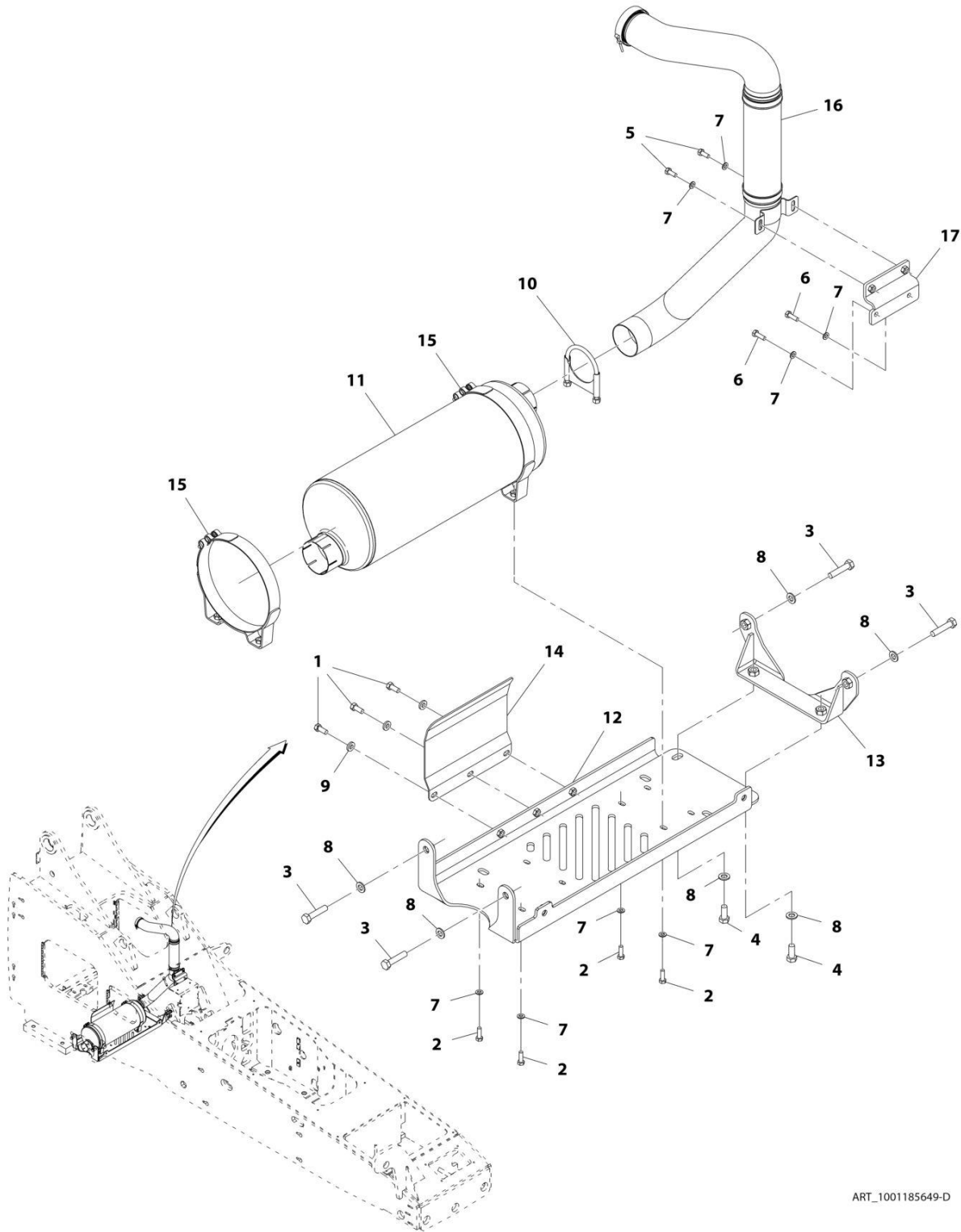
SECTION 4 - ENGINE AND ATTACHING PARTS

FIGURE 4-12. EXHAUST INSTALLATION - 110HP (ULS)

ITEM	PART NUMBER	QTY	DESCRIPTION	REV
	1001160844	Ref	EXHAUST INSTALLATION - 110HP (ULS)	H
1	0641608	2	Bolt 3/8-16 x 1	
3	0701219	4	Bolt M12 x 55	
4	0711214	6	Bolt M12 x 30, Grade 10.9	
5	0760810	4	Bolt M8 x 20	
6	3290801	2	Nut M8 x 1-1/4	
7	4811900	6	Washer M8	
8	4812000	2	Washer M10	
9	4812100	10	Washer M12	
11	1001159932	2	Strap, Clamp	
12	1001160782	1	Muffler, After-Treatment	
13	1001164404	1	Muffler, Decomposition Reactor Tube	
14	1001164837	2	Seal, Gasket	
15	1001164838	2	Clamp, V-Band	
16	1001183811	1	Pipe, Exhaust	
17	1001165609	1	Pipe, Exhaust	
20	1001166693	1	Bracket	
21	1001166935	1	Bracket	
22	1001166976	2	Bracket	
23	1001167167	1	Clamp, V-Band	
24	1001167168	1	Seal, Gasket	
25	1001169057	1	Bracket	
26	0641607	3	Bolt 3/8-16 x 7/8	
27	4891600	3	Washer 3/8	
28	1001174327	1	Shield	

SECTION 4 - ENGINE AND ATTACHING PARTS

FIGURE 4-13. EXHAUST INSTALLATION - 110HP (LS)



ART_1001185649-D

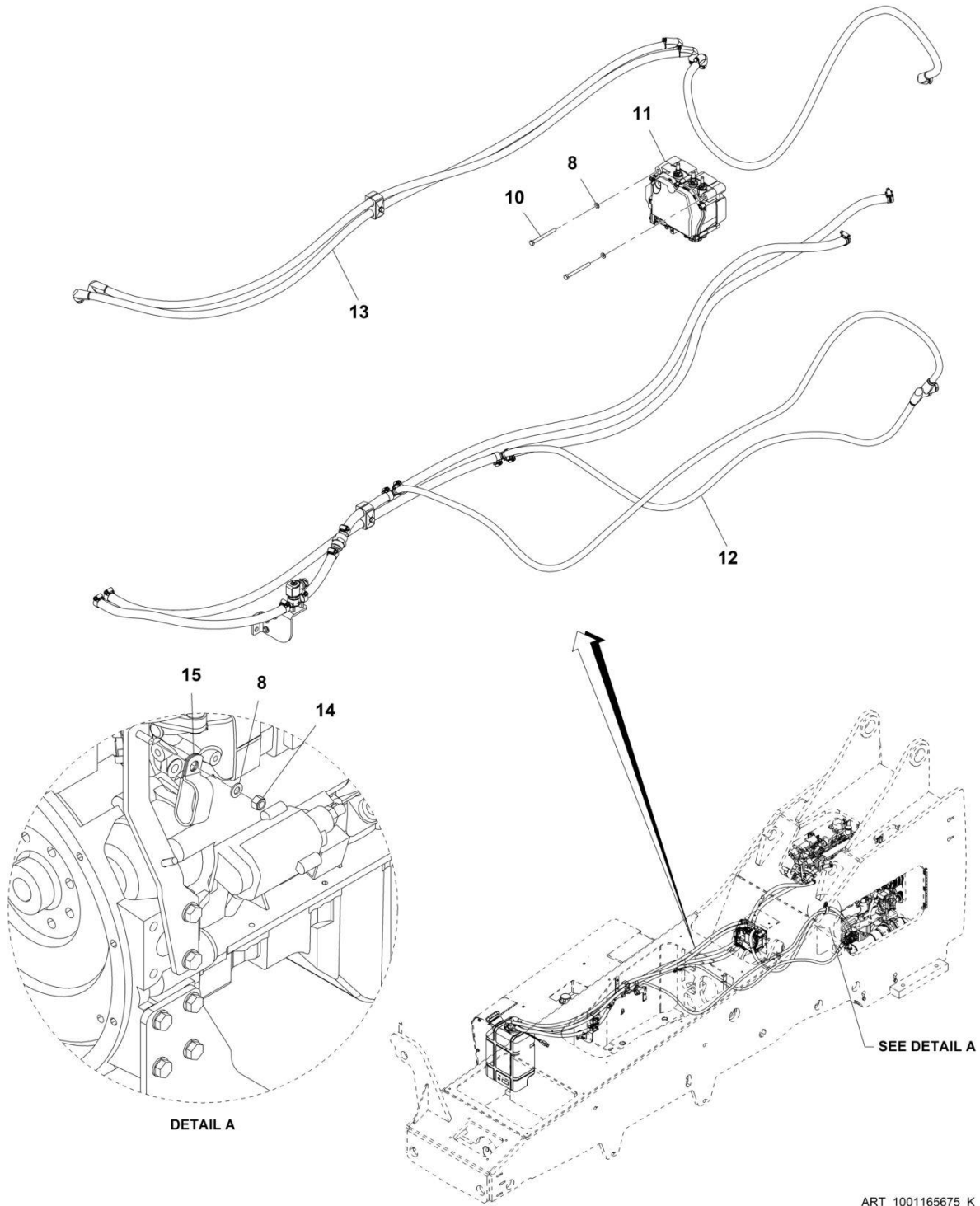
SECTION 4 - ENGINE AND ATTACHING PARTS

FIGURE 4-13. EXHAUST INSTALLATION - 110HP (LS)

ITEM	PART NUMBER	QTY	DESCRIPTION	REV
	1001185649	Ref	Exhaust Installation, 85HP (if equipped for LS)	D
1	0641607	3	Bolt, 3/8-16X7/8	
2	0700812	4	Bolt, M8X25	
3	0701219	4	Bolt, M12X55	
4	0711214	2	Bolt, M12X30, Grade 10.9	
5	0760810	2	Bolt, M8X20	
6	0760812	2	Bolt, M8X25	
7	4811900	8	Washer, M8	
8	4812100	6	Washer, M12	
9	4891600	3	Washer, 3/8	
10	24921332	1	Clamp	
11	91163035	1	Muffler	
12	1001166935	1	Bracket	
13	1001169057	1	Bracket	
14	1001174327	1	Shield	
15	1001180227	2	Muffler, Band Clamp	
16	1001190962	1	Pipe, Exhaust	
17	1001190990	1	Bracket, Exhaust Support	

SECTION 4 - ENGINE AND ATTACHING PARTS

FIGURE 4-14. DEF SYSTEM INSTALLATION (ULS)



ART_1001165675_K

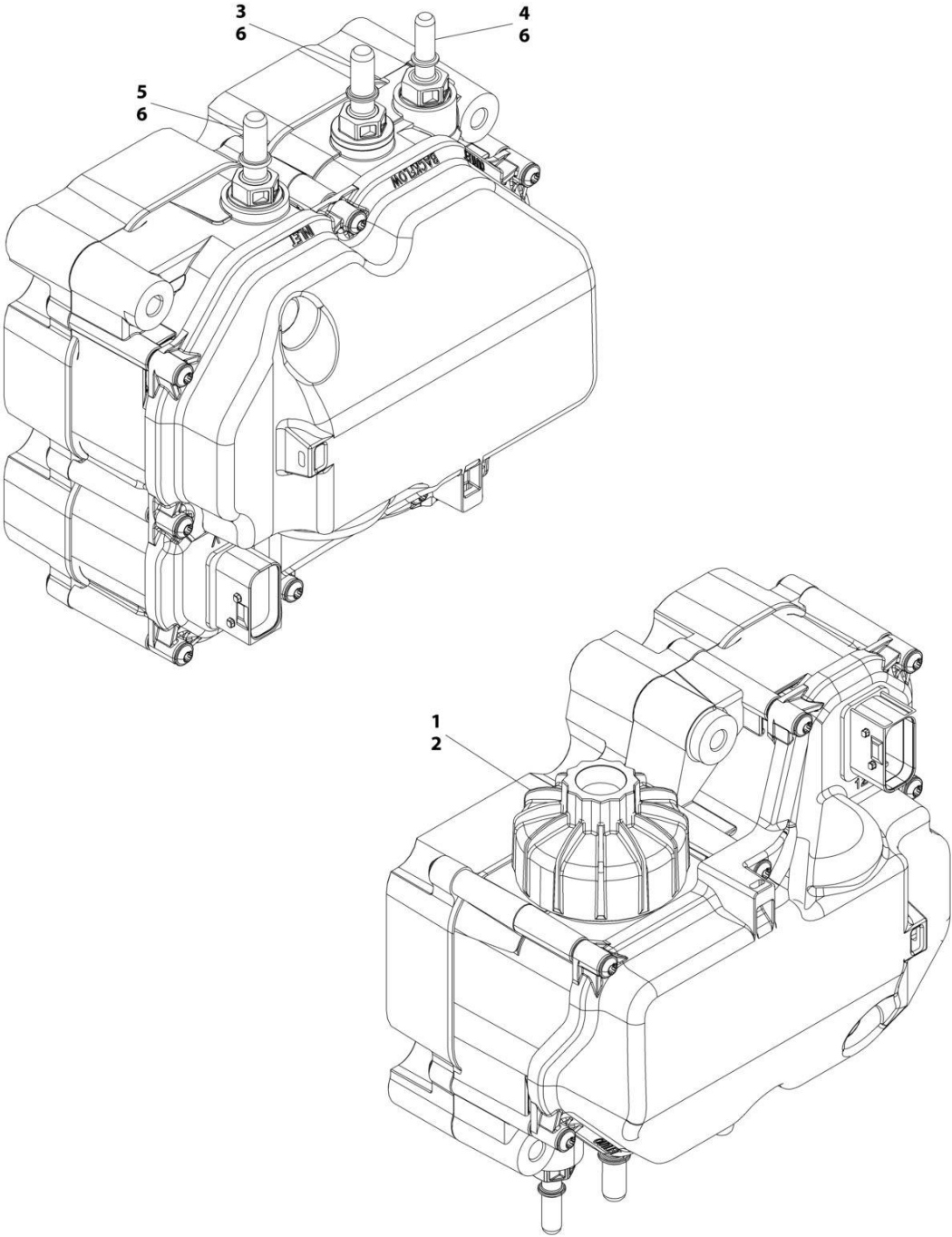
SECTION 4 - ENGINE AND ATTACHING PARTS

FIGURE 4-14. DEF SYSTEM INSTALLATION (ULS)

ITEM	PART NUMBER	QTY	DESCRIPTION	REV
	1001165675	Ref	DEF System Installation (if equipped for ULS)	K
8	4811900	4	Washer, M8	
10	8310424	3	Bolt, M8X90	
11	1001213210	Ref	DEF Pump Assembly (See Separate Breakdown in this Section)	
12	1001229117	Ref	DEF Coolant Lines Installation (Not Shown -See separate Breakdown in this Section)	
13	1001229025	Ref	DEF Lines Installation (Not Shown - See separate Breakdown in this Section)	
14	3290805	1	Nut, Lock M8X1-1/4	
15	1001181899	1	Clamp	

SECTION 4 - ENGINE AND ATTACHING PARTS

FIGURE 4-15. DEF PUMP ASSEMBLY



ART_1001213210-A

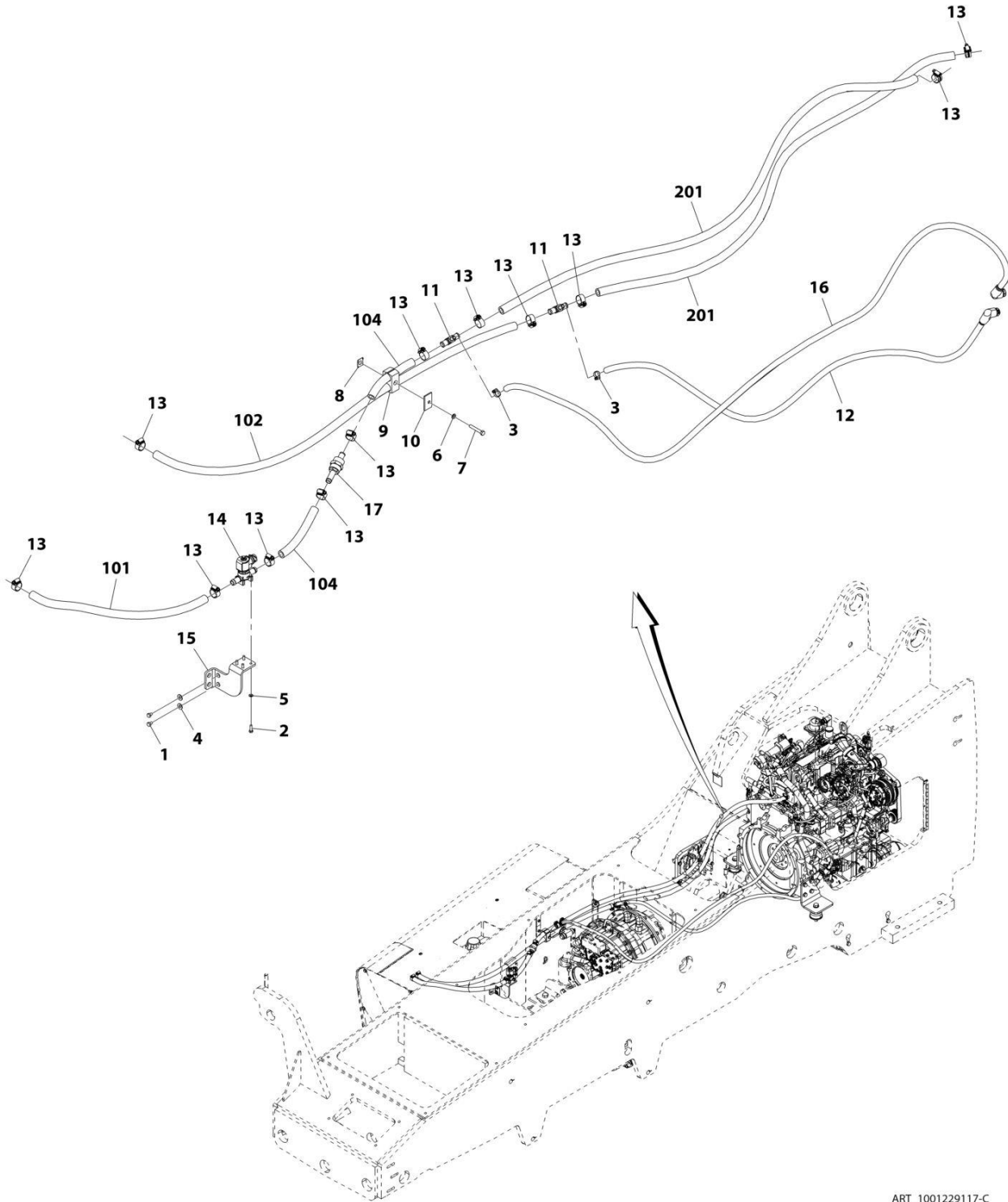
SECTION 4 - ENGINE AND ATTACHING PARTS

FIGURE 4-15. DEF PUMP ASSEMBLY

ITEM	PART NUMBER	QTY	DESCRIPTION	REV
	1001213210	Ref	DEF Module Pump	B
1	70026248	1	Kit, Filter	
2	70026247	1	Cap, Filter	
3	70027705	1	Connector, Male (Backflow)	
4	70026245	1	Connector, Male (Outlet)	
5	70026244	1	Connector, Male (Inlet)	
6	70027706	3	Gasket, Circular (O-Ring)	

SECTION 4 - ENGINE AND ATTACHING PARTS

FIGURE 4-16. DEF COOLANT LINES INSTALLATION



ART_1001229117-C

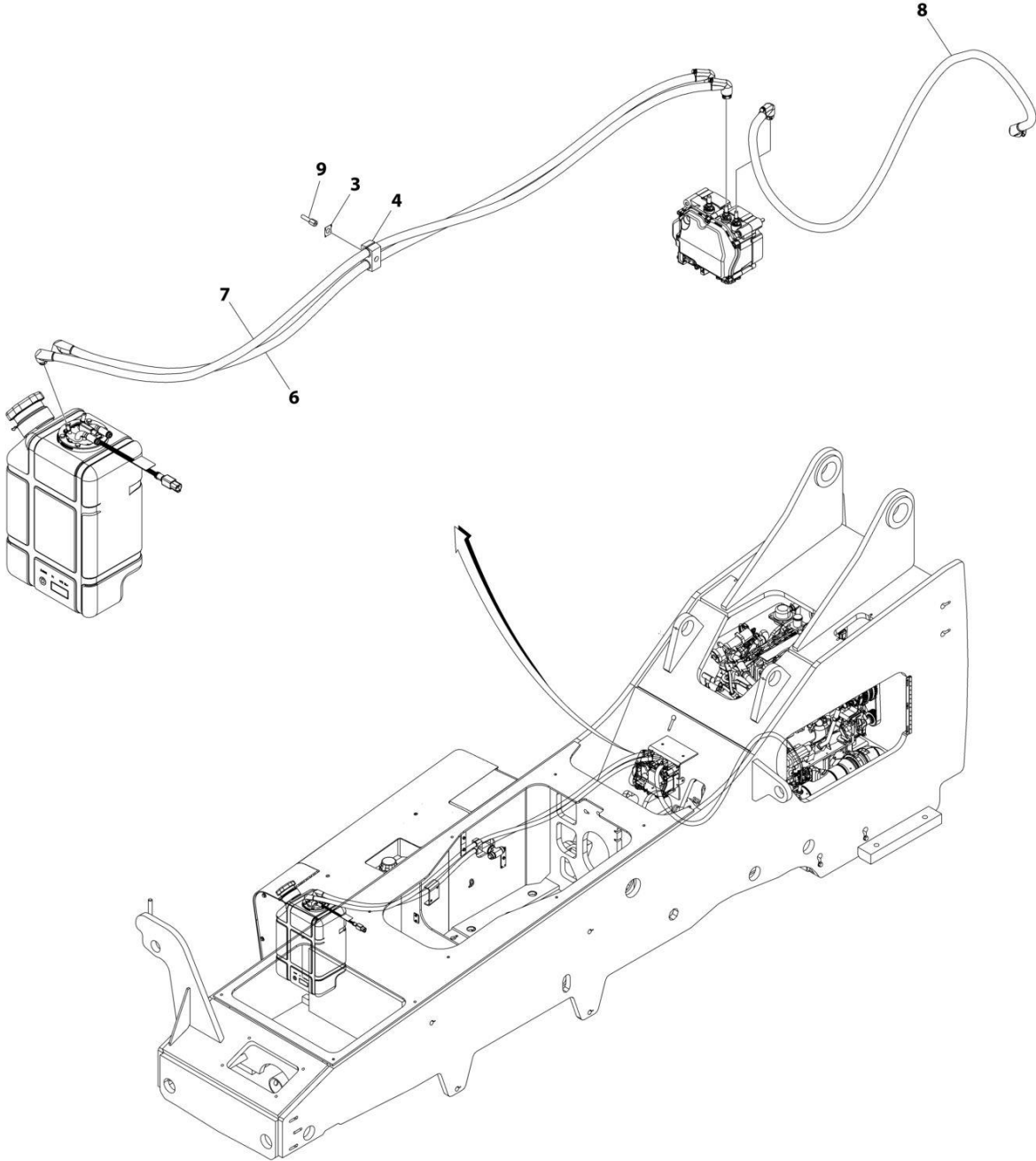
SECTION 4 - ENGINE AND ATTACHING PARTS

FIGURE 4-16. DEF COOLANT LINES INSTALLATION

ITEM	PART NUMBER	QTY	DESCRIPTION	REV
	1001229117	Ref	DEF Coolant Lines Installation	C
1	0641403	2	Bolt, 1/4X3/8	
2	0760610	4	Bolt, M6X20	
3	1320032	2	Clamp, Fuel Line	
4	4751400	2	Washer, 1/4	
5	4811700	4	Washer, M6	
6	8307004	1	Washer 5/16	
7	8310009	1	Bolt, 5/16X2	
8	8750017	1	Plate, Locking	
9	8769127	1	Clamp Set, Twin	
10	8769128	1	Plate, Twin Cover	
11	1001162212	2	Fitting, Hose Barb Tee	
12	1001169001	1	Hose	
13	1001173535	12	Clamp	
14	1001199670	1	Valve, Coolant Control	
15	1001199951	1	Bracket, Valve Mount	
16	1001224096	1	Hose	
17	1001228872	1	Filter, Coolant Screen	
101	1001171472	1	Hose	
102	1001171473	1	Hose	
103	1001229210	2	Hose	
201	1001171474	2	Hose	

SECTION 4 - ENGINE AND ATTACHING PARTS

FIGURE 4-17. DEF LINES INSTALLATION



ART_1001229025_D

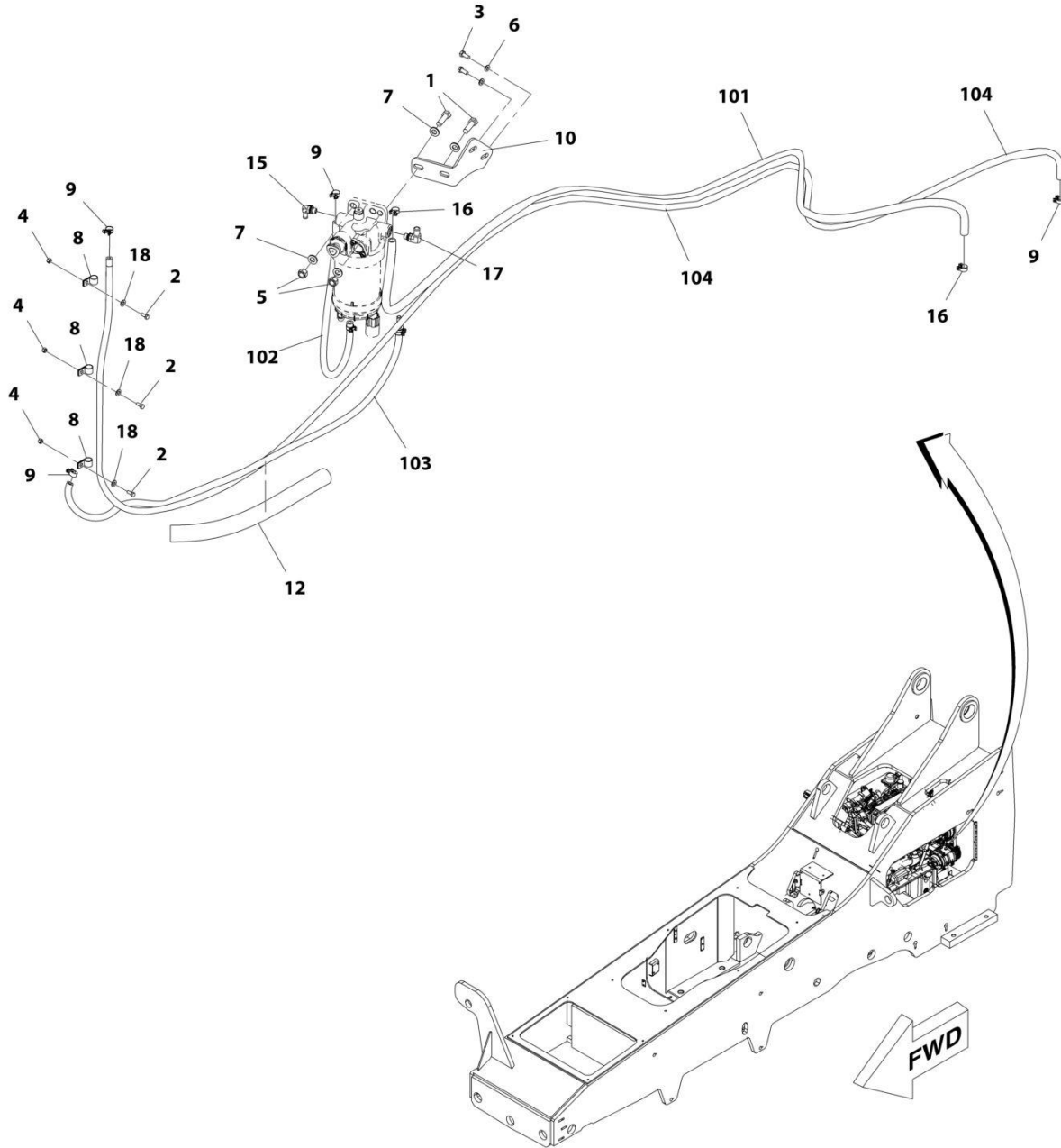
SECTION 4 - ENGINE AND ATTACHING PARTS

FIGURE 4-17. DEF LINES INSTALLATION

ITEM	PART NUMBER	QTY	DESCRIPTION	REV
	1001229025	Ref	DEF Lines Installation	D
3	8750017	1	Plate, Locking	
4	8769127	1	Clamp Set, Twin	
6	1001229023	1	Hose	
7	1001229024	1	Hose	
8	1001168859	1	Hose	
9	8750012	1	Bolt, Stacking	

SECTION 4 - ENGINE AND ATTACHING PARTS

FIGURE 4-18. FUEL LINES INSTALLATION - 74HP & 110HP (ULS)



ART_1001165672-H

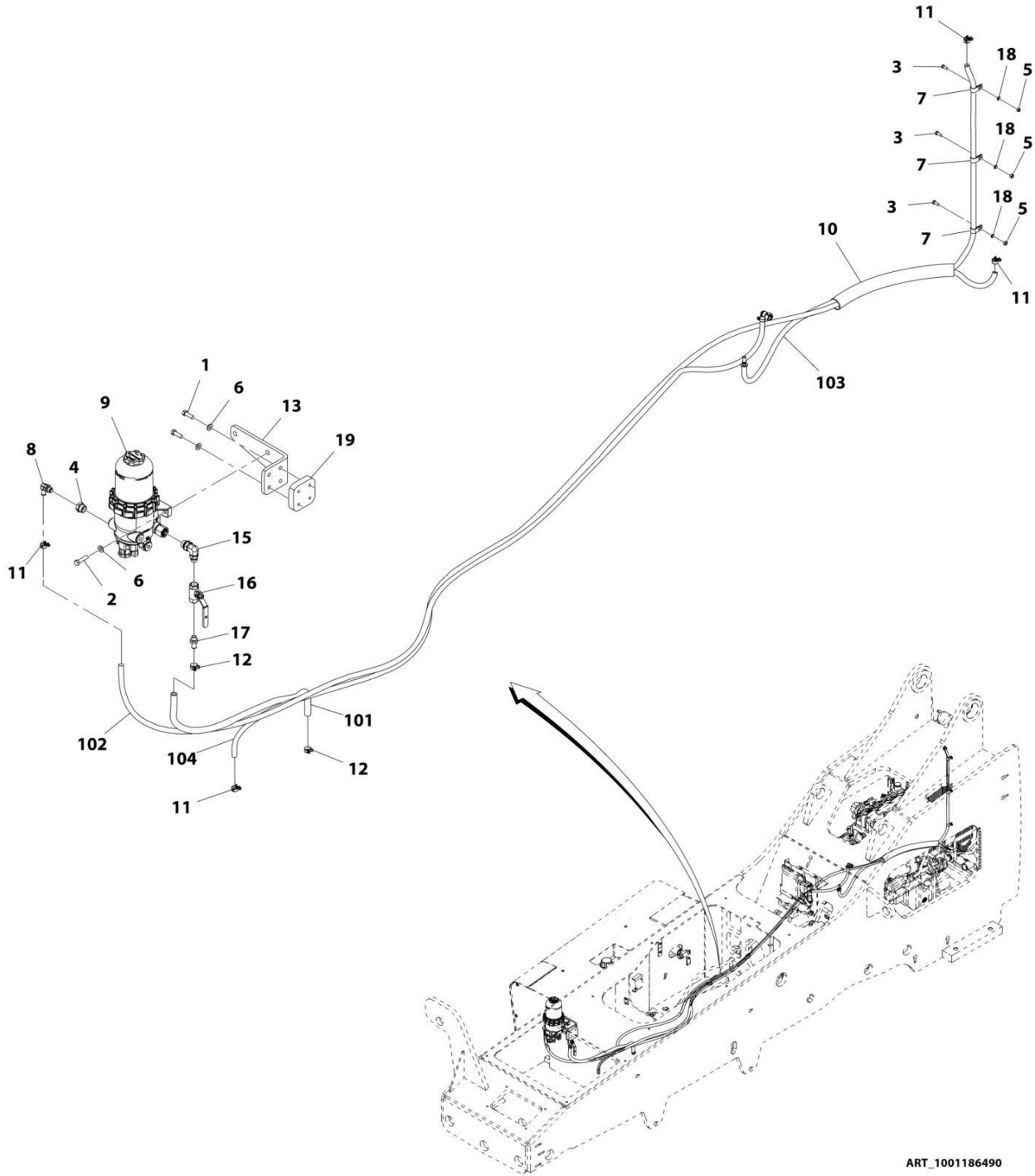
SECTION 4 - ENGINE AND ATTACHING PARTS

FIGURE 4-18. FUEL LINES INSTALLATION - 74HP & 110HP (ULS)

ITEM	PART NUMBER	QTY	DESCRIPTION	REV
	1001165672	Ref	Fuel Plumbing Installation (if equipped for ULS)	H
1	0701216	2	Bolt, M12X40	
2	0760608	3	Bolt, M6X16	
3	0761012	2	Bolt, M10X25	
4	3290605	3	Nut, Lock M6X1	
5	3291205	2	Nut, Lock M12X1-3/4	
6	4812000	2	Washer, M10	
7	4812100	4	Washer, M12	
8	8406112	3	Clip, Tube 5/8	
9	1001136975	5	Clamp, Fuel Hose	
10	1001182603	1	Bracket, Filter Mount	
12	1001136358	1	Sleeve, Abrasion	
15	1001182094	1	Adapter, Banjo M14X3/8	
16	1001175568	2	Clip, Hose	
17	1001179375	1	Adapter, Banjo M14X1/2	
18	4811700	3	Washer, M6	
101	1001171802	1	Hose	
102	1001171803	1	Hose	
103	1001201111	1	Hose	
104	1001171805	1	Hose	

SECTION 4 - ENGINE AND ATTACHING PARTS

FIGURE 4-19. FUEL LINES INSTALLATION - 110HP (LS)



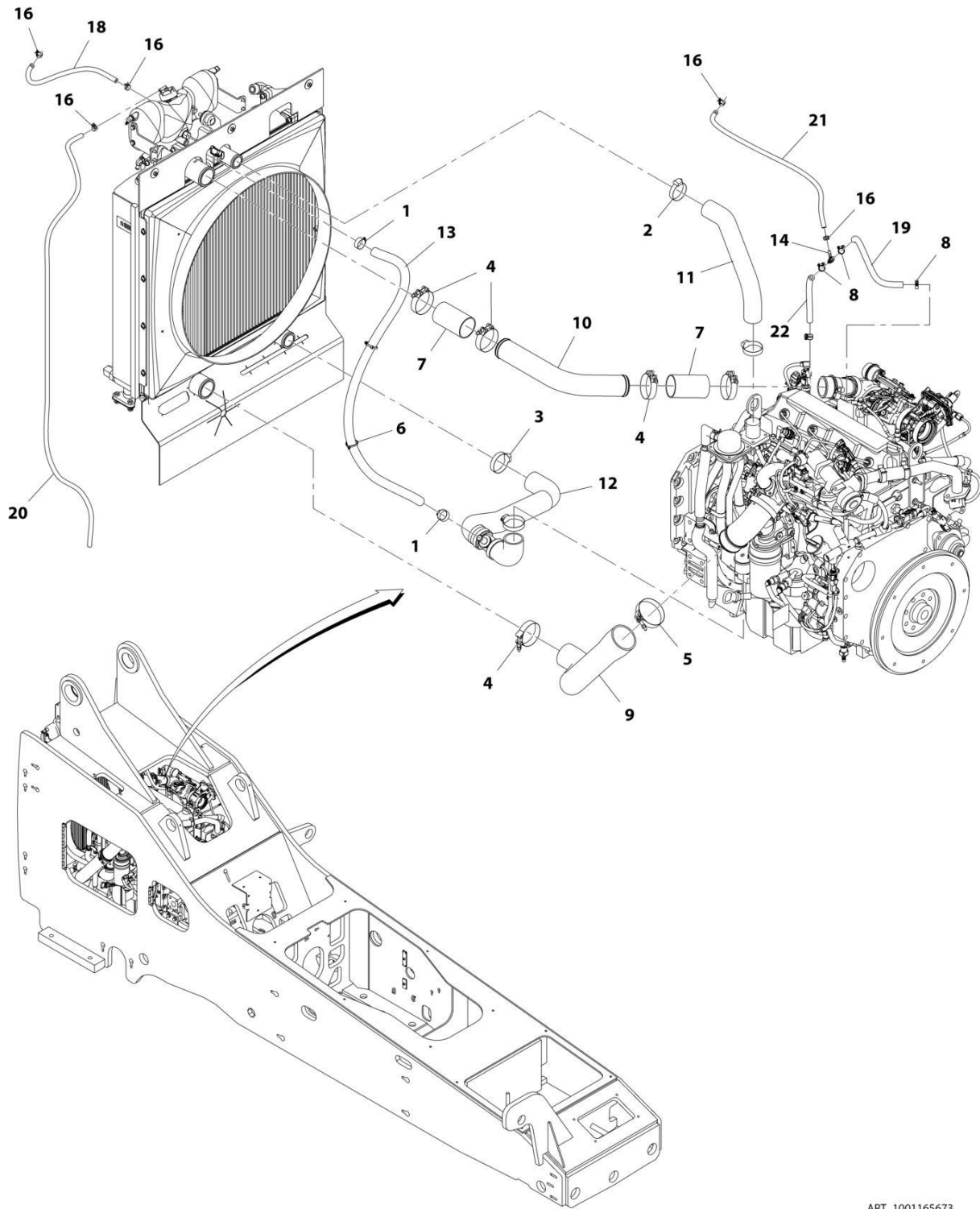
SECTION 4 - ENGINE AND ATTACHING PARTS

FIGURE 4-19. FUEL LINES INSTALLATION - 110HP (LS)

ITEM	PART NUMBER	QTY	DESCRIPTION	REV
	1001186490	Ref	Fuel Plumbing Installation (if equipped for LS)	J
1	0641609	4	Bolt, 3/8-16X1-1/8	
2	0641612	2	Bolt, 3/8-16X1-1/2	
3	0760608	3	Bolt, M6X16	
4	2220218	1	Adapter, Straight	
5	3290605	3	Nut, Lock M6X1	
6	4711600	6	Washer, 3/8	
7	8406112	3	Clip, Tube 5/8	
8	1001178776	1	Elbow, 90	
9	1001133534	1	Filter, Fuel	
10	1001136358	1	Sleeve, Abrasion	
11	1001136975	4	Clamp, Fuel Hose	
12	1001175568	2	Clip, Hose	
13	1001190349	1	Bracket, Support	
15	1001190629	1	Adapter, 90	
16	1001190630	1	Valve Shutoff, Female	
17	1001190631	1	Fitting, Hose Barb	
18	4811600	3	Washer, M6	
19	1001190344	1	Bracket	
100	1001190372	1	Hose Kit (Not Shown)	
101	1001190370	1	Hose	
102	1001190371	1	Hose	
103	1001201111	1	Hose	
104	1001171805	1	Hose	

SECTION 4 - ENGINE AND ATTACHING PARTS

FIGURE 4-20. COOLING LINES INSTALLATION - 74HP & 110HP (ULS)



ART_1001165673

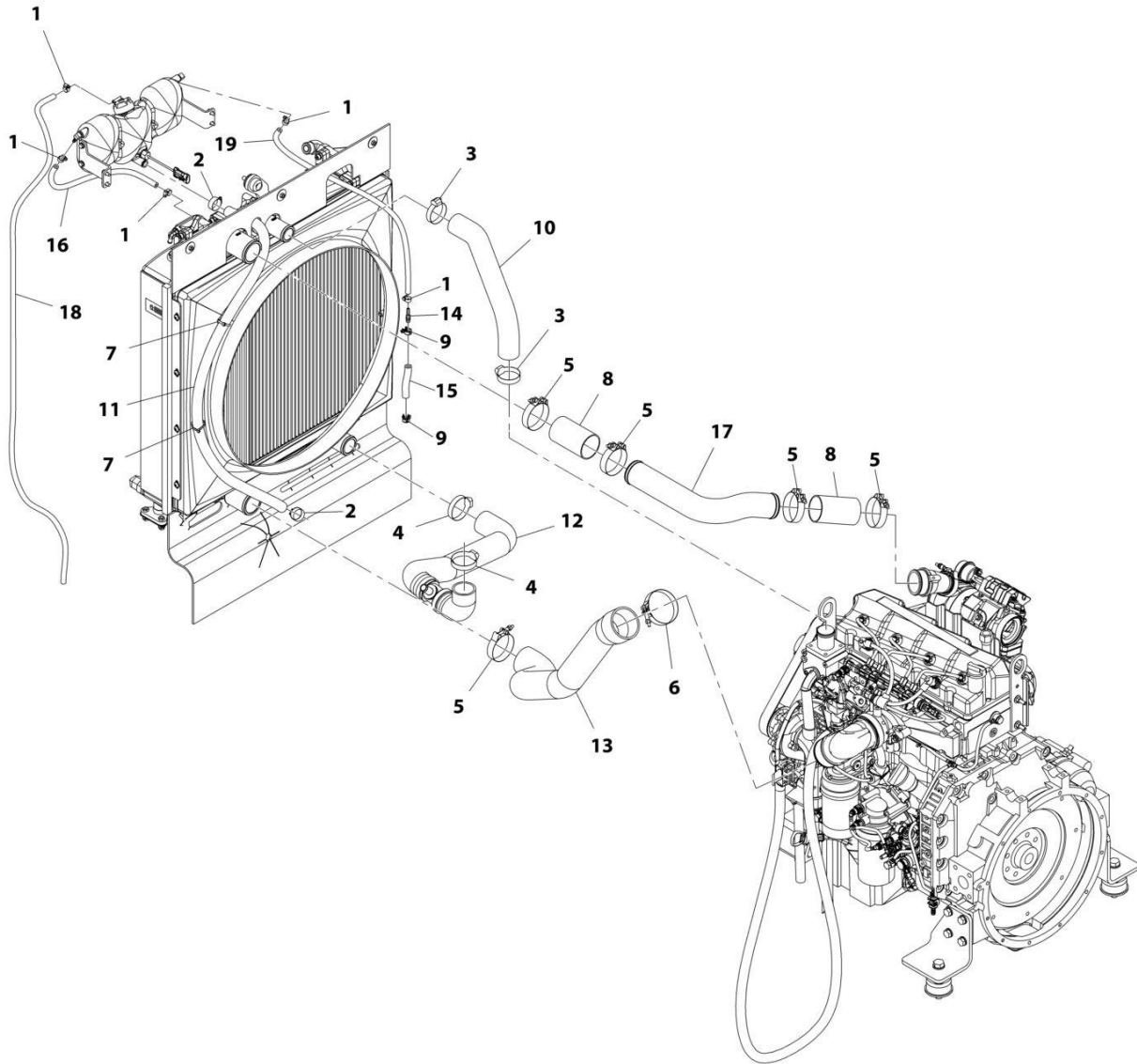
SECTION 4 - ENGINE AND ATTACHING PARTS

FIGURE 4-20. COOLING LINES INSTALLATION - 74HP & 110HP (ULS)

ITEM	PART NUMBER	QTY	DESCRIPTION	REV
	1001165673	Ref	Plumbing Cooling Installation (if equipped for ULS)	1
1	8405007	2	Clamp, Gear 1-1/4	
2	8405104	2	Clamp, Gear 2-1/4	
3	8405201	2	Clamp, Gear 2-1/2	
4	8405212	5	Clamp, T-Bolt	
5	8405305	1	Clamp, T-Bolt	
6	1001004720	2	Strap, Cable	
7	1001114495	2	Hose, CAC Straight	
8	1001136975	4	Clamp, Fuel Hose	
9	1001201983	1	Hose, CAC Outlet	
10	1001169271	1	Pipe, CAC Inlet	
11	1001169272	1	Hose, Upper Radiator	
12	1001201945	1	Hose, Lower Radiator	
13	1001169274	1	Hose, Draw Down	
14	1001235725	1	Fitting, Union Tee	
16	1001213938	5	Clamp, Fuel Line	
18	1001203969	1	Hose, Vent Line	
19	1001203970	1	Hose, Vent Line	
20	1001204097	1	Hose, Vent Line	
21	1001204098	1	Hose, Vent Line	
22	1001204099	1	Hose, Vent Line	

SECTION 4 - ENGINE AND ATTACHING PARTS

FIGURE 4-21. COOLING LINES INSTALLATION - 110HP (LS)



ART_1001185652-D

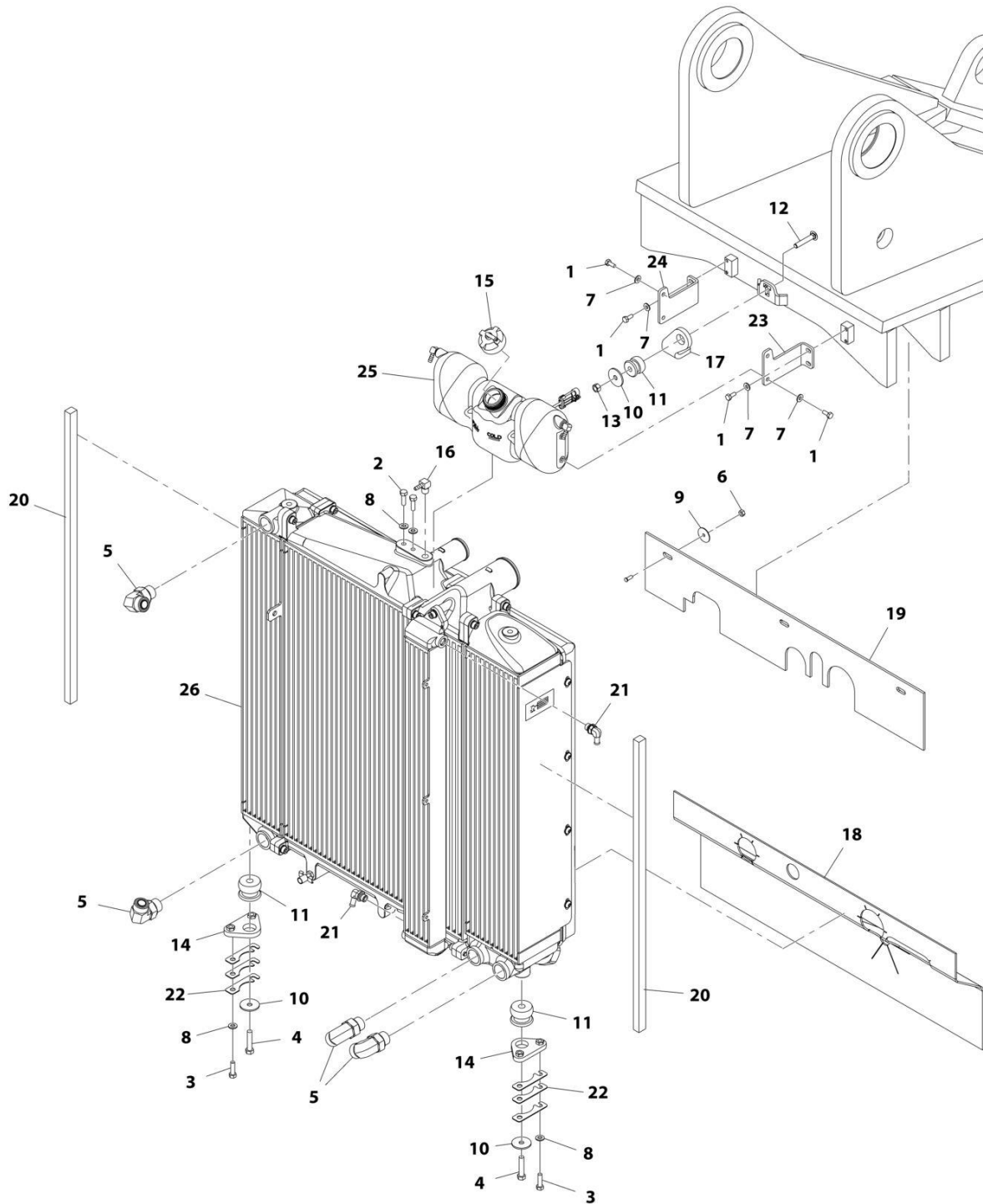
SECTION 4 - ENGINE AND ATTACHING PARTS

FIGURE 4-21. COOLING LINES INSTALLATION - 110HP (LS)

ITEM	PART NUMBER	QTY	DESCRIPTION	REV
	1001185652	Ref	Plumbing Cooling Installation (if equipped for LS)	D
1	1320022	5	Clamp, Fuel Line	
2	8405007	2	Clamp, Gear 1-1/4	
3	8405104	2	Clamp, Gear 2-1/4	
4	8405201	2	Clamp, Gear 2-1/2	
5	8405212	5	Clamp, T-Bolt	
6	8405305	1	Clamp, T-Bolt	
7	1001004720	2	Strap, Cable	
8	1001114495	2	Hose, CAC Straight	
9	1001136975	2	Clamp, Fuel Hose	
10	1001169272	1	Hose, Upper Radiator	
11	1001169274	1	Hose, Draw Down	
12	1001201945	1	Hose, Lower Radiator	
13	1001189318	1	Hose, CAC Outlet	
14	1001189602	1	Fitting, Union Tee	
15	1001189712	1	Hose, Vent Line 3/8	
16	1001203969	1	Hose, Vent 1/4	
17	1001189715	1	Pipe, CAC Inlet	
18	1001204097	1	Hose, Vent 1/4	
19	1001204098	1	Hose, Vent 1/4	

SECTION 4 - ENGINE AND ATTACHING PARTS

FIGURE 4-22. COOLING INSTALLATION - 74HP (ULS)



ART_1001196737-E

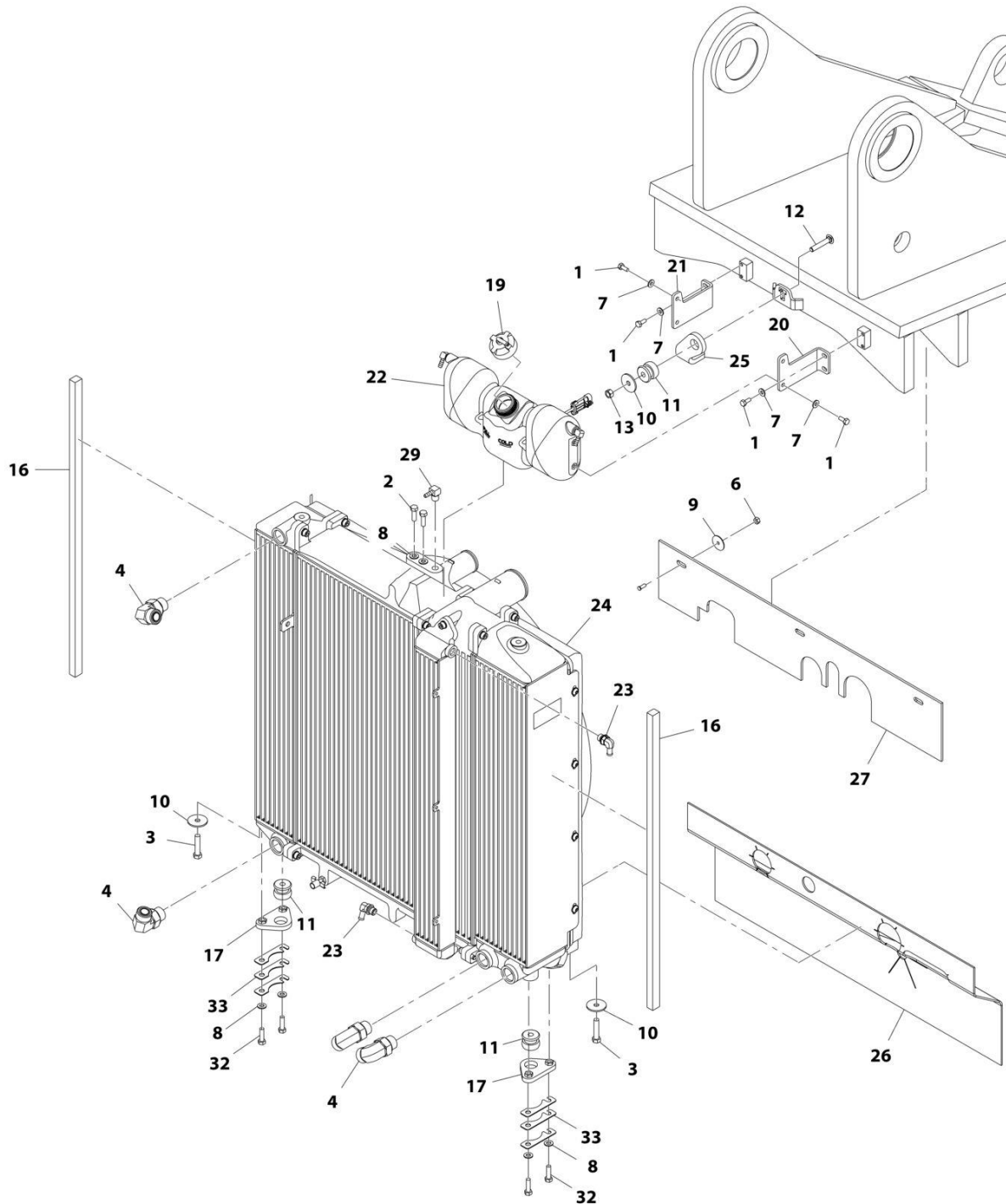
SECTION 4 - ENGINE AND ATTACHING PARTS

FIGURE 4-22. COOLING INSTALLATION - 74HP (ULS)

ITEM	PART NUMBER	QTY	DESCRIPTION	REV
	1001196737	Ref	Cooling Installation, 74HP	E
1	0641405	8	Bolt, 1/4-20X5/8	
2	0641508	2	Bolt, 5/16-18X1	
3	0641509	4	Bolt, 5/16-18X1-1/8	
4	0641614	2	Bolt, 3/8-16X1-3/4	
5	2131212	4	Adapter, 90	
6	3311401	3	Nut, 1/4-20	
7	4711400	8	Washer, 1/4	
8	4711500	6	Washer, 5/16	
9	4740362	3	Washer, Fender, 1/4	
10	7057141	3	Washer, Flat	
11	8278020	3	Mount, Rubber Isolator	
12	8310281	1	Bolt, Carriage 3/8-16X2-1/4	
13	8305008	1	Nut, 3/8-16	
14	1001120869	2	Bracket, Cooler Mount Lower	
15	1001128341	1	Cap, Deaeration Tank	
16	1001134488	1	Fitting, Barbed 90	
17	1001169059	1	Mount, Cooler Bracket	
18	1001170117	1	Panel, Air Dam	
19	1001170186	1	Panel, Air Dam Upper	
20	1001178582	2	Seal, Foam Gasket	
21	1001178776	2	Fitting, Hose Barb 90	
22	1001179845	6	Shim	
23	1001181584	1	Bracket, LH Tank	
24	1001181585	1	Bracket, RH Tank	
25	1001182255	1	Assembly, Deaeration Tank (See Separate Breakdown in this Section)	
26	1001197475	1	Assembly, Radiator (See Separate Breakdown in this Section)	

SECTION 4 - ENGINE AND ATTACHING PARTS

FIGURE 4-23. COOLING INSTALLATION - 110HP (ULS & LS)



ART_1001165670-K

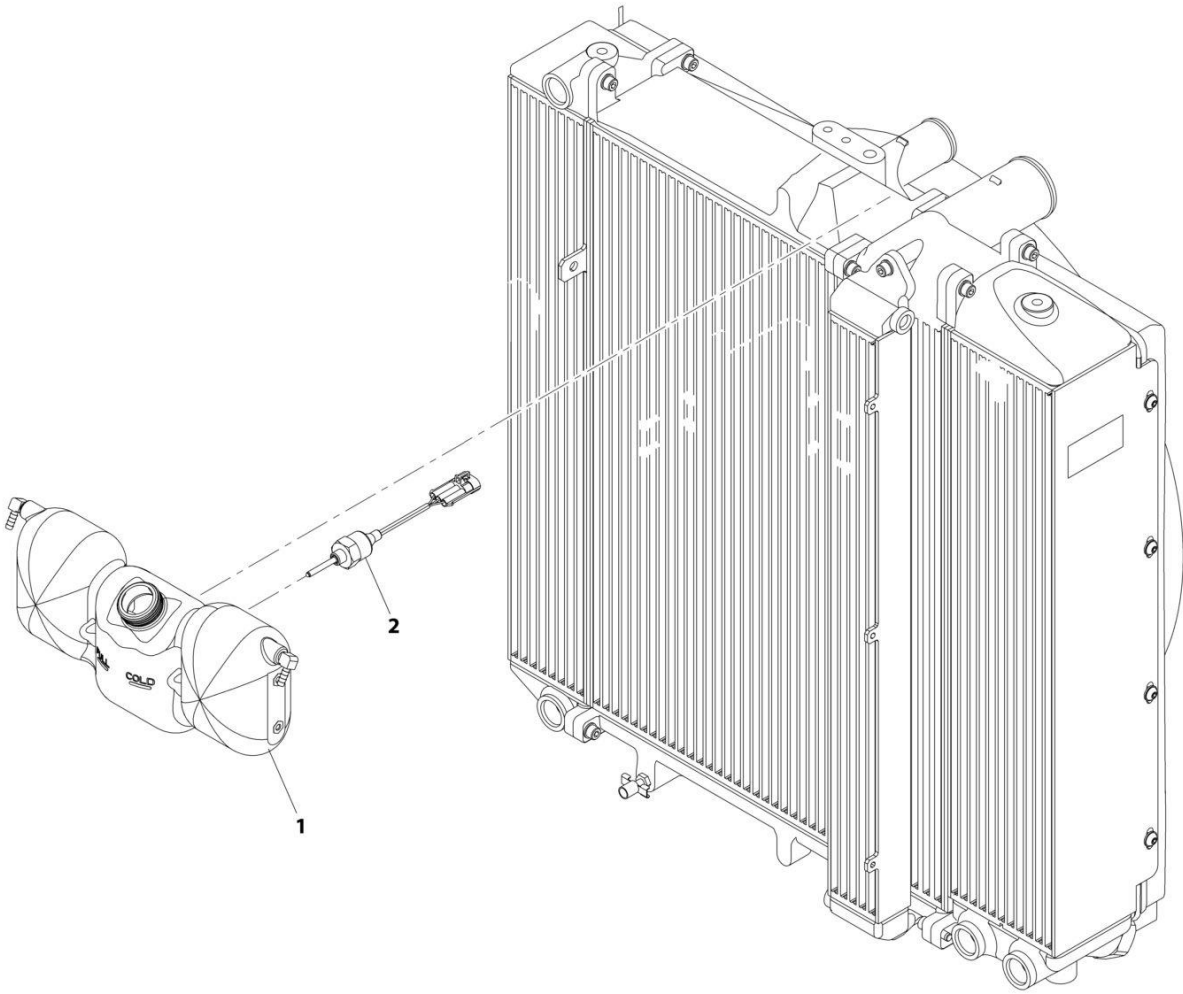
SECTION 4 - ENGINE AND ATTACHING PARTS

FIGURE 4-23. COOLING INSTALLATION - 110HP (ULS & LS)

ITEM	PART NUMBER	QTY	DESCRIPTION	REV
	1001165670	Ref	Cooling Installation, 85HP	K
1	0641405	8	Bolt, 1/4-20X5/8	
2	0641508	2	Bolt, 5/16-18X1	
3	0641614	2	Bolt, 3/8-16X1-3/4	
4	2131212	4	Adapter, 90	
6	3311401	3	Nut, 1/4-20	
7	4711400	8	Washer, 1/4	
8	4711500	6	Washer, 5/16	
9	4740362	3	Washer, Fender 1/4	
10	7057141	3	Washer, Flat	
11	8278020	3	Mount, Rubber Isolator	
12	8310281	1	Bolt, Carriage 3/8-16X2-1/4	
13	8305008	1	Nut, 3/8-16	
16	1001178582	2	Seal, Foam Gasket	
17	1001120869	2	Bracket, Cooler Mount Lower	
19	1001128341	1	Cap, Deaeration Tank	
20	1001181584	1	Bracket, LH Tank	
21	1001181585	1	Bracket, RH Tank	
22	1001182255	1	Assembly, Deaeration Tank (See Separate Breakdown in this Section)	
23	1001178776	2	Fitting, Hose Barb 90	
24	1001168478	1	Assembly, Radiator (See Separate Breakdown in this Section)	
25	1001169059	1	Mount, Cooler Bracket	
26	1001170117	1	Panel, Air Dam	
27	1001170186	1	Panel, Air Dam Upper	
29	1001134488	1	Fitting, Barbed 90	
32	0641509	4	Bolt, 5/16-18X1-1/8	
33	1001179845	6	Shim	

SECTION 4 - ENGINE AND ATTACHING PARTS

FIGURE 4-24. DE-AERATION TANK ASSEMBLY - 74HP & 110HP (ULS)



ART_1001182255-K

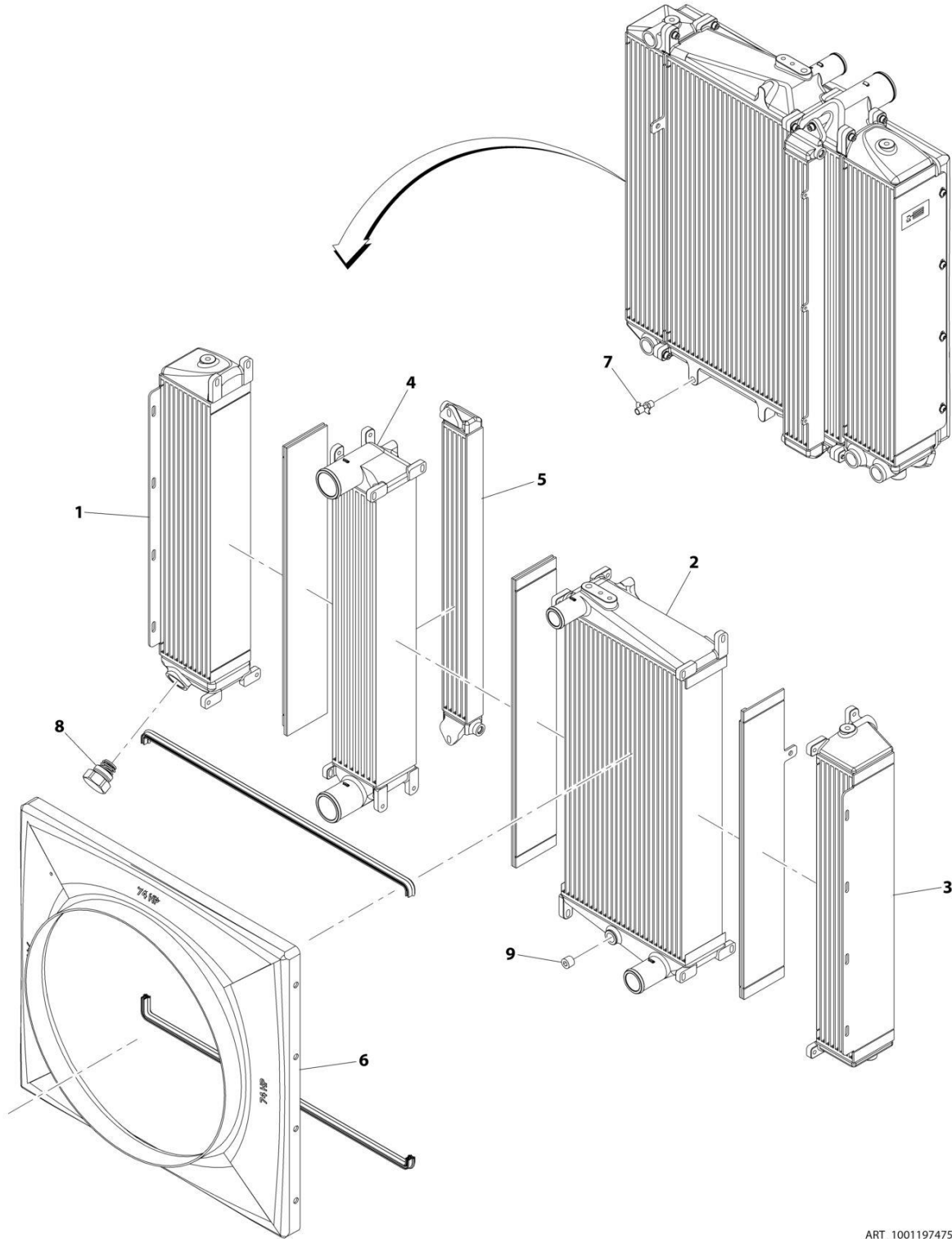
SECTION 4 - ENGINE AND ATTACHING PARTS

FIGURE 4-24. DE-AERATION TANK ASSEMBLY - 74HP & 110HP (ULS)

ITEM	PART NUMBER	QTY	DESCRIPTION	REV
	1001182255	Ref	Deaeration Tank Assembly	K
1	1001153912	1	Tank, Deaeration	
2	1001245478	1	Sensor, Coolant Level	

SECTION 4 - ENGINE AND ATTACHING PARTS

FIGURE 4-25. RADIATOR ASSEMBLY - 74HP (ULS)



ART_1001197475-D

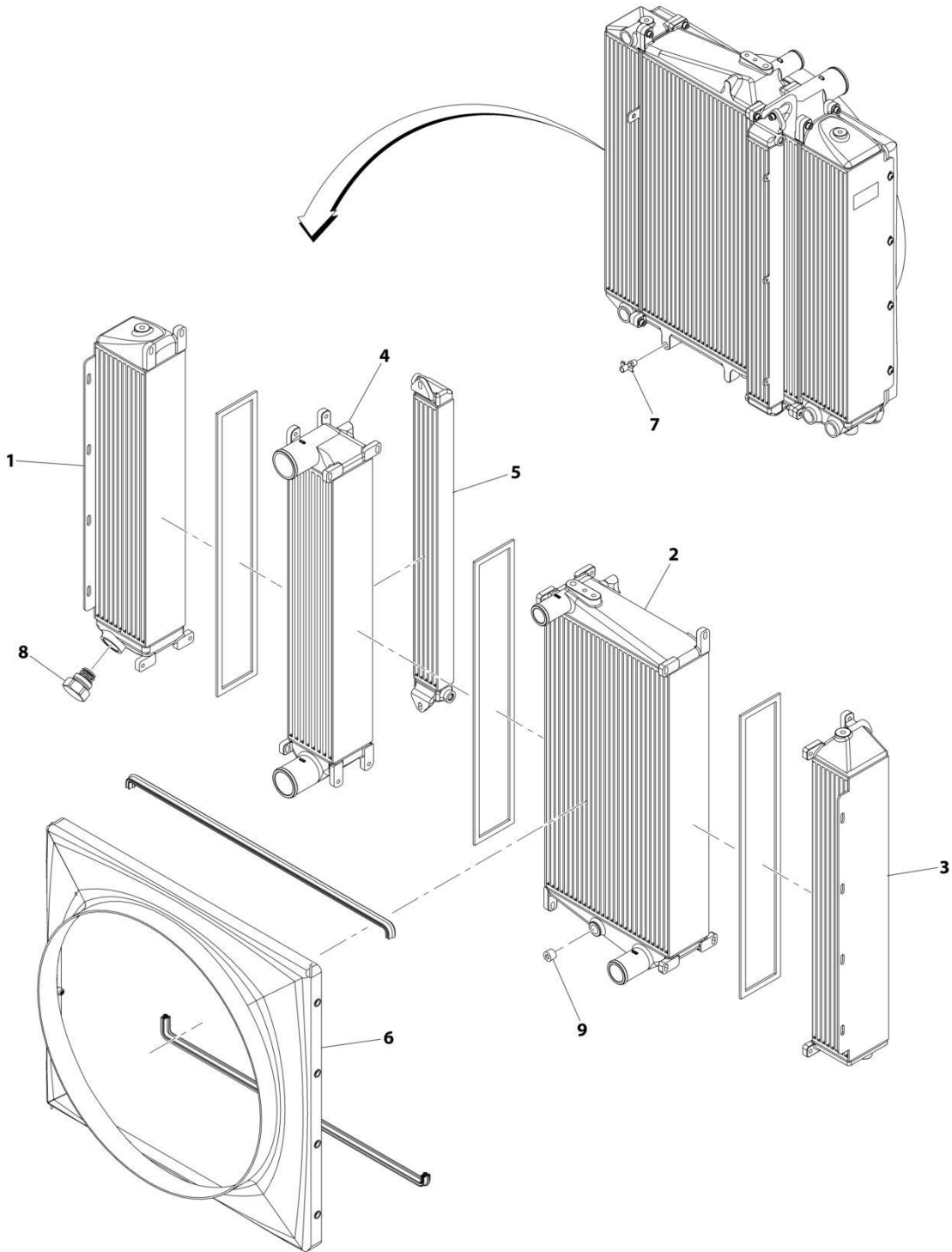
SECTION 4 - ENGINE AND ATTACHING PARTS

FIGURE 4-25. RADIATOR ASSEMBLY - 74HP (ULS)

ITEM	PART NUMBER	QTY	DESCRIPTION	REV
	1001197475	Ref	Radiator Assembly (74HP)	D
1	70026075	1	Transmission Oil Cooler	
2	70026076	1	Radiator	
3	70026077	1	Hydraulic Oil Cooler	
4	70026078	1	Charge Air Cooler	
5	70026079	1	Fuel Cooler	
6	70027094	1	Fan Shroud	
7	70026081	1	Petcock	
8	70026082	1	Valve, Bypass	
9	70026083	1	Plug, Hex	

SECTION 4 - ENGINE AND ATTACHING PARTS

FIGURE 4-26. RADIATOR ASSEMBLY - 110HP (ULS & LS)



ART_1001168478

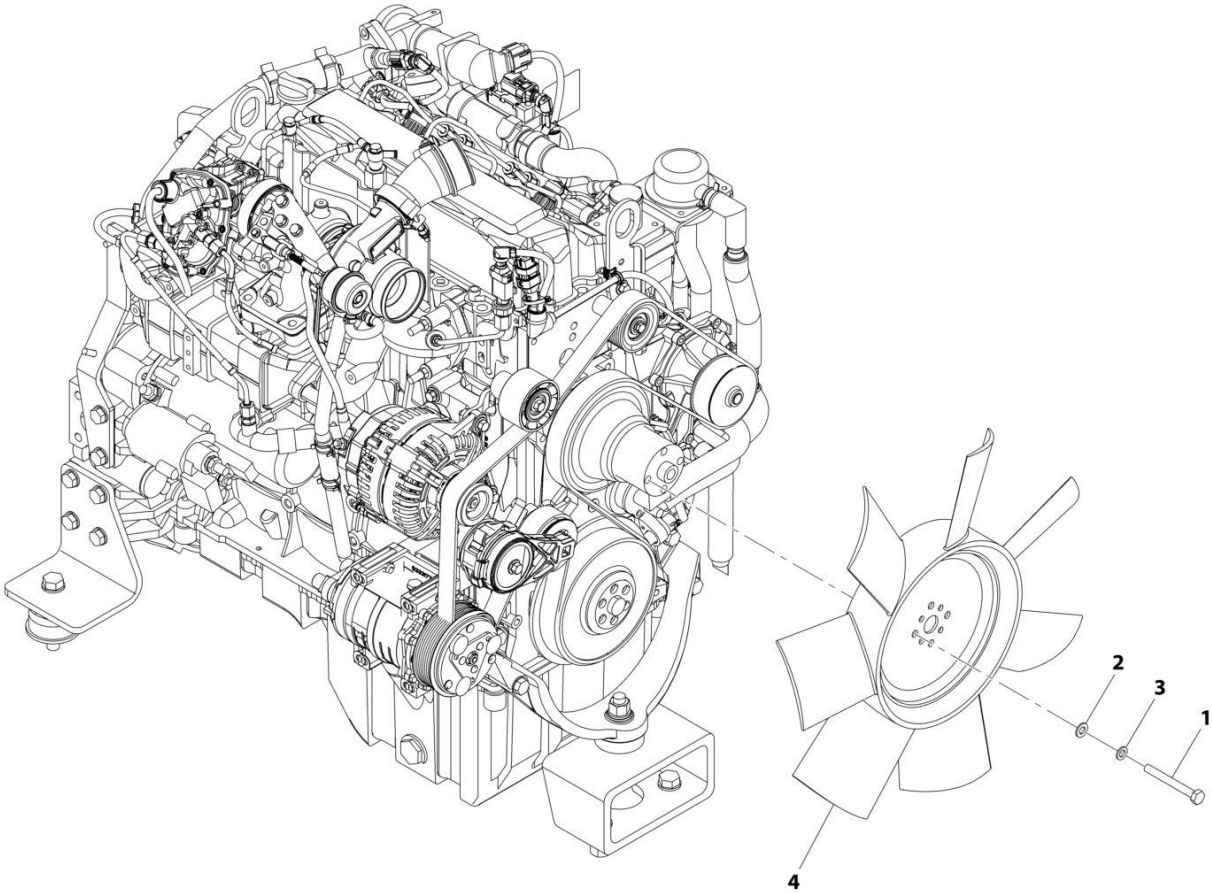
SECTION 4 - ENGINE AND ATTACHING PARTS

FIGURE 4-26. RADIATOR ASSEMBLY - 110HP (ULS & LS)

ITEM	PART NUMBER	QTY	DESCRIPTION	REV
	1001168478	Ref	Radiator Assembly	F
1	70026075	1	Transmission Oil Cooler	
2	70026076	1	Radiator	
3	70026077	1	Hydraulic Oil Cooler	
4	70026078	1	Charge Air Cooler	
5	70026079	1	Fuel Cooler	
6	70026080	1	Shroud, Fan	
7	70026081	1	Petcock	
8	70026082	1	Valve, Bypass	
9	70026083	1	Plug, Hex	

SECTION 4 - ENGINE AND ATTACHING PARTS

FIGURE 4-27. FAN INSTALLATION - 74HP (ULS)



ART_1001196736-C

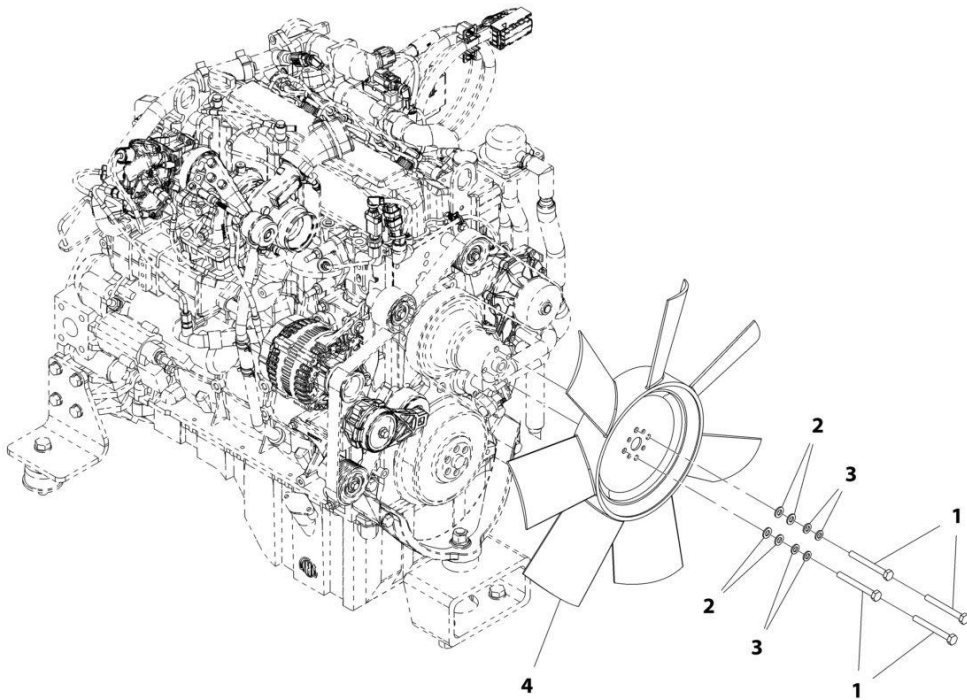
SECTION 4 - ENGINE AND ATTACHING PARTS

FIGURE 4-27. FAN INSTALLATION - 74HP (ULS)

ITEM	PART NUMBER	QTY	DESCRIPTION	REV
	1001196736	Ref	Fan Installation, 74HP	C
1	0701026	4	Bolt, M10X90	
2	4812000	4	Washer, M10	
3	4832000	4	Washer, Lock M10	
4	1001210351	1	Fan	

SECTION 4 - ENGINE AND ATTACHING PARTS

FIGURE 4-28. FAN INSTALLATION - 110HP (ULS & LS)



ART_1001165668-B

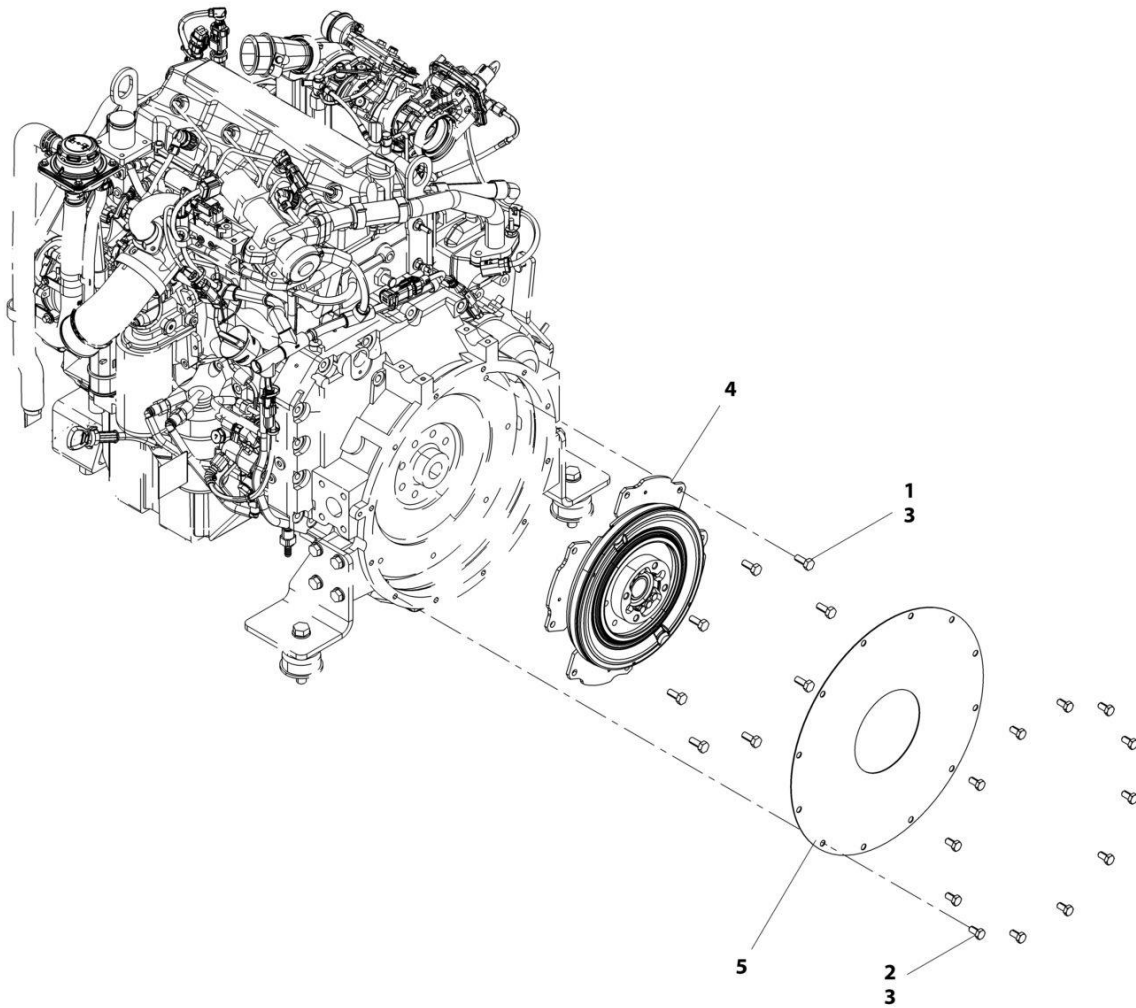
SECTION 4 - ENGINE AND ATTACHING PARTS

FIGURE 4-28. FAN INSTALLATION - 110HP (ULS & LS)

ITEM	PART NUMBER	QTY	DESCRIPTION	REV
	1001165668	Ref	Fan Installation, 85HP	B
1	0701026	4	Bolt, M10X90	
2	4812000	4	Washer, M10	
3	4832000	4	Washer, Lock M10	
4	1001174822	1	Fan	

SECTION 4 - ENGINE AND ATTACHING PARTS

FIGURE 4-29. ISOLATION COUPLER INSTALLATION - 74HP & 110HP (ULS & LS)



ART_1001166229_B

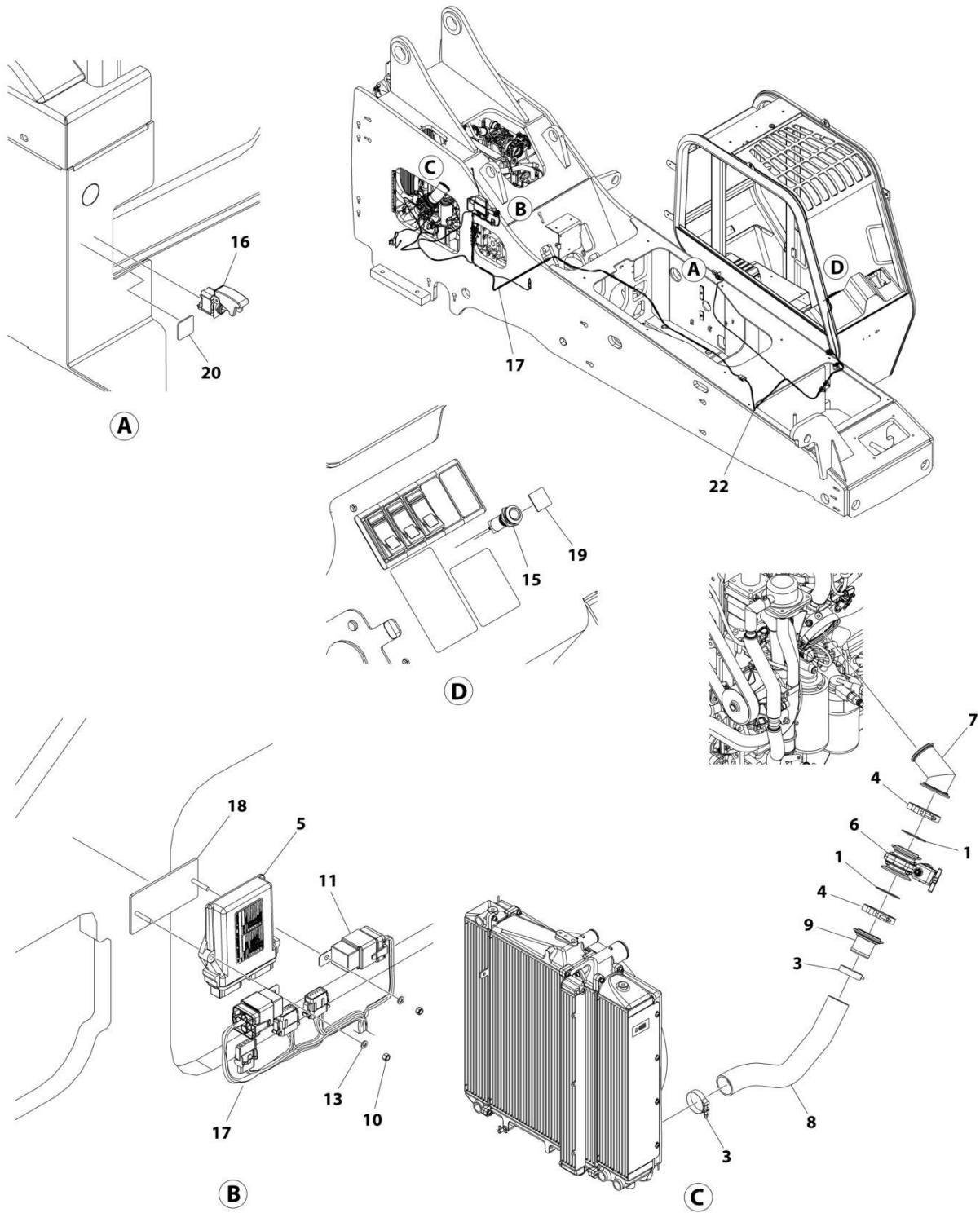
SECTION 4 - ENGINE AND ATTACHING PARTS

FIGURE 4-29. ISOLATION COUPLER INSTALLATION - 74HP & 110HP (ULS & LS)

ITEM	PART NUMBER	QTY	DESCRIPTION	REV
	1001166229	Ref	Isolation Coupler Installation	B
1	0761012	8	Bolt, M10X25	
2	8303784	12	Bolt, M10X20	
3	8526007	AR	Compound, Locking	
4	1001180244	1	Coupling, Torsion Damper	
5	1001185071	1	Panel, Isolation Coupler	

SECTION 4 - ENGINE AND ATTACHING PARTS

FIGURE 4-30. AIR INTAKE SHUT OFF VALVE INSTALLATION



ART_1001202304_F

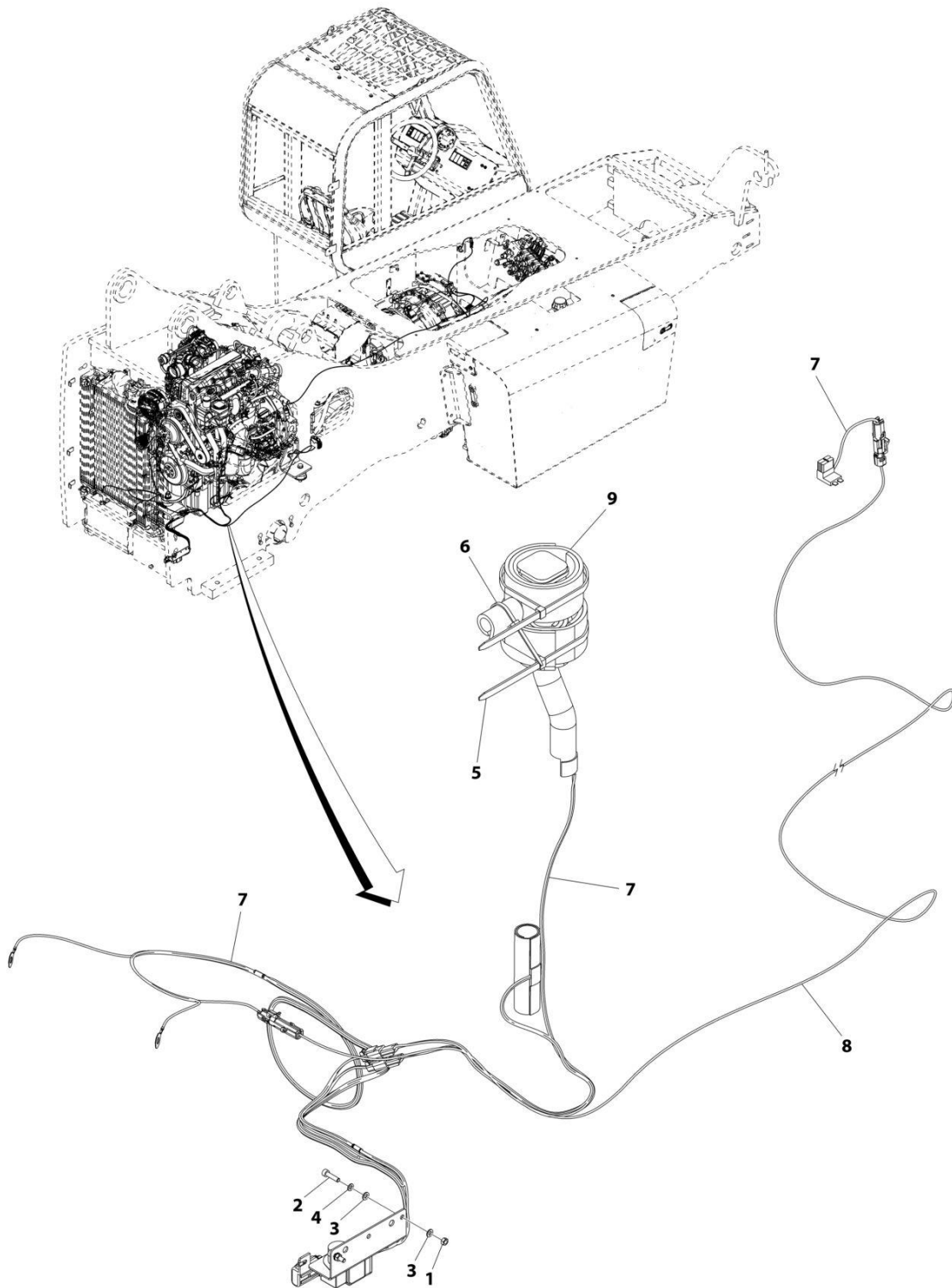
SECTION 4 - ENGINE AND ATTACHING PARTS

FIGURE 4-30. AIR INTAKE SHUT OFF VALVE INSTALLATION

ITEM	PART NUMBER	QTY	DESCRIPTION	REV
	1001202304	Ref	Air Intake Shut Off Valve Installation	F
1	3790152	2	Ring	
3	8405212	2	Clamp	
4	1001202247	2	Clamp	
5	1001203181	1	Accessory, Control	
6	1001204032	1	Valve, Air Shut Off (See Separate Breakdown in HYDRAULIC COMPONENTS Section)	
7	1001206956	1	Pipe	
8	1001206983	1	Hose	
9	1001206985	1	Adapter	
10	3290505	2	Nut M5 Grade 8	
11	3740080	2	Relay	
13	4811600	2	Washer, M5	
14	91053419	AR	Strap, Cable (not shown)	
15	1001239539	1	Lamp	
16	1001215941	1	Switch	
17	1001216455	1	Harness, POSI Air Shut Off Valve T4F (See Separate Breakdown in ELECTRICAL Section)	
18	1001219082	1	Bracket	
19	1001227077	1	Decal, Air Shut Off	
20	1001227964	1	Decal, ASOV Test	
22	1001231560	1	Harness, POSI Air Shut Off Valve Cab (See Separate Breakdown in ELECTRICAL Section)	

SECTION 4 - ENGINE AND ATTACHING PARTS

FIGURE 4-31. BREATHER HEATER INSTALLATION - 74HP



ART_1001232750-A

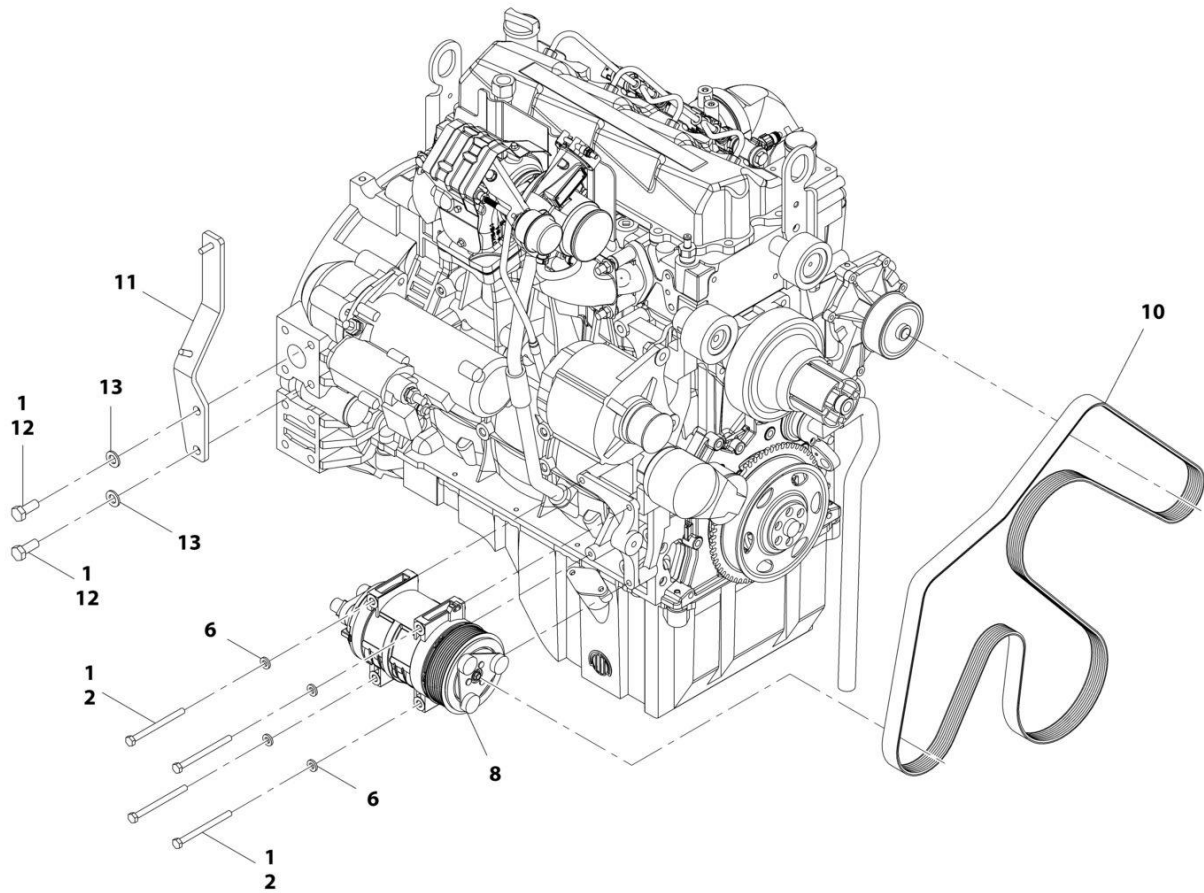
SECTION 4 - ENGINE AND ATTACHING PARTS

FIGURE 4-31. BREATHER HEATER INSTALLATION - 74HP

ITEM	PART NUMBER	QTY	DESCRIPTION	REV
	1001232750	Ref	Heater Breather - 74 HP	A
1	3290501	2	Nut, M5X0.8	
2	4031608	2	Screw, M5X20	
3	4811600	4	Washer, M5	
4	4831600	2	Washer, Lock M5	
5	01043892	2	Strap, Tie	
6	86683122	1	Strap, Tie	
7	1001232439	1	Engine, Cummins Breather Kit	
8	1001232599	1	Harness, Cummins Breather Heater	
9	1001232624	1	Insulate, Cummins Insulation	

SECTION 4 - ENGINE AND ATTACHING PARTS

FIGURE 4-32. A/C COMPONENTS INSTALLATION - 74HP



ART_1001190295-B

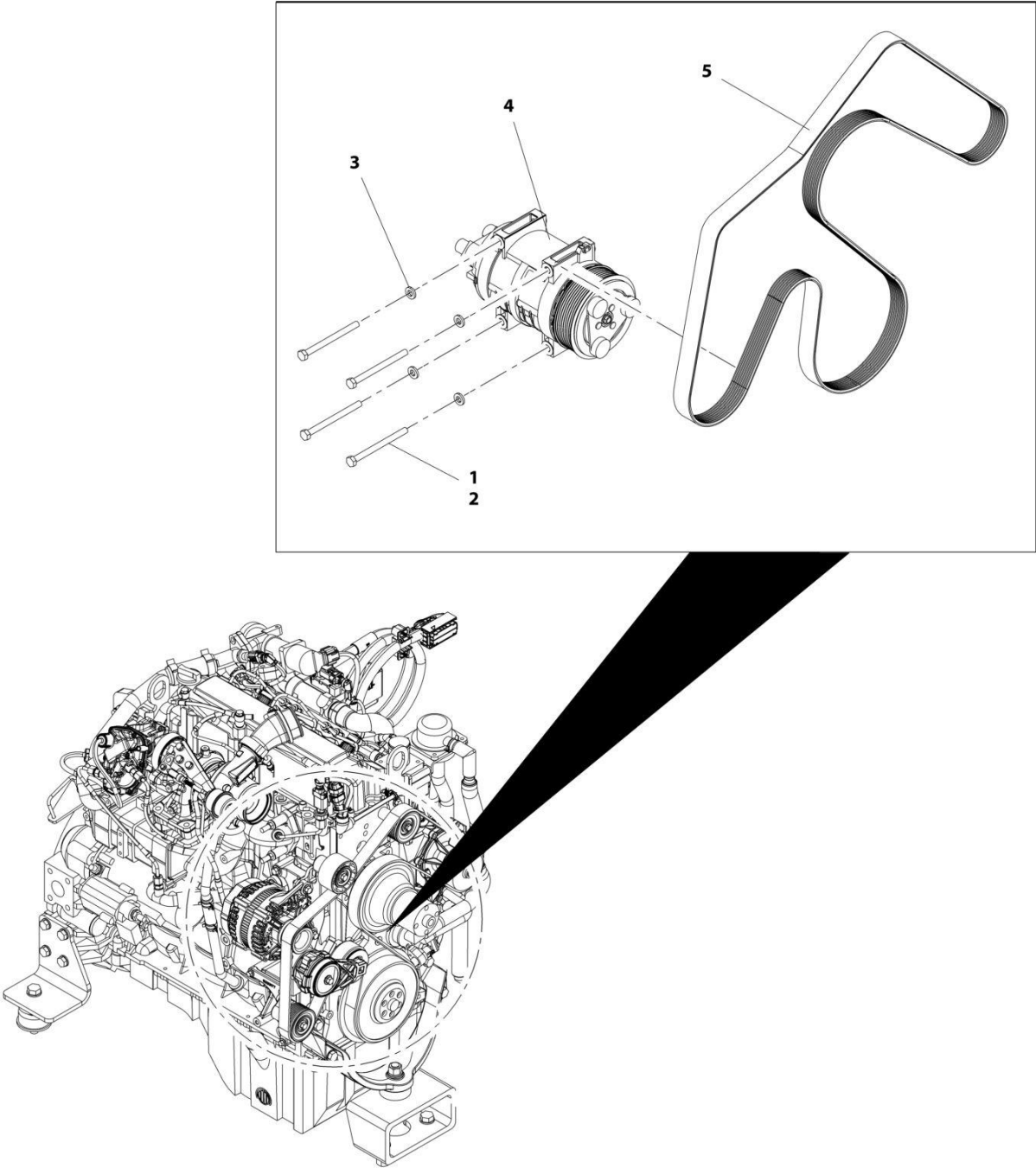
SECTION 4 - ENGINE AND ATTACHING PARTS

FIGURE 4-32. A/C COMPONENTS INSTALLATION - 74HP

ITEM	PART NUMBER	QTY	DESCRIPTION	REV
	1001190295	Ref	A/C Components Installation (if equipped for LS)	B
1	0100011	AR	Compound, Locking	
2	0700827	4	Bolt, M8X100	
6	5240800	4	Washer, M8	
8	1001157663	1	Compressor, A/C	
10	1001167357	1	Belt	
11	1001197233	1	Bracket, AC Hose Support	
12	0711214	2	Bolt, M12X30	
13	4812100	2	Washer, M12	

SECTION 4 - ENGINE AND ATTACHING PARTS

FIGURE 4-33. A/C COMPONENTS INSTALLATION - 110HP



ART_1001166008_A

SECTION 4 - ENGINE AND ATTACHING PARTS

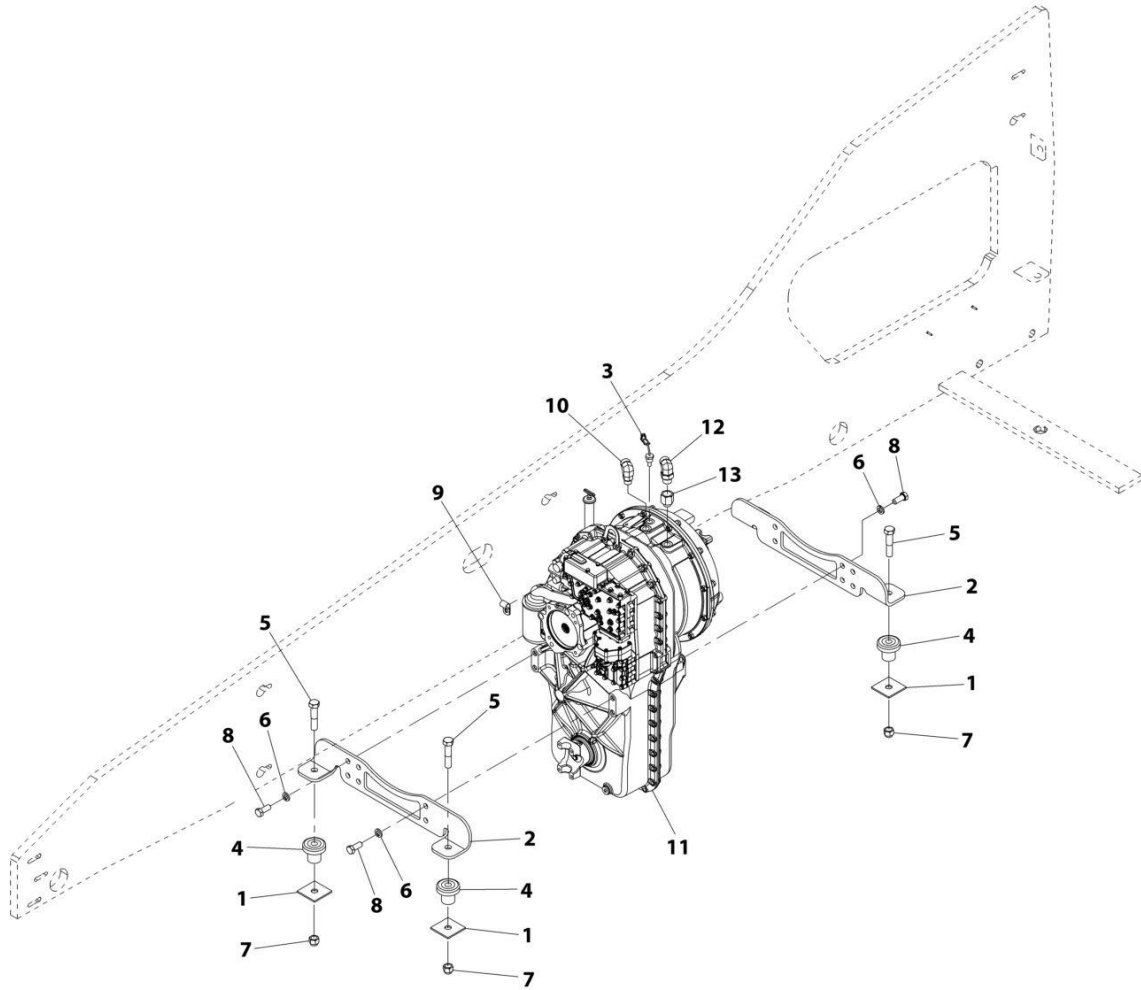
FIGURE 4-33. A/C COMPONENTS INSTALLATION - 110HP

ITEM	PART NUMBER	QTY	DESCRIPTION	REV
	1001166008	Ref	A/C Components Installation	A
1	0100011	AR	Compound, Locking	
2	0700827	4	Bolt, M8X100	
3	5240800	4	Washer, M8	
4	1001157663	1	Compressor, A/C	
5	1001167357	1	Belt	

SECTION 5 - DRIVE TRAIN

SECTION 5 - DRIVE TRAIN

FIGURE 5-1. TRANSMISSION INSTALLATION



ART_1001108524-B

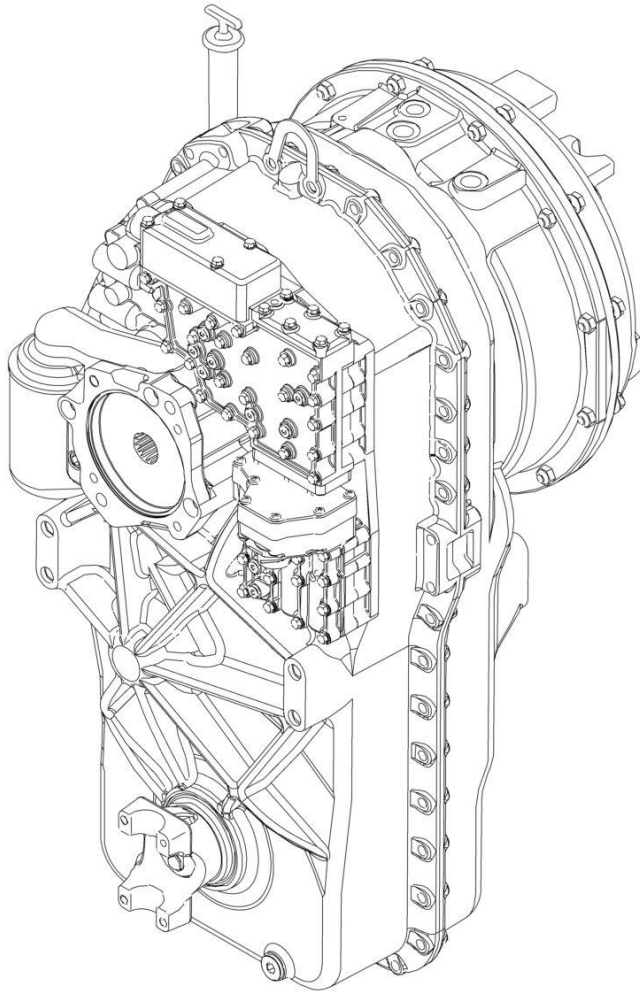
SECTION 5 - DRIVE TRAIN

FIGURE 5-1. TRANSMISSION INSTALLATION

ITEM	PART NUMBER	QTY	DESCRIPTION	REV
	1001108524	Ref	Transmission Installation	B
1	7054351	4	Washer, Rebound	
2	7138634	2	Bracket, Transmission Mount	
3	8223232	1	Switch, Transmission Temperature	
4	91403097	4	Mount, Rubber	
5	8303724	4	Bolt, 3/4-10X3-1/2	
6	8307049	8	Washer, Lock M16	
7	8310067	4	Nut, Lock 3/4-10	
8	8310215	8	Bolt, M16X40	
9	8406105	1	Clip, Tube	
10	2131210	1	Adapter, 90	
11	8841036	1	Transmission, 4-Speed (See Separate Breakdown in this Section)	
12	2131212	1	Adapter, 90	
13	8760548	1	Adapter, Straight	

SECTION 5 - DRIVE TRAIN

FIGURE 5-2. TRANSMISSION ASSEMBLY



ART_8841036_1-C

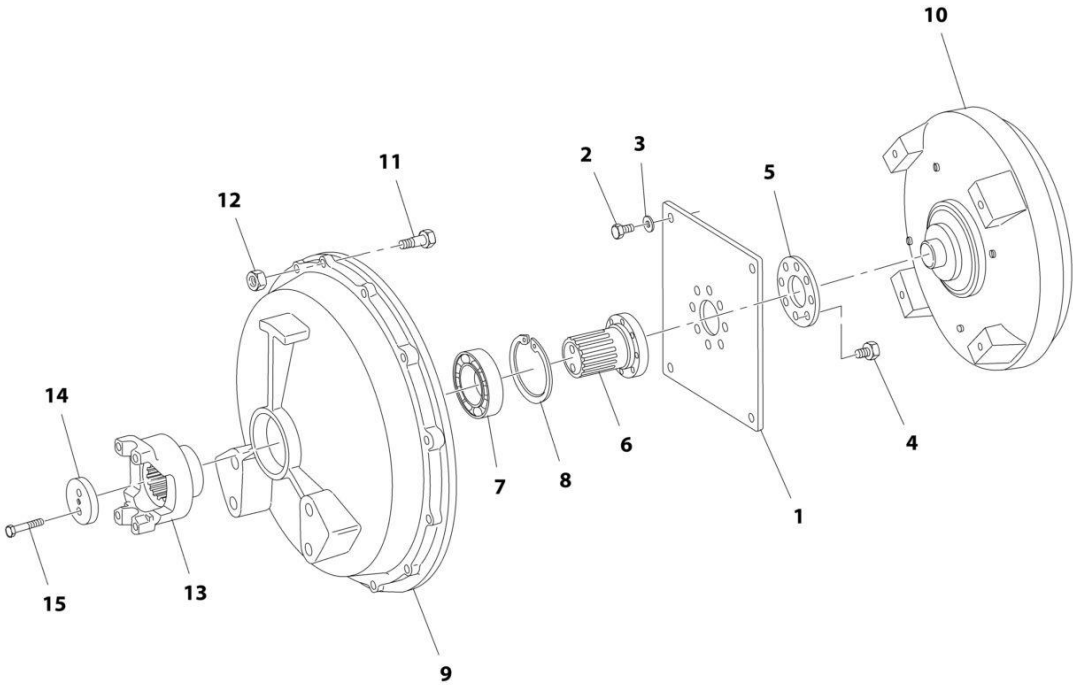
SECTION 5 - DRIVE TRAIN

FIGURE 5-2. TRANSMISSION ASSEMBLY

ITEM	PART NUMBER	QTY	DESCRIPTION	REV
	8841036	Ref	TRANSMISSION ASSEMBLY	C
		Ref	Transmission - Engine Connection and Converter (See Separate Breakdown in this Section)	
		Ref	Transmission - Input Shafts (See Separate Breakdown in this Section)	
		Ref	Transmission - Gearbox Housing (See Separate Breakdown in this Section)	
		Ref	Transmission - Coupling Group 1 (See Separate Breakdown in this Section)	
		Ref	Transmission - Coupling Group 2 (See Separate Breakdown in this Section)	
		Ref	Transmission - Coupling Group 3 (See Separate Breakdown in this Section)	
		Ref	Transmission - Coupling Group 4 (See Separate Breakdown in this Section)	
		Ref	Transmission - Reversing Gear Group 1 (See Separate Breakdown in this Section)	
		Ref	Transmission - Reversing Gear Group 2 (See Separate Breakdown in this Section)	
		Ref	Transmission - Output (See Separate Breakdown in this Section)	
		Ref	Transmission - Control Unit (See Separate Breakdown in this Section)	
		Ref	Transmission - Valve Housing Assembly (See Separate Breakdown in this Section)	
		Ref	Transmission - Valve Block Assembly (See Separate Breakdown in this Section)	
		Ref	Transmission - Oil Pump and Filter (See Separate Breakdown in this Section)	

SECTION 5 - DRIVE TRAIN

FIGURE 5-3. TRANSMISSION, ENGINE CONNECTION AND CONVERTER



ART_8841036_2-C

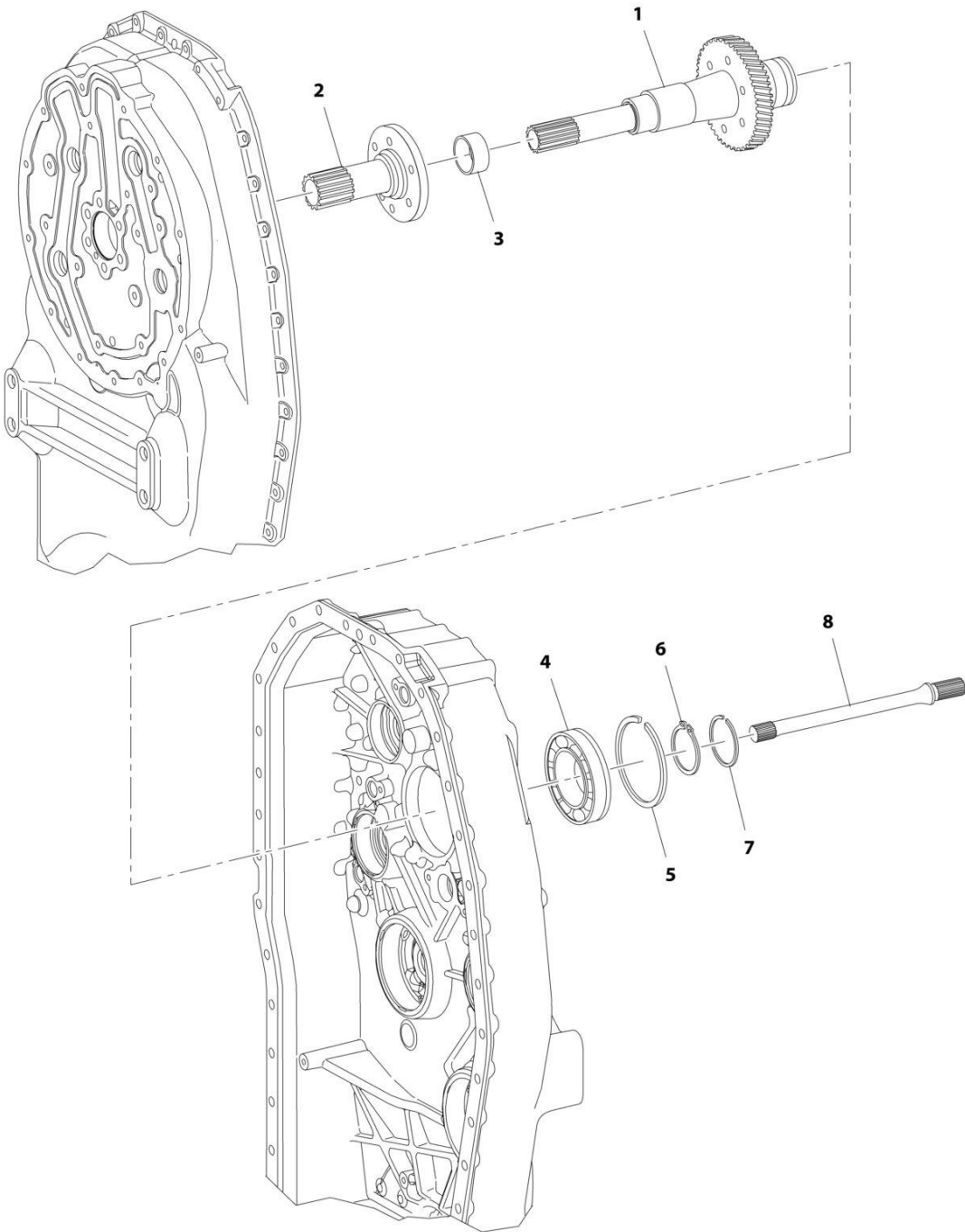
SECTION 5 - DRIVE TRAIN

FIGURE 5-3. TRANSMISSION, ENGINE CONNECTION AND CONVERTER

ITEM	PART NUMBER	QTY	DESCRIPTION	REV
	8841036	Ref	TRANSMISSION - ENGINE CONNECTION AND CONVERTER	
1	1319203	1	Diaphragm	
2	1319204	4	Bolt, M10X18	
3	10732095	4	Washer	
4	10731702	8	Bolt, M10X16	
5	1319213	1	Washer	
6	70023482	1	Shaft, Input	
7	1319209	1	Bearing, Ball	
8	1319210	1	Ring, Retaining	
9	8036021	1	Cover	
10	8036022	1	Converter	
11	10731748	12	Bolt, M10X45	
12	10731751	12	Nut, M10	
13	1319211	1	Yoke, End	
14	1319205	1	Washer	
15	70023483	2	Bolt	

SECTION 5 - DRIVE TRAIN

FIGURE 5-4. TRANSMISSION, INPUT SHAFTS



ART_8841036_3-C

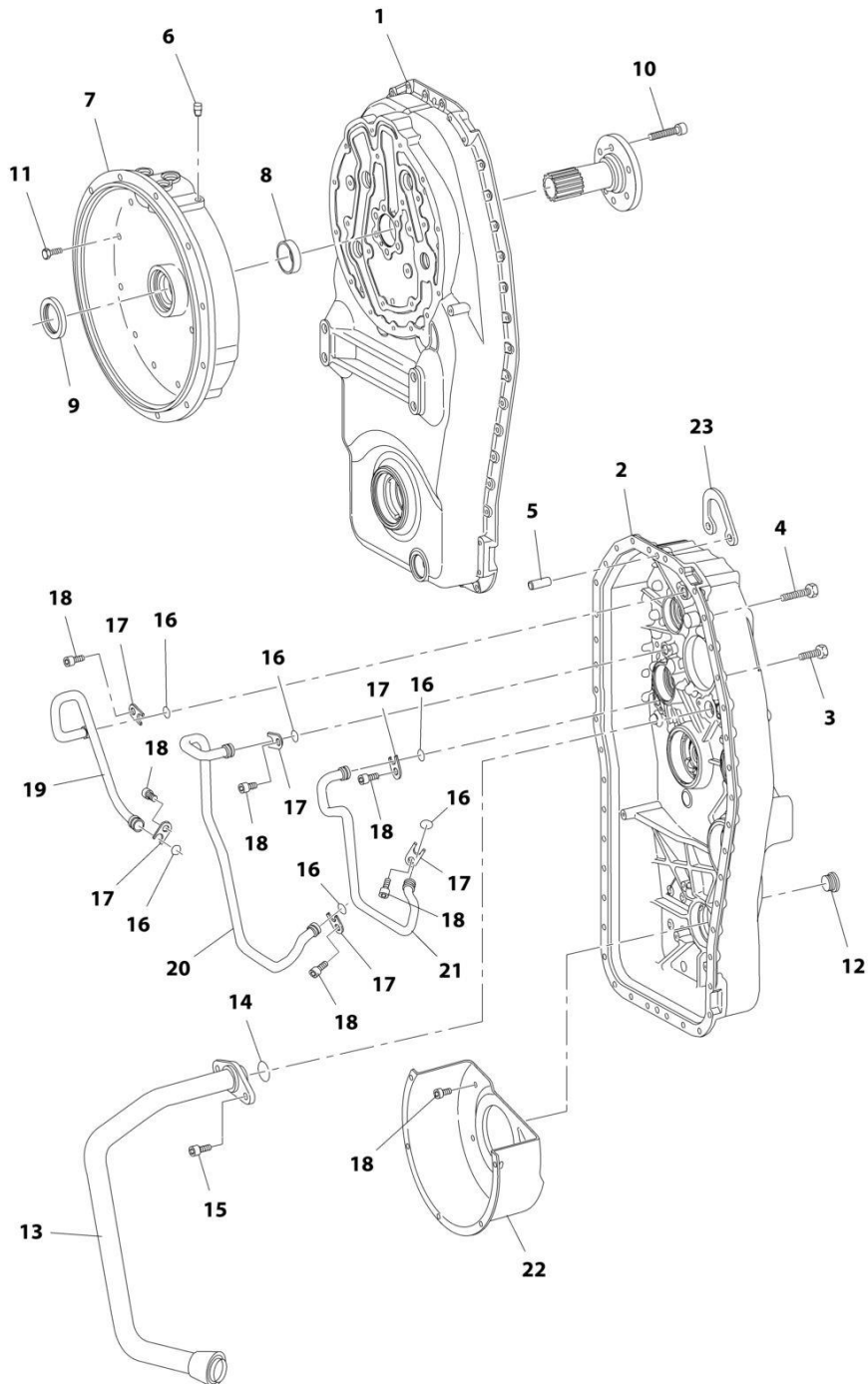
SECTION 5 - DRIVE TRAIN

FIGURE 5-4. TRANSMISSION, INPUT SHAFTS

ITEM	PART NUMBER	QTY	DESCRIPTION	REV
	8841036	Ref	TRANSMISSION - INPUT SHAFTS	
1	8036023	1	Shaft, Turbine	
2	1319557	1	Shaft, Stator	
3	1319558	1	Bushing, Bearing	
4	1319563	1	Bearing, Ball	
5	10731913	1	Ring, Snap	
6	80304405	1	Ring, Retaining	
7	1319565	1	Ring, Piston	
8	1319566	1	Shaft, Central	

SECTION 5 - DRIVE TRAIN

FIGURE 5-5. TRANSMISSION, GEARBOX HOUSING



ART_8841036_4-C

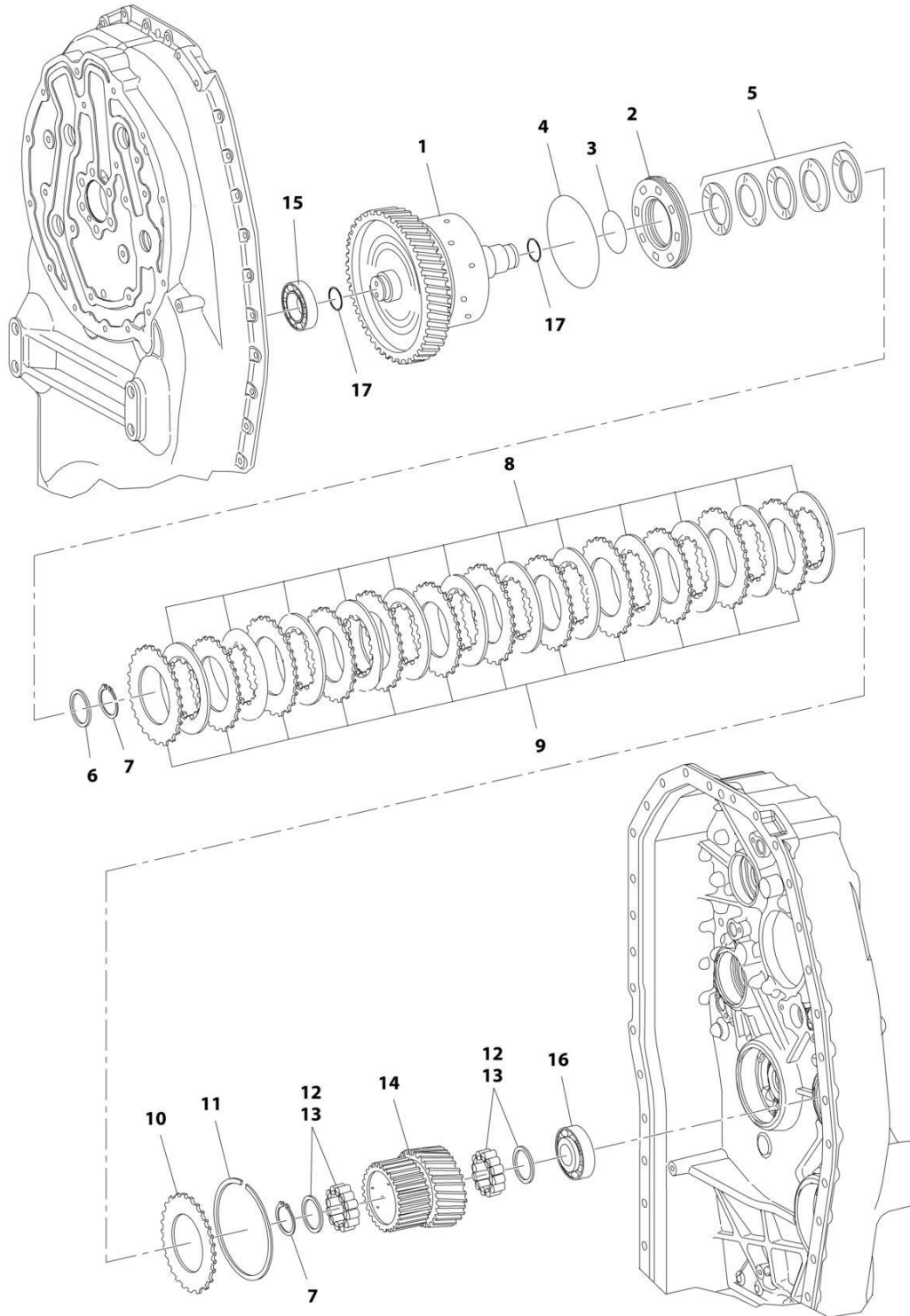
SECTION 5 - DRIVE TRAIN

FIGURE 5-5. TRANSMISSION, GEARBOX HOUSING

ITEM	PART NUMBER	QTY	DESCRIPTION	REV
	8841036	Ref	TRANSMISSION - GEARBOX HOUSING	
1	8036024	1	Housing I	
2	8036025	1	Housing II	
3	1319569	36	Bolt, M10X30	
4	1319570	6	Bolt, M10X50	
5	1319571	2	Pin, Cylindrical M6X24	
6	10731744	1	Breather	
7	1319574	1	Bell, Converter	
8	1319575	1	Bushing, Bearing	
9	1319576	1	Seal, Shaft	
10	1319577	6	Screw, M10X50	
11	1319569	23	Bolt, M10X30	
12	70023404	1	Plug, Screw	
13	8036026	1	Pipe, Oil Suction	
14	70023885	1	O-Ring	
15	1319582	2	Screw, M8X20	
16	1319583	6	O-Ring	
17	1319584	6	Plate, Fixing	
18	1319585	11	Screw, M8X16	
19	1319586	1	Pipe	
20	1319587	1	Pipe	
21	8036027	1	Pipe	
22	8036028	1	Sheet, Screen	
23	1319590	1	Bracket	

SECTION 5 - DRIVE TRAIN

FIGURE 5-6. TRANSMISSION, COUPLING GROUP 1



ART_8841036_5-C

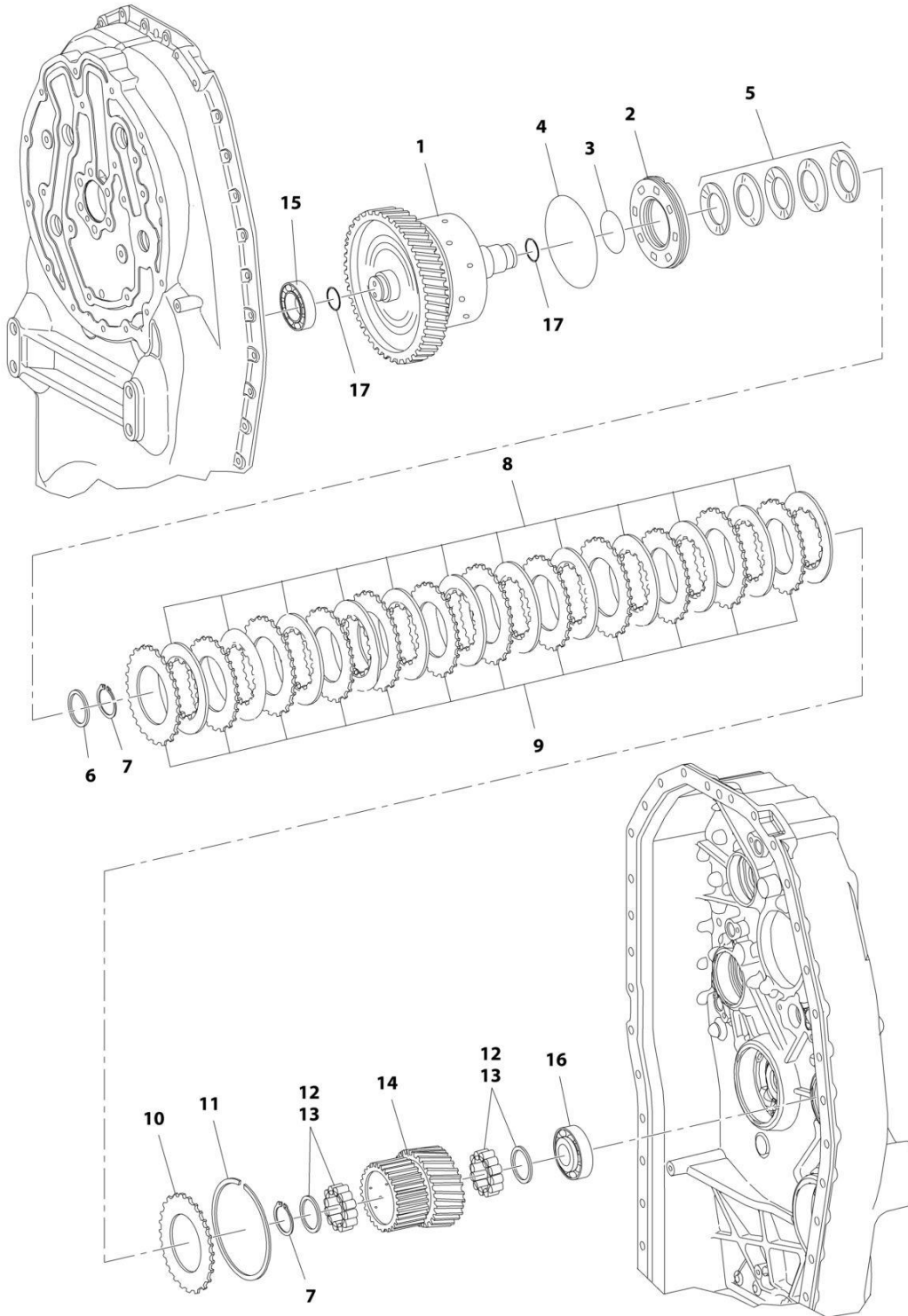
SECTION 5 - DRIVE TRAIN

FIGURE 5-6. TRANSMISSION, COUPLING GROUP 1

ITEM	PART NUMBER	QTY	DESCRIPTION	REV
	8841036	Ref	TRANSMISSION - COUPLING GROUP 1	
1	1319591	1	Coupling	
2	1319592	1	Piston	
3	1319593	1	O-Ring, 52X3	
4	1319594	1	O-Ring, 115X3	
5	1319595	5	Spring, Cup	
6	1319596	1	Shim	
7	10731845	2	Ring, Retaining	
8	7026758	12	Disc, Inner Clutch	
9	7026759	12	Disc, Outer Clutch	
10	7026760	1	Shim, End	
11	1319600	1	Ring, Snap 4	
11	1319601	1	Ring, Snap 3-1/2	
11	1319602	1	Ring, Snap 3	
11	1319603	1	Ring, Snap 2-1/2	
11	1319604	1	Ring, Snap 2	
12	1319605	2	Cage, Roller	
13	1319606	2	Cage, Roller	
14	1319607	1	Carrier, Disc	
15	1319608	1	Bearing, Roller	
16	1319609	1	Bearing, Roller	
16	1319610	1	Bearing, Roller	
16	1319611	1	Bearing, Roller	
17	1319612	2	Ring, Piston 30X2	

SECTION 5 - DRIVE TRAIN

FIGURE 5-7. TRANSMISSION, COUPLING GROUP 2



ART_8841036_6-C

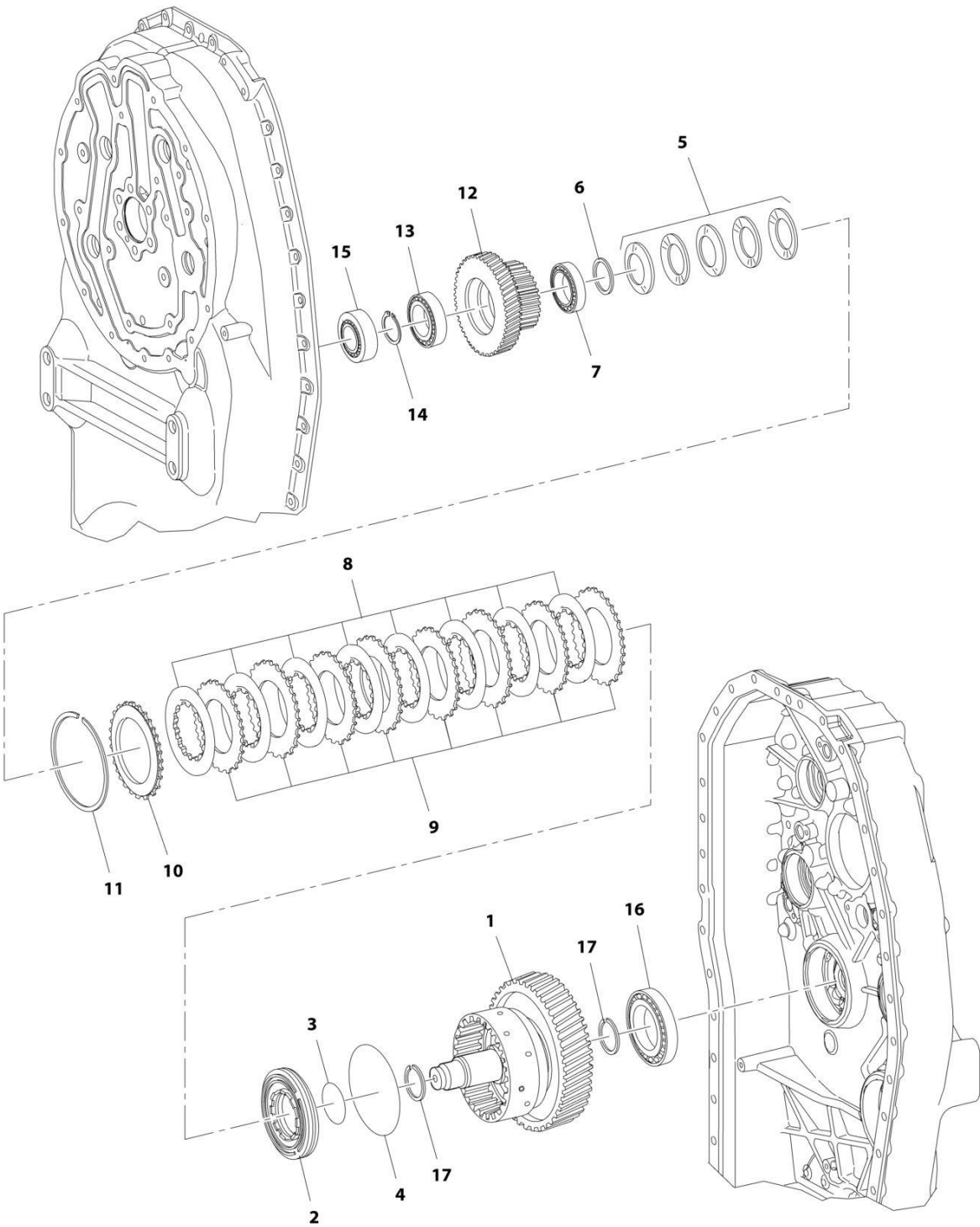
SECTION 5 - DRIVE TRAIN

FIGURE 5-7. TRANSMISSION, COUPLING GROUP 2

ITEM	PART NUMBER	QTY	DESCRIPTION	REV
	8841036	Ref	TRANSMISSION - COUPLING GROUP 2	
1	1319613	1	Coupling	
2	8036029	1	Piston	
3	1319593	1	O-Ring, 52X3	
4	1319594	1	O-Ring, 115X3	
5	1319595	5	Spring, Cup	
6	1319596	1	Shim	
7	10731845	2	Ring, Retaining	
8	7026758	8	Disc, Inner Clutch	
9	7026759	8	Disc, Outer Clutch	
10	7026760	1	Shim, End	
11	1319600	1	Ring, Snap 4	
11	1319601	1	Ring, Snap 3-1/2	
11	1319602	1	Ring, Snap 3	
11	1319603	1	Ring, Snap 2-1/2	
11	1319604	1	Ring, Snap 2	
12	1319605	2	Cage, Roller	
13	1319606	2	Cage, Roller	
14	1319614	1	Carrier, Disc	
15	1319615	1	Bearing, Roller	
16	8036190	1	Assembly, Roller Bearing	
16	7029532	1	Ring, Outer	
16	7029533	1	Ring, Inner	
17	1319612	2	Ring, Piston 30X2	

SECTION 5 - DRIVE TRAIN

FIGURE 5-8. TRANSMISSION, COUPLING GROUP 3



ART_8841036_7-C

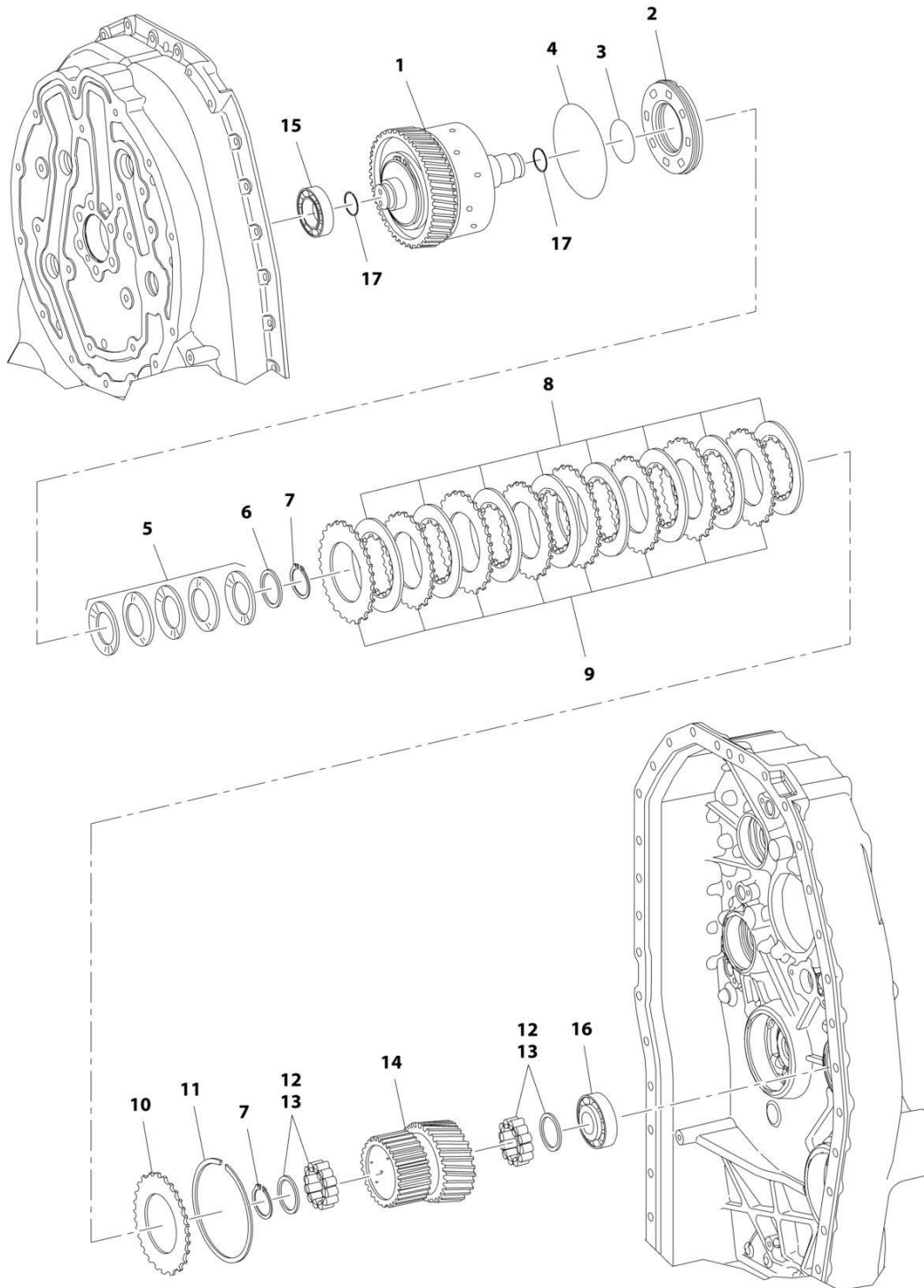
SECTION 5 - DRIVE TRAIN

FIGURE 5-8. TRANSMISSION, COUPLING GROUP 3

ITEM	PART NUMBER	QTY	DESCRIPTION	REV
	8841036	Ref	TRANSMISSION - COUPLING GROUP 3	
1	1319616	1	Coupling	
2	8036029	1	Piston	
3	1319593	1	O-Ring, 52X3	
4	1319594	1	O-Ring, 115X3	
5	1319595	5	Spring, Cup	
6	1319617	1	Shim, Support	
7	1319618	1	Bearing, Roller	
8	7026758	8	Disc, Inner Clutch	
9	7026759	8	Disc, Outer Clutch	
10	7026760	1	Shim, End	
11	1319600	1	Ring, Snap 4	
11	1319601	1	Ring, Snap 3-1/2	
11	1319602	1	Ring, Snap 3	
11	1319603	1	Ring, Snap 2-1/2	
11	1319604	1	Ring, Snap 2	
12	1319619	1	Carrier, Disc	
13	1319620	1	Bearing, Roller	
14	1319621	1	Ring, Retaining 3.2	
14	1319622	1	Ring, Retaining 3.1	
14	1319623	1	Ring, Retaining 3	
14	1319624	1	Ring, Retaining 2.9	
14	1319625	1	Ring, Retaining 2.8	
14	1319626	1	Ring, Retaining 2.7	
14	1319627	1	Ring, Retaining 2.6	
14	1319628	1	Ring, Retaining 2.5	
14	1319629	1	Ring, Retaining 2.4	
14	1319630	1	Ring, Retaining 2.3	
14	1319631	1	Ring, Retaining 2.2	
14	1319632	1	Ring, Retaining 2.1	
15	8036190	1	Assembly, Roller Bearing	
15	7029532	1	Ring, Outer	
15	7029533	1	Ring, Inner	
16	1319633	1	Bearing, Roller	
17	1319612	2	Ring, Piston 30X2	

SECTION 5 - DRIVE TRAIN

FIGURE 5-9. TRANSMISSION, COUPLING GROUP 4



ART_8841036_8-C

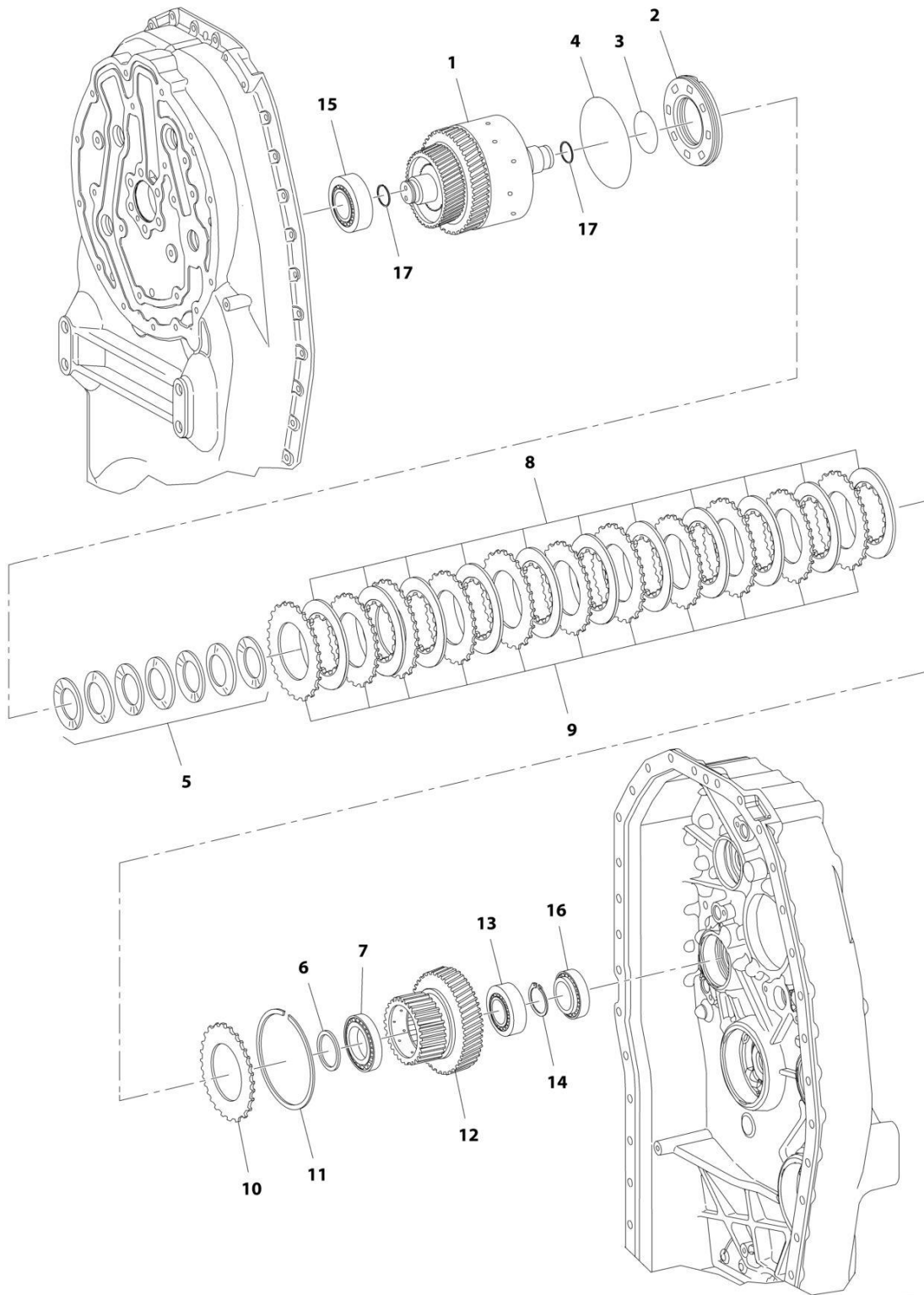
SECTION 5 - DRIVE TRAIN

FIGURE 5-9. TRANSMISSION, COUPLING GROUP 4

ITEM	PART NUMBER	QTY	DESCRIPTION	REV
	8841036	Ref	TRANSMISSION - COUPLING GROUP 4	
1	1319634	1	Coupling	
2	8036029	1	Piston	
3	1319593	1	O-Ring, 52X3	
4	1319594	1	O-Ring, 115X3	
5	1319595	5	Spring, Cup	
6	1319596	1	Shim	
7	10731845	2	Ring, Retaining	
8	7026758	8	Disc, Inner Clutch	
9	7026759	8	Disc, Outer Clutch	
10	7026760	1	Shim, End	
11	1319600	1	Ring, Snap 4	
11	1319601	1	Ring, Snap 3-1/2	
11	1319602	1	Ring, Snap 3	
11	1319603	1	Ring, Snap 2-1/2	
11	1319604	1	Ring, Snap 2	
12	1319605	2	Cage, Roller	
13	1319606	2	Cage, Roller	
14	1319635	1	Carrier, Disc	
15	1319615	1	Bearing, Roller	
16	1319636	1	Bearing, Roller	
17	1319612	2	Ring, Piston 30X2	

SECTION 5 - DRIVE TRAIN

FIGURE 5-10. TRANSMISSION, REVERSING GEAR GROUP 1



ART_8841036_9-C

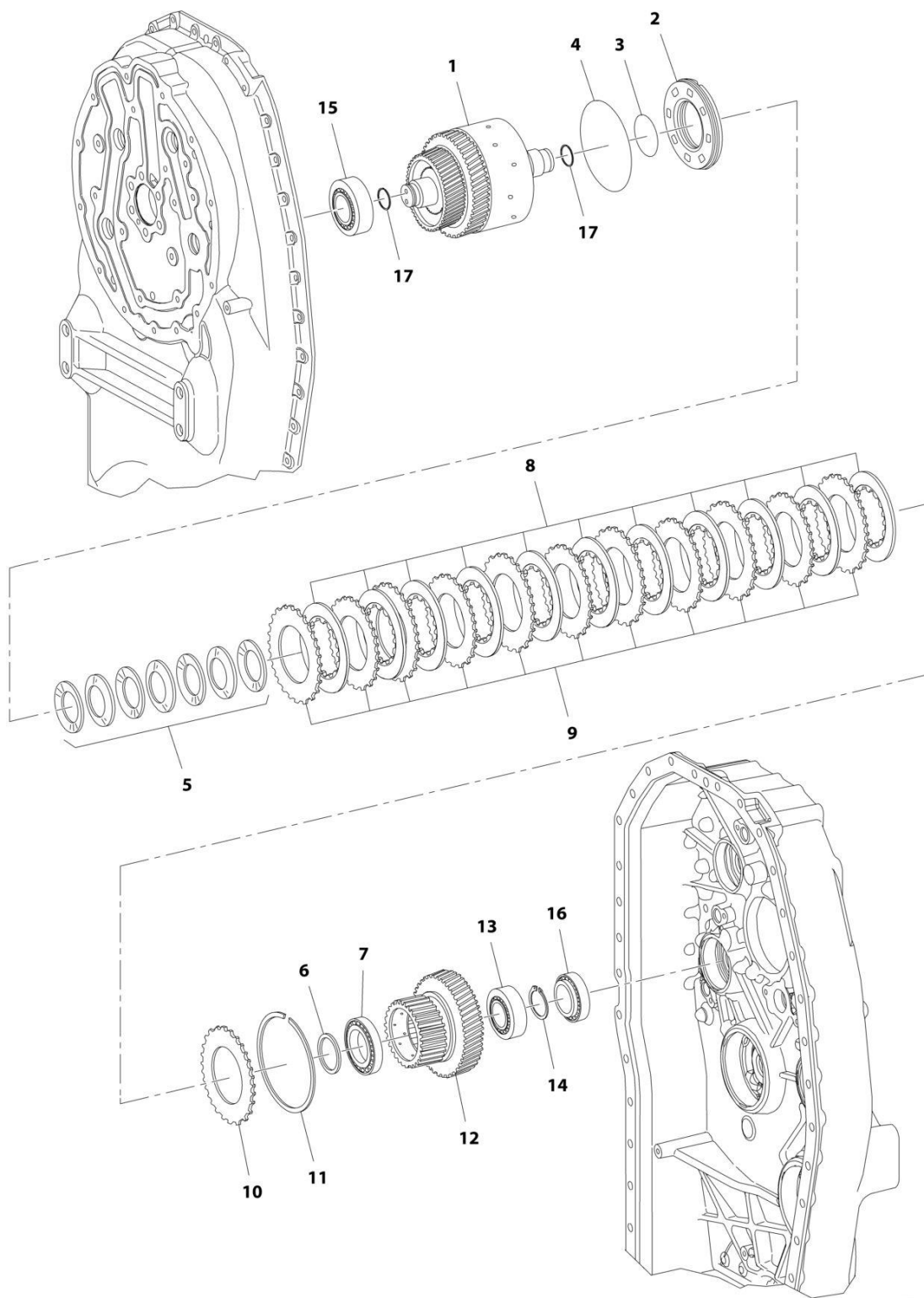
SECTION 5 - DRIVE TRAIN

FIGURE 5-10. TRANSMISSION, REVERSING GEAR GROUP 1

ITEM	PART NUMBER	QTY	DESCRIPTION	REV
	8841036	Ref	TRANSMISSION - REVERSE GEAR GROUP 1	
1	1319637	1	Coupling	
2	8036029	1	Piston	
3	1319593	1	O-Ring, 52X3	
4	1319594	1	O-Ring, 115X3	
5	1319595	7	Spring, Cup	
6	1319617	1	Shim, Support	
7	1319618	1	Bearing, Roller	
8	7026758	11	Disc, Inner Clutch	
9	7026759	11	Disc, Outer Clutch	
10	7026760	1	Shim, End	
11	1319600	1	Ring, Snap 4	
11	1319601	1	Ring, Snap 3-1/2	
11	1319602	1	Ring, Snap 3	
11	1319603	1	Ring, Snap 2-1/2	
11	1319604	1	Ring, Snap 2	
12	1319638	1	Disc, Carrier	
13	1319620	1	Bearing, Roller	
14	1319621	1	Ring, Retaining 3.2	
14	1319622	1	Ring, Retaining 3.1	
14	1319623	1	Ring, Retaining 3	
14	1319624	1	Ring, Retaining 2.9	
14	1319625	1	Ring, Retaining 2.8	
14	1319626	1	Ring, Retaining 2.7	
14	1319627	1	Ring, Retaining 2.6	
14	1319628	1	Ring, Retaining 2.5	
14	1319629	1	Ring, Retaining 2.4	
14	1319630	1	Ring, Retaining 2.3	
14	1319631	1	Ring, Retaining 2.2	
14	1319632	1	Ring, Retaining 2.1	
15	1319615	1	Bearing, Roller	
16	1319636	1	Bearing, Roller	
17	1319612	2	Ring, Piston 30X2	

SECTION 5 - DRIVE TRAIN

FIGURE 5-11. TRANSMISSION, REVERSING GEAR GROUP 2



ART_8841036_10-C

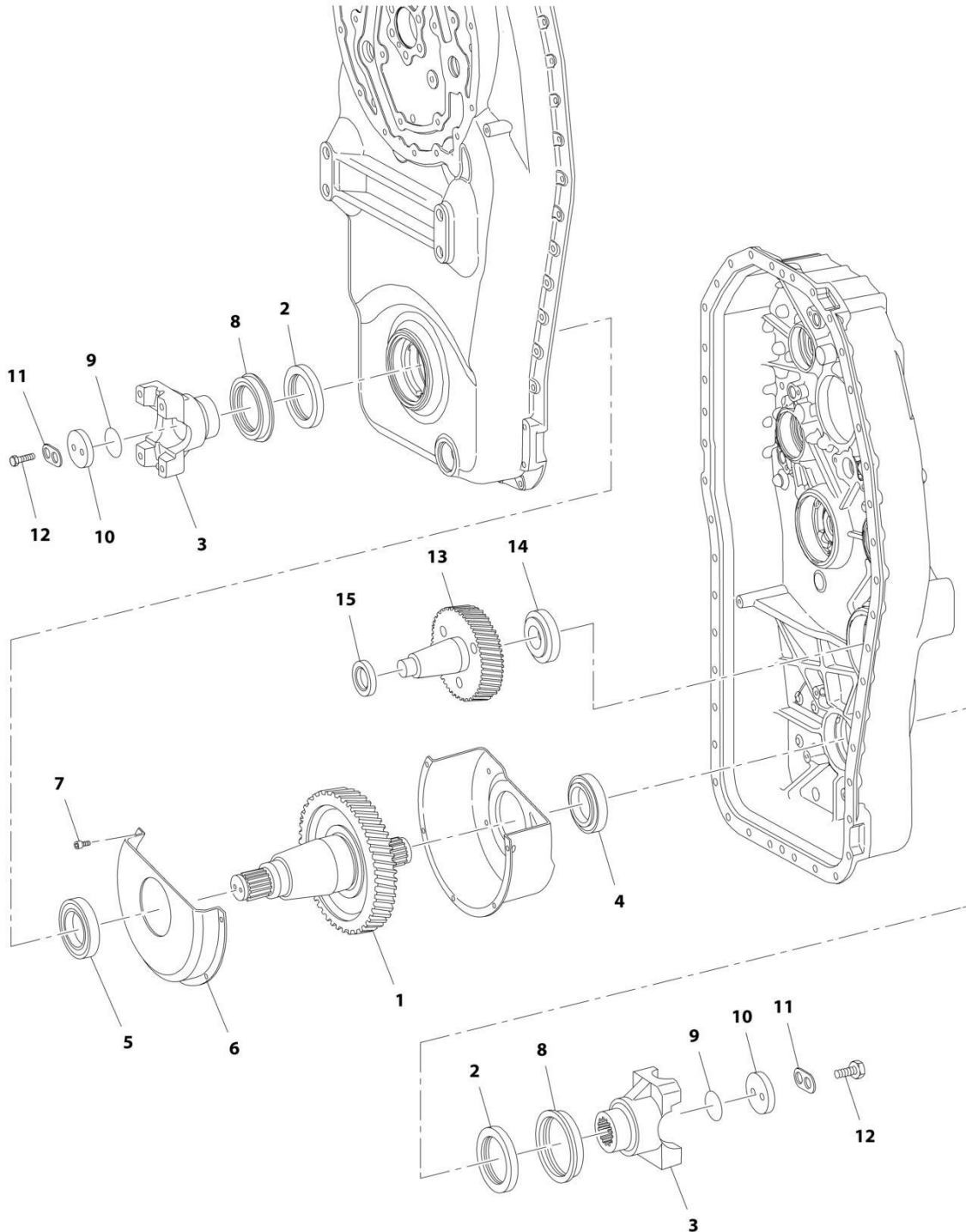
SECTION 5 - DRIVE TRAIN

FIGURE 5-11. TRANSMISSION, REVERSING GEAR GROUP 2

ITEM	PART NUMBER	QTY	DESCRIPTION	REV
	8841036	Ref	TRANSMISSION - REVERSING GEAR GROUP 2	
1	1319639	1	Coupling	
2	8036029	1	Piston	
3	1319593	1	O-Ring, 52X3	
4	1319594	1	O-Ring, 115X3	
5	1319595	7	Spring, Cup	
6	1319617	1	Shim, Support	
7	1319618	1	Bearing, Roller	
8	7026758	11	Disc, Inner Clutch	
9	7026759	11	Disc, Outer Clutch	
10	7026760	1	Shim, End	
11	1319600	1	Ring, Snap 4	
11	1319601	1	Ring, Snap 3-1/2	
11	1319602	1	Ring, Snap 3	
11	1319603	1	Ring, Snap 2-1/2	
11	1319604	1	Ring, Snap 2	
12	1319638	1	Disc, Carrier	
13	1319620	1	Bearing, Roller	
14	1319621	1	Ring, Retaining 3.2	
14	1319622	1	Ring, Retaining 3.1	
14	1319623	1	Ring, Retaining 3	
14	1319624	1	Ring, Retaining 2.9	
14	1319625	1	Ring, Retaining 2.8	
14	1319626	1	Ring, Retaining 2.7	
14	1319627	1	Ring, Retaining 2.6	
14	1319628	1	Ring, Retaining 2.5	
14	1319629	1	Ring, Retaining 2.4	
14	1319630	1	Ring, Retaining 2.3	
14	1319631	1	Ring, Retaining 2.2	
14	1319632	1	Ring, Retaining 2.1	
15	1319608	1	Bearing, Roller	
16	1319636	1	Bearing, Roller	
17	1319612	2	Ring, Piston 30X2	

SECTION 5 - DRIVE TRAIN

FIGURE 5-12. TRANSMISSION, OUTPUT



ART_8841036_11-C

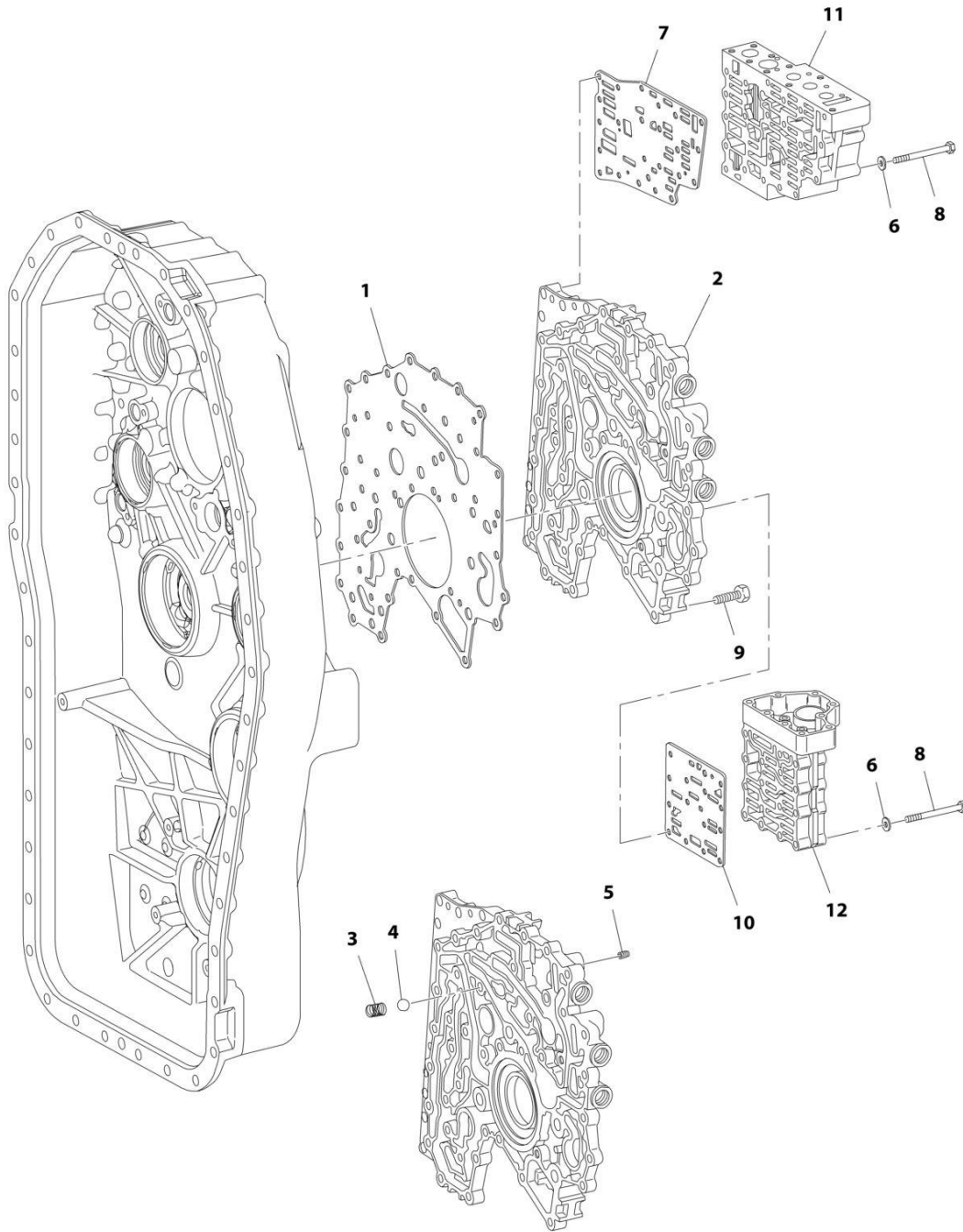
SECTION 5 - DRIVE TRAIN

FIGURE 5-12. TRANSMISSION, OUTPUT

ITEM	PART NUMBER	QTY	DESCRIPTION	REV
	8841036	Ref	TRANSMISSION - OUTPUT	
1	8036030	1	Shaft, Output	
2	1319641	2	Seal, Shaft	
3	7027273	2	Flange, Output	
4	N.S.S.	1	Assembly, Roller Bearing	
4	70020430	1	Cup, Bearing	
4	70020431	1	Cone, Bearing	
5	1319643	1	Bearing, Roller	
6	8036031	1	Sheet, Screen	
7	1319646	5	Bolt, M6X10	
8	1319647	2	Sheet, Screen	
9	10839156	2	O-Ring	
10	1319648	2	Washer, M10	
11	1319649	2	Washer, Tab	
12	10731959	4	Bolt, M8X25	
13	8036032	1	Shaft, Intermediate	
14	1319633	1	Bearing, Roller	
15	8036190	1	Assembly, Roller Bearing	
15	7029532	1	Ring, Outer	
15	7029533	1	Ring, Inner	

SECTION 5 - DRIVE TRAIN

FIGURE 5-13. TRANSMISSION, CONTROL UNIT



ART_8841036_12-C

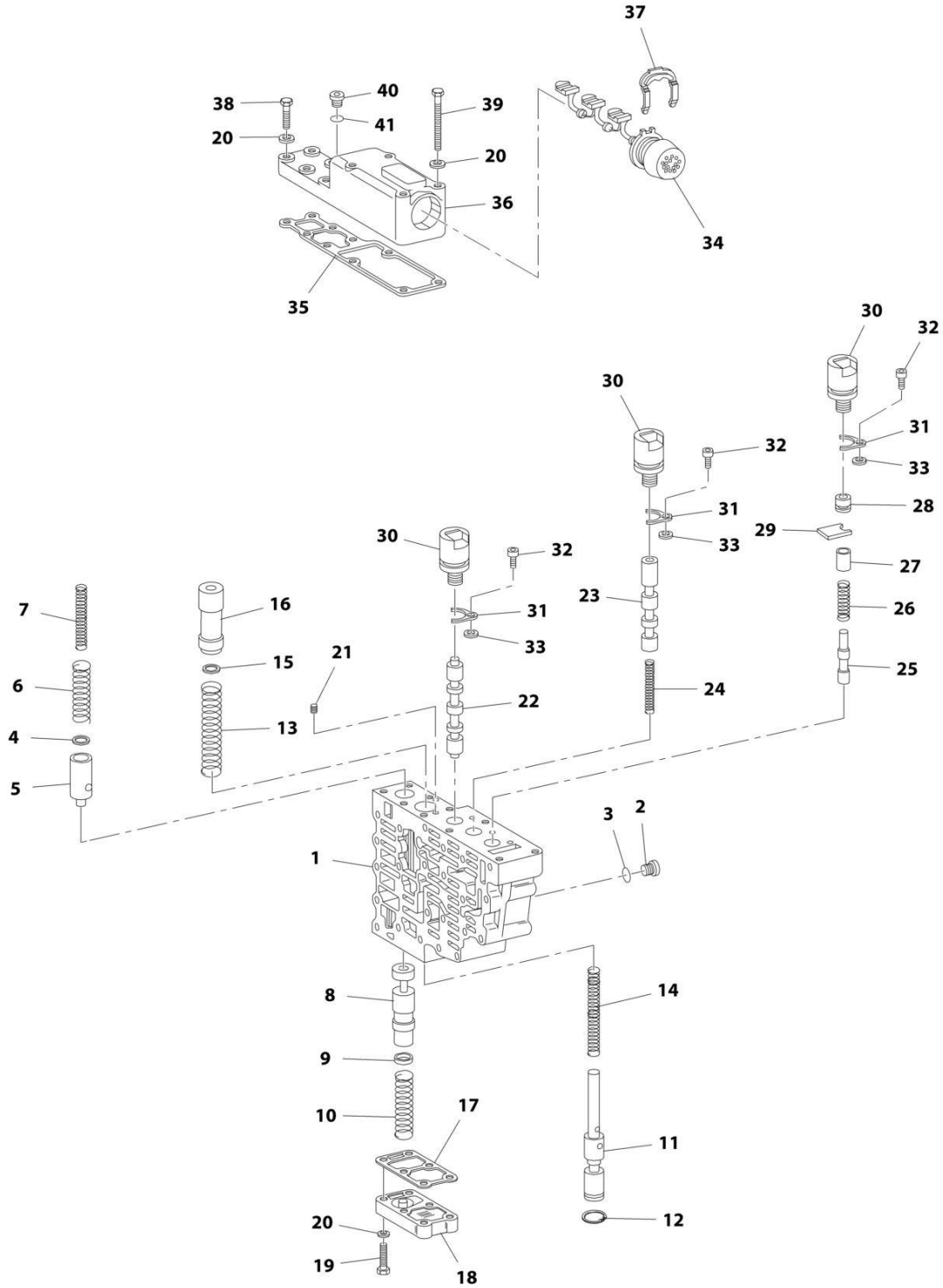
SECTION 5 - DRIVE TRAIN

FIGURE 5-13. TRANSMISSION, CONTROL UNIT

ITEM	PART NUMBER	QTY	DESCRIPTION	REV
	8841036	Ref	TRANSMISSION - CONTROL UNIT	
1	1319650	1	Gasket	
2	8036033	1	Plate, Duct	
3	10732072	1	Spring, Compression	
4	10732071	1	Ball	
5	1319652	1	Orifice	
6	1319661	19	Washer, 6.4	
7	70020425	1	Plate, Intermediate	
8	7029037	19	Bolt, M6X60	
9	1319659	43	Screw, Torx M8X30	
10	70020426	1	Plate, Intermediate	
11		Ref	Housing, Valve (See Separate Breakdown in this Section)	
12		Ref	Block, Valve (See Separate Breakdown in this Section)	

SECTION 5 - DRIVE TRAIN

FIGURE 5-14. TRANSMISSION, VALVE HOUSING ASSEMBLY



ART_8841036_13-C

SECTION 5 - DRIVE TRAIN

FIGURE 5-14. TRANSMISSION, VALVE HOUSING ASSEMBLY

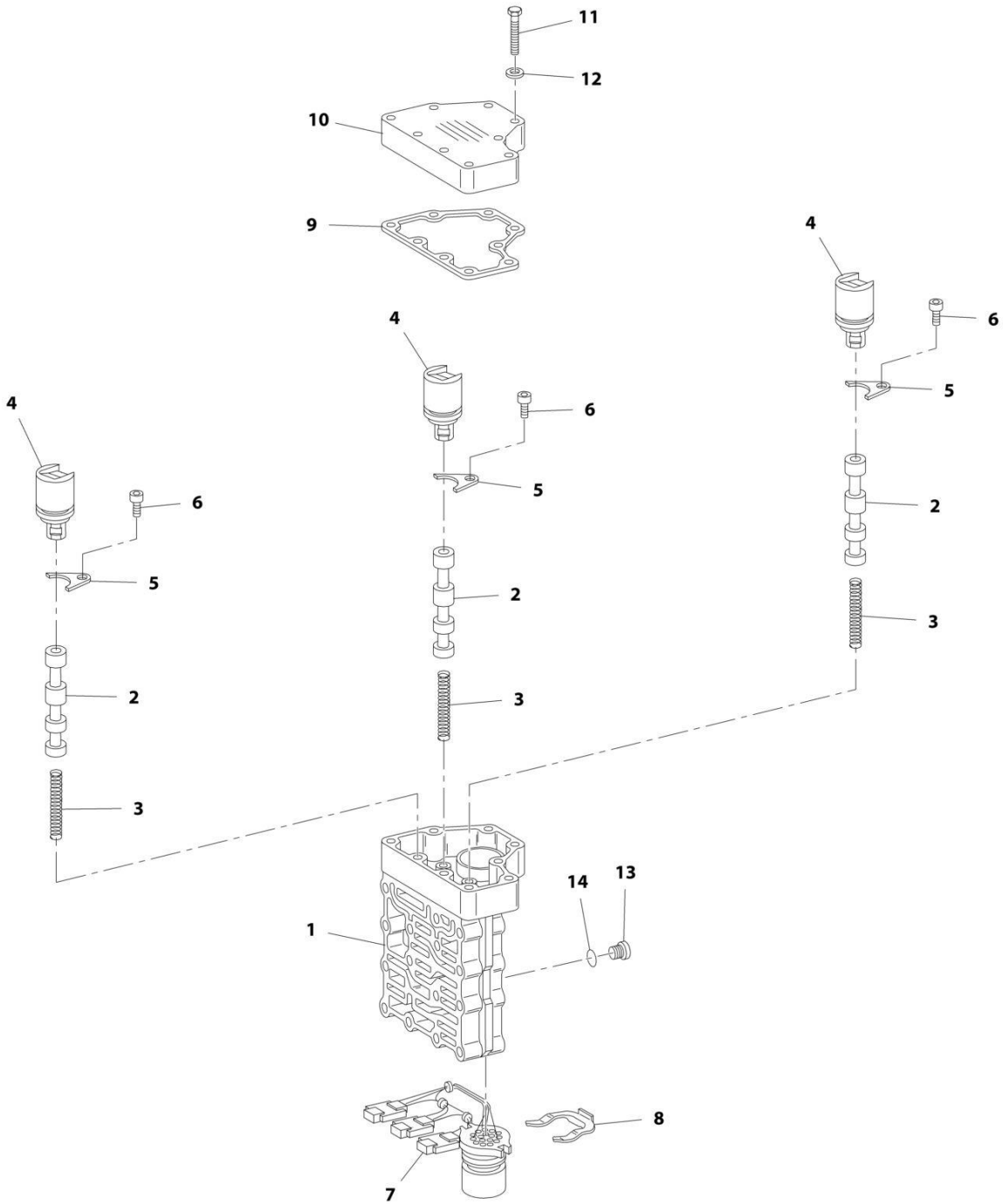
ITEM	PART NUMBER	QTY	DESCRIPTION	REV
	8841036	Ref	TRANSMISSION - VALVE HOUSING ASSEMBLY	
	8036040	Ref	Valve Housing Assembly	
1	1319671	1	Housing, Valve	
2	1319670	7	Plug, Screw M10X1	
3	10731709	7	O-Ring	
4	8036036	1	Washer, 1	
5	7029039	1	Piston	
6	1319673	1	Spring, Compression	
7	8036038	1	Spring, Compression	
8	1319674	1	Piston	
9	1319675	1	Washer, 3.6	
9	1319676	1	Washer, 3.2	
9	1319677	1	Washer, 2.8	
9	1319678	1	Washer, 2.4	
9	1319679	1	Washer, 2	
10	1319680	1	Spring, Compression	
11	1319681	1	Control, Piston	
12	1319682	1	Washer, Lock 12	
13	1319683	1	Spring, Compression	
14	1319684	1	Spring, Compression	
15	1319685	1	Washer, 2	
15	1319686	1	Washer, 1	
15	1319687	1	Washer, 0.5	
15	1319688	1	Washer, 0.3	
15	1319689	1	Washer, 0.2	
16	1319690	1	Piston	
17	1319691	1	Seal	
18	1319692	1	Cover	
19	1319693	6	Bolt, M6X25	
20	1319661	16	Washer, 6.4	
21	1319652	1	Orifice	
22	1319694	1	Valve	
23	1319695	1	Piston	
24	1319696	1	Spring, Compression	
25	1319697	1	Piston	
26	1319698	1	Spring, Compression	
27	1319699	1	Spacer, Sleeve	
28	1319700	1	Plug	
29	1319701	1	Plate, Fixing	
30	1319702	3	Valve, Solenoid	
31	10732063	3	Plate, Fixing	
32	1319703	3	Bolt, M5X12	
33	10732064	3	Washer, 2	
34	1319704	1	Harness, Wiring	
35	1319705	1	Seal	
36	8036039	1	Cover	
37	1319707	1	Clamp, Retaining	
38	1319693	6	Bolt, M6X25	
39	7029037	4	Bolt, M6X60	
40	1319670	1	Plug, Screw M10X1	

SECTION 5 - DRIVE TRAIN

ITEM	PART NUMBER	QTY	DESCRIPTION	REV
41	10731709	1	O-Ring	

SECTION 5 - DRIVE TRAIN

FIGURE 5-15. TRANSMISSION, VALVE BLOCK ASSEMBLY



ART_8841036_14-C

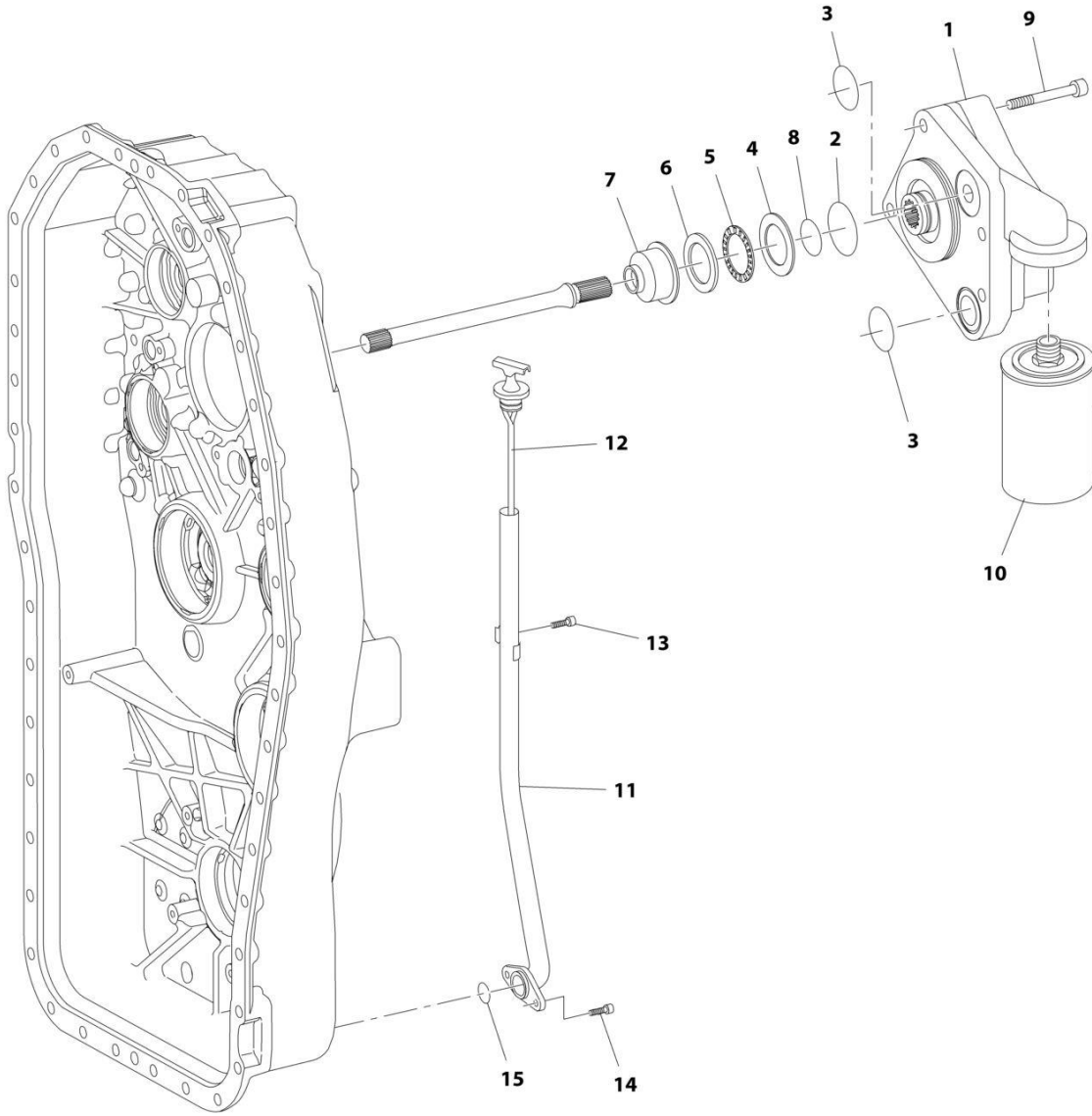
SECTION 5 - DRIVE TRAIN

FIGURE 5-15. TRANSMISSION, VALVE BLOCK ASSEMBLY

ITEM	PART NUMBER	QTY	DESCRIPTION	REV
	8841036	Ref	TRANSMISSION - VALVE BLOCK ASSEMBLY	
	1319717	Ref	Valve Block Assembly	
1	70020427	1	Block, Valve	
2	1319710	3	Piston	
3	1319696	3	Spring, Compression	
4	1319702	3	Valve, Solenoid	
5	10732063	3	Plate, Fixing	
6	1319703	3	Bolt, M5X12	
7	1319711	1	Harness, Wiring	
8	1319707	1	Clamp, Retaining	
9	1319712	1	Gasket	
10	1319713	1	Cover	
11	1319714	9	Bolt, M5X32	
12	1319715	9	Washer, 5.3	
13	1319670	3	Plug, Screw M10X1	
14	10731709	3	O-Ring	

SECTION 5 - DRIVE TRAIN

FIGURE 5-16. TRANSMISSION, OIL PUMP AND FILTER



ART_8841036_15-C

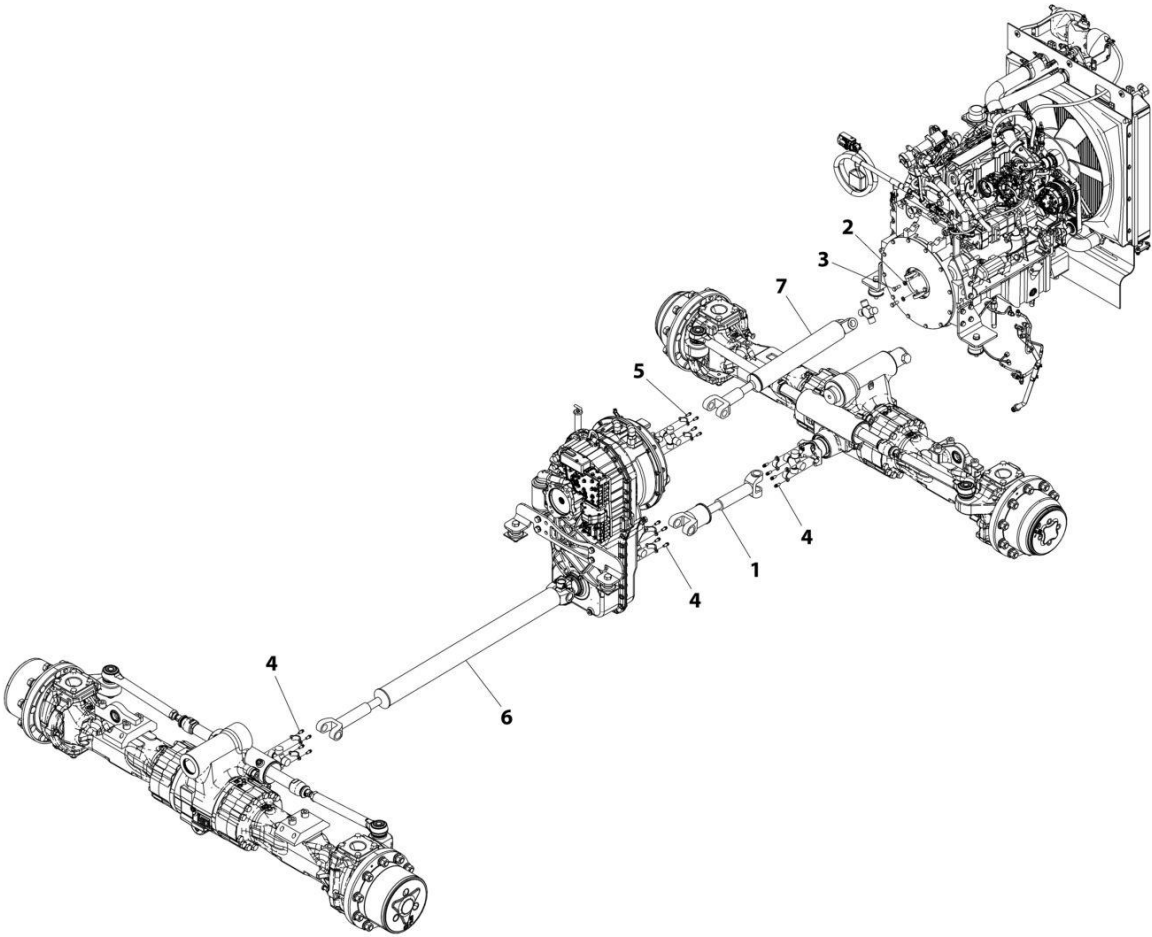
SECTION 5 - DRIVE TRAIN

FIGURE 5-16. TRANSMISSION, OIL PUMP AND FILTER

ITEM	PART NUMBER	QTY	DESCRIPTION	REV
	8841036	Ref	TRANSMISSION - OIL PUMP AND FILTER	
1	1319718	1	Pump	
1	7029417	1	O-Ring, (between pump halves), (not shown)	
2	8036250	1	O-Ring	
3	1319719	2	O-Ring	
4	1319720	1	Washer, Axial 40X60X1	
5	1319721	1	Cage, Axial Needle	
6	1319722	1	Disc, Angle	
7	1319723	1	Sleeve, Stop	
8	1319724	1	O-Ring	
9	1319725	4	Bolt, M12X115	
10	1319726	1	Filter, Transmission Oil	
11	8036041	1	Tube, Dipstick	
12	8036042	1	Dipstick	
13	1319585	1	Screw, M8X16	
14	1319582	1	Screw, M8X20	
15	70023885	1	O-Ring	

SECTION 5 - DRIVE TRAIN

FIGURE 5-17. DRIVE SHAFT INSTALLATION



ART_1001223727

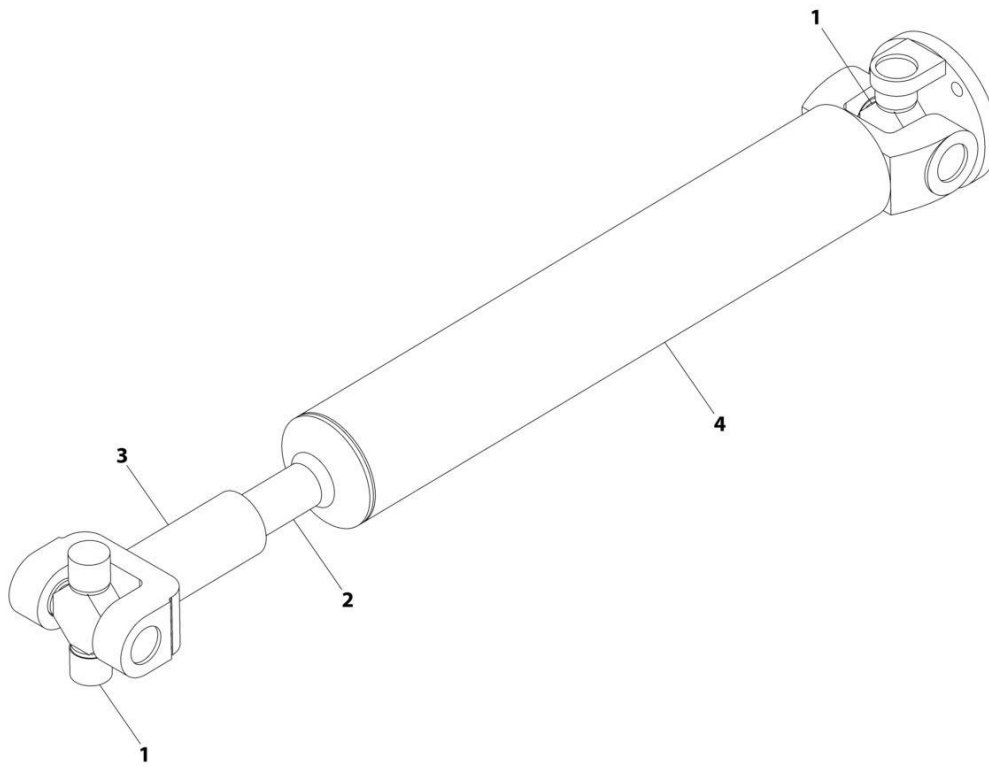
SECTION 5 - DRIVE TRAIN

FIGURE 5-17. DRIVE SHAFT INSTALLATION

ITEM	PART NUMBER	QTY	DESCRIPTION	REV
	1001223727	Ref	DRIVESHAFT INSTALLATION	B
1	7138639	1	Drive Shaft Assembly (Rear) See Separate Breakdown in this Section)	
2	8307006	4	Washer 7/16	
3	8310425	4	Bolt 7/16X1-1/4, Grade 8	
4	8880218-OM	4	Kit, Strap	
5	8880219-OM	1	Kit, Strap	
6	1001222870	1	Drive Shaft Assembly (Front) See Separate Breakdown in this Section)	
7	1001127784	1	Drive Shaft Assembly (Input) See Separate Breakdown in this Section)	

SECTION 5 - DRIVE TRAIN

FIGURE 5-18. DRIVE SHAFT ASSEMBLY (INPUT)



ART_1001127784-C

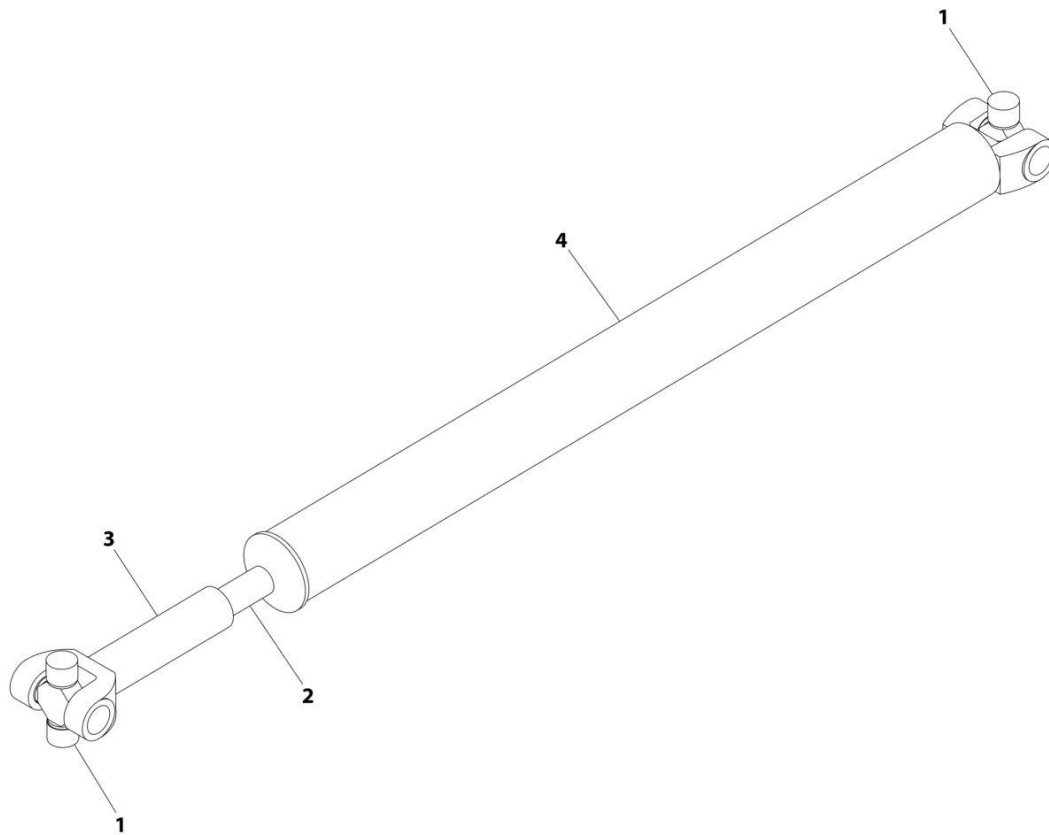
SECTION 5 - DRIVE TRAIN

FIGURE 5-18. DRIVE SHAFT ASSEMBLY (INPUT)

ITEM	PART NUMBER	QTY	DESCRIPTION	REV
	1001127784	Ref	Drive Shaft Input Assembly	C
1	1101841	2	Kit, Cross and Bearing	
2	8035109	1	Kit, Dust Cap	
3	See Note	NSS	Joint, Slip (Note: Purchase Complete Assembly)	
4	See Note	NSS	Shaft, Yoke (Note: Purchase Complete Assembly)	

SECTION 5 - DRIVE TRAIN

FIGURE 5-19. DRIVE SHAFT ASSEMBLY (FRONT)



ART_1001222870

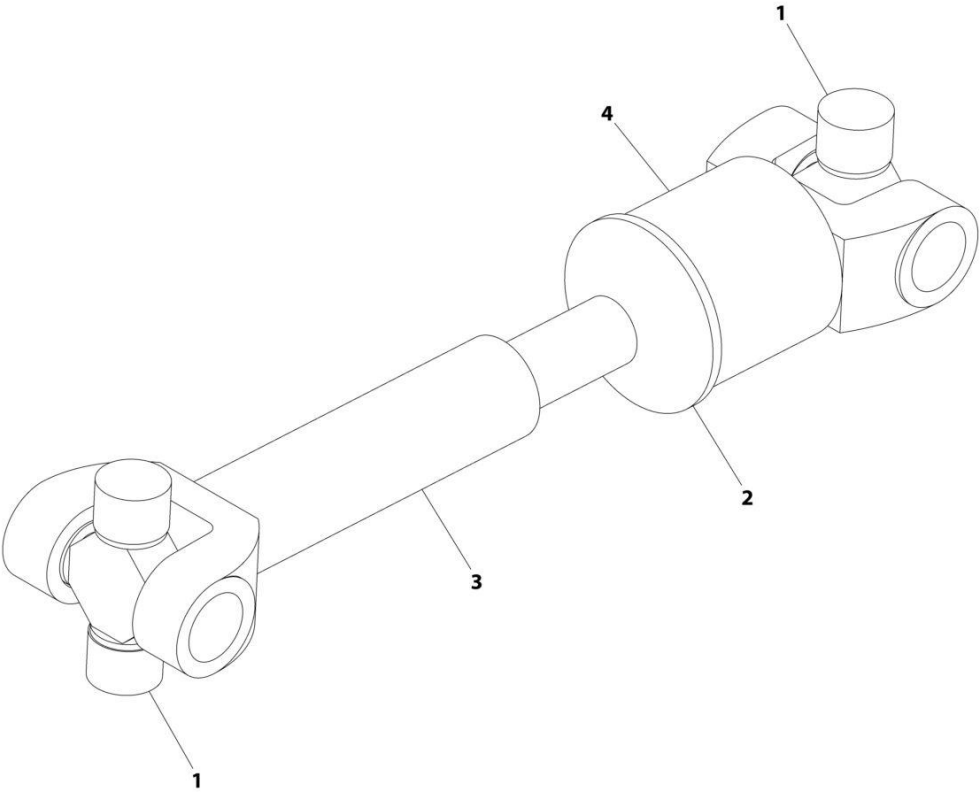
SECTION 5 - DRIVE TRAIN

FIGURE 5-19. DRIVE SHAFT ASSEMBLY (FRONT)

ITEM	PART NUMBER	QTY	DESCRIPTION	REV
	1001222870	Ref	Front Drive Shaft Assembly	E
1	7026911	1	Kit, Cross and Bearing (two required per drive shaft)	
2	8035109	2	Kit, Dust Cap (one required per drive shaft)	
3	N.S.S.	2	Joint, Slip	
4	N.S.S.	2	Shaft, Yoke	

SECTION 5 - DRIVE TRAIN

FIGURE 5-20. DRIVE SHAFT ASSEMBLY (REAR)



ART_7138639_G

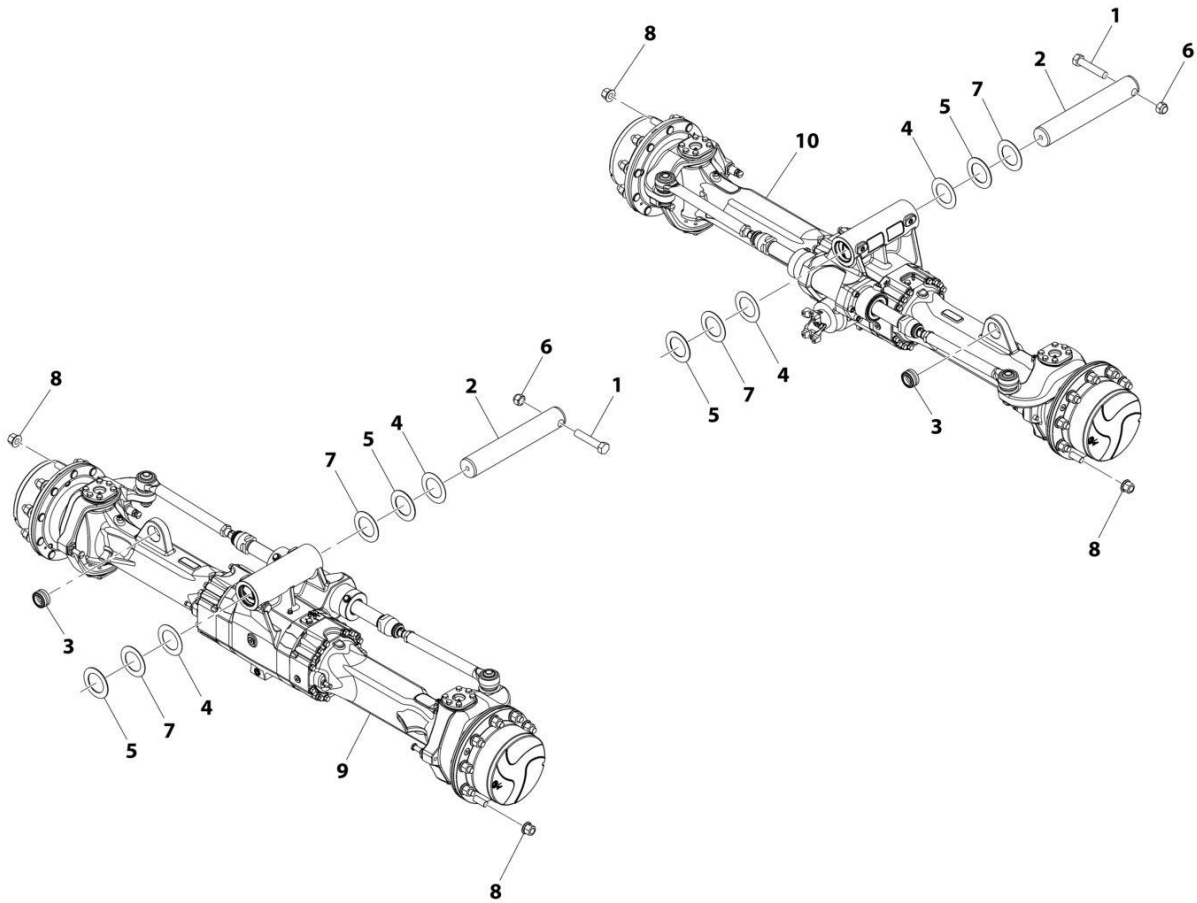
SECTION 5 - DRIVE TRAIN

FIGURE 5-20. DRIVE SHAFT ASSEMBLY (REAR)

ITEM	PART NUMBER	QTY	DESCRIPTION	REV
	7138639	Ref	Rear Drive Shaft Assembly	G
1	7026911	1	Kit, Cross and Bearing (two required per drive shaft)	
2	8035109	2	Kit, Dust Cap (one required per drive shaft)	
3	N.S.S.	2	Joint, Slip	
4	N.S.S.	2	Shaft, Yoke	

SECTION 5 - DRIVE TRAIN

FIGURE 5-21. AXLE INSTALLATION (110HP) (10042,10054,8042)



ART_1001222211

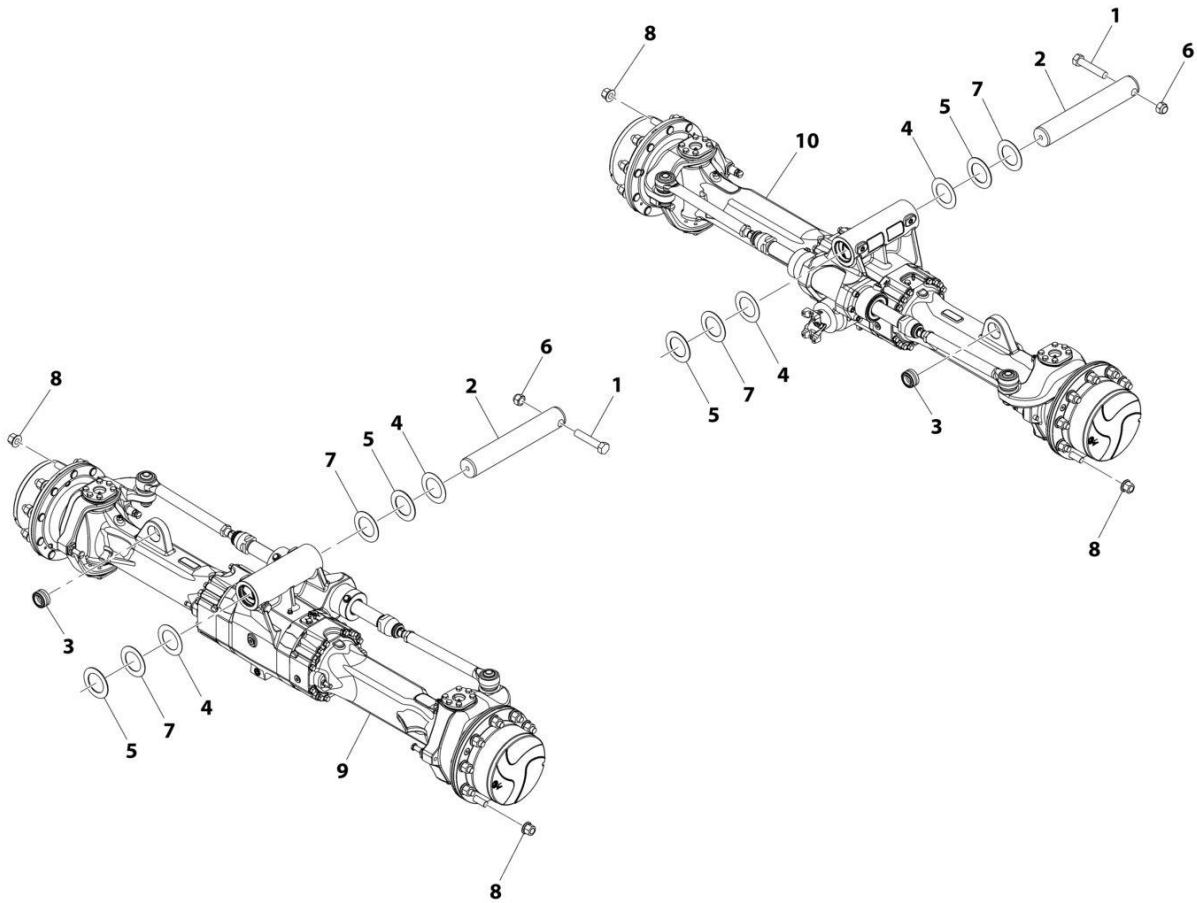
SECTION 5 - DRIVE TRAIN

FIGURE 5-21. AXLE INSTALLATION (110HP) (10042,10054,8042)

ITEM	PART NUMBER	QTY	DESCRIPTION	REV
	1001222211	Ref	Axle Installation (110HP)	D
1	0642640	2	Bolt, 1X5	
2	3423254	2	Axle Pivot Pin,	
3	8050001	2	Bearing	
4	1001245213	4	Shim Axle, 0.060	
5	1001245215	4	Shim Axle, 0.120	
6	8310116	2	Hex Locknut, 1-8	
7	1001245214	4	Shim Axle, 0.090	
8	91403193	40	Lug Nut, M22X1-1/2	
9	1001220490	1	Front Axle (See Separate Breakdown in this Section)	
10	1001220491	1	Rear Axle (See Separate Breakdown in this Section)	

SECTION 5 - DRIVE TRAIN

FIGURE 5-22. AXLE INSTALLATION (74HP)



ART_1001229921

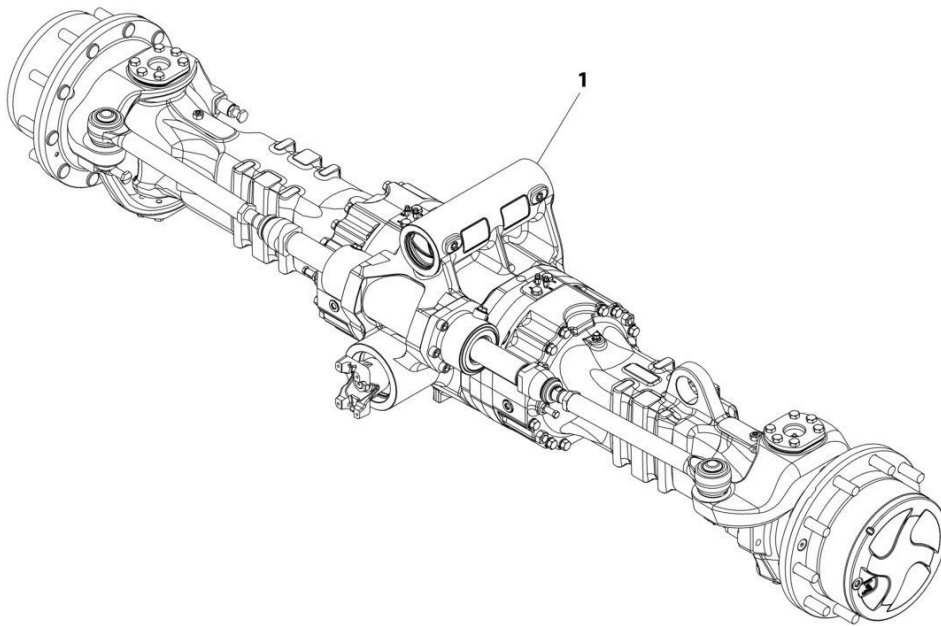
SECTION 5 - DRIVE TRAIN

FIGURE 5-22. AXLE INSTALLATION (74HP)

ITEM	PART NUMBER	QTY	DESCRIPTION	REV
	1001229921	Ref	Axle Installation, 74HP	C
1	0642640	2	Bolt, 1X5	
2	3423254	2	Pin, Axle Pivot	
3	8050001	2	Bearing, Self-Align	
4	1001245213	AR	Washer, Shim 0.06	
5	1001245214	AR	Washer, Shim 0.09	
6	8310116	2	Nut 1	
7	1001245215	AR	Washer, Shim 0.12	
8	91403193	40	Nut, Lug M22X1-1/2	
	1005798200	1	Installation, Front Axle, 74HP - 10042/10054 (See Separate Breakdown in this Section)	
	1005798300	1	Installation, Rear Axle, 74HP - 10042/10054 (See Separate Breakdown in this Section)	

SECTION 5 - DRIVE TRAIN

FIGURE 5-23. FRONT AXLE INSTALLATION (74HP)



ART_1005798200_E

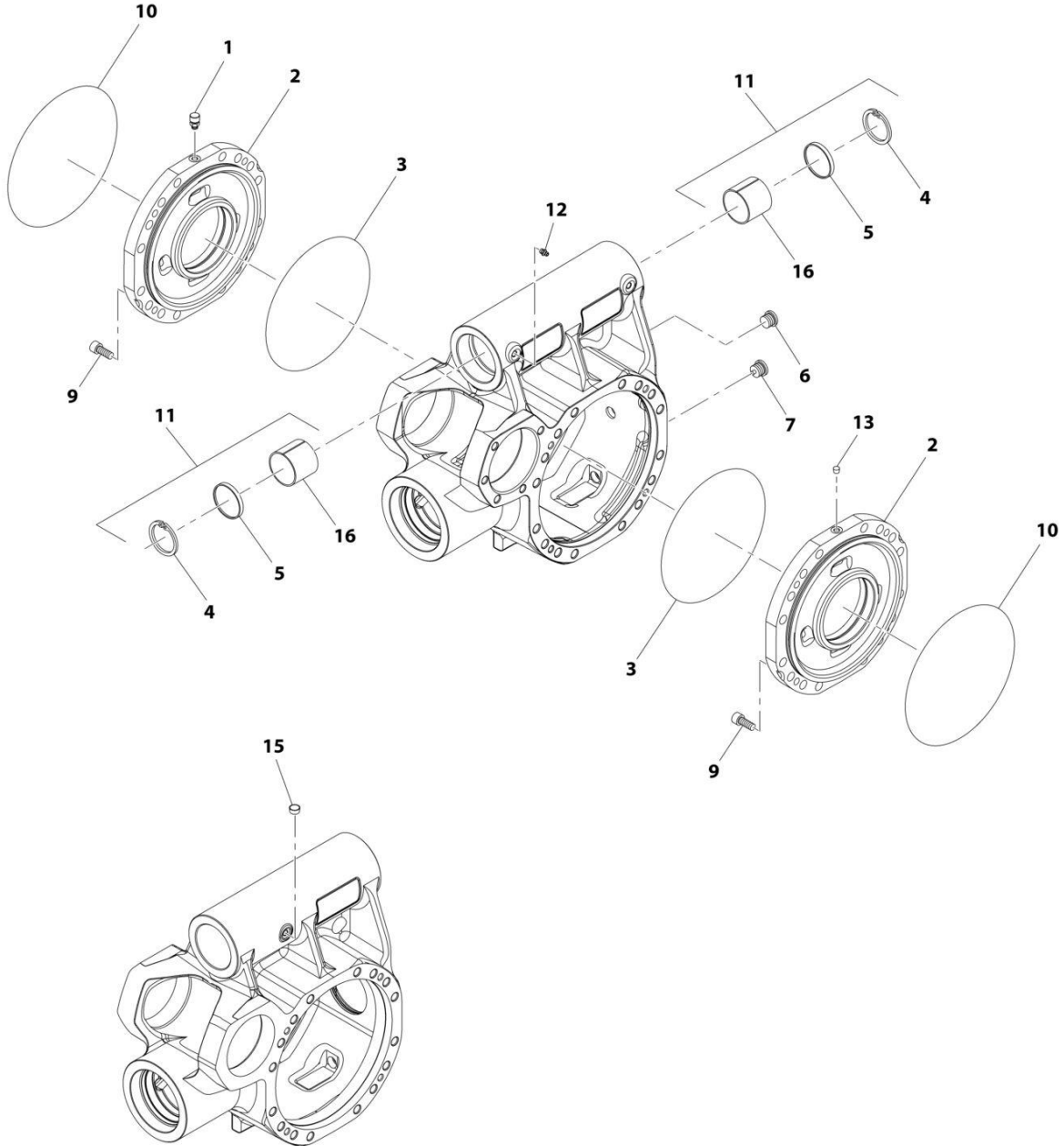
SECTION 5 - DRIVE TRAIN

FIGURE 5-23. FRONT AXLE INSTALLATION (74HP)

ITEM	PART NUMBER	QTY	DESCRIPTION	REV
1	1005798200	Ref	Front Axle	E
		Ref	Front Axle, Central Housing (See Separate Breakdown in this Section)	
		Ref	Front Axle, Differential (See Separate Breakdown in this Section)	
		Ref	Front Axle, Hub Reduction (See Separate Breakdown in this Section)	
		Ref	Front Axle, Brakes (See Separate Breakdown in this Section)	
		Ref	Front Axle, Steering (See Separate Breakdown in this Section)	

SECTION 5 - DRIVE TRAIN

FIGURE 5-24. FRONT AXLE - CENTRAL HOUSING (74HP)



ART_1005798200-1

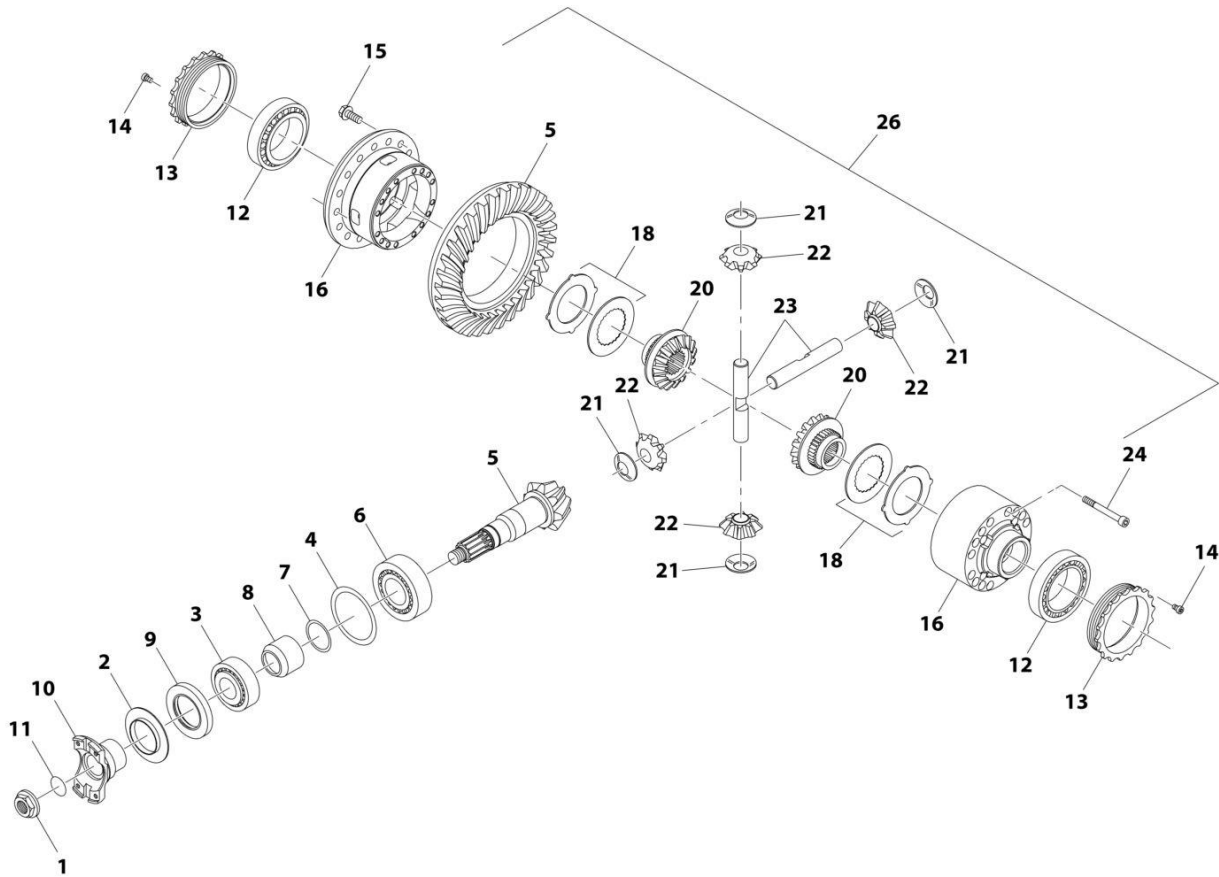
SECTION 5 - DRIVE TRAIN

FIGURE 5-24. FRONT AXLE - CENTRAL HOUSING (74HP)

ITEM	PART NUMBER	QTY	DESCRIPTION	REV
	1005798200	Ref	FRONT AXLE, CENTRAL HOUSING	E
1	91474512	1	Vent	
2	7029288	2	Intermediate Cover	
3	80204002	2	O-Ring	
4	70028939	2	Ring	
5	70028974	2	Seal	
6	70028389	1	Plug	
7	70028388	1	Plug	
9	91514101	8	Bolt	
10	91514089	2	O-Ring	
11	70029482	1	Housing	
12	70024881	2	Grease Fitting	
13	80204012	1	Plug	
15	70028938	1	Plug	
16	70028886	2	Thrust Bushing	

SECTION 5 - DRIVE TRAIN

FIGURE 5-25. FRONT AXLE - DIFFERENTIAL (74HP)



ART_1005798200-2

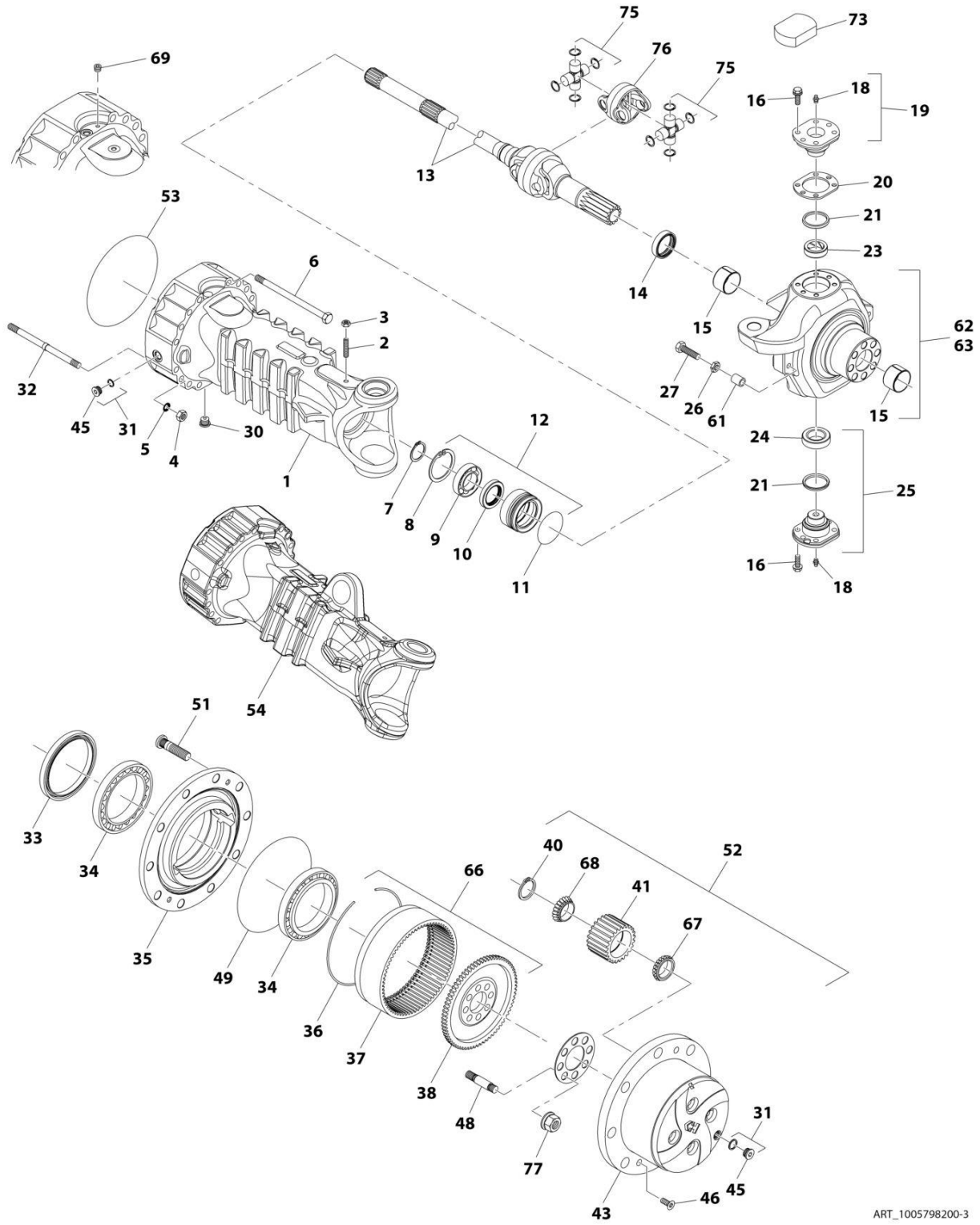
SECTION 5 - DRIVE TRAIN

FIGURE 5-25. FRONT AXLE - DIFFERENTIAL (74HP)

ITEM	PART NUMBER	QTY	DESCRIPTION	REV
	1005798200	Ref	FRONT AXLE, DIFFERENTIAL	E
1	80204043	1	Nut	
2	91514130	1	Cover Plate	
3	80204048	1	Taper Roller Bearing	
4	70029483	1	Shim Kit	
5	70028391	1	Bevel Gear Set	
6	80204035	1	Taper Roller Bearing	
7	70023494	1	Ring	
8	70022140	1	Spacer	
9	70025887	1	Seal	
10	91514131	1	Flange	
11	10725554	1	O-Ring	
12	80204033	2	Taper Roller Bearing	
13	91514133	2	Ring Nut	
14	91514134	2	Bolt	
15	70025562	16	Bolt	
16	70024004	1	Differential Carrier	
18	70026750	2	Clutch Disc	
20	70025856	2	Gear, Differential Side	
21	70027105	4	Friction Washer	
22	70025339	4	Differential Pinion	
23	70023490	2	Differential Shaft	
24	91514143	15	Bolt	
26	70028390	1	Differential	

SECTION 5 - DRIVE TRAIN

FIGURE 5-26. FRONT AXLE - HUB REDUCTION (74HP)



ART_1005798200-3

SECTION 5 - DRIVE TRAIN

FIGURE 5-26. FRONT AXLE - HUB REDUCTION (74HP)

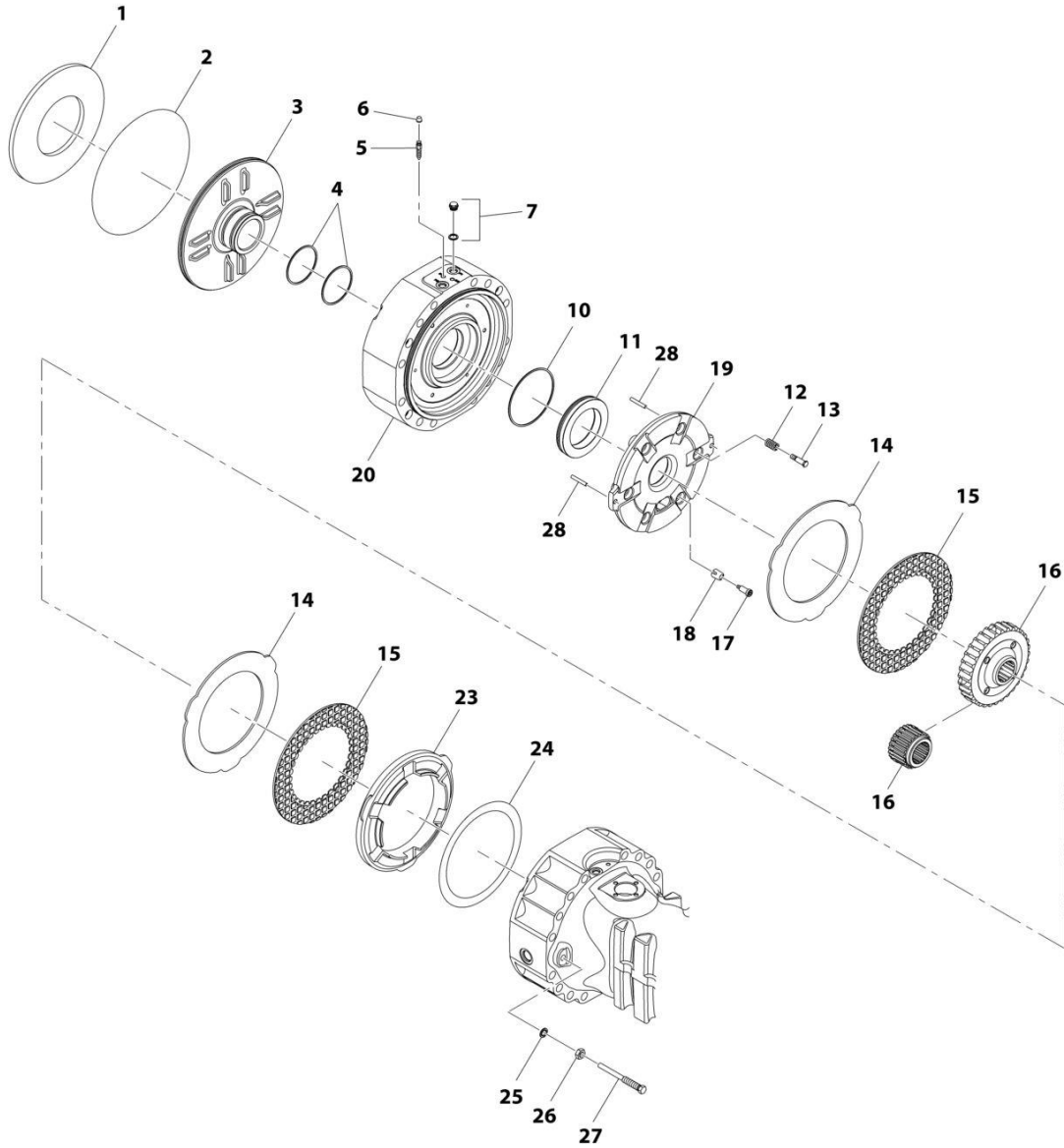
ITEM	PART NUMBER	QTY	DESCRIPTION	REV
	1005798200	Ref	FRONT AXLE, HUB REDUCTION	E
1	70029484	1	Axle Case	
2	91514081	2	Bolt	
3	91514082	2	Nut	
4	91514083	8	Nut	
5	91514084	8	Washer	
6	7029309	24	Bolt	
7	80204071	2	Circlip	
8	80204005	2	Circlip	
9	91514146	2	Bearing, Ball	
10	91514147	2	Seal	
11	91514148	2	O-Ring	
12	91514149	2	Reduction Bushing	
13	70026066	2	Double Universal Joint	
14	70025857	2	Seal	
15	91514111	2	Thrust Bushing	
16	70025562	24	Bolt	
18	70024881	4	Grease Fitting	
19	70028890	2	Pivot Pin	
20	70025561	1	Shim Kit	
21	7028716	4	Dust Seal	
23	7028714	2	Bushing	
24	91514095	2	Bearing	
25	70028891	2	Pivot Pin	
26	80204065	4	Nut	
27	70028975	4	Bolt	
30	70028388	2	Plug	
31	91514188	2	Plug	
32	70024851	8	Stud	
33	70026002	2	Seal	
34	80204076	4	Tapered Roller Bearing	
35	91514174	2	Wheel Hub	
36	91514175	2	Circlip	
37	70024147	2	Ring Gear	
38	91514177	2	Ring Gear Support	
40	70028926	8	Snap Ring	
41	70028924	8	Planet Gear	
43	70029486	2	Planet Gear Carrier	
45	70028389	2	Plug	
46	91514189	4	Bolt, Countersunk	
48	91514180	16	Stud	
49	91514181	2	O-Ring	
51	91514183	20	Wheel Stud	
52	70029454	2	Planet Gear Carrier Assembly	
53	91514089	2	O-Ring	
54	70029544	1	Axle Case	
61	7029311	4	Spacer	
62	70029488	1	Steering Case Assembly (LF)	
63	70029489	1	Steering Case Assembly (RF)	
66	70024146	2	Ring Gear Support Kit	

SECTION 5 - DRIVE TRAIN

ITEM	PART NUMBER	QTY	DESCRIPTION	REV
67	70028923	8	Tapered Roller Bearing	
68	70028922	8	Tapered Roller Bearing	
69	80204012	2	Plug	
73	70028392	2	Cover	
75	70023829	2	Joint Cross	
76	70023116	1	Center Body	
77	70029545	16	Nut	

SECTION 5 - DRIVE TRAIN

FIGURE 5-27. FRONT AXLE - BRAKES (74HP)



ART_1005798200-4

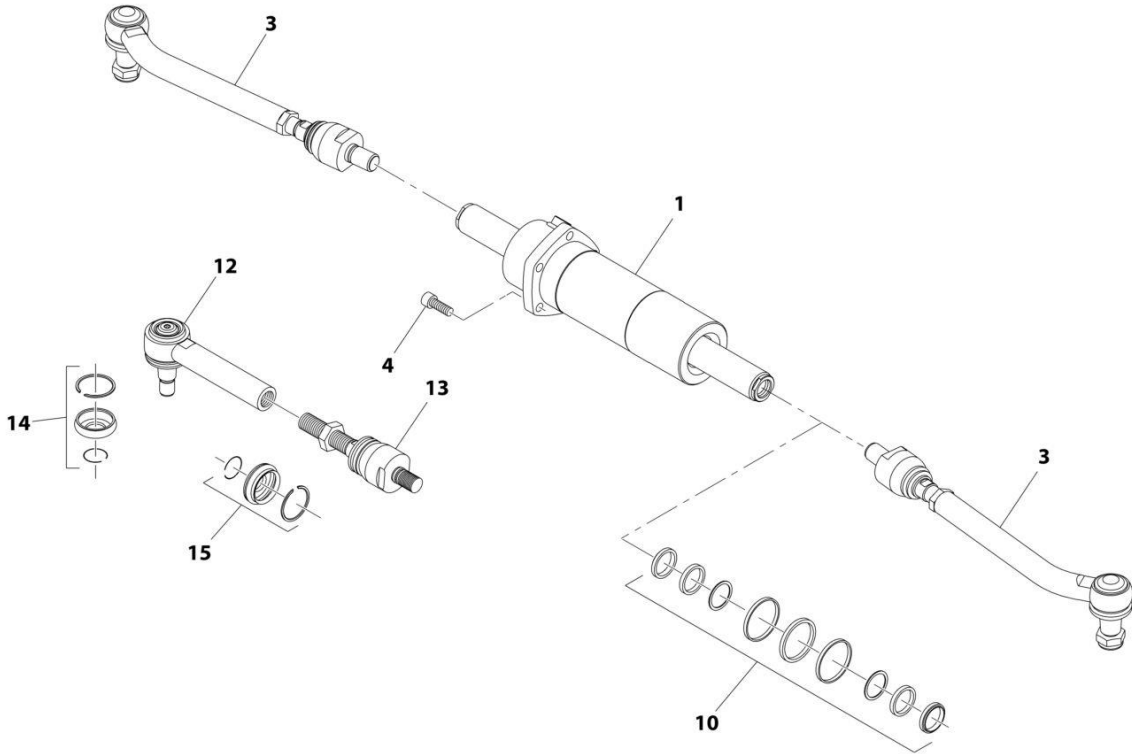
SECTION 5 - DRIVE TRAIN

FIGURE 5-27. FRONT AXLE - BRAKES (74HP)

ITEM	PART NUMBER	QTY	DESCRIPTION	REV
	1005798200	Ref	FRONT AXLE, BRAKES	E
1	91514151	2	Belleville Washer	
2	91514089	2	O-Ring	
3	70027092	2	Piston	
4	70026262	4	Seal	
5	80204281	4	Bleeding Bolt	
6	80204117	4	Plug	
7	91514154	4	Bolt	
10	70026263	2	Seal	
11	70027796	2	Piston	
12	91514159	6	Spring	
13	70024210	6	Adjusting Bolt	
14	70027022	6	Intermediate Brake Disc	
15	7029735	6	Brake Disc	
16	7029734	2	Reduction Bushing	
17	7029787	6	Adjusting Bolt	
18	70027317	6	Spring	
19	70024849	2	Disc, Intermediate Brake	
20	70024848	2	Cover	
23	70026264	2	Spacer	
24	70025970	1	Shim	
25	80204108	4	Lockwasher	
26	80204060	4	Nut	
27	70024213	4	Bolt, M22 x 245/2	
28	70024215	4	Dowel	

SECTION 5 - DRIVE TRAIN

FIGURE 5-28. FRONT AXLE - STEERING (74HP)



ART_1005798200-5

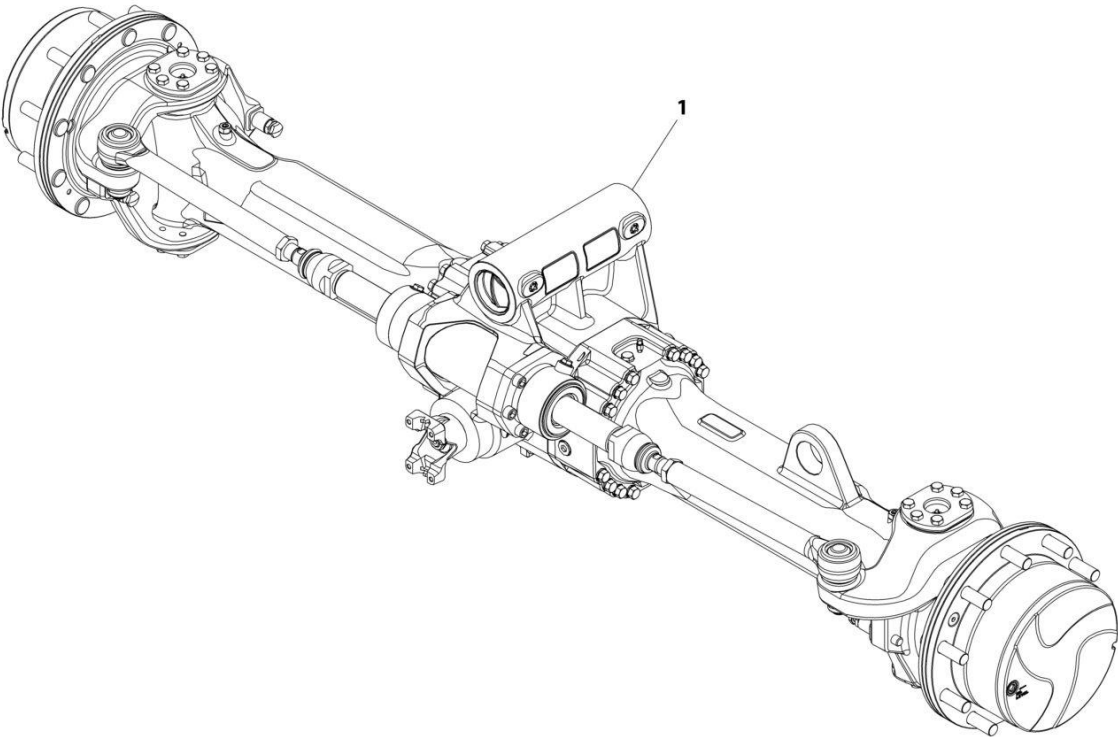
SECTION 5 - DRIVE TRAIN

FIGURE 5-28. FRONT AXLE - STEERING (74HP)

ITEM	PART NUMBER	QTY	DESCRIPTION	REV
	1005798200	Ref	FRONT AXLE, STEERING	E
1	70028947	1	Cylinder	
3	70028948	2	Tie Rod	
4	80204144	5	Cylinder Bolt	
10	7029127	1	Seal Kit	
12	70028949	1	Joint, 90	
13	70028950	1	Axial Joint Shaft	
14	70028951	1	Rubber Boot and Locking Ring Kit	
15	70028952	1	Rubber Boot and Locking Ring Kit	

SECTION 5 - DRIVE TRAIN

FIGURE 5-29. REAR AXLE INSTALLATION (74HP)



ART_1005798300

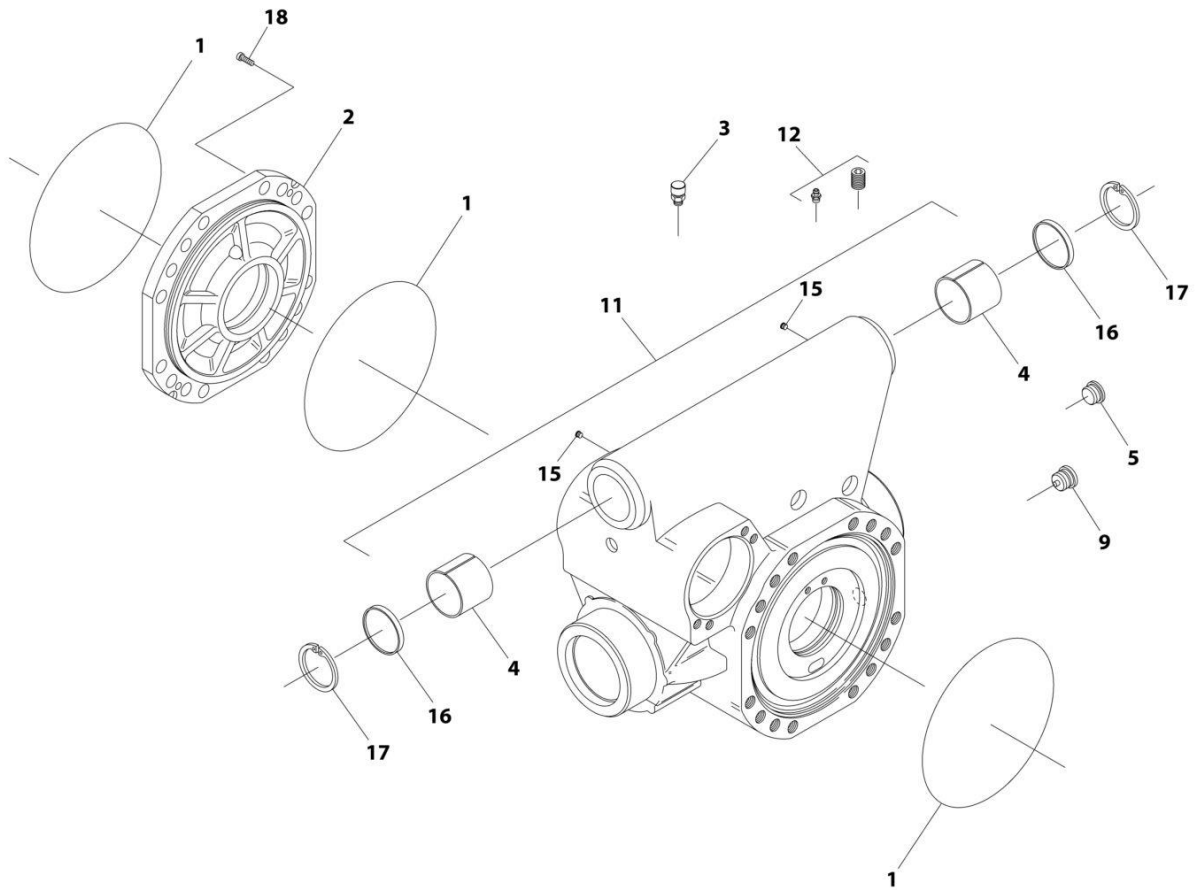
SECTION 5 - DRIVE TRAIN

FIGURE 5-29. REAR AXLE INSTALLATION (74HP)

ITEM	PART NUMBER	QTY	DESCRIPTION	REV
	1005798300	Ref	Rear Axle Installation	D
		Ref	Rear Axle, Central Housing (See Separate Breakdown in this Section)	
		Ref	Rear Axle, Differential (See Separate Breakdown in this Section)	
		Ref	Rear Axle, Hub Reduction (See Separate Breakdown in this Section)	
		Ref	Rear Axle, Brakes (See Separate Breakdown in this Section)	
		Ref	Rear Axle, Steering (See Separate Breakdown in this Section)	

SECTION 5 - DRIVE TRAIN

FIGURE 5-30. REAR AXLE - CENTRAL HOUSING (74HP)



ART_1005798100_1

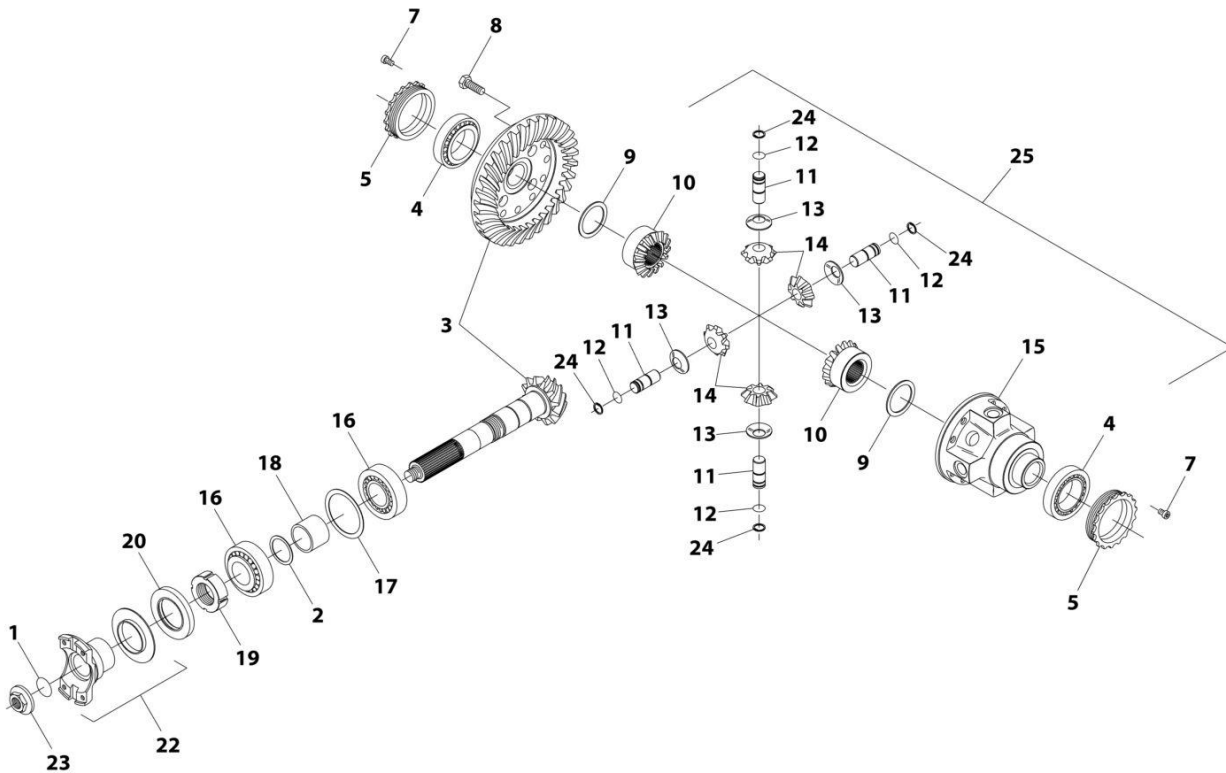
SECTION 5 - DRIVE TRAIN

FIGURE 5-30. REAR AXLE - CENTRAL HOUSING (74HP)

ITEM	PART NUMBER	QTY	DESCRIPTION	REV
	1005798300	Ref	REAR AXLE, CENTRAL HOUSING	D
1	91474507	3	O-Ring	
2	70024519	1	Cover	
3	91474512	1	Vent	
4	70028886	2	Thrust Bushing	
5	91514188	1	Plug	
9	7028706	1	Magnet Plug	
11	N.S.S.	1	Housing	
12	70024881	2	Fitting, Grease	
15	70028938	2	Plug	
16	70028974	2	Seal	
17	70028939	2	Ring	
18	91474591	4	Bolt	

SECTION 5 - DRIVE TRAIN

FIGURE 5-31. REAR AXLE - DIFFERENTIAL (74HP)



ART_1005798300_2

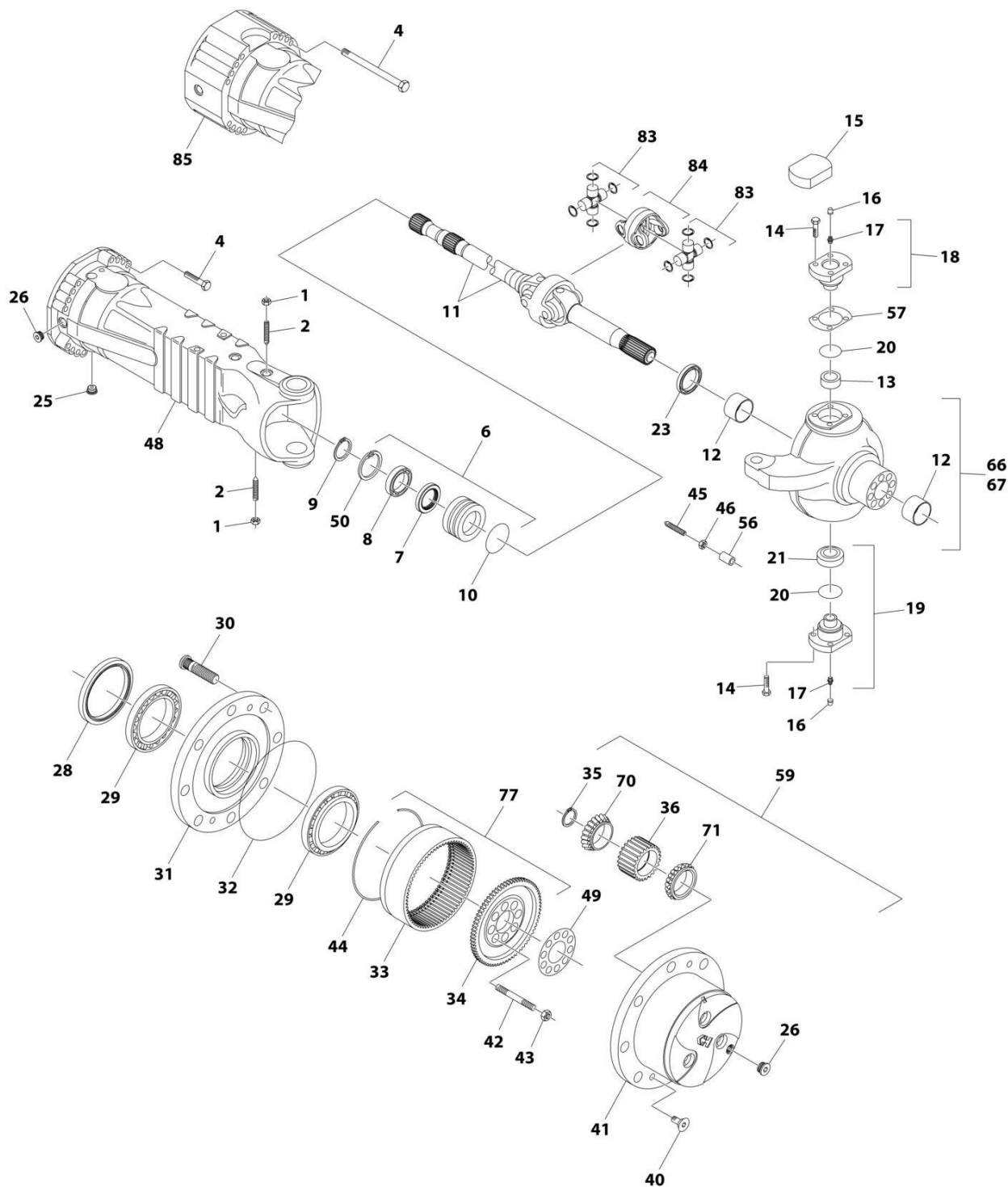
SECTION 5 - DRIVE TRAIN

FIGURE 5-31. REAR AXLE - DIFFERENTIAL (74HP)

ITEM	PART NUMBER	QTY	DESCRIPTION	REV
	1005798300	Ref	REAR AXLE, DIFFERENTIAL	D
1	91474529	1	O-Ring	
2	70025556	1	Shim Kit	
3	70026139	1	Bevel Gear Set	
4	70028471	2	Bearing, Taper Roller	
5	91474547	2	Nut, Ring	
7	91514134	2	Bolt	
8	70025562	12	Bolt	
9	91474593	2	Washer, Friction	
10	70025569	2	Gear, Differential Side	
11	7029131	4	Pin	
12	91474551	4	Circlip	
13	91474553	4	Washer, Friction	
14	70025570	4	Pinion, Differential	
15	91474595	1	Carrier, Differential	
16	3968141	2	Bearing, Taper Roller	
17	70025555	1	Shim Kit	
18	91474539	1	Spacer	
19	91474533	1	Nut, Ring	
20	70024522	1	Seal	
22	70022797	1	Flange	
23	70026631	1	Nut	
24	91474550	4	Circlip	
25	70021140	1	Kit, Differential (Includes Items 9-15 & 24)	

SECTION 5 - DRIVE TRAIN

FIGURE 5-32. REAR AXLE - HUB REDUCTION (74HP)



ART_1005798300_3-D

SECTION 5 - DRIVE TRAIN

FIGURE 5-32. REAR AXLE - HUB REDUCTION (74HP)

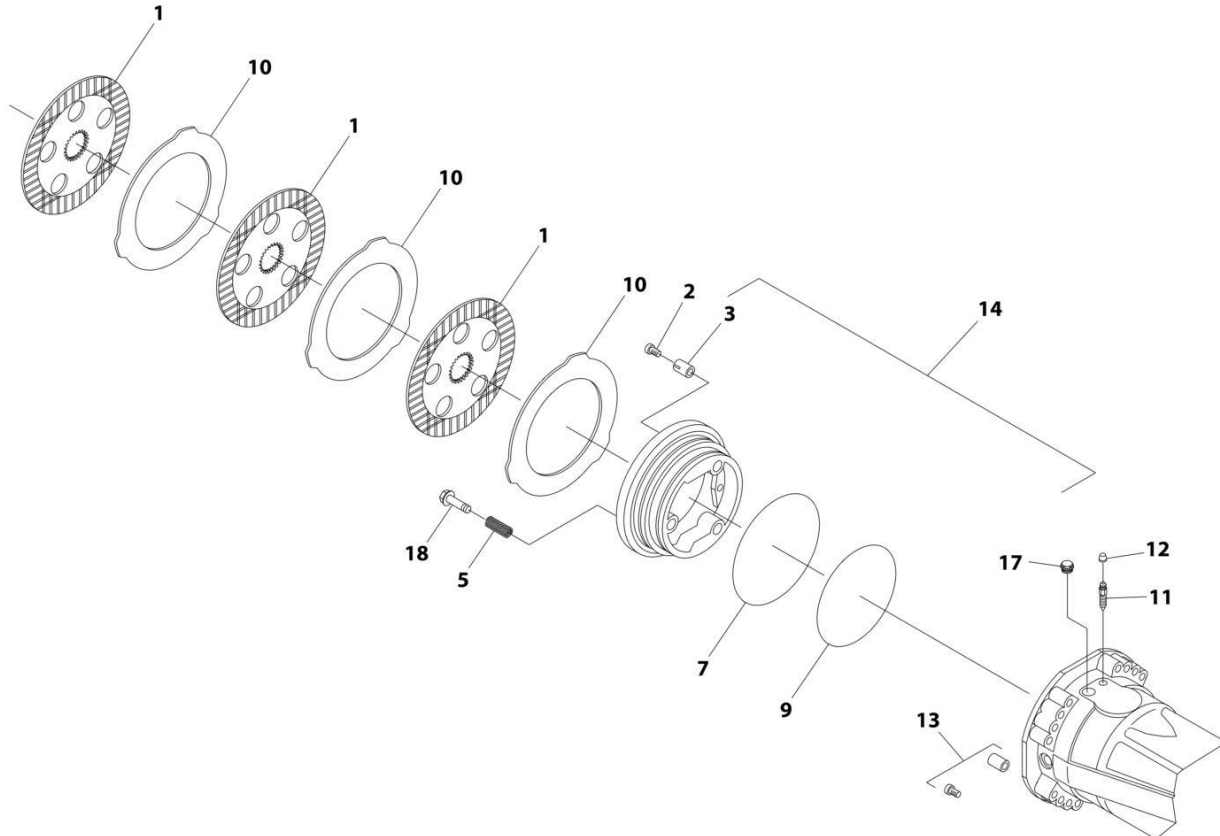
ITEM	PART NUMBER	QTY	DESCRIPTION	REV
	1005798300	Ref	REAR AXLE, HUB REDUCTION	D
1	91514082	2	Nut	
2	91514081	2	Bolt	
4	70022799	32	Bolt	
6	91514149	2	Reduction Bushing (Includes Items 7, 8, 10 & 50)	
7	91514147	2	Seal	
8	91514146	2	Ball Bearing	
9	80204071	2	Circlip	
10	91514148	2	O-Ring	
11	70026803	2	Joint & Shaft, Double Universal	
12	91514111	2	Bushing, Thrust	
13	7028714	2	Bushing	
14	70025562	24	Bolt	
15	70028392	2	Cover	
16	80204117	2	Plug	
17	70024881	4	Fitting, Grease	
18	70028890	2	Pivot Pin	
19	70028891	2	Pivot Pin	
20	7028716	4	Seal, Dust	
21	91514095	2	Bearing	
23	70026238	2	Seal	
25	7028706	4	Plug, Magnet	
26	91514188	2	Plug	
28	7028721	2	Seal	
29	91474576	4	Bearing	
30	91514183	20	Wheel Stud	
31	7028722	2	Wheel Hub	
32	91514181	2	O-Ring	
33	70029546	2	Gear, Ring	
34	70026812	2	Support, Ring Gear	
35	70028925	3	Circlip	
36	70028941	6	Differential Pinion	
40	91514189	4	Bolt, Countersunk	
41	N.S.S.	1	Planet Gear Carrier (Use Item 59)	
42	70027315	16	Stud	
43	91474584	16	Nut	
44	91514175	2	Circlip	
45	70028975	4	Bolt	
46	80204065	4	Nut	
48	70028976	1	Case, Axle	
49	70026622	2	Plate, Locking	
50	80204005	2	Circlip	
56	7029311	2	Spacer	
57	70025561	1	Kit, Shim	
59	70028881	2	Kit, Planet Gear	
66	70029471	1	Steering Case (LR)	
67	70029472	1	Steering Case (RR)	
70	7028731	6	Bearing	
71	7028732	NLA	Bearing (Use/Order both PN 70031458 & 70031459 as Replacement)	

SECTION 5 - DRIVE TRAIN

ITEM	PART NUMBER	QTY	DESCRIPTION	REV
71	70031458	6	Bearing	
71	70031459	6	Bearing	
77	70029547	1	Gear Ring Kit	
83	70028943	2	Cross Joint	
84	70028944	1	Center Section Joint	
85	70028977	1	Case, Axle	

SECTION 5 - DRIVE TRAIN

FIGURE 5-33. REAR AXLE - BRAKES (74HP)



ART_1005798300_4

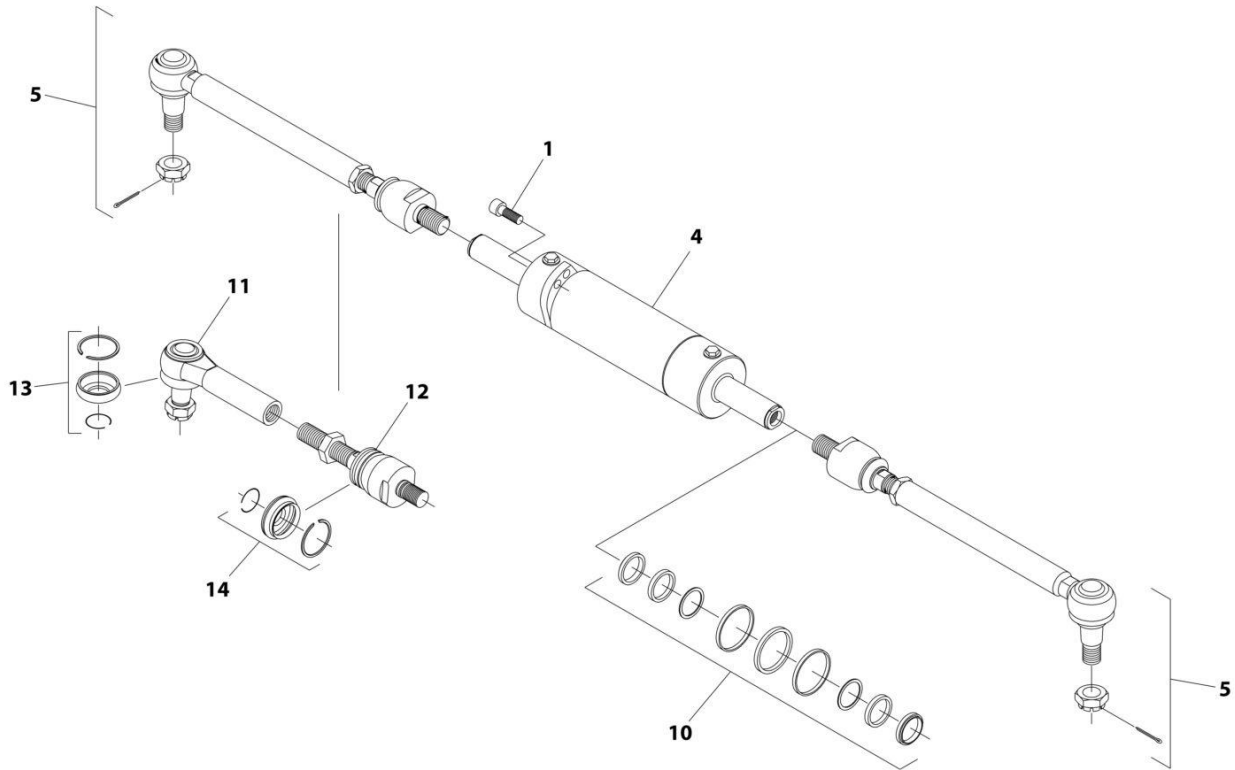
SECTION 5 - DRIVE TRAIN

FIGURE 5-33. REAR AXLE - BRAKES (74HP)

ITEM	PART NUMBER	QTY	DESCRIPTION	REV
	1005798300	Ref	REAR AXLES, BRAKES	D
1	91474568	8	Disc	
2	7029786	6	Adjusting Bolt	
3	70027317	6	Spring	
5	91514159	6	Spring	
7	70025821	2	O-Ring	
9	70025822	2	O-Ring	
10	70025823	10	Disc, Intermediate Brake	
11	80204281	2	Bolt, Bleeding	
12	80204117	2	Plug	
13	70021613	2	Bolt	
14	70027772	2	Piston	
17	91514154	2	Bolt	
18	70024210	6	Bolt	

SECTION 5 - DRIVE TRAIN

FIGURE 5-34. REAR AXLE - STEERING (74HP)



ART_1005798300_5

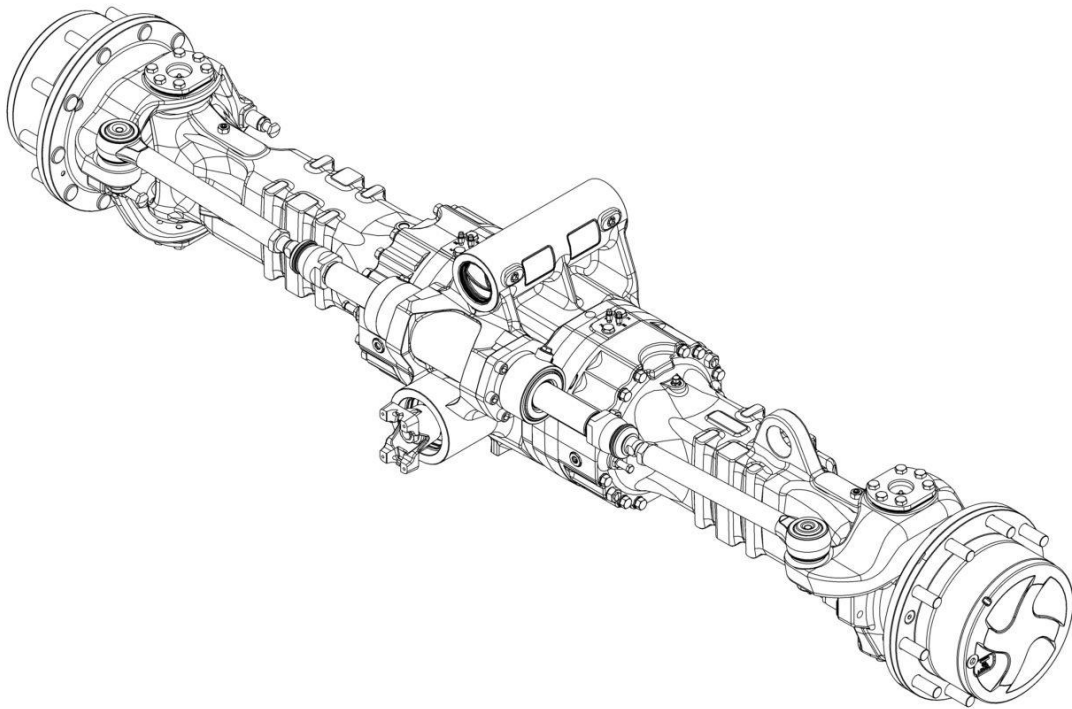
SECTION 5 - DRIVE TRAIN

FIGURE 5-34. REAR AXLE - STEERING (74HP)

ITEM	PART NUMBER	QTY	DESCRIPTION	REV
	1005798300	Ref	REAR AXLE, STEERING	D
1	80204144	5	Bolt	
4	70028947	1	Cylinder	
5	70028948	2	Tie Rod	
10	7029127	1	Kit, Seal	
11	70028949	1	Joint, 90	
12	70028950	1	Axial Joint Shaft	
13	70028951	1	Rubber Boot and Locking Ring Kit	
14	70028952	1	Rubber Boot and Locking Ring Kit	

SECTION 5 - DRIVE TRAIN

FIGURE 5-35. FRONT AXLE INSTALLATION (110HP)



ART_1001220490

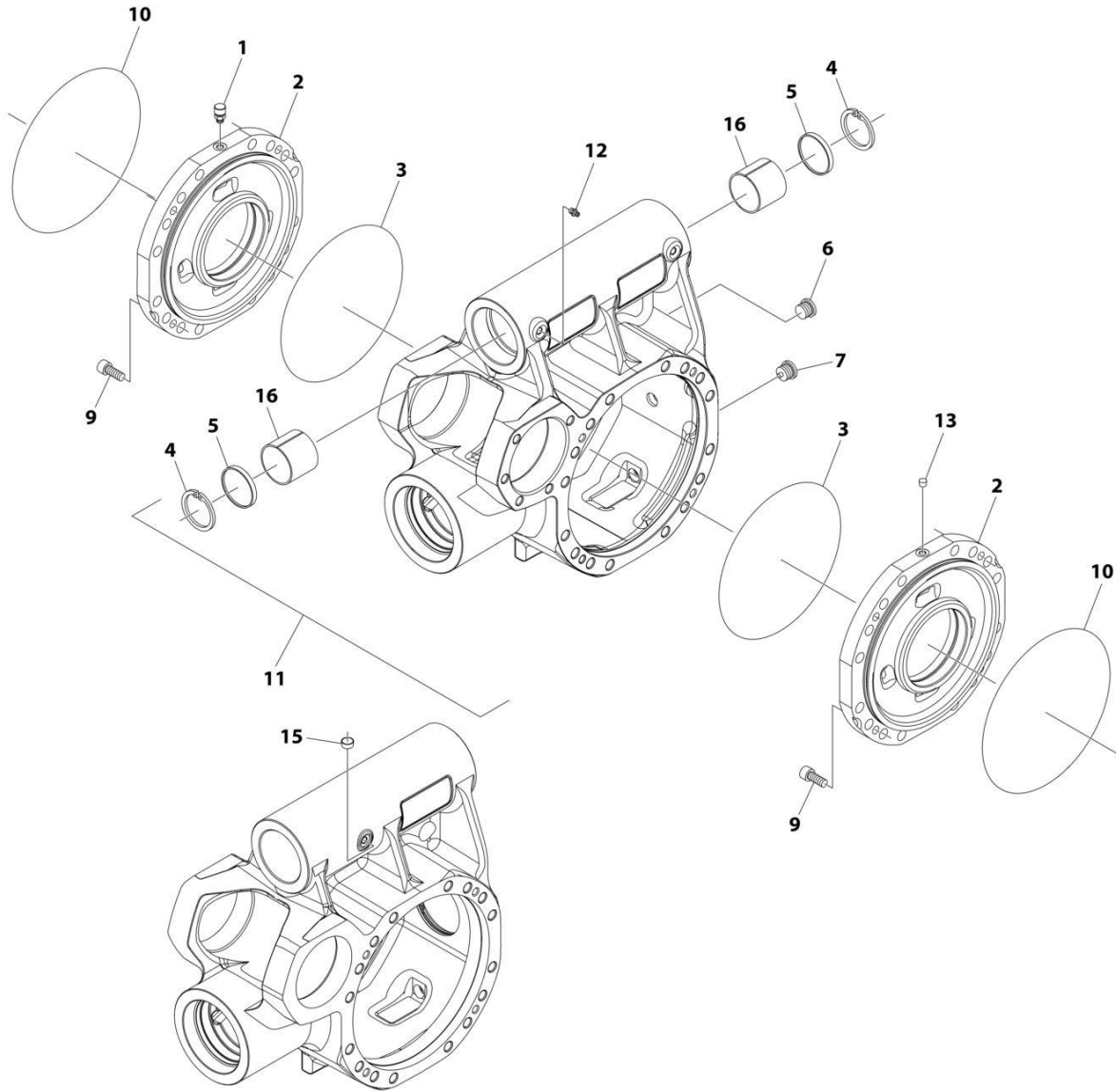
SECTION 5 - DRIVE TRAIN

FIGURE 5-35. FRONT AXLE INSTALLATION (110HP)

ITEM	PART NUMBER	QTY	DESCRIPTION	REV
	1001220490	Ref	Front Axle	F
		Ref	Front Axle, Central Housing (See Separate Breakdown in this Section)	
		Ref	Front Axle, Differential (See Separate Breakdown in this Section)	
		Ref	Front Axle, Hub Reduction (See Separate Breakdown in this Section)	
		Ref	Front Axle, Brakes (See Separate Breakdown in this Section)	
		Ref	Front Axle, Steering (See Separate Breakdown in this Section)	

SECTION 5 - DRIVE TRAIN

FIGURE 5-36. FRONT AXLE - CENTRAL HOUSING (110HP)



ART_1001220490_1

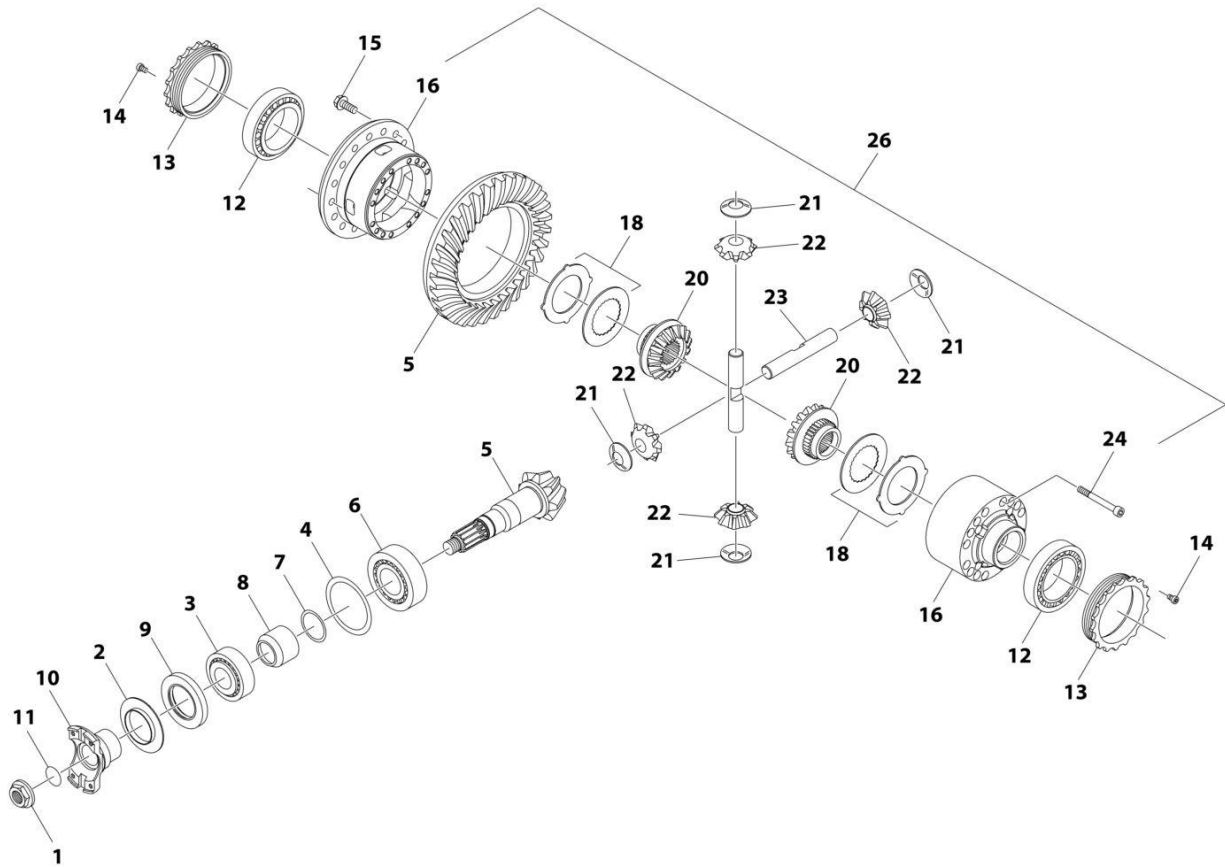
SECTION 5 - DRIVE TRAIN

FIGURE 5-36. FRONT AXLE - CENTRAL HOUSING (110HP)

ITEM	PART NUMBER	QTY	DESCRIPTION	REV
	1001220490	Ref	FRONT AXLE, CENTRAL HOUSING	F
1	91474512	1	Vent	
2	7029288	2	Intermediate Cover	
3	80204002	2	O-Ring	
4	70028939	2	Ring	
5	70028974	2	Seal	
6	70028389	1	Plug	
7	70028388	1	Plug	
9	91514101	8	Bolt	
10	91514089	2	O-Ring	
11	70029482	1	Housing	
12	70024881	2	Grease Fitting	
13	80204012	1	Plug	
15	70028938	1	Plug	
16	70028886	2	Thrust Bushing	

SECTION 5 - DRIVE TRAIN

FIGURE 5-37. FRONT AXLE - DIFFERENTIAL (110HP)



ART_1001220490_2

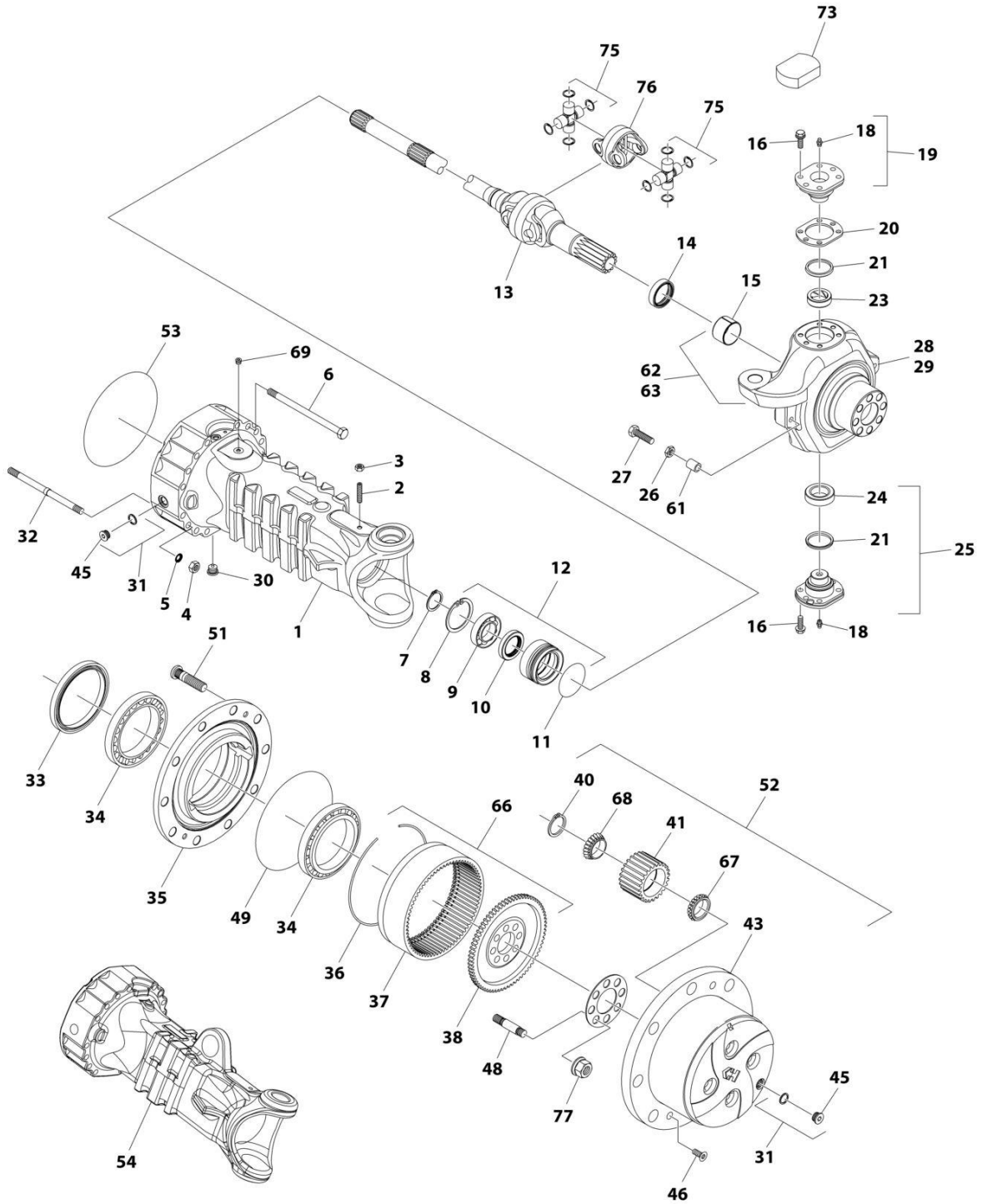
SECTION 5 - DRIVE TRAIN

FIGURE 5-37. FRONT AXLE - DIFFERENTIAL (110HP)

ITEM	PART NUMBER	QTY	DESCRIPTION	REV
	1001220490	Ref	FRONT AXLE, DIFFERENTIAL	F
1	80204043	1	Nut	
2	91514130	1	Cover Plate	
3	80204048	1	Taper Roller Bearing	
4	70029483	1	Shim Kit	
5	70026255	1	Bevel Gear Set	
6	80204035	1	Taper Roller Bearing	
7	70023494	1	Ring	
8	70022140	1	Spacer	
9	70025887	1	Seal	
10	91514131	1	Flange	
11	10725554	1	O-Ring	
12	80204033	2	Taper Roller Bearing	
13	91514133	2	Ring Nut	
14	91514134	2	Bolt	
15	70025562	16	Bolt	
16	70024004	1	Differential Carrier	
18	70026750	2	Clutch Disc	
20	70025856	2	Gear, Differential Side	
21	70027105	4	Friction Washer	
22	70025339	4	Differential Pinion	
23	70023490	2	Differential Shaft	
24	91514143	15	Bolt	
26	70028390	1	Differential	

SECTION 5 - DRIVE TRAIN

FIGURE 5-38. FRONT AXLE - HUB REDUCTION (110HP)



ART_1001220490_3

SECTION 5 - DRIVE TRAIN

FIGURE 5-38. FRONT AXLE - HUB REDUCTION (110HP)

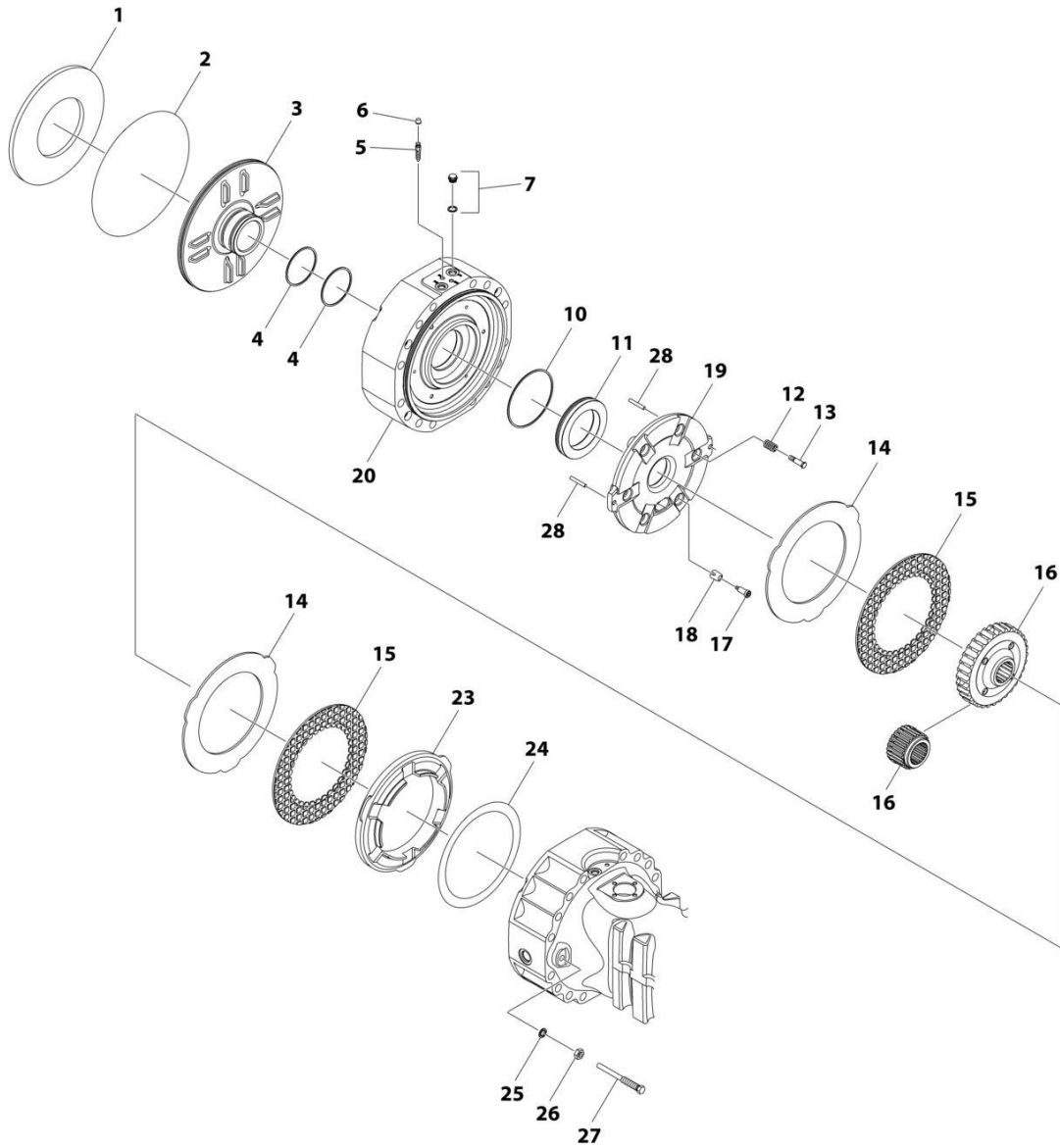
ITEM	PART NUMBER	QTY	DESCRIPTION	REV
	1001220490	Ref	FRONT AXLE, HUB REDUCTION	F
1	70029484	1	Axle Case	
2	91514081	2	Bolt	
3	91514082	2	Nut	
4	91514083	8	Nut	
5	91514084	8	Washer	
6	7029309	24	Bolt	
7	80204071	2	Circlip	
8	80204005	2	Circlip	
9	91514146	2	Ball Bearing	
10	91514147	2	Seal	
11	91514148	2	O-Ring	
12	91514149	2	Reduction Bushing	
13	70026066	2	Double Universal Joint	
14	70025857	2	Seal	
15	91514111	2	Thrust Bushing	
16	70025562	24	Bolt	
18	70024881	4	Grease Fitting	
19	70028890	2	Pivot Pin	
20	70025561	1	Shim Kit	
21	7028716	4	Dust Seal	
23	7028714	2	Bushing	
24	91514095	2	Bearing	
25	70028891	2	Pivot Pin	
26	80204065	4	Nut	
27	70028975	4	Bolt	
28	N.S.S.	1	Steering Case (RF, LR)	
29	N.S.S.	1	Steering Case (LF, RR)	
30	70028388	2	Plug	
31	91514188	2	Plug With Sealing Washer	
32	70024851	8	Stud	
33	70026002	2	Seal	
34	80204076	4	Tapered Roller Bearing	
35	91514174	2	Wheel Hub	
36	91514175	2	Circlip	
37	70024147	2	Ring Gear	
38	91514177	2	Ring Gear Support	
40	70028926	8	Snap Ring	
41	70028924	8	Differential Pinion	
43	70029486	2	Planet Gear Carrier	
45	70028389	2	Plug	
46	91514189	4	Bolt, Countersunk	
48	91514180	16	Stud	
49	91514181	2	O-Ring	
51	91514183	20	Wheel Stud	
52	70029454	2	Planet Gear Carrier Assembly	
53	91514089	2	O-Ring	
54	70028892	1	Axle Case	
61	7029311	4	Spacer	
62	70029489	1	Steering Case Assembly (RF, LR) (includes items 15 & 28)	

SECTION 5 - DRIVE TRAIN

ITEM	PART NUMBER	QTY	DESCRIPTION	REV
63	70029488	1	Steering Case Assembly (LF, RR) (includes items 15 & 29)	
66	70024146	2	Ring Gear Support Kit (includes items 36 thru 38)	
67	70028923	8	Tapered Roller Bearing	
68	70028922	8	Tapered Roller Bearing	
69	80204012	2	Plug	
73	70028392	2	Cover	
75	70023829	2	Joint Cross	
76	70023116	1	Center Body	
77	70029545	16	Nut	

SECTION 5 - DRIVE TRAIN

FIGURE 5-39. FRONT AXLE - BRAKES (110HP)



ART_1001220490_4

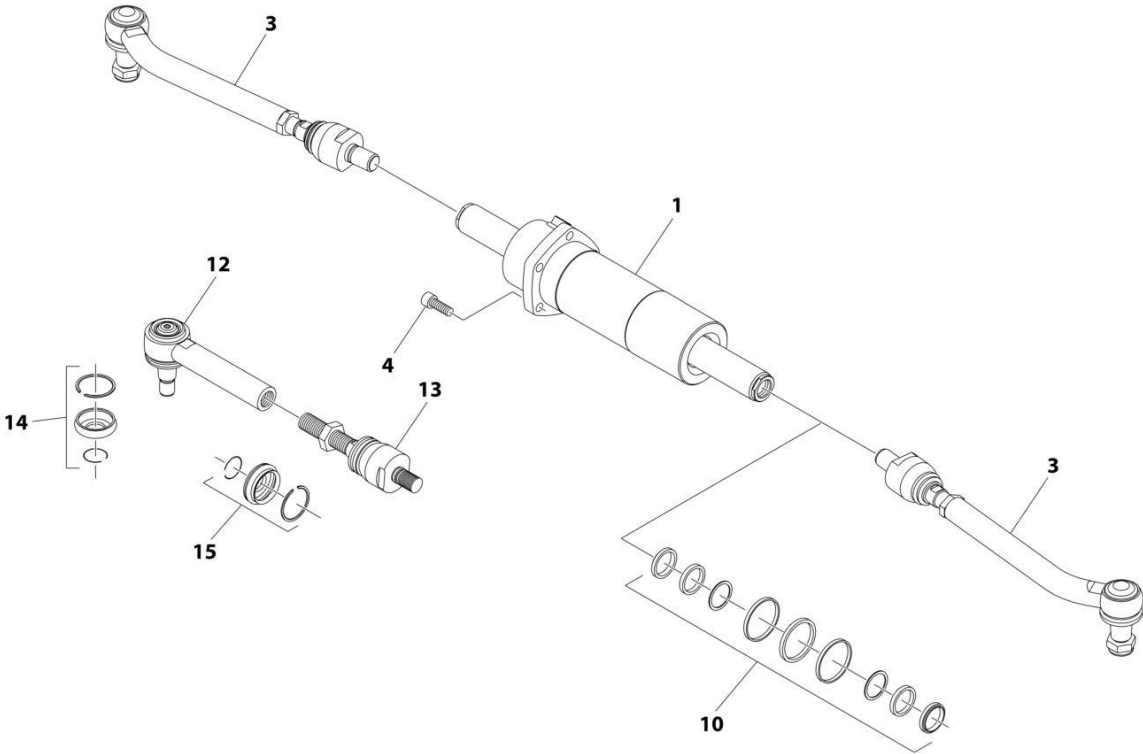
SECTION 5 - DRIVE TRAIN

FIGURE 5-39. FRONT AXLE - BRAKES (110HP)

ITEM	PART NUMBER	QTY	DESCRIPTION	REV
	1001220490	Ref	FRONT AXLE, BRAKES	F
1	91514151	2	Belleville Washer	
2	91514089	2	O-Ring	
3	70027092	2	Piston	
4	70026262	4	Seal	
5	10725627	4	Bleeding Bolt	
6	80204117	4	Plug	
7	91514154	4	Plug With Seal	
10	70026263	2	O-Ring	
11	70027796	2	Piston	
12	91514159	6	Spring	
13	70024210	6	Adjusting Bolt	
14	70027022	6	Intermediate Brake Disc	
15	7029735	6	Brake Disc	
16	7029734	2	Reduction Bushing	
17	7029787	6	Adjusting Bolt	
18	70027317	6	Spring	
19	70024849	2	Disc, Intermediate Brake	
20	70024848	2	Cover	
23	70026264	2	Spacer	
24	70025970	1	Shim	
25	80204108	4	Lockwasher	
26	80204060	4	Nut	
27	70024213	4	Bolt	
28	70024215	4	Dowel	

SECTION 5 - DRIVE TRAIN

FIGURE 5-40. FRONT AXLE - STEERING (110HP)



ART_1001220490_5

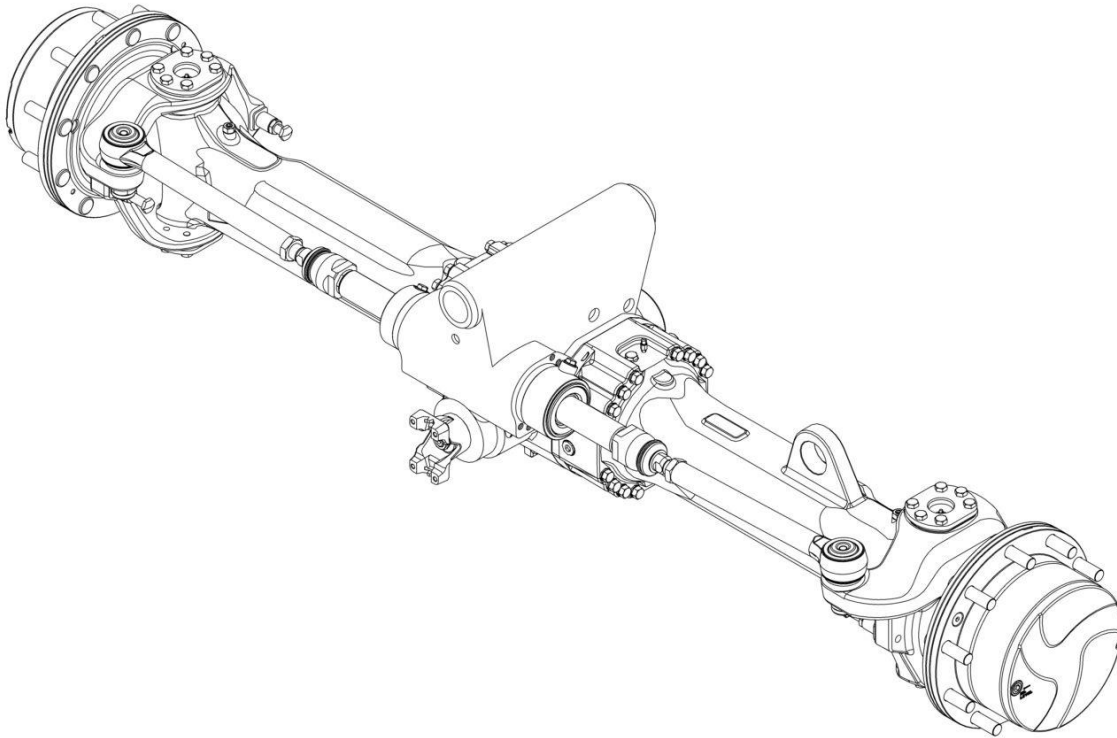
SECTION 5 - DRIVE TRAIN

FIGURE 5-40. FRONT AXLE - STEERING (110HP)

ITEM	PART NUMBER	QTY	DESCRIPTION	REV
	1001220490	Ref	FRONT AXLE, STEERING	F
1	70028947	1	Cylinder	
3	70028948	2	Tie Rod	
4	80204144	5	Cylinder Bolt	
10	7029127	1	Seal Kit	
12	70028949	1	Joint, 90	
13	70028950	1	Axial Joint Shaft	
14	70028951	1	Rubber Boot and Locking Ring Kit	
15	70028952	1	Rubber Boot and Locking Ring Kit	

SECTION 5 - DRIVE TRAIN

FIGURE 5-41. REAR AXLE INSTALLATION (110HP)



ART_1001220491

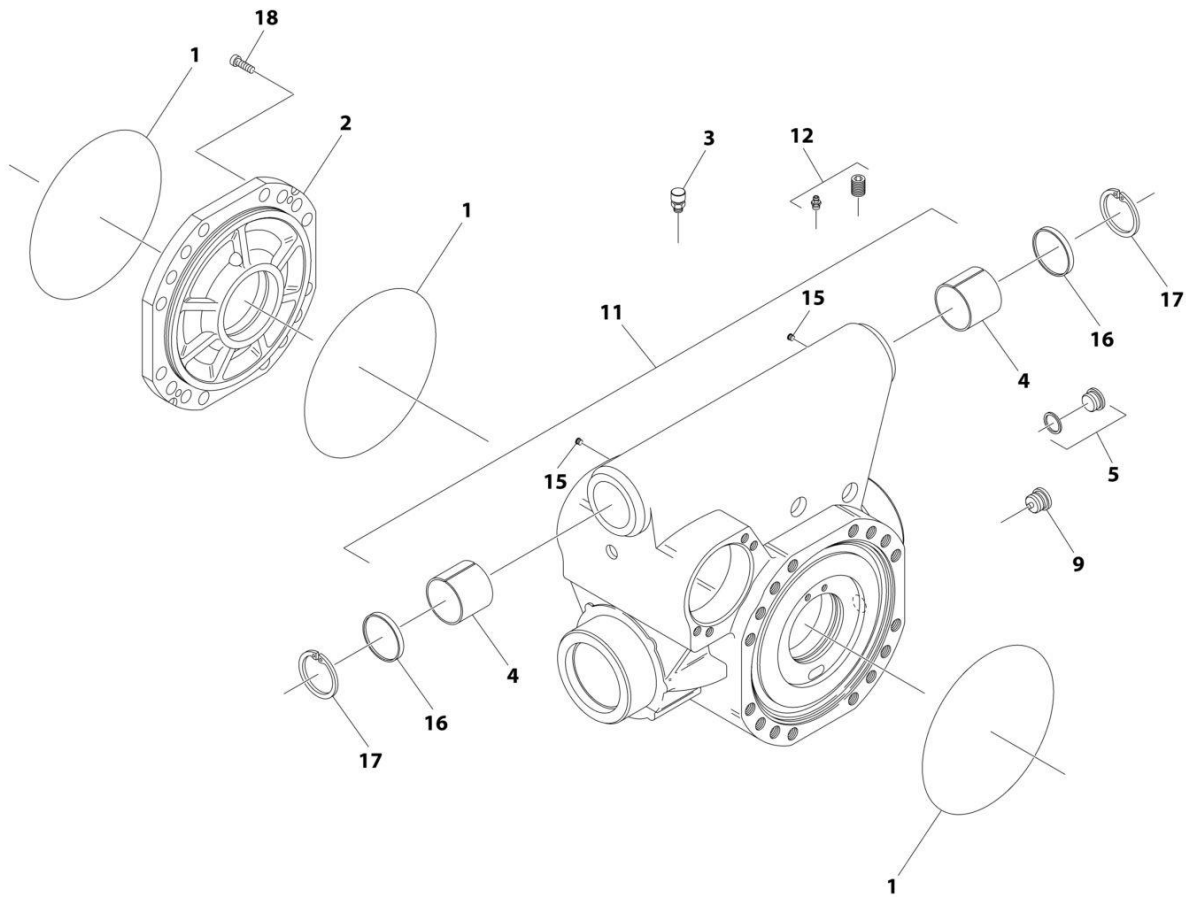
SECTION 5 - DRIVE TRAIN

FIGURE 5-41. REAR AXLE INSTALLATION (110HP)

ITEM	PART NUMBER	QTY	DESCRIPTION	REV
	1001220491	Ref	Rear Axle Installation	E
		Ref	Rear Axle, Central Housing (See Separate Breakdown in this Section)	
		Ref	Rear Axle, Differential (See Separate Breakdown in this Section)	
		Ref	Rear Axle, Hub Reduction (See Separate Breakdown in this Section)	
		Ref	Rear Axle, Brakes (See Separate Breakdown in this Section)	
		Ref	Rear Axle, Steering (See Separate Breakdown in this Section)	

SECTION 5 - DRIVE TRAIN

FIGURE 5-42. REAR AXLE - CENTRAL HOUSING (110HP)



ART_1001220491_1

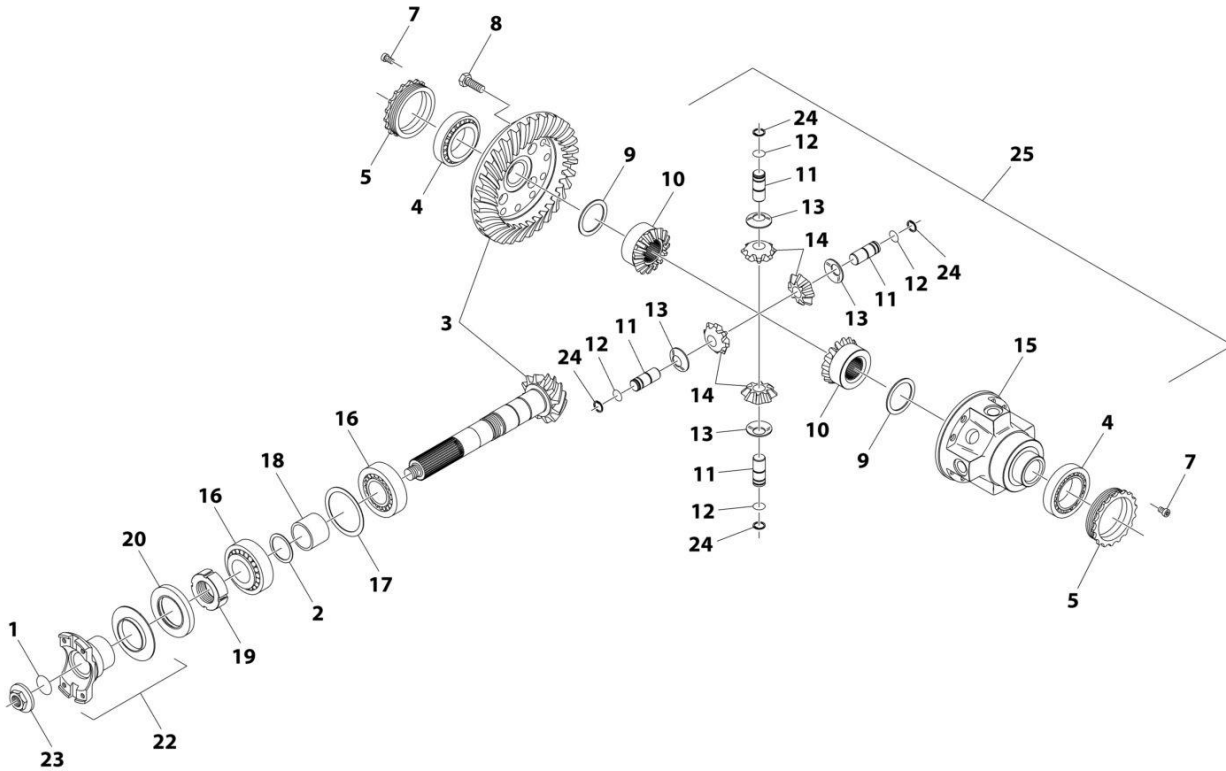
SECTION 5 - DRIVE TRAIN

FIGURE 5-42. REAR AXLE - CENTRAL HOUSING (110HP)

ITEM	PART NUMBER	QTY	DESCRIPTION	REV
	1001220491	Ref	REAR AXLE, CENTRAL HOUSING	E
1	91474507	3	O-Ring	
2	70024519	1	Cover	
3	91474512	1	Vent	
4	70028886	2	Thrust Bushing	
5	91514188	1	Plug With Seal Washer	
9	7028706	1	Magnet Plug	
11	N.S.S.	1	Housing	
12	70024881	2	Fitting, Grease	
15	70028938	2	Plug	
16	70028974	2	Seal	
17	70028939	2	Ring	
18	91474591	4	Bolt	

SECTION 5 - DRIVE TRAIN

FIGURE 5-43. FRONT AXLE - DIFFERENTIAL (110HP)



ART_1001220491_2

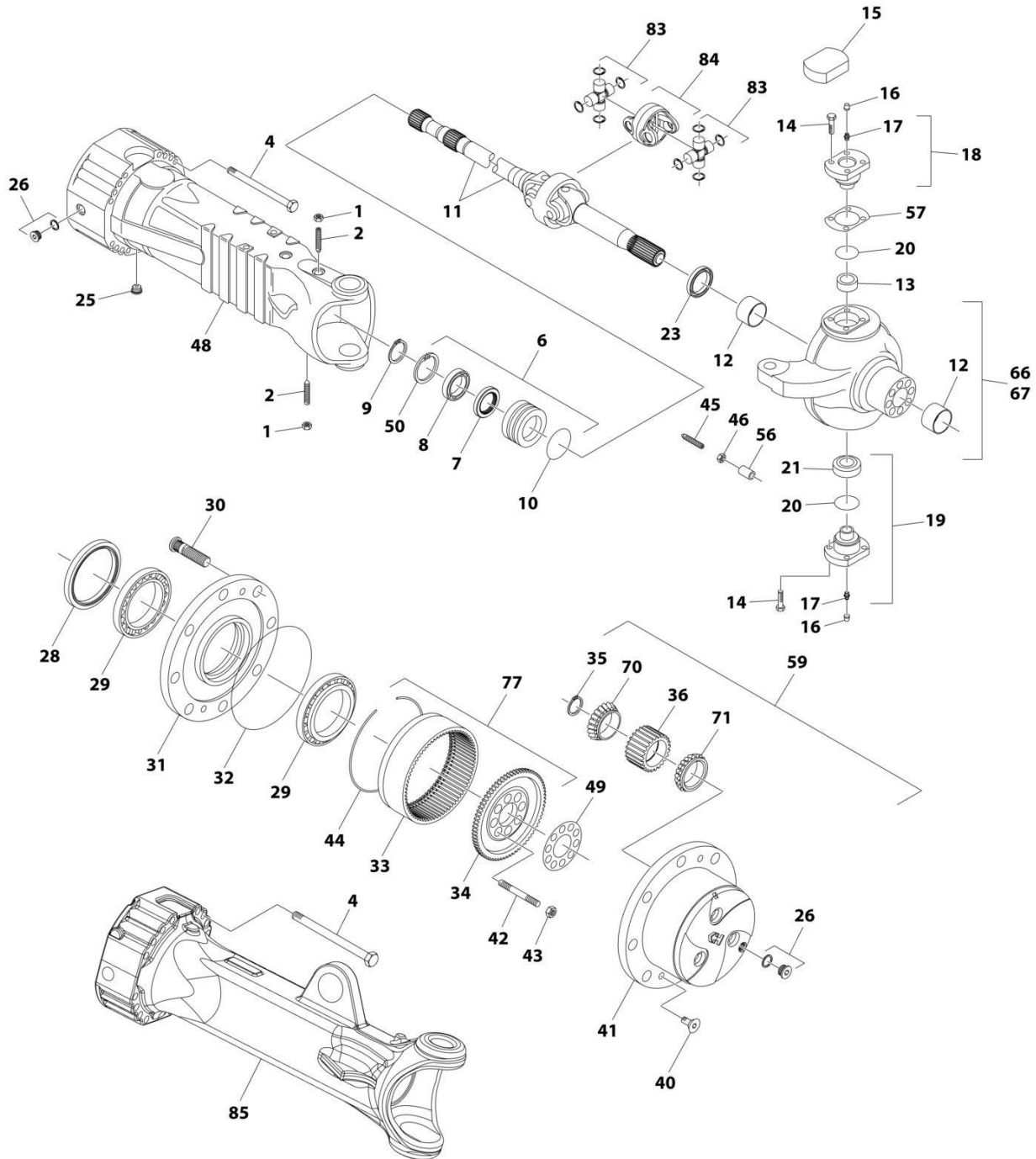
SECTION 5 - DRIVE TRAIN

FIGURE 5-43. FRONT AXLE - DIFFERENTIAL (110HP)

ITEM	PART NUMBER	QTY	DESCRIPTION	REV
	1001220491	Ref	REAR AXLE, DIFFERENTIAL	E
1	91474529	1	O-Ring	
2	70025556	1	Shim Kit	
3	70028997	1	Bevel Gear Set	
4	70028471	2	Bearing, Taper Roller	
5	91474547	2	Nut, Ring	
7	91514134	2	Bolt	
8	70025562	12	Bolt	
9	91474593	2	Washer, Friction	
10	70025569	2	Gear, Differential Side	
11	7029131	4	Pin	
12	91474551	4	Circlip	
13	91474553	4	Washer, Friction	
14	70025570	4	Pinion, Differential	
15	91474595	1	Carrier, Differential	
16	3968141	2	Bearing, Taper Roller	
17	70025555	1	Shim Kit	
18	91474539	1	Spacer	
19	91474533	1	Nut, Ring	
20	70024522	1	Seal	
22	70022797	1	Flange	
23	70026631	1	Nut	
24	91474550	4	Circlip	
25	70021140	1	Kit, Differential (includes items 9 thru 15 & 24)	

SECTION 5 - DRIVE TRAIN

FIGURE 5-44. REAR AXLE - HUB REDUCTION (110HP)



ART_1001220491_3

SECTION 5 - DRIVE TRAIN

FIGURE 5-44. REAR AXLE - HUB REDUCTION (110HP)

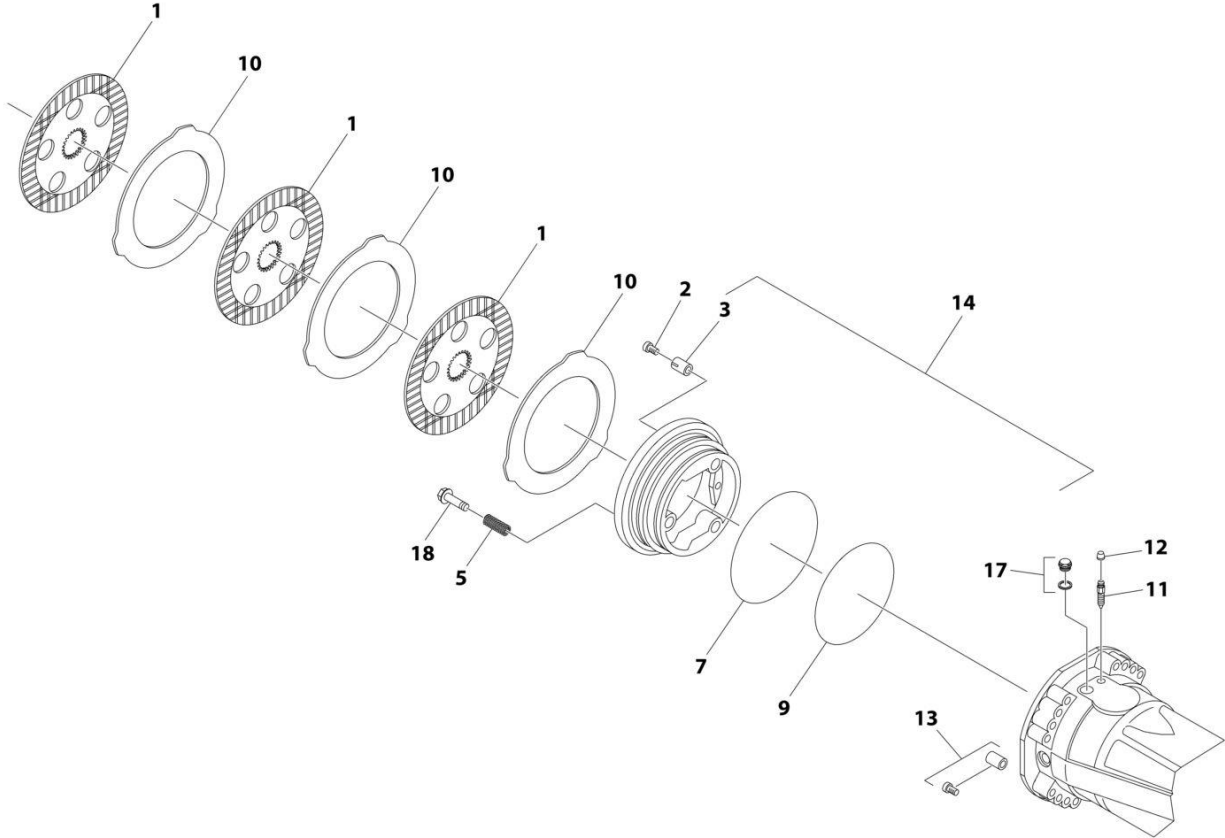
ITEM	PART NUMBER	QTY	DESCRIPTION	REV
	1001220491	Ref	REAR AXLE, HUB REDUCTION	E
1	91514082	2	Nut	
2	91514081	2	Bolt	
4	70022799	32	Bolt	
6	91514149	2	Kit, Reduction Bushing (includes items 7, 8, 10 & 50)	
7	91514147	2	Seal	
8	91514146	2	Ball Bearing	
9	80204071	2	Circlip	
10	91514148	2	O-Ring	
11	70026803	2	Joint & Shaft, Double Universal	
12	91514111	2	Bushing, Thrust	
13	7028714	2	Bushing	
14	70025562	24	Bolt	
15	70028392	2	Cover	
16	80204117	2	Plug	
17	70024881	4	Fitting, Grease	
18	70028890	2	Pivot Pin	
19	70028891	2	Pivot Pin	
20	7028716	4	Seal, Dust	
21	91514095	2	Bearing	
23	70026238	2	Seal	
25	7028706	4	Plug, Magnet	
26	91514188	2	Plug With Sealing Washer	
28	7028721	2	Seal	
29	91474576	4	Bearing	
30	91514183	20	Wheel Stud	
31	7028722	2	Wheel Hub	
32	91514181	2	O-Ring	
33	70029546	2	Gear, Ring	
34	70026812	2	Support, Ring Gear	
35	70028925	6	Circlip	
36	70028941	6	Differential Pinion	
40	91514189	4	Bolt, Countersunk	
41	70028881	1	Planet Gear Carrier	
42	70027315	16	Stud	
43	91474584	16	Nut	
44	91514175	2	Circlip	
45	70028975	4	Bolt	
46	80204065	4	Nut	
48	70028976	1	Case, Axle	
49	70026622	2	Plate, Locking	
50	80204005	2	Circlip	
56	7029311	4	Spacer	
57	70025561	1	Kit, Shim	
59	70028881	2	Kit, Planet Gear (includes items 35, 36, 41, 70 & 71)	
66	70029471	1	Steering Case (LR) (includes item 12)	
67	70029472	1	Steering Case (RR) (includes item 12)	
70	7028731	6	Bearing	
71	7028732	6	Bearing	
77	70029547	2	Kit, Gear Ring (includes items 22, 34 & 44)	

SECTION 5 - DRIVE TRAIN

ITEM	PART NUMBER	QTY	DESCRIPTION	REV
83	70028943	2	Cross Joint	
84	70028944	1	Center Section Joint	
85	70028977	1	Case, Axle	

SECTION 5 - DRIVE TRAIN

FIGURE 5-45. REAR AXLE - BRAKES (110HP)



ART_1001220491_4

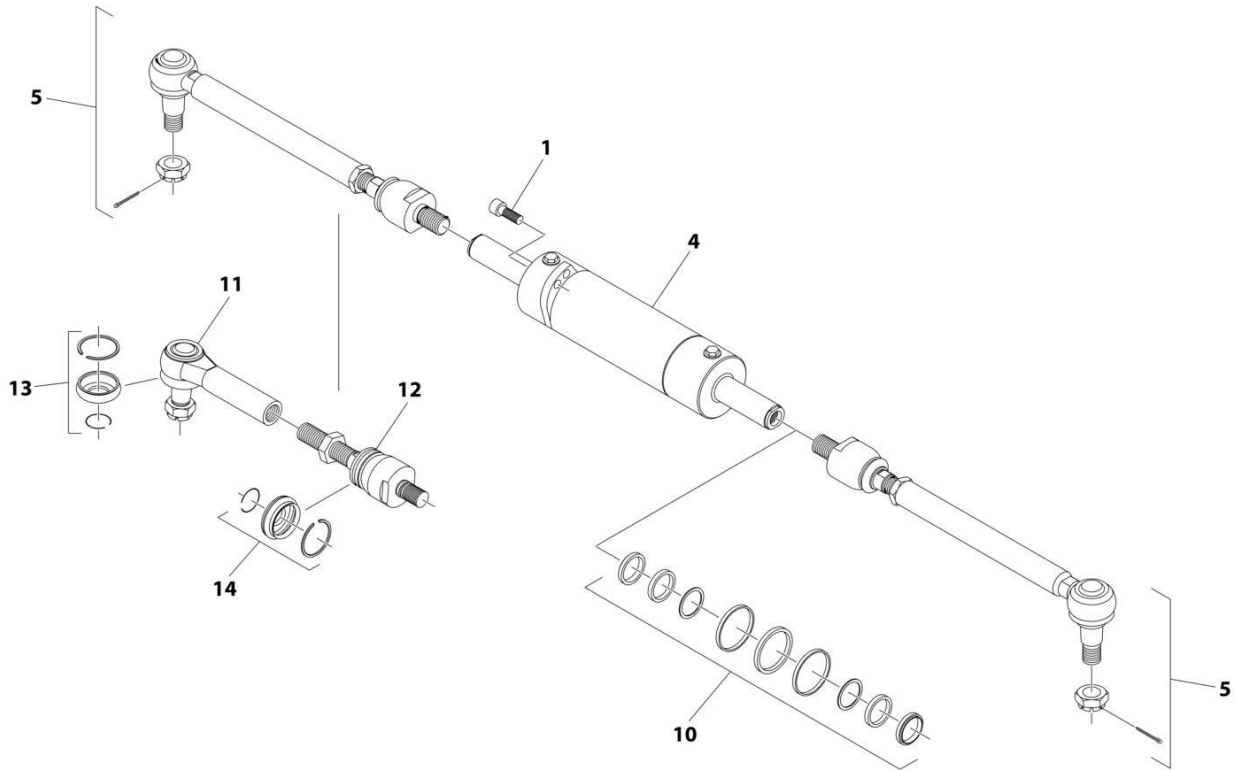
SECTION 5 - DRIVE TRAIN

FIGURE 5-45. REAR AXLE - BRAKES (110HP)

ITEM	PART NUMBER	QTY	DESCRIPTION	REV
	1001220491	Ref	REAR AXLES, BRAKES	E
1	91474568	6	Disc	
2	7029786	6	Adjusting Bolt	
3	70027317	6	Spring	
5	91514159	6	Spring	
7	70025821	2	O-Ring	
9	70025822	2	O-Ring	
10	70025823	8	Disc, Intermediate Brake	
11	10725627	2	Bolt, Bleeding	
12	80204117	2	Plug	
13	70021613	2	Bolt	
14	N.S.S.	2	Piston	
17	91514154	2	Plug With Seal Washer	
18	70024210	6	Bolt	

SECTION 5 - DRIVE TRAIN

FIGURE 5-46. REAR AXLE - STEERING (110HP)



ART_1001220491_5

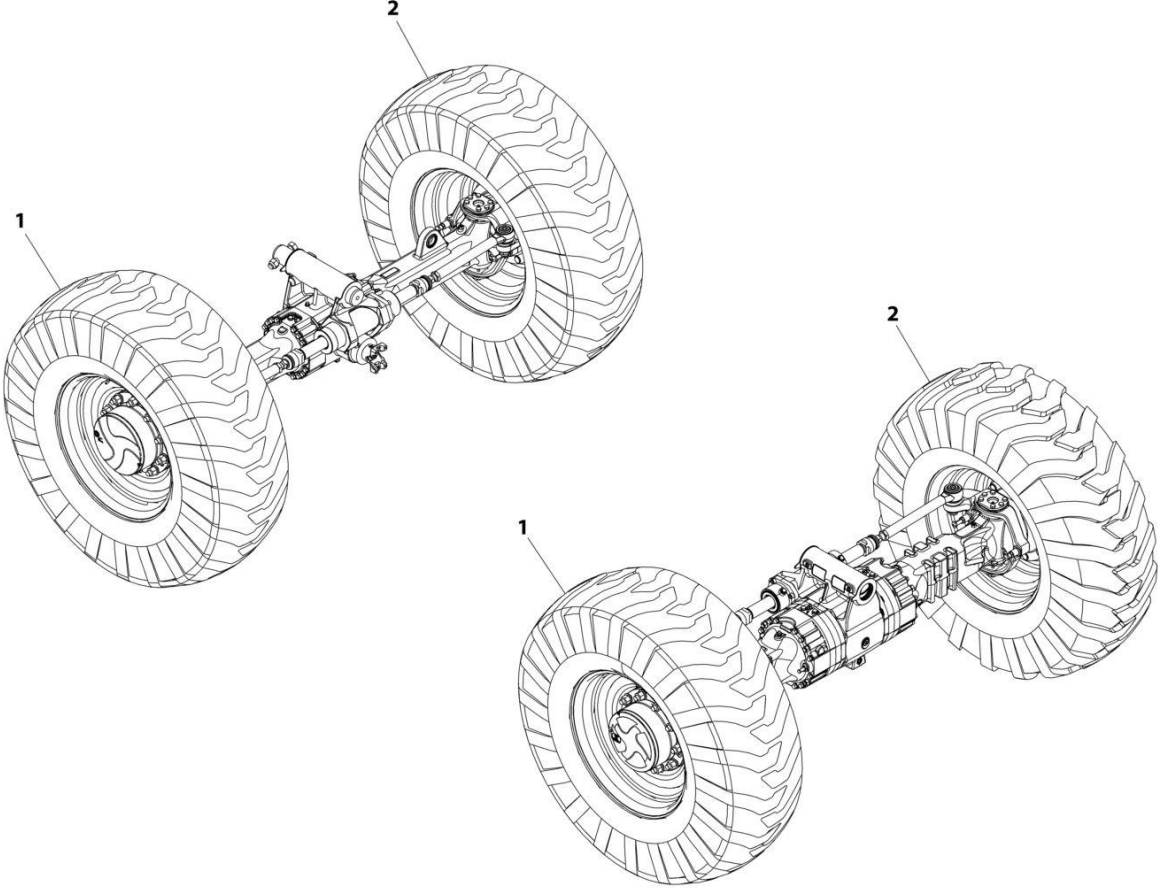
SECTION 5 - DRIVE TRAIN

FIGURE 5-46. REAR AXLE - STEERING (110HP)

ITEM	PART NUMBER	QTY	DESCRIPTION	REV
	1001220491	Ref	REAR AXLE, STEERING	E
1	80204144	5	Bolt	
4	70028947	1	Cylinder	
5	70028948	2	Tie Rod	
10	7029127	1	Kit, Seal	
11	70028949	1	Joint, 90	
12	70028950	1	Axial Joint Shaft	
13	70028951	1	Rubber Boot and Locking Ring Kit	
14	70028952	1	Rubber Boot and Locking Ring Kit	

SECTION 5 - DRIVE TRAIN

FIGURE 5-47. TIRE SET - 17.2-25 PNEUMATIC



ART_1001222217-C

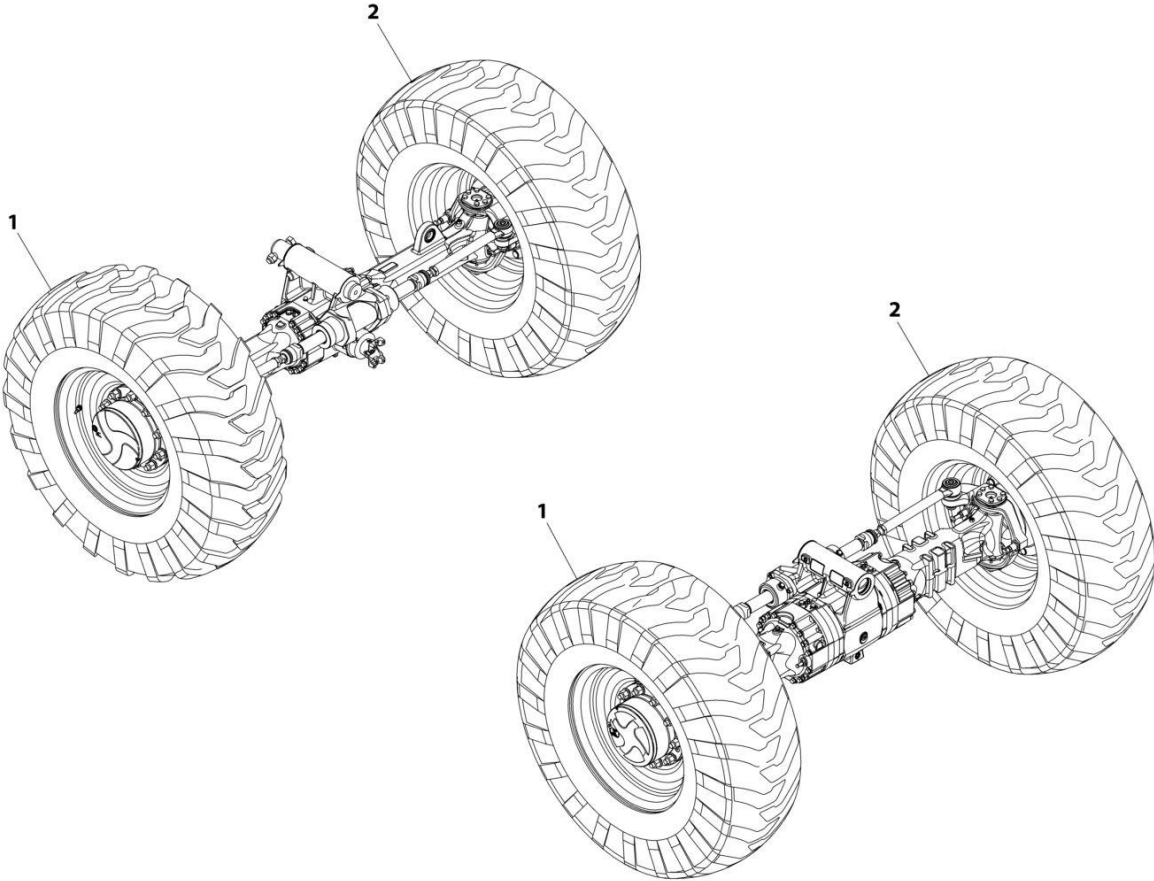
SECTION 5 - DRIVE TRAIN

FIGURE 5-47. TIRE SET - 17.2-25 PNEUMATIC

ITEM	PART NUMBER	QTY	DESCRIPTION	REV
	1001222217	Ref	Tire Set, 17.5-25 Pneumatic	C
1	1001152415	2	Tire and Wheel Assembly (RH)	
1	91563250	2	Wheel (1 per assembly)	
1	8780039	2	Tire 17.2-25 16 Ply (1 per assembly)	
1	91083385	2	Valve, Air (1 per assembly)	
2	1001152416	2	Tire and Wheel Assembly (LH)	
2	91563250	2	Wheel (1 per assembly)	
2	8780039	2	Tire 17.2-25 16 Ply (1 per assembly)	
2	91083385	2	Valve, Air (1 per assembly)	

SECTION 5 - DRIVE TRAIN

FIGURE 5-48. TIRE SET - 17.2-25 FOAM-FILLED



ART_1001222218-C

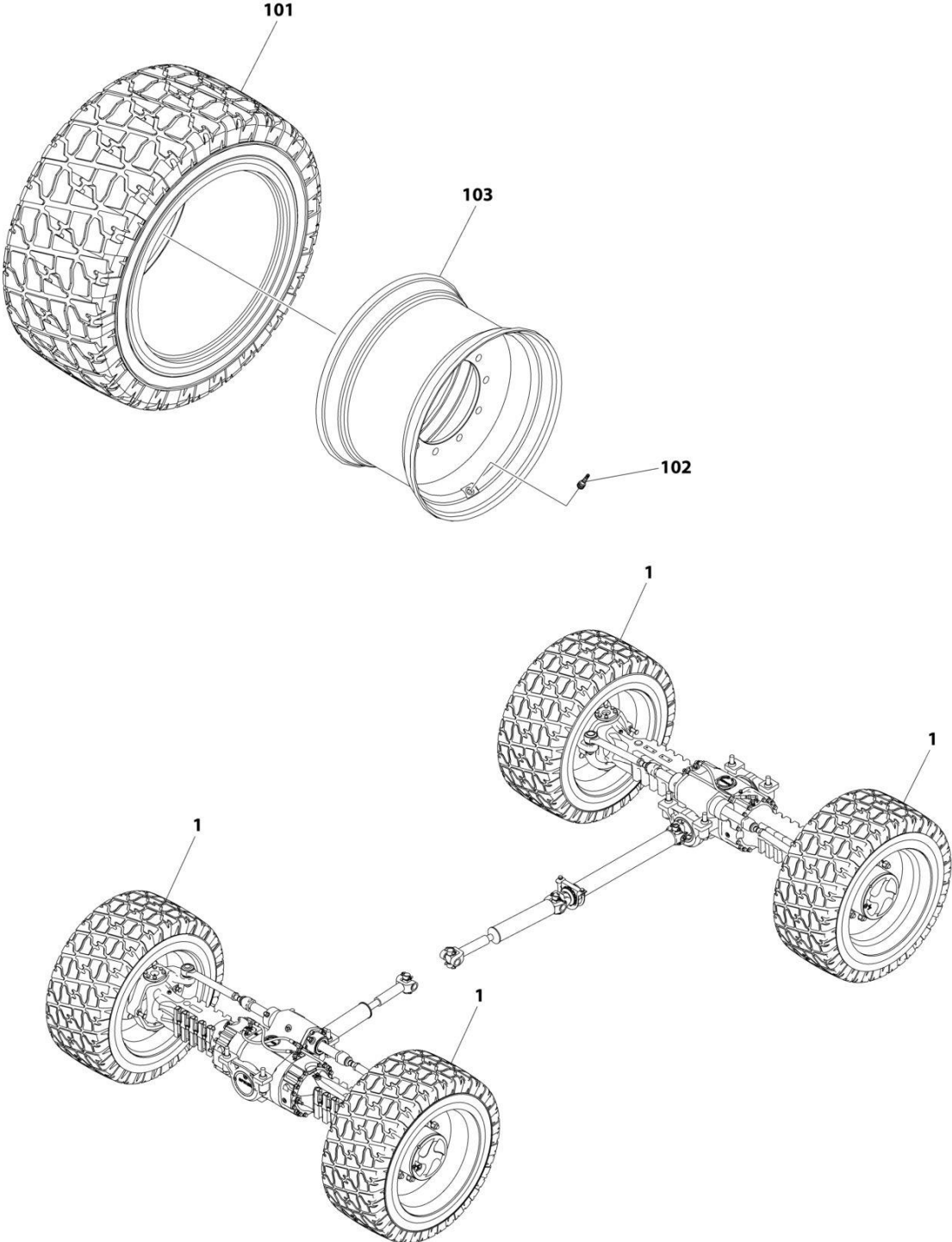
SECTION 5 - DRIVE TRAIN

FIGURE 5-48. TIRE SET - 17.2-25 FOAM-FILLED

ITEM	PART NUMBER	QTY	DESCRIPTION	REV
	1001222218	Ref	Tire Set, 17.5-25 Foam-Filled	C
		Ref	Note: Assemblies require ballast/foam filling to manufacture's specifications prior to installing on machine. Refer to Operation & Safety or Service & Maintenance Manuals.	
		Ref	Purchase individual tire and/or wheel only if able to foam fill tire & wheel assembly, otherwise purchase complete assembly.	
1	91565040	2	Tire and Wheel Assembly (RH)	
1	91563250	2	Wheel (1 per assembly)	
1	4520527	2	Tire 17.5-25 12 Ply (1 per assembly)	
1	91083385	2	Valve, Air (1 per assembly)	
2	91565039	2	Tire and Wheel Assembly (LH)	
2	91563250	2	Wheel (1 per assembly)	
2	4520527	2	Tire 17.5-25 12 Ply (1 per assembly)	
2	91083385	2	Valve, Air (1 per assembly)	

SECTION 5 - DRIVE TRAIN

FIGURE 5-49. TIRE SET - 18 X 625 (TURF AND SAND PNEUMATIC)



ART_1001252986

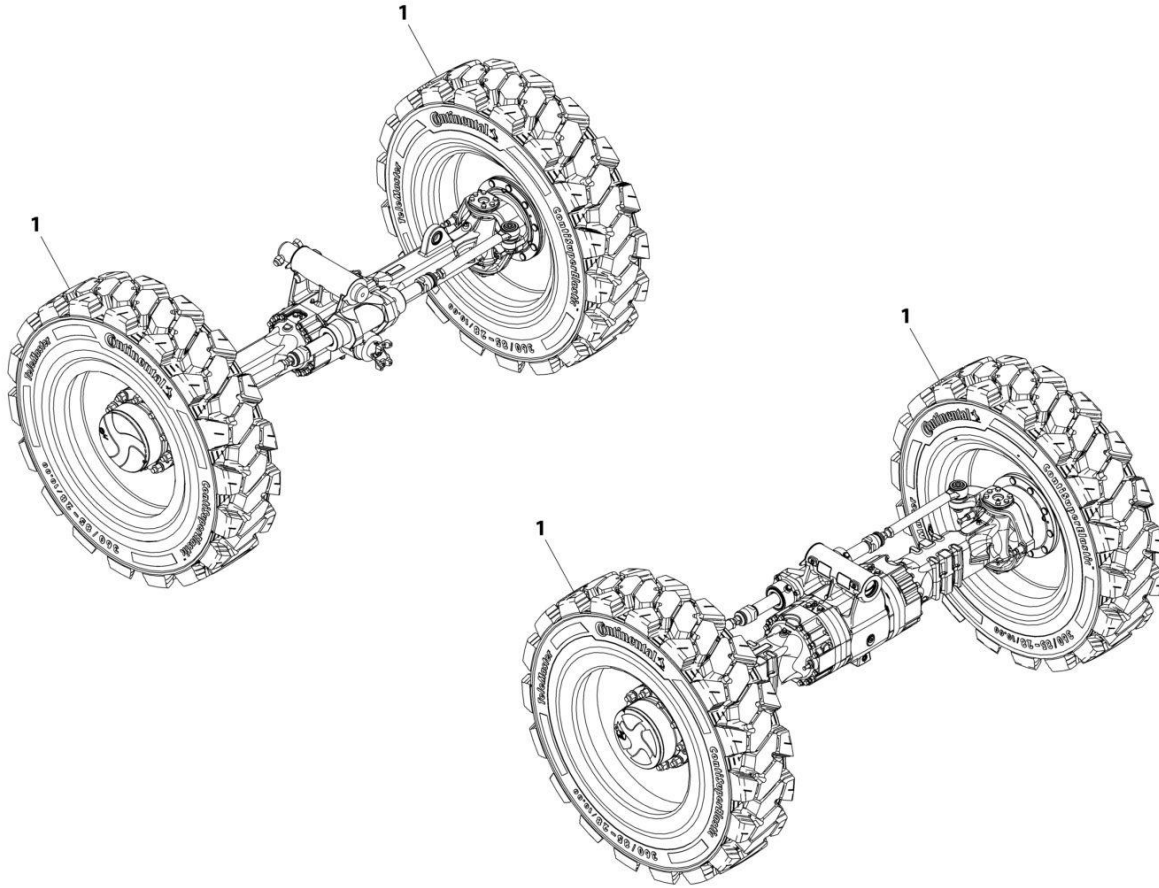
SECTION 5 - DRIVE TRAIN

FIGURE 5-49. TIRE SET - 18 X 625 (TURF AND SAND PNEUMATIC)

ITEM	PART NUMBER	QTY	DESCRIPTION	REV
	1001252986	Ref	TIRE SET - 18 X 625 (TURF PNEUMATIC)	B
1	1001259635	4	Tire and Wheel Assembly	
101	4520356	4	Tire - 18 x 625 Turf/Sand (1 per assembly)	
102	4641122	4	Valve, Air (1 per assembly)	
103	1001246001	4	Wheel (1 per assembly)	

SECTION 5 - DRIVE TRAIN

FIGURE 5-50. TIRE SET - 360/85-28 SOLID



ART_1001222221-C

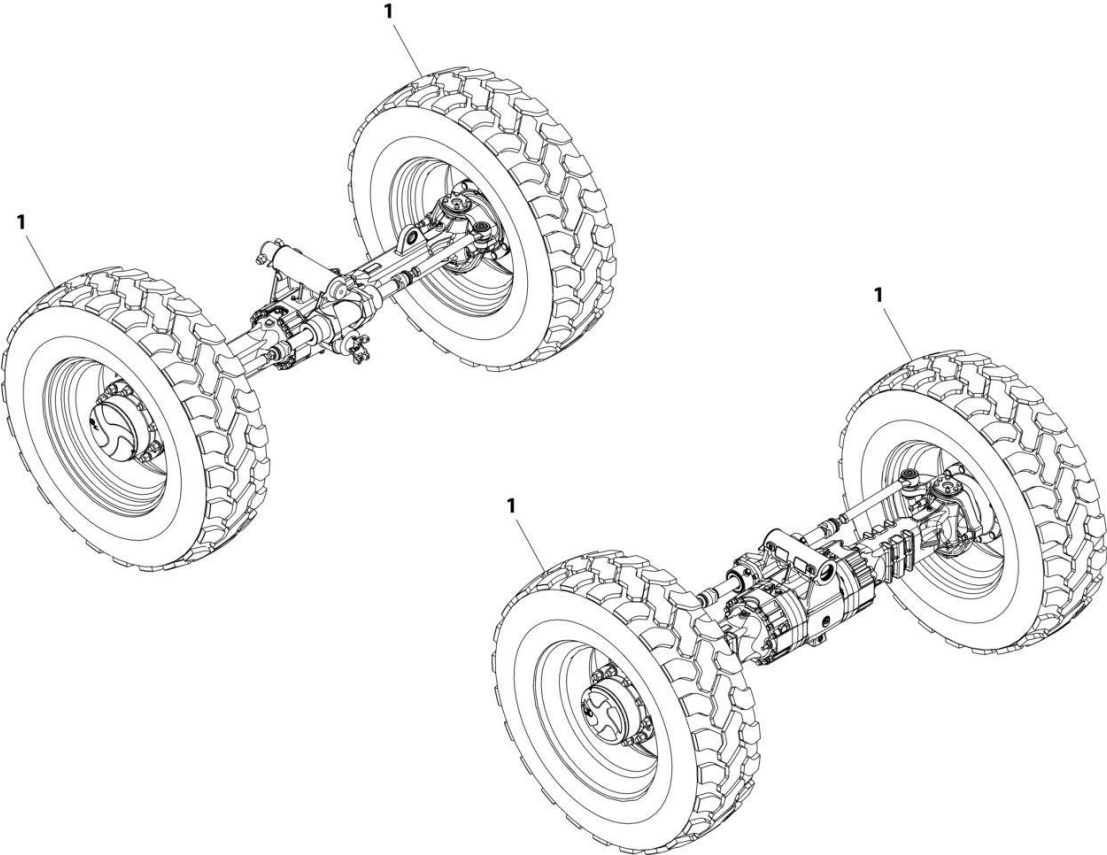
SECTION 5 - DRIVE TRAIN

FIGURE 5-50. TIRE SET - 360/85-28 SOLID

ITEM	PART NUMBER	QTY	DESCRIPTION	REV
1	1001222221	Ref	Tire Set, 360/85-28 Solid	C
	1001213200J	4	Tire, 360/85-28 Solid	

SECTION 5 - DRIVE TRAIN

FIGURE 5-51. TIRE SET - 400/75-28 PNEUMATIC



ART_1001222219-B

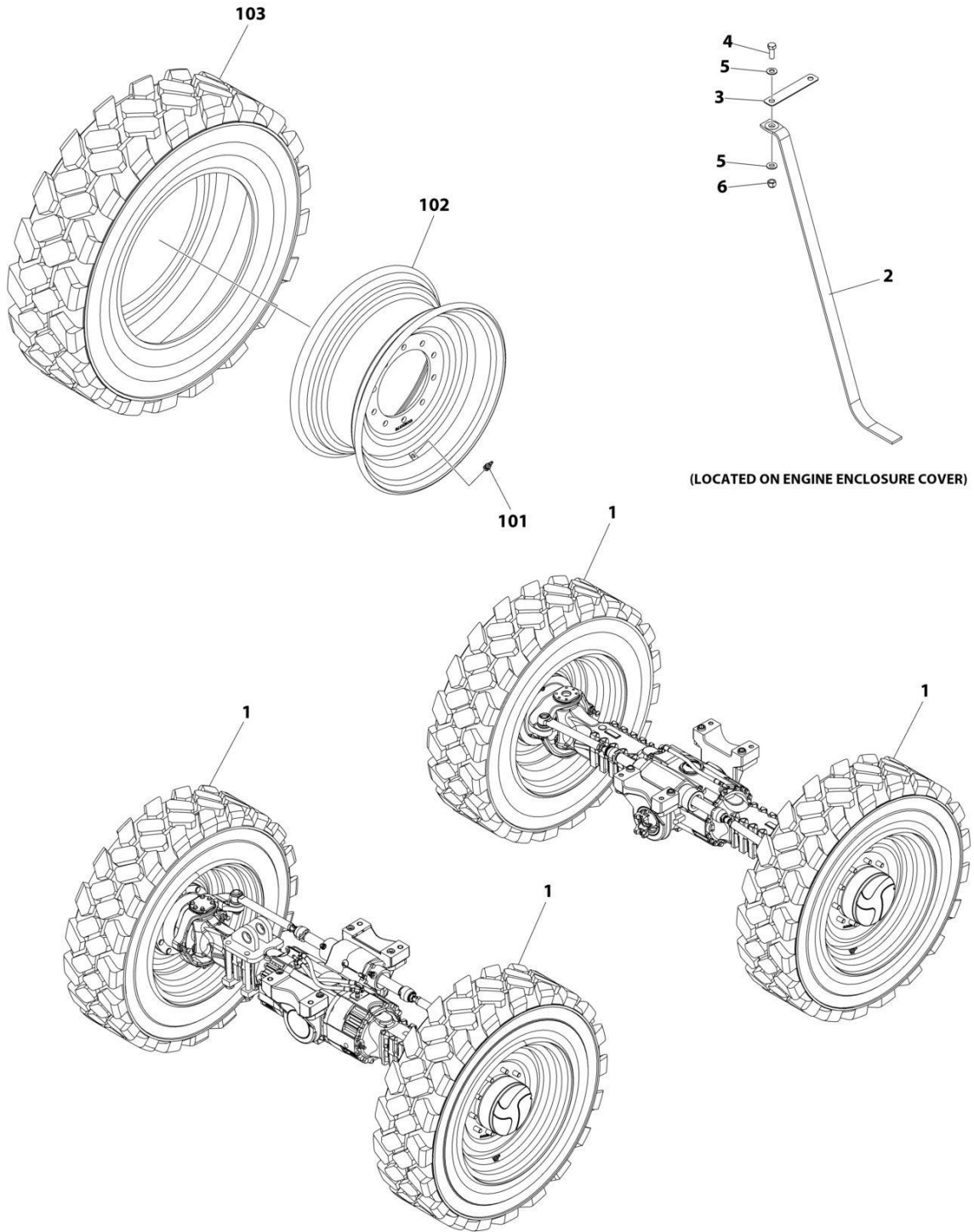
SECTION 5 - DRIVE TRAIN

FIGURE 5-51. TIRE SET - 400/75-28 PNEUMATIC

ITEM	PART NUMBER	QTY	DESCRIPTION	REV
	1001222219	Ref	Tire Set, 400/75-28 Pneumatic	B
1	1001121103	4	Tire and Wheel Assembly	
1	8786514	4	Valve, Air (1 per assembly)	
1	1001120178	4	Wheel (1 per assembly)	
1	1001120179	4	Tire 400/75-28 (1 per assembly)	

SECTION 5 - DRIVE TRAIN

FIGURE 5-52. TIRE SET - 400/75-28 PNEUMATIC NON-MARKING



ART_1001241848

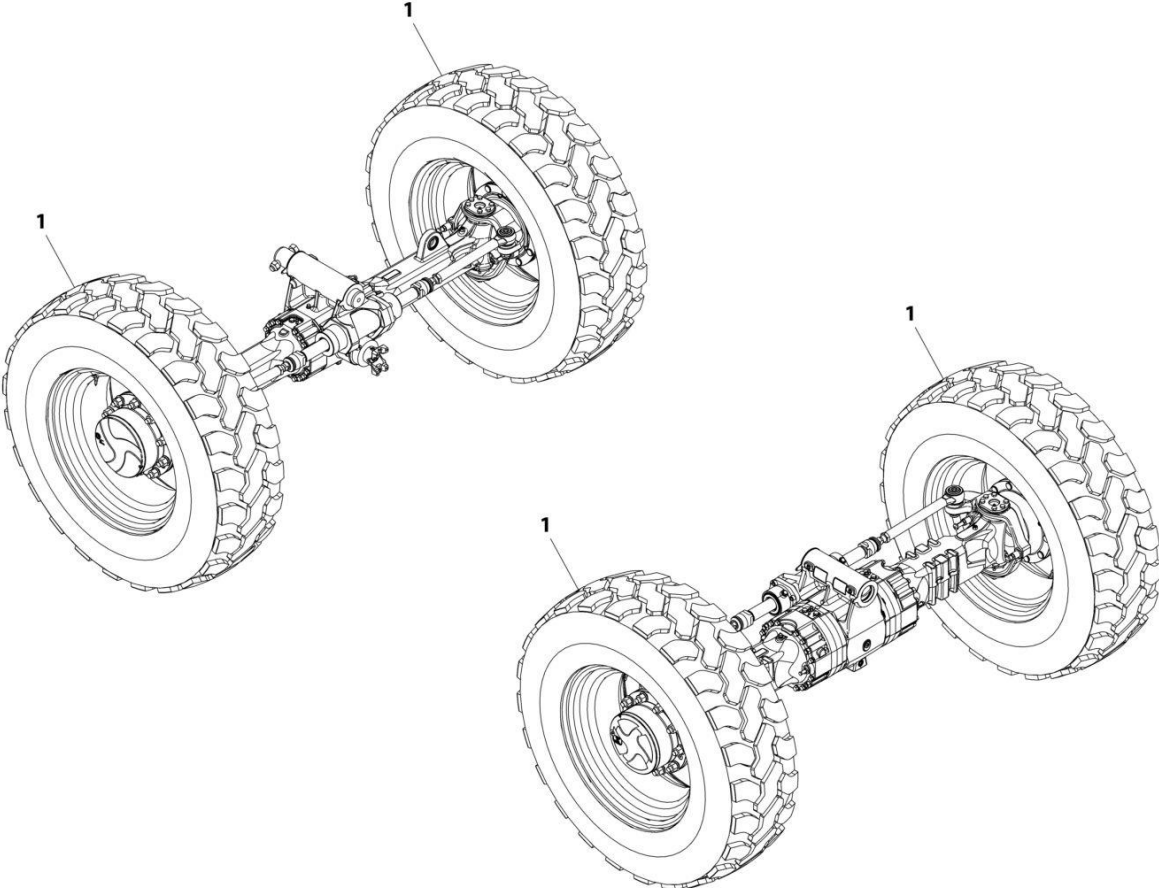
SECTION 5 - DRIVE TRAIN

FIGURE 5-52. TIRE SET - 400/75-28 PNEUMATIC NON-MARKING

ITEM	PART NUMBER	QTY	DESCRIPTION	REV
	1001241848	Ref	TIRE/WHEEL SET - 400/75-28 - PNEUMATIC NON MARKING	B
1	1001241841	4	Assembly, Tire and Wheel - 400/75-28 - Pneumatic Non-Marking (See Items 101-103)	
2	1001275637	1	Strap, Anti-Static	
3	1001275638	1	Bracket	
4	8303620	1	Bolt 3/8 x 1	
5	8307110	2	Washer 3/8	
6	8305645	1	Nut 3/8	
	1001241841	Ref	ASSEMBLY, TIRE AND WHEEL - 400/75-28 - PNEUMATIC NON-MARKING	A
101	8786514	4	Valve, Air (1 per assembly)	
102	1001120178	4	Wheel (1 per assembly)	
103	1001241837	4	Tire 400/75-28 Non-Marking (1 per assembly)	

SECTION 5 - DRIVE TRAIN

FIGURE 5-53. TIRE SET - 400/75-28 FOAM-FILLED



ART_1001222220-B

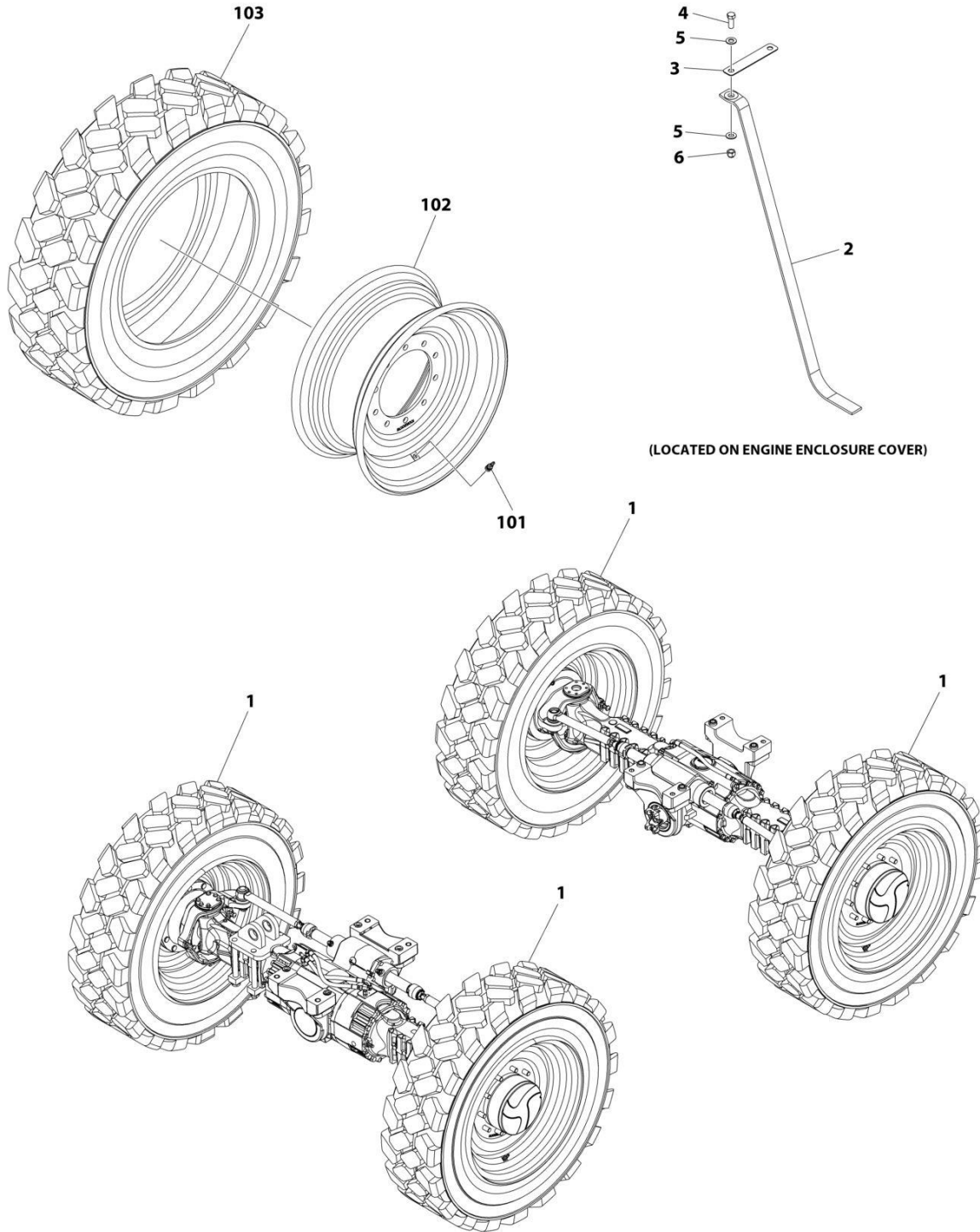
SECTION 5 - DRIVE TRAIN

FIGURE 5-53. TIRE SET - 400/75-28 FOAM-FILLED

ITEM	PART NUMBER	QTY	DESCRIPTION	REV
	1001222220	Ref	Tire Set, 400/75-28 Foam-Filled	B
		Ref	Note: Assemblies require ballast/foam filling to manufacture's specifications prior to installing on machine. Refer to Operation & Safety or Service & Maintenance Manuals.	
		Ref	Purchase individual tire and/or wheel only if able to foam fill tire & wheel assembly, otherwise purchase complete assembly.	
1	1001121105	4	Tire and Wheel Assembly	
1	8786514	4	Valve, Air (1 per assembly)	
1	1001120178	4	Wheel (1 per assembly)	
1	1001120179	4	Tire 400/75-28 (1 per assembly)	

SECTION 5 - DRIVE TRAIN

FIGURE 5-54. TIRE SET - 400/75-28 FOAM-FILLED NON-MARKING



ART_1001241849

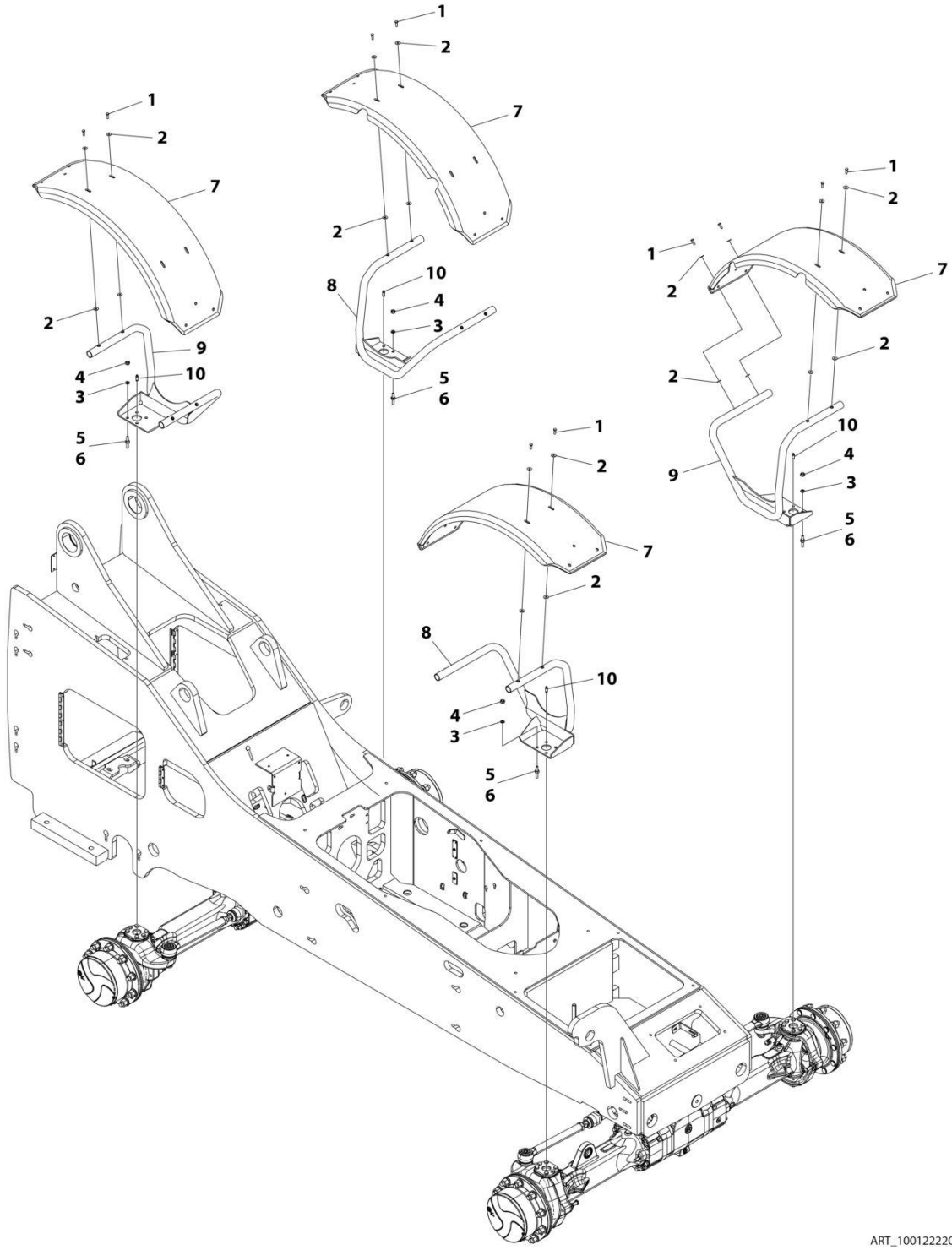
SECTION 5 - DRIVE TRAIN

FIGURE 5-54. TIRE SET - 400/75-28 FOAM-FILLED NON-MARKING

ITEM	PART NUMBER	QTY	DESCRIPTION	REV
	1001241849	Ref	TIRE/WHEEL SET 400/75-28 - FOAM FILLED NON MARKING	B
		Ref	Note: Assemblies require ballast/foam filling to manufacture's specifications prior to installing on machine. Refer to Operation & Safety or Service & Maintenance Manuals.	
		Ref	Purchase individual tire and/or wheel only if able to foam fill tire & wheel assembly, otherwise purchase complete assembly.	
1	1001241842	4	Tire and Wheel Assembly (See Items 101-103)	
2	1001275637	1	Strap, Anti-Static	
3	1001275638	1	Bracket	
4	8303620	1	Bolt 3/8 x 1	
5	8307110	2	Washer 3/8	
6	8305645	1	Nut 3/8	
	1001241842	Ref	TIRE AND WHEEL ASSEMBLY	A
101	8786514	4	Valve, Air (1 per assembly)	
102	1001120178	4	Wheel (1 per assembly)	
103	1001241837	4	Tire 400/75-28 Non-Marking (1 per assembly)	

SECTION 5 - DRIVE TRAIN

FIGURE 5-55. FENDER INSTALLATION



ART_1001222200

SECTION 5 - DRIVE TRAIN

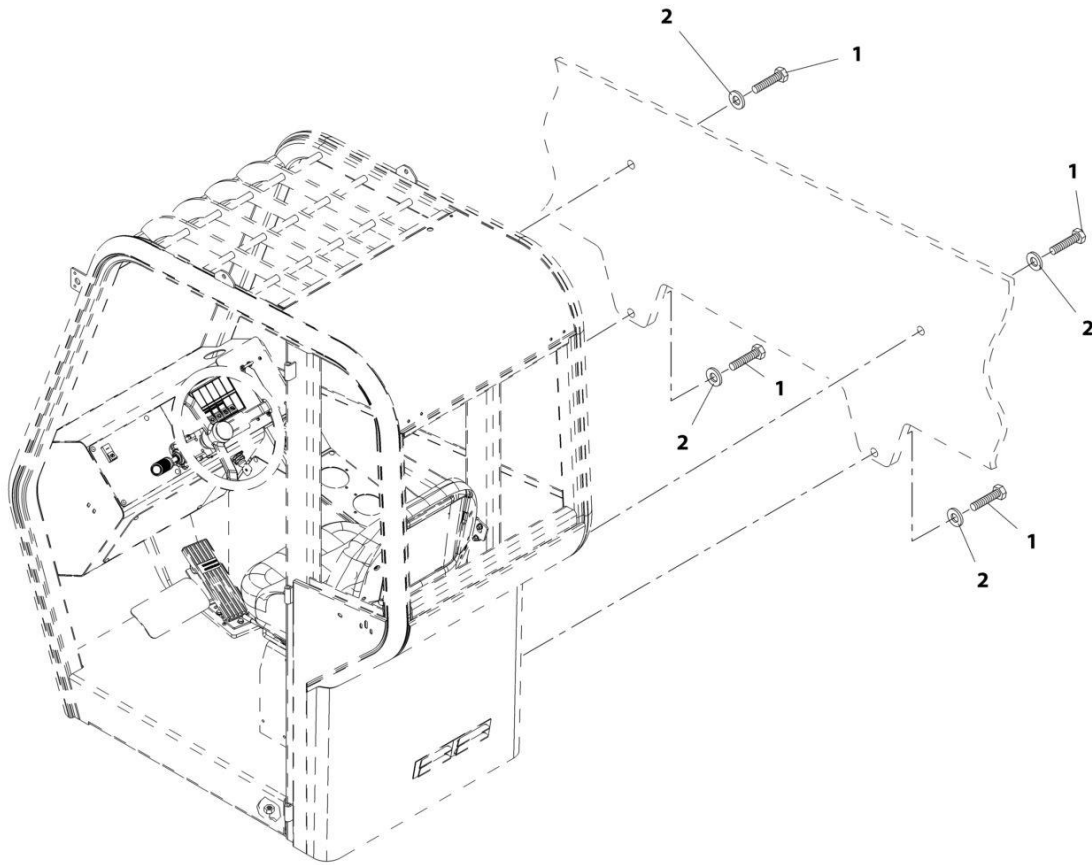
FIGURE 5-55. FENDER INSTALLATION

ITEM	PART NUMBER	QTY	DESCRIPTION	REV
	1001222200	Ref	Fender Installation	D
1	0760812	16	Capscrew, M8X25	
2	4811902	32	Washer	
3	83191010	16	Washer, Lock M12	
4	91513266	16	Nut, M12	
5	91514118	16	Stud, Fender	
6	1001095650	AR	Adhesive	
7	1001154055	4	Fender	
8	1001222203	2	Bracket, Fender	
9	1001222717	2	Bracket, Fender	
10	1001225317	4	Fitting, Grease	

SECTION 6 - CAB

SECTION 6 - CAB

FIGURE 6-1. CAB MOUNTING HARDWARE INSTALLATION



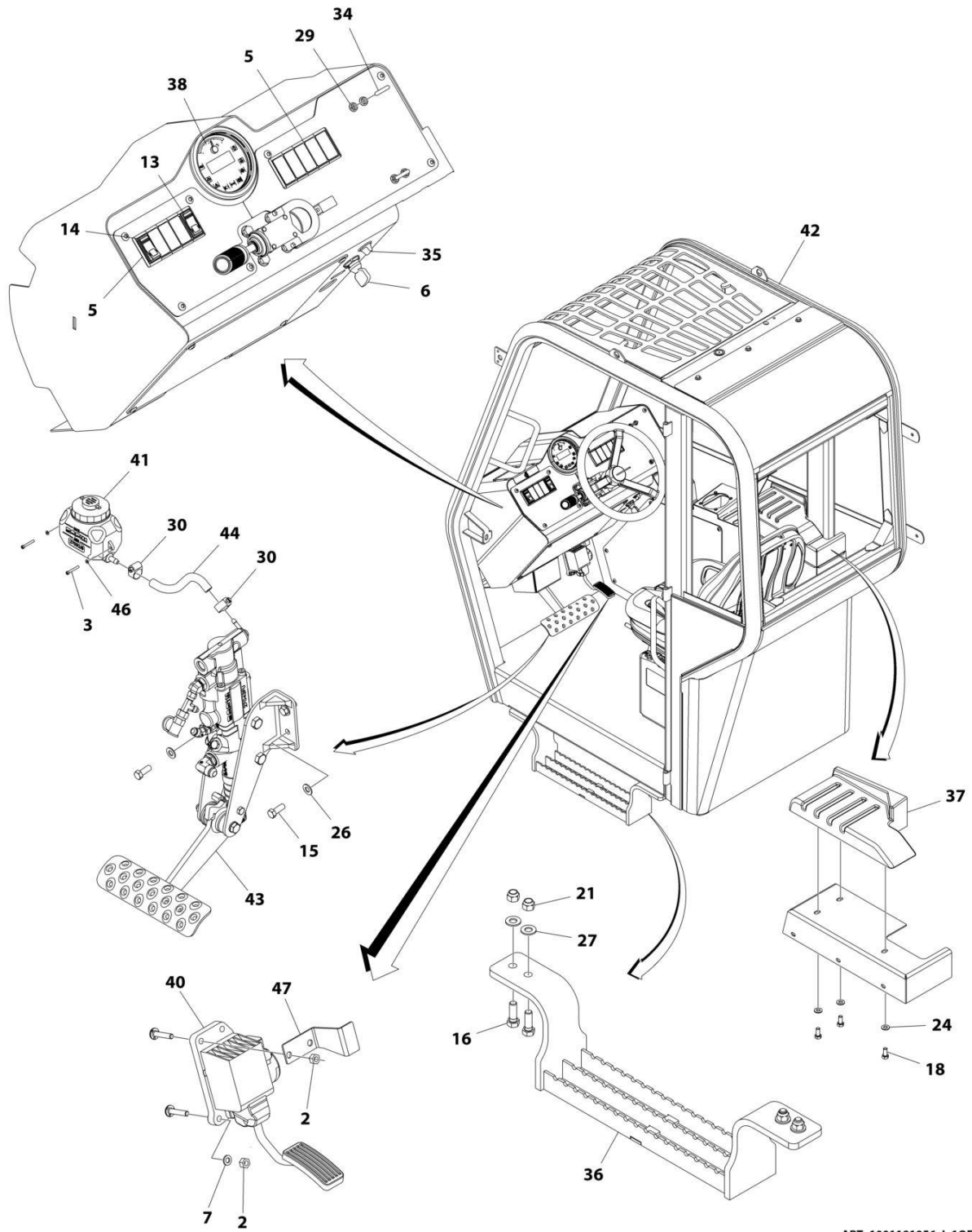
ART_713882_AA

FIGURE 6-1. CAB MOUNTING HARDWARE INSTALLATION

ITEM	PART NUMBER	QTY	DESCRIPTION	REV
	7138882	Ref	Cab Installation	AA
1	8310493	4	Bolt, 7/8-9X5-1/2, Grade 8	
2	8307011	4	Washer, Lock 7/8	

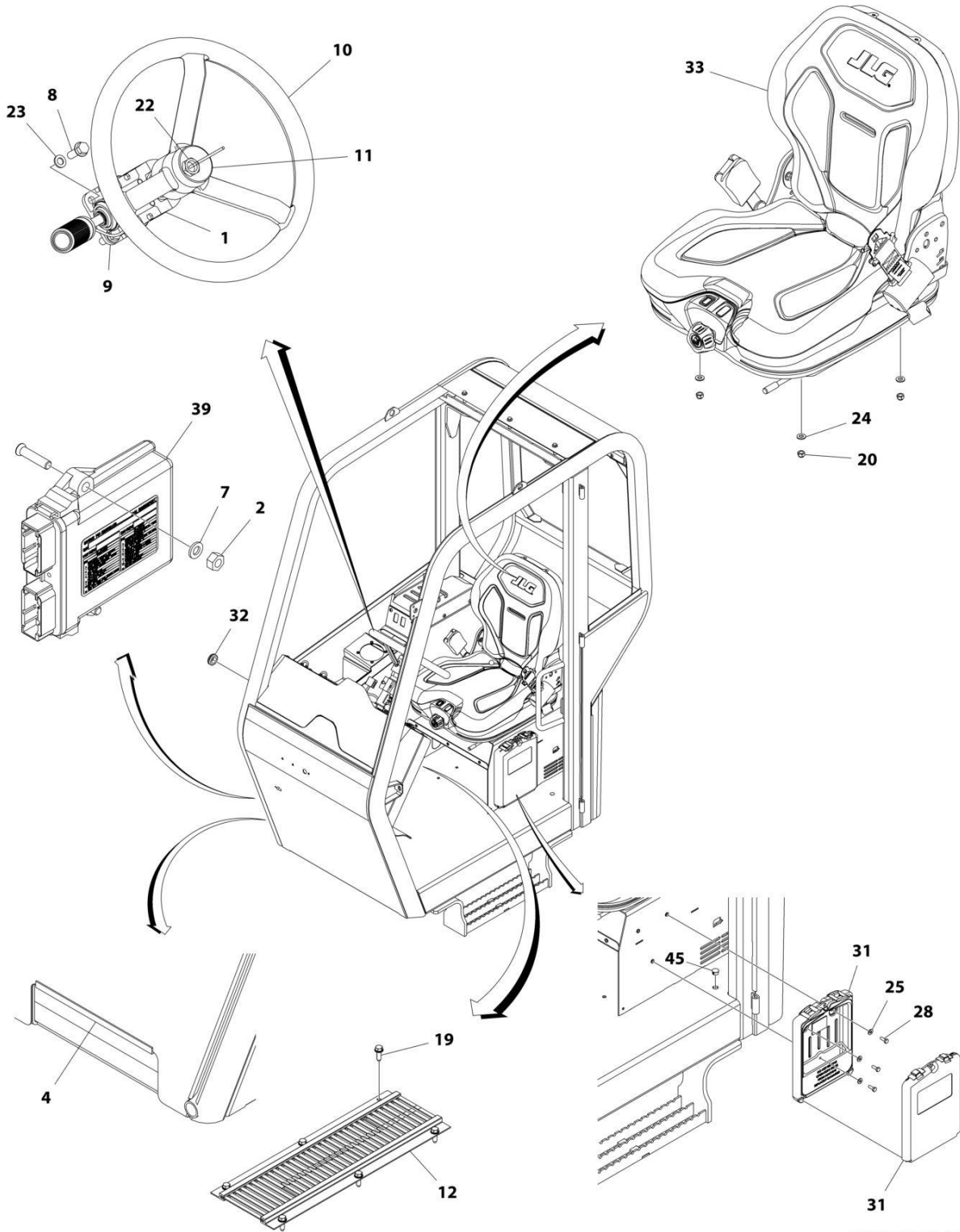
SECTION 6 - CAB

FIGURE 6-2. CAB INSTALLATION - OPEN



ART_1001181956_I_10F2

SECTION 6 - CAB



ART_1001181956_I_20F2

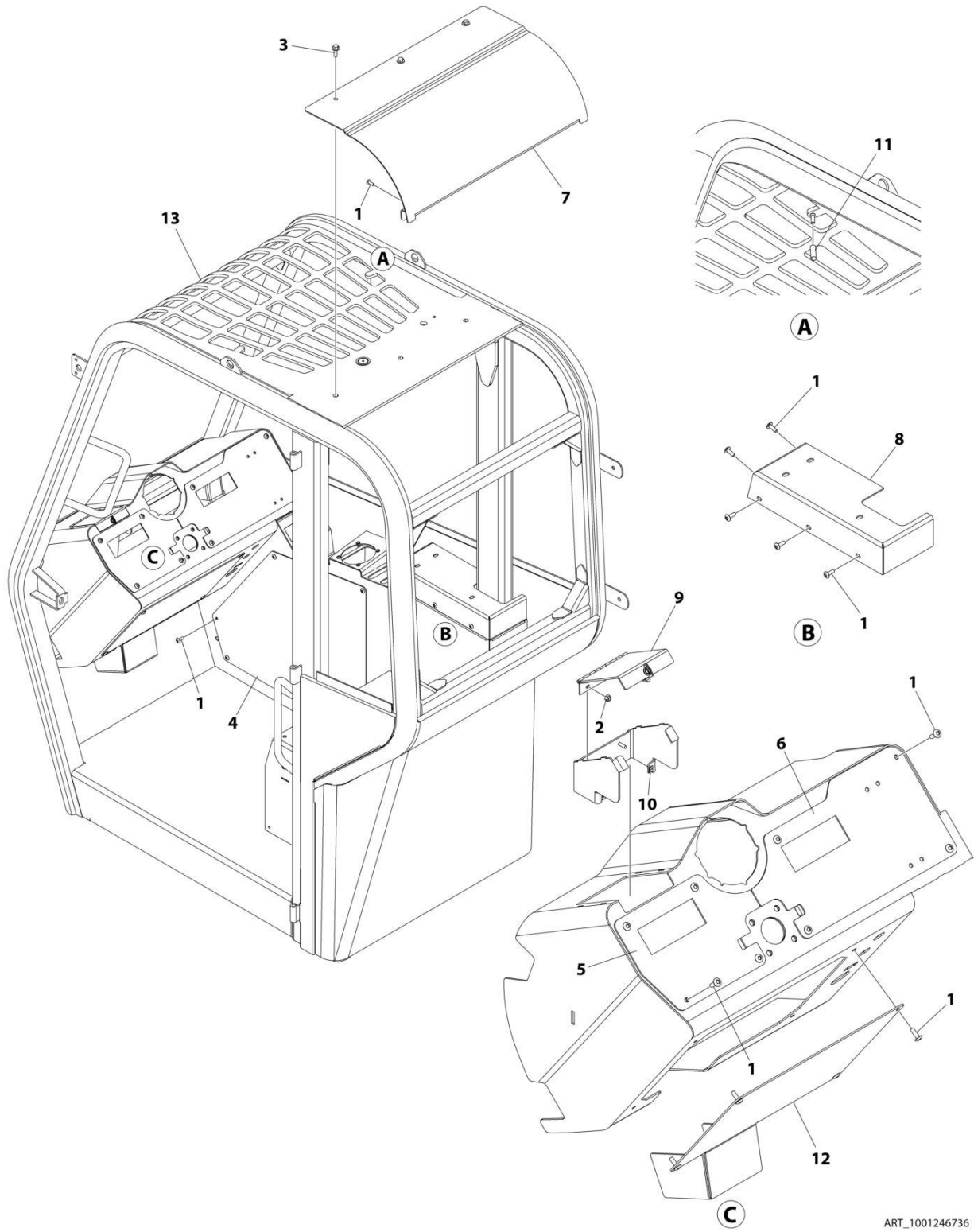
SECTION 6 - CAB

FIGURE 6-2. CAB INSTALLATION - OPEN

ITEM	PART NUMBER	QTY	DESCRIPTION	REV
	1001181956	Ref	OPEN CAB INSTALLATION	I
1	1600429	1	Selector, Transmission Control	
2	3311401	5	Nut 1/4	
3	3930610	2	Bolt #6 x 5/8	
4	4060806	11 in	Flex-Trim	
5	4360569	2	Switch, Bezel	
6	4360690	1	Switch, Ignition	
6	8035807	1	Key (with cover)	
7	4761400	3	Washer 1/4	
8	5251014	4	Bolt M10 x 30	
9	7138833	1	Column, Steering	
10	7138836	1	Wheel, Steering	
11	7138878	1	Button, Horn	
12	7138944	2	Strips, Brush	
13	8223037	1	Switch, Steer Select	
14	8223054	1	Switch, Park Brake	
15	8303620	4	Bolt 3/8 x 1	
16	8303626	4	Bolt 1/2 x 1-1/2	
18	8303697	3	Bolt 5/16 x 3/4	
19	8303982	6	Screw 1/4 x 3/4	
20	8305626	4	Nut 5/16	
21	8305644	4	Nut 1/2	
22	8305916	1	Nut, Steering Column	
23	8307023	4	Washer M10	
24	8307106	7	Washer 5/16	
25	8307109	3	Washer 1/4	
26	8307110	4	Washer 3/8	
27	8307112	4	Washer 1/2	
28	8310026	3	Bolt 1/4 x 3/4	
29	8310382	8	Nut 1/4	
30	1320022	2	Clamp, Fuel Line	
31	8990147	1	Holder, Manual	
32	1001081049	1	Grommet, Split	
33	1001190229	1	Seat, Cab (See Separate Breakdown in this Section)	
34	1001102844	2	U-Bolt 1/4 x 1-1/4	
35	1001114867	1	Socket, 12V Power Point	
36	1001256519	1	Mount, Cab Step	
37	1001159878	1	Support, Armrest	
38	1001170738	1	Gauge	
39	1001210703	1	Controller	
40	1001264554	1	Accelerator (Note: No Serviceable Parts - Purchase Complete Assembly)	
41	1001183164	1	Reservoir, Brake Valve	
42	1001246736	1	Cab, Open (See Separate Breakdown in this Section)	
43	1001223052	1	Assembly, Brake (See Separate Breakdown in CONTROLS Section)	
44	1001201658	1	Hose	
45	1001207963	1	Plug, 5/8	
46	4710600	2	Washer	
47	1001265914	1	Cover, Pedal	

SECTION 6 - CAB

FIGURE 6-3. CAB ASSEMBLY - OPEN



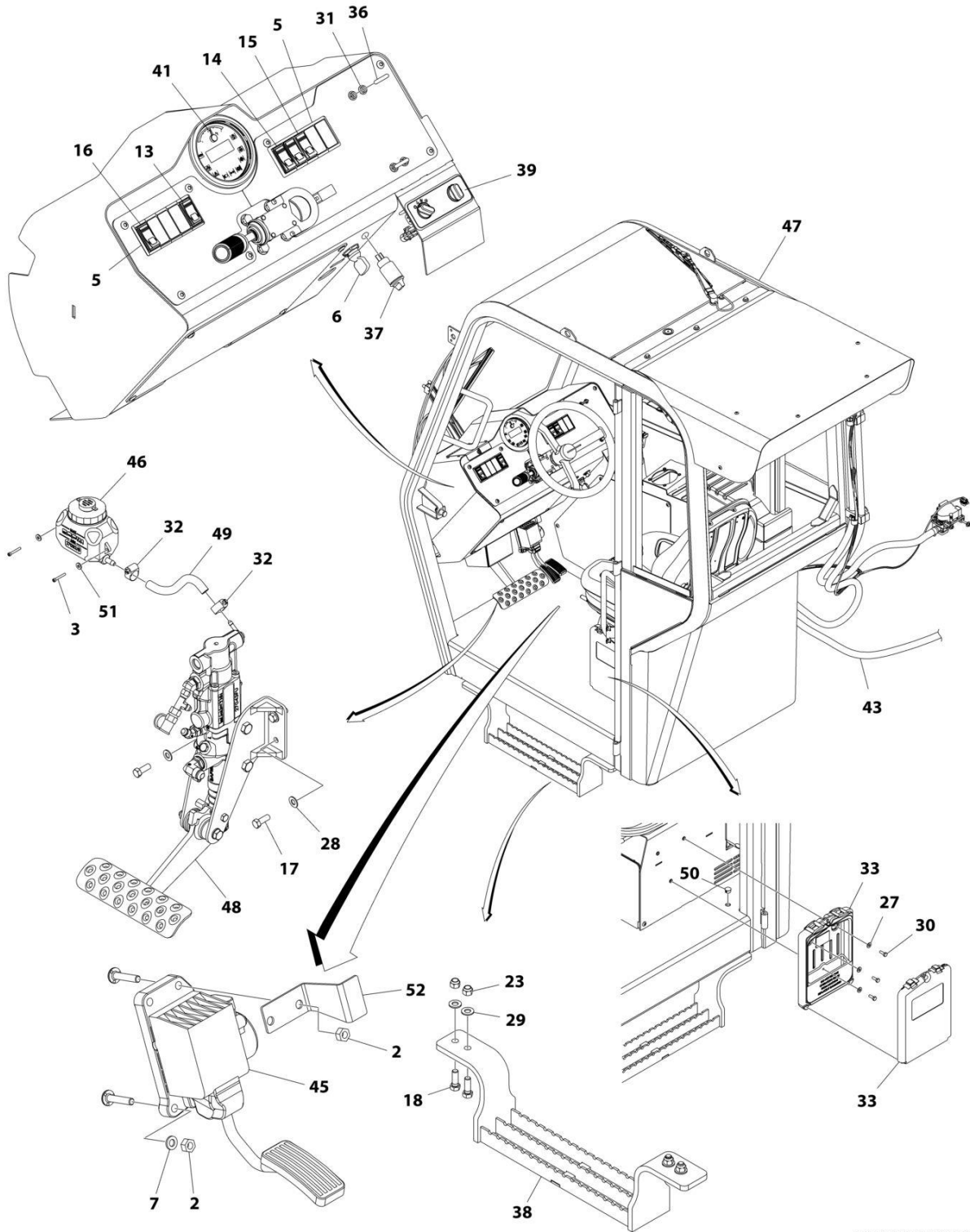
ART_1001246736

FIGURE 6-3. CAB ASSEMBLY - OPEN

ITEM	PART NUMBER	QTY	DESCRIPTION	REV
	1001246736	Ref	CAB OPEN	D
1	8303034	25	Screw 1/4 x 3/4	
2	8310085	2	Nut M10	
3	1001149227	3	Screw 5/16 x 1	
4	1001160788	1	Panel, RH Console Access Plate	
5	1001160790	1	Panel, LH Dash Cover	
6	1001160791	1	Panel, RH Dash Cover	
7	1001160815	1	Panel, Roof Cover	
8	1001165617	1	Assembly, Side Console Access Panel	
9	1001202189	1	Door, Brake Reservoir	
10	1001202202	2	Nut	
11	1001202615	2	Cap, Silicon Stud Cover	
12	1001202746	1	Panel, Brake Access Plate	
13	1001246735	1	Cab Weldment	

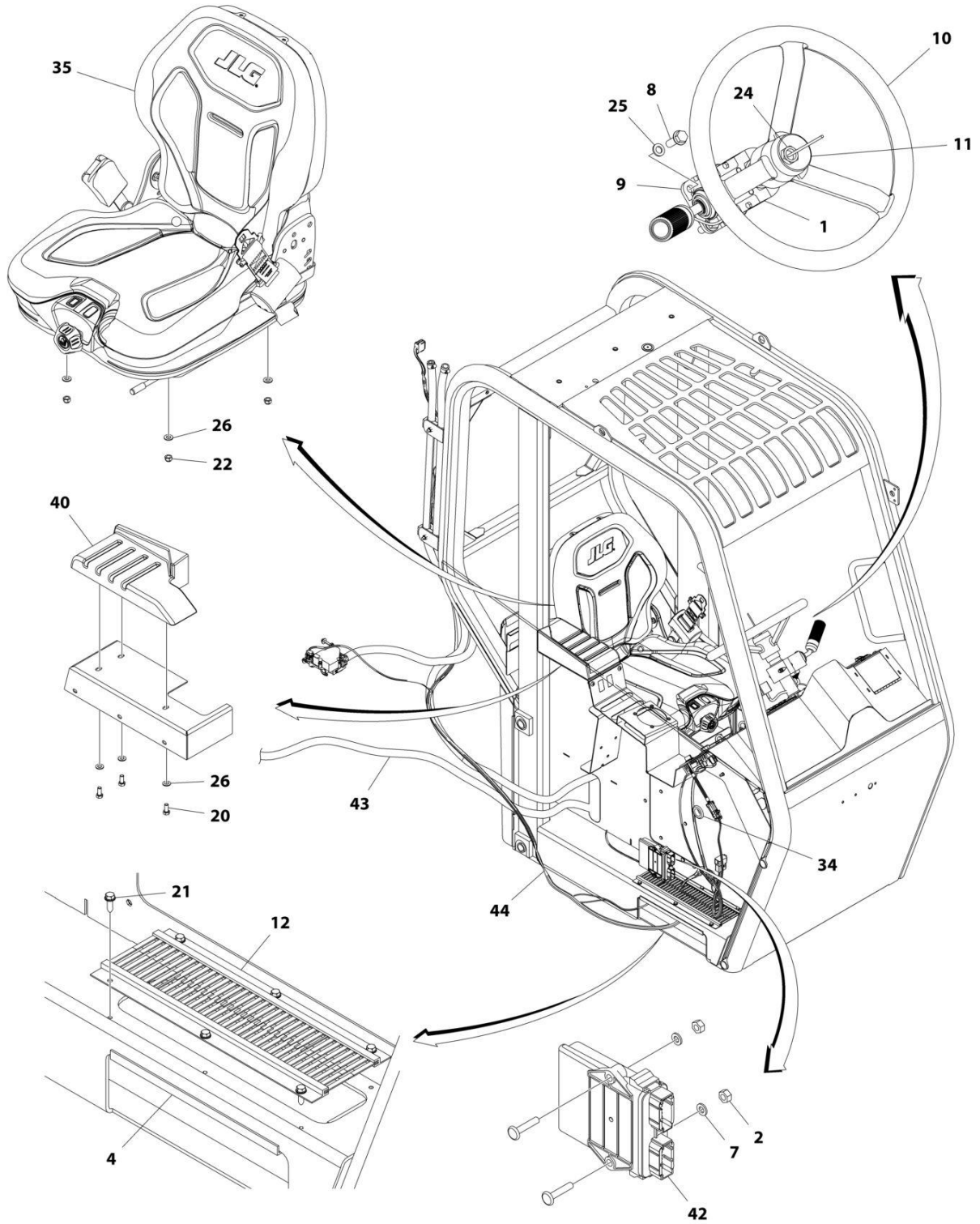
SECTION 6 - CAB

FIGURE 6-4. CAB INSTALLATION - ENCLOSED WITH HEATER



ART_1001185776_I_10F2

SECTION 6 - CAB



ART_1001185776_L_20F2

SECTION 6 - CAB

FIGURE 6-4. CAB INSTALLATION - ENCLOSED WITH HEATER

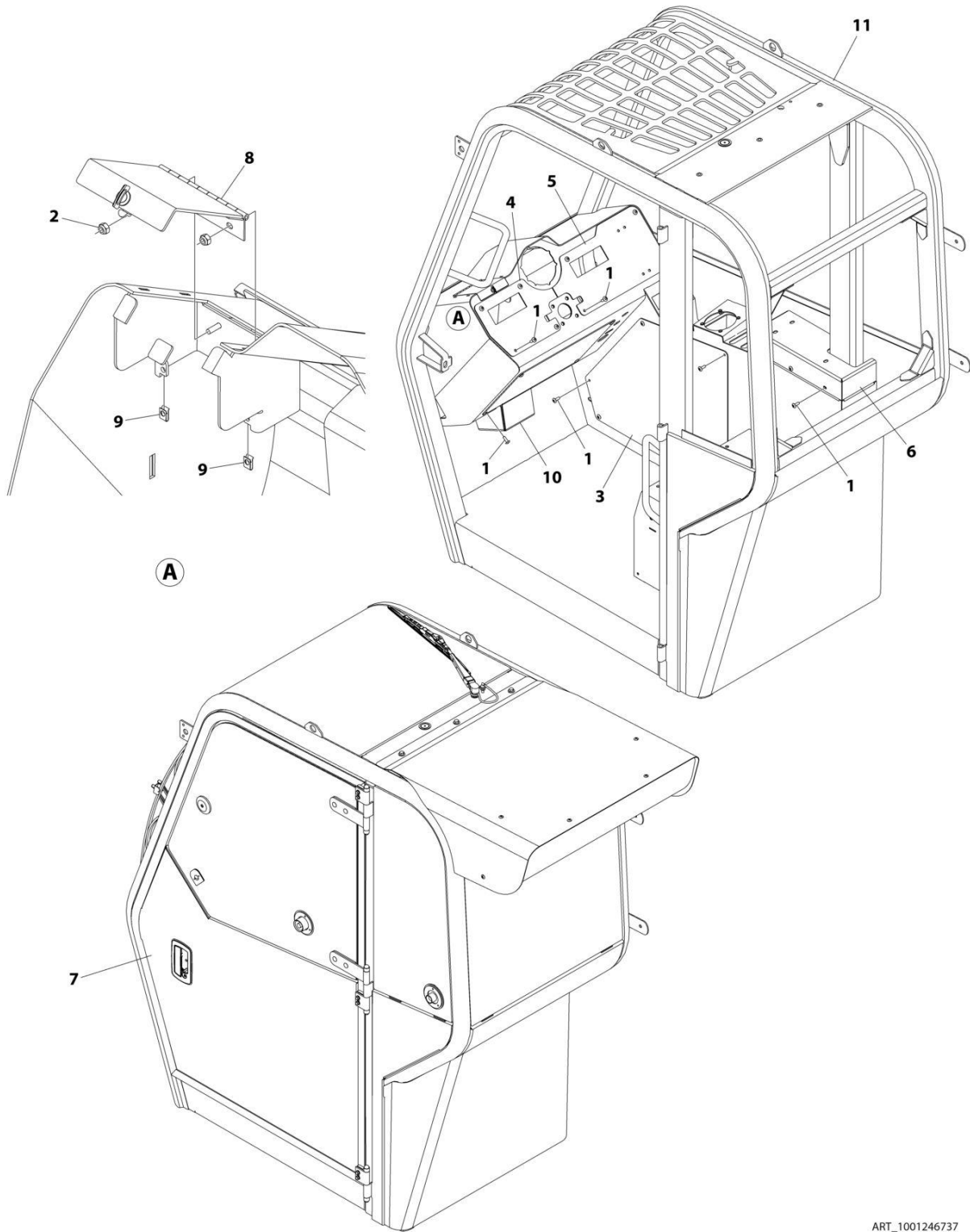
ITEM	PART NUMBER	QTY	DESCRIPTION	REV
	1001185776	Ref	ENCLOSED CAB WITH HEATER INSTALLATION	I
1	1600429	1	Selector, Transmission Control	
2	3311401	5	Nut 1/4	
3	3930610	2	Bolt 6 x 5/8	
4	4060806	11 in	Shield, Flex Trim, 5/16	
5	4360569	2	Switch, Bezel	
6	4360690	1	Switch, Ignition	
6	8035807	1	Key (with cover)	
7	4761400	3	Washer 1/4	
8	5251014	4	Bolt M10 x 30	
9	7138833	1	Column, Steering	
10	7138836	1	Wheel, Steering	
11	7138878	1	Button, Horn	
12	7138944	2	Strips, Brush	
13	8223037	1	Switch, Steer Select	
14	8223043	2	Switch, Windscreen Wiper	
15	8223044	1	Switch, Windscreen Washer	
16	8223054	1	Switch, Park Brake	
17	8303620	4	Bolt 3/8 x 1	
18	8303626	4	Bolt 1/2 x 1-1/2	
20	8303697	3	Bolt 5/16 x 3/4	
21	8303982	6	Screw 1/4 x 3/4	
22	8305626	4	Nut 5/16	
23	8305644	4	Nut 1/2	
24	8305916	1	Nut, Steering Column	
25	8307023	4	Washer M10	
26	8307106	7	Washer 5/16	
27	8307109	3	Washer 1/4	
28	8307110	4	Washer 3/8	
29	8307112	4	Washer 1/2	
30	8310026	3	Bolt 1/4 x 3/4	
31	8310382	8	Nut 1/4	
32	1320022	2	Clamp, Fuel Line	
33	8990147	1	Holder, Manual	
34	1001081049	1	Grommet, Split	
35	1001190229	1	Seat, Cab (See Separate Breakdown in this Section)	
36	1001102844	2	Bolt 1/4 x 1-1/4	
37	1001114867	1	Socket, 12V Power Point	
38	1001256519	1	Mount, Cab Step	
39	1001159850	1	Panel, Heater Control	
40	1001159878	1	Support, Armrest	
41	1001170738	1	Gauge	
42	1001210703	1	Controller	
43	1001171807	1	Installation, Cab Heater Lines (See Separate Breakdown in this Section)	
44	1001178347	1	Harness, HVAC (See Separate Breakdown in ELECTRICAL Section)	
45	1001264554	1	Accelerator (Note: No Serviceable Parts - Purchase Complete Assembly)	
46	1001183164	1	Reservoir, Brake Valve	

SECTION 6 - CAB

ITEM	PART NUMBER	QTY	DESCRIPTION	REV
47	1001246737	1	Cab, Enclosed with Heater (See Separate Breakdown in this Section)	
48	1001223052	1	Assembly, Brake (See Separate Breakdown in CONTROLS Section)	
49	1001201658	1	Hose	
50	1001207963	1	Plug, 5/8	
51	4710600	2	Washer #6	
52	1001265914	1	Cover, Pedal	

SECTION 6 - CAB

FIGURE 6-5. CAB ASSEMBLY - ENCLOSED WITH HEATER



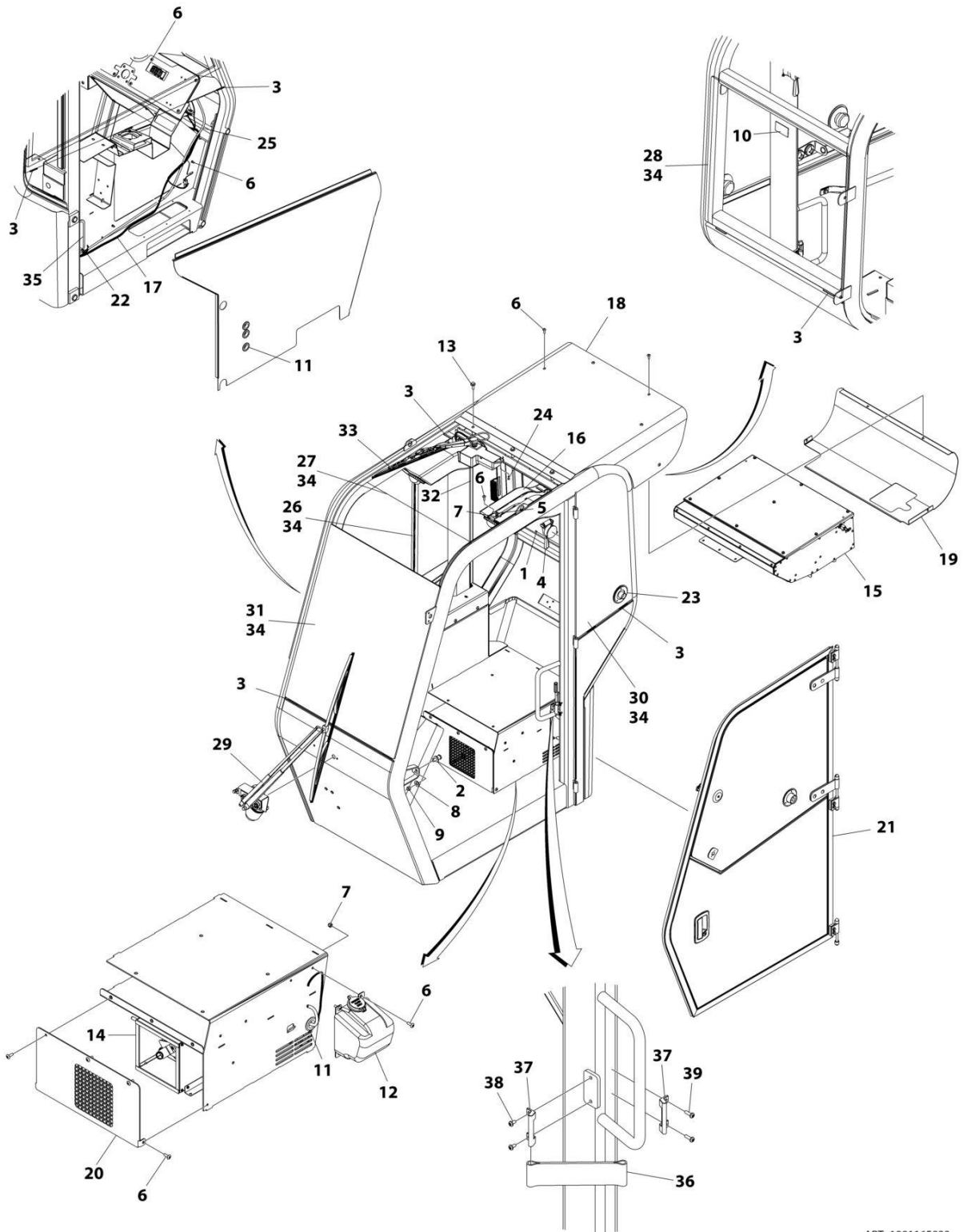
ART_1001246737

FIGURE 6-5. CAB ASSEMBLY - ENCLOSED WITH HEATER

ITEM	PART NUMBER	QTY	DESCRIPTION	REV
	1001246737	Ref	CAB ENCLOSED WITH HEATER	G
1	8303034	22	Screw 1/4 x 3/4	
2	8310085	2	Nut	
3	1001160788	1	Panel, RH Console Access Plate	
4	1001160790	1	Panel, LH Dash Cover	
5	1001160791	1	Panel, RH Dash Cover	
6	1001165617	1	Assembly, Side Console Access Panel	
7	1001165823	1	Enclosure, Cab (See Separate Breakdown in this Section)	
8	1001202189	1	Door, Brake Reservoir	
9	1001202202	2	Nut	
10	1001202746	1	Panel, Brake Access Plate	
11	See Note	NSS	Cab (Purchase Complete Assembly)	

SECTION 6 - CAB

FIGURE 6-6. CAB ENCLOSURE WITH HEATER



ART_1001165823

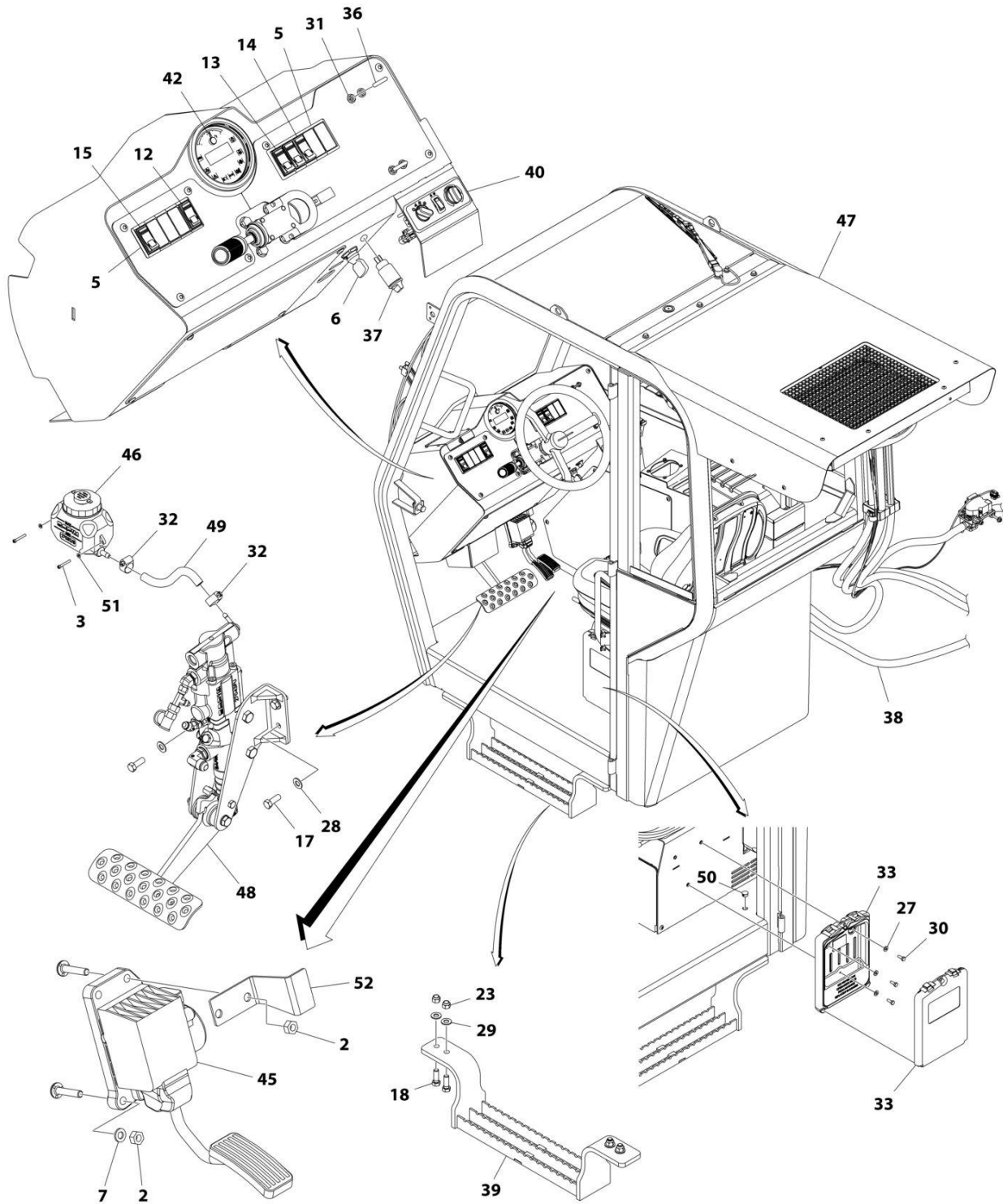
SECTION 6 - CAB

FIGURE 6-6. CAB ENCLOSURE WITH HEATER

ITEM	PART NUMBER	QTY	DESCRIPTION	REV
	1001165823	Ref	CAB ENCLOSURE	0
1	91404298	3	Rivet	
2	1001109478	1	Latch, Striker	
3	1001181968	13	Mould, Setting Block	
4	91404301	1	Hammer, Emergency	
5	4711400	2	Washer 1/4	
6	8303034	33	Screw 1/4 x 3/4	
7	8305624	4	Nut 1/4	
8	8307112	1	Washer 1/2	
9	8310109	1	Nut 7/164	
10	91404299	1	Decal, Escape	
11	1001081049	4	Grommet, Split	
12	1001111112	1	Tank, Window Washer Fluid	
12	70025480	1	Pump, Reservoir	
13	1001149227	3	Screw 5/16 x 1	
14	1001159856	1	Heater Assembly - Floor (See Separate Breakdown in this Section)	
15	1001159860	1	HVAC Assembly - Roof Top (See Separate Breakdown in this Section)	
16	1001160785	2	Duct, HVAC	
17	1001178349	1	Harness, Wiper (See Separate Breakdown in ELECTRICAL Section)	
18	1001164282	1	Hood, Top	
19	1001164284	1	Hood, Bottom	
20	1001164717	1	Panel, Floor Heater Access	
21	1001165806	1	Door, Cab (See Separate Breakdown in this Section)	
22	1001008742	1	Coupling, Tee	
23	1001081243	1	Retainer, Door Window Hold	
24	0630464	1	Screw #10 x 1/2	
25	82033997	168 in	Hose, Washer Fluid	
26	8036050	1	Window, RH Slider (See Separate Breakdown in this Section)	
27	7138958	1	Glass, Skylight	
28	1001181707	1	Window, Rear	
29	8036056	1	Assembly, Front Wiper (See Separate Breakdown in this Section)	
30	1001181893	1	Window, LH Rear	
31	1001181903	1	Window, Windshield	
32	1001182091	1	Duct, Wire	
33	1001182470	1	Wiper, Skylight (See Separate Breakdown in this Section)	
34	1001177746	AR	Compound, Locking	
35	4060803	16.5 in	Flex-Trim	
36	80384218	1	Strap, Door	
37	1001196128	2	Bracket, Strap Holder	
38	1001197098	2	Screw #10 x 3/8	
39	1001197099	2	Screw #10 x 5/8	

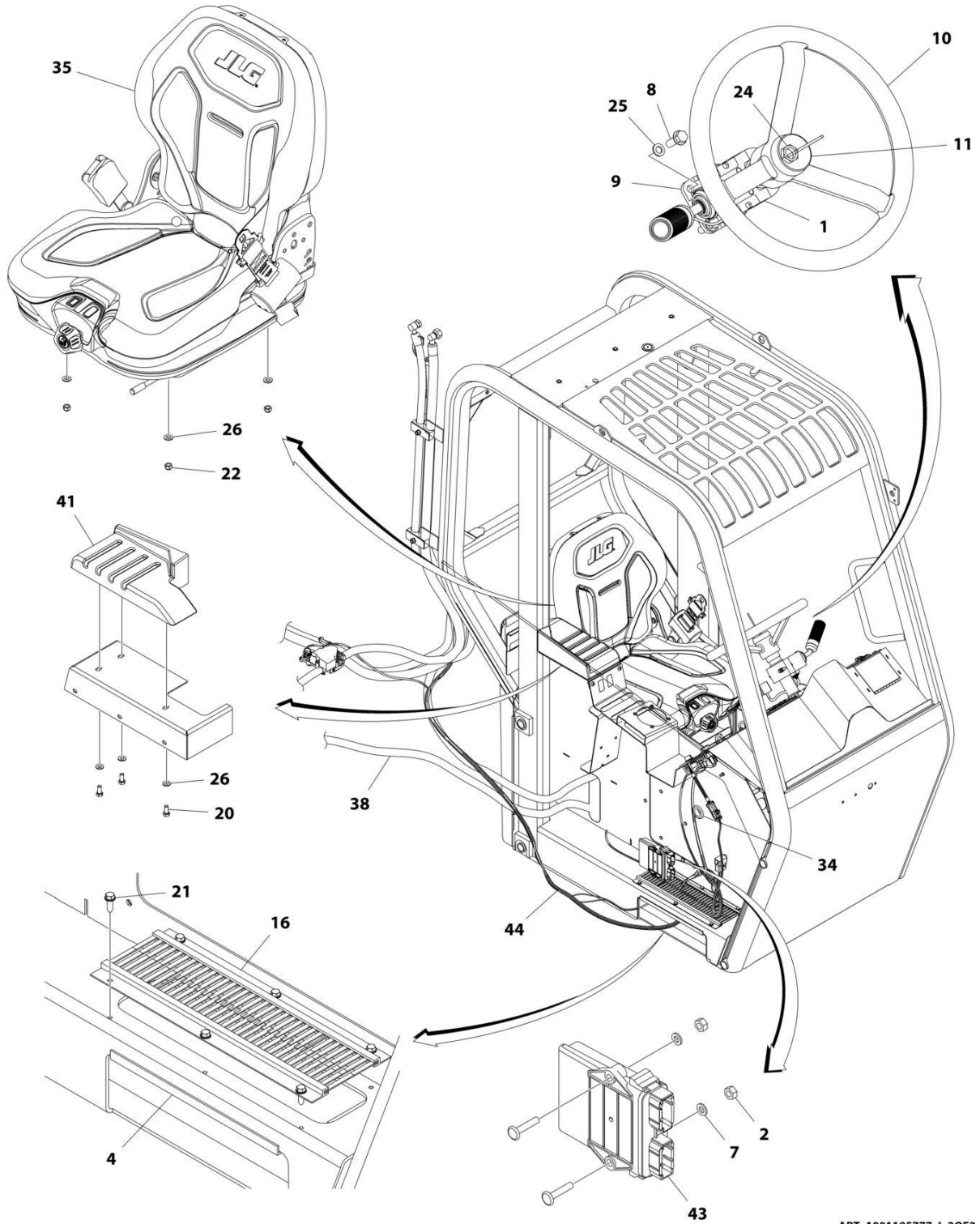
SECTION 6 - CAB

FIGURE 6-7. CAB INSTALLATION - ENCLOSED WITH HEATER & AC



ART_1001185777_I_10F2

SECTION 6 - CAB



ART_1001185777_I_20F2

SECTION 6 - CAB

FIGURE 6-7. CAB INSTALLATION - ENCLOSED WITH HEATER & AC

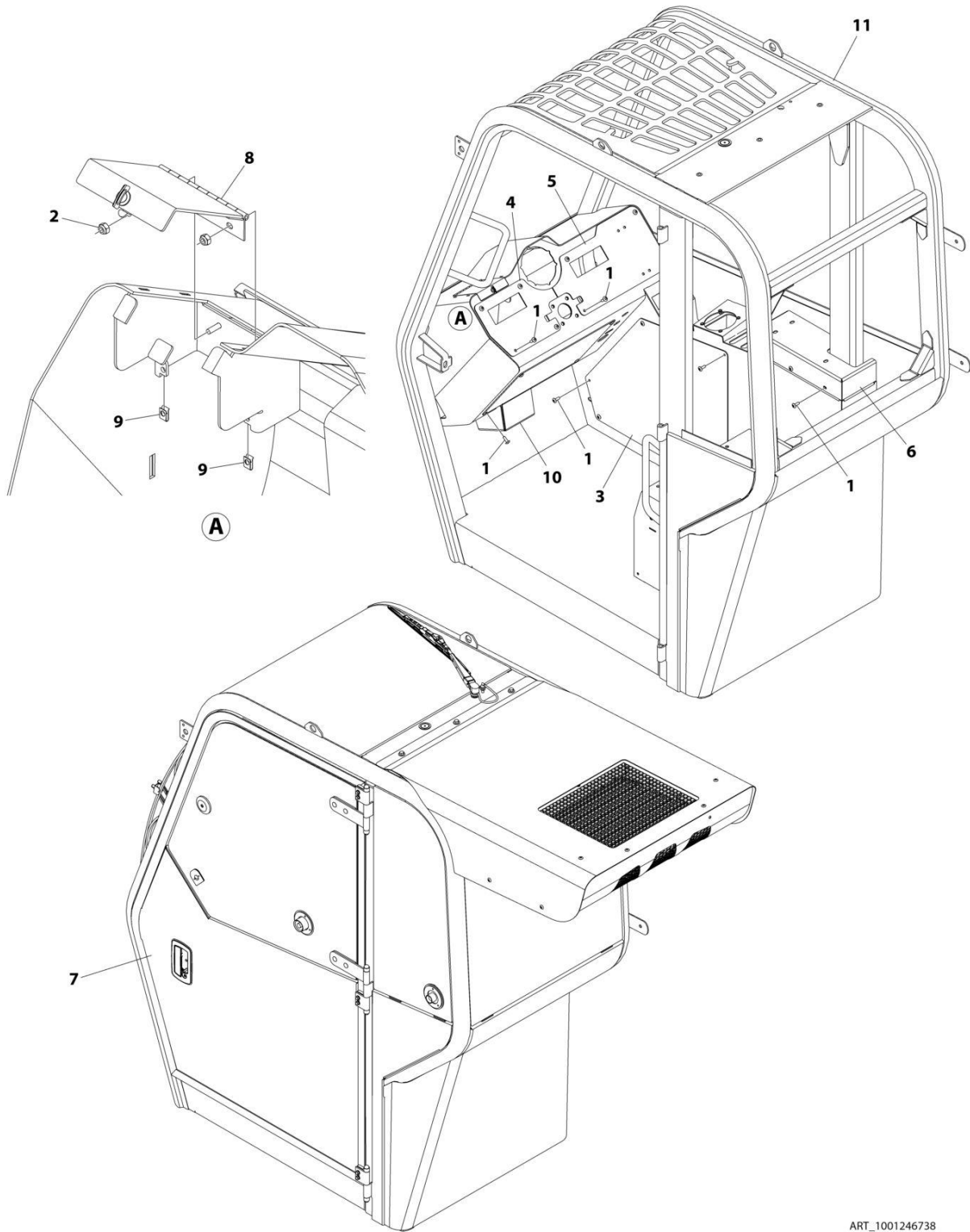
ITEM	PART NUMBER	QTY	DESCRIPTION	REV
	1001185777	Ref	ENCLOSED CAB WITH HEATER/AC INSTALLATION	I
1	1600429	1	Selector, Transmission Control	
2	3311401	5	Nut 1/4	
3	3930610	2	Bolt #6 x 5/8	
4	4060806	11 in	Shield, Flex Trim 5/16	
5	4360569	2	Switch, Bezel	
6	4360690	1	Switch, Ignition	
7	4761400	3	Washer 1/4	
8	5251014	4	Bolt M10 x 30	
9	7138833	1	Column, Steering	
10	7138836	1	Wheel, Steering	
11	7138878	1	Button, Horn	
12	8223037	1	Switch, Steer Select	
13	8223043	2	Switch, Windscreen Wiper	
14	8223044	1	Switch, Windscreen Washer	
15	8223054	1	Switch, Park Brake	
16	7138944	2	Strips, Brush	
17	8303620	4	Bolt 3/8 x 1	
18	8303626	4	Bolt 1/2 x 1-1/2	
20	8303697	3	Bolt 5/16 x 3/4	
21	8303982	6	Screw 1/4 x 3/4	
22	8305626	4	Nut 5/16	
23	8305644	4	Nut 1/2	
24	8305916	1	Nut, Steering Column	
25	8307023	4	Washer M10	
26	8307106	7	Washer 5/16	
27	8307109	3	Washer 1/4	
28	8307110	4	Washer 3/8	
29	8307112	4	Washer 1/2	
30	8310026	3	Bolt 1/4 x 3/4	
31	8310382	8	Nut 1/4	
32	1320022	2	Clamp, Fuel Line	
33	8990147	1	Holder, Manual	
34	1001081049	1	Grommet	
35	1001190229	1	Seat, Cab (See Separate Breakdown in this Section)	
36	1001102844	2	U-Bolt 1/4 x 1-1/4	
37	1001114867	1	Socket, 12V Power Point	
38	1001171806	1	Installation, Cab Heater/AC Lines (See Separate Breakdown in this Section)	
39	1001256519	1	Mount, Cab Step	
40	1001159851	1	Panel, HVAC Control	
40	1001204362	1	Switch, Fan	
40	7301265	1	Switch, A/C	
41	1001159878	1	Support, Armrest	
42	1001170738	1	Gauge	
43	1001210703	1	Controller	
44	1001178347	1	Harness, HVAC (See Separate Breakdown in ELECTRICAL Section)	
45	1001264554	1	Accelerator (Note: No Serviceable Parts - Purchase Complete Assembly)	

SECTION 6 - CAB

ITEM	PART NUMBER	QTY	DESCRIPTION	REV
46	1001183164	1	Reservoir, Brake Valve	
47	1001246738	1	Cab, Enclosed with Heater/AC (See Separate Breakdown in this Section)	
48	1001223052	1	Assembly, Brake (See Separate Breakdown in CONTROLS Section)	
49	1001201658	1	Hose	
50	1001207963	1	Plug, 5/8	
51	4710600	2	Washer #6	
52	1001265914	1	Cover, Pedal	

SECTION 6 - CAB

FIGURE 6-8. CAB ASSEMBLY - ENCLOSED WITH HEATER & AC



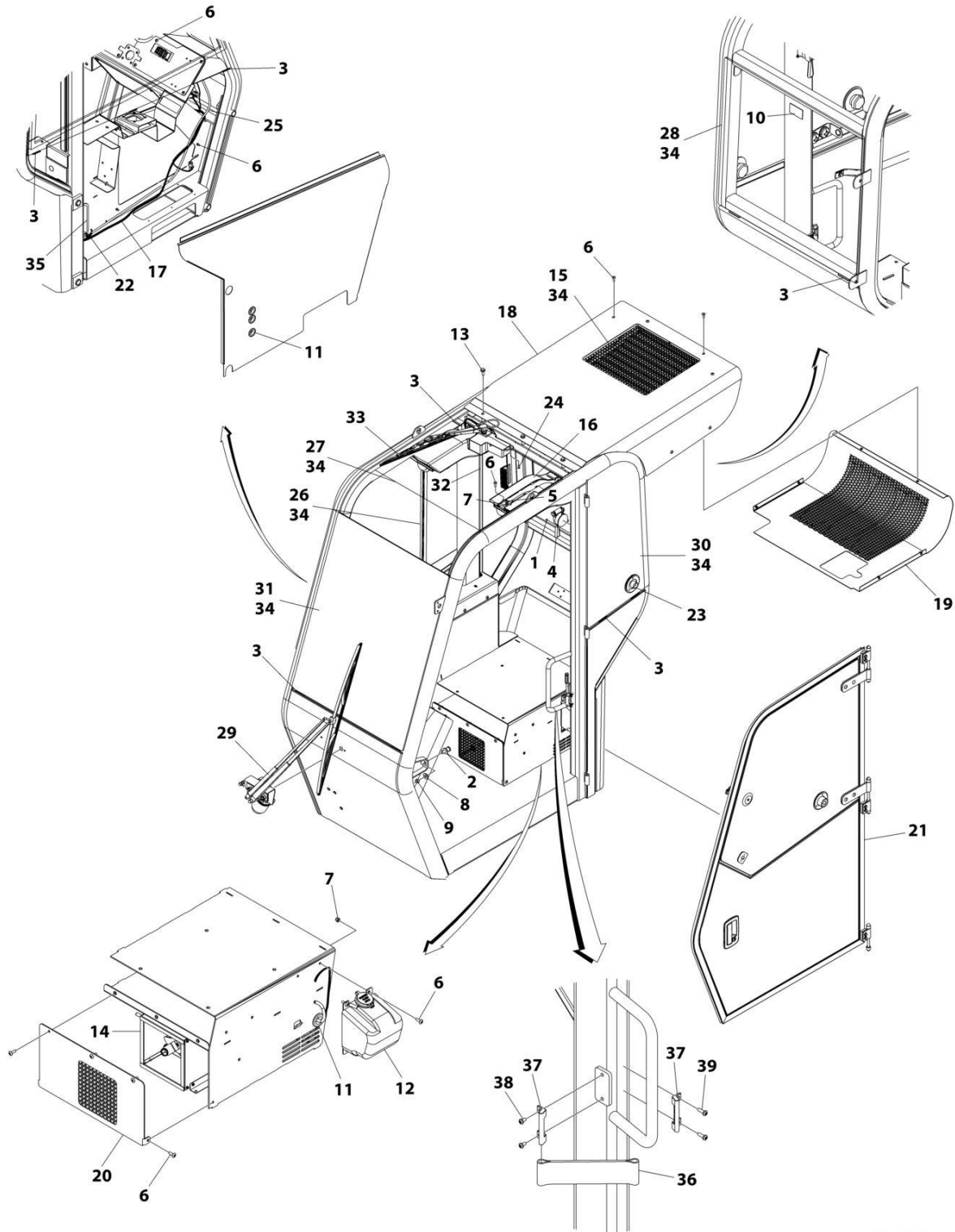
ART_1001246738

SECTION 6 - CAB**FIGURE 6-8. CAB ASSEMBLY - ENCLOSED WITH HEATER & AC**

ITEM	PART NUMBER	QTY	DESCRIPTION	REV
	1001246738	Ref	CAB ENCLOSED WITH HEATER/AC	F
1	8303034	22	Screw 1/4 x 3/4	
2	8310085	2	Nut	
3	1001160788	1	Panel, RH Console Access Plate	
4	1001160790	1	Panel, LH Dash Cover	
5	1001160791	1	Panel, RH Dash Cover	
6	1001165617	1	Assembly, Side Console Access Panel	
7	1001168066	1	Enclosure, Cab HVAC (See Separate Breakdown in this Section)	
8	1001202189	1	Door, Brake Reservoir	
9	1001202202	2	Nut M6	
10	1001202746	1	Panel, Brake Access Plate	
11	1001246735	1	Cab Weldment	

SECTION 6 - CAB

FIGURE 6-9. CAB ENCLOSURE WITH HEATER & AC



ART_1001168066

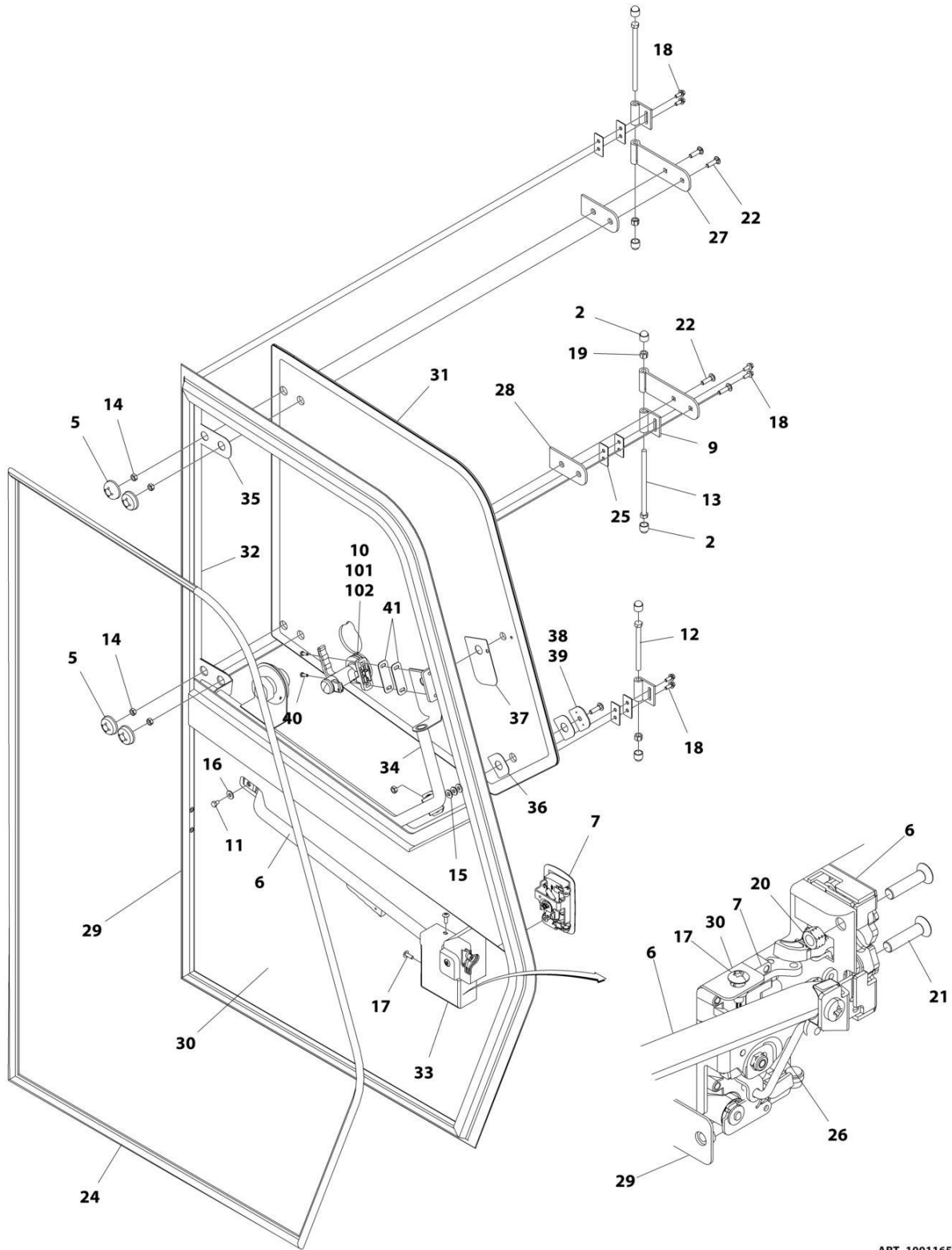
SECTION 6 - CAB

FIGURE 6-9. CAB ENCLOSURE WITH HEATER & AC

ITEM	PART NUMBER	QTY	DESCRIPTION	REV
	1001168066	Ref	CAB HVAC ENCLOSURE	0
1	91404298	3	Rivet	
2	1001109478	1	Latch, Striker	
3	1001181968	13	Mould, Setting Block	
4	91404301	1	Hammer, Emergency	
5	4711400	2	Washer 1/4	
6	8303034	35	Screw 1/4 x 3/4	
7	8305624	4	Nut 1/4	
8	8307112	1	Washer 1/2	
9	8310109	1	Nut 7/16	
10	91404299	1	Decal, Escape	
11	1001081049	4	Grommet, Split	
12	1001111112	1	Tank, Window Washer Fluid	
12	70025480	1	Pump, Reservoir	
13	1001149227	3	Screw 5/16 x 1	
14	1001159856	1	Heater, Floor (See Separate Breakdown in this Section)	
15	1001159861	1	Box, Roof (See Separate Breakdown in this Section)	
16	1001160785	2	Duct, HVAC	
17	1001178349	1	Harness, Wiper (See Separate Breakdown in ELECTRICAL Section)	
18	1001164096	1	Hood, Top	
19	1001164099	1	Hood, Bottom	
20	1001164717	1	Panel, Floor Heater Access	
21	1001165806	1	Door, Cab (See Separate Breakdown in this Section)	
22	1001008742	1	Coupling, Tee	
23	1001081243	1	Retainer, Door Window Hold	
24	0630464	1	Screw #10 x 1/2	
25	82033997	168 in	Hose, Washer Fluid	
26	8036050	1	Window, RH Slider (See Separate Breakdown in this Section)	
27	7138958	1	Glass, Skylight	
28	1001181707	1	Window, Rear	
29	8036056	1	Assembly, Front Wiper (See Separate Breakdown in this Section)	
30	1001181893	1	Window, LH Rear	
31	1001181903	1	Window, Windshield	
32	1001182091	1	Duct, Wire	
33	1001182470	1	Wiper, Skylight (See Separate Breakdown in this Section)	
34	1001177746	AR	Compound, Locking	
35	4060803	16.5 in	Flex-Trim	
36	80384218	1	Strap, Door	
37	1001196128	2	Bracket, strap Holder	
38	1001197098	2	Screw #10 x 3/8	
39	1001197099	2	Screw #10 x 5/8	

SECTION 6 - CAB

FIGURE 6-10. CAB DOOR ASSEMBLY



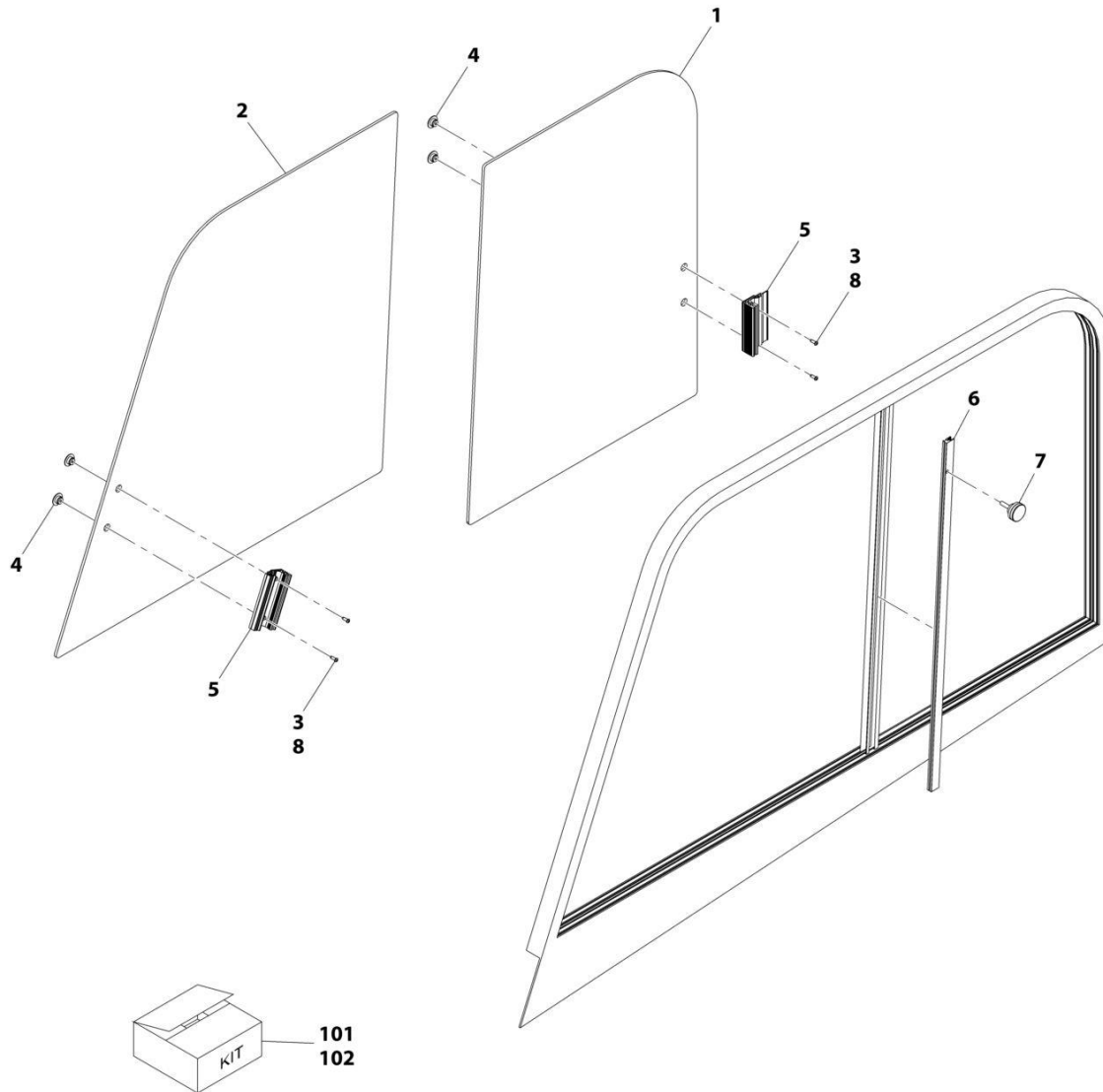
ART_1001165806

FIGURE 6-10. CAB DOOR ASSEMBLY

ITEM	PART NUMBER	QTY	DESCRIPTION	REV
	1001165806	Ref	CAB DOOR	I
1	1001183104	2	Fastener, Latch	
2	1001182663	6	Cap, Hex Dome	
5	1001081246	5	Cap, Nut M6	
6	1001081247	1	Handle, Interior Cab Door	
7	1001081241	1	Handle, Exterior Cab Door	
7	70021948	1	Key, Cab Door	
9	1001183209	3	Hinge, Slotted	
10	1001220260	1	Handle, Window	
11	0641403	1	Bolt 1/4 x 3/8	
12	0641636	1	Bolt 3/8 x 4-1/2	
13	0641652	2	Bolt 3/8 x 6-1/2	
14	3290801	5	Nut M8	
15	4711500	3	Washer 5/16	
16	4751400	1	Washer 1/4	
17	8303034	2	Screw 1/4 x 3/4	
18	8303119	6	Screw 1/4 x 5/8	
19	8305603	3	Nut 3/8	
20	8305638	2	Nut M8	
21	1001094312	2	Screw M8 x 30	
22	1001108575	5	Screw M8 x 30	
24	1001182408	1	Seal, Door	
25	1001182135	6	Shim, Door Hinge	
26	1001182514	1	Linkage, Exterior Latch	
27	1001081242	2	Hinge, Door	
28	1001081266	2	Spacer, Hinge	
29	1001182842	1	Weldment, Door	
30	1001182800	1	Foam, Door	
31	1001182808	1	Glass, Door	
32	1001182810	1	Seal, Glass	
33	1001182865	1	Cover, Latch	
34	1001182871	1	Handle, Door Glass	
35	1001182882	2	Shim, Hinge	
36	1001182883	2	Shim, Handle	
37	1001182884	1	Shim, Handle Latch	
38	1001183084	1	Plate, Window	
39	1001177746	1	Compound, Locking	
40	1001197099	2	Screw 1/4 x 5/8	
41	1001265272	AR	Shim	
101	1001165276	1	Striker Plate	
102	1001165275	1	Window Latch	
103	1001169787	1	Latch Seal (not shown)	
201	1001280231	1	Door Window Kit (Includes Items 5, 10, 14, 15, 22, 27, 28, 31, 32, 34-41 & Window Lock)	

SECTION 6 - CAB

FIGURE 6-11. SLIDER WINDOW ASSEMBLY (RH)



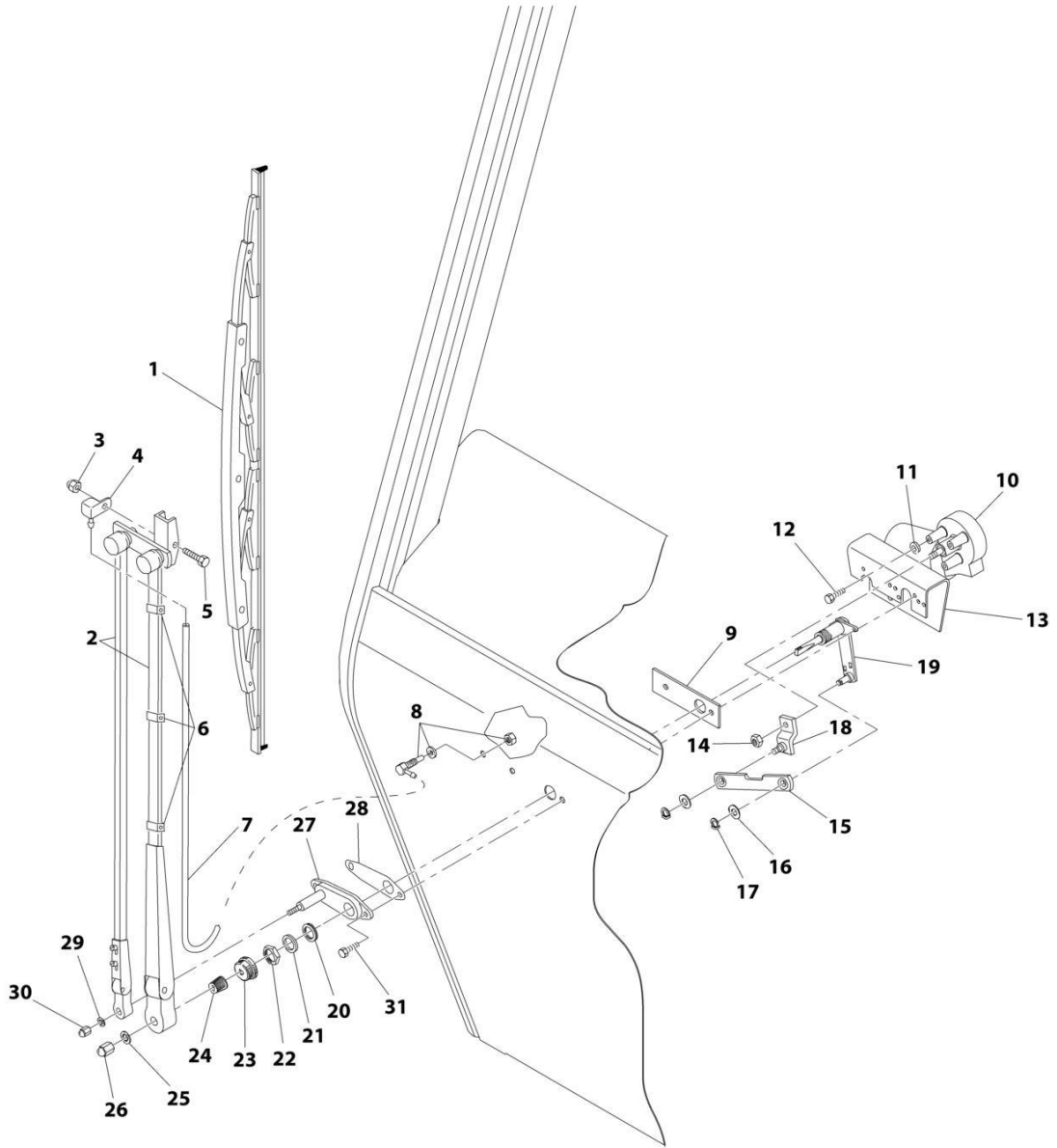
ART_8036050-B

FIGURE 6-11. SLIDER WINDOW ASSEMBLY (RH)

ITEM	PART NUMBER	QTY	DESCRIPTION	REV
	8036050	Ref	RH Slider Window	B
1	8036197	1	Glass, Rear Slide	
2	8036196	1	Glass, Front Slide	
3	Kit	NSS	Capscrew (Use Item 101)	
4	Kit	NSS	Spacer (Use Item 101)	
5	Kit	NSS	Latch (Use Item 101)	
6	Kit	NSS	Block, Lock (Use Item 102)	
7	Kit	NSS	Assembly, Knob (Use Item 102)	
8	8035523	AR	Compound, Locking	
101	80384445	1	Latch Assembly Kit (with Latch & Slider - Worthington Windows) (includes items 3 thru 5)	
101	8036199	1	Latch Assembly Kit (with Two Latches - Young Windows) (includes items 3 thru 5)	
102	8036198	1	Friction Lock Assembly Kit (includes items 6 & 7)	

SECTION 6 - CAB

FIGURE 6-12. WIPER INSTALLATION (FRONT)



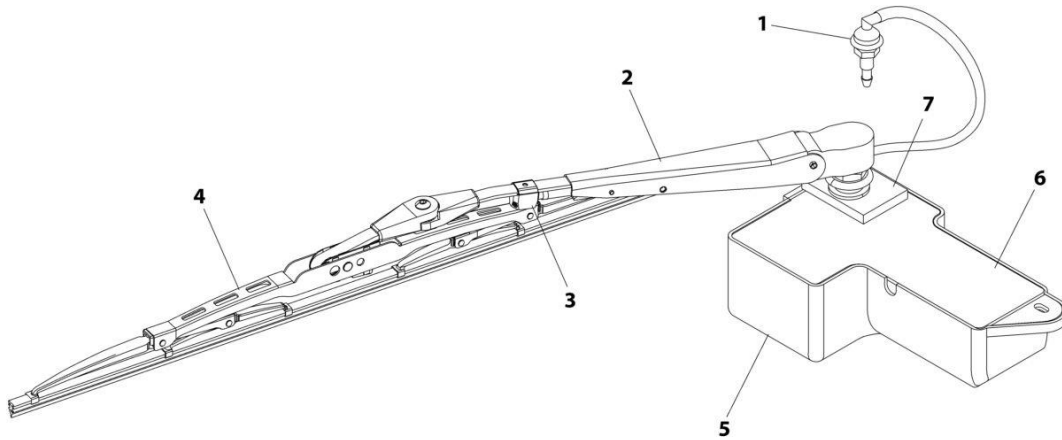
ART_8036056-A

FIGURE 6-12. WIPER INSTALLATION (FRONT)

ITEM	PART NUMBER	QTY	DESCRIPTION	REV
	8036056	Ref	Front Wiper Assembly	A
1	80384213	1	Blade, Wiper	
2	8035393	1	Assembly, Wiper Arm	
3	N.S.S.	1	Nut, Lock	
4	N.S.S.	1	Nozzle, Sprayer	
5	N.S.S.	1	Bolt	
6	N.S.S.	3	Clip, Hose	
7	N.S.S.	1	Hose	
8	1001081310	1	Adaptor, Wet Arm	
9	8036100	1	Spacer, Front Wiper Motor	
10	7029860	1	Motor, Wiper 12V	
11	N.S.S.	3	Washer, 5/16	
12	N.S.S.	3	Bolt, 1/4-28X1	
13	N.S.S.	1	Bracket, Wiper Motor	
14	N.S.S.	1	Nut	
15	8035409	1	Link, Connecting	
16	N.S.S.	2	Washer, 0.56X0.251X0.015	
17	N.S.S.	2	Clip, Spring	
18	8035411	1	Drive, Wiper Arm	
19	8036099	1	Assembly, Wiper Shaft and Pivot	
20	N.S.S.	1	Washer, Rubber	
21	N.S.S.	1	Washer, Metal	
22	N.S.S.	1	Nut, Jam 11/16-18	
23	N.S.S.	1	Cap, Rubber	
24	N.S.S.	1	Driver, Knurled	
25	N.S.S.	1	Washer, Lock 3/8	
26	N.S.S.	1	Nut, Acorn 1/4-28	
27	8034815	1	Assembly, Panto Adaptor	
28	N.S.S.	1	Gasket	
29	N.S.S.	1	Washer, Lock 1/4	
30	N.S.S.	1	Nut, Acorn 1/4-28	
31	80384207	2	Bolt, 1/4-28X3/4	

SECTION 6 - CAB

FIGURE 6-13. WIPER INSTALLATION (SKYLIGHT)



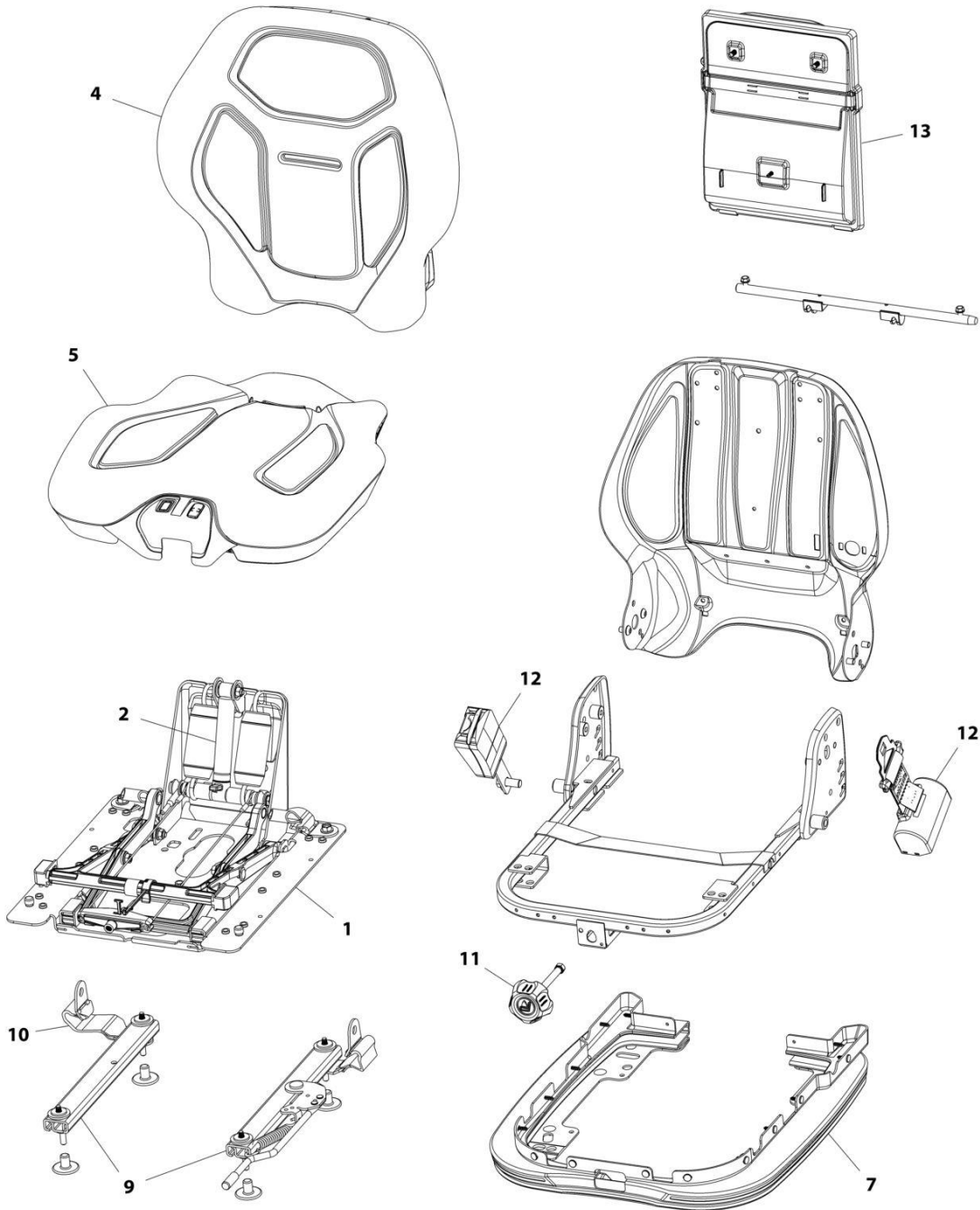
ART_1001182470

FIGURE 6-13. WIPER INSTALLATION (SKYLIGHT)

ITEM	PART NUMBER	QTY	DESCRIPTION	REV
	1001182470	Ref	SKYLIGHT WIPER ASSEMBLY	B
1	1001081310	1	Adaptor, Wet Arm	
2	8035500	1	Arm, Wiper	
3	8035499	1	Arm, Wet Kit	
4	8035498	1	Blade, Wiper	
5	70020652	1	Motor, Wiper	
6	8035493	1	Cover, Wiper	
7	70026352	1	Block, Skylight Wiper Motor	

SECTION 6 - CAB

FIGURE 6-14. CAB SEAT ASSEMBLY



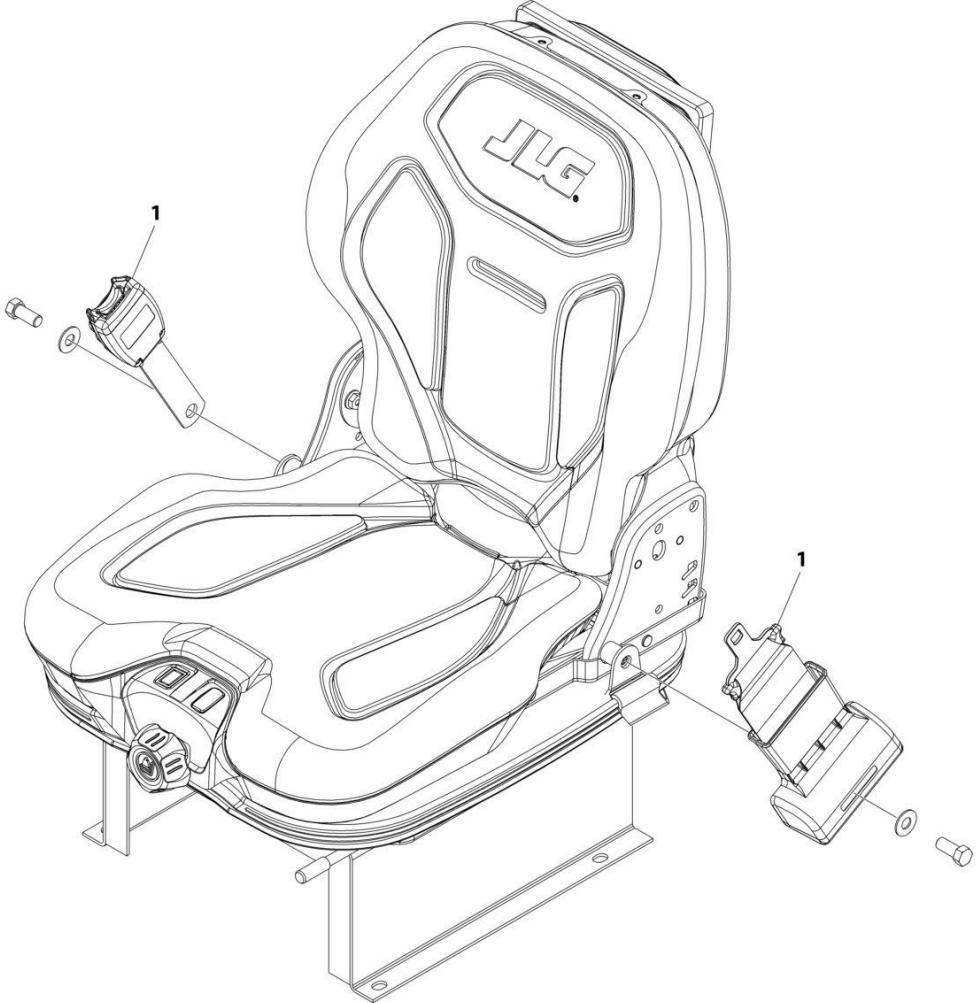
ART_1001190229-E

FIGURE 6-14. CAB SEAT ASSEMBLY

ITEM	PART NUMBER	QTY	DESCRIPTION	REV
	1001190229	Ref	Cab Seat	E
1	70027024	1	Suspension Assembly Kit	
2	70027025	1	Spring Saddle Assembly Kit	
4	70027026	1	Back Cushion Kit	
5	70027028	1	Seat Cushion Assembly Kit	
7	70027030	1	Boot Kit	
9	7026798	1	Adjuster Kit	
10	70027032	1	Tether strap	
11	70027033	1	Weight adjust knob kit	
12	70027034	2	Seat belt kit	
13	70027035	1	Document box kit	

SECTION 6 - CAB

FIGURE 6-15. SEAT BELT INSTALLATION (3 INCH)



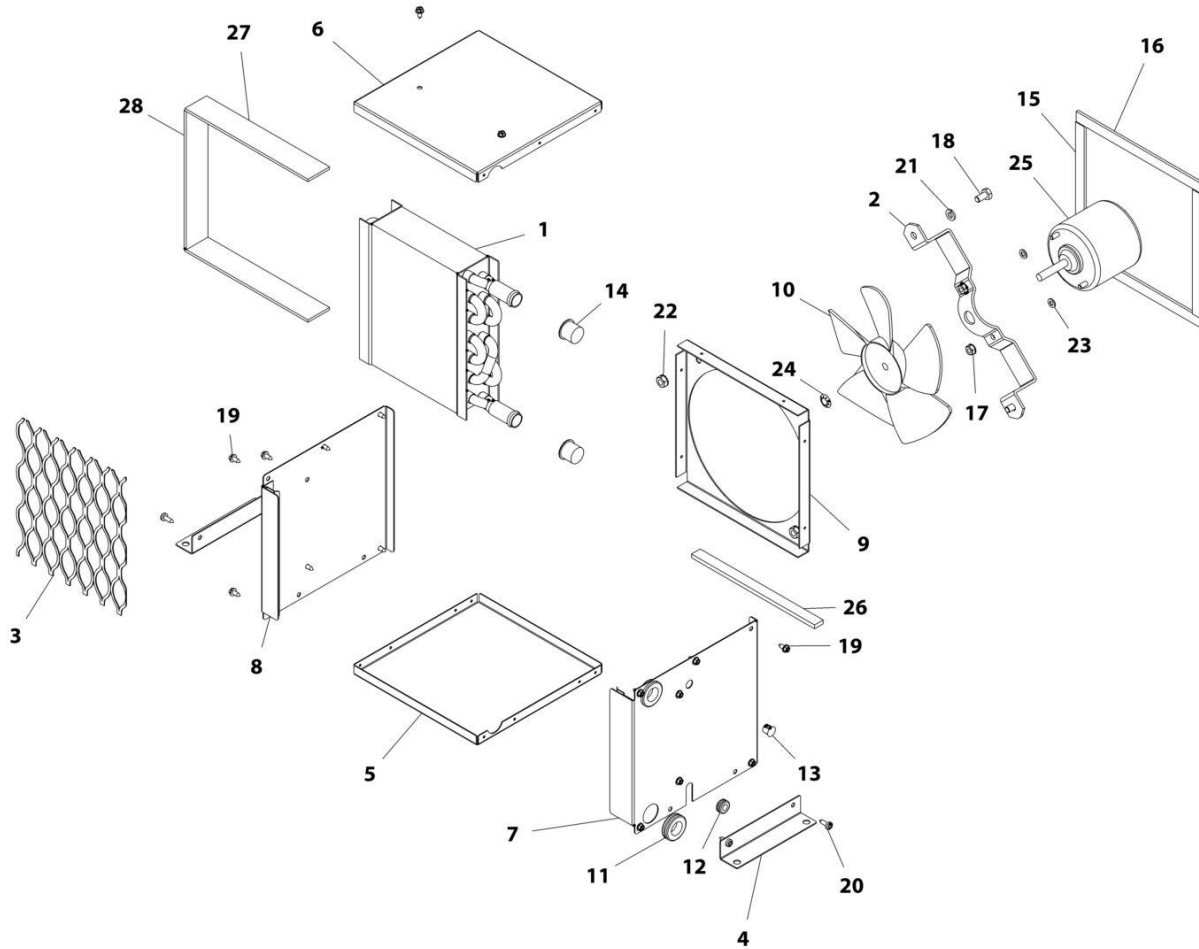
ART_1001258245

FIGURE 6-15. SEAT BELT INSTALLATION (3 INCH)

ITEM	PART NUMBER	QTY	DESCRIPTION	REV
	1001258245	Ref	Seat Belt Installation (3in Width)	B
1	1001258244	1	Seat Belt (3in) (Black Strap)	
1	1001275933	1	Seat Belt (3in) (Orange Strap)	

SECTION 6 - CAB

FIGURE 6-16. HEATER ASSEMBLY - FLOOR



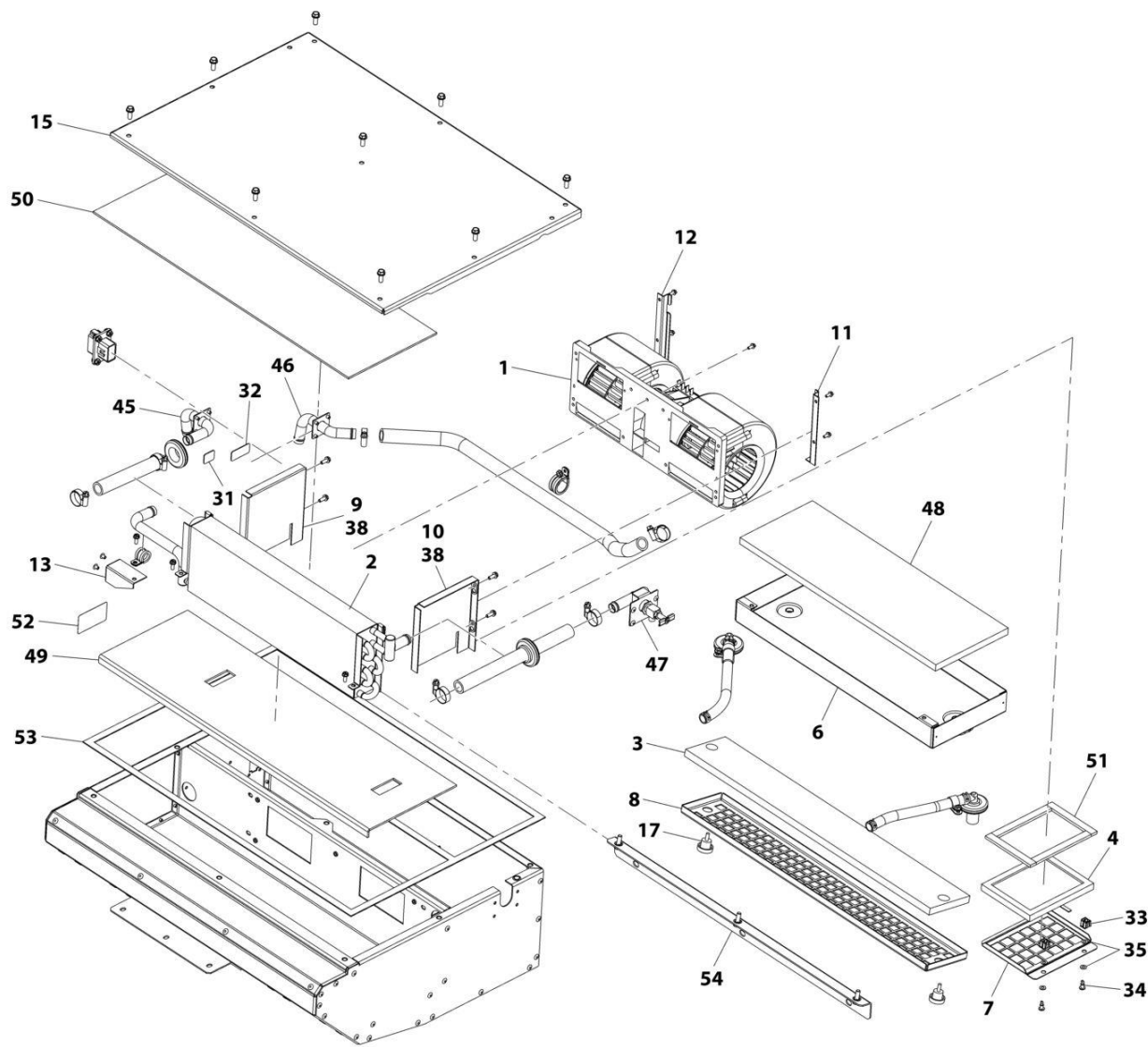
ART_1001159856-D

FIGURE 6-16. HEATER ASSEMBLY - FLOOR

ITEM	PART NUMBER	QTY	DESCRIPTION	REV
	1001159856	Ref	Floor Heater	D
1	70026100	1	Coil, Heater	
2	70026101	1	Bracket, Motor	
3	70026102	1	Protector, Coil	
4	70026103	2	Bracket, Mounting	
5	70026104	1	Casing, Bottom	
6	70026105	1	Casing, Top	
7	70026106	1	Casing, RH Side	
8	70026107	1	Casing, LH Side	
9	70026108	1	Mount, Fan	
10	70026109	1	Fan	
11	70026110	2	Grommet	
12	70026111	1	Grommet, 3/8	
13	70026112	1	Plug, Hole 3/8	
14	70026113	2	Plug, 3/8	
15	70026114	2	Foam, 1/4X158	
16	70026114	2	Foam, 1/4X184	
17	70026115	2	Nut, 10-32	
18	70026116	2	Screw, 1/4-20X1/2	
19	70026117	16	Screw, 8X3/8	
20	70024855	4	Screw, Tap 8X1/2	
21	70026118	2	Lockwasher, 1/4	
22	70026119	2	Nut, Kep 1/4-20	
23	70026120	2	Washer, M5	
24	70026121	1	Retainer	
25	70026122	1	Motor Assembly, 12V	
26	70026123	1	Foam, 3/16X180	
27	70026124	2	Foam, 1/4X180	
28	70026124	1	Foam, 1/4X175	

SECTION 6 - CAB

FIGURE 6-17. HEATER BOX ASSEMBLY - HEATER



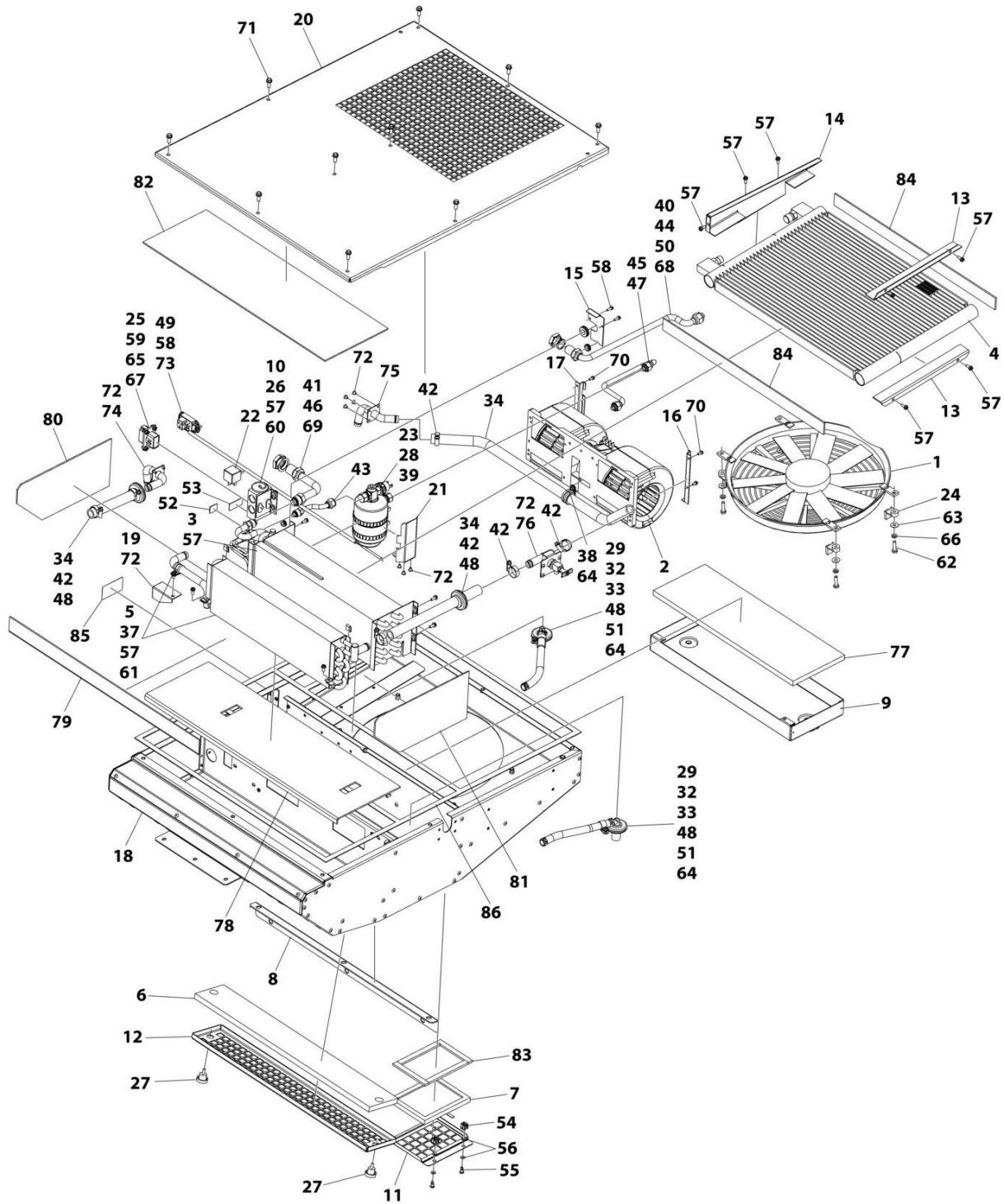
ART_1001159860-B

FIGURE 6-17. HEATER BOX ASSEMBLY - HEATER

ITEM	PART NUMBER	QTY	DESCRIPTION	REV
	1001159860	Ref	Roof Heater Box	B
1	70026978	1	Blower, 12V	
2	70026981	1	Heater Coil	
3	70026982	1	Air Filter	
4	70026983	1	Air Filter	
6	70029822	1	Drain Pan	
7	70029823	1	Cover, Air Filter	
8	70029824	1	Cover, Air Filter	
9	70029825	1	Bracket, Coil (R)	
10	70029826	1	Bracket, Coil (L)	
11	70029827	1	Bracket, Blower	
12	70029828	1	Bracket, Blower	
13	70029829	1	Support Bracket	
15	70029830	1	Cover	
16	70029831	1	Harness (not shown)	
17	8036726	2	Knob	
31	70029832	1	Overlay In	
32	70029833	1	Overlay Out	
33	70029834	2	Receptacle	
34	70029835	2	Stud, Oval Slotted	
35	70029836	4	Retainer	
38	70029837	2	Panel, Coil Clip	
45	70029838	1	Tube Assembly	
46	70029839	1	Tube Assembly	
47	70026991	1	Valve, Bleeder	
48	70029840	1	Foam	
49	70029841	1	Foam, Closed Cell	
50	70029842	1	Foam, Closed Cell	
51	70026123	1	Foam, 3/16X180	
52	See Note	1	Foam 456mm	
53	70029843	1	Foam, Closed Cell	
54	70029844	1	Bracket Assembly	

SECTION 6 - CAB

FIGURE 6-18. HEATER BOX ASSEMBLY - HEATER & AC



ART_1001159861

SECTION 6 - CAB

FIGURE 6-18. HEATER BOX ASSEMBLY - HEATER & AC

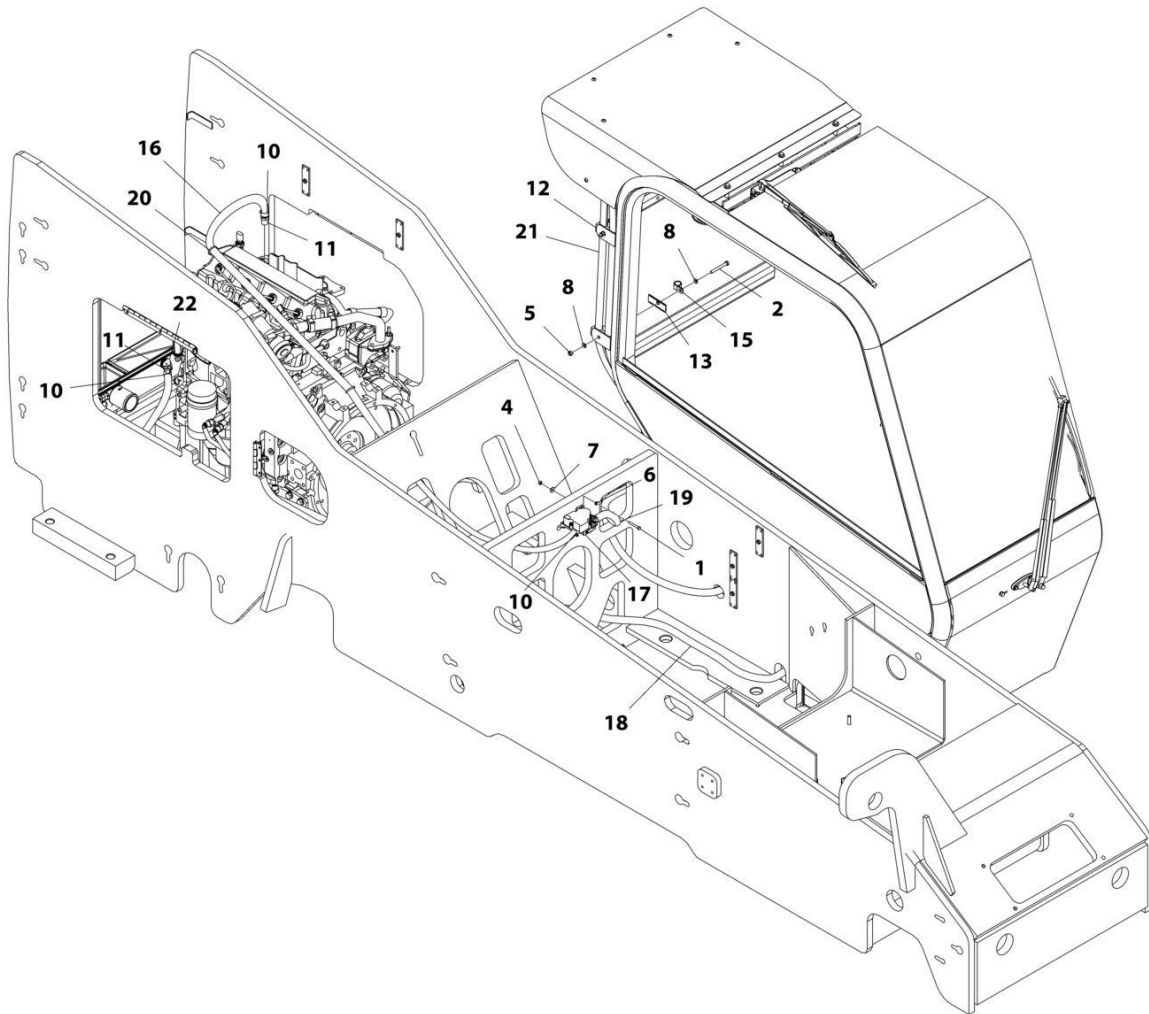
ITEM	PART NUMBER	QTY	DESCRIPTION	REV
	1001159861	Ref	ROOF BOX HVAC	B
1	70026945	1	Assembly, Fan	
2	70026978	1	Blower	
3	70026979	1	Coil, Evaporator	
4	70026980	1	Condenser	
5	70026981	1	Coil, Heater	
6	70026982	1	Filter, Air	
7	70026983	1	Filter, Air	
8	70030281	1	Bracket	
9	70029822	1	Pan, Drain	
10	NPN	1	Bracket	
11	70029823	1	Cover	
12	70029824	1	Cover	
13	NPN	2	Rail, Condenser	
14	NPN	1	Bracket, Condenser	
15	70031394	1	Bracket	
16	70029827	1	Bracket, Blower	
17	70029828	1	Bracket, Blower	
18	NPN	1	Housing	
19	70029829	1	Bracket	
20	70031395	1	Cover	
21	70031396	1	Bracket	
22	70026986	1	Relay	
23	70026854	1	Sensor, Pressure	
24	70029981	4	Mount, Fan	
25	70031397	1	Harness, Wiring	
26	70020876	1	Valve, Block	
27	8036726	2	Knob	
28	70026984	1	Drier, Receiver	
29	7029412	AR	Hose	
32	7029413	2	Fitting, 90	
33	7029415	4	Clamp	
34	70031398	AR	Hose	
37	70026987	1	Clamp	
38	70026988	1	Clamp	
39	70026989	2	Clamp	
40	70031402	1	Nut #8	
41	70031403	1	Nut #10	
42	70026990	6	Clamp	
43	70028782	1	Tube	
44	70028781	1	Tube	
45	70028780	1	Tube	
46	70028779	1	Tube	
47	70031404	1	Grommet	
48	70031405	4	Grommet	
49	70026111	1	Grommet	
50	70031406	1	Grommet	
51	NPN	2	Clamp	
52	70029832	1	Cover, In	
53	70029833	1	Cover, Out	

SECTION 6 - CAB

ITEM	PART NUMBER	QTY	DESCRIPTION	REV
54	70029834	2	Connector	
55	70029835	2	Screw	
56	70029836	4	Washer	
57	NPN	16	Bolt #10 x 1/2	
58	NPN	5	Bolt #8 x 1/2	
59	NPN	8	Washer #8	
60	NPN	2	Bolt 1/4 x 1-1/2	
61	70029837	2	Clip	
62	NPN	4	Bolt 1/4 x 1	
63	NPN	6	Washer 1/4	
64	NPN	3	Nut #10	
65	NPN	4	Nut #8	
66	70029984	4	Washer 1/4	
67	NPN	4	Bolt #8 x 1/2	
68	70031413	1	Washer	
69	70031414	1	Washer	
70	NPN	5	Bolt #8 x 3/8	
71	NPN	10	Bolt 1/4 x 5/8	
72	NPN	17	Rivet	
73	70026985	1	Thermostat	
74	70029838	1	Tube	
75	70029839	1	Tube	
76	70026991	1	Valve, Bleeder	
77	70029840	1	Foam	
78	70029841	1	Foam	
79	70031420	1	Foam	
80	70031421	1	Foam	
81	70031422	1	Foam	
82	70029842	1	Foam	
83	70026123	1	Insulation	
84	70026124	2	Foam	
85	NPN	1	Decal	
86	70029843	1	Foam	

SECTION 6 - CAB

FIGURE 6-19. CAB HEATER LINES INSTALLATION - HEATER ONLY



ART_1001171807-D

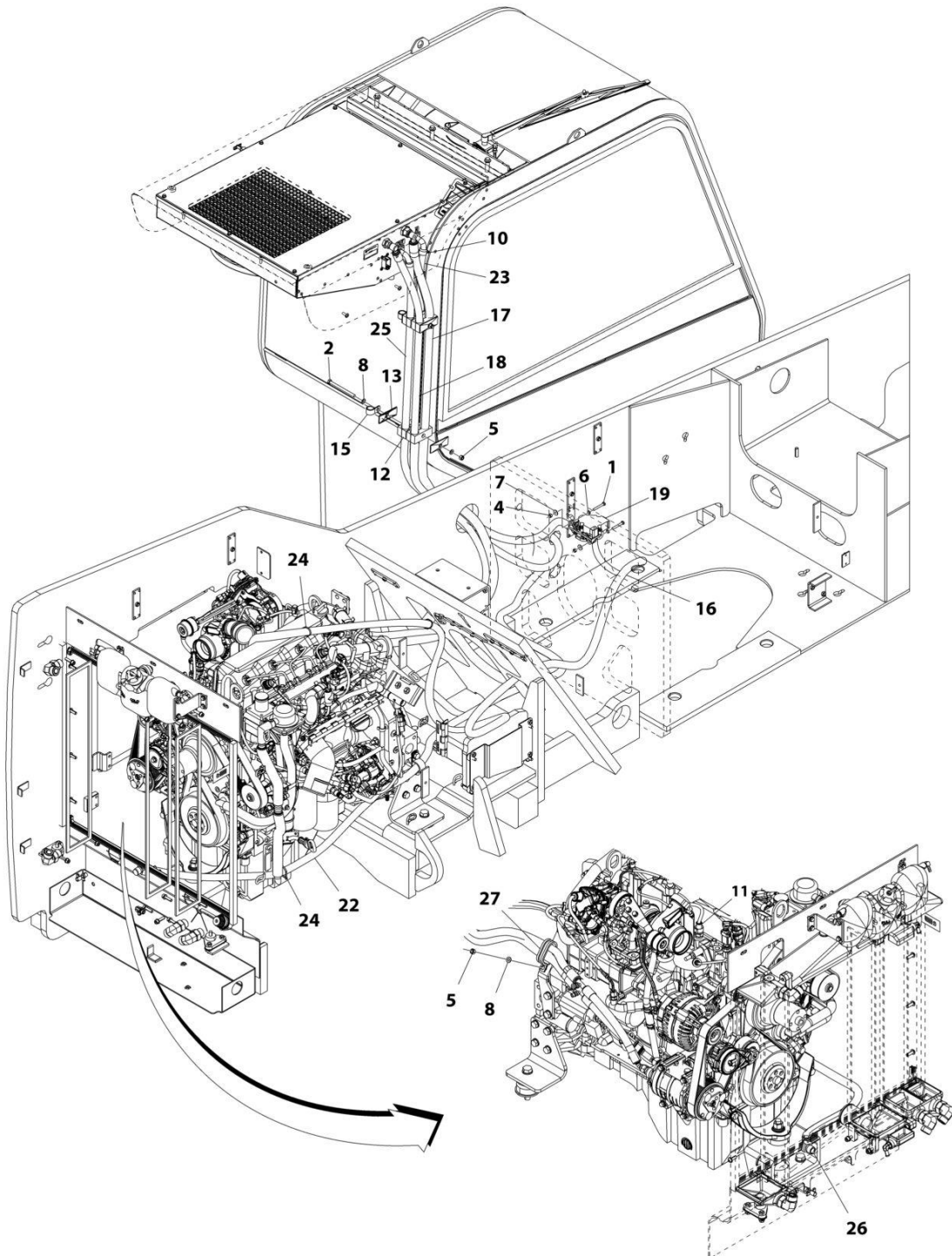
SECTION 6 - CAB

FIGURE 6-19. CAB HEATER LINES INSTALLATION - HEATER ONLY

ITEM	PART NUMBER	QTY	DESCRIPTION	REV
	1001171807	Ref	Cab Heater Lines Installation	G
1	0700617	2	Bolt, M6X45	
2	0700822	2	Bolt, M8X70	
4	3290605	2	Nut, Lock M6X1	
5	3290805	2	Nut, Lock M8X1-1/4	
6	4811700	2	Washer, M6	
7	4811702	2	Washer, M6	
8	4811900	4	Washer, M8	
10	8405007	8	Clamp, Gear	
11	8430048	2	Reducer, Hose Barb	
12	77133133	2	Clamp, Twin	
13	77133134	2	Clamp, Cover Plate	
15	91043147	2	Clamp, Support	
16	1001158404	1	Hose, Cab Heater	
17	1001159844	1	Valve, Heater (See Separate Breakdown in this section)	
18	1001172537	1	Hose, Heater Return	
19	1001172561	1	Hose, Heater Send Valve to Roof	
20	8584001	4	Wrap, Tie	
21	1001173217	1	Hose, Heater Roof to Floor	
22	1001179229	1	Fitting, 45	

SECTION 6 - CAB

FIGURE 6-20. CAB HEATER LINES INSTALLATION - HEATER & AC



ART_1001171806-J

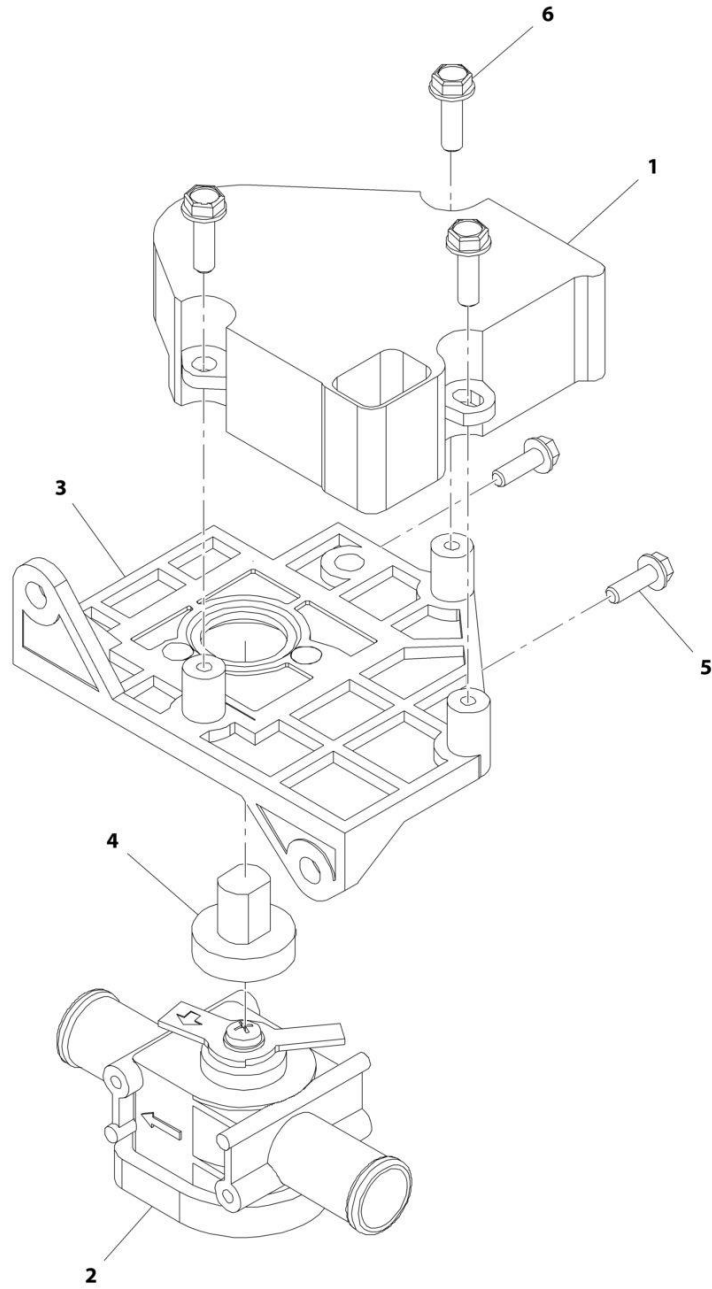
SECTION 6 - CAB

FIGURE 6-20. CAB HEATER LINES INSTALLATION - HEATER & AC

ITEM	PART NUMBER	QTY	DESCRIPTION	REV
	1001171806	Ref	Cab Heater/AC Lines Installation	J
1	0700617	2	Bolt, M6X45	
2	0700828	2	Bolt, M8X110	
4	3290605	2	Nut, Lock M6X1	
5	3290805	3	Nut, Lock M8X1-1/4	
6	4811700	2	Washer, M6	
7	4811702	2	Washer, M6	
8	4811900	5	Washer, M8	
10	8405007	8	Clamp, Gear	
11	8430048	2	Reducer, Hose Barb	
12	77133133	4	Clamp, Twin	
13	77133134	4	Clamp, Cover Plate	
15	91043147	2	Clamp, Support	
16	1001158404	1	Hose, Cab Heater	
17	1001182798	1	Hose, A/C Compressor Suction	
18	1001182723	1	Hose, A/C Compressor Discharge	
19	1001159844	1	Valve, Heater (See Separate Breakdown in this section)	
22	1001172537	1	Hose, Heater Return	
23	1001172561	1	Hose, Heater Send Valve to Roof	
24	8584001	4	Wrap, Tie	
25	1001173217	1	Hose, Heater Roof to Floor	
26	1001179229	1	Fitting, 45	
27	1001164196	1	Clamp	

SECTION 6 - CAB

FIGURE 6-21. HEATER VALVE ASSEMBLY



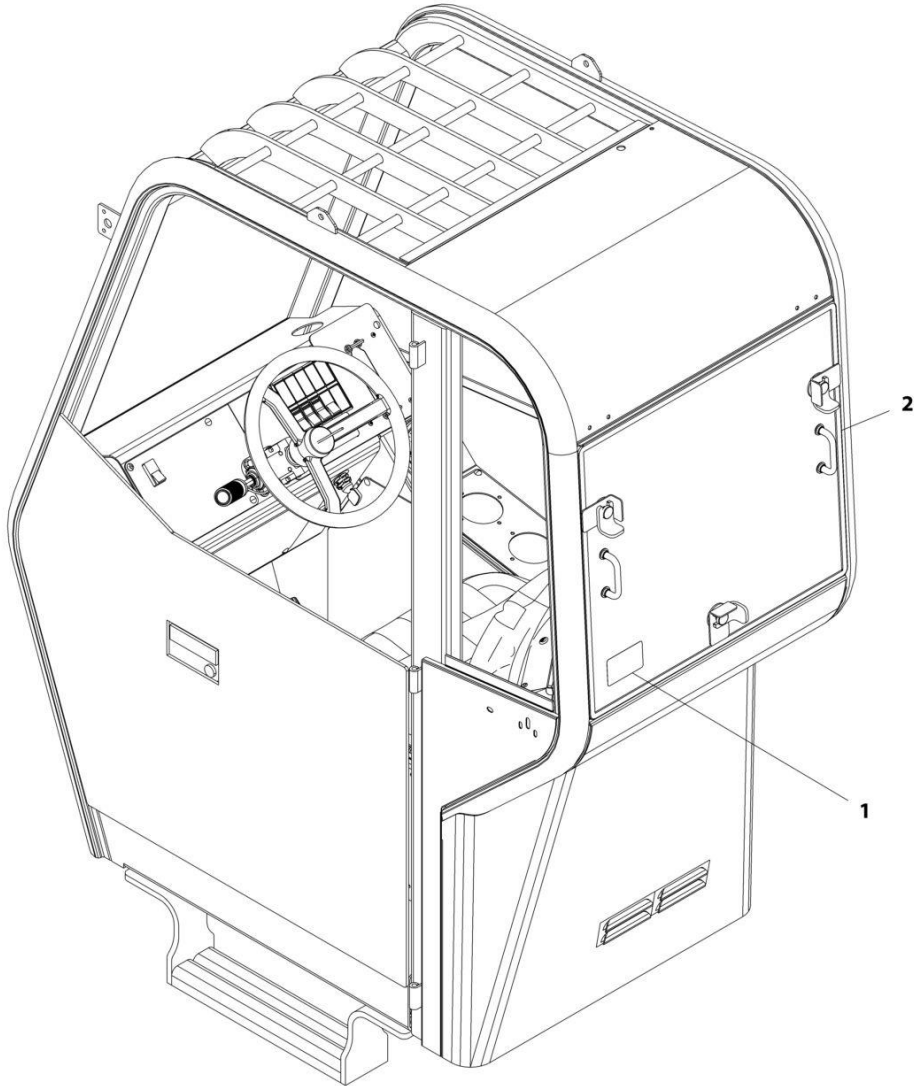
ART_1001159844-C

FIGURE 6-21. HEATER VALVE ASSEMBLY

ITEM	PART NUMBER	QTY	DESCRIPTION	REV
	1001159844	Ref	Heater Valve	C
1	70026088	1	Motor Actuator, 12V	
2	70026089	1	Assembly, Heater Valve	
3	70026090	1	Assembly, Valve Bracket	
4	70026091	1	Adapter, Shaft	
5	70026092	2	Screw, 8-18X1/2	
6	70026093	3	Screw, 10-16X5/8	

SECTION 6 - CAB

FIGURE 6-22. REAR WINDOW INSTALLATION (ANSI ENGLISH)



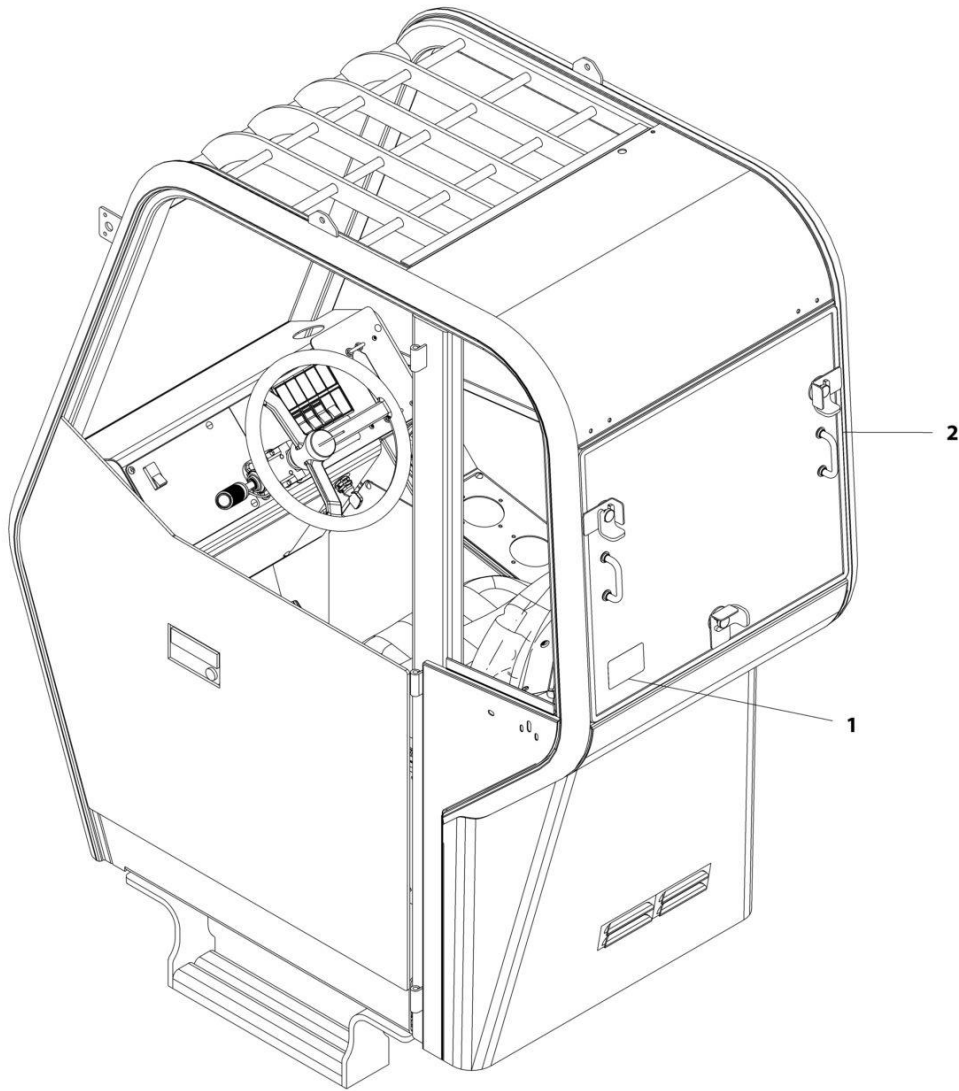
ART_1001162806-A

FIGURE 6-22. REAR WINDOW INSTALLATION (ANSI ENGLISH)

ITEM	PART NUMBER	QTY	DESCRIPTION	REV
	1001162806	Ref	Rear Dropout Window Installation (ANSI)	A
1	1001160071	2	Decal, Rear Emergency Exit	
2	1001162804	1	Window, Rear Dropout	

SECTION 6 - CAB

FIGURE 6-23. REAR WINDOW INSTALLATION (ENGLISH/SPANISH)



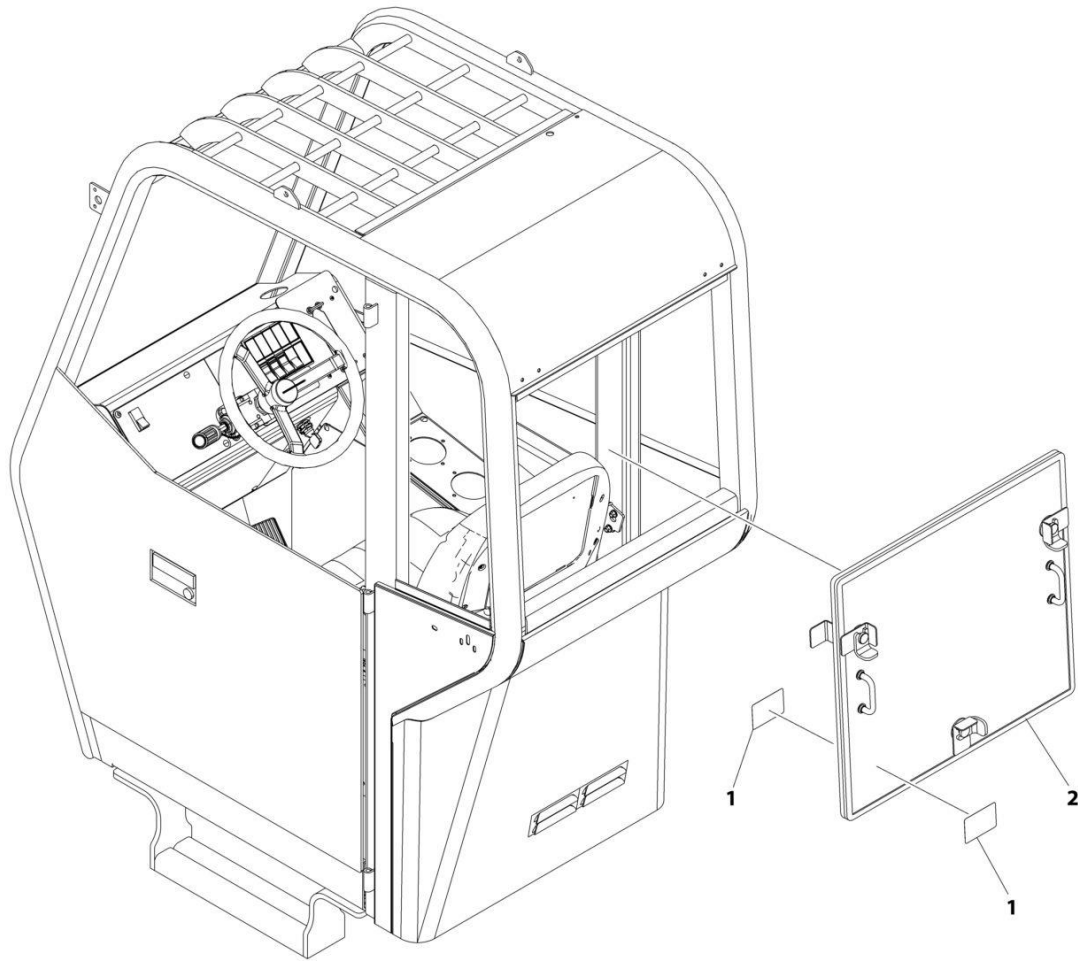
ART_1001167250-A

FIGURE 6-23. REAR WINDOW INSTALLATION (ENGLISH/SPANISH)

ITEM	PART NUMBER	QTY	DESCRIPTION	REV
	1001167250	Ref	Rear Dropout Window Installation (ENGLISH/FRENCH)	A
1	1001160787	2	Decal, Rear Emergency Exit	
2	1001162804	1	Window, Rear Dropout	

SECTION 6 - CAB

FIGURE 6-24. REAR WINDOW INSTALLATION (ENGLISH/SPANISH)



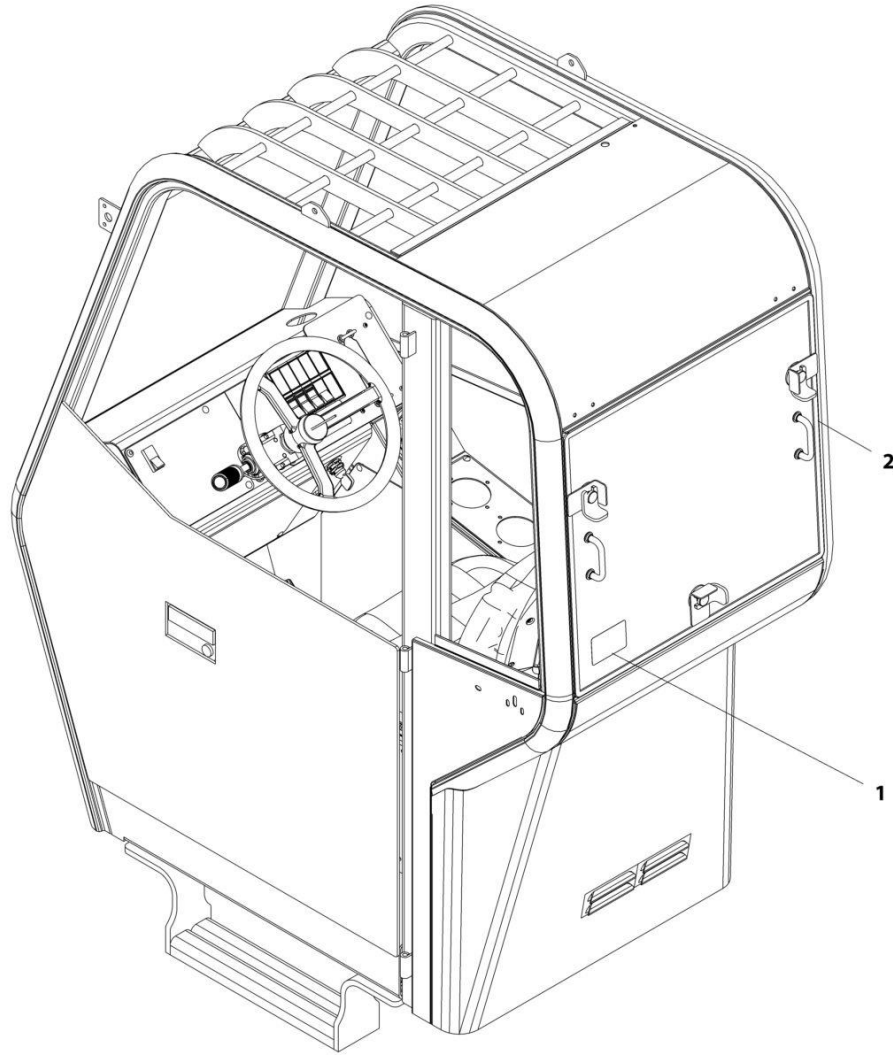
ART_1001242916

FIGURE 6-24. REAR WINDOW INSTALLATION (ENGLISH/SPANISH)

ITEM	PART NUMBER	QTY	DESCRIPTION	REV
	1001242916	Ref	REAR WINDOW EXIT INSTALLATION (ENG/SP)	B
1	1001273850	2	Decal, Rear Window Entry/Exit	
2	1001162804	1	Window	

SECTION 6 - CAB

FIGURE 6-25. REAR WINDOW INSTALLATION (ISO)



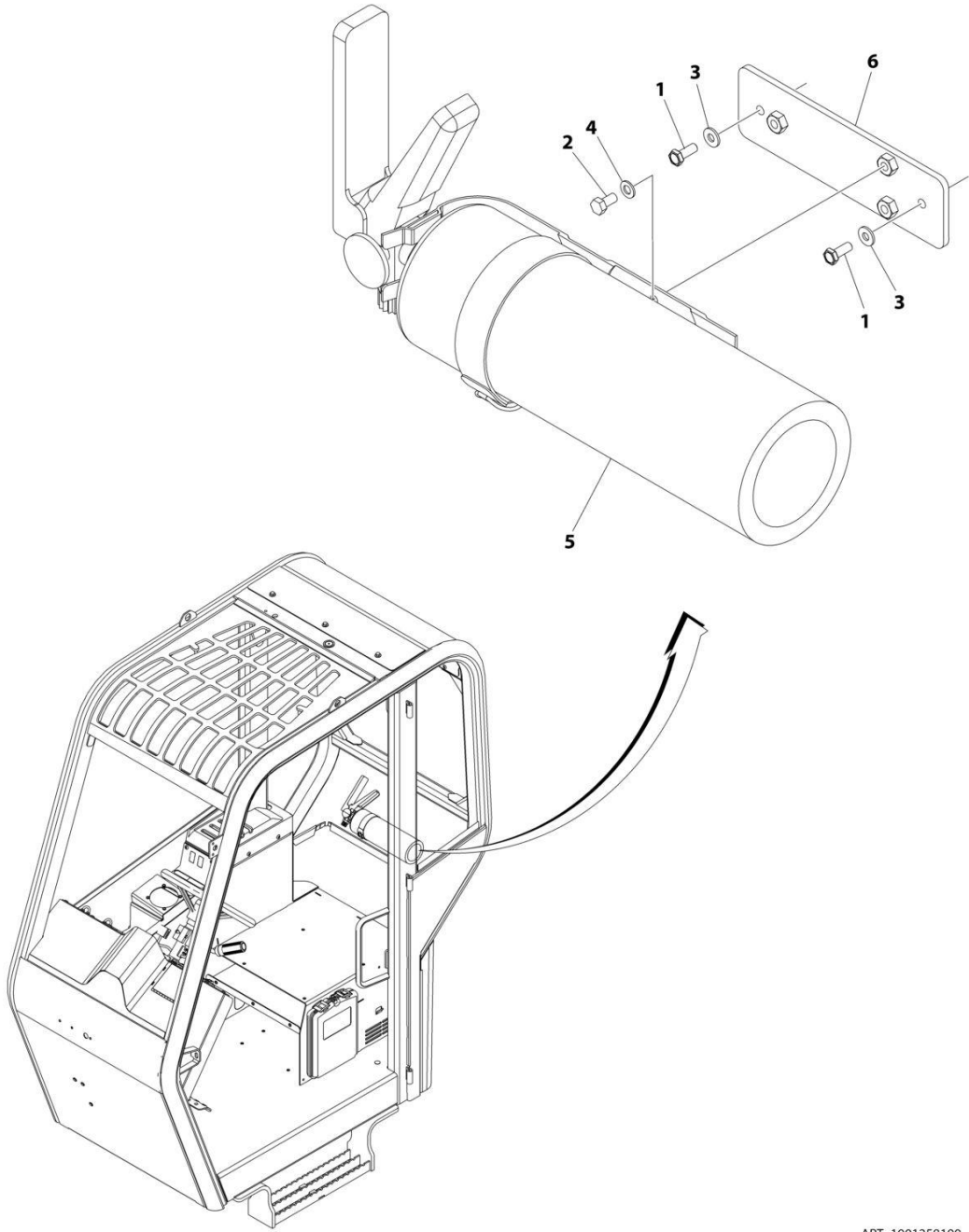
ART_1001167251-A

FIGURE 6-25. REAR WINDOW INSTALLATION (ISO)

ITEM	PART NUMBER	QTY	DESCRIPTION	REV
	1001167251	Ref	Rear Dropout Window Installation (ISO)	A
1	1001160912	2	Decal, Rear Emergency Exit	
2	1001162804	1	Window, Rear Dropout	

SECTION 6 - CAB

FIGURE 6-26. SKYTRAK FIRE EXTINGUISHER INSTALLATION



ART_1001258100

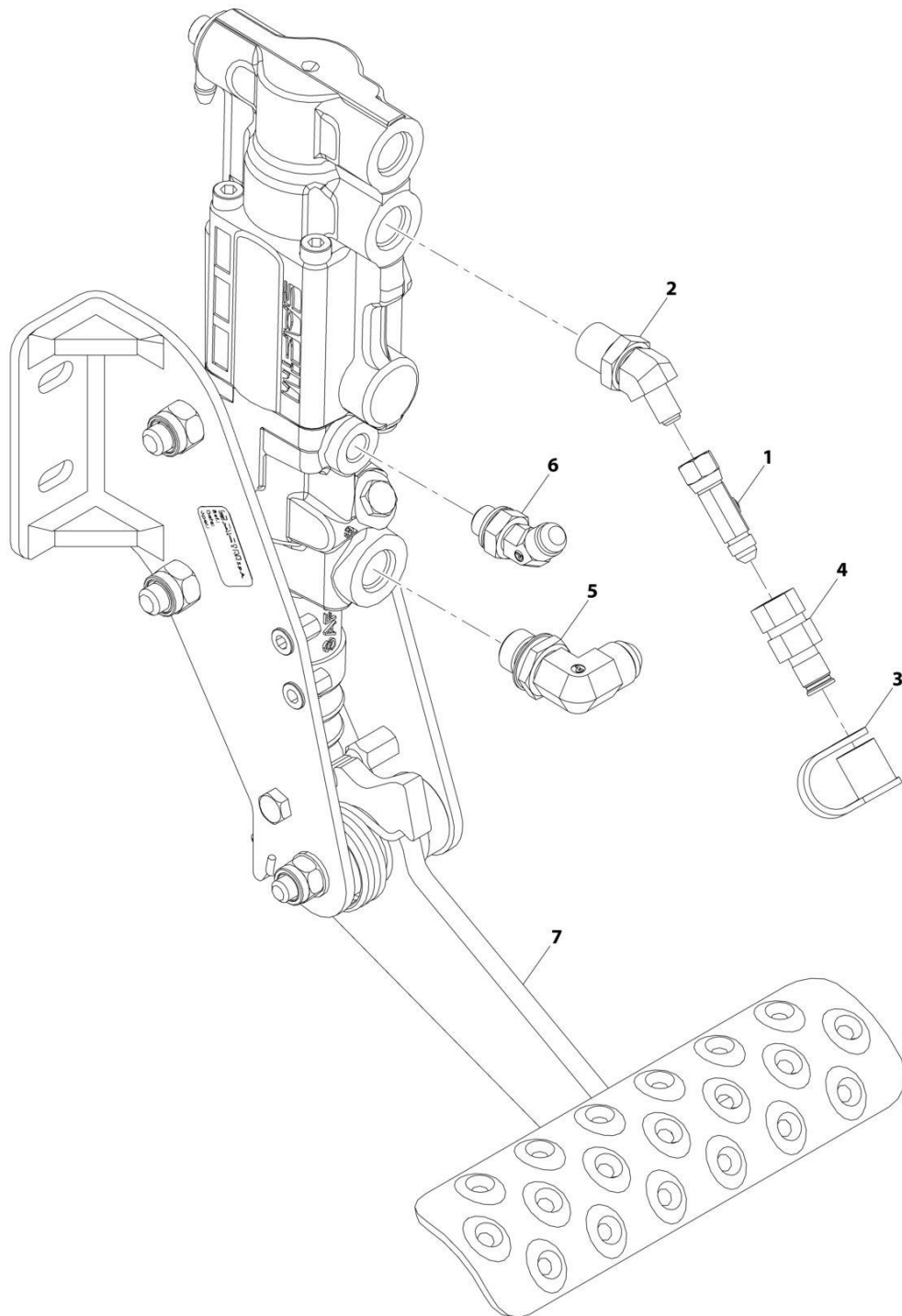
FIGURE 6-26. SKYTRAK FIRE EXTINGUISHER INSTALLATION

ITEM	PART NUMBER	QTY	DESCRIPTION	REV
	1001258100	Ref	Skytrak Fire Extinguisher Installation	A
1	0721004	2	Screw M10X1/2	
2	0760505	3	Bolt M5X10	
3	4750800	2	Washer M8	
4	4811600	3	Washer M5	
5	1001099699	1	Extinguisher, Fire with Bracket	
5	1001100082	1	Bracket	
6	1001241305	1	Bracket	

SECTION 7 - CONTROLS

SECTION 7 - CONTROLS

FIGURE 7-1. BRAKE ASSEMBLY



ART_1001223052-A

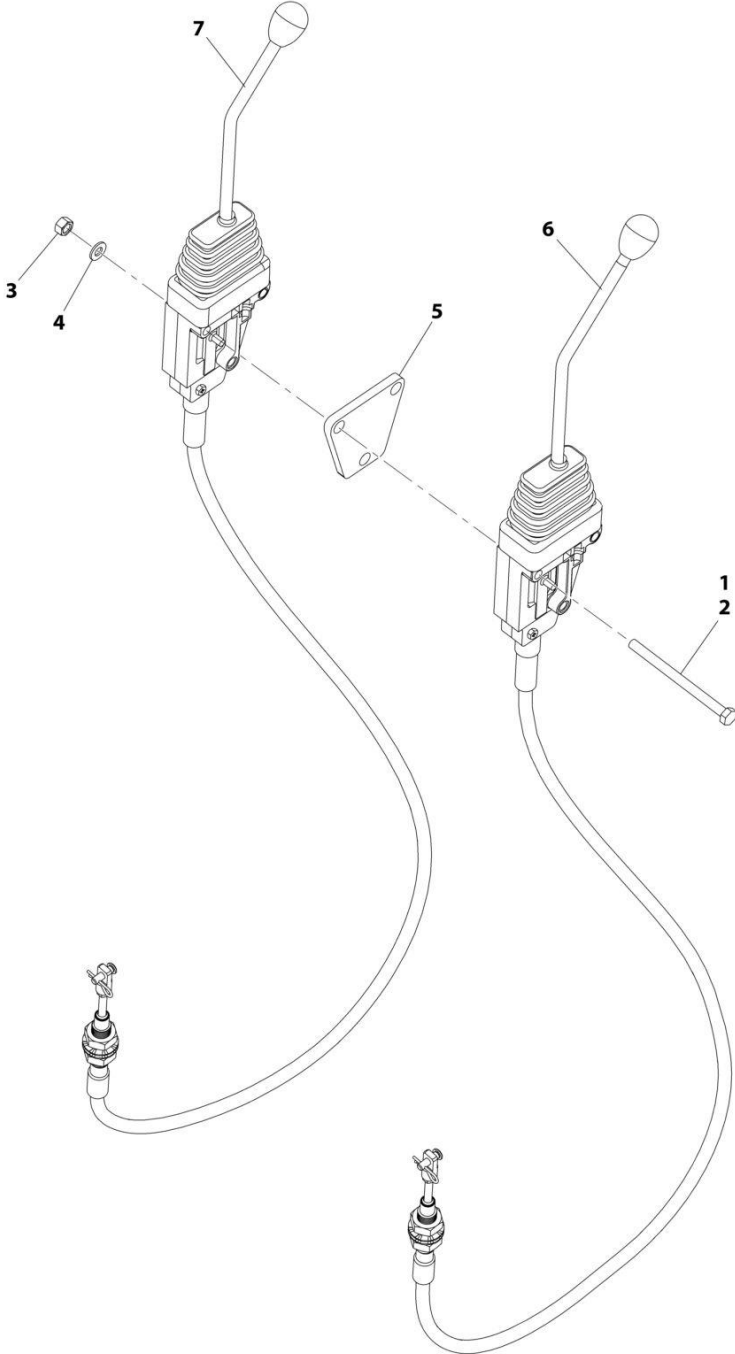
SECTION 7 - CONTROLS

FIGURE 7-1. BRAKE ASSEMBLY

ITEM	PART NUMBER	QTY	DESCRIPTION	REV
	1001223052	Ref	Brake Assembly - Safim	A
1	2220605	1	Adapter	
2	2221344	1	Adapter	
3	8430032	1	Plug, Dust Cap	
4	10727374	1	Adapter	
5	91473086	1	Adapter	
6	1001183341	1	Adapter	
7	1001223050	1	Installation, Hydraulic Brake Valve (See Separate Breakdown in HYDRAULIC CIRCUITS Section)	

SECTION 7 - CONTROLS

FIGURE 7-2. SECONDARY CONTROLS INSTALLATION



ART_1001244650

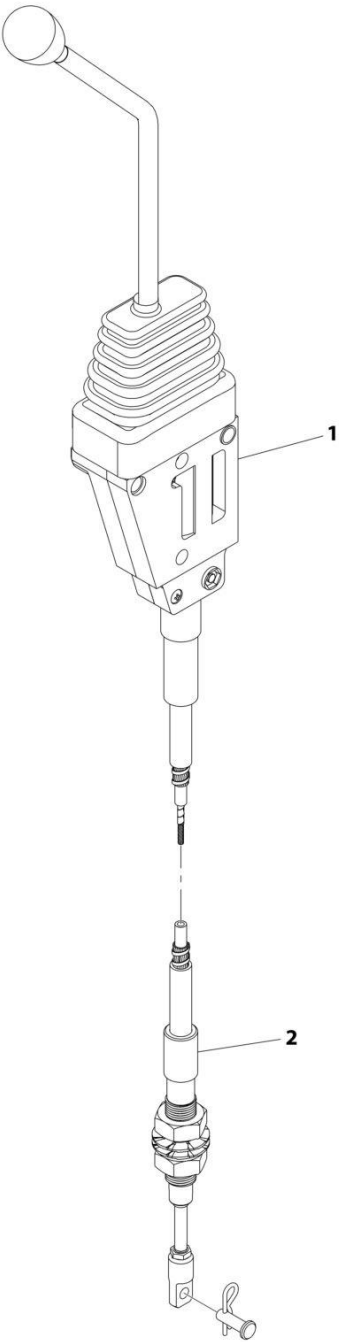
SECTION 7 - CONTROLS

FIGURE 7-2. SECONDARY CONTROLS INSTALLATION

ITEM	PART NUMBER	QTY	DESCRIPTION	REV
	1001244650	Ref	Secondary Controls Installation	C
1	0100011	AR	Compound, Locking	
2	0700828	3	Bolt, M8X110	
3	8305043	3	Nut, M8X1-1/4	
4	8307222	3	Washer, Plain M8	
5	1001174340	1	Bracket, Control Spacer Plate	
6	1001244652	1	Auxiliary Control Assembly	
6	1001173581	1	Control, Auxiliary	
6	1001244654	1	Cable, Auxiliary Control	
7	1001244653	1	Frame Level Control Assembly	
7	1001173582	1	Control, Frame Level	
7	1001244654	1	Cable, Frame Level	

SECTION 7 - CONTROLS

FIGURE 7-3. AUXILIARY CONTROL ASSEMBLY



ART_1001244652

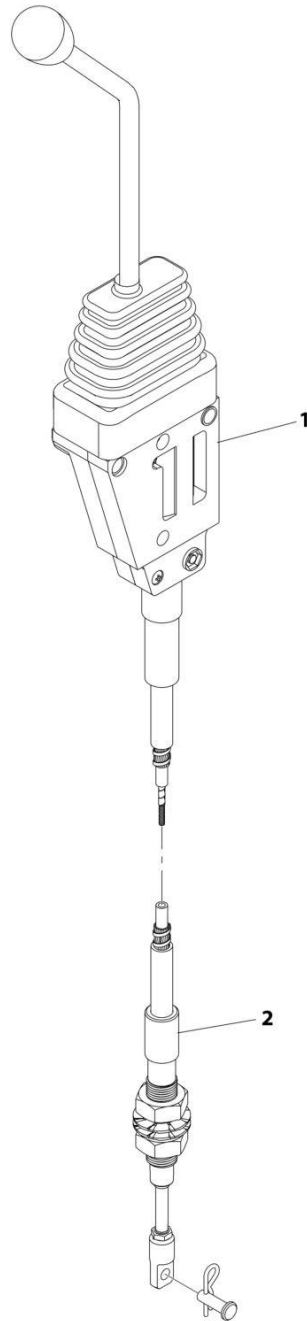
SECTION 7 - CONTROLS

FIGURE 7-3. AUXILIARY CONTROL ASSEMBLY

ITEM	PART NUMBER	QTY	DESCRIPTION	REV
	1001244652	Ref	Auxiliary Control	C
1	1001173581	1	Control	
2	1001244654	1	Cable	

SECTION 7 - CONTROLS

FIGURE 7-4. FRAME LEVEL CONTROL ASSEMBLY



ART_1001244653

SECTION 7 - CONTROLS

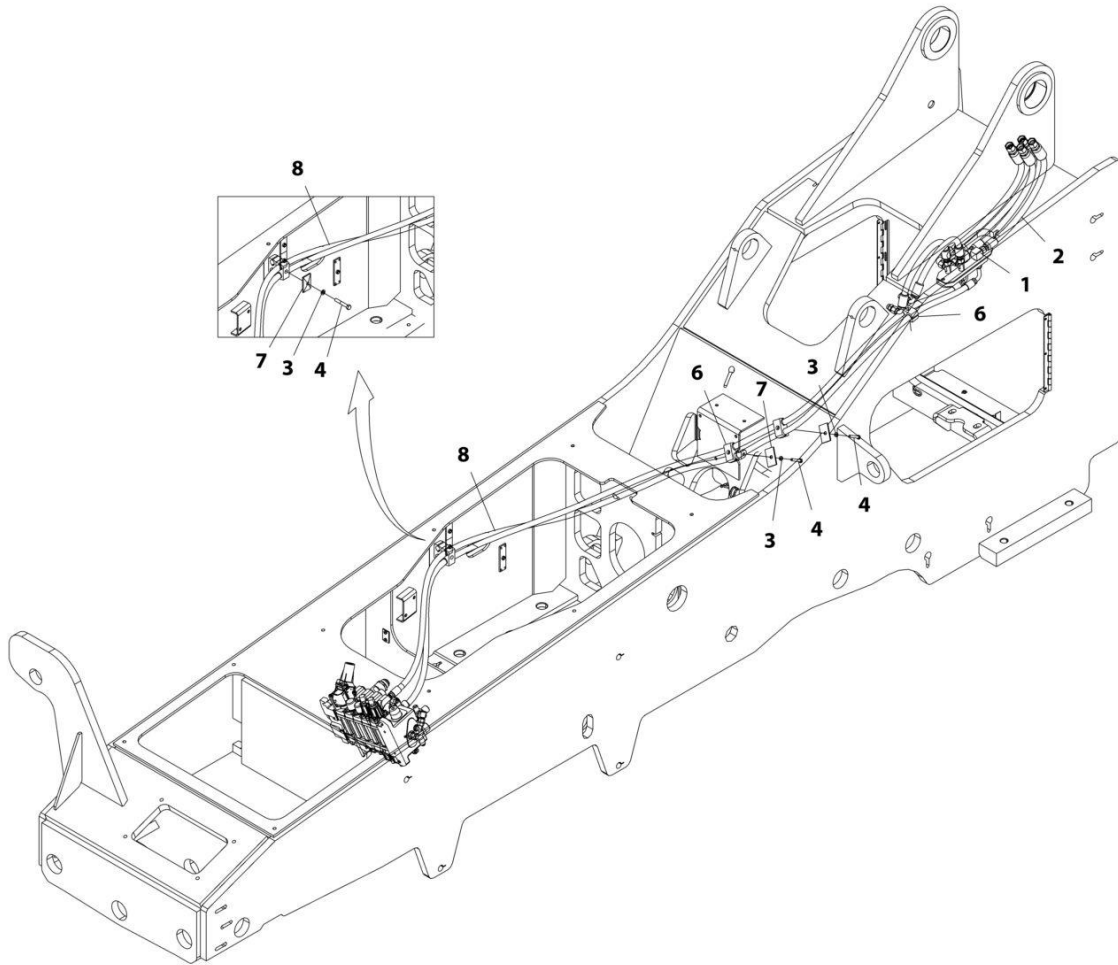
FIGURE 7-4. FRAME LEVEL CONTROL ASSEMBLY

ITEM	PART NUMBER	QTY	DESCRIPTION	REV
	1001244653	Ref	Frame Level Control	C
1	1001173582	1	Control	
2	1001244654	1	Cable	

SECTION 8 - HYDRAULIC CIRCUITS

SECTION 8 - HYDRAULIC CIRCUITS

FIGURE 8-1. AUXILIARY CONTROLS HYDRAULICS INSTALLATION



ART_1001158041_J

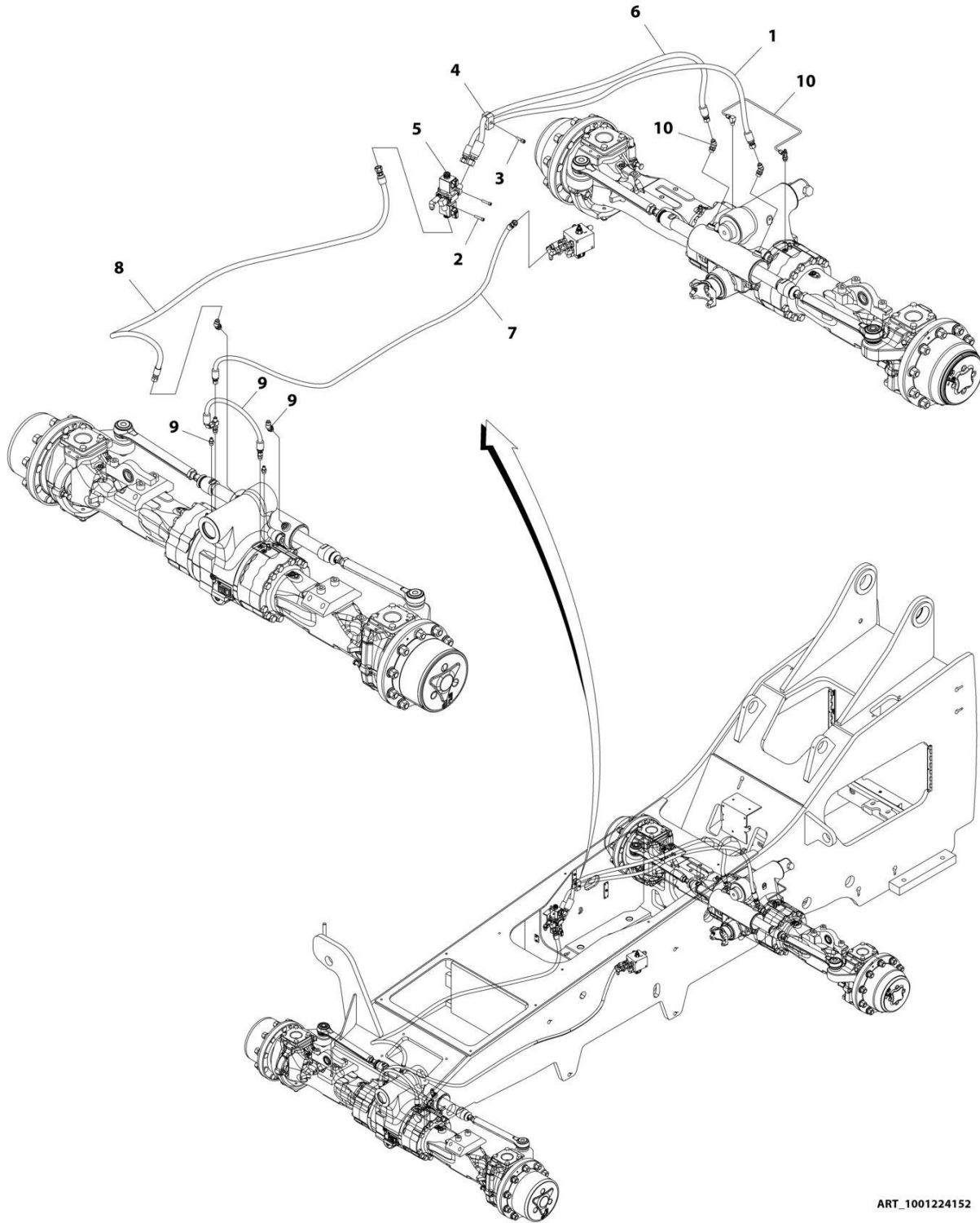
SECTION 8 - HYDRAULIC CIRCUITS

FIGURE 8-1. AUXILIARY CONTROLS HYDRAULICS INSTALLATION

ITEM	PART NUMBER	QTY	DESCRIPTION	REV
	1001158041	Ref	Auxiliary Controls Hydraulic Installation	J
1	2230044	2	Adapter, Bulkhead 90 JIC	
2	1001245061	2	Hose 26 in/ 66cm	
2	2716713	2	Hose 30 in/ 76cm	
3	8307004	3	Washer 5/16	
4	8310009	3	Bolt 5/16X2	
5	8750012	1	Bolt, Stacking (Not Shown)	
6	8750027	4	Clamp Set, Twin	
7	8769128	3	Cover Plate, Twin	
8	1001245060	2	Hose	

SECTION 8 - HYDRAULIC CIRCUITS

FIGURE 8-2. AXLE HYDRAULICS INSTALLATION



ART_1001224152

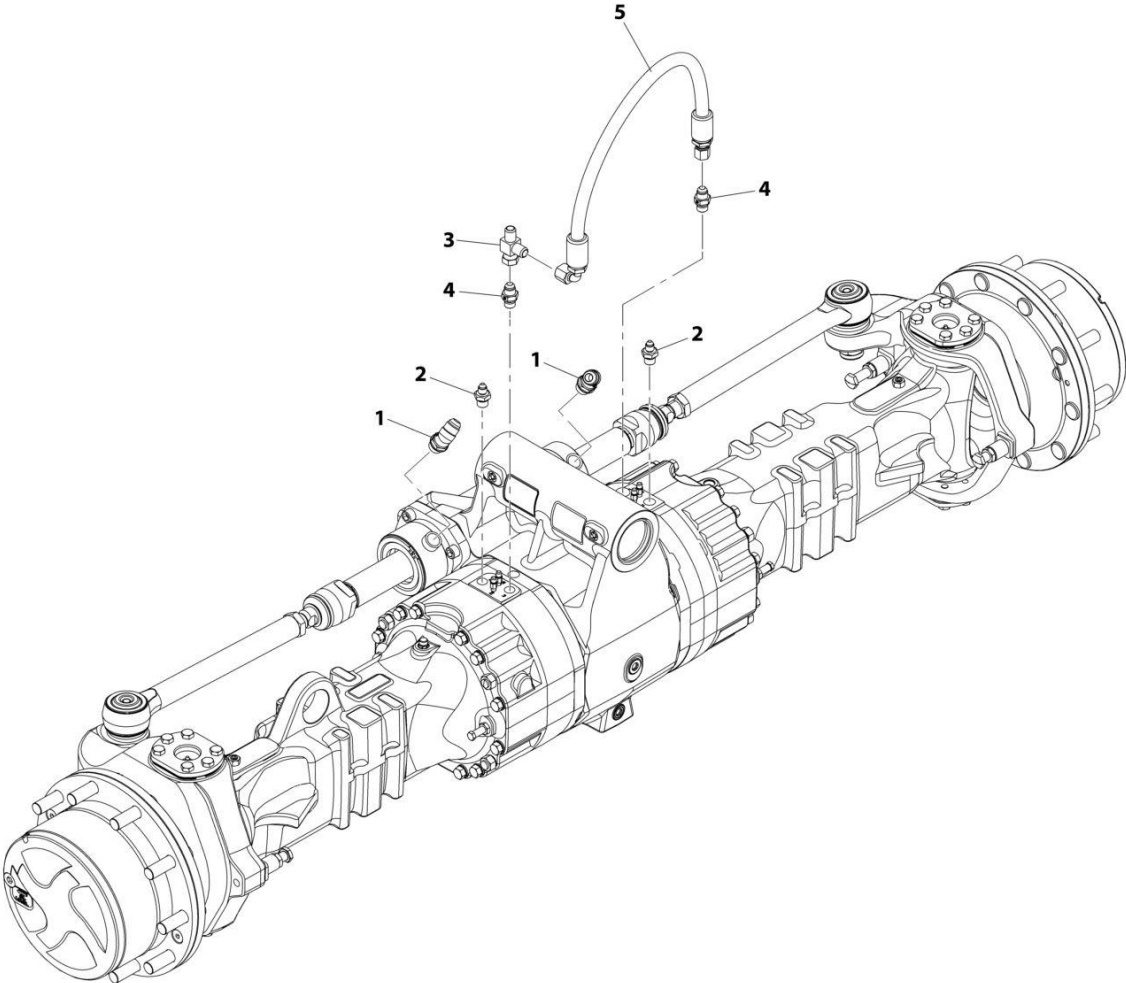
SECTION 8 - HYDRAULIC CIRCUITS

FIGURE 8-2. AXLE HYDRAULICS INSTALLATION

ITEM	PART NUMBER	QTY	DESCRIPTION	REV
	1001224152	Ref	Axle Hydraulic Installation	B
	1001201991	Ref	Axle Hydraulic Installation	C
1	2716673	1	Hose	
2	8304608	2	Screw, 5/16-18X1-1/2	
3	8750012	1	Bolt, Stacking	
4	8750027	1	Clamp Set, Twin	
5	1001172784	1	Assembly, Steer Select Valve (See STEER SELECT VALVE ASSEMBLY for Breakdown)	
6	1001178224	1	Hose	
7	1001194620	1	Hose	
8	1001194745	1	Hose	
9	1001224459	1	Assembly, Front Axle Hydraulic (See FRONT AXLE HYDRAULIC ASSEMBLY for Breakdown)	
10	1001224460	1	Assembly, Rear Axle Hydraulic (See REAR AXLE HYDRAULIC ASSEMBLY for Breakdown)	

SECTION 8 - HYDRAULIC CIRCUITS

FIGURE 8-3. AXLE HYDRAULICS INSTALLATION - FRONT



ART_1001224459-C

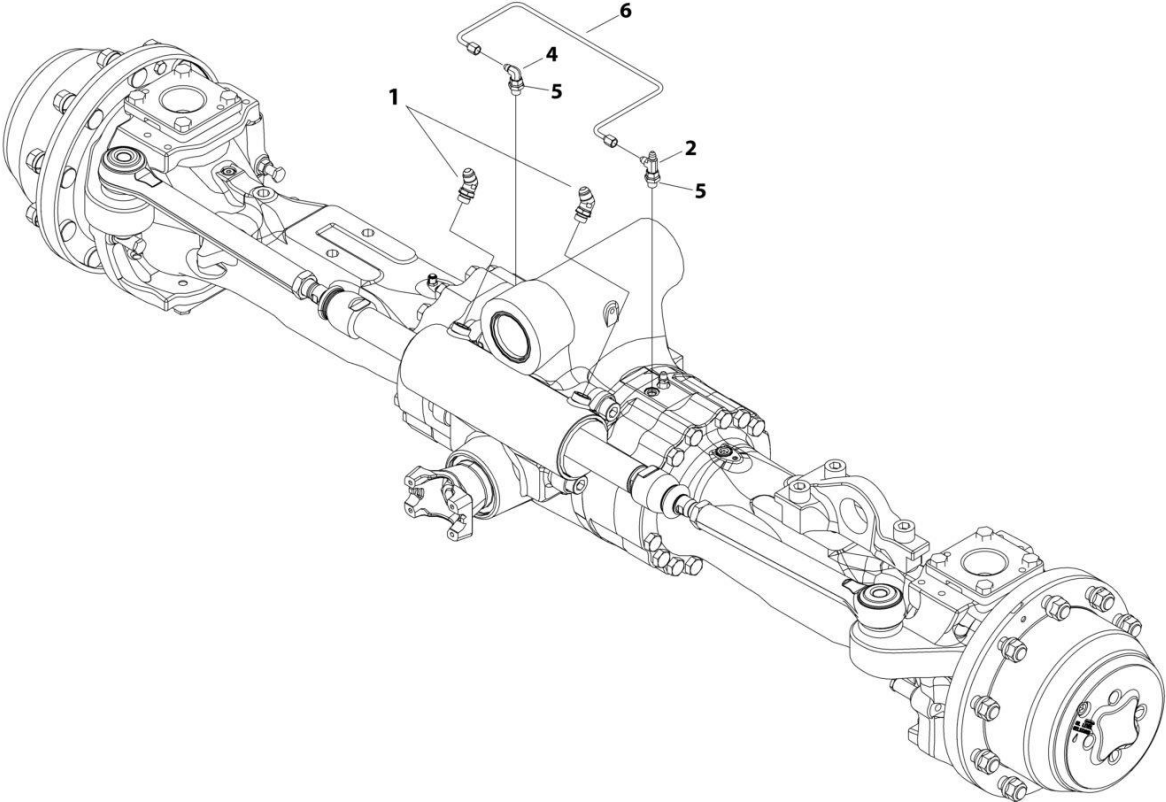
SECTION 8 - HYDRAULIC CIRCUITS

FIGURE 8-3. AXLE HYDRAULICS INSTALLATION - FRONT

ITEM	PART NUMBER	QTY	DESCRIPTION	REV
	1001224459	Ref	Front Axle Hydraulic Assembly	C
1	2220500	2	Adapter, Straight	
2	1001227636	2	Adapter, Straight	
3	2220635	1	Adapter, Run Tee	
4	8770064	2	Fitting	
5	1001224467	1	Hose Assembly	

SECTION 8 - HYDRAULIC CIRCUITS

FIGURE 8-4. AXLE HYDRAULICS INSTALLATION - REAR



ART_1001224460

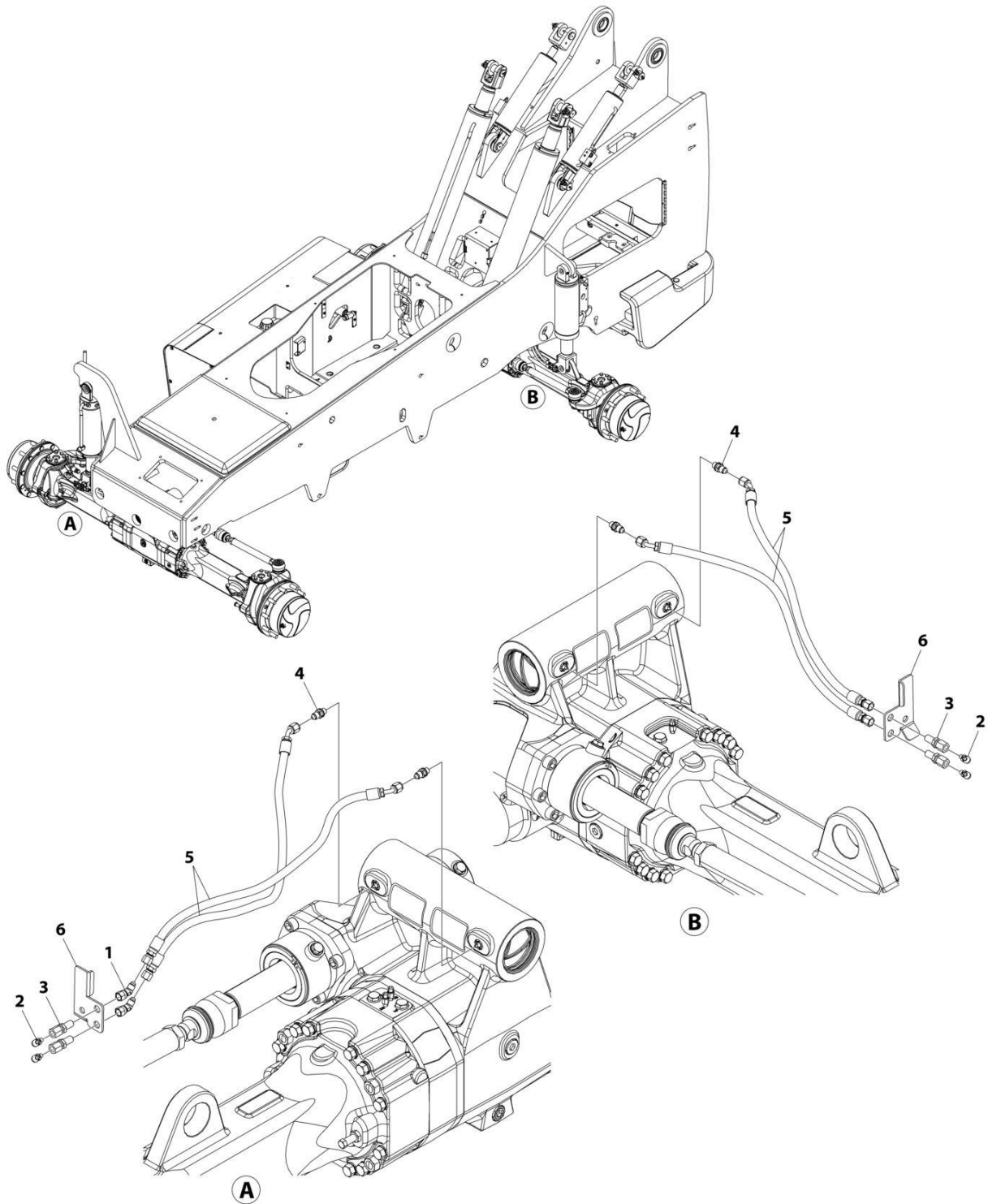
SECTION 8 - HYDRAULIC CIRCUITS

FIGURE 8-4. AXLE HYDRAULICS INSTALLATION - REAR

ITEM	PART NUMBER	QTY	DESCRIPTION	REV
	1001224460	Ref	Rear Axle Hydraulic Assembly	C
1	2220500	2	Fitting, 45 JIC/ORB	
2	2220605	1	Fitting, Tee JIC/FSJIC/JIC	
4	2220654	1	Fitting, 90 JIC/FSJIC	
5	1001227636	2	Fitting, Straight JIC/MMP	
6	1001224471	1	Tube	

SECTION 8 - HYDRAULIC CIRCUITS

FIGURE 8-5. AXLE PIN LUBE HYDRAULICS INSTALLATION



ART_1001224150

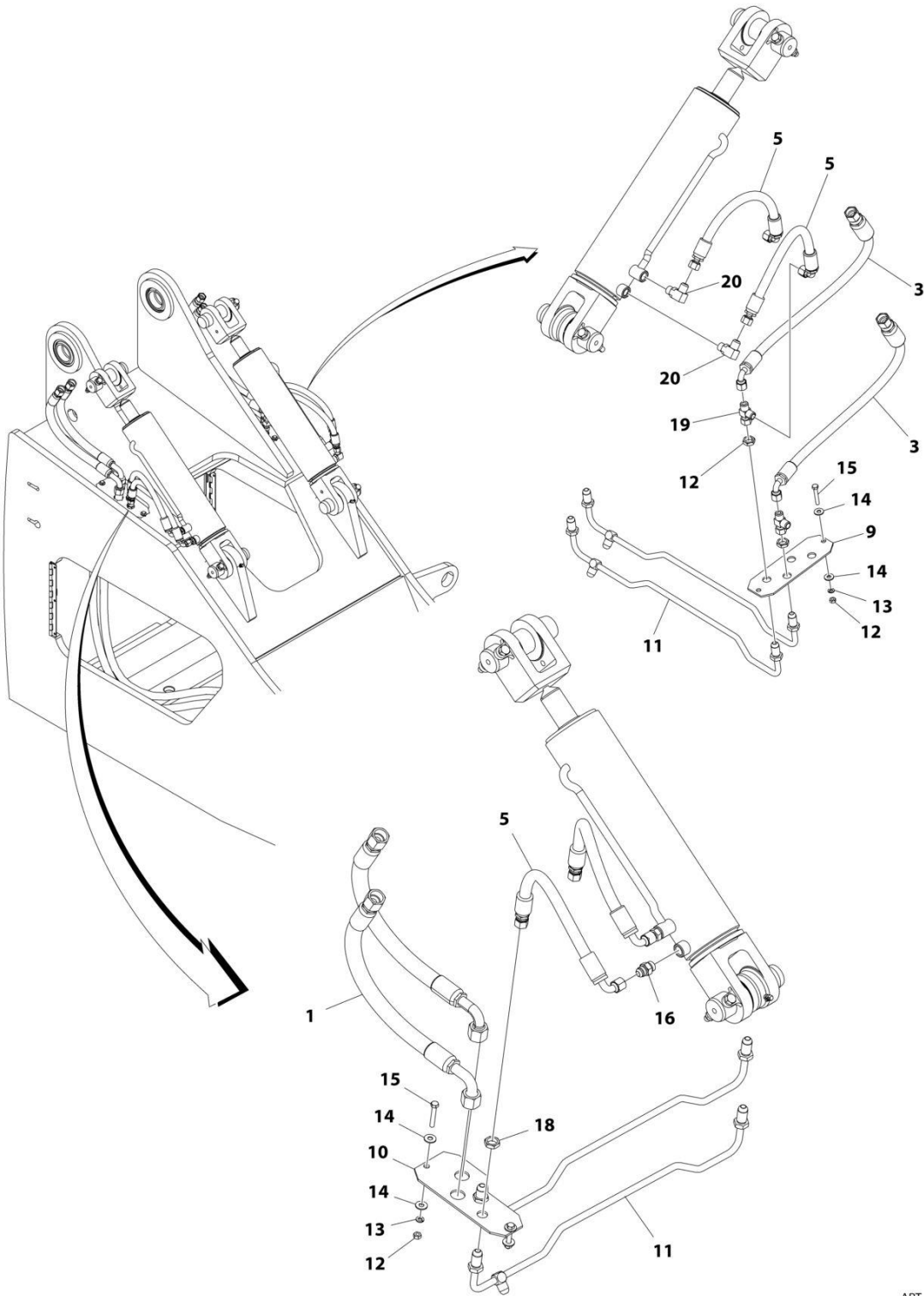
SECTION 8 - HYDRAULIC CIRCUITS

FIGURE 8-5. AXLE PIN LUBE HYDRAULICS INSTALLATION

ITEM	PART NUMBER	QTY	DESCRIPTION	REV
	1001224150	Ref	Axle Pin Lube Kit Installation	B
1	2220677	2	Adapter, 45	
2	8520003	4	Fitting, 90 Lube	
3	80623016	4	Adapter, Bulkhead Straight	
4	1001107589	4	Adapter, Straight	
5	1001226795	4	Hose, Lubrication	
6	1001224242	2	Bracket, Hose	

SECTION 8 - HYDRAULIC CIRCUITS

FIGURE 8-6. BULKHEAD (REAR) INSTALLATION (10054)



ART_7301721_I

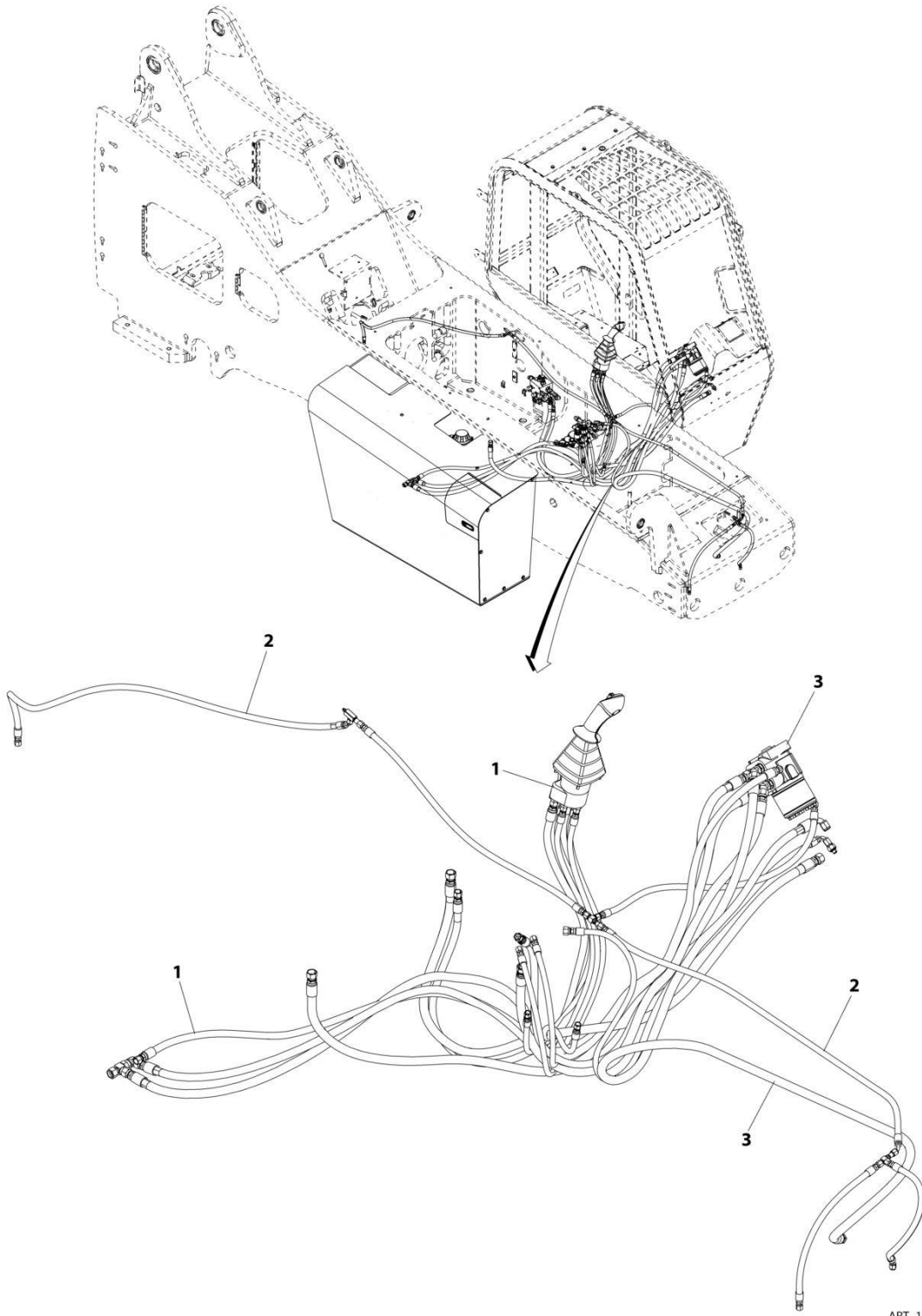
SECTION 8 - HYDRAULIC CIRCUITS

FIGURE 8-6. BULKHEAD (REAR) INSTALLATION (10054)

ITEM	PART NUMBER	QTY	DESCRIPTION	REV
	7301721	Ref	Rear Bulkhead Installation	1
1	2755060	2	Hose	
3	2716714	2	Hose	
5	2716715	4	Hose	
9	7139504	1	Plate, Bulkhead	
10	7139505	1	Plate, Bulkhead	
11	1001257571	2	Tube	
12	8305006	4	Nut 5/16	
13	8307004	4	Washer 5/16	
14	8307203	8	Washer 5/16	
15	8310009	4	Bolt 5/16X2	
16	2220373	2	Fitting, Straight JIC	
18	8760463	2	Fitting, Nut	
19	2220385	2	Fitting, Tee	
20	2220596	2	Fitting, 90 JIC/ORB	

SECTION 8 - HYDRAULIC CIRCUITS

FIGURE 8-7. CAB HYDRAULICS INSTALLATION



ART_1001244357-A

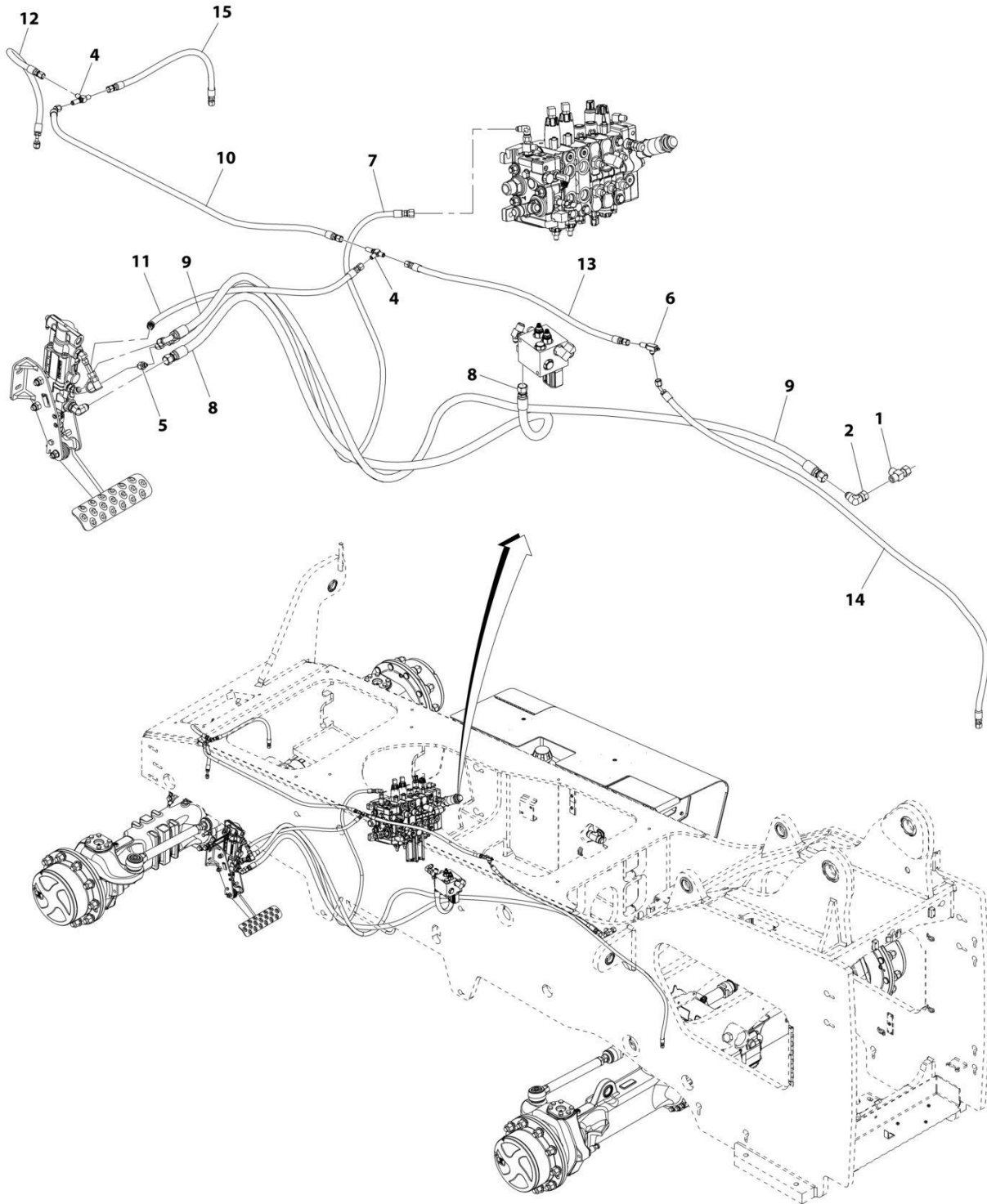
SECTION 8 - HYDRAULIC CIRCUITS

FIGURE 8-7. CAB HYDRAULICS INSTALLATION

ITEM	PART NUMBER	QTY	DESCRIPTION	REV
1	1001244357	Ref	Cab Hydraulics Installation	A
	1001158786	Ref	Pilot Controls Installation (See Separate Breakdown in this Section)	
2	1001245054	Ref	Brake Hydraulic Installation (See Separate Breakdown in this Section)	
3	1001245057	Ref	Steering Hydraulic Installation (See Separate Breakdown in this Section)	

SECTION 8 - HYDRAULIC CIRCUITS

FIGURE 8-8. CAB TO BRAKE HYDRAULICS INSTALLATION



ART_1001245054-B

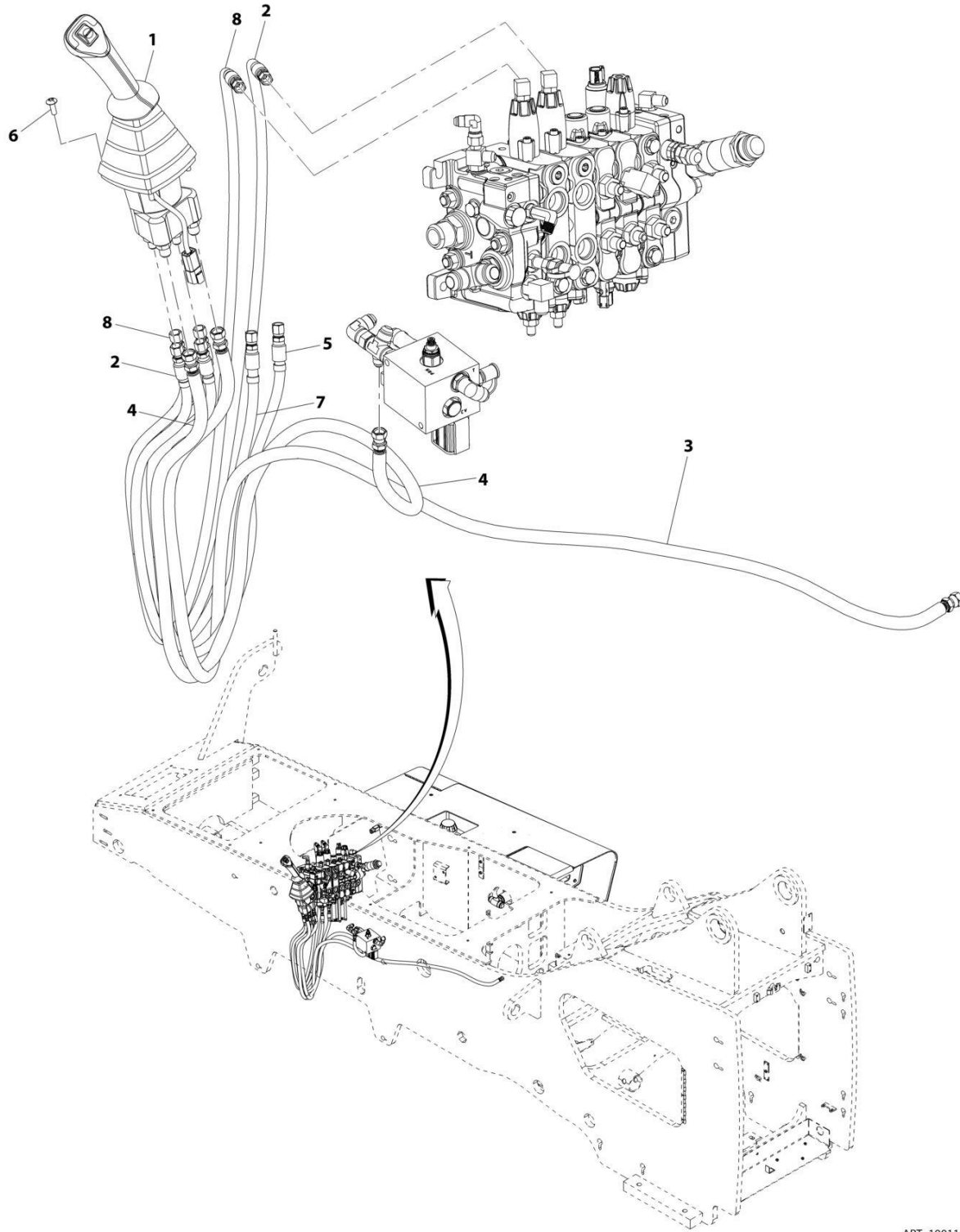
SECTION 8 - HYDRAULIC CIRCUITS

FIGURE 8-8. CAB TO BRAKE HYDRAULICS INSTALLATION

ITEM	PART NUMBER	QTY	DESCRIPTION	REV
	1001245054	Ref	Hydraulic Brake Installation	C
1	2220385	1	Adapter, Run Tee	
2	8765204	1	Adapter, Straight	
4	10728823	2	Bulkhead Connector Tee	
5	1001183370	1	Check Valve	
6	1001201734	1	Brake Bleeder Tee, Manifold	
7	1001244980	1	Hose Assembly	
8	1001201737	1	Hose Assembly	
9	1001201738	1	Hose Assembly	
10	1001210093	1	Hose Assembly	
11	1001210859	1	Hose Assembly	
12	1001210860	1	Hose Assembly	
13	1001210862	1	Hose Assembly	
14	1001210863	1	Hose Assembly	
15	1001219045	1	Hose Assembly	

SECTION 8 - HYDRAULIC CIRCUITS

FIGURE 8-9. CAB PILOT CONTROLS HYDRAULICS INSTALLATION



ART_1001158786-G

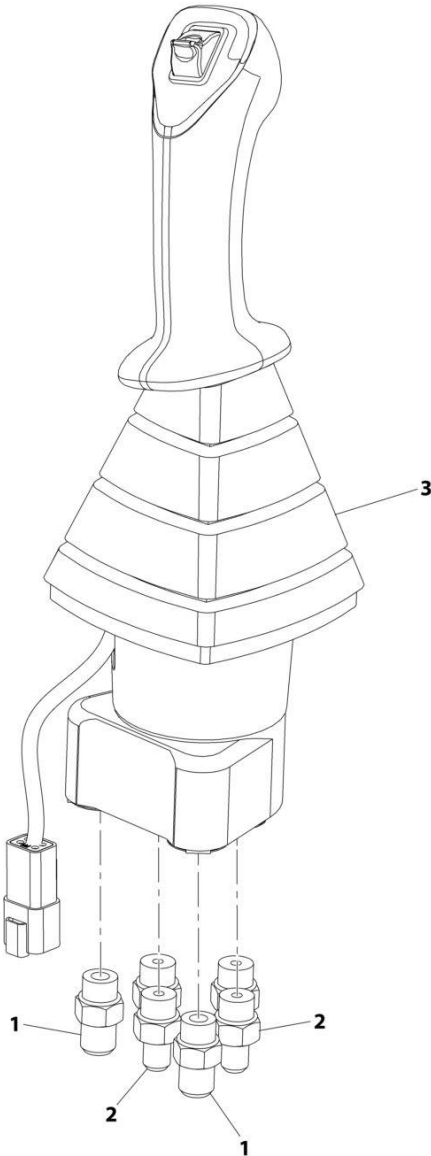
SECTION 8 - HYDRAULIC CIRCUITS

FIGURE 8-9. CAB PILOT CONTROLS HYDRAULICS INSTALLATION

ITEM	PART NUMBER	QTY	DESCRIPTION	REV
	1001158786	Ref	Pilot Controls Installation	G
1	1001158004	1	Assembly, Pilot Joystick (See Separate Breakdown in this Section)	
2	1001252971	1	Hose	
3	1001254099	1	Hose	
4	1001158398	1	Hose	
5	1001252970	1	Hose	
6	8303034	4	Screw, 1/4-20X3/4	
7	1001252968	1	Hose	
8	1001252969	1	Hose	

SECTION 8 - HYDRAULIC CIRCUITS

FIGURE 8-10. CAB PILOT JOYSTICK & FITTING ASSEMBLY



ART_1001158004-B

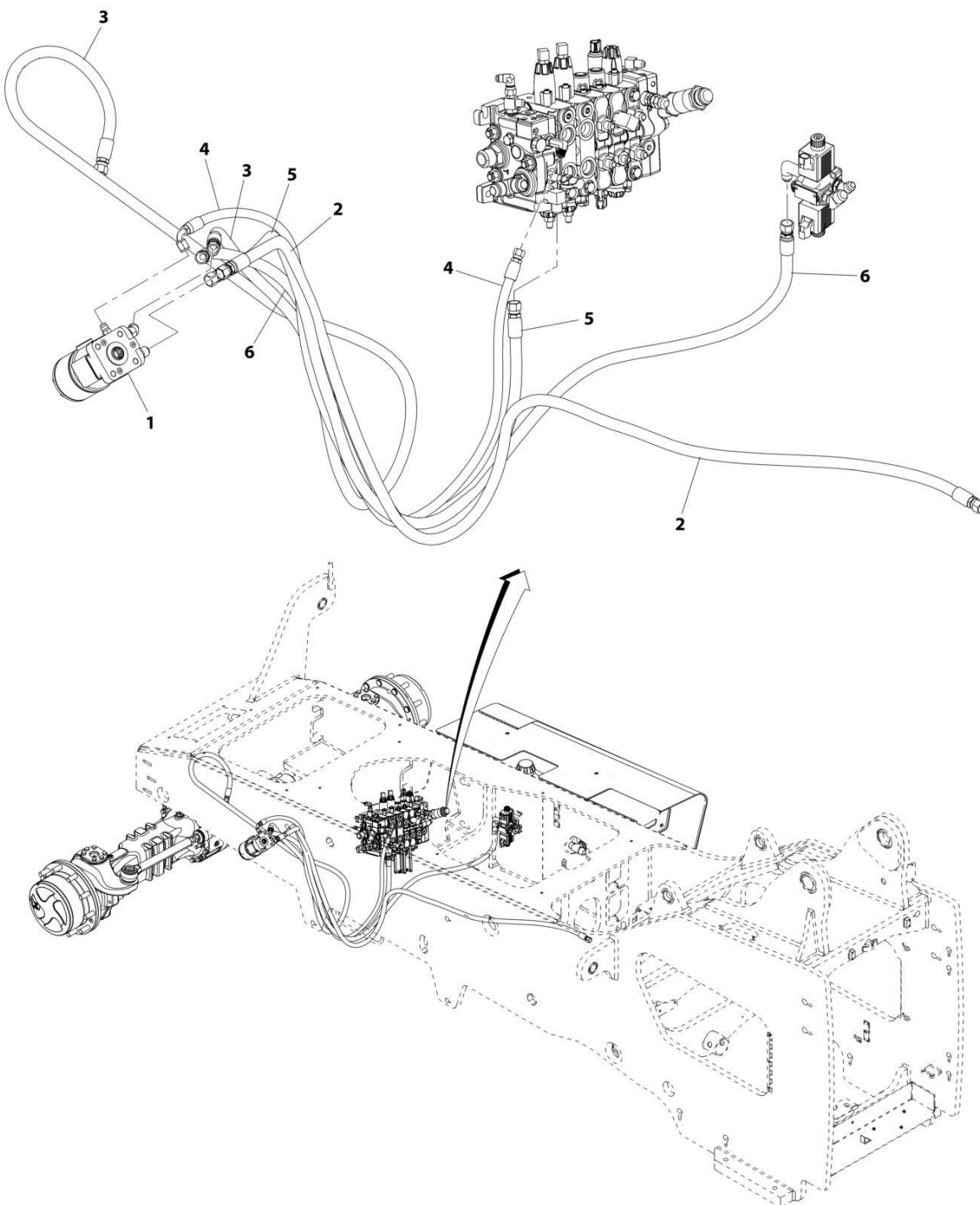
SECTION 8 - HYDRAULIC CIRCUITS

FIGURE 8-10. CAB PILOT JOYSTICK & FITTING ASSEMBLY

ITEM	PART NUMBER	QTY	DESCRIPTION	REV
	1001158004	Ref	Pilot Joystick & Fitting Assembly	B
1	2220371	2	Adapter, Straight JIC	
2	2220582	4	Adapter, Straight JIC	
3	1001158002	1	Control & Fittings Assembly - Pilot Joystick (See Separate Breakdown in CONTROLS Section)	

SECTION 8 - HYDRAULIC CIRCUITS

FIGURE 8-11. CAB TO STEERING HYDRAULICS INSTALLATION



ART_1001245057-B

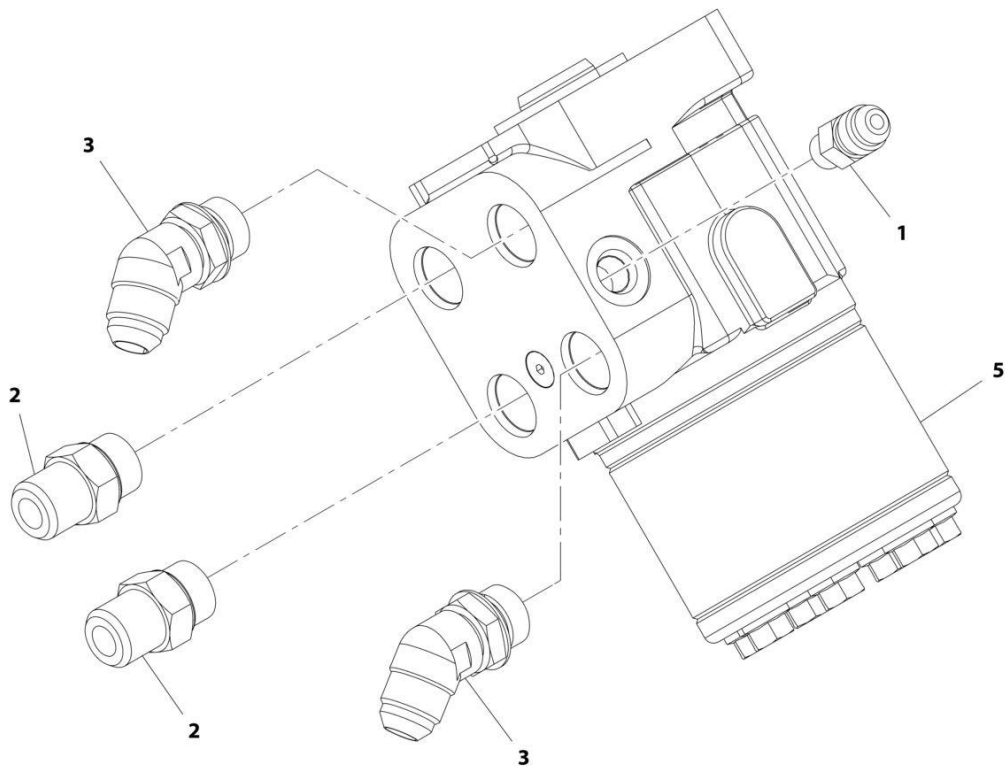
SECTION 8 - HYDRAULIC CIRCUITS

FIGURE 8-11. CAB TO STEERING HYDRAULICS INSTALLATION

ITEM	PART NUMBER	QTY	DESCRIPTION	REV
	1001245057	Ref	Hydraulic Steering Installation	B
1	1001158528	1	Steering Valve Installation (See Separate Breakdown in this Section)	
2	1001245058	1	Hose Assembly	
3	1001157102	1	Hose Assembly	
4	1001158357	1	Hose Assembly	
5	1001171786	1	Hose Assembly	
6	1001173177	1	Hose Assembly	

SECTION 8 - HYDRAULIC CIRCUITS

FIGURE 8-12. CAB STEERING VALVE & FITTING ASSEMBLY



ART_1001158528-C

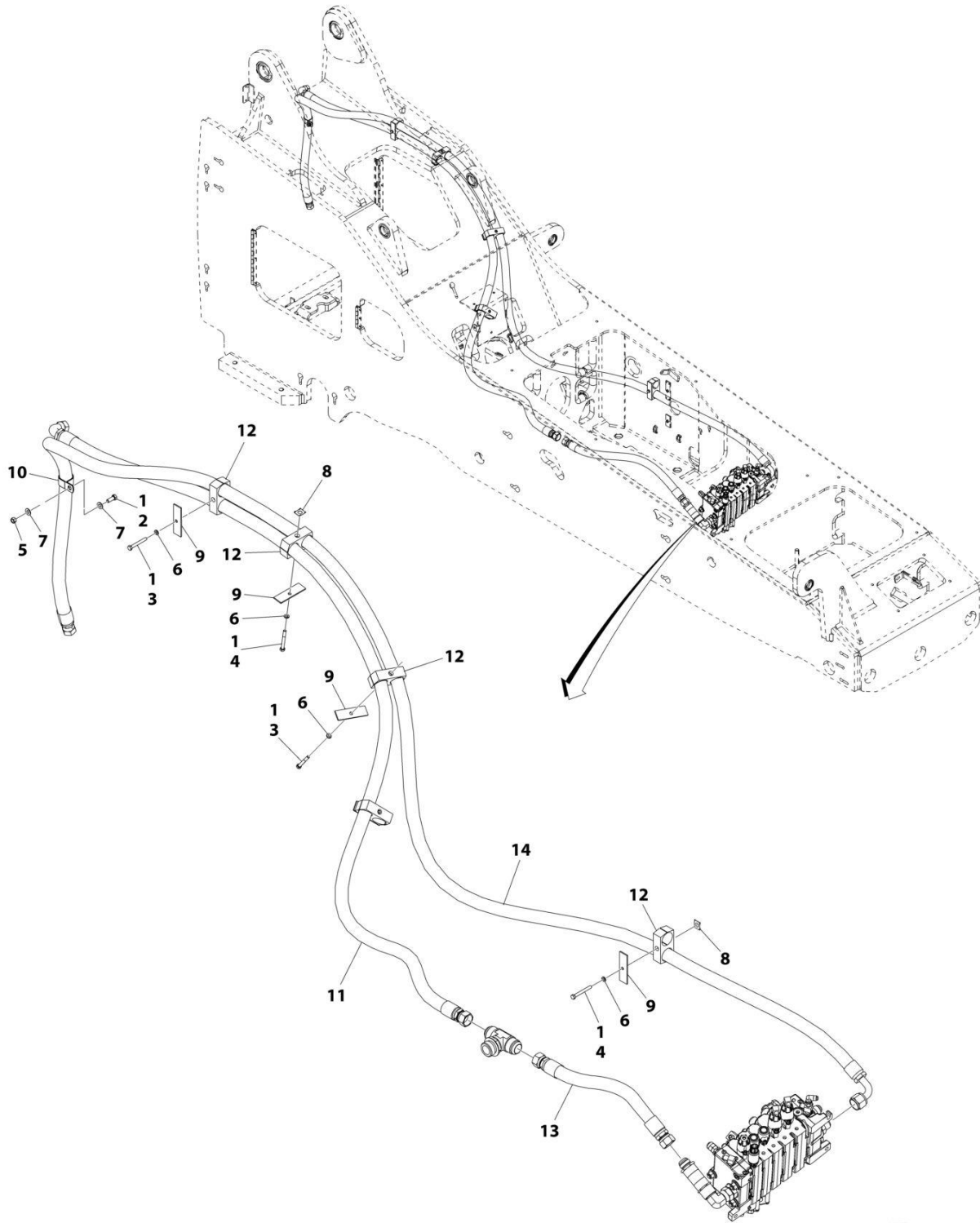
SECTION 8 - HYDRAULIC CIRCUITS

FIGURE 8-12. CAB STEERING VALVE & FITTING ASSEMBLY

ITEM	PART NUMBER	QTY	DESCRIPTION	REV
	1001158528	1	Steering Valve & Fitting Assembly	C
1	2220603	1	Adapter, Straight JIC	
2	2220373	2	Adapter, Straight JIC	
3	2220500	2	Adapter, 45 JIC	
5	1001158527	1	Valve, Steering	
5	70026401	1	Seal Kit - Steering Valve	

SECTION 8 - HYDRAULIC CIRCUITS

FIGURE 8-13. COOLER HYDRAULICS INSTALLATION



ART_1001244308-B

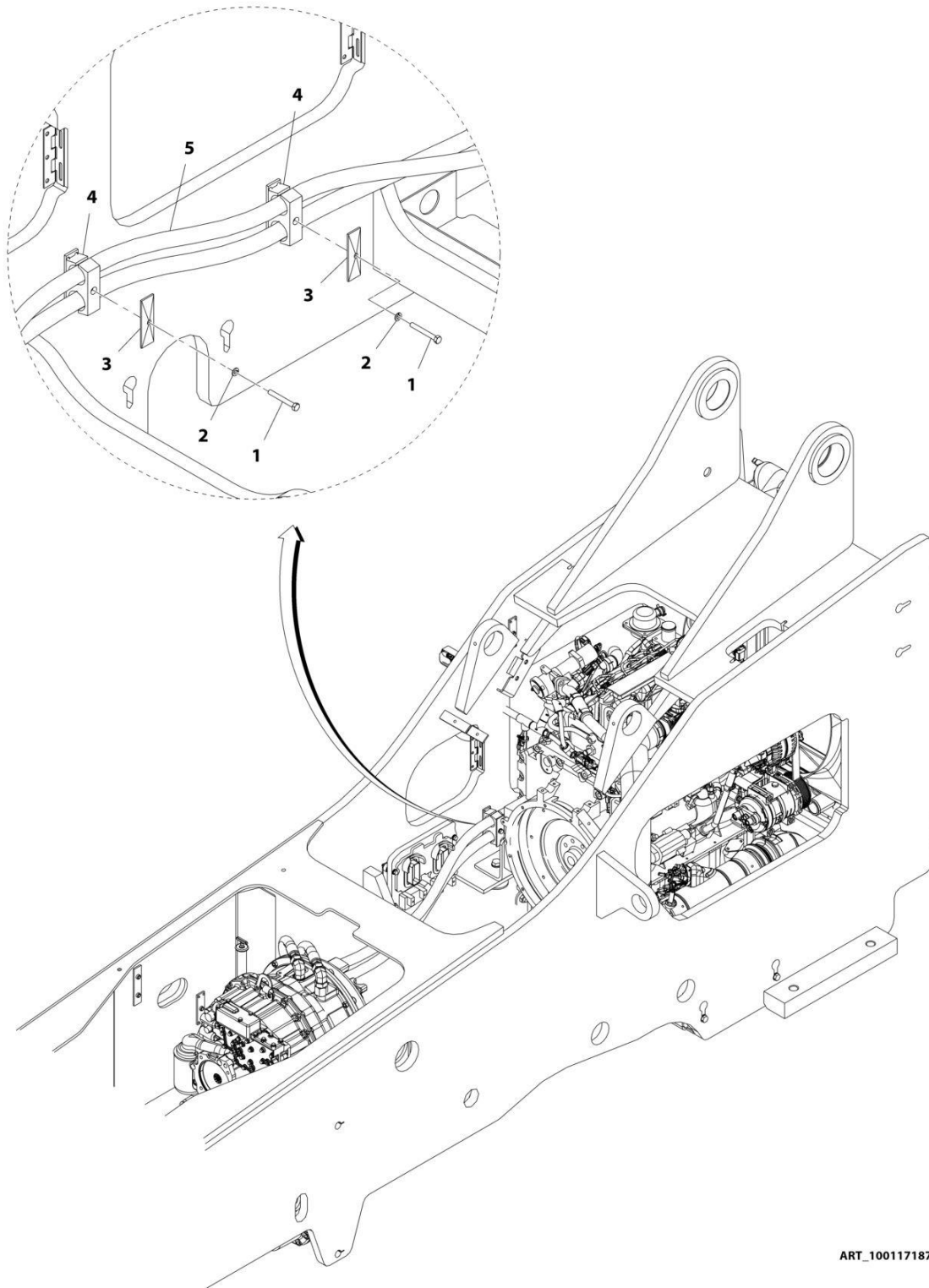
SECTION 8 - HYDRAULIC CIRCUITS

FIGURE 8-13. COOLER HYDRAULICS INSTALLATION

ITEM	PART NUMBER	QTY	DESCRIPTION	REV
	1001244308	Ref	Hydraulic Cooler Plumbing Installation	B
1	0100011	AR	Compound, Locking	
2	8303620	1	Bolt, 3/8X1	
3	8303757	3	Bolt, 5/16X2-1/2	
4	8303766	2	Bolt, 5/16X2-3/4	
5	8305008	1	Nut, 3/8	
6	8307004	5	Washer	
7	8307110	2	Washer	
8	8750017	2	Locking Plate	
9	8750025	5	Cover Plate, Twin	
10	85841150	1	Clamp, Support	
11	1001177753	1	Hose Assembly	
12	1001196109	5	Clamp, Twin Hose	
13	1001244306	1	Hose	
14	1001244307	1	Hose	

SECTION 8 - HYDRAULIC CIRCUITS

FIGURE 8-14. COOLER (TRANSMISSION) HYDRAULICS INSTALLATION



ART_1001171873-C

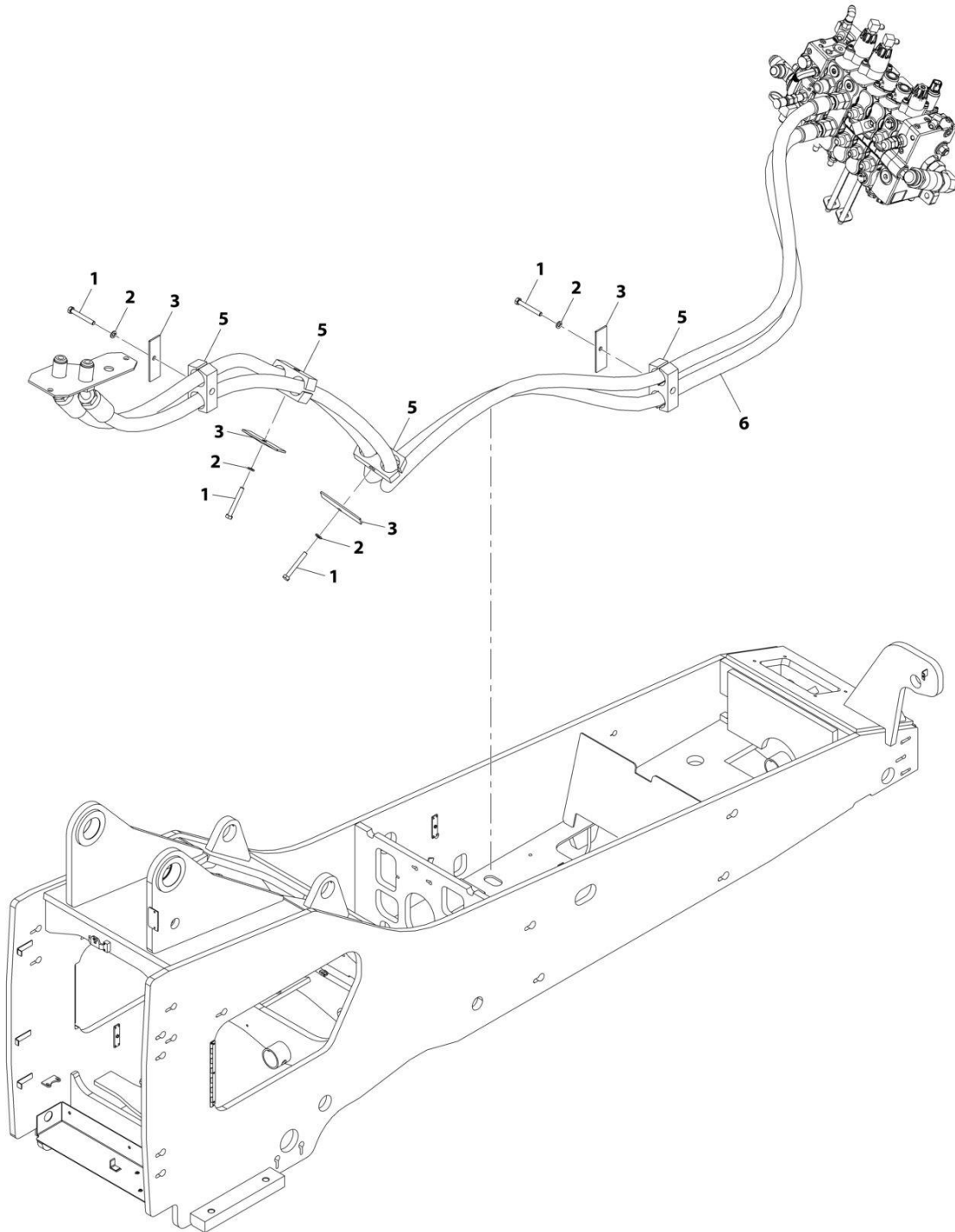
SECTION 8 - HYDRAULIC CIRCUITS

FIGURE 8-14. COOLER (TRANSMISSION) HYDRAULICS INSTALLATION

ITEM	PART NUMBER	QTY	DESCRIPTION	REV
	1001171873	Ref	Hydraulic Transmission Cooler Plumbing Installation	C
1	8303757	2	Bolt, 5/16X2-1/2	
2	8307004	2	Washer, Lock 5/16	
3	8750025	2	Cover Plate, Twin	
4	8750040	2	Clamp Set, Twin	
5	1001171986	2	Hose	

SECTION 8 - HYDRAULIC CIRCUITS

FIGURE 8-15. CYLINDER HYDRAULICS INSTALLATION - BOOM EXTEND



ART_1001158046-E

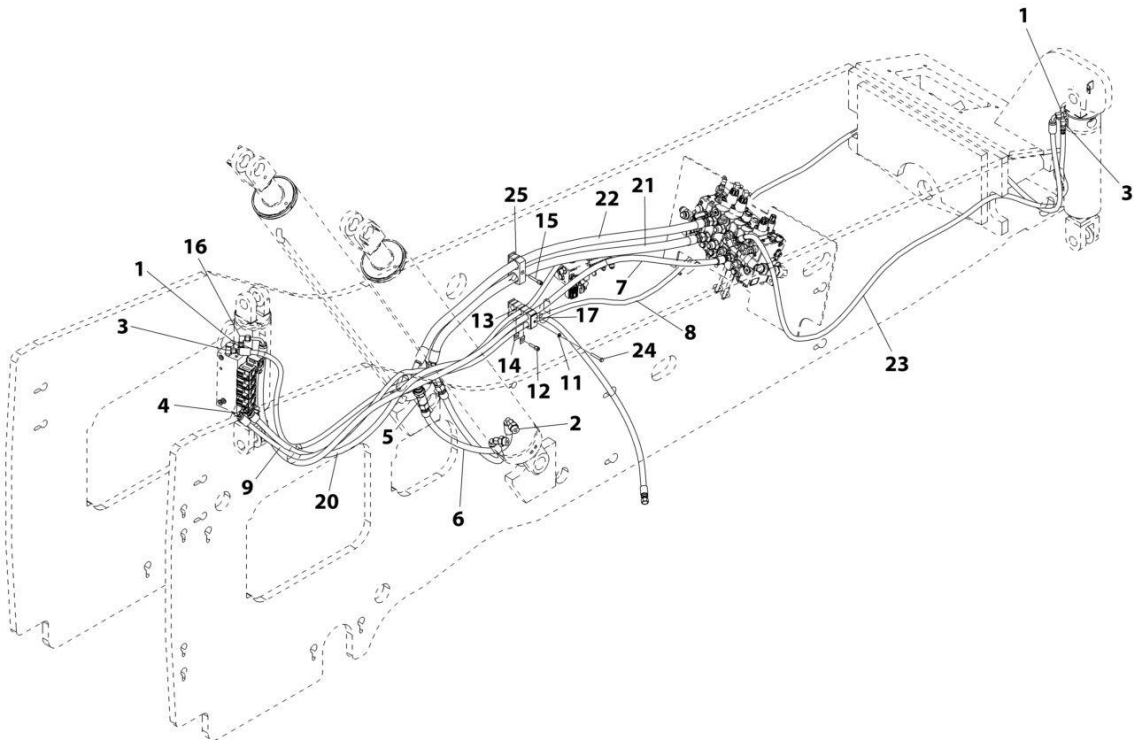
SECTION 8 - HYDRAULIC CIRCUITS

FIGURE 8-15. CYLINDER HYDRAULICS INSTALLATION - BOOM EXTEND

ITEM	PART NUMBER	QTY	DESCRIPTION	REV
	1001158046	Ref	Extend Cylinder Installation	E
1	8303757	4	Bolt, 5/16-18X2-1/2	
2	8307004	4	Washer, Lock 5/16	
3	8750025	4	Cover Plate, Twin	
5	8750040	4	Clamp Set, Twin	
6	1001171190	2	Hose	

SECTION 8 - HYDRAULIC CIRCUITS

FIGURE 8-16. CYLINDER HYDRAULICS INSTALLATION - FRAME



ART_1001173841-G

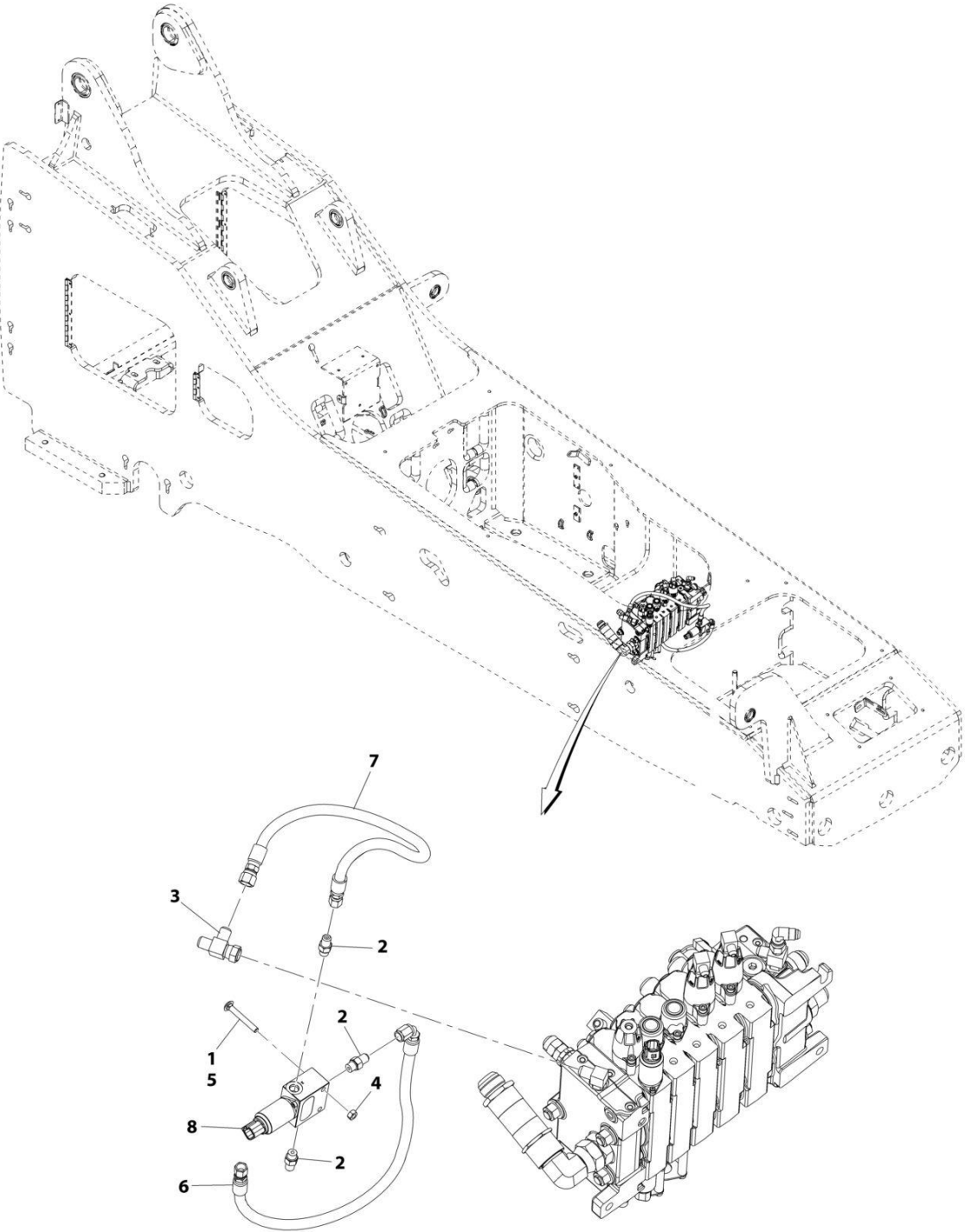
SECTION 8 - HYDRAULIC CIRCUITS

FIGURE 8-16. CYLINDER HYDRAULICS INSTALLATION - FRAME

ITEM	PART NUMBER	QTY	DESCRIPTION	REV
	1001173841	Ref	Hydraulic Frame Cylinders Installation	G
1	2220371	2	Adapter, Straight	
2	2220375	2	Adapter, Straight	
3	2220473	2	Adapter, 90	
4	2220501	2	Adapter, 45	
5	2220695	2	Adapter, Branch Tee	
6	2716675	2	Hose	
7	2716686	1	Hose	
8	2716688	1	Hose	
9	2716691	1	Hose	
11	8307004	1	Washer, Lock 5/16	
12	8750012	1	Bolt, Stacking	
13	8750027	2	Clamp Set, Twin	
14	8750017	2	Plate, Twin Clamp Locking	
15	8750026	1	Bolt, Stacking	
16	8760268	1	Adapter, 90	
17	8769128	1	Cover Plate, Twin	
20	1001202384	1	Hose	
21	1001171191	1	Hose	
22	1001171193	1	Hose	
23	1001171194	1	Hose	
24	8310009	1	Bolt, 5/16X2	
25	8750040	1	Clamp Set, Twin	

SECTION 8 - HYDRAULIC CIRCUITS

FIGURE 8-17. CYLINDER HYDRAULICS INSTALLATION - TELESCOPE CYLINDER CUTOUT



ART_1001244610-B

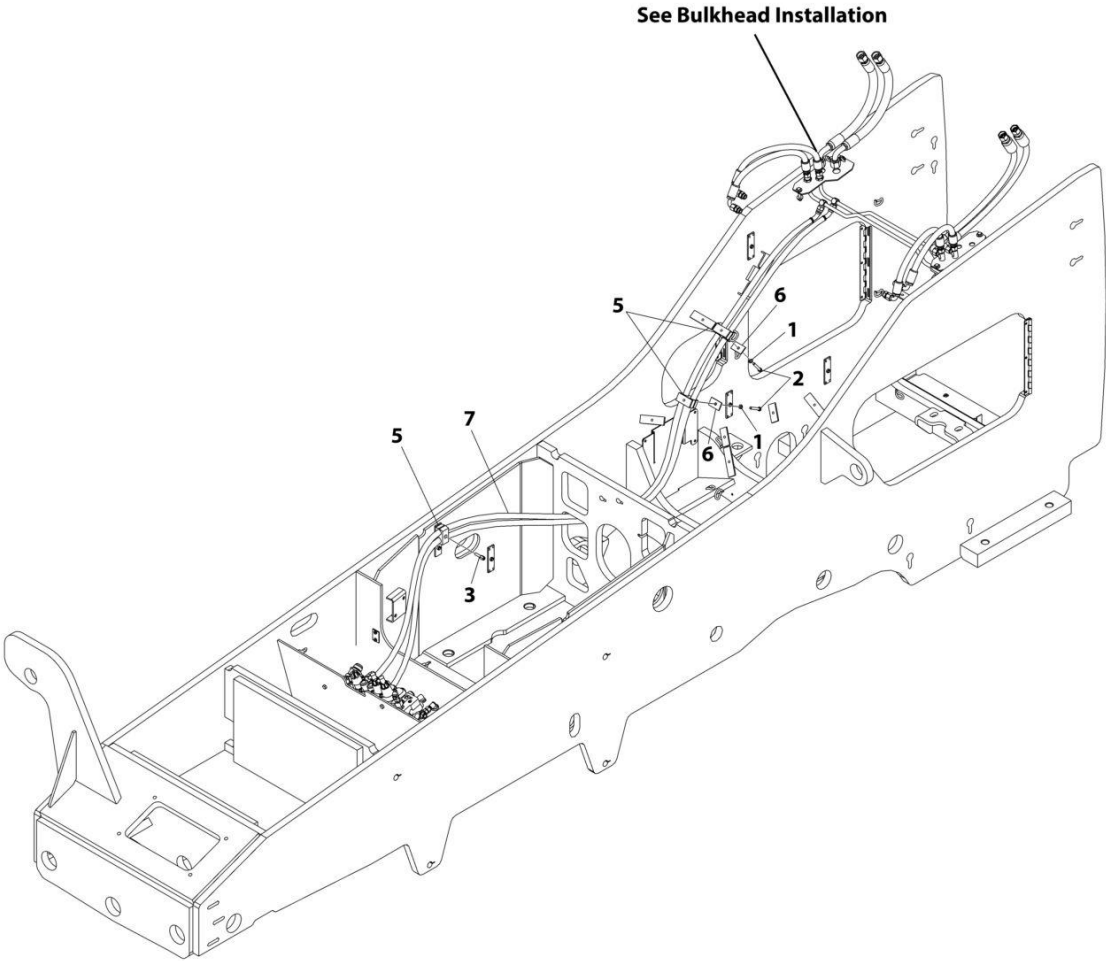
SECTION 8 - HYDRAULIC CIRCUITS

FIGURE 8-17. CYLINDER HYDRAULICS INSTALLATION - TELESCOPE CYLINDER CUTOUT

ITEM	PART NUMBER	QTY	DESCRIPTION	REV
	1001244610	Ref	Extend Cylinder Lockout Installation	B
1	0100011	AR	Compound, Locking	
2	2220415	3	Adapter, Straight	
3	2220635	1	Adapter, Run Tee	
4	8305004	2	Nut	
5	8310576	2	Bolt, Carriage	
6	1001244359	1	Hose Assembly	
7	1001244361	1	Hose Assembly	
8	1001245158	1	Valve, 2 Position/ 3 Port	
8	70030036	1	Valve, Solenoid	
8	70030037	2	Screw	

SECTION 8 - HYDRAULIC CIRCUITS

FIGURE 8-18. FORK TILT HYDRAULICS INSTALLATION



ART_1001158040

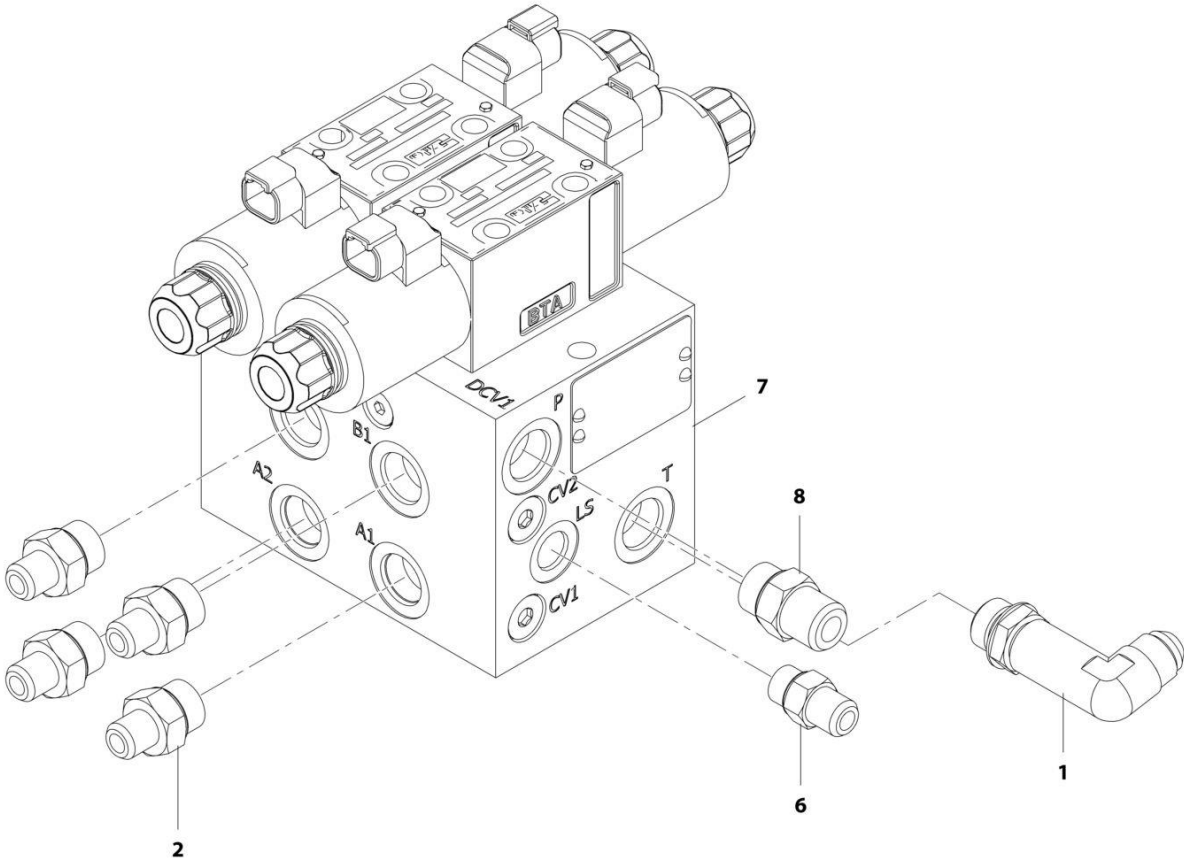
SECTION 8 - HYDRAULIC CIRCUITS

FIGURE 8-18. FORK TILT HYDRAULICS INSTALLATION

ITEM	PART NUMBER	QTY	DESCRIPTION	REV
	1001158040	Ref	HYDRAULIC FORK TILT INSTALLATION	G
1	8307004	2	Washer 5/16	
2	8310009	2	Bolt 5/16 x 2	
3	8750012	1	Bolt, Stacking	
5	8750027	3	Clamp Set, Twin	
6	8769128	2	Cover Plate, Twin	
7	1001171188	2	Hose	

SECTION 8 - HYDRAULIC CIRCUITS

FIGURE 8-19. OUTRIGGER VALVE & FITTING ASSEMBLY



ART_1001158611_E

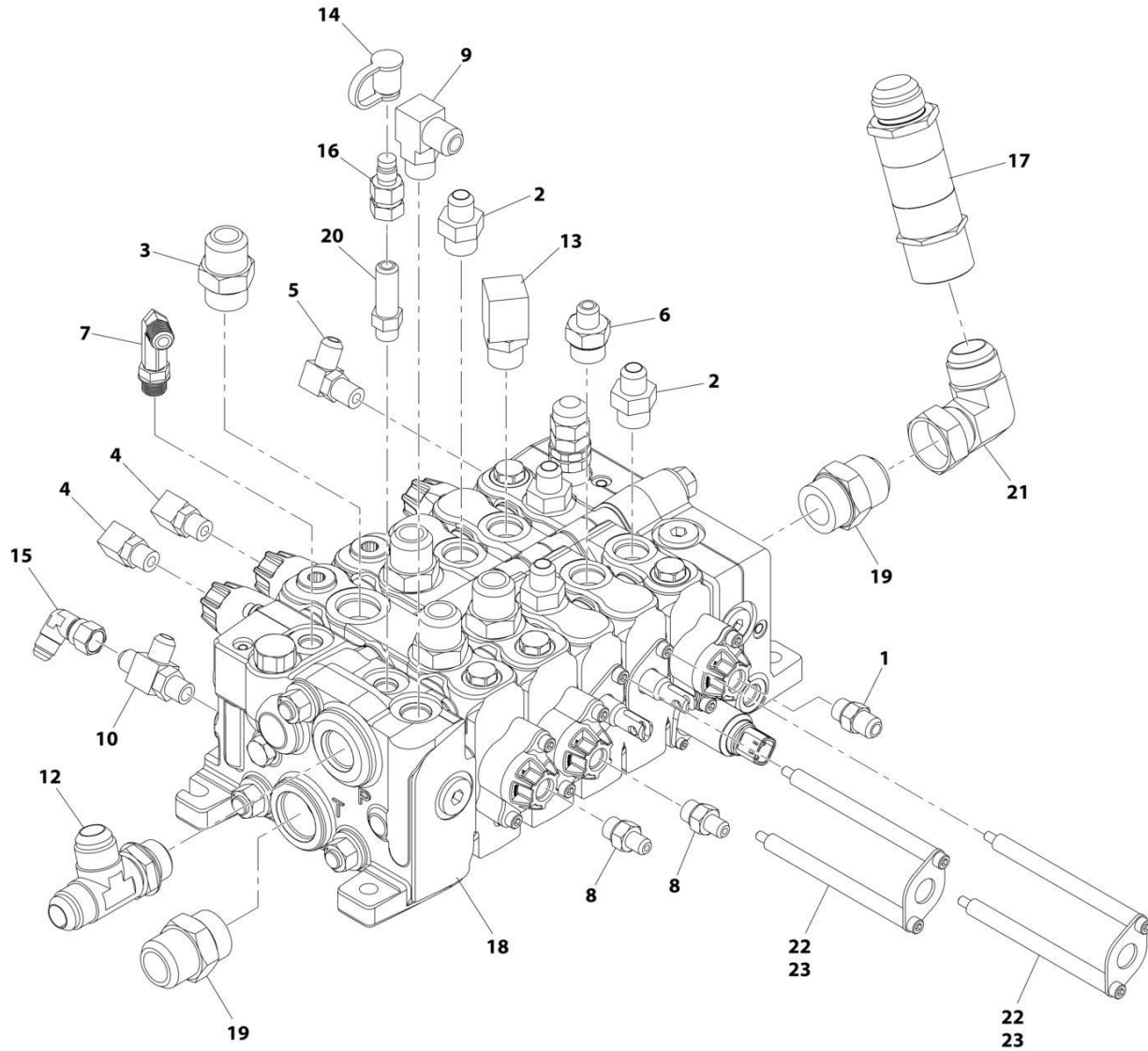
SECTION 8 - HYDRAULIC CIRCUITS

FIGURE 8-19. OUTRIGGER VALVE & FITTING ASSEMBLY

ITEM	PART NUMBER	QTY	DESCRIPTION	REV
	1001158611	1	Outrigger Valve & Fitting Assembly	E
1	2220474	1	Adapter, Long 90	
2	2220372	4	Adapter, Straight JIC	
6	2220371	1	Adapter, Straight JIC	
7	1001256316	1	Valve, Outrigger (See Separate Breakdown in HYDRAULIC COMPONENTS SECTION)	
8	2220373	1	Adapter, Straight JIC	

SECTION 8 - HYDRAULIC CIRCUITS

FIGURE 8-20. MAIN CONTROL VALVE INSTALLATION



ART_1001243411-C

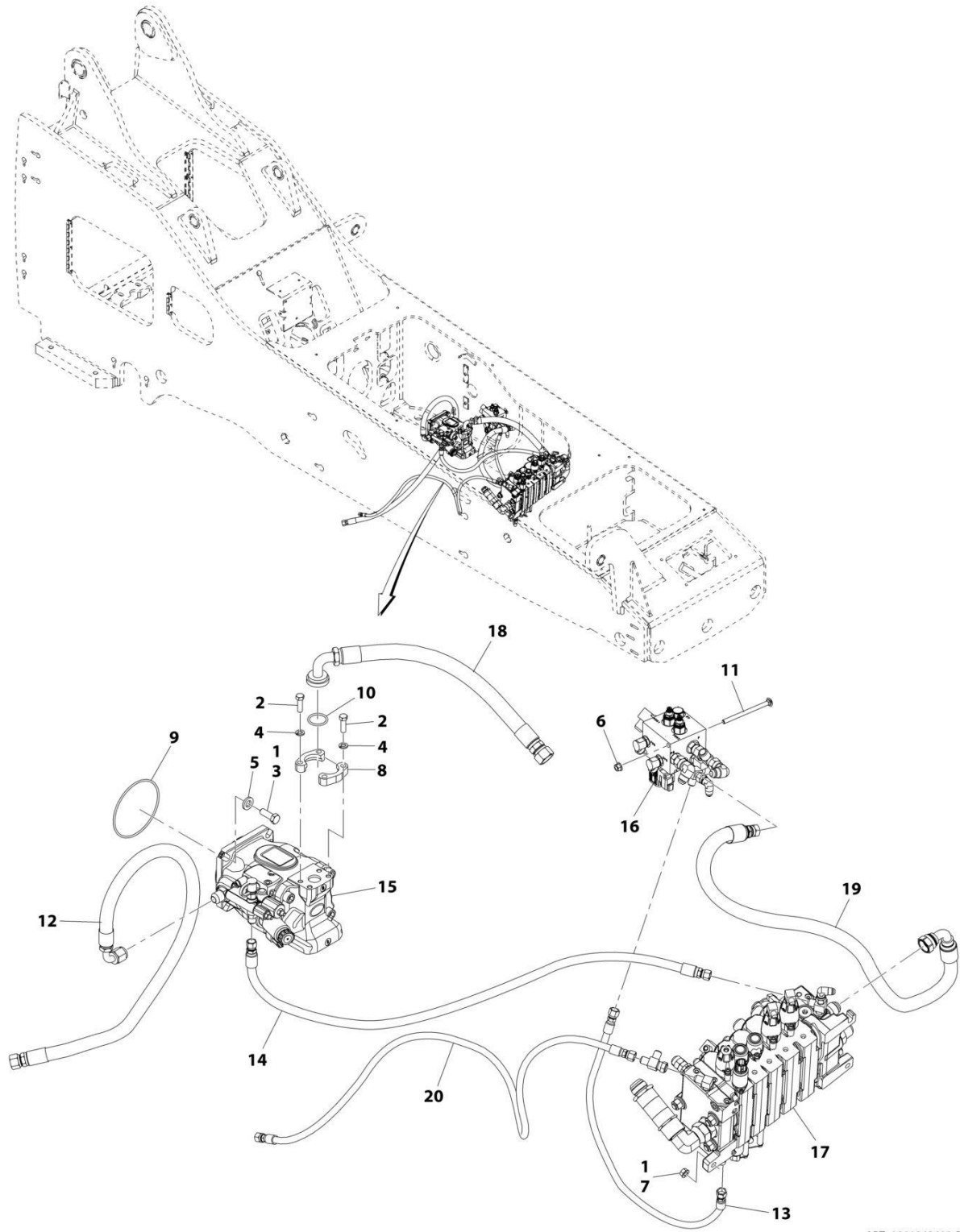
SECTION 8 - HYDRAULIC CIRCUITS

FIGURE 8-20. MAIN CONTROL VALVE INSTALLATION

ITEM	PART NUMBER	QTY	DESCRIPTION	REV
	1001243411	Ref	Main Control Valve & Fittings Sub-Assembly	C
1	2220371	1	Adapter	
2	2220374	4	Adapter	
3	2220451	4	Adapter	
4	2220472	2	Adapter	
5	2220473	1	Adapter	
6	2220497	1	Adapter	
7	2220819	1	Adapter	
8	2220582	2	Adapter	
9	2220596	1	Adapter	
10	2220606	1	Adapter	
12	2220738	1	Adapter	
13	2220828	1	Adapter	
14	8430032	1	Plug	
15	8760268	1	Adapter	
16	8430046	1	Adapter	
17	1001174375	1	Valve, Check	
18	1001242925	1	Valve, Main Control Valve Assembly (See Separate Breakdown in HYDRAULIC COMPONENTS SECTION)	
19	2220377	2	Adapter	
20	2220998	1	Adapter	
21	2220878	1	Adapter	
22	1001254386	2	Mount, Cable Control	
23	0100011	AR	Compound, Locking	

SECTION 8 - HYDRAULIC CIRCUITS

FIGURE 8-21. PUMP HYDRAULICS INSTALLATION



ART_1001243412-B

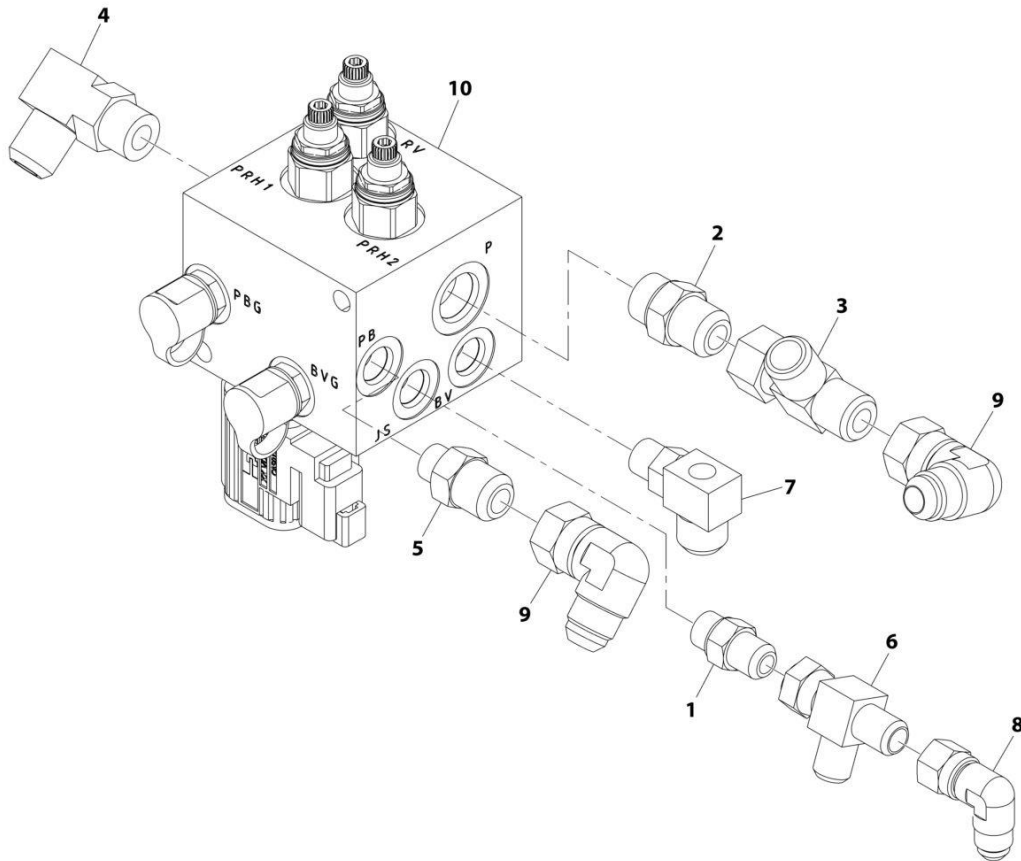
SECTION 8 - HYDRAULIC CIRCUITS

FIGURE 8-21. PUMP HYDRAULICS INSTALLATION

ITEM	PART NUMBER	QTY	DESCRIPTION	REV
	1001243412	Ref	Hydraulic Pump Installation	C
1	0100011	AR	Compound, Locking	
2	8303675	4	Screw, 3/8 x 1-1/4	
3	8303519	4	Screw, M12 x 1-3/4	
4	8307005	4	Washer	
5	8310356	4	Washer	
6	8310420	2	Nut	
7	8310522	3	Nut	
8	8530030	2	Flange	
9	8630019	1	O-Ring	
10	8640123	1	O-Ring	
11	1001163685	2	Bolt, 5/16-18 x 4-1/2	
12	1001168451	1	Hose Assembly	
13	1001194592	1	Hose Assembly	
14	1001198684	1	Hose Assembly	
15	1001251426	1	Piston Pump Installation	
16	1001247171	1	Valve & Fitting Assembly - Secondary (See Separate Breakdown in this Section)	
17	1001243411	1	Valve & Fitting Assembly - Main (See Separate Breakdown in this Section)	
18	1001244278	1	Hose Assembly	
19	1001247654	1	Hose Assembly	
20	1001244302	1	Hose Assembly	

SECTION 8 - HYDRAULIC CIRCUITS

FIGURE 8-22. SECONDARY VALVE AND FITTING ASSEMBLY



ART_1001247171-B

SECTION 8 - HYDRAULIC CIRCUITS

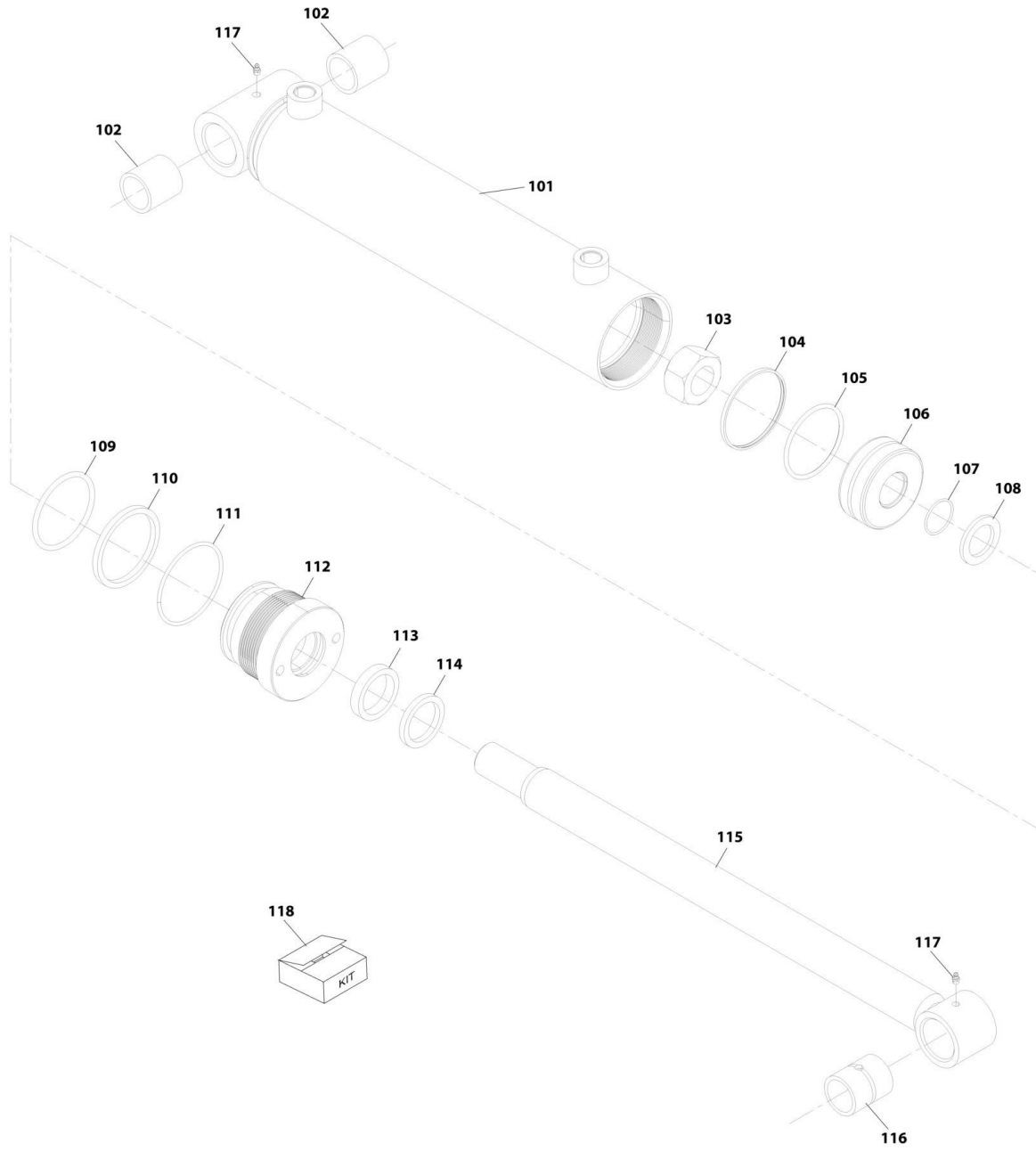
FIGURE 8-22. SECONDARY VALVE AND FITTING ASSEMBLY

ITEM	PART NUMBER	QTY	DESCRIPTION	REV
	1001247171	Ref	Secondary Valve & Fittings Installation	B
1	2220371	1	Fitting, Straight JIC/ORB	
2	2220373	1	Fitting, Straight JIC/ORB	
3	2220385	1	Fitting, Tee JIC/FSJIC/JIC	
4	2220596	1	Fitting, 90 JIC/ORB	
5	2220600	1	Fitting, Straight ORB	
6	2220635	1	Fitting, Tee FM SW x JIC x JIC	
7	2220726	1	Fitting, 90 JIC/ORB	
8	8760268	1	Fitting, 90 JIC/FSJIC	
9	8765204	2	Fitting, 90 JIC/FSJIC	
10	1001266771	1	Valve Assembly - Secondary (See Separate Breakdown in HYDRAULIC COMPONENTS Section)	

SECTION 9 - HYDRAULIC COMPONENTS

SECTION 9 - HYDRAULIC COMPONENTS

FIGURE 9-1. CYLINDER ASSEMBLY - CARRIAGE SIDE SHIFT



ART_70021376

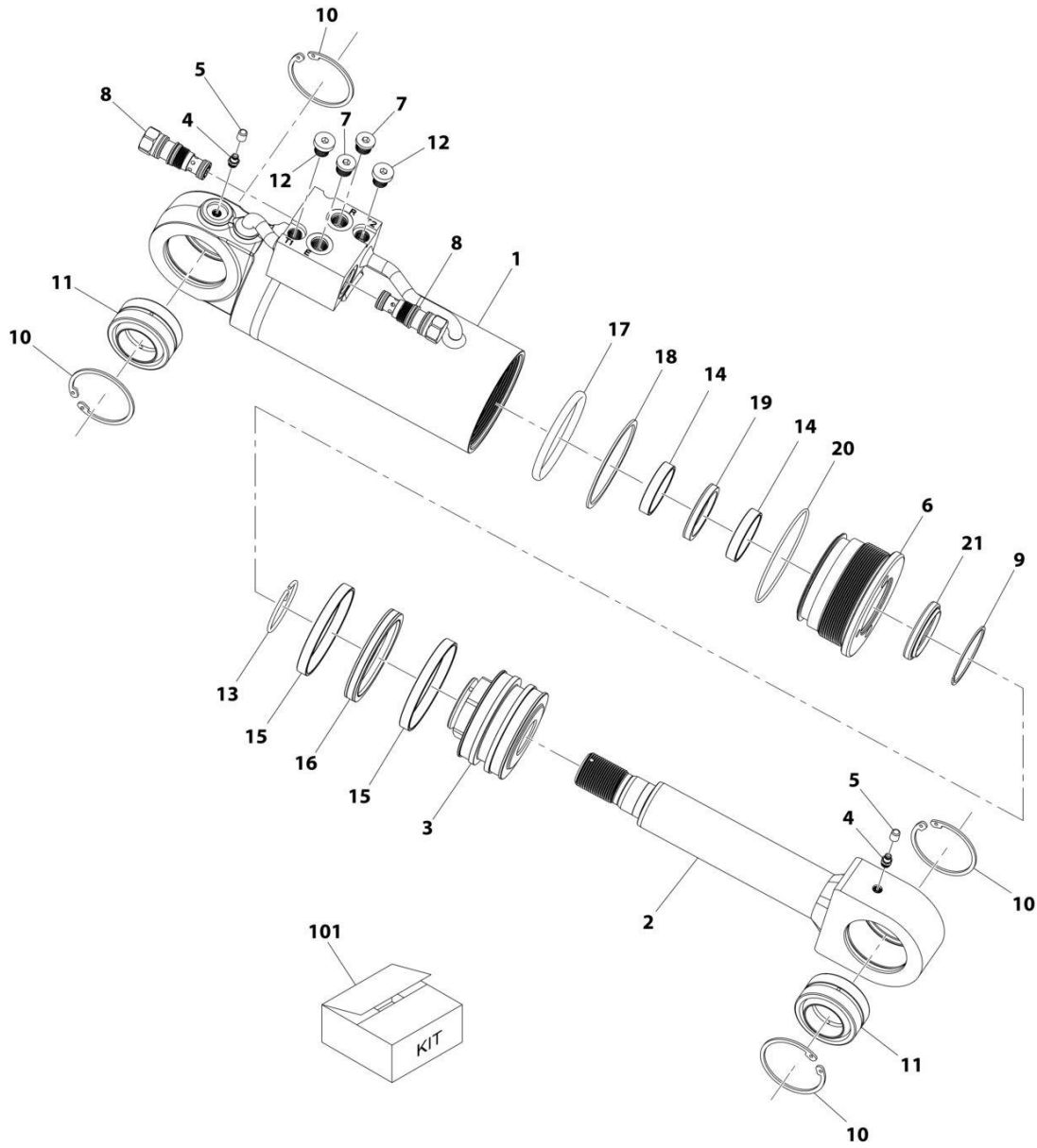
SECTION 9 - HYDRAULIC COMPONENTS

FIGURE 9-1. CYLINDER ASSEMBLY - CARRIAGE SIDE SHIFT

ITEM	PART NUMBER	QTY	DESCRIPTION	REV
	70021376	1	Cylinder Assembly, Side Shift Carriage 12K	
		Ref	Note: Original Cylinder May Have Been Replaced with Service Replacement. Identify PN Stamped on Cylinder Before Ordering Parts.	
101	See Note	NSS	Barrel (Note: Use PN 70021376)	
102	70021448	2	Bushing	
103	70021440	1	Nut	
104	See Note	NSS	Ring, Piston (Note Use Item 118)	
105	See Note	NSS	O-Ring (Note: Use Item 118)	
106	70021451	1	Piston	
107	See Note	NSS	O-Ring (Note: Use Item 118)	
108	70021444	1	Spacer, Sheave	
109	See Note	NSS	O-Ring (Note: Use Item 118)	
110	See Note	NSS	Washer, Back-Up (Note: Use Item 118)	
111	See Note	NSS	O-Ring (Note: Use Item 118)	
112	70021446	1	Head	
113	See Note	NSS	Seal (Note: Use Item 118)	
114	See Note	NSS	Wiper, Rod (Note: Use Item 118)	
115	70021445	1	Rod	
116	70021447	1	Bushing	
117	90554045	2	Grease Fitting	
118	70021452	1	Seal Kit, (includes items 104, 105, 107, 109, 110, 111, 113 & 114)	

SECTION 9 - HYDRAULIC COMPONENTS

FIGURE 9-2. CYLINDER ASSEMBLY - CARRIAGE SIDE TILT



ART_1001163414-A

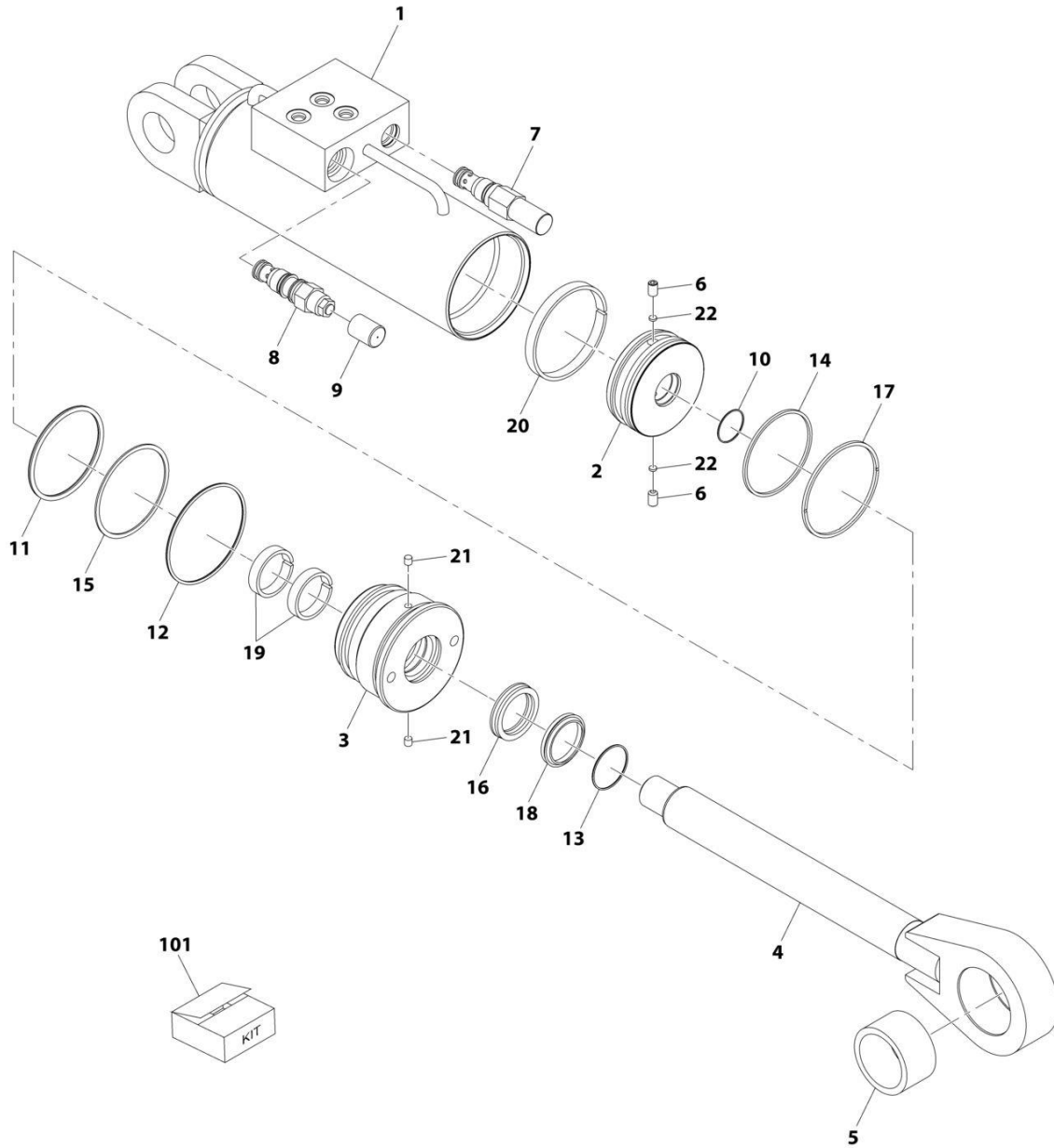
SECTION 9 - HYDRAULIC COMPONENTS

FIGURE 9-2. CYLINDER ASSEMBLY - CARRIAGE SIDE TILT

ITEM	PART NUMBER	QTY	DESCRIPTION	REV
	1001163414	Ref	Side Tilt Cylinder	A
		Ref	Note: Original Cylinder May Have Been Replaced with Service Replacement. Identify PN Stamped on Cylinder Before Ordering Parts.	
1	70026056	1	Barrel	
2	70026057	1	Rod	
3	70026058	1	Piston	
4	70025606	2	Nipple, Grease	
5	70024020	2	Fitting, Grease	
6	70003849	1	Head	
7	70025959	2	Plug	
8	70026059	2	Valve, Check	
9	70002219	1	Ring, Retaining	
10	70026060	4	Ring, Retaining	
11	70026061	2	Bearing	
12	70024262	2	Plug	
13	70002224	1	Ring, Lock	
14	Kit	NSS	Ring, Rod Bearing (Note: Use Item 101)	
15	Kit	NSS	Ring, Piston Bearing (Note: Use Item 101)	
16	Kit	NSS	Seal, Piston (Note: Use Item 101)	
17	Kit	NSS	O-Ring (Note: Use Item 101)	
18	Kit	NSS	Ring, Back-Up (Note: Use Item 101)	
19	Kit	NSS	Seal, Rod (Note: Use Item 101)	
20	Kit	NSS	O-Ring (Note: Use Item 101)	
21	Kit	NSS	Seal, Wiper (Note: Use Item 101)	
101	70026062	1	Kit, Seal (includes items 14 thru 21)	

SECTION 9 - HYDRAULIC COMPONENTS

FIGURE 9-3. CYLINDER ASSEMBLY - CARRIAGE SWING



ART_1001103182-B

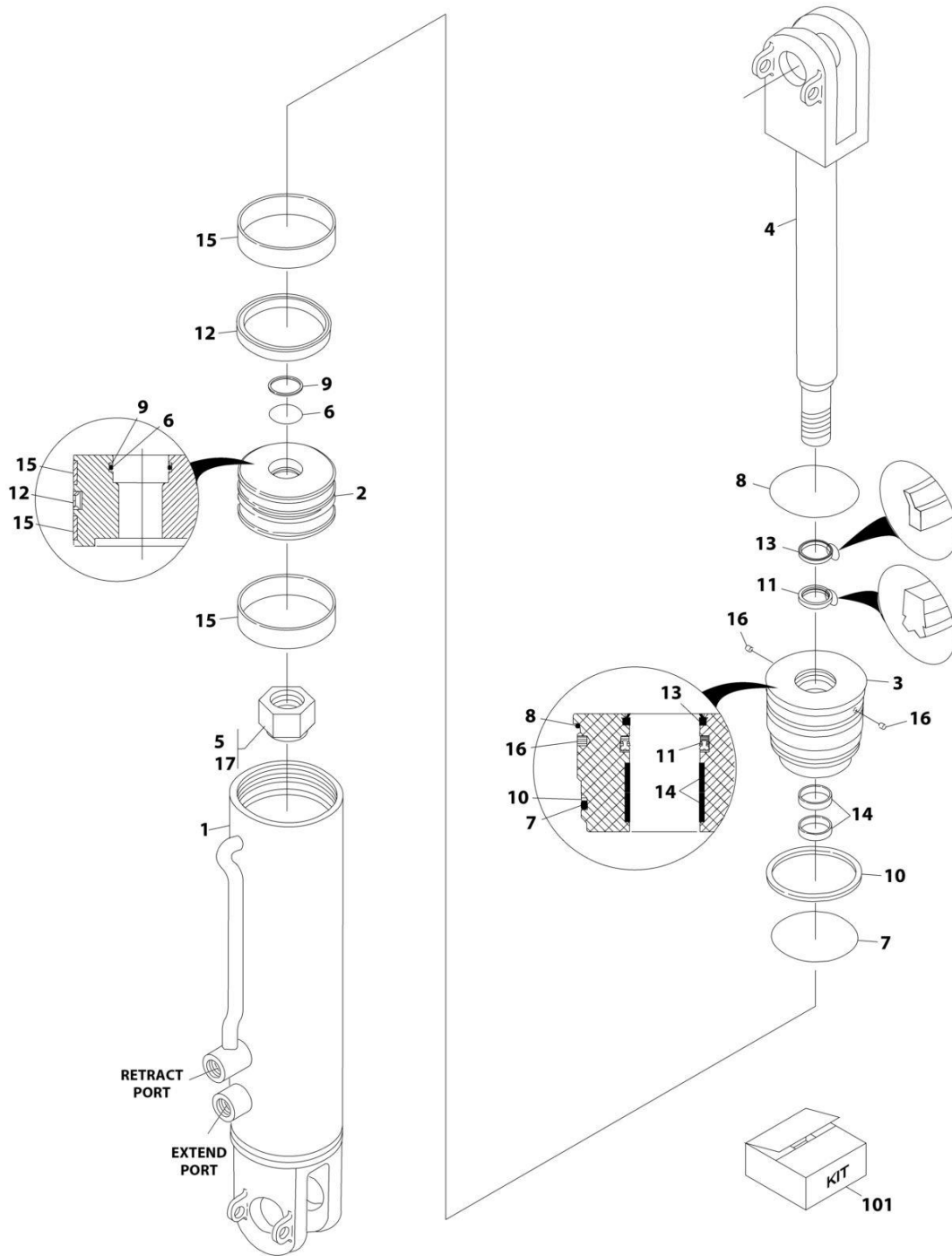
SECTION 9 - HYDRAULIC COMPONENTS

FIGURE 9-3. CYLINDER ASSEMBLY - CARRIAGE SWING

ITEM	PART NUMBER	QTY	DESCRIPTION	REV
	1001103182	Ref	Swing Carriage Cylinder	B
1	70022044	1	Barrel	
2	8035863	1	Piston	
3	8035862	1	Head	
4	70022045	1	Rod	
5	70022046	1	Bearing	
6	8035536	2	Setscrew 5/16X1/2	
7	70020428	1	Valve, Relief	
7	7024574	1	Kit, Seal	
8	8033786	1	Valve, Counterbalance	
8	8205655	1	Kit, Seal	
9	70021812	1	Tamper-proof Cap	
10	See Note	NSS	O-Ring (Note: Use Item 101)	
11	See Note	NSS	O-Ring (Note: Use Item 101)	
12	See Note	NSS	O-Ring (Note: Use Item 101)	
13	See Note	NSS	O-Ring (Note: Use Item 101)	
14	See Note	NSS	Ring, Square (Note: Use Item 101)	
15	See Note	NSS	Ring, Backup (Note: Use Item 101)	
16	See Note	NSS	Seal (Note: Use Item 101)	
17	See Note	NSS	Seal, Piston (Note: Use Item 101)	
18	See Note	NSS	Wiper, Rod (Note: Use Item 101)	
19	See Note	NSS	Ring, Wear (Note: Use Item 101)	
20	See Note	NSS	Ring, Wear (Note: Use Item 101)	
21	See Note	NSS	Insert (Note: Use Item 101)	
22	See Note	NSS	Insert (Note: Use Item 101)	
101	2915023	1	Kit, Seal (includes items 11 thru 22)	

SECTION 9 - HYDRAULIC COMPONENTS

FIGURE 9-4. CYLINDER ASSEMBLY - COMPENSATION



ART_2714973

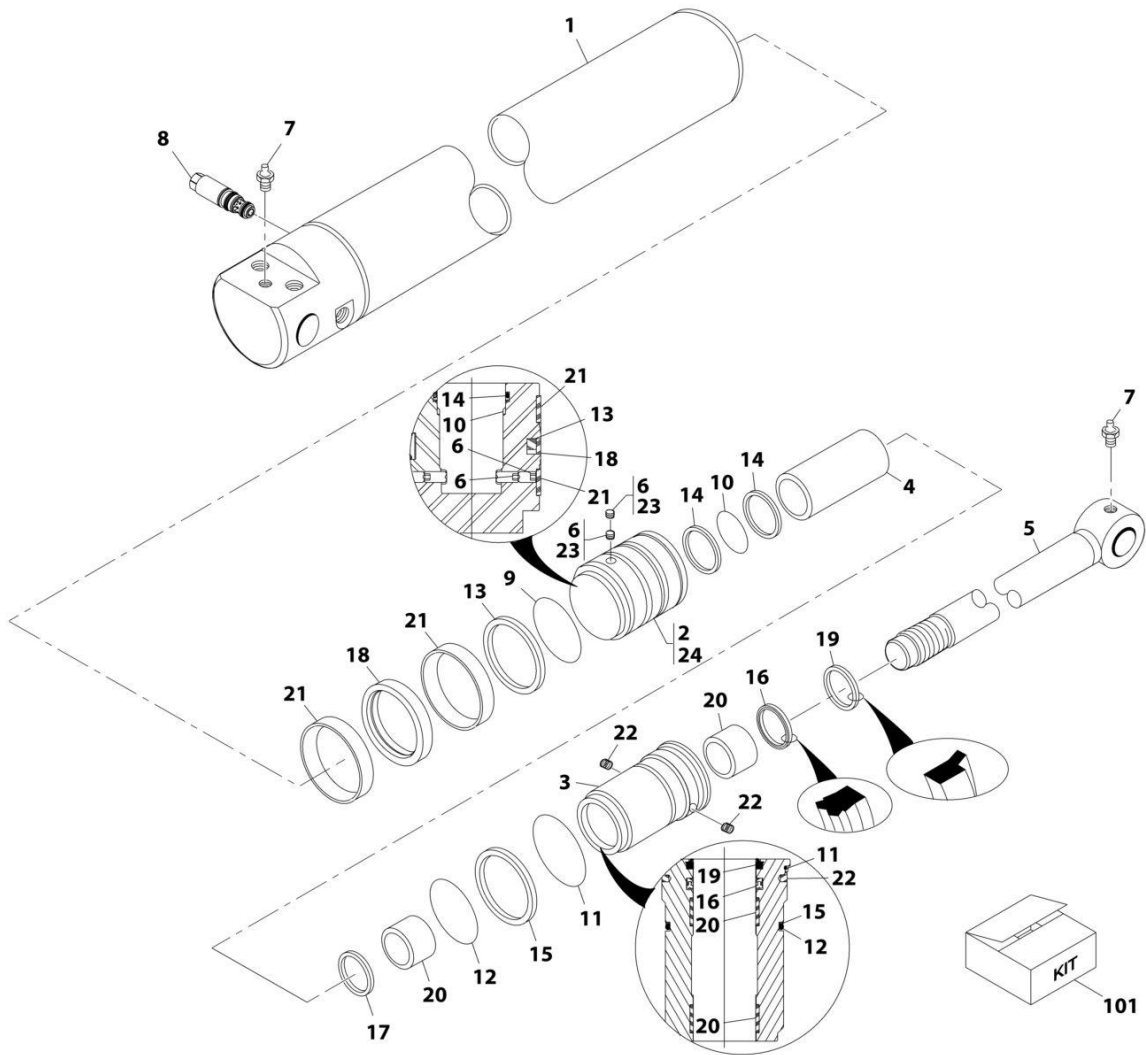
SECTION 9 - HYDRAULIC COMPONENTS

FIGURE 9-4. CYLINDER ASSEMBLY - COMPENSATION

ITEM	PART NUMBER	QTY	DESCRIPTION	REV
	2714973	Ref	Compensation Cylinder	E
		Ref	Note: Original Cylinder May Have Been Replaced with Service Replacement. Identify PN Stamped on Cylinder Before Ordering Parts.	
		Ref	Note: Refer to PN Stamped on Barrel before ordering parts.	
1	8036001	1	Tube, Cylinder	
2	8035613	1	Piston	
3	8035612	1	Gland, Head	
4	8035611	1	Rod	
5	8035547	1	Nut, Lock	
6	Kit	1	O-Ring	
7	Kit	1	O-Ring	
8	Kit	1	O-Ring	
9	Kit	1	Ring, Backup	
10	Kit	1	Ring, Backup	
11	Kit	1	Z-Seal, Deep	
12	Kit	1	T-Seal, Capped	
13	Kit	1	Wiper, Seal	
14	Kit	2	Wearband	
15	Kit	2	Wearband	
16	Kit	2	Insert, Locking	
17	8526011	AR	Compound, Locking	
101	8034695	1	Kit, Seal (includes items 6 thru 16)	

SECTION 9 - HYDRAULIC COMPONENTS

FIGURE 9-5. CYLINDER ASSEMBLY - EXTEND/RETRACT



ART_1001156009-D

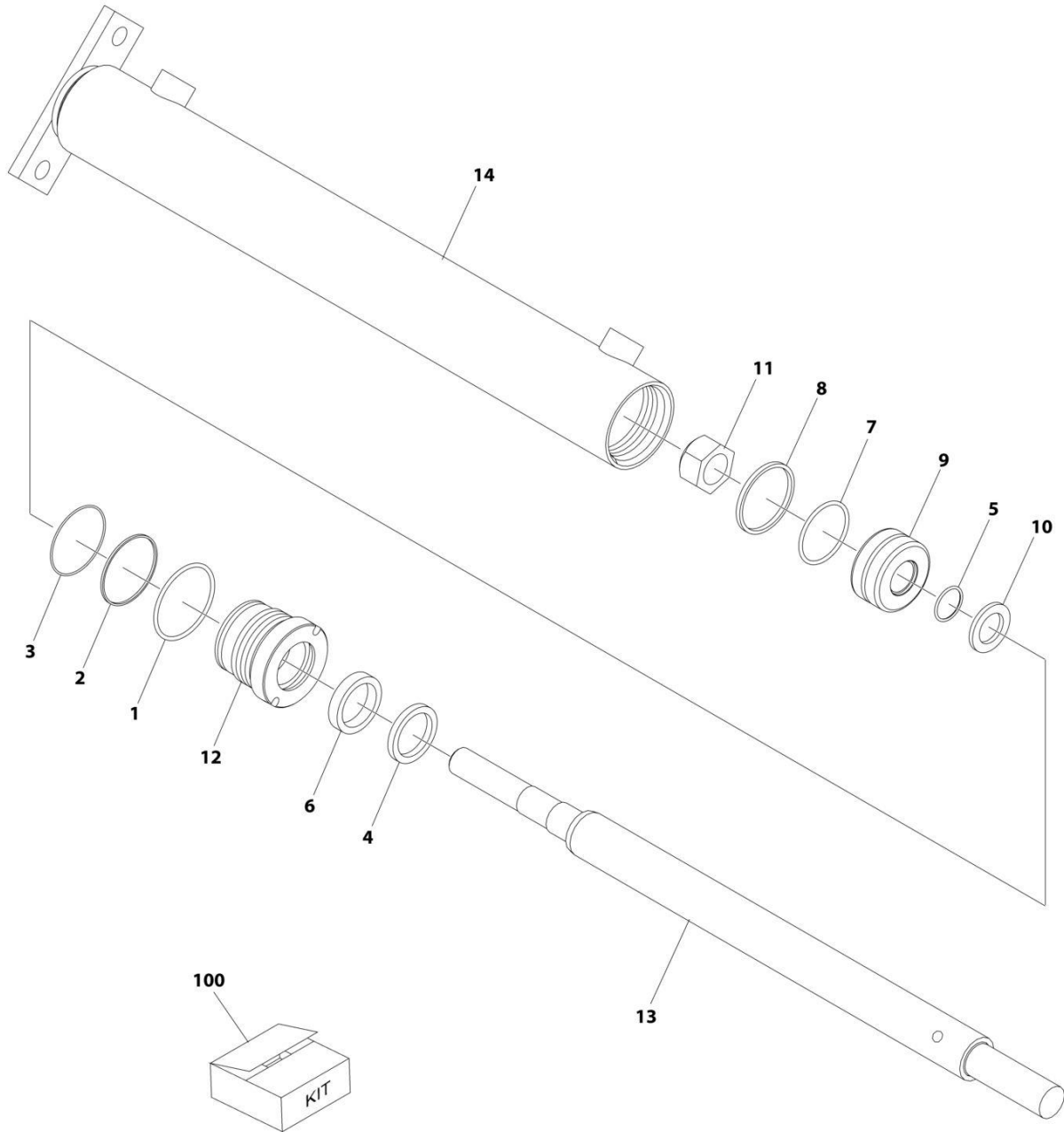
SECTION 9 - HYDRAULIC COMPONENTS

FIGURE 9-5. CYLINDER ASSEMBLY - EXTEND/RETRACT

ITEM	PART NUMBER	QTY	DESCRIPTION	REV
	1001156009	Ref	Extend/Retract Cylinder	D
		Ref	Note: Original Cylinder May Have Been Replaced with Service Replacement. Identify PN Stamped on Cylinder Before Ordering Parts.	
1	70026036	1	Barrel	
2	70026039	1	Piston	
3	70026040	1	Head	
4	70026041	1	Spacer, Rod	
5	70026042	1	Rod	
6	8035536	2	Screw, 5/16-18X1/2	
7	70020375	2	Fitting, Straight Lube	
8	1001170316	1	Cartridge, Counterbalance Valve	
9	Kit	1	O-Ring	
10	Kit	1	O-Ring	
11	Kit	1	O-Ring	
12	Kit	1	O-Ring	
13	Kit	1	Ring, Square	
14	Kit	2	Ring, Backup	
15	Kit	1	Ring, Backup	
16	Kit	1	U-Cup	
17	Kit	1	Seal, Buffer	
18	Kit	1	Seal, Piston	
19	Kit	1	Seal, Wiper	
20	Kit	2	Ring, Wear	
21	Kit	2	Ring, Wear	
22	Kit	2	Insert, Locking	
23	8526007	AR	Compound, Locking	
24	8526011	AR	Compound, Locking	
101	70026043	1	Kit, Seal (includes items 9 thru 22)	

SECTION 9 - HYDRAULIC COMPONENTS

FIGURE 9-6. CYLINDER ASSEMBLY - FORK POSITIONING



ART_2717283

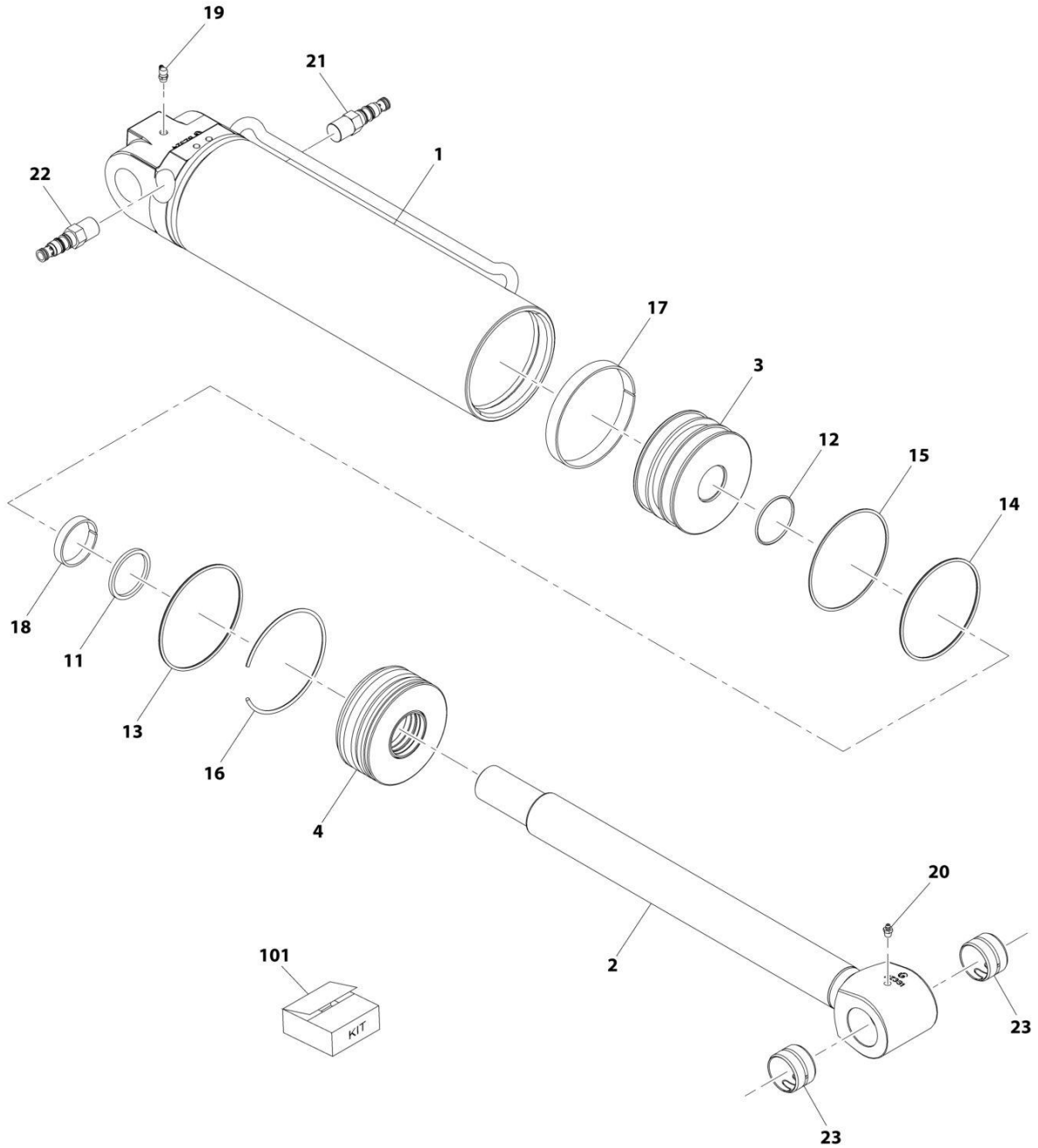
SECTION 9 - HYDRAULIC COMPONENTS

FIGURE 9-6. CYLINDER ASSEMBLY - FORK POSITIONING

ITEM	PART NUMBER	QTY	DESCRIPTION	REV
	2717283	Ref	FORK POSITIONING CYLINDER	B
		Ref	Note: Original Cylinder May Have Been Replaced with Service Replacement. Identify PN Stamped on Cylinder Before Ordering Parts.	
1	See Note	NSS	O-Ring (Use Item 100)	
2	See Note	NSS	Ring, Back-up (Use Item 100)	
3	See Note	NSS	O-Ring (Use Item 100)	
4	See Note	NSS	Seal (Use Item 100)	
5	See Note	NSS	O-Ring (Use Item 100)	
6	See Note	NSS	Seal (Use Item 100)	
7	See Note	NSS	O-Ring (Use Item 100)	
8	See Note	NSS	Seal (Use Item 100)	
9	70026771	1	Piston	
10	70026775	1	Washer	
11	70026770	1	Nut	
12	70026774	1	Head	
13	70026773	1	Rod	
14	See Note	NSS	Barrel (Note: Use PN 2717283)	
100	8036733	1	Seal Kit (includes items 1 thru 8)	

SECTION 9 - HYDRAULIC COMPONENTS

FIGURE 9-7. CYLINDER ASSEMBLY - FORK TILT



ART_1001180763-B

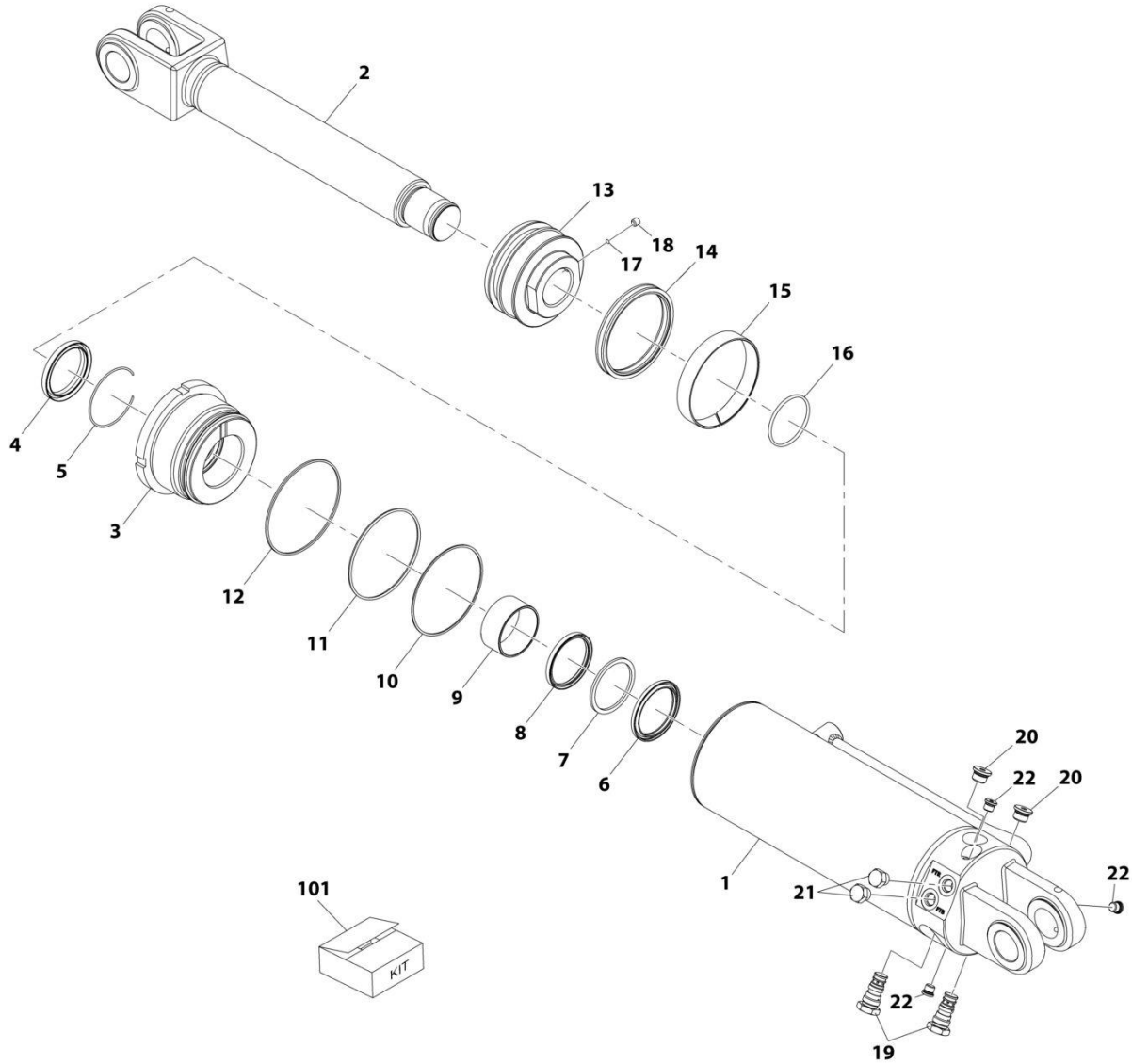
SECTION 9 - HYDRAULIC COMPONENTS

FIGURE 9-7. CYLINDER ASSEMBLY - FORK TILT

ITEM	PART NUMBER	QTY	DESCRIPTION	REV
	1001180763	Ref	FORK TILT CYLINDER ASSEMBLY	B
		Ref	Note: Original Cylinder May Have Been Replaced with Service Replacement. Identify PN Stamped on Cylinder Before Ordering Parts.	
1		Ref	Barrel (Note: Use PN 1001180763)	
2	70028402	1	Rod	
3	70028403	1	Piston	
4	70028404	1	Head	
7	3951404	1	Setscrew 1/4 x 1/2 (Not Shown - Used With Item 3 Piston)	
8	Kit	NSS	Seal, Piston (Not Shown) (Use Item 101)	
9	Kit	NSS	Ring (Not Shown) (Use Item 101)	
10	Kit	NSS	Wiper (Not Shown) (Use Item 101)	
11	Kit	NSS	Seal, Rod (Use Item 101)	
12	Kit	NSS	O-Ring (Use Item 101)	
13	Kit	NSS	O-Ring (Use Item 101)	
14	Kit	NSS	O-Ring (Use Item 101)	
15	Kit	NSS	Ring, Backup (Use Item 101)	
16	Kit	NSS	Ring, Backup (Use Item 101)	
17	Kit	NSS	Wearband for the Piston (Use Item 101)	
18	Kit	NSS	Wearband for the Gland (Use Item 101)	
19	70028407	1	Fitting, Grease (90)	
20	70020375	1	Fitting, Grease (Straight)	
21	8035321	1	Cartridge, Counterbalance Valve	
22	8036750	1	Cartridge, Check Valve	
23	70031092	2	Bushing	
101	70028408	1	Seal Kit - 1001180763 Cylinder (includes items 8 thru 18)	

SECTION 9 - HYDRAULIC COMPONENTS

FIGURE 9-8. CYLINDER ASSEMBLY - FRAME LEVEL



ART_1001180762-C

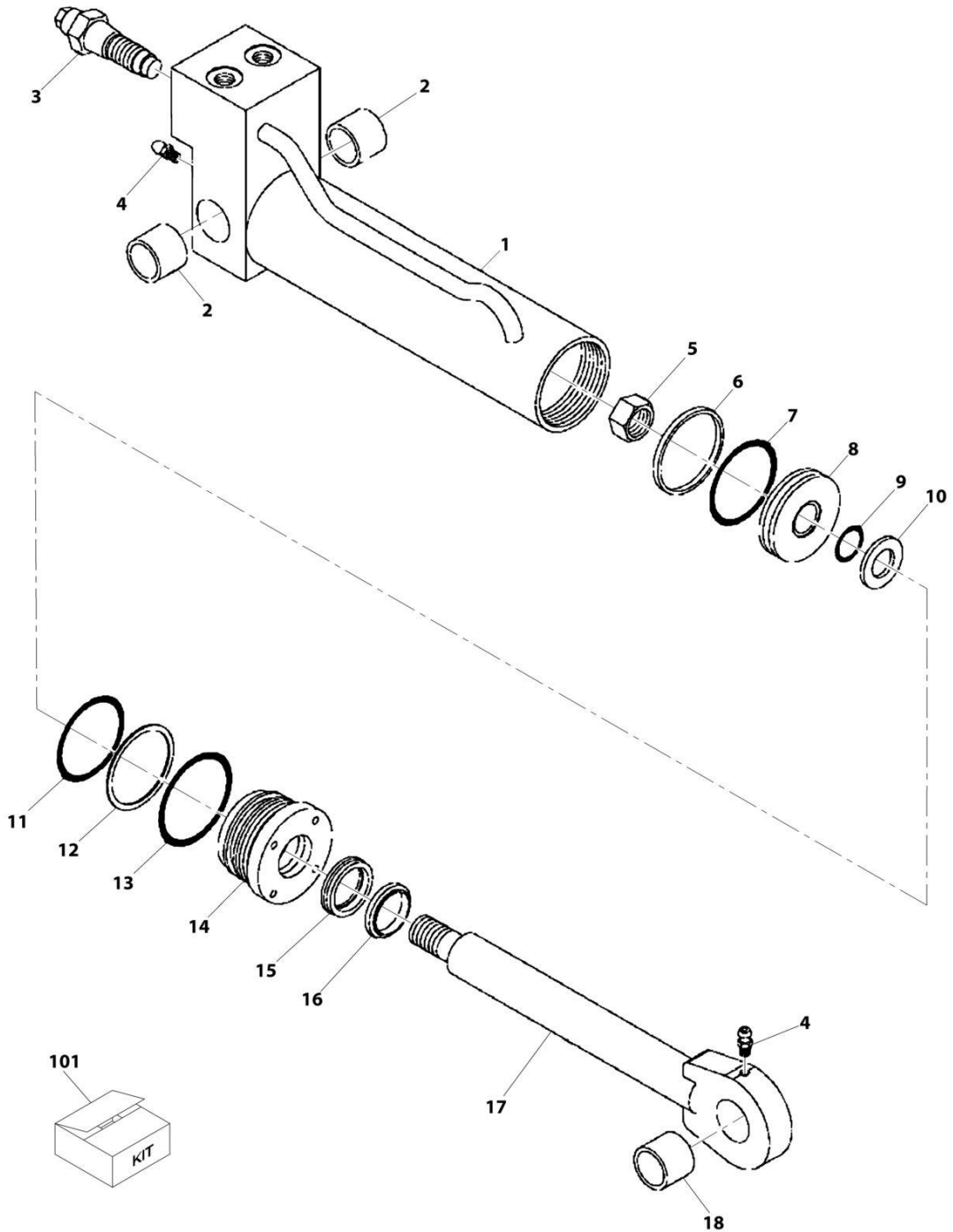
SECTION 9 - HYDRAULIC COMPONENTS

FIGURE 9-8. CYLINDER ASSEMBLY - FRAME LEVEL

ITEM	PART NUMBER	QTY	DESCRIPTION	REV
	1001180762	Ref	Frame Level Cylinder Assembly	C
		Ref	Note: Original Cylinder May Have Been Replaced with Service Replacement. Identify PN Stamped on Cylinder Before Ordering Parts.	
1	70027689	1	Barrel	
2	70027690	1	Rod	
3	70027691	1	Head	
4	Kit	NSS	Wiper (Note: Use Item 101)	
5	70027244	1	Ring, Retaining	
6	Kit	NSS	Seal, Rod (Note: Use Item 101)	
7	Kit	NSS	Ring, Back-Up (Note: Use Item 101)	
8	Kit	NSS	Ring, Buffer (Note: Use Item 101)	
9	70004637	1	Ring, Wear	
10	Kit	NSS	O-Ring (Note: Use Item 101)	
11	Kit	NSS	Ring, Back-Up (Note: Use Item 101)	
12	Kit	NSS	O-Ring (Note: Use Item 101)	
13	70027692	1	Piston	
14	Kit	NSS	Seal, Piston (Note: Use Item 101)	
15	Kit	NSS	Ring, Wear (Note: Use Item 101)	
16	Kit	NSS	O-Ring	
17	70022564	1	Ball	
18	70022563	1	Setscrew	
19	70027693	2	Valve, Check	
20	70027694	2	Plug	
21	70027695	2	Plug	
22	2220883	3	Plug	
101	70027696	1	Seal Kit (Includes Items 4,6-8, 10-12 & 14-16)	

SECTION 9 - HYDRAULIC COMPONENTS

FIGURE 9-9. CYLINDER ASSEMBLY - GRAPPLE BUCKET



ART_70021393-A

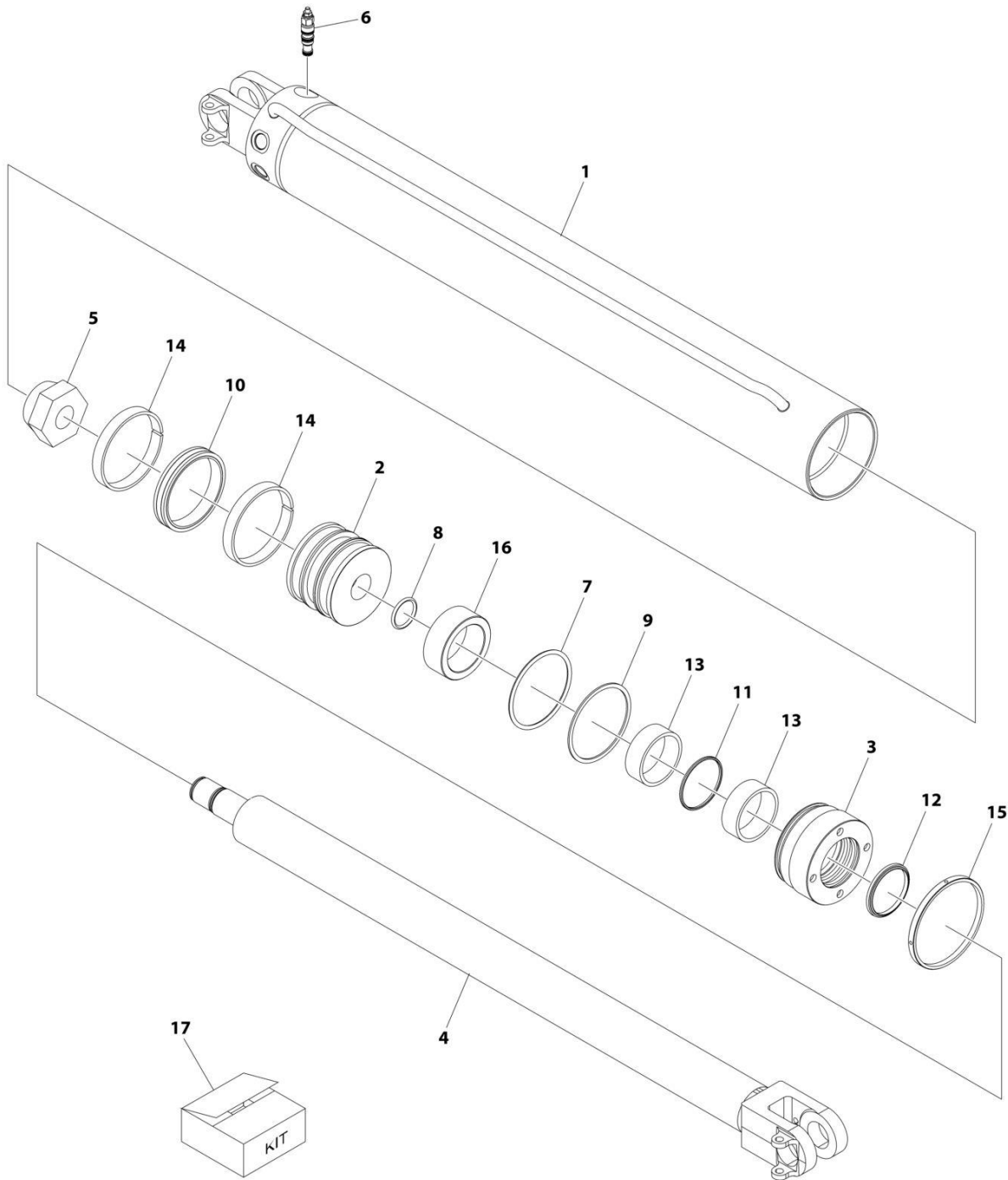
SECTION 9 - HYDRAULIC COMPONENTS

FIGURE 9-9. CYLINDER ASSEMBLY - GRAPPLE BUCKET

ITEM	PART NUMBER	QTY	DESCRIPTION	REV
	70021393	Ref	Grapple Bucket Cylinder	A
		Ref	Note: Original Cylinder May Have Been Replaced with Service Replacement. Identify PN Stamped on Cylinder Before Ordering Parts.	
1	70021465	1	Barrel	
2	70021448	2	Bushing	
3	70021464	2	Cartridge, Valve	
4	90554045	2	Fitting, Grease	
5	70021440	1	Nut	
6	Kit	NSS	Ring, Piston (Note: Use Item 101)	
7	Kit	NSS	O-Ring (Note: Use Item 101)	
8	70021451	1	Piston	
9	Kit	NSS	O-Ring (Note: Use Item 101)	
10	70021444	1	Washer	
11	Kit	NSS	O-Ring (Note: Use Item 101)	
12	Kit	NSS	Washer, Back-Up (Note: Use Item 101)	
13	Kit	NSS	O-Ring (Note: Use Item 101)	
14	70021446	1	Head	
15	Kit	NSS	Seal, Poly-Pak (Note: Use Item 101)	
16	Kit	NSS	Wiper, Rod (Note: Use Item 101)	
17	70021466	1	Rod	
18	70021447	1	Bushing	
101	70021452	1	Kit, Seal (includes items 6, 7, 9, 11 thru 13, 15 & 16)	

SECTION 9 - HYDRAULIC COMPONENTS

FIGURE 9-10. CYLINDER ASSEMBLY - LIFT



ART_1001256322

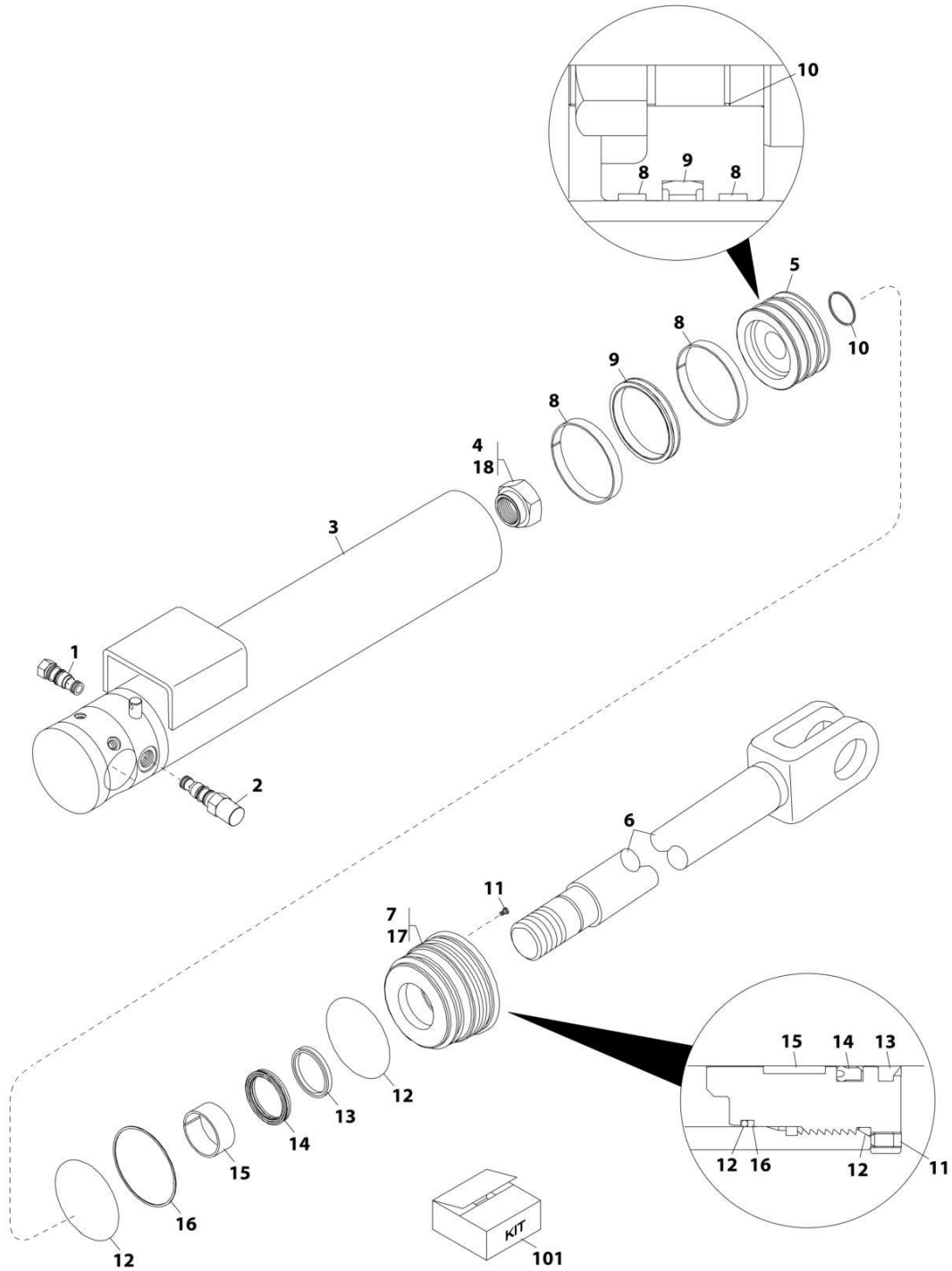
SECTION 9 - HYDRAULIC COMPONENTS

FIGURE 9-10. CYLINDER ASSEMBLY - LIFT

ITEM	PART NUMBER	QTY	DESCRIPTION	REV
	1001256322	Ref	CYLINDER ASSEMBLY - LIFT	A
		Ref	Note: Original Cylinder May Have Been Replaced with Service Replacement. Identify PN Stamped on Cylinder Before Ordering Parts.	
1	See Note	NSS	Barrel (Note: Use PN 1001256322)	
2	See Note	NSS	Piston (Note: Use PN 1001256322)	
3	See Note	NSS	Head (Note: Use PN 1001256322)	
4	See Note	NSS	Rod (Note: Use PN 1001256322)	
5	See Note	NSS	Nut, Lock (Note: Use PN 1001256322)	
6	1001254411	1	Valve, Check	
7	See Note	NSS	O-Ring (Note: Use Item 17)	
8	See Note	NSS	O-Ring (Note: Use Item 17)	
9	See Note	NSS	Ring, Backup (Note: Use Item 17)	
10	See Note	NSS	Seal, Piston (Note: Use Item 17)	
11	See Note	NSS	Seal, Rod (Note: Use Item 17)	
12	See Note	NSS	Wiper, Rod (Note: Use Item 17)	
13	See Note	NSS	Ring, Wear (Note: Use Item 17)	
14	See Note	NSS	Ring, Wear (Note: Use Item 17)	
15	See Note	NSS	Collar, Locking (Note: Use PN 1001256322)	
16	See Note	NSS	Spacer (Note: Use PN 1001256322)	
17	70026025	1	Seal kit (Includes Items 7-14)	

SECTION 9 - HYDRAULIC COMPONENTS

FIGURE 9-11. CYLINDER ASSEMBLY - OUTRIGGER



ART_2717201-E

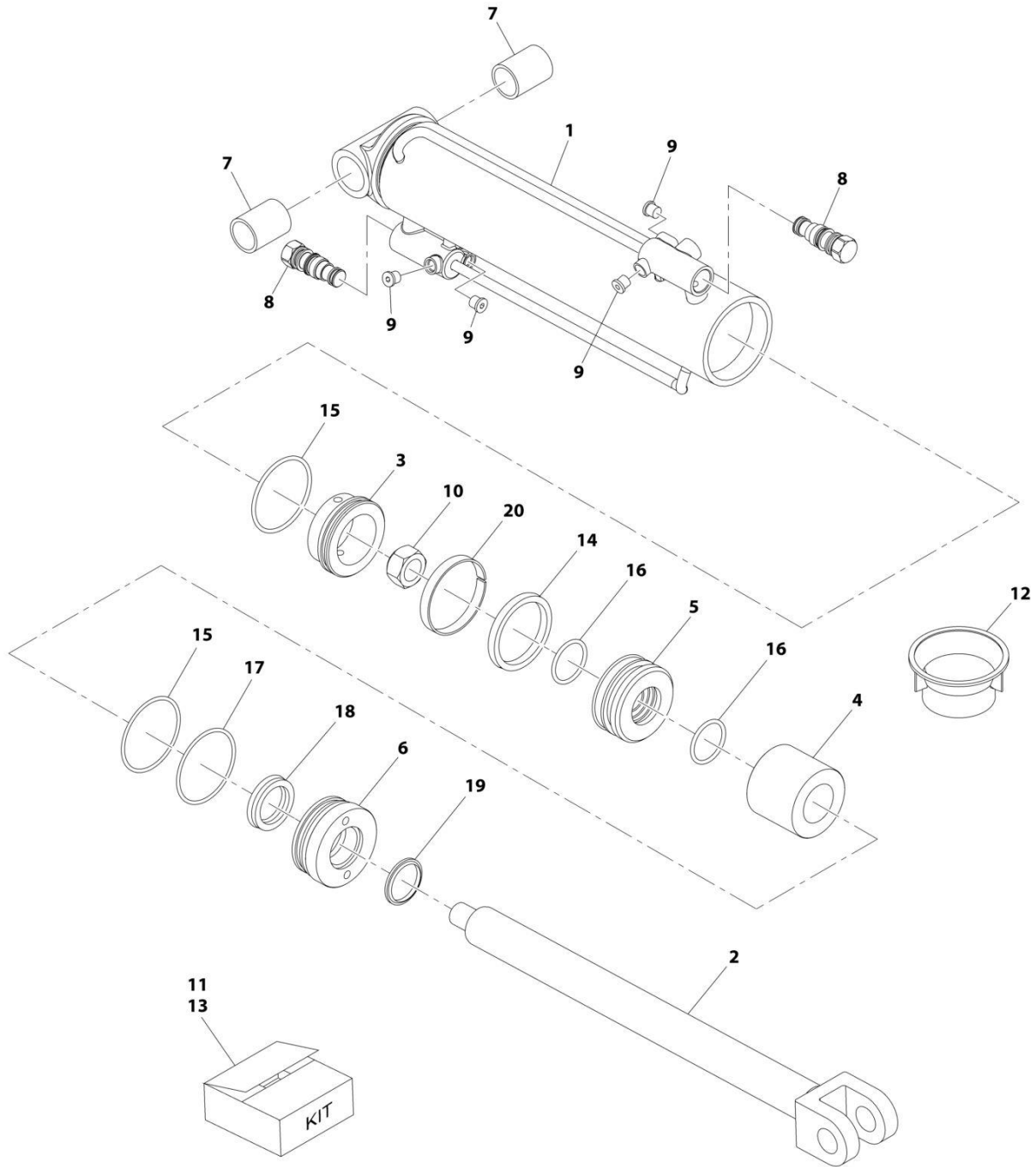
SECTION 9 - HYDRAULIC COMPONENTS

FIGURE 9-11. CYLINDER ASSEMBLY - OUTRIGGER

ITEM	PART NUMBER	QTY	DESCRIPTION	REV
	2717201	Ref	Outrigger Cylinder	E
		Ref	Note: Original Cylinder May Have Been Replaced with Service Replacement. Identify PN Stamped on Cylinder Before Ordering Parts.	
1	8036750	1	Valve, PO Check	
	2900770	1	Kit, Seal	
2	8036732	1	Valve, Counterbalance, 1000 PSI	
	8035327	1	Kit, Seal	
3	70020658	1	Assembly, Barrel	
4	8036825	1	Nut, Lock 1-1/2-12	
5	8036837	1	Piston	
6	8036838	1	Weldment, Rod	
7	8036839	1	Gland, Head	
8	Kit	2	Wearband, Precision	
9	Kit	1	T-Seal, Capped	
10	Kit	1	O-Ring	
11	8036811	1	Screw, 1/4-20X3/8	
12	Kit	2	O-Ring	
13	Kit	1	Ring, Wiper	
14	Kit	1	Z-Seal	
15	Kit	1	Wearband, Precision	
16	Kit	1	Ring, Backup	
17	8526007	AR	Compound, Locking	
18	8526011	AR	Compound, Locking	
101	8036784	2	Kit, Seal (includes items 8 thru 10 & 12 thru 16)	

SECTION 9 - HYDRAULIC COMPONENTS

FIGURE 9-12. CYLINDER ASSEMBLY - PIPE HANDLER



ART_70026587

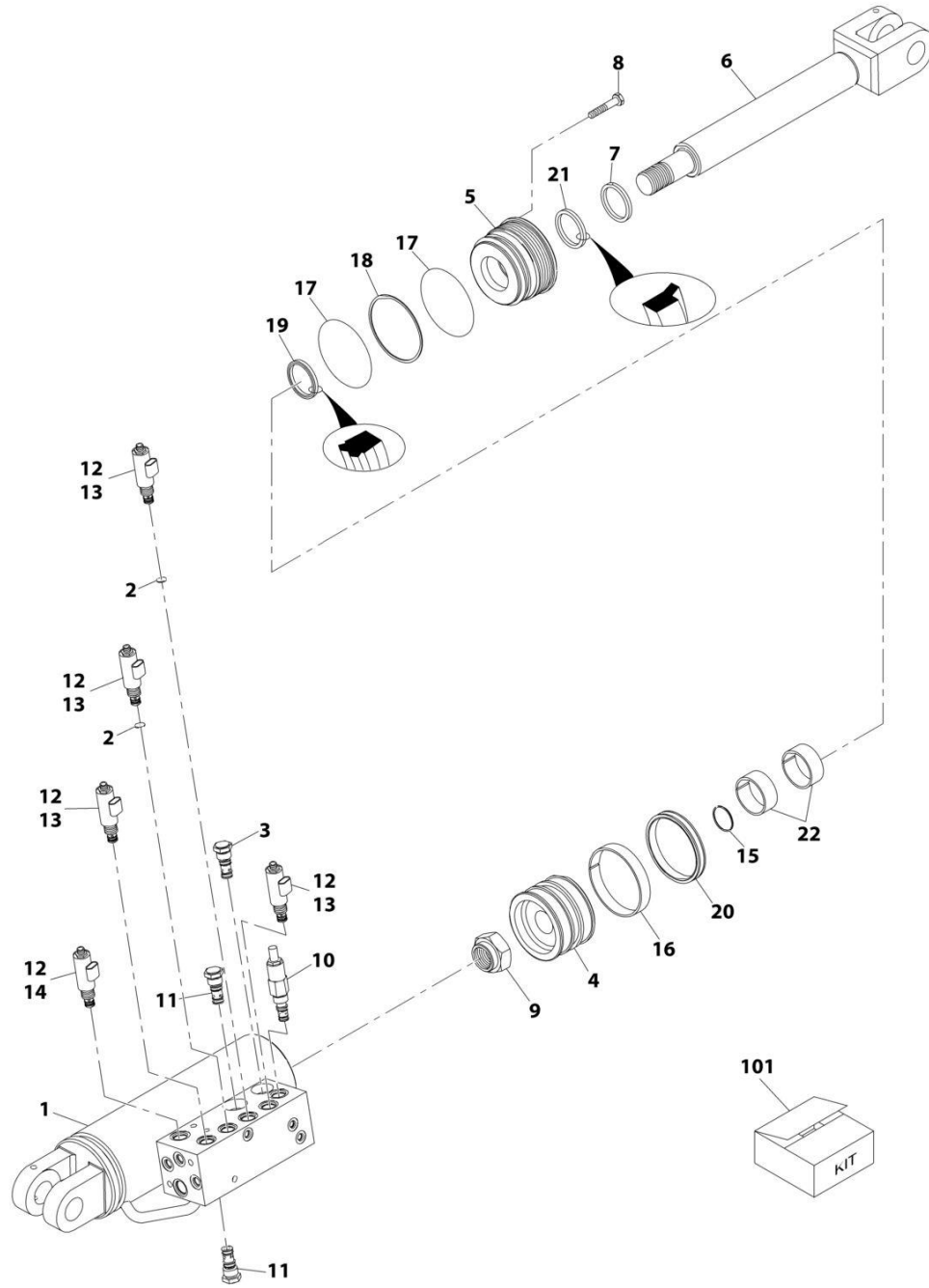
SECTION 9 - HYDRAULIC COMPONENTS

FIGURE 9-12. CYLINDER ASSEMBLY - PIPE HANDLER

ITEM	PART NUMBER	QTY	DESCRIPTION	REV
	70026587	Ref	Pipe Handler Cylinder	
		Ref	Note: Original Cylinder May Have Been Replaced with Service Replacement. Identify PN Stamped on Cylinder Before Ordering Parts.	
1	70026495	1	Barrel	
2	70026610	1	Rod	
3	70026497	1	Spacer	
4	70026611	1	Spacer	
5	70026499	1	Piston	
6	70026500	1	Retainer	
7	70026501	2	Bushing	
8	70026502	2	Valve, Check	
9	70024129	4	Fitting, 4	
10	70026503	1	Nut	
11	70024734	1	Kit, Check Valve Service	
12	70026505	1	Seal Loader	
13	70026506	1	Seal Kit (includes items 14 thru 20)	
14	Kit	AR	Seal (Note: Use Item 13)	
15	Kit	AR	O-Ring (Note: Use Item 13)	
16	Kit	AR	O-Ring (Note: Use Item 13)	
17	Kit	AR	Ring, Back-up (Note: Use Item 13)	
18	Kit	AR	Seal (Note: Use Item 13)	
19	Kit	AR	Wiper (Note: Use Item 13)	
20	Kit	AR	Ring, Wear (Note: Use Item 13)	

SECTION 9 - HYDRAULIC COMPONENTS

FIGURE 9-13. CYLINDER ASSEMBLY - STABIL-TRAK



ART_2717198-E

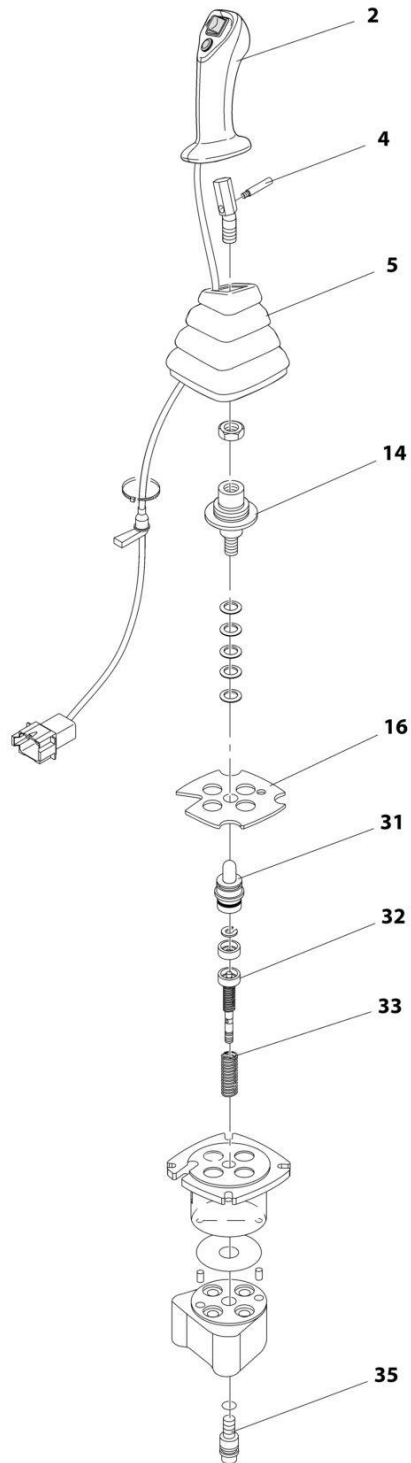
SECTION 9 - HYDRAULIC COMPONENTS

FIGURE 9-13. CYLINDER ASSEMBLY - STABIL-TRAK

ITEM	PART NUMBER	QTY	DESCRIPTION	REV
	2717198	Ref	Stabil-Trak Cylinder	E
		Ref	Note: Original Cylinder May Have Been Replaced with Service Replacement. Identify PN Stamped on Cylinder Before Ordering Parts.	
1	N.S.S.	NSS	Barrel (Note Use PN 2717198)	
2	8035781	2	Orifice	
3	8036582	1	Valve, Check	
3	7017496	1	Kit, Seal	
4	8036826	1	Piston	
5	8036828	1	Guide	
6	8036827	1	Rod	
7	7029153	1	O-Ring	
8	8036811	1	Setscrew, Set 1/4X3/8	
9	8036825	1	Nut 1-1/2	
10	8035282	1	Valve, Pressure Reducing	
10	8032994	1	Kit, Seal	
11	8035281	2	Valve, Check	
11	8036192	2	Kit, Seal	
12	7029246	5	Coil, Solenoid	
13	8036581	4	Valve, Solenoid	
13	7017496	4	Seal Kit - 8036581 Valve	
14	8036580	1	Valve, Solenoid	
14	7012903	1	Seal Kit - 8036580 Valve	
15	Kit	NSS	O-Ring (Note: Use Item 101)	
16	Kit	NSS	Ring, Wear (Note: Use Item 101)	
17	Kit	NSS	O-Ring (Note: Use Item 101)	
18	Kit	NSS	Ring, Back-Up (Note: Use Item 101)	
19	Kit	NSS	Z-Seal (Note: Use Item 101)	
20	Kit	NSS	T-Seal (Note: Use Item 101)	
21	Kit	NSS	Ring, Wiper (Note: Use Item 101)	
22	Kit	NSS	Ring, Wear	
101	8036747	1	Kit, Seal (includes items 15 thru 22)	

SECTION 9 - HYDRAULIC COMPONENTS

FIGURE 9-14. STICKJOY ASSEMBLY



ART_1001158002-B

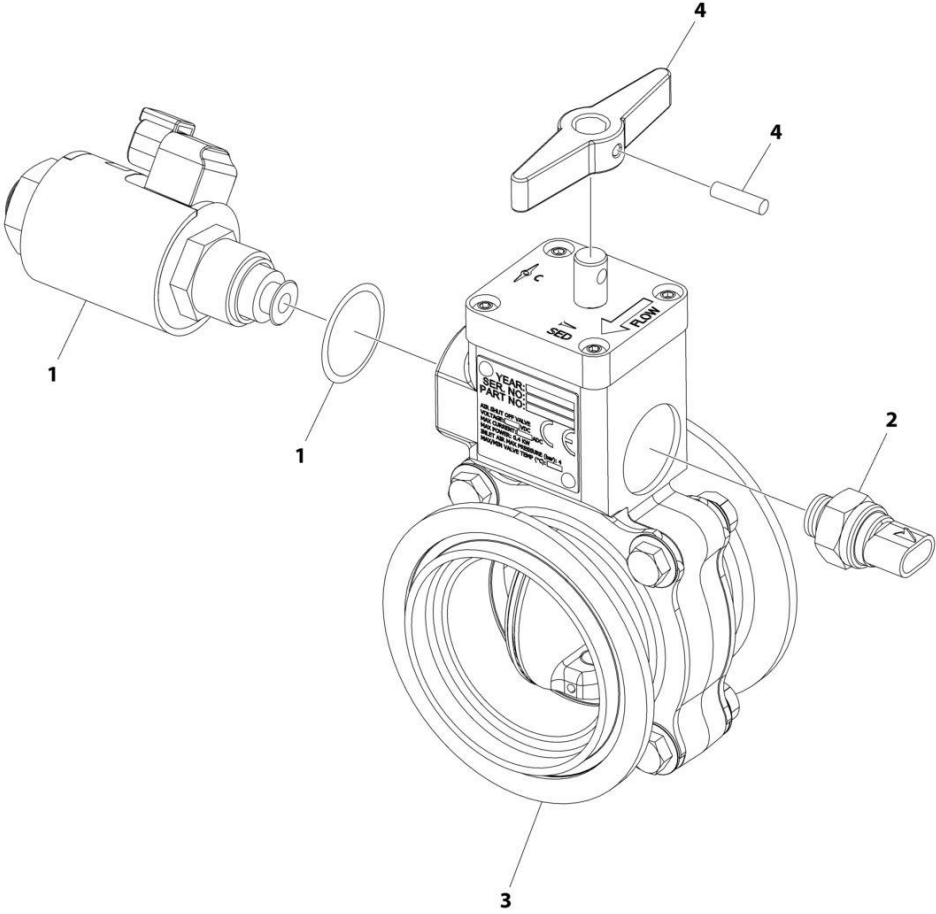
SECTION 9 - HYDRAULIC COMPONENTS

FIGURE 9-14. STICKJOY ASSEMBLY

ITEM	PART NUMBER	QTY	DESCRIPTION	REV
	1001158002	Ref	Pilot Joystick Control	B
2	70026097	1	Handle	
4	91404011	1	Kit, Bent Lever	
5	80364095	1	Boot, Rubber	
14	80264138	1	Kit, Cardan	
16	91404013	1	Plate, Retaining	
31	91304025	2	Kit, Plunger (set of two)	
32	70026098	4	Unit, Regulating	
33	91514225	1	Spring, Return (set of four)	
35	91404326	1	Kit, Seal	

SECTION 9 - HYDRAULIC COMPONENTS

FIGURE 9-15. VALVE ASSEMBLY - AIR SHUT OFF



ART_1001204032_C

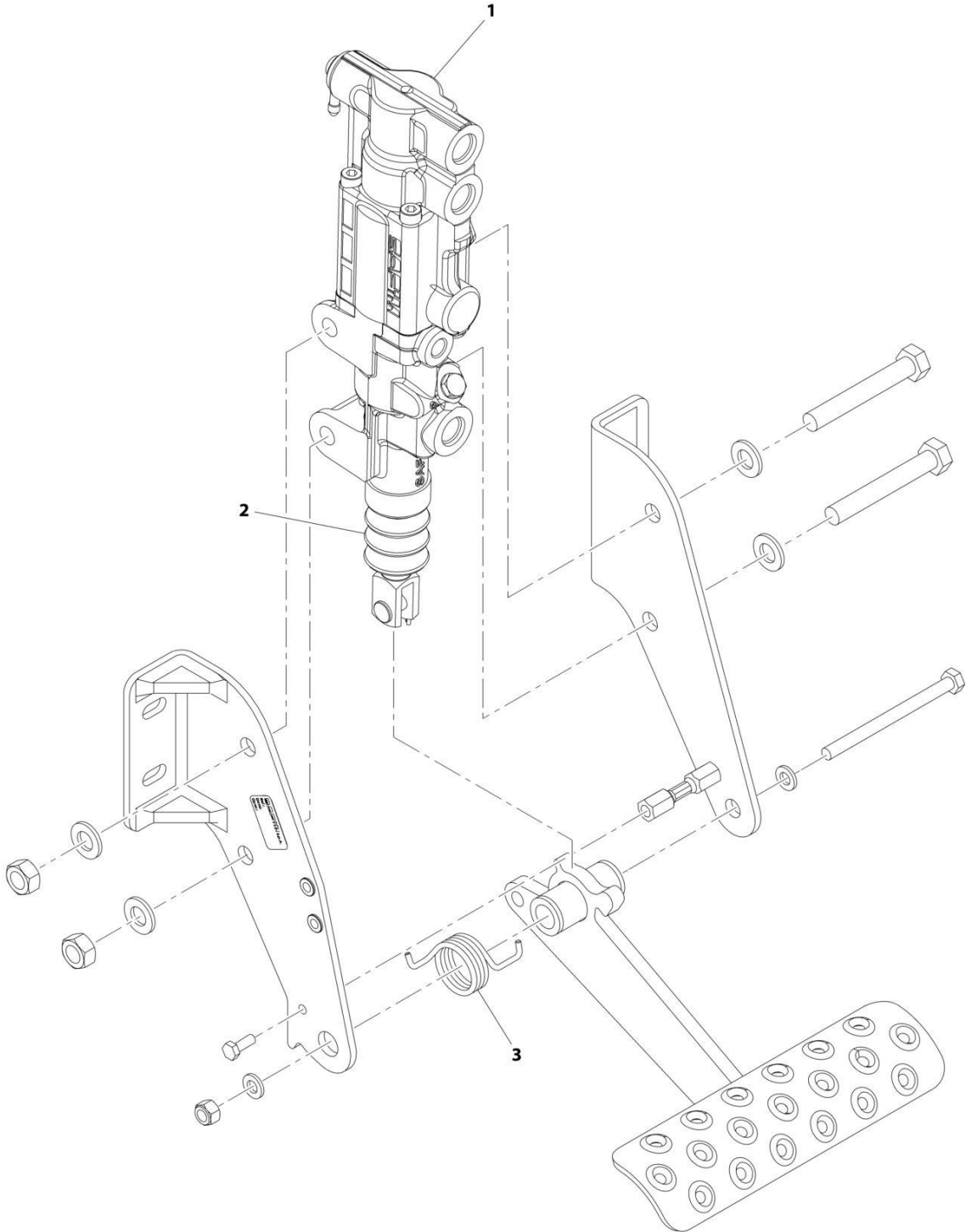
SECTION 9 - HYDRAULIC COMPONENTS

FIGURE 9-15. VALVE ASSEMBLY - AIR SHUT OFF

ITEM	PART NUMBER	QTY	DESCRIPTION	REV
	1001204032	Ref	Air Shut Off Valve	C
1	70028514	1	Kit, Solenoid 12V (Includes Solenoid, Coil, O-Ring)	
2	70028515	1	Kit, Switch (Includes Ball Switch & O-Ring)	
3	70028516	1	Kit, Flange and Hardware (Includes Flanges (Male & Female) & Mounting Hardware)	
4	70028517	1	Kit, Handle (Includes Handle & Pin)	

SECTION 9 - HYDRAULIC COMPONENTS

FIGURE 9-16. VALVE SUB-ASSEMBLY - BRAKE



ART_1001223050-B

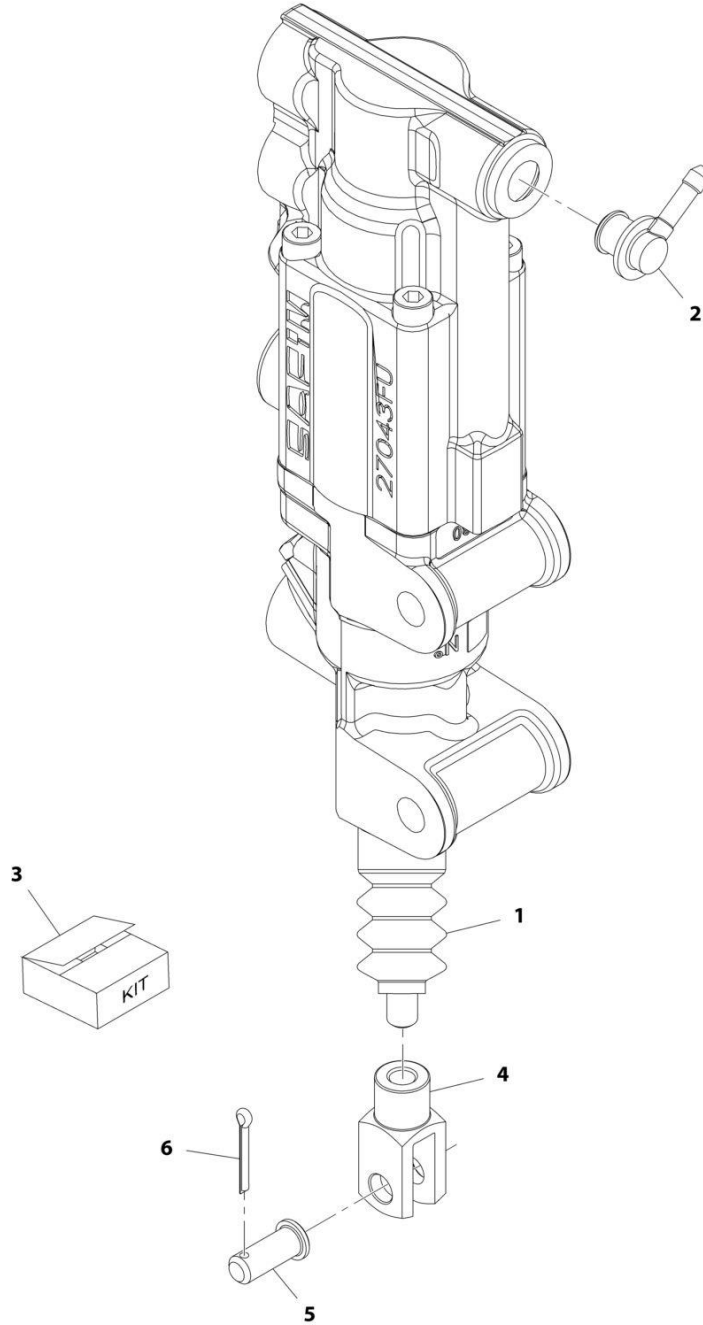
SECTION 9 - HYDRAULIC COMPONENTS

FIGURE 9-16. VALVE SUB-ASSEMBLY - BRAKE

ITEM	PART NUMBER	QTY	DESCRIPTION	REV
1	1001223050	Ref	Hydraulic Brake Valve Installation	B
	1001201721	1	Brake Valve (See Separate Breakdown in HYDRAULIC COMPONENTS Section)	
2	70025859	1	Dust Cover	
3	70028547	1	Spring, Return	

SECTION 9 - HYDRAULIC COMPONENTS

FIGURE 9-17. VALVE ASSEMBLY - BRAKE



ART_1001201721-D

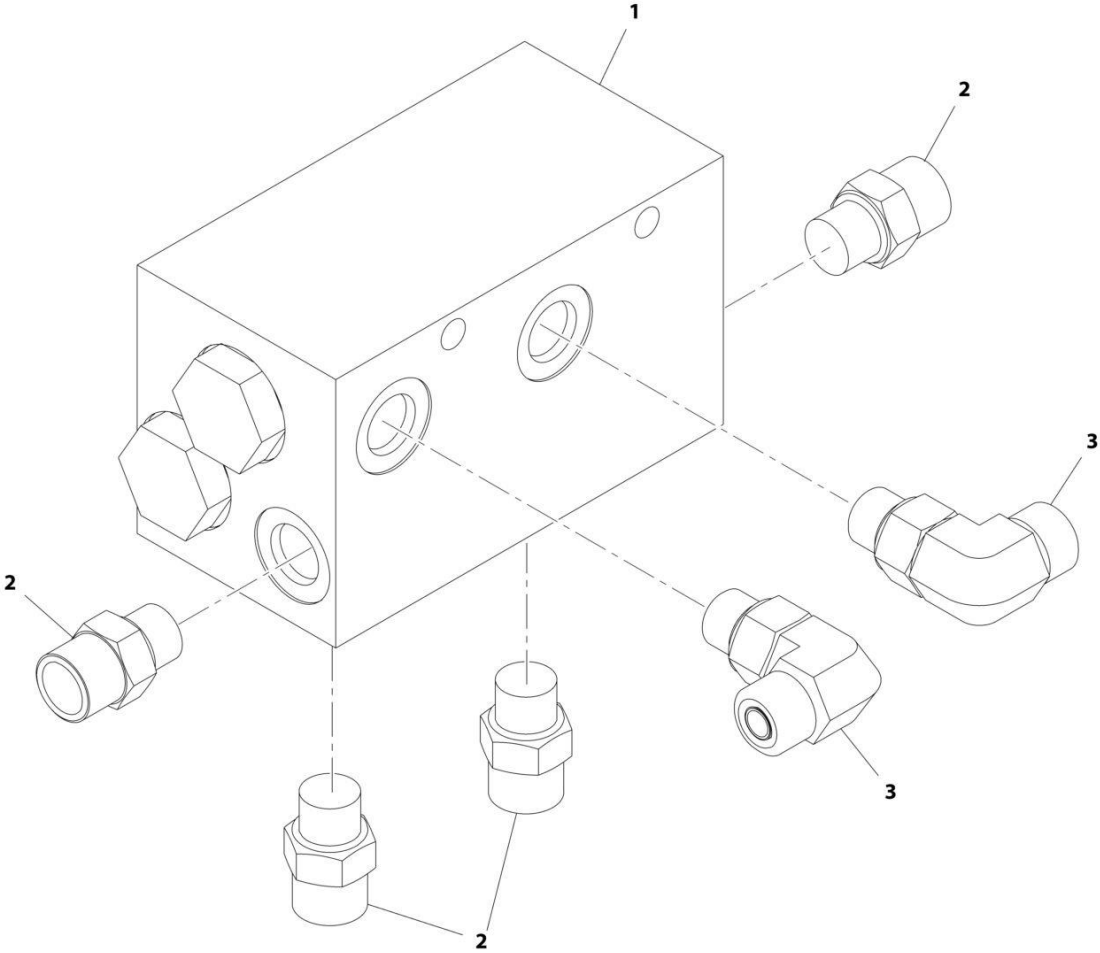
SECTION 9 - HYDRAULIC COMPONENTS

FIGURE 9-17. VALVE ASSEMBLY - BRAKE

ITEM	PART NUMBER	QTY	DESCRIPTION	REV
	1001201721	Ref	Brake Valve	D
1	70025859	1	Dust Cover	
2	70027275	1	Reservoir Joint	
3	70027276	1	Seal Kit	
4	70022650	1	Yoke	
5	70020743	1	Pin, Yoke	
6	70020745	1	Pin, Cotter	

SECTION 9 - HYDRAULIC COMPONENTS

FIGURE 9-18. VALVE ASSEMBLY - CARRIAGE FORK POSITIONING



ART_4641502-B

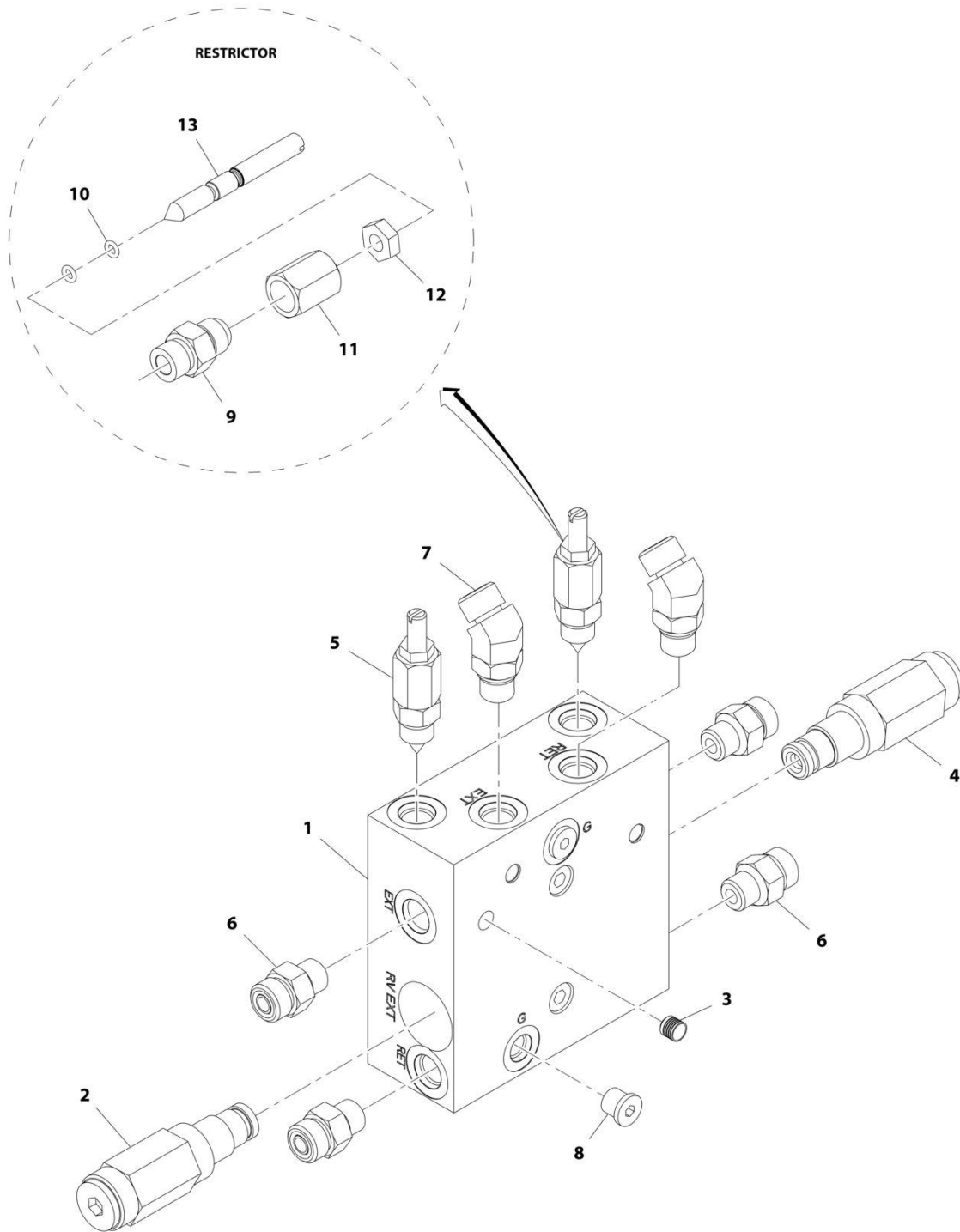
SECTION 9 - HYDRAULIC COMPONENTS

FIGURE 9-18. VALVE ASSEMBLY - CARRIAGE FORK POSITIONING

ITEM	PART NUMBER	QTY	DESCRIPTION	REV
	4641502	Ref	Dual Fork Carriage Valve Assembly	B
1	4641501	1	Valve, Flow Divider (See Separate Breakdown in this Section)	
2	2110606	4	Fitting, Straight ORFS	
3	2130606	2	Fitting, 90	

SECTION 9 - HYDRAULIC COMPONENTS

FIGURE 9-19. VALVE ASSEMBLY - CARRIAGE PIPE GRAPPLE



ART_70026589

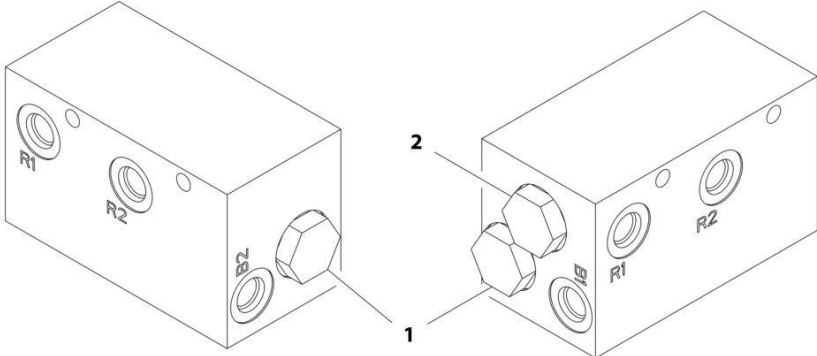
SECTION 9 - HYDRAULIC COMPONENTS

FIGURE 9-19. VALVE ASSEMBLY - CARRIAGE PIPE GRAPPLE

ITEM	PART NUMBER	QTY	DESCRIPTION	REV
	70026589	Ref	Valve Assembly	
1	70026612	NLA	Manifold (Purchase Complete Assembly)	
2	70026613	1	Cartridge	
3	70026614	4	Plug	
4	70026478	1	Cartridge	
5	70026615	2	Restrictor	
6	70024130	4	Fitting	
7	70026616	2	Fitting	
8	70024129	2	Plug	
9	70026617	1	Fitting	
10	70026618	2	O-Ring	
11	70026619	1	Cap	
12	70026620	1	Jam Nut	
13	70026621	1	Plunger	

SECTION 9 - HYDRAULIC COMPONENTS

FIGURE 9-20. VALVE ASSEMBLY - FLOW DIVIDER



ART_4641501-A

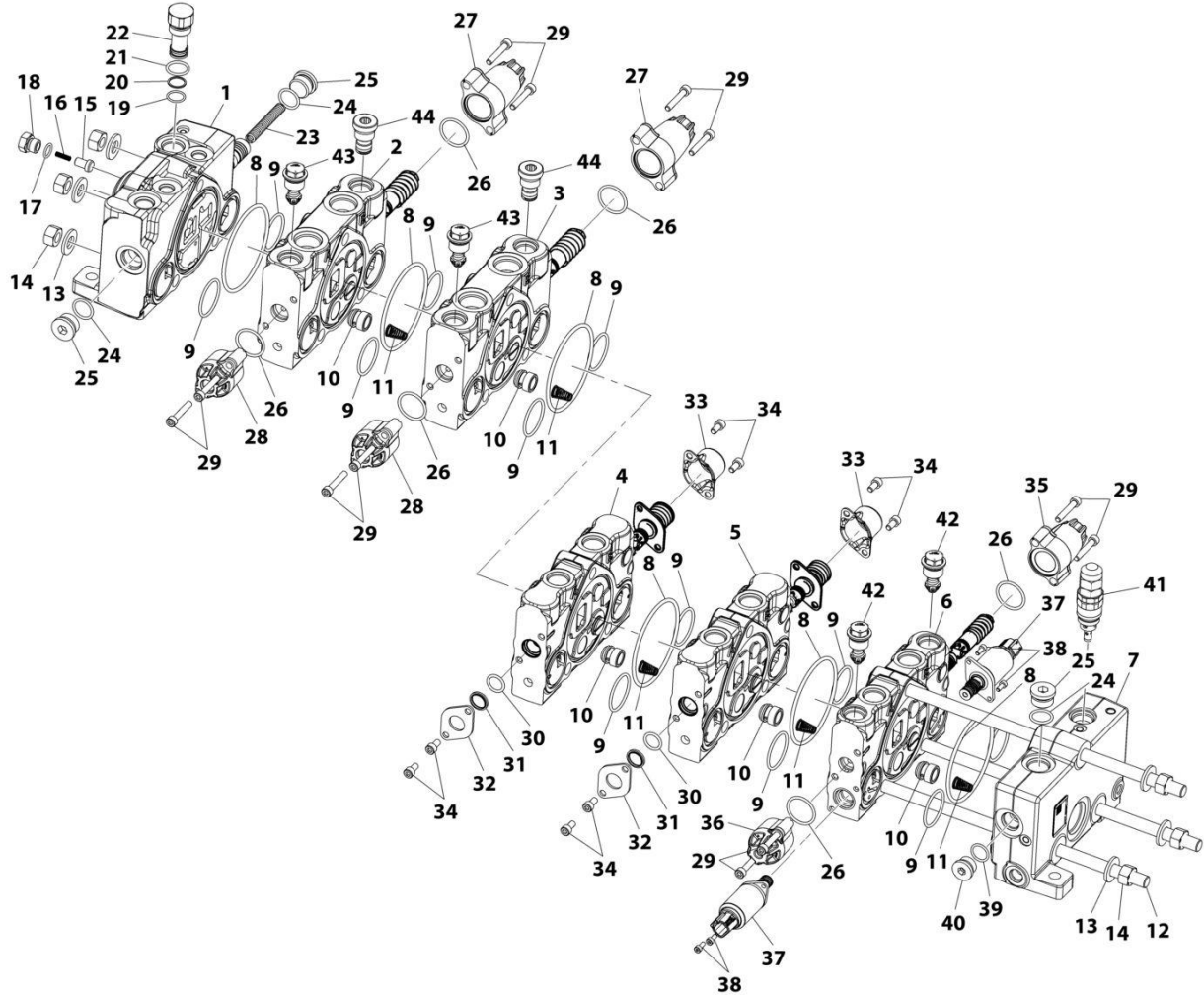
SECTION 9 - HYDRAULIC COMPONENTS

FIGURE 9-20. VALVE ASSEMBLY - FLOW DIVIDER

ITEM	PART NUMBER	QTY	DESCRIPTION	REV
	4641501	Ref	Flow Divider Valve	A
1	70023928	2	Valve, Check	
2	70023929	1	Valve, Cartridge	

SECTION 9 - HYDRAULIC COMPONENTS

FIGURE 9-21. VALVE ASSEMBLY - MAIN CONTROL



ART_1001242925

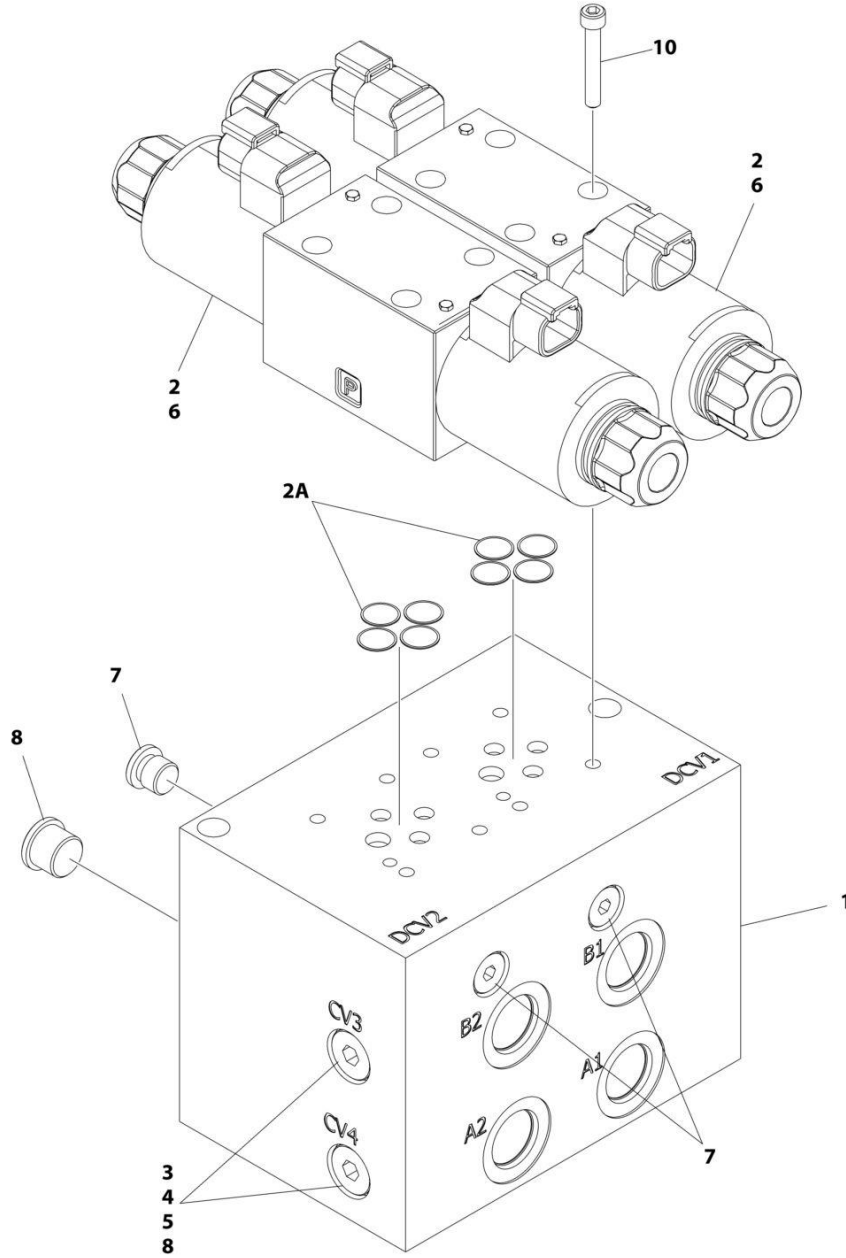
SECTION 9 - HYDRAULIC COMPONENTS

FIGURE 9-21. VALVE ASSEMBLY - MAIN CONTROL

ITEM	PART NUMBER	QTY	DESCRIPTION	REV
	1001242925	Ref	MAIN CONTROL VALVE	F
1	70030023	1	Inlet Section Assembly	
2	70030001	1	Lift Section Assembly	
3	70030002	1	Extend/Retract Section Assembly	
4	70030003	1	Aux Section Assembly	
5	70030004	1	Sway Section Assembly	
6	70030005	1	Tilt Section Assembly	
7	70030006	1	Outlet Section Assembly	
8	8034697	6	O-Ring	
9	70030007	12	O-Ring	
10	8903015	5	Poppet CV	
11	70030012	5	Spring	
12	70030038	3	Tie Rod	
13	70030039	6	Washer	
14	8035347	6	Nut	
15	70030009	1	Poppet, CV	
16	70030010	1	Spring	
17	70030040	1	O-Ring	
18	70030011	1	Plug	
19	70026370	1	O-Ring	
20	70026376	1	Back-Up Ring	
21	10837928	1	O-Ring	
22	70030041	1	Drain Regulator Assembly	
23	70030008	1	Spring	
24	70026652	3	O-Ring	
25	70026653	3	Plug	
26	70030013	6	O-Ring	
27	70030015	2	Spool Cap	
28	70030014	2	Spool Cap	
29	70030016	12	Screw	
30	8037109	2	O-Ring	
31	70030018	2	Wiper	
32	70030017	2	Sealing Plate	
33	70030019	2	Cap Spool	
34	70026133	8	Screw	
35	70030021	1	Spool Cap	
36	70030020	1	Spool Cap	
37	70029874	2	Valve, Solenoid Cartridge	
38	70022014	4	Screw	
39	70024202	1	O-Ring	
40	8035382	1	Plug Assembly	
41	70030022	1	Valve Assembly, LS Relief	
42	70027134	2	Valve Assembly, Relief	
43	70025982	2	Valve Assembly, Relief	
44	70022008	2	Shut-Off Plug Assembly	

SECTION 9 - HYDRAULIC COMPONENTS

FIGURE 9-22. VALVE ASSEMBLY - OUTRIGGER



ART_1001256316

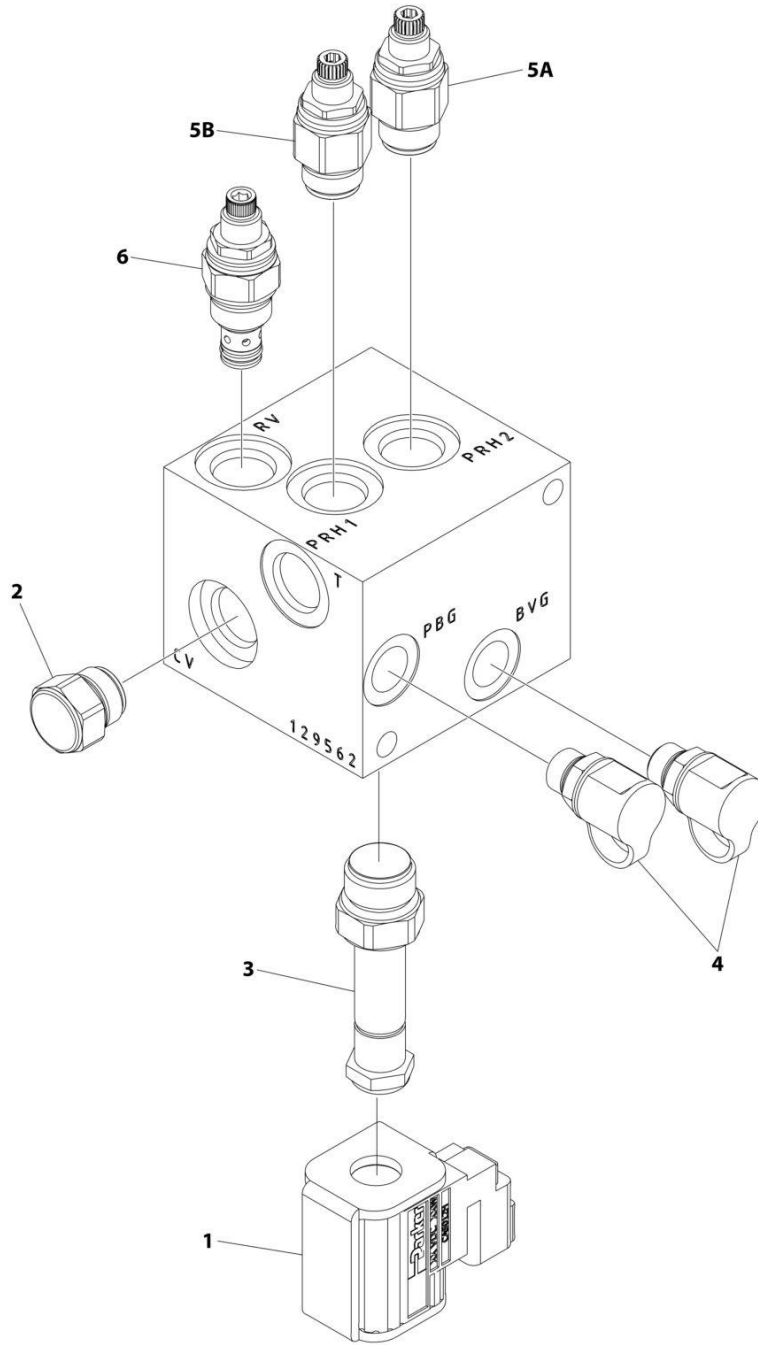
SECTION 9 - HYDRAULIC COMPONENTS

FIGURE 9-22. VALVE ASSEMBLY - OUTRIGGER

ITEM	PART NUMBER	QTY	DESCRIPTION	REV
	1001256316	Ref	Outrigger Valve	A
1		Ref	Manifold	
2	70026564	2	Valve, Directional Control, (includes o-rings)	
2A	7010746	4	O-Ring	
3	70023506	4	Bearing, Ball	
4	70023507	4	Spring	
5	70023508	4	Retainer	
6	70023509	2	Orifice	
7	8032790	6	Plug	
8	2220885	6	Plug	
10	70029798	8	Capscrew M10X215	

SECTION 9 - HYDRAULIC COMPONENTS

FIGURE 9-23. VALVE ASSEMBLY - SECONDARY



ART_1001266771

SECTION 9 - HYDRAULIC COMPONENTS

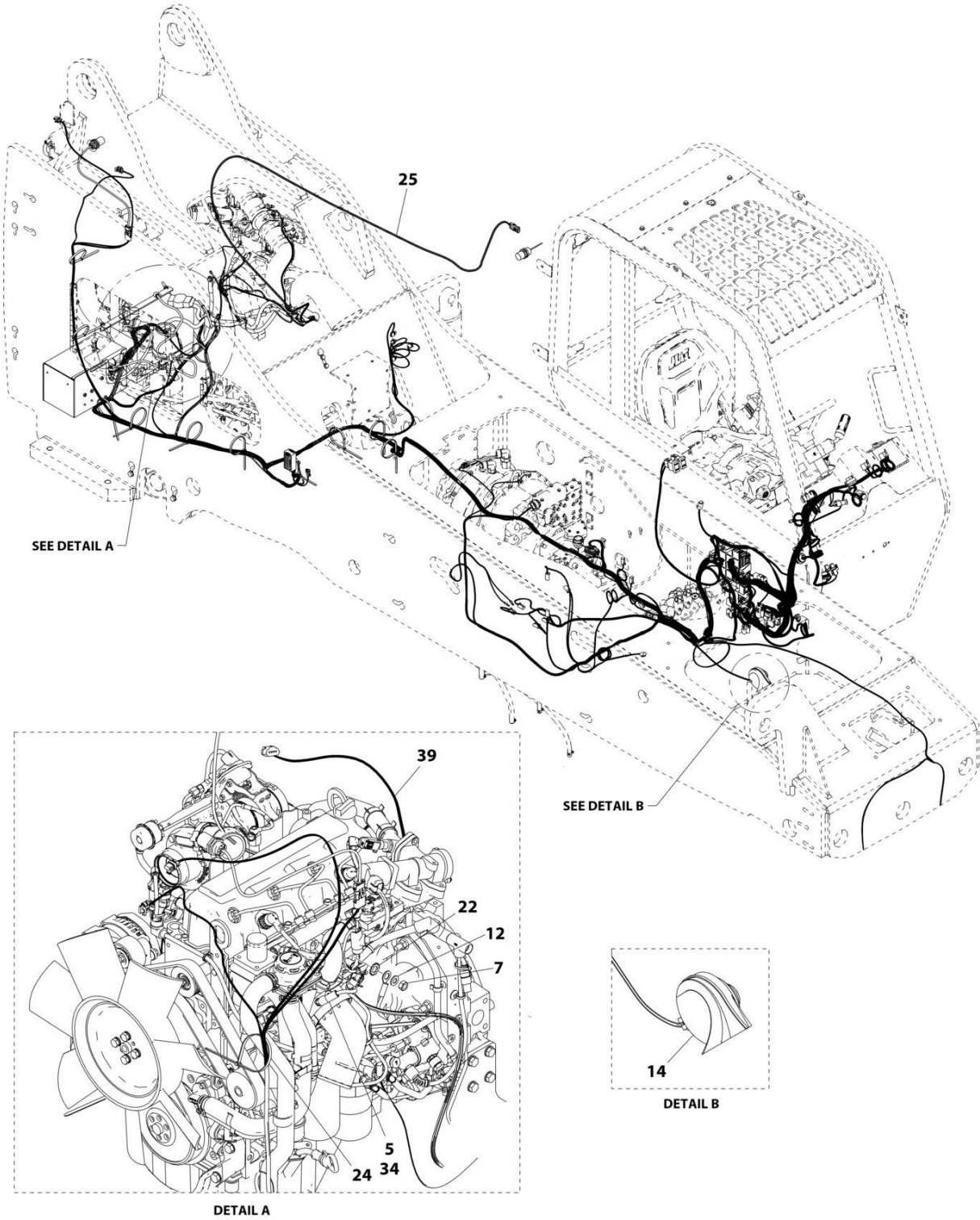
FIGURE 9-23. VALVE ASSEMBLY - SECONDARY

ITEM	PART NUMBER	QTY	DESCRIPTION	REV
	1001266771	Ref	VALVE ASSEMBLY - SECONDARY	B
1	70026085	1	Coil	
2	91474023	1	Cartridge, Check Valve	
	7010769	1	Seal Kit - 91474023 Valve	
3	70026087	1	Cartridge, Solenoid Less Coil	
	8032695	1	Seal Kit - 70026087 Valve	
4	See Note	N.S.S.	Fitting, Straight	
5A	70029558	1	Cartridge, Pressure Relief Valve	
	8032694	1	Seal Kit - 70029558 Valve	
5B	70029584	1	Cartridge, Pressure Relief Valve	
	8032694	1	Seal Kit - 70029584 Valve	
6	70030292	1	Cartridge, Pressure Relief Valve	
	7010769	1	Seal Kit - 70030292 Valve	

SECTION 10 - ELECTRICAL

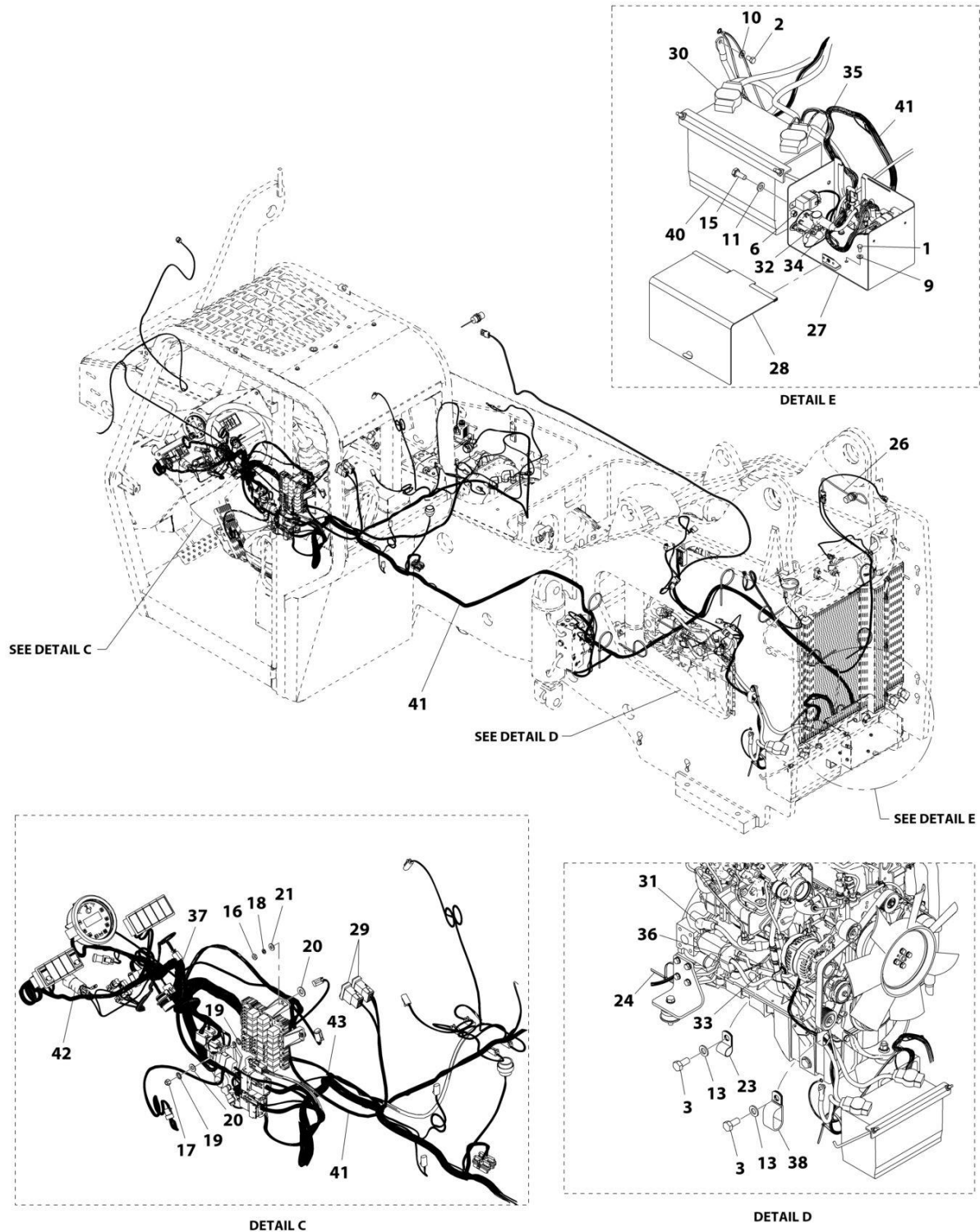
SECTION 10 - ELECTRICAL

FIGURE 10-1. ELECTRICAL INSTALLATION (74HP) (ULS)



ART_1001252321_1-B

SECTION 10 - ELECTRICAL



ART_1001252321_2-B

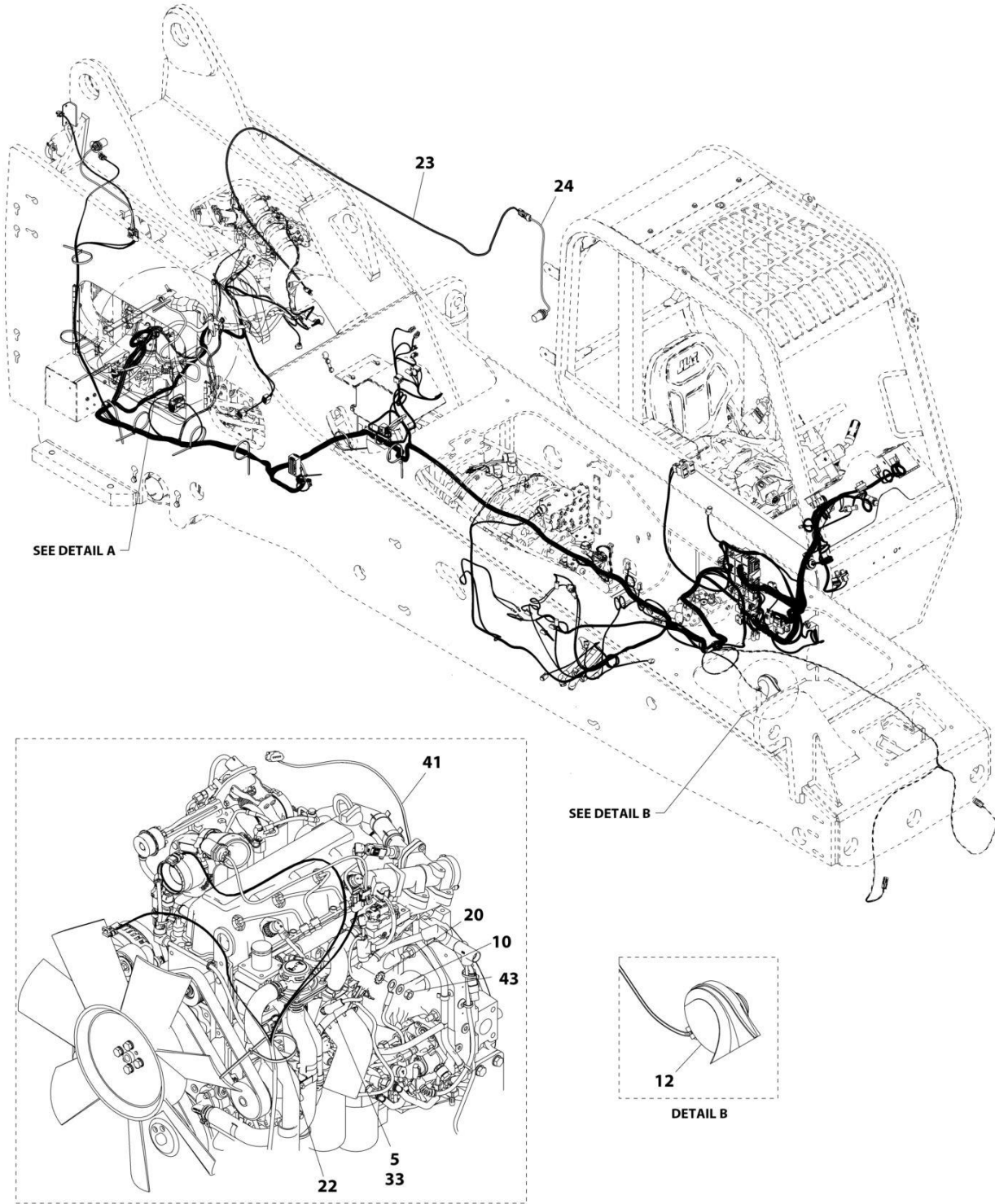
SECTION 10 - ELECTRICAL

FIGURE 10-1. ELECTRICAL INSTALLATION (74HP) (LS)

ITEM	PART NUMBER	QTY	DESCRIPTION	REV
	1001252321	Ref	Electrical Installation (74HP) (ULS)	B
1	0641404	3	Bolt 1/4X1/2	
2	0641605	1	Bolt 3/8X5/8	
3	0761212	2	Bolt M12X25	
5	3290601	1	Nut M6	
6	3290605	1	Nut M6	
7	3290801	1	Nut M8	
9	4711400	3	Washer 1/4	
10	4711600	1	Washer 3/8	
11	4811702	1	Washer M6	
12	4811900	1	Washer, M8	
13	4812100	2	Washer M12	
14	8270620	1	Horn, Signal	
15	8303545	1	Bolt M6X14	
16	8305002	4	Nut #10	
17	8305624	2	Nut 1/4	
18	8307003	4	Washer M10	
19	8307027	4	Washer 5/16	
20	8307106	6	Washer 5/16	
21	8307111	4	Washer M10	
22	8310046	1	Washer M10	
23	8406105	1	Clip, Tube	
24	8584001	13	Wrap, Tie	
25	1001127226	1	Harness, Boom Extend (See Separate Breakdown in this Section)	
26	1001130307	2	Sensor, Boom	
27	1001170233	1	Installation, Relay Panel (See Separate Breakdown in this Section)	
28	1001170234	1	Assembly, Relay Panel Cover (See Separate Breakdown in this Section)	
29	1001170269	2	Switch, Outtrigger	
30	1001171234	1	Cable, Battery Negative	
31	1001171236	1	Cable, Starter Ground	
32	1001171237	1	Cable, Grid Heater to Fuse Power	
33	1001171238	1	Cable, Alternator Power	
34	1001171239	1	Cable, Grid Heater Power	
35	1001171633	1	Cable, Buss Power	
36	1001171757	1	Cable, Starter Power	
37	1001178285	1	Harness, Cab Power Distribution (See Separate Breakdown in this Section)	
38	1001181899	1	Clamp	
39	1001184835	1	Harness, TBAP (See Separate Breakdown in this Section)	
40	1001186841	1	Installation, Battery (See Separate Breakdown in this Section)	
41	1001199889	1	Engine Harness (See Separate Breakdown in this Section)	
42	1001250700	1	Switch, Pressure	
43	1001251503	1	Harness, Logic (See Separate Breakdown in this Section)	

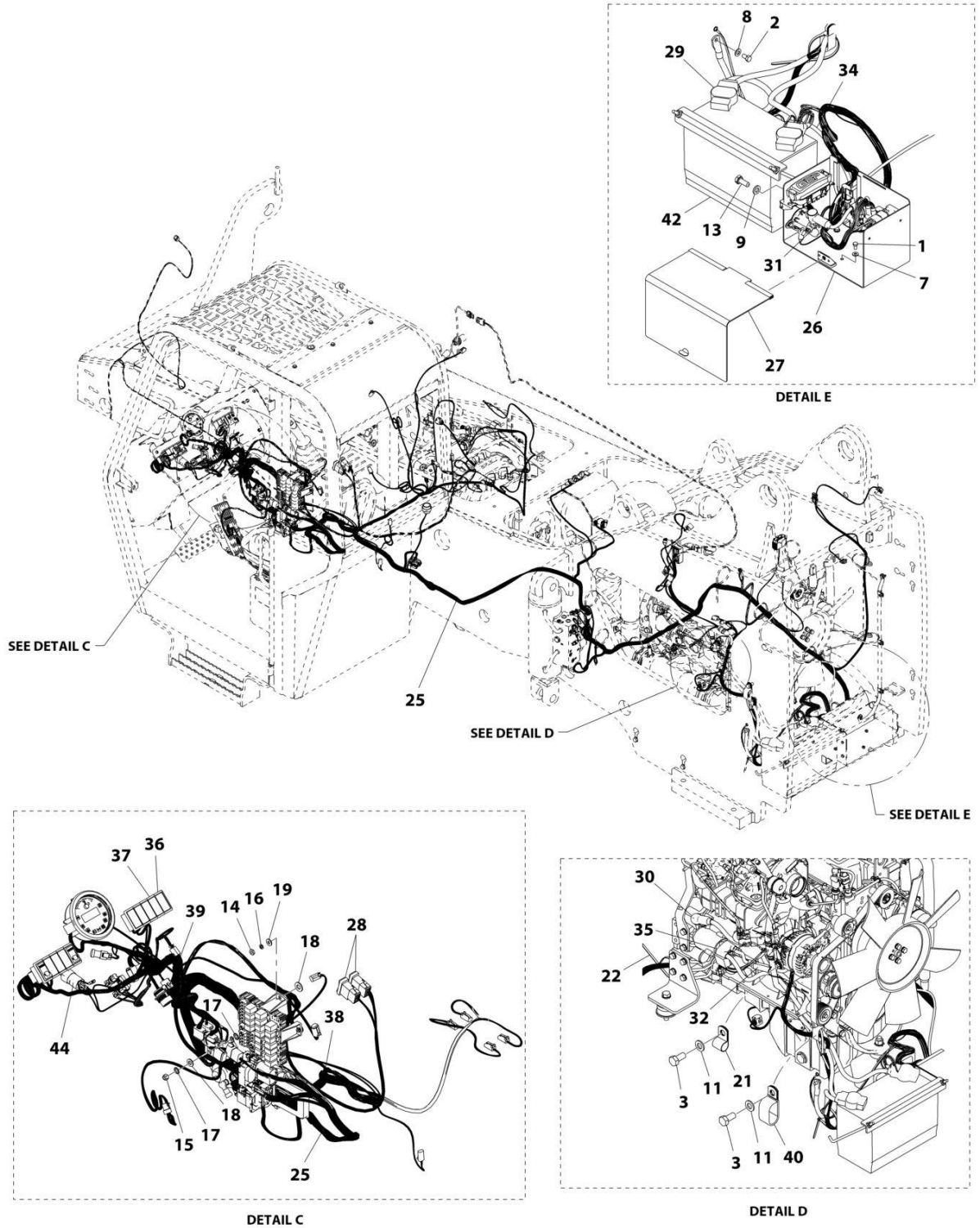
SECTION 10 - ELECTRICAL

FIGURE 10-2. ELECTRICAL INSTALLATION (110HP) (ULS)



ART_1001252320_1-B

SECTION 10 - ELECTRICAL



ART_1001252320_2-B

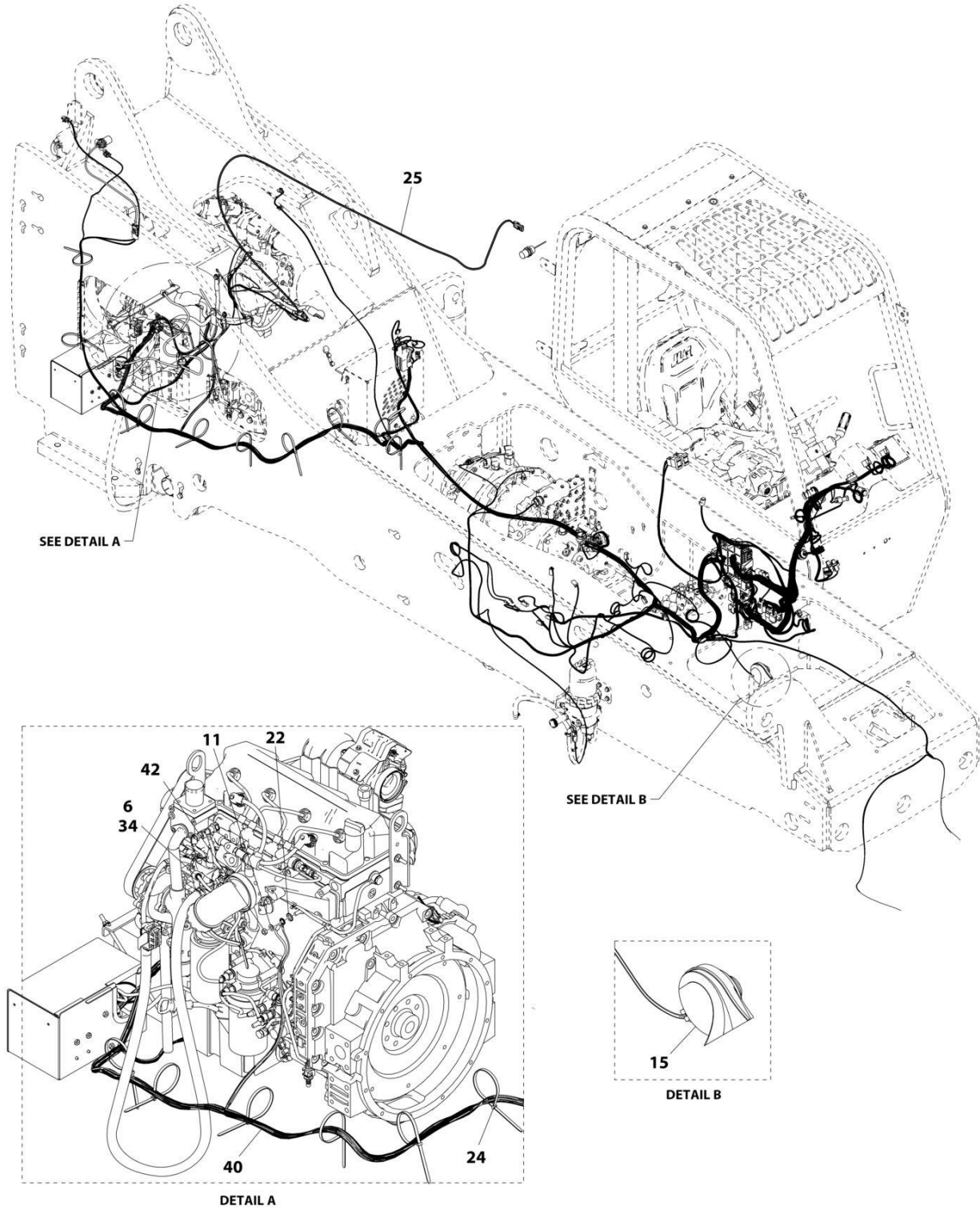
SECTION 10 - ELECTRICAL

FIGURE 10-2. ELECTRICAL INSTALLATION (110HP) (ULS)

ITEM	PART NUMBER	QTY	DESCRIPTION	REV
	1001252320	Ref	Electrical Installation (ULS)	B
1	0641404	3	Bolt 1/4X1/2	
2	0641605	1	Bolt 3/8X5/8	
3	0761212	2	Bolt M12X25	
5	3290601	1	Nut M6X1	
7	4711400	3	Washer 1/4	
8	4711600	1	Washer 3/8	
9	4811700	2	Washer M6	
10	4811900	1	Washer, M8	
11	4812100	2	Washer, M12	
12	8270620	1	Horn, Signal	
13	8303545	2	Bolt M6X14	
14	8305002	4	Nut #10	
15	8305624	2	Nut 1/4	
16	8307003	4	Washer M10	
17	8307027	4	Washer 5/16	
18	8307106	6	Washer 5/16	
19	8307111	4	Washer M10	
20	8310046	1	Washer M10	
21	8406105	1	Clip, Tube	
22	8584001	14	Wrap, Tie	
23	1001127226	1	Boom Extend Harness (See Separate Breakdown in this Section)	
24	1001130307	2	Sensor, Boom	
25	1001169620	1	Harness, Engine (See Separate Breakdown in this Section)	
26	1001170233	1	Installation, Relay Panel (See Separate Breakdown in this Section)	
27	1001170234	1	Assembly, Relay Panel Cover (See Separate Breakdown in this Section)	
28	1001170269	2	Switch, Outtrigger	
29	1001171234	1	Cable, Battery Negative	
30	1001171236	1	Cable, Starter Ground	
31	1001171237	1	Cable, Grid Heater to Fuse Power	
32	1001171238	1	Cable, Alternator Power	
33	1001171239	1	Cable, Grid Heater Power	
34	1001171633	1	Cable, Buss Power	
35	1001171757	1	Cable, Starter Power	
36	1001172135	1	Indicator, Engine	
37	1001172136	1	Indicator, Hest	
38	1001251503	1	Logic Harness (See Separate Breakdown in this Section)	
39	1001178285	1	Harness, Cab Power Distribution (See Separate Breakdown in this Section)	
40	1001181899	1	Clamp	
41	1001184835	1	Harness, TBAP (See Separate Breakdown in this Section)	
42	1001186841	1	Installation, Battery (See Separate Breakdown in this Section)	
43	3290801	1	Nut M8	
44	1001250700	1	Switch, Pressure	

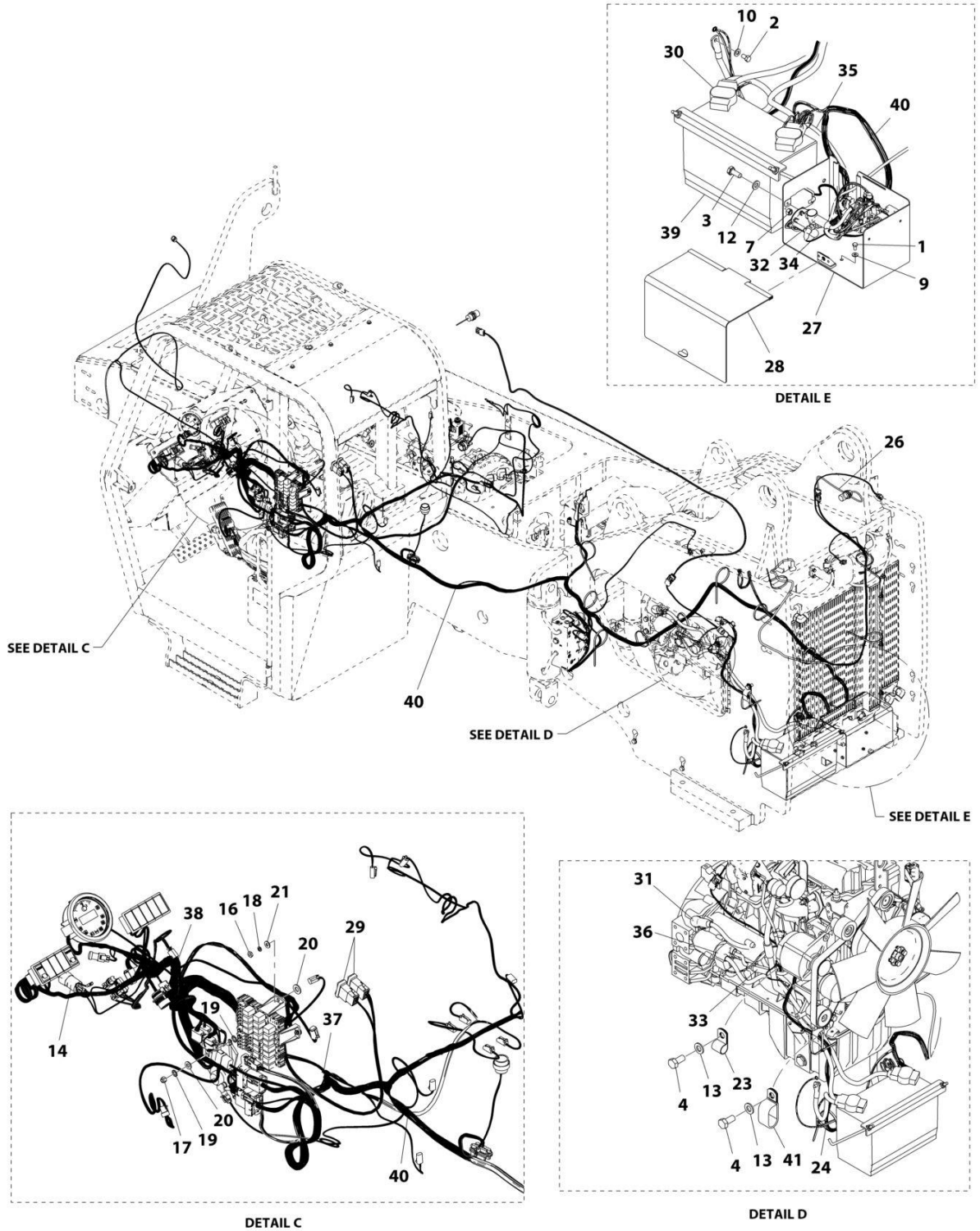
SECTION 10 - ELECTRICAL

FIGURE 10-3. ELECTRICAL INSTALLATION (110HP) (LS)



ART_1001252322_1-B

SECTION 10 - ELECTRICAL



ART_1001252322_2-B

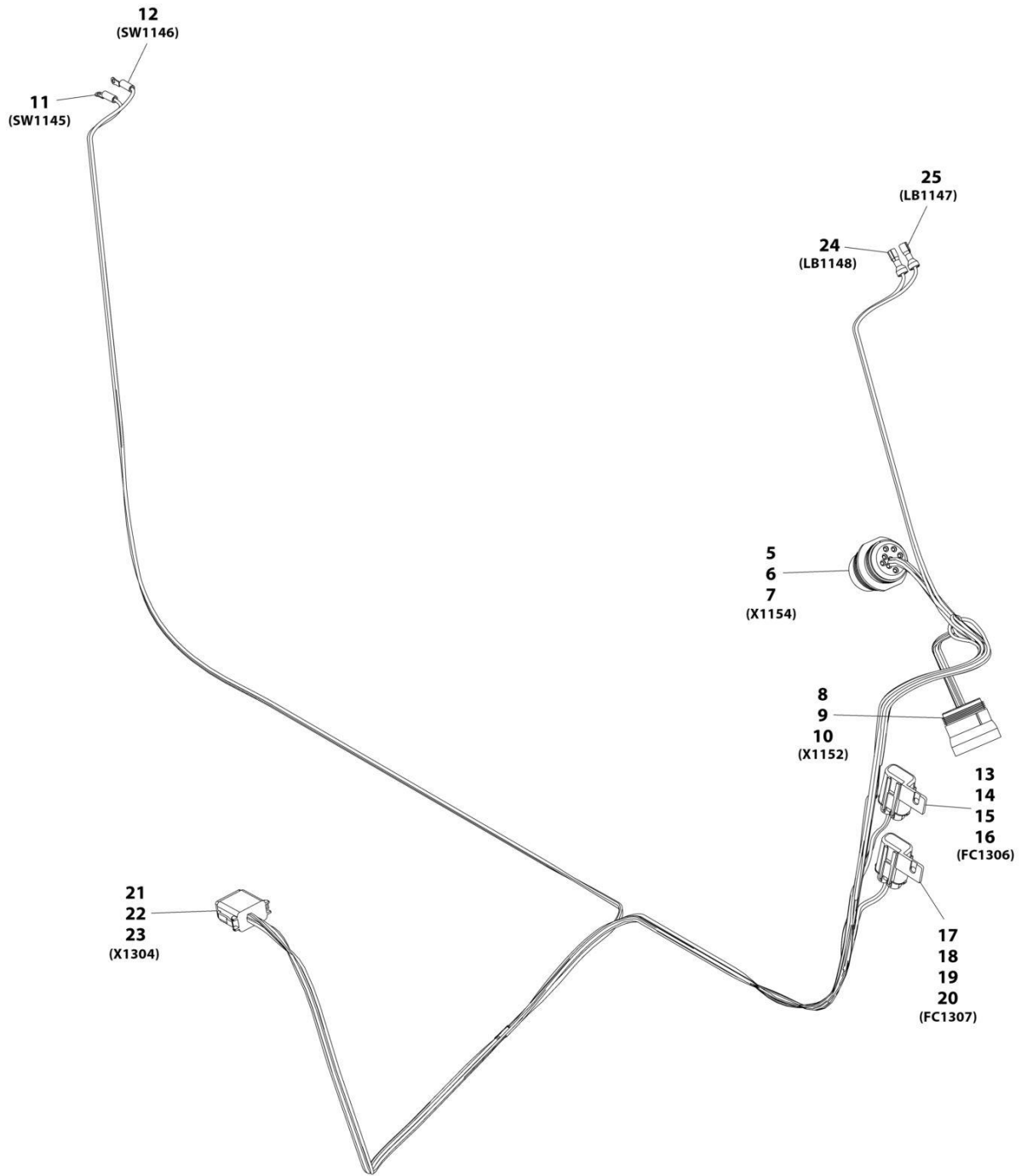
SECTION 10 - ELECTRICAL

FIGURE 10-3. ELECTRICAL INSTALLATION (110HP) (LS)

ITEM	PART NUMBER	QTY	DESCRIPTION	REV
	1001252322	Ref	Electrical Installation (LS)	B
1	0641404	3	Bolt 1/4X1/2	
2	0641605	1	Bolt 3/8X5/8	
3	8303545	1	Bolt M6X14	
4	0761212	2	Bolt, M12X25	
6	3290601	1	Nut M6	
7	3290605	1	Nut M6	
9	4711400	3	Washer 1/4	
10	4711600	1	Washer 3/8	
11	4811900	1	Washer M8	
12	4811702	1	Washer, M6	
13	4812100	2	Washer M12	
14	1001250700	1	Switch, Pressure	
15	8270620	1	Horn, Signal	
16	8305002	4	Nut #10	
17	8305624	2	Nut 1/4	
18	8307003	4	Washer M10	
19	8307027	4	Washer 5/16	
20	8307106	6	Washer 5/16	
21	8307111	4	Washer M10	
22	8310046	1	Washer M10	
23	8406105	1	Clip, Tube	
24	8584001	14	Wrap, Tie	
25	1001127226	1	Harness, Boom Extend (See Separate Breakdown in this Section)	
26	1001130307	2	Sensor, Boom	
27	1001170233	1	Installation, Relay Panel (See Separate Breakdown in this Section)	
28	1001170234	1	Assembly, Relay Panel Cover (See Separate Breakdown in this Section)	
29	1001170269	2	Switch, Outtrigger	
30	1001171234	1	Cable, Battery Negative	
31	1001171236	1	Cable, Starter Ground	
32	1001171237	1	Cable, Grid Heater to Fuse Power	
33	1001171238	1	Cable, Alternator Power	
34	1001171239	1	Cable, Grid Heater Power	
35	1001171633	1	Cable, Buss Power	
36	1001171757	1	Cable, Starter Power	
37	1001251503	1	Harness, Logic (See Separate Breakdown in this Section)	
38	1001178285	1	Harness, Cab Power Distribution (See Separate Breakdown in this Section)	
39	1001186841	1	Installation, Battery (See Separate Breakdown in this Section)	
40	1001189488	1	Engine Harness (See Separate Breakdown in this Section)	
41	1001181899	1	Clamp	
42	3290801	1	Nut M8	

SECTION 10 - ELECTRICAL

FIGURE 10-4. AIR SHUT-OFF VALVE HARNESS - CAB



ART_1001231560-C

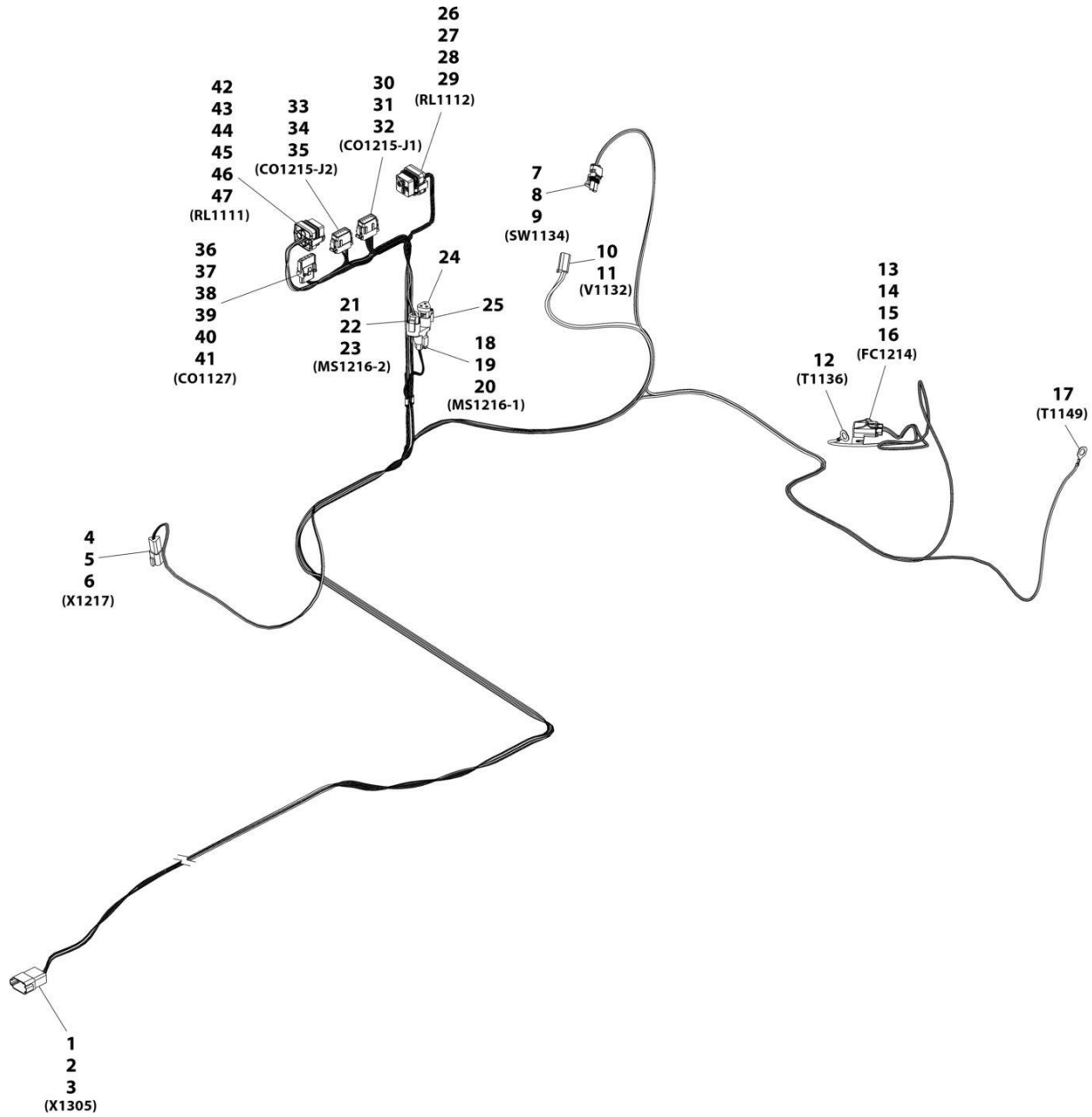
SECTION 10 - ELECTRICAL

FIGURE 10-4. AIR SHUT-OFF VALVE HARNESS - CAB

ITEM	PART NUMBER	QTY	DESCRIPTION	REV
	1001231560	Ref	POSI Air Shut Off Valve Cab, Harness	C
5	1001112612	1	Connector	
6	4460464	6	Terminal	
7	4460466	3	Plug	
8	1001116945	1	Connector	
9	4460465	6	Terminal	
10	4460466	3	Plug	
11	8220035	1	Terminal, Ring	
12	8220035	1	Terminal, Ring	
13	1001231397	1	Connector	
14	8229261	1	Fuse 5A	
15	1001231400	2	Terminal	
16	1001231404	2	Plug	
17	1001231397	1	Connector	
18	8229234	1	Fuse 10A	
19	1001231400	2	Terminal	
20	1001231404	2	Plug	
21	4460930	1	Connector	
22	4460465	6	Terminal	
23	4460466	2	Plug	
24	8220108	1	Connector	
25	8220108	1	Connector	

SECTION 10 - ELECTRICAL

FIGURE 10-5. AIR SHUT-OFF VALVE HARNESS - ENGINE



ART_1001216455

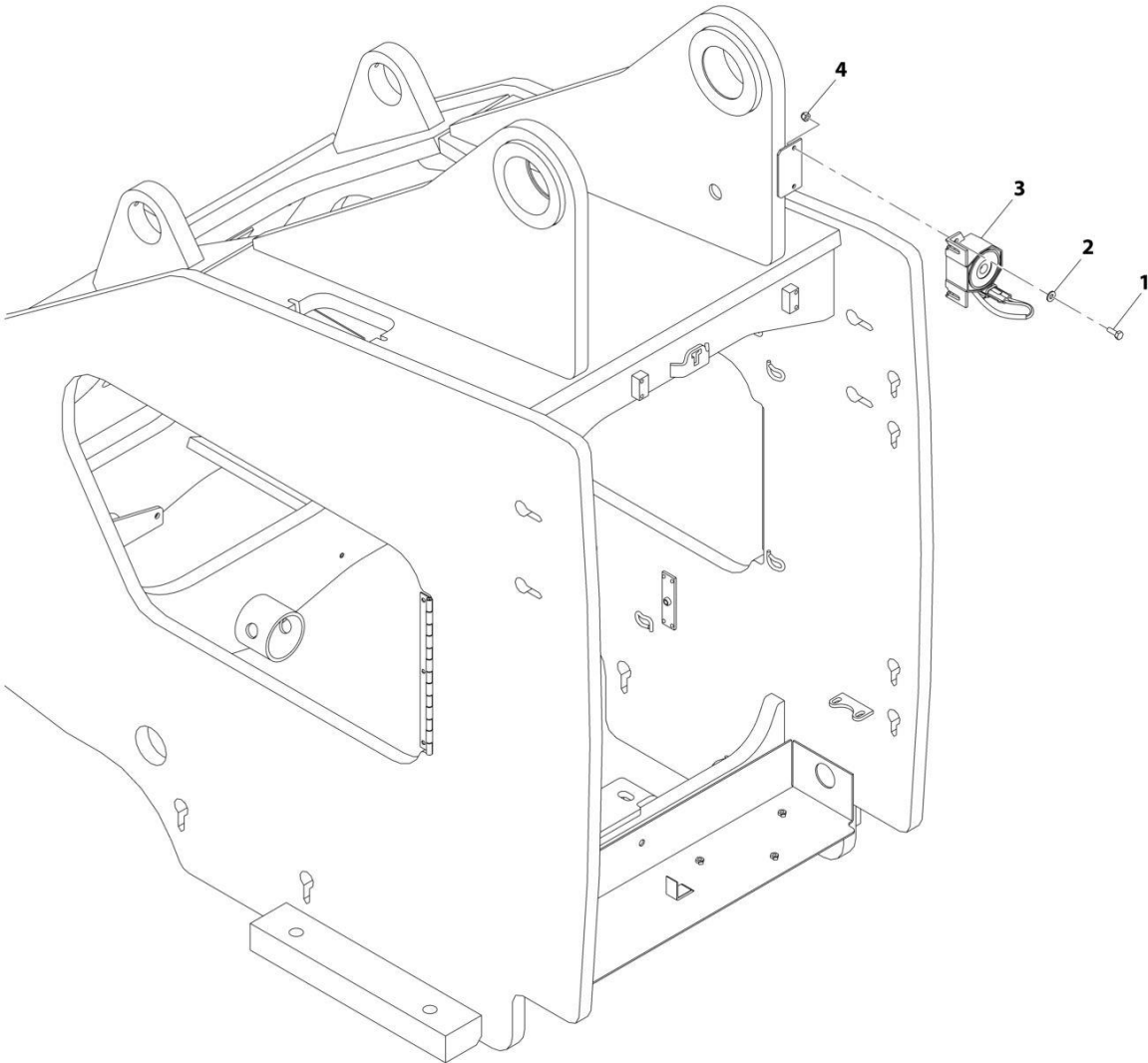
SECTION 10 - ELECTRICAL

FIGURE 10-5. AIR SHUT-OFF VALVE HARNESS - ENGINE

ITEM	PART NUMBER	QTY	DESCRIPTION	REV
	1001216455	Ref	POSI Air Shut Off Valve T4F, Harness	F
1	4460931	1	Connector	
2	4460464	6	Terminal	
3	4460466	2	Plug	
4	1001144147	1	Connector	
5	4460464	2	Terminal	
6	4460466	1	Plug	
7	4460742	1	Connector	
8	4460475	2	Terminal	
9	4460458	2	Seal	
10	4460891	1	Connector	
11	1001157890	2	Terminal	
12	1001187078	1	Terminal, Ring	
13	1001231397	1	Connector	
14	8229235	1	Fuse 20A	
15	1001231401	2	Terminal	
16	1001230402	2	Seal	
17	1001187078	1	Connector	
18	1001116812	1	Connector	
19	4460465	2	Terminal	
20	4460466	1	Plug	
21	4460539	1	Connector	
22	4460465	2	Terminal	
23	4460466	1	Plug	
24	1001116815	1	Connector, 3 Pin	
25	4460945	1	Terminal, 3 Way "T" Receptacle	
26	1001231398	1	Connector	
27	1001231400	4	Terminal	
28	1001231406	1	Plug	
29	1001231404	4	Seal	
30	1001116808	1	Connector	
31	1001126008	9	Terminal	
32	4460518	3	Plug	
33	1001116774	1	Connector	
34	4460518	8	Plug	
35	1001126008	4	Terminal	
36	4460761	1	Connector	
37	4460321	1	Connector - 4 Position	
38	4460809	4	Plug	
39	1001118378	4	Terminal	
40	1001143551	1	Seal	
41	1001218358	1	Lanyard, Rope	
42	1001231398	1	Connector	
43	1001231401	2	Terminal	
44	1001231400	2	Terminal	
45	1001231406	1	Plug	
46	1001231402	2	Seal	
47	1001231404	2	Seal	

SECTION 10 - ELECTRICAL

FIGURE 10-6. BACKUP ALARM INSTALLATION



ART_1001206542-A

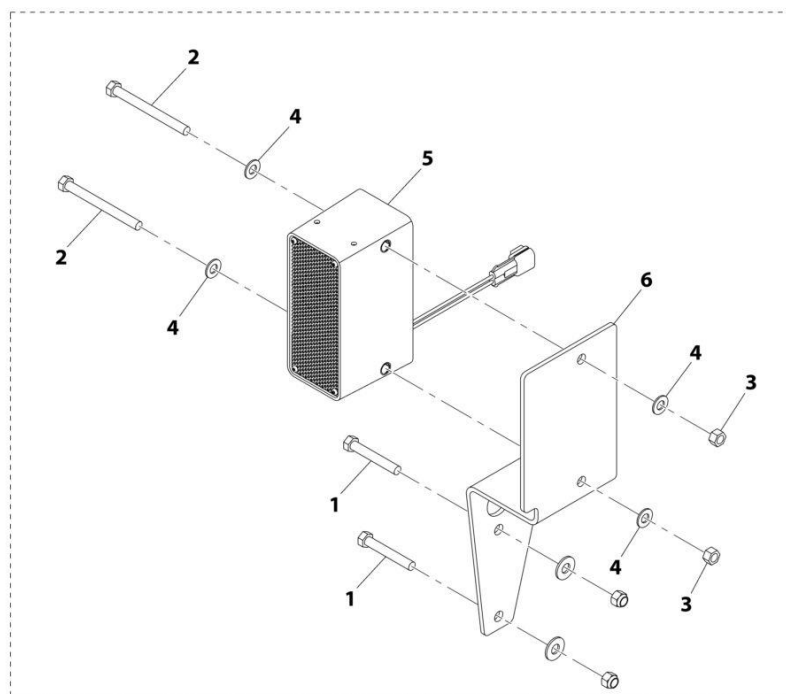
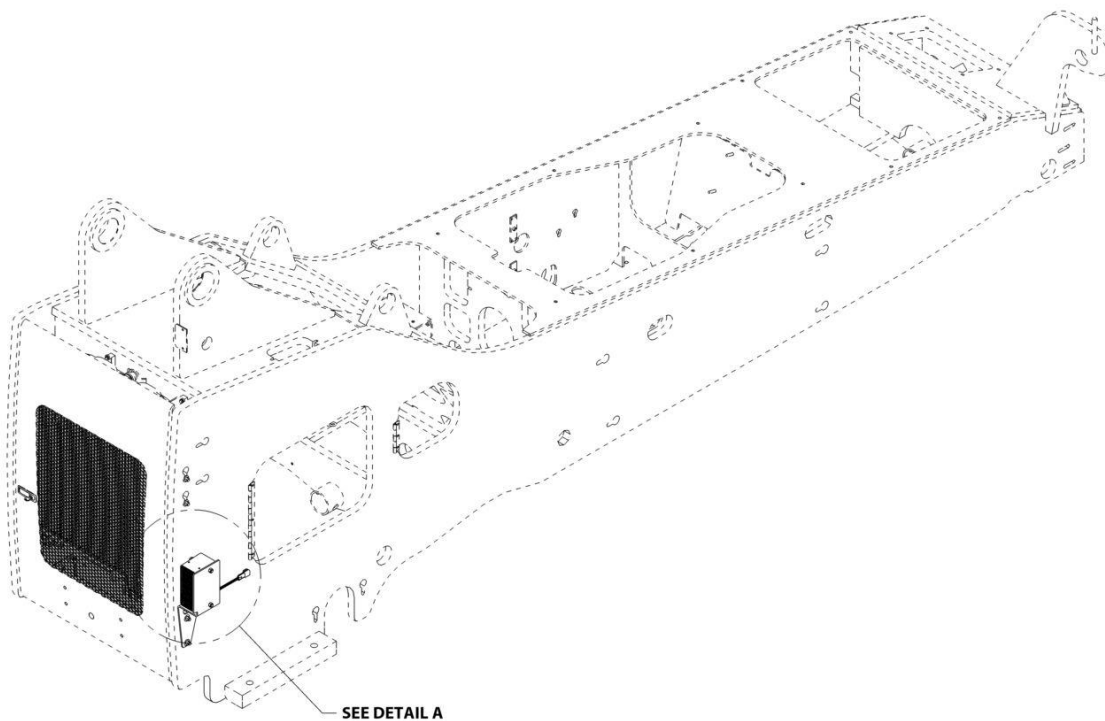
SECTION 10 - ELECTRICAL

FIGURE 10-6. BACKUP ALARM INSTALLATION

ITEM	PART NUMBER	QTY	DESCRIPTION	REV
	1001206542	Ref	Back-Up Alarm Installation	A
1	0641406	2	Bolt 1/4X3/4	
2	4711400	2	Washer 1/4	
3	8270621	1	Alarm, Back-Up	
4	8305624	2	Nut 1/4	

SECTION 10 - ELECTRICAL

FIGURE 10-7. BACKUP ALARM INSTALLATION (WHITE NOISE)



DETAIL A

ART_1001206543-A

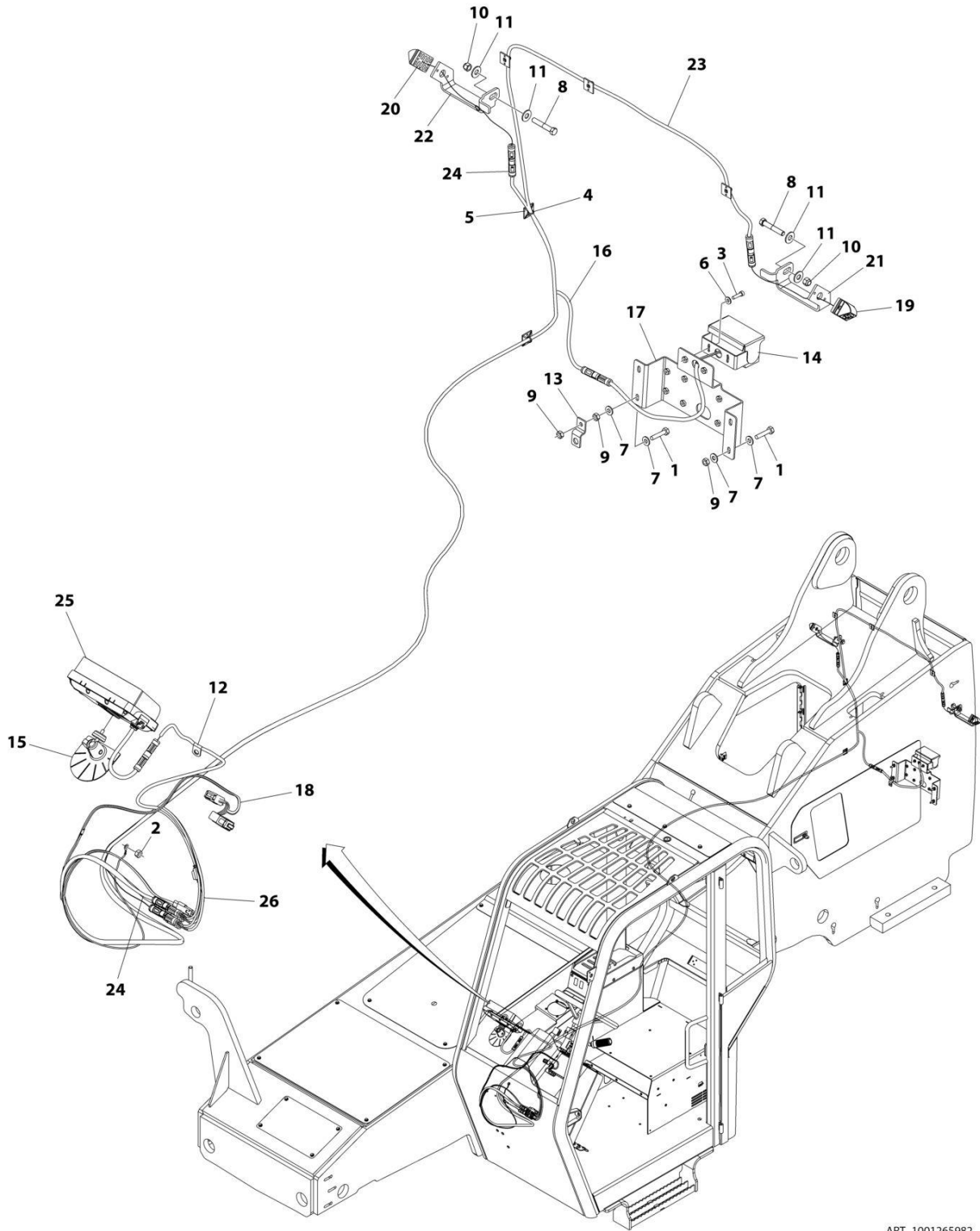
SECTION 10 - ELECTRICAL

FIGURE 10-7. BACKUP ALARM INSTALLATION (WHITE NOISE)

ITEM	PART NUMBER	QTY	DESCRIPTION	REV
	1001206543	Ref	Back-Up Alarm Installation (White Noise)	A
1	0641620	2	Bolt 3/82-1/2	
2	0641632	2	Bolt 3/8X4	
3	3311605	2	Nut 3/8	
4	4711600	4	Washer 3/8	
5	1001198728	1	Alarm	
6	1001213574	1	Bracket	

SECTION 10 - ELECTRICAL

FIGURE 10-8. REVERSE CAMERA



ART_1001265982

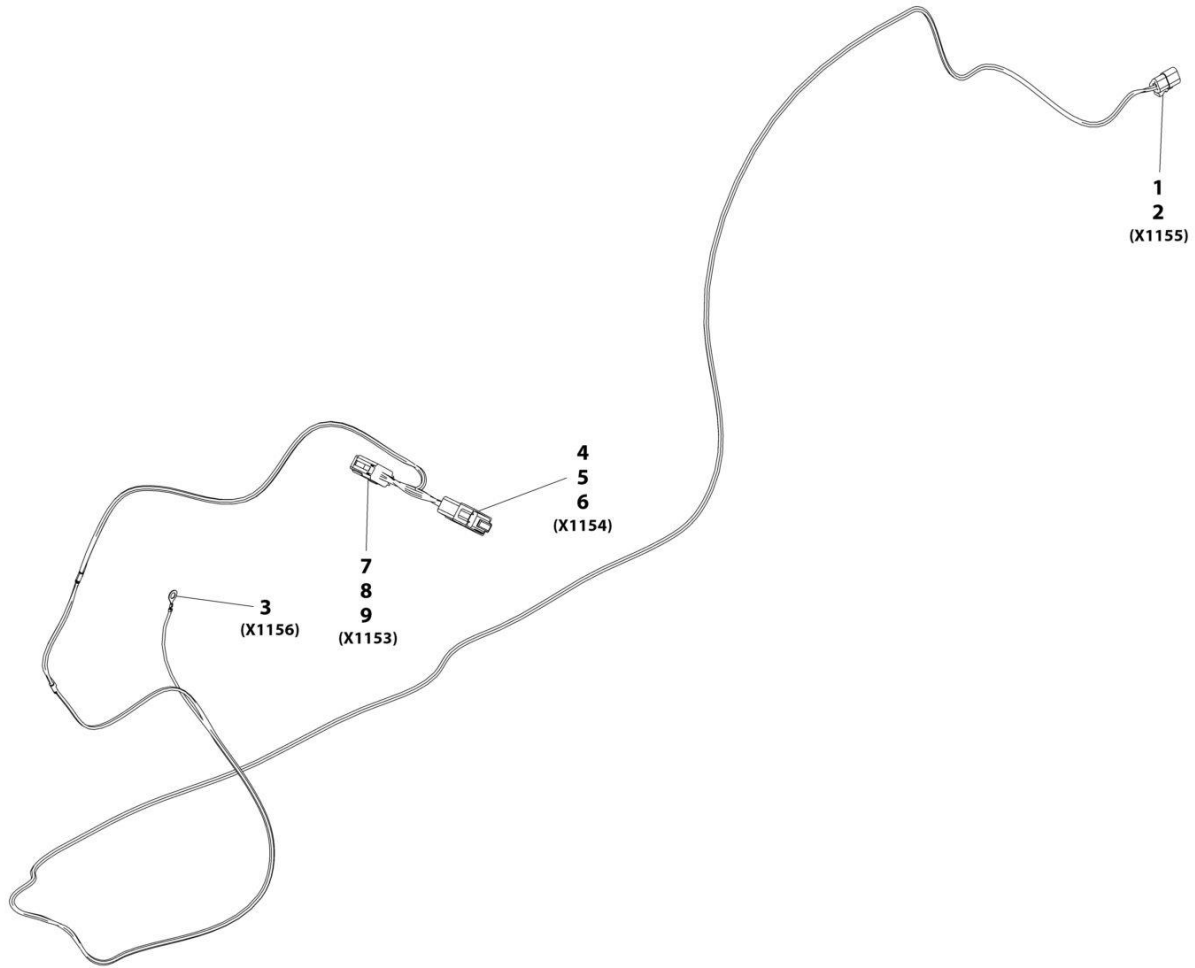
SECTION 10 - ELECTRICAL

FIGURE 10-8. REVERSE CAMERA

ITEM	PART NUMBER	QTY	DESCRIPTION	REV
	1001265982	Ref	SKYTRAK BACKUP CAMERA INSTALLATION	A
1	0641410	4	Bolt 1/4 x 1	
2	3311401	1	Nut 1/4	
3	3931012	2	Capscrew, #10 x 3/4	
4	4240032	1	Tie-Strap	
5	4460234	1	Mount, Tie-Strap	
6	4711000	2	Washer M10	
7	4711400	8	Washer 1/4	
8	8303771	1	Bolt 3/8 x 2-1/4	
9	8305004	5	Nut 1/4	
10	8305645	2	Nut 3/8	
11	8307204	4	Washer 3/8	
12	8406010	1	Clip	
13	1001204692	1	Bracket	
14	1001233174	1	Camera, Rear View	
15	1001233217	1	Bracket, Monitor Mount	
16	1001233434	1	Harness, Extension Cable Camera	
17	1001233828	1	Bracket, Camera Mount	
18	1001233976	1	Harness, Rear Camera Option (See Separate Breakdown in this Section)	
19	1001264534	1	Camera (LH)	
19	70031717	1	Cable, Camera	
20	1001264536	1	Camera (RH)	
20	70031717	1	Cable, Camera	
21	1001265679	1	Bracket, Camera (LH)	
22	1001265680	1	Bracket, Camera (RH)	
23	1001265979	1	Harness, Extension (LH)	
24	1001265980	1	Harness, Extension (RH)	
25	1001265986	1	Monitor, Display	
26	1001265987	1	Harness, Monitor/Display	

SECTION 10 - ELECTRICAL

FIGURE 10-9. BACKUP CAMERA HARNESS



ART_1001233976-A

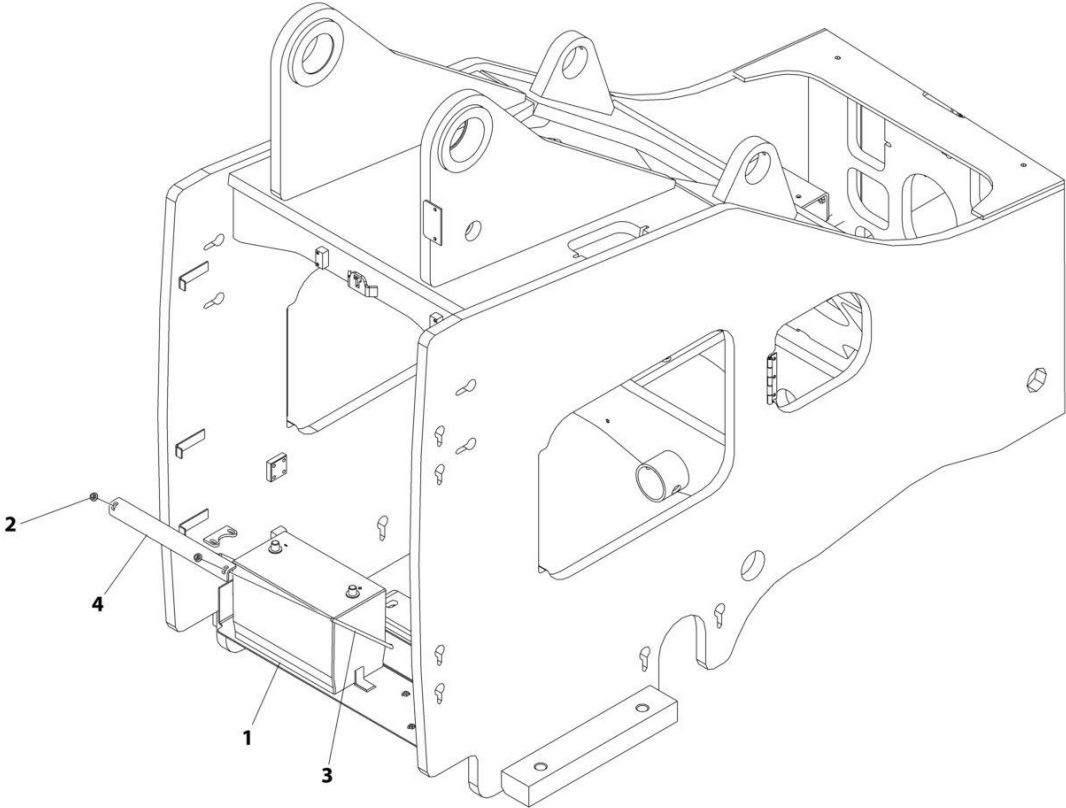
SECTION 10 - ELECTRICAL

FIGURE 10-9. BACKUP CAMERA HARNESS

ITEM	PART NUMBER	QTY	DESCRIPTION	REV
	1001233976	Ref	Skytrak Rear Camera Option Harness	A
1	4460539	1	Connector	
2	4460465	3	Terminal	
3	1001207173	1	Terminal, Ring	
4	4460970	1	Connector	
5	4460464	9	Terminal	
6	4460466	3	Plug	
7	4460933	1	Connector	
8	4460465	9	Terminal	
9	4460466	3	Plug	

SECTION 10 - ELECTRICAL

FIGURE 10-10. BATTERY INSTALLATION



ART_1001186841

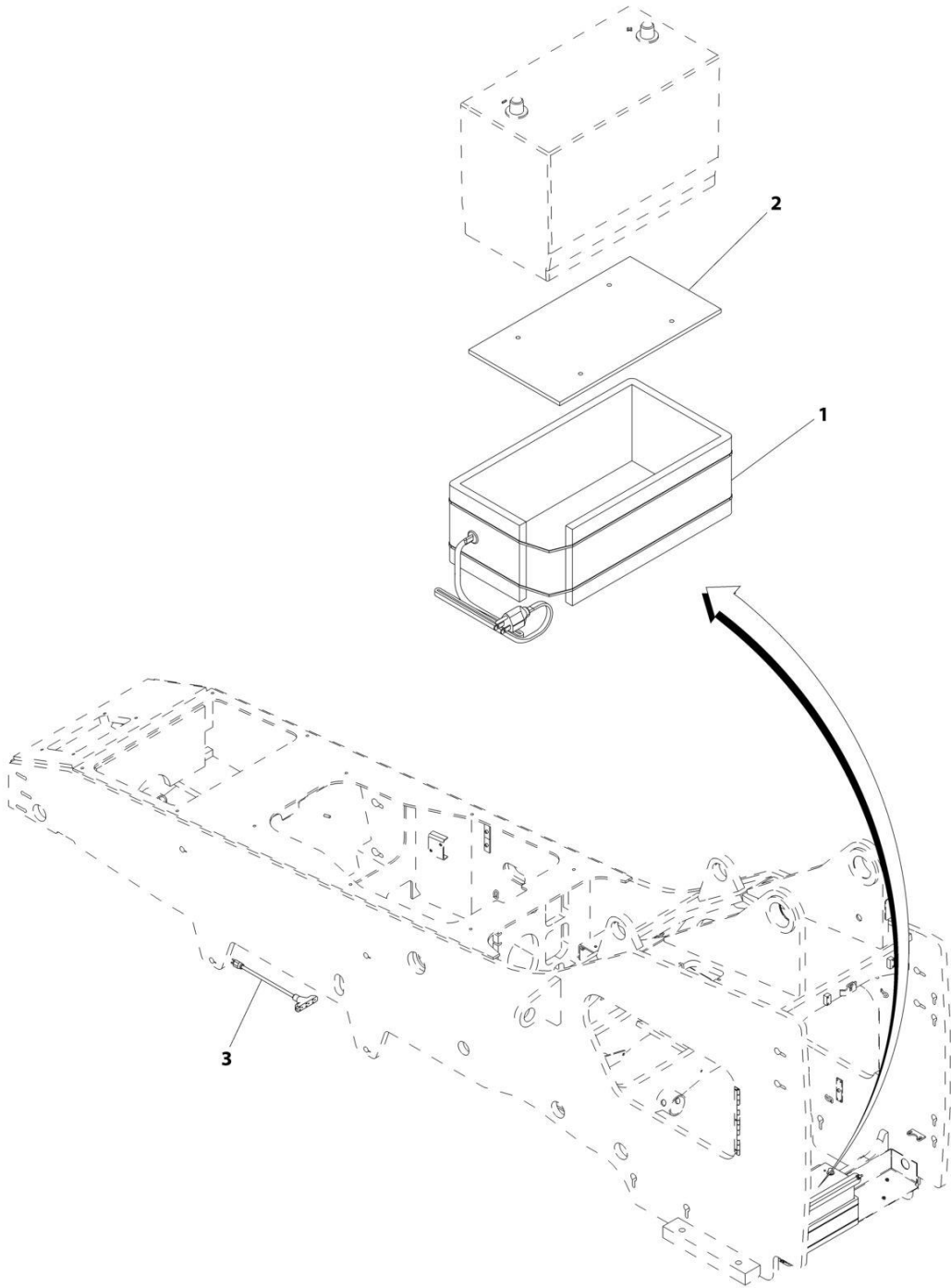
SECTION 10 - ELECTRICAL

FIGURE 10-10. BATTERY INSTALLATION

ITEM	PART NUMBER	QTY	DESCRIPTION	REV
	1001186841	Ref	Battery Installation	B
1	0400075	1	Battery, 12V	
2	77143006	2	Nut 5/16	
3	91081640	2	Bolt, Battery Hold Down	
4	1001258991	1	Plate, Battery Hold Down	

SECTION 10 - ELECTRICAL

FIGURE 10-11. BATTERY BLANKET INSTALLATION



ART_1001234216-A

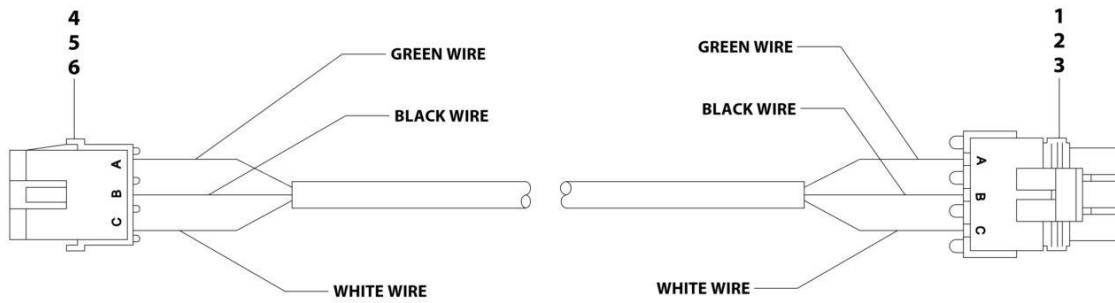
SECTION 10 - ELECTRICAL

FIGURE 10-11. BATTERY BLANKET INSTALLATION

ITEM	PART NUMBER	QTY	DESCRIPTION	REV
	1001234216	Ref	Battery Blanket Installation	A
1	1001093564	1	Battery Heater	
2	1001119278	1	Battery Insulate	
3	1060626	1	3 Way Plug	

SECTION 10 - ELECTRICAL

FIGURE 10-12. BOOM EXTEND HARNESS (10054)



ART_1001127226-C

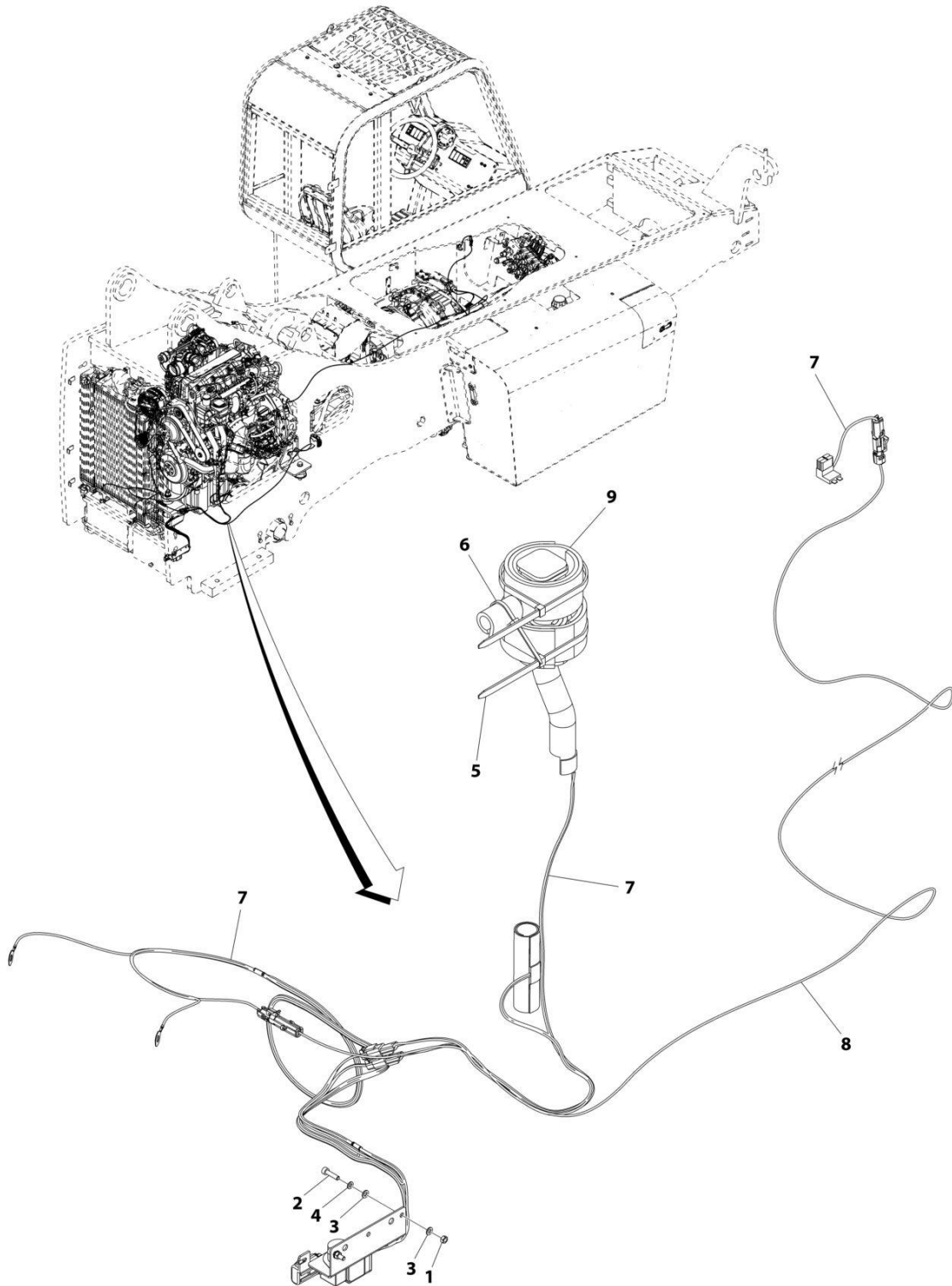
SECTION 10 - ELECTRICAL

FIGURE 10-12. BOOM EXTEND HARNESS (10054)

ITEM	PART NUMBER	QTY	DESCRIPTION	REV
	1001127226	Ref	Boom Extend Harness	C
1	4460459	1	Connector	
2	4460457	3	Terminal	
3	4460458	3	Seal	
4	4460476	1	Connector	
5	4460475	3	Terminal	
6	4460458	3	Seal	

SECTION 10 - ELECTRICAL

FIGURE 10-13. BREATHER HEATER INSTALLATION



ART_1001232750-A

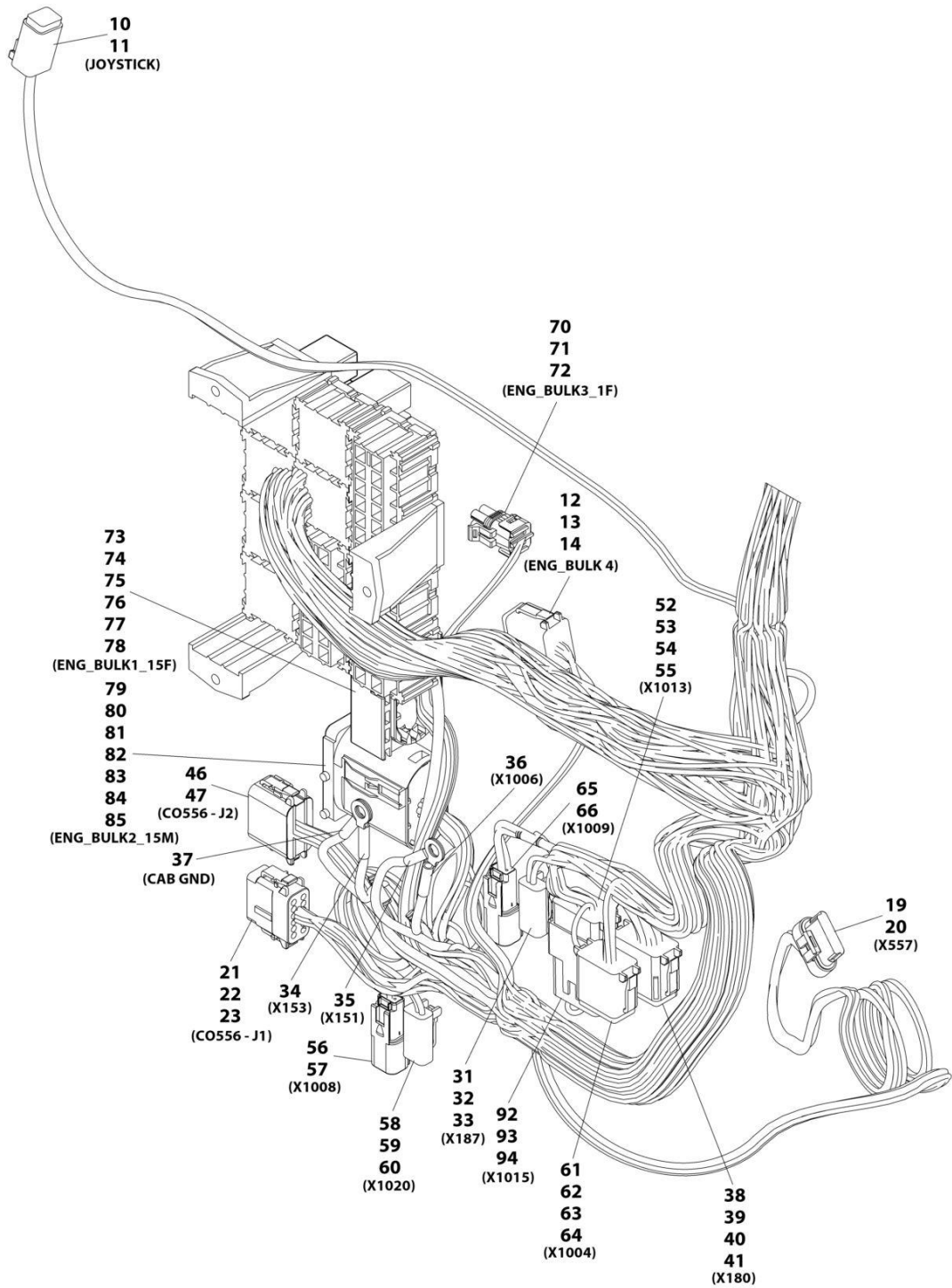
SECTION 10 - ELECTRICAL

FIGURE 10-13. BREATHER HEATER INSTALLATION

ITEM	PART NUMBER	QTY	DESCRIPTION	REV
	1001232750	Ref	Heater Breather - 74 HP	A
1	3290501	2	Nut, M5X0.8	
2	4031608	2	Screw, M5X20	
3	4811600	4	Washer, M5	
4	4831600	2	Washer, Lock M5	
5	01043892	2	Strap, Tie	
6	86683122	1	Strap, Tie	
7	1001232439	1	Engine, Cummins Breather Kit	
8	1001232599	1	Harness, Cummins Breather Heater	
9	1001232624	1	Insulate, Cummins Insulation	

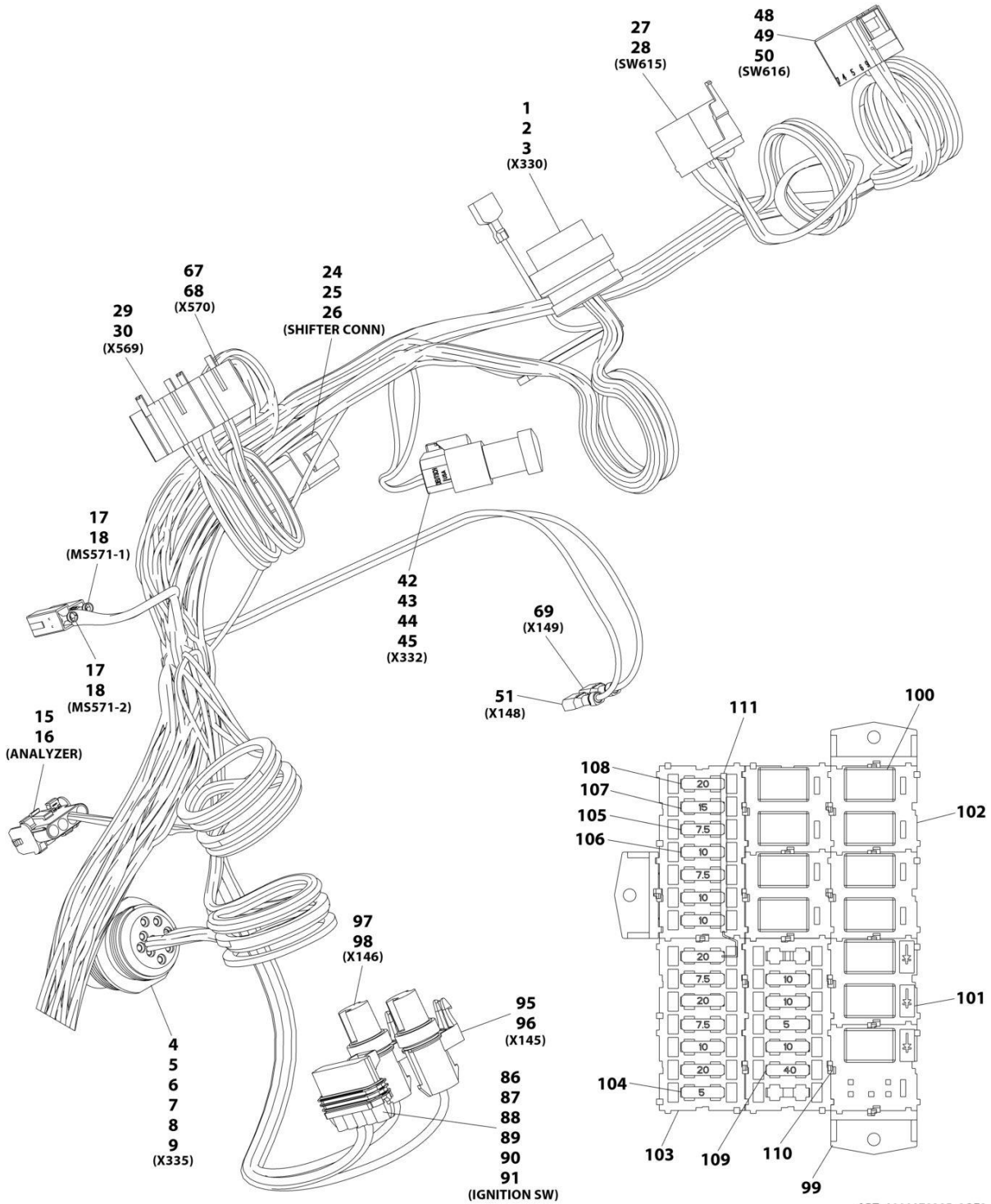
SECTION 10 - ELECTRICAL

FIGURE 10-14. CAB DISTRIBUTION HARNESS



ART_1001178285_10F2

SECTION 10 - ELECTRICAL



ART_1001178285_20F2

SECTION 10 - ELECTRICAL

FIGURE 10-14. CAB DISTRIBUTION HARNESS

ITEM	PART NUMBER	QTY	DESCRIPTION	REV
	1001178285	Ref	Cab Power Distribution Harness	O
1	4460872	1	Connector	
2	4460871	10	Terminal, Socket	
3	4460905	4	Plug, Seal	
4	1001112612	1	Connector	
5	1001149712	1	Cap	
6	1001125784	1	Lockwasher	
7	1001125785	1	Nut	
8	4460464	6	Terminal	
9	4460466	3	Plug	
10	4460884	1	Connector	
11	4460465	4	Terminal	
12	4460930	1	Connector	
13	4460465	6	Terminal	
14	4460466	2	Plug	
15	4460761	1	Connector	
16	1001118378	4	Terminal	
17	4460994	2	Connector	
18	1001200833	4	Terminal	
19	1001230931	1	Connector	
20	1001116748	6	Terminal	
21	1001116808	1	Connector	
22	1001126008	10	Terminal, Socket	
23	4460518	2	Terminal, Plug	
24	4460970	1	Connector	
25	4460464	9	Terminal	
26	4460466	3	Plug	
27	8220904	1	Connector	
28	4460419	6	Terminal	
29	1001117119	1	Connector	
30	1001159186	4	Terminal	
31	4460891	1	Connector	
32	1001157890	1	Terminal	
33	4460942	1	Terminal	
34	1001117106	1	Terminal, Ring	
35	1001117106	1	Terminal, Ring	
36	1001117106	1	Terminal, Ring	
37	1001117106	1	Terminal, Ring	
38	4460836	1	Connector	
39	4460509	5	Terminal, Socket	
40	4460465	6	Terminal	
41	4460466	1	Plug	
42	1001116812	1	Connector	
43	4461070	1	Connector	
44	4460465	2	Terminal	
45	4460466	1	Plug	
46	1001116774	1	Connector	
47	1001126008	12	Terminal, Socket	
48	8220904	1	Connector	
49	4460419	8	Terminal	

SECTION 10 - ELECTRICAL

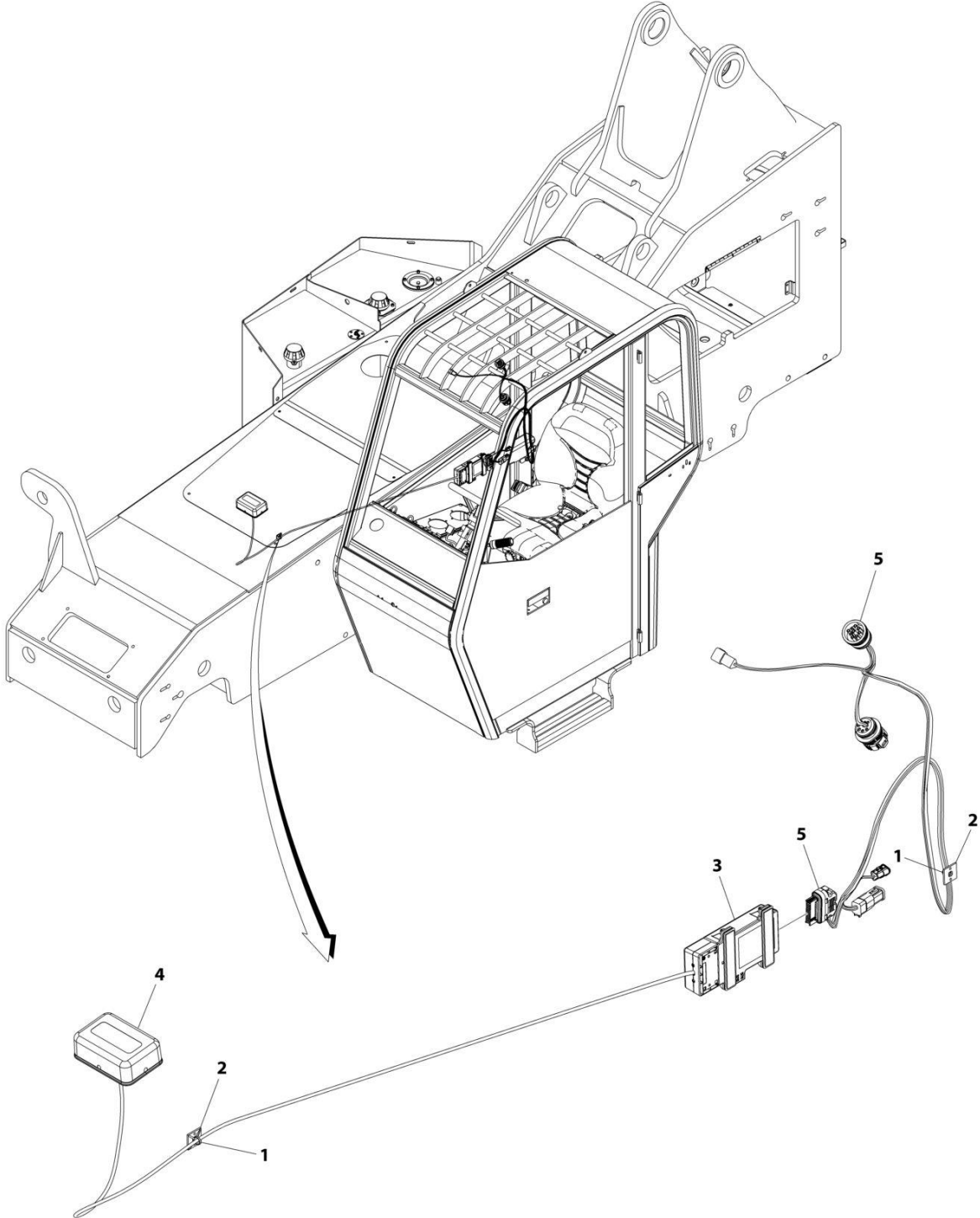
ITEM	PART NUMBER	QTY	DESCRIPTION	REV
50	1001195760	2	Terminal	
51	8220051	1	Terminal	
52	4460933	1	Connector	
53	1001003174	3	Terminal, Socket	
54	4460465	7	Terminal	
55	4460466	2	Terminal	
56	4460897	1	Connector	
57	4460464	2	Terminal	
58	4460891	1	Connector	
59	4460465	1	Terminal	
60	1001157890	1	Terminal	
61	4460930	1	Connector	
62	4460465	3	Terminal	
63	1001157890	2	Terminal	
64	4460466	3	Plug	
65	4461017	1	Connector	
66	4460508	2	Terminal, Socket	
67	1001117119	1	Connector	
68	1001159186	2	Terminal	
69	8220051	1	Terminal	
70	80963061	1	Connector	
71	4460790	4	Terminal, Socket	
72	8220089	4	Seal	
73	8220927	1	Connector	
74	1001116726	10	Terminal	
75	8220097	4	Terminal	
76	8220098	1	Terminal	
77	4460458	14	Seal	
78	4460789	1	Seal	
79	8220929	1	Connector	
80	1001116745	3	Terminal	
81	8220162	3	Terminal	
82	1001116729	8	Terminal	
83	1001116727	1	Plug	
84	4460458	11	Seal	
85	80963067	3	Seal	
86	1001121726	1	Connector	
87	8220125	2	Terminal	
88	8220089	2	Seal	
89	1001116726	1	Terminal	
90	4460458	1	Seal	
91	1001116727	2	Plug	
92	4460970	1	Connector	
93	4460466	6	Terminal	
94	4460464	6	Terminal	
95	1001121728	1	Connector, Packard Female, 1POS	
96	1001121730	1	Terminal	
97	1001121728	1	Connector, Packard Female, 1POS	
98	1001121730	1	Terminal	
99	1001200845	3	Leg, Mounting	
100	1001205172	11	Relay, Micro 280, 12V, 35 Amp	

SECTION 10 - ELECTRICAL

ITEM	PART NUMBER	QTY	DESCRIPTION	REV
101	1001129285	3	Fuse, Mini Diode	
102	1001177198	6	Module, 2 Fuse	
103	1001187952	3	Assembly, Electrical	
104	8229261	2	Fuse, Type 5 A	
105	8229233	4	Fuse, Type 7.5 A	
106	8229234	7	Fuse, Type 10 A	
107	8229237	1	Fuse, Type 15 A	
108	8229235	4	Fuse, Type 20 A	
109	8229238	1	Fuse, Type 40 A	
110	4461103	17	Relay, Locking Wedge	
111	1001210779	1	Terminal	
112	1001116710	43	Terminal	
113	1001116712	12	Terminal	
114	1001210779	1	Terminal	
115	1001192050	10	Terminal	
116	1001210776	4	Terminal	
117	1001192049	11	Terminal	
118	1001210778	2	Terminal	
119	1001210777	8	Terminal	

SECTION 10 - ELECTRICAL

FIGURE 10-15. CLEARSKY INSTALLATION - CANBUS



ART_1001227459_D

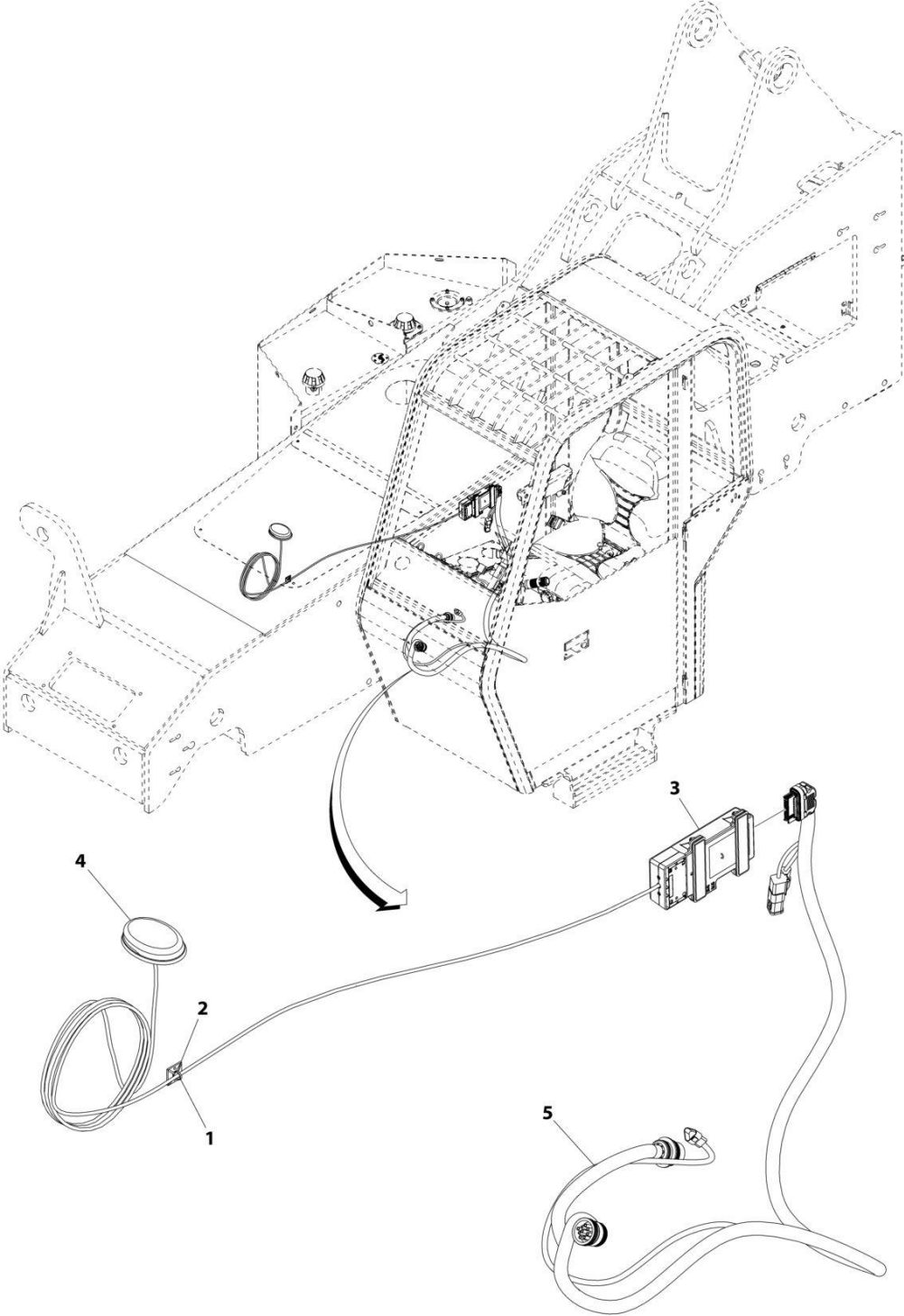
SECTION 10 - ELECTRICAL

FIGURE 10-15. CLEARSKY INSTALLATION - CANBUS

ITEM	PART NUMBER	QTY	DESCRIPTION	REV
	1001227459	Ref	CLEARSKY INSTALLATION	D
1	4240032	AR	Tie-Strap	
2	4460234	AR	Mount, Tie-Strap	
3	1001226796	1	Module (3G)	
3	1001262322	1	Module (4G)	
4	1001226799	1	Antenna (3G)	
4	1001262326	1	Antenna (4G)	
5	1001226856	1	Harness, Clearsky (See Separate Breakdown in this Section)	

SECTION 10 - ELECTRICAL

FIGURE 10-16. CLEARSKY INSTALLATION - CANBUS (CE)



ART_1001239250-A

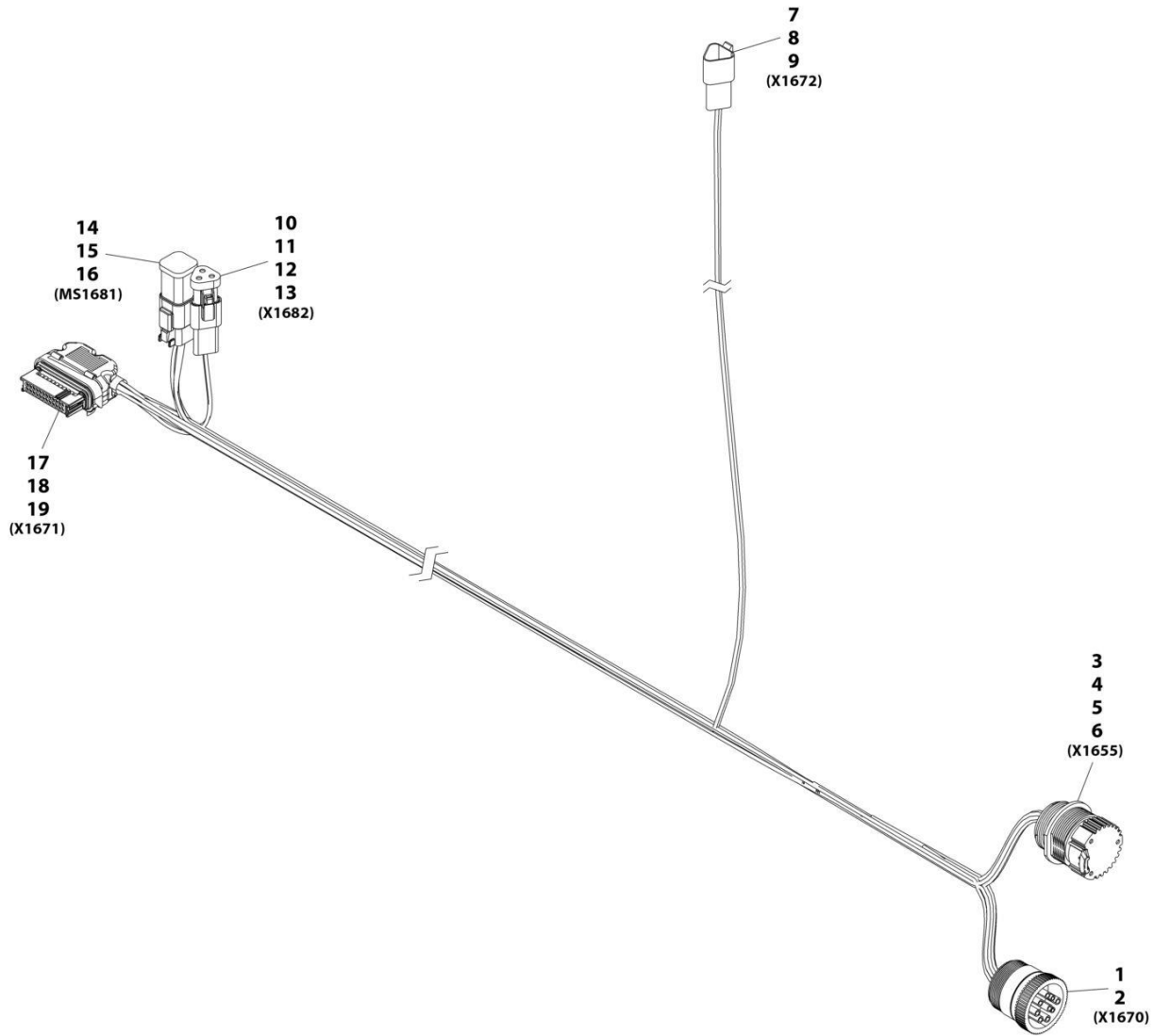
SECTION 10 - ELECTRICAL

FIGURE 10-16. CLEARSKY INSTALLATION - CANBUS (CE)

ITEM	PART NUMBER	QTY	DESCRIPTION	REV
	1001239250	Ref	Clearsky Installation (CE)	A
1	4240032	AR	Tie-Strap	
2	4460234	AR	Mount, Tie-Strap	
3	1001228954	1	Module	
4	1001226799	1	Antenna	
5	1001226856	1	Harness, Clearsky (See Separate Breakdown in this Section)	

SECTION 10 - ELECTRICAL

FIGURE 10-17. CLEARSKY HARNESS - CANBUS



ART_1001226856-A

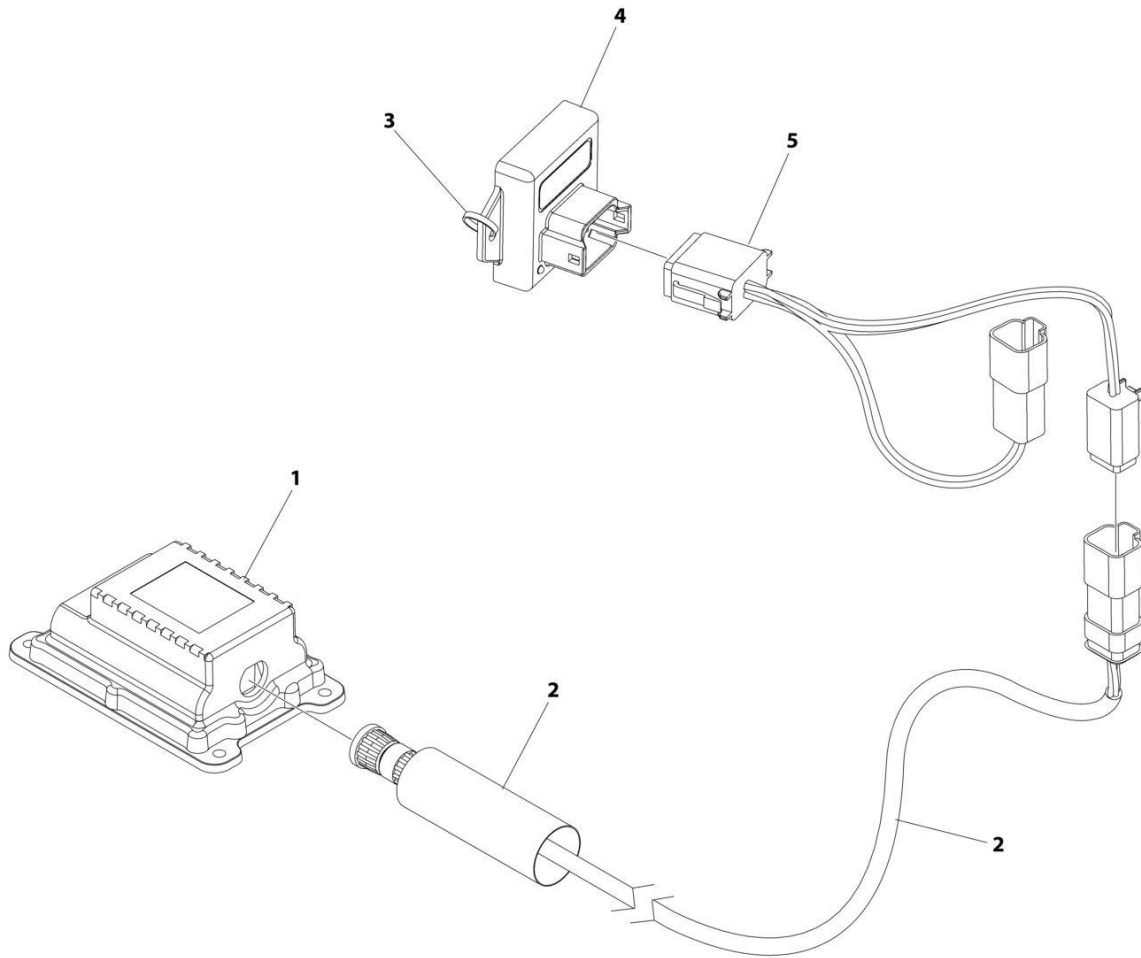
SECTION 10 - ELECTRICAL

FIGURE 10-17. CLEARSKY HARNESS - CANBUS

ITEM	PART NUMBER	QTY	DESCRIPTION	REV
	1001226856	Ref	Clearsky Telematics Harness	A
1	1001112796	1	Connector	
2	4460465	9	Terminal	
3	1001112612	1	Connector	
4	1001149712	1	Cap	
5	1001116693	6	Terminal	
6	4460466	3	Plug	
7	1001144147	1	Connector	
8	4460464	2	Terminal	
9	4460466	1	Plug	
10	1001144147	1	Connector	
11	1001116815	1	Plug	
12	4460464	2	Terminal	
13	4460466	1	Plug	
14	4460894	1	Connector	
15	1001226541	1	Bussbar	
16	4460465	6	Terminal	
17	1001226636	1	Connector	
18	1001116731	16	Plug	
19	1001226637	8	Terminal	

SECTION 10 - ELECTRICAL

FIGURE 10-18. CLEARSKY INSTALLATION - 3-WIRE (NORTH AMERICA)



ART_1001229107

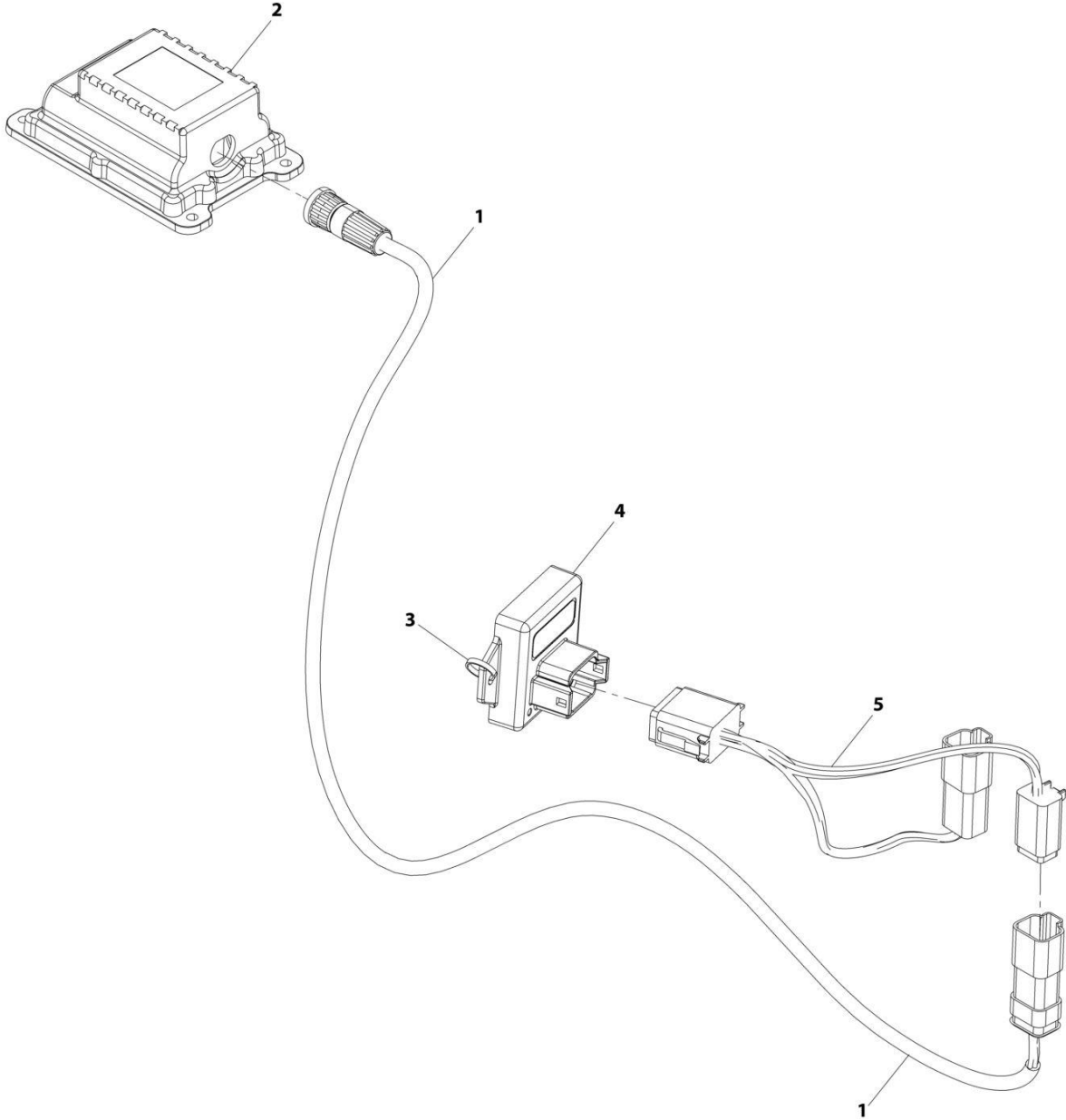
SECTION 10 - ELECTRICAL

FIGURE 10-18. CLEARSKY INSTALLATION - 3-WIRE (NORTH AMERICA)

ITEM	PART NUMBER	QTY	DESCRIPTION	REV
	1001229107	Ref	CLEARSKY INSTALLATION 3-WIRE	D
1	1001226328	1	Module, 3W TCU	
2	1001227066	1	Telematics ClearSky Harness (See Separate Breakdown in this Section)	
3	4240032	AR	Tie-Strap	
4	1001262960	1	Voltage Regulator	
5	1001262963	1	Harness, Xirgo Jumper	

SECTION 10 - ELECTRICAL

FIGURE 10-19. CLEARSKY INSTALLATION - 3-WIRE (CE)



ART_1001233237

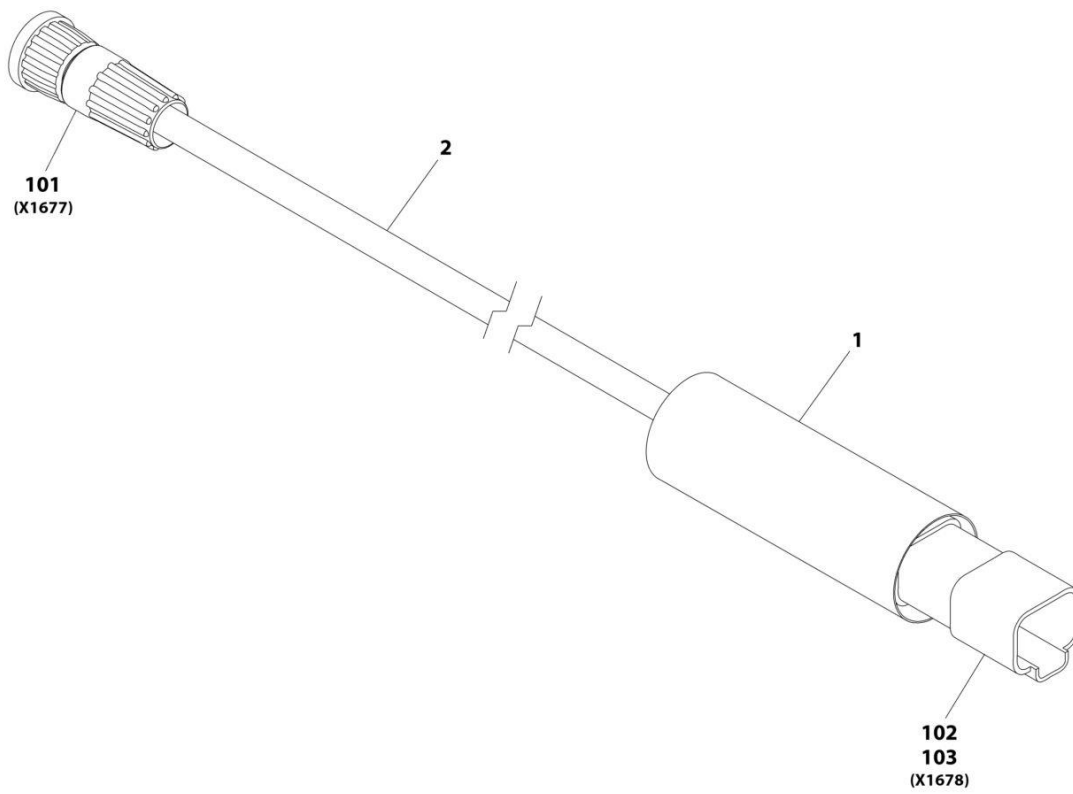
SECTION 10 - ELECTRICAL

FIGURE 10-19. CLEARSKY INSTALLATION - 3-WIRE (CE)

ITEM	PART NUMBER	QTY	DESCRIPTION	REV
	1001233237	Ref	Clearsky Installation 3-Wire (CE)	E
1	1001227066	1	Telematics Harness (See Separate Breakdown in this Section)	
2	1001233236	1	Module, 3W TCU	
3	4240032	AR	Tie Strap	
4	1001262960	1	Voltage Regulator	
5	1001262963	1	Harness, Xirgo Jumper	

SECTION 10 - ELECTRICAL

FIGURE 10-20. CLEARSKY HARNESS - 3-WIRE



ART_1001227066-A

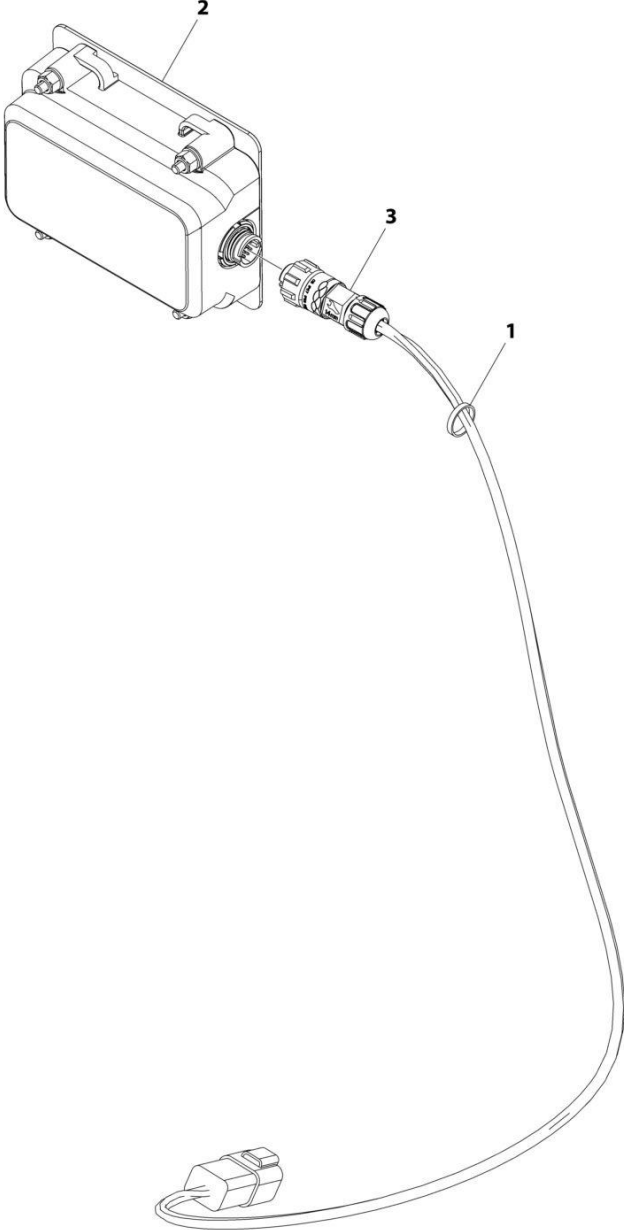
SECTION 10 - ELECTRICAL

FIGURE 10-20. CLEARSKY HARNESS - 3-WIRE

ITEM	PART NUMBER	QTY	DESCRIPTION	REV
	1001227066	Ref	CLEARSKY TELEMATICS HARNESS	A
1	1001226400	0.33 ft	Insulate, Heat Shrink	
2	1001227068	3.3 ft	Cable	
101	1001227266	1	Connector	
102	1001129407	1	Connector	
103	4460464	4	Terminal	

SECTION 10 - ELECTRICAL

FIGURE 10-21. CLEARSKY TELEMATICS 3-WIRE INSTALLATION



ART_1001276920

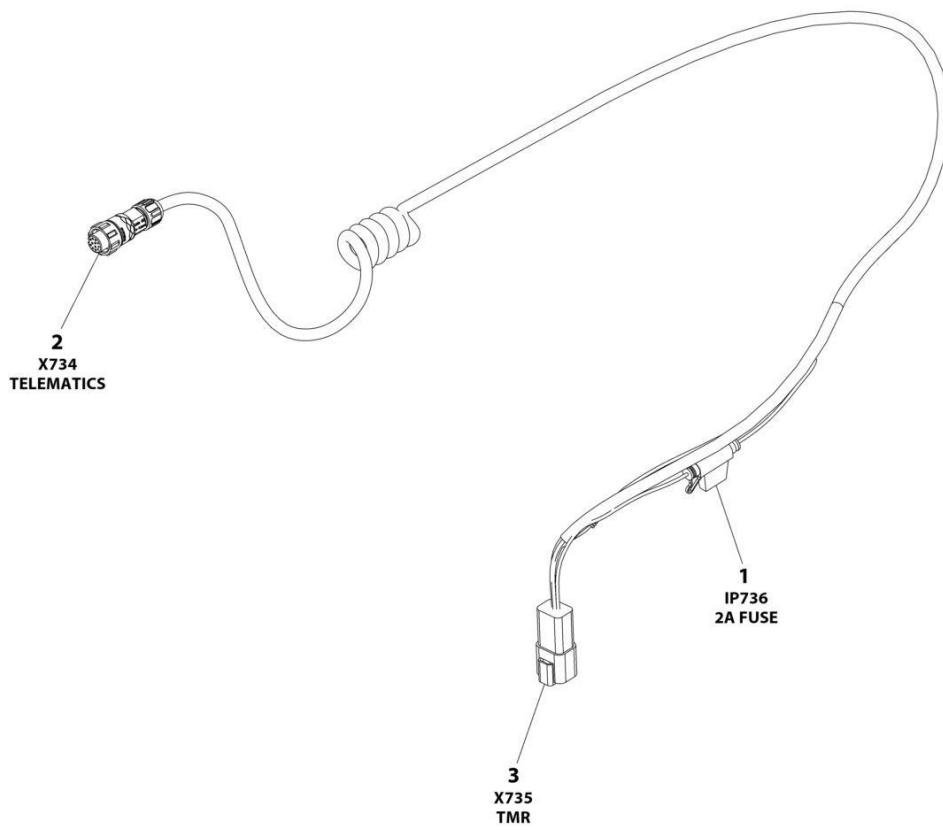
SECTION 10 - ELECTRICAL

FIGURE 10-21. CLEARSKY TELEMATICS 3-WIRE INSTALLATION

ITEM	PART NUMBER	QTY	DESCRIPTION	REV
	1001276920	Ref	CLEARSKY TELEMATICS 3-WIRE INSTALLATION	A
1	4240032	AR	Tie, Strap	
2	1001272659	1	Module - GT1030	
3	1001273012	1	ClearSky Telematics 3-Wire Harness (See Separate Breakdown in this Section)	

SECTION 10 - ELECTRICAL

FIGURE 10-22. CLEARSKY TELEMATICS 3-WIRE HARNESS



ART_1001273012

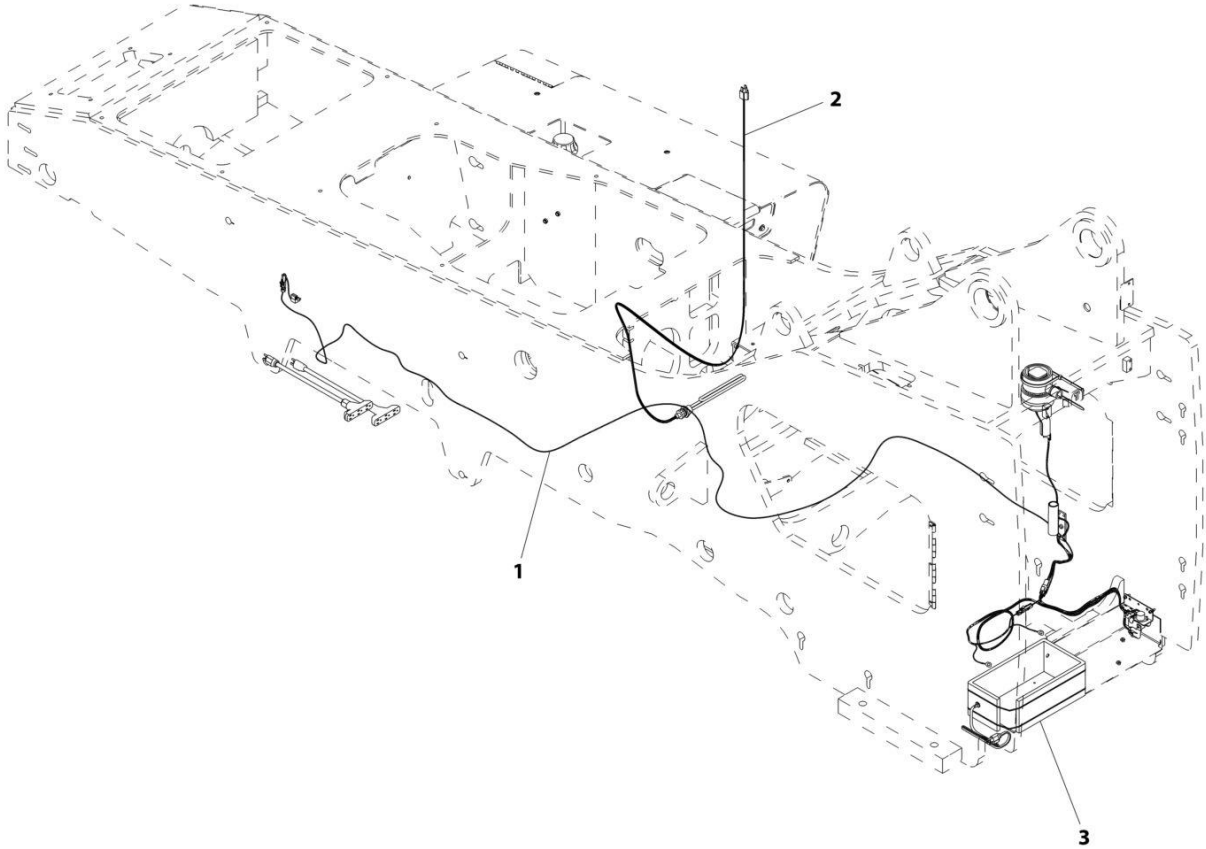
SECTION 10 - ELECTRICAL

FIGURE 10-22. CLEARSKY TELEMATICS 3-WIRE HARNESS

ITEM	PART NUMBER	QTY	DESCRIPTION	REV
	1001273012	Ref	CLEARSKY TELEMATICS HARNESS - GT1030	D
1	1001255901	1	Fuseholder	
1	1001196634	1	Fuse - 2Amp	
2	1001272997	1	Connector - 12 Position	
2		Ref	Terminal	
3	4460932	1	Receptacle, Female - 4 Position	
3	4460464	4	Pin, Male	

SECTION 10 - ELECTRICAL

FIGURE 10-23. COLD WEATHER PACKAGE (ULS)



ART_1001234530-A

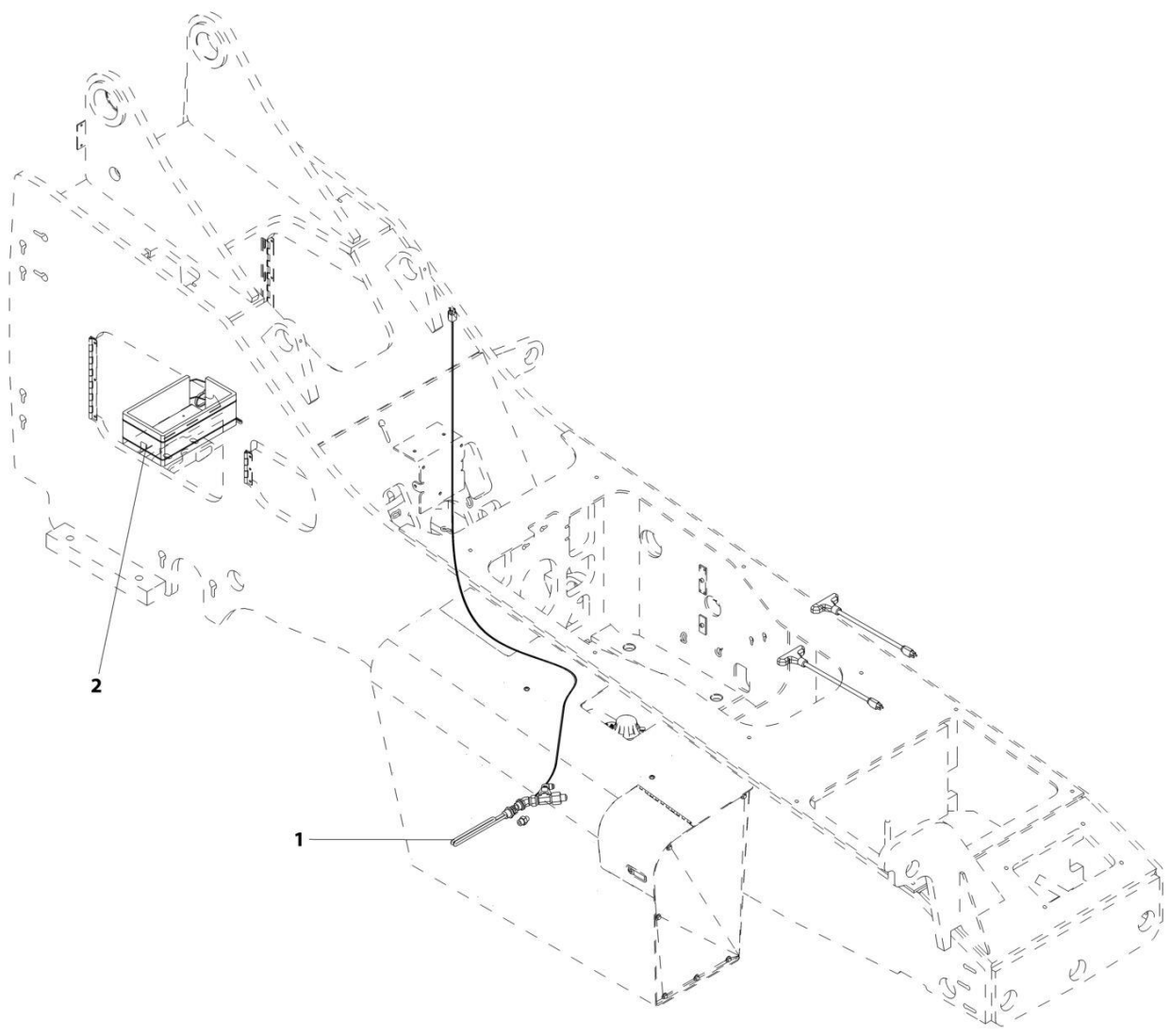
SECTION 10 - ELECTRICAL

FIGURE 10-23. COLD WEATHER PACKAGE (ULS)

ITEM	PART NUMBER	QTY	DESCRIPTION	REV
1	1001234530	Ref	Arctic Weather Package Installation (ULS)	A
	1001232750	Ref	Heater, Breather (See Separate Breakdown in Engine And Attaching Parts Section)	
2	1001233964	Ref	Installation, Tank Heater (See Separate Breakdown in this Section)	
3	1001234216	Ref	Installation, Battery Blanket (See Separate Breakdown in this Section)	

SECTION 10 - ELECTRICAL

FIGURE 10-24. COLD WEATHER PACKAGE (LS)



ART_1001239958-A

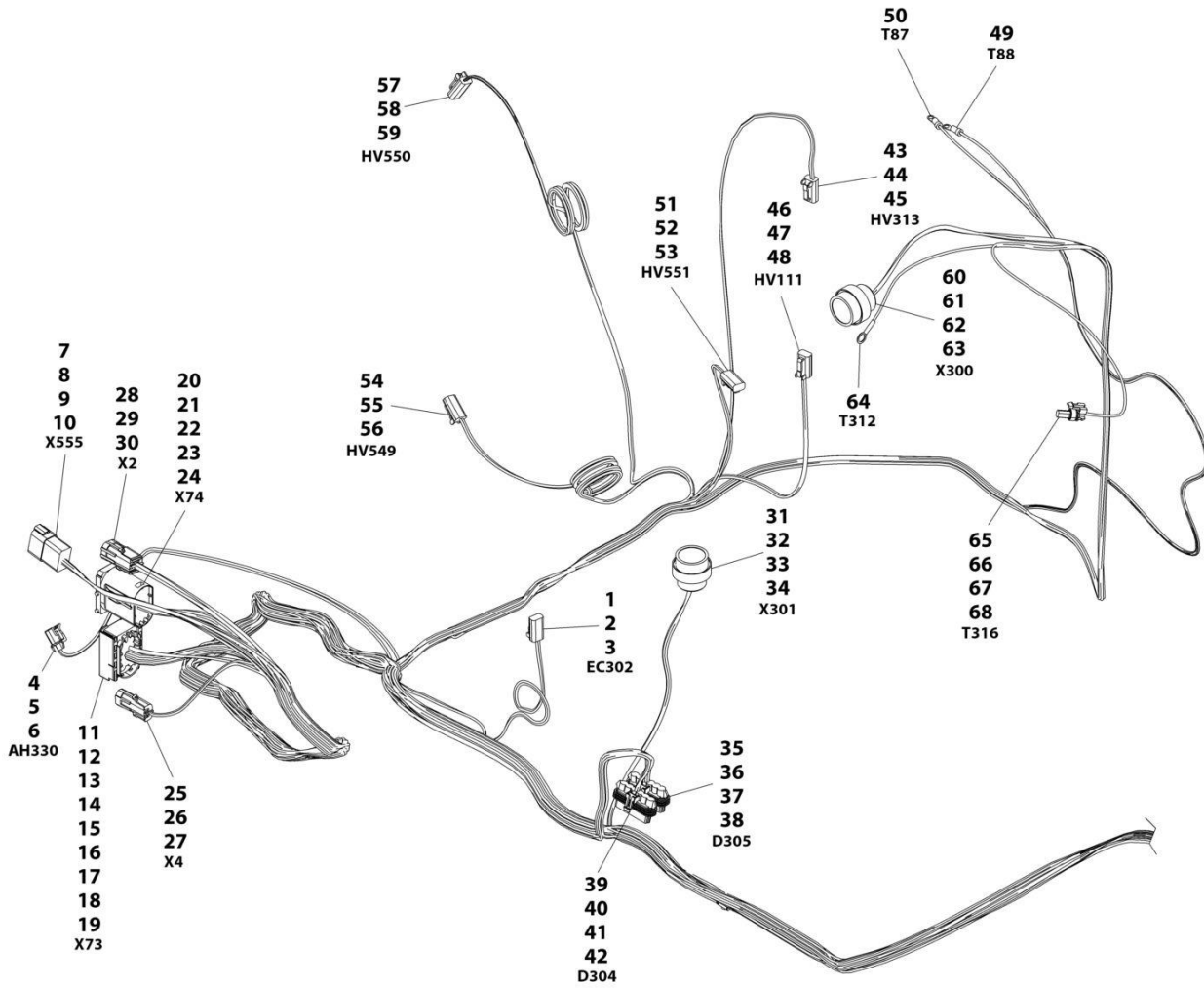
SECTION 10 - ELECTRICAL

FIGURE 10-24. COLD WEATHER PACKAGE (LS)

ITEM	PART NUMBER	QTY	DESCRIPTION	REV
1	1001239958	Ref	Arctic Weather Package Installation (LS)	A
	1001233964	Ref	Installation, Tank Heater (See Separate Breakdown in this Section)	
2	1001234216	Ref	Installation, Battery Blanket (See Separate Breakdown in this Section)	

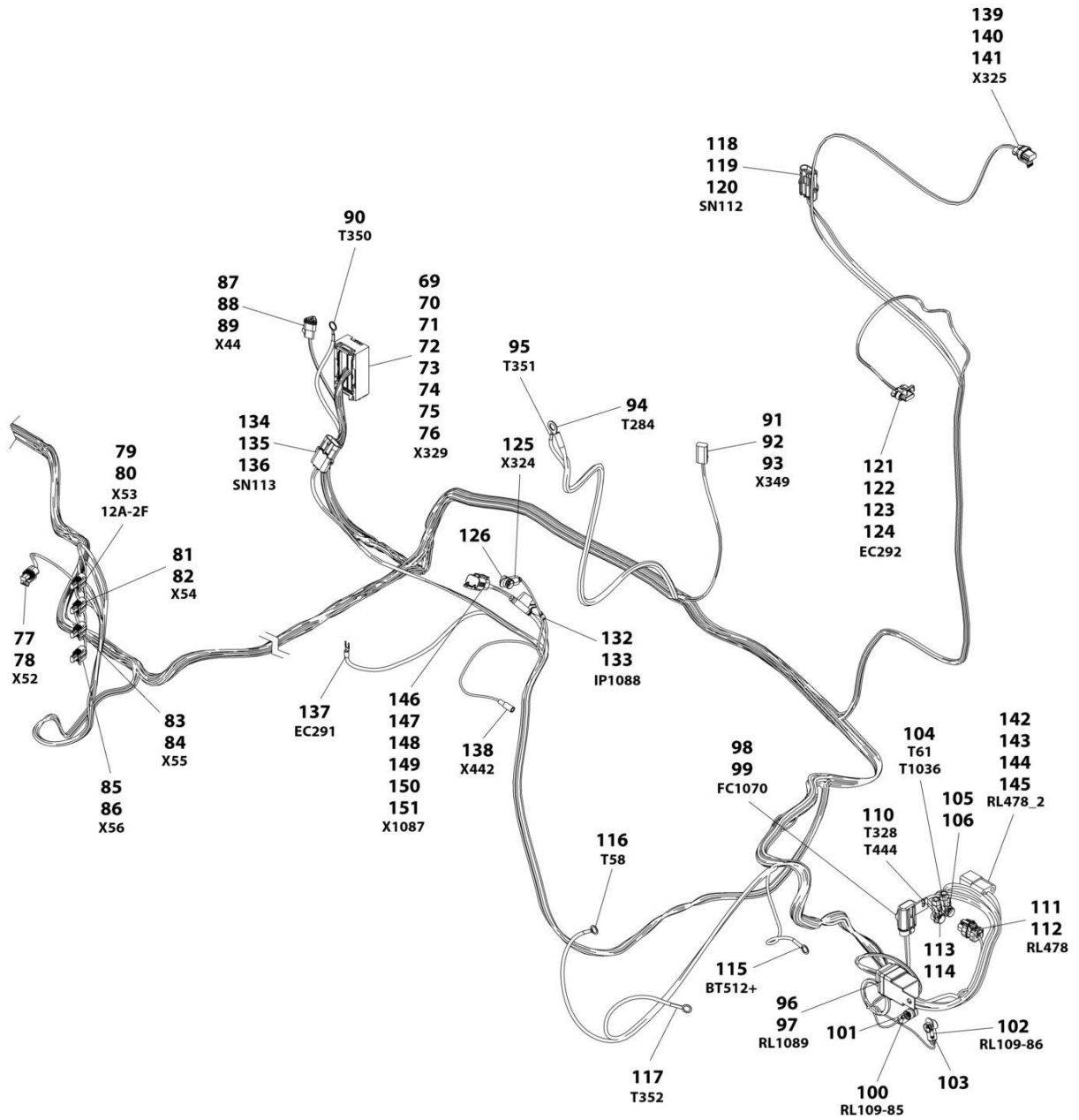
SECTION 10 - ELECTRICAL

FIGURE 10-25. ENGINE HARNESS (74HP)



ART_1001199889_1OF2

SECTION 10 - ELECTRICAL



ART_1001199889_2OF2

SECTION 10 - ELECTRICAL

FIGURE 10-25. ENGINE HARNESS (74HP)

ITEM	PART NUMBER	QTY	DESCRIPTION	REV
	1001199889	Ref	ENGINE HARNESS 74HP (IF EQUIPPED FOR ULS)	I
1	4460891	1	Connector	
2	80604018	1	Lock, Wedge	
3	4460465	2	Terminal	
4	1001117068	1	Connector	
5	8220124	2	Terminal	
6	80963067	2	Seal	
6	4460608	2	Seal	
7	4460931	1	Connector	
8	91503106	1	Lock, Wedge	
9	4460464	4	Terminal	
10	4460466	4	Plug	
11	8220927	1	Connector	
12	70024256	1	Lock, Slide	
13	70024255	1	Seal, Connector	
14	70024254	1	Lock, Secondary	
15	8220097	10	Terminal	
16	4460458	10	Seal	
17	8220098	3	Terminal	
18	80963067	3	Seal	
19	1001116727	2	Plug	
20	8220929	1	Connector	
21	70024253	1	Lock, Secondary	
22	1001116745	1	Terminal	
23	1001116729	14	Terminal	
24	4460458	15	Seal	
25	4461157	1	Connector	
26	4460475	2	Terminal	
27	4460458	2	Seal	
28	80963062	1	Connector	
29	4460850	4	Terminal	
30	80963067	4	Seal	
31	8220536	1	Connector	
32	1001116758	12	Plug	
33	1001116757	4	Terminal	
34	1001189875	4	Seal	
35	4460744	1	Connector	
36	1001116728	4	Terminal	
37	1001116727	2	Plug	
38	8220081	4	Seal	
39	4460744	1	Connector	
40	1001116728	4	Terminal	
41	1001116727	2	Plug	
42	8220081	4	Seal	
43	4460891	1	Connector	
44	80604018	1	Lock, Wedge	
45	4460465	2	Terminal	
46	4460891	1	Connector	
47	80604018	1	Lock, Wedge	
48	4460465	2	Terminal	

SECTION 10 - ELECTRICAL

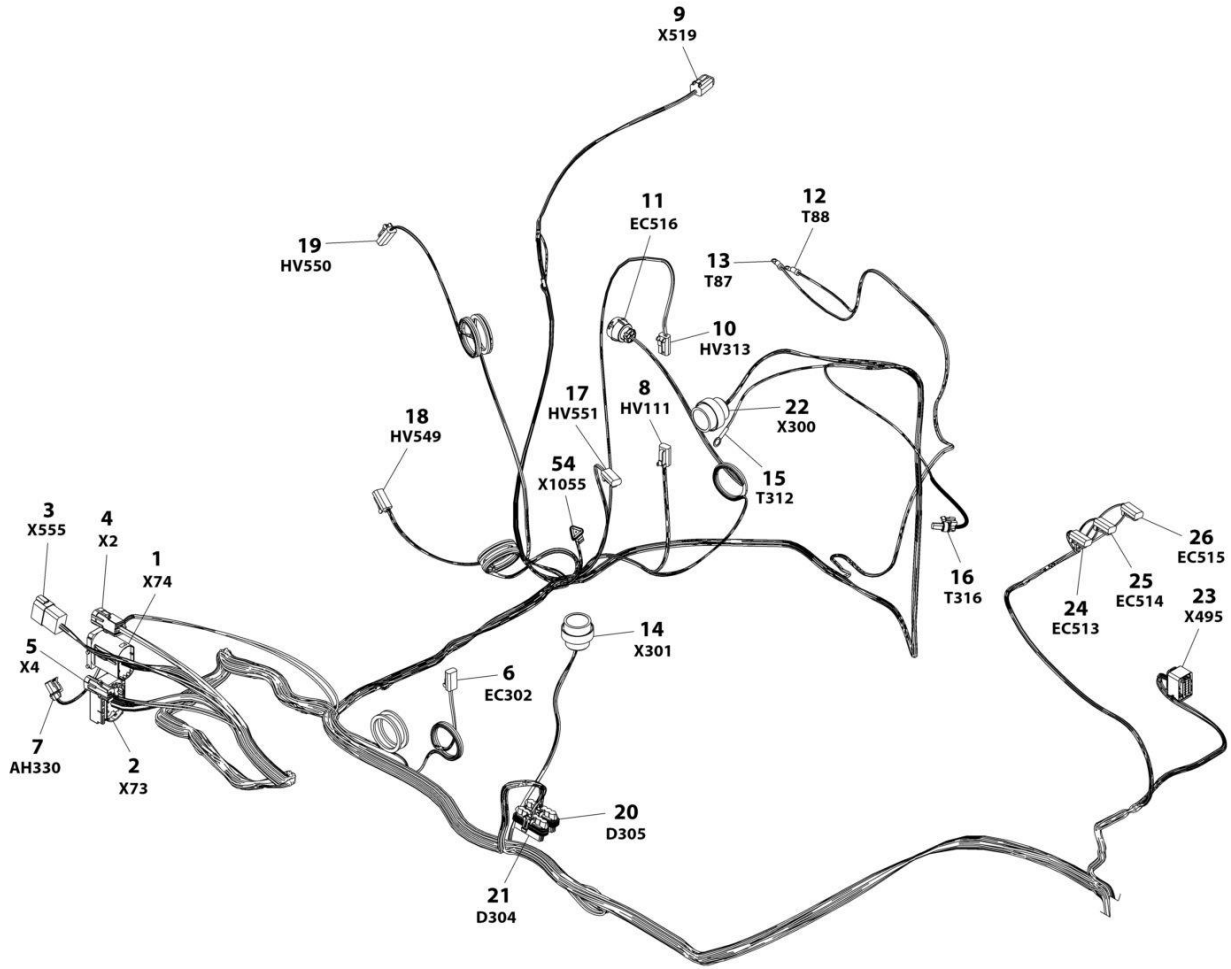
ITEM	PART NUMBER	QTY	DESCRIPTION	REV
49	4460042	1	Terminal, Ring	
50	4460042	1	Terminal, Ring	
51	4460891	1	Connector	
52	80604018	1	Lock, Wedge	
53	4460465	2	Terminal	
54	4460891	1	Connector	
55	80604018	1	Lock, Wedge	
56	4460465	2	Terminal	
57	4460891	1	Connector	
58	80604018	1	Lock, Wedge	
59	4460465	2	Terminal	
60	8220536	1	Connector	
61	1001116757	4	Terminal	
62	1001116758	12	Plug	
63	1001189875	4	Seal	
64	4460256	1	Terminal, Ring	
65	1001119004	1	Connector	
66	8220889	1	Lock, Secondary	
67	1001116728	1	Terminal	
68	4460458	1	Seal	
69	1001167641	1	Connector	
70	1001167643	1	Cover	
71	1001167644	1	Lock, Secondary	
72	1001167646	1	Lock, Secondary	
73	1001167647	1	Boot, Rubber	
74	1001167648	10	Terminal	
75	1001167650	75	Plug	
76	1001167649	11	Terminal	
77	4460955	1	Connector	
78	1001116748	2	Terminal	
79	4460955	1	Connector	
80	1001116748	2	Terminal	
81	4460955	1	Connector	
82	1001116748	2	Terminal	
83	4460955	1	Connector	
84	1001116748	2	Terminal	
85	4460955	1	Connector	
86	1001116748	2	Terminal	
87	4461095	1	Connector	
88	4460465	2	Terminal	
89	4460466	1	Plug	
90	4460019	1	Terminal, Ring	
91	4460891	1	Connector	
92	80604018	1	Lock, Wedge	
93	4460465	2	Terminal	
94	8220164	2	Terminal, Ring	
95	4460019	1	Terminal, Ring	
96	1001145707	1	Connector	
97	1001116732	4	Terminal	
98	1001117070	1	Connector	
99	1001116734	2	Terminal	

SECTION 10 - ELECTRICAL

ITEM	PART NUMBER	QTY	DESCRIPTION	REV
100	4460247	1	Terminal, Ring	
101	1001195057	1	Red Boot	
102	4460247	1	Terminal, Ring	
103	1001195055	1	Red Boot	
104	4460312	1	Terminal, Ring	
105	4460312	1	Terminal, Ring	
106	1001195087	1	Red Boot	
110	4460312	1	Terminal, Ring	
111	1001116950	1	Connector	
112	4460465	2	Terminal	
113	4460312	2	Terminal, Ring	
114	1001195087	1	Red Boot	
115	4460019	1	Terminal, Ring	
115	4460312	1	Terminal, Ring	
116	4460019	1	Terminal, Ring	
117	4460019	1	Terminal, Ring	
118	4460476	1	Connector	
119	4460475	3	Terminal	
120	4460458	3	Seal	
121	1001125027	1	Connector	
122	70026217	1	Lock, Secondary	
123	8220124	3	Terminal	
124	4460608	3	Seal	
125	8220058	1	Terminal, Ring	
126	1001195055	1	Red Boot	
132	2400060	1	Fuse Holder	
133	8229242	1	Fuse 5A	
134	4460476	1	Connector	
135	4460475	3	Terminal	
136	4460458	3	Seal	
137	1001117111	1	Terminal, Fork	
138	1001117125	1	Terminal, Snap Plug	
138	1001246391	1	Terminal, Snap Plug	
139	1001117021	1	Connector	
140	1001116728	2	Terminal	
141	8220081	2	Seal	
142	1001117103	1	Connector	
143	7026404	1	Lock, Connector	
144	1001121730	2	Terminal	
145	8220160	2	Seal	
146	4460884	1	Connector	
147	80604021	1	Lock, Wedge	
148	1001157890	1	Terminal	
149	1001116692	2	Terminal	
150	4460466	1	Plug	
151	1001192401	1	Dust Cap	

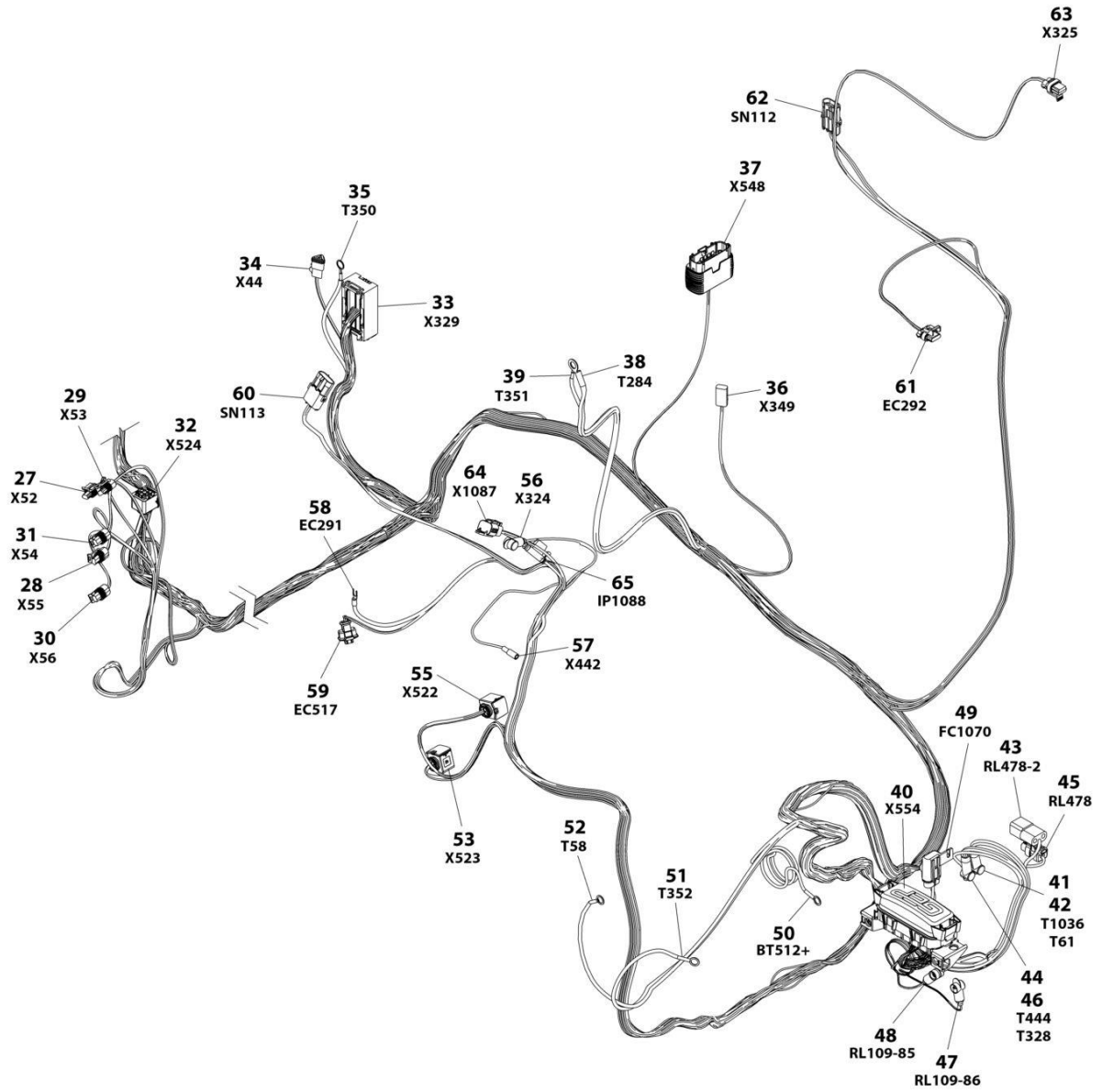
SECTION 10 - ELECTRICAL

FIGURE 10-26. ENGINE HARNESS (110HP ULS)



ART_1001169620_10F2

SECTION 10 - ELECTRICAL



ART_1001169620_20F2

SECTION 10 - ELECTRICAL

FIGURE 10-26. ENGINE HARNESS (110HP ULS)

ITEM	PART NUMBER	QTY	DESCRIPTION	REV
	1001169620	Ref	ENGINE HARNESS	O
1	8220929	1	Connector	
	70024253	1	Lock, Secondary	
	1001116745	1	Terminal	
	4460458	14	Seal	
	1001116729	13	Terminal	
	1001116727	1	Plug	
2	8220927	1	Connector	
	70024256	1	Lock, Slide	
	70024255	1	Seal, Connector	
	70024254	1	Lock, Secondary	
	8220097	11	Terminal	
	4460458	11	Seal	
	8220098	3	Terminal	
	80963067	3	Seal	
	1001116727	1	Plug	
3	4460931	1	Connector	
	80604024	1	Lock, Wedge	
	4460464	6	Terminal	
	4460466	2	Plug	
4	80963062	1	Connector	
	4460850	4	Terminal	
	80963067	4	Seal	
5	4461157	1	Connector	
	4460475	2	Terminal	
	4460458	2	Seal	
6	4460891	1	Connector	
	80604018	1	Lock, Wedge	
	4460465	2	Terminal	
7	1001117068	1	Connector	
	8220124	2	Terminal	
	80963067	2	Seal	
	4460608	2	Seal	
8	4460891	1	Connector	
	80604018	1	Lock, Wedge	
	4460465	2	Terminal	
9	4460884	1	Connector	
	80604021	1	Lock, Wedge	
	4460465	4	Terminal	
10	4460891	1	Connector	
	80604018	1	Lock, Wedge	
	4460465	2	Terminal	
	4460458	2	Seal	
11	1001167620	1	Connector	
	1001176004	2	Terminal	
	1001167624	2	Plug	
	1001176002	2	Seal	
12	4460042	1	Terminal, Ring	
13	4460042	1	Terminal, Ring	
14	8220536	1	Connector	

SECTION 10 - ELECTRICAL

ITEM	PART NUMBER	QTY	DESCRIPTION	REV
	1001116757	12	Terminal	
	1001116758	3	Plug	
	1001189875	4	Seal	
15	4460256	1	Terminal, Ring	
16	1001119004	1	Connector	
	8220889	1	Lock, Secondary Terminal	
	1001116728	1	Terminal	
	4460458	1	Seal	
17	4460891	1	Connector	
	80604018	1	Lock, Wedge	
	4460465	2	Terminal	
18	4460891	1	Connector	
	80604018	1	Lock, Wedge	
	4460465	2	Terminal	
19	4460891	1	Connector	
	80604018	1	Lock, Wedge	
	4460465	2	Terminal	
20	4460744	1	Connector	
	1001116728	4	Terminal	
	8220081	4	Seal	
	4460458	4	Seal	
	8220375	1	CAP,EXTENDED CLEAR VES-PAC	
	8220366	1	Diode Board Flyback	
	1001116727	2	Plug	
21	4460744	1	Connector	
	1001116728	4	Terminal	
	8220081	4	Seal	
	4460458	4	Seal	
	1001116727	2	Plug	
	8220366	1	Diode Board Flyback	
	8220375	1	CAP,EXTENDED CLEAR VES-PAC	
22	8220536	1	Connector	
	1001116757	4	Terminal	
	1001116758	12	Plug	
	1001189875	4	Seal	
23	1001165194	1	Connector	
	1001166556	10	Terminal	
	1001126391	2	Terminal	
	1001126393	10	Seal	
24	4460891	1	Connector	
	80604018	1	Lock, Wedge	
	4460465	2	Terminal	
25	4460891	1	Connector	
	80604018	1	Lock, Wedge	
	4460465	2	Terminal	
26	4460891	1	Connector	
	80604018	1	Lock, Wedge	
	4460465	2	Terminal	
27	4460955	1	Connector	
	1001116748	2	Terminal	
28	4460955	1	Connector	

SECTION 10 - ELECTRICAL

ITEM	PART NUMBER	QTY	DESCRIPTION	REV
	1001116748	2	Terminal	
29	4460955	1	Connector	
	1001116748	2	Terminal	
30	4460955	1	Connector	
	1001116748	2	Terminal	
31	4460955	1	Connector	
	1001116748	2	Terminal	
32	1001176935	1	Connector	
	1001166704	4	Terminal	
	4461006	4	Seal	
33	1001167641	1	Connector	
	1001167643	1	Cover	
	1001167644	1	Lock, Secondary	
	1001167646	1	Relief, Strain	
	1001167647	1	Boot, Rubber	
	1001167648	12	Terminal	
	1001167650	54	Plug	
	1001167649	30	Terminal	
34	4461095	1	Connector	
	4461070	1	Attach Mating Connector	
	4460465	2	Terminal	
	4460466	1	Terminal	
35	4460019	1	Terminal, Ring	
36	4460891	1	Connector	
	80604018	1	Lock, Wedge	
	4460465	2	Terminal	
37	1001125083	1	Connector	
	1001125085	1	Terminal	
	1001125089	1	Terminal	
38	8220164	2	Terminal, Ring	
39	4460019	1	Terminal, Ring	
40	1001167617	1	Connector	
	4460746	22	Terminal	
	1001116727	24	Plug	
	1001189877	2	Seal	
	8220089	1	Seal	
	4460458	19	Seal	
	8220125	2	Terminal	
	80963067	2	Seal	
	1001187512	1	Decal	
	1001187513	1	Decal	
	1001095704	5	Relay	
	8229244	2	Fuse, 15 Amp	
41	4460312	2	Terminal, Ring	
	1001195087	1	Red Boot	
42	4460312	1	Terminal, Ring	
43	1001117103	1	Connector	
	7026404	1	Lock, Connector	
	1001121730	2	Terminal	
	8220160	2	Seal	
44	4460312	1	Terminal, Ring	

SECTION 10 - ELECTRICAL

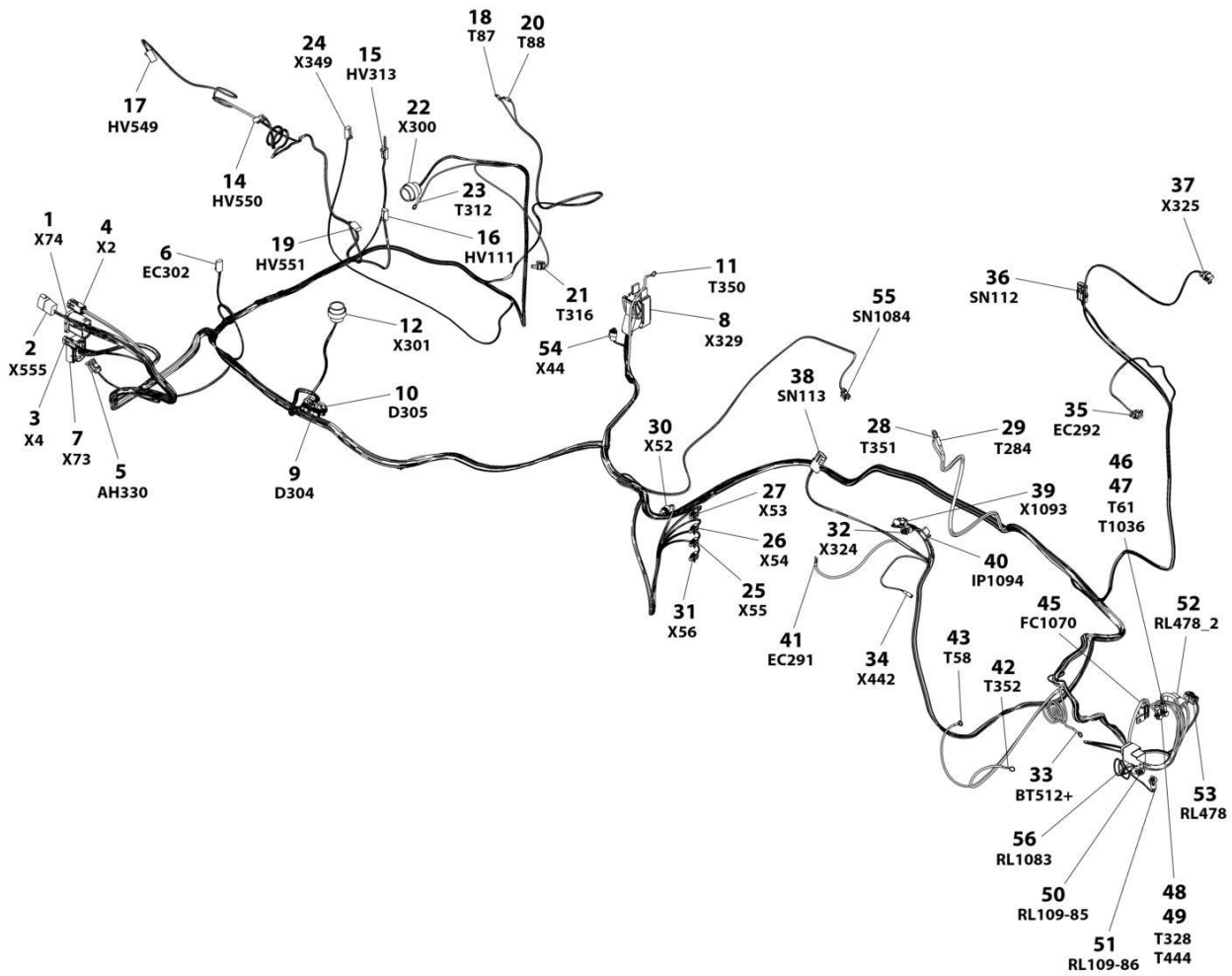
ITEM	PART NUMBER	QTY	DESCRIPTION	REV
45	1001116950	1	Connector	
	4460465	2	Terminal	
	1001118390	2	Terminal	
46	4460312	2	Terminal, Ring	
	1001195087	1	Red Boot	
47	4460247	1	Terminal, Ring	
	1001195055	1	Red Boot	
48	4460247	1	Terminal, Ring	
	1001195087	1	Black Boot	
49	1001117070	1	Connector	
	1001116734	2	Terminal	
50	4460312	1	Terminal, Ring	
	4460019	1	Terminal, Ring	
51	4460019	1	Terminal, Ring	
52	4460019	1	Terminal, Ring	
53	1001176935	1	Connector	
	1001166704	4	Terminal	
	4461006	4	Seal	
54	4461095	1	Connector	
	4461070	1	Attach Mating Connector	
	4460465	2	Terminal	
	4460466	1	Plug	
55	1001167528	1	Connector	
	1001166704	4	Terminal	
	4461006	4	Seal	
56	8220058	1	Terminal, Ring	
	1001195055	1	Red Boot	
57	1001117125	1	Terminal, Snap Plug	
	1001246391	1	Terminal, Snap Plug	
58	1001117111	1	Terminal, Fork	
59	1001126487	1	Connector	
	1001126484	2	Terminal	
	4461006	2	Seal	
60	4460476	1	Connector	
	4460475	3	Terminal	
	4460458	3	Seal	
61	1001125027	1	Connector	
	70026217	1	Lock, Secondary	
	8220124	3	Terminal	
	4460608	3	Seal	
	1001237778	3	Seal	
62	4460476	1	Connector	
	4460475	3	Terminal	
	4460458	3	Seal	
63	1001117021	1	Connector	
	1001116728	2	Terminal	
	8220081	2	Seal	
64	4460884	1	Connector	
	1001192401	1	Dust Cap	
	1001157890	1	Terminal	
	1001116692	2	Terminal	

SECTION 10 - ELECTRICAL

ITEM	PART NUMBER	QTY	DESCRIPTION	REV
65	4460466	1	Plug	
	2400066	1	Connector	
	2400060	1	Fuseholder	
	8229242	1	Fuse, 5 Amp	

SECTION 10 - ELECTRICAL

FIGURE 10-27. ENGINE HARNESS (110HP LS)



ART_1001189488

SECTION 10 - ELECTRICAL

FIGURE 10-27. ENGINE HARNESS (110HP LS)

ITEM	PART NUMBER	QTY	DESCRIPTION	REV
	1001189488	Ref	ENGINE HARNESS	K
1	8220929	1	Connector	
	1001116745	1	Terminal	
	1001116729	14	Terminal	
	4460458	15	Seal	
2	4460931	1	Connector	
	80604024	1	Lock, Wedge	
	4460464	4	Terminal	
	4460466	4	Plug	
3	4461157	1	Connector	
	4460475	2	Terminal	
	4460458	2	Seal	
4	80963062	1	Connector	
	4460850	4	Terminal	
	80963067	4	Seal	
5	1001117068	1	Connector	
	8220124	2	Terminal	
	80963067	2	Seal	
6	4460891	1	Connector	
	80604018	1	Lock, Wedge	
	4460465	2	Terminal	
7	8220927	1	Connector	
	8220097	12	Terminal	
	8220098	2	Terminal	
	1001116727	1	Plug	
	4460458	11	Seal	
	80963067	2	Seal	
	1001189877	1	Seal	
8	1001133173	1	Connector	
	1001138643	6	Terminal	
	1001126356	77	Terminal	
	1001138642	8	Terminal	
	1001126351	3	Terminal	
	1001126353	6	Seal	
9	4460744	1	Connector	
	1001116728	4	Terminal	
	1001116727	2	Plug	
	8220081	4	Seal	
10	4460744	1	Connector	
	1001116728	4	Terminal	
	1001116727	2	Plug	
	8220081	4	Seal	
11	4460019	1	Terminal, Ring	
12	8220536	1	Connector	
	1001116758	12	Plug	
	1001116757	4	Terminal	
	1001189875	4	Seal	
14	4460891	1	Connector	
	80604018	1	Lock, Wedge	
	4460465	2	Terminal	

SECTION 10 - ELECTRICAL

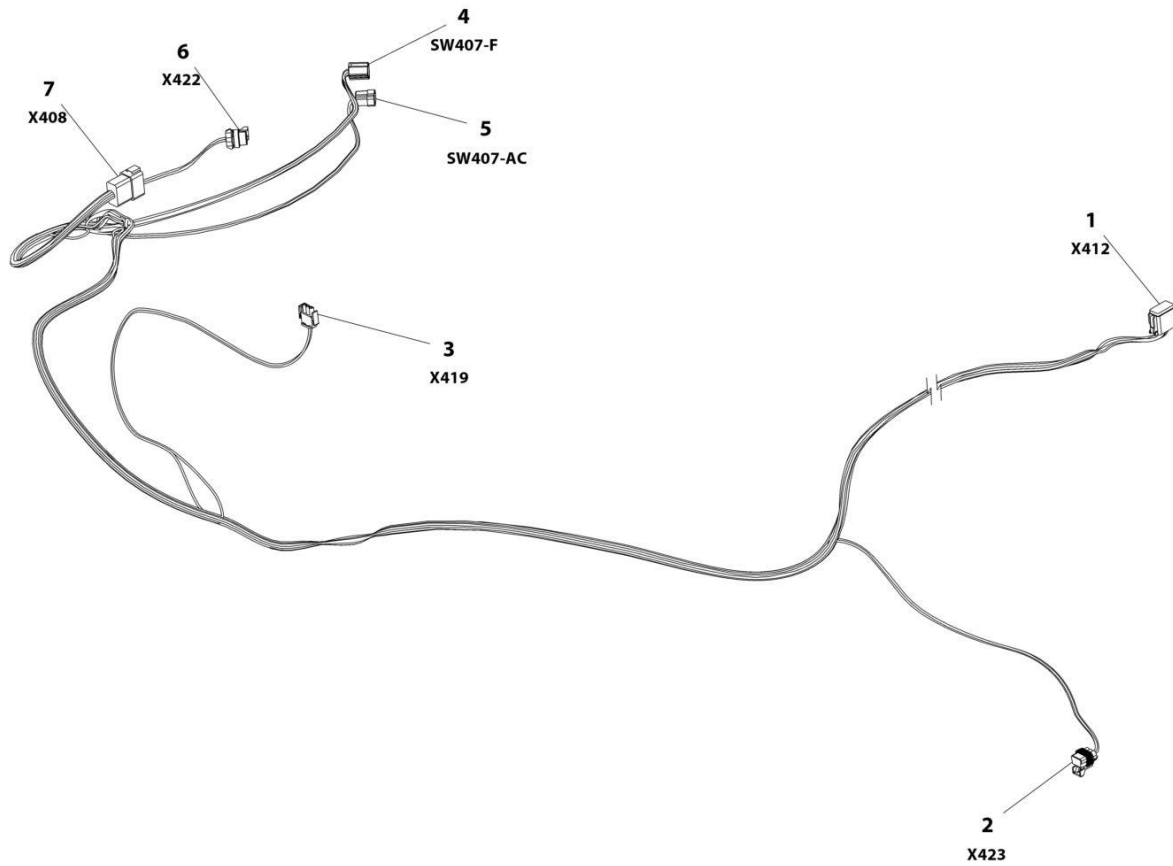
ITEM	PART NUMBER	QTY	DESCRIPTION	REV
15	4460891	1	Connector	
	80604018	1	Lock, Wedge	
	4460465	2	Terminal	
16	4460891	1	Connector	
	80604018	1	Lock, Wedge	
	4460465	2	Terminal	
17	4460891	1	Connector	
	80604018	1	Lock, Wedge	
	4460465	2	Terminal	
18	4460042	1	Terminal, Ring	
19	4460891	1	Connector	
	80604018	1	Lock, Wedge	
	4460465	2	Terminal	
20	4460042	1	Terminal, Ring	
21	1001119004	1	Connector	
	1001116728	1	Terminal	
	4460458	1	Seal	
22	8220536	1	Connector	
	1001116757	4	Terminal	
	1001116758	12	Plug	
	1001189875	4	Seal	
23	4460256	1	Terminal, Ring	
24	4460891	1	Connector	
	80604018	1	Lock, Wedge	
	4460465	2	Terminal	
25	4460955	1	Connector	
	1001116748	2	Terminal	
26	4460955	1	Connector	
	1001116748	2	Terminal	
27	4460955	1	Connector	
	1001116748	2	Terminal	
28	4460019	1	Terminal, Ring	
29	8220164	1	Terminal, Ring	
30	4460955	1	Connector	
	1001116748	2	Terminal	
31	4460955	1	Connector	
	1001116748	2	Terminal	
32	8220058	1	Terminal, Ring	
33	4460019	1	Terminal, Ring	
34	1001117125	1	Terminal, Snap Plug	
35	1001125027	1	Connector	
	8220124	3	Terminal	
	4460608	3	Seal	
36	4460476	1	Connector	
	4460475	3	Terminal	
	4460458	3	Seal	
37	1001117021	1	Connector	
	1001116728	2	Terminal	
	8220081	2	Seal	
38	4460476	1	Connector	
	4460475	3	Terminal	

SECTION 10 - ELECTRICAL

ITEM	PART NUMBER	QTY	DESCRIPTION	REV
	4460458	3	Seal	
39	4460884	1	Connector	
	80604021	1	Lock, Wedge	
	4460465	3	Terminal	
	4460466	1	Plug	
	1001192401	1	Dust Cap	
40	2400060	1	Fuse Holder	
41	4460142	1	Connector	
	1001117111	1	Terminal	
42	4460019	1	Terminal, Ring	
43	4460019	1	Terminal, Ring	
45	1001117070	1	Connector	
	1001116734	2	Terminal	
46	4460312	1	Terminal, Ring	
	1001195087	1	Red Boot	
47	4460312	2	Terminal, Ring	
48	4460312	2	Terminal, Ring	
	1001195087	1	Red Boot	
49	4460312	1	Terminal, Ring	
50	4460247	1	Terminal, Ring	
	1001195057	1	Black Boot	
51	4460247	1	Terminal, Ring	
	1001195055	1	Red Boot	
52	1001117103	1	Connector	
	1001121730	2	Terminal	
53	1001116950	1	Connector	
	4460465	2	Terminal	
54	4461095	1	Plug	
	4461070	1	Connector	
	4460465	2	Terminal	
	4460466	1	Terminal	
55	1001209097	1	Connector	
	8220124	2	Terminal	
56	1001145707	1	Connector	
	1001116732	4	Terminal	

SECTION 10 - ELECTRICAL

FIGURE 10-28. HVAC HARNESS



ART_1001178347-E

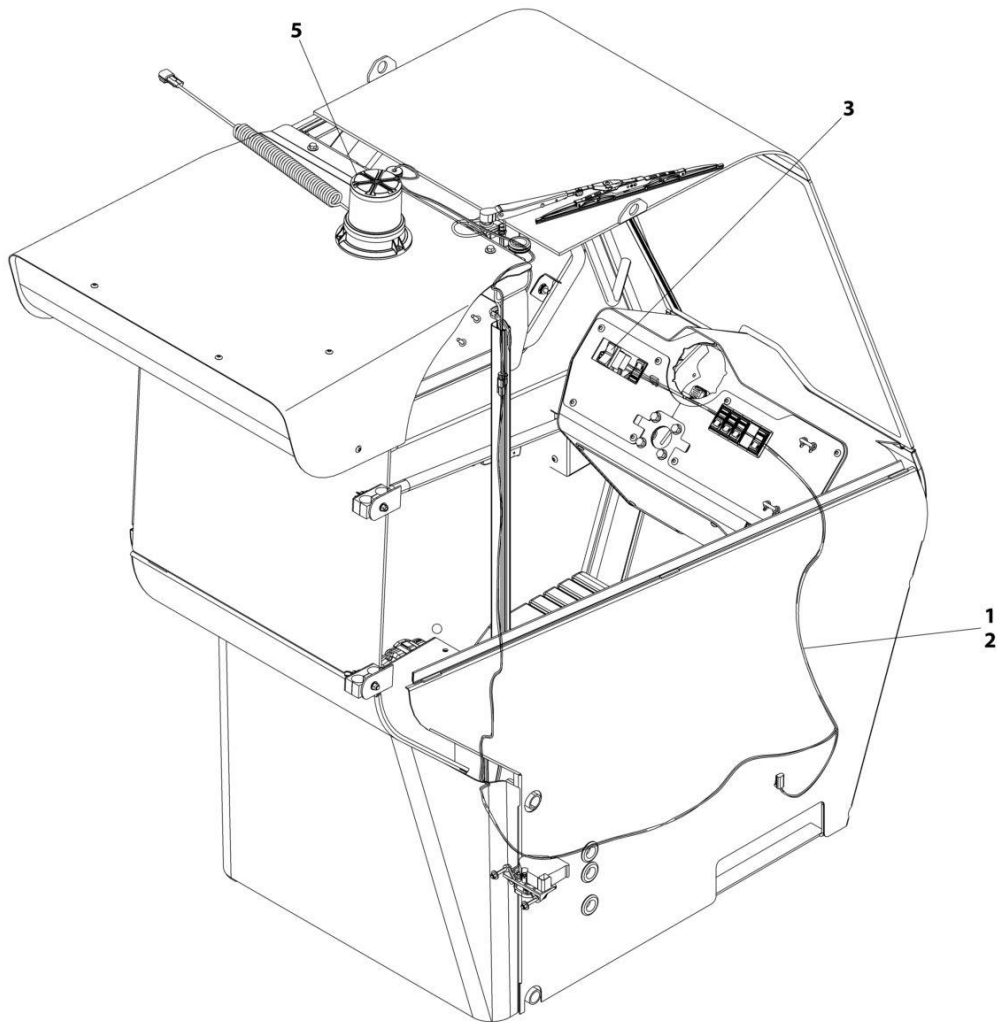
SECTION 10 - ELECTRICAL

FIGURE 10-28. HVAC HARNESS

ITEM	PART NUMBER	QTY	DESCRIPTION	REV
	1001178347	Ref	HVAC Harness	E
1	4460933	1	Connector	
	80604016	1	Lock, Wedge	
	4460942	9	Terminal	
	4460465	2	Terminal	
	4460466	1	Terminal	
2	8220895	1	Connector	
	70026216	1	Lock, Secondary	
	8220124	3	Terminal	
	1001116751	3	Terminal, Plug	
3	4460326	1	Connector	
	4460268	2	Terminal	
4	1001117080	1	Connector	
	1001116723	5	Terminal	
5	1001117059	1	Connector	
	1001116736	3	Terminal	
6	1001125027	1	Connector	
	70026217	1	Lock, Secondary	
	8220124	3	Terminal	
7	4460950	1	Connector	
	80363179	1	Lock, Wedge	
	1001157891	5	Terminal	
	4460464	6	Terminal	
	4460466	1	Terminal	

SECTION 10 - ELECTRICAL

FIGURE 10-29. LIGHTS - BEACON LIGHT INSTALLATION (ENCLOSED CAB)



ART_1001161213_G

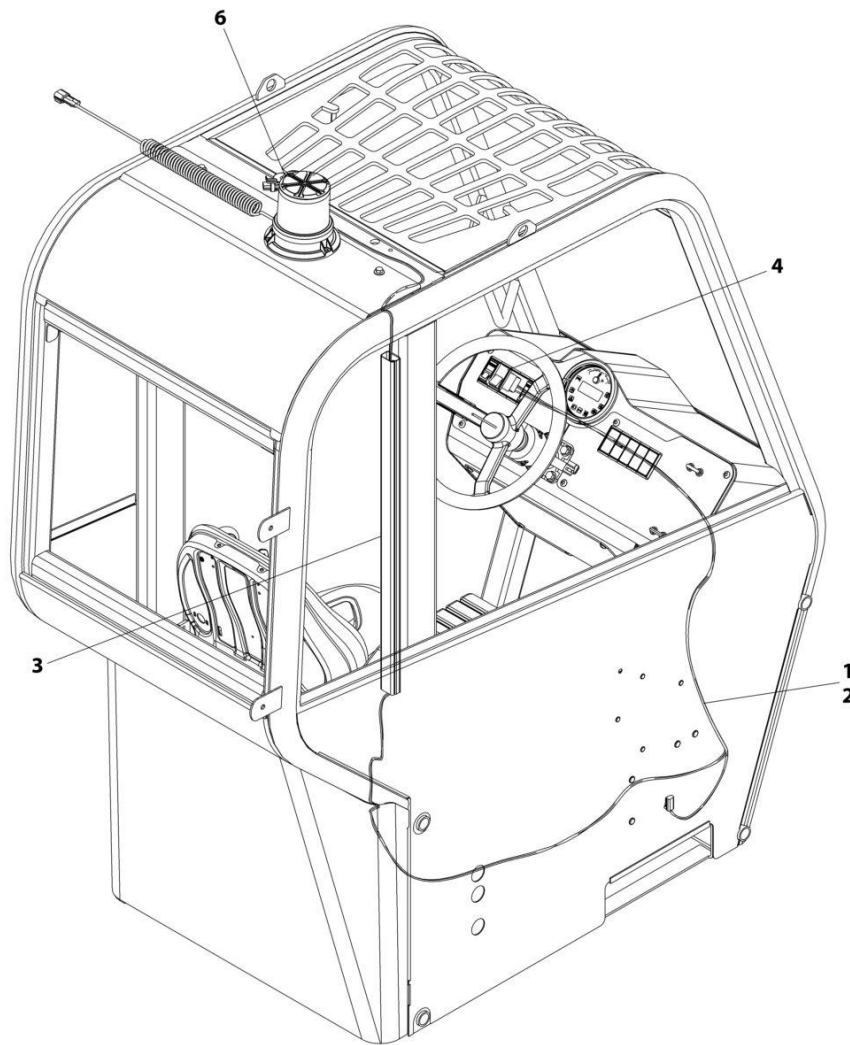
SECTION 10 - ELECTRICAL

FIGURE 10-29. LIGHTS - BEACON LIGHT INSTALLATION (ENCLOSED CAB)

ITEM	PART NUMBER	QTY	DESCRIPTION	REV
	1001161213	Ref	LIGHTS - BEACON LIGHT INSTALLATION (ENCLOSED CAB)	G
1	0100009	AR	Sealant	
2	1001178345	1	Harness, Beacon Option (See Separate Breakdown in this Section)	
3	8223038	1	Switch, Beacon	
5	1001271586	1	Light, Rotating Beacon	

SECTION 10 - ELECTRICAL

FIGURE 10-30. LIGHTS - BEACON LIGHT INSTALLATION (OPEN CAB)



ART_1001161212_I

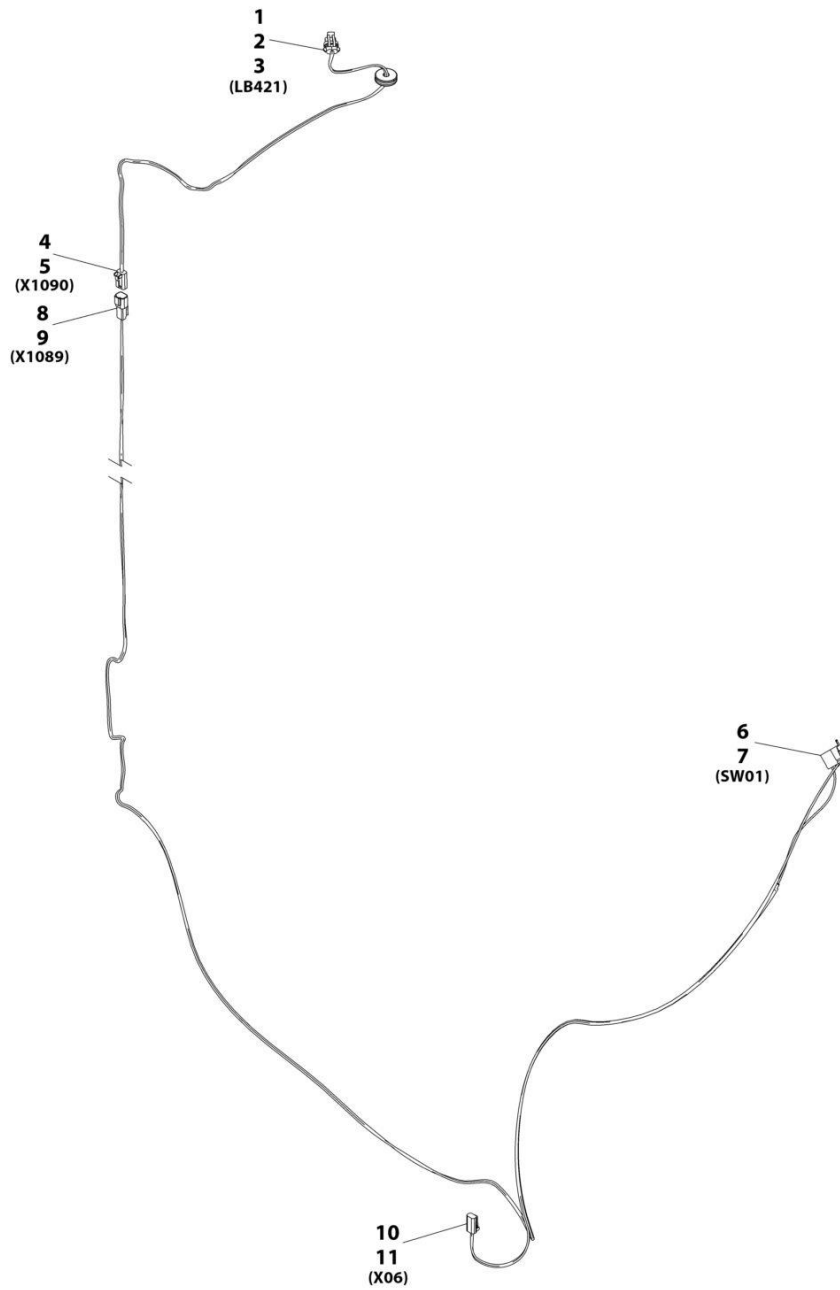
SECTION 10 - ELECTRICAL

FIGURE 10-30. LIGHTS - BEACON LIGHT INSTALLATION (OPEN CAB)

ITEM	PART NUMBER	QTY	DESCRIPTION	REV
	1001161212	Ref	LIGHTS - BEACON LIGHT INSTALLATION (OPEN CAB)	I
1	0100009	AR	Sealant	
2	1001178345	1	Harness, Beacon Option (See Separate Breakdown in this Section)	
3	1001182091	1	Duct, Upper Wire	
4	8223038	1	Switch, Beacon	
6	1001271586	1	Light, Rotating Beacon	

SECTION 10 - ELECTRICAL

FIGURE 10-31. LIGHTS - BEACON LIGHT HARNESS



ART_1001178345-H

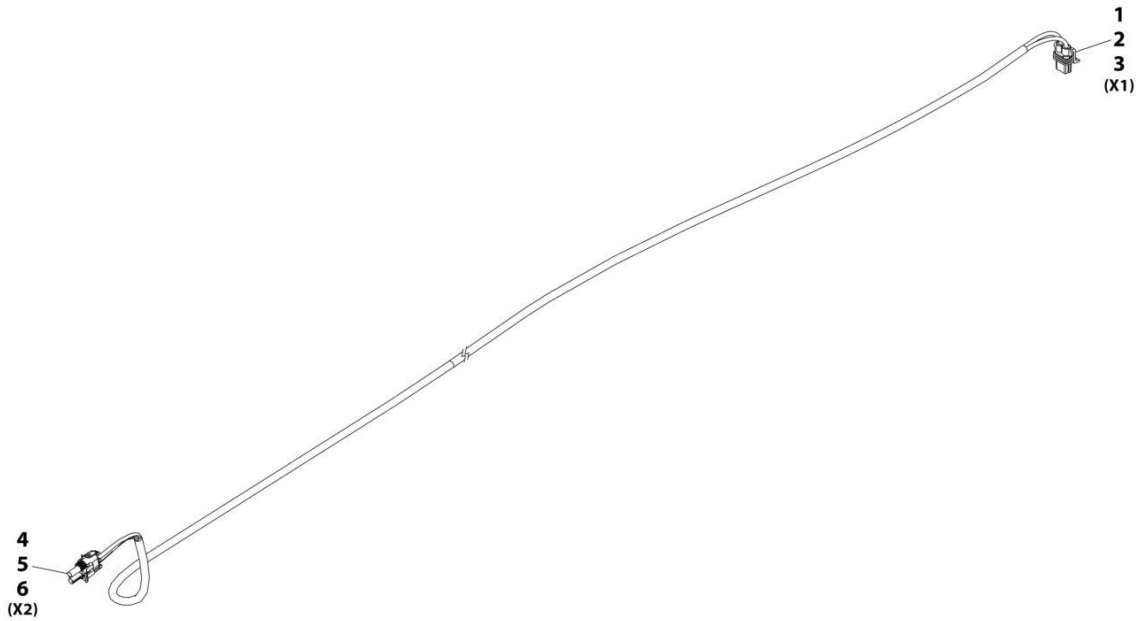
SECTION 10 - ELECTRICAL

FIGURE 10-31. LIGHTS - BEACON LIGHT HARNESS

ITEM	PART NUMBER	QTY	DESCRIPTION	REV
	1001178345	Ref	Beacon Option Harness	H
1	1001117021	1	Connector	
2	1001116728	2	Terminal	
3	4460458	2	Seal	
4	4460891	1	Connector	
5	4460465	2	Terminal	
6	8220904	1	Connector	
7	4460419	5	Terminal	
8	4460897	1	Connector	
9	4460464	2	Terminal	
10	4460891	1	Connector	
11	4460465	2	Terminal	

SECTION 10 - ELECTRICAL

FIGURE 10-32. LIGHTS - BOOM WORK LIGHT HARNESS



ART_1001238111

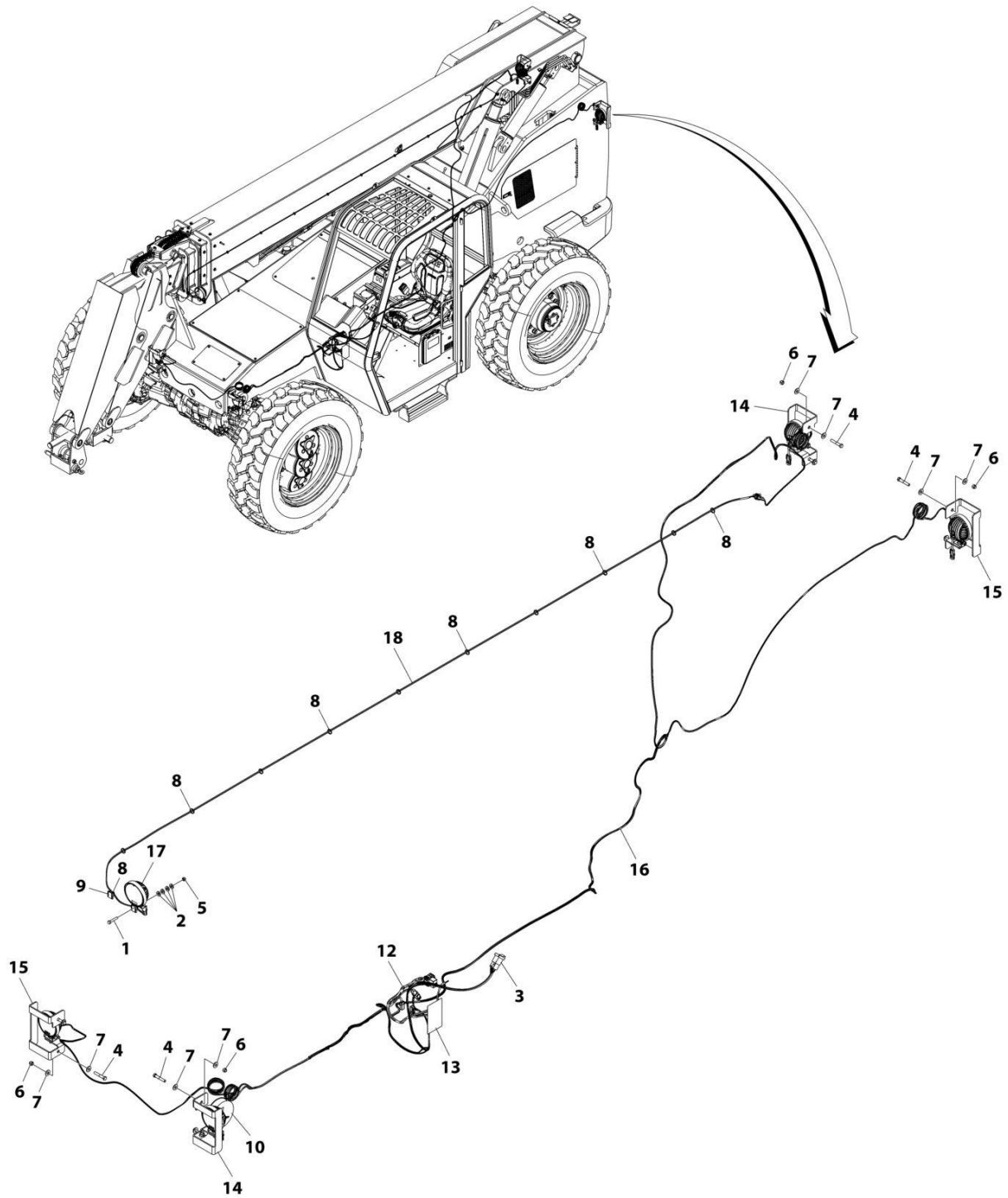
SECTION 10 - ELECTRICAL

FIGURE 10-32. LIGHTS - BOOM WORK LIGHT HARNESS

ITEM	PART NUMBER	QTY	DESCRIPTION	REV
	1001238111	Ref	Boom Worklight Harness	B
1	1001117021	1	Connector	
2	1001116747	2	Terminal	
3	4460789	2	Seal	
4	4460742	1	Connector	
5	4460457	2	Terminal	
6	4460789	2	Seal	

SECTION 10 - ELECTRICAL

FIGURE 10-33. LIGHTS - LED WORK LIGHT PACKAGE INSTALLATION



ART_1001237847

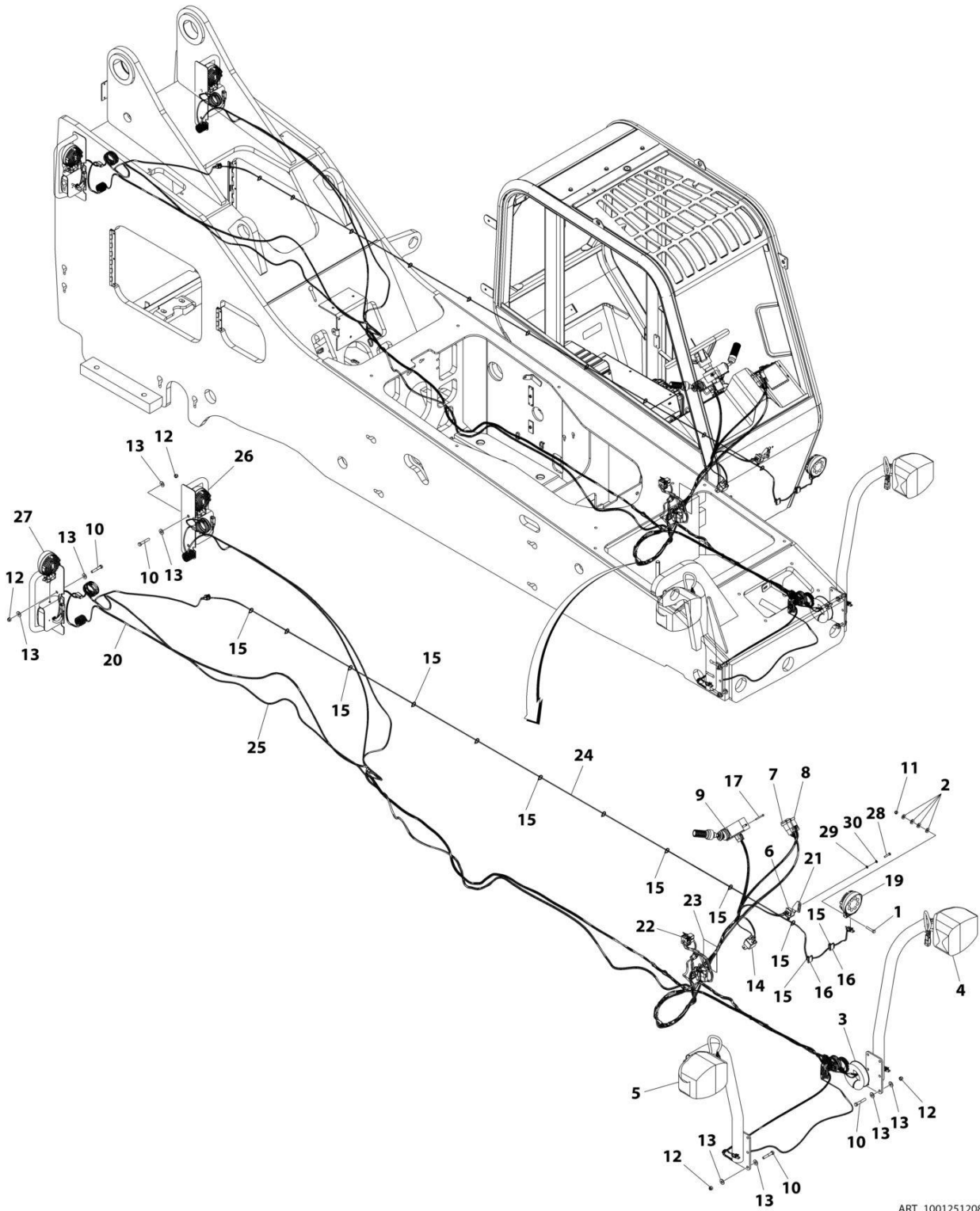
SECTION 10 - ELECTRICAL

FIGURE 10-33. LIGHTS - LED WORK LIGHT PACKAGE INSTALLATION

ITEM	PART NUMBER	QTY	DESCRIPTION	REV
	1001237847	Ref	LIGHTS - LED WORK LIGHT PACKAGE INSTALLATION	C
1	0641514	1	Bolt 5/16 x 1-3/8	
2	4891600	AR	Washer 3/8	
3	8223059	1	Switch, Work Light	
4	8303771	8	Bolt 3/8 x 2-1/4	
5	8305626	1	Nut 5/16	
6	8305645	8	Nut 3/8	
7	8307204	16	Washer 3/8	
8	8584001	AR	Wrap, Tie	
9	8584018	4	Mount, Tie-Strap	
10	7124471	1	Conduit, 1 x 12.5	
11	88501005	AR	Nut 5/16	
12	1001205248	1	Harness, Roadlight Worklight (See Separate Breakdown in this Section)	
13	1001205264	1	Decal, Light Fuse Panel	
14	1001237853	2	Assembly, LED RH Worklight (See Separate Breakdown in this Section)	
15	1001237854	2	Assembly, LED LH Worklight (See Separate Breakdown in this Section)	
16	1001238199	1	Harness, Work Light Option (See Separate Breakdown in this Section)	
17	1001176337	1	Lamp, LED Worklight	
18	1001238111	1	Harness, Boom Worklight (See Separate Breakdown in this Section)	

SECTION 10 - ELECTRICAL

FIGURE 10-34. LIGHTS - ROADLIGHT PACKAGE INSTALLATION



ART_1001251208

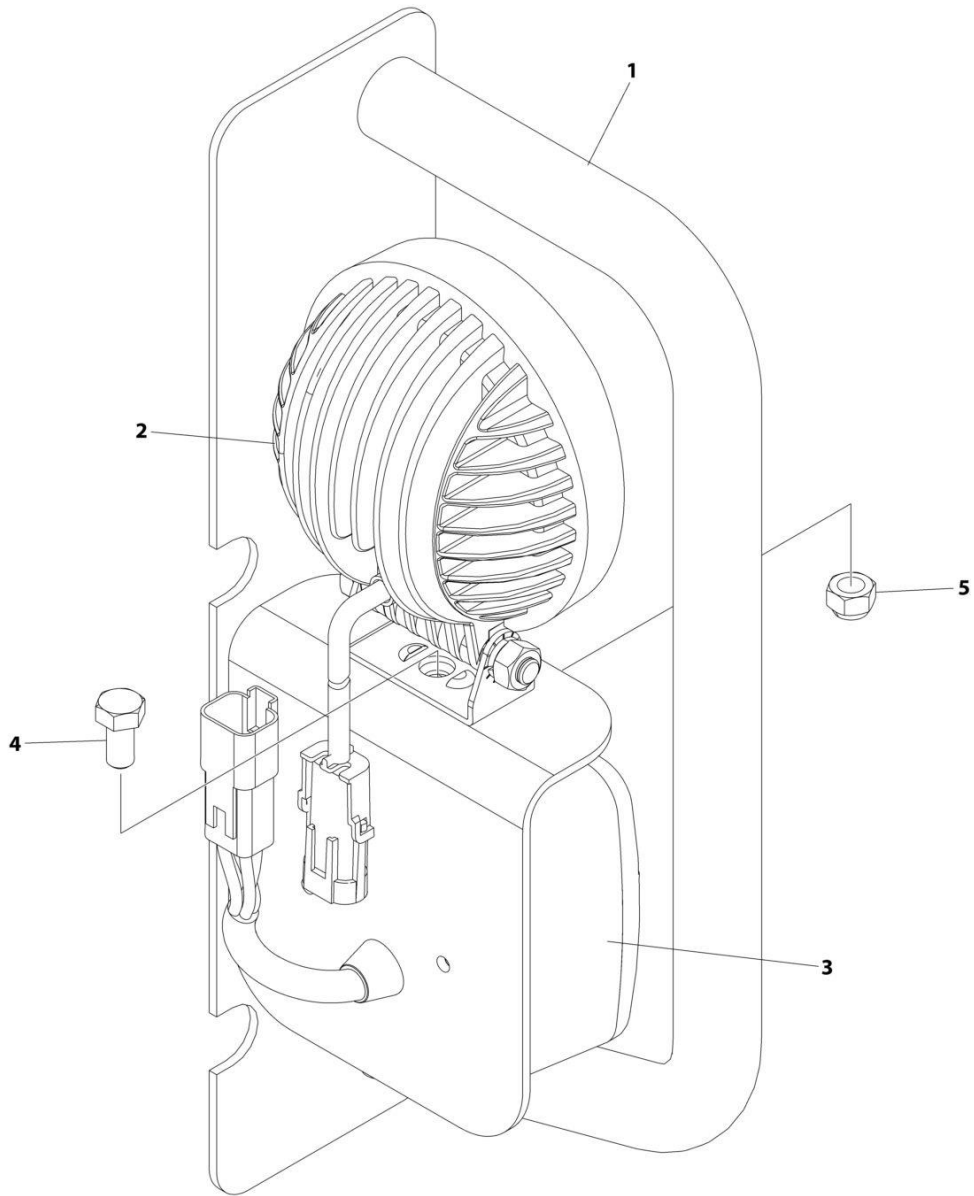
SECTION 10 - ELECTRICAL

FIGURE 10-34. LIGHTS - ROADLIGHT PACKAGE INSTALLATION

ITEM	PART NUMBER	QTY	DESCRIPTION	REV
	1001251208	Ref	ROADLIGHT PACKAGE INSTALLATION	B
1	0641514	1	Bolt 5/16 x 1-3/4	
2	4891600	4	Washer 3/8	
3	7124471	1	Conduit 1 x 12.5	
4	7150699	1	Assembly, LH Roadlight Bracket (See Separate Breakdown in this Section)	
5	7150716	1	Assembly, RH Roadlight Bracket (See Separate Breakdown in this Section)	
6	8223025	1	Switch, Brake Lights	
7	8223059	1	Switch, Work Light	
8	8223060	1	Switch, Hazard	
9	8223073	1	Control, Turn Signal	
10	8303771	10	Bolt 3/8 x 2-1/4	
11	8305626	1	Nut 5/16	
12	8305645	10	Nut 3/8	
13	8307204	20	Washer 3/8	
14	8500203	1	Flasher, Hazard Warning 12V	
15	8584001	AR	Wrap, Tie	
16	8584018	2	Mount, Cable Tie	
17	88211516	2	Screw M10	
19	1001176337	1	Lamp, LED Worklight	
20	1001178346	1	Harness, Road Light Option (See Separate Breakdown in this Section)	
21	1001201752	1	Bracket, Brake Switch	
22	1001205248	1	Harness, Roadlight Worklight (See Separate Breakdown in this Section)	
23	1001205264	1	Decal, Light Fuse Panel	
24	1001238111	1	Harness, Boom Worklight (See Separate Breakdown in this Section)	
25	1001238199	1	Harness, Work Light Option (See Separate Breakdown in this Section)	
26	1001251270	1	Assembly, LH Roadlight (See Separate Breakdown in this Section)	
27	1001251271	1	Assembly, RH Roadlight (See Separate Breakdown in this Section)	
28	0700614	2	Bolt M6 x 30	
29	4811700	2	Washer M6	
30	4831700	2	Washer M6	

SECTION 10 - ELECTRICAL

FIGURE 10-35. LIGHTS - ROAD LIGHT ASSEMBLY (LH)



ART_1001251270

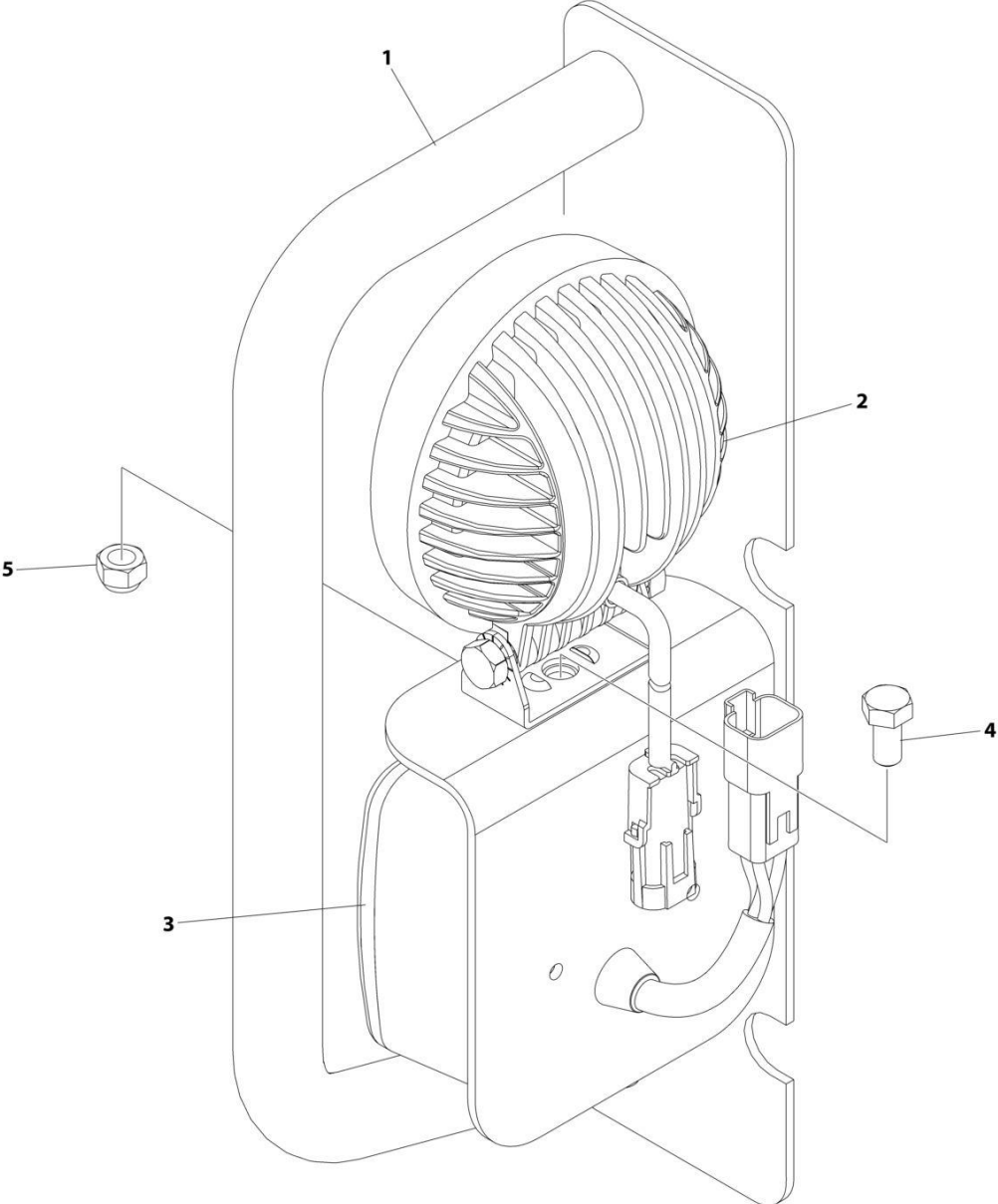
SECTION 10 - ELECTRICAL

FIGURE 10-35. LIGHTS - ROAD LIGHT ASSEMBLY (LH)

ITEM	PART NUMBER	QTY	DESCRIPTION	REV
	1001251270	Ref	LH ROADLIGHT ASSEMBLY	A
1	7150681	1	Assembly, LH Roadlight Bracket	
2	1001176337	1	Lamp, LED Worklight	
3	7150690	1	Light, Tail/Indicator	
4	8303745	1	Bolt 5/16 x 5/8	
5	8305626	1	Nut 5/16	

SECTION 10 - ELECTRICAL

FIGURE 10-36. LIGHTS - ROAD LIGHT ASSEMBLY (RH)



ART_1001251271

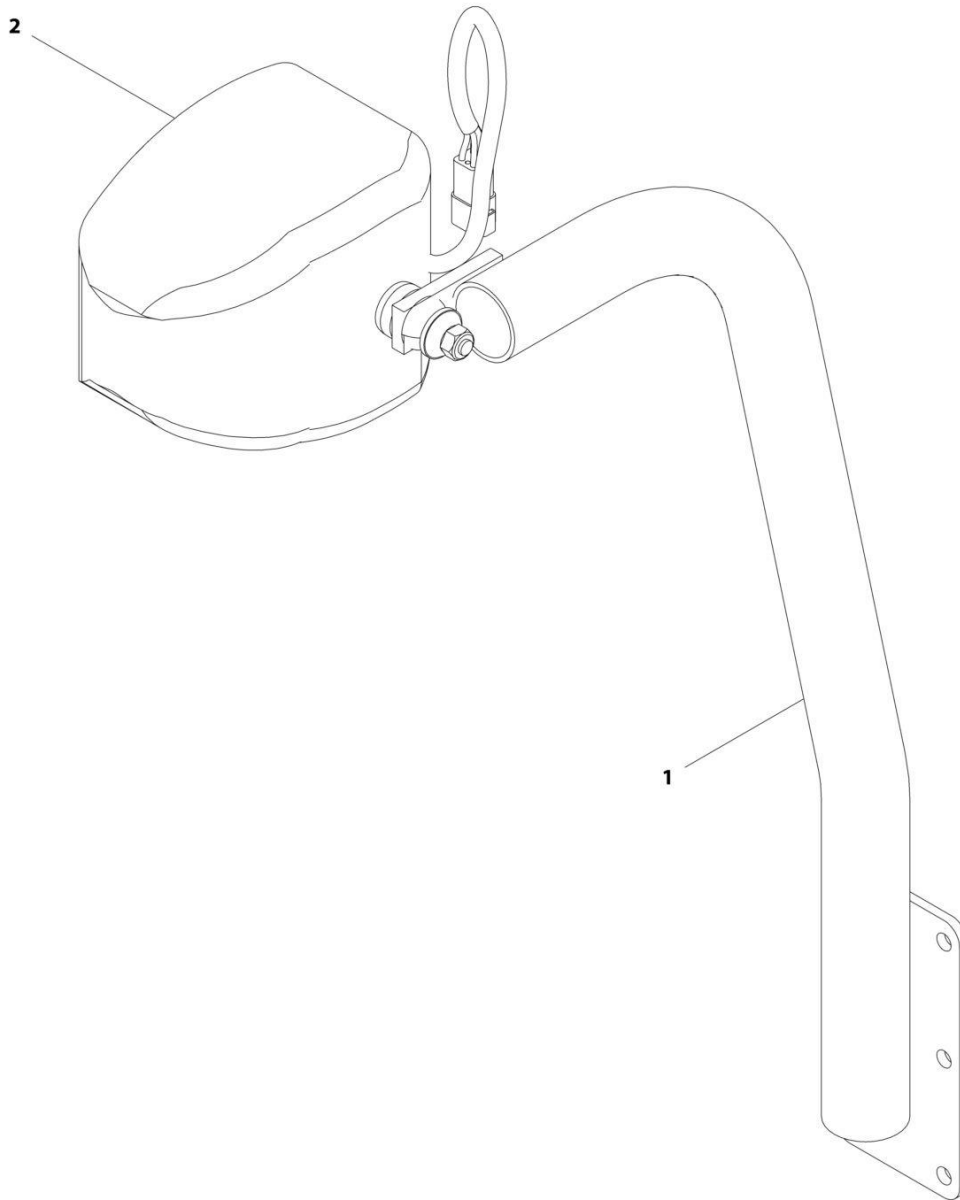
SECTION 10 - ELECTRICAL

FIGURE 10-36. LIGHTS - ROAD LIGHT ASSEMBLY (RH)

ITEM	PART NUMBER	QTY	DESCRIPTION	REV
	1001251271	Ref	RH ROADLIGHT ASSEMBLY	A
1	7150680	1	Assembly, RH Roadlight Bracket	
2	1001176337	1	Lamp, LED Worklight	
3	7150690	1	Light, Tail/Indicator	
4	8303745	1	Bolt 5/16 x 5/8	
5	8305626	1	Nut 5/16	

SECTION 10 - ELECTRICAL

FIGURE 10-37. LIGHTS - ROAD LIGHT BRACKET ASSEMBLY (LH)



ART_7150699-B

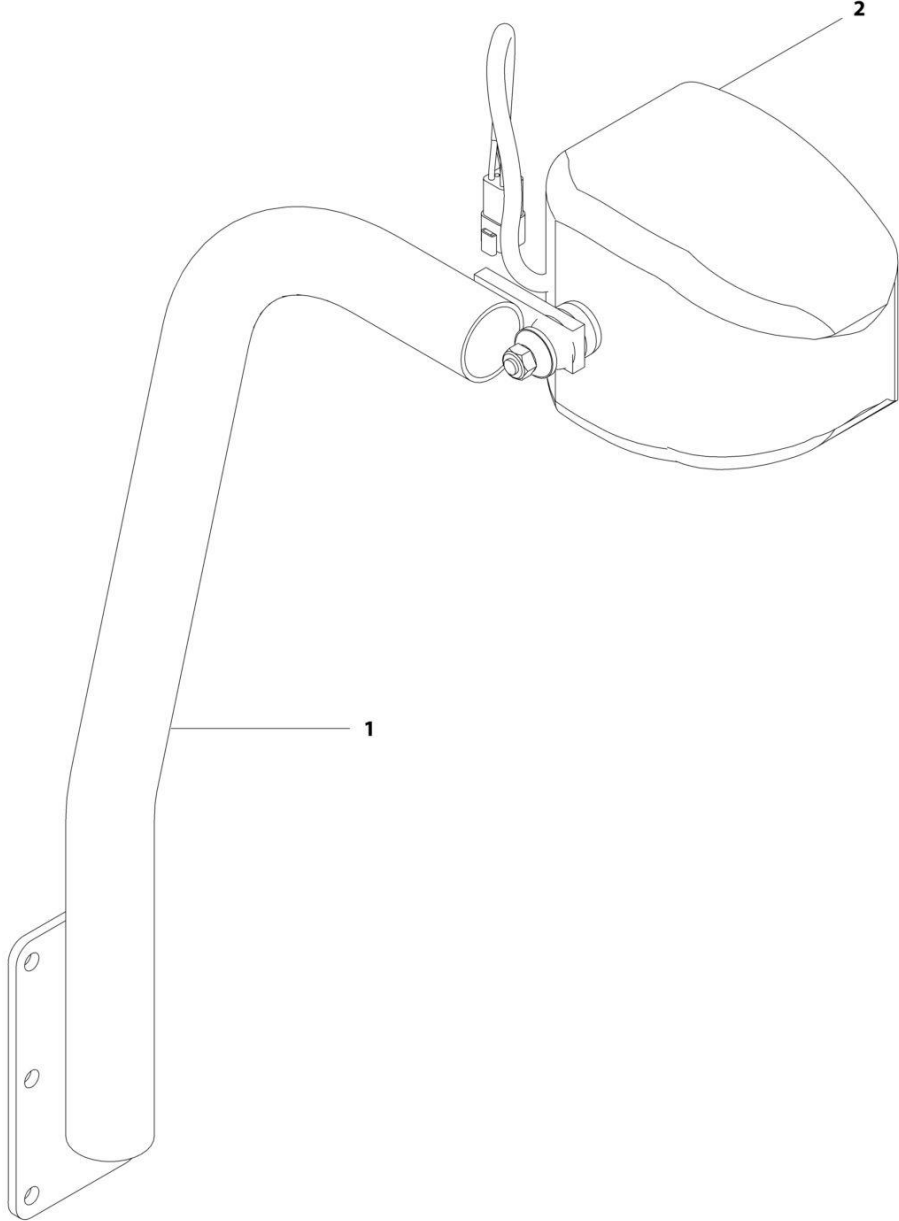
SECTION 10 - ELECTRICAL

FIGURE 10-37. LIGHTS - ROAD LIGHT BRACKET ASSEMBLY (LH)

ITEM	PART NUMBER	QTY	DESCRIPTION	REV
	7150699	Ref	LH Roadlight Bracket Assembly	B
1	7150685	1	Bracket, LH Roadlight	
2	7150702	1	Roadlight, LH Front	
2	8036216	6	Screw, Headlight Lens	
2	8036212	1	Lens, Headlight	
2	8036213	1	Bulb, Headlight 12V, 60/55W	
2	8036214	1	Bulb, Blinker 12V, 5W	
2	8036215	1	Harness, Wiring (includes 6-way connector)	
2	8036209	1	Lens, Left Amber Headlight	

SECTION 10 - ELECTRICAL

FIGURE 10-38. LIGHTS - ROAD LIGHT BRACKET ASSEMBLY (RH)



ART_7150716-B

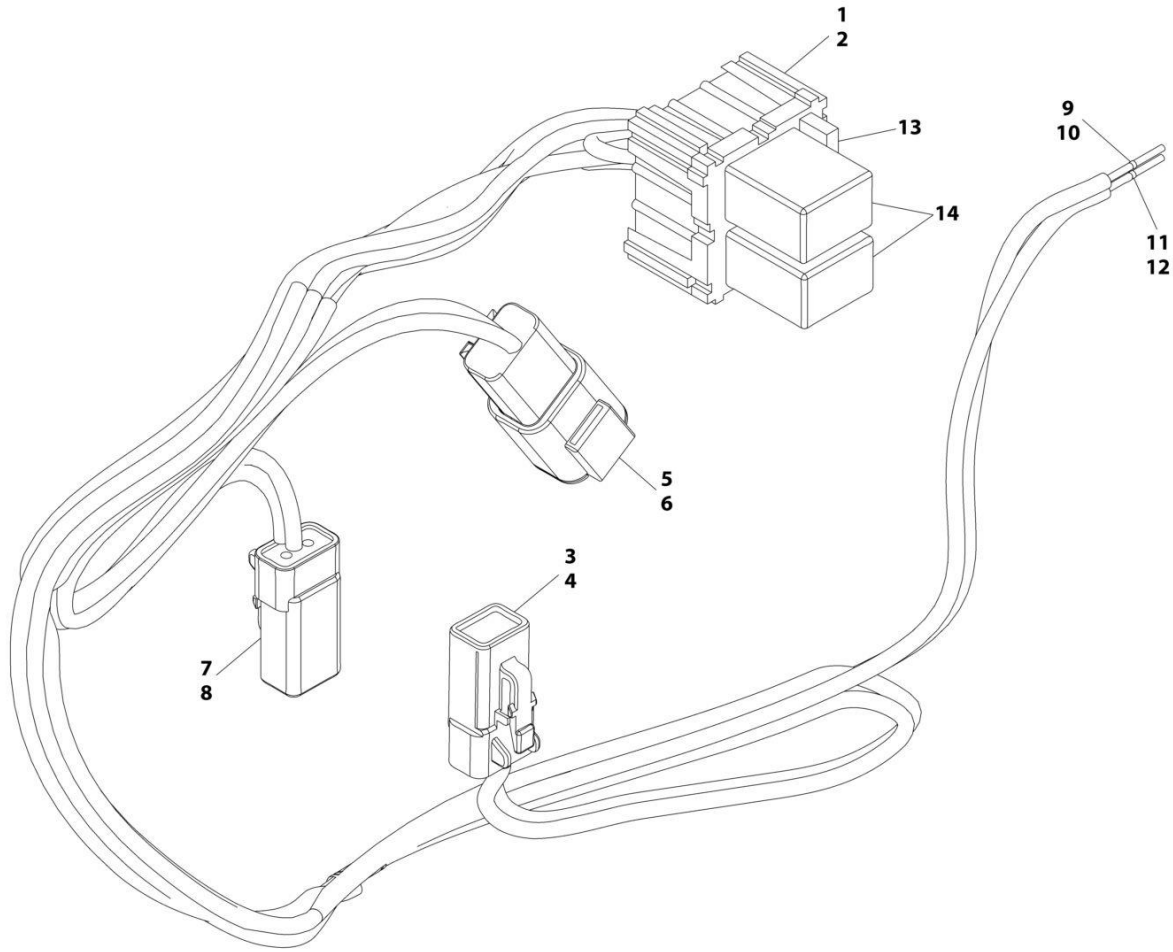
SECTION 10 - ELECTRICAL

FIGURE 10-38. LIGHTS - ROAD LIGHT BRACKET ASSEMBLY (RH)

ITEM	PART NUMBER	QTY	DESCRIPTION	REV
	7150716	Ref	RH Roadlight Bracket Assembly	B
1	7150717	1	Bracket, RH Roadlight	
2	7150703	1	Roadlight, LH Front	
2	8036210	1	Lens, Right Amber Headlight	
2	8036216	6	Screw, Headlight Lens	
2	8036212	1	Lens, Headlight	
2	8036213	1	Bulb, Headlight, 12V, 60/55W	
2	8036214	1	Bulb, Blinker 12V, 5W	
2	8036215	1	Harness, Wiring (includes 6-way connector)	

SECTION 10 - ELECTRICAL

FIGURE 10-39. LIGHTS - ROAD LIGHT WORK LIGHT HARNESS



ART_1001205248_A

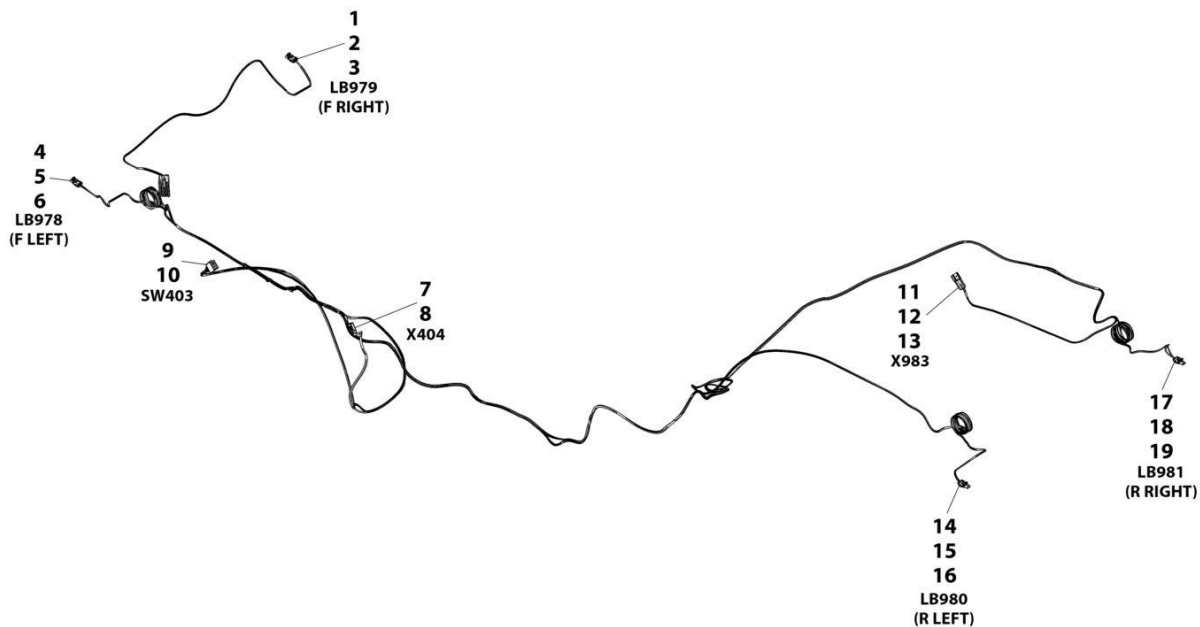
SECTION 10 - ELECTRICAL

FIGURE 10-39. LIGHTS - ROAD LIGHT WORK LIGHT HARNESS

ITEM	PART NUMBER	QTY	DESCRIPTION	REV
	1001205248	Ref	Roadlight Worklight Harness	A
1	1001177198	1	Connector	
2	1001116712	12	Terminal	
3	4461018	1	Connector	
4	4460509	2	Terminal	
5	4461017	1	Connector	
6	4460508	2	Terminal	
7	4461018	1	Connector	
8	4460509	2	Terminal	
9	4460790	1	Terminal, Socket	
10	8220089	1	Seal	
11	4460790	1	Terminal, Socket	
12	8220089	1	Seal	
13	8229245	2	Fuse 30Amp	
14	1001205172	2	Relay	

SECTION 10 - ELECTRICAL

FIGURE 10-40. LIGHTS - WORK LIGHT OPTIONS HARNESS



ART_1001238199-A

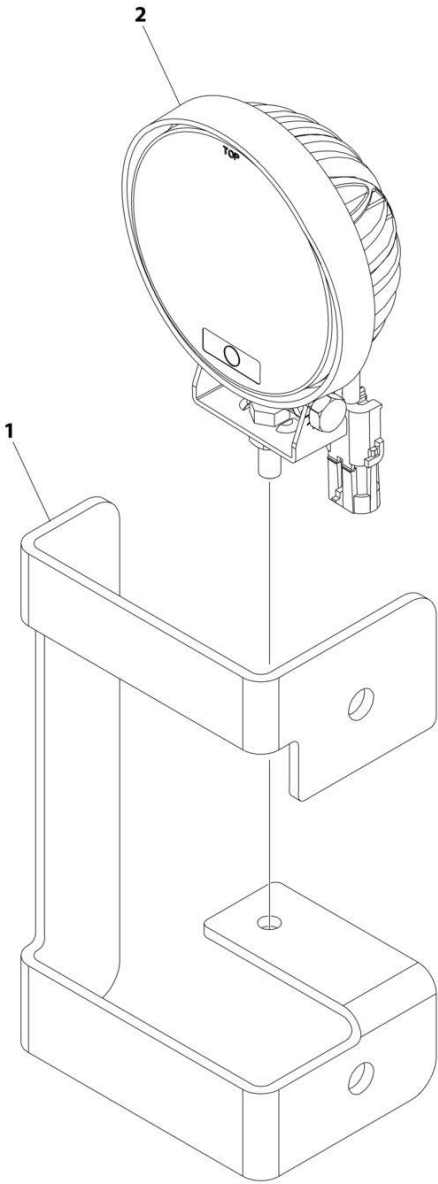
SECTION 10 - ELECTRICAL

FIGURE 10-40. LIGHTS - WORK LIGHT OPTIONS HARNESS

ITEM	PART NUMBER	QTY	DESCRIPTION	REV
	1001238199	Ref	Work Lighting Option Harness	A
1	4460742	1	Connector	
2	4460457	2	Terminal	
3	4460789	2	Seal	
4	4460742	1	Connector	
5	4460457	2	Terminal	
6	4460789	2	Seal	
7	4461018	1	Connector	
8	4460509	2	Terminal	
9	8220904	1	Connector	
10	4460419	6	Terminal	
11	1001117026	1	Connector	
12	1001116729	2	Terminal	
13	8220081	2	Seal	
14	4460742	1	Connector	
15	4460457	2	Terminal	
16	4460789	2	Seal	
17	4460742	1	Connector	
18	4460457	2	Terminal	
19	4460457	2	Seal	

SECTION 10 - ELECTRICAL

FIGURE 10-41. LIGHTS - WORK LIGHT ASSEMBLY - LED (LH)



ART_1001237854

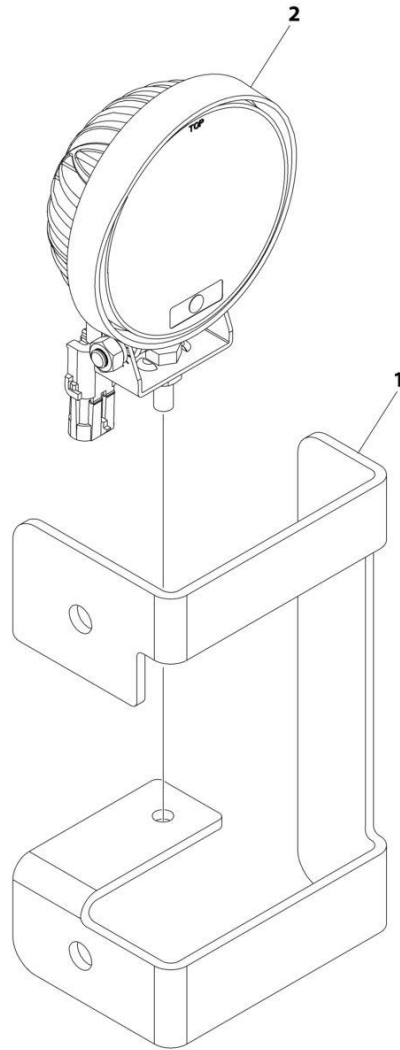
SECTION 10 - ELECTRICAL

FIGURE 10-41. LIGHTS - WORK LIGHT ASSEMBLY - LED (LH)

ITEM	PART NUMBER	QTY	DESCRIPTION	REV
	1001237854	Ref	LIGHTS - WORK LIGHT ASSEMBLY - LED (LH)	A
1	1001097080	1	Bracket, LH Worklight Mount	
2	1001176337	1	Lamp, LED Worklight	

SECTION 10 - ELECTRICAL

FIGURE 10-42. LIGHTS - WORK LIGHT ASSEMBLY - LED (RH)



ART_1001237853

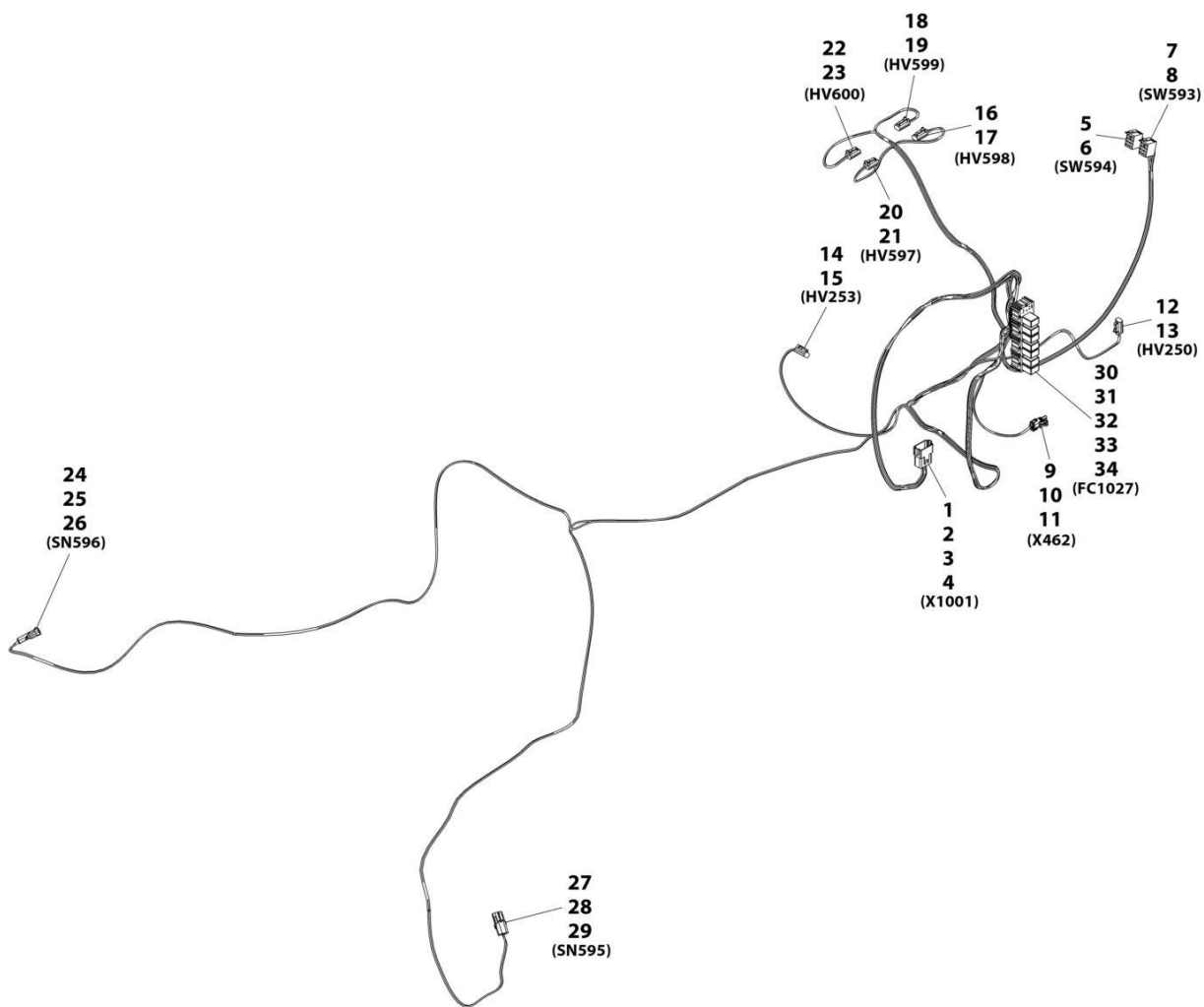
SECTION 10 - ELECTRICAL

FIGURE 10-42. LIGHTS - WORK LIGHT ASSEMBLY - LED (RH)

ITEM	PART NUMBER	QTY	DESCRIPTION	REV
	1001237853	Ref	LIGHTS - WORK LIGHT ASSEMBLY - LED (RH)	A
1	1001097079	1	Bracket, RH Worklight Mount	
2	1001176337	1	Lamp, LED Worklight	

SECTION 10 - ELECTRICAL

FIGURE 10-43. LOGIC HARNESS (10054)



ART_1001251503

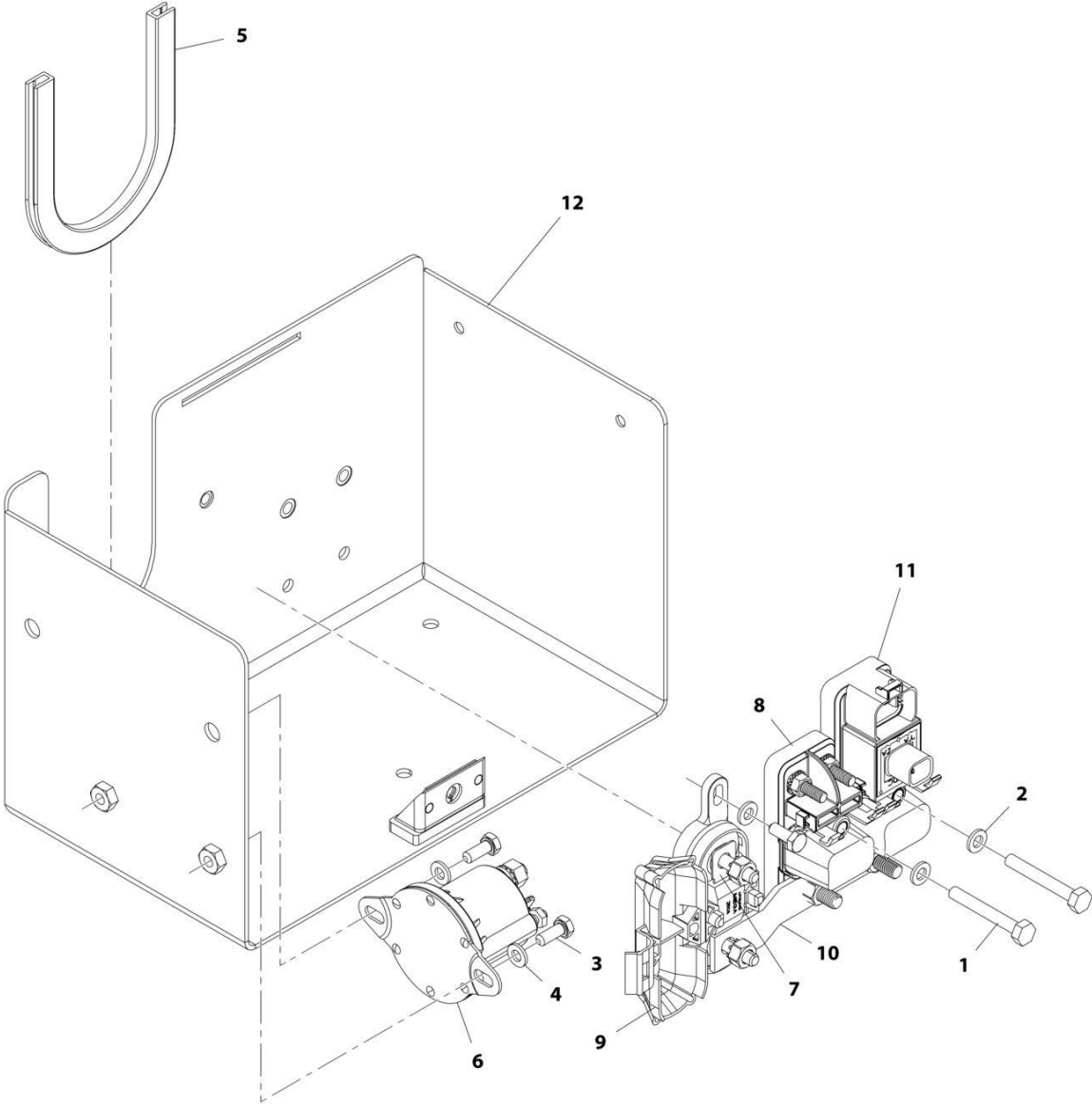
SECTION 10 - ELECTRICAL

FIGURE 10-43. LOGIC HARNESS (10054)

ITEM	PART NUMBER	QTY	DESCRIPTION	REV
	1001251503	Ref	Logic Harness	D
1	4460970	1	Connector	
2	4460941	3	Terminal	
3	4460464	5	Terminal	
4	4460466	4	Plug	
5	8220904	1	Connector	
6	1001116720	3	Terminal	
7	8820904	1	Connector	
8	1001116720	3	Terminal	
9	4460742	1	Connector	
10	4460457	2	Terminal	
11	4460458	2	Seal	
12	4460891	1	Connector	
13	4460465	2	Terminal	
14	4460891	1	Connector	
15	4460465	2	Terminal	
16	4460891	1	Connector	
17	4460465	2	Terminal	
18	4460891	1	Connector	
19	4460465	2	Terminal	
20	4460891	1	Connector	
21	4460465	2	Terminal	
22	4460891	1	Connector	
23	4460465	2	Terminal	
24	4461157	1	Connector	
25	4460475	2	Terminal	
26	4460458	2	Seal	
27	4461157	1	Connector	
28	4460475	2	Terminal	
29	4460458	2	Seal	
30	4461103	8	Relay, Locking Wedge	
31	8229243	2	Fuse, 7.5 AMP Mini	
32	1001177198	4	Electric Assembly	
33	1001200845	1	Mounting Leg	
34	1001205172	7	Relay	

SECTION 10 - ELECTRICAL

FIGURE 10-44. RELAY PANEL INSTALLATION



ART_1001170233-F

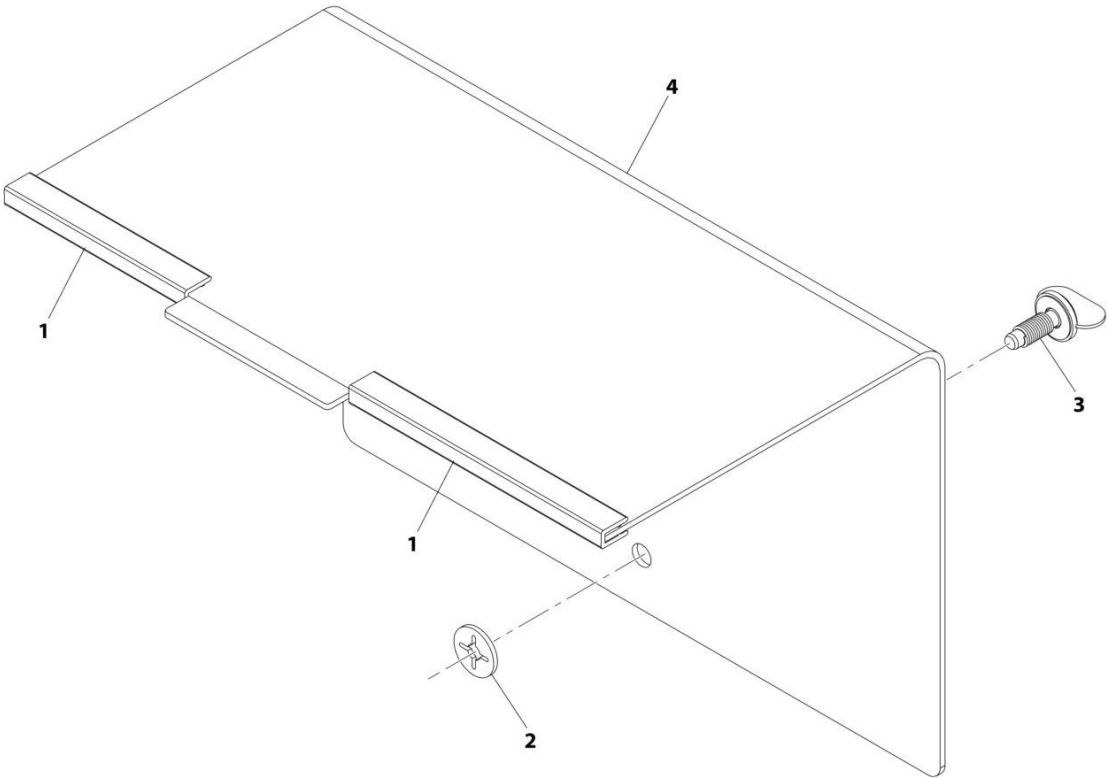
SECTION 10 - ELECTRICAL

FIGURE 10-44. RELAY PANEL INSTALLATION

ITEM	PART NUMBER	QTY	DESCRIPTION	REV
	1001170233	Ref	Relay Panel Installation	F
1	0641415	2	Bolt 1/4X1-7/8	
2	4761400	2	Washer 1/4	
3	8303545	4	Bolt M6X14	
4	8307219	4	Washer M6	
5	90206196	257 mm	Trim, Vinyl Edge	
6	1001186417	1	Relay, 150 Amp	
7	1001118245	1	Fuse, 250 Amp	
8	1001127699	1	Fuse, Power Module	
9	1001127700	1	Holder, AMG Fuse	
10	1001129615	1	Bar, Buss Connector	
11	1001184316	1	Relay, Power Module	
12	1001170230	1	Bracket, Relay Mount	

SECTION 10 - ELECTRICAL

FIGURE 10-45. RELAY PANEL COVER INSTALLATION



ART_1001170234-B

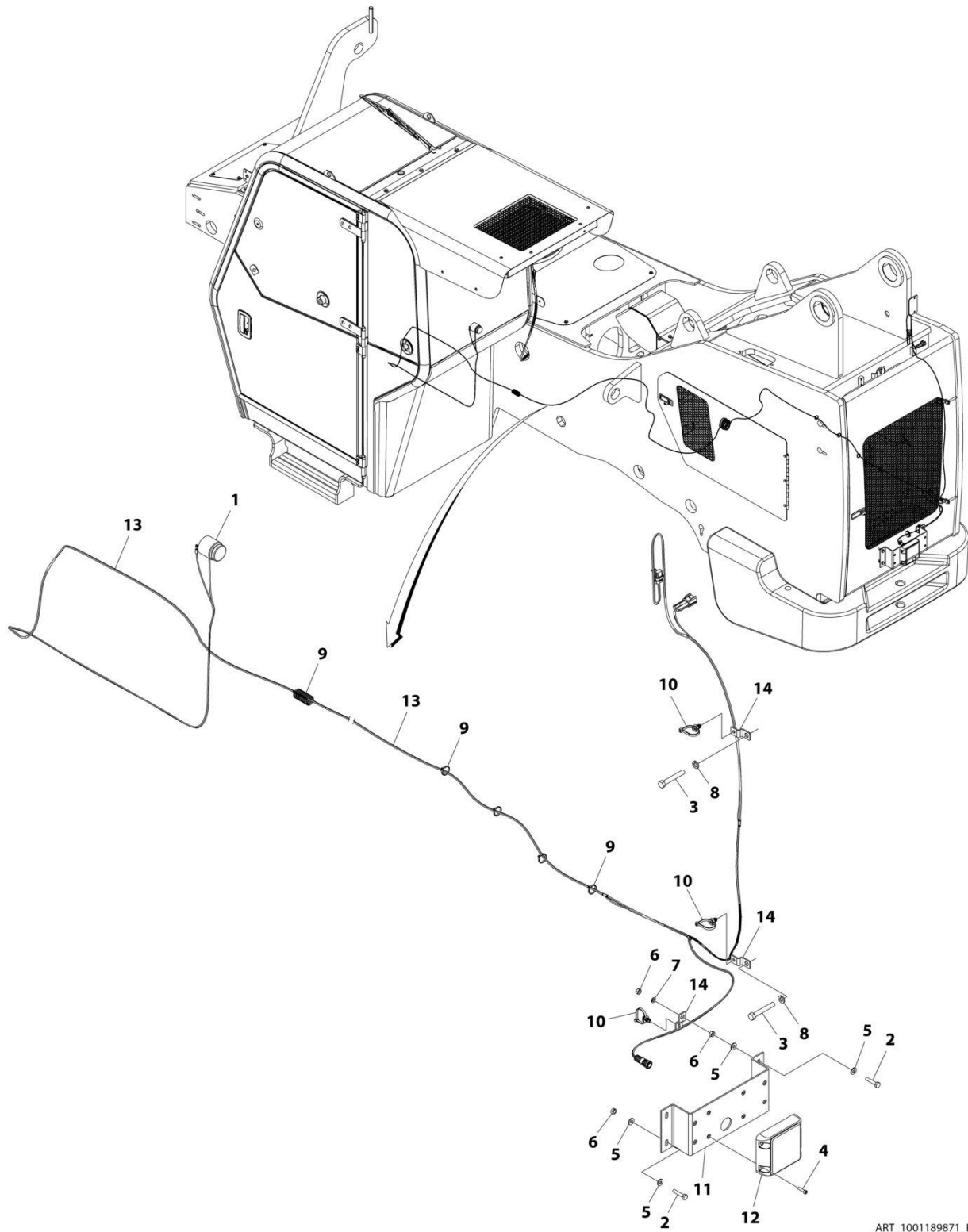
SECTION 10 - ELECTRICAL

FIGURE 10-45. RELAY PANEL COVER INSTALLATION

ITEM	PART NUMBER	QTY	DESCRIPTION	REV
	1001170234	Ref	Relay Panel Cover Assembly	B
1	90206196	220 mm	Trim, Vinyl Edge	
2	1001135770	1	Washer, Push-On Retainer	
3	1001135777	1	Screw, Fastener Assembly Wing Head	
4	1001170235	1	Cover, Relay Panel	

SECTION 10 - ELECTRICAL

FIGURE 10-46. REVERSE SENSING SYSTEM INSTALLATION



ART_1001189871_B

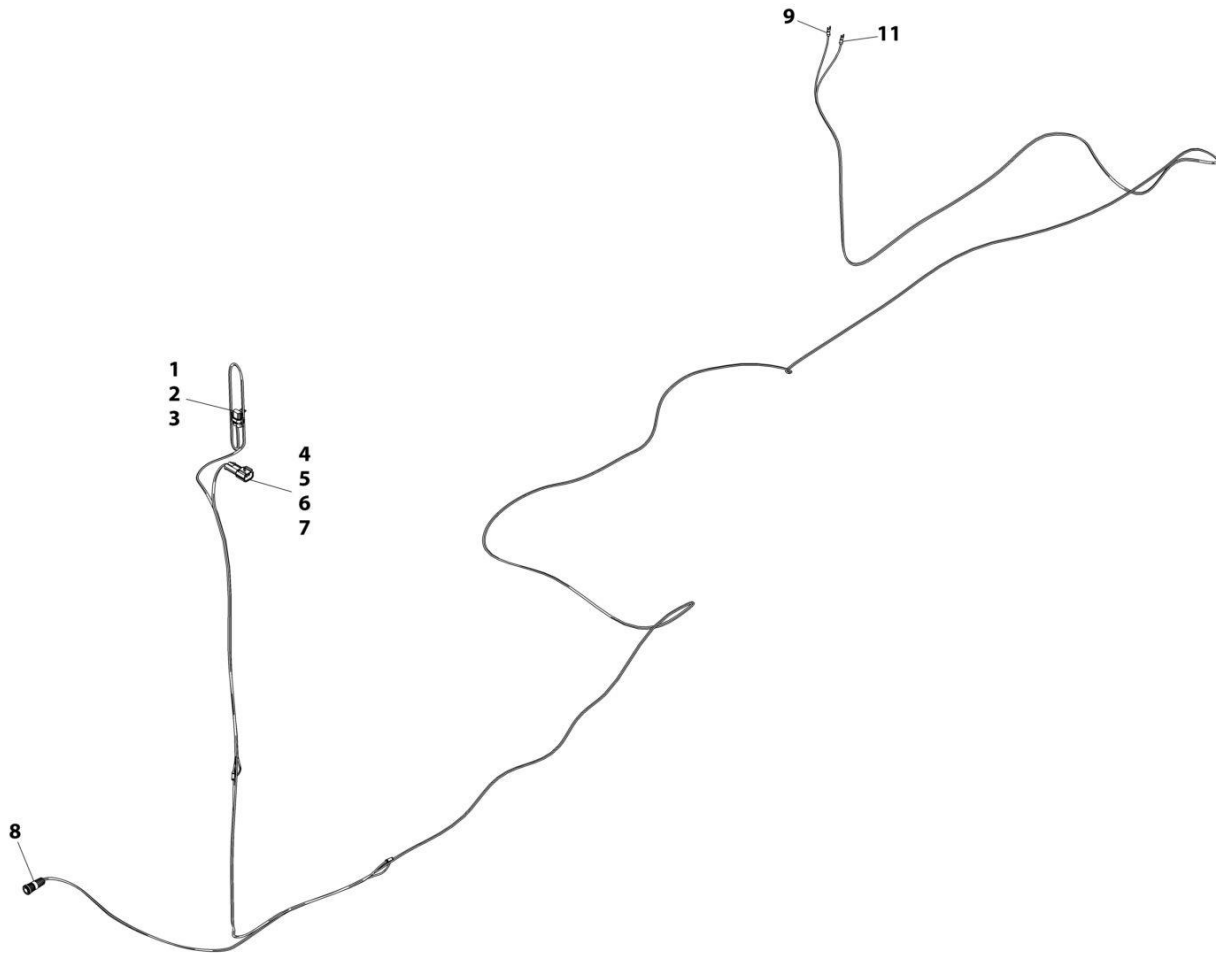
SECTION 10 - ELECTRICAL

FIGURE 10-46. REVERSE SENSING SYSTEM INSTALLATION

ITEM	PART NUMBER	QTY	DESCRIPTION	REV
	1001189871	Ref	REVERSE SENSOR INSTALLATION	B
1	0140011	1	Audible, Signal Device	
2	0641410	4	Bolt 1/4 x 1	
3	0641620	2	Bolt 3/8 x 2	
4	3931012	4	Capscrew #10 x 3/4	
5	4711400	8	Washer 1/4	
6	8305004	5	Nut 1/4	
7	8307002	1	Washer 1/4	
8	8307005	2	Washer 3/8	
9	8584001	AR	Wrap, Tie 3/16	
10	1001004720	3	Strap, Cable	
11	1001154375	1	Bracket	
12	1001247421	1	Control, Reverse Sensor	
13	1001189886	1	Harness, Reverse Sensor (See Separate Breakdown in this Section)	
14	1001204692	3	Bracket	

SECTION 10 - ELECTRICAL

FIGURE 10-47. REVERSE SENSING HARNESS



ART_1001189886-B

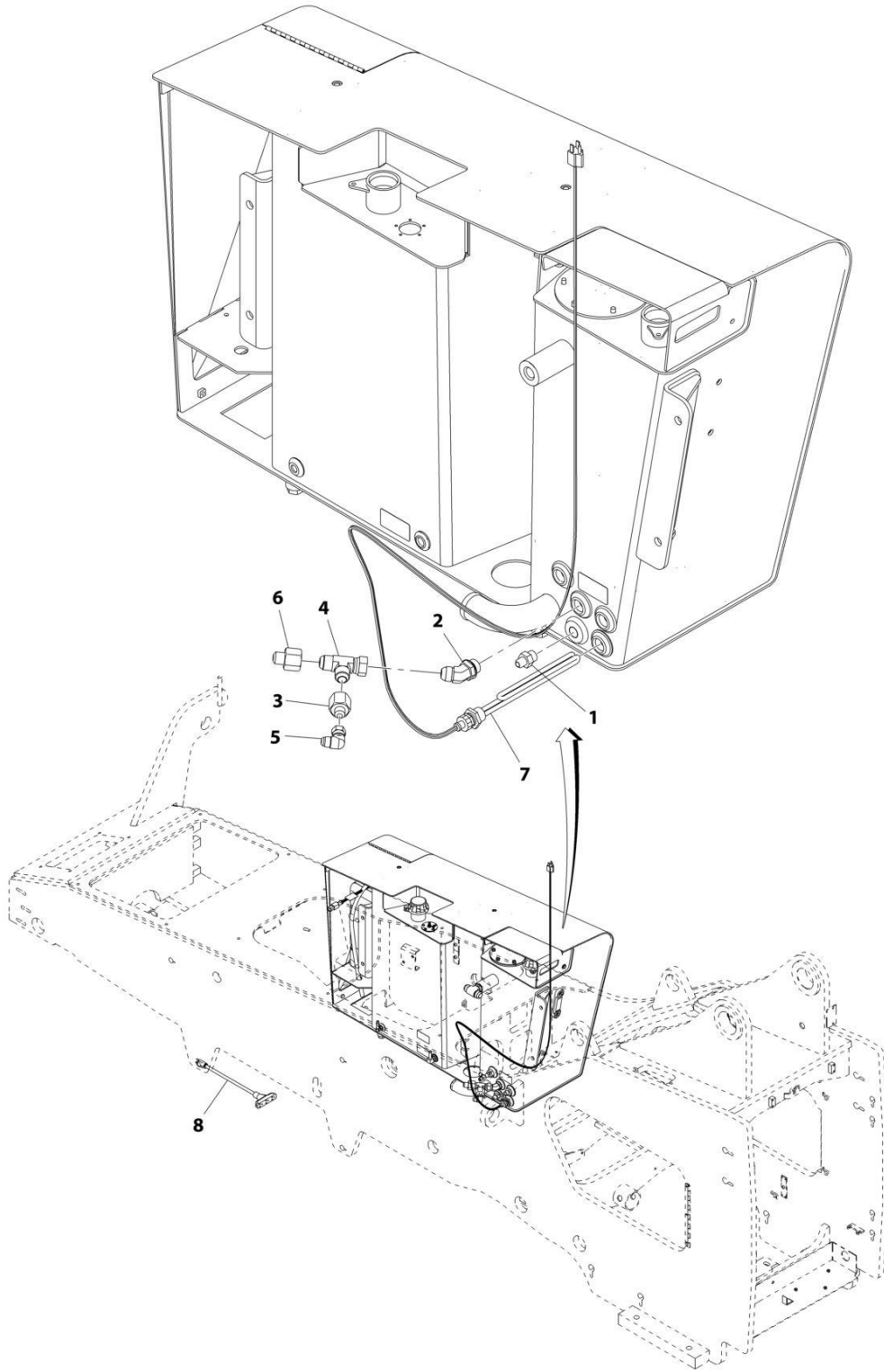
SECTION 10 - ELECTRICAL

FIGURE 10-47. REVERSE SENSING HARNESS

ITEM	PART NUMBER	QTY	DESCRIPTION	REV
	1001189886	Ref	Reverse Sensor Harness	B
1	1001117021	1	Connector	
2	1001116728	2	Terminal	
3	4460458	2	Seal	
4	1001117026	1	Connector	
5	8220890	1	Lock, Secondary	
6	1001116745	2	Terminal	
7	4460458	2	Seal	
8	1001175733	1	Connector	
9	4460183	1	Fork Terminal	
11	4460183	1	Fork Terminal	

SECTION 10 - ELECTRICAL

FIGURE 10-48. TANK BLANKET INSTALLATION



ART_1001233964-A

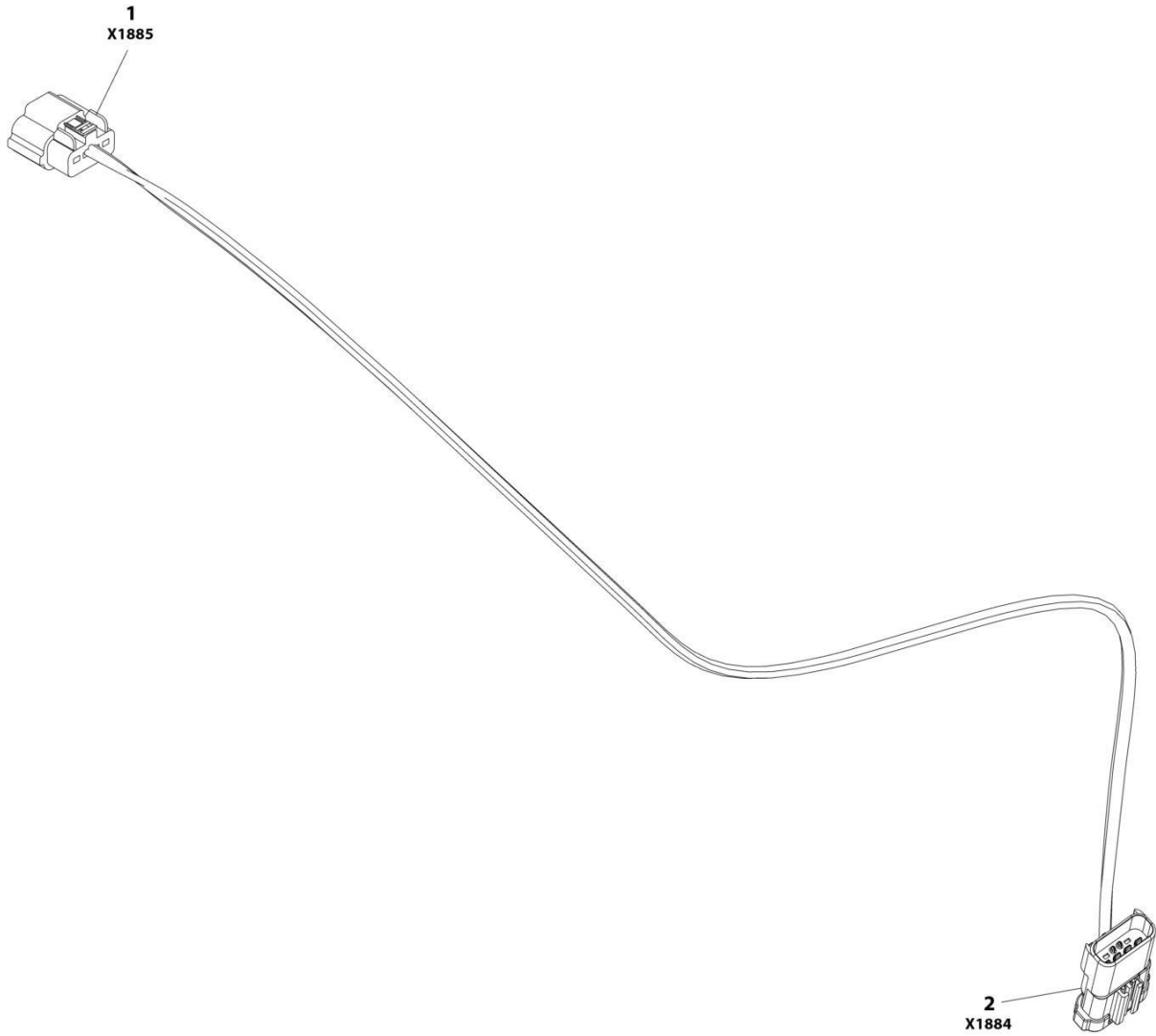
SECTION 10 - ELECTRICAL

FIGURE 10-48. TANK BLANKET INSTALLATION

ITEM	PART NUMBER	QTY	DESCRIPTION	REV
	1001233964	Ref	Hydraulic Tank Heater Installation	A
1	2220374	1	Connector	
2	2220498	1	Adapter, 45	
3	2220622	1	Reducer	
4	2220700	1	Tee Fitting	
5	8765204	1	Elbow	
6	1001094696	1	Adapter	
7	1001105886	1	Immersion Heater	
8	1060626	1	3 Way Plug	

SECTION 10 - ELECTRICAL

FIGURE 10-49. TBAP HARNESS



ART_1001184835

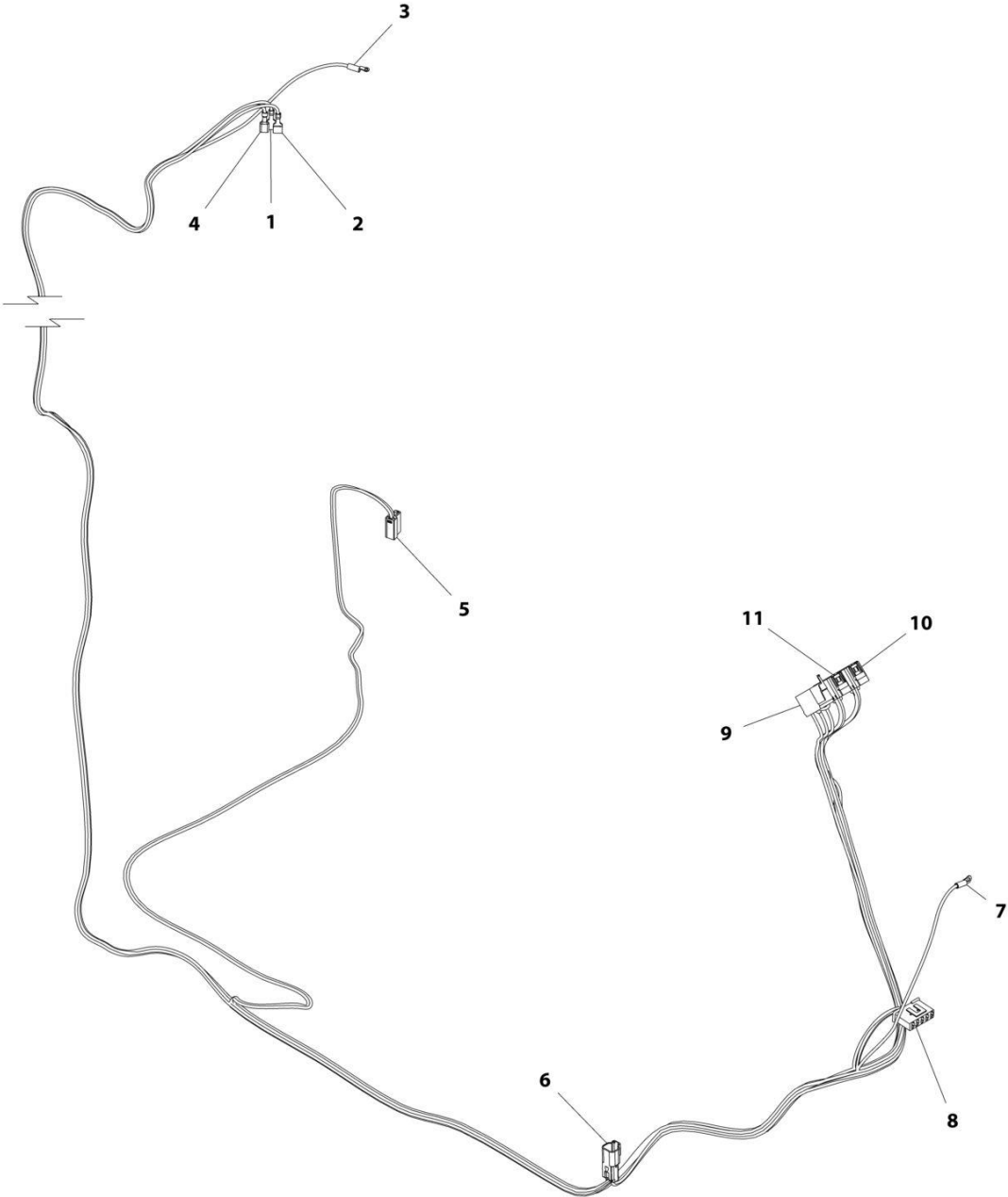
SECTION 10 - ELECTRICAL

FIGURE 10-49. TBAP HARNESS

ITEM	PART NUMBER	QTY	DESCRIPTION	REV
1	1001184835	Ref	TBAP Harness	C
	10011184495	1	Connector	
	1001260509	4	Terminal	
	1001184496	4	Seal	
2	1001184491	1	Connector	
	1001184493	4	Terminal	

SECTION 10 - ELECTRICAL

FIGURE 10-50. WIPER HARNESS



ART_1001178349-D

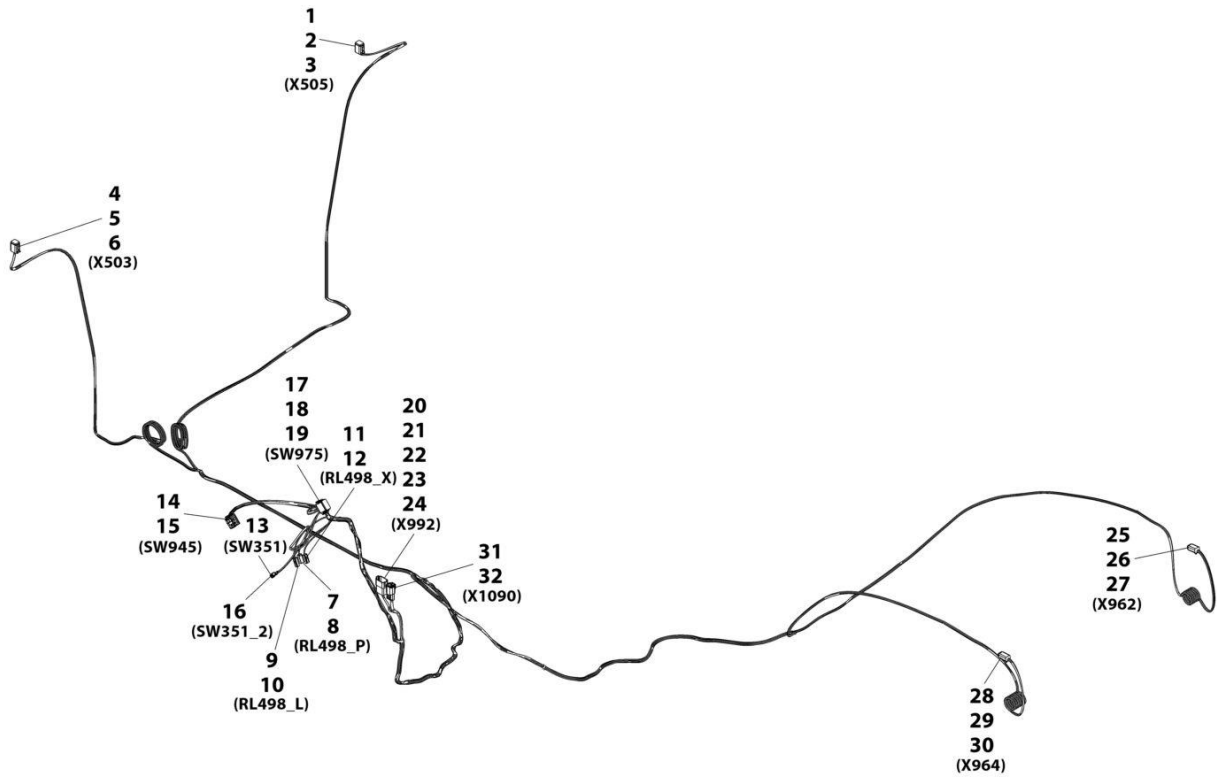
SECTION 10 - ELECTRICAL

FIGURE 10-50. WIPER HARNESS

ITEM	PART NUMBER	QTY	DESCRIPTION	REV
	1001178349	Ref	Wiper Harness	D
1	8220051	1	Terminal	
2	8220051	1	Terminal	
3	8220035	1	Terminal, Ring	
4	8220051	1	Terminal	
5	4460994	1	Housing, Terminal	
	1001169816	2	Terminal	
6	4460897	1	Connector	
	80604017	1	Lock, Wedge	
	4460464	2	Terminal	
7	8220007	1	Terminal, Ring	
8	1001127066	1	Connector	
	1001116720	3	Terminal	
9	8220904	1	Connector	
	4460419	5	Terminal	
10	1001117081	1	Connector	
	4460419	9	Terminal	
11	1001117081	1	Connector	
	4460419	9	Terminal	

SECTION 10 - ELECTRICAL

FIGURE 10-51. ROAD LIGHT OPTION HARNESS



ART_1001178346-H

SECTION 10 - ELECTRICAL

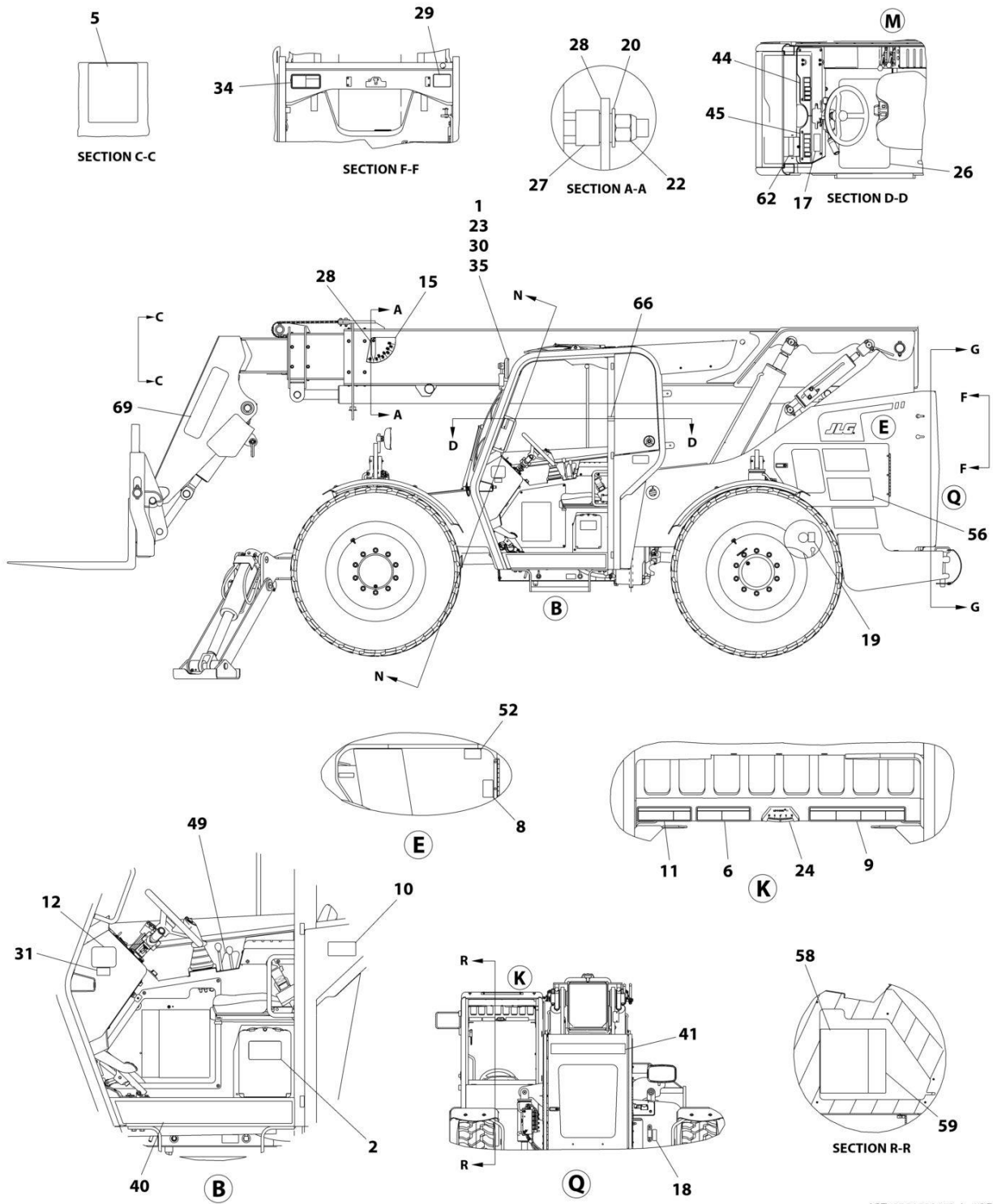
FIGURE 10-51. ROAD LIGHT OPTION HARNESS

ITEM	PART NUMBER	QTY	DESCRIPTION	REV
	1001178346	Ref	ROAD LIGHT OPTION HARNESS	H
1	4460894	1	Connector	
2	4460465	5	Terminal	
3	4460466	1	Plug	
4	4460894	1	Connector	
5	4460465	5	Terminal	
6	4460466	1	Plug	
7	7116572	1	Connector	
8	1001116736	1	Terminal	
9	7116572	1	Connector	
10	1001116736	1	Terminal	
11	7116572	1	Connector	
12	1001116736	1	Terminal	
13	8220051	1	Terminal, Ring	
14	1001117079	1	Connector	
15	4460419	9	Terminal	
16	8220051	1	Terminal, Ring	
17	4460933	1	Connector	
18	4460465	8	Terminal	
19	4460466	4	Plug	
20	4460931	1	Connector	
21	4460466	3	Plug	
22	4460464	2	Terminal	
23	1001157891	2	Terminal	
24	4460941	1	Terminal	
25	4460884	1	Connector	
26	4460465	3	Terminal	
27	4460942	1	Terminal	
28	4460884	1	Connector	
29	4460465	3	Terminal	
30	4460942	1	Terminal	
31	4461017	1	Connector	
32	4460508	2	Terminal	

SECTION 11 - DECALS

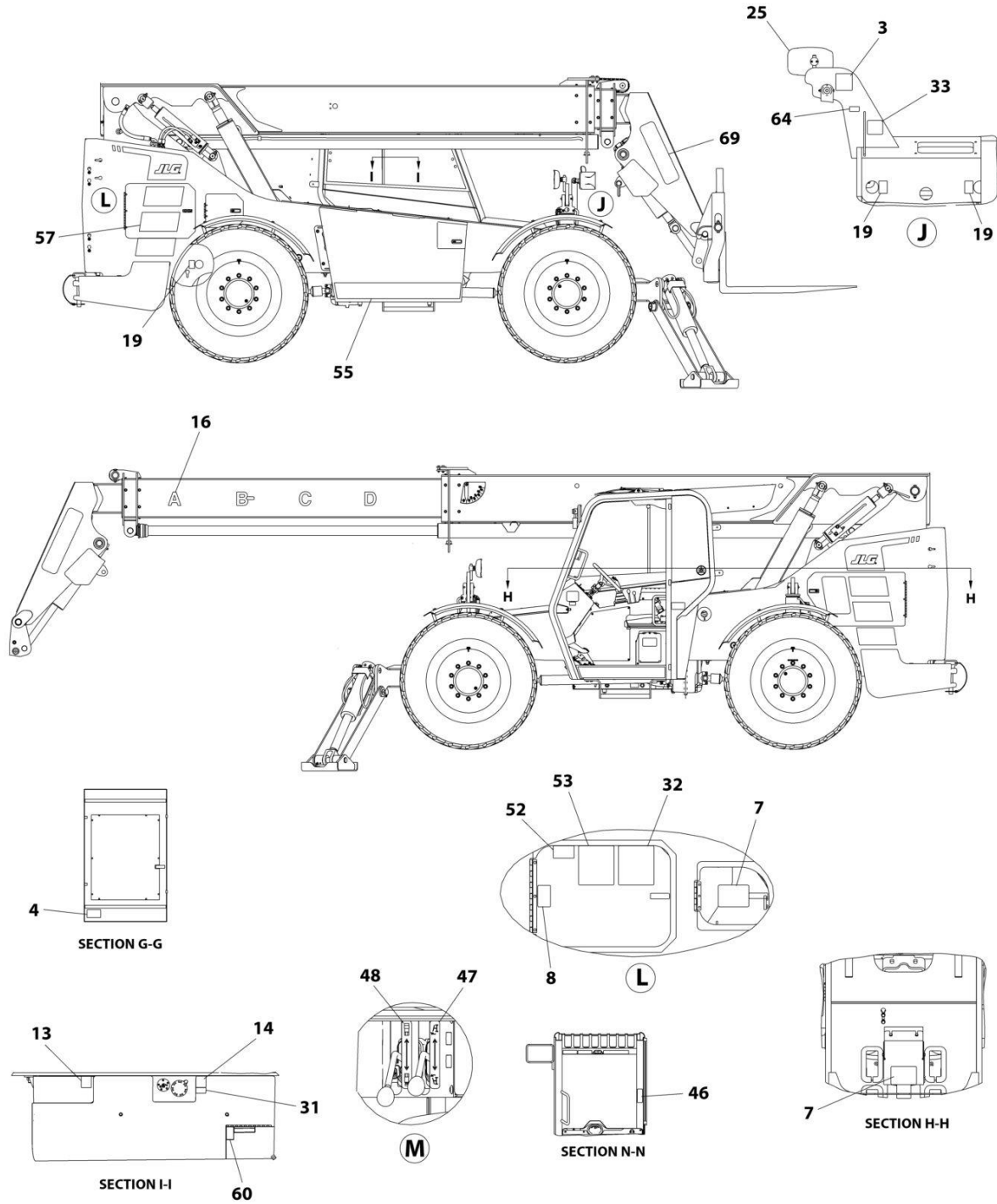
SECTION 11 - DECALS

FIGURE 11-1. DECALS INSTALLATION - 74HP (ANSI SPECS)



ART_1001213433_L_10F2

SECTION 11 - DECALS



ART_1001213433_L_20F2

SECTION 11 - DECALS

FIGURE 11-1. DECALS INSTALLATION - 74HP (ANSI SPECS)

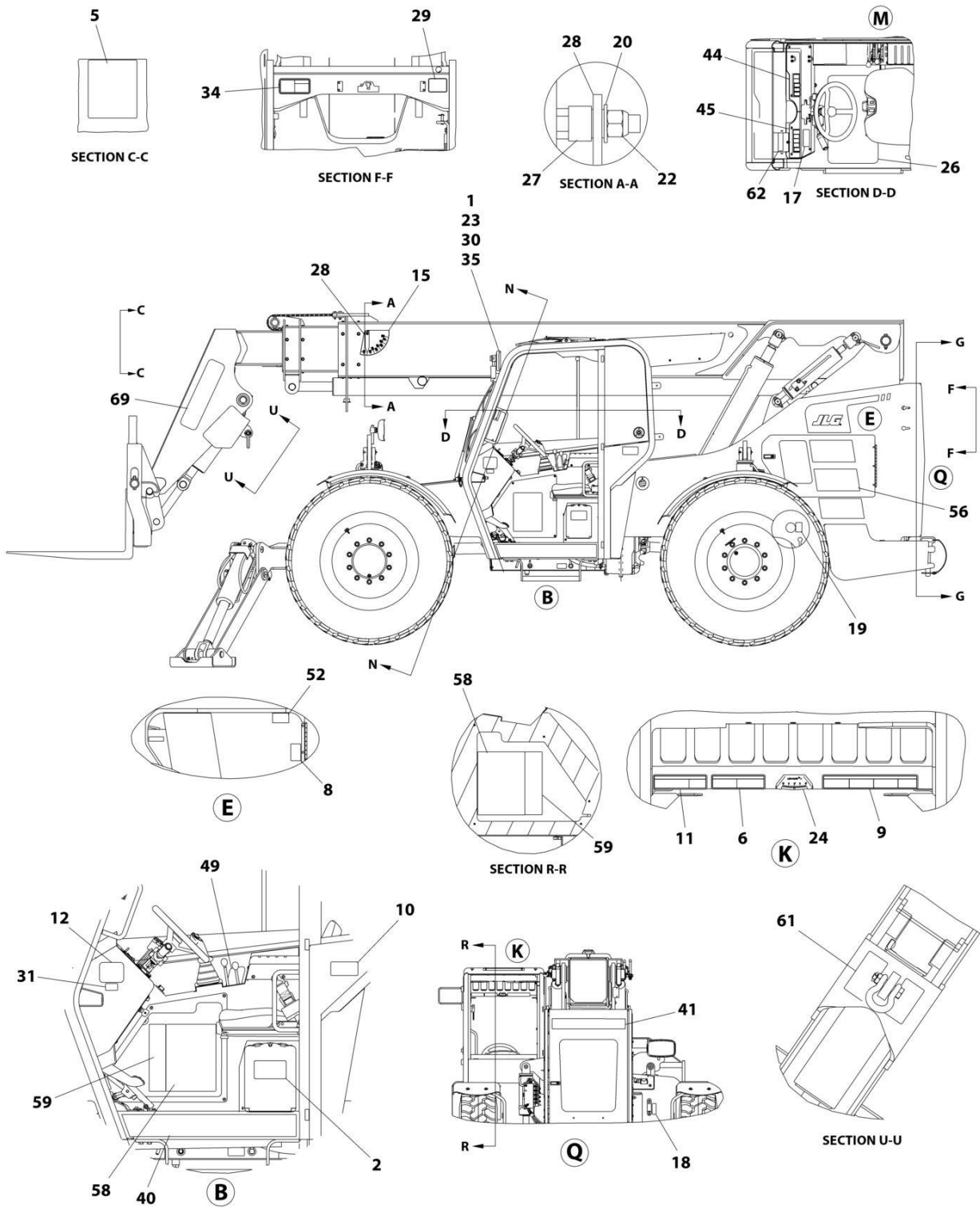
ITEM	PART NUMBER	QTY	DESCRIPTION	REV
	1001213433	Ref	DECALS INSTALLATION - 74HP (ANSI SPECS)	L
1	0700610	2	Bolt M6 x 20	
2	1701640	1	Decal, Manual	
3	See Note	NSS	Decal, Bar Code (Note: Not Available for Purchase)	
4	1706296	1	Decal, Battery Warning (ANSI)	
5	1706298	1	Decal, Carry Personnel	
6	1706299	1	Decal, Contacting Power Lines Warning	
7	1706300	2	Decal, Ether Warning	
8	1706301	2	Decal, Keep Clear of Rotating Parts Warning	
9	1706306	1	Decal, Tip Over Warning	
10	1706768	1	Decal, No Riders	
11	1706850	1	Decal, Crush Hazard Warning	
12	3251813	1	Decal, USA	
13	4100181	1	Decal, Hydraulic Oil Fill	
14	1001189017	1	Decal, Diesel Fuel Fill	
15	4105262	1	Decal, Boom Angle Indicator	
16	4107442	1	Decal, Boom Extend Letters	
17	4107971	1	Decal, Outrigger Contact (10042,10054)	
18	4108302	1	Decal, Hydraulic Oil Level	
19	1702300	4	Decal, Tie Down	
20	4711600	1	Washer 3/8	
22	8305645	1	Locknut 3/8	
23	8307024	2	Washer, Lock M6	
24	8466306	1	Gage, Tilt Angle	
25	1001191635	1	Mirror, RH	
26	10139087	1	Tread, Safety	
27	1001096404	1	Sleeve, Angle Indicator Spacer	
28	1001098769	1	Plate, Book Angle Indicator	
29	1001109053	1	Decal, Coolant Fill	
30	1001114675	1	Arm, Mirror	
31	1001125387	2	Decal, Ultra Low Sulfur Fuel	
32	1001191996	1	Decal, Lubrication Chart (10054)	
33	1001131271	1	Decal, Telehandlers Patent	
34	1001139578	1	Decal, Hot Fluid Warning	
35	1001148177	1	Mirror, Rectangular	
40	1001259302	1	Decal, Cab Side	
41	1001263821	1	Decal, Rear Door	
44	1001158272	1	Decal, RH Overlay	
45	1001158319	1	Decal, LH Overlay	
46	1001162734	1	Decal, Joystick Control	
47	1001162735	1	Decal, Sway Control	
48	1001162736	1	Decal, Auxiliary Control	
49	1001162737	1	Decal, Outrigger Control (10042,10054)	
52	1001202626	2	Decal, 74HP	
53	1001202627	1	Decal, Maintenance Chart	
55	1001259303	1	Decal, Tank Side	
56	1001259305	1	Decal, Left Side Stripe	
57	1001259306	1	Decal, Right Side Stripe	
58	1001189327	1	Decal, Main Fuse Panel	
59	1001189328	1	Decal, Fuse Panel	

SECTION 11 - DECALS

ITEM	PART NUMBER	QTY	DESCRIPTION	REV
60	1001207217	1	Decal, Danger Swinging Load	
62	1001218659	1	Decal, Brake Fluid Spec	
64	1001223453	1	Decal, ICES (CAN)	
66	1001231801	1	Decal, Warning PROP 65 Diesel	
69	1001263589	2	Decal, Model Boom Head	

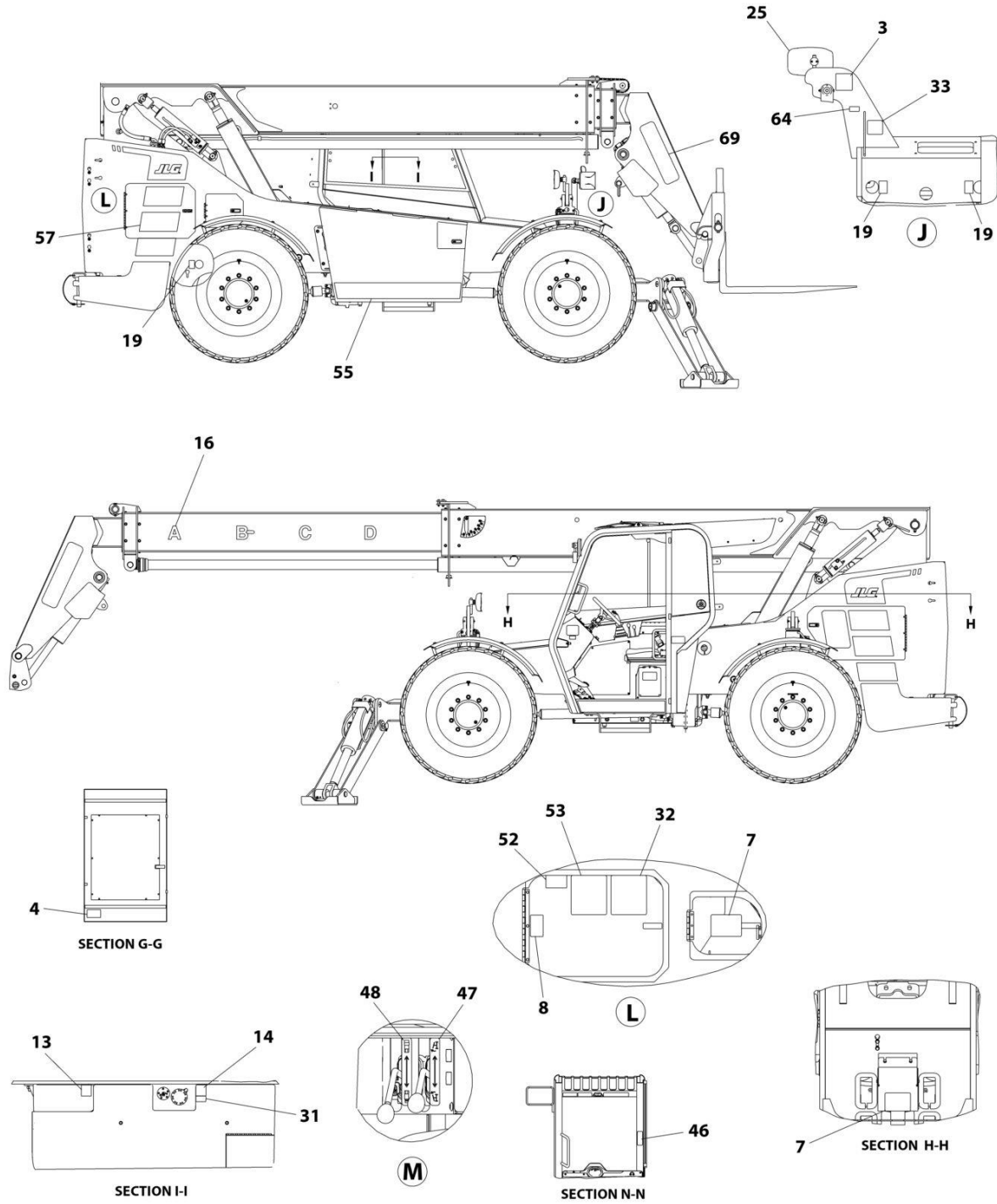
SECTION 11 - DECALS

FIGURE 11-2. DECALS INSTALLATION - 74HP (ENGLISH/FRENCH SPECS)



ART_1001213434_L_10F2

SECTION 11 - DECALS



ART_1001213434_L_2OF2

SECTION 11 - DECALS

FIGURE 11-2. DECALS INSTALLATION - 74HP (ENGLISH/FRENCH SPECS)

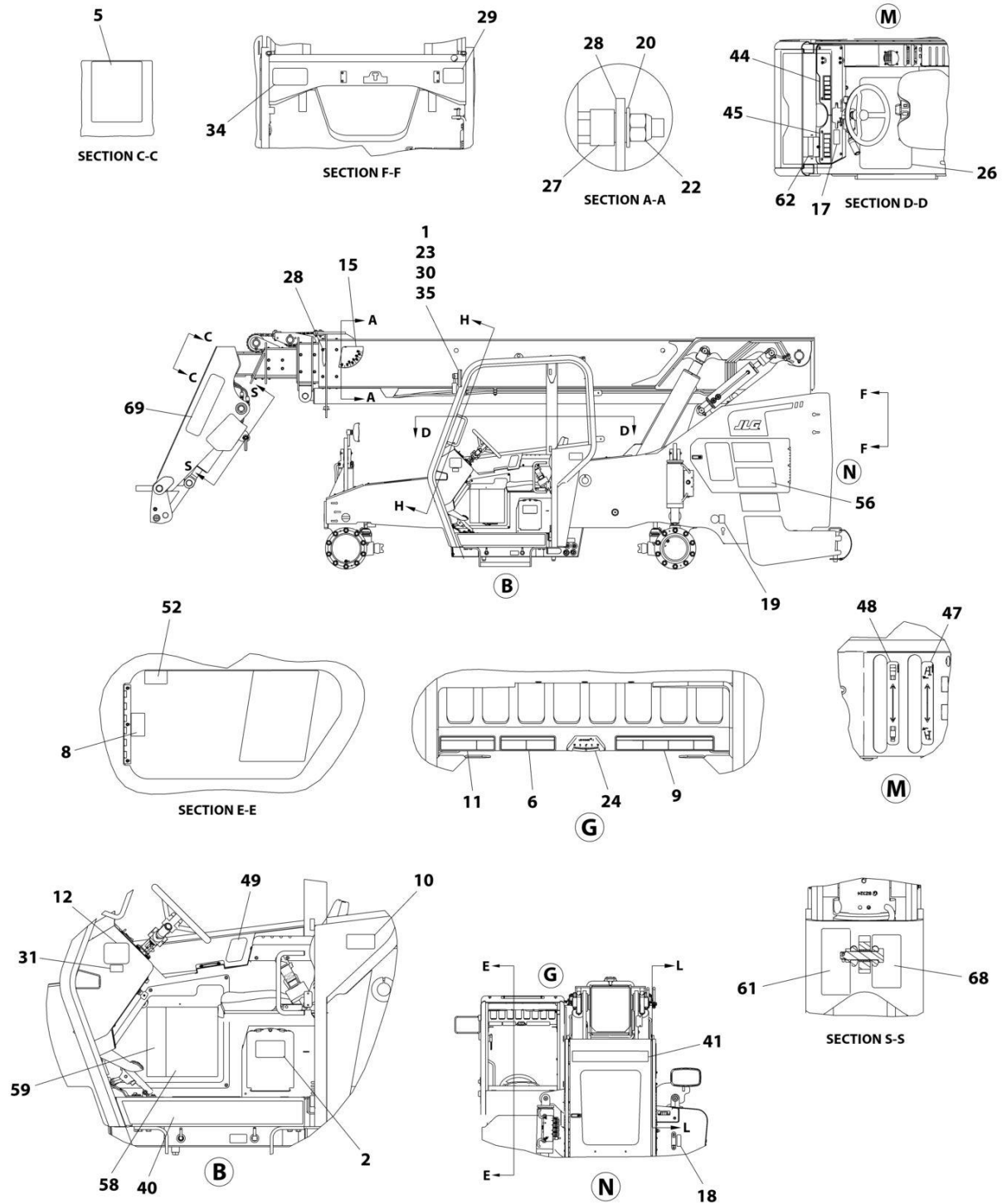
ITEM	PART NUMBER	QTY	DESCRIPTION	REV
	1001213434	Ref	DECALS INSTALLATION - 74HP (ENGLISH/FRENCH SPECS)	L
1	0700610	2	Bolt M6 x 20	
2	1701640	1	Decal, Manual	
3	See Note	NSS	Decal, Bar Code (Note: Not Available for Purchase)	
4	1001163174	1	Decal, Battery Warning (CAN)	
5	1001163206	1	Decal, Carry Personnel (CAN)	
6	1001163210	1	Decal, Electrocutation Hazard (CAN)	
7	1001163212	2	Decal, Ether Starting Warning (CAN)	
8	1001163222	2	Decal, Keep Clear of Rotating Parts (CAN)	
9	1001163285	1	Decal, Tip Over Warning (CAN)	
10	1001163300	1	Decal, No Riders (CAN)	
11	1001163304	1	Decal, Crush Hazard Warning (CAN)	
12	3251813	1	Decal, USA	
13	4100181	1	Decal, Hydraulic Oil Fill	
14	1001189017	1	Decal, Diesel Fuel Fill	
15	4105262	1	Decal, Boom Angle Indicator	
16	4107442	1	Decal, Boom Extend Letters	
17	1001187239	1	Decal, Outrigger (ENG/FR)	
18	4108302	1	Decal, Hydraulic Oil Level	
19	1702300	4	Decal, Tie Down	
20	4711600	1	Washer 3/8	
22	8305645	1	Locknut 3/8	
23	8307024	2	Washer, Lock M6	
24	8466306	1	Gage, Tilt Angle	
25	1001191635	1	Mirror, RH	
26	10139087	1	Tread, Safety	
27	1001096404	1	Sleeve, Angle Indicator Spacer	
28	1001098769	1	Plate, Boom Angle Indicator	
29	1001109053	1	Decal, Coolant Fill	
30	1001114675	1	Arm, Mirror	
31	1001163355	2	Decal, Ultra Low Sulfur Fuel (CAN)	
32	1001191996	1	Decal, Lubrication Chart (10054)	
33	1001131271	1	Decal, Telehandlers Patent	
34	1001163323	1	Decal, Hot Fluid Warning (CAN)	
35	1001148177	1	Mirror, Rectangular	
40	1001259302	1	Decal, Cab Side	
41	1001263821	1	Decal, Rear Door	
44	1001180175	1	Decal, RH Overlay	
45	1001180176	1	Decal, LH Overlay	
46	1001162734	1	Decal, Joystick Control	
47	1001162735	1	Decal, Sway Control	
48	1001162736	1	Decal, Auxiliary Control	
49	1001162737	1	Decal, Outrigger Control (10042,10054)	
52	1001202626	2	Decal, 74HP	
53	1001202627	1	Decal, Maintenance Chart	
55	1001259303	1	Decal, Tank Side	
56	1001259305	1	Decal, Left Side Stripe	
57	1001259306	1	Decal, Right Side Stripe	
58	1001189327	1	Decal, Main Fuse Panel	
59	1001189328	1	Decal, Fuse Panel	

SECTION 11 - DECALS

ITEM	PART NUMBER	QTY	DESCRIPTION	REV
61	1001211278	1	Decal, Swinging Load Decal Kit (CAN)	
62	1001219211	1	Decal, Brake Fluid Spec	
64	1001223453	1	Decal, ICES (CAN)	
69	1001263589	2	Decal, Model Boom Head	

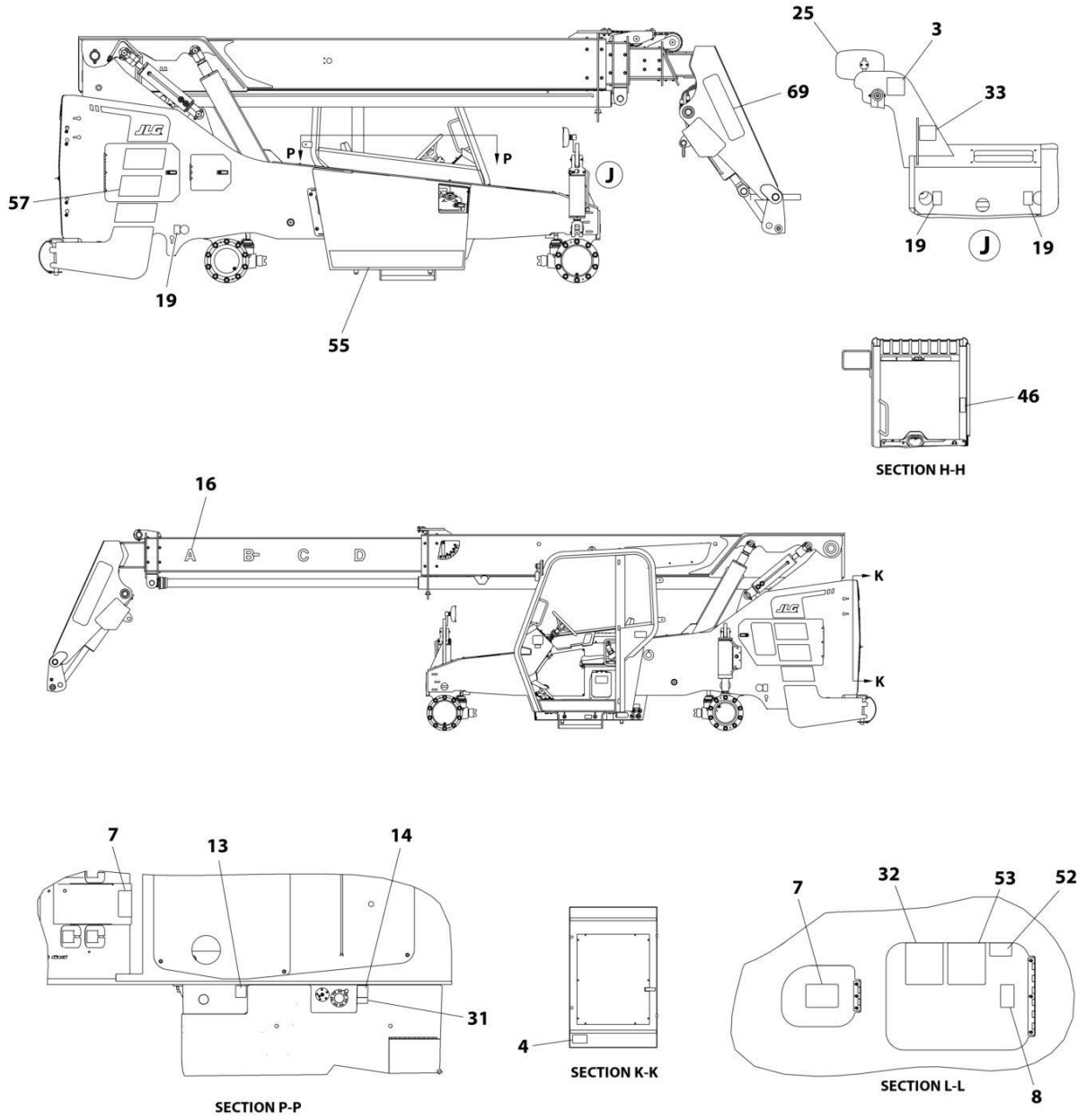
SECTION 11 - DECALS

FIGURE 11-3. DECALS INSTALLATION - 74HP ULS (ENGLISH/SPANISH SPECS)



ART_1001242117_F_10F2

SECTION 11 - DECALS



ART_1001242117_F_2OF2

SECTION 11 - DECALS

FIGURE 11-3. DECALS INSTALLATION - 74HP ULS (ENGLISH/SPANISH SPECS)

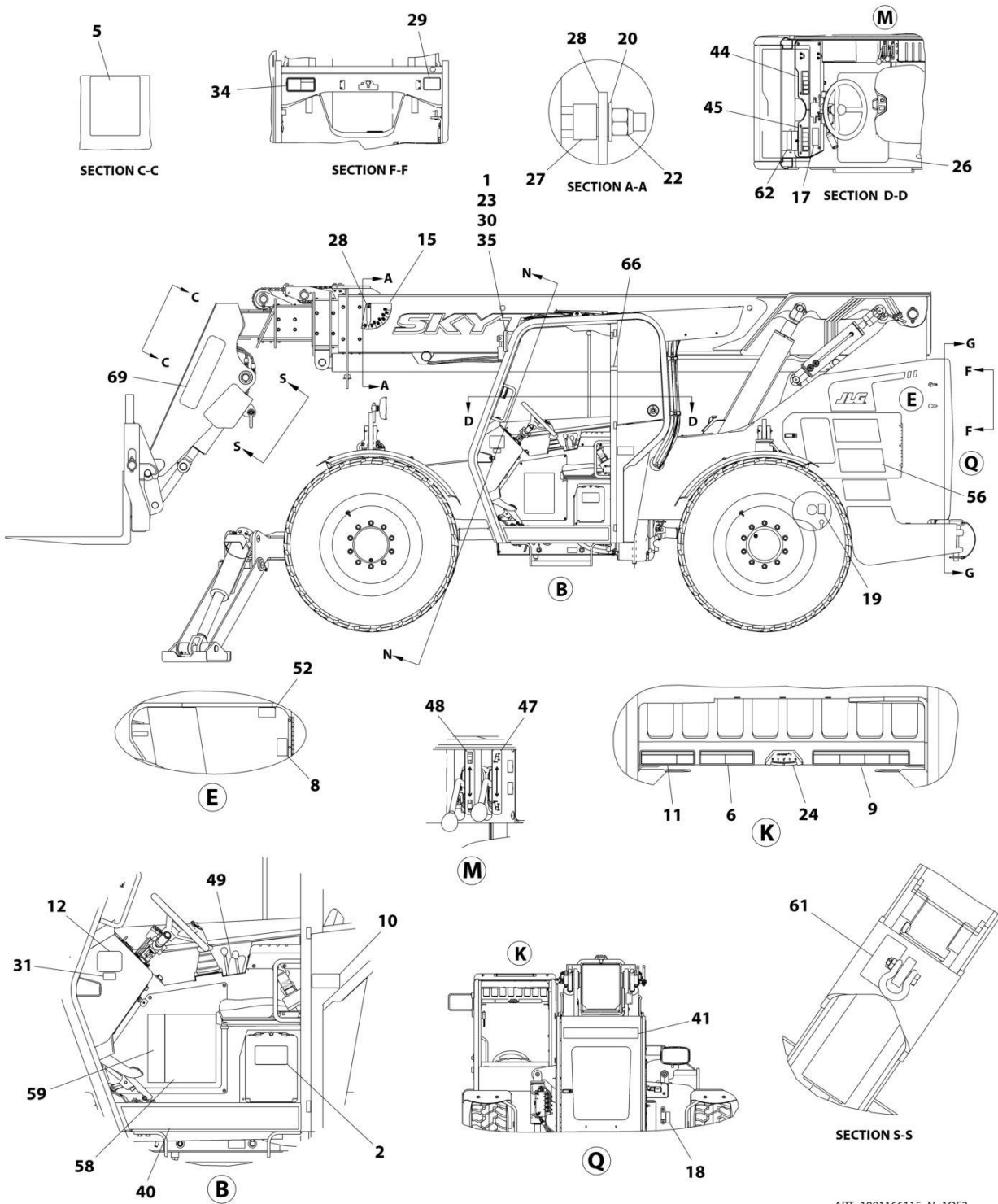
ITEM	PART NUMBER	QTY	DESCRIPTION	REV
	1001242117	Ref	DECALS INSTALLATION - 74HP ULS (ENGLISH/SPANISH SPECS)	F
1	0700610	2	Bolt M6 x 20	
2	1701640	1	Decal, Manual	
3	See Note	NSS	Decal, Bar Code (Note: Not Available for Purchase)	
4	1001235794	1	Decal, Battery Warning (SPAN)	
5	1001235796	1	Decal, Carry Personnel (SPAN)	
6	1001235797	1	Decal, Electrocutation Hazard (SPAN)	
7	1001235798	2	Decal, Warning No Either (SPAN)	
8	1001235799	2	Decal, Moving Parts (SPAN)	
9	1001235801	1	Decal, Tipover Warning	
10	1001235802	1	Decal, No Riders	
11	1001235803	1	Decal, Warning Crushing Hazard (SPAN)	
12	3251813	1	Decal, USA	
13	4100181	1	Decal, Hydraulic Oil Fill	
14	1001189017	1	Decal, Diesel Fuel Fill	
15	4105262	1	Decal, Boom Angle Indicator	
16	4107442	1	Decal, Boom Extend Letters	
17	1001242122	1	Decal, Outrigger (ENG/SPAN)	
18	4108302	1	Decal, Hydraulic Oil Level	
19	1702300	4	Decal, Tie Down	
20	4711600	1	Washer 3/8	
22	8305645	1	Locknut 3/8	
23	8307024	2	Washer, Lock M6	
24	8466306	1	Gage, Tilt Angle	
25	1001191635	1	Mirror, RH	
26	10139087	1	Tread, Safety	
27	1001096404	1	Sleeve, Angle Indicator Spacer	
28	1001098769	1	Plate, Boom Angle Indicator	
29	1001109053	1	Decal, Coolant Fill	
30	1001114675	1	Arm, Mirror	
31	1001235804	2	Decal, Ultra Low Sulfur Fuel (SPAN)	
32	1001191996	1	Decal, Lubrication Chart (10054)	
33	1001131271	1	Decal, Telehandlers Patent	
34	1001235805	1	Decal, Hot Fluid Warning	
35	1001148177	1	Mirror, Rectangular	
40	1001259302	1	Decal, Cab Side	
41	1001263821	1	Decal, Rear Door	
44	1001242172	1	Decal, RH Overlay	
45	1001242173	1	Decal, LH Overlay	
46	1001162734	1	Decal, Joystick Control	
47	1001162735	1	Decal, Sway Control	
48	1001162736	1	Decal, Auxiliary Control	
49	1001162737	1	Decal, Outrigger Control	
52	1001236313	2	Decal, MCO 74HP (SPAN)	
53	1001202627	1	Decal, Maintenance Chart	
55	1001259303	1	Decal, Tank Side	
56	1001259305	1	Decal, Left Side Stripe	
57	1001259306	1	Decal, Right Side Stripe	
58	1001189327	1	Decal, Main Fuse Panel	

SECTION 11 - DECALS

ITEM	PART NUMBER	QTY	DESCRIPTION	REV
59	1001189328	1	Decal, Fuse panel	
61	1001246078	1	Decal, Danger Swinging Load Boom (SPAN)	
62	1001219211	1	Decal, Brake Fluid Spec	
68	1001242179	1	Decal, Danger Swinging Load Boom Head (SPAN)	
69	1001263589	2	Decal, Model Boom Head	

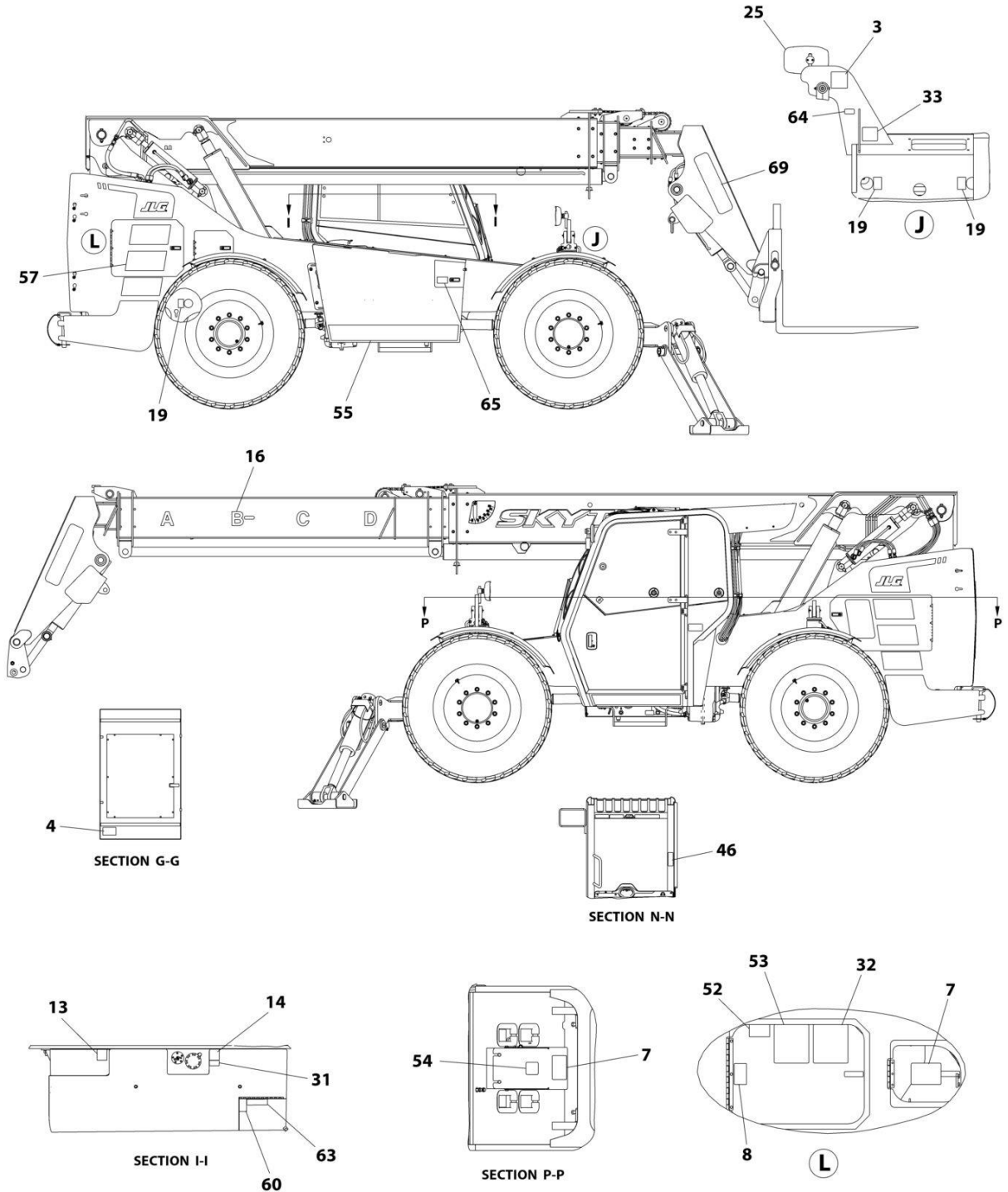
SECTION 11 - DECALS

FIGURE 11-4. DECALS INSTALLATION - 110HP ULS (ANSI SPECS)



ART_1001166115_N_10F2

SECTION 11 - DECALS



ART_1001166115_N_20F2

SECTION 11 - DECALS

FIGURE 11-4. DECALS INSTALLATION - 110HP ULS (ANSI SPECS)

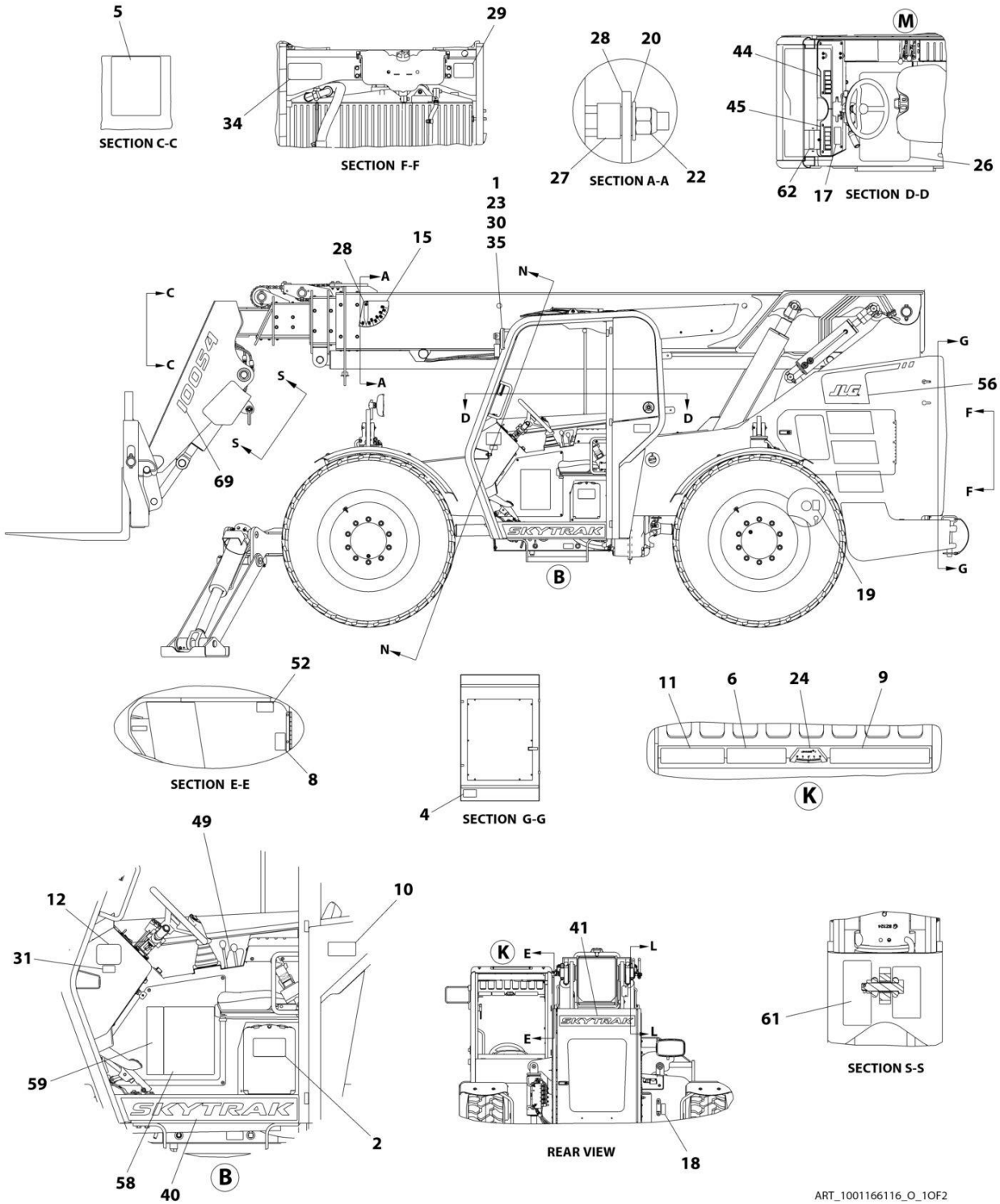
ITEM	PART NUMBER	QTY	DESCRIPTION	REV
	1001166115	Ref	Decal Installation (ANSI) 110HP	N
1	0700610	2	Bolt, M6X20	
2	1701640	1	Decal, Manual	
3	See Note	NSS	Decal, Bar Code (Note: Not Available for Purchase)	
4	1706296	1	Decal, Battery Hazard	
5	1706298	1	Decal, Carry Personnel	
6	1706299	1	Decal, Contacting Power Lines Warning	
7	1706300	2	Decal, Ether Warning	
8	1706301	2	Decal, Keep Clear of Rotating Parts	
9	1706306	1	Decal, Tip Over Warning	
10	1706768	1	Decal, No Riders	
11	1706850	1	Decal, Crush Hazard Warning	
12	3251813	1	Decal, USA	
13	4100181	1	Decal, Hydraulic Oil Fill	
14	1001189017	1	Decal, Diesel Fuel Fill	
15	4105262	1	Decal, Boom Angle Indicator	
16	4107442	1	Decal, Boom Extend Letters	
17	4107971	1	Decal, Outrigger Contact (10042,10054)	
18	4108302	1	Decal, Hydraulic Oil Level	
19	1702300	4	Decal, Tie Down	
20	4711600	1	Washer, 3/8	
22	8305645	1	Nut, Lock 3/8	
23	8307024	2	Washer, Lock M6	
24	8466306	1	Gage, Tilt Angle	
25	1001191635	1	Mirror, RH	
26	10139087	1	Tread, Safety	
27	1001096404	1	Sleeve, Angle Indicator Spacer	
28	1001098769	1	Plate, Boom Angle Indicator	
29	1001109053	1	Decal, Coolant Fill	
30	1001114675	1	Arm, Mirror	
31	1001125387	2	Decal, Ultra Low Sulfur Fuel	
32	1001191996	1	Decal, Lubrication Chart (10054)	
33	1001131271	1	Decal, Telehandlers Patent	
34	1001139578	1	Decal, Hot Fluid Warning	
35	1001148177	1	Mirror, Rectangular	
40	1001259302	1	Decal, Cab Side	
41	1001263821	1	Decal, Rear Door	
44	1001158272	1	Decal, RH Overlay	
45	1001158319	1	Decal, LH Overlay	
46	1001162734	1	Decal, Joystick Control	
47	1001162735	1	Decal, Sway Control	
48	1001162736	1	Decal, Auxiliary Control	
49	1001162737	1	Decal, Outrigger Control (10042,10054)	
52	1001173422	2	Decal, MCO 110HP	
53	1001174152	1	Decal, Maintenance Chart	
54	1001142452	1	Decal, No Step	
55	1001259303	1	Decal, Tank Side	
56	1001259305	1	Decal, Tank Side	
57	1001259306	1	Decal, Right Side Stripe	
58	1001189327	1	Decal, Main Fuse Panel	

SECTION 11 - DECALS

ITEM	PART NUMBER	QTY	DESCRIPTION	REV
59	1001189328	1	Decal, Fuse panel	
60	1001196806	1	Decal, Diesel Exhaust Fluid	
61	1001207217	1	Decal, Danger Swinging Load	
62	1001218659	1	Decal, Brake Fluid Spec	
63	1001219212	1	Decal, DEF Fluid	
64	1001223453	1	Decal, ICES (CAN)	
65	1001230307	1	Decal, Cummins DEF Tank Service	
66	1001231801	1	Decal, Warning Prop 65 Diesel	
69	1001263589	1	Decal, Model Boom Head	

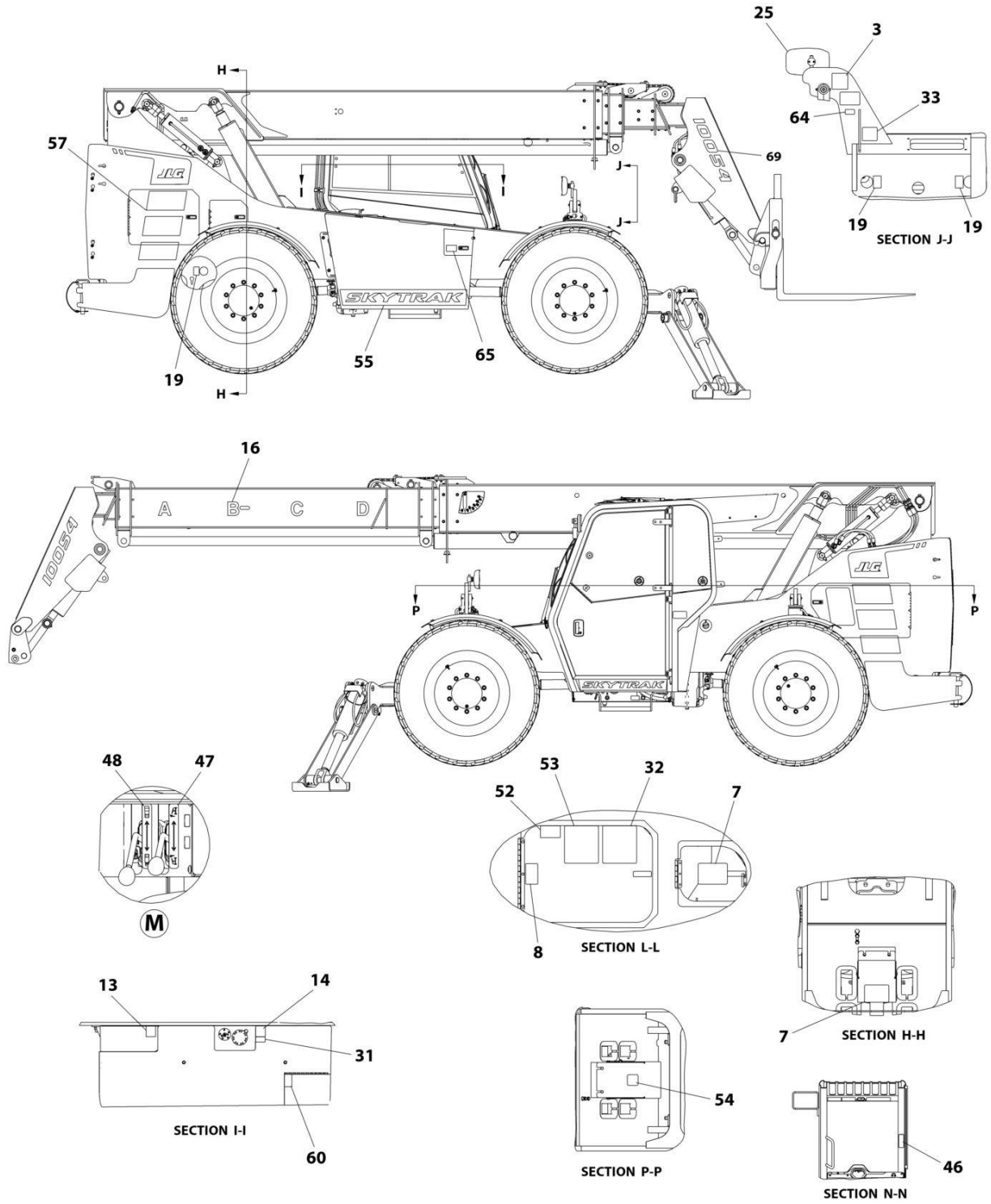
SECTION 11 - DECALS

FIGURE 11-5. DECALS INSTALLATION - 110HP ULS (ENGLISH/FRENCH SPECS)



ART_1001166116_O_10F2

SECTION 11 - DECALS



ART_1001166116_O_20F2

SECTION 11 - DECALS

FIGURE 11-5. DECALS INSTALLATION - 110HP ULS (ENGLISH/FRENCH SPECS)

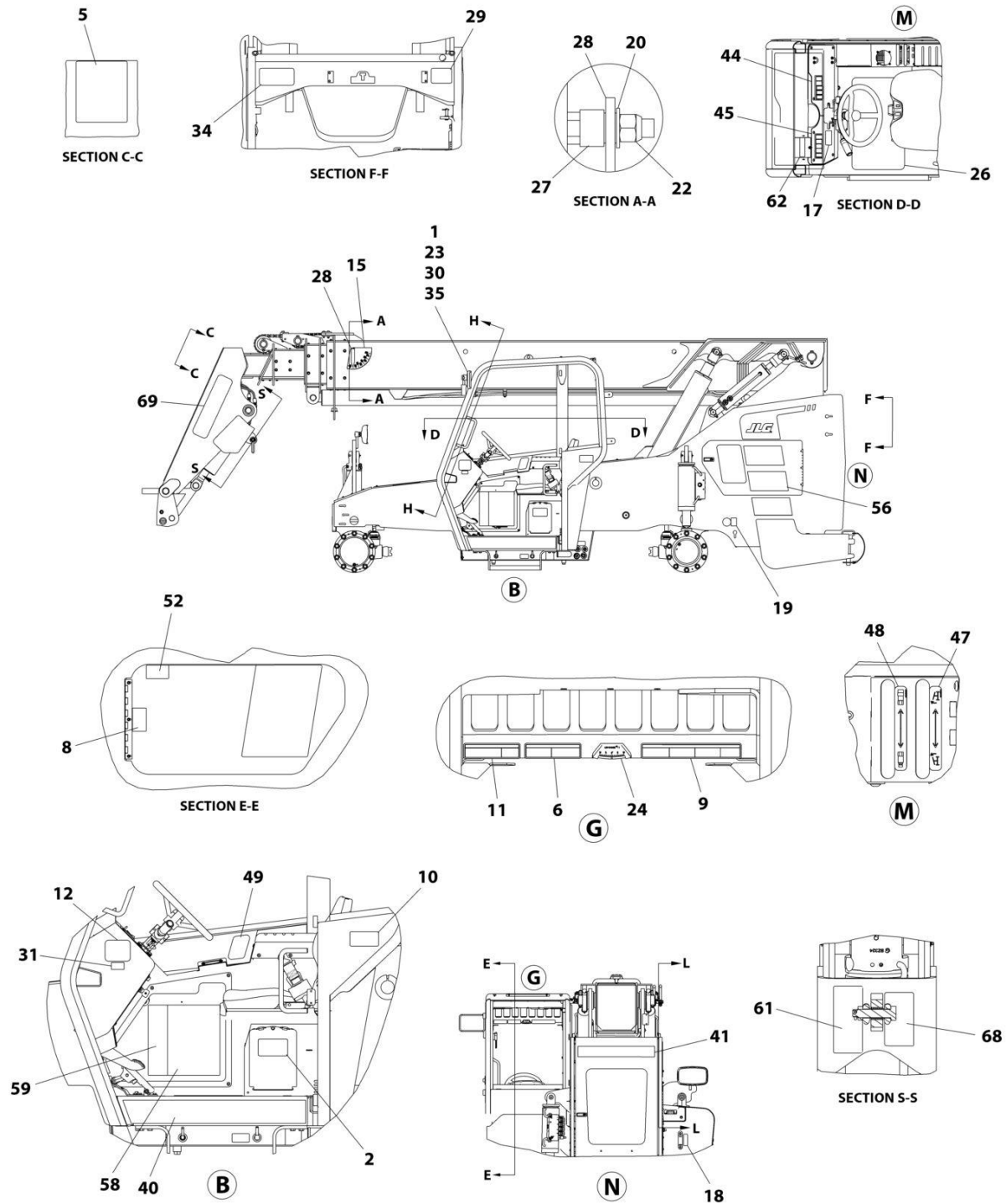
ITEM	PART NUMBER	QTY	DESCRIPTION	REV
	1001166116	Ref	Decal Installation (ENGLISH/FRENCH) 110HP	O
1	0700610	2	Bolt, M6X20	
2	1701640	1	Decal, Manual	
3	1702631	1	Decal, Bar Code	
4	1001163174	1	Decal, Battery Warning (CAN)	
5	1001163206	1	Decal, Carry Personnel (CAN)	
6	1001163210	1	Decal, Electrocutation Hazard (CAN)	
7	1001163212	2	Decal, Ether Starting Warning (CAN)	
8	1001163222	2	Decal, Keep Clear of Rotating Parts (CAN)	
9	1001163285	1	Decal, Tip Over Warning (CAN)	
10	1001163300	1	Decal, No Riders (CAN)	
11	1001163304	1	Decal, Crush Hazard Warning (CAN)	
12	3251813	1	Decal, USA	
13	4100181	1	Decal, Hydraulic Oil Fill	
14	1001189017	1	Decal, Diesel Fuel Fill	
15	4105262	1	Decal, Boom Angle Indicator	
16	4107442	1	Decal, Boom Extend Letters	
17	1001187239	1	Decal, Outrigger (ENG/FR)	
18	4108302	1	Decal, Hydraulic Oil Level	
19	1702300	4	Decal, Tie Down	
20	4711600	1	Washer, 3/8	
22	8305645	1	Nut, Lock 3/8	
23	8307024	2	Washer, Lock M6	
24	8466306	1	Gage, Tilt Angle	
25	1001191635	1	Mirror, RH	
26	10139087	1	Tread, Safety	
27	1001096404	1	Sleeve, Angle Indicator Spacer	
28	1001098769	1	Plate, Boom Angle Indicator	
29	1001109053	1	Decal, Coolant Fill	
30	1001114675	1	Arm, Mirror	
31	1001163355	2	Decal, Ultra Low Sulfur Fuel (CAN)	
32	1001191996	1	Decal, Lubrication Chart (10054)	
33	1001131271	1	Decal, Telehandlers Patent	
34	1001163323	1	Decal, Hot Fluid Warning (CAN)	
35	1001148177	1	Mirror, Rectangular	
40	1001259302	1	Decal, Cab Side	
41	1001263821	1	Decal, Rear Door	
44	1001180175	1	Decal, RH Overlay	
45	1001180176	1	Decal, LH Overlay	
46	1001162734	1	Decal, Joystick Control	
47	1001162735	1	Decal, Sway Control	
48	1001162736	1	Decal, Auxiliary Control	
49	1001162737	1	Decal, Outrigger Control (10042,10054)	
52	1001173422	2	Decal, MCO 110HP	
53	1001174152	1	Decal, Maintenance Chart	
54	1001142452	1	Decal, No Step	
55	1001259303	1	Decal, Tank Side	
56	1001259305	1	Decal, Left Side Stripe	
57	1001259306	1	Decal, Right Side Stripe	
58	1001189327	1	Decal, Main Fuse Panel	

SECTION 11 - DECALS

ITEM	PART NUMBER	QTY	DESCRIPTION	REV
59	1001189328	1	Decal, Fuse panel	
60	1001196806	1	Decal, Diesel Exhaust Fluid	
61	1001211278	1	Decal, Swinging Load Decal Kit (CAN)	
62	1001219211	1	Decal, Brake Fluid Spec	
64	1001223453	1	Decal, ICES (CAN)	
65	1001230309	1	Decal, EN/FR Cummins DEF Tank Services	
69	1001263589	2	Decal, Model Boom Head	

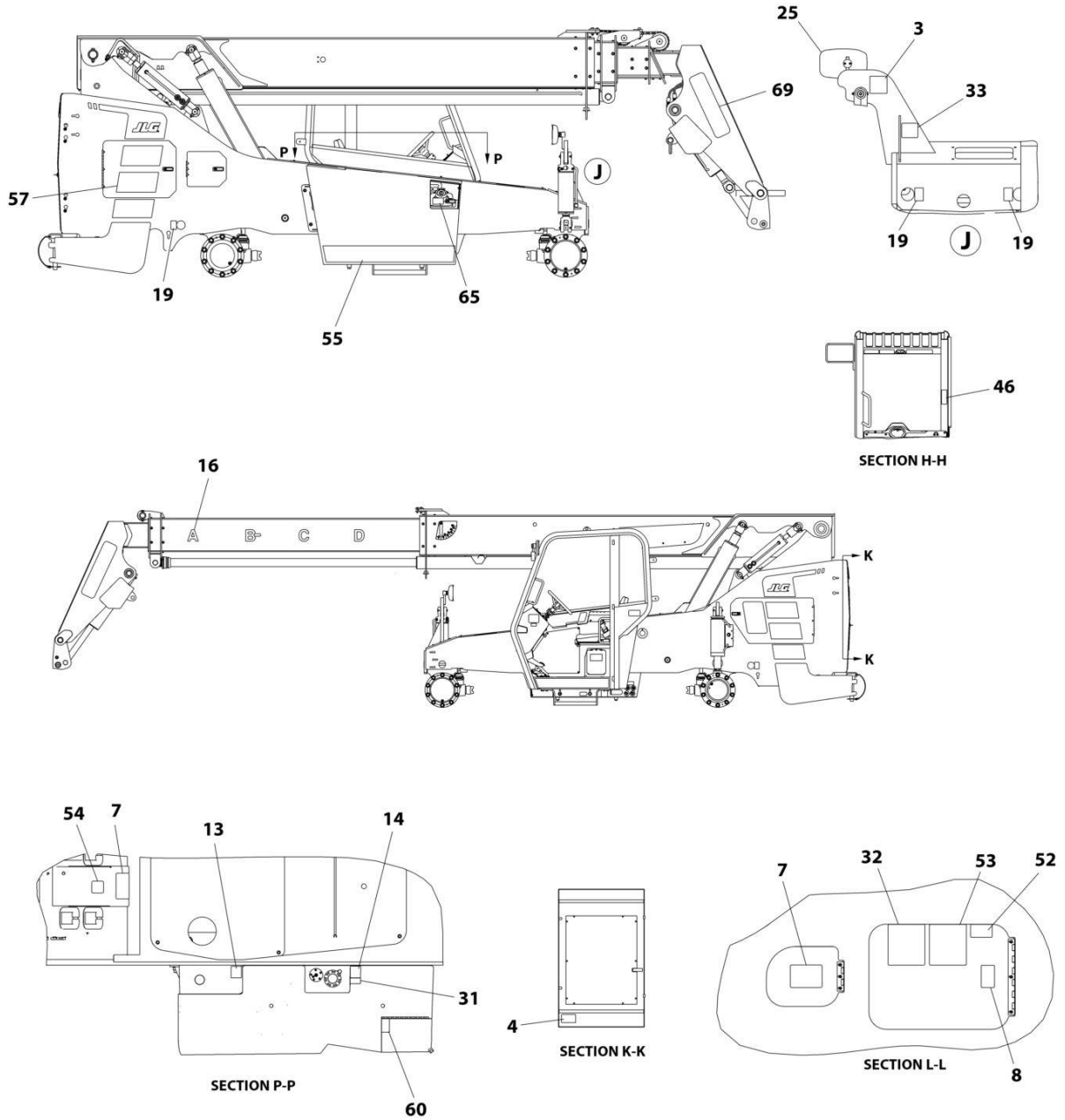
SECTION 11 - DECALS

FIGURE 11-6. DECALS INSTALLATION - 110HP ULS (ENGLISH/SPANISH SPECS)



ART_1001242116_D_10F2

SECTION 11 - DECALS



ART_1001242116_D_20F2

SECTION 11 - DECALS

FIGURE 11-6. DECALS INSTALLATION - 110HP ULS (ENGLISH/SPANISH SPECS)

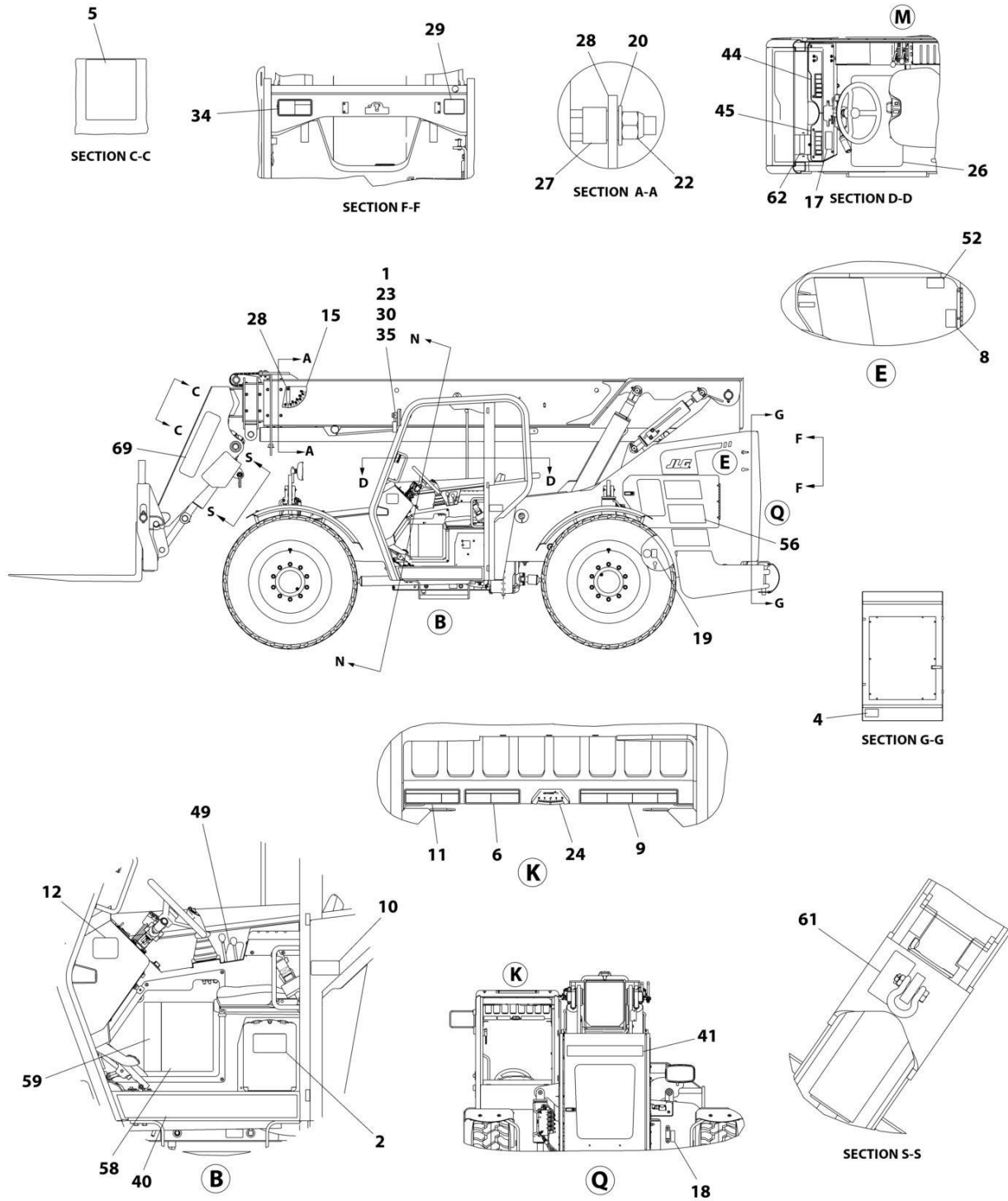
ITEM	PART NUMBER	QTY	DESCRIPTION	REV
	1001242116	Ref	Decal Installation (ENG/SPAN) 110HP	D
1	0700610	2	Bolt, M6X20	
2	1701640	1	Decal, Manual	
3	See Note	NSS	Decal, Bar Code (Note: Not Available for Purchase)	
4	1001235794	1	Decal, Battery Warning (SPAN)	
5	1001235796	1	Decal, Carry Personnel (SPAN)	
6	1001235797	1	Decal, Electrocutation Hazard (SPAN)	
7	1001235798	2	Decal, No Ether Warning (SPAN)	
8	1001235799	2	Decal, Moving Parts (SPAN)	
9	1001235801	1	Decal, Tipover Warning (SPAN)	
10	1001235802	1	Decal, No Riders (SPAN)	
11	1001235803	1	Decal, Crush Hazard Warning (SPAN)	
12	3251813	1	Decal, USA	
13	4100181	1	Decal, Hydraulic Oil Fill	
14	1001189017	1	Decal, Diesel Fuel Fill	
15	4105262	1	Decal, Boom Angle Indicator	
16	4107442	1	Decal, Boom Extend Letters	
17	1001242122	1	Decal, Outrigger (ENG/SPAN)	
18	4108302	1	Decal, Hydraulic Oil Level	
19	1702300	4	Decal, Tie Down	
20	4711600	1	Washer, 3/8	
22	8305645	1	Nut, Lock 3/8	
23	8307024	2	Washer, Lock M6	
24	8466306	1	Gage, Tilt Angle	
25	1001191635	1	Mirror, RH	
26	10139087	1	Tread, Safety	
27	1001096404	1	Sleeve, Angle Indicator Spacer	
28	1001098769	1	Plate, Boom Angle Indicator	
29	1001109053	1	Decal, Coolant Fill	
30	1001114675	1	Arm, Mirror	
31	1001235804	2	Decal, Ultra Low Sulfur Fuel (SPAN)	
32	1001191996	1	Decal, Lubrication Chart (10054)	
33	1001131271	1	Decal, Telehandlers Patent	
34	1001235805	1	Decal, Hot Fluid Warning (SPAN)	
35	1001148177	1	Mirror, Rectangular	
40	1001259302	1	Decal, Cab Side	
41	1001263821	1	Decal, Rear Door	
44	1001242172	1	Decal, RH Overlay (ENG/SPAN)	
45	1001242173	1	Decal, LH Overlay (ENG/SPAN)	
46	1001162734	1	Decal, Joystick Control	
47	1001162735	1	Decal, Sway Control	
48	1001162736	1	Decal, Auxiliary Control	
49	1001162737	1	Decal, Outrigger Control (10042,10054)	
52	1001236312	2	Decal, MCO 110HP (SPAN)	
53	1001174152	1	Decal, Maintenance Chart	
54	1001142452	1	Decal, No Step	
55	1001259303	1	Decal, Tank Side	
56	1001259305	1	Decal, Left Side Stripe	
57	1001259306	1	Decal, Right Side Stripe	
58	1001189327	1	Decal, Main Fuse Panel	

SECTION 11 - DECALS

ITEM	PART NUMBER	QTY	DESCRIPTION	REV
59	1001189328	1	Decal, Fuse panel	
60	1001196806	1	Decal, Diesel Exhaust Fluid	
61	1001246078	1	Decal, Danger Swinging Load (SPAN)	
62	1001219211	1	Decal, DEF Fluid	
65	1001242181	1	Decal, EN/FR Cummins DEF Tank Service	
68	1001242179	1	Decal, Danger Swing Load Boom Head (SPAN)	
69	1001263589	2	Decal, Model Boom Head	

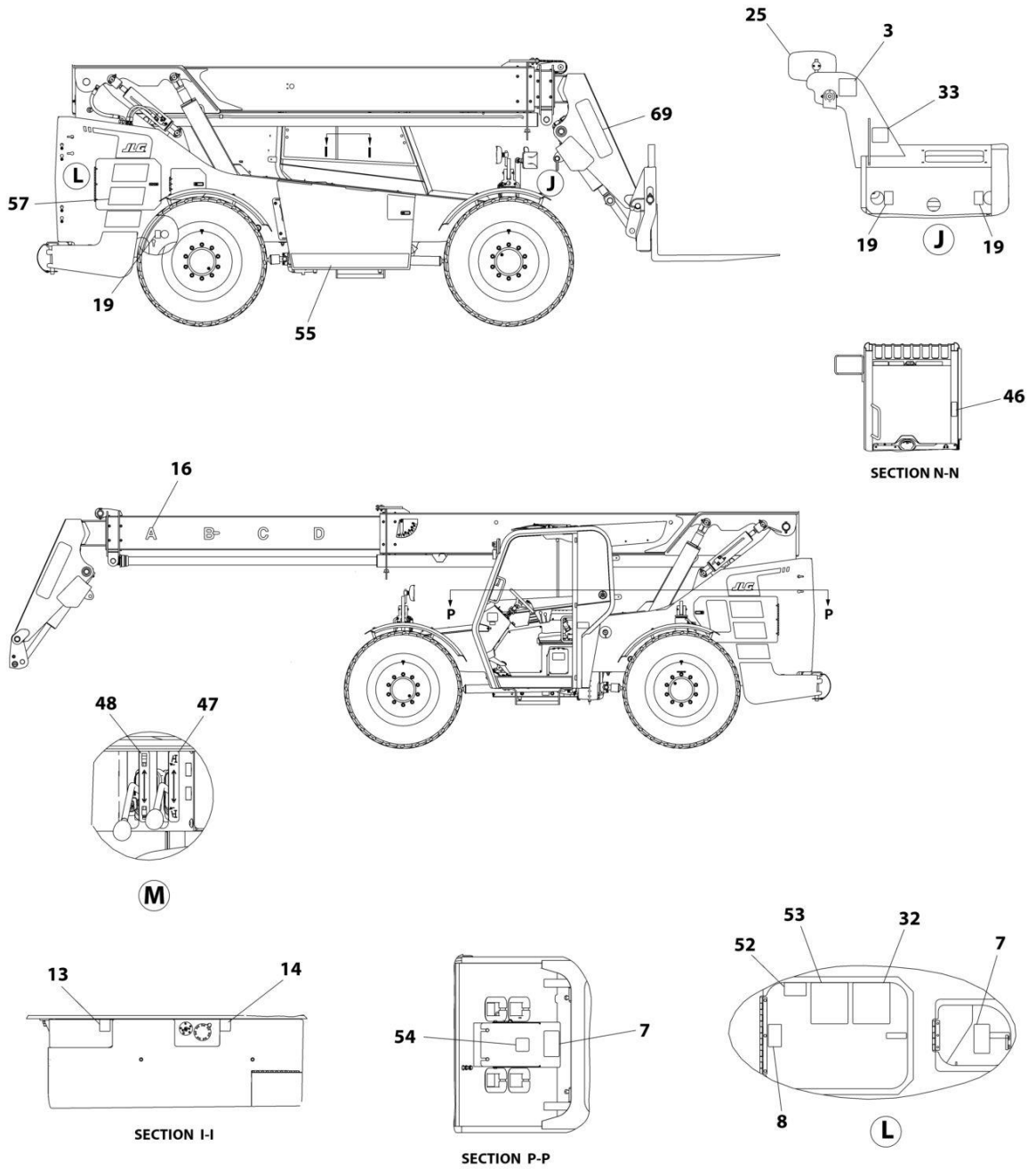
SECTION 11 - DECALS

FIGURE 11-7. DECALS INSTALLATION - 110HP LS (ISO DECALS)



ART_1001166117_K_10F2

SECTION 11 - DECALS



ART_1001166117_K_20F2

SECTION 11 - DECALS

FIGURE 11-7. DECALS INSTALLATION - 110HP LS (ISO DECALS)

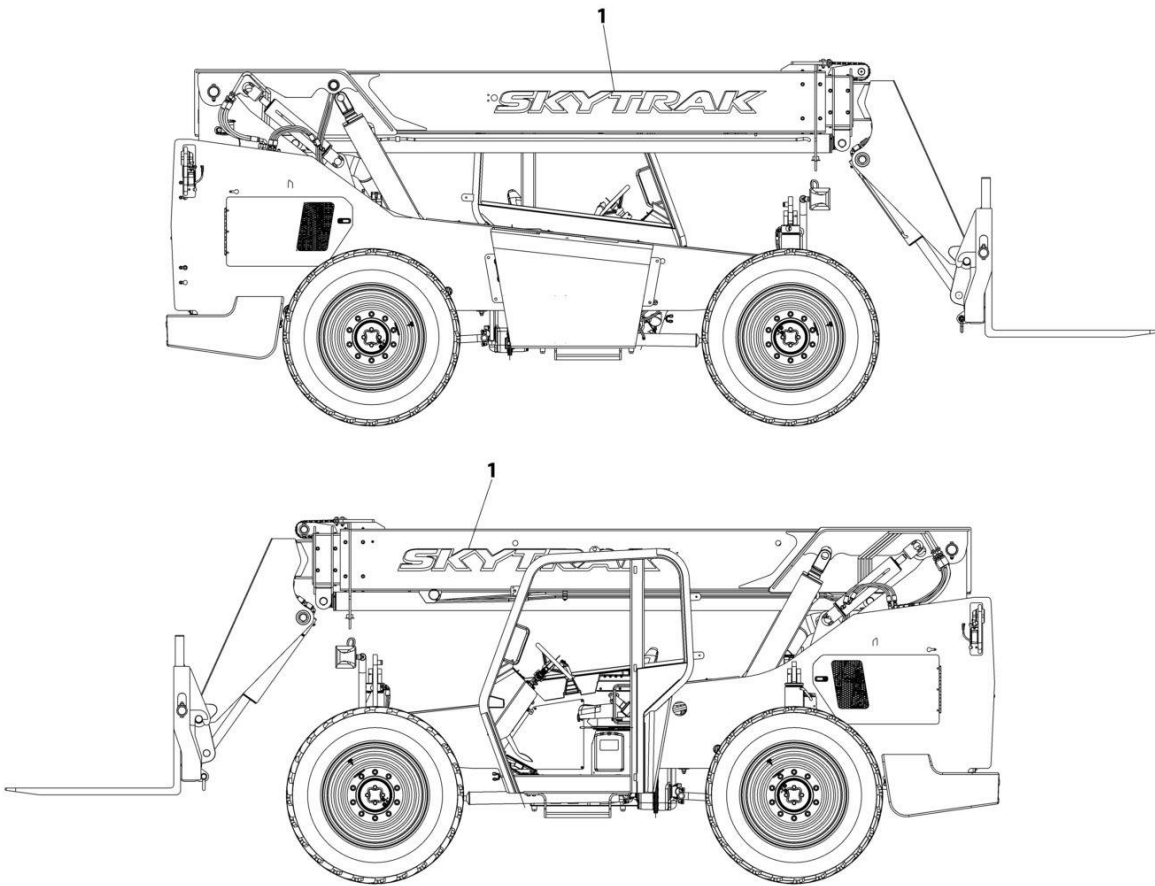
ITEM	PART NUMBER	QTY	DESCRIPTION	REV
	1001166117	Ref	Decal Installation (ISO)	K
1	0700610	2	Bolt, M6X20	
2	1701640	1	Decal, Manual	
3	See Note	NSS	Decal, Bar Code (Note: Not Available for Purchase)	
4	1706281	1	Decal, Battery Warning	
5	1706282	1	Decal, Carry Personnel	
6	1706284	1	Decal, Electrocutation Hazard	
7	1706098	2	Decal, Ether Warning	
8	1706285	2	Decal, Moving Parts	
9	1706288	1	Decal, Tipover Warning	
10	1001092878	1	Decal, No Riders	
11	1001092877	1	Decal, Crush Hazard Warning	
12	3251813	1	Decal, USA	
13	4100181	1	Decal, Hydraulic Oil Fill	
14	1001189017	1	Decal, Diesel Fuel Fill	
15	4105262	1	Decal, Boom Angle Indicator	
16	4107442	1	Decal, Boom Extend Letters	
17	1706279	1	Decal, Warning Outrigger Contact, ISO	
18	4108302	1	Decal, Hydraulic Oil Level	
19	1702300	4	Decal, Tie Down	
20	4711600	1	Washer, 3/8	
22	8305645	1	Nut, Lock 3/8	
23	8307024	2	Washer, Lock M6	
24	8466306	1	Gage, Tilt Angle	
25	1001191635	1	Mirror, RH	
26	10139087	1	Tread, Safety	
27	1001096404	1	Sleeve, Angle Indicator Spacer	
28	1001098769	1	Plate, Boom Angle Indicator	
29	1001109053	1	Decal, Coolant Fill	
30	1001114675	1	Arm, Mirror	
32	1001191996	1	Decal, Lubrication Chart (10054)	
33	1001131271	1	Decal, Telehandlers Patent	
34	1001139942	1	Decal, Hot Fluid Warning	
35	1001148177	1	Mirror, Rectangular	
40	1001259302	1	Decal, Cab Side	
41	1001263821	1	Decal, Rear Door	
44	1001158321	1	Decal, Overlay RH (ISO)	
45	1001158320	1	Decal, Overlay LH (ISO)	
46	1001162734	1	Decal, Joystick Control	
47	1001162735	1	Decal, Sway Control	
48	1001162736	1	Decal, Auxiliary Control	
49	1001162737	1	Decal, Outrigger Control (10042,10054)	
52	1001173422	2	Decal, MCO 110HP	
53	1001202627	1	Decal, Maintenance Charts	
54	1001142452	1	Decal, No Step	
55	1001259303	1	Decal, Tank Side	
56	1001259305	1	Decal, Left Side Stripe	
57	1001259306	1	Decal, Right Side Stripe	
58	1001189327	1	Decal, Main Fuse Panel	
59	1001189328	1	Decal, Fuse Panel	

SECTION 11 - DECALS

ITEM	PART NUMBER	QTY	DESCRIPTION	REV
61	1001207218	1	Decal, Danger Swinging Load	
62	1001219211	1	Decal, Brake Fluid Spec	
69	1001263589	2	Decal, Model Boom Head	

SECTION 11 - DECALS

FIGURE 11-8. BOOM DECALS INSTALLATION



ART_1001157277-A

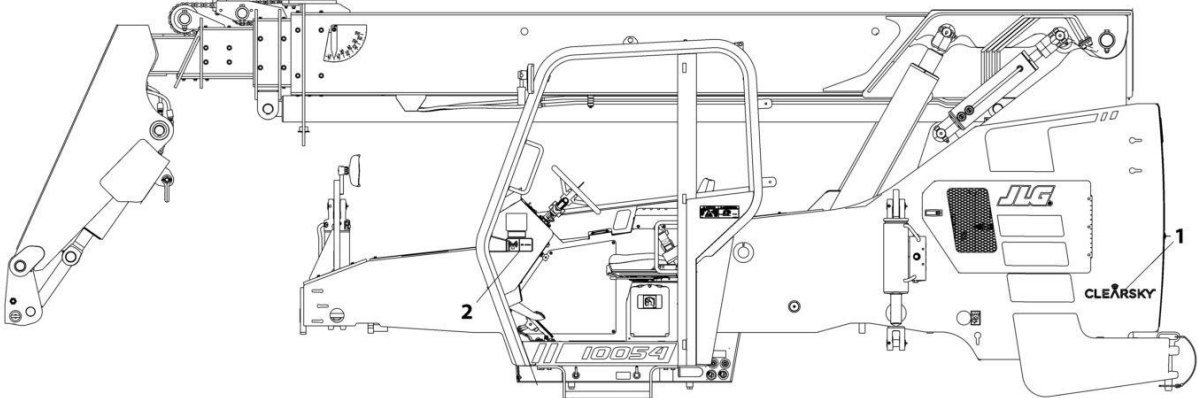
SECTION 11 - DECALS

FIGURE 11-8. BOOM DECALS INSTALLATION

ITEM	PART NUMBER	QTY	DESCRIPTION	REV
1	1001157277	Ref	Boom Decal Installation	A
	1001157275	2	Decal, Boom SkyTrak	

SECTION 11 - DECALS

FIGURE 11-9. CLEARSKY DECALS INSTALLATION



ART_1001229708-B

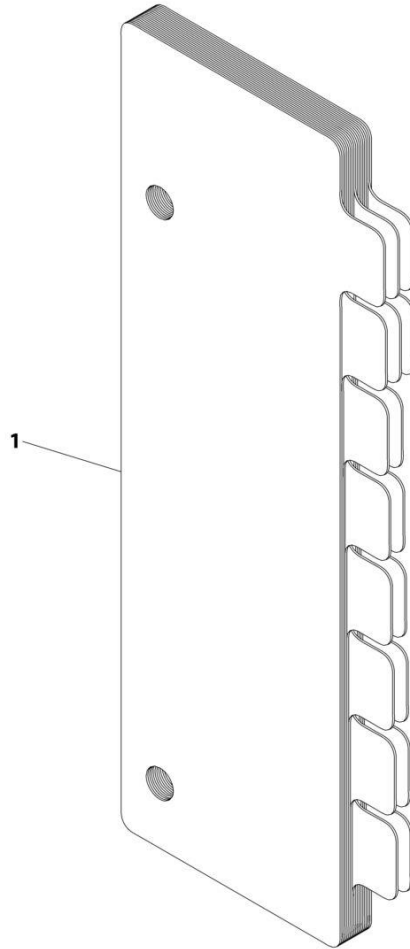
SECTION 11 - DECALS

FIGURE 11-9. CLEARSKY DECALS INSTALLATION

ITEM	PART NUMBER	QTY	DESCRIPTION	REV
	1001229708	Ref	Clearsky Decal Installation	C
1	1001294815	1	Decal - ClearSky	
2	1001120989	1	Radio Frequency Decal	

SECTION 11 - DECALS

FIGURE 11-10. LOAD CHART BOOKLET (ANSI)



ART_1001211875

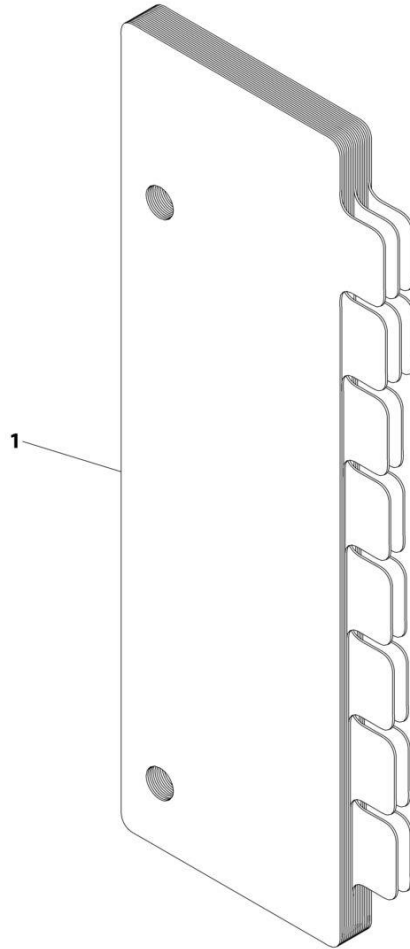
SECTION 11 - DECALS

FIGURE 11-10. LOAD CHART BOOKLET (ANSI)

ITEM	PART NUMBER	QTY	DESCRIPTION	REV
1	1001211875	1	Capacity Chart (ANSI)	

SECTION 11 - DECALS

FIGURE 11-11. LOAD CHART BOOKLET (ISO)



ART_1001211876

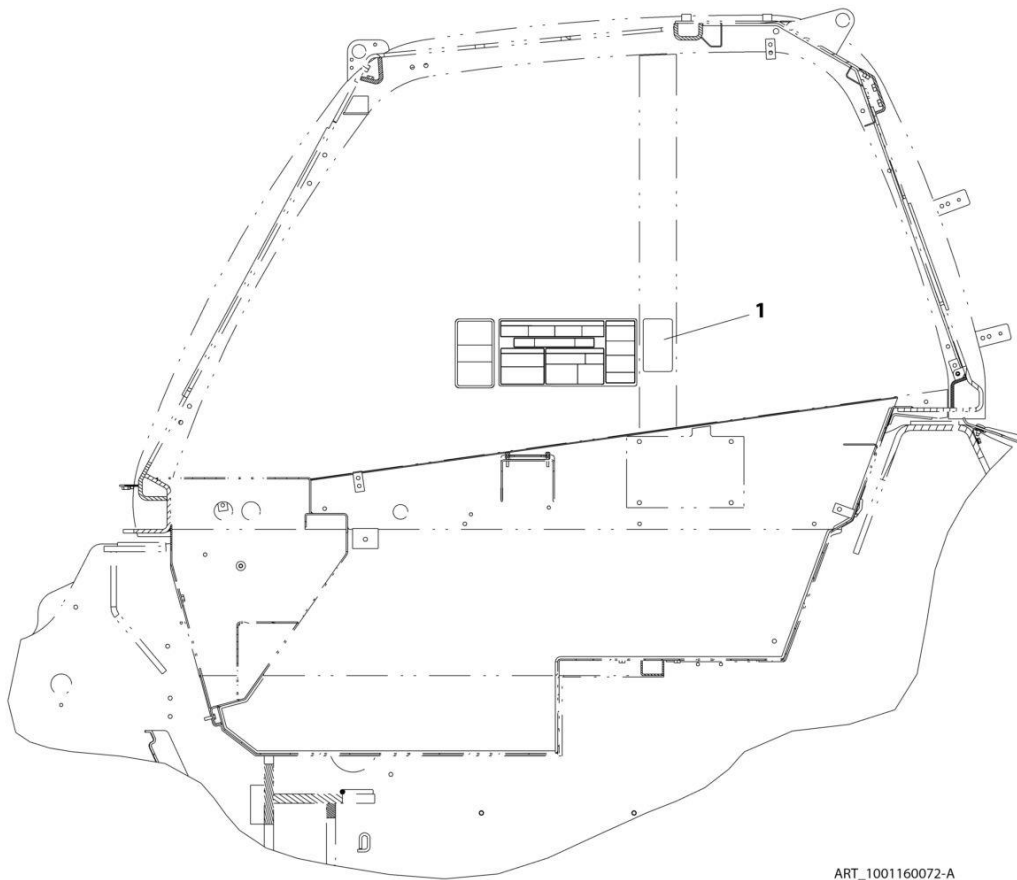
SECTION 11 - DECALS

FIGURE 11-11. LOAD CHART BOOKLET (ISO)

ITEM	PART NUMBER	QTY	DESCRIPTION	REV
1	1001211876	1	Capacity Chart (ISO)	

SECTION 11 - DECALS

FIGURE 11-12. REVERSE SENSING SYSTEM DECAL INSTALLATION (ENGLISH)



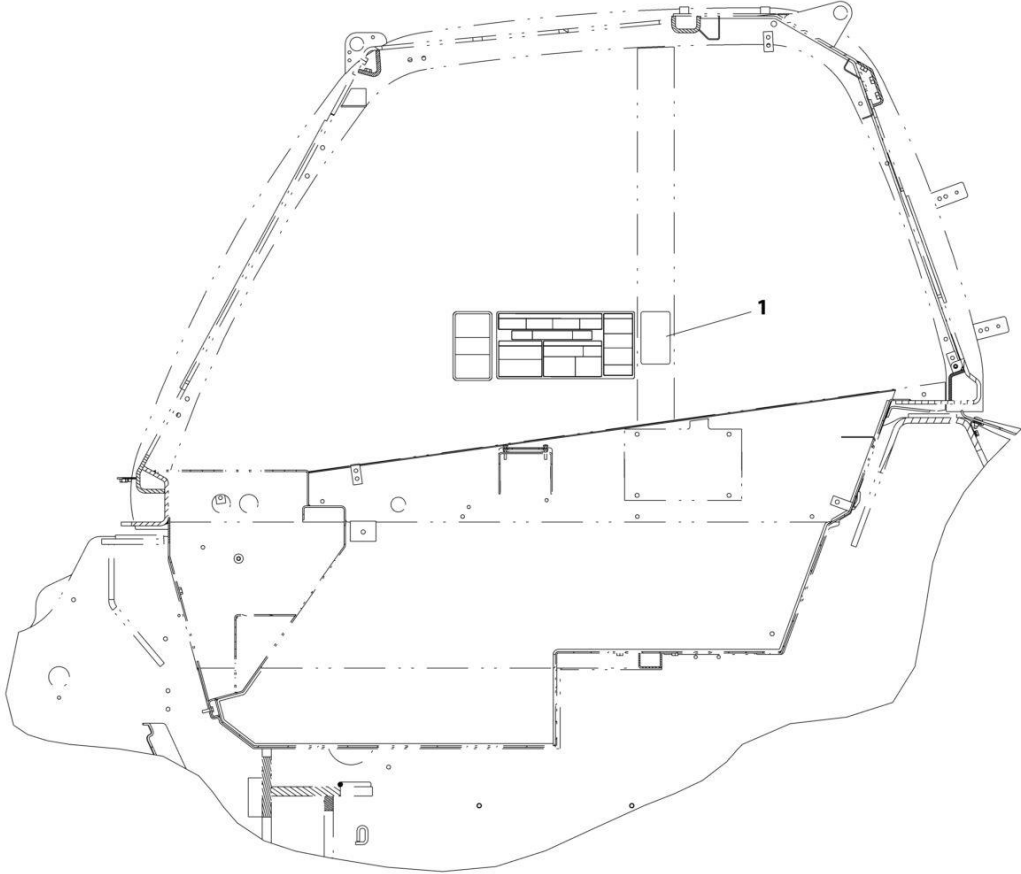
SECTION 11 - DECALS

FIGURE 11-12. REVERSE SENSING SYSTEM DECAL INSTALLATION (ENGLISH)

ITEM	PART NUMBER	QTY	DESCRIPTION	REV
1	1001160072	1	Reverse Sensor System Decal (English)	A

SECTION 11 - DECALS

FIGURE 11-13. REVERSE SENSING SYSTEM DECAL INSTALLATION (ENGLISH/FRENCH)



ART_1001160945-A

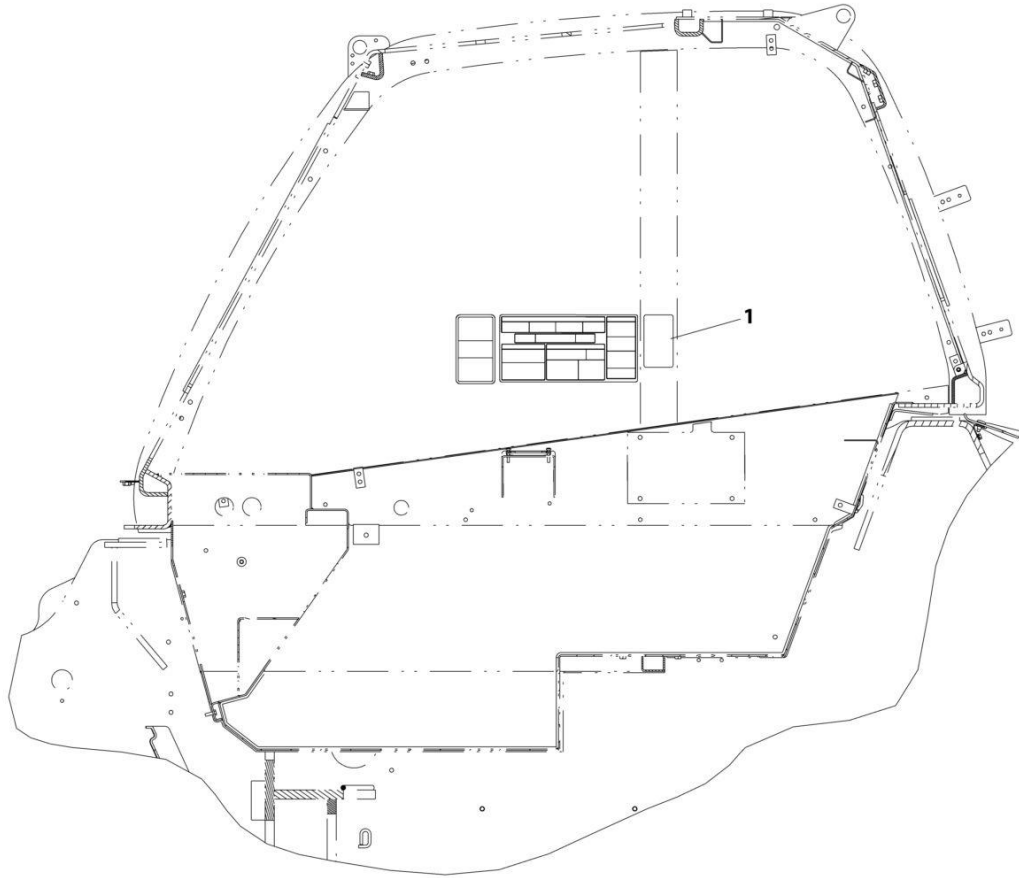
SECTION 11 - DECALS

FIGURE 11-13. REVERSE SENSING SYSTEM DECAL INSTALLATION (ENGLISH/FRENCH)

ITEM	PART NUMBER	QTY	DESCRIPTION	REV
1	1001160945	1	Reverse Sensor System Decal (ENGLISH/FRENCH)	A

SECTION 11 - DECALS

FIGURE 11-14. REVERSE SENSING SYSTEM DECAL INSTALLATION (ENGLISH/SPANISH)



ART_1001237846-A

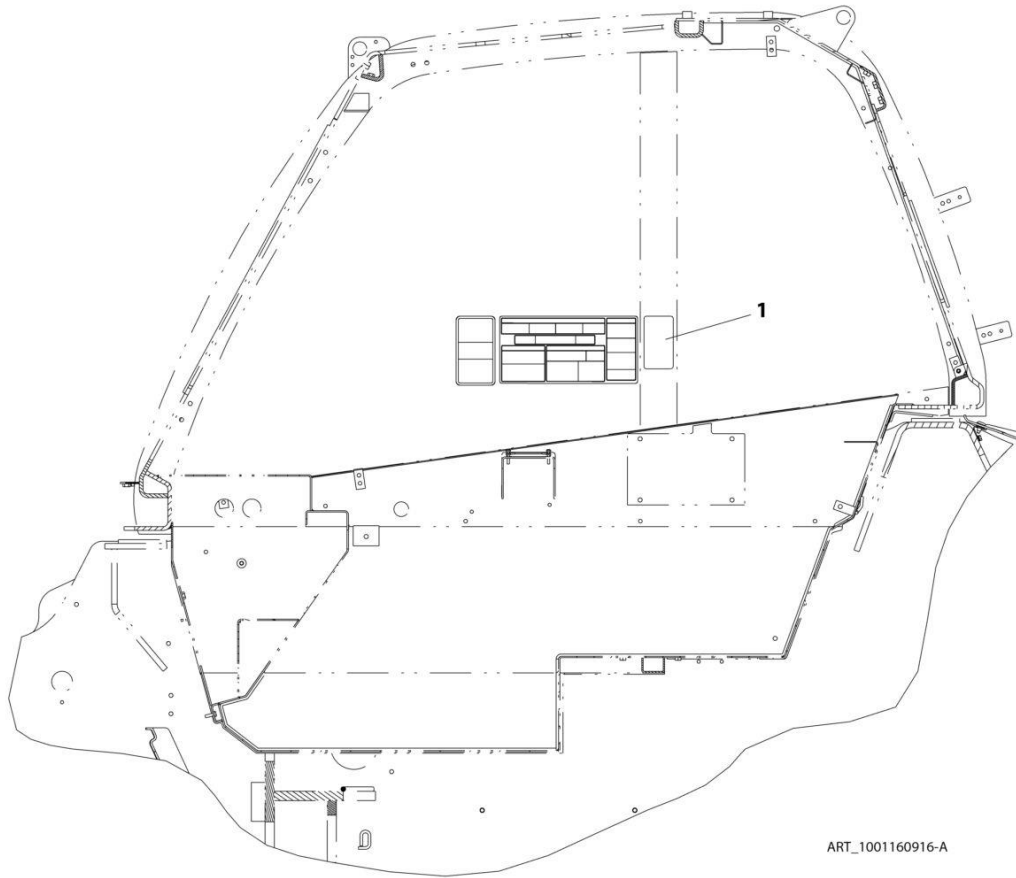
SECTION 11 - DECALS

FIGURE 11-14. REVERSE SENSING SYSTEM DECAL INSTALLATION (ENGLISH/SPANISH)

ITEM	PART NUMBER	QTY	DESCRIPTION	REV
1	1001237846	Ref	REVERSE SENSOR SYSTEM DECAL (ENGLISH/SPANISH LANGUAGES)	A

SECTION 11 - DECALS

FIGURE 11-15. REVERSE SENSING SYSTEM DECAL INSTALLATION (ISO)



SECTION 11 - DECALS

FIGURE 11-15. REVERSE SENSING SYSTEM DECAL INSTALLATION (ISO)

ITEM	PART NUMBER	QTY	DESCRIPTION	REV
1	1001160916	1	Reverse Sensor System Decal (ISO)	A

SECTION 12 - RECOMMENDED SERVICE PARTS STOCK

SECTION 12 - RECOMMENDED SERVICE PARTS STOCK

SECTION 12 - RECOMMENDED SERVICE PARTS STOCK

FIGURE 12-1. RECOMMENDED SERVICE PARTS STOCK

ITEM	PART NUMBER	QTY	DESCRIPTION	REV
		Ref	Note: The following list will service one machine (built to current production per date on the front cover) with emergency repair parts which can be installed in the field. Parts from the list should be replaced when inventory is depleted to keep service parts stock supplied. For further information, contact your JLG dealer or the JLG Industries Parts Department.	
	70026085	1	Coil (Secondary Valve)	
	7029246	1	Coil, Solenoid (Stabil-Trak)	
	1001203181	1	Control (ASOV)	
	1001210703	1	Control, Cab	
	1001247421	1	Control, Reverse Sensor	
	1001173581	1	Controller, Auxiliary	
	1001173582	1	Controller, Frame Level	
	1001158002	1	Controller, Pilot Joystick	
	1600429	1	Controller, Transmission	
	8223073	1	Controller, Turn Signal (Road Lights)	
		Ref	Engine - 74HP (ULS)	
	70026234	12	Element, Fuel Filter Primary	
	70026453	12	Element, Fuel Filter Secondary	
	70026237	12	Filter, Oil	
	70025852	12	Filter, Primary Air	
	70025853	12	Filter, Secondary Air	
	8229242	2	Fuse, 5A	
		Ref	Engine - 110HP (ULS)	
	70026453	12	Element, Fuel Filter Secondary	
	70026237	12	Filter, Oil	
	70025852	12	Filter, Primary Air	
	70025853	12	Filter, Secondary Air	
	8229244	2	Fuse, 15A	
	8229242	2	Fuse, 5A	
	1001095704	1	Relay	
		Ref	Engine - 110HP (LS)	
	70026234	12	Element, Fuel Filter Primary	
	70026801	12	Element, Fuel Filter Secondary	
	70026237	12	Filter, Oil	
	1101312	12	Filter, Primary Air	
	1101313	12	Filter, Secondary Air	
	1001199205	12	Element, Filter (Hydraulic)	
	7139077	1	Filler/Breather (Hydraulic)	
	1001228872	12	Filter, Coolant Screen	
	8229261	2	Fuse 5A (Cab Distribution Harness)	
	8229233	2	Fuse, 7.5A (Cab Distribution Harness)	
	8229243	2	Fuse, 7.5A Mini (Logic Harness)	
	8229234	2	Fuse, 10A (Cab Distribution Harness & ASOV Harness)	
	8229237	2	Fuse, 15A (Cab Distribution Harness)	
	8229235	2	Fuse, 20A (Cab Distribution Harness & ASOV Harness)	
	8229238	2	Fuse, 40A (Cab Distribution Harness)	
	1001118245	2	Fuse, 250A (Relay Panel)	
	1001129285	2	Fuse, Mini Diode (Cab Distribution Harness)	

SECTION 12 - RECOMMENDED SERVICE PARTS STOCK

ITEM	PART NUMBER	QTY	DESCRIPTION	REV
	1001127699	2	Fuse, Power Module (Relay Panel)	
	70021948	1	Key, Cab Door	
	8035807	1	Key, Ignition	
	2940074	1	Latch (Fork Mounted Platform)	
	1001262322	1	Module, 4G (ClearSky - Canbus)	
	1001228954	1	Module (ClearSky - Canbus CE)	
	1001226328	1	Module, 3W-TCU (ClearSky 3-Wire, North America)	
	1001233236	1	Module, 3W-TCU (ClearSky 3-Wire, CE)	
	3740080	1	Relay, ASOV	
	1001205172	1	Relay, Micro 280, 12V, 35 Amp (Cab Distribution Harness & Logic Harness)	
	70026986	1	Relay, 12V 30/40A (Heater & AC)	
	1001186417	1	Relay, 150 Amp (Relay Panel)	
	1001184316	1	Relay, Power Module (Relay Panel)	
	1001130307	1	Sensor, Boom	
	1001245478	1	Sensor, Coolant Level	
	1001145026	1	Sensor, Fuel	
	1001169077	1	Sensor, PRS Temperature (Air Cleaner)	
	1001215941	1	Switch, ASOV	
	8223038	1	Switch, Beacon (Beacon Install)	
	8223025	1	Switch, Brake Lights (Road Light Package)	
	8223060	1	Switch, Hazard (Road Light Package)	
	7138878	1	Switch, Horn (Cab - All)	
	4360690	1	Switch, Ignition (Cab - All)	
	1001170269	1	Switch, Outrigger (Electrical Installation)	
	8223054	1	Switch, Park Brake (Cab - All)	
	8223037	1	Switch, Steer Select (Cab -All)	
	8223044	1	Switch, Windscreen Washer (Enclosed Cab)	
	8223043	1	Switch, Windscreen Wiper (Enclosed Cab)	
	8223059	1	Switch, Work Light (LED Work Light Package)	

SECTION 13 - SPECIAL OPTIONS/ACCESSORIES/KITS

SECTION 13 - SPECIAL OPTIONS/ACCESSORIES/KITS

SECTION 13 - SPECIAL OPTIONS/ACCESSORIES/KITS

FIGURE 13-1. SPECIAL OPTIONS/ACCESSORIES/KITS

ITEM	PART NUMBER	QTY	DESCRIPTION	REV
	See Note	Ref	Note: This list is to accommodate machines ordered with special equipment. Options may not be applicable to all models. For more specific parts information contact JLG Parts Department.	
		Ref	SPECIAL OPTIONS/ACCESSORIES/KITS	
	1001273266	Ref	Accelerator Extension Harness (for Accelerator 1001264554) (Note: Verify cab power harness version before purchasing)	
	1001273267	Ref	Accelerator Extension Harness (for Accelerator 1001180555) (Note: Verify cab power harness version before purchasing)	
	1001243577	Ref	Access Control Kit	
	1001214790	Ref	Aftermarket Kits	O
	1001239455	Ref	Backup Camera Kit	
	1001109532	Ref	Baffle Kit	
	1001214398	Ref	Battery Disconnect Kit	
	1001126387	Ref	Bearing Retainer Kit	
	8024032	Ref	Boom Chain Kit - Extend	
	8024053	Ref	Boom Chain Kit - Extend (4th Boom)	
	8024033	Ref	Boom Chain Kit - Retract	
	7131633	Ref	Boom Pivot Replacement Kit (LH)	
	7131643	Ref	Boom Pivot Replacement Kit (RH)	
	2915208	Ref	Boom Pivot Replacement Kit	
	2910996	Ref	Boom Wear Pads Kit	
	1001167009	Ref	Brake Inlet pressure Kit	
	1001201455	Ref	Cab A/C Kit	
	1001154226	Ref	Cab Cooler Vent Kit	
	1001280231	Ref	Cab Door Window Kit	
	1001201453	Ref	Cab Enclosure Kit	
	1001193427	Ref	Cab Enclosure Kit with Heater	
	1001193428	Ref	Cab Enclosure Kit with HVAC	
	1001201456	Ref	Cab Heater Kit	
	1001201454	Ref	Cab HVAC Kit	
	1001268341	Ref	Camera Kit - Multi-View Rear	
	1001243183	Ref	ClearSky Telematics Kit - Canbus (North America)	
	1001243184	Ref	ClearSky Telematics Kit - Canbus (CE)	
	1001276923	Ref	ClearSky Telematics Add-on Kit (Contact JLG for Approved Countries)	
	1001238933	Ref	Cold Weather Kit (ULS)	
	1001242195	Ref	Cold Weather Kit (LS)	
	1001262156	Ref	Decal Kit	
		Ref	Electrical Connector Kits	
	1001148902	Ref	Amp/Tyco Electrical Connectors	
	1001148903	Ref	Deutsch DT Electrical Connectors	
	1001148904	Ref	Deutsch HD Electrical Connectors	
	1001148905	Ref	Packard Electrical Connectors	
	1001148906	Ref	Various Electrical Connectors	
	1001196127	Ref	Engine FAPL - 74HP ULS	
	1001165489	Ref	Engine FAPL - 110HP ULS	
	1001166034	Ref	Engine FAPL - 110HP LS	
	1001177168	Ref	Engine Removal Brackets Kit	
	1001258010	Ref	Fender Kit	

SECTION 13 - SPECIAL OPTIONS/ACCESSORIES/KITS

ITEM	PART NUMBER	QTY	DESCRIPTION	REV
	1001150524	Ref	Filter Kit - 250Hour (LS)	
	1001199737	Ref	Filter Kit - 500Hour	
	1001199738	Ref	Filter Kit - 1000Hour	
	1001239988	Ref	Fire Extinguisher Kit	
	1001224162	Ref	Hydraulic Circuit FAPL	C
	1001253916	Ref	Latch Catch Kit (ANSI)	
	1001201459	Ref	Lights - Beacon Lights Kit	
	1001201458	Ref	Lights - Roadlights Kit (Safim Brakes)	
	1001213944	Ref	Lights - Roadlights Kit (Eaton Brakes)	
	1001137627	Ref	Lights - Worklight Kit	
	1001238893	Ref	Lights - Worklight Kit (LED)	
	1001188068	Ref	Luk Coupler Kit	
	1001253829	Ref	Reverse Sensing System Kit (All)	
	1001130717	Ref	Service Kits	Z
	1001265373	Ref	Skytrak Telematics Harness Kit	
	1001196630	Ref	Steer Kit - Orbital	
	1001248572	Ref	Tire Kit (Set of 4) G2 14.00 x 24 Foam-Filled	
	1001248573	Ref	Tire Kit (Set of 4) G2 14.00 x 24 Pneumatic	
	1001274257	Ref	Tire Kit (Set of 4) Solid 13x28 Directional	
	1001274302	Ref	Tire Kit (Set of 4) Solid 13x28 Non-Directional	
	1001274305	Ref	Tire Kit (Set of 4) Solid 14x28 Directional	
	1001274307	Ref	Tire Kit (Set of 4) Solid 14x28 Non-Directional	
	1001274718	Ref	Tire Kit (Set of 4) Solid 13x24 Directional	
	1001274721	Ref	Tire Kit (Set of 4) Solid 13x24 Directional	
	1001262436	Ref	Tire Kit (Set of 4) Turf Pneumatic, ZF Axles	
		Ref	Tools for Service	
	1001249695	Ref	Tools- Analyzer and Cable Kit	
	1001249941	Ref	Tools- Analyzer and Cable Kit (Battery Powered)	
	70022871	Ref	Tools - Counter Support, ZF Transmission	
	7002821	Ref	Tools - Crimper, Wire	
	70023174	Ref	Tools - Eye Bolt Assortment, ZF Transmission	
	70022872	Ref	Tools - Internal Extractor, 45-58mm, ZF Transmission	
	7002823	Ref	Tools - Pin Extractor - Universal (For Electrical Connectors with Pins and Sockets)	
	4460510	Ref	Tools - Pin Extractor - 12-14 Gauge (For Removal of Pin/Sockets from Deutsch Connectors)	
	4460467	Ref	Tools - Pin Extractor - 16-18 Gauge (For Removal of Pin/Sockets from Deutsch Connectors)	
	7016654	Ref	Tools - Screwdriver, Magnetic	
	7002822	Ref	Tools - Screwdriver, Potentiometer	
	7004275	Ref	Tools - Seal Tool 1in (For Cylinders)	
	7004276	Ref	Tools - Seal Tool 1-1/2in (For Cylinders)	
	70026448	Ref	Tools - Spanner Wrench	
	7002828	Ref	Tools - Stripper, Wire	
	70010239	Ref	Tools - Two-Armed Puller, 160-150mm, ZF Transmission	
	1001116482	Ref	Transmission Shift Kit - 3SPD ZF	
	1001262959	Ref	Voltage Regulator ClearSky Locate Kit	
	1001200204	Ref	White Noise Alarm Kit	
	1001213885	Ref	White Noise Alarm Kit	

SECTION 13 - SPECIAL OPTIONS/ACCESSORIES/KITS

PART NUMBER INDEX

SECTION 13 - SPECIAL OPTIONS/ACCESSORIES/KITS

0100009.....621, 623	0760608 221, 223	1001099115 115, 119,	100116748.....576, 603,
0100011.....47, 115, 119,	0760610 45, 217	123	609, 610, 616
123, 187, 191, 195,	0760614 195	1001099351 93	100116751.....619
249, 251, 441, 473,	076081041, 43, 195, 199,	1001099699 435	100116757.....602, 603,
481, 487, 489	209, 211	1001099901 97	609, 615, 616
0100019.....17, 21, 25, 51	0760812 207, 211, 373	1001099902 95	100116758.....602, 603,
01043892.....247, 573	0760815 203	1001100082 435	609, 615, 616
0140011655	0761012 221, 243	1001100227 163	100116774.....557, 576
0240156149	0761014 195	1001100228 167	100116808.....557, 576
0400075567	0761212 544, 548, 552	1001100229 165	100116812.....557, 576
0630464391, 399	0771618 187, 191, 195	1001100265 101	100116815.....557, 585
0641403217, 401	0791606 47	1001100266 103	100116945.....555
0641404544, 548, 552	0860520 85	1001100267 107	100116950.....604, 611,
064140585, 229, 231	0930020 105	1001100822 101	617
0641406559	1001003174 577	1001100823 103	1001117021.....604, 611,
0641410563, 655	1001004720 225, 227,	1001100824 107	616, 625, 627, 657
0641415651	655	1001100967 91	1001117026.....643, 657
0641507207	1001008742 391, 399	1001101115 163, 167	1001117059.....619
0641508229, 231	1001081049 380, 386,	1001101116 163, 165	1001117068.....602, 608,
0641509229, 231	391, 394, 399	1001101845 61	615
0641510...17, 21, 25, 183	1001081241 401	1001101867 61	1001117070.....603, 611,
0641511187, 191	1001081242 401	1001102844 380, 386,	617
0641514629, 631	1001081243 391, 399	394	1001117079.....665
064152061	1001081246 401	1001103182 121, 499	1001117080.....619
0641605544, 548, 552	1001081247 401	1001105886 659	1001117081.....663
0641607207, 209, 211	1001081266 401	1001107589 457	1001117103.....604, 610,
0641608195, 209	1001081310 405, 407	1001108524 255	617
0641609223	1001090063 115, 119,	1001108575 401	1001117106.....576
0641612 115, 119, 123,	123	1001108668 156	1001117111.....604, 611,
223	1001090064 115, 119,	1001109053 670, 674,	617
0641614229, 231	123	678, 682, 686, 690, 694	1001117119.....576, 577
0641618 17, 21, 25, 37,	1001090140 115, 119,	1001109478 391, 399	1001117125.....604, 611,
39, 41, 43, 45	123	1001109532 718	616
0641620561, 655	1001092481 79	1001110704 121	1001118245.....651, 714
0641632561	1001092482 79	1001111112 391, 399	1001118378.....557, 576
0641636401	1001092877 694	1001111190 121, 156	1001118390.....611
0641652401	1001092878 694	1001112612 555, 576,	10011184495.....661
0642032 113, 115, 117,	1001093171 153	585	1001119004.....603, 609,
119, 123, 125	1001093273 149	1001112796 585	616
064264051, 297, 299	1001093377 149, 163	1001114495 225, 227	1001119278.....569
0681810 115, 119, 123	1001093465 149	1001114675 670, 674,	1001120083.....199
068241851	1001093564 569	678, 682, 686, 690, 694	1001120178.....365, 367,
068249651	1001094312 401	1001114867 380, 386,	369, 371
068264817, 21, 25	1001094330 149	394	1001120179.....365, 369
0700610 670, 674, 678,	1001094696 659	1001116482 719	1001120869.....229, 231
682, 686, 690, 694	1001094830 149	1001116692 604, 611	1001120914.....115, 119,
0700614183, 631	1001095418 121	1001116693 585	123
0700617421, 423	1001095650 373	1001116710 578	1001120915.....115, 119,
0700812211	1001095704 610, 714	1001116712 578, 641	123
0700822421	1001095810 85	1001116720 649, 663	1001120989.....699
0700827249, 251	1001096019 83	1001116723 619	1001121103.....365
0700828423, 441	1001096020 83	1001116726 577	1001121105.....369
0701026239, 241	1001096021 81	1001116727 577, 602,	1001121726.....577
0701216221	1001096023 81	608, 609, 610, 615	1001121728.....577
0701219207, 209, 211	1001096024 83	1001116728 602, 603,	1001121730.....577, 604,
0711214 187, 191, 195,	1001096025 81	604, 609, 611, 615,	610, 617
207, 209, 211, 249	1001096404 670, 674,	616, 625, 657	1001125027.....604, 611,
0711219187, 191, 195	678, 682, 686, 690, 694	1001116729 577, 602,	616, 619
0711227187, 191, 195	1001097079 647	608, 615, 643	1001125083.....610
0711627187, 191, 195	1001097080 645	1001116731 585	1001125085.....610
0711628187, 191, 195	1001097205 153	1001116732 603, 617	1001125089.....610
0721004435	1001097735 60	1001116734 603, 611,	1001125387.....670, 682
0741610 115, 119, 123	1001098769 670, 674,	617	1001125784.....576
076040595, 97, 101, 103,	678, 682, 686, 690, 694	1001116736 619, 665	1001125785.....576
107, 115, 119, 121, 123	1001099113 115, 119,	1001116745 577, 602,	1001126008.....557, 576
0760505435	123	608, 615, 657	1001126351.....615
0760605187, 191		1001116747 627	1001126353.....615

SECTION 13 - SPECIAL OPTIONS/ACCESSORIES/KITS

1001126356 615	1001149712..... 576, 585	1001160791 383, 389,	1001165806 391, 399,
1001126387 718	1001150524..... 719	397	401
1001126391 609	1001152415..... 357	1001160815..... 383	1001165818 199
1001126393 609	1001152416..... 357	1001160844..... 209	1001165823 389, 391
1001126484 611	1001153912..... 233	1001160845..... 191	1001166008 251
1001126487 611	1001154055..... 373	1001160912..... 433	1001166034 718
1001127066 663	1001154226..... 718	1001160916..... 711	1001166070 41
1001127226 544, 548,	1001154375..... 655	1001160945..... 707	1001166115 682
552, 571	1001154511..... 191, 193	1001161212..... 623	1001166116 686
1001127699 651, 715	1001154790..... 195, 197	1001161213..... 621	1001166117 694
1001127700 651	1001155867..... 59	1001161920..... 187, 191,	1001166229 243
1001127784 289, 291	1001155869..... 59	195	1001166238 17, 21
1001127864 ... 37, 39, 41,	1001155870..... 59	1001162212..... 217	1001166556 609
43, 45, 47	1001156009..... 59, 503	1001162734..... 670, 674,	1001166566 199, 201
1001127867 47	1001156283..... 37, 39, 41,	678, 682, 686, 690, 694	1001166693 209
1001128341 229, 231	43, 45	1001162735..... 670, 674,	1001166704 610, 611
1001128363 207	1001157102..... 469	678, 682, 686, 690, 694	1001166715 203
1001128364 207	1001157275..... 697	1001162736..... 670, 674,	1001166935 207, 209,
1001128594 189, 193,	1001157277..... 697	678, 682, 686, 690, 694	211
197	1001157663..... 249, 251	1001162737..... 670, 674,	1001166976 209
1001128714 207	1001157890..... 557, 576,	678, 682, 686, 690, 694	1001167009 718
1001128890 89	577, 604, 611	1001162804..... 427, 429,	1001167167 209
1001128901 207	1001157891..... 619, 665	431, 433	1001167168 209
1001129285 578, 714	1001158002..... 467, 521,	1001162806..... 427	1001167250 429
1001129407 591	714	1001163174..... 674, 686	1001167251 433
1001129615 651	1001158004..... 465, 467	1001163206..... 674, 686	1001167357 249, 251
1001130307 544, 548,	1001158040..... 483	1001163210..... 674, 686	1001167528 611
552, 715	1001158041..... 449	1001163212..... 674, 686	1001167617 610
1001130717 719	1001158046..... 477	1001163222..... 674, 686	1001167620 608
1001131271 670, 674,	1001158272..... 670, 682	1001163285..... 674, 686	1001167624 608
678, 682, 686, 690, 694	1001158319..... 670, 682	1001163300..... 674, 686	1001167641 603, 610
1001133072 119, 123	1001158320..... 694	1001163304..... 674, 686	1001167643 603, 610
1001133173 615	1001158321..... 694	1001163323..... 674, 686	1001167644 603, 610
1001133534 223	1001158357..... 469	1001163355..... 674, 686	1001167646 603, 610
1001134488 229, 231	1001158398..... 465	1001163414..... 115, 119,	1001167647 603, 610
1001135770 653	1001158404..... 421, 423	123, 497	1001167648 603, 610
1001135777 653	1001158527..... 471	1001163685..... 489	1001167649 603, 610
1001136358 221, 223	1001158528..... 469, 471	1001164096..... 399	1001167650 603, 610
1001136975 221, 223,	1001158611..... 485	1001164099..... 399	1001168051 199
225, 227	1001158786..... 461, 465	1001164196..... 423	1001168052 199
1001137512 147	1001159186..... 576, 577	1001164282..... 391	1001168053 199
1001137627 719	1001159319... 37, 39, 41,	1001164284..... 391	1001168066 397, 399
1001138642 615	43, 45	1001164404..... 209	1001168451 489
1001138643 615	1001159844..... 421, 423,	1001164717 391, 399	1001168478 231, 237
1001138645 195	425	1001164837..... 209	1001168822 191
1001139578 670, 682	1001159850..... 386	1001164838..... 209	1001168859 219
1001139942 694	1001159851..... 394	1001165057..... 17, 21, 25	1001169001 217
1001141892 53	1001159856..... 391, 399,	1001165194..... 609	1001169006 ... 37, 39, 41,
1001142247 160	413	1001165275..... 401	43, 45
1001142452 682, 686,	1001159860..... 391, 415	1001165276..... 401	1001169057 207, 209,
690, 694	1001159861..... 399, 417	1001165489..... 718	211
1001143551 557	1001159878..... 380, 386,	1001165517 187, 191,	1001169059 229, 231
1001144147 557, 585	394	195	1001169077 199, 715
1001144629J 85	1001159932..... 209	1001165518..... 187, 191,	1001169172 41, 43
1001145026 .. 29, 33, 715	1001160071..... 427	195	1001169271 225
1001145707 603, 617	1001160072..... 705	1001165609..... 209	1001169272 225, 227
1001146160 89	1001160116..... 187, 191,	1001165617 383, 389,	1001169274 225, 227
1001147515 53	195	397	1001169329 21, 31
1001148177 670, 674,	1001160250..... 17, 21, 25	1001165660..... 187, 191,	1001169466 ... 25, 31, 33
678, 682, 686, 690, 694	1001160782..... 209	195	1001169620 548, 608
1001148902 718	1001160785..... 391, 399	1001165668..... 241	1001169787 401
1001148903 718	1001160787..... 429	1001165669..... 199	1001169816 663
1001148904 718	1001160788..... 383, 389,	1001165670..... 231	1001170117 229, 231
1001148905 718	397	1001165672..... 221	1001170186 229, 231
1001148906 718	1001160790..... 383, 389,	1001165673..... 225	1001170230 651
1001149227 383, 391,	397	1001165675..... 213	1001170233 544, 548,
399			552, 651

SECTION 13 - SPECIAL OPTIONS/ACCESSORIES/KITS

1001170234.....544, 548, 552, 653	1001175568 221, 223	1001182842 401	1001190371.....223
1001170235.....653	1001175733 657	1001182865 401	1001190372.....223
1001170269.....544, 548, 552, 715	1001176002 608	1001182871 401	1001190629.....223
1001170316.....503	1001176004 608	1001182882 401	1001190630.....223
1001170329.....29, 33	1001176337 629, 631, 633, 635, 645, 647	1001182883 401	1001190631.....223
1001170738.....380, 386, 394	1001176515 87	1001182884 401	1001190962.....211
1001170856.....31	1001176935 610, 611	1001183084 401	1001190990.....211
1001171188.....483	1001177168 718	1001183104 401	1001191635.....670, 674, 678, 682, 686, 690, 694
1001171190.....477	1001177190 17, 21, 25	1001183209 401	1001191996.....670, 674, 678, 682, 686, 690, 694
1001171191.....479	1001177192 17, 21, 25	1001183341 439	1001192049.....578
1001171193.....479	1001177198 578, 641, 649	1001183370 463	1001192050.....578
1001171194.....479	1001177746 391, 399, 401	1001183811 209	1001192134.....195
1001171234.....544, 548, 552	1001177753 473	1001184316 651, 715	1001192390....37, 39, 41, 43, 45
1001171236.....544, 548, 552	1001178224 451	1001184491 661	1001192401.....604, 611, 617
1001171237.....544, 548, 552	1001178285 544, 548, 552, 576	1001184496 661	1001192711.....183
1001171238.....544, 548, 552	1001178345 621, 623, 625	1001184835 544, 548, 661	1001192720.....183
1001171239.....544, 548, 552	1001178346 631, 665	1001185071 243	1001192875.....183
1001171384.....37, 41, 45	1001178347 386, 394, 619	1001185649 211	1001192876.....183
1001171385....37, 39, 41, 43, 45	1001178349 391, 399, 663	1001185650 195	1001192877.....183
1001171472.....217	1001178582 229, 231	1001185651 203	1001193427.....718
1001171473.....217	1001178776 . 29, 33, 223, 229, 231	1001185652 227	1001193428.....718
1001171474.....217	1001179229 421, 423	1001185776 386	1001193540.....183
1001171633.....544, 548, 552	1001179375 221	1001185777 394	1001193729.....183
1001171757.....544, 548, 552	1001179845 229, 231	1001186373 187, 191	1001194592.....489
1001171786.....469	1001180175 674, 686	1001186417 651, 715	1001194620.....451
1001171802.....221	1001180176 674, 686	1001186490 223	1001194745.....451
1001171803.....221	1001180227 211	1001186537 45	1001195055.....604, 611, 617
1001171805.....221, 223	1001180244 243	1001186718 195	1001195057.....604, 617
1001171806.....394, 423	1001180473 187, 191, 195	1001186841 544, 548, 552, 567	1001195087.....604, 610, 611, 617
1001171807.....386, 421	1001180762 ... 17, 21, 25, 509	1001187078 557	1001195760.....577
1001171873.....475	1001180763 59, 507	1001187239 674, 686	1001195826.... 17, 21, 25
1001171986.....475	1001181584 229, 231	1001187512 610	1001195952.... 17, 21, 25
1001172135.....548	1001181585 229, 231	1001187513 610	1001195970.....99
1001172136.....548	1001181707 391, 399	1001187952 578	1001196109.....473
1001172537.....421, 423	1001181893 391, 399	1001188068 719	1001196124.....187
1001172561.....421, 423	1001181899 213, 544, 548, 552	1001189017 670, 674, 678, 682, 686, 690, 694	1001196125.....207
1001172658.... 17, 21, 25	1001181903 391, 399	1001189318 227	1001196127.....718
1001172784.....451	1001181956 380	1001189327 670, 674, 678, 682, 686, 690, 694	1001196128.....391, 399
1001173177469	1001181968 391, 399	1001189328 670, 674, 679, 683, 687, 691, 694	1001196396.....207
1001173217.....421, 423	1001182091 391, 399, 623	1001189488 552, 615	1001196397.....207
1001173422.....682, 686, 694	1001182094 221	1001189602 227	1001196630.....719
1001173535..... 195, 217	1001182135 401	1001189712 227	1001196634.....595
1001173581.....441, 443, 714	1001182255 229, 231, 233	1001189715 227	1001196665..... 187, 189
1001173582.....441, 445, 714	1001182408 401	1001189871 655	1001196736.....239
1001173841479	1001182470 391, 399, 407	1001189875 602, 603, 609, 615, 616	1001196737.....229
1001174152.....682, 686, 690	1001182514 401	1001189877 610, 615	1001196806.....683, 687, 691
1001174227 17, 21, 25	1001182603 221	1001189886 655, 657	1001197098.....391, 399
1001174327.....207, 209, 211	1001182663 401	1001190005 203	1001197099.....391, 399, 401
1001174340.....441	1001182723 423	1001190007 25	1001197233.....191, 195, 249
1001174375487	1001182798 423	1001190183 203	1001197475.....229, 235
1001174822.....241	1001182800 401	1001190229 380, 386, 394, 409	1001198355.....183
	1001182808 401	1001190295 249	1001198684.....489
	1001182810 401	1001190341 ... 37, 39, 41, 43, 45	1001198728.....561
		1001190344 223	1001199116.....29, 33
		1001190349 223	1001199135.....29, 33
		1001190370 223	1001199136.....29, 33
			1001199177.....29, 33
			1001199181.....29, 33

SECTION 13 - SPECIAL OPTIONS/ACCESSORIES/KITS

1001199199	33	1001206983.....	245	1001222497.....	49, 53	1001231400	555, 557
1001199205 ..	29, 33, 714	1001206985.....	245	1001222717.....	373	1001231401	557
1001199210	29, 33	1001207173.....	565	1001222870.....	289, 293	1001231402	557
1001199670	217	1001207217.....	671, 683	1001223050.....	439, 525	1001231404	555, 557
1001199737	719	1001207218.....	695	1001223052.....	380, 387, 395, 439	1001231406	557
1001199738	719	1001207606.....	151	1001223453.....	671, 675, 683, 687	1001231560.....	245, 555
1001199889	544, 602	1001207963.....	380, 387, 395	1001223727.....	289	1001231692	89
1001199951	217	1001208664.....	17, 21, 25	1001224096.....	217	1001231801	671, 683
1001200204	719	1001209097.....	617	1001224119.....	49	1001232355	143
1001200833	576	1001210093.....	463	1001224150.....	457	1001232439	247, 573
1001200845	577, 649	1001210351.....	239	1001224152.....	451	1001232500	89
1001201111	221, 223	1001210703.....	380, 386, 394, 714	1001224162.....	719	1001232517	51
1001201453	718	1001210776.....	578	1001224242.....	457	1001232518	51
1001201454	718	1001210777.....	578	1001224459.....	451, 453	1001232599	247, 573
1001201455	718	1001210778.....	578	1001224460.....	451, 455	1001232624	247, 573
1001201456	718	1001210779.....	578	1001224467.....	453	1001232750	247, 573, 597
1001201458	719	1001210859.....	463	1001224471.....	455	1001233174	563
1001201459	719	1001210860.....	463	1001225317.....	373	1001233217	563
1001201554	17, 21, 25	1001210862.....	463	1001226328.....	587, 715	1001233236	589, 715
1001201573	21	1001210863.....	463	1001226400.....	591	1001233237	589
1001201574	25	1001211139.....	121	1001226541.....	585	1001233383	115
1001201658	380, 387, 395	1001211278.....	675, 687	1001226636.....	585	1001233384	119
1001201693	17, 21, 25	1001211516.....	125	1001226637.....	585	1001233385	123
1001201721	525, 527	1001211688.....	195	1001226795.....	457	1001233434	563
1001201734	463	1001211690.....	45	1001226796.....	581	1001233828	563
1001201737	463	1001211697.....	195	1001226799.....	581, 583	1001233964	597, 599, 659
1001201738	463	1001211875.....	701	1001226856.....	581, 583, 585	1001233976	563, 565
1001201752	631	1001211876.....	703	1001227066.....	587, 589, 591	1001234216	569, 597, 599
1001201831	199	1001212670.....	203	1001227068.....	591	1001234530	597
1001201945	225, 227	1001213200J.....	363	1001227077.....	245	1001235725	225
1001201983	225	1001213210.....	213, 215	1001227077.....	245	1001235794	678, 690
1001201991	451	1001213430.....	17	1001227208.....	43	1001235796	678, 690
1001202189	383, 389, 397	1001213432.....	37	1001227211.....	17, 29	1001235797	678, 690
1001202202	383, 389, 397	1001213433.....	670	1001227266.....	591	1001235798	678, 690
1001202247	245	1001213434.....	674	1001227379.....	137	1001235799	678, 690
1001202304	245	1001213574.....	561	1001227382.....	141	1001235801	678, 690
1001202384	479	1001213885.....	719	1001227459.....	581	1001235802	678, 690
1001202615	383	1001213938.....	225	1001227636.....	453, 455	1001235803	678, 690
1001202626	670, 674	1001213944.....	719	1001227670.....	91, 95, 97, 101, 103, 105, 107, 109, 115, 119, 121, 123, 156, 160, 169	1001235804	678, 690
1001202627	670, 674, 678, 694	1001214398.....	718	1001227964.....	245	1001235805	678, 690
1001202746	383, 389, 397	1001214790.....	718	1001228512.....	39	1001236312	678
1001202904	169, 171, 173, 175, 177, 179, 181	1001215941.....	245, 715	1001228872.....	217, 714	1001237778	611
1001203181	245, 714	1001216291.....	39, 43	1001228954.....	583, 715	1001237846	709
1001203503	183	1001216455.....	245, 557	1001228986.....	31, 35	1001237847	629
1001203969	225, 227	1001218358.....	557	1001229023.....	219	1001237853	629, 647
1001203970	225	1001218659.....	671, 683	1001229024.....	219	1001237854	629, 645
1001204032	245, 523	1001219045.....	463	1001229025.....	213, 219	1001238111	627, 629, 631
1001204045	59	1001219082.....	245	1001229095.....	31	1001238199	629, 631, 643
1001204097	225, 227	1001219211.....	683	1001229107.....	587	1001238560	85, 183
1001204098	225, 227	1001220260.....	401	1001229117.....	213, 217	1001238565	79, 81, 83, 85
1001204099	225	1001220490.....	297, 329, 331, 333, 335, 339, 341	1001229210.....	217	1001238566	183
1001204362	394	1001220491.....	297, 343, 345, 347, 349, 353, 355	1001229708.....	699	1001238570	183
1001204692	563, 655	1001222200.....	373	1001229921.....	299	1001238653	79
1001205172	577, 641, 649, 715	1001222203.....	373	1001230239.....	89	1001238654	81
1001205248	629, 631, 641	1001222211.....	297	1001230241.....	89	1001238655	83
1001205264	629, 631	1001222217.....	357	1001230307.....	683	1001238893	719
1001206542	559	1001222218.....	359	1001230309.....	687	1001238933	718
1001206543	561	1001222219.....	365	1001230402.....	557	1001239250	583
1001206956	245	1001222220.....	369	1001230931.....	576	1001239455	718
		1001222221.....	363	1001231397.....	555, 557	1001239539	245
		1001222496.....	49, 51	1001231398.....	557		

SECTION 13 - SPECIAL OPTIONS/ACCESSORIES/KITS

1001239734.....115, 119, 123	1001247421 655, 714	1001265680 563	1101312.....205, 714
1001239958.....599	1001247654 489	1001265914 380, 387, 395	1101313.....205, 714
1001239988.....719	1001248572 719	1001265979 563	1101841.....291
1001241305.....435	1001248573 719	1001265980 563	1170012.....113
1001241837.....367, 371	1001249695 719	1001265982 563	1170021.....113
1001241841367	1001249941 719	1001265986 563	1170024.....117
1001241842371	1001250700 544, 548, 552	1001265987 563	1319203.....259
1001241848.....367	1001251208 631	1001266771 491, 539	1319204.....259
1001241849.....371	1001251270 631, 633	1001268341 718	1319205.....259
1001242035.....37, 39, 41, 43, 45	1001251271 631, 635	1001269415 59	1319209.....259
1001242116.....690	1001251426 489	1001271586 621, 623	1319210.....259
1001242117678	1001251503 544, 548, 552, 649	1001272659 593	1319211.....259
1001242122678, 690	1001252320 548	1001272997 595	1319213.....259
1001242172678, 690	1001252321 544	1001273012 593, 595	1319557.....261
1001242173.....678, 690	1001252322 552	1001273266 718	1319558.....261
1001242179.....679, 691	1001252968 465	1001273267 718	1319563.....261
1001242181691	1001252969 465	1001273850 431	1319565.....261
1001242195718	1001252970 465	1001274257 719	1319566.....261
1001242644109	1001252970 465	1001274302 719	1319569.....263
1001242916431	1001252971 465	1001274305 719	1319570.....263
100124292053	1001252986 361	1001274307 719	1319571.....263
1001242925.....487, 535	1001253829 719	1001274718 719	1319574.....263
1001242996.....59, 67	1001253916 719	1001274721 719	1319575.....263
100124302567	1001254099 465	1001275637 367, 371	1319576.....263
100124302667	1001254386 487	1001275638 367, 371	1319577.....263
1001243183718	1001254411 513	1001275638 367, 371	1319582.....263, 287
1001243184718	1001255901 595	1001275933 411	1319583.....263
100124321967	1001256316 485, 537	1001276920 593	1319584.....263
1001243411487, 489	1001256322 513	1001276923 718	1319585.....263, 287
1001243412489	1001256519 380, 386, 394	1001280231 401, 718	1319586.....263
1001243577718	1001257571 459	1001294815 699	1319587.....263
1001244278489	1001258010 718	1001296322 18, 22, 26	1319590.....263
1001244302489	1001258100 435	1001301599 121	1319591.....265
1001244306473	1001258244 411	1001301600 121	1319592.....265
1001244307473	1001258245 411	1005798200 299, 301, 303, 305, 307, 311, 313	1319593.....265, 267, 269, 271, 273, 275
1001244308473	1001258991 567	1005798300 299, 315, 317, 319, 321, 325, 327	1319594.....265, 267, 269, 271, 273, 275
1001244357461	1001259206 131	10139087 . 670, 674, 678, 682, 686, 690, 694	1319595.....265, 267, 269, 271, 273, 275
1001244359481	1001259302 670, 674, 678, 682, 686, 690, 694	10268515 203, 205	1319596.....265, 267, 271
1001244361481	1001259303 670, 674, 678, 682, 686, 690, 694	10268516 203	1319600.....265, 267, 269, 271, 273, 275
100124459251	1001259305 670, 674, 678, 682, 686, 690, 694	1060379 85	1319601.....265, 267, 269, 271, 273, 275
1001244610481	1001259306 670, 674, 678, 682, 686, 690, 694	1060626 569, 659	1319602.....265, 267, 269, 271, 273, 275
1001244650441	1001259635 361	10705034 111	1319603.....265, 267, 269, 271, 273, 275
1001244652441, 443	1001260509 661	10719267 199	1319604.....265, 267, 269, 271, 273, 275
1001244653441, 445	1001262156 718	10725554 305, 333	1319605.....265, 267, 271
1001244654441, 443, 445	1001262322 581, 715	10725627 339, 353	1319606.....265, 267, 271
1001244980463	1001262326 581	10727374 439	1319607.....265
1001245054461, 463	1001262436 719	10728823 463	1319608.....265, 275
1001245057469	1001262959 719	10731702 259	1319609.....265
1001245058449	1001262960 587, 589	10731709 .. 281, 282, 285	1319610.....265
1001245060449	1001262963 587, 589	10731744 263	1319611.....265
1001245061449	1001263589 671, 675, 679, 683, 687, 691, 695	10731748 259	1319612.....265, 267, 269, 271, 273, 275
1001245158481	1001263821 670, 674, 678, 682, 686, 690, 694	10731751 259	1319613.....267
1001245213297, 299	1001264534 563	10731751 259	1319614.....267
1001245214297, 299	1001264536 563	10731845 .. 265, 267, 271	1319615.....267, 271, 273
1001245215297, 299	1001264554 380, 386, 394	10731913 261	1319616.....269
1001245478233, 715	1001265272 401	10731959 277	1319617.....269, 273, 275
1001246001361	1001265373 719	10732063 281, 285	1319618.....269, 273, 275
1001246078679, 691	1001265679 563	10732064 281	1319619.....269
1001246391604, 611		10732071 279	
1001246735383, 397		10732072 279	
1001246736380, 383		10732095 259	
1001246737387, 389		10732150 . 37, 39, 41, 43, 45	
1001246738395, 397		10837928 535	
1001247171489, 491		10839156 277	

SECTION 13 - SPECIAL OPTIONS/ACCESSORIES/KITS

1319620 269, 273, 275	1319711285	2220375.....29, 33, 479	2717283 111, 505
1319621 269, 273, 275	1319712285	2220377487	2717287 121
1319622 269, 273, 275	1319713285	2220385.....459, 463, 491	2755060 459
1319623 269, 273, 275	1319714285	2220415.....121, 481	2900770 515
1319624 269, 273, 275	1319715285	2220451487	2910996 718
1319625 269, 273, 275	1319717285	2220472487	2915023 499
1319626 269, 273, 275	1319718287	2220473.....53, 121, 479,	2915208 718
1319627 269, 273, 275	1319719287	487	2940074 85, 715
1319628 269, 273, 275	1319720287	2220474485	31200160 79
1319629 269, 273, 275	1319721287	2220497487	31200386 83
1319630 269, 273, 275	1319722287	2220498659	31200387 81
1319631 269, 273, 275	1319723287	222049929, 33	31200388 81
1319632 269, 273, 275	1319724287	2220500.....60, 453, 455,	3251813 ... 670, 674, 678,
1319633 269, 277	1319725287	471	682, 686, 690, 694
1319634 271	1319726287	2220501479	3290501 247, 573
1319635 271	1320022 ... 227, 380, 386,	222057729, 33	3290505 245
1319636 271, 273, 275	394	222057860	3290601 ... 183, 544, 548,
1319637 273	1320032217	2220582467, 487	552
1319638 273, 275	1321094 189, 193, 197	2220596.....459, 487, 491	3290605 ... 221, 223, 421,
1319639 275	1322039 189, 193, 197	2220600491	423, 544, 552
1319641 277	1322040 189, 193, 197	2220603471	3290801 ... 209, 401, 544,
1319643 277	1600429 ... 380, 386, 394,	2220605439, 455	548, 552
1319646 277	714	2220606487	3290805 ... 195, 213, 421,
1319647 277	1701509 85	2220622659	423
1319648 277	1701640 ... 670, 674, 678,	2220635 29, 33, 453, 481,	3291205 221
1319649 277	682, 686, 690, 694	491	3300240 ... 113, 115, 117,
1319650 279	1702300 ... 670, 674, 678,	222065161	119, 123, 125
1319652 279, 281	682, 686, 690, 694	2220654455	3300429 29, 33
1319659 279	1702631 686	2220677457	3311401 ... 229, 231, 380,
1319661 279, 281	1702773 79, 81, 83	2220695479	386, 394, 563
1319670 281, 285	1704277 85	2220700659	3311405 85
1319671 281	1704885 79, 81, 83	2220726491	3311502 183
1319673 281	1706098 694	2220738487	3311601 61
1319674 281	1706279 694	2220819487	3311605 561
1319675 281	1706281 694	2220828487	3331615 187, 191, 195
1319676 281	1706282 694	2220878487	3391410 183
1319677 281	1706284 694	2220883509	3421453 85
1319678 281	1706285 694	2220885537	3423226 59
1319679 281	1706288 694	2220998487	3423227 17, 21, 25
1319680 281	1706296 670, 682	2221344439	3423242 117, 119
1319681 281	1706298 670, 682	223002561	3423248 51
1319682 281	1706299 670, 682	2230044449	3423254 297, 299
1319683 281	1706300 670, 682	2340037129	3423275 113, 115
1319684 281	1706301 670, 682	2340038135	3423276 121, 123, 125
1319685 281	1706302 183	2340039145	3423307 115, 119, 123
1319686 281	1706306 670, 682	2340045133	3440620 89
1319687 281	1706768 670, 682	2340046127	3460383 61
1319688 281	1706850 670, 682	2400060.....604, 612, 617	3460384 61
1319689 281	1706892 79	2400066612	3520030 ... 37, 39, 41, 43,
1319690 281	2080040 85	24921332207, 211	45
1319691 281	2110606 ... 115, 119, 123,	260028185	3520072 85
1319692 281	529	271364275	3520198 85
1319693 281	2130606 111, 529	2714973 ... 17, 21, 25, 501	3740080 245, 715
1319694 281	2130608 111	2716673451	3760170 85
1319695 281	2130808 115, 119, 123	2716675479	3790152 245
1319696 281, 285	2131210255	2716686479	3820020 85
1319697 281	2131212 229, 231, 255	2716688479	3841203 115, 119, 123
1319698 281	2172106 115, 119, 123	2716691479	3930610 380, 386, 394
1319699 281	2180798203	271670953	3931012 563, 655
1319700 281	2220218223	2716713449	3951404 507
1319701 281	2220239 29, 33	2716714459	3968141 319, 347
1319702 281, 285	2220371 ... 467, 479, 485,	2716715459	4031608 247, 573
1319703 281, 285	487, 491	2717160111	4060803 391, 399
1319704 281	2220372485	2717161111	4060804 17, 21, 25
1319705 281	2220373 ... 459, 471, 485,	2717162111	4060805 17, 21, 25
1319707 281, 285	491	2717198... 18, 22, 26, 519	4060806 380, 386, 394
1319710 285	2220374487, 659	271720153, 515	

SECTION 13 - SPECIAL OPTIONS/ACCESSORIES/KITS

4100181....670, 674, 678, 682, 686, 690, 694	4460608... 602, 604, 608, 611, 616	4761500 187, 191	70021366.....105
4105262....670, 674, 678, 682, 686, 690, 694	4460742 ... 557, 627, 643, 649	481140095, 97, 101, 103, 107, 115, 119, 121, 123	70021367.....105
4107442....670, 674, 678, 682, 686, 690, 694	4460744 602, 609, 615	4811600 ... 223, 245, 247, 435, 573	70021376..... 109, 495
4107971670, 682	4460746 610	4811700 ... 183, 187, 191, 195, 217, 221, 421, 423, 548, 631	70021377.....109
4108302....670, 674, 678, 682, 686, 690, 694	4460761 557, 576	481190041, 43, 207, 209, 211, 213, 421, 423, 544, 548, 552	70021378.....109
4110422....89, 91, 93, 95, 97	4460789 577, 627, 643	4811902 195, 199, 373	70021379.....109
4110473.....111	4460790 577, 641	4812000 ... 195, 209, 221, 239, 241	70021382.....109
4240032....563, 581, 583, 587, 589, 593	4460809 557	4812100 ... 187, 191, 195, 207, 209, 211, 221, 249, 544, 548, 552	70021387.....91, 105
4240099....187, 191, 195	4460836 576	4812300 187, 191, 195	70021389.....109
4360569.....380, 386, 394	4460850 602, 608, 615	4831600 247, 573	70021391.....105
4360690....380, 386, 394, 715	4460871 576	4831700 631	70021392.....105
442003731, 37, 39, 41, 43, 45	4460872 576	4832000 239, 241	70021393..... 105, 511
4460019....603, 604, 610, 611, 615, 616, 617	4460884 ... 576, 604, 608, 611, 617, 665	4891500 207	70021399.....105
4460042....603, 608, 616	4460891 ... 557, 576, 577, 602, 603, 608, 609, 610, 615, 616, 625, 649	4891600 . 17, 21, 25, 207, 209, 211, 629, 631	70021415.....91, 93
4460142.....617	4460894 585, 665	4891800 115, 119, 123	70021440..... 87, 495, 511
4460183.....657	4460897 ... 577, 625, 663	4892400 51	70021444.....495, 511
4460234....563, 581, 583	4460905 576	5240800 249, 251	70021445.....495
4460247604, 611, 617	4460930 555, 576, 577	5242400 183	70021446.....495, 511
4460256....603, 609, 616	4460931 ... 557, 602, 608, 615, 665	5251014 380, 386, 394	70021447.....495, 511
4460268.....619	4460932 595	5724622 60	70021448.....495, 511
4460312....604, 610, 611, 617	4460933 ... 565, 577, 619, 665	5746411 60	70021451.....495, 511
4460321557	4460941 649, 665	6604662 121	70021452.....495, 511
4460326.....619	4460942 ... 576, 619, 665	70002219 497	70021464.....511
4460419....576, 625, 643, 663, 665	4460945 557	70002224 497	70021465.....511
4460457....571, 627, 643, 649	4460950 619	70003849 497	70021466.....511
4460458....557, 571, 577, 602, 603, 604, 608, 609, 610, 611, 615, 616, 617, 625, 649, 657	4460955 ... 603, 609, 610, 616	70004637 509	70021468.....325, 353
4460459.....571	4460970 ... 565, 576, 577, 649	70010239 719	70021812.....499
4460464....555, 557, 565, 576, 577, 585, 591, 595, 602, 608, 615, 619, 625, 649, 663, 665	4460994 576, 663	70020002 109	70021812.....91, 93
4460465....555, 557, 565, 576, 577, 585, 602, 603, 604, 608, 609, 610, 611, 615, 616, 617, 619, 625, 649, 665	4461006 610, 611	70020004 173	70021812.....91, 93
4460466....555, 557, 565, 576, 577, 585, 602, 603, 604, 608, 610, 611, 612, 615, 617, 619, 649, 665	4461017 ... 577, 641, 665	70020028 109	70021935.....91, 93
4460467719	4461018 641, 643	70020375 503, 507	70021948.....401, 715
4460475....557, 571, 602, 604, 608, 611, 615, 616, 649	4461070 ... 576, 610, 611, 617	70020425 279	70021977.....91, 93
4460476....571, 604, 611, 616	4461095 ... 603, 610, 611, 617	70020426 279	70021978.....91, 93
4460508....577, 641, 665	4461103 578, 649	70020427 285	70021979.....91, 93
4460509....576, 641, 643	4461157 ... 602, 608, 615, 649	70020428 499	70021980.....105
4460510.....719	4520356 361	70020430 277	70021981.....105
4460518.....557, 576	4520527 359	70020431 277	70021982.....105
4460539.....557, 565	4641122 361	70020555 151, 153	70022008.....535
	4641501 529, 533	70020652 105	70022014.....535
	4641502 111, 529	70020658 515	70022028.....91, 93
	4710600 ... 380, 387, 395	70020743 527	70022044.....499
	4711000 563	70020745 527	70022045.....499
	4711400 85, 229, 231, 391, 399, 544, 548, 552, 559, 563, 655	70020876 417	70022046.....499
	4711500 ... 187, 191, 229, 231, 401	70021140 319, 347	70022140.....305, 333
	4711600 ... 223, 544, 548, 552, 561, 670, 674, 678, 682, 686, 690, 694	70021342 93, 105	70022140.....91, 93, 105
	4740362 229, 231	70021349 91, 93	70022527.....91, 93
	4750800 435	70021351 109	70022528.....91, 93
	4751400 217, 401	70021358 105	70022529.....91, 93
	4761400 ... 380, 386, 394, 651	70021359 105	70022563.....509
		70021360 105	70022564.....509
		70021361 105	70022634... 189, 193, 197
		70021362 105	70022650.....527
		70021364 105	70022797.....319, 347
		70021365 105	70022799.....321, 349
			70022871.....719
			70022872.....719
			70022931.....156
			70022932.....156
			70022934.....156
			70022935.....157
			70022936.....156
			70022937.....156
			70022939.....157
			70022942.....156
			70022946.....157
			70022949.....156, 157
			70022950.....156
			70022952.....156
			70022957.....156

SECTION 13 - SPECIAL OPTIONS/ACCESSORIES/KITS

70022960	156	70024307	147	70026093.....	425	70026448.....	719
70022969	156	70024519	317, 345	70026097.....	521	70026453..	189, 193, 714
70022970	156	70024522	319, 347	70026098.....	521	70026470.....	160
70022980	157	70024538	160	70026100.....	413	70026471.....	160
70022984	156	70024550	160	70026101.....	413	70026472.....	160
70022985	156	70024734	517	70026102.....	413	70026473.....	160
70022987	156	70024848	311, 339	70026103.....	413	70026476.....	160
70022990	157	70024849	311, 339	70026104.....	413	70026478.....	531
70022992	156	70024851	307, 335	70026105.....	413	70026481.....	160
70022993	156	70024855	413	70026106.....	413	70026482.....	160
70022994	156	70024881 .	303, 307, 317, 321, 331, 335, 345, 349	70026107.....	413	70026495.....	517
70022995	156	70025339	305, 333	70026108.....	413	70026497.....	517
70022996	160	70025480	391, 399	70026109.....	413	70026499.....	517
70022998	157	70025555	319, 347	70026110.....	413	70026500.....	517
70023000	160	70025556	319, 347	70026111.....	413, 417	70026501.....	160, 517
70023003	156	70025561 .	307, 321, 335, 349	70026112.....	413	70026502.....	517
70023004	156	70025562 .	305, 307, 319, 321, 333, 335, 347, 349	70026113.....	413	70026503.....	517
70023005	156	70025569	319, 347	70026114.....	413	70026505.....	517
70023006	156	70025570	319, 347	70026115.....	413	70026506.....	517
70023007	156	70025606	497	70026116.....	413	70026564.....	537
70023008	156	70025821	325, 353	70026117.....	413	70026585.....	160
70023009	156	70025822	325, 353	70026118.....	413	70026586.....	160
70023010	156	70025823	325, 353	70026119.....	413	70026587.....	160, 517
70023014	156	70025852	201, 714	70026120.....	413	70026588.....	160
70023015	156	70025853	201, 714	70026121.....	413	70026589.....	160, 531
70023016	156	70025856	305, 333	70026122.....	413	70026590.....	160
70023116	308, 336	70025857	307, 335	70026123...	413, 415, 418	70026591.....	160
70023174	719	70025859	525, 527	70026124.....	413, 418	70026592.....	160
70023404	263	70025887	305, 333	70026133.....	535	70026593.....	160
70023482	259	70025959	497	70026139.....	319	70026594.....	160
70023483	259	70025970	311, 339	70026216.....	619	70026595.....	160
70023490	305, 333	70025982	535	70026217...	604, 611, 619	70026596.....	160
70023494	305, 333	70026002	307, 335	70026220.....	189, 193	70026597.....	160
70023506	537	70026025	513	70026221.....	189	70026598.....	160
70023507	537	70026036	503	70026222.....	189, 197	70026599.....	160
70023508	537	70026039	503	70026223.....	193	70026600.....	160
70023509	537	70026040	503	70026224...	189, 193, 197	70026601.....	160
70023736 ..	189, 193, 197	70026041	503	70026225...	189, 193, 197	70026602.....	160
70023829	308, 336	70026042	503	70026226...	189, 193, 197	70026603.....	160
70023885	263, 287	70026043	503	70026228...	189, 193, 197	70026604.....	160
70023925	156	70026044	503	70026229...	189, 193, 197	70026605.....	160
70023928	533	70026045	503	70026230...	189, 193, 197	70026606.....	160
70023929	533	70026056	497	70026231...	189, 193, 197	70026607.....	160
70023933	189, 193	70026057	497	70026232...	189, 193, 197	70026608.....	160
70024004	305, 333	70026058	497	70026233.....	197	70026609.....	160
70024016 ..	189, 193, 197	70026059	497	70026234...	189, 197, 714	70026610.....	517
70024020	497	70026060	497	70026235...	189, 193, 197	70026611.....	517
70024059	91, 93	70026061	497	70026236.....	193	70026612.....	531
70024060	93	70026062	497	70026237..	189, 193, 197, 714	70026613.....	531
70024062	87	70026066	307, 335	70026238.....	321, 349	70026614.....	531
70024123	160	70026075	235, 237	70026241...	189, 193, 197	70026615.....	531
70024129	517, 531	70026076	235, 237	70026244.....	215	70026616.....	531
70024130	531	70026077	235, 237	70026245.....	215	70026617.....	531
70024146	307, 336	70026078	235, 237	70026247.....	215	70026618.....	531
70024147	307, 335	70026079	235, 237	70026248.....	215	70026619.....	531
70024152	29, 33	70026080	237	70026255.....	333	70026620.....	531
70024202	535	70026081	235, 237	70026262.....	311, 339	70026621.....	531
70024210 .	311, 325, 339, 353	70026082	235, 237	70026263.....	311, 339	70026622.....	321, 349
70024213	311, 339	70026083	235, 237	70026264.....	311, 339	70026631.....	319, 347
70024215	311, 339	70026085	539, 714	70026347.....	160	70026652.....	535
70024253	602, 608	70026087	539	70026352.....	407	70026653.....	535
70024254	602, 608	70026088	425	70026370.....	535	70026698.....	91, 93
70024255	602, 608	70026089	425	70026376.....	535	70026699.....	87
70024256	602, 608	70026090	425	70026393.....	201	70026745.....	151
70024262	497	70026091	425	70026394.....	201	70026746.....	151
70024306	147	70026092	425	70026399.....	201	70026747.....	87
				70026401.....	471	70026750.....	305, 333

SECTION 13 - SPECIAL OPTIONS/ACCESSORIES/KITS

70026770.....505	7002828.....719	70029482.....303, 331	70029758.....181
70026771.....505	70028388 . 303, 307, 331, 335	70029483.....305, 333	70029759.....181
70026773.....505	70028389 . 303, 307, 331, 335	70029484.....307, 335	70029760.....173
70026774.....505	70028390.....305, 333	70029486.....307, 335	70029761.....175
70026775.....505	70028391.....305	70029488.....307, 336	70029762.....171, 173
70026800.....197	70028392 . 308, 321, 336, 349	70029489.....307, 335	70029763.....177
70026801.....197, 714	70028402.....507	70029544.....307	70029764.....173
70026803.....321, 349	70028403.....507	70029545.....308, 336	70029765.....173
70026812.....321, 349	70028404.....507	70029546.....321, 349	70029766.....173
70026854.....417	70028407.....507	70029547.....322, 349	70029767.....173
70026944.....87	70028408.....507	70029558.....539	70029768.....173
70026945.....417	70028450.....189, 193	70029584.....539	70029769.....175
70026946.....87	70028471.....319, 347	70029704.....181	70029770.....177
70026948.....87	70028514.....523	70029705.....181	70029771.....175
70026949.....87	70028515.....523	70029706.....181	70029772.....175
70026978.....415, 417	70028516.....523	70029707.....181	70029773.....173
70026979.....417	70028517.....523	70029708.....181	70029774.....173
70026980.....417	70028547.....525	70029709.....181	70029775.....173
70026981.....415, 417	70028779.....417	70029710.....181	70029776.....173
70026982.....415, 417	70028780.....417	70029711.....181	70029777.....171, 173
70026983.....415, 417	70028781.....417	70029712.....181	70029778.....173
70026984.....417	70028782.....417	70029713.....181	70029779.....173
70026985.....418	70028881.....321, 349	70029714.....181	70029780.....171, 173
70026986.....417, 715	70028886 . 303, 317, 331, 345	70029715.....181	70029781.....171, 173
70026987.....417	70028890 . 307, 321, 335, 349	70029716.....181	70029782.....179
70026988.....417	70028891 . 307, 321, 335, 349	70029717.....175	70029783.....179
70026989.....417	70028892.....335	70029718.....175	70029784.....173
70026990.....417	70028922.....308, 336	70029719.....175	70029785.....171
70026991.....415, 418	70028923.....308, 336	70029720.....173	70029786.....173
70027009.....91	70028924.....307, 335	70029721.....173	70029787.....177
70027022.....311, 339	70028925.....321, 349	70029722.....173	70029788.....173
70027024.....409	70028926.....307, 335	70029723.....173	70029789.....175, 177
70027025.....409	70028938 . 303, 317, 331, 345	70029724.....173	70029790.....173
70027026.....409	70028939 . 303, 317, 331, 345	70029725.....171, 173	70029791.....181
70027028.....409	70028941.....321, 349	70029726.....173	70029792.....171
70027030.....409	70028943.....322, 350	70029727.....179	70029793.....173
70027032.....409	70028944.....322, 350	70029728.....173	70029794.....171, 173
70027033.....409	70028947 . 313, 327, 341, 355	70029729.....173	70029795.....181
70027034.....409	70028948 . 313, 327, 341, 355	70029730.....179	70029796.....181
70027035.....409	70028949 . 313, 327, 341, 355	70029731.....179	70029798.....537
70027092.....311, 339	70028950 . 313, 327, 341, 355	70029732.....173, 181	70029822.....415, 417
70027094.....235	70028951 . 313, 327, 341, 355	70029733.....181	70029823.....415, 417
70027105.....305, 333	70028952 . 313, 327, 341, 355	70029734 .. 171, 173, 181	70029824.....415, 417
70027134.....535	70028974 . 303, 317, 331, 345	70029735.....171, 173	70029825.....415
70027244.....509	70028975 . 307, 321, 335, 349	70029736.....173	70029826.....415
70027275.....527	70028976.....321, 349	70029737.....181	70029827.....415, 417
70027276.....527	70028977.....322, 350	70029738.....171, 173	70029828.....415, 417
70027281.....189, 197	70028997.....347	70029739 . 171, 173, 175, 177	70029829.....415, 417
70027315.....321, 349	70029454.....307, 335	70029740.....171	70029830.....415
70027317..311, 325, 339, 353	70029471.....321, 349	70029741 .. 173, 175, 177	70029831.....415
70027642.....109	70029472.....321, 349	70029742.....171, 173	70029832.....415, 417
70027689.....509		70029743 .. 171, 173, 175	70029833.....415, 417
70027690.....509		70029744.....177	70029834.....415, 418
70027691.....509		70029745.....173	70029835.....415, 418
70027692.....509		70029746.....175, 177	70029836.....415, 418
70027693.....509		70029747.....171, 173	70029837.....415, 418
70027694.....509		70029748.....177	70029838.....415, 418
70027695.....509		70029749.....175, 177	70029839.....415, 418
70027696.....509		70029750.....171	70029840.....415, 418
70027705.....215		70029751.....173	70029841.....415, 418
70027706.....215		70029752.....173	70029842.....415, 418
70027772.....325		70029753.....181	70029843.....415, 418
70027796.....311, 339		70029754.....181	70029844.....415
7002821.....719		70029755.....173	70029874.....535
7002822.....719		70029756.....171, 173	70029981.....417
7002823.....719		70029757.....173	70029984.....418
			70030001.....535

SECTION 13 - SPECIAL OPTIONS/ACCESSORIES/KITS

70030002	535	70041616 ..	189, 193, 197	7083992.....	59	7139047 ...	37, 39, 41, 43, 45
70030003	535	70041617 ..	189, 193, 197	7085571.....	67	7139077	29, 33, 714
70030004	535	70041619 ..	189, 193, 197	7090871.....	53	7139180	59
70030005	535	70041620 ..	189, 193, 197	7090891.....	53	7139407 ...	37, 39, 41, 43, 45
70030006	535	7004275	719	7091373.....	53	7139416	69, 71
70030007	535	7004276	719	7095312.....	59	7139504	459
70030008	535	7010746	537	7095352.....	59	7139505	459
70030009	535	7010769	539	7095522.....	59	7139690	59, 71
70030010	535	7012903	519	7096552.....	59	7139692	61, 69
70030011	535	7016654	719	7096562.....	59	7139693	60, 73
70030012	535	7017496	519	7096702.....	59	7139918	111
70030013	535	7024441	29, 33	7096772.....	59	7150680	635
70030014	535	7024574	499	7096882.....	59	7150681	633
70030015	535	7026404	604, 610	7110172.....	61	7150685	637
70030016	535	7026758 ...	265, 267, 269, 271, 273, 275	7110702.....	121	7150690	633, 635
70030017	535	7026759 ...	265, 267, 269, 271, 273, 275	7110712.....	121	7150699	631, 637
70030018	535	7026760 ...	265, 267, 269, 271, 273, 275	7110722.....	121	7150702	637
70030019	535	7026760 ...	265, 267, 269, 271, 273, 275	7111402.....	61	7150703	639
70030020	535	7026760 ...	265, 267, 269, 271, 273, 275	7111572.....	59	7150716	631, 639
70030021	535	7026798	409	7112452.....	59, 75	7150717	639
70030022	535	7026911	293, 295	7112642.....	163	7300435	187, 191, 195
70030023	535	7027273	277	7112732.....	60	7300672	59
70030036	481	7028706 ...	317, 321, 345, 349	7113952.....	73	7300673	59
70030037	481	7028714 ...	307, 321, 335, 349	7113982.....	73	7300674	59
70030038	535	7028716 ...	307, 321, 335, 349	7114922.....	60	7300675	59
70030039	535	7028721	321, 349	7114941.....	165, 167	7301265	394
70030040	535	7028722	321, 349	7116572.....	665	7301295	111
70030041	535	7028731	321, 349	7116642.....	63	7301408	139
70030141	109	7028732	321, 349	7116652.....	63	7301721	459
70030142	109	7029037	279, 281	7116662.....	63	7302010	59
70030143	109	7029039	281	7116691.....	63	77133133.....	421, 423
70030144	109	7029127 ...	313, 327, 341, 355	7116733.....	59, 63	77133134.....	421, 423
70030145	109	7029131	319, 347	7116792.....	59	77143006.....	567
70030281	417	7029153	519	7116812.....	63	80204002.....	303, 331
70030292	539	7029246	519, 714	7117031.....	61	80204005 .	307, 321, 335, 349
70030317	193	7029288	303, 331	7117502.....	61	80204012 .	303, 308, 331, 336
70030347	193	7029309	307, 335	7117582.....	59	80204033.....	305, 333
70031092	507	7029311 ...	307, 321, 335, 349	7118882.....	65	80204035.....	305, 333
70031148	189	7029412	417	7118892.....	59, 65	80204043.....	305, 333
70031350	193	7029413	417	7124301.....	17, 21, 25	80204048.....	305, 333
70031351	193	7029415	417	7124451.....	17, 21, 25	80204060.....	311, 339
70031352	193	7029417	287	7124471 ..	17, 21, 25, 629, 631	80204065 .	307, 321, 335, 349
70031352	193	7029520	153	7124491.....	53	80204071 .	307, 321, 335, 349
70031380	193	7029521	153	7125801.....	53	80204076.....	307, 335
70031394	417	7029532 ...	267, 269, 277	7125811.....	60	80204108.....	311, 339
70031395	417	7029533 ...	267, 269, 277	7125871	187, 191, 195	80204117 .	311, 321, 325, 339, 349, 353
70031396	417	7029692	93, 105	7126662.....	61	80204144 .	313, 327, 341, 355
70031397	417	7029711	109	7127852.....	61	80204281.....	311, 325
70031398	417	7029714	105	7127862.....	61	8024032	718
70031402	417	7029734	311, 339	7131633.....	718	8024033	718
70031403	417	7029735	311, 339	7131643.....	718	8024053	718
70031404	417	7029786	325, 353	7137142.....	17, 21, 25	80241137.....	17, 21, 25
70031405	417	7029787	311, 339	7138468.....	61	80264138.....	521
70031406	417	7029860	405	7138634.....	255	80304405.....	261
70031413	418	7054351	255	7138639.....	289, 295	8032694	539
70031414	418	7057141	229, 231	7138833.....	380, 386, 394	8032695	539
70031420	418	7062922	121	7138836.....	380, 386, 394	8032790	537
70031421	418	7079572	59	7138878....	380, 386, 394, 715	8032994	519
70031422	418	7082311	59	7138882.....	377	8033786	499
70031442	160	7082342	59	7138944....	380, 386, 394		
70031443	111	7082362	59	7138958.....	391, 399		
70031444	109			7138977.....	59		
70031445	91, 93			7138979.....	59		
70031446	105			7138986.....	59		
70031448	160			7139032.....	69, 71		
70031458	322						
70031459	322						
70031717	563						

SECTION 13 - SPECIAL OPTIONS/ACCESSORIES/KITS

8034695.....501	80364095..... 521	8220536 ... 602, 603, 608, 609, 615, 616	8303697..29, 33, 60, 380, 386, 394
8034697.....535	8036580..... 519	8220889 603, 609	8303715.....60, 121
8034815.....405	8036581..... 519	8220890 657	8303724.....255
8035109.....291, 293, 295	8036582..... 519	8220895 619	8303729.... 37, 39, 41, 43, 45
8035281.....519	8036726..... 415, 417	8220904 ... 576, 625, 643, 649, 663	8303738.....61
8035282.....519	8036732..... 515	8220927 ... 577, 602, 608, 615	8303745.....633, 635
8035321.....507	8036733..... 505	8220929 ... 577, 602, 608, 615	8303752..... 17, 21, 25
8035327.....515	8036747..... 519	8223025 631, 715	8303757....473, 475, 477
8035347.....535	8036750..... 507, 515	8223037 ... 380, 386, 394, 715	8303766.....473
8035382.....535	8036784..... 515	8223038 621, 623, 715	8303771..... 563, 629, 631
8035393.....405	8036811..... 515, 519	8223043 386, 394, 715	8303772.....60
8035409.....405	8036825..... 515, 519	8223044 386, 394, 715	8303782..... 17, 21, 25
8035411.....405	8036826..... 519	8223054 ... 380, 386, 394, 715	8303784.....243
8035493.....407	8036827..... 519	8223059 629, 631, 715	8303982.... 380, 386, 394
8035498.....407	8036828..... 519	8223060 631, 715	8304608.....451
8035499.....407	8036837..... 515	8223073 631, 714	8305002....544, 548, 552
8035500.....407	8036838..... 515	8223232 255	8305004.... 37, 39, 41, 43, 45, 481, 563, 655
8035523.....403	8036839..... 515	8223536 49	8305006... 17, 21, 25, 459
8035536.....499, 503	8037109..... 535	8229233 578, 714	8305008.... 229, 231, 473
8035547.....501	80373094 205	8229234 555, 578, 714	8305012.....163
8035611.....501	80384207 405	8229235 557, 578, 714	8305014..... 17, 21, 25
8035612.....501	80384213 405	8229237 578, 714	8305043.....203, 441
8035613.....501	80384218 391, 399	8229242 604, 612, 714	8305603.....401
8035781.....519	80384445 403	8229243 649, 714	8305619.....67
8035807....380, 386, 715	8050001 . 17, 21, 25, 297, 299	8229244 610, 714	8305624.....60, 111, 391, 399, 544, 548, 552, 559
8035862.....499	80604016 619	8229245 641	8305626.... 17, 21, 25, 61, 380, 386, 394, 629, 631, 633, 635
8035863.....499	80604017 663	8229261 555, 578, 714	8305638.....401
8036001.....501	80604018 . 602, 603, 608, 609, 610, 615, 616	8270620 ... 544, 548, 552	8305643..... 60, 111, 121
8036021.....259	80604021 .. 604, 608, 617	8270621 559	8305644.... 17, 21, 25, 53, 60, 63, 165, 167, 380, 386, 394
8036022.....259	80604024 608, 615	8278020 229, 231	8305645.... 37, 39, 41, 43, 45, 60, 63, 367, 371, 563, 629, 631, 670, 674, 678, 682, 686, 690, 694
8036023.....261	80623016 457	8302470 ... 37, 39, 41, 43, 45	8305646.....60
8036024.....263	8065062 121	8303034 ... 383, 389, 391, 397, 399, 401, 465	8305906.....59
8036025.....263	8065063 53	8303041 60	8305916.... 380, 386, 394
8036026.....263	8065640 17, 21, 25, 59	8303119 401	8307002.... 37, 39, 41, 43, 45, 655
8036027.....263	8065641 17, 21, 25	8303519 489	8307003....544, 548, 552
8036028.....263	80963061 577	8303540 ... 544, 548, 552, 651	8307004.....60, 217, 449, 459, 473, 475, 477, 479, 483
8036029....267, 269, 271, 273, 275	80963062 .. 602, 608, 615	8303615 ... 37, 39, 41, 43, 45	8307005..... 60, 489, 655
8036030.....277	80963067 . 577, 602, 608, 610, 615	8303620 60, 367, 371, 380, 386, 394, 473	8307006.....289
8036031.....277	8124138 69, 71	8303621 60	8307007..... 60, 163, 165, 167
8036032.....277	8127009 73	8303622 60	8307009..... 17, 21, 25
8036033.....279	8127022 71	8303624 60	8307011.....377
8036036.....281	8127024 69	8303626 ... 163, 165, 167, 380, 386, 394	8307023.... 380, 386, 394
8036038.....281	82033997 391, 399	8303628 53	8307024.... 670, 674, 678, 682, 686, 690, 694
8036039.....281	8205655 499	8303629 53	8307027....544, 548, 552
8036040.....281	8220007 663	8303630 60, 111, 121	8307049.....255
8036041.....287	8220035 555, 663	8303634 67	8307104.....60, 67
8036042.....287	8220051 577, 663, 665	8303655 60	8307106.....61, 203, 380, 386, 394, 544, 548, 552
8036050....391, 399, 403	8220058 ... 604, 611, 616	8303658 111	8307109.... 380, 386, 394
8036056....391, 399, 405	8220081 ... 602, 604, 609, 611, 615, 616, 643	8303666 60	
8036099.....405	8220089 577, 610, 641	8303675 489	
8036100.....405	8220097 ... 577, 602, 608, 615	8303679 60	
8036190....267, 269, 277	8220098 ... 577, 602, 608, 615	8303681 60	
8036192.....519	8220108 555		
8036196.....403	8220124 ... 602, 604, 608, 611, 615, 616, 617, 619		
8036197.....403	8220125 577, 610		
8036198.....403	8220160 604, 610		
8036199.....403	8220162 577		
8036209.....637	8220164 603, 610, 616		
8036210.....639	8220366 609		
8036212.....637, 639	8220375 609		
8036213.....637, 639			
8036214.....637, 639			
8036215.....637, 639			
8036216.....637, 639			
8036250.....287			
80363179.....619			

SECTION 13 - SPECIAL OPTIONS/ACCESSORIES/KITS

8307110 ... 367, 371, 380, 386, 394, 473	8405307203	8769123.....60	91403448 89
8307111 544, 548, 552	8405404 199	8769127.....217, 219	91404011 521
8307112 ... 165, 167, 380, 386, 391, 394, 399	8406010 563	8769128.....61, 217, 449, 479, 483	91404013 521
8307202 ... 37, 39, 41, 43, 45	8406105 ... 255, 544, 548, 552	8769132.....121	91404298 391, 399
8307203 .. 17, 21, 25, 459	8406112 ... 187, 191, 221, 223	8769139.....61	91404299 391, 399
8307204 ... 37, 39, 41, 43, 45, 60, 63, 563, 629, 631	8406303 195	8770016.....121	91404301 391, 399
8307206 63	8410007 199	8770048.....29, 33	91404326 521
8307219 651	8410021 203	8770064.....453	91473086 439
8307222 203, 441	842005361, 91, 109, 111, 115, 119, 121, 123	8770189.....53	91474023 539
8307904 61, 121	842005561, 91, 109, 111, 115, 119, 121, 123	8780039.....357	91474507 317, 345
8307910 60	8430032 439, 487	8786514....365, 367, 369, 371	91474512. 303, 317, 331, 345
8307911 60	8430046 487	8820904.....649	91474529 319, 347
8307912 51	8430048 421, 423	88211516.....631	91474533 319, 347
8307913 51	8430048 421, 423	88261015.....195	91474539 319, 347
8307918 60, 121	8466306 ... 670, 674, 678, 682, 686, 690, 694	8841036....255, 257, 259, 261, 263, 265, 267, 269, 271, 273, 275, 277, 279, 281, 285, 287	91474550 319, 347
8310009 ... 217, 449, 459, 479, 483	8500203 631	88411148..... 17, 21, 25	91474551 319, 347
8310019 60	8520001 ... 17, 21, 25, 60	88501005.....629	91474553 319, 347
8310020 60	8520003 ... 17, 21, 25, 61, 457	88671001... 115, 119, 123	91474558 325, 353
8310026 59, 380, 386, 394	8520013 53, 60	8880218-OM.....289	91474568 321, 349
8310039 17, 21, 25	8522012 ... 17, 21, 25, 59, 69, 71	8880219-OM.....289	91474576 321, 349
8310046 544, 548, 552	8526007 59, 65, 243, 503, 515	8881800.....195	91474584 321, 349
8310066 60	8526011 501, 503, 515	8903015.....535	91474591 317, 345
8310067 255	8526048 61	8990147.....380, 386, 394	91474593 319, 347
8310081 60	8526406 59	90028631.....203	91474595 319, 347
8310085 383, 389, 397	8530030 489	90200003.. 111, 113, 115, 117, 119, 121, 123, 125	91503106 602
8310093 60	8530030 489	90206196.....651, 653	91513266 373
8310109 391, 399	8580315 121	90451058..... 111	91514081. 307, 321, 335, 349
8310113 61	8580420 ... 37, 39, 41, 43, 45	9055401687, 91, 93, 105, 109, 151	91514082. 307, 321, 335, 349
8310116 51, 297, 299	8584001 75, 121, 421, 423, 544, 548, 552, 629, 631, 655	90554017..... 105, 109	91514083 307, 335
8310151 53	8584018 629, 631	90554018.....105	91514084 307, 335
8310160 121	8584021 75	90554020.....91, 93, 109	91514089. 303, 307, 311, 331, 335, 339
8310161 121	85841150 473	90554033.....87	91514095. 307, 321, 335, 349
8310205 60	8630003 111	90554034.....87	91514101 303, 331
8310209 63	8630019 489	90554042.....91, 93	91514111. 307, 321, 335, 349
8310210 60	8640123 489	90554045.....495, 511	91514118 373
8310215 255	8642207 121	90554054.....91, 93	91514130 305, 333
8310235 63	8642224 60	90554062.....93, 105	91514131 305, 333
8310245 63	8642237 69, 71	90554065..... 105, 109	91514133 305, 333
8310266 65	86683122 247, 573	90554067.....109	91514134. 305, 319, 333, 347
8310276 65	8750003 60	90554076.....93, 105	91514143 305, 333
8310281 229, 231	8750011 60	90554080.....153	91514146. 307, 321, 335, 349
8310302 111	8750012 ... 219, 449, 451, 479, 483	91043125.....157	91514147. 307, 321, 335, 349
8310356 489	8750017 59, 217, 219, 473, 479	91043126.....156	91514148. 307, 321, 335, 349
8310382 ... 380, 386, 394	8750025 473, 475, 477	91043147.....421, 423	91514149. 307, 321, 335, 349
8310420 489	8750026 479	91053419.....245	91514151 311, 339
8310424 213	8750027 ... 449, 451, 479, 483	91081640.....567	91514154. 311, 325, 339, 353
8310425 289	8750040 475, 477, 479	91083129.....203	91514159. 311, 325, 339, 353
8310431 61	8760268 479, 487, 491	91083385.....357, 359	91514174 307, 335
8310435 111	8760463 459	91163035.....211	91514175. 307, 321, 335, 349
8310493 377	8760465 60	91293003.....203	91514177 307, 335
8310497 59	8760468 61	91304025.....521	91514180 307, 335
8310522 .. 17, 21, 25, 489	8760548 255	91364023.....205	91514181. 307, 321, 335, 349
8310576 481	8760552 29, 33	91403097.....255	
83191010 373	8760552 29, 33	91403193.....297, 299	
8405007 ... 225, 227, 421, 423	8765204 463, 491, 659	91403413.....61, 91, 109, 111, 115, 119, 121, 123, 157, 161	
8405104 225, 227	8769122 60	91403414.....61, 91, 109, 111, 115, 119, 121, 123, 156, 161	
8405201 225, 227			
8405212 225, 227, 245			
8405305 225, 227			

SECTION 13 - SPECIAL OPTIONS/ACCESSORIES/KITS

91514183..307, 321, 335,
349

91514188 . 307, 317, 321,
335, 345, 349

91514189 . 307, 321, 335,
349
91514225 521

91563250.....357, 359
91565039.....359
91565040.....359



**Corporate Office
JLG Industries, Inc.
1 JLG Drive
McConnellsburg, PA 17233-9533 USA
☎ (717) 485-5161 (Corporate)
☎ (877) 554-5438 (Customer Support)
📠 (717) 485-6417**

**Visit our website for JLG Worldwide Locations.
www.jlg.com**



OSHKOSH™