



# *Illustrated Parts Manual*

*Models*  
*1732*  
*8010H*

PVC  
2111

P/N  
31211766

June 15, 2023 - Rev C







## **EFFECTIVITY PAGE**

**November 1, 2021 - A - Original Issue of Manual (Manual Edited to B/M 1001195000 Revision AJ)**

**March 31, 2022 - B - Revised Manual (Manual Edited to B/M 1001195000 Revision AJ)**

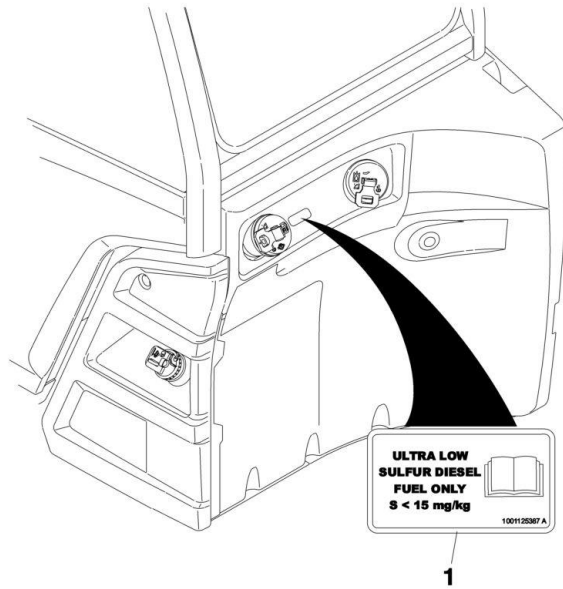
**June 15, 2023 - C - Revised Manual (Manual Edited to B/M 1001195000 Revision AJ)**

## Machine Configuration

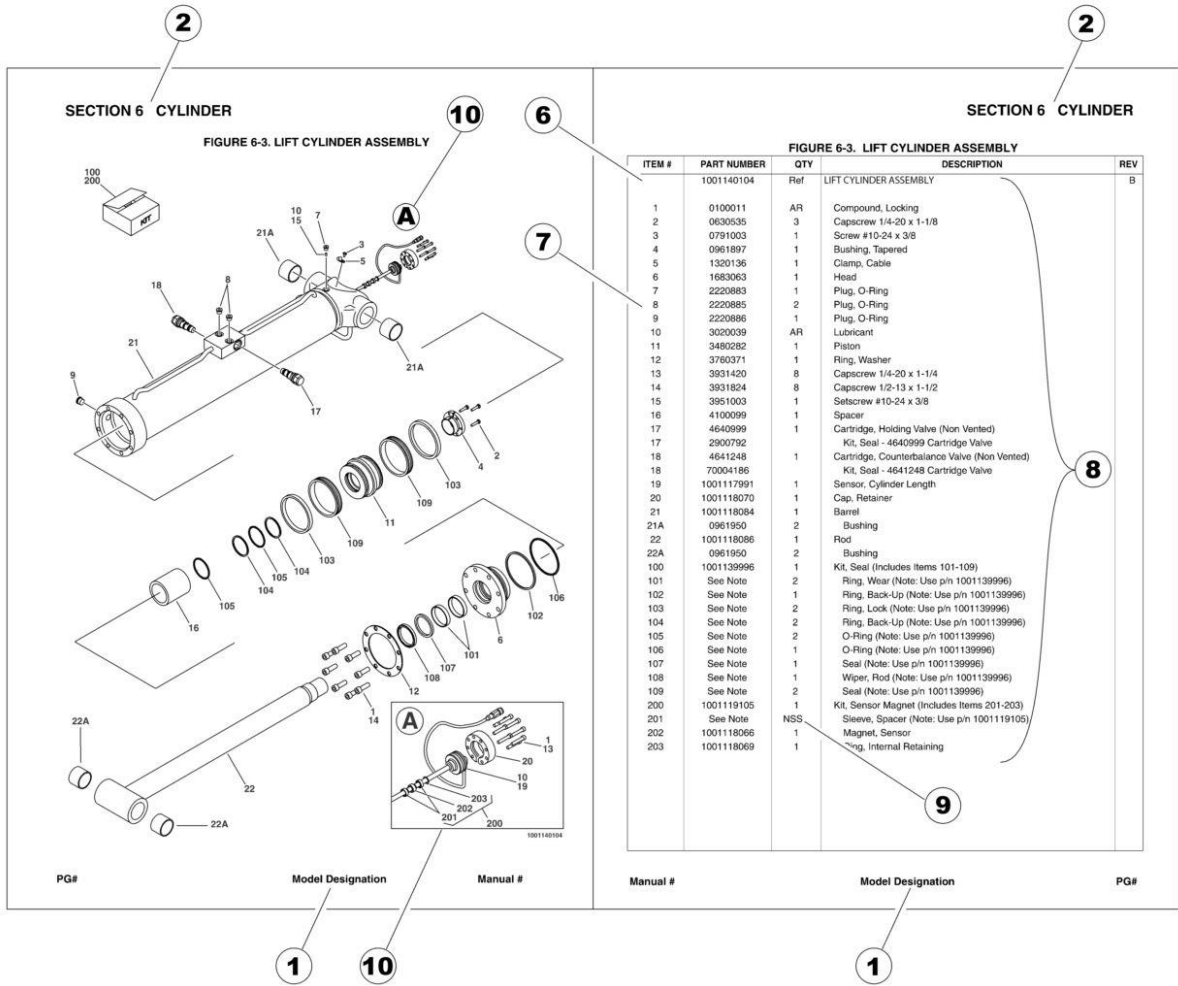
---

Two configurations of each machine are included in this manual. Determine if machine is equipped with Ultra Sulfur Fuel Decal (1) as indicated below.

- If equipped with the Ultra Low Sulfur decal, all specific references to this machine configuration will be referred to as Ultra Low Sulfur (ULS) from this point forward.
- If not equipped with the Ultra Low Sulfur decal, all specific references to this machine configuration will be referred to as Low Sulfur (LS) from this point forward.



# GENERAL INFORMATION



## 1) MACHINE IDENTIFICATION

Machines are identified by model and in some cases a combination of models, serial number (SN) or regional standard (i.e ANSI, CE, CSA). Components may also be identified by SN or manufacturer. Common components that may be identified by these characteristics are engines and hydraulic components.

## 2) PARTS MANUAL ORGANIZATION

Product information in this manual is organized under section titles. Frame, Cylinder, Hydraulic and Electrical are a few examples. Each section is organized by figure and page number. The information within the Figure is then organized by item number, part number, description and corresponding illustration (s).

## 3) TABLE OF CONTENTS (NOT SHOWN)

A table of contents is found toward the beginning of the manual. Figure number, description and page number are provided for quick reference to the page containing the related information.

## 4) RECOMMENDED SPARE PARTS (NOT SHOWN)

The Recommended Spare Parts List, located near the end of the manual, reference most frequently used maintenance parts.

## 5) PART NUMBER INDEX (NOT SHOWN)

A numerical index listing all part numbers and the corresponding page number(s) appears at the back of the manual.

# GENERAL INFORMATION

## 6) NON-SERVICED PARTS

In some instances, it is necessary to display non-serviced parts, assemblies or installations. In the case of assemblies and installations there will be a Ref in the Qty. column. In case of parts that are not available for service within assemblies or components, there will be a NSS (Not Sold Separately) or NLA (No Longer Available) listed in the Qty. column of the manual.

## 7) PARTS LIST ITEM NUMBERS

Numbers shown in the item# column correspond to numbers used in the associated illustration (s). Item numbers which are missing from the sequence in the parts list are not used on that page.

## 8) INDENTED PARTS DESCRIPTION

An indented part description is included in the item under which it is indented.

## 9) ABBREVIATION AND SYMBOLS

AC.....	Alternating Current	L.....	Liter
ADE.....	Advanced Design Electronics	LB(LBS).....	Pounds
AG.....	Agricultural	LCD.....	Liquid Crystal Display
ANSI.....	American National Standards Institute	LED.....	Light Emitting Diodes
AR.....	As Required	LH.....	Left Hand
ASSY.....	Assembly	LRC.....	Low Rated Countries
AUS.....	Australia	LSS.....	Load Sensing System
AUX.....	Auxiliary	M(m).....	Metric/Meter
AWG.....	American Wire Gauge	MM(mm).....	Milimeter
B/M.....	Bill of Material	mA.....	Miliamps
CAC.....	Charge Air Cooler	NLA.....	No Longer Available
CE.....	European Conformity	NPT.....	National Pipe Threads
CCW.....	Counter Clockwise	NSS.....	Not Sold Separately
CM.....	Centimeter	OD.....	Outside Diameter
CW.....	Clockwise	ORB.....	O-Ring Boss
CSA.....	Canadian Standards Association	ORFS.....	O-Ring Face Seal
CYL.....	Cylinder	OZ (oz).....	Ounces
DIA.....	Diameter	PG.....	Page
DC.....	Direct Current	PN.....	Part Number
DEF.....	Diesel Exhaust Fluid	QT(qt.).....	Quarts
EMS.....	Emergency Stop	QTY.....	Quantity
ENG.....	Engine	REF.....	Reference
FT(ft).....	Feet	REV.....	Revision Level
GA(Ga).....	Gauge	RH.....	Right Hand
HRC.....	High Rated Countries	SAE.....	Society of Automotive Engineers
HVAC.....	Heating, Ventilating, and Air Conditioning	SN.....	Serial Number
HYD.....	Hydraulic	SPEC(S).....	Specifications
Hz.....	Hertz	T/T.....	Turntable
ID.....	Inside Diameter	UGM.....	Universal Ground Module
IN.....	inches	V.....	Volts
ISO.....	International Organization for Standards	W.....	Watts
JIC.....	Joint Industry Council	#.....	Number
KG.....	Kilogram		

## 10) ILLUSTRATION REFERENCE LETTERS

When necessary, illustrations may contain reference letters that are intended to track information (i. e. hoses, harnesses) from one point to another or to track visual enlargement of components to show details that may be located in another area on the illustration.

*Note: Due to continuous product improvements, JLG Industries, Inc. reserves the right to make specification changes without prior notification. Contact JLG Industries, Inc. for updated information.*

# TABLE OF CONTENTS

SECTION 1 - FRAME AND ATTACHING PARTS.....	15
FIGURE 1-1. GROMMETS INSTALLATION .....	16
FIGURE 1-2. TANKS INSTALLATION (STANDARD).....	18
FIGURE 1-3. TANKS INSTALLATION (TUV) .....	20
FIGURE 1-4. HYDRAULIC TANK INSTALLATION .....	22
FIGURE 1-5. HYDRAULIC TANK ASSEMBLY.....	24
FIGURE 1-6. FUEL TANK INSTALLATION (STANDARD).....	26
FIGURE 1-7. FUEL TANK INSTALLATION (TUV) .....	28
FIGURE 1-8. FUEL TANK ASSEMBLY .....	30
FIGURE 1-9. TANK SUPPORT INSTALLATION.....	32
FIGURE 1-10. LOCKING FUEL CAP .....	34
FIGURE 1-11. PAD LOCK.....	36
FIGURE 1-12. ENGINE ENCLOSURE & HOOD INSTALLATION (1732) .....	38
FIGURE 1-13. ENGINE ENCLOSURE & HOOD INSTALLATION (8010) .....	40
FIGURE 1-14. HOOD ASSEMBLY (1732).....	42
FIGURE 1-15. HOOD ASSEMBLY (8010).....	44
FIGURE 1-16. ENGINE HOOD INSULATION INSTALLATION.....	46
FIGURE 1-17. ENGINE ENCLOSURE ASSEMBLY .....	48
FIGURE 1-18. COVER INSTALLATION (ULS).....	50
FIGURE 1-19. COVER INSTALLATION (LS) .....	52
FIGURE 1-20. FRAME COVER INSTALLATION .....	54
FIGURE 1-21. FRONT LOWER COVER INSTALLATION .....	56
FIGURE 1-22. MIRROR INSTALLATION (1732).....	58
FIGURE 1-23. MIRROR INSTALLATION (8010).....	60
FIGURE 1-24. WHEEL CHOCK INSTALLATION.....	62
FIGURE 1-25. REFLECTORS INSTALLATION (8010 ONLY) .....	64
SECTION 2 - BOOM.....	67
FIGURE 2-1. BOOM INSTALLATION.....	68
FIGURE 2-2. BOOM ASSEMBLY.....	70
FIGURE 2-3. FIRST BOOM SECTION ASSEMBLY.....	72
FIGURE 2-4. SECOND BOOM SECTION ASSEMBLY.....	74
FIGURE 2-5. COUPLER INSTALLATION (MANUAL) .....	76
FIGURE 2-6. COUPLER INSTALLATION (HYDRAULIC) .....	78
FIGURE 2-7. FRAME LEVEL CYLINDER INSTALLATION.....	80
FIGURE 2-8. MANUAL COUPLER PIN HOLDER INSTALLATION.....	82
FIGURE 2-9. BOOM BRUSHES INSTALLATION .....	84
FIGURE 2-10. BOOM PROP INSTALLATION .....	86
FIGURE 2-11. BOOM PROP BRACKET ASSEMBLY .....	88
FIGURE 2-12. BOOM ANGLE INDICATOR INSTALLATION.....	90
SECTION 3 - ATTACHMENTS .....	93
FIGURE 3-1. ATTACHMENT RECOGNITION INSTALLATION - COMPLETE .....	94
FIGURE 3-2. ATTACHMENT RECOGNITION INSTALLATION.....	96
FIGURE 3-3. ATTACHMENT RECOGNITION RECEIVER (FCC) .....	98
FIGURE 3-4. ATTACHMENT RECOGNITION RECEIVER (EU).....	100
FIGURE 3-5. ATTACHMENT RECOGNITION ANTENNA (FCC).....	102
FIGURE 3-6. ATTACHMENT RECOGNITION ANTENNA (EU).....	104
FIGURE 3-7. BALE HANDLER (ROUND BALES).....	106
FIGURE 3-8. BALE HANDLER (SQUARE BALES).....	110
FIGURE 3-9. BASKET, PERSONNEL (1.2MX2.4M) (DOMESTIC).....	112
FIGURE 3-10. BASKET, PERSONNEL (1.2MX2.4M) (FRENCH LANGUAGE) .....	114
FIGURE 3-11. BASKET, PERSONNEL (1.2MX2.4M) (ISO).....	116
FIGURE 3-12. FORK MOUNTED PLATFORM.....	118
FIGURE 3-13. BASKET DOCKING STATION.....	120
FIGURE 3-14. BOOM - TRUSS (3.6TON FORK MOUNTED).....	122
FIGURE 3-15. BOOM - TRUSS (7.6 TON).....	124
FIGURE 3-16. BUCKET (2.6 YD <sup>3</sup> /2.0M <sup>3</sup> ).....	126
FIGURE 3-17. BUCKET (5.23 YD <sup>3</sup> ).....	128
FIGURE 3-18. BUCKET - 4 IN 1 (2.6 YD <sup>3</sup> /2.0M <sup>3</sup> ) .....	130
FIGURE 3-19. BUCKET - 4 IN 1 (1.3 YD <sup>3</sup> /1.0M <sup>3</sup> ) .....	132
FIGURE 3-20. BUCKET - GRAPPLE (1.7 YD <sup>3</sup> /1.3M <sup>3</sup> ).....	134
FIGURE 3-21. BUCKET - GRAPPLE (2.6 YD <sup>3</sup> /2.0M <sup>3</sup> ).....	136

# TABLE OF CONTENTS

FIGURE 3-22. BUCKET - FORK MOUNTED (1.0M³)	138
FIGURE 3-23. CARRIAGE ASSEMBLY (60IN/1524MM)	140
FIGURE 3-24. CARRIAGE ASSEMBLY (72IN/1829MM)	142
FIGURE 3-25. CARRIAGE ASSEMBLY (87IN/2290MM)	144
FIGURE 3-26. CARRIAGE ASSEMBLY - DUAL FORK POSITIONING CARRIAGE (72IN/1829MM)	146
FIGURE 3-27. CARRIAGE ASSEMBLY - DUAL FORK POSITIONING SIDE SHIFT CARRIAGE (75IN/1899MM)	148
FIGURE 3-28. CARRIAGE ASSEMBLY - LOG HANDLER CARRIAGE	150
FIGURE 3-29. CARRIAGE ASSEMBLY - PIPE HANDLER CARRIAGE	154
FIGURE 3-30. CARRIAGE ASSEMBLY - STEEL COIL HANDLER CARRIAGE	158
FIGURE 3-31. CARRIAGE ASSEMBLY - TIRE HANDLER	160
FIGURE 3-32. FORK - PALLET (2.25X6X48)	164
FIGURE 3-33. FORK - PALLET (2.25X6X60)	166
FIGURE 3-34. FORK - PALLET (2.25X6X72)	168
FIGURE 3-35. FORK - PALLET (2.25X6X96)	170
FIGURE 3-36. FORK RETENTION INSTALLATION	172
FIGURE 3-37. HOOK - CRANK (7.6 TON)	174
FIGURE 3-38. HOOK ATTACH - FORK MOUNTED	176
FIGURE 3-39. HOPPER - TRASH	178
FIGURE 3-40. WINCH - COUPLER MOUNTED	180
SECTION 4 - ENGINE AND ATTACHING PARTS	183
FIGURE 4-1. ENGINE POD COMPONENT INSTALLATION (ULS)	184
FIGURE 4-2. ENGINE POD COMPONENT INSTALLATION (MINING) (ULS)	186
FIGURE 4-3. ENGINE INSTALLATION (ULS)	188
FIGURE 4-4. ENGINE ASSEMBLY (ULS)	190
FIGURE 4-5. ENGINE MOUNT INSTALLATION	194
FIGURE 4-6. AIR INTAKE INSTALLATION (ULS)	196
FIGURE 4-7. AIR CLEANER INSTALLATION	198
FIGURE 4-8. AIR CLEANER ASSEMBLY	200
FIGURE 4-9. AIR INTAKE DUCT INSTALLATION	202
FIGURE 4-10. PRIMARY FUEL FILTER INSTALLATION (ULS)	204
FIGURE 4-11. REMOTE FUEL PUMP INSTALLATION	206
FIGURE 4-12. FUEL LINES INSTALLATION (ULS)	208
FIGURE 4-13. HYDROSTATIC ADAPTOR INSTALLATION	210
FIGURE 4-14. DUAL DRIVE SUPPORT ASSEMBLY	212
FIGURE 4-15. HYDROSTATIC DRIVE PUMP INSTALLATION	214
FIGURE 4-16. HYDROSTATIC DRIVE PUMP ASSEMBLY	216
FIGURE 4-17. IMPLEMENT PUMP INSTALLATION	218
FIGURE 4-18. IMPLEMENT PUMP ASSEMBLY	220
FIGURE 4-19. DEF COOLANT LINES INSTALLATION (ULS)	222
FIGURE 4-20. COOLING PACKAGE INSTALLATION (ULS & NO HIGH AMBIENT)	224
FIGURE 4-21. COOLING PACKAGE INSTALLATION (ULS ASOV)	226
FIGURE 4-22. RADIATOR - COOLING PACKAGE	230
FIGURE 4-23. RADIATOR LINES INSTALLATION (ALL EXCEPT ULS & LS ASOV)	232
FIGURE 4-24. RADIATOR LINES INSTALLATION (ULS & LS ASOV)	234
FIGURE 4-25. COOLANT LINES INSTALLATION	236
FIGURE 4-26. SURGE TANK INSTALLATION	238
FIGURE 4-27. TRANSMISSION OIL COOLER LINES INSTALLATION	240
FIGURE 4-28. FAN GUARD INSTALLATION	242
FIGURE 4-29. FAN GUARD (REVERSING) INSTALLATION	244
FIGURE 4-30. COOLING FAN INSTALLATION	246
FIGURE 4-31. COOLING FAN (REVERSING) INSTALLATION	248
FIGURE 4-32. COOLING FAN COVER (REVERSING) INSTALLATION	250
FIGURE 4-33. EXHAUST INSTALLATION (ULS)	252
FIGURE 4-34. DEF TANK INSTALLATION	254
FIGURE 4-35. DEF TANK ASSEMBLY	256
FIGURE 4-36. DEF LINES INSTALLATION	258
FIGURE 4-37. DEF CONTROL MODULE INSTALLATION	260
FIGURE 4-38. HEATER LINES INSTALLATION (ULS)	262
FIGURE 4-39. A/C PUMP INSTALLATION	264
FIGURE 4-40. A/C LINES INSTALLATION	266
FIGURE 4-41. BLOCK HEATER INSTALLATION (115V) (ULS)	268
FIGURE 4-42. HEATED BREATHER TUBE INSTALLATION	270
SECTION 5 - DRIVE TRAIN	273

# TABLE OF CONTENTS

FIGURE 5-1. DRIVETRAIN INSTALLATION.....	274
FIGURE 5-2. HYDROSTATIC MOTOR INSTALLATION.....	276
FIGURE 5-3. HYDROSTATIC MOTOR ASSEMBLY.....	278
FIGURE 5-4. GEARBOX INSTALLATION.....	280
FIGURE 5-5. GEAR BOX.....	282
FIGURE 5-6. DRIVE SHAFT INSTALLATION.....	286
FIGURE 5-7. FRONT AXLE INSTALLATION.....	288
FIGURE 5-8. FRONT AXLE MOUNTING INSTALLATION.....	290
FIGURE 5-9. FRONT AXLE.....	292
FIGURE 5-10. FRONT AXLE, CENTRAL HOUSING.....	294
FIGURE 5-11. FRONT AXLE, DIFFERENTIAL.....	296
FIGURE 5-12. DIFFERENTIAL KIT.....	298
FIGURE 5-13. FRONT AXLE, HUB REDUCTION.....	300
FIGURE 5-14. FRONT AXLE, BRAKES.....	302
FIGURE 5-15. FRONT AXLE, STEERING.....	304
FIGURE 5-16. FRONT AXLE, TRUNION.....	306
FIGURE 5-17. FRONT AXLE LINES INSTALLATION.....	308
FIGURE 5-18. REAR AXLE INSTALLATION.....	310
FIGURE 5-19. REAR AXLE MOUNTING INSTALLATION.....	312
FIGURE 5-20. REAR AXLE, BRAKES.....	314
FIGURE 5-21. REAR AXLE, STEERING.....	316
FIGURE 5-22. REAR AXLE.....	318
FIGURE 5-23. REAR AXLE, CENTRAL HOUSING.....	320
FIGURE 5-24. REAR AXLE, DIFFERENTIAL.....	322
FIGURE 5-25. DIFFERENTIAL KIT.....	324
FIGURE 5-26. REAR AXLE, HUB REDUCTION.....	326
FIGURE 5-27. TEERING CASE KIT (LF, RR).....	328
FIGURE 5-28. STEERING CASE KIT (RF, LR).....	330
FIGURE 5-29. REAR AXLE, TRUNION.....	332
FIGURE 5-30. TRUNION KIT.....	334
FIGURE 5-31. RING GEAR SUPPORT KIT.....	336
FIGURE 5-32. REDUCTION BUSHING KIT.....	338
FIGURE 5-33. PLANET GEAR CARRIER KIT.....	340
FIGURE 5-34. REAR AXLE LINES INSTALLATION.....	342
FIGURE 5-35. TIRE/WHEEL SET (AIR 17.5-25 - 20 PLY).....	344
FIGURE 5-36. TIRE/WHEEL SET (FOAM 17.5-25 - 20 PLY).....	346
FIGURE 5-37. TIRE/WHEEL SET (AIR 17.5-25 - 22 PLY).....	348
FIGURE 5-38. TIRE/WHEEL SET (AIR 17.5 R25 - RADIAL).....	350
FIGURE 5-39. FENDER INSTALLATION.....	352
FIGURE 5-40. RH FENDER ASSEMBLY.....	354
FIGURE 5-41. LH FENDER ASSEMBLY.....	356
SECTION 6 - CAB.....	359
FIGURE 6-1. CAB MOUNTING INSTALLATION.....	360
FIGURE 6-2. FRONT CAB MOUNT BRACKET INSTALLATION.....	362
FIGURE 6-3. CAB MOUNTS INSTALLATION.....	364
FIGURE 6-4. CAB COMPONENTS INSTALLATION.....	366
FIGURE 6-5. CAB INSTALLATION.....	368
FIGURE 6-6. CAB ASSEMBLY.....	370
FIGURE 6-7. DOOR INSTALLATION.....	372
FIGURE 6-8. DOOR ASSEMBLY.....	374
FIGURE 6-9. CAB DOOR.....	376
FIGURE 6-10. DOOR UPPER GLASS ASSEMBLY.....	378
FIGURE 6-11. CAB LATCH ASSEMBLY.....	380
FIGURE 6-12. CAB DOOR TRIGGER ASSEMBLY.....	382
FIGURE 6-13. DOOR STRAP INSTALLATION.....	384
FIGURE 6-14. CAB PLUG GROUP.....	386
FIGURE 6-15. REAR WINDOW INSTALLATION.....	388
FIGURE 6-16. REAR WINDOW GROUP.....	390
FIGURE 6-17. BASIC MIRROR INSTALLATION.....	392
FIGURE 6-18. FRONT COVER INSTALLATION.....	394
FIGURE 6-19. FRONT DUCT COVER.....	396
FIGURE 6-20. FILTER TRAY PANEL.....	398
FIGURE 6-21. FRONT WIPER INSTALLATION.....	400
FIGURE 6-22. LEVEL INDICATOR INSTALLATION.....	402
FIGURE 6-23. REAR WINDOW EXIT DECAL INSTALLATION.....	404

# TABLE OF CONTENTS

FIGURE 6-24. REAR WIPER INSTALLATION .....	406
FIGURE 6-25. WASHER TANK INSTALLATION.....	408
FIGURE 6-26. WASHER BOTTLE .....	410
FIGURE 6-27. A/C RECEIVER DRIER .....	412
FIGURE 6-28. CONDENSER.....	414
FIGURE 6-29. CAB GUARD INSTALLATION (FRONT).....	416
FIGURE 6-30. CAB GUARD INSTALLATION (TOP AND FRONT) .....	418
FIGURE 6-31. CAB GUARD INSTALLATION (TOP).....	420
FIGURE 6-32. CAB TRIM INSTALLATION.....	422
FIGURE 6-33. ADJUSTABLE ARMREST INSTALLATION.....	426
FIGURE 6-34. ARMREST .....	428
FIGURE 6-35. FIXED ARMREST BRACKET.....	430
FIGURE 6-36. MOVING ARMREST BRACKET.....	432
FIGURE 6-37. DASH COVER ASSEMBLY.....	434
FIGURE 6-38. REAR PANEL COVER ASSEMBLY.....	436
FIGURE 6-39. ENCLOSED CAB FRONT COVER INSTALLATION .....	438
FIGURE 6-40. FIRE EXTINGUISHER INSTALLATION .....	440
FIGURE 6-41. FLOOR MAT INSTALLATION .....	442
FIGURE 6-42. HEADLINER INSTALLATION.....	444
FIGURE 6-43. HEADLINER/RADIO READY PACKAGE INSTALLATION.....	446
FIGURE 6-44. HEATER AND A/C INSTALLATION (CAB PARTS).....	448
FIGURE 6-45. CAB CONDENSER ASSEMBLY .....	452
FIGURE 6-46. HEATER AND A/C ASSEMBLY .....	454
FIGURE 6-47. HEATER AND A/C ASSEMBLY .....	456
FIGURE 6-48. HEATER INSTALLATION.....	458
FIGURE 6-49. HEATER ASSEMBLY.....	460
FIGURE 6-50. CAB HEATER ASSEMBLY .....	462
FIGURE 6-51. INTERNAL MIRROR INSTALLATION.....	464
FIGURE 6-52. MULTIFUNCTION DISPLAY INSTALLATION.....	466
FIGURE 6-53. REAR WINDOW RELEASE INSTALLATION (ANSI - ENGLISH) .....	468
FIGURE 6-54. REAR WINDOW RELEASE INSTALLATION (ENGLISH/FREMCH).....	470
FIGURE 6-55. REAR WINDOW RELEASE INSTALLATION (ISO) .....	472
FIGURE 6-56. RETRACTABLE SUNSCREEN INSTALLATION.....	474
FIGURE 6-57. ROOF CAP INSTALLATION (A/C).....	476
FIGURE 6-58. ROOF CAP INSTALLATION (NO A/C).....	478
FIGURE 6-59. ROOF WIPER INSTALLATION .....	480
FIGURE 6-60. SEAT INSTALLATION (CLOTH) .....	482
FIGURE 6-61. SEAT ASSEMBLY .....	484
FIGURE 6-62. SEAT INSTALLATION (AIR SUSPENSION - STANDARD) .....	486
FIGURE 6-63. SEAT ASSEMBLY (AIR SUSPENSION - STANDARD) .....	488
FIGURE 6-64. UPPER SEAT ASSEMBLY.....	490
FIGURE 6-65. SUSPENSION KIT .....	492
FIGURE 6-66. SEAT INSTALLATION (AIR SUSPENSION - PREMIUM).....	494
FIGURE 6-67. SEAT ASSEMBLY (AIR SUSPENSION - PREMIUM).....	496
FIGURE 6-68. SEAT BELT INSTALLATION (2IN).....	498
FIGURE 6-69. SEAT BELT INSTALLATION (3IN).....	500
SECTION 7 - CONTROLS.....	503
FIGURE 7-1. ACCELERATOR PEDAL INSTALLATION.....	504
FIGURE 7-2. ACCELERATOR PEDAL .....	506
FIGURE 7-3. BRAKE PEDAL INSTALLATION .....	508
FIGURE 7-4. BRAKE PEDAL ASSEMBLY .....	510
FIGURE 7-5. BRAKE SENSOR INSTALLATION.....	512
FIGURE 7-6. SWITCH PLATE ASSEMBLY.....	514
FIGURE 7-7. PARK BRAKE INSTALLATION .....	516
FIGURE 7-8. TILT STEERING COLUMN INSTALLATION .....	518
FIGURE 7-9. TILT STEERING COLUMN .....	520
FIGURE 7-10. COLUMN SHIFT INSTALLATION (2 SPEED).....	522
FIGURE 7-11. COLUMN SHIFT INSTALLATION (0 SPEED).....	524
FIGURE 7-12. STEERING WHEEL INSTALLATION .....	526
FIGURE 7-13. STEERING WHEEL.....	528
FIGURE 7-14. HORN BUTTON INSTALLATION.....	530
FIGURE 7-15. JOYSTICK INSTALLATION (2 SPEED) .....	532
FIGURE 7-16. JOYSTICK INSTALLATION.....	534
FIGURE 7-17. WIPER-TURN SWITCH INSTALLATION .....	536



# TABLE OF CONTENTS

SECTION 8 - HYDRAULIC CIRCUITS.....	539
FIGURE 8-1. MAIN HYDRAULIC INSTALLATION.....	540
FIGURE 8-2. BOOM HYDRAULIC LINES INSTALLATION.....	542
FIGURE 8-3. BOOM HYDRAULIC INSTALLATION (1732).....	544
FIGURE 8-4. BOOM HYDRAULIC INSTALLATION (8010).....	546
FIGURE 8-5. BOOM AUX HYDRAULIC INSTALLATION (MANUAL - SINGLE).....	548
FIGURE 8-6. BOOM AUX HYDRAULIC INSTALLATION (MANUAL - TWIN).....	550
FIGURE 8-7. BOOM AUX DIVERTER VALVE/FITINGS ASSEMBLY (MANUAL - TWIN).....	552
FIGURE 8-8. BOOM AUX HYDRAULIC INSTALLATION (HYDRAULIC - SINGLE).....	554
FIGURE 8-9. BOOM AUX DIVERTER VALVE/FITINGS ASSEMBLY (HYDRAULIC - SINGLE).....	556
FIGURE 8-10. BOOM AUX HYDRAULIC INSTALLATION (HYDRAULIC - TWIN).....	558
FIGURE 8-11. BOOM AUX DIVERTER VALVE/FITINGS ASSEMBLY (HYDRAULIC - TWIN).....	560
FIGURE 8-12. BOOM EXTENT/RETRACT COUNTERBALANCE VALVE INSTALLATION.....	562
FIGURE 8-13. BOOM RAISE HOSE INSTALLATION (NO RIDE CONTROL).....	564
FIGURE 8-14. BOOM RAISE COUNTERBALANCE VALVE/FITTINGS ASSEMBLY (NO RIDE CONTROL).....	566
FIGURE 8-15. BOOM RAISE HOSE INSTALLATION (RIDE CONTROL).....	568
FIGURE 8-16. BOOM RAISE RIDE & FLOAT VALVE/FITTING ASSEMBLY (RIDE CONTROL).....	570
FIGURE 8-17. CAB HYDRUALIC INSTALLATION.....	572
FIGURE 8-18. CAB HYDRUALICS CHECK VALVE INSTALLATION.....	574
FIGURE 8-19. CAB HYDRAULICS SOLENOID INSTALLATION.....	576
FIGURE 8-20. CAB HYDRAULICS SOLENOID FITTINGS INSTALLATION.....	578
FIGURE 8-21. CHARGE FILTER LINES INSTALLATION.....	580
FIGURE 8-22. CHARGE FILTER INSTALLATION.....	582
FIGURE 8-23. CHARGE FILTER ASSEMBLY.....	584
FIGURE 8-24. ENGINE BAY HYDRAULIC INSTALLATION.....	586
FIGURE 8-25. ENGINE BAY INCHING VALVE INSTALLATION.....	588
FIGURE 8-26. ENGINE BAY INCHING VALVE/FITINGS ASSEMBLY.....	590
FIGURE 8-27. FRAME HYDRAULIC INSTALLATION.....	592
FIGURE 8-28. FRAME MANIFOLD INSTALLATION.....	594
FIGURE 8-29. FRAME MANIFOLD/FITTINGS ASSEMBLY.....	596
FIGURE 8-30. FRAME LEVEL INSTALLATION.....	598
FIGURE 8-31. FRAME LEVEL CYLINDER INSTALLATION.....	600
FIGURE 8-32. FRAME LEVEL COUNTERBALANCE VALVE/FITTINGS ASSEMBLY.....	602
FIGURE 8-33. FRAME LEVEL CONTROL VALVE INSTALLATION.....	604
FIGURE 8-34. FRAME LEVEL CONTROL VALVE/FITTINGS ASSEMBLY.....	606
FIGURE 8-35. MAIN CONTROL VALVE INSTALLATION.....	608
FIGURE 8-36. MAIN CONTROL VALVE/FITTINGS ASSEMBLY.....	610
FIGURE 8-37. MANUAL PUMP (LIFT/TELE) INSTALLATION - REMOTE CONTROL EMERGENCY LOWERING.....	612
FIGURE 8-38. VALVE & FITTING ASSEMBLY - MANUAL LIFT/TELE.....	614
FIGURE 8-39. VALVE ASSEMBLY - MANUAL LIFT/TELE.....	616
FIGURE 8-40. PRIORITY VALVE INSTALLATION.....	618
FIGURE 8-41. PRIORITY VALVE/FITTINGS ASSEMBLY.....	620
FIGURE 8-42. REMOTE GREASE FITTINGS INSTALLAATION (1732).....	622
FIGURE 8-43. SPEED CONTROL VALVE INSTALLATION.....	624
FIGURE 8-44. SPEED CONTROL VALVE/FITTINGS ASSEMBLY.....	626
FIGURE 8-45. STEERING SELECT VALVE INSTALLATION.....	628
FIGURE 8-46. STEERING SELECT VALVE/FITTINGS ASSEMBLY.....	630
SECTION 9 - HYDRAULIC COMPONENTS.....	633
FIGURE 9-1. EXTEND/RETRACT CYLINDER INSTALLATION.....	634
FIGURE 9-2. CYLINDER INSTALLATION - BOOM LIFT & COMPENSATION CYLINDER.....	636
FIGURE 9-3. CYLINDER INSTALLATION - BOOM LIFT.....	638
FIGURE 9-4. CYLINDER ASSEMBLY - BOOM LIFT.....	640
FIGURE 9-5. CYLINDER INSTALLATION - COMPENSATION CYLINDER.....	642
FIGURE 9-6. CYLINDER ASSEMBLY - BOOM COMPENSATION.....	644
FIGURE 9-7. CYLINDER INSTALLATION - BOOM EXTEND/RETRACT CYLINDER.....	646
FIGURE 9-8. CYLINDER ASSEMBLY - BOOM EXTEND/RETRACT CYLINDER.....	648
FIGURE 9-9. CYLINDER ASSEMBLY - BOOM TILT.....	650
FIGURE 9-10. CYLINDER ASSEMBLY - BUCKET (4 IN 1 BUCKET).....	652
FIGURE 9-11. CYLINDER ASSEMBLY - BUCKET (GRAPPLE BUCKET).....	654
FIGURE 9-12. CYLINDER ASSEMBLY - CARRIAGE (LOG HANDLER CYLINDER).....	656
FIGURE 9-13. CYLINDER ASSEMBLY - COUPLER LOCKING.....	658
FIGURE 9-14. CYLINDER ASSEMBLY - EXTEND/RETRACT.....	660
FIGURE 9-15. CYLINDER ASSEMBLY - FORK POSITIONING.....	662
FIGURE 9-16. CYLINDER INSTALLATION - FORK POSITIONING SIDE SHIFT.....	664

# TABLE OF CONTENTS

FIGURE 9-17. CYLINDER ASSEMBLY - FRAME LEVEL .....	666
FIGURE 9-18. CYLINDER ASSEMBLY - PIPE HANDLER CARRIAGE (UPPER) .....	668
FIGURE 9-19. CYLINDER ASSEMBLY - PIPE HANDLER CARRIAGE (LOWER).....	670
FIGURE 9-20. MOTOR ASSEMBLY - HYDROSTATIC .....	672
FIGURE 9-21. PUMP ASSEMBLY - HYDROSTATIC .....	674
FIGURE 9-22. PUMP ASSEMBLY - IMPLEMENT .....	676
FIGURE 9-23. VALVE ASSEMBLY - BOOM AUX DIVERTER VALVE (HYDRAULIC - SINGLE & TWIN).....	678
FIGURE 9-24. VALVE ASSEMBLY - BOOM AUX DIVERTER VALVE (MANUAL & HYDRAULIC -TWIN) .....	680
FIGURE 9-25. VALVE ASSEMBLY - BOOM EXTEND/RETRACT COUNTERBALACE VALVE .....	682
FIGURE 9-26. VALVE ASSEMBLY - BOOM RAISE COUNTERBALANCE VALVE (NO RIDE CONTROL) .....	684
FIGURE 9-27. VALVE ASSEMBLY - BOOM RAISE RIDE & FLOAT VALVE (RIDE CONTROL).....	686
FIGURE 9-28. VALVE ASSEMBLY - BUCKET (5.23 YD <sup>3</sup> /4.0M <sup>3</sup> ) .....	688
FIGURE 9-29. VALVE ASSEMBLY - CAB HYDRAULICS CHECK VALVE .....	690
FIGURE 9-30. VALVE ASSEMBLY - CAB HYDRAULICS SOLENOID VALVE .....	692
FIGURE 9-31. VALVE ASSEMBLY - ENGINE BAY INCHING VALVE .....	694
FIGURE 9-32. VALVE ASSEMBLY - FRAME LEVEL CONTROL .....	696
FIGURE 9-33. VALVE ASSEMBLY - FRAME LEVEL COUNTERBALANCE.....	698
FIGURE 9-34. VALVE ASSEMBLY - MAIN CONTROL .....	700
FIGURE 9-35. VALVE ASSEMBLY - PRIORITY VALVE .....	702
FIGURE 9-36. VALVE ASSEMBLY - RADIATOR HOSE SHUT-OFF VALVE .....	704
FIGURE 9-37. VALVE ASSEMBLY - RADIATOR HOSE ASO VALVE .....	706
FIGURE 9-38. VALVE ASSEMBLY - SPEED CONTROL .....	708
FIGURE 9-39. VALVE ASSEMBLY - STEER.....	710
FIGURE 9-40. VALVE ASSEMBLY - STEERING SELECT VALVE .....	712
SECTION 10 - ELECTRICAL.....	715
FIGURE 10-1. MAIN ELECTRICAL INSTALLATION (ULS).....	716
FIGURE 10-2. MAIN ELECTRICAL INSTALLATION (LS) .....	718
FIGURE 10-3. MAIN ELECTRICAL INSTALLATION, MINING (ULS).....	720
FIGURE 10-4. MAIN ELECTRICAL INSTALLATION, MINING (LS) .....	722
FIGURE 10-5. ALARM INSTALLATION - BACK UP .....	724
FIGURE 10-6. ALARM INSTALLATION (BACK UP - WHITE NOISE).....	726
FIGURE 10-7. BATTERY INSTALLATION.....	728
FIGURE 10-8. BATTERY (DUAL) INSTALLATION.....	730
FIGURE 10-9. BATTERY (ARCTIC) PACKAGE INSTALLATION (115V).....	732
FIGURE 10-10. BATTERIES (ARCTIC) INSTALLATION (115V).....	734
FIGURE 10-11. BATTERY (ARCTIC) PACKAGE INSTALLATION (240V) .....	736
FIGURE 10-12. BATTERIES (ARCTIC) INSTALLATION (240V).....	738
FIGURE 10-13. BEACON INSTALLATION (LED).....	740
FIGURE 10-14. BEACON (REMOTE BOOM CONTROL) INSTALLATION .....	742
FIGURE 10-15. BEACON (LED) (REMOTE BOOM CONTROL) INSTALLATION.....	744
FIGURE 10-16. BOOM HARNESS INSTALLATION .....	746
FIGURE 10-17. BOOM HARNESS .....	748
FIGURE 10-18. BOOM HARNESS INSTALLATION .....	750
FIGURE 10-19. BOOM HARNESS .....	752
FIGURE 10-20. BOOM ANGLE SENSOR INSTALLATION (NO LMIS) .....	754
FIGURE 10-21. BOOM AUX HARNESS INSTALLATION.....	756
FIGURE 10-22. BOOM AUX HARNESS .....	758
FIGURE 10-23. BOOM RETRACT SENSOR INSTALLATION .....	760
FIGURE 10-24. BOOM RETRACT PROXIMITY SENSOR HARNESS.....	762
FIGURE 10-25. CAB ELECTRICAL INSTALLATION.....	764
FIGURE 10-26. CAB HARNESS.....	766
FIGURE 10-27. CAB - STANDARD ELECTRICAL BOARD ASSEMBLY .....	774
FIGURE 10-28. CAB - OPTION 1 ELECTRICAL BOARD ASSEMBLY .....	776
FIGURE 10-29. CAB - OPTION 2 ELECTRICAL BOARD ASSEMBLY .....	778
FIGURE 10-30. CAB OPTION HARNESS .....	780
FIGURE 10-31. CAB - A/C OPTION HARNESS .....	782
FIGURE 10-32. CAB - DASH ELECTRICAL INSTALLATION (1732) .....	784
FIGURE 10-33. CAB - DASH ELECTRICAL INSTALLATION (8010) .....	786
FIGURE 10-34. CAB - IGNITION SWITCH HARNESS.....	788
FIGURE 10-35. CAB - LIGHT SWITCH INSTALLATION.....	790
FIGURE 10-36. CAB - SEAT ADAPTOR HARNESS .....	792
FIGURE 10-37. CAB - EXTERNAL EMERGENCY STOP INSTALLATION.....	794
FIGURE 10-38. ENGINE - ENGINE BAY ELECTRICAL INSTALLATION (ULS) .....	796
FIGURE 10-39. ENGINE - ENGINE BAY ELECTRICAL INSTALLATION (LS).....	798
FIGURE 10-40. ENGINE - ENGINE POD ELECTRICAL INSTALLATION (ULS) .....	800

# TABLE OF CONTENTS

FIGURE 10-41. ENGINE - ENGINE POD ELECTRICAL INSTALLATION (LS) .....	802
FIGURE 10-42. ENGINE - DEF PURGE LIGHT HARNESS .....	804
FIGURE 10-43. ENGINE - FAN (REVERSE COOLING) INSTALLATION.....	806
FIGURE 10-44. ENGINE - FAN (REVERSE COOLING) HARNESS.....	808
FIGURE 10-45. ENGINE WIRING INSTALLATION (ULS) .....	810
FIGURE 10-46. ENGINE WIRING INSTALLATION (MINING) (ULS) .....	812
FIGURE 10-47. ENGINE HARNESS (ULS).....	814
FIGURE 10-48. ENGINE HARNESS (MINING) (ULS) .....	820
FIGURE 10-49. ENGINE - FUEL PUMP HARNESS .....	826
FIGURE 10-50. ENGINE - FUEL PUMP HARNESS (MINING) (ULS).....	828
FIGURE 10-51. ENGINE - GLOW PLUG RELAY HARNESS .....	830
FIGURE 10-52. ENGINE - GLOW PLUG RELAY HARNESS (MINING) (ULS).....	832
FIGURE 10-53. ENGINE ECU INSTALLATION .....	834
FIGURE 10-54. ENGINE - AIR SHUTOFF VALVE HARNESS .....	836
FIGURE 10-55. ENGINE - AIR SHUT OFF VALVE HARNESS (ENGINE) .....	838
FIGURE 10-56. FRAME ELECTRICAL INSTALLATION.....	842
FIGURE 10-57. FRAME - POWER DISTRIBUTION ELECTRICAL BOX.....	844
FIGURE 10-58. FRAME - REAR FRAME MODULE INSTALLATION .....	846
FIGURE 10-59. FRAME WIRING INSTALLATION.....	848
FIGURE 10-60. FRAME WIRING INSTALLATION, MINING (ULS).....	850
FIGURE 10-61. FRAME - FRONT FRAME HARNESS .....	852
FIGURE 10-62. FRAME - FRONT FRAME HARNESS, MINING .....	856
FIGURE 10-63. FRAME - REAR FRAME HARNESS.....	860
FIGURE 10-64. FRAME - REAR FRAME HARNESS, MINING.....	864
FIGURE 10-65. HVAC ACTUATOR HARNESS .....	868
FIGURE 10-66. LICENSE LIGHT HARNESS.....	870
FIGURE 10-67. LIGHTS - BOOM WORK LIGHTS (LED).....	872
FIGURE 10-68. LIGHTS - BOOM WORK LIGHT INSTALLATION (LED).....	874
FIGURE 10-69. LIGHTS - BOOM WORKLIGHTS HARNESS.....	876
FIGURE 10-70. LIGHTS - CAB WORK LIGHTS INSTALLATION (NO A/C) (LED) .....	878
FIGURE 10-71. LIGHTS - CAB WORK LIGHTS INSTALLATION (A/C) (LED) .....	880
FIGURE 10-72. LIGHTS - DRIVING LIGHT INSTALLATION (RH DIP).....	882
FIGURE 10-73. LIGHTS - DRIVING LIGHT BRACKET ASSEMBLY .....	884
FIGURE 10-74. LIGHTS - DRIVING HEADLIGHT HARNESS .....	886
FIGURE 10-75. LIGHTS - DRIVING LIGHT INSTALLATION (LED) (RH DIP) .....	888
FIGURE 10-76. LIGHTS - DRIVING LIGHT INSTALLATION (LED) LH DIP) .....	890
FIGURE 10-77. LIGHTS - LICENSE PLATE LIGHT INSTALLATION (8010 ONLY) .....	892
FIGURE 10-78. LMIS CONTROL PACKAGE INSTALLATION .....	894
FIGURE 10-79. LMIS TILT SENSOR INSTALLATION.....	896
FIGURE 10-80. LMIS - PLATFORM READY HARNESS .....	898
FIGURE 10-81. LMIS WIRING INSTALLATION.....	900
FIGURE 10-82. LMIS CHASSIS OPTION HARNESS .....	902
FIGURE 10-83. LMIS BOOM HARNESS .....	906
FIGURE 10-84. LMIS CONTROLLER INSTALLATION.....	908
FIGURE 10-85. LMIS CABLE REEL INSTALLATION .....	910
FIGURE 10-86. LMIS INSTALLATION (HIGH END DISPLAY).....	912
FIGURE 10-87. LMIS BOOM ANGLE SENSOR INSTALLATION .....	914
FIGURE 10-88. LMIS BEACON LIGHT INSTALLATION.....	916
FIGURE 10-89. LMIS BEACON OPTION HARNESS.....	918
FIGURE 10-90. LSI INSTALLATION .....	920
FIGURE 10-91. LSI DISPLAY INSTALLATION .....	922
FIGURE 10-92. LSI SENSOR INSTALLATION .....	924
FIGURE 10-93. RALP PLATFORM HARNESS.....	926
FIGURE 10-94. REMOTE CONTROL (BOOM).....	928
FIGURE 10-95. REMOTE CONTROL EMERGENCY STOP SWITCH INSTALLATION .....	930
FIGURE 10-96. REMOTE CONTROL KEY HARNESS.....	932
FIGURE 10-97. REMOTE CONTROL POWER HARNESS .....	934
FIGURE 10-98. REMOTE CONTROL EMERGENCY LOWERING HARNESS .....	936
FIGURE 10-99. REVERSE CAMERA INSTALLATION .....	938
FIGURE 10-100. REVERSE SENSOR INSTALLATION .....	940
FIGURE 10-101. REVERSE SENSOR HARNESS.....	942
FIGURE 10-102. RIDE CONTROL WIRING INSTALLATION .....	944
FIGURE 10-103. RIDE CONTROL HARNESS (BOOM) .....	946
FIGURE 10-104. SPEED HARNESS (VEHICLE SPEED).....	948
FIGURE 10-105. TANK HEATER INSTALLATION - HYDRAULIC TANK (115V) .....	950
FIGURE 10-106. TANK HEATER INSTALLATION - HYDRAULIC TANK (240V) .....	952
FIGURE 10-107. TELEMATICS (CLEARSKY) INSTALLATION 3-WIRE .....	954

# TABLE OF CONTENTS

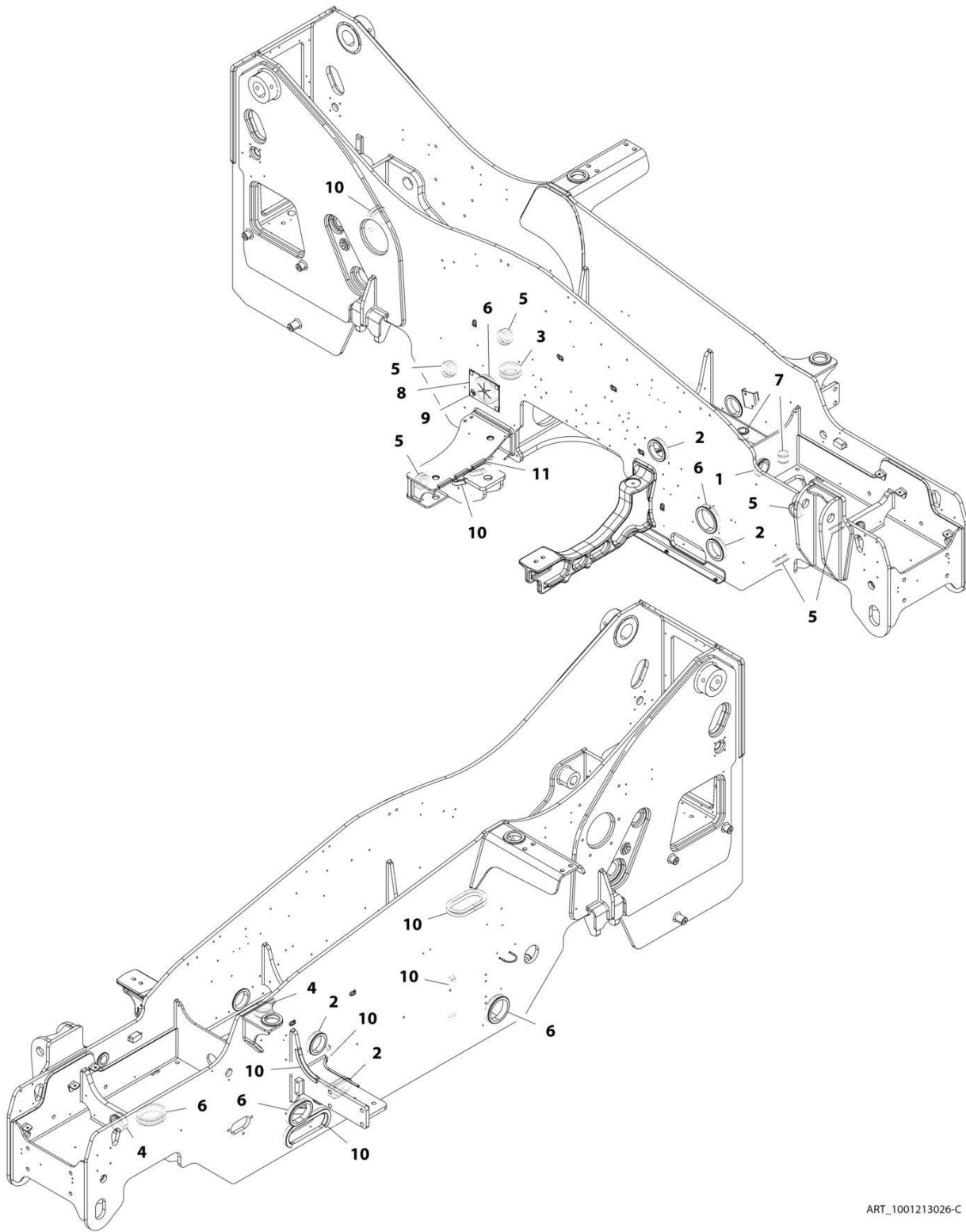
FIGURE 10-108. TELEMATICS HARNESS.....	956
FIGURE 10-109. TELEMATICS (CLEARSKY) INSTALLATION (CANBUS) (ANSI) (1732).....	958
FIGURE 10-110. TELEMATICS (CLEARSKY) INSTALLATION (CANBUS) (CE) (8010).....	960
FIGURE 10-111. TELEMATIC 4WARD HARNESS (CLEARSKY 2).....	962
FIGURE 10-112. TELEMATICS OPTION HARNESS.....	964
FIGURE 10-113. TELEMATICS ADAPTER HARNESS.....	966
FIGURE 10-114. TELEMATICS GATEWAY INSTALLATION.....	968
FIGURE 10-115. TELEMATICS GATEWAY HARNESS.....	970
FIGURE 10-116. TELEMATICS READY INSTALLATION.....	972
FIGURE 10-117. TELEMATICS READY HARNESS.....	974
SECTION 11 - DECALS.....	977
FIGURE 11-1. DECAL INSTALLATION 1732.....	978
FIGURE 11-2. DECAL INSTALLATION 8010.....	980
FIGURE 11-3. DECAL INSTALLATION (ENGLISH).....	982
FIGURE 11-4. DECAL INSTALLATION (ENGLISH/FRENCH).....	986
FIGURE 11-5. DECAL INSTALLATION (ISO) (ULS).....	990
FIGURE 11-6. DECAL INSTALLATION (ISO) (LS).....	994
FIGURE 11-7. DECAL INSTALLATION (AUSTRALIAN).....	998
FIGURE 11-8. DECAL INSTALLATION (RUSSIAN CIS).....	1002
FIGURE 11-9. CAPACITY CHART (1732).....	1006
FIGURE 11-10. CAPACITY CHART (8010).....	1008
FIGURE 11-11. CAPACITY CHART - REMOTE BOOM CONTROL (1732).....	1010
FIGURE 11-12. CAPACITY CHART - REMOTE BOOM CONTROL (8010).....	1012
FIGURE 11-13. CAPACITY CHART HOLDER INSTALLATION.....	1014
FIGURE 11-14. CLEARSKY DECAL INSTALLATION.....	1016
FIGURE 11-15. REVERSE SENSOR SYSTEM DECAL (ENGLISH).....	1018
FIGURE 11-16. REVERSE SENSING SYSTEM DECAL (ENGLISH/FRENCH).....	1020
FIGURE 11-17. REVERSE SENSOR SYSTEM DECAL (ISO).....	1022
SECTION 12 - RECOMMENDED SERVICE PARTS STOCK.....	1025
FIGURE 12-1. RECOMMENDED SERVICE PARTS STOCK.....	1026
SECTION 13 - SPECIAL OPTIONS/ACCESSORIES/KITS.....	1029
FIGURE 13-1. SPECIAL OPTIONS/ACCESSORIES/KITS.....	1030
PART NUMBER INDEX.....	1033

## **SECTION 1 - FRAME AND ATTACHING PARTS**

## **SECTION 1 - FRAME AND ATTACHING PARTS**

# SECTION 1 - FRAME AND ATTACHING PARTS

## FIGURE 1-1. GROMMETS INSTALLATION



ART\_1001213026-C

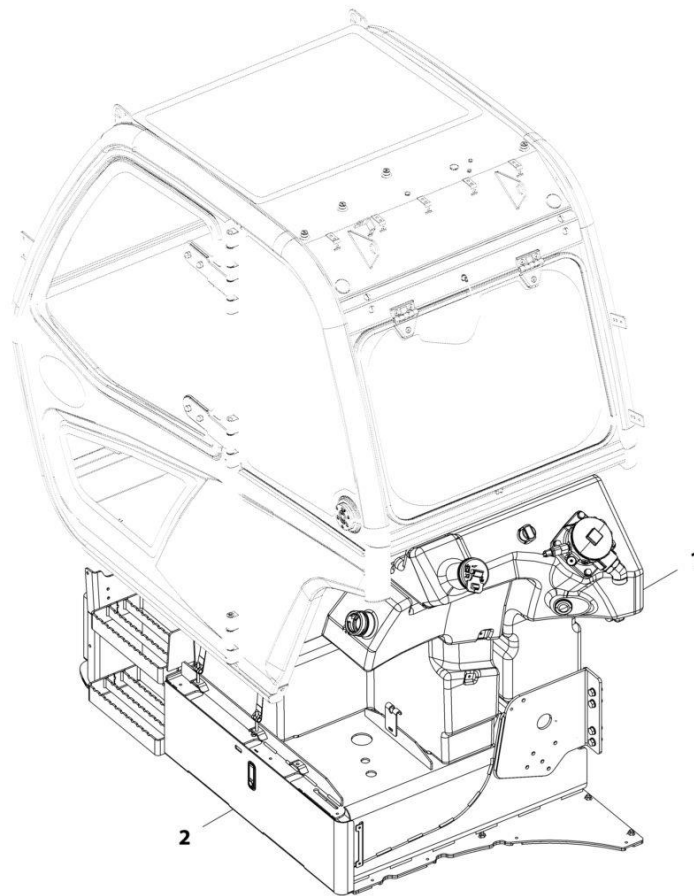
# SECTION 1 - FRAME AND ATTACHING PARTS

## FIGURE 1-1. GROMMETS INSTALLATION

ITEM	PART NUMBER	QTY	DESCRIPTION	REV
	1001213026	Ref	Grommets Installation	C
1	1001009018	1	Grommet	
2	1001028264	4	Grommet	
3	1001028291	1	Grommet	
4	1001028306	2	Grommet	
5	1001028308	6	Grommet	
6	1001028377	5	Grommet	
7	1001028400	2	Grommet	
8	1001175347	1	Grommet	
9	1001180306	4	Screw	
10	4060919	2030 mm	Trim,Hose Protection	
11	90206202	270 mm	Trim Lock	

# SECTION 1 - FRAME AND ATTACHING PARTS

## FIGURE 1-2. TANKS INSTALLATION (STANDARD)



ART\_1001185927-C



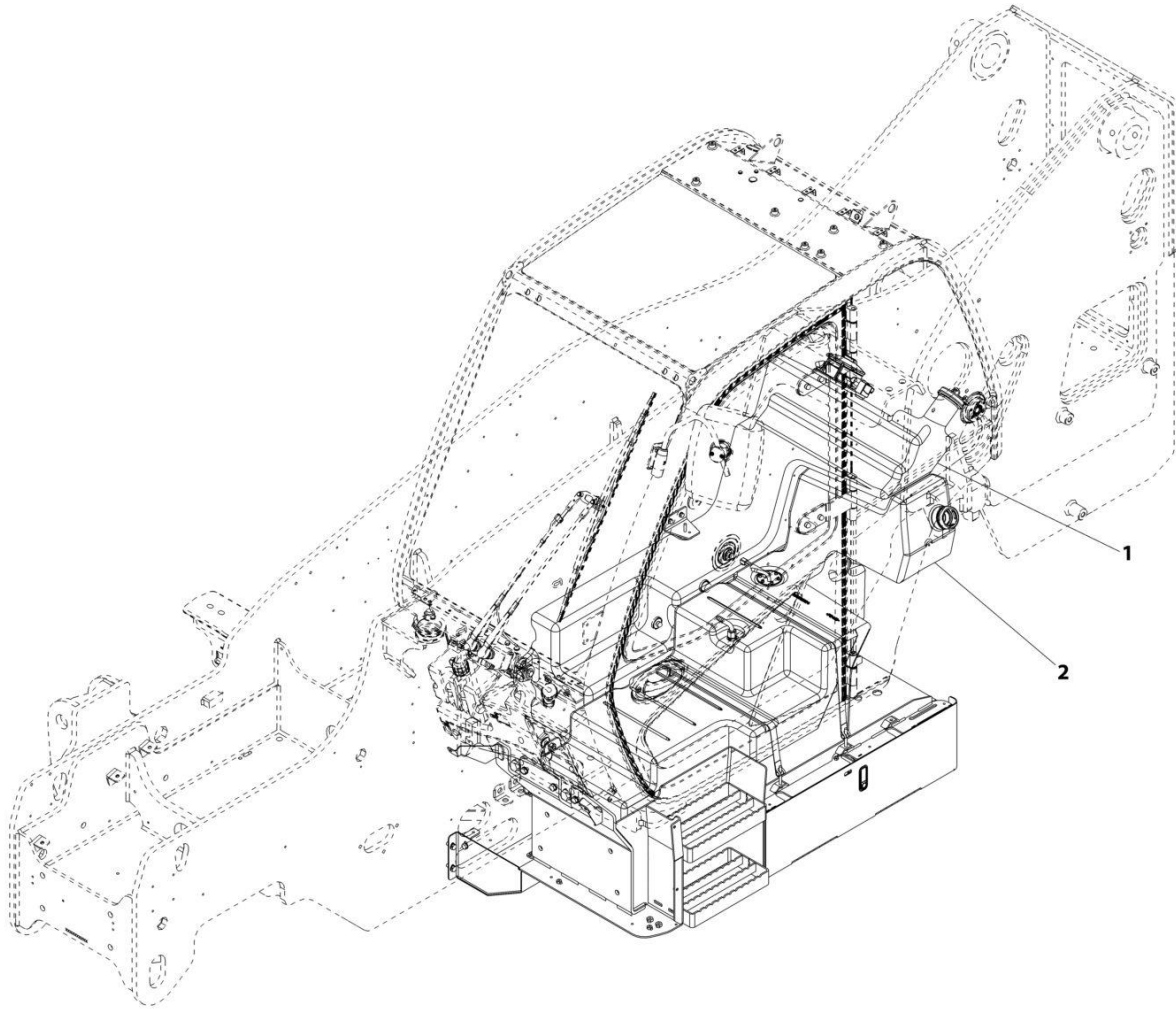
# SECTION 1 - FRAME AND ATTACHING PARTS

## FIGURE 1-2. TANKS INSTALLATION (STANDARD)

ITEM	PART NUMBER	QTY	DESCRIPTION	REV
1	1001185927	Ref	Tank Installation	C
	1001179850	Ref	Installation, Hydraulic Tank (See Separate Breakdown in this Section)	
2	1001185929	Ref	Installation, Fuel Tank (See Separate Breakdown in this Section)	

# SECTION 1 - FRAME AND ATTACHING PARTS

## FIGURE 1-3. TANKS INSTALLATION (TUV)



ART\_1001223705-A

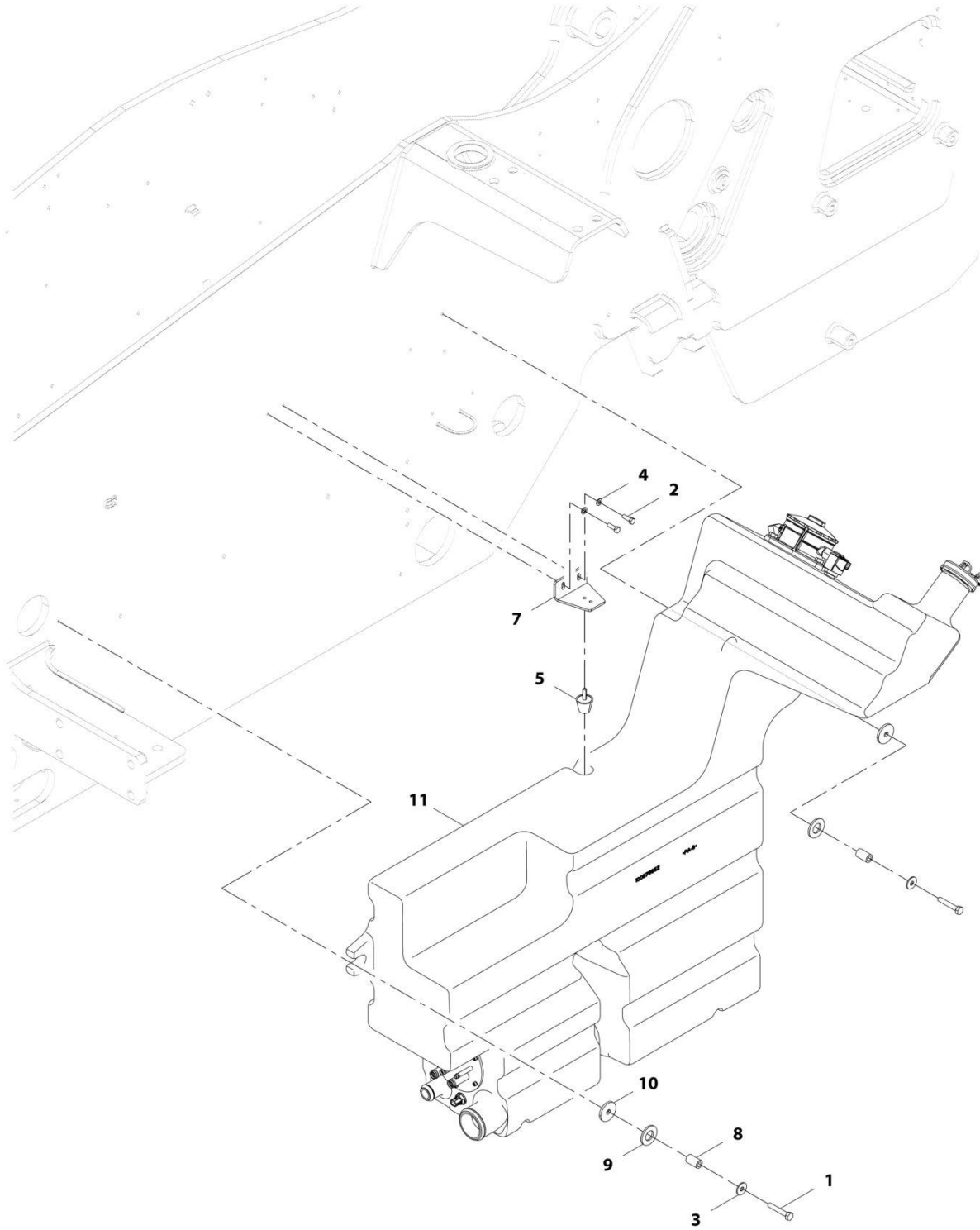
# SECTION 1 - FRAME AND ATTACHING PARTS

## FIGURE 1-3. TANKS INSTALLATION (TUV)

ITEM	PART NUMBER	QTY	DESCRIPTION	REV
1	1001223705	Ref	Tank Installation (TUV)	A
	1001179850	Ref	Installation, Hydraulic Tank (See Separate Breakdown in this Section)	
2	1001223706	Ref	Installation, Fuel Tank (TUV) (See Separate Breakdown in this Section)	

# SECTION 1 - FRAME AND ATTACHING PARTS

## FIGURE 1-4. HYDRAULIC TANK INSTALLATION



ART\_1001179850-C

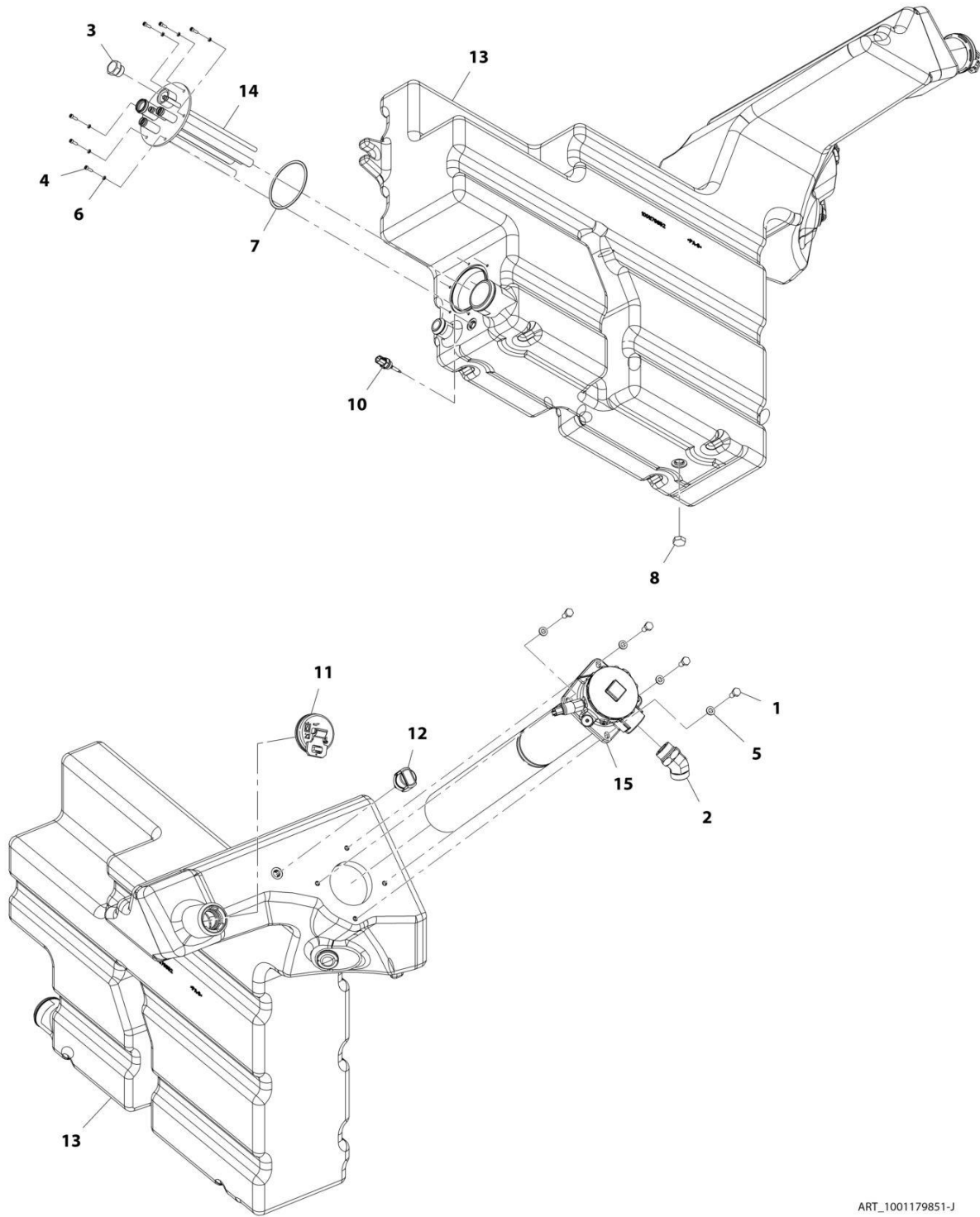
# SECTION 1 - FRAME AND ATTACHING PARTS

## FIGURE 1-4. HYDRAULIC TANK INSTALLATION

ITEM	PART NUMBER	QTY	DESCRIPTION	REV
	1001179850	Ref	Hydraulic Tank Installation	C
1	0701020	2	Bolt, M10X60	
2	0760812	2	Bolt, M8X25	
3	4812002	2	Washer, M10	
4	4811900	2	Washer, M8	
5	1001008575	1	Bumper, Conical	
7	1001177082	1	Bracket	
8	1001171179	2	Spacer	
9	1001172146	2	Washer, Rubber	
10	1001172147	2	Washer, M10	
11	1001179851	1	Assembly, Hydraulic Tank (See Separate Breakdown in this Section)	

# SECTION 1 - FRAME AND ATTACHING PARTS

## FIGURE 1-5. HYDRAULIC TANK ASSEMBLY



ART\_1001179851-J

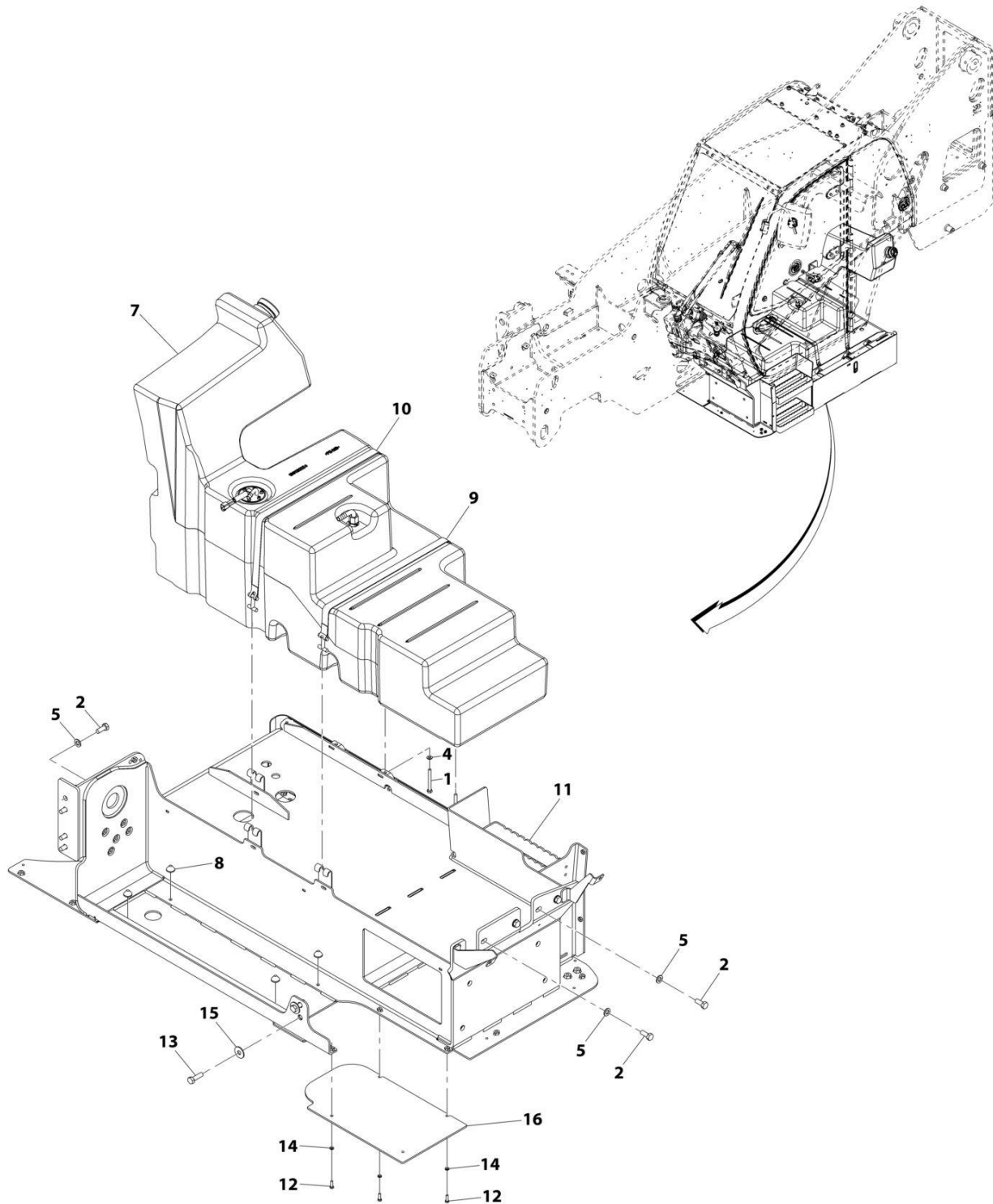
# SECTION 1 - FRAME AND ATTACHING PARTS

## FIGURE 1-5. HYDRAULIC TANK ASSEMBLY

ITEM	PART NUMBER	QTY	DESCRIPTION	REV
	1001179851	Ref	Hydraulic Tank Assembly	J
1	0761012	4	Bolt, M10X25	
2	2152020	1	Fitting, 45 ORFS	
3	2220240	1	Fitting, Straight	
4	4031607	6	Bolt, M5-.8X16	
5	4812000	4	Washer, M10	
6	4831600	6	Washer, Lock M5	
7	1001003301	1	Seal O-Ring	
8	2220239	1	Plug	
10	1001128478	1	Sensor	
11	1001194981	1	Cap, Hydraulic	
12	1001162662	1	Filter, Breather	
13	1001179852	1	Tank, Hydraulic	
14	1001191157	1	Manifold, Hydraulic Return	
15	1001191163	1	Filter	
15	1001191685	1	Element, Filter	

# SECTION 1 - FRAME AND ATTACHING PARTS

## FIGURE 1-6. FUEL TANK INSTALLATION (STANDARD)



ART\_1001185929-G



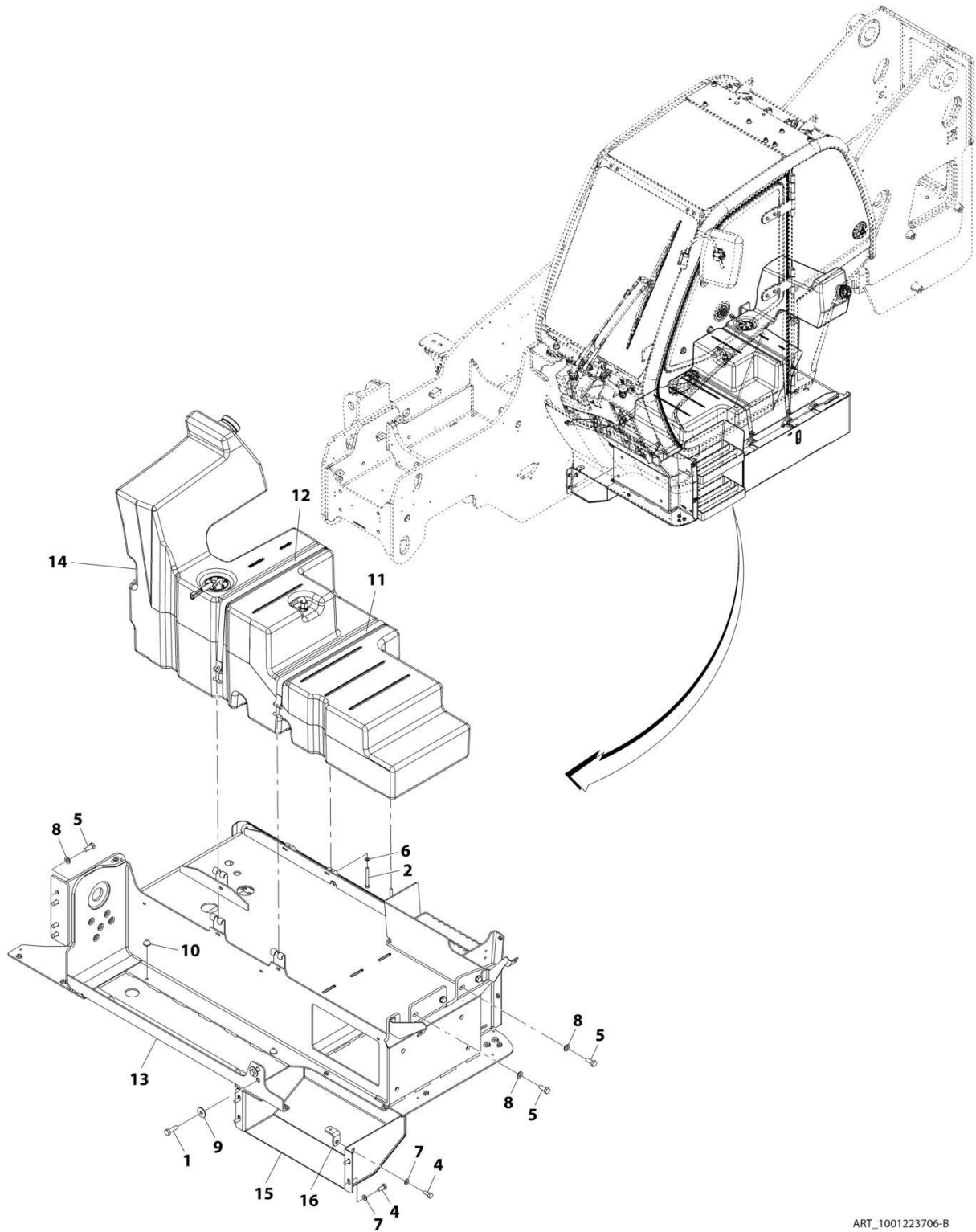
# SECTION 1 - FRAME AND ATTACHING PARTS

## FIGURE 1-6. FUEL TANK INSTALLATION (STANDARD)

ITEM	PART NUMBER	QTY	DESCRIPTION	REV
	1001185929	Ref	Fuel Tank Installation	G
1	0760823	2	Bolt, M8X75	
2	0761214	8	Bolt, M12X30	
4	4811900	2	Washer, M8	
5	4812100	8	Washer, M12	
7	1001192125	1	Assembly, Fuel Tank (See Separate Breakdown in this Section)	
8	1001169454	4	Buffer	
9	1001178474	1	Strap	
10	1001178693	1	Strap	
11	1001185930	1	Installation, Tank Support (See Separate Breakdown in this Section)	
12	0700610	3	Bolt, M6X20	
13	0701216	2	Bolt, M12X40	
14	4811700	3	Washer, M6	
15	4812102	2	Washer, M12	
16	1001197480	1	Plate	

# SECTION 1 - FRAME AND ATTACHING PARTS

## FIGURE 1-7. FUEL TANK INSTALLATION (TUV)



ART\_1001223706-B

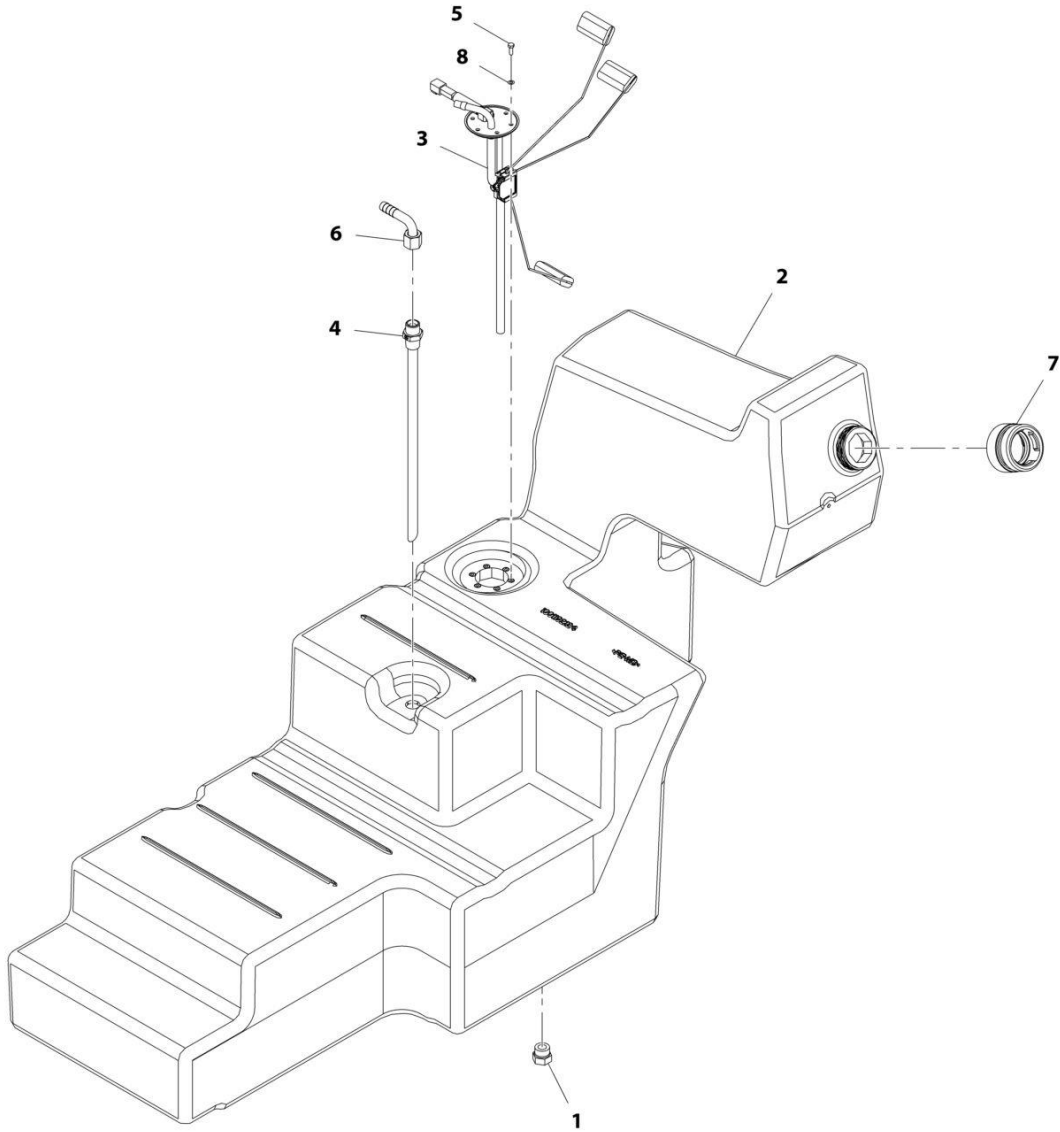
## SECTION 1 - FRAME AND ATTACHING PARTS

**FIGURE 1-7. FUEL TANK INSTALLATION (TUV)**

ITEM	PART NUMBER	QTY	DESCRIPTION	REV
	1001223706	Ref	Fuel Tank Installation (TUV)	B
1	0701216	2	Bolt, M12X40	
2	0760823	2	Bolt, M8X75	
4	0761012	5	Bolt, M10X25	
5	0761214	8	Bolt, M12X30	
6	4811900	2	Washer, M8	
7	4812000	5	Washer, M10	
8	4812100	8	Washer, M12	
9	4812102	2	Washer, M12	
10	1001169454	4	Buffer	
11	1001178474	1	Strap	
12	1001178693	1	Strap	
13	1001185930	Ref	Installation, Tank Support (See Separate Breakdown in this Section)	
14	1001192125	1	Assembly, Fuel Tank (See Separate Breakdown in this Section)	
15	1001223870	1	Panel	
16	1001223911	1	Plate	

# SECTION 1 - FRAME AND ATTACHING PARTS

## FIGURE 1-8. FUEL TANK ASSEMBLY



ART\_1001192125-C

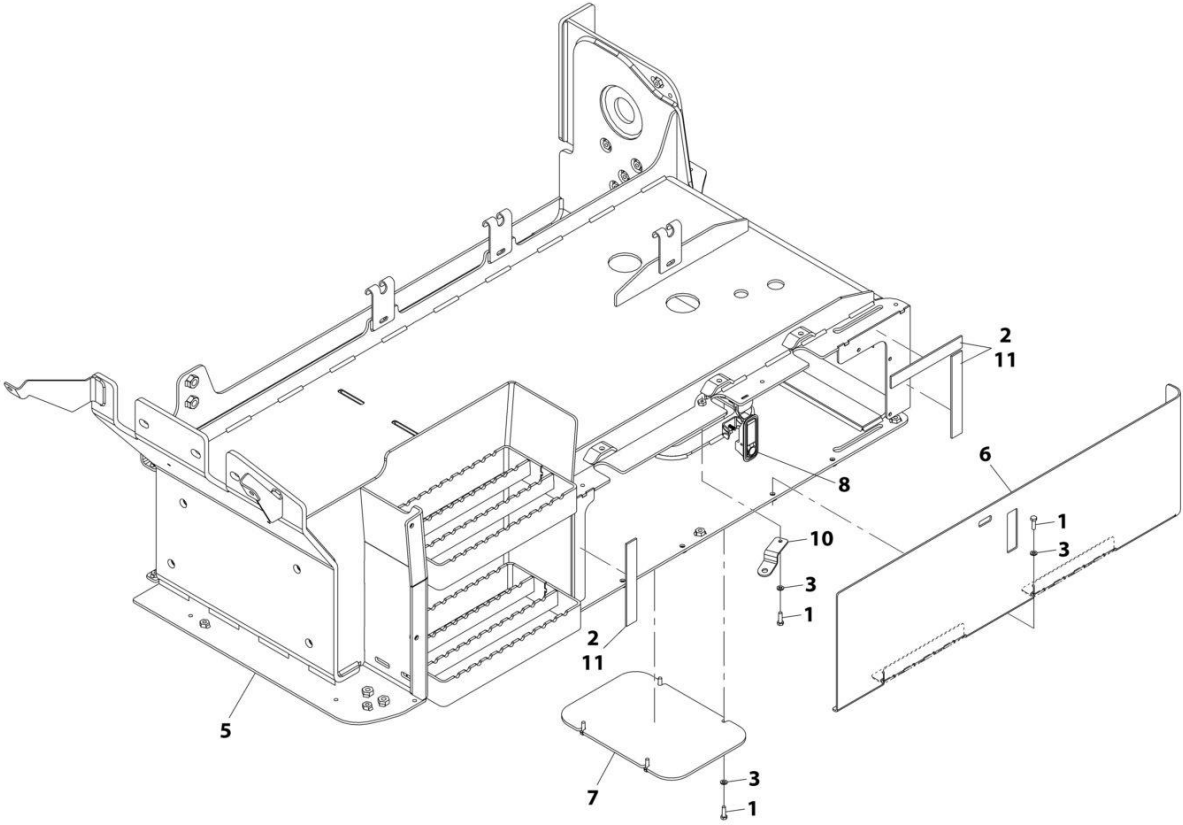
# SECTION 1 - FRAME AND ATTACHING PARTS

## FIGURE 1-8. FUEL TANK ASSEMBLY

ITEM	PART NUMBER	QTY	DESCRIPTION	REV
	1001192125	Ref	FUEL TANK ASSEMBLY	C
1	1001003427	1	Plug	
2	1001192124	1	Tank, Fuel	
3	1001222188	1	Pump, Fuel	
4	1001170106	1	Pipe, Fuel Supply	
5	4031607	6	Bolt, M5X16	
6	1001172693	1	Fitting, 90	
7	1001192392	1	Adapter	
8	1001222190	6	Washer	

# SECTION 1 - FRAME AND ATTACHING PARTS

## FIGURE 1-9. TANK SUPPORT INSTALLATION



ART\_1001185930-K

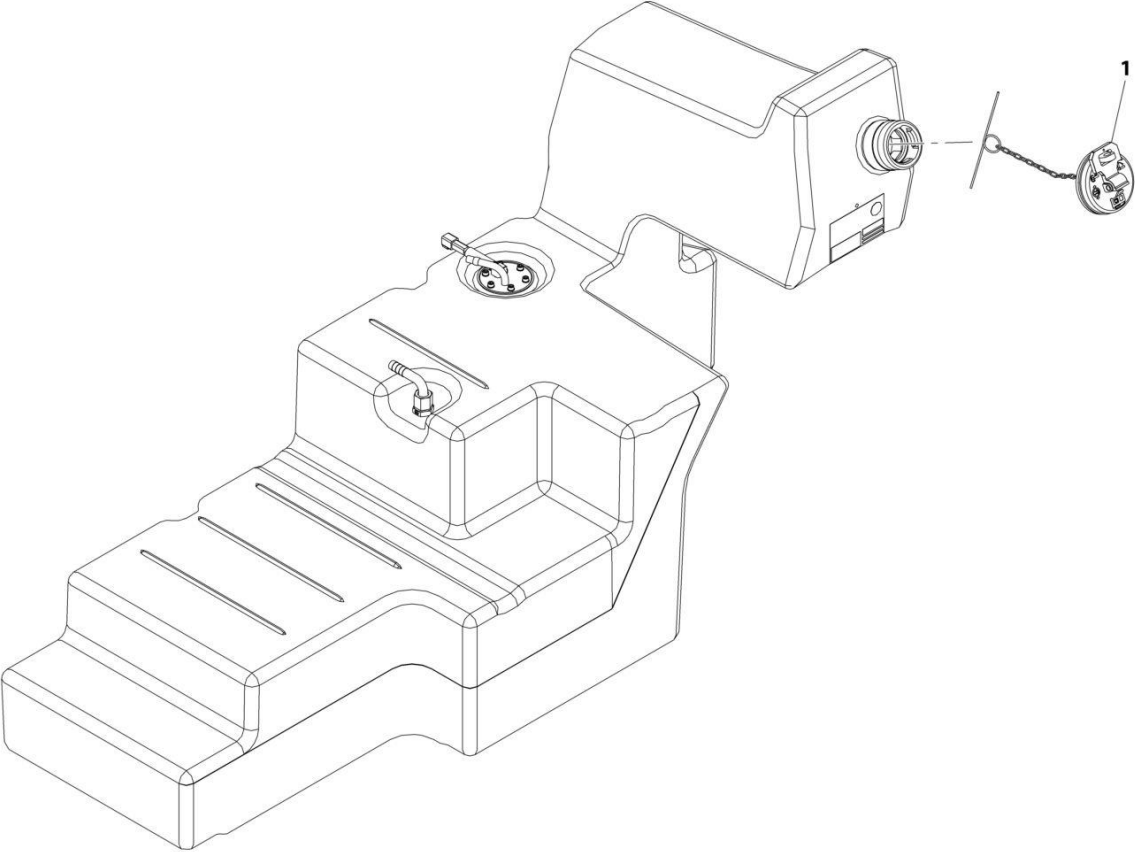
# SECTION 1 - FRAME AND ATTACHING PARTS

## FIGURE 1-9. TANK SUPPORT INSTALLATION

ITEM	PART NUMBER	QTY	DESCRIPTION	REV
	1001185930	Ref	Tank Support Installation	K
1	0700610	9	Bolt, M6X20	
2	4280307	3	Strip	
3	4811700	9	Washer, M6	
5	1001185931	1	Plate, Support	
6	1001185933	1	Cover	
7	1001185935	1	Cover	
8	1001189246	1	Latch, Locking	
10	1001197481	1	Plate	
11	0100081	AR	Compound, Locking	

**SECTION 1 - FRAME AND ATTACHING PARTS**

**FIGURE 1-10. LOCKING FUEL CAP**



ART\_1001194980



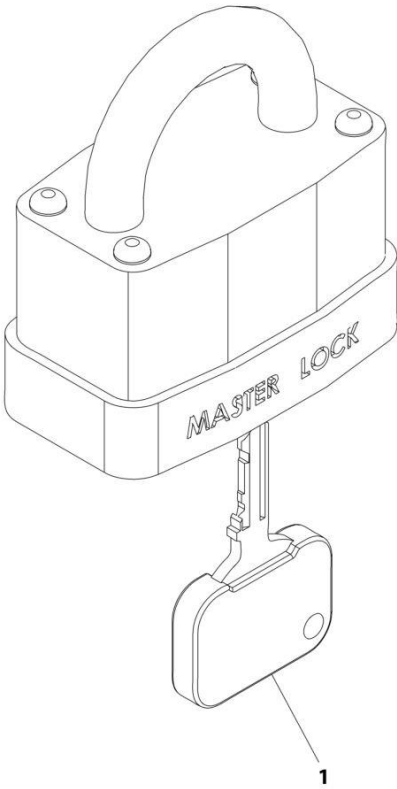
# SECTION 1 - FRAME AND ATTACHING PARTS

## FIGURE 1-10. LOCKING FUEL CAP

ITEM	PART NUMBER	QTY	DESCRIPTION	REV
1	1001194980	Ref	Locking Fuel Cap	A

**SECTION 1 - FRAME AND ATTACHING PARTS**

**FIGURE 1-11. PAD LOCK**



ART\_1001102157-A

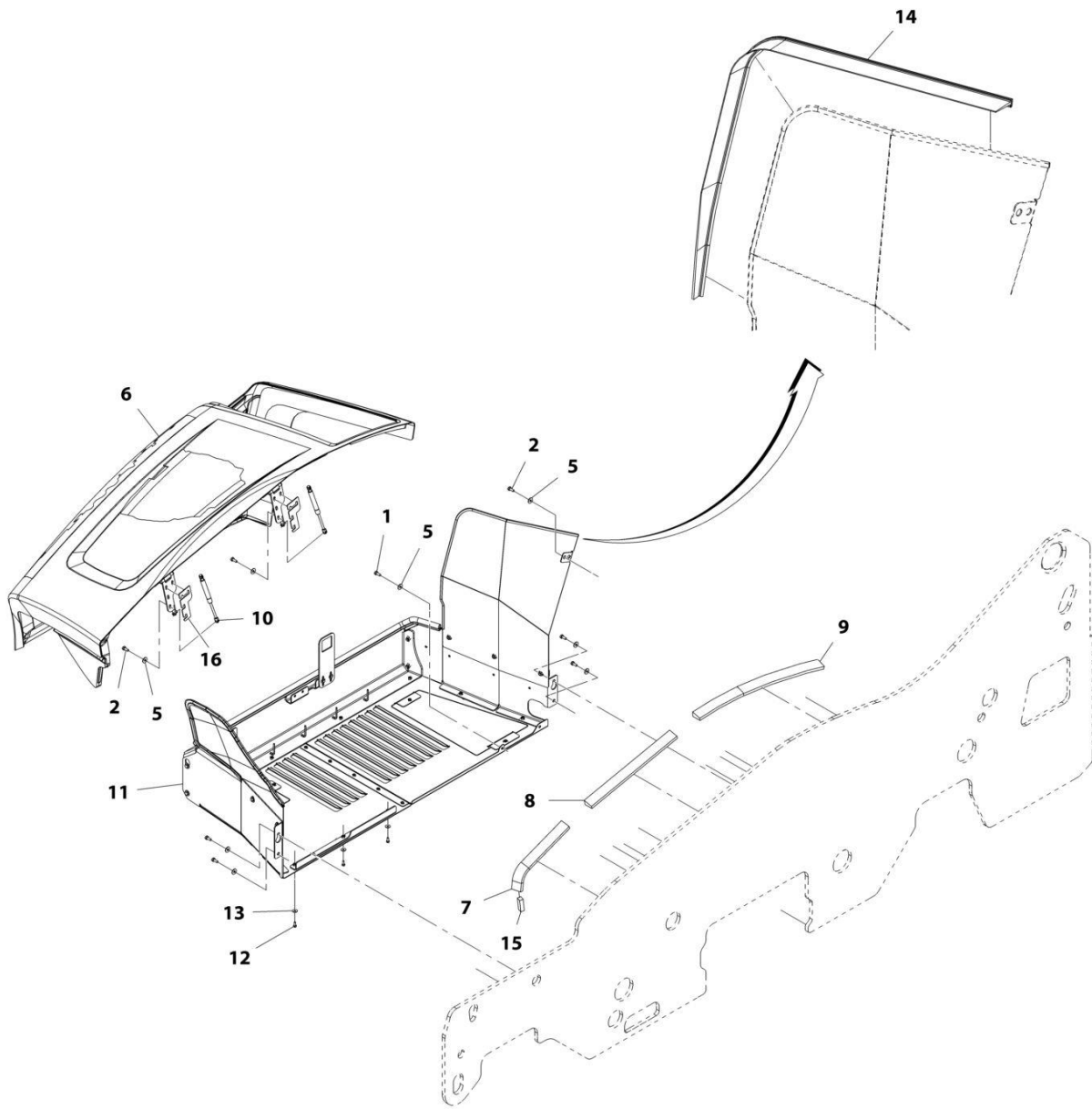
# SECTION 1 - FRAME AND ATTACHING PARTS

## FIGURE 1-11. PAD LOCK

ITEM	PART NUMBER	QTY	DESCRIPTION	REV
1	1001102157 8342813	Ref 1	Pad Lock Key	A

# SECTION 1 - FRAME AND ATTACHING PARTS

## FIGURE 1-12. ENGINE ENCLOSURE & HOOD INSTALLATION (1732)



ART\_1001192320-J

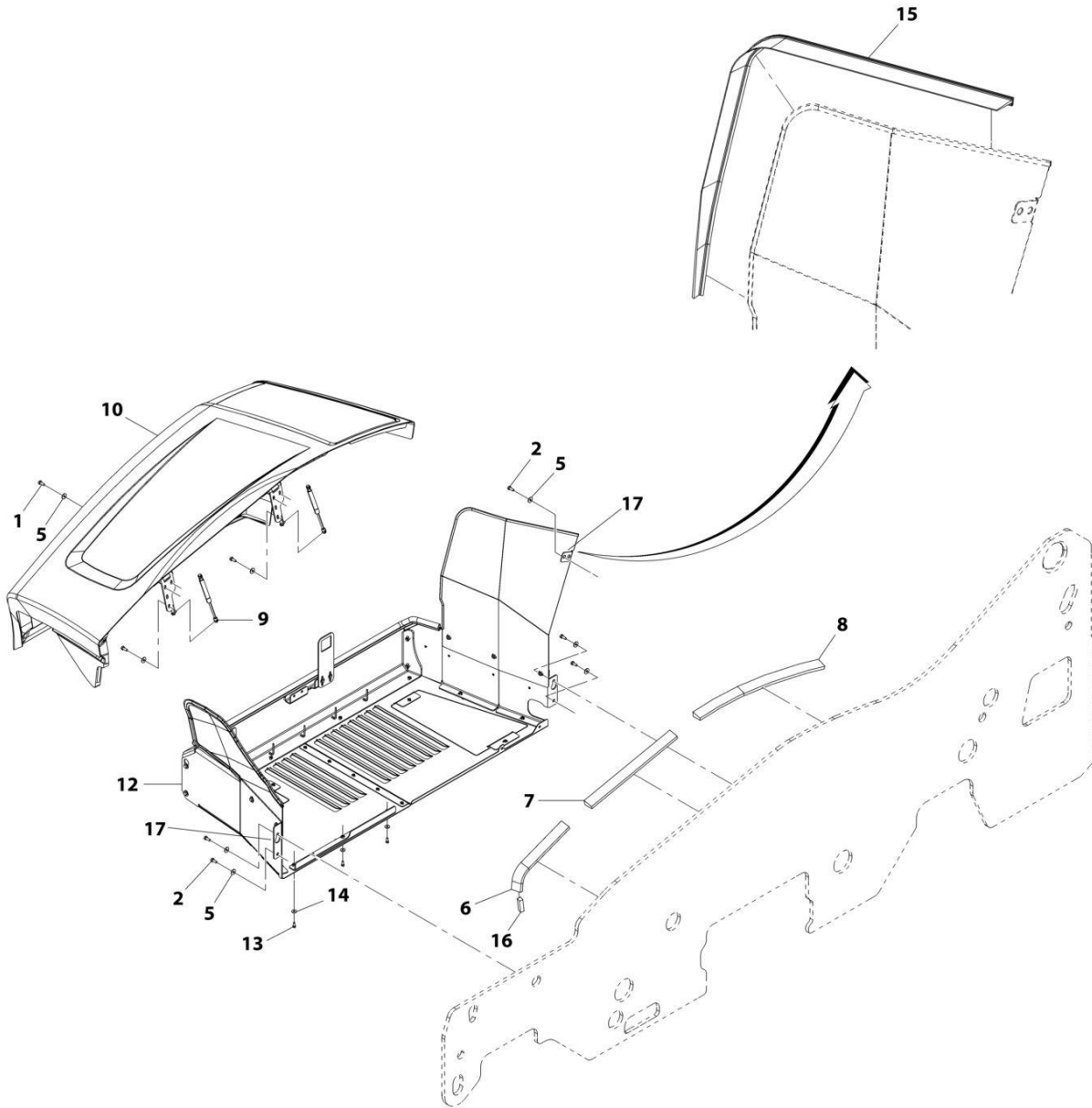
## SECTION 1 - FRAME AND ATTACHING PARTS

**FIGURE 1-12. ENGINE ENCLOSURE & HOOD INSTALLATION (1732)**

ITEM	PART NUMBER	QTY	DESCRIPTION	REV
	1001192320	Ref	Engine Enclosure Installation	J
1	0761010	1	Bolt, M10X20	
2	0761012	11	Bolt, M10X25	
5	4812002	12	Washer, M10	
6	1001235963	1	Assembly, Hood (See Separate Breakdown in this Section)	
7	1001203932	1	Seal	
8	1001203933	1	Seal	
9	1001203934	1	Seal	
10	1001171885	2	Spring, Gas	
11	1001192622	1	Assembly, Engine Enclosure (See Separate Breakdown in this Section)	
12	0760810	3	Bolt, M8X20	
13	4811902	3	Washer, M8	
14	1001197339	1	Seal	
15	1001229609	1	Seal, Foam Gasket	
16	1001241836	AR	Shim	

# SECTION 1 - FRAME AND ATTACHING PARTS

## FIGURE 1-13. ENGINE ENCLOSURE & HOOD INSTALLATION (8010)



ART\_1001192318-K

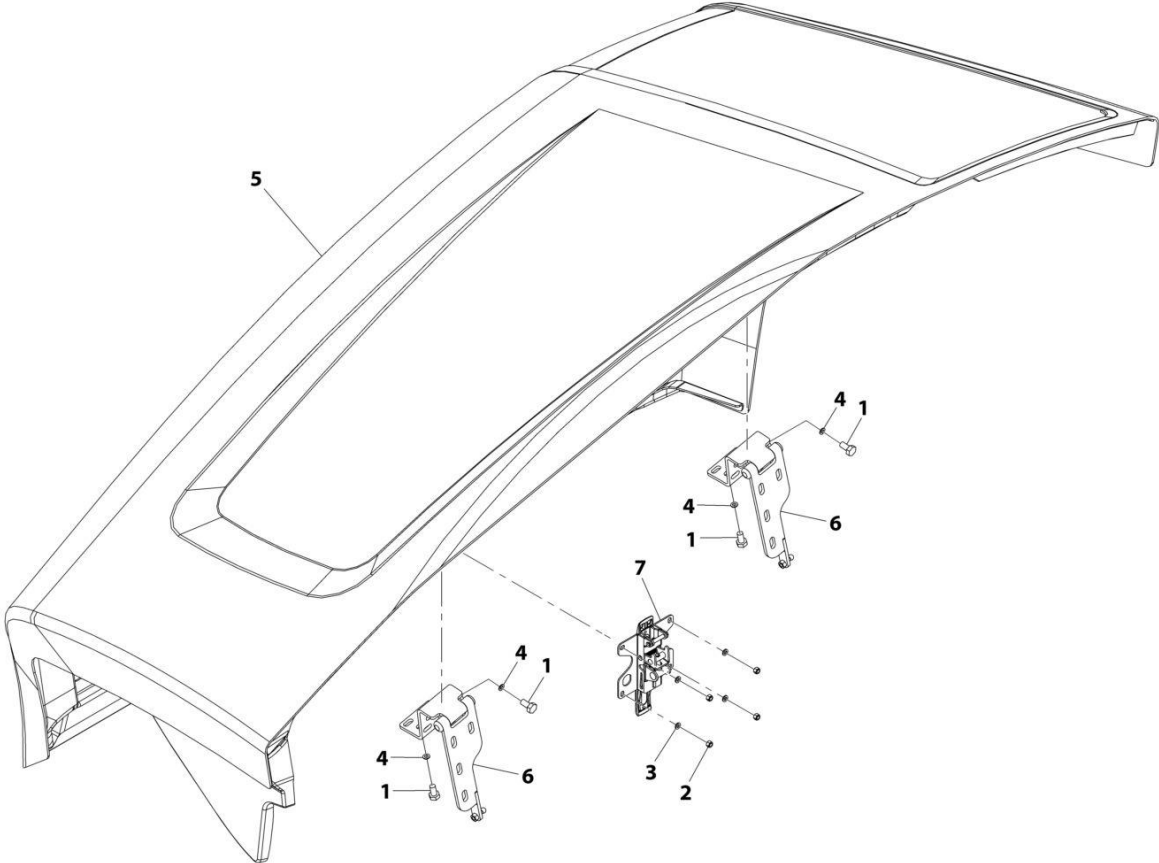
## SECTION 1 - FRAME AND ATTACHING PARTS

**FIGURE 1-13. ENGINE ENCLOSURE & HOOD INSTALLATION (8010)**

ITEM	PART NUMBER	QTY	DESCRIPTION	REV
	1001192318	Ref	Engine Enclosure Installation	K
1	0761010	1	Bolt, M10X20	
2	0761012	11	Bolt, M10X25	
5	4812002	12	Washer, M10	
6	1001203932	1	Seal	
7	1001203933	1	Seal	
8	1001203934	1	Seal	
9	1001171885	2	Spring, Gas	
10	1001235965	1	Assembly, Engine Hood (See Separate Breakdown in this Section)	
12	1001192622	1	Assembly, Engine Enclosure (See Separate Breakdown in this Section)	
13	0760810	3	Bolt, M8X20	
14	4811902	3	Washer, M8	
15	1001197339	1	Seal	
16	1001229609	1	Seal, Foam Gasket	
17	1001241836	AR	Shim	

**SECTION 1 - FRAME AND ATTACHING PARTS**

**FIGURE 1-14. HOOD ASSEMBLY (1732)**



ART\_1001235963-B



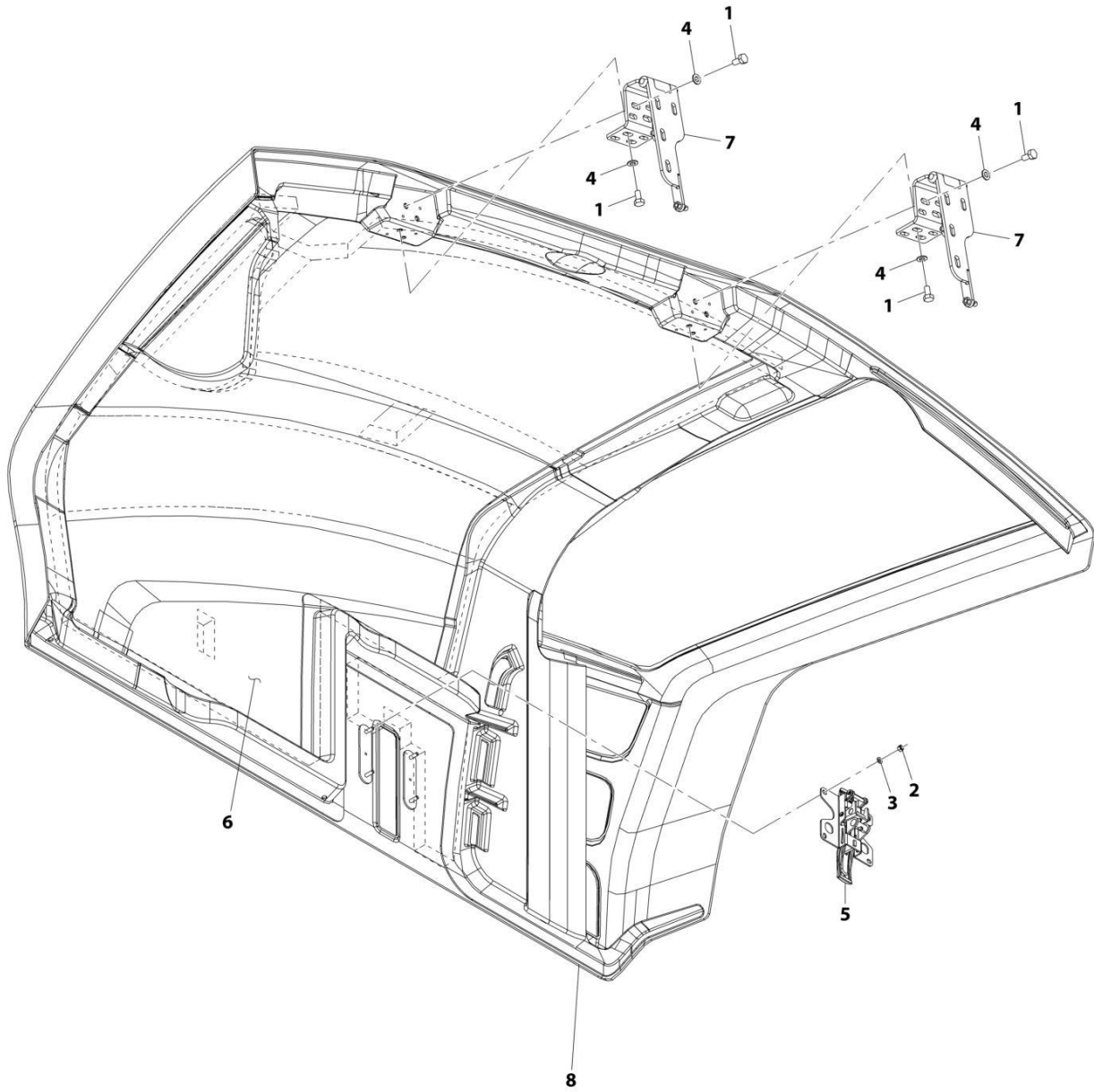
# SECTION 1 - FRAME AND ATTACHING PARTS

## FIGURE 1-14. HOOD ASSEMBLY (1732)

ITEM	PART NUMBER	QTY	DESCRIPTION	REV
	1001235963	Ref	Hood Assembly	B
1	0761010	8	Bolt, M10X20	
2	3290605	4	Nut, Lock M6X1	
3	4811700	4	Washer, M6	
4	4812000	8	Washer, M10	
5	1001234455	1	Hood	
6	1001209387	2	Hinge, Hood	
7	1001132168	1	Latch, Hood	

# SECTION 1 - FRAME AND ATTACHING PARTS

## FIGURE 1-15. HOOD ASSEMBLY (8010)



ART\_1001235965-A

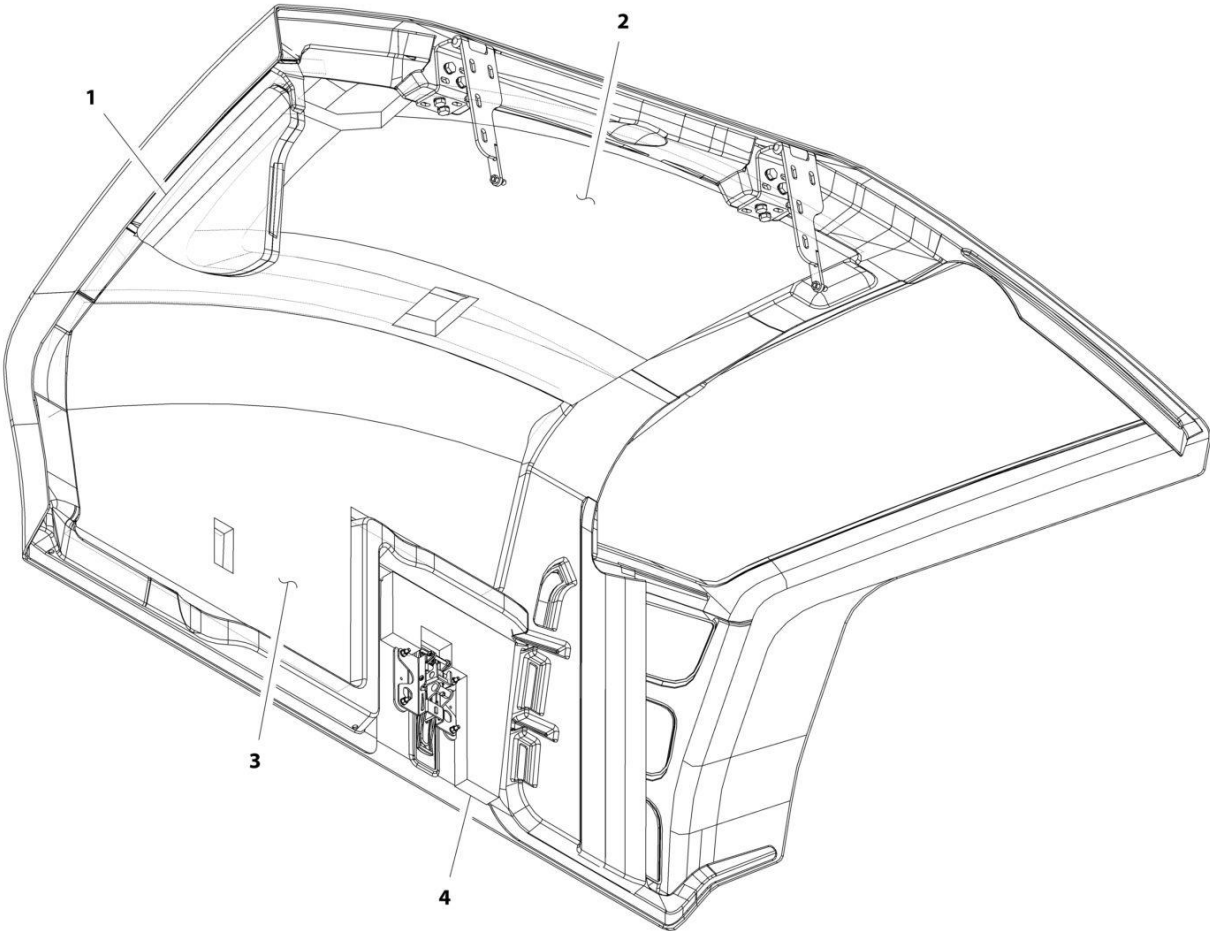
# SECTION 1 - FRAME AND ATTACHING PARTS

## FIGURE 1-15. HOOD ASSEMBLY (8010)

ITEM	PART NUMBER	QTY	DESCRIPTION	REV
	1001235965	Ref	Engine Hood Assembly	A
1	0761010	8	Bolt, M10X20	
2	3290605	4	Nut, Lock M6X1	
3	4811700	4	Washer, M6	
4	4812000	8	Washer, M10	
5	1001132168	1	Latch, Hood	
6	1001172110	1	Installation, Engine Hood Insulation (See Separate Breakdown in this Section)	
7	1001209387	2	Hinge	
8	1001234455	1	Hood	

# SECTION 1 - FRAME AND ATTACHING PARTS

FIGURE 1-16. ENGINE HOOD INSULATION INSTALLATION



ART\_1001172110-G

# SECTION 1 - FRAME AND ATTACHING PARTS

## FIGURE 1-16. ENGINE HOOD INSULATION INSTALLATION

ITEM	PART NUMBER	QTY	DESCRIPTION	REV
	1001172110	Ref	Engine Hood Insulation Installation	G
1	1001172112	1	Insulation, Front	
2	1001172113	1	Insulation, Top	
3	1001172114	1	Insulation, Side	
4	1001172115	1	Insulation, Hood Latch	



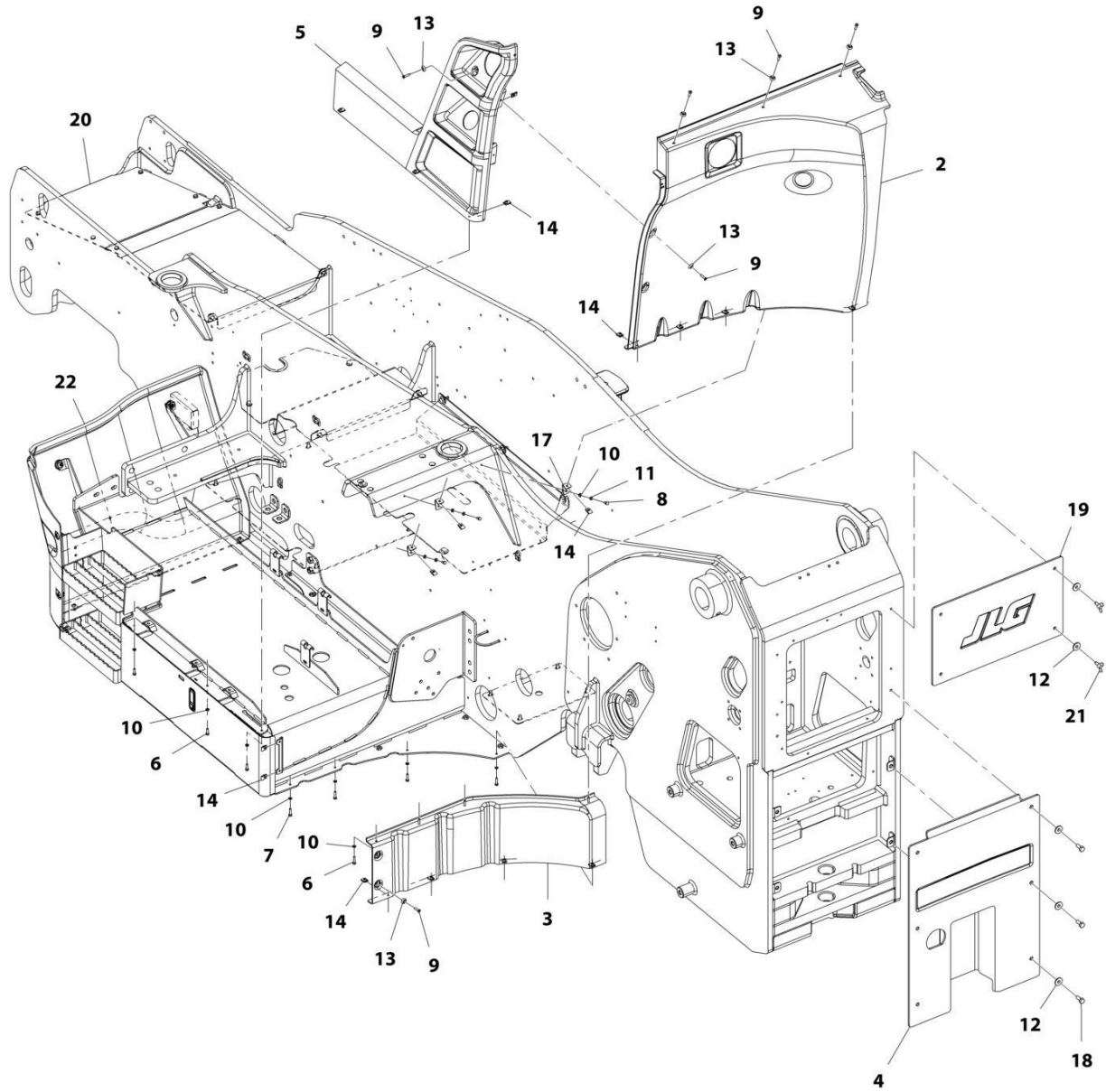
# SECTION 1 - FRAME AND ATTACHING PARTS

## FIGURE 1-17. ENGINE ENCLOSURE ASSEMBLY

ITEM	PART NUMBER	QTY	DESCRIPTION	REV
	1001192622	Ref	Engine Enclosure Assembly	I
1	0700814	2	Bolt, M8X30	
2	0701014	4	Bolt, M10X30	
3	0760807	5	Bolt, M8X14	
4	0761010	6	Bolt, M10X20	
5	4811902	19	Washer, M8	
7	1001003227	1573 mm	Seal	
8	1001204486	1785 mm	Seal	
9	1001209388	1	Latch, Hood	
10	1001169265	1	Plate, Access Panel	
11	1001219115	1	Panel, Front Wheel	
12	1001192627	1	Panel, Rear Cover	
19	0760808	12	Bolt, M8X16	
20	4812002	10	Washer, M10	
21	1001008999	1381 mm	Trim, Edge	
101	1001192631	1	Panel, Bottom Cover	
102	1001194969	1	Panel, Access	
103	1001219250	1	Panel, Bottom Front Cover	
201	1001192623J	1	Panel, Side Skirt	
202	1001224450J	1	Panel, Rear Skirt	
203	1001219113J	1	Panel, Front Skirt	

# SECTION 1 - FRAME AND ATTACHING PARTS

## FIGURE 1-18. COVER INSTALLATION (ULS)



ART\_1001184869-J



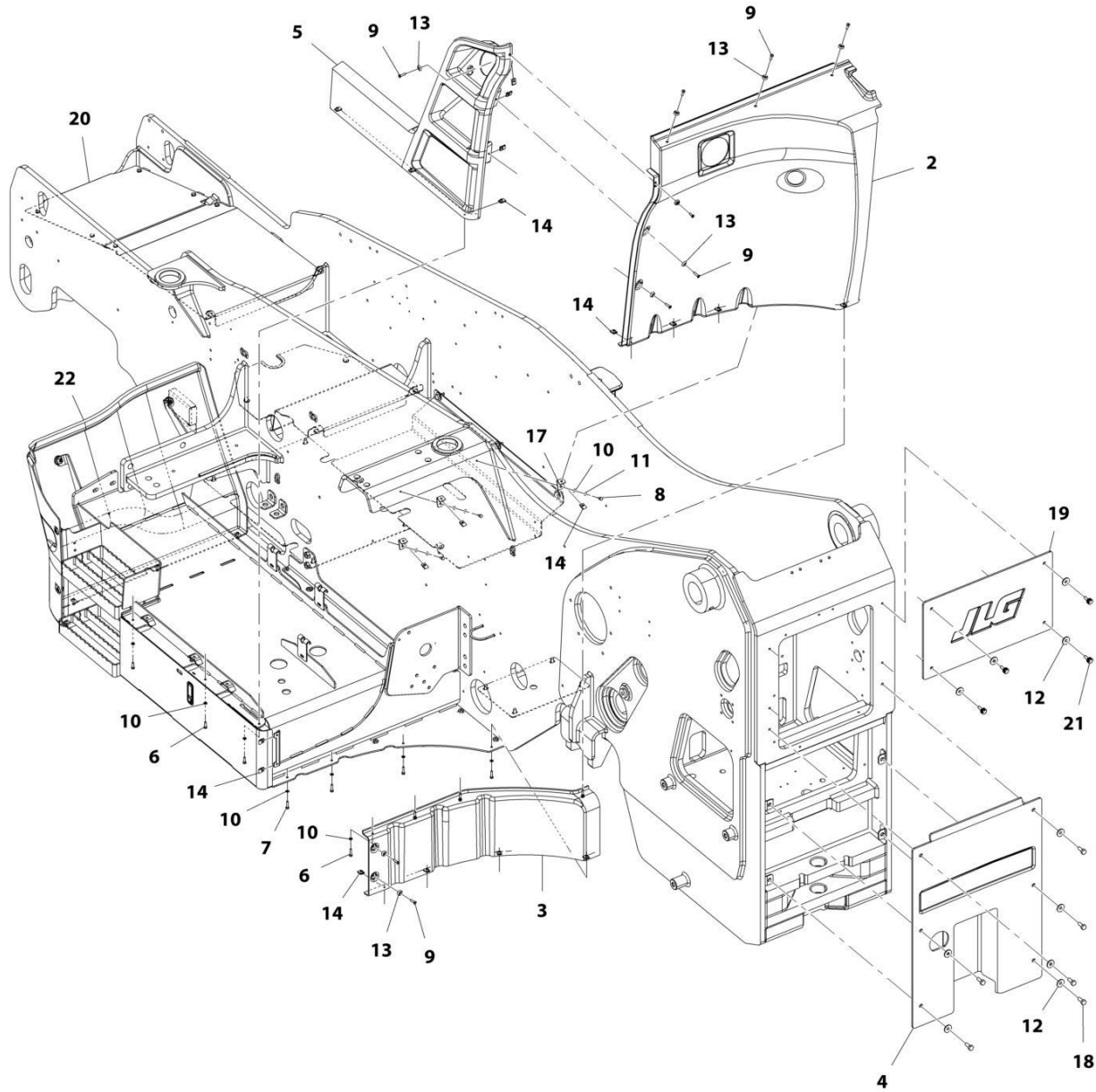
# SECTION 1 - FRAME AND ATTACHING PARTS

## FIGURE 1-18. COVER INSTALLATION (ULS)

ITEM	PART NUMBER	QTY	DESCRIPTION	REV
	1001184869	Ref	Cover Installation (ULS)	J
2	1001184872	1	Cover, Rear Tank	
3	1001184874	1	Cover, Lower Rear Tank	
4	1001213834	1	Cover, Rear Frame	
5	1001168758	1	Cover, Side Tank	
6	0700610	7	Bolt, M6X20	
7	0700612	4	Bolt, M6X25	
8	0760607	3	Bolt, M6X14	
9	0630576	9	Screw, M6X20	
10	4811700	14	Washer, M6	
11	4831700	3	Washer, Lock M6	
12	4812002	10	Washer, M10	
13	1001097540	9	Washer, M6	
14	1001130220	19	Nut, M6	
17	1001231385	3	Plate, Angle Mount	
18	0761012	6	Bolt, M10X25	
19	1001213833	1	Cover, Rear Frame	
20	1001198307	1	Installation, Frame Cover (See Separate Breakdown in this Section)	
21	1001250708	4	Bolt, M8X20	
22	1001201848	1	Installation, Front Lower Cover (See Separate Breakdown in this Section)	

# SECTION 1 - FRAME AND ATTACHING PARTS

## FIGURE 1-19. COVER INSTALLATION (LS)



ART\_1001184870-I

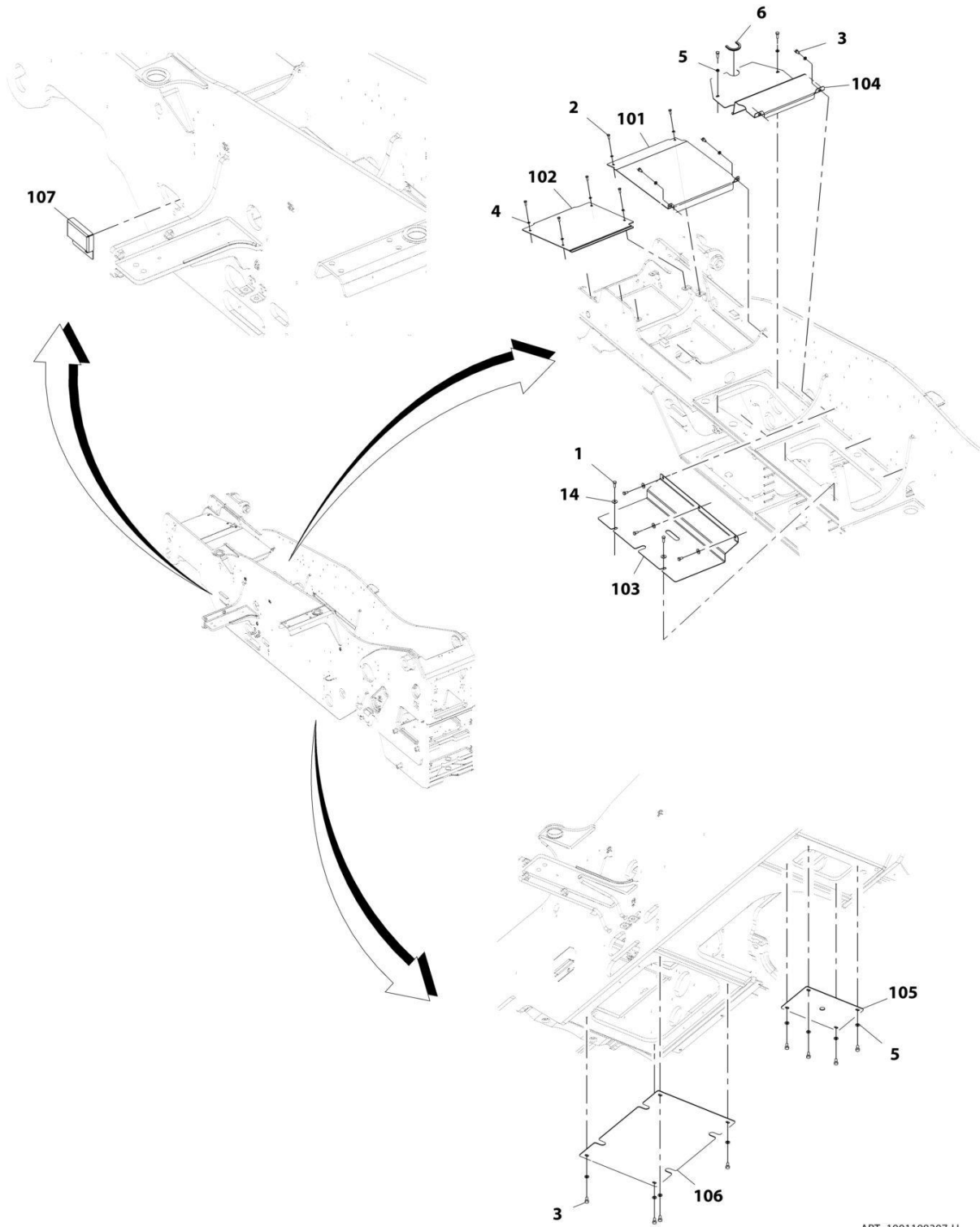
# SECTION 1 - FRAME AND ATTACHING PARTS

## FIGURE 1-19. COVER INSTALLATION (LS)

ITEM	PART NUMBER	QTY	DESCRIPTION	REV
	1001184870	Ref	Cover Installation (LS)	J
2	1001184872	1	Cover, Rear Tank	
3	1001184874	1	Cover, Lower Rear Tank	
4	1001213834	1	Cover, Rear Frame	
5	1001172829	1	Cover, Side Tank	
6	0700610	7	Bolt, M6X20	
7	0700612	4	Bolt, M6X25	
8	0760607	3	Bolt, M6X14	
9	0630576	9	Screw, M6X20	
10	4811700	14	Washer, M6	
11	4831700	3	Washer, Lock M6	
12	4812002	10	Washer, M10	
13	1001097540	9	Washer, M6	
14	1001130220	19	Nut, M6	
17	1001231385	3	Plate, Angle Mount	
18	0761012	6	Bolt, M10X25	
19	1001213833	1	Cover, Rear Frame	
20	1001198307	Ref	Installation, Frame Cover (See Separate Breakdown in this Section)	
21	1001250708	4	Bolt M8 x 20	
22	1001201848	Ref	Installation, Front Lower Cover (See Separate Breakdown in this Section)	

# SECTION 1 - FRAME AND ATTACHING PARTS

## FIGURE 1-20. FRAME COVER INSTALLATION



ART\_1001198307-H

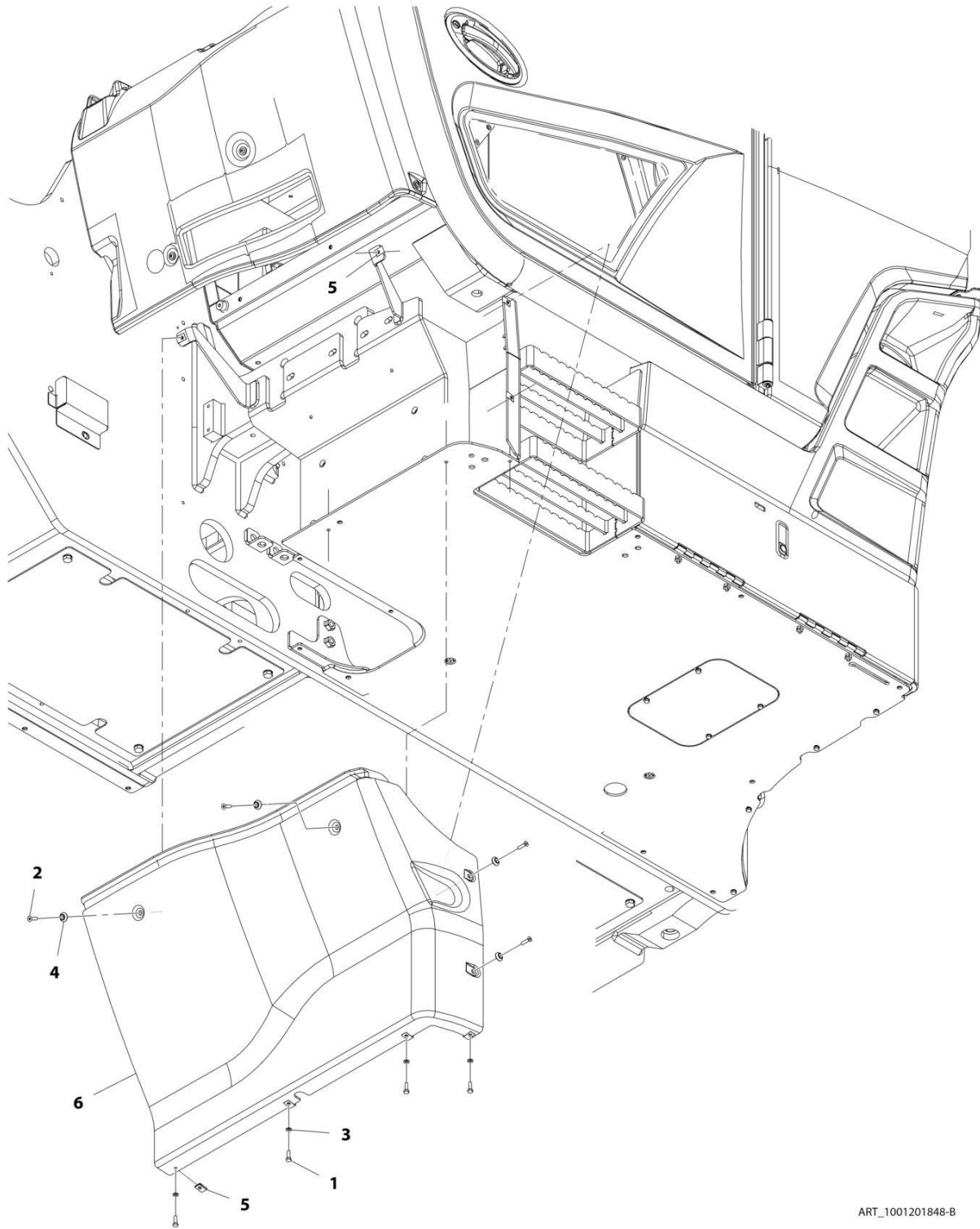
# SECTION 1 - FRAME AND ATTACHING PARTS

## FIGURE 1-20. FRAME COVER INSTALLATION

ITEM	PART NUMBER	QTY	DESCRIPTION	REV
	1001198307	Ref	Frame Cover Installation	H
1	0701014	4	Bolt, M10X30	
2	0760810	6	Bolt, M8X20	
3	0761010	15	Bolt, M10X20	
4	4811900	6	Washer, M8	
5	4812000	14	Washer, M10	
6	90206196	0.15 m	Gasket	
14	4812002	5	Washer, M10	
101	1001197056	1	Cover, Battery	
102	1001197057	1	Plate, Valve Cover	
103	1001197733	1	Plate, Frame Cover	
104	1001197734	1	Plate, Frame Cover	
105	1001211899	1	Plate, Frame Cover	
106	1001211900	1	Plate, Frame Cover	
107	1001218694	1	Cover	

# SECTION 1 - FRAME AND ATTACHING PARTS

## FIGURE 1-21. FRONT LOWER COVER INSTALLATION



ART\_1001201848-B

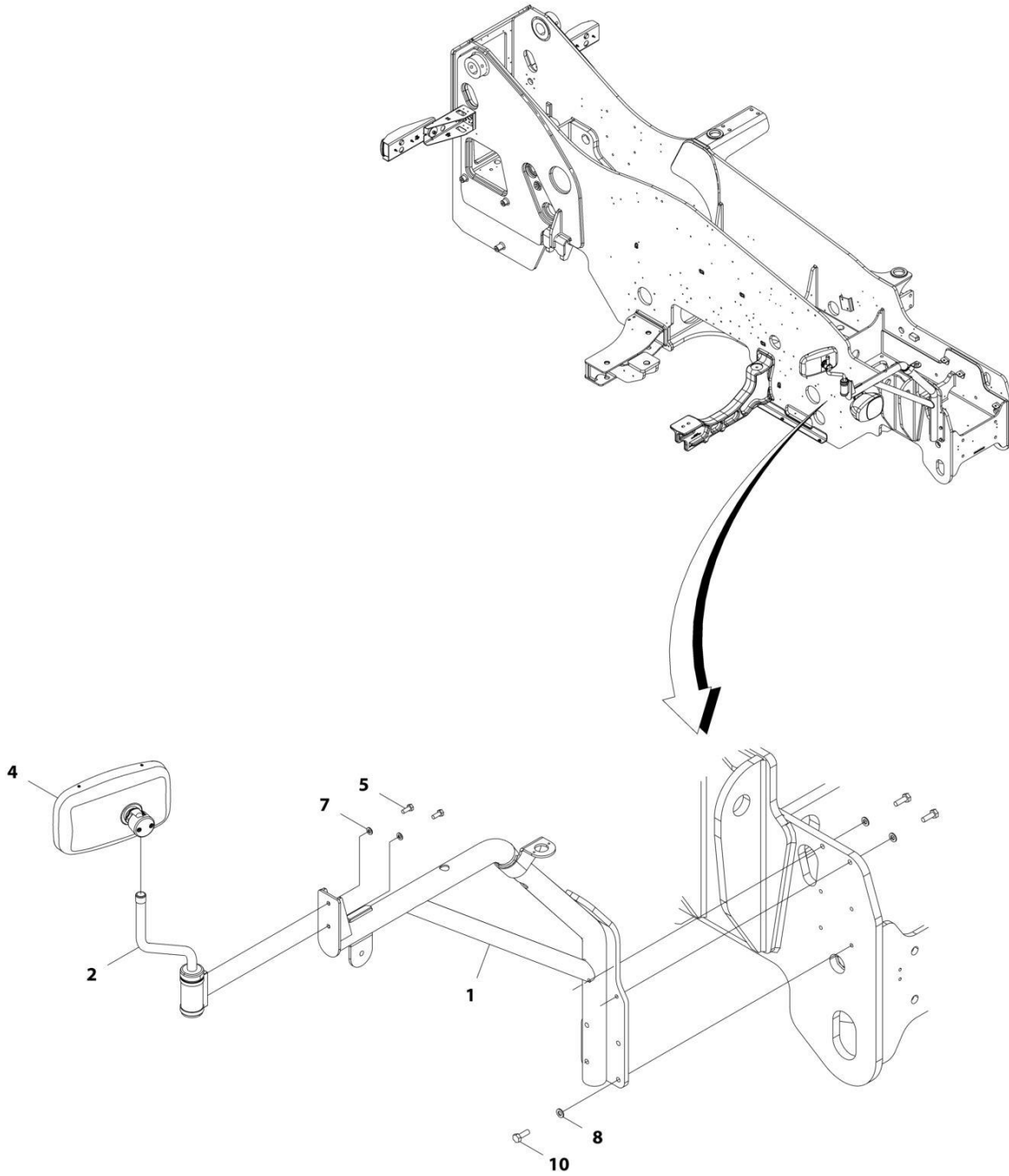
# SECTION 1 - FRAME AND ATTACHING PARTS

## FIGURE 1-21. FRONT LOWER COVER INSTALLATION

ITEM	PART NUMBER	QTY	DESCRIPTION	REV
	1001201848	Ref	Front Lower Cover Installation	B
1	0700610	4	Bolt, M6X20	
2	3900379	4	Screw, M6-1.00X25	
3	4811700	4	Washer, M6	
4	1001097540	4	Washer, M6	
5	1001130220	6	Nut, M6	
6	1001184871	1	Cover, Front Lower	

# SECTION 1 - FRAME AND ATTACHING PARTS

## FIGURE 1-22. MIRROR INSTALLATION (1732)



ART\_1001192324\_F



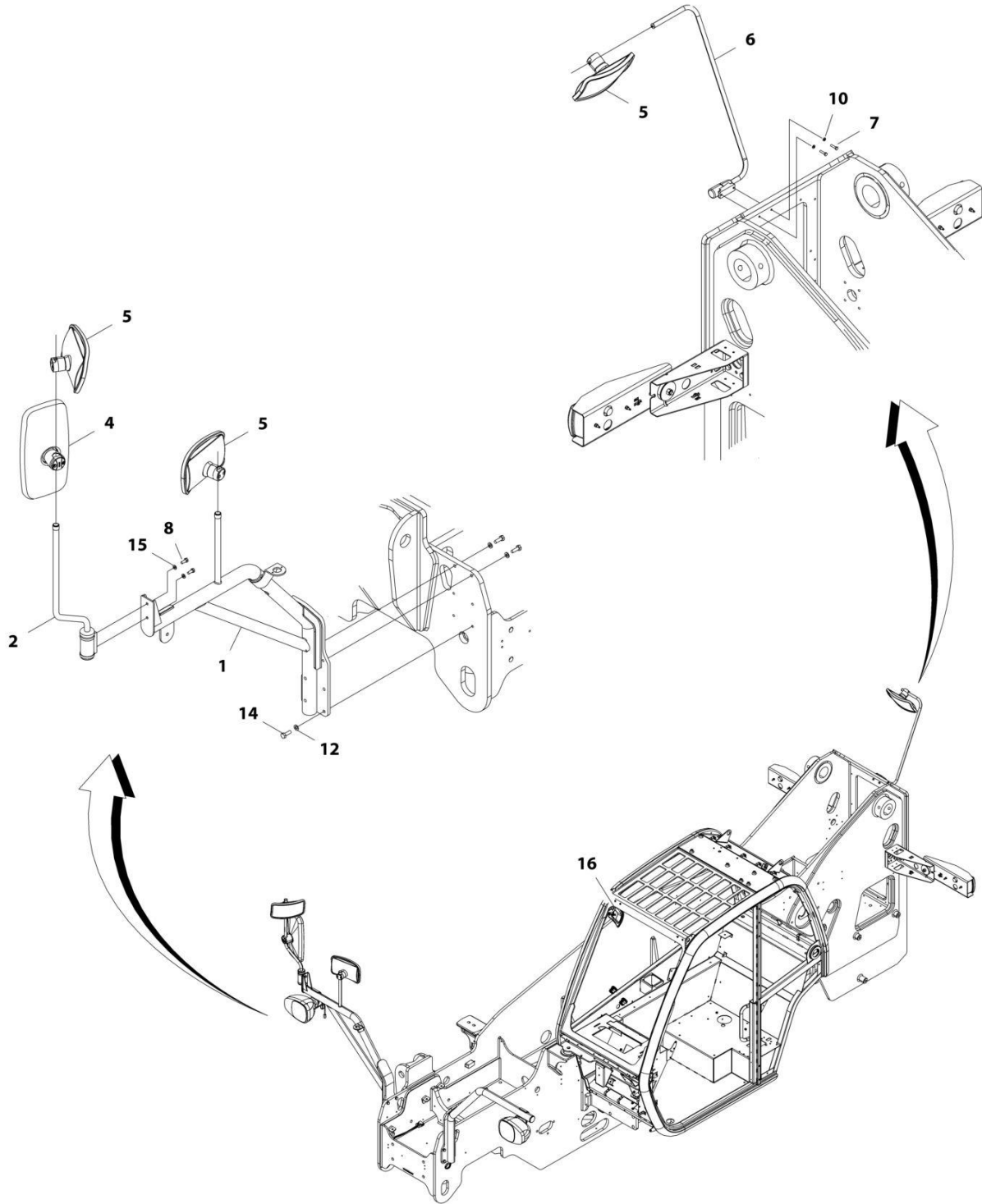
# SECTION 1 - FRAME AND ATTACHING PARTS

## FIGURE 1-22. MIRROR INSTALLATION (1732)

ITEM	PART NUMBER	QTY	DESCRIPTION	REV
	1001192324	Ref	Mirror Installation	F
1	1001265344	1	Bracket	
2	1001209346	1	Bracket	
4	1001191635	1	Mirror, Convex	
5	0760810	2	Bolt, M8X20	
7	4811900	2	Bolt, M8X20	
8	4812000	6	Washer, M10	
10	0701014	6	Bolt, M10X30	

# SECTION 1 - FRAME AND ATTACHING PARTS

## FIGURE 1-23. MIRROR INSTALLATION (8010)



ART\_1001186881\_G

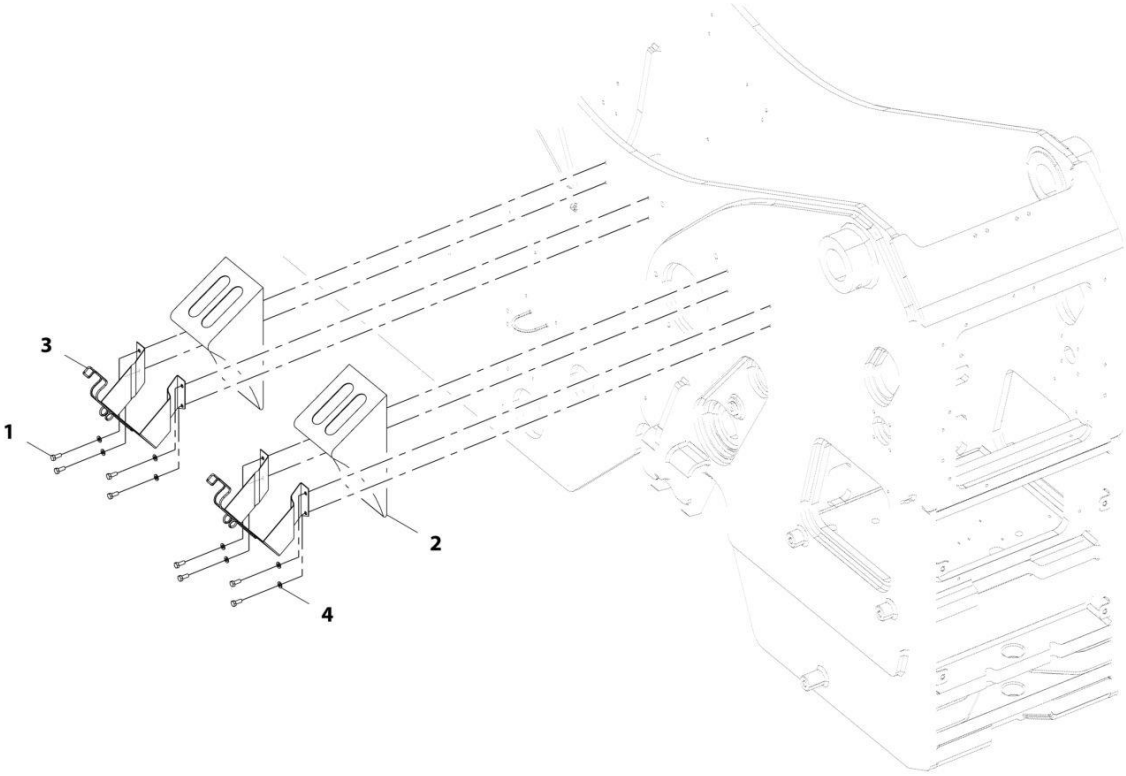
# SECTION 1 - FRAME AND ATTACHING PARTS

## FIGURE 1-23. MIRROR INSTALLATION (8010)

ITEM	PART NUMBER	QTY	DESCRIPTION	REV
	1001186881	Ref	Mirror Installation	G
1	1001265346	1	Bracket	
2	1001209345	1	Bracket	
4	1001175812	1	Mirror, Dual Lens	
5	1001142724	3	Mirror, Convex	
6	1001168429	1	Support, Arm	
7	0700612	2	Bolt, M6X25	
8	0760810	2	Bolt, M8X20	
10	4811700	2	Washer, M6	
12	4812000	6	Washer, M10	
14	0701014	6	Bolt, M10X30	
15	4811900	2	Washer, M8	
16	1001166192	1	Installation, Internal Mirror (See Separate Breakdown in CAB Section)	

**SECTION 1 - FRAME AND ATTACHING PARTS**

**FIGURE 1-24. WHEEL CHOCK INSTALLATION**



ART\_1001192336-B

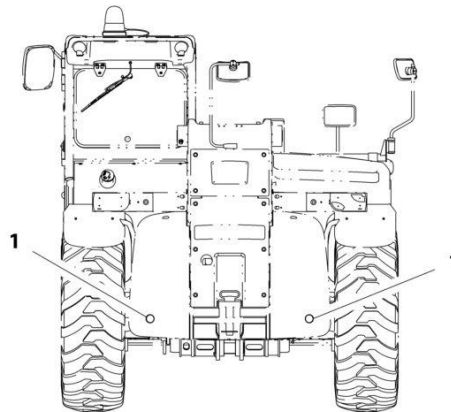
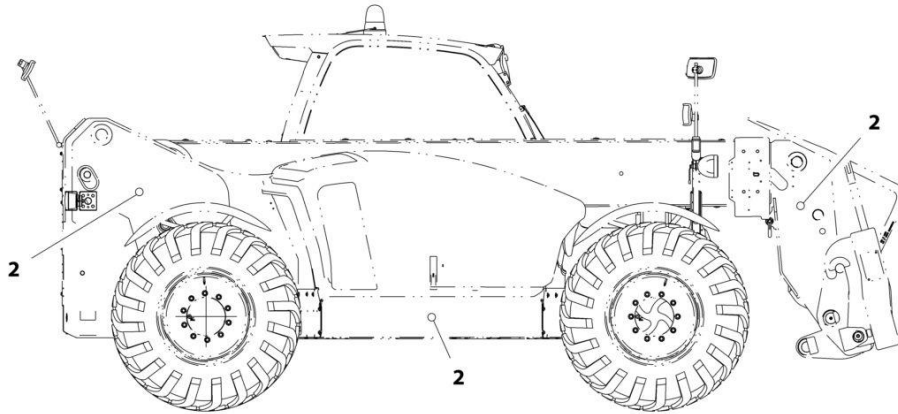
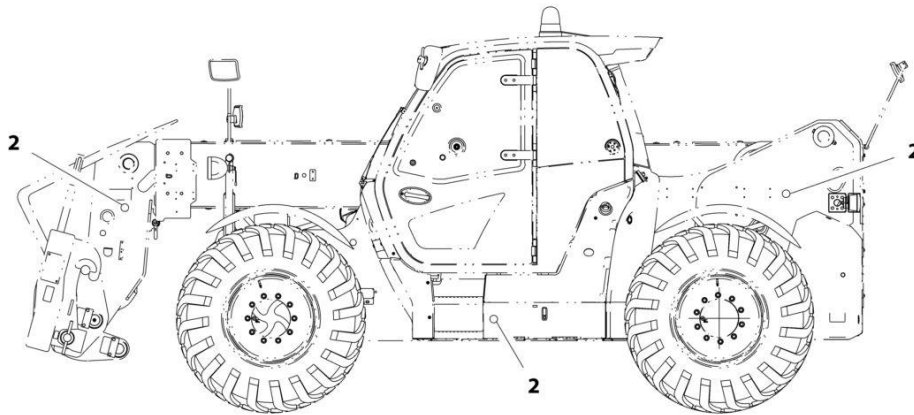
# SECTION 1 - FRAME AND ATTACHING PARTS

## FIGURE 1-24. WHEEL CHOCK INSTALLATION

ITEM	PART NUMBER	QTY	DESCRIPTION	REV
	1001192336	Ref	Wheel Chock Installation	B
1	0760810	8	Bolt, M8X20	
2	806253	2	Wedge	
3	806264	2	Holder, Wedge	
4	4811900	8	Washer, M8	

# SECTION 1 - FRAME AND ATTACHING PARTS

## FIGURE 1-25. REFLECTORS INSTALLATION (8010 ONLY)



ART\_1001200344-D

# SECTION 1 - FRAME AND ATTACHING PARTS

FIGURE 1-25. REFLECTORS INSTALLATION (8010 ONLY)

ITEM	PART NUMBER	QTY	DESCRIPTION	REV
	1001200344	Ref	Reflectors Installation	D
1	3700015	2	Reflector, Rear	
2	3700016	6	Reflector, Side	

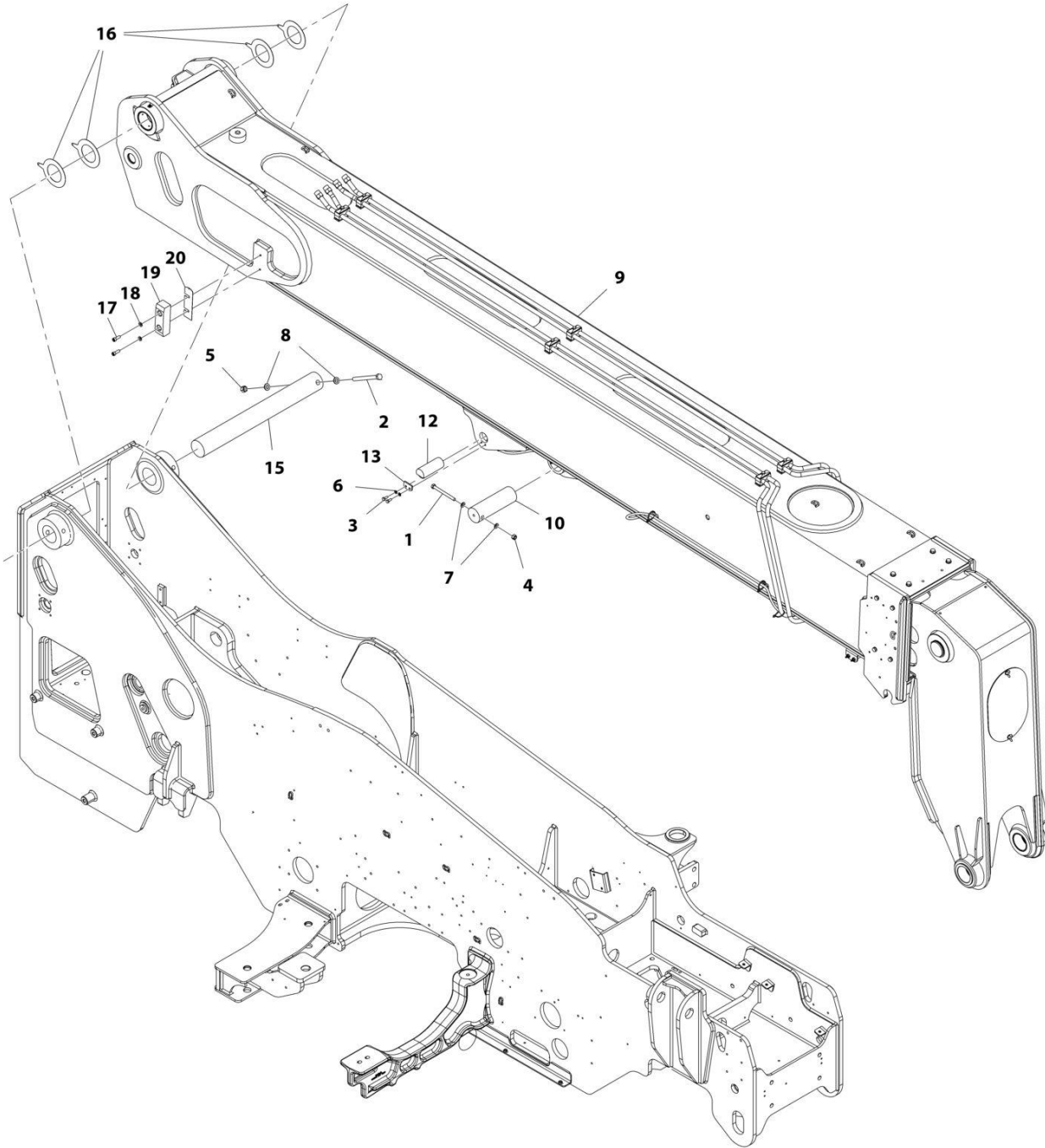




**SECTION 2 - BOOM**

# SECTION 2 - BOOM

## FIGURE 2-1. BOOM INSTALLATION



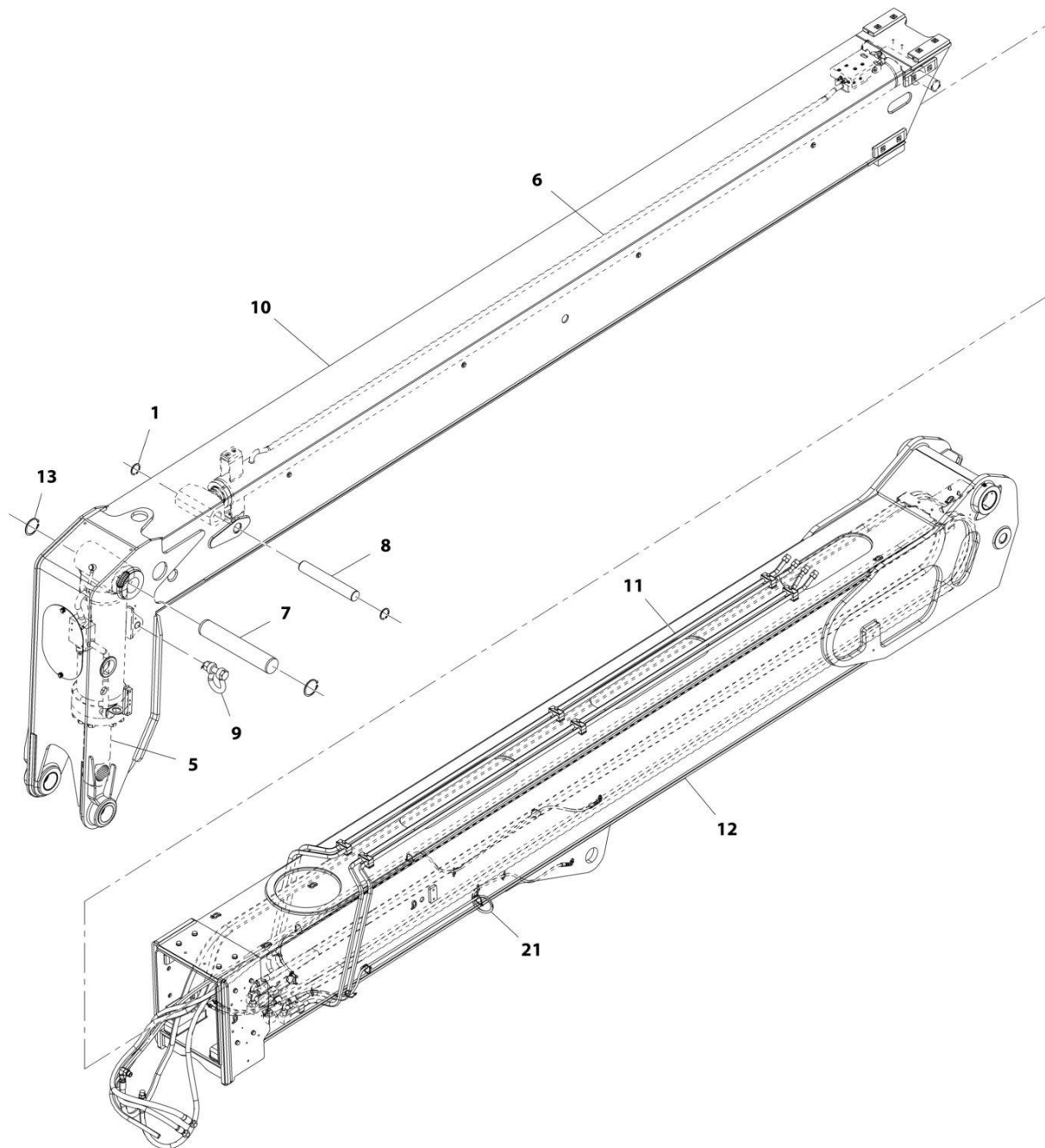
ART\_1001192352-D

FIGURE 2-1. BOOM INSTALLATION

ITEM	PART NUMBER	QTY	DESCRIPTION	REV
	1001192352	Ref	Boom Installation	D
1	0701230	1	Bolt, M12X130	
2	0711635	1	Bolt, M16X180 Grade 10.9	
3	0760810	2	Bolt, M8X20	
4	3291205	1	Nut, Lock M12X1.75 Grade 8	
5	3291605	1	Nut, Lock M16X2 Grade 8	
6	4811900	2	Washer, M8	
7	4812100	2	Washer, M12	
8	4812300	2	Washer, M16	
9	1001174103	1	Assembly, Boom Section (See Separate Breakdown in this Section)	
10	1001190254	1	Pin	
12	1001190256	1	Pin	
13	1001190257	1	Plate	
15	1001190260	1	Pin	
16	1001219953	4	Shim	
17	4032010	4	Bolt, M10X30	
18	4812000	4	Washer, M10	
19	1001195655	2	Pad, M44X50X160	
20	1001219905	AR	Shim	

# SECTION 2 - BOOM

## FIGURE 2-2. BOOM ASSEMBLY



ART\_1001174103-F

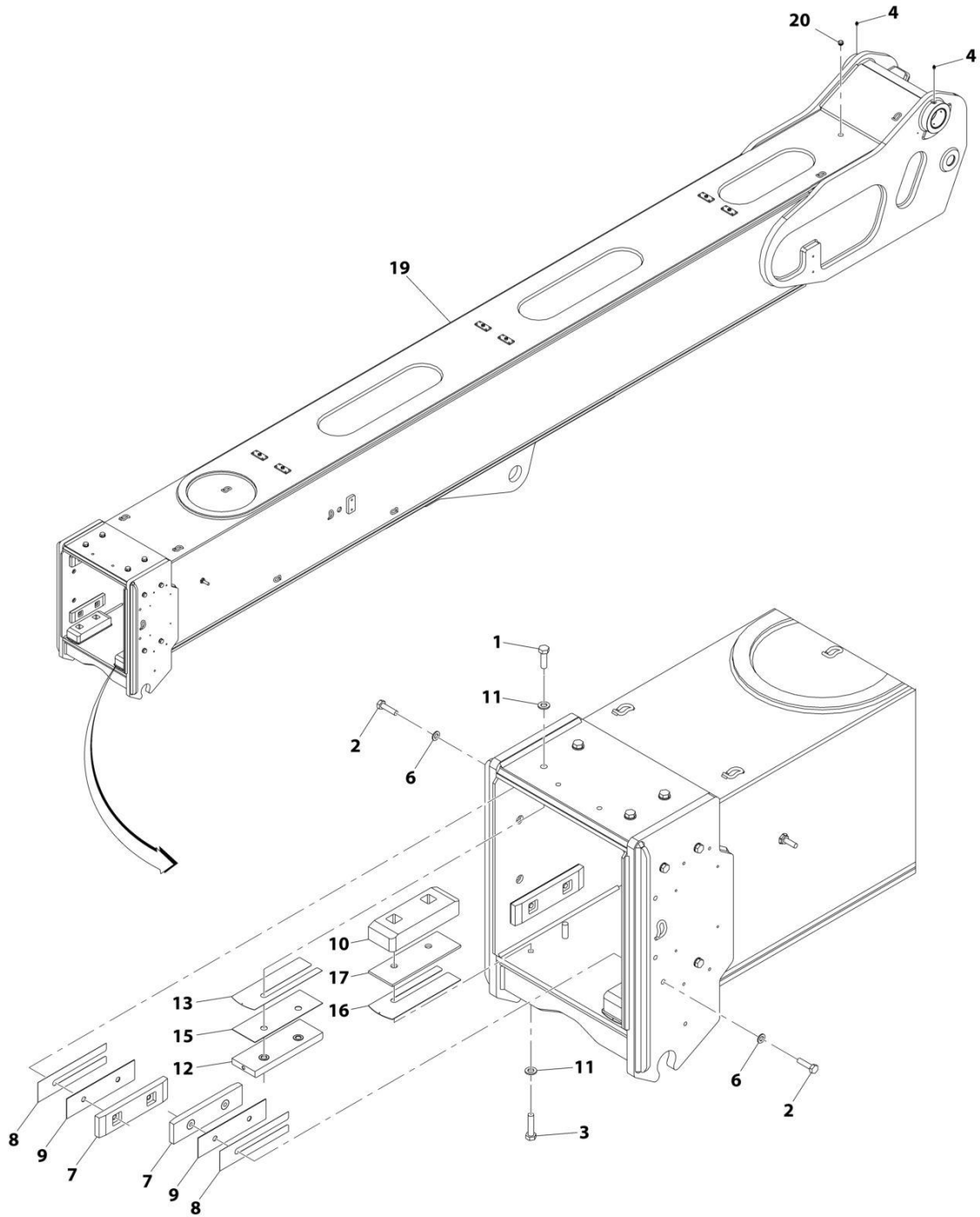
## SECTION 2 - BOOM

### FIGURE 2-2. BOOM ASSEMBLY

ITEM	PART NUMBER	QTY	DESCRIPTION	REV
	1001174103	Ref	Boom Assembly	F
1	314689	2	Ring, Retaining M50	
5	1001174812	1	Cylinder, Tilt (See Separate Breakdown in HYDRAULIC COMPONENTS Section)	
6	1001178157	1	Cylinder Installation - Extend/Retract (See Separate Breakdown in HYDRAULIC COMPONENTS Section)	
7	1001203989	1	Pin	
8	1001190253	1	Pin	
9	1001191110	1	Shackle, M25	
10	1001191752	1	Assembly, Boom Section (See Separate Breakdown in this Section)	
11	1001193100	1	Installation, Boom Hydraulic Tubes (See Separate Breakdown in HYDRAULIC CIRCUITS Section)	
12	1001195636	1	Assembly, First Boom Section (See Separate Breakdown in this Section)	
13	1001197262	2	Ring, Retaining	
21	1001217352	1	Installation, Boom Remote Grease (See Separate Breakdown in HYDRAULIC CIRCUITS Section)	

# SECTION 2 - BOOM

## FIGURE 2-3. FIRST BOOM SECTION ASSEMBLY



ART\_1001195636-H

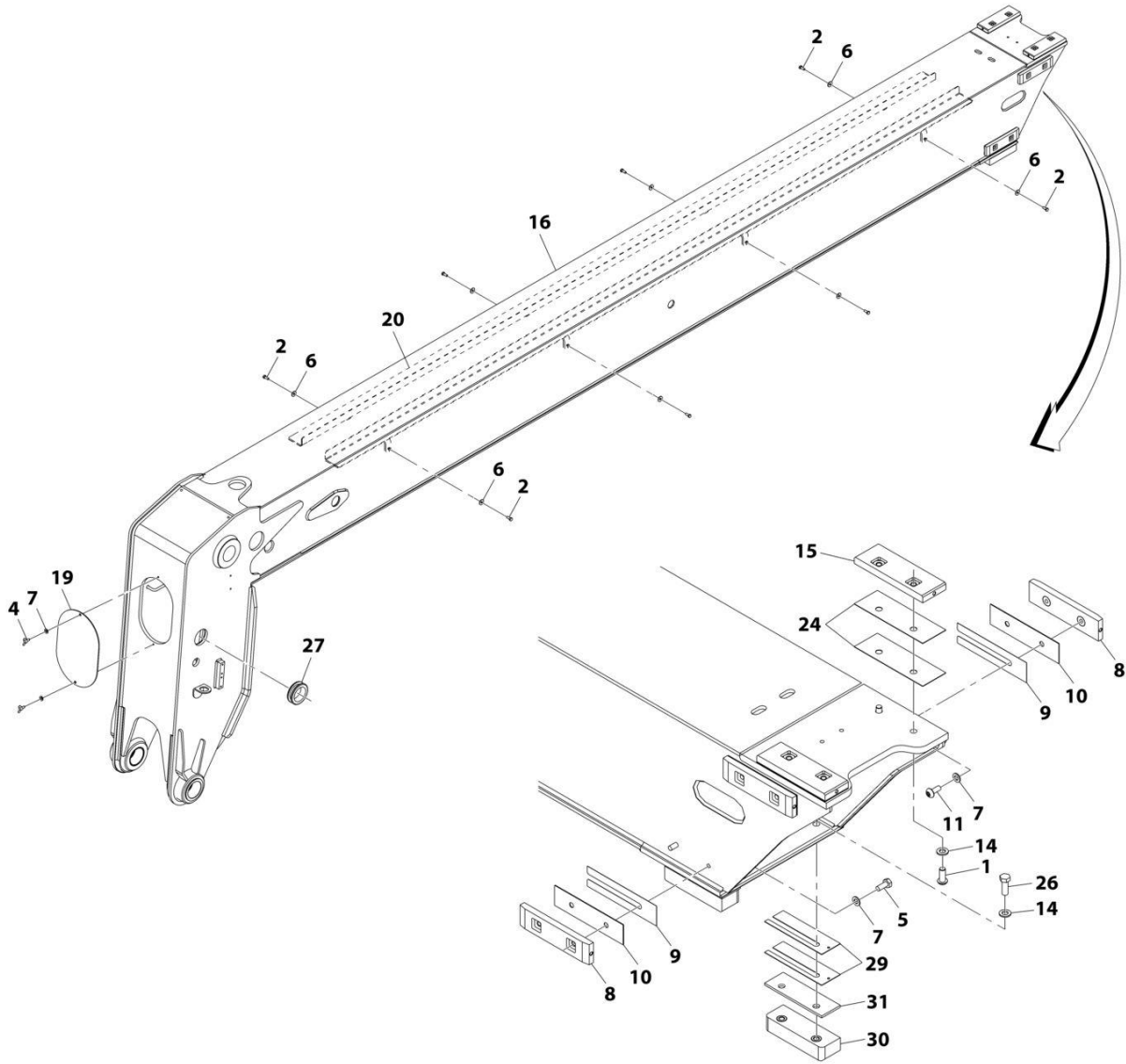
## SECTION 2 - BOOM

**FIGURE 2-3. FIRST BOOM SECTION ASSEMBLY**

ITEM	PART NUMBER	QTY	DESCRIPTION	REV
	1001195636	Ref	First Boom Section Assembly	H
1	0711216	4	Bolt, M12X40 Grade 10.9	
2	0711016	8	Bolt, M10X40 Grade 10.9	
3	0711218	4	Bolt, M12X50 Grade 10.9	
4	2160016	2	Fitting, Grease	
6	4812000	AR	Washer, M10	
7	8002200	4	Pad	
8	8008640	AR	Shim	
9	1001003031	4	Shim	
10	1001227337	2	Pad	
11	1001125117	AR	Washer, M12	
12	1001227334	2	Pad	
13	1001195194	AR	Shim	
15	1001195737	2	Shim	
16	1001195738	AR	Shim	
17	1001195739	2	Shim	
19	1001195637J	1	Boom	
20	3520193	1	Plug	

# SECTION 2 - BOOM

## FIGURE 2-4. SECOND BOOM SECTION ASSEMBLY



ART\_1001191752-M



## SECTION 2 - BOOM

**FIGURE 2-4. SECOND BOOM SECTION ASSEMBLY**

ITEM	PART NUMBER	QTY	DESCRIPTION	REV
	1001191752	Ref	Second Boom Section Assembly	M
1	1001229056	1	Screw, M12X30	
2	0760810	8	Bolt, M8X20	
4	1001250708	2	Bolt, M8X20	
5	0771012	4	Bolt, M10X25 Grade 10.9	
6	4811902	8	Washer, M8	
7	4812000	AR	Washer, M10	
8	8002200	4	Pad	
9	8008640	AR	Shim	
10	1001003031	4	Shim	
11	1001009325	4	Screw	
14	1001125117	AR	Washer, M12	
15	1001227334	2	Pad	
16	1001191753	1	Boom	
19	1001191789	1	Plate	
20	1001203987	2	Bracket	
24	1001195737	4	Shim	
26	0711215	4	Bolt, M12X35 Grade 10.9	
27	1001028415	1	Grommet	
29	1001163104	AR	Plate	
30	1001165175	2	Pad	
31	1001215464	2	Shim	

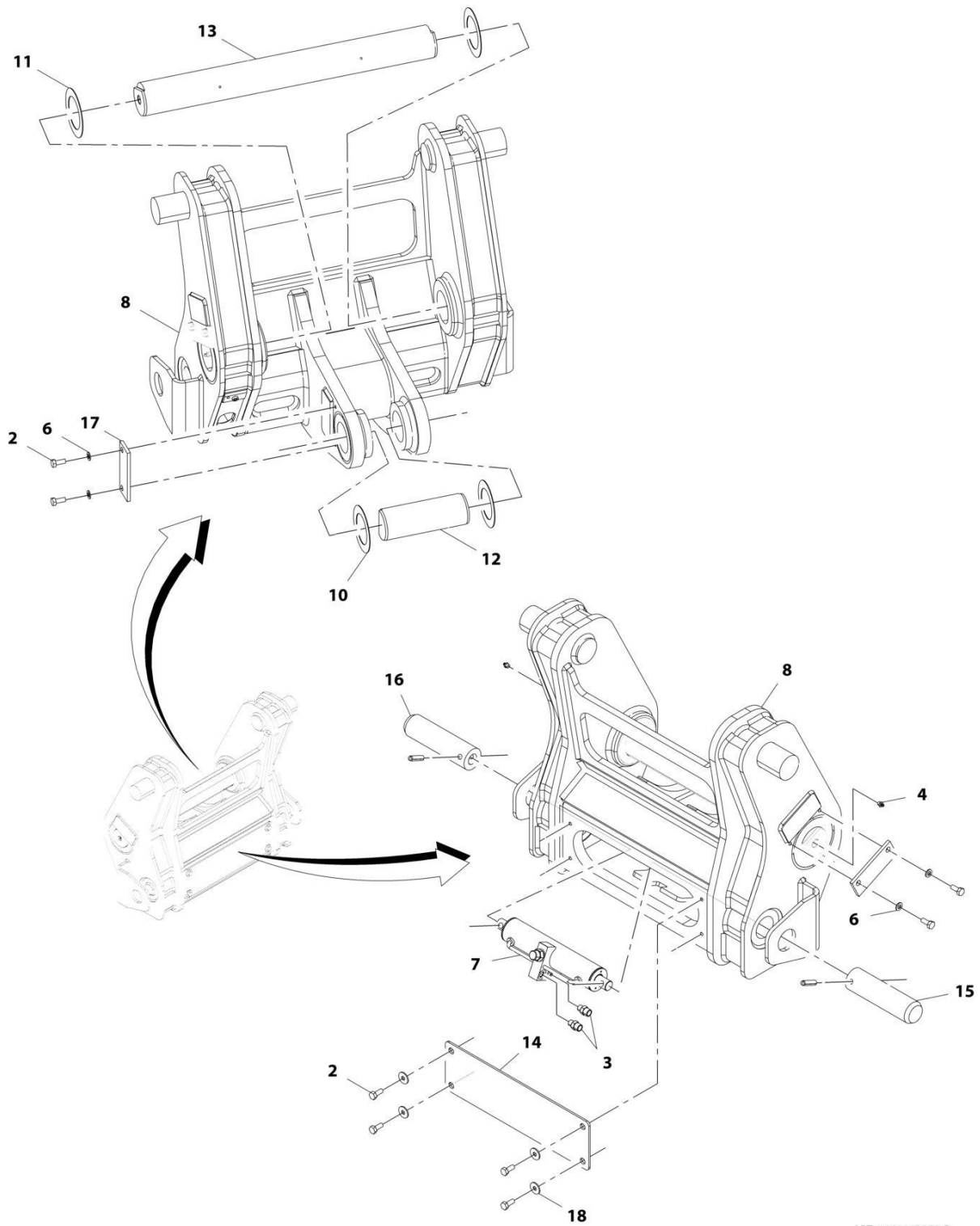


FIGURE 2-5. COUPLER INSTALLATION (MANUAL)

ITEM	PART NUMBER	QTY	DESCRIPTION	REV
	1001174104	Ref	Coupler Installation (Manual)	G
2	2160016	2	Fitting, Grease	
5	1001187820	1	Coupling, Manual	
6	1001187821	1	Pin	
8	1001187847	AR	Shim	
9	1001187848	AR	Shim	
10	1001190250	1	Pin, Tilt	
11	1001190264	1	Pin	
12	0761012	8	Bolt, M10X25	
13	4812000	4	Washer, M10	
14	1001200393	1	Plate, Front Cover	
15	1001210326	2	Plate	
16	1001003803	1	Pin	
17	4812002	4	Washer, M10	

# SECTION 2 - BOOM

## FIGURE 2-6. COUPLER INSTALLATION (HYDRAULIC)



ART\_1001192358-D

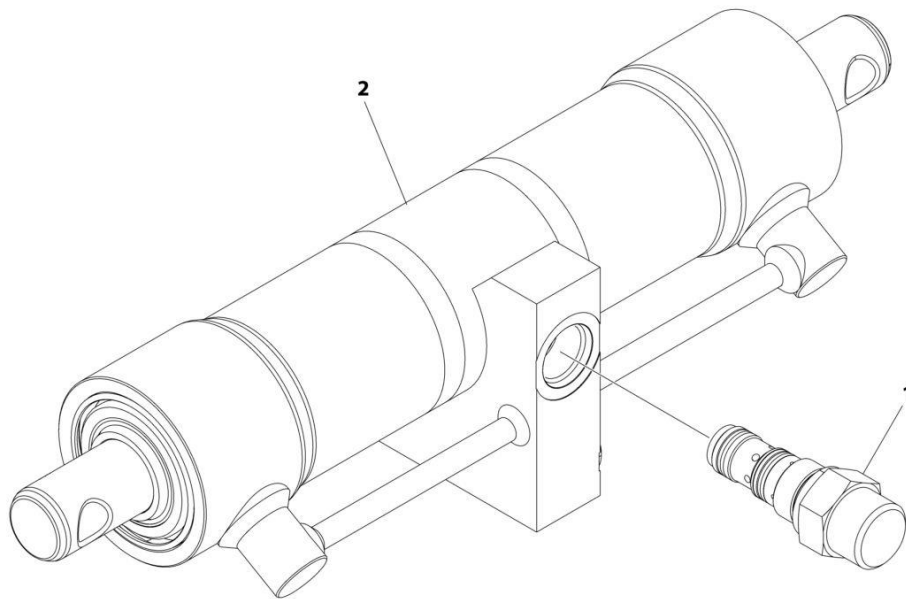
## SECTION 2 - BOOM

**FIGURE 2-6. COUPLER INSTALLATION (HYDRAULIC)**

ITEM	PART NUMBER	QTY	DESCRIPTION	REV
	1001192358	Ref	Coupler Installation (Hydraulic)	D
2	0761012	8	Bolt, M10X25	
3	2110606	2	Fitting, Straight ORFS	
4	2160016	2	Fitting, Grease	
6	4812000	4	Washer, M10	
7	1001145391	1	Assembly, Coupler Locking Cylinder (See Separate Breakdown in this Section)	
8	1001187820	1	Carriage	
10	1001187847	AR	Shim, M76X115X1.5	
11	1001187848	AR	Shim, M81X120X1.5	
12	1001190250	1	Pin, Tilt	
13	1001190264	1	Pin, Coupler	
14	1001200393	1	Plate, Front Cover	
15	1001200395	2	Pin	
16	1001184610	2	Pin	
17	1001210326	2	Plate, Pin Retention	
18	4812002	4	Washer, M10	

## SECTION 2 - BOOM

FIGURE 2-7. FRAME LEVEL CYLINDER INSTALLATION



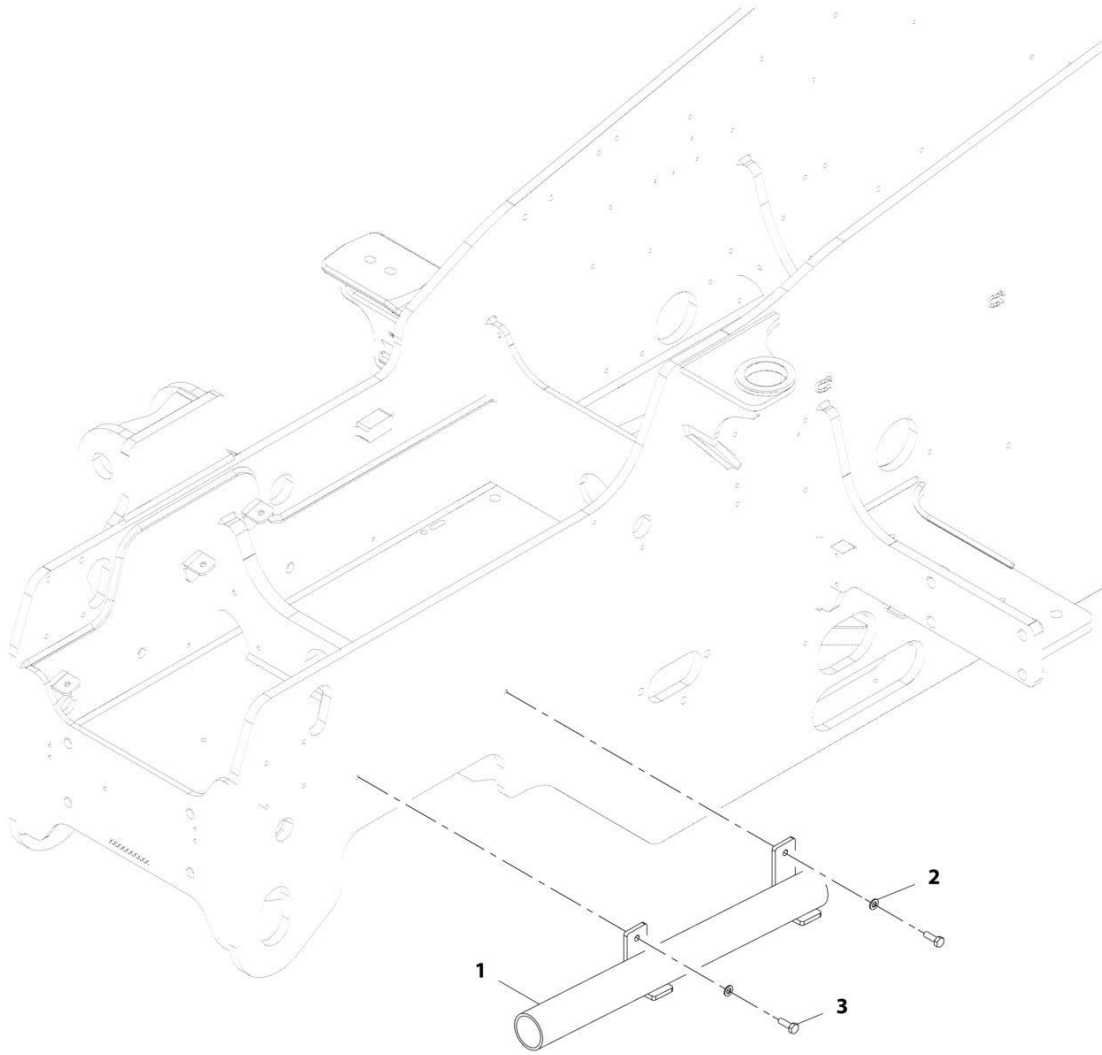
ART\_1001145391\_B

**FIGURE 2-7. FRAME LEVEL CYLINDER INSTALLATION**

ITEM	PART NUMBER	QTY	DESCRIPTION	REV
	1001145391	Ref	FRAME LEVEL CYLINDER INSTALLATION	B
1	1001007056	1	Valve, Check	
2	1001267977	1	Cylinder, Coupler Locking (See Separate Breakdown in HYDRAULIC COMPONENTS Section)	

# SECTION 2 - BOOM

## FIGURE 2-8. MANUAL COUPLER PIN HOLDER INSTALLATION



ART\_1001220641-A

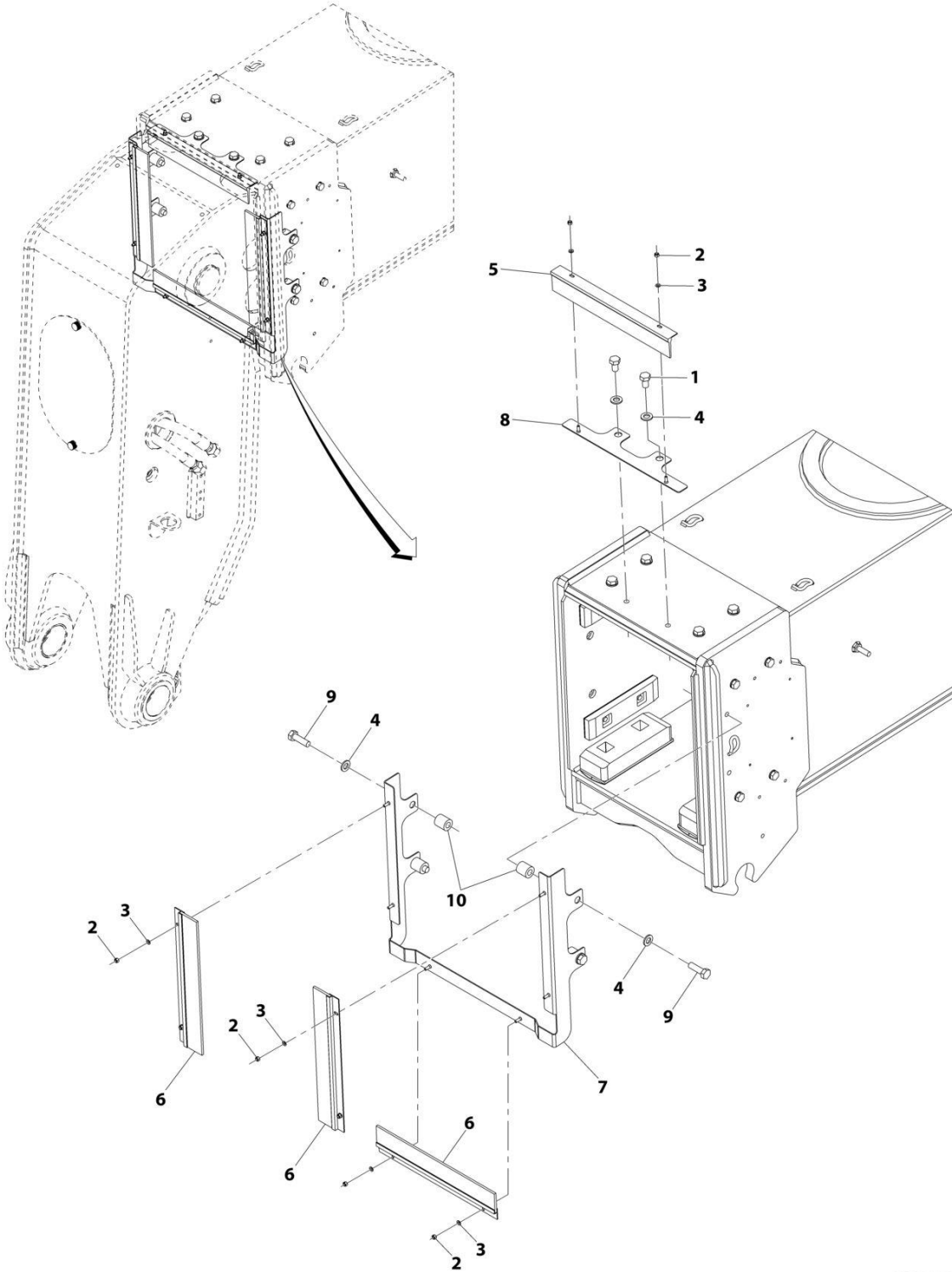


**FIGURE 2-8. MANUAL COUPLER PIN HOLDER INSTALLATION**

<b>ITEM</b>	<b>PART NUMBER</b>	<b>QTY</b>	<b>DESCRIPTION</b>	<b>REV</b>
	1001220641	Ref	Manual Coupler Pin Holder Installation	A
1	1001220248	1	Bracket, Pin Holder	
2	4812000	2	Washer, M10	
3	0701014	2	Bolt, M10X30	

# SECTION 2 - BOOM

## FIGURE 2-9. BOOM BRUSHES INSTALLATION



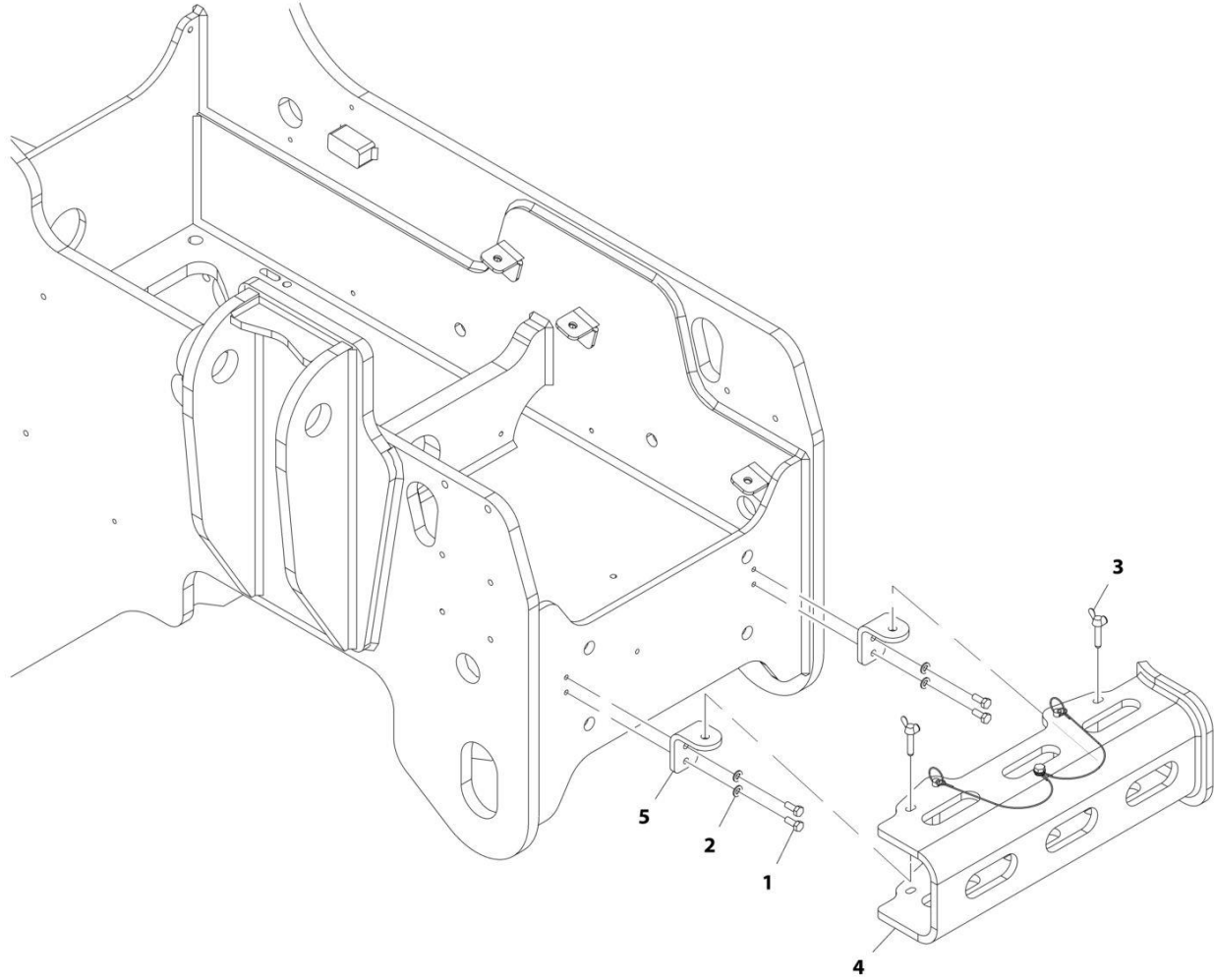
ART\_1001174431-C

FIGURE 2-9. BOOM BRUSHES INSTALLATION

ITEM	PART NUMBER	QTY	DESCRIPTION	REV
	1001174431	Ref	Boom Brushes Installation	C
1	0761210	2	Bolt, M12X20	
2	3290505	8	Nut, Lock M5X0.8 Grade 8	
3	4811600	8	Washer, M5	
4	1001125117	6	Washer, M12	
5	1001172999	1	Brush	
6	1001173679	3	Brush	
7	1001196878	1	Bracket	
8	1001196879	1	Bracket	
9	0701216	4	Bolt, M12X40	
10	1001220286	4	Tube	

# SECTION 2 - BOOM

## FIGURE 2-10. BOOM PROP INSTALLATION



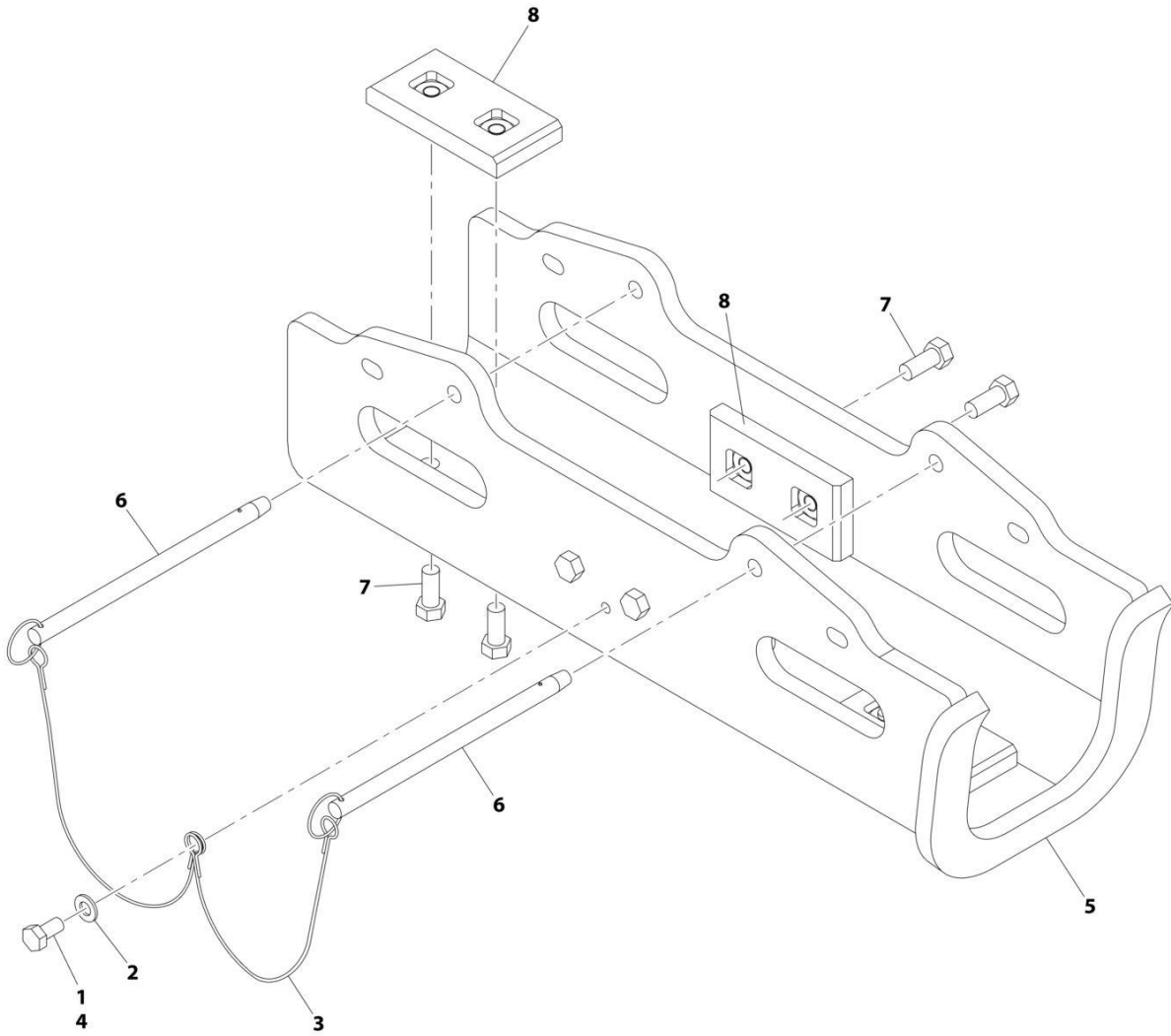
ART\_1001174419-C

FIGURE 2-10. BOOM PROP INSTALLATION

ITEM	PART NUMBER	QTY	DESCRIPTION	REV
	1001174419	Ref	Boom Prop Installation	C
1	0760810	4	Bolt, M8X20	
2	4811900	4	Washer, M8	
3	1001228860	2	Bolt, Wing M8X30	
4	1001191035	1	Bracket, Boom Prop (See Separate Breakdown in this Section)	
5	1001193887	2	Bracket	

# SECTION 2 - BOOM

## FIGURE 2-11. BOOM PROP BRACKET ASSEMBLY



ART\_1001191035-B

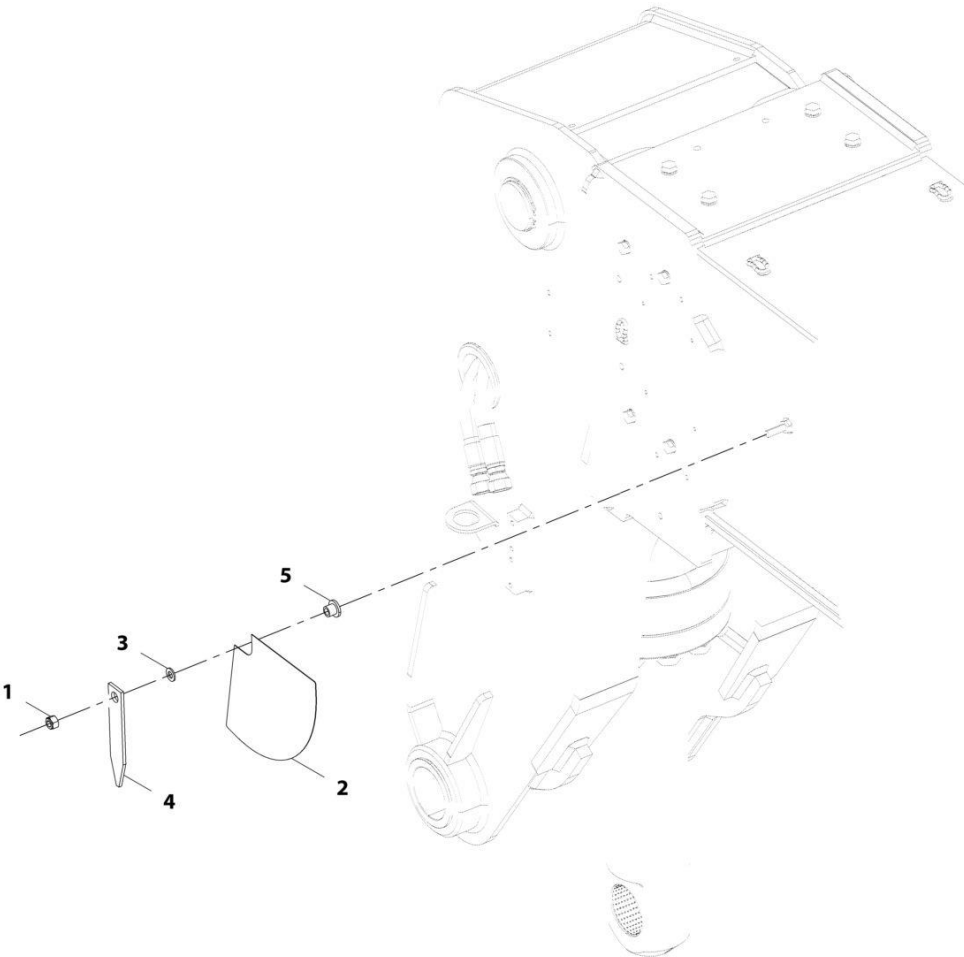
## SECTION 2 - BOOM

### FIGURE 2-11. BOOM PROP BRACKET ASSEMBLY

ITEM	PART NUMBER	QTY	DESCRIPTION	REV
	1001191035	Ref	Boom Prop Bracket Assembly	B
1	0760808	1	Bolt, M8X16	
2	4811900	1	Washer, M8	
3	1001164183	2	Lanyard, Boom Prop	
4	1001095650	AR	Adhesive, Loctite	
5	1001191036	1	Support, Boom Prop	
6	1001191039	2	Pin	
7	0651607	8	Bolt, 3/8-24 X 7/8	
8	91403530	4	Bearing	

**SECTION 2 - BOOM**

**FIGURE 2-12. BOOM ANGLE INDICATOR INSTALLATION**



ART\_1001192364-A



FIGURE 2-12. BOOM ANGLE INDICATOR INSTALLATION

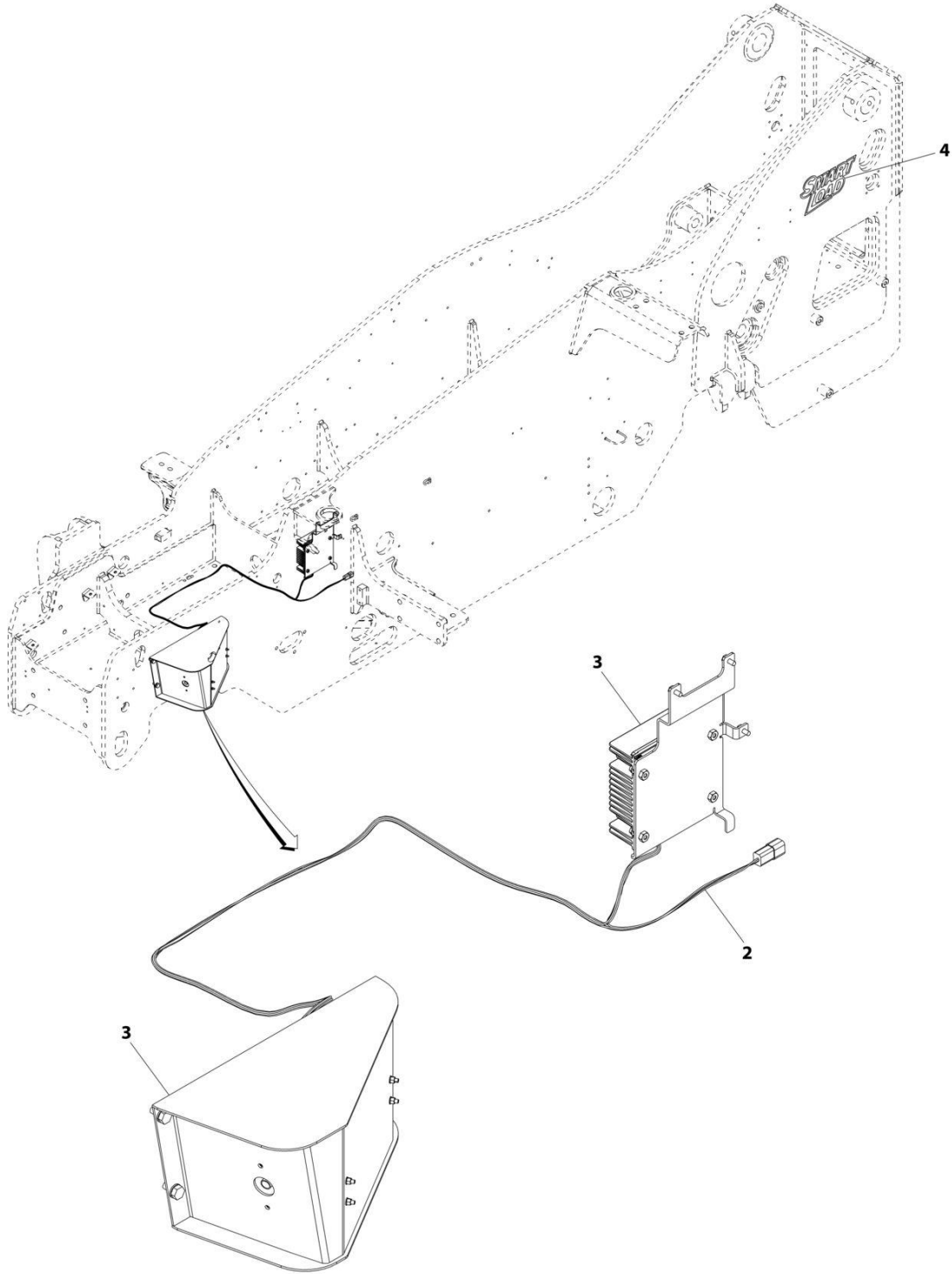
ITEM	PART NUMBER	QTY	DESCRIPTION	REV
	1001192364	Ref	Boom Angle Indicator Installation	A
1	3291005	1	Nut, Lock M10X1.5	
2	4105262	1	Decal, Boom Angle Indicator	
3	4812000	1	Washer, M10	
4	1001098769	1	Plate, Boom Angle Indicator	
5	1001171808	1	Spacer	



**SECTION 3 - ATTACHMENTS**

# SECTION 3 - ATTACHMENTS

## FIGURE 3-1. ATTACHMENT RECOGNITION INSTALLATION - COMPLETE



ART\_1001195881

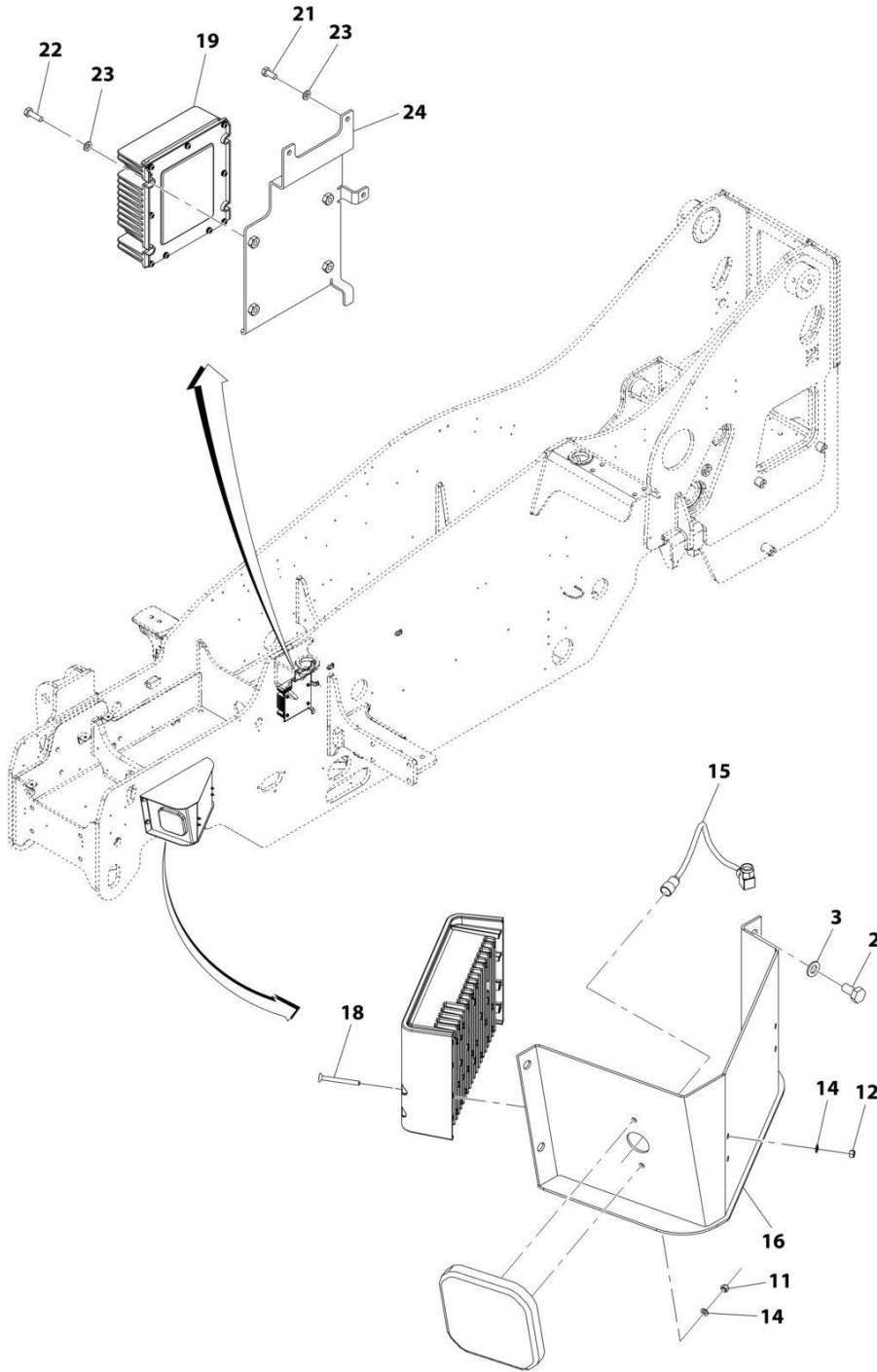
## SECTION 3 - ATTACHMENTS

**FIGURE 3-1. ATTACHMENT RECOGNITION INSTALLATION - COMPLETE**

ITEM	PART NUMBER	QTY	DESCRIPTION	REV
	1001195881	Ref	Attachment Recognition Installation	F
2	1001249251	1	Cable	
3	1001207866	1	Installation, Components Attachment Recognition (See Separate Breakdown in this Section)	
4	1001250276	2	Decal, Smart Load	

# SECTION 3 - ATTACHMENTS

## FIGURE 3-2. ATTACHMENT RECOGNITION INSTALLATION



ART\_1001207866\_G

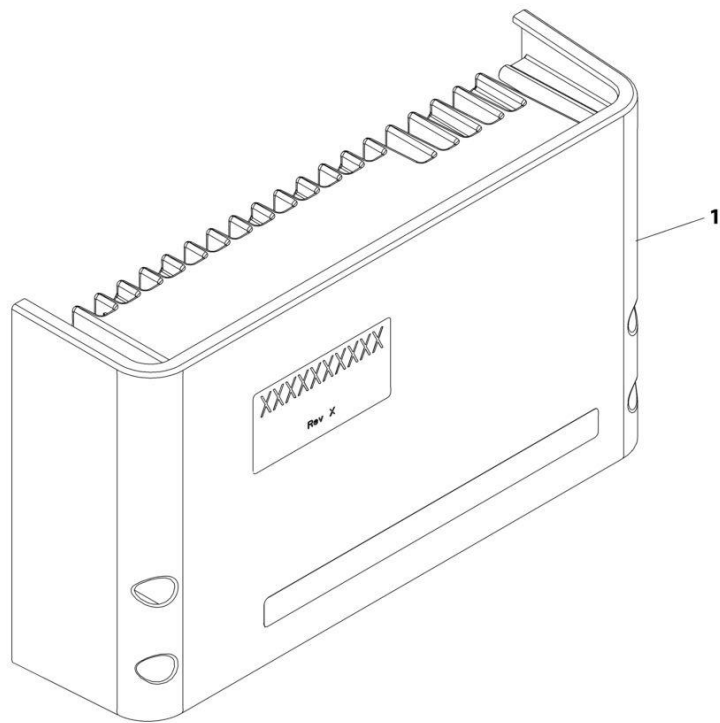
## SECTION 3 - ATTACHMENTS

**FIGURE 3-2. ATTACHMENT RECOGNITION INSTALLATION**

ITEM	PART NUMBER	QTY	DESCRIPTION	REV
	1001207866	Ref	Components Attachment Recognition Installation	G
2	0761010	4	Bolt, M10X20	
3	4812000	4	Washer, M10	
11	3290505	2	Nut, Lock M5X0.8 Grade 8	
12	3290507	4	Nut, Lock M5X0.8	
14	4811600	6	Washer, M5	
15	1001206725	1	Cable	
16	1001232988	1	Bracket, Attachment Recognition	
18	1001234395	4	Screw, M5X50	
19	1001249078	1	Control, Voltage	
21	0760607	3	Bolt, M6X14	
22	0700610	4	Bolt, M6X20	
23	4811700	7	Washer M6	
24	1001249249	1	Bracket, Converter Support	

# SECTION 3 - ATTACHMENTS

FIGURE 3-3. ATTACHMENT RECOGNITION RECEIVER (FCC)



ART\_1001250475-B



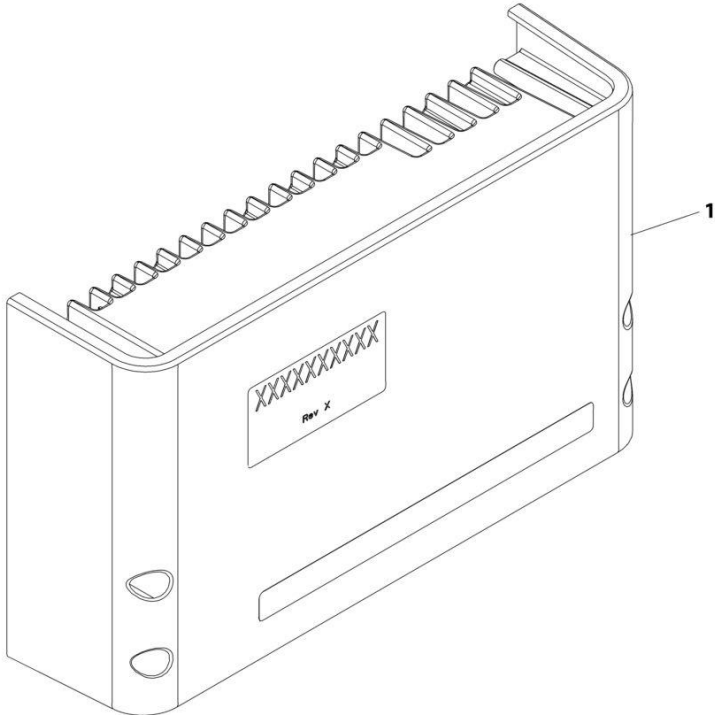
## SECTION 3 - ATTACHMENTS

**FIGURE 3-3. ATTACHMENT RECOGNITION RECEIVER (FCC)**

ITEM	PART NUMBER	QTY	DESCRIPTION	REV
	1001250475	1 Ref	ATTACHMENT RECOGNITION RECEIVER (FCC) <b>No Serviceable Parts. Purchase complete assembly</b>	B

**SECTION 3 - ATTACHMENTS**

**FIGURE 3-4. ATTACHMENT RECOGNITION RECEIVER (EU)**



ART\_1001250476-B

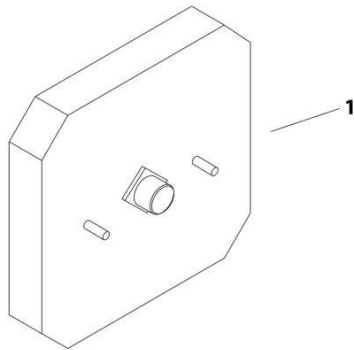
## SECTION 3 - ATTACHMENTS

**FIGURE 3-4. ATTACHMENT RECOGNITION RECEIVER (EU)**

ITEM	PART NUMBER	QTY	DESCRIPTION	REV
	1001250476	1 Ref	ATTACHMENT RECOGNITION RECEIVER (EU) <b>No Serviceable Parts. Purchase complete assembly</b>	B

# SECTION 3 - ATTACHMENTS

FIGURE 3-5. ATTACHMENT RECOGNITION ANTENNA (FCC)



ART\_1001202730

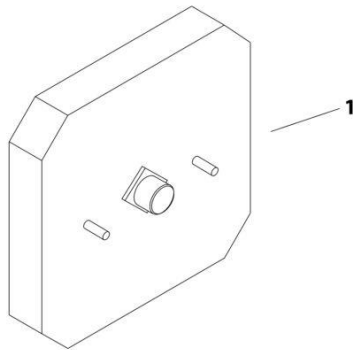
## SECTION 3 - ATTACHMENTS

**FIGURE 3-5. ATTACHMENT RECOGNITION ANTENNA (FCC)**

ITEM	PART NUMBER	QTY	DESCRIPTION	REV
	1001202730	1	ATTACHMENT RECOGNITION ANTENNA (FCC)	

## SECTION 3 - ATTACHMENTS

FIGURE 3-6. ATTACHMENT RECOGNITION ANTENNA (EU)



ART\_1001237738

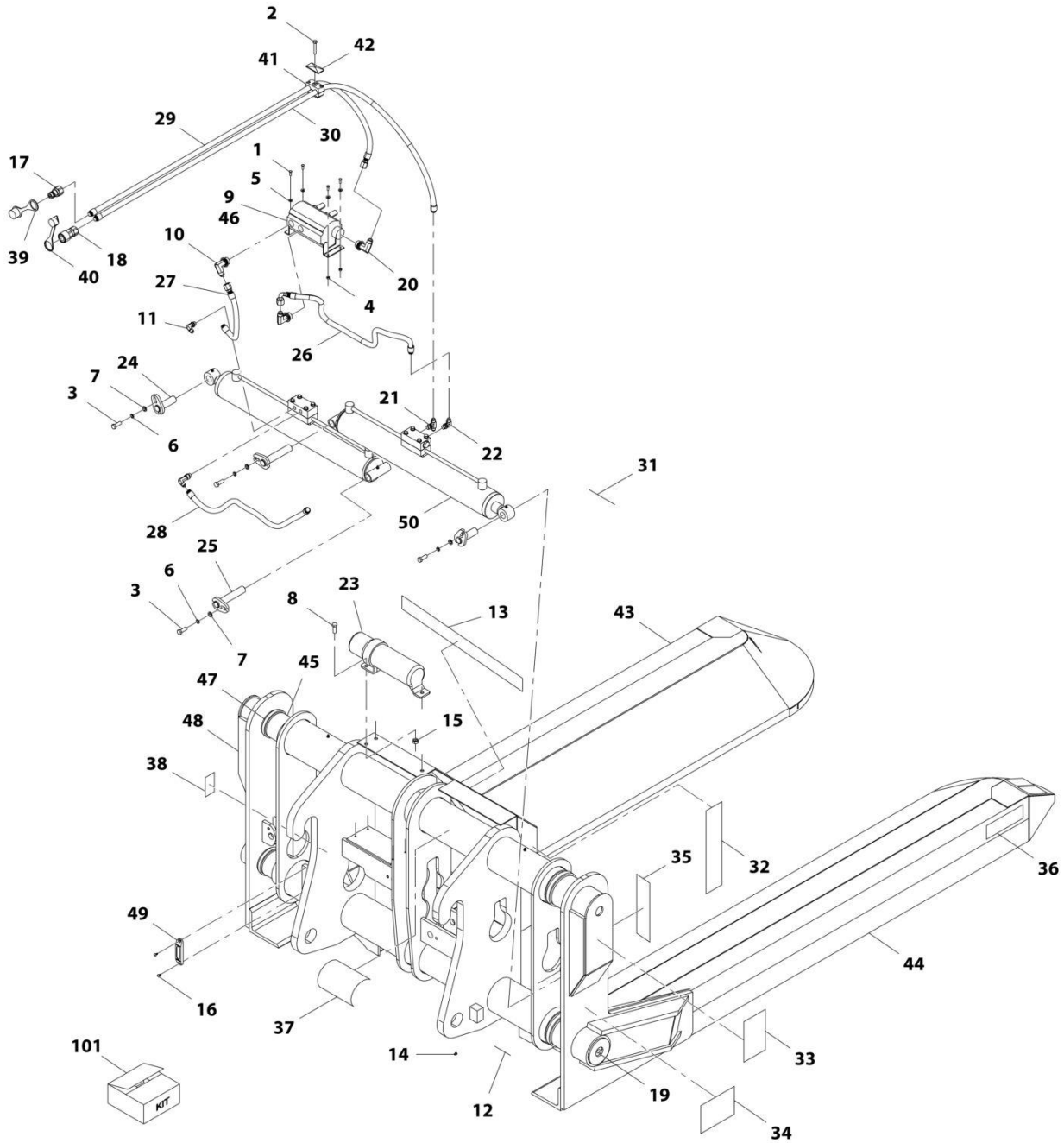
## SECTION 3 - ATTACHMENTS

**FIGURE 3-6. ATTACHMENT RECOGNITION ANTENNA (EU)**

ITEM	PART NUMBER	QTY	DESCRIPTION	REV
	1001202730	1	ATTACHMENT RECOGNITION ANTENNA (FCC)	

# SECTION 3 - ATTACHMENTS

## FIGURE 3-7. BALE HANDLER (ROUND BALES)



ART\_1001192649-D



## SECTION 3 - ATTACHMENTS

### FIGURE 3-7. BALE HANDLER (ROUND BALES)

ITEM	PART NUMBER	QTY	DESCRIPTION	REV
	1001192649	Ref	Bale Handler (round)	E
1	70027773	4	Bolt	
2	70028485	1	Screw	
3	70021349	4	Bolt, 3/8X1	
4	90554066	4	Nut	
5	90554067	4	Washer, Lock	
6	90554042	4	Washer, Lock	
7	70021350	4	Washer	
8	70028635	3	Bolt	
9	70028636	1	Plug w/O-Ring	
10	70028637	2	Fitting, 90	
11	90554065	1	Fitting, 90	
12	7029712	4	Decal, Grease	
13	70028638	1	Decal, Stand Clear Warning	
14	90554045	4	Fitting, Grease	
15	70028615	3	Nut	
16	70028554	2	Screw	
17	1001101041	1	Adapter, Male Quick Disconnect	
18	70028616	1	Fitting, Straight	
19	70028617	4	Plug	
20	70028618	1	Fitting, 90	
21	70028619	1	Fitting, Tee	
22	70028620	1	Fitting, 90	
23	1001101042	1	Adapter, Female Quick Disconnect	
24	70028489	2	Pin	
25	70028490	2	Pin	
26	70028621	1	Hose	
27	70028622	1	Hose	
28	70028623	1	Hose	
29	70028624	1	Hose	
30	7029709	1	Hose	
31	7029711	1	Decal, High Pressure Warning	
32	70028625	2	Decal, Pinch Point	
33	70028626	1	Decal, Transport Warning	
34	70028627	1	Decal, Safety Warning	
35	70028628	6	Decal, Red Reflexite	
36	70028629	6	Decal, Amber Reflexite	
37	70028630	1	Decal, Module Staging	
38	N.S.S.	1	Plate, Serial Number	
39	8420053	1	Cap, Dust	
40	8420055	1	Cap, Dust	
41	70028495	1	Clamp	
42	70028496	1	Plate, Clamp	
43	N.S.S.	1	Arm, RH	
44	N.S.S.	1	Arm, LH	
45	70028631	4	Wrap	
46	70028632	1	Valve, Flow Divider	
47	70028633	8	Clamp	
48	N.S.S.	1	Weldment	
49	1001227670	1	Tag, RFID	

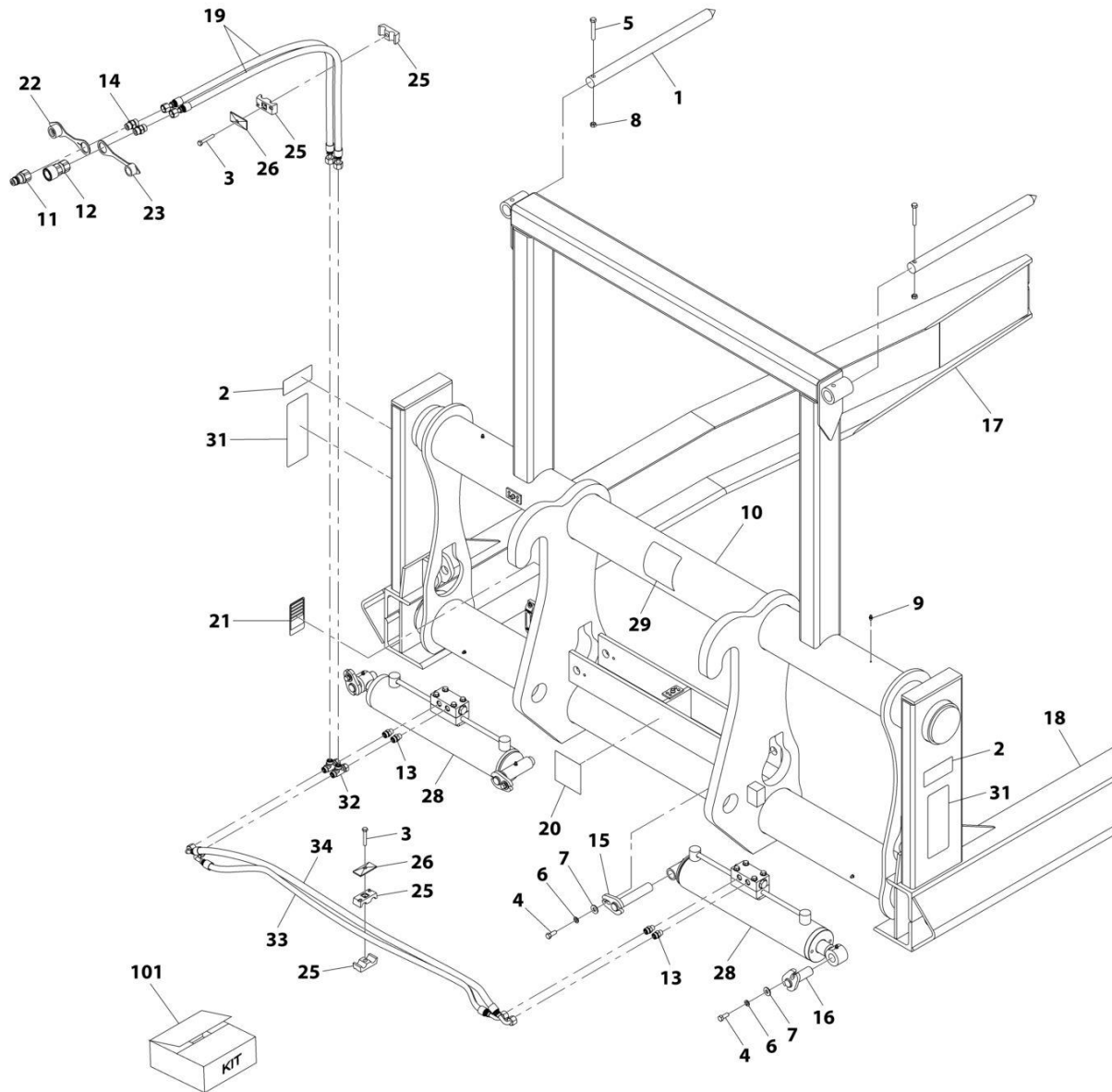
### SECTION 3 - ATTACHMENTS

ITEM	PART NUMBER	QTY	DESCRIPTION	REV
50	70028634	2	Assembly, Cylinder	
101	Kit	1	Kit, Seal	



# SECTION 3 - ATTACHMENTS

## FIGURE 3-8. BALE HANDLER (SQUARE BALES)



ART\_1001192650-E

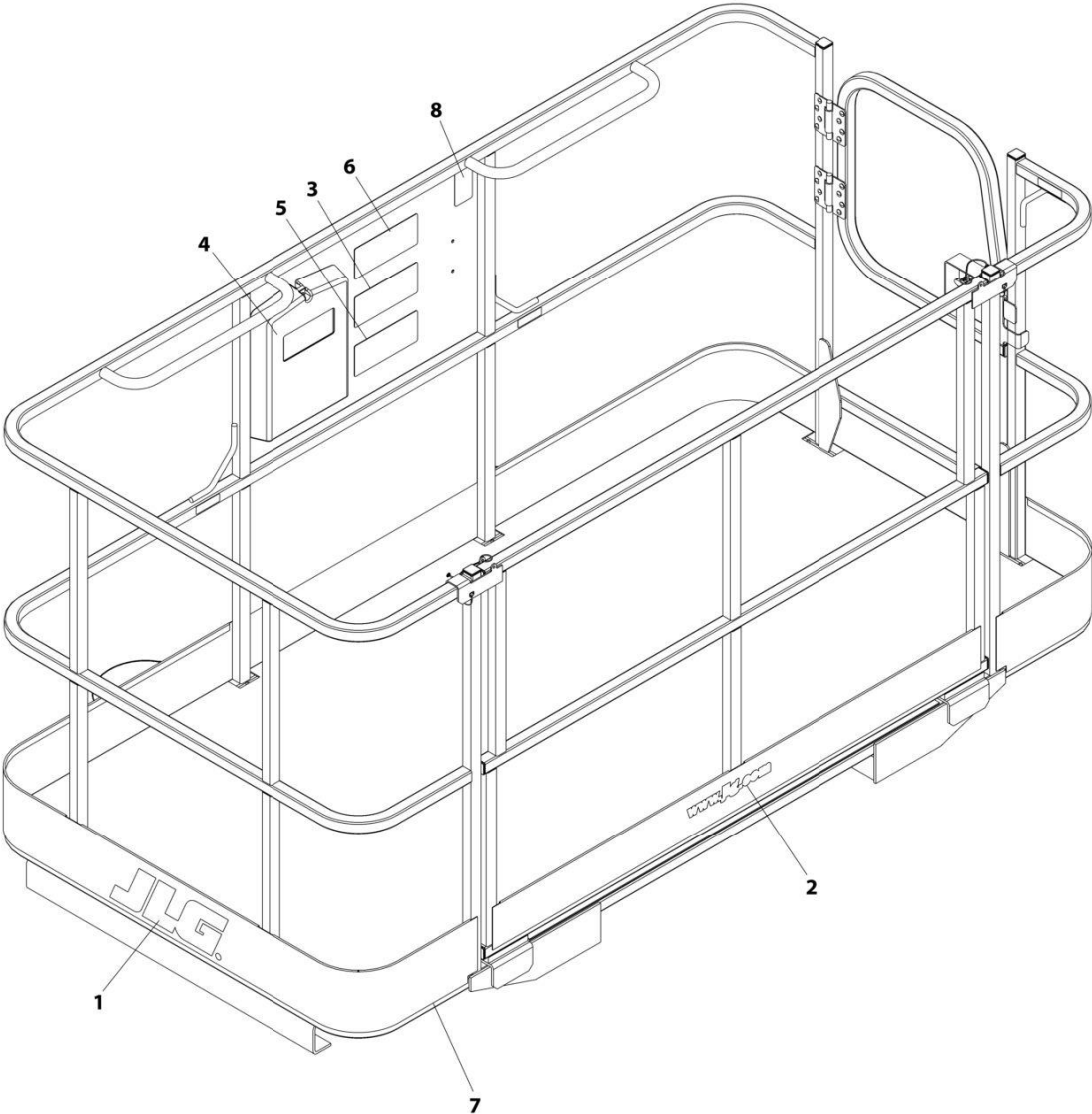
## SECTION 3 - ATTACHMENTS

### FIGURE 3-8. BALE HANDLER (SQUARE BALES)

ITEM	PART NUMBER	QTY	DESCRIPTION	REV
	1001192650	Ref	Bale Handler (square)	F
1	70028499	2	Spear	
2	70028500	2	Decal, Pinch Point	
3	70028485	2	Screw	
4	70021349	4	Bolt, 3/8X1	
5	70021422	2	Screw	
6	90554042	4	Washer, Lock 3/8	
7	70021350	4	Washer, Flat	
8	70021367	2	Nut, Lock 3/8	
9	90554045	4	Fitting, Grease	
10	N.S.S.	1	Weldment, Main Frame	
11	1001101041	1	Coupler, Male Hydraulic	
12	1001101042	1	Coupler, Female Hydraulic	
13	70028486	4	Fitting	
14	70028488	2	Fitting	
15	70028489	2	Pin	
16	70028490	2	Pin	
17	N.S.S.	1	Weldment, Left Bale Arm	
18	N.S.S.	1	Weldment, Right Bale Arm	
19	70028491	2	Hose	
20	7029711	1	Decal, High Pressure Warning	
21	N.S.S.	1	Plate, Serial Number	
22	8420053	1	Cap, Dust	
23	8420055	1	Cap, Dust	
25	70028495	2	Clamp	
26	70028496	2	Plate, Clamp	
28	70028497	2	Assembly, Cylinder	
29	70028498	1	Decal, Read Manual	
31	70028501	2	Decal, Falling Load	
32	70028487	2	Fitting, Tee	
33	70028492	1	Hose	
34	70028493	1	Hose	
101	70028494	1	Kit, Seal	

**SECTION 3 - ATTACHMENTS**

**FIGURE 3-9. BASKET, PERSONNEL (1.2MX2.4M) (DOMESTIC)**



ART\_1001238653-A

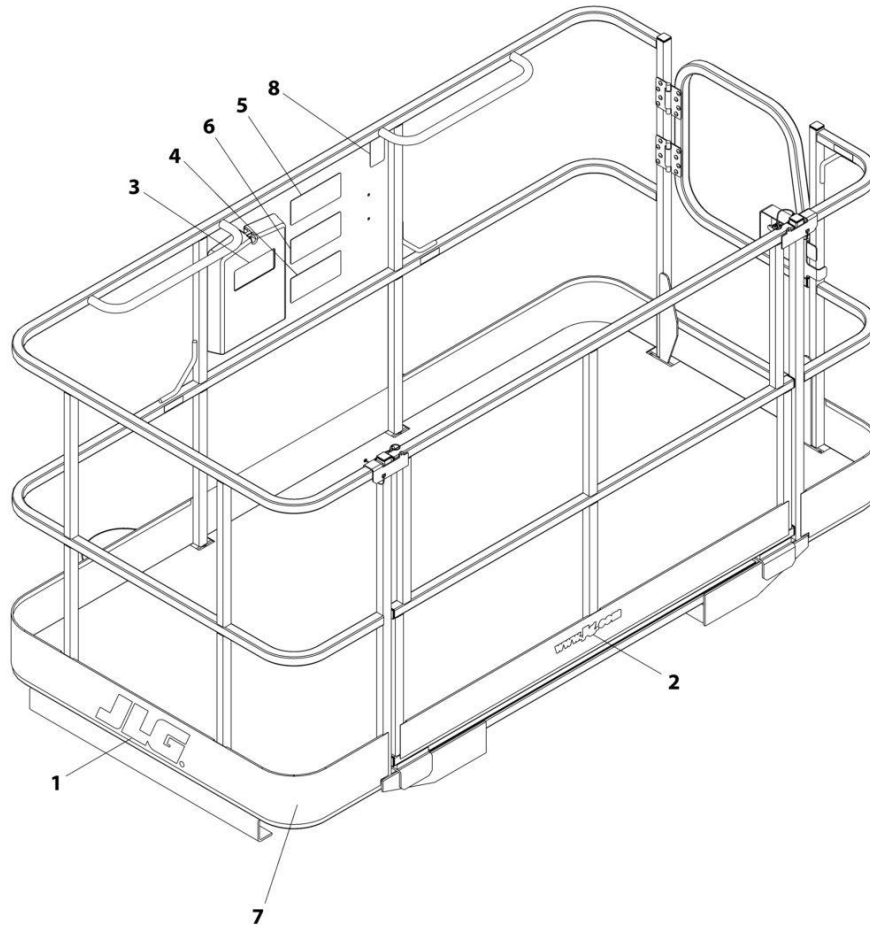
## SECTION 3 - ATTACHMENTS

**FIGURE 3-9. BASKET, PERSONNEL (1.2MX2.4M) (DOMESTIC)**

ITEM	PART NUMBER	QTY	DESCRIPTION	REV
	1001238653	Ref	FORK MOUNTED PLATFORM	B
1	1702773	2	Decal, JLG	
2	1704885	1	Decal, Website	
3	1706892	1	Decal, Platform Warning	
4	31200160	1	Manual, Personnel Work Platform Operation and Safety	
5	1001092481	1	Decal, Warning Attachment	
6	1001092482	1	Decal, Platform Capacity	
7	1001238565	1	Platform, Fork Mounted (See Separate Breakdown in this Section)	
8	See Note	NSS	SN Plate (Note: Stamped Part - Not Available for Purchase)	

# SECTION 3 - ATTACHMENTS

FIGURE 3-10. BASKET, PERSONNEL (1.2MX2.4M) (FRENCH LANGUAGE)



ART\_1001238655-A



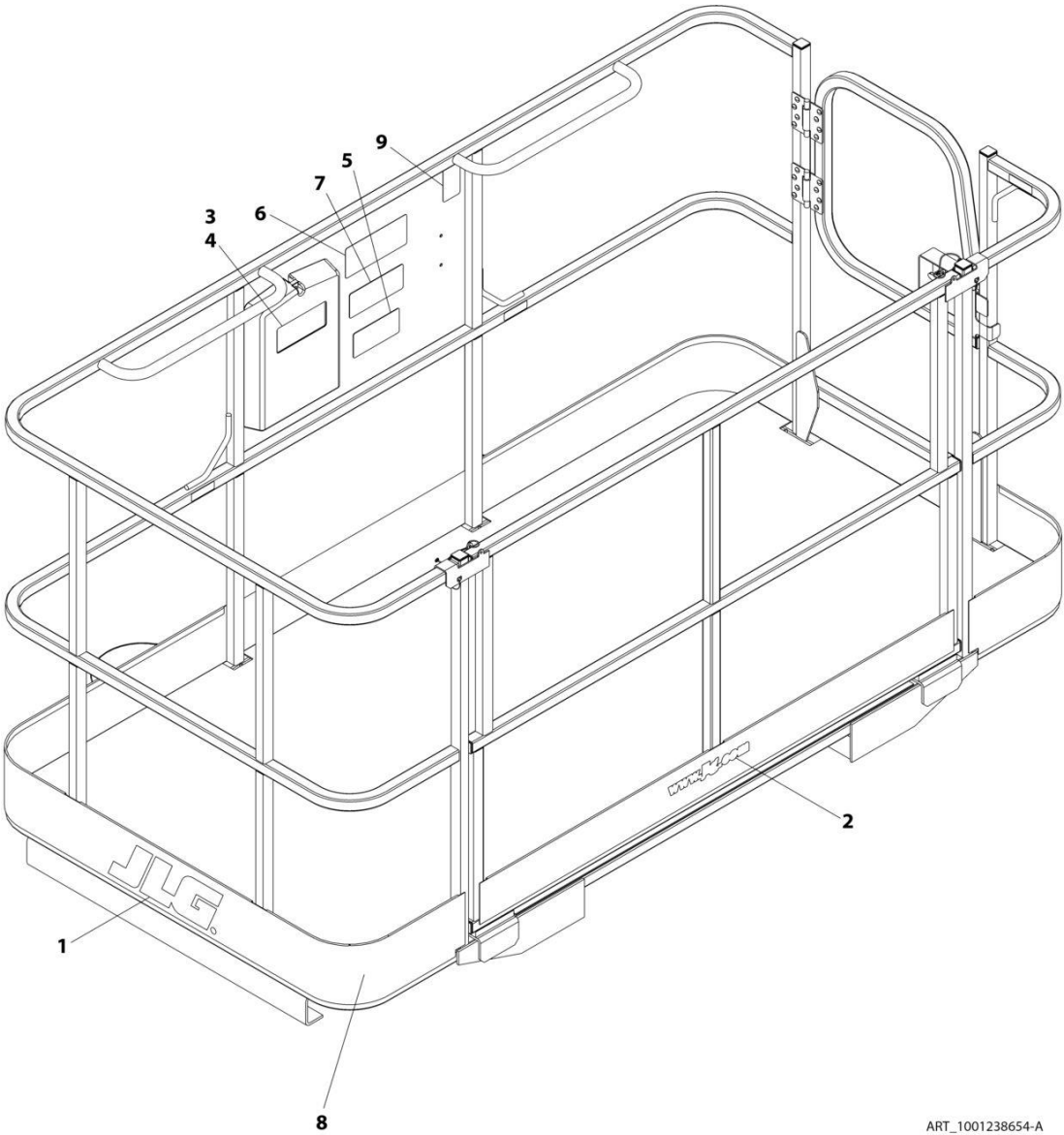
## SECTION 3 - ATTACHMENTS

**FIGURE 3-10. BASKET, PERSONNEL (1.2MX2.4M) (FRENCH LANGUAGE)**

ITEM	PART NUMBER	QTY	DESCRIPTION	REV
	1001238655	Ref	BASKET, PERSONNEL	B
1	1702773	2	Decal, JLG	
2	1704885	1	Decal, Website	
3	31200386	1	Manual, Operation and Safety (French)	
4	1001096019	1	Decal, Warning Attachment (French)	
5	1001096020	1	Decal, Platform Capacity (French)	
6	1001096024	1	Decal, Platform Warning (French)	
7	1001238565	1	Platform, Fork Mounted (ANSI) (See Separate Breakdown in this Section)	
8	See Note	NSS	SN Plate (Note: Stamped Part - Not Available for Purchase)	

**SECTION 3 - ATTACHMENTS**

**FIGURE 3-11. BASKET, PERSONNEL (1.2MX2.4M) (ISO)**



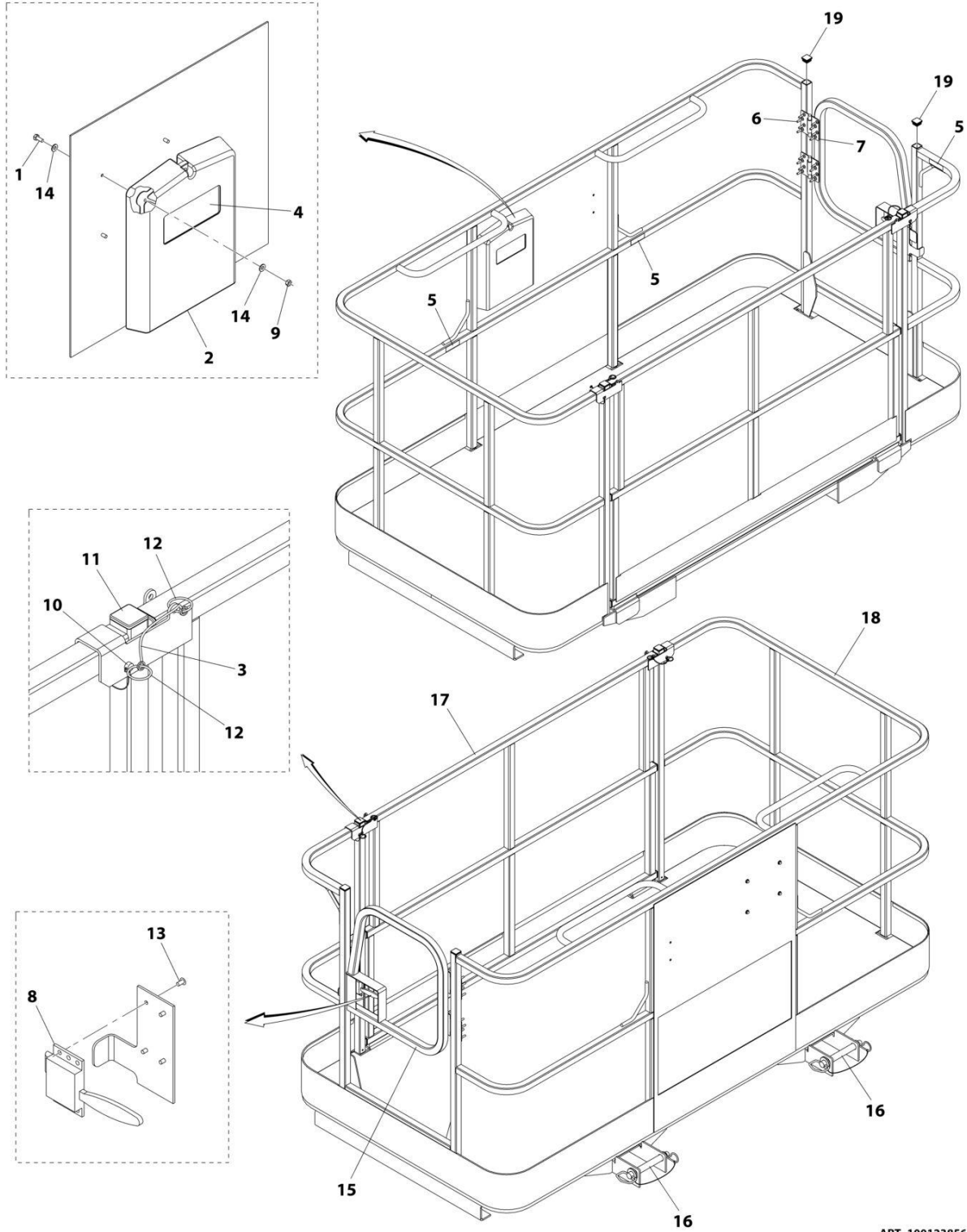
## SECTION 3 - ATTACHMENTS

**FIGURE 3-11. BASKET, PERSONNEL (1.2MX2.4M) (ISO)**

ITEM	PART NUMBER	QTY	DESCRIPTION	REV
	1001238654	Ref	BASKET, PERSONNEL	B
1	1702773	2	Decal, JLG	
2	1704885	1	Decal, Website	
3	31200387	1	Manual, Operation and Safety, Spanish	
4	31200388	1	Manual, Operation and Safety, Portuguese	
5	1001096021	1	Decal, Warning Attachment	
6	1001096023	1	Decal, Platform Capacity	
7	1001096025	1	Decal, Platform Warning	
8	1001238565	1	Platform, Fork Mounted (ANSI) (See Separate Breakdown in this Section)	
9	See Note	NSS	SN Plate (Note: Stamped Part - Not Available for Purchase)	

# SECTION 3 - ATTACHMENTS

## FIGURE 3-12. FORK MOUNTED PLATFORM



ART\_1001238565

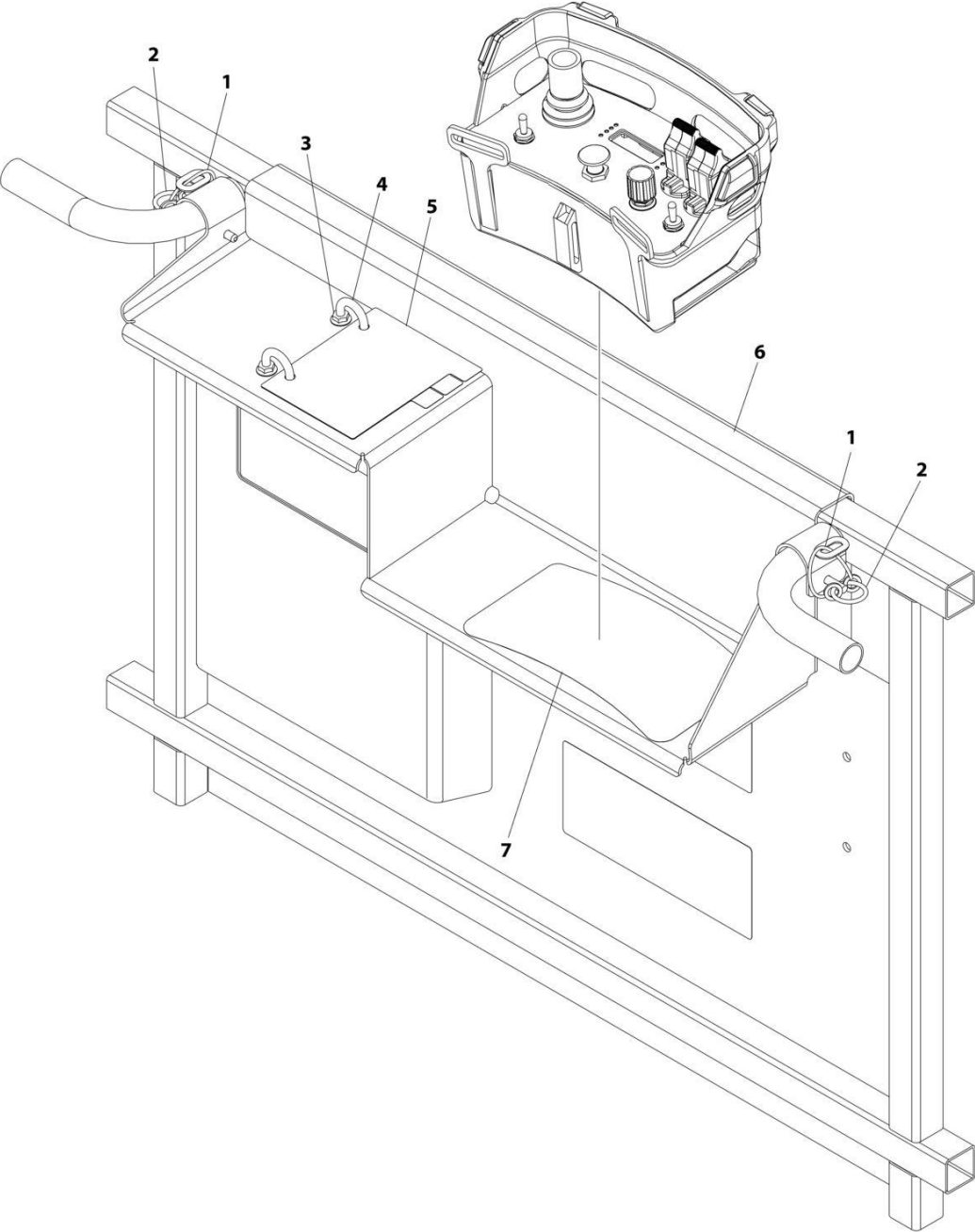
## SECTION 3 - ATTACHMENTS

**FIGURE 3-12. FORK MOUNTED PLATFORM**

ITEM	PART NUMBER	QTY	DESCRIPTION	REV
	1001238565	Ref	FORK MOUNTED PLATFORM ASSEMBLY	F
1	0641405	4	Bolt 1/4 x 5/8	
2	0860520	1	Box, Manual Storage	
3	1060379	2	Cable, Lanyard	
4	1701509	1	Decal, Manual	
5	1704277	3	Decal, Lanyard Attach	
6	2080040	16	Fastener	
7	2600281	2	Hinge	
8	2940074	1	Latch	
9	3311405	4	Nut 1/4	
10	3421453	2	Pin	
11	3520072	7	Plug	
12	3760170	4	Ring	
13	3820020	4	Rivet	
14	4711400	8	Washer 1/4	
15	1001144629J	1	Gate	
16	1001238560	2	Pin, Hitch	
17	1001095810	1	Gate	
18	See Note	NSS	Platform, Fork Mounted	
19	3520198	4	Plug	

**SECTION 3 - ATTACHMENTS**

**FIGURE 3-13. BASKET DOCKING STATION**



ART\_1001258664

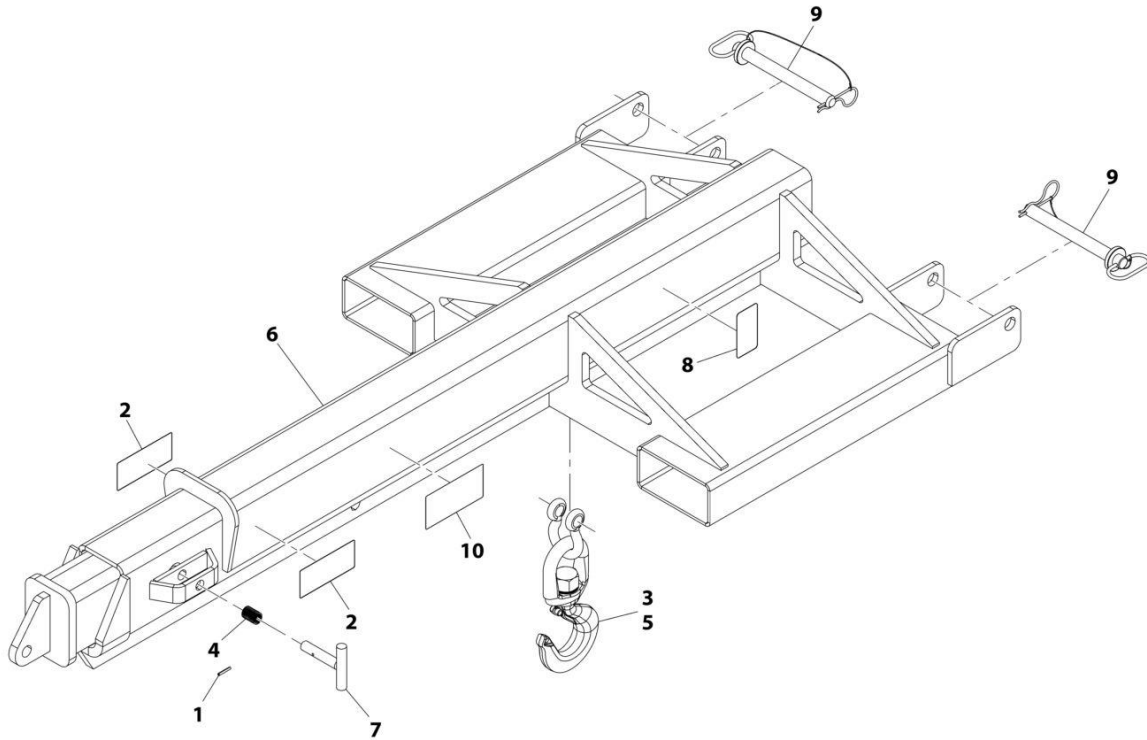
## SECTION 3 - ATTACHMENTS

### FIGURE 3-13. BASKET DOCKING STATION

ITEM	PART NUMBER	QTY	DESCRIPTION	REV
	1001258664	Ref	Basket Docking Station	A
1	1060379	2	Cable, Lanyard	
2	3422661	2	Pin, Quick Release	
3	8310382	8	Nut 1/4	
4	1001102844	2	U-Bolt 1/4X1-1/4	
5	1001258512	1	Load, Booklet Fork Platform	
6	1001259214	1	Bracket, Control Mount Weld	
7	1001259225	1	Decal, Remote Control	

# SECTION 3 - ATTACHMENTS

FIGURE 3-14. BOOM - TRUSS (3.6TON FORK MOUNTED)



ART\_1001230241-H



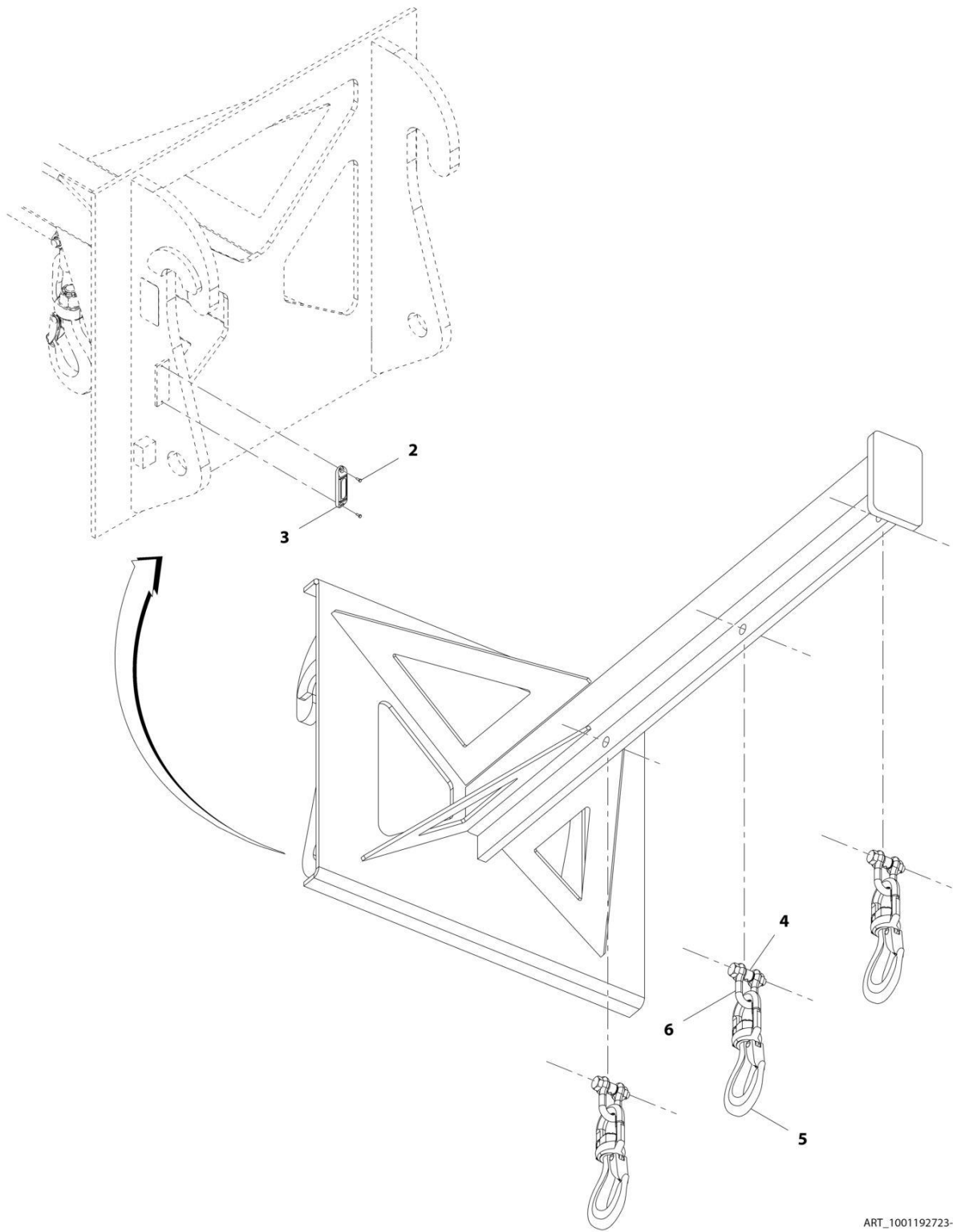
## SECTION 3 - ATTACHMENTS

**FIGURE 3-14. BOOM - TRUSS (3.6TON FORK MOUNTED)**

ITEM	PART NUMBER	QTY	DESCRIPTION	REV
	1001230241	Ref	Adjustable Truss Boom Installation (Fork Mounted)	J
1	3440620	1	Pin	
2	4110422	2	Decal, Danger Swinging Loads	
3	91403448	1	Hook, Swivel	
4	1001128890	1	Spring	
5	1001146160	1	Shackle	
6	See Note	NSS	Boom, Truss - Adjustable (Note: Purchase Complete Assembly)	
7	1001230239	1	Pin	
8	See Note	NSS	SN Plate (Note:Stamped Part - Not Available for Purchase)	
9	1001231692	2	Pin	
10	1001232500	1	Decal, Load Capacities	

# SECTION 3 - ATTACHMENTS

## FIGURE 3-15. BOOM - TRUSS (7.6 TON)



ART\_1001192723-F

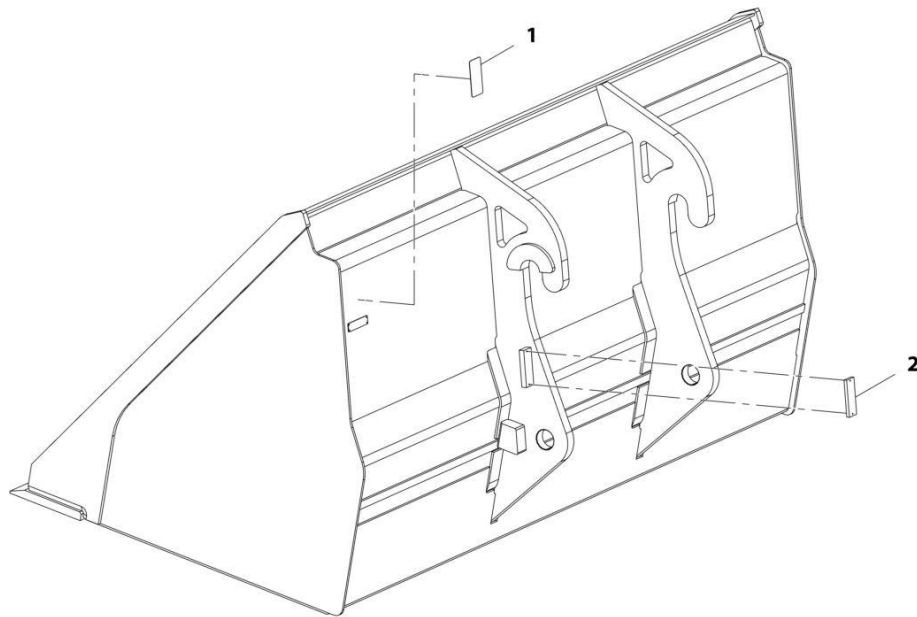
## SECTION 3 - ATTACHMENTS

### FIGURE 3-15. BOOM - TRUSS (7.6 TON)

ITEM	PART NUMBER	QTY	DESCRIPTION	REV
	1001192723	1	Truss Boom (7.6 ton)	G
2	70028554	2	Screw	
3	1001227670	1	Tag, RFID	
4	70020555	3	Bushing	
5	70026745	3	Hook	
6	70026746	3	Shackle, Chain	

# SECTION 3 - ATTACHMENTS

FIGURE 3-16. BUCKET (2.6 YD<sup>3</sup>/2.0M<sup>3</sup>)



ART\_1001192615-F

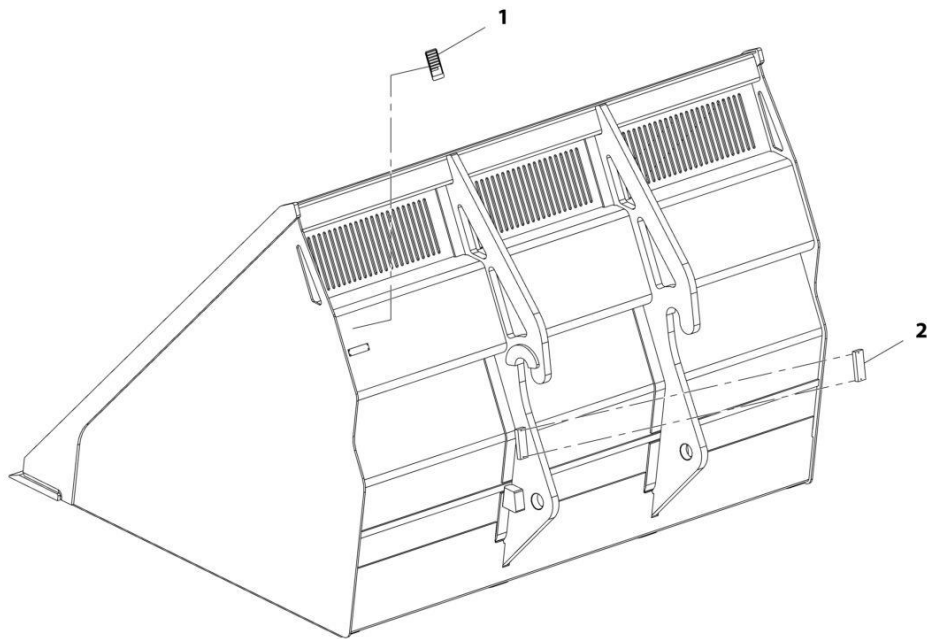
## SECTION 3 - ATTACHMENTS

**FIGURE 3-16. BUCKET (2.6 YD<sup>3</sup>/2.0M<sup>3</sup>)**

ITEM	PART NUMBER	QTY	DESCRIPTION	REV
	1001192615	Ref	Bucket (2.6 yd <sup>3</sup> /2.0m <sup>3</sup> )	G
1	N.S.S.	1	S/N Plate	
2	1001227670	1	Tag, RFID	

# SECTION 3 - ATTACHMENTS

FIGURE 3-17. BUCKET (5.23 YD<sup>3</sup>)



ART\_1001192616-E

## SECTION 3 - ATTACHMENTS

**FIGURE 3-17. BUCKET (5.23 YD<sup>3</sup>)**

ITEM	PART NUMBER	QTY	DESCRIPTION	REV
	1001192616	Ref	Bucket (5.23 yd <sup>3</sup> /4.0m <sup>3</sup> )	F
1	N.S.S.	1	S/N Plate	
2	1001227670	1	Tag, RFID	





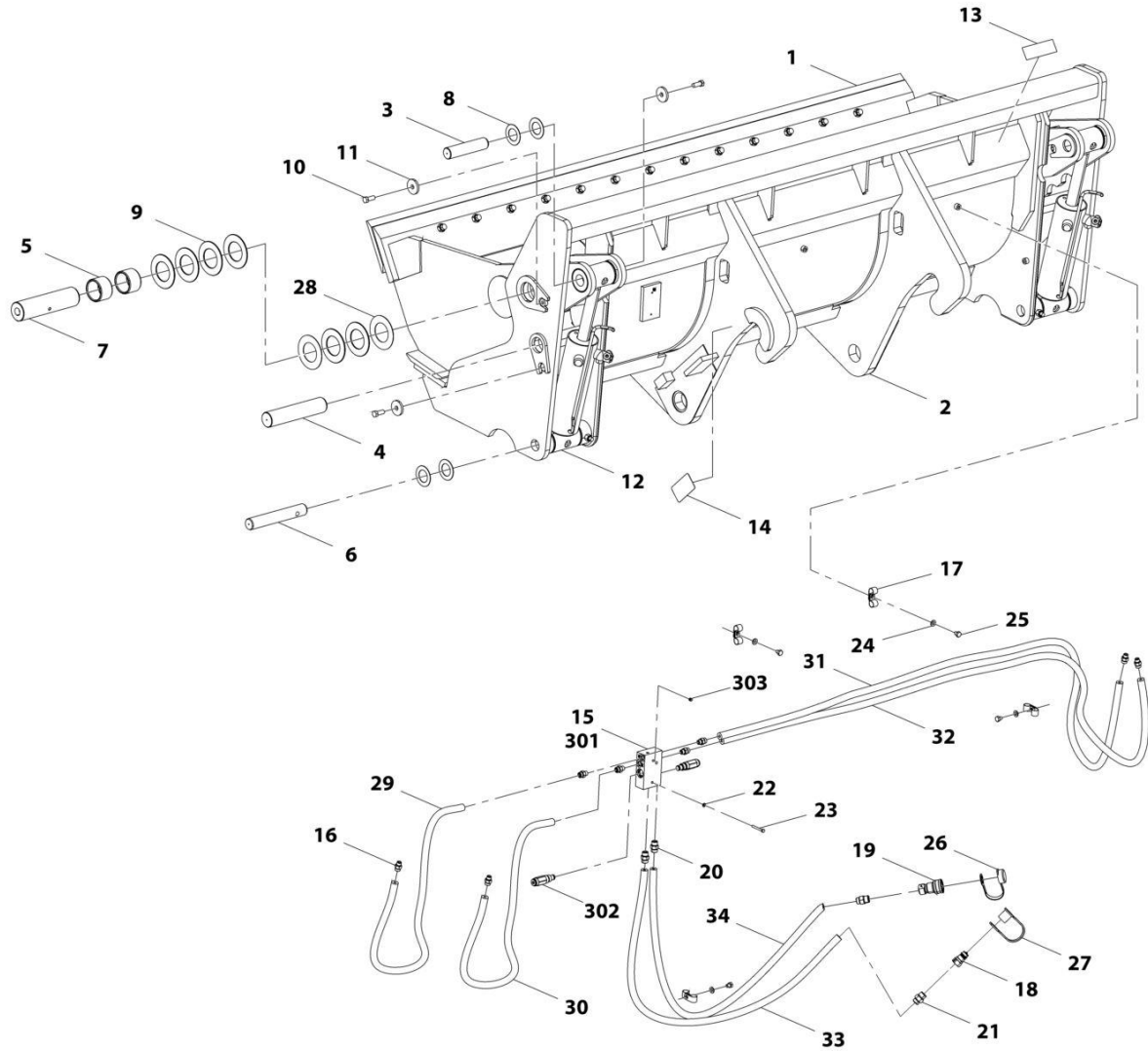
## SECTION 3 - ATTACHMENTS

**FIGURE 3-18. BUCKET - 4 IN 1 (2.6 YD<sup>3</sup>/2.0M<sup>3</sup>)**

ITEM	PART NUMBER	QTY	DESCRIPTION	REV
	1001192614	Ref	4 in 1 Bucket (2.6 yd <sup>3</sup> /2.0m <sup>3</sup> )	F
1	N.S.S.	1	Assembly, Scarifier	
2	N.S.S.	1	Assembly, Bucket	
3	70028563	2	Pin	
4	70028564	2	Pin	
5	70028565	4	Bushing	
6	70028566	2	Pin	
7	70028567	2	Pin	
8	70028568	8	Shim	
9	70028569	6	Shim	
10	70028570	6	Capscrew	
11	70028571	6	Washer	
12	70028572	2	Cylinder, 4 in 1 Bucket (See Separate Breakdown in HYDRAULIC COMPONENTS Section)	
13	N.S.S.	1	Plate, Serial Number	
14	N.S.S.	1	Plate, Serial Number JLG	
15	70028573	1	Valve Assembly, 4 in 1 Bucket (See Separate Breakdown in HYDRAULIC CIRCUITS Section)	
16	70024130	8	Fitting	
17	70026481	8	Clamp	
18	1001101041	1	Adapter, Male Quick Disconnect	
19	1001101042	1	Adapter, Female Quick Disconnect	
20	70022938	2	Fitting, Straight	
21	70028263	2	Fitting, Straight	
22	70026480	2	Fitting, Straight	
23	70026479	2	Bolt, M6X50	
24	70026482	4	Washer, M10	
25	70026483	4	Bolt, M10X16	
26	8420055	1	Cap, Dust	
27	8420053	1	Cap, Dust	
28	70028744	1	Hose	
29	70028745	1	Hose	
30	70028746	1	Hose	
31	70028747	1	Hose	
32	70028748	1	Hose	
33	70028574	12	Shim	

# SECTION 3 - ATTACHMENTS

## FIGURE 3-19. BUCKET - 4 IN 1 (1.3 YD<sup>3</sup>/1.0M<sup>3</sup>)



ART\_1001228427-B

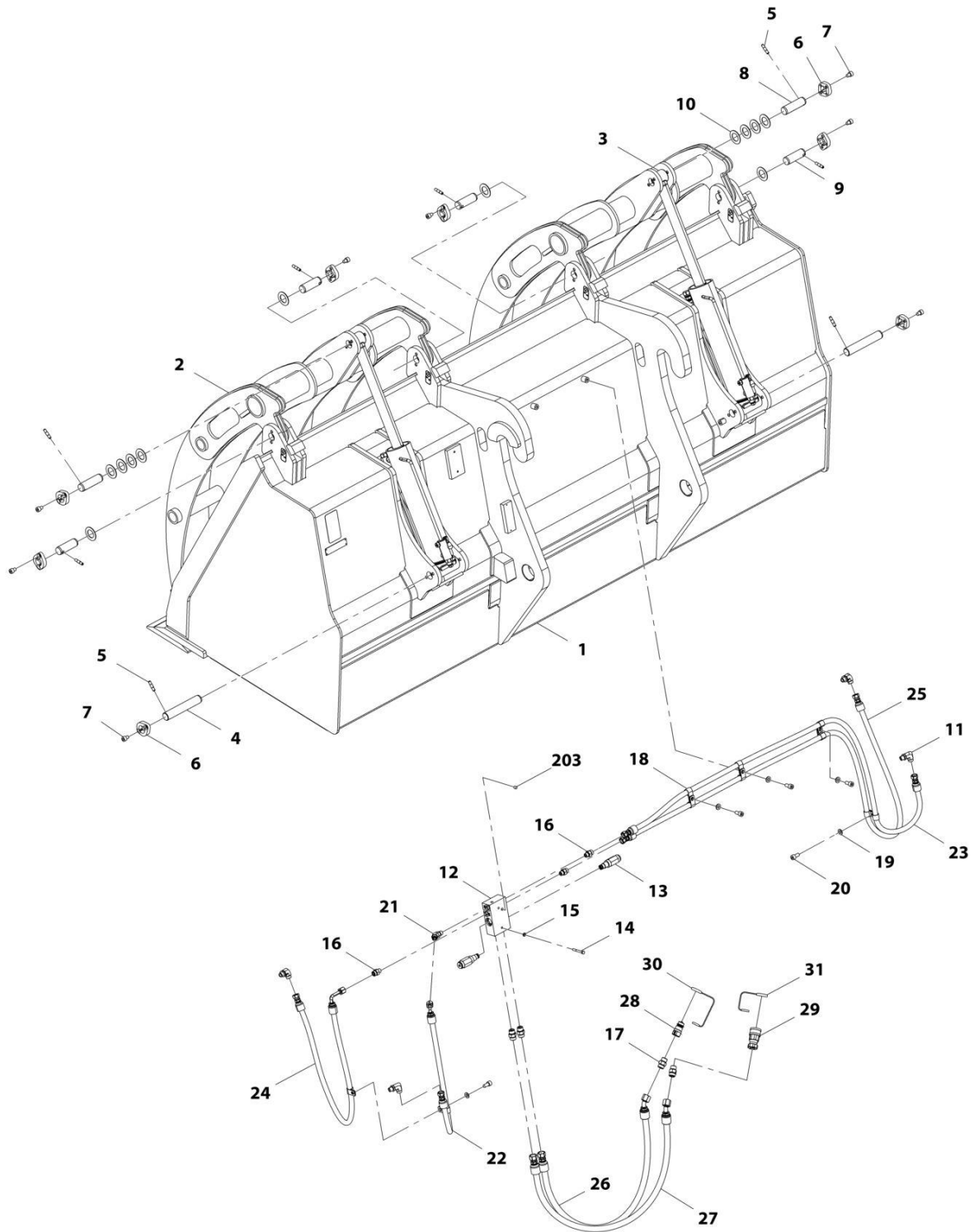
## SECTION 3 - ATTACHMENTS

**FIGURE 3-19. BUCKET - 4 IN 1 (1.3 YD<sup>3</sup>/1.0M<sup>3</sup>)**

ITEM	PART NUMBER	QTY	DESCRIPTION	REV
	1001228427	Ref	4 in 1 Bucket (1.3 yd <sup>3</sup> /1.0m <sup>3</sup> )	C
1	N.S.S.	1	Assembly, Front Bucket	
2	N.S.S.	1	Assembly, Back Bucket	
3	70028563	2	Pin	
4	70028564	2	Pin	
5	70028565	4	Bushing	
6	70028566	2	Pin	
7	70028567	2	Pin	
8	70028568	8	Shim	
9	70028569	6	Shim	
10	70028570	6	Capscrew	
11	70028571	6	Washer	
12	70028572	2	Assembly, 4 In 1 Bucket Cylinder (5.23 yd <sup>3</sup> /4.0m <sup>3</sup> ) (See Separate Breakdown in HYDRAULIC COMPONENTS Section)	
13	N.S.S.	1	Plate, Name	
14	N.S.S.	1	Plate, Serial Number	
15	70028573	1	Assembly, 4 In 1 Bucket Valve (5.23 yd <sup>3</sup> /4.0m <sup>3</sup> )	
16	70024130	8	Fitting, Straight	
17	70026481	8	Clamp, Hose	
18	1001101041	1	Adapter, Male Quick Disconnect	
19	1001101042	1	Adapter, Female Quick Disconnect	
20	70022938	2	Fitting, Straight	
21	70028263	2	Fitting, Straight	
22	70026480	2	Washer, M6	
23	70026479	2	Bolt, M6X50	
24	70026482	4	Washer, M10	
25	70026483	4	Bolt, M10X16	
26	8420055	1	Plug, Dust	
27	8420053	1	Plug, Cap	
28	70028574	12	Shim	
29	70028575	1	Hose	
30	70028576	1	Hose	
31	70028577	1	Hose	
32	70028578	1	Hose	
33	70028579	1	Hose	
34	70028580	1	Hose	
301	70026477	1	Manifold	
302	70028589	2	Cartridge, Relief	
303	70026614	2	Plug	

# SECTION 3 - ATTACHMENTS

## FIGURE 3-20. BUCKET - GRAPPLE (1.7 YD<sup>3</sup>/1.3M<sup>3</sup>)



ART\_1001223435-C

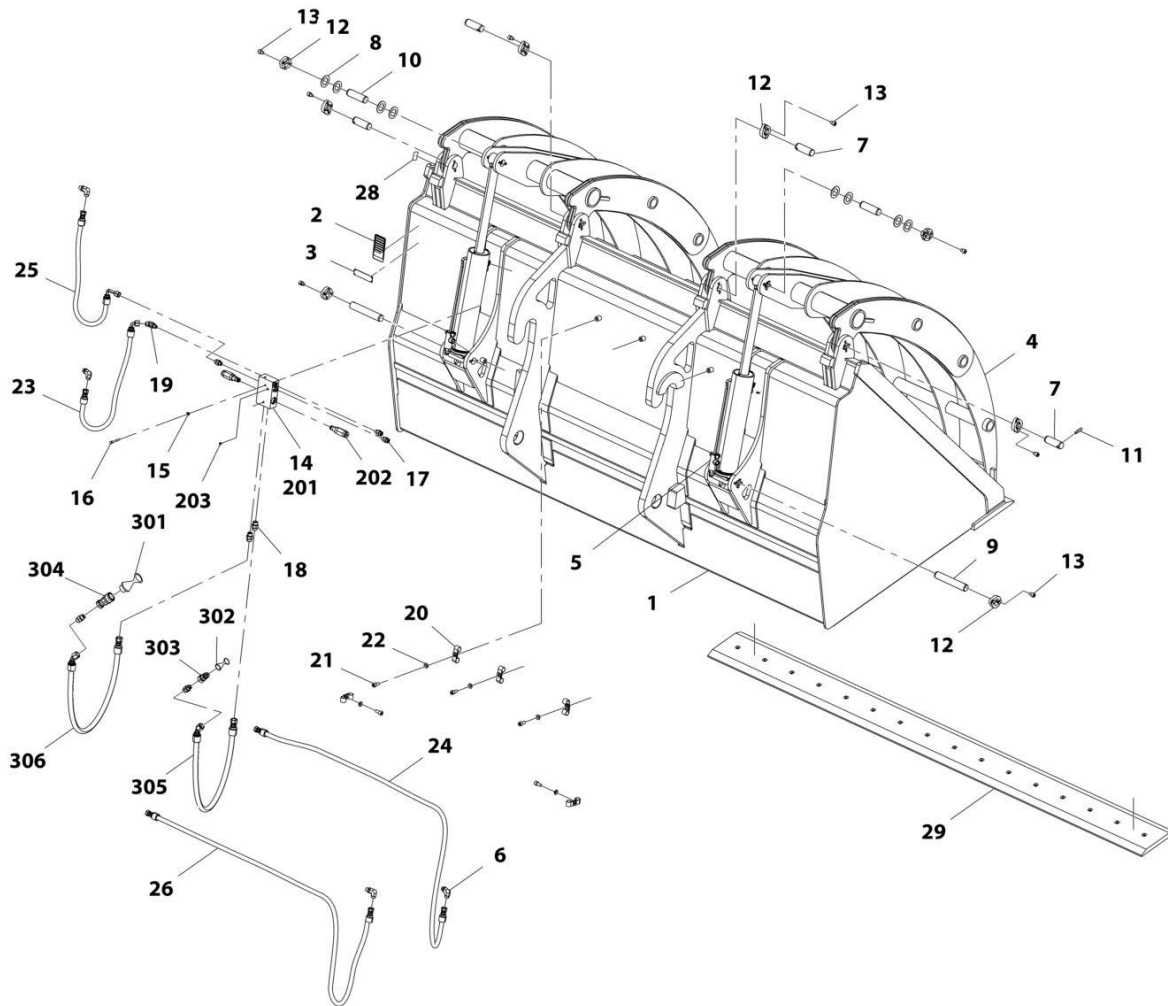
## SECTION 3 - ATTACHMENTS

**FIGURE 3-20. BUCKET - GRAPPLE (1.7 YD<sup>3</sup>/1.3M<sup>3</sup>)**

ITEM	PART NUMBER	QTY	DESCRIPTION	REV
	1001223435	Ref	Grapple Bucket (1.7 yd <sup>3</sup> /1.3m <sup>3</sup> )	D
1	N.S.S.	1	Bucket	
2	N.S.S.	1	Grapple	
3	70026469	2	Assembly, Cylinder, (See Separate Breakdown in HYDRAULIC COMPONENTS Section)	
4	70026470	2	Pin	
5	70026471	8	Pin Drive - Lock	
6	70026472	8	Retainer	
7	70026473	16	Capscrew, M10X12	
8	70026474	2	Pin	
9	70026475	4	Pin	
10	70026476	32	Shim	
11	70024123	4	Fitting, 90	
12	70026477	1	Manifold	
13	70026478	2	Cartridge, Relief Valve	
14	70026479	2	Bolt, M6X50	
15	70026480	2	Washer, M6	
16	70024130	3	Fitting, Straight	
17	70022938	4	Fitting, Straight	
18	70026481	10	Clamp, Hose	
19	70026482	5	Washer, M10	
20	70028672	5	Bolt, M10X20	
21	70026616	1	Fitting, 45	
22	70028749	1	Hose	
23	70028750	1	Hose	
24	70028751	1	Hose	
25	70028752	1	Hose	
26	70028753	1	Hose	
27	70028697	1	Hose	
28	1001101041	1	Adapter, Male Quick Disconnect	
29	1001101042	1	Adapter, Female Quick Disconnect	
30	8420053	1	Cap, Dust	
31	8420055	1	Plug, Dust	
203	70026614	2	Plug	

# SECTION 3 - ATTACHMENTS

## FIGURE 3-21. BUCKET - GRAPPLE (2.6 YD<sup>3</sup>/2.0M<sup>3</sup>)



ART\_1001192617-D

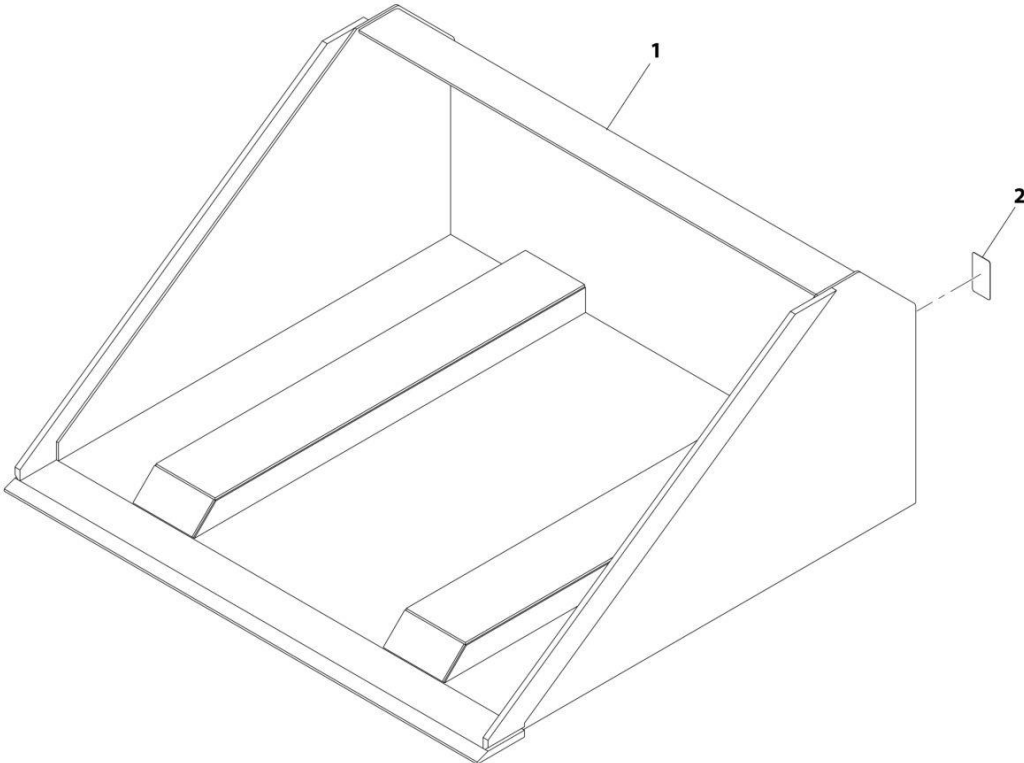
## SECTION 3 - ATTACHMENTS

**FIGURE 3-21. BUCKET - GRAPPLE (2.6 YD<sup>3</sup>/2.0M<sup>3</sup>)**

ITEM	PART NUMBER	QTY	DESCRIPTION	REV
	1001192617	Ref	Grapple Bucket (2.6 yd <sup>3</sup> /2.0m <sup>3</sup> )	E
1	N.S.S.	1	Bucket	
2	N.S.S.	1	Plate, Serial Number	
3	N.S.S.	1	Nameplate	
4	N.S.S.	1	Grapple	
5	70026469	2	Assembly, Cylinder (See Separate Breakdown in HYDRAULIC COMPONENTS Section)	
6	70024123	4	Fitting, 90	
7	70026475	4	Pin	
8	70026476	12	Shim	
9	70026470	2	Pin	
10	70026474	2	Pin	
11	70026471	8	Pin, Lock	
12	70026472	8	Retainer	
13	70026473	16	Capscrew, M10X12	
14	N.S.S.	1	Valve, Relief	
15	70026480	2	Washer, M6	
16	70026479	2	Bolt, M6X50	
17	70024130	3	Fitting, Straight	
18	70022938	4	Fitting, Straight	
19	70026616	1	Fitting, 45	
20	70026481	10	Clamp, Hose	
21	70028672	5	Bolt, M10X20	
22	70026482	5	Washer, M10	
23	70028738	1	Hose	
24	70028739	1	Hose	
25	70028740	1	Hose	
26	70028741	1	Hose	
28	70024538	8	Decal, Pinch Point	
29	70028742	1	Guard, Edge	
201	70026477	1	Manifold	
202	70026478	2	Cartridge, Relief Valve	
203	70026614	2	Plug	
301	8420055	1	Plug, Dust	
302	8420053	1	Cap, Dust	
303	1001101041	1	Coupler, Male Hydraulic	
304	1001101042	1	Coupler, Female Hydraulic	
305	70028743	1	Hose	
306	70028734	1	Hose	

**SECTION 3 - ATTACHMENTS**

**FIGURE 3-22. BUCKET - FORK MOUNTED (1.0M<sup>3</sup>)**



ART\_1001195970-D



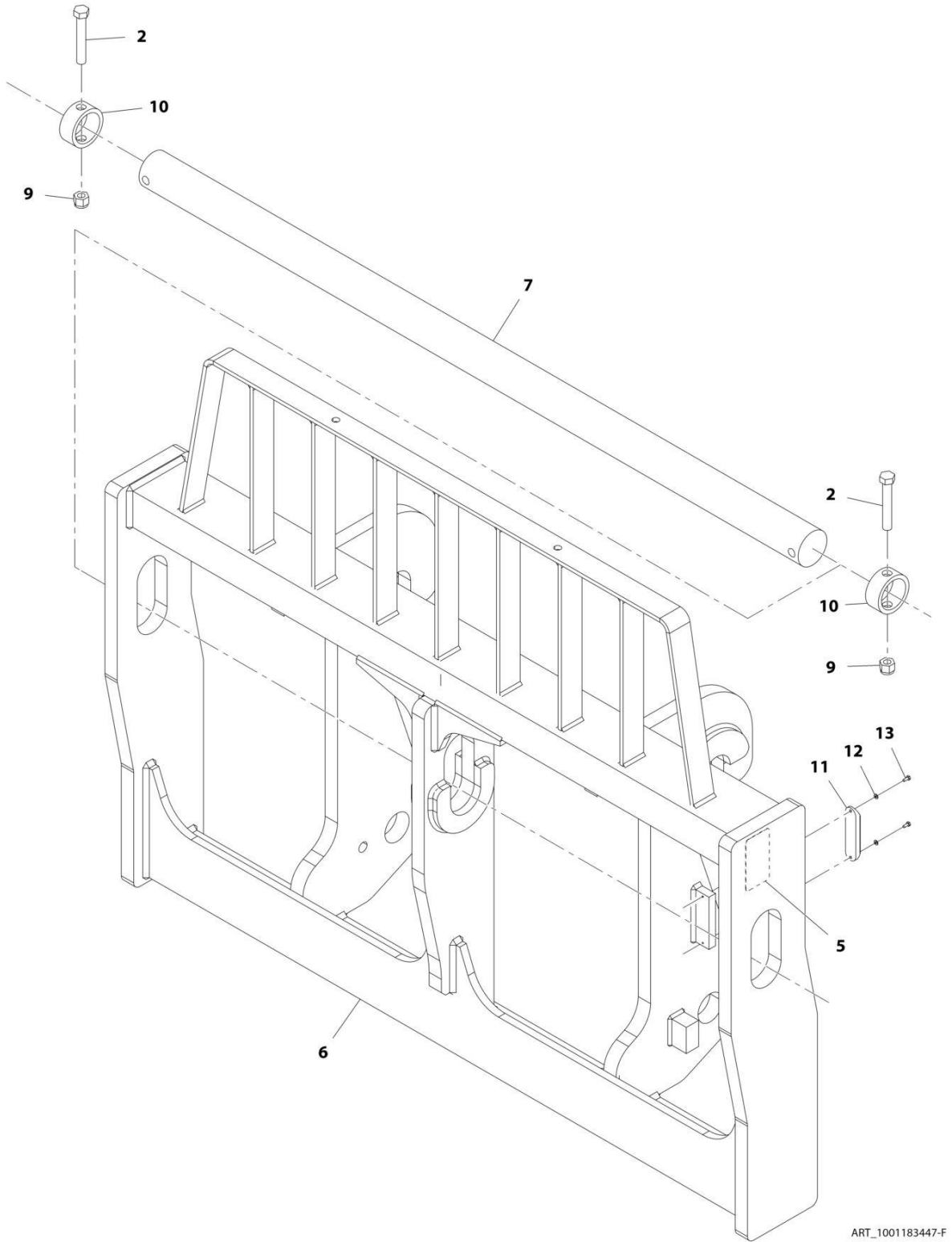
## SECTION 3 - ATTACHMENTS

**FIGURE 3-22. BUCKET - FORK MOUNTED (1.0M<sup>3</sup>)**

ITEM	PART NUMBER	QTY	DESCRIPTION	REV
1	1001195970	Ref	Bucket 1.0 m <sup>3</sup> (Fork Mounted)	E
2	See Note	NSS	S/N Plate (Note: Stamped Part - Not Available for Purchase)	

# SECTION 3 - ATTACHMENTS

## FIGURE 3-23. CARRIAGE ASSEMBLY (60IN/1524MM)



ART\_1001183447-F

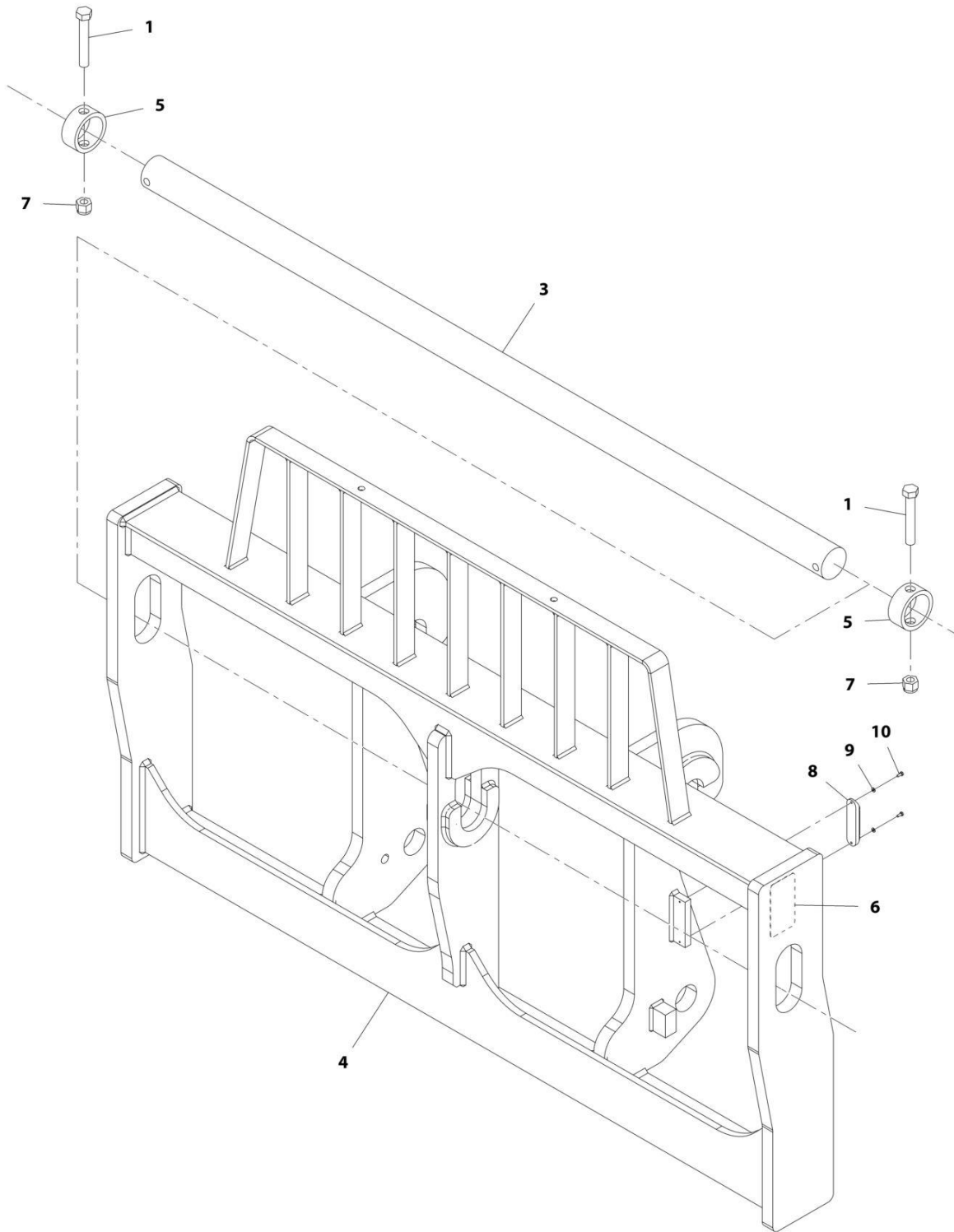
## SECTION 3 - ATTACHMENTS

### FIGURE 3-23. CARRIAGE ASSEMBLY (60IN/1524MM)

ITEM	PART NUMBER	QTY	DESCRIPTION	REV
	1001183447	1	Carriage Assembly (60in/1524mm)	F
2	0701628	2	Bolt, M16X110	
5	N.S.S.	1	S/N Plate	
6	N.S.S.	1	Weldment, Carriage	
7	1001191108	1	Pin	
9	3291605	2	Nut, Lock M16X2 Grade 8	
10	1001218755	2	Collar, Shaft	
11	1001227670	1	Tag, RFID	
12	4811400	2	Washer, M4	
13	0760405	2	Bolt, M4X10	

# SECTION 3 - ATTACHMENTS

## FIGURE 3-24. CARRIAGE ASSEMBLY (72IN/1829MM)



ART\_1001214415-E

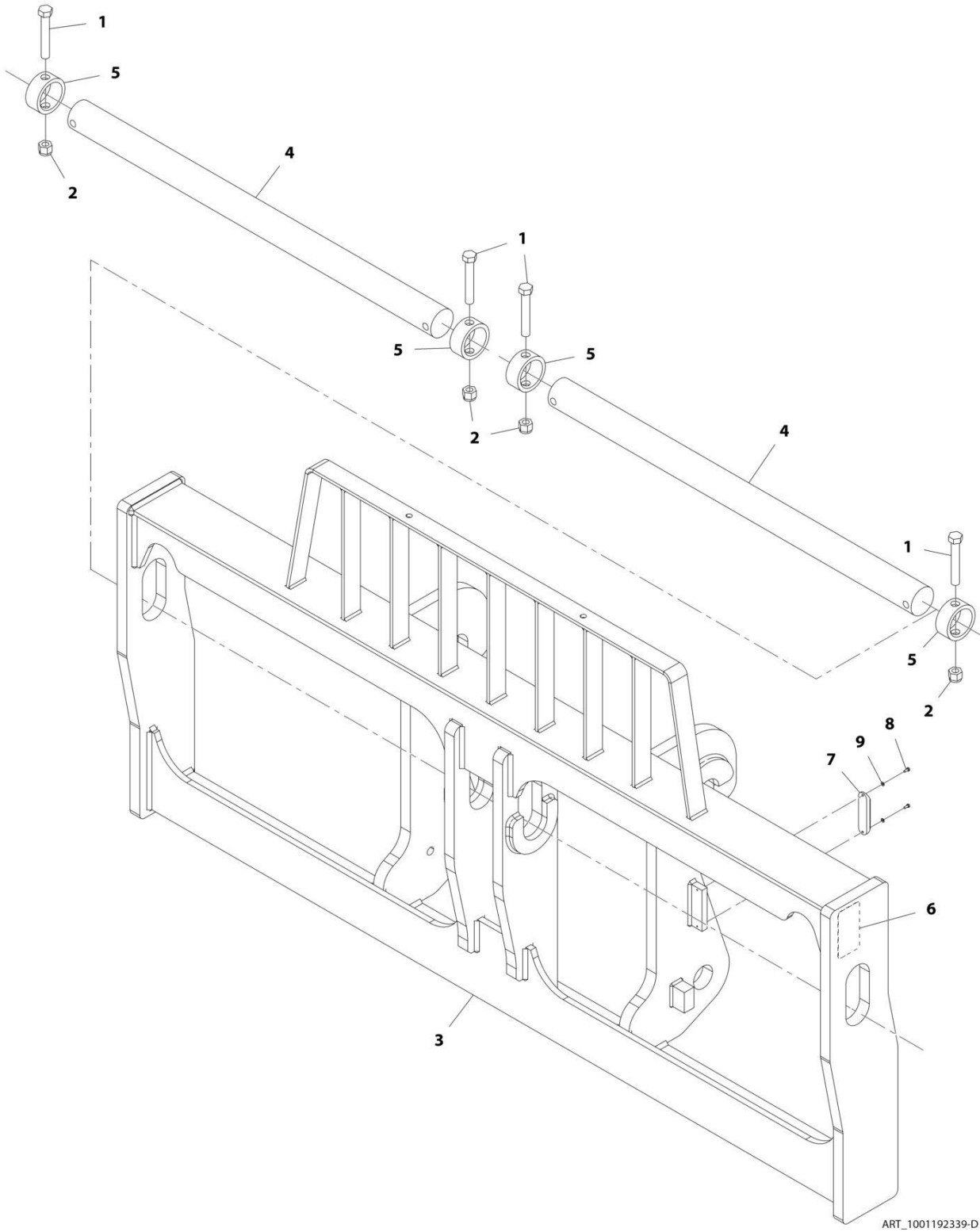
## SECTION 3 - ATTACHMENTS

**FIGURE 3-24. CARRIAGE ASSEMBLY (72IN/1829MM)**

ITEM	PART NUMBER	QTY	DESCRIPTION	REV
	1001214415	Ref	Carriage Assembly (72in/1829mm)	E
1	0701628	2	Bolt, M16X110	
3	1001214254	1	Pin	
4	N.S.S.	1	Weldment, Carriage	
5	1001218755	2	Collar, Shaft	
6	N.S.S.	1	Plate, Serial Number	
7	3291605	2	Nut, Lock M16X2 Grade 8	
8	1001227670	1	Tag, RFID	
9	4811400	2	Washer, M4	
10	0760405	2	Bolt, M4X10	

# SECTION 3 - ATTACHMENTS

## FIGURE 3-25. CARRIAGE ASSEMBLY (87IN/2290MM)



ART\_1001192339-D

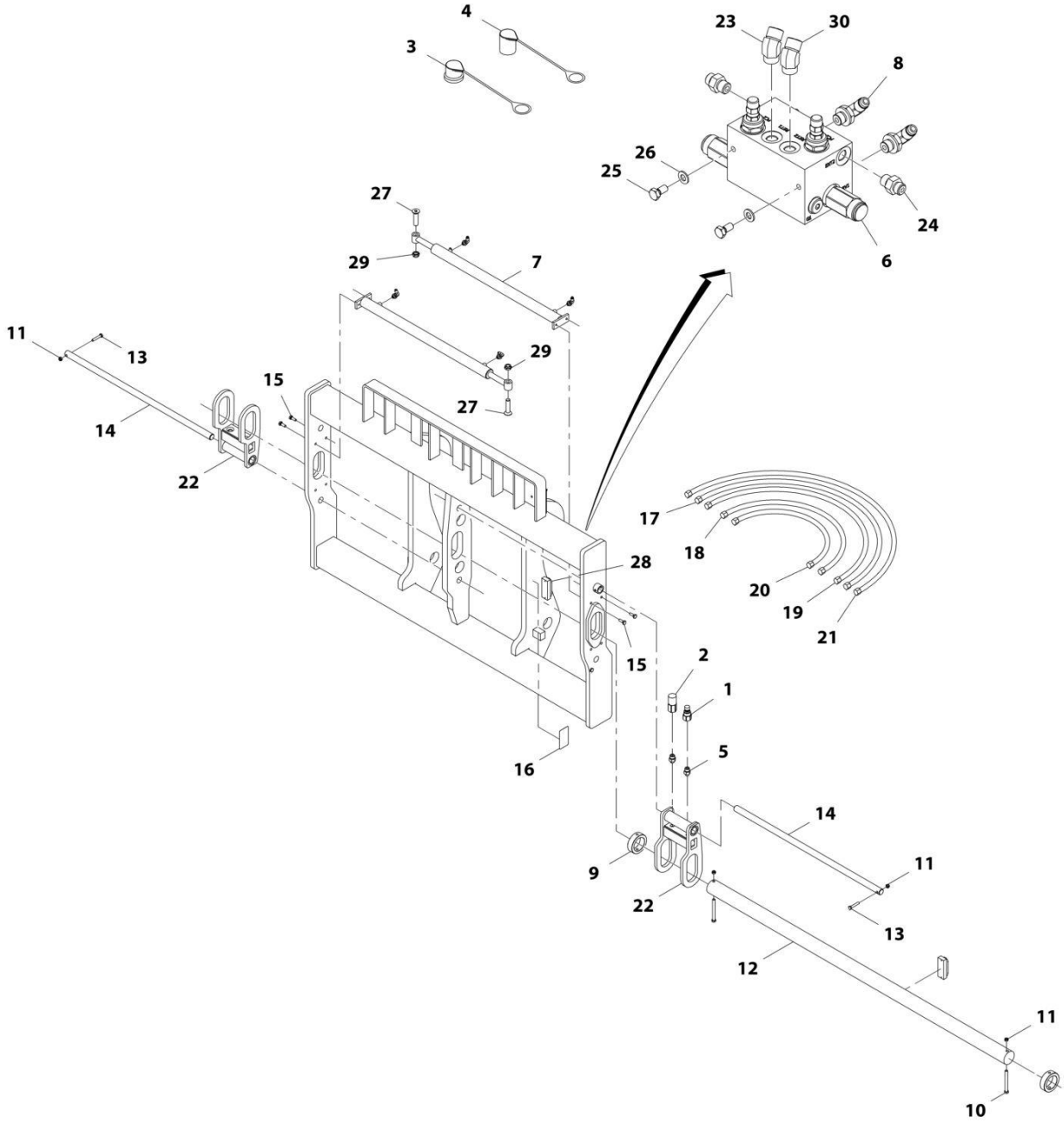
## SECTION 3 - ATTACHMENTS

**FIGURE 3-25. CARRIAGE ASSEMBLY (87IN/2290MM)**

ITEM	PART NUMBER	QTY	DESCRIPTION	REV
	1001192339	1	Carriage Assembly (87in/2290mm)	D
1	0701628	4	Bolt, M16X110	
2	3291605	4	Nut, Lock M16X2 Grade 8	
3	N.S.S.	1	Weldment, Carriage	
4	1001218754	2	Pin	
5	1001218755	4	Collar, Shaft	
6	N.S.S.	1	Plate, Serial Number	
7	1001227670	1	Tag, RFID	
8	0760405	2	Bolt, M4X10	
9	4811400	2	Washer, M4	

# SECTION 3 - ATTACHMENTS

## FIGURE 3-26. CARRIAGE ASSEMBLY - DUAL FORK POSITIONING CARRIAGE (72IN/1829MM)



ART\_1001192342-E



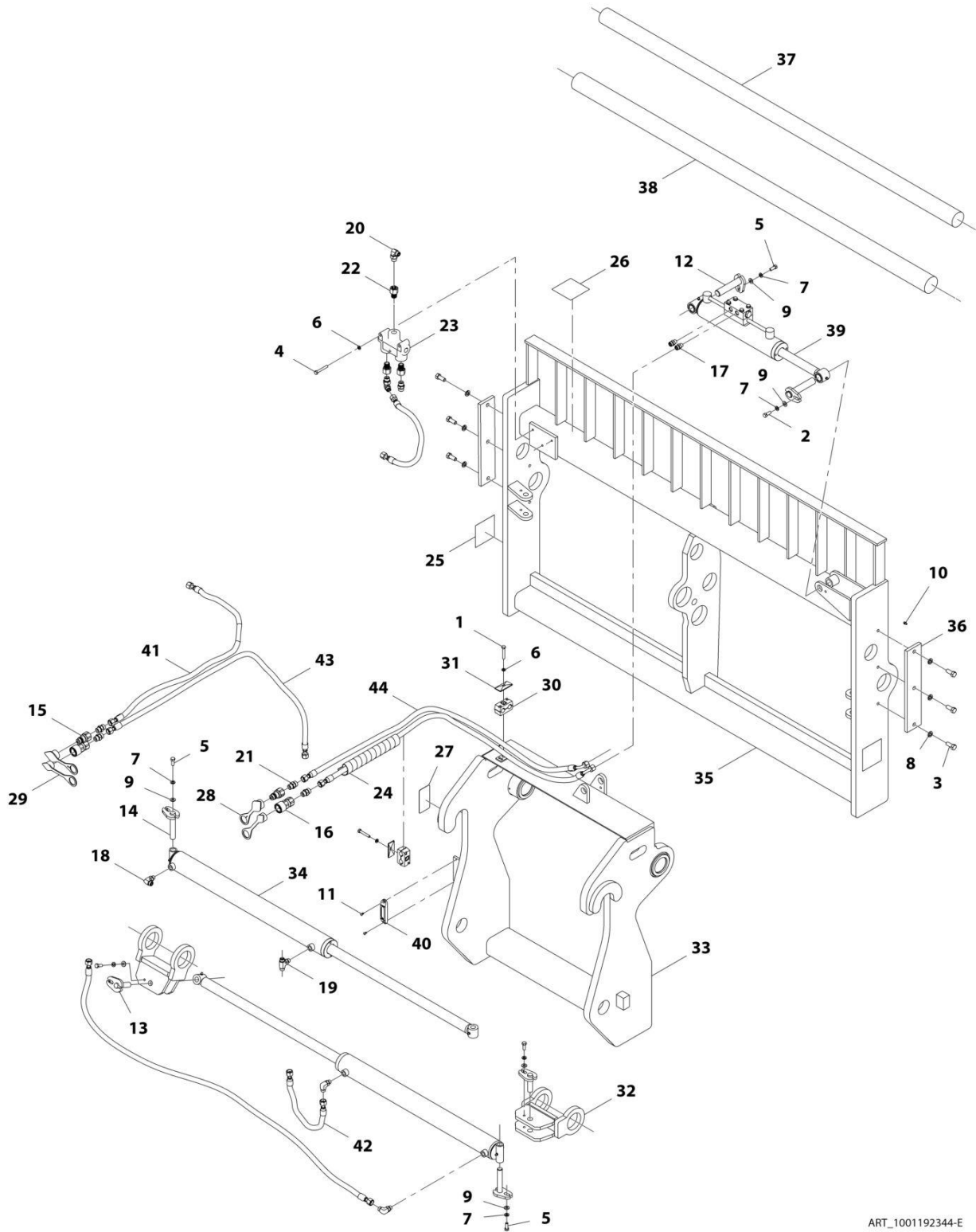
## SECTION 3 - ATTACHMENTS

**FIGURE 3-26. CARRIAGE ASSEMBLY - DUAL FORK POSITIONING CARRIAGE (72IN/1829MM)**

ITEM	PART NUMBER	QTY	DESCRIPTION	REV
	1001192342	1	Dual Fork Positioning Carriage (72in/1829mm)	E
1	1001101041	1	Coupler, Male Hydraulic	
2	1001101042	1	Coupler, Female Hydraulic	
3	8420053	1	Cap	
4	8420055	1	Cap	
5	1001008834	2	Fitting, Straight	
6	70027896	1	Valve	
7	70028505	2	Cylinder, Forkpositioner	
8	2150606	4	Fitting, 45 ORFS	
9	70028506	2	Collar	
10	70027889	2	Bolt, M10x120	
11	70027890	4	Nut M10	
12	70028507	1	Shaft, Floating	
13	70027881	2	Bolt, M10x55	
14	70028508	2	Shaft, Forkpositioner	
15	70027880	4	Bolt, M10x30	
16	N.S.S.	1	S/N Plate	
17	70028509	1	Hose	
18	70028510	1	Hose	
19	70028511	1	Hose	
20	70028512	1	Hose	
21	70027899	2	Hose	
22	70028513	2	Cage, Fork	
23	2150606	1	Fitting, 45 ORFS	
24	2110606	2	Fitting, Straight ORFS	
25	70027882	2	Bolt, M8X16	
26	70027879	2	Washer	
27	70027888	3	Screw, Countersunk M20x80	
28	1001227670	1	Tag, RFID	
29	70027887	2	Nut, M20	
30	2170206	1	Fitting, 90 ORFS	

# SECTION 3 - ATTACHMENTS

## FIGURE 3-27. CARRIAGE ASSEMBLY - DUAL FORK POSITIONING SIDE SHIFT CARRIAGE (75IN/1899MM)



ART\_1001192344-E

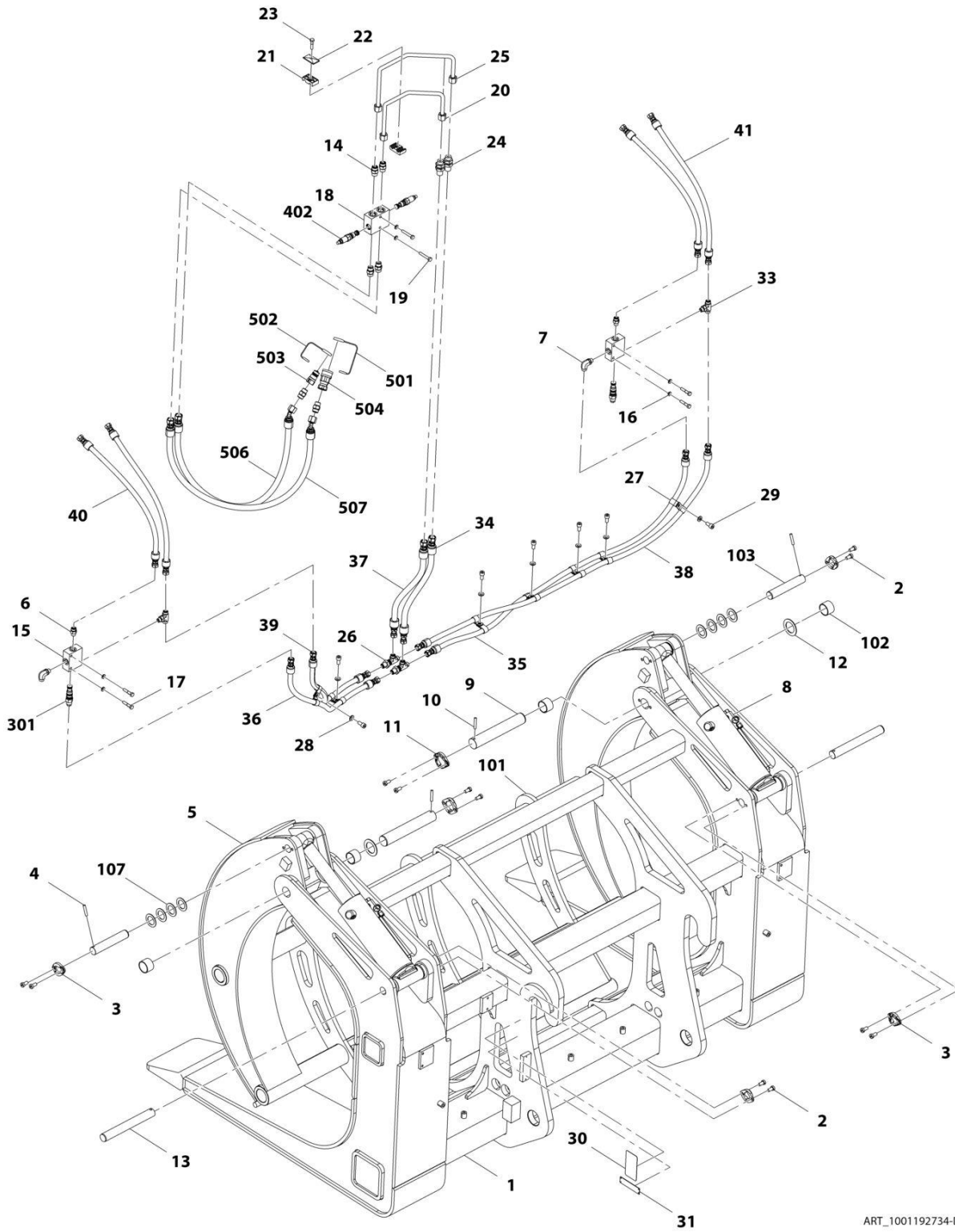
## SECTION 3 - ATTACHMENTS

**FIGURE 3-27. CARRIAGE ASSEMBLY - DUAL FORK POSITIONING SIDE SHIFT CARRIAGE  
(75IN/1899MM)**

ITEM	PART NUMBER	QTY	DESCRIPTION	REV
	1001192344	1	Dual Fork Positioning Side Shift Carriage (75in/1899mm)	F
1	70028485	2	Bolt	
2	70021349	1	Bolt, 3/8X1	
3	70027989	6	Bolt	
4	70028591	3	Bolt	
5	7029704	5	Bolt, 3/8-24X1	
6	90554067	5	Washer, Lock 5/16	
7	90554042	6	Washer, Lock 3/8	
8	90554020	6	Washer, Lock 1/2	
9	7029703	6	Washer, Flat	
10	90554045	1	Zerk, Grease	
11	70028554	2	Screw	
12	7029702	2	Pin	
13	70028592	2	Pin	
14	70028593	2	Pin	
15	1001101041	2	Adapter, Male Quick Disconnect	
16	1001101042	2	Adapter, Female Quick Disconnect	
17	70028486	2	Fitting	
18	70028525	3	Elbow, 90	
19	70028594	1	Fitting	
20	70028526	2	Elbow, 90	
21	70028488	5	Fitting	
22	70028595	3	Fitting	
23	70028596	1	Valve	
24	70028597	1	Protector, Hose	
25	90554017	2	Decal, Danger Pinch Point	
26	7029711	1	Decal, High Pressure	
27	N.S.S.	1	S/N Plate	
28	8420053	2	Plug, Dust	
29	8420055	2	Plug, Dust	
30	70028495	2	Clamp	
31	70028496	2	Plate, Clamp	
32	70028598	2	Clevis	
33	N.S.S.	1	Weldment	
34	70028599	2	Assembly, Fork Positioning Cylinder (See Separate Breakdown in HYDRAULIC COMPONENTS Section)	
35	N.S.S.	1	Weldment	
36	70028600	2	Pin	
37	70028601	1	Pin	
38	70028602	1	Pin	
39	70028603	1	Assembly, Side Shift Cylinder (See Separate Breakdown in HYDRAULIC COMPONENTS Section)	
40	1001227670	1	Tag, RFID	
41	70028604	2	Hose	
42	70028605	2	Hose	
43	70028606	1	Hose	
44	70028607	2	Hose	

# SECTION 3 - ATTACHMENTS

## FIGURE 3-28. CARRIAGE ASSEMBLY - LOG HANDLER CARRIAGE



ART\_1001192734-D

## SECTION 3 - ATTACHMENTS

**FIGURE 3-28. CARRIAGE ASSEMBLY - LOG HANDLER CARRIAGE**

ITEM	PART NUMBER	QTY	DESCRIPTION	REV
	1001192734	Ref	Log Handler Carriage	E
1	N.S.S.	1	Frame	
2	70028701	8	Capscrew, M10X20	
3	70028702	2	Retainer	
4	70028703	4	Pin	
5	N.S.S.	1	Grapple	
6	70024130	2	Fitting, Straight	
7	70024123	2	Fitting, 90	
8	70028704	2	Assembly, Log Handler Carriage Cylinder (See Separate Breakdown in HYDRAULIC COMPONENTS Section)	
9	70028705	2	Pin	
10	70028706	2	Pin	
11	70028707	2	Retainer	
12	70028708	2	Shim	
13	70028709	2	Pin	
14	70022938	4	Fitting, Straight	
15	N.S.S.	2	Valve	
16	70024721	6	Washer, M8	
17	70028710	4	Capscrew	
18	N.S.S.	1	Valve, Relief	
19	70028711	2	Capscrew	
20	70028712	1	Pipe	
21	70028687	1	Clamp	
22	70028688	1	Plate, Cover	
23	70028689	1	Bolt, M8X35	
24	70028713	2	Fitting, Straight	
25	70028714	1	Pipe	
26	70028267	2	Fitting, Tee	
27	70026481	14	Clamp, Hose	
28	70026482	7	Washer, M10	
29	70028672	7	Bolt, M10X20	
30	N.S.S.	1	Plate, Serial Number	
31	N.S.S.	1	Plate, Name	
33	70028715	2	Fitting, Tee	
34	70028716	1	Hose	
35	70028717	1	Hose	
36	70028718	1	Hose	
37	70028719	1	Hose	
38	70028720	1	Hose	
39	70028721	1	Hose	
40	70028722	2	Hose	
41	70028723	2	Hose	
101	70028724	1	Arm	
102	70028725	4	Bearing	
103	70028726	2	Pin	
107	70028727	8	Shim	
301	70026504	2	Valve, Counterbalance	
402	70024772	2	Valve, Relief	
501	8420055	1	Plug, Dust	
502	8420053	1	Plug, Cap	

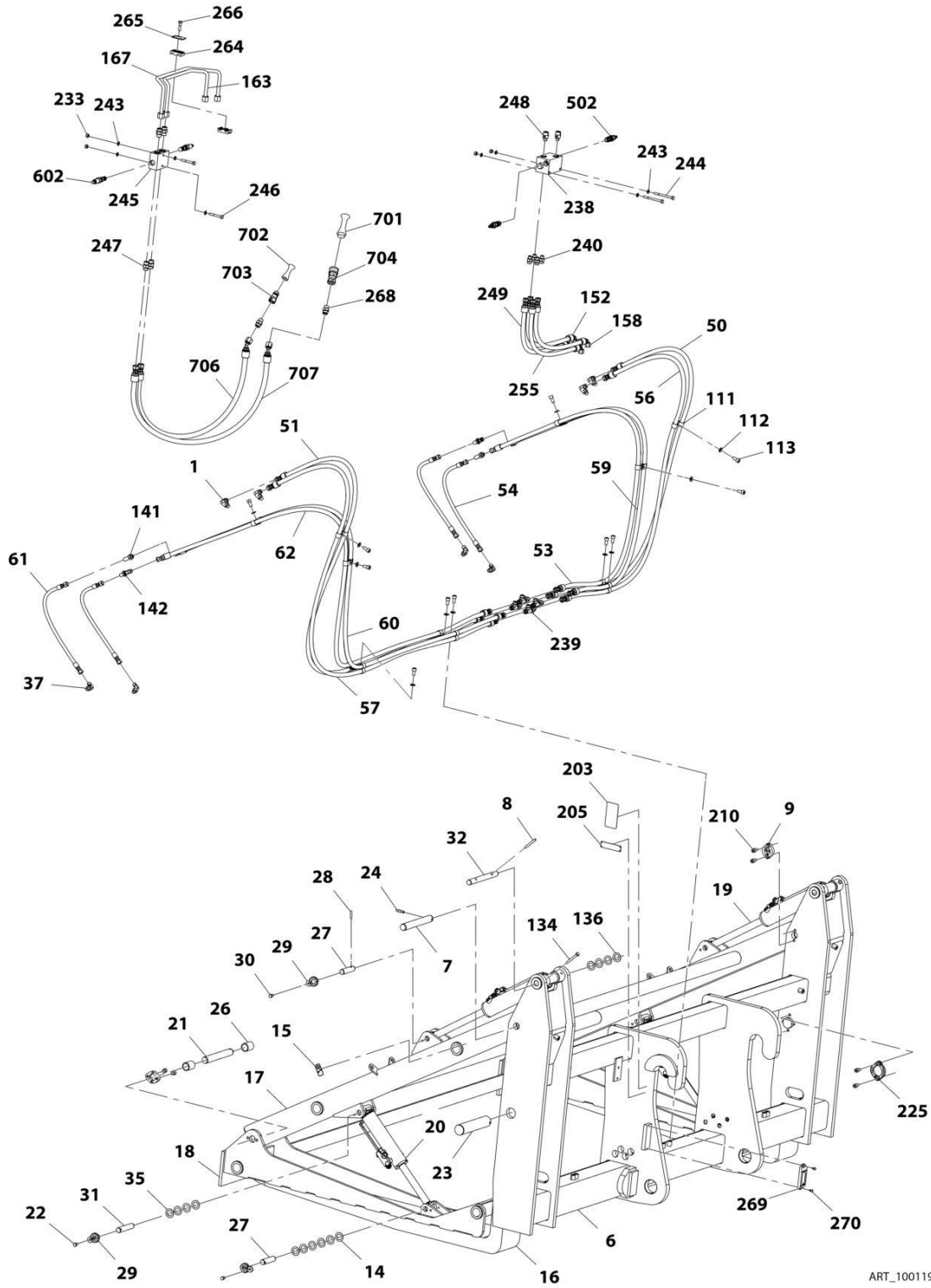
### SECTION 3 - ATTACHMENTS

ITEM	PART NUMBER	QTY	DESCRIPTION	REV
503	1001101041	1	Adapter, Male Quick Disconnect	
504	1001101042	1	Adapter, Female Quick Disconnect	
506	70028734	1	Hose	
507	70028697	1	Hose	



# SECTION 3 - ATTACHMENTS

## FIGURE 3-29. CARRIAGE ASSEMBLY - PIPE HANDLER CARRIAGE



ART\_1001192722-E



## SECTION 3 - ATTACHMENTS

**FIGURE 3-29. CARRIAGE ASSEMBLY - PIPE HANDLER CARRIAGE**

ITEM	PART NUMBER	QTY	DESCRIPTION	REV
	1001192722	Ref	Pipe Handler Carriage	F
1	70024123	4	Adapter, 90 (includes o-ring)	
6	N.S.S.	1	Carriage	
7	70028648	2	Pin	
8	70026471	4	Pin	
9	70026472	4	Retainer	
14	70026476	12	Shim	
15	70024538	2	Decal, Pinch Point	
16	70028649	2	Fork	
17	70028650	1	Arm	
18	70028651	1	Pad, Contact	
19	70028652	1	Assembly, Upper Cylinder (See Separate Breakdown in HYDRAULIC COMPONENTS Section)	
20	70028653	1	Assembly, Lower Cylinder (See Separate Breakdown in HYDRAULIC COMPONENTS Section)	
21	70028654	2	Pin	
22	70026473	4	Capscrew, M10X12	
23	70028655	2	Pin	
24	70028405	2	Pin	
26	70026501	8	Bushing	
27	70028656	4	Pin	
28	70028253	6	Pin	
29	70028262	6	Retainer	
30	70028657	6	Bolt, M8X16	
31	70028658	2	Pin	
32	70028659	2	Pin	
35	70028660	8	Shim	
37	70028661	4	Fittin, 90	
50	70028662	1	Hose	
51	70028663	1	Hose	
53	70028664	1	Hose	
54	70028665	2	Hose	
56	70028666	1	Hose	
57	70028667	1	Hose	
59	70028668	1	Hose	
60	70028669	1	Hose	
61	70028670	2	Hose	
62	70028671	1	Hose	
111	70026481	24	Clamp, Hose	
112	70026482	12	Washer	
113	70028672	12	Bolt, M10X20	
134	70028406	2	Capscrew	
136	70028767	4	Shim	
141	70028768	2	Fitting, Straight	
142	70028673	2	Fitting, 45	
152	70028674	1	Hose	
158	70028675	1	Hose	
163	70028676	1	Pipe	
167	70028677	1	Pipe	
203	N.S.S.	1	Plate, Serial Number	

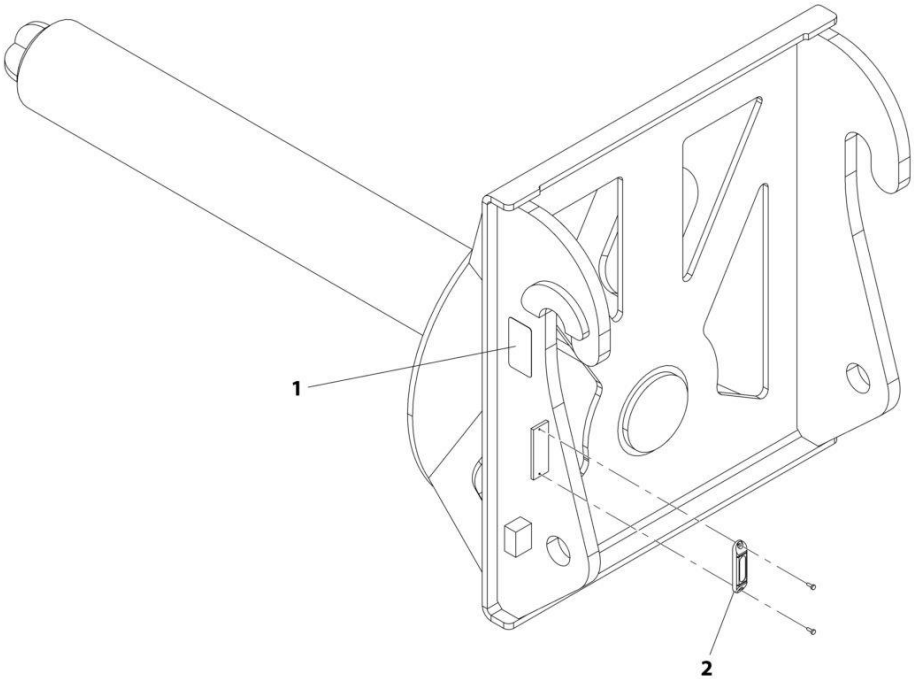
## SECTION 3 - ATTACHMENTS

ITEM	PART NUMBER	QTY	DESCRIPTION	REV
205	N.S.S.	1	Plate, Name	
210	70028678	8	Bolt	
225	70028679	2	Retainer	
233	70028680	6	Nut, M8	
238	N.S.S.	1	Valve	
239	70028267	4	Fitting, Straight	
240	70024130	4	Fitting, Straight	
243	70024721	8	Washer, M8	
244	70028681	2	Bolt, M8X90	
245	N.S.S.	1	Valve, Relief	
246	70028682	2	Bolt, M8X60	
247	70028683	2	Fitting, Straight	
248	70028684	2	Fitting, Straight	
249	70028685	1	Hose	
255	70028686	1	Hose	
264	70028687	1	Clamp	
265	70028688	1	Cover	
266	70028689	1	Bolt, M8X35	
268	70022938	4	Fitting, Straight	
269	1001227670	1	Tag, RFID	
270	70028690	2	Bolt, M4X16	
501	N.S.S.	1	Valve, Relief	
502	70024772	2	Valve, Cartridge	
601	N.S.S.	1	Valve, Sequence	
602	70028695	2	Valve, Cartridge	
701	8420055	1	Plug, Dust	
702	8420053	1	Plug, Cap	
703	1001101041	1	Adapter, Male Quick Disconnect	
704	1001101042	1	Adapter, Female Quick Disconnect	
706	70028696	1	Hose	
707	70028697	1	Hose	



**SECTION 3 - ATTACHMENTS**

**FIGURE 3-30. CARRIAGE ASSEMBLY - STEEL COIL HANDLER CARRIAGE**



ART\_1001192735-F

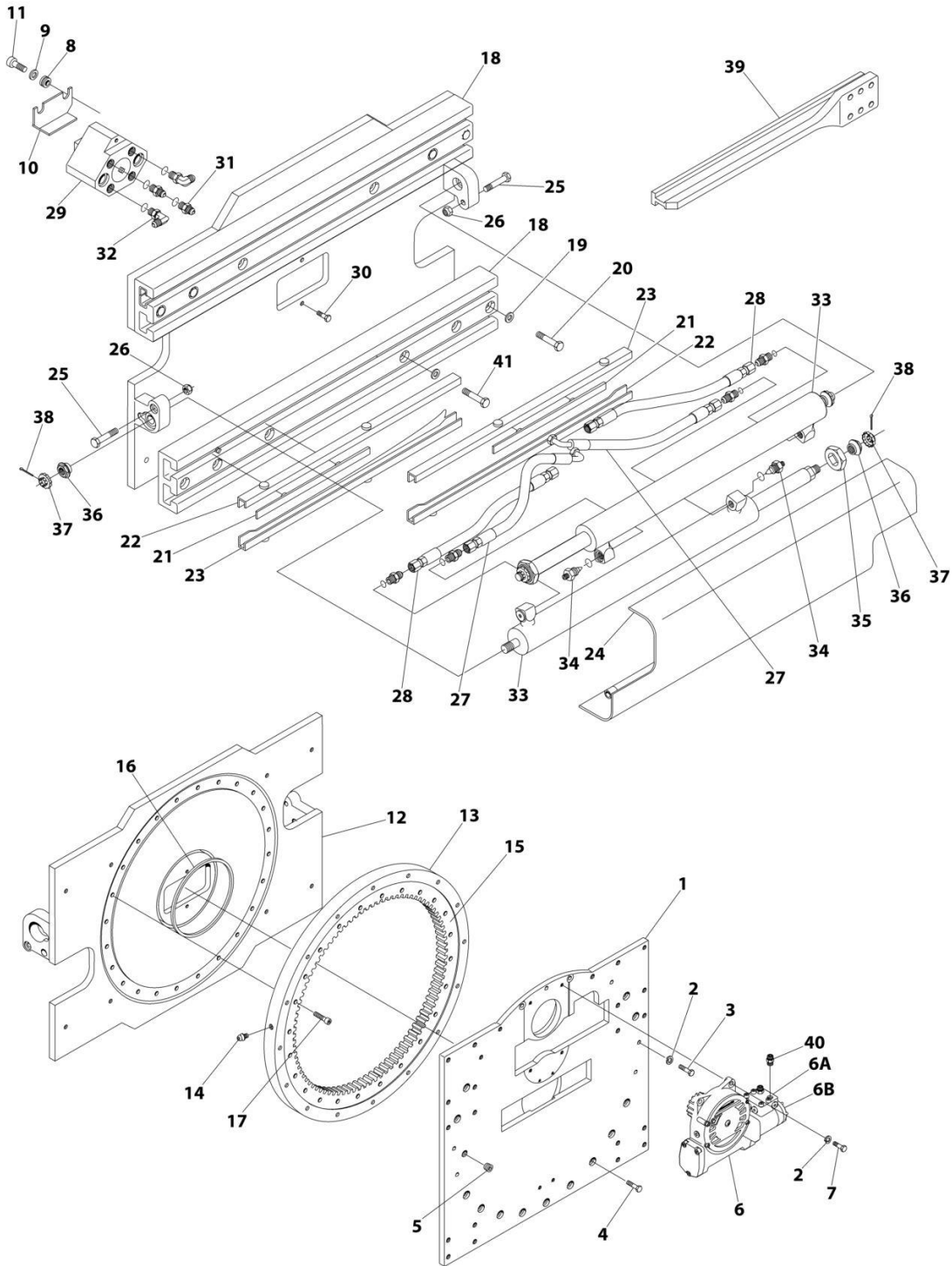
## SECTION 3 - ATTACHMENTS

**FIGURE 3-30. CARRIAGE ASSEMBLY - STEEL COIL HANDLER CARRIAGE**

ITEM	PART NUMBER	QTY	DESCRIPTION	REV
	1001192735	1	Steel Coil Handler Carriage	G
1	N.S.S.	1	Plate, Serial Number	
2	1001227670	1	Tag, RFID	

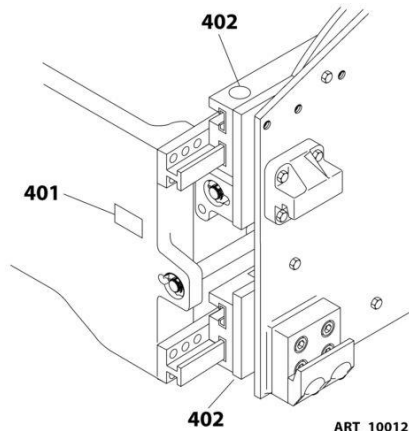
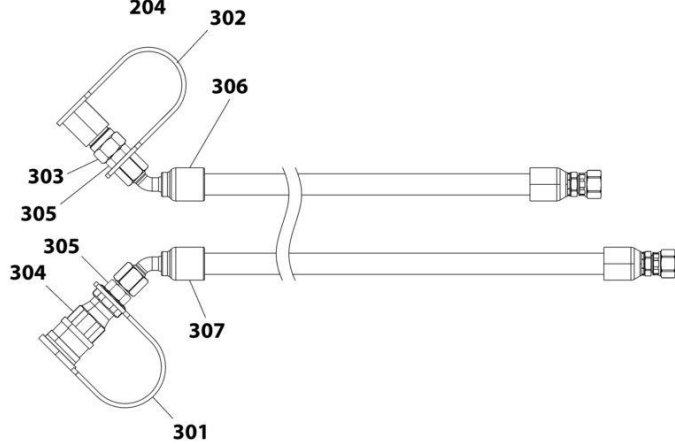
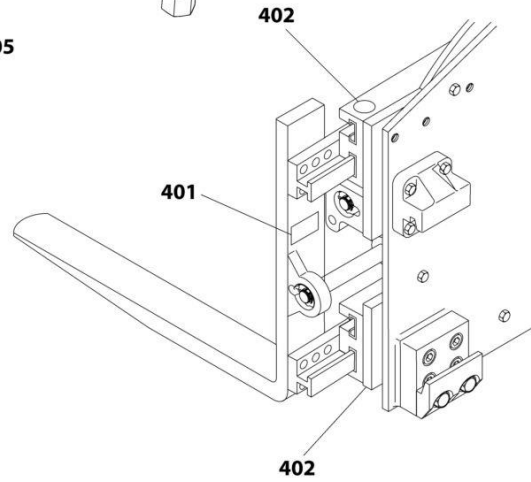
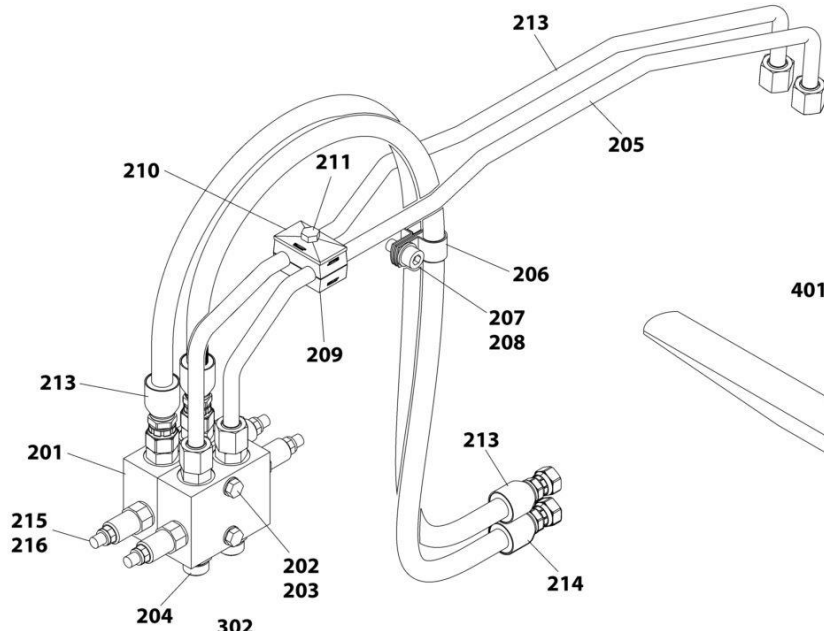
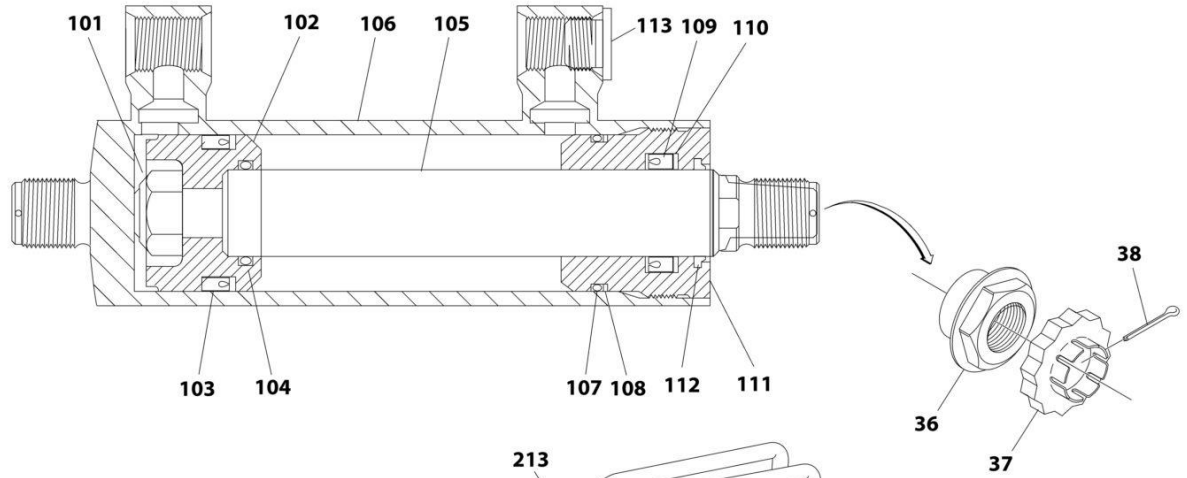
# SECTION 3 - ATTACHMENTS

## FIGURE 3-31. CARRIAGE ASSEMBLY - TIRE HANDLER



ART\_1001258523\_10F2

# SECTION 3 - ATTACHMENTS



ART\_1001258523\_20F2

# SECTION 3 - ATTACHMENTS

## FIGURE 3-31. CARRIAGE ASSEMBLY - TIRE HANDLER

ITEM	PART NUMBER	QTY	DESCRIPTION	REV
	1001258523	Ref	TIRE HANDLER ASSEMBLY	C
		Ref	Base Unit Assembly	
1		Ref	Baseplate	
2		Ref	Lockwasher 1/2	
3		Ref	Capscrew 1/2 NC x 1-3/4 G8	
4		Ref	Capscrew 1/2 NC x 1-1/2 G8	
5		Ref	Pipe Plug	
6		Ref	Drive Assembly	
6A	70024731	1	Check Valve Assembly	
6A	70030105	2	Cartridge, Check Valve	
6A	70024734	2	Seal Kit - Check Valve	
6B	70028786	1	Drive Motor Assembly	
6B	70028114	1	Service Kit - Drive Motor	
7		Ref	Capscrew 1/2 NC x 1-1/4 G5	
8		Ref	Grommet	
9		Ref	Washer M10	
10		Ref	Bracket	
11		Ref	Shoulder Bolt	
12		Ref	Faceplate	
13		Ref	Bearing Assembly	
14		Ref	Grease Fitting	
15		Ref	Bearing Seal	
16		Ref	Felt Seal	
17		Ref	Capscrew 1/2 NC x 1-1/2 G8	
18		Ref	Frame	
19		Ref	Washer	
20		Ref	Capscrew M20 x 100	
21		Ref	Bearing	
22		Ref	Bearing	
23		Ref	Bearing	
24		Ref	Bumper	
25		Ref	Capscrew M12 x 80	
26		Ref	Nut M12	
27		Ref	Hose, 305 mm	
28		Ref	Hose, 525 mm	
29		Ref	Revolving Connection	
30		Ref	Capscrew M8 x 30	
31		Ref	Fitting, 8-6	
32		Ref	Fitting, 8-6	
33	70030106	2	Cylinder Assembly (See Items 101-117 for Breakdown)	
34	70028787	2	Restrictor Cartridge	
35		Ref	Washer	
36	See Note	4	Cylinder Nut (Note: Use P/N 70028793)	
37	See Note	4	Retainer (Note: Use P/N 70028793)	
38	See Note	4	Cotter Pin (Note: Use P/N 70028793)	
39		Ref	Arm Bar	
40	70022938	2	Fitting	
41		Ref	Capscrew M20 x 95	
	70030106	Ref	Cylinder Assembly	
101	70026503	1	Nut	

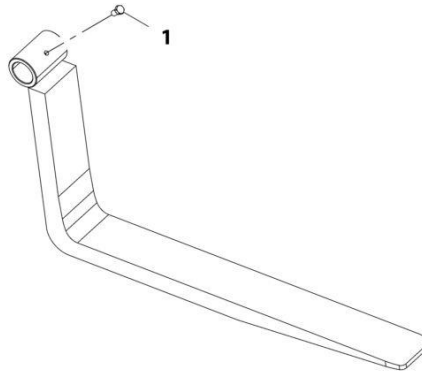


## SECTION 3 - ATTACHMENTS

ITEM	PART NUMBER	QTY	DESCRIPTION	REV
102	70028789	1	Piston	
103	See Note	NSS	Seal (Note: Use Item 117)	
104	See Note	NSS	O-Ring (Note: Use Item 117)	
105	70030107	1	Rod	
106	See Note	NSS	Barrel (Note: Use P/N 70030106)	
107	See Note	NSS	O-Ring (Note: Use Item 117)	
108	See Note	NSS	Back-Up Ring (Note: Use Item 117)	
109	See Note	NSS	Seal (Note: Use Item 117)	
110	See Note	NSS	Nylon Ring (Note: Use Item 117)	
111	70028791	1	Retainer	
112	See Note	NSS	Wiper (Note: Use Item 117)	
113	70028119	1	Plug	
117	70028792	1	Seal Kit (Includes 103,104,107-110 & 112)	
		Ref	Hydraulics Group	
201	70028794	2	Valve, Pressure Control	
202	70024721	2	Washer	
203	70028681	2	Bolt	
204	70022938	8	Fitting	
205	70028795	1	Tube	
206	70026481	2	Hose Clamp	
207	70026482	1	Washer	
208	70028672	1	Bolt	
209	70028687	1	Clamp Body	
210	70028688	1	Cover	
211	70028689	1	Bolt	
212	70028796	1	Tube	
213		Ref	Hose	
214		Ref	Hose	
215	70024772	4	Cartridge, Pressure Control	
216	70028115	4	Seal Kit, Cartridge	
		Ref	Hydraulic Supply Group	
301	8420055	2	Plug, Dust	
302	8420053	2	Cap, Dust	
303	1001101041	2	Quick Disconnect (Male)	
304	1001101042	2	Quick Disconnect (Female)	
305		Ref	Fitting	
306		Ref	Hose	
307		Ref	Hose	
		Ref	Decal Group	
401	70024538	2	Decal - Pinch Point	
402	70024787	2	Decal - No Step	
403	70028785	1	Decal - Quick Change Hook (Not Shown)	

## SECTION 3 - ATTACHMENTS

FIGURE 3-32. FORK - PALLET (2.25X6X48)



ART\_1001196952-B

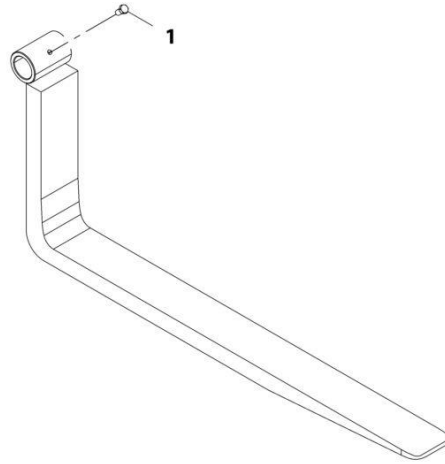
## SECTION 3 - ATTACHMENTS

**FIGURE 3-32. FORK - PALLET (2.25X6X48)**

ITEM	PART NUMBER	QTY	DESCRIPTION	REV
1	1001196952	1	Pallet Fork (2.25X6X48)	B
	70027180	1	Screw, M16X30	
	Note	Ref	<p>FORKS RATED LESS THAN THE ATTACHMENT OR MACHINE'S CAPACITY DECREASES CAPACITY OF THE ATTACHMENT OR MACHINE TO THAT OF THE FORKS. FORKS RATED MORE THAN THE ATTACHMENT OR MACHINE'S CAPACITY DO NOT INCREASE ATTACHMENT OR MACHINE'S CAPACITY.</p>	
	Note	Ref	<p>PLEASE CONSULT JLG PARTS DEPARTMENT TO DETERMINE THE CORRECT FORKS APPLICABLE TO YOUR SPECIFIC CARRIAGE ASSEMBLY AND APPLICATION.</p>	

# SECTION 3 - ATTACHMENTS

FIGURE 3-33. FORK - PALLET (2.25X6X60)



ART\_1001196951-B

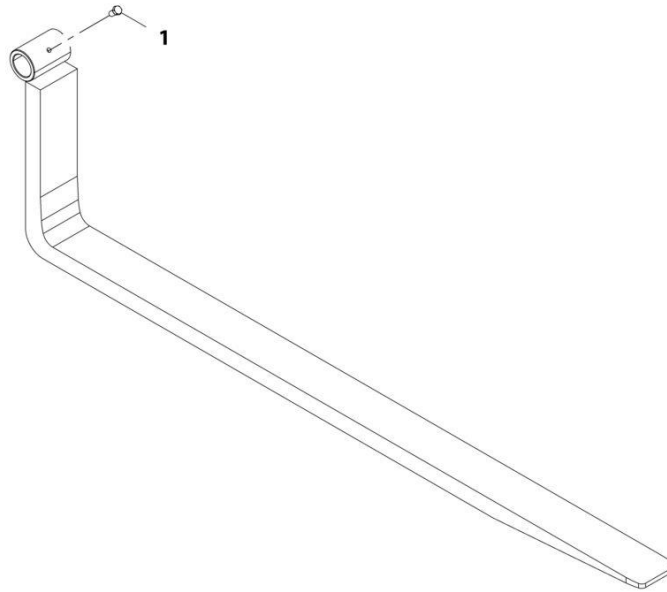
## SECTION 3 - ATTACHMENTS

**FIGURE 3-33. FORK - PALLET (2.25X6X60)**

ITEM	PART NUMBER	QTY	DESCRIPTION	REV
1	1001196951	1	Pallet Fork (2.25X6X60)	B
	70027180	1	Screw, M16X30	
	Note	Ref	<p>FORKS RATED LESS THAN THE ATTACHMENT OR MACHINE'S CAPACITY DECREASES CAPACITY OF THE ATTACHMENT OR MACHINE TO THAT OF THE FORKS. FORKS RATED MORE THAN THE ATTACHMENT OR MACHINE'S CAPACITY DO NOT INCREASE ATTACHMENT OR MACHINE'S CAPACITY.</p>	
	Note	Ref	<p>PLEASE CONSULT JLG PARTS DEPARTMENT TO DETERMINE THE CORRECT FORKS APPLICABLE TO YOUR SPECIFIC CARRIAGE ASSEMBLY AND APPLICATION.</p>	

# SECTION 3 - ATTACHMENTS

FIGURE 3-34. FORK - PALLET (2.25X6X72)



ART\_1001196950-B

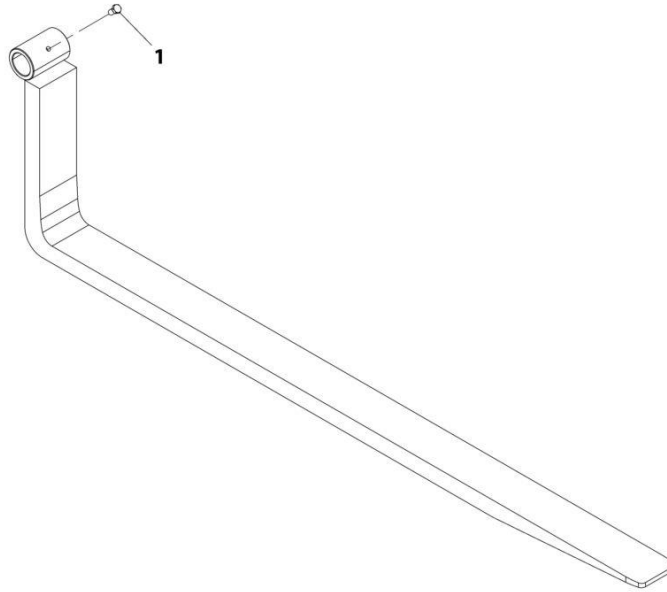
## SECTION 3 - ATTACHMENTS

**FIGURE 3-34. FORK - PALLET (2.25X6X72)**

ITEM	PART NUMBER	QTY	DESCRIPTION	REV
1	1001196950	1	Pallet Fork (2.25X6X72)	B
	70027180	1 2	Screw, M16X30	
	Note	Ref	<p>FORKS RATED LESS THAN THE ATTACHMENT OR MACHINE'S CAPACITY DECREASES CAPACITY OF THE ATTACHMENT OR MACHINE TO THAT OF THE FORKS. FORKS RATED MORE THAN THE ATTACHMENT OR MACHINE'S CAPACITY DO NOT INCREASE ATTACHMENT OR MACHINE'S CAPACITY.</p>	
	Note	Ref	<p>PLEASE CONSULT JLG PARTS DEPARTMENT TO DETERMINE THE CORRECT FORKS APPLICABLE TO YOUR SPECIFIC CARRIAGE ASSEMBLY AND APPLICATION.</p>	

# SECTION 3 - ATTACHMENTS

FIGURE 3-35. FORK - PALLET (2.25X6X96)



ART\_1001196949-B



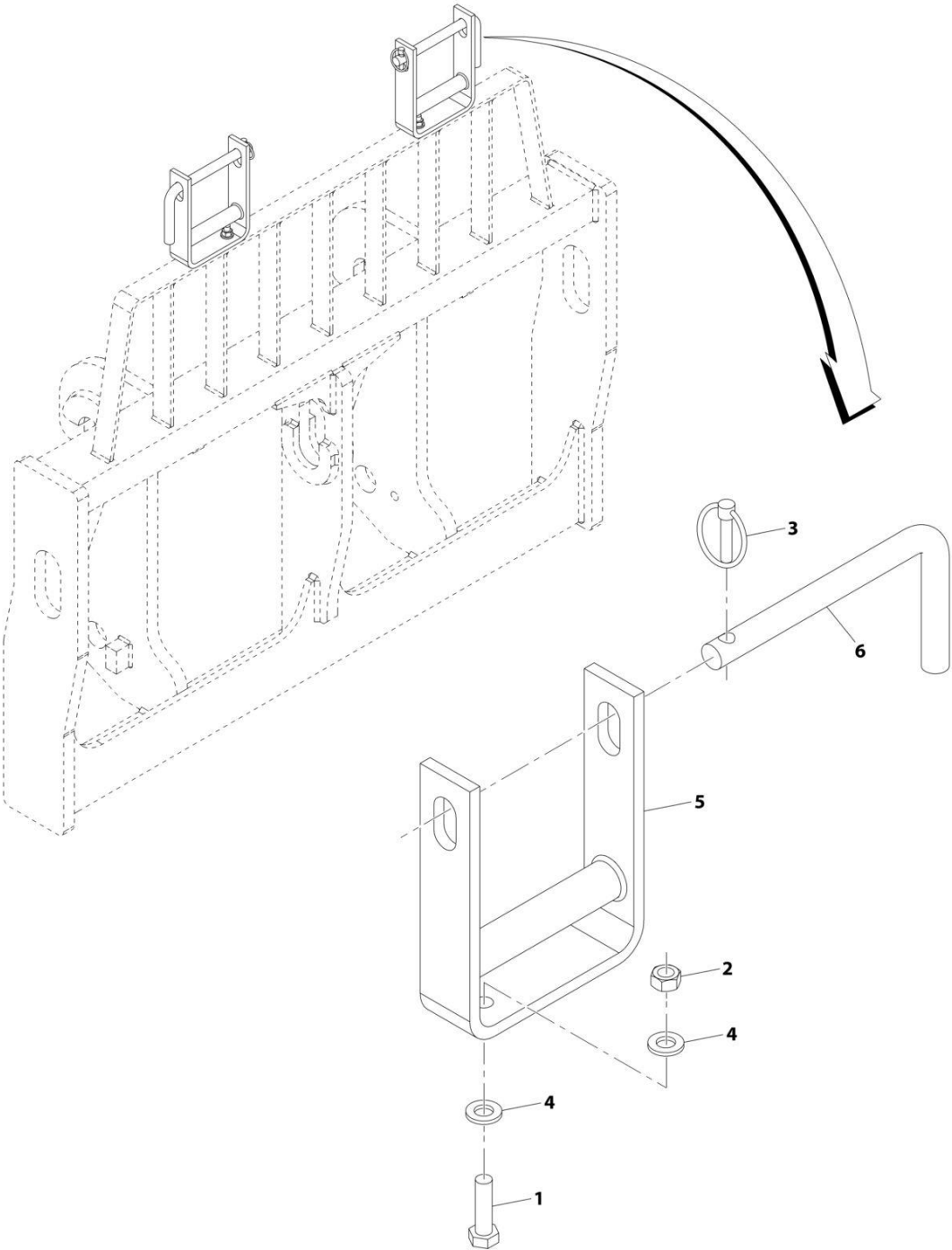
## SECTION 3 - ATTACHMENTS

**FIGURE 3-35. FORK - PALLET (2.25X6X96)**

ITEM	PART NUMBER	QTY	DESCRIPTION	REV
1	1001196949	1	Pallet Fork (2.25X6X96)	B
	70027180	1 2	Screw, M16X30	
	Note	Ref	<p>FORKS RATED LESS THAN THE ATTACHMENT OR MACHINE'S CAPACITY DECREASES CAPACITY OF THE ATTACHMENT OR MACHINE TO THAT OF THE FORKS. FORKS RATED MORE THAN THE ATTACHMENT OR MACHINE'S CAPACITY DO NOT INCREASE ATTACHMENT OR MACHINE'S CAPACITY.</p>	
	Note	Ref	<p>PLEASE CONSULT JLG PARTS DEPARTMENT TO DETERMINE THE CORRECT FORKS APPLICABLE TO YOUR SPECIFIC CARRIAGE ASSEMBLY AND APPLICATION.</p>	

**SECTION 3 - ATTACHMENTS**

**FIGURE 3-36. FORK RETENTION INSTALLATION**



ART\_1001196778-C

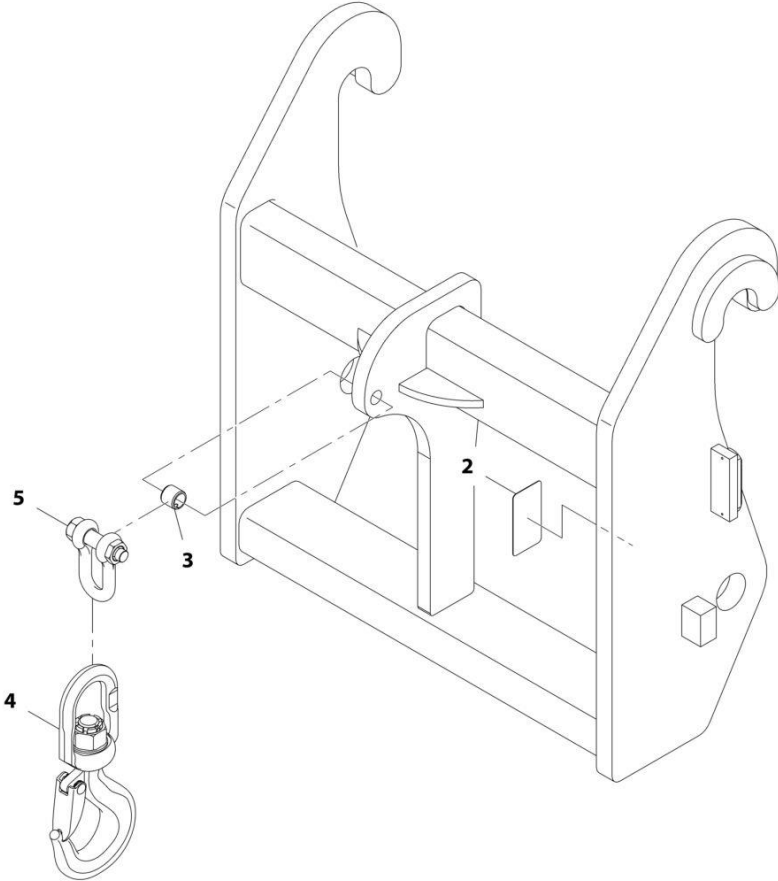
## SECTION 3 - ATTACHMENTS

### FIGURE 3-36. FORK RETENTION INSTALLATION

ITEM	PART NUMBER	QTY	DESCRIPTION	REV
	1001196778	Ref	Fork Retention Installation	C
1	0761217	1	Bolt, M12X45	
2	3291201	1	Nut, M12X1.75	
3	1001109387	1	Pin, Linch	
4	5241200	2	Washer, M12	
5	1001196779	1	Bracket, Fork Retention	
6	1001196782	1	Pin, Fork Retention	

**SECTION 3 - ATTACHMENTS**

**FIGURE 3-37. HOOK - CRANK (7.6 TON)**



ART\_1001192700-E

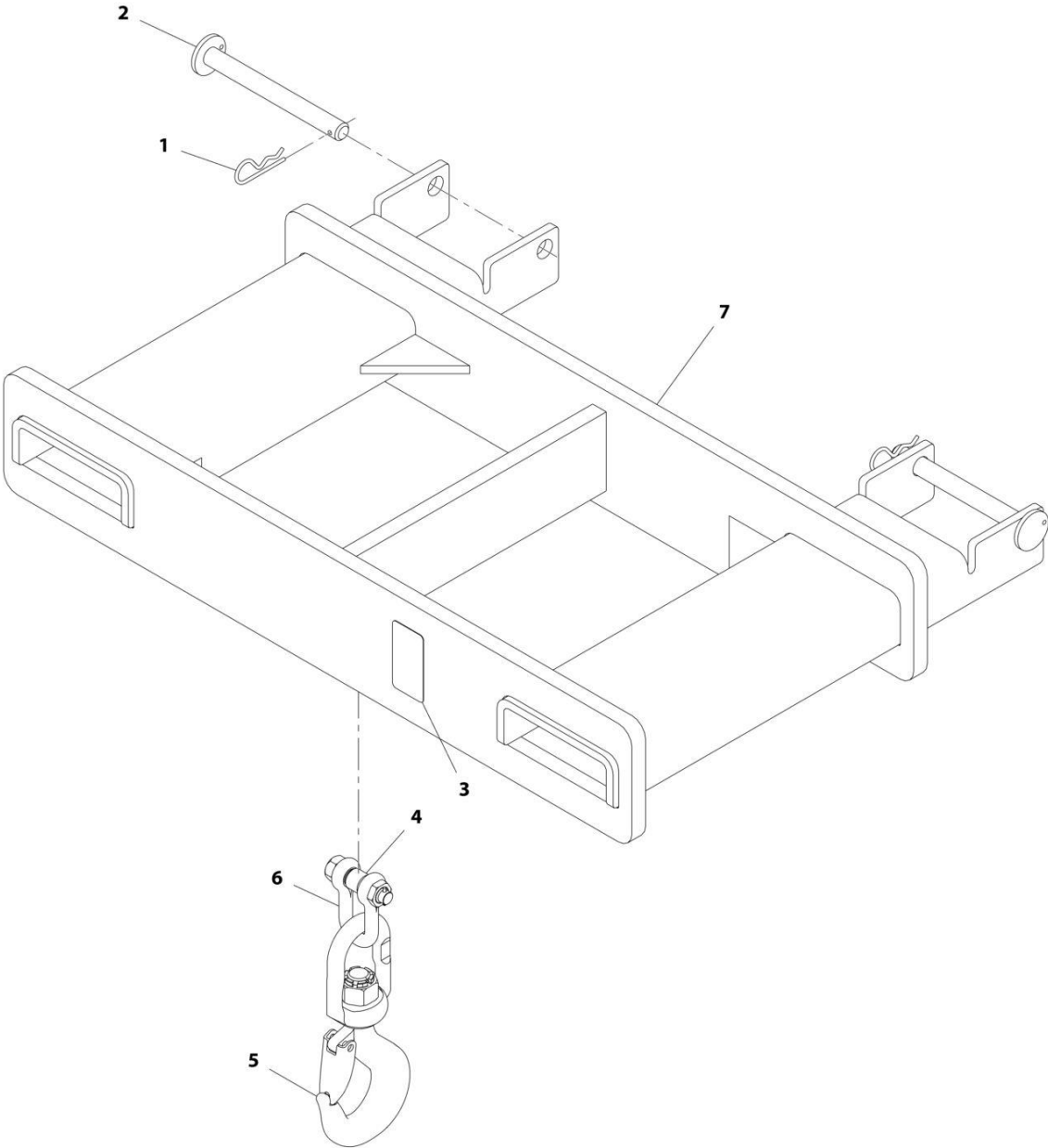
## SECTION 3 - ATTACHMENTS

### FIGURE 3-37. HOOK - CRANK (7.6 TON)

ITEM	PART NUMBER	QTY	DESCRIPTION	REV
	1001192700	1	Crane Hook (7.6 ton)	F
2	90554016	1	Decal, Made in USA	
3	70020555	1	Bushing	
4	70026745	1	Hook, Swivel	
5	70026746	1	Shackle, Chain	

**SECTION 3 - ATTACHMENTS**

**FIGURE 3-38. HOOK ATTACH - FORK MOUNTED**



ART\_1001193803-C

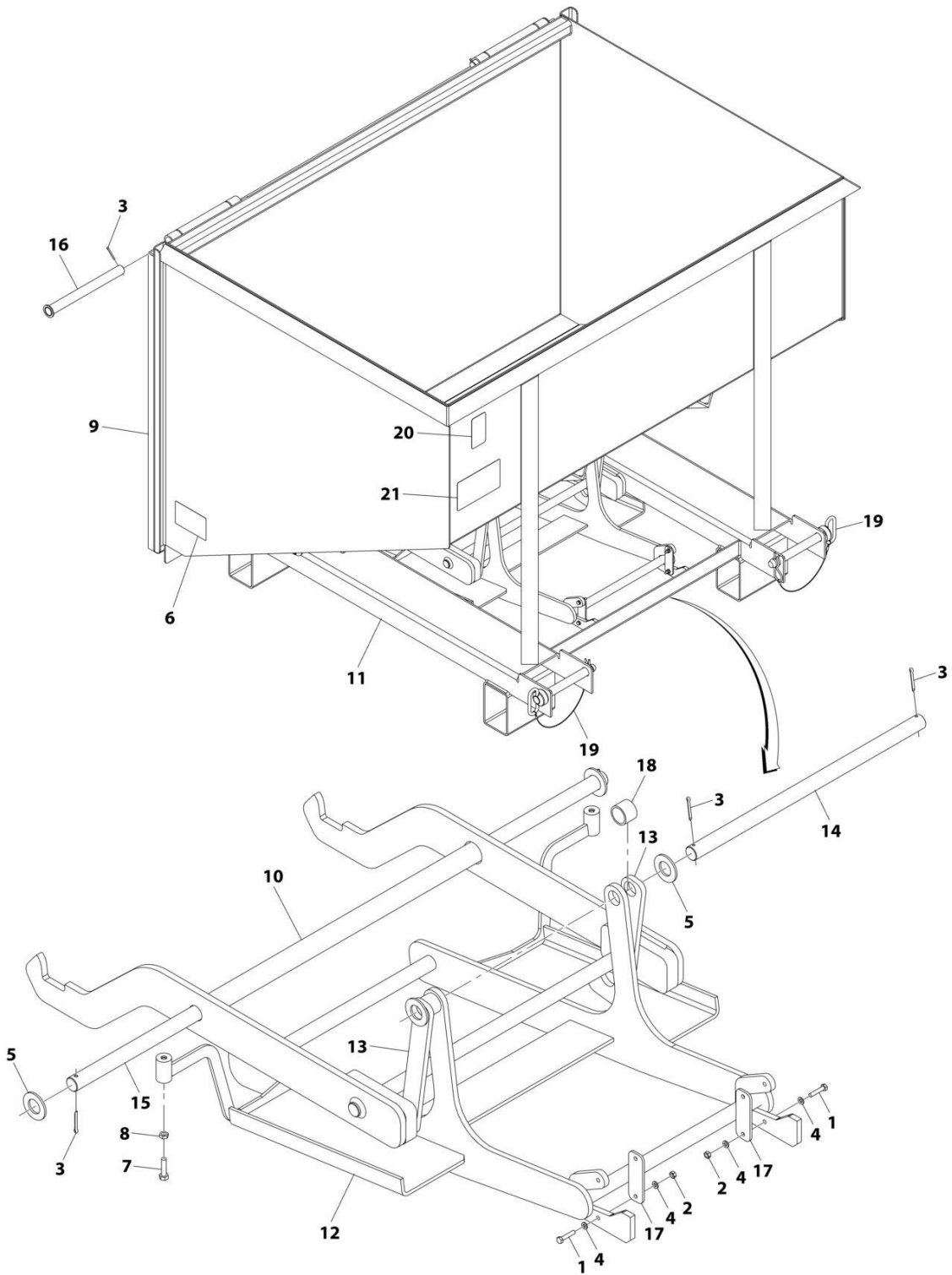
## SECTION 3 - ATTACHMENTS

### FIGURE 3-38. HOOK ATTACH - FORK MOUNTED

ITEM	PART NUMBER	QTY	DESCRIPTION	REV
	1001193803	Ref	Hook Attach, Fork Mounted	D
1	7029520	2	Pin, Cotter	
2	1001093171	2	Pin	
3	N.S.S.	1	S/N Plate	
4	70020555	1	Bushing	
5	70026745	1	Hook	
6	70026746	1	Shackle, Chain	
7	N.S.S.	1	Weldment, Crane Hook	

# SECTION 3 - ATTACHMENTS

## FIGURE 3-39. HOPPER - TRASH



ART\_1001238566-B



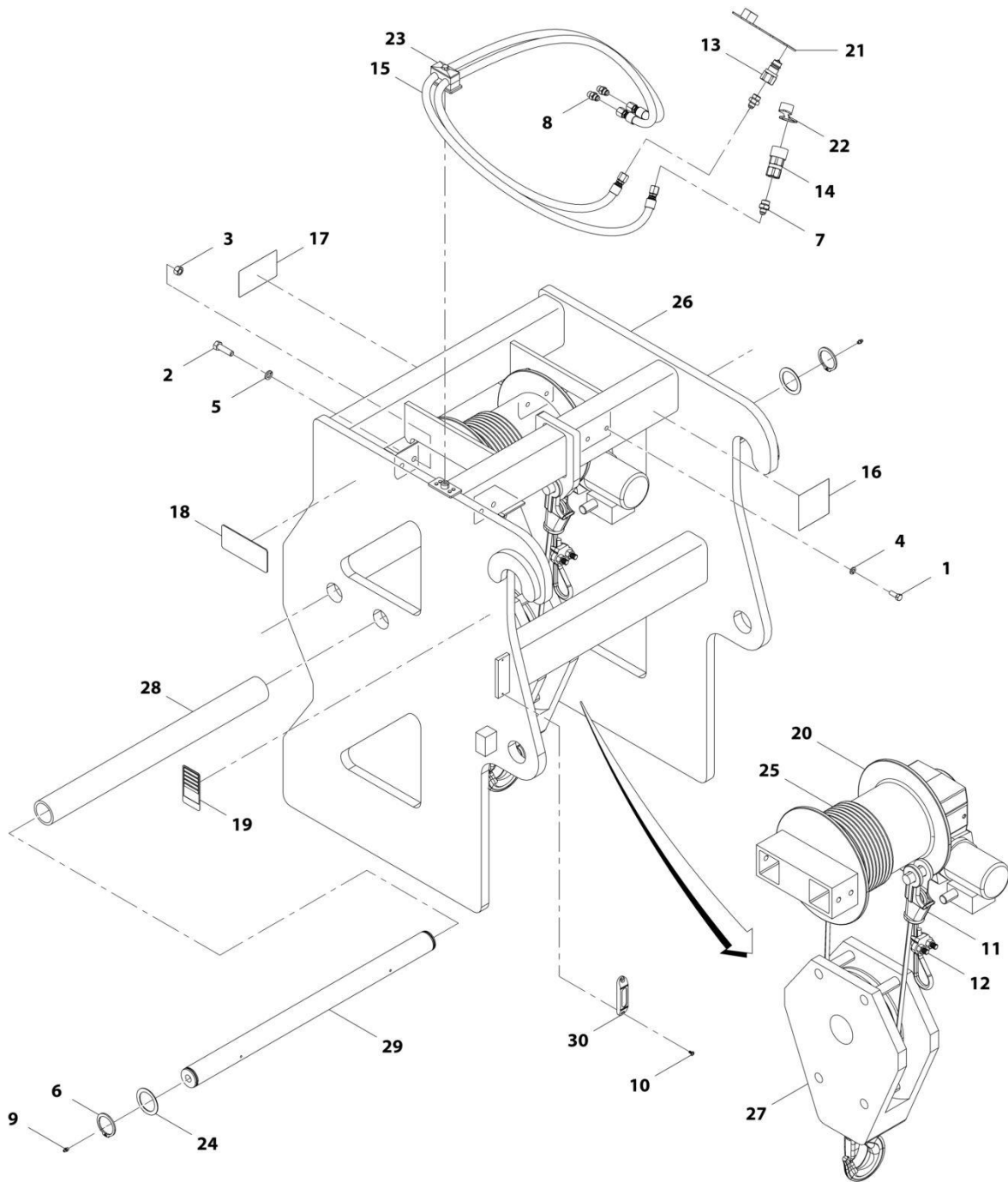
## SECTION 3 - ATTACHMENTS

### FIGURE 3-39. HOPPER - TRASH

ITEM	PART NUMBER	QTY	DESCRIPTION	REV
	1001238566	Ref	FORK MOUNTED TRASH HOPPER	C
1	0700614	4	Bolt M6 x 30	
2	3290601	4	Nut M6 x 1	
3	3391410	6	Pin	
4	4811700	8	Washer M6	
5	5242400	4	Washer M24	
6	1706302	2	Decal, Pinch Point	
7	0641510	2	Bolt 5/16 x 1-1/4	
8	3311502	2	Nut 5/16	
9	1001192711	1	Door Assembly	
10	1001192720	1	Hook Assembly	
11	See Note	NSS	Hopper, Trash (Note: Purchase Complete Assembly)	
12	1001192875	1	Tray Assembly	
13	1001192876	2	Arm, Swing	
14	1001192877	1	Rod, Swing	
15	1001238570	1	Bar	
16	1001193540	2	Pin	
17	1001193729	2	Plate	
18	1001198355	2	Spacer	
19	1001238560	2	Pin	
20	See Note	NSS	SN Plate (Note: Stamped Part - Not Available for Purchase)	
21	1001203503	1	Decal, Trash Hopper Operation	

# SECTION 3 - ATTACHMENTS

## FIGURE 3-40. WINCH - COUPLER MOUNTED



ART\_1001192702-C

## SECTION 3 - ATTACHMENTS

### FIGURE 3-40. WINCH - COUPLER MOUNTED

ITEM	PART NUMBER	QTY	DESCRIPTION	REV
	1001192702	Ref	Coupler Mounted Winch	D
1	70021349	4	Bolt, 3/8X1	
2	70024059	4	Bolt, 1/2X1-3/4	
3	90554054	4	Nut, 1/2	
4	90554042	4	Washer, Lock 3/8	
5	90554020	4	Washer, Lock 1/2	
6	70028860	4	Ring, Snap	
7	70021397	2	Fitting, Straight	
8	70021415	2	Fitting, Straight	
9	90554045	4	Grease, Fitting	
10	70028554	2	Screw	
11	70021979	1	Assembly, Socket (includes pin and cotter pin)	
12	70022528	1	Clamp	
13	91403414	1	Adapter, Male Quick Disconnect	
14	91403413	1	Adapter, Female Quick Disconnect	
15	70028861	2	Hose	
16	7029711	1	Decal, High Pressure	
17	70024064	1	Decal, Do Not Tow	
18	4110422	2	Decal, Warning Swinging Loads	
19	N.S.S.	1	Plate, Serial Number	
20	70028862	1	Winch	
21	8420053	1	Cap, Dust	
22	8420055	1	Cap, Dust	
23	70021387	1	Clamp, Hose	
24	70028863	4	Washer	
25	70028864	1	Cable	
26	N.S.S.	1	Weldment, Frame	
27	70028865	1	Hook	
28	70028866	2	Roller Tube, Winch	
29	70028867	2	Roller Bar, Winch	
30	1001227670	1	Tag, RFID	

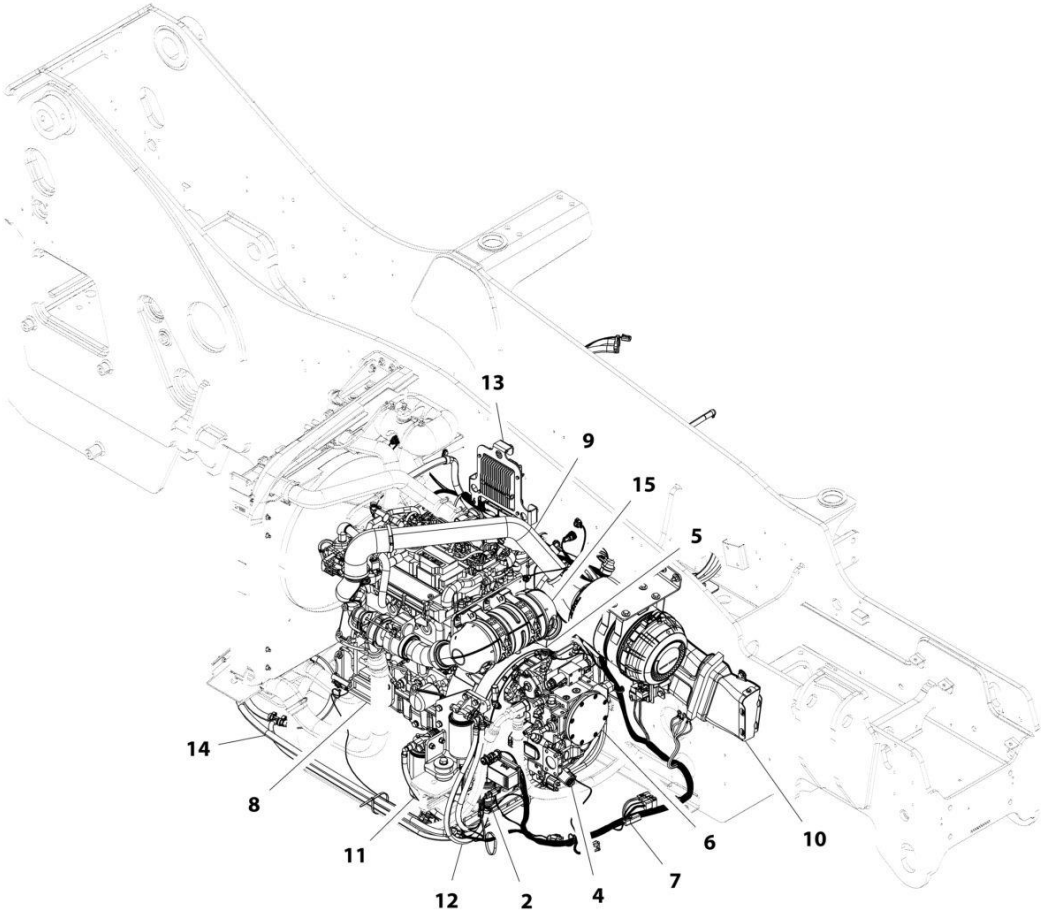


## **SECTION 4 - ENGINE AND ATTACHING PARTS**

## **SECTION 4 - ENGINE AND ATTACHING PARTS**

# SECTION 4 - ENGINE AND ATTACHING PARTS

FIGURE 4-1. ENGINE POD COMPONENT INSTALLATION (ULS)



ART\_1001200443-D

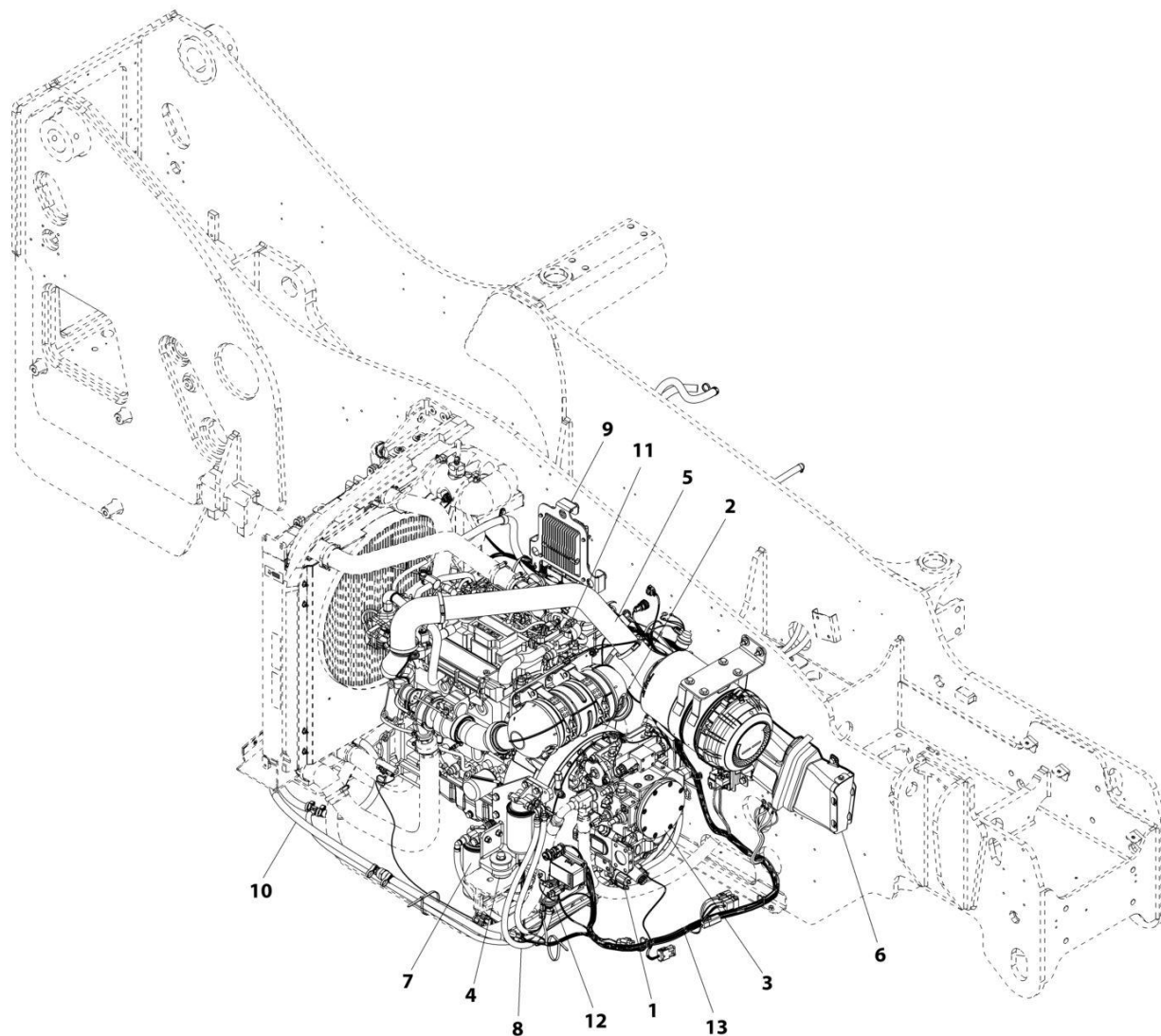
## SECTION 4 - ENGINE AND ATTACHING PARTS

**FIGURE 4-1. ENGINE POD COMPONENT INSTALLATION (ULS)**

ITEM	PART NUMBER	QTY	DESCRIPTION	REV
	1001200443	Ref	Engine Pod Component Installation (ULS)	E
2	1001221041	1	Installation, Remote Fuel Pump (See Separate Breakdown in this Section)	
4	1001193393	1	Installation, Implement Pump (See Separate Breakdown in this Section)	
5	1001193703	1	Installation, Hydrostatic Adaptor (See Separate Breakdown in this Section)	
6	1001193704	1	Installation, Hydrostatic Drive Pump (See Separate Breakdown in this Section)	
7	1001200106	1	Installation, Engine Wiring (See Separate Breakdown in ELECTRICAL Section)	
8	1001200862	1	Installation, Engine Mount (See Separate Breakdown in this Section)	
9	1001200863	1	Installation, Air Intake (See Separate Breakdown in this Section)	
10	1001200864	1	Installation, Air Cleaner (See Separate Breakdown in this Section)	
11	1001200865	1	Installation, Primary Fuel Filter (See Separate Breakdown in this Section)	
12	1001200866	1	Installation, Fuel Lines (See Separate Breakdown in this Section)	
13	1001284538	1	Installation, Engine ECU (See Separate Breakdown in ELECTRICAL Section)	
14	1001293070	1	Installation, DEF Coolant Lines (See Separate Breakdown in this Section)	
15	1001201425	1	Installation, Engine (See Separate Breakdown in this Section)	

# SECTION 4 - ENGINE AND ATTACHING PARTS

## FIGURE 4-2. ENGINE POD COMPONENT INSTALLATION (MINING) (ULS)



ART\_1001228727-A



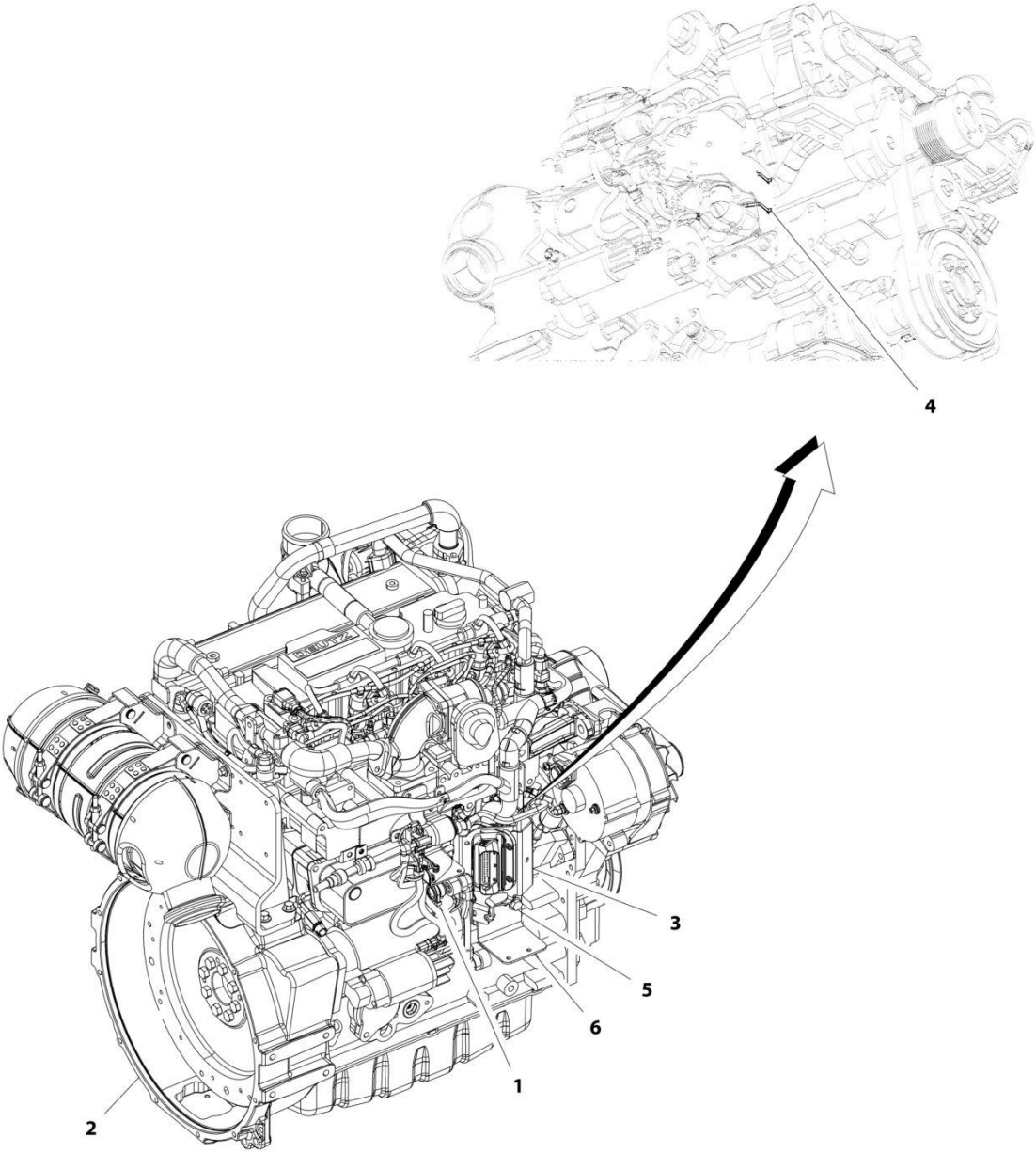
## SECTION 4 - ENGINE AND ATTACHING PARTS

**FIGURE 4-2. ENGINE POD COMPONENT INSTALLATION (MINING) (ULS)**

ITEM	PART NUMBER	QTY	DESCRIPTION	REV
	1001228727	Ref	Engine Pod Component Installation (Mining) (ULS)	B
1	1001193393	1	Installation, Implement Pump (See Separate Breakdown in this Section)	
2	1001193703	1	Installation, Hydrostatic Adaptor (See Separate Breakdown in this Section)	
3	1001193704	1	Installation, Hydrostatic Drive Pump (See Separate Breakdown in this Section)	
4	1001200862	1	Installation, Engine Mount (See Separate Breakdown in this Section)	
5	1001200863	1	Installation, Air Intake (See Separate Breakdown in this Section)	
6	1001200864	1	Installation, Air Cleaner (See Separate Breakdown in this Section)	
7	1001200865	1	Installation, Primary Fuel Filter (See Separate Breakdown in this Section)	
8	1001200866	1	Installation, Fuel Lines (See Separate Breakdown in this Section)	
9	1001284538	1	Installation, Engine ECU (See Separate Breakdown in ELECTRICAL Section)	
10	1001293070	1	Installation, DEF Coolant Lines (See Separate Breakdown in this Section)	
11	1001201425	1	Installation, Engine (See Separate Breakdown in this Section)	
12	1001221041	1	Installation, Remote Fuel Pump (See Separate Breakdown in this Section)	
13	1001228728	1	Installation, Engine Wiring (See Separate Breakdown in ELECTRICAL Section)	

**SECTION 4 - ENGINE AND ATTACHING PARTS**

**FIGURE 4-3. ENGINE INSTALLATION (ULS)**



ART\_1001201425-D

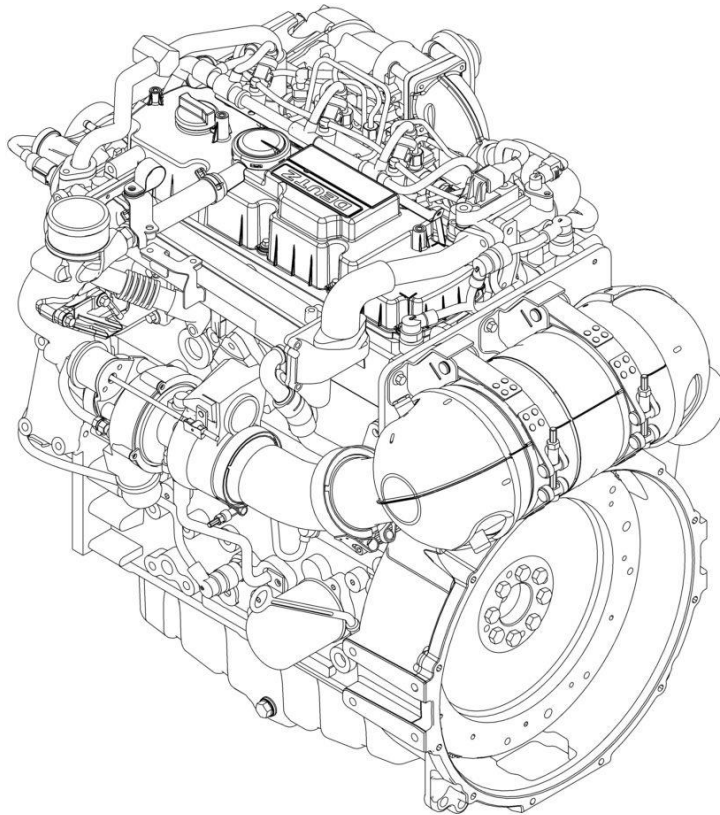
## SECTION 4 - ENGINE AND ATTACHING PARTS

FIGURE 4-3. ENGINE INSTALLATION (ULS)

ITEM	PART NUMBER	QTY	DESCRIPTION	REV
	1001201425	Ref	Engine Installation (ULS)	F
1	1001004720	4	Strap, Cable	
2	1001284531	1	Engine (See Separate breakdown in this Section)	
3	1001202901	1	Bracket, ECU Connector	
4	1001008559	2	Strap, Cable	
5	5251012	2	Bolt, M10X25	
6	1001222460	1	Bracket, Fuel Supply	

## SECTION 4 - ENGINE AND ATTACHING PARTS

FIGURE 4-4. ENGINE ASSEMBLY (ULS)



ART\_1001197414\_O

## SECTION 4 - ENGINE AND ATTACHING PARTS

### FIGURE 4-4. ENGINE ASSEMBLY (ULS)

ITEM	PART NUMBER	QTY	DESCRIPTION	REV
	1001197414	Ref	ENGINE (100kW - ULS)	O
	70027657	1	Dipstick	
	7020442	1	O-Ring	
	70025755	1	Tube, Dipstick	
	70025765	1	Pan, Oil	
	70025786	1	Plug	
	70025757	1	Flywheel	
	7020208	1	Gear, Ring	
	70126616	1	Bearing	
	70027567	1	Belt	
	70025737	1	Sensor, Wheel	
	70025743	1	Pulley, V-Groove	
	70124445	1	Crankcase	
	70025763	1	Pump, Oil	
	70024494	1	Cooler, Oil	
	70024495	1	Gasket	
	7016331	1	Filter, Oil	
	70024504	1	Sensor, Pressure	
	70024489	1	Line, Lube	
	70005490	1	Line, Return	
	70005730	1	Pipe, Transfer	
	70025722	1	Line, Oil Suction	
	70024487	1	Pump, Fuel Injector	
	70027417	1	Filter, Fuel (Secondary)	
	70004512	1	Element, Fuel Filter (Secondary)	
	70024961	1	Filter, Fuel (Primary)	
	70025153	1	Element, Fuel Filter (Primary)	
	70006144	1	Pump, Fuel	
	70024507	1	Sensor, Pressure	
	70005492	1	Valve, Throttle	
	70025772	1	Manifold, Air Charge	
	70027420	1	Module, ECU	
	70026011	1	Pump, Water	
	70025775	1	Pulley, V-Ribbed Belt	
	70024918	1	Sensor, Temperature	
	70024493	1	Gasket	
	70005504	1	Sensor, Pressure	
	70005505	1	O-Ring	
	70027405	2	Sensor, Temperature	
	70005507	2	O-Ring	
	70005510	1	Manifold, Exhaust	
	70005511	1	Gasket	
	70027426	1	Module, EGR	
	70005513	1	Valve, Control	
	70025768	1	Valve, Shuttle	
	70028417	1	Turbocharger	
	70024484	1	Roller, Idler	
	70028418	1	Tensioner, Belt	
	70028419	1	Belt, V-Ribbed	
	70031088	1	Alternator	

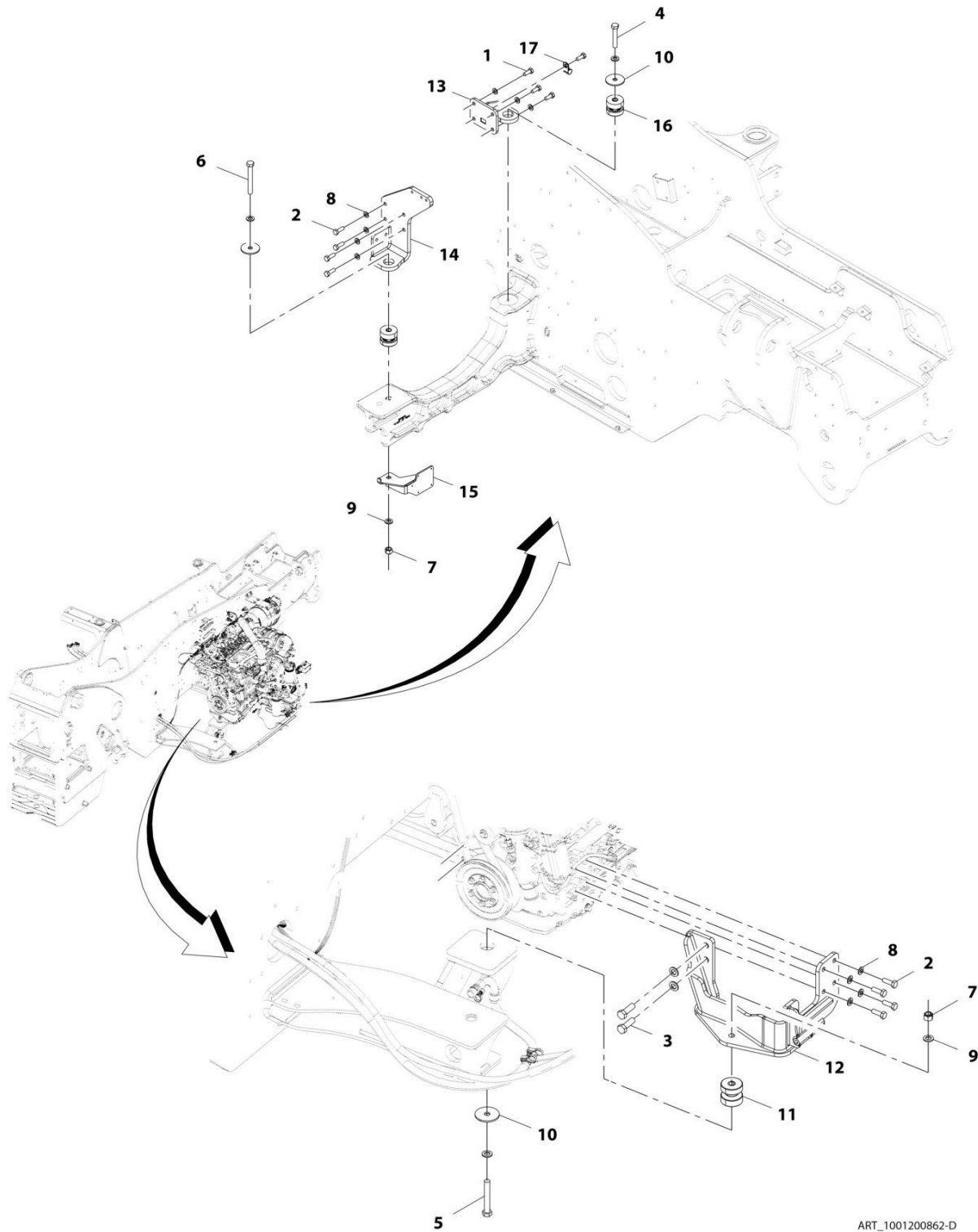
## SECTION 4 - ENGINE AND ATTACHING PARTS

ITEM	PART NUMBER	QTY	DESCRIPTION	REV
	70025535	1	Starter	
	70025780	1	Relay	
	70026210	1	Sensor, Speed	
	70005191	1	O-Ring	
	70025761	1	Connector	
	70024474	1	Plug, Glow	
	70025760	1	Rail, Connecting	
	70005544	1	Unit, Metering	
	70005548	1	Pump, DEF Supply	
	70005549	1	Filter, DEF	
	70005523	1	Sensor, Pressure	
	70024505	1	Sensor, Temperature	
	70005556	1	Sensor, Temperature	
	70005522	1	Sensor	
	70005524	1	Sensor	
	70005559	1	Sensor, Temperature	
	70005507	1	O-Ring	
	70005557	1	Pipe	
	70005558	1	Clip	
	70025877	3	Clamp	
	70025242	3	Gasket	
	70025707	1	Set, Gasket	



# SECTION 4 - ENGINE AND ATTACHING PARTS

## FIGURE 4-5. ENGINE MOUNT INSTALLATION



ART\_1001200862-D



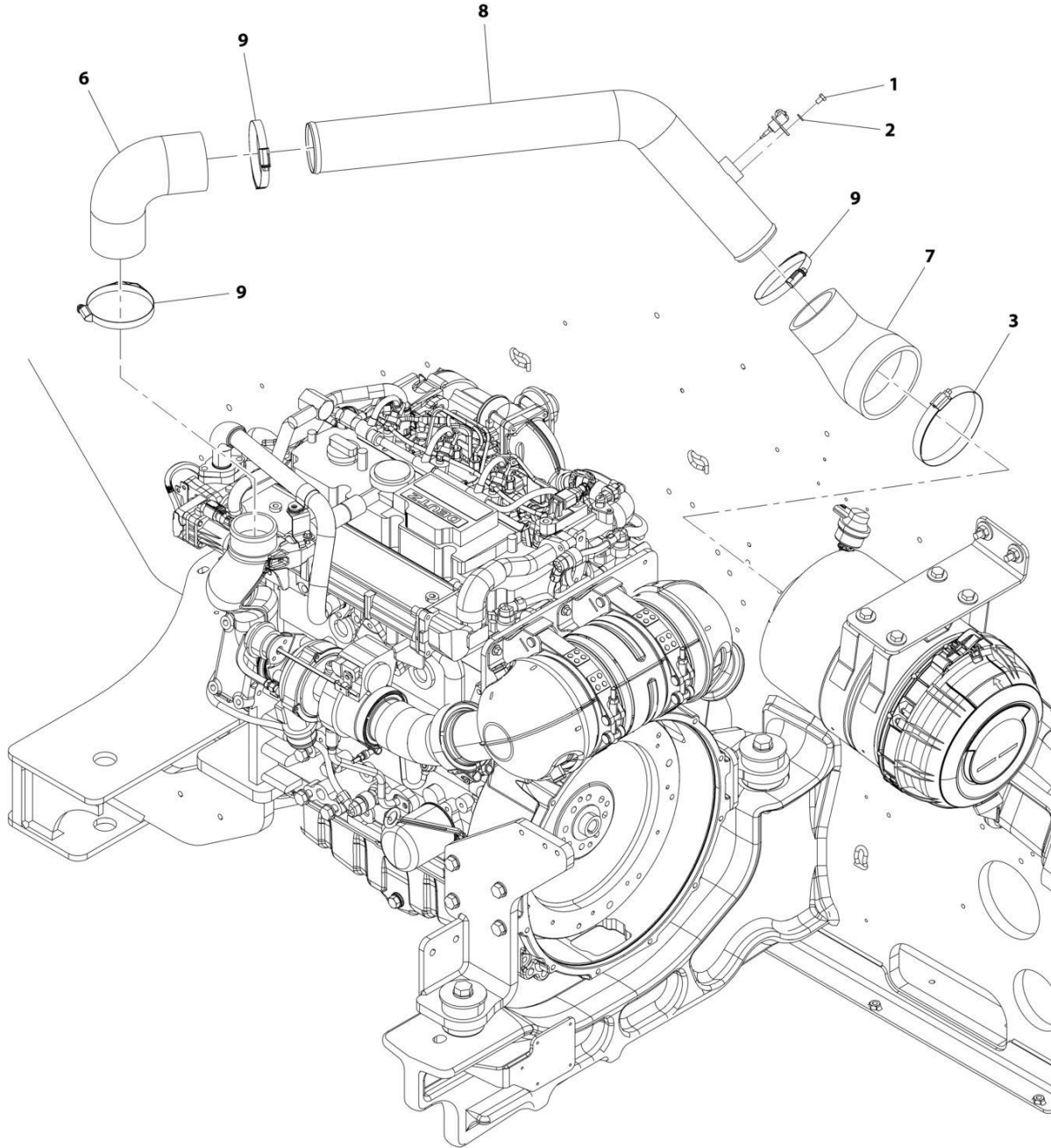
## SECTION 4 - ENGINE AND ATTACHING PARTS

**FIGURE 4-5. ENGINE MOUNT INSTALLATION**

ITEM	PART NUMBER	QTY	DESCRIPTION	REV
	1001200862	Ref	Engine Mount Installation	D
1	0761214	4	Bolt, M12X30	
2	0761215	8	Bolt, M12X35	
3	0701618	2	Bolt M16 X 50	
4	0701626	1	Bolt, M16X90	
5	0701628	1	Bolt, M16X110	
6	0701630	1	Bolt, M16X130	
7	3291605	2	Nut, Lock M16X2	
8	4812100	11	Washer, M12	
9	4812300	7	Washer, M16	
10	7300435	3	Washer	
11	1001188757	1	Mount, Engine	
12	1001200871	1	Bracket, Engine Mount	
13	1001200872	1	Bracket, Engine Mount	
14	1001200873	1	Bracket, Engine Mount	
15	1001200874	1	Bracket, Fuel Pump	
16	1001197072	2	Mount, Engine	
17	8406105	1	Clip, Tube	

# SECTION 4 - ENGINE AND ATTACHING PARTS

## FIGURE 4-6. AIR INTAKE INSTALLATION (ULS)



ART\_1001200863-B

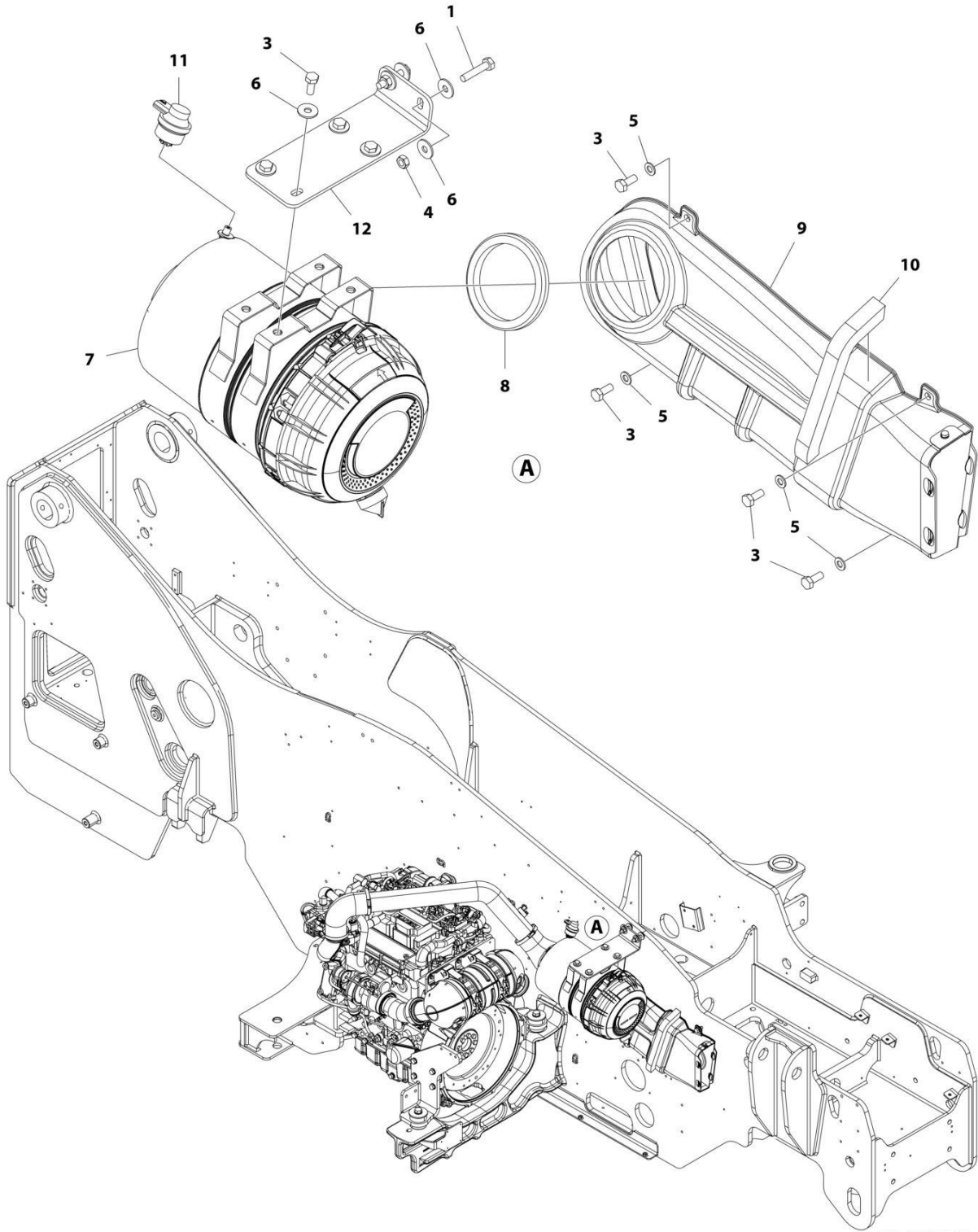
## SECTION 4 - ENGINE AND ATTACHING PARTS

FIGURE 4-6. AIR INTAKE INSTALLATION (ULS)

ITEM	PART NUMBER	QTY	DESCRIPTION	REV
	1001200863	Ref	Air Intake Installation (ULS)	B
1	0760605	1	Bolt, M6X10	
2	4811700	1	Washer, M6	
3	8405402	1	Clamp	
6	1001182881	1	Hose	
7	1001200885	1	Hose	
8	1001200886	1	Tube	
9	1001226523	3	Clamp	

# SECTION 4 - ENGINE AND ATTACHING PARTS

## FIGURE 4-7. AIR CLEANER INSTALLATION



ART\_1001200864

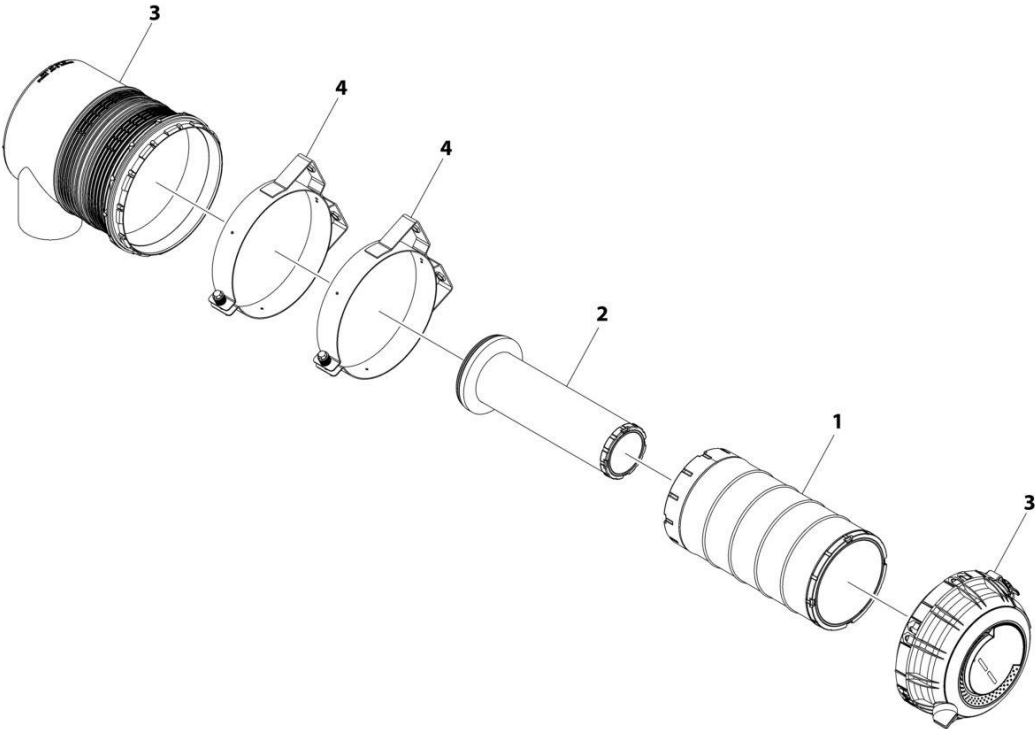
## SECTION 4 - ENGINE AND ATTACHING PARTS

FIGURE 4-7. AIR CLEANER INSTALLATION

ITEM	PART NUMBER	QTY	DESCRIPTION	REV
	1001200864	Ref	AIR CLEANER INSTALLATION	D
1	0701018	2	Bolt M10 x 50	
3	0761012	8	Bolt M10 x 25	
4	3291001	2	Nut M10 x 1.5	
5	4812000	4	Washer M10	
6	4812002	8	Washer M10	
7	1001166565	1	Filter, Air Cleaner (See Separate Breakdown in this Section)	
8	1001183831	1	Grommet	
9	1001183835	1	Air Intake Duct Installation (See Separate Breakdown in this Section)	
10	1001186898	1	Seal	
11	1001166715	1	Indicator	
12	1001194534	1	Bracket, Air Cleaner Mount	

**SECTION 4 - ENGINE AND ATTACHING PARTS**

**FIGURE 4-8. AIR CLEANER ASSEMBLY**



ART\_1001166565

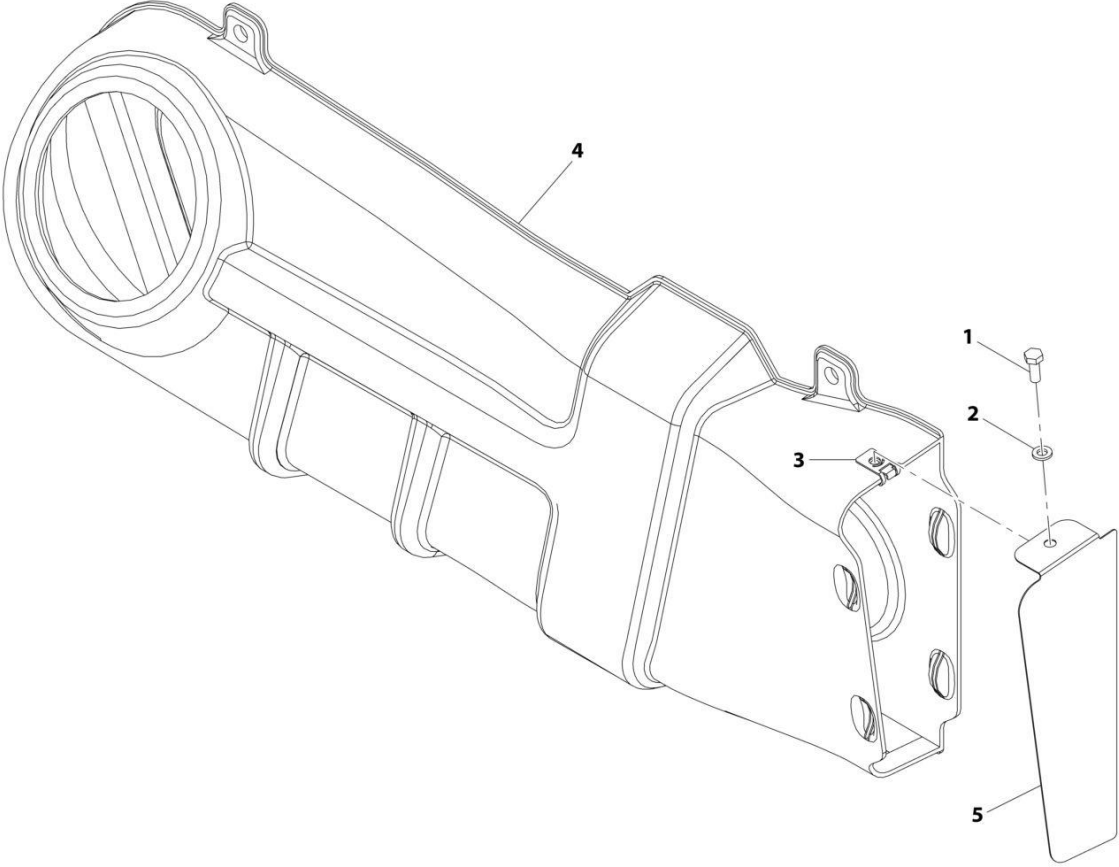
## SECTION 4 - ENGINE AND ATTACHING PARTS

### FIGURE 4-8. AIR CLEANER ASSEMBLY

ITEM	PART NUMBER	QTY	DESCRIPTION	REV
	1001166565	Ref	AIR FILTER ASSEMBLY (90/100KW)	F
1	70025850	1	Filter, Cylindrical Air Primary	
2	70025851	1	Filter, Cylindrical Air Secondary	
3	70026395	1	Cover	
4	70026396	2	Bracket	

**SECTION 4 - ENGINE AND ATTACHING PARTS**

**FIGURE 4-9. AIR INTAKE DUCT INSTALLATION**



ART\_1001183835-C



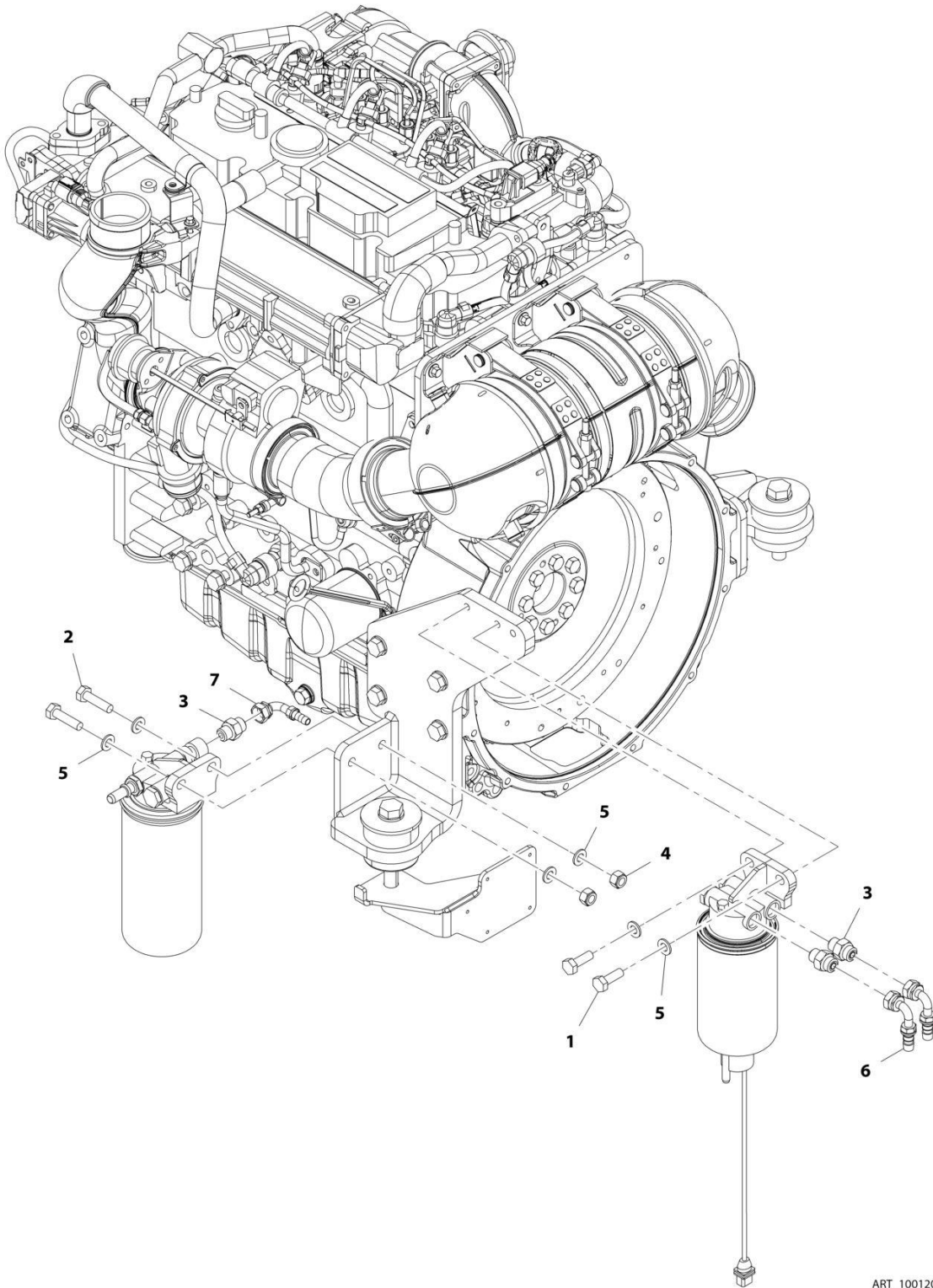
## SECTION 4 - ENGINE AND ATTACHING PARTS

FIGURE 4-9. AIR INTAKE DUCT INSTALLATION

ITEM	PART NUMBER	QTY	DESCRIPTION	REV
	1001183835	Ref	Air Intake Duct Installation	C
1	0760608	1	Bolt, M6X16	
2	4811702	1	Washer, M6	
3	8305919	1	Nut	
4	1001183827	1	Duct	
5	1001183829	1	Plate	

# SECTION 4 - ENGINE AND ATTACHING PARTS

## FIGURE 4-10. PRIMARY FUEL FILTER INSTALLATION (ULS)



ART\_1001200865-C

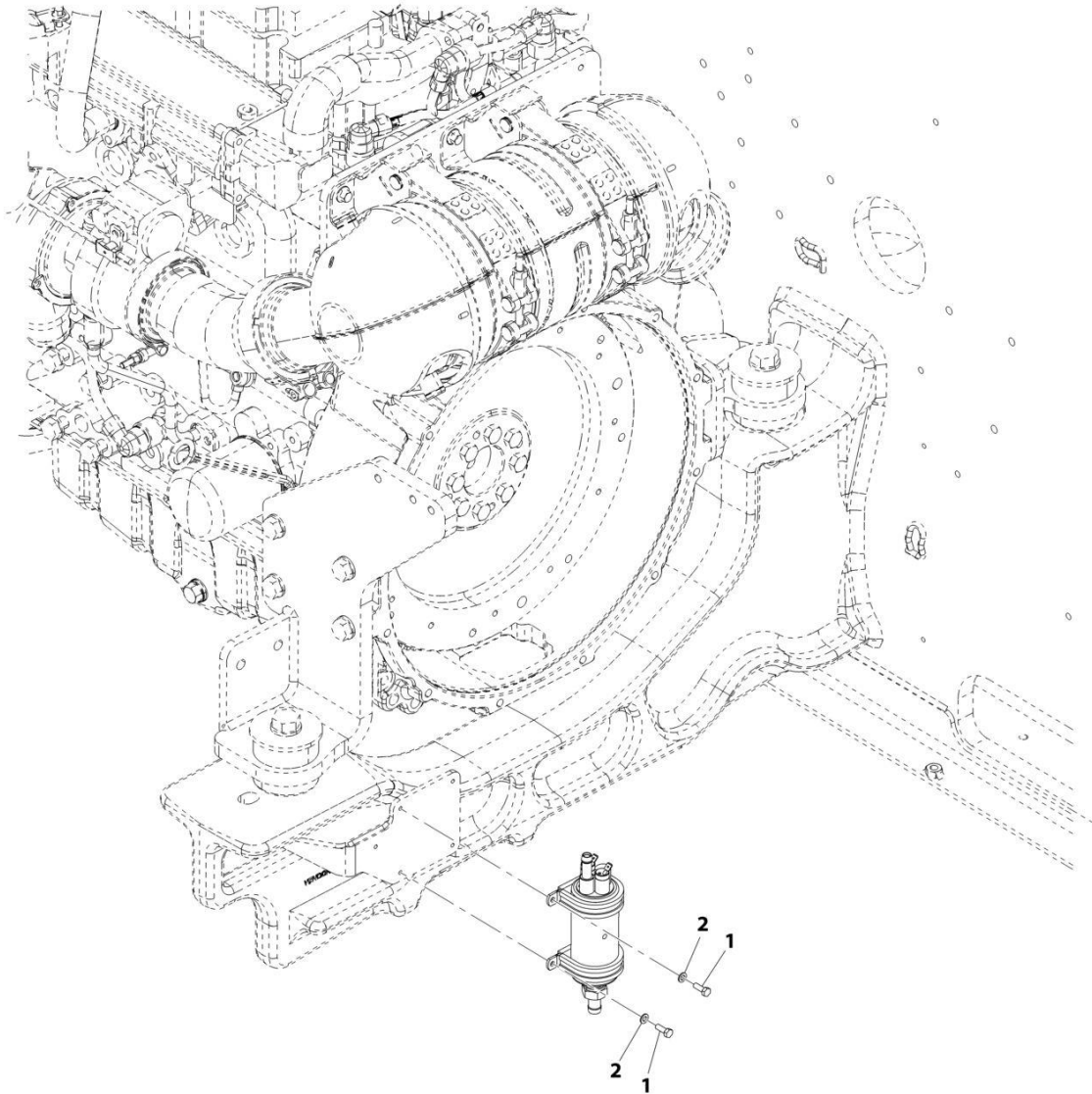
## SECTION 4 - ENGINE AND ATTACHING PARTS

FIGURE 4-10. PRIMARY FUEL FILTER INSTALLATION (ULS)

ITEM	PART NUMBER	QTY	DESCRIPTION	REV
	1001200865	Ref	Primary Fuel Filter Installation	C
1	0701014	2	Bolt, M10X30	
2	0701016	2	Bolt, M10X40	
3	2144606	3	Fitting, Straight ORFS	
4	3291005	2	Nut, Lock M10X1.5	
5	4812000	6	Washer, M10	
6	1001095301	2	Fitting, 90 ORFS	
7	1001133793	1	Fitting, 90 ORFS	

# SECTION 4 - ENGINE AND ATTACHING PARTS

## FIGURE 4-11. REMOTE FUEL PUMP INSTALLATION



ART\_1001221041-B

## SECTION 4 - ENGINE AND ATTACHING PARTS

FIGURE 4-11. REMOTE FUEL PUMP INSTALLATION

ITEM	PART NUMBER	QTY	DESCRIPTION	REV
	1001221041	Ref	Remote Fuel Pump Installation	B
1	0760507	4	Bolt, M5X14	
2	4811600	4	Washer, M5	



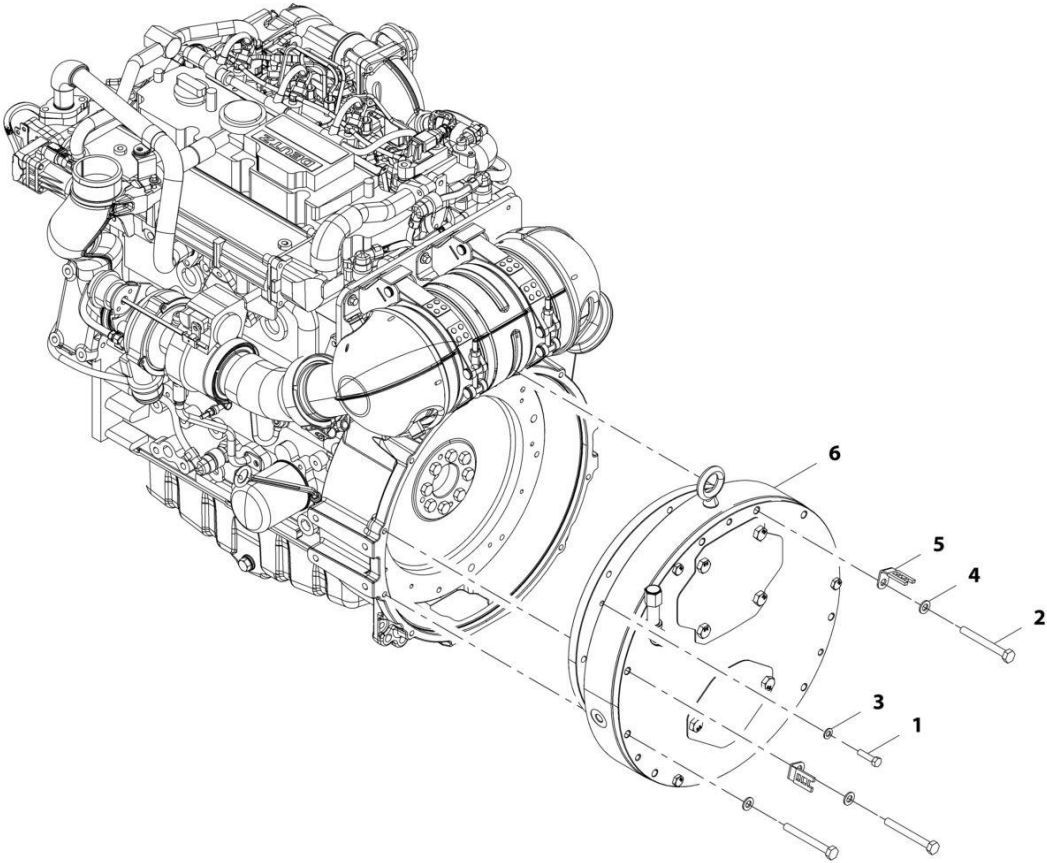
## SECTION 4 - ENGINE AND ATTACHING PARTS

**FIGURE 4-12. FUEL LINES INSTALLATION (ULS)**

ITEM	PART NUMBER	QTY	DESCRIPTION	REV
	1001200866	Ref	Fuel Lines Installation	K
1	0761010	2	Bolt, M10X20	
2	1001009325	3	Screw	
3	1062255	6	Strap, Tie	
4	4812002	4	Washer, M10	
7	1001136975	3	Clamp	
8	1001165035	260 mm	Hose	
9	1001172755	4060 mm	Hose	
10	1001175568	4	Clip	
12	1001228248	1	Hose	
13	1001210870	1	Plate	
14	1001221868	1	Channel, Frame	
15	1001232850	1	Hose	
16	1001146588	3	Strap, Tie	
17	1001003305	1	Clip	
18	3291001	1	Nut, M10X1.5 Grade 8	

**SECTION 4 - ENGINE AND ATTACHING PARTS**

**FIGURE 4-13. HYDROSTATIC ADAPTOR INSTALLATION**



ART\_1001193703-D



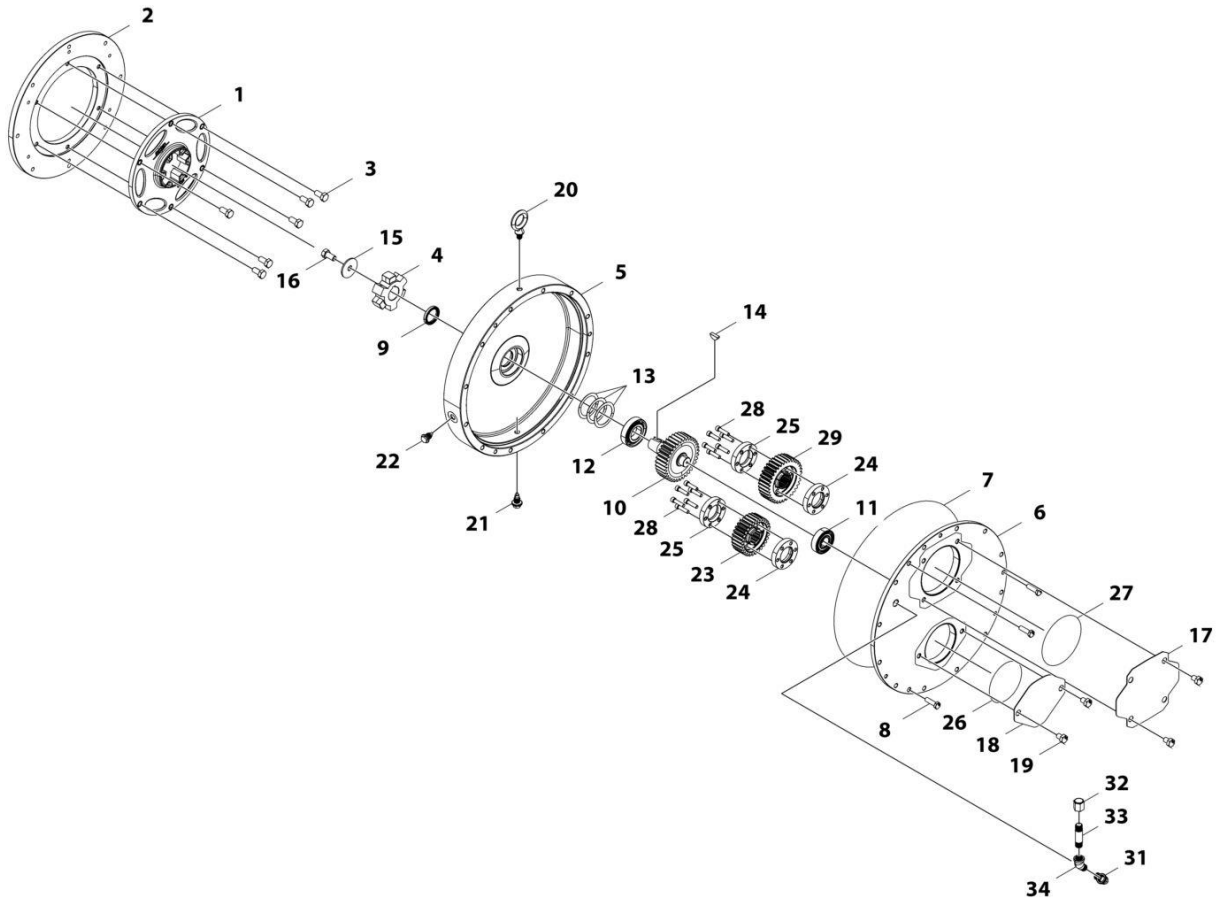
## SECTION 4 - ENGINE AND ATTACHING PARTS

FIGURE 4-13. HYDROSTATIC ADAPTOR INSTALLATION

ITEM	PART NUMBER	QTY	DESCRIPTION	REV
	1001193703	Ref	Hydrostatic Adaptor Installation	D
1	0641510	6	Bolt, 5/16-18X1.25	
2	0701026	12	Bolt, M10X90	
3	4811900	6	Washer, M8	
4	4812000	10	Washer, M10	
5	1001003305	2	Clip	
6	1001193705	1	Assembly, Dual Drive Support (See Separate Breakdown in this Section)	

# SECTION 4 - ENGINE AND ATTACHING PARTS

## FIGURE 4-14. DUAL DRIVE SUPPORT ASSEMBLY



ART\_1001193705

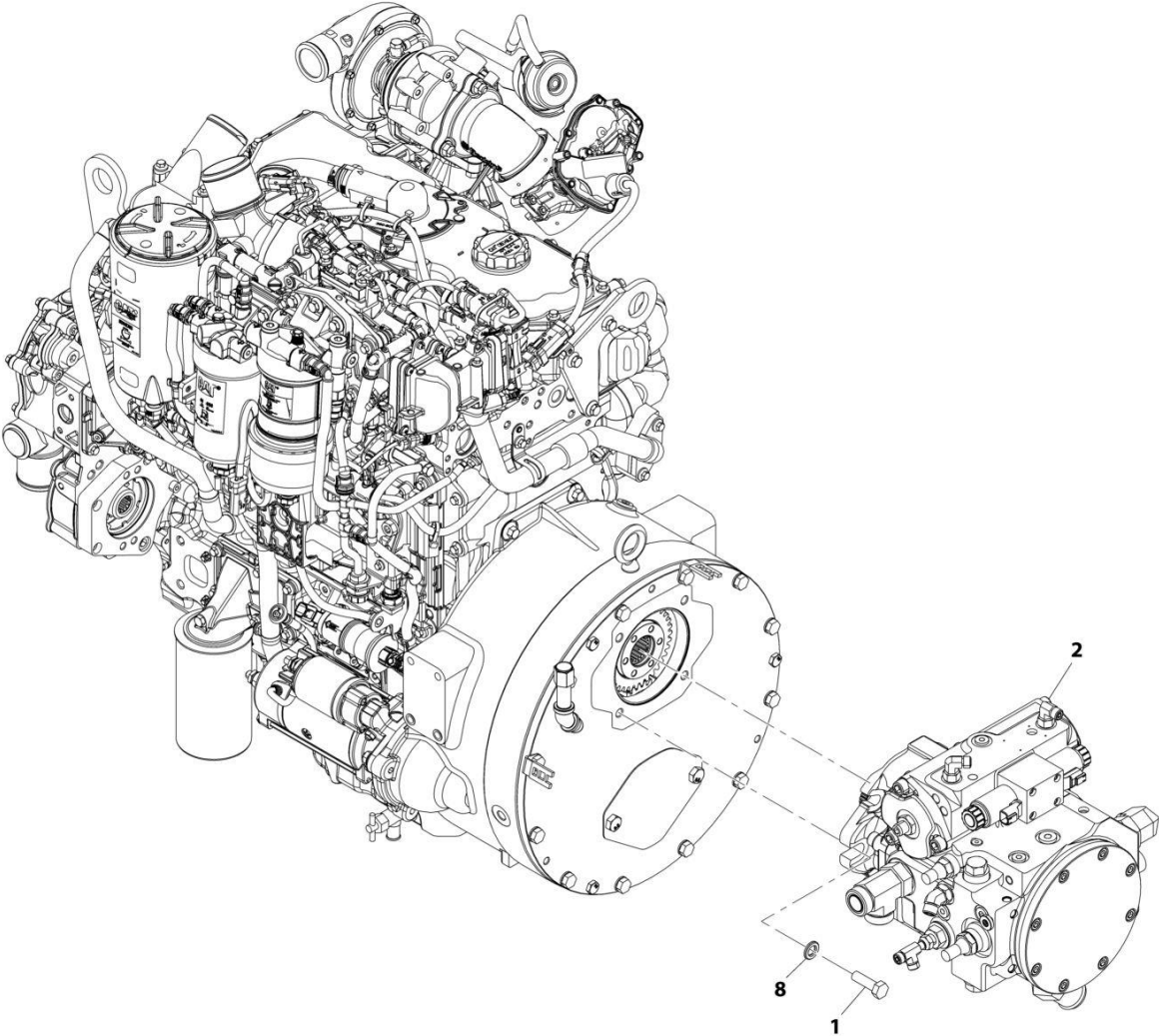
## SECTION 4 - ENGINE AND ATTACHING PARTS

**FIGURE 4-14. DUAL DRIVE SUPPORT ASSEMBLY**

ITEM	PART NUMBER	QTY	DESCRIPTION	REV
	1001193705	Ref	Dual Drive Support Assembly	E
1	70028327	1	Plate, Flex	
2	70028328	1	Plate, Flywheel Adapter	
3	70028329	6	Bolt	
4	70028330	1	Hub, Flex	
5	70028331	1	Gear Box Half, Input Side	
6	70028332	1	Gear Box Half, Output Side	
7	70028333	1	O-Ring	
8	70028334	3	Bolt	
9	70028335	1	Seal, Shaft	
10	70028336	1	Gear, Input Shaft	
11	70028337	1	Bearing, Angular Contact	
12	70028338	1	Bearing, Angular Contact	
13	70028339	3	Washer	
14	70028340	1	Key	
15	70028341	1	Washer	
16	70028342	1	Bolt	
17	70028343	1	Cover, Pump Mount Implement	
18	70028344	1	Cover, Pump Mount Hydrastat	
19	70028345	6	Bolt	
20	70028346	1	Eyebolt, Modified	
21	70028347	1	Plug	
22	70028348	1	Plug	
23	70028349	1	Pump, Gear,30 Tooth	
24	70028350	2	Locking Ring, Tapered	
25	70028351	2	Locking Ring, Tapered	
26	70028352	1	O-Ring	
27	70028353	1	O-Ring	
28	70028354	12	Bolt	
29	70028355	1	Pump, Gear, 35 Tooth	
31	70028357	1	Adapter, 90	
32	70028358	1	Breather	
33	70028359	1	Nipple	
34	70028360	1	Adapter, 45	

**SECTION 4 - ENGINE AND ATTACHING PARTS**

**FIGURE 4-15. HYDROSTATIC DRIVE PUMP INSTALLATION**



ART-1001193704-D

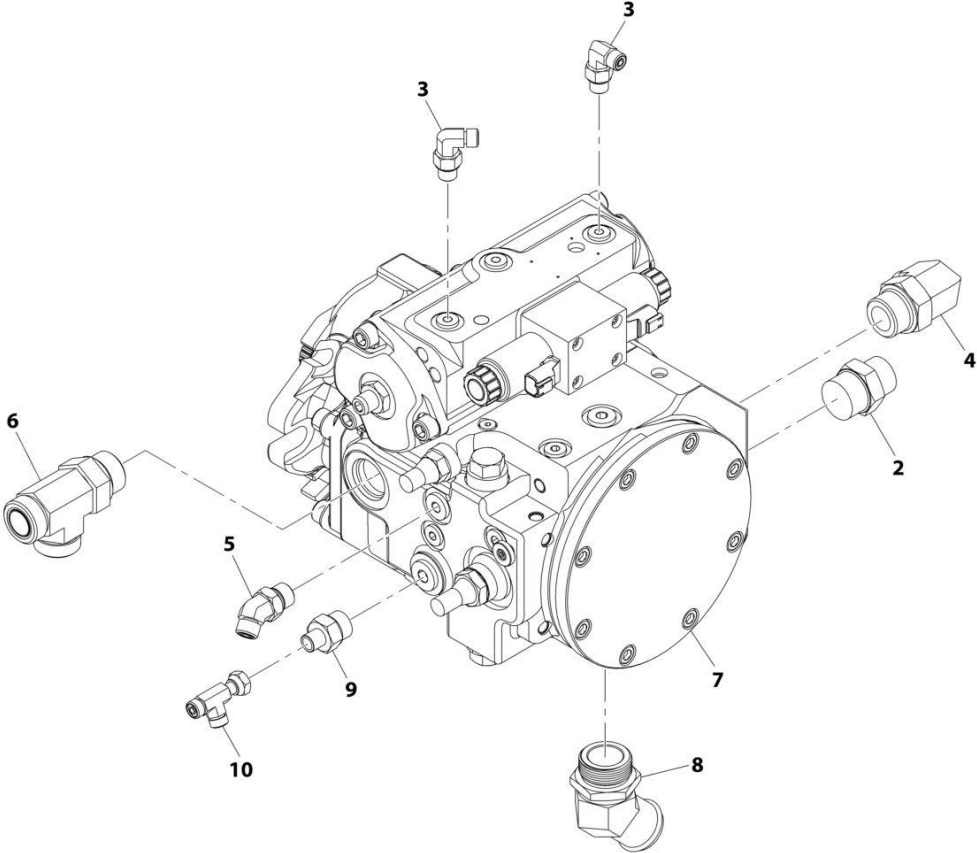
## SECTION 4 - ENGINE AND ATTACHING PARTS

FIGURE 4-15. HYDROSTATIC DRIVE PUMP INSTALLATION

ITEM	PART NUMBER	QTY	DESCRIPTION	REV
	1001193704	Ref	Hydrostatic Drive Pump Installation	D
1	0711216	4	Bolt, M12X40	
2	1001210771	1	Assembly, Hydrostatic Drive Pump (See Separate Breakdown in this Section)	
8	4740532	4	Washer, M12	

**SECTION 4 - ENGINE AND ATTACHING PARTS**

**FIGURE 4-16. HYDROSTATIC DRIVE PUMP ASSEMBLY**



ART\_1001210771-C

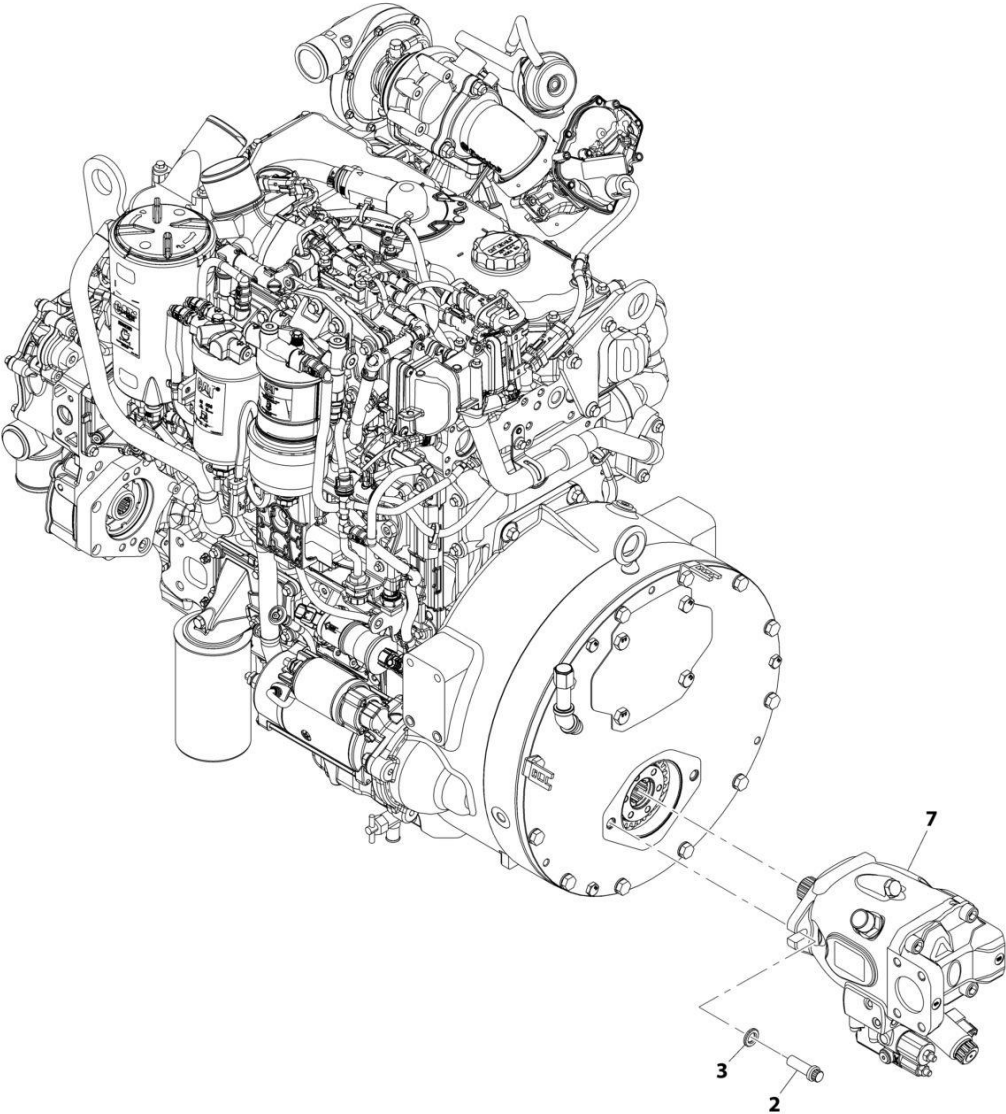
## SECTION 4 - ENGINE AND ATTACHING PARTS

FIGURE 4-16. HYDROSTATIC DRIVE PUMP ASSEMBLY

ITEM	PART NUMBER	QTY	DESCRIPTION	REV
	1001210771	Ref	Hydrostatic Drive Pump Assembly	C
2	2111216	1	Fitting, Straight ORFS	
3	2130406	2	Fitting, 90 ORFS	
4	2131216	1	Fitting, 90 ORFS	
5	2150608	1	Fitting, 45 ORFS	
6	2170316	1	Fitting, TEE ORFS	
7	1001193307	1	Pump, Hydrostatic Drive (See Separate Breakdown in HYDRAULIC COMPONENTS Section)	
8	1001196664	1	Fitting, 45	
9	2110410	1	Fitting, Straight ORFS	
10	2170704	1	Fitting, Tee ORFS	

**SECTION 4 - ENGINE AND ATTACHING PARTS**

**FIGURE 4-17. IMPLEMENT PUMP INSTALLATION**



ART\_1001193393-E



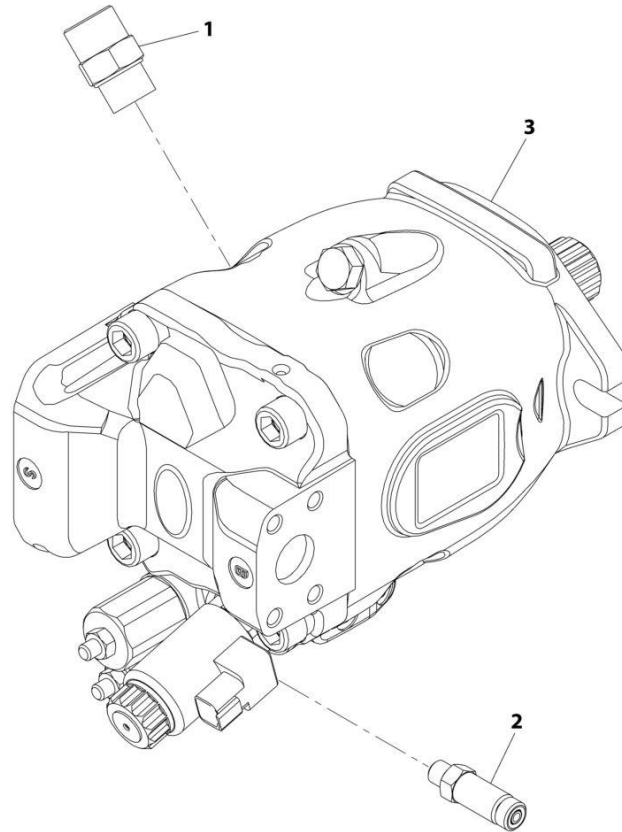
## SECTION 4 - ENGINE AND ATTACHING PARTS

FIGURE 4-17. IMPLEMENT PUMP INSTALLATION

ITEM	PART NUMBER	QTY	DESCRIPTION	REV
	1001193393	Ref	Implement Pump Installation	E
2	1001238781	2	Screw Flange	
3	4740532	2	Washer	
7	1001212739	1	Assembly, Implement Pump (See Separate Breakdown in this Section)	

## SECTION 4 - ENGINE AND ATTACHING PARTS

FIGURE 4-18. IMPLEMENT PUMP ASSEMBLY



ART\_1001212739-A

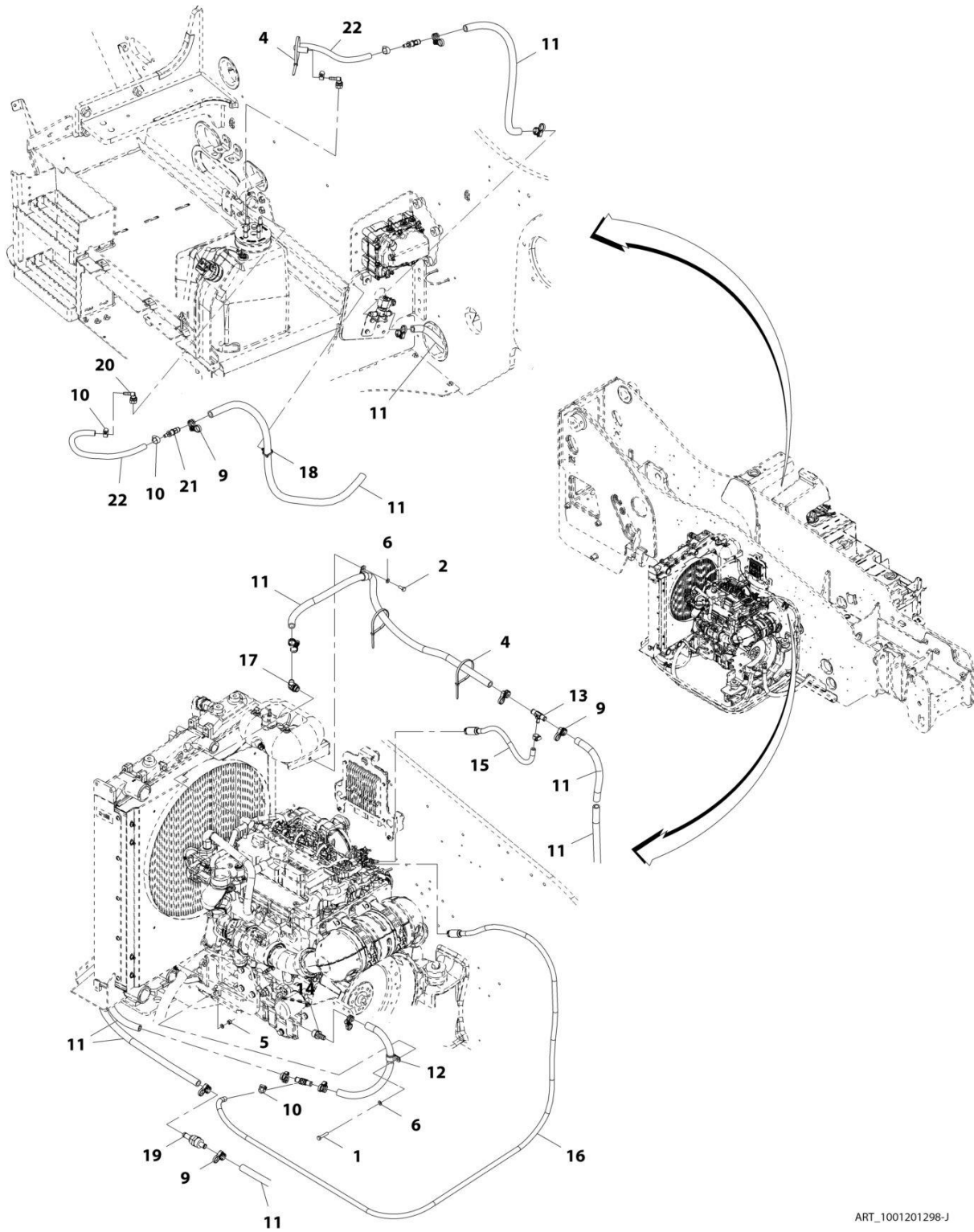
## SECTION 4 - ENGINE AND ATTACHING PARTS

FIGURE 4-18. IMPLEMENT PUMP ASSEMBLY

ITEM	PART NUMBER	QTY	DESCRIPTION	REV
	1001212739	Ref	Implement Pump Assembly	A
1	2111010	1	Fitting, Straight ORFS	
2	2170104	1	Fitting, Straight ORFS	
3	1001180070	1	Pump, Implement (See Separate Breakdown in HYDRAULIC COMPONENTS Section)	

# SECTION 4 - ENGINE AND ATTACHING PARTS

## FIGURE 4-19. DEF COOLANT LINES INSTALLATION (ULS)



ART\_1001201298-J

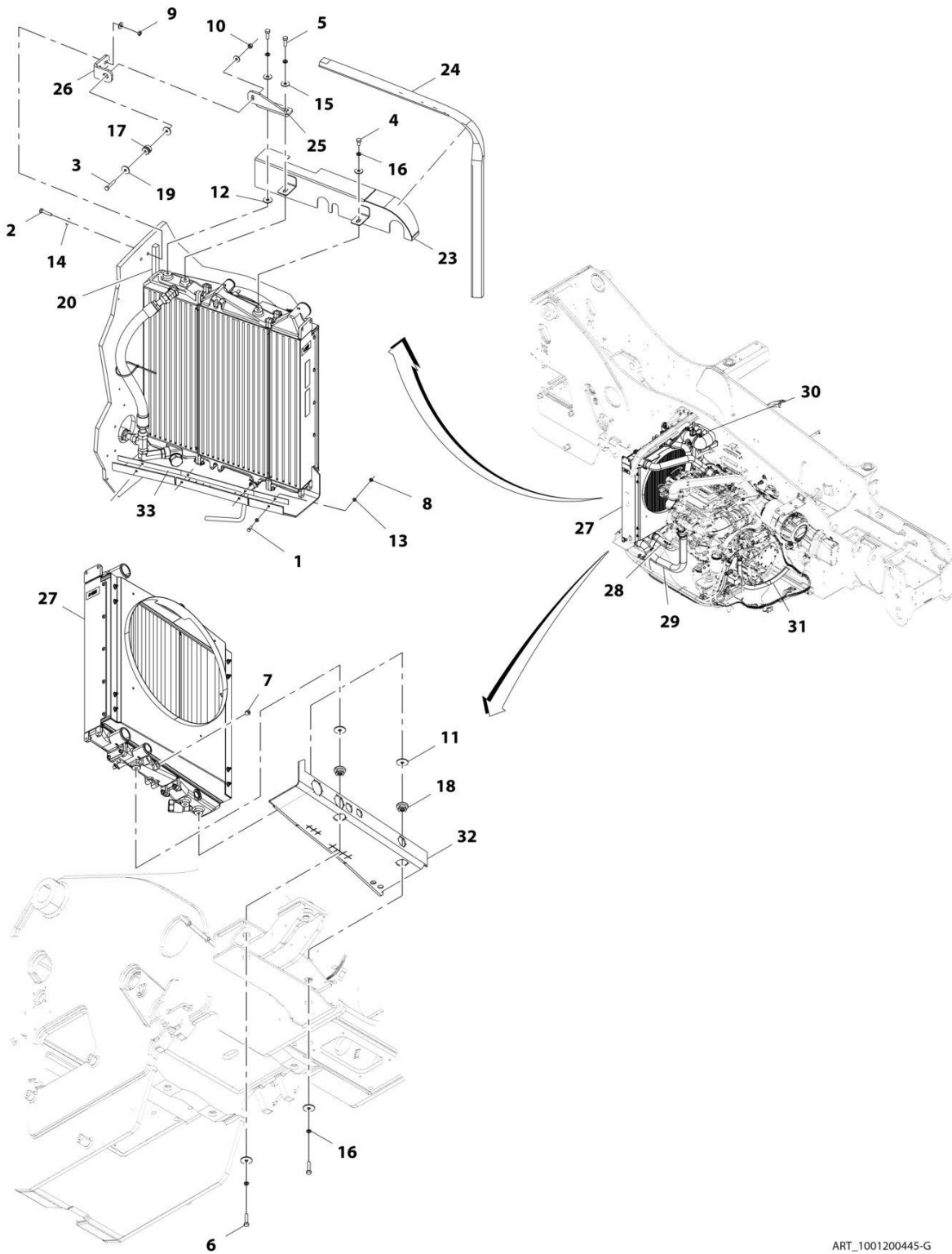
## SECTION 4 - ENGINE AND ATTACHING PARTS

**FIGURE 4-19. DEF COOLANT LINES INSTALLATION (ULS)**

ITEM	PART NUMBER	QTY	DESCRIPTION	REV
	1001201298	Ref	DEF Coolant Lines Installation (ULS)	J
1	0700816	1	Bolt, M8X40	
2	0760810	1	Bolt, M8X20	
4	1062255	AR	Strap, Tie	
5	3290805	1	Nut, M8X1.25	
6	4811900	3	Washer, M8	
9	1001202526	12	Clamp	
10	8410013	6	Clamp	
11	82033995	9365 mm	Hose	
12	1001100319	2	Clip	
13	1001162212	2	Pipe	
14	1001167409	1	Pipe	
15	1001201299	1	Hose	
16	1001201300	1	Hose	
17	1001203005	1	Fitting, 45	
18	1001146588	1	Strap, Tie	
19	1001228872	1	Filter	
20	1001155823	2	Coupling	
21	1001238470	2	Adapter	
22	1001181625	870 mm	Hose	

# SECTION 4 - ENGINE AND ATTACHING PARTS

FIGURE 4-20. COOLING PACKAGE INSTALLATION (ULS & NO HIGH AMBIENT)



ART\_1001200445-G

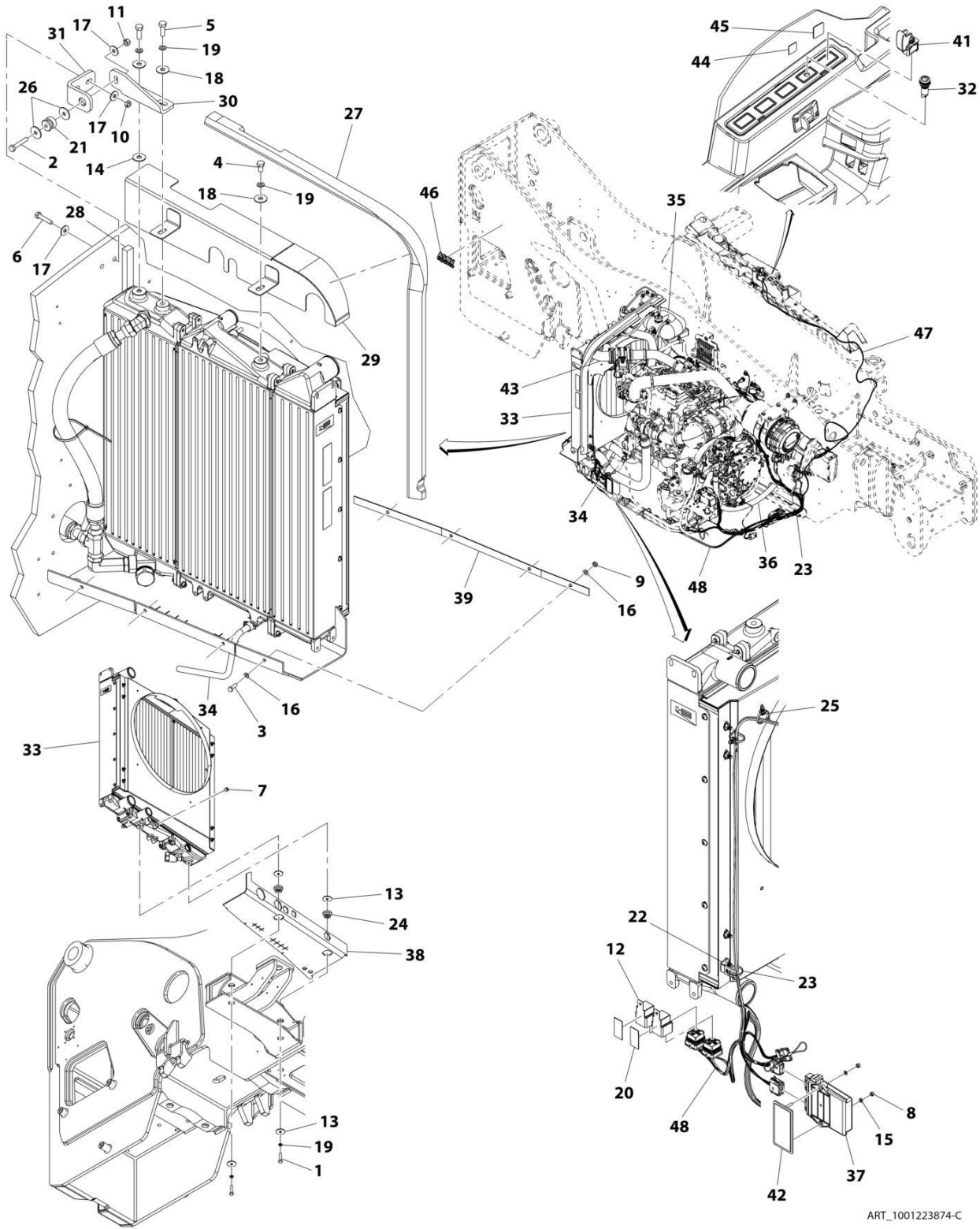
## SECTION 4 - ENGINE AND ATTACHING PARTS

**FIGURE 4-20. COOLING PACKAGE INSTALLATION (ULS & NO HIGH AMBIENT)**

ITEM	PART NUMBER	QTY	DESCRIPTION	REV
	1001200445	Ref	Cooling Package Installation	G
1	0760812	4	Bolt,M8X25	
2	0701018	2	Bolt, M10X50	
3	0701020	1	Bolt, M10X60	
4	0761210	1	Bolt, M12X20	
5	0761215	2	Bolt, M12X35	
6	0761218	2	Bolt, M12X50	
7	2200223	1	Plug	
8	3290801	4	Nut, M8X1.25	
9	3291001	2	Nut, M10X1.5	
10	3291005	1	Nut, Lock M10X1.5	
11	4740274	4	Washer	
12	4740550	1	Washer, M12	
13	4811900	8	Washer, M8	
14	4812002	5	Washer, M10	
15	4812102	3	Washer, M12	
16	4832100	5	Washer, Lock M12	
17	8278020	1	Mount	
18	1001114803	2	Mount	
19	1001155540	2	Washer	
20	1001173457	1	Seal	
23	1001196191	1	Bracket, Air Baffle	
24	1001173452	1	Seal	
25	1001200498	1	Bracket, Radiator	
26	1001200499	1	Bracket, Frame	
27	1001201301	1	Radiator, (See Separate Breakdown in this Section)	
28	1001201302	Ref	Installation, Coolant Lines (See Separate Breakdown in this Section)	
29	1001201303	Ref	Installation, Radiator Lines (See Separate Breakdown in this Section)	
30	1001201304	Ref	Installation, Surge Tank (See Separate Breakdown in this Section)	
31	1001201305	Ref	Installation, Transmission Oil Cooler Lines (See Separate Breakdown in this Section)	
32	1001203947	1	Panel, Air Dam	
33	1001203948	1	Plate, Air Dam	

# SECTION 4 - ENGINE AND ATTACHING PARTS

## FIGURE 4-21. COOLING PACKAGE INSTALLATION (ULS ASOV)



ART\_1001223874-C



## SECTION 4 - ENGINE AND ATTACHING PARTS

**FIGURE 4-21. COOLING PACKAGE INSTALLATION (ULS ASOV)**

ITEM	PART NUMBER	QTY	DESCRIPTION	REV
	1001223874	Ref	Cooling Package Installation	C
1	0701018	2	Bolt, M10X50	
2	0701020	1	Bolt, M10X60	
3	0760812	4	Bolt, M8X25	
4	0761210	1	Bolt, M12X20	
5	0761215	2	Bolt, M12X35	
6	0761218	2	Bolt, M12X50	
7	2200223	1	Plug	
8	3290505	2	Nut, M5X0.8	
9	3290801	4	Nut, M8X1.25	
10	3291001	2	Nut, M10X1.5	
11	3291005	1	Nut, Lock M10X1.5	
12	3740080	2	Relay	
13	4740274	4	Washer	
14	4740550	1	Washer, M12	
15	4811600	2	Washer, M5	
16	4811900	8	Washer, M8	
17	4812002	5	Washer, M10	
18	4812102	3	Washer, M12	
19	4832100	5	Washer, Lock M12	
20	7169541	AR	Tape	
21	8278020	1	Mount	
22	1001003305	1	Clip	
23	1001008559	4	Strap, Cable	
24	1001114803	2	Mount	
25	1001146588	2	Strap, Cable	
26	1001155540	2	Washer	
27	1001173452	1	Seal, Foam Gasket	
28	1001173457	1	Seal	
29	1001196191	1	Bracket, Air Baffle	
30	1001200498	1	Bracket, Radiator	
31	1001200499	1	Bracket, Frame	
32	1001200631	1	Lamp, LED Indicator	
33	1001201301	1	Radiator, (See Separate Breakdown in this Section)	
34	1001201302	Ref	Installation, Coolant Lines (See Separate Breakdown in this Section)	
35	1001201304	Ref	Installation, Surge Tank (See Separate Breakdown in this Section)	
36	1001201305	Ref	Installation, Transmission Oil Cooler Lines (See Separate Breakdown in this Section)	
37	1001203181	1	Accessory, Control	
38	1001203947	1	Panel, Air Dam	
39	1001203948	1	Plate, Air Dam	
41	1001215941	1	Switch	
42	1001219082	1	Bracket	
43	1001223869	1	Installation, Radiator Lines (See Separate Breakdown in this Section)	
44	1001227077	1	Decal, Air Shut Off	
45	1001227964	1	Decal, ASOV Test	
46	1001228643	1	Decal, ASOV Equipped	
47	1001231407	1	Harness, POSI Air Shutoff (See Separate Breakdown in Electrical	

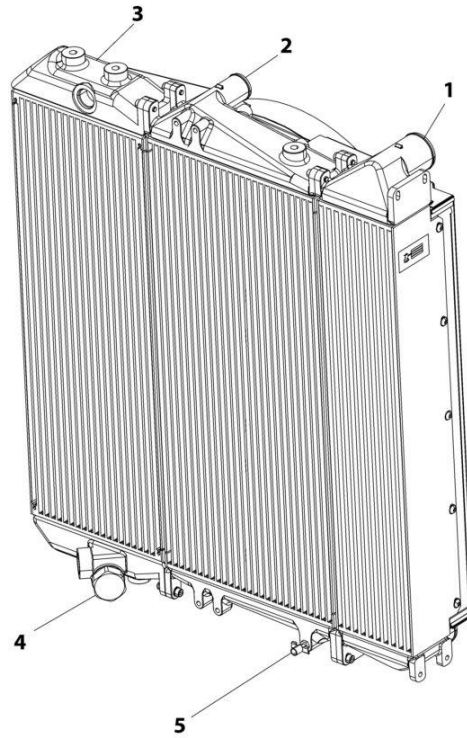
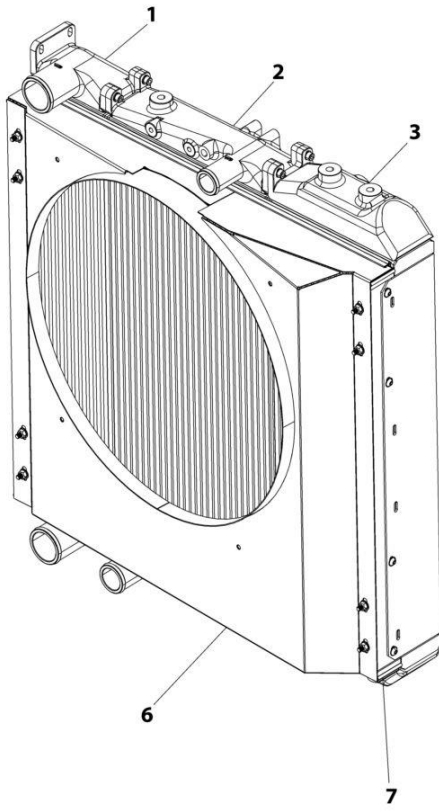
## SECTION 4 - ENGINE AND ATTACHING PARTS

ITEM	PART NUMBER	QTY	DESCRIPTION	REV
48	1001231483	1	Section) Harness, POSI Air Shutoff (See Separate Breakdown in Electrical Section)	



# SECTION 4 - ENGINE AND ATTACHING PARTS

## FIGURE 4-22. RADIATOR - COOLING PACKAGE



ART\_1001201301

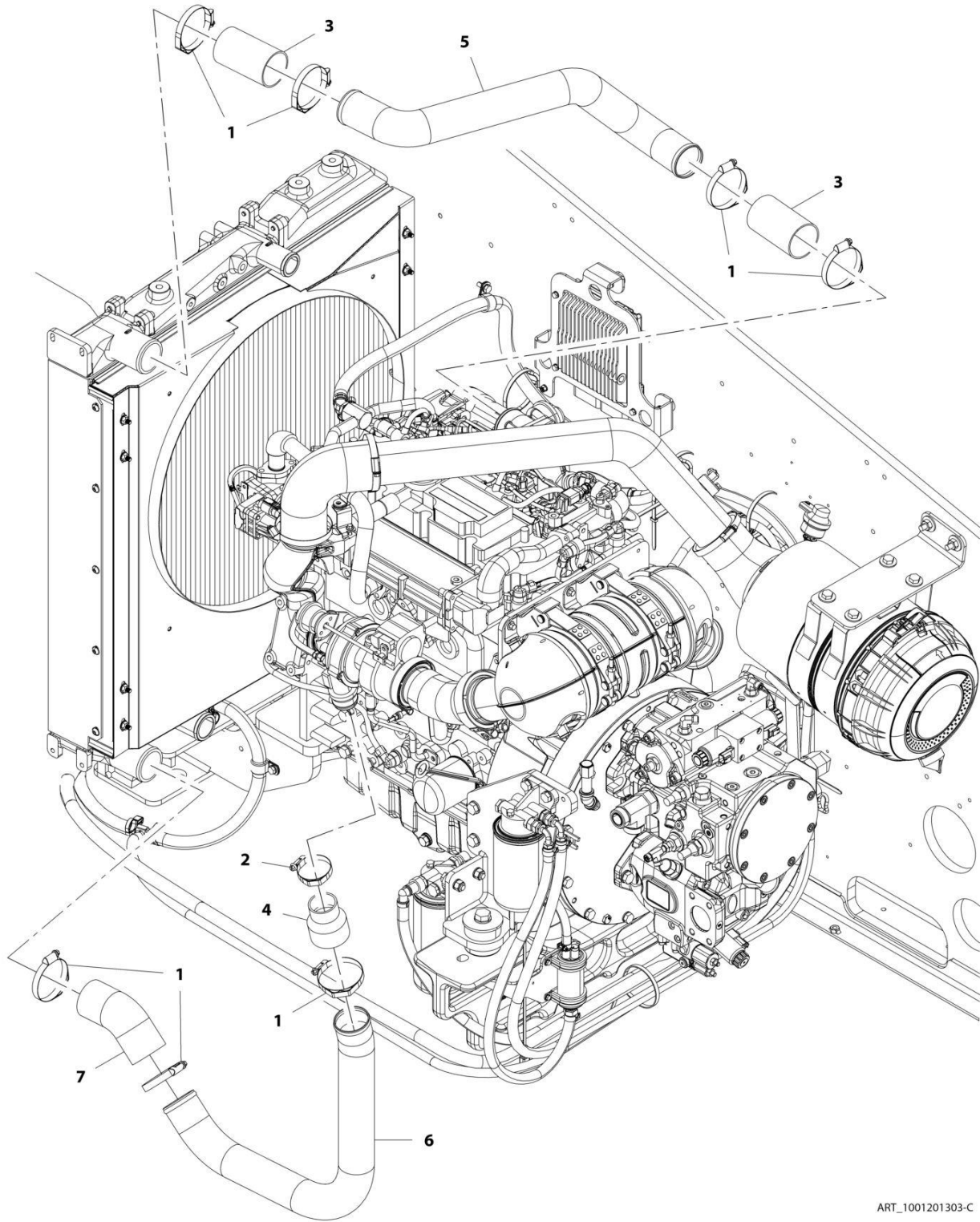
## SECTION 4 - ENGINE AND ATTACHING PARTS

### FIGURE 4-22. RADIATOR - COOLING PACKAGE

ITEM	PART NUMBER	QTY	DESCRIPTION	REV
	1001201301	Ref	RADIATOR COOLLING PACKAGE	D
1	70026353	1	Cooler, Air Charge	
2	70026354	1	Radiator	
3	70028550	1	Cooler, Hydraulic Oil	
4	70028548	1	Valve, Bypass	
5	70026081	1	Petcock	
6	70028549	1	Shroud	
7	70026359	2	Bracket, Shroud Mounting	

# SECTION 4 - ENGINE AND ATTACHING PARTS

FIGURE 4-23. RADIATOR LINES INSTALLATION (ALL EXCEPT ULS & LS ASOV)



ART\_1001201303-C

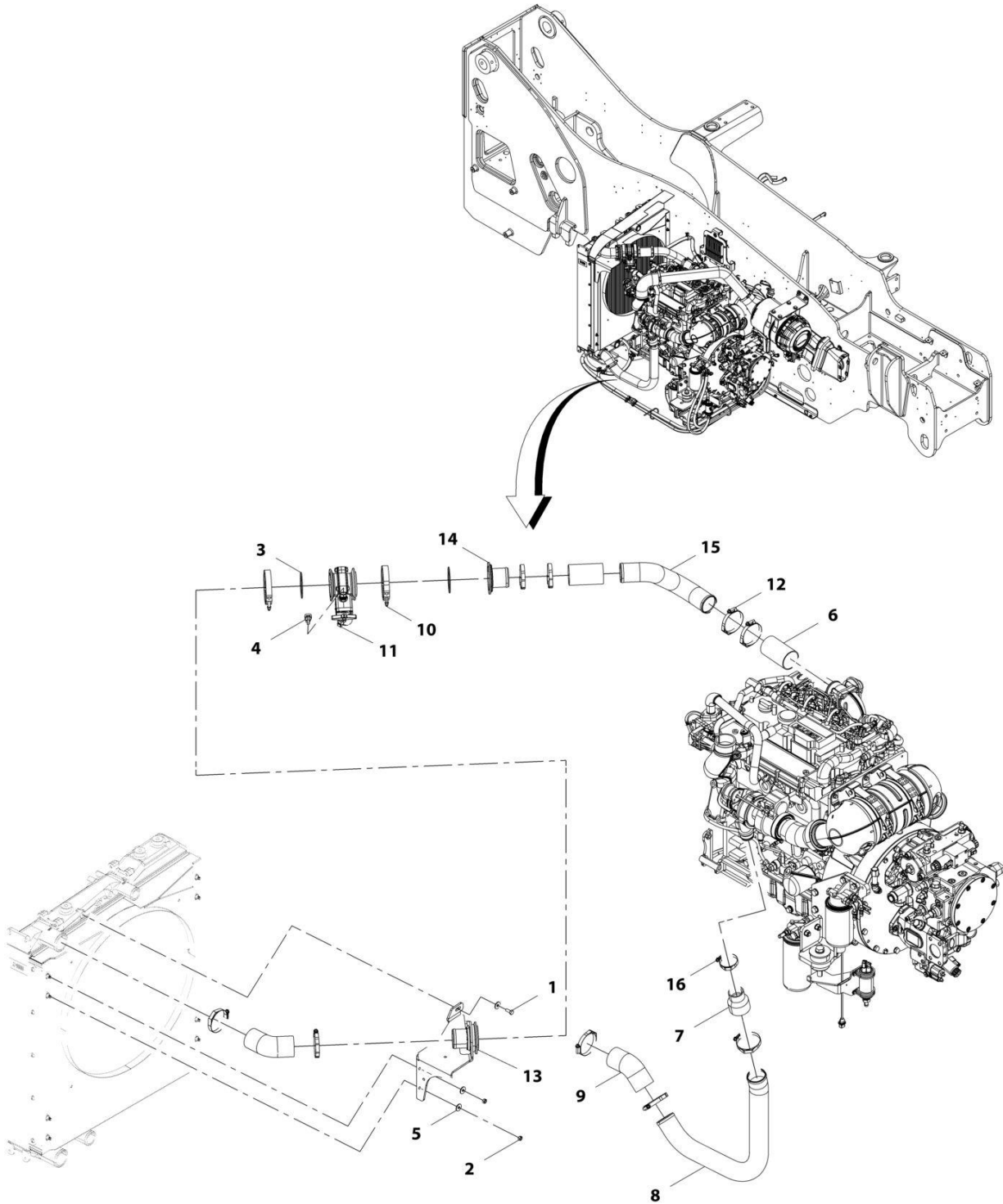
## SECTION 4 - ENGINE AND ATTACHING PARTS

FIGURE 4-23. RADIATOR LINES INSTALLATION (ALL EXCEPT ULS & LS ASOV)

ITEM	PART NUMBER	QTY	DESCRIPTION	REV
	1001201303	Ref	Radiator Lines Installation	C
1	1001215022	7	Clamp	
2	1001215024	1	Clamp	
3	1001114495	2	Hose	
4	1001173528	1	Coupling, Reducer	
5	1001201314	1	Pipe	
6	1001201315	1	Pipe	
7	1001201316	1	Elbow, 45	

# SECTION 4 - ENGINE AND ATTACHING PARTS

FIGURE 4-24. RADIATOR LINES INSTALLATION (ULS & LS ASOV)



ART\_1001223869-B



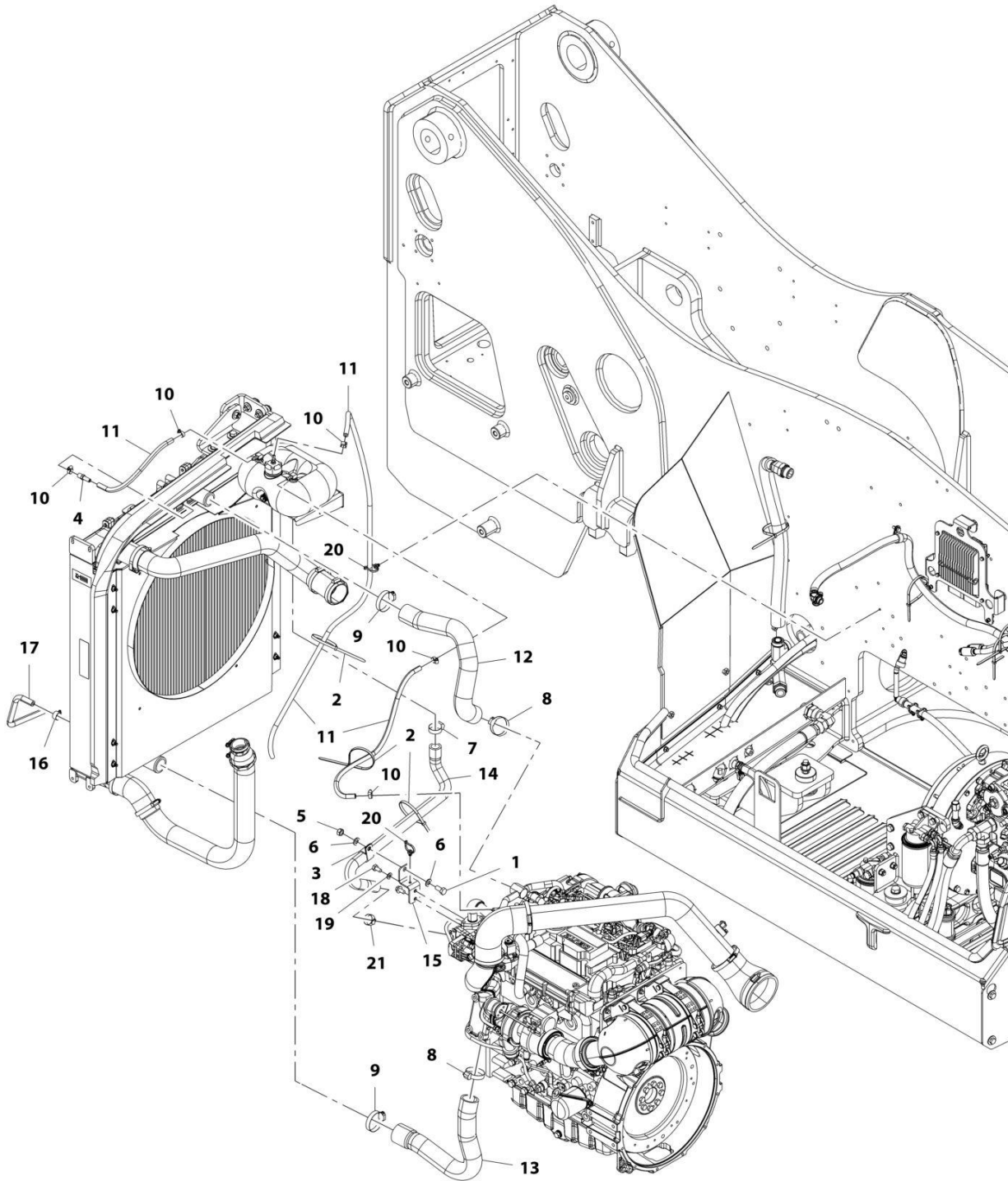
## SECTION 4 - ENGINE AND ATTACHING PARTS

**FIGURE 4-24. RADIATOR LINES INSTALLATION (ULS & LS ASOV)**

ITEM	PART NUMBER	QTY	DESCRIPTION	REV
	1001223869	Ref	CAC Lines Installation	B
1	0760810	1	Bolt, M8X20	
2	3290801	2	Nut, M8X1.25	
3	3790152	2	Ring	
4	4460742	1	Connector	
5	4811902	3	Washer, M8	
6	1001114495	2	Hose	
7	1001173528	1	Fitting, Straight	
8	1001201315	1	Pipe	
9	1001201316	2	Hose	
10	1001202247	2	Clamp	
11	1001204032	1	Valve, Shut Off (See Separate Breakdown in HYDRAULIC COMPONENTS Section)	
12	1001215022	9	Clamp	
13	1001223618	1	Valve, ASO (See Separate Breakdown in HYDRAULIC COMPONENTS Section)	
14	1001223628	1	Valve, ASO	
15	1001223645	1	Pipe	
16	1001215024	1	Clamp	

# SECTION 4 - ENGINE AND ATTACHING PARTS

## FIGURE 4-25. COOLANT LINES INSTALLATION



ART\_1001201302-E

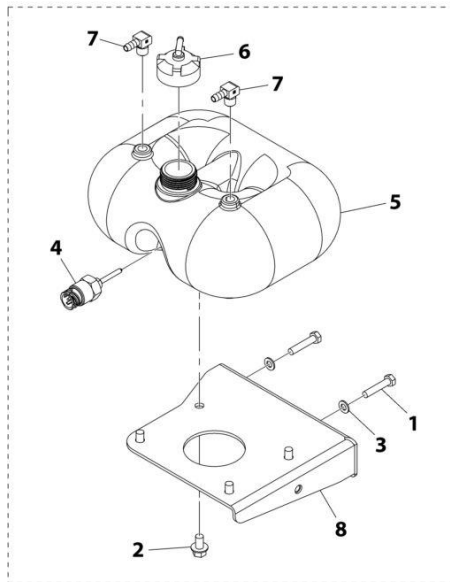
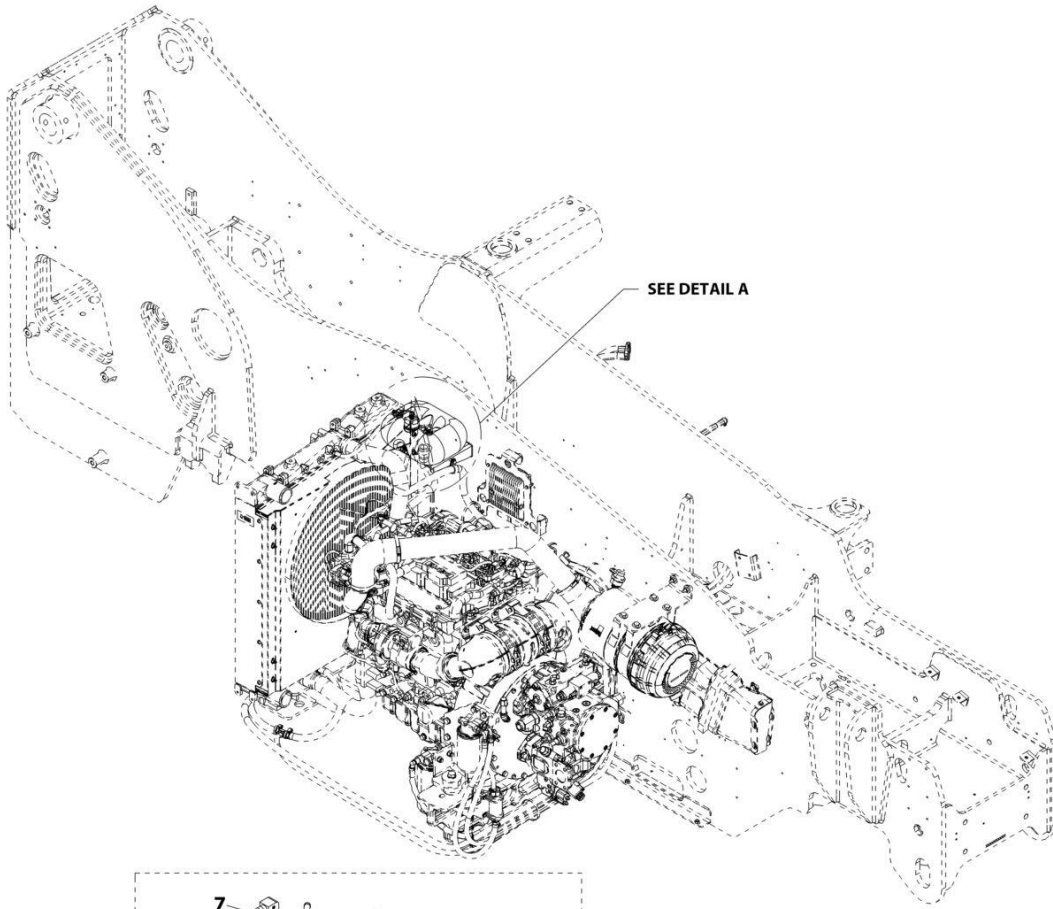
## SECTION 4 - ENGINE AND ATTACHING PARTS

**FIGURE 4-25. COOLANT LINES INSTALLATION**

ITEM	PART NUMBER	QTY	DESCRIPTION	REV
	1001201302	Ref	Coolant Lines Installation	E
1	0761212	1	Bolt, M12X25	
2	1062255	3	Strap, Tie	
3	1320060	1	Clamp, Hose	
4	2220767	1	Fitting	
5	3291201	1	Nut, M12	
6	4812100	2	Washer, M12	
7	8405101	1	Clamp, Gear	
8	8405104	2	Clamp, Gear	
9	8405201	2	Clamp, Gear	
10	8405009	5	Clamp, Gear	
11	1001180542	2465 mm	Hose	
12	1001217762	1	Hose	
13	1001201309	1	Hose	
14	1001217763	1	Hose	
15	1001217761	1	Bracket	
16	8405006	1	Clamp, Gear	
17	1001180553	370 mm	Hose	
18	0761010	1	Bolt, M12X20	
19	4812000	1	Washer, M10	
20	1001146588	2	Strap, Tie	
21	8405007	1	Clamp, Gear	

# SECTION 4 - ENGINE AND ATTACHING PARTS

## FIGURE 4-26. SURGE TANK INSTALLATION



DETAIL A

ART\_1001201304-B

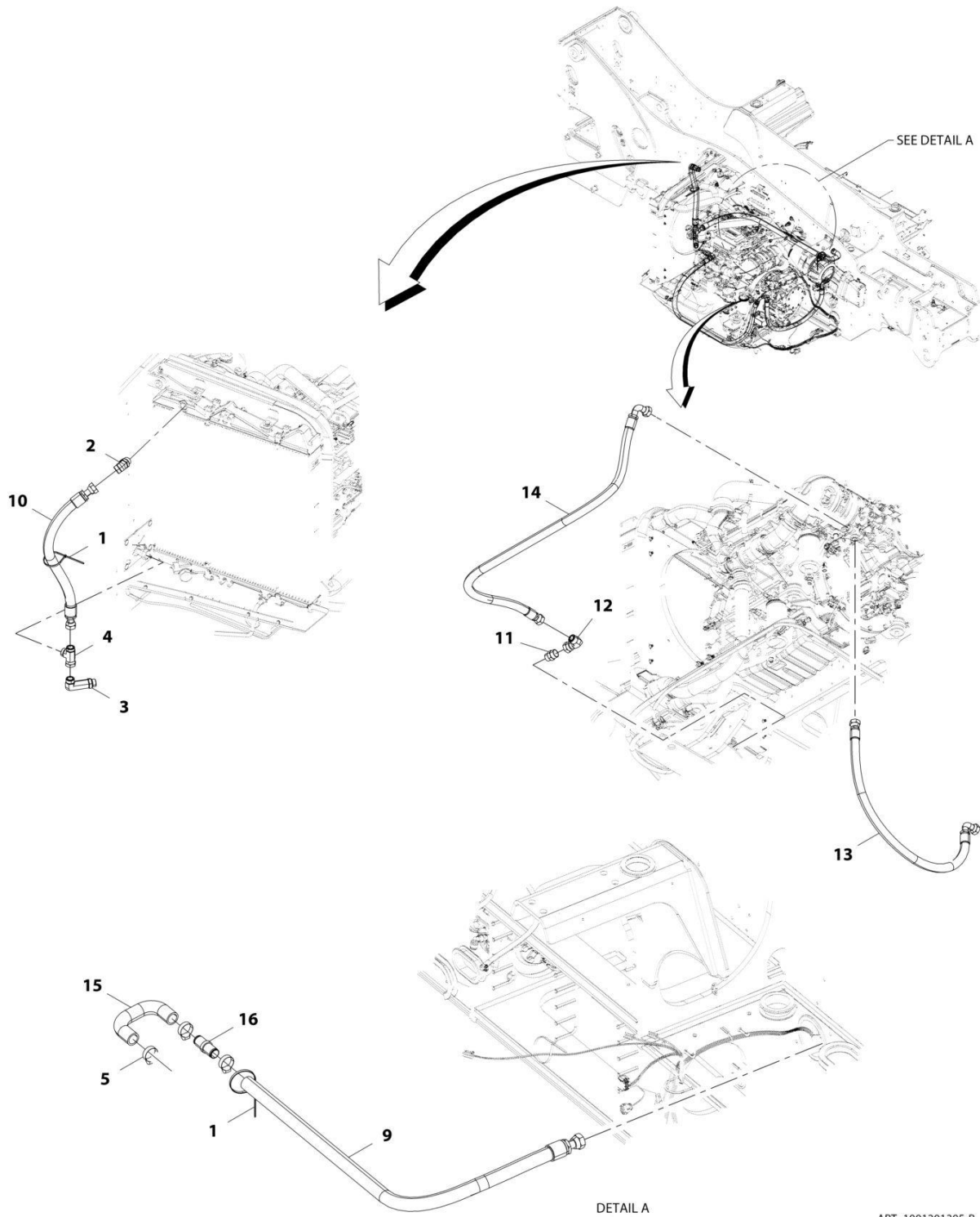
## SECTION 4 - ENGINE AND ATTACHING PARTS

FIGURE 4-26. SURGE TANK INSTALLATION

ITEM	PART NUMBER	QTY	DESCRIPTION	REV
	1001201304	Ref	Surge Tank Installation	B
1	0700816	2	Bolt, M8X40	
2	0791605	4	Screw	
3	4811900	2	Washer, M8	
4	1001138827	1	Sensor, Coolant Level	
5	1001128144	1	Tank, Coolant	
6	1001128341	1	Cap	
7	1001169368	2	Fitting, Hose Barb	
8	1001201317	1	Bracket, Coolant Tank	

# SECTION 4 - ENGINE AND ATTACHING PARTS

## FIGURE 4-27. TRANSMISION OIL COOLER LINES INSTALLATION



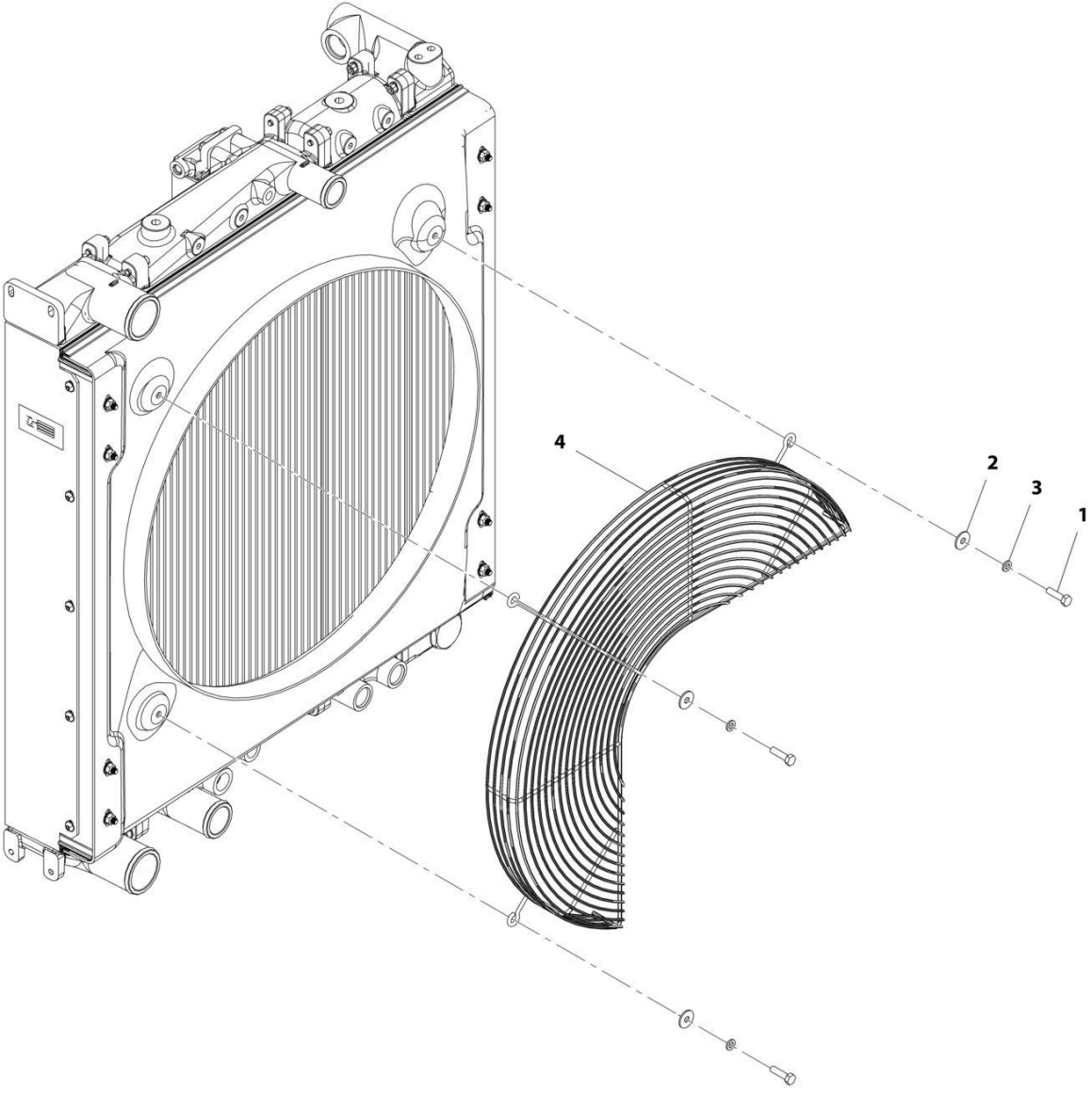
## SECTION 4 - ENGINE AND ATTACHING PARTS

FIGURE 4-27. TRANSMISION OIL COOLER LINES INSTALLATION

ITEM	PART NUMBER	QTY	DESCRIPTION	REV
	1001201305	Ref	Transmission Oil Cooler Lines Installation	B
1	1062255	AR	Strap, Tie	
2	2151616	1	Fitting, 45 ORFS	
3	2170216	1	Fitting, 90 ORFS	
4	2170716	1	Fitting, Tee ORFS	
5	8405102	3	Clamp, Gear	
9	1001205564	1	Hose	
10	1001205565	1	Hose	
11	2111616	1	Fitting, Straight ORFS	
12	2172116	1	Fitting, 90 ORFS	
13	1001211616	1	Hose	
14	1001211617	1	Hose	
15	1001212920	1	Hose	
16	1001212921	1	Fitting, Straight	

**SECTION 4 - ENGINE AND ATTACHING PARTS**

**FIGURE 4-28. FAN GUARD INSTALLATION**



ART\_1001160420-D



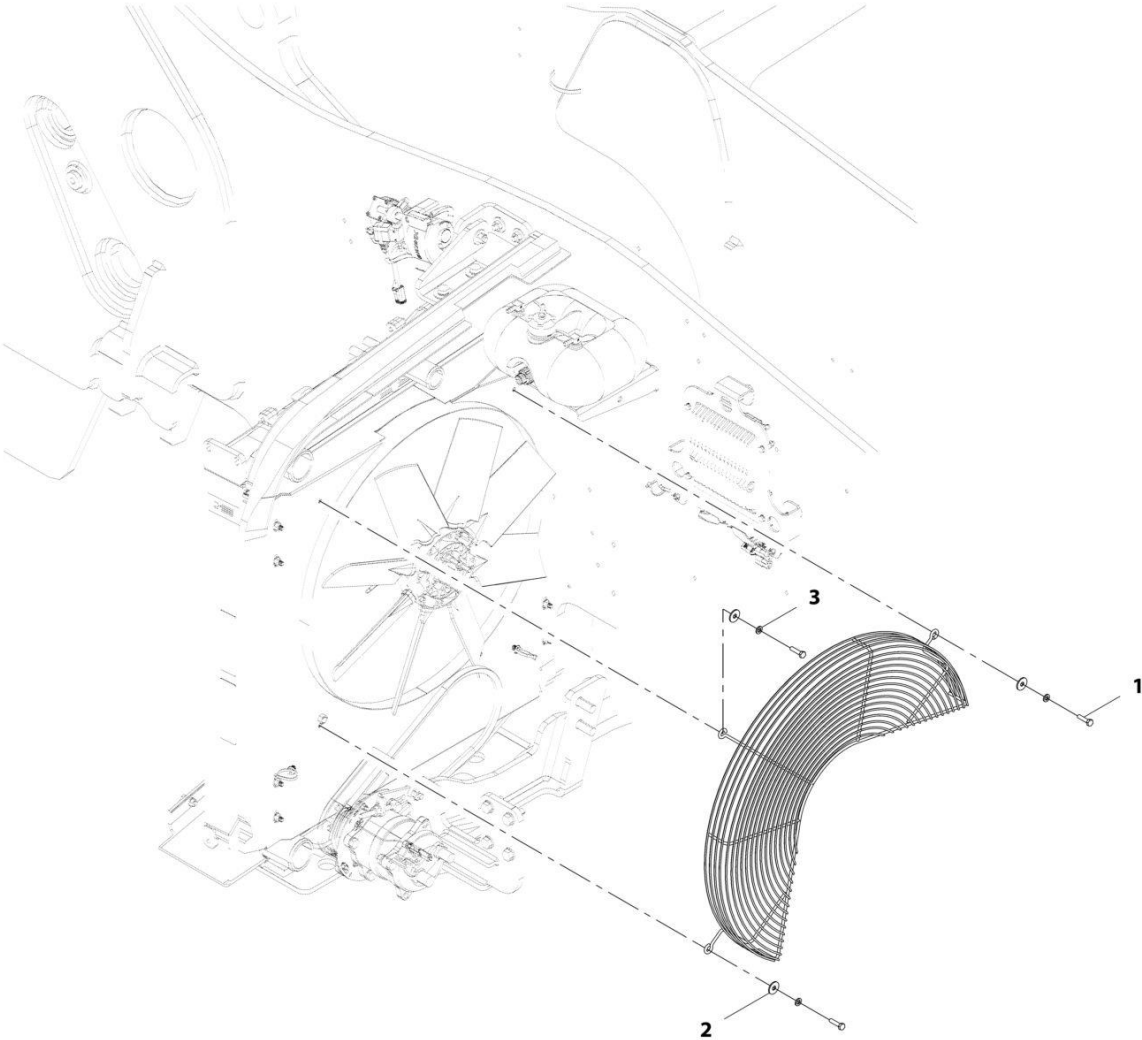
## SECTION 4 - ENGINE AND ATTACHING PARTS

### FIGURE 4-28. FAN GUARD INSTALLATION

ITEM	PART NUMBER	QTY	DESCRIPTION	REV
	1001160420	Ref	Fan Guard Installation	D
1	0700814	3	Bolt, M8X30	
2	4811902	3	Washer, M8	
3	4831900	3	Washer, Lock M8	
4	1001167186	1	Grill	

**SECTION 4 - ENGINE AND ATTACHING PARTS**

**FIGURE 4-29. FAN GUARD (REVERSING) INSTALLATION**



ART\_1001217754-B

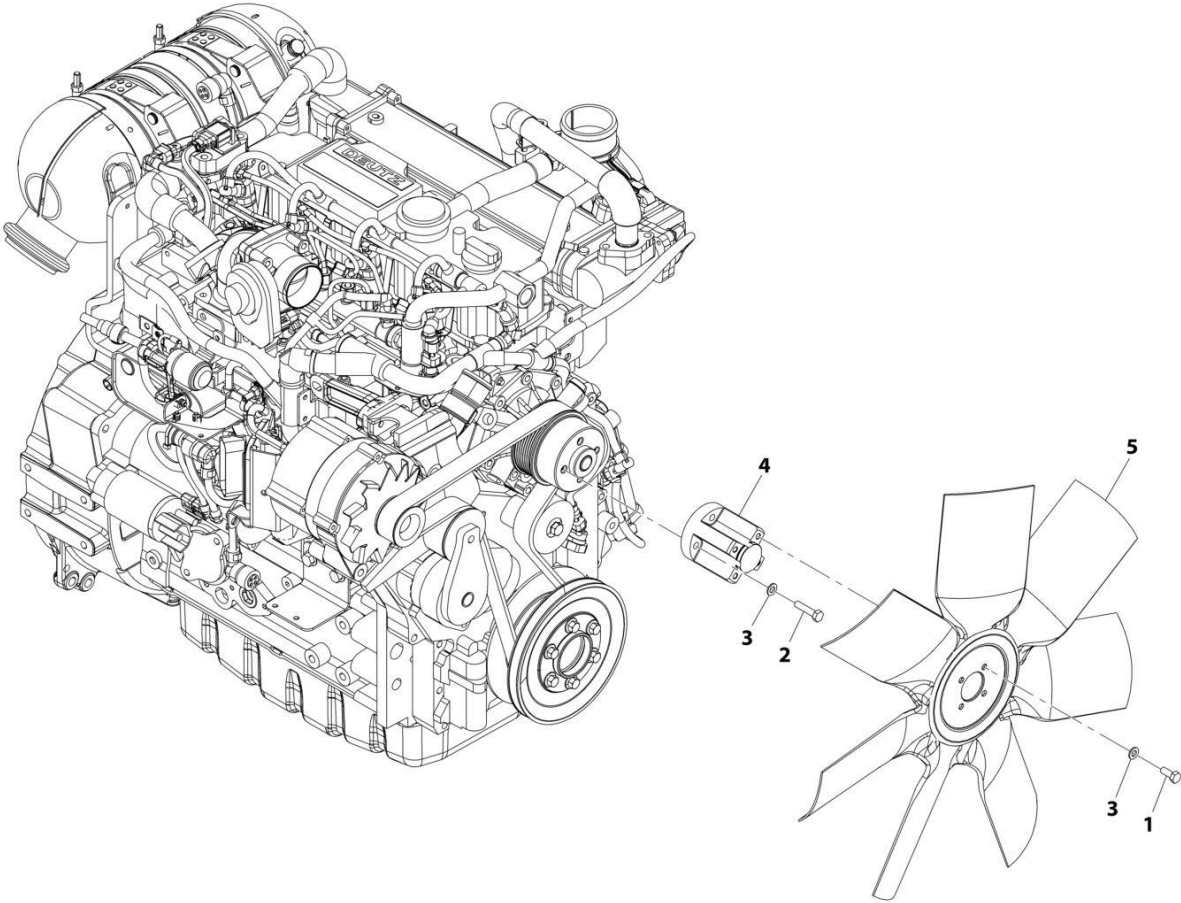
## SECTION 4 - ENGINE AND ATTACHING PARTS

FIGURE 4-29. FAN GUARD (REVERSING) INSTALLATION

ITEM	PART NUMBER	QTY	DESCRIPTION	REV
	1001217754	1	Fan Guard (Reversing) Installation	B
1	0700814	3	Bolt, M8X30	
2	4811902	3	Washer, M8	
3	4831900	3	Washer, Lock M8	
4	1001217755	1	Grill	

**SECTION 4 - ENGINE AND ATTACHING PARTS**

**FIGURE 4-30. COOLING FAN INSTALLATION**



ART\_1001214123-A

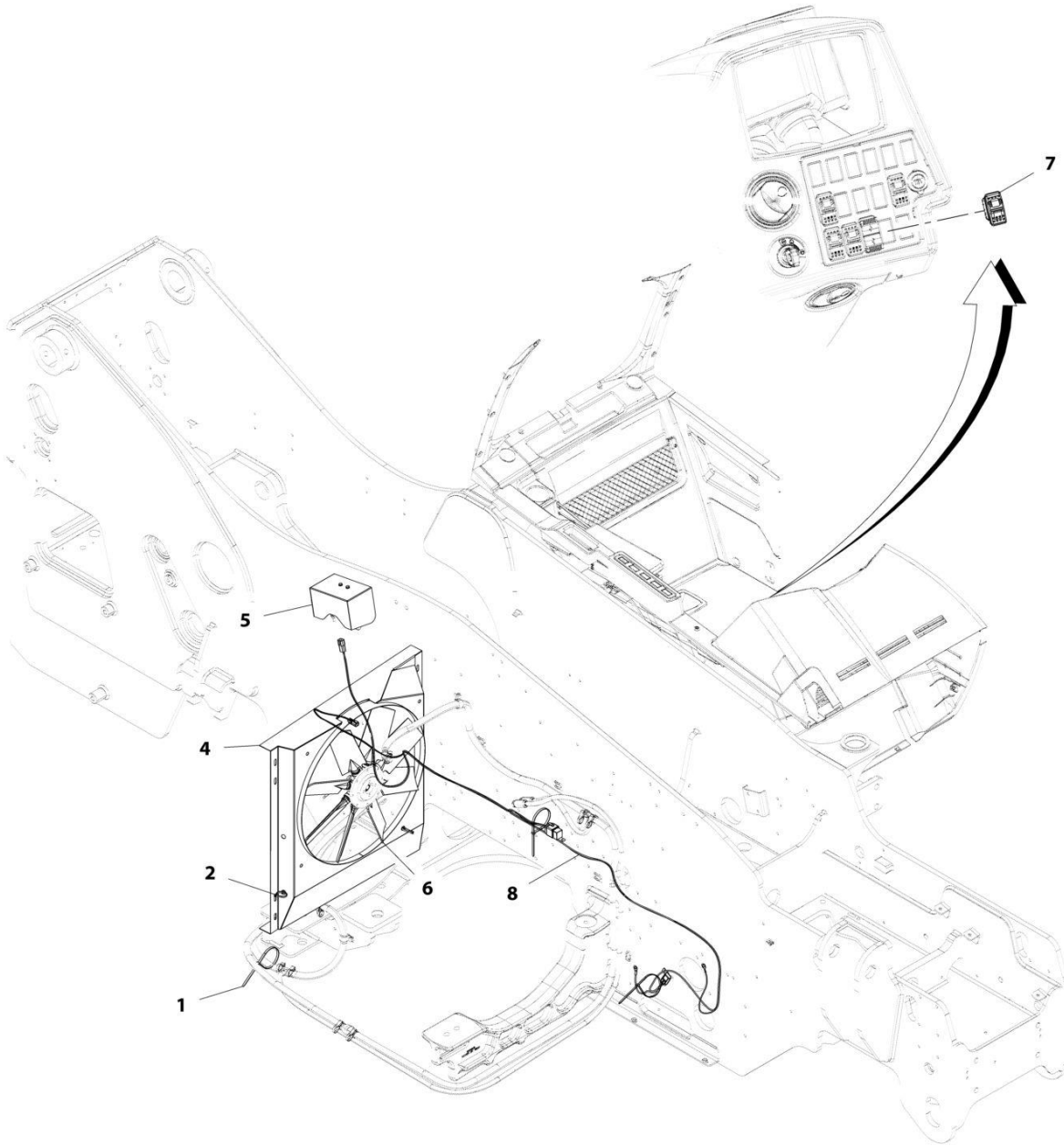
## SECTION 4 - ENGINE AND ATTACHING PARTS

FIGURE 4-30. COOLING FAN INSTALLATION

ITEM	PART NUMBER	QTY	DESCRIPTION	REV
	1001214123	Ref	Cooling Fan Installation	A
1	0760810	4	Bolt, M8X20	
2	0770815	4	Bolt, M8X35 Grade 10.9	
3	4811900	8	Washer, M8	
4	1001170311	1	Adapter, Fan	
5	1001185026	1	Fan	

# SECTION 4 - ENGINE AND ATTACHING PARTS

## FIGURE 4-31. COOLING FAN (REVERSING) INSTALLATION



ART\_1001217753-C

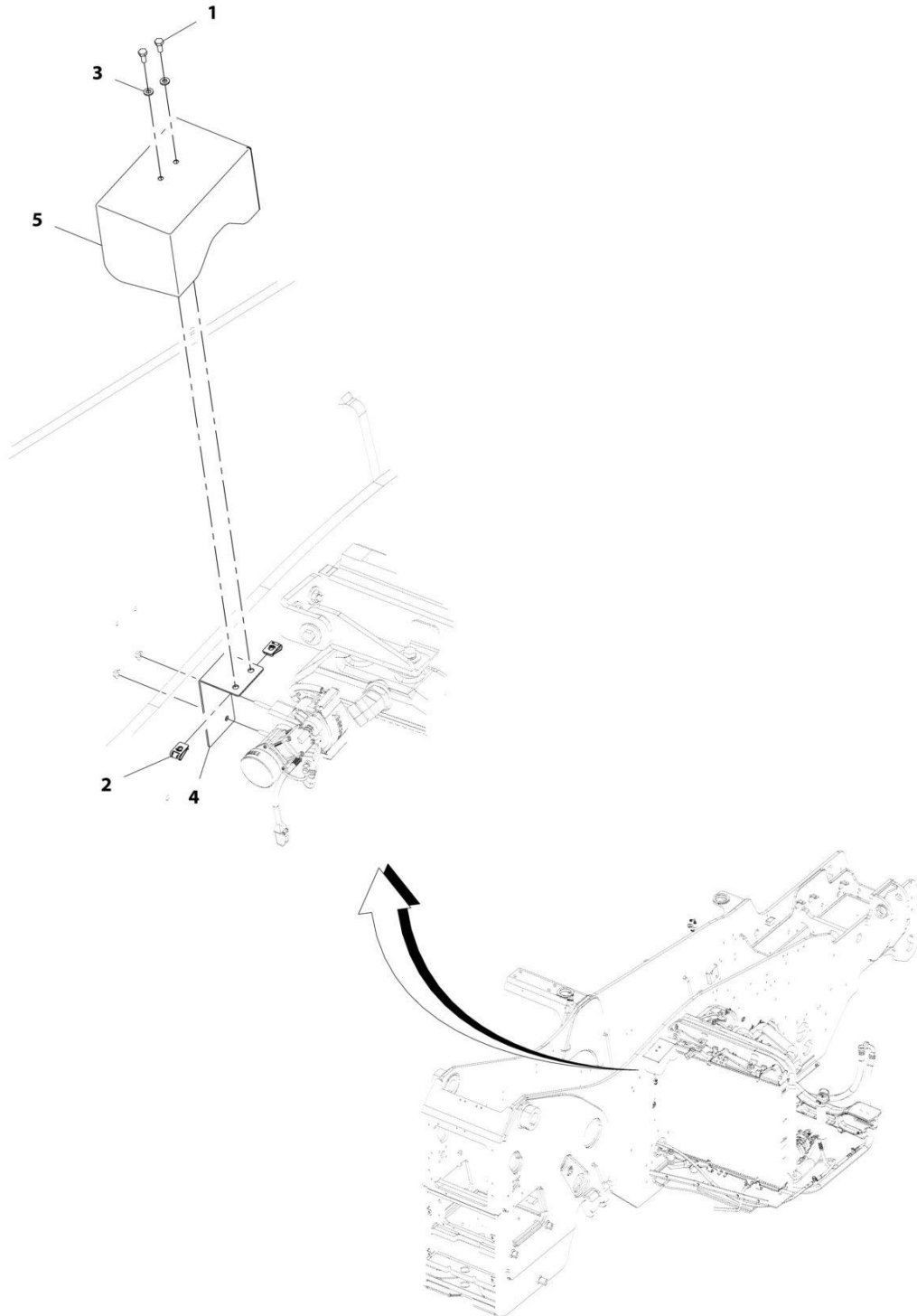
## SECTION 4 - ENGINE AND ATTACHING PARTS

### FIGURE 4-31. COOLING FAN (REVERSING) INSTALLATION

ITEM	PART NUMBER	QTY	DESCRIPTION	REV
	1001217753	Ref	Reverse Cooling Fan Installation	C
1	1062255	3	Strap, Tie	
2	1001146588	2	Strap, Fir Tree Cable Tie	
4	1001217756	1	Shroud	
5	1001217757	1	Installation, Cover (See Separate Breakdown in this Section)	
6	1001217760	1	Kit, Reversing Fan	
6	70030353	1	Pneumatic Line	
6	70030355	1	Fan, Reverse	
6	70030356	1	Compressor	
7	1001145204	1	Switch	
8	1001221493	1	Harness, Reversing Fan (See Separate Breakdown in ELECTRICAL Section)	

# SECTION 4 - ENGINE AND ATTACHING PARTS

## FIGURE 4-32. COOLING FAN COVER (REVERSING) INSTALLATION



ART\_1001217757-A



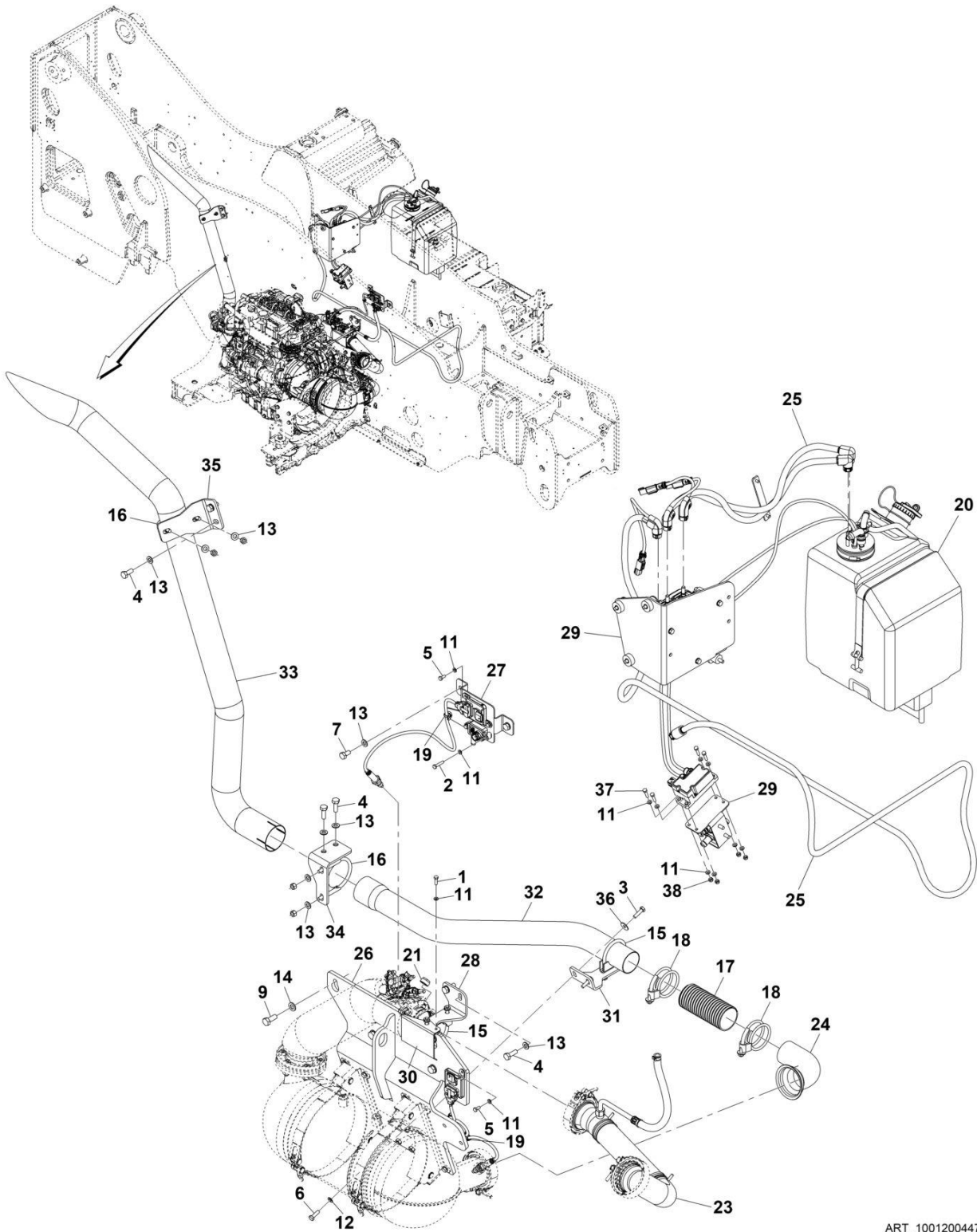
## SECTION 4 - ENGINE AND ATTACHING PARTS

FIGURE 4-32. COOLING FAN COVER (REVERSING) INSTALLATION

ITEM	PART NUMBER	QTY	DESCRIPTION	REV
	1001217757	Ref	Compressor Cover Installation	A
1	0760607	2	Bolt, M6X14	
2	8305919	2	Nut, M6	
3	8307219	2	Washer, M6	
4	1001217758	1	Bracket	
5	1001217759	1	Cover	

# SECTION 4 - ENGINE AND ATTACHING PARTS

## FIGURE 4-33. EXHAUST INSTALLATION (ULS)



ART\_1001200447-I

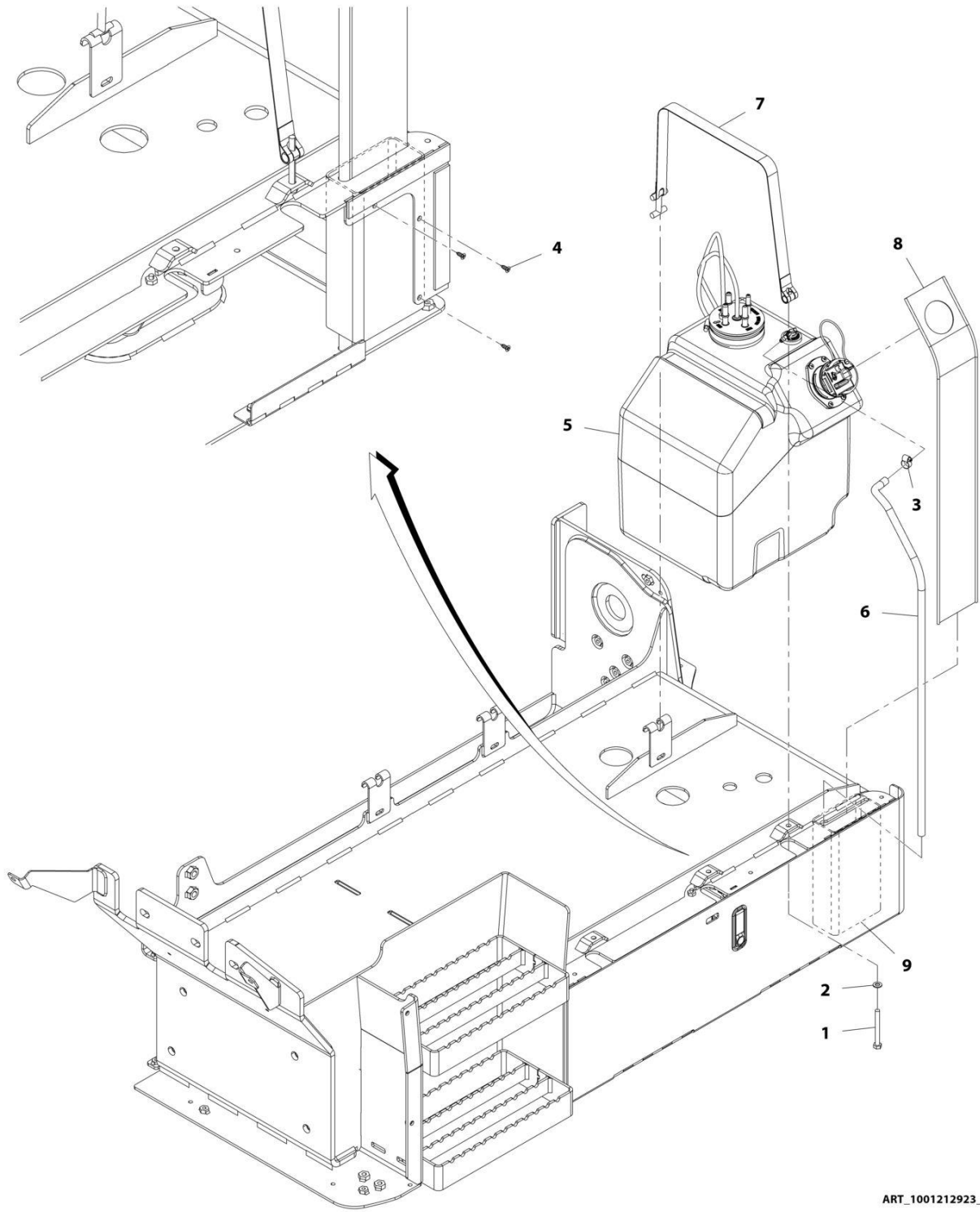
## SECTION 4 - ENGINE AND ATTACHING PARTS

**FIGURE 4-33. EXHAUST INSTALLATION (ULS)**

ITEM	PART NUMBER	QTY	DESCRIPTION	REV
	1001200447	Ref	EXHAUST INSTALLATION (ULS)	K
1	0700610	1	Bolt M6 x 20	
2	0700614	1	Bolt M6 x 30	
3	0700814	2	Bolt M8 x 30	
4	0701014	6	Bolt M10 x 30	
5	0760607	4	Bolt M6 x 14	
6	0760812	8	Bolt M8 x 25	
7	0761010	2	Bolt M10 x 20	
9	0761214	4	Bolt M12 x 30	
11	4811700	6	Washer M6	
12	4811900	8	Washer M8	
13	4812000	12	Washer M10	
14	4812100	4	Washer M12	
15	8275212	2	Clamp	
16	24921332	2	Clamp	
17	77213042	1	Tube, Flexible	
18	91163268	2	Clamp	
19	1001146588	3	Tie-Strap	
20	1001293067	Ref	Installation, DEF Tank (See Separate Breakdown in this Section)	
23	1001199902	1	Pipe	
24	1001200249	1	Pipe	
25	1001293068	Ref	Installation, DEF Lines (See Separate Breakdown in this Section)	
26	1001201856	1	Bracket	
27	1001284536	1	Bracket	
28	1001201858	1	Support	
29	1001202018	Ref	Installation, DEF Control Module (See Separate Breakdown in this Section)	
30	1001202021	1	Plate	
31	1001202899	1	Bracket	
32	1001204411	1	Pipe	
33	1001226797	1	Pipe, Tail	
34	1001204413	1	Bracket	
35	1001204414	1	Bracket	
36	4811902	2	Washer M8	
39	1001004720	AR	Tie-Strap	

# SECTION 4 - ENGINE AND ATTACHING PARTS

## FIGURE 4-34. DEF TANK INSTALLATION



ART\_1001212923\_F

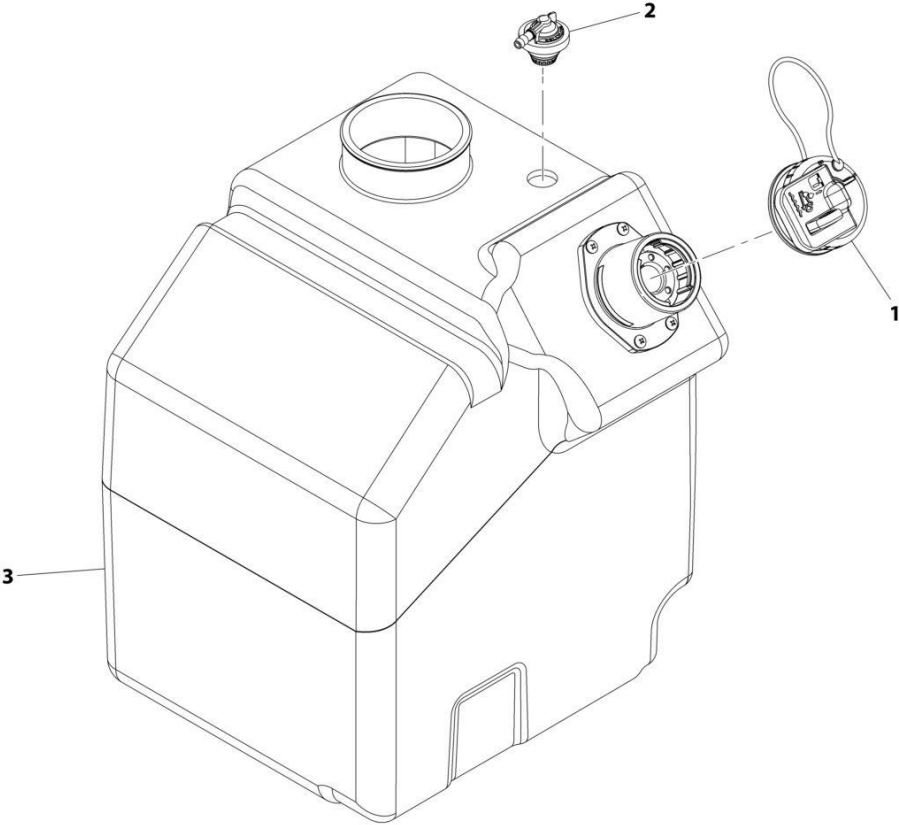
## SECTION 4 - ENGINE AND ATTACHING PARTS

### FIGURE 4-34. DEF TANK INSTALLATION

ITEM	PART NUMBER	QTY	DESCRIPTION	REV
	1001212923	Ref	DEF Tank Installation	F
1	0760823	1	Bolt, M8X75	
2	4811900	1	Washer, M8	
3	8405009	1	Clamp	
4	1001226681	3	Screw	
5	1001247279	1	Assembly, DEF Tank (See Separate Breakdown in this Section)	
6	1001175201	813 mm	Hose	
7	1001178791	1	Strap, Tank	
8	1001212924	1	Guard, Spill	
9	1001212925	1	Tube, Drain	

**SECTION 4 - ENGINE AND ATTACHING PARTS**

**FIGURE 4-35. DEF TANK ASSEMBLY**



ART\_1001247279-B

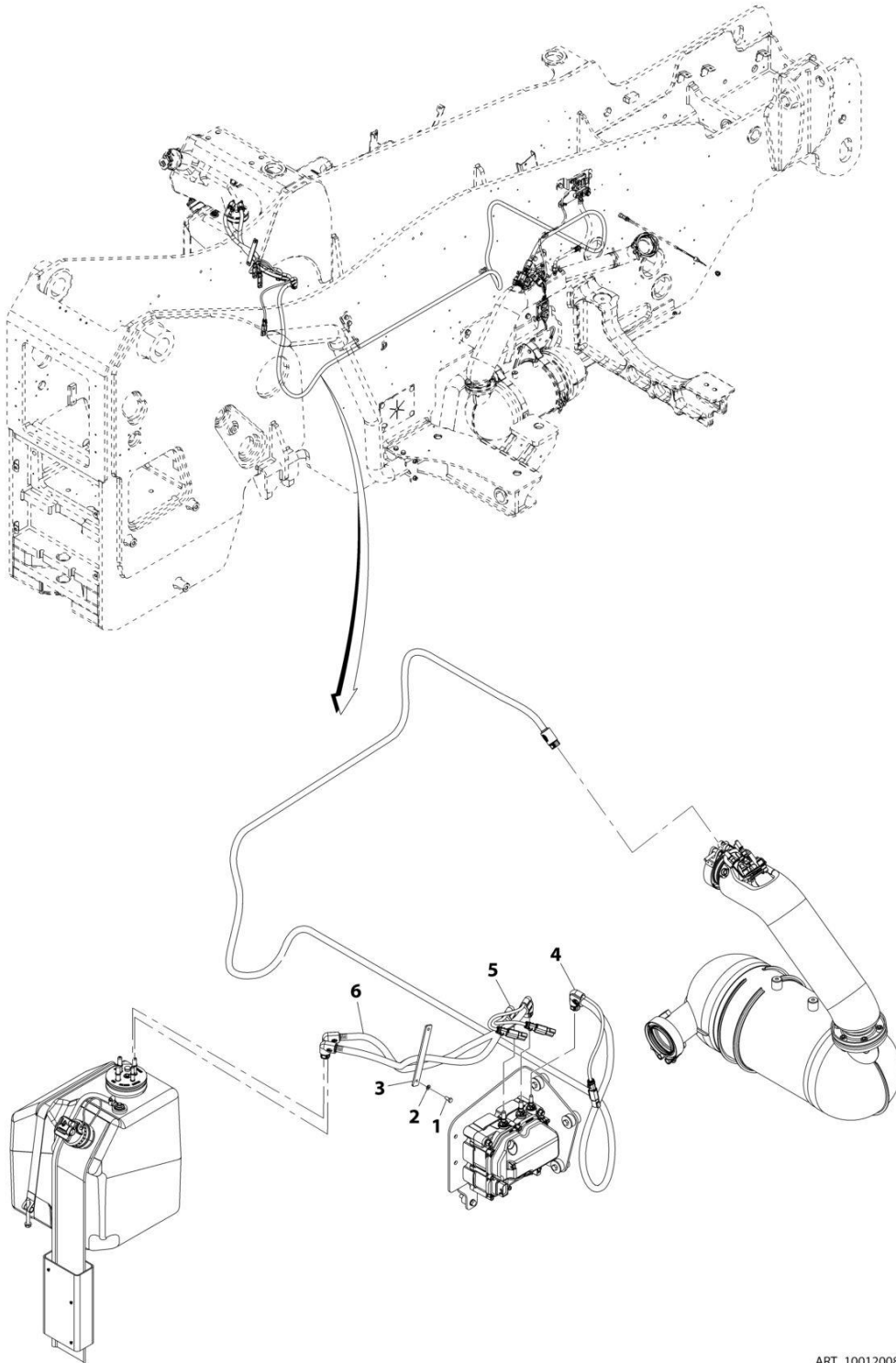
## SECTION 4 - ENGINE AND ATTACHING PARTS

### FIGURE 4-35. DEF TANK ASSEMBLY

ITEM	PART NUMBER	QTY	DESCRIPTION	REV
	1001247279	Ref	DEF Tank Assembly	B
1	1001174795	1	Reutter Cap Assembly	
2	1001215319	1	DEF Breather Valve	
3	1001237897	NLA	DEF Tank (Use PN 1001247279)	

# SECTION 4 - ENGINE AND ATTACHING PARTS

## FIGURE 4-36. DEF LINES INSTALLATION



ART\_1001200867-E



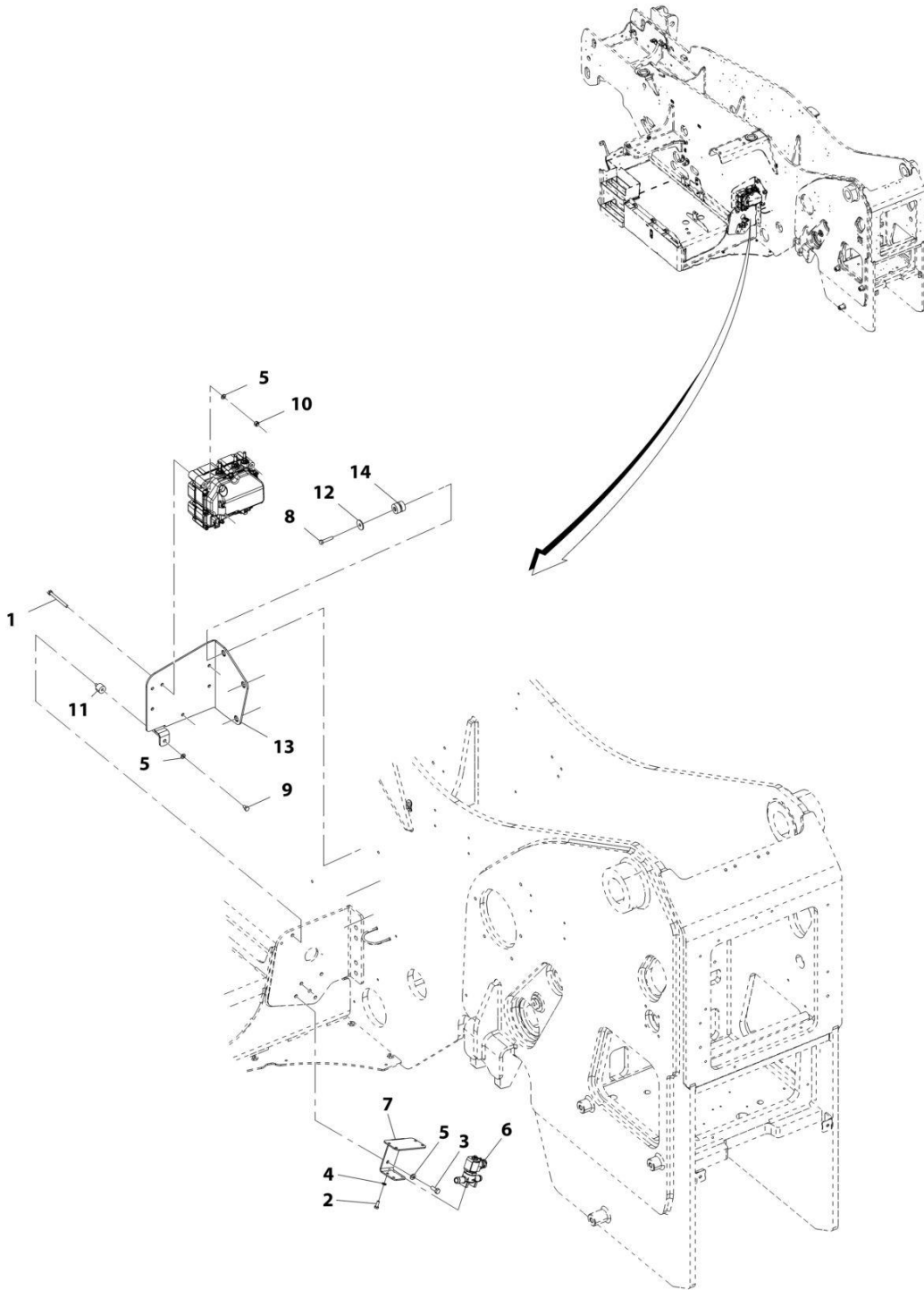
## SECTION 4 - ENGINE AND ATTACHING PARTS

FIGURE 4-36. DEF LINES INSTALLATION

ITEM	PART NUMBER	QTY	DESCRIPTION	REV
	1001200867	Ref	DEF Lines Installation	E
1	0760607	2	Bolt, M6X14	
2	4831700	2	Washer, Lock M6	
3	1001173873	1	Plate	
4	1001180437	1	Hose	
5	1001239879	1	Hose	
6	1001239878	1	Hose	

# SECTION 4 - ENGINE AND ATTACHING PARTS

## FIGURE 4-37. DEF CONTROL MODULE INSTALLATION



ART\_1001202018-F

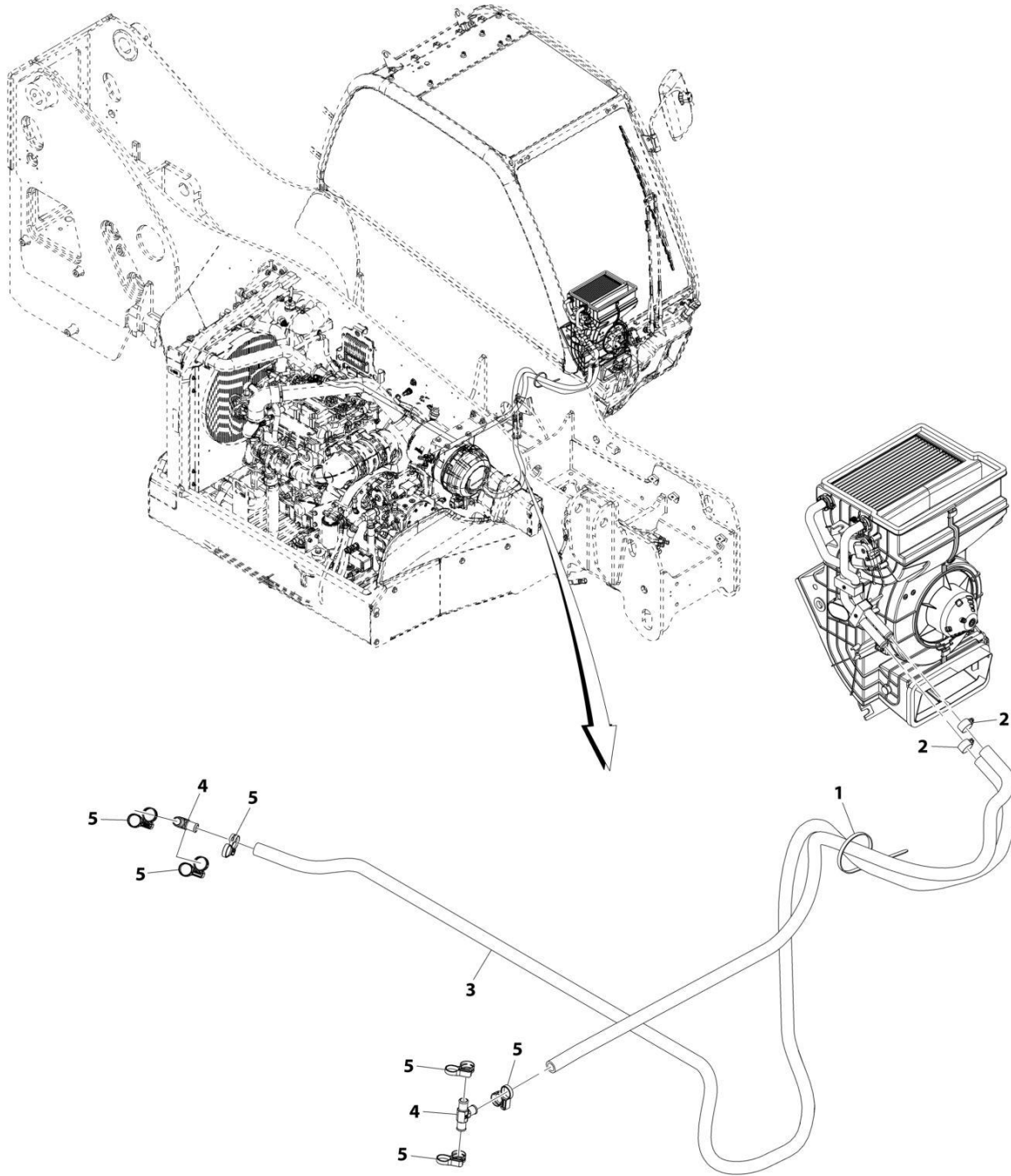
## SECTION 4 - ENGINE AND ATTACHING PARTS

FIGURE 4-37. DEF CONTROL MODULE INSTALLATION

ITEM	PART NUMBER	QTY	DESCRIPTION	REV
	1001202018	Ref	DEF Control Module Installation	F
1	0700826	3	Bolt, M8X90	
2	0760608	4	Bolt, M6X16	
3	0760810	2	Bolt, M8X20	
4	4811700	4	Washer, M6	
5	4811900	9	Washer, M8	
6	1001199670	1	Valve, DEF Tank Coolant Flow	
7	1001247184	1	Bracket	
8	0700816	3	Bolt, M8X40	
9	0760806	1	Bolt, M8X12	
10	3290805	3	Nut, Lock M8X1.25 Grade 8	
11	1001179907	1	Mount, Isolator	
12	1001195089	3	Washer	
13	1001221349	1	Bracket	
14	1001221383	3	Mount, Isolator	

# SECTION 4 - ENGINE AND ATTACHING PARTS

## FIGURE 4-38. HEATER LINES INSTALLATION (ULS)



ART\_1001200451-D

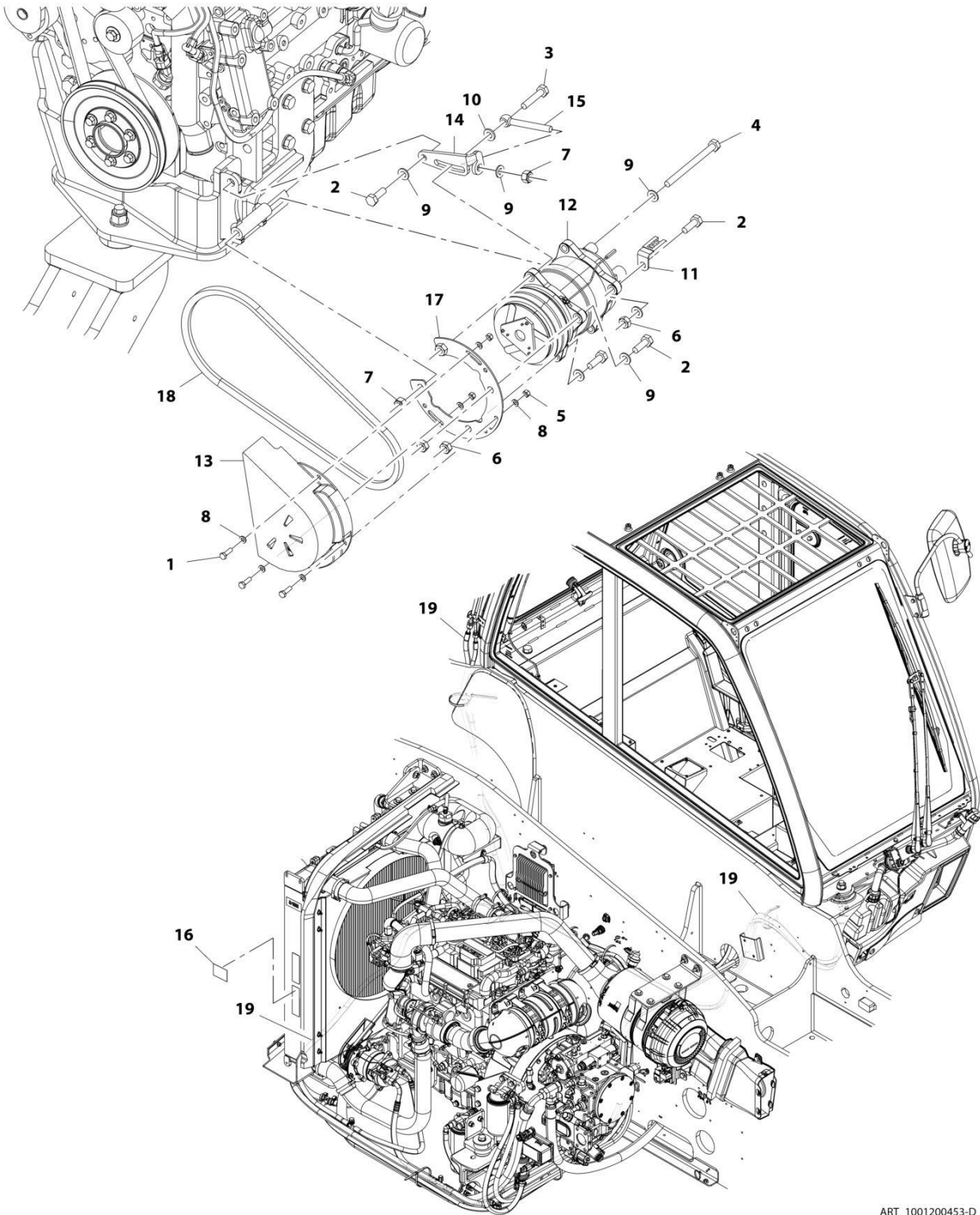
## SECTION 4 - ENGINE AND ATTACHING PARTS

FIGURE 4-38. HEATER LINES INSTALLATION (ULS)

ITEM	PART NUMBER	QTY	DESCRIPTION	REV
	1001200451	Ref	Heater Lines Installation (ULS)	D
1	1062255	AR	Strap, Tie	
2	8410009	2	Clamp	
3	82033995	4620 mm	Hose	
4	1001170432	2	Fitting, Tee	
5	1001202526	6	Clamp	

# SECTION 4 - ENGINE AND ATTACHING PARTS

## FIGURE 4-39. A/C PUMP INSTALLATION



ART\_1001200453-D

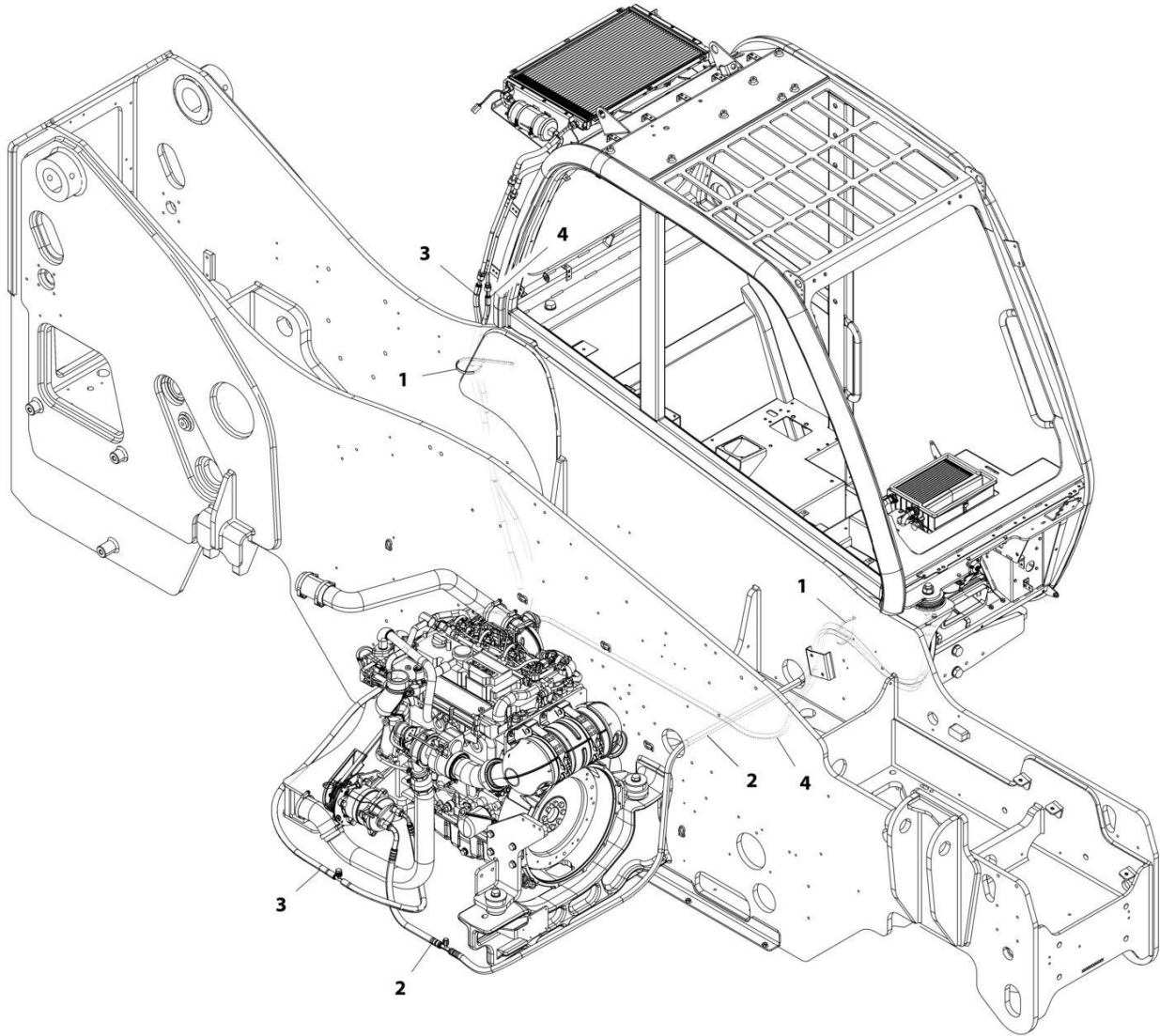
## SECTION 4 - ENGINE AND ATTACHING PARTS

### FIGURE 4-39. A/C PUMP INSTALLATION

ITEM	PART NUMBER	QTY	DESCRIPTION	REV
	1001200453	Ref	A/C Pump Installation	D
1	0700610	3	Bolt, M6X20	
2	0701014	4	Bolt, M10X30	
3	0701018	1	Bolt, M10X50	
4	0711030	1	Bolt, M10X130 Grade 10.9	
5	3290605	3	Nut, Lock M6X1	
6	3291001	3	Nut, M10X1.5	
7	3291005	2	Nut, lock M10X1.5	
8	4811700	6	Washer, M6	
9	4812000	6	Washer, M10	
10	5241000	1	Washer, M10	
11	1001003305	1	Clip	
12	1001107339	1	Compressor, A/C Clutch	
13	1001138945	1	Cover, Compressor	
14	1001188855	1	Plate, A/C Belt Tensioner	
15	1001188856	1	Rod, Tensioner	
16	1001227090	1	Decal, A/C Installation	
17	1001193797	1	Support, Cover	
18	1001200701	1	Belt, Drive	
19	1001202321	1	A/C Lines Installation (See Separate Breakdown in this Section)	

# SECTION 4 - ENGINE AND ATTACHING PARTS

## FIGURE 4-40. A/C LINES INSTALLATION



ART\_1001202321-D



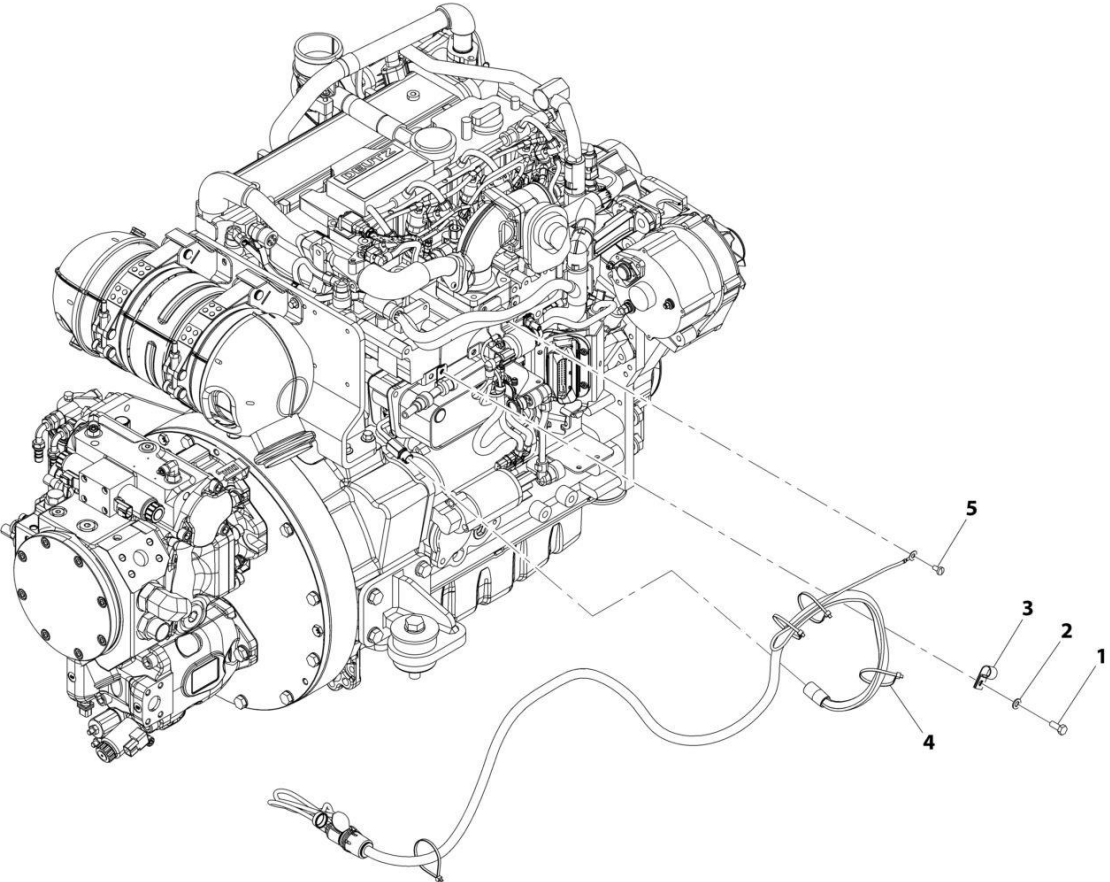
## SECTION 4 - ENGINE AND ATTACHING PARTS

### FIGURE 4-40. A/C LINES INSTALLATION

ITEM	PART NUMBER	QTY	DESCRIPTION	REV
	1001202321	Ref	A/C Lines Installation	D
1	1062255	2	Strap, Tie	
2	1001216798	1	Hose	
3	1001216799	1	Hose	
4	1001202325	1	Hose	

# SECTION 4 - ENGINE AND ATTACHING PARTS

FIGURE 4-41. BLOCK HEATER INSTALLATION (115V) (ULS)



ART\_1001214349-C

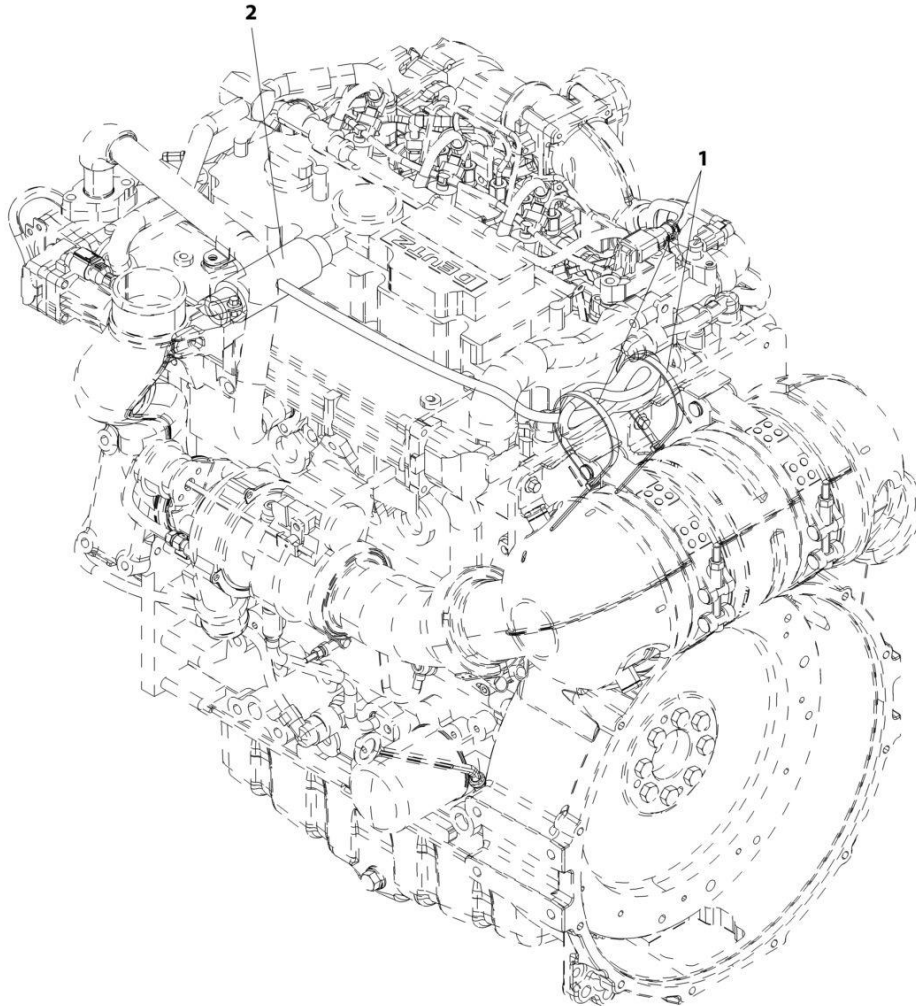
## SECTION 4 - ENGINE AND ATTACHING PARTS

FIGURE 4-41. BLOCK HEATER INSTALLATION (115V) (ULS)

ITEM	PART NUMBER	QTY	DESCRIPTION	REV
	1001214349	Ref	Block Heater Installation (115V) (ULS)	C
1	0760810	1	Bolt, M8X20	
2	4811900	1	Washer, M8	
3	8406112	1	Clip	
4	1001008559	4	Strap, Cable	
5	1001099566	1	Screw, M6-1X12	

## SECTION 4 - ENGINE AND ATTACHING PARTS

FIGURE 4-42. HEATED BREATHER TUBE INSTALLATION



ART\_1001233024-A

## SECTION 4 - ENGINE AND ATTACHING PARTS

FIGURE 4-42. HEATED BREATHER TUBE INSTALLATION

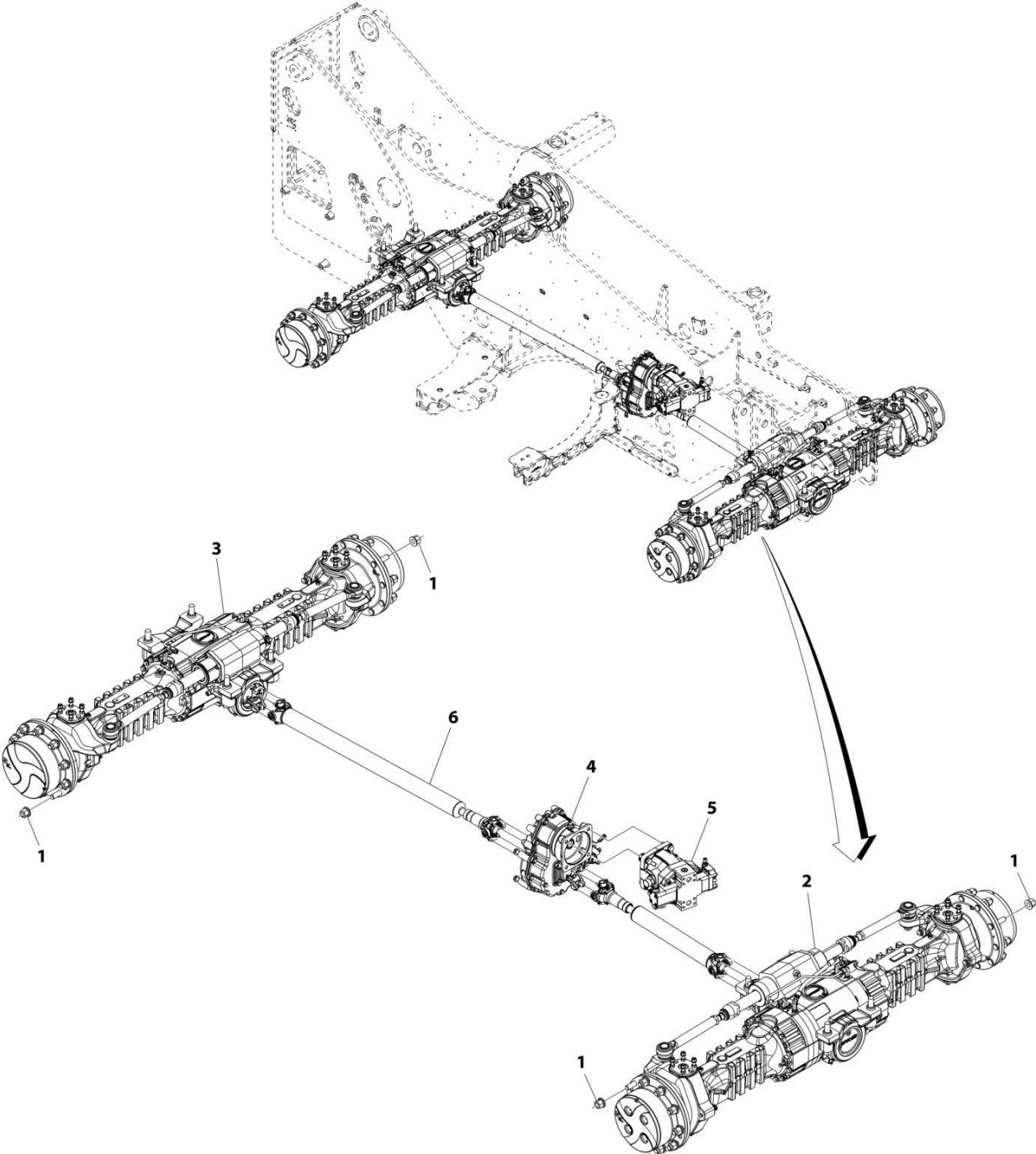
ITEM	PART NUMBER	QTY	DESCRIPTION	REV
	1001233024	Ref	Heated Breather Tube Installation	A
1	1062255	2	Strap, Tie	
2	1001232509	1	Hose	



**SECTION 5 - DRIVE TRAIN**

**SECTION 5 - DRIVE TRAIN**

**FIGURE 5-1. DRIVETRAIN INSTALLATION**



ART\_1001184976-B



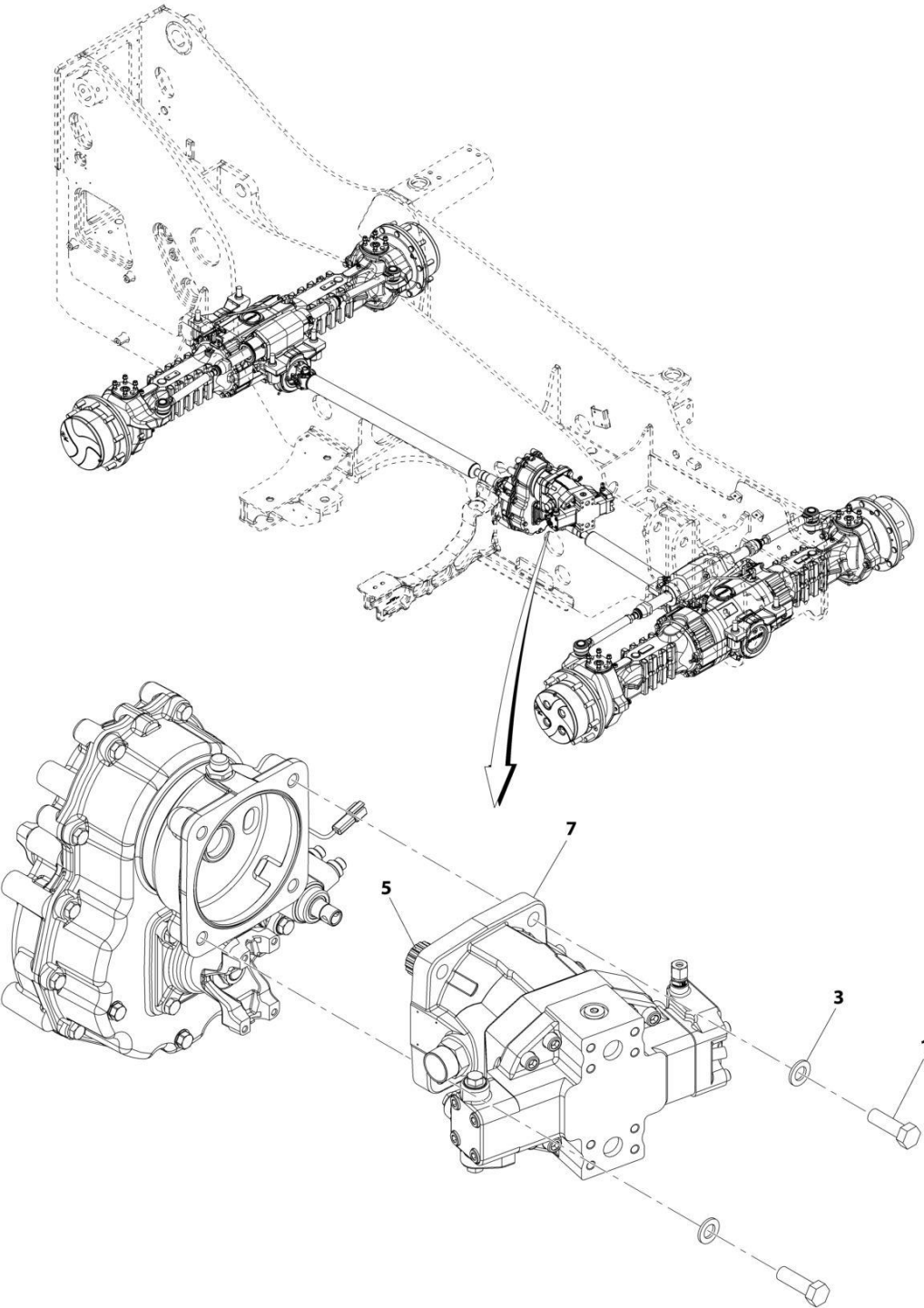
## SECTION 5 - DRIVE TRAIN

### FIGURE 5-1. DRIVETRAIN INSTALLATION

ITEM	PART NUMBER	QTY	DESCRIPTION	REV
	1001184976	Ref	Drivetrain Installation	B
1	91403193	40	Nut, Lug M22X1.5	
2	1001184977	Ref	Installation, Front Axle (See Separate Breakdown in this Section)	
3	1001184978	Ref	Installation, Rear Axle (See Separate Breakdown in this Section)	
4	1001184979	Ref	Installation, Gearbox (See Separate Breakdown in this Section)	
5	1001184980	Ref	Installation, Hydrostatic Motor (See Separate Breakdown in this Section)	
6	1001184981	Ref	Installation, Drive Shaft (See Separate Breakdown in this Section)	

**SECTION 5 - DRIVE TRAIN**

**FIGURE 5-2. HYDROSTATIC MOTOR INSTALLATION**



ART\_1001184980-D

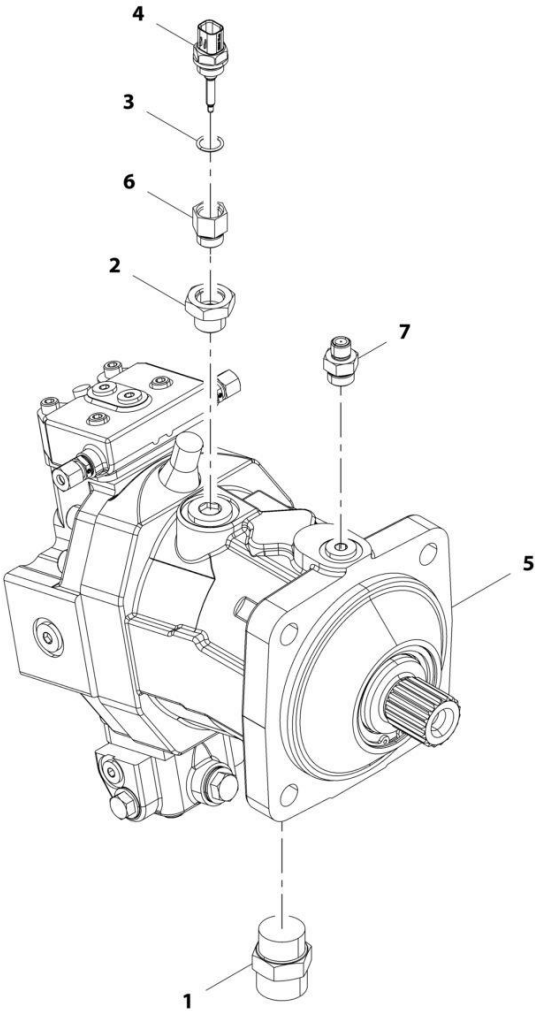
## SECTION 5 - DRIVE TRAIN

### FIGURE 5-2. HYDROSTATIC MOTOR INSTALLATION

ITEM	PART NUMBER	QTY	DESCRIPTION	REV
	1001184980	Ref	Hydrostatic Motor Installation	D
1	0771618	4	Bolt, M16X50	
3	4812300	4	Washer, M16	
5	3020037	AR	Lube, Grease	
7	1001217620	1	Assembly, Hydrostatic Drive Motor (See Separate Breakdown in this Section)	

**SECTION 5 - DRIVE TRAIN**

**FIGURE 5-3. HYDROSTATIC MOTOR ASSEMBLY**



ART\_1001217620-B

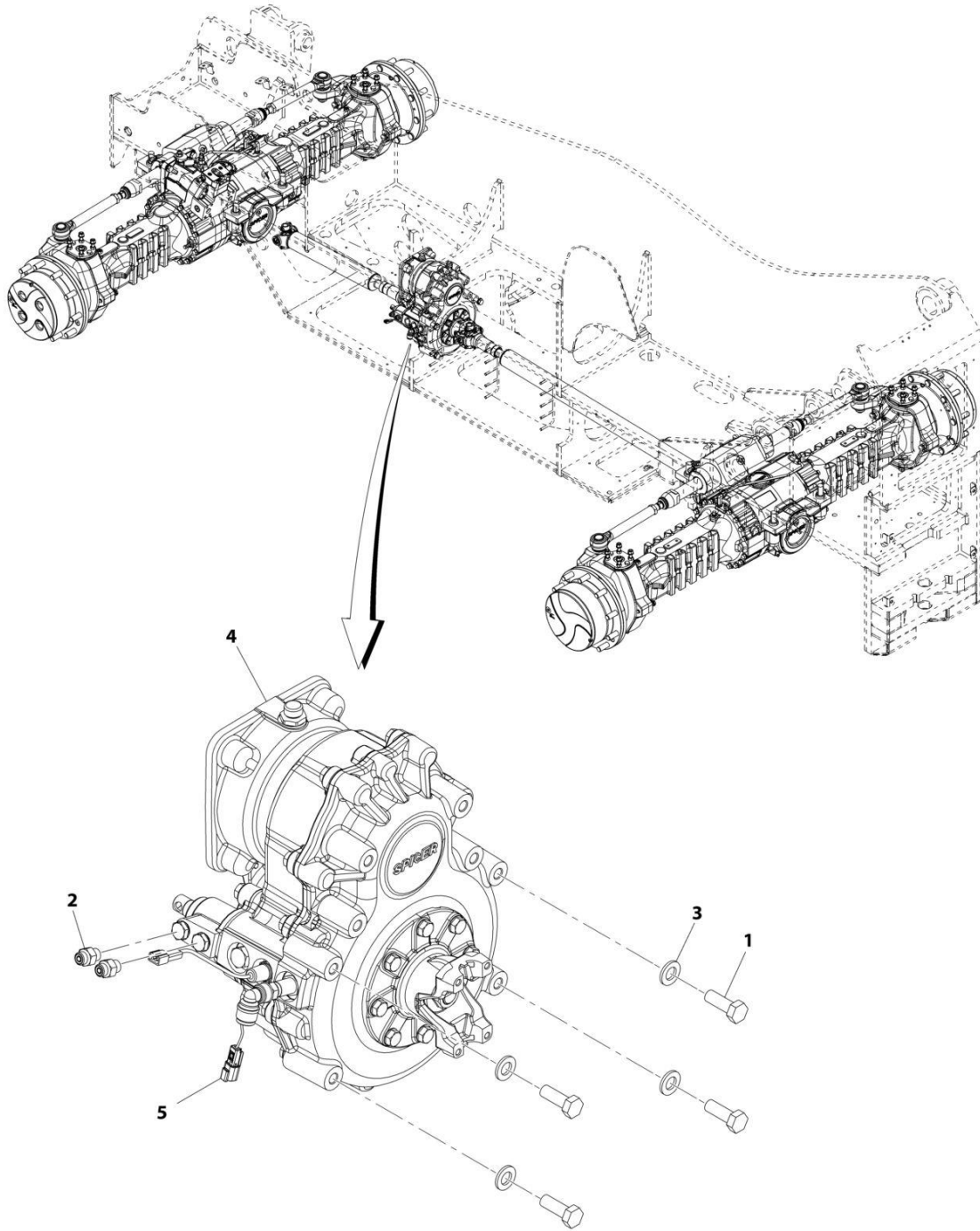
## SECTION 5 - DRIVE TRAIN

### FIGURE 5-3. HYDROSTATIC MOTOR ASSEMBLY

ITEM	PART NUMBER	QTY	DESCRIPTION	REV
	1001217620	Ref	Hydrostatic Motor Assembly	B
1	2111616	1	Fitting, Straight ORFS	
2	2220811	1	Fitting, Straight	
3	1001009163	1	O-Ring	
4	1001128478	1	Sensor	
5	1001193308	1	Motor, Hydrostatic (See Separate Breakdown in HYDRAULIC COMPONENTS Section)	
6	1001220760	1	Fitting, Straight	
7	1001217669	1	Fitting, Straight	

# SECTION 5 - DRIVE TRAIN

## FIGURE 5-4. GEARBOX INSTALLATION



ART\_1001184979-E

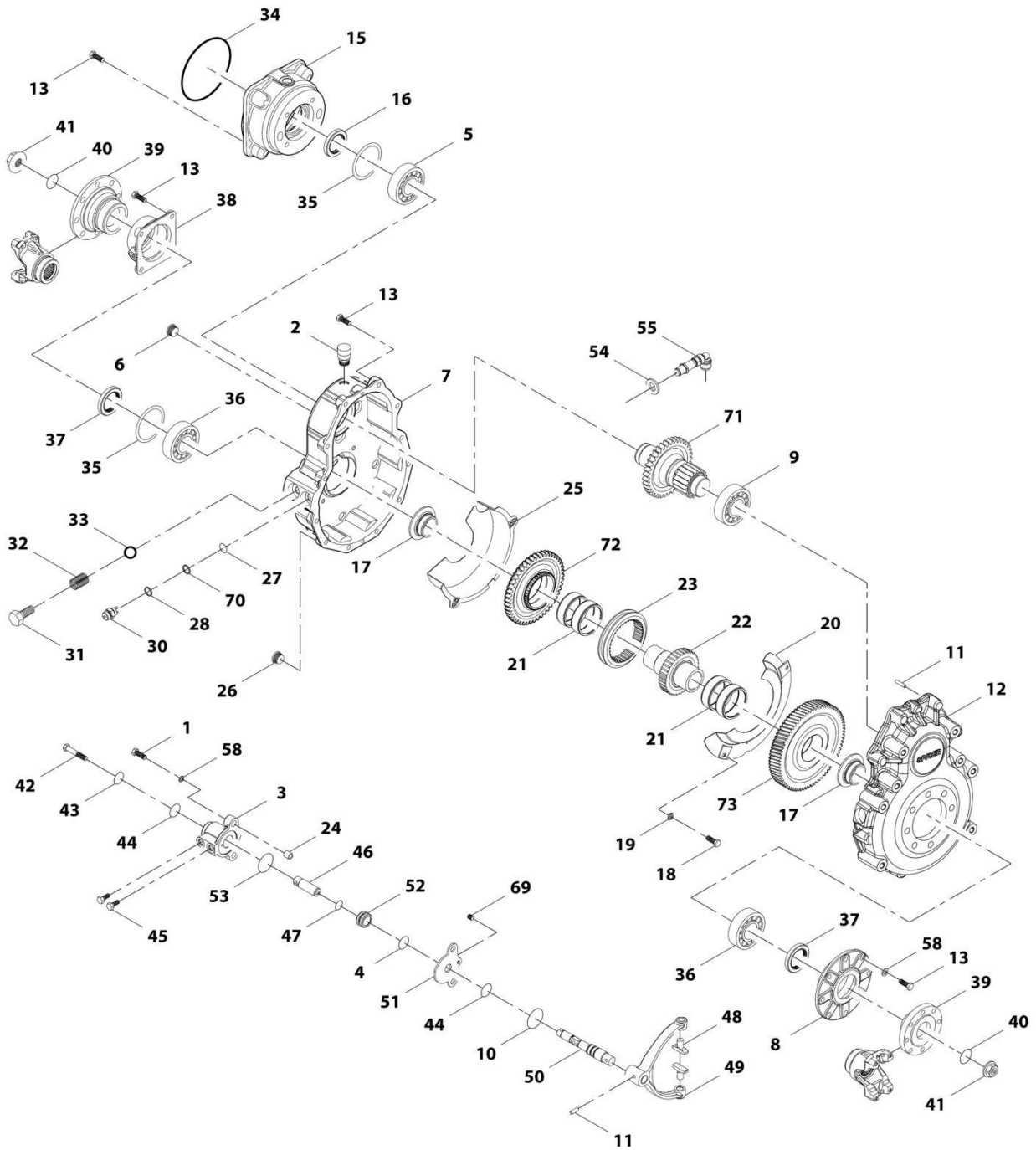
## SECTION 5 - DRIVE TRAIN

### FIGURE 5-4. GEARBOX INSTALLATION

ITEM	PART NUMBER	QTY	DESCRIPTION	REV
	1001184979	Ref	Gearbox Installation	E
1	0771416	4	Bolt, M14-2X40 Grade 10.9	
2	2144603	1	Fitting, Straight ORFS	
3	5241400	4	Washer, M14	
4	1001184986	1	Gearbox (See Separate Breakdown in this Section)	
5	1001229981	1	Harness, Vehicle Speed Pigtail (See Separate Breakdown in ELECTRICAL Section)	

# SECTION 5 - DRIVE TRAIN

## FIGURE 5-5. GEAR BOX



ART\_1001184986-D



# SECTION 5 - DRIVE TRAIN

## FIGURE 5-5. GEAR BOX

ITEM	PART NUMBER	QTY	DESCRIPTION	REV
	1001184986	Ref	Gear box	D
1	70028817	2	Bolt	
2	70028818	1	Plug	
3	70028819	1	Cylinder	
4	70028820	1	O-Ring	
5	91514146	1	Bearing, Ball	
6	80204016	1	Plug	
7	70028821	1	Housing	
8	70028822	1	Cover	
9	70026904	1	Bearing, Ball	
10	3986405	1	O-Ring	
11	70026892	3	Dowel	
12	70028823	1	Housing	
13	70026911	28	Bolt	
15	70026897	1	Cover	
16	70026896	1	Seal	
17	70028824	2	Spacer	
18	70026909	2	Bolt	
19	70027110	2	Washer, Lock	
20	70028825	1	Plate, Cover	
21	70028826	4	Bearing	
22	70028827	1	Shaft	
23	70028828	1	Sleeve	
24	70028829	2	Pin	
25	70026908	1	Sheet	
26	80204007	1	Plug	
27	1001081085	1	O-Ring	
28	80203020	1	Washer	
30	70028830	1	Switch	
31	70028831	1	Bolt	
32	80203021	1	Spring	
33	70020276	1	Ball, Detend	
34	80204176	1	O-Ring	
35	70027862	2	Kit, Shim	
36	91474364	2	Bearing, Ball	
37	70026901	2	Seal	
38	70028832	1	Cover	
39	70026898	2	Flange	
40	80204215	2	O-Ring	
41	70026631	2	Nut	
42	70028833	1	Bolt	
43	70028834	1	O-Ring	
44	70028835	2	Sleeve	
45	91514154	2	Bolt	
46	70028836	1	Bar	
47	70027109	1	O-Ring	
48	70028837	2	Pin	
49	70028838	1	Fork, Selector	
50	70028839	1	Shaft	
51	70028840	1	Plate, Cover	

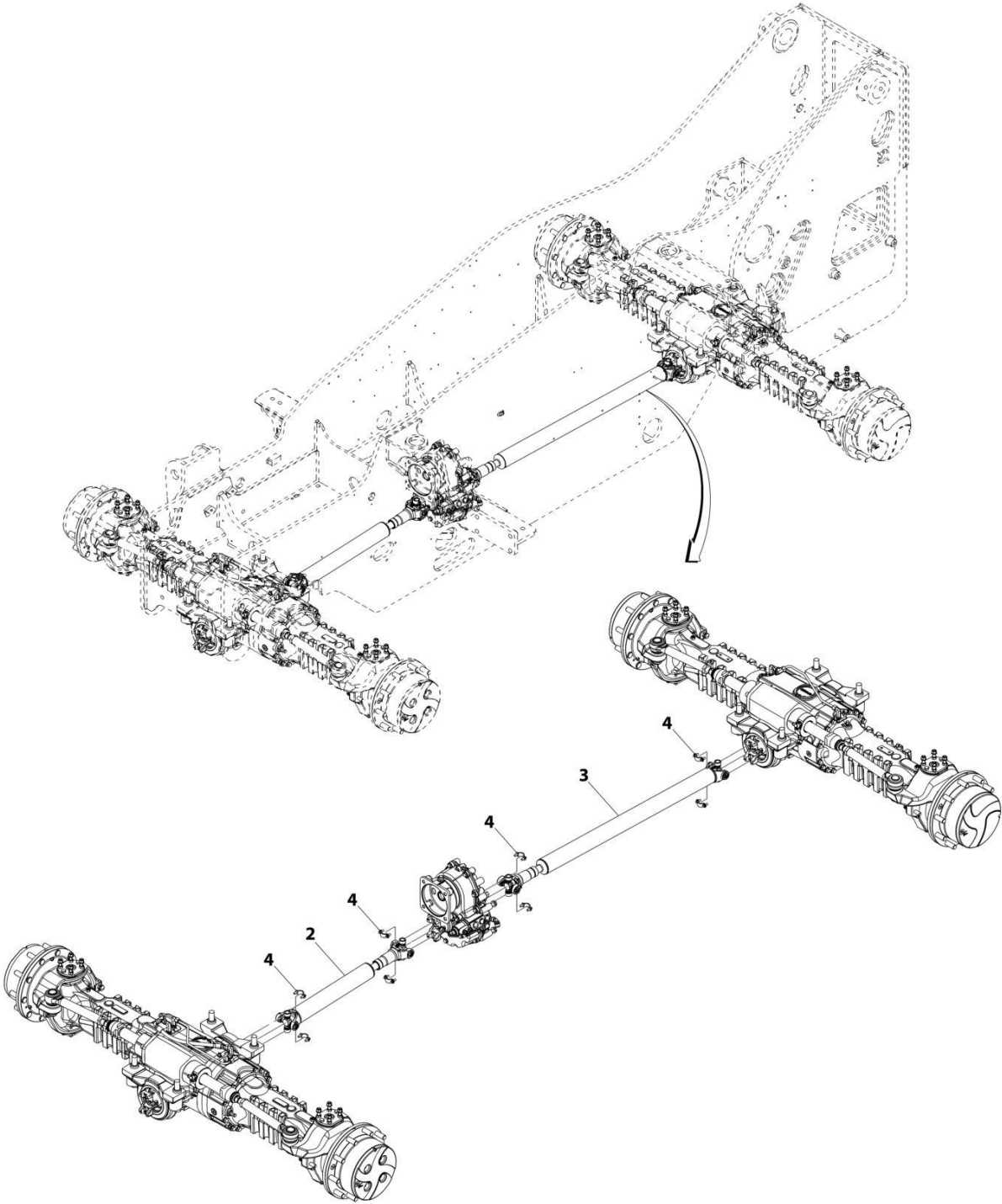
## SECTION 5 - DRIVE TRAIN

ITEM	PART NUMBER	QTY	DESCRIPTION	REV
52	70028841	1	Piston	
53	70028842	1	O-Ring	
54	70028844	1	Washer	
55	70028801	1	Sensor, Speed	
58	70028843	10	Washer	
69	70028845	1	Bolt	
70	70026927	1	Washer, Seal	
71	70028846	1	Shaft, Input	
72	70028847	1	Gear	
73	70028848	1	Gear	



**SECTION 5 - DRIVE TRAIN**

**FIGURE 5-6. DRIVE SHAFT INSTALLATION**



ART\_1001184981-B

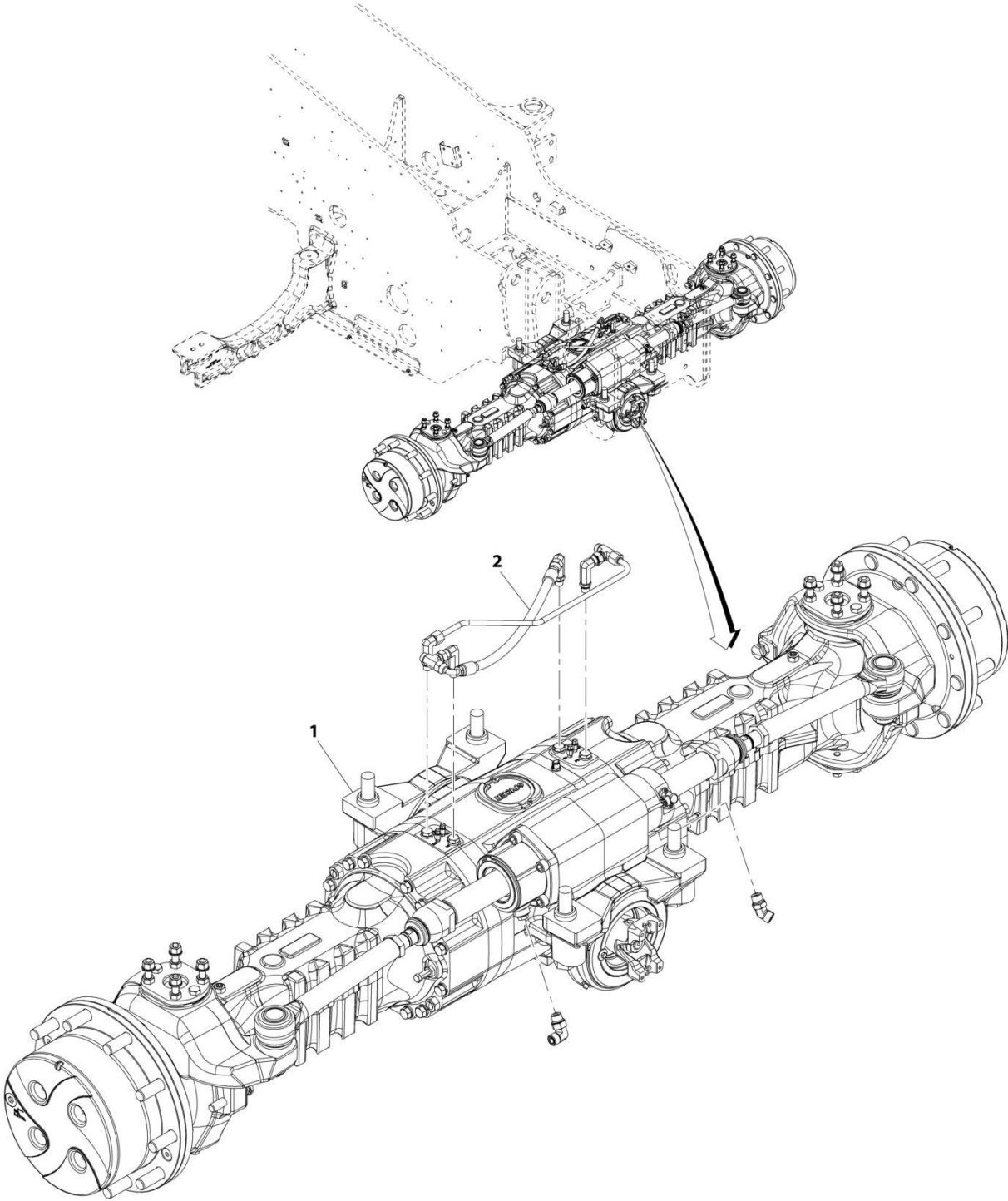
## SECTION 5 - DRIVE TRAIN

### FIGURE 5-6. DRIVE SHAFT INSTALLATION

ITEM	PART NUMBER	QTY	DESCRIPTION	REV
	1001184981	Ref	Drive Shaft Installation	B
2	1001184987	1	Assembly, Drive Shaft	
3	1001184988	1	Assembly, Drive Shaft	
4	8880219-OM	4	Kit, Strap	

**SECTION 5 - DRIVE TRAIN**

**FIGURE 5-7. FRONT AXLE INSTALLATION**



ART\_1001184977-B

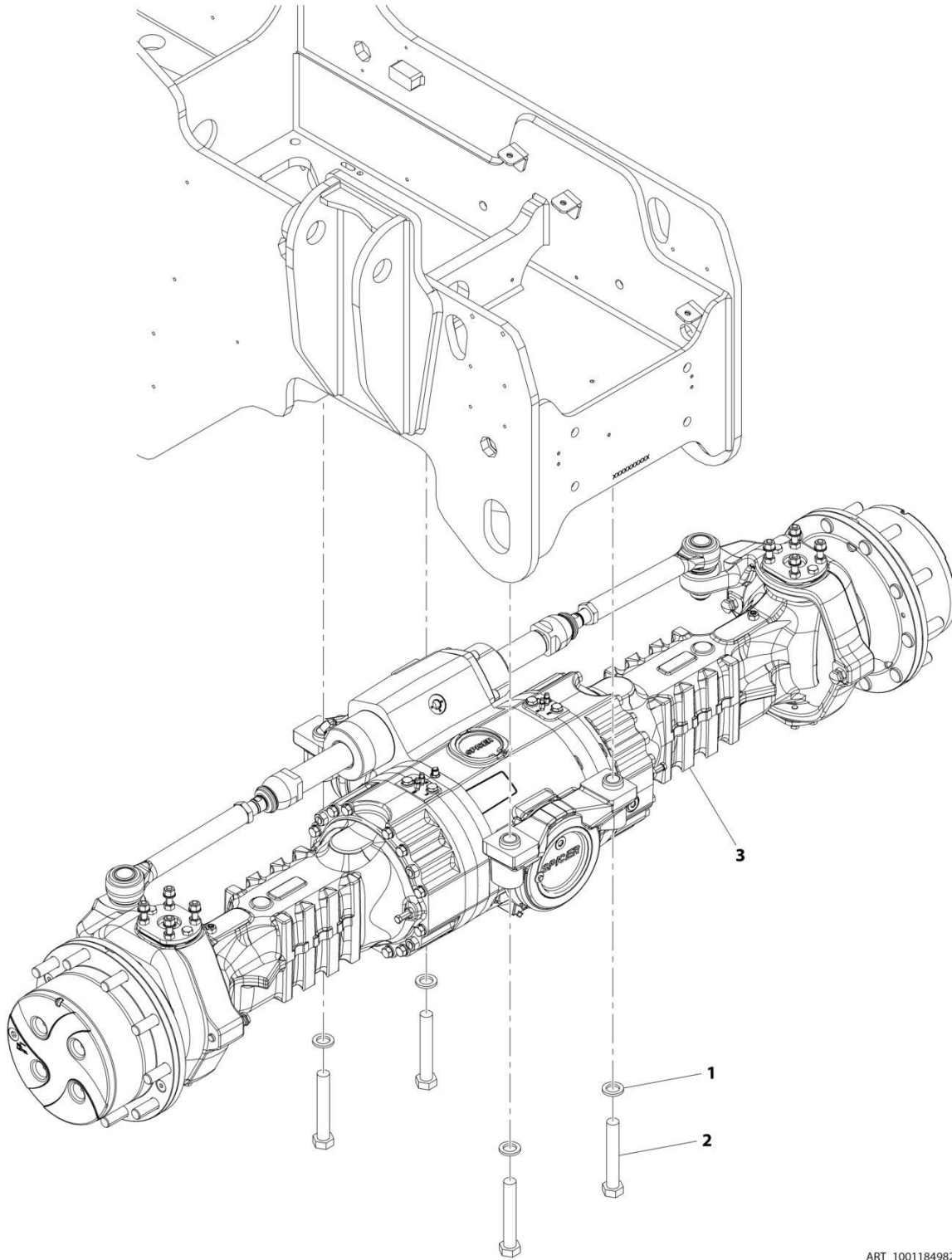
## SECTION 5 - DRIVE TRAIN

### FIGURE 5-7. FRONT AXLE INSTALLATION

ITEM	PART NUMBER	QTY	DESCRIPTION	REV
1	1001184977	Ref	Front Axle Installation	B
	1001184982	Ref	Installation, Front Axle Mounting (See Separate Breakdown in this Section)	
2	1001207898	Ref	Installation, Front Axle Lines (See Separate Breakdown in this Section)	

# SECTION 5 - DRIVE TRAIN

## FIGURE 5-8. FRONT AXLE MOUNTING INSTALLATION



ART\_1001184982-B



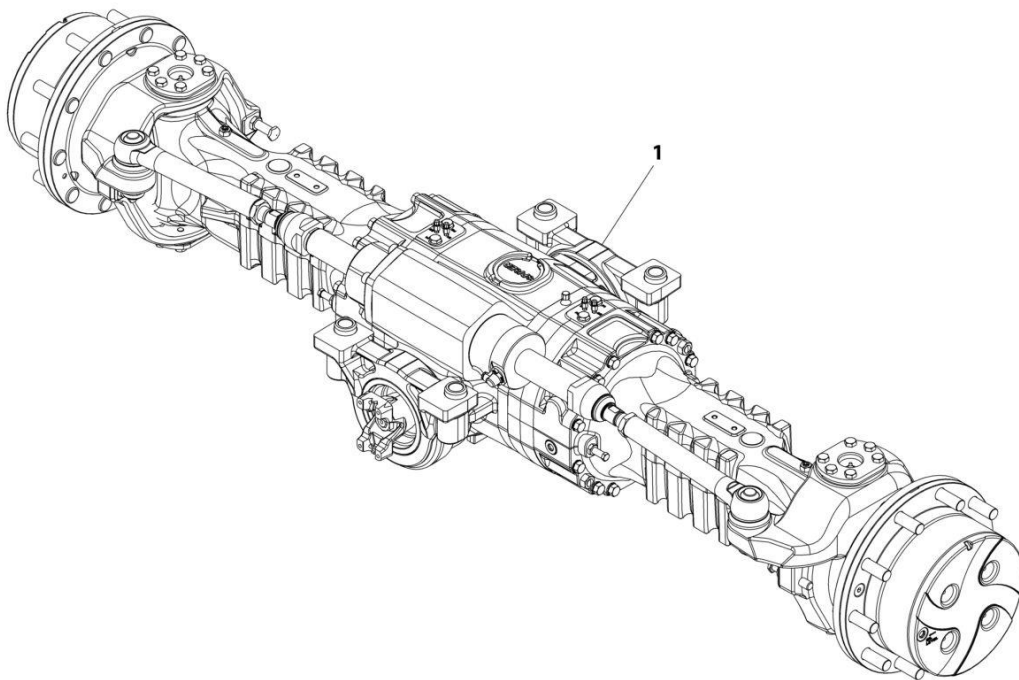
## SECTION 5 - DRIVE TRAIN

### FIGURE 5-8. FRONT AXLE MOUNTING INSTALLATION

ITEM	PART NUMBER	QTY	DESCRIPTION	REV
	1001184982	Ref	Front Axle Mounting Installation	B
1	4892600	4	Washer	
2	1001097587	4	Bolt, M24-3X150 Grade 10.9	
3	1001184984	1	Axle, Front (See Separate Breakdown in this Section)	

# SECTION 5 - DRIVE TRAIN

## FIGURE 5-9. FRONT AXLE



ART\_1001184984-F

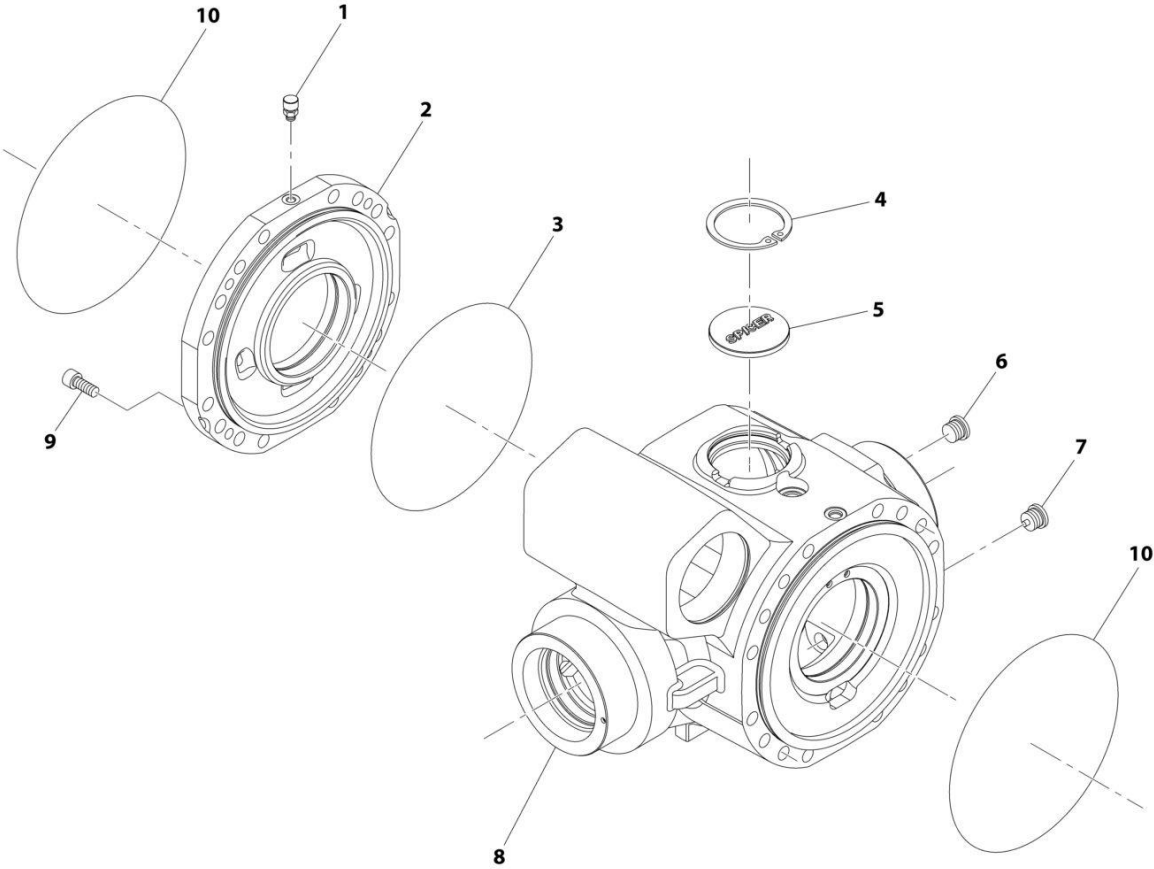
## SECTION 5 - DRIVE TRAIN

### FIGURE 5-9. FRONT AXLE

ITEM	PART NUMBER	QTY	DESCRIPTION	REV
	1001184984	Ref	Front Axle	F
		Ref	Front Axle, Central Housing (See Separate Breakdown in this Section)	
		Ref	Front Axle, Differential (See Separate Breakdown in this Section)	
		Ref	Front Axle, Hub Reduction (See Separate Breakdown in this Section)	
		Ref	Front Axle, Brakes (See Separate Breakdown in this Section)	
		Ref	Front Axle, Steering (See Separate Breakdown in this Section)	
		Ref	Front Axle, Trunnion (See Separate Breakdown in this Section)	

**SECTION 5 - DRIVE TRAIN**

**FIGURE 5-10. FRONT AXLE, CENTRAL HOUSING**



ART\_1001184984\_1-F

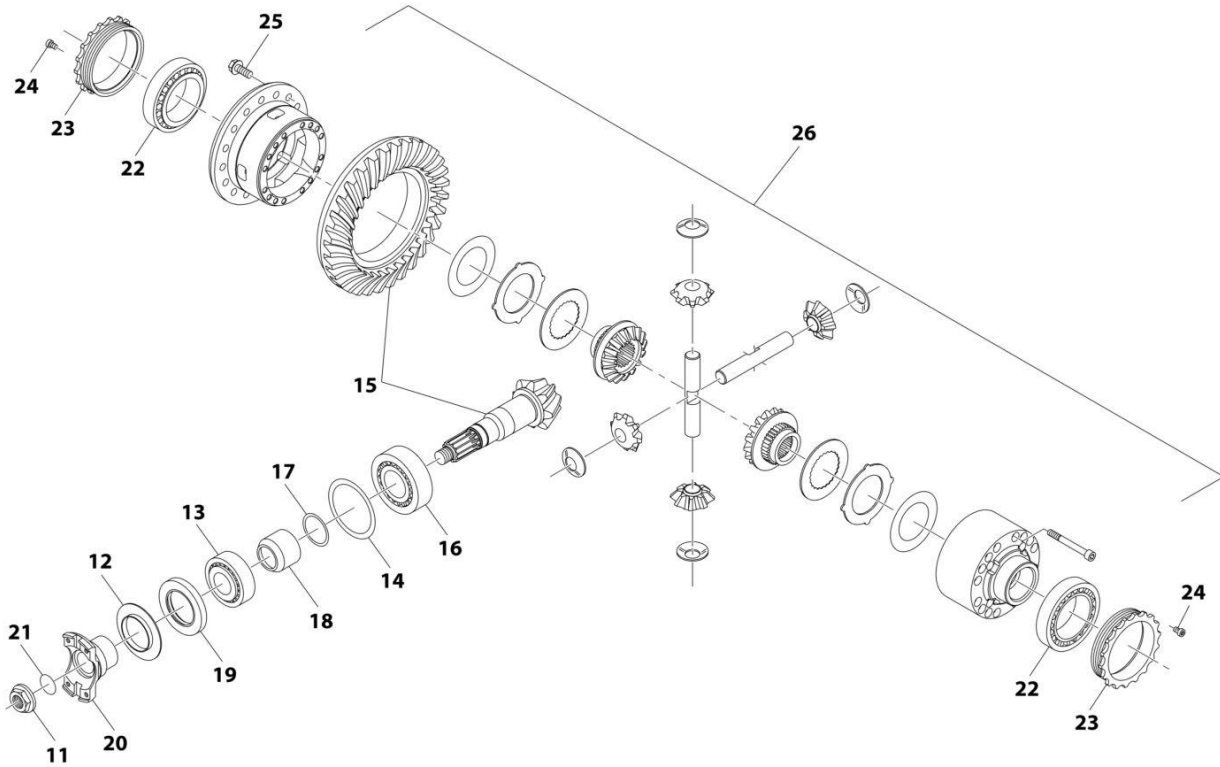
## SECTION 5 - DRIVE TRAIN

### FIGURE 5-10. FRONT AXLE, CENTRAL HOUSING

ITEM	PART NUMBER	QTY	DESCRIPTION	REV
	1001184984	Ref	Front Axle, Central Housing	F
1	91474512	1	Vent	
2	7029288	1	Cover, Intermediate	
3	80204002	1	O-Ring	
4	80204005	1	Circlip	
5	91514098	1	Plug	
6	70028389	1	Plug	
7	70028388	1	Plug	
8	70025335	1	Housing	
9	91514101	4	Bolt	
10	91514089	2	O-Ring	

# SECTION 5 - DRIVE TRAIN

## FIGURE 5-11. FRONT AXLE, DIFFERENTIAL



ART\_1001184984\_2-F

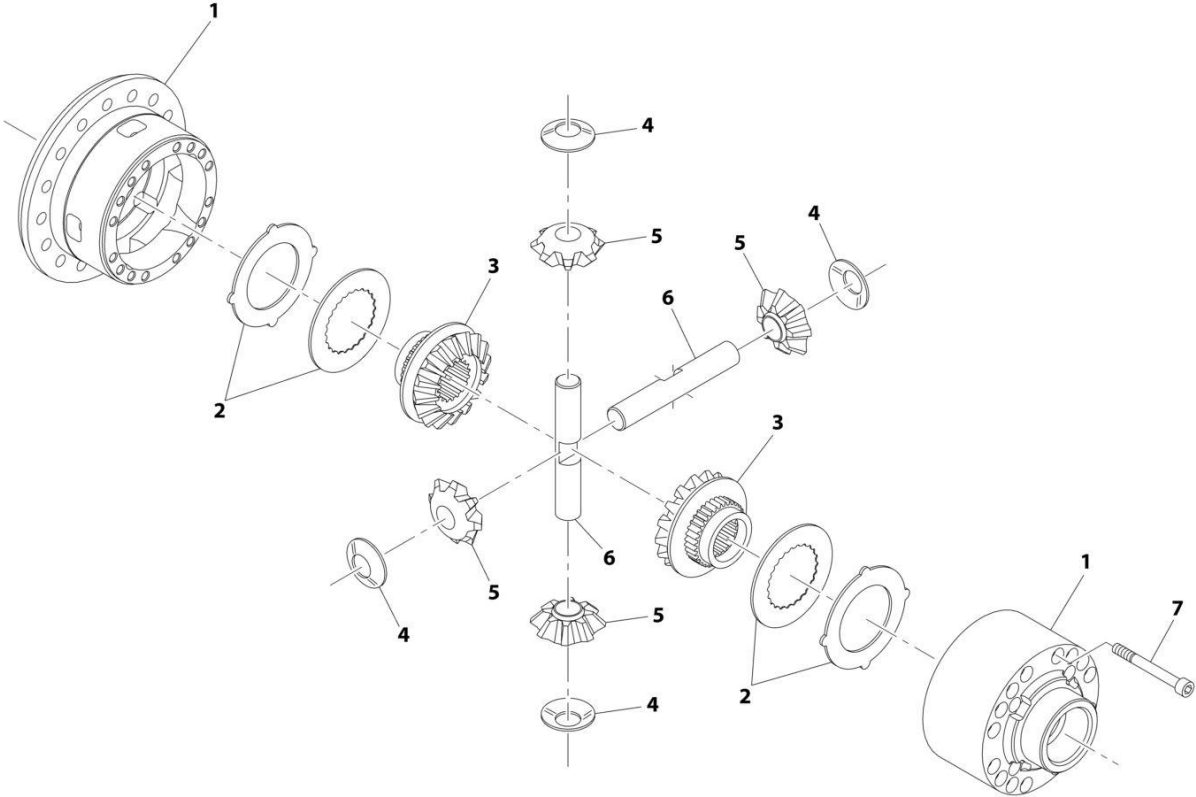
## SECTION 5 - DRIVE TRAIN

**FIGURE 5-11. FRONT AXLE, DIFFERENTIAL**

ITEM	PART NUMBER	QTY	DESCRIPTION	REV
	1001184984	Ref	Front Axle, Differential	F
11	80204043	1	Nut	
12	91514130	1	Plate, Cover	
13	80204048	1	Bearing, Tape Roller	
14	70023469	1	Shim	
15	70028391	1	Gear, Bevel Set	
16	80204035	1	Bearing, Tape Roller	
17	70023494	1	Ring	
18	70022140	1	Spacer	
19	70025887	1	Seal	
20	70028401	1	Flange	
21	10725554	1	O-Ring	
22	80204033	2	Bearing, Tape Roller	
23	91514133	2	Nut, Ring	
24	91514134	2	Bolt	
25	91514123	16	Bolt	
26	70028390	1	Kit, Differential (See Separate Breakdown in this Section)	

**SECTION 5 - DRIVE TRAIN**

**FIGURE 5-12. DIFFERENTIAL KIT**



ART\_70028390



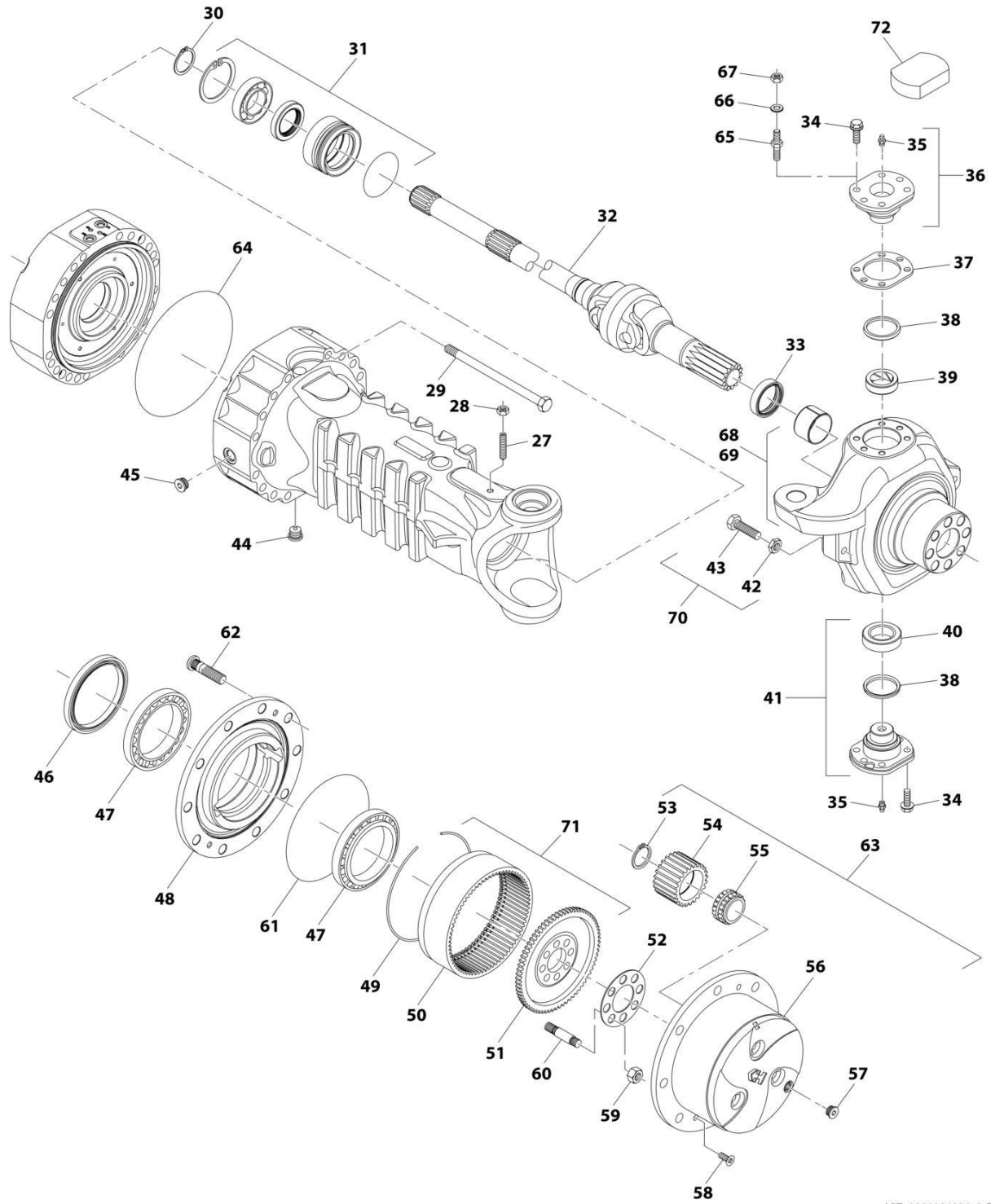
## SECTION 5 - DRIVE TRAIN

### FIGURE 5-12. DIFFERENTIAL KIT

ITEM	PART NUMBER	QTY	DESCRIPTION	REV
	70028390	Ref	Differential Kit	
1	70024004	2	Carrier, Differential	
2	70026750	2	Disc, Clutch	
3	70025856	2	Gear, Differential Side	
4	70027105	4	Washer, Friction	
5	70025339	4	Pinion, Differential	
6	70023490	2	Shaft, Differential	
7	91514143	15	Bolt	

# SECTION 5 - DRIVE TRAIN

## FIGURE 5-13. FRONT AXLE, HUB REDUCTION



ART\_1001184984\_3-F

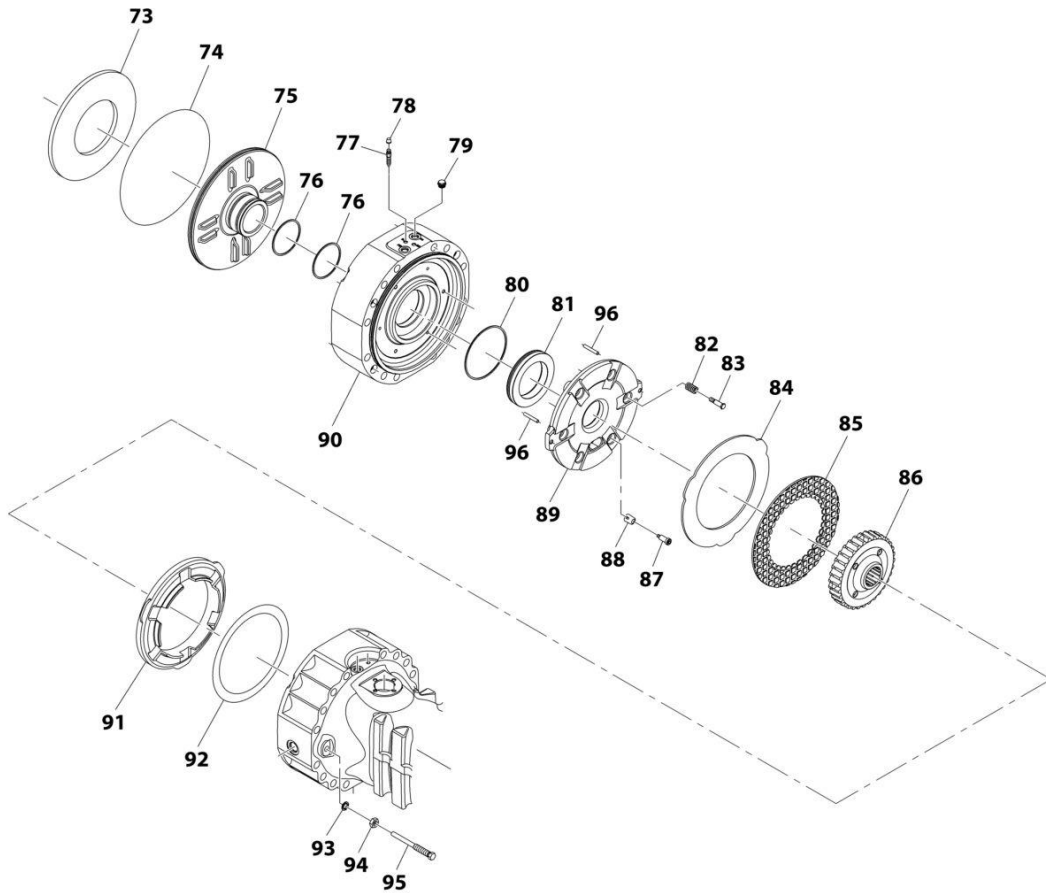
## SECTION 5 - DRIVE TRAIN

**FIGURE 5-13. FRONT AXLE, HUB REDUCTION**

ITEM	PART NUMBER	QTY	DESCRIPTION	REV
	1001184984	Ref	Front Axle, Hub Reduction	F
27	91514081	2	Bolt	
28	91514082	2	Nut	
29	70025012	24	Bolt	
30	80204071	2	Circlip	
31	91514149	2	Kit, Reduction Bushing (See Separate Breakdown in this Section)	
32	70028396	2	Joint, Double Universal	
33	70026238	2	Seal	
34	70025562	20	Bolt	
35	70024881	2	Fitting, Grease	
36	91514112	2	Pin	
37	70025561	1	Shim	
38	7028716	2	Seal, Dust	
39	7028714	2	Bushing	
40	91514095	2	Bearing	
41	7028715	2	Pin	
42	80204065	4	Nut	
43	91514117	4	Bolt	
44	70028388	2	Plug	
45	70028389	2	Plug	
46	70026002	2	Seal	
47	80204076	4	Bearing, Taper Roller	
48	91514174	2	Hub, Wheel	
49	91514175	2	Circlip	
50	70024147	2	Gear, Ring	
51	91514177	2	Support, Ring Gear	
52	91514178	2	Plate	
53	91514184	8	Circlip	
54	91514185	8	Gear, Planet	
55	91514186	8	Bearing	
56	7029317	2	Carrier, Planet Gear	
57	70028387	2	Plug	
58	91514189	4	Bolt, Countersunk	
59	91514179	16	Nut	
60	91514180	16	Stud	
61	91514181	2	O-Ring	
62	80214120	20	Stud	
63	7029743	2	Kit, Planet Gear Carrier	
64	91514089	2	O-Ring	
65	70025014	8	Stud	
66	91514084	8	Washer	
67	91514083	8	Nut	
68	70026260	1	Kit, Steering Case (left) (See Separate Breakdown in this Section)	
69	70026261	1	Kit, Steering Case (right) (See Separate Breakdown in this Section)	
70	7028733	4	Bolt, Steering Adjust	
71	70024146	2	Kit, Ring Gear Support (See Separate Breakdown in this Section)	
72	70028392	2	Cover	

# SECTION 5 - DRIVE TRAIN

## FIGURE 5-14. FRONT AXLE, BRAKES



ART\_1001184984\_4-F

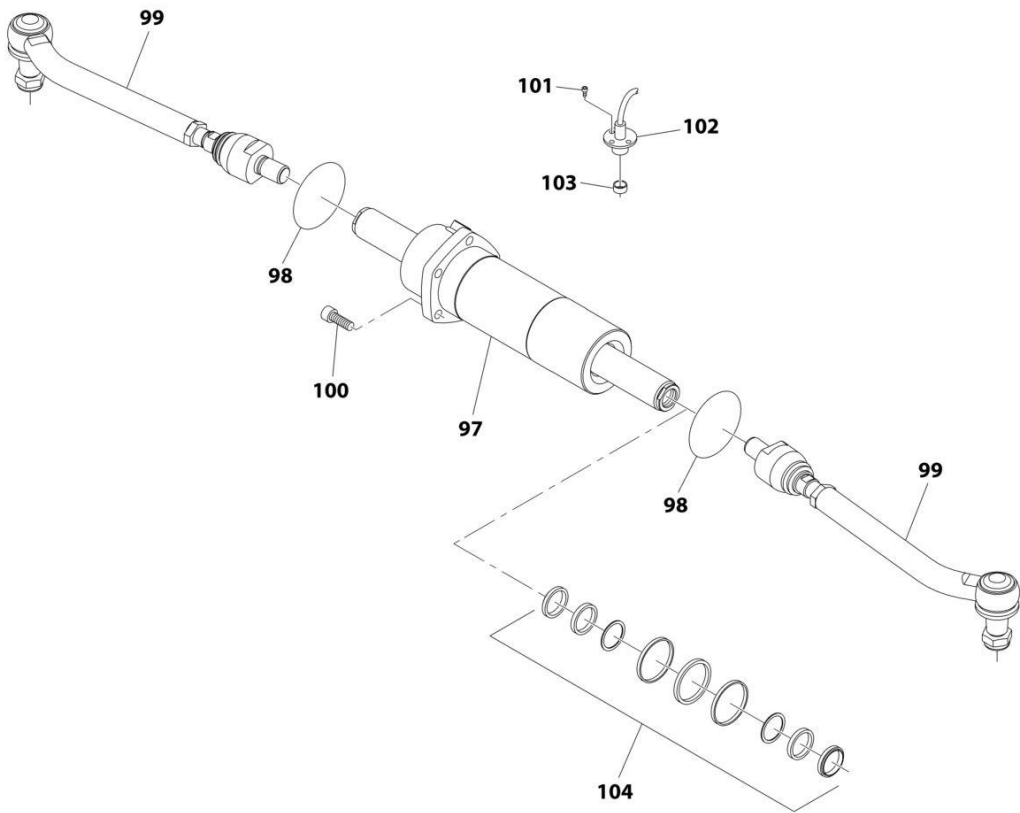
## SECTION 5 - DRIVE TRAIN

**FIGURE 5-14. FRONT AXLE, BRAKES**

ITEM	PART NUMBER	QTY	DESCRIPTION	REV
	1001184984	Ref	Front Axle, Brakes	F
73	91514151	2	Washer	
74	91514089	2	O-Ring	
75	70027092	2	Piston	
76	70026262	4	Seal	
77	80204281	4	Bolt, Bleeding	
78	80204117	4	Plug	
79	91514154	4	Plug	
80	70026263	2	Seal	
81	70027796	2	Piston	
82	91514159	6	Spring	
83	70024210	6	Bolt, Adjusting	
84	70027022	6	Disc, Intermediate Brake	
85	7029735	6	Disc, Brake	
86	7029734	2	Bushing, Reduction	
87	7029787	6	Bolt, Adjusting	
88	70027317	6	Spring	
89	70024849	2	Disc, Intermediate Brake	
90	70024848	2	Cover	
91	70026264	2	Spacer	
92	70025970	1	Shim	
93	80204108	4	Washer, Lock	
94	80204060	4	Nut	
95	70024213	4	Bolt	
96	70024215	4	Dowel	

**SECTION 5 - DRIVE TRAIN**

**FIGURE 5-15. FRONT AXLE, STEERING**



ART\_1001184964\_5-F

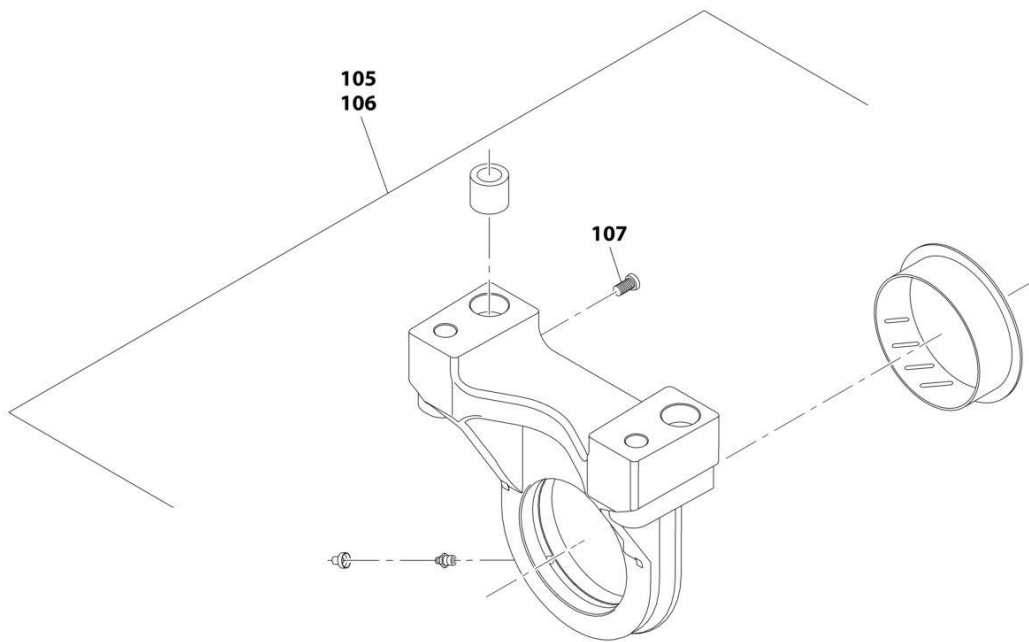
## SECTION 5 - DRIVE TRAIN

### FIGURE 5-15. FRONT AXLE, STEERING

ITEM	PART NUMBER	QTY	DESCRIPTION	REV
	1001184984	Ref	Front Axle, Steering	F
97	70028393	1	Cylinder	
98	80204143	2	O-Ring	
99	70028394	2	Rod, Articulated Tie	
99	70022773	2	Nut	
100	80204144	5	Bolt	
101	8008175	2	Bolt	
102	70027986	1	Optical Sensor	
103	7029307	1	Plug	
104	7029127	1	Kit, Seal	

# SECTION 5 - DRIVE TRAIN

## FIGURE 5-16. FRONT AXLE, TRUNION



ART\_1001184984\_6-F



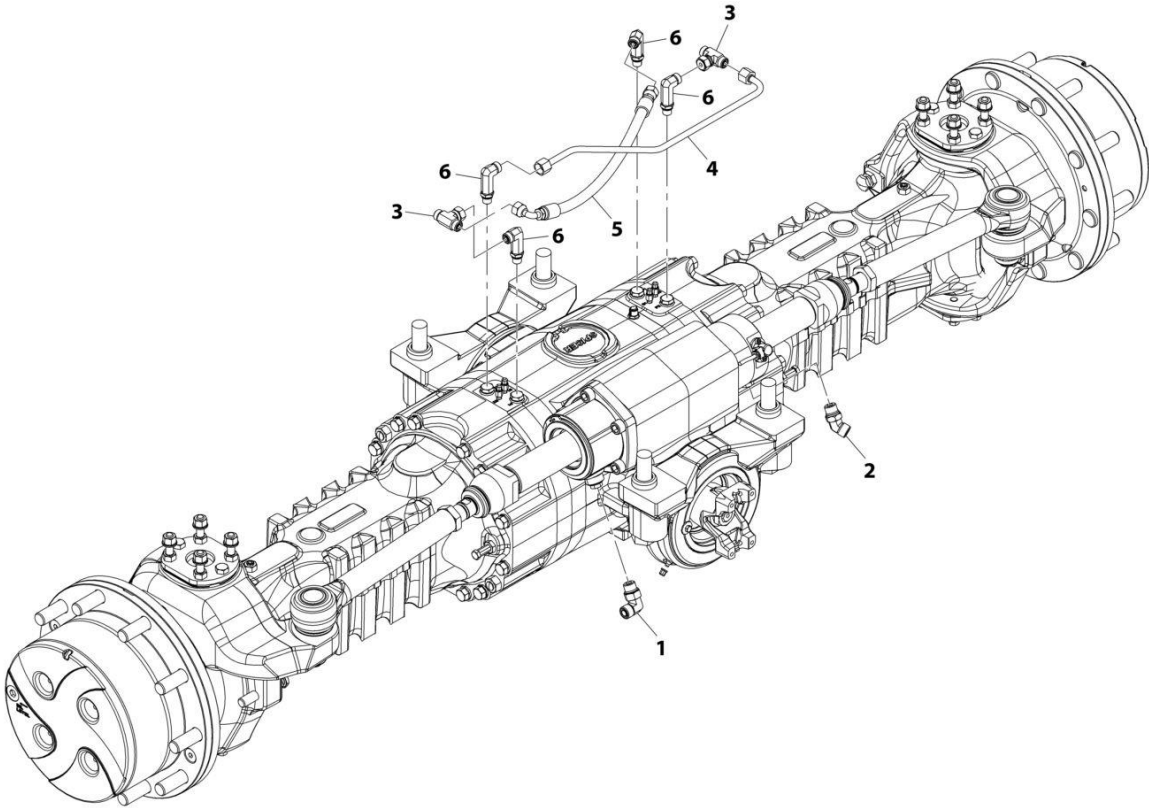
## SECTION 5 - DRIVE TRAIN

### FIGURE 5-16. FRONT AXLE, TRUNION

ITEM	PART NUMBER	QTY	DESCRIPTION	REV
	1001184984	Ref	Front Axle, Trunion	F
105	70026266	1	Kit, Trunion (See Separate Breakdown in this Section)	
106	70026265	1	Support	
107	70025884	1	Bolt	

**SECTION 5 - DRIVE TRAIN**

**FIGURE 5-17. FRONT AXLE LINES INSTALLATION**



ART\_1001207898-C

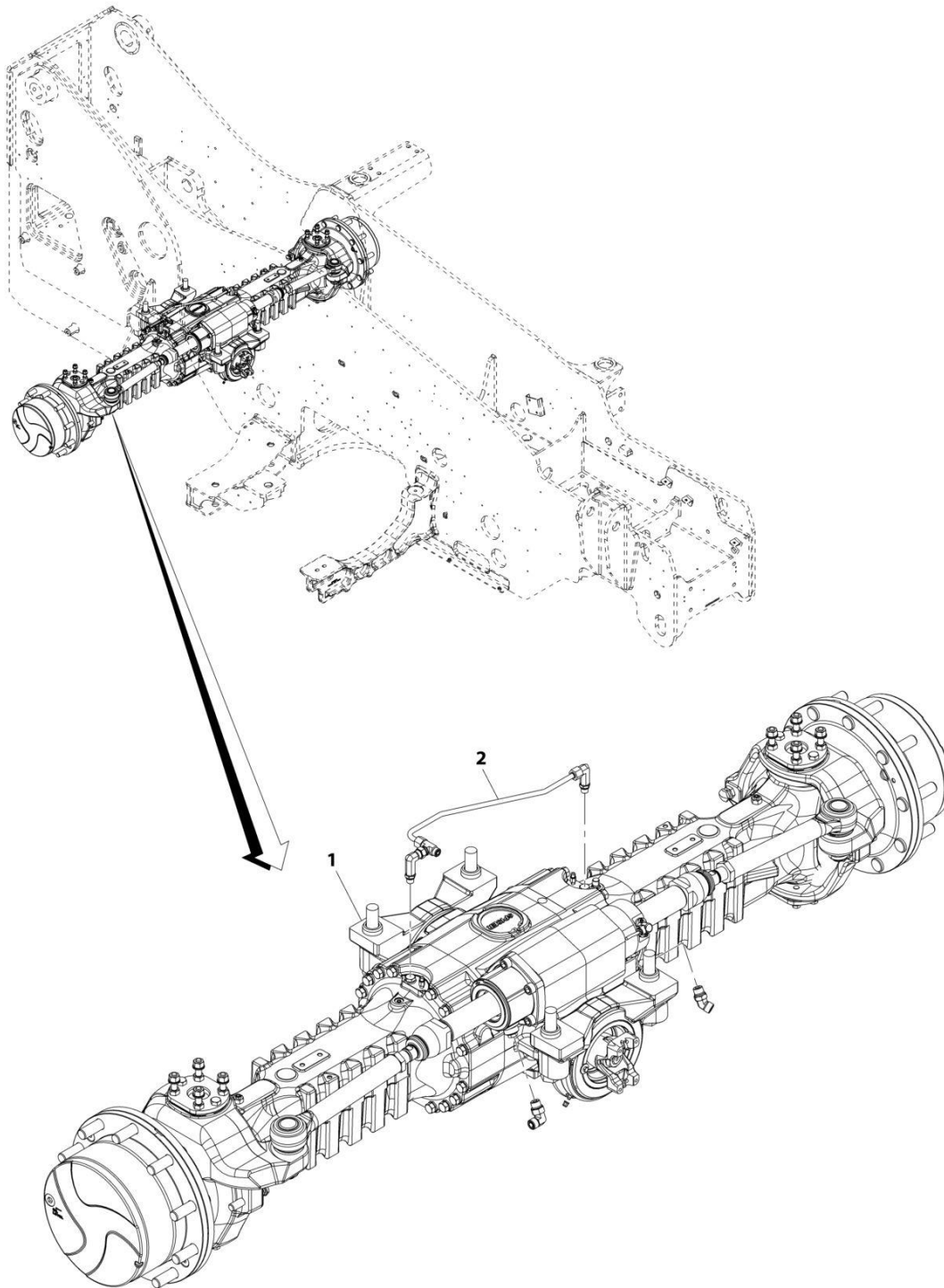
## SECTION 5 - DRIVE TRAIN

**FIGURE 5-17. FRONT AXLE LINES INSTALLATION**

ITEM	PART NUMBER	QTY	DESCRIPTION	REV
	1001207898	Ref	Front Axle Lines Installation	C
1	2130808	1	Fitting, 90 ORFS	
2	2150808	1	Fitting, 45 ORFS	
3	2170806	2	Fitting, Tee ORFS	
4	1001224598	1	Tube	
5	1001210281	1	Hose	
6	1001210769	4	Fitting, 90 ORFS	

# SECTION 5 - DRIVE TRAIN

## FIGURE 5-18. REAR AXLE INSTALLATION



ART\_1001184978-B

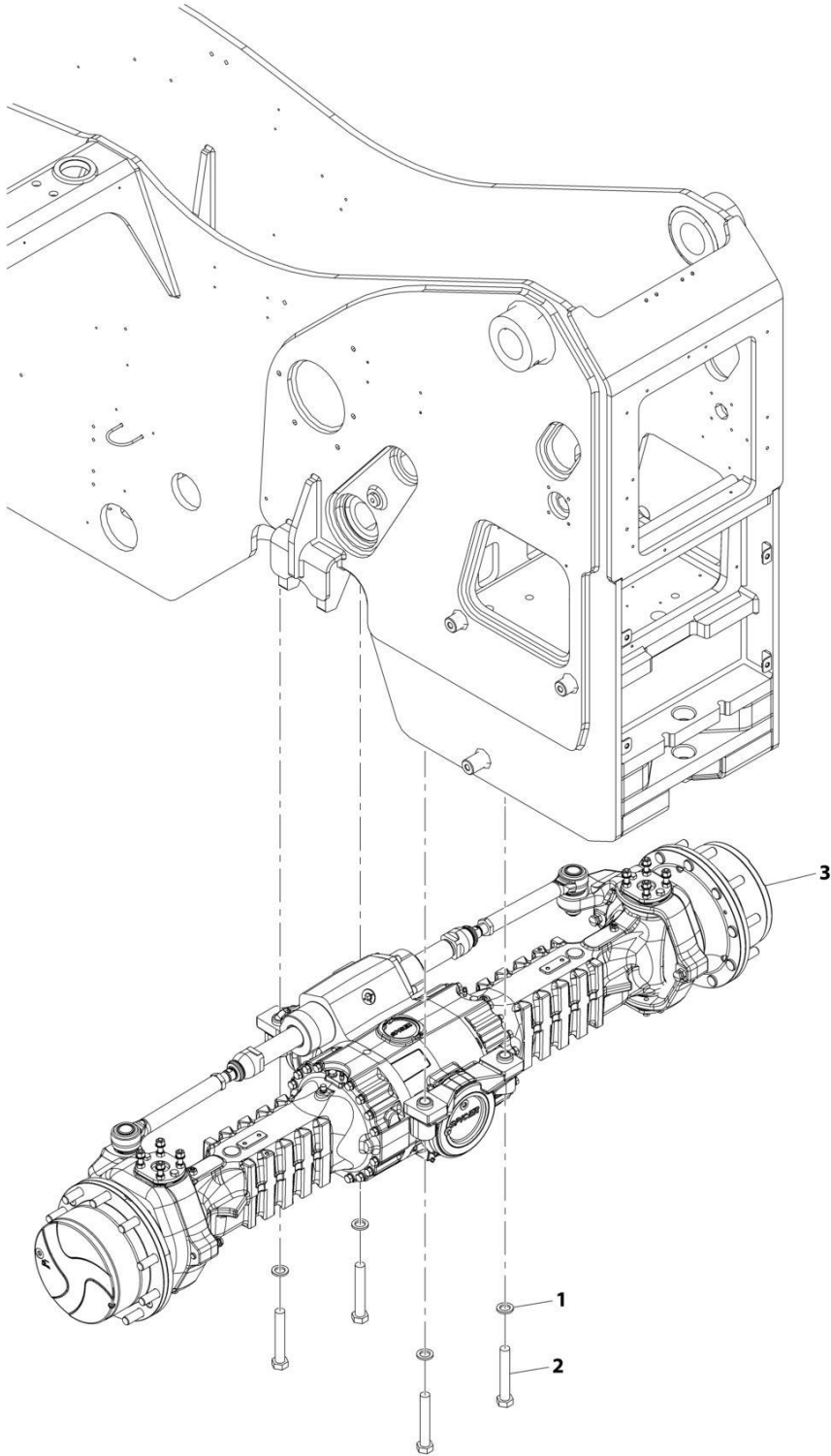
## SECTION 5 - DRIVE TRAIN

### FIGURE 5-18. REAR AXLE INSTALLATION

ITEM	PART NUMBER	QTY	DESCRIPTION	REV
1	1001184978	Ref	Rear Axle Installation	B
	1001184983	Ref	Installation, Rear Axle Mounting (See Separate Breakdown in this Section)	
2	1001207899	Ref	Installation, Rear Axle Lines (See Separate Breakdown in this Section)	

**SECTION 5 - DRIVE TRAIN**

**FIGURE 5-19. REAR AXLE MOUNTING INSTALLATION**



ART\_1001184983-B

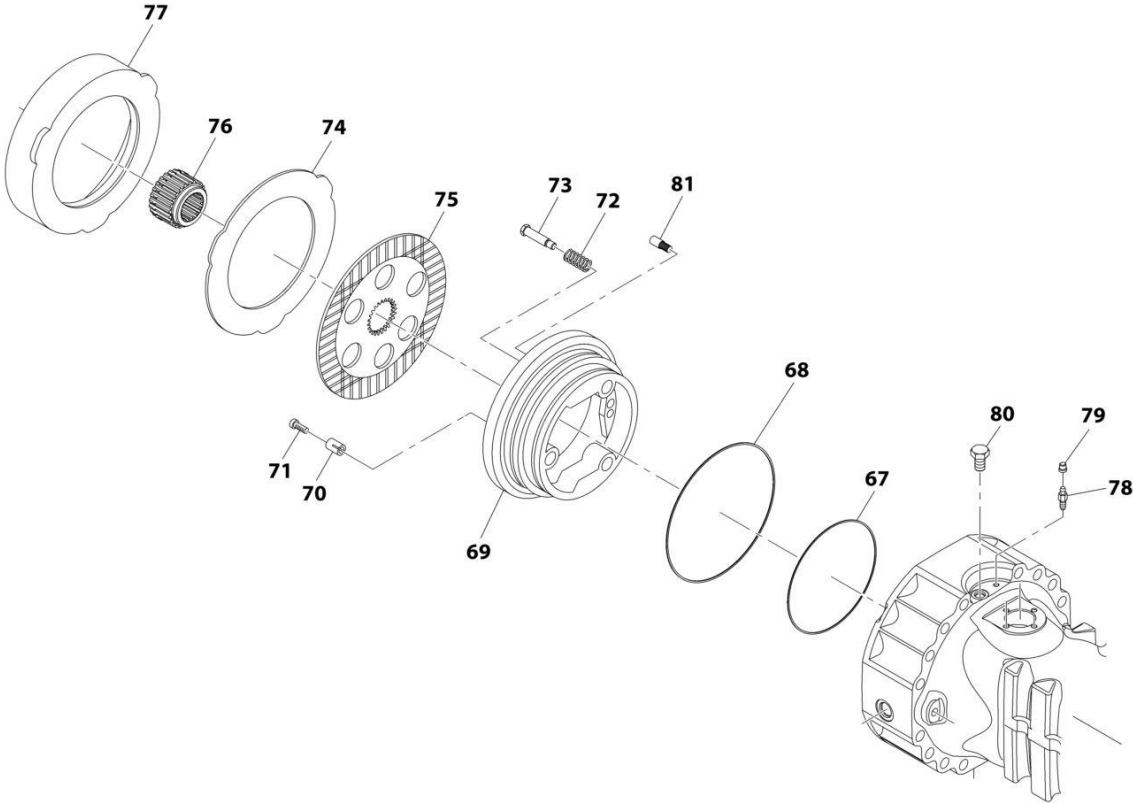
## SECTION 5 - DRIVE TRAIN

### FIGURE 5-19. REAR AXLE MOUNTING INSTALLATION

ITEM	PART NUMBER	QTY	DESCRIPTION	REV
	1001184983	Ref	Rear Axle Mounting Installation	B
1	4892600	4	Washer	
2	1001097587	4	Bolt, M24-3X150 Grade 10.9	
3	1001184985	Ref	Axle, Rear (See Separate Breakdown in this Section)	

**SECTION 5 - DRIVE TRAIN**

**FIGURE 5-20. REAR AXLE, BRAKES**



ART\_1001184985\_4-F



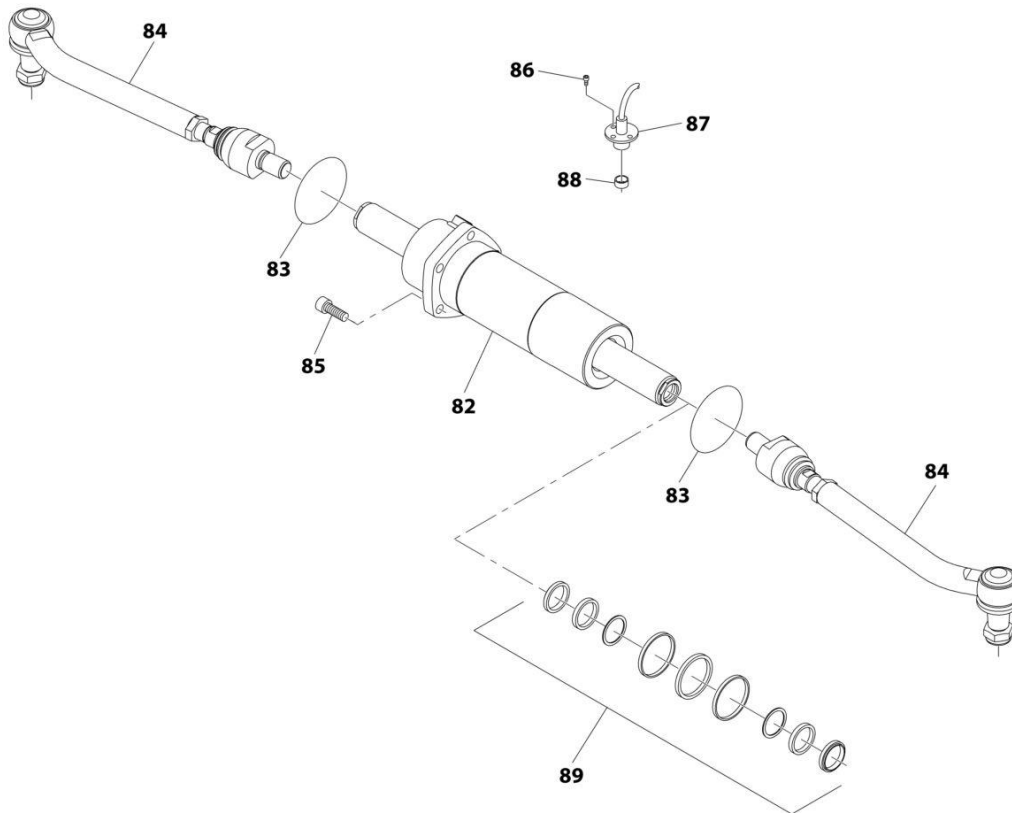
## SECTION 5 - DRIVE TRAIN

### FIGURE 5-20. REAR AXLE, BRAKES

ITEM	PART NUMBER	QTY	DESCRIPTION	REV
	1001184985	Ref	Rear Axle, Brakes	F
67	70026747	2	Seal	
68	70026748	2	Seal	
69	70024216	2	Piston	
70	70027317	6	Spring	
71	7029785	6	Bolt, Adjusting	
72	91514159	6	Spring	
73	70024210	6	Bolt, Adjusting	
74	70027022	6	Disc, Intermediate Brake	
75	7029735	6	Disc, Brake	
76	7029734	2	Bushing, Reduction	
77	70021606	2	Spacer	
78	80204281	2	Bolt, Bleeding	
79	80204117	2	Plug	
80	91514154	2	Bolt	
81	70021613	2	Bolt, Pilot	

# SECTION 5 - DRIVE TRAIN

## FIGURE 5-21. REAR AXLE, STEERING



ART\_1001184985\_5-F

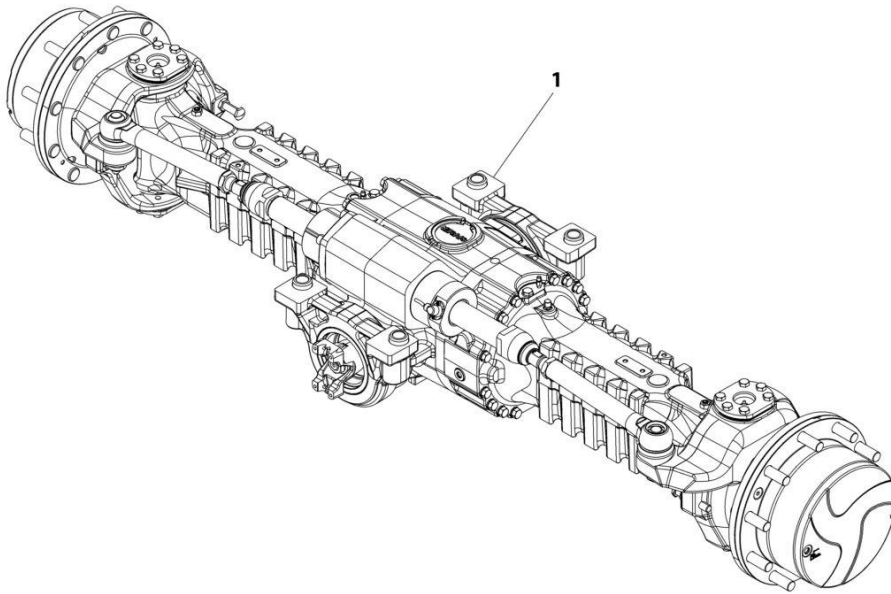
## SECTION 5 - DRIVE TRAIN

### FIGURE 5-21. REAR AXLE, STEERING

ITEM	PART NUMBER	QTY	DESCRIPTION	REV
	1001184985	Ref	Rear Axle, Steering	F
82	70028393	1	Cylinder	
83	80204143	2	O-Ring	
84	70028394	2	Rod, Articulated Tie	
84	70022773	2	Nut	
85	80204144	5	Bolt	
86	8008175	2	Bolt	
87	70027986	1	Sensor, Optical	
88	7029307	1	Plug	
89	7029127	1	Kit, Seal	

# SECTION 5 - DRIVE TRAIN

## FIGURE 5-22. REAR AXLE



ART\_1001184985-F

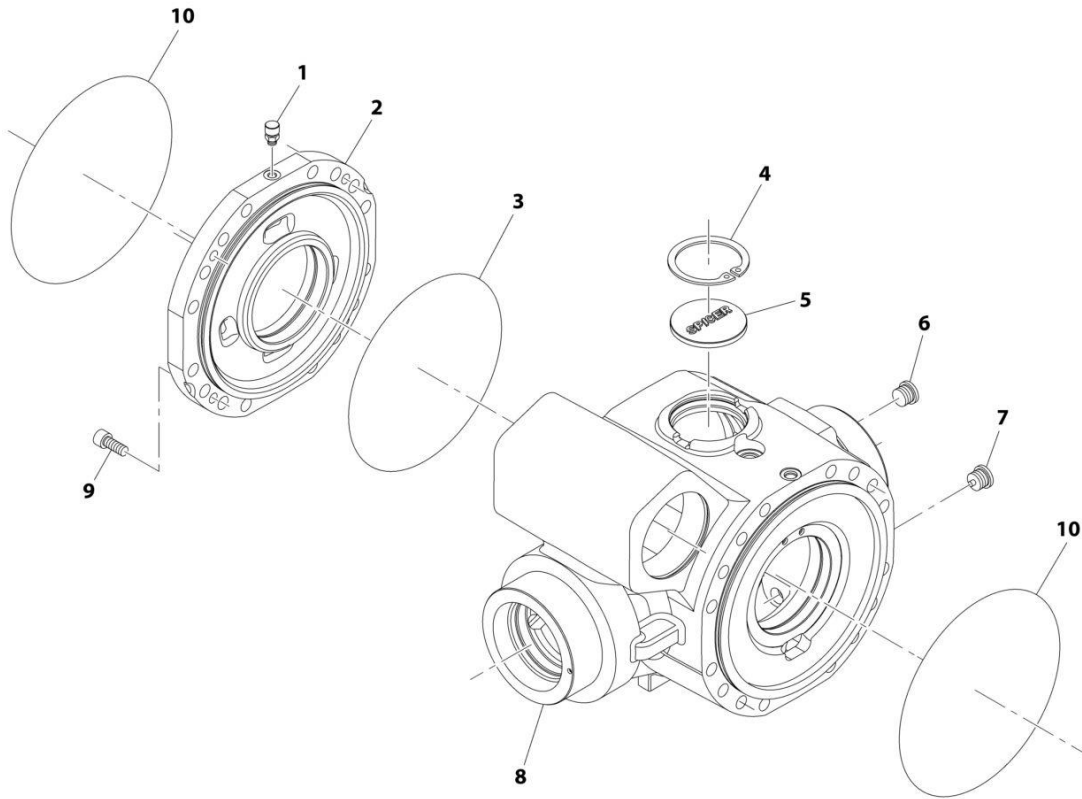
## SECTION 5 - DRIVE TRAIN

### FIGURE 5-22. REAR AXLE

ITEM	PART NUMBER	QTY	DESCRIPTION	REV
1	1001184985	Ref	Rear Axle	F
		Ref	Rear Axle, Central Housing (See Separate Breakdown in this Section)	
		Ref	Rear Axle, Differential (See Separate Breakdown in this Section)	
		Ref	Rear Axle, Hub Reduction (See Separate Breakdown in this Section)	
		Ref	Rear Axle, Brakes (See Separate Breakdown in this Section)	
		Ref	Rear Axle, Steering (See Separate Breakdown in this Section)	
		Ref	Rear Axle, Trunnion (See Separate Breakdown in this Section)	

# SECTION 5 - DRIVE TRAIN

## FIGURE 5-23. REAR AXLE, CENTRAL HOUSING



ART\_1001184985\_1-F

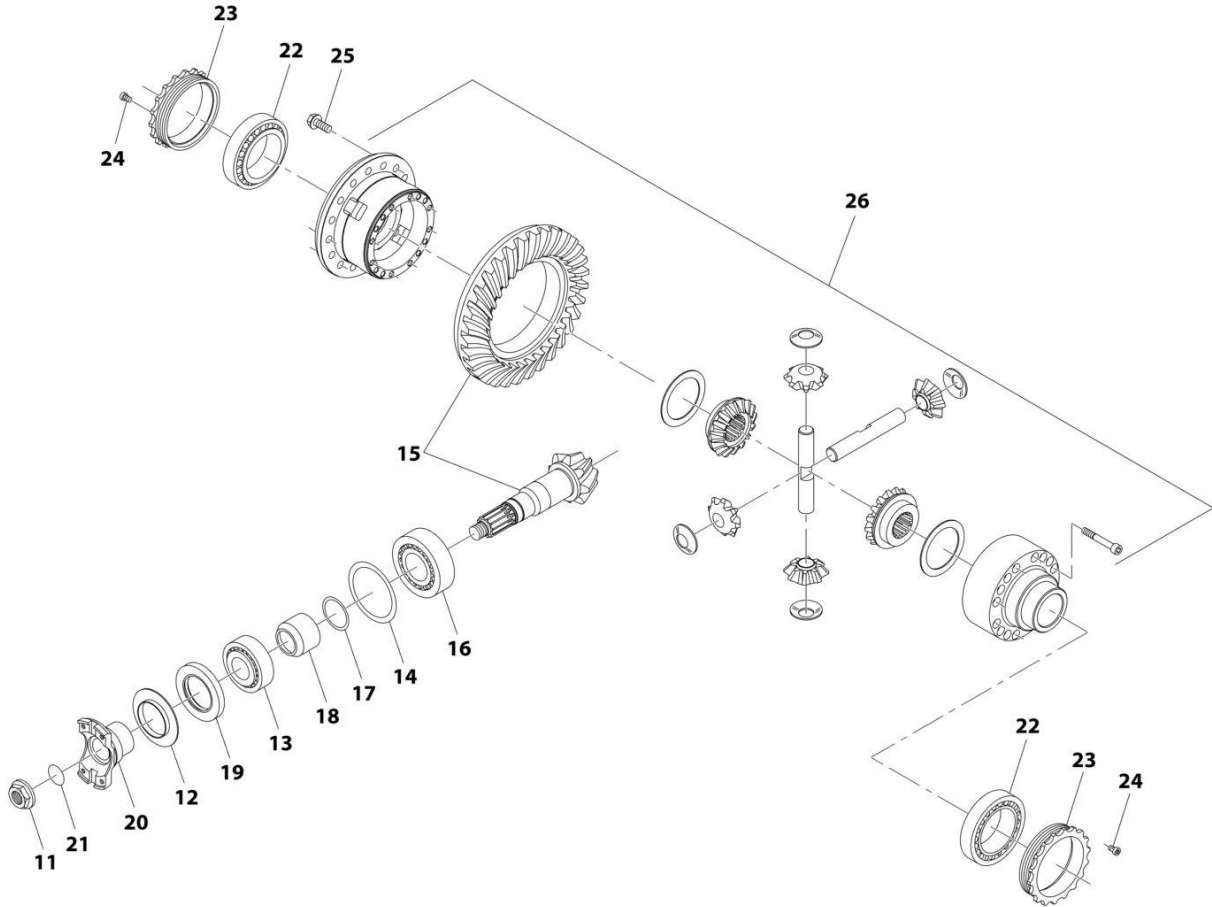
## SECTION 5 - DRIVE TRAIN

### FIGURE 5-23. REAR AXLE, CENTRAL HOUSING

ITEM	PART NUMBER	QTY	DESCRIPTION	REV
	1001184985	Ref	Rear Axle, Central Housing	F
1	91474512	1	Vent	
2	7029288	1	Cover, Intermediate	
3	80204002	1	O-Ring	
4	80204005	1	Circlip	
5	91514098	1	Plug	
6	70028389	1	Plug	
7	70028388	1	Plug	
8	70025335	1	Housing	
9	91514101	4	Bolt	
10	91514089	2	O-Ring	

# SECTION 5 - DRIVE TRAIN

## FIGURE 5-24. REAR AXLE, DIFFERENTIAL



ART\_1001184985\_2-F



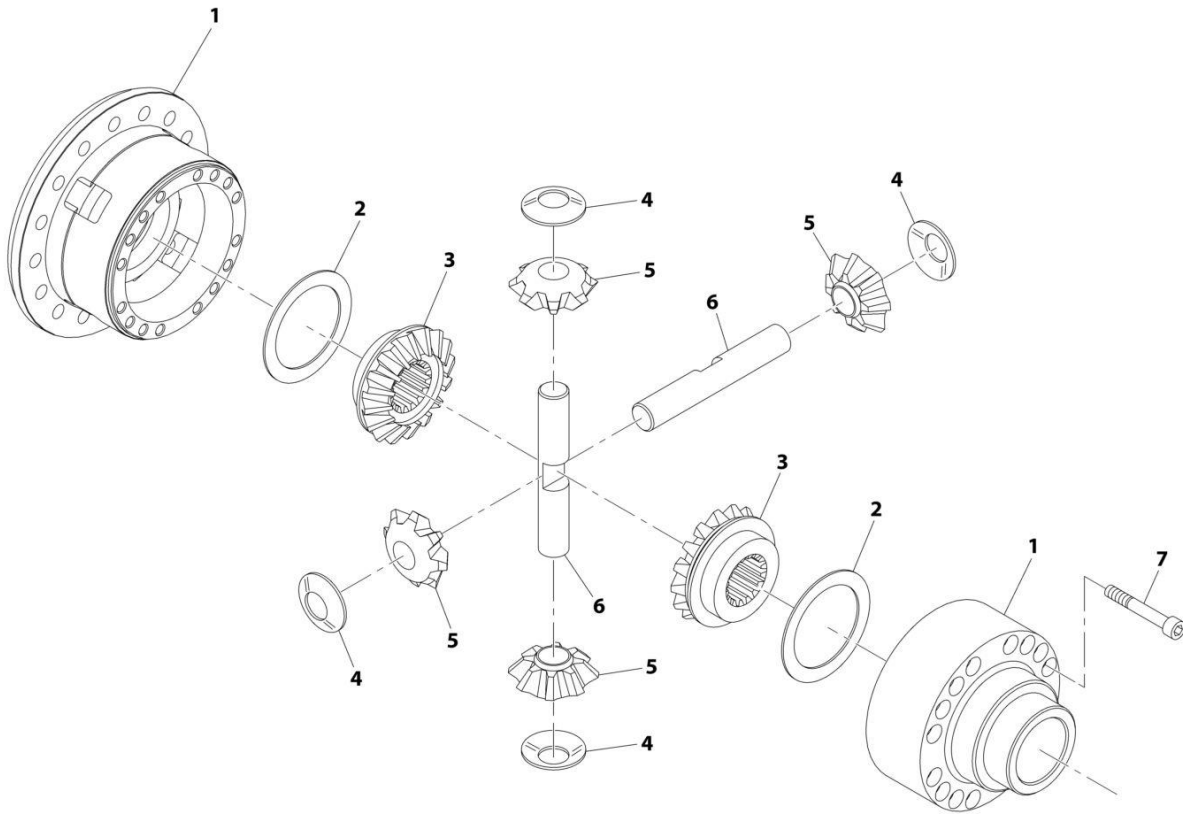
## SECTION 5 - DRIVE TRAIN

**FIGURE 5-24. REAR AXLE, DIFFERENTIAL**

ITEM	PART NUMBER	QTY	DESCRIPTION	REV
	1001184985	Ref	Rear Axle, Differential	F
11	80204043	1	Nut	
12	91514130	1	Plate, Cover	
13	80204048	1	Bearing, Taper Roller	
14	70023469	1	Shim	
15	70028399	1	Gear, Bevel Set	
16	80204035	1	Bearing, Taper Roller	
17	70023494	1	Ring	
18	70022140	1	Spacer	
19	70025887	1	Seal	
20	70028401	1	Flange	
21	10725554	1	O-Ring	
22	80204033	2	Bearing, Taper Roller	
23	91514133	2	Nut, Ring	
24	91514134	2	Bolt	
25	39844923	16	Bolt	
26	70028398	1	Kit, Differential (See Separate Breakdown in this Section)	

# SECTION 5 - DRIVE TRAIN

## FIGURE 5-25. DIFFERENTIAL KIT



ART\_70028398

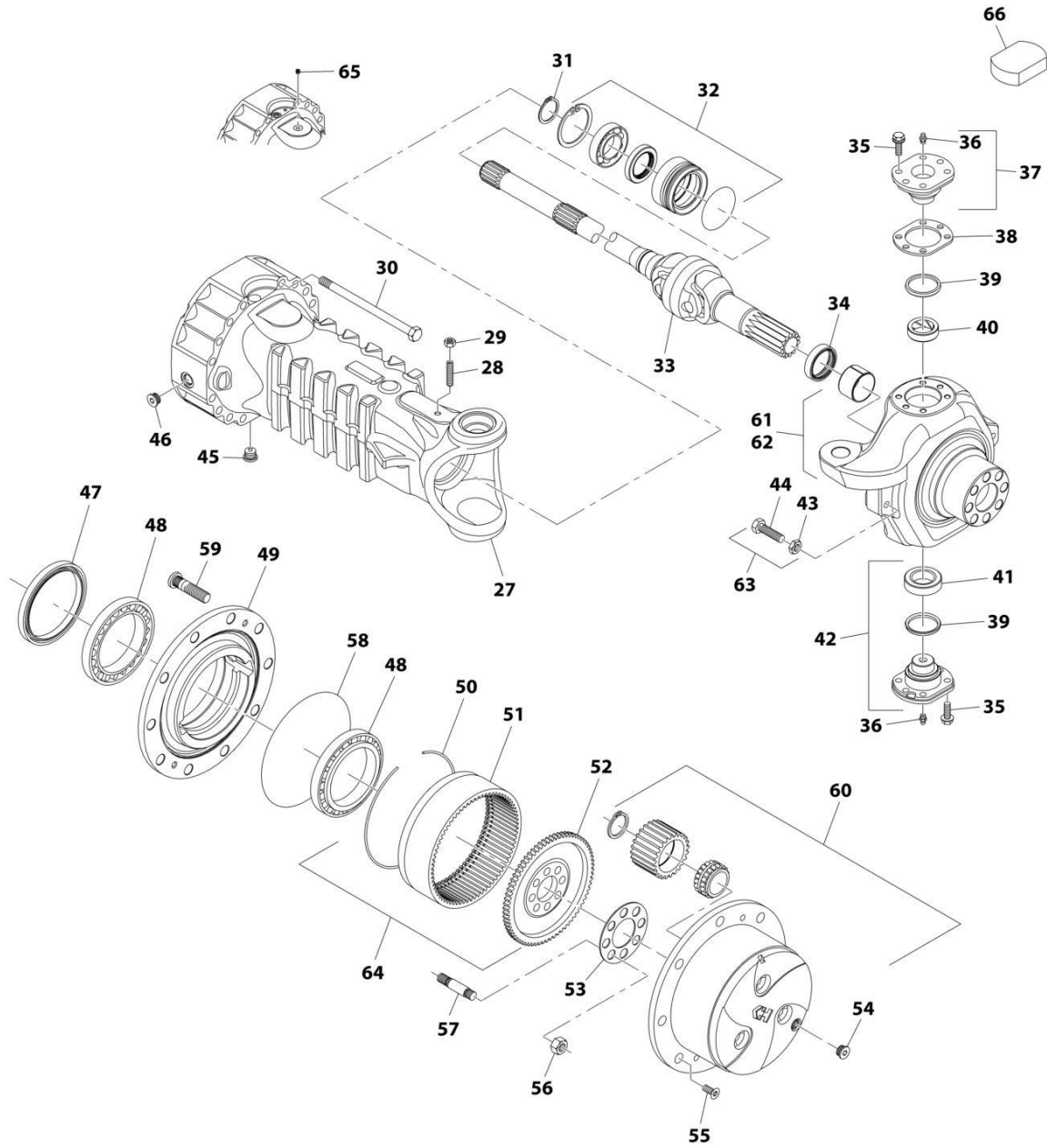
## SECTION 5 - DRIVE TRAIN

### FIGURE 5-25. DIFFERENTIAL KIT

ITEM	PART NUMBER	QTY	DESCRIPTION	REV
	70028398	Ref	Differential Kit	
1	70025337	1	Carrier, Differential	
2	70023493	2	Washer, Friction	
3	70025338	2	Gear, Differential Side	
4	70027105	4	Washer, Friction	
5	70025339	4	Pinion, Differential	
6	70023490	2	Shaft, Differential	
7	70023489	15	Bolt	

# SECTION 5 - DRIVE TRAIN

## FIGURE 5-26. REAR AXLE, HUB REDUCTION



ART\_1001184985\_3-F

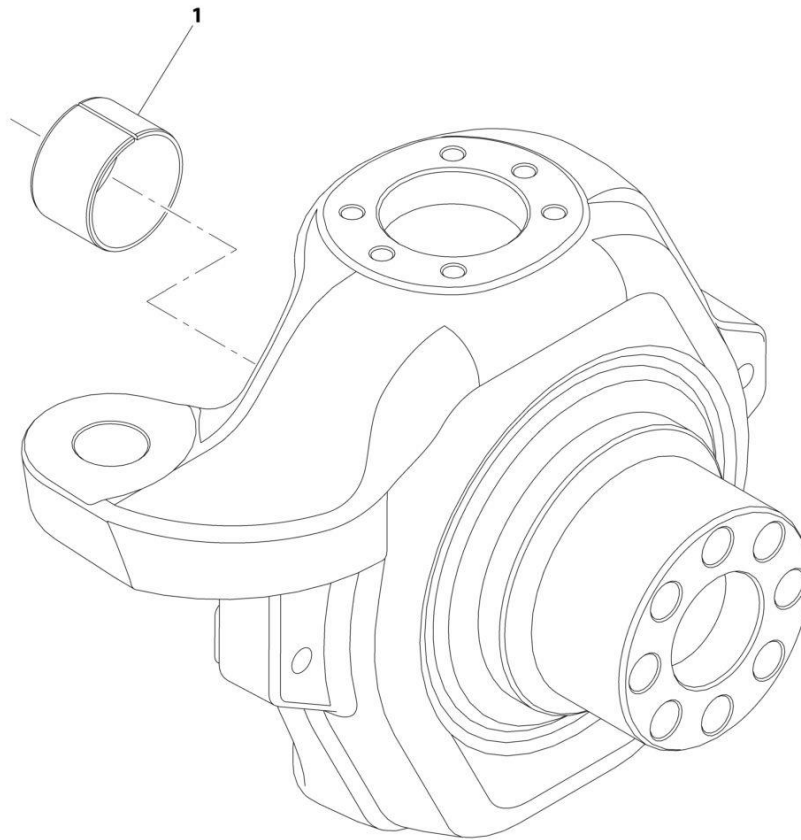
## SECTION 5 - DRIVE TRAIN

**FIGURE 5-26. REAR AXLE, HUB REDUCTION**

ITEM	PART NUMBER	QTY	DESCRIPTION	REV
	1001184985	Ref	Rear Axle, Hub Reduction	F
27	70028400	2	Case, Axle	
28	91514081	2	Bolt	
29	91514082	2	Nut	
30	70028397	32	Bolt	
31	80204071	2	Circlip	
32	91514149	2	Kit, Reduction Bushing (See Separate Breakdown in this Section)	
33	70028396	2	Joint, Double Universal	
34	70026238	2	Seal	
35	70025562	20	Bolt	
36	70024881	2	Fitting, Grease	
37	91514112	2	Pin	
38	70025561	1	Shim	
39	7028716	2	Seal, Dust	
40	7028714	2	Bushing	
41	91514095	2	Bearing	
42	7028715	2	Pin	
43	80204065	4	Nut	
44	91514117	4	Bolt	
45	70028388	2	Plug	
46	70028387	2	Plug	
47	70026002	2	Seal	
48	80204076	4	Bearing, Taper Roller	
49	91514174	2	Hub, Wheel	
50	91514175	2	Circlip	
51	70024147	2	Gear, Ring	
52	91514177	2	Gear, Ring Support	
53	91514178	2	Plate, Locking	
54	70028389	2	Plug	
55	91514189	4	Bolt, Countersunk	
56	91514179	16	Nut	
57	91514180	16	Stud	
58	91514181	2	O-Ring	
59	80214120	20	Stud	
60	7029733	2	Kit, Planet Gear Carrier (See Separate Breakdown in this Section)	
61	70026260	1	Kit, Steering Case (Left) (See Separate Breakdown in this Section)	
62	70026261	1	Kit, Steering Case (Right) (See Separate Breakdown in this Section)	
63	7028733	4	Bolt, Steering Adjust	
64	70024146	2	Kit, Ring Gear Support (See Separate Breakdown in this Section)	
65	80204012	2	Plug	
66	70028392	2	Cover	

## SECTION 5 - DRIVE TRAIN

FIGURE 5-27. TEERING CASE KIT (LF, RR)



ART\_70026260

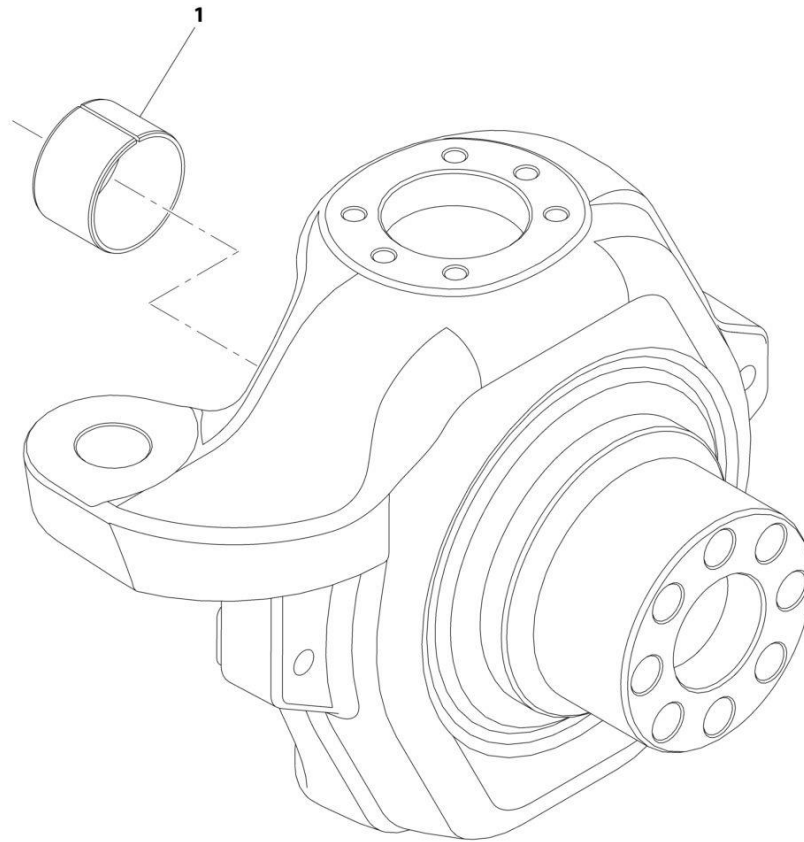
## SECTION 5 - DRIVE TRAIN

**FIGURE 5-27. TEERING CASE KIT (LF, RR)**

ITEM	PART NUMBER	QTY	DESCRIPTION	REV
1	70026260 91514111	Ref 1	Steering Case Kit (LF, RR) Bushing, Thrust	

## SECTION 5 - DRIVE TRAIN

FIGURE 5-28. STEERING CASE KIT (RF, LR)



ART\_70026261



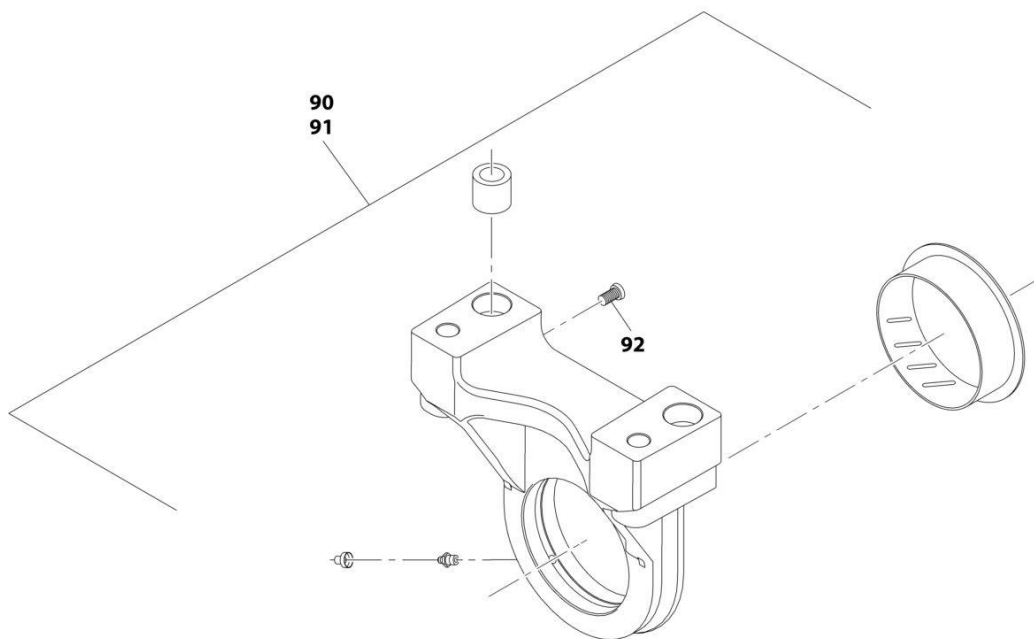
## SECTION 5 - DRIVE TRAIN

**FIGURE 5-28. STEERING CASE KIT (RF, LR)**

ITEM	PART NUMBER	QTY	DESCRIPTION	REV
1	70026261 91514111	Ref 1	Steering Case Kit (RF, LR) Bushing, Thrust	

# SECTION 5 - DRIVE TRAIN

## FIGURE 5-29. REAR AXLE, TRUNION



ART\_1001184985\_6-F

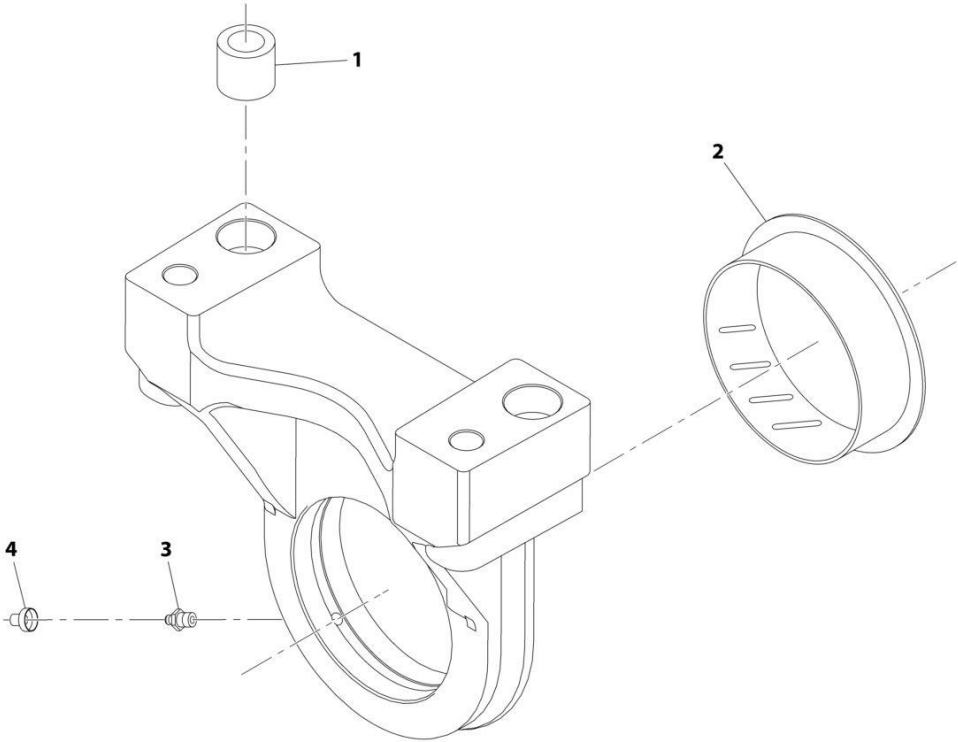
## SECTION 5 - DRIVE TRAIN

### FIGURE 5-29. REAR AXLE, TRUNION

ITEM	PART NUMBER	QTY	DESCRIPTION	REV
	1001184985	Ref	Rear Axle, Trunion	F
90	70026266	1	Kit, Trunion (See Separate Breakdown in this Section)	
91	70026265	1	Support	
92	70025884	1	Bolt	

**SECTION 5 - DRIVE TRAIN**

**FIGURE 5-30. TRUNION KIT**



ART\_70026266

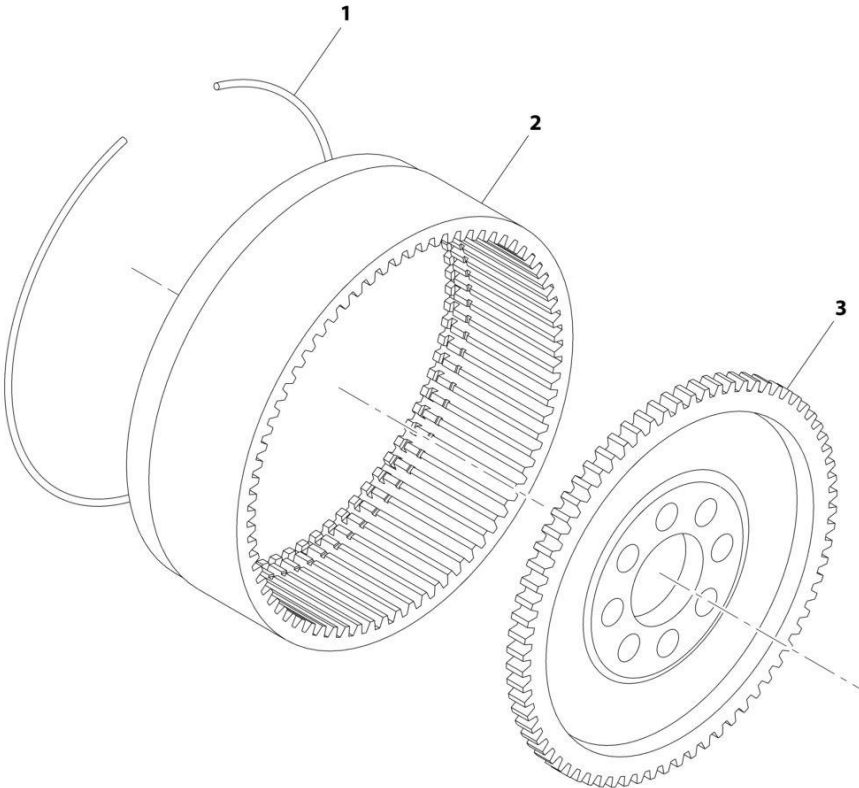
## SECTION 5 - DRIVE TRAIN

### FIGURE 5-30. TRUNION KIT

ITEM	PART NUMBER	QTY	DESCRIPTION	REV
	70026266	Ref	Trunion Kit	
1	7029290	2	Bushing, Reduction	
2	91514090	1	Bushing, Thrust	
3	70024881	1	Fitting, Grease	
4	80204117	1	Plug	

**SECTION 5 - DRIVE TRAIN**

**FIGURE 5-31. RING GEAR SUPPORT KIT**



ART\_70024146

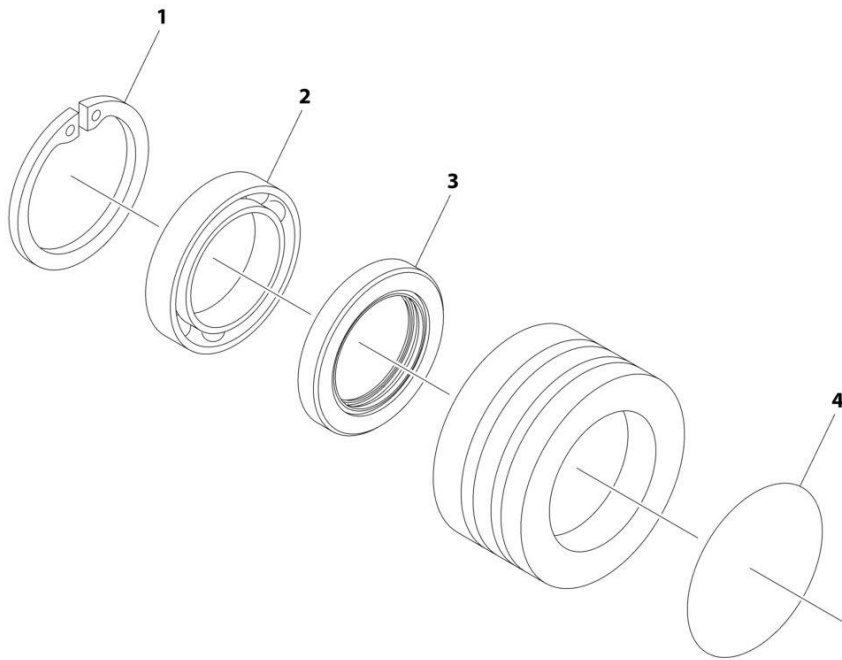
## SECTION 5 - DRIVE TRAIN

### FIGURE 5-31. RING GEAR SUPPORT KIT

ITEM	PART NUMBER	QTY	DESCRIPTION	REV
	70024146	Ref	Ring Gear Support Kit	
1	91514175	1	Circlip	
2	70024147	1	Gear, Ring	
3	91514177	1	Gear, Ring Support	

# SECTION 5 - DRIVE TRAIN

## FIGURE 5-32. REDUCTION BUSHING KIT



ART\_91514149



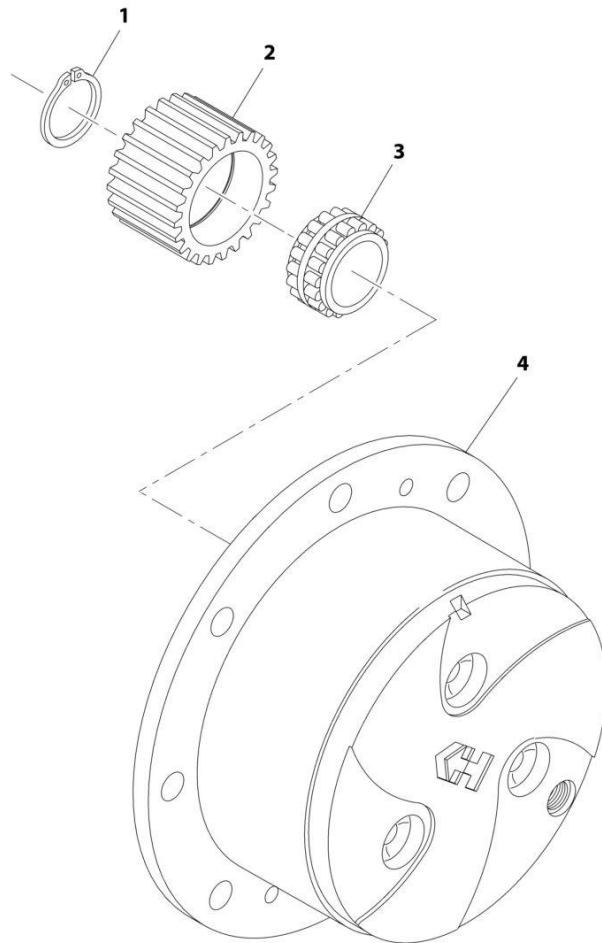
## SECTION 5 - DRIVE TRAIN

### FIGURE 5-32. REDUCTION BUSHING KIT

ITEM	PART NUMBER	QTY	DESCRIPTION	REV
	91514149	Ref	Reduction Bushing Kit	
1	80204005	2	Circlip	
2	91514146	2	Bearing, Ball	
3	91514147	2	Seal	
4	91514148	2	O-Ring	

# SECTION 5 - DRIVE TRAIN

## FIGURE 5-33. PLANET GEAR CARRIER KIT



ART\_7029733

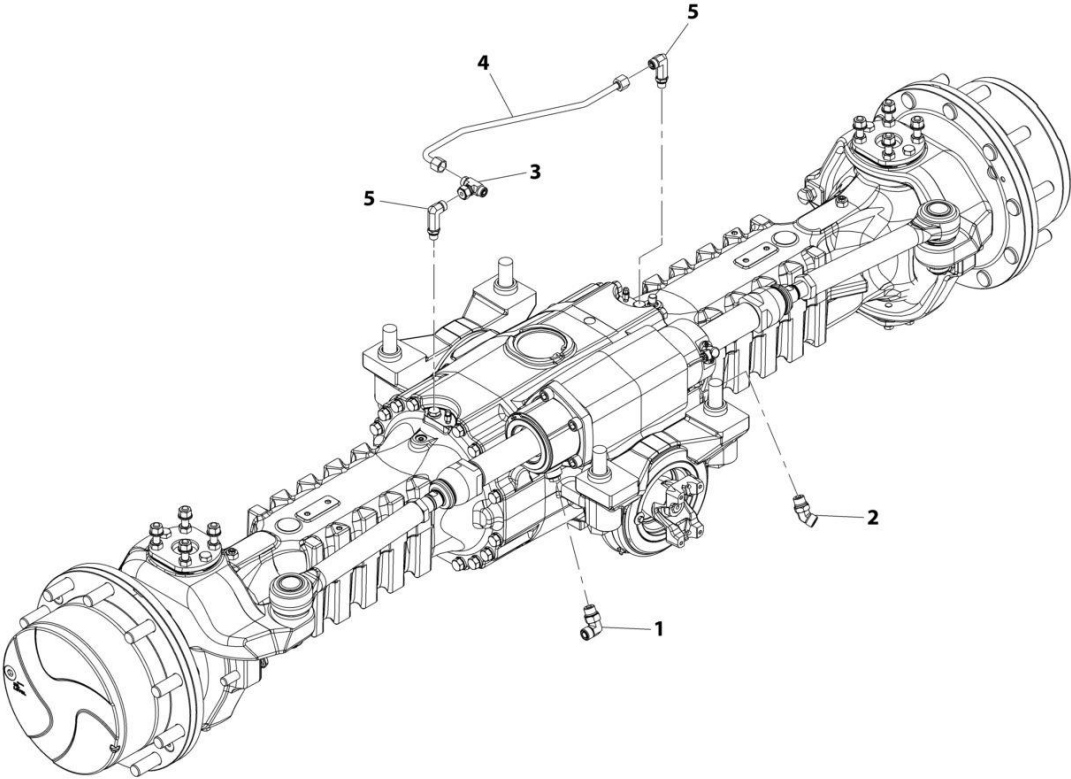
## SECTION 5 - DRIVE TRAIN

### FIGURE 5-33. PLANET GEAR CARRIER KIT

ITEM	PART NUMBER	QTY	DESCRIPTION	REV
	7029733	Ref	Planet Gear Carrier Kit	
1	91514184	3	Circlip	
2	91514185	6	Gear, Planet	
3	91514186	6	Bearing	
4	7026731	1	Carrier, Planet Gear	

**SECTION 5 - DRIVE TRAIN**

**FIGURE 5-34. REAR AXLE LINES INSTALLATION**



ART\_1001207899-C

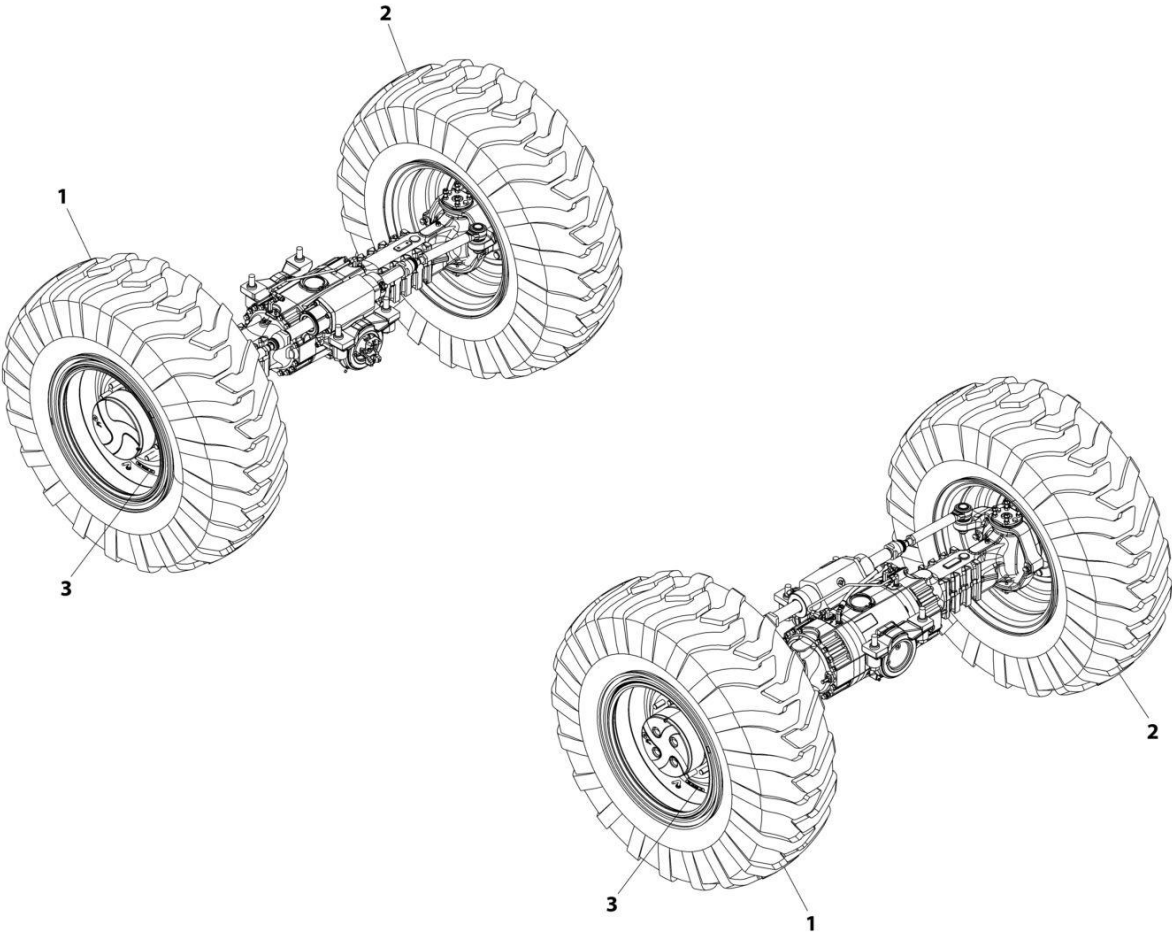
## SECTION 5 - DRIVE TRAIN

### FIGURE 5-34. REAR AXLE LINES INSTALLATION

ITEM	PART NUMBER	QTY	DESCRIPTION	REV
	1001207899	Ref	Rear Axle Lines Installation	C
1	2130808	1	Fitting, 90 ORFS	
2	2150808	1	Fitting, 45 ORFS	
3	2170806	1	Fitting, Tee ORFS	
4	1001224938	1	Tube	
5	1001210769	2	Fitting, 90 ORFS	

**SECTION 5 - DRIVE TRAIN**

**FIGURE 5-35. TIRE/WHEEL SET (AIR 17.5-25 - 20 PLY)**



ART\_1001192168-C

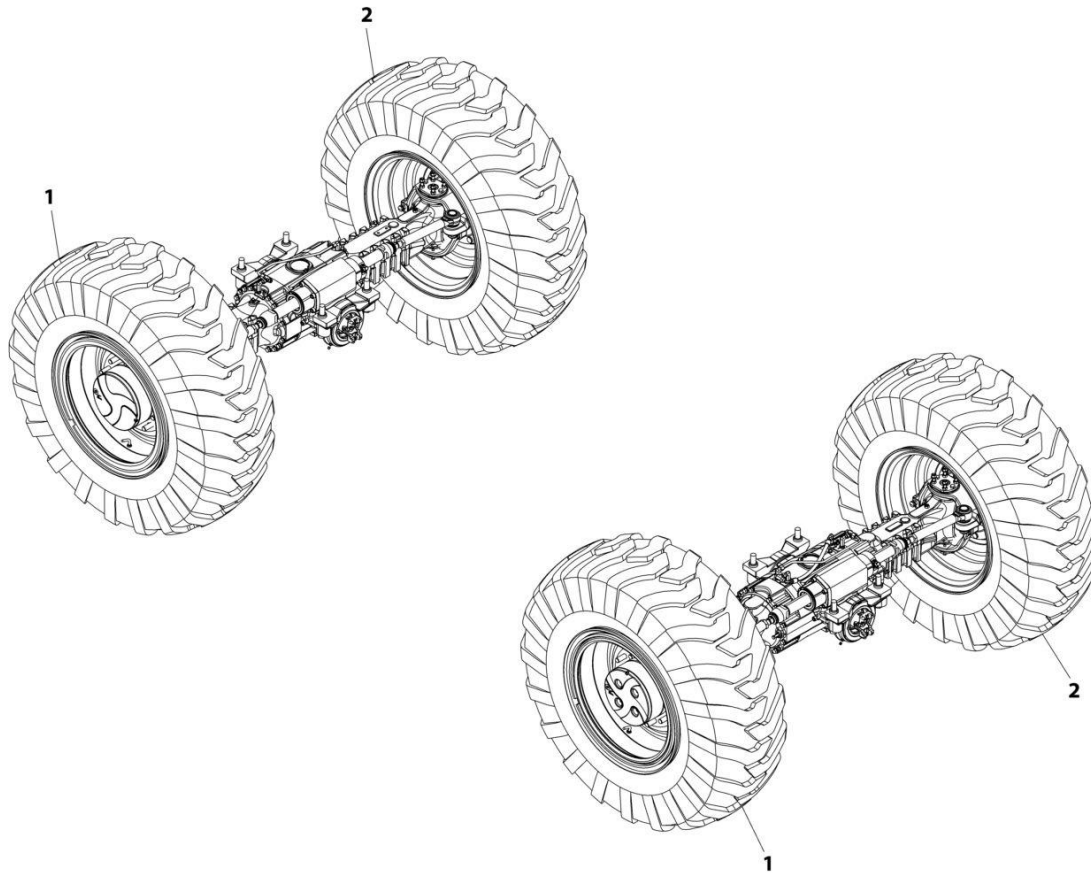
## SECTION 5 - DRIVE TRAIN

**FIGURE 5-35. TIRE/WHEEL SET (AIR 17.5-25 - 20 PLY)**

ITEM	PART NUMBER	QTY	DESCRIPTION	REV
	1001192168	1	Tire/Wheel Set (Air 17.5-25 - 20 PLY)	C
1	1001192177	2	Assembly, Right Tire/Wheel (Air 17.5-25 - 20 PLY)	
1	8786549	1	Valve, Stem	
1	1001187423	1	Tire, 17.5-25 20 PLY	
1	1001189288J	1	Wheel, 25X14.0 DTU 10 Hole	
2	1001192178	2	Assembly, Left Tire/Wheel (Air 17.5-25 - 20 PLY)	
2	8786549	1	Valve, Stem	
2	1001187423	1	Tire, 17.5-25 20 PLY	
2	1001189288J	1	Wheel, 25X14.0 DTU 10 Hole	
3	1001229201	4	Decal	

## SECTION 5 - DRIVE TRAIN

FIGURE 5-36. TIRE/WHEEL SET (FOAM 17.5-25 - 20 PLY)



ART\_1001192170-A



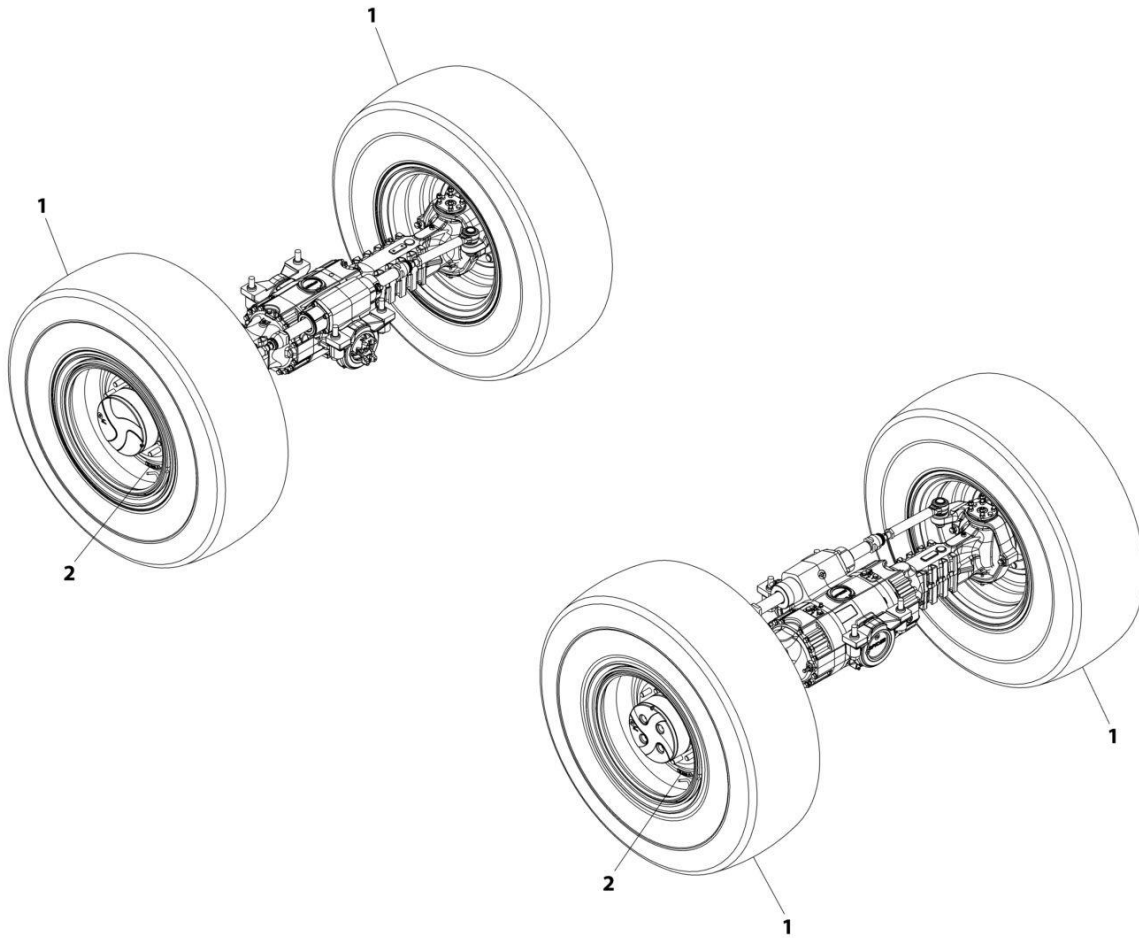
## SECTION 5 - DRIVE TRAIN

**FIGURE 5-36. TIRE/WHEEL SET (FOAM 17.5-25 - 20 PLY)**

ITEM	PART NUMBER	QTY	DESCRIPTION	REV
	1001192170	1	Tire/Wheel Set (Foam 17.5-25 - 20 PLY)	A
		Ref	<b>Note: Requires ballast/foam filling to manufacturer's specifications prior to installing on a machine. Refer to Service and Maintenance Manuals. Purchase individual tire and/or rim only if able to foam fill tire and wheel assembly, otherwise, purchase complete.</b>	
1	1001192180	2	Assembly, Right Tire/Wheel (Foam 17.5-25 - 20 PLY)	
1	8786549	1	Valve, Stem	
1	1001187423	1	Tire, 17.5-25 20 PLY	
1	1001189288J	1	Wheel, 25X14.0 DTU 10 Hole	
2	1001192181	2	Assembly, Left Tire/Wheel (Foam 17.5-25 - 20 PLY)	
2	8786549	1	Valve, Stem	
2	1001187423	1	Tire, 17.5-25 20 PLY	
2	1001189288J	1	Wheel, 25X14.0 DTU 10 Hole	

# SECTION 5 - DRIVE TRAIN

FIGURE 5-37. TIRE/WHEEL SET (AIR 17.5-25 - 22 PLY)



ART\_1001221695-B

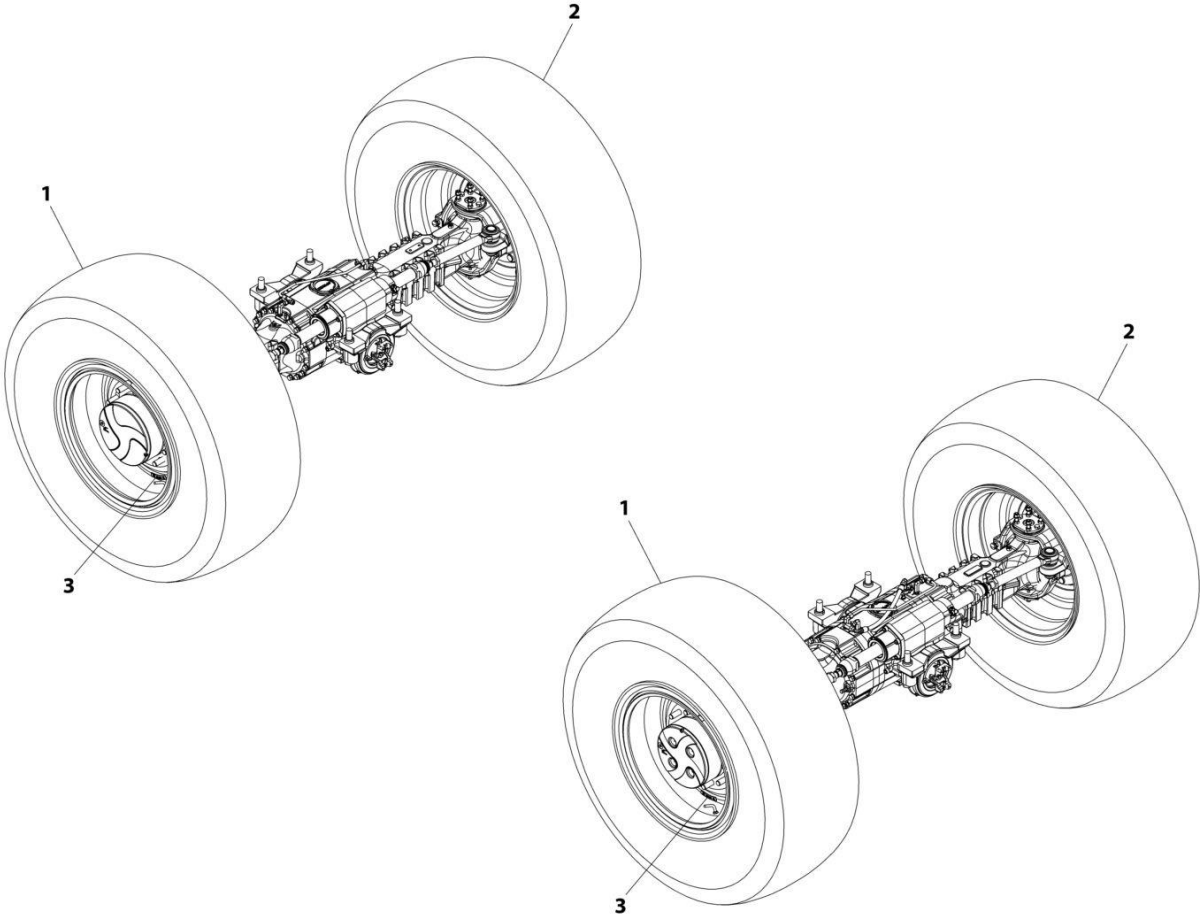
## SECTION 5 - DRIVE TRAIN

### FIGURE 5-37. TIRE/WHEEL SET (AIR 17.5-25 - 22 PLY)

ITEM	PART NUMBER	QTY	DESCRIPTION	REV
	1001221695	Ref	Tire/Wheel Set (Air 17.5-25 - 22 PLY)	B
1	1001221554	4	Assembly, Tire/Wheel (Air 17.5-25 - 22 PLY)	
1	8786549	1	Valve, Stem	
1	1001221553	1	Tire, 17.5-25 EM60 22 PLY	
1	1001189288J	1	Wheel, 25X14.0 DTU 10 Hole	
2	1001229201	4	Decal	

**SECTION 5 - DRIVE TRAIN**

**FIGURE 5-38. TIRE/WHEEL SET (AIR 17.5 R25 - RADIAL)**



ART\_1001221270-A

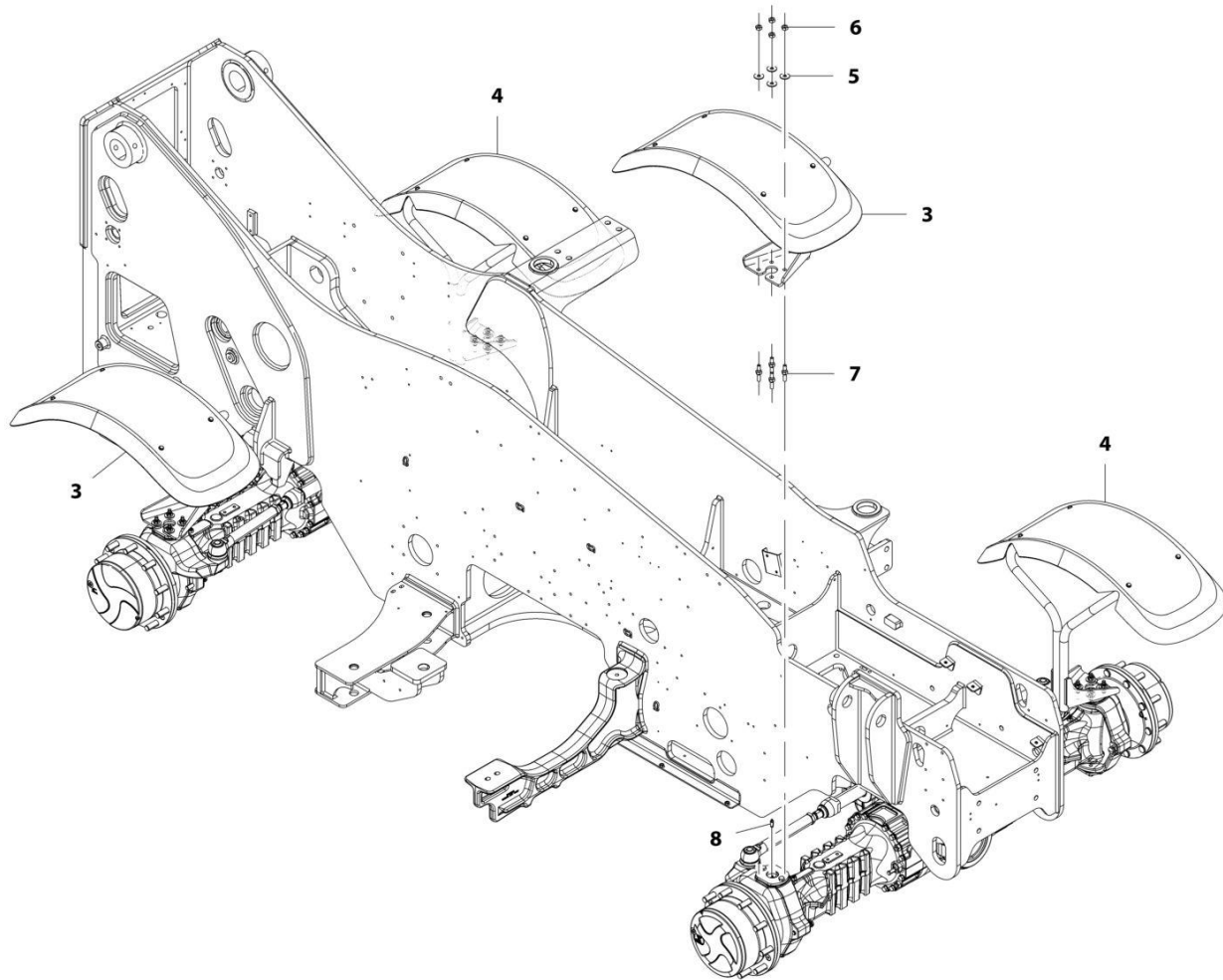
## SECTION 5 - DRIVE TRAIN

**FIGURE 5-38. TIRE/WHEEL SET (AIR 17.5 R25 - RADIAL)**

ITEM	PART NUMBER	QTY	DESCRIPTION	REV
	1001221270	1	Tire/Wheel Set (Air 17.5 R25 - Radial)	A
1	1001221157	2	Assembly, Right Tire/Wheel (Air 17.5 R25 - Radial)	
1	8786549	1	Valve, Stem	
1	1001221087	1	Tire, 17.5 R25 Radial	
1	1001189288J	1	Wheel, 25X14.0 DTU 10 Hole	
2	1001221321	2	Assembly, Left Tire/Wheel (Air 17.5 R25 - Radial)	
2	8786549	1	Valve, Stem	
2	1001221087	1	Tire, 17.5 R25 Radial	
2	1001189288J	1	Wheel, 25X14.0 DTU 10 Hole	
3	1001221734	4	Decal	

# SECTION 5 - DRIVE TRAIN

## FIGURE 5-39. FENDER INSTALLATION



ART\_1001174129-E

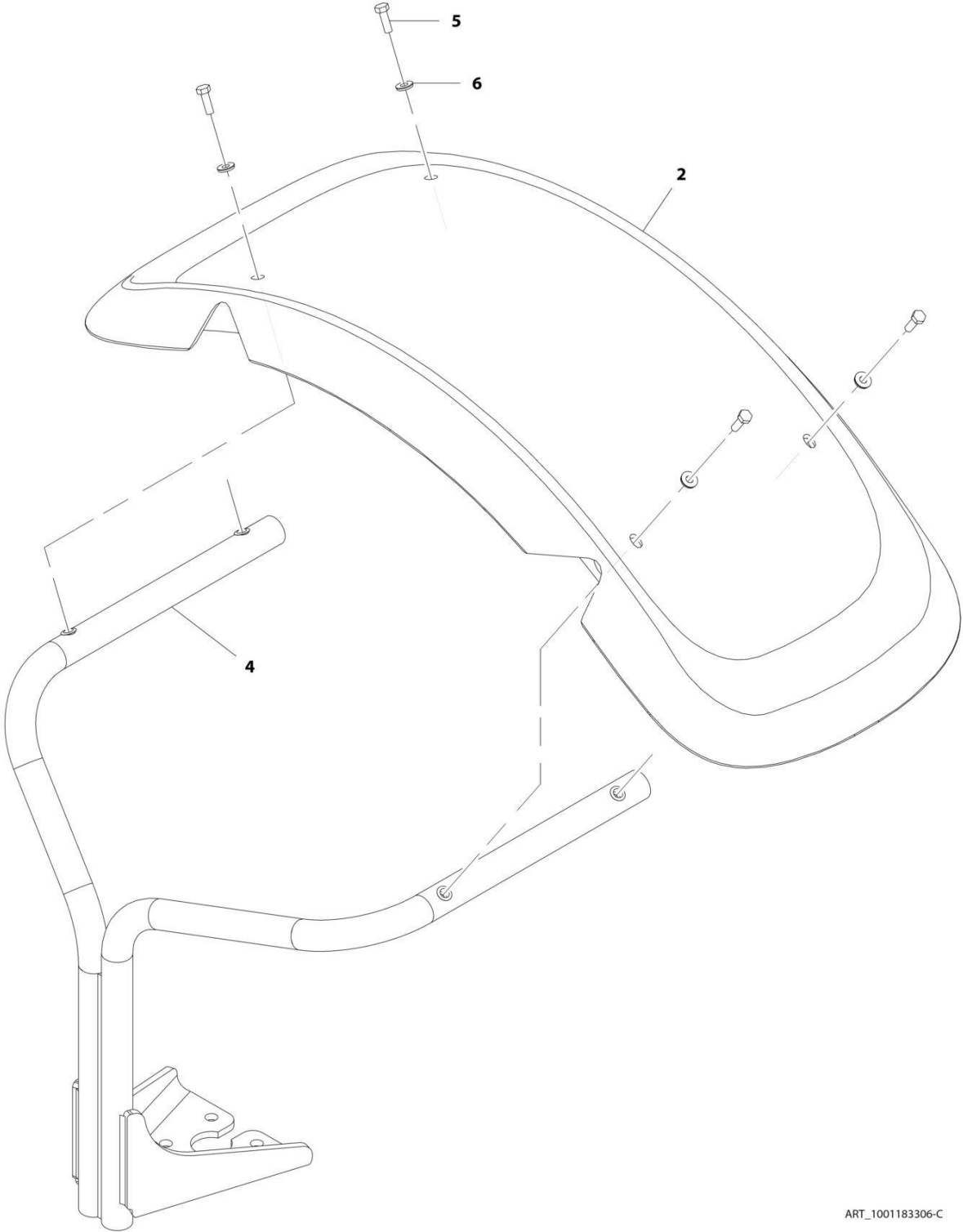
## SECTION 5 - DRIVE TRAIN

### FIGURE 5-39. FENDER INSTALLATION

ITEM	PART NUMBER	QTY	DESCRIPTION	REV
	1001174129	Ref	Fender Installation	E
3	1001183306	2	Assembly, RH Fender (See Separate Breakdown in this Section)	
4	1001183307	2	Assembly, LH Fender (See Separate Breakdown in this Section)	
5	4812102	16	Washer, M12	
6	91513266	16	Nut, M12X1.25	
7	91514118	16	Stud, Fender	
8	1001225317	4	Fitting, Grease	

**SECTION 5 - DRIVE TRAIN**

**FIGURE 5-40. RH FENDER ASSEMBLY**



ART\_1001183306-C



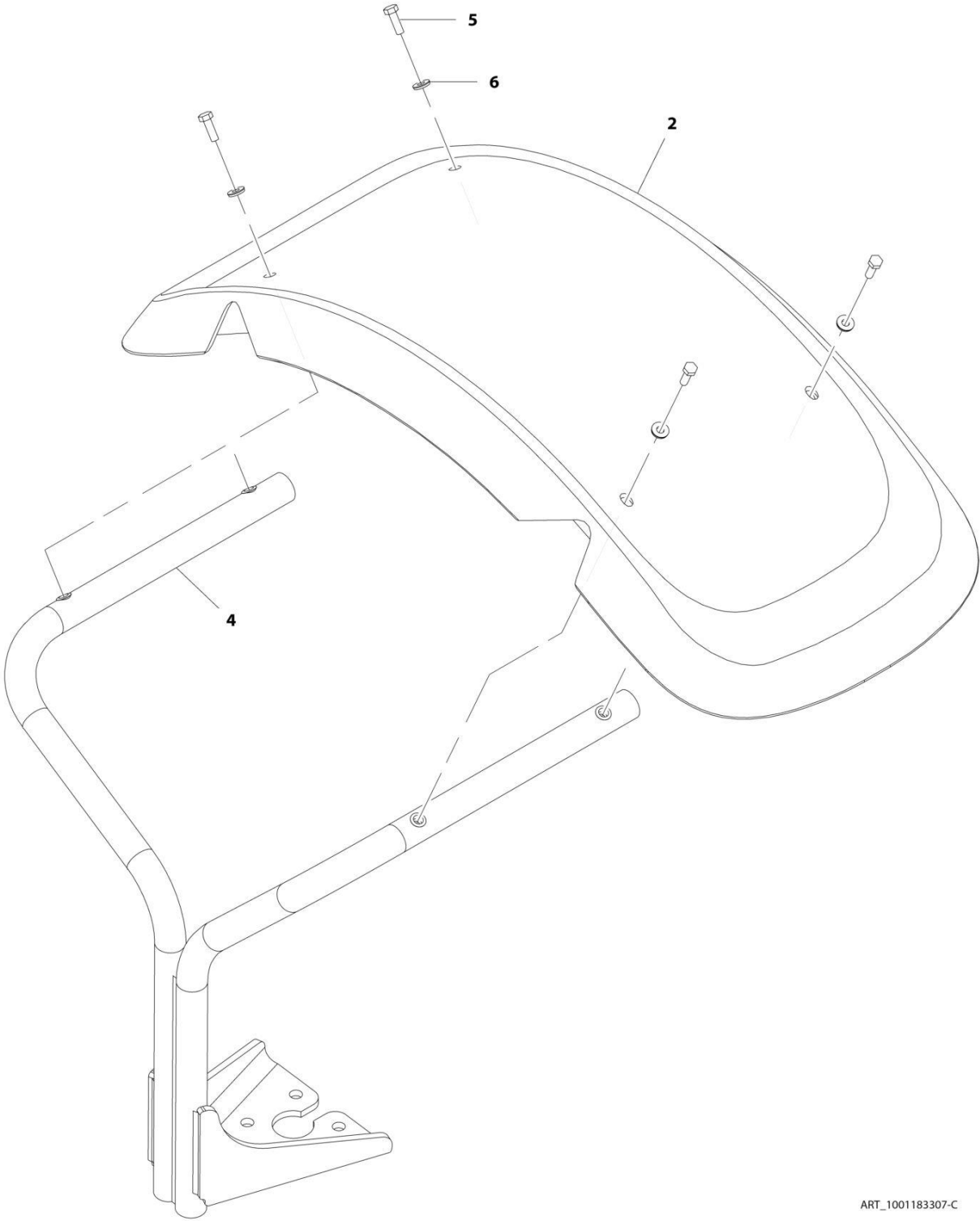
## SECTION 5 - DRIVE TRAIN

### FIGURE 5-40. RH FENDER ASSEMBLY

ITEM	PART NUMBER	QTY	DESCRIPTION	REV
	1001183306	Ref	RH Fender Assembly	C
2	1001168264	1	Fender	
4	1001183308	1	Bracket	
5	0760812	4	Bolt, M8X25	
6	1001202786	4	Washer	

**SECTION 5 - DRIVE TRAIN**

**FIGURE 5-41. LH FENDER ASSEMBLY**



ART\_1001183307-C

## SECTION 5 - DRIVE TRAIN

### FIGURE 5-41. LH FENDER ASSEMBLY

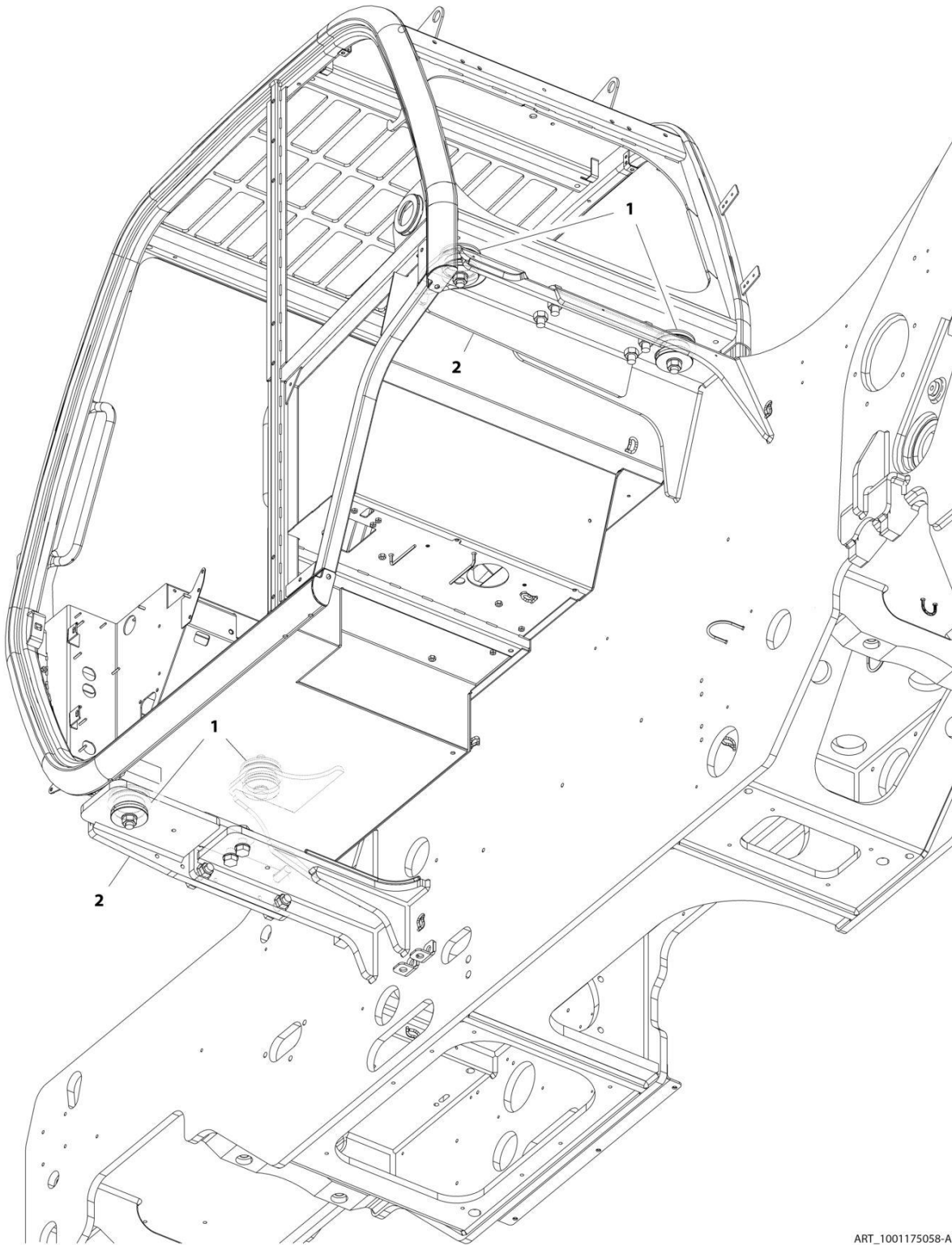
ITEM	PART NUMBER	QTY	DESCRIPTION	REV
	1001183307	Ref	LH Fender Assembly	C
2	1001168264	1	Fender	
4	1001183309	1	Bracket	
5	0760812	4	Bolt, M8X25	
6	1001202786	4	Washer	



**SECTION 6 - CAB**

# SECTION 6 - CAB

## FIGURE 6-1. CAB MOUNTING INSTALLATION



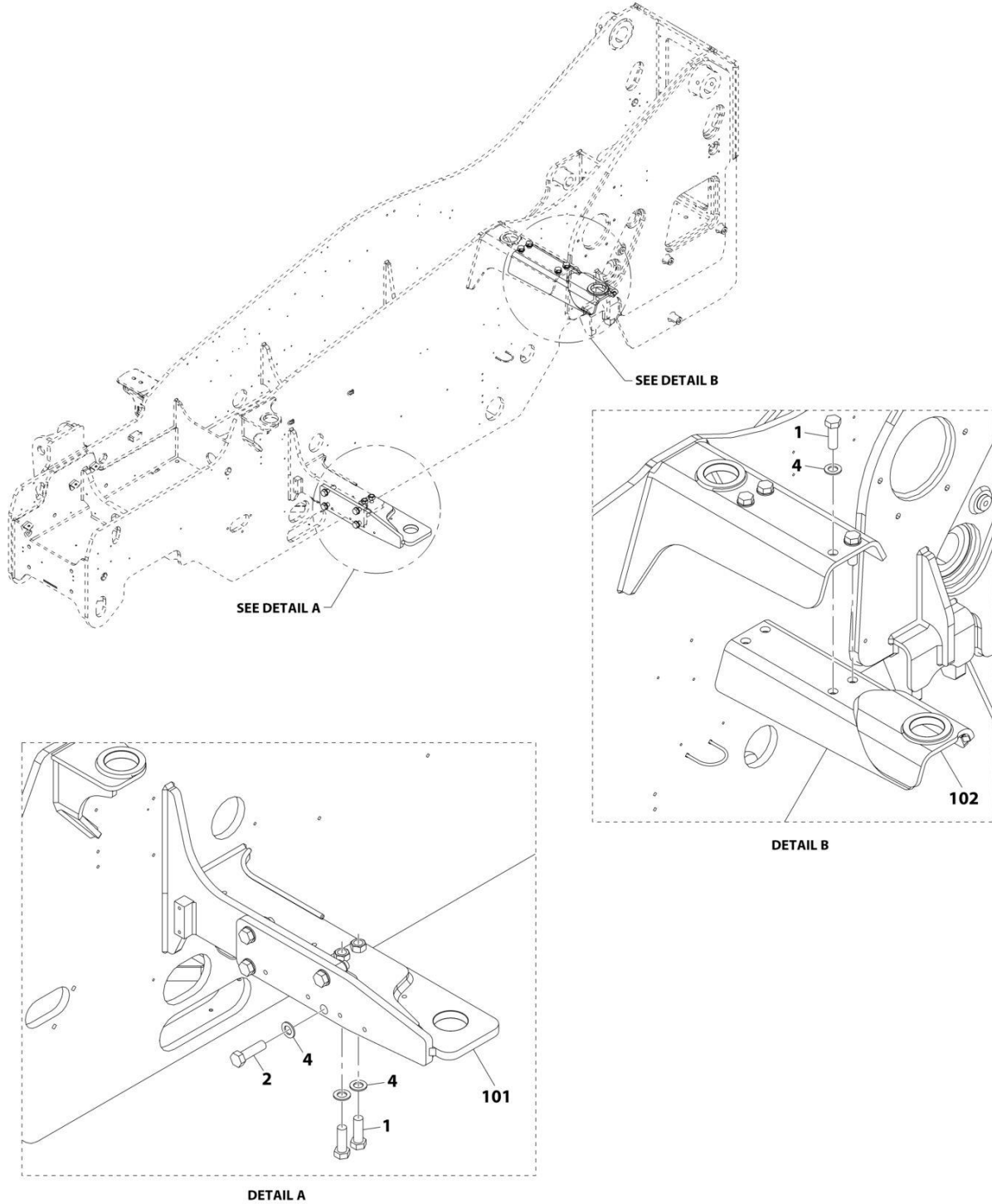
ART\_1001175058-A

**FIGURE 6-1. CAB MOUNTING INSTALLATION**

<b>ITEM</b>	<b>PART NUMBER</b>	<b>QTY</b>	<b>DESCRIPTION</b>	<b>REV</b>
1	1001175058	Ref	Cab Mounting Installation	A
	1001155446	Ref	Installation, Cab Mount (See Separate Breakdown in this Section)	
	1001191255	Ref	Installation, Front Cab Mount Bracket (See Separate Breakdown in this Section)	

# SECTION 6 - CAB

## FIGURE 6-2. FRONT CAB MOUNT BRACKET INSTALLATION



ART\_1001191255-E

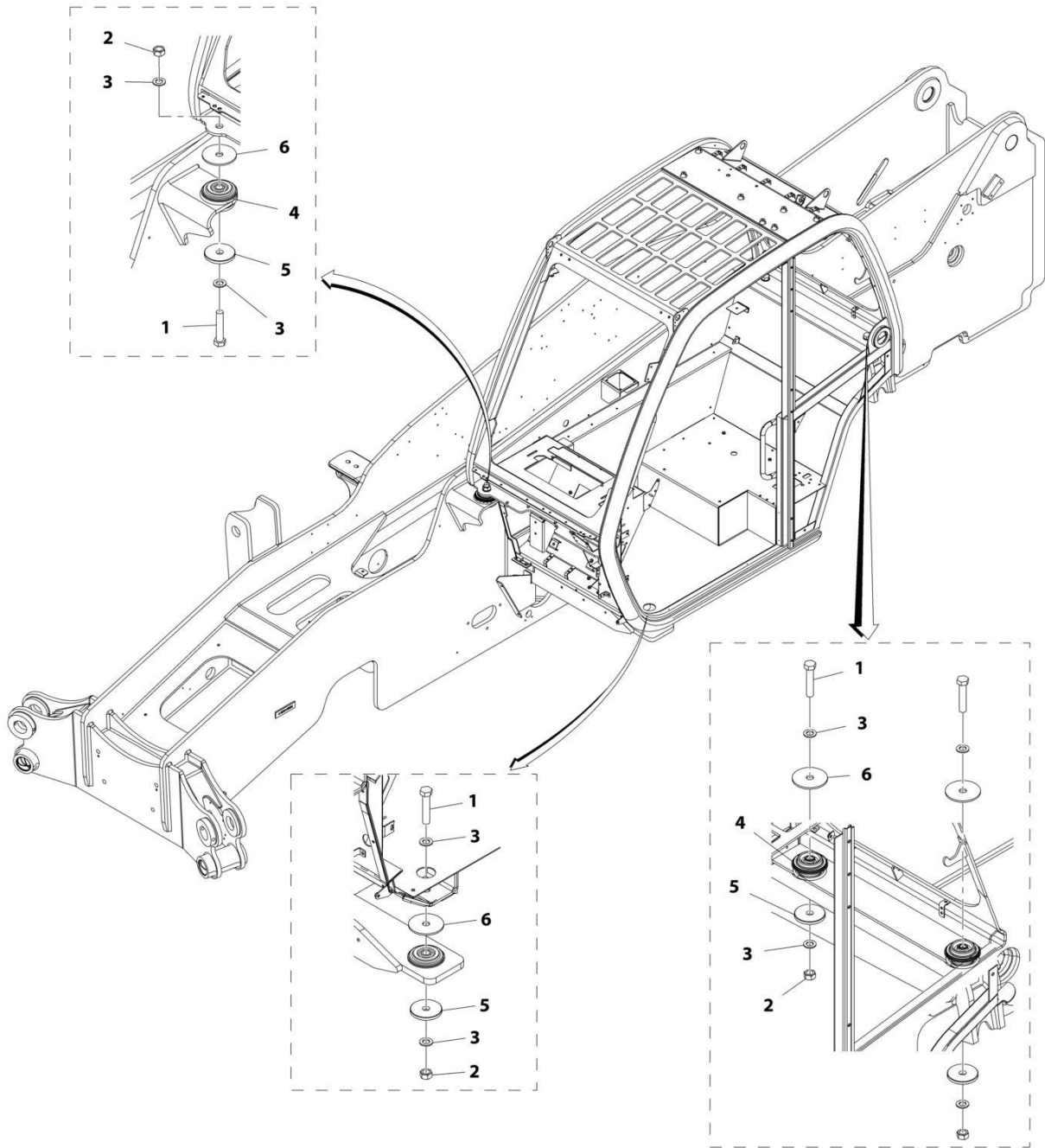


**FIGURE 6-2. FRONT CAB MOUNT BRACKET INSTALLATION**

ITEM	PART NUMBER	QTY	DESCRIPTION	REV
	1001191255	Ref	Front Cab Mount Bracket Installation	E
1	0712020	6	Bolt, M20X60	
2	0712022	4	Bolt, M20X70	
4	4812500	10	Washer, M20	
101	1001191256	1	Bracket	
102	1001191257	1	Bracket	

# SECTION 6 - CAB

## FIGURE 6-3. CAB MOUNTS INSTALLATION



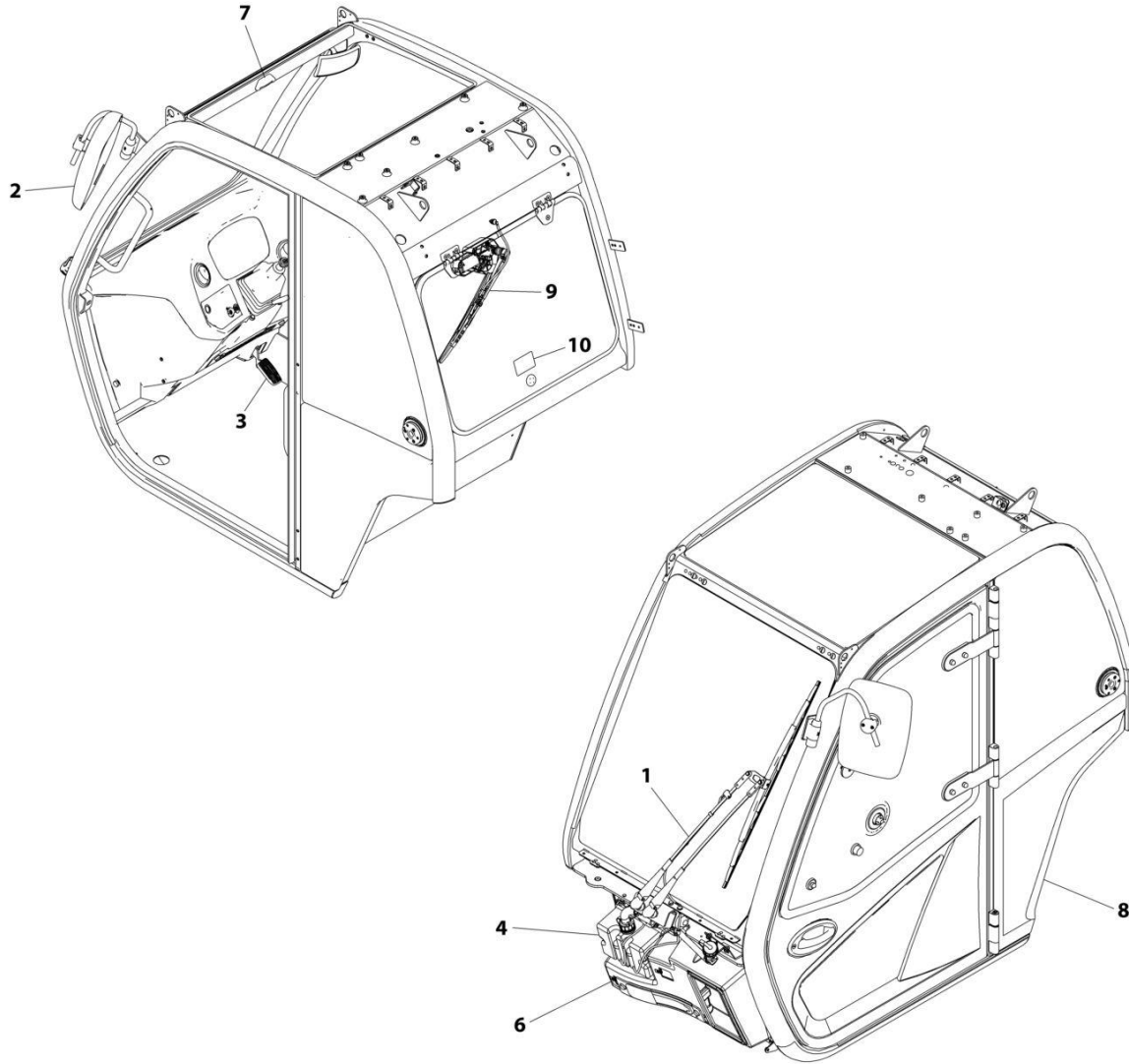
ART\_1001155446-E

FIGURE 6-3. CAB MOUNTS INSTALLATION

ITEM	PART NUMBER	QTY	DESCRIPTION	REV
	1001155446	Ref	Cab Mounts Installation	E
1	0712027	4	Bolt, M20X100	
2	3332011	4	Nut, M20X2.5	
3	4812500	8	Washer, M20	
4	1001166754	4	Mount, Cab Isolation	
5	1001166755	4	Washer, Cab Rebound	
6	1001220540	4	Washer, Cab Mount	

# SECTION 6 - CAB

## FIGURE 6-4. CAB COMPONENTS INSTALLATION



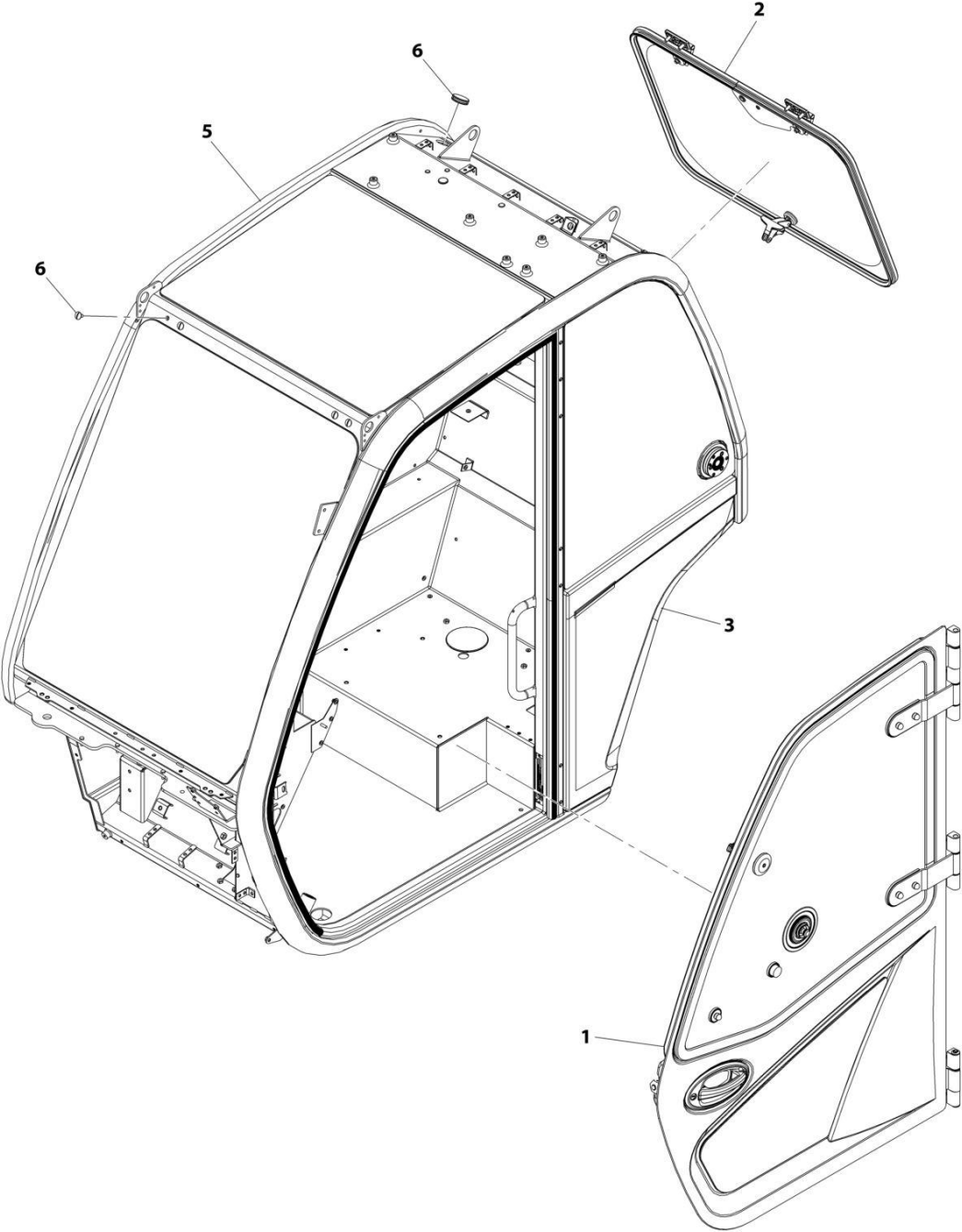
ART\_1001194698\_H

FIGURE 6-4. CAB COMPONENTS INSTALLATION

ITEM	PART NUMBER	QTY	DESCRIPTION	REV
	1001194698	Ref	CAB COMPONENTS INSTALLATION	H
1	1001155447	Ref	Installation, Front Wiper (See Separate Breakdown in this Section)	
2	1001160508	Ref	Installation, Basic Mirror (See Separate Breakdown in this Section)	
3	1001161499	Ref	Installation, Accelerator Pedal (See Separate Breakdown in CONTROLS Section)	
4	1001162789	Ref	Installation, Washer Tank (See Separate Breakdown in this Section)	
6	1001170366	Ref	Installation, Front Cover (See Separate Breakdown in this Section)	
7	1001172401	Ref	Installation, Level Indicator (See Separate Breakdown in this Section)	
8	1001194699	Ref	Installation, Cab (See Separate Breakdown in this Section)	
9	1001220329	Ref	Installation, Rear Wiper (See Separate Breakdown in this Section)	
10	1001204598	Ref	Installation, Rear Window Exit Decal (See Separate Breakdown in this Section)	

**SECTION 6 - CAB**

**FIGURE 6-5. CAB INSTALLATION**



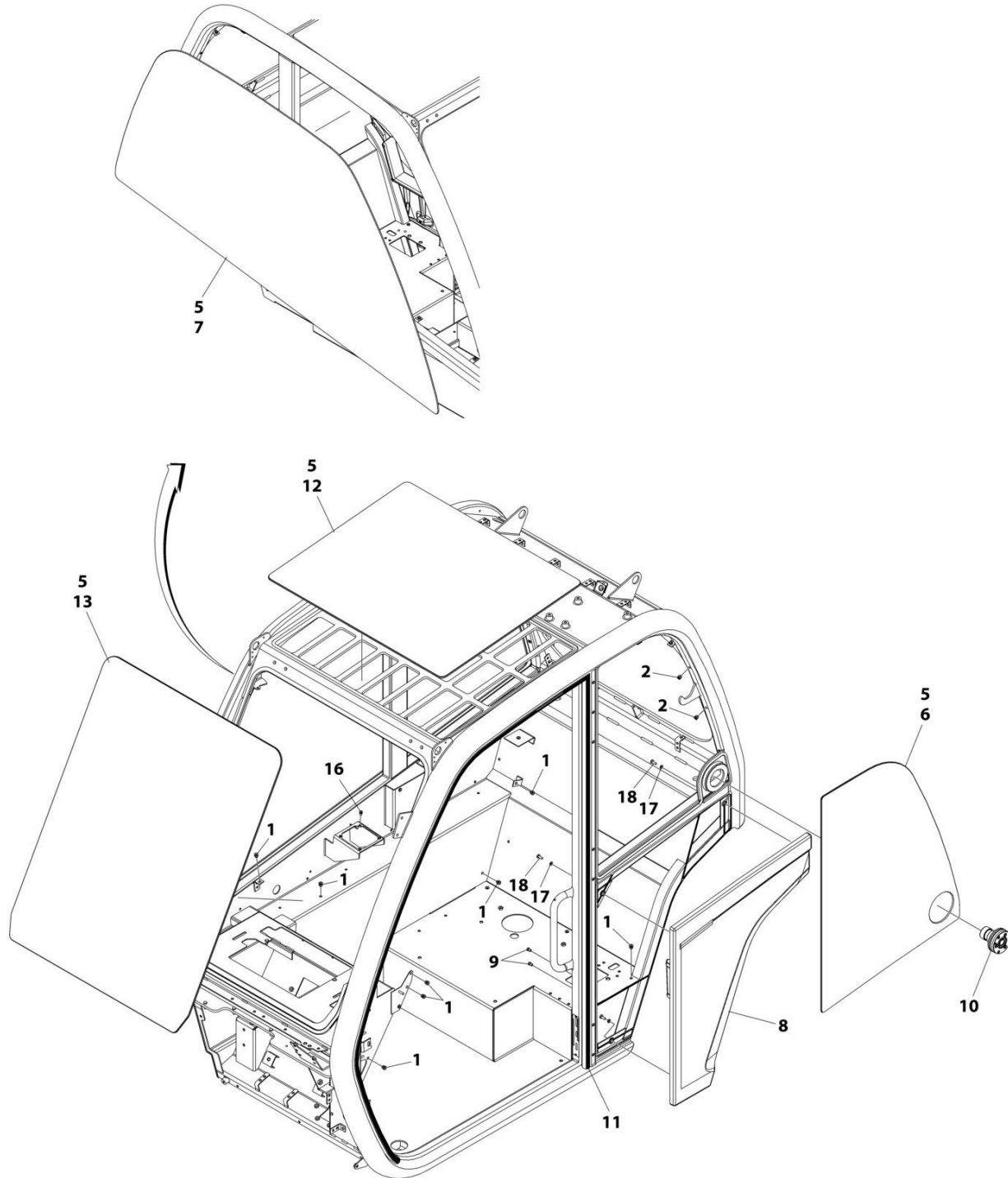
ART\_1001194699

FIGURE 6-5. CAB INSTALLATION

ITEM	PART NUMBER	QTY	DESCRIPTION	REV
	1001194699	Ref	Cab Installation	L
1	1001155228	1	Installation, Cab Door (See Separate Breakdown in this Section)	
2	1001220339	1	Installation, Rear Window (See Separate Breakdown in this Section)	
3	1001194700	1	Assembly, Cab Group (See Separate Breakdown in this Section)	
5	N.S.S.	1	Weldment, Cab	
6	1001195814	1	Group, Cab Plug (See Separate Breakdown in this Section)	

# SECTION 6 - CAB

## FIGURE 6-6. CAB ASSEMBLY



ART\_1001194700\_G

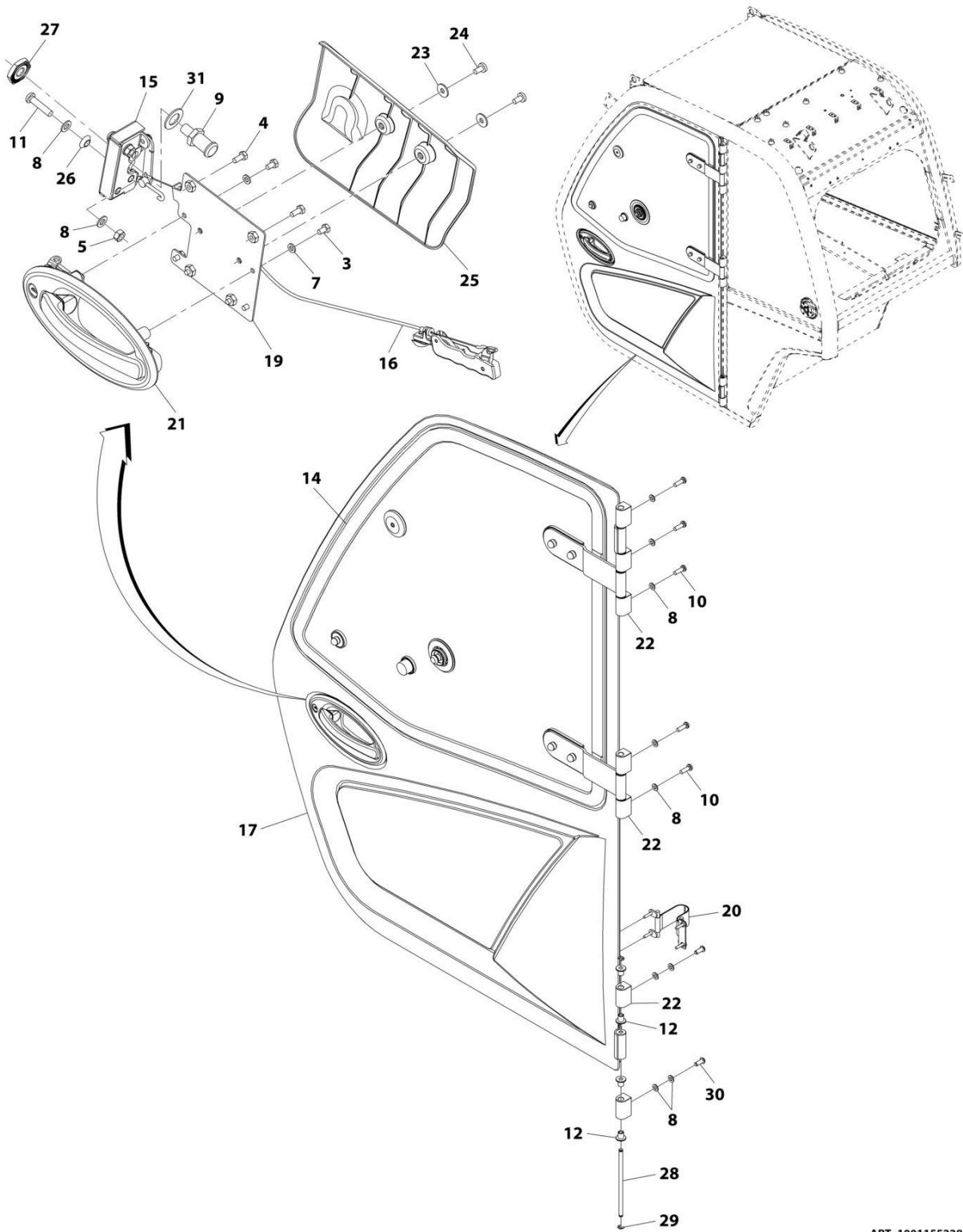


FIGURE 6-6. CAB ASSEMBLY

ITEM	PART NUMBER	QTY	DESCRIPTION	REV
	1001194700	Ref	Cab Assembly	G
1	2080086	25	Rivnut M6 x 1	
2	2080087	16	Rivnut M8 x 1.25	
5	1001111317	AR	Compound, Locking	
6	1001152915	1	Glass, LH Screen	
7	1001152947	1	Glass, RH Screen	
8	1001256073	1	Panel, Cab Quarter	
9	1001172193	2	Rivnut M5 x 0.8	
10	1001174320	1	Latch, Top Window	
11	1001227186	1	Seal, Cab Door	
12	1001178159	1	Glass, Roof Laminated	
13	1001178160	1	Glass, Front Laminated	
16	1001195878	4	Rivnut M5 x 0.8	
17	4811700	3	Washer M6	
18	4010608002	3	Screw M6 x 16	

# SECTION 6 - CAB

## FIGURE 6-7. DOOR INSTALLATION



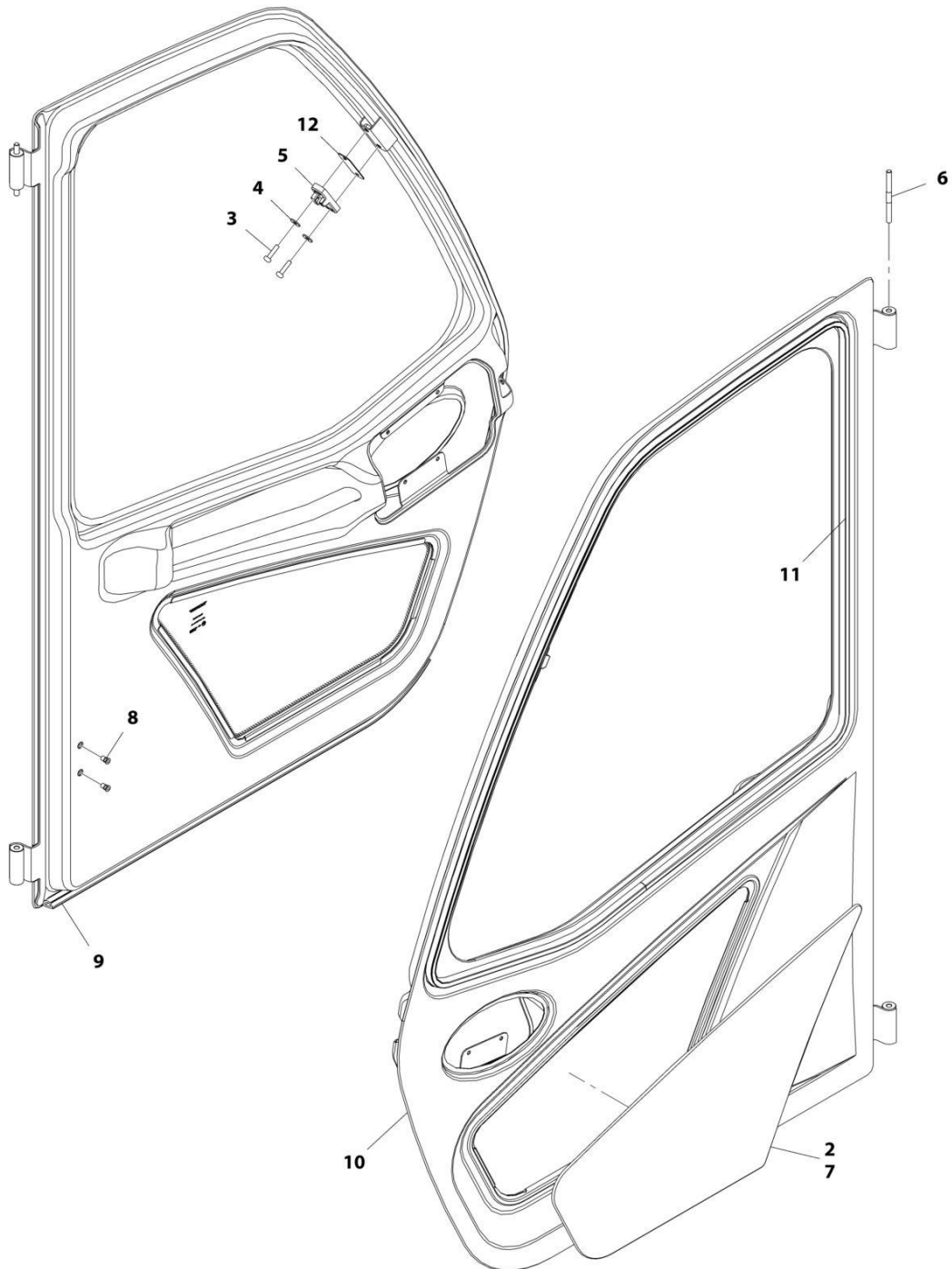
ART\_1001155228

FIGURE 6-7. DOOR INSTALLATION

ITEM	PART NUMBER	QTY	DESCRIPTION	REV
	1001155228	Ref	Door Installation	Q
3	0760605	4	Bolt, M6X10	
4	0760607	4	Bolt, M6X14	
5	3290801	2	Nut, M8X1.25 Grade 8	
7	4811700	4	Washer, M6	
8	4811900	13	Washer, M8	
9	8000803	1	Pin, Door Striker	
10	1001008988	5	Screw M8X25	
11	1001047062	2	Screw, M8X35	
12	1001107192	10	Sleeve, Hinge	
14	1001205532	1	Assembly, Door Upper Glass (See Separate Breakdown in this Section)	
15	1001192766	1	Assembly, Cab Latch (See Separate Breakdown in this Section)	
16	1001167958	1	Assembly, Cab Door Trigger (See Separate Breakdown in this Section)	
17	1001170114	1	Assembly, Door (See Separate Breakdown in this Section)	
19	1001173298	1	Bracket	
20	1001174295	1	Installation, Door Strap (See Separate Breakdown in this Section)	
21	1001192646	1	Handle, Exterior Door	
22	1001229543	7	Block, Hinge (Rounded Top/Bottom Edge)	
22	1001170601J	7	Block, Hinge (Square Top/Bottom Edge)	
23	4811702001	2	Washer, M6	
24	4010608002	2	Screw, Posi-Drive, M6X16	
25	1001175477	1	Cover, Cab Door Interior	
26	1001184439	2	Bushing	
27	1001192309	1	Nut, M12X1	
28	1001213791	1	Pin	
29	0498748	2	Washer, Lock M7	
30	1001164726	2	Bolt, M8X20	
31	1001227802	1	Washer	

# SECTION 6 - CAB

## FIGURE 6-8. DOOR ASSEMBLY



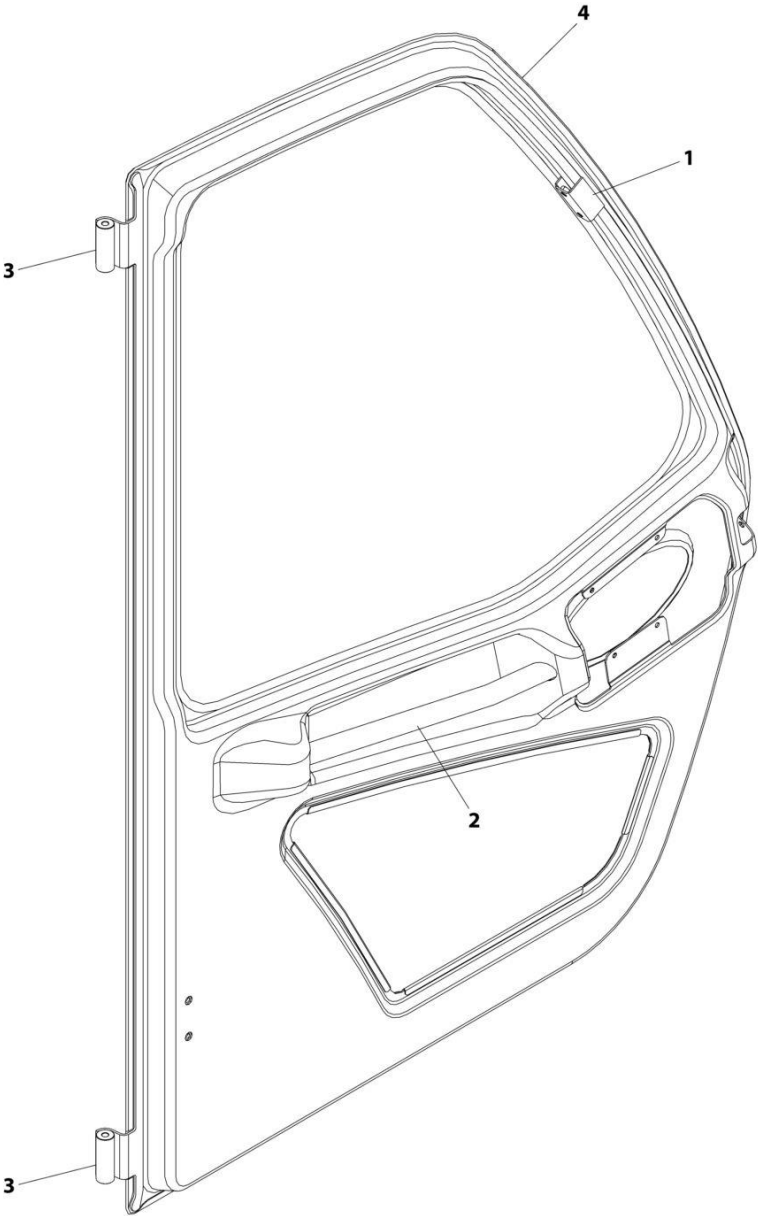
ART\_1001170114

FIGURE 6-8. DOOR ASSEMBLY

ITEM	PART NUMBER	QTY	DESCRIPTION	REV
	1001170114	Ref	Door Assembly	K
2	1001111317	AR	Compound, Locking	
3	4010612002	2	Screw, M6X25	
4	4811702001	2	Washer, M6	
5	1001165276	1	Plate, Window Latch Striker	
6	1001166634	1	Pin, Hinge	
7	1001169880	1	Window, Lower Glass	
8	1001172193	2	Rivnut, M5X0.8	
9	1001227188	1	Seal, Cab Door	
10	1001170113J	1	Door, Cab (See Separate Breakdown in this Section)	
11	1001227187	1	Seal, Cab Door Window	
12	1001193210	AR	Shim, Window Latch	

**SECTION 6 - CAB**

**FIGURE 6-9. CAB DOOR**



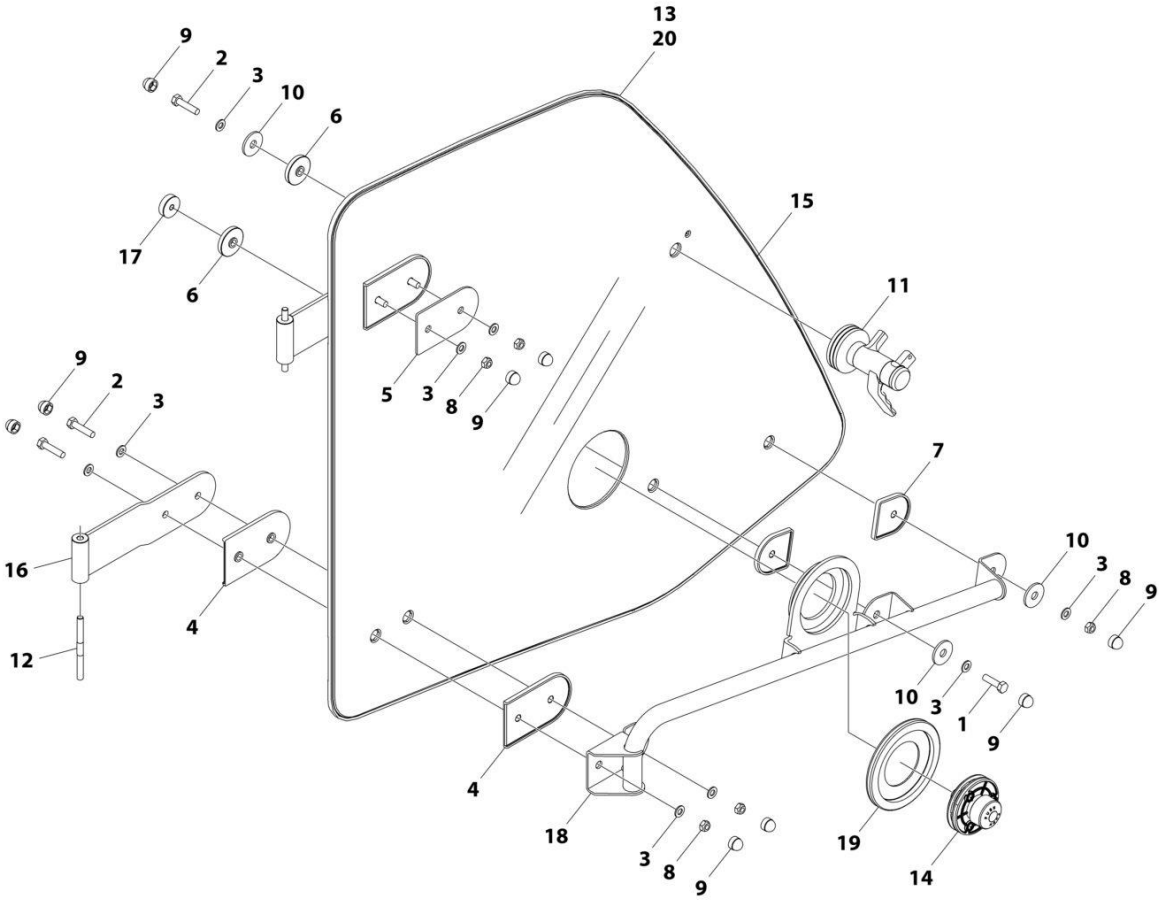
ART\_1001170113J-E

FIGURE 6-9. CAB DOOR

ITEM	PART NUMBER	QTY	DESCRIPTION	REV
	1001170113J	Ref	Cab Door	E
1	1001169883	1	Bracket, Window Latch	
2	1001169885	1	Handle, Interior Door	
3	1001171037	1	Plate, Hinge	
4	1001171635	1	Frame, Door	

# SECTION 6 - CAB

## FIGURE 6-10. DOOR UPPER GLASS ASSEMBLY



ART\_1001205532

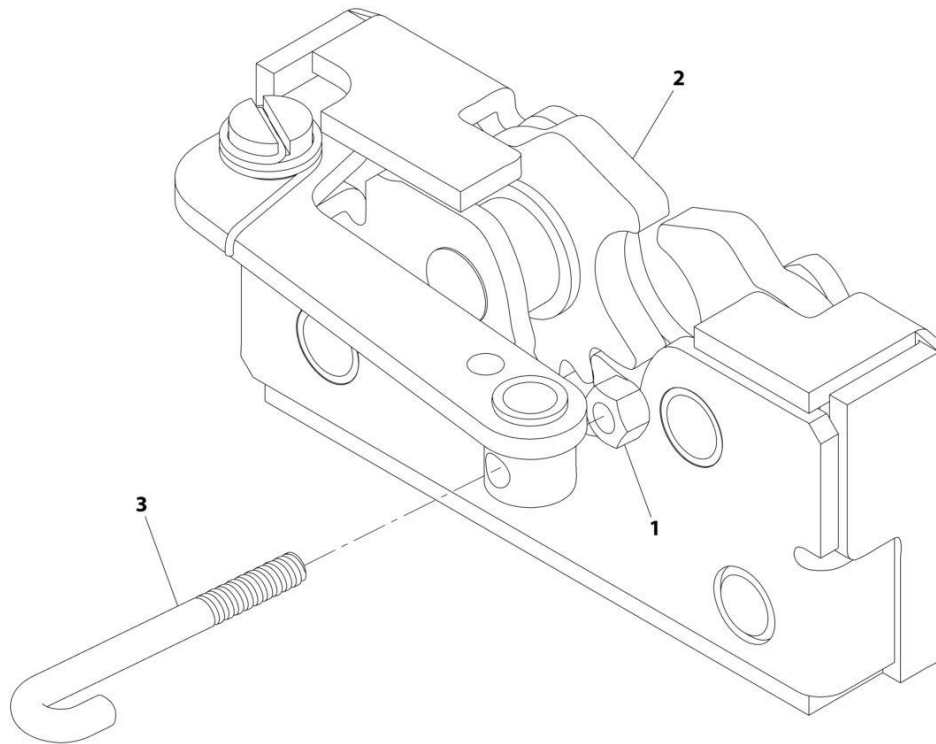


FIGURE 6-10. DOOR UPPER GLASS ASSEMBLY

ITEM	PART NUMBER	QTY	DESCRIPTION	REV
	1001205532	Ref	Door Upper Glass Assembly	G
1	0760812	1	Bolt, M8X25	
2	0760815	5	Bolt, M8X35	
3	4811900	11	Washer, 8MM	
4	1001002946	4	Mount, Hinge	
5	1001002947	1	Mount, Hinge	
6	1001002953	2	Mount, Rubber	
7	1001002957	2	Mount, Latch	
8	1001008857	5	Nut, Lock	
9	1001096365	11	Cap, M8	
10	1001141246	3	Mount, Rubber	
11	1001165275	1	Latch, Window	
12	1001166634	2	Pin, Hinge	
13	1001170944	1	Panel, Window Surround	
14	1001174321	1	Striker, Top Window	
15	1001204066	1	Glass, Window	
16	1001204115	2	Hinge	
17	1001222741	1	Buffer, Cab	
18	1001204120	1	Handle	
19	1001213331	1	Gasket	
20	1001215531	AR	Adhesive	

# SECTION 6 - CAB

## FIGURE 6-11. CAB LATCH ASSEMBLY



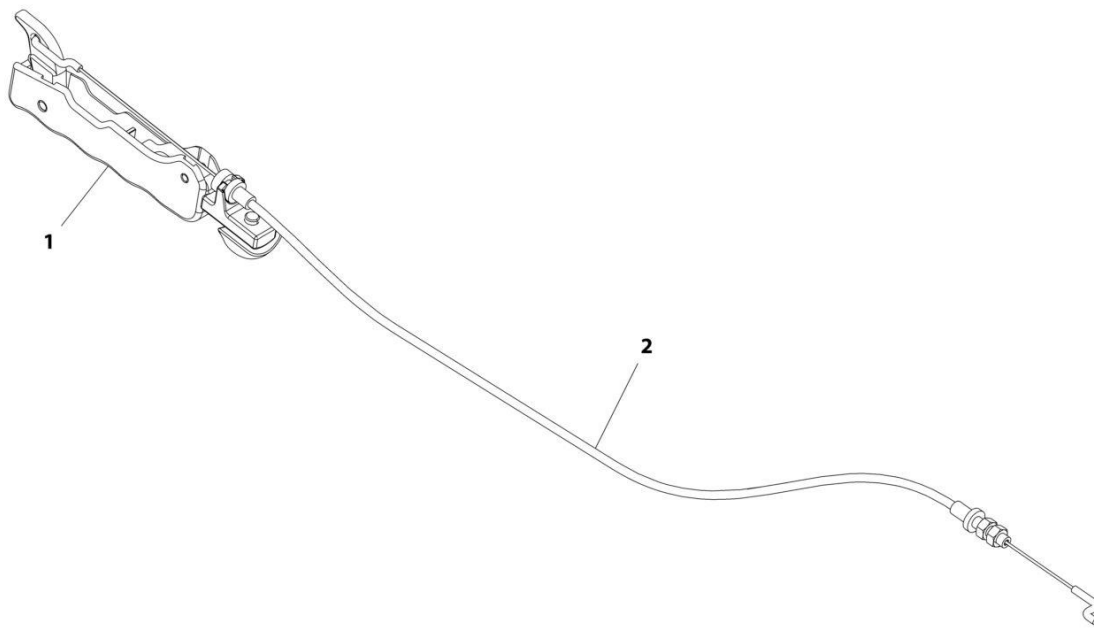
ART\_1001192766\_C

FIGURE 6-11. CAB LATCH ASSEMBLY

ITEM	PART NUMBER	QTY	DESCRIPTION	REV
	1001192766	Ref	Cab Latch Assembly	C
1	3290405	1	Nut, M4X0.7 Grade 8	
2	1001192643	1	Latch	
3	1001241308	1	Link, Door Handle	

# SECTION 6 - CAB

## FIGURE 6-12. CAB DOOR TRIGGER ASSEMBLY



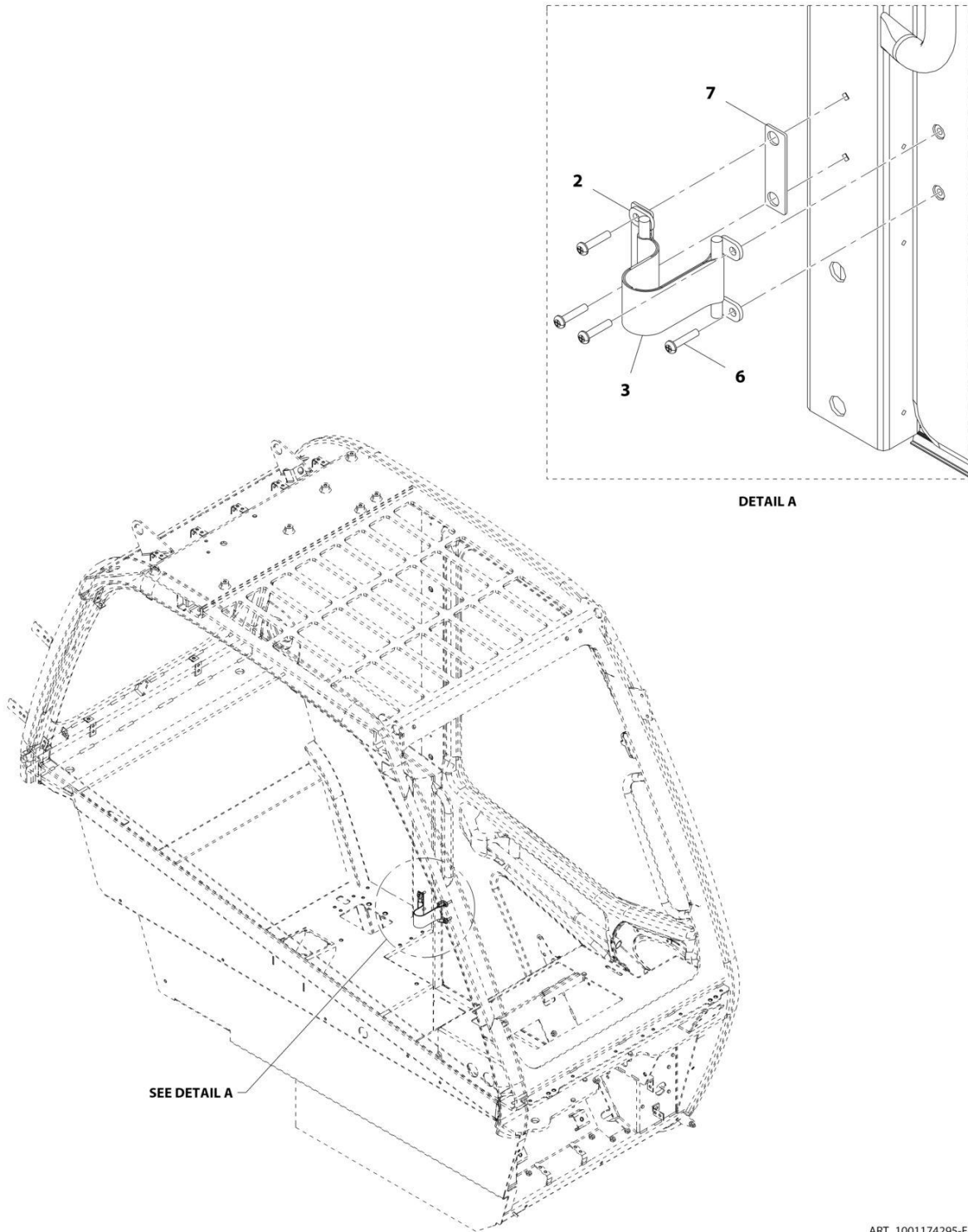
ART\_1001167958-E

FIGURE 6-12. CAB DOOR TRIGGER ASSEMBLY

ITEM	PART NUMBER	QTY	DESCRIPTION	REV
	1001167958	Ref	Cab Door Trigger Assembly	E
1	1001167937	1	Trigger, Cab Interior Release	
2	1001192644	1	Cable, Cab Latch Release	

# SECTION 6 - CAB

## FIGURE 6-13. DOOR STRAP INSTALLATION



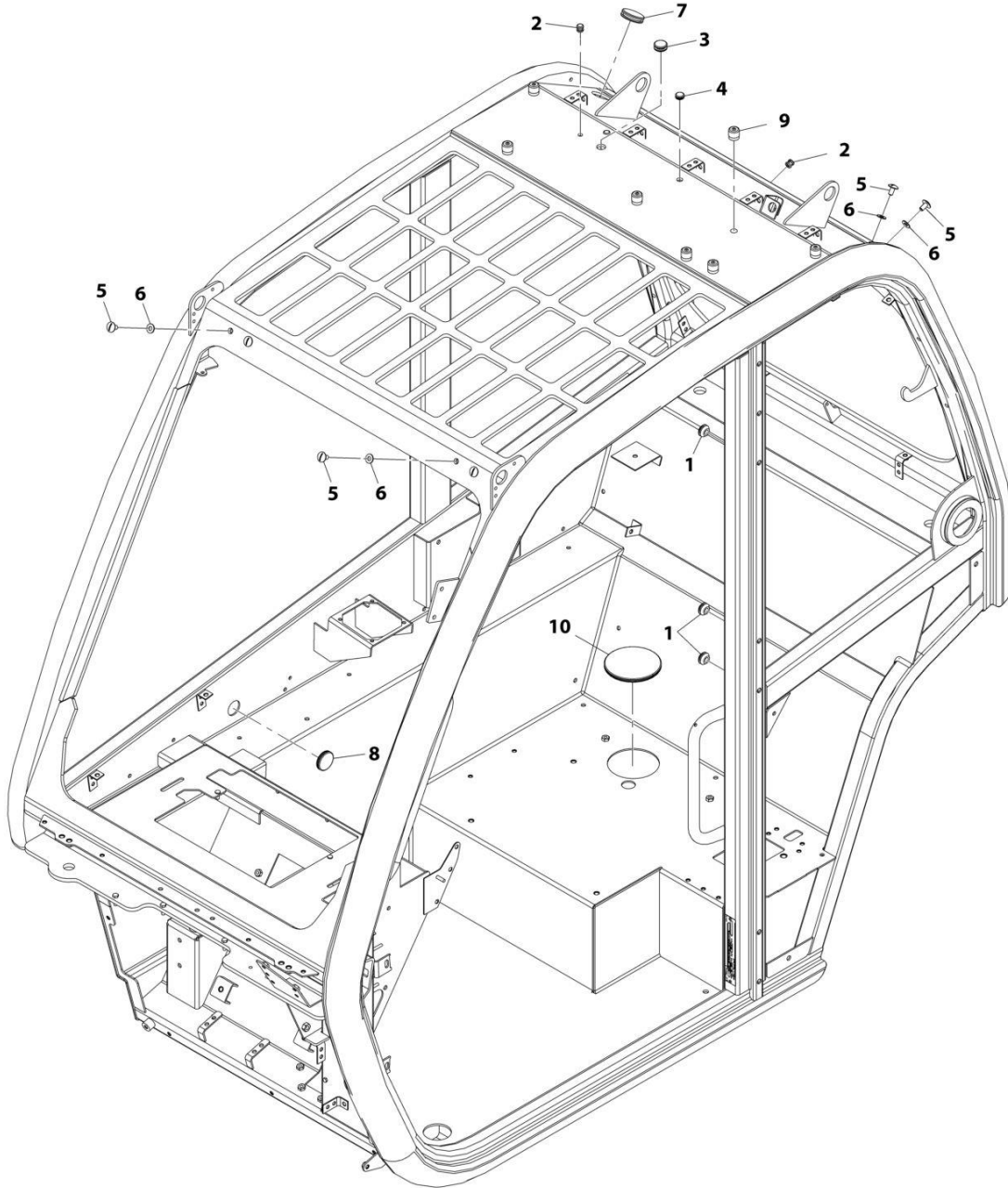
ART\_1001174295-F

FIGURE 6-13. DOOR STRAP INSTALLATION

ITEM	PART NUMBER	QTY	DESCRIPTION	REV
	1001174295	Ref	Door Strap Installation	F
2	1001230163	2	Bracket, Strap Holder	
3	1001212011	1	Strap, Door Hold Open	
6	8310559	4	Screw	
7	1001191091	1	Plate, Cab Door Strap	

**SECTION 6 - CAB**

**FIGURE 6-14. CAB PLUG GROUP**



ART\_1001195814-C

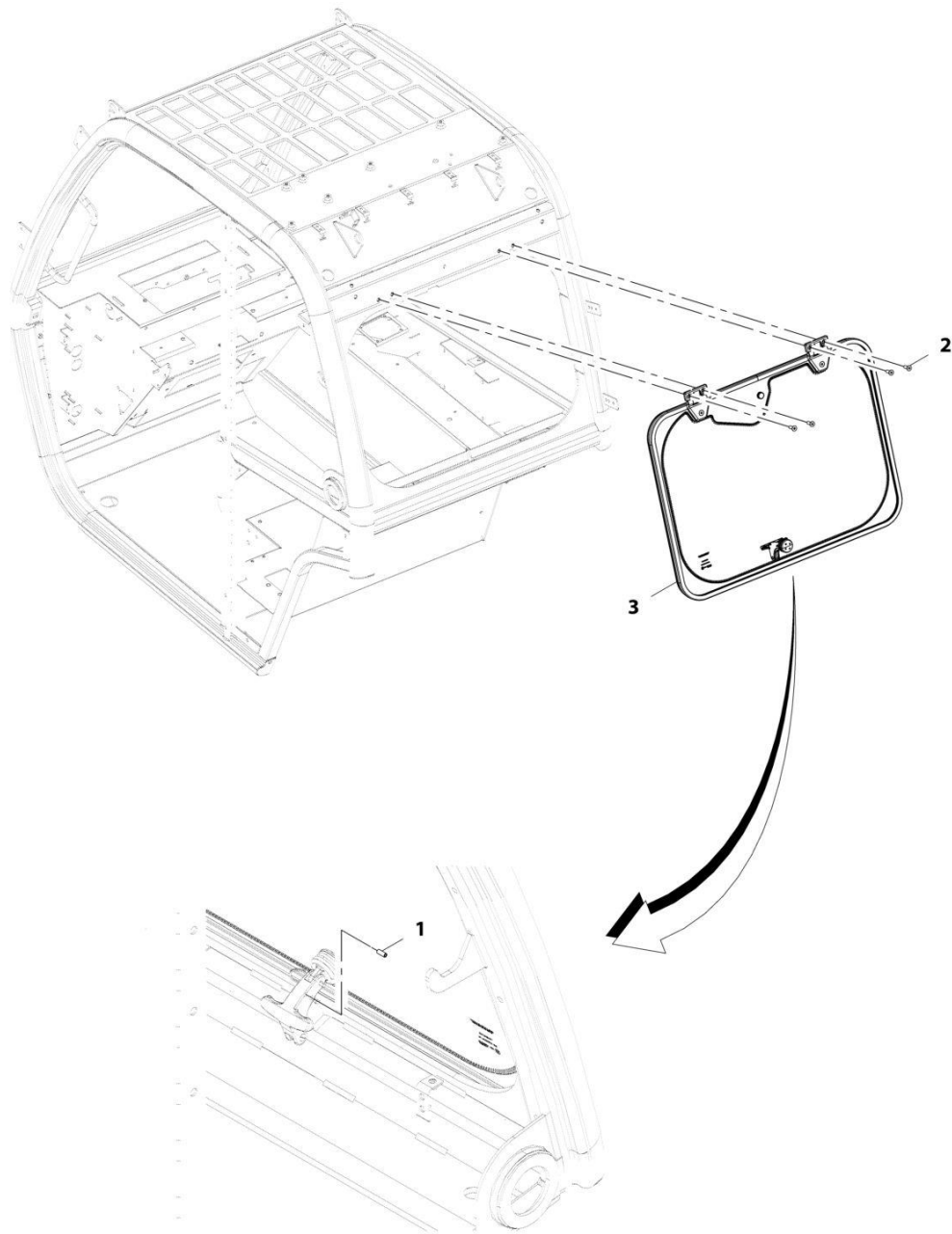


FIGURE 6-14. CAB PLUG GROUP

ITEM	PART NUMBER	QTY	DESCRIPTION	REV
	1001195814	Ref	Cab Plug Group	C
1	1001143200	7	Plug	
2	1001176272	3	Plug	
3	1001176273	1	Plug	
4	1001176626	1	Plug	
5	1001181920	8	Screw, Nylon M8X16	
6	1001181921	8	Washer, Rubber M8	
7	1001182123	2	Plug	
8	1001182139	1	Plug	
9	1001219220	7	Plug	
10	1001209899	1	Plug	

# SECTION 6 - CAB

## FIGURE 6-15. REAR WINDOW INSTALLATION



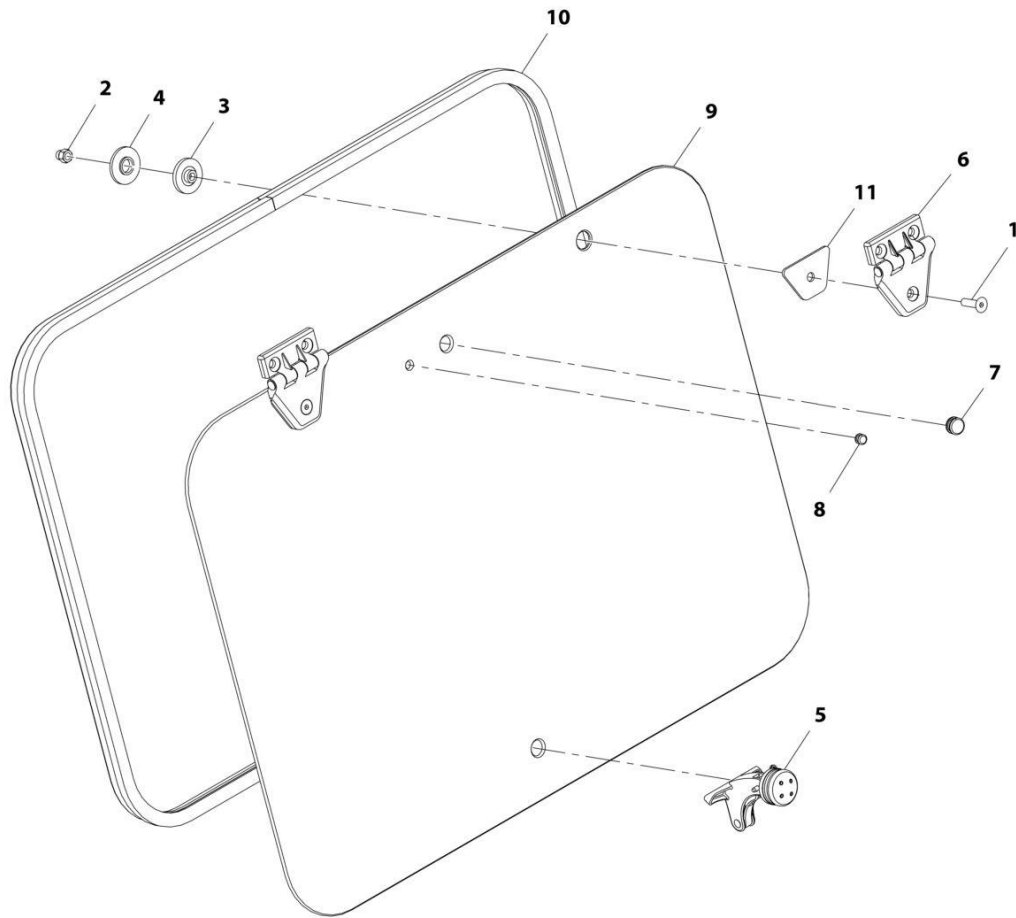
ART\_1001220339-A

FIGURE 6-15. REAR WINDOW INSTALLATION

ITEM	PART NUMBER	QTY	DESCRIPTION	REV
	1001220339	Ref	Rear Window Installation	A
1	1001003043	1	Pin, Spring	
2	1001097586	4	Screw, M8X1.25	
3	1001220338	1	Assembly, Rear Window (See Separate Breakdown in this Section)	

# SECTION 6 - CAB

## FIGURE 6-16. REAR WINDOW GROUP



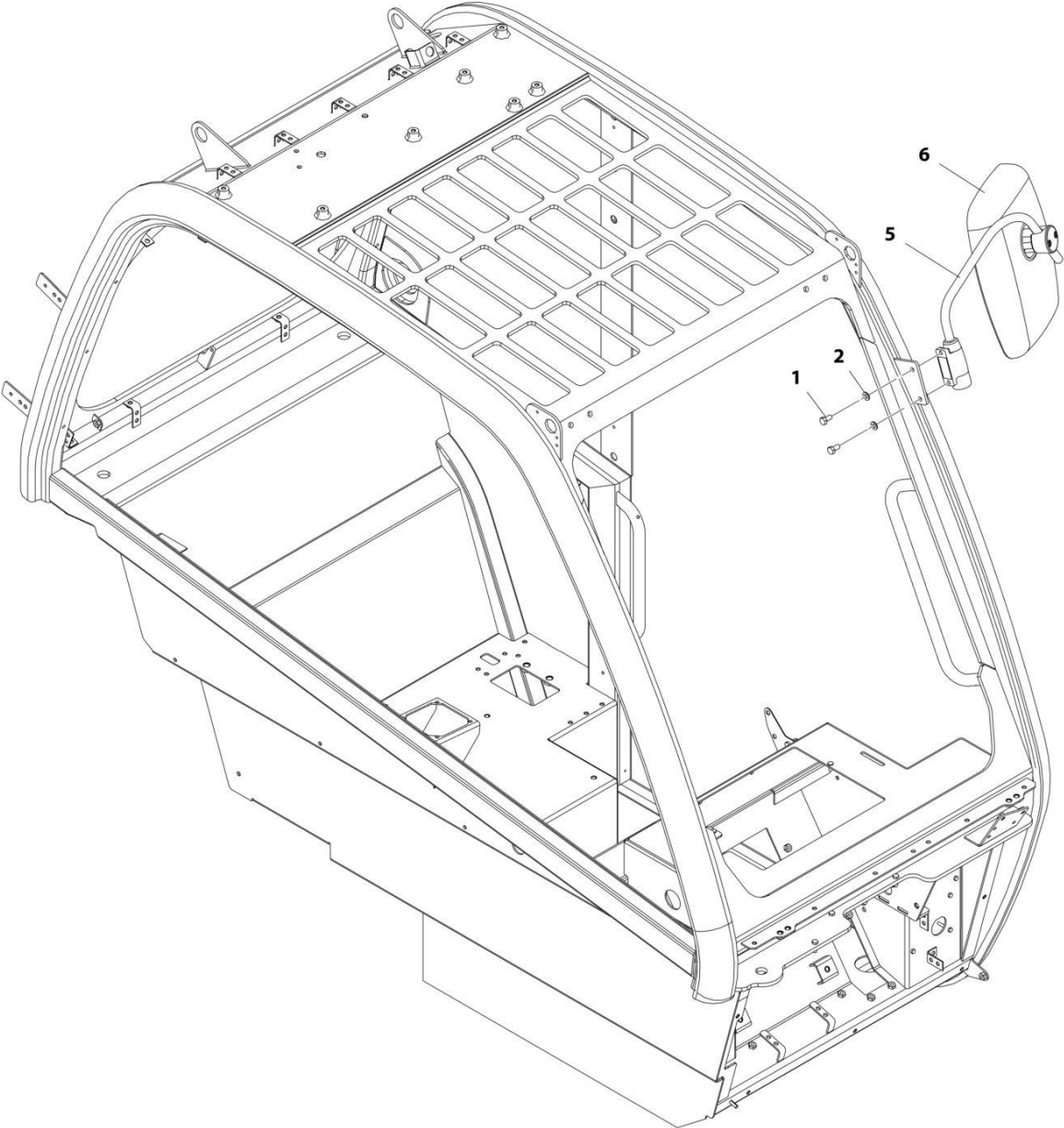
ART\_1001220338-A

FIGURE 6-16. REAR WINDOW GROUP

ITEM	PART NUMBER	QTY	DESCRIPTION	REV
	1001220338	Ref	Rear Window Group	A
1	2080078	2	Fastener, M8X30	
2	3290806	2	Nut, M8X1.25 Grade 8	
3	8000759	2	Spacer	
4	8004398	2	Spacer	
5	1001005368	1	Latch, Window	
6	1001139568	2	Hinge	
7	1001171182	1	Grommet	
8	1001171183	1	Grommet	
9	1001178680	1	Glass, Rear Window	
10	1001178681	1	Seal	
11	1001181411	2	Gasket, Rear Window Hinge	

**SECTION 6 - CAB**

**FIGURE 6-17. BASIC MIRROR INSTALLATION**



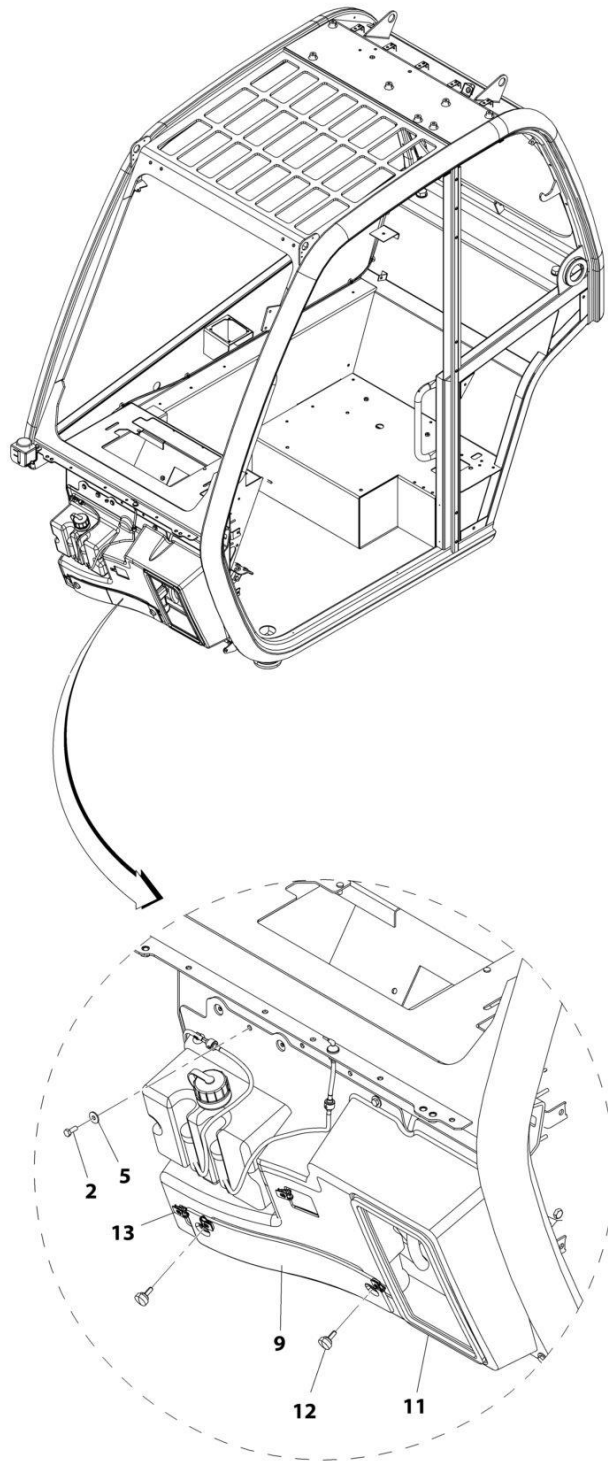
ART\_1001160508-E

FIGURE 6-17. BASIC MIRROR INSTALLATION

ITEM	PART NUMBER	QTY	DESCRIPTION	REV
	1001160508	Ref	Basic Mirror Installation	E
1	0760808	2	Bolt, M8X16	
2	4811900	2	Washer, M8	
5	1001164655	1	Bracket	
6	80363195	1	Mirror	

# SECTION 6 - CAB

## FIGURE 6-18. FRONT COVER INSTALLATION



ART\_1001170366-G

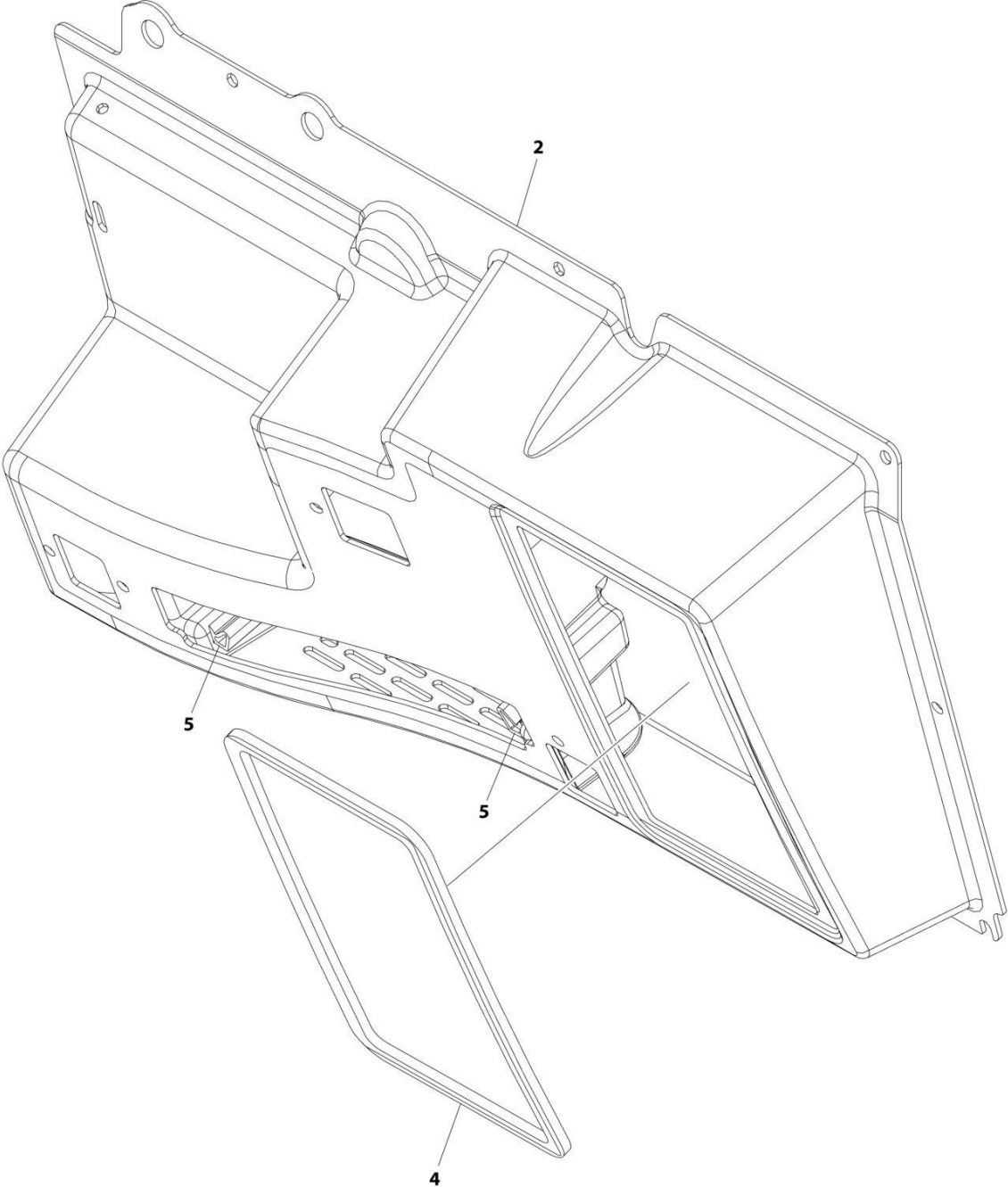


FIGURE 6-18. FRONT COVER INSTALLATION

ITEM	PART NUMBER	QTY	DESCRIPTION	REV
	1001170366	Ref	Front Cover Installation	G
2	0760608	7	Bolt, M6X16	
5	4811702	7	Washer, M6	
9	1001175471	1	Panel, Filter Tray (See Separate Breakdown in this Section)	
11	1001176121	1	Cover, Front Duct (See Separate Breakdown in this Section)	
12	2080092	2	Thumb Screw, M6X16	
13	8305919	4	Nut, M6	

**SECTION 6 - CAB**

**FIGURE 6-19. FRONT DUCT COVER**



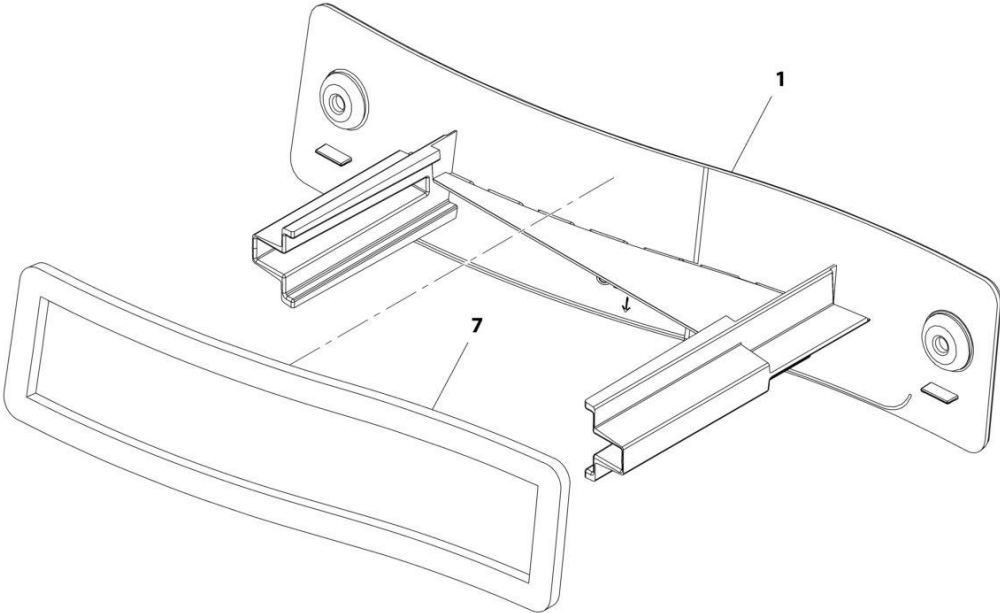
ART\_1001176121

FIGURE 6-19. FRONT DUCT COVER

ITEM	PART NUMBER	QTY	DESCRIPTION	REV
	1001176121	Ref	FRONT DUCT COVER	H
2	1001170326	1	Cover, Front	
4	1001175470	1	Seal, Front Cab Panel	
5	1001270117	AR	Seal, Bulb	

**SECTION 6 - CAB**

**FIGURE 6-20. FILTER TRAY PANEL**



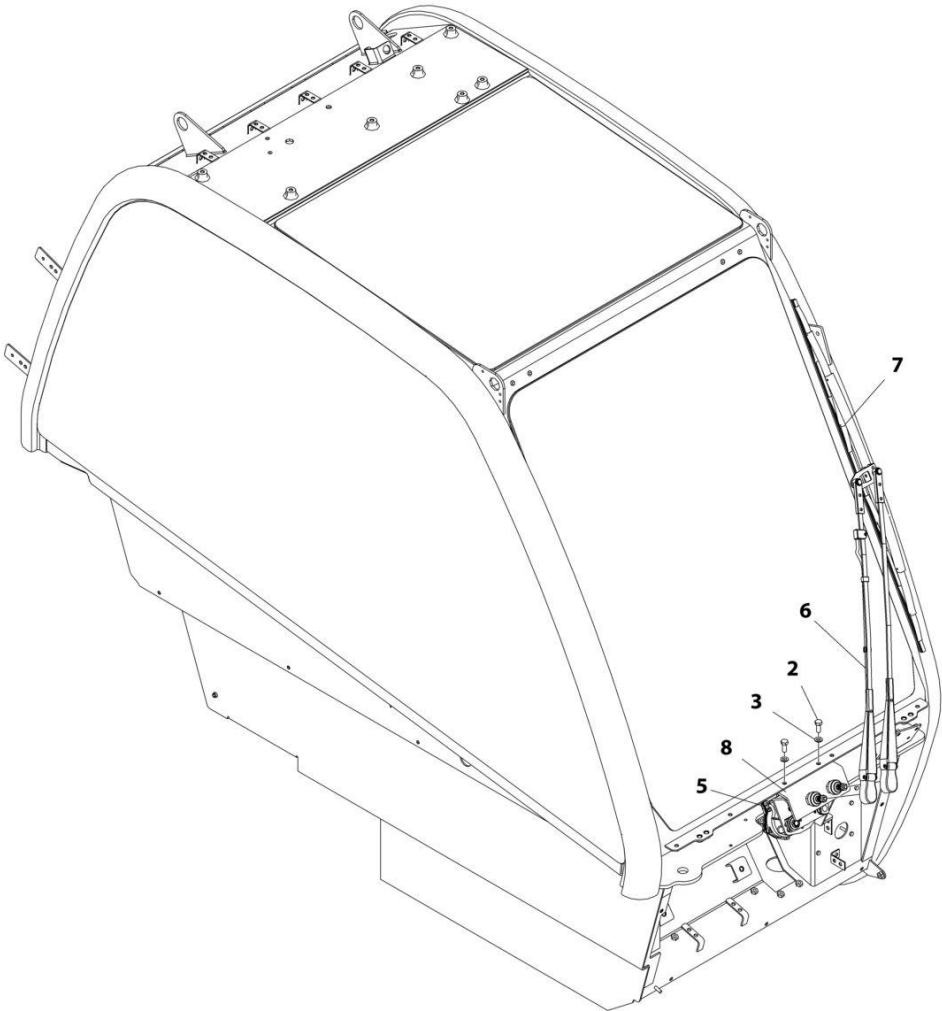
ART\_1001175471-D

**FIGURE 6-20. FILTER TRAY PANEL**

<b>ITEM</b>	<b>PART NUMBER</b>	<b>QTY</b>	<b>DESCRIPTION</b>	<b>REV</b>
	1001175471	Ref	Filter Tray Panel	D
1	1001170993	1	Panel, Front Inlet	
7	1001171767	1	Cab, Front Panel Seal	

**SECTION 6 - CAB**

**FIGURE 6-21. FRONT WIPER INSTALLATION**



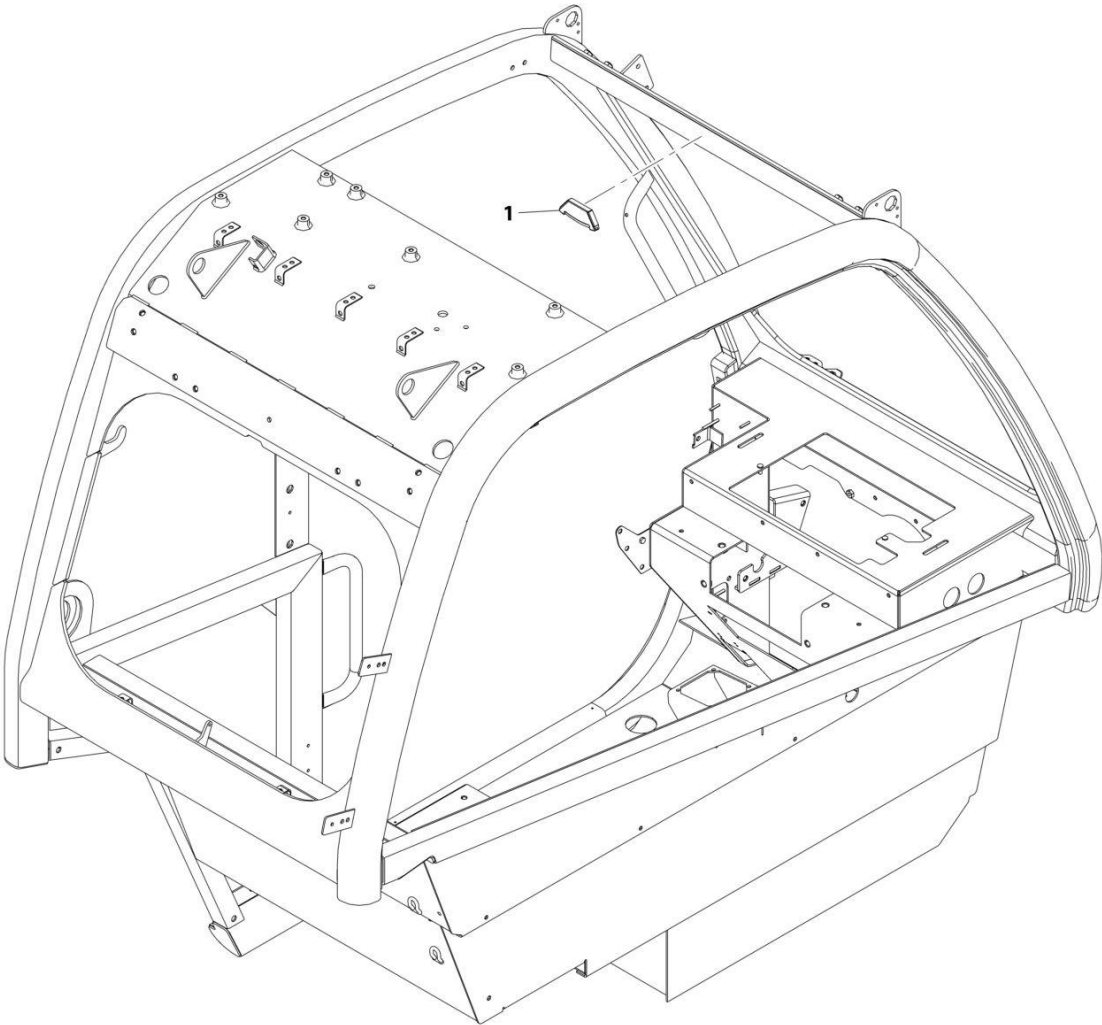
ART\_1001155447-G

FIGURE 6-21. FRONT WIPER INSTALLATION

ITEM	PART NUMBER	QTY	DESCRIPTION	REV
	1001155447	Ref	Front Wiper Installation	G
2	0760810	2	Bolt, M8X20	
3	4811900	2	Washer, M8	
5	1001214092	1	Motor, Front Wiper	
6	1001212369	1	Arm, Front Wiper	
7	1001141281	1	Blade, Wiper	
8	1001165637	1	Bracket	

**SECTION 6 - CAB**

**FIGURE 6-22. LEVEL INDICATOR INSTALLATION**



ART\_1001172401-C

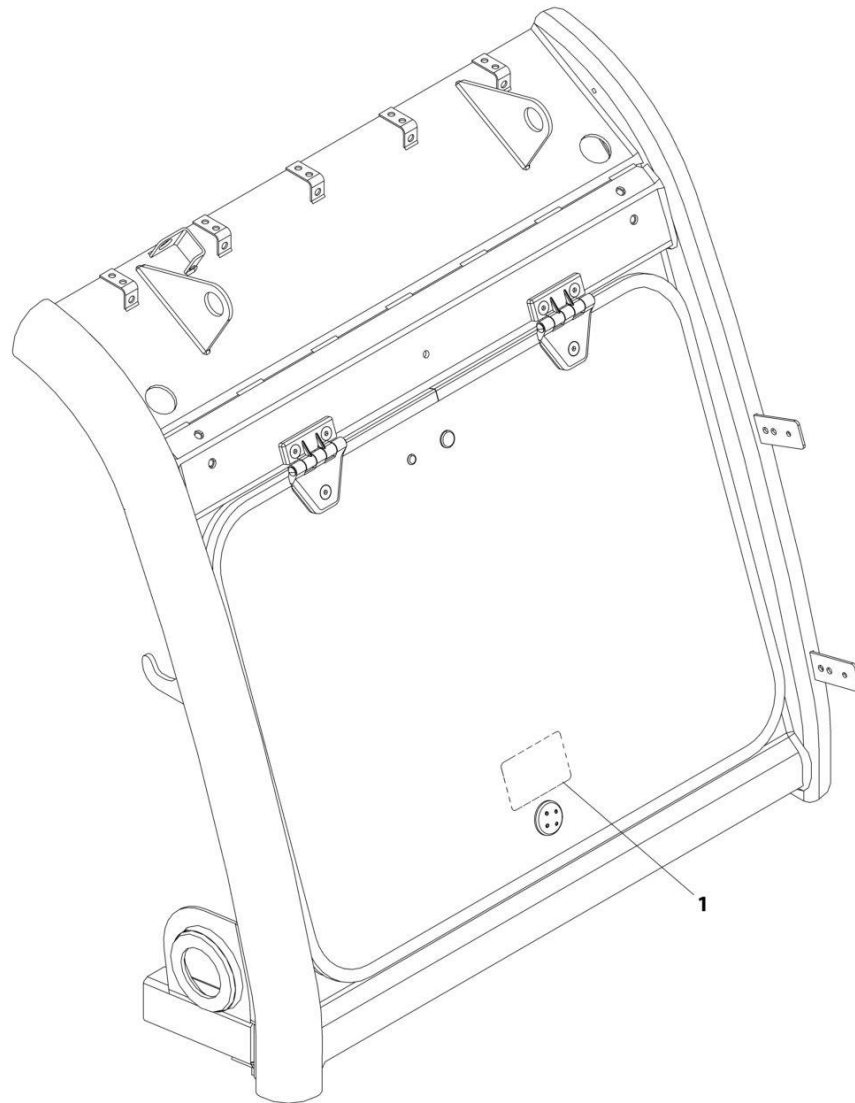


**FIGURE 6-22. LEVEL INDICATOR INSTALLATION**

ITEM	PART NUMBER	QTY	DESCRIPTION	REV
1	1001172401 8466306	Ref 1	Level Indicator Installation Gauge, Tilt Angle	C

# SECTION 6 - CAB

## FIGURE 6-23. REAR WINDOW EXIT DECAL INSTALLATION



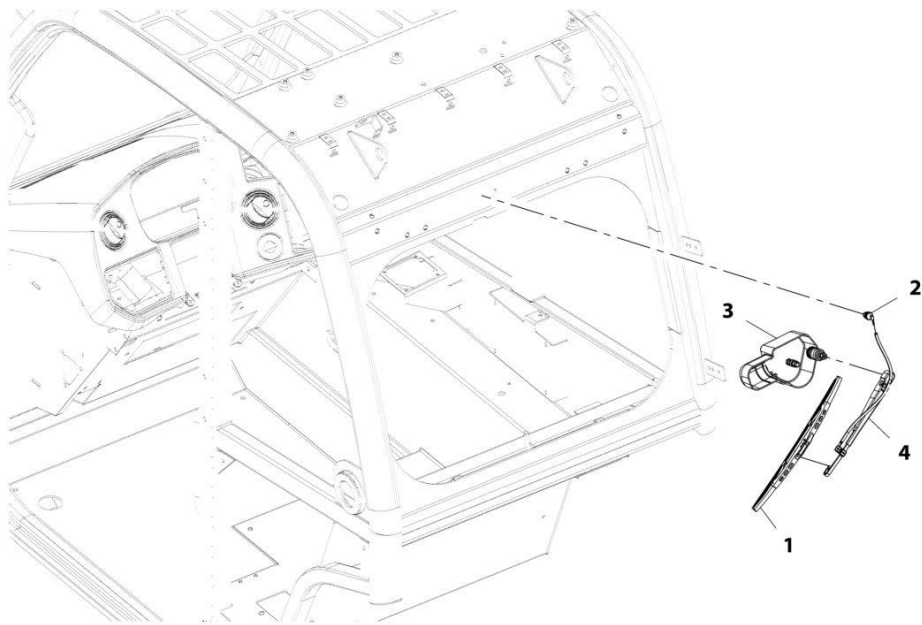
ART\_1001204598

**FIGURE 6-23. REAR WINDOW EXIT DECAL INSTALLATION**

<b>ITEM</b>	<b>PART NUMBER</b>	<b>QTY</b>	<b>DESCRIPTION</b>	<b>REV</b>
1	1001204598 8005870	Ref 1	Rear Window Exit Decal Installation Decal, Emergency Exit	B

# SECTION 6 - CAB

## FIGURE 6-24. REAR WIPER INSTALLATION



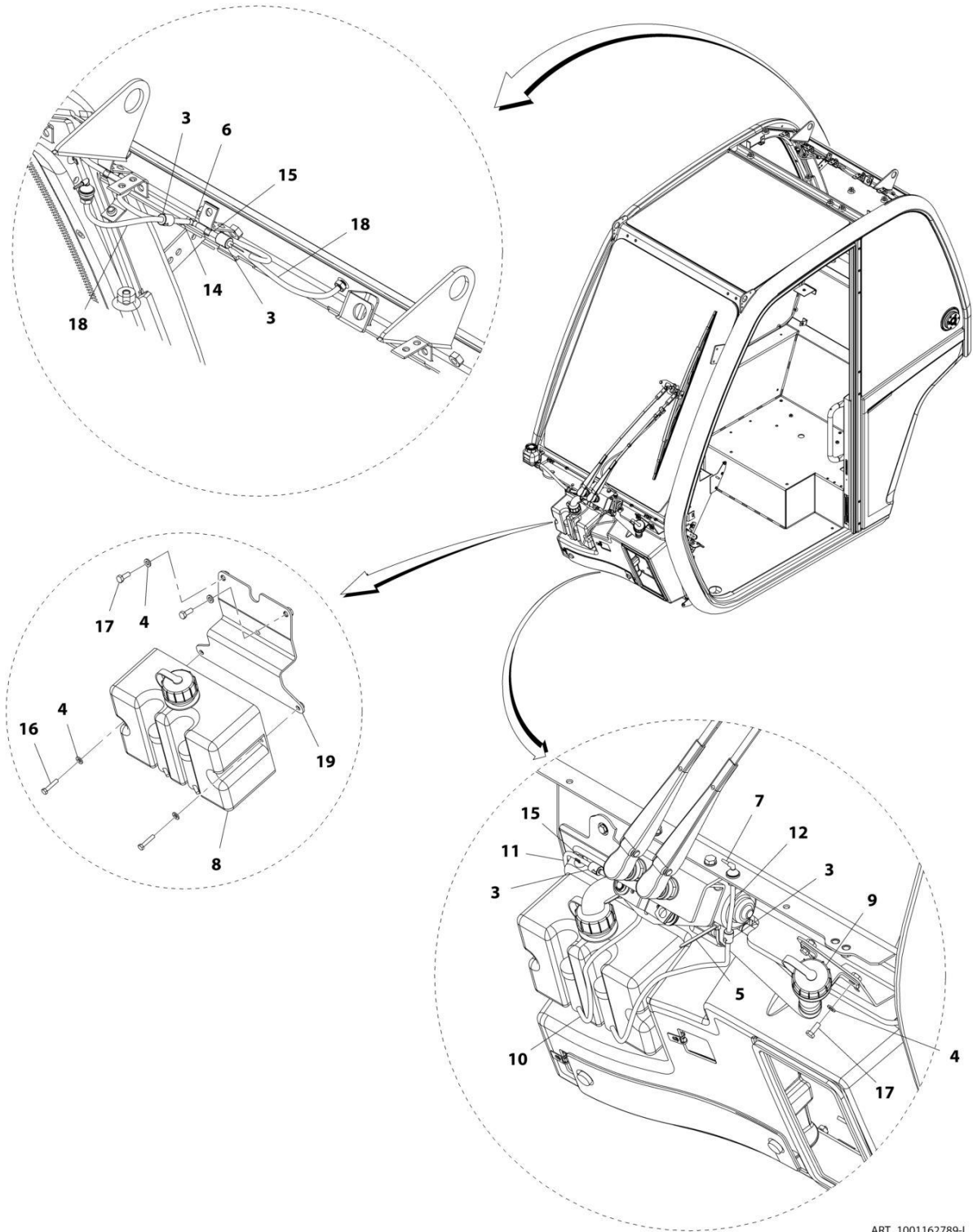
ART\_1001220329-A

FIGURE 6-24. REAR WIPER INSTALLATION

ITEM	PART NUMBER	QTY	DESCRIPTION	REV
	1001220329	Ref	Rear Wiper Installation	A
1	4807718	1	Wiper Blade, Oslv Italia	
2	1001090343	1	Connector	
3	1001139552	1	Motor, Wiper, Rear Window	
4	1001141312	1	Blade, Arm, Rear Window	

# SECTION 6 - CAB

## FIGURE 6-25. WASHER TANK INSTALLATION



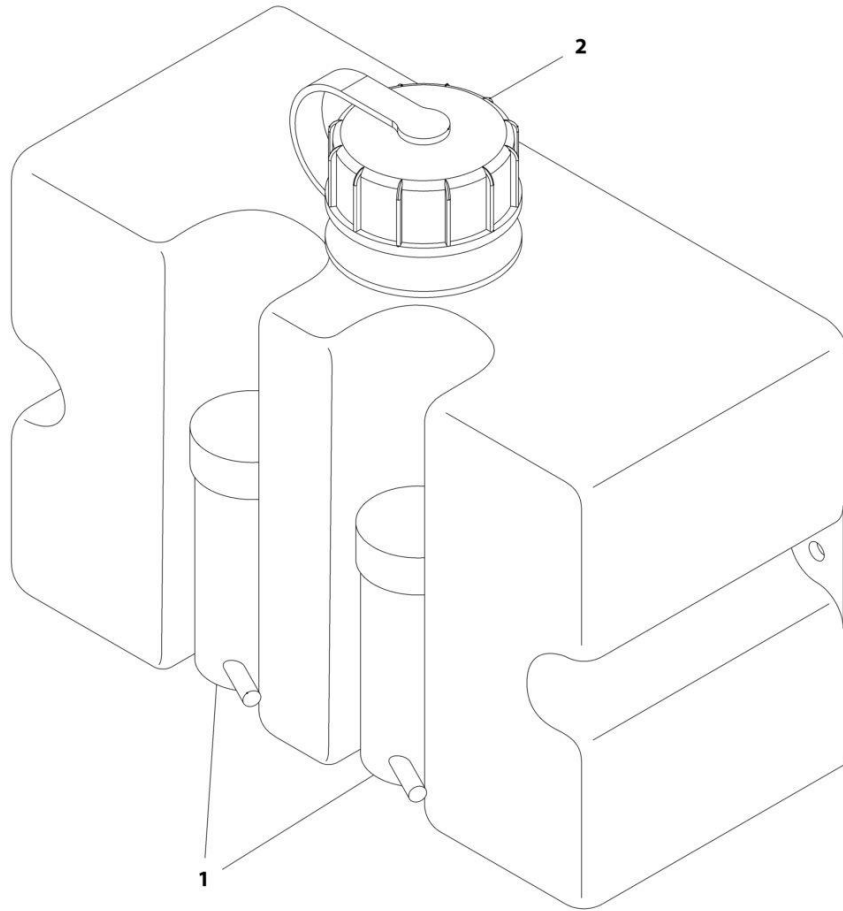
ART\_1001162789-L

FIGURE 6-25. WASHER TANK INSTALLATION

ITEM	PART NUMBER	QTY	DESCRIPTION	REV
	1001162789	Ref	Washer Tank Installation	L
3	1001201331	4	Valve, Check	
4	4811700	6	Washer, M6	
5	471678	2	Strap, Tie	
6	1001008742	1	Coupling, Tee	
7	1001090343	1	Connector	
8	1001165269	1	Bottle, Washer (See Separate Breakdown in this Section)	
9	1001165270	1	Hose, Washer Filler	
10	1001165351	2	Hose	
11	1001165407	1	Hose	
12	1001165416	1	Hose	
14	1001165455	2	Hose	
15	1001165458	16	Hose	
16	0760512	2	Bolt M5X25	
17	0760608	4	Bolt, M6X16	
18	1001178123	2	Hose	
19	1001171756	1	Bracket	

# SECTION 6 - CAB

## FIGURE 6-26. WASHER BOTTLE



ART\_1001165269-B

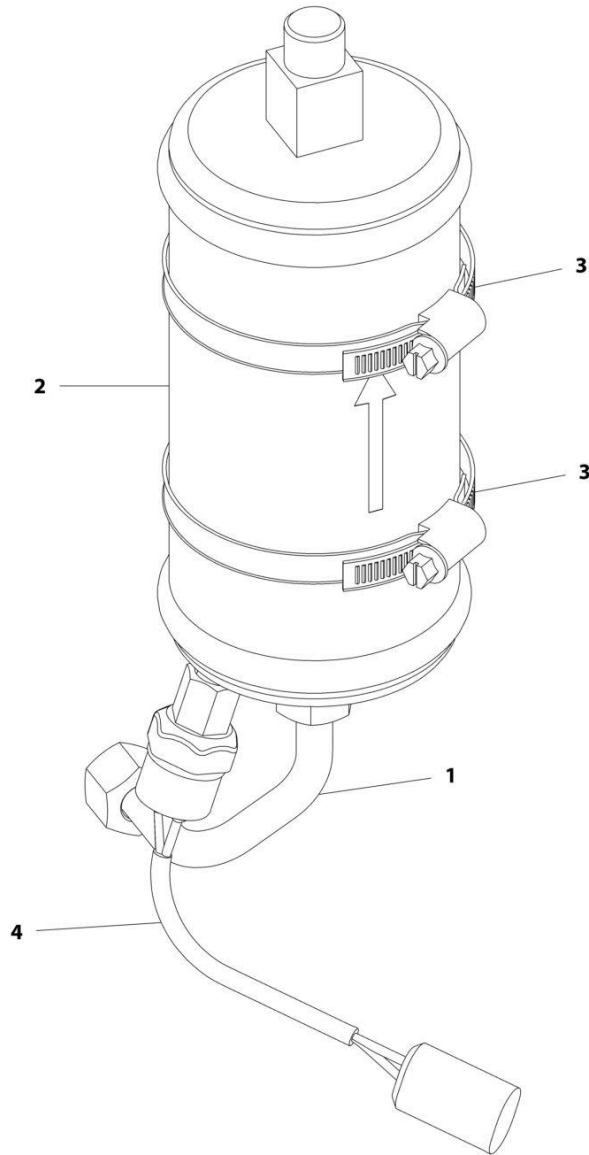


FIGURE 6-26. WASHER BOTTLE

ITEM	PART NUMBER	QTY	DESCRIPTION	REV
	1001165269	Ref	Washer Bottle	B
1	1001165327	2	Pump, Washer	
2	1001165273	1	Cap, Washer	

# SECTION 6 - CAB

## FIGURE 6-27. A/C RECEIVER DRIER



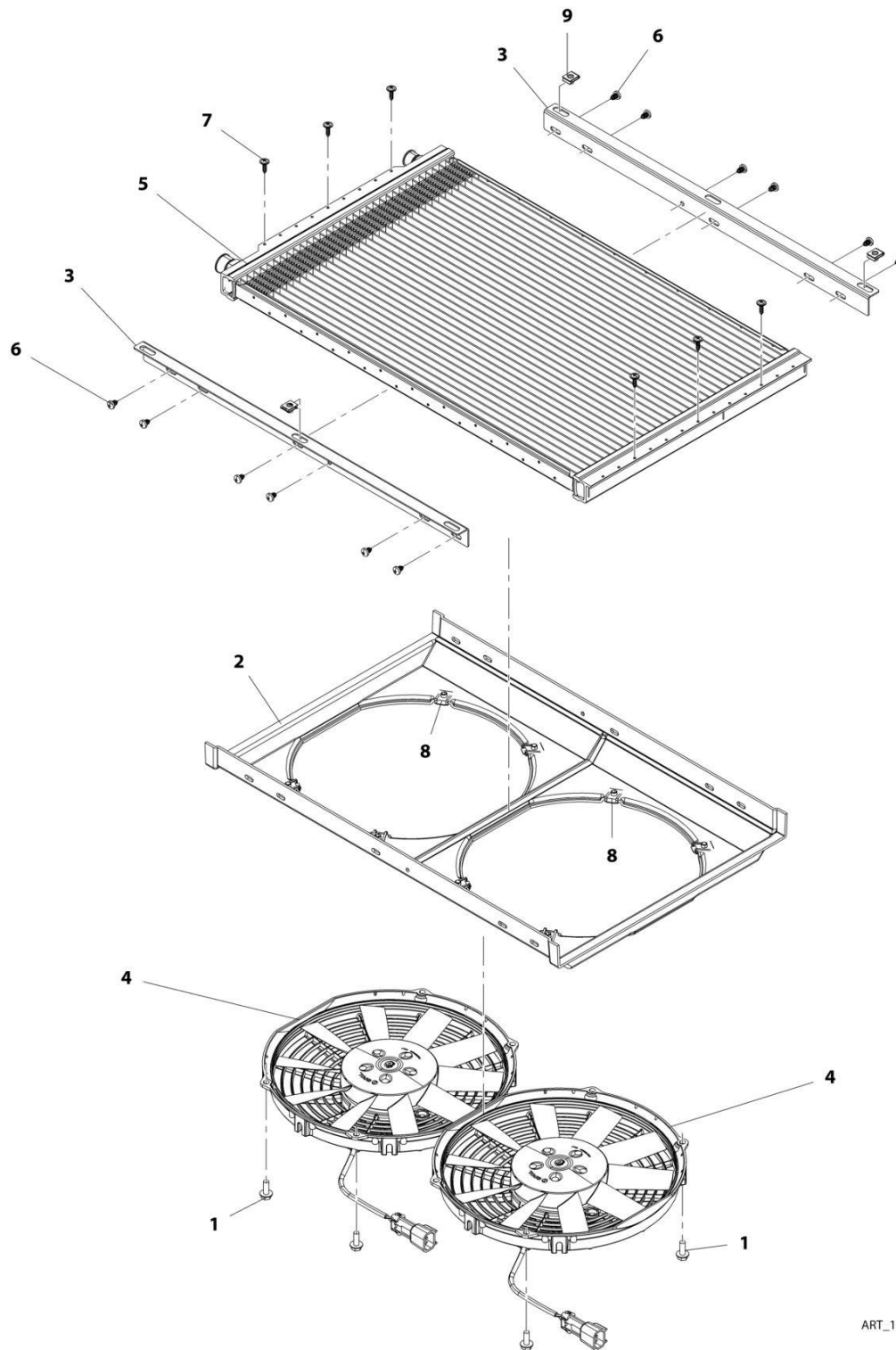
ART\_1001179130-B

FIGURE 6-27. A/C RECEIVER DRIER

ITEM	PART NUMBER	QTY	DESCRIPTION	REV
	1001179130	Ref	A/C Receiver Drier	B
1	1001184403	1	Tube, Heater	
2	1001184404	1	Receiver, Heater Drier	
3	1001184405	2	Clamp	
4	1001184406	1	Connector, Heater	

# SECTION 6 - CAB

## FIGURE 6-28. CONDENSER



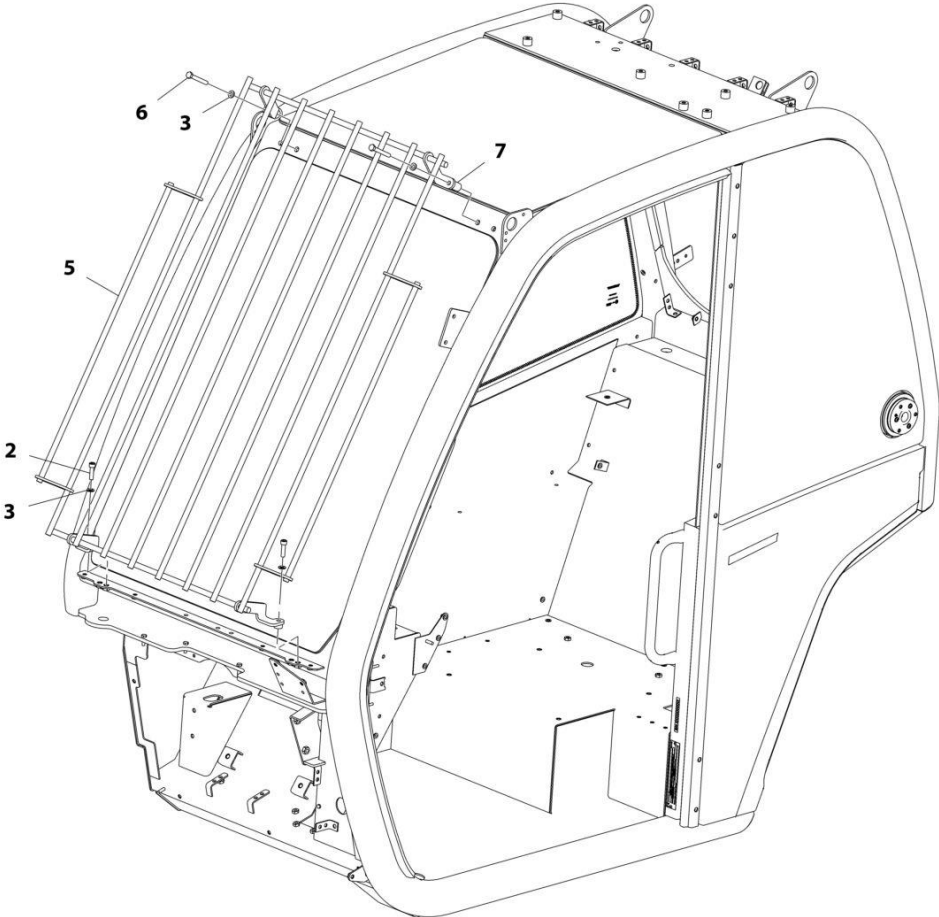
ART\_1001167266-C

FIGURE 6-28. CONDENSER

ITEM	PART NUMBER	QTY	DESCRIPTION	REV
	1001167266	Ref	Condenser	C
1	5250608	8	Bolt, M6X16	
2	1001195342	1	Bracket, Condenser Fan Mount	
3	1001195343	2	Support, Condenser	
4	1001195345	2	Fan, Condenser	
5	1001195346	1	Condenser	
6	1001195385	12	Screw, M3.9X9.5	
7	1001195386	6	Screw, M4.2X16	
8	1001195437	8	Clip, M6X1	
9	1001195438	3	Clip, M6X1	

**SECTION 6 - CAB**

**FIGURE 6-29. CAB GUARD INSTALLATION (FRONT)**



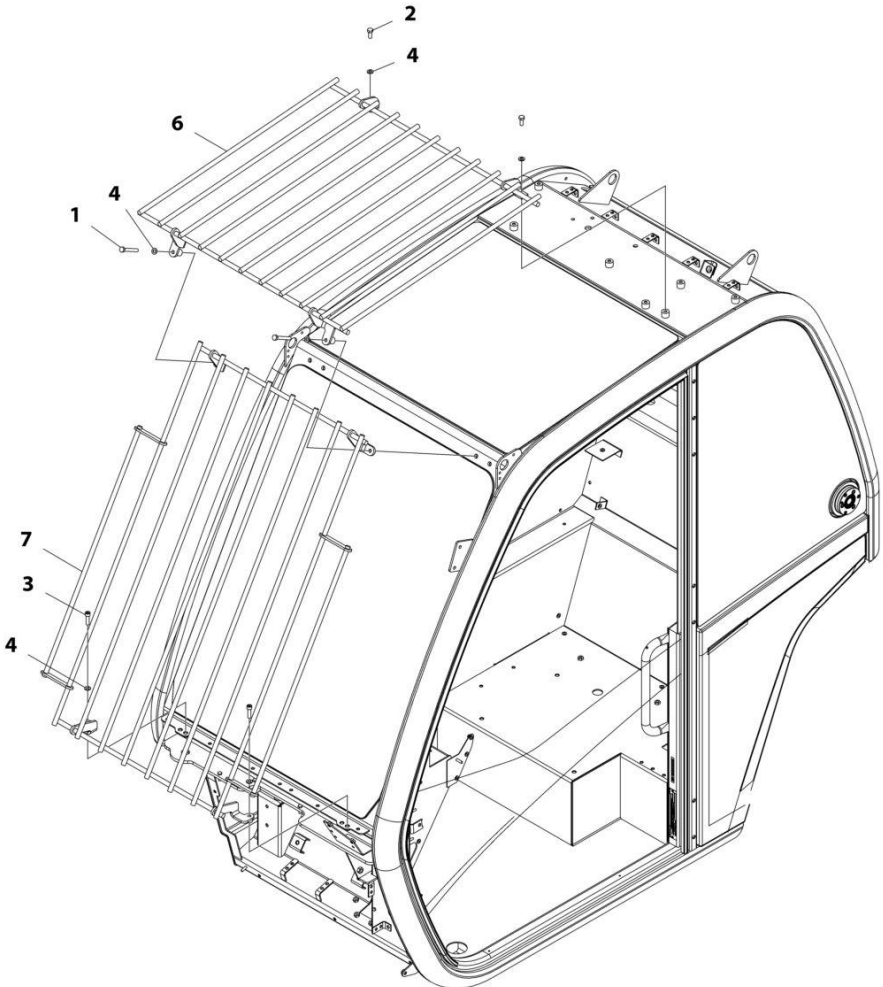
ART\_1001160506-G

FIGURE 6-29. CAB GUARD INSTALLATION (FRONT)

ITEM	PART NUMBER	QTY	DESCRIPTION	REV
	1001160506	Ref	Cab Guard Installation (Front)	G
2	4031910	2	Bolt, M8X30	
3	4811900	4	Washer, M8	
5	1001180263	1	Guard, Front Screen	
6	0700820	2	Bolt, M8X60	
7	1001173257	2	Spacer	

**SECTION 6 - CAB**

**FIGURE 6-30. CAB GUARD INSTALLATION (TOP AND FRONT)**



ART\_1001172774

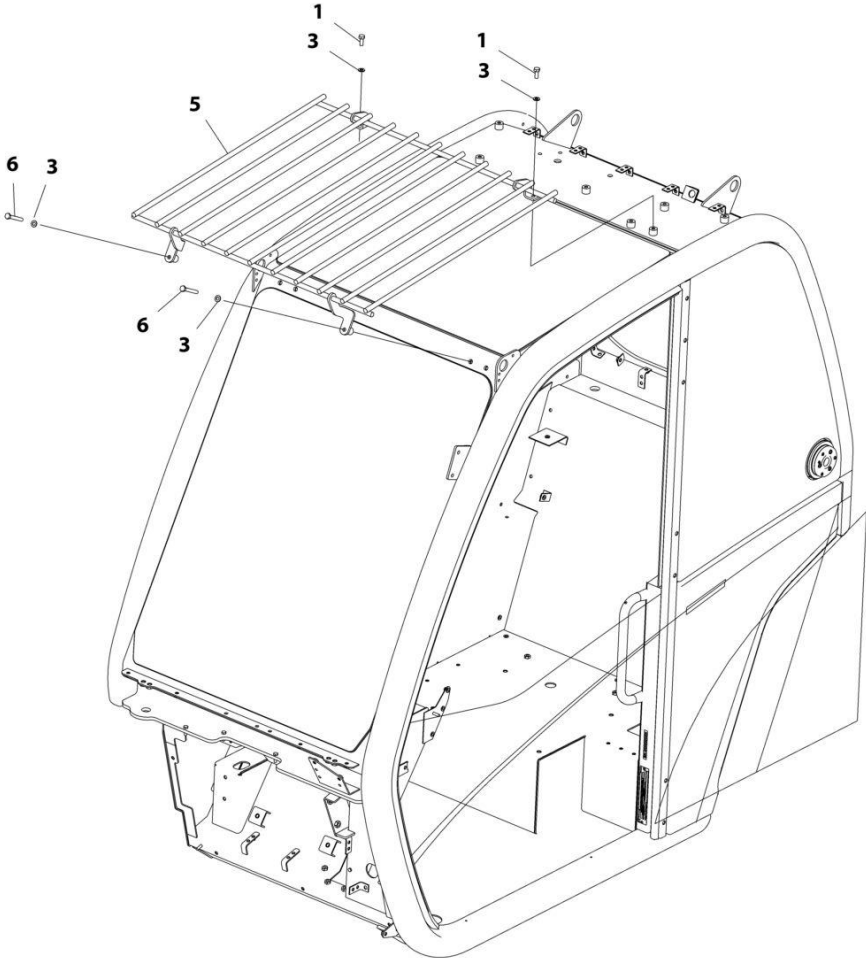


FIGURE 6-30. CAB GUARD INSTALLATION (TOP AND FRONT)

ITEM	PART NUMBER	QTY	DESCRIPTION	REV
	1001172774	Ref	CAB GUARD INSTALLATION (TOP AND FRONT)	G
1	0700820	2	Bolt M8 x 60	
2	0760810	2	Bolt M8 x 20	
3	4031910	2	Bolt M8 x 30	
4	4811900	6	Washer M8	
6	1001160503	1	Guard, Top Screen	
7	1001180263	1	Guard, Front Screen	

**SECTION 6 - CAB**

**FIGURE 6-31. CAB GUARD INSTALLATION (TOP)**



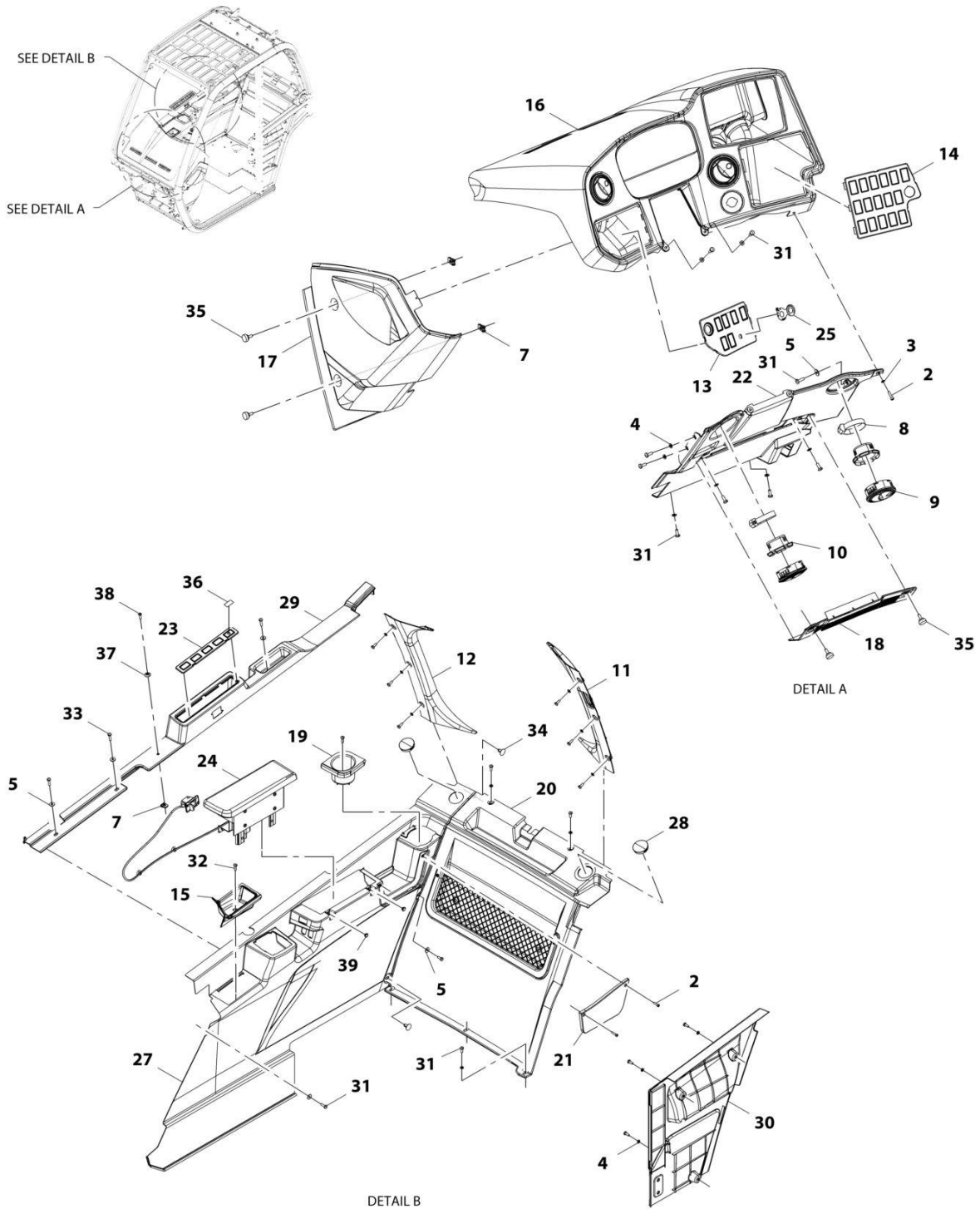
ART\_1001160496

FIGURE 6-31. CAB GUARD INSTALLATION (TOP)

ITEM	PART NUMBER	QTY	DESCRIPTION	REV
	1001160496	Ref	Cab Guard Installation (Top)	G
1	0760810	2	Bolt, M8X20	
3	4811900	4	Washer, M8	
5	1001160503	1	Guard, Top Screen	
6	0700820	2	Bolt, M8X60	

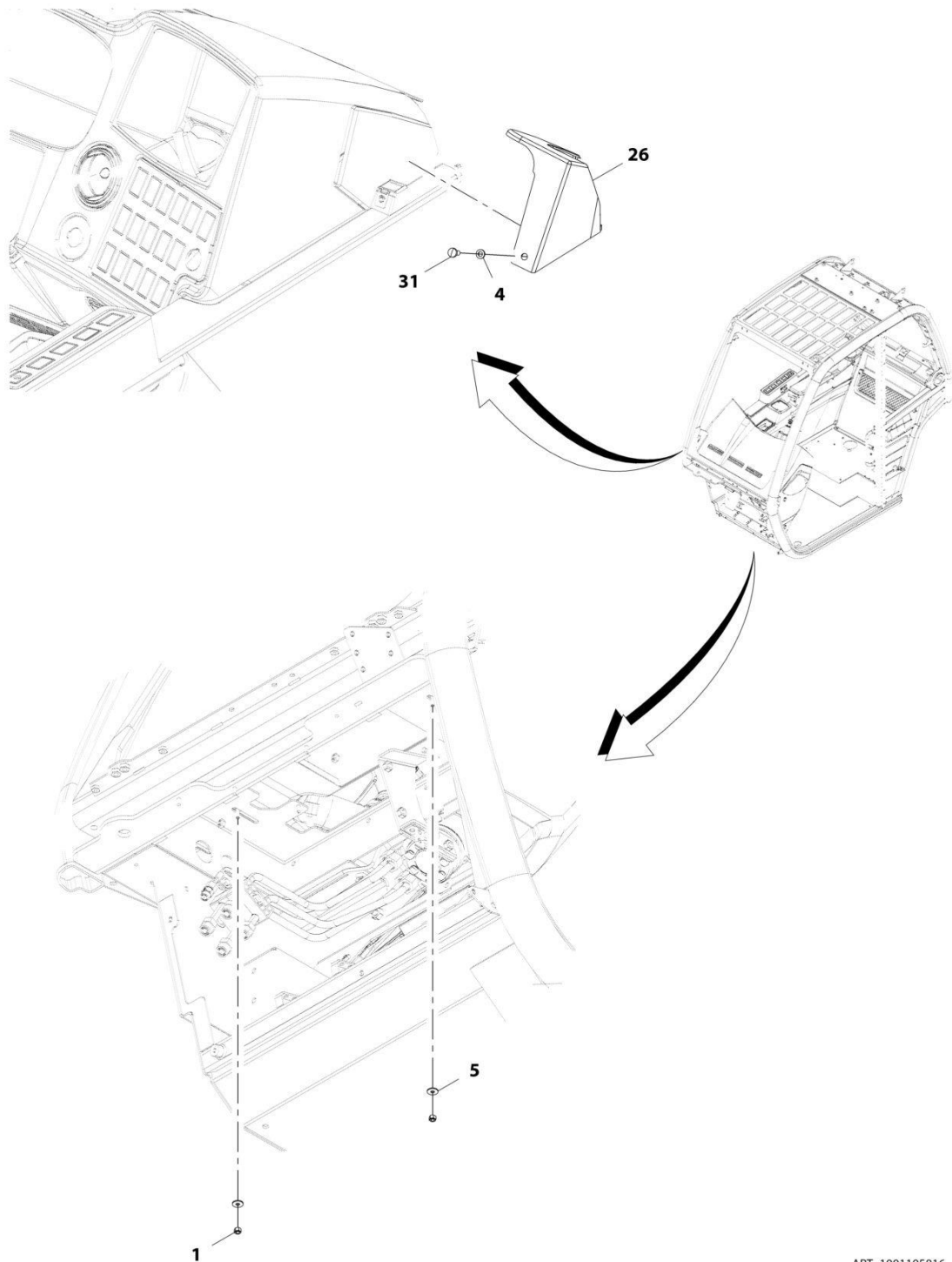
# SECTION 6 - CAB

## FIGURE 6-32. CAB TRIM INSTALLATION



ART\_1001195816\_1-I

# SECTION 6 - CAB



ART\_1001195816\_2-I

## SECTION 6 - CAB

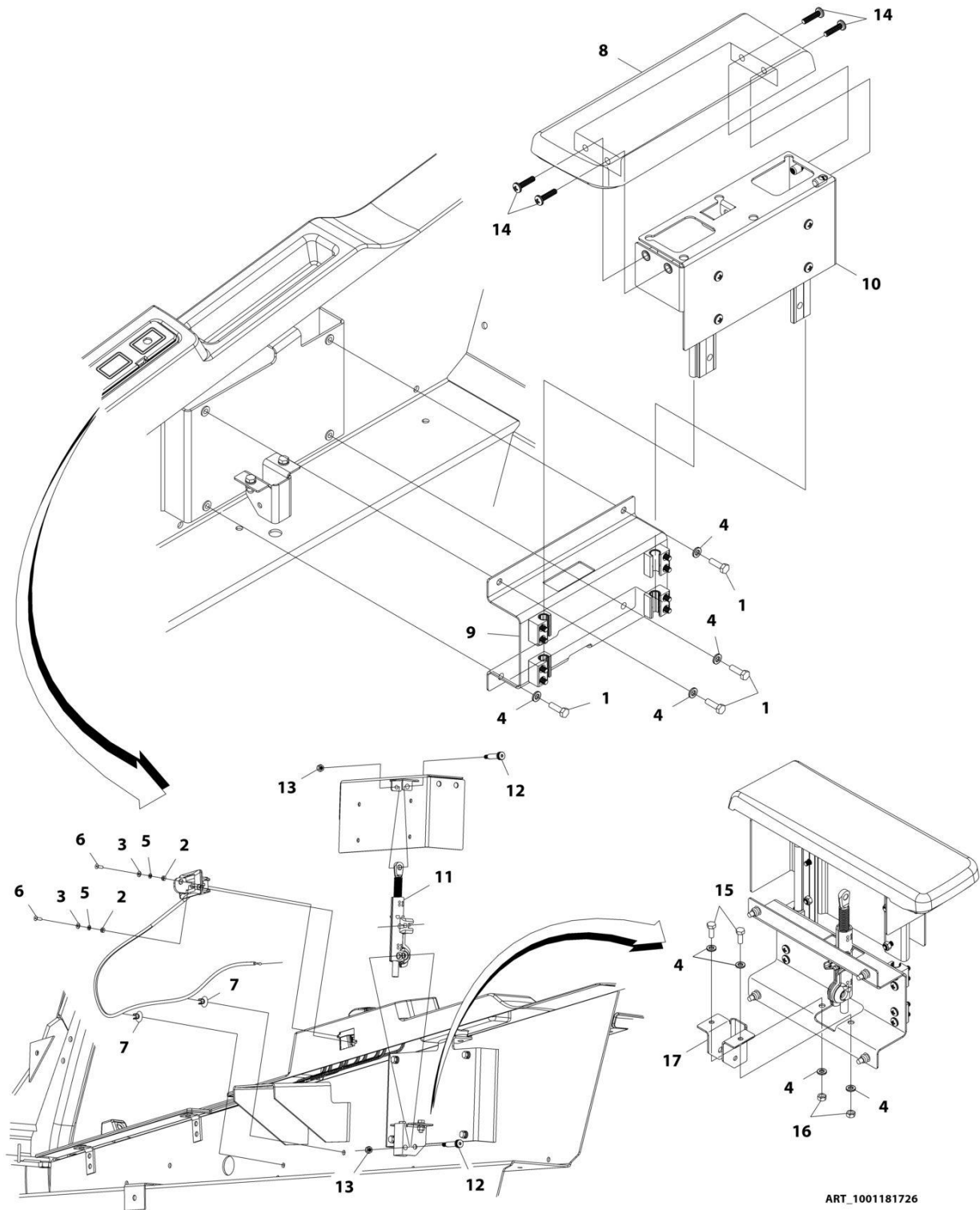
### FIGURE 6-32. CAB TRIM INSTALLATION

ITEM	PART NUMBER	QTY	DESCRIPTION	REV
	1001195816	Ref	Cab Trim Installation	I
1	3290605	2	Nut, Lock M6X1	
2	4031608001	3	Screw, M5X20	
3	4811600	1	Washer, M5	
4	4811700001	23	Washer, M6	
5	4811702001	7	Washer, M6	
7	8305919	2	Nut, M6	
8	8405201	2	Clamp	
9	1001147449	2	Vent	
10	1001149278	2	Connector, Vent	
11	1001161252	1	Cover, LH C-Post	
12	1001161253	1	Cover, RH C-Post	
13	1001219864	1	Plate, Switch	
14	1001219865	1	Plate, Switch	
15	1001169603	1	Tray	
16	1001169604	1	Assembly, Dash Cover (See Separate Breakdown in this Section)	
17	1001161855	1	Cover, Side Dash	
18	1001170504	1	Cover, Recirculation Grille	
19	1001170518	1	Holder, Cup	
20	1001170519	1	Assembly, Rear Panel Cover (See Separate Breakdown in this Section)	
21	1001173965	1	Bezel, Net	
22	1001175903	1	Cover, Lower Dash	
23	1001219863	1	Plate, Switch	
24	1001181726	1	Installation, Armrest (See Separate Breakdown in this Section)	
25	1001184975	1	Decal, HVAC	
26	1001185870	1	Cover, Lower A-Post	
27	1001189182	1	Cover, RH Side	
28	1001223265	2	Grommet	
29	1001195817	1	Cover, RH Extension	
30	1001195818	1	Panel, LH Side	
31	4010608002	26	Screw, M6X16	
32	4010610002	1	Screw, M6X20	
33	4010612002	3	Screw, M6X25	
34	1001211907	2	Screw	
35	1001208308	4	Thumb Screw, M6X15	
36	1001226481	1	Decal, Blank	
37	1001098150	1	Washer, M6	
38	1001132564	1	Screw, M6X20	
39	1001227133	2	Grommet	



# SECTION 6 - CAB

## FIGURE 6-33. ADJUSTABLE ARMREST INSTALLATION



ART\_1001181726

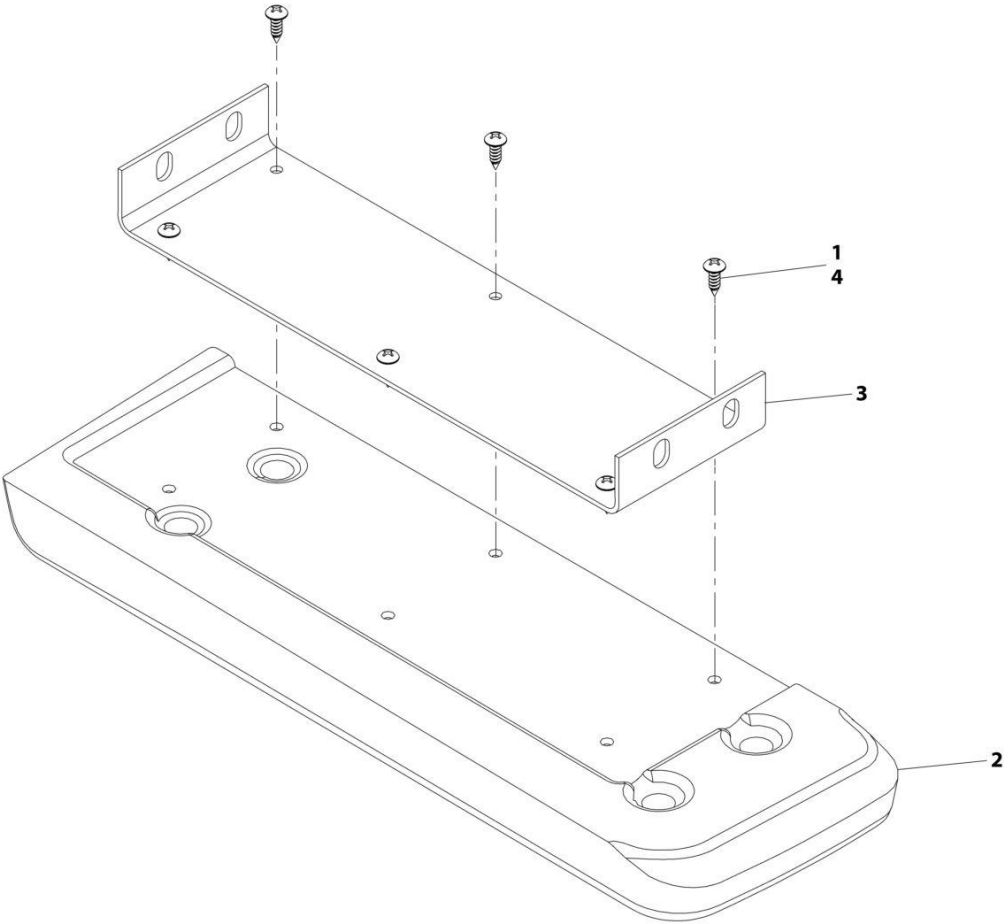


FIGURE 6-33. ADJUSTABLE ARMREST INSTALLATION

ITEM	PART NUMBER	QTY	DESCRIPTION	REV
	1001181726	Ref	Adjustable Armrest Installation	F
1	0700610	4	Bolt, M6X20	
2	3290401	2	Nut, M4X0.7	
3	4811400	2	Washer, M4	
4	4811700	8	Washer, M6	
5	4831400	2	Washer, Lock M4	
6	1001097244	2	Screw, M4X12	
7	1001165458	4	Hose	
8	1001191281	1	Armrest (See Separate Breakdown in this Section)	
9	1001191283	1	Bracket, Fixed Armrest (See Separate Breakdown in this Section)	
10	1001191284	1	Bracket, Moving Armrest (See Separate Breakdown in this Section)	
11	1001191285	1	Spring	
12	1001191370	2	Screw, M6	
13	3290605	2	Nut, M6X1 Grade 8	
14	4010612002	4	Screw, M6X25	
15	0760608	2	Bolt, M6X16	
16	3290601	2	Nut, M6X1	
17	1001212468	1	Bracket, Locking Spring Mount	

**SECTION 6 - CAB**

**FIGURE 6-34. ARMREST**



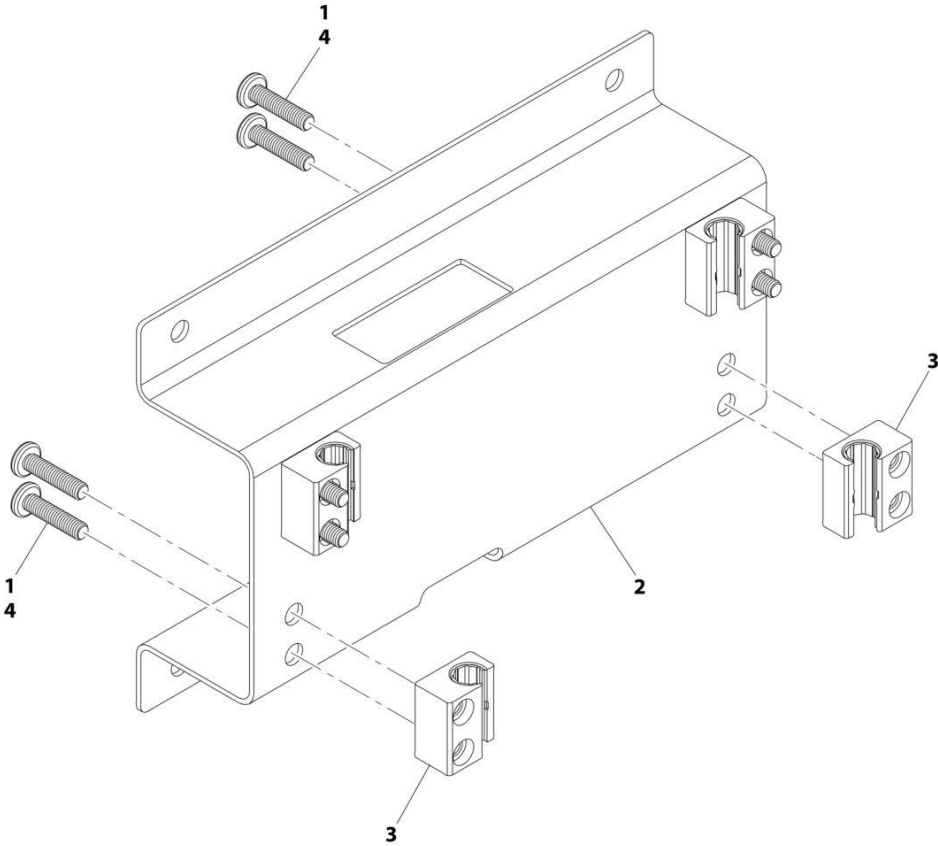
ART\_1001191281

FIGURE 6-34. ARMREST

ITEM	PART NUMBER	QTY	DESCRIPTION	REV
	1001191281	Ref	Armrest	E
1	1001095650	AR	Adhesive	
2	1001179484	1	Armrest, Cab	
3	1001191282	1	Bracket, Armrest Pad	
4	1001192240	6	Screw	

**SECTION 6 - CAB**

**FIGURE 6-35. FIXED ARMREST BRACKET**



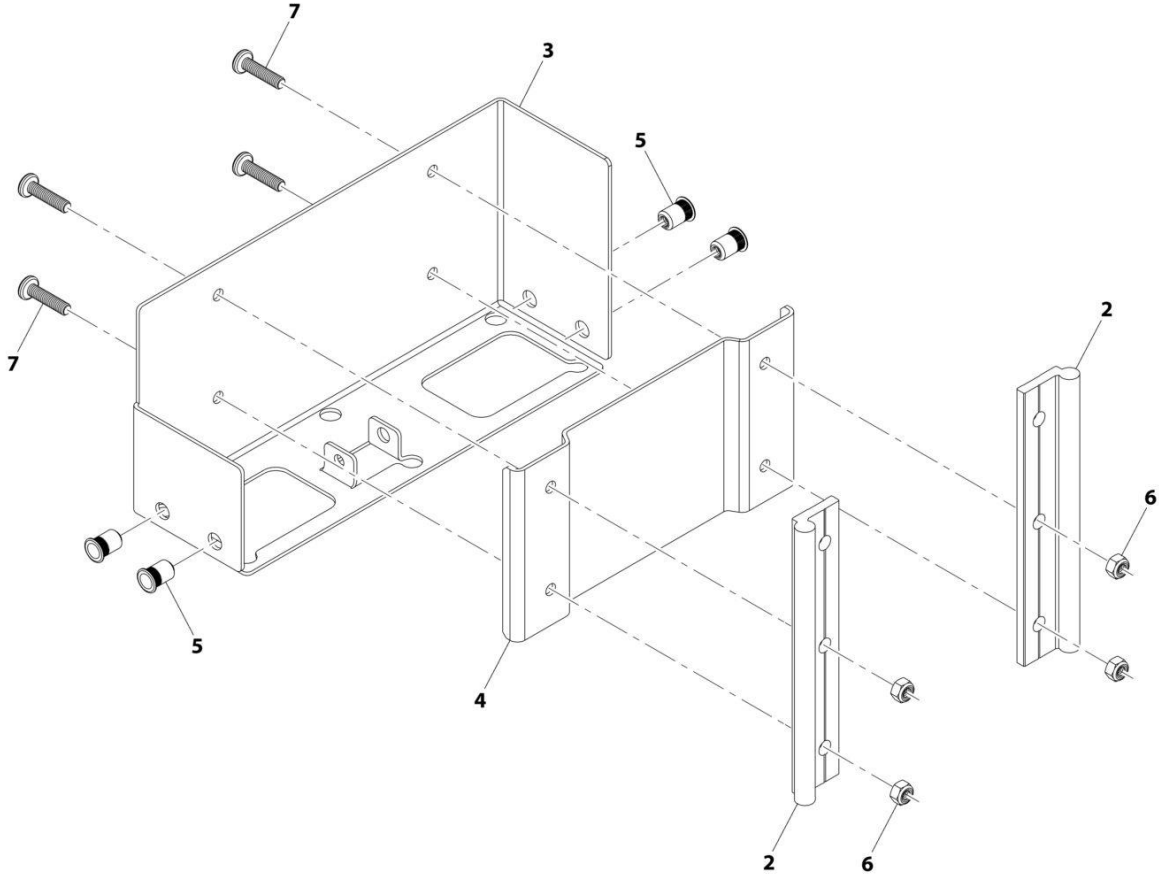
ART\_1001191283-B

FIGURE 6-35. FIXED ARMREST BRACKET

ITEM	PART NUMBER	QTY	DESCRIPTION	REV
	1001191283	Ref	Fixed Armrest Bracket	B
1	1001095650	AR	Adhesive	
2	1001183597	1	Armrest Bracket	
3	1001191310	4	Slide Block	
4	4010612002	8	Screw	

**SECTION 6 - CAB**

**FIGURE 6-36. MOVING ARMREST BRACKET**



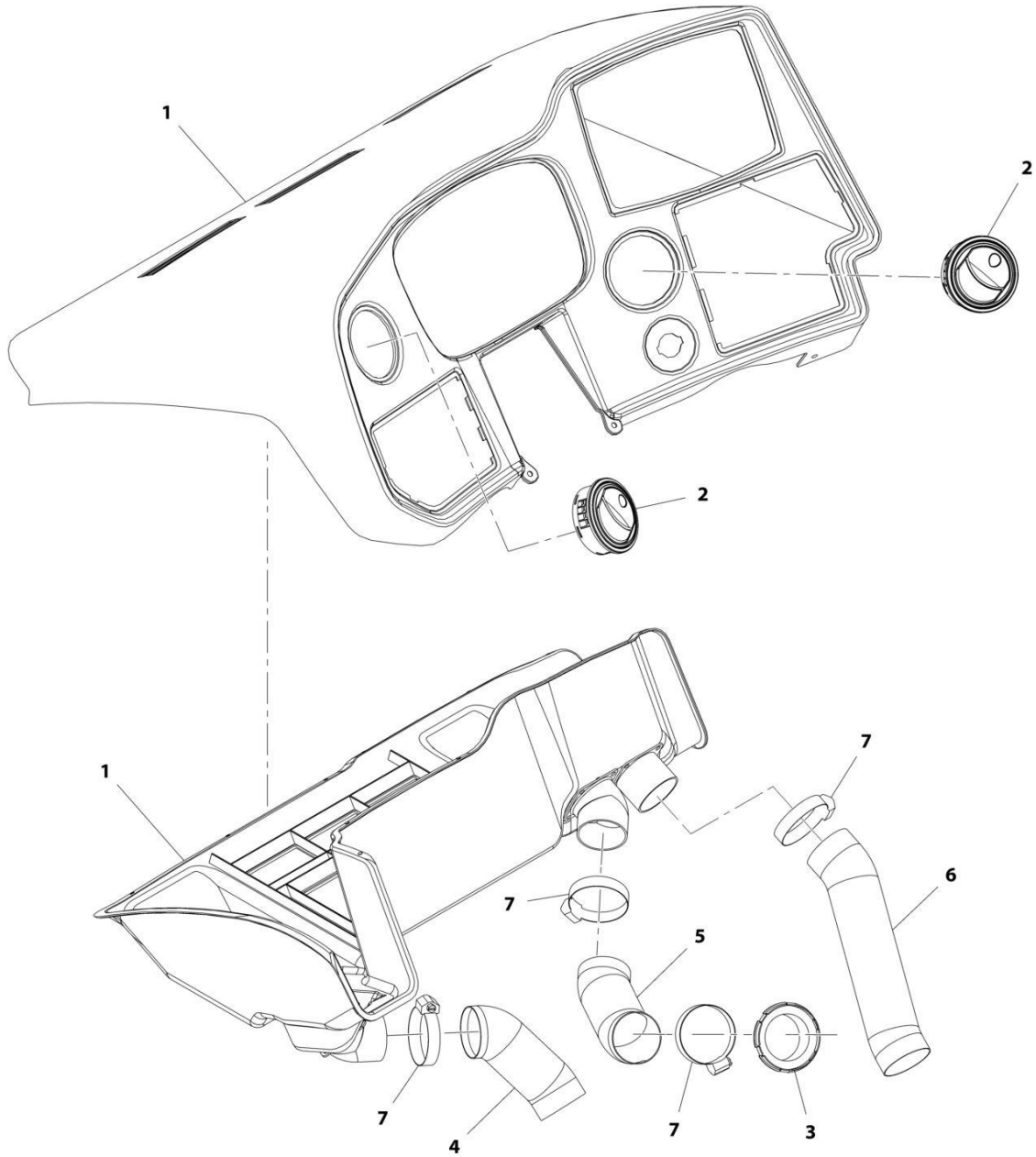
ART\_1001191284-B

FIGURE 6-36. MOVING ARMREST BRACKET

ITEM	PART NUMBER	QTY	DESCRIPTION	REV
	1001191284	Ref	Moving Armrest Bracket	B
2	1001191311	2	Side Rail	
3	1001191312	1	Armrest Mount Bracket	
4	1001191313	1	Spacer Block Plate	
5	1001191959	4	Rivenut M6 X 1	
6	3290605	4	Nut, Lock M6X1	
7	4010612002	4	Screw, M6X25	

# SECTION 6 - CAB

## FIGURE 6-37. DASH COVER ASSEMBLY



ART\_1001169604-B

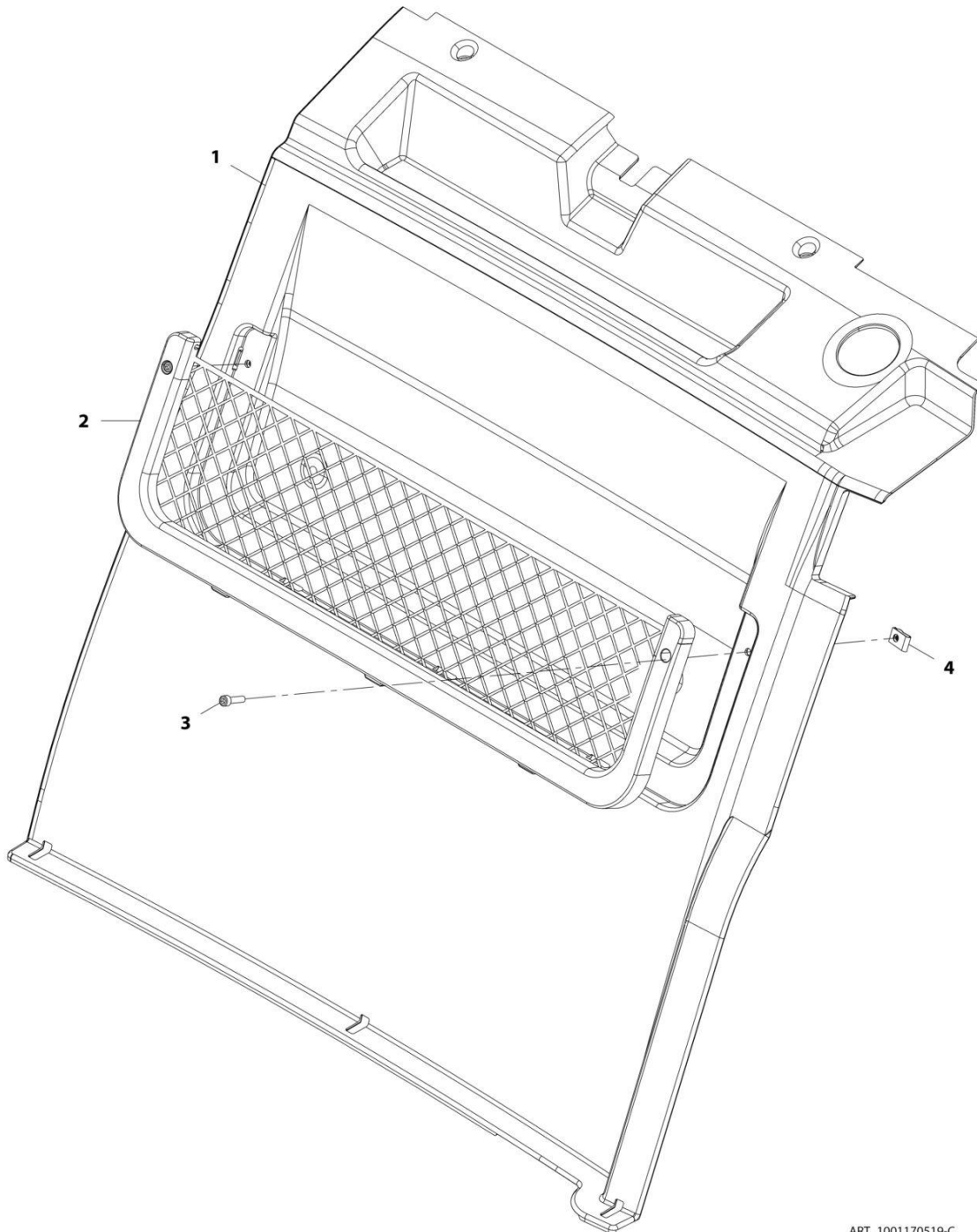


FIGURE 6-37. DASH COVER ASSEMBLY

ITEM	PART NUMBER	QTY	DESCRIPTION	REV
	1001169604	Ref	Dash Cover Assembly (Construction)	B
1	1001161851	1	Panel, Top Dash	
2	1001147449	2	Vent, Air	
3	1001149278	1	Vent, Connector	
4	1001174652	1	Hose	
5	1001174653	1	Hose	
6	1001174655	1	Hose	
7	8405201	4	Clamp, Gear	

# SECTION 6 - CAB

## FIGURE 6-38. REAR PANEL COVER ASSEMBLY



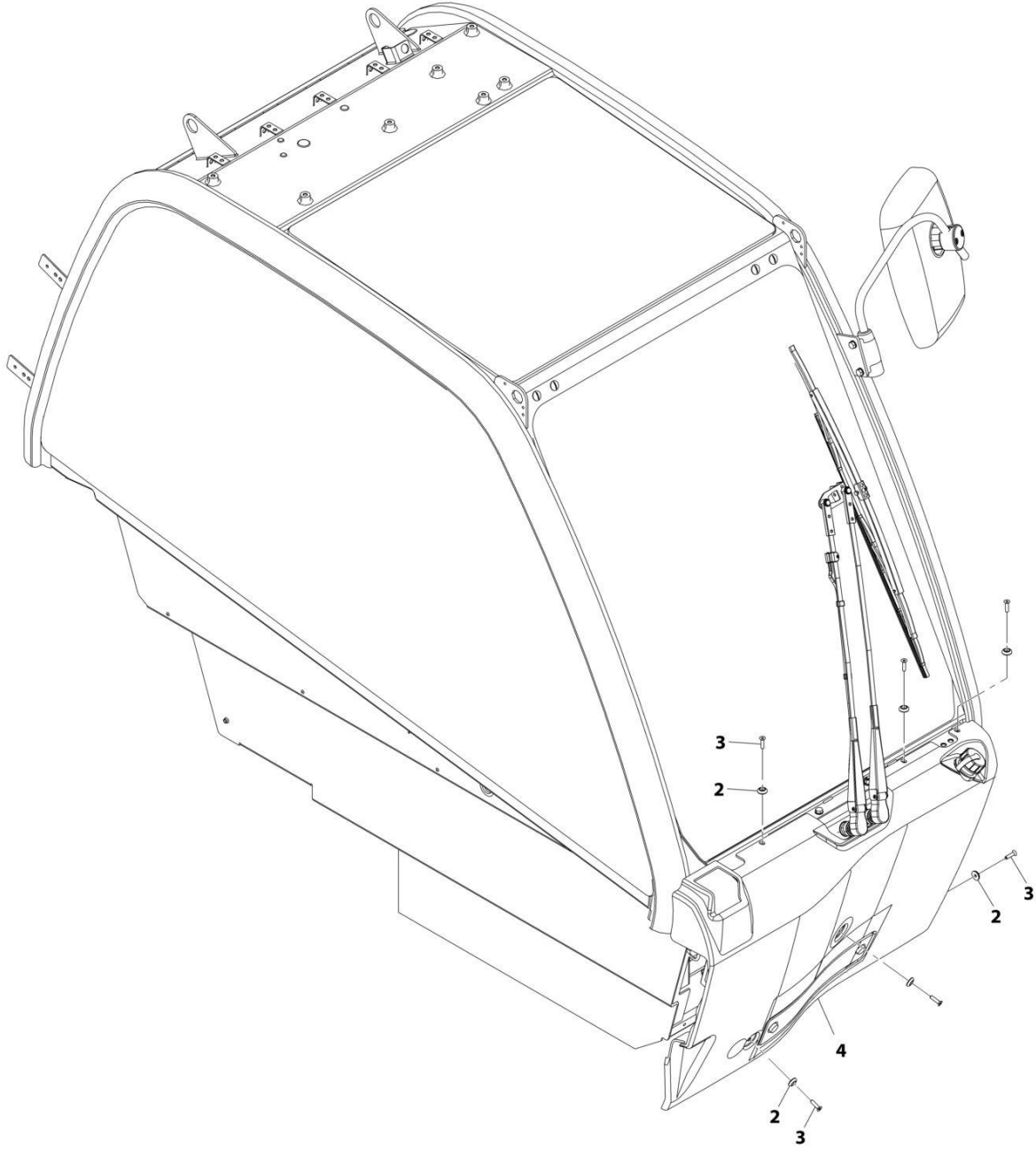
ART\_1001170519-C

FIGURE 6-38. REAR PANEL COVER ASSEMBLY

ITEM	PART NUMBER	QTY	DESCRIPTION	REV
	1001170519	Ref	Rear Panel Cover Assembly	C
1	1001161067	1	Panel, Rear	
2	1001170514	1	Storage Net, Rear Panel	
3	4031608	2	Bolt, M5X20	
4	1001183550	2	Nut, Cage M5	

# SECTION 6 - CAB

## FIGURE 6-39. ENCLOSED CAB FRONT COVER INSTALLATION



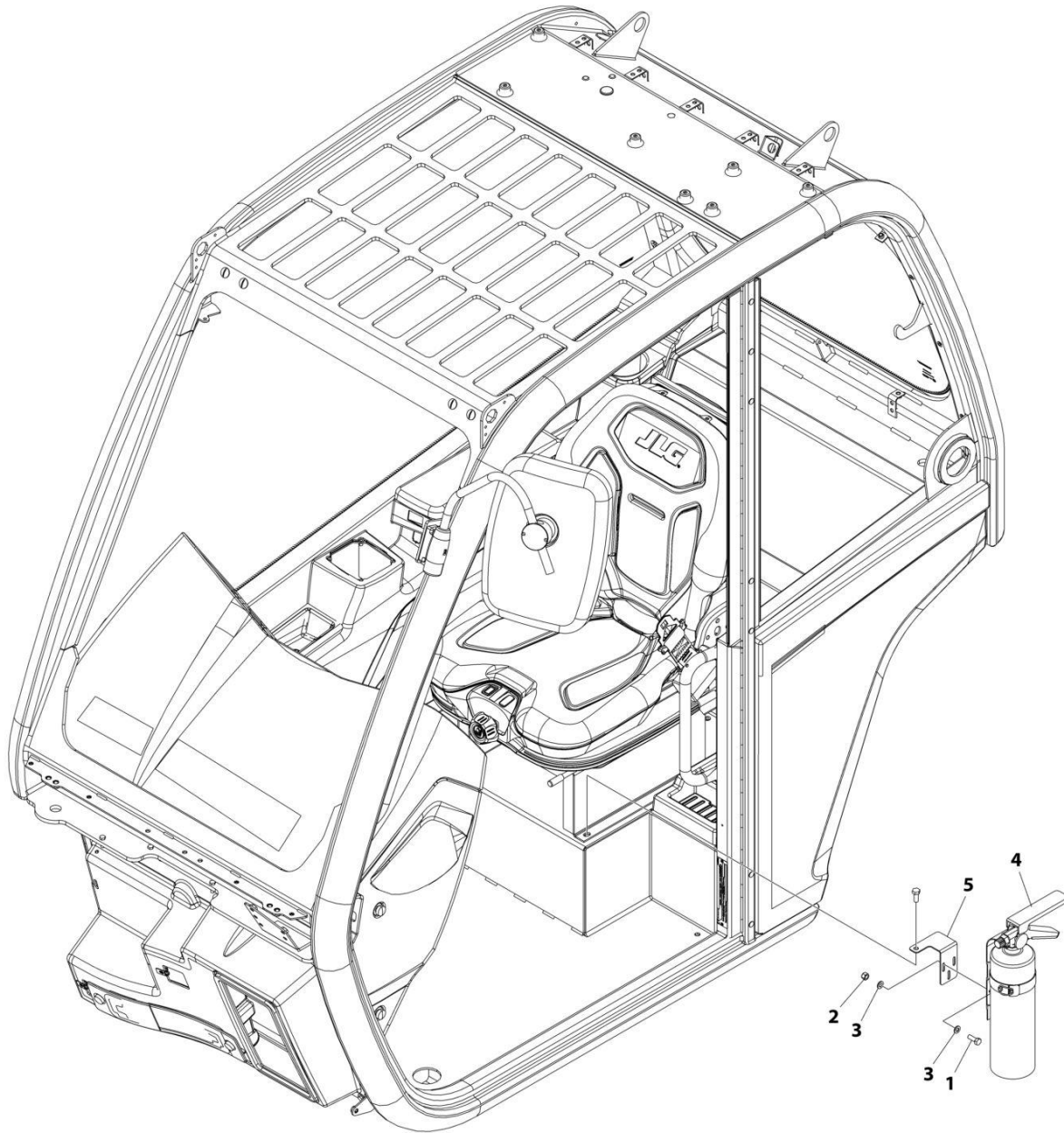
ART\_1001179592-G

FIGURE 6-39. ENCLOSED CAB FRONT COVER INSTALLATION

ITEM	PART NUMBER	QTY	DESCRIPTION	REV
	1001179592	Ref	Enclosed Cab Front Cover Installation	G
2	1001097540	6	Washer, M6	
3	3900379	6	Screw, M6-1X25 Grade 10.9	
4	1001170325	1	Cover, Front	

# SECTION 6 - CAB

## FIGURE 6-40. FIRE EXTINGUISHER INSTALLATION



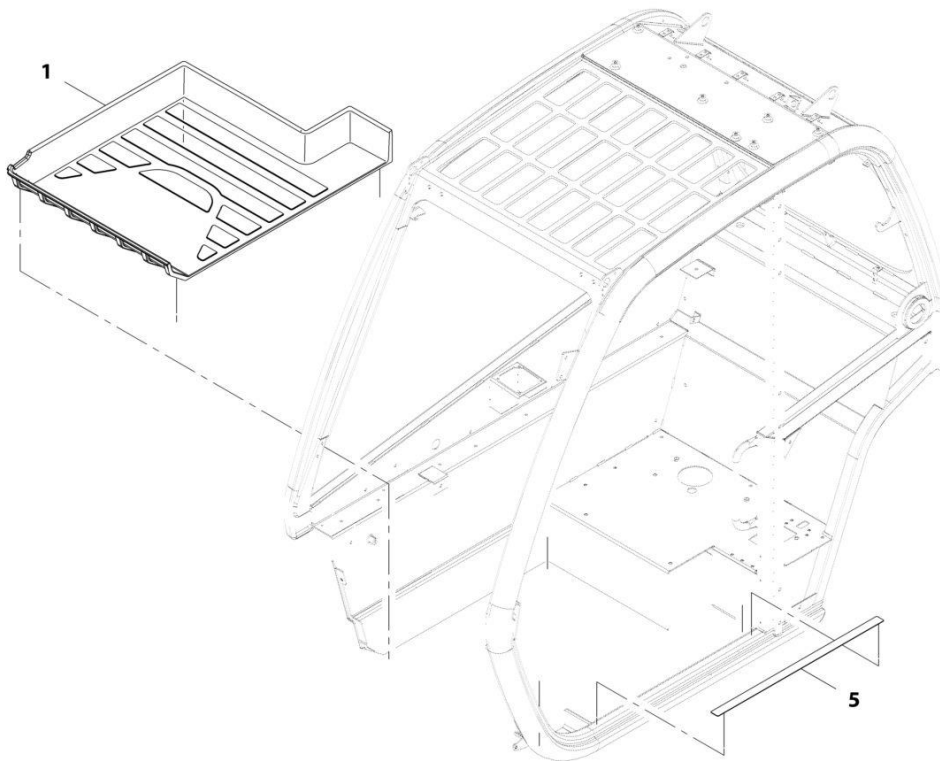
ART\_1001258099

FIGURE 6-40. FIRE EXTINGUISHER INSTALLATION

ITEM	PART NUMBER	QTY	DESCRIPTION	REV
	1001258099	Ref	FIRE EXTINGUISHER INSTALLATION	A
1	0760507	3	Bolt M5X14	
2	3290505	3	Nut M5	
3	4811600	6	Washer M5	
4	1001099699	1	Fire Extinguisher Assy	
5	1001241337	1	Bracket	

# SECTION 6 - CAB

## FIGURE 6-41. FLOOR MAT INSTALLATION



ART\_1001161080-E

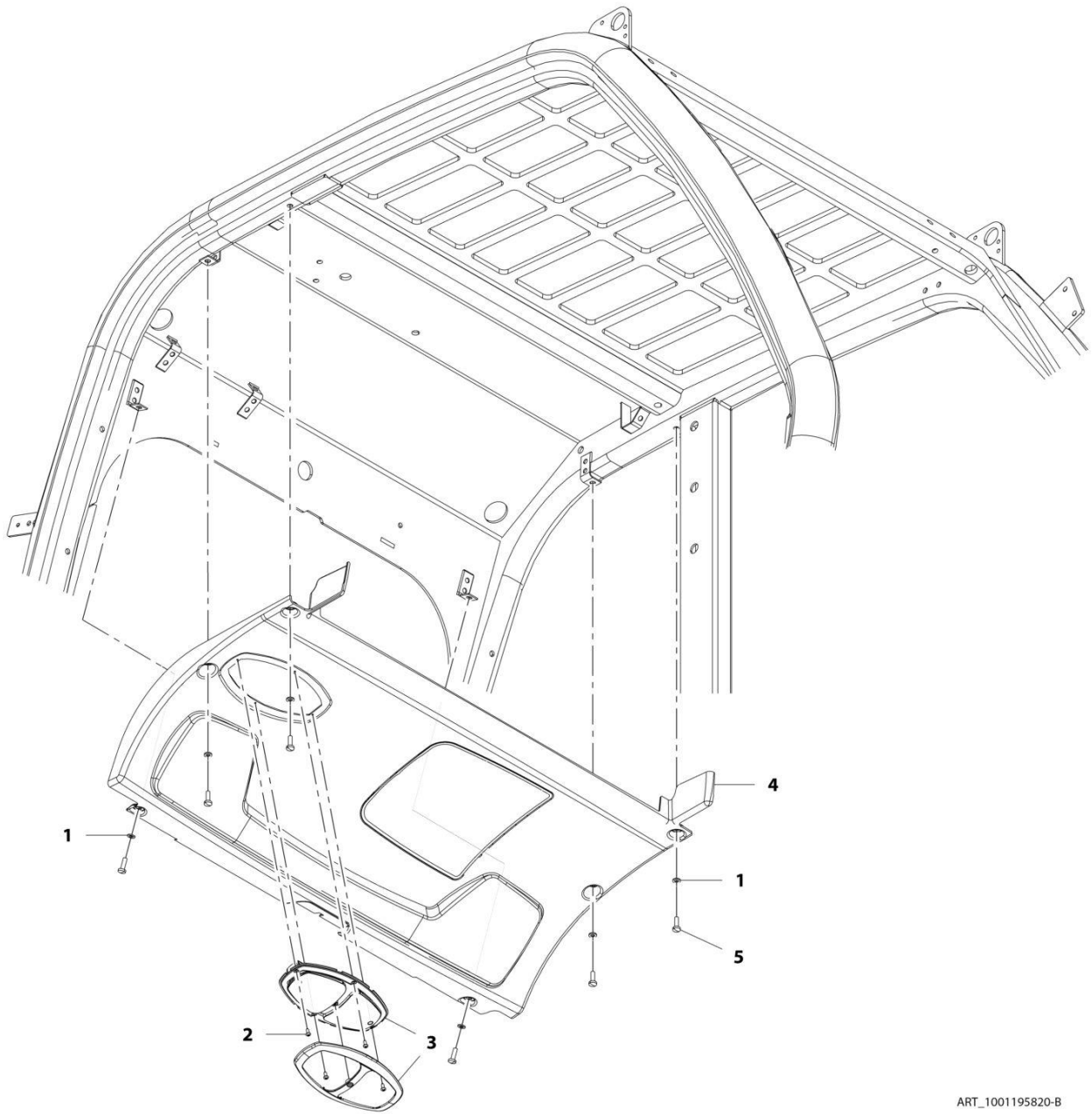


FIGURE 6-41. FLOOR MAT INSTALLATION

ITEM	PART NUMBER	QTY	DESCRIPTION	REV
	1001161080	Ref	Floor Mat Installation	E
1	1001161078	1	Cab, Floor Mat	
5	1001197259	1	Tape, Frame Non Skid	

# SECTION 6 - CAB

## FIGURE 6-42. HEADLINER INSTALLATION



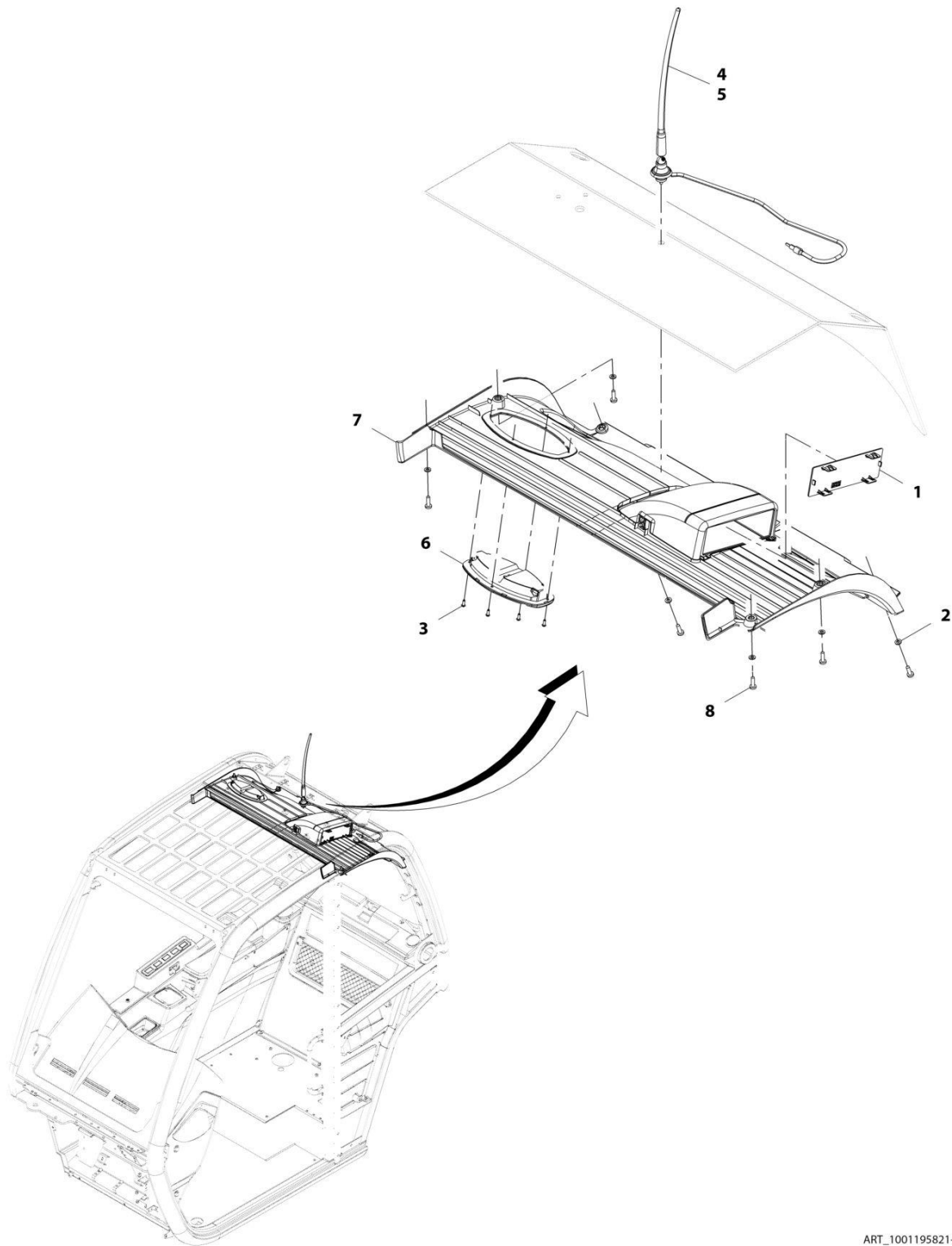
ART\_1001195820-B

FIGURE 6-42. HEADLINER INSTALLATION

ITEM	PART NUMBER	QTY	DESCRIPTION	REV
	1001195820	Ref	Headliner Installation	C
1	4811700	6	Washer, M6	
2	7029486	4	Screw	
3	1001167015	1	Lamp, Dome	
4	1001195822	1	Panel, Headliner	
5	4031708001	1	Cap Screw M6 x 20	

# SECTION 6 - CAB

## FIGURE 6-43. HEADLINER/RADIO READY PACKAGE INSTALLATION



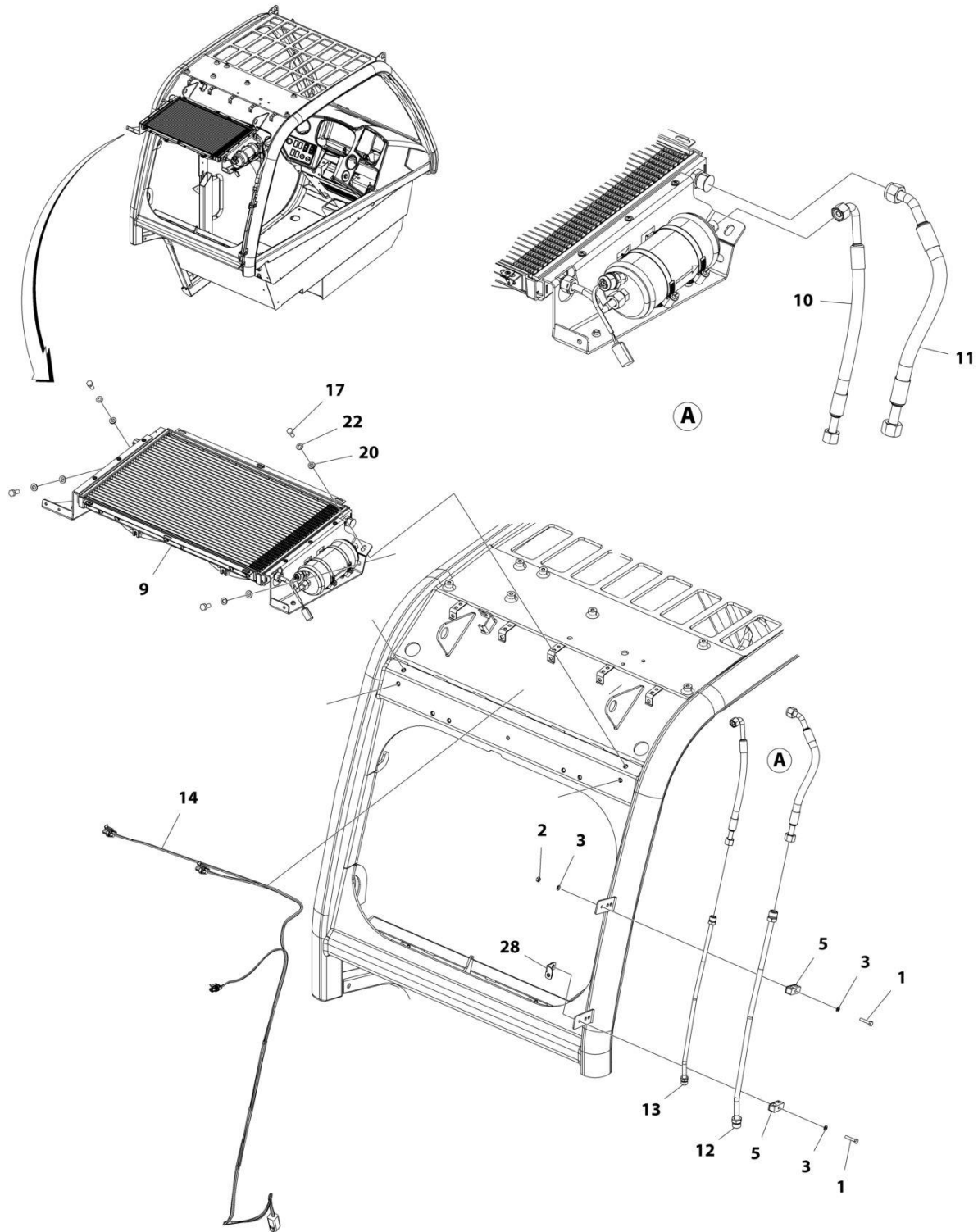
ART\_1001195821-B

FIGURE 6-43. HEADLINER/RADIO READY PACKAGE INSTALLATION

ITEM	PART NUMBER	QTY	DESCRIPTION	REV
	1001195821	Ref	Headliner/Radio Ready Package Installation	B
1	1001200968	1	Plate	
2	4811700	6	Washer, 6M	
3	7029486	4	Screw	
4	8005901	1	Antenna	
5	1001116128	AR	Sealant, Polysiloxane	
6	1001167015	1	Lamp	
7	1001195823	1	Cover, Headliner	
8	4010610002	6	Screw, M6X20	

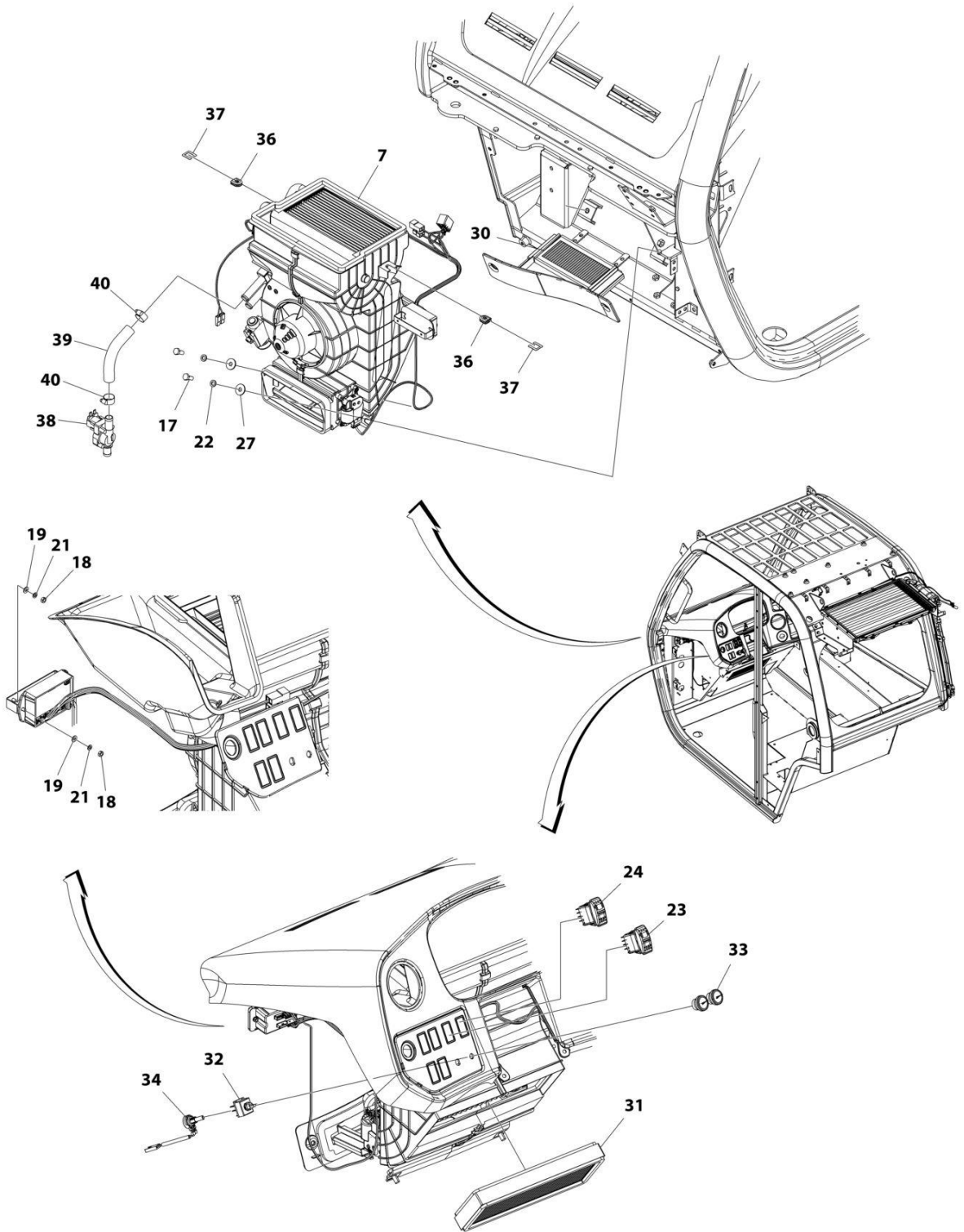
# SECTION 6 - CAB

## FIGURE 6-44. HEATER AND A/C INSTALLATION (CAB PARTS)



ART\_1001160042\_O\_10F2

# SECTION 6 - CAB



ART\_1001160042\_O\_20F2

## SECTION 6 - CAB

**FIGURE 6-44. HEATER AND A/C INSTALLATION (CAB PARTS)**

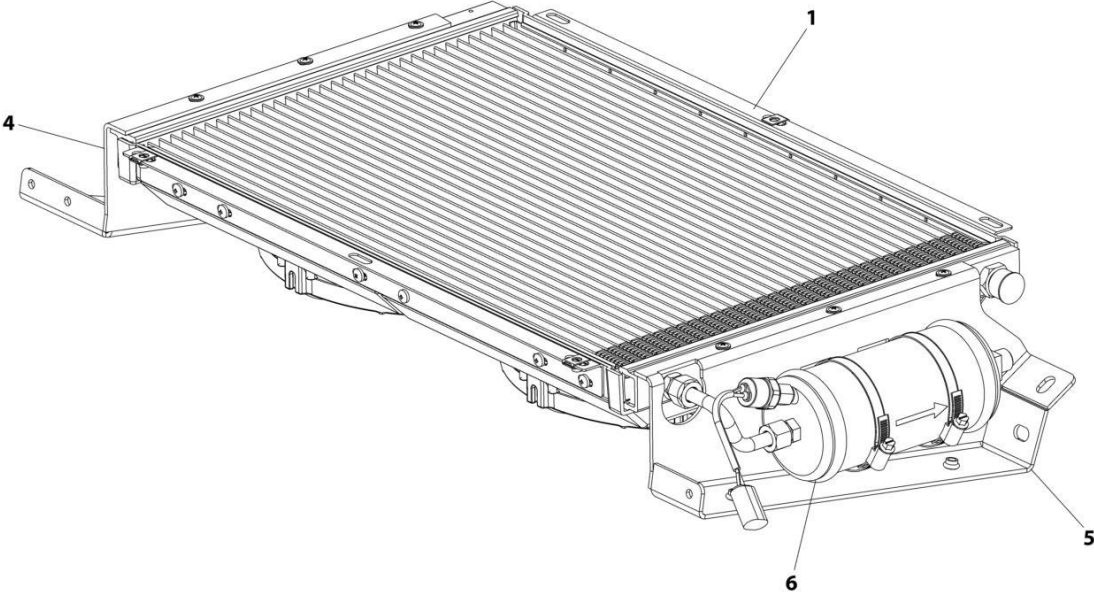
ITEM	PART NUMBER	QTY	DESCRIPTION	REV
	1001160042	Ref	HEATER AND A/C INSTALLATION (CAB PARTS)	O
1	0700614	2	Bolt M6 x 30	
2	3290601	1	Nut M6	
3	4811700	3	Washer M6	
5	1001145539	2	Support, Pipe	
7	1001268831	1	Assembly, Heater and A/C (See Separate Breakdown in this Section)	
9	1001162953	1	Assembly, Cab Condenser (See Separate Breakdown in this Section)	
10	1001168327	1	Hose	
11	1001168330	1	Hose	
12	1001168331	1	Tube	
13	1001168456	1	Tube	
14	1001169151	1	Harness, A/C Option (See Separate Breakdown in ELECTRICAL Section)	
17	0760810	6	Bolt M8 x 20 GR8.8	
18	3290401	4	Nut M4	
19	4811400	4	Washer M4	
20	4811900	4	Washer M8	
21	4831400	4	Washer M4	
22	4831900	6	Washer M8	
23	1001159925	1	Switch, HVAC Recycle	
24	1001160326	1	Switch, HVAC On/Off	
27	4811902	2	Washer M8	
28	1001178170	1	Bracket	
30	1001218996	1	Filter, HVAC Fresh Air	
31	1001172553	1	Filter, HVAC Air Recirculation	
32	1001172547	1	Switch, HVAC Rotary 3 Speed	
33	1001172550	2	Knob, HVAC Control	
34	1001270976	1	Cable, HVAC	
35	1320022	1	Clamp	
36	1001188590	2	Grommet	
37	1001218542	2	Shim	
38	1001221059	1	Valve, Water	
39	1001221295	1	Hose	
40	8410009	2	Clamp	





**SECTION 6 - CAB**

**FIGURE 6-45. CAB CONDENSER ASSEMBLY**



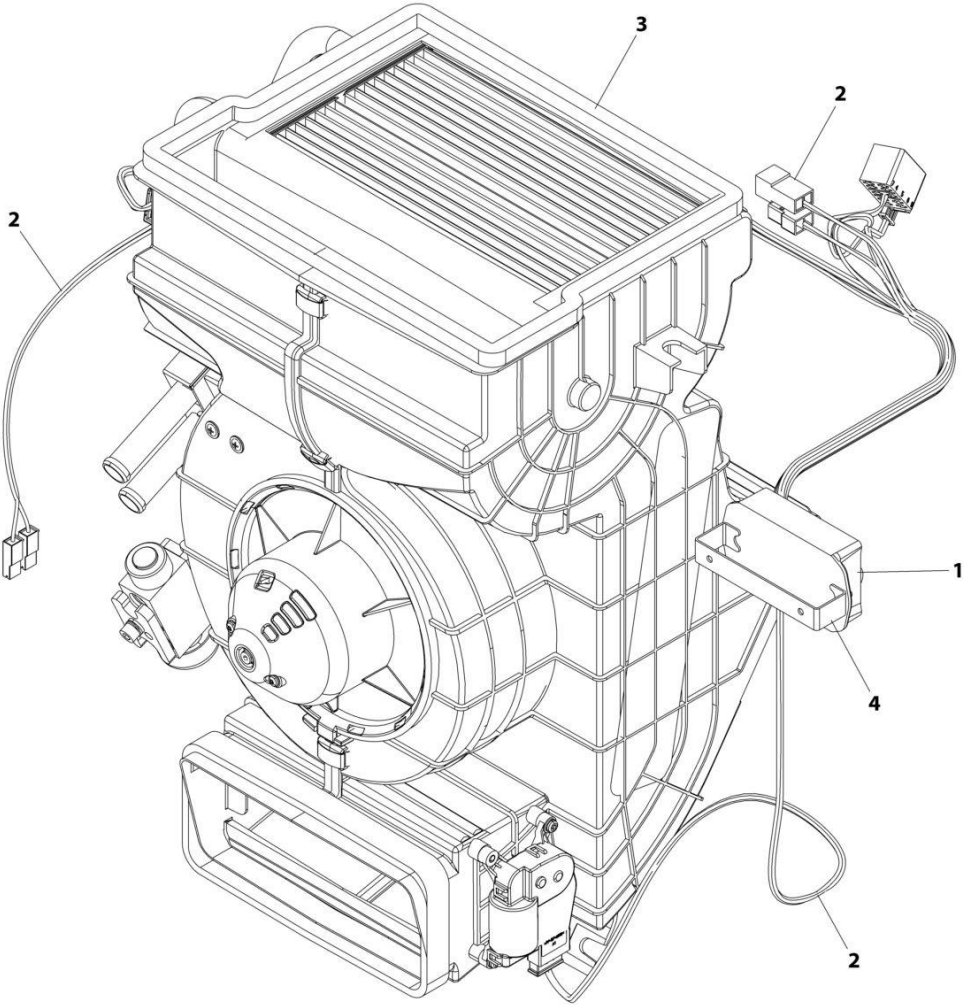
ART\_1001162953

FIGURE 6-45. CAB CONDENSER ASSEMBLY

ITEM	PART NUMBER	QTY	DESCRIPTION	REV
	1001162953	Ref	Cab Condenser Assembly	G
1	1001167266	1	Condenser (See Separate Breakdown in this Section)	
4	1001179080	1	Bracket	
5	1001179081	1	Bracket	
6	1001179130	1	Drier, A/C Receiver (See Separate Breakdown in this Section)	

**SECTION 6 - CAB**

**FIGURE 6-46. HEATER AND A/C ASSEMBLY**



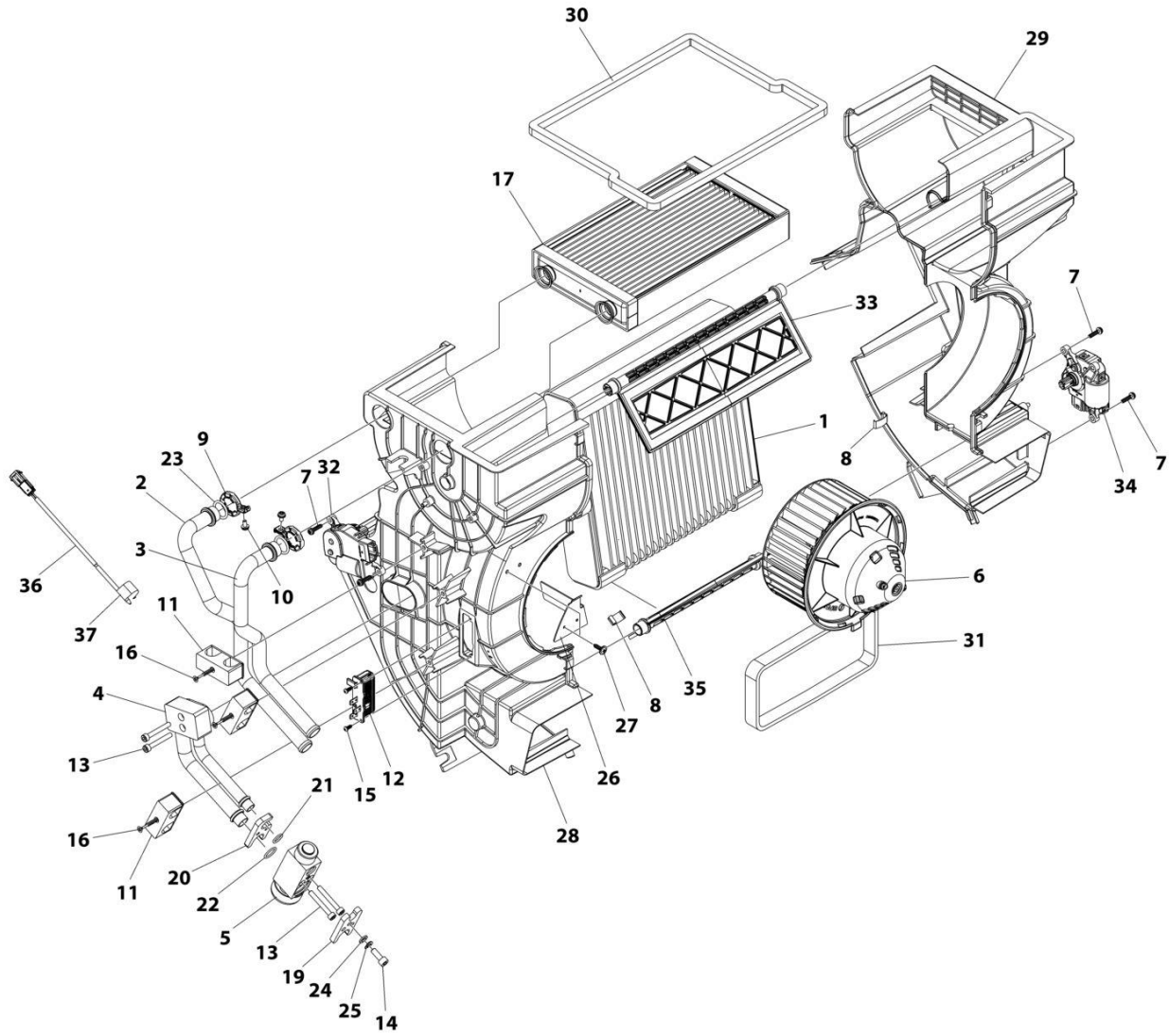
ART\_1001268831

FIGURE 6-46. HEATER AND A/C ASSEMBLY

ITEM	PART NUMBER	QTY	DESCRIPTION	REV
	1001268831	Ref	HEATER AND A/C ASSEMBLY	B
1	1001268829	1	Actuator, HVAC Cab	
2	1001268830	1	Harness, HVAC Actuator (See Separate Breakdown in this Section)	
3	1001268832	1	Heater and A/C (See Separate Breakdown in this Section)	
4	1001264976	1	Bracket	

# SECTION 6 - CAB

## FIGURE 6-47. HEATER AND A/C ASSEMBLY



ART\_1001268832

FIGURE 6-47. HEATER AND A/C ASSEMBLY

ITEM	PART NUMBER	QTY	DESCRIPTION	REV
	1001268832	Ref	HEATER AND A/C	B
1	1001184280	1	Evaporator, Heater	
2	1001184296	1	Pipe, Heater Water	
3	1001184297	1	Pipe, Heater Water	
4	1001184427	1	Pipe, Heater	
5	1001188592	1	Valve, HVAC Expansion	
6	1001188594	1	Fan, HVAC Centrifugal 12V	
7	1001188602	4	Screw M4	
8	1001188603	9	Clamp, HVAC Case	
9	1001188604	2	Clamp, HVAC Pipe	
10	1001188610	2	Screw M4	
11	1001188612	3	Clamp, Pipe	
12	1001188614	1	Resistor	
13	1001188618	4	Screw M5	
14	1001188619	1	Screw M6	
15	1001188720	2	Screw M2.9 x 9.5	
16	1001188725	3	Screw M4 x 35	
17	1001188729	1	Radiator, Heater Core	
19	1001188817	1	Clamp, Hose	
20	1001188818	1	Clamp, HVAC EVAP/Valve	
21	1001189023	1	O-Ring	
22	1001189024	1	O-Ring	
23	1001189025	2	O-Ring	
24	1001189048	1	Washer	
25	1001189054	1	Washer, Spring	
26	1001221057	1	Plate	
27	1001221058	2	Screw	
28	1001269555	1	Housing, HVAC RH	
29	1001269556	1	Housing, HVAC LH	
30	1001269558	1	Seal, Heater Outlet Foam	
31	1001269559	1	Seal, Air Inlet Foam	
32	1001269560	1	Actuator, Hot/Cold Mixing	
33	1001269561	1	Foam, Heater Mixing Flap	
34	1001269563	1	Actuator, Fresh/Recirculation Air	
35	1001269564	1	Foam, Heater Mixing Flap	
36	1001269578	1	Temperature Sensor	
37	1001269579	1	Clamp, Temperature Sensor	



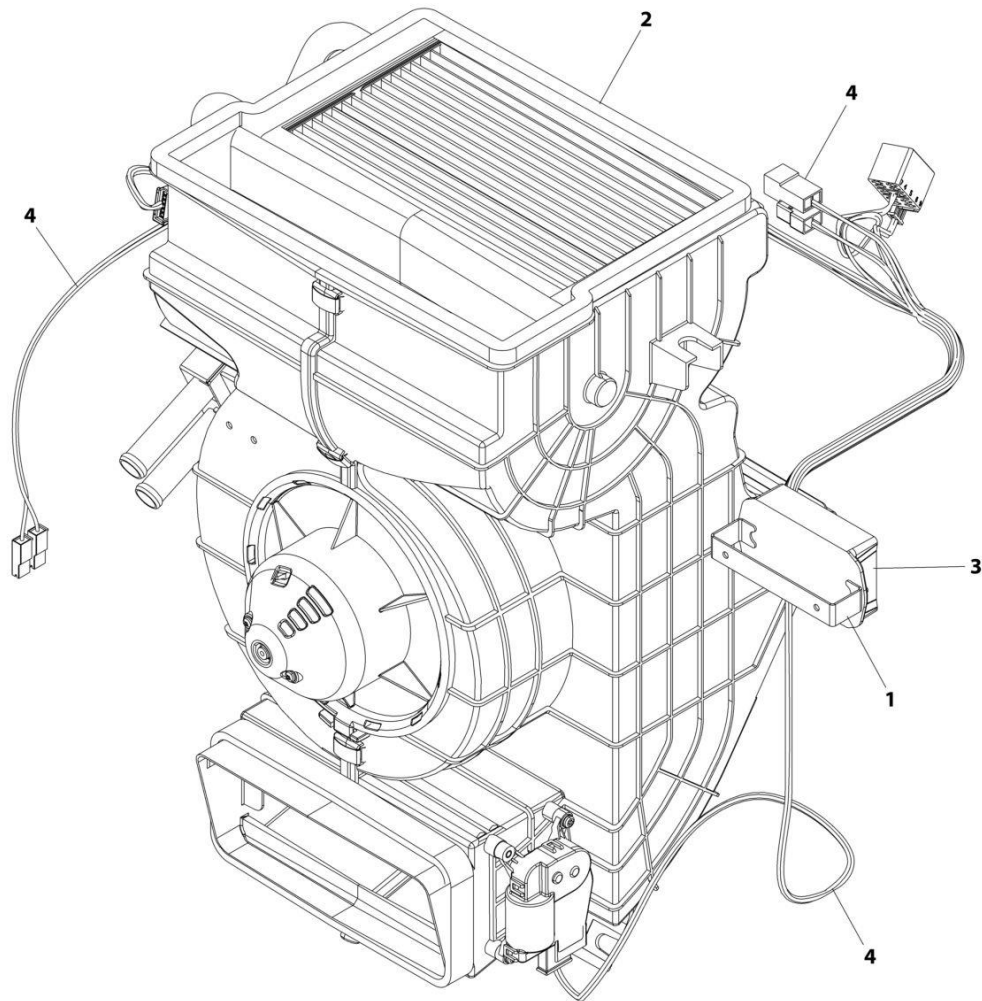


FIGURE 6-48. HEATER INSTALLATION

ITEM	PART NUMBER	QTY	DESCRIPTION	REV
	1001160043	Ref	HEATER INSTALLATION	L
1	0760810	2	Bolt M8 x 20	
2	3290401	4	Nut M4	
3	4811400	4	Washer M4	
4	4811902	2	Washer M8	
5	4831400	4	Washer M4	
6	4831900	2	Washer M8	
9	1001268827	1	Assembly, Heater (See Separate Breakdown in this Section)	
10	1001159925	1	Switch, HVAC Recycle	
14	1001218996	1	Filter, HVAC Air	
15	1001172553	1	Filter, HVAC Recirculation Air	
16	1001172547	1	Switch, HVAC Rotary 3 Speed	
17	1001172550	2	Knob, HVAC Control	
18	1001270976	1	Cable, HVAC	
19	1001188590	2	Grommet	
20	1001218542	2	Shim	
21	1001221059	1	Valve, Water	
22	1001221295	1	House	
23	8410009	2	Clamp	

# SECTION 6 - CAB

## FIGURE 6-49. HEATER ASSEMBLY



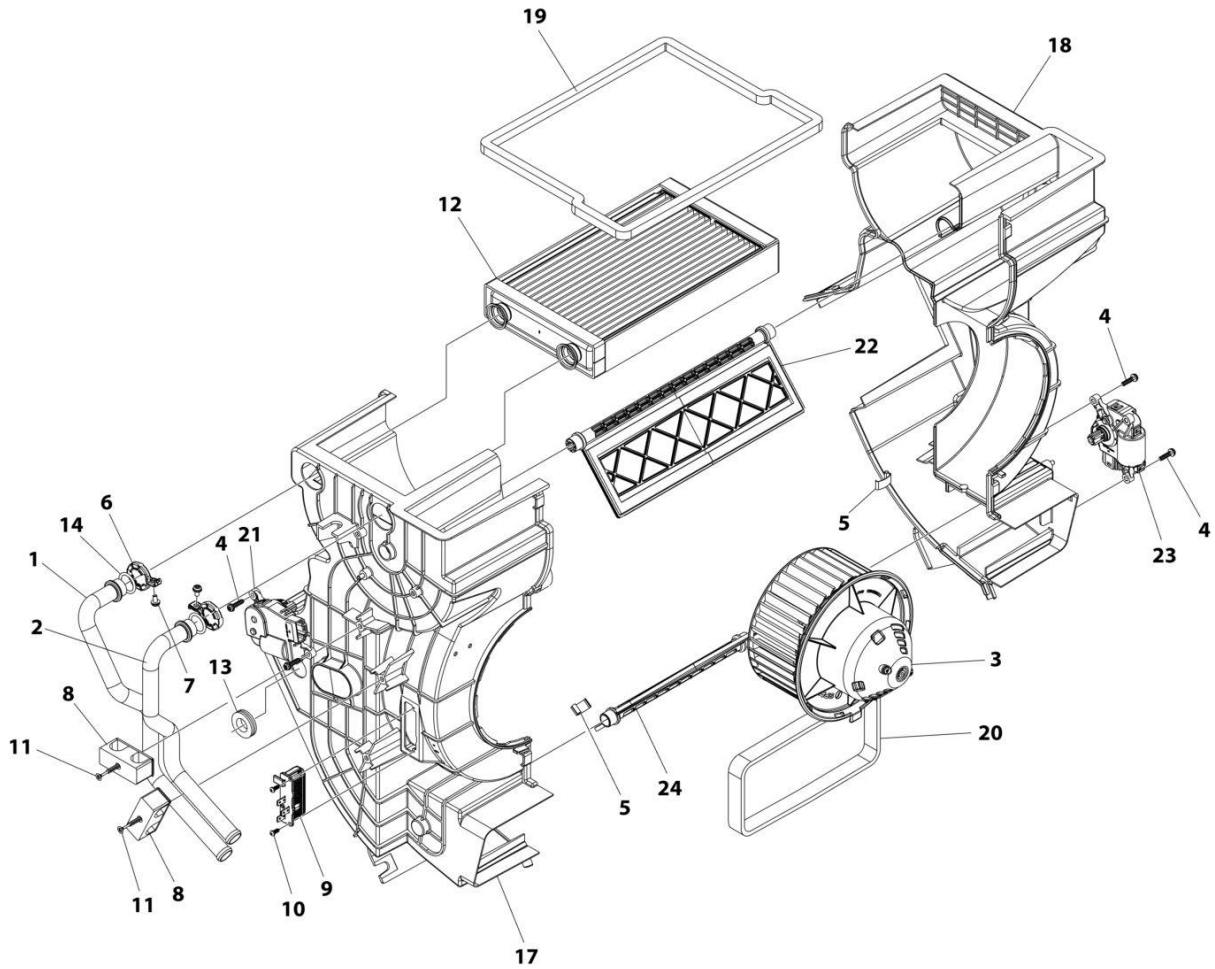
ART\_1001268827

FIGURE 6-49. HEATER ASSEMBLY

ITEM	PART NUMBER	QTY	DESCRIPTION	REV
	1001268827	Ref	HEATER ASSEMBLY	B
1	1001264976	1	Bracket	
2	1001268828	1	Heater, Cab (See Separate Breakdown in this Section)	
3	1001268829	1	Actuator, HVAC Cab	
4	1001268830	1	Harness, HVAC Actuator (See Separate Breakdown in ELECTRICAL Section)	

# SECTION 6 - CAB

## FIGURE 6-50. CAB HEATER ASSEMBLY



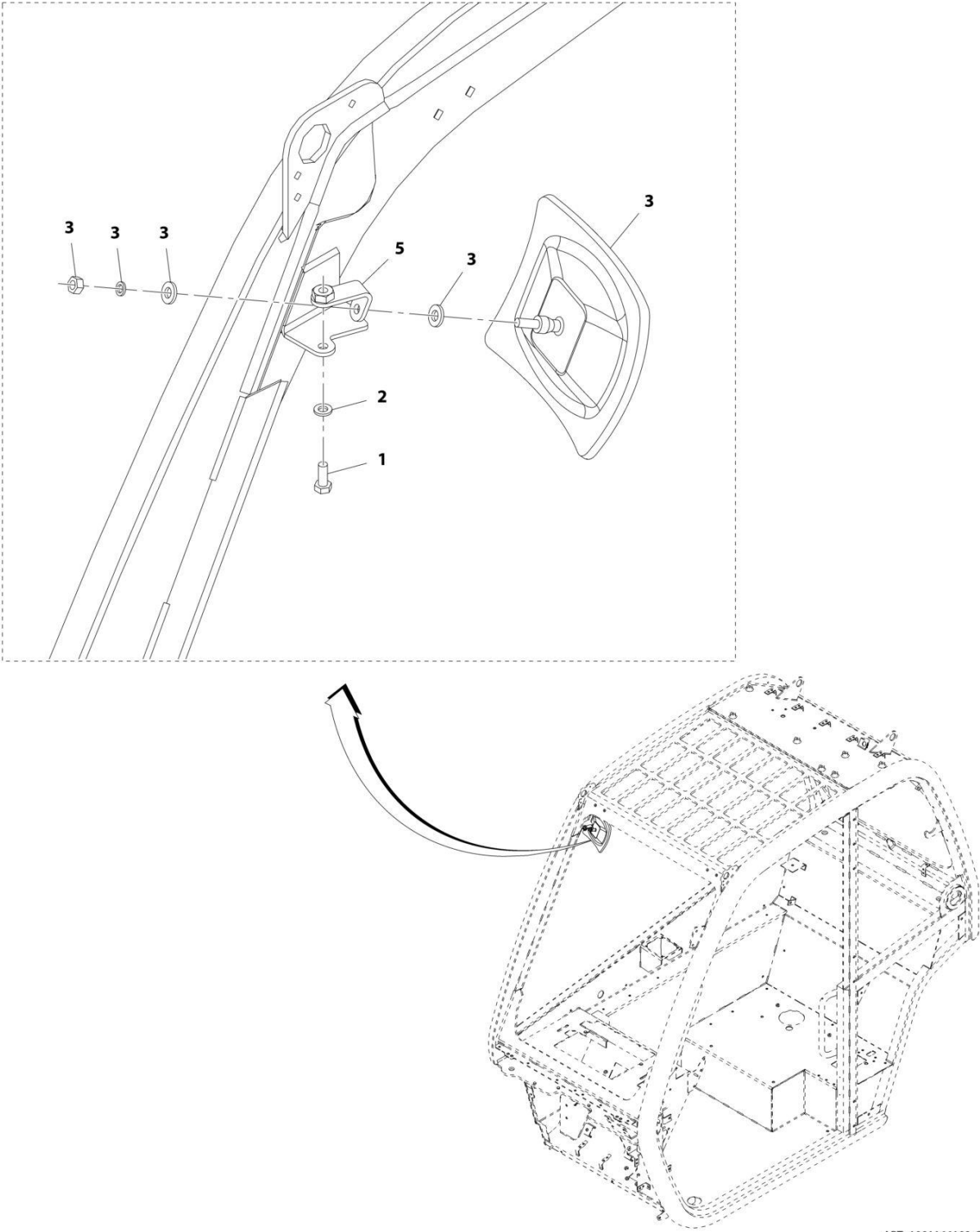
ART\_1001268828

FIGURE 6-50. CAB HEATER ASSEMBLY

ITEM	PART NUMBER	QTY	DESCRIPTION	REV
	1001268828	Ref	HEATER	B
1	1001184296	1	Pipe, Water	
2	1001184297	1	Pipe, Water	
3	1001188594	1	Fan, 12V	
4	1001188602	4	Screw	
5	1001188603	9	Clamp	
6	1001188604	2	Clamp	
7	1001188610	2	Screw	
8	1001188612	2	Clamp	
9	1001188614	1	Resistor	
10	1001188720	2	Screw	
11	1001188725	2	Screw	
12	1001188729	1	Radiator, Heater Core	
13	1001188733	1	Grommet	
14	1001189025	2	O-Ring	
17	1001269555	1	Housing, RH	
18	1001269556	1	Housing, LH	
19	1001269558	1	Foam, Air Outlet	
20	1001269559	1	Foam, Air Inlet	
21	1001269560	1	Actuator, Fresh/Recirculation Air	
22	1001269561	1	Flap, Mixing	
23	1001269563	1	Actuator, Fresh/Recirculation Air	
24	1001269564	1	Flap, HVAC Fresh	

**SECTION 6 - CAB**

**FIGURE 6-51. INTERNAL MIRROR INSTALLATION**



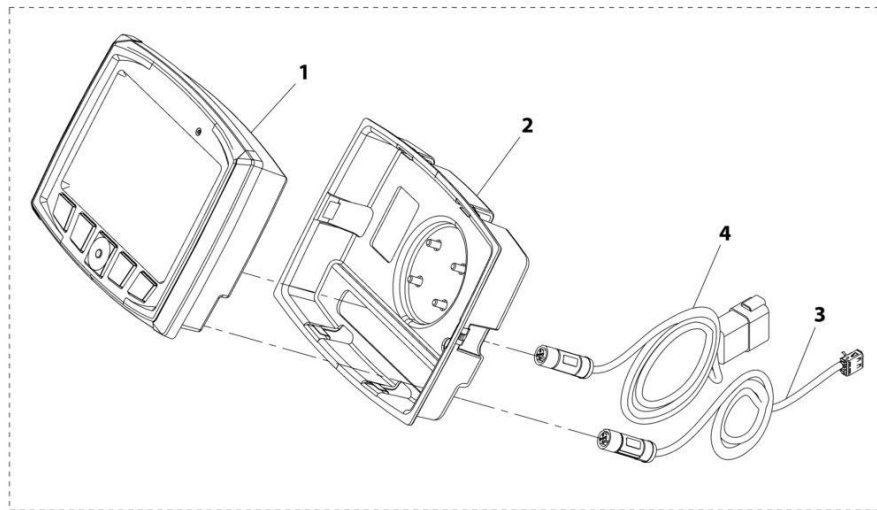
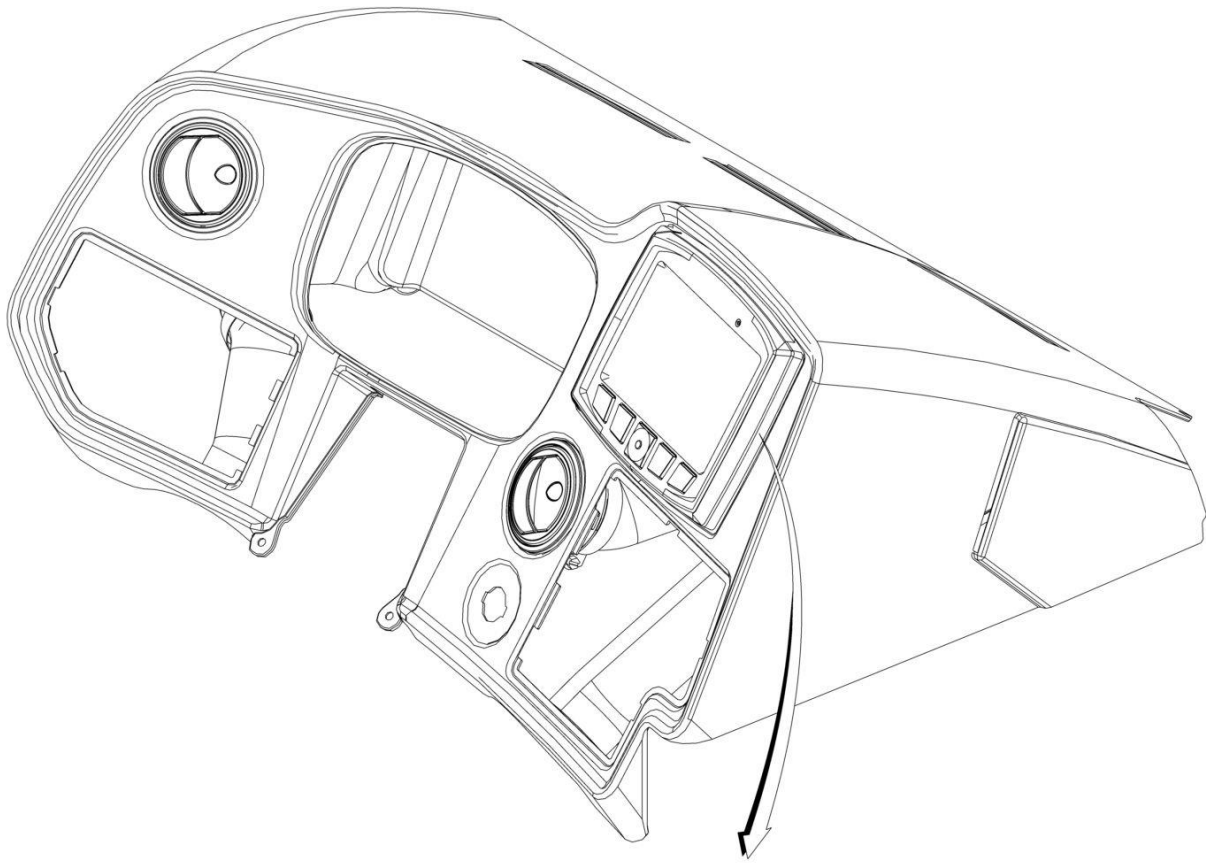
ART\_1001166192-C

FIGURE 6-51. INTERNAL MIRROR INSTALLATION

ITEM	PART NUMBER	QTY	DESCRIPTION	REV
	1001166192	Ref	Interior Mirror Installation	C
1	0760608	1	Bolt, M6X16	
2	4811700	1	Washer, M6	
3	1001007641	1	Mirror, Interior (See Separate Breakdown in this Section)	
5	1001166191	1	Bracket	

# SECTION 6 - CAB

## FIGURE 6-52. MULTIFUNCTION DISPLAY INSTALLATION



ART\_1001176338-C

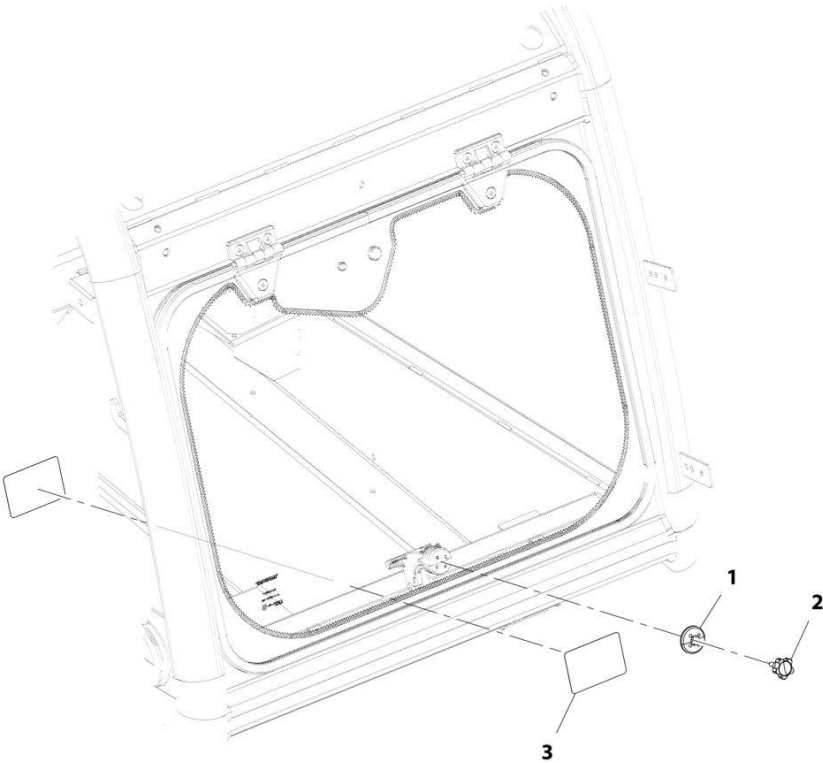


**FIGURE 6-52. MULTIFUNCTION DISPLAY INSTALLATION**

<b>ITEM</b>	<b>PART NUMBER</b>	<b>QTY</b>	<b>DESCRIPTION</b>	<b>REV</b>
	1001176338	Ref	Multifunction Display Installation	C
1	1001250161	1	Display	
2	1001178783	1	Bezel	
3	1001180682	1	Cable	
4	1001180683	1	Cable, Video	

**SECTION 6 - CAB**

**FIGURE 6-53. REAR WINDOW RELEASE INSTALLATION (ANSI - ENGLISH)**



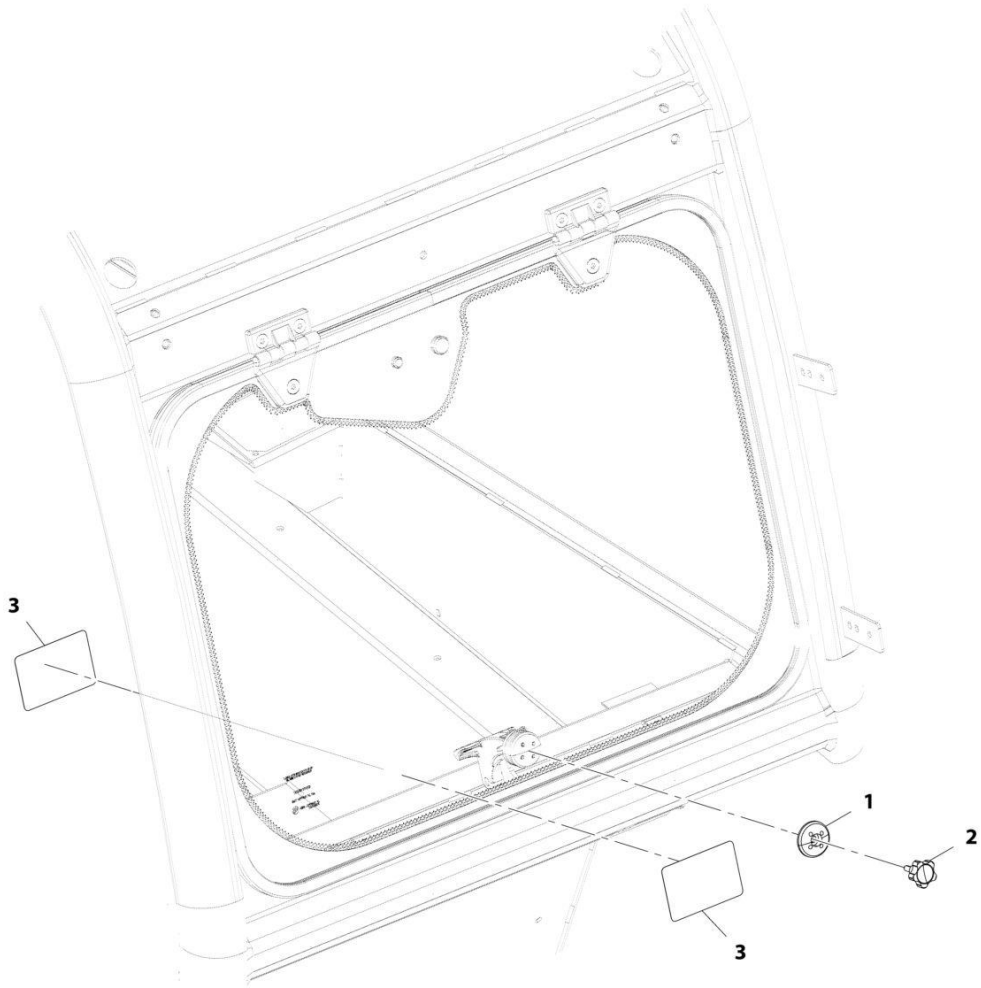
ART\_1001212047-A

**FIGURE 6-53. REAR WINDOW RELEASE INSTALLATION (ANSI - ENGLISH)**

<b>ITEM</b>	<b>PART NUMBER</b>	<b>QTY</b>	<b>DESCRIPTION</b>	<b>REV</b>
	1001212047	Ref	External Window Release Installation (ANSI)	A
1	1001179008	1	Cap, Latch Window	
2	1001179009	1	Cap, Knob M6	
3	1001212049	2	Decal, Emergency Exit	

**SECTION 6 - CAB**

**FIGURE 6-54. REAR WINDOW RELEASE INSTALLATION (ENGLISH/FREMCH)**



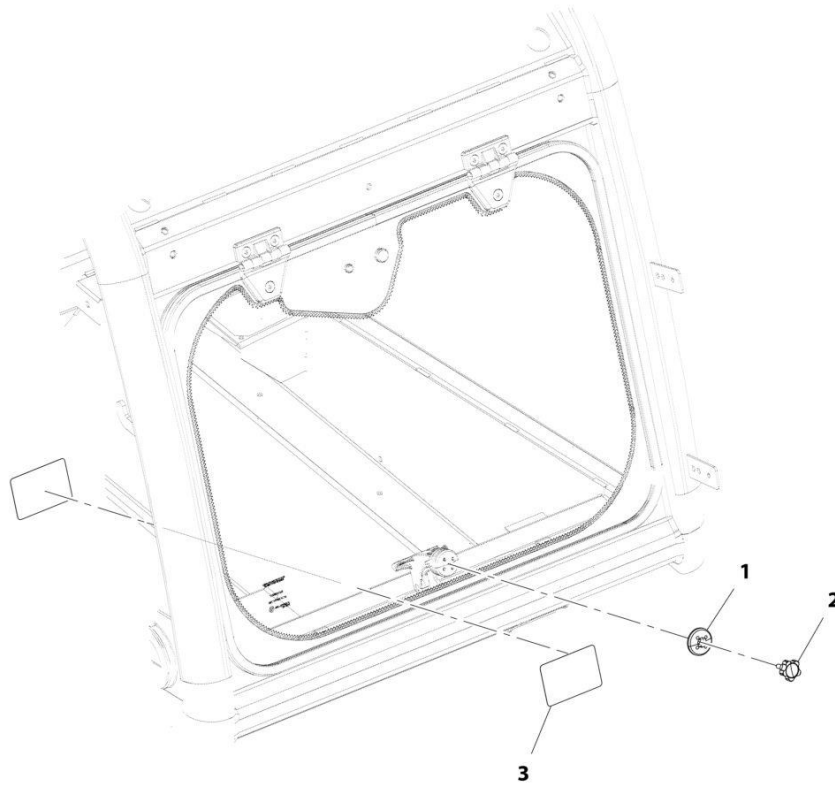
ART\_1001178826-C

**FIGURE 6-54. REAR WINDOW RELEASE INSTALLATION (ENGLISH/FRENCH)**

<b>ITEM</b>	<b>PART NUMBER</b>	<b>QTY</b>	<b>DESCRIPTION</b>	<b>REV</b>
	1001178826	Ref	External Window Release Installation (English/French)	C
1	1001179008	1	Cap, Latch Window	
2	1001179009	1	Knob	
3	1001204709	2	Decal, Emergency Exit (English/French)	

# SECTION 6 - CAB

## FIGURE 6-55. REAR WINDOW RELEASE INSTALLATION (ISO)



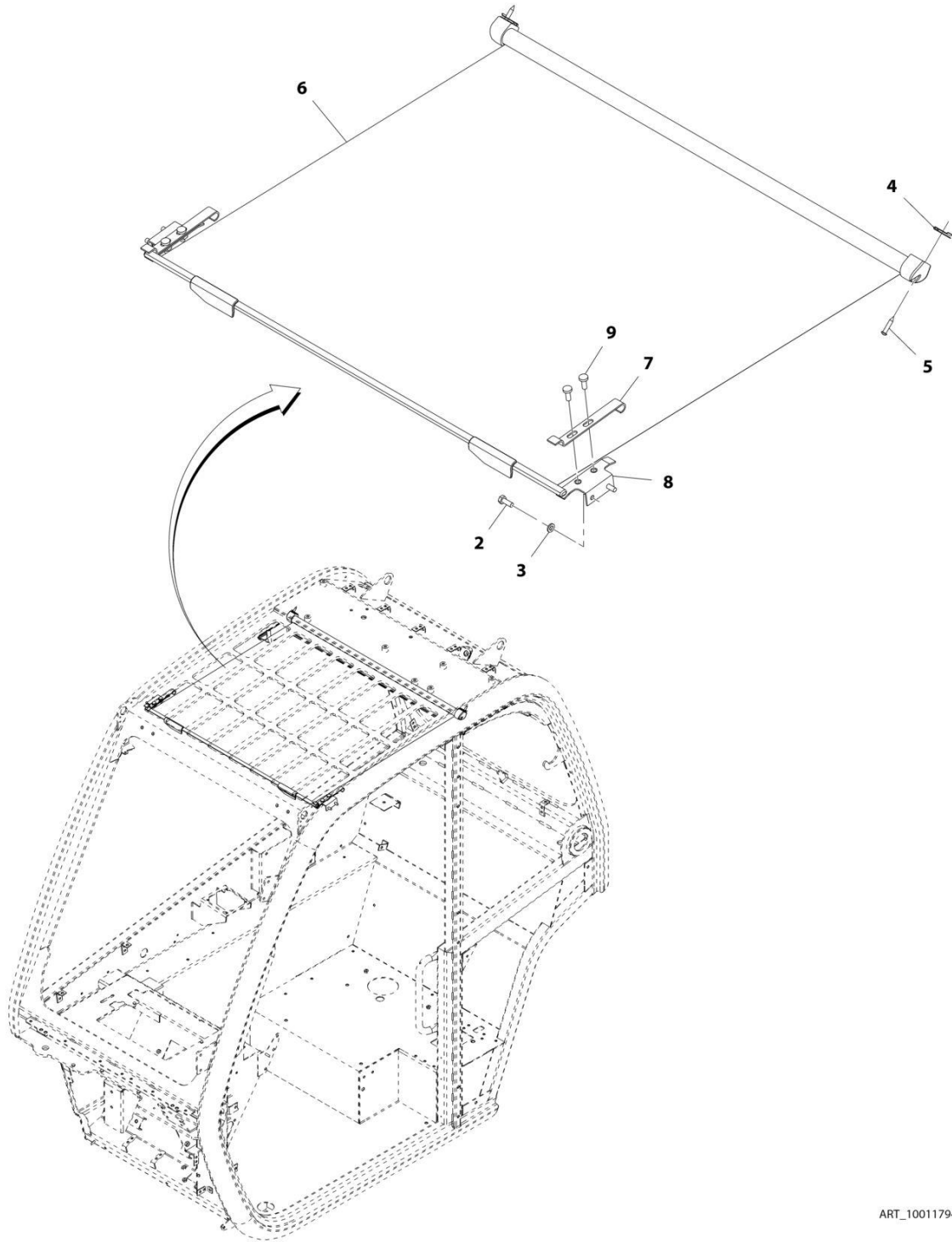
ART\_1001212048-A

FIGURE 6-55. REAR WINDOW RELEASE INSTALLATION (ISO)

ITEM	PART NUMBER	QTY	DESCRIPTION	REV
	1001212048	Ref	Rear Window Installation (WO/Wiper) (ISO)	A
1	1001179008	1	Cap, Latch Window	
2	1001179009	1	Cap, Knob M6	
3	1001212050	2	Decal, Emergency Exit	

# SECTION 6 - CAB

## FIGURE 6-56. RETRACTABLE SUNSCREEN INSTALLATION



ART\_1001179482-D

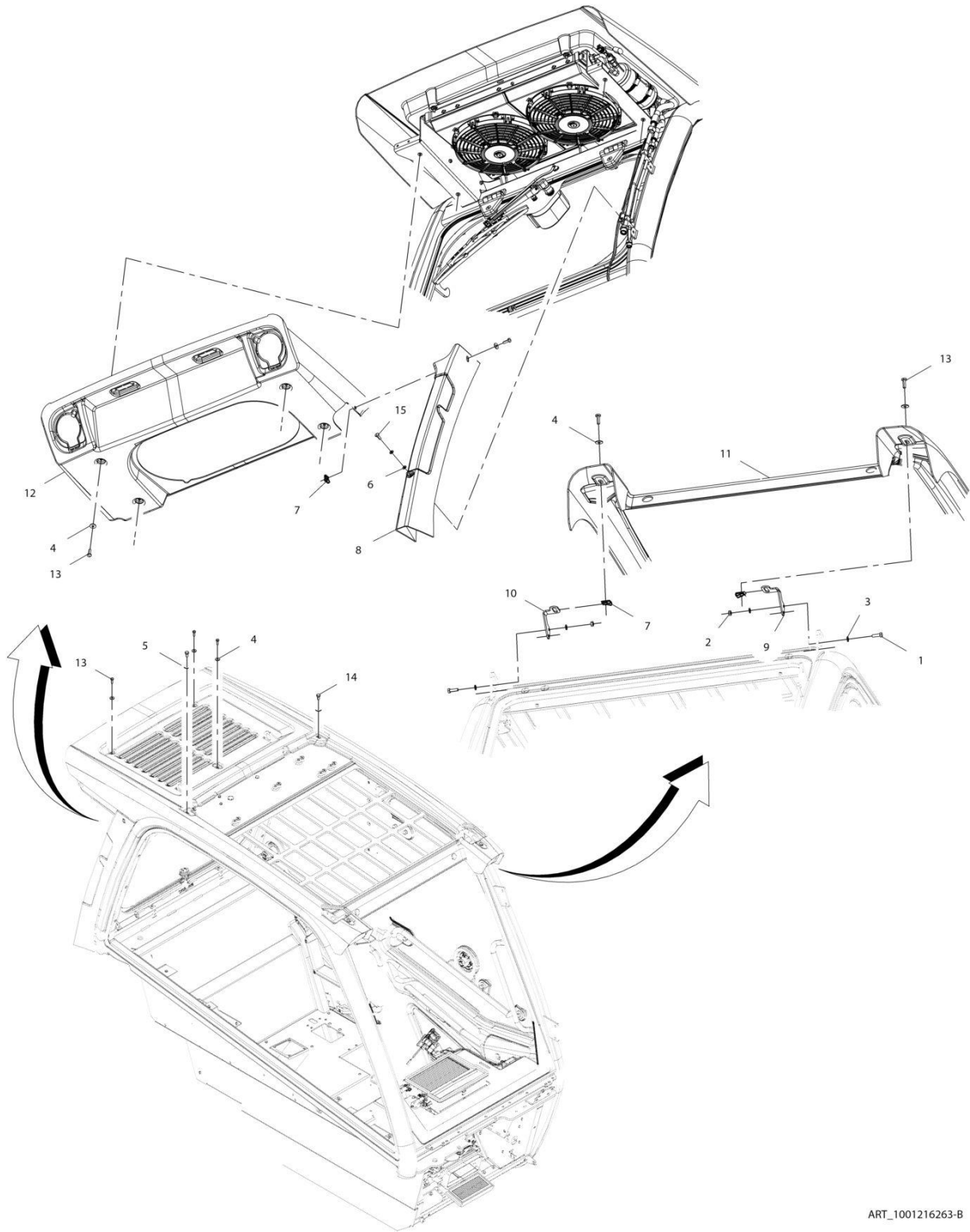


FIGURE 6-56. RETRACTABLE SUNSCREEN INSTALLATION

ITEM	PART NUMBER	QTY	DESCRIPTION	REV
	1001179482	Ref	Retractable Sunscreen Installation	D
2	0760608	4	Bolt, M6X16	
3	4811700	4	Washer, M6	
4	1001111076	2	Nut, Spire	
5	1001111147	2	Screw, Self Tapping	
6	1001179483	1	Cab, Sun Blind	
7	1001209463	2	Bracket	
8	1001166385	2	Bracket	
9	4010608002	4	Screw, Posi-Drive M6X16	

# SECTION 6 - CAB

## FIGURE 6-57. ROOF CAP INSTALLATION (A/C)



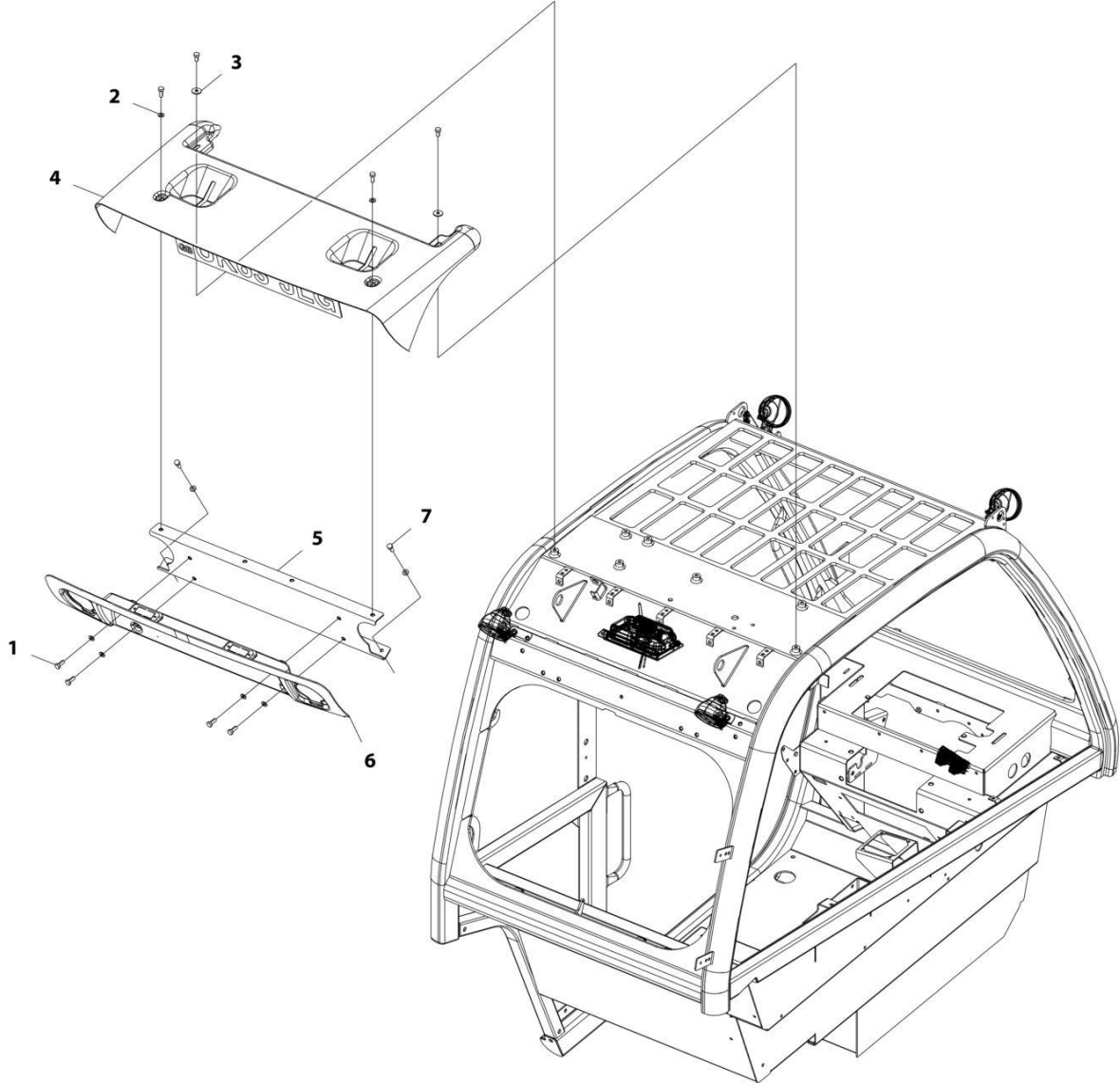
ART\_1001216263-B

FIGURE 6-57. ROOF CAP INSTALLATION (A/C)

ITEM	PART NUMBER	QTY	DESCRIPTION	REV
	1001216263	Ref	Roof Cap (A/C) Installation	B
1	0700610	4	Bolt, M6X20	
2	3290601	4	Nut, M6X1	
3	4811700	9	Washer, M6	
4	4811702	10	Washer, M6	
5	4811902	2	Washer, M8	
6	4831700	1	Washer, Lock M6	
7	8305919	3	Nut, M6	
8	1001174741	1	Cover	
9	1001174800	1	Bracket	
10	1001174801	1	Bracket	
11	1001216267	1	Cover, Upper Roof Cap	
12	1001216269	1	Cover, Lower Roof Cap	
13	4010610002	10	Screw, Posi-Drive M6X20	
14	0760808	2	Bolt, M8X16	
15	4010608002	1	Screw, M6X16	

**SECTION 6 - CAB**

**FIGURE 6-58. ROOF CAP INSTALLATION (NO A/C)**



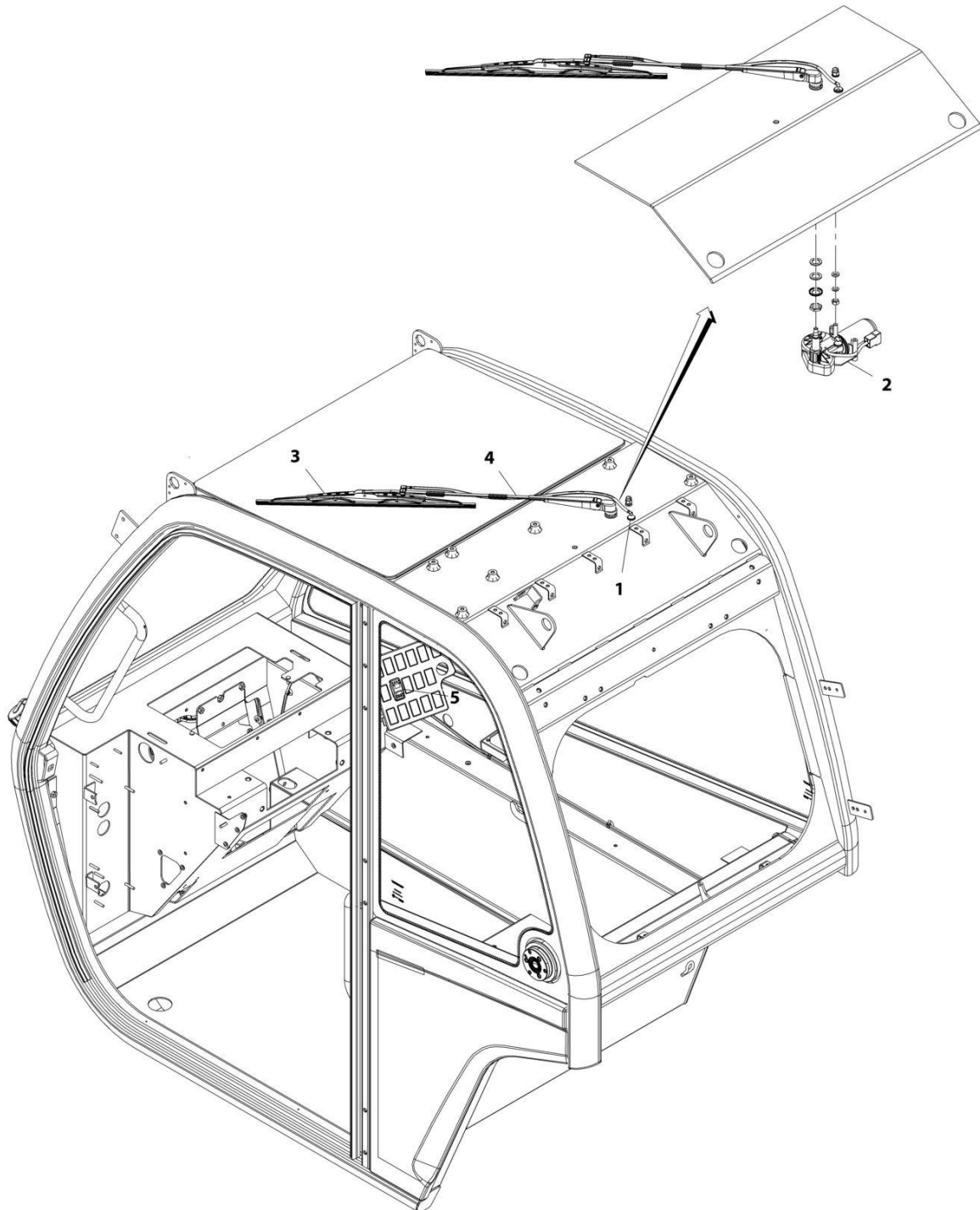
ART\_1001216265

FIGURE 6-58. ROOF CAP INSTALLATION (NO A/C)

ITEM	PART NUMBER	QTY	DESCRIPTION	REV
	1001216265	Ref	Roof Cap Installation (No A/C)	B
1	0760810	8	Bolt, M8X20	
2	4811900	8	Washer, M8	
3	4811902	2	Washer, M8	
4	1001182330	1	Cover, Short Upper Roof Cap	
5	1001185633	1	Bracket, Roof Cap Mount	
6	1001216270	1	Cover, Short Lower Roof Cap	
7	0760808	2	Bolt, M8X16	

# SECTION 6 - CAB

## FIGURE 6-59. ROOF WIPER INSTALLATION



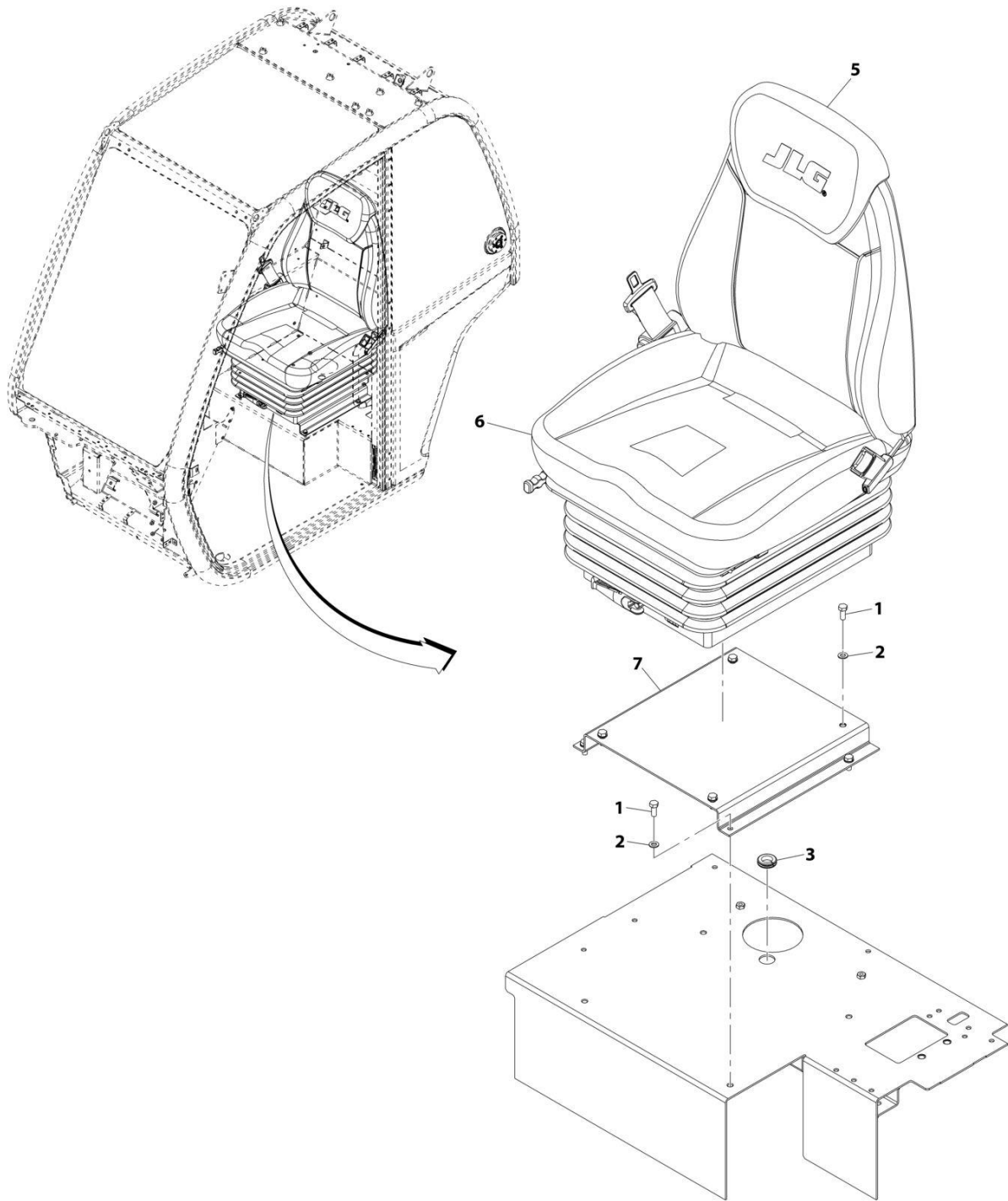
ART\_1001155486-B

FIGURE 6-59. ROOF WIPER INSTALLATION

ITEM	PART NUMBER	QTY	DESCRIPTION	REV
	1001155486	Ref	Roof Wiper Installation	B
1	1001090343	1	Connector	
2	1001139551	1	Motor, Roof Wiper	
3	1001141313	1	Blade, Roof Wiper	
4	1001141311	1	Arm, Roof Wiper Blade	
5	1001159736	1	Switch, Roof Wiper	

# SECTION 6 - CAB

## FIGURE 6-60. SEAT INSTALLATION (CLOTH)



ART\_1001158601-D

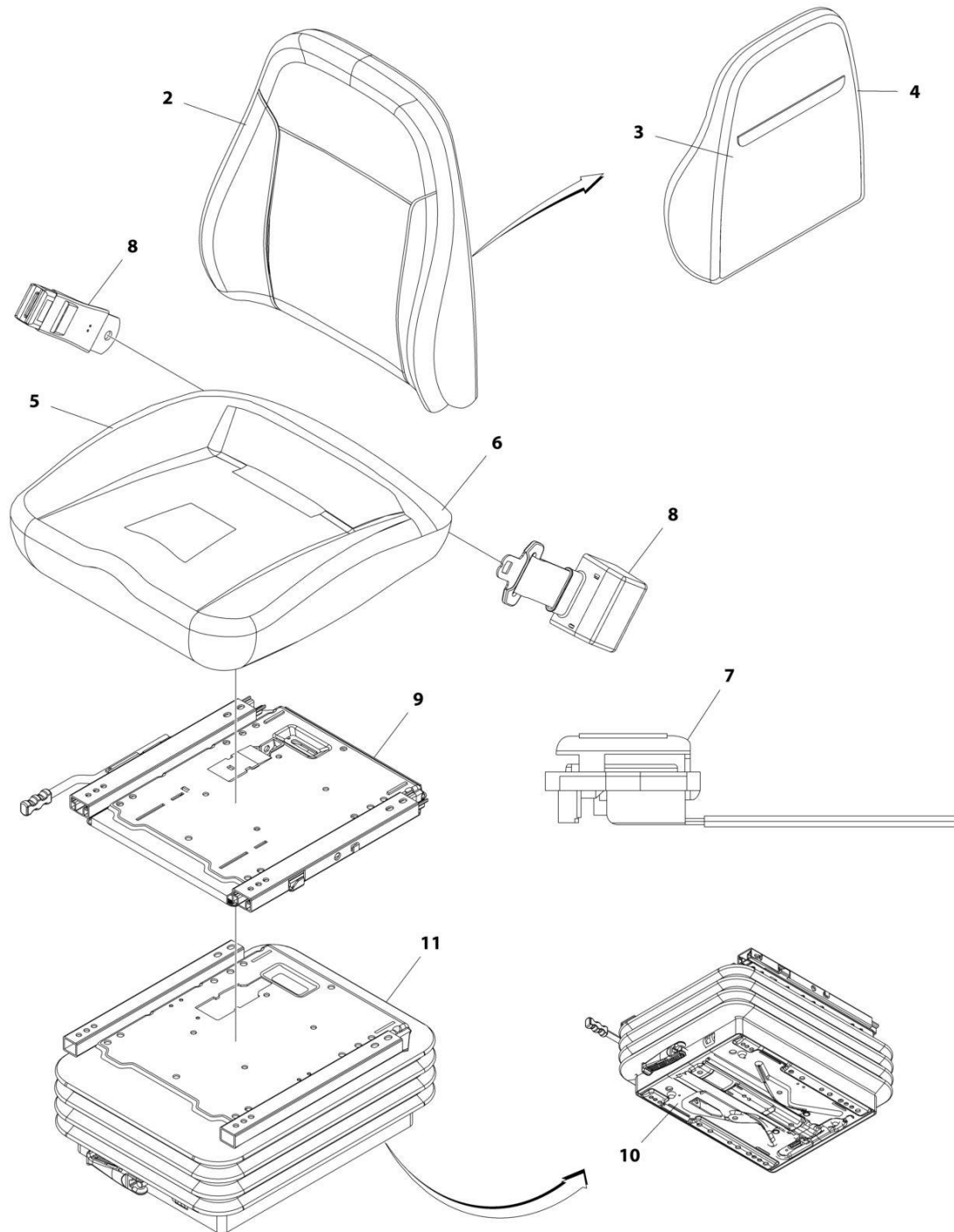


FIGURE 6-60. SEAT INSTALLATION (CLOTH)

ITEM	PART NUMBER	QTY	DESCRIPTION	REV
	1001158601	Ref	Seat Installation (Cloth)	D
1	0760810	8	Bolt, M8X20	
2	4811900	8	Washer, M8	
3	1001216974	1	Grommet	
5	1001119467	1	Headrest, Cloth	
6	1001150294	1	Assembly, Seat (See Separate Breakdown in this Section)	
7	1001158738C	1	Plinth, Seat	

# SECTION 6 - CAB

## FIGURE 6-61. SEAT ASSEMBLY



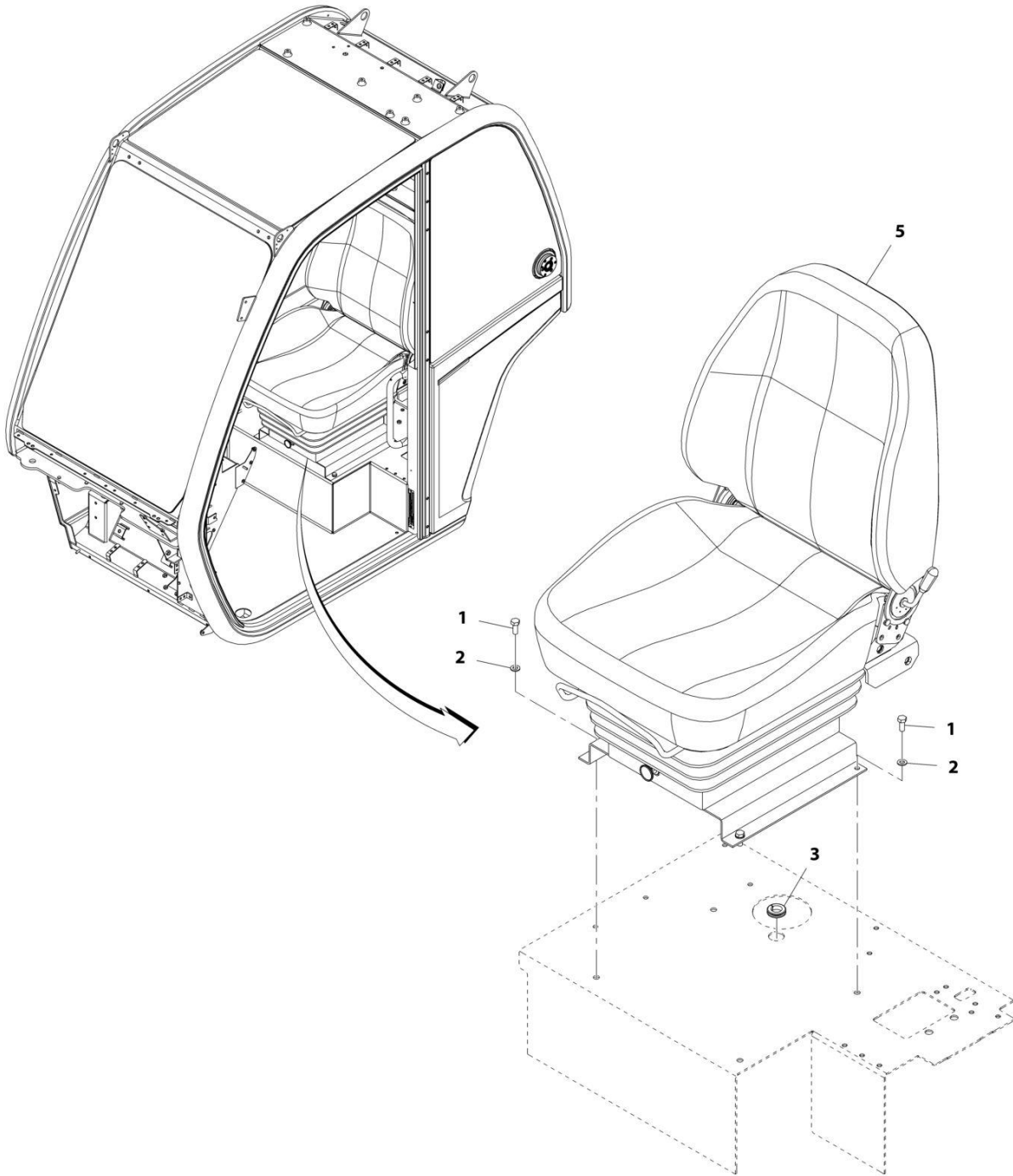
ART\_1001150294

FIGURE 6-61. SEAT ASSEMBLY

ITEM	PART NUMBER	QTY	DESCRIPTION	REV
	1001150294	Ref	CLOTH SEAT	F
2	70025489	1	Fabric, Upper Seat	
3	70025490	1	Cover, Back	
4	70025483	1	Foam, Back	
5	70025491	1	Cover, Seat	
6	70025485	1	Foam, Seat	
7	70025486	1	Switch, Contact	
8	7029767	1	Belt, Seat	
9	70021252	1	Rail, Slide	
10	70021251	1	Unit, Suspension	
11	70022034	1	Cover, Rubber	

# SECTION 6 - CAB

## FIGURE 6-62. SEAT INSTALLATION (AIR SUSPENSION - STANDARD)



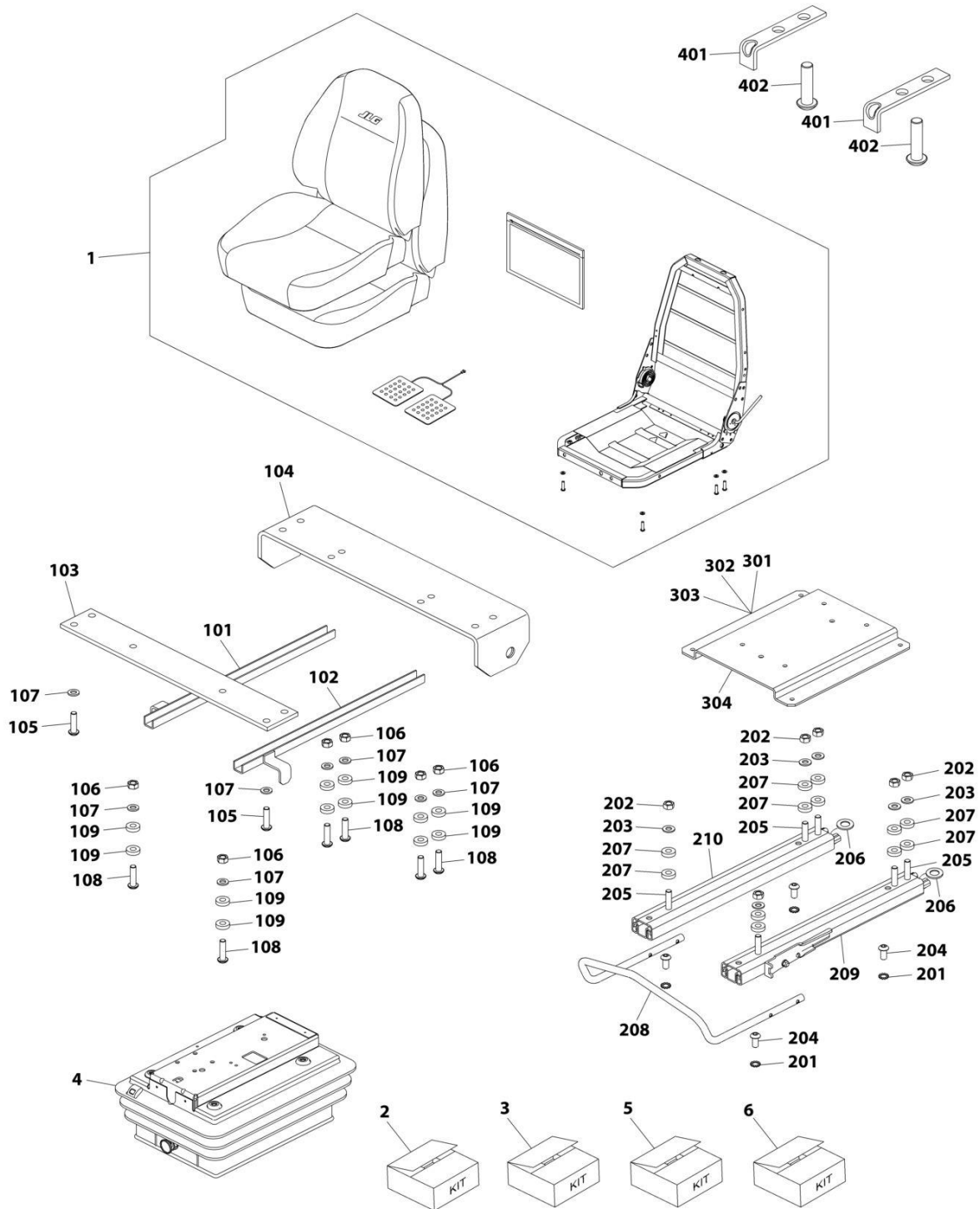
ART\_1001158596-D

FIGURE 6-62. SEAT INSTALLATION (AIR SUSPENSION - STANDARD)

ITEM	PART NUMBER	QTY	DESCRIPTION	REV
	1001158596	Ref	Seat Installation (Air Suspension - Standard)	D
1	0760810	4	Bolt, M8X20	
2	4811900	4	Washer, M8	
3	1001216974	1	Grommet	
5	1001165573	1	Assembly, Seat (See Separate Breakdown in this Section)	

# SECTION 6 - CAB

## FIGURE 6-63. SEAT ASSEMBLY (AIR SUSPENSION - STANDARD)



ART\_1001165573-C

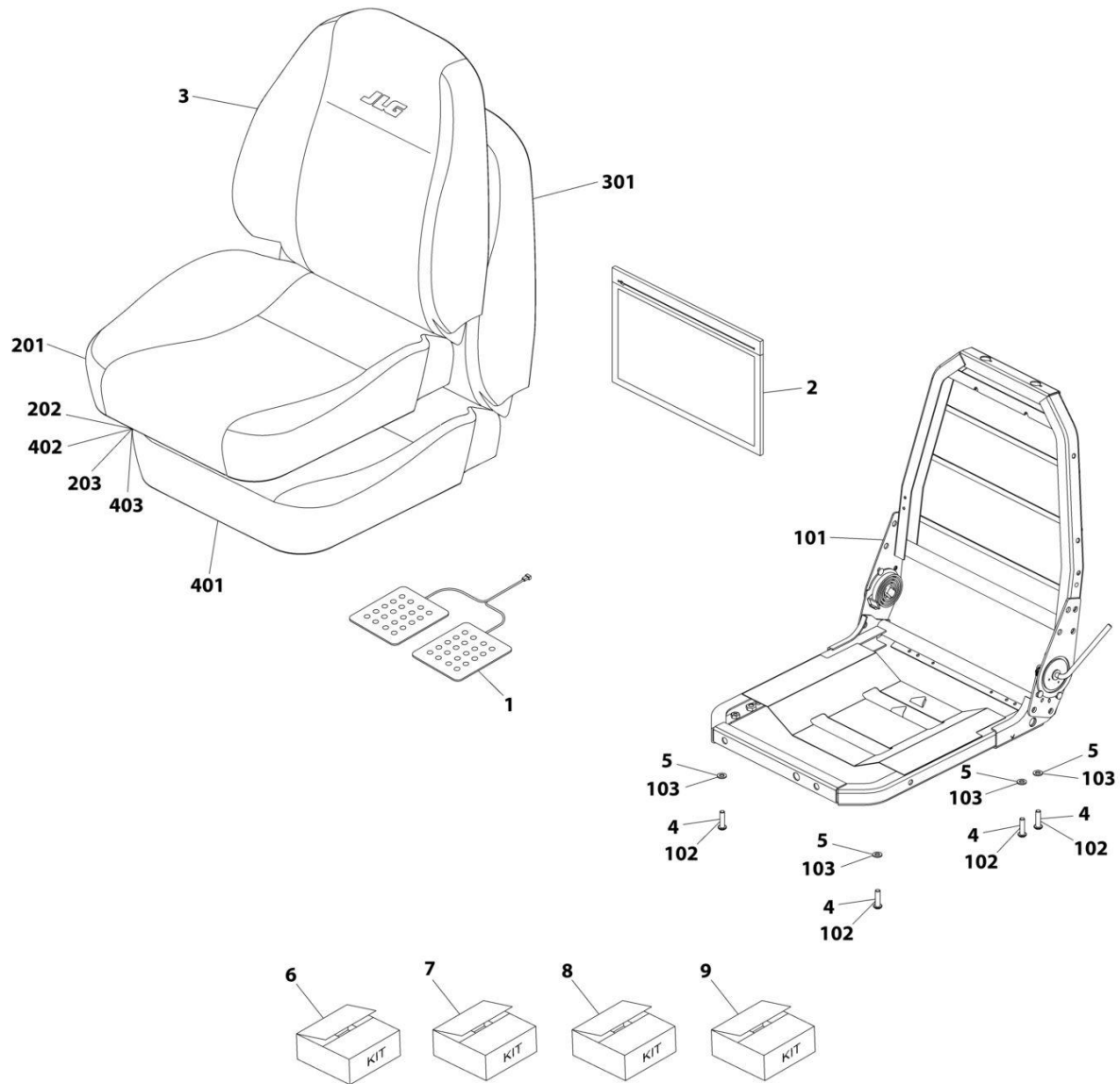
## SECTION 6 - CAB

**FIGURE 6-63. SEAT ASSEMBLY (AIR SUSPENSION - STANDARD)**

ITEM	PART NUMBER	QTY	DESCRIPTION	REV
	1001165573	Ref	Seat Assembly (Air Suspension - Standard)	C
1	70027392	1	Assembly, Upper Seat (See Separate Breakdown in this Section)	
2	70021317	1	Kit, Cross Strap (includes items 101 thru 109)	
3	70021318	1	Kit, Fore and Aft Adjustment (includes items 201 thru 210)	
4	70021319	1	Kit, Suspension (See Separate Breakdown in this Section)	
5	70027395	1	Kit, Adapter Plate (includes items 301 thru 304)	
6	70021322	1	Kit, Slide Rail Stop (includes items 401 & 402)	
101	N.S.S.	1	Channel	
102	N.S.S.	1	Channel	
103	N.S.S.	1	Plate, Strap	
104	N.S.S.	1	Plate, Strap	
105	N.S.S.	4	Bolt, M8X25	
106	N.S.S.	6	Nut, M8	
107	N.S.S.	10	Washer	
108	N.S.S.	6	Bolt, M8X30	
109	N.S.S.	12	Spacer	
201	N.S.S.	4	Washer, Spring M8	
202	N.S.S.	1	Nut, M8	
203	N.S.S.	1	Washer	
204	N.S.S.	1	Bolt, M8X16	
205	N.S.S.	1	Bolt, M8X30	
206	N.S.S.	1	Washer	
207	N.S.S.	1	Spacer	
208	N.S.S.	1	Handle	
209	N.S.S.	1	Rail, Slide	
210	N.S.S.	1	Rail, Slide	
301	N.S.S.	1	Bolt, M8X25	
302	N.S.S.	1	Bolt, M8X16	
303	N.S.S.	1	Washer	
304	N.S.S.	1	Plate, Adapter	
401	N.S.S.	1	Stop, Sliderrail	
402	N.S.S.	1	Bolt, M8X16	

# SECTION 6 - CAB

## FIGURE 6-64. UPPER SEAT ASSEMBLY



ART\_70027392

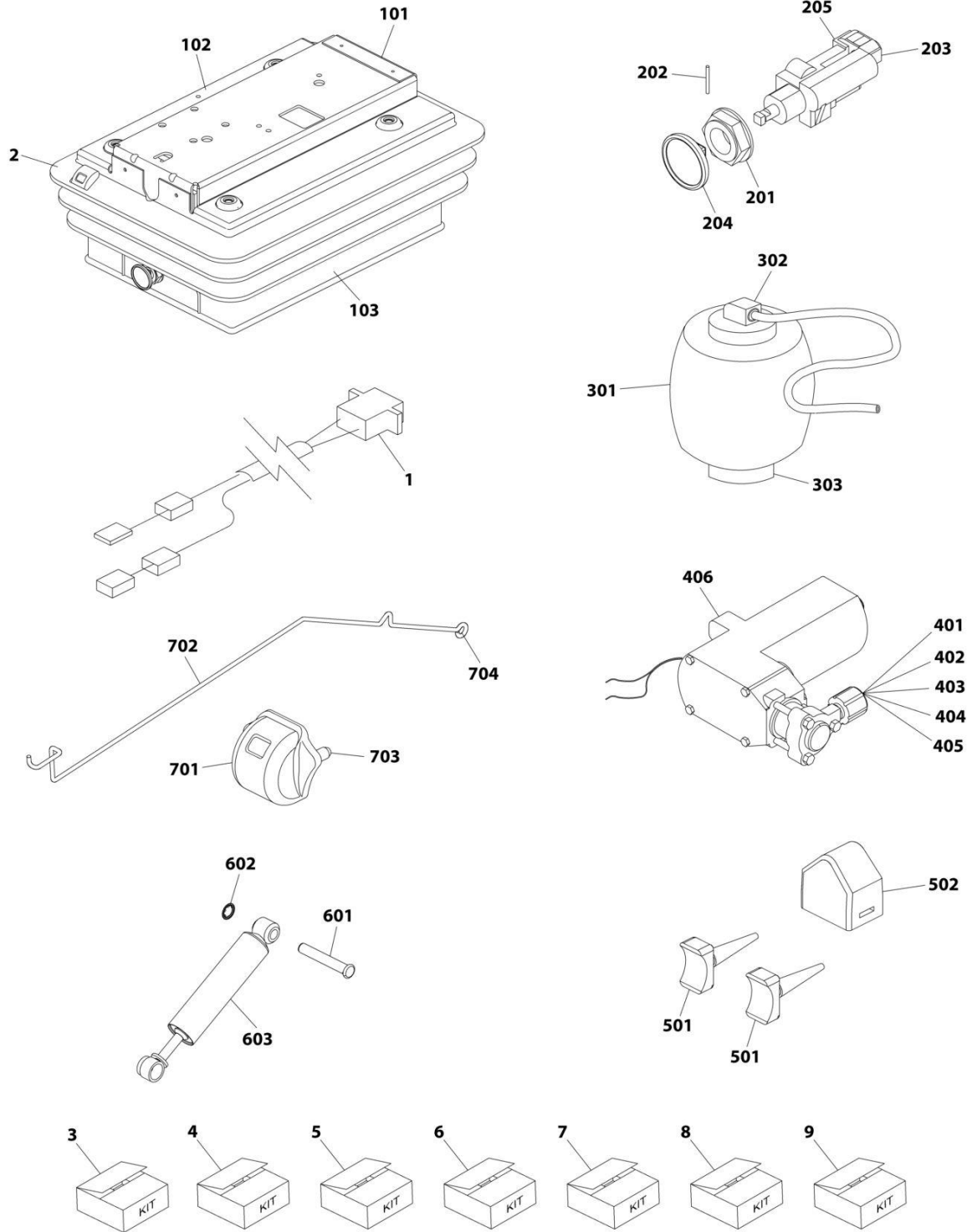


FIGURE 6-64. UPPER SEAT ASSEMBLY

ITEM	PART NUMBER	QTY	DESCRIPTION	REV
	70027392	Ref	Upper Seat Assembly	
1	70025539	1	Pad, Sensor	
2	70021316	1	Bag	
3	70027393	1	Cover, Back	
4	N.S.S.	4	Bolt, M8X25	
5	N.S.S.	4	Washer	
6	70021314	1	Kit, Frame (includes items 101 thru 103)	
7	70027394	1	Kit, Bottom Seat Cover (includes items 201 thru 203)	
8	80264002	1	Kit, Back Foam (includes items 301 thru 303)	
9	80264004	1	Kit, Seat Foam (includes items 401 thru 403)	
101	N.S.S.	1	Frame, Seat	
102	N.S.S.	4	Bolt, M8X25	
103	N.S.S.	4	Washer	
201	N.S.S.	1	Cover, Seat	
202	N.S.S.	2	Clip	
203	N.S.S.	17	Clip	
301	N.S.S.	1	Foam, Back	
302	N.S.S.	3	Bar, Trim	
303	N.S.S.	4	Ring	
401	N.S.S.	1	Foam, Seat	
402	N.S.S.	2	Clip	
403	N.S.S.	17	Clip	

# SECTION 6 - CAB

## FIGURE 6-65. SUSPENSION KIT



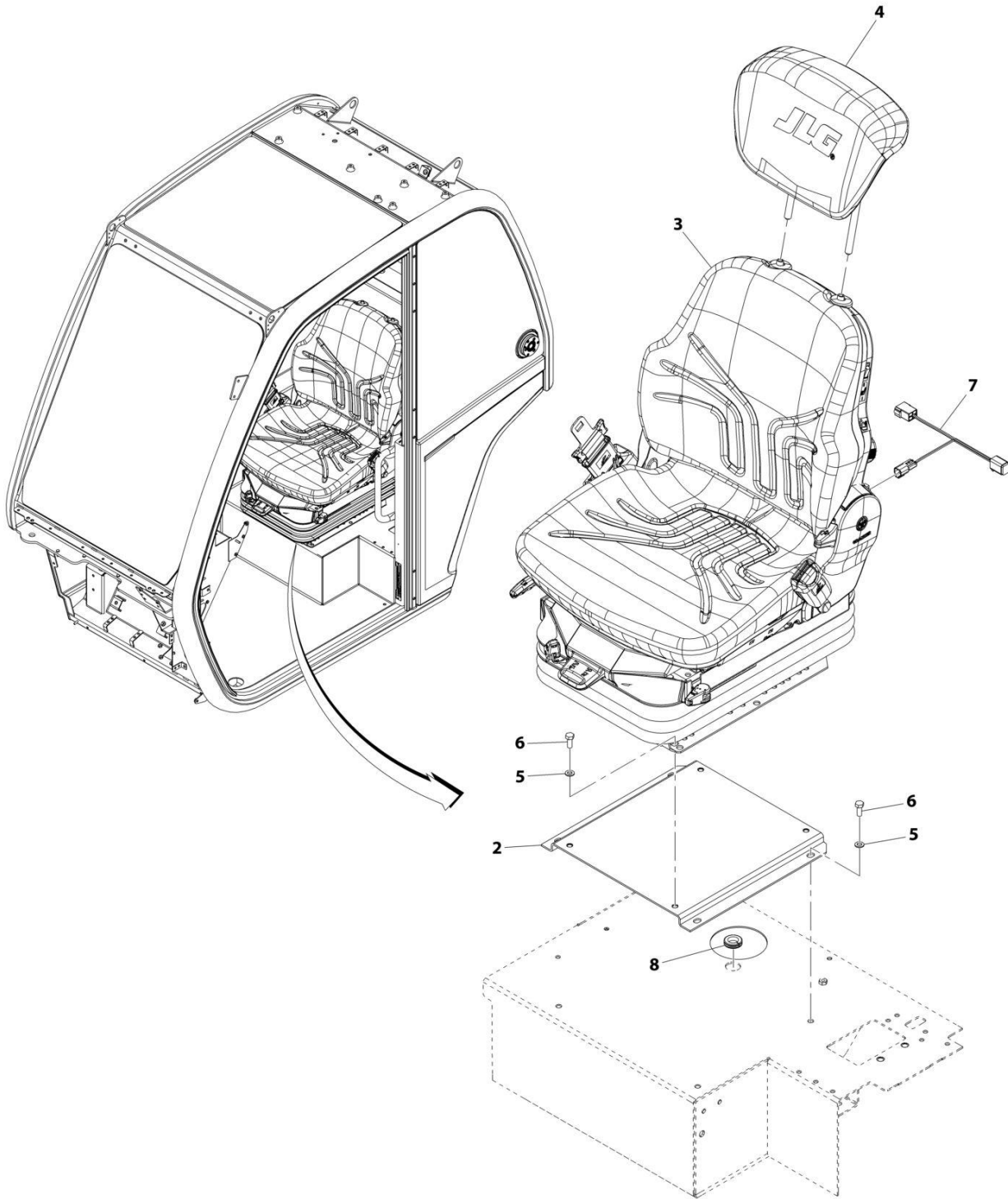
ART\_70021319

FIGURE 6-65. SUSPENSION KIT

ITEM	PART NUMBER	QTY	DESCRIPTION	REV
	70021319	Ref	Suspension Kit	
1	70021330	1	Lead, Fly	
2	N.S.S.	1	Suspension	
3	70021321	1	Kit, Suspension Cover (includes items 101 thru 103)	
4	70021323	1	Kit, Air Valve (includes items 201 thru 205)	
5	70021324	1	Kit, Air Spring (includes items 301 thru 303)	
6	70021325	1	Kit, Compressor (includes items 401 thru 406)	
7	70021326	1	Kit, Upstop/Bumpstop (includes items 501 & 502)	
8	70021327	1	Kit, Damper (includes items 601 thru 603)	
9	70021328	1	Kit, Ride Indicator (includes items 701 thru 704)	
101	N.S.S.	6	Clip, Cover	
102	N.S.S.	1	Cover, Suspension	
103	N.S.S.	5	Clip, Cover	
201	N.S.S.	1	Nut, Air Valve	
202	N.S.S.	1	Pin, Retaining	
203	N.S.S.	1	Valve, Combination	
204	N.S.S.	1	Knob	
205	N.S.S.	2	Tie, Plastic	
301	N.S.S.	1	Spring, Air	
302	N.S.S.	1	Clip	
303	N.S.S.	1	Screw, Countersunk Self Tapping	
401	N.S.S.	1	Clip	
402	N.S.S.	1	Pad	
403	N.S.S.	1	Loom	
404	N.S.S.	2	Tie, Cable	
405	N.S.S.	3	Tie, Plastic	
406	N.S.S.	1	Compressor (with Elbow)	
501	N.S.S.	2	Upstop	
502	N.S.S.	1	Bumpstop	
601	N.S.S.	2	Pin	
602	N.S.S.	2	Washer, Starlock	
603	N.S.S.	1	Damper	
701	N.S.S.	1	Indicator, Ride	
702	N.S.S.	1	Wire, Ride Indicator	
703	N.S.S.	2	Washer, Starlock	
704	N.S.S.	1	Washer, Grip M4	

# SECTION 6 - CAB

## FIGURE 6-66. SEAT INSTALLATION (AIR SUSPENSION - PREMIUM)



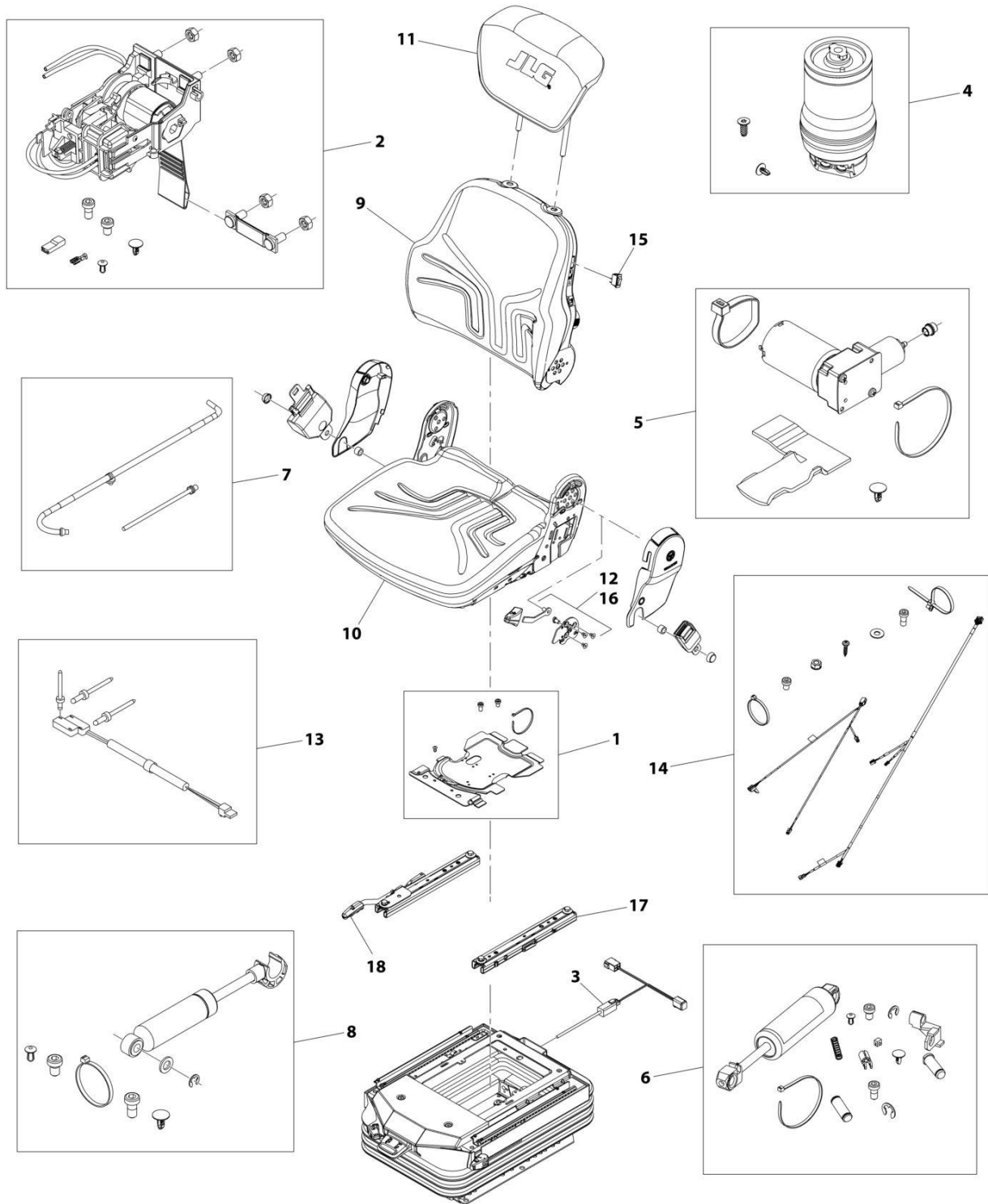
ART\_1001182530-F

FIGURE 6-66. SEAT INSTALLATION (AIR SUSPENSION - PREMIUM)

ITEM	PART NUMBER	QTY	DESCRIPTION	REV
	1001182530	Ref	Seat Installation (Air Suspension - Premium)	F
2	1001158736C	1	Plinth, Seat	
3	1001169135	1	Assembly, Seat (See Separate Breakdown in this Section)	
4	1001182529	1	Headrest	
5	4811900	8	Washer, M8	
6	0760810	8	Bolt, M8X20	
7	1001168531	1	Harness, Seat Adaptor (See Separate Breakdown in ELECTRICAL Section)	
8	1001216974	1	Grommet	

# SECTION 6 - CAB

## FIGURE 6-67. SEAT ASSEMBLY (AIR SUSPENSION - PREMIUM)



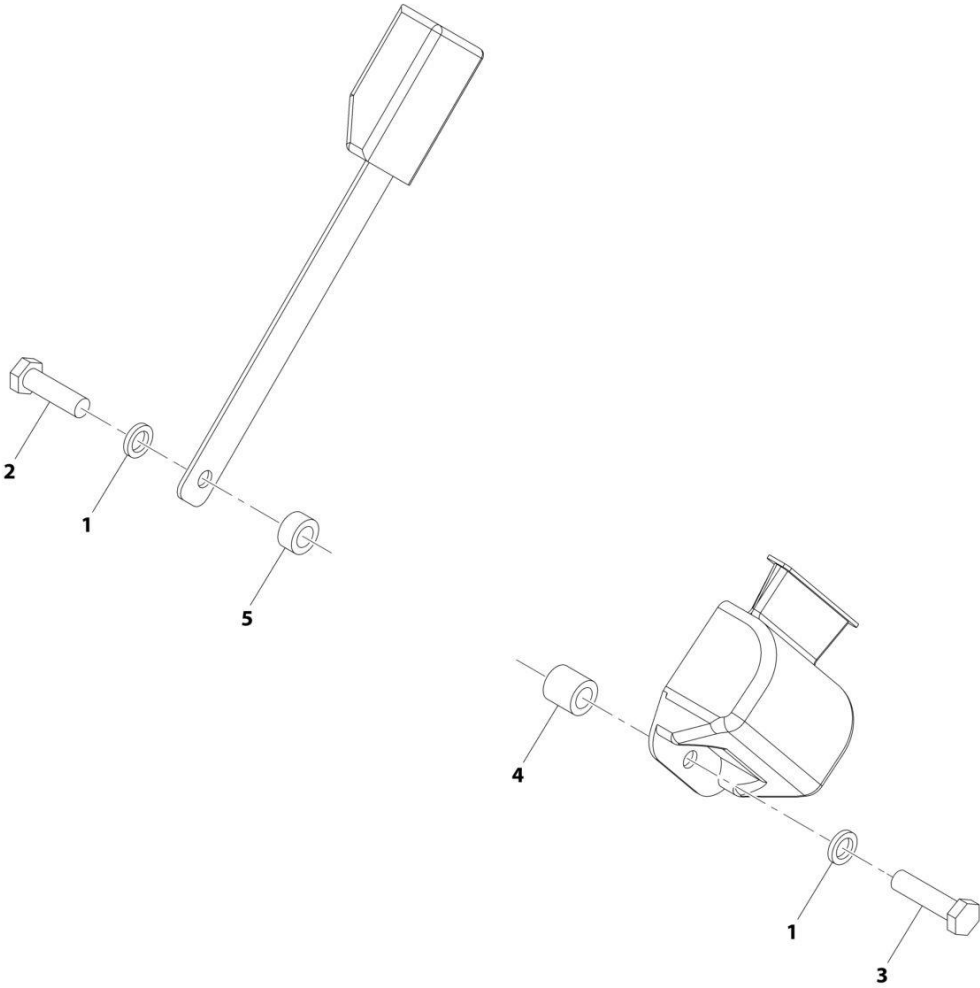
ART\_1001169135-B

FIGURE 6-67. SEAT ASSEMBLY (AIR SUSPENSION - PREMIUM)

ITEM	PART NUMBER	QTY	DESCRIPTION	REV
	1001169135	Ref	Seat Assembly (Air Suspension - Premium)	B
1	70024856	1	Cover	
2	70023182	1	Control Level Kit	
3	70023186	1	Wiring Harness, Air/Safeswitch	
4	70023184	1	Air Spring Kit	
5	70024857	1	Compressor, 12V	
6	70023181	1	Shock Absorber Kit	
7	70024459	1	Air Tubes Kit	
8	70023189	2	Shock Absorber Kit	
9	70023179	1	Back Cushion Kit	
10	70024858	1	Seat Cushion Kit	
11	1001182529	1	Headrest, Cloth	
12	70024859	1	Backrest Actuator	
13	70028326	1	Switch	
14	70024861	1	Wiring Harness	
15	70024107	1	Switch, Heater	
16	7028621	1	Handle, Backrest Angle Adjust	
17	3986643	1	Adjust Slide Kit	
18	3986610	1	Handle	

**SECTION 6 - CAB**

**FIGURE 6-68. SEAT BELT INSTALLATION (2IN)**



ART\_1001006730

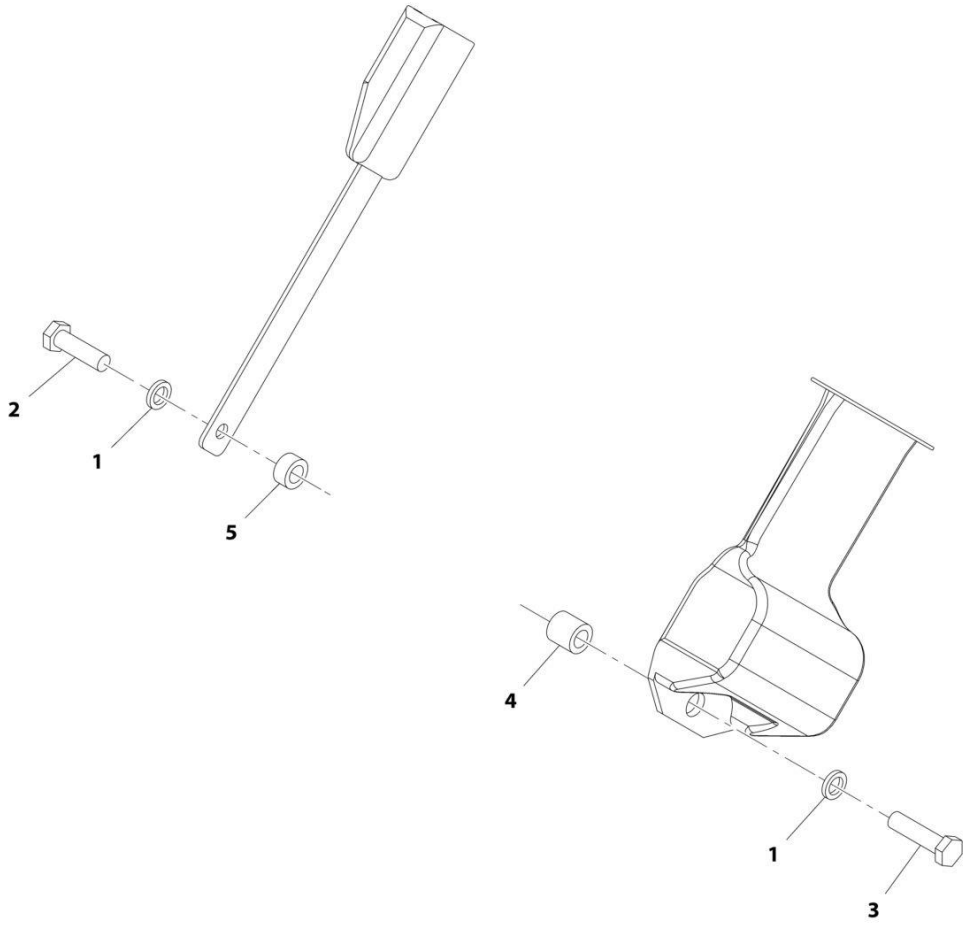


FIGURE 6-68. SEAT BELT INSTALLATION (2IN)

ITEM	PART NUMBER	QTY	DESCRIPTION	REV
	1001006730	Ref	Seat Belt Installation (2IN)	H
1	1001010646	2	Washer	
2	1001010647	1	Bolt	
3	1001010648	1	Bolt	
4	1001010649	1	Spacer, Shim	
5	1001010650	1	Spacer, Shim	

# SECTION 6 - CAB

## FIGURE 6-69. SEAT BELT INSTALLATION (3IN)



ART\_1001006731-B

FIGURE 6-69. SEAT BELT INSTALLATION (3IN)

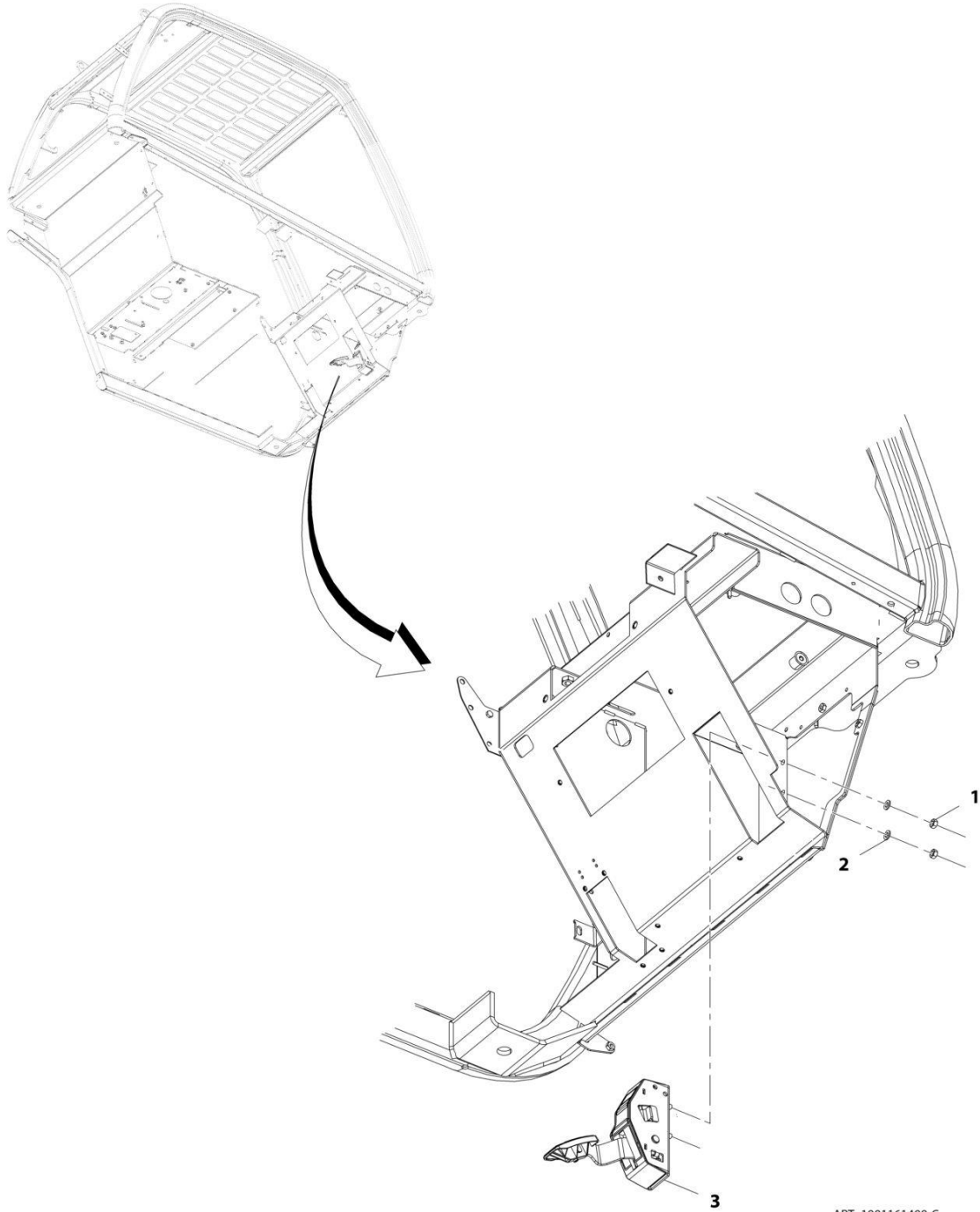
ITEM	PART NUMBER	QTY	DESCRIPTION	REV
	1001006731	Ref	Seat Belt Installation (3IN)	B
1	1001010646	2	Washer	
2	1001010647	1	Bolt	
3	1001010648	1	Bolt	
4	1001010649	1	Spacer	
5	1001010650	1	Spacer	



**SECTION 7 - CONTROLS**

# SECTION 7 - CONTROLS

## FIGURE 7-1. ACCELERATOR PEDAL INSTALLATION



ART\_1001161499-C

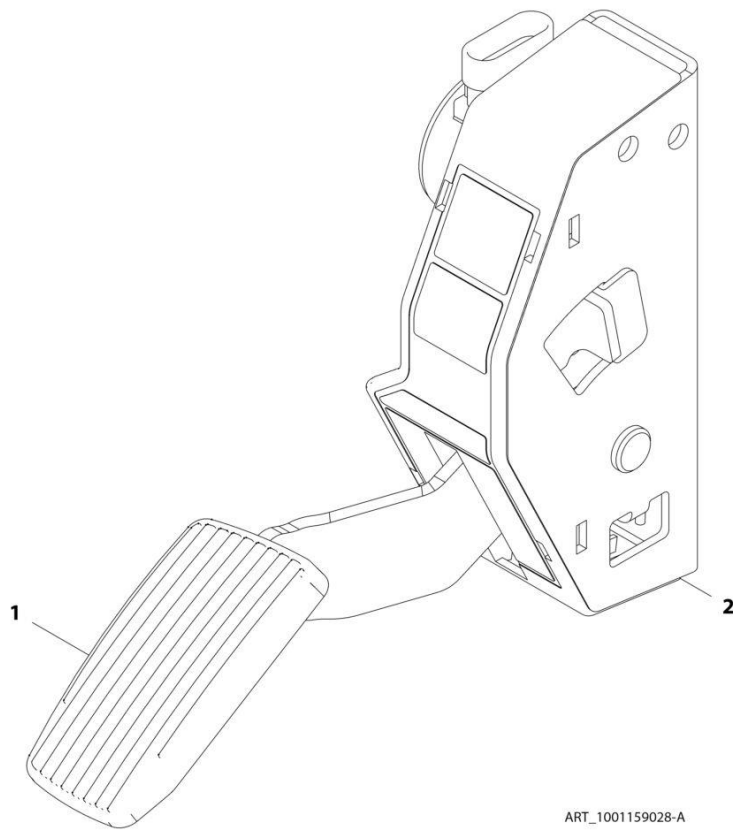
## SECTION 7 - CONTROLS

### FIGURE 7-1. ACCELERATOR PEDAL INSTALLATION

ITEM	PART NUMBER	QTY	DESCRIPTION	REV
	1001161499	Ref	Accelerator Pedal Installation	C
1	3290801	2	Nut, M8X1.25	
2	4811900	2	Washer, M8	
3	1001159028	1	Pedal, Accelerator (See Separate Breakdown in this Section)	

# SECTION 7 - CONTROLS

## FIGURE 7-2. ACCELERATOR PEDAL



ART\_1001159028-A



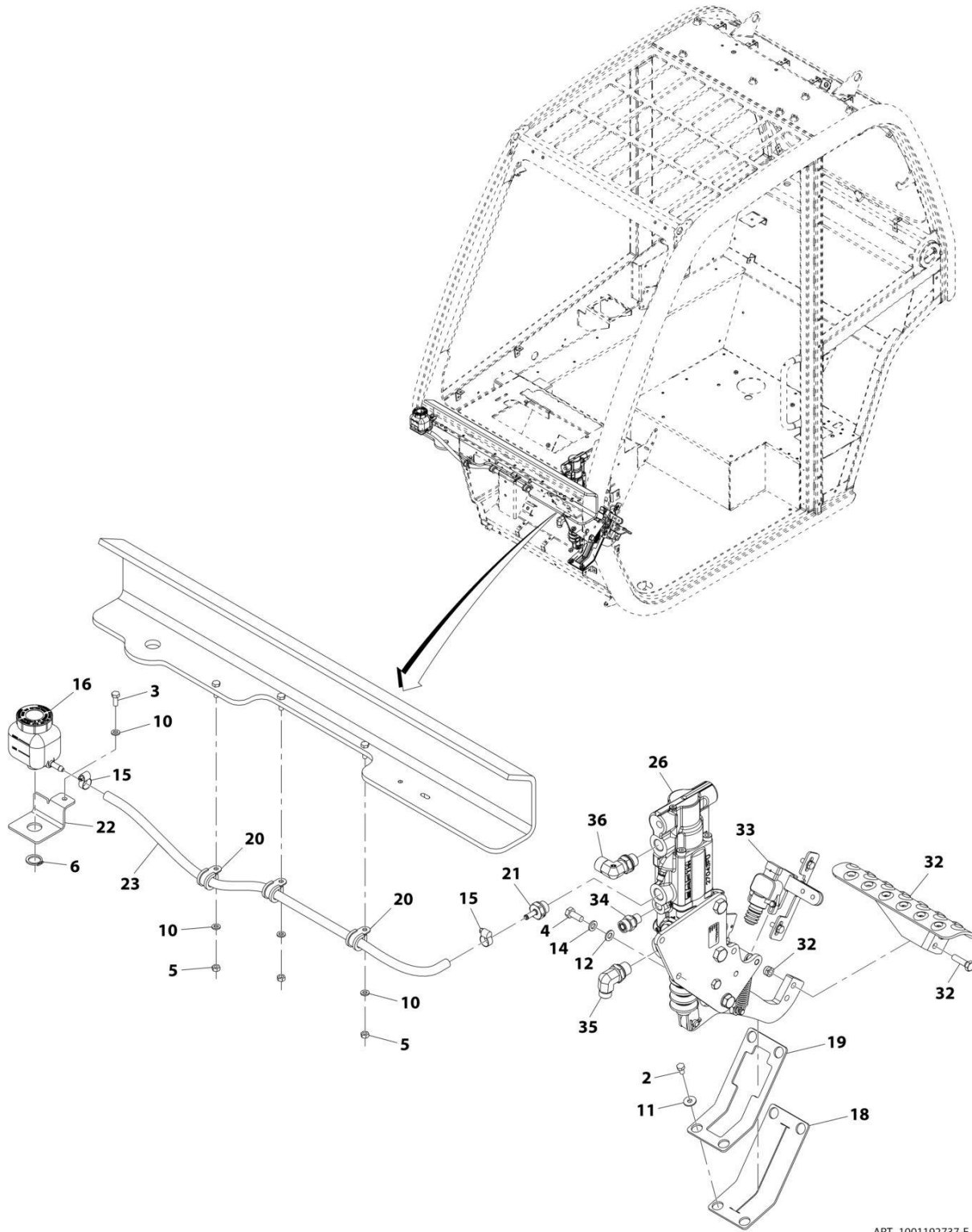
## SECTION 7 - CONTROLS

### FIGURE 7-2. ACCELERATOR PEDAL

ITEM	PART NUMBER	QTY	DESCRIPTION	REV
	1001159028	Ref	Accelerator Pedal	A
1	70025816	1	Pad, Rubber	
2	70025817	1	Cover, Rubber	

# SECTION 7 - CONTROLS

## FIGURE 7-3. BRAKE PEDAL INSTALLATION



ART\_1001192737-E

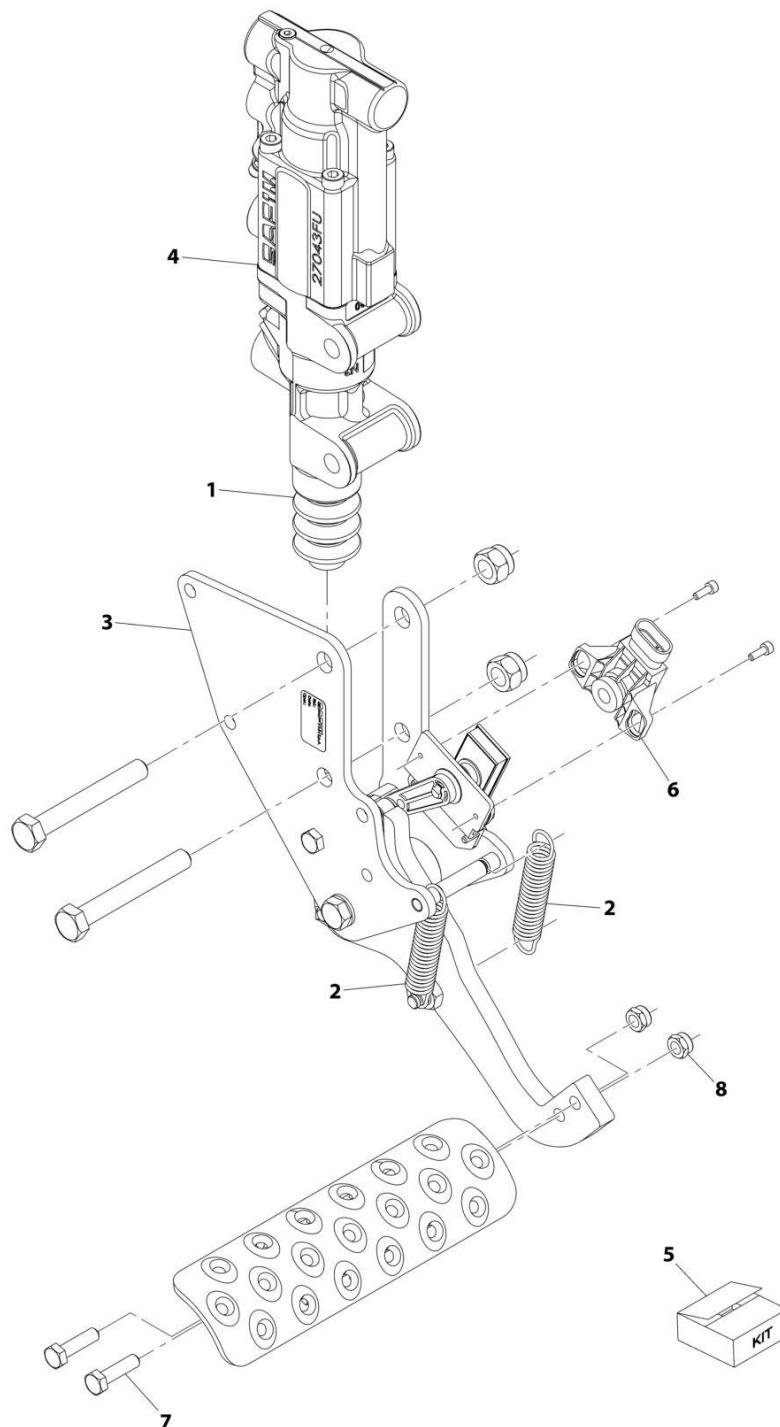
## SECTION 7 - CONTROLS

### FIGURE 7-3. BRAKE PEDAL INSTALLATION

ITEM	PART NUMBER	QTY	DESCRIPTION	REV
	1001192737	Ref	Brake Pedal Installation	E
2	0760605	4	Bolt, M6X10	
3	0760608	1	Bolt, M6X16	
4	0760810	3	Bolt, M8X20	
5	3290601	3	Nut, M6X1	
6	3760348	1	Ring, Retaining	
10	4811700	4	Washer, M6	
11	4811702	4	Washer, M6	
12	4811900	3	Washer, M8	
14	4831900	3	Washer, Lock M8	
15	8405009	2	Clamp	
16	1001214220	1	Reservoir, Brake	
18	1001162920	1	Seal	
19	1001162922	1	Plate	
20	1001170231	3	Clip	
21	1001171874	1	Fitting, Straight	
22	1001172088	1	Bracket	
23	1001172094	1	Hose	
26	1001213265	1	Assembly, Brake Pedal (See Separate Breakdown in this Section)	
32	1001197139	1	Plate, Brake Pedal	
33	1001205061	Ref	Installation, Brake Sensor (See Separate Breakdown in this Section)	
34	80233218	1	Fitting, Straight ORFS	
35	80333151	1	Fitting, 90 ORFS	
36	1001168054	1	Fitting, 90 ORFS	

# SECTION 7 - CONTROLS

## FIGURE 7-4. BRAKE PEDAL ASSEMBLY



ART\_1001213265-A

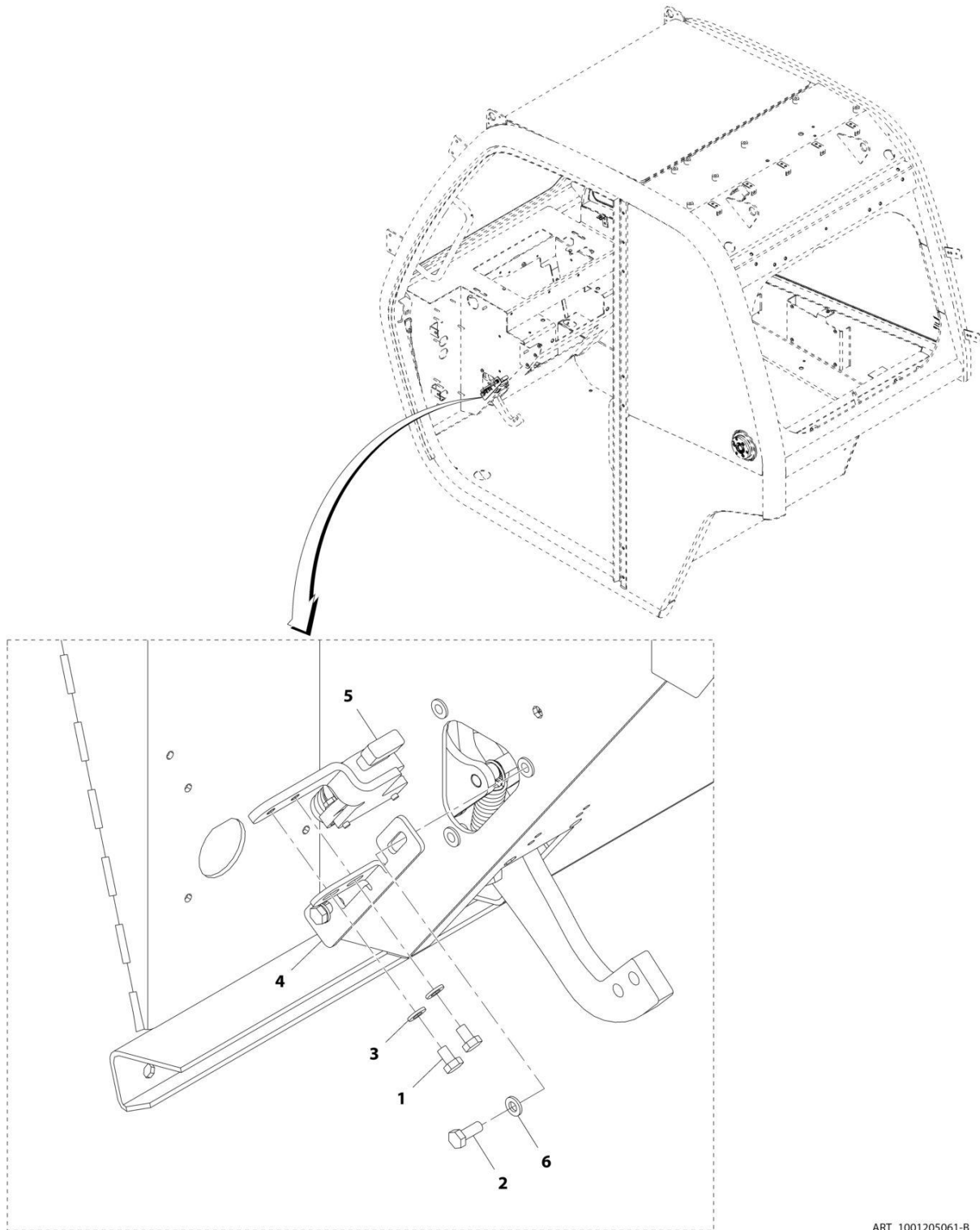
## SECTION 7 - CONTROLS

### FIGURE 7-4. BRAKE PEDAL ASSEMBLY

ITEM	PART NUMBER	QTY	DESCRIPTION	REV
	1001213265	Ref	Brake Pedal Assembly	A
1	70025859	1	Cover, Dust	
2	70025860	2	Spring, Return	
3	70028381	1	Support, Pedal	
4	70028382	1	Cylinder, Master	
5	70026434	1	Kit, Seal	
6	70028383	1	Sensor, Angle	
7	0770814	2	Bolt, M8X30 Grade 10.9	
8	3290805	2	Nut, Lock M8X1.25 Grade 8	

# SECTION 7 - CONTROLS

## FIGURE 7-5. BRAKE SENSOR INSTALLATION



ART\_1001205061-B

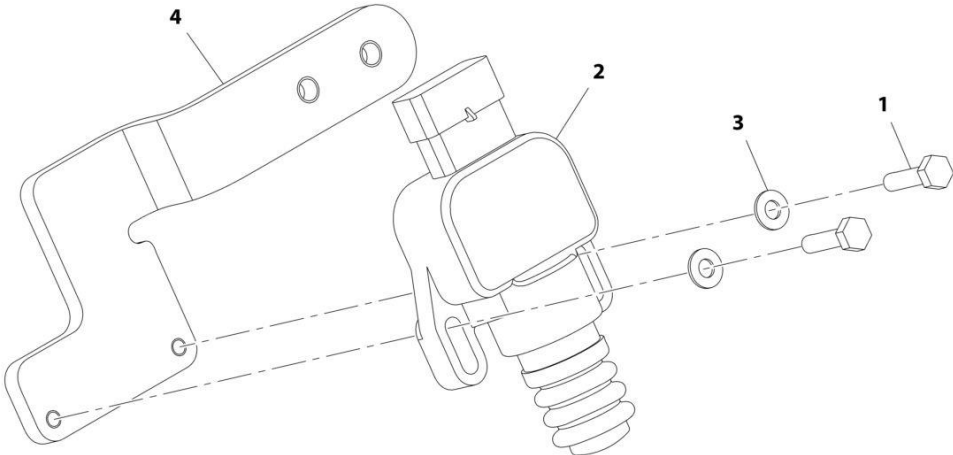
## SECTION 7 - CONTROLS

### FIGURE 7-5. BRAKE SENSOR INSTALLATION

ITEM	PART NUMBER	QTY	DESCRIPTION	REV
	1001205061	Ref	Brake Sensor Installation	B
1	0760605	2	Bolt, M6X10	
2	0760608	2	Bolt, M6X16	
3	4811700	2	Washer, M6	
4	1001201499	1	Plate, Switch Adjustment	
5	1001201501	1	Assembly, Switch Plate (See Separate Breakdown in this Section)	
6	4811702	2	Washer, M6	

**SECTION 7 - CONTROLS**

**FIGURE 7-6. SWITCH PLATE ASSEMBLY**



ART\_1001201501-A



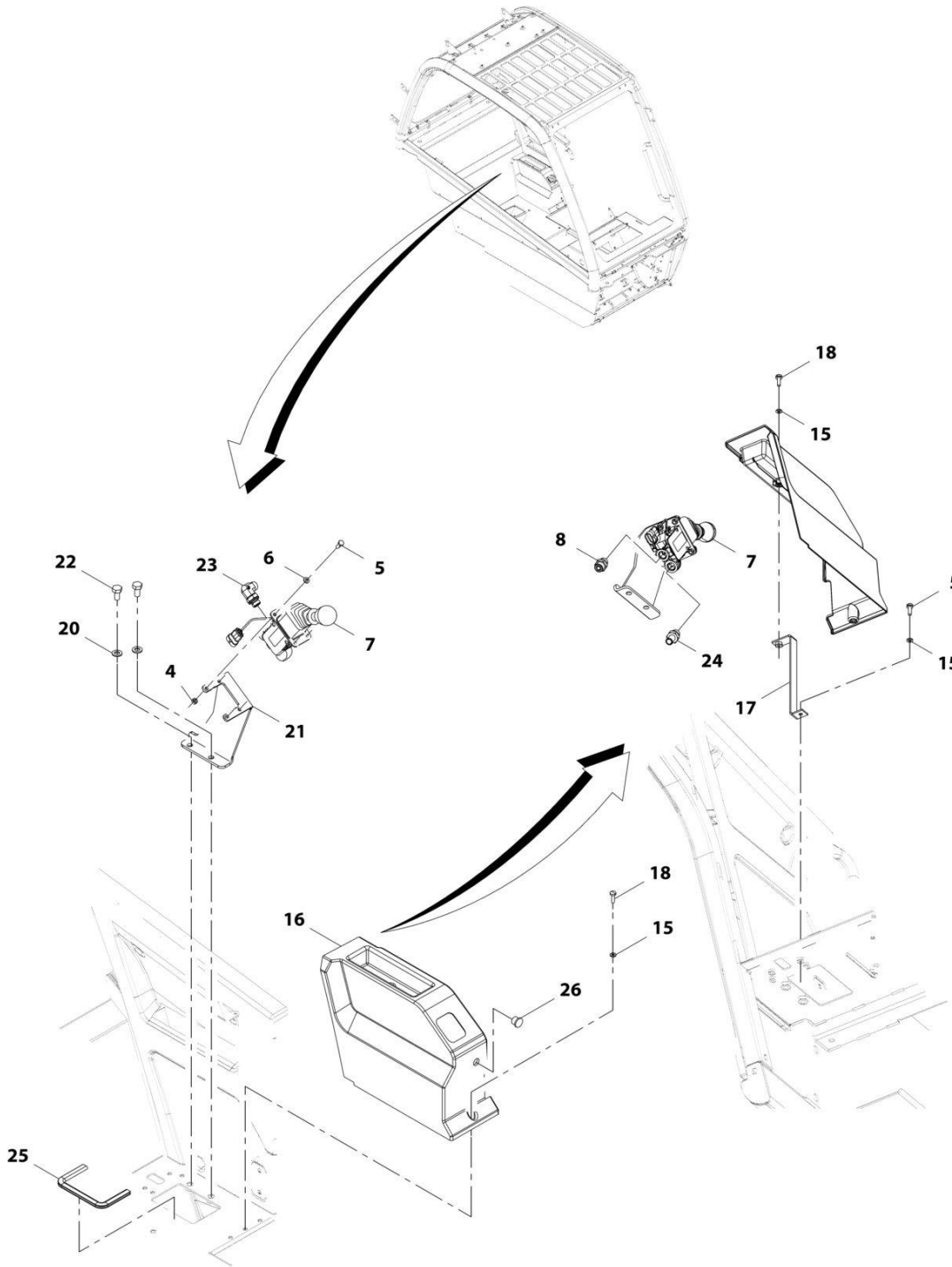
## SECTION 7 - CONTROLS

### FIGURE 7-6. SWITCH PLATE ASSEMBLY

ITEM	PART NUMBER	QTY	DESCRIPTION	REV
	1001201501	Ref	Switch Plate Assembly	A
1	0700408	2	Bolt, M4X16	
2	4360658	1	Sensor, Brake	
3	4811400	2	Washer, M4	
4	1001201500	1	Plate	

# SECTION 7 - CONTROLS

## FIGURE 7-7. PARK BRAKE INSTALLATION



ART\_1001162062-M

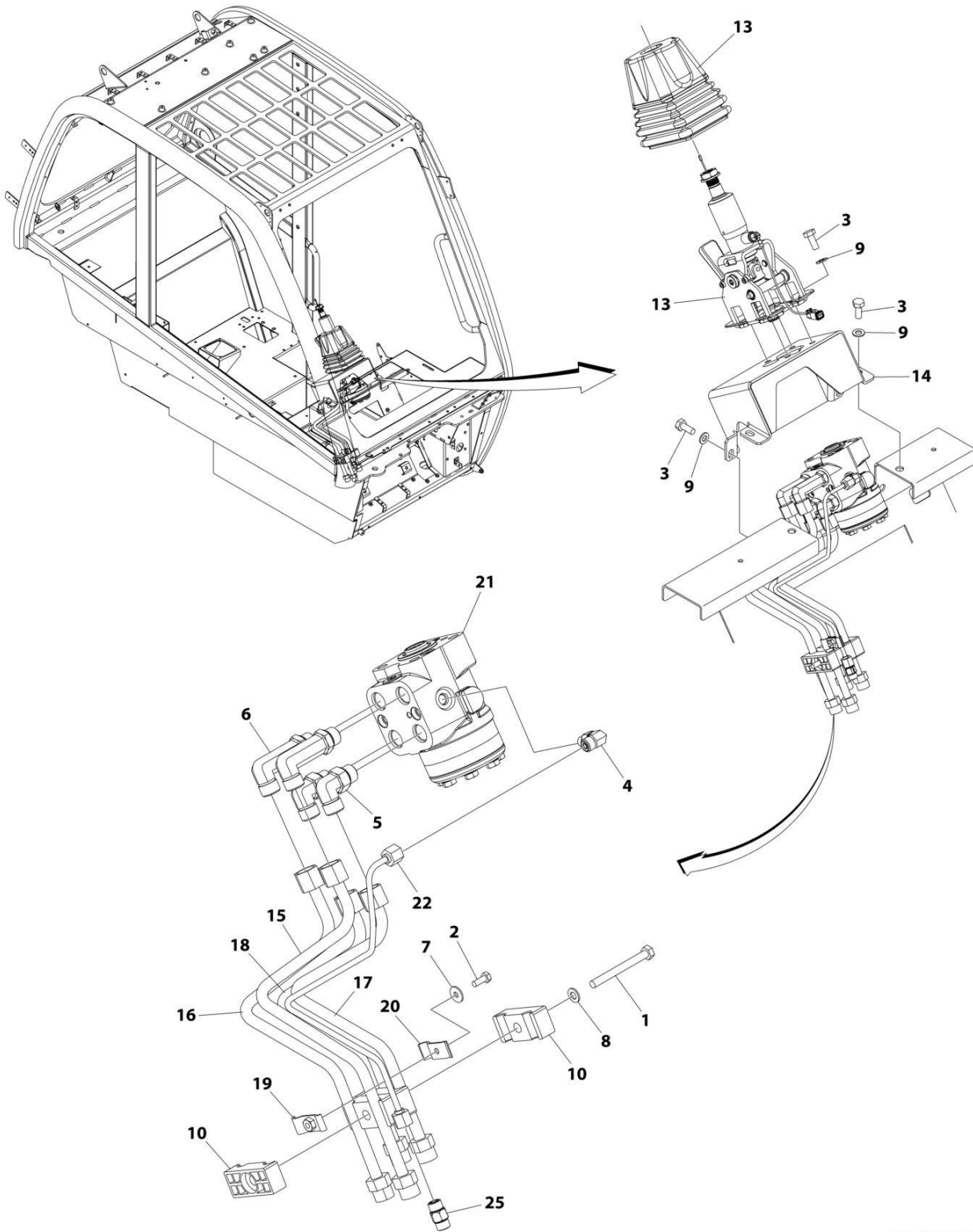
## SECTION 7 - CONTROLS

**FIGURE 7-7. PARK BRAKE INSTALLATION**

ITEM	PART NUMBER	QTY	DESCRIPTION	REV
	1001162062	Ref	Park Brake Installation	M
4	3290601	4	Nut, M6X1	
5	0760608	5	Bolt, M6X16	
6	4831700	4	Washer, Lock M6	
7	1001207956	1	Hydraulic Hand Brake	
7	70020922	1	Kit, Seal	
8	1001101702	1	Fitting, Straight ORFS	
15	4811700	3	Washer, M6	
16	1001193474	1	Panel	
17	1001195254	1	Bracket	
18	4010610002	2	Screw, M6X20	
20	4812000	2	Washer, M10	
21	1001191915	1	Bracket	
22	0761010	2	Bolt, M10X20	
23	1001125222	1	Fitting, 90 ORFS	
24	1001206744	1	Fitting, Grease	
25	1001208037	1	Seal	
26	3520028	1	Plug	

# SECTION 7 - CONTROLS

## FIGURE 7-8. TILT STEERING COLUMN INSTALLATION



ART\_1001192410\_I

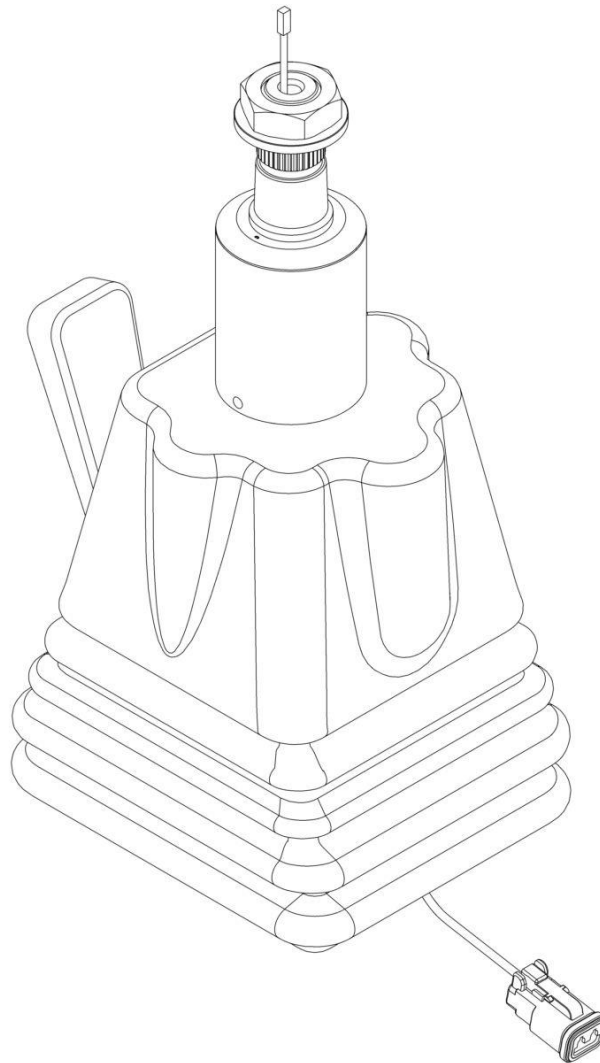
## SECTION 7 - CONTROLS

**FIGURE 7-8. TILT STEERING COLUMN INSTALLATION**

ITEM	PART NUMBER	QTY	DESCRIPTION	REV
	1001192410	Ref	Tilt Steering Column Installation	1
1	0700824	1	Bolt M8 x 80	
2	0760608	1	Bolt M6 x 16	
3	0761012	8	Bolt M10 x 25	
4	2130404	1	Fitting, 90 ORFS	
5	2130808	2	Fitting, 90 ORFS	
6	2170208	2	Fitting, 90 ORFS	
7	4811702	1	Washer M6	
8	4811900	1	Washer M8	
9	4812000	8	Washer M10	
10	1001004640	4	Clamp	
11	1001095650	AR	Adhesive (Not Shown)	
13	1001257330	1	Column, Tilt Steering (See Separate Breakdown in this Section)	
14	1001156265	1	Bracket, Support	
15	1001161672	1	Pipe	
16	1001161896	1	Pipe	
17	1001161897	1	Pipe	
18	1001161898	1	Pipe	
19	1001168142	1	Bracket	
20	1001168151	1	Bracket	
21	1001178670	1	Valve, Steer (See Separate Breakdown in HYDRAULICS COMPONENTS Section)	
22	1001194282	1	Pipe	
25	1001227945	1	Valve, Check	

# SECTION 7 - CONTROLS

## FIGURE 7-9. TILT STEERING COLUMN



ART\_1001257330

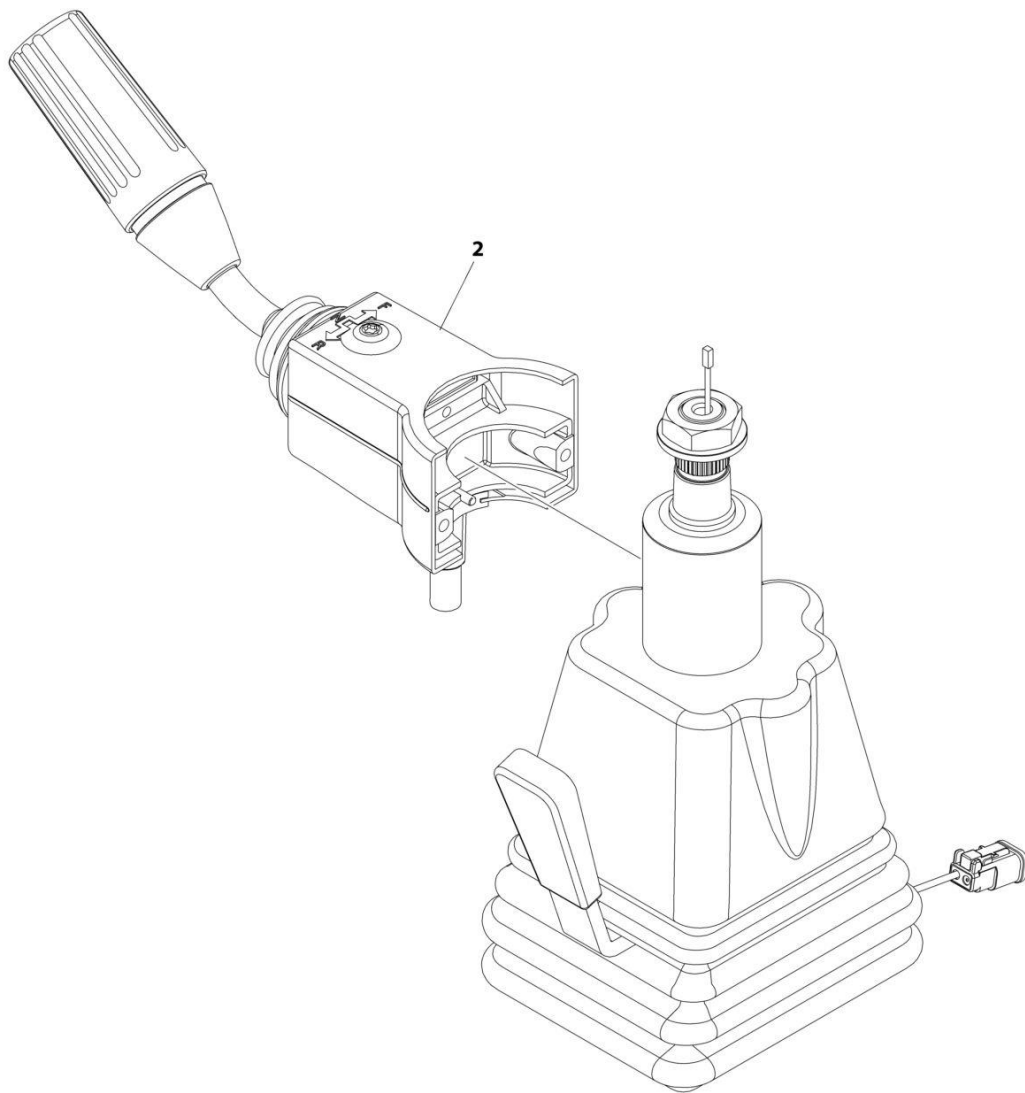
## SECTION 7 - CONTROLS

**FIGURE 7-9. TILT STEERING COLUMN**

ITEM	PART NUMBER	QTY	DESCRIPTION	REV
	1001257330	Ref Ref	TILT STEERING COLUMN Note: No Service Parts Available - Purchase Complete Assembly	A

# SECTION 7 - CONTROLS

## FIGURE 7-10. COLUMN SHIFT INSTALLATION (2 SPEED)



ART\_1001220507\_B



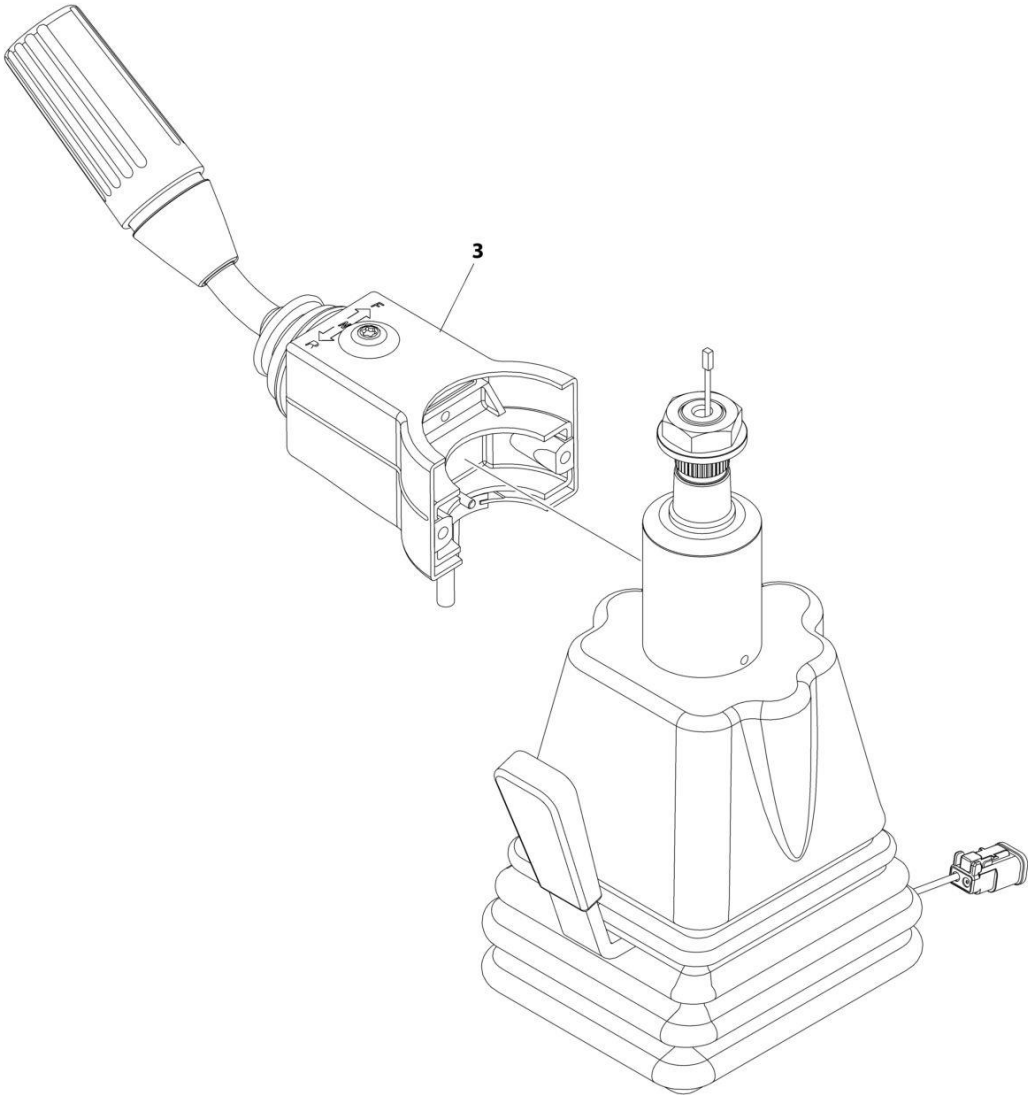
## SECTION 7 - CONTROLS

**FIGURE 7-10. COLUMN SHIFT INSTALLATION (2 SPEED)**

ITEM	PART NUMBER	QTY	DESCRIPTION	REV
2	1001220507 1001257088	Ref 1	Column Shift Installation (2 Speed) Lever, FNR (2 Speed)	B

**SECTION 7 - CONTROLS**

**FIGURE 7-11. COLUMN SHIFT INSTALLATION (0 SPEED)**



ART\_1001179931\_D

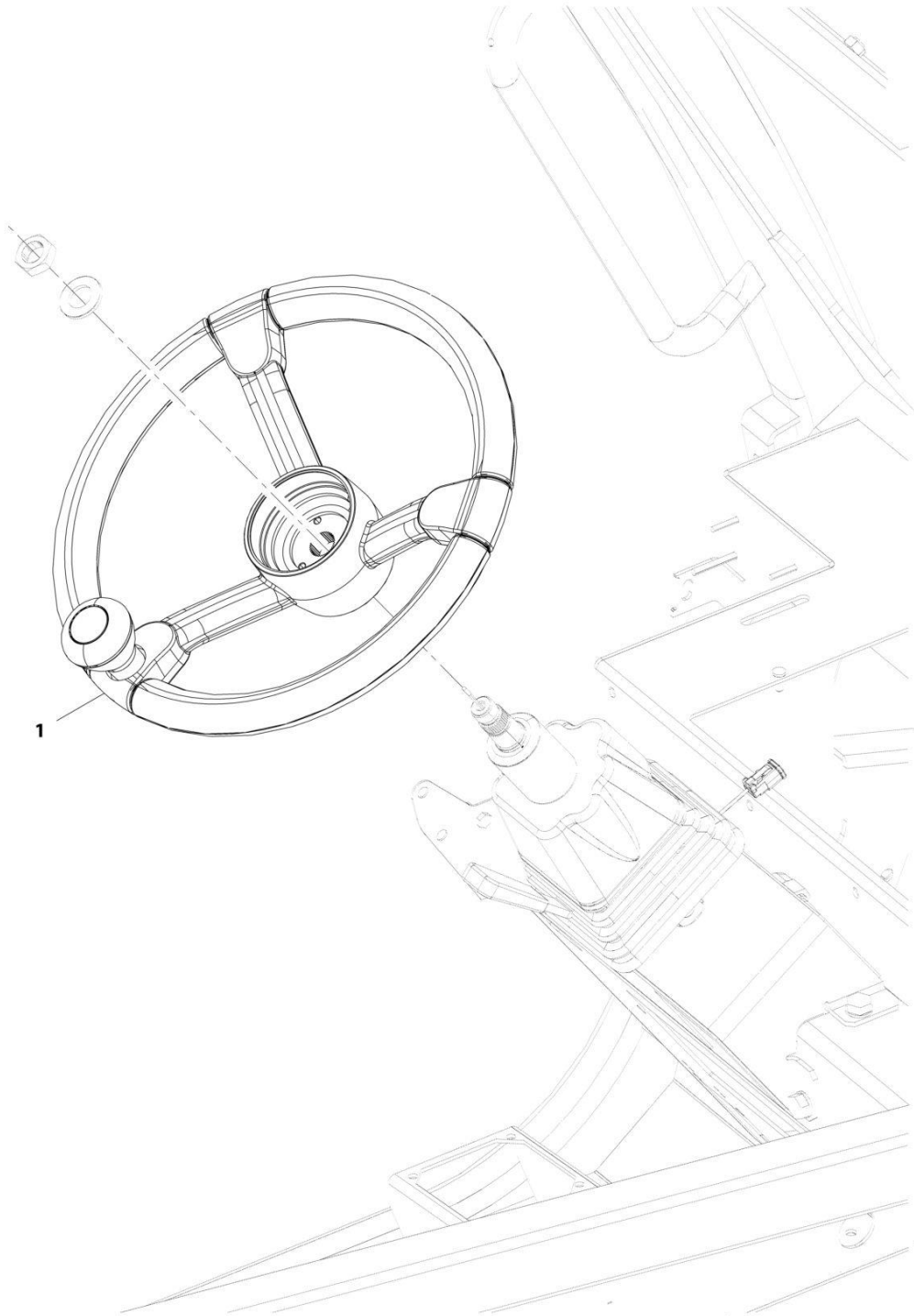
## SECTION 7 - CONTROLS

**FIGURE 7-11. COLUMN SHIFT INSTALLATION (0 SPEED)**

ITEM	PART NUMBER	QTY	DESCRIPTION	REV
3	1001179931 1001257348	Ref 1	Column Shift Installation (0 Speed) Lever, FNR (0 Speed)	D

# SECTION 7 - CONTROLS

## FIGURE 7-12. STEERING WHEEL INSTALLATION



ART\_1001169751-C

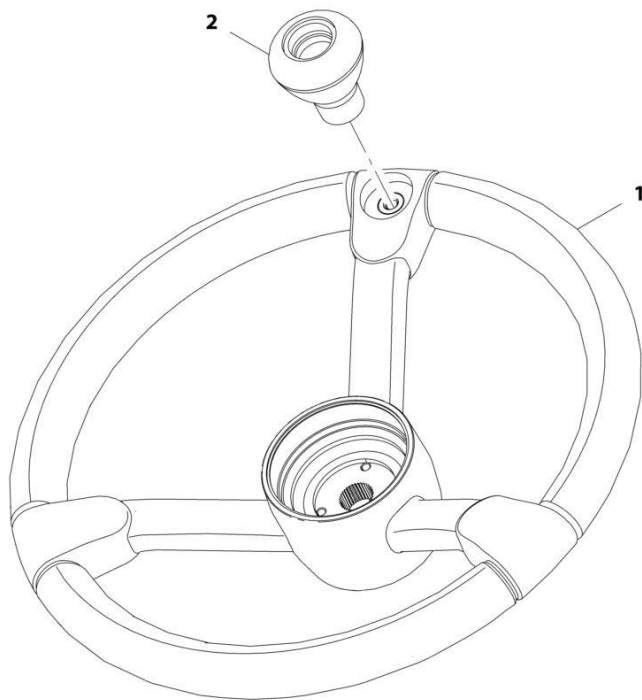
## SECTION 7 - CONTROLS

**FIGURE 7-12. STEERING WHEEL INSTALLATION**

ITEM	PART NUMBER	QTY	DESCRIPTION	REV
1	1001169751 1001169354	Ref 1	Steering Wheel Installation Wheel, Steering (See Separate Breakdown in this Section)	C

# SECTION 7 - CONTROLS

## FIGURE 7-13. STEERING WHEEL



ART\_1001169354-D

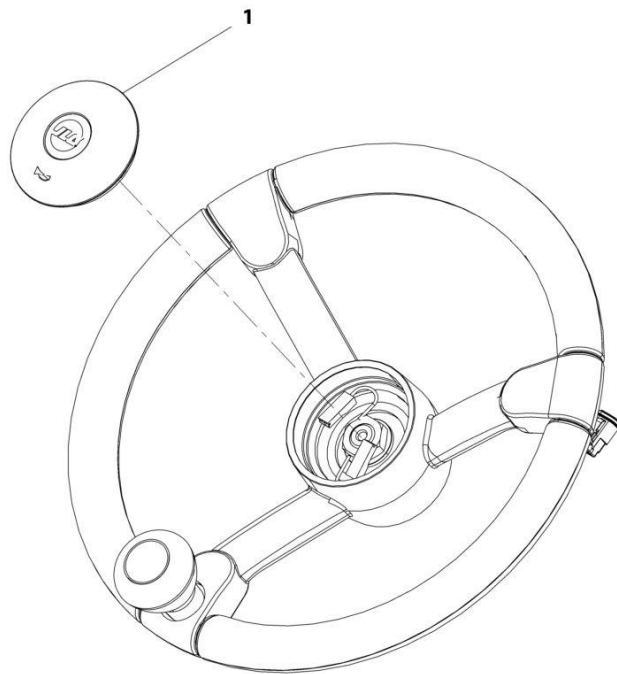
## SECTION 7 - CONTROLS

### FIGURE 7-13. STEERING WHEEL

ITEM	PART NUMBER	QTY	DESCRIPTION	REV
	1001169354	Ref	Steering Wheel	D
1	1001169367	1	Wheel, Steering	
2	1001169355	1	Handle, Steer Spinner	

# SECTION 7 - CONTROLS

## FIGURE 7-14. HORN BUTTON INSTALLATION



ART\_1001169763-A



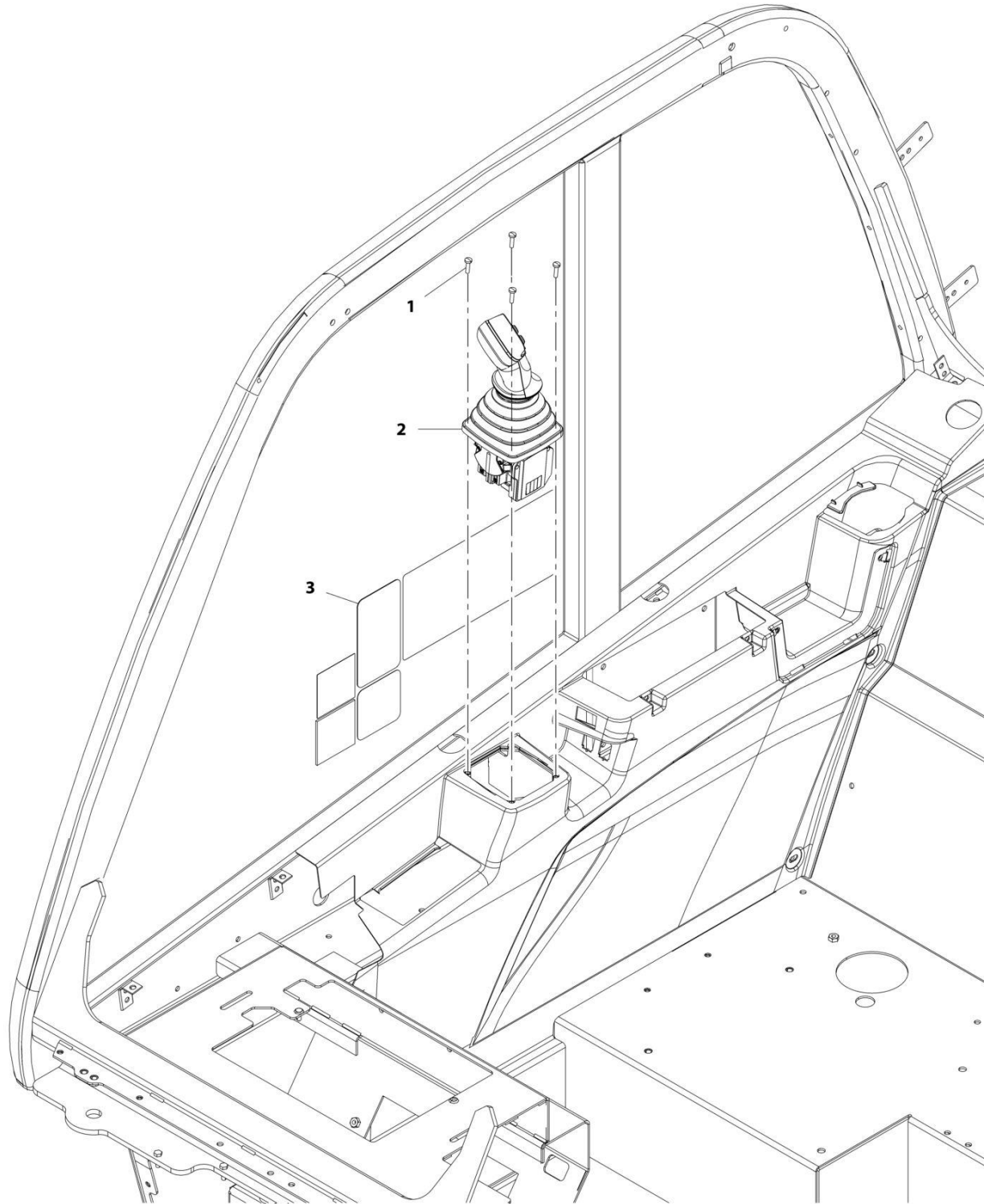
## SECTION 7 - CONTROLS

**FIGURE 7-14. HORN BUTTON INSTALLATION**

ITEM	PART NUMBER	QTY	DESCRIPTION	REV
1	1001169763 1001169268	Ref 1	Horn Button Installation Button, Horn	A

# SECTION 7 - CONTROLS

## FIGURE 7-15. JOYSTICK INSTALLATION (2 SPEED)



ART\_1001216757-B

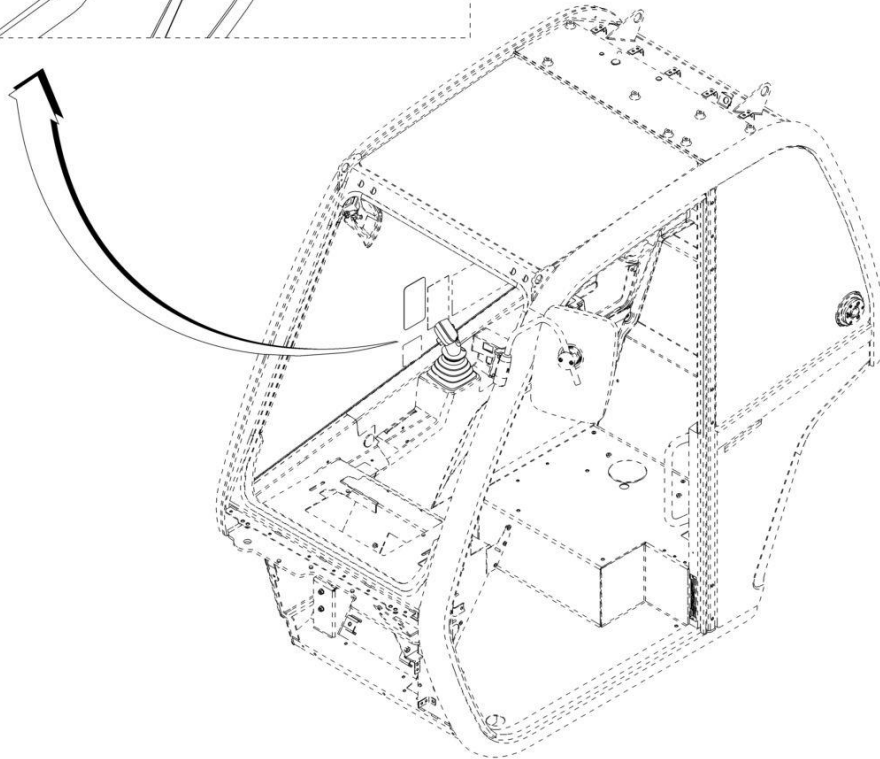
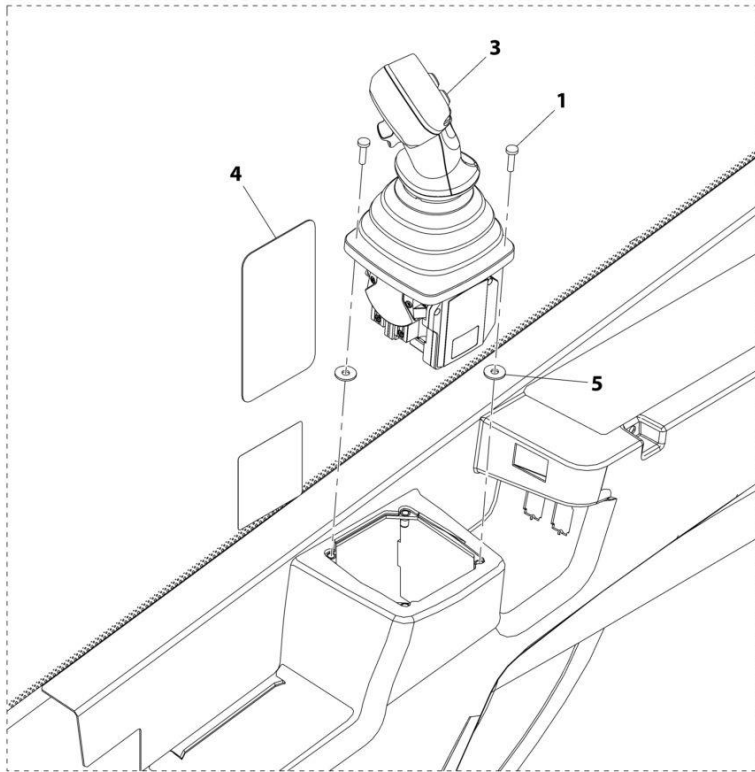
## SECTION 7 - CONTROLS

**FIGURE 7-15. JOYSTICK INSTALLATION (2 SPEED)**

ITEM	PART NUMBER	QTY	DESCRIPTION	REV
	1001216757	Ref	Joystick Installation (2 Speed)	C
1	4010510	4	Screw, M5X20	
2	1001222606	1	Joystick, 2R2B	
3	1001216803	1	Decal	

# SECTION 7 - CONTROLS

## FIGURE 7-16. JOYSTICK INSTALLATION



ART\_1001167004-G

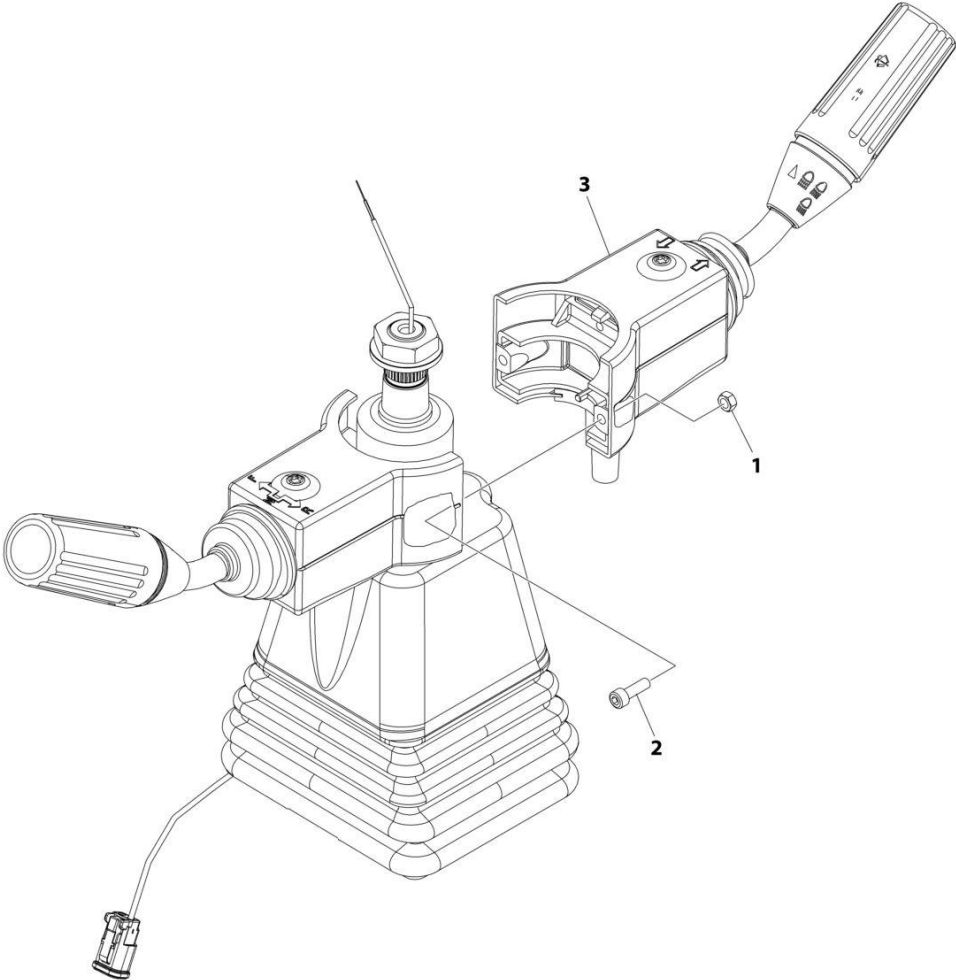
## SECTION 7 - CONTROLS

### FIGURE 7-16. JOYSTICK INSTALLATION

ITEM	PART NUMBER	QTY	DESCRIPTION	REV
	1001167004	Ref	Joystick Installation	G
1	4010510	4	Screw, M5X20	
3	1001222603	1	Joystick	
4	1001241950	1	Decal, Joystick	
5	4811702001	AR	Washer, M6	

**SECTION 7 - CONTROLS**

**FIGURE 7-17. WIPER-TURN SWITCH INSTALLATION**



ART\_1001257071

## SECTION 7 - CONTROLS

### FIGURE 7-17. WIPER-TURN SWITCH INSTALLATION

ITEM	PART NUMBER	QTY	DESCRIPTION	REV
	1001257071	Ref	Wiper-Turn Switch Installation	B
1	3290505	2	Nut, Lock M5	
2	4031607	2	Capscrew M5 x 16	
3	1001256974	1	Switch, Turn-Wiper	

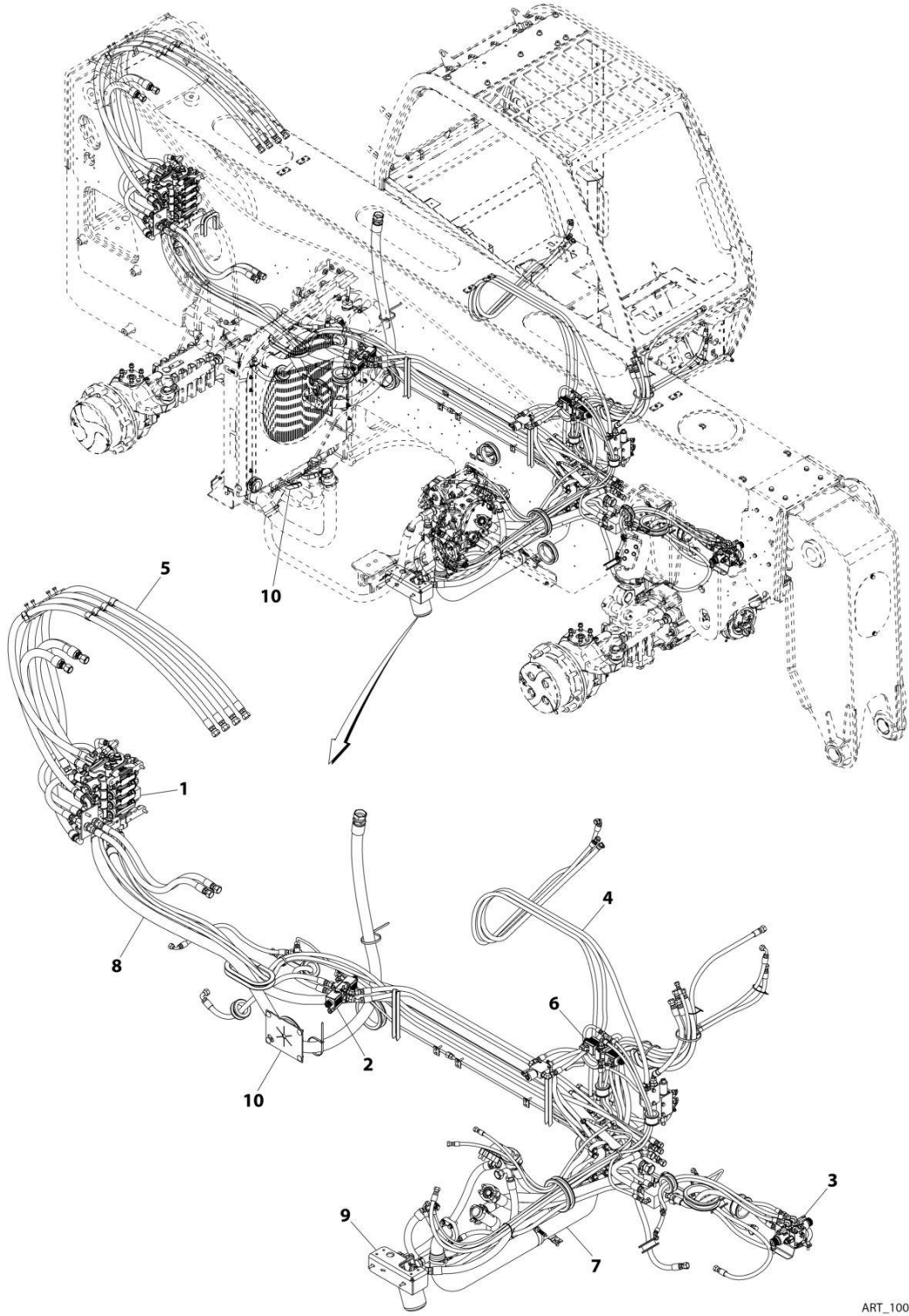




**SECTION 8 - HYDRAULIC CIRCUITS**

# SECTION 8 - HYDRAULIC CIRCUITS

## FIGURE 8-1. MAIN HYDRAULIC INSTALLATION



ART\_1001201812-D

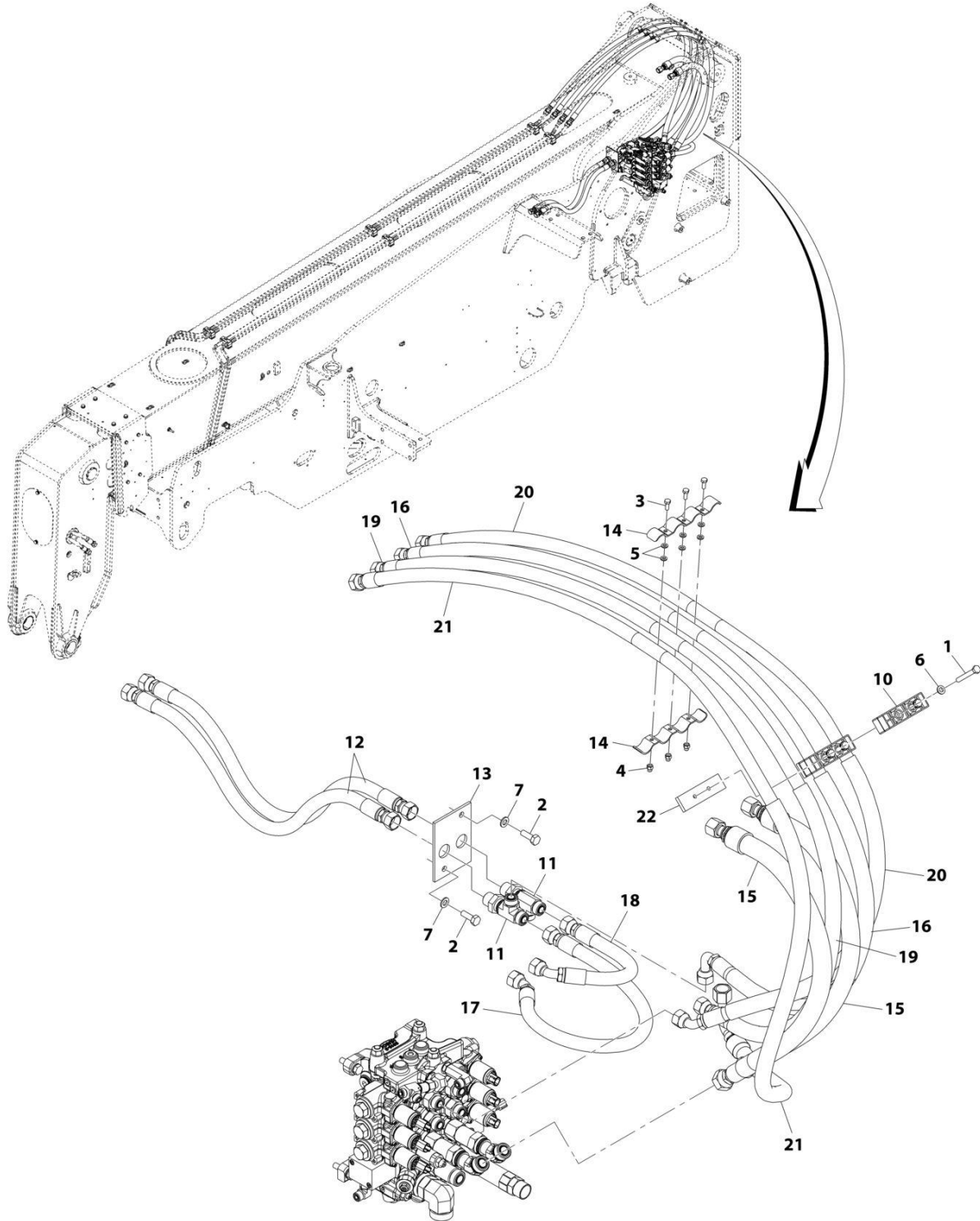
## SECTION 8 - HYDRAULIC CIRCUITS

**FIGURE 8-1. MAIN HYDRAULIC INSTALLATION**

ITEM	PART NUMBER	QTY	DESCRIPTION	REV
1	1001201812	Ref	Main Hydraulic Installation	D
	1001192889	Ref	Installation, Main Control Valve (See Separate Breakdown in this Section)	
2	1001193516	Ref	Installation, Steering Select Valve (See Separate Breakdown in this Section)	
3	1001193517	Ref	Installation, Frame Level Valve (See Separate Breakdown in this Section)	
4	1001193709	Ref	Installation, Cab Hydraulics (See Separate Breakdown in this Section)	
5	1001211606	Ref	Installation, Boom Lines (See Separate Breakdown in this Section)	
6	1001197196	Ref	Installation, Speed Control Valve (See Separate Breakdown in this Section)	
7	1001202024	Ref	Installation, Engine Bay Hydraulic (See Separate Breakdown in this Section)	
8	1001202025	Ref	Installation, Frame Hydraulics (See Separate Breakdown in this Section)	
9	1001202026	Ref	Installation, Charge Filter Lines	
10	1001213026	Ref	Installation, Grommets (See Separate Breakdown in FRAME AND ATTACHING PARTS Section)	

# SECTION 8 - HYDRAULIC CIRCUITS

## FIGURE 8-2. BOOM HYDRAULIC LINES INSTALLATION



ART\_1001211606-F

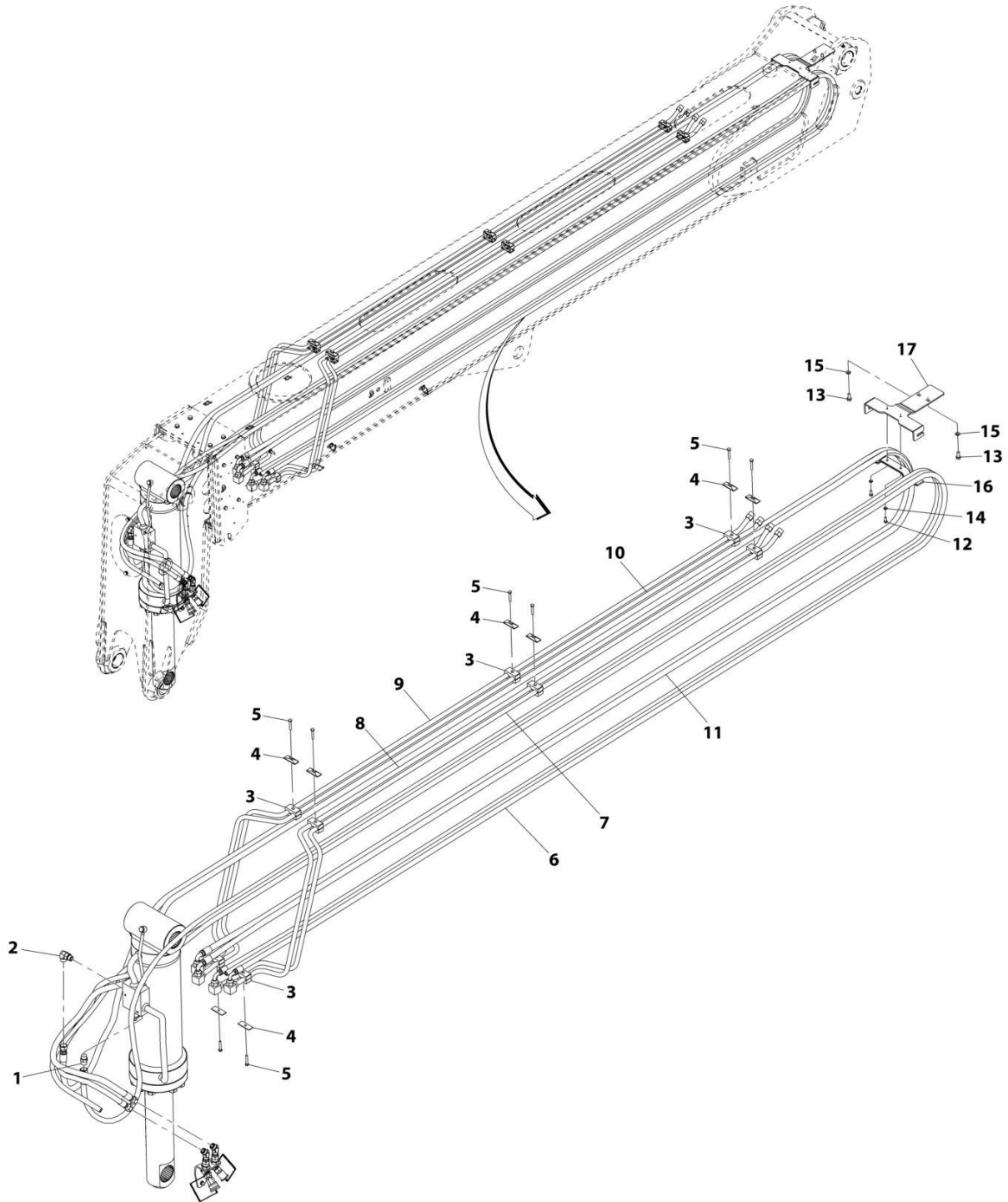
## SECTION 8 - HYDRAULIC CIRCUITS

**FIGURE 8-2. BOOM HYDRAULIC LINES INSTALLATION**

ITEM	PART NUMBER	QTY	DESCRIPTION	REV
	1001211606	Ref	Boom Hydraulic Line Installation	F
1	0700821	4	Bolt, M8X65	
2	0701014	2	Bolt, M10X30	
3	0760608	3	Bolt, M6X16	
4	3290606	3	Nut, M6X1 Grade 8	
5	4811700	6	Washer, M6	
6	4811900	4	Washer, M8	
7	4812000	2	Washer, M10	
10	1001098128	2	Clamp, Triple	
11	1001192096	2	Fitting, Tee ORFS	
12	1001210525	2	Hose, M16 ORFS	
13	1001197011	1	Plate	
14	1001205618	2	Clamp, Hoses	
15	1001220473	2	Hose, M19 ORFS	
16	1001210524	1	Hose, M16 ORFS	
17	1001209418	1	Hose, M16 ORFS	
18	1001209419	1	Hose, M16 ORFS	
19	1001210526	1	Hose, M16 ORFS	
20	1001215859	1	Hose, M16 ORFS	
21	1001215860	1	Hose, M16 ORFS	
22	1001226557	2	Plate	

# SECTION 8 - HYDRAULIC CIRCUITS

## FIGURE 8-3. BOOM HYDRAULIC INSTALLATION (1732)



ART\_1001193100-F

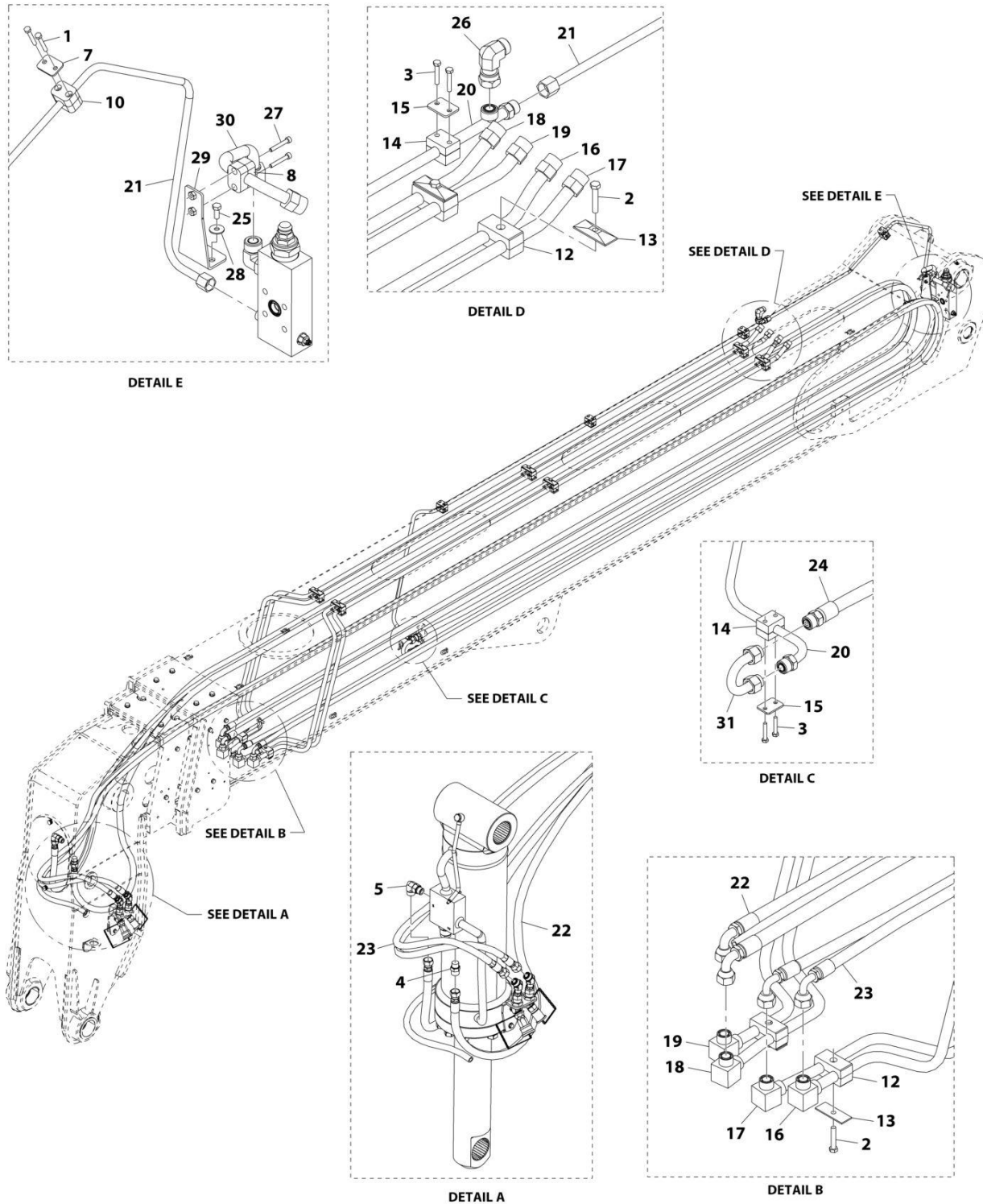
## SECTION 8 - HYDRAULIC CIRCUITS

**FIGURE 8-3. BOOM HYDRAULIC INSTALLATION (1732)**

ITEM	PART NUMBER	QTY	DESCRIPTION	REV
	1001193100	Ref	Boom Hydraulic Installation	F
1	2111010	1	Fitting, Straight ORFS	
2	2131010	1	Fitting, ORFS	
3	77133136	8	Clamp	
4	77133137	8	Plate, Twin Hose Cover	
5	0700817	8	Bolt, M8X45	
6	1001206242	1	Hose	
7	1001209200	1	Pipe	
8	1001209201	1	Pipe	
9	1001209202	1	Pipe	
10	1001209203	1	Pipe	
11	1001193465	1	Hose	
12	0760810	2	Bolt, M8X20	
13	0761012	2	Bolt, M10X25	
14	4811900	2	Washer, M8	
15	4812000	2	Washer, M10	
16	1001214661	1	Plate	
17	1001215470	1	Support, Hose	

# SECTION 8 - HYDRAULIC CIRCUITS

## FIGURE 8-4. BOOM HYDRAULIC INSTALLATION (8010)



ART\_1001205375-F



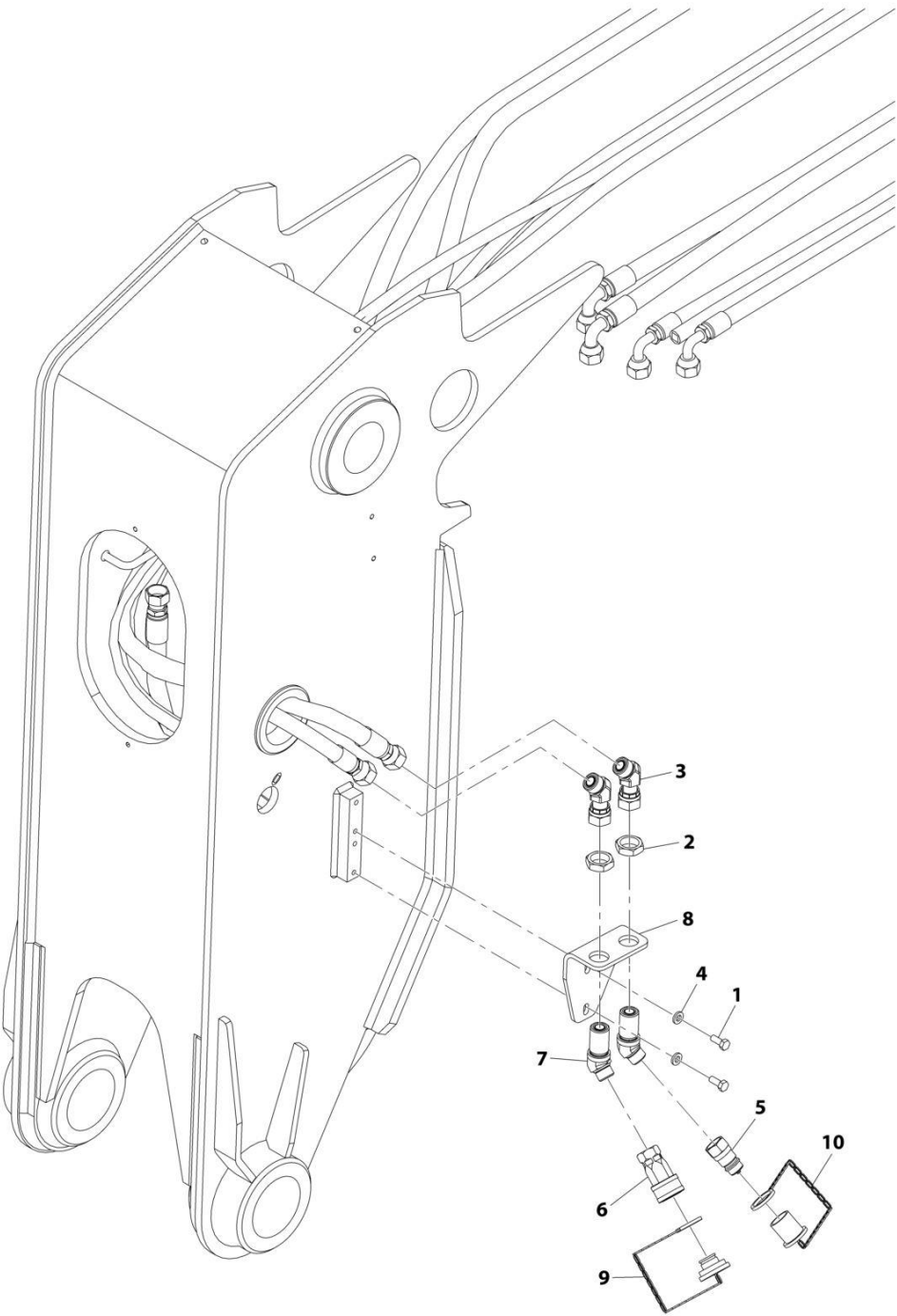
## SECTION 8 - HYDRAULIC CIRCUITS

**FIGURE 8-4. BOOM HYDRAULIC INSTALLATION (8010)**

ITEM	PART NUMBER	QTY	DESCRIPTION	REV
	1001205375	Ref	Boom Hydraulic Installation	F
1	0700616	2	Bolt, M6X40	
2	0700817	8	Bolt, M8X45	
3	0760615	8	Bolt, M6X35	
4	2111010	1	Fitting, Straight ORFS	
5	2131010	1	Fitting, 90 ORFS	
7	8769146	1	Plate, Cover	
8	8769152	1	Clamp	
10	8769199	1	Clamp	
12	77133136	8	Clamp	
13	77133137	8	Plate, Cover	
14	77133497	4	Clamp	
15	1001105093	4	Plate, Cover	
16	1001209201	1	Pipe	
17	1001209200	1	Pipe	
18	1001209202	1	Pipe	
19	1001209203	1	Pipe	
20	1001205380	1	Pipe	
21	1001205381	1	Tube	
22	1001210568	1	Hose	
23	1001210569	1	Hose	
24	1001229422	1	Hose	
25	0760810	2	Bolt, M8X20	
26	2172110	1	Fitting, 90 ORFS	
27	4031712	2	Bolt, M6X40	
28	4811902	2	Washer, M8	
29	1001209972	1	Bracket	
30	1001210270	1	Tube	
31	1001220942	1	Pipe	

# SECTION 8 - HYDRAULIC CIRCUITS

## FIGURE 8-5. BOOM AUX HYDRAULIC INSTALLATION (MANUAL - SINGLE)



ART\_1001192363-D

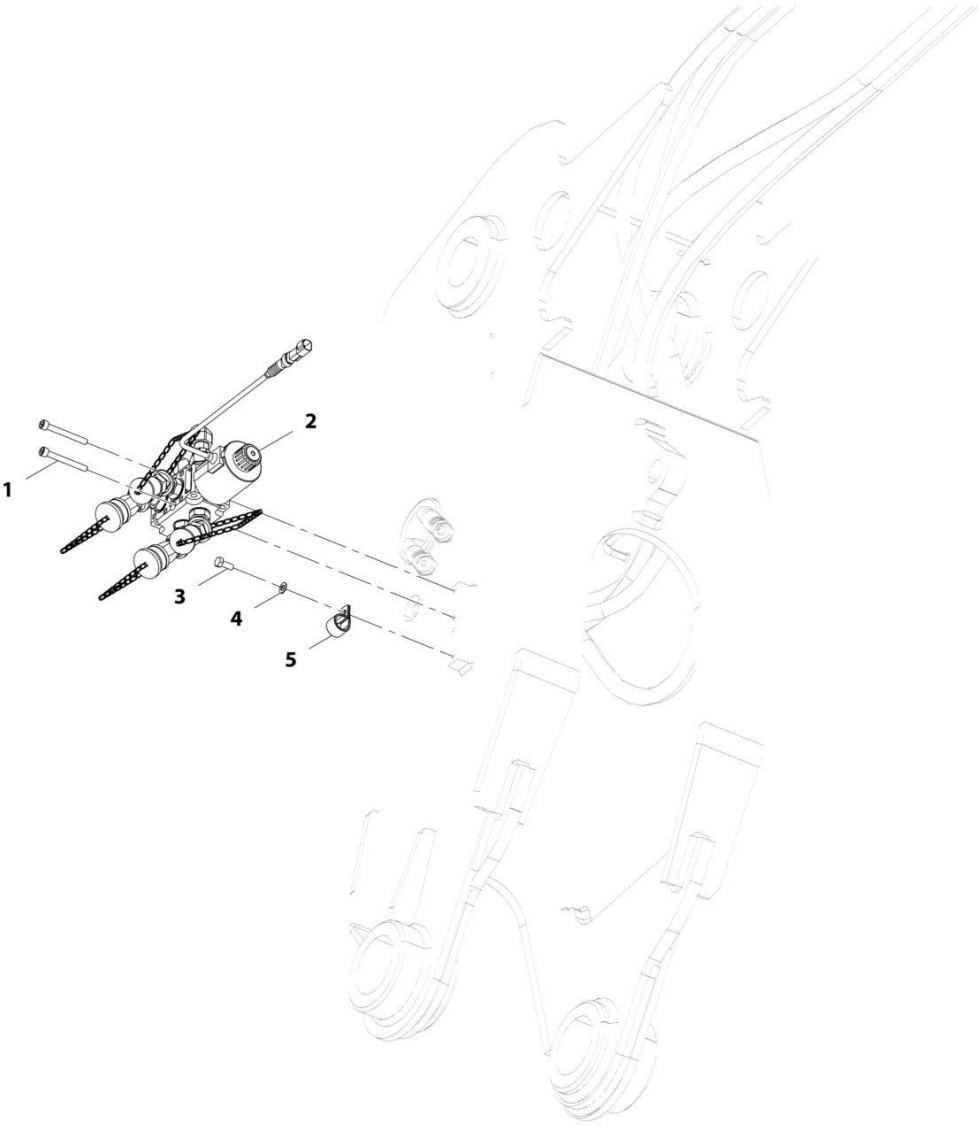
## SECTION 8 - HYDRAULIC CIRCUITS

**FIGURE 8-5. BOOM AUX HYDRAULIC INSTALLATION (MANUAL - SINGLE)**

ITEM	PART NUMBER	QTY	DESCRIPTION	REV
	1001192363	Ref	Boom Aux Hydraulic Installation (Manual - Single)	D
1	0760810	2	Bolt, M8X20	
2	8770075	2	Fitting, ORFS	
3	1001147416	2	Fitting, 45 ORFS	
4	5240800	2	Washer, M8	
5	1001101041	1	Coupling, Male Quick Disconnect	
6	1001101042	1	Coupling, Female Quick Disconnect	
7	1001217553	2	Fitting, 45 ORFS	
8	1001217552	1	Bracket	
9	91043125	1	Plug	
10	91043126	1	Cap, Dust	

# SECTION 8 - HYDRAULIC CIRCUITS

## FIGURE 8-6. BOOM AUX HYDRAULIC INSTALLATION (MANUAL - TWIN)



ART\_1001192366-C

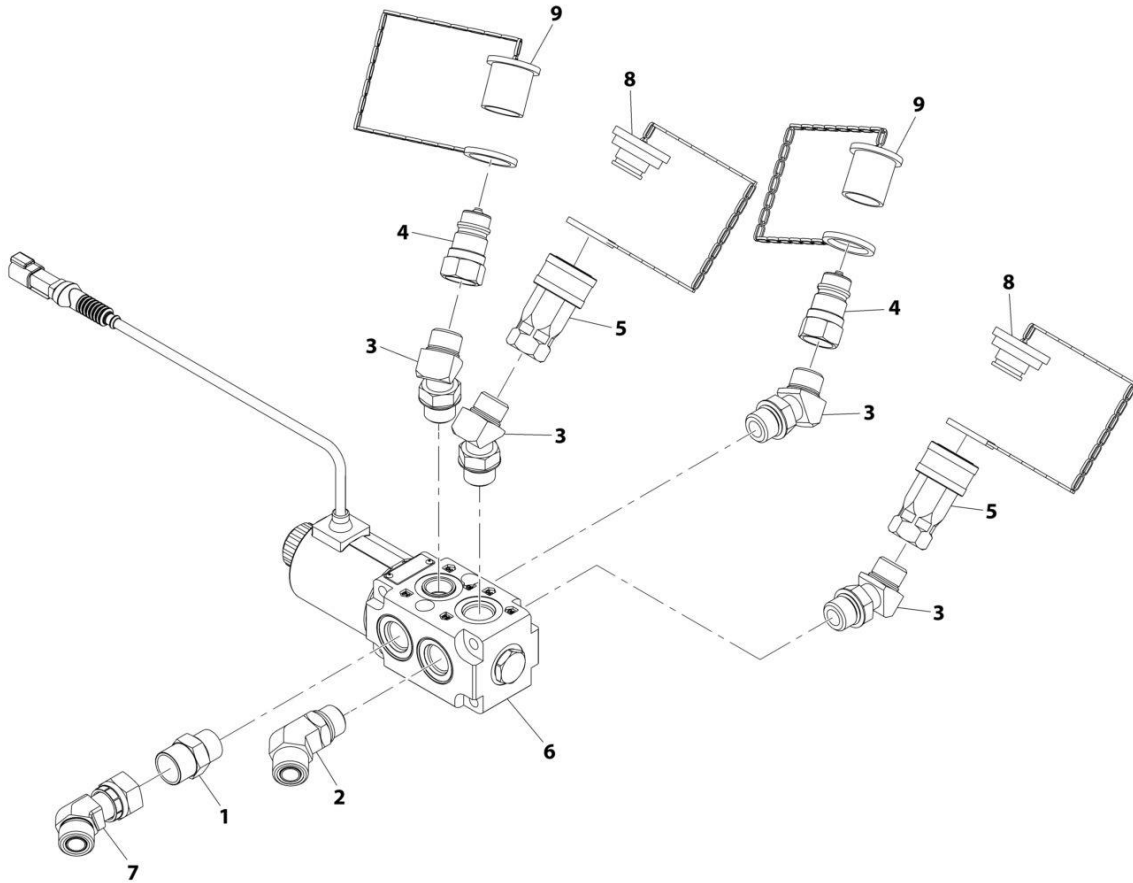
## SECTION 8 - HYDRAULIC CIRCUITS

**FIGURE 8-6. BOOM AUX HYDRAULIC INSTALLATION (MANUAL - TWIN)**

ITEM	PART NUMBER	QTY	DESCRIPTION	REV
	1001192366	Ref	Boom Aux Hydraulic Installation (Manual - Twin)	C
1	4031918	2	Bolt, M8X70	
2	1001213318	1	Assembly, Diverter Valve (manual - twin) (See Separate Breakdown in this Section)	
3	0760810	1	Bolt, M8X20	
4	4811900	1	Washer, M8	
5	8406202	1	CLIP,TUBE 7/8"	

# SECTION 8 - HYDRAULIC CIRCUITS

## FIGURE 8-7. BOOM AUX DIVERTER VALVE/FITINGS ASSEMBLY (MANUAL - TWIN)



ART\_1001213318-B

## SECTION 8 - HYDRAULIC CIRCUITS

**FIGURE 8-7. BOOM AUX DIVERTER VALVE/FITINGS ASSEMBLY (MANUAL - TWIN)**

ITEM	PART NUMBER	QTY	DESCRIPTION	REV
	1001213318	Ref	Diverter Valve Assembly	B
1	2111010	1	Fitting, Straight ORFS	
2	2151010	1	Fitting, 45 ORFS	
3	1001005904	4	Fitting, 45	
4	1001101041	2	Adapter, Male Quick Disconnect	
5	1001101042	2	Adapter, Female Quick Disconnect	
6	1001110023	1	Valve, Diverter (See Separate Breakdown in HYDRAULIC COMPONENTS Section)	
7	1001147416	1	Fitting, 45 ORFS	
8	91043125	2	Plug	
9	91043126	2	Cap	





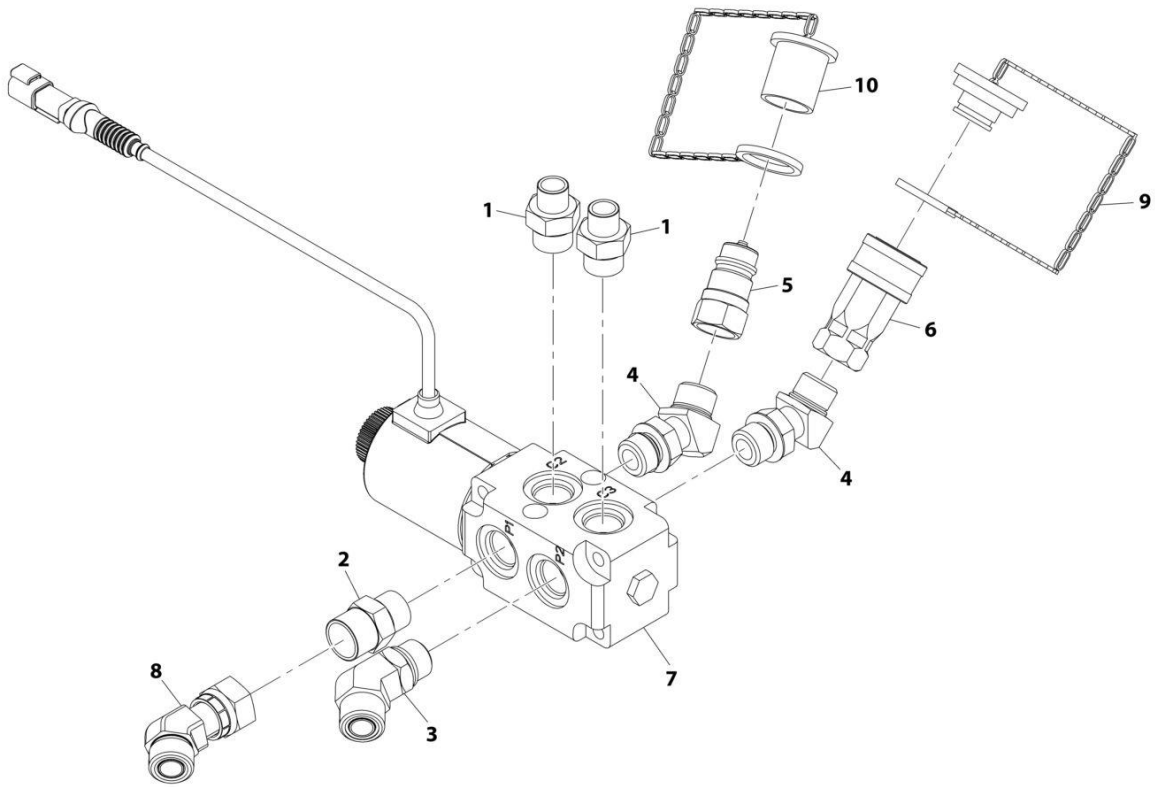
## SECTION 8 - HYDRAULIC CIRCUITS

**FIGURE 8-8. BOOM AUX HYDRAULIC INSTALLATION (HYDRAULIC - SINGLE)**

ITEM	PART NUMBER	QTY	DESCRIPTION	REV
	1001192365	Ref	Boom Aux Hydraulic Installation (Hydraulic - Single)	E
2	4031918	2	Bolt, M8X70	
5	1001213317	1	Assembly, Diverter Valve (Hydraulic - Single) (See Separate Breakdown in this Section)	
6	1001193111	2	Hose	
7	8769126	1	Clamp	
8	0760815	1	Bolt, M8X35	
9	8769123	1	Plate, Cover	
10	1001080375	1	Switch	
11	8406202	1	CLIP,TUBE 7/8"	
12	4811900	1	Washer, M8	
13	0760810	1	Bolt, M8X20	

# SECTION 8 - HYDRAULIC CIRCUITS

## FIGURE 8-9. BOOM AUX DIVERTER VALVE/FITINGS ASSEMBLY (HYDRAULIC - SINGLE)



ART\_1001213317-B

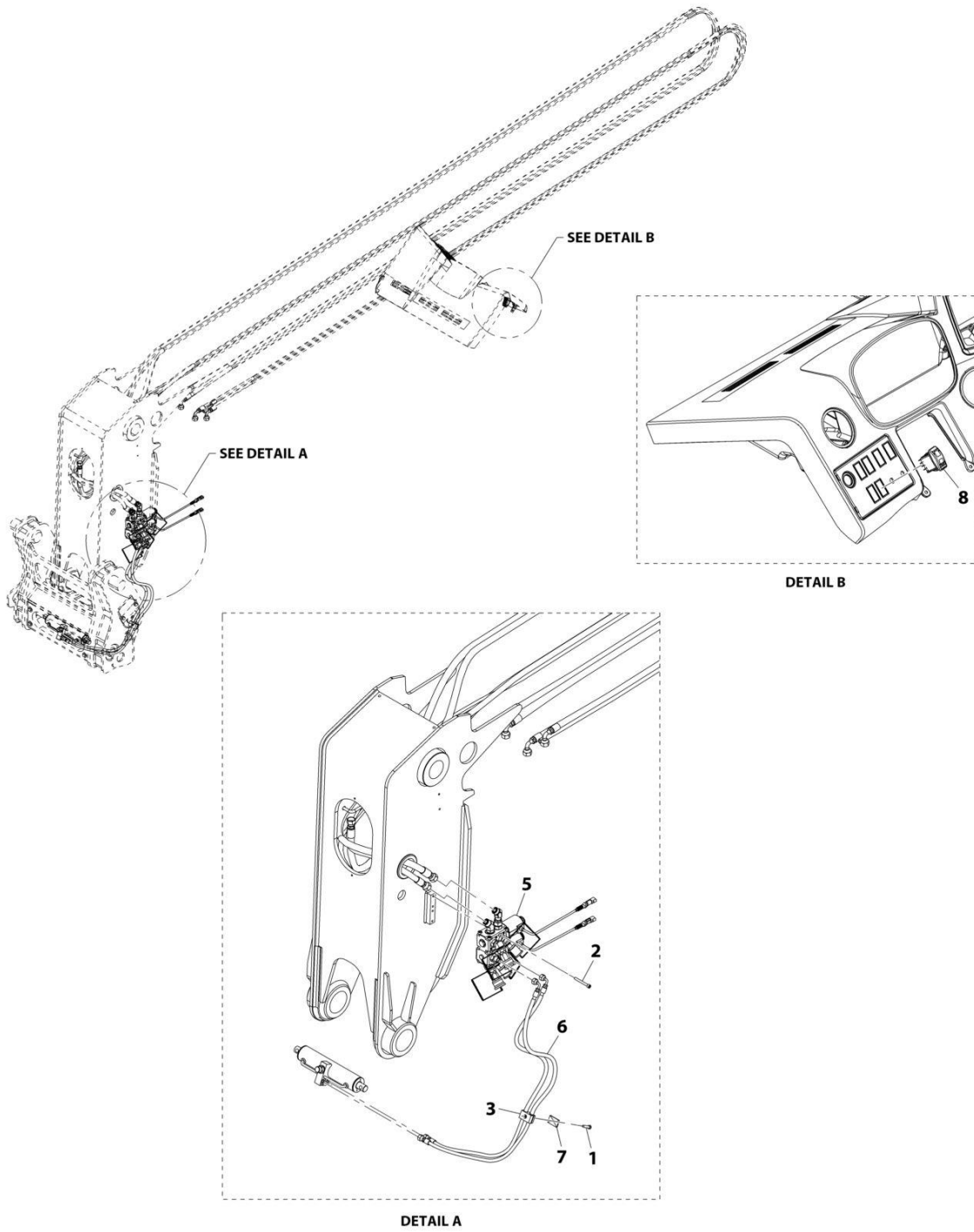
## SECTION 8 - HYDRAULIC CIRCUITS

**FIGURE 8-9. BOOM AUX DIVERTER VALVE/FITINGS ASSEMBLY (HYDRAULIC - SINGLE)**

ITEM	PART NUMBER	QTY	DESCRIPTION	REV
	1001213317	Ref	Diverter Valve Assembly	B
1	2110610	2	Fitting, Straight ORFS	
2	2111010	1	Fitting, Straight ORFS	
3	2151010	1	Fitting, 45 ORFS	
4	1001005904	2	Fitting, 45	
5	1001101041	1	Fitting, Male Quick Disconnect	
6	1001101042	1	Fitting, Female Quick Disconnect	
7	1001104477	1	Valve, Divertor (See Separate Breakdown in HYDRAULIC COMPONENTS Section)	
8	1001147416	1	Fitting, 45 ORFS	
9	91043125	1	Plug	
10	91043126	1	Cap, Dust	

# SECTION 8 - HYDRAULIC CIRCUITS

## FIGURE 8-10. BOOM AUX HYDRAULIC INSTALLATION (HYDRAULIC - TWIN)



ART\_1001192367-C

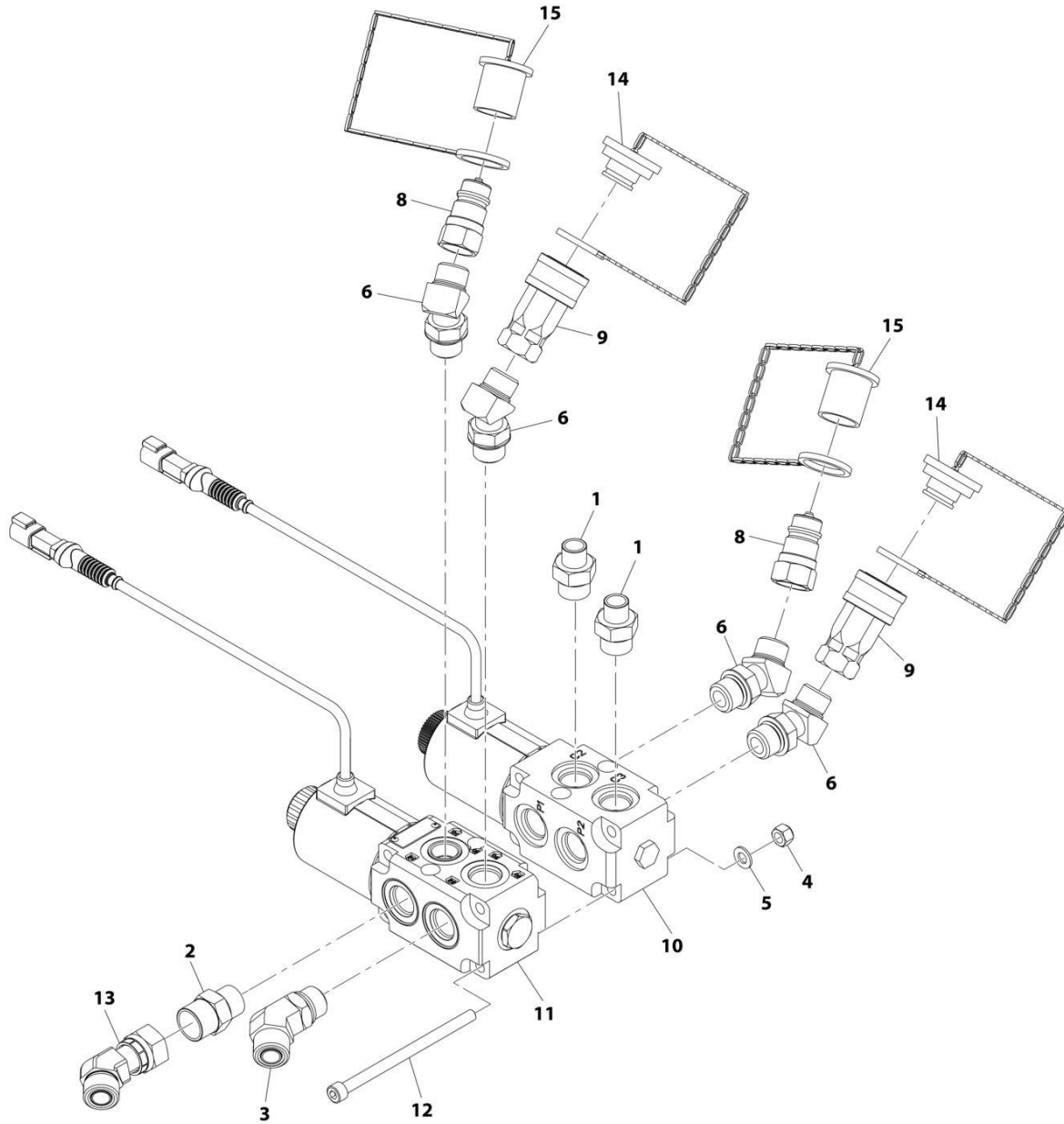
## SECTION 8 - HYDRAULIC CIRCUITS

**FIGURE 8-10. BOOM AUX HYDRAULIC INSTALLATION (HYDRAULIC - TWIN)**

ITEM	PART NUMBER	QTY	DESCRIPTION	REV
	1001192367	Ref	Boom Aux Hydraulic Installation (Hydraulic - Twin)	C
1	0760815	1	Bolt, M8X35	
2	4031918	3	Bolt, M8X70	
3	8769126	1	Clamp	
5	1001213319	1	Assembly, Diverter Valve (Hydraulic - Twin) (See Separate Breakdown in this Section)	
6	1001193111	2	Hose	
7	8769123	1	Plate, Cover	
8	1001080375	1	Switch	

# SECTION 8 - HYDRAULIC CIRCUITS

FIGURE 8-11. BOOM AUX DIVERTER VALVE/FITINGS ASSEMBLY (HYDRAULIC - TWIN)



ART\_1001213319-C

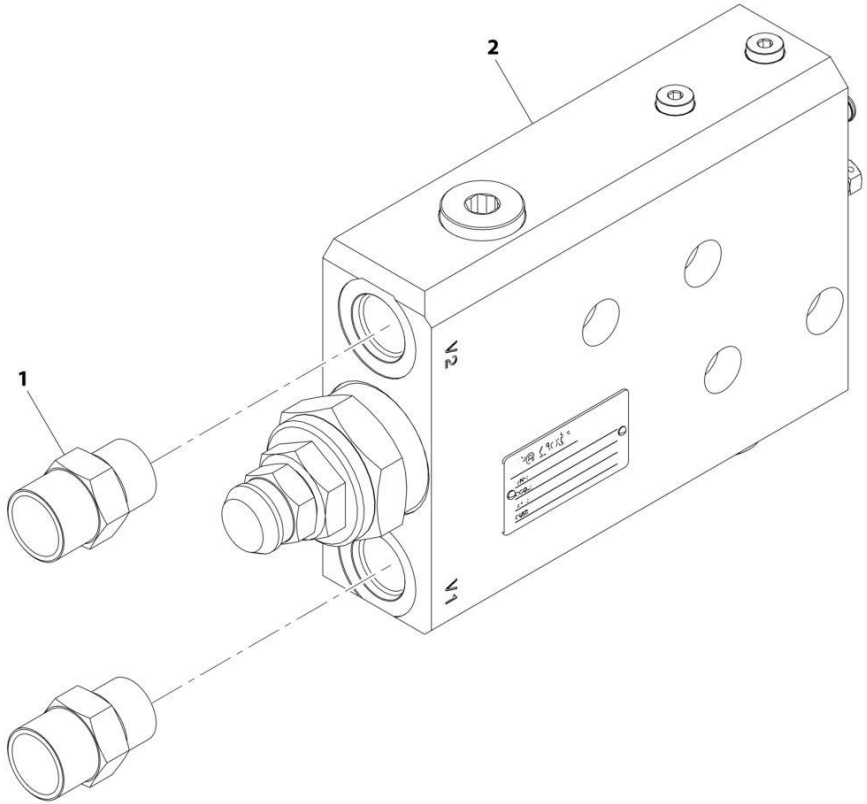
## SECTION 8 - HYDRAULIC CIRCUITS

**FIGURE 8-11. BOOM AUX DIVERTER VALVE/FITINGS ASSEMBLY (HYDRAULIC - TWIN)**

ITEM	PART NUMBER	QTY	DESCRIPTION	REV
	1001213319	Ref	Diverter Valve Assembly	C
1	2110610	2	Fitting, Straight ORFS	
2	2111010	1	Fitting, Straight ORFS	
3	2151010	1	Fitting, 45 ORFS	
4	3290805	4	Nut, Lock M8X1.25	
5	4811900	4	Washer, M8	
6	1001005904	4	Fitting, 45	
8	1001101041	2	Fitting, Male Quick Disconnect	
9	1001101042	2	Fitting, Female Quick Disconnect	
10	1001104477	1	Valve, Divertor (See Separate Breakdown in HYDRAULIC COMPONENTS Section)	
11	1001110023	1	Valve, Divertor (See Separate Breakdown in HYDRAULIC COMPONENTS Section)	
12	1001110115	4	Bolt, M8X100	
13	1001147416	1	Fitting, 45 ORFS	
14	91043125	2	Plug	
15	91043126	2	Cap	

# SECTION 8 - HYDRAULIC CIRCUITS

## FIGURE 8-12. BOOM EXTENT/RETRACT COUNTERBALANCE VALVE INSTALLATION



ART\_1001212312-A



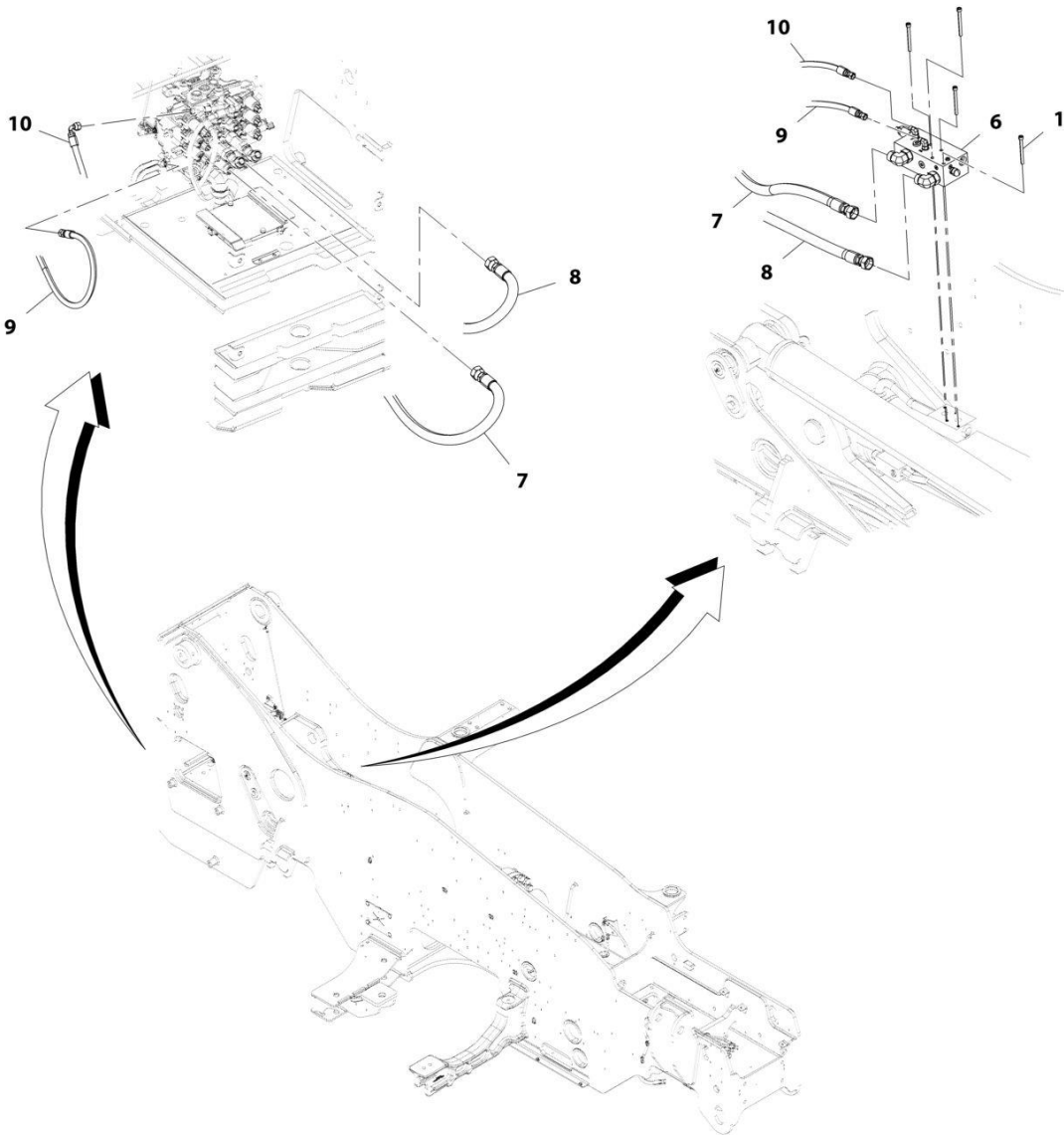
## SECTION 8 - HYDRAULIC CIRCUITS

**FIGURE 8-12. BOOM EXTENT/RETRACT COUNTERBALANCE VALVE INSTALLATION**

ITEM	PART NUMBER	QTY	DESCRIPTION	REV
	1001212312	Ref	Counterbalance Valve & Fittings Sub-Assembly	A
1	2111010	2	Fitting, Straight ORFS	
2	1001209862	1	Valve, Counterbalance (See Separate Breakdown in this Section)	

# SECTION 8 - HYDRAULIC CIRCUITS

FIGURE 8-13. BOOM RAISE HOSE INSTALLATION (NO RIDE CONTROL)



ART\_1001194702-F

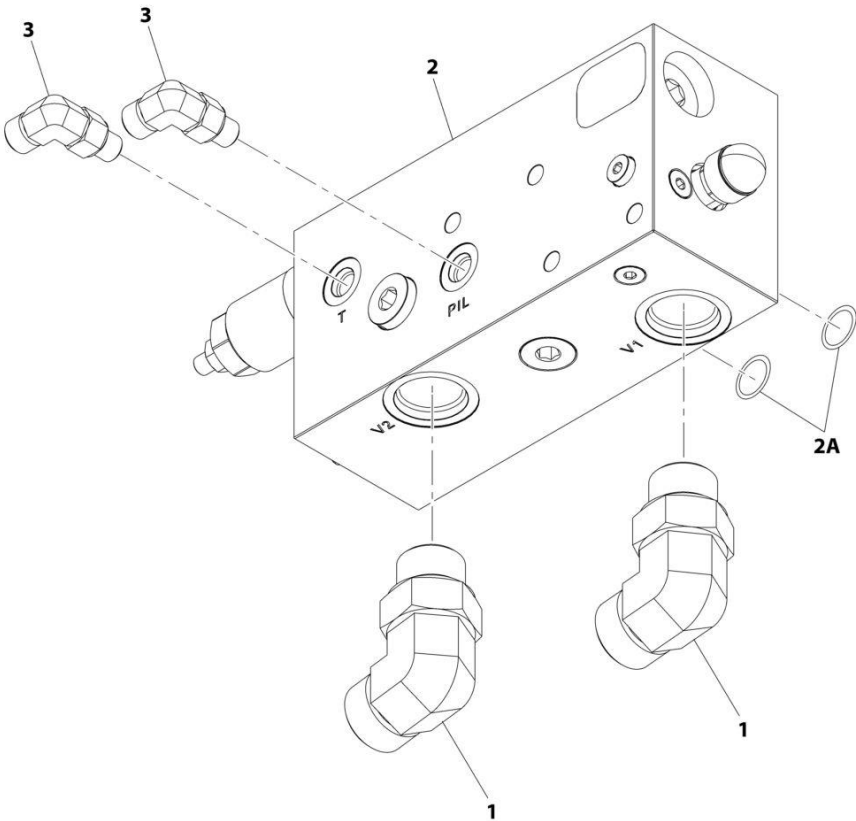
## SECTION 8 - HYDRAULIC CIRCUITS

**FIGURE 8-13. BOOM RAISE HOSE INSTALLATION (NO RIDE CONTROL)**

ITEM	PART NUMBER	QTY	DESCRIPTION	REV
	1001194702	Ref	Boom Raise Hose Installation (no Ride Control)	F
1	4031921	4	Bolt, M8X85	
6	1001219764	1	Valve, Boom Raise Counterbalance (no Ride Control) (See Separate Breakdown in this Section)	
7	1001225392	1	Hose, ORFS	
8	1001225393	1	Hose, ORFS	
9	1001226828	1	Hose, ORFS	
10	1001226829	1	Hose, ORFS	

**SECTION 8 - HYDRAULIC CIRCUITS**

**FIGURE 8-14. BOOM RAISE COUNTERBALANCE VALVE/FITTINGS ASSEMBLY (NO RIDE CONTROL)**



ART\_1001219764-C

## SECTION 8 - HYDRAULIC CIRCUITS

**FIGURE 8-14. BOOM RAISE COUNTERBALANCE VALVE/FITTINGS ASSEMBLY (NO RIDE CONTROL)**

ITEM	PART NUMBER	QTY	DESCRIPTION	REV
	1001219764	Ref	Boom Raise Counterbalance Valve (no Ride Control)	C
1	2131212	2	Fitting, 90 ORFS	
2	1001224944	1	Valve, GLS	
2A	70028282	2	O-ring	
3	2130404	2	Fitting, 90 ORFS	



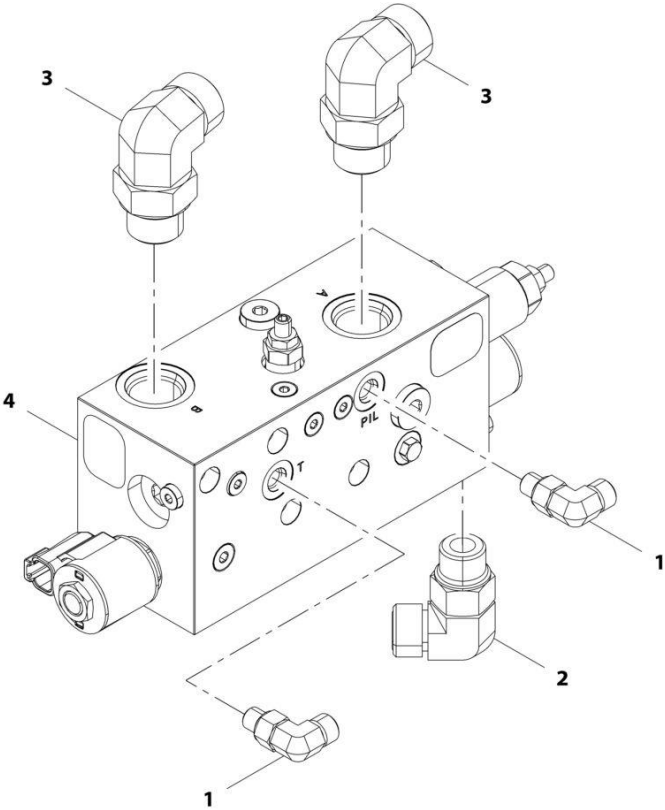
## SECTION 8 - HYDRAULIC CIRCUITS

**FIGURE 8-15. BOOM RAISE HOSE INSTALLATION (RIDE CONTROL)**

ITEM	PART NUMBER	QTY	DESCRIPTION	REV
	1001192520	Ref	Boom Raise Hose Installation (Ride Control)	D
2	2131010	1	Fitting, 90 ORFS	
4	2170410	1	Fitting, Tee ORFS	
5	2172410	1	Fitting, Straight ORFS	
6	4031921	4	Bolt, M8X85	
8	1001214829	2	Clamp	
10	1001219765	1	Assembly, Ride and Float Valve (See Separate Breakdown in this Section)	
11	1001192771	1	Cylinder, Piston	
12	1001192772	1	Cylinder, Piston	
13	1001225390	1	Pipe	
14	1001196402	2	Bumper	
15	1001200105	1	Installation, Ride Control Wiring (See Separate Breakdown in ELECTRICAL Section)	
16	1001202020	1	Valve, MCV Tank Cartridge	
17	1001225393	1	Hose	
18	1001226829	2	Hose	
19	1001227440	1	Hose	

# SECTION 8 - HYDRAULIC CIRCUITS

FIGURE 8-16. BOOM RAISE RIDE & FLOAT VALVE/FITTING ASSEMBLY (RIDE CONTROL)



ART\_1001219765-B



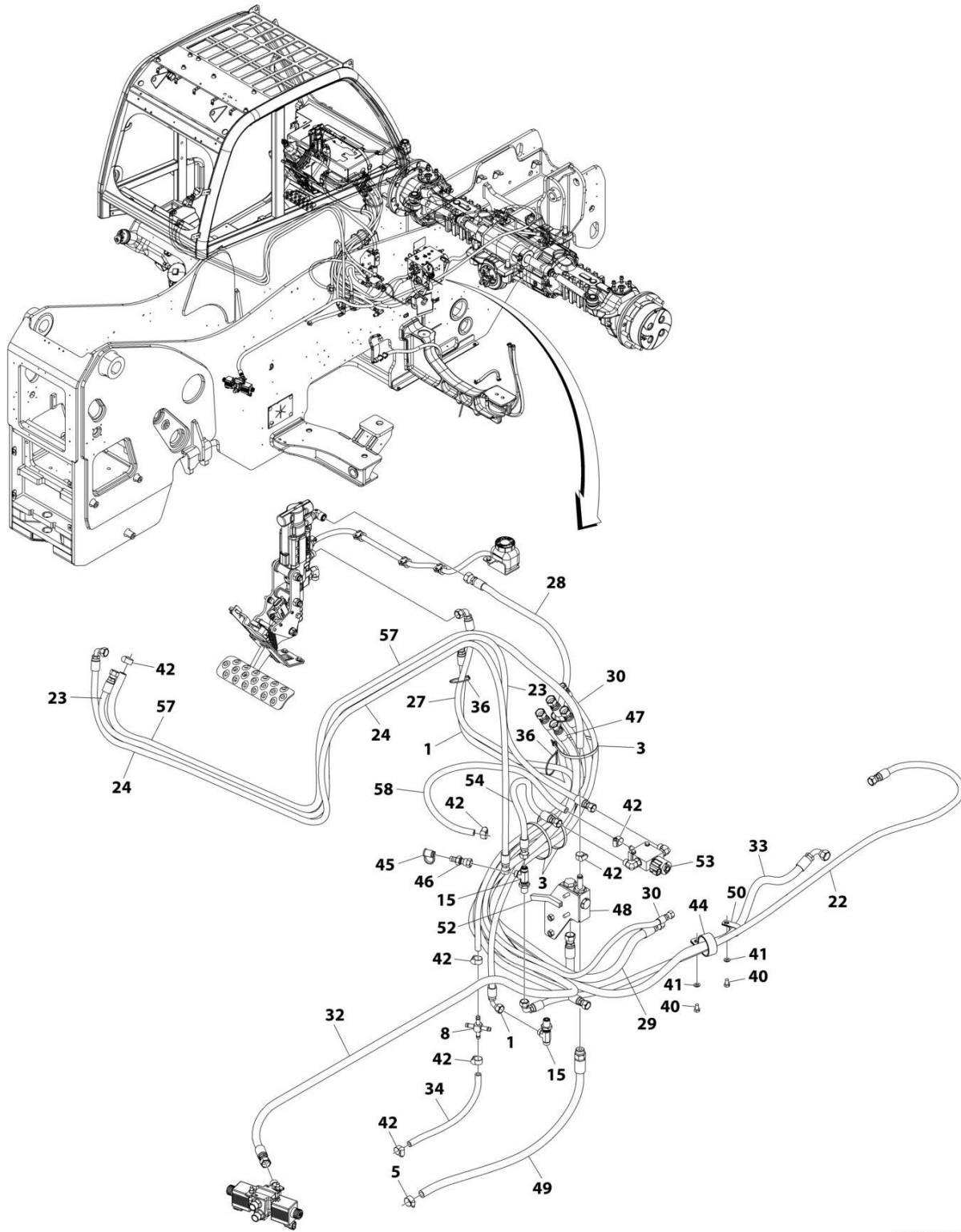
## SECTION 8 - HYDRAULIC CIRCUITS

**FIGURE 8-16. BOOM RAISE RIDE & FLOAT VALVE/FITTING ASSEMBLY (RIDE CONTROL)**

ITEM	PART NUMBER	QTY	DESCRIPTION	REV
	1001219765	Ref	Ride and Float Valve Assembly	B
1	2130404	2	Fitting, 90 ORFS	
2	2131010	1	Fitting, 90 ORFS	
3	2131212	2	Fitting, 90 ORFS	
4	1001224945	1	Valve, Boom Raise (See Separate Breakdown in HYDRAULIC COMPONENTS Section)	

# SECTION 8 - HYDRAULIC CIRCUITS

## FIGURE 8-17. CAB HYDRUALIC INSTALLATION



ART\_1001193709

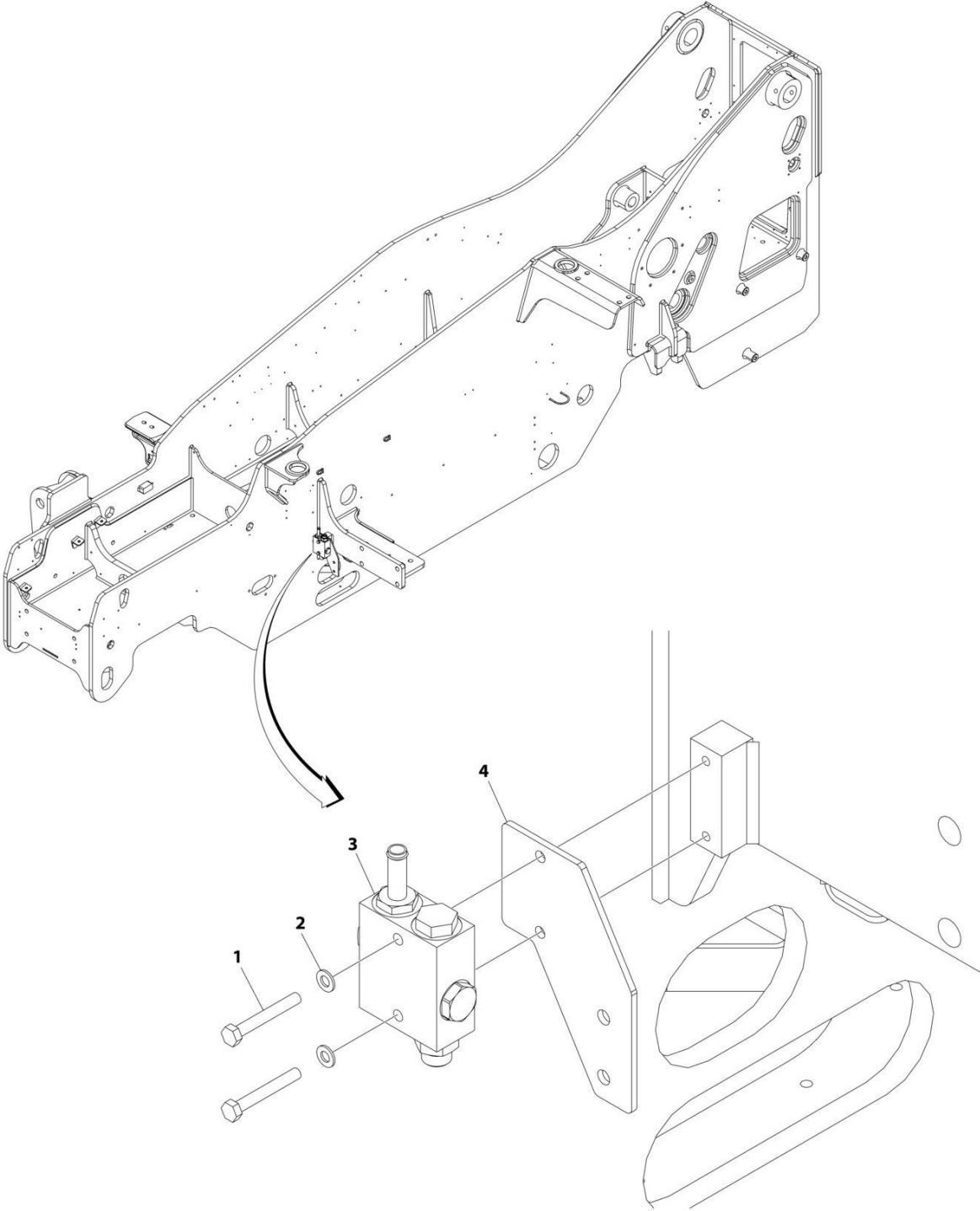
## SECTION 8 - HYDRAULIC CIRCUITS

**FIGURE 8-17. CAB HYDRUALIC INSTALLATION**

ITEM	PART NUMBER	QTY	DESCRIPTION	REV
	1001193709	Ref	CAB HYDRUALIC INSTALLATION	J
1	1001196989	1	Hose	
3	4240018	3	Strap, Cable	
5	8405006	1	Clamp	
8	1001215256	1	Fitting, Cross Barb	
15	88662434	2	Fitting, Tee ORFS	
22	1001210800	1	Hose	
23	1001221989	1	Hose	
24	1001210327	1	Hose	
27	1001206709	1	Hose	
28	1001210282	1	Hose	
29	1001196992	1	Hose	
30	1001196993	1	Hose	
32	1001196995	1	Hose	
33	1001196996	1	Hose	
34	1001196997	1	Hose	
36	4240099	3	Tie, Wire	
40	0760807	2	Bolt M8 x 14	
41	4811900	2	Washer M8	
42	8410013	7	Clamp	
44	85941018	1	Clamp	
45	8430032	1	Plug	
46	8430081	1	Fitting, Straight ORFS	
47	1001204152	1	Hose	
48	1001212788	Ref	Installation, Check Valve (See Separate Breakdown in this Section)	
49	1001212880	1	Hose	
50	8406201	1	Clip	
52	90206198	186 mm	Compound, Locking	
53	1001221987	Ref	Installation, Solenoid Valve (See Separate Breakdown in this Section)	
54	1001221988	1	Hose	
57	2720160	2290 mm	Hose	
58	1001008654	750 mm	Hose	

**SECTION 8 - HYDRAULIC CIRCUITS**

**FIGURE 8-18. CAB HYDRUALICS CHECK VALVE INSTALLATION**



ART\_1001212788

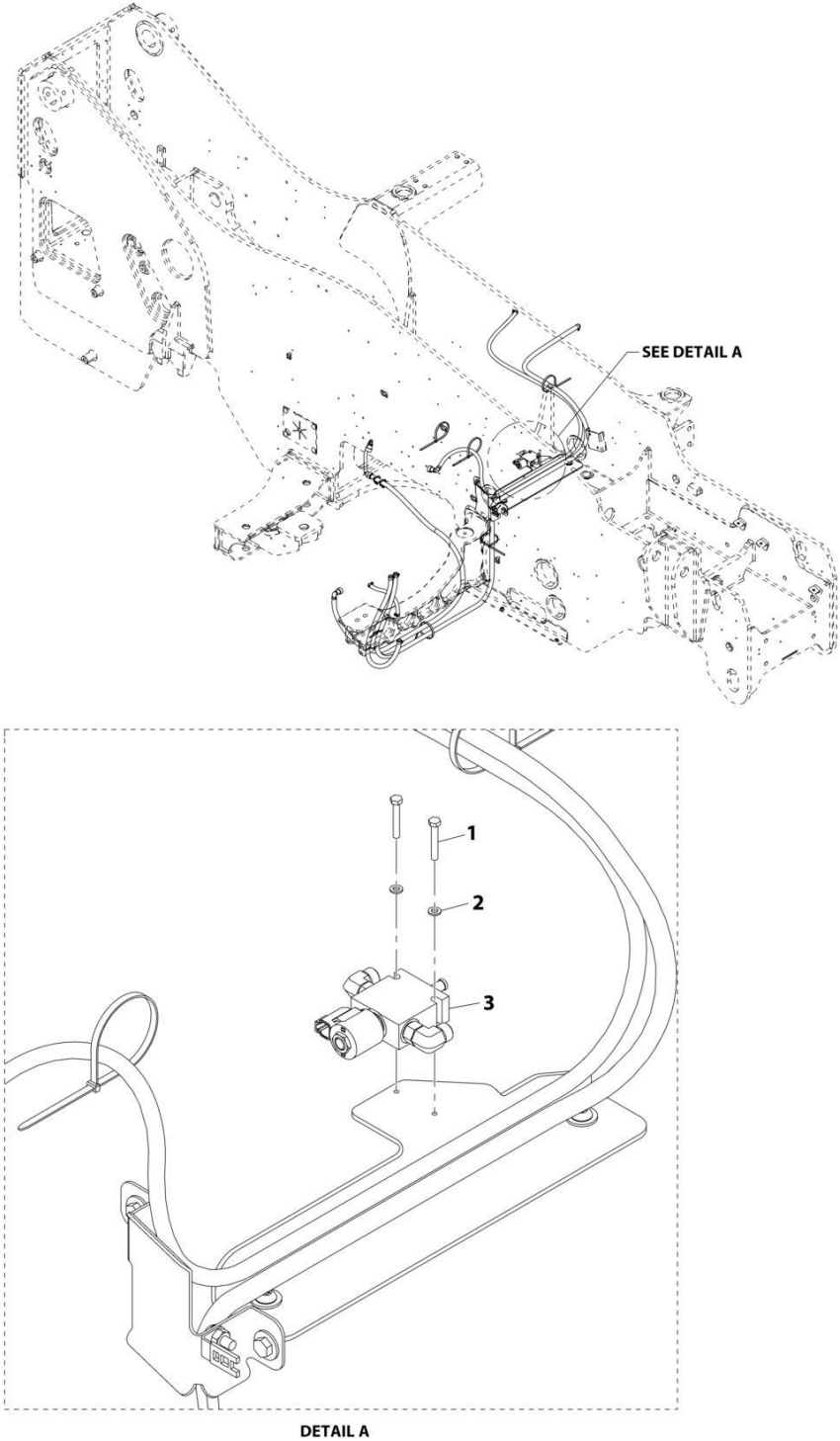
## SECTION 8 - HYDRAULIC CIRCUITS

**FIGURE 8-18. CAB HYDRUALICS CHECK VALVE INSTALLATION**

ITEM	PART NUMBER	QTY	DESCRIPTION	REV
	1001212788	Ref	CAB HYDRUALICS CHECK VALVE INSTALLATION	B
1	0700820	2	Bolt M8 x 60	
2	4811900	2	Washer M8	
3	1001212789	1	Assembly, Check Valve (See Separate Breakdown in HYDRAULIC COMPONENTS Section)	
4	1001219659	1	Plate	

**SECTION 8 - HYDRAULIC CIRCUITS**

**FIGURE 8-19. CAB HYDRAULICS SOLENOID INSTALLATION**



ART\_1001221987-A

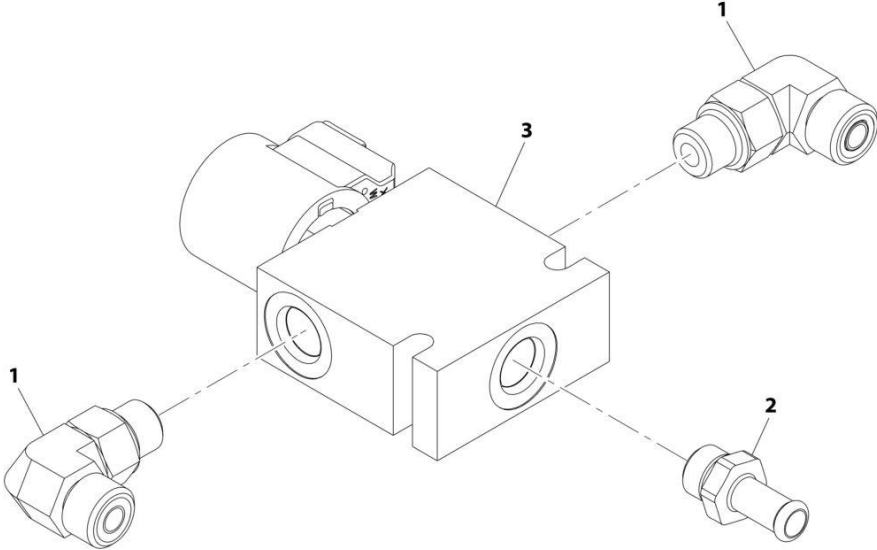
## SECTION 8 - HYDRAULIC CIRCUITS

**FIGURE 8-19. CAB HYDRAULICS SOLENOID INSTALLATION**

ITEM	PART NUMBER	QTY	DESCRIPTION	REV
	1001221987	Ref	Solenoid Valve Installation	A
1	0700616	2	Bolt, M6X40	
2	4811700	2	Washer, M6	
3	1001221986	1	Assembly, Solenoid Valve (See Separate Breakdown in this Section)	

**SECTION 8 - HYDRAULIC CIRCUITS**

**FIGURE 8-20. CAB HYDRAULICS SOLENOID FITTINGS INSTALLATION**



ART\_1001221986-A



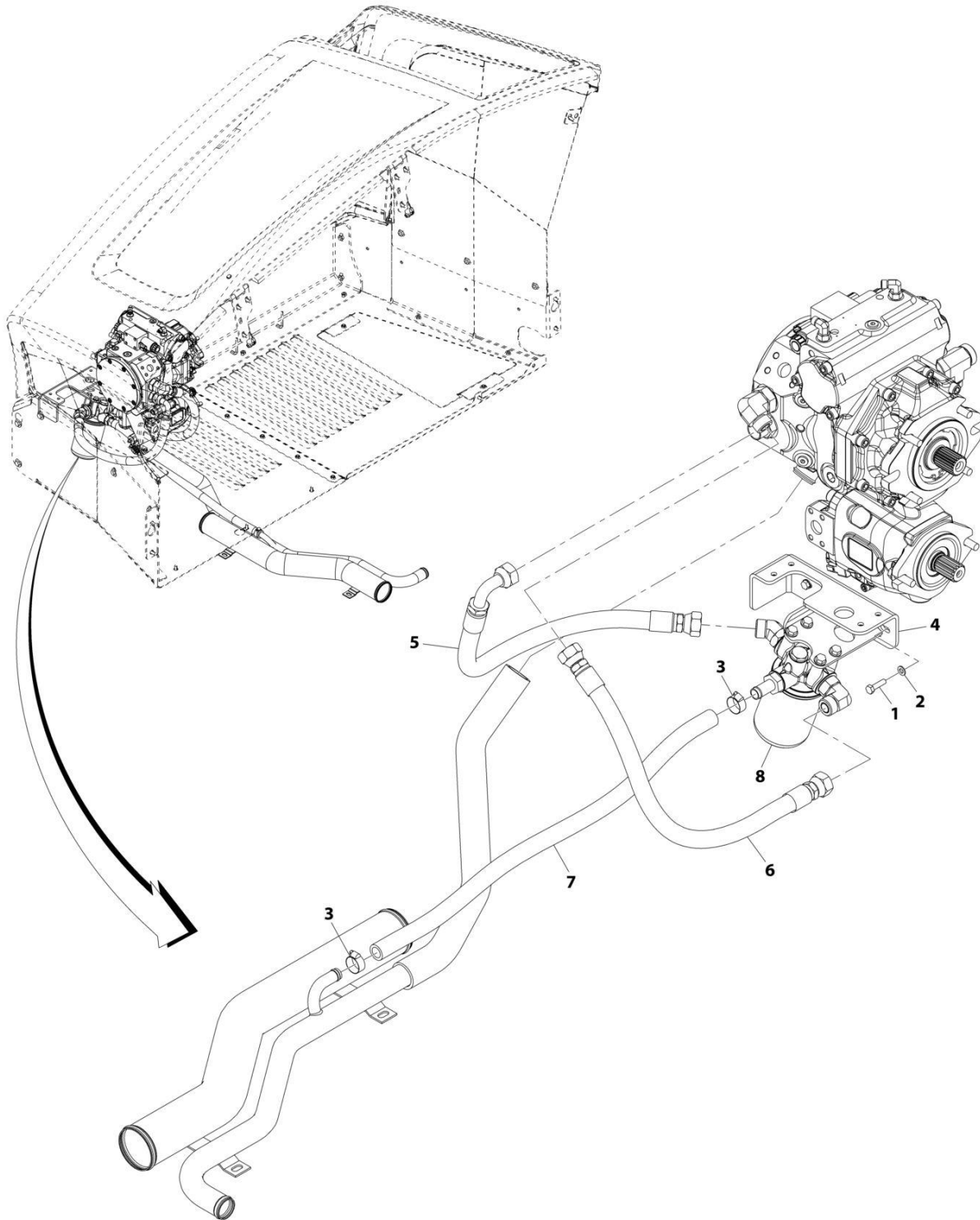
## SECTION 8 - HYDRAULIC CIRCUITS

**FIGURE 8-20. CAB HYDRAULICS SOLENOID FITTINGS INSTALLATION**

ITEM	PART NUMBER	QTY	DESCRIPTION	REV
	1001221986	Ref	Solenoid Valve/Fittings Assembly	A
1	2130606	2	Fitting, 90 ORFS	
2	1001168030	1	Fitting, Hose Barb	
3	1001221928	1	Valve, Solenoid (See Separate Breakdown in HYDRAULIC COMPONENTS Section)	

# SECTION 8 - HYDRAULIC CIRCUITS

## FIGURE 8-21. CHARGE FILTER LINES INSTALLATION



ART\_1001202026-B

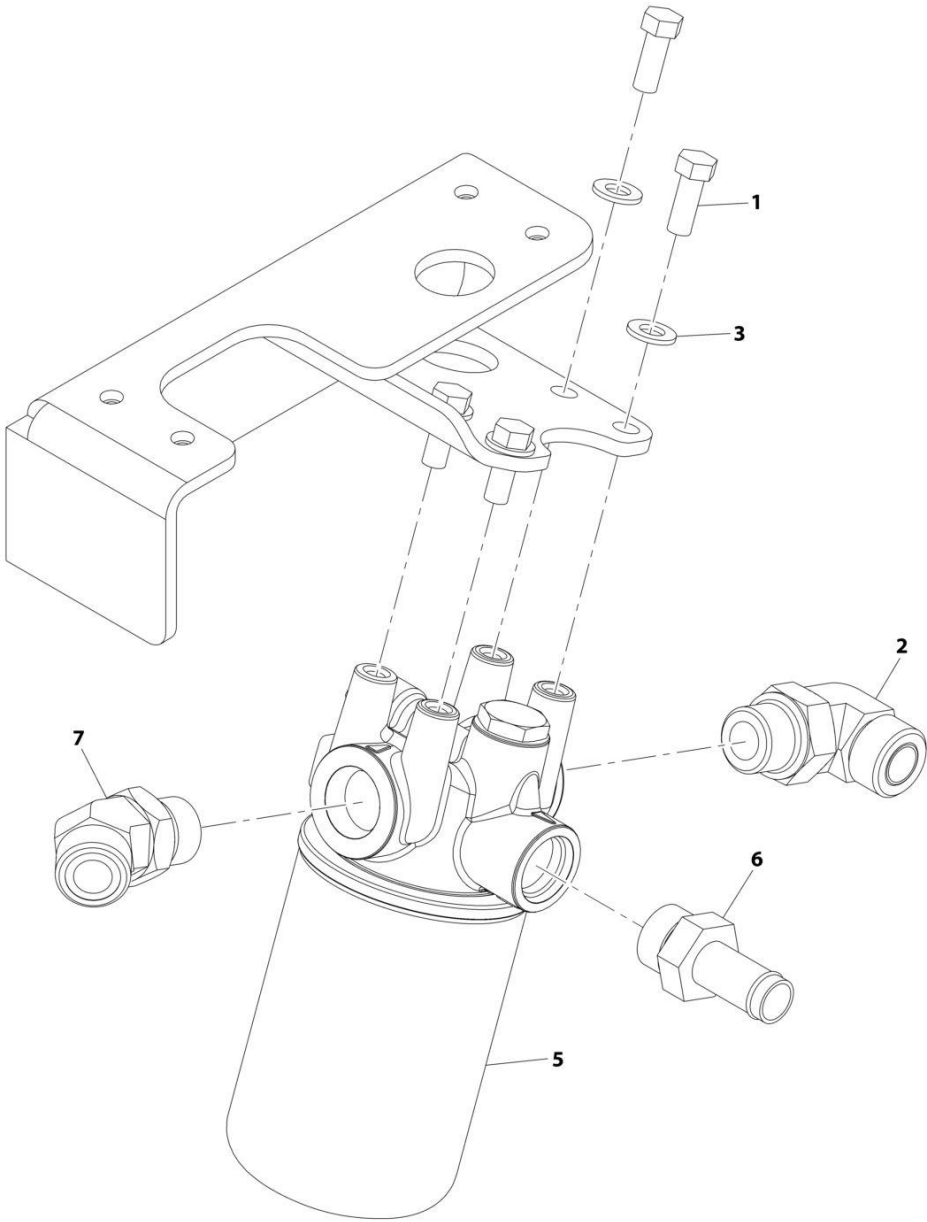
## SECTION 8 - HYDRAULIC CIRCUITS

### FIGURE 8-21. CHARGE FILTER LINES INSTALLATION

ITEM	PART NUMBER	QTY	DESCRIPTION	REV
	1001202026	Ref	Charge Filter Lines Installation	B
1	0700814	2	Bolt, M8X30	
2	4811900	2	Washer, M8	
3	8405007	2	Clamp	
4	1001212184	1	Bracket	
5	1001195433	1	Hose	
6	1001195434	1	Hose	
7	1001195435	1	Hose	
8	1001195430	Ref	Installation, Charge Filter (See Separate Breakdown in this Section)	

**SECTION 8 - HYDRAULIC CIRCUITS**

**FIGURE 8-22. CHARGE FILTER INSTALLATION**



ART\_1001195430-C

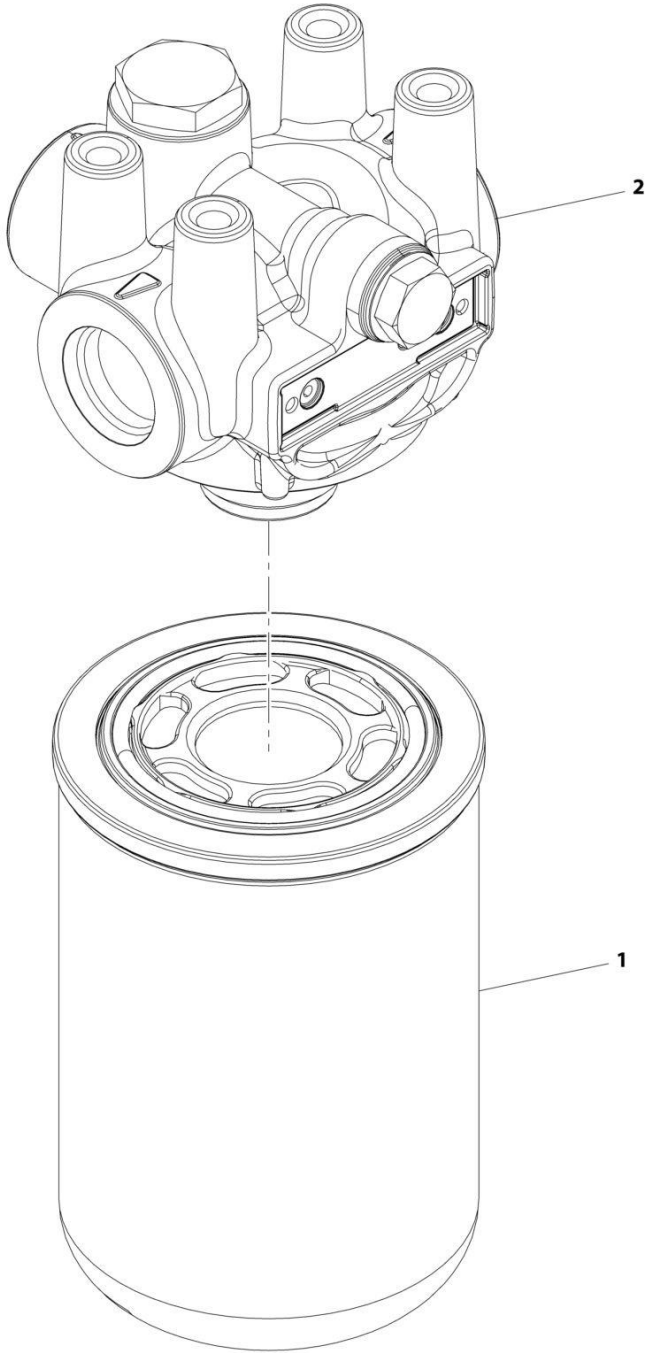
## SECTION 8 - HYDRAULIC CIRCUITS

FIGURE 8-22. CHARGE FILTER INSTALLATION

ITEM	PART NUMBER	QTY	DESCRIPTION	REV
	1001195430	Ref	Charge Filter Installation	C
1	0641608	4	Bolt, 3/8-16X1	
2	2131212	1	Fitting, 90 ORFS	
3	4812000	4	Washer, M10	
5	1001141976	1	Assembly, Charge Filter (See Separate Breakdown in this Section)	
6	1001183700	1	Fitting, Barb	
7	2151212	1	Fitting, 45 ORFS	

**SECTION 8 - HYDRAULIC CIRCUITS**

**FIGURE 8-23. CHARGE FILTER ASSEMBLY**



ART\_1001141976-A

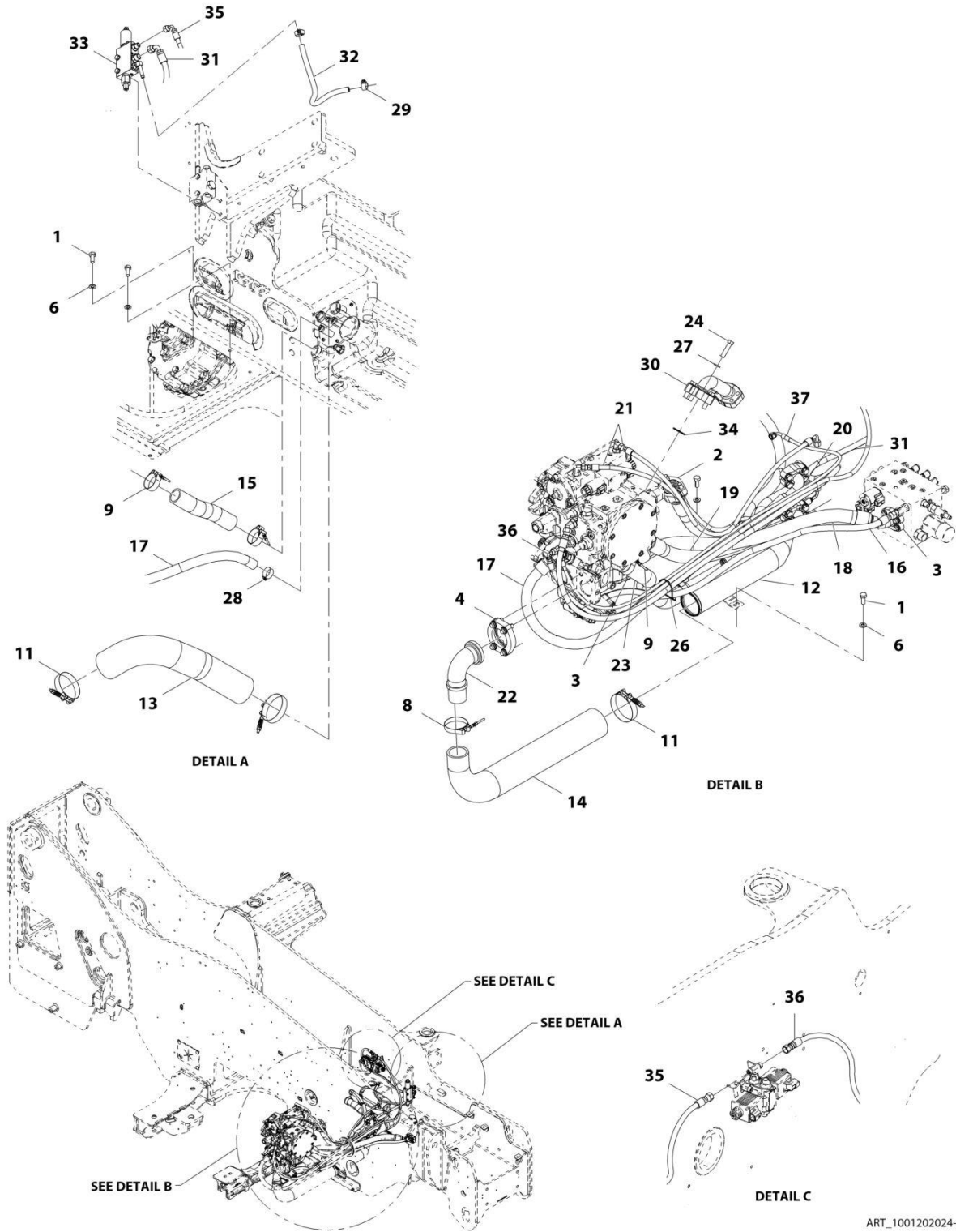
## SECTION 8 - HYDRAULIC CIRCUITS

**FIGURE 8-23. CHARGE FILTER ASSEMBLY**

ITEM	PART NUMBER	QTY	DESCRIPTION	REV
	1001141976	Ref	Implement Pump Filter Assembly	A
1	1001141461	1	Filter	
2	1001141462	1	Pump, Filter	

# SECTION 8 - HYDRAULIC CIRCUITS

## FIGURE 8-24. ENGINE BAY HYDRAULIC INSTALLATION



ART\_1001202024-G



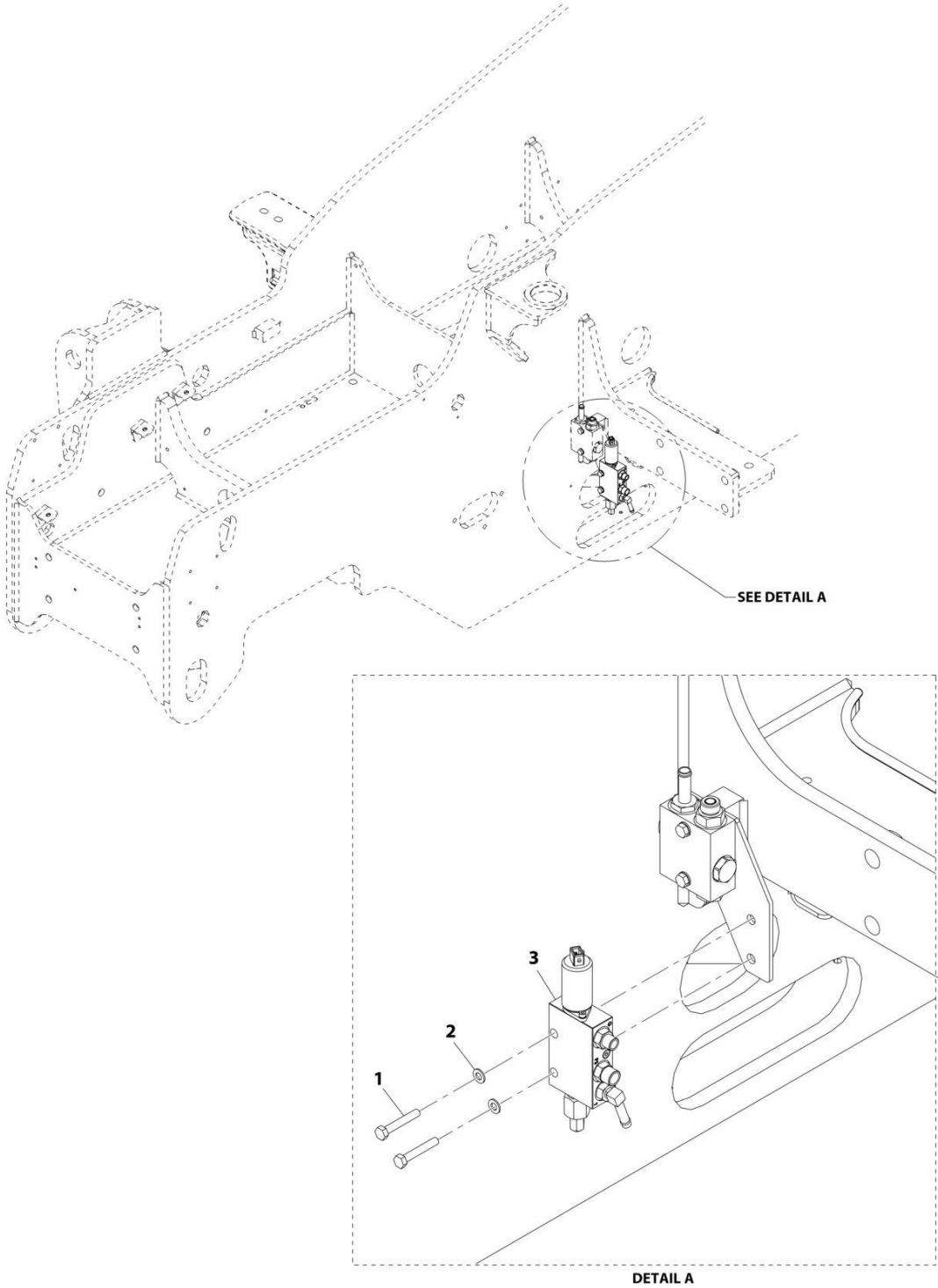
## SECTION 8 - HYDRAULIC CIRCUITS

**FIGURE 8-24. ENGINE BAY HYDRAULIC INSTALLATION**

ITEM	PART NUMBER	QTY	DESCRIPTION	REV
	1001202024	Ref	Engine Bay Installation	G
1	0761012	4	Bolt, M10X25	
2	1001217948	4	Kit, Flange (includes mounting hardware and o-ring)	
3	2171816	2	Kit, Flange (includes mounting hardware and o-ring)	
4	2171832	1	Kit, Flange (includes mounting hardware and o-ring)	
6	4812000	4	Washer, M10	
8	1001005438	1	Clamp	
9	1001014231	4	Clamp	
11	1001186843	3	Clamp	
12	1001187272	1	Pipe	
13	1001187273	1	Hose	
14	1001187275	1	Hose	
15	1001193461	1	Hose	
16	1001196959	1	Hose	
17	1001215802	1	Hose	
18	1001214431	1	Hose	
19	1001214430	1	Hose	
20	1001214429	1	Hose	
21	1001215539	2	Hose	
22	8424233	1	Fitting, 90	
23	1001202027	1	Hose	
24	0681714	4	Bolt, 7/16-14X1 3/4 Grade 8	
26	4240099	AR	Tie, Wire	
27	4761700	4	Washer, Lock 7/16	
28	8405007	1	Clamp	
29	8410013	2	Clamp	
30	1001200870	1	Fitting, 90	
31	1001213306	1	Hose	
32	1001213307	1	Hose	
33	1001213308	1	Installation, Inching Valve (See Separate Breakdown in this Section)	
34	91083106	1	O-Ring	
35	1001215093	1	Hose	
36	1001215212	1	Hose	
37	1001223109	1	Hose	

# SECTION 8 - HYDRAULIC CIRCUITS

## FIGURE 8-25. ENGINE BAY INCHING VALVE INSTALLATION



ART\_1001213308-A

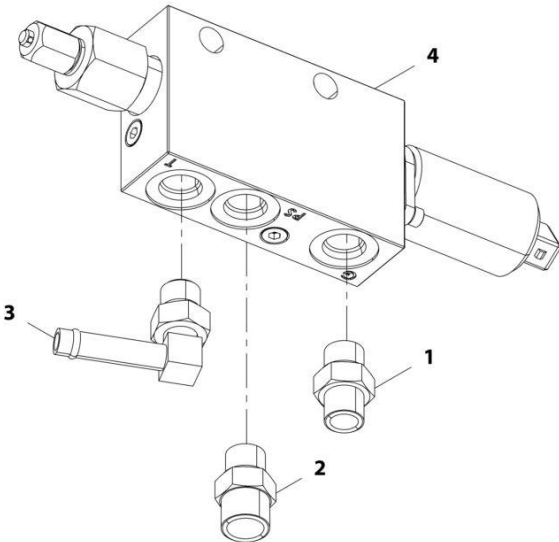
## SECTION 8 - HYDRAULIC CIRCUITS

### FIGURE 8-25. ENGINE BAY INCHING VALVE INSTALLATION

ITEM	PART NUMBER	QTY	DESCRIPTION	REV
	1001213308	Ref	Inching Valve Installation	A
1	0700818	2	Bolt, M8X50	
2	4811900	2	Washer, M8	
3	1001213309	1	Assembly, Inching Valve (See Separate Breakdown in this Section)	

**SECTION 8 - HYDRAULIC CIRCUITS**

**FIGURE 8-26. ENGINE BAY INCHING VALVE/FITINGS ASSEMBLY**



ART\_1001213309-B

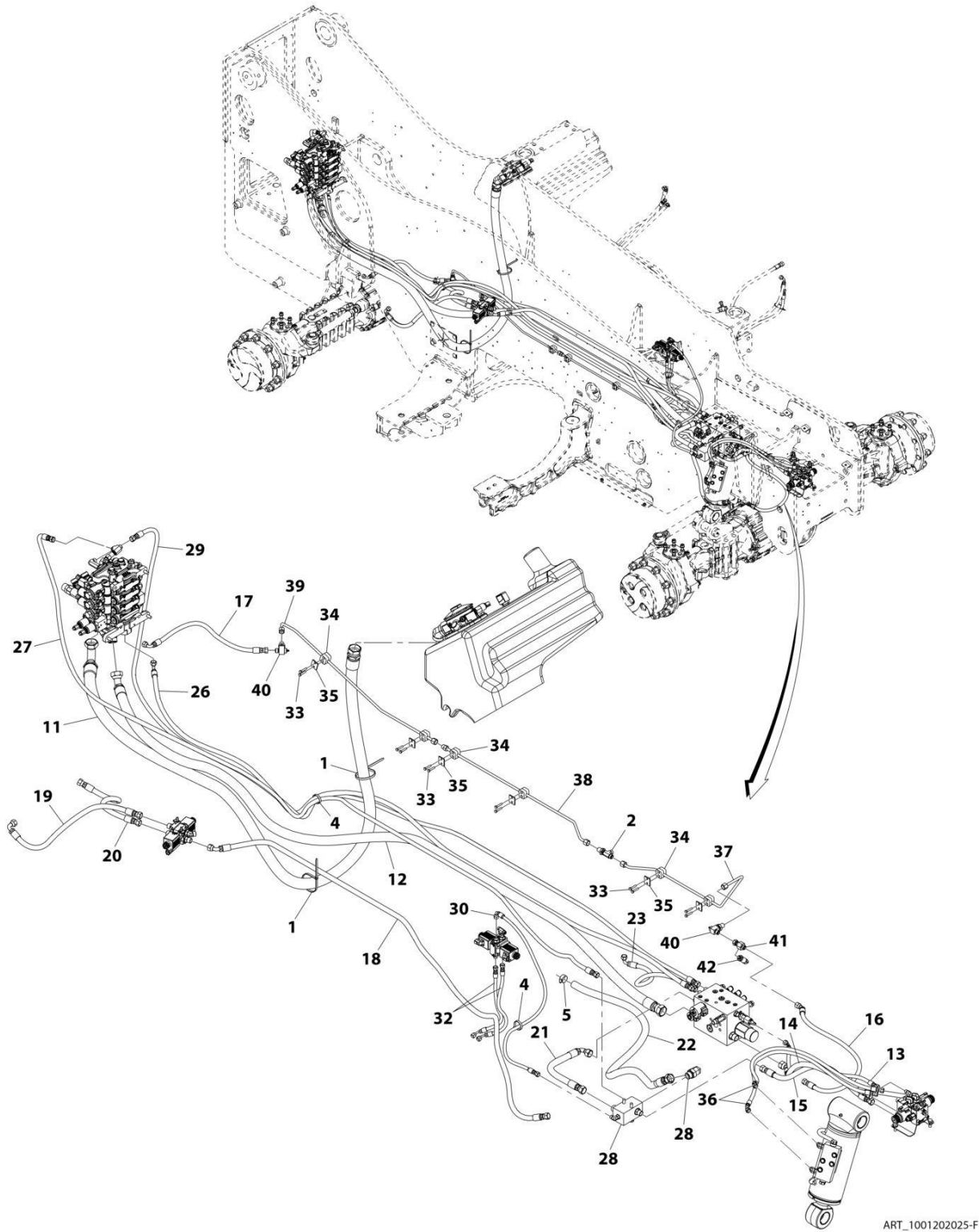
## SECTION 8 - HYDRAULIC CIRCUITS

FIGURE 8-26. ENGINE BAY INCHING VALVE/FITINGS ASSEMBLY

ITEM	PART NUMBER	QTY	DESCRIPTION	REV
	1001213309	Ref	Inching Valve Assembly	B
1	2110406	1	Fitting, Straight ORFS	
2	2110606	1	Fitting, Straight ORFS	
3	8430034	1	Elbow, 90	
4	1001213311	1	Valve, Inching (See Separate Breakdown in HYDRAULIC COMPONENTS Section)	

# SECTION 8 - HYDRAULIC CIRCUITS

## FIGURE 8-27. FRAME HYDRAULIC INSTALLATION



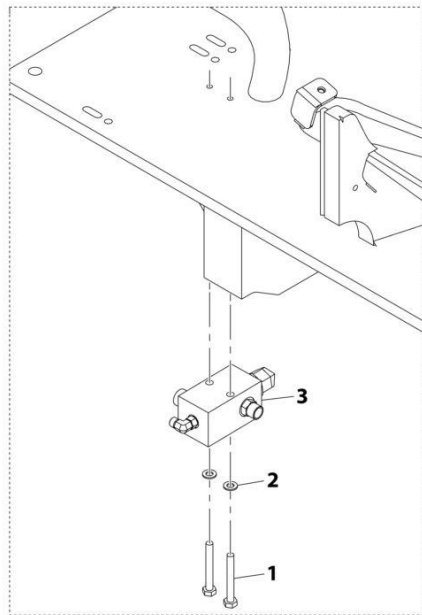
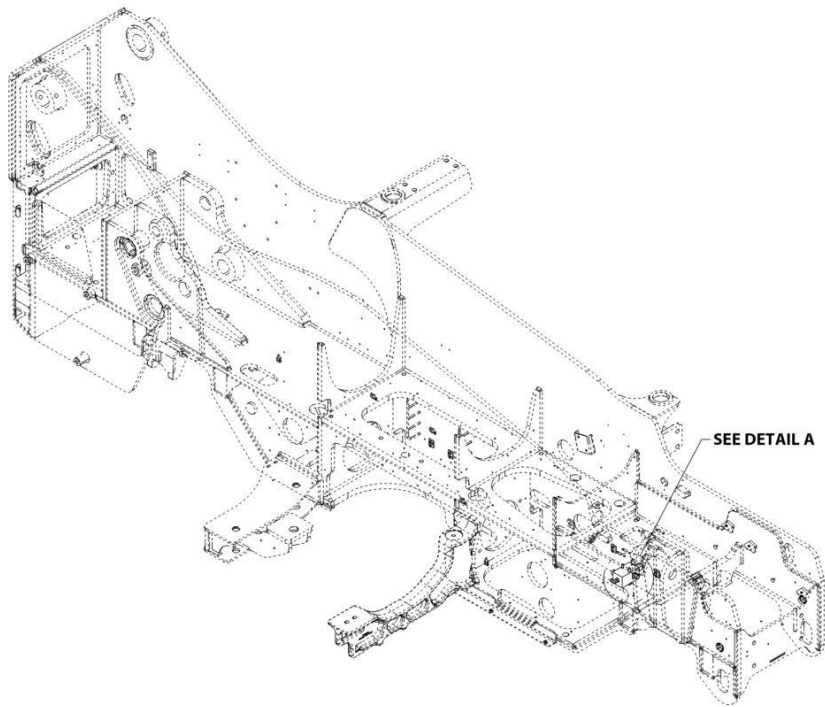
## SECTION 8 - HYDRAULIC CIRCUITS

**FIGURE 8-27. FRAME HYDRAULIC INSTALLATION**

ITEM	PART NUMBER	QTY	DESCRIPTION	REV
	1001202025	Ref	Frame Hydraulic Installation	F
1	1062255	2	Strap, Tie	
2	88662434	1	Fitting, Tee ORFS	
4	4240018	2	Strap, Tie	
5	8405007	1	Clamp	
11	1001196964	1	Hose	
12	1001196967	1	Hose	
13	1001210635	1	Hose	
14	1001196969	1	Hose	
15	1001196970	1	Hose	
16	1001208532	1	Hose	
17	1001208534	1	Hose	
18	1001196973	1	Hose	
19	1001196974	1	Hose	
20	1001196975	1	Hose	
21	1001196976	1	Hose	
22	1001196977	1	Hose	
23	1001196978	1	Hose	
26	1001196981	1	Hose	
27	1001196982	1	Hose	
28	1001197197	Ref	Installation, Manifold (See Separate Breakdown in this Section)	
29	1001197199	1	Hose	
30	1001197200	1	Hose	
32	1001211020	2	Hose	
33	0700614	12	Bolt, M6X30	
34	9106-3040	6	Clamp	
35	9106-3039	6	Plate, Cover	
36	1001205573	2	Hose	
37	1001207788	1	Pipe	
38	1001207789	1	Pipe	
39	1001207790	1	Pipe	
40	1001210797	2	Bleeder, Brake	
41	1001111140	1	Fitting, ORFS	
42	1001147340	1	Sensor, Pressure	

# SECTION 8 - HYDRAULIC CIRCUITS

## FIGURE 8-28. FRAME MANIFOLD INSTALLATION



DETAIL A

ART\_1001197197-B



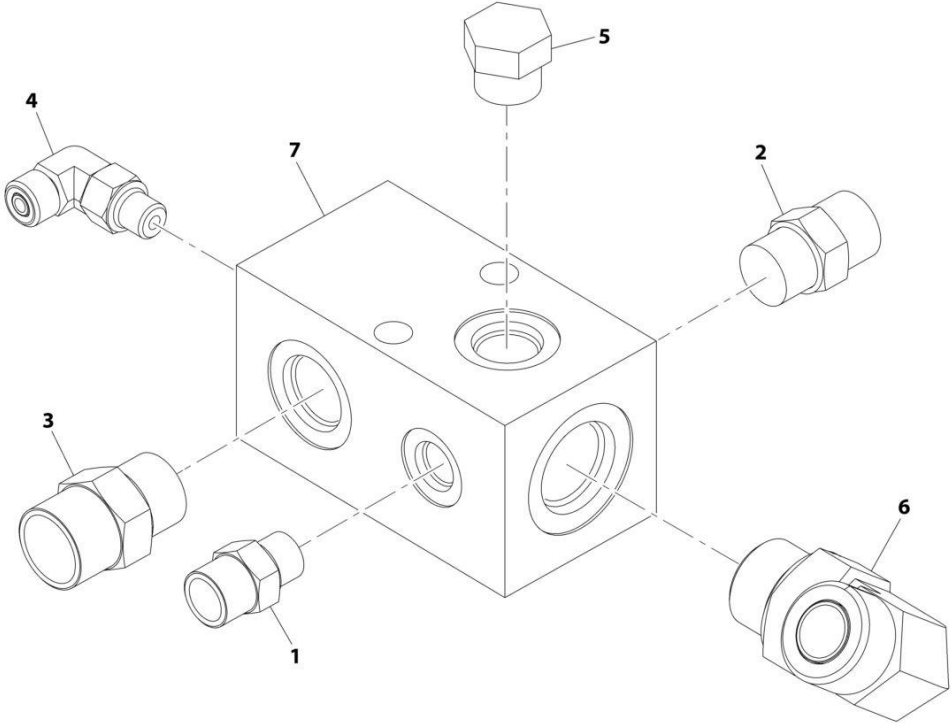
## SECTION 8 - HYDRAULIC CIRCUITS

**FIGURE 8-28. FRAME MANIFOLD INSTALLATION**

ITEM	PART NUMBER	QTY	DESCRIPTION	REV
	1001197197	Ref	Manifold Installation	B
1	0701024	2	Bolt, M10X80	
2	4812000	2	Washer, M10	
3	1001197198	1	Assembly, Manifold (See Separate Breakdown in this Section)	

**SECTION 8 - HYDRAULIC CIRCUITS**

**FIGURE 8-29. FRAME MANIFOLD/FITTINGS ASSEMBLY**



ART\_1001197198-D

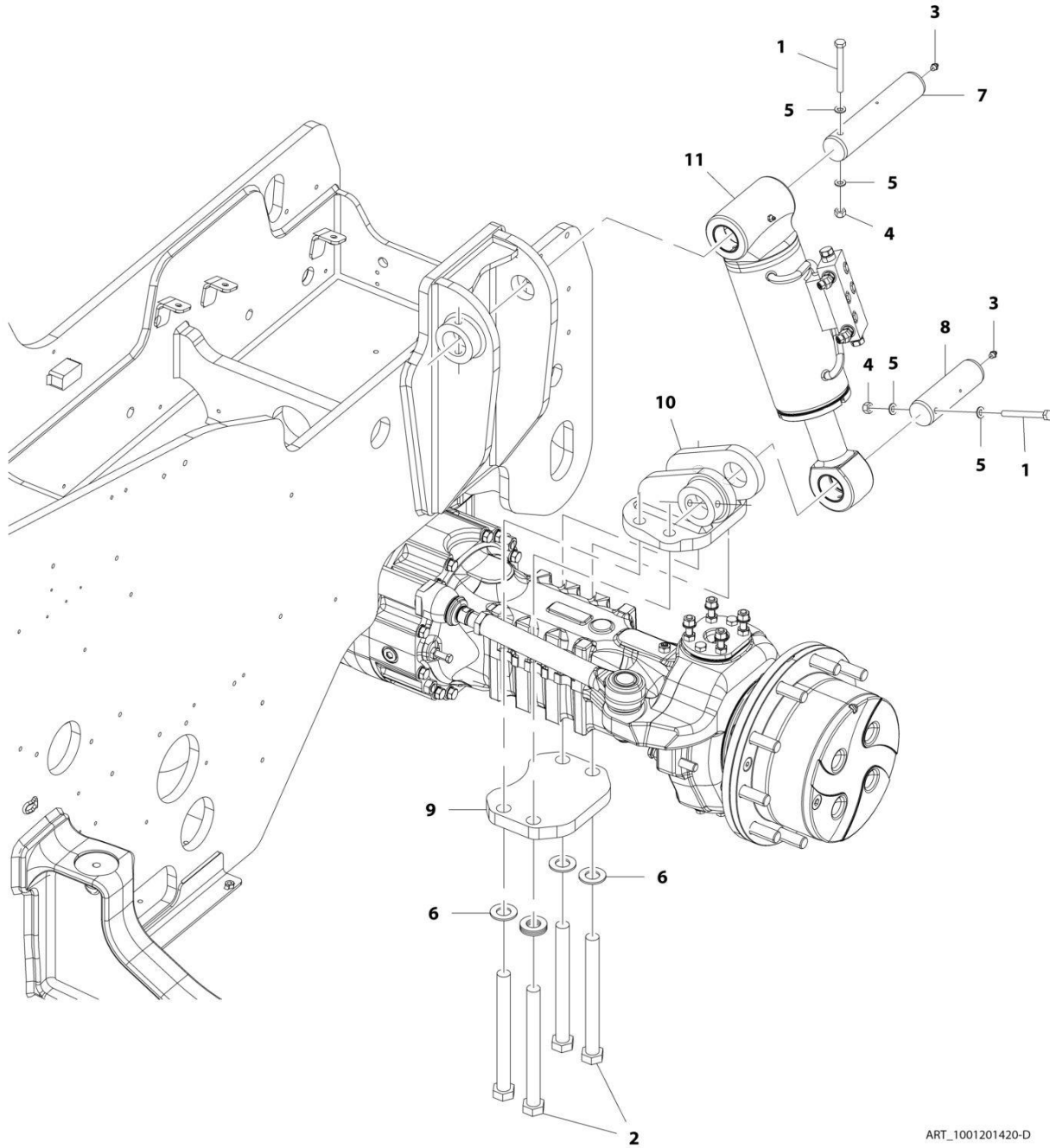
## SECTION 8 - HYDRAULIC CIRCUITS

FIGURE 8-29. FRAME MANIFOLD/FITTINGS ASSEMBLY

ITEM	PART NUMBER	QTY	DESCRIPTION	REV
	1001197198	Ref	Manifold Assembly	D
1	2110606	1	Fitting, Straight ORFS	
2	2110808	1	Fitting, Straight ORFS	
3	2111010	1	Fitting, Straight ORFS	
4	2130404	1	Fitting, 90 ORFS	
5	2220238	1	Plug	
6	2131212	1	Fitting, 90 ORFS	
7	1001228504	1	Manifold	

# SECTION 8 - HYDRAULIC CIRCUITS

## FIGURE 8-30. FRAME LEVEL INSTALLATION



ART\_1001201420-D

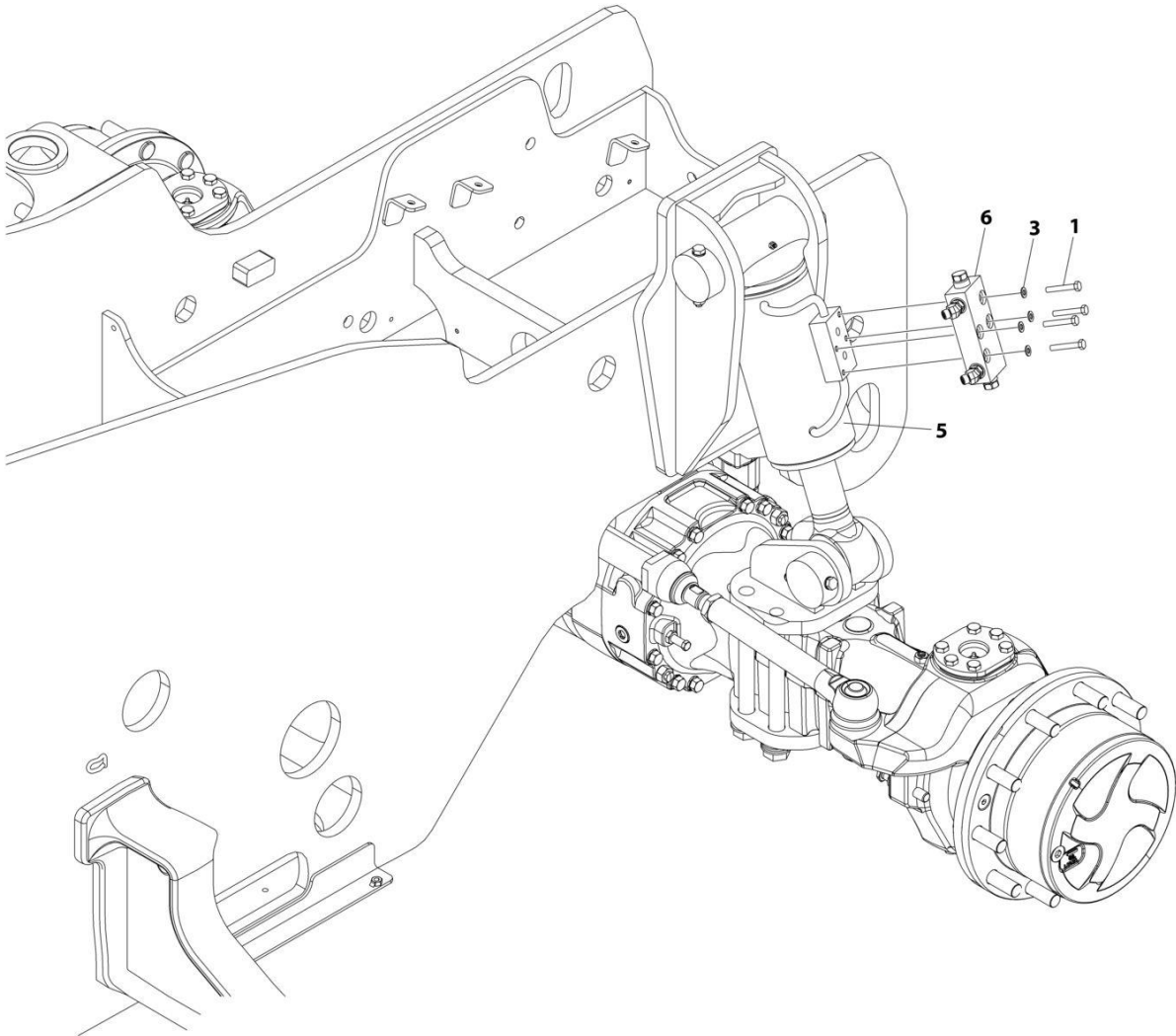
## SECTION 8 - HYDRAULIC CIRCUITS

**FIGURE 8-30. FRAME LEVEL INSTALLATION**

ITEM	PART NUMBER	QTY	DESCRIPTION	REV
	1001201420	Ref	Frame Level Installation	D
1	0701027	2	Bolt, M10X100	
2	0712442	4	Bolt, M24X250 Grade 10.9	
3	2160016	2	Fitting, Grease	
4	3291005	2	Nut, Lock M0X1.5 Grade 8	
5	4812000	4	Washer, M10	
6	5242400	6	Washer, M24	
7	1001164971	1	Pin	
8	1001164972	1	Pin	
9	1001207325	1	Plate, Sway Bottom	
10	1001200226	1	Bracket, Axle Sway	
11	1001201074	Ref	Installation, Frame Level Cylinder (See Separate Breakdown in this Section)	

**SECTION 8 - HYDRAULIC CIRCUITS**

**FIGURE 8-31. FRAME LEVEL CYLINDER INSTALLATION**



ART\_1001201074\_C

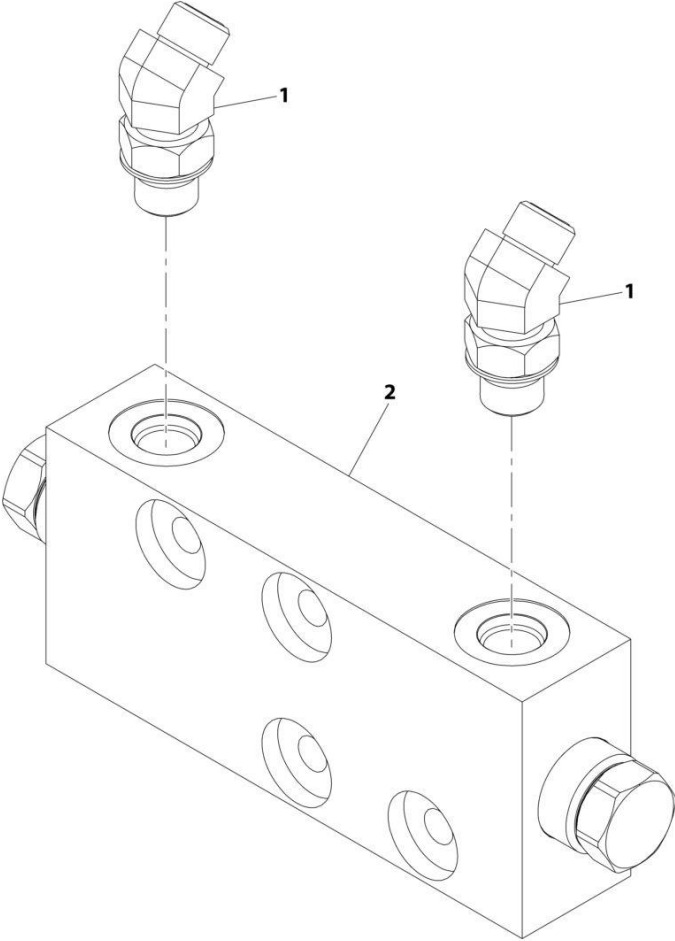
## SECTION 8 - HYDRAULIC CIRCUITS

### FIGURE 8-31. FRAME LEVEL CYLINDER INSTALLATION

ITEM	PART NUMBER	QTY	DESCRIPTION	REV
	1001201074	Ref	FRAME LEVEL CYLINDER INSTALLATION	C
1	0700818	4	Bolt M8 x 50	
3	4811900	4	Washer M8	
5	1001267973	1	Cylinder, Frame Level (See Separate Breakdown in HYDRAULIC COMPONENTS Section)	
6	1001217482	1	Assembly, Frame Level Valve (See Separate Breakdown in this Section)	

**SECTION 8 - HYDRAULIC CIRCUITS**

**FIGURE 8-32. FRAME LEVEL COUNTERBALANCE VALVE/FITTINGS ASSEMBLY**



ART\_1001217482-A



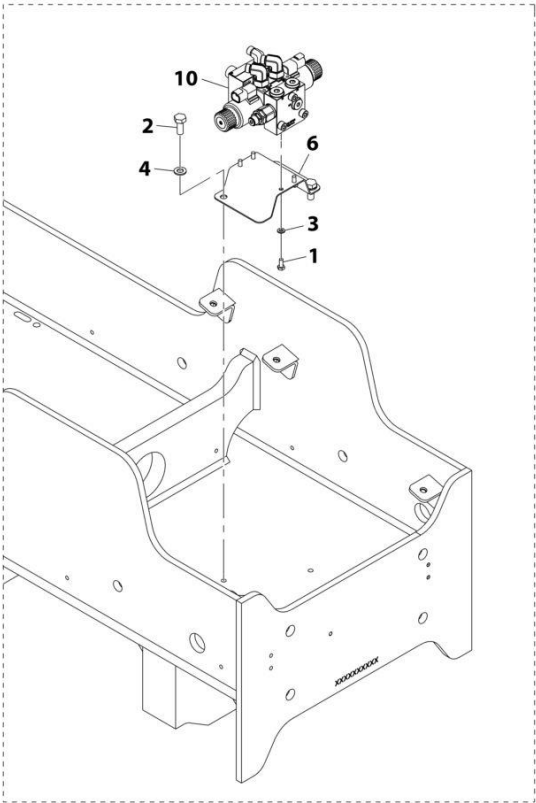
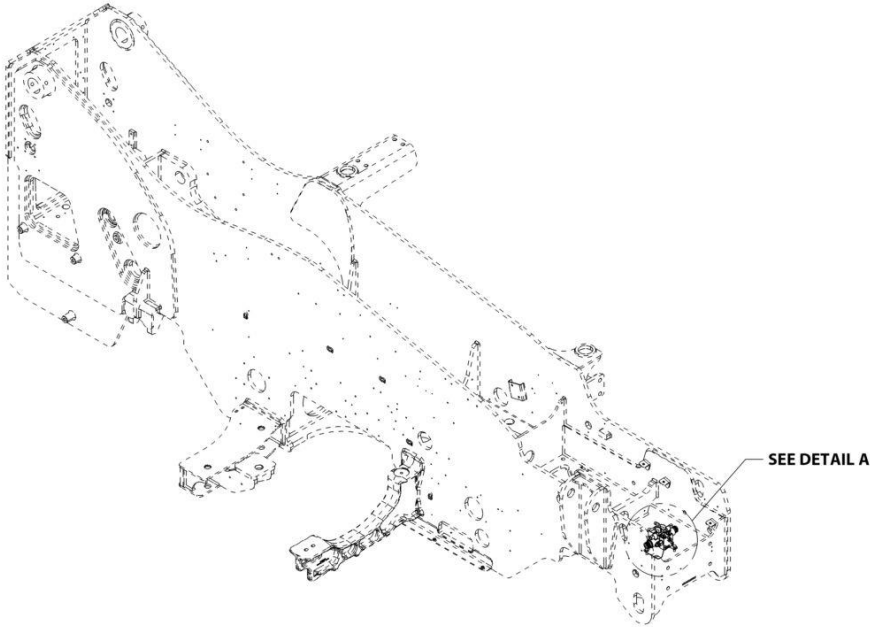
## SECTION 8 - HYDRAULIC CIRCUITS

**FIGURE 8-32. FRAME LEVEL COUNTERBALANCE VALVE/FITTINGS ASSEMBLY**

ITEM	PART NUMBER	QTY	DESCRIPTION	REV
1	1001217482	Ref	Frame Level Valve Assembly	A
2	2150406	2	Fitting, 45 ORFS	
2	1001168599	1	Valve, Counterbalance (See Separate Breakdown in the HYDRAULIC COMPONENTS Section)	

# SECTION 8 - HYDRAULIC CIRCUITS

## FIGURE 8-33. FRAME LEVEL CONTROL VALVE INSTALLATION



DETAIL A

ART\_1001193517-D

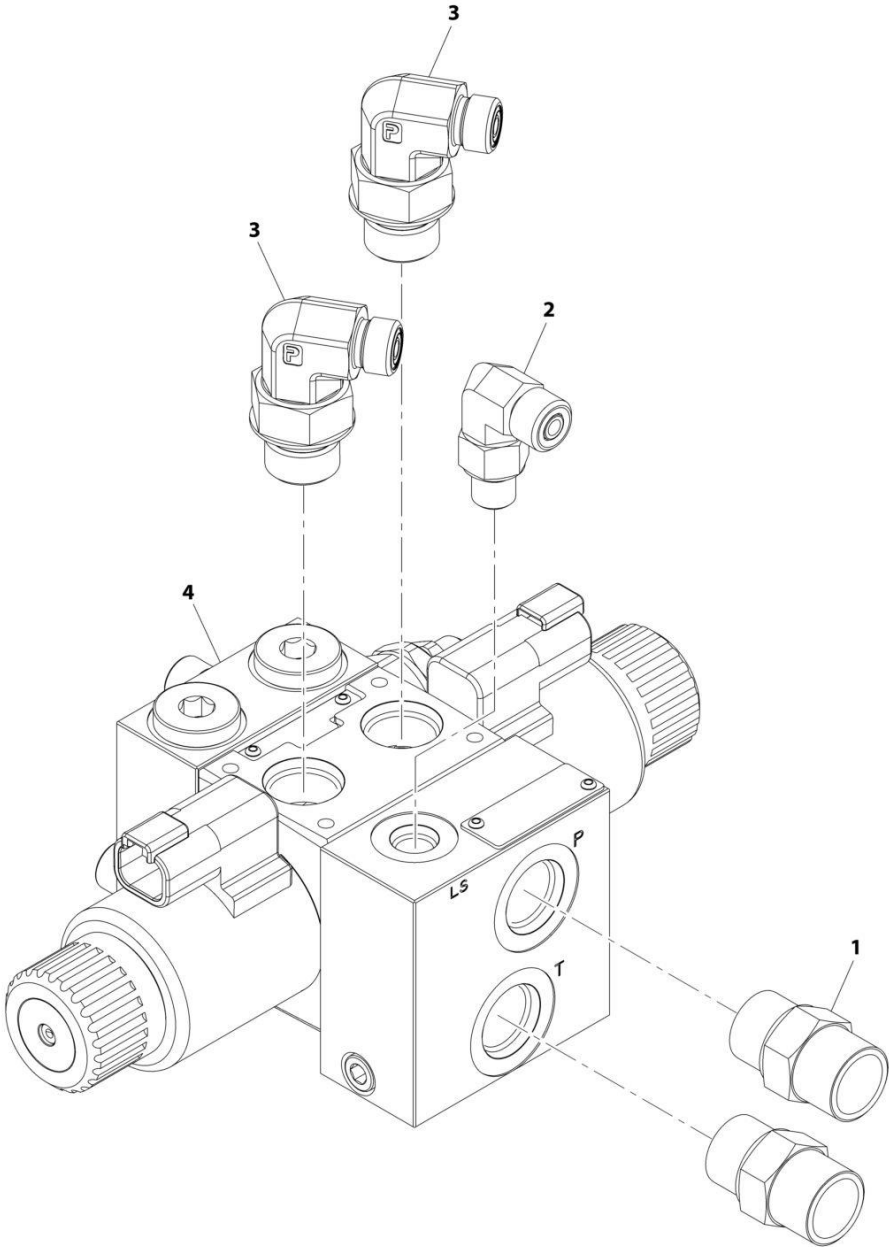
## SECTION 8 - HYDRAULIC CIRCUITS

### FIGURE 8-33. FRAME LEVEL CONTROL VALVE INSTALLATION

ITEM	PART NUMBER	QTY	DESCRIPTION	REV
	1001193517	Ref	Frame Level Valve Installation	D
1	0760607	4	Bolt, M6X14	
2	0761012	2	Bolt, M10X25	
3	4811700	4	Washer, M6	
4	4812000	2	Washer, M10	
6	1001195733	1	Bracket	
10	1001215341	1	Assembly, Frame Level Valve (See Separate Breakdown in this Section)	

# SECTION 8 - HYDRAULIC CIRCUITS

FIGURE 8-34. FRAME LEVEL CONTROL VALVE/FITTINGS ASSEMBLY



ART\_1001215341-B

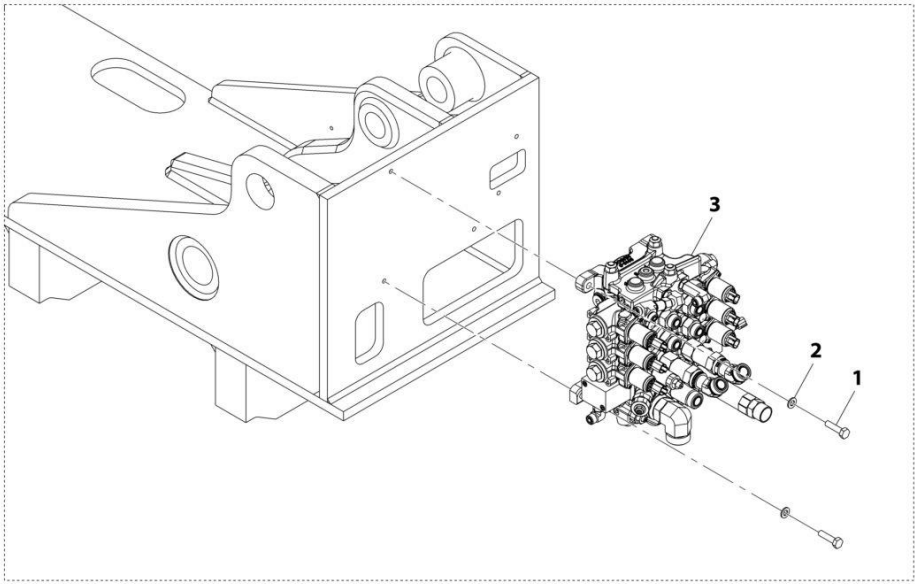
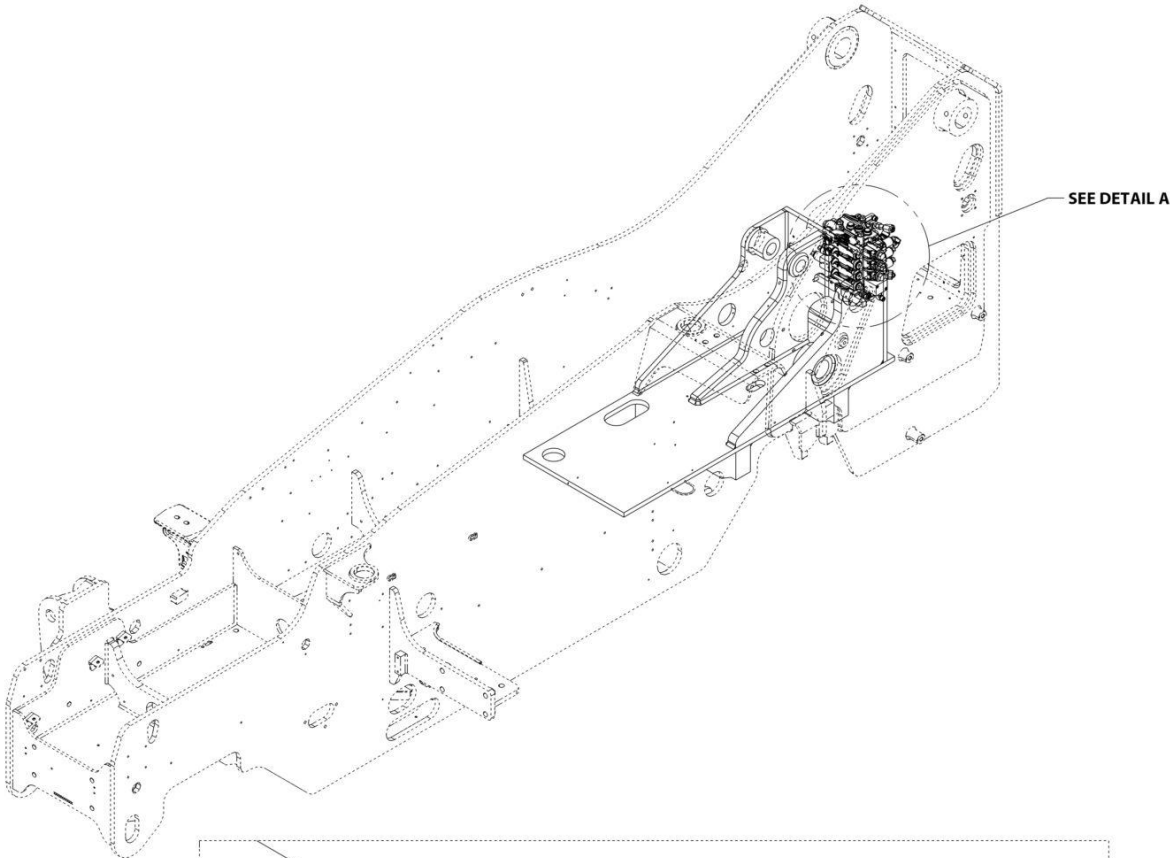
## SECTION 8 - HYDRAULIC CIRCUITS

**FIGURE 8-34. FRAME LEVEL CONTROL VALVE/FITTINGS ASSEMBLY**

ITEM	PART NUMBER	QTY	DESCRIPTION	REV
	1001215341	Ref	Frame Level Valve Assembly	B
1	2110808	2	Fitting, Straight ORFS	
2	2130404	1	Fitting, 90 ORFS	
3	2130408	2	Fitting, 90 ORFS	
4	1001219615	1	Valve, Frame Level (See Separate Breakdown in HYDRAULIC COMPONENTS Section)	

# SECTION 8 - HYDRAULIC CIRCUITS

## FIGURE 8-35. MAIN CONTROL VALVE INSTALLATION



DETAIL A

ART\_1001192889-C

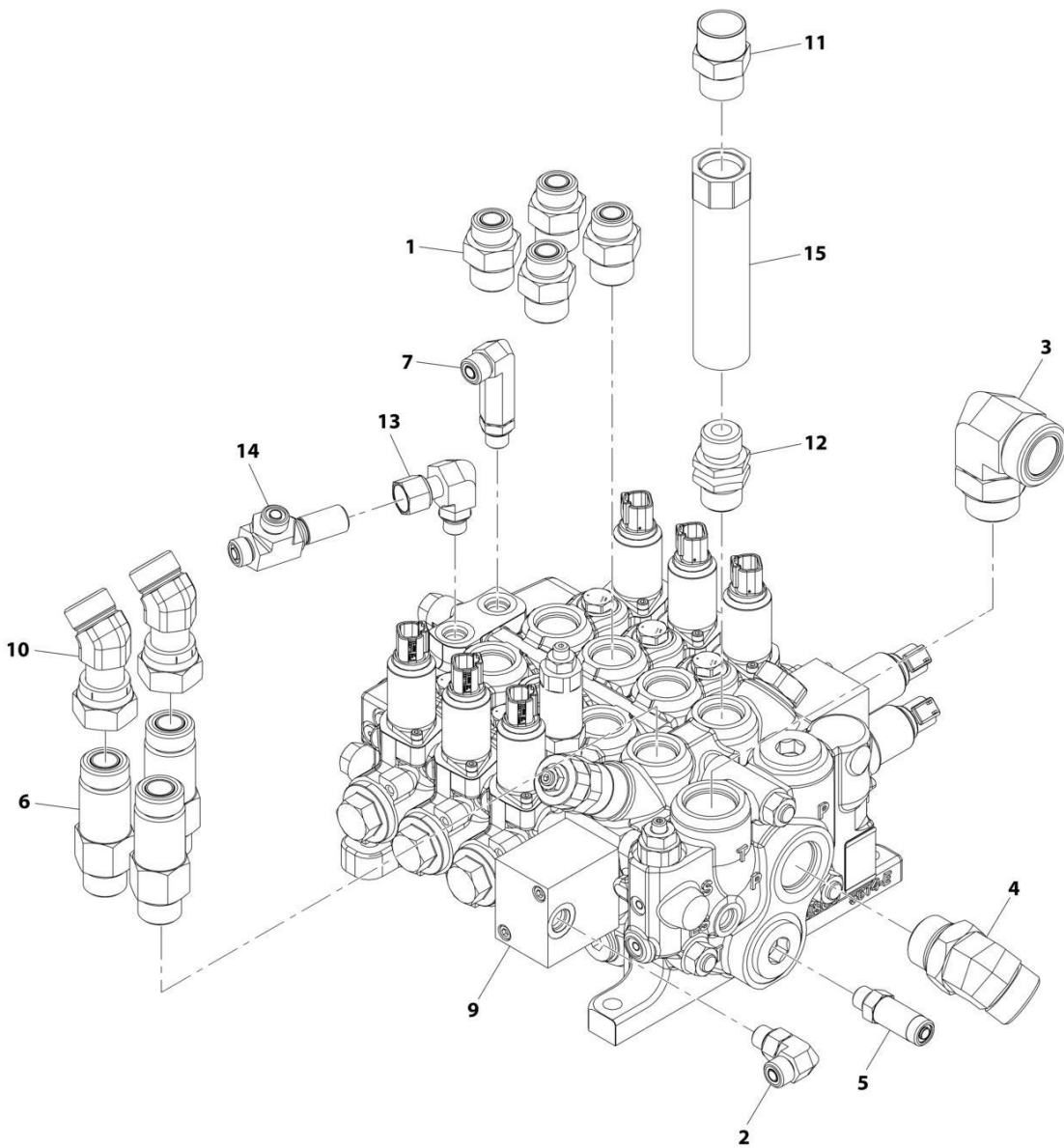
## SECTION 8 - HYDRAULIC CIRCUITS

### FIGURE 8-35. MAIN CONTROL VALVE INSTALLATION

ITEM	PART NUMBER	QTY	DESCRIPTION	REV
	1001192889	Ref	Main Control Valve Installation	C
1	0701016	3	Bolt, M10X40	
2	4812000	3	Washer, M10	
3	1001192890	1	Assembly, Main Control Valve (See Separate Breakdown in this Section)	

# SECTION 8 - HYDRAULIC CIRCUITS

## FIGURE 8-36. MAIN CONTROL VALVE/FITTINGS ASSEMBLY



ART\_1001192890-E



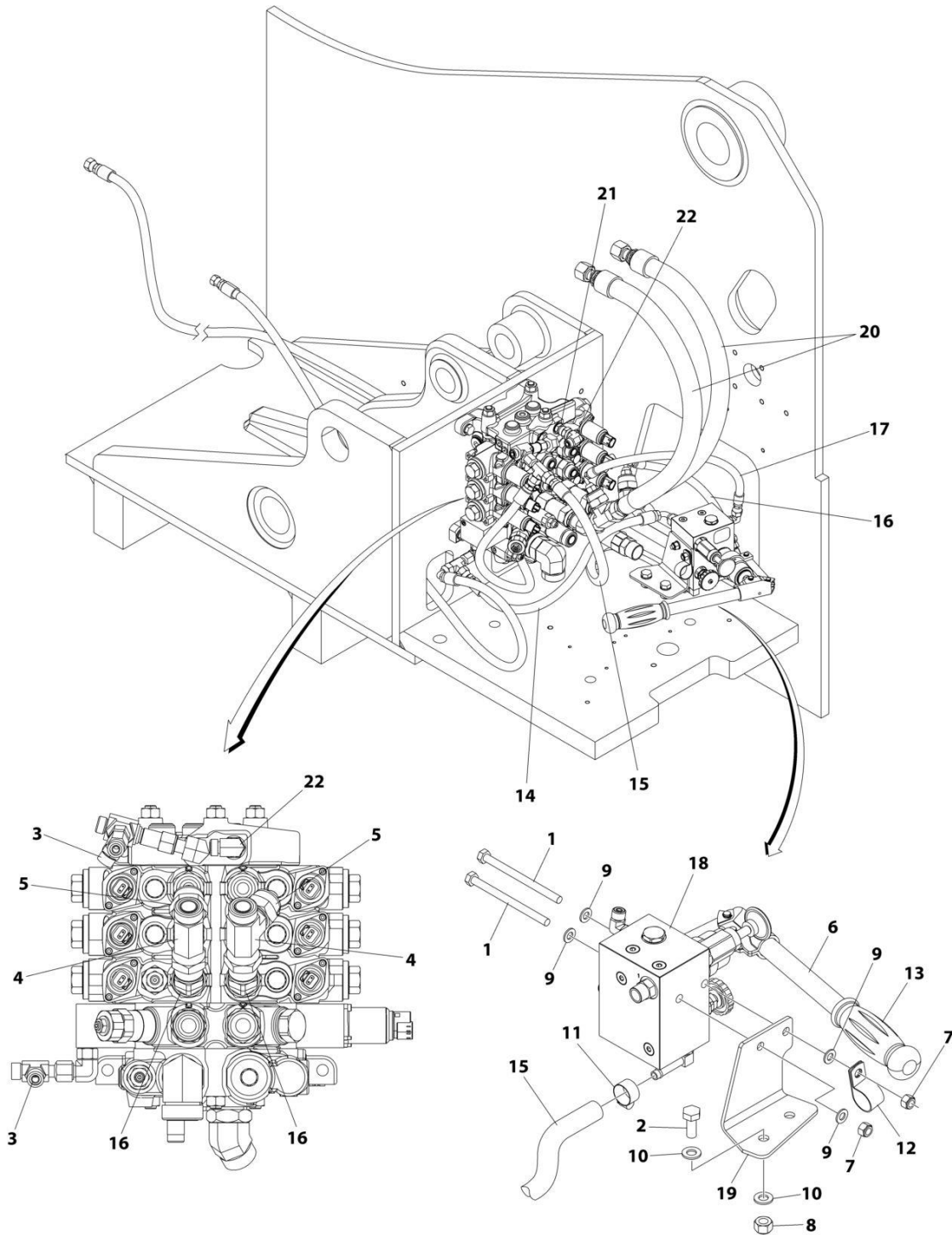
## SECTION 8 - HYDRAULIC CIRCUITS

**FIGURE 8-36. MAIN CONTROL VALVE/FITTINGS ASSEMBLY**

ITEM	PART NUMBER	QTY	DESCRIPTION	REV
	1001192890	Ref	Main Control Valve Assembly	E
1	2111012	4	Fitting, Straight ORFS	
2	2130606	1	Fitting, 90 ORFS	
3	2132016	1	Fitting, 90 ORFS	
4	2151616	1	Fitting, 45 ORFS	
5	2170106	1	Fitting, Straight ORFS	
6	2170112	3	Fitting, Straight ORFS	
7	2170206	1	Fitting, 90 ORFS	
9	1001241880	1	Valve, Main Control (See Separate Breakdown in HYDRAULIC COMPONENTS Section)	
10	1001151238	2	Fitting, 45 ORFS	
11	2111212	1	Fitting, Straight ORFS	
12	8770030	1	Fitting, Straight ORFS	
13	8770104	1	Fitting, 90 ORFS	
14	8770286	1	Fitting, Tee ORFS	
15	1001224946	1	Valve, Check	

# SECTION 8 - HYDRAULIC CIRCUITS

## FIGURE 8-37. MANUAL PUMP (LIFT/TELE) INSTALLATION - REMOTE CONTROL EMERGENCY LOWERING



ART\_1001253671

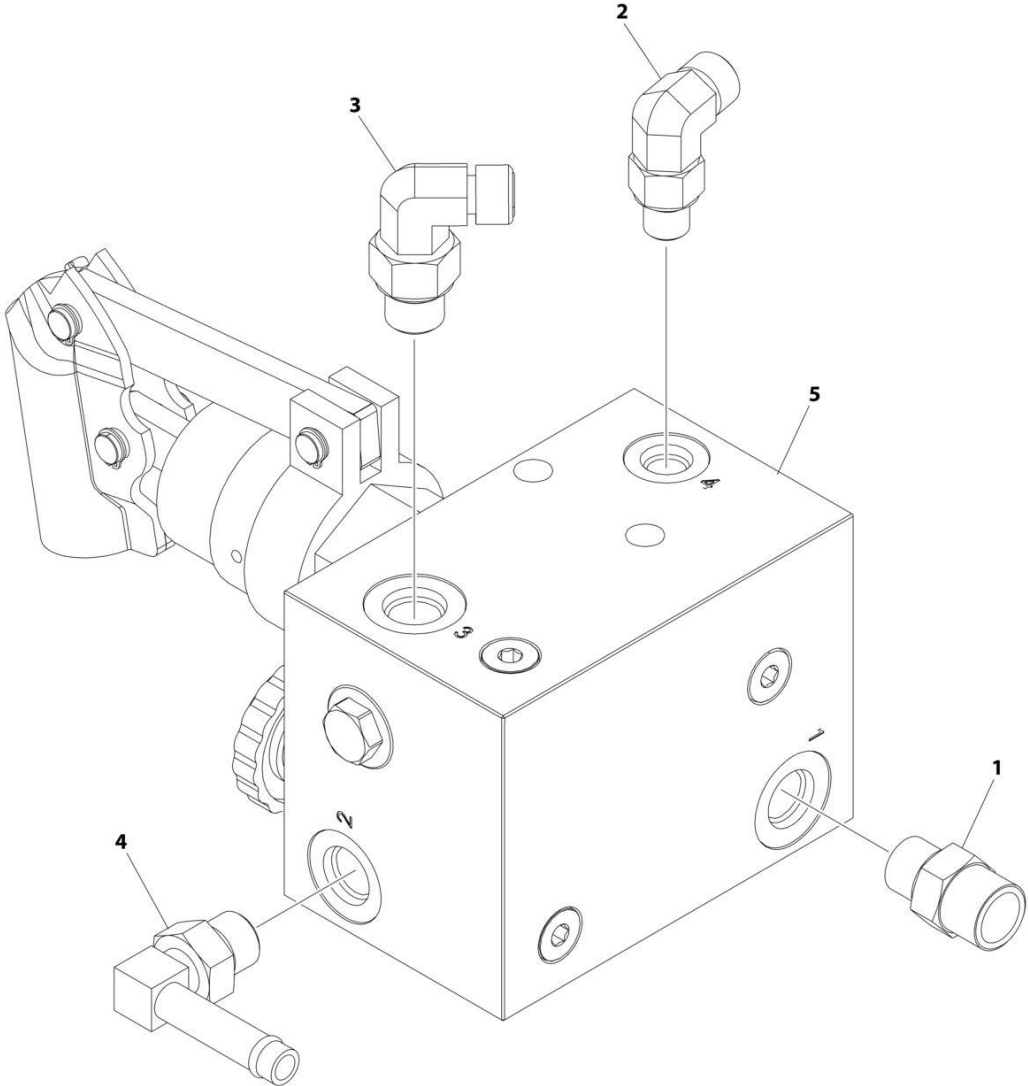
## SECTION 8 - HYDRAULIC CIRCUITS

**FIGURE 8-37. MANUAL PUMP (LIFT/TELE) INSTALLATION - REMOTE CONTROL EMERGENCY LOWERING**

ITEM	PART NUMBER	QTY	DESCRIPTION	REV
	1001253671	Ref	Manual Pump (Lift/Tele) Installation	A
1	0700828	2	Bolt M8 x 110	
2	0761012	2	Bolt M10 x 25	
3	2170706	2	Fitting, Tee ORFS/FSORFS/ORFS	
4	2170712	2	Fitting, Tee ORFS/FSORFS/ORFS	
5	2221221	2	Fitting, Straight ORFS/FSORFS	
6	2560122	1	Handle	
7	3290805	2	Nut M8	
8	3291005	2	Nut M10	
9	4811900	4	Washer M8	
10	4812000	4	Washer M10	
11	8405006	1	Clamp	
12	8406201	1	Clip	
13	1001114761	1	Grip, Handle	
14	1001255519	1	Hose	
15	1001255520	1	Hose	
16	1001255521	1	Hose	
17	1001255522	1	Hose	
18	1001255536	1	Valve and Fittings Assembly (Manual Lift/Tele) (See Separate Breakdown in this Section)	
19	1001255568	1	Plate	
20	1001255567	2	Hose	
21	80333184	1	Fitting, Check	
22	2172106	1	Fitting, 90 ORFS/FSORFS	

# SECTION 8 - HYDRAULIC CIRCUITS

## FIGURE 8-38. VALVE & FITTING ASSEMBLY - MANUAL LIFT/TELE



ART\_1001255536

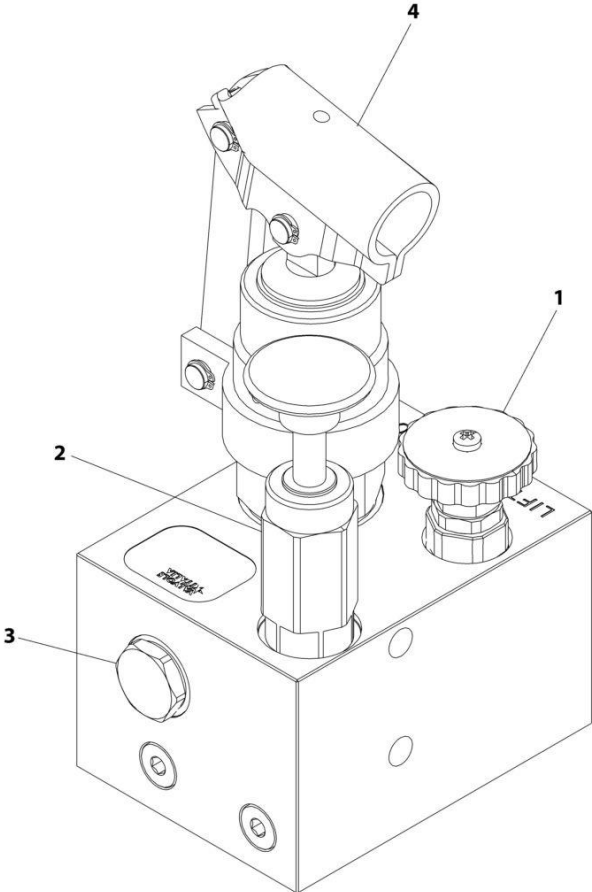
## SECTION 8 - HYDRAULIC CIRCUITS

**FIGURE 8-38. VALVE & FITTING ASSEMBLY - MANUAL LIFT/TELE**

ITEM	PART NUMBER	QTY	DESCRIPTION	REV
	1001255536	Ref	Valve & Fitting Assembly - Manual Lift/Tele	A
1	2110606	1	Fitting, Straight ORFS/ORB	
2	2130404	1	Fitting, 90 ORFS/ORB	
3	2130406	1	Fitting, 90 ORFS/ORB	
4	8430034	1	Fitting, 90	
5	1001253661	1	Valve Assembly - Lift/Tele (See Separate Breakdown in this Section)	

**SECTION 8 - HYDRAULIC CIRCUITS**

**FIGURE 8-39. VALVE ASSEMBLY - MANUAL LIFT/TELE**



ART\_1001253661

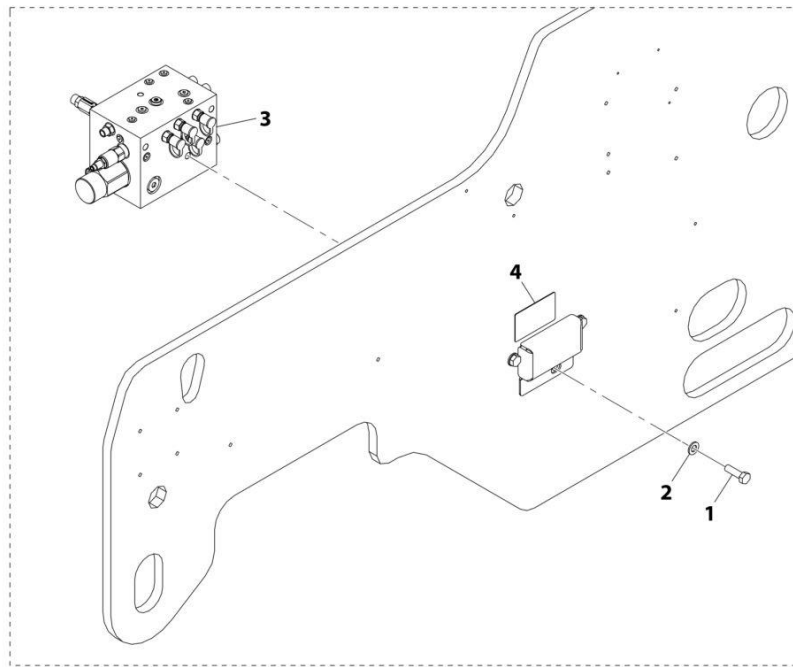
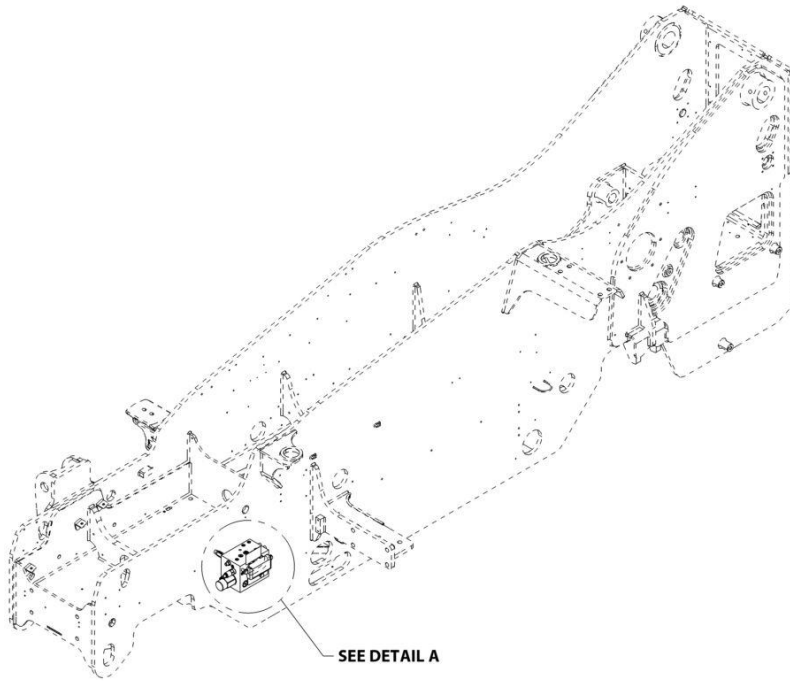
## SECTION 8 - HYDRAULIC CIRCUITS

**FIGURE 8-39. VALVE ASSEMBLY - MANUAL LIFT/TELE**

ITEM	PART NUMBER	QTY	DESCRIPTION	REV
	1001253661	Ref	VALVE ASSEMBLY - MANUAL LIFT/TELE	A
1	70030102	1	Valve, Poppet	
2	70030104	1	Cartridge, Hand Pump	
3	70030103	1	Valve, Check	
4	70005440	1	Cartridge, Hand Pump	

# SECTION 8 - HYDRAULIC CIRCUITS

## FIGURE 8-40. PRIORITY VALVE INSTALLATION



DETAIL A

ART\_1001192885-B



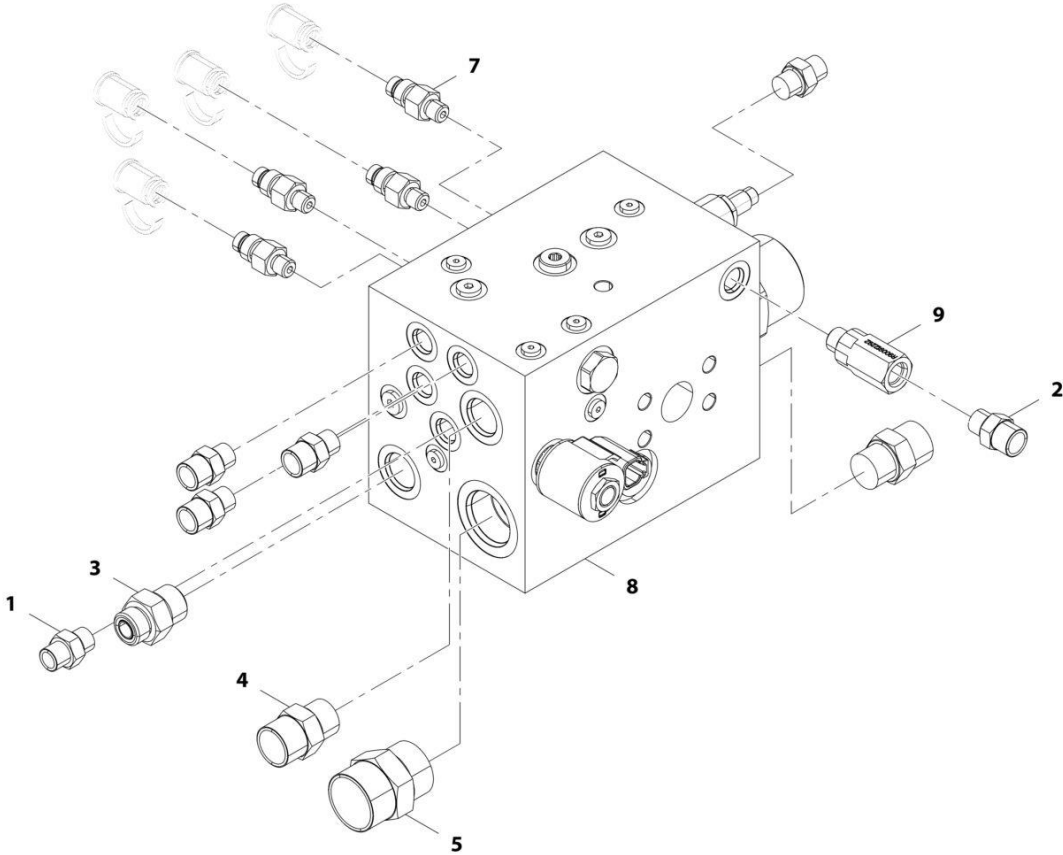
## SECTION 8 - HYDRAULIC CIRCUITS

**FIGURE 8-40. PRIORITY VALVE INSTALLATION**

ITEM	PART NUMBER	QTY	DESCRIPTION	REV
	1001192885	Ref	Priority Manifold Installation	B
1	0701216	3	Bolt, M12X40	
2	4812100	3	Washer, M12	
3	1001192886	1	Assembly, Priority Valve (See Separate Breakdown in this Section)	
4	1001192887	1	Decal	

# SECTION 8 - HYDRAULIC CIRCUITS

## FIGURE 8-41. PRIORITY VALVE/FITTINGS ASSEMBLY



ART\_1001192886-D

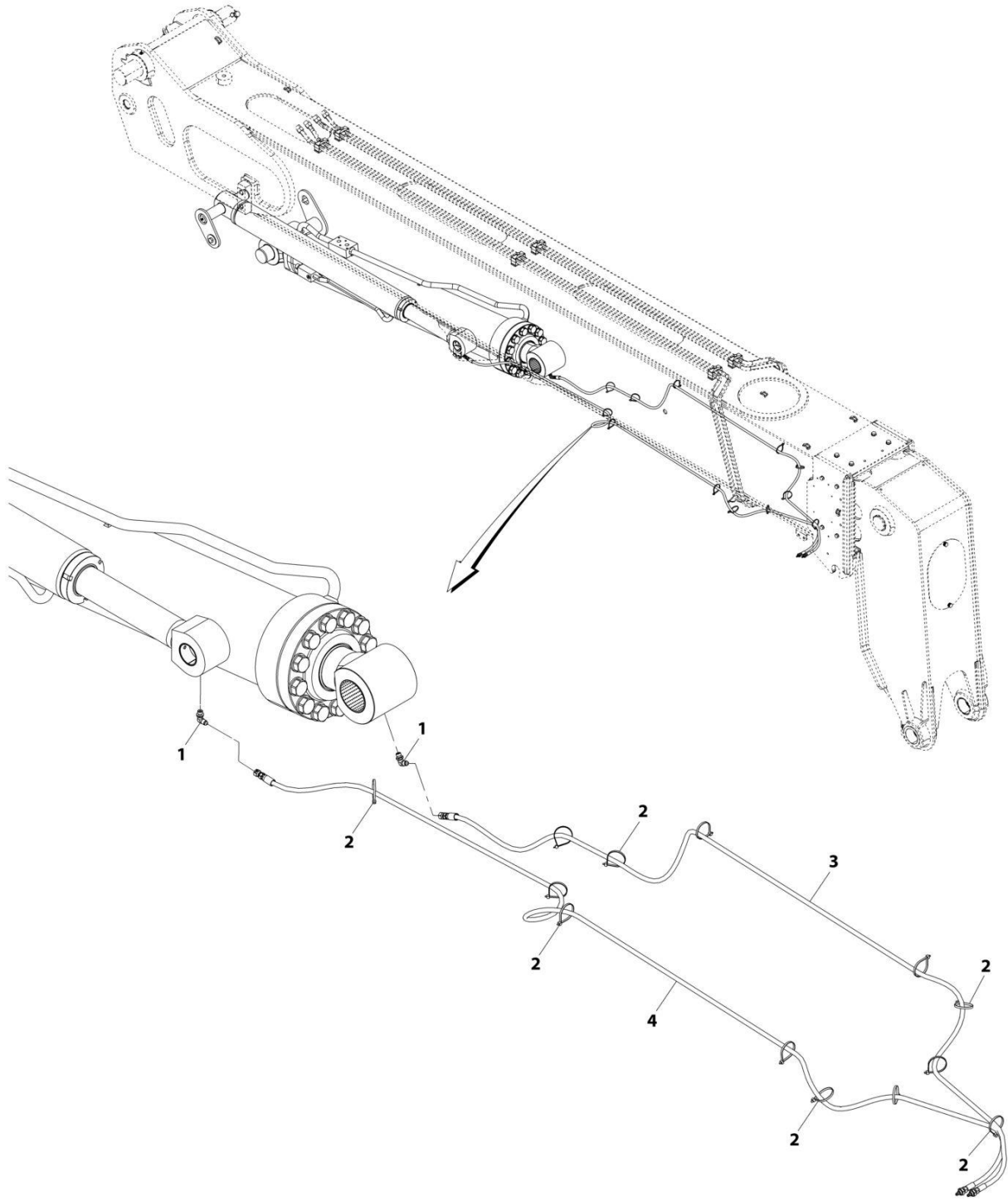
## SECTION 8 - HYDRAULIC CIRCUITS

### FIGURE 8-41. PRIORITY VALVE/FITTINGS ASSEMBLY

ITEM	PART NUMBER	QTY	DESCRIPTION	REV
	1001192886	Ref	Priority Valve Assembly	D
1	2110406	2	Fitting, Straight ORFS	
2	2110606	4	Fitting, Straight ORFS	
3	2110810	1	Fitting, Straight ORFS	
4	2111010	2	Fitting, Straight ORFS	
5	2111616	1	Fitting, Straight ORFS	
7	8430033	4	Fitting, Straight	
8	1001192888	1	Assembly, Priority Valve (See Separate Breakdown in HYDRAULIC COMPONENTS Section)	
9	1001187355	1	Valve, Check	

# SECTION 8 - HYDRAULIC CIRCUITS

FIGURE 8-42. REMOTE GREASE FITTINGS INSTALLAATION (1732)



ART\_1001217352-B

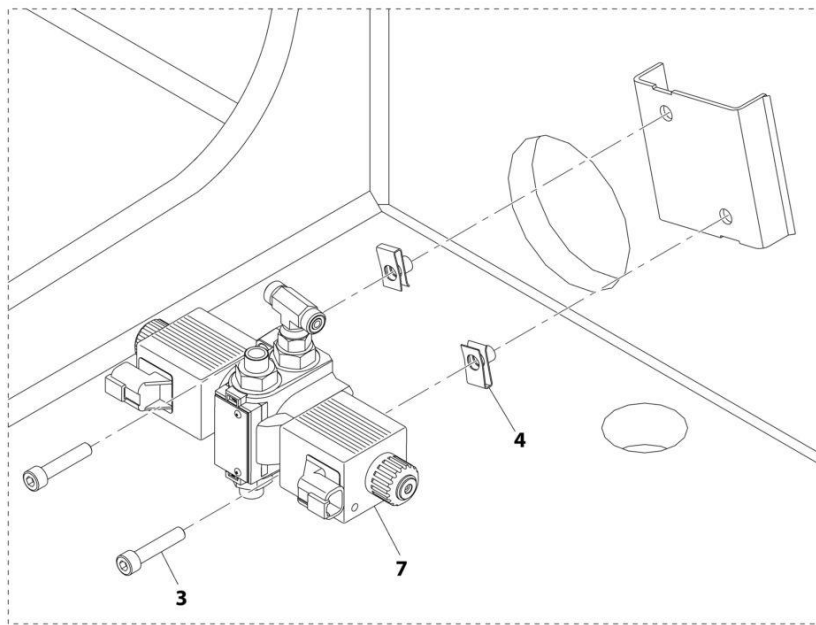
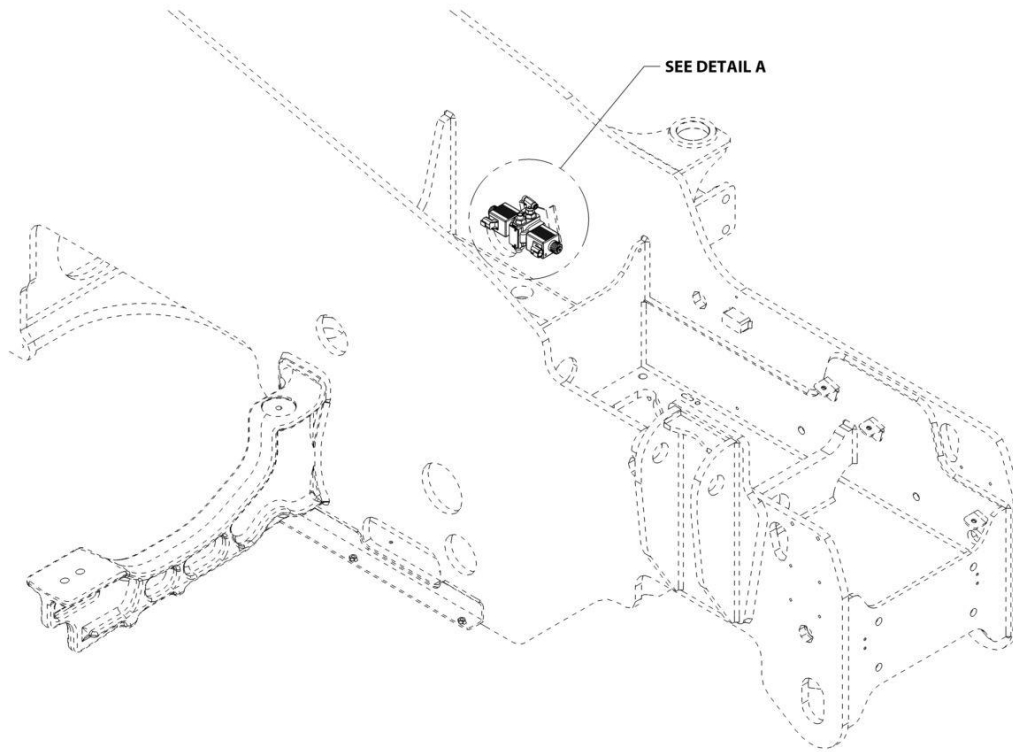
## SECTION 8 - HYDRAULIC CIRCUITS

**FIGURE 8-42. REMOTE GREASE FITTINGS INSTALLATION (1732)**

ITEM	PART NUMBER	QTY	DESCRIPTION	REV
	1001217352	Ref	Remote Grease Installation	B
1	8770215	2	Fitting, 90 ORFS	
2	1001008559	13	Strap, Cable	
3	1001217354	1	Hose	
4	1001217355	1	Hose	

# SECTION 8 - HYDRAULIC CIRCUITS

## FIGURE 8-43. SPEED CONTROL VALVE INSTALLATION



DETAIL A

ART\_1001197196-B

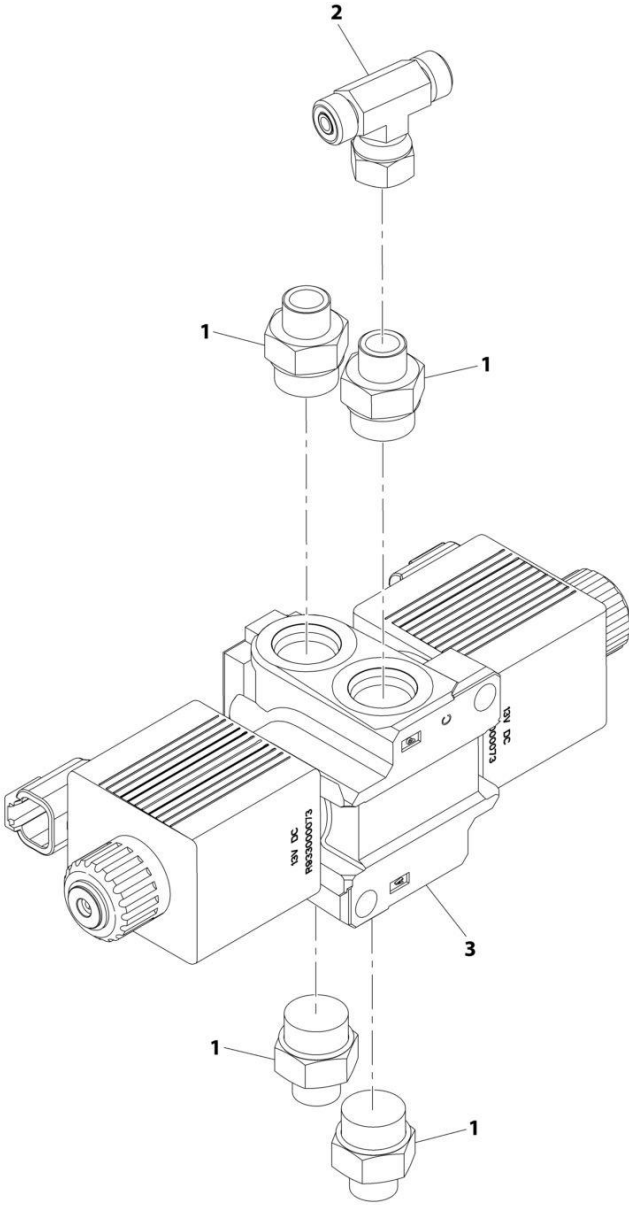
## SECTION 8 - HYDRAULIC CIRCUITS

**FIGURE 8-43. SPEED CONTROL VALVE INSTALLATION**

ITEM	PART NUMBER	QTY	DESCRIPTION	REV
	1001197196	Ref	Speed Control Valve Installation	B
3	4031912	2	Bolt, M8X40	
4	8310686	2	Nut, M8X12.5	
7	1001220643	1	Assembly, Speed Control Valve (See Separate Breakdown in this Section)	

**SECTION 8 - HYDRAULIC CIRCUITS**

**FIGURE 8-44. SPEED CONTROL VALVE/FITTINGS ASSEMBLY**



ART\_1001220643-A



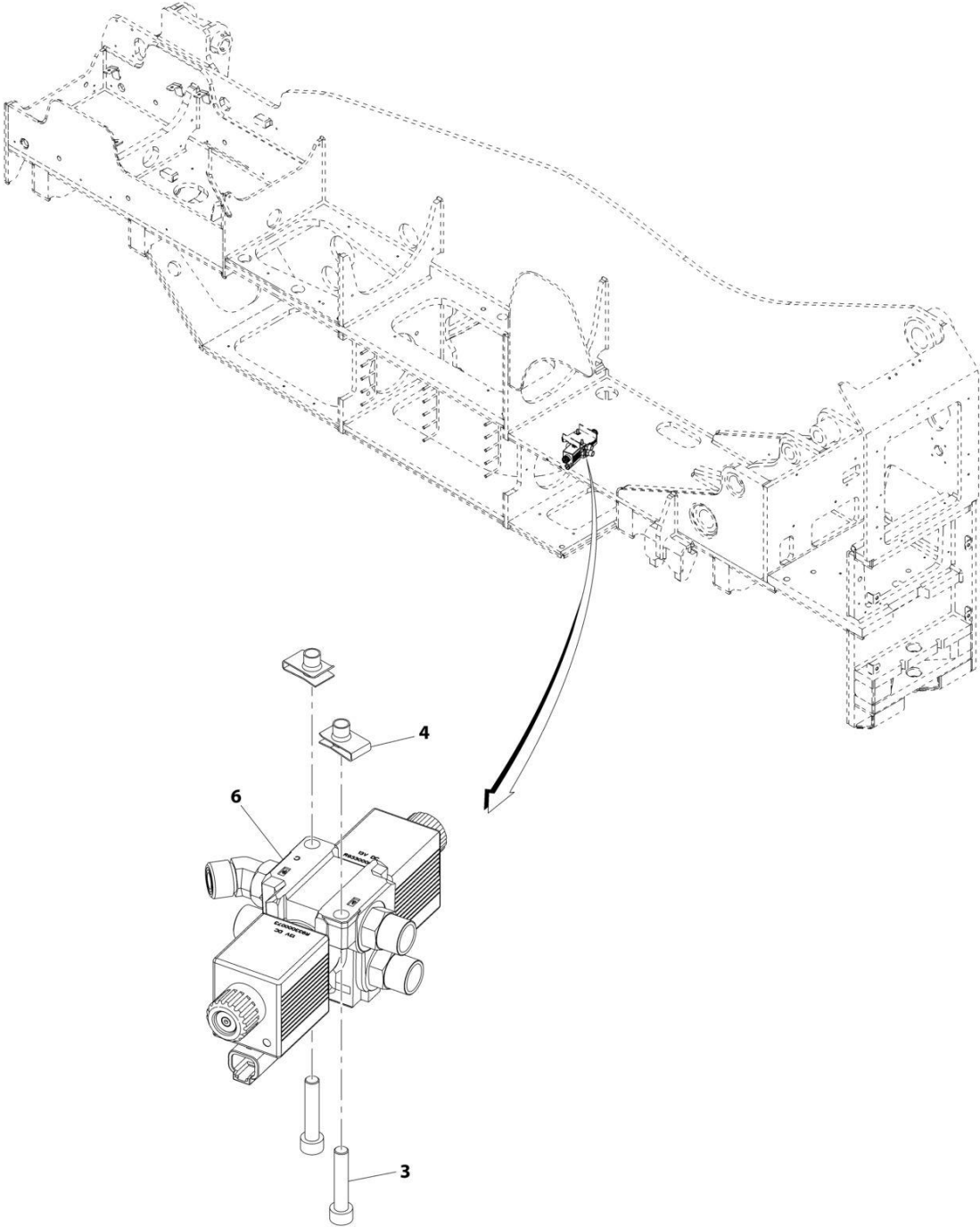
## SECTION 8 - HYDRAULIC CIRCUITS

**FIGURE 8-44. SPEED CONTROL VALVE/FITTINGS ASSEMBLY**

ITEM	PART NUMBER	QTY	DESCRIPTION	REV
	1001220643	Ref	Speed Control Valve Assembly	A
1	2110408	4	Fitting, Straight ORFS	
2	2170804	1	Fitting, Tee	
3	4641520	1	Valve, Speed Control (See Separate Breakdown in HYDRAULIC COMPONENTS Section)	

**SECTION 8 - HYDRAULIC CIRCUITS**

**FIGURE 8-45. STEERING SELECT VALVE INSTALLATION**



ART\_1001193516-B

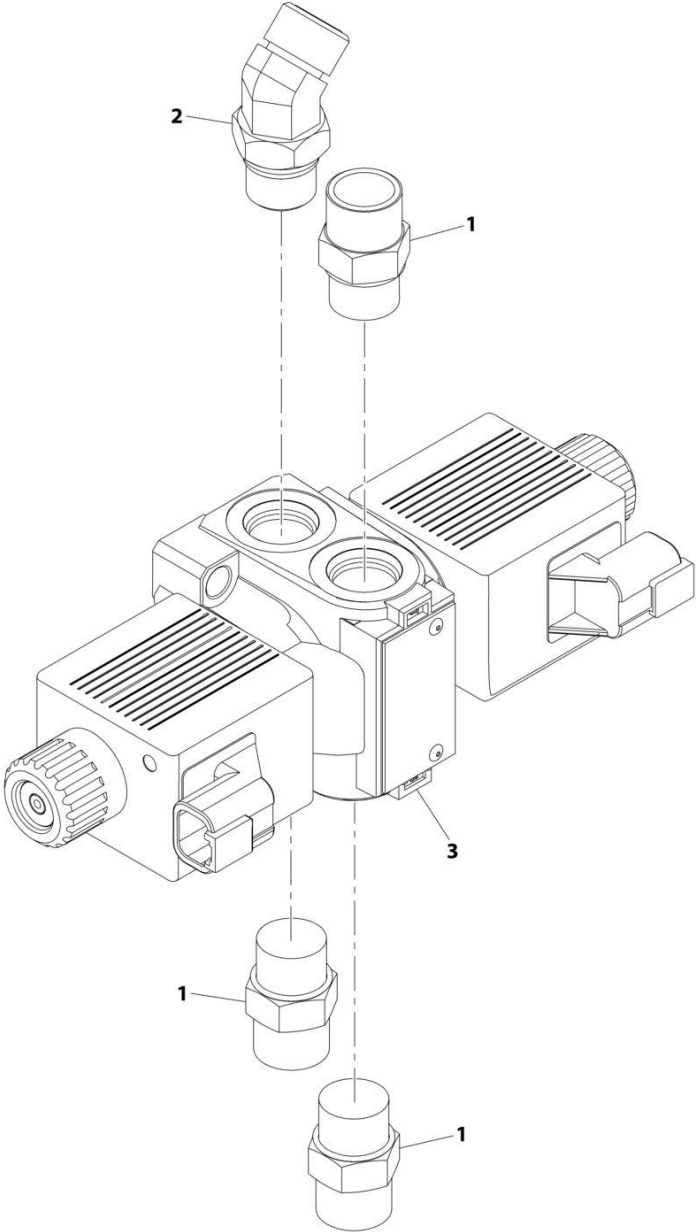
## SECTION 8 - HYDRAULIC CIRCUITS

**FIGURE 8-45. STEERING SELECT VALVE INSTALLATION**

ITEM	PART NUMBER	QTY	DESCRIPTION	REV
	1001193516	Ref	Steering Select Valve Installation	B
3	4031912	2	Bolt, M8X40	
4	8310686	2	Nut, M8X12.5	
6	1001212418	1	Assembly, Steering Select Valve (See Separate Breakdown in this Section)	

# SECTION 8 - HYDRAULIC CIRCUITS

FIGURE 8-46. STEERING SELECT VALVE/FITTINGS ASSEMBLY



ART\_1001212418-A

## SECTION 8 - HYDRAULIC CIRCUITS

**FIGURE 8-46. STEERING SELECT VALVE/FITTINGS ASSEMBLY**

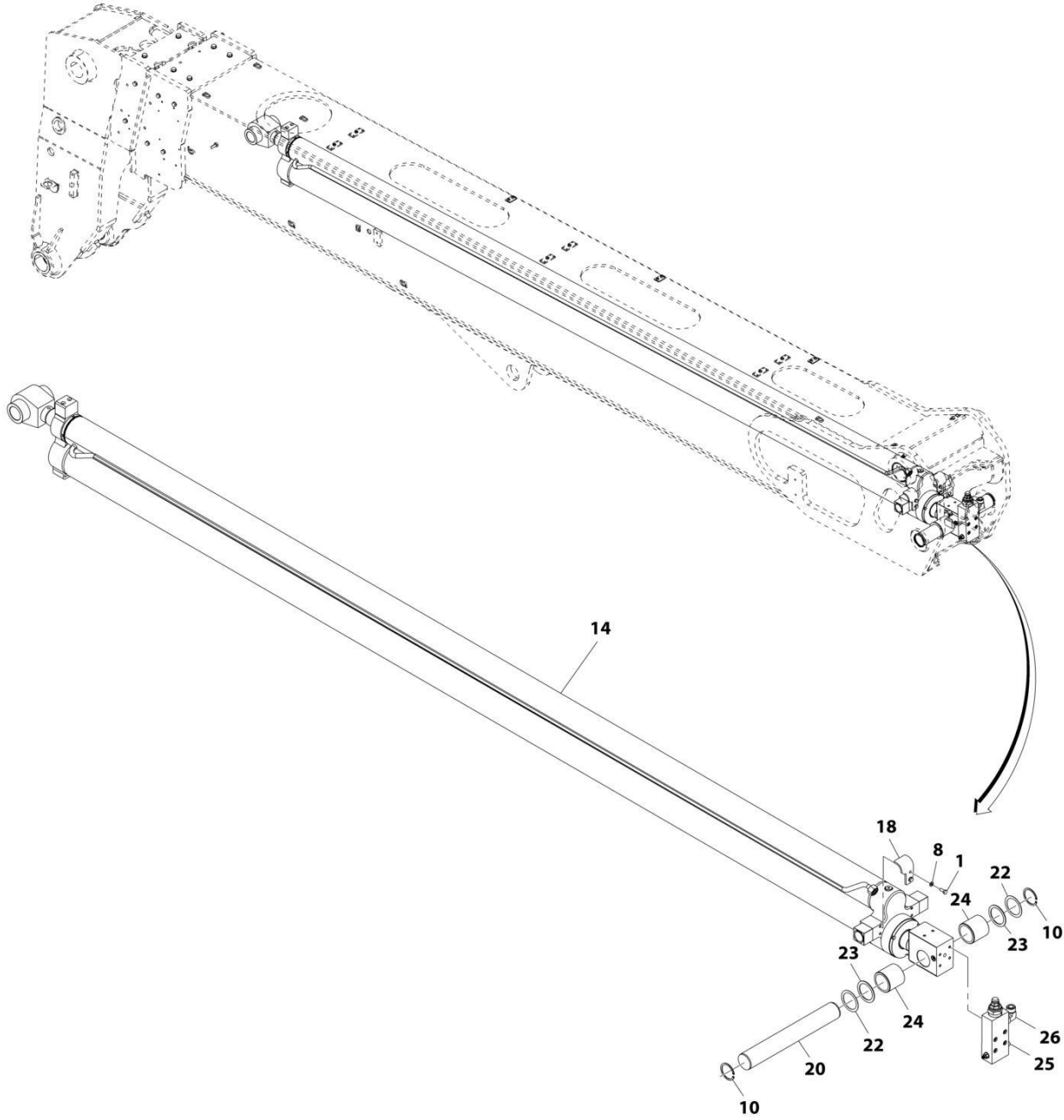
ITEM	PART NUMBER	QTY	DESCRIPTION	REV
	1001212418	Ref	Steering Select Valve Assembly	A
1	2110808	3	Fitting, Straight ORFS	
2	2150808	1	Fitting, 45 ORFS	
3	1001153748	1	Valve, Steering Select (See Separate Breakdown in HYDRAULIC COMPONENTS Section)	



**SECTION 9 - HYDRAULIC COMPONENTS**

# SECTION 9 - HYDRAULIC COMPONENTS

## FIGURE 9-1. EXTEND/RETRACT CYLINDER INSTALLATION



ART\_1001199325-H



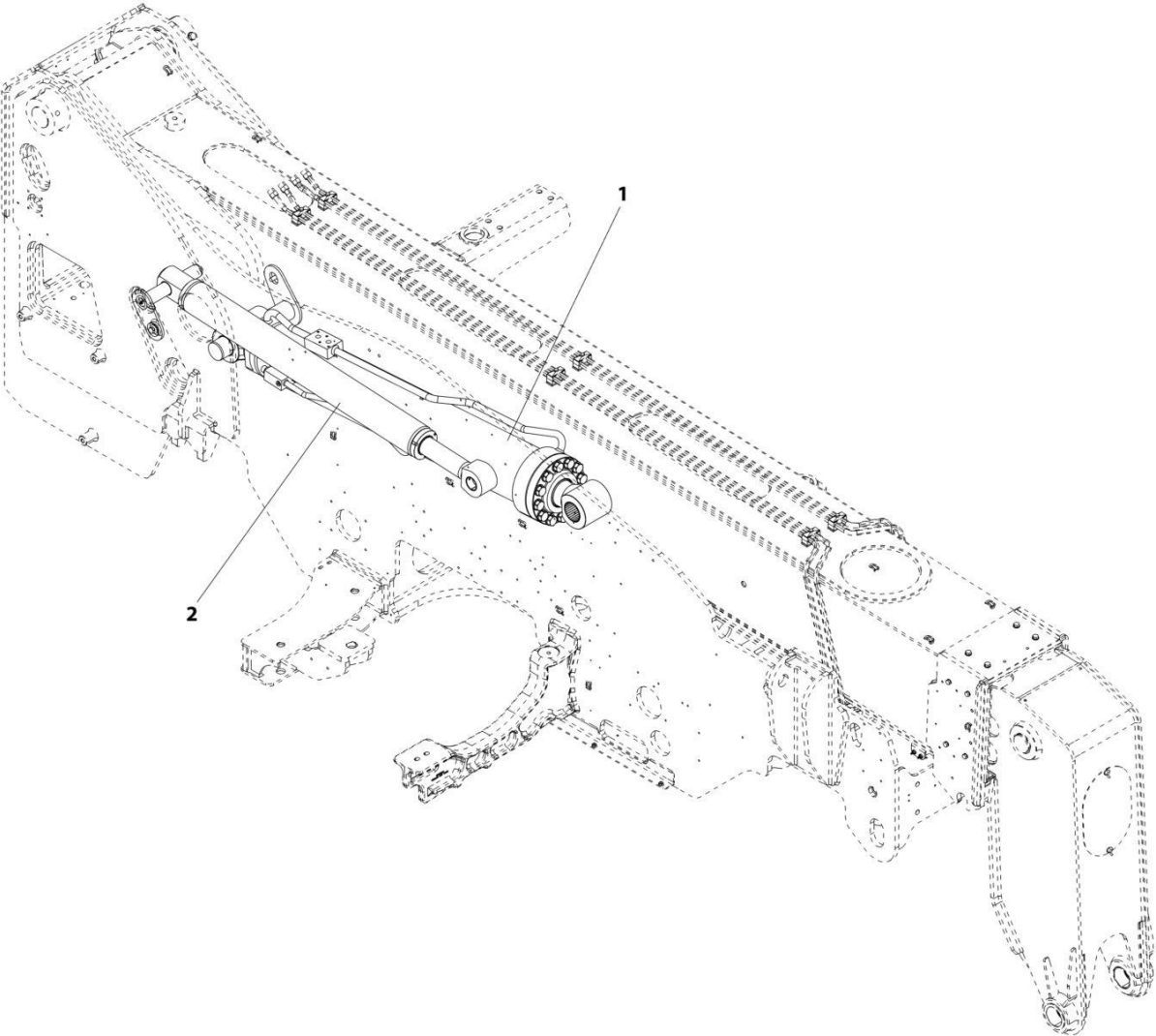
## SECTION 9 - HYDRAULIC COMPONENTS

### FIGURE 9-1. EXTEND/RETRACT CYLINDER INSTALLATION

ITEM	PART NUMBER	QTY	DESCRIPTION	REV
	1001199325	Ref	Extend/Retract Cylinder Installation	H
1	0760810	2	Bolt, M8X20	
8	4811900	2	Washer, M8	
10	8006258	2	Ring, Retaining	
14	1001226947	1	Cylinder, Extend/Retract (See Separate Breakdown in this Section)	
18	1001213562	1	Plate	
20	1001205528	1	Pin	
22	1001100166	2	Shim	
23	1001100169	2	Shim	
24	1001208451	2	Spacer, M70X5X72	
25	2110806	1	Fitting, Straight ORFS	
26	2131212	1	Fitting, 90 ORFS	

**SECTION 9 - HYDRAULIC COMPONENTS**

**FIGURE 9-2. CYLINDER INSTALLATION - BOOM LIFT & COMPENSATION CYLINDER**



ART\_1001174107-C

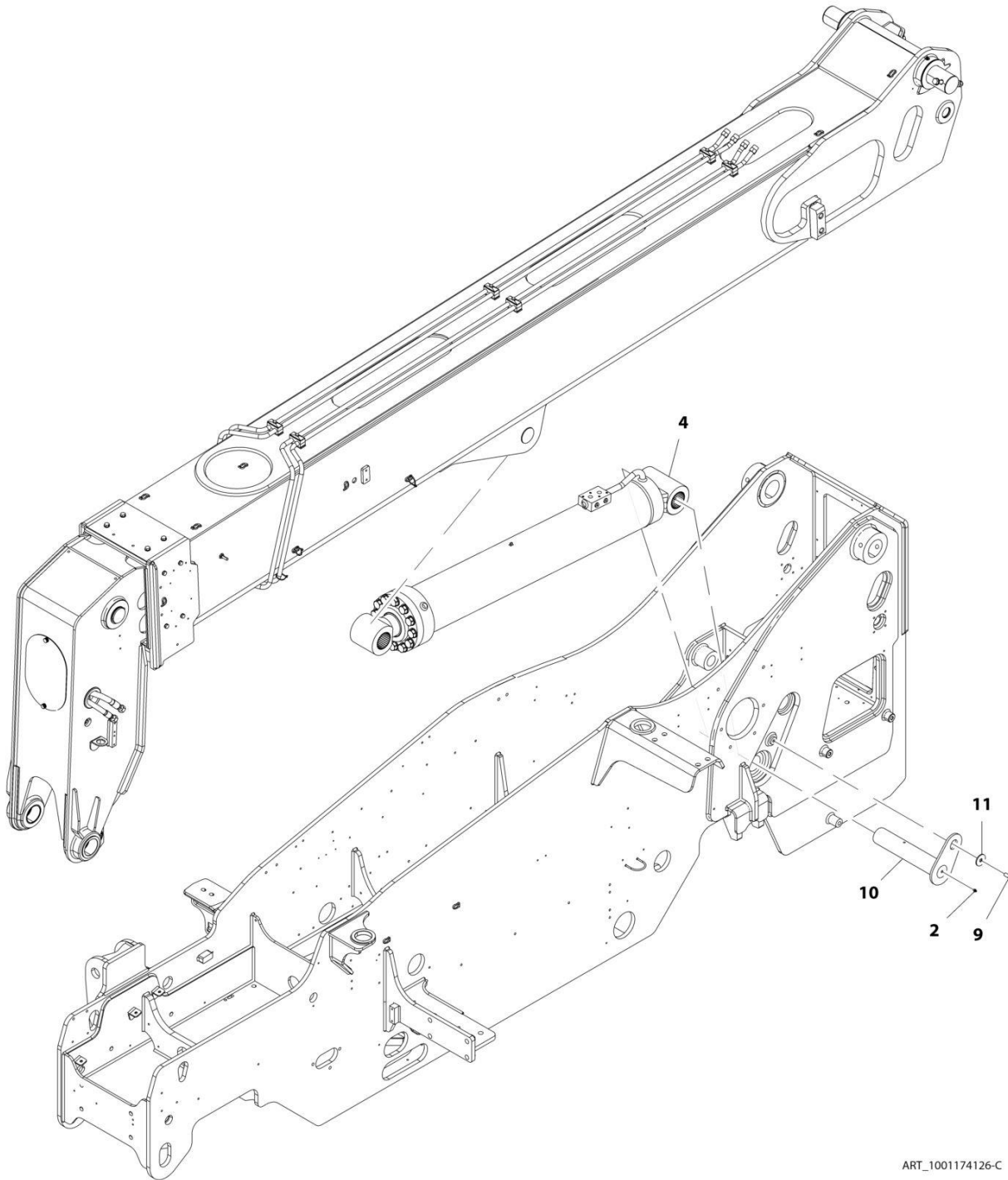
## SECTION 9 - HYDRAULIC COMPONENTS

**FIGURE 9-2. CYLINDER INSTALLATION - BOOM LIFT & COMPENSATION CYLINDER**

ITEM	PART NUMBER	QTY	DESCRIPTION	REV
1	1001174107	Ref	Cylinder Group Installation	C
	1001174126	Ref	Installation, Lift Cylinder (See Separate Breakdown in this Section)	
2	1001198578	Ref	Installation, Compensation Cylinder (See Separate Breakdown in this Section)	

# SECTION 9 - HYDRAULIC COMPONENTS

## FIGURE 9-3. CYLINDER INSTALLATION - BOOM LIFT



ART\_1001174126-C

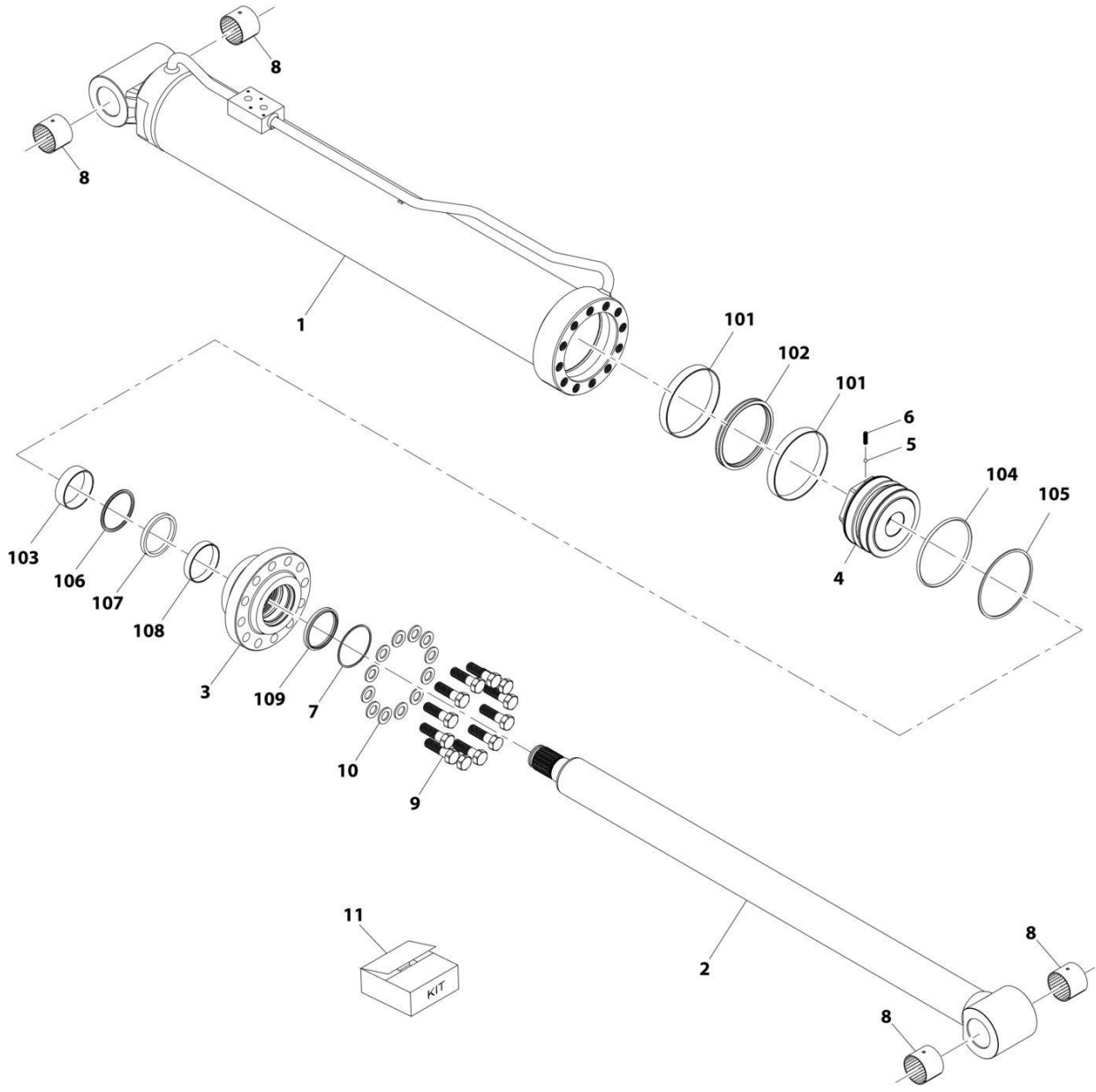
## SECTION 9 - HYDRAULIC COMPONENTS

### FIGURE 9-3. CYLINDER INSTALLATION - BOOM LIFT

ITEM	PART NUMBER	QTY	DESCRIPTION	REV
	1001174126	Ref	Lift Cylinder Installation	C
2	2160016	1	Fitting, Grease	
4	1001174811	1	Cylinder, Lift (See Separate Breakdown in this Section)	
9	0771414	1	Bolt, M14X30 Grade 10.9	
10	1001216331	1	Pin	
11	1001217226	1	Washer	

# SECTION 9 - HYDRAULIC COMPONENTS

## FIGURE 9-4. CYLINDER ASSEMBLY - BOOM LIFT



ART\_1001174811-E

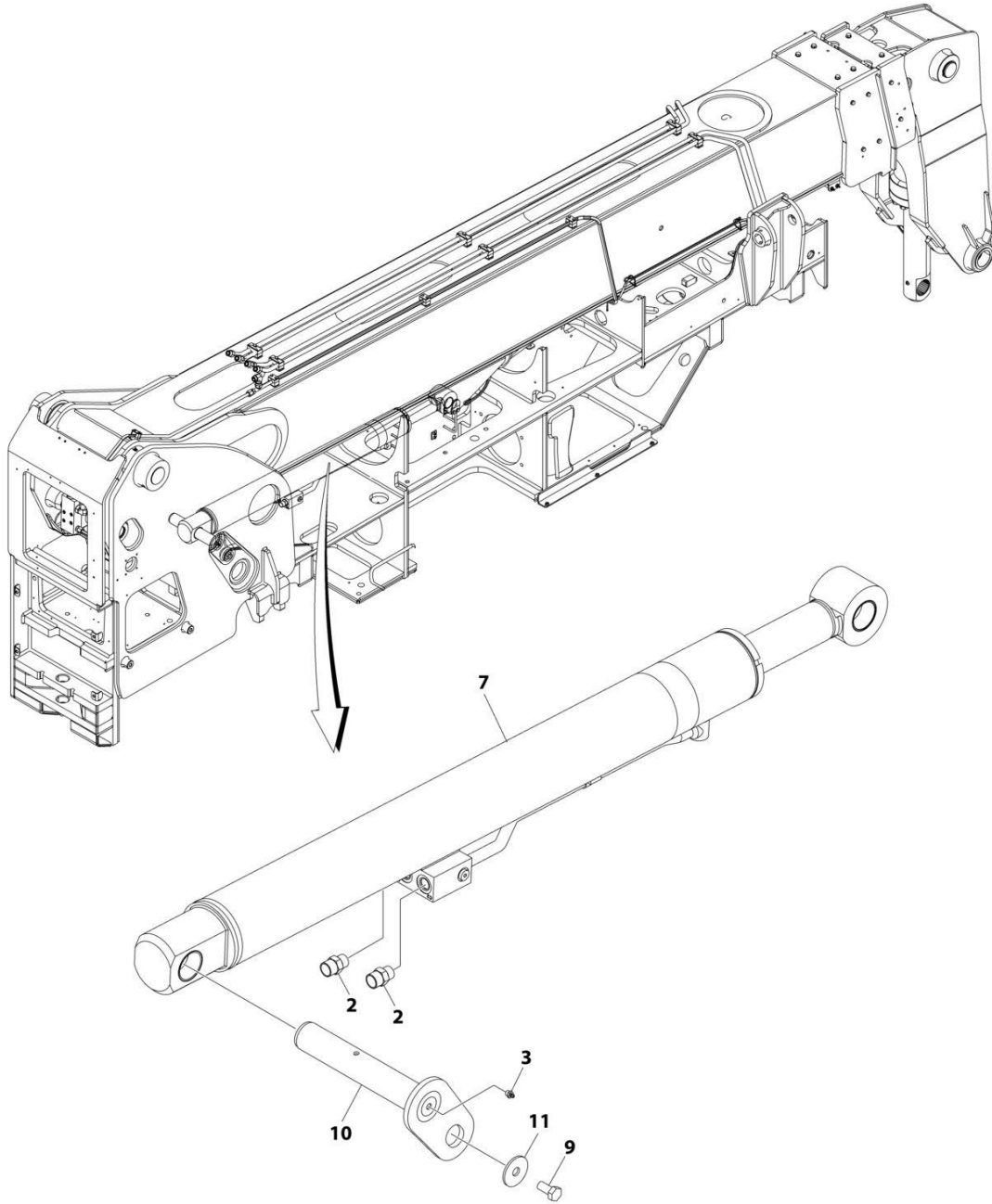
## SECTION 9 - HYDRAULIC COMPONENTS

### FIGURE 9-4. CYLINDER ASSEMBLY - BOOM LIFT

ITEM	PART NUMBER	QTY	DESCRIPTION	REV
	1001174811	Ref	Lift Cylinder	E
		Ref	Note: Original Cylinder May Have Been Replaced with Service Replacement. Identify PN Stamped on Cylinder Before Ordering Parts.	
1	N.S.S.	1	Barrel	
2	70028306	1	Rod	
3	70028307	1	Head	
4	70028308	1	Piston	
5	70025614	1	Bearing	
6	70028309	1	Screw, Locking	
7	70025590	1	Ring, Snap	
8	70028310	4	Bushing	
9	70028311	12	Bearing	
10	70028312	12	Washer	
11	70028313	1	Kit, Seal (includes items 101 thru 109)	
101	Kit	2	Ring, Wear	
102	Kit	1	Seal, Piston	
103	Kit	1	Ring, Wear	
104	Kit	1	O-Ring	
105	Kit	1	Ring, Back-up	
106	Kit	1	Seal, Rod	
107	Kit	1	Seal, Rod	
108	Kit	1	Ring, Wear	
109	Kit	1	Wiper	

# SECTION 9 - HYDRAULIC COMPONENTS

## FIGURE 9-5. CYLINDER INSTALLATION - COMPENSATION CYLINDER



ART\_1001198578\_D



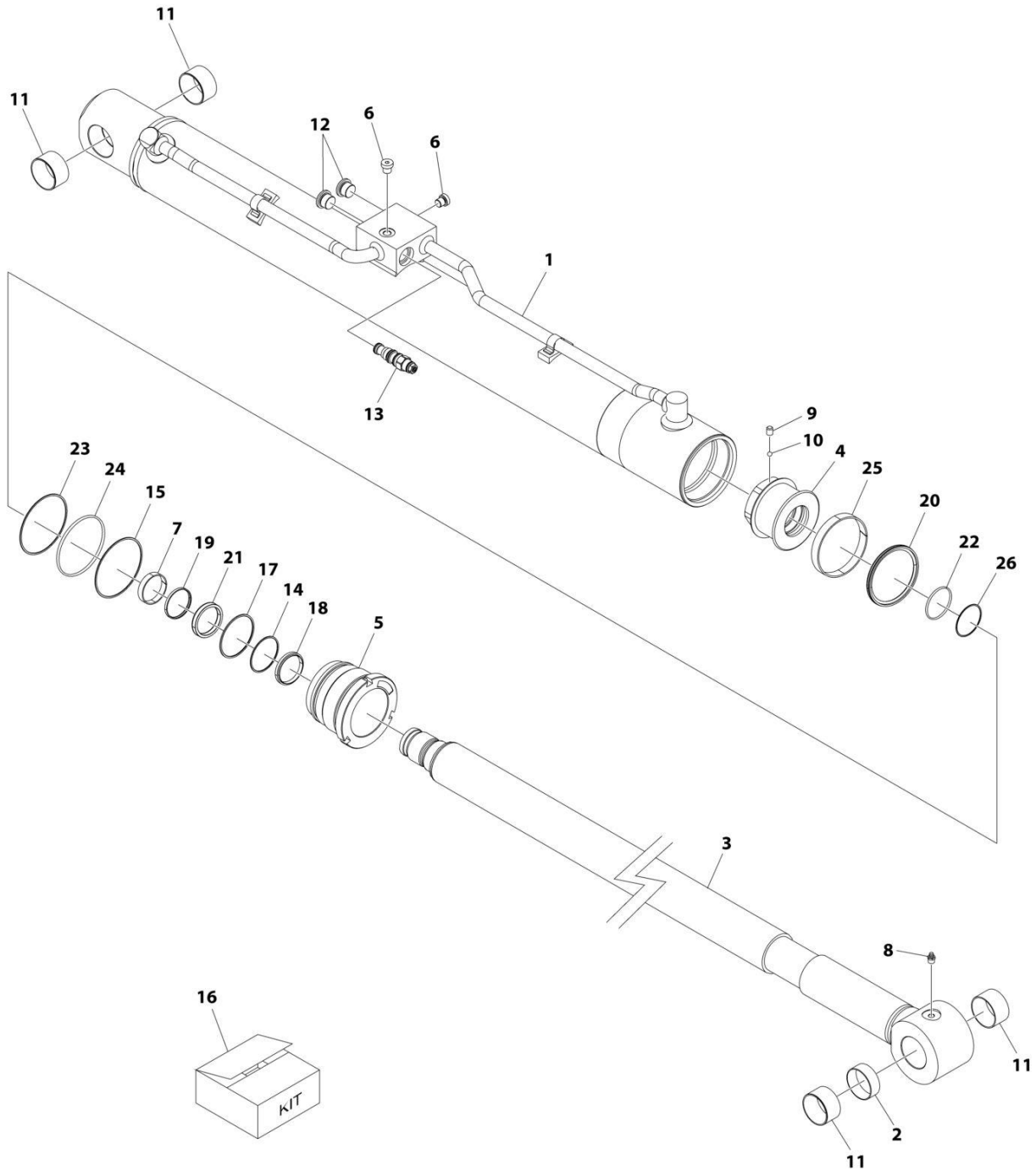
## SECTION 9 - HYDRAULIC COMPONENTS

**FIGURE 9-5. CYLINDER INSTALLATION - COMPENSATION CYLINDER**

ITEM	PART NUMBER	QTY	DESCRIPTION	REV
	1001198578	Ref	CYLINDER INSTALLATION - COMPENSATION CYLINDER	D
2	2111010	2	Fitting, Straight ORFS	
3	2160016	1	Fitting, Grease	
7	1001267979	1	Cylinder, Compensation (See Separate Breakdown in this Section)	
9	0771414	1	Bolt M14 x 30	
10	1001216333	1	Pin	
11	1001217226	1	Washer	

# SECTION 9 - HYDRAULIC COMPONENTS

## FIGURE 9-6. CYLINDER ASSEMBLY - BOOM COMPENSATION



ART\_1001267979

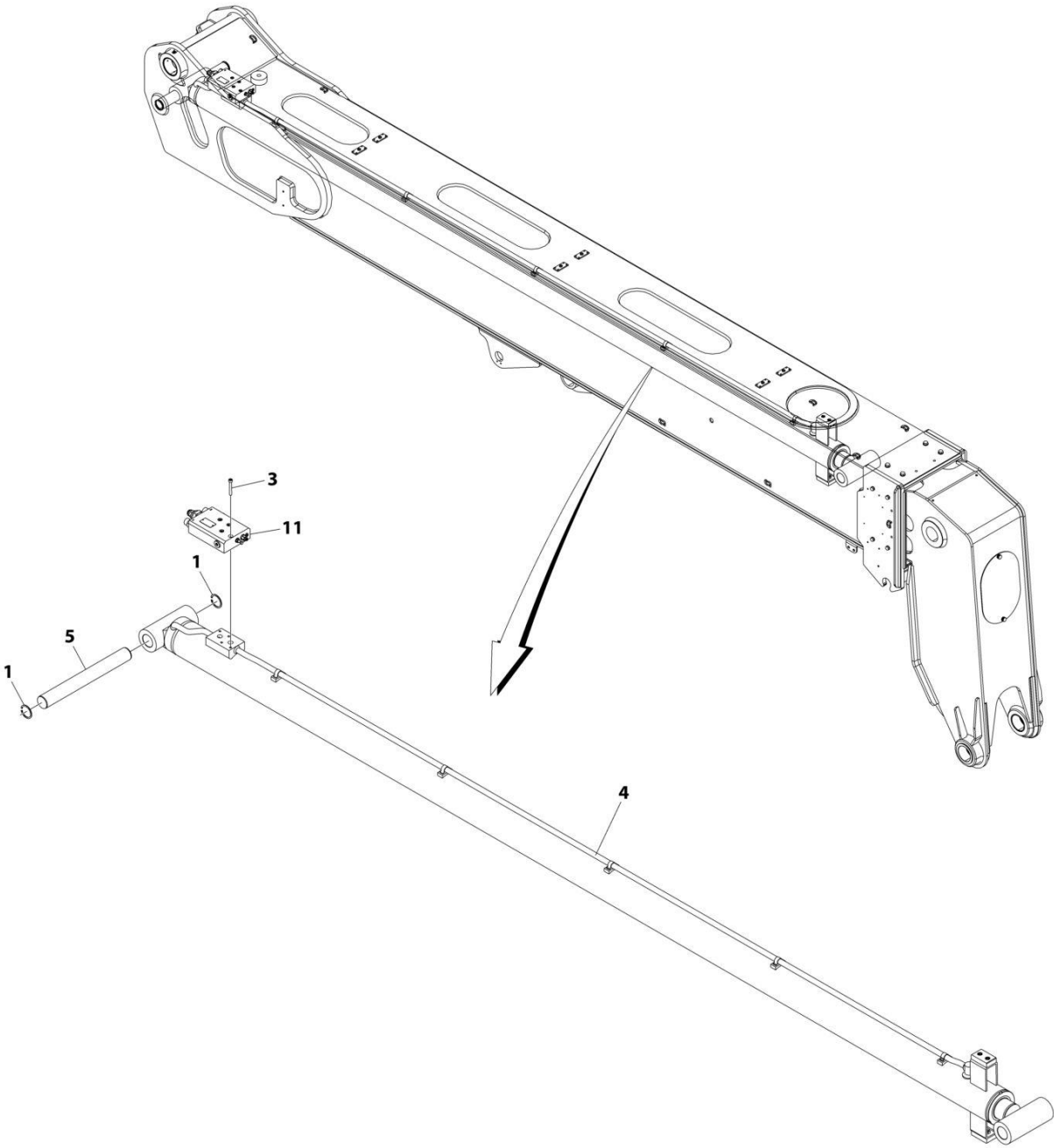
## SECTION 9 - HYDRAULIC COMPONENTS

**FIGURE 9-6. CYLINDER ASSEMBLY - BOOM COMPENSATION**

ITEM	PART NUMBER	QTY	DESCRIPTION	REV
	1001267979	Ref	COMPENSATION CYLINDER	A
		Ref	Note: Original Cylinder May Have Been Replaced with Service Replacement. Identify PN Stamped on Cylinder Before Ordering Parts.	
1	See Note	NSS	Barrel (Note: No Service Parts Available)	
2	70031298	1	Bushing	
3	70031299	1	Rod	
4	70031300	1	Piston	
5	70031301	1	Guide Bushing	
6	70031302	2	Plug	
7	70031303	1	Sliding Bushing	
8	70031304	1	Grease Fitting	
9	70031305	1	Set Screw	
10	70031306	1	Steel Ball	
11	70031307	4	Bushing	
12	2220887	2	Plug	
13	70028384	1	Balance Valve	
14	70031308	1	Ring	
15	70031309	1	Ring, Snap	
16	70031310	1	Seal Kit (Includes Items #17-26)	
17	See Note	NSS	Ring, Back-Up (Note: Use Item 16)	
18	See Note	NSS	Ring, Wiper (Note: Use Item 16)	
19	See Note	NSS	Ring, Buffer (Note: Use Item 16)	
20	See Note	NSS	Seal, Piston (Note: Use Item 16)	
21	See Note	NSS	Seal, Rod (Note: Use Item 16)	
22	See Note	NSS	O-Ring (Note: Use Item 16)	
23	See Note	NSS	O-Ring (Note: Use Item 16)	
24	See Note	NSS	Ring, Wear (Note: Use Item 16)	
25	See Note	NSS	Ring, Back-Up (Note: Use Item 16)	

# SECTION 9 - HYDRAULIC COMPONENTS

## FIGURE 9-7. CYLINDER INSTALLATION - BOOM EXTEND/RETRACT CYLINDER



ART\_1001178157\_E

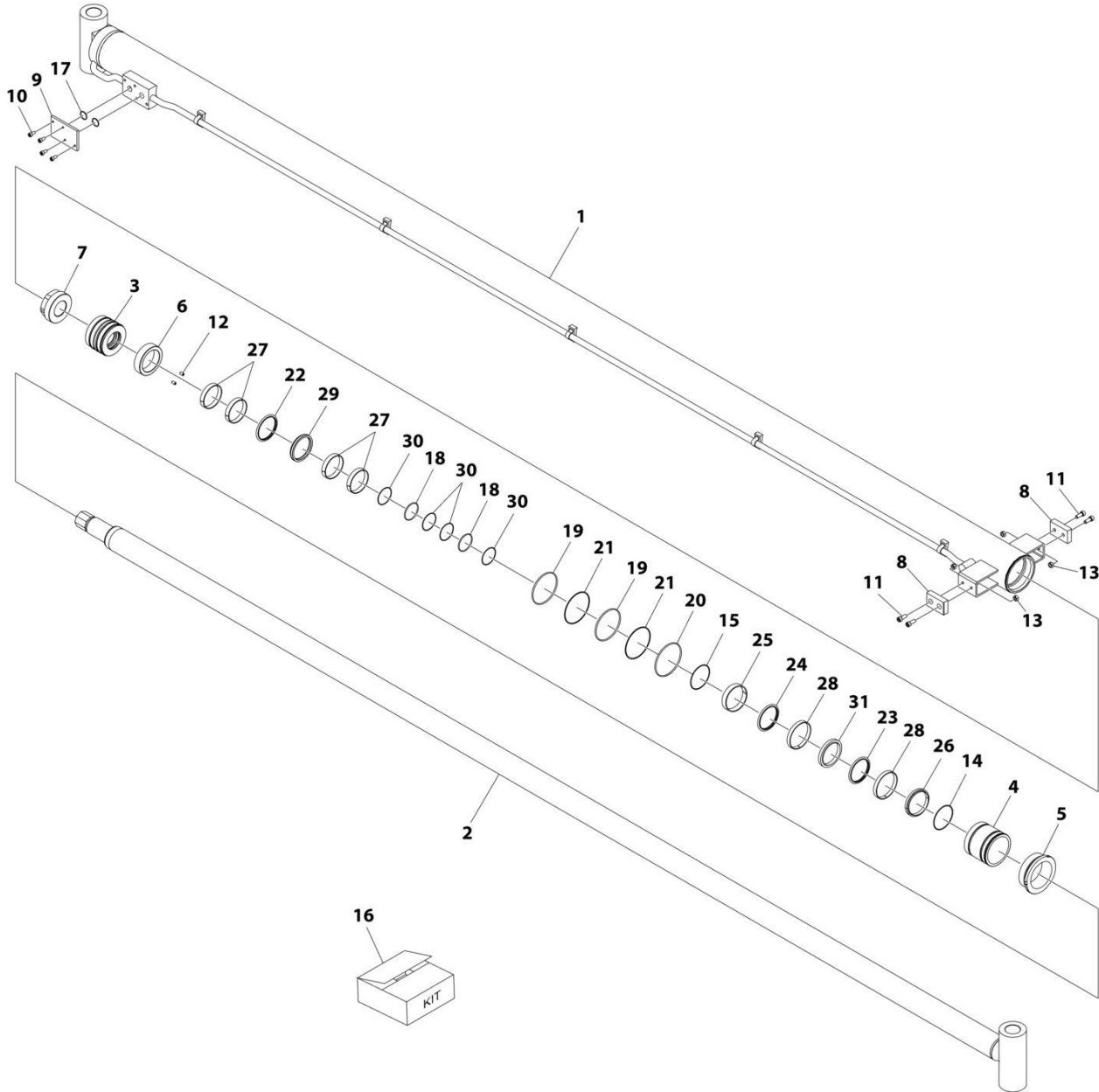
## SECTION 9 - HYDRAULIC COMPONENTS

**FIGURE 9-7. CYLINDER INSTALLATION - BOOM EXTEND/RETRACT CYLINDER**

ITEM	PART NUMBER	QTY	DESCRIPTION	REV
	1001178157	Ref	CYLINDER INSTALLATION - BOOM EXTEND/RETRACT CYLINDER	E
1	314689	2	Ring, Retaining	
3	4031916	4	Bolt M8 x 60	
4	1001267974	1	Cylinder, Extend/Retract (See Separate Breakdown in this Section)	
5	1001190259	1	Pin	
11	1001212312	1	Counterbalance Valve & Fittings Sub-Assembly (see Separate Breakdown in this Section)	

# SECTION 9 - HYDRAULIC COMPONENTS

## FIGURE 9-8. CYLINDER ASSEMBLY - BOOM EXTEND/RETRACT CYLINDER



ART\_1001267974

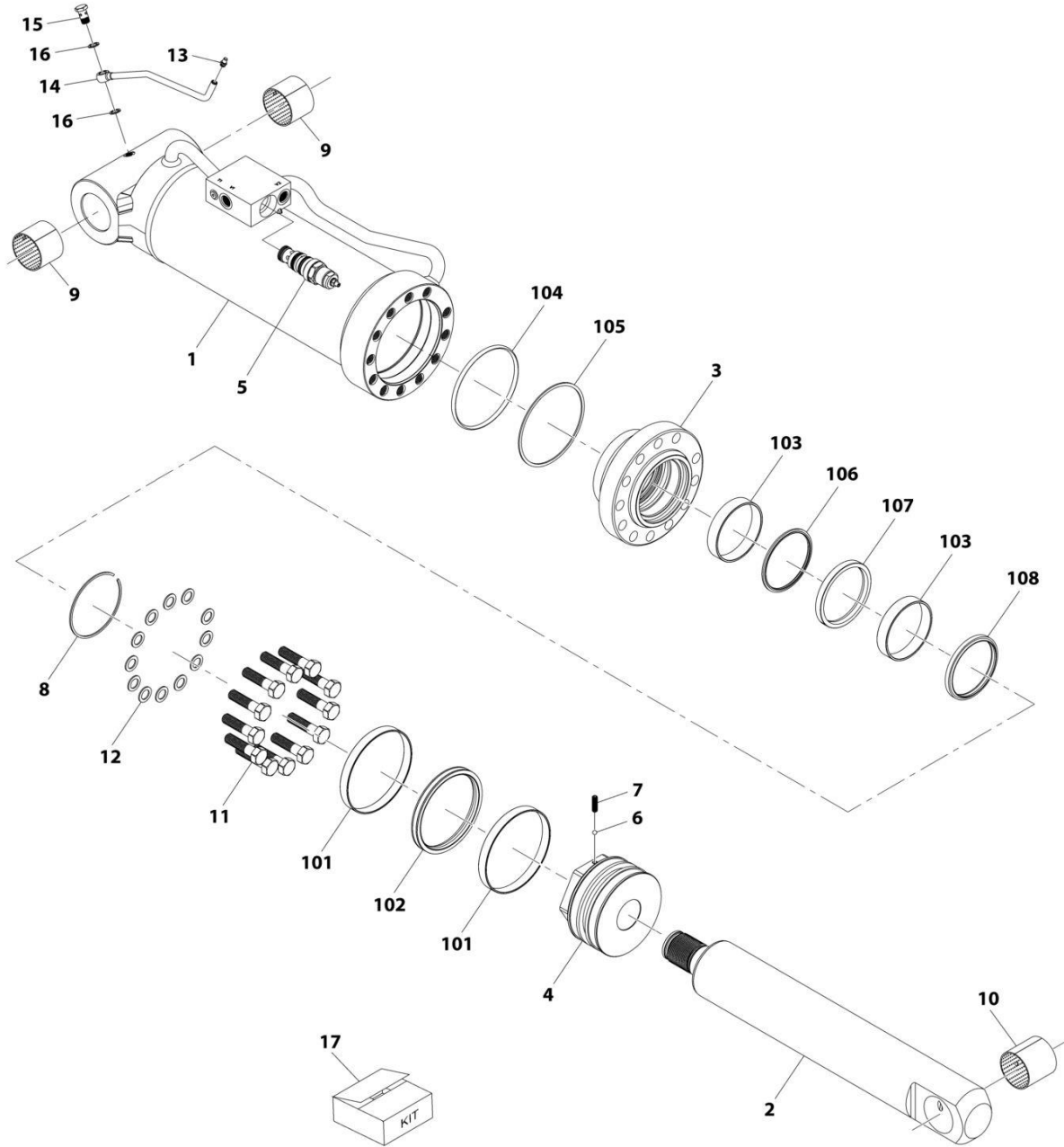
## SECTION 9 - HYDRAULIC COMPONENTS

**FIGURE 9-8. CYLINDER ASSEMBLY - BOOM EXTEND/RETRACT CYLINDER**

ITEM	PART NUMBER	QTY	DESCRIPTION	REV
	1001267974	Ref	EXTEND/RETRACT CYLINDER	A
		Ref	Note: Original Cylinder May Have Been Replaced with Service Replacement. Identify PN Stamped on Cylinder Before Ordering Parts.	
1	See Note	NSS	Barrel (Note: No Service Parts Available)	
2	70031311	1	Rod	
3	70031312	1	Piston	
4	70031313	1	Guide Bushing	
5	70031314	1	Gland	
6	70031315	1	Stop Tube	
7	70031316	1	Piston	
8	70031317	2	Block	
9	70031318	1	Dust Cover	
10	70031319	4	Screw M8 x 16	
11	70031320	4	Screw M10 x 25	
12	70008128	2	Screw M8 x 10	
13	70031321	4	Nut M10	
14	70031322	1	Ring	
15	70031323	1	Snap Ring	
16	70031324	1	Seal Kit (Includes Items #17-31)	
17	See Note	NSS	O-Ring (Note: Use Item 16)	
18	See Note	NSS	O-Ring (Note: Use Item 16)	
19	See Note	NSS	O-Ring (Note: Use Item 16)	
20	See Note	NSS	O-Ring (Note: Use Item 16)	
21	See Note	NSS	Ring, Back-Up (Note: Use Item 16)	
22	See Note	NSS	Ring, Buffer (Note: Use Item 16)	
23	See Note	NSS	Ring, Buffer (Note: Use Item 16)	
24	See Note	NSS	Ring, Buffer (Note: Use Item 16)	
25	See Note	NSS	Bushing (Note: Use Item 16)	
26	See Note	NSS	Ring, Wiper (Note: Use Item 16)	
27	See Note	NSS	Ring, Wear (Note: Use Item 16)	
28	See Note	NSS	Ring, Wear (Note: Use Item 16)	
29	See Note	NSS	Piston Seal (Note: Use Item 16)	
30	See Note	NSS	Ring, Back-Up (Note: Use Item 16)	
31	See Note	NSS	Rod Seal (Note: Use Item 16)	

# SECTION 9 - HYDRAULIC COMPONENTS

## FIGURE 9-9. CYLINDER ASSEMBLY - BOOM TILT



ART\_1001174812-F



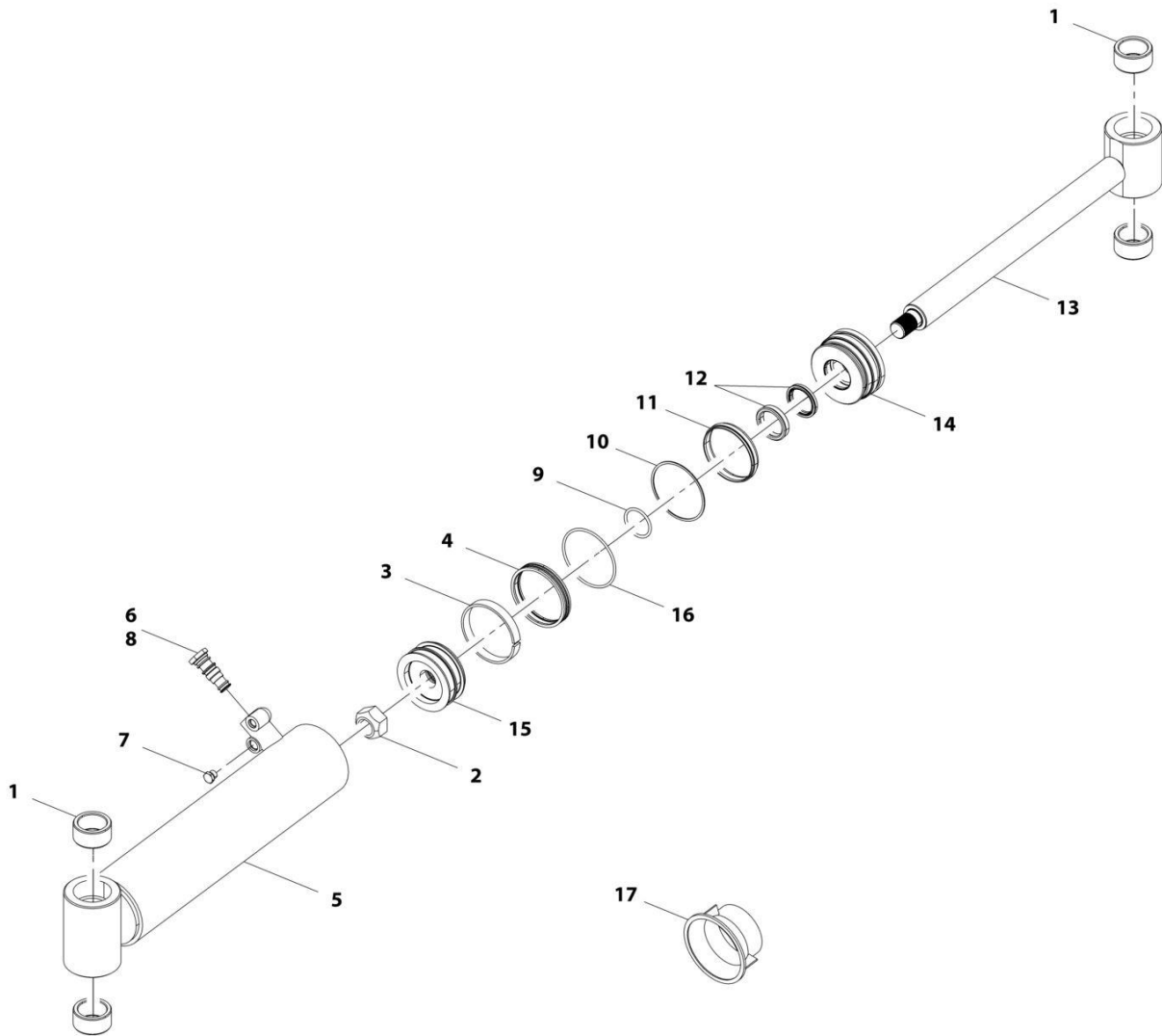
## SECTION 9 - HYDRAULIC COMPONENTS

### FIGURE 9-9. CYLINDER ASSEMBLY - BOOM TILT

ITEM	PART NUMBER	QTY	DESCRIPTION	REV
	1001174812	Ref	Tilt Cylinder	F
		Ref	Note: Original Cylinder May Have Been Replaced with Service Replacement. Identify PN Stamped on Cylinder Before Ordering Parts.	
1	N.S.S.	1	Barrel	
2	70028314	1	Rod	
3	70028315	1	Piston	
4	70028316	1	Head	
5	70028317	1	Valve, Counterbalance	
6	70025614	1	Bearing	
7	70028309	1	Screw, Locking	
8	70028318	1	Ring, Snap	
9	70028310	2	Bushing	
10	70028319	1	Bushing	
11	70028320	12	Bolt	
12	70028321	12	Washer	
13	70029941	2	Fitting, Grease	
14	70028322	1	Pipe	
15	70024035	1	Screw	
16	70028323	2	Washer	
17	70028324	1	Kit, Seal (includes items 101 thru 108)	
101	Kit	2	Ring, Piston	
102	Kit	1	Seal, Piston	
103	Kit	2	Ring, Rod	
104	Kit	1	"O" Ring	
105	Kit	1	Ring, Back-Up	
106	Kit	1	Seal, Rod	
107	Kit	1	Seal, Rod	
108	Kit	1	Wiper	

# SECTION 9 - HYDRAULIC COMPONENTS

## FIGURE 9-10. CYLINDER ASSEMBLY - BUCKET (4 IN 1 BUCKET)



ART\_70028572-D

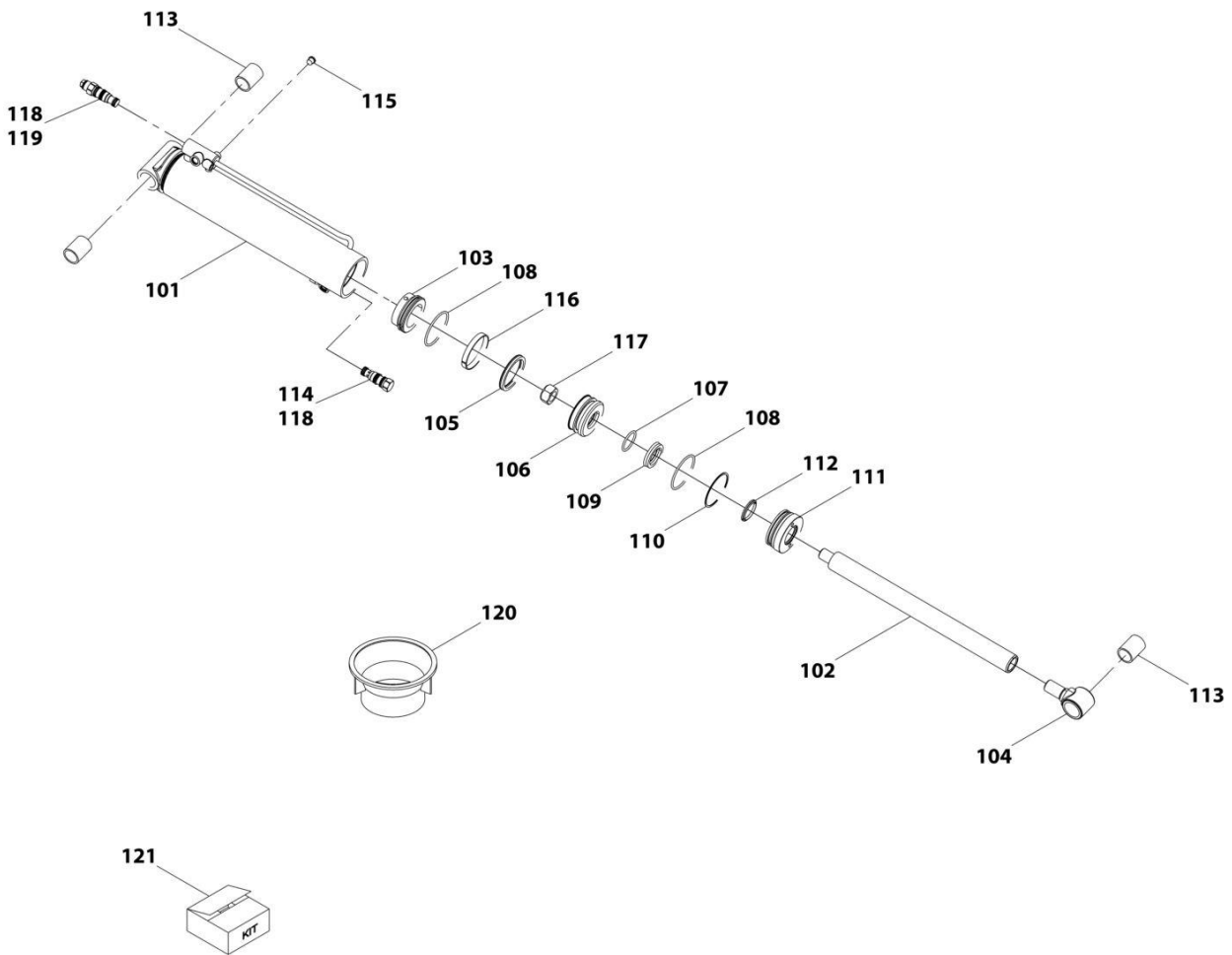
## SECTION 9 - HYDRAULIC COMPONENTS

**FIGURE 9-10. CYLINDER ASSEMBLY - BUCKET (4 IN 1 BUCKET)**

ITEM	PART NUMBER	QTY	DESCRIPTION	REV
	70028572	Ref	Cylinder Assembly	D
		Ref	<b>Note: Original Cylinder May Have Been Replaced with Service Replacement. Identify PN Stamped on Cylinder Before Ordering Parts.</b>	
1	70028581	4	Bearing	
2	70028582	1	Nut	
3	N.S.S.	1	Ring, Wear	
4	N.S.S.	1	Seal	
5	N.S.S.	1	Assembly, Barrel	
6	Kit	1	Kit, Check Valve	
7	70028583	1	Fitting, Straight	
8	70028584	1	Valve, Check	
9	N.S.S.	1	O-Ring	
10	N.S.S.	1	Ring, Back-up	
11	N.S.S.	1	Seal	
12	N.S.S.	2	Wiper	
13	70028585	1	Rod	
14	70028586	1	Retainer	
15	70028587	1	Piston	
16	N.S.S.	1	O-Ring	
17	70028588	1	Tool, Seal Loader	

# SECTION 9 - HYDRAULIC COMPONENTS

## FIGURE 9-11. CYLINDER ASSEMBLY - BUCKET (GRAPPLE BUCKET)



ART\_70026469-C

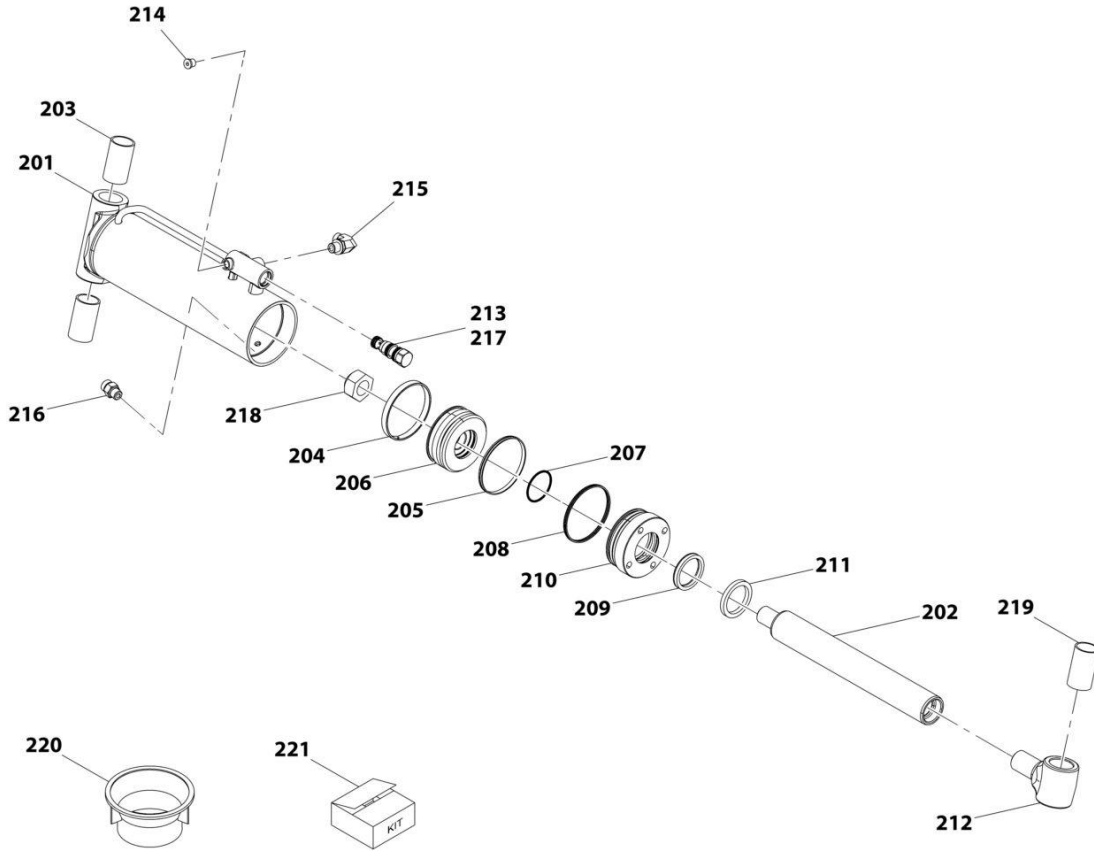
## SECTION 9 - HYDRAULIC COMPONENTS

**FIGURE 9-11. CYLINDER ASSEMBLY - BUCKET (GRAPPLE BUCKET)**

ITEM	PART NUMBER	QTY	DESCRIPTION	REV
	70026469	Ref	Cylinder Assembly	C
		Ref	<b>Note: Original Cylinder May Have Been Replaced with Service Replacement. Identify PN Stamped on Cylinder Before Ordering Parts.</b>	
101	N.S.S.	1	Barrel	
102	70026496	1	Rod	
103	70026497	1	Spacer	
104	70026498	1	End, Rod	
105	Kit	1	Seal	
106	70026499	1	Piston	
107	Kit	1	O-Ring	
108	Kit	2	O-Ring	
109	Kit	1	Ring, Backup	
110	Kit	1	Seal	
111	70026500	1	Retainer	
112	Kit	1	Wiper	
113	70026501	3	Bushing	
114	70026502	1	Valve, Check	
115	70024129	4	Plug	
116	Kit	1	Ring, Wear	
117	70026503	1	Nut	
118	70024734	2	Kit, Check Valve Service	
119	70026504	1	Valve, Counterbalance	
120	70026505	1	Tool, Seal Loader	
121	70026506	1	Kit, Service	

# SECTION 9 - HYDRAULIC COMPONENTS

FIGURE 9-12. CYLINDER ASSEMBLY - CARRIAGE (LOG HANDLER CYLINDER)



ART\_70028704-C

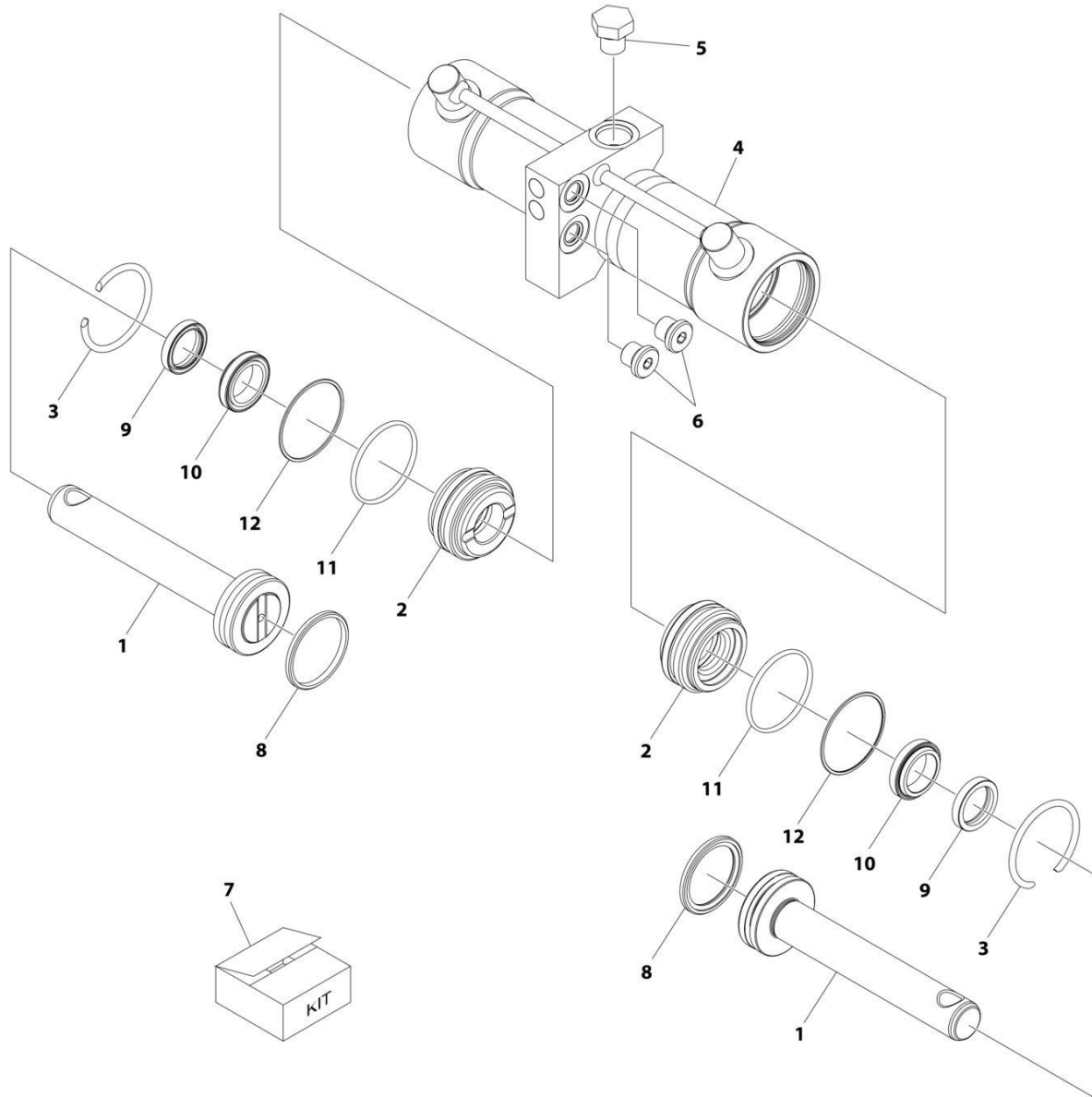
## SECTION 9 - HYDRAULIC COMPONENTS

**FIGURE 9-12. CYLINDER ASSEMBLY - CARRIAGE (LOG HANDLER CYLINDER)**

ITEM	PART NUMBER	QTY	DESCRIPTION	REV
	70028704	Ref	Log Handler Carriage Cylinder Assembly	C
		Ref	<b>Note: Original Cylinder May Have Been Replaced with Service Replacement. Identify PN Stamped on Cylinder Before Ordering Parts.</b>	
201	N.S.S.	1	Barrel	
202	70028728	1	Rod	
203	70028729	2	Bushing	
204	N.S.S.	1	Ring, Wear	
205	N.S.S.	1	Seal	
206	70028730	1	Piston	
207	N.S.S.	1	O-Ring	
208	N.S.S.	1	Seal	
209	N.S.S.	1	Seal	
210	70028731	1	Retainer	
211	N.S.S.	1	Wiper	
212	N.S.S.	1	End, Rod (included with item 202)	
213	70024733	1	Valve, Check	
214	70024129	2	Plug	
215	70024123	1	Fitting, 90	
216	70024130	1	Fitting, Straight	
217	70024734	1	Kit, Check Valve	
218	70028732	1	Nut	
219	70028729	1	Bushing (included with item 202)	
220	70028588	1	Tool, Seal Loader	
221	70028733	1	Kit, Seal (includes items 204, 205, 207, 208, 208, 211, 220)	

# SECTION 9 - HYDRAULIC COMPONENTS

## FIGURE 9-13. CYLINDER ASSEMBLY - COUPLER LOCKING



ART\_1001267977



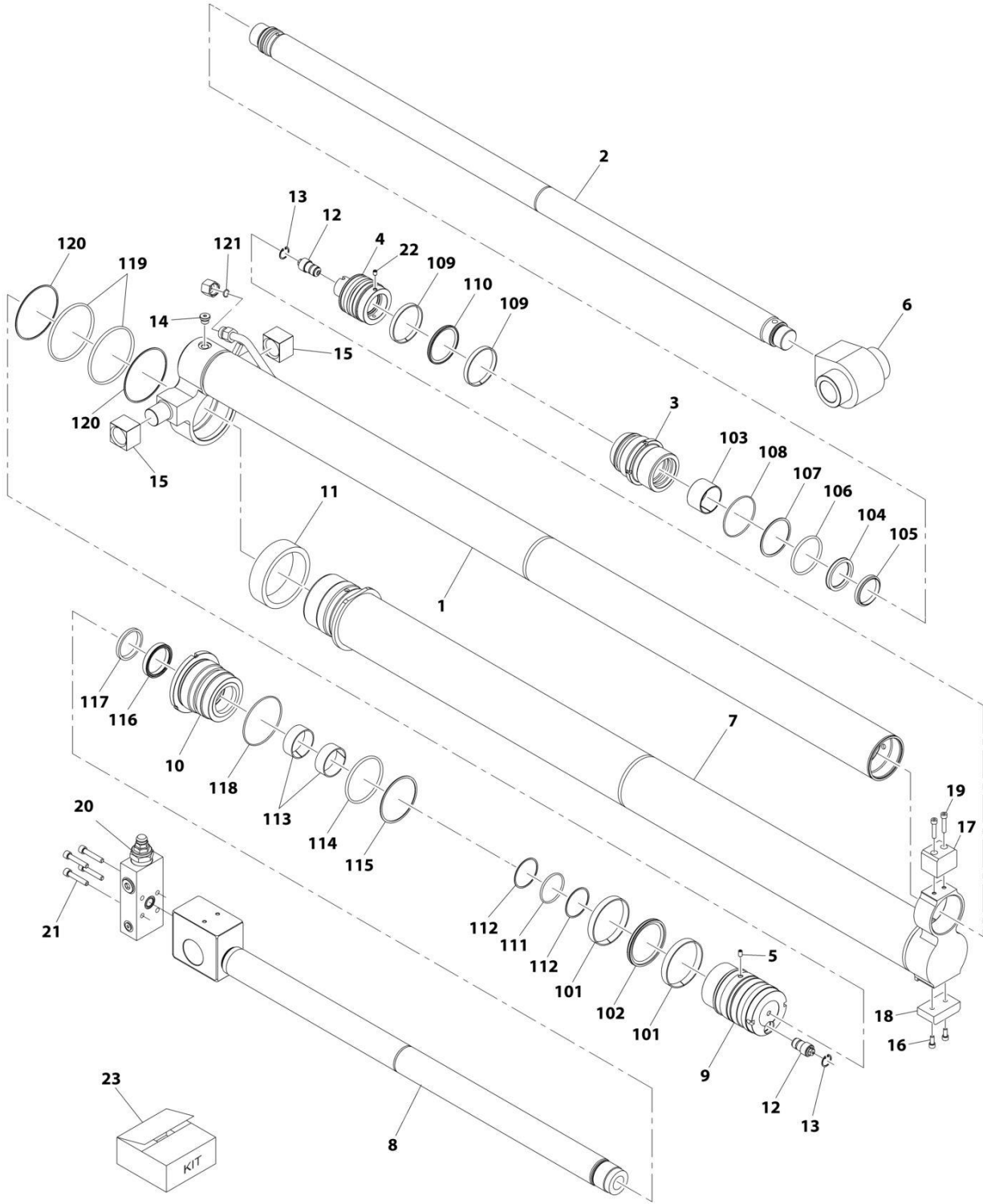
## SECTION 9 - HYDRAULIC COMPONENTS

**FIGURE 9-13. CYLINDER ASSEMBLY - COUPLER LOCKING**

ITEM	PART NUMBER	QTY	DESCRIPTION	REV
	1001267977	Ref	COUPLER LOCKING CYLINDER	B
		Ref	Note: Original Cylinder May Have Been Replaced with Service Replacement. Identify PN Stamped on Cylinder Before Ordering Parts.	
1	70031293	2	Rod	
2	70031294	2	Bushing	
3	70031295	2	Ring, Snap	
4	See Note	NSS	Barrel (Note: Not Sold Separately, Purchase 1001267977)	
5	70031296	1	Plug	
6	2220885	2	Plug	
7	70031297	1	Seal Kit (Includes Items 8-12)	
8	See Note	2	Seal, Piston (Note: Use Item 7)	
9	See Note	2	Seal, Rod (Note: Use Item 7)	
10	See Note	2	Ring, Wiper (Note: Use Item 7)	
11	See Note	2	O-Ring (Note: Use Item 7)	
12	See Note	2	Ring, Backup (Note: Use Item 7)	

# SECTION 9 - HYDRAULIC COMPONENTS

## FIGURE 9-14. CYLINDER ASSEMBLY - EXTEND/RETRACT



ART\_1001226947-A

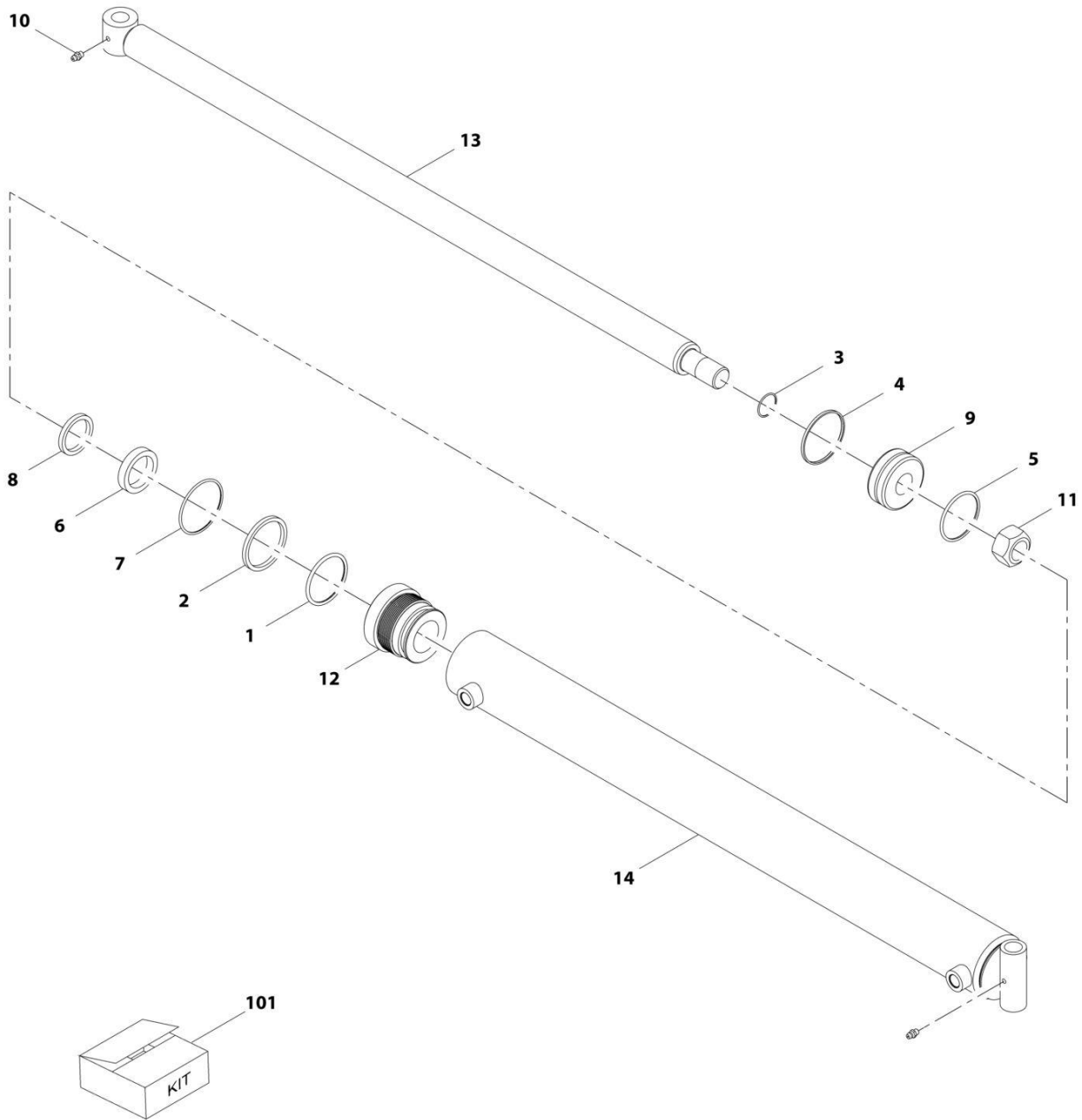
## SECTION 9 - HYDRAULIC COMPONENTS

### FIGURE 9-14. CYLINDER ASSEMBLY - EXTEND/RETRACT

ITEM	PART NUMBER	QTY	DESCRIPTION	REV
	1001226947	Ref	Extend/Retract Cylinder	A
		Ref	<b>Note: Original Cylinder May Have Been Replaced with Service Replacement. Identify PN Stamped on Cylinder Before Ordering Parts.</b>	
1	N.S.S.	1	Barrel Assembly	
2	70029016	1	Rod Assembly	
3	70024228	1	Rod Guide	
4	70024229	1	Piston	
5	70020438	1	Screw	
6	70028364	1	Rod Eye	
7	N.S.S.	1	Barrel Assembly	
8	70029017	1	Rod Assembly	
9	70024236	1	Piston	
10	70024235	1	Rod Guide	
11	70024234	1	Spacer	
12	70024230	2	Valve	
13	70024231	2	Circlip	
14	70024237	1	Plug	
15	70027801	2	Trunnion Bearing	
16	70029018	2	Screw	
17	70028368	1	Wear Pad	
18	70028367	1	Wear Pad	
19	70029019	2	Screw	
20	1001200111	1	Valve, Counterbalance (Sold as Assembly Only)	
20	70028422	1	O-Ring (Between Valve & Rod)	
21	70023916	4	Screw	
22	70026838	1	Screw	
23	70024224	1	Seal Kit, Cylinder	
101	Kit	2	Bearing	
102	Kit	1	Piston Seal	
103	Kit	1	Bearing	
104	Kit	1	Rod Seal	
105	Kit	1	Wiper	
106	Kit	1	O-Ring	
107	Kit	1	Back up ring	
108	Kit	1	O-Ring	
109	Kit	2	Bearing	
110	Kit	1	Piston Seal	
111	Kit	1	O-Ring	
112	Kit	2	Back up ring	
113	Kit	2	Bearing	
114	Kit	1	O-Ring	
115	Kit	1	Back up ring	
116	Kit	1	Rod Seal	
117	Kit	1	Wiper	
118	Kit	1	O-Ring	
119	Kit	2	O-Ring	
120	Kit	2	Back up ring	
121	Kit	1	O-Ring	

# SECTION 9 - HYDRAULIC COMPONENTS

## FIGURE 9-15. CYLINDER ASSEMBLY - FORK POSITIONING



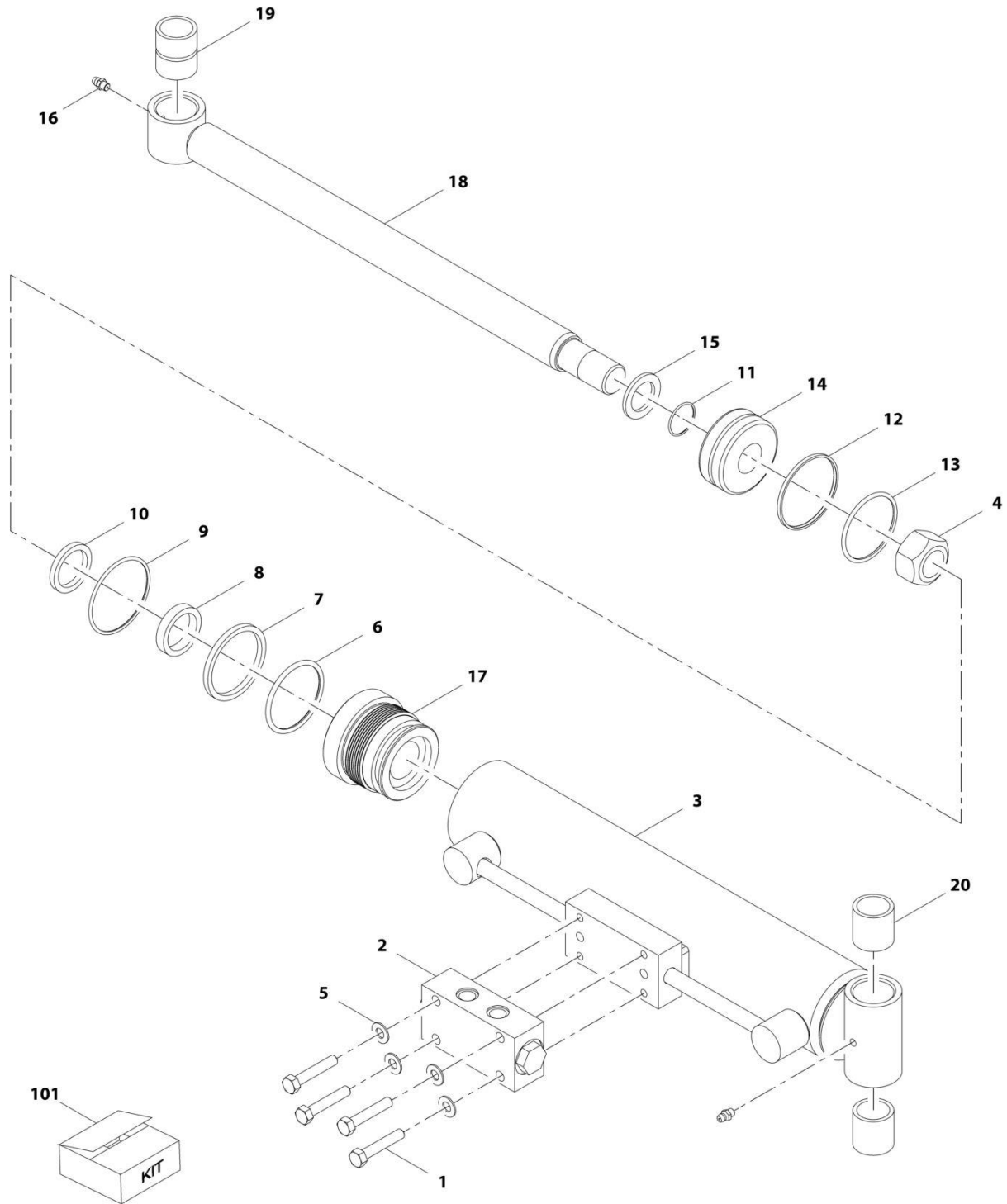
## SECTION 9 - HYDRAULIC COMPONENTS

**FIGURE 9-15. CYLINDER ASSEMBLY - FORK POSITIONING**

ITEM	PART NUMBER	QTY	DESCRIPTION	REV
	70028599	Ref	Fork Positioning Cylinder Assembly	C
		Ref	<b>Note: Original Cylinder May Have Been Replaced with Service Replacement. Identify PN Stamped on Cylinder Before Ordering Parts.</b>	
1	Kit	1	O-Ring	
2	Kit	1	O-Ring	
3	Kit	1	O-Ring	
4	Kit	1	Seal	
5	Kit	1	O-Ring	
6	Kit	1	Seal	
7	Kit	1	O-Ring	
8	Kit	1	Seal	
9	70028609	1	Piston, Cylinder	
10	90554045	2	Fitting, Grease	
11	70021440	1	Nut	
12	70028610	1	Gland, Cylinder	
13	70028611	1	Rod	
14	N.S.S.	1	Tube	
101	Kit	1	Kit, Seal	

# SECTION 9 - HYDRAULIC COMPONENTS

## FIGURE 9-16. CYLINDER INSTALLATION - FORK POSITIONING SIDE SHIFT



ART\_70028603-C

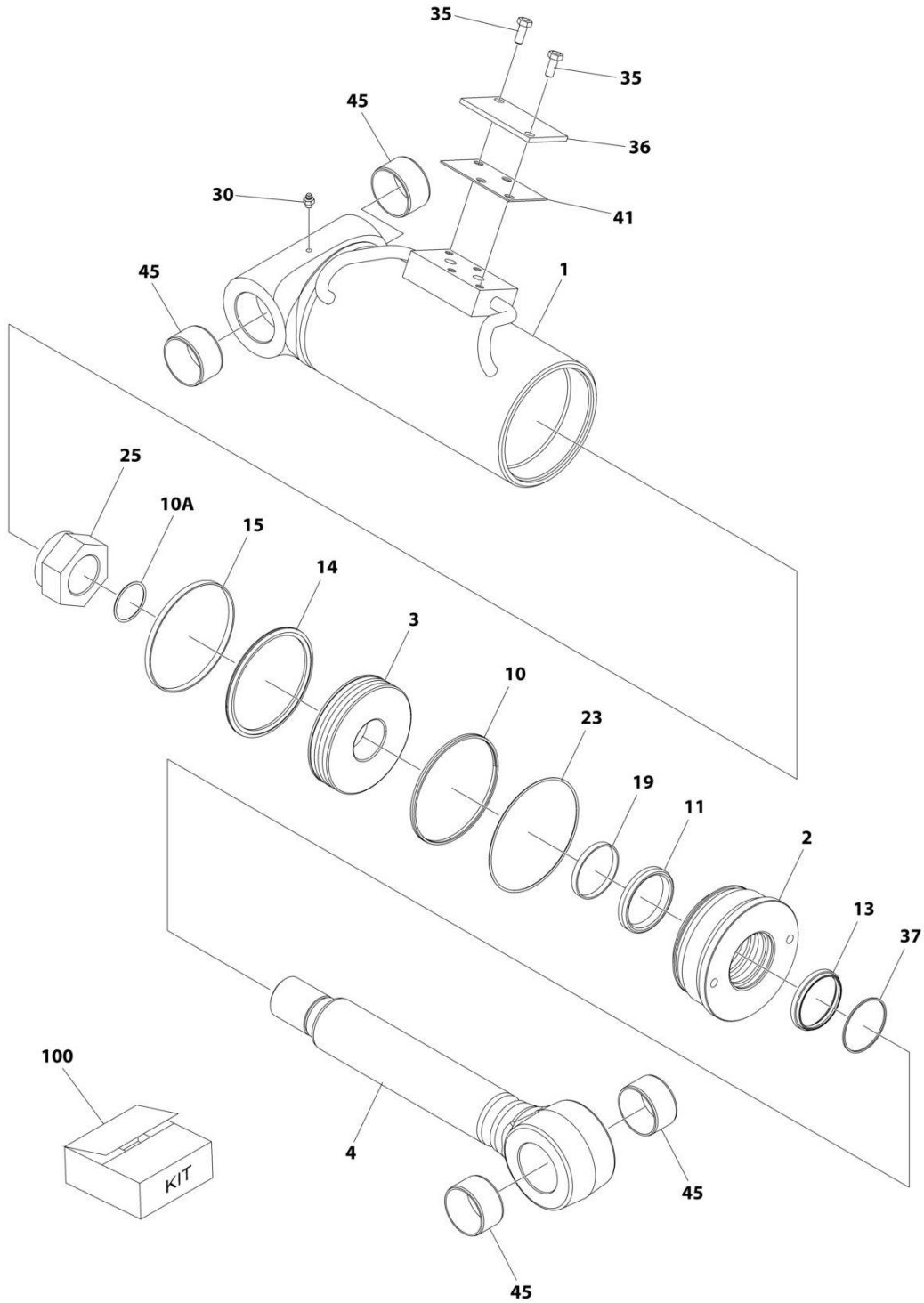
## SECTION 9 - HYDRAULIC COMPONENTS

**FIGURE 9-16. CYLINDER INSTALLATION - FORK POSITIONING SIDE SHIFT**

ITEM	PART NUMBER	QTY	DESCRIPTION	REV
	70028603	Ref	Side Shift Cylinder Assembly	C
		Ref	<b>Note: Original Cylinder May Have Been Replaced with Service Replacement. Identify PN Stamped on Cylinder Before Ordering Parts.</b>	
1	70028612	4	Bolt	
2	70028613	1	Valve	
3	N.S.S.	1	Tube	
4	70021440	1	Nut	
5	70028614	4	Washer, Flat	
6	Kit	1	O-Ring	
7	Kit	1	O-Ring	
8	Kit	1	Seal	
9	Kit	1	O-Ring	
10	Kit	1	Seal	
11	Kit	1	O-Ring	
12	Kit	1	Seal	
13	Kit	1	O-Ring	
14	70021451	1	Piston	
15	70021444	1	Spacer	
16	90554045	2	Fitting, Grease	
17	70021446	1	Gland, Cylinder	
18	70021445	1	Rod	
19	70021447	1	Bushing	
20	70021448	2	Bushing	
101	70021452	1	Kit, Seal (includes items 6 thru 13)	

# SECTION 9 - HYDRAULIC COMPONENTS

## FIGURE 9-17. CYLINDER ASSEMBLY - FRAME LEVEL



ART\_1001267973



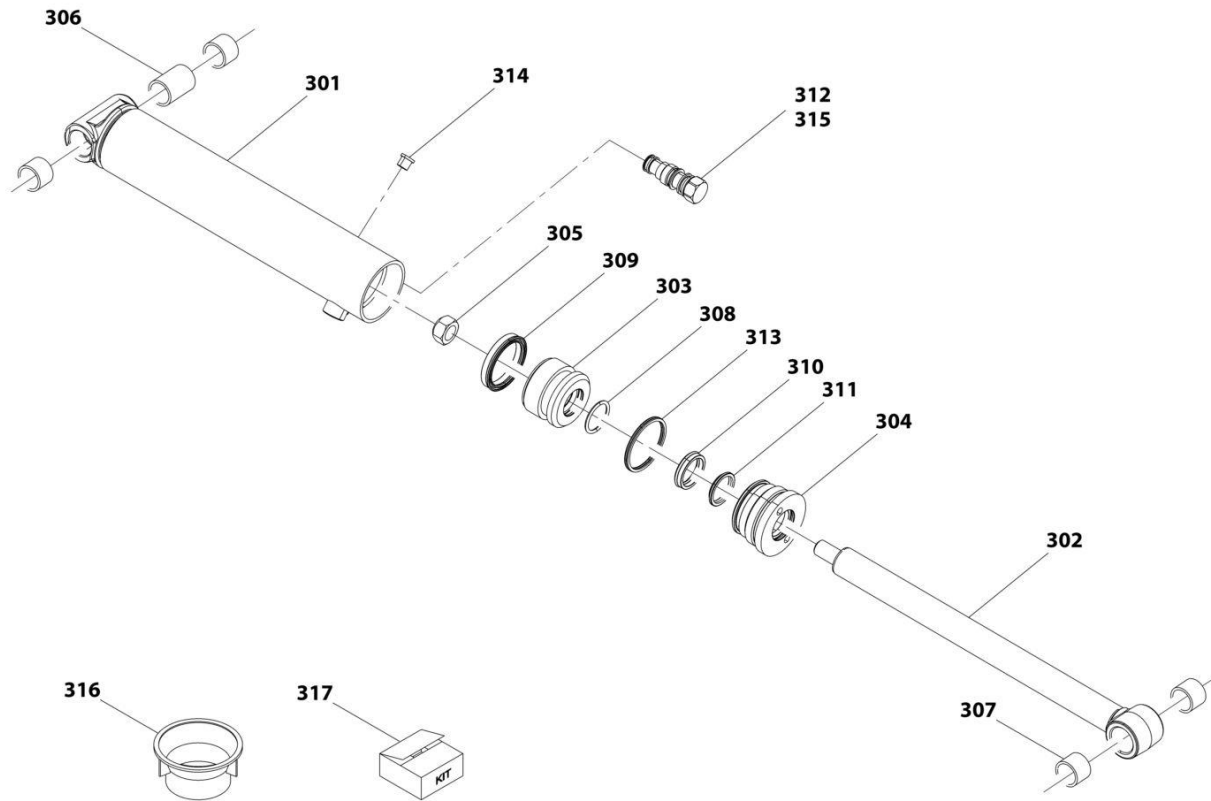
## SECTION 9 - HYDRAULIC COMPONENTS

### FIGURE 9-17. CYLINDER ASSEMBLY - FRAME LEVEL

ITEM	PART NUMBER	QTY	DESCRIPTION	REV
	1001267973	Ref	CYLINDER ASSEMBLY	B
		Ref	Note: Original Cylinder May Have Been Replaced with Service Replacement. Identify PN Stamped on Cylinder Before Ordering Parts.	
1	See Note	NSS	Barrel (Note: Use PN 1001267973)	
2	70030388	1	Head	
3	70030389	1	Piston	
4	70030403	1	Rod	
10	See Note	NSS	Seal, Dual (Note: Use Item 100)	
10A	See Note	NSS	O-Ring (Note: Use Item 100)	
11	See Note	NSS	Seal, Rod (Note: Use Item 100)	
13	See Note	NSS	Wiper (Note: Use Item 100)	
14	See Note	NSS	Seal, Piston (Note: Use Item 100)	
15	See Note	NSS	Ring, Wear (Note: Use Item 100)	
19	See Note	NSS	Ring, Wear (Note: Use Item 100)	
23	See Note	NSS	Seal, Environmental (Note: Use Item 100)	
25	70030391	1	Nut 1-3/4	
30	70030404	1	Fitting, Grease	
35		Ref	Bolt M8 x 1-1/4	
36		Ref	Plate, Shipping	
37	70030392	1	Mask, Wiper	
41		Ref	Gasket, Shipping	
45	70030393	4	Bushing	
100	70030394	1	Seal Kit (Includes Items 10, 10A, 11, 13, 14, 15, 19 & 23)	

# SECTION 9 - HYDRAULIC COMPONENTS

FIGURE 9-18. CYLINDER ASSEMBLY - PIPE HANDLER CARRIAGE (UPPER)



ART\_70028652-D

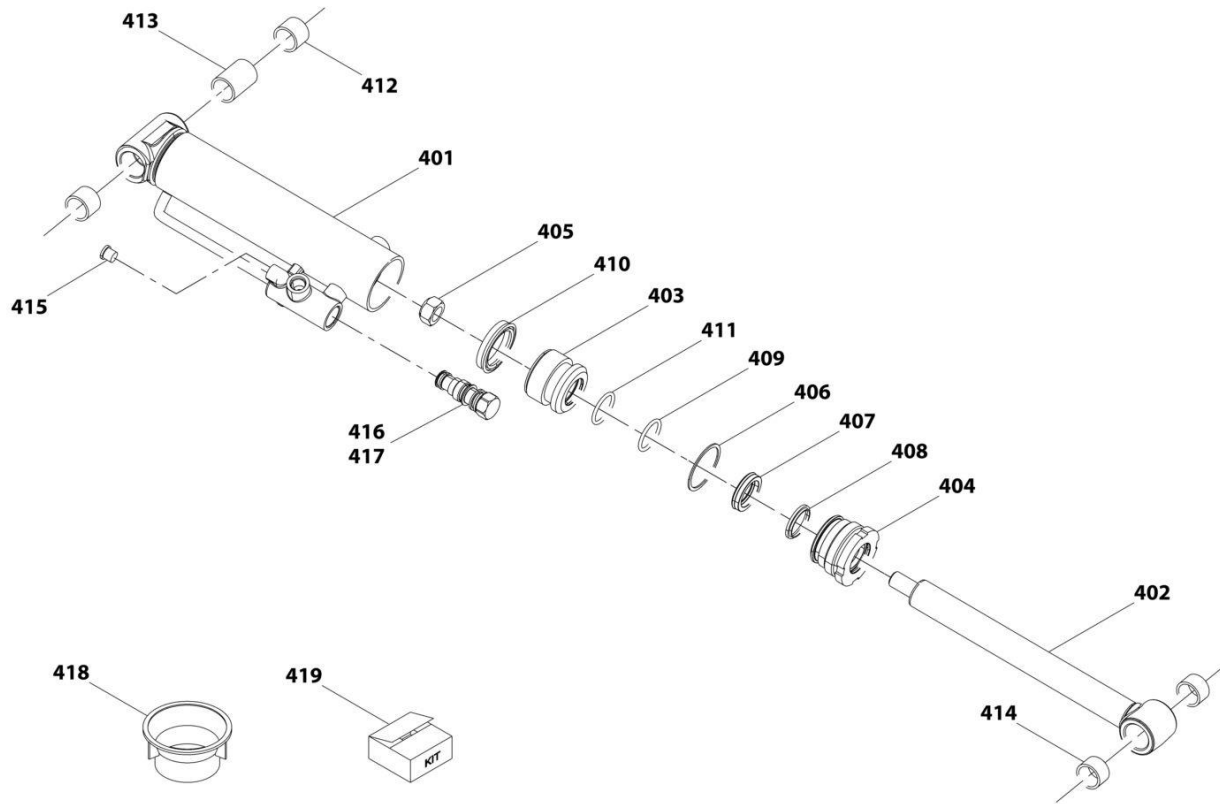
## SECTION 9 - HYDRAULIC COMPONENTS

**FIGURE 9-18. CYLINDER ASSEMBLY - PIPE HANDLER CARRIAGE (UPPER)**

ITEM	PART NUMBER	QTY	DESCRIPTION	REV
	70028652	Ref	Upper Cylinder Assembly	D
		Ref	<b>Note: Original Cylinder May Have Been Replaced with Service Replacement. Identify PN Stamped on Cylinder Before Ordering Parts.</b>	
301	N.S.S.	1	Barrel	
302	70028270	1	Rod	
303	70028254	1	Piston	
304	70028255	1	Retainer	
305	70028258	1	Nut	
306	70028257	1	Spacer	
307	70028256	4	Bushing	
308	N.S.S.	1	O-Ring	
309	N.S.S.	1	Seal	
310	N.S.S.	1	Seal	
311	N.S.S.	1	Wiper	
312	70026502	1	Valve, Check	
313	N.S.S.	1	Seal	
314	70024129	2	Plug	
315	70024734	1	Kit, Check Valve	
316	70028691	1	Tool, Seal Loader	
317	70028770	1	Kit, Seal	

# SECTION 9 - HYDRAULIC COMPONENTS

FIGURE 9-19. CYLINDER ASSEMBLY - PIPE HANDLER CARRIAGE (LOWER)



ART\_70028653-D

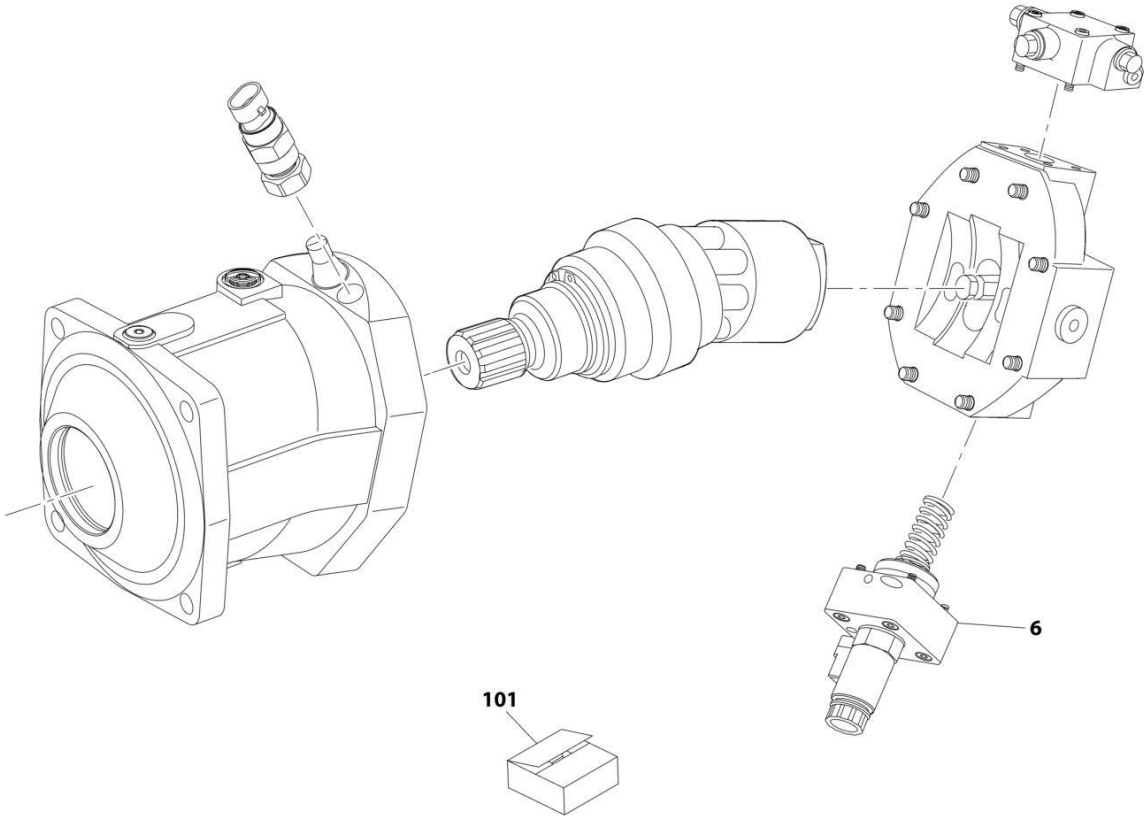
## SECTION 9 - HYDRAULIC COMPONENTS

**FIGURE 9-19. CYLINDER ASSEMBLY - PIPE HANDLER CARRIAGE (LOWER)**

ITEM	PART NUMBER	QTY	DESCRIPTION	REV
	70028653	Ref	Lower Cylinder Assembly	D
		Ref	<b>Note: Original Cylinder May Have Been Replaced with Service Replacement. Identify PN Stamped on Cylinder Before Ordering Parts.</b>	
401	N.S.S.	1	Barrel	
402	70028692	1	Rod	
403	70024142	1	Piston	
404	70028693	1	Retainer	
405	70028258	1	Nut	
406	N.S.S.	1	Ring, Backup	
407	N.S.S.	1	Seal	
408	N.S.S.	1	Wiper	
409	N.S.S.	1	O-Ring	
410	N.S.S.	1	Seal	
411	N.S.S.	1	O-Ring	
412	70028256	2	Bushing	
413	70028257	1	Spacer	
414	70028694	2	Bushing	
415	70024129	2	Plug	
416	70026502	1	Valve, Check	
417	70024734	1	Kit, Check Valve	
418	70028691	1	Tool, Seal Loader	
419	70028771	1	Kit, Seal	

# SECTION 9 - HYDRAULIC COMPONENTS

## FIGURE 9-20. MOTOR ASSEMBLY - HYDROSTATIC

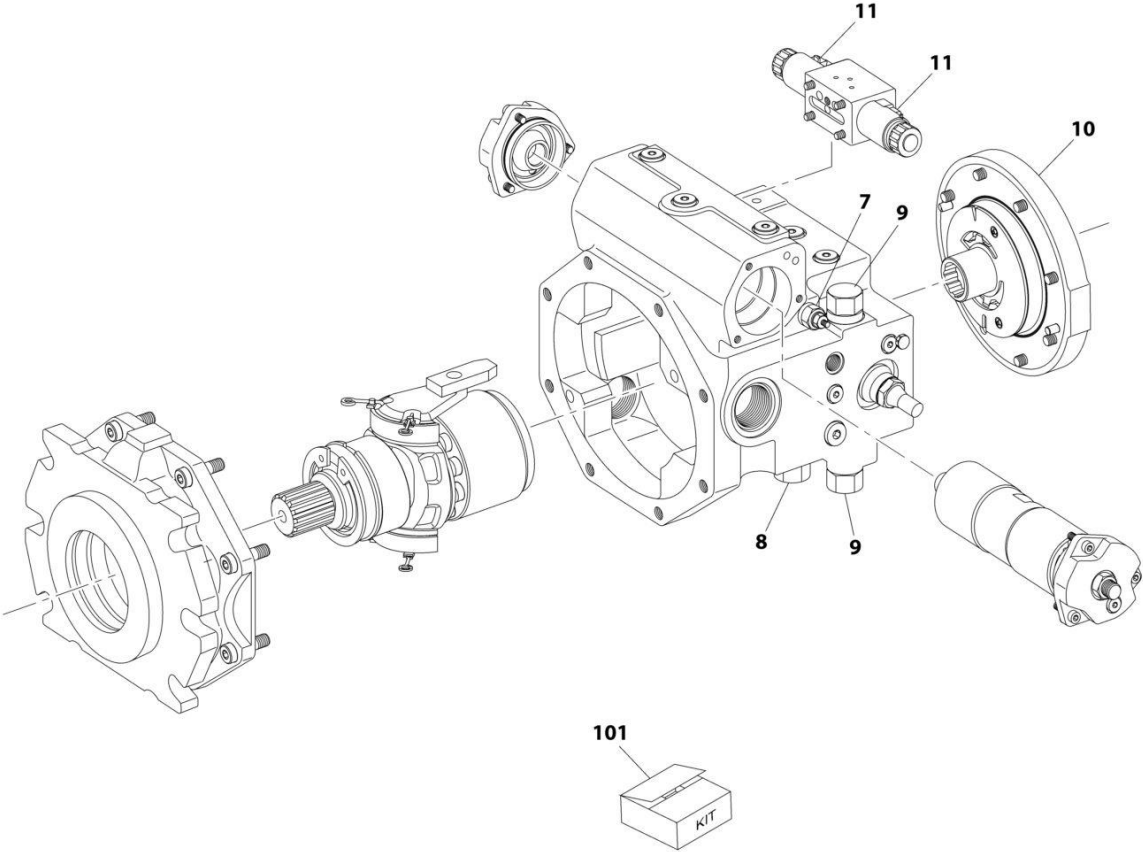


ART\_1001193308-C



**SECTION 9 - HYDRAULIC COMPONENTS**

**FIGURE 9-21. PUMP ASSEMBLY - HYDROSTATIC**



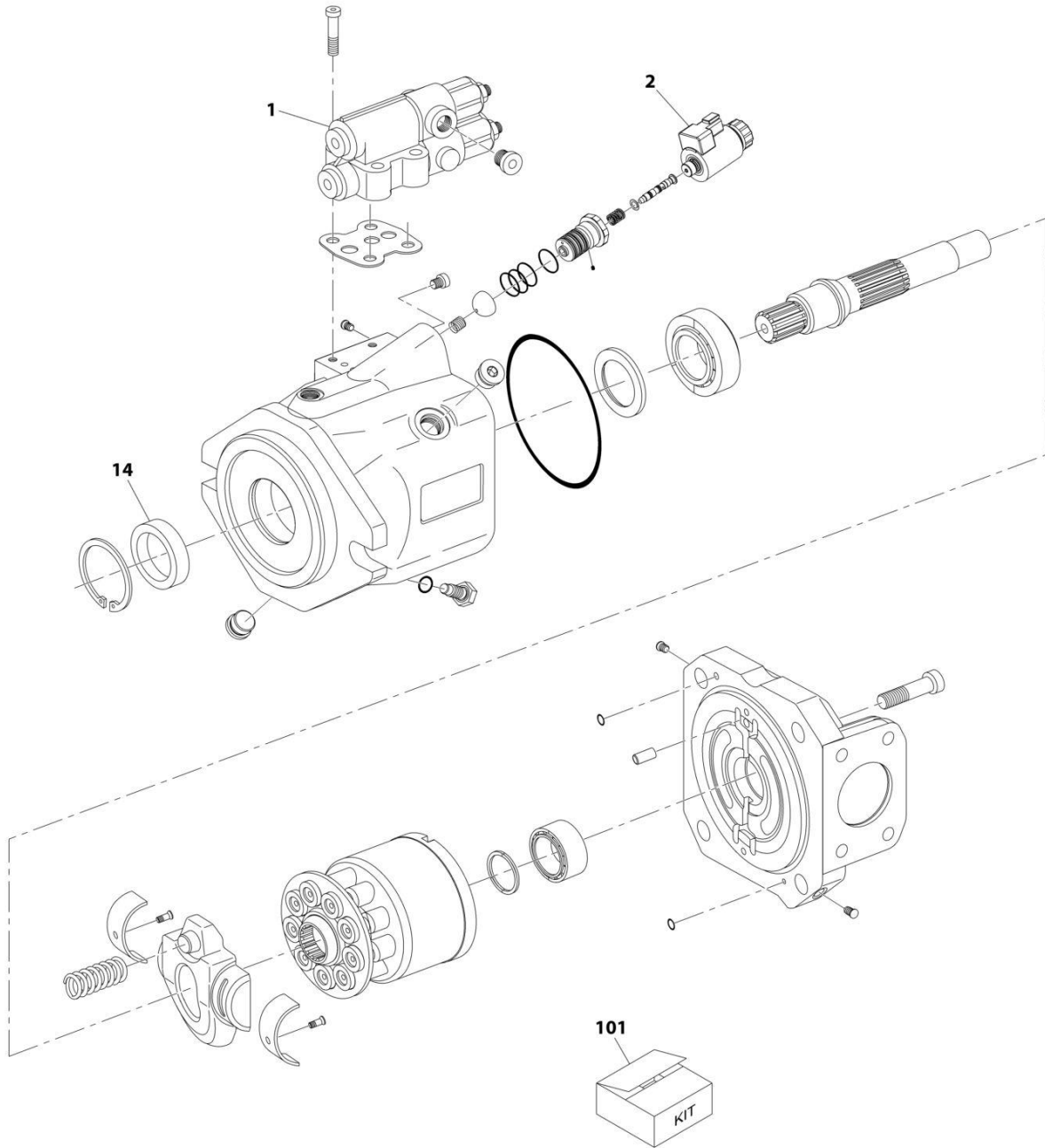
ART\_1001193307-D





# SECTION 9 - HYDRAULIC COMPONENTS

## FIGURE 9-22. PUMP ASSEMBLY - IMPLEMENT



ART\_1001180070-F

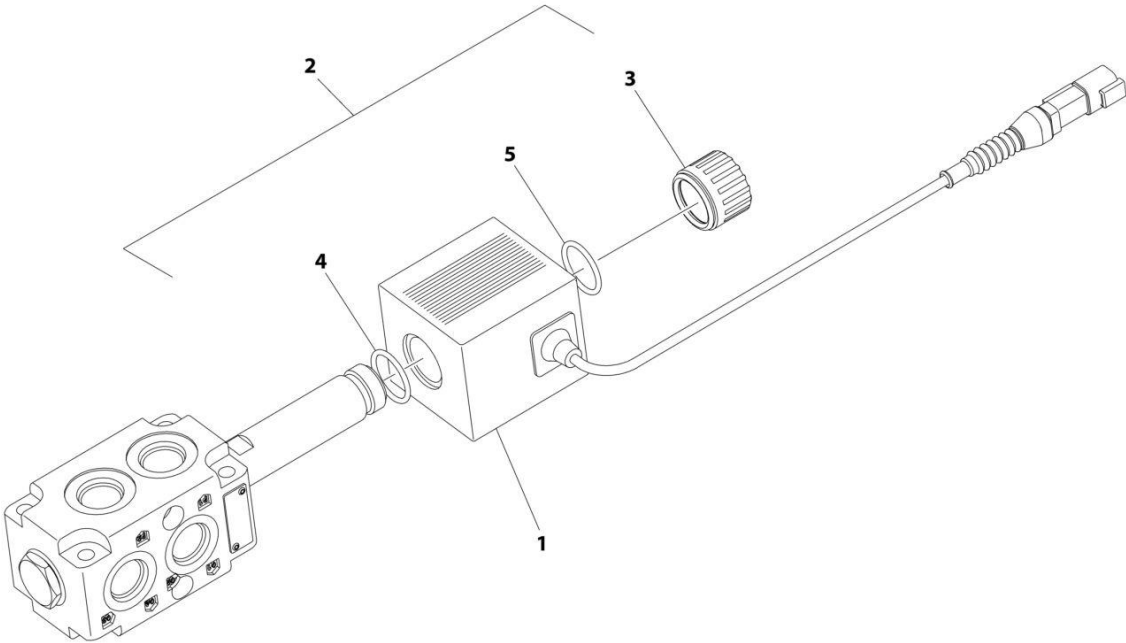
## SECTION 9 - HYDRAULIC COMPONENTS

**FIGURE 9-22. PUMP ASSEMBLY - IMPLEMENT**

ITEM	PART NUMBER	QTY	DESCRIPTION	REV
	1001180070	1	Implement Pump	F
1	70027595	1	Controller, DSR	
2	70028412	1	Controller, EK	
14	7024947	1	Seal, Shaft	
101	70028413	1	Kit, Seal	
	Kit	1	Seal	
	Kit	1	Plug	
	Kit	2	Plug	
	Kit	2	O-Ring	
	Kit	1	O-Ring	

**SECTION 9 - HYDRAULIC COMPONENTS**

**FIGURE 9-23. VALVE ASSEMBLY - BOOM AUX DIVERTER VALVE (HYDRAULIC - SINGLE & TWIN)**



ART\_1001104477

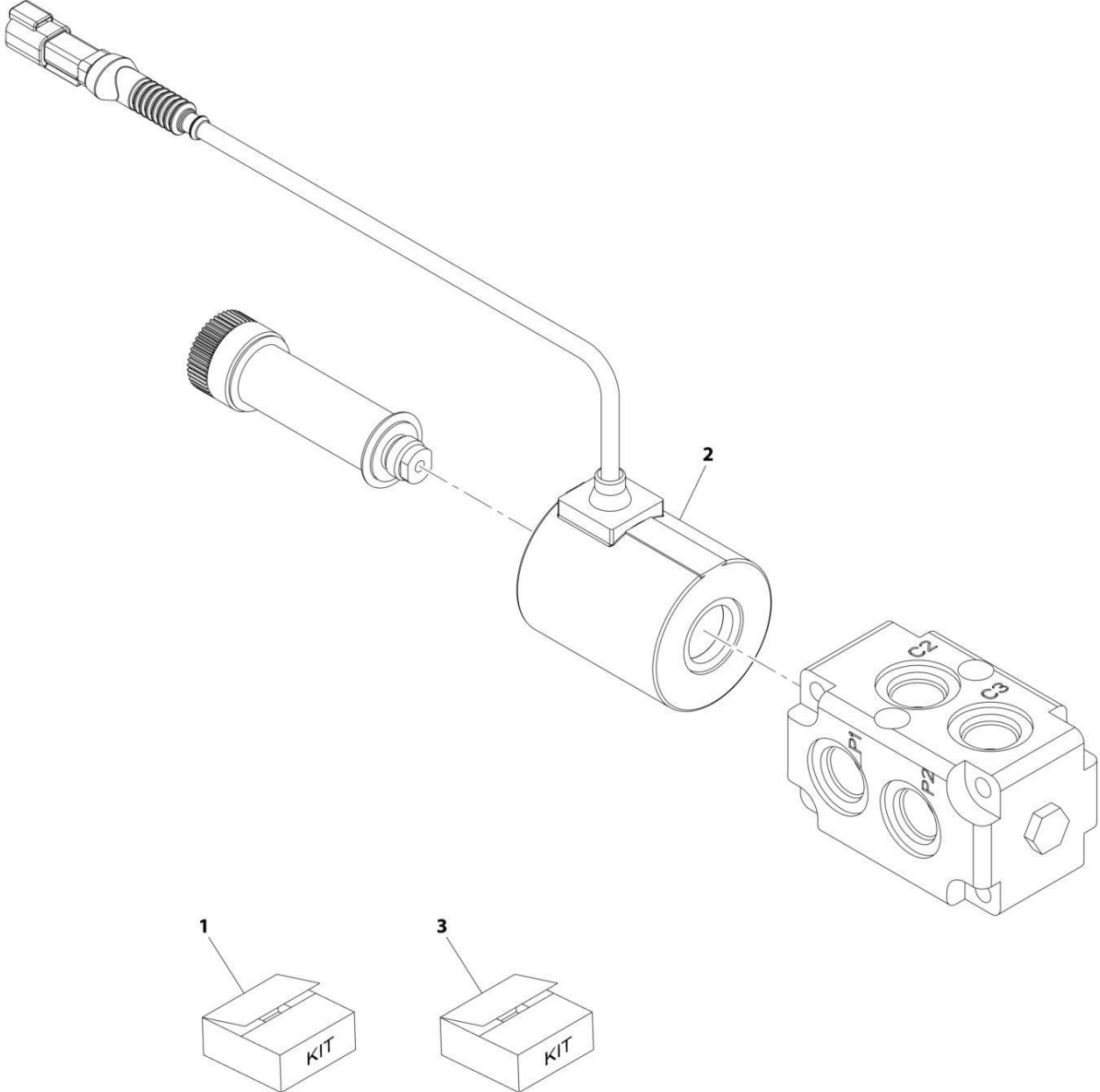
## SECTION 9 - HYDRAULIC COMPONENTS

FIGURE 9-23. VALVE ASSEMBLY - BOOM AUX DIVERTER VALVE (HYDRAULIC - SINGLE & TWIN)

ITEM	PART NUMBER	QTY	DESCRIPTION	REV
	1001104477	Ref	DIVERTOR VALVE	D
1	70020764	1	Coil	
2	70021531	1	Retainer Kit (Includes Items 3-5)	
3	Kit	1	Nut	
4	Kit	1	O-Ring	
5	Kit	1	O-Ring	

# SECTION 9 - HYDRAULIC COMPONENTS

FIGURE 9-24. VALVE ASSEMBLY - BOOM AUX DIVERTER VALVE (MANUAL & HYDRAULIC -TWIN)



ART\_100110023-B

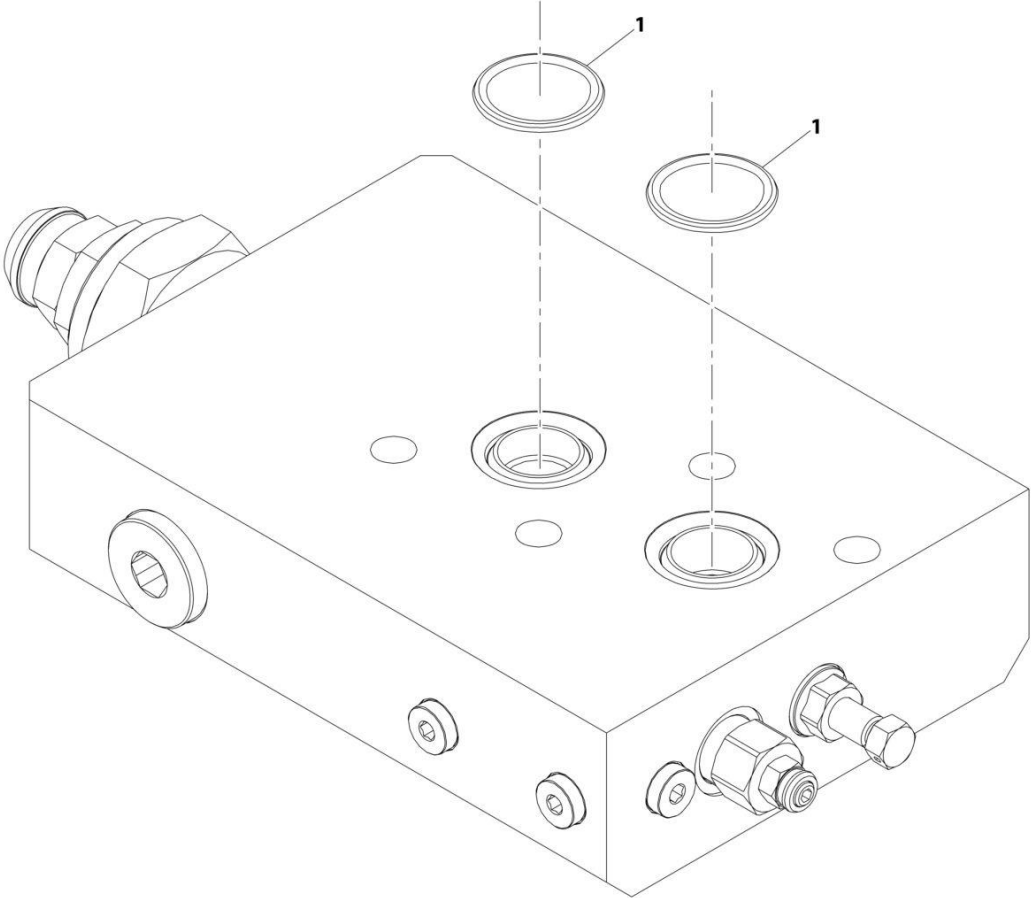
## SECTION 9 - HYDRAULIC COMPONENTS

**FIGURE 9-24. VALVE ASSEMBLY - BOOM AUX DIVERTER VALVE (MANUAL & HYDRAULIC -TWIN)**

ITEM	PART NUMBER	QTY	DESCRIPTION	REV
	1001110023	Ref	Divertor Valve	B
1	70027596	1	Kit, Seal	
	Kit	2	O-Ring	
2	70020764	1	Coil	
3	70021531	1	Kit, Coil Nut	
	N.S.S.	1	O-Ring	
	N.S.S.	1	O-Ring	
	N.S.S.	1	Nut	

**SECTION 9 - HYDRAULIC COMPONENTS**

**FIGURE 9-25. VALVE ASSEMBLY - BOOM EXTEND/RETRACT COUNTERBALANCE VALVE**



ART\_1001209862-E



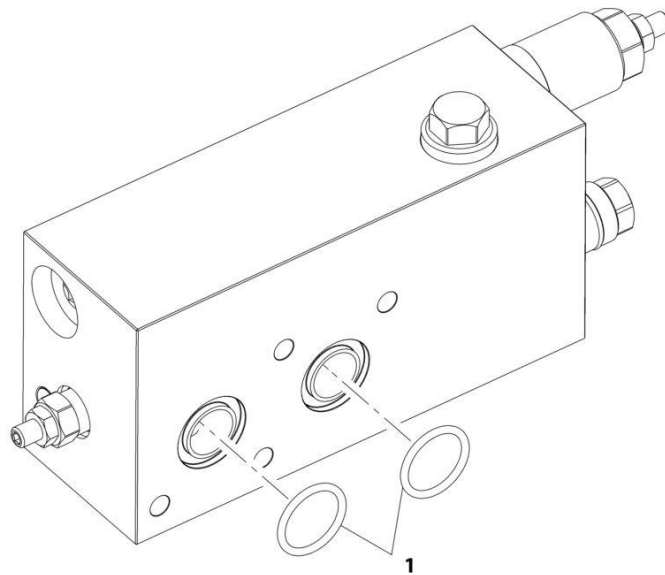
## SECTION 9 - HYDRAULIC COMPONENTS

FIGURE 9-25. VALVE ASSEMBLY - BOOM EXTEND/RETRACT COUNTERBALANCE VALVE

ITEM	PART NUMBER	QTY	DESCRIPTION	REV
1	1001209862 70028422	Ref 2	Counterbalance Valve O-Ring	E

## SECTION 9 - HYDRAULIC COMPONENTS

FIGURE 9-26. VALVE ASSEMBLY - BOOM RAISE COUNTERBALANCE VALVE (NO RIDE CONTROL)



ART\_1001224944-C

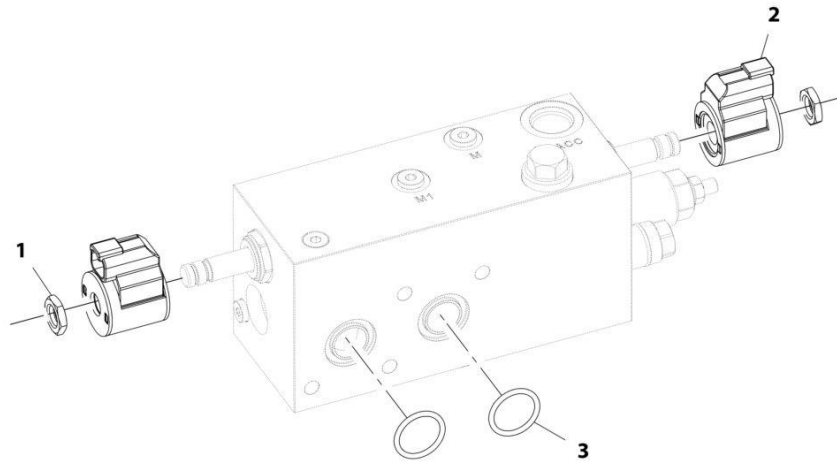
## SECTION 9 - HYDRAULIC COMPONENTS

FIGURE 9-26. VALVE ASSEMBLY - BOOM RAISE COUNTERBALANCE VALVE (NO RIDE CONTROL)

ITEM	PART NUMBER	QTY	DESCRIPTION	REV
1	1001224944 70028282	Ref 1	Counterbalance Valve O-Ring	C

## SECTION 9 - HYDRAULIC COMPONENTS

FIGURE 9-27. VALVE ASSEMBLY - BOOM RAISE RIDE & FLOAT VALVE (RIDE CONTROL)



ART\_1001224945-C

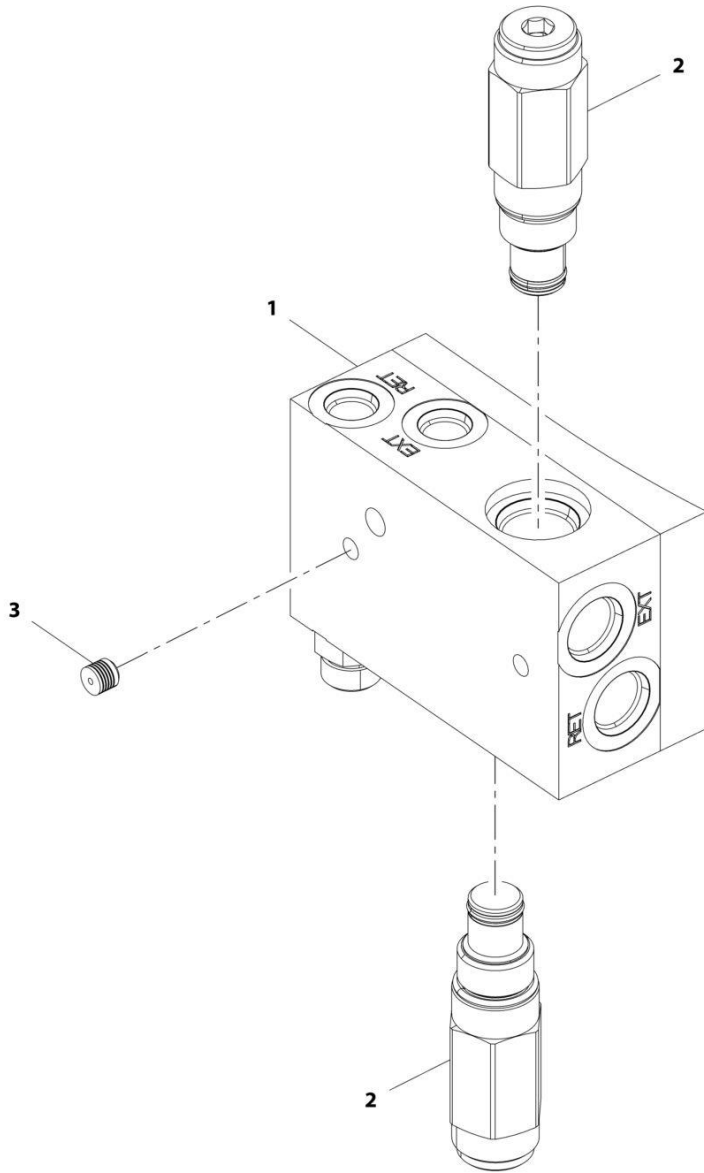
## SECTION 9 - HYDRAULIC COMPONENTS

FIGURE 9-27. VALVE ASSEMBLY - BOOM RAISE RIDE & FLOAT VALVE (RIDE CONTROL)

ITEM	PART NUMBER	QTY	DESCRIPTION	REV
	1001224945	Ref	Boom Raise Valve (Ride Control)	C
1	7022390	2	Nut	
2	70028281	2	Coil	
3	70028282	2	O-Ring	

# SECTION 9 - HYDRAULIC COMPONENTS

FIGURE 9-28. VALVE ASSEMBLY - BUCKET (5.23 YD<sup>3</sup>/4.0M<sup>3</sup>)



ART\_70028573-D

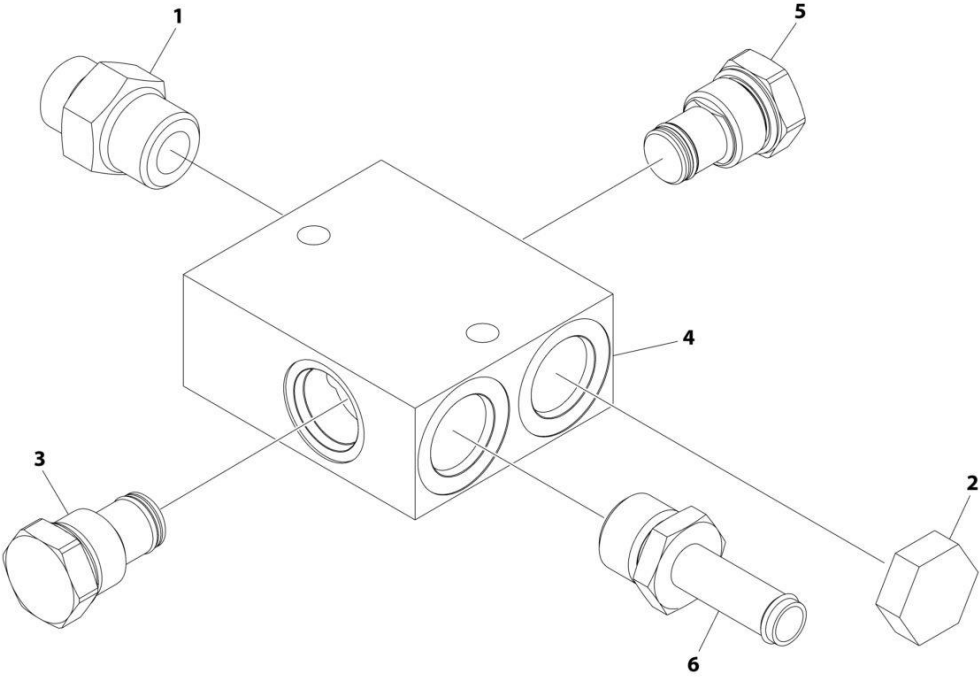
## SECTION 9 - HYDRAULIC COMPONENTS

FIGURE 9-28. VALVE ASSEMBLY - BUCKET (5.23 YD<sup>3</sup>/4.0M<sup>3</sup>)

ITEM	PART NUMBER	QTY	DESCRIPTION	REV
	70028573	Ref	Valve Assembly, Bucket (5.23 YD <sup>3</sup> /4.0M <sup>3</sup> )	D
1	70026477	1	Manifold	
2	70028589	2	Cartridge, Relief	
3	70026614	2	Plug	

# SECTION 9 - HYDRAULIC COMPONENTS

FIGURE 9-29. VALVE ASSEMBLY - CAB HYDRAULICS CHECK VALVE



ART\_1001212789



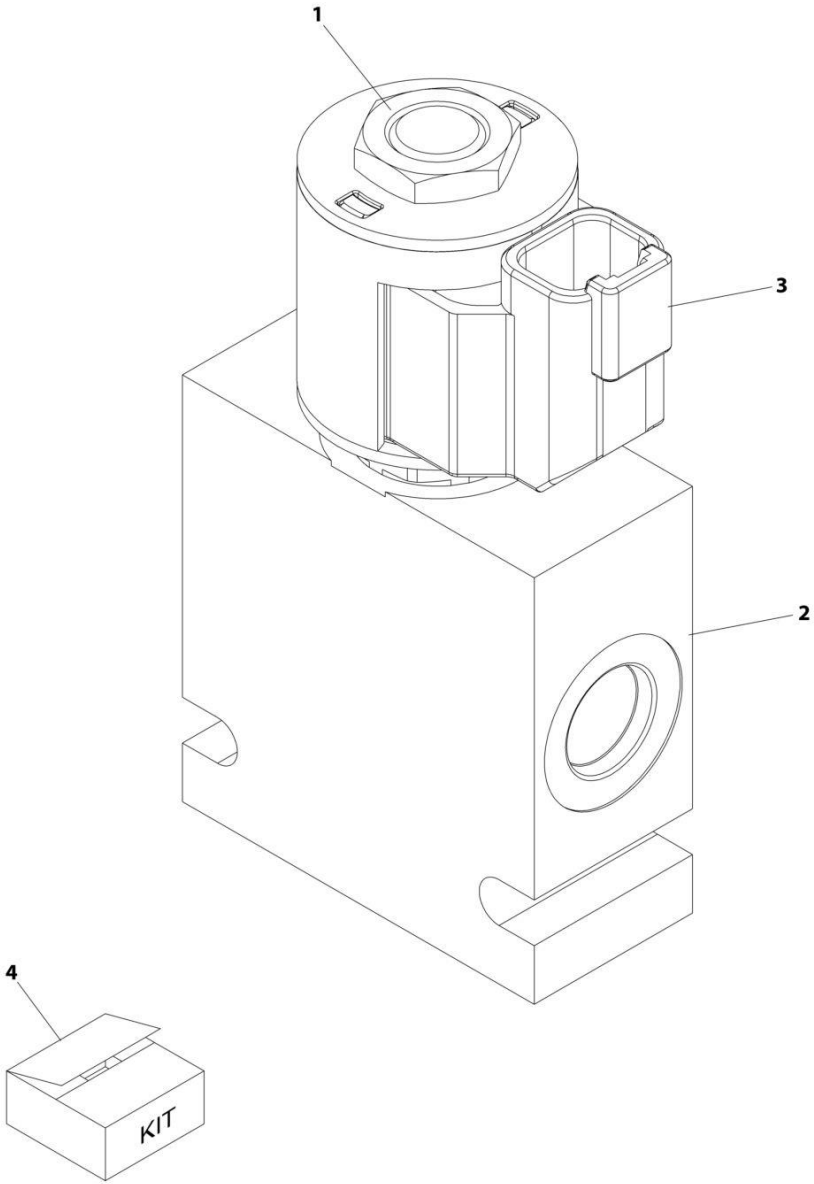
## SECTION 9 - HYDRAULIC COMPONENTS

**FIGURE 9-29. VALVE ASSEMBLY - CAB HYDRAULICS CHECK VALVE**

ITEM	PART NUMBER	QTY	DESCRIPTION	REV
	1001212789	Ref	VALVE ASSEMBLY - CAB HYDRAULICS CHECK VALVE	E
1	2110810	1	Fitting, Straight ORFS	
2	2220239	1	Plug	
3	1001231393	1	Valve, Check	
4	1001210780	1	Manifold, Dual Check Valve	
5	1001210801	1	Valve, Check	
6	1001225656	1	Fitting, Barb	

# SECTION 9 - HYDRAULIC COMPONENTS

FIGURE 9-30. VALVE ASSEMBLY - CAB HYDRAULICS SOLENOID VALVE



ART\_1001221928-A

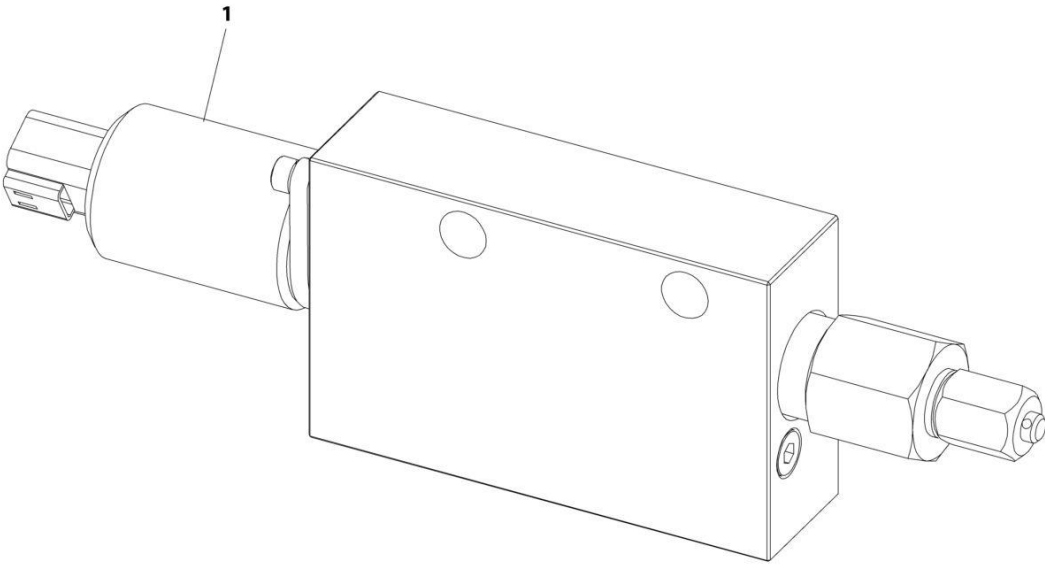
## SECTION 9 - HYDRAULIC COMPONENTS

FIGURE 9-30. VALVE ASSEMBLY - CAB HYDRAULICS SOLENOID VALVE

ITEM	PART NUMBER	QTY	DESCRIPTION	REV
	1001221928	Ref	Solenoid Valve	A
1	70004387	1	Cartridge	
2	N.S.S.	Ref	Body	
3	70002963	1	Coil	
4	7010543	1	Kit, Seal	

**SECTION 9 - HYDRAULIC COMPONENTS**

**FIGURE 9-31. VALVE ASSEMBLY - ENGINE BAY INCHING VALVE**



ART\_1001213311-B

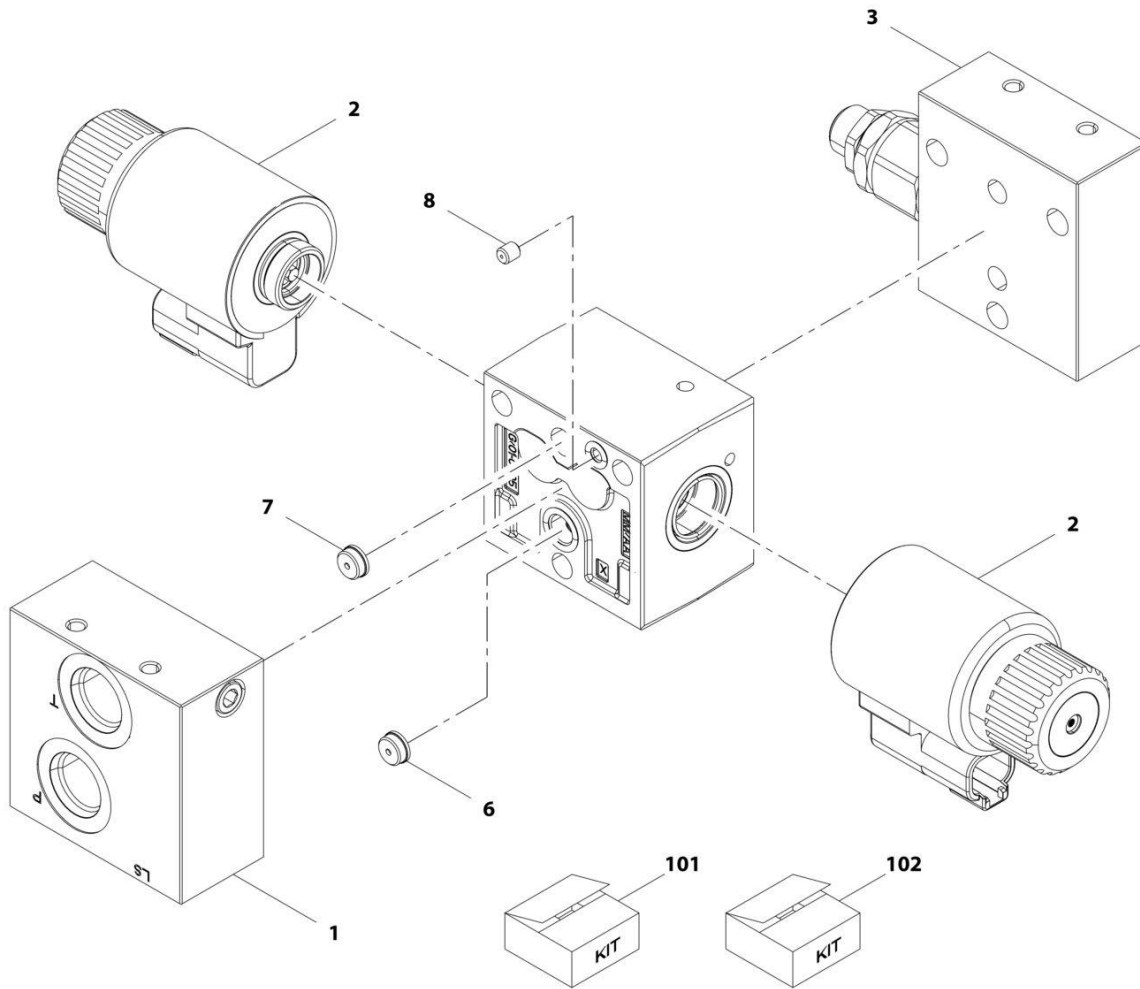
## SECTION 9 - HYDRAULIC COMPONENTS

FIGURE 9-31. VALVE ASSEMBLY - ENGINE BAY INCHING VALVE

ITEM	PART NUMBER	QTY	DESCRIPTION	REV
1	1001213311 70028361	Ref 1	Inching Valve Valve, Proportional	B

# SECTION 9 - HYDRAULIC COMPONENTS

## FIGURE 9-32. VALVE ASSEMBLY - FRAME LEVEL CONTROL



ART\_1001219615-D

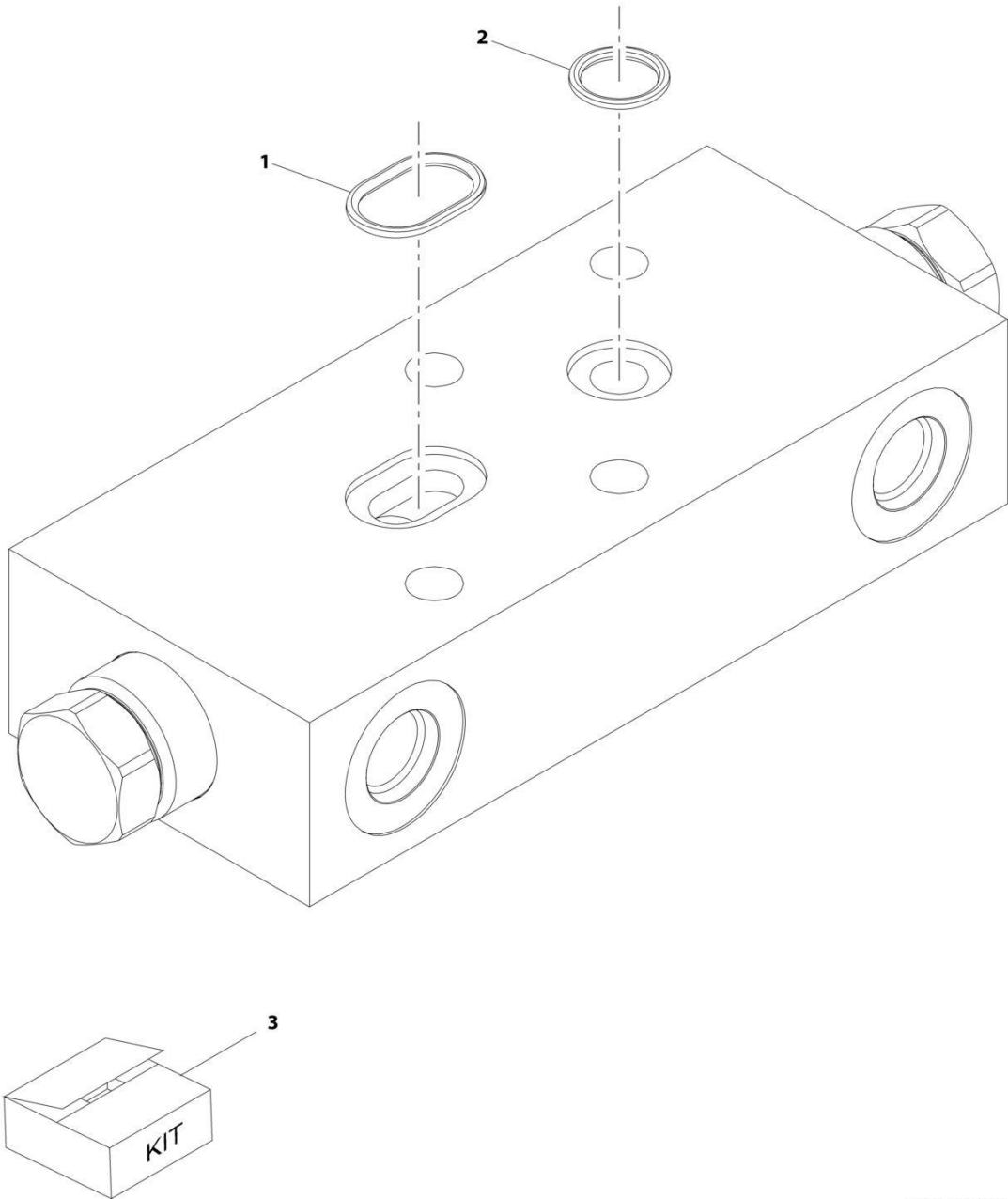
## SECTION 9 - HYDRAULIC COMPONENTS

**FIGURE 9-32. VALVE ASSEMBLY - FRAME LEVEL CONTROL**

ITEM	PART NUMBER	QTY	DESCRIPTION	REV
	1001219615	Ref	Frame Level Valve	D
1	70028414	1	Valve, Section	
2	70004595	2	Coil	
3	70028504	1	Plate	
6	70028415	1	Screw	
7	70028243	1	Screw	
8	70028416	1	Screw	
101	70028502	2	Kit, Coil Nut	
	Kit	1	Nut	
	Kit	1	O-Ring	
102	70028503	1	Kit, Bolt and Seal	
	Kit	3	Bolt	
	Kit	3	Washer	
	Kit	2	O-Ring	
	Kit	4	O-Ring	
	Kit	2	O-Ring	

# SECTION 9 - HYDRAULIC COMPONENTS

FIGURE 9-33. VALVE ASSEMBLY - FRAME LEVEL COUNTERBALANCE



ART\_1001168599-C



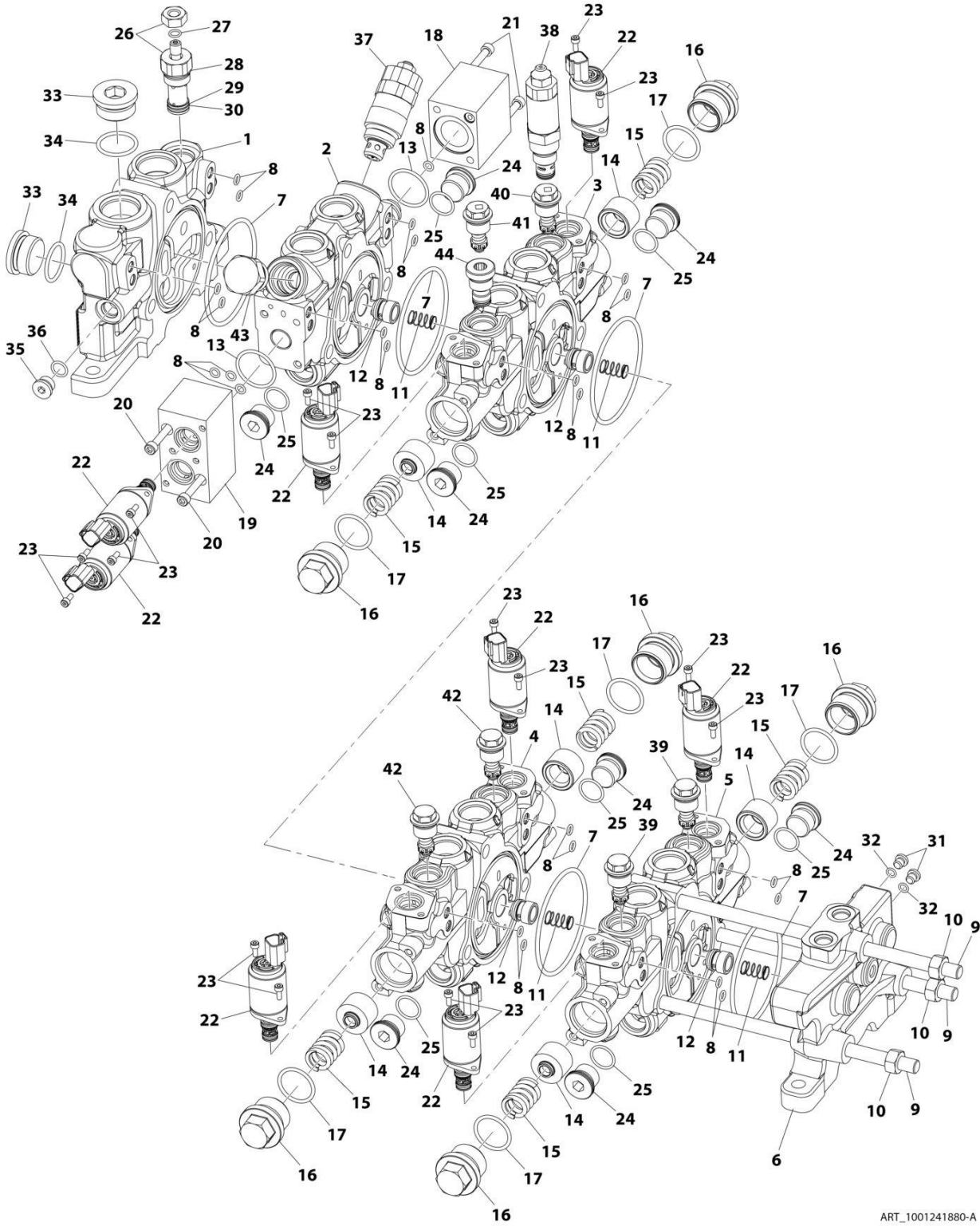
## SECTION 9 - HYDRAULIC COMPONENTS

FIGURE 9-33. VALVE ASSEMBLY - FRAME LEVEL COUNTERBALANCE

ITEM	PART NUMBER	QTY	DESCRIPTION	REV
	1001168599	Ref	Counterbalance Valve	C
1	Kit	1	O-Ring	
2	Kit	1	O-Ring	
3	70028421	1	Kit, Seal (includes items 1 thru 2)	

# SECTION 9 - HYDRAULIC COMPONENTS

## FIGURE 9-34. VALVE ASSEMBLY - MAIN CONTROL



ART\_1001241880-A

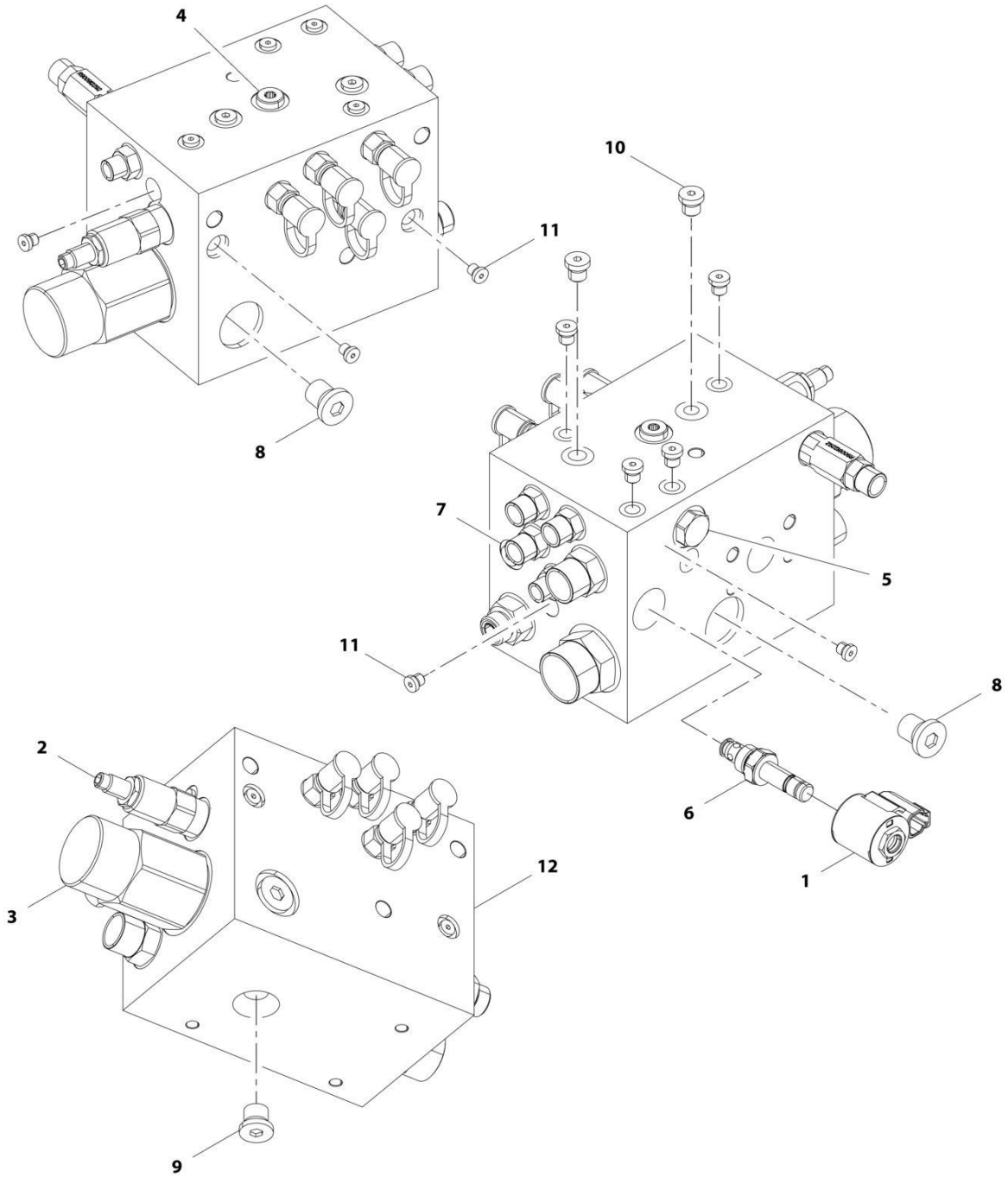
## SECTION 9 - HYDRAULIC COMPONENTS

**FIGURE 9-34. VALVE ASSEMBLY - MAIN CONTROL**

ITEM	PART NUMBER	QTY	DESCRIPTION	REV
	1001241880	Ref	Main Control Valve	A
1	70028300	1	Inlet Section Assembly	
2	70029868	1	Lift Section Assembly	
3	70029870	1	Extend/Retract Section Assembly	
4	70029871	1	Tilt Section Assembly	
5	70029872	1	Aux Section Assembly	
6	70022007	1	Outlet Section Assembly	
7	8034697	5	O-Ring	
8	70026369	24	O-Ring	
9	70028299	3	Tie Rod	
10	70022019	6	Nut-Metric	
11	70025854	4	Spring	
12	70028287	4	Poppet, CV	
13	70026784	2	O-Ring	
14	70026781	6	Spring Seat	
15	70026783	6	Spring	
16	70026778	6	Plug Assembly, Special	
17	70026779	6	O-Ring	
18	70029873	1	End Cap	
19	70028295	1	End Cap Assembly, Solenoid	
20	70028298	2	Screw	
21	70026383	8	Screw	
22	70029874	8	Solenoid-Cartridge Valve	
23	70022014	16	Screw	
24	70024847	8	Plug Assembly	
25	70026777	8	O-Ring	
26	70028286	1	Drain Regulator Assembly	
27	70026373	1	O-Ring	
28	70026370	1	O-Ring	
29	70026376	1	Back-Up Ring	
30	70026370	1	O-Ring	
31	70026379	2	Plug	
32	70026372	2	O-Ring	
33	70050473	2	Plug Assembly	
34	10732931	2	O-Ring	
35	70050475	1	Plug	
36	70024201	1	O-Ring	
37	70028288	1	Relief Valve Assembly	
38	70028289	1	Relief Valve Assembly	
39	70028296	2	Relief Valve Assembly	
40	70027134	1	Relief Valve Assembly (Note: General Drawing - This part does ot to this valve)	
41	70028297	1	Relief Valve Assembly	
42	70022010	2	Relief Valve Assembly	
43	10837953	1	Shut-Off Plug Assembly	
44	70022008	1	Shut-Off Plug Assembly (Note: General Drawing - This part does ot to this valve)	

# SECTION 9 - HYDRAULIC COMPONENTS

## FIGURE 9-35. VALVE ASSEMBLY - PRIORITY VALVE



ART\_1001192888-E

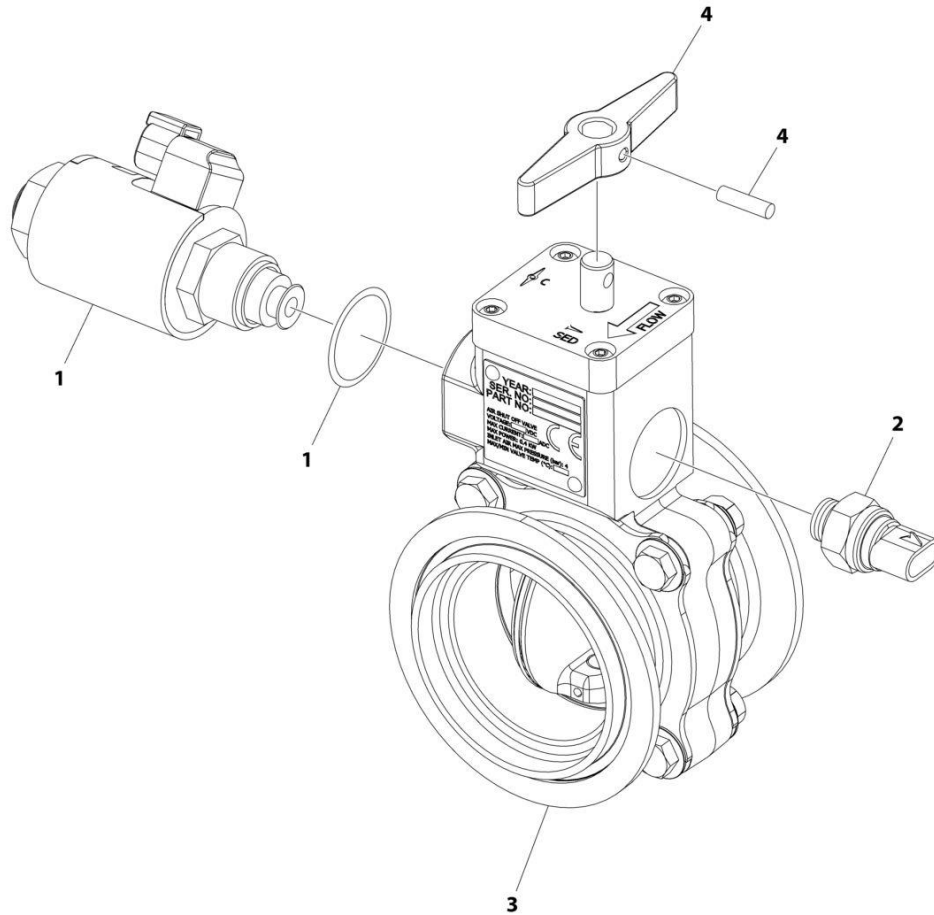
## SECTION 9 - HYDRAULIC COMPONENTS

**FIGURE 9-35. VALVE ASSEMBLY - PRIORITY VALVE**

ITEM	PART NUMBER	QTY	DESCRIPTION	REV
	1001192888	Ref	Priority Valve Assembly	E
1	70028905	1	Cartridge	
2	70028904	1	Cartridge	
3	70028903	1	Cartridge	
4	70026312	1	Cartridge	
5	70028902	1	Cartridge	
6	70002963	1	Coil	
7	70006427	1	Orifice	
8	70026314	2	Plug	
9	2220886	1	Plug	
10	2220883	3	Plug	
11	70026315	9	Plug	
12	N.S.S.	1	Block	

# SECTION 9 - HYDRAULIC COMPONENTS

FIGURE 9-36. VALVE ASSEMBLY - RADIATOR HOSE SHUT-OFF VALVE



ART\_1001204032\_C

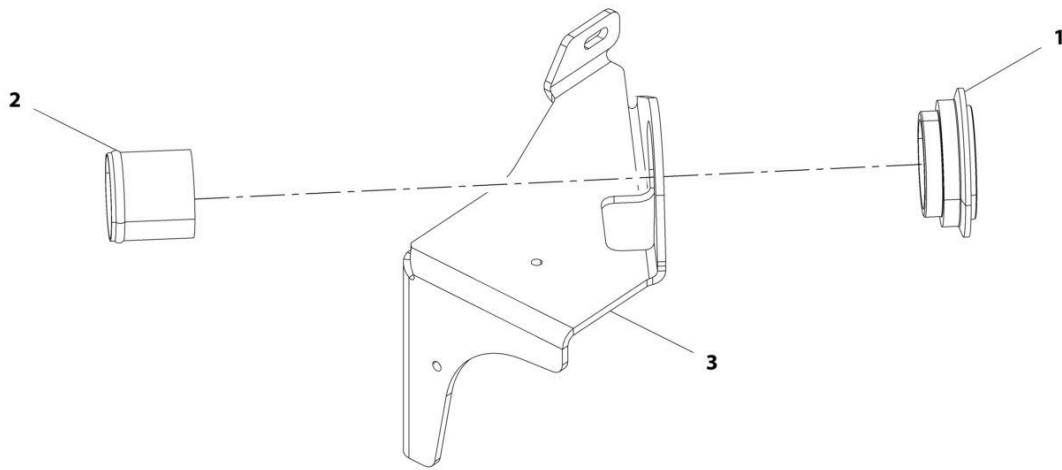
## SECTION 9 - HYDRAULIC COMPONENTS

FIGURE 9-36. VALVE ASSEMBLY - RADIATOR HOSE SHUT-OFF VALVE

ITEM	PART NUMBER	QTY	DESCRIPTION	REV
	1001204032	Ref	Air Shut Off Valve	C
1	70028514	1	Kit, Solenoid 12V (Includes Solenoid, Coil, O-Ring)	
2	70028515	1	Kit, Switch (Includes Ball Switch & O-Ring)	
3	70028516	1	Kit, Flange and Hardware (Includes Flanges (Male & Female) & Mounting Hardware)	
4	70028517	1	Kit, Handle (Includes Handle & Pin)	

# SECTION 9 - HYDRAULIC COMPONENTS

FIGURE 9-37. VALVE ASSEMBLY - RADIATOR HOSE ASO VALVE



ART\_1001223618-A



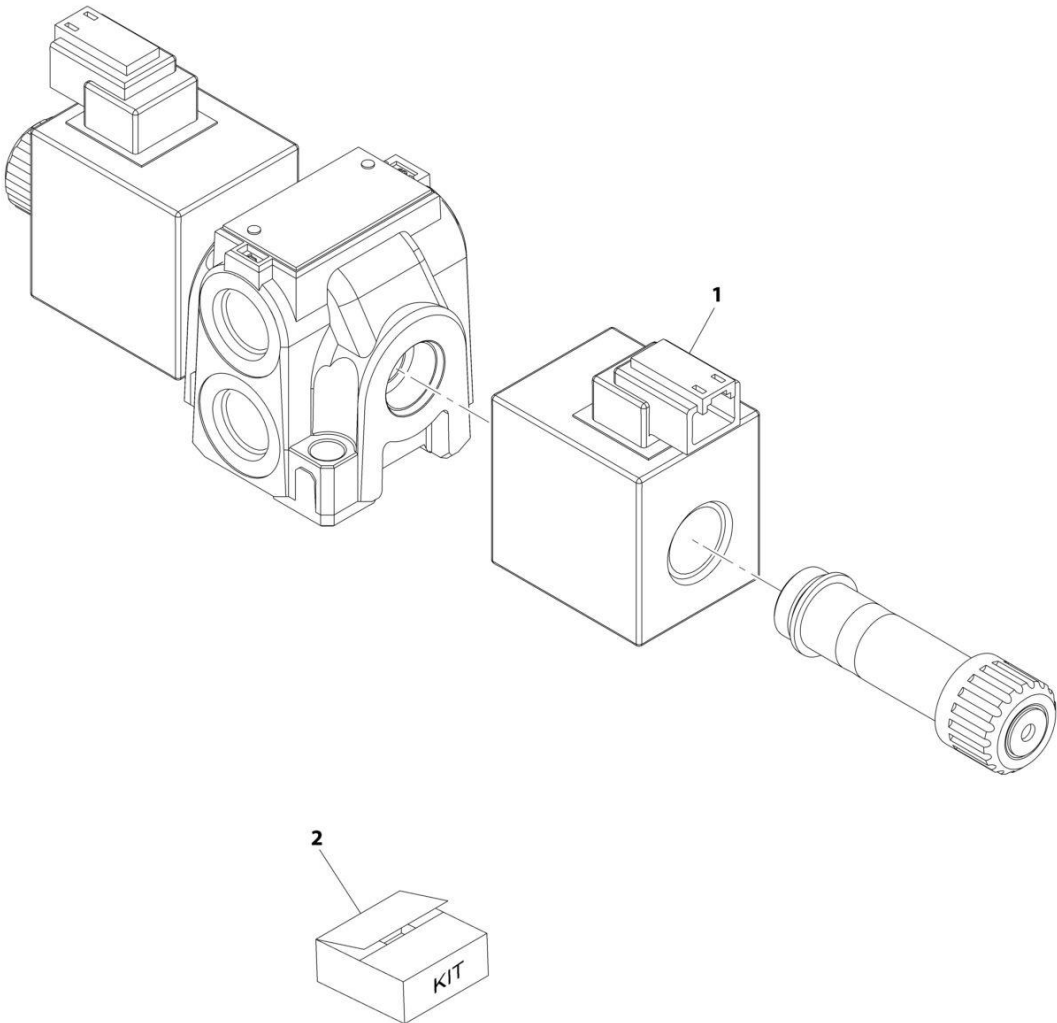
## SECTION 9 - HYDRAULIC COMPONENTS

FIGURE 9-37. VALVE ASSEMBLY - RADIATOR HOSE ASO VALVE

ITEM	PART NUMBER	QTY	DESCRIPTION	REV
	1001223618	Ref	ASO Valve	A
1	1001204057	1	Plate	
2	1001206954	1	Tube	
3	1001223622	1	Bracket	

**SECTION 9 - HYDRAULIC COMPONENTS**

**FIGURE 9-38. VALVE ASSEMBLY - SPEED CONTROL**



ART\_4641520-B

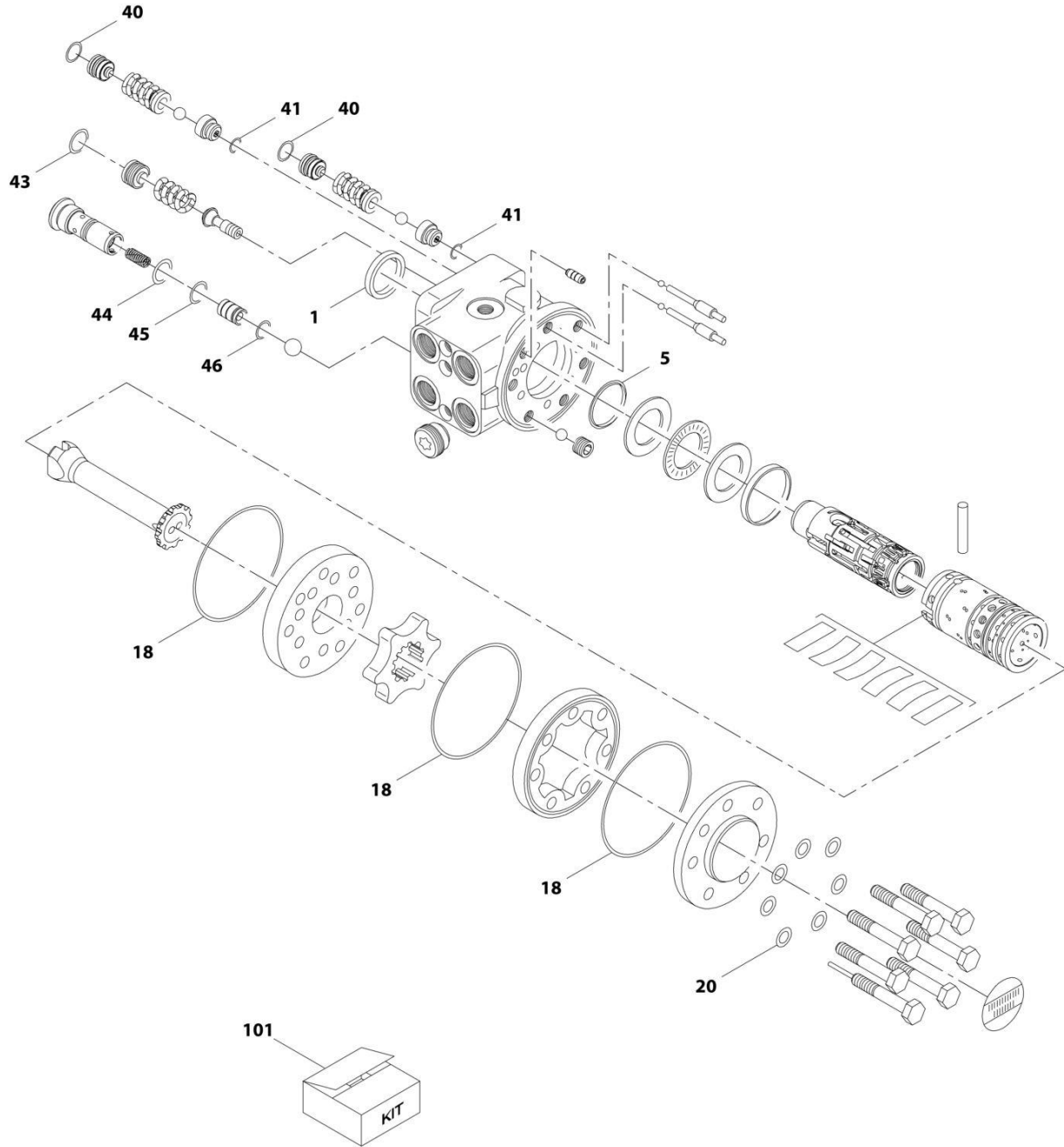
## SECTION 9 - HYDRAULIC COMPONENTS

### FIGURE 9-38. VALVE ASSEMBLY - SPEED CONTROL

ITEM	PART NUMBER	QTY	DESCRIPTION	REV
	4641520	Ref	Speed Control Valve	B
1	70026582	1	SOLENOID	
2	70020867	1	Kit, Coil Nut	
	N.S.S.	1	Seal	
	N.S.S.	1	Seal	
	N.S.S.	1	Nut, Coil	

# SECTION 9 - HYDRAULIC COMPONENTS

## FIGURE 9-39. VALVE ASSEMBLY - STEER



ART\_1001178670-B

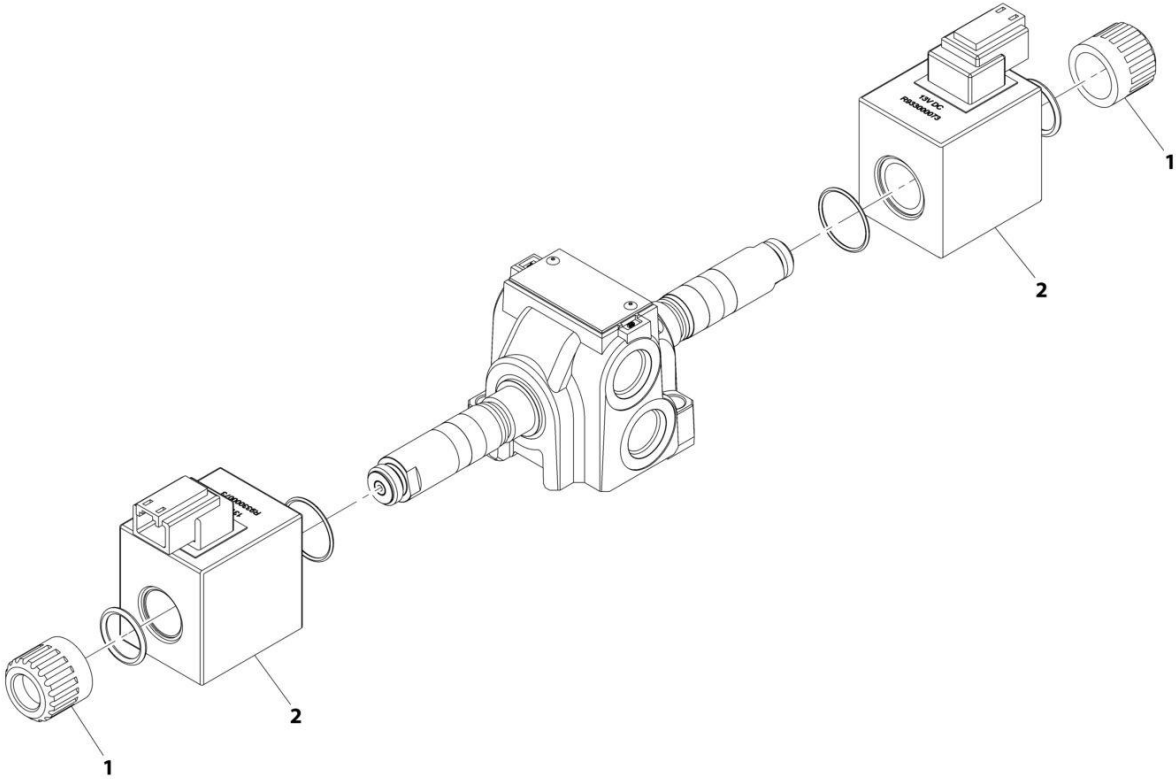
## SECTION 9 - HYDRAULIC COMPONENTS

**FIGURE 9-39. VALVE ASSEMBLY - STEER**

ITEM	PART NUMBER	QTY	DESCRIPTION	REV
	1001178670	Ref	Steer Unit Valve	B
1	Kit	2	Ring, Dust Seal	
5	Kit	2	Seal, Shaft	
18	Kit	2	O-Ring	
20	Kit	2	Washer	
40	Kit	2	O-Ring	
41	Kit	2	O-Ring	
43	Kit	2	O-Ring	
44	Kit	2	O-Ring	
45	Kit	2	O-Ring	
46	Kit	2	O-Ring	
101	70028285	1	Kit, Seal (includes items 1, 5, 18, 20, 40, 41 and 43 thru 46)	

**SECTION 9 - HYDRAULIC COMPONENTS**

**FIGURE 9-40. VALVE ASSEMBLY - STEERING SELECT VALVE**



ART\_1001153748-C

## SECTION 9 - HYDRAULIC COMPONENTS

FIGURE 9-40. VALVE ASSEMBLY - STEERING SELECT VALVE

ITEM	PART NUMBER	QTY	DESCRIPTION	REV
	1001153748	Ref	Steering Select Valve	C
1	70020867	2	Nut, Coil	
2	70026582	2	Coil	

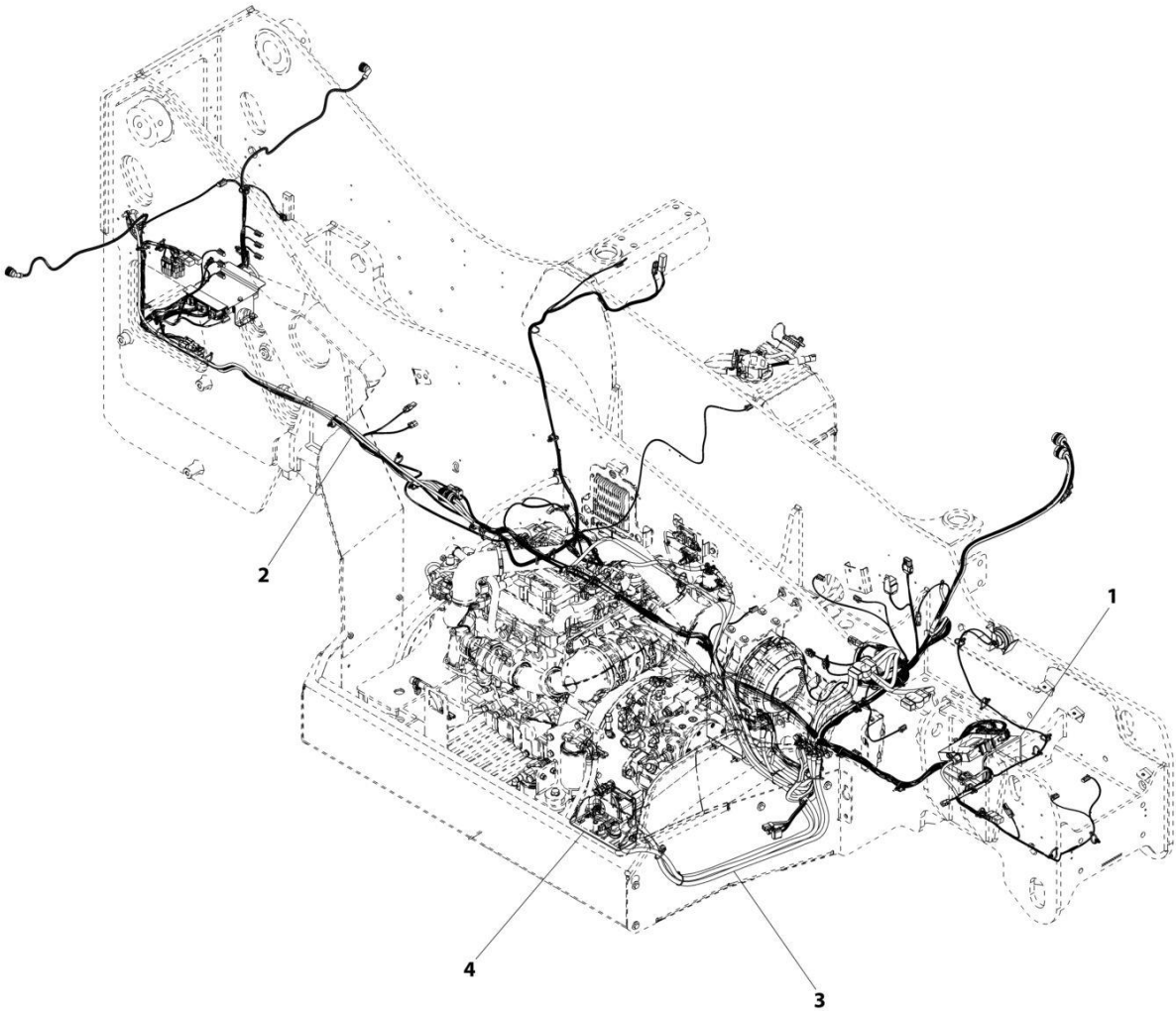




**SECTION 10 - ELECTRICAL**

**SECTION 10 - ELECTRICAL**

**FIGURE 10-1. MAIN ELECTRICAL INSTALLATION (ULS)**



ART\_1001192537-B

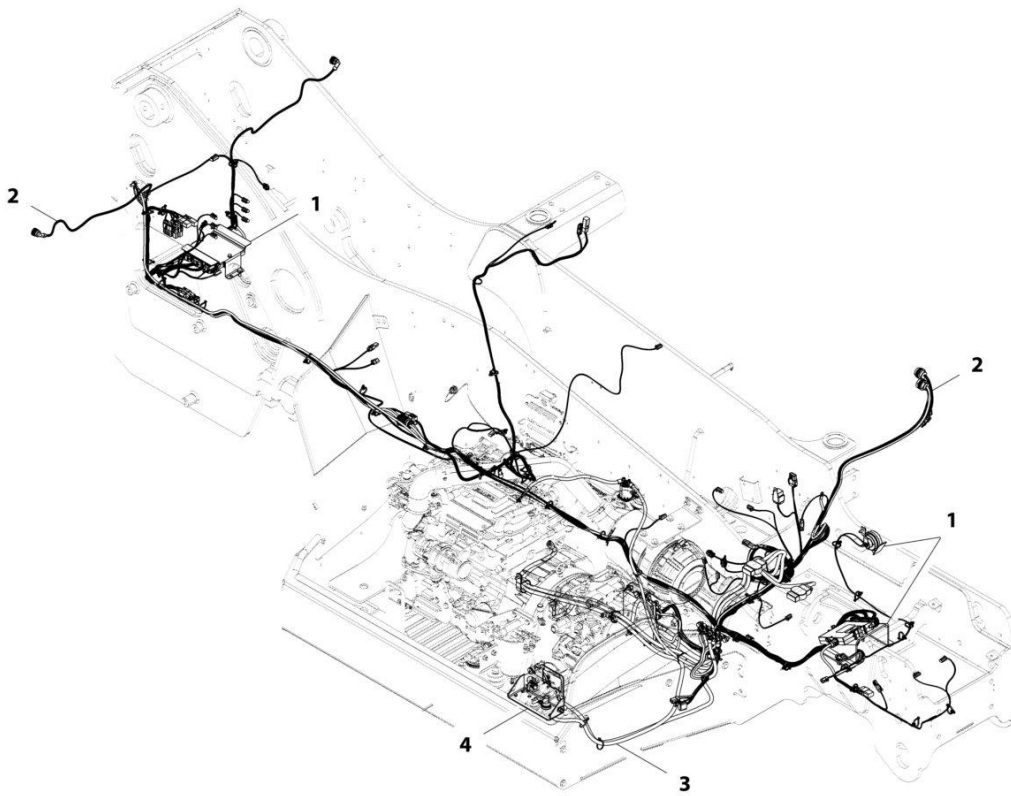
## SECTION 10 - ELECTRICAL

### FIGURE 10-1. MAIN ELECTRICAL INSTALLATION (ULS)

ITEM	PART NUMBER	QTY	DESCRIPTION	REV
1	1001192537	Ref	Main Electrical Installation (ULS)	B
	1001183272	Ref	Installation, Frame Electrical (See Separate Breakdown in this Section)	
2	1001200159	Ref	Installation, Frame Wiring (See Separate Breakdown in this Section)	
3	1001200160	Ref	Installation, Engine Bay Electrical	
4	1001202172	Ref	Installation, Engine Pod Electrical (ULS) (See Separate Breakdown in this Section)	

# SECTION 10 - ELECTRICAL

## FIGURE 10-2. MAIN ELECTRICAL INSTALLATION (LS)



ART\_1001192538-C

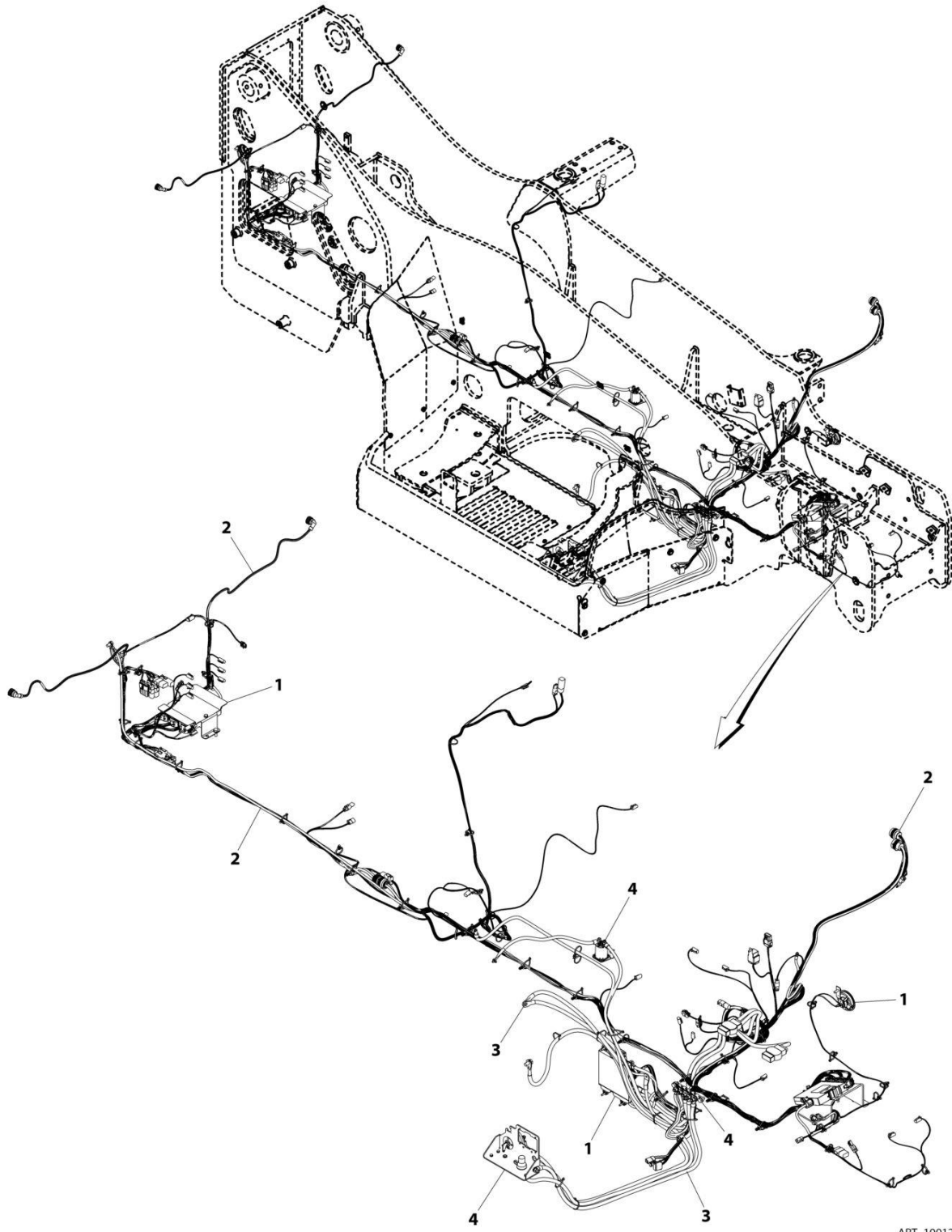
## SECTION 10 - ELECTRICAL

### FIGURE 10-2. MAIN ELECTRICAL INSTALLATION (LS)

ITEM	PART NUMBER	QTY	DESCRIPTION	REV
1	1001192538	Ref	Main Electrical Installation (LS)	C
	1001183272	Ref	Installation, Frame Electrical (See Separate Breakdown in this Section)	
2	1001200159	Ref	Installation, Frame Electrical (See Separate Breakdown in this Section)	
3	1001227469	Ref	Installation, Engine Bay Electrical (See Separate Breakdown in this Section)	
4	1001223066	Ref	Installation, Engine Pod Electrical (LS) (See Separate Breakdown in this Section)	

# SECTION 10 - ELECTRICAL

## FIGURE 10-3. MAIN ELECTRICAL INSTALLATION, MINING (ULS)



ART\_1001228738-A

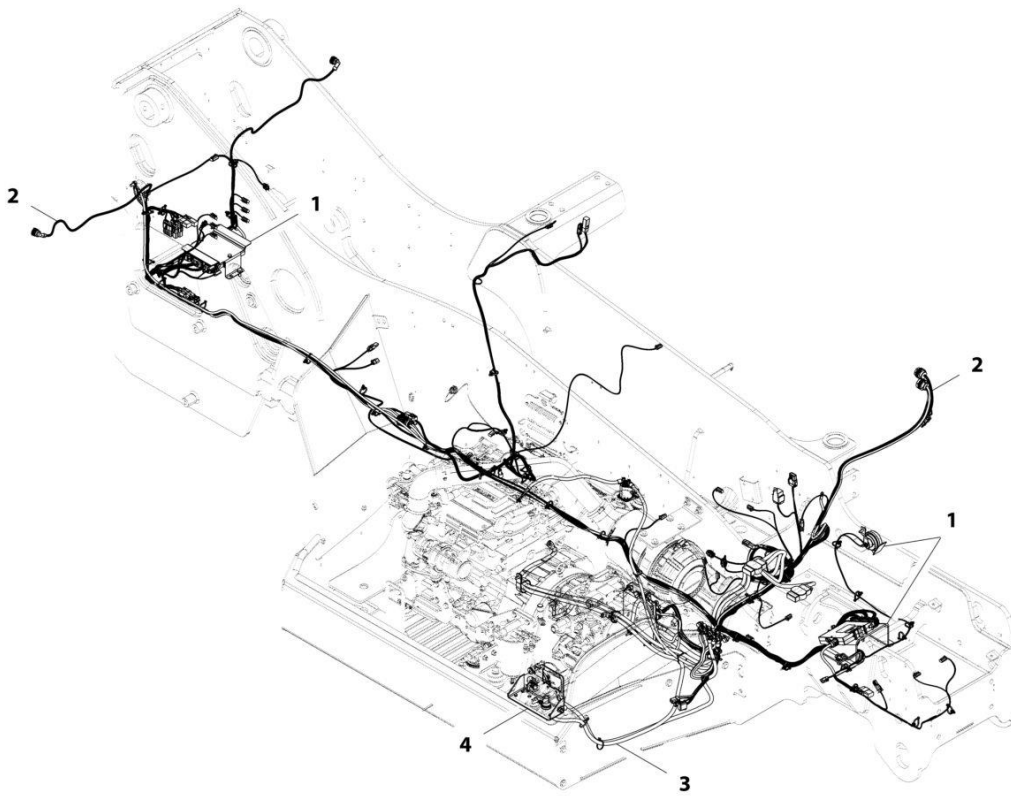
## SECTION 10 - ELECTRICAL

**FIGURE 10-3. MAIN ELECTRICAL INSTALLATION, MINING (ULS)**

ITEM	PART NUMBER	QTY	DESCRIPTION	REV
1	1001228738	Ref	Main Electrical Installation, Mining (ULS)	A
	1001183272	Ref	Installation, Frame Electrical (See Separate Breakdown in this Section)	
2	1001228739	Ref	Installation, Frame Wiring (See Separate Breakdown in this Section)	
3	1001200160	Ref	Installation, Engine Bay Electrical	
4	1001202172	Ref	Installation, Engine Pod Electrical (ULS) (See Separate Breakdown in this Section)	

# SECTION 10 - ELECTRICAL

FIGURE 10-4. MAIN ELECTRICAL INSTALLATION, MINING (LS)



ART\_1001228742-A



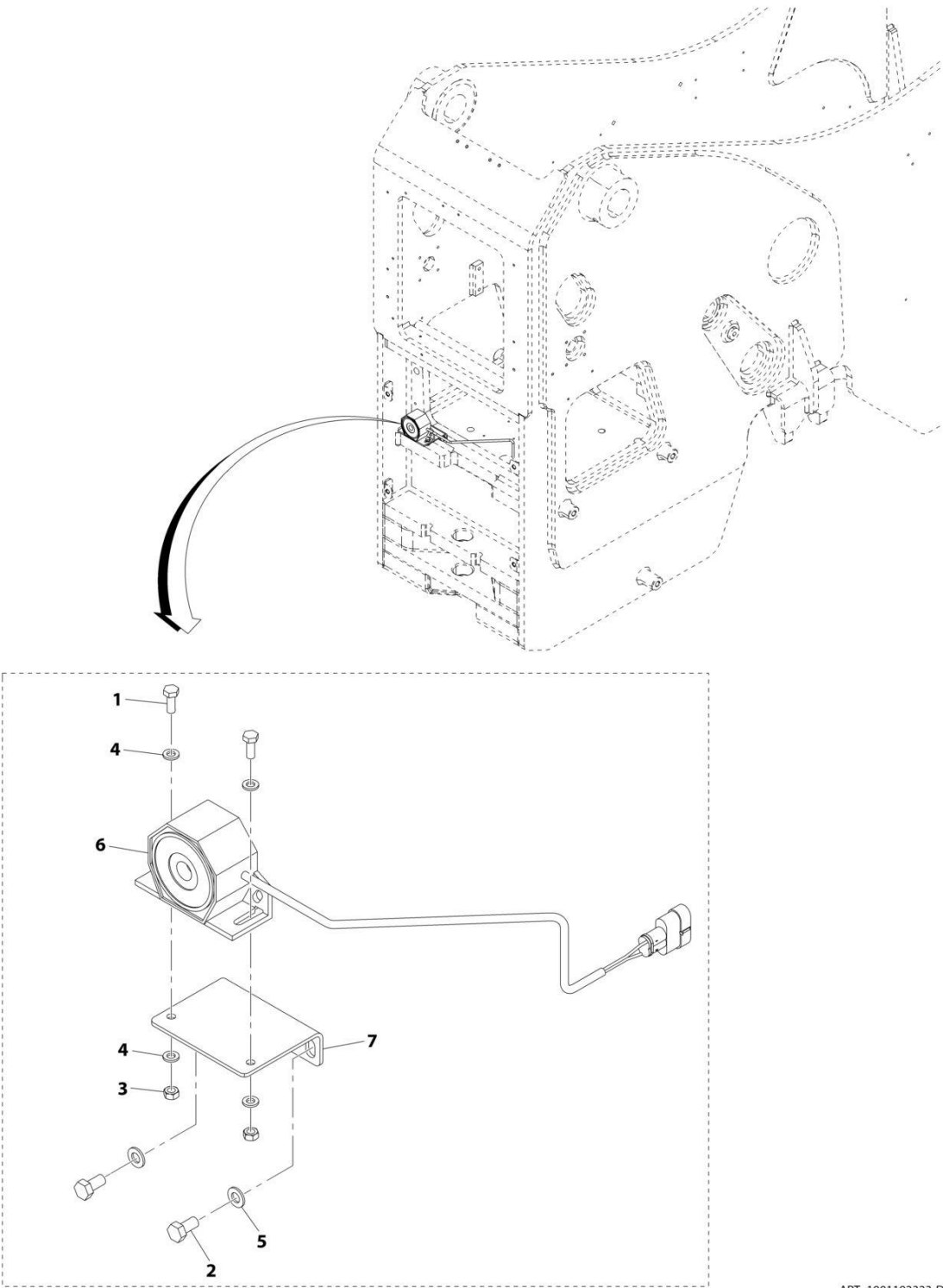
## SECTION 10 - ELECTRICAL

**FIGURE 10-4. MAIN ELECTRICAL INSTALLATION, MINING (LS)**

ITEM	PART NUMBER	QTY	DESCRIPTION	REV
1	1001228742	Ref	Main Electrical Installation (LS) (Mining)	A
	1001183272	Ref	Installation, Frame Electrical (See Separate Breakdown in this Section)	
2	1001228739	Ref	Installation, Frame Electrical (See Separate Breakdown in this Section)	
3	1001227469	Ref	Installation, Engine Bay Electrical (See Separate Breakdown in this Section)	
4	1001223066	Ref	Installation, Engine Pod Electrical (LS) (See Separate Breakdown in this Section)	

**SECTION 10 - ELECTRICAL**

**FIGURE 10-5. ALARM INSTALLATION - BACK UP**



ART\_1001192323-D

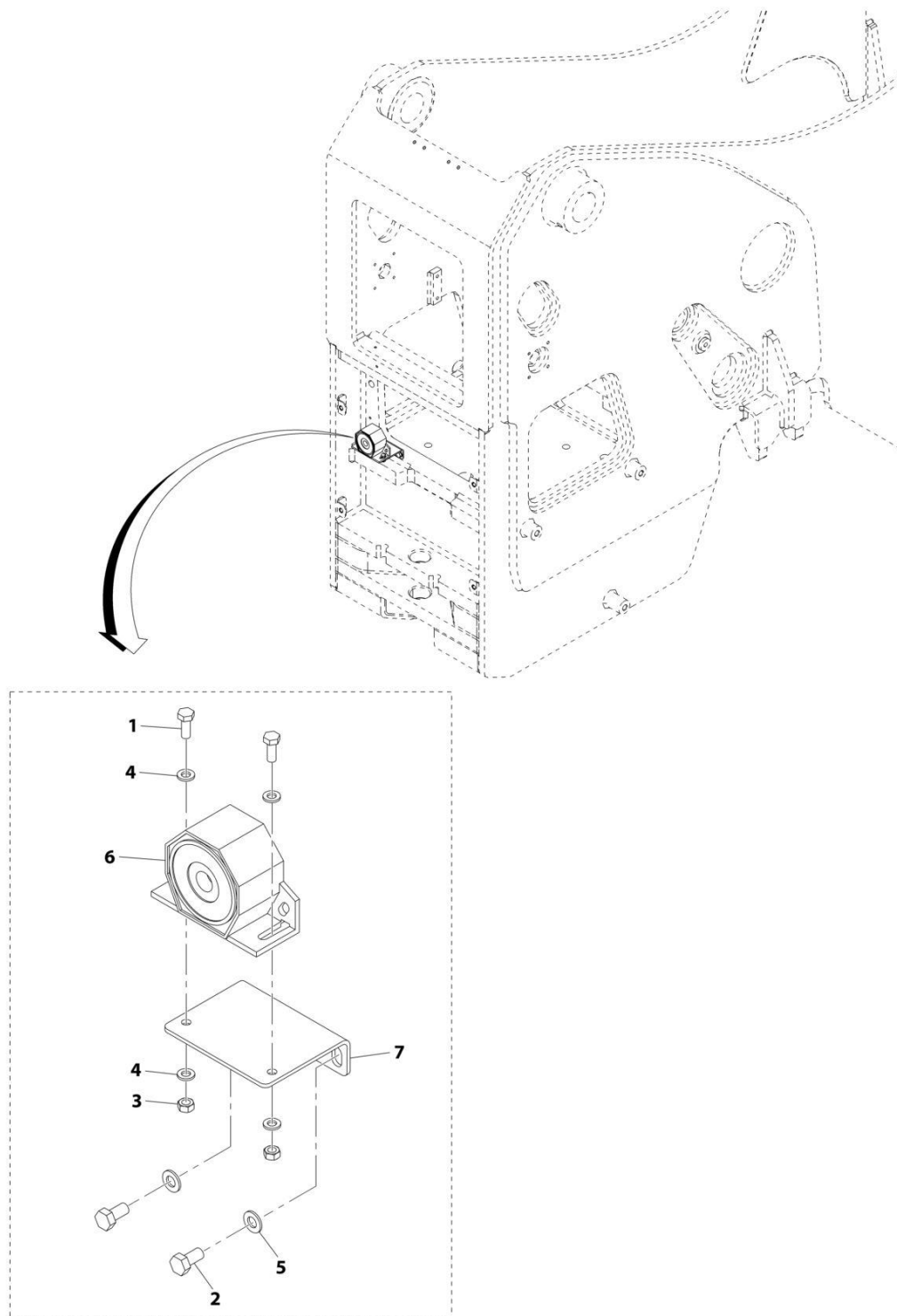
## SECTION 10 - ELECTRICAL

### FIGURE 10-5. ALARM INSTALLATION - BACK UP

ITEM	PART NUMBER	QTY	DESCRIPTION	REV
	1001192323	Ref	Backup Alarm Installation	D
1	0760608	2	Bolt, M6X16	
2	0760808	2	Bolt, M8X16	
3	3290601	2	Nut, M6X1	
4	4811700	4	Washer, M6	
5	4811900	2	Washer, M8	
6	1001101808	1	Alarm, Backup	
7	1001193698	1	Bracket	

# SECTION 10 - ELECTRICAL

## FIGURE 10-6. ALARM INSTALLATION (BACK UP - WHITE NOISE)



ART\_1001195263-B

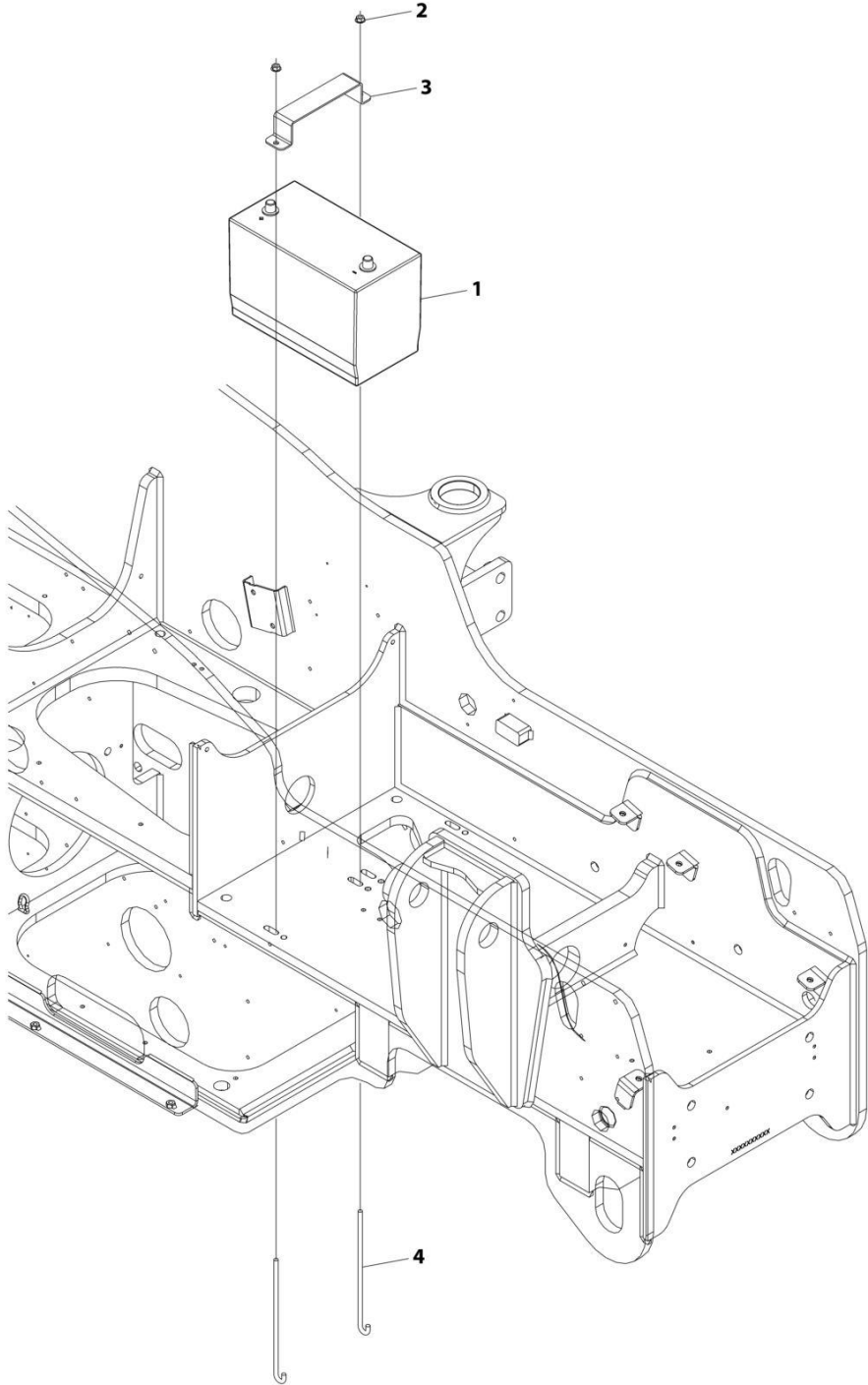
## SECTION 10 - ELECTRICAL

### FIGURE 10-6. ALARM INSTALLATION (BACK UP - WHITE NOISE)

ITEM	PART NUMBER	QTY	DESCRIPTION	REV
	1001195263	Ref	Backup Alarm Installation (White Noise)	B
1	0760608	2	Bolt, M6X16	
2	0760808	2	Bolt, M8X16	
3	3290601	2	Nut, M6X1	
4	4811700	4	Washer, M6	
5	4811900	2	Washer, M8	
6	1001165827	1	Alarm, Backup (White Noise)	
7	1001193698	1	Bracket	

**SECTION 10 - ELECTRICAL**

**FIGURE 10-7. BATTERY INSTALLATION**



ART\_1001186855

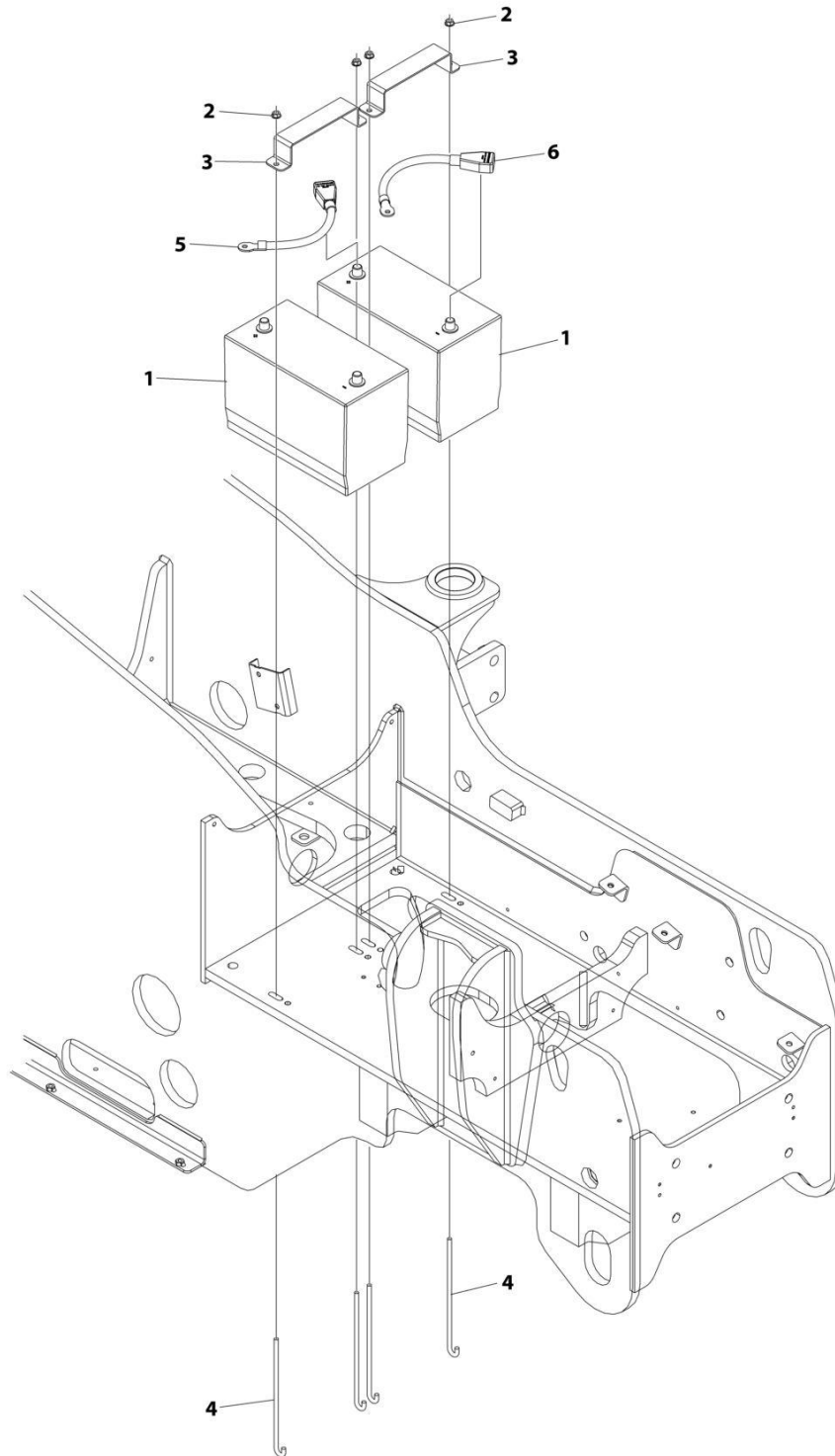
## SECTION 10 - ELECTRICAL

### FIGURE 10-7. BATTERY INSTALLATION

ITEM	PART NUMBER	QTY	DESCRIPTION	REV
	1001186855	Ref	Battery Installation	B
1	0400075	1	Battery, 12V	
2	5220800	2	Nut, Ripp M8	
3	1001160927	1	Plate	
4	1001160928	2	J-Bolt (270mm Length)	
4	1001181961	2	J-Bolt (220mm Length)	

# SECTION 10 - ELECTRICAL

## FIGURE 10-8. BATTERY (DUAL) INSTALLATION



ART\_1001211445\_D



## SECTION 10 - ELECTRICAL

### FIGURE 10-8. BATTERY (DUAL) INSTALLATION

ITEM	PART NUMBER	QTY	DESCRIPTION	REV
	1001211445	Ref	Dual Battery Installation	D
1	0400075	2	Battery, 12V	
2	5220800	4	Nut Ripp M8	
3	1001160927	2	Plate	
4	1001160928	4	J-Bolt (270mm Length)	
4	1001181961	4	J-Bolt (220mm Length)	
5	1001203557	1	Cable, Positive Battery	
6	1001203558	1	Cable, Negative Battery	

# SECTION 10 - ELECTRICAL

## FIGURE 10-9. BATTERY (ARCTIC) PACKAGE INSTALLATION (115V)



ART\_1001186856-D

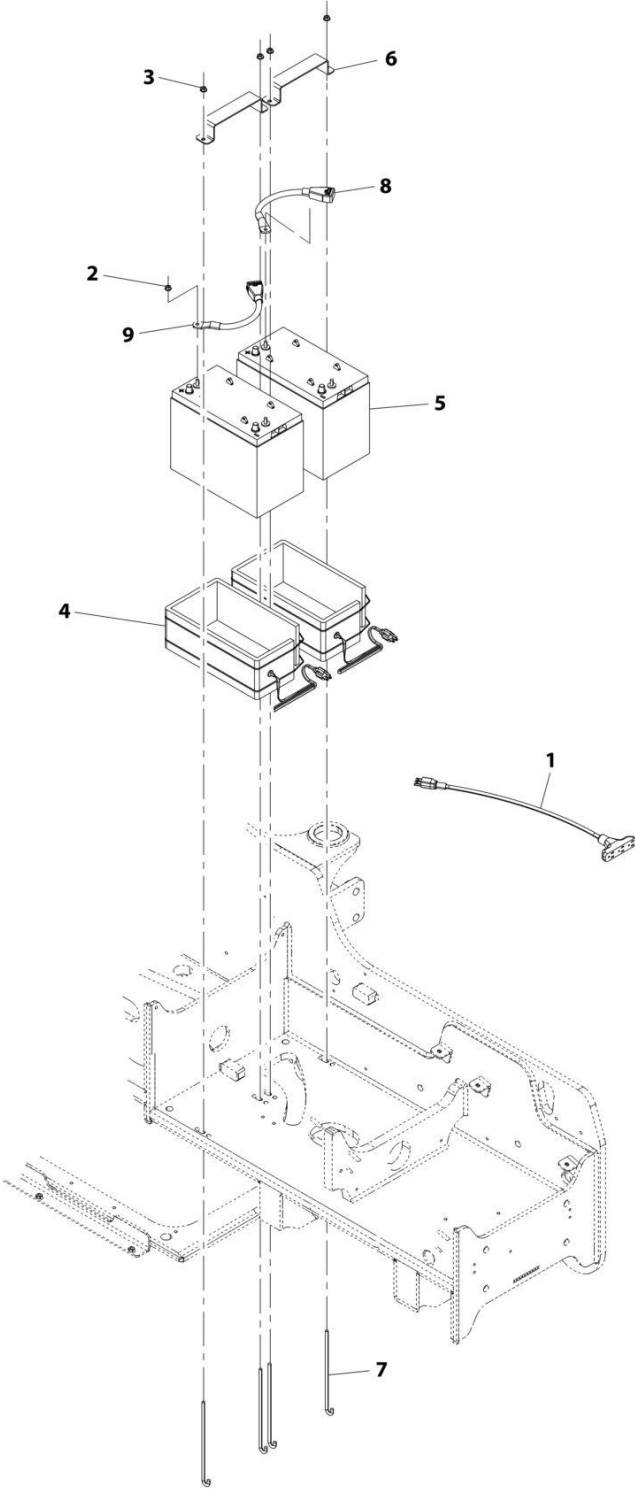
## SECTION 10 - ELECTRICAL

### FIGURE 10-9. BATTERY (ARCTIC) PACKAGE INSTALLATION (115V)

ITEM	PART NUMBER	QTY	DESCRIPTION	REV
	1001186856	Ref	Arctic Battery Package Installation (115V)	D
1	1001195582	1	Installation, Arctic Battery Package (115V) (See Separate Breakdown in this Section)	
2	1001195593	1	Installation, Hydraulic Tank Heater (115V) (See Separate Breakdown in this Section)	
3	2580040	1	Heater, Engine Oil Pan	
4	1062255	2	Tie, Strap	
5	1001232509	1	Tube, Heated Breather	

**SECTION 10 - ELECTRICAL**

**FIGURE 10-10. BATTERIES (ARCTIC) INSTALLATION (115V)**



ART\_1001195582-B

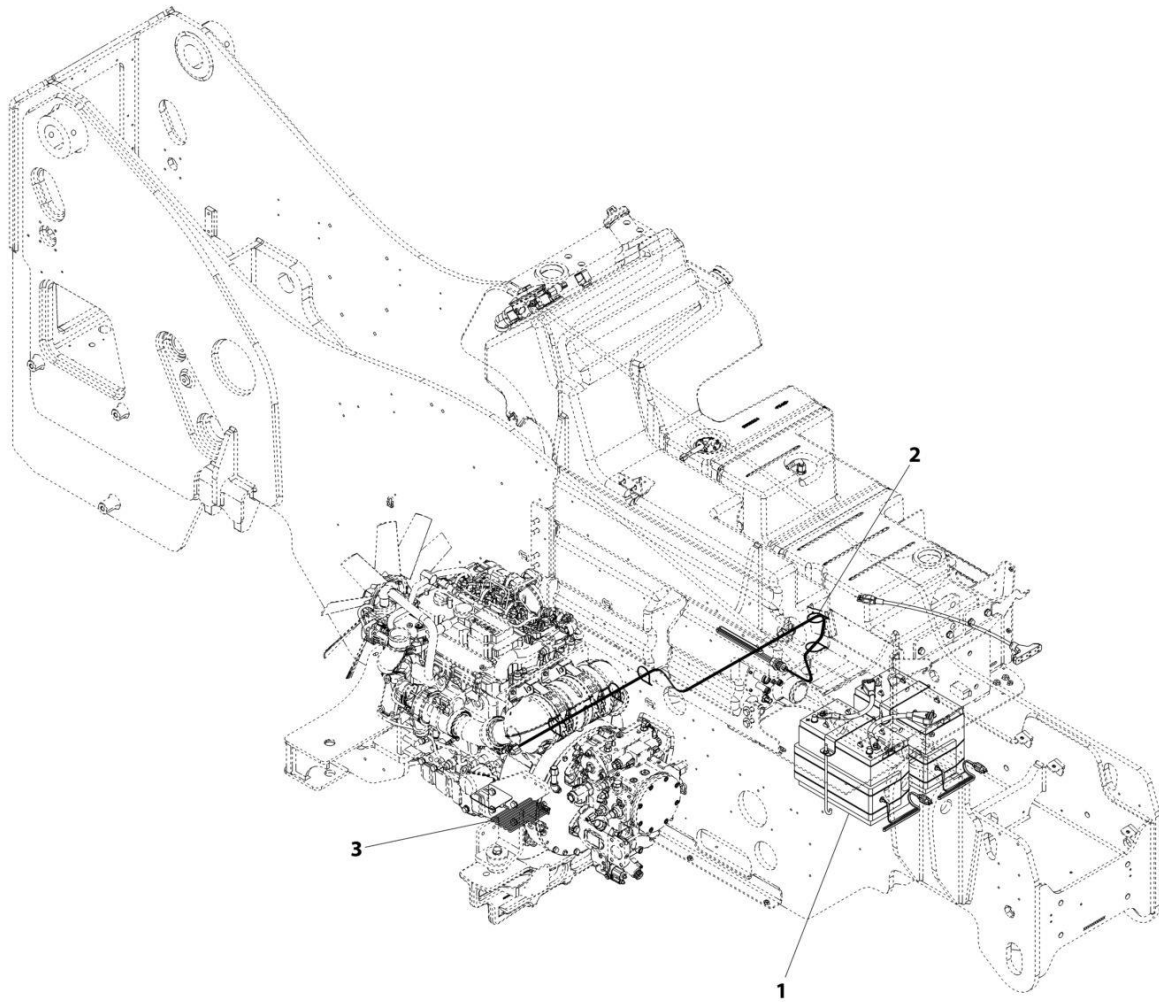
## SECTION 10 - ELECTRICAL

### FIGURE 10-10. BATTERIES (ARCTIC) INSTALLATION (115V)

ITEM	PART NUMBER	QTY	DESCRIPTION	REV
	1001195582	Ref	Arctic Batteries Installation (115V)	B
1	1060626	1	Cord, 3-Way Extension	
2	3311508	2	Nut 5/16	
3	5220800	4	Nut M8	
4	1001093564	2	Heater, Battery	
5	1001098762	2	Battery 12V	
6	1001160927	2	Plate, Battery Hold Down	
7	1001160928	4	J-Bolt	
8	1001172495	1	Cable, Positive Battery	
9	1001172496	1	Cable, Negative Battery	

# SECTION 10 - ELECTRICAL

## FIGURE 10-11. BATTERY (ARCTIC) PACKAGE INSTALLATION (240V)



ART\_1001204544-C

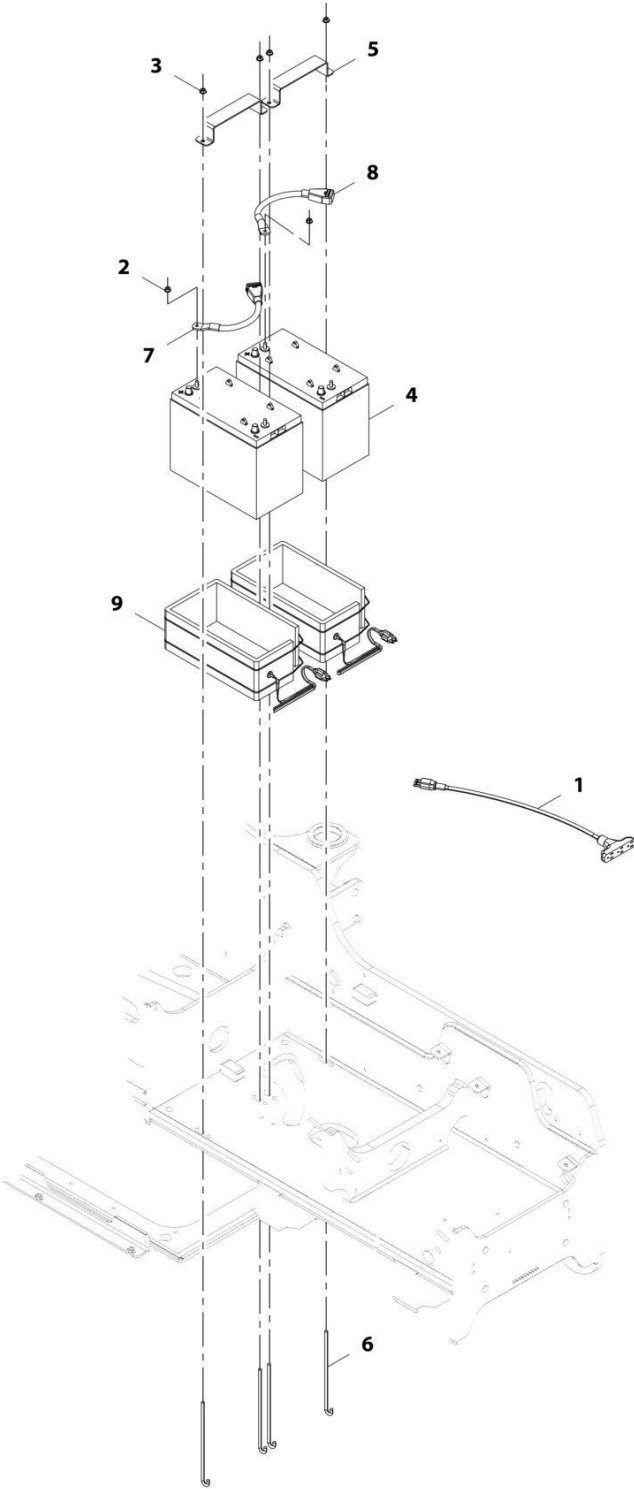
## SECTION 10 - ELECTRICAL

**FIGURE 10-11. BATTERY (ARCTIC) PACKAGE INSTALLATION (240V)**

ITEM	PART NUMBER	QTY	DESCRIPTION	REV
1	1001204544	Ref	Arctic Package Installation (240V)	C
	1001204548	Ref	Installation, Arctic Battery, (240V) (See Separate Breakdown in this Section)	
2	1001204549	Ref	Installation, Hydraulic Tank Heater (240V) (See Separate Breakdown in this Section)	
3	1001196332	1	Heater, Oil Pan	

**SECTION 10 - ELECTRICAL**

**FIGURE 10-12. BATTERIES (ARCTIC) INSTALLATION (240V)**



ART\_1001204548-A



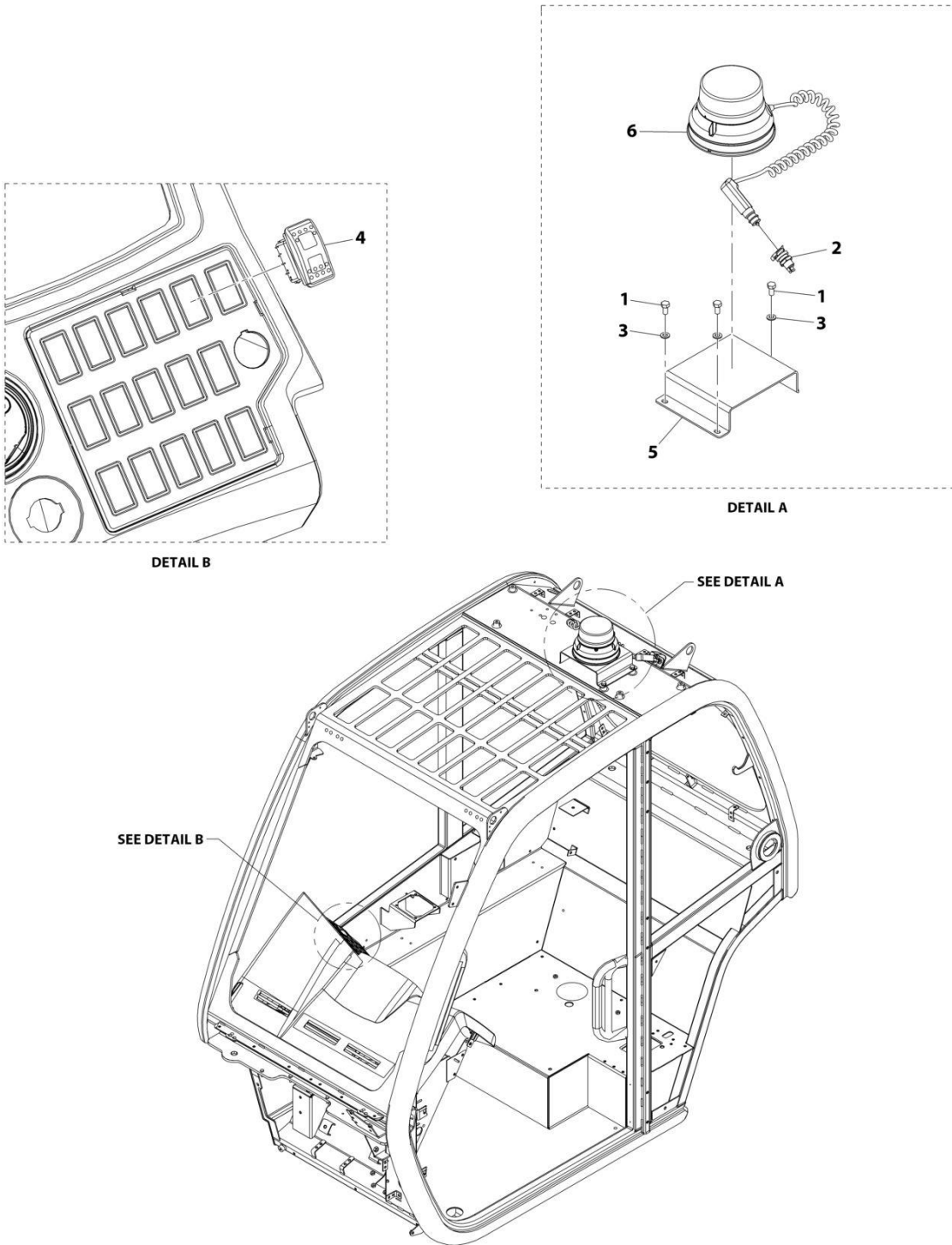
## SECTION 10 - ELECTRICAL

### FIGURE 10-12. BATTERIES (ARCTIC) INSTALLATION (240V)

ITEM	PART NUMBER	QTY	DESCRIPTION	REV
	1001204548	Ref	Artic Battery Package Installation (240V)	A
1	1060626	1	Cord, 3-Way Extension	
2	3311508	2	Nut, 5/16-18	
3	5220800	4	Nut, M8	
4	1001098762	2	Battery, 12V	
5	1001160927	2	Plate, Battery Hold Down	
6	1001160928	4	J-Bolt	
7	1001172495	1	Cable, Positive Battery	
8	1001172496	1	Cable, Negative Battery	
9	1001195469	2	Heater, Battery	

# SECTION 10 - ELECTRICAL

## FIGURE 10-13. BEACON INSTALLATION (LED)



ART\_1001195883-A

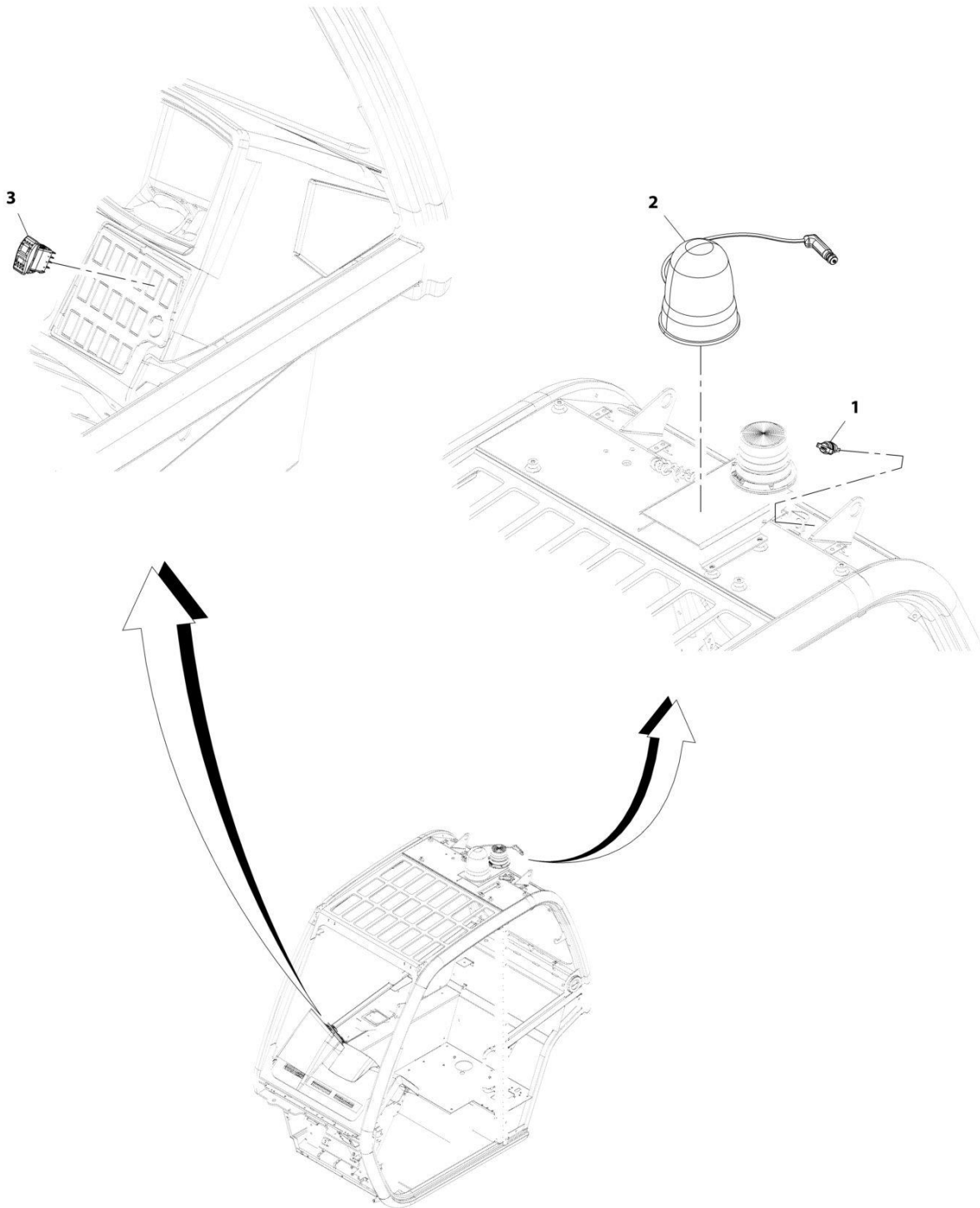
# SECTION 10 - ELECTRICAL

## FIGURE 10-13. BEACON INSTALLATION (LED)

ITEM	PART NUMBER	QTY	DESCRIPTION	REV
	1001195883	Ref	BEACON INSTALLATION (LED)	B
1	0760808	3	Bolt M8 x 16	
2	4461174	1	Terminal	
3	4811900	3	Washer M8	
4	1001159738	1	Switch, Beacon	
5	1001174796	1	Bracket	
	1001273075	1	Light, Beacon (LED)	

# SECTION 10 - ELECTRICAL

## FIGURE 10-14. BEACON (REMOTE BOOM CONTROL) INSTALLATION



ART\_1001209357-B

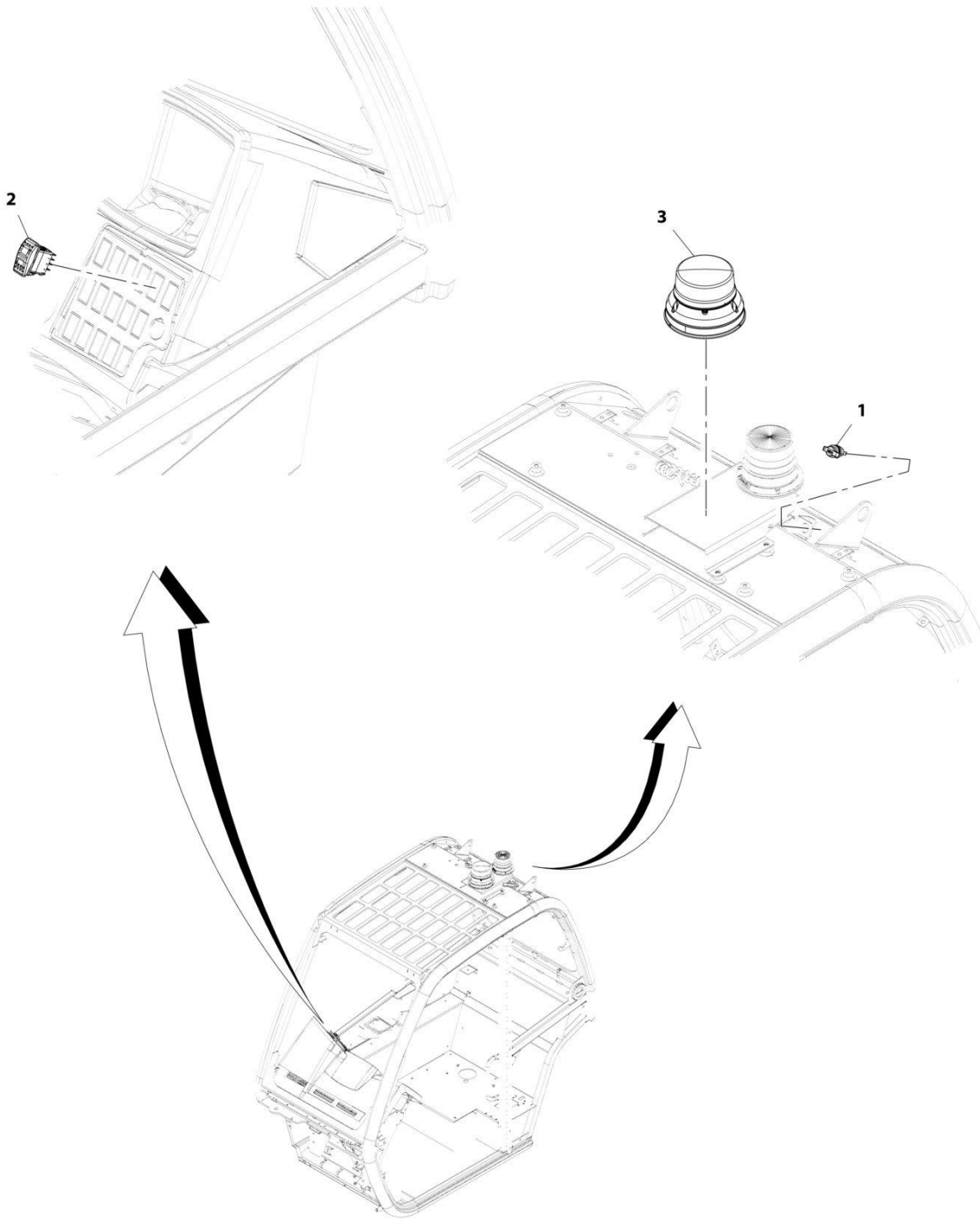
## SECTION 10 - ELECTRICAL

**FIGURE 10-14. BEACON (REMOTE BOOM CONTROL) INSTALLATION**

ITEM	PART NUMBER	QTY	DESCRIPTION	REV
	1001209357	Ref	Beacon (Remote Boom Control) Installation	B
1	4461174	1	Terminal, 12 Volt	
2	1001217623	1	Light, Warning	
3	1001159738	1	Switch, Beacon	

# SECTION 10 - ELECTRICAL

## FIGURE 10-15. BEACON (LED) (REMOTE BOOM CONTROL) INSTALLATION



ART\_1001209358-A

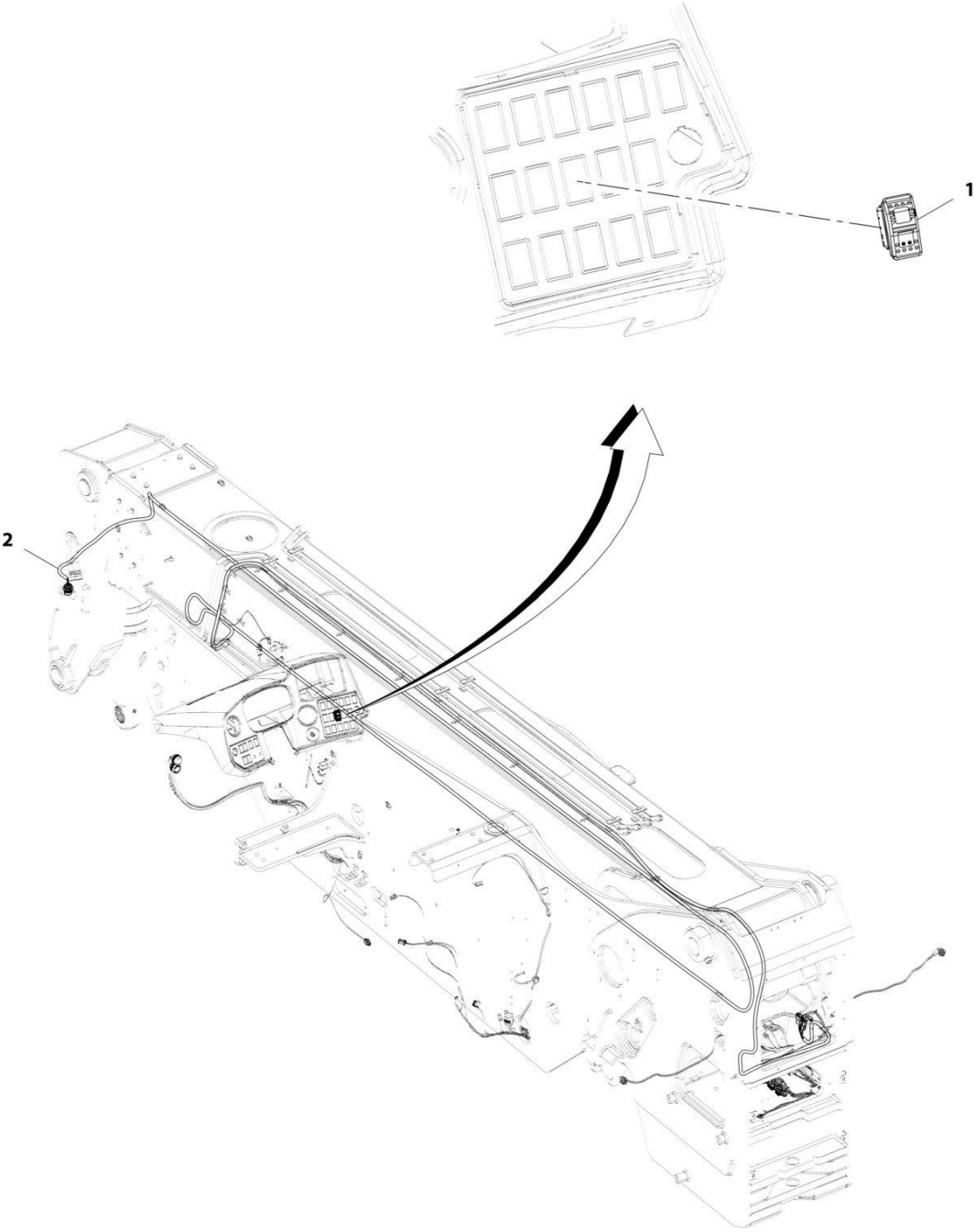
## SECTION 10 - ELECTRICAL

**FIGURE 10-15. BEACON (LED) (REMOTE BOOM CONTROL) INSTALLATION**

ITEM	PART NUMBER	QTY	DESCRIPTION	REV
	1001209358	Ref	BEACON (LED) (REMOTE BOOM CONTROL) INSTALLATION	A
1	4461174	1	Terminal, 12 Volt	
2	1001159738	1	Switch, Beacon	
3	1001198893	1	Light, Warning	

**SECTION 10 - ELECTRICAL**

**FIGURE 10-16. BOOM HARNESS INSTALLATION**



ART\_1001192575-B



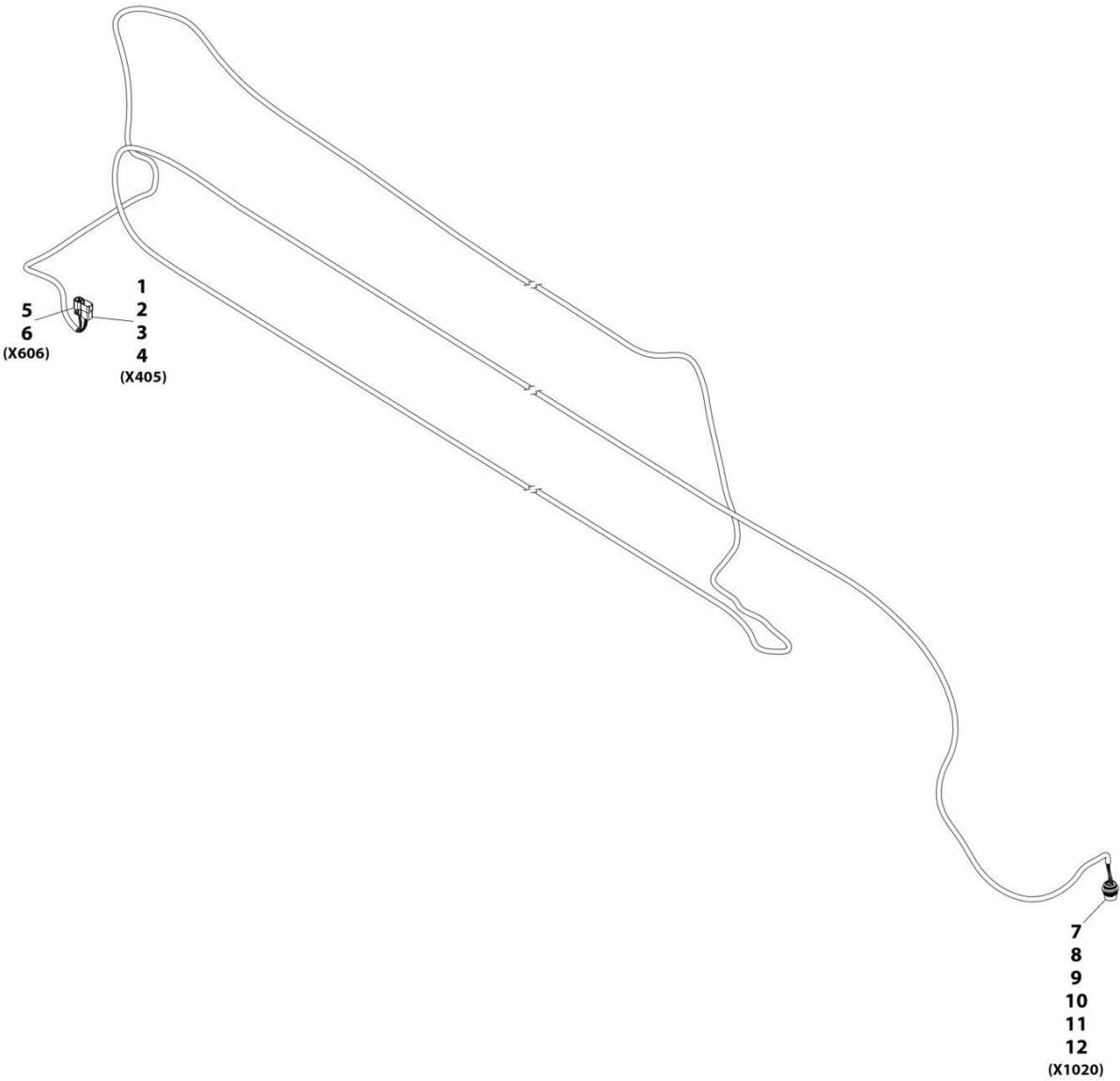
## SECTION 10 - ELECTRICAL

### FIGURE 10-16. BOOM HARNESS INSTALLATION

ITEM	PART NUMBER	QTY	DESCRIPTION	REV
	1001192575	Ref	Boom Harness Installation	B
1	1001159746	1	Switch, Aux Electric	
2	1001201124	1	Harness, Boom (See Separate Breakdown in this Section)	

**SECTION 10 - ELECTRICAL**

**FIGURE 10-17. BOOM HARNESS**



ART\_1001201124-B

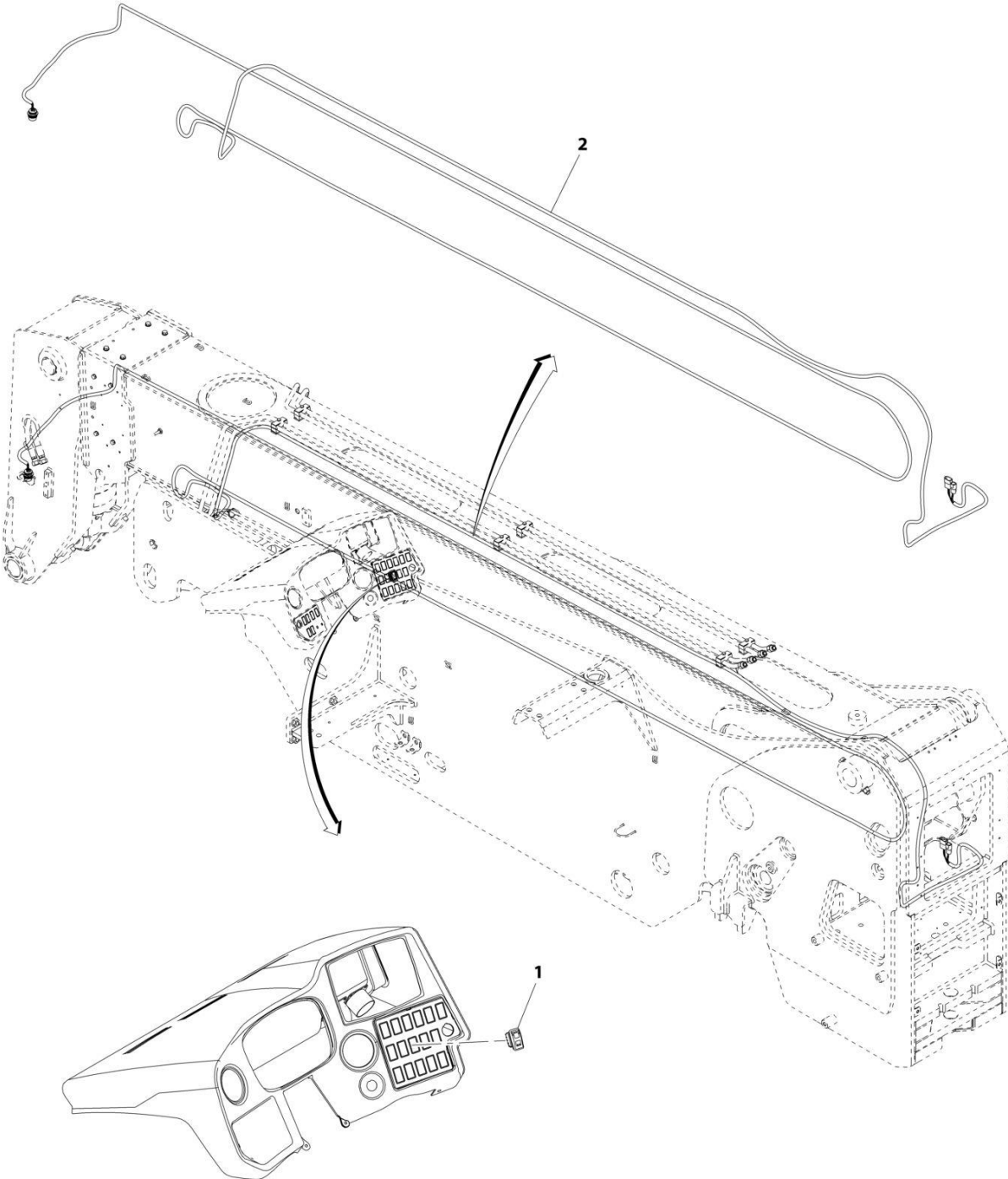
# SECTION 10 - ELECTRICAL

## FIGURE 10-17. BOOM HARNESS

ITEM	PART NUMBER	QTY	DESCRIPTION	REV
	1001201124	Ref	Boom Harness	B
1	4460931	1	Connector	
2	4460943	2	Terminal	
3	4460464	4	Terminal	
4	4460466	2	Plug	
5	4461017	1	Connector	
6	4460508	2	Terminal	
7	1001112612	1	Connector	
8	1001183221	1	Boot	
9	1001157891	2	Terminal	
10	4460464	4	Terminal	
11	4460943	2	Terminal	
12	4460466	1	Plug	

**SECTION 10 - ELECTRICAL**

**FIGURE 10-18. BOOM HARNESS INSTALLATION**



ART\_1001228743-A

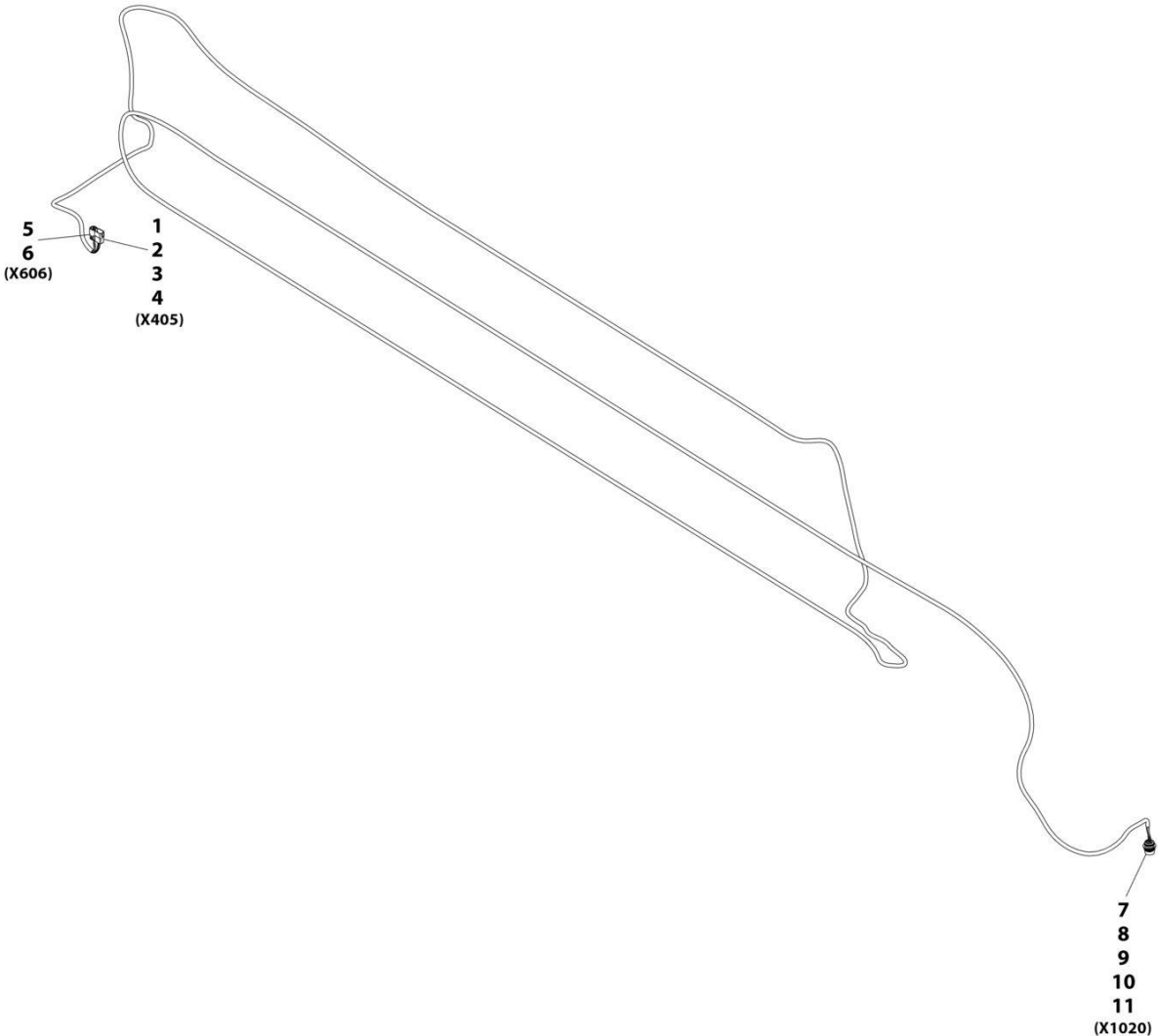
## SECTION 10 - ELECTRICAL

### FIGURE 10-18. BOOM HARNESS INSTALLATION

ITEM	PART NUMBER	QTY	DESCRIPTION	REV
	1001228743	Ref	Boom Harness Installation	A
1	1001159746	1	Switch, Aux Electric	
2	1001228744	1	Harness, Boom (See Separate Breakdown in this Section)	

**SECTION 10 - ELECTRICAL**

**FIGURE 10-19. BOOM HARNESS**



ART\_1001228744-A

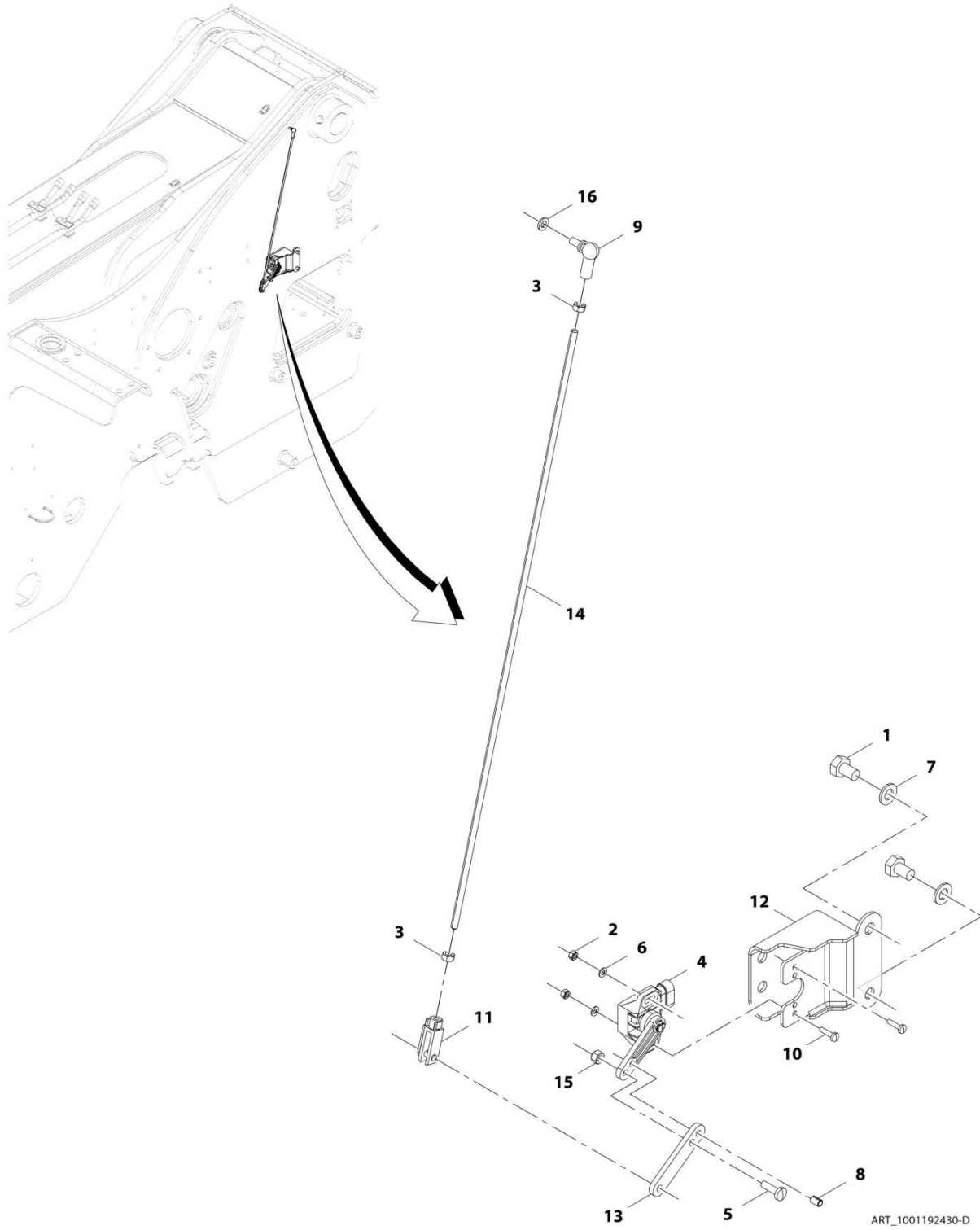
## SECTION 10 - ELECTRICAL

### FIGURE 10-19. BOOM HARNESS

ITEM	PART NUMBER	QTY	DESCRIPTION	REV
	1001228744	Ref	Boom Harness	A
1	4460931	1	Connector	
2	4460943	2	Terminal	
3	4460464	4	Terminal	
4	4460466	2	Plug	
5	4461017	1	Connector	
6	4460508	2	Terminal	
7	1001112612	1	Connector	
8	1001157891	2	Terminal	
9	4460464	4	Terminal	
10	4460943	2	Terminal	
11	4460466	1	Plug	

# SECTION 10 - ELECTRICAL

## FIGURE 10-20. BOOM ANGLE SENSOR INSTALLATION (NO LMIS)





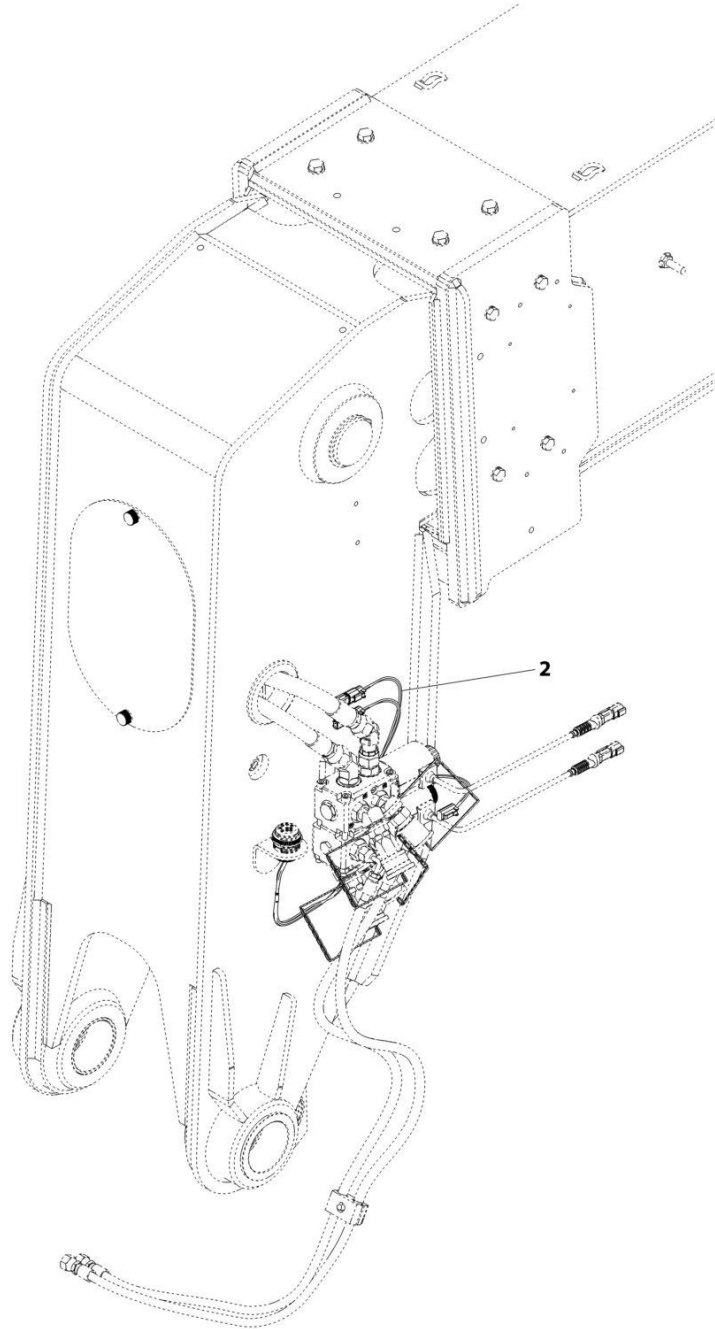
## SECTION 10 - ELECTRICAL

**FIGURE 10-20. BOOM ANGLE SENSOR INSTALLATION (NO LMIS)**

ITEM	PART NUMBER	QTY	DESCRIPTION	REV
	1001192430	Ref	BOOM ANGLE SENSOR INSTALLATION (NO LMIS)	E
1	0761008	2	Bolt M10X16	
2	3290405	2	Nut, Lock M4	
3	3290601	2	Nut M6	
4	1001278028	1	Sensor, Angle	
5	4010610	1	Screw M6X20	
6	4811400	2	Washer M4	
7	4812000	2	Washer M10	
8	1001103156	1	Pin	
9	1001103300	1	Fitting, Ball Joint	
10	1001126837	2	Screw M4X16	
11	1001134274	1	Clevis	
12	1001213775	1	Bracket	
13	1001195731	1	Link	
14	1001195732	1	Rod	
15	3290605	1	Nut, Lock M6	
16	4811700	1	Washer M6	

# SECTION 10 - ELECTRICAL

## FIGURE 10-21. BOOM AUX HARNESS INSTALLATION



ART\_1001192370-C

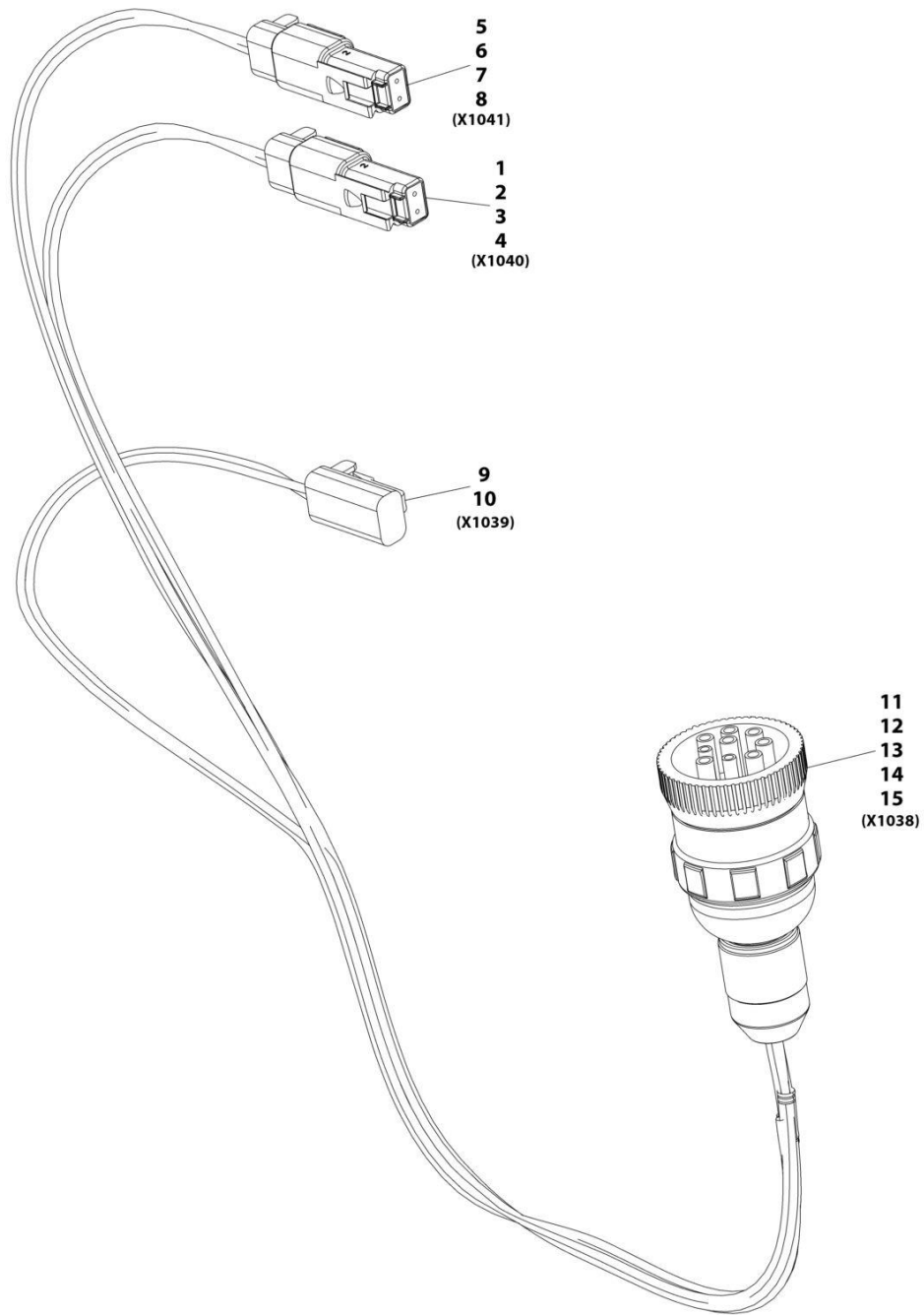
## SECTION 10 - ELECTRICAL

### FIGURE 10-21. BOOM AUX HARNESS INSTALLATION

ITEM	PART NUMBER	QTY	DESCRIPTION	REV
2	1001192370	Ref	Boom Aux Harness Installation	C
	1001206633	1	Harness, Boom AUX (See Separate Breakdown in this Section)	

# SECTION 10 - ELECTRICAL

## FIGURE 10-22. BOOM AUX HARNESS



ART\_1001206633-C

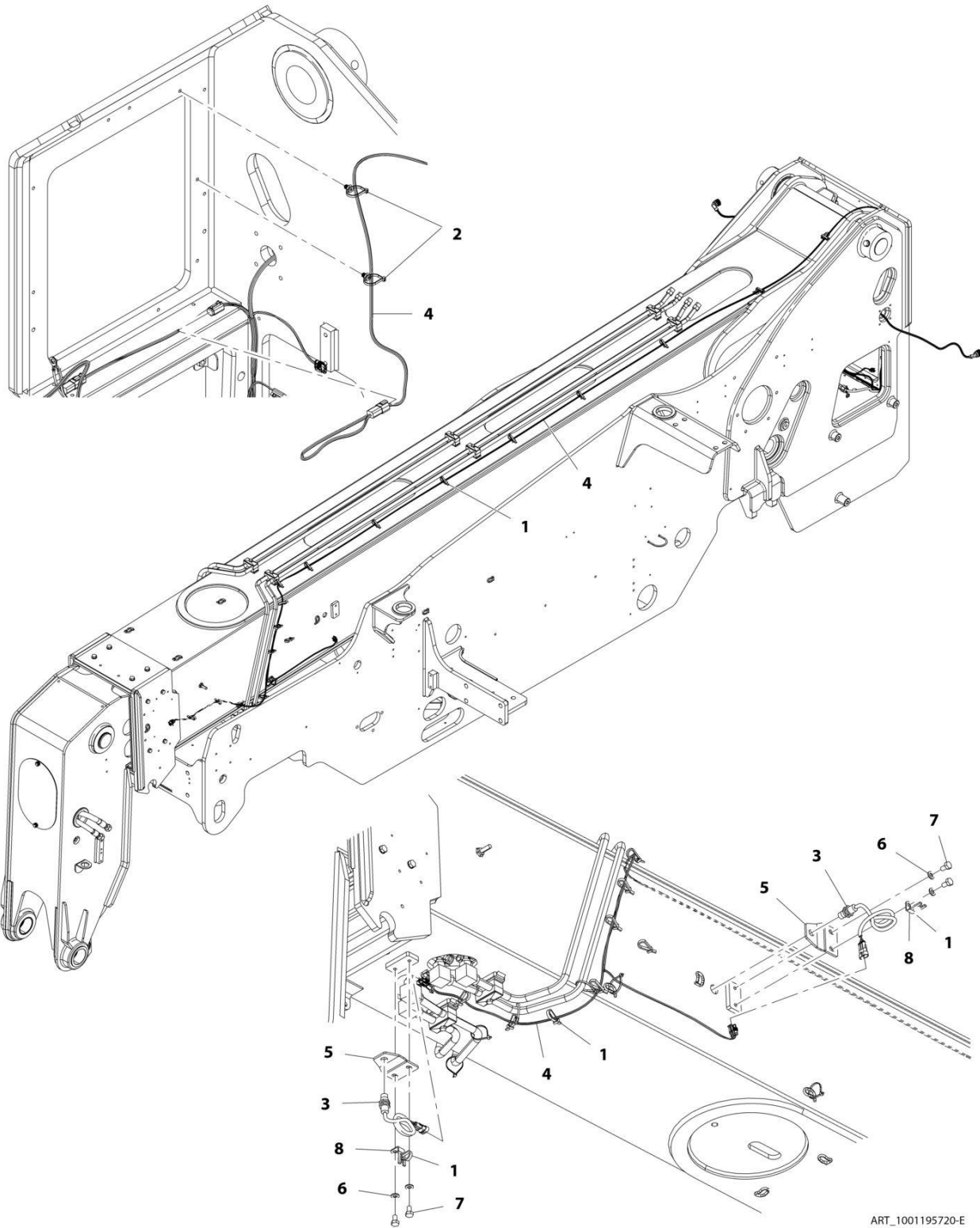
## SECTION 10 - ELECTRICAL

### FIGURE 10-22. BOOM AUX HARNESS

ITEM	PART NUMBER	QTY	DESCRIPTION	REV
	1001206633	Ref	Boom Aux Harness	C
1	4460891	1	Connector	
2	4460897	1	Mating Connector	
3	4460466	1	Plug	
4	4460465	2	Terminal	
5	4460891	1	Connector	
6	4460897	1	Mating Connector	
7	4460466	1	Terminal	
8	4460465	2	Terminal	
9	4460891	1	Connector	
10	4460465	2	Terminal	
11	1001112796	1	Connector	
12	4460465	4	Terminal	
13	4460466	5	Plug	
14	1001241590	1	Backshell	
15	1001241591	1	Nut	

# SECTION 10 - ELECTRICAL

## FIGURE 10-23. BOOM RETRACT SENSOR INSTALLATION



ART\_1001195720-E

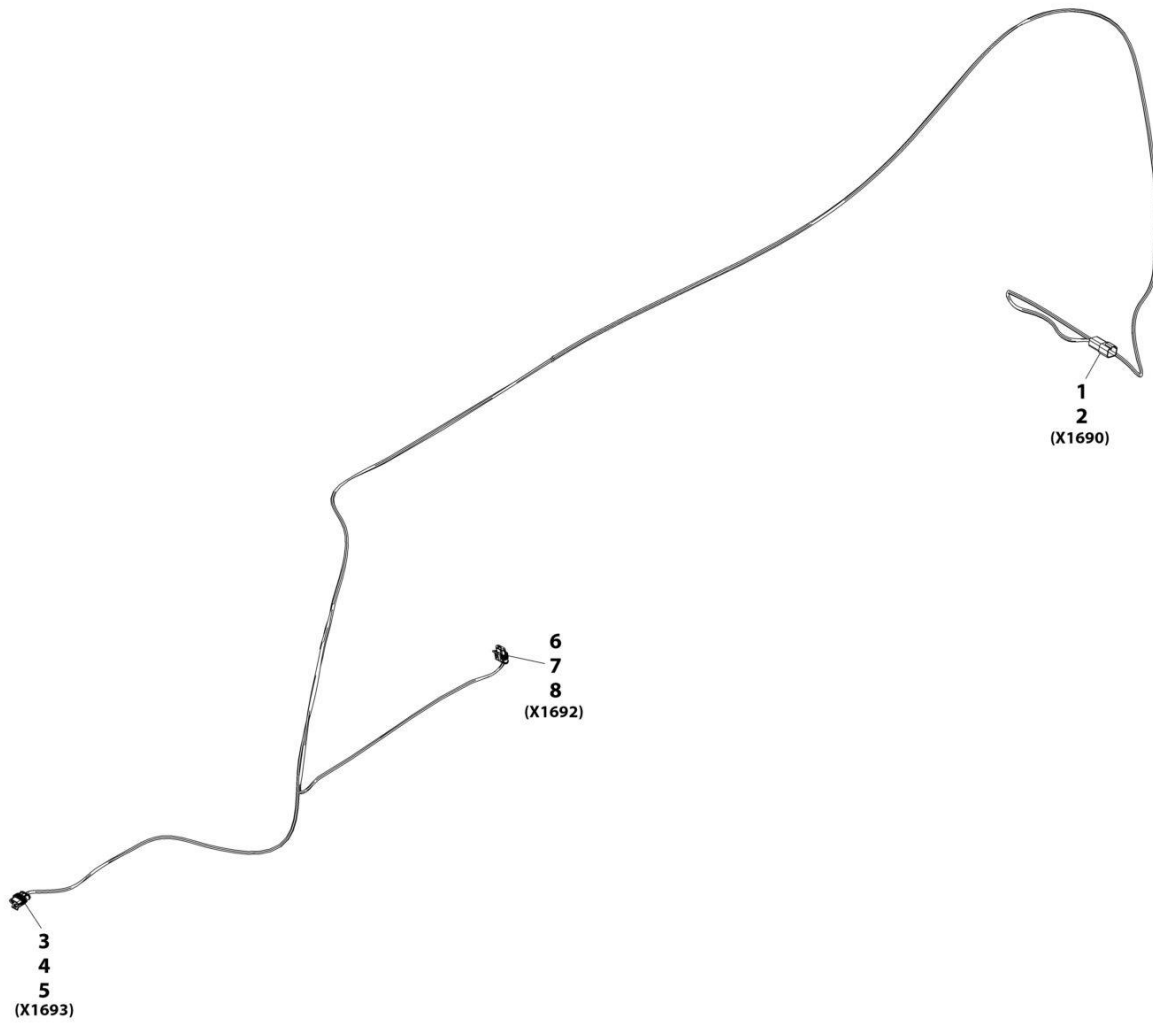
## SECTION 10 - ELECTRICAL

### FIGURE 10-23. BOOM RETRACT SENSOR INSTALLATION

ITEM	PART NUMBER	QTY	DESCRIPTION	REV
	1001195720	Ref	Boom Retract Sensor Installation	E
1	1001008923	19	Strap, Cable	
2	1001146588	2	Strap, Fir Tree Cable Tie	
3	1001183024	2	Sensor	
4	1001195953	1	Harness, Proximity Sensor	
5	1001210567	2	Bracket	
6	4812000	4	Washer, M10	
7	0761009	4	Bolt	
8	1001003305	2	Clip	

# SECTION 10 - ELECTRICAL

## FIGURE 10-24. BOOM RETRACT PROXIMITY SENSOR HARNESS



ART\_1001195953-G



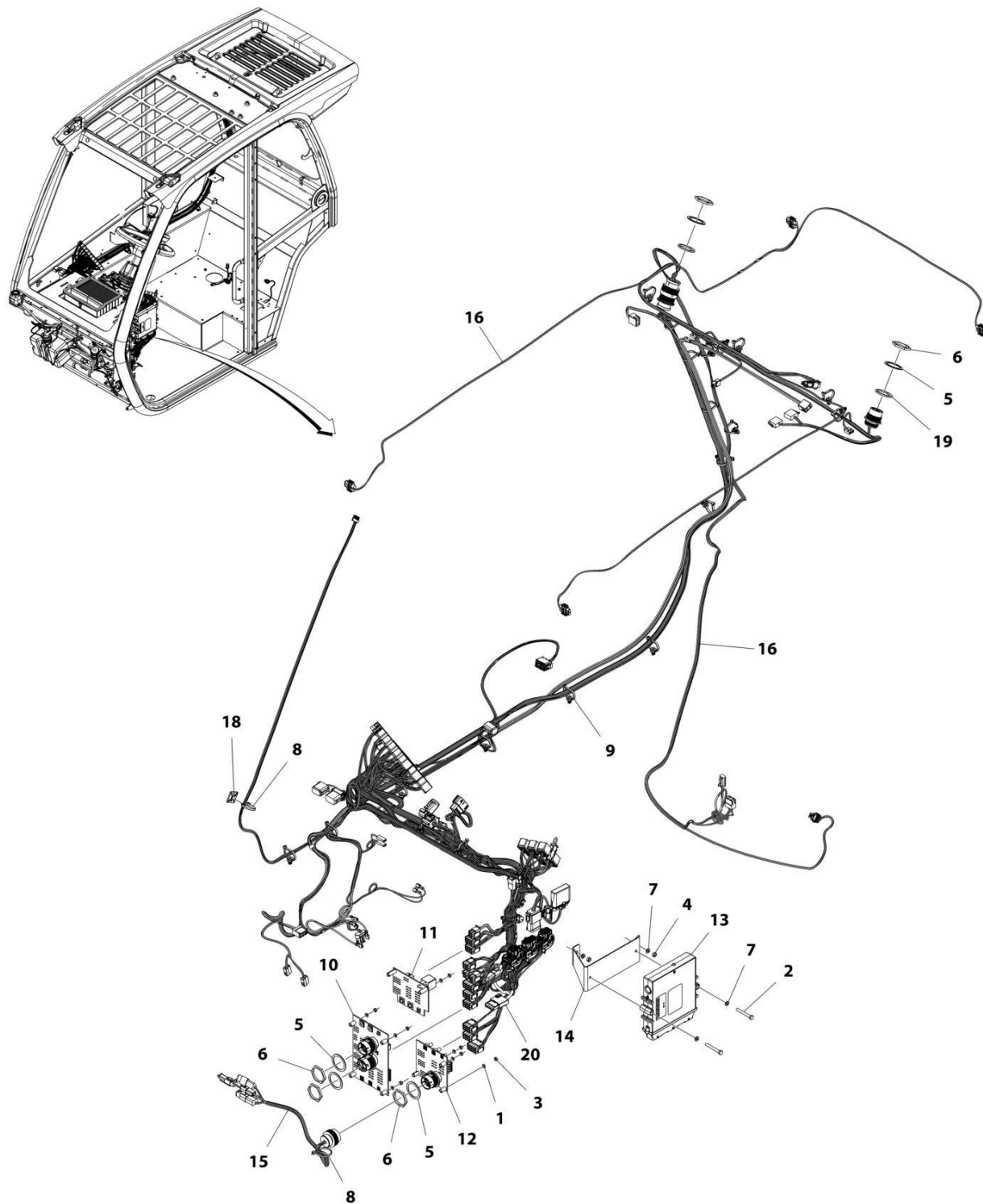
## SECTION 10 - ELECTRICAL

### FIGURE 10-24. BOOM RETRACT PROXIMITY SENSOR HARNESS

ITEM	PART NUMBER	QTY	DESCRIPTION	REV
	1001195953	Ref	Proximity Sensor Harness	G
1	4460932	1	Connector	
2	4460464	4	Terminal	
3	4461262	1	Connector	
4	1001107854	3	Terminal	
5	1001104498	3	Terminal Seal	
6	4461262	1	Connector	
7	1001107854	3	Terminal	
8	1001104498	3	Terminal Seal	

# SECTION 10 - ELECTRICAL

## FIGURE 10-25. CAB ELECTRICAL INSTALLATION



ART\_1001192558\_L

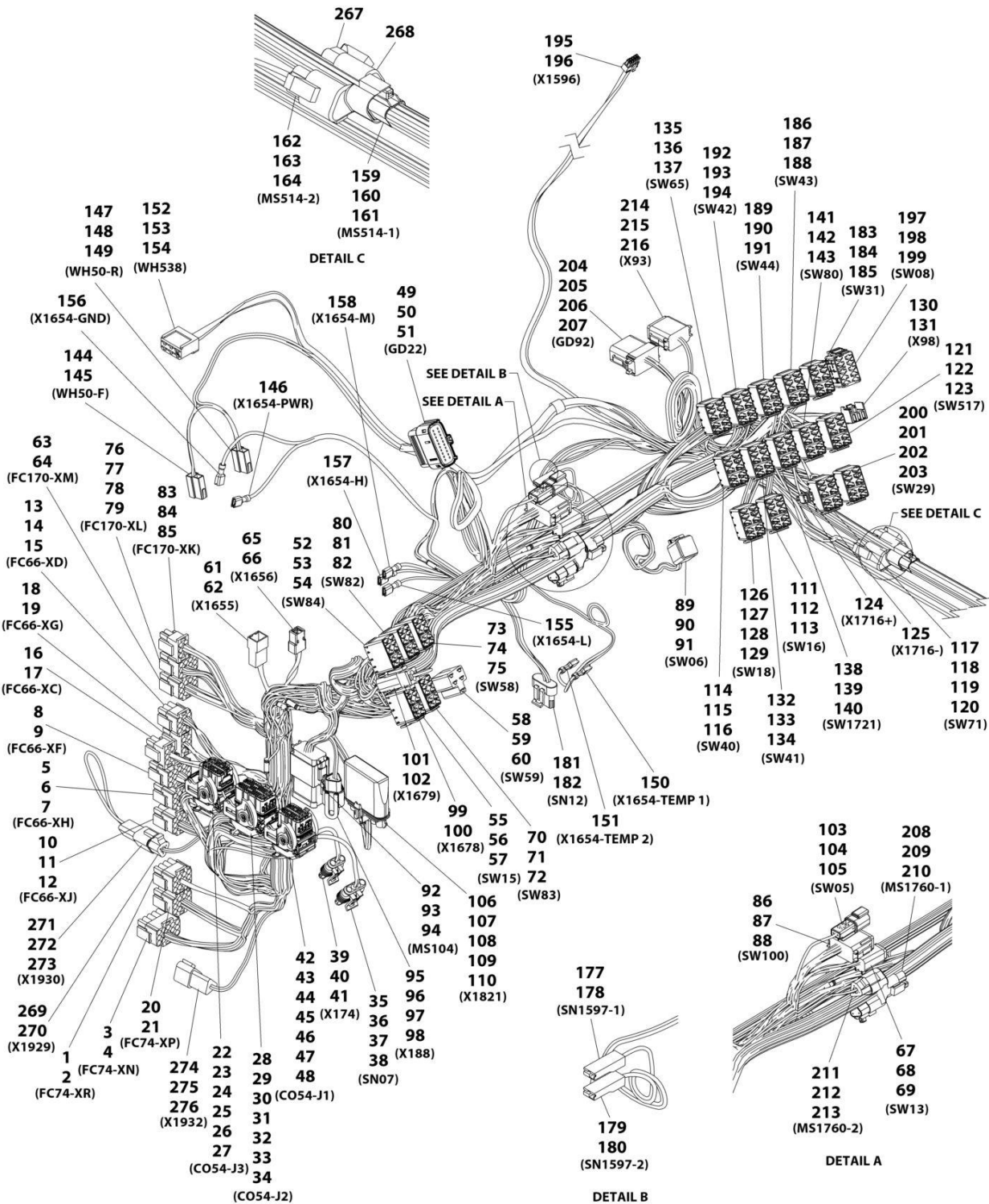
## SECTION 10 - ELECTRICAL

**FIGURE 10-25. CAB ELECTRICAL INSTALLATION**

ITEM	PART NUMBER	QTY	DESCRIPTION	REV
	1001192558	Ref	CAB ELECTRICAL INSTALLATION	L
1	120034	7	Washer, Plastic	
2	0700618	2	Bolt M6 x 50	
3	3290501	7	Nut M5	
4	3290601	2	Nut M6	
5	4460496	5	Washer, Terminal Lock	
6	4460497	5	Nut, Terminal	
7	4811700	4	Washer M6	
8	1001008559	2	Strap, Cable Tie	
9	1001146588	24	Strap, Cable Tie	
10	1001161769	1	Assembly, Standard Electrical Board (See Separate Breakdown in this Section)	
11	1001161770	1	Assembly, Option 1 Electrical Board (See Separate Breakdown in this Section)	
12	1001161771	1	Assembly, Option 2 Electrical Board (See Separate Breakdown in this Section)	
13	1001270466	1	Module, Cab Control	
14	1001178933	1	Bracket	
15	1001258712	1	Harness, Cab Option LBP (See Separate Breakdown in this Section)	
16	1001258713	1	Harness, Cab (See Separate Breakdown in this Section)	
18	4460234	1	Terminal, Mount Cable Tie	
19	1001211693	2	Seal	
20	1001213988	1	Cable, Communication Analyzer	

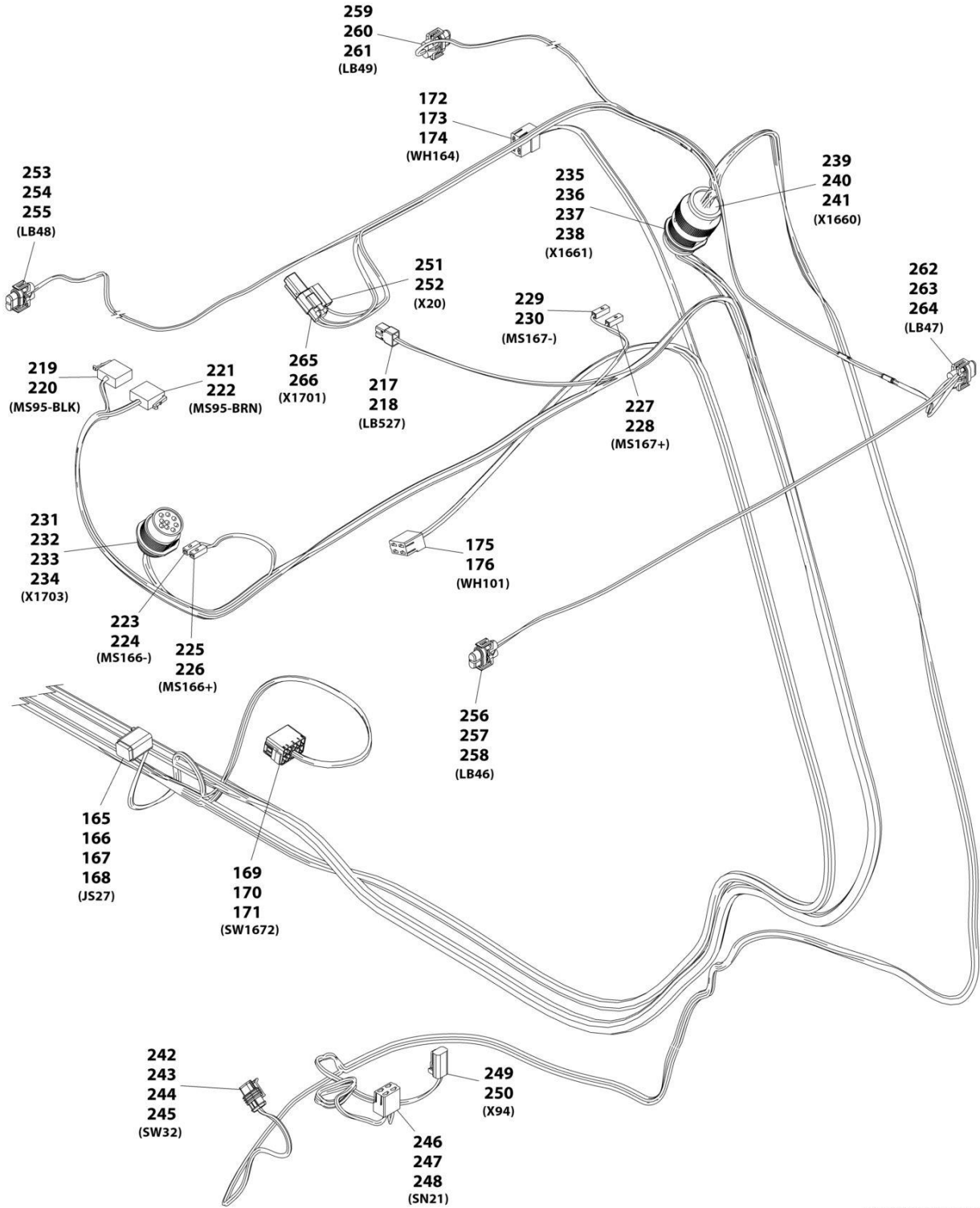
# SECTION 10 - ELECTRICAL

## FIGURE 10-26. CAB HARNESS



ART\_1001258713\_10F2

# SECTION 10 - ELECTRICAL



ART\_1001258713\_20F2

# SECTION 10 - ELECTRICAL

## FIGURE 10-26. CAB HARNESS

ITEM	PART NUMBER	QTY	DESCRIPTION	REV
	1001258713	Ref	Cab Harness	B
1	4460343	1	Connector	
2	4460267	3	Terminal	
3	4460434	1	Connector	
4	4460268	9	Terminal	
5	4460343	1	Connector	
6	4460268	8	Terminal	
7	10011223457	1	Terminal	
8	4460434	1	Connector	
9	4460268	15	Terminal	
10	4460343	1	Connector	
11	4460267	8	Terminal	
12	1001223456	1	Terminal	
13	4460265	1	Connector	
14	1001223457	3	Terminal	
15	4460268	6	Terminal	
16	4460225	1	Connector	
17	4460267	5	Terminal	
18	4460225	1	Connector	
19	4460268	5	Terminal	
20	4460343	1	Connector	
21	4460268	8	Terminal	
22	1001161959	1	Connector	
23	943191201	1	Cover	
24	1001161100	10	Plug	
25	1001161097	14	Terminal	
26	1001161098	1	Terminal	
27	1001161101	7	Plug	
28	1001160502	1	Connector	
29	643201301	1	Cover	
30	1001161097	19	Terminal	
31	1001161100	19	Plug	
32	1001161098	5	Terminal	
33	1001161099	1	Terminal	
34	1001161101	2	Plug	
35	1001103012	1	Connector	
36	1001116698	2	Plug	
37	1001116697	2	Terminal	
38	1001104498	2	Terminal Seal	
39	4461262	1	Connector	
40	1001107854	3	Terminal	
41	1001104498	3	Terminal Seal	
42	1001160498	1	Connector	
43	643191201	1	Cover	
44	1001161097	19	Terminal	
45	1001161100	5	Plug	
46	1001161098	5	Terminal	
47	1001161101	2	Plug	
48	1001161099	1	Terminal	
49	1001162886	1	Connector	

## SECTION 10 - ELECTRICAL

ITEM	PART NUMBER	QTY	DESCRIPTION	REV
50	1001163340	13	Plug	
51	1001162887	7	Terminal	
52	1001117081	1	Connector	
53	1001116723	6	Terminal	
54	1001222455	1	Terminal	
55	1001117081	1	Connector	
56	1001116723	6	Terminal	
57	1001223455	1	Terminal	
58	1001173411	1	Connector	
59	1001116716	3	Terminal	
60	1001104519	3	Terminal	
61	1001116999	1	Connector	
62	1001116700	4	Terminal	
63	4460343	1	Connector	
64	4460267	7	Terminal	
65	1001116991	1	Connector	
66	1001116723	2	Terminal	
67	4460933	1	Connector	
68	4460466	5	Plug	
69	4460465	7	Terminal	
70	1001117081	1	Connector	
71	1001116723	6	Terminal	
72	1001223455	1	Terminal	
73	1001117081	1	Connector	
74	1001116723	4	Terminal	
75	1001118384	2	Terminal	
76	4460343	1	Connector	
77	4460268	8	Terminal	
78	4460906	1	Terminal	
79	1001223457	1	Terminal	
80	1001117081	1	Connector	
81	1001116723	6	Terminal	
82	1001223455	1	Terminal	
83	4460225	1	Connector	
84	4460267	5	Terminal	
85	4460705	1	Terminal	
86	4460836	1	Connector	
87	4460942	4	Terminal	
88	4460465	8	Terminal	
89	4460894	1	Connector	
90	4460465	4	Terminal	
91	4460466	2	Plug	
92	4460933	1	Connector	
93	1001125677	1	Mating Connector	
94	4460465	12	Terminal	
95	1001116812	1	Connector	
96	1001144296	1	Cap	
97	4460944	2	Terminal	
98	4460466	1	Plug	
99	4460320	1	Connector	
100	4460267	2	Terminal	

## SECTION 10 - ELECTRICAL

ITEM	PART NUMBER	QTY	DESCRIPTION	REV
101	4460424	1	Connector	
102	4460268	2	Terminal	
103	4460897	1	Connector	
104	4460464	1	Terminal	
105	4460466	1	Plug	
106	4460744	1	Connector	
107	8220375	1	Cap	
108	4460748	2	Plug	
109	4460746	4	Terminal	
110	4460458	4	Seal	
111	1001117081	1	Connector	
112	1001116723	6	Terminal	
113	1001223455	1	Terminal	
114	1001117081	1	Connector	
115	1001116723	6	Terminal	
116	1001118384	4	Terminal	
117	1001117081	1	Connector	
118	1001116723	6	Terminal	
119	1001118384	2	Terminal	
120	1001223455	2	Terminal	
121	1001117081	1	Connector	
122	1001116723	6	Terminal	
123	1001223455	1	Terminal	
124	1001194421	1	Terminal	
125	1001194421	1	Terminal	
126	1001117081	1	Connector	
127	1001116723	6	Terminal	
128	1001223455	3	Terminal	
129	1001118384	2	Terminal	
130	1001118684	1	Connector	
131	1001116754	2	Terminal	
132	1001117081	1	Connector	
133	1001116723	4	Terminal	
134	1001118384	3	Terminal	
135	1001117081	1	Connector	
136	1001116723	5	Terminal	
137	1001223455	1	Terminal	
138	1001117081	1	Connector	
139	1001116723	6	Terminal	
140	1001118384	1	Terminal	
141	1001117081	1	Connector	
142	1001116723	6	Terminal	
143	1001223455	1	Terminal	
144	4460994	1	Connector	
145	1001118384	2	Terminal	
146	8220051	1	Terminal	
147	4460994	1	Connector	
148	1001118384	1	Terminal	
149	1001116723	2	Terminal	
150	1001194421	1	Terminal	
151	1001194421	1	Terminal	



## SECTION 10 - ELECTRICAL

ITEM	PART NUMBER	QTY	DESCRIPTION	REV
152	1001116997	1	Connector	
153	1001118384	4	Terminal	
154	1001116723	1	Terminal	
155	8220051	1	Terminal	
156	8220051	1	Terminal	
157	8220051	1	Terminal	
158	8220051	1	Terminal	
159	1001116812	1	Connector	
160	4460944	2	Terminal	
161	4460466	1	Plug	
162	4460539	1	Connector	
163	4460944	2	Terminal	
164	4460466	1	Plug	
165	4460894	1	Connector	
166	4460465	3	Terminal	
167	4460466	1	Plug	
168	4460944	2	Terminal	
169	1001117081	1	Connector	
170	1001116723	2	Terminal	
171	1001223455	4	Terminal	
172	1001116986	1	Connector	
173	1001117011	1	Mating Connector	
174	1001118384	4	Terminal	
175	1001116986	1	Connector	
176	1001118384	4	Terminal	
177	1001116995	1	Connector	
178	1001118379	1	Terminal	
179	1001116995	1	Connector	
180	1001118379	1	Terminal	
181	1001230931	1	Connector	
182	1001116748	6	Terminal	
183	1001117081	1	Connector	
184	1001116723	4	Terminal	
185	1001118384	2	Terminal	
186	1001117081	1	Connector	
187	1001116723	4	Terminal	
188	1001118384	2	Terminal	
189	1001117081	1	Connector	
190	1001116723	4	Terminal	
191	1001118384	2	Terminal	
192	1001117081	1	Connector	
193	1001116723	4	Terminal	
194	1001118384	2	Terminal	
195	1001150735	1	Connector	
196	1001150737	7	Terminal	
197	1001117079	1	Connector	
198	1001223455	2	Terminal	
199	1001116723	6	Terminal	
200	1001117081	1	Connector	
201	1001116723	8	Terminal	
202	1001118384	1	Terminal	

## SECTION 10 - ELECTRICAL

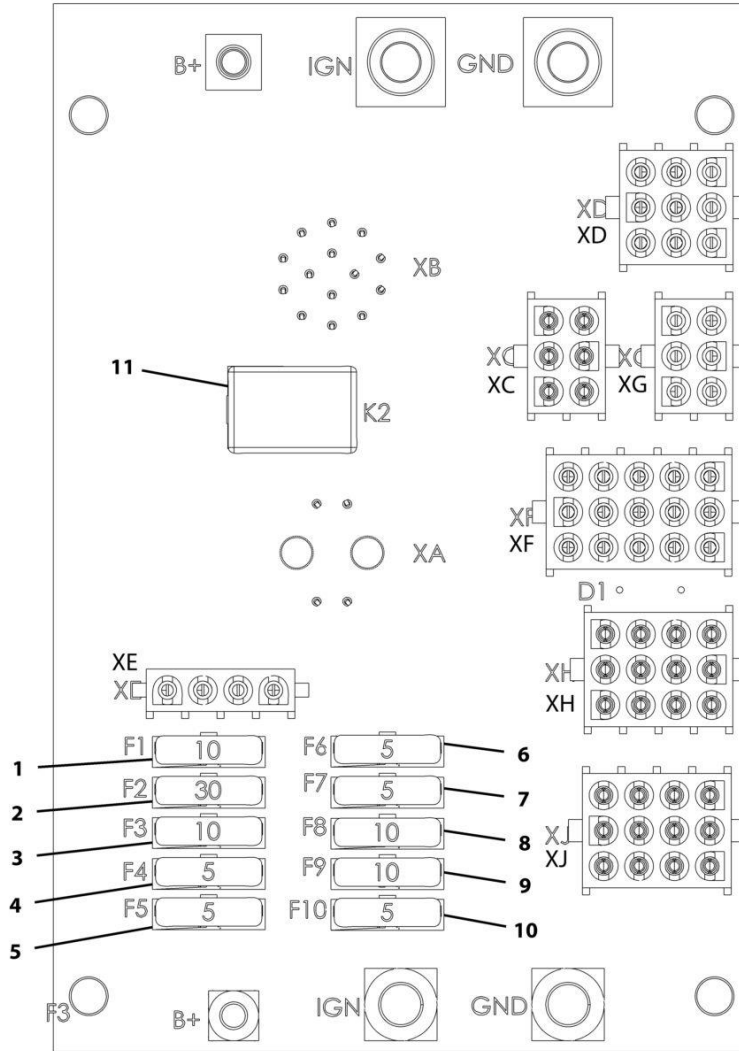
ITEM	PART NUMBER	QTY	DESCRIPTION	REV
203	1001223455	1	Terminal	
204	1001176333	1	Connector	
205	4460466	11	Plug	
206	4460465	3	Terminal	
207	4460944	4	Terminal	
208	1001116812	1	Connector	
209	4460944	2	Terminal	
210	4460466	1	Plug	
211	4460539	1	Connector	
212	4460944	2	Terminal	
213	4460466	1	Plug	
214	4460930	1	Connector	
215	4460931	1	Mating Connector	
216	4460466	6	Plug	
217	1001116991	1	Connector	
218	1001118384	2	Terminal	
219	1001116985	1	Connector	
220	1001118386	3	Terminal	
221	1001116984	1	Connector	
222	1001118386	4	Terminal	
223	1001116998	1	Connector	
224	1001118387	1	Terminal	
225	1001116998	1	Connector	
226	1001118387	1	Terminal	
227	1001116998	1	Connector	
228	1001118387	1	Terminal	
229	1001116998	1	Connector	
230	1001118387	1	Terminal	
231	1001112612	1	Connector	
232	4460464	3	Terminal	
233	4460943	2	Terminal	
234	4460466	4	Plug	
235	1001137000	1	Connector	
236	4460928	3	Terminal	
237	1001126008	12	Terminal	
238	4460518	6	Plug	
239	1001136999	1	Connector	
240	1001126011	15	Terminal	
241	4460518	6	Plug	
242	4461262	1	Connector	
243	1001107854	2	Terminal	
244	1001104499	1	Terminal	
245	1001104498	2	Terminal Seal	
246	1001116986	1	Connector	
247	1001118384	3	Terminal	
248	1001116723	1	Terminal	
249	4460891	1	Connector	
250	4460465	2	Terminal	
251	4460944	1	Connector	
252	1001118384	2	Terminal	
253	4461115	1	Connector	

## SECTION 10 - ELECTRICAL

ITEM	PART NUMBER	QTY	DESCRIPTION	REV
254	4460746	2	Terminal	
255	4460458	2	Terminal Seal	
256	4461115	1	Connector	
257	4460746	2	Terminal	
258	4460458	2	Terminal Seal	
259	4461115	1	Connector	
260	4460746	2	Terminal	
261	4460458	2	Terminal Seal	
262	4461115	1	Connector	
263	4460746	2	Terminal	
264	4460458	2	Terminal Seal	
265	4460891	1	Connector	
266	4460465	2	Terminal	
267	1001116815	1	Connector	
268	4460945	1	Connector, 3 Way	
269	4460539	1	Connector	
270	4460465	2	Terminal	
271	4460536	1	Connector	
272	4460464	2	Terminal	
273	4460466	1	Plug	
274	4460536	1	Connector	
275	4460464	2	Terminal	
276	4460466	1	Plug	

# SECTION 10 - ELECTRICAL

FIGURE 10-27. CAB - STANDARD ELECTRICAL BOARD ASSEMBLY



ART\_1001161769-C

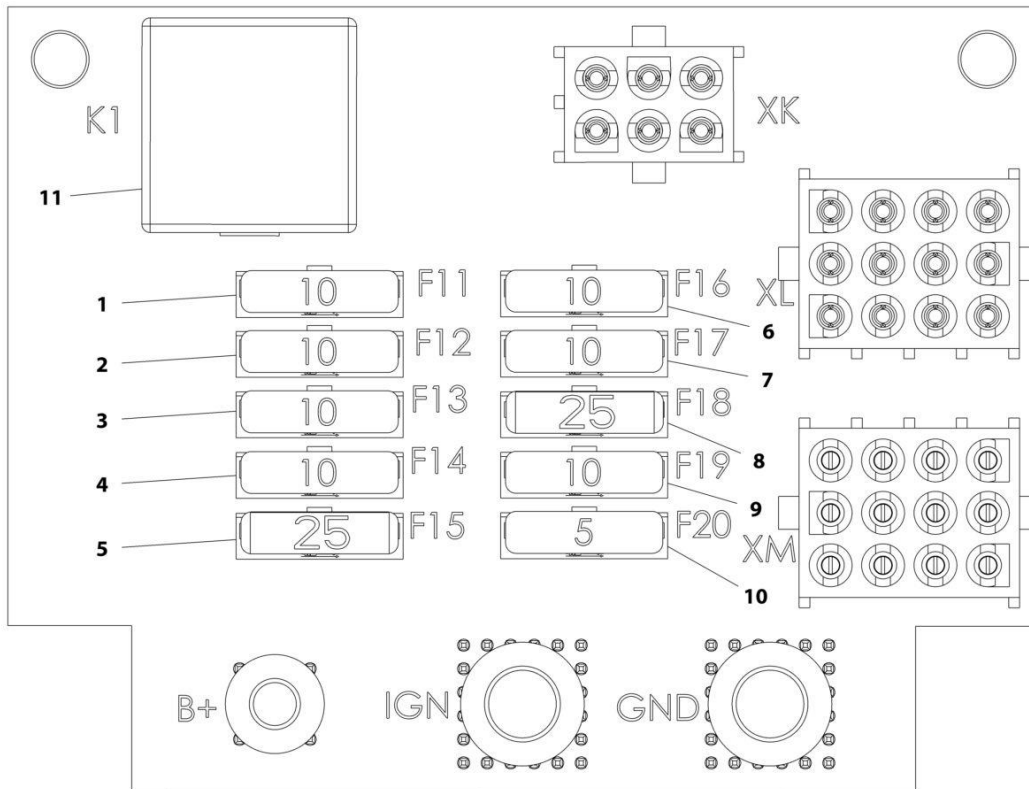
## SECTION 10 - ELECTRICAL

### FIGURE 10-27. CAB - STANDARD ELECTRICAL BOARD ASSEMBLY

ITEM	PART NUMBER	QTY	DESCRIPTION	REV
	1001161769	Ref	Standard Electrical Board Assembly	C
1	80983191	1	Fuse, 10AMP	
2	8229245	1	Fuse, 30AMP	
3	80983191	1	Fuse, 10AMP	
4	8229242	1	Fuse, 5AMP	
5	8229242	1	Fuse, 5AMP	
6	8229242	1	Fuse, 5AMP	
7	8229242	1	Fuse, 5AMP	
8	80983191	1	Fuse, 10AMP	
9	80983191	1	Fuse, 10AMP	
10	8229242	1	Fuse, 5AMP	
11	70026292	1	Fuse, 35AMP	

# SECTION 10 - ELECTRICAL

## FIGURE 10-28. CAB - OPTION 1 ELECTRICAL BOARD ASSEMBLY



ART\_1001161770-C

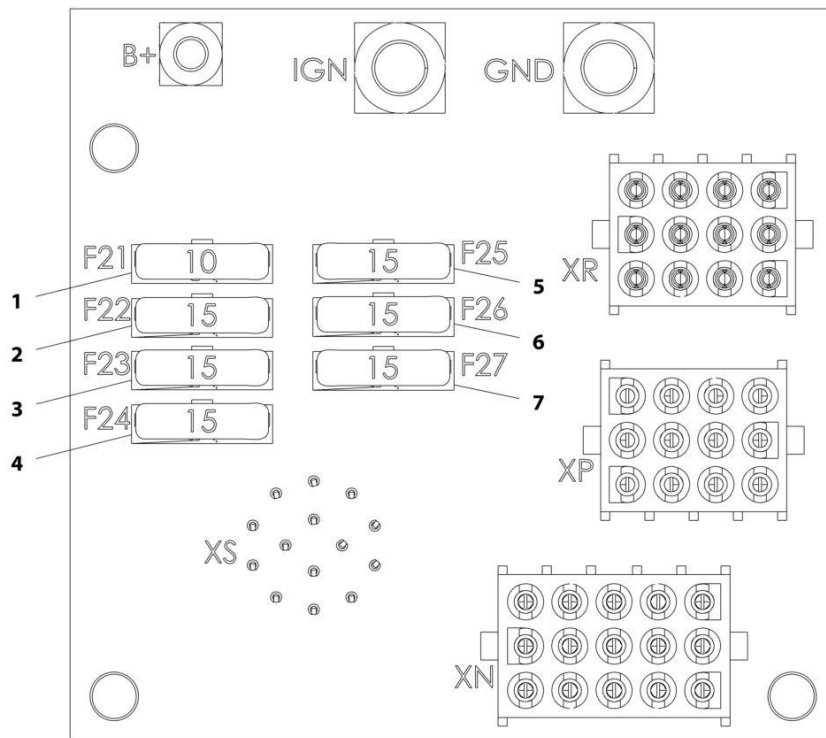
## SECTION 10 - ELECTRICAL

### FIGURE 10-28. CAB - OPTION 1 ELECTRICAL BOARD ASSEMBLY

ITEM	PART NUMBER	QTY	DESCRIPTION	REV
	1001161770	Ref	Option 1 Electrical Board Assembly	C
1	80983191	1	Fuse, 10AMP	
2	80983191	1	Fuse, 10AMP	
3	80983191	1	Fuse, 10AMP	
4	80983191	1	Fuse, 10AMP	
5	8229247	1	Fuse, 25AMP	
6	80983191	1	Fuse, 10AMP	
7	80983191	1	Fuse, 10AMP	
8	8229247	1	Fuse, 25AMP	
9	80983191	1	Fuse, 10AMP	
10	8229242	1	Fuse, 5AMP	
11	70026293	1	Fuse, 50AMP	

# SECTION 10 - ELECTRICAL

## FIGURE 10-29. CAB - OPTION 2 ELECTRICAL BOARD ASSEMBLY



ART\_1001161771-B



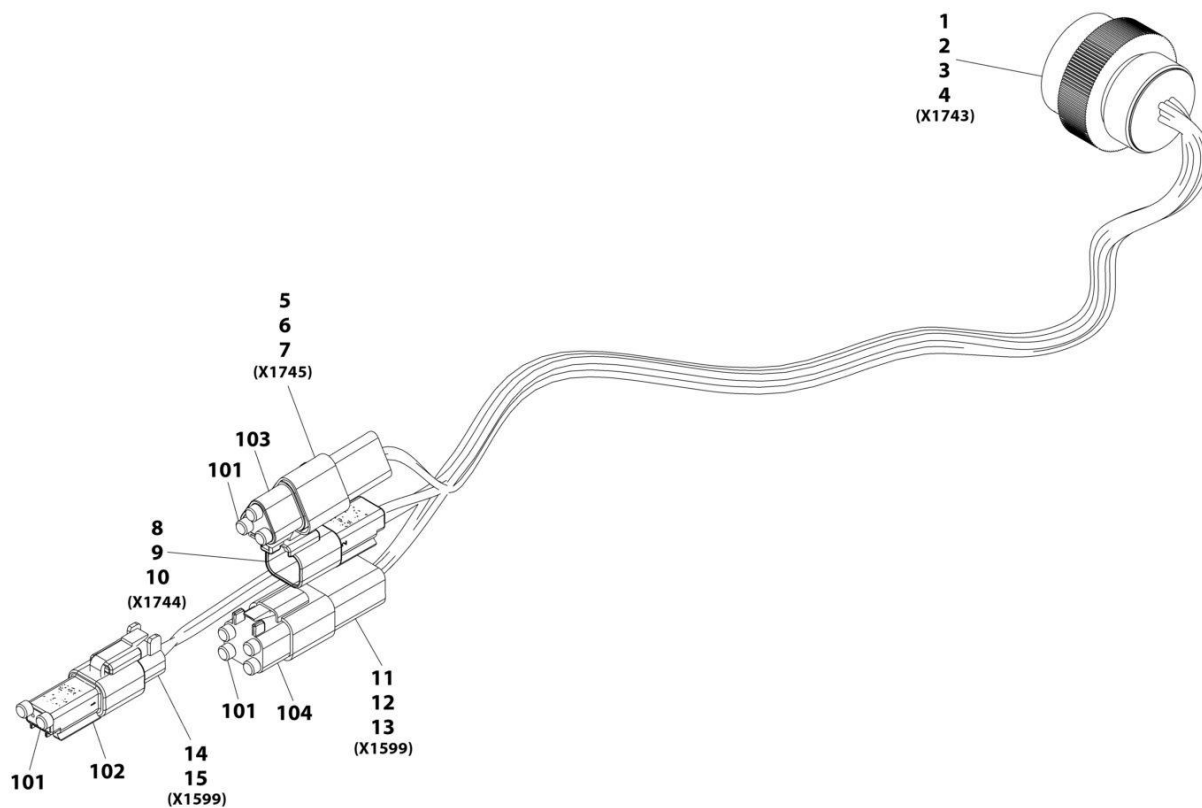
## SECTION 10 - ELECTRICAL

### FIGURE 10-29. CAB - OPTION 2 ELECTRICAL BOARD ASSEMBLY

ITEM	PART NUMBER	QTY	DESCRIPTION	REV
	1001161771	Ref	Option 2 Electrical Board Assembly	B
1	80983191	1	Fuse, 10AMP	
2	8229244	1	Fuse, 15AMP	
3	8229244	1	Fuse, 15AMP	
4	8229244	1	Fuse, 15AMP	
5	8229244	1	Fuse, 15AMP	
6	8229244	1	Fuse, 15AMP	
7	8229244	1	Fuse, 15AMP	

# SECTION 10 - ELECTRICAL

## FIGURE 10-30. CAB OPTION HARNESS



ART\_1001258712

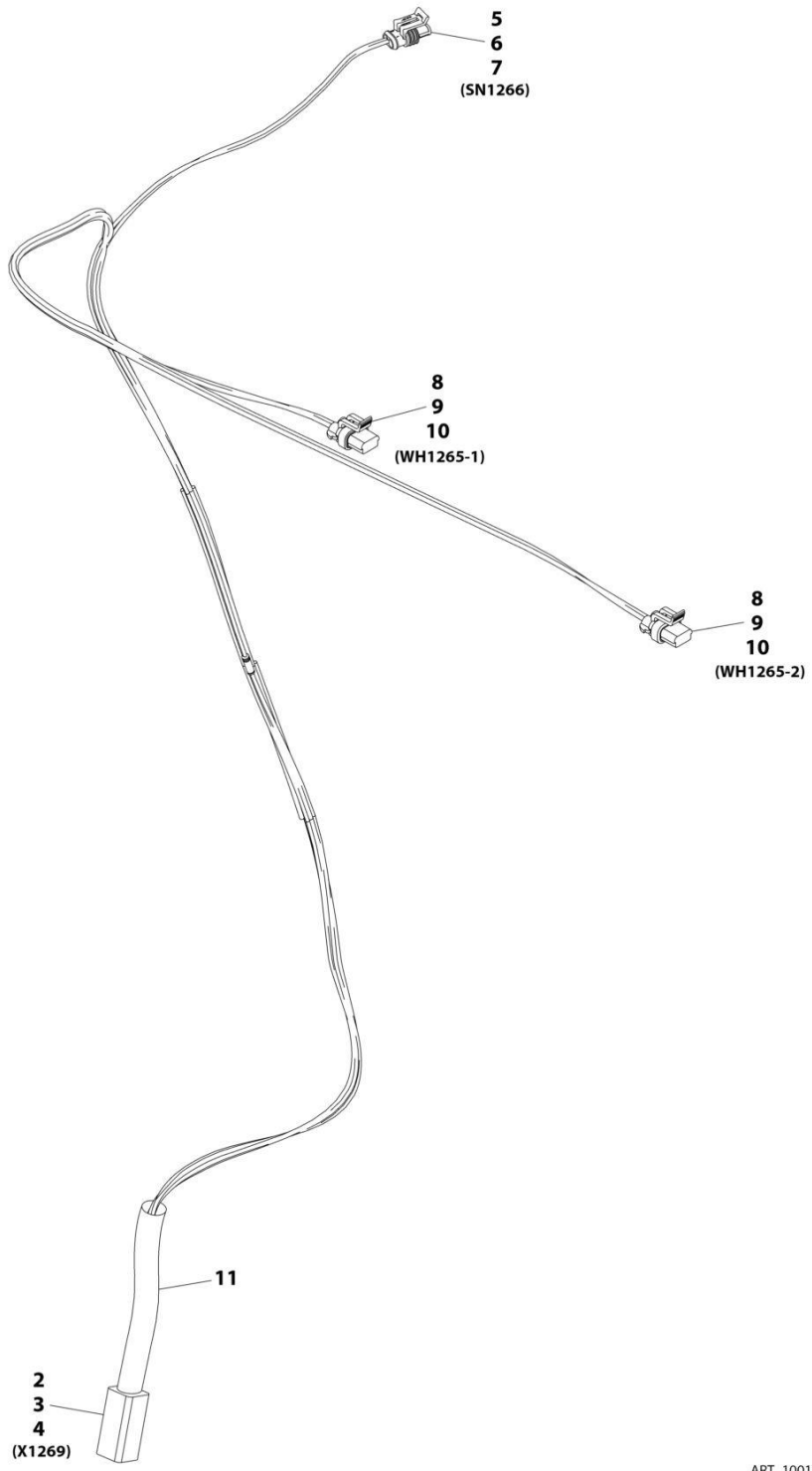
## SECTION 10 - ELECTRICAL

### FIGURE 10-30. CAB OPTION HARNESS

ITEM	PART NUMBER	QTY	DESCRIPTION	REV
	1001258712	Ref	Cab Option Harness	A
1	4461015	1	Connector	
2	4460465	5	Terminal	
3	4460466	6	Plug	
4	4460942	1	Terminal	
5	1001144147	1	Connector	
6	4460943	2	Terminal	
7	4460466	1	Plug	
8	4460897	1	Connector	
9	4460941	1	Terminal	
10	4460466	1	Plug	
11	4460932	1	Connector	
12	4460464	3	Terminal	
13	4460466	1	Plug	
14	4460891	1	Plug, Male	
15	4460465	2	Socket, Female	
101	4460466	9	Plug, Terminal	
102	4460884	1	Plug, Male - 4 Position	
103	1001116812	1	Plug, Male - 3 Position	
104	4460897	2	Plug, Male - 2 Position	

# SECTION 10 - ELECTRICAL

## FIGURE 10-31. CAB - A/C OPTION HARNESS



ART\_1001169151-E

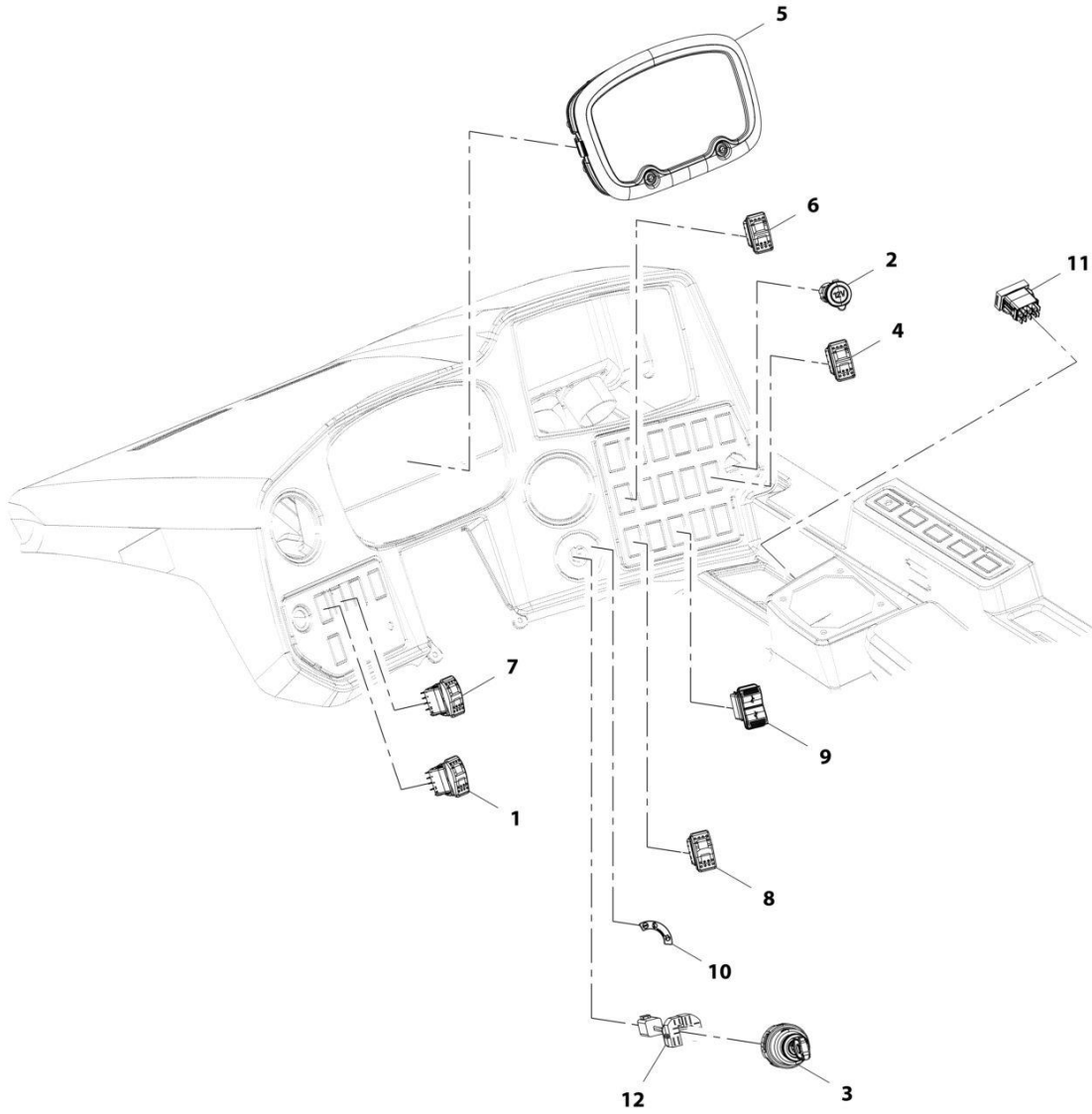
# SECTION 10 - ELECTRICAL

## FIGURE 10-31. CAB - A/C OPTION HARNESS

ITEM	PART NUMBER	QTY	DESCRIPTION	REV
	1001169151	Ref	A/C Option Harness	F
2	4460899	1	Connector	
3	4460941	4	Terminal	
4	4460464	2	Terminal	
5	4461118	1	Connector	
6	1001107854	2	Terminal	
7	1001116763	2	Seal	
8	1001117021	2	Connector	
9	1001116747	4	Terminal	
10	4460789	4	Seal	
11	70028546	1	Backshell	

# SECTION 10 - ELECTRICAL

## FIGURE 10-32. CAB - DASH ELECTRICAL INSTALLATION (1732)



ART\_1001220717-C

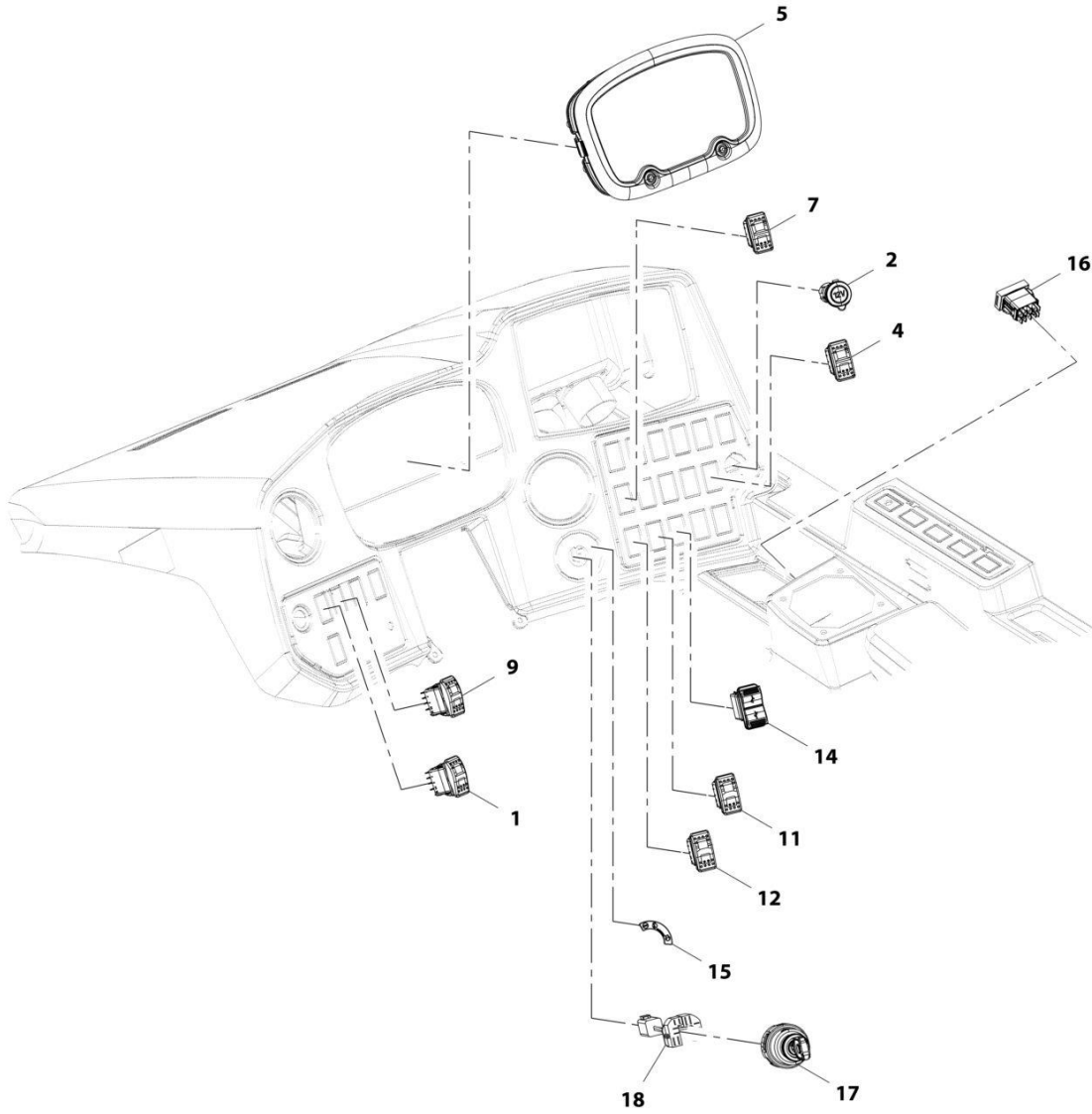
## SECTION 10 - ELECTRICAL

**FIGURE 10-32. CAB - DASH ELECTRICAL INSTALLATION (1732)**

ITEM	PART NUMBER	QTY	DESCRIPTION	REV
	1001220717	Ref	Dash Electrical Installation	C
1	1001080978	1	Switch, Lift/Loader	
2	1001095804	1	Connector, 12V Power Socket	
3	1001102502	1	Switch, 4 Position Key	
3	70022765	1	Key, Ignition (set of 2)	
4	1001104654	1	Switch, AUX Decomp	
5	1001158146	1	Cluster, Electrical Gauge	
6	1001159735	1	Switch, Rear Wiper	
7	1001159741	1	Switch, Constant AUX	
8	1001159849	1	Switch, Steer Mode	
9	1001174712	1	Charger, USB	
10	1001181531	1	Decal, Ignition Switch	
11	1001212470	1	Switch, Frame Level	
12	1001223968	1	Harness, Ignition Switch (See Separate Breakdown in this Section)	

# SECTION 10 - ELECTRICAL

## FIGURE 10-33. CAB - DASH ELECTRICAL INSTALLATION (8010)



ART\_1001192560-F



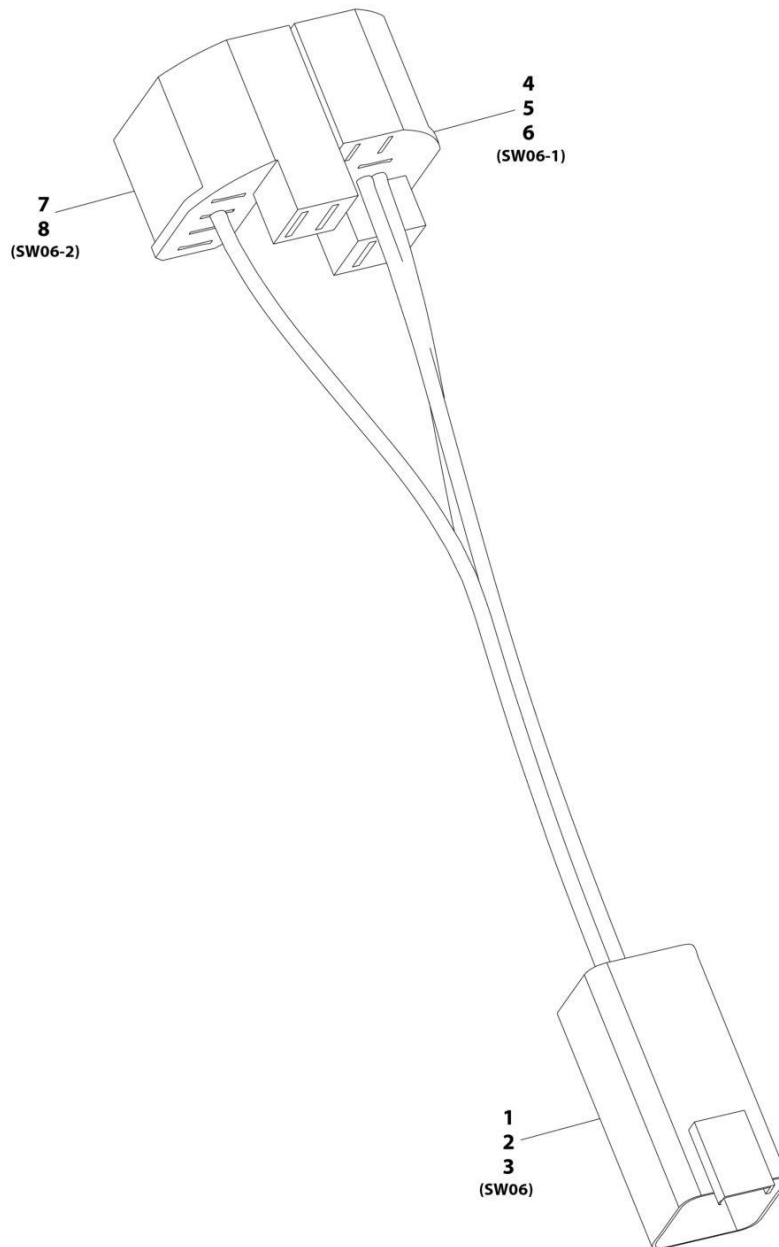
## SECTION 10 - ELECTRICAL

**FIGURE 10-33. CAB - DASH ELECTRICAL INSTALLATION (8010)**

ITEM	PART NUMBER	QTY	DESCRIPTION	REV
	1001192560	Ref	Dash Electrical Installation	F
1	1001080978	1	Switch, Lift/Loader	
2	1001095804	1	Connector, 12V Power Socket	
4	1001104654	1	Switch, Aux Decomp	
5	1001158146	1	Cluster, Electrical Gauge	
7	1001159735	1	Switch, Rear Wiper	
9	1001159741	1	Switch, Constant AUX	
11	1001159743	1	Switch, Road Use	
12	1001159849	1	Switch, Steer Mode	
14	1001174712	1	Charger, USB	
15	1001181531	1	Decal, Ignition Switch	
16	1001212470	1	Switch, Frame Level	
17	1001102502	1	Switch, 4 Position Key	
17	70022765	1	Key, Ignition (set of 2)	
18	1001223968	1	Harness, Ignition Switch (See Separate Breakdown in this Section)	

# SECTION 10 - ELECTRICAL

## FIGURE 10-34. CAB - IGNITION SWITCH HARNESS



ART\_1001223968-A

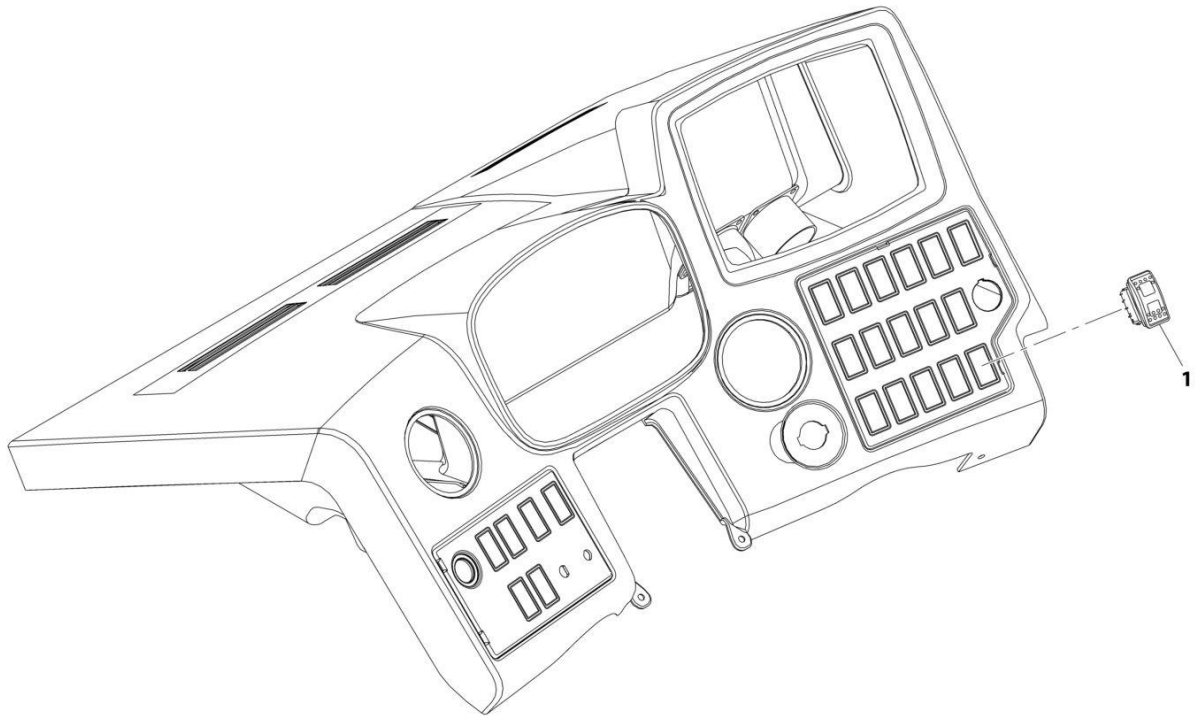
## SECTION 10 - ELECTRICAL

### FIGURE 10-34. CAB - IGNITION SWITCH HARNESS

ITEM	PART NUMBER	QTY	DESCRIPTION	REV
	1001223968	Ref	Ignition Switch Harness	A
1	4460899	1	Connector	
2	4460464	3	Terminal	
3	4460466	3	Plug	
4	1001118685	1	Connector	
5	1001104519	1	Terminal	
6	1001118383	1	Terminal	
7	1001117121	1	Connector	
8	1001104519	1	Terminal	

# SECTION 10 - ELECTRICAL

## FIGURE 10-35. CAB - LIGHT SWITCH INSTALLATION



ART\_1001215121-A

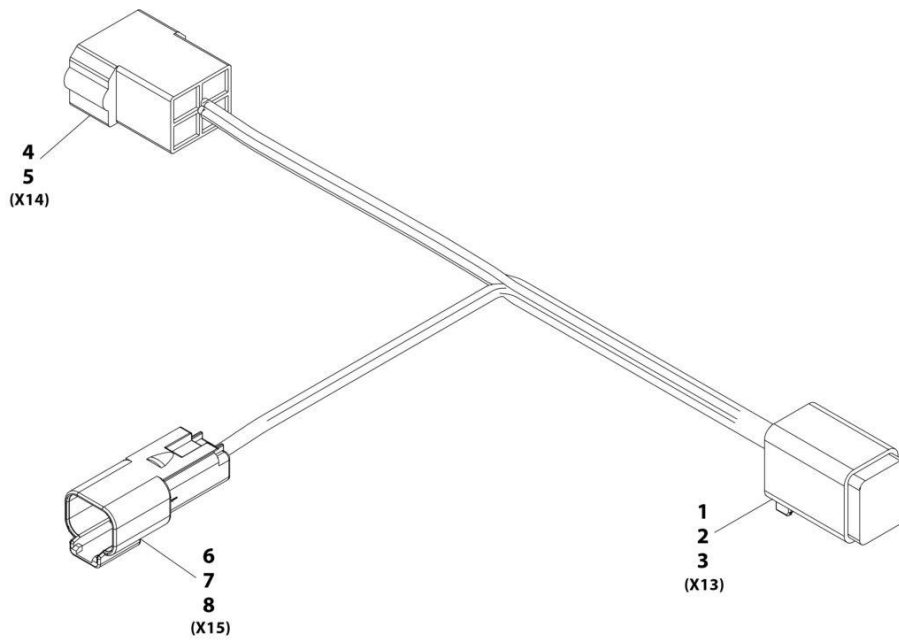
## SECTION 10 - ELECTRICAL

### FIGURE 10-35. CAB - LIGHT SWITCH INSTALLATION

ITEM	PART NUMBER	QTY	DESCRIPTION	REV
1	1001215121 1001163639	Ref 1	Light Switch Installation Switch, Light	A

# SECTION 10 - ELECTRICAL

## FIGURE 10-36. CAB - SEAT ADAPTOR HARNESS



ART\_1001168531-A

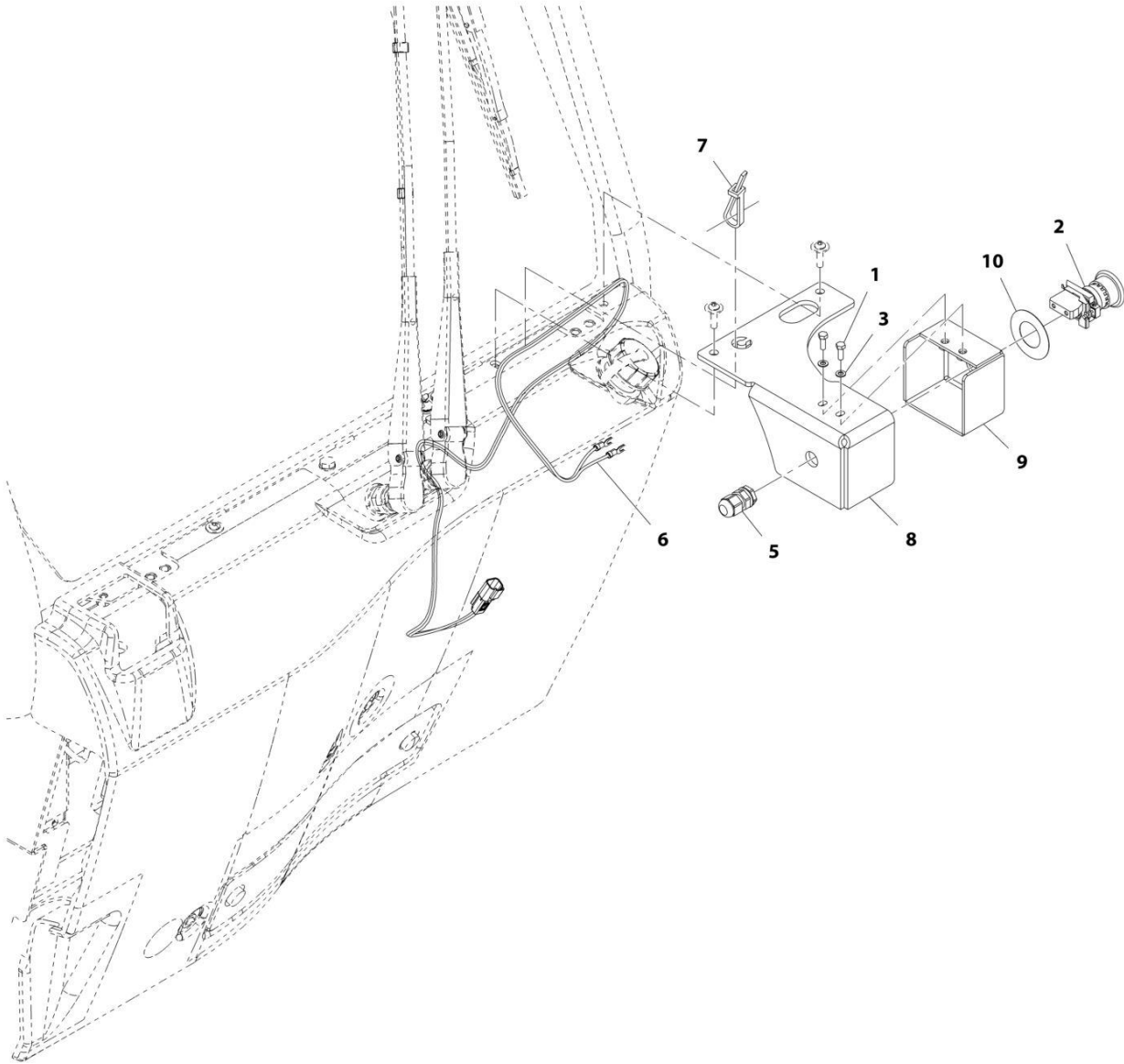
## SECTION 10 - ELECTRICAL

### FIGURE 10-36. CAB - SEAT ADAPTOR HARNESS

ITEM	PART NUMBER	QTY	DESCRIPTION	REV
	1001168531	Ref	Seat Adaptor Harness	A
1	4460894	1	Connector	
2	91504107	1	Lock, Connector	
3	4460465	6	Terminal	
4	1001117011	1	Connector	
5	1001116700	3	Terminal	
6	4460897	1	Connector	
7	80604017	1	Lock, Connector	
8	4460943	2	Terminal	

**SECTION 10 - ELECTRICAL**

**FIGURE 10-37. CAB - EXTERNAL EMERGENCY STOP INSTALLATION**



ART\_1001195721-C



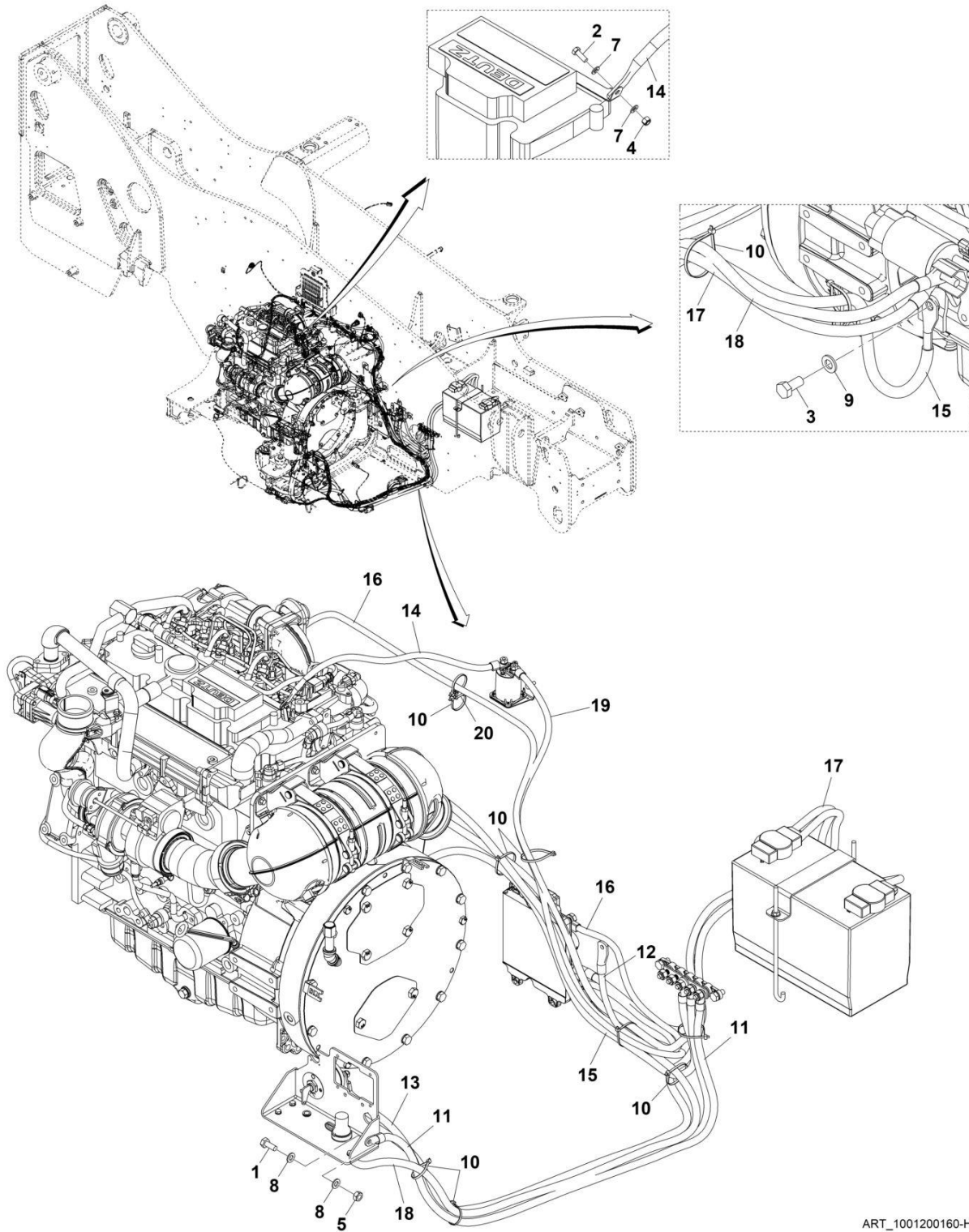
## SECTION 10 - ELECTRICAL

### FIGURE 10-37. CAB - EXTERNAL EMERGENCY STOP INSTALLATION

ITEM	PART NUMBER	QTY	DESCRIPTION	REV
	1001195721	Ref	Emergency Stop External Installation	C
1	0760507	2	Bolt, M5X14	
2	4360475	1	Switch, E-Stop	
3	4811600	2	Washer, M5	
5	4461000	1	Connector	
6	1001217320	1	Harness, External EMS	
7	1001008559	1	Strap, Tie	
8	1001220859	1	Bracket	
9	1001220861	1	Shield	
10	1704260	1	Decal, EMS	

# SECTION 10 - ELECTRICAL

## FIGURE 10-38. ENGINE - ENGINE BAY ELECTRICAL INSTALLATION (ULS)



ART\_1001200160-H

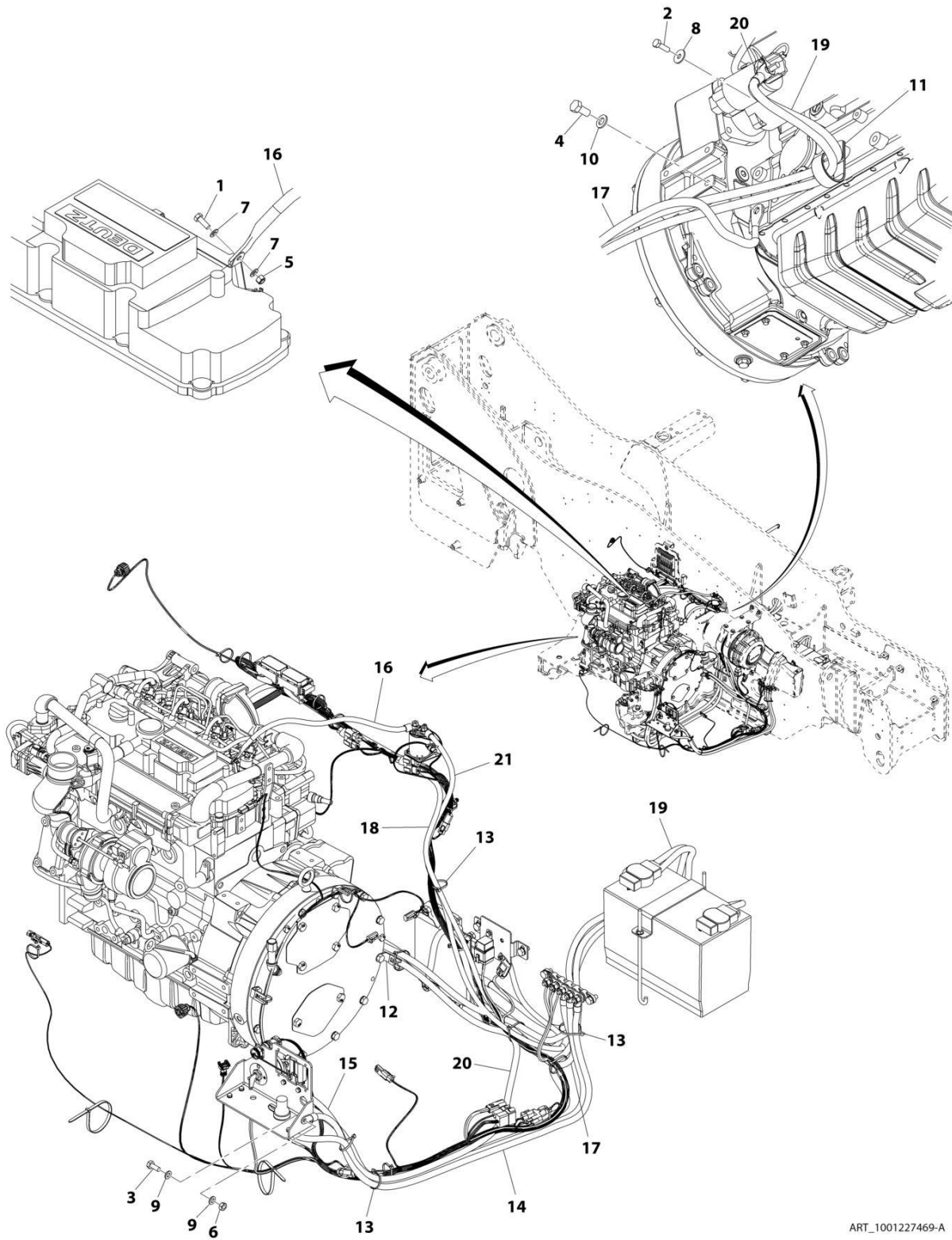
## SECTION 10 - ELECTRICAL

**FIGURE 10-38. ENGINE - ENGINE BAY ELECTRICAL INSTALLATION (ULS)**

ITEM	PART NUMBER	QTY	DESCRIPTION	REV
	1001200160	Ref	Engine Bay Electrical Installation	I
1	0761012	1	Bolt, M10X25	
2	0760507	1	Bolt, M5X14	
3	0761212	1	Bolt, M12X25	
4	3290505	1	Nut, Lock M5X0.8	
5	3291001	1	Nut, M10X1.5	
7	4811600	2	Washer, M5	
8	4812000	2	Washer, M10	
9	4812100	1	Washer, M12	
10	1001008559	10	Tie, Strap	
11	1001194103	1	Cable	
12	1001194244	1	Cable	
13	1001196502	1	Cable	
14	1001200161	1	Cable	
15	1001200162	1	Cable	
16	1001200164	1	Cable	
17	1001200165	1	Cable	
18	1001200166	1	Cable	
19	1001200167	1	Cable	
20	1001004723	1	Saddle	
21	1001293972	1	Cable, ECM Power (Not Shown)	

# SECTION 10 - ELECTRICAL

## FIGURE 10-39. ENGINE - ENGINE BAY ELECTRICAL INSTALLATION (LS)



ART\_1001227469-A

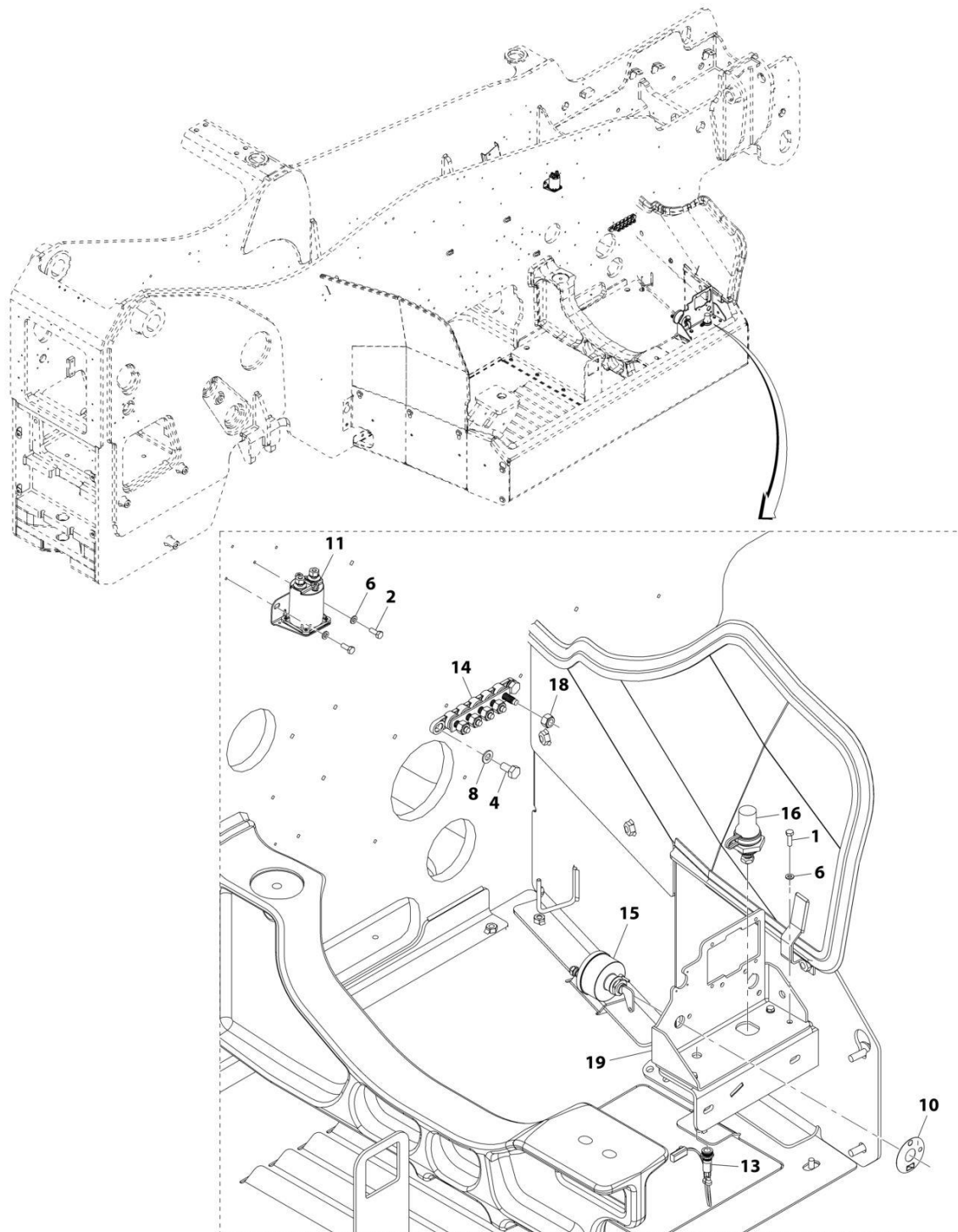
## SECTION 10 - ELECTRICAL

**FIGURE 10-39. ENGINE - ENGINE BAY ELECTRICAL INSTALLATION (LS)**

ITEM	PART NUMBER	QTY	DESCRIPTION	REV
	1001227469	Ref	Engine Bay Electrical Installation	B
1	0760507	1	Bolt, M5X14	
2	0760812	1	Bolt, M8X25	
3	0761012	1	Bolt, M10X25	
4	0761212	1	Bolt, M12X25	
5	3290505	1	Nut, Lock M5X0.8 Grade 8	
6	3291001	1	Nut, M10X1.5 Grade 8	
7	4811600	2	Washer, M5	
8	4811902	1	Washer, M8	
9	4812000	2	Washer, M10	
10	4812100	1	Washer, M12	
11	85941018	1	Clamp	
12	1001003305	1	Clip	
13	1001008559	7	Tie, Strap	
14	1001194103	1	Cable	
15	1001196502	1	Cable	
16	1001200161	1	Cable	
17	1001200162	1	Cable	
18	1001200164	1	Cable	
19	1001200165	1	Cable	
20	1001200166	1	Cable	
21	1001200167	1	Cable	
22	1001293972	1	Cable, ECM Power (Not Shown)	

# SECTION 10 - ELECTRICAL

## FIGURE 10-40. ENGINE - ENGINE POD ELECTRICAL INSTALLATION (ULS)



ART\_1001202172-C

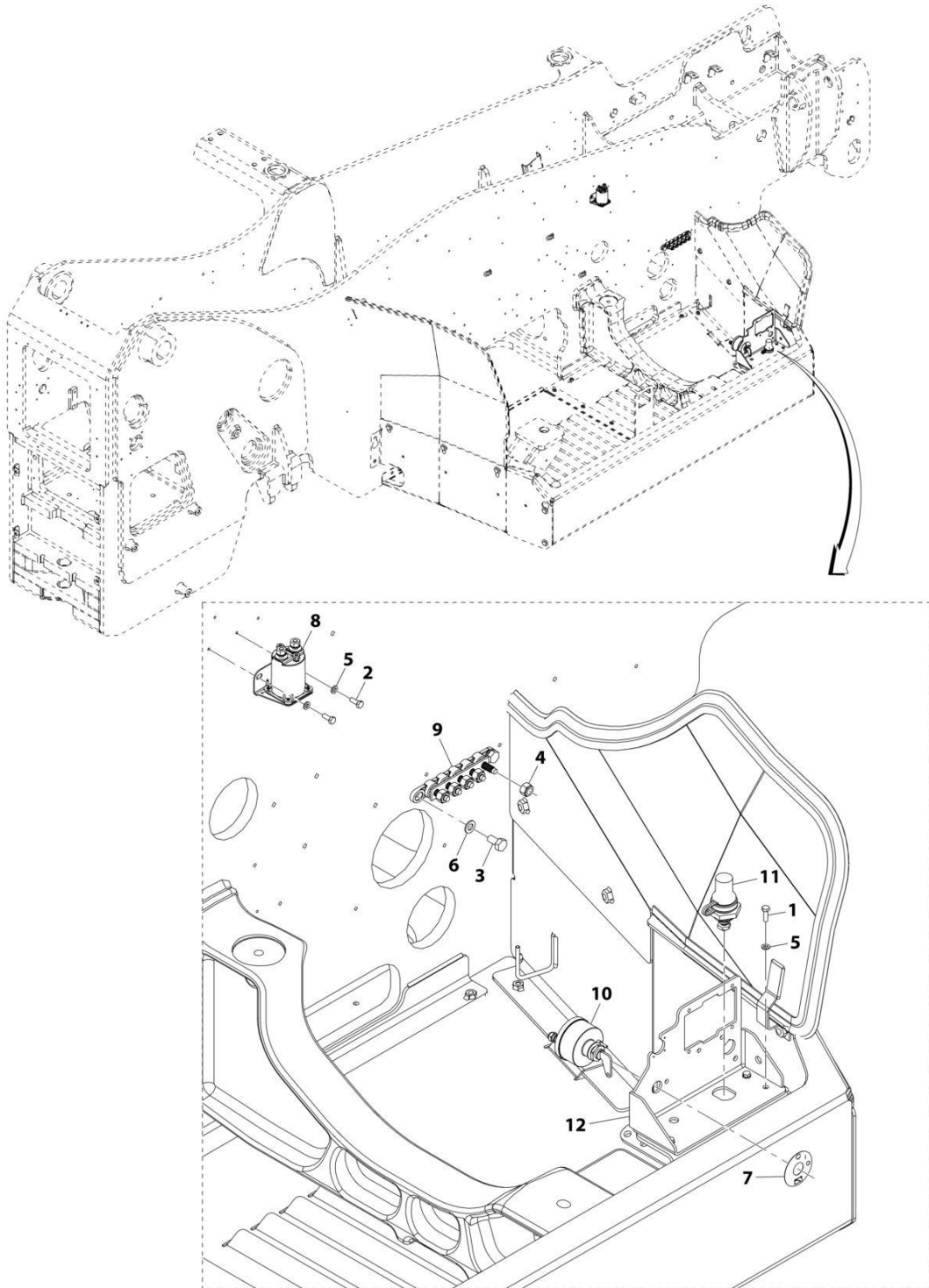
## SECTION 10 - ELECTRICAL

**FIGURE 10-40. ENGINE - ENGINE POD ELECTRICAL INSTALLATION (ULS)**

ITEM	PART NUMBER	QTY	DESCRIPTION	REV
	1001202172	Ref	Engine Pod Electrical Installation (ULS)	C
1	0700610	4	Bolt, M6X20	
2	0760608	2	Bolt, M6X16	
4	0761010	2	Bolt, M10X20	
6	4811700	6	Washer, M6	
8	4812000	2	Washer, M10	
10	1001008540	1	Plate	
11	1001117308	1	Relay	
13	1001232288	1	Harness, DEF Purge Light (See Separate Breakdown in this Section)	
14	1001181128	1	Bussbar	
15	1001192142	1	Switch, Disconnect	
16	1001193993	1	Terminal, Battery	
18	3291005	5	Nut, Lock M10X1.5	
19	1001212886	1	Bracket	

# SECTION 10 - ELECTRICAL

## FIGURE 10-41. ENGINE - ENGINE POD ELECTRICAL INSTALLATION (LS)



ART\_1001223066-A



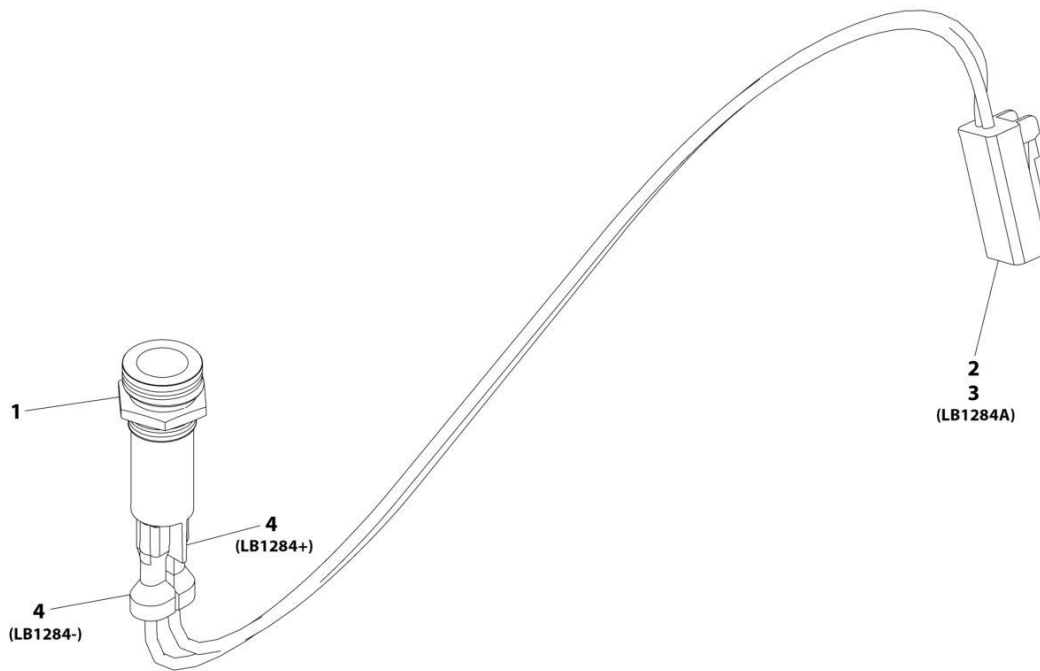
## SECTION 10 - ELECTRICAL

**FIGURE 10-41. ENGINE - ENGINE POD ELECTRICAL INSTALLATION (LS)**

ITEM	PART NUMBER	QTY	DESCRIPTION	REV
	1001223066	Ref	Engine Pod Electrical Installation (LS)	A
1	0700610	4	Bolt, M6X20	
2	0760608	2	Bolt, M6X16	
3	0761010	2	Bolt, M10X20	
4	3291005	5	Nut, Lock M10X1.5	
5	4811700	6	Washer, M6	
6	4812000	2	Washer, M10	
7	1001008540	1	Plate	
8	1001117308	1	Relay	
9	1001181128	1	Bussbar	
10	1001192142	1	Switch, Disconnect	
11	1001193993	1	Stud, Terminal	
12	1001212886	1	Bracket	

# SECTION 10 - ELECTRICAL

## FIGURE 10-42. ENGINE - DEF PURGE LIGHT HARNESS



ART\_1001232288-A

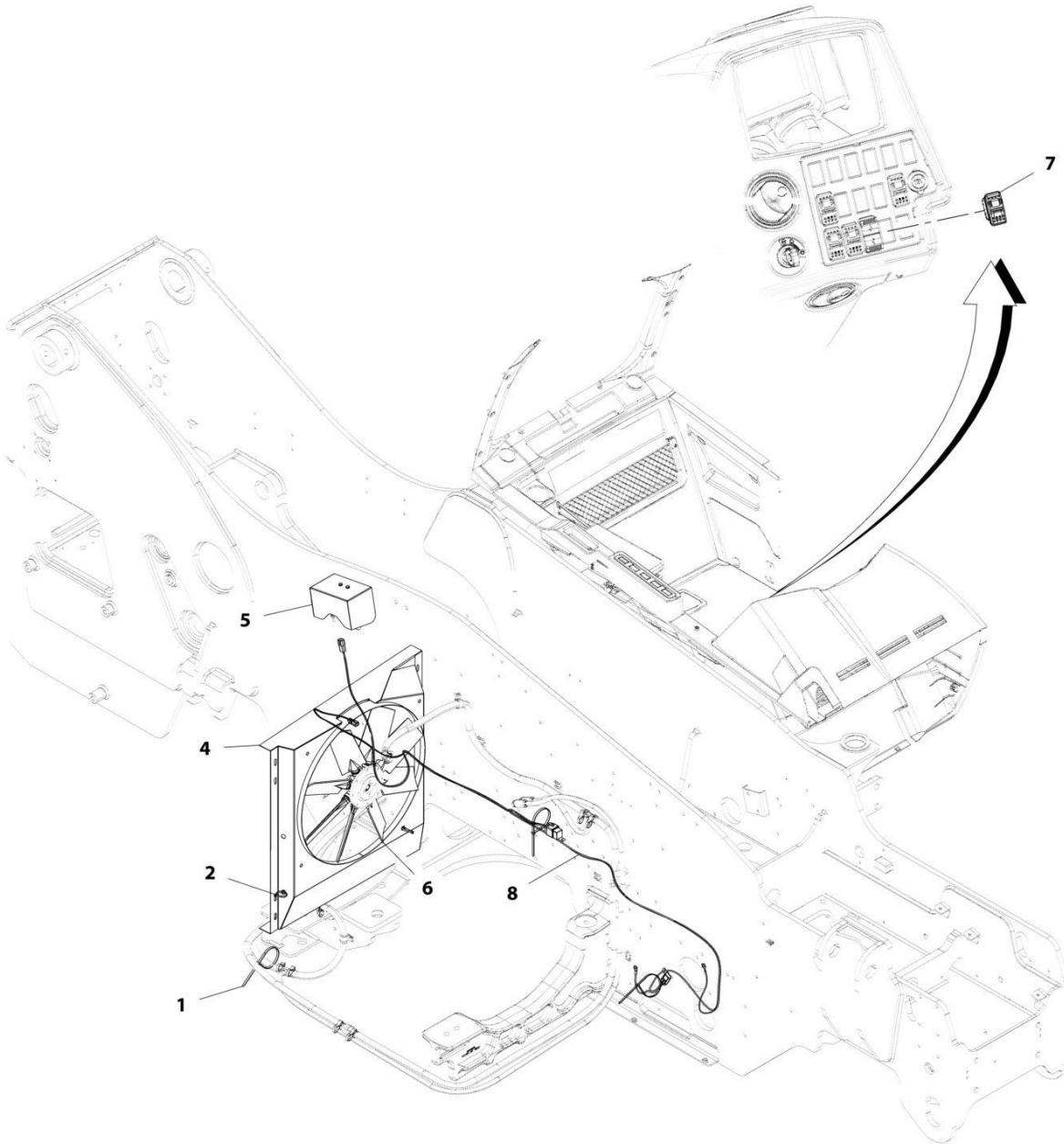
## SECTION 10 - ELECTRICAL

### FIGURE 10-42. ENGINE - DEF PURGE LIGHT HARNESS

ITEM	PART NUMBER	QTY	DESCRIPTION	REV
	1001232288	Ref	DEF Purge Light Harness	A
1	1001169825	1	LED Lamp 12V	
2	4461290	1	Connector	
3	1001126008	2	Terminal	
4	8220108	2	Connector	

# SECTION 10 - ELECTRICAL

## FIGURE 10-43. ENGINE - FAN (REVERSE COOLING) INSTALLATION



ART\_1001217753-C

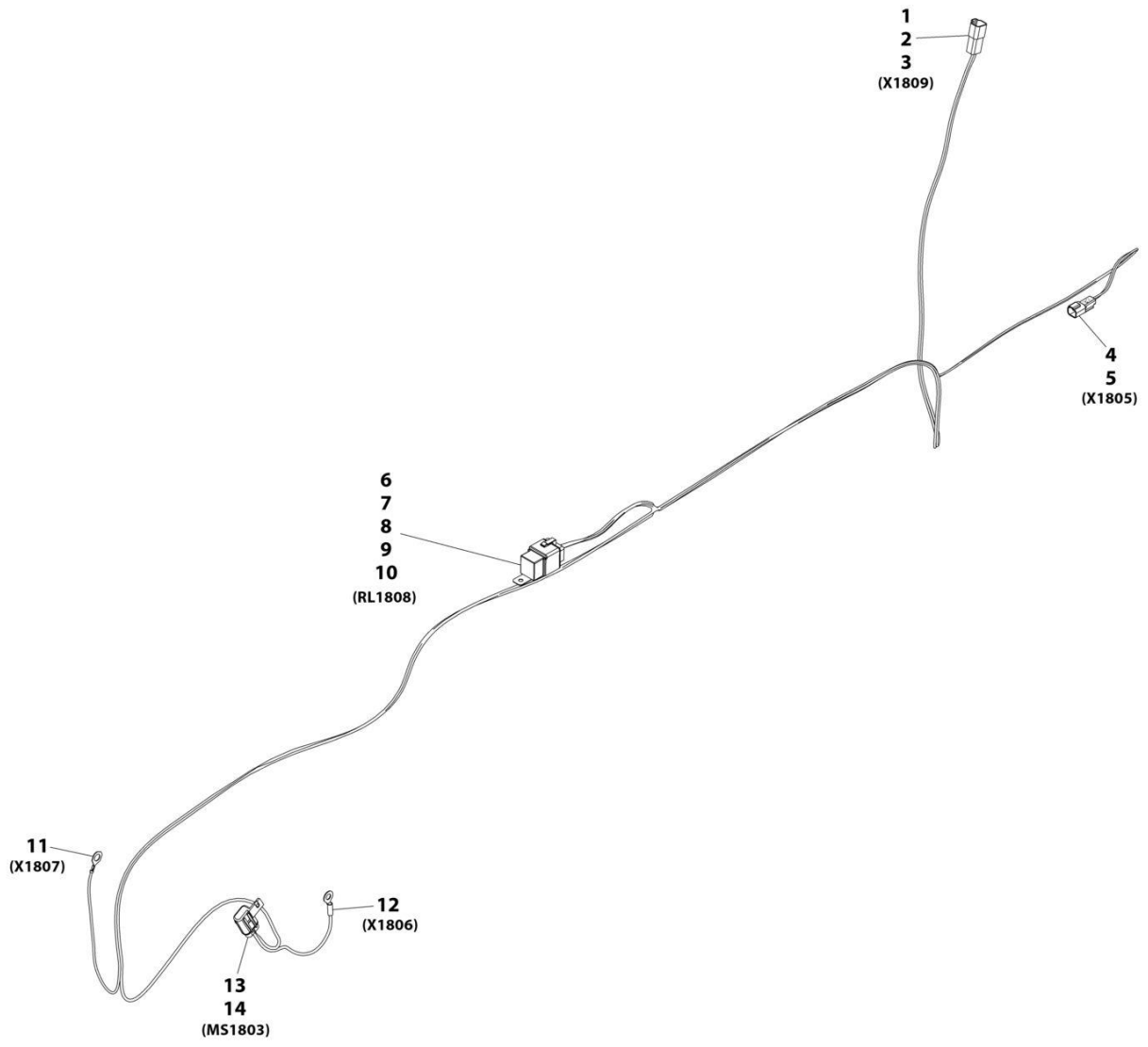
## SECTION 10 - ELECTRICAL

### FIGURE 10-43. ENGINE - FAN (REVERSE COOLING) INSTALLATION

ITEM	PART NUMBER	QTY	DESCRIPTION	REV
	1001217753	Ref	Reverse Cooling Fan Installation	C
1	1062255	3	Strap, Tie	
2	1001146588	2	Strap, Fir Tree Cable Tie	
4	1001217756	1	Shroud	
5	1001217757	1	Installation, Cover (See Separate Breakdown in this Section)	
6	1001217760	1	Kit, Reversing Fan	
6	70030353	1	Pneumatic Line	
6	70030355	1	Fan, Reverse	
6	70030356	1	Compressor	
7	1001145204	1	Switch	
8	1001221493	1	Harness, Reversing Fan (See Separate Breakdown in ELECTRICAL Section)	

# SECTION 10 - ELECTRICAL

## FIGURE 10-44. ENGINE - FAN (REVERSE COOLING) HARNESS



ART\_1001221493-B

## SECTION 10 - ELECTRICAL

### FIGURE 10-44. ENGINE - FAN (REVERSE COOLING) HARNESS

ITEM	PART NUMBER	QTY	DESCRIPTION	REV
	1001221493	Ref	Reversing Fan Harness	B
1	4460932	1	Connector	
2	4460941	2	Terminal	
3	4460466	2	Plug	
4	4460897	1	Connector	
5	4460464	2	Terminal	
6	1001118282	1	Connector	
7	1001116734	1	Terminal	
8	1001116732	2	Terminal	
9	1001128128	1	Plug	
10	1001116733	1	Terminal	
11	1001187078	1	Ring Terminal	
12	8220045	1	Ring Terminal	
13	1001117024	1	Connector	
14	1001116734	2	Terminal	

# SECTION 10 - ELECTRICAL

## FIGURE 10-45. ENGINE WIRING INSTALLATION (ULS)



ART\_1001200106-H



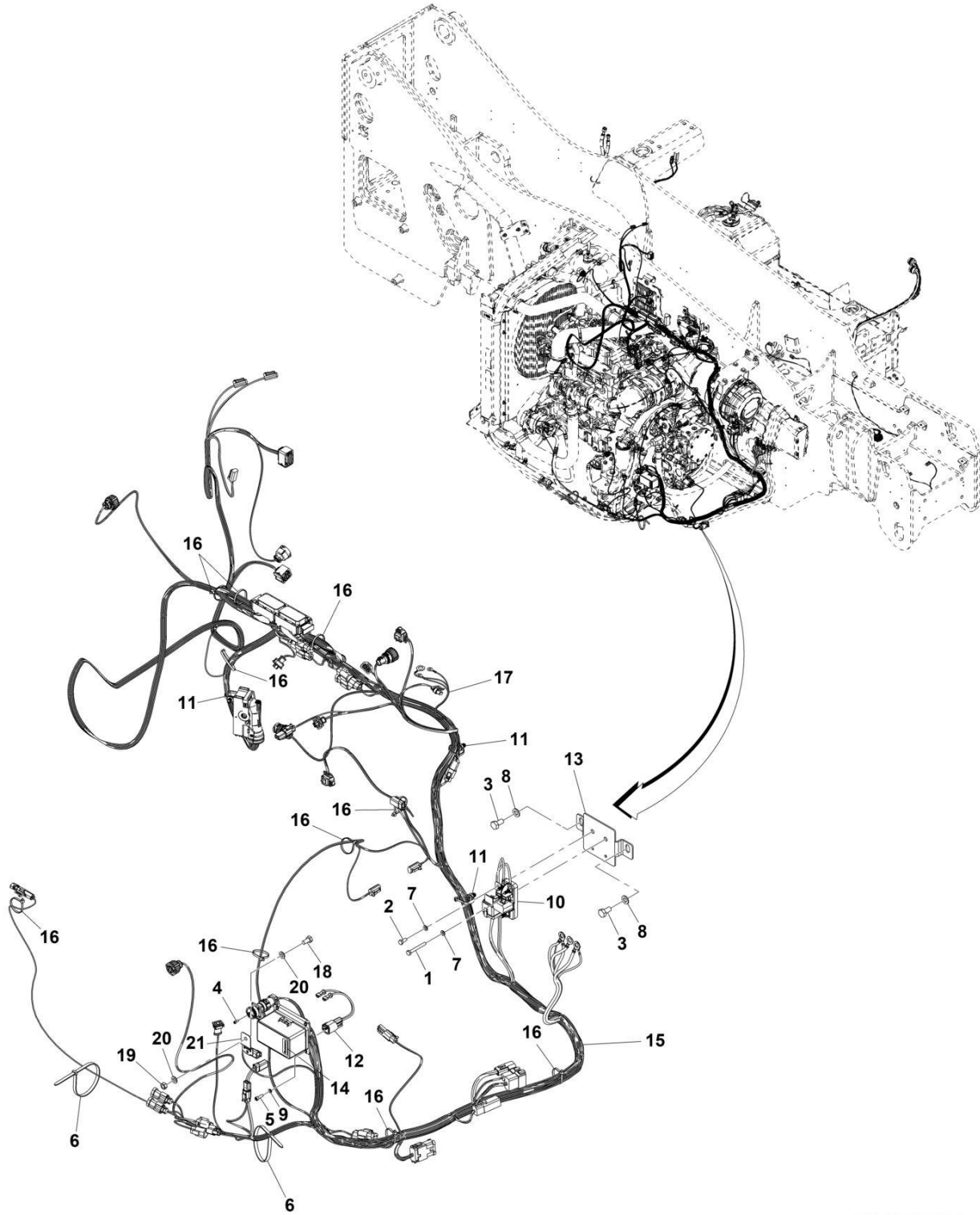
## SECTION 10 - ELECTRICAL

**FIGURE 10-45. ENGINE WIRING INSTALLATION (ULS)**

ITEM	PART NUMBER	QTY	DESCRIPTION	REV
	1001200106	Ref	Engine Wiring Installation (ULS)	I
1	0700618	1	Bolt, M6X50	
2	0760607	1	Bolt, M6X14	
3	0761010	2	Bolt M10X20	
4	4031205	3	Bolt, M3X10	
5	4031607	4	Bolt, M5-0.8X16	
7	4811700	2	Washer, M6	
8	4812000	2	Washer, M10	
9	4831600	4	Washer, Lock M5	
10	1001131177	1	Fuse	
11	1001146588	3	Strap, Cable Tie	
12	1001182929	1	Harness, Fuel Pump (See Separate Breakdown in this Section)	
13	1001189046	1	Bracket	
14	1001191546	1	Decal, Fuse	
15	1001285934	1	Harness, Engine (See Separate Breakdown in this Section)	
16	1001008559	11	Strap, Cable	
17	1001182930	1	Harness, Glow Plug Relay (See Separate Breakdown in this Section)	
18	1062255	2	Strap, Tie	
19	0700808	1	Bolt, M8X16	
20	3290801	1	Nut, M8X1.25	
21	4811900	2	Washer, M8	
22	1001153749	1	Clip	
23	1001293972	1	Cable, ECM Power (Not Shown)	

# SECTION 10 - ELECTRICAL

## FIGURE 10-46. ENGINE WIRING INSTALLATION (MINING) (ULS)



ART\_1001228728\_C

## SECTION 10 - ELECTRICAL

**FIGURE 10-46. ENGINE WIRING INSTALLATION (MINING) (ULS)**

ITEM	PART NUMBER	QTY	DESCRIPTION	REV
	1001228728	Ref	Engine Wiring Installation (Mining) (ULS)	C
1	0700618	1	Bolt, M6X50	
2	0760607	1	Bolt, M6X14	
3	0761010	2	Bolt, M10X20	
4	4031205	3	Bolt, M3X10	
5	4031607	4	Bolt, M5X16	
6	1062255	2	Strap, Tie	
7	4811700	2	Washer, M6	
8	4812000	2	Washer, M10	
9	4831600	4	Washer, Lock M5	
10	1001131177	1	Fuse	
11	1001146588	3	Strap, Cable Tie	
12	1001228733	1	Harness, Fuel Pump (See Separate Breakdown in this Section)	
13	1001189046	1	Bracket	
14	1001191546	1	Decal, Fuse	
15	1001286174	1	Harness, Engine (Mining) (ULS) (See Separate Breakdown in this Section)	
16	1001008559	11	Strap, Cable	
17	1001228732	1	Harness, Glow Plug Relay (See Separate Breakdown in this Section)	
18	0700808	1	Bolt, M8X16	
19	3290801	1	Nut, M8X1.25	
20	4811900	2	Washer, M8	
21	1001153749	1	Clip	
22	1001293972	1	Cable, ECM Power (Not Shown)	



## SECTION 10 - ELECTRICAL

### FIGURE 10-47. ENGINE HARNESS (ULS)

ITEM	PART NUMBER	QTY	DESCRIPTION	REV
	1001244428	Ref	Engine Harness (ULS)	A
1	1001202723	1	Connector	
2	1001167623	5	Plug	
3	1001166555	13	Terminal	
4	1001167621	50	Terminal	
5	1001167622	37	Plug	
6	4460539	1	Connector	
7	4460465	3	Terminal	
8	1001126487	1	Connector	
9	1001167635	2	Terminal	
10	1001126485	2	Terminal Seal	
11	1001167631	1	Connector	
12	1001167630	4	Terminal	
13	1001126485	4	Terminal Seal	
14	1001187070	1	Ring Terminal	
15	1001148842	1	Connector	
16	1001148841	3	Terminal	
17	1001135651	1	Plug	
18	1001135650	3	Terminal Seal	
19	1001202722	1	Connector	
20	1001166551	6	Terminal	
21	1001126353	6	Terminal Seal	
22	1001167622	58	Plug	
23	1001167621	21	Terminal	
24	1001167623	6	Plug	
25	1001138116	1	Connector	
26	1001133715	3	Terminal	
27	1001135650	4	Terminal Seal	
28	1001126487	1	Connector	
29	1001167634	2	Terminal	
30	1001126485	2	Terminal Seal	
31	1001209097	1	Connector	
32	8220124	2	Terminal	
33	4460608	2	Terminal Seal	
34	1001126362	1	Connector	
35	1001166556	26	Terminal	
36	1001126393	36	Terminal Seal	
37	1001126391	19	Plug	
38	4461008	2	Plug	
39	4461006	2	Terminal Seal	
40	4461054	2	Terminal Wire Seal	
41	1001166543	4	Terminal	
42	1001166774	10	Terminal	
43	1001126487	1	Connector	
44	1001167634	2	Terminal	
45	1001126485	2	Terminal Seal	
46	1001116812	1	Connector	
47	4460944	2	Terminal	
48	4460466	1	Plug	
49	4460539	1	Connector	

## SECTION 10 - ELECTRICAL

ITEM	PART NUMBER	QTY	DESCRIPTION	REV
50	4460944	2	Terminal	
51	4460466	1	Plug	
52	4460891	1	Connector	
53	4460465	2	Terminal	
54	4460539	1	Connector	
55	4460944	2	Terminal	
56	4460466	1	Plug	
57	1001116812	1	Connector	
58	4460944	2	Terminal	
59	4460466	1	Plug	
60	1001116811	1	Connector	
61	1001150610	2	Terminal	
62	4460508	1	Terminal	
63	4460466	1	Plug	
64	1001144147	1	Connector	
65	4460464	2	Terminal	
66	4460466	1	Plug	
67	4460894	1	Connector	
68	4460466	1	Plug	
69	4460465	5	Terminal	
70	1001126245	1	Connector	
71	1001126008	2	Terminal	
72	1001167629	1	Connector	
73	1001167630	4	Terminal	
74	1001126485	4	Terminal Seal	
75	1001207171	1	Ring Terminal, (with boot)	
76	1001207171	1	Ring Terminal, (with boot)	
77	1001118282	1	Connector	
78	1001116734	2	Terminal	
79	1001116732	2	Terminal	
80	1001128128	1	Plug	
81	1001187080	1	Ring Terminal	
82	1001187080	1	Ring Terminal	
83	1001187078	1	Ring Terminal	
84	1001187080	1	Ring Terminal	
85	1001187080	1	Ring Terminal	
86	4460970	1	Connector	
87	4460464	9	Terminal	
88	4460466	3	Plug	
89	1001167616	1	Connector	
90	1001190921	1	Fuse Box Foam Seal	
91	4460748	7	Plug	
92	8220097	23	Terminal	
93	1001175265	19	Terminal Seal	
94	8220098	9	Terminal	
95	4460458	11	Terminal Seal	
96	1001116725	6	Terminal	
97	80963067	1	Terminal Seal	
98	1001190037	5	Terminal Seal	
99	1001190921	1	Fuse Box Foam Seal	
100	2902443	1	Connector	

## SECTION 10 - ELECTRICAL

ITEM	PART NUMBER	QTY	DESCRIPTION	REV
101	4461071	6	Terminal	
102	1001153612	1	Connector	
103	1001126011	2	Terminal	
104	4460891	1	Connector	
105	4460465	2	Terminal	
106	4460891	1	Connector	
107	4460465	2	Terminal	
108	4460891	1	Connector	
109	4460465	2	Terminal	
110	1001167636	1	Connector	
111	1001166707	2	Terminal	
112	4461006	2	Terminal Seal	
113	4461095	1	Connector	
114	4460944	2	Terminal	
115	4460466	1	Plug	
116	4461095	1	Connector	
117	4460944	2	Terminal	
118	4460466	1	Plug	
119	4460891	1	Connector	
120	4460465	2	Terminal	
121	4460539	1	Connector	
122	4460944	2	Terminal	
123	4460466	1	Plug	
124	4460933	1	Connector	
125	4460465	12	Terminal	
126	4461018	1	Connector	
127	4460509	2	Terminal	
128	80963056	1	Connector	
129	4460979	1	Terminal	
130	1001175265	1	Terminal Seal	
131	4461095	1	Connector	
132	4460944	2	Terminal	
133	4460466	1	Plug	
134	1001133714	1	Connector	
135	1001133715	3	Terminal	
136	1001135650	3	Terminal Seal	
137	1001135651	1	Plug	
138	1001116812	1	Connector	
139	4460944	2	Terminal	
140	4460466	1	Plug	
141	4460539	1	Connector	
142	4460944	2	Terminal	
143	4460466	1	Plug	
144	1001116812	1	Connector	
145	4460944	2	Terminal	
146	4460466	1	Plug	
147	1001133714	1	Connector	
148	1001133715	3	Terminal	
149	1001135650	3	Terminal Seal	
150	1001135651	1	Plug	
151	4460891	1	Connector	

## SECTION 10 - ELECTRICAL

ITEM	PART NUMBER	QTY	DESCRIPTION	REV
152	4460942	2	Terminal	
153	4460891	1	Connector	
154	4460942	2	Terminal	
155	1001167528	1	Connector	
156	1001167528	3	Terminal	
157	1001137578	3	Seal	
158	1001165194	1	Connector	
159	1001126391	2	Plug	
160	1001166556	8	Terminal	
161	1001166774	2	Terminal	
162	1001126393	10	Terminal Seal	
163	4460891	1	Connector	
164	4460942	2	Terminal	
165	1001167620	1	Connector	
166	1001176004	2	Terminal	
167	1001176002	2	Terminal Seal	
168	1001167624	2	Plug	
169	4460466	6	Plug	
170	4460892	1	Mating Connector	
171	4460897	3	Mating Connector	
172	4460945	4	Connector, 3 Way	
173	4461070	2	Terminator Resistor	
174	80963055	1	Mating Connector	
175	1001116727	1	Plug	
176	1001116815	3	Connector	
177	1001125677	1	Mating Connector	
178	1001187882	1	Cover	







## SECTION 10 - ELECTRICAL

**FIGURE 10-48. ENGINE HARNESS (MINING) (ULS)**

ITEM	PART NUMBER	QTY	DESCRIPTION	REV
	1001244429	Ref	Engine Harness (Mining) (ULS)	A
1	1001202723	1	Connector	
2	1001167623	5	Plug	
3	1001166555	13	Terminal	
4	1001167621	50	Terminal	
5	1001167622	37	Plug	
6	4460539	1	Connector	
7	4460465	3	Terminal	
8	1001126487	1	Connector	
9	1001167635	2	Terminal	
10	1001126485	2	Terminal Seal	
11	1001167631	1	Connector	
12	1001167630	4	Terminal	
13	1001126485	4	Terminal Seal	
14	1001187070	1	Ring Terminal	
15	1001148842	1	Connector	
16	1001148841	3	Terminal	
17	1001135651	1	Plug	
18	1001135650	3	Terminal Seal	
19	1001202722	1	Connector	
20	1001166551	6	Terminal	
21	1001126353	6	Terminal Seal	
22	1001167622	58	Plug	
23	1001167621	21	Terminal	
24	1001167623	6	Plug	
25	1001138116	1	Connector	
26	1001187882	1	Cover	
27	1001133715	3	Terminal	
28	1001135650	4	Terminal Seal	
29	1001126487	1	Connector	
30	1001167634	2	Terminal	
31	1001126485	2	Terminal Seal	
32	1001209097	1	Connector	
33	8220124	2	Terminal	
34	4460608	2	Terminal Seal	
35	1001126362	1	Connector	
36	1001166556	26	Terminal	
37	1001126393	36	Terminal Seal	
38	1001126391	20	Plug	
39	4461008	2	Plug	
40	4461006	2	Seal	
41	4461054	2	Terminal Wire Seal	
42	1001166543	4	Terminal	
43	1001166774	10	Terminal	
44	1001126487	1	Connector	
45	1001167634	2	Terminal	
46	1001126485	2	Terminal Seal	
47	1001116812	1	Connector	
48	4460944	2	Terminal	
49	4460466	1	Plug	

## SECTION 10 - ELECTRICAL

ITEM	PART NUMBER	QTY	DESCRIPTION	REV
50	4460539	1	Connector	
51	4460944	2	Terminal	
52	4460466	1	Plug	
53	4460891	1	Connector	
54	4460897	1	Mating Connector	
55	4460465	2	Terminal	
56	4460466	2	Plug	
57	4460539	1	Connector	
58	4460944	2	Terminal	
59	4460466	1	Plug	
60	1001116812	1	Connector	
61	4460944	2	Terminal	
62	4460466	1	Plug	
63	1001116811	1	Connector	
64	1001150610	2	Terminal	
65	4460508	1	Terminal	
66	4460466	1	Plug	
67	1001144147	1	Connector	
68	4460464	2	Terminal	
69	4460466	1	Plug	
70	4460894	1	Connector	
71	4460892	1	Mating Connector	
72	4460466	1	Plug	
73	4460465	5	Terminal	
74	1001126245	1	Connector	
75	1001126008	2	Terminal	
76	1001167629	1	Connector	
77	1001167630	4	Terminal	
78	1001126485	4	Terminal Seal	
79	1001207171	1	Ring Terminal, (with boot)	
80	1001207171	1	Ring Terminal, (with boot)	
81	1001118282	1	Connector	
82	1001116734	2	Terminal	
83	1001116732	2	Terminal	
84	1001128128	1	Plug	
85	1001187080	1	Ring Terminal	
86	1001187080	1	Ring Terminal	
87	1001187078	1	Ring Terminal	
88	1001187080	1	Ring Terminal	
89	1001187080	1	Ring Terminal	
90	4460970	1	Connector	
91	4460464	9	Terminal	
92	4460466	3	Plug	
93	1001167616	1	Connector	
94	1001190921	1	Fuse Box Foam Seal	
95	4460748	12	Plug	
96	8220097	23	Terminal	
97	1001175265	21	Terminal Seal	
98	8220098	9	Terminal	
99	4460458	11	Terminal Seal	
100	1001116725	6	Terminal	

## SECTION 10 - ELECTRICAL

ITEM	PART NUMBER	QTY	DESCRIPTION	REV
101	80963067	1	Terminal Seal	
102	1001190037	5	Terminal Seal	
103	2902443	1	Connector	
104	4461071	6	Terminal	
105	1001153612	1	Connector	
106	1001126011	2	Terminal	
107	4460891	1	Connector	
108	4460465	2	Terminal	
109	4460891	1	Connector	
110	4460465	2	Terminal	
111	4460891	1	Connector	
112	4460465	2	Terminal	
113	4460897	1	Mating Connector	
114	4460466	2	Plug	
115	1001167636	1	Connector	
116	1001166707	2	Terminal	
117	4461006	2	Terminal Seal	
118	1001116812	1	Connector	
119	4460944	2	Terminal	
120	4460466	1	Plug	
121	4461095	1	Connector	
122	4461070	1	Terminator Resistor	
123	4460944	2	Terminal	
124	4460466	1	Plug	
125	4460891	1	Connector	
126	4460897	1	Mating Connector	
127	4460465	2	Terminal	
128	4460466	2	Plug	
129	4460539	1	Connector	
130	4460944	2	Terminal	
131	4460466	1	Plug	
132	4460933	1	Connector	
133	1001125677	1	Mating Connector	
134	4460465	12	Terminal	
135	4461018	1	Connector	
136	4460509	2	Terminal	
137	80963056	1	Connector	
138	80963055	1	Mating Connector	
139	4460979	1	Terminal	
140	1001175265	1	Terminal Seal	
141	1001116727	1	Plug	
142	4461095	1	Connector	
143	4461070	1	Terminator Resistor	
144	4460944	2	Terminal	
145	4460466	1	Plug	
146	1001133714	1	Connector	
147	1001133715	3	Terminal	
148	1001135650	3	Terminal Seal	
149	1001135651	1	Plug	
150	1001116812	1	Connector	
151	4460944	2	Terminal	

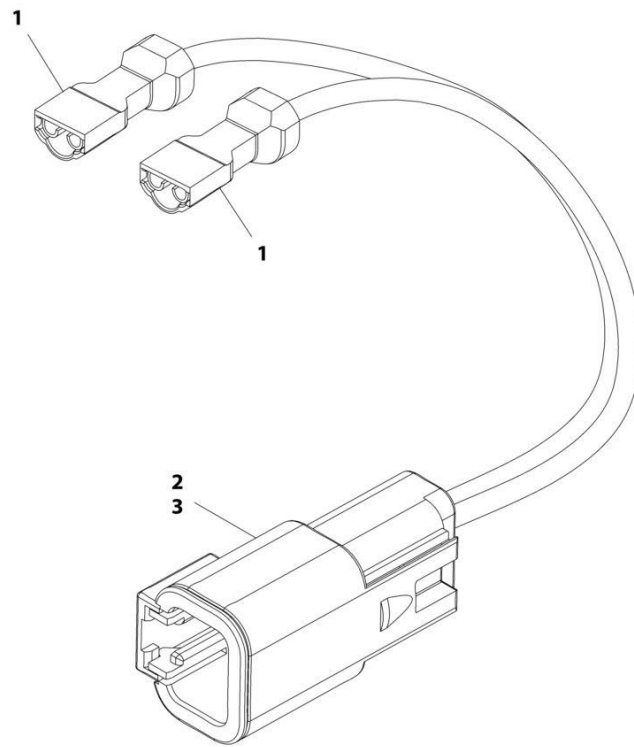
## SECTION 10 - ELECTRICAL

ITEM	PART NUMBER	QTY	DESCRIPTION	REV
152	4460466	1	Plug	
153	4460539	1	Connector	
154	4460944	2	Terminal	
155	4460466	1	Plug	
156	1001116812	1	Connector	
157	4460944	2	Terminal	
158	4460466	1	Plug	
159	1001133714	1	Connector	
160	1001133715	3	Terminal	
161	1001135650	3	Terminal Seal	
162	1001135651	1	Plug	
163	4460891	1	Connector	
164	4460942	2	Terminal	
165	4460891	1	Connector	
166	4460942	2	Terminal	
167	1001167528	1	Connector	
168	1001166704	4	Terminal	
169	1001137578	4	Terminal Seal	
170	1001165194	1	Connector	
171	1001126391	2	Plug	
172	1001166556	8	Terminal	
173	1001166774	2	Terminal	
174	1001126393	10	Terminal Seal	
175	4460891	1	Connector	
176	4460942	2	Terminal	
177	1001167620	1	Connector	
178	1001176004	2	Terminal	
179	1001176002	2	Terminal Seal	
180	1001167624	2	Plug	
181	1001116815	3	Connector	
182	4460945	4	Connector, 3 Way	



# SECTION 10 - ELECTRICAL

## FIGURE 10-49. ENGINE - FUEL PUMP HARNESS



ART\_1001182929-E



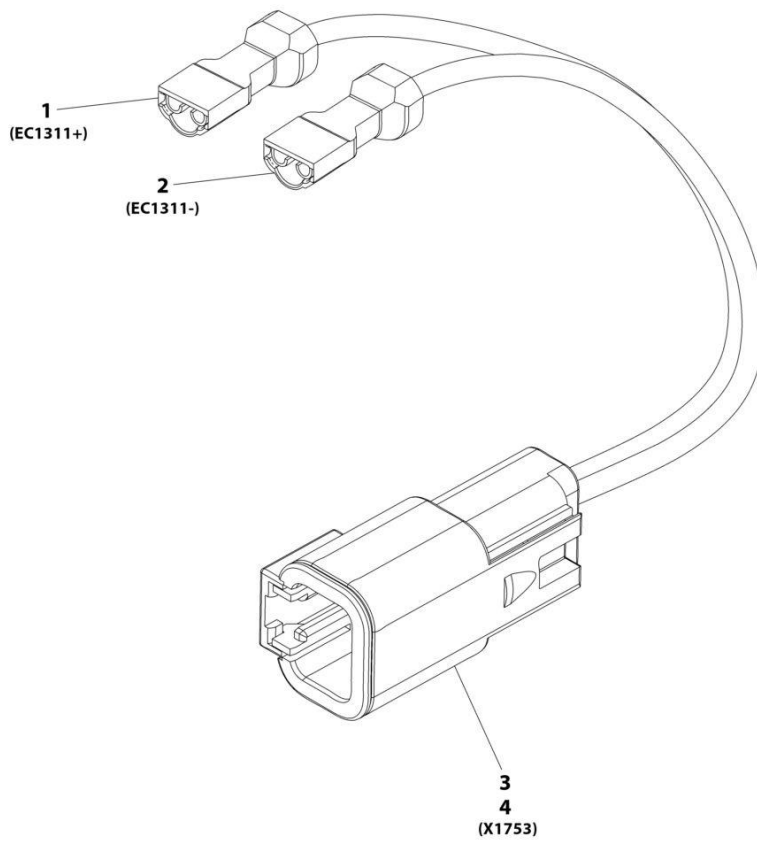
## SECTION 10 - ELECTRICAL

### FIGURE 10-49. ENGINE - FUEL PUMP HARNESS

ITEM	PART NUMBER	QTY	DESCRIPTION	REV
	1001182929	Ref	Fuel Pump Harness	E
1	8220043	2	Connector	
2	4461017	1	Connector	
3	4460508	2	Terminal	

# SECTION 10 - ELECTRICAL

## FIGURE 10-50. ENGINE - FUEL PUMP HARNESS (MINING) (ULS)



ART\_1001228733-A

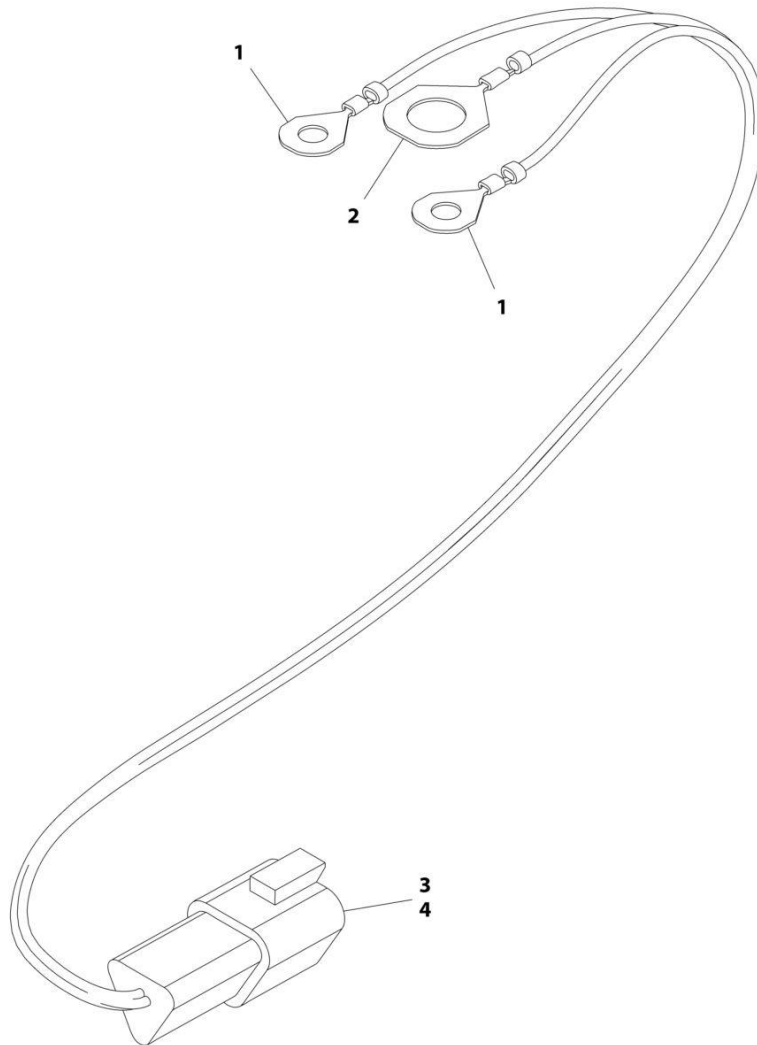
## SECTION 10 - ELECTRICAL

### FIGURE 10-50. ENGINE - FUEL PUMP HARNESS (MINING) (ULS)

ITEM	PART NUMBER	QTY	DESCRIPTION	REV
	1001228733	Ref	Fuel Pump Harness (Mining) (ULS)	A
1	8220043	1	Connector	
2	8220043	1	Connector	
3	4461017	1	Connector	
4	4460508	2	Terminal	

# SECTION 10 - ELECTRICAL

## FIGURE 10-51. ENGINE - GLOW PLUG RELAY HARNESS



ART\_1001182930-C

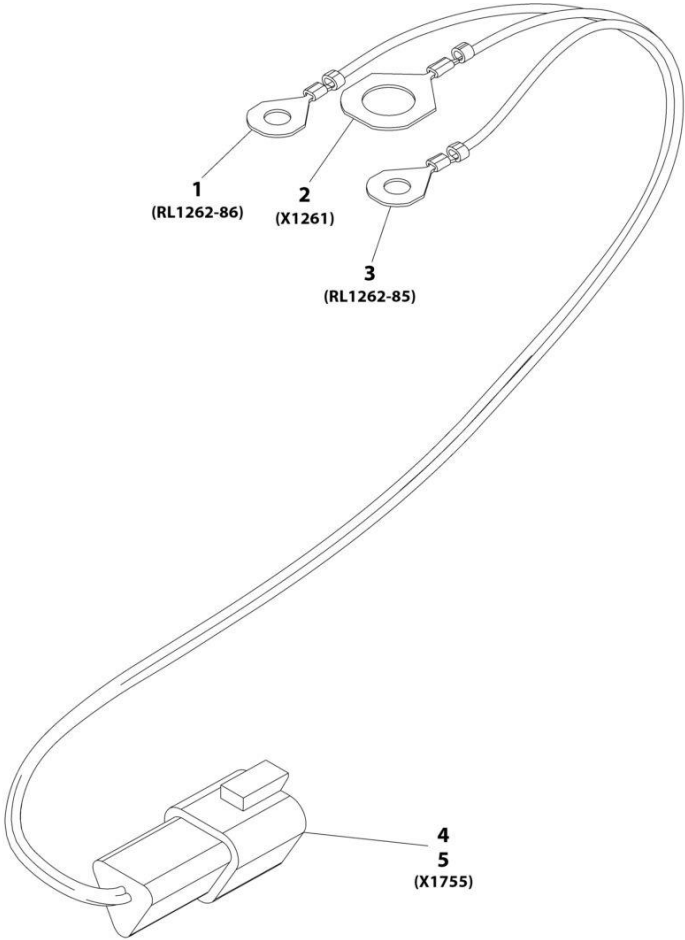
## SECTION 10 - ELECTRICAL

### FIGURE 10-51. ENGINE - GLOW PLUG RELAY HARNESS

ITEM	PART NUMBER	QTY	DESCRIPTION	REV
	1001182930	Ref	Glow Plug Relay Harness	C
1	1001187070	2	Ring, Terminal	
2	1001187077	1	Ring, Terminal	
3	4460536	1	Connector	
4	4460464	3	Terminal	

**SECTION 10 - ELECTRICAL**

**FIGURE 10-52. ENGINE - GLOW PLUG RELAY HARNESS (MINING) (ULS)**



ART\_1001228732-A

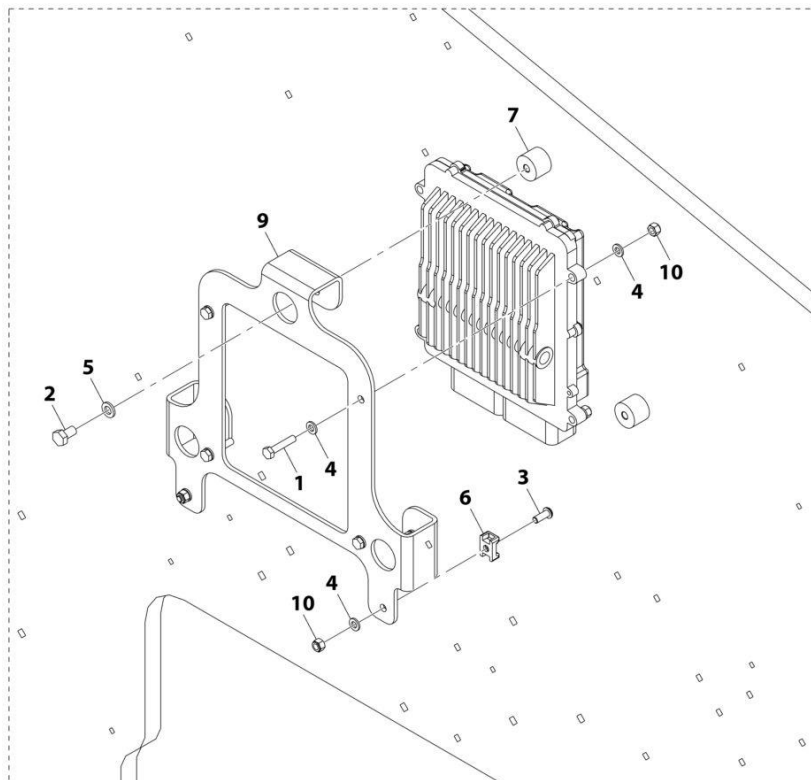
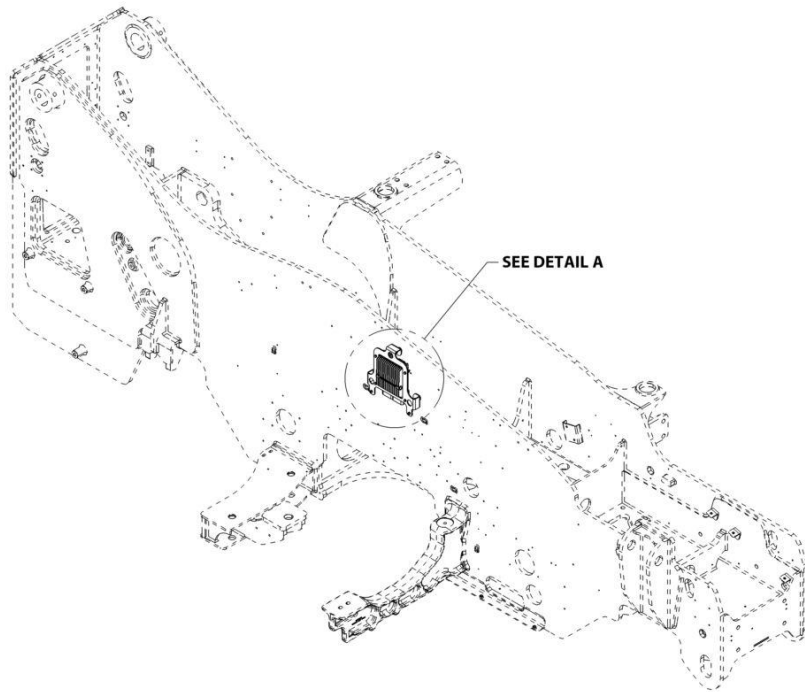
## SECTION 10 - ELECTRICAL

**FIGURE 10-52. ENGINE - GLOW PLUG RELAY HARNESS (MINING) (ULS)**

ITEM	PART NUMBER	QTY	DESCRIPTION	REV
	1001228732	Ref	Glow Plug Relay Harness (Mining) (ULS)	A
1	1001187070	1	Ring, Terminal	
2	1001187077	1	Ring, Terminal	
3	1001187070	1	Ring, Terminal	
4	4460536	1	Connector	
5	4460464	3	Terminal	

# SECTION 10 - ELECTRICAL

## FIGURE 10-53. ENGINE ECU INSTALLATION



DETAIL A

ART\_1001200869-B



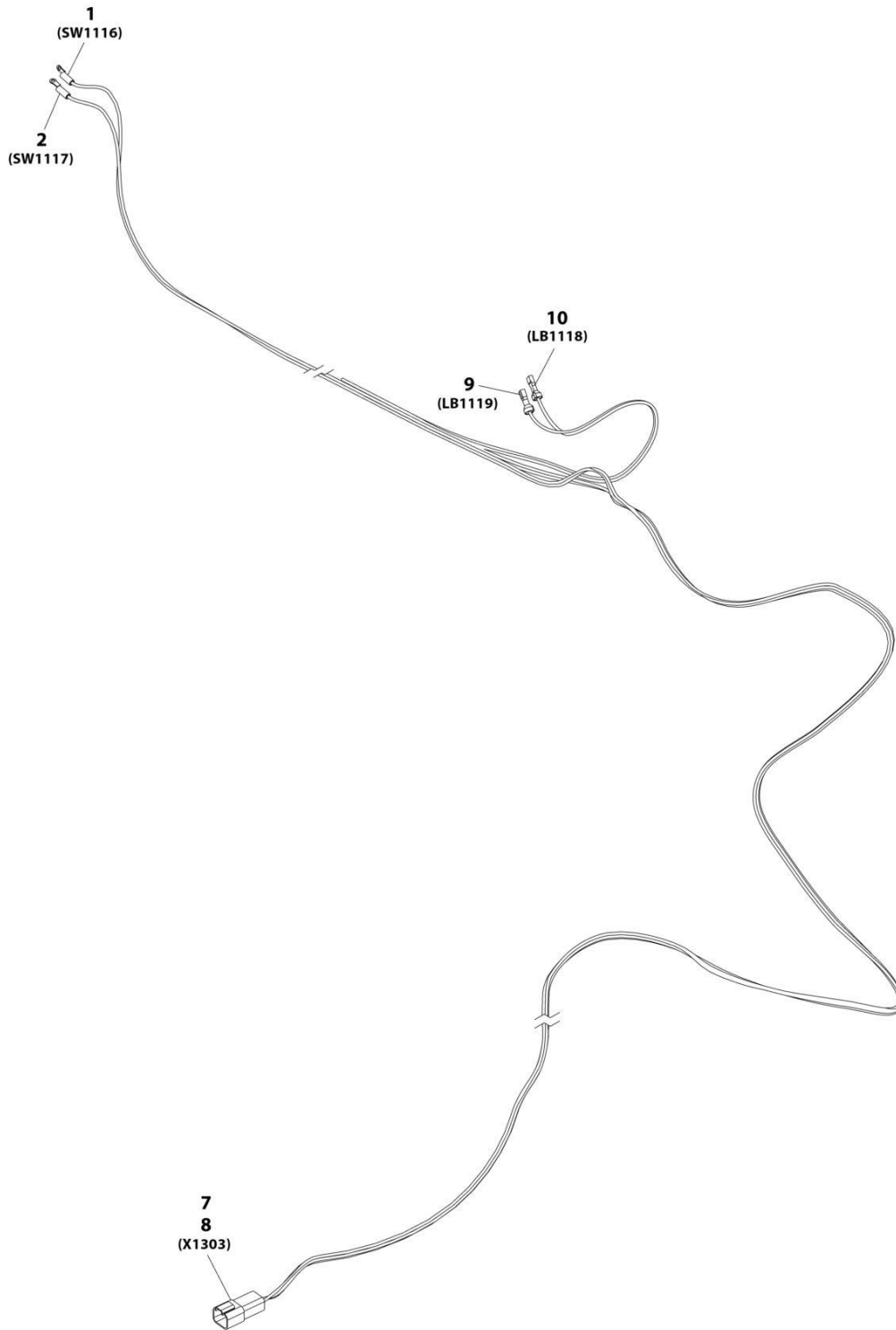
## SECTION 10 - ELECTRICAL

### FIGURE 10-53. ENGINE ECU INSTALLATION

ITEM	PART NUMBER	QTY	DESCRIPTION	REV
	1001200869	Ref	Engine ECU Installation	B
1	0700614	4	Bolt, M6X30	
2	0760807	3	Bolt, M8X14	
3	3900357	2	Capscrew, M6X16	
4	4811700	10	Washer, M6	
5	4831900	3	Washer, Lock M8	
6	1001138645	2	Mount, Cable Tie	
7	1001179907	3	Mount, Isolator	
9	1001210397	1	Plate	
10	3290605	6	Nut, Lock M6X1	

# SECTION 10 - ELECTRICAL

## FIGURE 10-54. ENGINE - AIR SHUTOFF VALVE HARNESS



ART\_1001231407-C

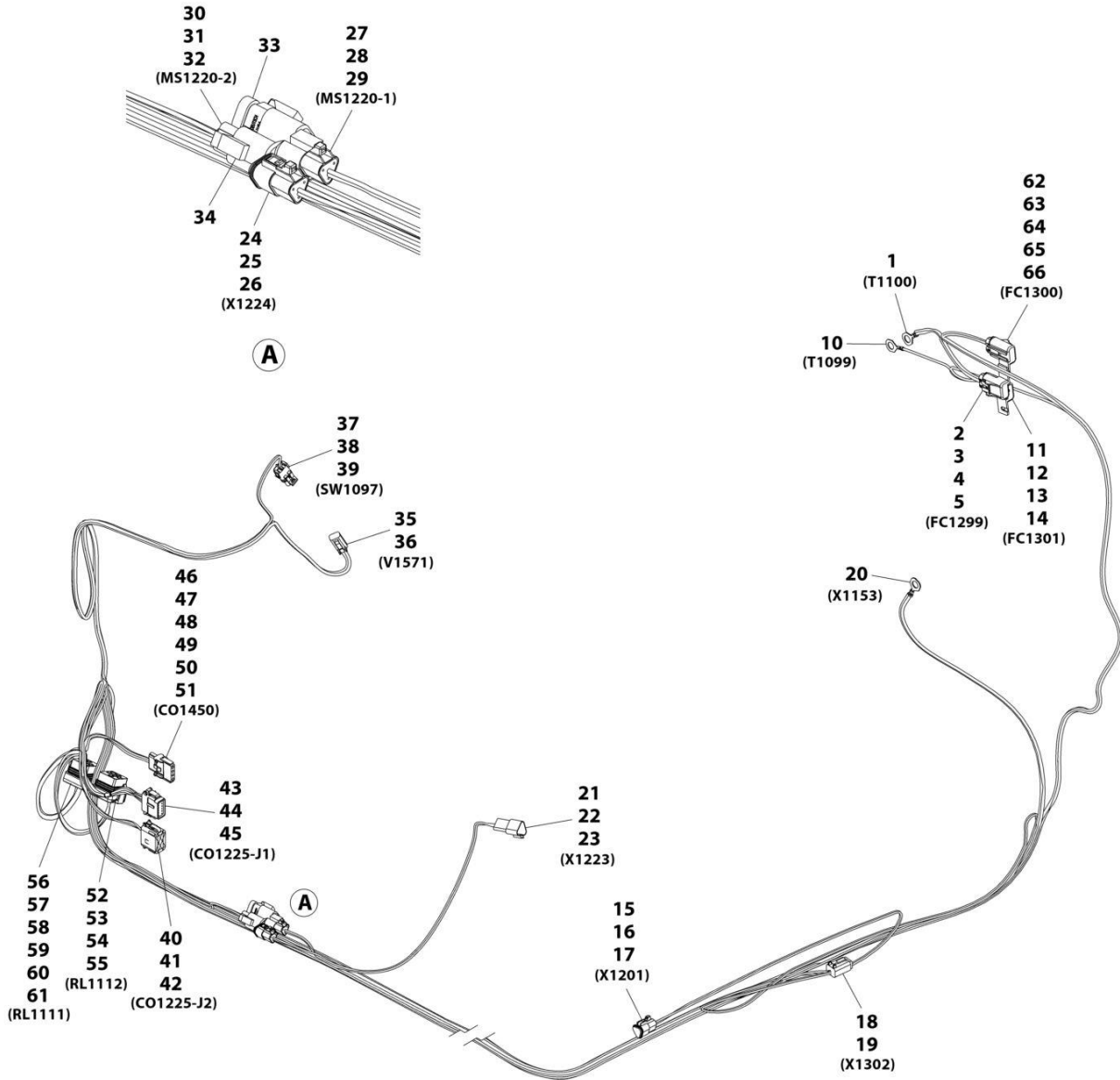
## SECTION 10 - ELECTRICAL

### FIGURE 10-54. ENGINE - AIR SHUTOFF VALVE HARNESS

ITEM	PART NUMBER	QTY	DESCRIPTION	REV
	1001231407	1	Air Shutoff Valve Harness	C
1	8220035	1	Terminal, Ring	
2	8220035	1	Terminal, Ring	
7	4460932	1	Connector	
8	4460464	4	Pin	
9	8220108	1	Connector, Female	
10	8220108	1	Connector, Female	

# SECTION 10 - ELECTRICAL

## FIGURE 10-55. ENGINE - AIR SHUT OFF VALVE HARNESS (ENGINE)



ART\_1001231483\_D

## SECTION 10 - ELECTRICAL

**FIGURE 10-55. ENGINE - AIR SHUT OFF VALVE HARNESS (ENGINE)**

ITEM	PART NUMBER	QTY	DESCRIPTION	REV
	1001231483	Ref	Air Shut Off Valve Harness (Engine)	D
1	1001187079	1	Terminal, Ring	
2	1001231397	1	Connector	
3	8229235	1	Fuse, 20amp	
4	1001231401	2	Terminal	
5	1001230402	2	Seal	
10	1001187078	1	Terminal, Ring	
11	1001231397	1	Connector	
12	8229261	1	Fuse, 5amp	
13	1001231400	2	Terminal	
14	1001230403	2	Seal	
15	1001116812	1	Connector	
16	4460465	2	Terminal	
17	4460466	1	Plug	
18	4460884	1	Connector	
19	4460465	4	Terminal	
20	1001187079	1	Terminal, Ring	
21	1001144147	1	Connector	
22	4460464	2	Terminal	
23	4460466	1	Plug	
24	1001116812	1	Connector	
25	4460465	2	Terminal	
26	4460466	1	Plug	
27	1001116812	1	Connector	
28	4460465	2	Terminal	
29	4460466	1	Plug	
30	4460539	1	Connector	
31	4460465	2	Terminal	
32	4460466	1	Plug	
33	1001116815	1	Connector, 3 Pin	
34	4460945	1	Terminal, 3 Way "T" Receptacle	
35	4460891	1	Connector	
36	1001157890	2	Terminal	
37	4460742	1	Connector	
38	4460475	2	Terminal	
39	4460458	2	Plug	
40	1001116774	1	Connector	
41	4460518	8	Plug	
42	1001126008	4	Terminal	
43	1001116808	1	Connector	
44	1001126008	9	Terminal	
45	4460518	3	Plug	
46	4460761	1	Connector	
47	4460321	1	Terminal	
48	1001118378	4	Terminal	
49	4460809	4	Plug	
50	1001143551	1	Seal	
51	1001218358	1	Lanyard Rope	
52	1001231398	1	Connector	
53	1001231400	4	Terminal	

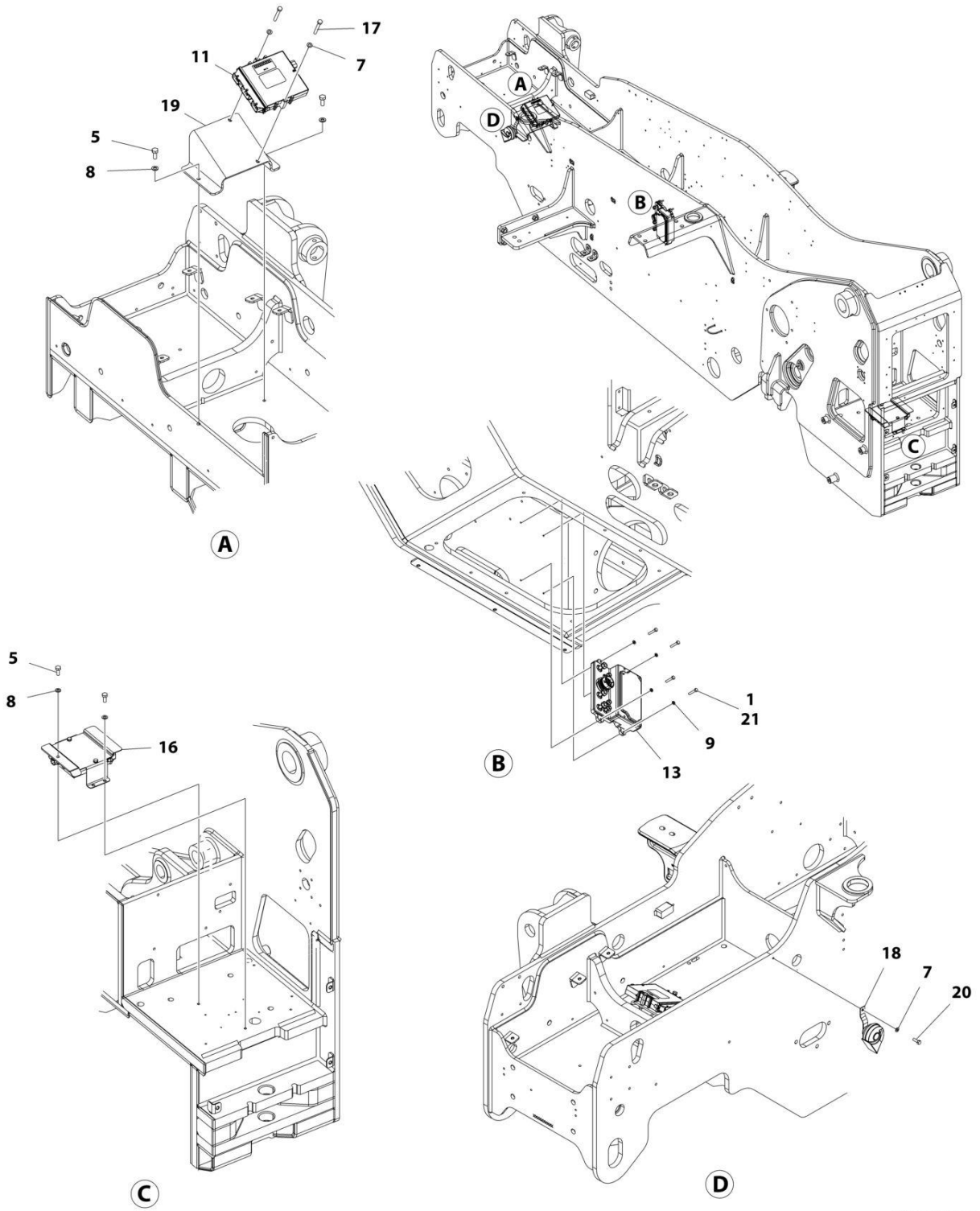
## SECTION 10 - ELECTRICAL

ITEM	PART NUMBER	QTY	DESCRIPTION	REV
54	1001231404	4	Seal	
55	1001231406	1	Plug	
56	1001231398	1	Connector	
57	1001231401	2	Terminal	
58	1001231402	2	Seal	
59	1001231400	2	Terminal	
60	1001231404	2	Seal	
61	1001231406	1	Plug	
62	1001231397	1	Connector	
63	8229234	1	Fuse, 10amp	
64	1001231400	2	Terminal	
65	1001230403	1	Seal	
66	1001230404	1	Seal	



# SECTION 10 - ELECTRICAL

## FIGURE 10-56. FRAME ELECTRICAL INSTALLATION



ART\_1001183272\_I



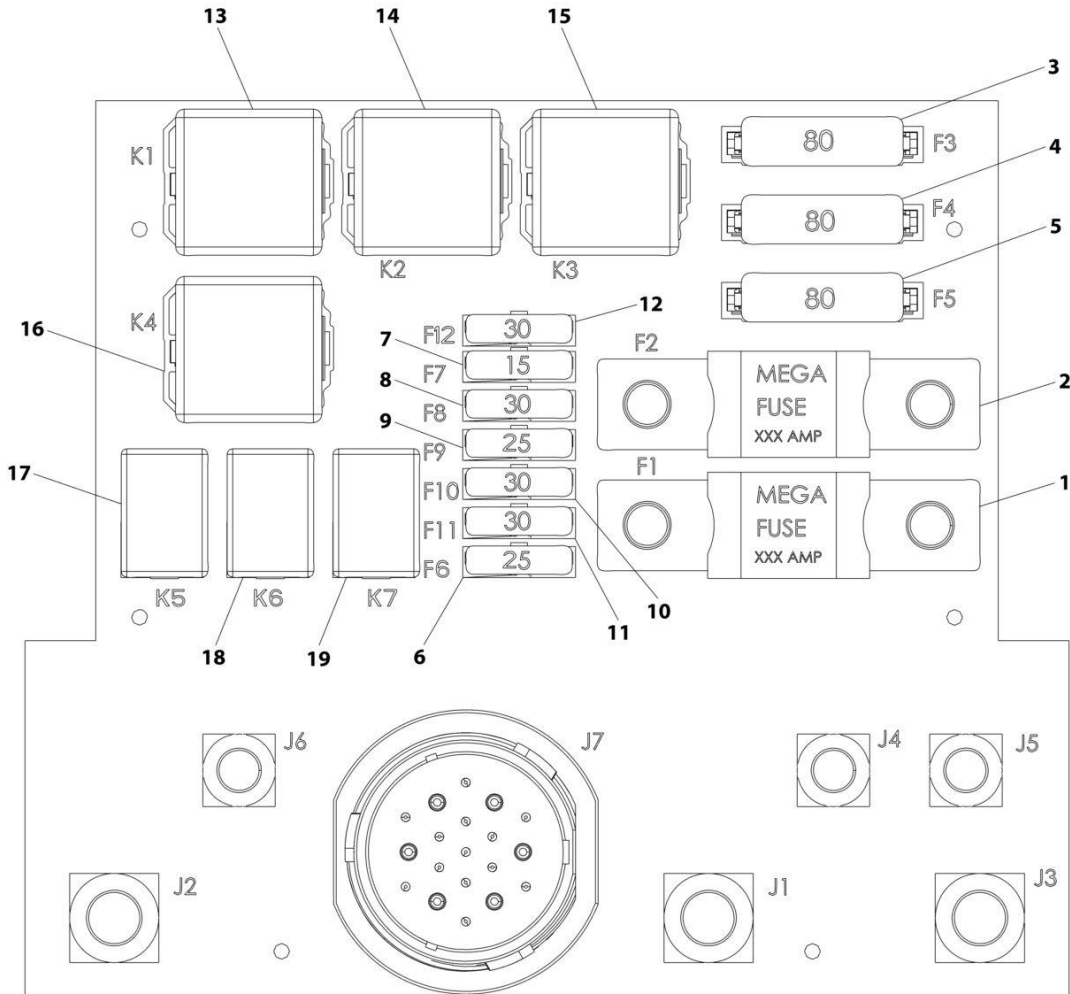
## SECTION 10 - ELECTRICAL

**FIGURE 10-56. FRAME ELECTRICAL INSTALLATION**

ITEM	PART NUMBER	QTY	DESCRIPTION	REV
	1001183272	Ref	FRAME ELECTRICAL INSTALLATION	I
1	0700614	4	Bolt M6 x 30	
5	0761012	4	Bolt M10 x 25	
7	4811900	3	Washer M8	
8	4812000	4	Washer M10	
9	4831700	4	Washer M6	
11	1001270467	1	Control, Front Frame Module	
13	1001164402	1	Box, Power Distribution Electrical (See Separate Breakdown in this Section)	
16	1001210770	1	Installation, Rear Frame Module (See Separate Breakdown in this Section)	
17	0700820	2	Bolt M8 x 60	
18	10713707	1	Horn	
19	1001215208	1	Bracket	
20	0760812	1	Bolt M8 x 25	
21	1001180620	AR	Adhesive, Loctite	

# SECTION 10 - ELECTRICAL

## FIGURE 10-57. FRAME - POWER DISTRIBUTION ELECTRICAL BOX



ART\_1001164402-G

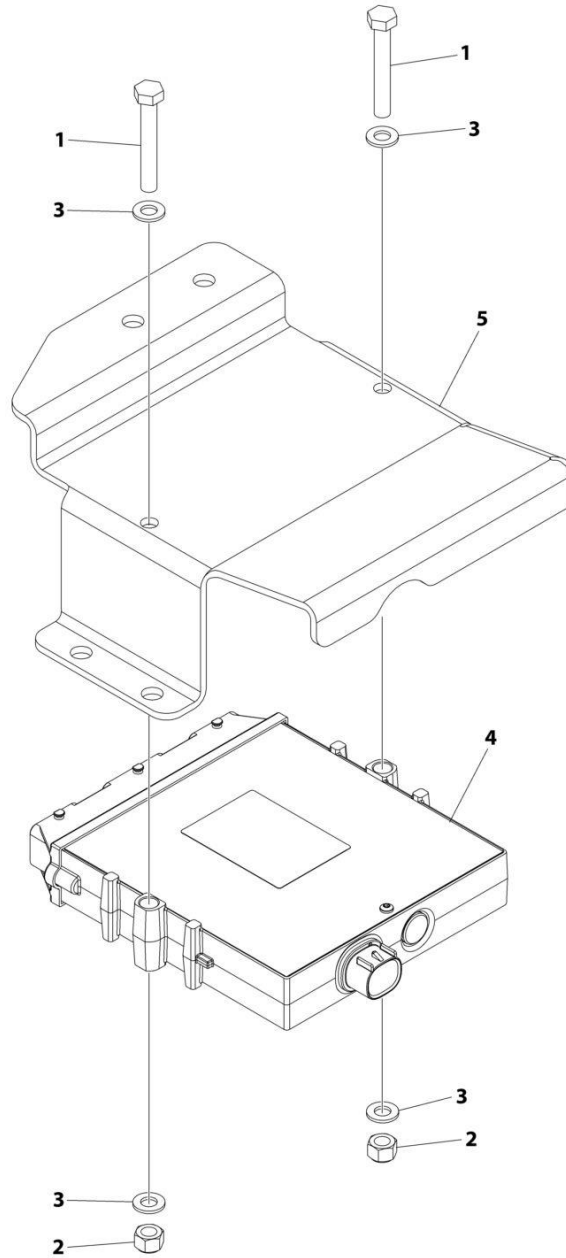
## SECTION 10 - ELECTRICAL

**FIGURE 10-57. FRAME - POWER DISTRIBUTION ELECTRICAL BOX**

ITEM	PART NUMBER	QTY	DESCRIPTION	REV
	1001164402	Ref	Power Distribution Electrical Box	G
1	1001095336	1	Fuse, 150AMP	
2	70026296	1	Fuse, 200AMP	
3	70026297	1	Fuse, 80AMP	
4	70026297	1	Fuse, 80AMP	
5	70026297	1	Fuse, 80AMP	
6	8229247	1	Fuse, 25AMP	
7	8229244	1	Fuse, 15AMP	
8	8229245	1	Fuse, 30AMP	
9	8229247	1	Fuse, 25AMP	
10	8229245	1	Fuse, 30AMP	
11	8229245	1	Fuse, 30AMP	
12	8229245	1	Fuse, 30AMP	
13	70026294	1	Fuse, 70AMP	
14	70026294	1	Fuse, 70AMP	
15	70026294	1	Fuse, 70AMP	
16	70026294	1	Fuse, 70AMP	
17	70026295	1	Fuse, 35AMP	
18	70026295	1	Fuse, 35AMP	
19	70026295	1	Fuse, 35AMP	

# SECTION 10 - ELECTRICAL

## FIGURE 10-58. FRAME - REAR FRAME MODULE INSTALLATION



ART\_1001210770\_E

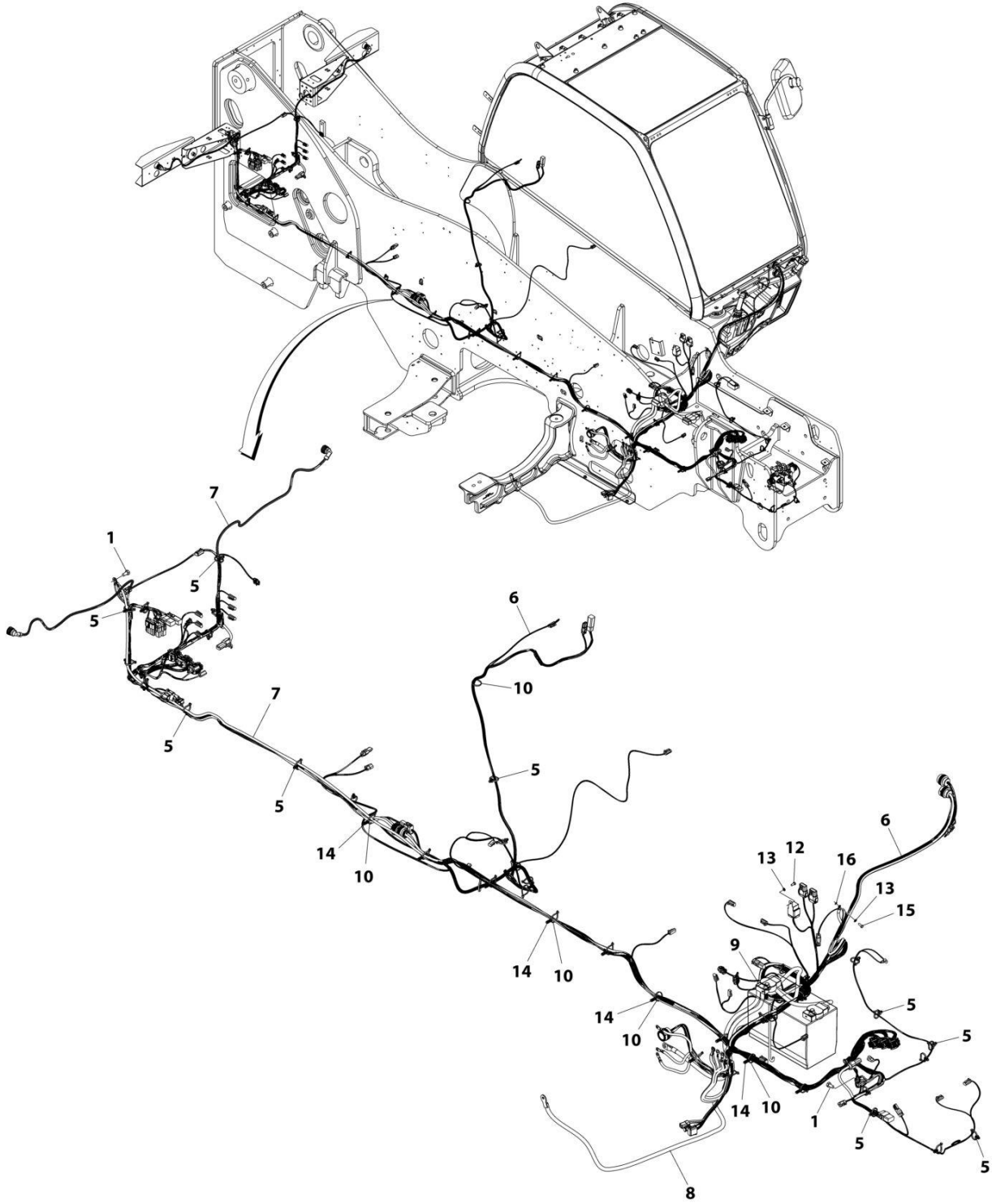
## SECTION 10 - ELECTRICAL

### FIGURE 10-58. FRAME - REAR FRAME MODULE INSTALLATION

ITEM	PART NUMBER	QTY	DESCRIPTION	REV
	1001210770	Ref	REAR FRAME MODULE INSTALLATION	E
1	0700819	2	Bolt M8 x 55	
2	3290805	2	Nut M8 x 1.25	
3	4811900	4	Washer M8	
4	1001270468	1	Control, Rear Frame Module	
5	1001255581	1	Bracket	

# SECTION 10 - ELECTRICAL

## FIGURE 10-59. FRAME WIRING INSTALLATION



ART\_1001200159\_H

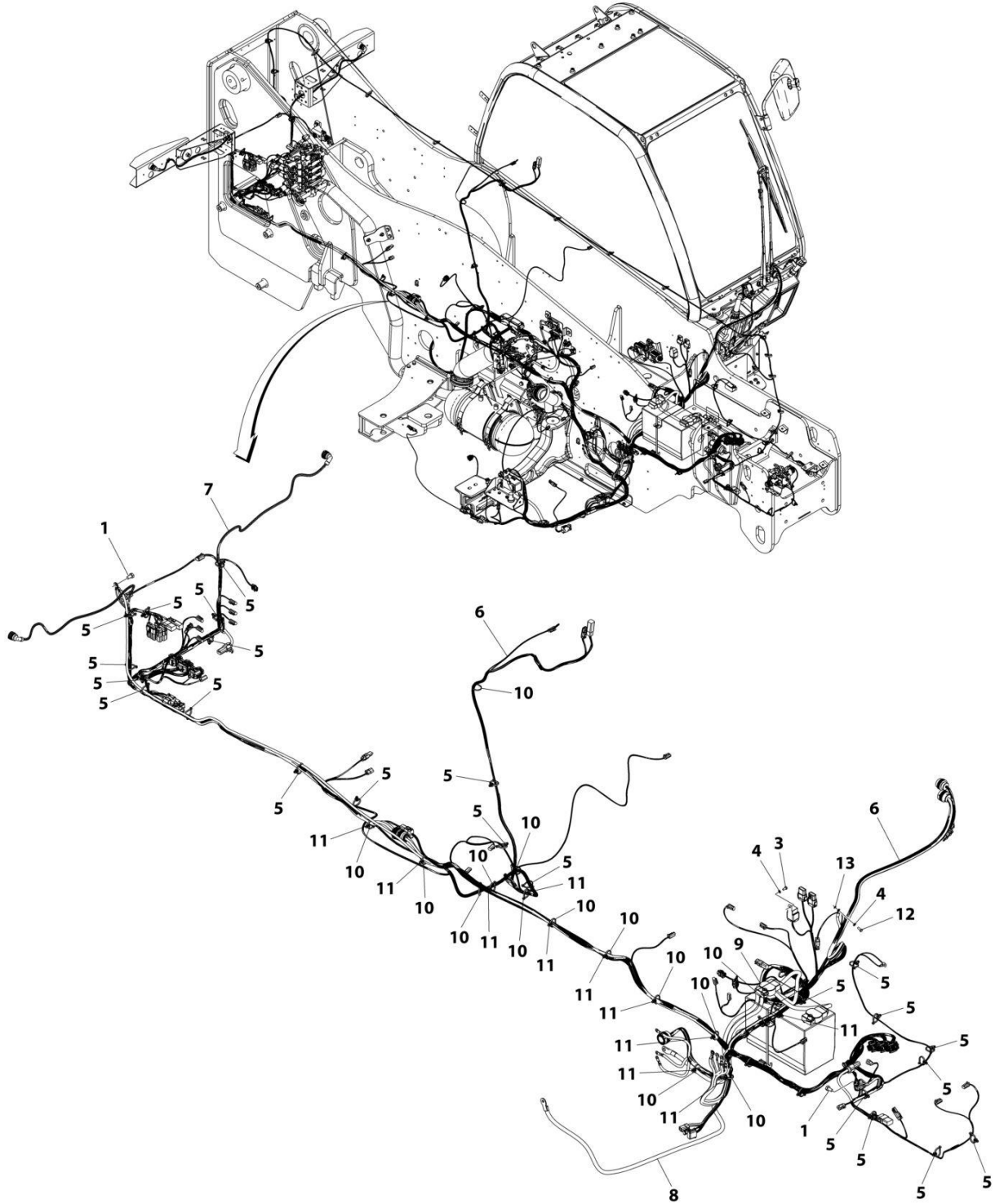
## SECTION 10 - ELECTRICAL

### FIGURE 10-59. FRAME WIRING INSTALLATION

ITEM	PART NUMBER	QTY	DESCRIPTION	REV
	1001200159	Ref	Frame Wiring Installation	H
1	0761010	2	Bolt M10 x 20	
5	1001146588	25	Tie, Cable	
6	1001258277	1	Harness, Front Frame (See Separate Breakdown in this Section)	
7	1001184397	1	Harness, Rear Frame (See Separate Breakdown in this Section)	
8	1001200168	1	Cable, Negative Battery	
9	1001200169	1	Cable, Positive Battery	
10	1001008559	16	Strap, Cable	
12	0760607	1	Bolt M6 x 14	
13	4811700	2	Washer M6	
14	1001202986	13	Strap Push Mount	
15	0760608	1	Bolt M6 x 16	
16	4871700	1	Washer M6	

# SECTION 10 - ELECTRICAL

## FIGURE 10-60. FRAME WIRING INSTALLATION, MINING (ULS)



ART\_1001228739\_C



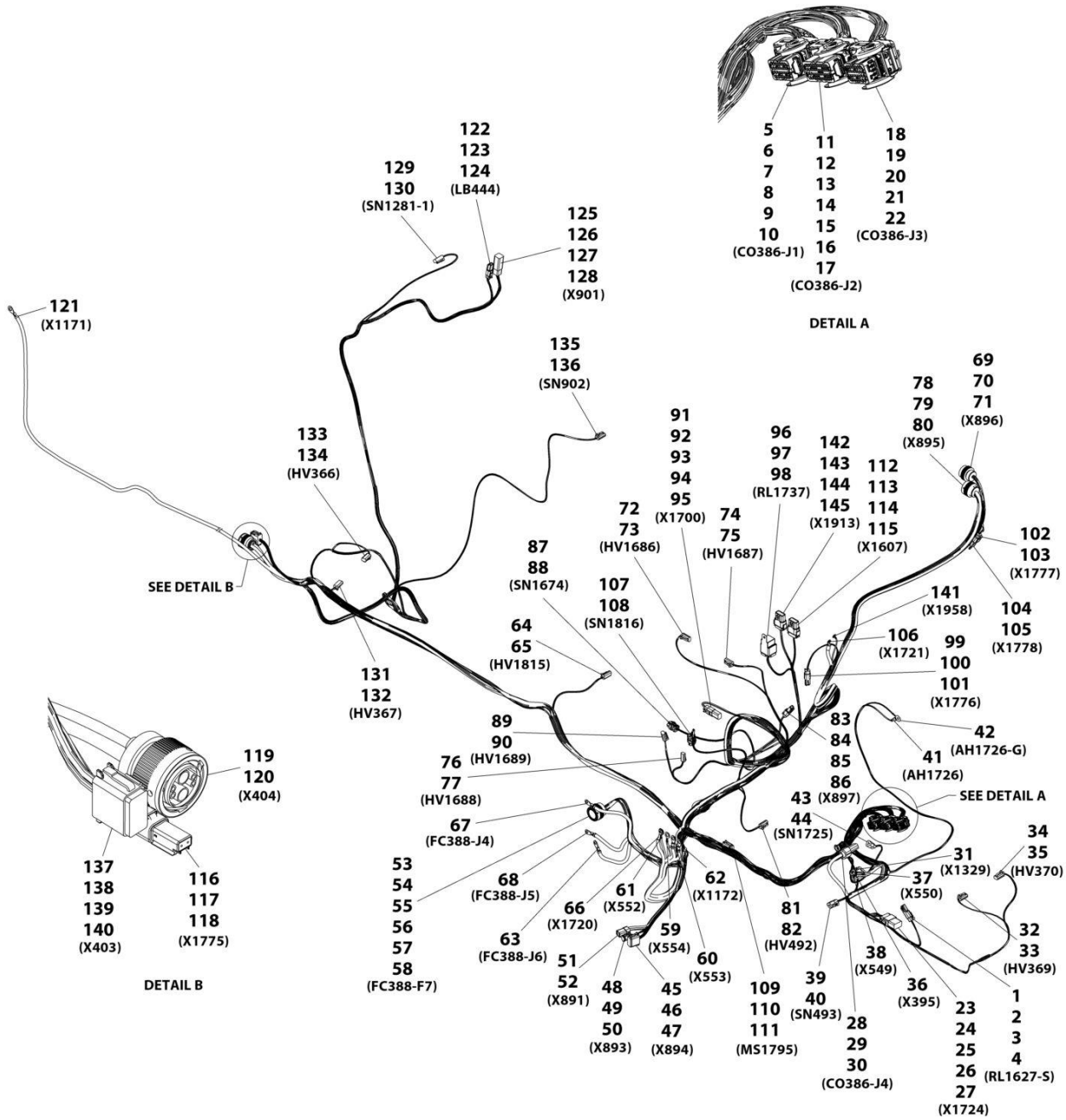
## SECTION 10 - ELECTRICAL

**FIGURE 10-60. FRAME WIRING INSTALLATION, MINING (ULS)**

ITEM	PART NUMBER	QTY	DESCRIPTION	REV
	1001228739	Ref	Frame Wiring Installation, Mining (ULS)	C
1	0761010	2	Bolt M10 x 20	
3	0760607	1	Bolt M6 x 14	
4	4811700	2	Washer M6	
5	1001146588	25	Tie, Cable	
6	1001258278	1	Harness, Front Frame (See Separate Breakdown in this Section)	
7	1001228741	1	Harness, Rear Frame (See Separate Breakdown in this Section)	
8	1001200168	1	Cable, Negative Battery	
9	1001200169	1	Cable, Positive Battery	
10	1001008559	16	Strap, Cable	
11	1001202986	13	Push Mount, Strap	
12	0760608	1	Bolt M6 x 16	
13	4871700	1	Washer M6	

# SECTION 10 - ELECTRICAL

## FIGURE 10-61. FRAME - FRONT FRAME HARNESS



ART\_1001258277

## SECTION 10 - ELECTRICAL

### FIGURE 10-61. FRAME - FRONT FRAME HARNESS

ITEM	PART NUMBER	QTY	DESCRIPTION	REV
	1001258277	Ref	Front Frame Harness	B
1	4460891	1	Connector	
2	4460897	1	Mating Connector	
3	4460466	2	Plug	
4	4460465	2	Terminal	
5	1001161957	1	Connector	
6	643191201	1	Cover	
7	1001161100	12	Plug	
8	1001161097	12	Terminal	
9	1001161101	5	Plug	
10	1001161098	3	Terminal	
11	1001161963	1	Connector	
12	643201301	1	Cover	
13	1001161097	21	Terminal	
14	1001161100	19	Plug	
15	1001161099	6	Terminal	
16	1001161098	1	Terminal	
17	1001161101	1	Plug	
18	1001160500	1	Connector	
19	643191201	1	Cover	
20	1001161097	10	Terminal	
21	1001161100	15	Plug	
22	1001161099	7	Terminal	
23	4460933	1	Connector	
24	4460970	1	Mating Connector	
25	4460466	2	Plug	
26	4460942	10	Terminal	
27	4460466	2	Plug	
28	1001160509	1	Connector	
29	1001160510	1	Terminal	
30	1001175267	1	Seal	
31	1001187080	1	Ring Terminal	
32	4460891	1	Connector	
33	4460465	2	Terminal	
34	4460891	1	Connector	
35	4460465	2	Terminal	
36	1001187080	1	Ring Terminal	
37	1001187079	1	Ring Terminal	
38	1001187079	1	Ring Terminal	
39	4460539	1	Connector	
40	4460465	3	Terminal	
41	8220051	1	Ring Terminal	
42	1001187073	1	Ring Terminal	
43	4460539	1	Connector	
44	4460465	3	Terminal	
45	4460933	1	Connector	
46	4460465	11	Terminal	
47	4460466	1	Plug	
48	1001116812	1	Connector	
49	4460465	2	Terminal	

## SECTION 10 - ELECTRICAL

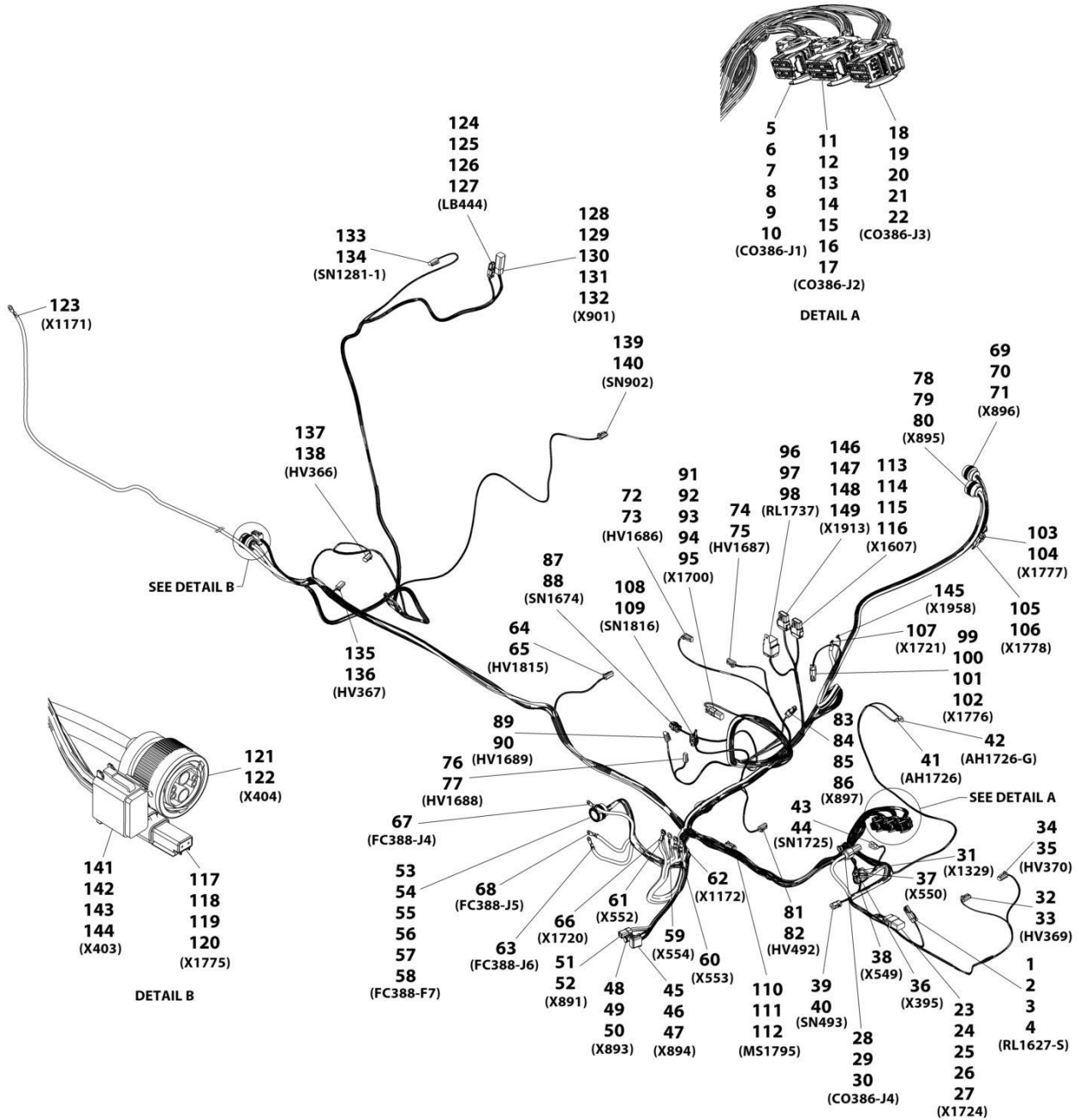
ITEM	PART NUMBER	QTY	DESCRIPTION	REV
50	4460466	1	Plug	
51	1001116810	1	Connector	
52	1001150611	4	Terminal	
53	1001165309	1	Connector	
54	4460466	2	Plug	
55	4460465	9	Terminal	
56	4460942	2	Terminal	
57	4460509	3	Terminal	
58	1001150611	3	Terminal	
59	1001187079	1	Ring Terminal	
60	1001187076	1	Ring Terminal	
61	1001187079	1	Ring Terminal	
62	1001187076	1	Ring Terminal	
63	1001187075	1	Ring Terminal	
64	4460891	1	Connector	
65	4460465	2	Terminal	
66	1001117109	1	Ring Terminal	
67	1001187075	1	Ring Terminal	
68	1001187075	1	Ring Terminal	
69	4461015	1	Connector	
70	4460465	12	Terminal	
71	4460466	2	Plug	
72	4460891	1	Connector	
73	4460465	2	Terminal	
74	4460891	1	Connector	
75	4460465	2	Terminal	
76	4461290	1	Connector	
77	4460928	2	Terminal	
78	1001118323	1	Connector	
79	4460942	4	Terminal	
80	91013192	2	Terminal	
81	4460891	1	Connector	
82	4460465	2	Terminal	
83	4460891	1	Connector	
84	4460897	1	Mating Connector	
85	4460942	1	Terminal	
86	4460466	1	Plug	
87	1001116950	1	Connector	
88	4460465	2	Terminal	
89	4460891	1	Connector	
90	4460465	2	Terminal	
91	4460884	1	Connector	
92	4460932	1	Mating Connector	
93	4460466	1	Sealing Plug	
94	4460465	3	Terminal	
95	4460942	1	Terminal	
96	1001118202	1	Connector	
97	1001116732	4	Terminal	
98	1001128128	1	Plug	
99	4460891	1	Connector	
100	4460897	1	Mating Connector	

## SECTION 10 - ELECTRICAL

ITEM	PART NUMBER	QTY	DESCRIPTION	REV
101	4460465	2	Terminal	
102	4460891	1	Connector	
103	4460465	2	Terminal	
104	4460897	1	Connector	
105	4460464	2	Terminal	
106	8220116	1	Ring Terminal	
107	1001116950	1	Connector	
108	4460465	2	Terminal	
109	4460930	1	Connector	
110	4460984	1	Mating Connector	
111	4460465	8	Terminal	
112	1001116774	1	Connector	
113	1001132169	1	Mating Connector	
114	4460518	7	Plug	
115	1001126008	5	Terminal	
116	4460891	1	Connector	
117	4460897	1	Mating Connector	
118	4460465	2	Terminal	
119	1001165310	1	Connector	
120	91013192	2	Terminal	
121	1001187076	1	Ring Terminal	
122	4460891	1	Connector	
123	4460897	1	Mating Connector	
124	4460942	2	Terminal	
125	4460894	1	Connector	
126	4460899	1	Mating Connector	
127	4460465	2	Terminal	
128	4460942	4	Terminal	
129	4460891	1	Connector	
130	4460465	2	Terminal	
131	4460891	1	Connector	
132	4460465	2	Terminal	
133	4460891	1	Connector	
134	4460465	2	Terminal	
135	4460891	1	Connector	
136	4460465	2	Terminal	
137	4460933	1	Connector	
138	4460465	6	Terminal	
139	4460942	1	Terminal	
140	4460466	5	Plug	
141	1001207173	1	Terminal, Ring	
142	1001116808	1	Connector	
143	1001132170	1	Mating Connector	
144	4460518	18	Plug	
145	1001126008	3	Terminal	

# SECTION 10 - ELECTRICAL

## FIGURE 10-62. FRAME - FRONT FRAME HARNESS, MINING



ART\_1001258278

## SECTION 10 - ELECTRICAL

**FIGURE 10-62. FRAME - FRONT FRAME HARNESS, MINING**

ITEM	PART NUMBER	QTY	DESCRIPTION	REV
	1001258278	Ref	Front Frame Harness, Mining	B
1	4460891	1	Connector	
2	4460897	1	Mating Connector	
3	4460466	2	Plug	
4	4460465	2	Terminal	
5	1001161957	1	Connector	
6	643191201	1	Cover	
7	1001161100	12	Plug	
8	1001161097	12	Terminal	
9	1001161101	5	Plug	
10	1001161098	3	Terminal	
11	1001161963	1	Connector	
12	643201301	1	Cover	
13	1001161097	22	Terminal	
14	1001161100	19	Plug	
15	1001161099	6	Terminal	
16	1001161098	1	Terminal	
17	1001161101	1	Plug	
18	1001160500	1	Connector	
19	643191201	1	Cover	
20	1001161097	10	Terminal	
21	1001161100	15	Plug	
22	1001161099	7	Terminal	
23	4460933	1	Connector	
24	4460970	1	Mating Connector	
25	4460466	2	Plug	
26	4460942	10	Terminal	
27	4460466	2	Plug	
28	1001160509	1	Connector	
29	1001160510	1	Terminal	
30	1001175267	1	Seal	
31	1001187080	1	Ring Terminal	
32	4460891	1	Connector	
33	4460465	2	Terminal	
34	4460891	1	Connector	
35	4460465	2	Terminal	
36	1001187080	1	Ring Terminal	
37	1001187079	1	Ring Terminal	
38	1001187079	1	Ring Terminal	
39	4460539	1	Connector	
40	4460465	3	Terminal	
41	8220051	1	Ring Terminal	
42	1001187073	1	Ring Terminal	
43	4460539	1	Connector	
44	4460465	3	Terminal	
45	4460933	1	Connector	
46	4460465	11	Terminal	
47	4460466	1	Plug	
48	1001116812	1	Connector	
49	4460465	2	Terminal	

## SECTION 10 - ELECTRICAL

ITEM	PART NUMBER	QTY	DESCRIPTION	REV
50	4460466	1	Plug	
51	1001116810	1	Connector	
52	1001150611	4	Terminal	
53	1001165309	1	Connector	
54	4460466	2	Plug	
55	4460465	9	Terminal	
56	4460942	2	Terminal	
57	4460509	3	Terminal	
58	1001150611	3	Terminal	
59	1001187079	1	Ring Terminal	
60	1001187076	1	Ring Terminal	
61	1001187079	1	Ring Terminal	
62	1001187076	1	Ring Terminal	
63	1001187075	1	Ring Terminal	
64	4460891	1	Connector	
65	4460465	2	Terminal	
66	1001117109	1	Ring Terminal	
67	1001187075	1	Ring Terminal	
68	1001187075	1	Ring Terminal	
69	4461015	1	Connector	
70	4460465	12	Terminal	
71	4460466	2	Plug	
72	4460891	1	Connector	
73	4460465	2	Terminal	
74	4460891	1	Connector	
75	4460465	2	Terminal	
76	4461290	1	Connector	
77	4460928	2	Terminal	
78	1001118323	1	Connector	
79	4460942	4	Terminal	
80	91013192	2	Terminal	
81	4460891	1	Connector	
82	4460465	2	Terminal	
83	4460891	1	Connector	
84	4460897	1	Mating Connector	
85	4460942	1	Terminal	
86	4460466	1	Plug	
87	1001116950	1	Connector	
88	4460465	2	Terminal	
89	4460891	1	Connector	
90	4460465	2	Terminal	
91	4460884	1	Connector	
92	4460932	1	Mating Connector	
93	4460466	1	Sealing Plug	
94	4460465	3	Terminal	
95	4460942	1	Terminal	
96	1001118282	1	Connector	
97	1001116732	4	Terminal	
98	1001128128	1	Plug	
99	4460891	1	Connector	
100	4460897	1	Mating Connector	

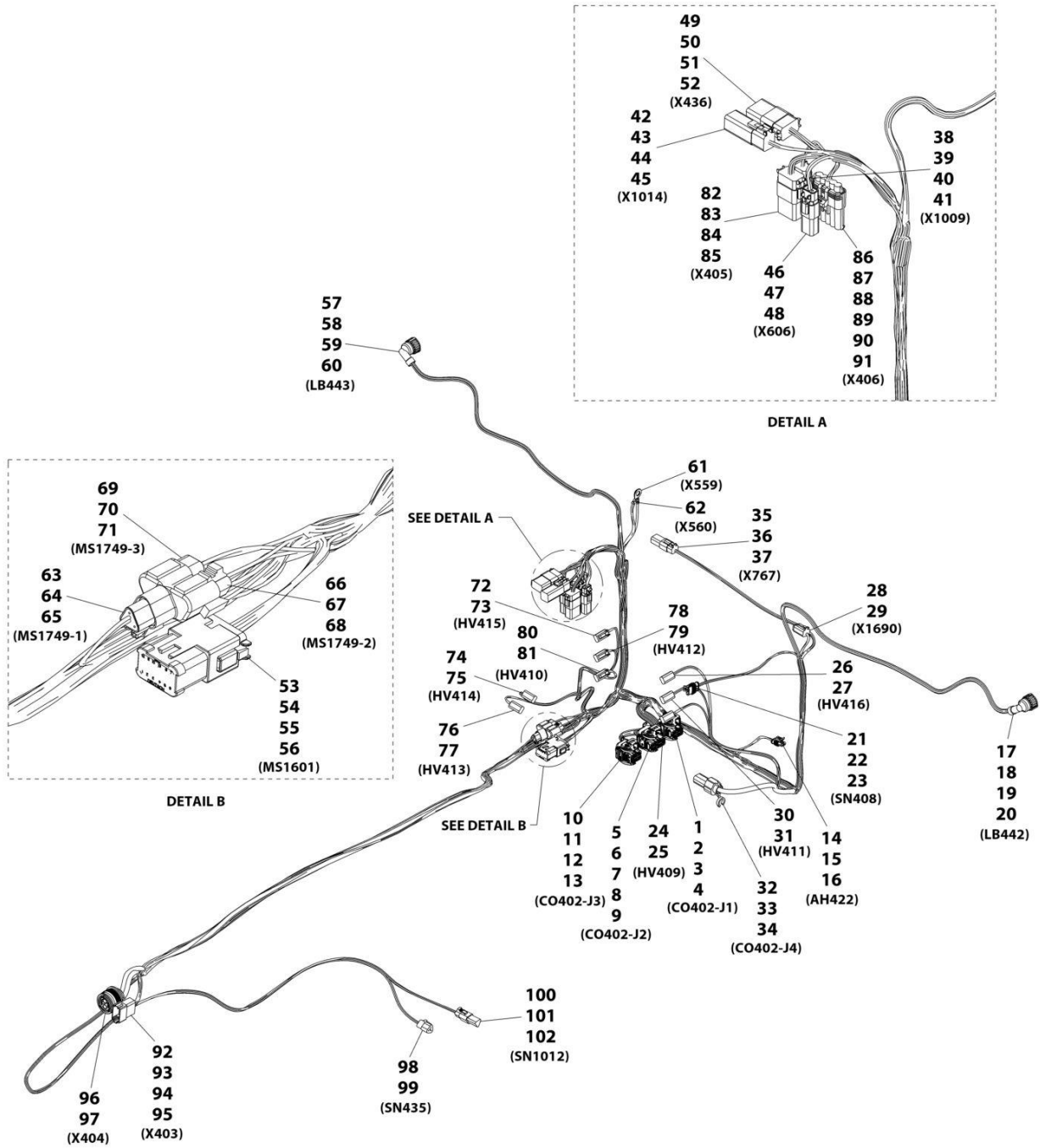


## SECTION 10 - ELECTRICAL

ITEM	PART NUMBER	QTY	DESCRIPTION	REV
101	4460465	2	Terminal	
102	4460466	1	Plug	
103	4460891	1	Connector	
104	4460465	2	Terminal	
105	4460897	1	Connector	
106	4460464	2	Terminal	
107	8220116	1	Ring Terminal	
108	1001116950	1	Connector	
109	4460465	2	Terminal	
110	4460930	1	Connector	
111	4460984	1	Mating Connector	
112	4460465	8	Terminal	
113	1001116774	1	Connector	
114	1001132169	1	Mating Connector	
115	4460518	7	Plug	
116	1001126008	5	Terminal	
117	4460891	1	Connector	
118	4460897	1	Mating Connector	
119	4460465	2	Terminal	
120	4460466	1	Plug	
121	1001165310	1	Connector	
122	91013192	2	Terminal	
123	1001187076	1	Ring Terminal	
124	4460891	1	Connector	
125	4460897	1	Mating Connector	
126	4460942	2	Terminal	
127	4460466	1	Plug	
128	4460894	1	Connector	
129	4460899	1	Mating Connector	
130	4460466	1	Plug	
131	4460465	2	Terminal	
132	4460942	4	Terminal	
133	4460891	1	Connector	
134	4460465	2	Terminal	
135	4460891	1	Connector	
136	4460465	2	Terminal	
137	4460891	1	Connector	
138	4460465	2	Terminal	
139	4460891	1	Connector	
140	4460465	2	Terminal	
141	4460933	1	Connector	
142	4460465	6	Terminal	
143	4460942	1	Terminal	
144	4460466	5	Plug	
145	1001207173	1	Terminal, Ring	
146	1001116808	1	Connector	
147	1001132170	1	Mating Connector	
148	4460518	18	Plug	
149	1001126008	3	Terminal	

# SECTION 10 - ELECTRICAL

## FIGURE 10-63. FRAME - REAR FRAME HARNESS



ART\_1001184397-1

# SECTION 10 - ELECTRICAL

## FIGURE 10-63. FRAME - REAR FRAME HARNESS

ITEM	PART NUMBER	QTY	DESCRIPTION	REV
	1001184397	Ref	Rear Frame Harness	I
1	1001161957	1	Connector	
2	1001161097	6	Terminal	
3	1001161100	18	Plug	
4	1001161101	8	Plug	
5	1001161963	1	Connector	
6	1001161097	26	Terminal	
7	1001161100	14	Plug	
8	1001161099	6	Terminal	
9	1001161101	2	Plug	
10	1001160500	1	Connector	
11	1001161100	18	Plug	
12	1001161097	6	Terminal	
13	1001161099	8	Terminal	
14	4461118	1	Connector	
15	1001107854	2	Terminal	
16	1001116763	2	Terminal Seal	
17	1001116996	1	Connector	
18	1001118392	6	Terminal	
19	1001116696	1	Plug	
20	4461054	6	Terminal Seal	
21	4461262	1	Connector	
22	1001107854	3	Terminal	
23	1001104498	3	Terminal Seal	
24	4460891	1	Connector	
25	4460465	2	Terminal	
26	4460891	1	Connector	
27	4460465	2	Terminal	
28	4460884	1	Connector	
29	4460465	4	Terminal	
30	4460891	1	Connector	
31	4460465	2	Terminal	
32	1001160509	1	Connector	
33	1001160510	1	Terminal	
34	1001175267	1	Terminal Seal	
35	4460884	1	Connector	
36	4460932	1	Mating Connector	
37	4460465	4	Terminal	
38	4460884	1	Connector	
39	4460932	1	Mating Connector	
40	4460466	2	Plug	
41	4460465	2	Terminal	
42	4460894	1	Connector	
43	4460899	1	Mating Connector	
44	4460466	3	Plug	
45	4460465	3	Terminal	
46	4461018	1	Connector	
47	4461017	1	Mating Connector	
48	4460509	2	Terminal	
49	4460930	1	Connector	

## SECTION 10 - ELECTRICAL

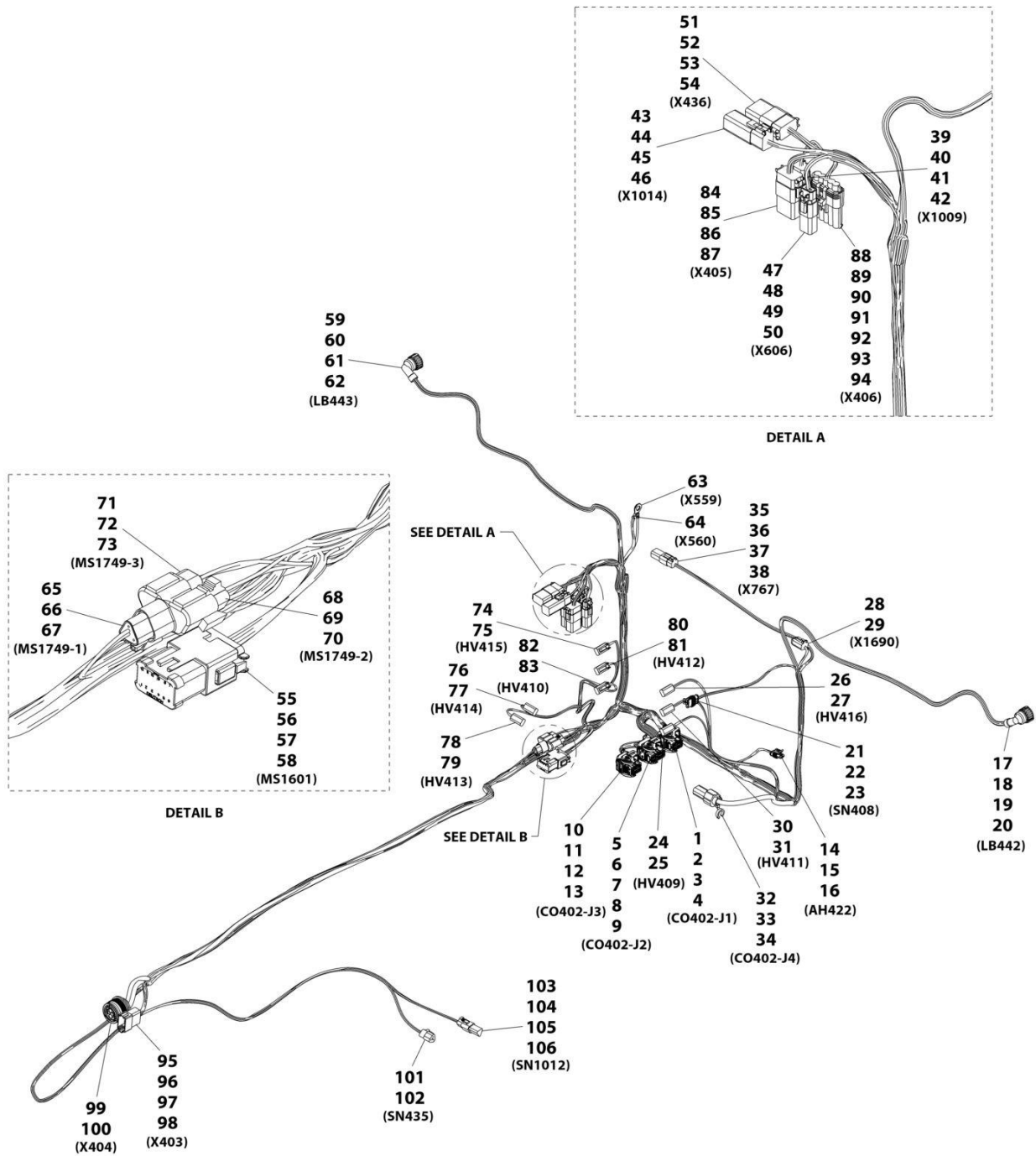
ITEM	PART NUMBER	QTY	DESCRIPTION	REV
50	4460931	1	Mating Connector	
51	4460466	2	Plug	
52	4460465	6	Terminal	
53	4460933	1	Connector	
54	1001125677	1	Bussbar Connector	
55	4460465	10	Terminal	
56	4460466	2	Plug	
57	1001116996	1	Connector	
58	1001118392	6	Terminal	
59	1001116696	1	Plug	
60	4461054	6	Terminal Seal	
61	1001187080	1	Ring Terminal	
62	1001187079	1	Ring Terminal	
63	1001116812	1	Connector	
64	4460944	2	Terminal	
65	4460466	1	Plug	
66	4460539	1	Connector	
67	4460944	2	Terminal	
68	4460466	1	Plug	
69	1001116812	1	Connector	
70	4460944	2	Terminal	
71	4460466	1	Plug	
72	4460891	1	Connector	
73	4460465	2	Terminal	
74	4460891	1	Connector	
75	4460465	2	Terminal	
76	4460891	1	Connector	
77	4460465	2	Terminal	
78	4460891	1	Connector	
79	4460465	2	Terminal	
80	4460891	1	Connector	
81	4460465	2	Terminal	
82	4460930	1	Connector	
83	4460931	1	Mating Connector	
84	4460466	2	Plug	
85	4460465	6	Terminal	
86	1001121726	1	Connector	
87	1001121727	1	Mating Connector	
88	1001116728	4	Terminal	
89	4460748	1	Plug	
90	1001175265	3	Terminal Seal	
91	4460458	1	Terminal Seal	
92	4460970	1	Connector	
93	4460464	6	Terminal	
94	4460941	1	Terminal	
95	4460466	5	Plug	
96	1001165311	1	Connector	
97	91013191	2	Terminal	
98	4460539	1	Connector	
99	4460944	3	Terminal	
100	4460539	1	Connector	

## SECTION 10 - ELECTRICAL

ITEM	PART NUMBER	QTY	DESCRIPTION	REV
101	4460536	1	Mating Connector	
102	4460465	3	Terminal	

# SECTION 10 - ELECTRICAL

## FIGURE 10-64. FRAME - REAR FRAME HARNESS, MINING



ART\_1001228741-A

## SECTION 10 - ELECTRICAL

**FIGURE 10-64. FRAME - REAR FRAME HARNESS, MINING**

ITEM	PART NUMBER	QTY	DESCRIPTION	REV
	1001228741	Ref	Front Frame Harness, Mining	A
1	1001161957	1	Connector	
2	1001161097	6	Terminal	
3	1001161100	18	Plug	
4	1001161101	8	Plug	
5	1001161963	1	Connector	
6	1001161097	26	Terminal	
7	1001161100	14	Plug	
8	1001161099	6	Terminal	
9	1001161101	2	Plug	
10	1001160500	1	Connector	
11	1001161100	18	Plug	
12	1001161097	6	Terminal	
13	1001161099	8	Terminal	
14	4461118	1	Connector	
15	1001107854	2	Terminal	
16	1001116763	2	Terminal Seal	
17	1001116996	1	Connector	
18	1001118392	6	Terminal	
19	1001116696	1	Plug	
20	4461054	6	Terminal Seal	
21	4461262	1	Connector	
22	1001107854	3	Terminal	
23	1001104498	3	Terminal Seal	
24	4460891	1	Connector	
25	4460465	2	Terminal	
26	4460891	1	Connector	
27	4460465	2	Terminal	
28	4460884	1	Connector	
29	4460465	4	Terminal	
30	4460891	1	Connector	
31	4460465	2	Terminal	
32	1001160509	1	Connector	
33	1001160510	1	Terminal	
34	1001175267	1	Terminal Seal	
35	4460884	1	Connector	
36	4460932	1	Mating Connector	
37	4460465	4	Terminal	
38	4460466	1	Plug	
39	4460884	1	Connector	
40	4460932	1	Mating Connector	
41	4460466	2	Plug	
42	4460465	2	Terminal	
43	4460894	1	Connector	
44	4460899	1	Mating Connector	
45	4460466	3	Plug	
46	4460465	3	Terminal	
47	4461018	1	Connector	
48	4461017	1	Mating Connector	
49	4460509	2	Terminal	

## SECTION 10 - ELECTRICAL

ITEM	PART NUMBER	QTY	DESCRIPTION	REV
51	4460930	1	Connector	
52	4460931	1	Mating Connector	
53	4460466	2	Plug	
54	4460465	6	Terminal	
55	4460933	1	Connector	
56	1001125677	1	Bussbar Connector	
57	4460465	10	Terminal	
58	4460466	2	Plug	
59	1001116996	1	Connector	
60	1001118392	6	Terminal	
61	1001116696	1	Plug	
62	4461054	6	Terminal Seal	
63	1001187080	1	Ring Terminal	
64	1001187079	1	Ring Terminal	
65	1001116812	1	Connector	
66	4460944	2	Terminal	
67	4460466	1	Plug	
68	4460539	1	Connector	
69	4460944	2	Terminal	
70	4460466	1	Plug	
71	1001116812	1	Connector	
72	4460944	2	Terminal	
73	4460466	1	Plug	
74	4460891	1	Connector	
75	4460465	2	Terminal	
76	4460891	1	Connector	
77	4460465	2	Terminal	
78	4460891	1	Connector	
79	4460465	2	Terminal	
80	4460891	1	Connector	
81	4460465	2	Terminal	
82	4460891	1	Connector	
83	4460465	2	Terminal	
84	4460930	1	Connector	
85	4460931	1	Mating Connector	
86	4460466	2	Plug	
87	4460465	6	Terminal	
88	1001121726	1	Connector	
89	1001121727	1	Mating Connector	
90	1001116728	4	Terminal	
91	1001116727	1	Plug	
92	4460748	1	Plug	
93	1001175265	3	Terminal Seal	
94	4460458	1	Terminal Seal	
95	4460970	1	Connector	
96	4460464	6	Terminal	
97	4460941	1	Terminal	
98	4460466	5	Plug	
99	1001165311	1	Connector	
100	91013191	2	Terminal	
101	4460539	1	Connector	

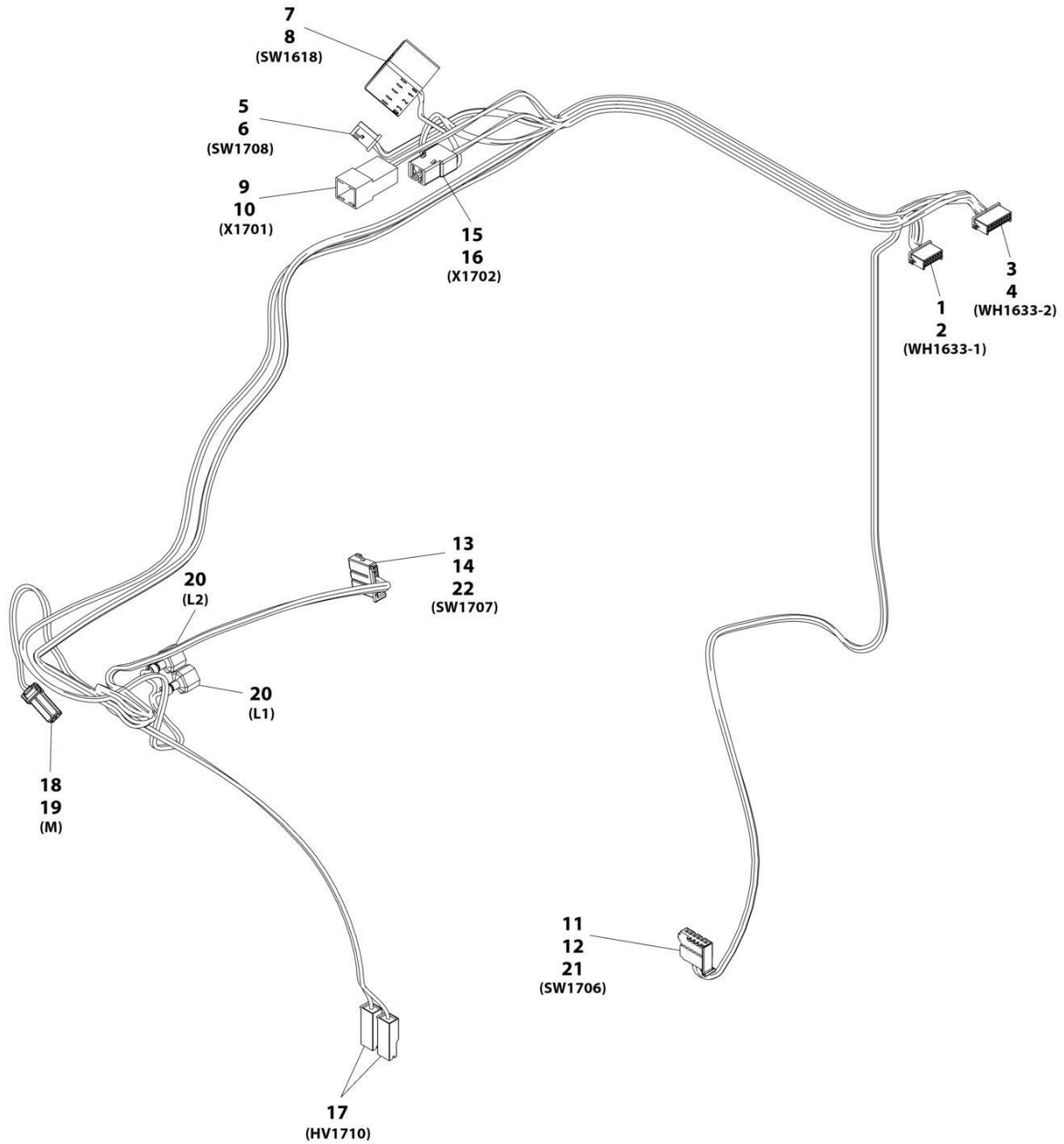


## SECTION 10 - ELECTRICAL

ITEM	PART NUMBER	QTY	DESCRIPTION	REV
102	4460944	3	Terminal	
103	4460539	1	Connector	
104	4460536	1	Mating Connector	
105	4460466	1	Plug	
106	4460465	3	Terminal	

# SECTION 10 - ELECTRICAL

## FIGURE 10-65. HVAC ACTUATOR HARNESS



ART\_1001268830

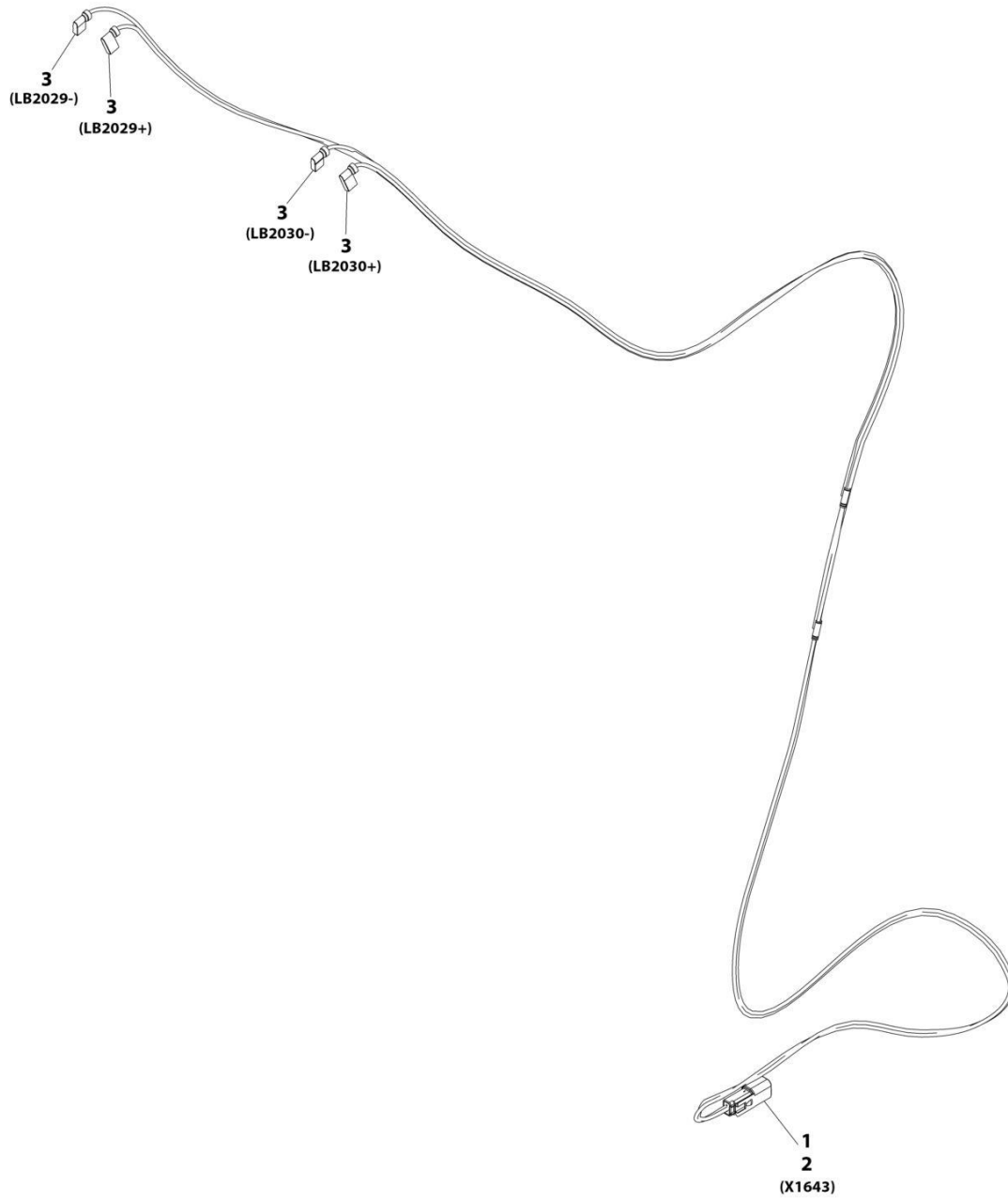
## SECTION 10 - ELECTRICAL

### FIGURE 10-65. HVAC ACTUATOR HARNESS

ITEM	PART NUMBER	QTY	DESCRIPTION	REV
	1001268830	Ref	CAB HVAC ACTUATOR HARNESS	B
1	1001274536	1	Connector	
2	1001274543	10	Terminal	
3	1001274537	1	Connector	
4	1001274543	8	Terminal	
5	1001184473	1	Connector	
6	1001184479	3	Terminal	
7	1001274533	1	Connector	
8	1001274539	4	Terminal	
9	1001116999	1	Connector	
10	1001274540	2	Terminal	
11	1001274534	1	Connector	
12	1001274541	2	Terminal	
13	1001274534	1	Connector	
14	1001274541	5	Terminal	
15	1001116991	1	Connector	
16	1001116720	2	Terminal	
17	1001274535	2	Connector	
18	1001274538	1	Connector	
19	1001274544	2	Terminal	
20	8220050	2	Terminal	
21	1001274553	1	Retainer	
22	1001274553	1	Retainer	

# SECTION 10 - ELECTRICAL

## FIGURE 10-66. LICENSE LIGHT HARNESS



ART\_1001178053-C

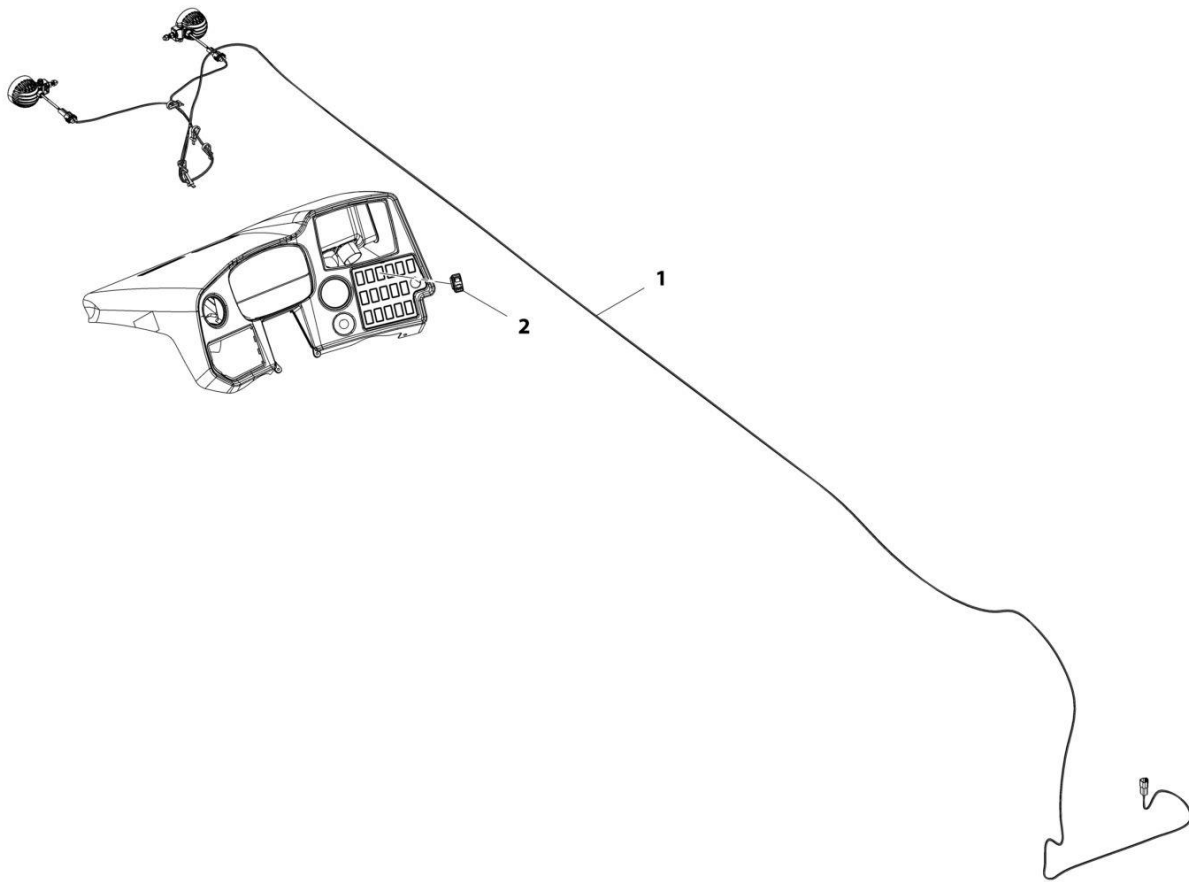
## SECTION 10 - ELECTRICAL

### FIGURE 10-66. LICENSE LIGHT HARNESS

ITEM	PART NUMBER	QTY	DESCRIPTION	REV
	1001178053	Ref	License Light Harness	C
1	4460897	1	Connector	
2	4460941	2	Terminal	
3	1001190396	4	Connector	

# SECTION 10 - ELECTRICAL

## FIGURE 10-67. LIGHTS - BOOM WORK LIGHTS (LED)



ART\_1001209427-B

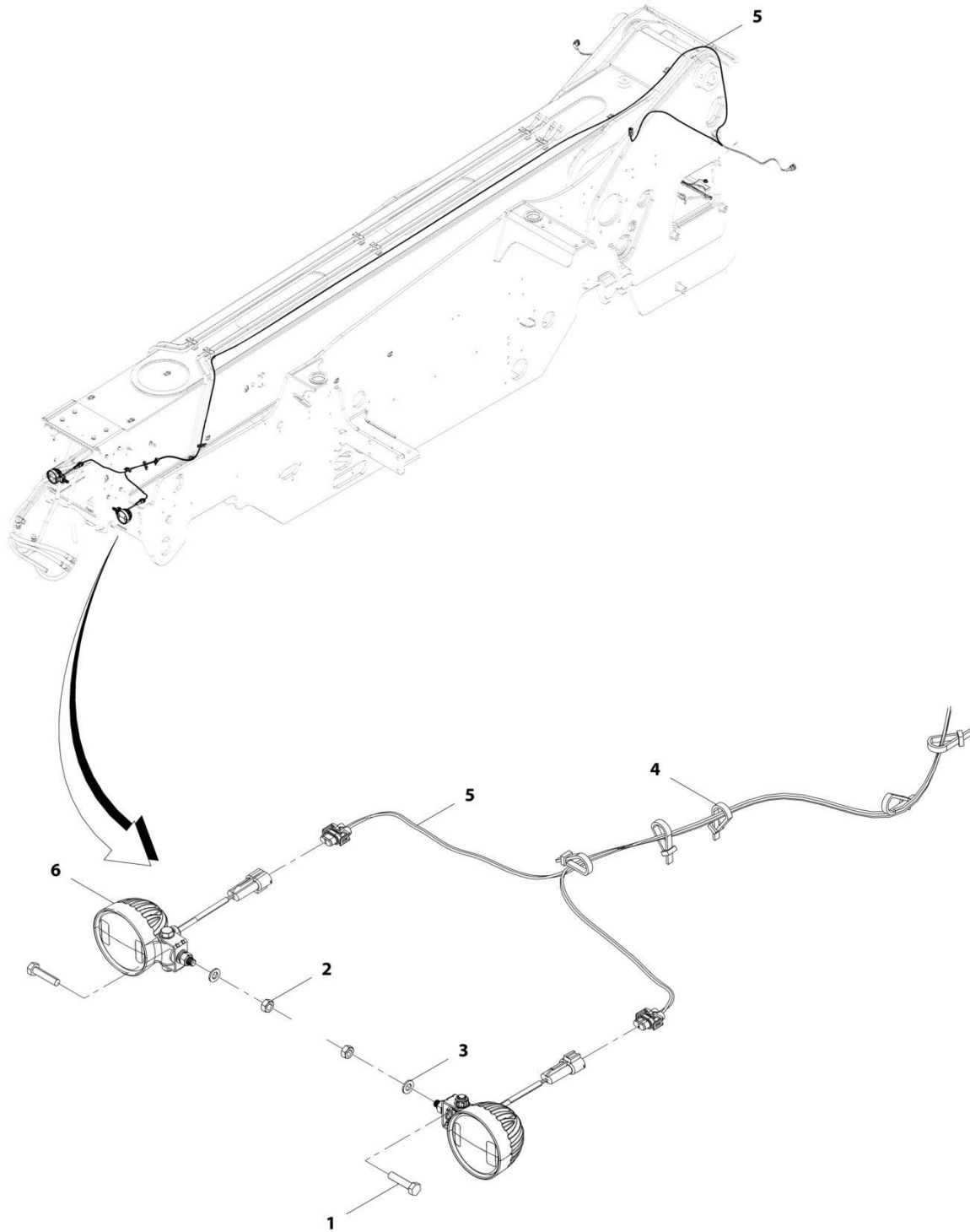
## SECTION 10 - ELECTRICAL

### FIGURE 10-67. LIGHTS - BOOM WORK LIGHTS (LED)

ITEM	PART NUMBER	QTY	DESCRIPTION	REV
	1001209427	Ref	Boom Work Lights (LED)	B
1	1001159739	1	Switch, Boom Worklights	
2	1001209456	1	Installation, LED Boom Work lights (See Separate Breakdown in this Section)	

# SECTION 10 - ELECTRICAL

## FIGURE 10-68. LIGHTS - BOOM WORK LIGHT INSTALLATION (LED)



ART\_1001209456-C



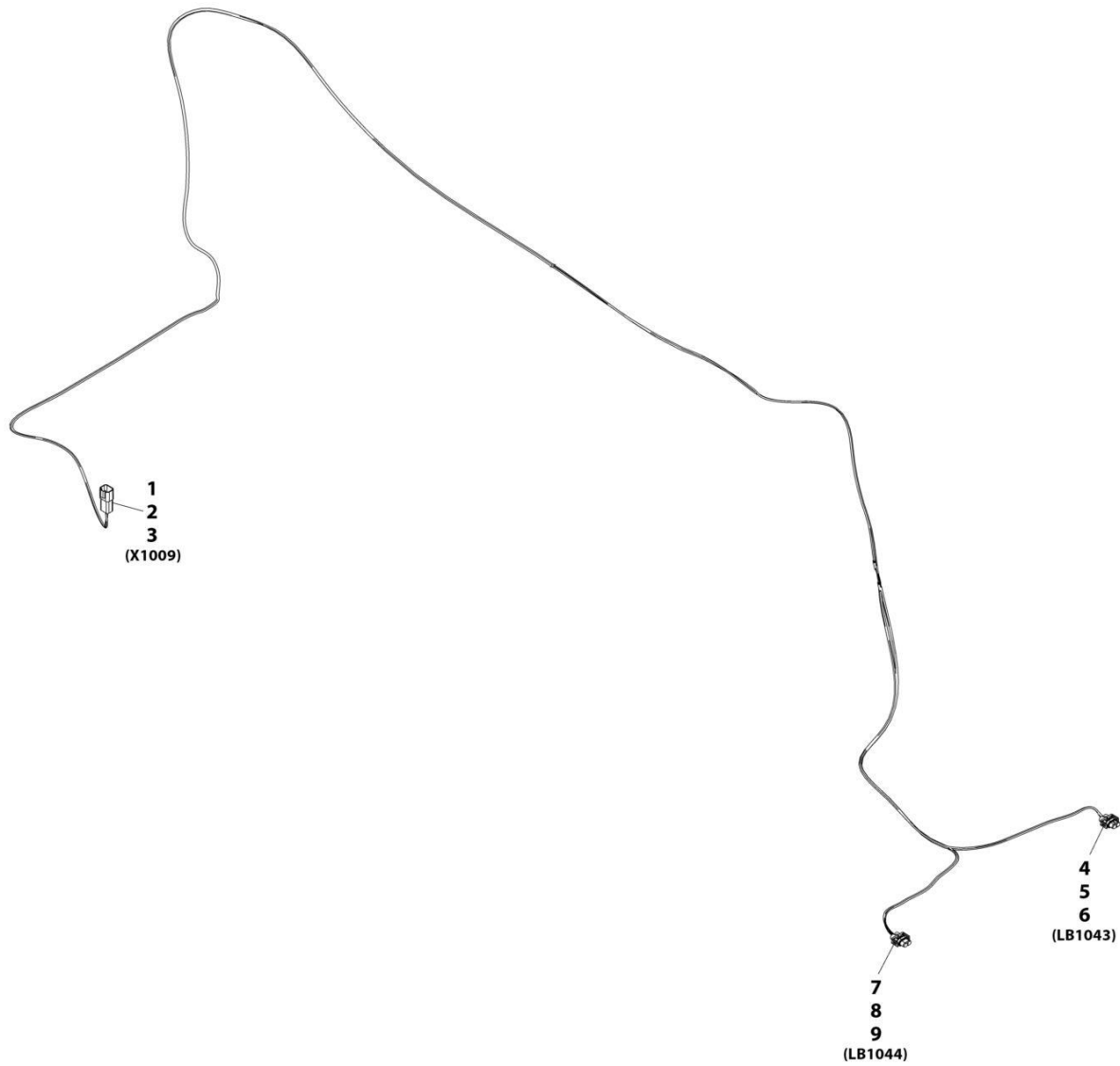
## SECTION 10 - ELECTRICAL

### FIGURE 10-68. LIGHTS - BOOM WORK LIGHT INSTALLATION (LED)

ITEM	PART NUMBER	QTY	DESCRIPTION	REV
	1001209456	Ref	Boom Work Light Installation (LED)	C
1	0700815	2	Bolt, M8X35	
2	3290801	2	Nut, M8X1.25	
3	4811900	2	Washer, M8	
4	1001008923	5	Strap, Cable	
5	1001184796	1	Harness, Boom Work Lights (See Separate Breakdown in this Section)	
6	1001203640	2	Lamp, LED Worklight	

# SECTION 10 - ELECTRICAL

## FIGURE 10-69. LIGHTS - BOOM WORKLIGHTS HARNESS



ART\_1001184796-E

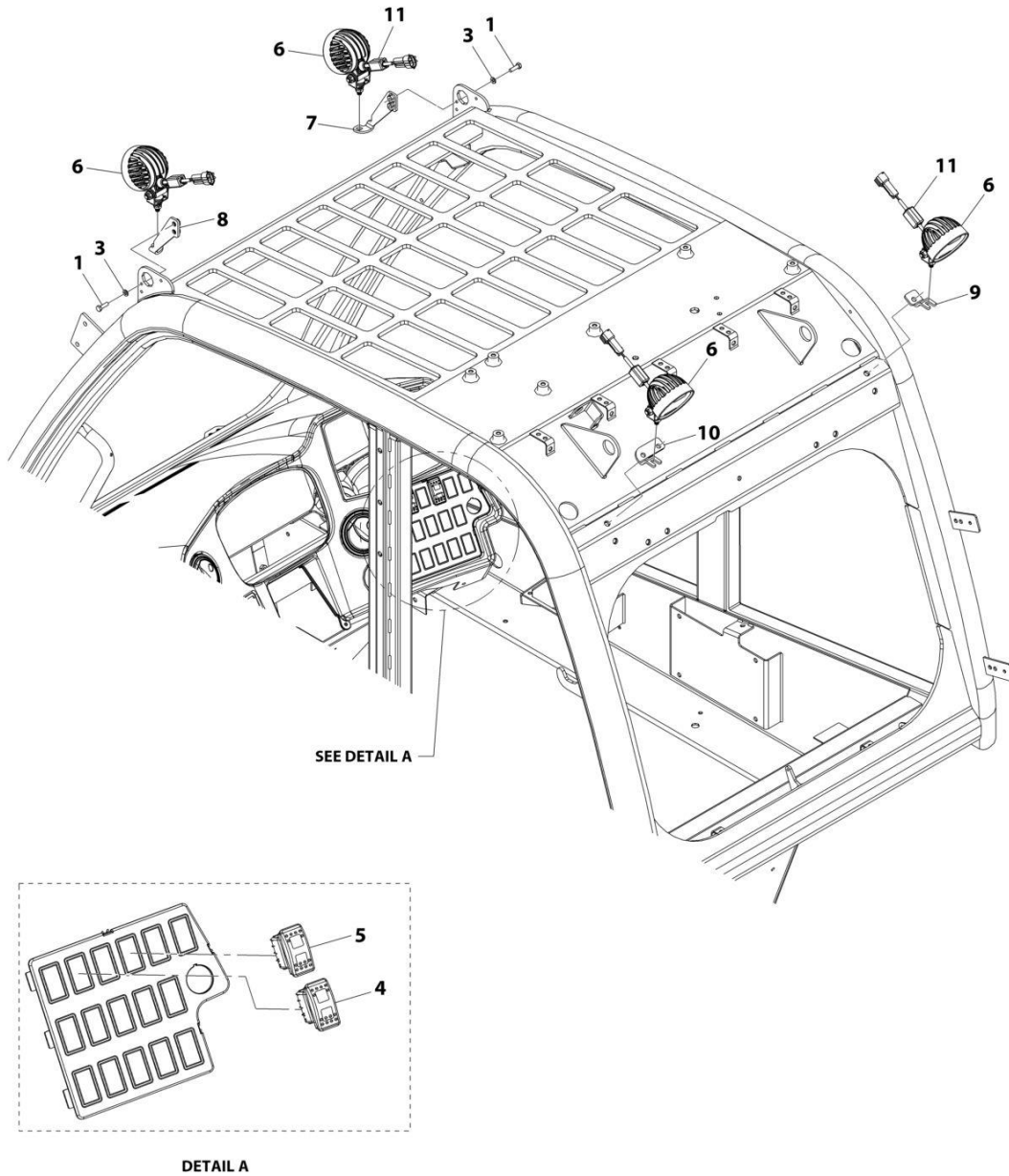
## SECTION 10 - ELECTRICAL

### FIGURE 10-69. LIGHTS - BOOM WORKLIGHTS HARNESS

ITEM	PART NUMBER	QTY	DESCRIPTION	REV
	1001184796	Ref	Boom Worklights Harness	E
1	4460932	1	Connector	
2	4460464	2	Terminal	
3	4460466	2	Plug	
4	4461115	1	Connector	
5	1001116728	2	Terminal	
6	4460458	2	Terminal Seal	
7	4461115	1	Connector	
8	1001116728	2	Terminal	
9	4460458	2	Terminal Seal	

# SECTION 10 - ELECTRICAL

## FIGURE 10-70. LIGHTS - CAB WORK LIGHTS INSTALLATION (NO A/C) (LED)



ART\_1001200538-D

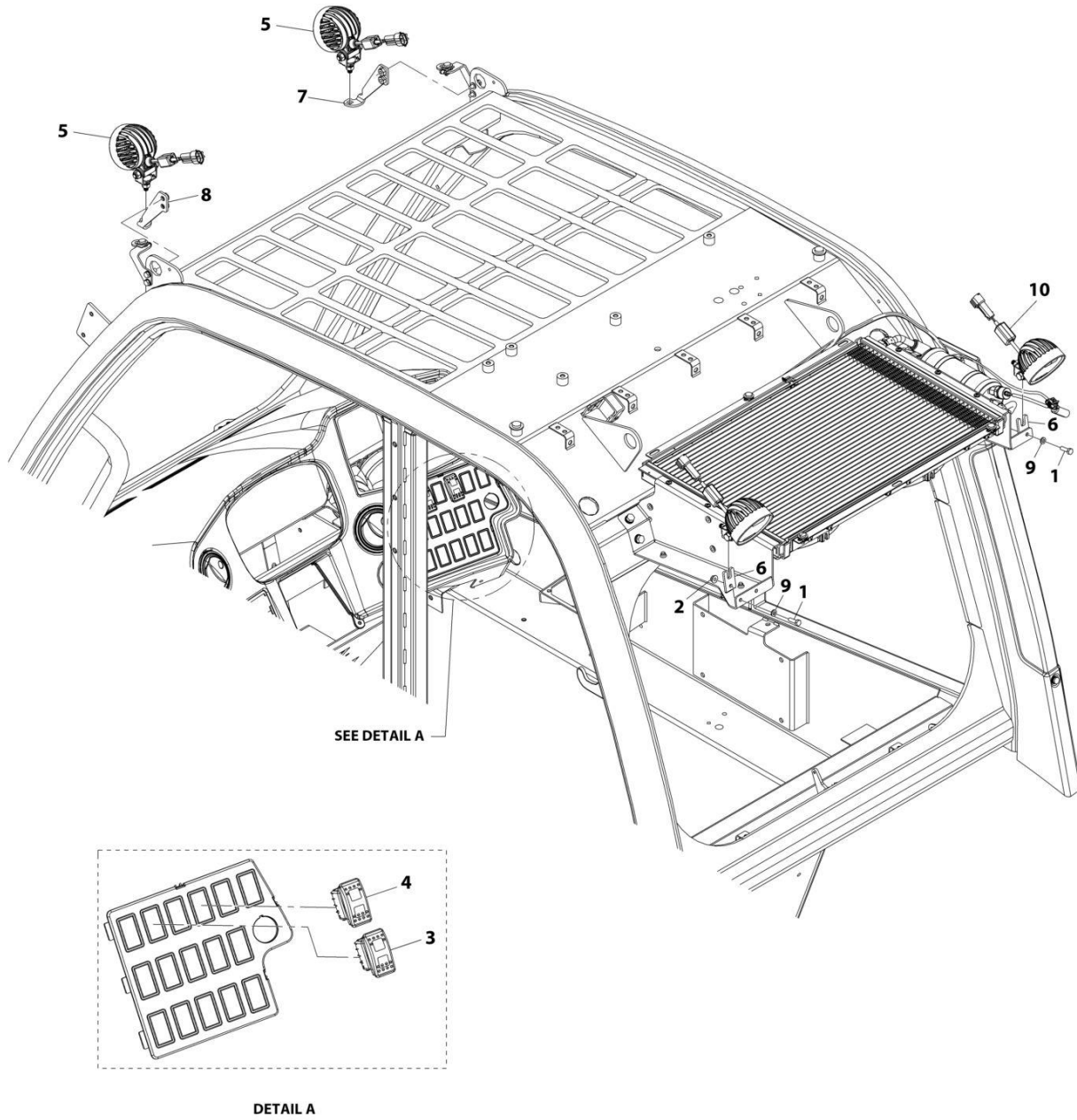
## SECTION 10 - ELECTRICAL

**FIGURE 10-70. LIGHTS - CAB WORK LIGHTS INSTALLATION (NO A/C) (LED)**

ITEM	PART NUMBER	QTY	DESCRIPTION	REV
	1001200538	Ref	Cab Worklights Installation (No A/C - LED)	D
1	0700610	4	Bolt, M6X20	
3	4811700	4	Washer, M6	
4	1001159845	1	Switch, Front Worklights	
5	1001159846	1	Switch, Rear Worklights	
6	1001203640	4	Lamp, LED Work Light	
7	1001244193	1	Support, LED Work Light RH	
8	1001244192	1	Support, LED Work Light LH	
9	1001204528	1	Support, LED Work Light RH	
10	1001204530	1	Support, LED Work Light LH	
11	1001228989	4	Harness, Ferrite	

# SECTION 10 - ELECTRICAL

## FIGURE 10-71. LIGHTS - CAB WORK LIGHTS INSTALLATION (A/C) (LED)



ART\_1001200539-D

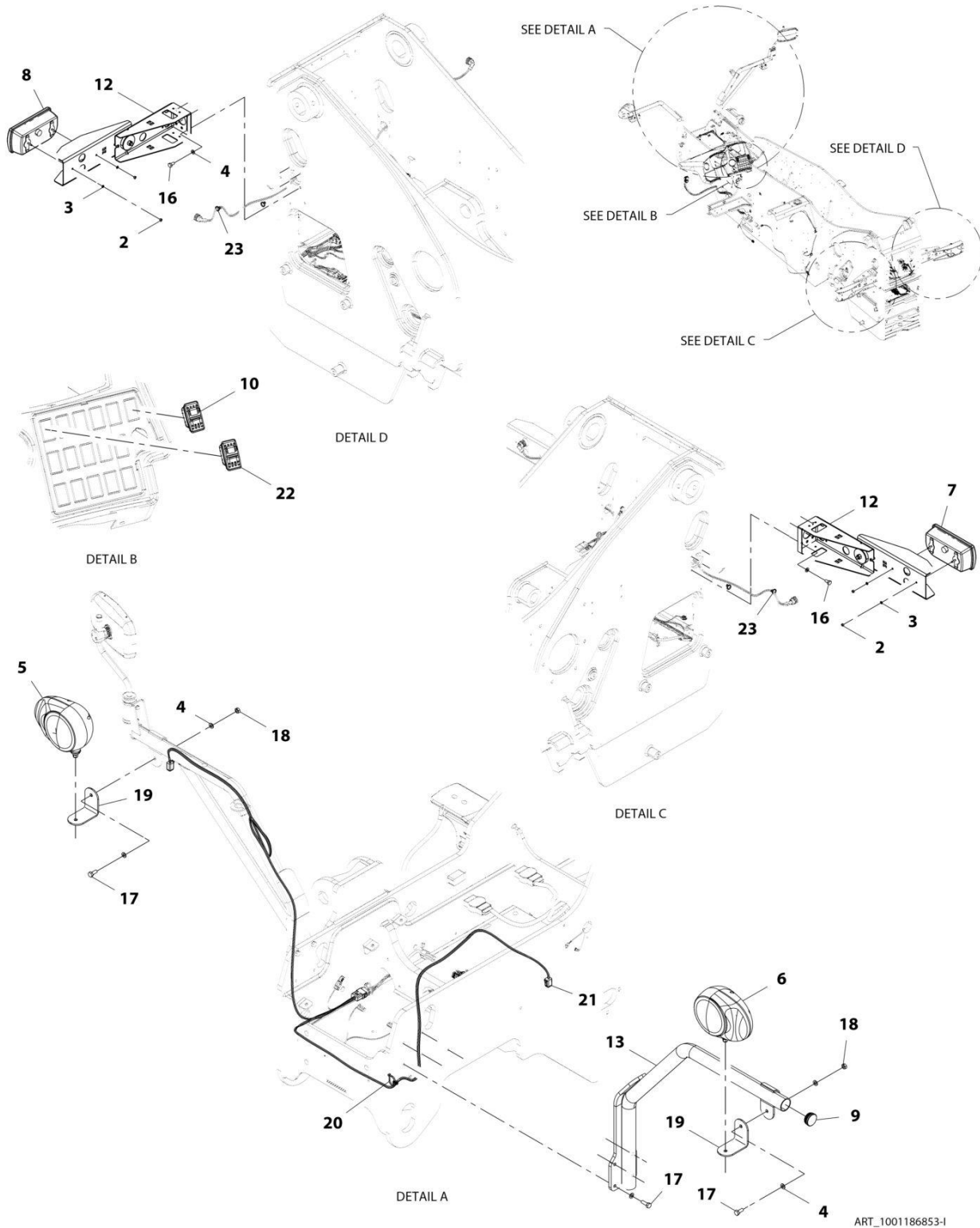
## SECTION 10 - ELECTRICAL

### FIGURE 10-71. LIGHTS - CAB WORK LIGHTS INSTALLATION (A/C) (LED)

ITEM	PART NUMBER	QTY	DESCRIPTION	REV
	1001200539	Ref	Cab Worklights Installation (A/C - LED)	D
1	0700610	2	Bolt, M6X20	
2	5220600	2	Nut, M6	
3	1001159845	1	Switch, Front Worklights	
4	1001159846	1	Switch, Rear Worklights	
5	1001203640	4	Lamp, LED Work Light	
6	1001204060	2	Bracket	
7	1001244193	1	Support, LED Work Light RH	
8	1001244192	1	Support, LED Work Light LH	
9	4811700	2	Washer, M6	
10	1001228989	4	Harness, Ferrite	

# SECTION 10 - ELECTRICAL

## FIGURE 10-72. LIGHTS - DRIVING LIGHT INSTALLATION (RH DIP)



ART\_1001186853-I



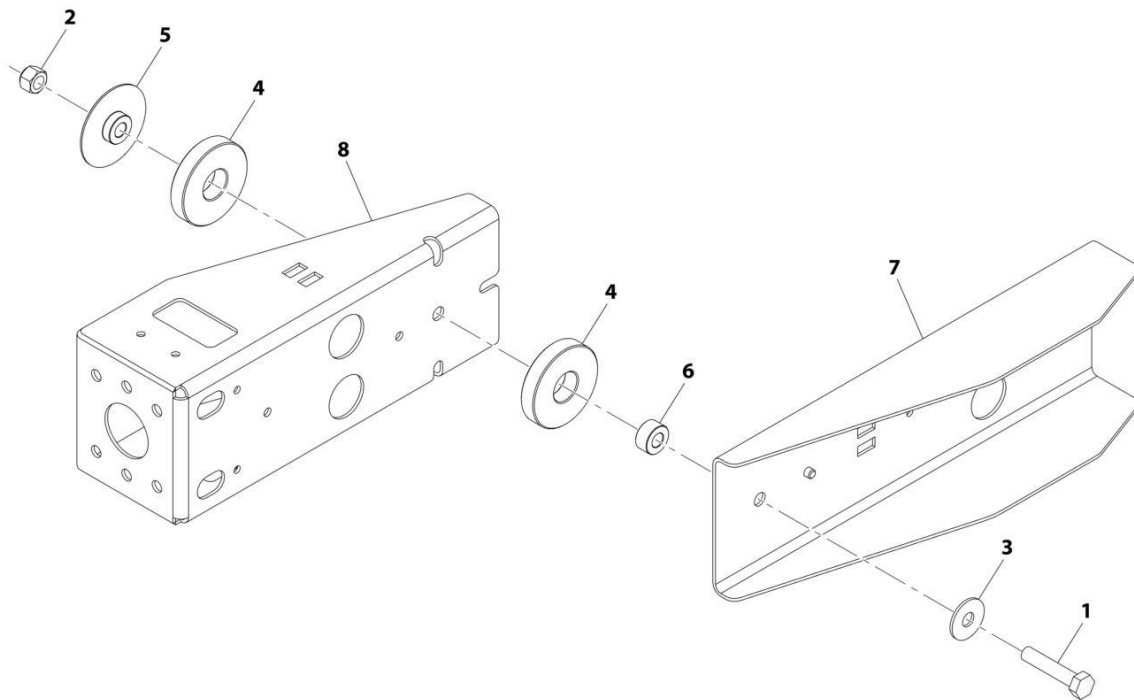
## SECTION 10 - ELECTRICAL

**FIGURE 10-72. LIGHTS - DRIVING LIGHT INSTALLATION (RH DIP)**

ITEM	PART NUMBER	QTY	DESCRIPTION	REV
	1001186853	Ref	Driving Light Installation (RH Dip)	1
2	3290607	4	Nut, Lock M6X1	
3	4811700	4	Washer, M6	
4	4812000	16	Washer, M10	
5	2920208	1	Light, Driving (RH) (RH Dip)	
	7029969	1	Bulb, 4W	
	7029970	1	Bulb, 55W	
	7029971	1	Bulb, 21W	
6	2920207	1	Light, Driving (LH) (RH Dip)	
	7029969	1	Bulb, 4W	
	7029970	1	Bulb, 55W	
	7029971	1	Bulb, 21W	
7	1001091715	1	Light, Rear (LH)	
	70021341	1	Bulb, 5W	
	70021340	1	Bulb, 21W	
	7029971	1	Bulb, 21W	
8	1001091716	1	Light, Rear (RH)	
	70021341	1	Bulb, 5W	
	70021340	1	Bulb, 21W	
	7029971	1	Bulb, 21W	
9	1001209697	1	Cap	
10	1001159734	1	Switch, Hazard	
12	1001183112	2	Assembly, Rear Light Bracket (See Separate Breakdown in this Section)	
13	1001206100	1	Bracket	
16	0761010	8	Bolt, M10X20	
17	0701014	6	Bolt, M10X30	
18	3291001	2	Nut, M10X1.5	
19	1001203368	2	Bracket	
20	1001146588	1	Strap, Tie	
21	1001215693	1	Harness, Headlight (See Separate Breakdown in this Section)	
22	1001159737	1	Switch, Fog Lights	
23	1001008559	4	Strap, Cable	

# SECTION 10 - ELECTRICAL

## FIGURE 10-73. LIGHTS - DRIVING LIGHT BRACKET ASSEMBLY



ART\_1001183112-C

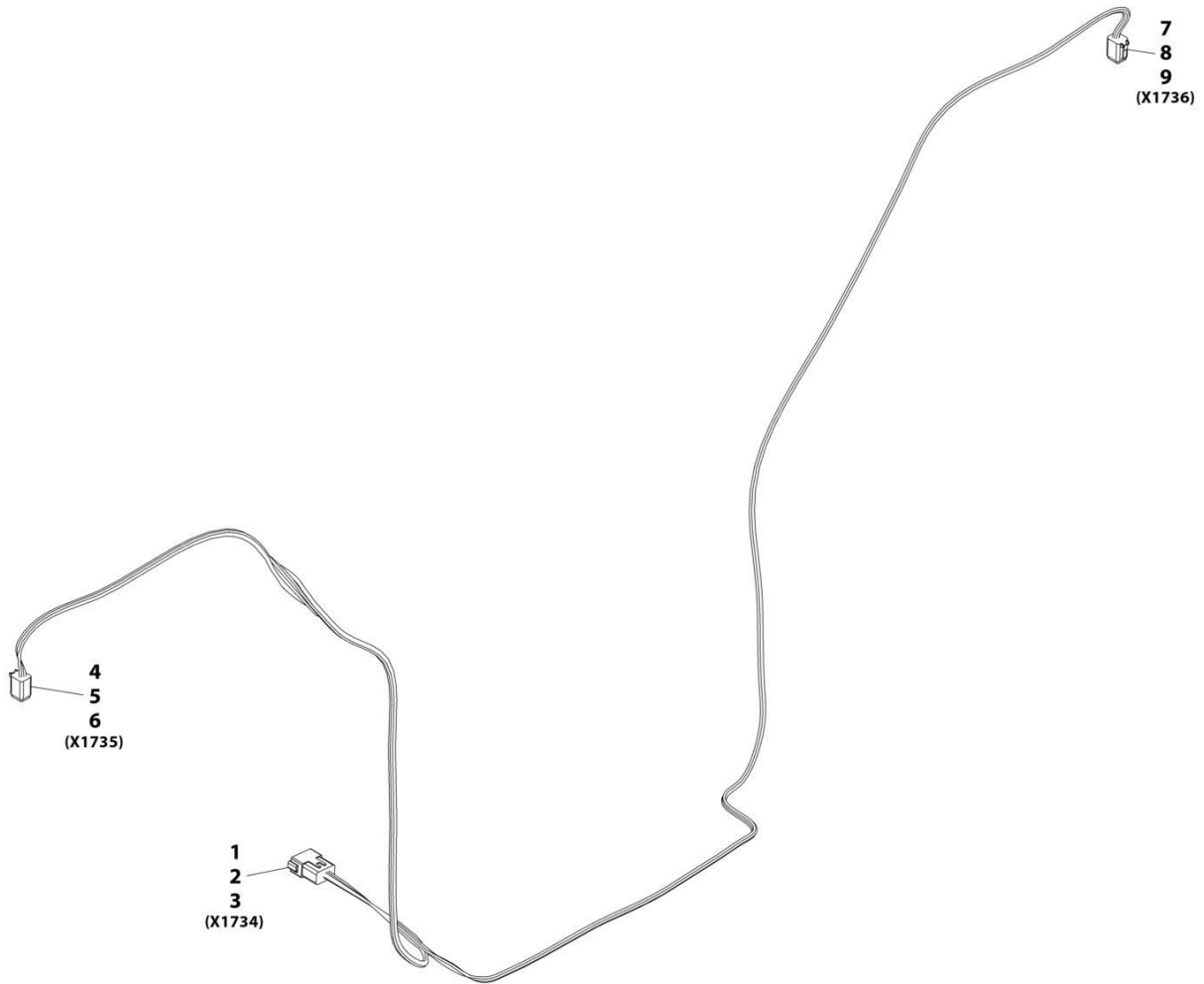
## SECTION 10 - ELECTRICAL

### FIGURE 10-73. LIGHTS - DRIVING LIGHT BRACKET ASSEMBLY

ITEM	PART NUMBER	QTY	DESCRIPTION	REV
	1001183112	Ref	Rear Light Bracket Assembly	C
1	0701220	1	Bolt, M12X60	
2	3291205	1	Nut, Lock M12X1.75	
3	4812102	1	Washer, M12	
4	8000565	2	Washer, Rubber	
5	1001182490	1	Washer, Top Hat	
6	1001182495	1	Washer	
7	1001196217	1	Bracket	
8	1001196100	1	Bracket	

# SECTION 10 - ELECTRICAL

## FIGURE 10-74. LIGHTS - DRIVING HEADLIGHT HARNESS



ART\_1001215693-C

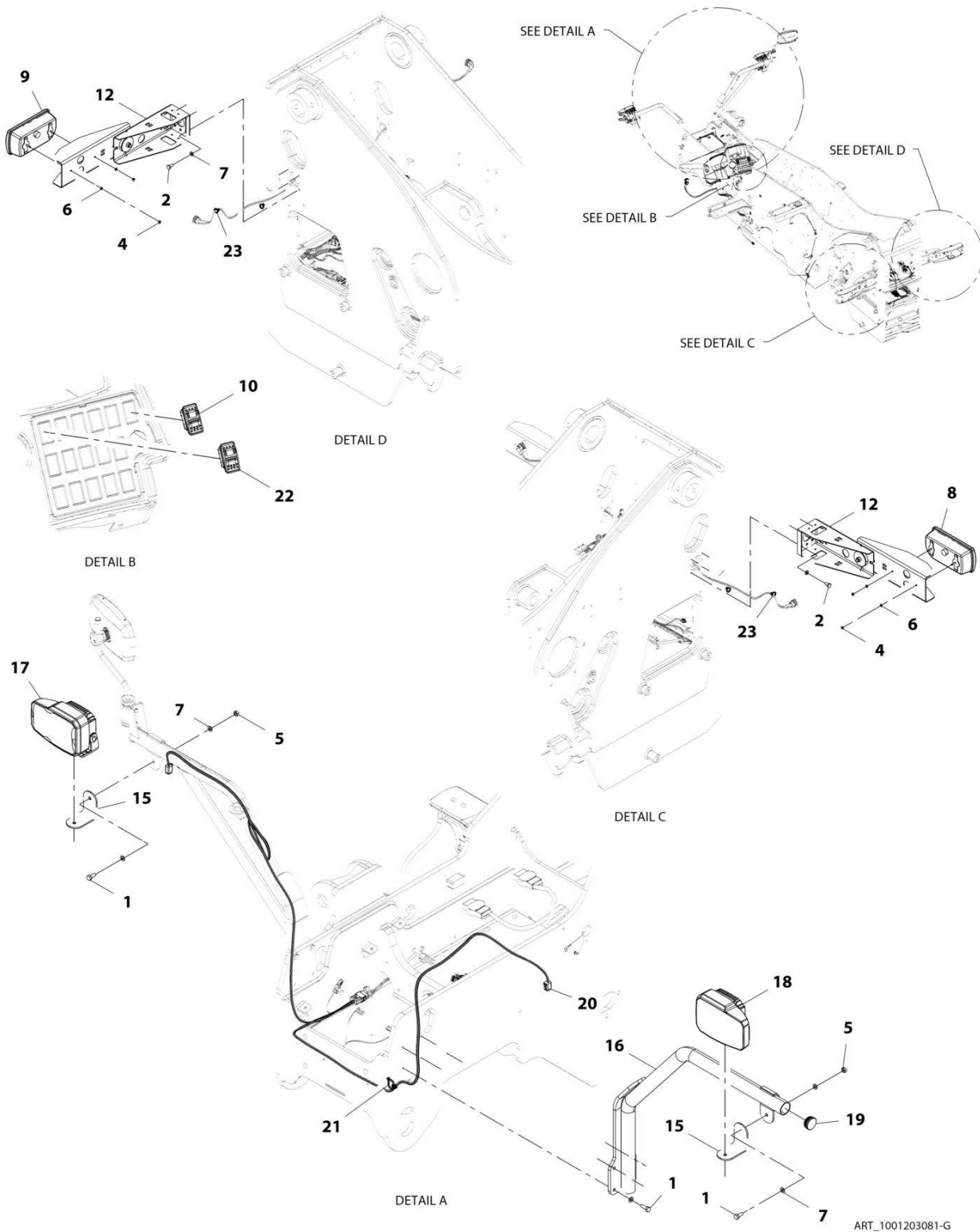
## SECTION 10 - ELECTRICAL

### FIGURE 10-74. LIGHTS - DRIVING HEADLIGHT HARNESS

ITEM	PART NUMBER	QTY	DESCRIPTION	REV
	1001215693	Ref	Headlight Harness	C
1	4460970	1	Connector	
2	4460941	10	Terminal	
3	4460466	2	Plug	
4	4460894	1	Connector	
5	4460942	5	Terminal	
6	4460466	1	Plug	
7	4460894	1	Connector	
8	4460942	5	Terminal	
9	4460466	1	Plug	

# SECTION 10 - ELECTRICAL

## FIGURE 10-75. LIGHTS - DRIVING LIGHT INSTALLATION (LED) (RH DIP)



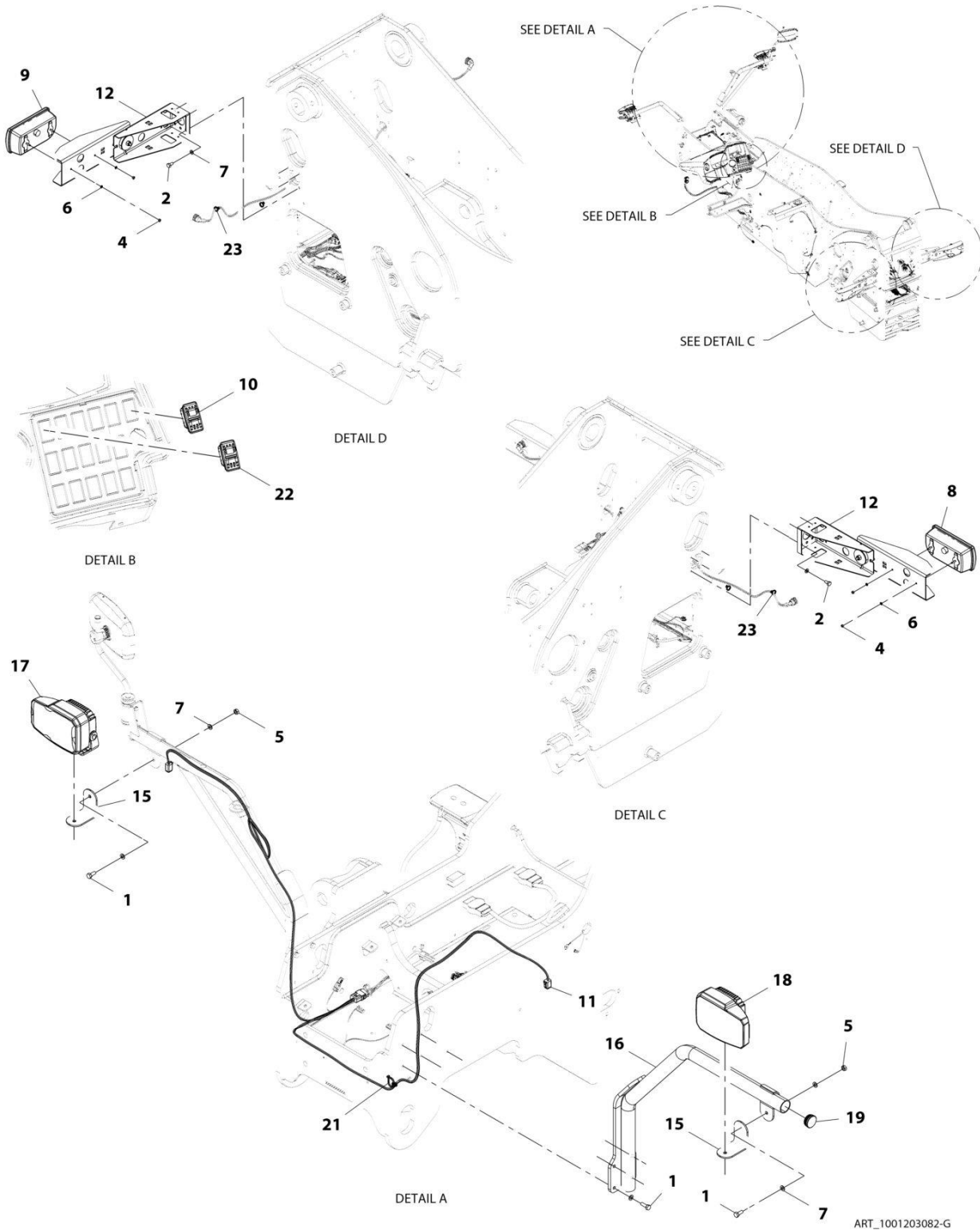
## SECTION 10 - ELECTRICAL

**FIGURE 10-75. LIGHTS - DRIVING LIGHT INSTALLATION (LED) (RH DIP)**

ITEM	PART NUMBER	QTY	DESCRIPTION	REV
	1001203081	Ref	Driving Light Installation (LED) (RH Dip)	G
1	0701014	6	Bolt, M10X30	
2	0761010	8	Bolt, M10X20	
4	3290607	4	Bolt, M6X1	
5	3291001	2	Nut, M10X1.5	
6	4811700	4	Washer, M6	
7	4812000	16	Washer, M10	
8	1001091715	1	Light, Rear (LH)	
	70021341	1	Bulb, 5W	
	70021340	1	Bulb, 21W	
	7029971	1	Bulb, 21W	
9	1001091716	1	Light, Rear (RH)	
	70021341	1	REPLACEMENT BULB, 12V-5W	
	70021340	1	Bulb, 21W	
	7029971	1	Bulb, 21W	
10	1001159734	1	Switch, Hazard	
12	1001183112	2	Assembly, Rear Light Bracket (See Separate Breakdown in this Section)	
15	1001203368	2	Bracket	
16	1001206100	1	Bracket	
17	1001209690	1	Light, Driving (RH - LED) (RH Dip)	
18	1001209691	1	Light, Driving (LH - LED) (LH Dip)	
19	1001209697	1	Cap	
20	1001215693	1	Harness, Headlights (See Separate Breakdown in this Section)	
21	1001146588	1	Strap, Cable Tie	
22	1001159737	1	Switch, Fog Lights	
23	1001008559	4	Strap, Cable Tie	

# SECTION 10 - ELECTRICAL

## FIGURE 10-76. LIGHTS - DRIVING LIGHT INSTALLATION (LED) LH DIP





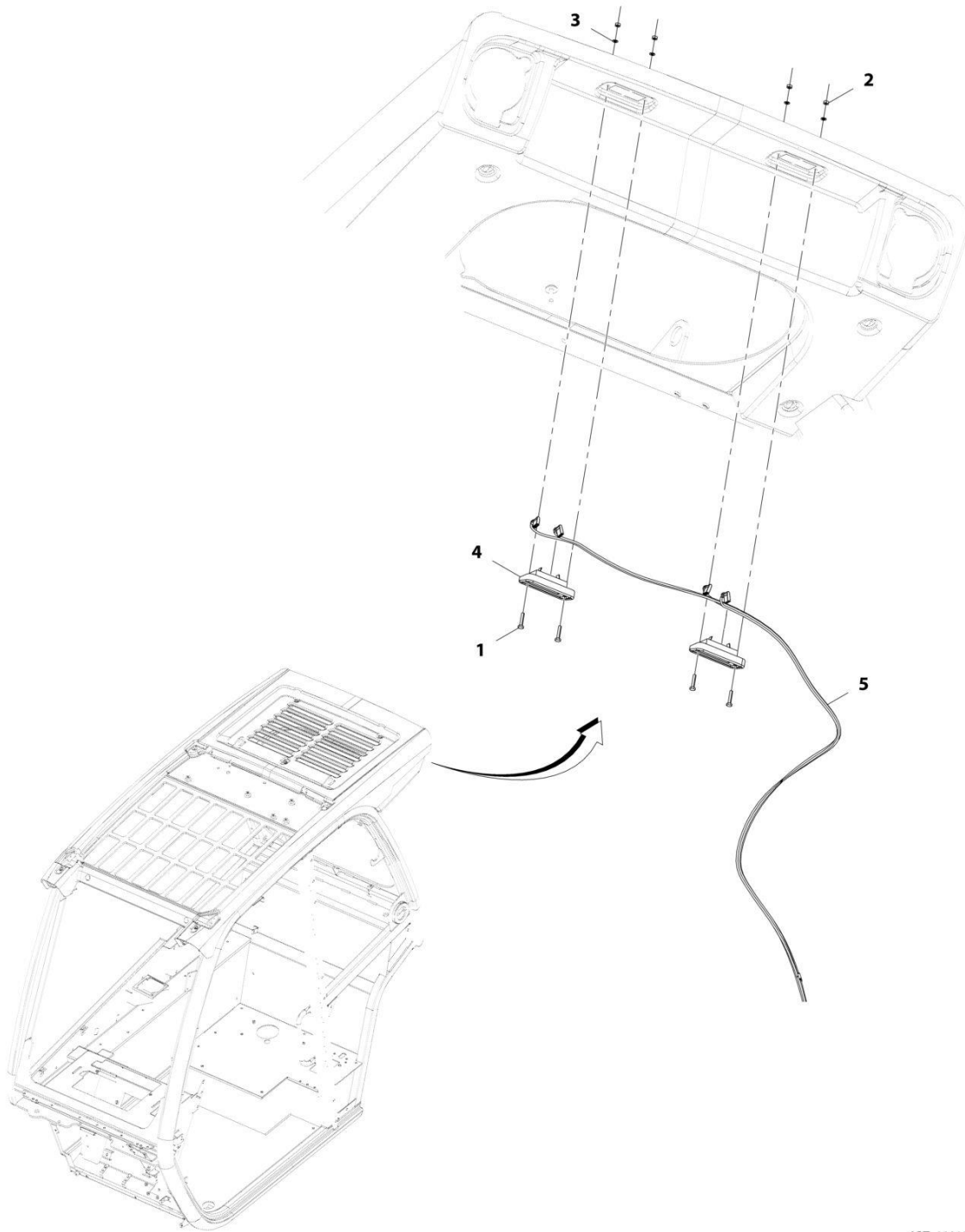
## SECTION 10 - ELECTRICAL

**FIGURE 10-76. LIGHTS - DRIVING LIGHT INSTALLATION (LED) LH DIP)**

ITEM	PART NUMBER	QTY	DESCRIPTION	REV
	1001203082	Ref	Driving Light Installation (LED) (LH Dip)	G
1	0701014	6	Bolt, M10X30	
2	0761010	8	Bolt, M10X20	
4	3290607	4	Nut, Lock M6X1	
5	3291001	2	Nut, M10X1.5	
6	4811700	4	Washer, M6	
7	4812000	16	Washer, M10	
8	1001091715	1	Lamp, Rear (LH)	
	70021341	1	Bulb, 5W	
	70021340	1	Bulb, 21W	
	7029971	1	Bulb, 21W	
9	1001091716	1	Lamp, Rear (RH)	
	70021341	1	Bulb, 5W	
	70021340	1	Bulb, 21W	
	7029971	1	Bulb, 21W	
10	1001159734	1	Switch, Hazard	
11	1001215693	1	Harness, Headlights (See Separate Breakdown in this Section)	
12	1001183112	2	Assembly, Rear Light Bracket (See Separate Breakdown in this Section)	
15	1001203368	2	Bracket	
16	1001206100	1	Bracket	
17	1001209692	1	Light, Driving, (RH - LED) (LH Dip)	
18	1001209693	1	Light, Driving, (LH - LED) (LH Dip)	
19	1001209697	1	Cap	
21	1001146588	1	Strap, Cable Tie	
22	1001159737	1	Switch, Fog Lights	
23	1001008559	4	Strap, Cable	

# SECTION 10 - ELECTRICAL

## FIGURE 10-77. LIGHTS - LICENSE PLATE LIGHT INSTALLATION (8010 ONLY)



ART\_1001200383-B

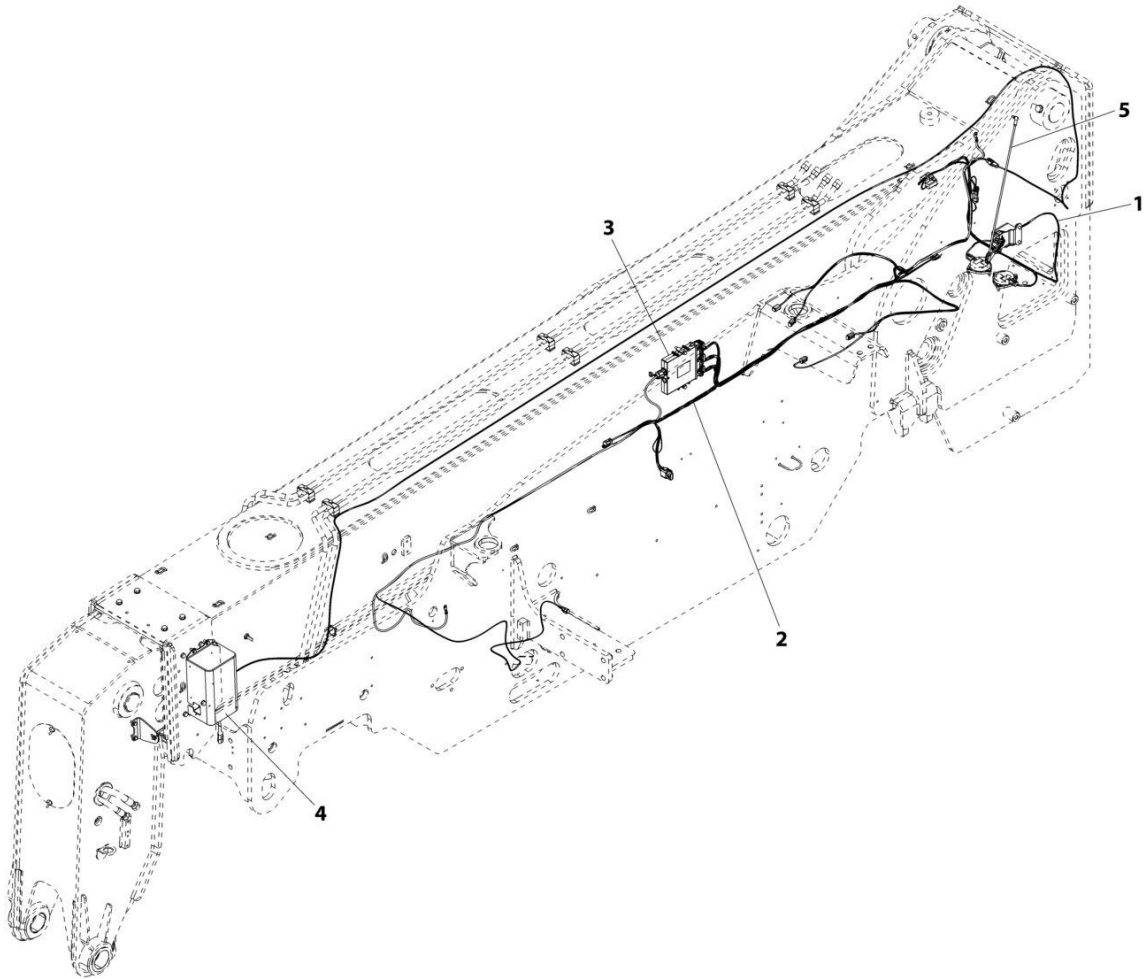
## SECTION 10 - ELECTRICAL

### FIGURE 10-77. LIGHTS - LICENSE PLATE LIGHT INSTALLATION (8010 ONLY)

ITEM	PART NUMBER	QTY	DESCRIPTION	REV
	1001200383	Ref	License Plate Lamp Installation	B
1	0760410	4	Bolt, M4X20	
2	3290401	4	Nut, M4X0.7 Grade 8	
3	4831400	4	Washer, Lock M4	
4	1001173829	2	Lamp, License Plate	
5	1001178053	1	Harness, License Light (See Separate Breakdown in Electrical Section)	

# SECTION 10 - ELECTRICAL

## FIGURE 10-78. LMIS CONTROL PACKAGE INSTALLATION



ART\_1001192431

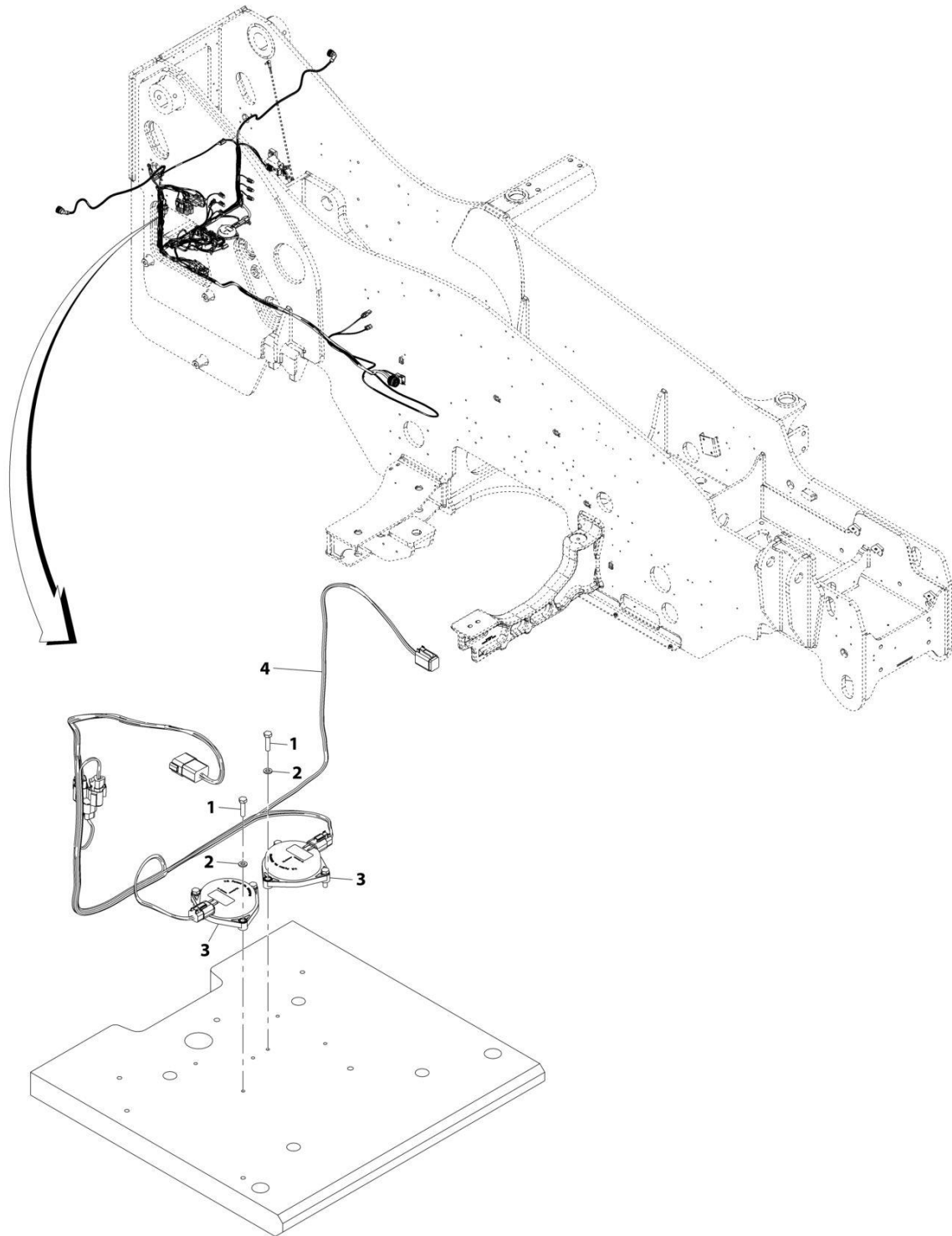
## SECTION 10 - ELECTRICAL

### FIGURE 10-78. LMIS CONTROL PACKAGE INSTALLATION

ITEM	PART NUMBER	QTY	DESCRIPTION	REV
	1001192431	Ref	LMIS Control Package Installation	E
1	1001195200	1	Installation, Tilt Sensor (See Separate Breakdown in this Section)	
2	1001195201	1	Installation, LMIS Wiring (See Separate Breakdown in this Section)	
3	1001195471	1	Installation, LMIS Controller (See Separate Breakdown in this Section)	
4	1001195473	1	Installation, LMIS Cable Reel (See Separate Breakdown in this Section)	
5	1001195590	1	Installation, Boom Angle Sensor (LMIS) (See Separate Breakdown in this Section)	

# SECTION 10 - ELECTRICAL

## FIGURE 10-79. LMIS TILT SENSOR INSTALLATION



ART\_1001195200-B

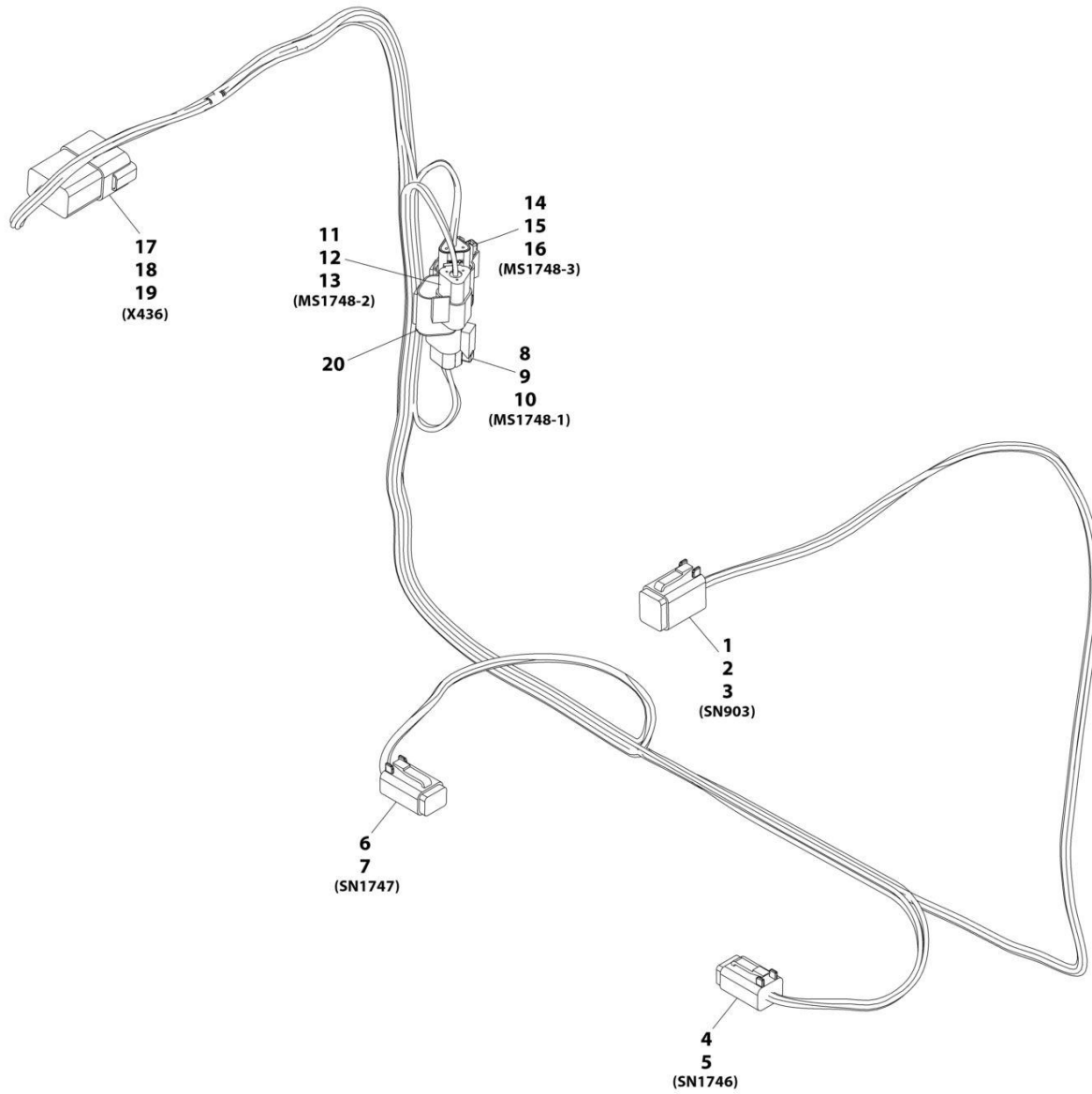
## SECTION 10 - ELECTRICAL

### FIGURE 10-79. LMIS TILT SENSOR INSTALLATION

ITEM	PART NUMBER	QTY	DESCRIPTION	REV
	1001195200	Ref	Tilt Sensor Installation	B
1	0700612	6	Bolt, M6X25	
2	4811700	6	Washer, M6	
3	1001163095	2	Sensor, Tilt	
4	1001195202	1	Harness, Platform Ready (See Separate Breakdown in this Section)	

# SECTION 10 - ELECTRICAL

## FIGURE 10-80. LMIS - PLATFORM READY HARNESS



ART\_1001195202-A



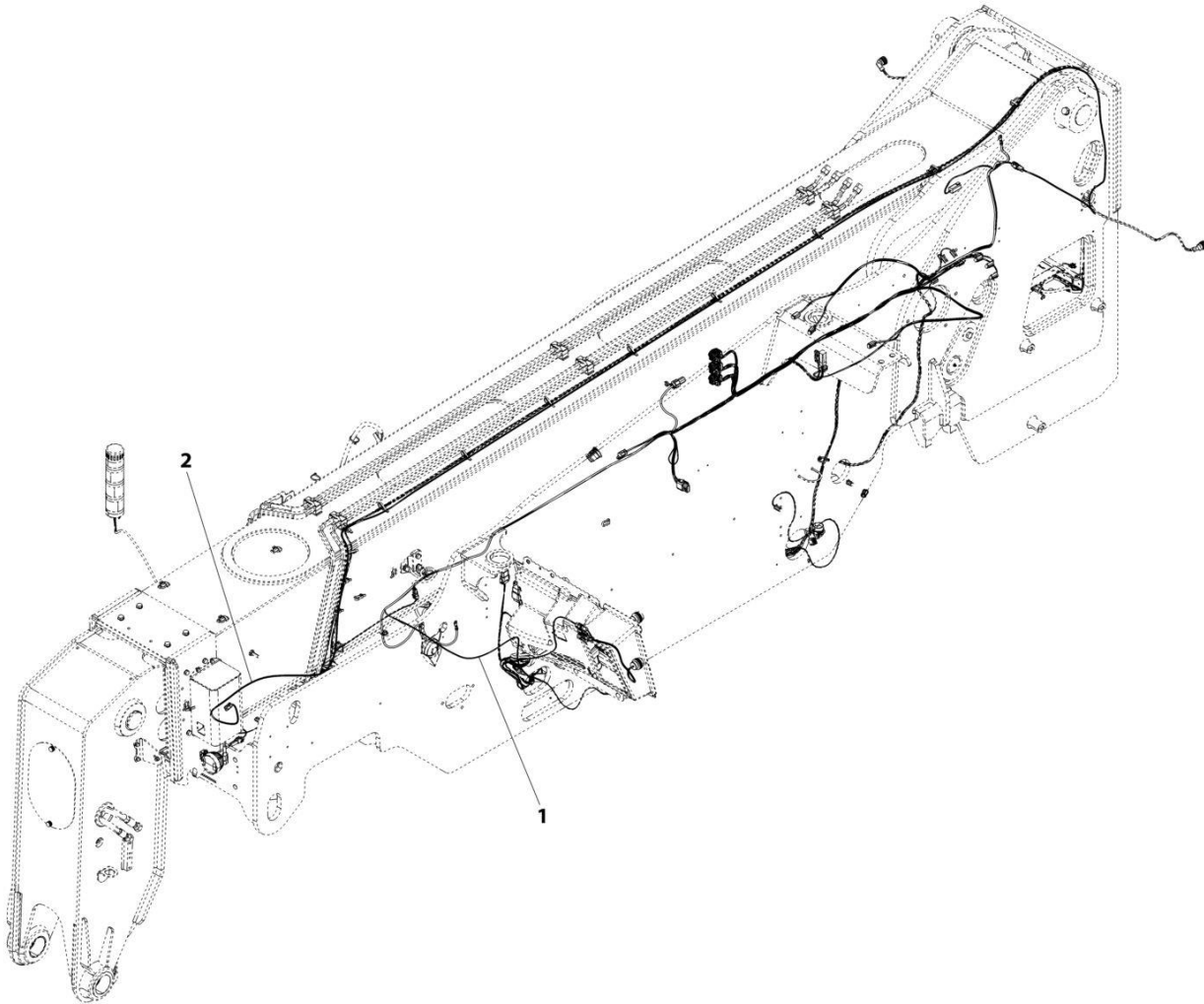
## SECTION 10 - ELECTRICAL

**FIGURE 10-80. LMIS - PLATFORM READY HARNESS**

ITEM	PART NUMBER	QTY	DESCRIPTION	REV
	1001195202	Ref	Platform Ready Harness	A
1	4460894	1	Connector	
2	4460465	4	Terminal	
3	4460466	2	Plug	
4	4460884	1	Connector	
5	4460944	4	Terminal	
6	4460884	1	Connector	
7	4460944	4	Terminal	
8	1001116812	1	Connector	
9	4460944	2	Terminal	
10	4460466	1	Plug	
11	4460539	1	Connector	
12	4460944	2	Terminal	
13	4460466	1	Plug	
14	1001116812	1	Connector	
15	4460944	2	Terminal	
16	4460466	1	Plug	
17	4460931	1	Connector	
18	4460464	6	Terminal	
19	4460466	2	Plug	
20	4460945	1	Connector, 3 Way	

# SECTION 10 - ELECTRICAL

## FIGURE 10-81. LMIS WIRING INSTALLATION



ART\_1001195201-F

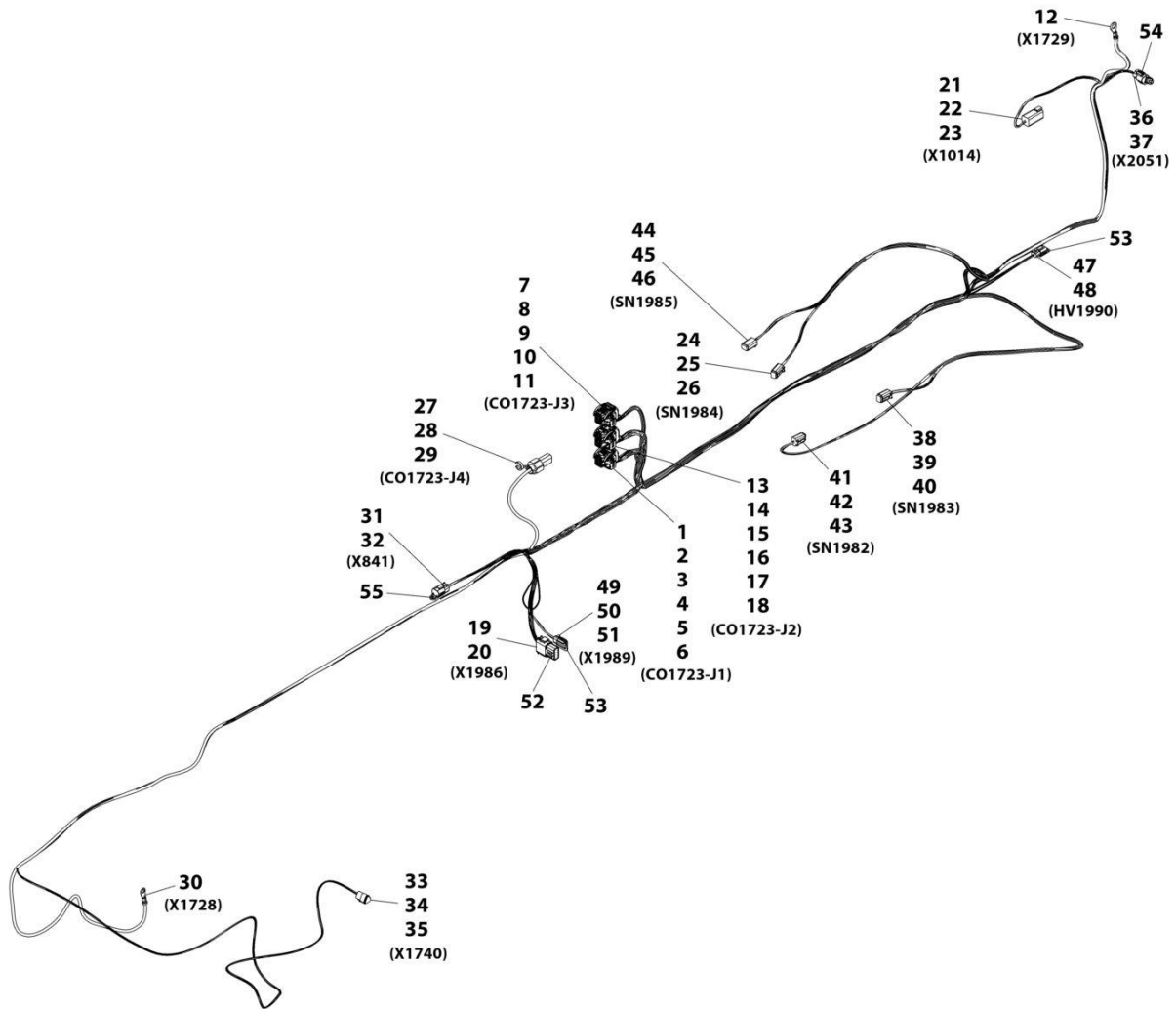
## SECTION 10 - ELECTRICAL

### FIGURE 10-81. LMIS WIRING INSTALLATION

ITEM	PART NUMBER	QTY	DESCRIPTION	REV
1	1001195201	Ref	LMIS Wiring Installation	F
	1001184795	1	Harness, Chassis Option (See Separate Breakdown in this Section)	
2	1001192619	1	Harness, LMIS Boom (See Separate Breakdown in this Section)	

# SECTION 10 - ELECTRICAL

## FIGURE 10-82. LMIS CHASSIS OPTION HARNESS



ART\_1001184795-G

## SECTION 10 - ELECTRICAL

### FIGURE 10-82. LMIS CHASSIS OPTION HARNESS

ITEM	PART NUMBER	QTY	DESCRIPTION	REV
	1001184795	Ref	LMIS Chassis Option Harness	G
1	1001161957	1	Connector	
2	1001161097	17	Terminal	
3	1001161100	7	Plug	
4	1001161101	2	Plug	
5	1001161098	2	Terminal	
6	1001161099	4	Terminal	
7	1001160500	1	Connector	
8	1001161100	16	Plug	
9	1001161097	8	Terminal	
10	1001161101	7	Plug	
11	1001161098	1	Terminal	
12	1001187076	1	Ring Terminal	
13	1001161963	1	Connector	
14	1001161097	24	Terminal	
15	1001161100	16	Plug	
16	1001161095	1	Terminal	
17	1001161099	3	Terminal	
18	1001161101	4	Plug	
19	1001116774	1	Connector	
20	4460928	12	Terminal	
21	4460899	1	Connector	
22	4460464	3	Terminal	
23	4460466	3	Plug	
24	4460884	1	Connector	
25	4460942	1	Terminal	
26	4460465	3	Terminal	
27	1001160509	1	Connector	
28	1001160510	1	Terminal	
29	1001175266	1	Terminal Seal	
30	1001187075	1	Ring Terminal	
31	4460884	1	Connector	
32	4460465	4	Terminal	
33	1001116812	1	Connector	
34	4460944	2	Terminal	
35	4460466	1	Plug	
36	4460539	1	Connector	
37	4460465	3	Terminal	
38	4460884	1	Connector	
39	4460942	1	Terminal	
40	4460465	3	Terminal	
41	4460884	1	Connector	
42	4460942	1	Terminal	
43	4460465	3	Terminal	
44	4460884	1	Connector	
45	4460942	1	Terminal	
46	4460465	3	Terminal	
47	4460891	1	Connector	
48	4460465	2	Terminal	
49	4460891	1	Connector	

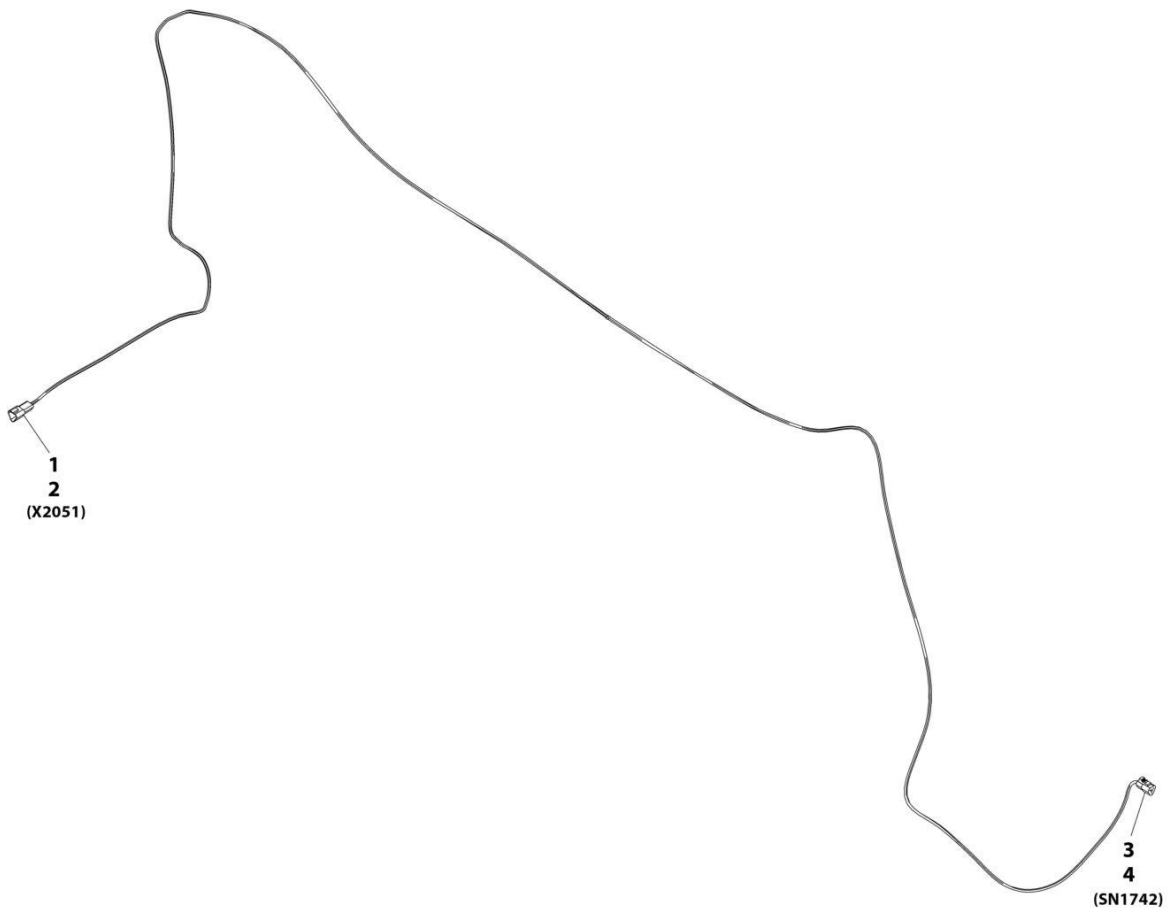
## SECTION 10 - ELECTRICAL

ITEM	PART NUMBER	QTY	DESCRIPTION	REV
50	4460465	1	Terminal	
51	4460942	1	Terminal	



# SECTION 10 - ELECTRICAL

## FIGURE 10-83. LMIS BOOM HARNESS



ART\_1001192619-D



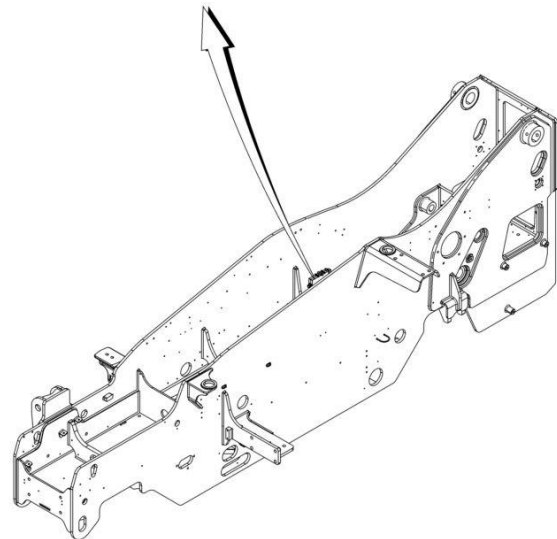
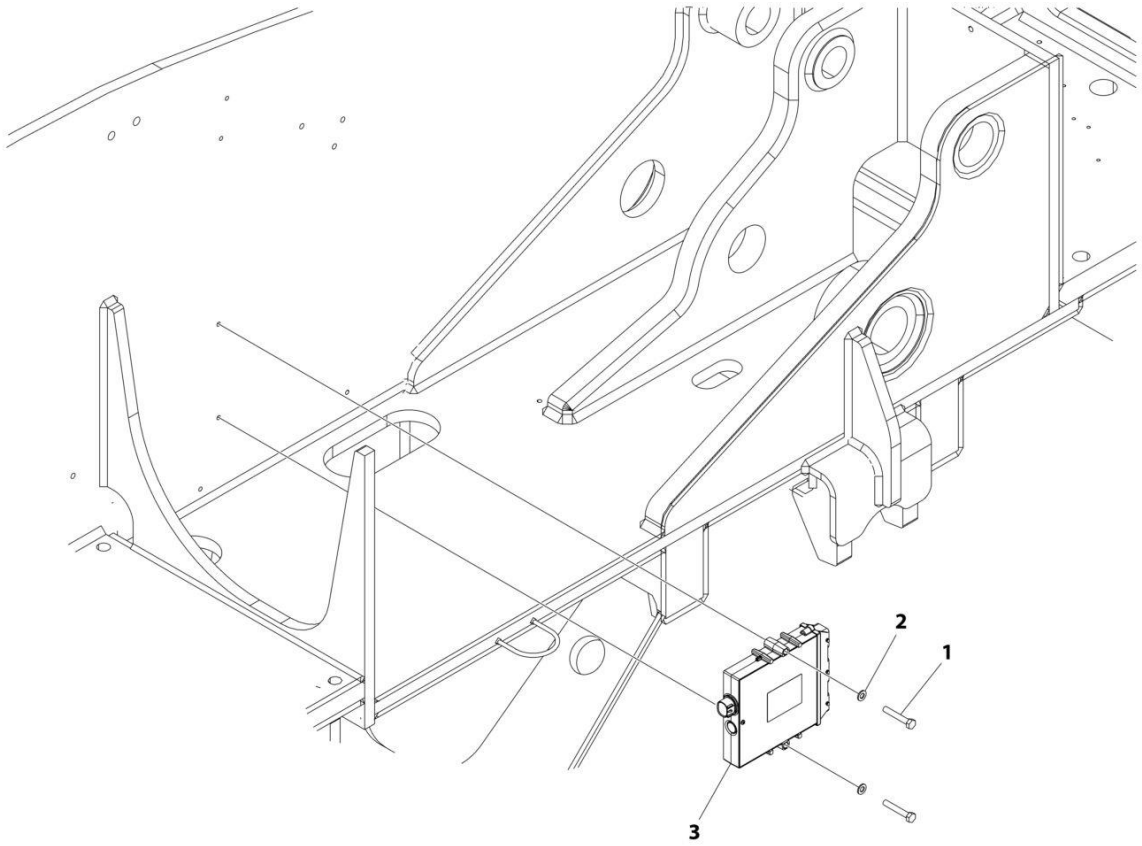
# SECTION 10 - ELECTRICAL

## FIGURE 10-83. LMIS BOOM HARNESS

ITEM	PART NUMBER	QTY	DESCRIPTION	REV
	1001192619	Ref	LMIS Boom Harness	D
1	4460536	1	Connector	
2	4460464	3	Terminal	
3	4460539	1	Connector	
4	4460465	3	Terminal	

# SECTION 10 - ELECTRICAL

## FIGURE 10-84. LMIS CONTROLLER INSTALLATION



ART\_1001195471\_C

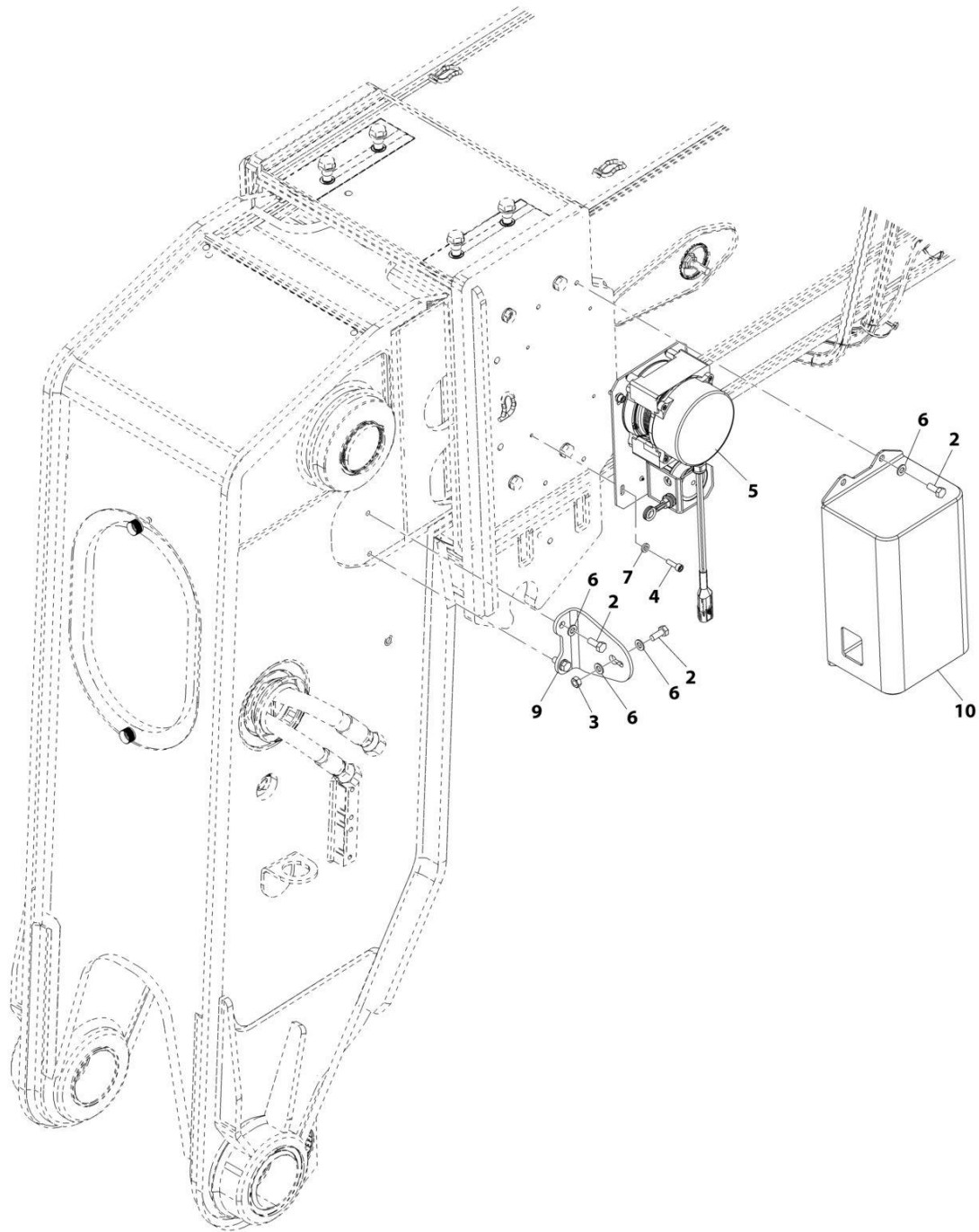
## SECTION 10 - ELECTRICAL

### FIGURE 10-84. LMIS CONTROLLER INSTALLATION

ITEM	PART NUMBER	QTY	DESCRIPTION	REV
	1001195471	Ref	LMIS CONTROLLER INSTALLATION	C
1	0700818	2	Bolt M8 x 50	
2	4811900	2	Washer M8	
3	1001270485	1	Module, LMIS Control	

# SECTION 10 - ELECTRICAL

## FIGURE 10-85. LMIS CABLE REEL INSTALLATION



ART\_1001195473

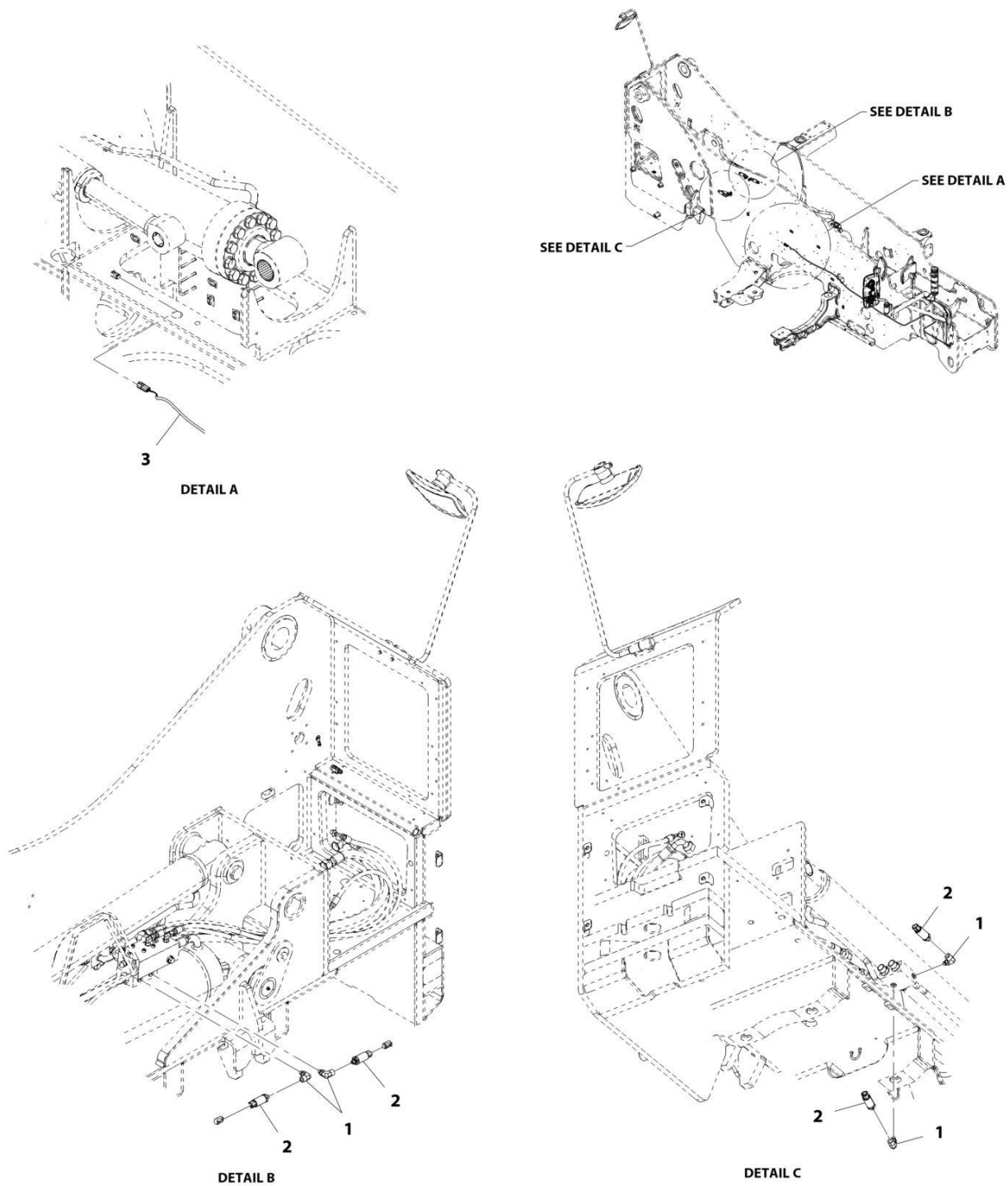
# SECTION 10 - ELECTRICAL

## FIGURE 10-85. LMIS CABLE REEL INSTALLATION

ITEM	PART NUMBER	QTY	DESCRIPTION	REV
	1001195473	Ref	LMIS Cable Reel Installation	E
2	0760810	7	Bolt, M8X20	
3	3290801	1	Nut, M8X1.25	
4	4031708	4	Screw, M6X20	
5	1001223903	1	Sensor, Boom Length	
6	4811900	8	Washer, M8	
7	5240600	4	Washer, M6	
9	1001224127	1	Bracket	
10	1001224128	1	Panel	

# SECTION 10 - ELECTRICAL

## FIGURE 10-86. LMIS INSTALLATION (HIGH END DISPLAY)



ART\_1001183549-C

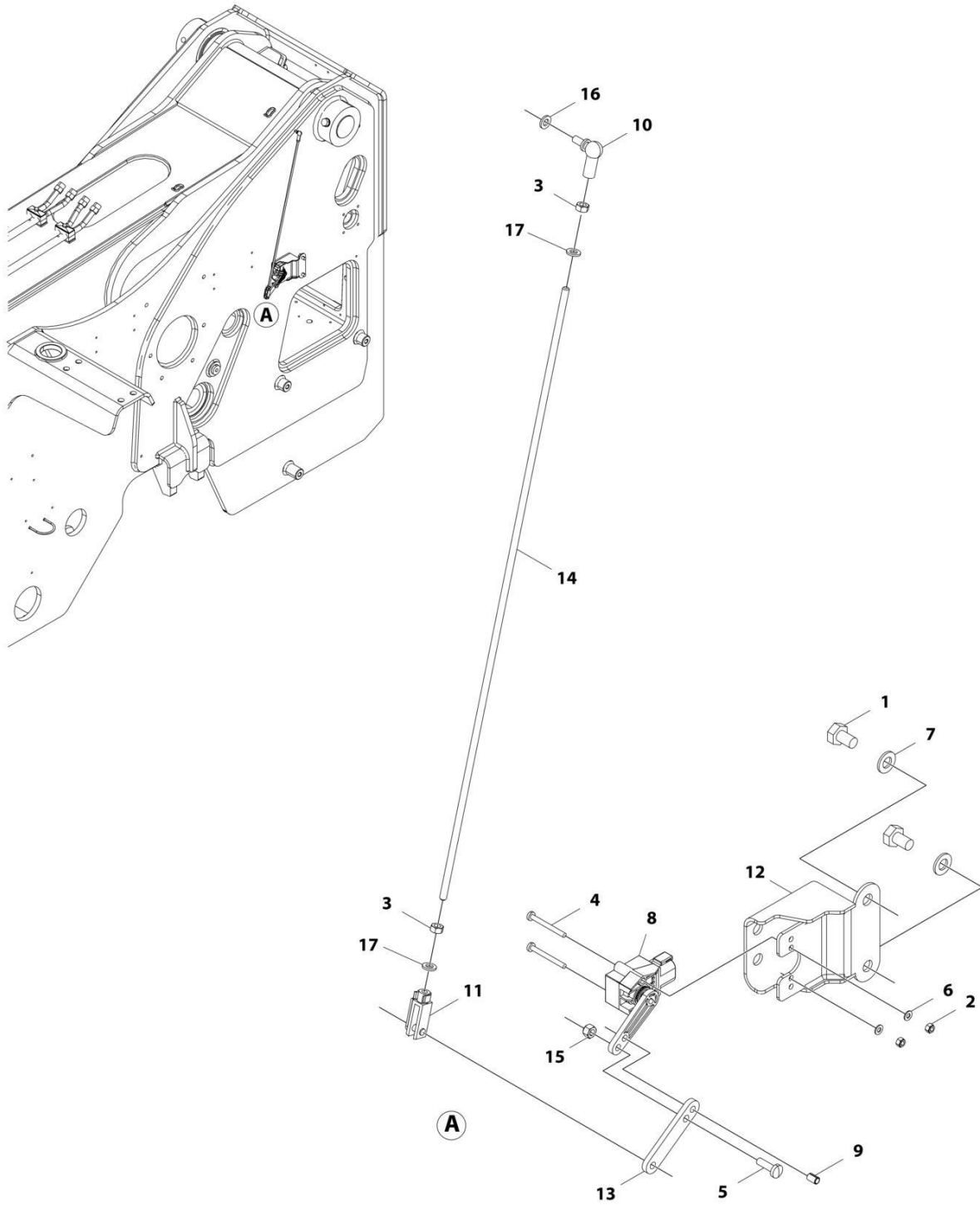
## SECTION 10 - ELECTRICAL

**FIGURE 10-86. LMIS INSTALLATION (HIGH END DISPLAY)**

ITEM	PART NUMBER	QTY	DESCRIPTION	REV
	1001183549	Ref	LMIS Installation (High End Display)	C
1	1001101855	4	Fitting, 90	
2	1001162885	4	Sensor, LMIS	
3	1001195591	1	Installation, LMIS Beacon Light (See Separate Breakdown in this Section)	

# SECTION 10 - ELECTRICAL

## FIGURE 10-87. LMIS BOOM ANGLE SENSOR INSTALLATION



ART\_1001195590



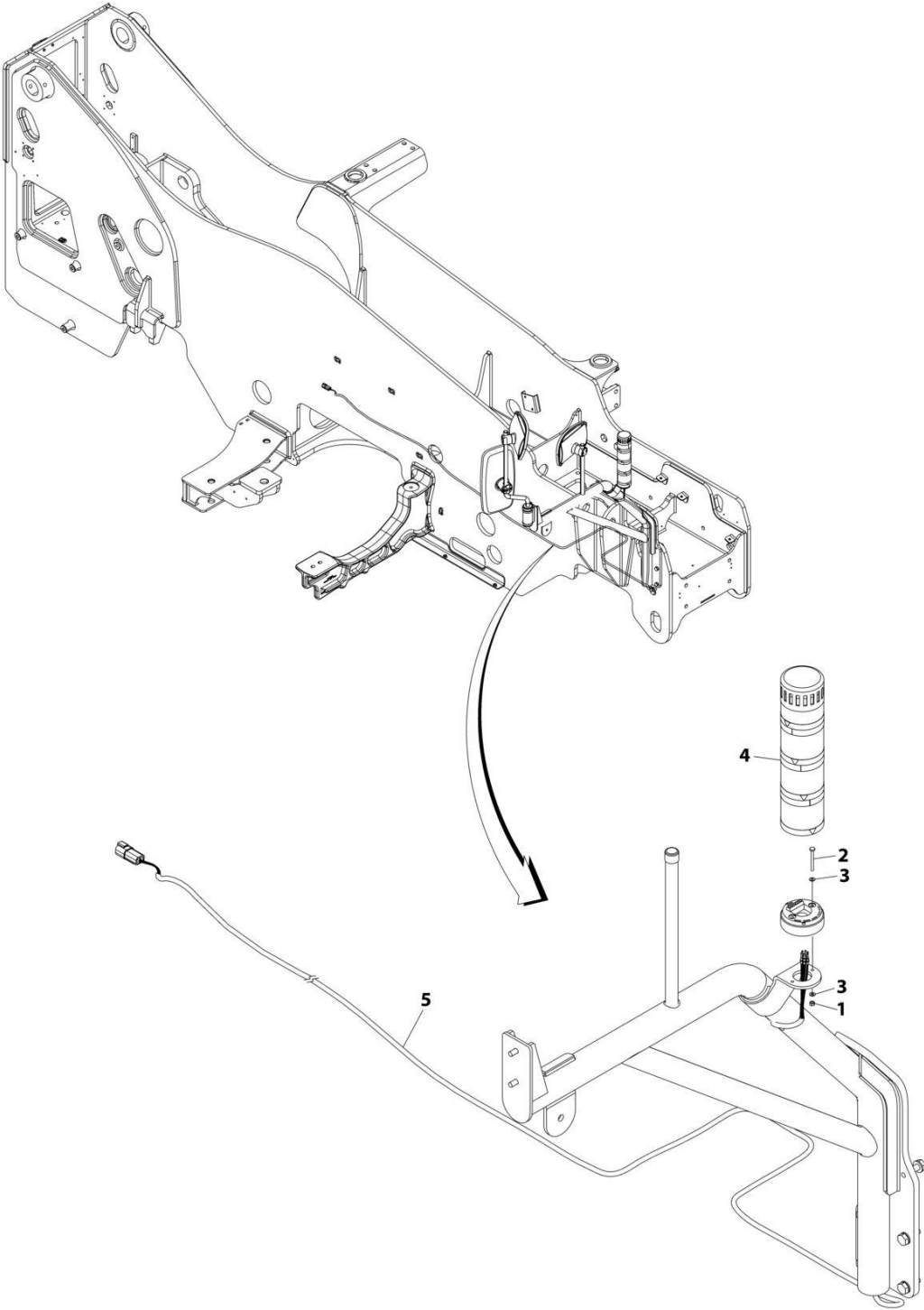
## SECTION 10 - ELECTRICAL

**FIGURE 10-87. LMIS BOOM ANGLE SENSOR INSTALLATION**

ITEM	PART NUMBER	QTY	DESCRIPTION	REV
	1001195590	Ref	BOOM ANGLE SENSOR INSTALLATION (LMIS)	E
1	0761008	2	Bolt M10 x 16	
2	3290405	2	Nut M4	
3	3290601	2	Nut M6 x 1	
4	4010416	2	Screw M4 x 40	
5	4010610	1	Screw M6 x 20	
6	4811400	2	Washer M4	
7	4812000	2	Washer M10	
8	1001099717	1	Sensor, Boom Angle	
9	1001103156	1	Pin	
10	1001103300	1	Fitting, Ball Joint	
11	1001134274	1	Clevis	
12	1001213775	1	Bracket	
13	1001195731	1	Link, Boom Angle Sensor	
14	1001195732	1	Rod	
15	3290605	1	Nut M6 x 1	
16	4811700	1	Washer M6	
17	4761400	2	Washer 1/4	

**SECTION 10 - ELECTRICAL**

**FIGURE 10-88. LMIS BEACON LIGHT INSTALLATION**



ART\_1001195591\_E

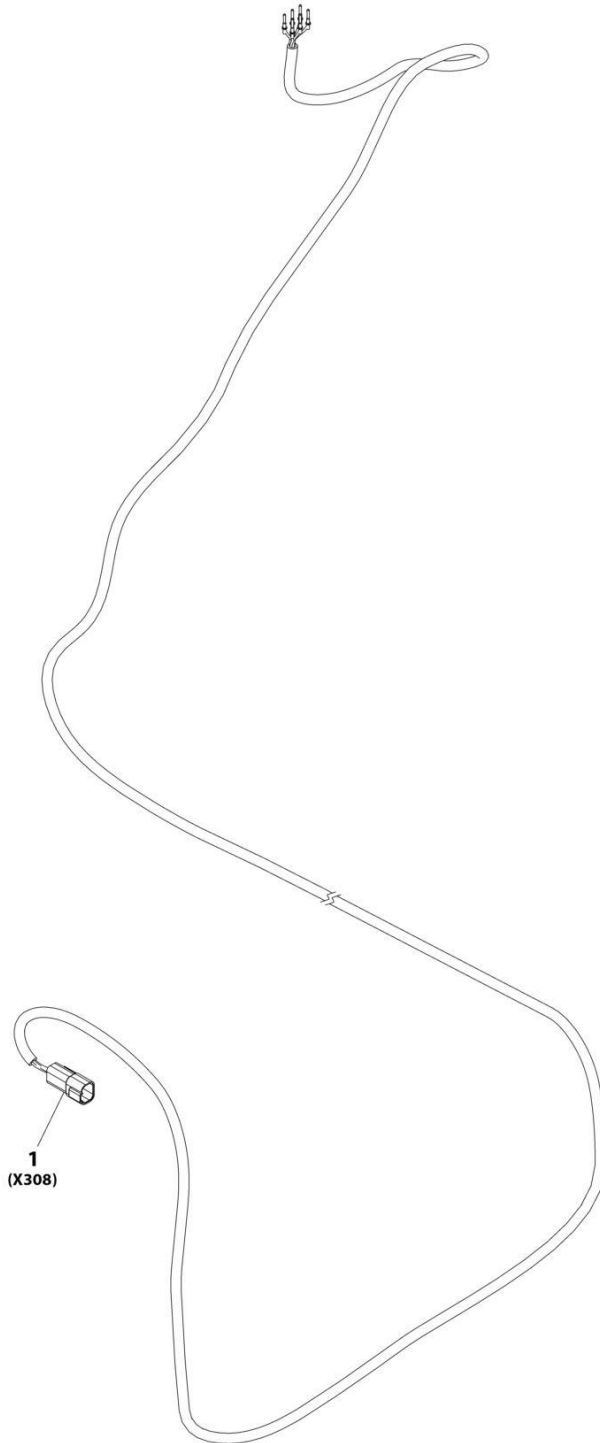
## SECTION 10 - ELECTRICAL

### FIGURE 10-88. LMIS BEACON LIGHT INSTALLATION

ITEM	PART NUMBER	QTY	DESCRIPTION	REV
	1001195591	Ref	LMIS Beacon Light Installation	E
1	3290405	2	Nut M4	
2	4010416	2	Screw, M4X40	
3	4811400	4	Washer, M4	
	1001265343	1	Light, LMIS Beacon	
5	1001117247	1	Harness, LMIS Beacon Option (See Separate Breakdown in this Section)	
7	1001146588	1	Tie-Strap (Not Shown)	

# SECTION 10 - ELECTRICAL

## FIGURE 10-89. LMIS BEACON OPTION HARNESS



ART\_1001117247

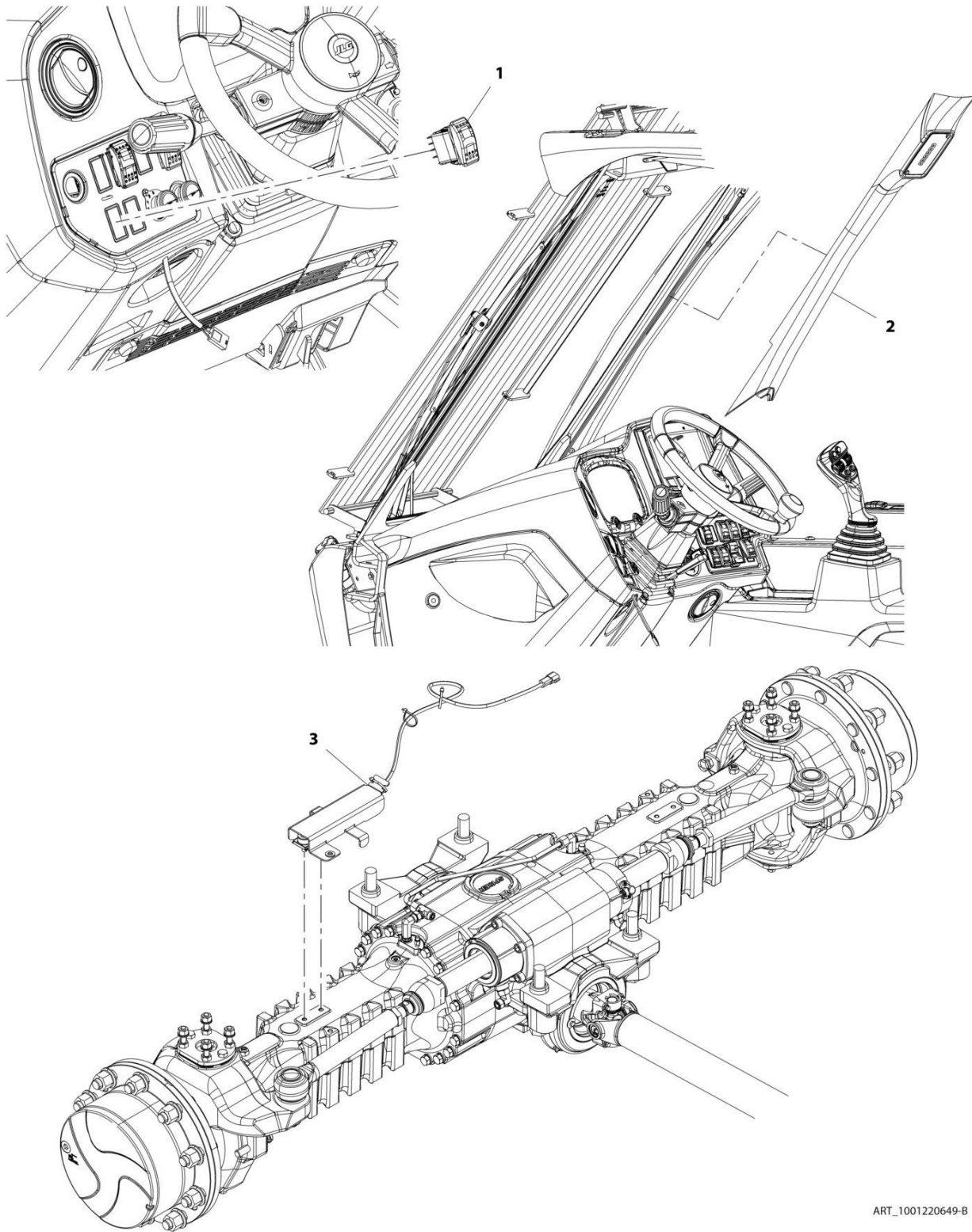
## SECTION 10 - ELECTRICAL

### FIGURE 10-89. LMIS BEACON OPTION HARNESS

ITEM	PART NUMBER	QTY	DESCRIPTION	REV
1	1001117247 4460932	Ref 1	LMIS Beacon Option Harness Connector	D

# SECTION 10 - ELECTRICAL

## FIGURE 10-90. LSI INSTALLATION



ART\_1001220649-B

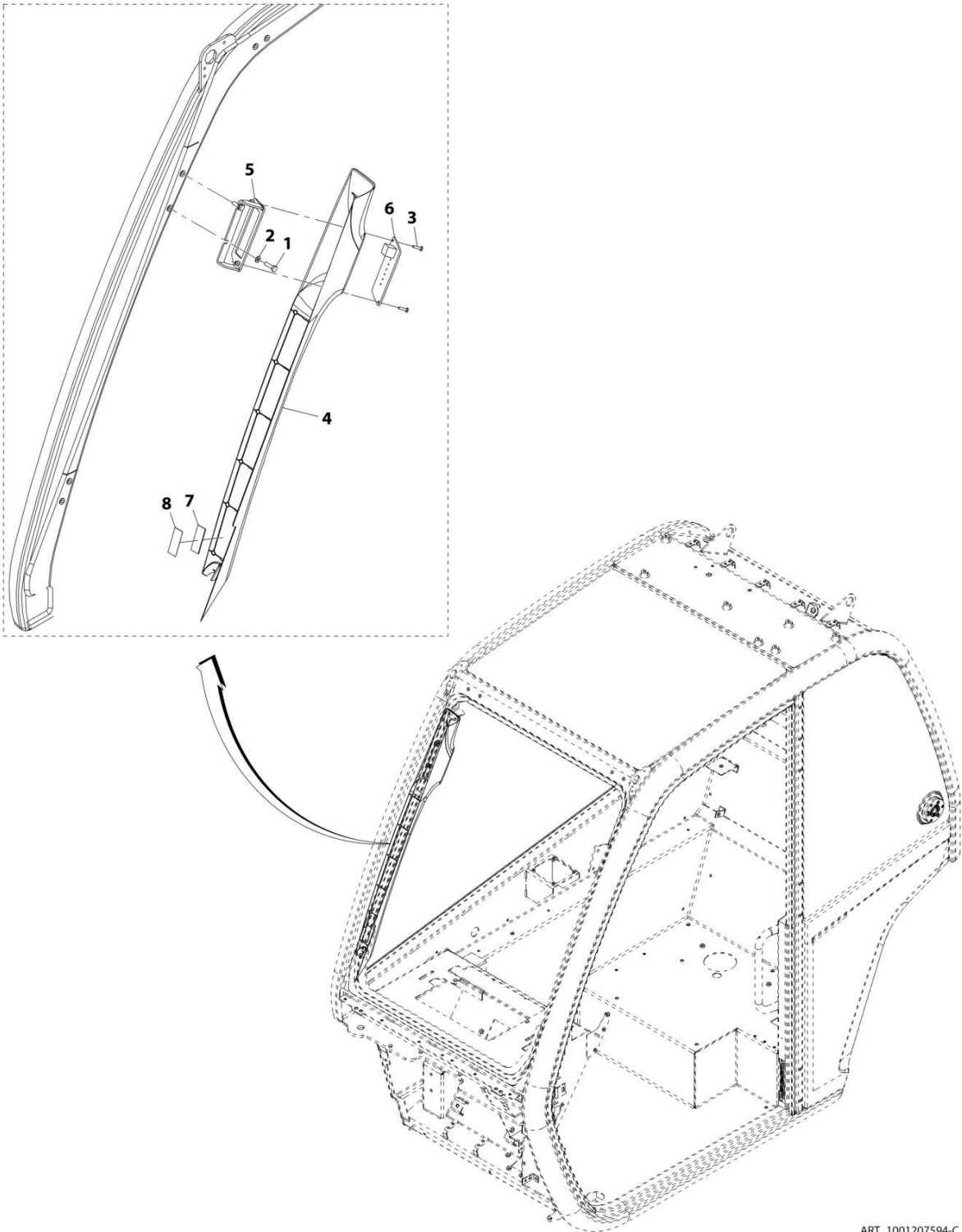
## SECTION 10 - ELECTRICAL

### FIGURE 10-90. LSI INSTALLATION

ITEM	PART NUMBER	QTY	DESCRIPTION	REV
	1001220649	Ref	LSI Installation	B
1	1001159742	1	Switch, LSI Override	
2	1001207594	Ref	Installation, LSI Display (See Separate Breakdown in this Section)	
3	1001220650	Ref	Installation, LSI Sensor (See Separate breakdown in this Section)	

**SECTION 10 - ELECTRICAL**

**FIGURE 10-91. LSI DISPLAY INSTALLATION**



ART\_1001207594-C



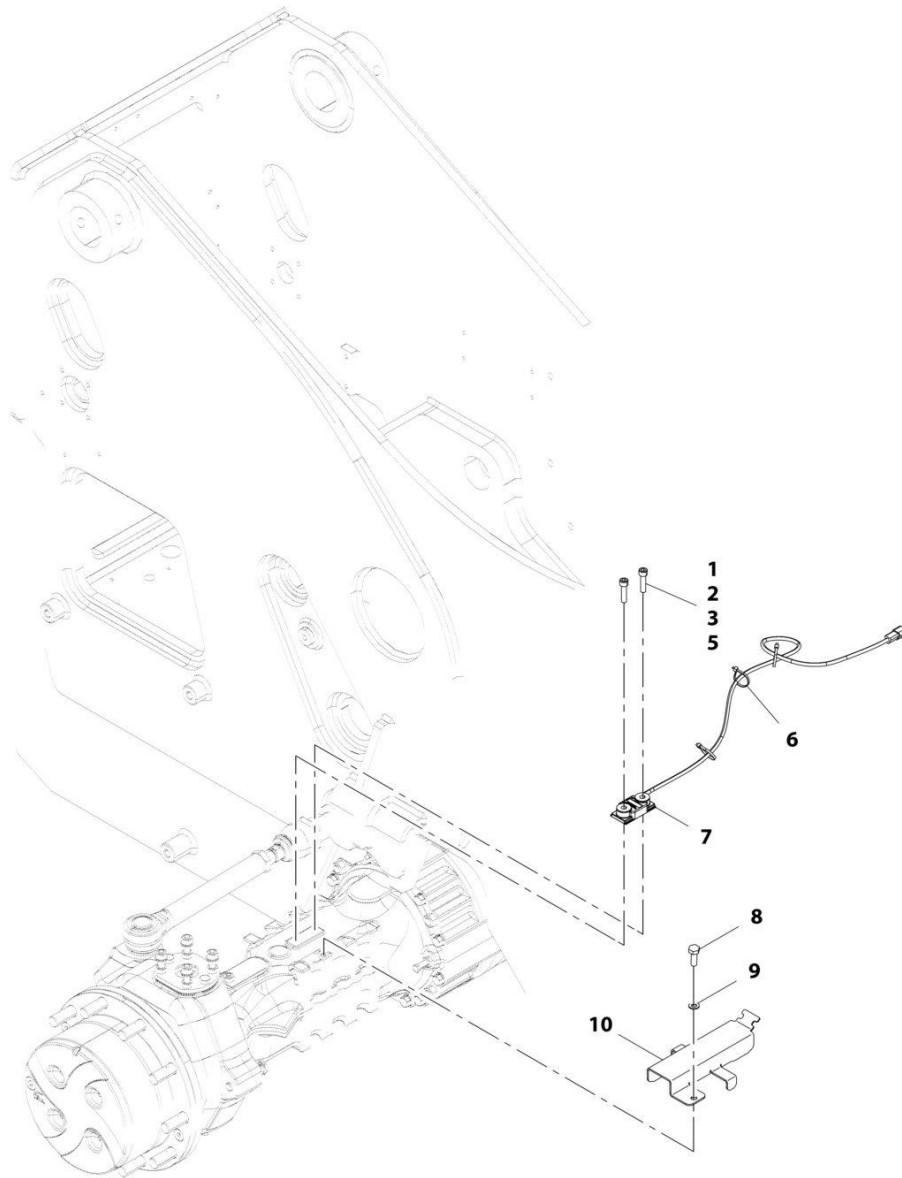
## SECTION 10 - ELECTRICAL

### FIGURE 10-91. LSI DISPLAY INSTALLATION

ITEM	PART NUMBER	QTY	DESCRIPTION	REV
	1001207594	Ref	LSI Display Installation	C
1	0760610	2	Bolt, M6X20	
2	4811700	2	Washer, M6	
3	1001126837	2	Screw, M4X16	
4	1001182839	1	Cover	
5	1001214401	1	Bracket	
6	1001213752	1	Display, LSI	
7	1001221318	1	Tape, Hook Fastener	
8	1001221319	1	Tape, Hook Fastener	

# SECTION 10 - ELECTRICAL

## FIGURE 10-92. LSI SENSOR INSTALLATION



ART\_1001220650-B

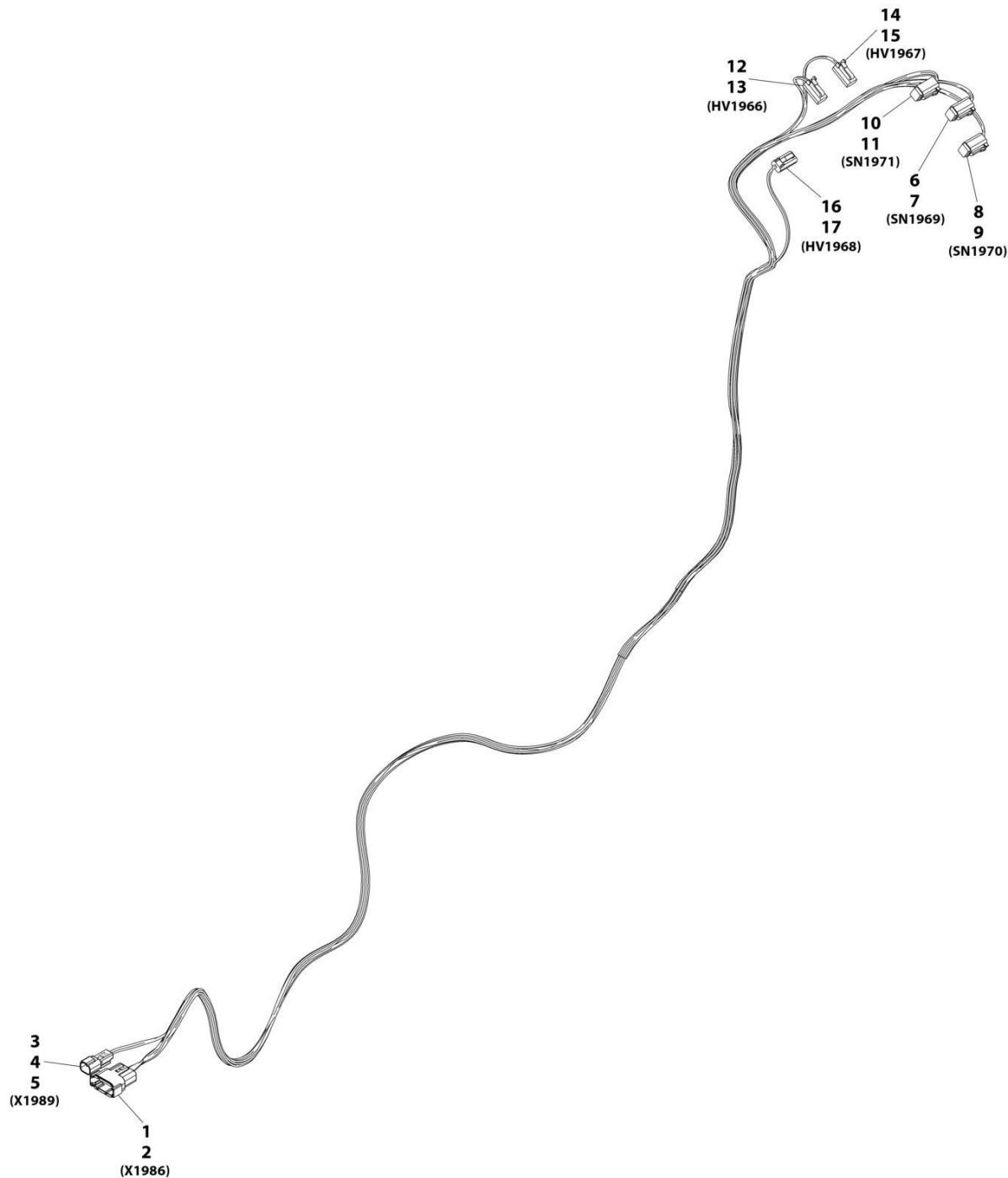
## SECTION 10 - ELECTRICAL

### FIGURE 10-92. LSI SENSOR INSTALLATION

ITEM	PART NUMBER	QTY	DESCRIPTION	REV
	1001220650	Ref	LSI Sensor Installation	B
1	5272012	2	Bolt, M10X40	
2	1001116128	AR	Sealant	
3	1001125465	AR	Compound, Locking	
5	1001129425	AR	Compound, Locking	
6	1001008559	3	Strap, Cable	
7	1001160730	1	Sensor, LSI	
8	0761010	1	Bolt, M10X20	
9	4812000	1	Washer, M10	
10	1001230850	1	Bracket, LSI Cover	

# SECTION 10 - ELECTRICAL

## FIGURE 10-93. RALP PLATFORM HARNESS



ART\_1001193566-C

## SECTION 10 - ELECTRICAL

### FIGURE 10-93. RALP PLATFORM HARNESS

ITEM	PART NUMBER	QTY	DESCRIPTION	REV
	1001193566	Ref	Platform Harness (RALP)	C
1	1001132169	1	Connector	
2	4460929	12	Terminal	
3	4460897	1	Connector	
4	4460464	1	Terminal	
5	4460941	1	Terminal	
6	4460884	1	Connector	
7	4460465	4	Terminal	
8	4460884	1	Connector	
9	4460465	4	Terminal	
10	4460884	1	Connector	
11	4460465	4	Terminal	
12	4460891	1	Connector	
13	4460465	2	Terminal	
14	4460891	1	Connector	
15	4460465	2	Terminal	
16	4460891	1	Connector	
17	4460465	2	Terminal	



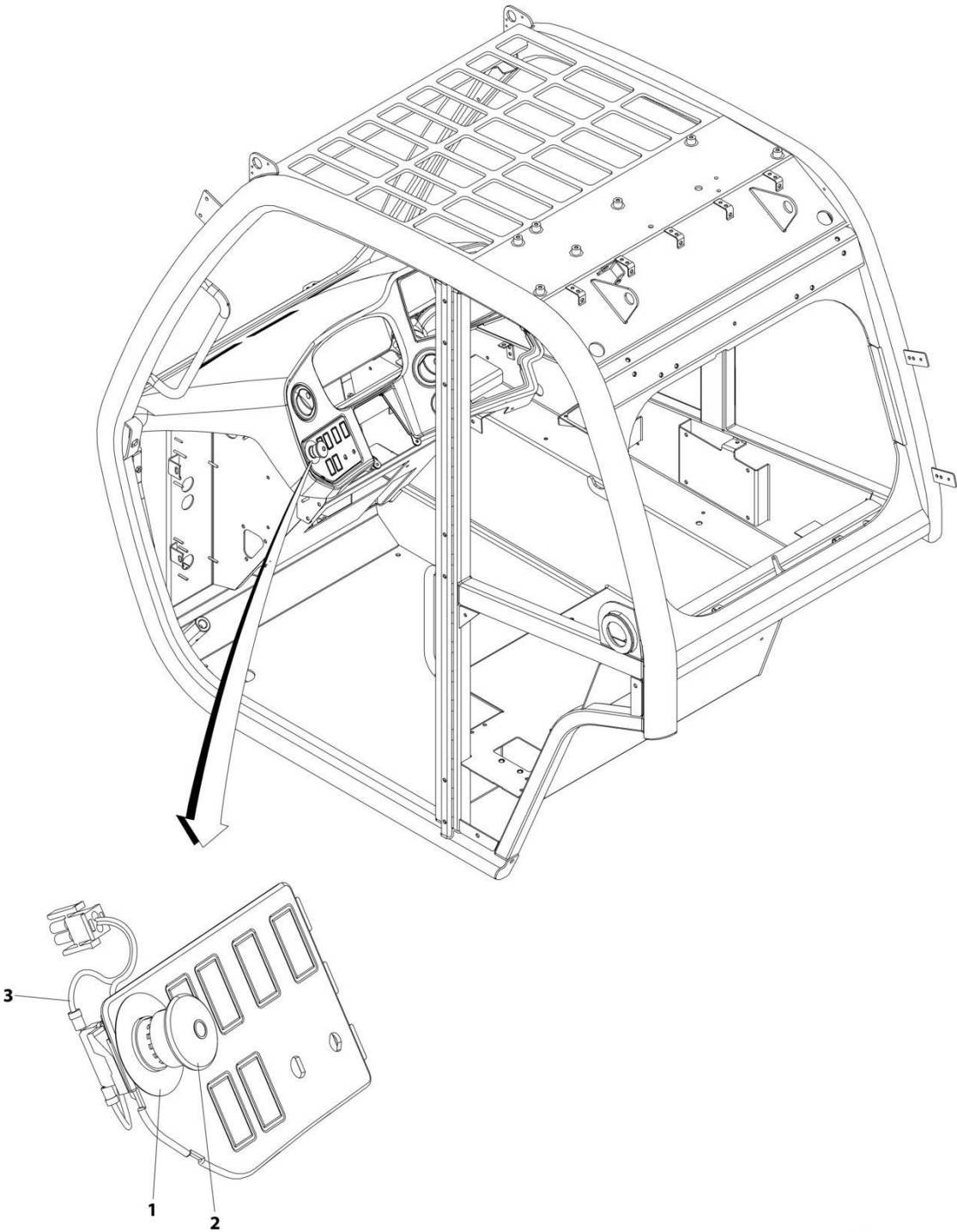
## SECTION 10 - ELECTRICAL

**FIGURE 10-94. REMOTE CONTROL (BOOM)**

ITEM	PART NUMBER	QTY	DESCRIPTION	REV
	1001258731	Ref	REMOTE CONTROL (BOOM)	C
1	0760615	2	Bolt M6 x 35	
2	0760808	3	Bolt M8 x 16	
3	3311005	2	Nut #10	
4	3911010	2	Screw #10 x 5/8	
5	4360657	1	Switch, Ignition	
6	4711000	4	Washer #10	
7	4811700	2	Washer M6	
8	4811900	3	Washer M8	
9	1001008559	4	Strap, As-Cable	
10	1001268354	1	Decal - Ignition Switch	
11	1001200910	1	Light, Beacon (Blue)	
12	1001206112	1	Control, Remote Controller	
13	1001209194	1	Control, Remote	
14	1001241610	1	Harness, Key (See Separate Breakdown in this Section)	
15	1001253671	1	Installation, Manual Pump (Lift/Tele) (Not Shown) (See Separate Breakdown in HYDRAULIC Section)	
16	1001258749	1	Bracket, Roof Beacon	
17	1001259205	1	Harness, Remote Control Power (See Separate Breakdown in this Section)	
18	1001259231	1	Installation, Harness (Emergency Lowering - Frame)	
18	1001008559	1	Strap, As-Cable (Not Shown)	
18	1001258719	1	Harness, Emergency Lowering - Frame (See Separate Breakdown in this Section)	
19	1001259246	1	Installation, Emergency Stop Switch (See Separate Breakdown in this Section)	
20	0701018	1	Bolt M10 x 50	
21	3291005	1	Nut M10	
22	4812000	2	Washer M10	
23	1001171808	1	Spacer	
24	1001269176	1	Decal - Boom Angle Indicator	
25	1001269177	1	Plate - Boom Angle Indicator	
26	1001275622	1	Decal - Boom Extend Remote	

**SECTION 10 - ELECTRICAL**

**FIGURE 10-95. REMOTE CONTROL EMERGENCY STOP SWITCH INSTALLATION**



ART\_1001259246



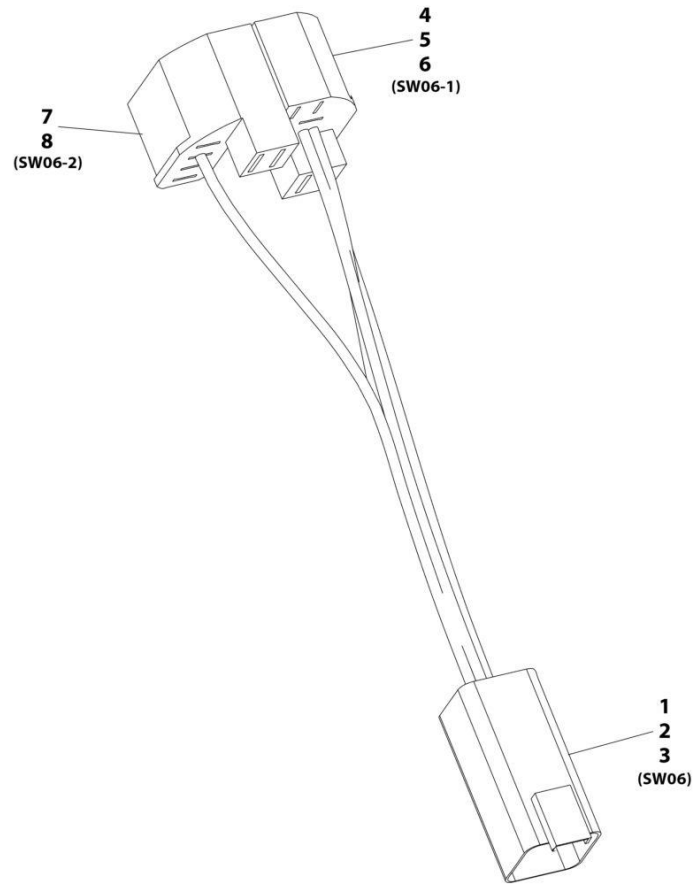
## SECTION 10 - ELECTRICAL

### FIGURE 10-95. REMOTE CONTROL EMERGENCY STOP SWITCH INSTALLATION

ITEM	PART NUMBER	QTY	DESCRIPTION	REV
	1001259246	Ref	Remote Control Emergency Stop Switch Installation	A
1	1704260	1	Decal - Emergency Stop	
2	4360475	1	Switch, Emergency Stop	
3	1001259224	1	Harness, EMS Switch	
3	4460320	1	Connector	
3	4460183	2	Terminal	

# SECTION 10 - ELECTRICAL

## FIGURE 10-96. REMOTE CONTROL KEY HARNESS



ART\_1001241610-A

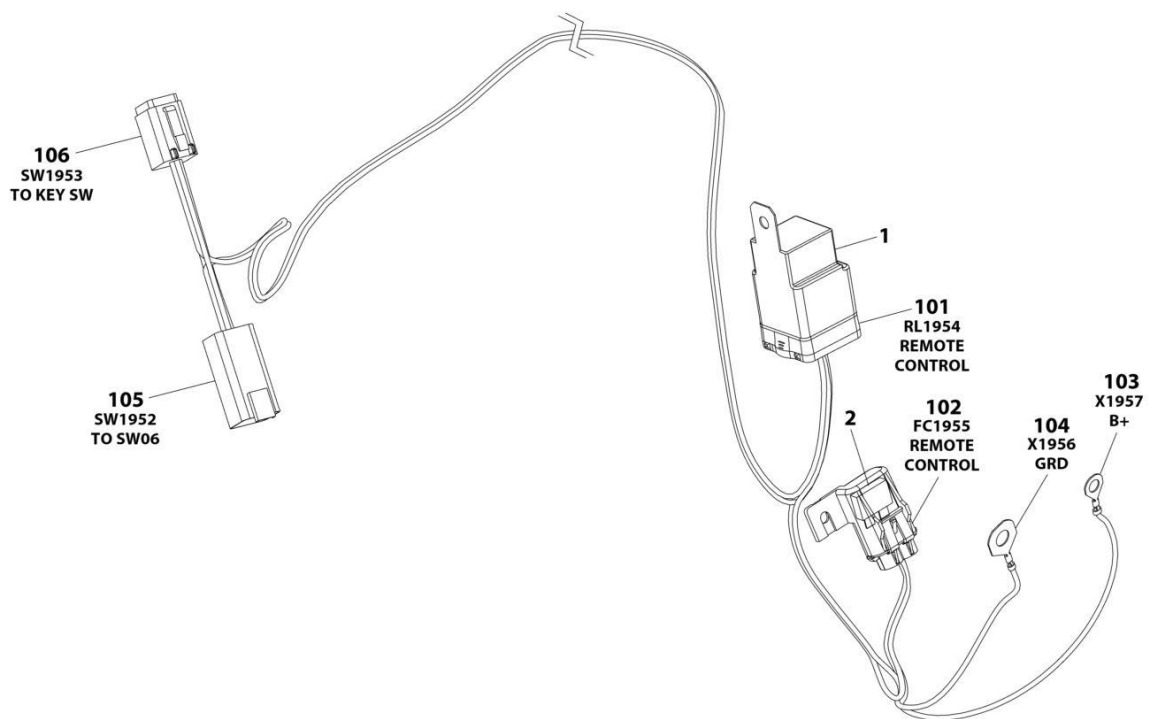
## SECTION 10 - ELECTRICAL

### FIGURE 10-96. REMOTE CONTROL KEY HARNESS

ITEM	PART NUMBER	QTY	DESCRIPTION	REV
	1001241610	Ref	Key Harness	A
1	4460899	1	Connector	
2	4460464	4	Terminal	
3	4460466	2	Plug	
4	1001118685	1	Connector	
5	1001104519	2	Terminal	
6	1001118383	1	Terminal	
7	1001117121	1	Connector	
8	1001104519	1	Terminal	

# SECTION 10 - ELECTRICAL

## FIGURE 10-97. REMOTE CONTROL POWER HARNESS



ART\_1001259205

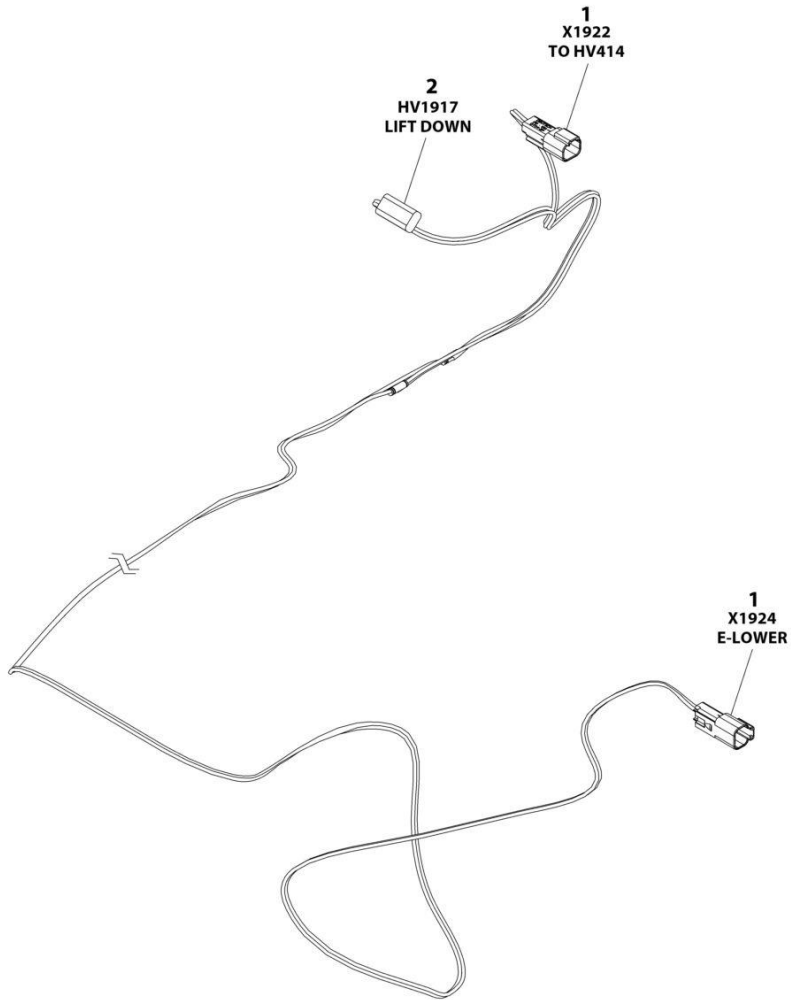
## SECTION 10 - ELECTRICAL

### FIGURE 10-97. REMOTE CONTROL POWER HARNESS

ITEM	PART NUMBER	QTY	DESCRIPTION	REV
	1001259205	Ref	Remote Control Power Harness	A
1	3740080	1	Relay	
2	8229234	1	Fuse, 10Amp	
101	1001231398	1	Connector, Relay	
101	1001231400	4	Terminal	
101	1001231404	4	Seal, Terminal	
101	1001231406	1	Plug, Terminal	
102	1001231397	1	Connector - 2 Position	
102	1001231400	2	Terminal	
102	1001231404	2	Seal, Terminal	
103	1001207173	1	Terminal, Ring	
104	1001211775	1	Terminal, Ring	
105	4460899	1	Receptacle, Female - 6 Position	
105	4460464	4	Pin, Male	
105	4460466	2	Plug, Terminal	
106	4460894	1	Plug, Male - 6 Position	
106	4460465	4	Socket, Female	
106	4460466	2	Plug, Terminal	

# SECTION 10 - ELECTRICAL

## FIGURE 10-98. REMOTE CONTROL EMERGENCY LOWERING HARNESS



ART\_1001258719

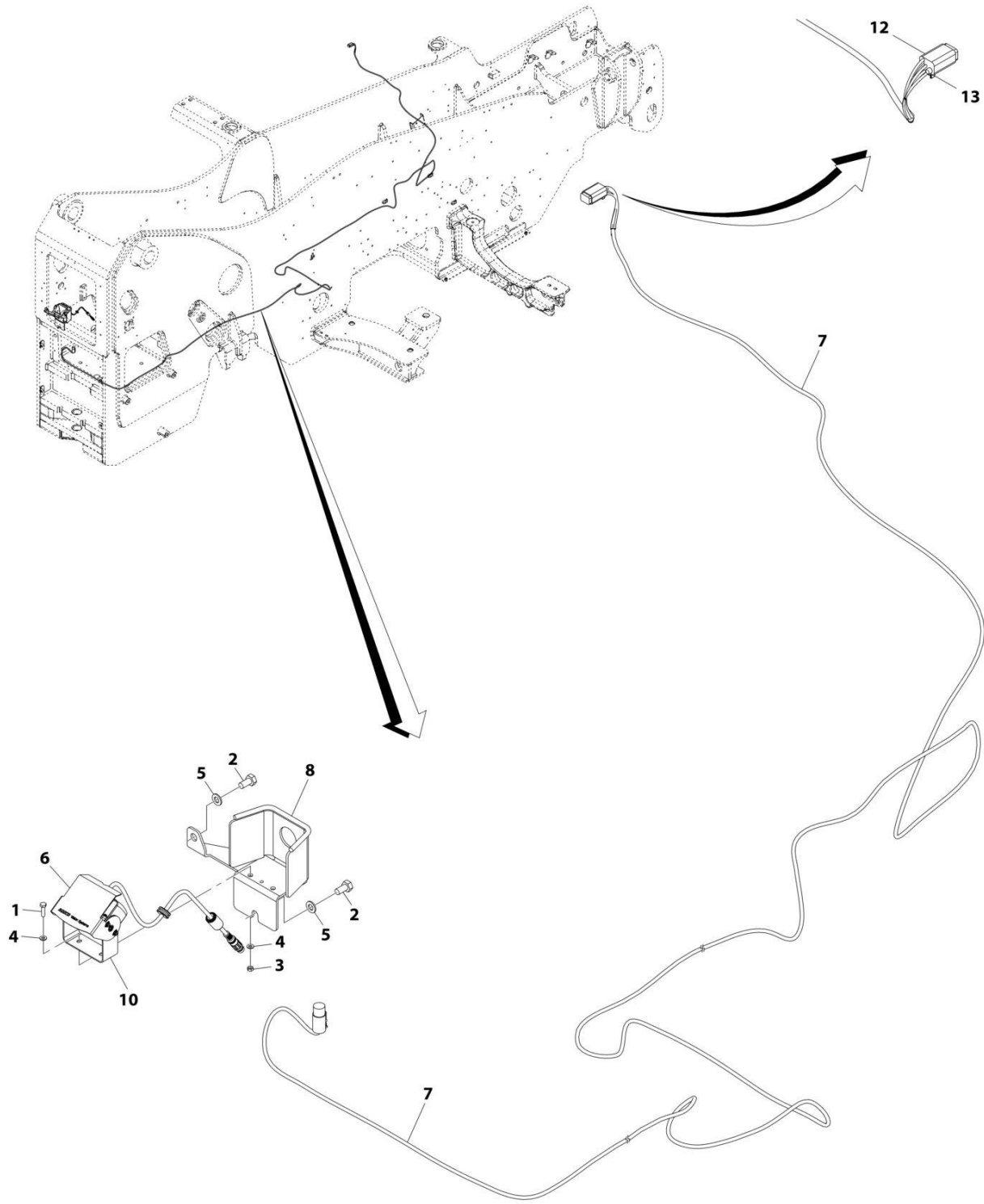
## SECTION 10 - ELECTRICAL

### FIGURE 10-98. REMOTE CONTROL EMERGENCY LOWERING HARNESS

ITEM	PART NUMBER	QTY	DESCRIPTION	REV
	1001258719	Ref	Remote Control Emergency Lowering Harness	A
1	4460897	2	Receptacle, Female - 2 Position	
1	4460464	4	Pin, Male	
2	4460891	1	Plug, Male - 2 Position	
2	4460465	2	Socket, Male	

# SECTION 10 - ELECTRICAL

## FIGURE 10-99. REVERSE CAMERA INSTALLATION



ART\_1001192321-G



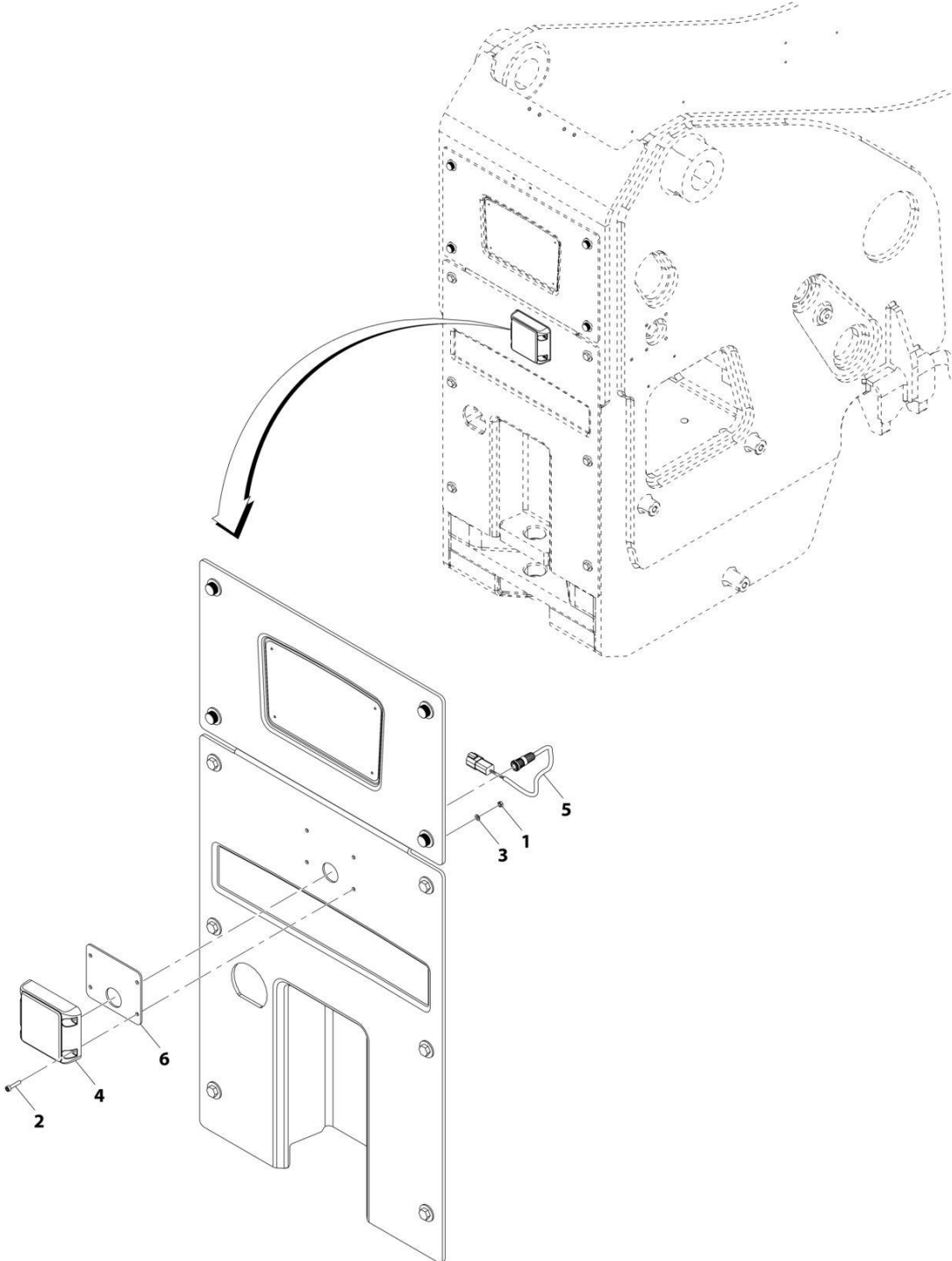
## SECTION 10 - ELECTRICAL

### FIGURE 10-99. REVERSE CAMERA INSTALLATION

ITEM	PART NUMBER	QTY	DESCRIPTION	REV
	1001192321	Ref	Reverse Camera Installation	G
1	0700408	2	Bolt, M4X16	
2	0760808	2	Bolt, M8X16	
3	3290401	2	Nut, M4X0.7	
4	4811400	4	Washer, M4	
5	4811900	2	Washer, M8	
6	1001167017	1	Camera, Reverse	
7	1001171962	1	Cable, Camera	
8	1001205307	1	Bracket	
10	1001202621	1	Bracket	
12	4460884	1	Connector	
13	4460466	1	Terminal	

**SECTION 10 - ELECTRICAL**

**FIGURE 10-100. REVERSE SENSOR INSTALLATION**



ART\_1001192322-F

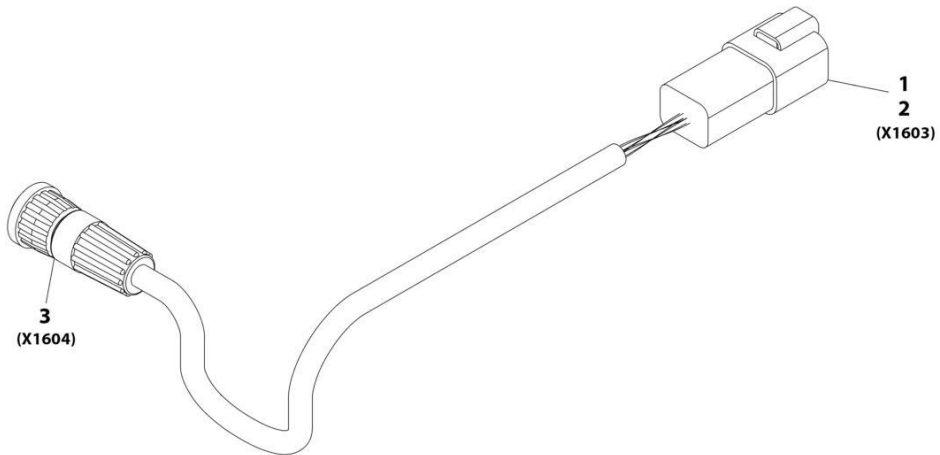
## SECTION 10 - ELECTRICAL

### FIGURE 10-100. REVERSE SENSOR INSTALLATION

ITEM	PART NUMBER	QTY	DESCRIPTION	REV
	1001192322	Ref	Reverse Sensor Installation	F
1	3290501	4	Nut, M5X0.8	
2	5271609	4	Screw, M5X25	
3	4811600	4	Washer, M5	
4	1001247421	1	Sensor, Reverse	
5	1001175776	1	Harness, Reverse Sensor (See Separate Breakdown in this Section)	
6	1001251518	1	Plate	

# SECTION 10 - ELECTRICAL

## FIGURE 10-101. REVERSE SENSOR HARNESS



ART\_1001175776-C

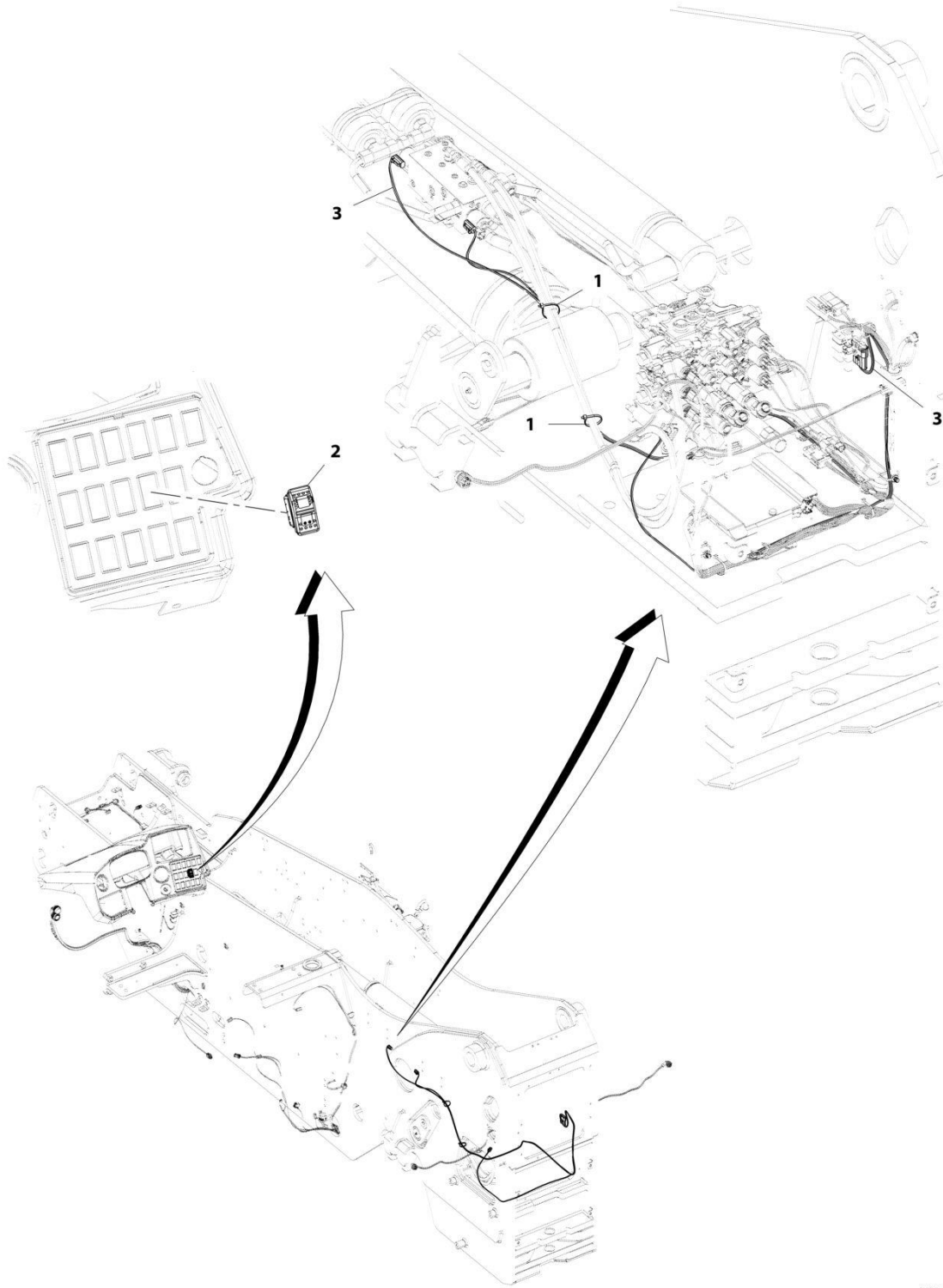
## SECTION 10 - ELECTRICAL

### FIGURE 10-101. REVERSE SENSOR HARNESS

ITEM	PART NUMBER	QTY	DESCRIPTION	REV
	1001175776	Ref	Reverse Sensor Harness	C
1	4460932	1	Connector	
2	4460464	4	Terminal	
3	1001175733	1	Connector	

# SECTION 10 - ELECTRICAL

## FIGURE 10-102. RIDE CONTROL WIRING INSTALLATION



ART\_1001200105-B

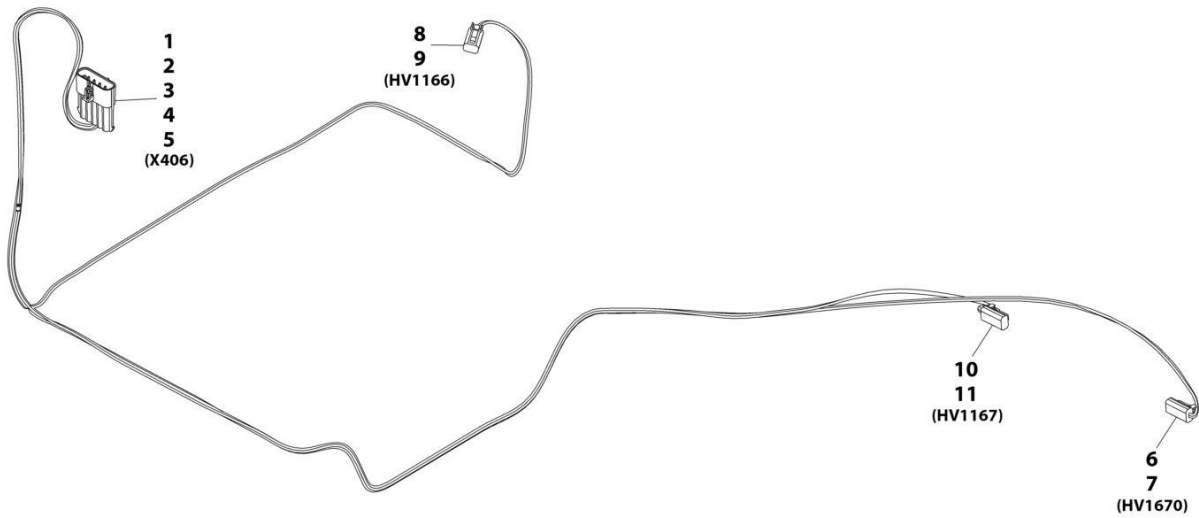
## SECTION 10 - ELECTRICAL

### FIGURE 10-102. RIDE CONTROL WIRING INSTALLATION

ITEM	PART NUMBER	QTY	DESCRIPTION	REV
	1001200105	Ref	Ride Control Wiring Installation	B
1	1001008559	2	Strap, Cable Tie	
2	1001159745	1	Switch, Boom Ride	
3	1001197668	1	Harness, Boom Ride Float (See Separate Breakdown in this Section)	

# SECTION 10 - ELECTRICAL

## FIGURE 10-103. RIDE CONTROL HARNESS (BOOM)



ART\_1001197668-D



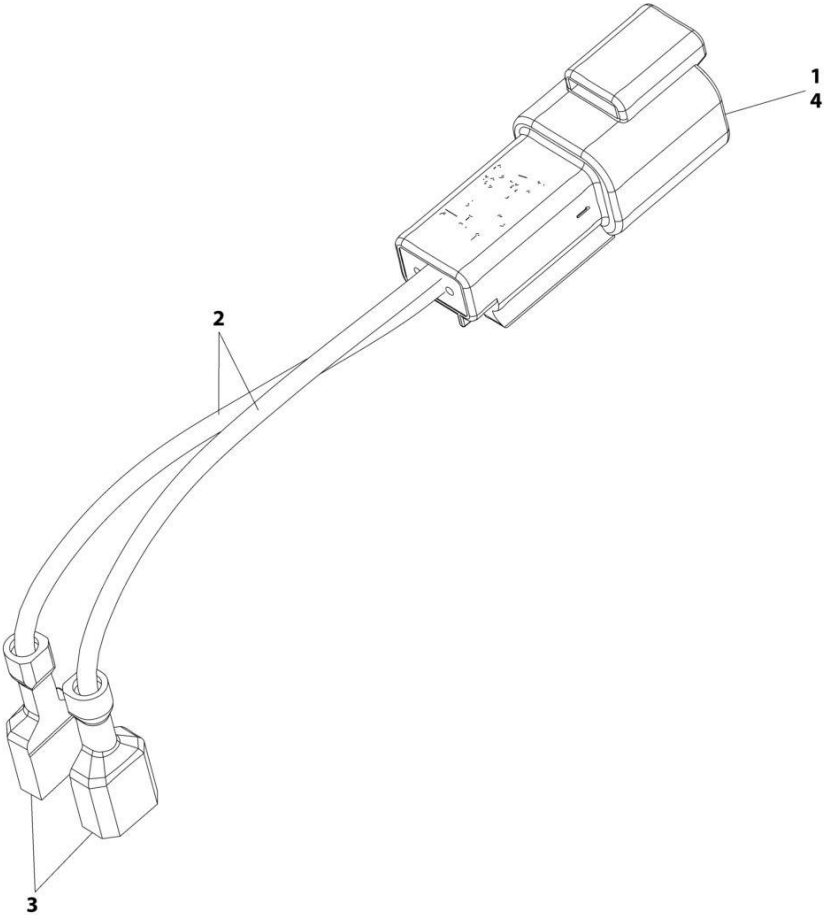
## SECTION 10 - ELECTRICAL

### FIGURE 10-103. RIDE CONTROL HARNESS (BOOM)

ITEM	PART NUMBER	QTY	DESCRIPTION	REV
	1001197668	Ref	Boom Ride Control Harness	D
1	1001121727	1	Connector	
2	1001116745	3	Terminal	
3	1001116729	1	Terminal	
4	4460458	4	Terminal Seal	
5	1001116727	1	Plug	
6	4460891	1	Connector	
7	4460465	2	Terminal	
8	4460891	1	Connector	
9	4460465	2	Terminal	
10	4460891	1	Connector	
11	4460465	2	Terminal	

**SECTION 10 - ELECTRICAL**

**FIGURE 10-104. SPEED HARNESS (VEHICLE SPEED)**



ART\_1001229981-A

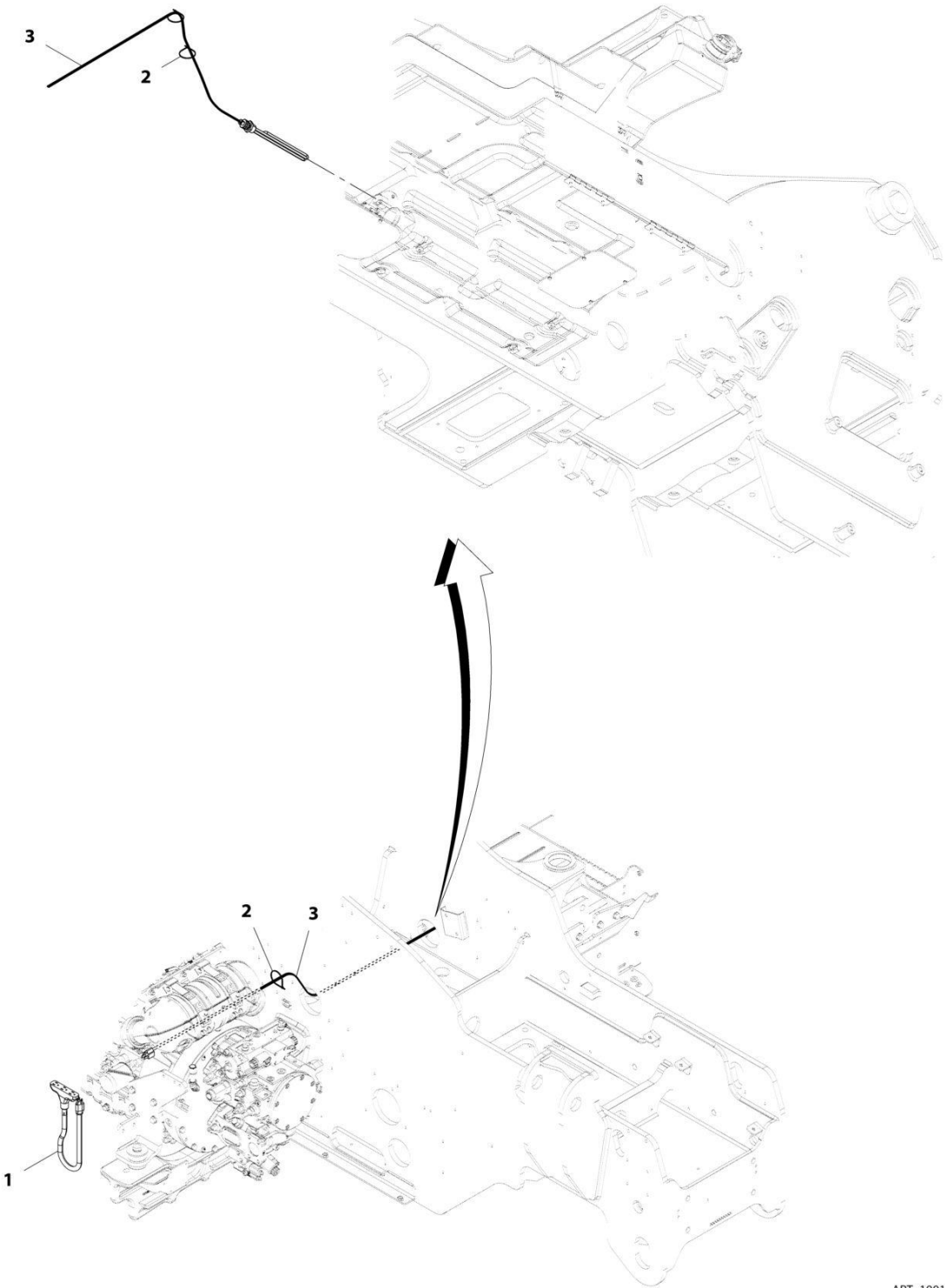
## SECTION 10 - ELECTRICAL

### FIGURE 10-104. SPEED HARNESS (VEHICLE SPEED)

ITEM	PART NUMBER	QTY	DESCRIPTION	REV
	1001229981	Ref	Vehicle Speed Pigtail Harness	A
1	4460464	2	Terminal	
2	4921614	200 mm	Wire, 18GA White	
3	1001194421	2	Terminal	
4	4460897	1	Connector	

**SECTION 10 - ELECTRICAL**

**FIGURE 10-105. TANK HEATER INSTALLATION - HYDRAULIC TANK (115V)**



ART\_1001195593-B

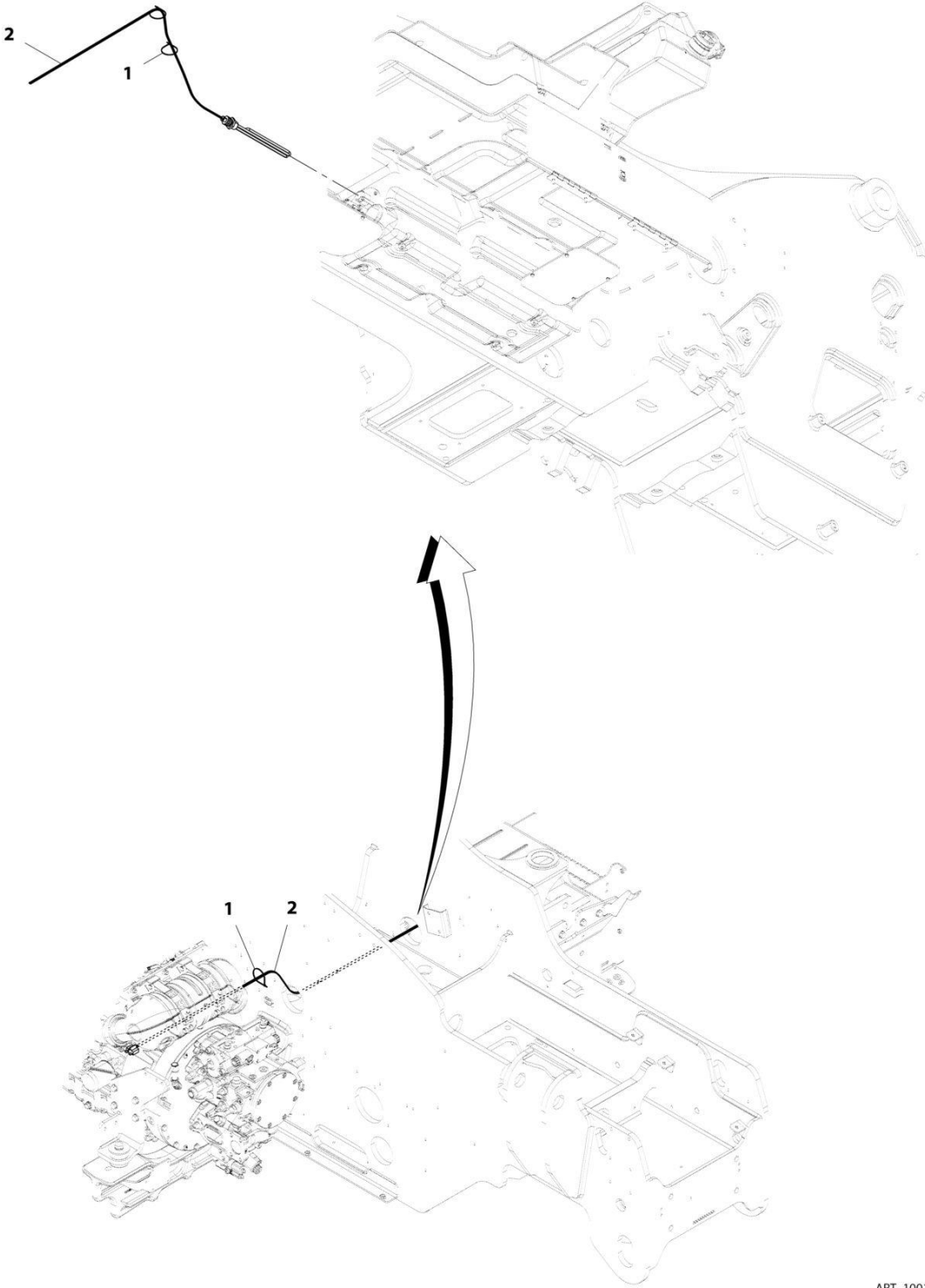
## SECTION 10 - ELECTRICAL

**FIGURE 10-105. TANK HEATER INSTALLATION - HYDRAULIC TANK (115V)**

ITEM	PART NUMBER	QTY	DESCRIPTION	REV
	1001195593	Ref	Hydraulic Tank Heater Installation (115V)	B
1	1060626	1	Cord, 3-Way Extension	
2	4240099	AR	Tie, Wire	
3	1001105886	1	Heater, Immersion	

**SECTION 10 - ELECTRICAL**

**FIGURE 10-106. TANK HEATER INSTALLATION - HYDRAULIC TANK (240V)**



ART\_1001204549-B

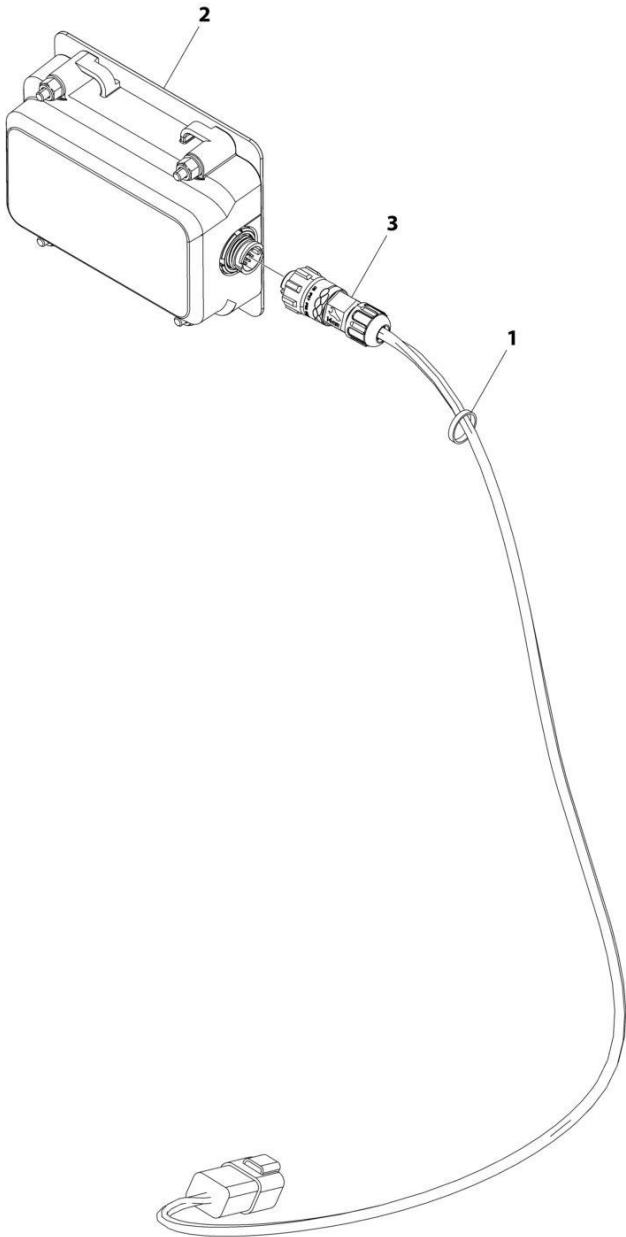
## SECTION 10 - ELECTRICAL

**FIGURE 10-106. TANK HEATER INSTALLATION - HYDRAULIC TANK (240V)**

ITEM	PART NUMBER	QTY	DESCRIPTION	REV
1	1001204549	Ref	Hydraulic Tank Heater Installation (240V)	B
1	4240099	AR	Tie, Wire	
2	1001195439	1	Heater, Immersion	

**SECTION 10 - ELECTRICAL**

**FIGURE 10-107. TELEMATICS (CLEARSKY) INSTALLATION 3-WIRE**



ART\_1001276920



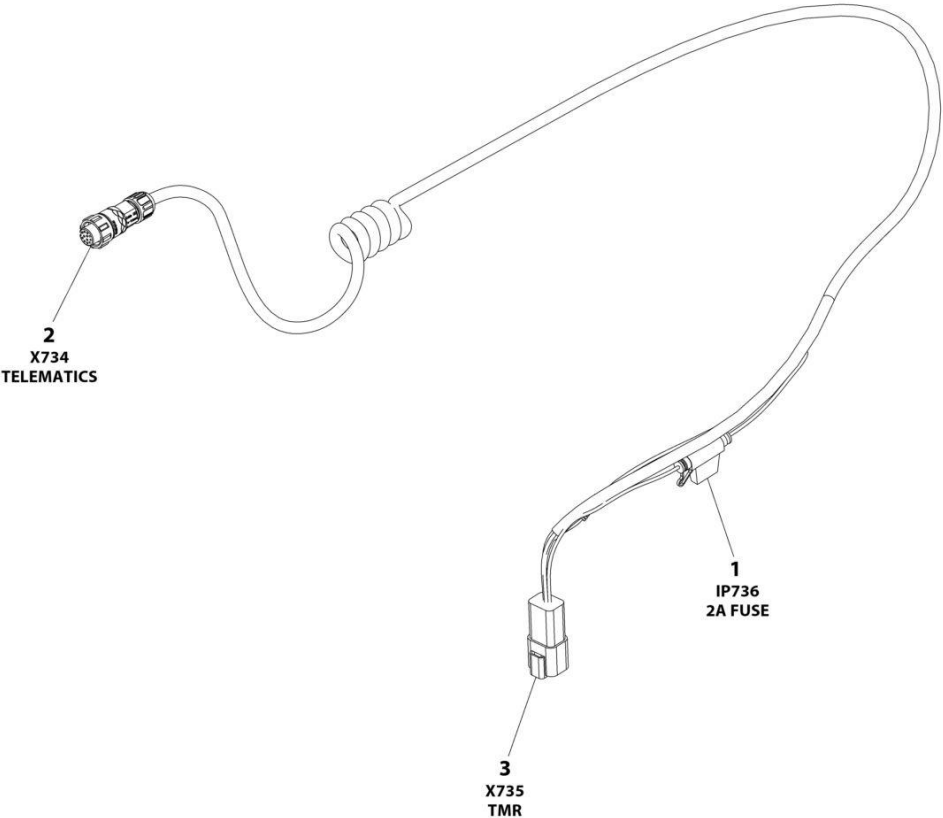
## SECTION 10 - ELECTRICAL

**FIGURE 10-107. TELEMATICS (CLEARSKY) INSTALLATION 3-WIRE**

ITEM	PART NUMBER	QTY	DESCRIPTION	REV
	1001276920	Ref	CLEARSKY TELEMATICS 3-WIRE INSTALLATION	A
1	4240032	AR	Tie, Strap	
2	1001272659	1	Module - GT1030	
3	1001273012	1	ClearSky Telematics 3-Wire Harness (See Separate Breakdown in this Section)	

**SECTION 10 - ELECTRICAL**

**FIGURE 10-108. TELEMATICS HARNESS**



ART\_1001273012

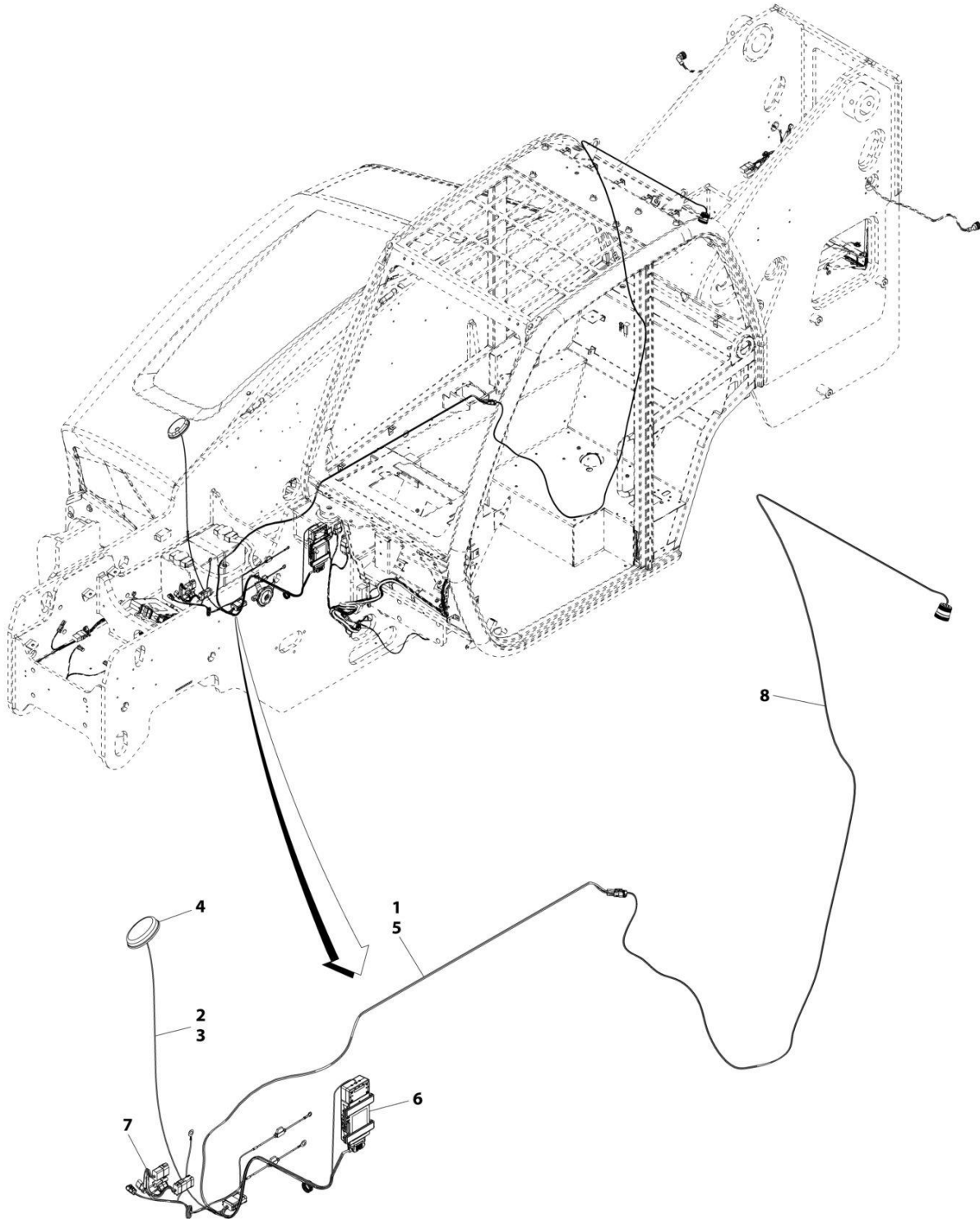
# SECTION 10 - ELECTRICAL

## FIGURE 10-108. TELEMATICS HARNESS

ITEM	PART NUMBER	QTY	DESCRIPTION	REV
	1001273012	Ref	CLEARSKY TELEMATICS HARNESS - GT1030	D
1	1001255901	1	Fuseholder	
1	1001196634	1	Fuse - 2Amp	
2	1001272997	1	Connector - 12 Position	
2		Ref	Terminal	
3	4460932	1	Receptacle, Female - 4 Position	
3	4460464	4	Pin, Male	

# SECTION 10 - ELECTRICAL

## FIGURE 10-109. TELEMATICS (CLEARSKY) INSTALLATION (CANBUS) (ANSI) (1732)



ART\_1001232033-B

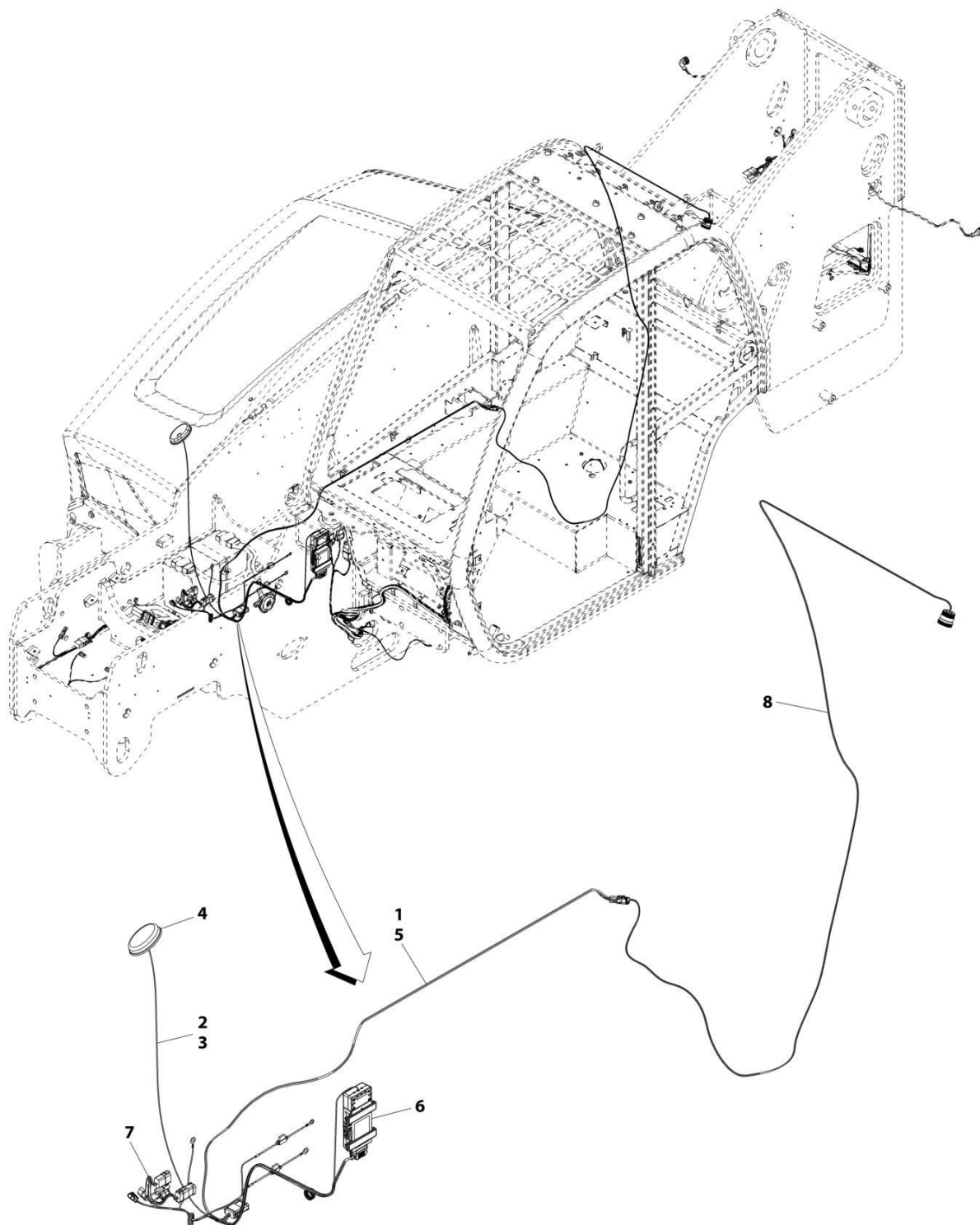
## SECTION 10 - ELECTRICAL

**FIGURE 10-109. TELEMATICS (CLEARSKY) INSTALLATION (CANBUS) (ANSI) (1732)**

ITEM	PART NUMBER	QTY	DESCRIPTION	REV
	1001232033	Ref	Clearsky Installation	B
1	1062255	AR	Strap, Tie	
2	4240032	AR	Strap, Tie	
3	4460234	AR	Mount, Cable Tie	
4	1001226799	1	Antenna	
5	1001227297	1	Harness, Clearsky (See Separate Breakdown in this Section)	
6	1001229955	1	Module	
7	1001232298	1	Harness, Telematics Option (See Separate Breakdown in this Section)	
8	1001254185	1	Harness, Adapter (See Separate Breakdown in this Section)	

# SECTION 10 - ELECTRICAL

## FIGURE 10-110. TELEMATICS (CLEARSKY) INSTALLATION (CANBUS) (CE) (8010)



ART\_10012329248

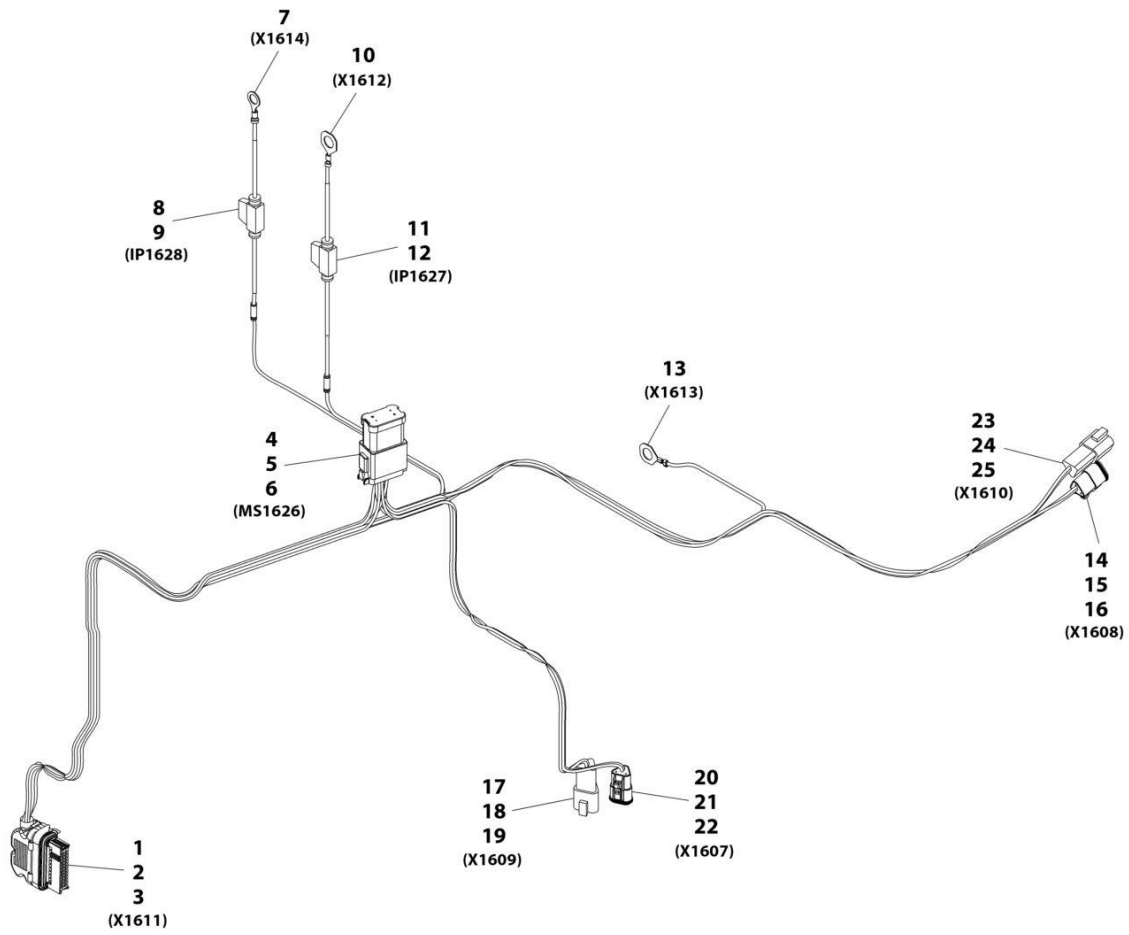
## SECTION 10 - ELECTRICAL

**FIGURE 10-110. TELEMATICS (CLEARSKY) INSTALLATION (CANBUS) (CE) (8010)**

ITEM	PART NUMBER	QTY	DESCRIPTION	REV
	1001239248	Ref	Clearsky Installation	C
1	1062255	AR	Strap, Tie	
2	4240032	AR	Strap, Tie	
3	4460234	AR	Mount, Cable Tie	
4	1001226799	1	Antenna	
5	1001227297	1	Harness, Clearsky (See Separate Breakdown in this Section)	
6	1001239194	1	Module	
7	1001232298	1	Harness, Telematics Option (See Separate Breakdown in this Section)	
8	1001254185	1	Harness, Adapter (See Separate Breakdown in this Section)	

# SECTION 10 - ELECTRICAL

## FIGURE 10-111. TELEMATIC 4WARD HARNESS (CLEARSKY 2)



ART\_1001227297



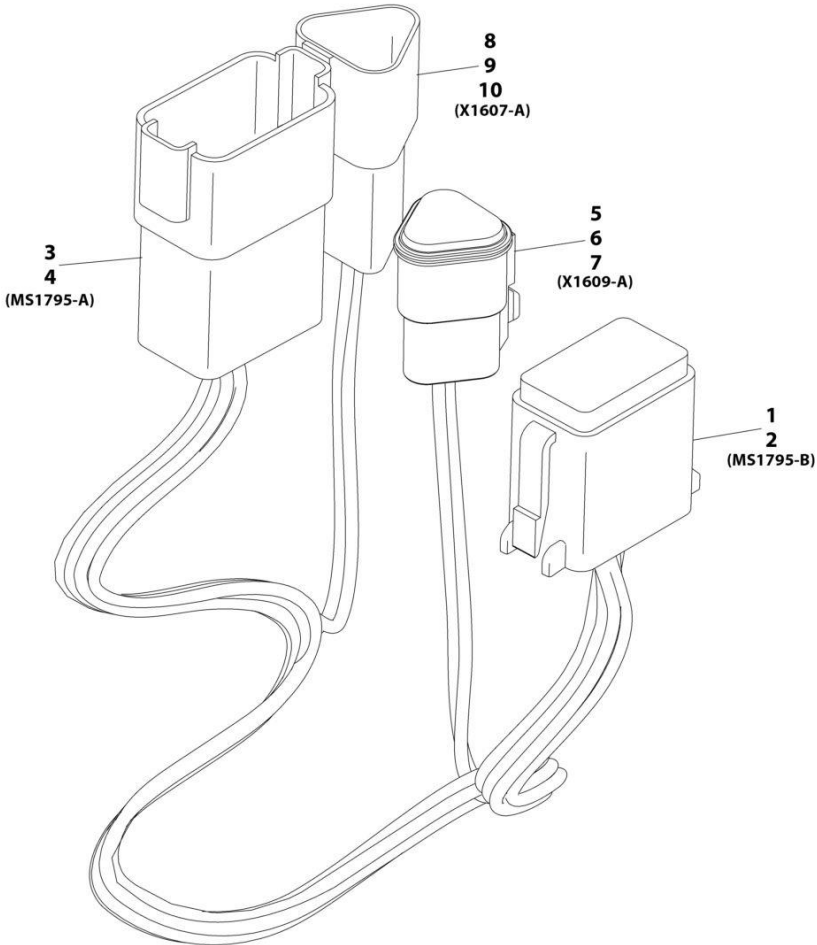
## SECTION 10 - ELECTRICAL

**FIGURE 10-111. TELEMATIC 4WARD HARNESS (CLEARSKY 2)**

ITEM	PART NUMBER	QTY	DESCRIPTION	REV
	1001227297	Ref	TELEMATIC 4WARD HARNESS (CLEARSKY 2)	C
1	1001226636	1	Connector	
2	1001226637	7	Terminal	
3	1001116731	17	Plug	
4	4460933	1	Connector	
5	4460465	12	Terminal	
6	1001200206	1	Connector, DT 12 Pin 4X3 Buss	
7	4460670	1	Connector	
8	2400060	1	Connector	
9	8229242	1	Fuse, 5amp	
10	1001187078	1	Connector	
11	2400060	1	Connector	
12	8229242	1	Fuse, 5amp	
13	1001187077	1	Connector	
14	1001116812	1	Connector	
15	4460465	2	Terminal	
16	4460466	1	Plug	
17	1001144147	1	Connector	
18	4460464	2	Terminal	
19	4460466	1	Plug	
20	1001116812	1	Connector	
21	4460465	2	Terminal	
22	4460466	1	Plug	
23	1001144147	1	Connector	
24	4460464	2	Terminal	
25	4460466	1	Plug	

**SECTION 10 - ELECTRICAL**

**FIGURE 10-112. TELEMATICS OPTION HARNESS**



ART\_1001232298-A

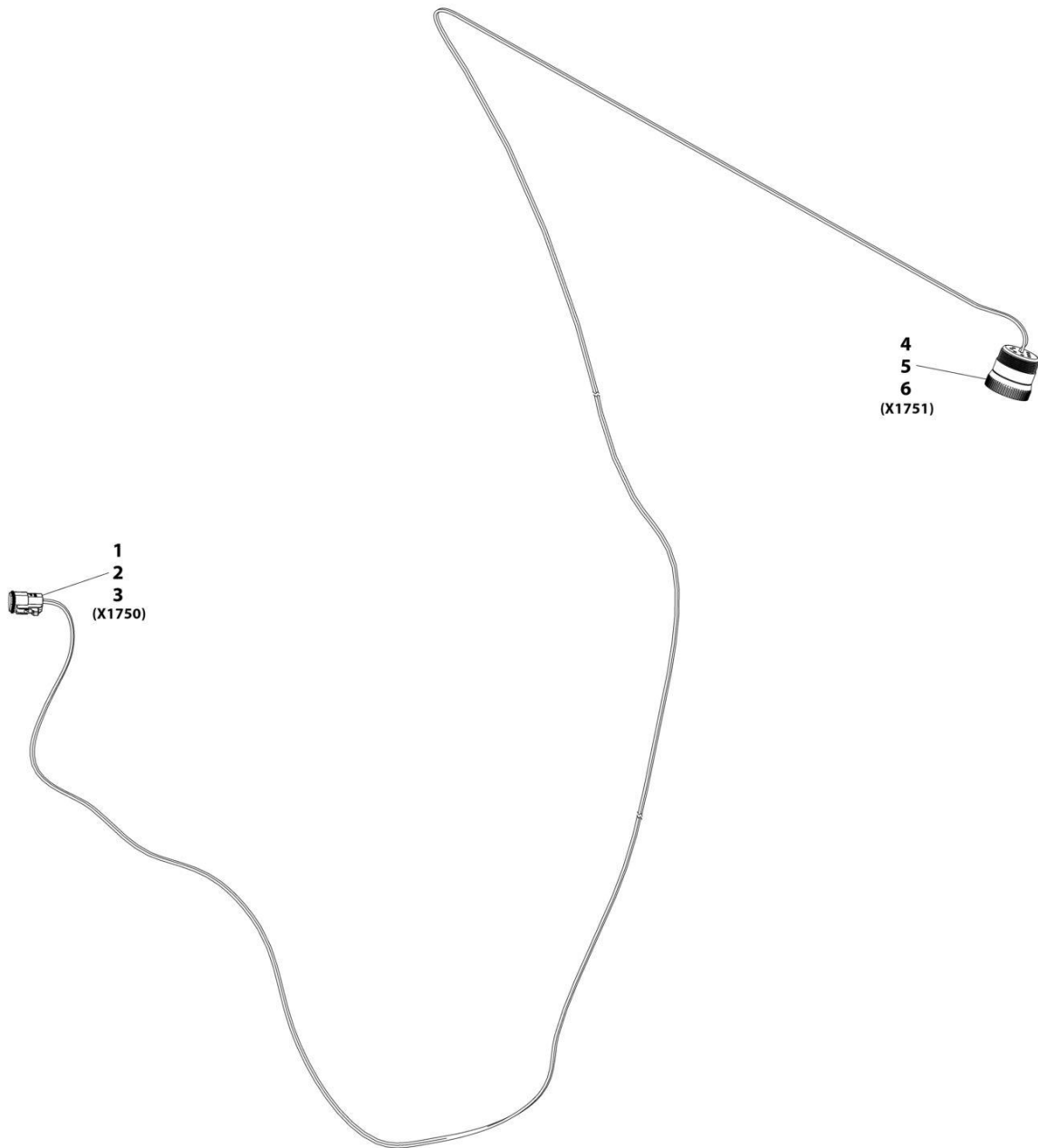
## SECTION 10 - ELECTRICAL

### FIGURE 10-112. TELEMATICS OPTION HARNESS

ITEM	PART NUMBER	QTY	DESCRIPTION	REV
	1001232298	Ref	Telematics Option Harness	A
1	4460930	1	Connector	
2	4460465	8	Terminal	
3	4460931	1	Mating Connector	
4	4460464	8	Terminal	
5	1001116812	1	Connector	
6	4460465	2	Terminal	
7	4460466	1	Plug	
8	1001144147	1	Connector	
9	4460464	2	Terminal	
10	4460466	1	Plug	

# SECTION 10 - ELECTRICAL

## FIGURE 10-113. TELEMATICS ADAPTER HARNESS



ART\_1001254185-A

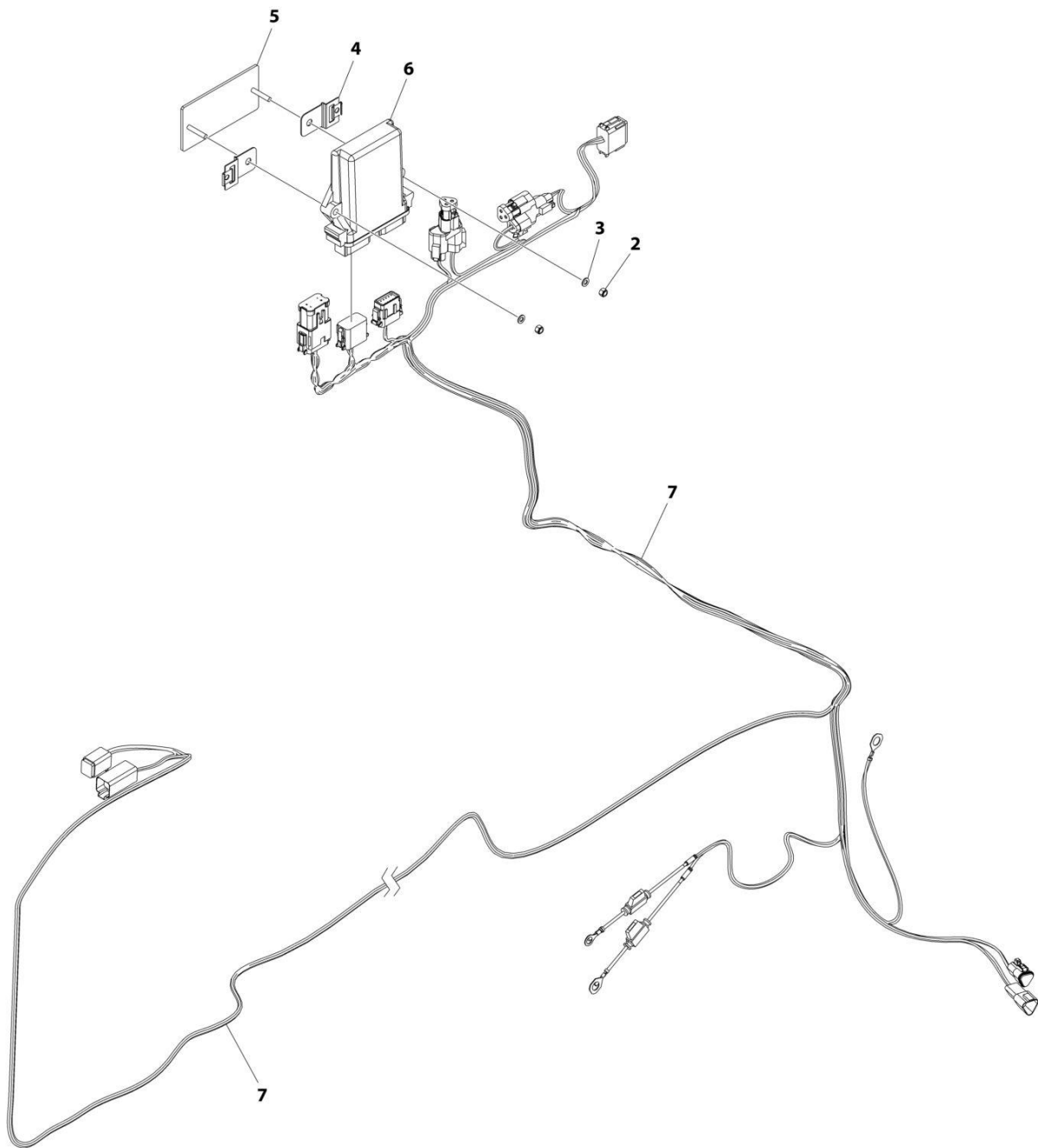
## SECTION 10 - ELECTRICAL

### FIGURE 10-113. TELEMATICS ADAPTER HARNESS

ITEM	PART NUMBER	QTY	DESCRIPTION	REV
	1001254185	Ref	TELEMATICS ADAPTER HARNESS	A
1	1001116812	1	Connector	
2	4460465	2	Terminal	
3	4460466	1	Plug	
4	1001112796	1	Connector	
5	4460944	2	Terminal	
6	4460466	7	Plug	

# SECTION 10 - ELECTRICAL

## FIGURE 10-114. TELEMATICS GATEWAY INSTALLATION



ART\_1001275277

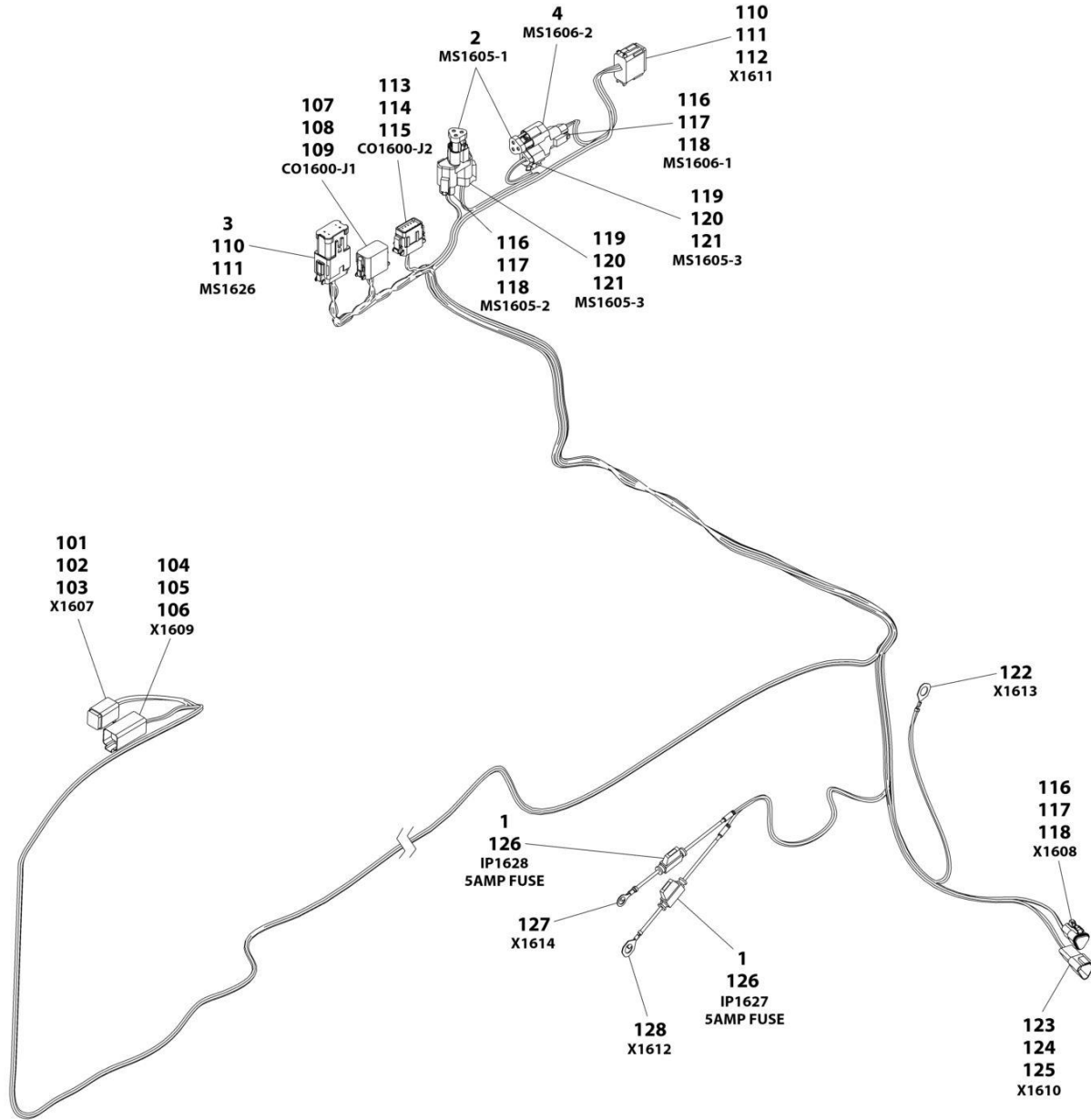
## SECTION 10 - ELECTRICAL

### FIGURE 10-114. TELEMATICS GATEWAY INSTALLATION

ITEM	PART NUMBER	QTY	DESCRIPTION	REV
	1001275277	Ref	TELEMATICS GATEWAY INSTALLATION	A
1	1062255	AR	Tie-Strap (Not Shown)	
2	3290505	2	Nut M5	
3	4811600	2	Washer M5	
4	1001153749	2	Clip	
5	1001219082	1	Bracket	
6	1001229458	1	Controller, Gateway	
7	1001275276	1	Harness, Telematics Gateway (See Separate Breakdown in this Section)	

# SECTION 10 - ELECTRICAL

## FIGURE 10-115. TELEMATICS GATEWAY HARNESS



ART\_1001275276



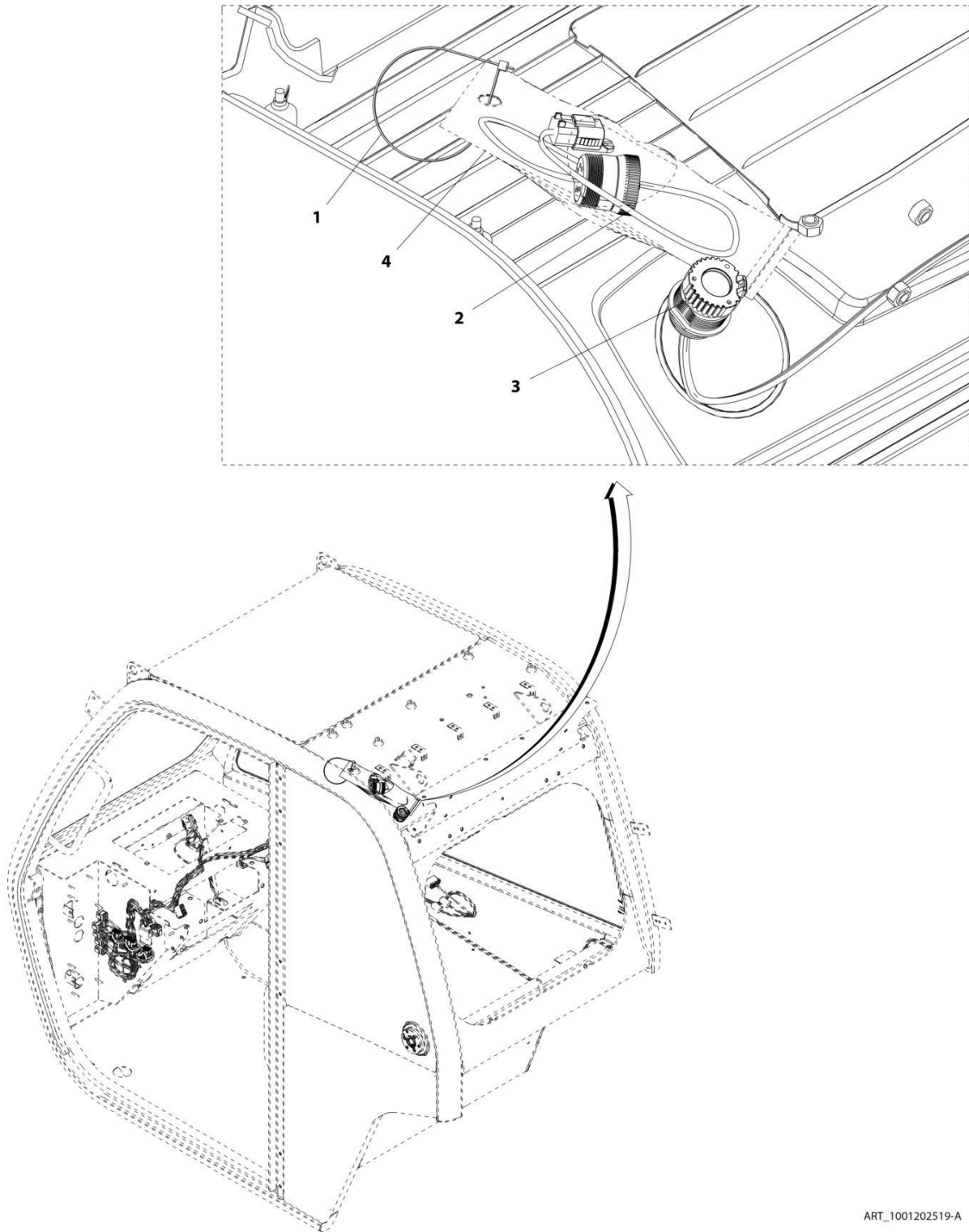
## SECTION 10 - ELECTRICAL

### FIGURE 10-115. TELEMATICS GATEWAY HARNESS

ITEM	PART NUMBER	QTY	DESCRIPTION	REV
	1001275276	Ref	TELEMATICS GATEWAY HARNESS	A
1	8229242	2	Fuse, 5AMP	
2	1001116815	2	Connector, Plug - 3 Position	
3	1001200206	1	Connector, Buss - 12 Position	
4	4460945	2	Receptacle, 3 - Way	
101	4460894	1	Plug, Male - 6 Position	
102	4460465	3	Socket, Female	
103	4460466	3	Plug, Terminal	
104	4460899	1	Receptacle, Female - 6 Position	
105	4460464	3	Pin, Male	
106	4460466	3	Plug, Terminal	
107	1001116774	1	Connector - 12 Position	
108	1001126008	6	Terminal	
109	4460518	6	Plug, Terminal	
110	4460933	2	Connector - 12 Position	
111	4460465	17	Socket, Female	
112	4460466	7	Plug, Terminal	
113	1001116808	1	Connector - 12 Position	
114	1001126008	2	Terminal	
115	4460518	10	Plug, Terminal	
116	1001116812	3	Plug, Male - 3 Position	
117	4460465	6	Socket, Female	
118	4460466	3	Plug, Terminal	
119	4460539	2	Plug, Male - 3 Position	
120	4460465	4	Socket, Female	
121	4460466	2	Plug, Terminal	
122	1001187081	1	Terminal, Ring	
123	1001144147	1	Receptacle, Female - 3 Position	
124	4460464	2	Pin, Male	
125	4460466	1	Plug, Terminal	
126	2400060	2	Fuseholder with Cover	
127	4460670	1	Terminal, Ring	
128	1001187078	1	Terminal, Ring	

# SECTION 10 - ELECTRICAL

## FIGURE 10-116. TELEMATICS READY INSTALLATION



ART\_1001202519-A

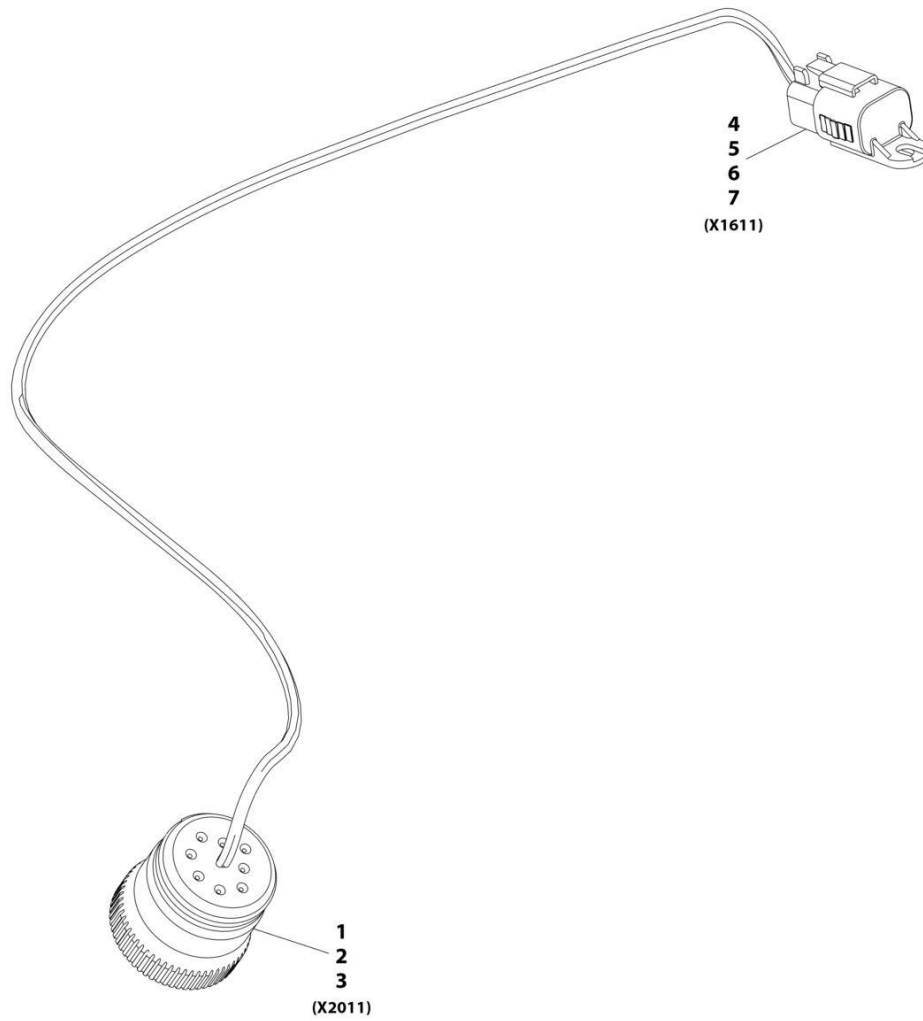
## SECTION 10 - ELECTRICAL

### FIGURE 10-116. TELEMATICS READY INSTALLATION

ITEM	PART NUMBER	QTY	DESCRIPTION	REV
	1001202519	Ref	Telematics Ready Installation	A
1	8584003	1	Strap, Tie	
2	1001196289	1	Harness, Telematics Ready (See Separate Breakdown in ELECTRICAL Section)	
3	1001201162	1	Cap	
4	1001202617	1	Bag	

# SECTION 10 - ELECTRICAL

## FIGURE 10-117. TELEMATICS READY HARNESS



ART\_1001196289-A

# SECTION 10 - ELECTRICAL

## FIGURE 10-117. TELEMATICS READY HARNESS

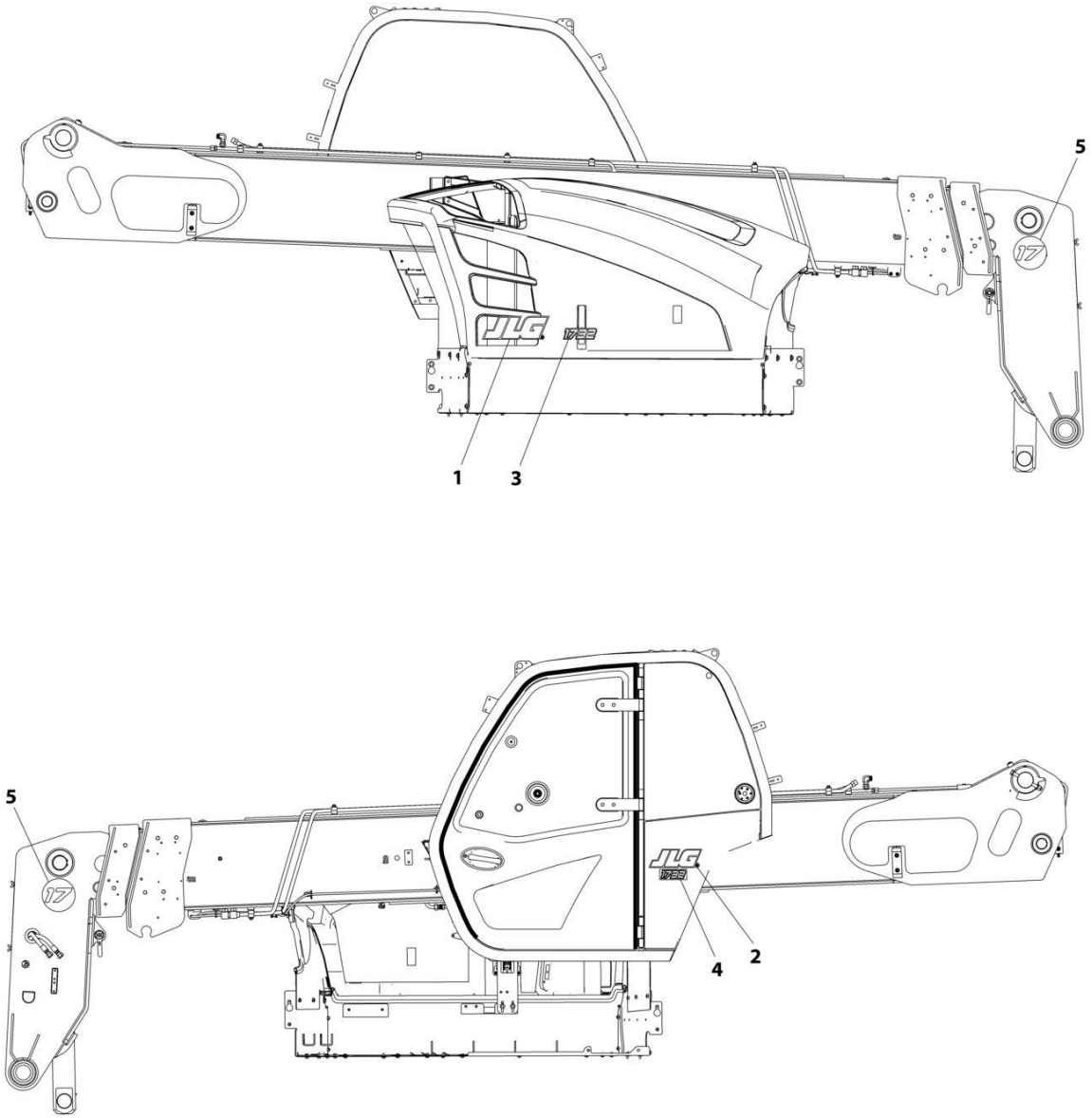
ITEM	PART NUMBER	QTY	DESCRIPTION	REV
	1001196289	Ref	Telematics Ready Harness	A
1	1001112796	1	Connector	
2	4460465	3	Terminal	
3	4460466	6	Plug	
4	4460884	1	Connector	
5	80604021	1	Lock, Connector	
6	4460465	3	Terminal	
7	4460466	1	Terminal	



**SECTION 11 - DECALS**

**SECTION 11 - DECALS**

**FIGURE 11-1. DECAL INSTALLATION 1732**



ART\_1001226532\_C



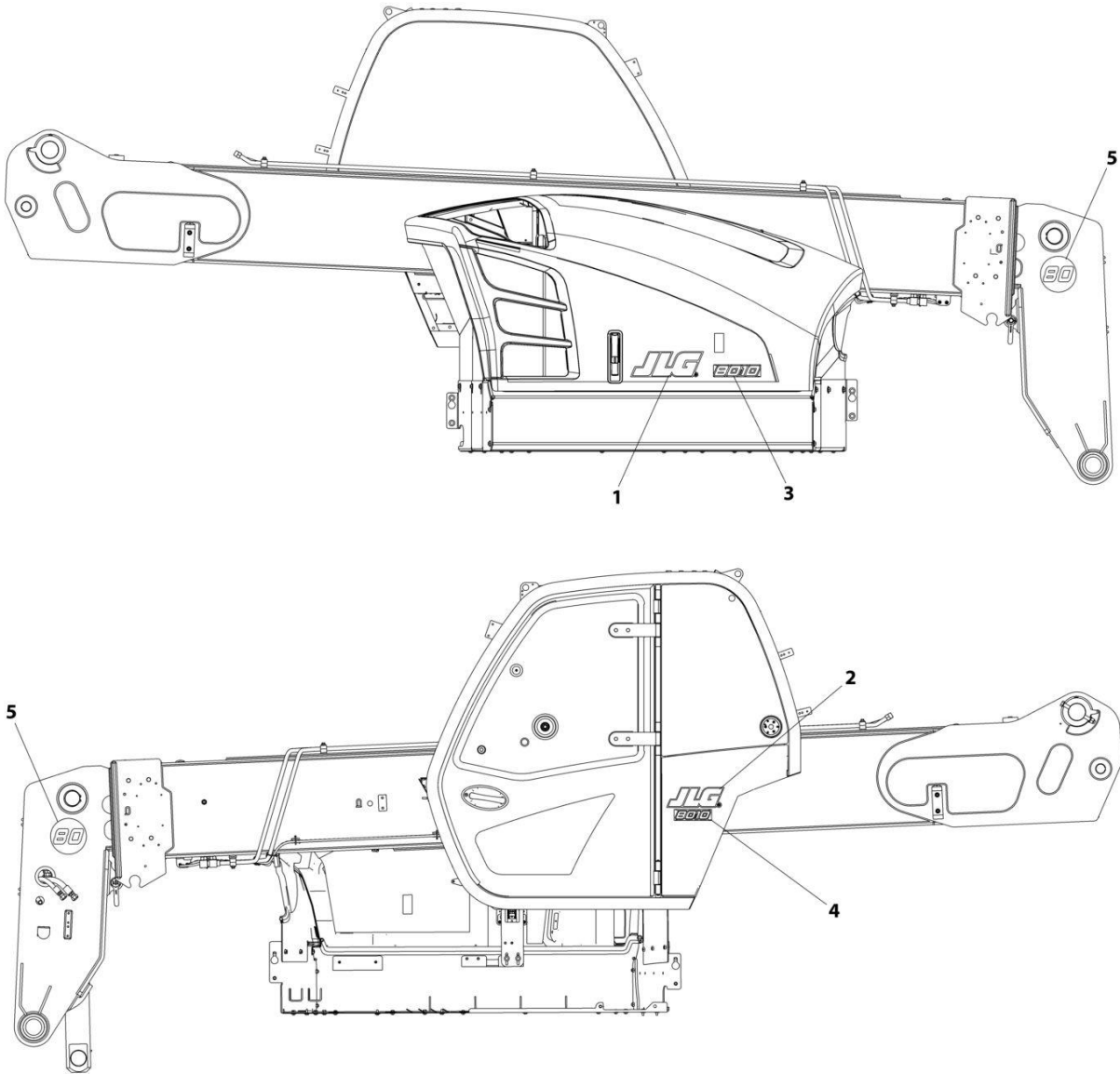
## SECTION 11 - DECALS

### FIGURE 11-1. DECAL INSTALLATION 1732

ITEM	PART NUMBER	QTY	DESCRIPTION	REV
	1001226532	Ref	1732 DECAL INSTALLATION	C
1	1001160775	1	Decal, JLG 5 Black	
2	1001169674	1	Decal, JLG M100 x 285	
3	1001276770	1	Decal, JLG 1732 Hood	
4	1001276771	1	Decal, JLG 1732 Cab	
5	1001279170	2	Decal, Boom Head	

**SECTION 11 - DECALS**

**FIGURE 11-2. DECAL INSTALLATION 8010**



ART\_1001192739\_D

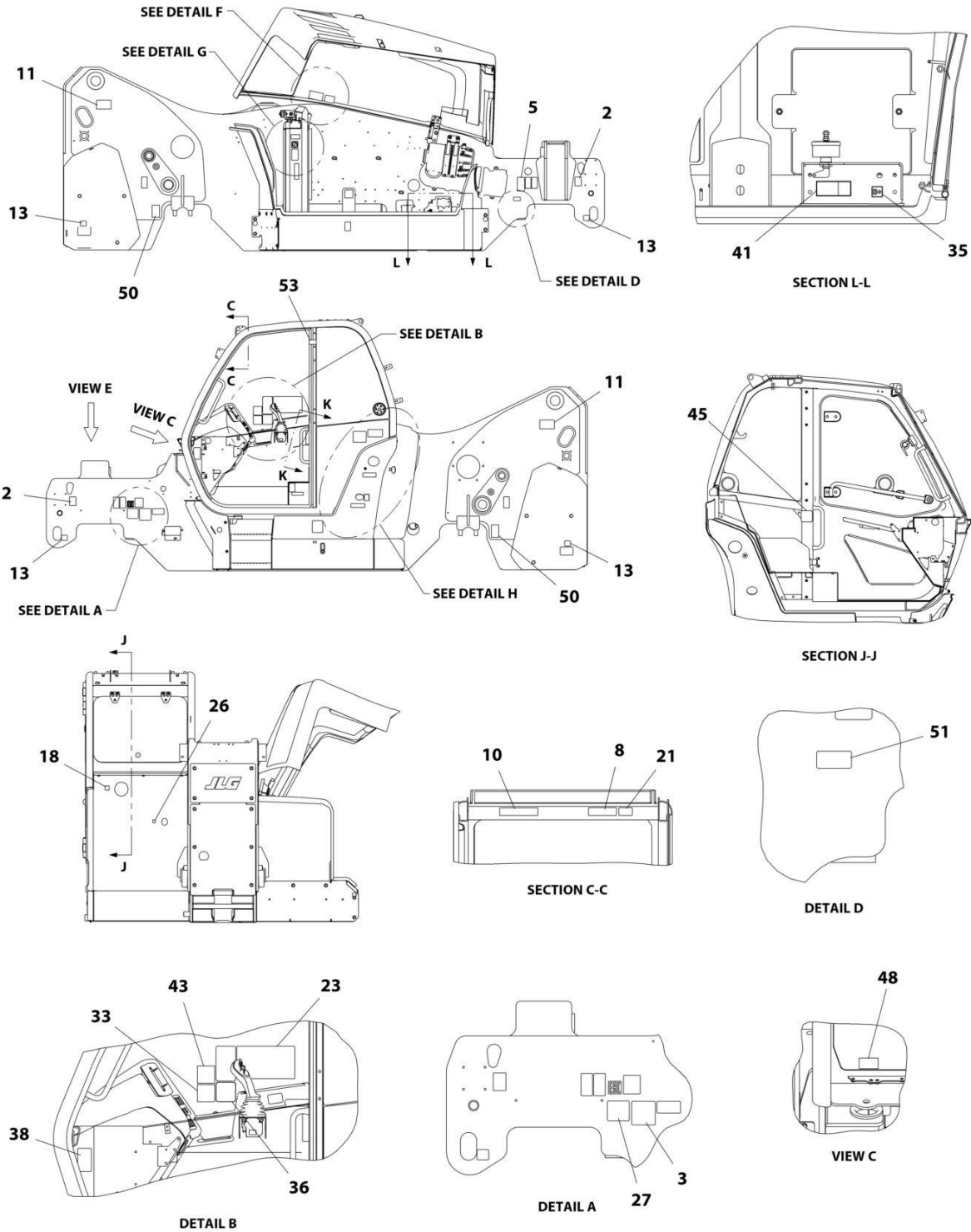
## SECTION 11 - DECALS

### FIGURE 11-2. DECAL INSTALLATION 8010

ITEM	PART NUMBER	QTY	DESCRIPTION	REV
	1001192739	Ref	DECAL INSTALLATION 8010	D
1	1001160775	1	Decal, JLG 5 Black	
2	1001169674	1	Decal, JLG M100 x 285	
3	1001276776	1	Decal, JLG 8010 Hood	
4	1001276777	1	Decal, JLG 8010 Cab	
5	1001279174	2	Decal, Boom Head	

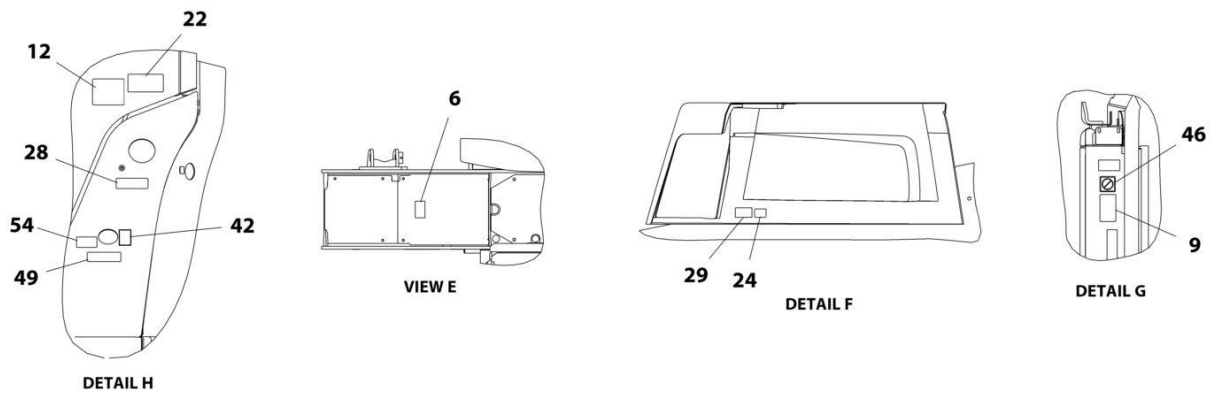
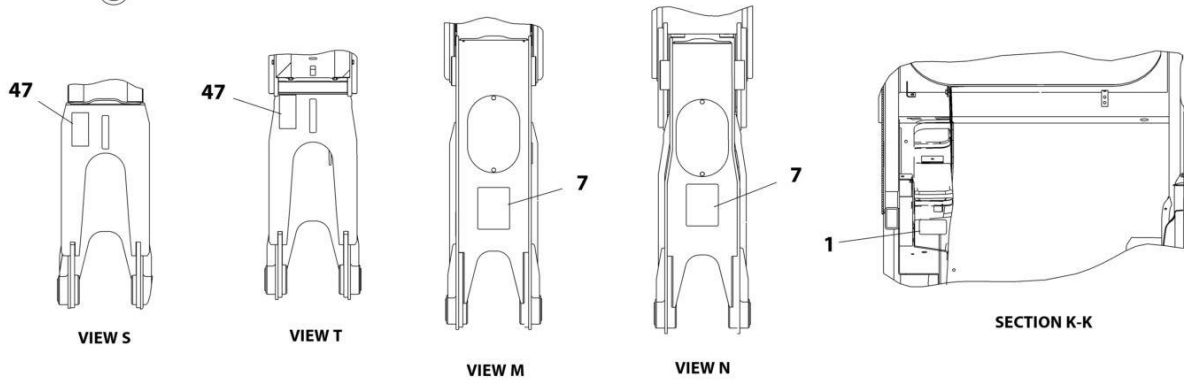
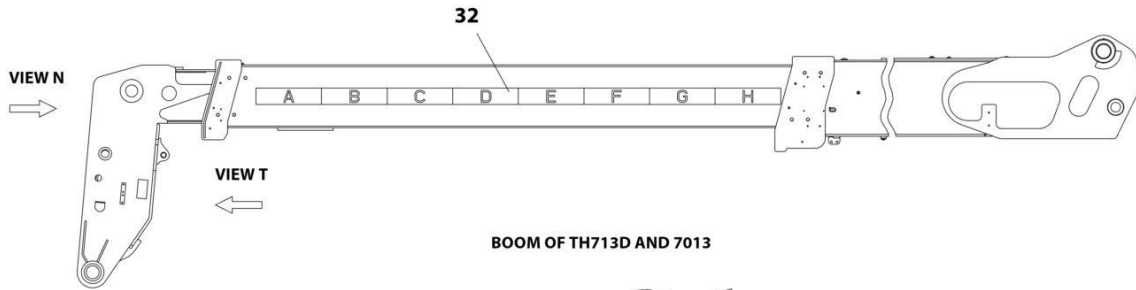
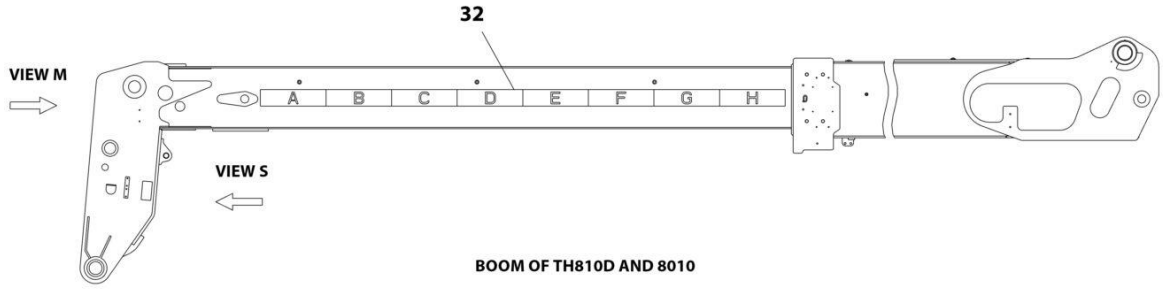
# SECTION 11 - DECALS

## FIGURE 11-3. DECAL INSTALLATION (ENGLISH)



ART\_1001192745\_1-K

# SECTION 11 - DECALS



ART\_1001192745\_2-K

# SECTION 11 - DECALS

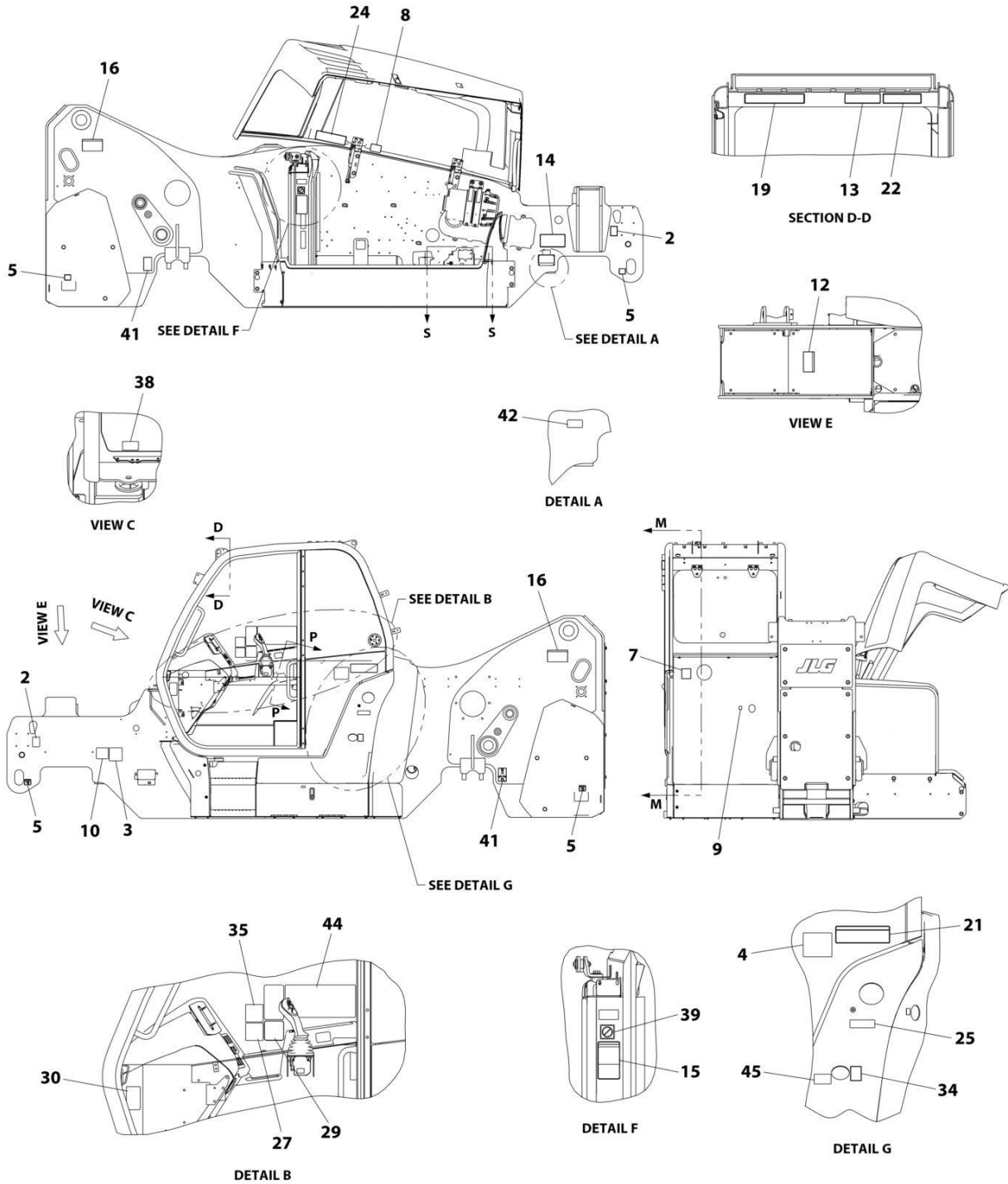
**FIGURE 11-3. DECAL INSTALLATION (ENGLISH)**

ITEM	PART NUMBER	QTY	DESCRIPTION	REV
	1001192745	Ref	Decal Installation (English)	K
1	1670836	1	Cover, Boom	
2	1701500	2	Decal, Lift	
3	See Note	NSS	Decal, Bar Code (Note: Not Available for Purchase)	
5	1706300	1	Decal, Ether Warning	
6	1706296	1	Decal, Battery Warning	
7	1001195849	1	Decal, Carry Personnel	
8	1706299	1	Decal, Contacting Power Lines Warning	
9	1706301	1	Decal, Keep Clear Of Rotating Parts Warning	
10	1706306	1	Decal, Tip Over Warning	
11	1706302	2	Decal, Pinch Point Boom Holes	
12	3251813	1	Decal, USA	
13	4109801	4	Decal, Tie Down Point	
18	1001094708	1	Decal, Hydraulic Oil	
21	1706850	1	Decal, Crush Hazard Warning	
22	1706768	1	Decal, Vehicle Roll Away	
23	1707078	1	Decal, Warning/Danger	
24	1001109053	1	Decal, Coolant Fill	
26	1001130323	1	Decal, Oil Level	
27	1001131271	1	Decal, Patent	
28	1001218704	1	Decal, Ultra Low Sulfur Diesel	
29	1001139578	1	Decal, Hot Fluid Warning	
32	1001171277	1	Decal, Boom Extend	
33	1001172035	1	Decal, No Weld or Drill	
35	1001184632	1	Decal, Battery Positive	
36	1001188372	1	Decal, Sway	
38	1001191229	1	Decal, Fuse Panel	
41	1001195855	1	Decal, Battery Disconnect	
42	1001196806	1	Decal, Diesel Exhaust Fluid	
43	1001227287	1	Decal, Manual	
45	1001214206	1	Decal, Park Brake	
46	AU2105	1	Decal, No Karcher	
47	1001207217	1	Decal, Danger Swinging Loads	
48	1001218659	1	Decal, Brake Fluid	
49	1001219212	1	Decal, DEF Fluid	
50	1001222650	2	Decal, Axle Lift	
51	1001223453	1	DECAL,ICES (CAN)	
53	1001231801	1	Decal, Warning Prop 65	
54	1001247646	1	Decal, DEF Min. Refill Volume	



# SECTION 11 - DECALS

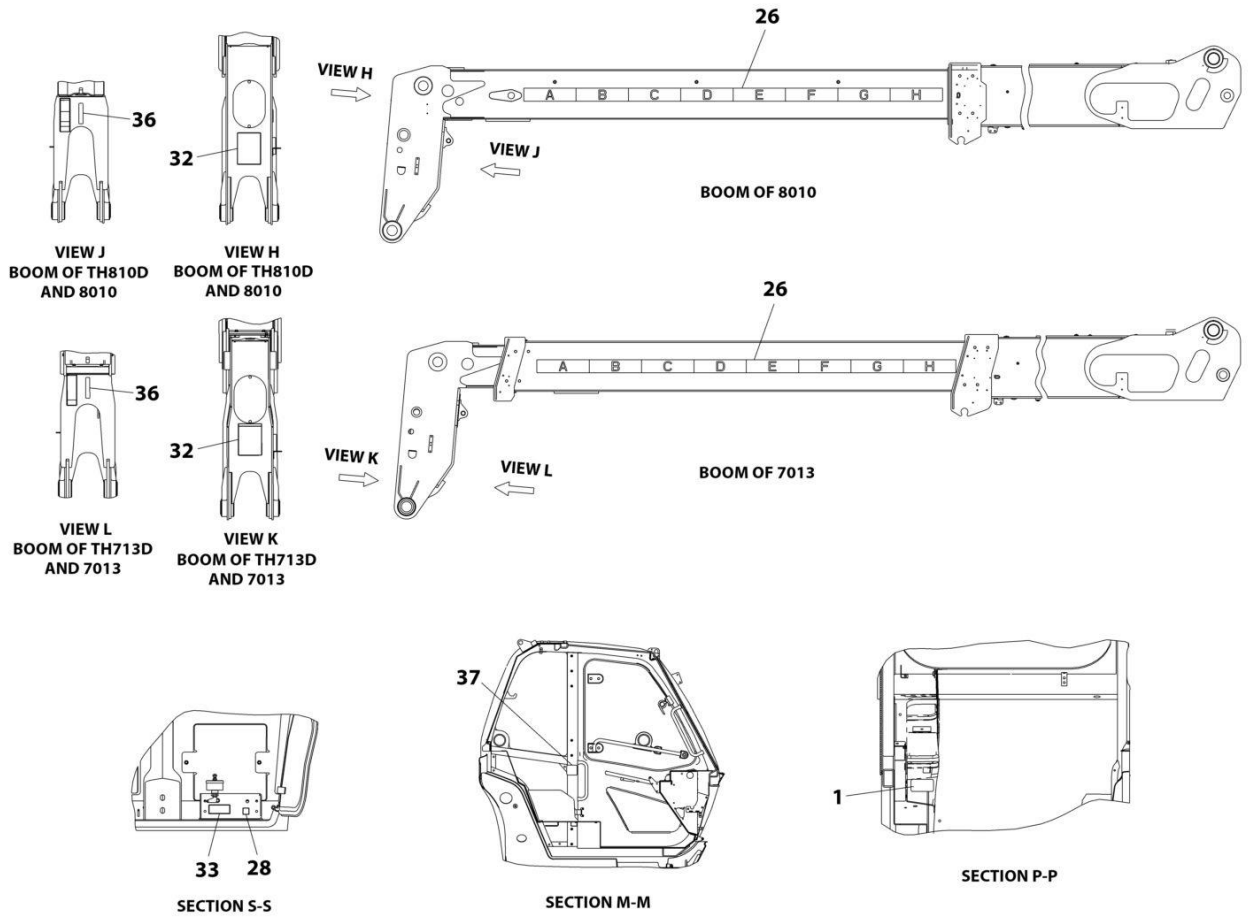
## FIGURE 11-4. DECAL INSTALLATION (ENGLISH/FRENCH)



ART\_1001220230\_1-J



# SECTION 11 - DECALS



ART\_1001220230\_2-J

## SECTION 11 - DECALS

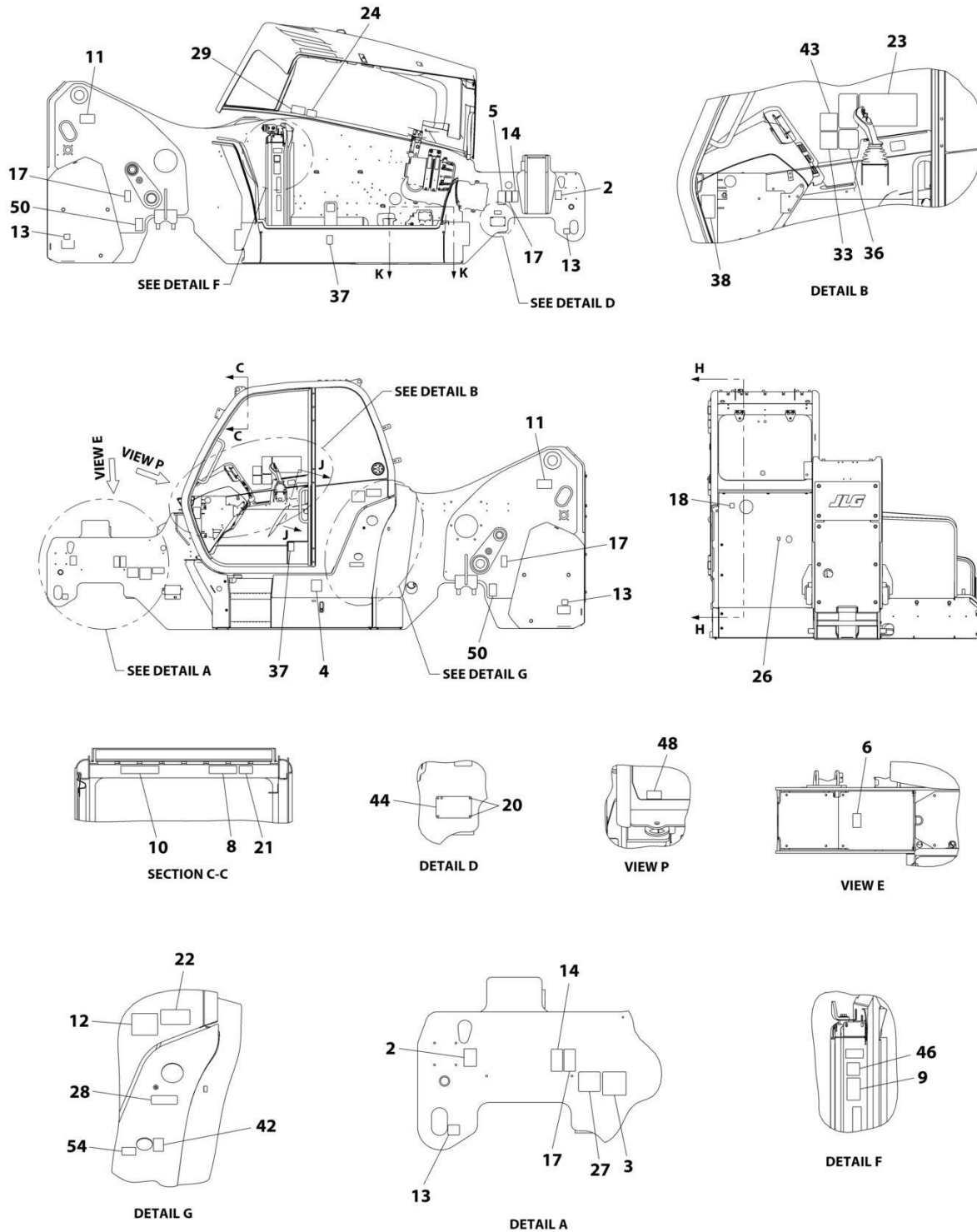
FIGURE 11-4. DECAL INSTALLATION (ENGLISH/FRENCH)

ITEM	PART NUMBER	QTY	DESCRIPTION	REV
	1001220230	Ref	Decal Installation (English/French)	J
1	1670836	1	Cover, Boom	
2	1701500	2	Decal, Lift	
3	See Note	NSS	Decal, Bar Code (Note: Not Available for Purchase)	
4	3251813	1	Decal, USA	
5	4109801	4	Decal, Tie Down Point	
7	1001094708	1	Decal, Hydraulic Oil	
8	1001109053	1	Decal, Coolant Fill	
9	1001130323	1	Decal, Oil Level	
10	1001131271	1	Decal, Patent Telehandlers USA/Canada	
12	1001163174	1	Decal, Battery Warning	
13	1001163210	1	Decal, Electrocutation Hazard	
14	1001163212	1	Decal, Warning No Either	
15	1001163222	1	Decal, Moving Parts	
16	1001163223	2	Decal, Pinch Point	
19	1001163285	1	Decal, Warning Tip Over	
21	1001163300	1	Decal, No Riders	
22	1001163304	1	Decal, Warning Crushing Hazard	
24	1001163323	1	Decal, Warning Hot Fluid	
25	1001163355	1	Decal, Ultra Low Sulfur Diesel	
26	1001171277	1	Decal, Boom Extend	
27	1001172035	1	Decal, No Weld or Drill	
28	1001184632	1	Decal, Battery Positive	
29	1001188372	1	Decal, Sway	
30	1001191229	1	Decal, Fuse Panel	
32	1001195851	1	Decal, Carry Personnel	
33	1001195855	1	Decal, Battery Disconnect	
34	1001196806	1	Decal, Diesel Exhaust Fluid	
35	1001227287	1	Decal, Manual	
36	1001209625	1	Decal, Danger Swinging Loads	
37	1001214206	1	Decal, Park Brake	
38	1001219211	1	Decal, Brake Fluid	
39	AU2105	1	Decal, No Karcher	
41	1001222650	2	Decal, Axle Lift	
42	1001223453	1	Decal, ICES	
44	1001233558	1	Decal, Warning/Danger - Cab	
45	1001247646	1	Decal, DEF Min. Refill Volume	



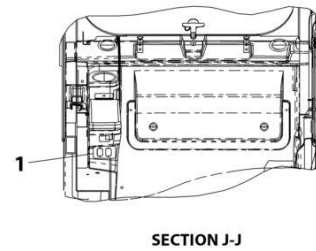
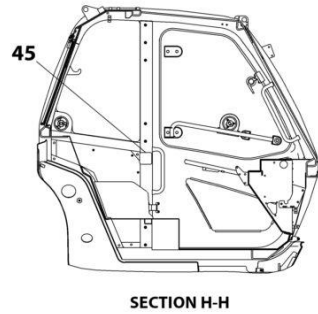
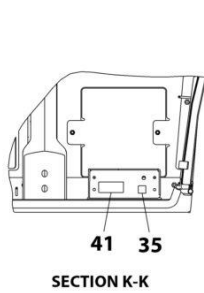
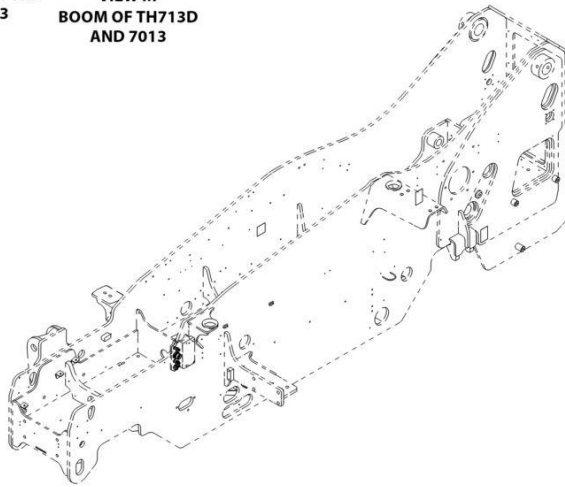
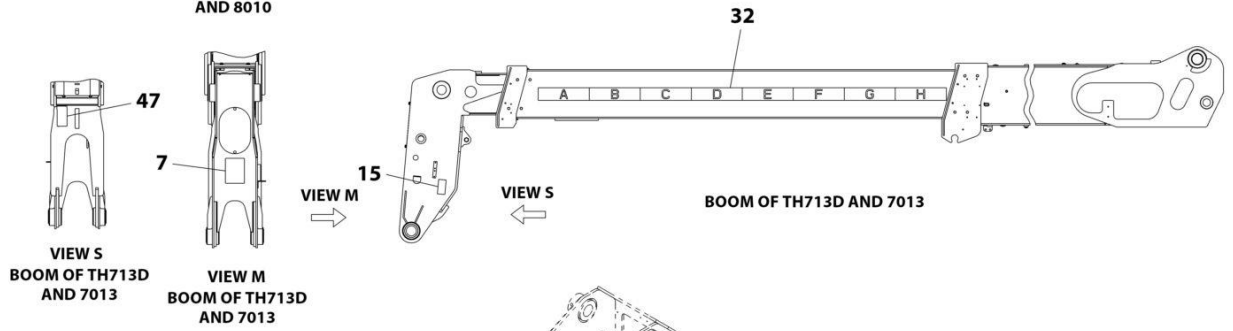
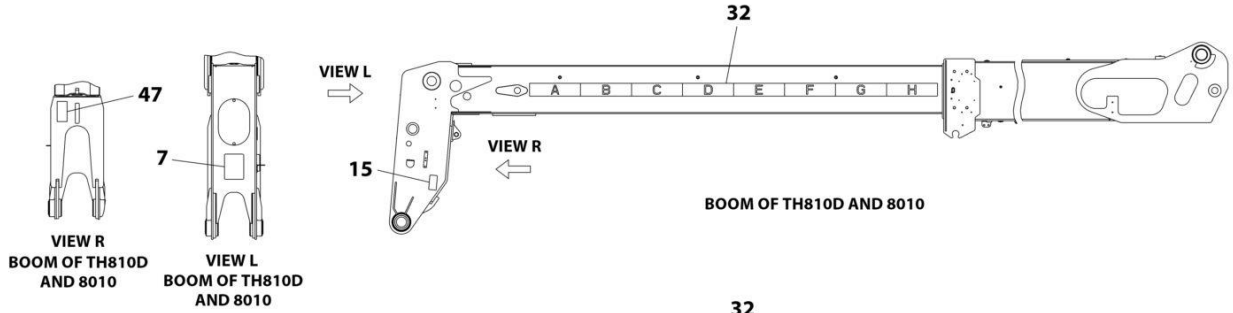
# SECTION 11 - DECALS

## FIGURE 11-5. DECAL INSTALLATION (ISO) (ULS)



ART\_1001192741\_F\_1

# SECTION 11 - DECALS



ART\_1001192741\_F\_2

## SECTION 11 - DECALS

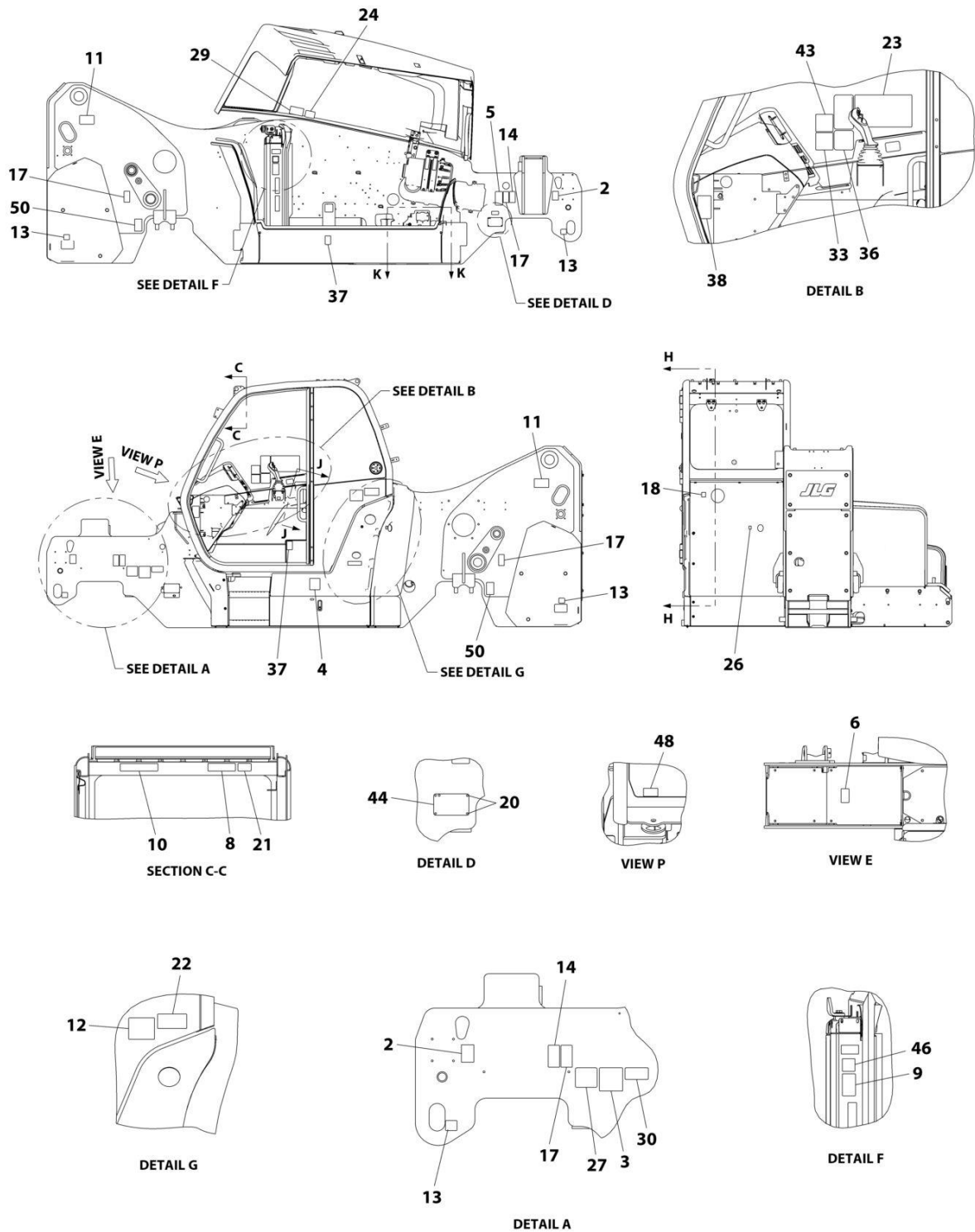
FIGURE 11-5. DECAL INSTALLATION (ISO) (ULS)

ITEM	PART NUMBER	QTY	DESCRIPTION	REV
	1001192741	Ref	Decal Installation (ULS)	F
1	1670836	1	Cover, Boom	
2	1701500	2	Decal-Lift	
3	See Note	NSS	Decal, Bar Code (Note: Not Available for Purchase)	
4	1705980	1	Decal, Acoustic Power 106db	
5	1706098	1	Decal, Warning Ether Start	
6	1706281	1	Decal, Battery Warning (ISO)	
7	1706282	1	Decal, Carry Personnel (ISO)	
8	1706284	1	Decal, Electrocutation Hazard (ISO)	
9	1706285	1	Decal, Moving Parts (ISO)	
10	1706288	1	Decal, Tip Over Warning	
11	1706292	2	Decal, Pinch Point Boom Holes	
12	3251813	1	Decal, USA	
13	4109801	4	Decal, Tie Down Point	
14	8005671	2	Decal, Cylinder Lock Warning	
15	8005675	2	Decal, Watch for Raised Boom Warning	
17	8008657	4	Decal, Set Brake Lever Warning	
18	1001094708	1	Decal, Hydraulic Oil	
20	1001009178	4	Tack, Metal	
21	1001092877	1	Decal, Crush Hazard Warning	
22	1001092878	1	Decal, No Riders	
23	1001101895	1	Decal, Cab Warning	
24	1001109053	1	Decal, Coolant Fill	
26	1001130323	1	Decal, Oil Level	
27	1001131271	1	Decal, Patent Telehandlers USA/Canada	
28	1001218704	1	Decal, Ultra Low Sulfur Diesel	
29	1001139942	1	Decal, Hot Fluid Warning	
32	1001171277	1	Decal, Boom Extend	
33	1001172035	1	Decal, No Weld or Drill	
35	1001184632	1	Decal, Battery Positive	
36	1001188372	1	Decal, Sway	
37	1001189154	2	Decal, Read Operators Manual	
38	1001191229	1	Decal, Fuse Panel	
41	1001195855	1	Decal, Battery Disconnect	
42	1001196806	1	Decal, Diesel Exhaust Fluid	
43	1001227287	1	Decal, Manual	
44	See Note	NSS	SN Plate (Note: Stamped Part - Not Available for Purchase0	
45	1001214206	1	Decal, Park Brake	
46	AU2105	1	Decal, No Karcher	
47	1001207218	1	Decal, Danger Swinging Load	
48	1001219211	1	Decal, Brake Fluid	
50	1001222650	2	Decal, Axle Lift	
54	1001247646	1	Decal, DEF Minimum Refill Volume	



# SECTION 11 - DECALS

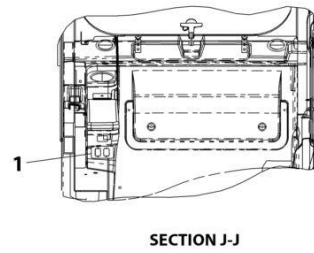
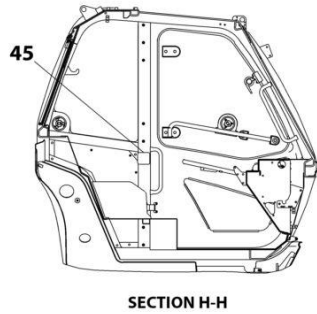
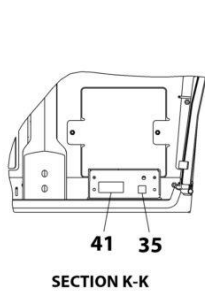
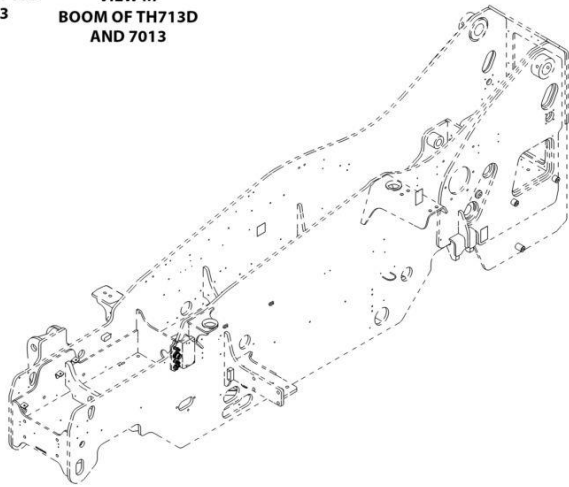
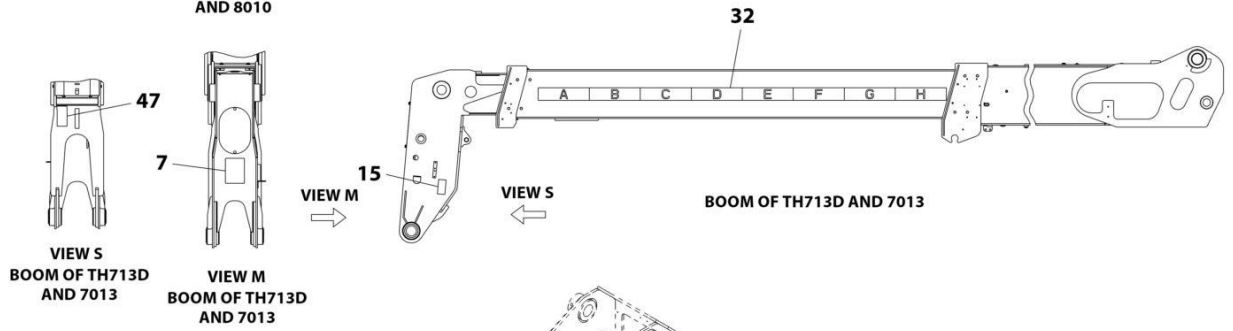
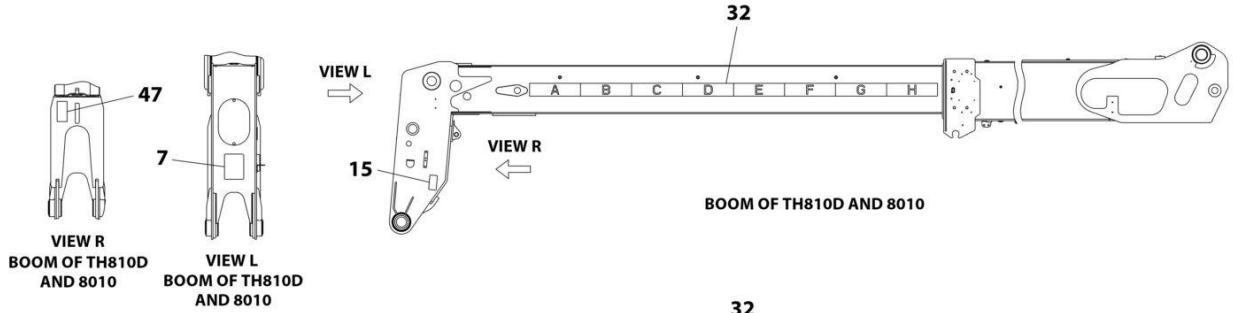
## FIGURE 11-6. DECAL INSTALLATION (ISO) (LS)



ART\_1001220707\_D\_1



# SECTION 11 - DECALS



ART\_1001220707\_D\_2

## SECTION 11 - DECALS

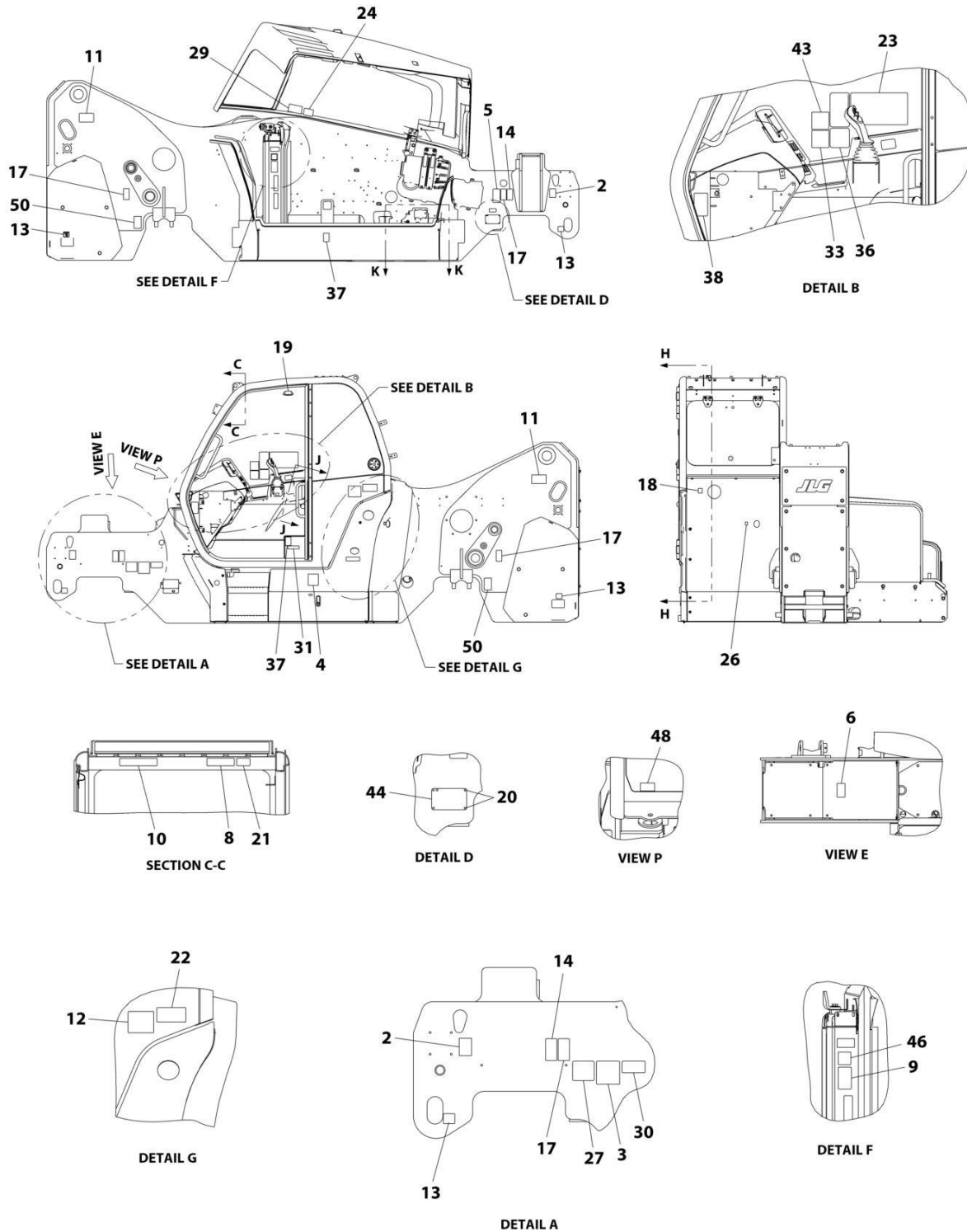
**FIGURE 11-6. DECAL INSTALLATION (ISO) (LS)**

ITEM	PART NUMBER	QTY	DESCRIPTION	REV
	1001220707	Ref	Decal Installation (LS)	D
1	1670836	1	Cover, Boom	
2	1701500	2	Decal, Lift	
3	See Note	NSS	Decal, Bar Code (Note: Not Available for Purchase)	
4	1705980	1	Decal, Acoustic Power 106db	
5	1706098	1	Decal, Warning Ether Start	
6	1706281	1	Decal, Battery Warning (ISO)	
7	1706282	1	Decal, Carry Personnel (ISO)	
8	1706284	1	Decal, Electrocutation Hazard (ISO)	
9	1706285	1	Decal, Moving Parts (ISO)	
10	1706288	1	Decal, Tip Over Warning	
11	1706292	2	Decal, Pinch Point Boom Holes	
12	3251813	1	Decal, USA	
13	4109801	4	Decal, Tie Down Point	
14	8005671	2	Decal, Cylinder Lock Warning	
15	8005675	2	Decal, Watch for Raised Boom Warning	
17	8008657	4	Decal, Set Brake Lever Warning	
18	1001094708	1	Decal, Hydraulic Oil	
20	1001009178	4	Tack, Metal	
21	1001092877	1	Decal, Crush Hazard Warning	
22	1001092878	1	Decal, No Riders	
23	1001101895	1	Decal, Cab Warning	
24	1001109053	1	Decal, Coolant Fill	
26	1001130323	1	Decal, Oil Level	
27	1001131271	1	Decal, Patent Telehandlers USA/Canada	
29	1001139942	1	Decal, Hot Fluid Warning	
30	1001143852	1	Decal, LRC EPA	
32	1001171277	1	Decal, Boom Extend	
33	1001172035	1	Decal, No Weld or Drill	
35	1001184632	1	Decal, Battery Positive	
36	1001188372	1	Decal, Sway	
37	1001189154	2	Decal, Read Operators Manual	
38	1001191229	1	Decal, Fuse Panel	
41	1001195855	1	Decal, Battery Disconnect	
43	1001227287	1	Decal, Manual	
44	See Note	NSS	SN Plate (Note: Stamped Part - Not Available for Purchase)	
45	1001214206	1	Decal, Park Brake	
46	AU2105	1	Decal, No Karcher	
47	1001207218	1	Decal, Danger Swinging Load	
48	1001219211	1	Decal, Brake Fluid	
50	1001222650	2	Decal, Axle Lift	



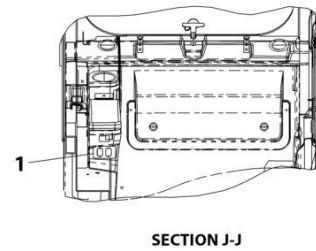
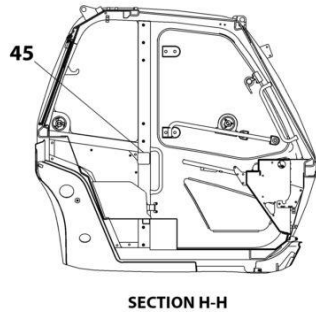
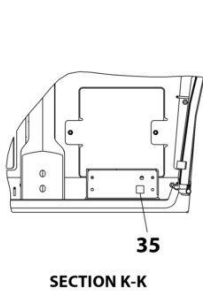
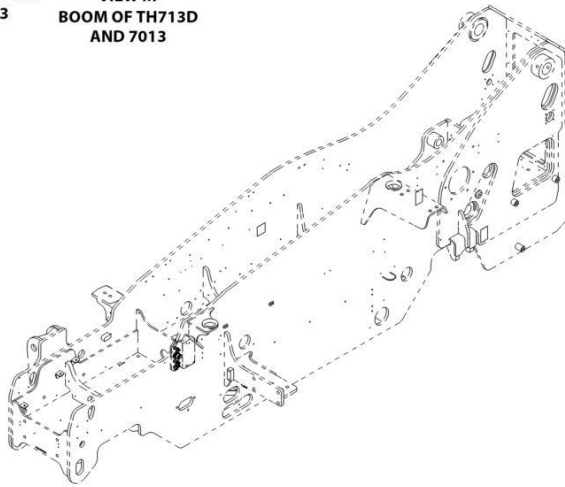
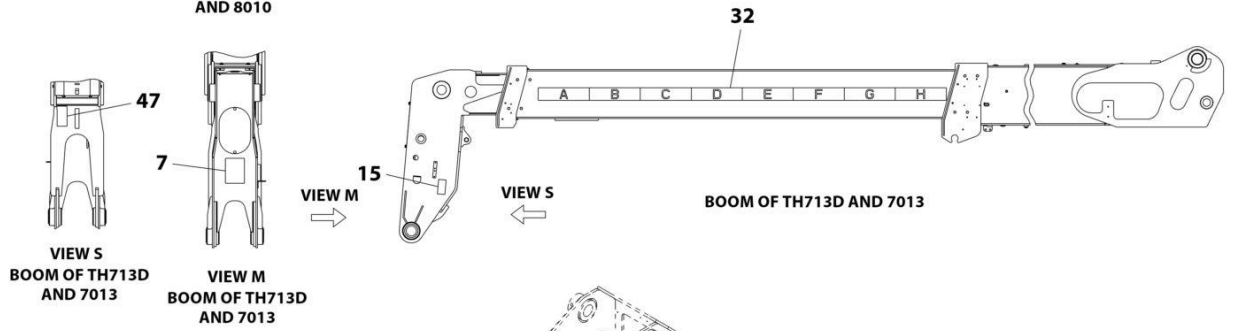
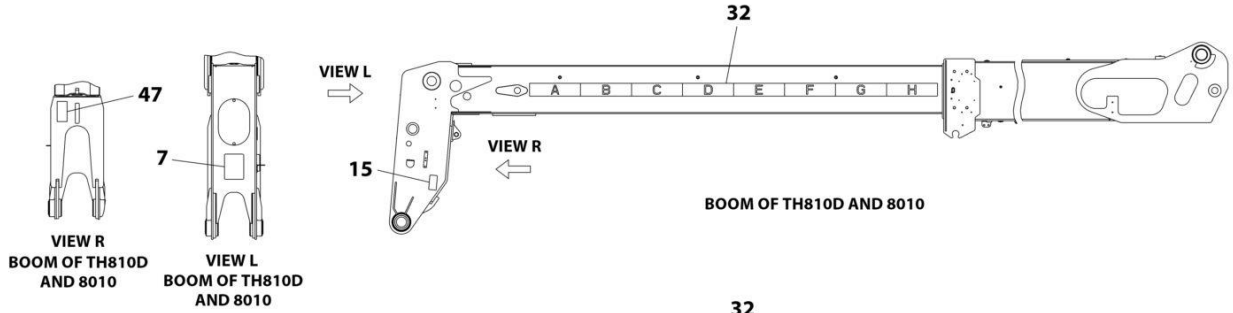
# SECTION 11 - DECALS

## FIGURE 11-7. DECAL INSTALLATION (AUSTRALIAN)



ART\_1001192743\_E\_1

# SECTION 11 - DECALS



ART\_1001192743\_E\_2

# SECTION 11 - DECALS

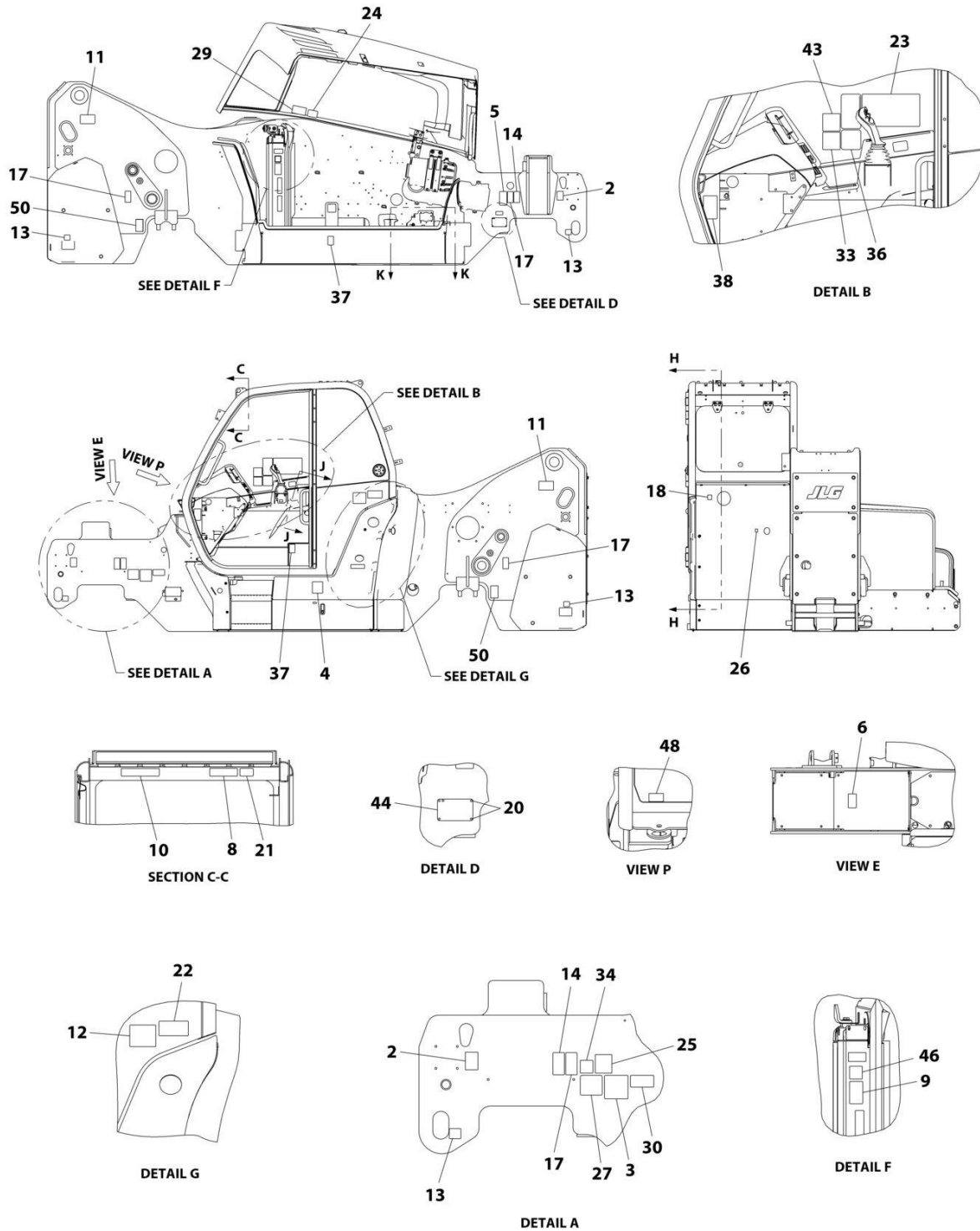
FIGURE 11-7. DECAL INSTALLATION (AUSTRALIAN)

ITEM	PART NUMBER	QTY	DESCRIPTION	REV
	1001192743	Ref	Decal Installation (AUS)	E
1	1670836	1	Cover, Boom	
2	1701500	2	Decal, Lift	
3	See Note	NSS	Decal, Bar Code (Note: Not Available for Purchase)	
4	1705980	1	Decal, Acoustic Power 106db	
5	1706098	1	Decal, Warning Ether Start	
6	1706281	1	Decal, Battery Warning (ISO)	
7	1706282	1	Decal, Carry Personnel (ISO)	
8	1706284	1	Decal, Electrocution Hazard (ISO)	
9	1706285	1	Decal, Moving Parts (ISO)	
10	1706288	1	Decal, Tip Over Warning	
11	1706292	2	Decal, Pinch Point Boom Holes	
12	3251813	1	Decal, USA	
13	4109801	4	Decal, Tie Down Point	
14	8005671	2	Decal, Cylinder Lock Warning	
15	8005675	2	Decal, Watch for Raised Boom Warning	
17	8008657	3	Decal, Set Brake Lever Warning	
18	1001094708	1	Decal, Hydraulic Oil	
19	8466306	1	Gauge, Tilt Angle	
20	1001009178	4	Tack, Metal	
21	1001092877	1	Decal, Crush Hazard Warning	
22	1001092878	1	Decal, No Riders	
23	1001101895	1	Decal, Cab Warning	
24	1001109053	1	Decal, Coolant Fill	
26	1001130323	1	Decal, Oil Level	
27	1001131271	1	Decal, Patent	
29	1001139942	1	Decal, Hot Fluid Warning	
30	1001143852	1	Decal, LRC EPA	
31	1001155230	1	Decal, Cab AUS Safety	
32	1001171277	1	Decal, Boom Extend	
33	1001172035	1	Decal, No Weld or Drill	
35	1001184632	1	Decal, Battery Positive	
36	1001188372	1	Decal, Sway	
37	1001189154	2	Decal, Read Operators Manual	
38	1001191229	1	Decal, Fuse Panel	
43	1001227287	1	Decal, Manual	
44	See Note	NSS	SN Plate (Note: Stamped Part - Not Available for Purchase0	
45	1001214206	1	Decal, Park Brake	
46	AU2105	1	Decal, No Karcher	
47	1001207218	1	Decal, Danger Swinging Load	
48	1001219211	1	Decal, Brake Fluid	
50	1001222650	2	Decal, Axle Lift	



# SECTION 11 - DECALS

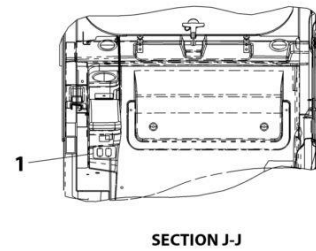
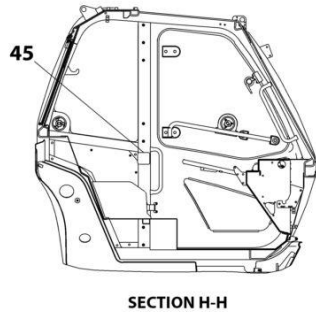
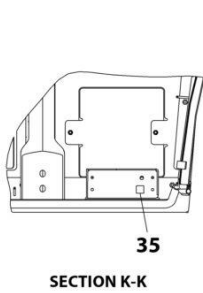
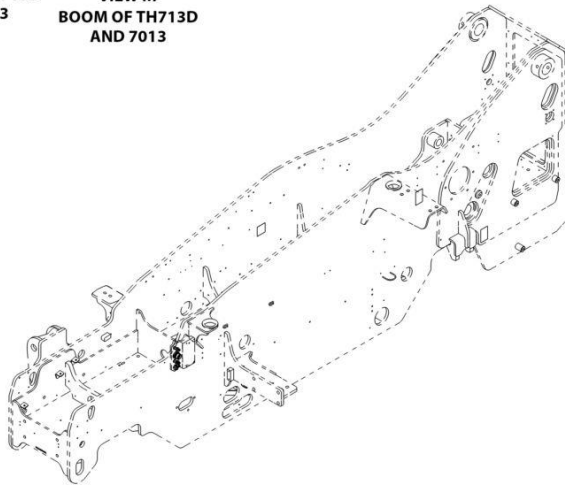
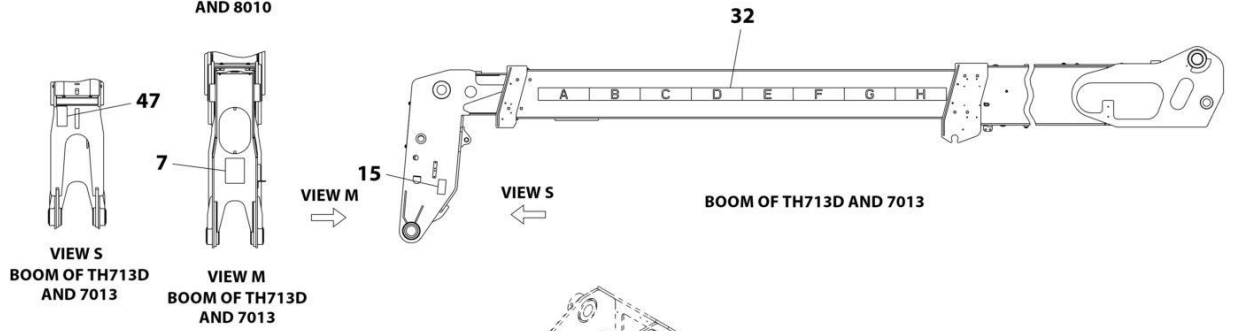
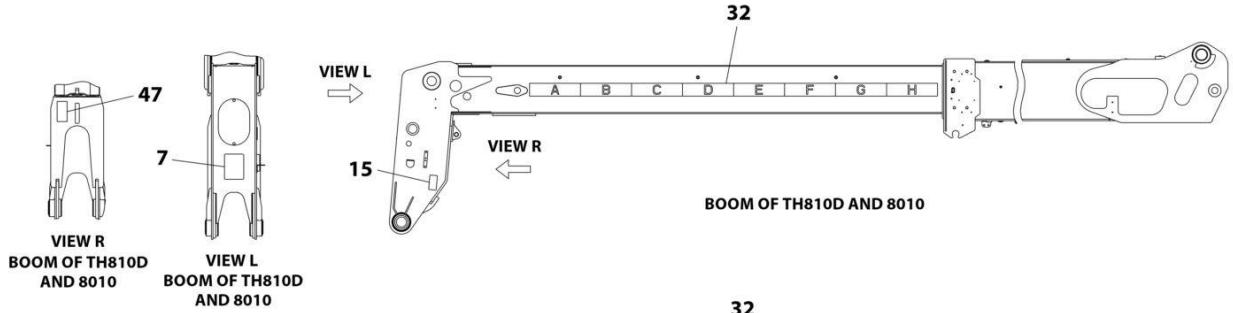
## FIGURE 11-8. DECAL INSTALLATION (RUSSIAN CIS)



ART\_1001195313\_E\_1



# SECTION 11 - DECALS



ART\_1001195313\_E\_2

## SECTION 11 - DECALS

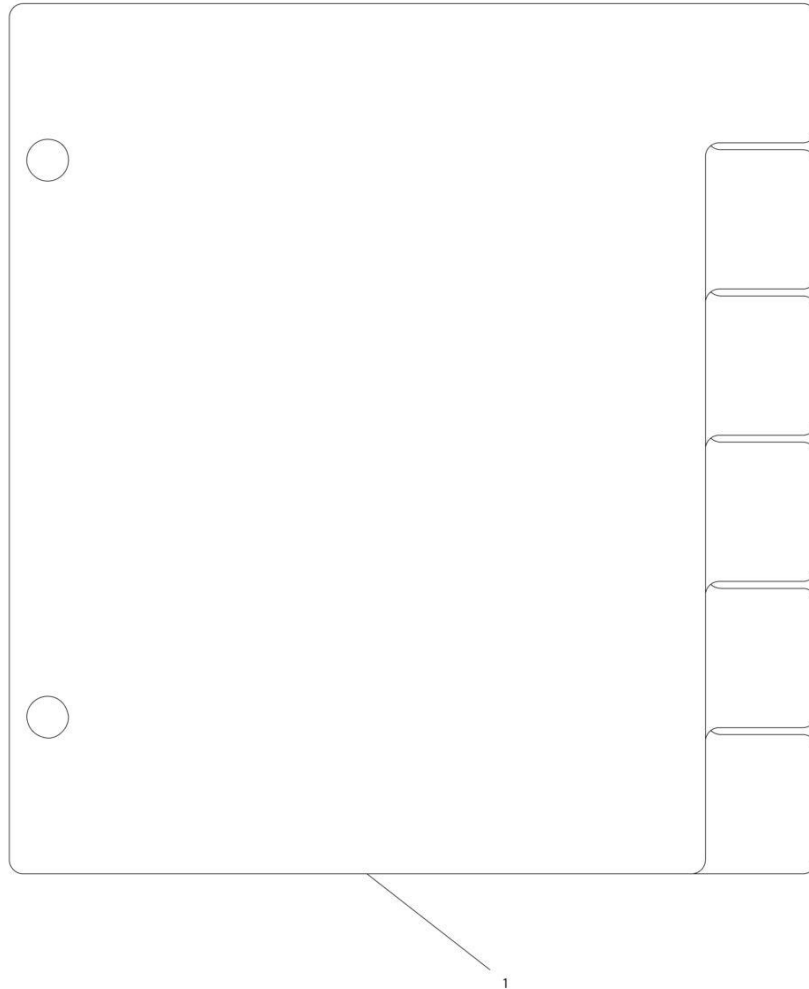
FIGURE 11-8. DECAL INSTALLATION (RUSSIAN CIS)

ITEM	PART NUMBER	QTY	DESCRIPTION	REV
	1001195313	Ref	Decal Installation (CIS)	E
1	1670836	1	Cover, Boom	
2	1701500	2	Decal, Lift	
3	See Note	NSS	Decal, Bar Code (Note: Not Available for Purchase)	
4	1705980	1	Decal, Acoustic Power 106db	
5	1706098	1	Decal, Warning Ether Start	
6	1706281	1	Decal, Battery Warning (ISO)	
7	1706282	1	Decal, Carry Personnel (ISO)	
8	1706284	1	Decal, Electrocutation Hazard (ISO)	
9	1706285	1	Decal, Moving Parts (ISO)	
10	1706288	1	Decal, Tip Over Warning	
11	1706292	2	Decal, Pinch Point Boom Holes	
12	3251813	1	Decal, USA	
13	4109801	4	Decal, Tie Down Point	
14	8005671	2	Decal, Cylinder Lock Warning	
15	8005675	2	Decal, Watch for Raised Boom Warning	
17	8008657	4	Decal, Set Brake Lever Warning	
18	1001094708	1	Decal, Hydraulic Oil	
20	1001009178	4	Tack, Metal	
21	1001092877	1	Decal, Crush Hazard Warning	
22	1001092878	1	Decal, No Riders	
23	1001101895	1	Decal, Cab Warning	
24	1001109053	1	Decal, Coolant Fill	
25	1001121555	1	Decal, PCT Russia	
26	1001130323	1	Decal, Oil Level	
27	1001131271	1	Decal, Patent	
29	1001139942	1	Decal, Hot Fluid Warning	
30	1001143852	1	Decal, LRC EPA	
32	1001171277	1	Decal, Boom Extend	
33	1001172035	1	Decal, No Weld or Drill	
34	1001173703	1	Decal, EAC	
35	1001184632	1	Decal, Battery Positive	
36	1001188372	1	Decal, Sway	
37	1001189154	2	Decal, Read Operators Manual	
38	1001191229	1	Decal, Fuse Panel	
43	1001227287	1	Decal, Manual	
44	See Note	NSS	SN Plate (Note: Stamped Part - Not Available for Purchase0	
45	1001214206	1	Decal, Park Brake	
46	AU2105	1	Decal, No Karcher	
47	1001207218	1	Decal, Danger Swinging Load	
48	1001219211	1	Decal, Brake Fluid	
50	1001222650	2	Decal, Axle Lift	



# SECTION 11 - DECALS

## FIGURE 11-9. CAPACITY CHART (1732)



ART\_1001233431-B

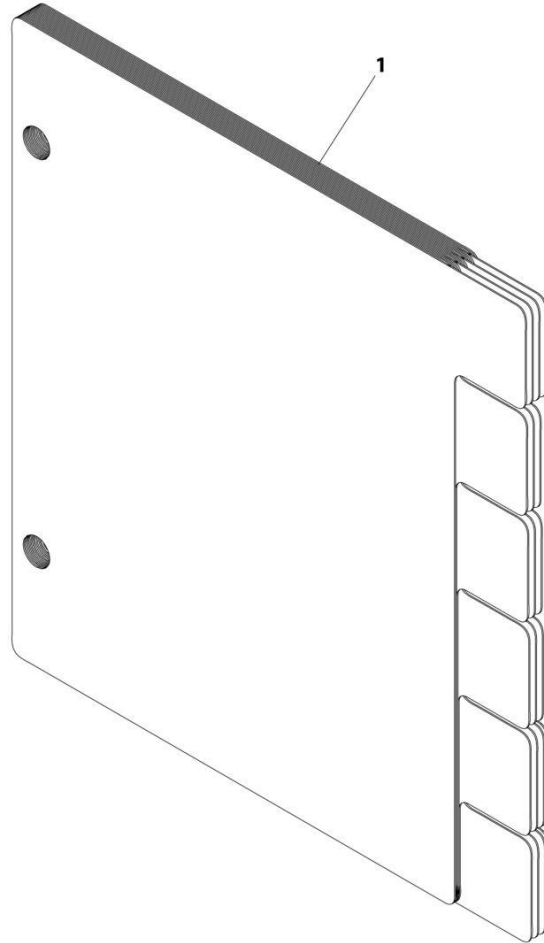
## SECTION 11 - DECALS

FIGURE 11-9. CAPACITY CHART (1732)

ITEM	PART NUMBER	QTY	DESCRIPTION	REV
1	1001233431	1	Capacity Chart	

# SECTION 11 - DECALS

FIGURE 11-10. CAPACITY CHART (8010)



ART\_1001238106-A

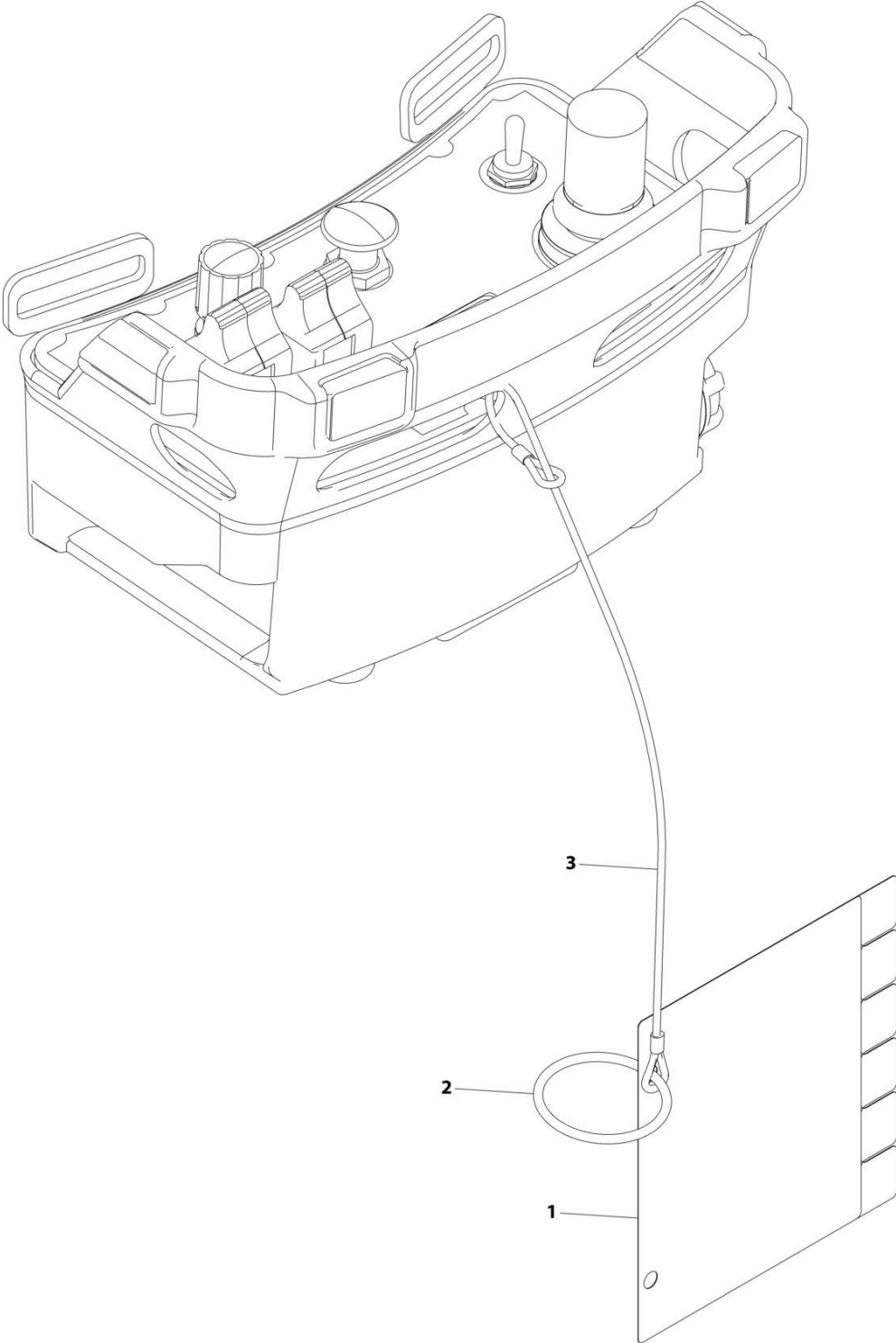
## SECTION 11 - DECALS

FIGURE 11-10. CAPACITY CHART (8010)

ITEM	PART NUMBER	QTY	DESCRIPTION	REV
1	1001238106	Ref	Capacity Chart (ISO)	

**SECTION 11 - DECALS**

**FIGURE 11-11. CAPACITY CHART - REMOTE BOOM CONTROL (1732)**



ART\_1001275900



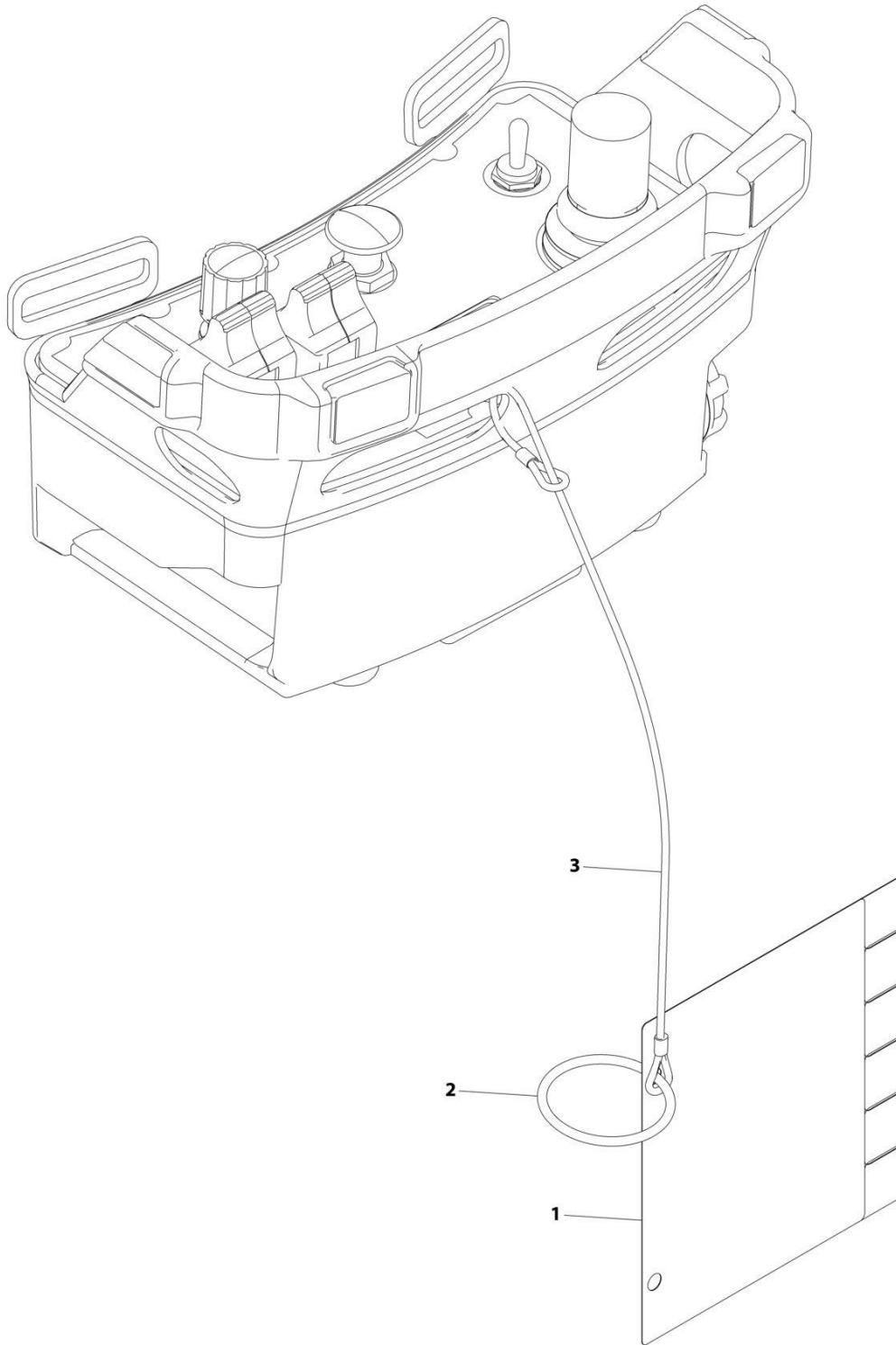
## SECTION 11 - DECALS

**FIGURE 11-11. CAPACITY CHART - REMOTE BOOM CONTROL (1732)**

ITEM	PART NUMBER	QTY	DESCRIPTION	REV
	1001275900	Ref	CAPACITY CHART - REMOTE BOOM CONTROL	A
1	1001275721	1	Capacity Chart	
2	1001271061	1	Clip	
3	1060799	1	Cable, Lanyard	

# SECTION 11 - DECALS

## FIGURE 11-12. CAPACITY CHART - REMOTE BOOM CONTROL (8010)



ART\_1001275902

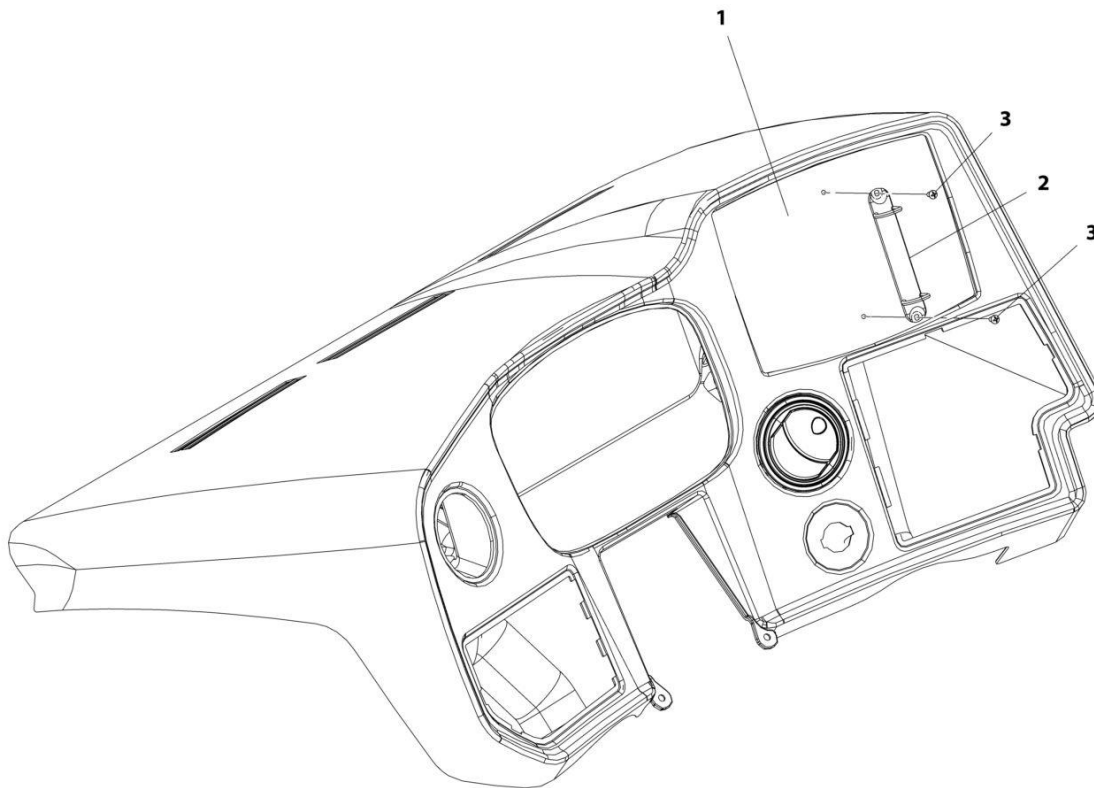
## SECTION 11 - DECALS

**FIGURE 11-12. CAPACITY CHART - REMOTE BOOM CONTROL (8010)**

ITEM	PART NUMBER	QTY	DESCRIPTION	REV
	1001275902	Ref	CAPACITY CHART - REMOTE BOOM CONTROL	B
1	1001238106	1	Capacity Chart	
2	1001271061	1	Clip	
3	1060799	1	Cable, Lanyard	

# SECTION 11 - DECALS

## FIGURE 11-13. CAPACITY CHART HOLDER INSTALLATION



ART\_1001178706-A

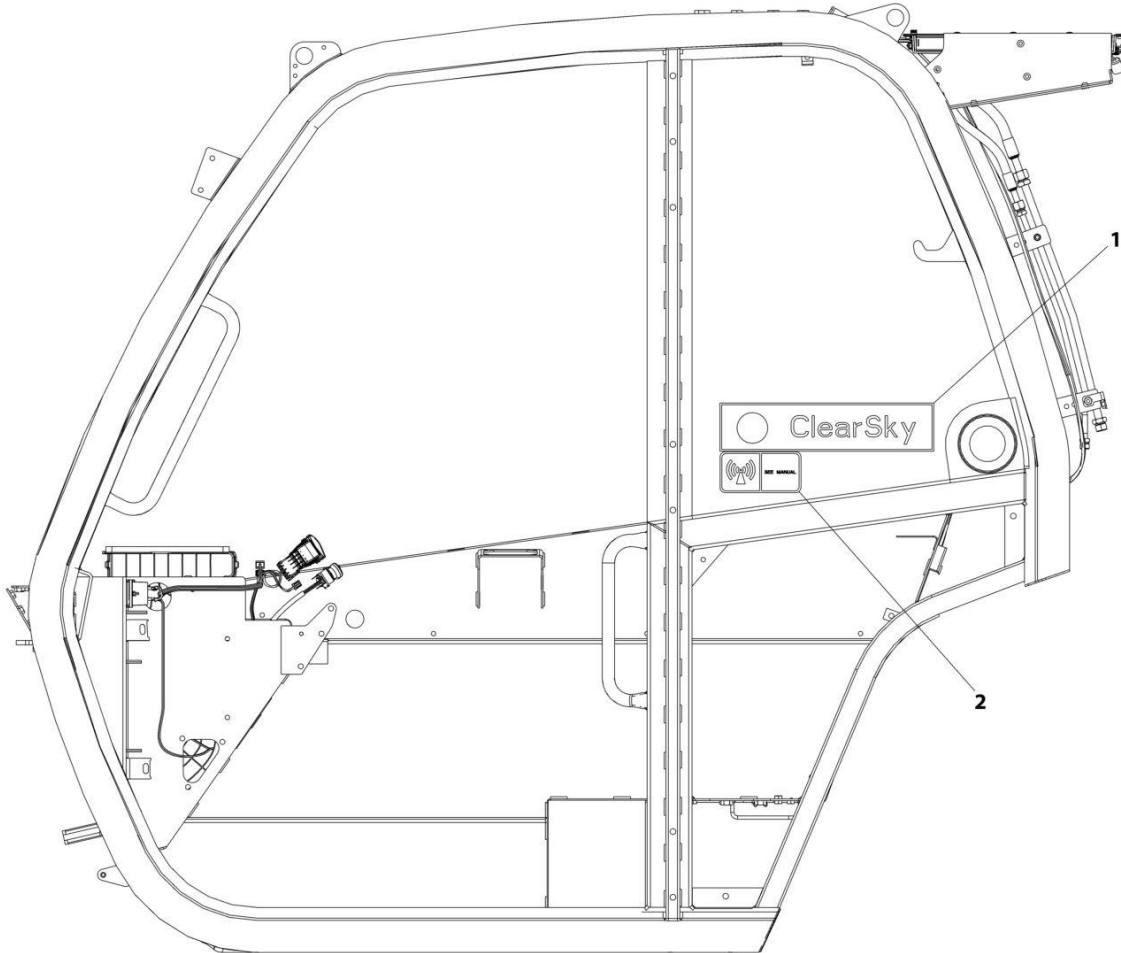
## SECTION 11 - DECALS

### FIGURE 11-13. CAPACITY CHART HOLDER INSTALLATION

ITEM	PART NUMBER	QTY	DESCRIPTION	REV
	1001178706	Ref	Capacity Chart Holder Installation	A
1	1001179297	1	Load Chart, Bezel	
2	1001005960	1	Holder	
3	7029486	2	Screw	

# SECTION 11 - DECALS

## FIGURE 11-14. CLEARSKY DECAL INSTALLATION



ART\_1001229707

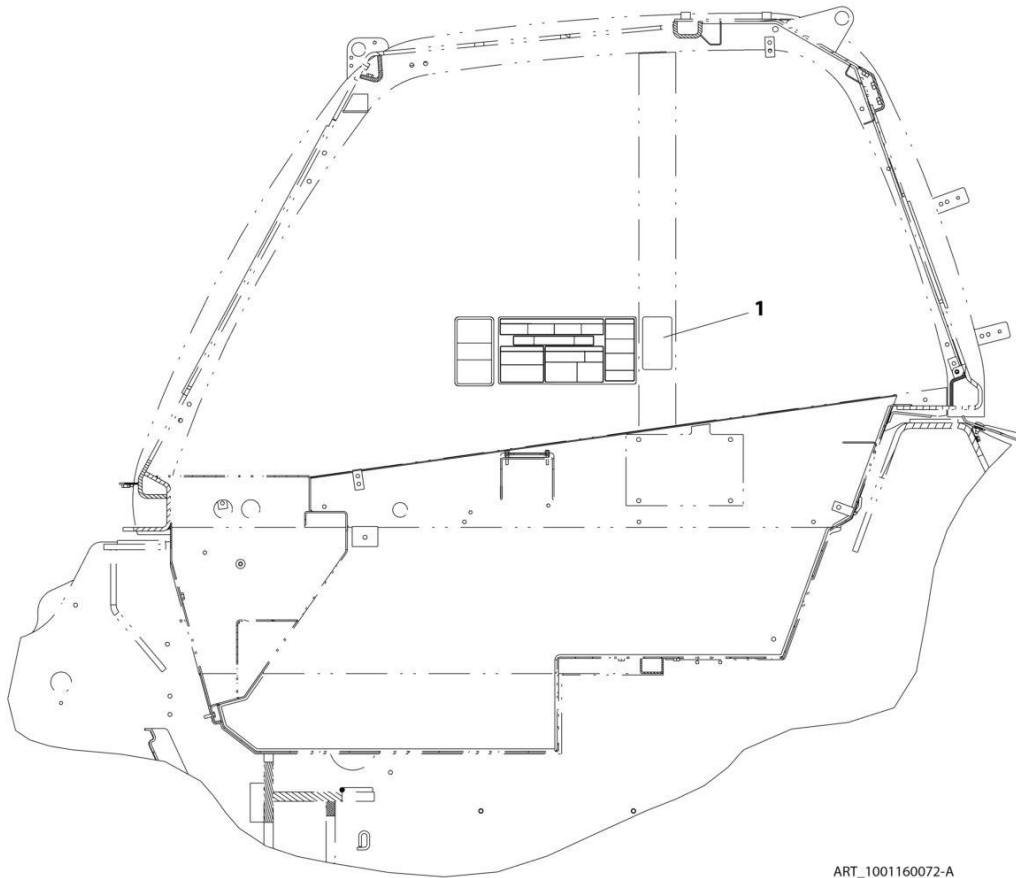
## SECTION 11 - DECALS

### FIGURE 11-14. CLEARSKY DECAL INSTALLATION

ITEM	PART NUMBER	QTY	DESCRIPTION	REV
	1001229707	Ref	Clearsky Decal Installation	C
1	1001294815	1	Decal - ClearSky	
2	1001120989	1	Radio Frequency Decal	

# SECTION 11 - DECALS

## FIGURE 11-15. REVERSE SENSOR SYSTEM DECAL (ENGLISH)



ART\_1001160072-A



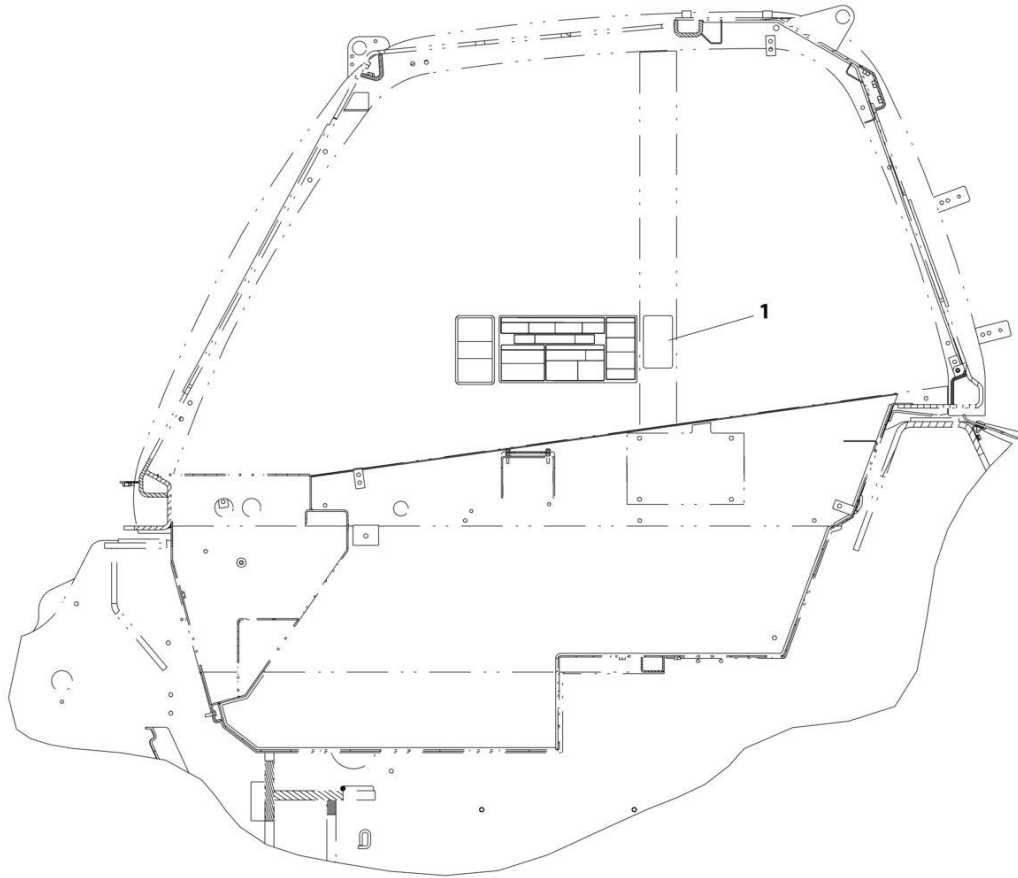
## SECTION 11 - DECALS

**FIGURE 11-15. REVERSE SENSOR SYSTEM DECAL (ENGLISH)**

ITEM	PART NUMBER	QTY	DESCRIPTION	REV
1	1001160072	1	Reverse Sensor System Decal (English)	A

# SECTION 11 - DECALS

FIGURE 11-16. REVERSE SENSING SYSTEM DECAL (ENGLISH/FRENCH)



ART\_1001160945-A

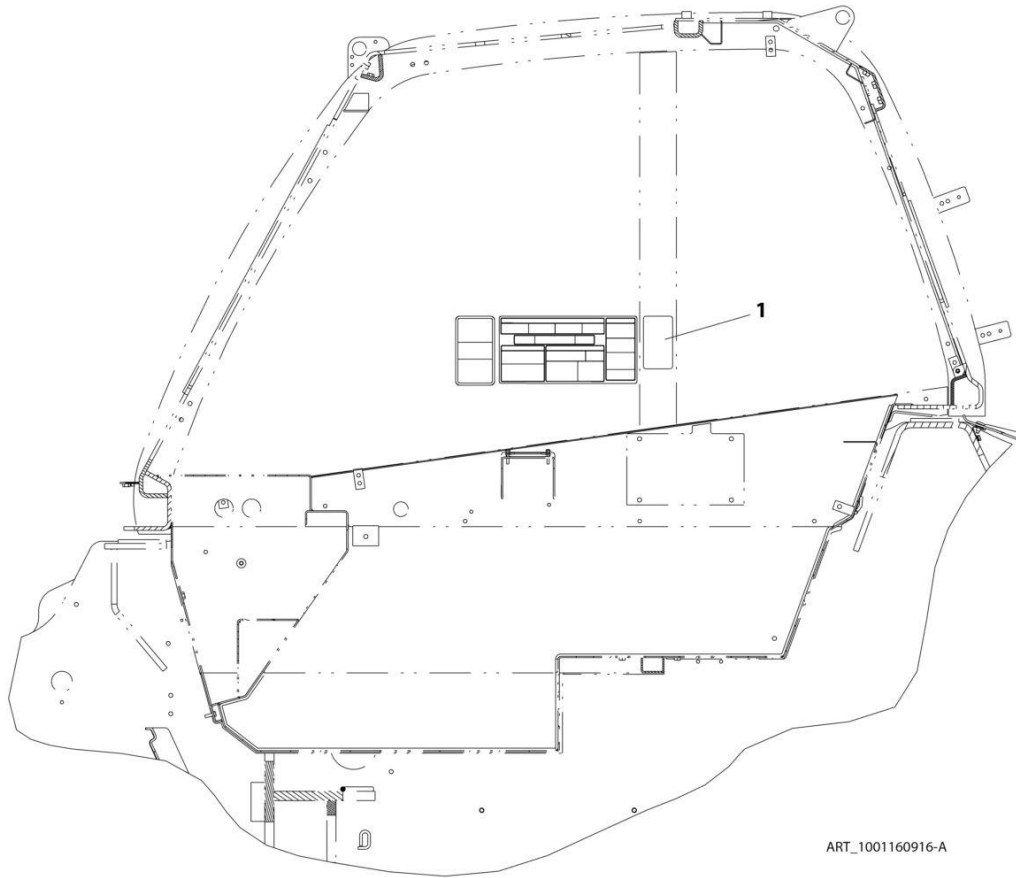
## SECTION 11 - DECALS

**FIGURE 11-16. REVERSE SENSING SYSTEM DECAL (ENGLISH/FRENCH)**

ITEM	PART NUMBER	QTY	DESCRIPTION	REV
1	1001160945	1	Reverse Sensor System Decal (ENGLISH/FRENCH)	A

# SECTION 11 - DECALS

## FIGURE 11-17. REVERSE SENSOR SYSTEM DECAL (ISO)



## SECTION 11 - DECALS

FIGURE 11-17. REVERSE SENSOR SYSTEM DECAL (ISO)

ITEM	PART NUMBER	QTY	DESCRIPTION	REV
1	1001160916	1	Reverse Sensor System Decal (ISO)	A



**SECTION 12 - RECOMMENDED SERVICE PARTS STOCK**

**SECTION 12 - RECOMMENDED SERVICE PARTS STOCK**

## SECTION 12 - RECOMMENDED SERVICE PARTS STOCK

FIGURE 12-1. RECOMMENDED SERVICE PARTS STOCK

ITEM	PART NUMBER	QTY	DESCRIPTION	REV
		Ref	Note: The following list will service one machine (built to current production per date on the front cover) with emergency repair parts which can be installed in the field. Parts from the list should be replaced when inventory is depleted to keep service parts stock supplied. For further information, contact your JLG dealer or the JLG Industries Parts Department.	
	70020764	1	Coil (Boom Aux Diverter Valve)	
	70028281	1	Coil (Boom Raise Ride & Float Valve)	
	70002963	1	Coil (Cab Hydraulics)	
	70004595	1	Coil (Frame Level Control)	
	70026582	1	Coil (Speed Control / Steering Select Valve)	
	1001206112	1	Control, Remote Controller (Boom)	
	1001249078	1	Control, Voltage	
	1001159028	1	Controller, Accelerator	
	1001213265	1	Controller, Brake	
	1001257348	1	Controller, FNR (0 Speed)	
	1001257088	1	Controller, FNR (2 Speed)	
	1001222603	1	Controller, Joystick	
	1001222606	1	Controller, Joystick, 2R2B (2 Speed)	
	1001209194	1	Controller, Remote (Boom)	
	1001191685	12	Element, Filter (Hydraulic Tank Assembly)	
	70025153	12	Element, Fuel Filter (Primary)	
	70004512	12	Element, Fuel Filter (Secondary)	
	1001162662	12	Filter, Breather (Hydraulic Tank)	
	1001141461	12	Filter, Charge (Charge Filter Assembly)	
	70025850	12	Filter, Cylindrical Air Primary	
	70025851	12	Filter, Cylindrical Air Secondary	
	7016331	12	Filter, Oil (Engine Assembly)	
	8229242	2	Fuse, 5A (Standard Electrical Board Assembly, Option 1 Board & Clearsky 2 Harness)	
	8229261	2	Fuse, 5A (ASOV Harness)	
	80983191	2	Fuse, 10A (Standard Electrical Board Assembly, Option 1 Board & Option 2 Board)	
	8229234	2	Fuse, 10A (Remote Control Harness)	
	8229244	2	Fuse, 15A (Option 2 Board & Frame Power Distribution Box)	
	8229235	2	Fuse, 20A (ASOV Harness)	
	8229247	2	Fuse, 25A (Option 1 Board & Frame Power Distribution Box)	
	8229245	2	Fuse, 30A (Standard Electrical Board Assembly & Frame Power Distribution Box)	
	70026297	2	Fuse, 80A (Frame Power Distribution Box)	
	1001095336	2	Fuse, 150A (Frame Power Distribution Box)	
	70026296	2	Fuse, 200A (Frame Power Distribution Box)	
	1001131177	2	Fuse, Power Module (Engine Wiring Installation)	
	70022765	1	Key, Ignition (set of 2) (Dash Electrical Installation)	
	2940074	1	Latch (Fork Mounted Basket)	
	1001203181	1	Module, Accessory Control (Cooling Package)	
	1001250475	1	Module, Attachment Recognition Receiver (FCC)	
	1001270466	1	Module, Cab Control (Cab Electrical)	
	1001229955	1	Module, Dual CAN TCU (ClearSky CANBUS)	
	70027426	1	Module, EGR (Engine Assembly)	



## SECTION 12 - RECOMMENDED SERVICE PARTS STOCK

ITEM	PART NUMBER	QTY	DESCRIPTION	REV
	70005495	1	Module, Engine Control (Engine Assembly)	
	1001270467	1	Module, Front Frame Control	
	1001270485	1	Module, LMIS Control	
	1001270468	1	Module, Rear Frame Control	
	1001226328	1	Module, 3W TCU (ClearSky 3-Wire)	
	70025780	1	Relay (Engine Assembly)	
	3740080	1	Relay (Cooling Package & Remote Control Power Harness)	
	1001117308	1	Relay, 35A (Engine Pod Electrical Installation)	
	70026292	1	Relay, 35A (Standard Electrical Board Assembly)	
	70026295	1	Relay, 35A (Frame Power Distribution Box)	
	70026293	1	Relay, 50A (Option 1 Board)	
	70026294	1	Relay, 70A (Frame Power Distribution Box)	
	70028383	1	Sensor, Angle (Brake)	
	4000015	1	Sensor, Boom Angle (No LMIS)	
	1001099717	1	Sensor, Boom Angle (LMIS)	
	1001223903	1	Sensor, Boom Length	
	1001138827	1	Sensor, Coolant Level	
	70025539	1	Sensor, Dual Pad (Seat)	
	1001162885	1	Sensor, LMIS (LMIS Installation) (High End Display)	
	1001160730	1	Sensor, LSI (LSI Sensor Installation)	
	1001147340	1	Sensor, Pressure (Frame Hydraulic)	
	1001183024	1	Sensor, Proximity (Boom Retract)	
	1001247421	1	Sensor, Reverse	
	1001128478	1	Sensor, Temperature (Hydraulic Tank)	
	1001163095	1	Sensor, Tilt (LMIS Tilt Sensor Installation)	
	1001104654	1	Switch, Aux Decomp	
	1001159746	1	Switch, Aux Electric	
	1001159738	1	Switch, Beacon	
	1001159745	1	Switch, Boom Ride	
	1001159739	1	Switch, Boom Worklights	
	4360658	1	Switch, Brake Light	
	1001159741	1	Switch, Constant AUX	
	70025486	1	Switch, Contact (Standard Seat)	
	1001192142	1	Switch, Disconnect (Engine Pod)	
	70028326	1	Switch, Driver Presence (Premium Air Suspension Seat)	
	4360475	1	Switch, E-Stop (External Emergency Stop Installation)	
	1001159737	1	Switch, Fog Lights	
	1001212470	1	Switch, Frame Level	
	1001159845	1	Switch, Front Worklights	
	1001159734	1	Switch, Hazard	
	70024107	1	Switch, Heater (Premium Air Suspension Seat)	
	1001169268	1	Switch, Horn Button	
	1001160326	1	Switch, HVAC On/Off (Heater and A/C)	
	1001159925	1	Switch, HVAC Recycle (Heater and A/C)	
	1001172547	1	Switch, HVAC Rotary 3 Speed (Heater and A/C)	
	4360657	1	Switch, Ignition (Remote Control Boom)	
	1001080978	1	Switch, Lift/Loader	
	1001163639	1	Switch, Light (Cab Light Switch)	
	1001159742	1	Switch, LSI Override	
	1001080375	1	Switch, Quick Coupler	
	1001159735	1	Switch, Rear Wiper	

## SECTION 12 - RECOMMENDED SERVICE PARTS STOCK

ITEM	PART NUMBER	QTY	DESCRIPTION	REV
	1001159846	1	Switch, Rear Worklights	
	1001145204	1	Switch, Reversing Fan (Reversing Cooling Fan)	
	1001159736	1	Switch, Roof Wiper	
	1001159849	1	Switch, Steer Mode	
	1001215941	1	Switch, Toggle SPST (ASOV)	
	1001256974	1	Switch, Turn-Wiper	
	1001102502	1	Switch, 4 Position Key	

**SECTION 13 - SPECIAL OPTIONS/ACCESSORIES/KITS**

**SECTION 13 - SPECIAL OPTIONS/ACCESSORIES/KITS**

# SECTION 13 - SPECIAL OPTIONS/ACCESSORIES/KITS

## FIGURE 13-1. SPECIAL OPTIONS/ACCESSORIES/KITS

ITEM	PART NUMBER	QTY	DESCRIPTION	REV
		Ref	Note: This list is to accommodate machines ordered with special equipment. Options may not be applicable to all models. For more specific parts information contact JLG Parts Department.	
		Ref	SPECIAL OPTIONS/ACCESSORIES/KITS	
	1001233189	Ref	Air Shutoff Valve (ASOV) Kit	
	1001229072	Ref	Boom Kit - 1732/8010	
	1001229213	Ref	Boom Brushes Kit - 1732/8010	
	1001231057	Ref	Boom Prop Kit	
	1001229074	Ref	Boom Wear Pad Kit - 1732/8010	
	1001213286	Ref	Cab Display Kit	
	1001199382	Ref	Cab Guard Kit - Roof/Front Combo	
	1001212845	Ref	Cab Guard Kit - Front	
	1001199380	Ref	Cab Guard Kit - Roof	
	1001268341	Ref	Camera (Rear View) Add-on Kit(Dealer Installed)	
	1001229811	Ref	Camera Kit - Reverse Camera	
	1001276923	Ref	ClearSky Telematics Add-on Kit (Contact JLG for Approved Countries)	
	1001229532	Ref	Cold Weather Kit - 115V	
	1001229813	Ref	Cold Weather Kit - 230V	
	1001231341	Ref	Decal Kit - 1732	
	1001245694	Ref	DEF Tank/Heater Service Kit	
	1001148902	Ref	Electrical Connector Kit - Amp/Tyco Electrical Connectors	
	1001148903	Ref	Electrical Connector Kit - Deutsch DT Electrical Connectors	
	1001148904	Ref	Electrical Connector Kit - Deutsch HD Electrical Connectors	
	1001148905	Ref	Electrical Connector Kit - Packard Electrical Connectors	
	1001148906	Ref	Electrical Connector Kit - Various Electrical Connectors	
	1001230409	Ref	Emergency Stop Switch Kit - External	
	1001229812	Ref	Engine Block Heater Kit - 115V	
	1001230125	Ref	Engine Block Heater Kit - 230V	
	1001229576	Ref	Fender Kit	
	1001239961	Ref	Fire Extinguisher Kit	
	1001230126	Ref	Heat to Heat/AC Upgrade Kit	
	1001274891	Ref	Joystick Kit - 2 Speed FNR with Clamp	
	1001274892	Ref	Joystick Kit - 0 Speed FNR with Lights	
	1001230188	Ref	Light Kit - Beacon/Strobe (LED)	
	1001199376	Ref	Light Kit - Beacon/Strobe	
	1001231110	Ref	Light Kit - Drive/Road Lights (RH)	
	1001231138	Ref	Light Kit - Drive/Road Lights (LED) (RH)	
	1001229104	Ref	Light Kit - Work Lights	
	1001230699	Ref	Radio Ready Kit	
	1001252304	Ref	Reversing Sensing Kit	
	1001199328	Ref	Roof Wiper Kit	
	1001228993	Ref	Service Kits	
	1001229216	Ref	Telematics Kit (Long Roof) (NA)	
	1001229324	Ref	Telematics Kit (Short Roof) (NA)	
	1001265372	Ref	Telematics Kit - Canbus (NA)	
	1001254390	Ref	Telematics Kit - Canbus (CE)	
	1001254400	Ref	Telematics Kit - Canbus Extension	
		Ref	Tools:	

## SECTION 13 - SPECIAL OPTIONS/ACCESSORIES/KITS

ITEM	PART NUMBER	QTY	DESCRIPTION	REV
	1001249695	Ref	Analyzer and Cable Kit	
	1001249941	Ref	Analyzer and Cable Kit (Battery Powered)	
	7002821	Ref	Crimper (For Wire to Pin/Socket Connections)	
	7002823	Ref	Extractor (For Removal of Pin/Socket from Connectors)	
	8896941	Ref	Wire Stripper	
	7004275	Ref	Seal Tool 1" (For Cylinders)	
	7004276	Ref	Seal Tool 1 1/2" (For Cylinders)	
	7002826	Ref	Seal Tool 2" (For Cylinders)	
	1001262959	Ref	Voltage Regulator Add-on Kit (Dealer Installed)	
	1001214167	Ref	Window (Rear) Release Kit	



## SECTION 13 - SPECIAL OPTIONS/ACCESSORIES/KITS

### PART NUMBER INDEX

## SECTION 13 - SPECIAL OPTIONS/ACCESSORIES/KITS

0100081.....33	0760605 ... 197, 373, 509, 513	1001004640 ..... 519	1001095301.....205
0400075.....729, 731	0760607 . 51, 53, 97, 251, 253, 259, 373, 605, 811, 813, 849, 851	1001004720 ..... 189, 253	1001095336..... 845, 1026
0498748.....373	0760608 ... 203, 261, 395, 409, 427, 465, 475, 509, 513, 517, 519, 543, 725, 727, 801, 803, 849, 851	1001004723 ..... 797	1001095650 89, 429, 431, 519
0630576.....51, 53	0760610 ..... 923	1001005368 ..... 391	1001095804.....785, 787
0641405.....119	0760615 ..... 547, 929	1001005438 ..... 587	1001095810.....119
0641510.....179, 211	0760806 ..... 261	1001005904 ..... 553, 557, 561	1001096019.....115
0641608.....583	0760807 ..... 49, 573, 835	1001005960 ..... 1015	1001096020.....115
0651607.....89	0760808 49, 89, 393, 477, 479, 725, 727, 741, 929, 939	1001006730 ..... 499	1001096021.....117
0681714.....587	0760810 ... 39, 41, 55, 59, 61, 63, 69, 75, 87, 223, 235, 247, 261, 269, 401, 419, 421, 450, 459, 479, 483, 487, 495, 509, 545, 547, 549, 551, 555, 635, 911	1001006731 ..... 501	1001096023.....117
0700408.....515, 939	0760812 ..... 23, 225, 227, 253, 355, 357, 379, 799, 843	1001007056 ..... 81	1001096024.....115
0700610....27, 33, 51, 53, 57, 97, 253, 265, 427, 477, 801, 803, 879, 881	0760815 .... 379, 555, 559	1001007641 ..... 465	1001096025.....117
0700612....51, 53, 61, 897	0760823 ..... 27, 29, 255	1001008540 ..... 801, 803	1001096365.....379
0700614....179, 253, 450, 593, 835, 843	0761008 ..... 755, 915	1001008559 .... 189, 227, 269, 623, 765, 795, 797, 799, 811, 813, 849, 851, 883, 889, 891, 925, 929, 945	1001097244.....427
0700616.....547, 577	0761009 ..... 761	1001008575 ..... 23	1001097540....51, 53, 57, 439
0700618.....765, 811, 813	0761010 ... 39, 41, 43, 45, 49, 55, 97, 209, 237, 253, 517, 801, 803, 811, 813, 849, 851, 883, 889, 891, 925	1001008654 ..... 573	1001097586.....389
0700808.....811, 813	0761012 ... 25, 29, 39, 41, 51, 53, 77, 79, 199, 519, 545, 587, 605, 613, 797, 799, 843	1001008742 ..... 409	1001097587.....291, 313
0700814.....49, 243, 245, 253, 581	0761210 ..... 85, 225, 227	1001008834 ..... 147	1001098128.....543
0700815.....875	0761212 ... 237, 797, 799	1001008857 ..... 379	1001098150.....424
0700816.....223, 239, 261	0761214 . 27, 29, 195, 253	1001008923 ..... 761, 875	1001098762..... 735, 739
0700817.....545, 547	0761215 .... 195, 225, 227	1001008988 ..... 373	1001098769.....91
0700818.....589, 601, 909	0761217 ..... 173	1001008999 ..... 49	1001099566.....269
0700819.....847	0761218 ..... 225, 227	1001009018 ..... 17	1001099699.....441
0700820....417, 419, 421, 575, 843	0770814 ..... 511	1001009163 ..... 279	1001099717.....915, 1027
0700821.....543	0770815 ..... 247	1001009178 ..... 992, 996, 1000, 1004	1001100166.....635
0700824.....519	0771012 ..... 75	1001009325 ..... 75, 209	1001100169.....635
0700826.....261	0771414 ..... 639, 643	1001010646 ..... 499, 501	1001100319.....223
0700828.....613	0771416 ..... 281	1001010647 ..... 499, 501	1001101041.....107, 111, 131, 133, 135, 137, 147, 149, 152, 156, 163, 549, 553, 557, 561
0701014....49, 55, 59, 61, 83, 205, 253, 265, 543, 883, 889, 891	0771618 ..... 277	1001010648 ..... 499, 501	1001101042.....107, 111, 131, 133, 135, 137, 147, 149, 152, 156, 163, 549, 553, 557, 561
0701016.....205, 609	0791605 ..... 239	1001010649 ..... 499, 501	1001101702.....517
0701018....199, 225, 227, 265, 929	0860520 ..... 119	1001010650 ..... 499, 501	1001101808.....725
0701020.....23, 225, 227	1001002946 ..... 379	1001014231 ..... 587	1001101855.....913
0701024.....595	1001002947 ..... 379	1001028264 ..... 17	1001101895.....992, 996, 1000, 1004
0701026.....211	1001002953 ..... 379	1001028291 ..... 17	1001102157.....37
0701027.....599	1001002957 ..... 379	1001028306 ..... 17	1001102502.....785, 787, 1028
0701216...27, 29, 85, 619	1001003031 ..... 73, 75	1001028308 ..... 17	1001102844.....121
0701220.....885	1001003043 ..... 389	1001028377 ..... 17	1001103012.....768
0701230.....69	1001003227 ..... 49	1001028400 ..... 17	1001103156.....755, 915
0701618.....195	1001003301 ..... 25	1001028415 ..... 75	1001103300.....755, 915
0701626.....195	1001003305 ..... 209, 211, 227, 265, 761, 799	1001047062 ..... 373	1001104477.....557, 561, 679
0701628....141, 143, 145, 195	1001003427 ..... 31	1001080375 .... 555, 559, 1027	1001104498.....763, 768, 772, 861, 865
0701630.....195	1001003803 ..... 77	1001080978 .... 785, 787, 1027	1001104499.....772
0711016.....73		1001081085 ..... 283	1001104519.....769, 789, 933
0711030.....265		1001090343 .... 407, 409, 481	1001104654.....785, 787, 1027
0711215.....75		1001091715 .... 883, 889, 891	1001105093.....547
0711216.....73, 215		1001091716 .... 883, 889, 891	1001105886.....951
0711218.....73		1001092481 ..... 113	1001107192.....373
0711635.....69		1001092482 ..... 113	1001107339.....265
0712020.....363		1001092877 .... 992, 996, 1000, 1004	1001107854.....763, 768, 772, 783, 861, 865
0712022.....363		1001092878 .... 992, 996, 1000, 1004	1001109053.....984, 988, 992, 996, 1000, 1004
0712027.....365		1001093171 ..... 177	1001109387.....173
0712442.....599		1001093564 ..... 735	
0760405....141, 143, 145		1001094708 .... 984, 988, 992, 996, 1000, 1004	
0760410.....893			
0760507....207, 441, 795, 797, 799			
0760512.....409			



## SECTION 13 - SPECIAL OPTIONS/ACCESSORIES/KITS

1001110023 ..... 553, 561, 681	1001116998..... 772	1001131177 ..... 811, 813, 1026	1001148903 ..... 1030
1001110115 ..... 561	1001116999..... 769, 869	1001131271 ..... 984, 988, 992, 996, 1000, 1004	1001148904 ..... 1030
1001111076 ..... 475	1001117011..... 771, 793	1001132168..... 43, 45	1001148905 ..... 1030
1001111140 ..... 593	1001117021..... 783	1001132169..... 855, 859, 927	1001148906 ..... 1030
1001111147 ..... 475	1001117024..... 809	1001132170..... 855, 859	1001149278 ..... 424, 435
1001111147 ..... 475	1001117079..... 771	1001132564..... 424	1001150294 ..... 483, 485
1001111317 ..... 371, 375	1001117081..... 769, 770, 771	1001133714..... 817, 823, 824	1001150610 ..... 816, 822
1001112612 ..... 749, 753, 772	1001117109..... 854, 858	1001133715..... 815, 817, 821, 823, 824	1001150611 ..... 854, 858
1001112796 ..... 759, 967, 975	1001117121..... 789, 933	1001133793..... 205	1001150735 ..... 771
1001114495 ..... 233, 235	1001117247..... 917, 919	1001134274..... 755, 915	1001150737 ..... 771
1001114761 ..... 613	1001117308..... 801, 803, 1027	1001135650..... 815, 817, 821, 823, 824	1001151238 ..... 611
1001114803 ..... 225, 227	1001118202..... 854	1001135651..... 815, 817, 821, 823, 824	1001152915 ..... 371
1001116128 ..... 447, 925	1001118282..... 809, 816, 822, 858	1001136975 ..... 209	1001152947 ..... 371
1001116696 ..... 861, 862, 865, 866	1001118323..... 854, 858	1001136999..... 772	1001153612 ..... 817, 823
1001116697 ..... 768	1001118378..... 839	1001137000..... 772	1001153748 ..... 631, 713
1001116698 ..... 768	1001118379..... 771	1001137578 ..... 818, 824	1001153749 ..... 811, 813, 969
1001116700 ..... 769, 793	1001118383..... 789, 933	1001138116..... 815, 821	1001155228 ..... 369, 373
1001116716 ..... 769	1001118384..... 769, 770, 771, 772	1001138645..... 835	1001155230 ..... 1000
1001116720 ..... 869	1001118386..... 772	1001138827 ..... 239, 1027	1001155446 ..... 361, 365
1001116723 ..... 769, 770, 771, 772	1001118387..... 772	1001138945..... 265	1001155447 ..... 367, 401
1001116725 ..... 816, 822	1001118392..... 861, 862, 865, 866	1001139551..... 481	1001155486 ..... 481
1001116727 ..... 818, 823, 866, 947	1001118684..... 770	1001139552..... 407	1001155540 ..... 225, 227
1001116728 ..... 862, 866, 877	1001118685..... 789, 933	1001139568..... 391	1001155823 ..... 223
1001116729 ..... 947	1001119467..... 483	1001139578..... 984	1001156265 ..... 519
1001116731 ..... 963	1001120989..... 1017	1001139942..... 992, 996, 1000, 1004	1001157890 ..... 839
1001116732 ..... 809, 816, 822, 854, 858	1001121555..... 1004	1001141246..... 379	1001157891 ..... 749, 753
1001116733 ..... 809	1001121726..... 862, 866, 947	1001141281 ..... 401	1001158146 ..... 785, 787
1001116734 ..... 809, 816, 822	1001121727..... 862, 866, 947	1001141311 ..... 481	1001158596 ..... 487
1001116745 ..... 947	10011223457..... 768	1001141312 ..... 407	1001158601 ..... 483
1001116747 ..... 783	1001125117..... 73, 75, 85	1001141313 ..... 481	1001158736C..... 495
1001116748 ..... 771	1001125222..... 517	1001141461 ..... 585, 1026	1001158738C..... 483
1001116748 ..... 771	1001125465..... 925	1001141462 ..... 585	1001159028 ..... 505, 507, 1026
1001116754 ..... 770	1001125677..... 769, 818, 823, 862, 866	1001141976 ..... 583, 585	1001159734 ..... 883, 889, 891, 1027
1001116763 ..... 783, 861, 865	1001126008..... 772, 805, 816, 822, 839, 855, 859, 971	1001142724 ..... 61	1001159735 ..... 785, 787, 1027
1001116774 ..... 839, 855, 859, 903, 971	1001126011..... 772, 817, 823	1001143200 ..... 387	1001159736 ..... 481, 1028
1001116808 ..... 839, 855, 859, 971	1001126245..... 816, 822	1001143551 ..... 839	1001159737 ..... 883, 889, 891, 1027
1001116810 ..... 854, 858	1001126245..... 816, 822	1001143852..... 996, 1000, 1004	1001159738 ..... 741, 743, 745, 1027
1001116811 ..... 816, 822	1001126353..... 815, 821	1001144147 ..... 781, 816, 822, 839, 963, 965, 971	1001159739 ..... 873, 1027
1001116812 ..... 769, 771, 772, 781, 815, 816, 817, 821, 822, 823, 824, 839, 853, 857, 862, 866, 899, 903, 963, 965, 967, 971	1001126362..... 815, 821	1001144296 ..... 769	1001159741 ..... 785, 787, 1027
1001116815 ..... 773, 818, 824, 839, 971	1001126391..... 815, 818, 821, 824	1001144629J ..... 119	1001159742 ..... 921, 1027
1001116950 ..... 854, 855, 858, 859	1001126393..... 815, 818, 821, 824	1001145204..... 249, 807, 1028	1001159743 ..... 787
1001116984 ..... 772	1001126485..... 815, 816, 821, 822	1001145391 ..... 79, 81	1001159745 ..... 945, 1027
1001116985 ..... 772	1001126487..... 815, 821	1001145539..... 450	1001159746 ..... 747, 751, 1027
1001116986 ..... 771, 772	1001126837..... 755, 923	1001146160 ..... 123	1001159845 ..... 879, 881, 1027
1001116991 ..... 769, 772, 869	1001128128..... 809, 816, 822, 854, 858	1001146588..... 209, 223, 227, 237, 249, 253, 761, 765, 807, 811, 813, 849, 851, 883, 889, 891, 917	1001159849 ..... 785, 787, 1028
1001116995 ..... 771	1001128144..... 239	1001147340 ..... 593, 1027	1001159925 ..... 450, 459, 1027
1001116996 ..... 861, 862, 865, 866	1001128341..... 239	1001147416 ..... 549, 553, 557, 561	1001160042 ..... 450
1001116997 ..... 771	1001128478..... 25, 279, 1027	1001147449 ..... 424, 435	1001160043 ..... 459
	1001128890..... 123	1001148841 ..... 815, 821	1001160072 ..... 1019
	1001129425..... 925	1001148842 ..... 815, 821	1001160326 ..... 450, 1027
	1001130220..... 51, 53, 57	1001148902 ..... 1030	1001160420 ..... 243
	1001130323..... 984, 988, 992, 996, 1000, 1004		1001160496 ..... 421
			1001160498 ..... 768

## SECTION 13 - SPECIAL OPTIONS/ACCESSORIES/KITS

1001160500.....853, 857, 861, 865, 903	1001163300 ..... 988	1001167635 ..... 815, 821	1001172094.....509
1001160502.....768	1001163304 ..... 988	1001167636 ..... 817, 823	1001172110.....45, 47
1001160503.....419, 421	1001163323 ..... 988	1001167937 ..... 383	1001172112.....47
1001160506.....417	1001163340 ..... 769	1001167958 ..... 373, 383	1001172113.....47
1001160508.....367, 393	1001163355 ..... 988	1001168030 ..... 579	1001172114.....47
1001160509.....853, 857, 861, 865, 903	1001163639 .... 791, 1027	1001168054 ..... 509	1001172115.....47
1001160510.....853, 857, 861, 865, 903	1001164183 ..... 89	1001168142 ..... 519	1001172146.....23
1001160730.....925, 1027	1001164402 ..... 843, 845	1001168151 ..... 519	1001172147.....23
1001160775.....979, 981	1001164655 ..... 393	1001168264 ..... 355, 357	1001172193.....371, 375
1001160916.....1023	1001164726 ..... 373	1001168327 ..... 450	1001172401.....367, 403
1001160927.....729, 731, 735, 739	1001164971 ..... 599	1001168330 ..... 450	1001172495.....735, 739
1001160928.....729, 731, 735, 739	1001164972 ..... 599	1001168331 ..... 450	1001172496.....735, 739
1001160945.....1021	1001165035 ..... 209	1001168429 ..... 61	1001172547.....450, 459, 1027
1001161067 .....437	1001165175 ..... 75	1001168456 ..... 450	1001172550.....450, 459
1001161078 .....443	1001165194 ..... 818, 824	1001168531 ..... 495, 793	1001172553.....450, 459
1001161080 .....443	1001165269 ..... 409, 411	1001168599 ..... 603, 699	1001172693.....31
1001161095 .....903	1001165270 ..... 409	1001168758 ..... 51	1001172755.....209
1001161097.....768, 853, 857, 861, 865, 903	1001165273 ..... 411	1001169135 ..... 495, 497	1001172774.....419
1001161098.....768, 853, 857, 903	1001165275 ..... 379	1001169151 ..... 450, 783	1001172829.....53
1001161099.....768, 853, 857, 861, 865, 903	1001165276 ..... 375	1001169265 ..... 49	1001172999.....85
1001161100.....768, 853, 857, 861, 865, 903	1001165309 ..... 854, 858	1001169268 ..... 531, 1027	1001173257.....417
1001161101.....768, 853, 857, 861, 865, 903	1001165310 ..... 855, 859	1001169354 ..... 527, 529	1001173298.....373
1001161252 .....424	1001165311 ..... 862, 866	1001169355 ..... 529	1001173411.....769
1001161253 .....424	1001165327 ..... 411	1001169367 ..... 529	1001173452.....225, 227
1001161499.....367, 505	1001165351 ..... 409	1001169368 ..... 239	1001173457.....225, 227
1001161672 .....519	1001165407 ..... 409	1001169454 ..... 27, 29	1001173528.....233, 235
1001161676.....765, 775	1001165416 ..... 409	1001169603 ..... 424	1001173679.....85
1001161677.....765, 777	1001165455 ..... 409	1001169604 ..... 424, 435	1001173703.....1004
1001161671.....765, 779	1001165458 ..... 409, 427	1001169674 ..... 979, 981	1001173829.....893
1001161851 .....435	1001165573 ..... 487, 489	1001169751 ..... 527	1001173873.....259
1001161855 .....424	1001165637 ..... 401	1001169763 ..... 531	1001173965.....424
1001161896 .....519	1001165827 ..... 727	1001169825 ..... 805	1001174103.....69, 71
1001161897 .....519	1001166191 ..... 465	1001169880 ..... 375	1001174104.....77
1001161898 .....519	1001166192 ..... 61, 465	1001169883 ..... 377	1001174107.....637
1001161957.....853, 857, 861, 865, 903	1001166385 ..... 475	1001169885 ..... 377	1001174126.....637, 639
1001161959.....768	1001166543 ..... 815, 821	1001170106 ..... 31	1001174129.....353
1001161963.....853, 857, 861, 865, 903	1001166551 ..... 815, 821	1001170113J.....375, 377	1001174295.....373, 385
1001162062 .....517	1001166555 ..... 815, 821	1001170114 ..... 373, 375	1001174320.....371
1001162212 .....223	1001166556 ..... 815, 818, 821, 824	1001170231 ..... 509	1001174321.....379
1001162662 .....25, 1026	1001166565 ..... 199, 201	1001170311 ..... 247	1001174419.....87
1001162789.....367, 409	1001166634 ..... 375, 379	1001170325 ..... 439	1001174431.....85
1001162885.....913, 1027	1001166634 ..... 375, 379	1001170326 ..... 397	1001174652.....435
1001162886 .....768	1001166704 ..... 824	1001170366 ..... 367, 395	1001174653.....435
1001162887 .....769	1001166707 ..... 817, 823	1001170432 ..... 263	1001174655.....435
1001162920 .....509	1001166715 ..... 199	1001170504 ..... 424	1001174712.....785, 787
1001162922 .....509	1001166754 ..... 365	1001170514 ..... 437	1001174741.....477
1001162953 .....450, 453	1001166755 ..... 365	1001170518 ..... 424	1001174795.....257
1001163095.....897, 1027	1001166774 ..... 815, 818, 821, 824	1001170519 ..... 424, 437	1001174796.....741
1001163104 .....75	1001167004 ..... 535	1001170601J.....373	1001174800.....477
1001163174 .....988	1001167015 ..... 445, 447	1001170944 ..... 379	1001174801.....477
1001163210 .....988	1001167017 ..... 939	1001170993 ..... 399	1001174811.....639, 641
1001163212 .....988	1001167186 ..... 243	1001171037 ..... 377	1001174812.....71, 651
1001163222 .....988	1001167186 ..... 243	1001171179 ..... 23	1001175058.....361
1001163223 .....988	1001167266 ..... 415, 453	1001171182 ..... 391	1001175201.....255
1001163285 .....988	1001167409 ..... 223	1001171183 ..... 391	1001175265.....816, 817, 822, 823, 862, 866
	1001167528 ..... 818, 824	1001171277 ..... 984, 988, 992, 996, 1000, 1004	1001175266.....903
	1001167616 ..... 816, 822	1001171635 ..... 377	1001175267.....853, 857, 861, 865
	1001167620 ..... 818, 824	1001171756 ..... 409	1001175347.....17
	1001167621 ..... 815, 821	1001171767 ..... 399	1001175470.....397
	1001167622 ..... 815, 821	1001171808 ..... 91, 929	1001175471.....395, 399
	1001167623 ..... 815, 821	1001171874 ..... 509	1001175477.....373
	1001167624 ..... 818, 824	1001171885 ..... 39, 41	1001175568.....209
	1001167629 ..... 816, 822	1001171962 ..... 939	1001175733.....943
	1001167630 ..... 815, 816, 821, 822	1001172035 ..... 984, 988, 992, 996, 1000, 1004	1001175776.....941, 943
	1001167631 ..... 815, 821	1001172088 ..... 509	
	1001167634 ..... 815, 821		

## SECTION 13 - SPECIAL OPTIONS/ACCESSORIES/KITS

1001175812..... 61	1001182530.....495	1001185927.....19	1001189154..... 992, 996,
1001175903..... 424	1001182839.....923	1001185929.....19, 27	1000, 1004
1001176002..... 818, 824	1001182881..... 197	1001185930.....27, 29, 33	1001189182..... 424
1001176004..... 818, 824	1001182929..... 811, 827	1001185931.....33	1001189246..... 33
1001176121..... 395, 397	1001182930..... 811, 831	1001185933.....33	1001189288J... 345, 347,
1001176272..... 387	1001183024.....761, 1027	1001185935.....33	349, 351
1001176273..... 387	1001183112.....883, 885,	1001186843.....587	1001190037..... 816, 823
1001176333..... 772	889, 891	1001186853.....883	1001190250..... 77, 79
1001176338..... 467	1001183221.....749	1001186855.....729	1001190253..... 71
1001176626..... 387	1001183272.....717, 719,	1001186856.....733	1001190254..... 69
1001177082..... 23	721, 723, 843	1001186881.....61	1001190256..... 69
1001178053..... 871, 893	1001183306..... 353, 355	1001186898.....199	1001190257..... 69
1001178123..... 409	1001183307..... 353, 357	1001187070.....815, 821,	1001190259..... 647
1001178157..... 71, 647	1001183308.....355	831, 833	1001190260..... 69
1001178159..... 371	1001183309.....357	1001187073.....853, 857	1001190264..... 77, 79
1001178160..... 371	1001183447..... 141	1001187075.....854, 858,	1001190396..... 871
1001178170..... 450	1001183549.....913	903	1001190921..... 816, 822
1001178474..... 27, 29	1001183550.....437	1001187076.....854, 855,	1001191035..... 87, 89
1001178670..... 519, 711	1001183597.....431	858, 859, 903	1001191036..... 89
1001178680..... 391	1001183700.....583	1001187077.....831, 833,	1001191039..... 89
1001178681..... 391	1001183827.....203	963	1001191091..... 385
1001178693..... 27, 29	1001183829.....203	1001187078.....809, 816,	1001191108..... 141
1001178706..... 1015	1001183831.....199	822, 839, 963, 971	1001191110..... 71
1001178783..... 467	1001183835.....199, 203	1001187079.....839, 853,	1001191157..... 25
1001178791..... 255	1001184280.....457	854, 857, 858, 862, 866	1001191163..... 25
1001178826..... 471	1001184296..... 457, 463	1001187080.....816, 822,	1001191229..... 984, 988,
1001178933..... 765	1001184297..... 457, 463	853, 857, 862, 866	992, 996, 1000, 1004
1001179008..... 469, 471,	1001184397.....849, 861	1001187081.....971	1001191255..... 361, 363
473	1001184403.....413	1001187272.....587	1001191256..... 363
1001179009..... 469, 471,	1001184404.....413	1001187273.....587	1001191257..... 363
473	1001184405.....413	1001187275.....587	1001191281..... 427, 429
1001179080..... 453	1001184406.....413	1001187355.....621	1001191282..... 429
1001179081..... 453	1001184427.....457	1001187423.....345, 347	1001191283..... 427, 431
1001179130..... 413, 453	1001184439.....373	1001187820.....77, 79	1001191284..... 427, 433
1001179297..... 1015	1001184473.....869	1001187821.....77	1001191285..... 427
1001179482..... 475	1001184479.....869	1001187847.....77, 79	1001191310..... 431
1001179483..... 475	1001184610..... 79	1001187848.....77, 79	1001191311..... 433
1001179484..... 429	1001184632.....984, 988,	1001187882.....818, 821	1001191312..... 433
1001179592..... 439	992, 996, 1000, 1004	1001188372.....984, 988,	1001191313..... 433
1001179850..... 19, 21, 23	1001184795.....901, 903	992, 996, 1000, 1004	1001191370..... 427
1001179851..... 23, 25	1001184796.....875, 877	1001188590.....450, 459	1001191546..... 811, 813
1001179852..... 25	1001184869..... 51	1001188592.....457	1001191635..... 59
1001179907..... 261, 835	1001184870..... 53	1001188594.....457, 463	1001191685..... 25, 1026
1001179931..... 525	1001184871..... 57	1001188602.....457, 463	1001191752..... 71, 75
1001180070..... 221, 677	1001184872..... 51, 53	1001188603.....457, 463	1001191753..... 75
1001180263..... 417, 419	1001184874..... 51, 53	1001188604.....457, 463	1001191789..... 75
1001180306..... 17	1001184975.....424	1001188610.....457, 463	1001191915..... 517
1001180437..... 259	1001184976.....275	1001188612.....457, 463	1001191959..... 433
1001180542..... 237	1001184977.....275, 289	1001188614.....457, 463	1001192096..... 543
1001180553..... 237	1001184978.....275, 311	1001188618.....457	1001192124..... 31
1001180620..... 843	1001184979.....275, 281	1001188619.....457	1001192125..... 27, 29, 31
1001180682..... 467	1001184980.....275, 277	1001188720.....457, 463	1001192142..... 801, 803,
1001180683..... 467	1001184981.....275, 287	1001188725.....457, 463	1027
1001181128..... 801, 803	1001184982.....289, 291	1001188729.....457, 463	1001192168..... 345
1001181411..... 391	1001184983.....311, 313	1001188733.....463	1001192170..... 347
1001181531..... 785, 787	1001184984.....291, 293,	1001188757.....195	1001192177..... 345
1001181625..... 223	295, 297, 301, 303,	1001188817.....457	1001192178..... 345
1001181726..... 424, 427	305, 307	1001188818.....457	1001192180..... 347
1001181920..... 387	1001184985.....313, 315,	1001188855.....265	1001192181..... 347
1001181921..... 387	317, 319, 321, 323,	1001188856.....265	1001192240..... 429
1001181961..... 729, 731	327, 333	1001189023.....457	1001192309..... 373
1001182123..... 387	1001184986.....281, 283	1001189024.....457	1001192318..... 41
1001182139..... 387	1001184987.....287	1001189025.....457, 463	1001192320..... 39
1001182330..... 479	1001184988.....287	1001189046.....811, 813	1001192321..... 939
1001182490..... 885	1001185026.....247	1001189048.....457	1001192322..... 941
1001182495..... 885	1001185633.....479	1001189054.....457	1001192323..... 725
1001182529..... 495, 497	1001185870.....424		1001192324..... 59

## SECTION 13 - SPECIAL OPTIONS/ACCESSORIES/KITS

1001192336.....63	1001193393..... 185, 187, 219	1001195732..... 755, 915	1001197197.....593, 595
1001192339.....145	1001193461..... 587	1001195733..... 605	1001197198.....595, 597
1001192342.....147	1001193465..... 545	1001195737..... 73, 75	1001197199.....593
1001192344.....149	1001193474..... 517	1001195738..... 73	1001197200.....593
1001192352.....69	1001193516..... 541, 629	1001195739..... 73	1001197259.....443
1001192358.....79	1001193517..... 541, 605	1001195814..... 369, 387	1001197262.....71
1001192363.....549	1001193540..... 179	1001195816..... 424	1001197339.....39, 41
1001192364.....91	1001193566..... 927	1001195817..... 424	1001197414.....191
1001192365.....555	1001193698..... 725, 727	1001195818..... 424	1001197480.....27
1001192366.....551	1001193703..... 185, 187, 211	1001195820..... 445	1001197481.....33
1001192367.....559	1001193704..... 185, 187, 215	1001195821..... 447	1001197668.....945, 947
1001192370.....757	1001193705..... 211, 213	1001195822..... 445	1001197733.....55
1001192392.....31	1001193709..... 541, 573	1001195823..... 447	1001197734.....55
1001192410.....519	1001193729..... 179	1001195849..... 984	1001198307.....51, 53, 55
1001192430.....755	1001193797..... 265	1001195851..... 988	1001198355.....179
1001192431.....895	1001193803..... 177	1001195855..... 984, 988, 992, 996	1001198578.....637, 643
1001192520.....569	1001193887..... 87	1001195878..... 371	1001198893.....745
1001192537.....717	1001193993..... 801, 803	1001195881..... 95	1001199325.....635
1001192538.....719	1001194103..... 797, 799	1001195883..... 741	1001199328.....1030
1001192558.....765	1001194244..... 797	1001195953..... 761, 763	1001199376.....1030
1001192560.....787	1001194282..... 519	1001195970..... 139	1001199380.....1030
1001192575.....747	1001194421..... 770, 949	1001196100..... 885	1001199382.....1030
1001192614.....131	1001194534..... 199	1001196191..... 225, 227	1001199670.....261
1001192615.....127	1001194698..... 367	1001196217..... 885	1001199902.....253
1001192616.....129	1001194699..... 367, 369	1001196289..... 973, 975	1001200105.....569, 945
1001192617.....137	1001194700..... 369, 371	1001196332..... 737	1001200106.....185, 811
1001192619.....901, 907	1001194702..... 565	1001196402..... 569	1001200111.....661
1001192622.....39, 41, 49	1001194969..... 49	1001196502..... 797, 799	1001200159.....717, 719, 849
1001192623J.....49	1001194980..... 35	1001196634..... 957	1001200160.....717, 721, 797
1001192627.....49	1001194981..... 25	1001196664..... 217	1001200161.....797, 799
1001192631.....49	1001195089..... 261	1001196778..... 173	1001200162.....797, 799
1001192643.....381	1001195194..... 73	1001196779..... 173	1001200164.....797, 799
1001192644.....383	1001195200..... 895, 897	1001196782..... 173	1001200165.....797, 799
1001192646.....373	1001195201..... 895, 901	1001196806..... 984, 988, 992	1001200166.....797, 799
1001192649.....107	1001195202..... 897, 899	1001196878..... 85	1001200167.....797, 799
1001192650.....111	1001195254..... 517	1001196879..... 85	1001200168.....849, 851
1001192700.....175	1001195263..... 727	1001196949..... 171	1001200169.....849, 851
1001192702.....181	1001195313..... 1004	1001196950..... 169	1001200206.....963, 971
1001192711.....179	1001195342..... 415	1001196951..... 167	1001200226.....599
1001192720.....179	1001195343..... 415	1001196952..... 165	1001200249.....253
1001192722.....155	1001195345..... 415	1001196959..... 587	1001200344.....65
1001192723.....125	1001195346..... 415	1001196964..... 593	1001200383.....893
1001192734.....151	1001195385..... 415	1001196967..... 593	1001200393.....77, 79
1001192735.....159	1001195386..... 415	1001196969..... 593	1001200395.....79
1001192737.....509	1001195430..... 581, 583	1001196970..... 593	1001200443.....185
1001192739.....981	1001195433..... 581	1001196973..... 593	1001200445.....225
1001192741.....992	1001195434..... 581	1001196974..... 593	1001200447.....253
1001192743.....1000	1001195435..... 581	1001196975..... 593	1001200451.....263
1001192745.....984	1001195437..... 415	1001196976..... 593	1001200453.....265
1001192766.....373, 381	1001195438..... 415	1001196977..... 593	1001200498.....225, 227
1001192771.....569	1001195439..... 953	1001196978..... 593	1001200499.....225, 227
1001192772.....569	1001195469..... 739	1001196981..... 593	1001200538.....879
1001192875.....179	1001195471..... 895, 909	1001196982..... 593	1001200539.....881
1001192876.....179	1001195473..... 895, 911	1001196989..... 573	1001200631.....227
1001192877.....179	1001195582..... 733, 735	1001196992..... 573	1001200701.....265
1001192885.....619	1001195590..... 895, 915	1001196993..... 573	1001200862.....185, 187, 195
1001192886.....619, 621	1001195591..... 913, 917	1001196995..... 573	1001200863.....185, 187, 197
1001192887.....619	1001195593..... 733, 951	1001196996..... 573	1001200864.....185, 187, 199
1001192888.....621, 703	1001195636..... 71, 73	1001196997..... 573	1001200865.....185, 187, 205
1001192889.....541, 609	1001195637J..... 73	1001197011..... 543	1001200866.....185, 187, 209
1001192890.....609, 611	1001195655..... 69	1001197056..... 55	
1001193100.....71, 545	1001195720..... 761	1001197057..... 55	
1001193111.....555, 559	1001195721..... 795	1001197072..... 195	
1001193210.....375	1001195731..... 755, 915	1001197139..... 509	
1001193307.....217, 675		1001197196..... 541, 625	
1001193308.....279, 673			

## SECTION 13 - SPECIAL OPTIONS/ACCESSORIES/KITS

1001200867 ..... 259	1001203082..... 891	1001207899..... 311, 343	1001212048 ..... 473
1001200869 ..... 835	1001203181..... 227, 1026	1001207956..... 517	1001212049 ..... 469
1001200870 ..... 587	1001203368..... 883, 889, 891	1001208037..... 517	1001212050 ..... 473
1001200871 ..... 195	1001203503..... 179	1001208308..... 424	1001212184 ..... 581
1001200872 ..... 195	1001203557..... 731	1001208451..... 635	1001212312 ..... 563, 647
1001200873 ..... 195	1001203558..... 731	1001208532..... 593	1001212369 ..... 401
1001200874 ..... 195	1001203640..... 875, 879, 881	1001208534..... 593	1001212418 ..... 629, 631
1001200885 ..... 197	1001203932..... 39, 41	1001209097..... 815, 821	1001212468 ..... 427
1001200886 ..... 197	1001203933..... 39, 41	1001209194..... 929, 1026	1001212470 ..... 785, 787, 1027
1001200910 ..... 929	1001203934..... 39, 41	1001209200..... 545, 547	1001212739 ..... 219, 221
1001200968 ..... 447	1001203947..... 225, 227	1001209201..... 545, 547	1001212788 ..... 573, 575
1001201074 ..... 599, 601	1001203948..... 225, 227	1001209202..... 545, 547	1001212789 ..... 575, 691
1001201124 ..... 747, 749	1001203987..... 75	1001209203..... 545, 547	1001212845 ..... 1030
1001201162 ..... 973	1001203989..... 71	1001209345..... 61	1001212880 ..... 573
1001201298 ..... 223	1001204032..... 235, 705	1001209346..... 59	1001212886 ..... 801, 803
1001201299 ..... 223	1001204057..... 707	1001209357..... 743	1001212920 ..... 241
1001201300 ..... 223	1001204060..... 881	1001209387..... 43, 45	1001212921 ..... 241
1001201301 ..... 225, 227, 231	1001204066..... 379	1001209388..... 49	1001212923 ..... 255
1001201302 ..... 225, 227, 237	1001204115..... 379	1001209418..... 543	1001212924 ..... 255
1001201303 ..... 225, 233	1001204120..... 379	1001209419..... 543	1001212925 ..... 255
1001201304 ..... 225, 227, 239	1001204152..... 573	1001209427..... 873	1001213026 ..... 17, 541
1001201305 ..... 225, 227, 241	1001204411..... 253	1001209456..... 873, 875	1001213265 ..... 509, 511, 1026
1001201309 ..... 237	1001204413..... 253	1001209463..... 475	1001213286 ..... 1030
1001201314 ..... 233	1001204414..... 253	1001209625..... 988	1001213306 ..... 587
1001201315 ..... 233, 235	1001204486..... 49	1001209690..... 889	1001213307 ..... 587
1001201316 ..... 233, 235	1001204528..... 879	1001209691..... 889	1001213308 ..... 587, 589
1001201317 ..... 239	1001204530..... 879	1001209692..... 891	1001213309 ..... 589, 591
1001201331 ..... 409	1001204544..... 737	1001209693..... 891	1001213311 ..... 591, 695
1001201420 ..... 599	1001204548..... 737, 739	1001209697..... 883, 889, 891	1001213317 ..... 555, 557
1001201425 ..... 185, 187, 189	1001204549..... 737, 953	1001209862..... 563, 683	1001213318 ..... 551, 553
1001201499 ..... 513	1001204598..... 367, 405	1001209899..... 387	1001213319 ..... 559, 561
1001201500 ..... 515	1001204709..... 471	1001209972..... 547	1001213331 ..... 379
1001201501 ..... 513, 515	1001205061..... 509, 513	1001210270..... 547	1001213562 ..... 635
1001201812 ..... 541	1001205307..... 939	1001210281..... 309	1001213752 ..... 923
1001201848 ..... 51, 53, 57	1001205375..... 547	1001210282..... 573	1001213775 ..... 755, 915
1001201856 ..... 253	1001205380..... 547	1001210326..... 77, 79	1001213791 ..... 373
1001201858 ..... 253	1001205381..... 547	1001210327..... 573	1001213833 ..... 51, 53
1001202018 ..... 253, 261	1001205528..... 635	1001210397..... 835	1001213834 ..... 51, 53
1001202020 ..... 569	1001205532..... 373, 379	1001210524..... 543	1001213988 ..... 765
1001202021 ..... 253	1001205564..... 241	1001210525..... 543	1001214092 ..... 401
1001202024 ..... 541, 587	1001205565..... 241	1001210526..... 543	1001214123 ..... 247
1001202025 ..... 541, 593	1001205573..... 593	1001210567..... 761	1001214167 ..... 1031
1001202026 ..... 541, 581	1001205618..... 543	1001210568..... 547	1001214206 ..... 984, 988, 992, 996, 1000, 1004
1001202027 ..... 587	1001206100..... 883, 889, 891	1001210569..... 547	1001214220 ..... 509
1001202172 ..... 717, 721, 801	1001206112..... 929, 1026	1001210635..... 593	1001214254 ..... 143
1001202247 ..... 235	1001206242..... 545	1001210769..... 309, 343	1001214349 ..... 269
1001202321 ..... 265, 267	1001206633..... 757, 759	1001210770..... 843, 847	1001214401 ..... 923
1001202325 ..... 267	1001206709..... 573	1001210771..... 215, 217	1001214415 ..... 143
1001202519 ..... 973	1001206725..... 97	1001210780..... 691	1001214419 ..... 587
1001202526 ..... 223, 263	1001206744..... 517	1001210797..... 593	1001214429 ..... 587
1001202617 ..... 973	1001206954..... 707	1001210800..... 573	1001214430 ..... 587
1001202621 ..... 939	1001207171..... 816, 822	1001210801..... 691	1001214431 ..... 587
1001202722 ..... 815, 821	1001207173..... 855, 859, 935	1001210870..... 209	1001214661 ..... 545
1001202723 ..... 815, 821	1001207217..... 984	1001211020..... 593	1001214829 ..... 569
1001202730 ..... 103, 105	1001207218..... 992, 996, 1000, 1004	1001211445..... 731	1001215022 ..... 233, 235
1001202786 ..... 355, 357	1001207325..... 599	1001211606..... 541, 543	1001215024 ..... 233, 235
1001202899 ..... 253	1001207594..... 921, 923	1001211616..... 241	1001215093 ..... 587
1001202901 ..... 189	1001207788..... 593	1001211617..... 241	1001215121 ..... 791
1001202986 ..... 849, 851	1001207789..... 593	1001211693..... 765	1001215208 ..... 843
1001203005 ..... 223	1001207790..... 593	1001211775..... 935	1001215212 ..... 587
1001203081 ..... 889	1001207866..... 95, 97	1001211899..... 55	1001215256 ..... 573
	1001207898..... 289, 309	1001211900..... 55	1001215319 ..... 257
		1001211907..... 424	1001215341 ..... 605, 607
		1001212011..... 385	1001215464 ..... 75
		1001212047 ..... 469	1001215470 ..... 545

## SECTION 13 - SPECIAL OPTIONS/ACCESSORIES/KITS

1001215531.....379	1001219864.....424	1001223457.....768, 769	1001228728.....187, 813
1001215539.....587	1001219865.....424	1001223618.....235, 707	1001228732.....813, 833
1001215693.....883, 887, 889, 891	1001219905.....69	1001223622.....707	1001228733.....813, 829
1001215802.....587	1001219953.....69	1001223628.....235	1001228738.....721
1001215859.....543	1001220230.....988	1001223645.....235	1001228739.....721, 723, 851
1001215860.....543	1001220248.....83	1001223705.....21	1001228741.....851, 865
1001215941.....227, 1028	1001220286.....85	1001223706.....21, 29	1001228742.....723
1001216263.....477	1001220329.....367, 407	1001223869.....227, 235	1001228743.....751
1001216265.....479	1001220338.....389, 391	1001223870.....29	1001228744.....751, 753
1001216267.....477	1001220339.....369, 389	1001223874.....227	1001228860.....87
1001216269.....477	1001220473.....543	1001223903.....911, 1027	1001228872.....223
1001216270.....479	1001220507.....523	1001223911.....29	1001228989.....879, 881
1001216331.....639	1001220540.....365	1001223968.....785, 787, 789	1001228993.....1030
1001216333.....643	1001220641.....83	1001224127.....911	1001229056.....75
1001216757.....533	1001220643.....625, 627	1001224128.....911	1001229072.....1030
1001216798.....267	1001220649.....921	1001224450J.....49	1001229074.....1030
1001216799.....267	1001220650.....921, 925	1001224598.....309	1001229104.....1030
1001216803.....533	1001220707.....996	1001224938.....343	1001229201.....345, 349
1001216974.....483, 487, 495	1001220717.....785	1001224944.....567, 685	1001229213.....1030
1001217226.....639, 643	1001220760.....279	1001224945.....571, 687	1001229216.....1030
1001217320.....795	1001220859.....795	1001224946.....611	1001229324.....1030
1001217352.....71, 623	1001220861.....795	1001225317.....353	1001229422.....547
1001217354.....623	1001220942.....547	1001225390.....569	1001229458.....969
1001217355.....623	1001221041.....185, 187, 207	1001225392.....565	1001229532.....1030
1001217482.....601, 603	1001221057.....457	1001225393.....565, 569	1001229543.....373
1001217552.....549	1001221058.....457	1001225656.....691	1001229576.....1030
1001217553.....549	1001221059.....450, 459	1001226328.....1027	1001229609.....39, 41
1001217620.....277, 279	1001221087.....351	1001226481.....424	1001229707.....1017
1001217623.....743	1001221157.....351	1001226523.....197	1001229811.....1030
1001217669.....279	1001221270.....351	1001226532.....979	1001229812.....1030
1001217753.....249, 807	1001221295.....450, 459	1001226557.....543	1001229813.....1030
1001217754.....245	1001221318.....923	1001226636.....963	1001229955.....959, 1026
1001217755.....245	1001221319.....923	1001226637.....963	1001229981.....281, 949
1001217756.....249, 807	1001221321.....351	1001226681.....255	1001230125.....1030
1001217757.....249, 251, 807	1001221349.....261	1001226797.....253	1001230126.....1030
1001217758.....251	1001221383.....261	1001226799.....959, 961	1001230163.....385
1001217759.....251	1001221493.....249, 807, 809	1001226828.....565	1001230188.....1030
1001217760.....249, 807	1001221553.....349	1001226829.....565, 569	1001230239.....123
1001217761.....237	1001221554.....349	1001226947.....635, 661	1001230241.....123
1001217762.....237	1001221695.....349	1001227077.....227	1001230402.....839
1001217763.....237	1001221734.....351	1001227090.....265	1001230403.....839, 840
1001217948.....587	1001221734.....351	1001227133.....424	1001230404.....840
1001218358.....839	1001221868.....209	1001227186.....371	1001230409.....1030
1001218542.....450, 459	1001221928.....579, 693	1001227187.....375	1001230699.....1030
1001218659.....984	1001221986.....577, 579	1001227188.....375	1001230850.....925
1001218694.....55	1001221987.....573, 577	1001227287.....984, 988, 992, 996, 1000, 1004	1001230931.....771
1001218704.....984, 992	1001221988.....573	1001227297.....959, 961, 963	1001231057.....1030
1001218754.....145	1001221989.....573	1001227334.....73, 75	1001231110.....1030
1001218755.....141, 143, 145	1001222188.....31	1001227337.....73	1001231138.....1030
1001218996.....450, 459	1001222190.....31	1001227440.....569	1001231341.....1030
1001219082.....227, 969	1001222455.....769	1001227469.....719, 723, 799	1001231385.....51, 53
1001219113J.....49	1001222460.....189	1001227670.....107, 125, 127, 129, 141, 143, 145, 147, 149, 156, 159, 181	1001231393.....691
1001219115.....49	1001222603.....535, 1026	1001227802.....373	1001231397.....839, 840, 935
1001219211.....988, 992, 996, 1000, 1004	1001222606.....533, 1026	1001227945.....519	1001231398.....839, 840, 935
1001219212.....984	1001222650.....984, 988, 992, 996, 1000, 1004	1001227964.....227	1001231400.....839, 840, 935
1001219220.....387	1001222741.....379	1001228248.....209	1001231401.....839, 840
1001219250.....49	1001223066.....719, 723, 803	1001228427.....133	1001231402.....840
1001219615.....607, 697	1001223109.....587	1001228504.....597	1001231404.....840, 935
1001219659.....575	1001223265.....424	1001228643.....227	1001231406.....840, 935
1001219764.....565, 567	1001223435.....135	1001228727.....187	1001231407.....227, 837
1001219765.....569, 571	1001223453.....984, 988		1001231483.....228, 839
1001219863.....424	1001223455.....769, 770, 771, 772		1001231692.....123
	1001223456.....768		1001231801.....984

## SECTION 13 - SPECIAL OPTIONS/ACCESSORIES/KITS

1001232033 ..... 959	1001254390..... 1030	1001270467..... 843, 1027	1701509..... 119
1001232288 ..... 801, 805	1001254400..... 1030	1001270468..... 847, 1027	1702773 .... 113, 115, 117
1001232298 ..... 959, 961, 965	1001255519..... 613	1001270485..... 909, 1027	1704260..... 795, 931
1001232500 ..... 123	1001255520..... 613	1001270976..... 450, 459	1704277 ..... 119
1001232509 ..... 271, 733	1001255521..... 613	1001271061... 1011, 1013	1704885 .... 113, 115, 117
1001232850 ..... 209	1001255522..... 613	1001272659..... 955	1705980 . 992, 996, 1000, 1004
1001232988 ..... 97	1001255536..... 613, 615	1001272997..... 957	1706098 . 992, 996, 1000, 1004
1001233024 ..... 271	1001255567..... 613	1001273012..... 955, 957	1706281 . 992, 996, 1000, 1004
1001233189 ..... 1030	1001255568..... 613	1001273075..... 741	1706282 . 992, 996, 1000, 1004
1001233431 ..... 1007	1001255581..... 847	1001274533..... 869	1706284 . 992, 996, 1000, 1004
1001233558 ..... 988	1001255901..... 957	1001274534..... 869	1706285 . 992, 996, 1000, 1004
1001234395 ..... 97	1001256073..... 371	1001274535..... 869	1706288 . 992, 996, 1000, 1004
1001234455 ..... 43, 45	1001256974..... 537, 1028	1001274536..... 869	1706289 . 992, 996, 1000, 1004
1001235963 ..... 39, 43	1001257071..... 537	1001274537..... 869	1706292 . 992, 996, 1000, 1004
1001235965 ..... 41, 45	1001257088..... 523, 1026	1001274538..... 869	1706296 ..... 984
1001237897 ..... 257	1001257330..... 519, 521	1001274539..... 869	1706299 ..... 984
1001238106 .. 1009, 1013	1001257348..... 525, 1026	1001274540..... 869	1706300 ..... 984
1001238470 ..... 223	1001258099..... 441	1001274541..... 869	1706301 ..... 984
1001238560 ..... 119, 179	1001258277..... 849, 853	1001274543..... 869	1706302 ..... 179, 984
1001238565 ..... 113, 115, 117, 119	1001258278..... 851, 857	1001274544..... 869	1706306 ..... 984
1001238566 ..... 179	1001258512..... 121	1001274553..... 869	1706768 ..... 984
1001238570 ..... 179	1001258523..... 162	1001274891..... 1030	1706850 ..... 984
1001238653 ..... 113	1001258664..... 121	1001274892..... 1030	1706892 ..... 113
1001238654 ..... 117	1001258712..... 765, 781	1001275276..... 969, 971	1707078 ..... 984
1001238655 ..... 115	1001258713..... 765, 768	1001275277..... 969	2080040 ..... 119
1001238781 ..... 219	1001258719..... 929, 937	1001275622..... 929	2080078 ..... 391
1001239194 ..... 961	1001258731..... 929	1001275721..... 1011	2080086 ..... 371
1001239248 ..... 961	1001258749..... 929	1001275900..... 1011	2080087 ..... 371
1001239878 ..... 259	1001259205..... 929, 935	1001275902..... 1013	2080092 ..... 395
1001239879 ..... 259	1001259214..... 121	1001275902..... 1013	2110406 ..... 591, 621
1001239961 ..... 1030	1001259224..... 931	1001276770..... 979	2110408 ..... 627
1001241308 ..... 381	1001259225..... 121	1001276771..... 979	2110410 ..... 217
1001241337 ..... 441	1001259231..... 929	1001276776..... 981	2110606 .... 79, 147, 591, 597, 615, 621
1001241590 ..... 759	1001259246..... 929, 931	1001276777..... 981	2110610 ..... 557, 561
1001241591 ..... 759	1001259246..... 929, 931	1001276920..... 955	2110806 ..... 635
1001241610 ..... 929, 933	1001262959..... 1031	1001276923..... 1030	2110808 .... 597, 607, 631
1001241836 ..... 39, 41	1001264976..... 455, 461	1001278028..... 755	2110810 ..... 621, 691
1001241880 ..... 611, 701	1001265343..... 917	1001279170..... 979	2111010 ... 221, 545, 547, 553, 557, 561, 563, 597, 621, 643
1001241950 ..... 535	1001265344..... 59	1001279174..... 981	2111012 ..... 611
1001244192 ..... 879, 881	1001265346..... 61	1001284531..... 189	2111212 ..... 611
1001244193 ..... 879, 881	1001265372..... 1030	1001284536..... 253	2111216 ..... 217
1001244428 ..... 815	1001267973..... 601, 667	1001284538..... 185, 187	2111616 .... 241, 279, 621
1001244429 ..... 821	1001267974..... 647, 649	1001285934..... 811	2130404 ... 519, 567, 571, 597, 607, 615
1001245694 ..... 1030	1001267977..... 81, 659	1001286174..... 813	2130406 ..... 217, 615
1001247184 ..... 261	1001267979..... 643, 645	1001293067..... 253	2130408 ..... 607
1001247279 ..... 255, 257	1001268341..... 1030	1001293068..... 253	2130606 ..... 579, 611
1001247421 .... 941, 1027	1001268354..... 929	1001293070..... 185, 187	2130808 .... 309, 343, 519
1001247646 .... 984, 988, 992	1001268827..... 459, 461	1001293972..... 797, 799, 811, 813	2131010 ... 545, 547, 569, 571
1001249078 ..... 97, 1026	1001268828..... 461, 463	1001294815..... 1017	2131212 ... 567, 571, 583, 597, 635
1001249249 ..... 97	1001268829..... 455, 461	1060379 ..... 119, 121	2131216 ..... 217
1001249251 ..... 95	1001268830..... 455, 461, 869	1060626..... 735, 739, 951	2132016 ..... 611
1001249695 ..... 1031	1001268831..... 450, 455	1060799..... 1011, 1013	2144603 ..... 281
1001249941 ..... 1031	1001268832..... 455, 457	1062255..... 209, 223, 237, 241, 249, 263, 267, 271, 593, 733, 807, 811, 813, 959, 961, 969	2144606 ..... 205
1001250161 ..... 467	1001269176..... 929	10713707..... 843	2150406 ..... 603
1001250276 ..... 95	1001269177..... 929	10725554..... 297, 323	
1001250475 ..... 99, 1026	1001269555..... 457, 463	10732931..... 701	
1001250476 ..... 101	1001269556..... 457, 463	10837953..... 701	
1001250708 .... 51, 53, 75	1001269558..... 457, 463	120034..... 765	
1001251518 ..... 941	1001269559..... 457, 463	1320022..... 450	
1001252304 ..... 1030	1001269560..... 457, 463	1320060..... 237	
1001253661 ..... 615, 617	1001269561..... 457, 463	1670836... 984, 988, 992, 996, 1000, 1004	
1001253671 ..... 613, 929	1001269563..... 457, 463	1701500... 984, 988, 992, 996, 1000, 1004	
1001254185 .... 959, 961, 967	1001269564..... 457, 463		
	1001269578..... 457		
	1001269579..... 457		
	1001270117..... 397		
	1001270466..... 765, 1026		

## SECTION 13 - SPECIAL OPTIONS/ACCESSORIES/KITS

2150606.....147	3290601 ... 179, 427, 450,	4031712 ..... 547	4460508....749, 753, 816,
2150608.....217	477, 509, 517, 725,	4031910 ..... 417, 419	822, 827, 829
2150808.....309, 343, 631	727, 755, 765, 915	4031912 ..... 625, 629	4460509....817, 823, 854,
2151010.....553, 557, 561	3290605 43, 45, 265, 424,	4031916 ..... 647	858, 861, 865
2151212.....583	427, 433, 755, 835, 915	4031918 .... 551, 555, 559	4460518....772, 839, 855,
2151616.....241, 611	3290606 ..... 543	4031921 ..... 565, 569	859, 971
2152020.....25	3290607 ... 883, 889, 891	4032010 ..... 69	4460536....773, 831, 833,
2160016...73, 77, 79, 599,	3290801 ... 225, 227, 235,	4060919 ..... 17	863, 867, 907
639, 643	373, 505, 811, 813,	4105262 ..... 91	4460539....771, 772, 773,
2170104.....221	875, 911	4109801 ... 984, 988, 992,	815, 816, 817, 821,
2170106.....611	3290805 ... 223, 261, 511,	996, 1000, 1004	822, 823, 824, 839,
2170112.....611	561, 613, 847	4110422 ..... 123, 181	853, 857, 862, 866,
2170206.....147, 611	3290806 ..... 391	4240018 ..... 573, 593	867, 899, 903, 907, 971
2170208.....519	3291001 ... 199, 209, 225,	4240032 .... 955, 959, 961	4460608.....815, 821
2170216.....241	227, 265, 797, 799,	4240099 ... 573, 587, 951,	4460670.....963, 971
2170316.....217	883, 889, 891	953	4460705.....769
2170410.....569	3291005 .... 91, 205, 225,	4280307 ..... 33	4460742.....235, 839
2170704.....217	227, 265, 599, 613,	4360475 .. 795, 931, 1027	4460744.....770
2170706.....613	801, 803, 929	4360657 ..... 929, 1027	4460746.....770, 773
2170712.....613	3291201 ..... 173, 237	4360658 ..... 515, 1027	4460748....770, 816, 822,
2170716.....241	3291205 ..... 69, 885	4460183 ..... 931	862, 866
2170804.....627	3291605 .... 69, 141, 143,	4460225 ..... 768, 769	4460761.....839
2170806.....309, 343	145, 195	4460234 .... 765, 959, 961	4460789.....783
2171816.....587	3311005 ..... 929	4460265 ..... 768	4460809.....839
2171832.....587	3311405 ..... 119	4460267 ..... 768, 769	4460836.....769
2172106.....613	3311502 ..... 179	4460268 .... 768, 769, 770	4460884....781, 839, 854,
2172110.....547	3311508 ..... 735, 739	4460320 ..... 769, 931	858, 861, 865, 899,
2172116.....241	3332011 ..... 365	4460321 ..... 839	903, 927, 939, 975
2172410.....569	3391410 ..... 179	4460343 ..... 768, 769	4460891....759, 772, 773,
2200223.....225, 227	3421453 ..... 119	4460424 ..... 770	781, 816, 817, 818,
2220238.....597	3422661 ..... 121	4460434 ..... 768	822, 823, 824, 839,
2220239.....25, 691	3440620 ..... 123	4460458 ... 770, 773, 816,	853, 854, 855, 857,
2220240.....25	3520028 ..... 517	822, 839, 862, 866,	858, 859, 861, 862,
2220767.....237	3520072 ..... 119	877, 947	865, 866, 903, 927,
2220811.....279	3520193 ..... 73	4460464 ... 749, 753, 763,	937, 947
2220883.....703	3520198 ..... 119	770, 772, 773, 781,	4460892.....818, 822
2220885.....659	3700015 ..... 65	783, 789, 809, 816,	4460894....769, 771, 793,
2220886.....703	3700016 ..... 65	822, 831, 833, 837,	816, 822, 855, 859,
2220887.....645	3740080 .. 227, 935, 1027	839, 855, 859, 862,	861, 865, 887, 899,
2221221.....613	3760170 ..... 119	866, 877, 899, 903,	935, 971
2400060.....963, 971	3760348 ..... 509	907, 927, 933, 935,	4460897....759, 770, 781,
24921332.....253	3790152 ..... 235	937, 943, 949, 957,	793, 809, 818, 822,
2560122.....613	3820020 ..... 119	963, 965, 971	823, 853, 854, 855,
2580040.....733	3900357 ..... 835	4460465 ... 759, 769, 771,	857, 858, 859, 871,
2600281.....119	3900379 ..... 57, 439	772, 773, 781, 793,	927, 937, 949
2720160.....573	3911010 ..... 929	815, 816, 817, 821,	4460899....783, 789, 855,
2902443.....816, 823	39844923 ..... 323	822, 823, 839, 853,	859, 861, 865, 903,
2920207.....883	3986405 ..... 283	854, 855, 857, 858,	933, 935, 971
2920208.....883	3986610 ..... 497	859, 861, 862, 863,	4460906.....769
2940074.....119, 1026	3986643 ..... 497	865, 866, 867, 899,	4460928....772, 854, 858,
3020037.....277	4000015 ..... 1027	903, 904, 907, 927,	903
31200160.....113	4010416 ..... 915, 917	935, 937, 947, 963,	4460929.....927
31200386.....115	4010510 ..... 533, 535	965, 967, 971, 975	4460930....772, 855, 859,
31200387.....117	4010608002 .... 371, 373,	4460466 ... 749, 753, 759,	861, 862, 866, 965
31200388.....117	424, 475, 477	769, 770, 771, 772,	4460931....749, 753, 772,
314689.....71, 647	4010610 ..... 755, 915	773, 781, 789, 809,	862, 866, 899, 965
3251813....984, 988, 992,	4010610002 .... 424, 447,	815, 816, 817, 818,	4460932....763, 781, 809,
996, 1000, 1004	477, 517	821, 822, 823, 824,	837, 854, 858, 861,
3290401 .... 427, 450, 459,	4010612002 .... 375, 424,	839, 853, 854, 855,	865, 877, 919, 943, 957
893, 939	427, 431, 433	857, 858, 859, 861,	4460933....769, 817, 823,
3290405 .... 381, 755, 915,	4031205 ..... 811, 813	862, 865, 866, 867,	853, 855, 857, 859,
917	4031607 25, 31, 537, 811,	877, 887, 899, 903,	862, 866, 963, 971
3290501 ..... 765, 941	813	933, 935, 939, 963,	4460941 .... 781, 783, 809,
3290505 85, 97, 227, 441,	4031608 ..... 437	965, 967, 971, 975	862, 866, 871, 887, 927
537, 797, 799, 969	4031608001 ..... 424	4460475 ..... 839	4460942....769, 781, 818,
3290507 ..... 97	4031708 ..... 911	4460496 ..... 765	824, 853, 854, 855,
	4031708001 ..... 445	4460497 ..... 765	



## SECTION 13 - SPECIAL OPTIONS/ACCESSORIES/KITS

857, 858, 859, 887, 903, 904	4811702001..... 373, 375, 424, 535	70004387..... 693	70021452..... 665
4460943 ... 749, 753, 772, 781, 793	4811900 ... 23, 27, 29, 55, 59, 61, 63, 69, 87, 89, 211, 223, 225, 227, 239, 247, 253, 255, 261, 269, 373, 379, 393, 401, 417, 419, 421, 450, 479, 483, 487, 495, 505, 509, 519, 543, 545, 551, 555, 561, 573, 575, 581, 589, 601, 613, 635, 725, 727, 741, 811, 813, 843, 847, 875, 909, 911, 929, 939	70004512..... 191, 1026	70021531..... 679, 681
4460944 ... 769, 771, 772, 815, 816, 817, 821, 822, 823, 824, 862, 866, 867, 899, 903, 967	4811902 ... 39, 41, 49, 75, 235, 243, 245, 253, 450, 459, 477, 479, 547, 799	70004595..... 697, 1026	70021606..... 315
4460945 ... 773, 818, 824, 839, 899, 971	4812000 ... 25, 29, 43, 45, 55, 59, 61, 69, 73, 75, 77, 79, 83, 91, 97, 199, 205, 211, 237, 253, 265, 517, 519, 543, 545, 583, 587, 595, 599, 605, 609, 613, 755, 761, 797, 799, 801, 803, 811, 813, 843, 883, 889, 891, 915, 925, 929	70005191..... 192	70021613..... 315
4460970 ... 816, 822, 853, 857, 862, 866, 887	4812002 ... 23, 39, 41, 49, 51, 53, 55, 77, 79, 199, 209, 225, 227	70005440..... 617	70021979..... 181
4460979 ..... 817, 823	4812100 . 27, 29, 69, 195, 237, 253, 619, 797, 799	70005490..... 191	70022007..... 701
4460984 ..... 855, 859	4812102 27, 29, 225, 227, 353, 885	70005492..... 191	70022008..... 701
4460994 ..... 770	4812300 ..... 69, 195, 277	70005495..... 1027	70022010..... 701
4461000 ..... 795	4812500 ..... 363, 365	70005504..... 191	70022014..... 701
4461006 ... 815, 817, 821, 823	4831400 ... 427, 450, 459, 893	70005505..... 191	70022019..... 701
4461008 ..... 815, 821	4831600 ..... 25, 811, 813	70005507..... 191, 192	70022034..... 485
4461015 .... 781, 854, 858	4831700 51, 53, 259, 477, 517, 843	70005510..... 191	70022140..... 297, 323
4461017 ... 749, 753, 827, 829, 861, 865	4831900 ... 243, 245, 450, 459, 509, 835	70005511..... 191	70022528..... 181
4461018 ... 817, 823, 861, 865	4871700 ..... 849, 851	70005513..... 191	70022726..... 675
4461054 ... 815, 821, 861, 862, 865, 866	4892600 ..... 291, 313	70005522..... 192	70022765 785, 787, 1026
4461070 ..... 818, 823	4921614 ..... 949	70005523..... 192	70022773..... 305, 317
4461071 ..... 817, 823	5220600 ..... 881	70005524..... 192	70022938. 131, 133, 135, 137, 151, 156, 162, 163
4461095 ..... 817, 823	5240600 ..... 911	70005544..... 192	70023179..... 497
4461115 .... 772, 773, 877	5240800 ..... 549	70005548..... 192	70023182..... 497
4461118 .... 783, 861, 865	5241000 ..... 265	70005549..... 192	70023184..... 497
4461174 .... 741, 743, 745	5241200 ..... 173	70005556..... 192	70023186..... 497
4461262 ... 763, 768, 772, 861, 865	5241400 ..... 281	70005557..... 192	70023189..... 497
4461290 .... 805, 854, 858	5242400 ..... 179, 599	70005559..... 192	70023469..... 297, 323
4641520 ..... 627, 709	5250608 ..... 415	70005730..... 191	70023489..... 325
4711000 ..... 929	5251012 ..... 189	70006144..... 191	70023490..... 299, 325
4711400 ..... 119	5271609 ..... 941	70006427..... 703	70023493..... 325
471678 ..... 409	5272012 ..... 925	70008128..... 649	70023494..... 297, 323
4740274 ..... 225, 227	643191201. 768, 853, 857	70008276..... 283	70023916..... 661
4740532 ..... 215, 219	643201301. 768, 853, 857	70020438..... 661	70024004..... 299
4740550 ..... 225, 227	70002963 693, 703, 1026	70020555... 125, 175, 177	70024035..... 651
4761400 ..... 915		70020764. 679, 681, 1026	70024059..... 181
4761700 ..... 587		70020867..... 709, 713	70024064..... 181
4807718 ..... 407		70020922..... 517	70024107..... 497, 1027
4811400 ... 141, 143, 145, 427, 450, 459, 515, 755, 915, 917, 939		70021251..... 485	70024123. 135, 137, 151, 155, 657
4811600 85, 97, 207, 227, 424, 441, 795, 797, 799, 941, 969		70021252..... 485	70024129. 655, 657, 669, 671
4811700 ... 27, 33, 43, 45, 51, 53, 57, 61, 97, 179, 197, 253, 261, 265, 371, 373, 409, 427, 445, 447, 450, 465, 475, 477, 509, 513, 517, 543, 577, 605, 725, 727, 755, 765, 801, 803, 811, 813, 835, 849, 851, 879, 881, 883, 889, 891, 897, 915, 923, 929		70021314..... 491	70024130. 131, 133, 135, 137, 151, 156, 657
4811700001 ..... 424		70021316..... 491	70024142..... 671
4811702 ... 203, 395, 477, 509, 513, 519		70021317..... 489	70024146.. 301, 327, 337
		70021318..... 489	70024147.. 301, 327, 337
		70021319..... 489, 493	70024201..... 701
		70021321..... 493	70024210..... 303, 315
		70021322..... 489	70024213..... 303
		70021323..... 493	70024215..... 303
		70021324..... 493	70024216..... 315
		70021325..... 493	70024224..... 661
		70021326..... 493	70024228..... 661
		70021327..... 493	70024229..... 661
		70021328..... 493	70024230..... 661
		70021330..... 493	70024231..... 661
		70021340... 883, 889, 891	70024234..... 661
		70021341... 883, 889, 891	70024235..... 661
		70021349.. 107, 111, 149, 181	70024236..... 661
		70021350..... 107, 111	70024237..... 661
		70021367..... 111	70024459..... 497
		70021387..... 181	70024474..... 192
		70021397..... 181	70024484..... 191
		70021415..... 181	70024487..... 191
		70021422..... 111	70024489..... 191
		70021440..... 663, 665	70024493..... 191
		70021444..... 665	70024494..... 191
		70021445..... 665	70024495..... 191
		70021446..... 665	70024504..... 191
		70021447..... 665	
		70021448..... 665	
		70021451..... 665	

## SECTION 13 - SPECIAL OPTIONS/ACCESSORIES/KITS

70024505.....192	70025884 ..... 307, 333	70026506 ..... 655	70028114.....162
70024507.....191	70025887 ..... 297, 323	70026582 709, 713, 1026	70028115.....163
70024538...137, 155, 163	70025970 ..... 303	70026614 . 133, 135, 137,	70028119.....163
70024721...151, 156, 163	70026002 ..... 301, 327	689	7002821.....1031
70024731.....162	70026011 ..... 191	70026616 ..... 135, 137	7002823.....1031
70024733.....657	70026081 ..... 231	70026631 ..... 283	70028243.....697
70024734..162, 655, 657,	70026210 ..... 192	70026745 .. 125, 175, 177	70028253.....155
669, 671	70026238 ..... 301, 327	70026746 .. 125, 175, 177	70028254.....669
70024772...151, 156, 163	70026260 .. 301, 327, 329	70026747 ..... 315	70028255.....669
70024787.....163	70026261 .. 301, 327, 331	70026748 ..... 315	70028256.....669, 671
70024847.....701	70026262 ..... 303	70026750 ..... 299	70028257.....669, 671
70024848.....303	70026263 ..... 303	70026777 ..... 701	70028258.....669, 671
70024849.....303	70026264 ..... 303	70026778 ..... 701	7002826.....1031
70024856.....497	70026265 ..... 307, 333	70026779 ..... 701	70028262.....155
70024857.....497	70026266 .. 307, 333, 335	70026781 ..... 701	70028263.....131, 133
70024858.....497	70026292 ..... 775, 1027	70026783 ..... 701	70028267 ..... 151, 156
70024859.....497	70026293 ..... 777, 1027	70026784 ..... 701	70028270.....669
70024861.....497	70026294 ..... 845, 1027	70026838 ..... 661	70028281.....687, 1026
70024881...301, 327, 335	70026295 ..... 845, 1027	70026892 ..... 283	70028282...567, 685, 687
70024918.....191	70026296 ..... 845, 1026	70026896 ..... 283	70028285.....711
70024945.....675	70026297 ..... 845, 1026	70026897 ..... 283	70028286.....701
70024946.....675	70026312 ..... 703	70026898 ..... 283	70028287 ..... 701
70024961.....191	70026314 ..... 703	70026901 ..... 283	70028288.....701
70025012.....301	70026315 ..... 703	70026904 ..... 283	70028289.....701
70025014.....301	70026353 ..... 231	70026908 ..... 283	70028295.....701
70025153.....191, 1026	70026354 ..... 231	70026909 ..... 283	70028296.....701
70025242.....192	70026359 ..... 231	70026911 ..... 283	70028297.....701
70025335.....295, 321	70026369 ..... 701	70026927 ..... 284	70028298.....701
70025337.....325	70026370 ..... 701	70027022 ..... 303, 315	70028299.....701
70025338.....325	70026372 ..... 701	70027092 ..... 303	70028300.....701
70025339.....299, 325	70026373 ..... 701	70027105 ..... 299, 325	70028306.....641
70025483.....485	70026376 ..... 701	70027109 ..... 283	70028307.....641
70025485.....485	70026379 ..... 701	70027110 ..... 283	70028308.....641
70025486.....485, 1027	70026383 ..... 701	70027134 ..... 701	70028309.....641, 651
70025489.....485	70026395 ..... 201	70027180 . 165, 167, 169,	70028310.....641, 651
70025490.....485	70026396 ..... 201	171	70028311.....641
70025491.....485	70026434 ..... 511	70027317 ..... 303, 315	70028312.....641
70025535.....192	70026469 .. 135, 137, 655	70027392 ..... 489, 491	70028313.....641
70025539.....491, 1027	70026470 ..... 135, 137	70027393 ..... 491	70028314.....651
70025561.....301, 327	70026471 .. 135, 137, 155	70027394 ..... 491	70028315.....651
70025562.....301, 327	70026472 .. 135, 137, 155	70027395 ..... 489	70028316.....651
70025590.....641	70026473 .. 135, 137, 155	70027405 ..... 191	70028317.....651
70025614.....641, 651	70026474 ..... 135, 137	70027417 ..... 191	70028318.....651
70025707.....192	70026475 ..... 135, 137	70027420 ..... 191	70028319.....651
70025722.....191	70026476 .. 135, 137, 155	70027426 ..... 191, 1026	70028320.....651
70025737.....191	70026477 . 133, 135, 137,	70027567 ..... 191	70028321.....651
70025743.....191	689	70027595 ..... 677	70028322.....651
70025755.....191	70026478 ..... 135, 137	70027596 ..... 681	70028323.....651
70025757.....191	70026479 . 131, 133, 135,	70027598 ..... 675	70028324.....651
70025760.....192	137	70027601 ..... 673	70028326.....497, 1027
70025761.....192	70026480 . 131, 133, 135,	70027657 ..... 191	70028327.....213
70025763.....191	137	70027773 ..... 107	70028328.....213
70025765.....191	70026481 . 131, 133, 135,	70027796 ..... 303	70028329.....213
70025768.....191	137, 151, 155, 163	70027801 ..... 661	70028330.....213
70025772.....191	70026482 . 131, 133, 135,	70027862 ..... 283	70028331.....213
70025775.....191	137, 151, 155, 163	70027879 ..... 147	70028332.....213
70025780.....192, 1027	70026483 ..... 131, 133	70027880 ..... 147	70028333.....213
70025786.....191	70026496 ..... 655	70027881 ..... 147	70028334.....213
70025816.....507	70026497 ..... 655	70027882 ..... 147	70028335.....213
70025817.....507	70026498 ..... 655	70027887 ..... 147	70028336.....213
70025850.....201, 1026	70026499 ..... 655	70027888 ..... 147	70028337.....213
70025851.....201, 1026	70026500 ..... 655	70027889 ..... 147	70028338.....213
70025854.....701	70026501 ..... 155, 655	70027890 ..... 147	70028339.....213
70025856.....299	70026502 .. 655, 669, 671	70027896 ..... 147	70028340.....213
70025859.....511	70026503 ..... 162, 655	70027899 ..... 147	70028341.....213
70025860.....511	70026504 ..... 151, 655	70027986 ..... 305, 317	70028342.....213
70025877.....192	70026505 ..... 655	70027989 ..... 149	70028343.....213

## SECTION 13 - SPECIAL OPTIONS/ACCESSORIES/KITS

70028344	213	70028497	111	70028602	149	70028678	156
70028345	213	70028498	111	70028603	149, 665	70028679	156
70028346	213	70028499	111	70028604	149	70028680	156
70028347	213	70028500	111	70028605	149	70028681	156, 163
70028348	213	70028501	111	70028606	149	70028682	156
70028349	213	70028502	697	70028607	149	70028683	156
70028350	213	70028503	697	70028609	663	70028684	156
70028351	213	70028504	697	70028610	663	70028685	156
70028352	213	70028505	147	70028611	663	70028686	156
70028353	213	70028506	147	70028612	665	70028687	151, 156, 163
70028354	213	70028507	147	70028613	665	70028688	151, 156, 163
70028355	213	70028508	147	70028614	665	70028689	151, 156, 163
70028357	213	70028509	147	70028615	107	70028690	156
70028358	213	70028510	147	70028616	107	70028691	669, 671
70028359	213	70028511	147	70028617	107	70028692	671
70028360	213	70028512	147	70028618	107	70028693	671
70028361	695	70028513	147	70028619	107	70028694	671
70028364	661	70028514	705	70028620	107	70028695	156
70028367	661	70028515	705	70028621	107	70028696	156
70028368	661	70028516	705	70028622	107	70028697	135, 152, 156
70028381	511	70028517	705	70028623	107	70028701	151
70028382	511	70028525	149	70028624	107	70028702	151
70028383	511, 1027	70028526	149	70028625	107	70028703	151
70028384	645	70028546	783	70028626	107	70028704	151, 657
70028387	301, 327	70028548	231	70028627	107	70028705	151
70028388	295, 301, 321, 327	70028549	231	70028628	107	70028706	151
70028389	295, 301, 321, 327	70028550	231	70028629	107	70028707	151
70028390	297, 299	70028554	107, 125, 149, 181	70028630	107	70028708	151
70028391	297	70028563	131, 133	70028631	107	70028709	151
70028392	301, 327	70028564	131, 133	70028632	107	70028710	151
70028393	305, 317	70028565	131, 133	70028633	107	70028711	151
70028394	305, 317	70028566	131, 133	70028634	108	70028712	151
70028396	301, 327	70028567	131, 133	70028635	107	70028713	151
70028397	327	70028568	131, 133	70028636	107	70028714	151
70028398	323, 325	70028569	131, 133	70028637	107	70028715	151
70028399	323	70028570	131, 133	70028638	107	70028716	151
70028400	327	70028571	131, 133	70028648	155	70028717	151
70028401	297, 323	70028572	131, 133, 653	70028649	155	70028718	151
70028405	155	70028573	131, 133, 689	70028650	155	70028719	151
70028406	155	70028574	131, 133	70028651	155	70028720	151
70028410	675	70028575	133	70028652	155, 669	70028721	151
70028411	675	70028576	133	70028653	155, 671	70028722	151
70028412	677	70028577	133	70028654	155	70028723	151
70028413	677	70028578	133	70028655	155	70028724	151
70028414	697	70028579	133	70028656	155	70028725	151
70028415	697	70028580	133	70028657	155	70028726	151
70028416	697	70028581	653	70028658	155	70028727	151
70028417	191	70028582	653	70028659	155	70028728	657
70028418	191	70028583	653	70028660	155	70028729	657
70028419	191	70028584	653	70028661	155	70028730	657
70028420	673	70028585	653	70028662	155	70028731	657
70028421	699	70028586	653	70028663	155	70028732	657
70028422	661, 683	70028587	653	70028664	155	70028733	657
70028485	107, 111, 149	70028588	653, 657	70028665	155	70028734	137, 152
70028486	111, 149	70028589	133, 689	70028666	155	70028738	137
70028487	111	70028591	149	70028667	155	70028739	137
70028488	111, 149	70028592	149	70028668	155	70028740	137
70028489	107, 111	70028593	149	70028669	155	70028741	137
70028490	107, 111	70028594	149	70028670	155	70028742	137
70028491	111	70028595	149	70028671	155	70028743	137
70028492	111	70028596	149	70028672	135, 137, 151, 155, 163	70028744	131
70028493	111	70028597	149	70028673	155	70028745	131
70028494	111	70028598	149	70028674	155	70028746	131
70028495	107, 111, 149	70028599	149, 663	70028675	155	70028747	131
70028496	107, 111, 149	70028600	149	70028676	155	70028748	131
		70028601	149	70028677	155	70028749	135
						70028750	135

## SECTION 13 - SPECIAL OPTIONS/ACCESSORIES/KITS

70028751.....	135	70029871.....	701	7026731.....	341	80204108.....	303
70028752.....	135	70029872.....	701	7028621.....	497	80204117... 303, 315, 335	
70028753.....	135	70029873.....	701	7028714.....	301, 327	80204143.....	305, 317
70028767.....	155	70029874.....	701	7028715.....	301, 327	80204144.....	305, 317
70028768.....	155	70029941.....	651	7028716.....	301, 327	80204176.....	283
70028770.....	669	70030102.....	617	7028733.....	301, 327	80204215.....	283
70028771.....	671	70030103.....	617	7029127.....	305, 317	80204281.....	303, 315
70028785.....	163	70030104.....	617	7029288.....	295, 321	80214120.....	301, 327
70028786.....	162	70030105.....	162	7029290.....	335	80233218.....	509
70028787.....	162	70030106.....	162	7029307.....	305, 317	80264002.....	491
70028789.....	163	70030107.....	163	7029317.....	301	80264004.....	491
70028791.....	163	70030353.....	249, 807	7029486 ..	445, 447, 1015	80333151.....	509
70028792.....	163	70030355.....	249, 807	7029520.....	177	80333184.....	613
70028794.....	163	70030356.....	249, 807	7029702.....	149	8034697.....	701
70028795.....	163	70030388.....	667	7029703.....	149	80363195.....	393
70028796.....	163	70030389.....	667	7029704.....	149	80604017.....	793
70028801.....	284	70030391.....	667	7029709.....	107	80604021.....	975
70028817.....	283	70030392.....	667	7029711 ...	107, 111, 149,	806253.....	63
70028818.....	283	70030393.....	667		181	806264.....	63
70028819.....	283	70030394.....	667	7029712.....	107	80963055.....	818, 823
70028820.....	283	70030403.....	667	7029733.....	327, 341	80963056.....	817, 823
70028821.....	283	70030404.....	667	7029734.....	303, 315	80963067.....	816, 823
70028822.....	283	70031088.....	191	7029735.....	303, 315	80983191..	775, 777, 779,
70028823.....	283	70031293.....	659	7029743.....	301		1026
70028824.....	283	70031294.....	659	7029767.....	485	82033995.....	223, 263
70028825.....	283	70031295.....	659	7029785.....	315	8220035.....	837
70028826.....	283	70031296.....	659	7029787.....	303	8220043.....	827, 829
70028827.....	283	70031297.....	659	7029969.....	883	8220045.....	809
70028828.....	283	70031298.....	645	7029970.....	883	8220050.....	869
70028829.....	283	70031299.....	645	7029971 ...	883, 889, 891	8220051....	770, 771, 853,
70028830.....	283	70031300.....	645	7169541.....	227		857
70028831.....	283	70031301.....	645	7300435.....	195	8220097.....	816, 822
70028832.....	283	70031302.....	645	77133136.....	545, 547	8220098.....	816, 822
70028833.....	283	70031303.....	645	77133137.....	545, 547	8220108.....	805, 837
70028834.....	283	70031304.....	645	77133497.....	547	8220116.....	855, 859
70028835.....	283	70031305.....	645	77213042.....	253	8220124.....	815, 821
70028836.....	283	70031306.....	645	8000565.....	885	8220375.....	770
70028837.....	283	70031307.....	645	8000759.....	391	8229234... 840, 935, 1026	
70028838.....	283	70031308.....	645	8000803.....	373	8229235.....	839, 1026
70028839.....	283	70031309.....	645	8002200.....	73, 75	8229242....	775, 777, 963,
70028840.....	283	70031310.....	645	8004398.....	391		971, 1026
70028841.....	284	70031311.....	649	8005671 .	992, 996, 1000,	8229244... 779, 845, 1026	
70028842.....	284	70031312.....	649		1004	8229245... 775, 845, 1026	
70028843.....	284	70031313.....	649	8005675 .	992, 996, 1000,	8229247... 777, 845, 1026	
70028844.....	284	70031314.....	649		1004	8229261.....	839, 1026
70028845.....	284	70031315.....	649	8005870.....	405	8275212.....	253
70028846.....	284	70031316.....	649	8005901.....	447	8278020.....	225, 227
70028847.....	284	70031317.....	649	8006258.....	635	8305919....	203, 251, 395,
70028848.....	284	70031318.....	649	8008175.....	305, 317		424, 477
70028860.....	181	70031319.....	649	8008640.....	73, 75	8307219.....	251
70028861.....	181	70031320.....	649	8008657 .	992, 996, 1000,	8310382.....	121
70028862.....	181	70031321.....	649		1004	8310559.....	385
70028863.....	181	70031322.....	649	80203020.....	283	8310686.....	625, 629
70028864.....	181	70031323.....	649	80203021.....	283	8342813.....	37
70028865.....	181	70031324.....	649	80204002.....	295, 321	8405006....	237, 573, 613
70028866.....	181	7004275.....	1031	80204005 ..	295, 321, 339	8405007....	237, 581, 587,
70028867.....	181	7004276.....	1031	80204007.....	283		593
70028902.....	703	70050473.....	701	80204012.....	327	8405009....	237, 255, 509
70028903.....	703	70050475.....	701	80204016.....	283	8405101.....	237
70028904.....	703	7010543.....	693	80204033.....	297, 323	8405102.....	241
70028905.....	703	70124445.....	191	80204035.....	297, 323	8405104.....	237
70029016.....	661	70126616.....	191	80204043.....	297, 323	8405201....	237, 424, 435
70029017.....	661	7016331.....	191, 1026	80204048.....	297, 323	8405402.....	197
70029018.....	661	7020208.....	191	80204060.....	303	8406105.....	195
70029019.....	661	7020442.....	191	80204065.....	301, 327	8406112.....	269
70029868.....	701	7022390.....	687	80204071.....	301, 327	8406201.....	573, 613
70029870.....	701	7024947.....	677	80204076.....	301, 327	8406202.....	551, 555

## SECTION 13 - SPECIAL OPTIONS/ACCESSORIES/KITS

8410009 .... 263, 450, 459	8786549 ... 345, 347, 349, 351	9106-3040.....593	91514130 ..... 297, 323
8410013 .... 223, 573, 587	88662434 ..... 573, 593	91083106.....587	91514133 ..... 297, 323
8420053 ... 107, 111, 131, 133, 135, 137, 147, 149, 151, 156, 163, 181	8880219-OM..... 287	91163268.....253	91514134 ..... 297, 323
8420055 ... 107, 111, 131, 133, 135, 137, 147, 149, 151, 156, 163, 181	8896941 ..... 1031	91403193.....275	91514143 ..... 299
8424233 ..... 587	90206196 ..... 55	91403413.....181	91514146 ..... 283, 339
8430032 ..... 573	90206198 ..... 573	91403414.....181	91514147 ..... 339
8430033 ..... 621	90206202 ..... 17	91403448.....123	91514148 ..... 339
8430034 ..... 591, 615	90554016 ..... 175	91403530.....89	91514149.. 301, 327, 339
8430081 ..... 573	90554017 ..... 149	91474364 .....283	91514151 ..... 303
8466306 ..... 403, 1000	90554020 ..... 149, 181	91474512.....295, 321	91514154.. 283, 303, 315
8584003 ..... 973	90554042 . 107, 111, 149, 181	91504107.....793	91514159 ..... 303, 315
85941018 ..... 573, 799	90554045 . 107, 111, 149, 181, 663, 665	91513266.....353	91514174 ..... 301, 327
8769123 ..... 555, 559	90554054 ..... 181	91514081.....301, 327	91514175 .. 301, 327, 337
8769126 ..... 555, 559	90554065 ..... 107	91514082.....301, 327	91514177 .. 301, 327, 337
8769146 ..... 547	90554066 ..... 107	91514083.....301	91514178 ..... 301, 327
8769152 ..... 547	90554067 ..... 107, 149	91514084.....301	91514179 ..... 301, 327
8769199 ..... 547	91013191 ..... 862, 866	91514089..295, 301, 303, 321	91514180 ..... 301, 327
8770030 ..... 611	91013192 . 854, 855, 858, 859	91514090.....335	91514181 ..... 301, 327
8770075 ..... 549	91043125 . 549, 553, 557, 561	91514095.....301, 327	91514184 ..... 301, 341
8770104 ..... 611	91043126 . 549, 553, 557, 561	91514098.....295, 321	91514185 ..... 301, 341
8770215 ..... 623	9106-3039 ..... 593	91514101.....295, 321	91514186 ..... 301, 341
8770286 ..... 611		91514111 ..... 329, 331	91514189 ..... 301, 327
		91514112.....301, 327	943191201 ..... 768
		91514117.....301, 327	AU2105 .... 984, 988, 992, 996, 1000, 1004
		91514118.....353	N.S.S..141, 143, 145, 693
		91514123.....297	



**Corporate Office  
JLG Industries, Inc.  
1 JLG Drive  
McConnellsburg, PA 17233-9533 USA  
☎ (717) 485-5161 (Corporate)  
☎ (877) 554-5438 (Customer Support)  
📠 (717) 485-6417**

**Visit our website for JLG Worldwide Locations.  
[www.jlg.com](http://www.jlg.com)**



**OSHKOSH™**