



Illustrated Parts Manual

925

PVC 2111

31211771

July 15, 2024 - Rev E

English (en-US)

EFFECTIVITY PAGE

November 1, 2021 - A - Original Issue of Manual (Edited to B/M 1001260925 Revision M)

March 31, 2022 - B - Revised Manual (Edited to B/M 1001260925 Revision M)

June 1, 2022 - C - Revised Manual (Edited to B/M 1001260925 Revision M)

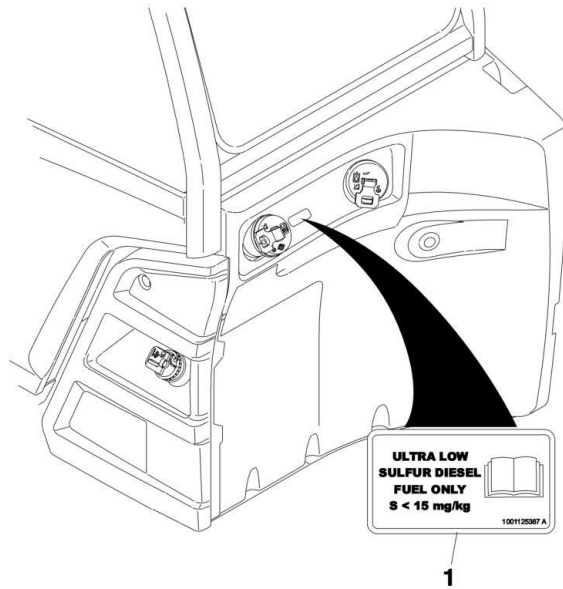
April 2, 2023 - D - Revised Manual (Edited to B/M 1001260925 Revision M)

July 15, 2024 - E - Revised Manual (Edited to B/M 1001260925 Revision M)

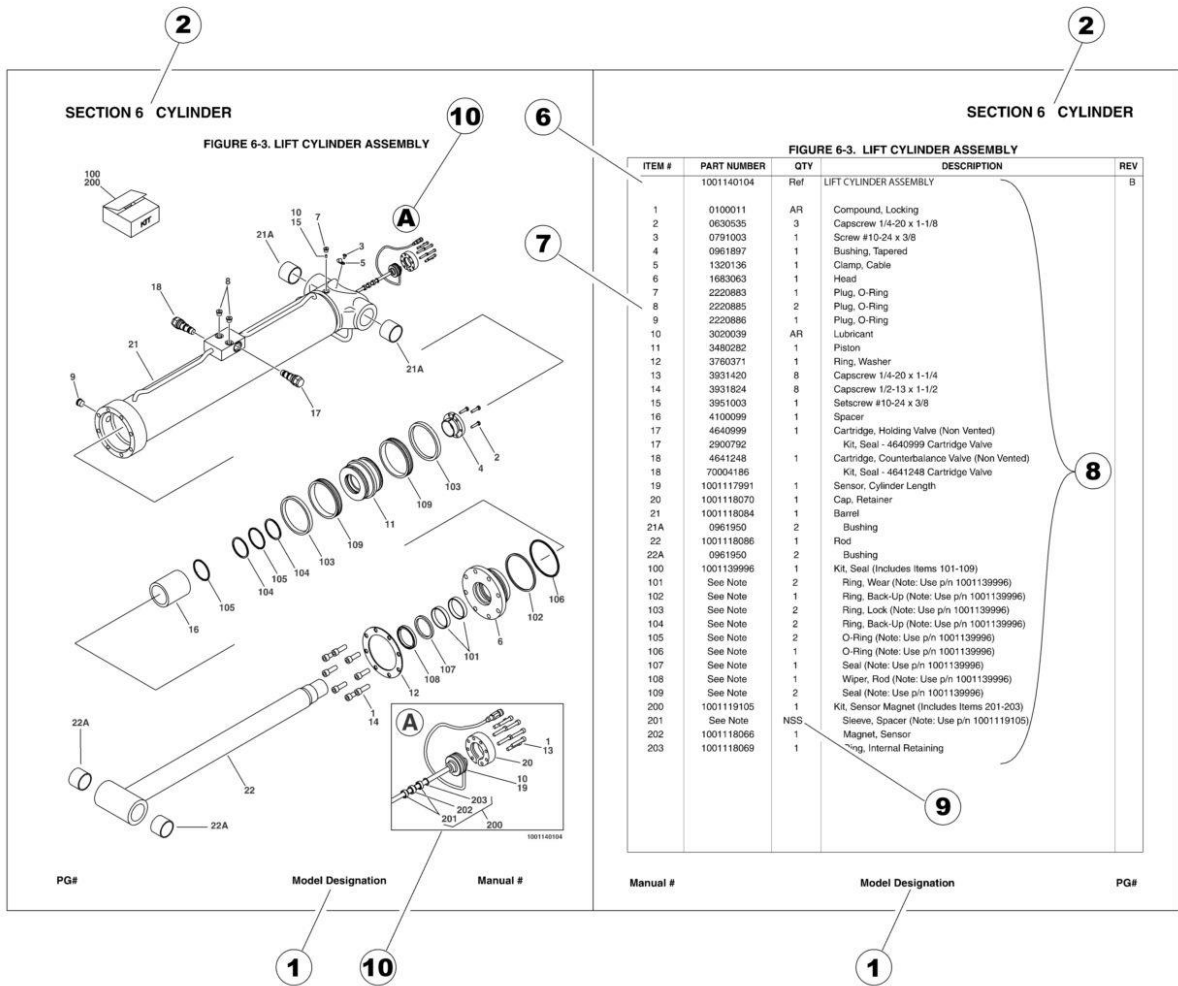
Machine Configuration

Two configurations of each machine are included in this manual. Determine if machine is equipped with Ultra Sulfur Fuel Decal (1) as indicated below.

- If equipped with the Ultra Low Sulfur decal, all specific references to this machine configuration will be referred to as Ultra Low Sulfur (ULS) from this point forward.
- If not equipped with the Ultra Low Sulfur decal, all specific references to this machine configuration will be referred to as Low Sulfur (LS) from this point forward.



GENERAL INFORMATION



1) MACHINE IDENTIFICATION

Machines are identified by model and in some cases a combination of models, serial number (SN) or regional standard (i.e ANSI, CE, CSA). Components may also be identified by SN or manufacturer. Common components that may be identified by these characteristics are engines and hydraulic components.

2) PARTS MANUAL ORGANIZATION

Product information in this manual is organized under section titles. Frame, Cylinder, Hydraulic and Electrical are a few examples. Each section is organized by figure and page number. The information within the Figure is then organized by item number, part number, description and corresponding illustration (s).

3) TABLE OF CONTENTS (NOT SHOWN)

A table of contents is found toward the beginning of the manual. Figure number, description and page number are provided for quick reference to the page containing the related information.

4) RECOMMENDED SPARE PARTS (NOT SHOWN)

The Recommended Spare Parts List, located near the end of the manual, reference most frequently used maintenance parts.

5) PART NUMBER INDEX (NOT SHOWN)

A numerical index listing all part numbers and the corresponding page number(s) appears at the back of the manual.

GENERAL INFORMATION

6) NON-SERVICED PARTS

In some instances, it is necessary to display non-serviced parts, assemblies or installations. In the case of assemblies and installations there will be a Ref in the Qty. column. In case of parts that are not available for service within assemblies or components, there will be a NSS (Not Sold Separately) or NLA (No Longer Available) listed in the Qty. column of the manual.

7) PARTS LIST ITEM NUMBERS

Numbers shown in the item# column correspond to numbers used in the associated illustration (s). Item numbers which are missing from the sequence in the parts list are not used on that page.

8) INDENTED PARTS DESCRIPTION

An indented part description is included in the item under which it is indented.

9) ABBREVIATION AND SYMBOLS

AC.....	Alternating Current	L.....	Liter
ADE.....	Advanced Design Electronics	LB(LBS).....	Pounds
AG.....	Agricultural	LCD.....	Liquid Crystal Display
ANSI.....	American National Standards Institute	LED.....	Light Emitting Diodes
AR.....	As Required	LH.....	Left Hand
ASSY.....	Assembly	LRC.....	Low Rated Countries
AUS.....	Australia	LSS.....	Load Sensing System
AUX.....	Auxiliary	M(m).....	Metric/Meter
AWG.....	American Wire Gauge	MM(mm).....	Milimeter
B/M.....	Bill of Material	mA.....	Miliamps
CAC.....	Charge Air Cooler	NLA.....	No Longer Available
CE.....	European Conformity	NPT.....	National Pipe Threads
CCW.....	Counter Clockwise	NSS.....	Not Sold Separately
CM.....	Centimeter	OD.....	Outside Diameter
CW.....	Clockwise	ORB.....	O-Ring Boss
CSA.....	Canadian Standards Association	ORFS.....	O-Ring Face Seal
CYL.....	Cylinder	OZ (oz).....	Ounces
DIA.....	Diameter	PG.....	Page
DC.....	Direct Current	PN.....	Part Number
DEF.....	Diesel Exhaust Fluid	QT(qt.).....	Quarts
EMS.....	Emergency Stop	QTY.....	Quantity
ENG.....	Engine	REF.....	Reference
FT(ft).....	Feet	REV.....	Revision Level
GA(Ga).....	Gauge	RH.....	Right Hand
HRC.....	High Rated Countries	SAE.....	Society of Automotive Engineers
HVAC.....	Heating, Ventilating, and Air Conditioning	SN.....	Serial Number
HYD.....	Hydraulic	SPEC(S).....	Specifications
Hz.....	Hertz	T/T.....	Turntable
ID.....	Inside Diameter	UGM.....	Universal Ground Module
IN.....	inches	V.....	Volts
ISO.....	International Organization for Standards	W.....	Watts
JIC.....	Joint Industry Council	#.....	Number
KG.....	Kilogram		

10) ILLUSTRATION REFERENCE LETTERS

When necessary, illustrations may contain reference letters that are intended to track information (i. e. hoses, harnesses) from one point to another or to track visual enlargement of components to show details that may be located in another area on the illustration.

Note: Due to continuous product improvements, JLG Industries, Inc. reserves the right to make specification changes without prior notification. Contact JLG Industries, Inc. for updated information.

TABLE OF CONTENTS

SECTION 1 - FRAME AND ATTACHING PARTS.....	17
FIGURE 1-1. FRAME INSTALLATION.....	18
FIGURE 1-2. ENGINE ENCLOSURE INSTALLATION (NO RHOC).....	20
FIGURE 1-3. ENGINE ENCLOSURE COVER INSTALLATION.....	22
FIGURE 1-4. HOOD INSTALLATION (NO RHOC).....	24
FIGURE 1-5. HOOD IONSTALLATION (W/RHOC).....	26
FIGURE 1-6. COVER PLATES INSTALLATION (NO OUTRIGGERS - ULS).....	28
FIGURE 1-7. COVER PLATE INSTALLATION (NO TRAILER BRAKES).....	30
FIGURE 1-8. COVER PLATE INSTALLATION (TRAILER BRAKES).....	32
FIGURE 1-9. COVER PLATE INSTALLATION (NO REAR AUX).....	34
FIGURE 1-10. COVER PLATE INSTALLATION (REAR AUX).....	36
FIGURE 1-11. COVER PLATE INSTALLATION (HYDRAULIC HITCH AND REAR AUX).....	38
FIGURE 1-12. REAR COVER PLATE INSTALLATION (NO HYDRAULIC HITCH).....	40
FIGURE 1-13. TANKS INSTALLATION.....	42
FIGURE 1-14. FUEL TANK INSTALLATION.....	44
FIGURE 1-15. FUEL TANK ASSEMBLY.....	46
FIGURE 1-16. HYDRAULIC TANK INSTALLATION.....	48
FIGURE 1-17. HYDRAULIC TANK ASSEMBLY.....	50
FIGURE 1-18. FUEL AND HYDRAULIC CAP INSTALLATION.....	52
FIGURE 1-19. HITCH RETRIEVAL INSTALLATION.....	54
FIGURE 1-20. HITCH INSTALLATION (EEC AUTO).....	56
FIGURE 1-21. HITCH INSTALLATION (PITON).....	58
FIGURE 1-22. HITCH ASSEMBLY (EEC AUTO).....	60
FIGURE 1-23. SLIDING HITCH ASSEMBLY (PITON).....	62
FIGURE 1-24. HITCH INSTALLATION (EEC MANUAL).....	64
FIGURE 1-25. HITCH ASSEMBLY (EEC MANUAL).....	66
FIGURE 1-26. HITCH INSTALLATION (FIXED).....	68
FIGURE 1-27. HITCH ASSEMBLY (FIXED).....	70
FIGURE 1-28. HITCH INSTALLATION (HYDRAULIC).....	72
FIGURE 1-29. CAB PLUG INSTALLATION (NON HYDRAULIC HITCH).....	74
FIGURE 1-30. MIRROR INSTALLATION.....	76
FIGURE 1-31. REAR MIRROR INSTALLATION (FLAT).....	78
FIGURE 1-32. REAR MIRROR INSTALLATION (CONVEX).....	80
FIGURE 1-33. MIRROR ASSEMBLY (CONVEX).....	82
FIGURE 1-34. TOOLBOX INSTALLATION.....	84
SECTION 2 - BOOM.....	87
FIGURE 2-1. BOOM ASSEMBLY.....	88
FIGURE 2-2. FIRST BOOM SECTION.....	90
FIGURE 2-3. SECOND BOOM SECTION ASSEMBLY.....	92
FIGURE 2-4. LINK ASSEMBLY.....	94
FIGURE 2-5. LEVER ASSEMBLY.....	96
FIGURE 2-6. RETRACT SENSOR INSTALLATION.....	98
FIGURE 2-7. BOOM PINNING INSTALLATION.....	100
FIGURE 2-8. LIFT CYLINDER PINNING INSTALLATION.....	102

TABLE OF CONTENTS

FIGURE 2-9. COMPENSATION CYLINDER PINNING INSTALLATION	104
FIGURE 2-10. BOOM PIVOT INSTALLATION	106
FIGURE 2-11. BOOM BRUSHES INSTALLATION	108
FIGURE 2-12. BOOM PROP INSTALLATION	110
FIGURE 2-13. HYDRAULIC QUICK COUPLER INSTALLATION	112
FIGURE 2-14. MANUAL QUICK COUPLER INSTALLATION	114
SECTION 3 - ATTACHMENTS	117
FIGURE 3-1. AUGER COUPLING	118
FIGURE 3-2. AUGER BIT (6INX4IN)	120
FIGURE 3-3. AUGER BIT (9INX4IN)	122
FIGURE 3-4. AUGER BIT (12INX4IN)	124
FIGURE 3-5. AUGER BIT (15INX4IN)	126
FIGURE 3-6. AUGER BIT (18INX4IN)	128
FIGURE 3-7. AUGER BIT (24INX4IN)	130
FIGURE 3-8. AUGER BIT (36INX4IN)	132
FIGURE 3-9. BALE HANDLER (TUBE CLAMP)	134
FIGURE 3-10. BALE HANDLER KIT (TUBE CLAMP)	136
FIGURE 3-11. BALE HANDLER (SPIKE CLAMP)	138
FIGURE 3-12. BALE HANDLER KIT (SPIKE CLAMP)	140
FIGURE 3-13. BASKET PERSONNEL (1.2MX2.4M) (DOMESTIC)	142
FIGURE 3-14. BASKET PERSONNEL (1.2MX2.4M) (FRENCH LANGUAGE)	144
FIGURE 3-15. BASKET PERSONNEL (FORK MOUNTED)	146
FIGURE 3-16. BUCKET (CONCRETE)	148
FIGURE 3-17. BUCKET (DIRT)	152
FIGURE 3-18. BUCKET (GRAPPLE MULTI-PURPOSE)	154
FIGURE 3-19. BUCKET (MANURE GRAPPLE)	156
FIGURE 3-20. BUCKET(0.6 M³) (MULTI-PURPOSE 4 IN 1)	158
FIGURE 3-21. BUCKET(1 M³) (GENERAL PURPOSE)	160
FIGURE 3-22. BUCKET(1 M³) (MULTI-PURPOSE 4 IN 1)	162
FIGURE 3-23. BUCKET (1.5 M³) (GENERAL PURPOSE)	164
FIGURE 3-24. BUCKET (2 M³) (GENERAL PURPOSE)	166
FIGURE 3-25. BUCKET (2.5 M³) (GENERAL PURPOSE)	168
FIGURE 3-26. BUCKET (3 M³) (GENERAL PURPOSE)	170
FIGURE 3-27. BUCKET FRONT GUARD	172
FIGURE 3-28. BUCKET TEETH KIT	174
FIGURE 3-29. CARRIAGE ASSEMBLY (1225MM)	176
FIGURE 3-30. CARRIAGE ASSEMBLY (1524MM)	178
FIGURE 3-31. CARRIAGE ASSEMBLY (1524MM)	180
FIGURE 3-32. CARRIAGE ASSEMBLY (1829MM)	182
FIGURE 3-33. CARRIAGE ASSEMBLY (1829MM)	184
FIGURE 3-34. CARRIAGE ASSEMBLY - SIDE TILTING (4.5 TON - 1225 MM)	186
FIGURE 3-35. CARRIAGE ASSEMBLY - SIDE TILTING (4.0 TON - 1575 MM)	188
FIGURE 3-36. CARRIAGE ASSEMBLY - SID TILTING (4.0 TON - 1829 MM)	190
FIGURE 3-37. CARRIAGE ASSEMBLY - SIDE SHIFT (4.0 TON - 1225 MM)	192
FIGURE 3-38. CARRIAGE ASSEMBLY - FORK POSITIONING (4.0 TON)	194

TABLE OF CONTENTS

FIGURE 3-39. CARRIAGE ASSEMBLY - FEM CARRIAGE AND FORKS.....	196
FIGURE 3-40. FORK - LUMBER (45X150X1540).....	198
FIGURE 3-41. FORK - LUMBER (50X150X1830).....	200
FIGURE 3-42. FORK - PALLET (50X100X1200)	202
FIGURE 3-43. FORK - PALLET (50X100X1200) (CE & AUS WITH SIDE SHIFT CARRIAGE) (4.0 TON - 1225MM).....	204
FIGURE 3-44. FORK - PALLET (50X120X1200)	206
FIGURE 3-45. FORK - PALLET (60X125X1220)	208
FIGURE 3-46. FORK - MUCK WITH GRAB	210
FIGURE 3-47. FORK - DUAL TINE BAILING WITH CARRIAGE	212
FIGURE 3-48. FORK _ EXTENSIONS (62X163X2286) (ANSI)	214
FIGURE 3-49. HOOK_CRANE (FORK MOUNTED).....	216
FIGURE 3-50. TRASH HOPPER INSTALLATION	218
FIGURE 3-51. TRUSS BOOM (0.9 TON - 12 FT WITH WINCH)	220
FIGURE 3-52. TRUSS BOOM (1 TON - 3.4M).....	222
FIGURE 3-53. TRUSS BOOM (1.8 TON - 3 FT WITH WINCH)	224
FIGURE 3-54. TRUSS BOOM (4 TON - 2.1M).....	226
SECTION 4 - ENGINE AND ATTACHING PARTS	229
FIGURE 4-1. ENGINE INSTALLATION (90KW - ULS - PISTON PUMP).....	230
FIGURE 4-2. ENGINE INSTALLATION (100KW - ULS - PISTON PUMP).....	232
FIGURE 4-3. ENGINE MOUNTING INSTALLATION (90KW/100KW).....	234
FIGURE 4-4. 3.6L ENGINE (90KW - ULS - PISTON PUMP)	236
FIGURE 4-5. 3.6L ENGINE (100KW - ULS - PISTON PUMP)	238
FIGURE 4-6. ENGINE ECU INSTALLATION (ULS).....	240
FIGURE 4-7. BRACKET GUARD INSTALLATION.....	242
FIGURE 4-8. FUEL LINES INSTALLATION (ULS - RHOC)	244
FIGURE 4-9. EXHAUST INSTALLATION (ULS)	246
FIGURE 4-10. COOLING PACKAGE INSTALLATION (90KW - ULS).....	248
FIGURE 4-11. COOLING FAN INSTALLATION	250
FIGURE 4-12. FAN LINES INSTALLATION (90KW)	252
FIGURE 4-13. FAN DRIVE MOTOR (NO RHOC)	254
FIGURE 4-14. FUEL FILTER INSTALLATION (90/100KW - ULS).....	256
FIGURE 4-15. AIR CLEANER INSTALLATION (90/100KW).....	258
FIGURE 4-16. AIR CLEANER ASSEMBLY (90/100KW).....	260
FIGURE 4-17. PRE-AIR CLEANER ACCESSORY	262
FIGURE 4-18. AIR INTAKE RAIN CAP ACCESSORY	264
FIGURE 4-19. AIR INTAKE LINES INSTALLATION (90/100KW - ULS)	266
FIGURE 4-20. COOLER INSTALLATION (90KW)	268
FIGURE 4-21. RADIATOR COOLING PACKAGE (90KW).....	270
FIGURE 4-22. REMOTE HOC INSTALLATION	272
FIGURE 4-23. FAN DRIVE MOTOR (RHOC).....	274
FIGURE 4-24. COOLANT LINES INSTALLATION (ULS).....	276
FIGURE 4-25. COOLER LINES INSTALLATION (90KW)	278
FIGURE 4-26. CAC LINES INSTALLATION (ULS)	280
FIGURE 4-27. SURGE TANK INSTALLATION	282
FIGURE 4-28. TANK EXPANSION.....	284

TABLE OF CONTENTS

FIGURE 4-29. BULKHEAD INSTALLATION	286
FIGURE 4-30. DEF CONTROL MODULE INSTALLATION (ULS)	288
FIGURE 4-31. DEF TANK INSTALLATION (ULS)	290
FIGURE 4-32. DEF TANK ASSEMBLY (ULS)	292
FIGURE 4-33. DEF LINES INSTALLATION (ULS)	294
FIGURE 4-34. REMOTE FUEL PUMP INSTALLATION (74.4KW)	296
FIGURE 4-35. HYDRAULIC PUMP INSTALLATION (90KW)	298
FIGURE 4-36. HEATER LINES INSTALLATION (ULS)	300
FIGURE 4-37. HEATER LINES WITH BLOCK HEATER INSTALLATION (ULS)	302
FIGURE 4-38. BLOCK HEATER INSTALLATION (120V - LS)	304
FIGURE 4-39. BLOCK HEATER (LS)	306
FIGURE 4-40. A/C PUMP INSTALLATION	308
FIGURE 4-41. A/C LINES INSTALLATION	310
SECTION 5 - DRIVE TRAIN	313
FIGURE 5-1. DRIVETRAIN INSTALLATION	314
FIGURE 5-2. FRONT AXLE INSTALLATION	316
FIGURE 5-3. FRONT AXLE ASSEMBLY	318
FIGURE 5-4. REAR AXLE INSTALLATION	328
FIGURE 5-5. REAR AXLE ASSEMBLY	330
FIGURE 5-6. DRIVE SHAFTS INSTALLATION	340
FIGURE 5-7. REMOTE GREASE SYSTEM INSTALLATION	342
FIGURE 5-8. AXLE SHIM INSTALLATION	344
FIGURE 5-9. TRANSMISSION INSTALLATION (6 SPD - 90KW)	346
FIGURE 5-10. TRANSMISSION INSTALLATION (6 SPD - 97KW)	348
FIGURE 5-11. TRANSMISSION (6 SPD - 90KW)	350
FIGURE 5-12. TRANSMISSION (6 SPD - HHP - 97KW)	352
FIGURE 5-13. PLANETARY CASE AND PARTS GROUP	354
FIGURE 5-14. TORQUE CONVERTER GROUP	356
FIGURE 5-15. TORQUE CONVERTER GROUP	358
FIGURE 5-16. TRANSFER GEAR AND CASE GROUP	360
FIGURE 5-17. TRANSMISSION HYDRAULIC CONTROL GROUP	362
FIGURE 5-18. INPUT SHAFT GROUP	364
FIGURE 5-19. TRANSMISSION CLUTCH GROUP	366
FIGURE 5-20. CLUTCH AND GEAR GROUP	368
FIGURE 5-21. TRANSMISSION PUMP GROUP	370
FIGURE 5-22. OUTPUT SHAFT GROUP	372
FIGURE 5-23. SPEED SENSOR	374
FIGURE 5-24. IDLER GEAR	376
FIGURE 5-25. REAR TRANSMISSION CASE	378
FIGURE 5-26. PLANETARY CASE	380
FIGURE 5-27. FRONT TRANSFER CASE	382
FIGURE 5-28. REAR TRANSFER CASE	384
FIGURE 5-29. RELIEF VALVE	386
FIGURE 5-30. SOLENOID VALVE	388
FIGURE 5-31. SOLENOID VALVE	390

TABLE OF CONTENTS

FIGURE 5-32. FRONT TRANSMISSION CASE ASSEMBLY	392
FIGURE 5-33. REAR TRANSMISSION CASE ASSEMBLY	394
FIGURE 5-34. TIRE/WHEEL SET (AIR - 460/70 R24 XMCL)	396
FIGURE 5-35. RIGHT TIRE/WHEEL ASSEMBLY (AIR - 460/70 R24)	398
FIGURE 5-36. LEFT TIRE/WHEEL ASSEMBLY (AIR - 460/70 R24)	400
FIGURE 5-37. TIRE/WHEEL SET (AIR - 500/70 R24 XMCL)	402
FIGURE 5-38. RIGHT TIRE/WHEEL ASSEMBLY (AIR - 500/70 R24)	404
FIGURE 5-39. LEFT TIRE/WHEEL ASSEMBLY (AIR - 500/70 R24)	406
FIGURE 5-40. TIRE/WHEEL ASSEMBLY (AIR - 370/75-28)	408
FIGURE 5-41. FENDER INSTALLATION	410
FIGURE 5-42. FENDER ASSEMBLY (RR-RH)	412
FIGURE 5-43. FENDER ASSEMBLY (RR-LH)	414
FIGURE 5-44. FENDER ASSEMBLY (FRT-RH)	416
FIGURE 5-45. FENDER ASSEMBLY (FRT-LH)	418
SECTION 6 - CAB	421
FIGURE 6-1. CAB MOUNTS INSTALLATION	422
FIGURE 6-2. ENCLOSED CAB INSTALLATION	424
FIGURE 6-3. ENCLOSED CAB ASSEMBLY	426
FIGURE 6-4. ENCLOSED CAB GROUP	428
FIGURE 6-5. ENCLOSED CAB	430
FIGURE 6-6. DOOR INSTALLATION	432
FIGURE 6-7. DOOR UPPER GLASS ASSEMBLY	434
FIGURE 6-8. CAB LATCH ASSEMBLY	436
FIGURE 6-9. CAB DOOR TRIGGER ASSEMBLY	438
FIGURE 6-10. DOOR ASSEMBLY (AG)	440
FIGURE 6-11. CAB DOOR	442
FIGURE 6-12. DOOR STRAP INSTALLATION	444
FIGURE 6-13. REAR WINDOW INSTALLATION	446
FIGURE 6-14. REAR WINDOW ASSEMBLY	448
FIGURE 6-15. ENCLOSED CAB PLUG GROUP	450
FIGURE 6-16. INTERIOR MIRROR INSTALLATION	452
FIGURE 6-17. FRONT WIPER INSTALLATION	454
FIGURE 6-18. LEVEL INDICATOR INSTALLATION	456
FIGURE 6-19. ENCLOSED CAB TRIM INSTALLATION	458
FIGURE 6-20. DASH COVER ASSEMBLY	462
FIGURE 6-21. REAR PANEL COVER ASSEMBLY	464
FIGURE 6-22. ADJUSTABLE ARMREST INSTALLATION	466
FIGURE 6-23. ARMREST	468
FIGURE 6-24. FIXED ARMREST BRACKET	470
FIGURE 6-25. MOVING ARMREST BRACKET	472
FIGURE 6-26. BEACON INSTALLATION	474
FIGURE 6-27. WASHER HOSES INSTALLATION	476
FIGURE 6-28. HAMMER INSTALLATION	478
FIGURE 6-29. HAMMER ATTACHMENT ASSEMBLY	480
FIGURE 6-30. FRONT COVER INSTALLATION	482

TABLE OF CONTENTS

FIGURE 6-31. FILTER TRAY PANEL.....	484
FIGURE 6-32. FRONT DUCT COVER.....	486
FIGURE 6-33. WASHER TANK INSTALLATION.....	488
FIGURE 6-34. WASHER BOTTLE.....	490
FIGURE 6-35. SEAT INSTALLATION (AIR SUSPENSION - STANDARD).....	492
FIGURE 6-36. SEAT ASSEMBLY (AIR SUSPENSION - STANDARD).....	494
FIGURE 6-37. UPPER SEAT ASSEMBLY.....	496
FIGURE 6-38. SUSPENSION KIT.....	498
FIGURE 6-39. SEAT INSTALLATION (PREMIUM).....	500
FIGURE 6-40. SEAT ASSEMBLY (AIR SUSPENSION - PREMIUM).....	502
FIGURE 6-41. SEAT INSTALLATION (MECHANICAL).....	504
FIGURE 6-42. SEAT ASSEMBLY.....	506
FIGURE 6-43. SEAT BELT INSTALLATION (2IN).....	508
FIGURE 6-44. SEAT BELT INSTALLATION (3IN).....	510
FIGURE 6-45. HEATER INSTALLATION.....	512
FIGURE 6-46. HEATER ASSEMBLY.....	514
FIGURE 6-47. HEATER AND A/C INSTALLATION.....	516
FIGURE 6-48. CAB CONDENSER ASSEMBLY.....	520
FIGURE 6-49. CONDENSER.....	522
FIGURE 6-50. A/C RECEIVER DRIER.....	524
FIGURE 6-51. HEATER AND A/C ASSEMBLY.....	526
FIGURE 6-52. ROOF WIPER INSTALLATION.....	528
FIGURE 6-53. HEADLINER INSTALLATION.....	530
FIGURE 6-54. HEADLINER/ RADIO READY INSTALLATION.....	532
FIGURE 6-55. CAB GUARD INSTALLATION (TOP).....	534
FIGURE 6-56. CAB GUARD INSTALLATION (FRONT).....	536
FIGURE 6-57. CAB GUARD INSTALLATION (TOP AND FRONT).....	538
FIGURE 6-58. COMMON CAB TRIM INSTALLATION.....	540
FIGURE 6-59. CAB TRIM INSTALLATION.....	542
FIGURE 6-60. ROOF CAP INSTALLATION (A/C).....	544
FIGURE 6-61. ROOF CAP INSTALLATION (NO A/C).....	546
FIGURE 6-62. FRONT NOSE CONE INSTALLATION (SIDELIGHT).....	548
FIGURE 6-63. RETRACTABLE SUNSCREEN INSTALLATION.....	550
FIGURE 6-64. CAB STEP INSTALLATION.....	552
FIGURE 6-65. FLOOR MAT INSTALLATION.....	554
FIGURE 6-66. EXTERNAL WINDOW RELEASE INSTALLATION (ANSI).....	556
FIGURE 6-67. EXTERNAL WINDOW RELEASE INSTALLATION (CAN).....	558
SECTION 7 - CONTROLS.....	561
FIGURE 7-1. ACCELERATOR PEDAL INSTALLATION.....	562
FIGURE 7-2. ACCELERATOR PEDAL.....	564
FIGURE 7-3. BRAKE PEDAL INSTALLATION.....	566
FIGURE 7-4. BRAKE PEDAL.....	568
FIGURE 7-5. BRAKE PEDAL PLATE.....	570
FIGURE 7-6. BRAKE SENSOR INSTALLATION.....	572
FIGURE 7-7. SWITCH PLATE ASSEMBLY.....	574

TABLE OF CONTENTS

FIGURE 7-8. PARKING BRAKE INSTALLATION (CABLE - STANDARD)	576
FIGURE 7-9. PARKING BRAKE COVER (MECHANICAL)	578
FIGURE 7-10. PARKING CABLE ASSEMBLY (MECHANICAL)	580
FIGURE 7-11. STEERING WHEEL INSTALLATION.....	582
FIGURE 7-12. STEERING WHEEL.....	584
FIGURE 7-13. STEERING COLUMN INSTALLATION.....	586
FIGURE 7-14. TILT STEERING COLUMN.....	588
FIGURE 7-15. HORN INSTALLATION	590
FIGURE 7-16. HORN BUTTON INSTALLATION	592
FIGURE 7-17. JOYSTICK INSTALLATION	594
FIGURE 7-18. WIPER-TURN SWITCH (0 SPEED - FNR)	596
FIGURE 7-19. WIPER-TURN SWITCH (NO SPEED)	598
SECTION 8 - HYDRAULIC CIRCUITS.....	601
FIGURE 8-1. COMMON HYDRAULICS INSTALLATION.....	602
FIGURE 8-2. AUXILIARY HYDRAULICS INSTALLATION - REAR (TWIN)	606
FIGURE 8-3. AUXILIARY HYDRAULICS INSTALLATION - REAR (SINGLE)	608
FIGURE 8-4. BOOM HYDRAULIC INSTALLATION.....	610
FIGURE 8-5. BOOM LINES INSTALLATION	612
FIGURE 8-6. BOOM RAISE HOSES INSTALLATION (NO RIDE CONTROL).....	614
FIGURE 8-7. BOOM RAISE HOSES INSTALLATION (WITH RIDE CONTROL).....	616
FIGURE 8-8. BRAKE LINES INSTALLATION	618
FIGURE 8-9. BRAKE INSTALLATION – TRAILER	620
FIGURE 8-10. BRAKE ACCUMULATOR LINES INSTALLATION (WITHOUT SAHR).....	622
FIGURE 8-11. COUPLER (HYDRAULIC) LINES INSTALLATION (FRONT BOOM - TWIN)	624
FIGURE 8-12. COUPLER (HYDRAULIC) LINES INSTALLATION (FRONT BOOM - SINGLE)	626
FIGURE 8-13. COUPLER (MANUAL) LINES INSTALLATION (FRONT BOOM - TWIN).....	628
FIGURE 8-14. COUPLER (MANUAL) LINES INSTALLATION (FRONT BOOM - SINGLE).....	630
FIGURE 8-15. LIFT CYLINDER INSTALLATION	632
FIGURE 8-16. MAIN CONTROL VALVE INSTALLATION.....	634
FIGURE 8-17. MAIN HYDRAULIC PUMP INSTALLATION.....	636
FIGURE 8-18. IMPLEMENT PUMP INSTALLATION	638
FIGURE 8-19. PRIORITY LINES INSTALLATION	640
FIGURE 8-20. PRIORITY VALVE INSTALLATION	642
FIGURE 8-21. RETURN LINES INSTALLATION	644
FIGURE 8-22. STEERING LINES INSTALLATION.....	646
FIGURE 8-23. STEER SELECT VALVE INSTALLATION	648
FIGURE 8-24. SUCTION LINES INSTALLATION	650
SECTION 9 - HYDRAULIC COMPONENTS.....	653
FIGURE 9-1. CYLINDER ASSEMBLY - COMPENSATION	654
FIGURE 9-2. CYLINDER SUB-ASSEMBLY - COUPLER LOCKING	656
FIGURE 9-3. CYLINDER ASSEMBLY - COUPLER LOCKING	658
FIGURE 9-4. CYLINDER ASSEMBLY - EXTEND/RETRACT (TELESCOPE)	660
FIGURE 9-5. CYLINDER ASSEMBLY - LIFT	662
FIGURE 9-6. CYLINDER ASSEMBLY - TILT	664

TABLE OF CONTENTS

FIGURE 9-7. IMPLEMENT PUMP	666
FIGURE 9-8. VALVE SUB-ASSEMBLY - DIVERTOR (HI-FLOW)	668
FIGURE 9-9. VALVE ASSEMBLY - DIVERTOR (HI-FLOW).....	670
FIGURE 9-10. VALVE ASSEMBLY - DIVERTOR (TWIN HYDRAULIC COUPLER).....	672
FIGURE 9-11. VALVE ASSEMBLY - DIVERTOR (TWIN MANUAL & SINGLE/TWIN HYDRAULIC COUPLERS).....	674
FIGURE 9-12. VALVE ASSEMBLY - FAN MOTOR CONTROL.....	676
FIGURE 9-13. VALVE ASSEMBLY - HYDRAULIC HITCH CONTROL VALVE	678
FIGURE 9-14. VALVE ASSEMBLY - MAIN CONTROL	680
FIGURE 9-15. VALVE ASSEMBLY - PRIORITY FLOW MANIFOLD	682
FIGURE 9-16. VALVE ASSEMBLY - RIDE CONTROL.....	684
FIGURE 9-17. VALVE ASSEMBLY - STEERING SELECT VALVE	686
FIGURE 9-18. VALVE ASSEMBLY - TRAILER BRAKE	688
SECTION 10 - ELECTRICAL.....	691
FIGURE 10-1. 925 ELECTRICAL LAYOUT	692
FIGURE 10-2. BATTERY INSTALLATION (STANDARD).....	702
FIGURE 10-3. BATTERY INSTALLATION (DUAL).....	704
FIGURE 10-4. BEACON/STROBE INSTALLATION	706
FIGURE 10-5. BOOM HARNESS INSTALLATION	708
FIGURE 10-6. BOOM HARNESS	710
FIGURE 10-7. BOOM ANGLE SENSOR INSTALLATION	712
FIGURE 10-8. CAB ELECTRICAL INSTALLATION.....	714
FIGURE 10-9. CAB HARNESS.....	718
FIGURE 10-10. CAB STANDARD ELECTRICAL BOARD ASSEMBLY.....	726
FIGURE 10-11. CAB OPTION 1 ELECTRICAL BOARD ASSEMBLY.....	728
FIGURE 10-12. CAB OPTION 2 ELECTRICAL BOARD ASSEMBLY.....	730
FIGURE 10-13. CAB OPTION HARNESS	732
FIGURE 10-14. DASH ELECTRICS INSTALLATION (ULS).....	734
FIGURE 10-15. CAB HEATER HARNESS INSTALLATION	736
FIGURE 10-16. CAB HEATER HARNESS	738
FIGURE 10-17. HVAC CAB ACTUATOR.....	740
FIGURE 10-18. CAB HVAC ACTUATOR HARNESS	742
FIGURE 10-19. CAB - MULTIFUNCTION DISPLAY INSTALLATION	744
FIGURE 10-20. CAB SEAT ADAPTOR HARNESS (PREMIUM SEAT).....	746
FIGURE 10-21. CLEARSKY 4G CANBUS INSTALLATION	748
FIGURE 10-22. DECLUTCH SWITCH INSTALLATION.....	750
FIGURE 10-23. ELECTRICAL COMPONENTS INSTALLATION	752
FIGURE 10-24. ELECTRICAL POWER DISTRIBUTION ELECTRICAL BOX	754
FIGURE 10-25. ELECTRICAL RELAY INSTALLATION - 200 AMP	756
FIGURE 10-26. ENGINE WIRING INSTALLATION (ULS).....	758
FIGURE 10-27. ENGINE HARNESS (ULS)	760
FIGURE 10-28. ENGINE FUEL PUMP HARNESS	768
FIGURE 10-29. ENGINE GLOW PLUG RELAY HARNESS	770
FIGURE 10-30. ENGINE SPEED SET SWITCH INSTALLATION	772
FIGURE 10-31. FRAME MAIN ELECTRICAL INSTALLATION.....	774
FIGURE 10-32. FRAME HARNESS - FRONT	776

TABLE OF CONTENTS

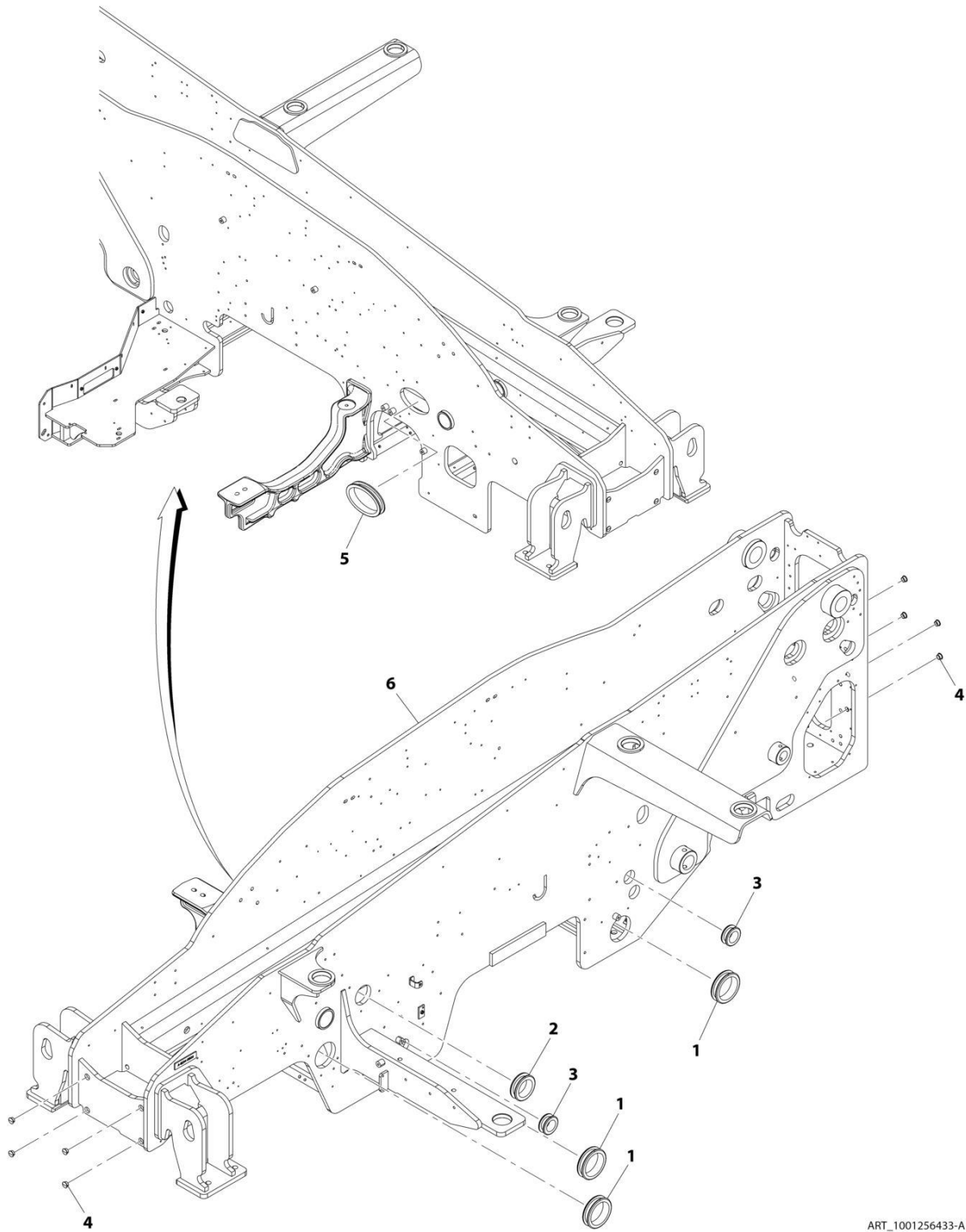
FIGURE 10-33. FRAME HARNESS - REAR	780
FIGURE 10-34. IGNITION SWITCH INSTALLATION.....	784
FIGURE 10-35. LIGHTS - DIP LIGHTS INSTALLATION (RH)	786
FIGURE 10-36. LIGHTS - LICENSE PLATE LAMP INSTALLATION	788
FIGURE 10-37. LIGHTS - LICENSE PLATE LAMP HARNESS	790
FIGURE 10-38. LIGHTS - NO ROADLIGHTS INSTALLATION.....	792
FIGURE 10-39. LIGHTS - WORKLIGHTS INSTALLATION (BOOM MOUNTED)	794
FIGURE 10-40. LIGHTS - WORKLIGHTS INSTALLATION - LED (BOOM MOUNTED).....	796
FIGURE 10-41. LIGHTS - WORKLIGHTS HARNESS (BOOM MOUNTED LIGHTS)	798
FIGURE 10-42. LIGHTS - WORKLIGHTS INSTALLATION (CAB MOUNTED) (NO A/C)	800
FIGURE 10-43. LIGHTS - WORKLIGHTS INSTALLATION - LED (CAB MOUNTED) (NO A/C).....	802
FIGURE 10-44. LIGHTS - WORKLIGHTS INSTALLATION (CAB MOUNTED) (WITH A/C)	804
FIGURE 10-45. LIGHTS - WORKLIGHTS INSTALLATION -LED (CAB MOUNTED) (WITH A/C)	806
FIGURE 10-46. LSI SENSOR INSTALLATION	808
FIGURE 10-47. LSI DISPLAY INSTALLATION	810
FIGURE 10-48. LSI SENSOR INSTALLATION	812
FIGURE 10-49. LSI SWITCH INSTALLATION	814
FIGURE 10-50. LSI SENSOR COVER INSTALLATION	816
FIGURE 10-51. REVERSE ALARM INSTALLATION	818
FIGURE 10-52. REVERSE CAMERA INSTALLATION	820
FIGURE 10-53. REVERSE SENSING INSTALLATION	822
FIGURE 10-54. REVERSE SENSING HARNESS.....	824
FIGURE 10-55. TELEMATICS CLEARSKY CAN 4WARD HARNESS.....	826
FIGURE 10-56. TELEMATICS ADAPTER HARNESS	828
FIGURE 10-57. TELEMATICS READY INSTALLATION.....	830
FIGURE 10-58. TELEMATICS READY HARNESS	832
FIGURE 10-59. TRAILER ELECTRICS INSTALLATION	834
FIGURE 10-60. TRAILER CONNECTOR HARNESS.....	836
FIGURE 10-61. CAB HARNESS	838
SECTION 11 - DECALS.....	845
FIGURE 11-1. DECALS INSTALLATION (ANSI)	846
FIGURE 11-2. DECALS INSTALLATION - JLG	850
FIGURE 11-3. CAPACITY CHART (ANSI).....	852
FIGURE 11-4. CAPACITY CHART HOLDER INSTALLATION	854
FIGURE 11-5. CLEARSKY DECAL INSTALLATION.....	856
FIGURE 11-6. TRIANGLE INSTALLATION - SLOW MOVING VEHICLE	858
SECTION 12 - RECOMMENDED SERVICE PARTS STOCK	861
FIGURE 12-1. RECOMMENDED SERVICE PARTS STOCK	862
SECTION 13 - SPECIAL OPTIONS/ACCESSORIES/KITS	865
FIGURE 13-1. SPECIAL OPTIONS/ACCESSORIES/KITS	866
PART NUMBER INDEX	867

SECTION 1 - FRAME AND ATTACHING PARTS

SECTION 1 - FRAME AND ATTACHING PARTS

SECTION 1 - FRAME AND ATTACHING PARTS

FIGURE 1-1. FRAME INSTALLATION



ART_1001256433-A

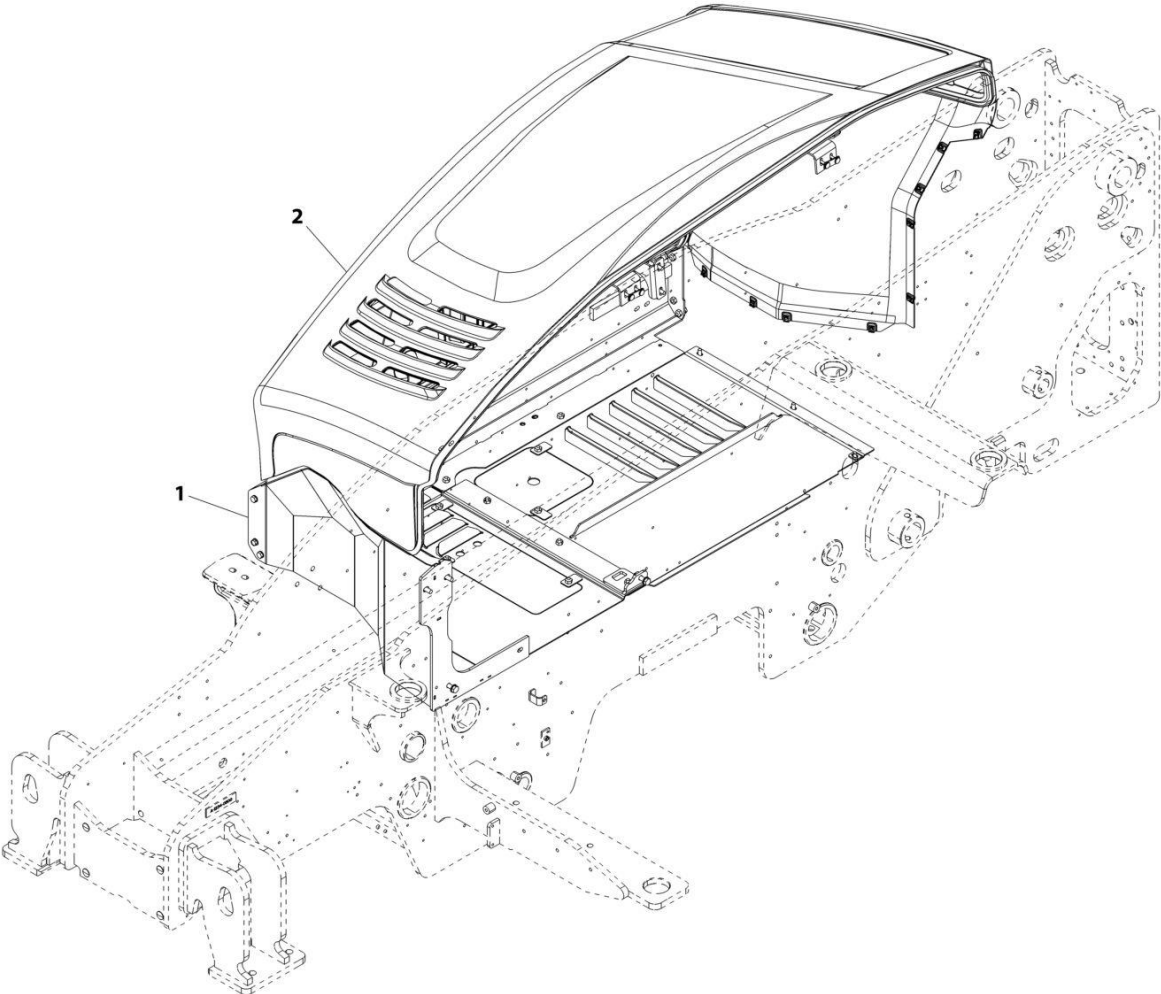
SECTION 1 - FRAME AND ATTACHING PARTS

FIGURE 1-1. FRAME INSTALLATION

ITEM	PART NUMBER	QTY	DESCRIPTION	REV
	1001256433	Ref	Frame Installation	B
1	1001003439	3	Grommet, Rubber	
2	1001028291	2	Grommet	
3	1001028308	1	Grommet, Rubber	
4	1001091126	8	Plug, Black	
5	1001217550	1	Grommet, Rubber	
6	1001256434	1	Frame	

SECTION 1 - FRAME AND ATTACHING PARTS

FIGURE 1-2. ENGINE ENCLOSURE INSTALLATION (NO RHOC)



ART_1001257415-A

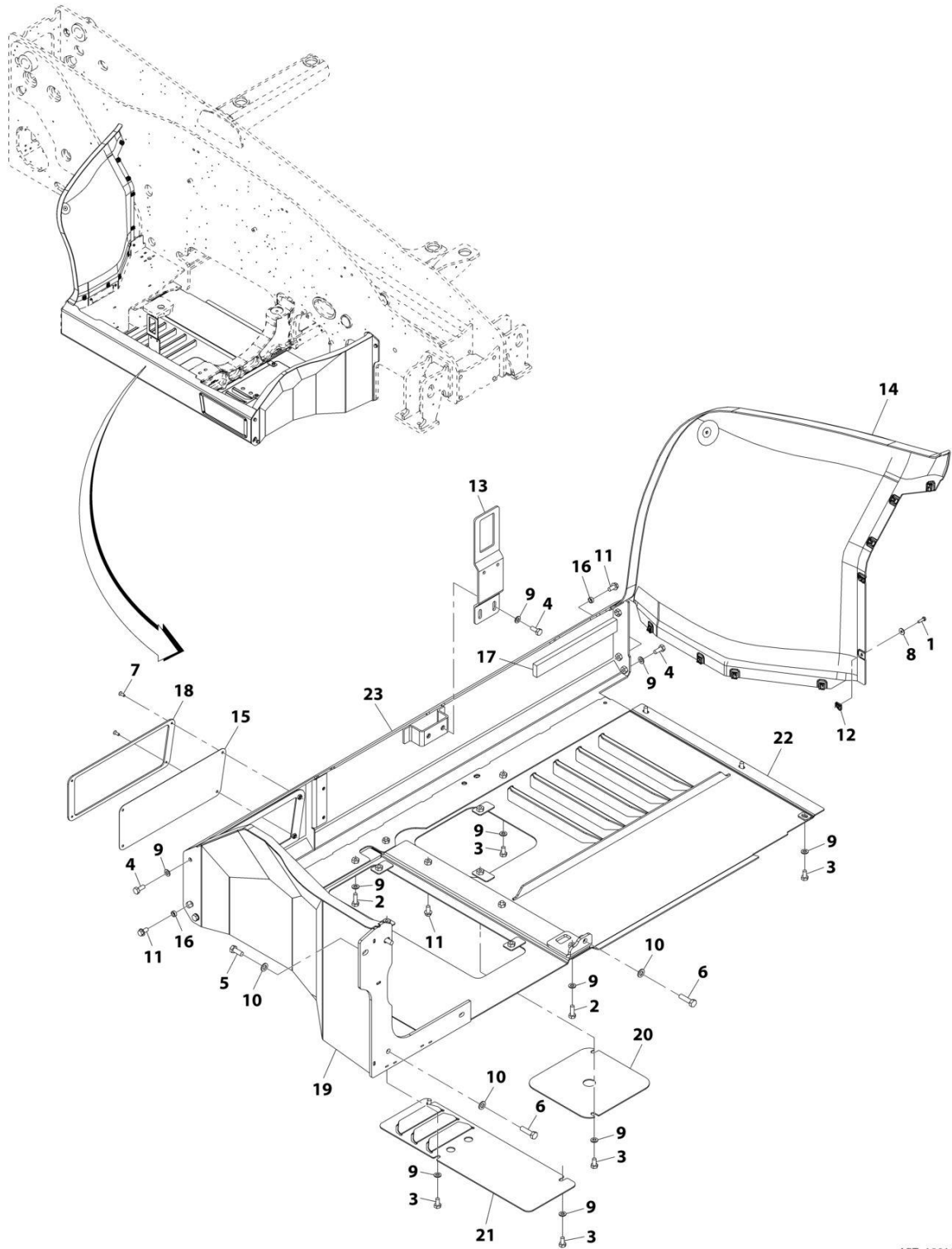
SECTION 1 - FRAME AND ATTACHING PARTS

FIGURE 1-2. ENGINE ENCLOSURE INSTALLATION (NO RHOC)

ITEM	PART NUMBER	QTY	DESCRIPTION	REV
1	1001257415	Ref	Engine Enclosure Installation (NO RHOC)	A
	1001195829	1	Installation, Engine Enclosure Cover (RHOC) (See Separate Breakdown in this Section)	
2	1001257414	1	Installation, Hood (See Separate Breakdown in this Section)	

SECTION 1 - FRAME AND ATTACHING PARTS

FIGURE 1-3. ENGINE ENCLOSURE COVER INSTALLATION



ART_1001195829-C

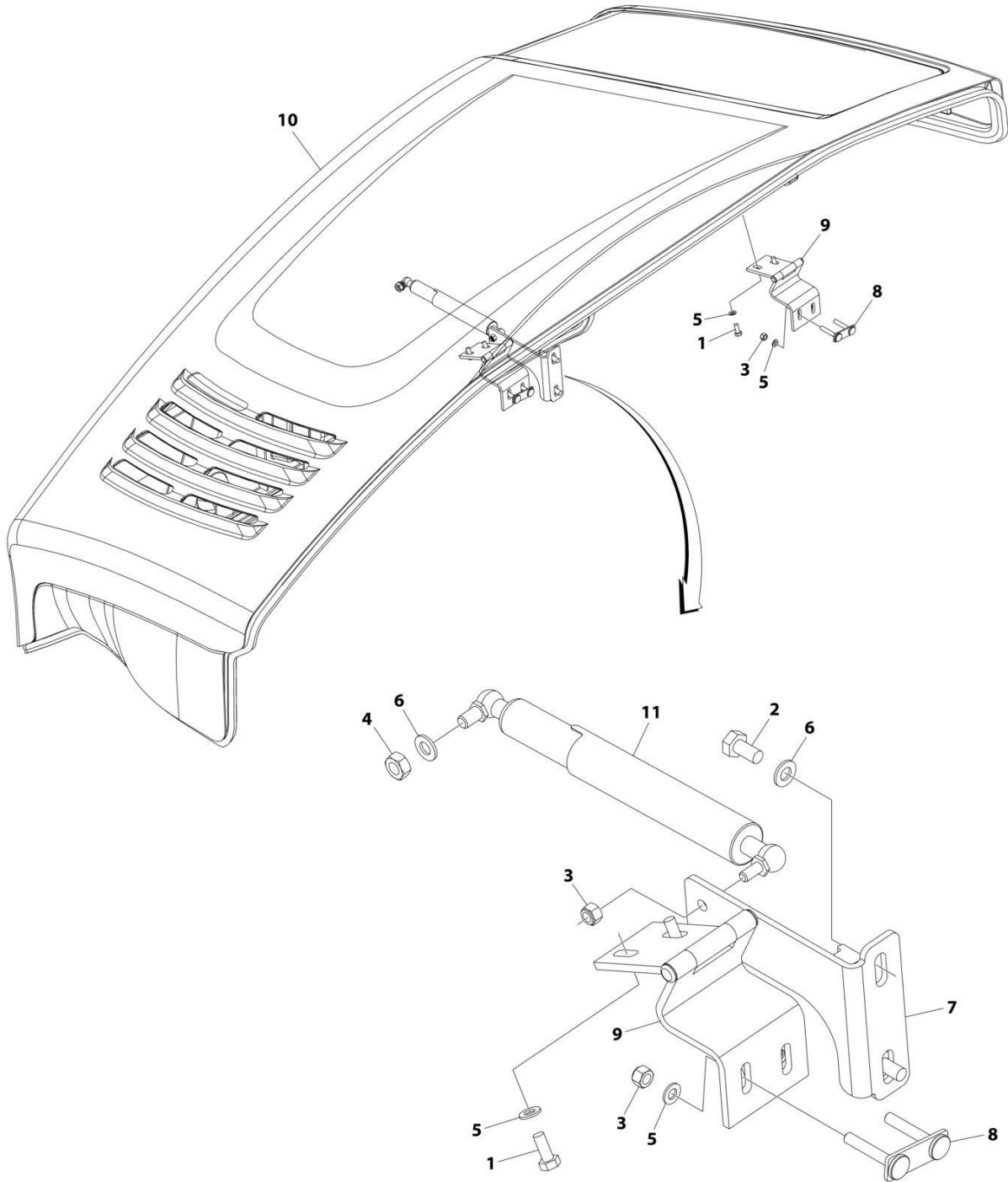
SECTION 1 - FRAME AND ATTACHING PARTS

FIGURE 1-3. ENGINE ENCLOSURE COVER INSTALLATION

ITEM	PART NUMBER	QTY	DESCRIPTION	REV
	1001195829	Ref	Engine Enclosure Cover Installation (RHOC)	E
1	0700610	9	Bolt, M6 X 20	
2	0701014	2	Bolt, M10X30	
3	0761010	10	Bolt, M10X20	
4	0761012	6	Bolt, M10X25	
5	0761214	2	Bolt, M12X30	
6	0761217	2	Bolt, M12X45	
7	3900224	4	Screw	
8	4811702	9	Washer, M6	
9	4812000	18	Washer, M10	
10	4812100	4	Washer, M12	
11	5251010	4	Bolt, M10X20 Grade 10.9	
12	8305919	9	Nut, M6	
13	1001154688	1	Plate	
14	1001184524	1	Cover, Engine Enclosure Rear	
15	1001185061	1	Grill, Engine Enclosure	
16	1001197135	2	Sleeve, Enclosure Skirt	
17	1001197266	1	Seal, Engine Enclosure	
18	1001185023J	1	Panel, Front Vent	
19	1001195210J	1	Panel, Front Enclosure	
20	1001195240J	1	Plate	
21	1001195252J	1	Plate	
22	1001201805J	1	Panel, Engine Enclosure Base	
23	1001196876J	1	Panel, Engine Enclosure Side	

SECTION 1 - FRAME AND ATTACHING PARTS

FIGURE 1-4. HOOD INSTALLATION (NO RHOC)



ART_1001257414

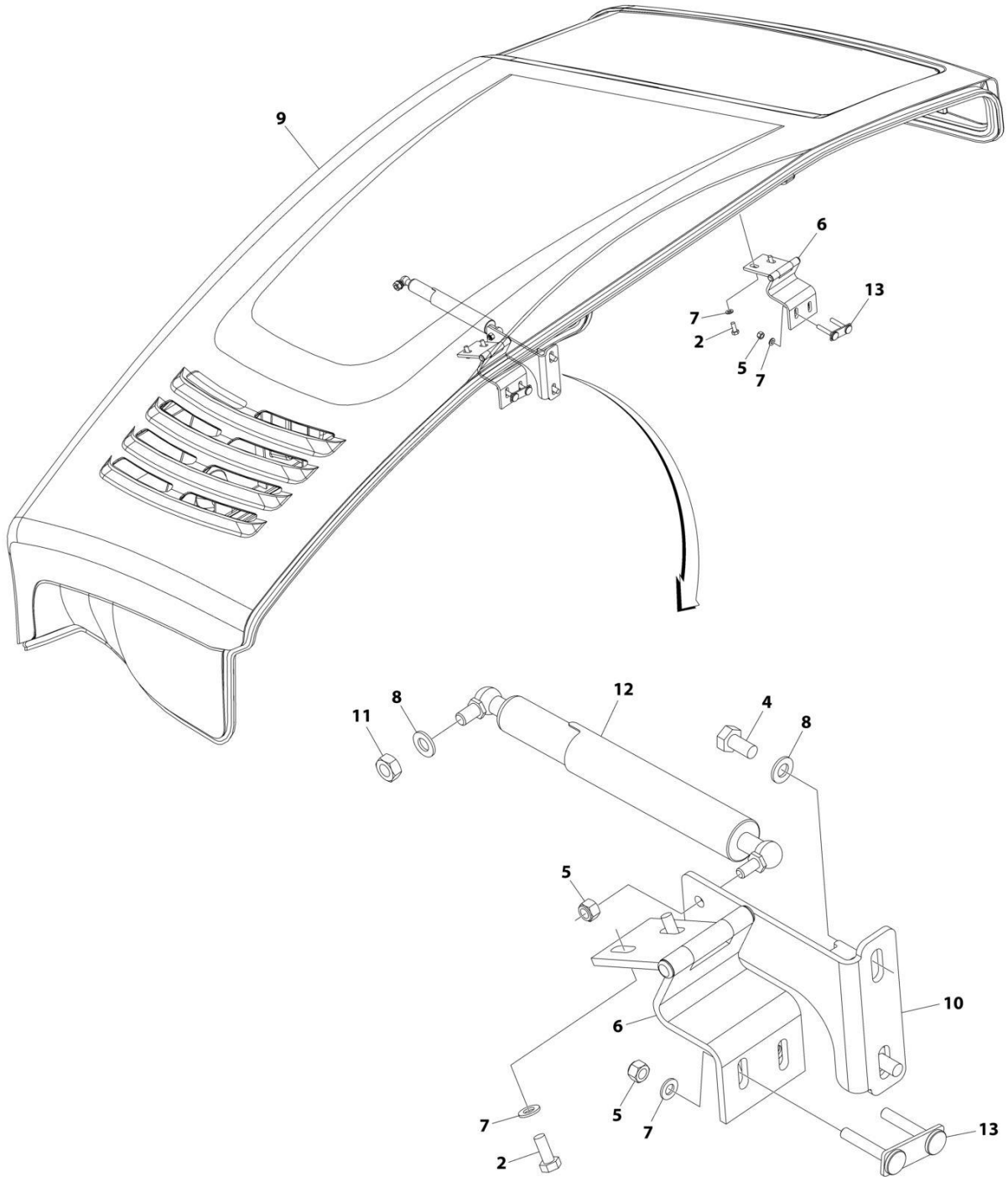
SECTION 1 - FRAME AND ATTACHING PARTS

FIGURE 1-4. HOOD INSTALLATION (NO RHOC)

ITEM	PART NUMBER	QTY	DESCRIPTION	REV
	1001257414	Ref	HOOD INSTALLATION	D
1	0760810	4	Bolt M8 x 20	
2	0761010	2	Bolt M10 x 20	
3	3290805	5	Nut M8	
4	3291001	1	Nut M10	
5	4811900	8	Washer M8	
6	4812000	3	Washer M10	
7	1001273847	1	Bracket	
8	1001195587	2	Brace	
9	1001205080	2	Hinge, Hood	
10	1001257413	1	Hood	
11	1001271338	1	Spring	

SECTION 1 - FRAME AND ATTACHING PARTS

FIGURE 1-5. HOOD INSTALLATION (W/RHOC)



ART_1001184514

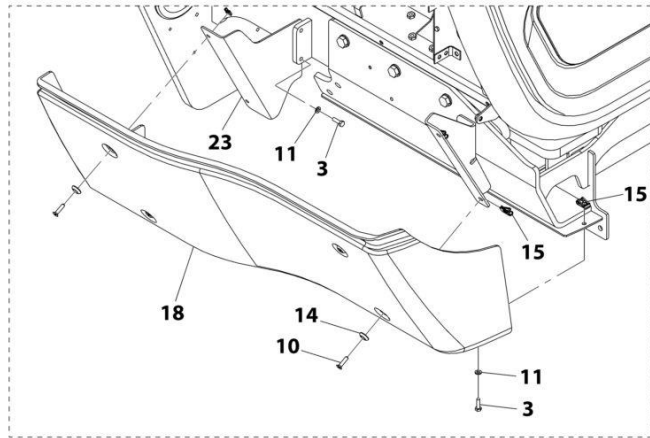
SECTION 1 - FRAME AND ATTACHING PARTS

FIGURE 1-5. HOOD IONSTALLATION (W/RHOC)

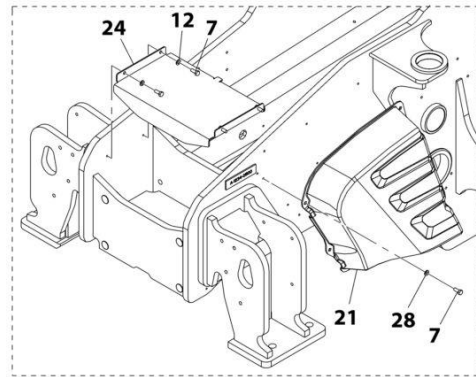
ITEM	PART NUMBER	QTY	DESCRIPTION	REV
	1001184514	Ref	HOOD IONSTALLATION	G
2	0760810	4	Bolt M8 x 20	
4	0761010	2	Bolt M10 x 20	
5	3290805	5	Nut M8	
6	1001205080	2	Hinge, Hood	
7	4811900	8	Washer M8	
8	4812000	3	Washer M10	
9	1001196418	1	Hood	
10	1001273847	1	Bracket	
11	3291001	1	Nut M10	
12	1001271338	1	Spring	
13	1001195587	2	Brace	

SECTION 1 - FRAME AND ATTACHING PARTS

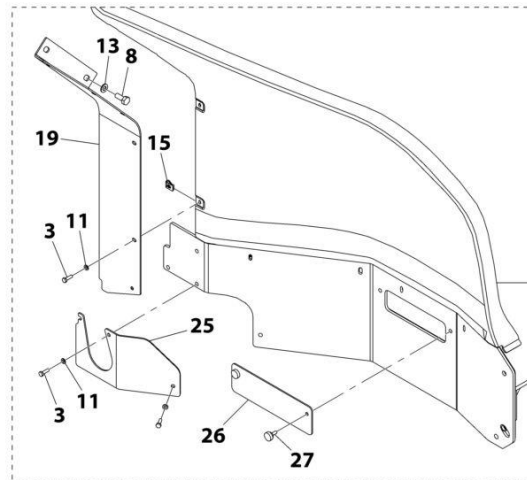
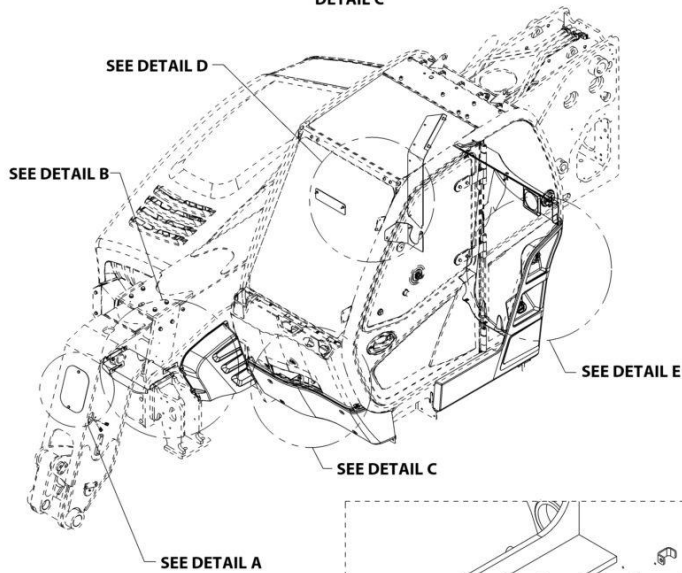
FIGURE 1-6. COVER PLATES INSTALLATION (NO OUTRIGGERS - ULS)



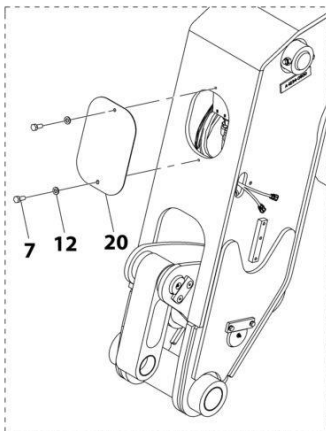
DETAIL C



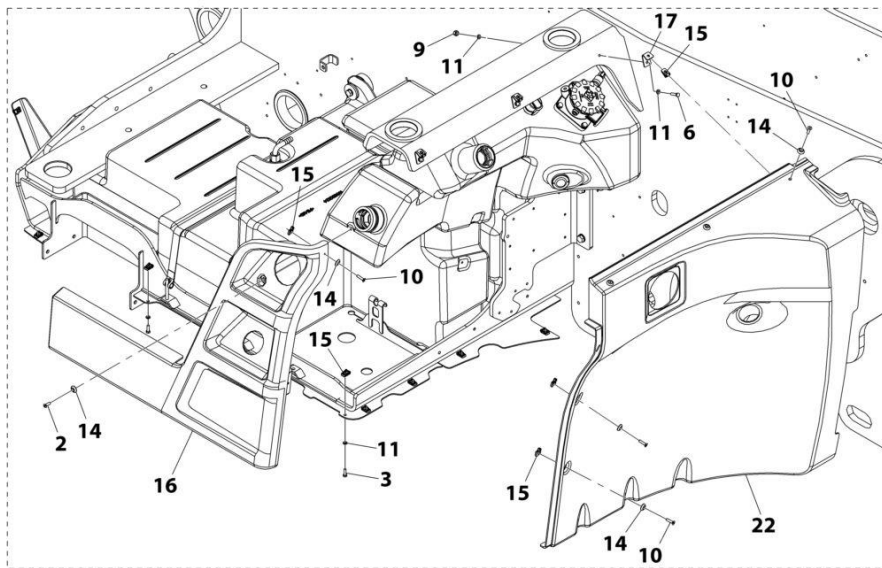
DETAIL B



DETAIL D



DETAIL A



DETAIL E

ART_1001183590-E

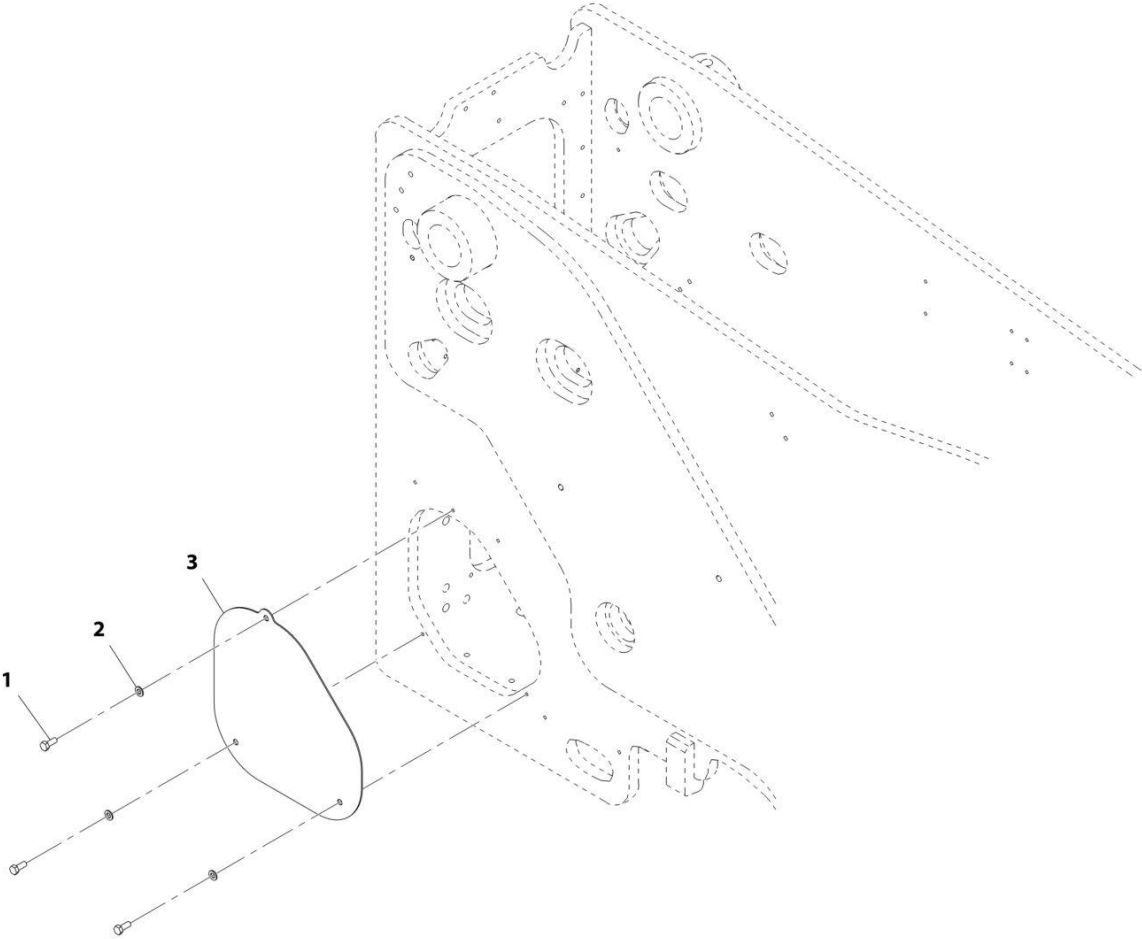
SECTION 1 - FRAME AND ATTACHING PARTS

FIGURE 1-6. COVER PLATES INSTALLATION (NO OUTRIGGERS - ULS)

ITEM	PART NUMBER	QTY	DESCRIPTION	REV
	1001183590	Ref	Cover Plates Installation (No Outriggers - ULS)	E
2	0630576	1	Screw, M6X20	
3	0700610	14	Bolt, M6X20	
6	0760612	3	Bolt, M6X25	
7	0760810	10	Bolt, M8X20	
8	0761012	2	Bolt, M10X25	
9	3290605	3	Nut, Lock M6X1 Grade 8	
10	3900379	10	Screw, M6-1X25 Grade 10.9	
11	4811700	20	Washer, M6	
12	4811900	6	Washer, M8	
13	4812000	2	Washer, M10	
14	1001097540	11	Washer, M6	
15	8305919	18	Nut, M6	
16	1001168758	1	Cover, Side Tank	
17	1001171782	3	Plate, Angle Mount	
18	1001174328	1	Cover, Lower Front	
19	1001182210	1	Plate, Enclosure Rear	
20	1001185936	1	Plate, Cover Boom Head	
21	1001187717	1	Cover, ECU	
22	1001190408	1	Cover, Rear Tank	
23	1001191808	1	Bracket, Cover	
24	1001189984J	1	Panel, Frame	
25	1001201504J	1	Panel, Cover	
26	1001216923J	1	Plate, Radiator Cover	
27	2080092	2	Screw, Thumb M6X20	
28	4811902	4	Washer, M8	

SECTION 1 - FRAME AND ATTACHING PARTS

FIGURE 1-7. COVER PLATE INSTALLATION (NO TRAILER BRAKES)



ART_1001203386-A

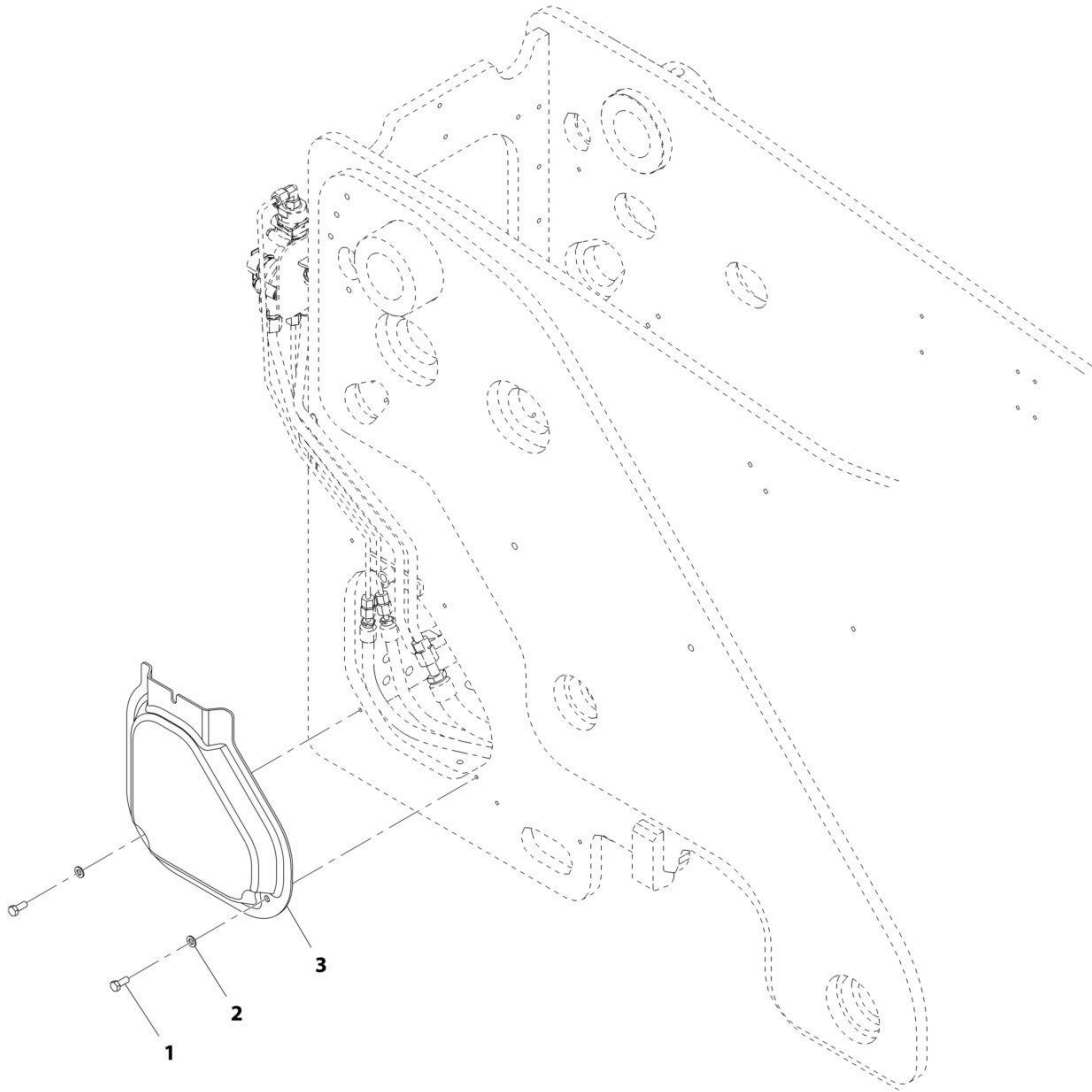
SECTION 1 - FRAME AND ATTACHING PARTS

FIGURE 1-7. COVER PLATE INSTALLATION (NO TRAILER BRAKES)

ITEM	PART NUMBER	QTY	DESCRIPTION	REV
	1001203386	Ref	Cover Plate Installation (No Trailer Brakes)	A
1	0760810	3	Bolt, M8X20	
2	4811900	3	Washer, M8	
3	1001180574J	1	Plate, Cover	

SECTION 1 - FRAME AND ATTACHING PARTS

FIGURE 1-8. COVER PLATE INSTALLATION (TRAILER BRAKES)



ART_1001203406-A

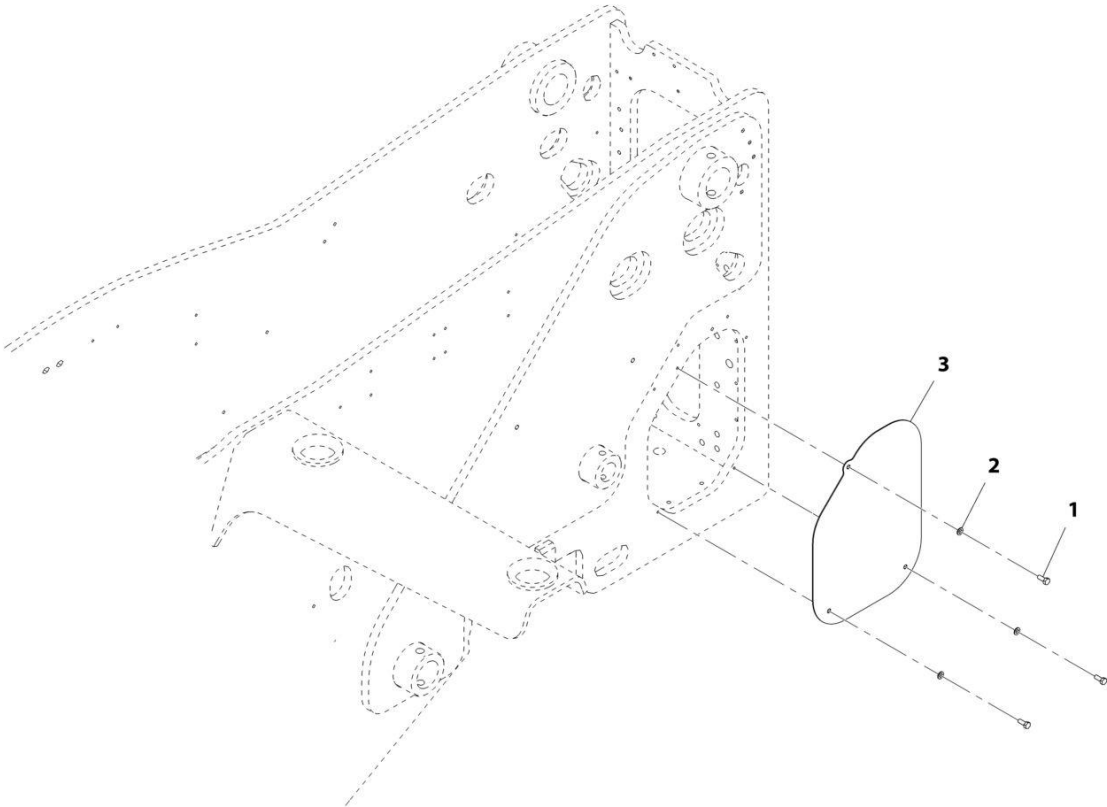
SECTION 1 - FRAME AND ATTACHING PARTS

FIGURE 1-8. COVER PLATE INSTALLATION (TRAILER BRAKES)

ITEM	PART NUMBER	QTY	DESCRIPTION	REV
	1001203406	Ref	Cover Plate Installation (Trailer Brakes)	A
1	0760810	2	Bolt, M8X20	
2	4811900	2	Washer, M8	
3	1001203410	1	Cover, Frame	

SECTION 1 - FRAME AND ATTACHING PARTS

FIGURE 1-9. COVER PLATE INSTALLATION (NO REAR AUX)



ART_1001203374-A

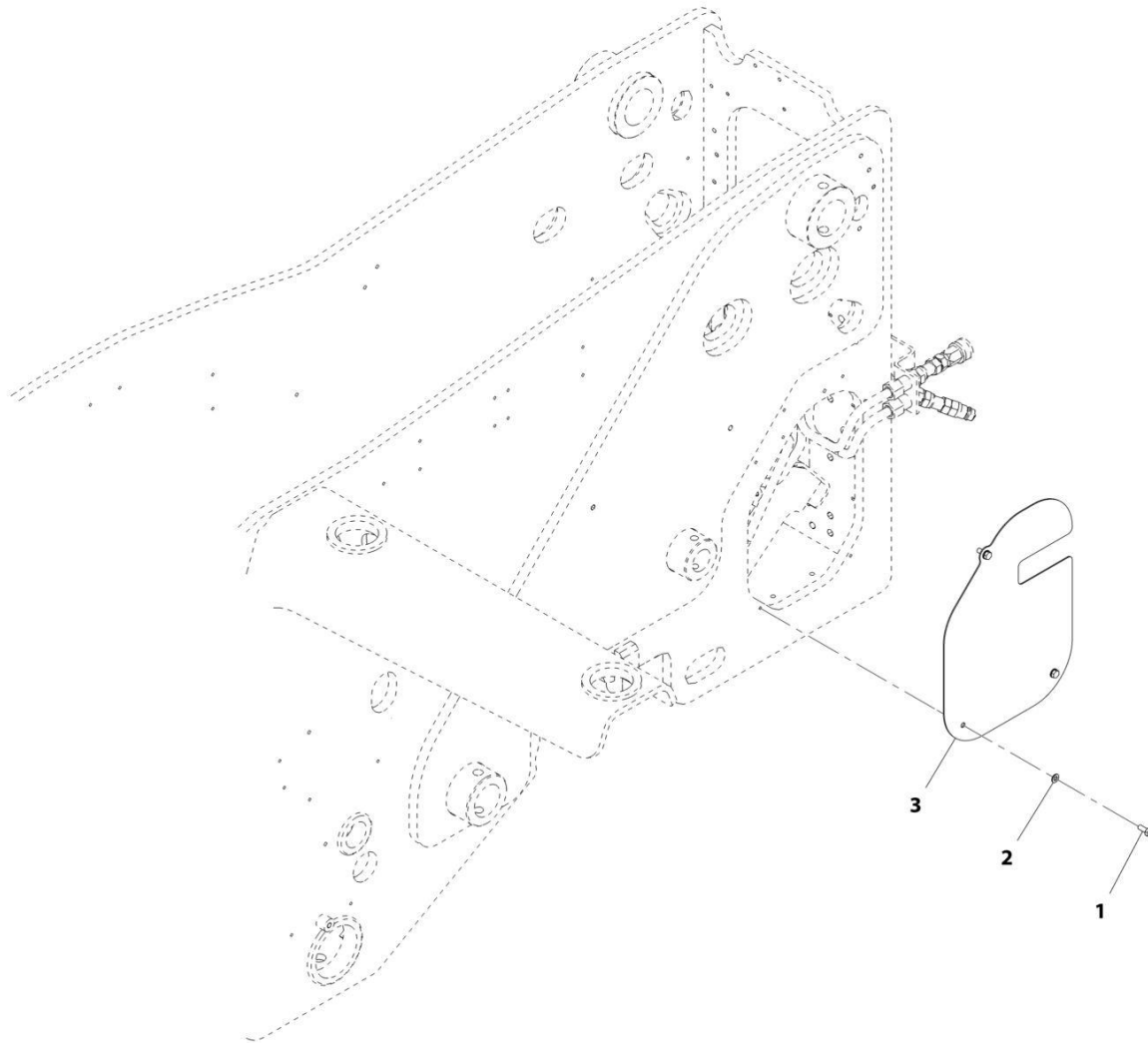
SECTION 1 - FRAME AND ATTACHING PARTS

FIGURE 1-9. COVER PLATE INSTALLATION (NO REAR AUX)

ITEM	PART NUMBER	QTY	DESCRIPTION	REV
	1001203374	Ref	Cover Plate Installation (No Rear Aux)	A
1	0760810	3	Bolt, M8X20	
2	4811900	3	Washer, M8	
3	1001183908J	1	Plate, Cover	

SECTION 1 - FRAME AND ATTACHING PARTS

FIGURE 1-10. COVER PLATE INSTALLATION (REAR AUX)



ART_1001203402-B

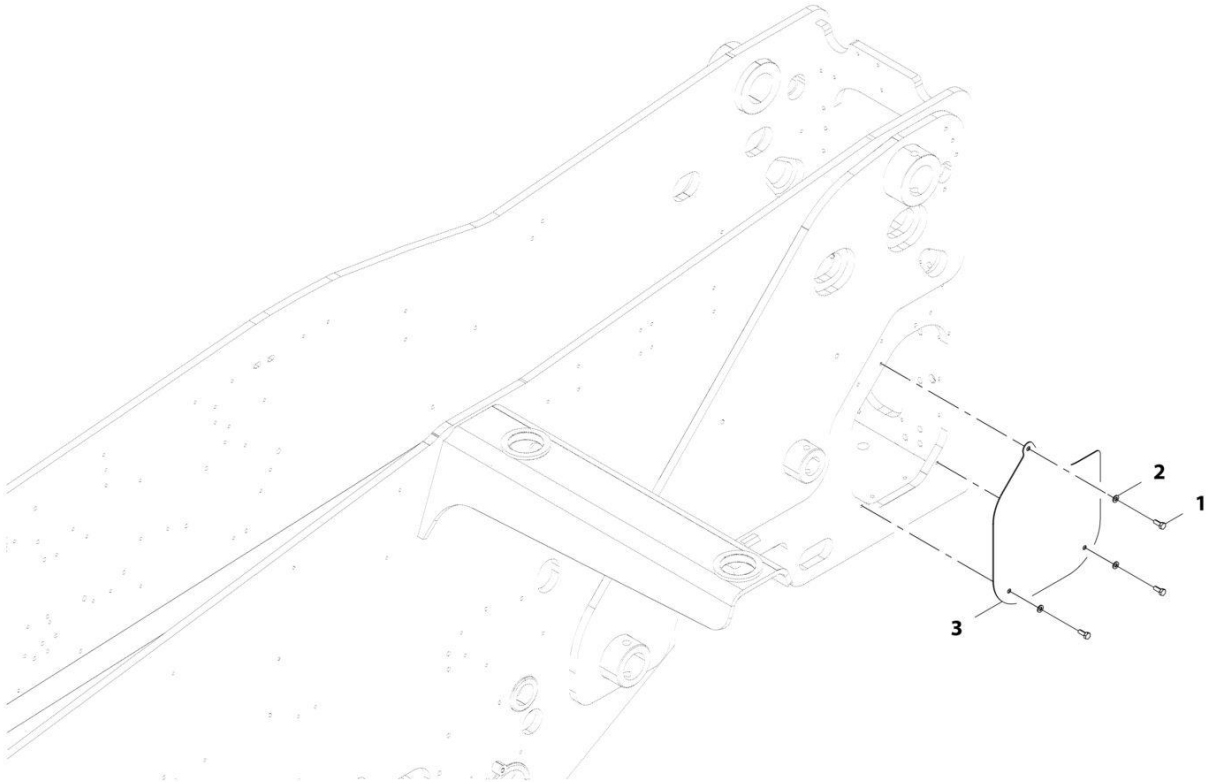
SECTION 1 - FRAME AND ATTACHING PARTS

FIGURE 1-10. COVER PLATE INSTALLATION (REAR AUX)

ITEM	PART NUMBER	QTY	DESCRIPTION	REV
	1001203402	Ref	Cover Plate Installation (Rear Aux)	B
1	0760810	3	Bolt, M8X20	
2	4811900	3	Washer, M8	
3	1001203408J	1	Plate, Cover	

SECTION 1 - FRAME AND ATTACHING PARTS

FIGURE 1-11. COVER PLATE INSTALLATION (HYDRAULIC HITCH AND REAR AUX)



ART_1001214492-A

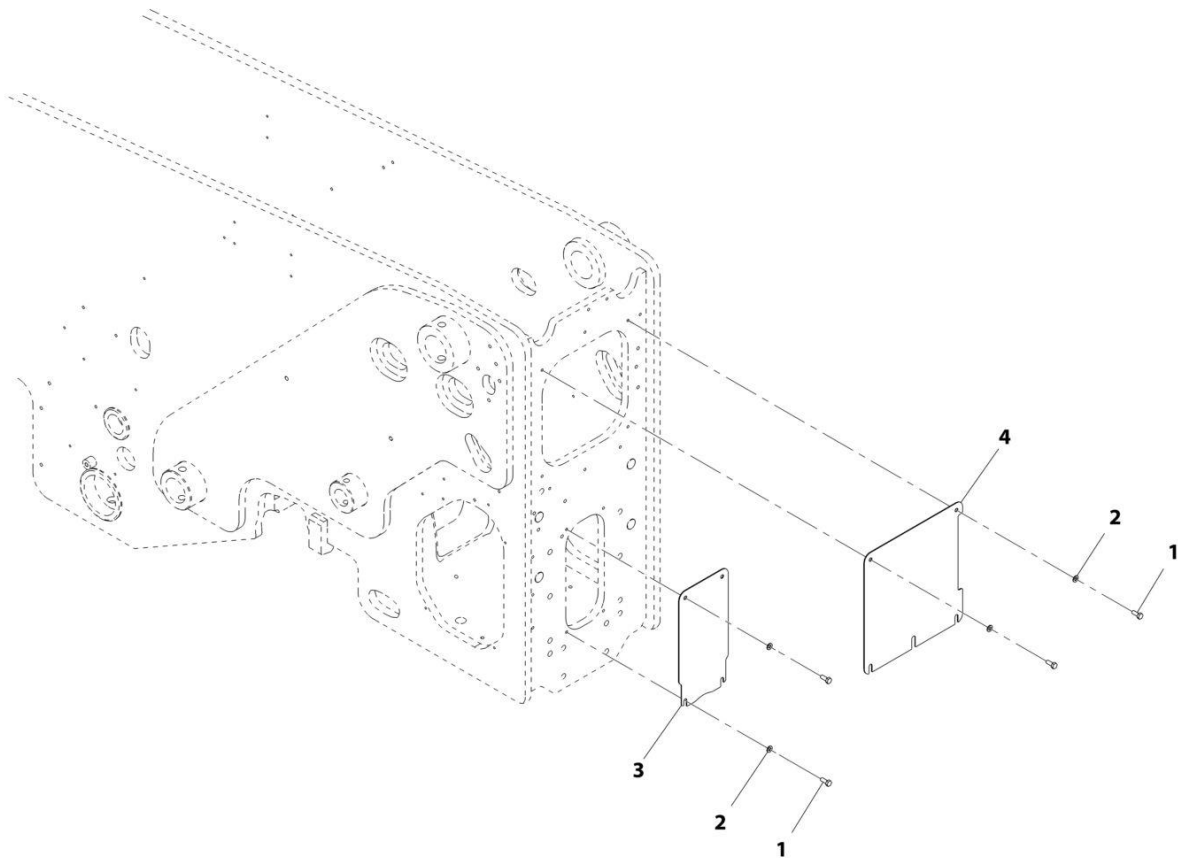
SECTION 1 - FRAME AND ATTACHING PARTS

FIGURE 1-11. COVER PLATE INSTALLATION (HYDRAULIC HITCH AND REAR AUX)

ITEM	PART NUMBER	QTY	DESCRIPTION	REV
	1001214492	Ref	Cover Plate Installation (Hydraulic Hitch and Rear Aux)	A
1	0760810	3	Bolt, M8X20	
2	4811900	3	Washer, M8	
3	1001214036J	1	Plate	

SECTION 1 - FRAME AND ATTACHING PARTS

FIGURE 1-12. REAR COVER PLATE INSTALLATION (NO HYDRAULIC HITCH)



ART_1001203291-B

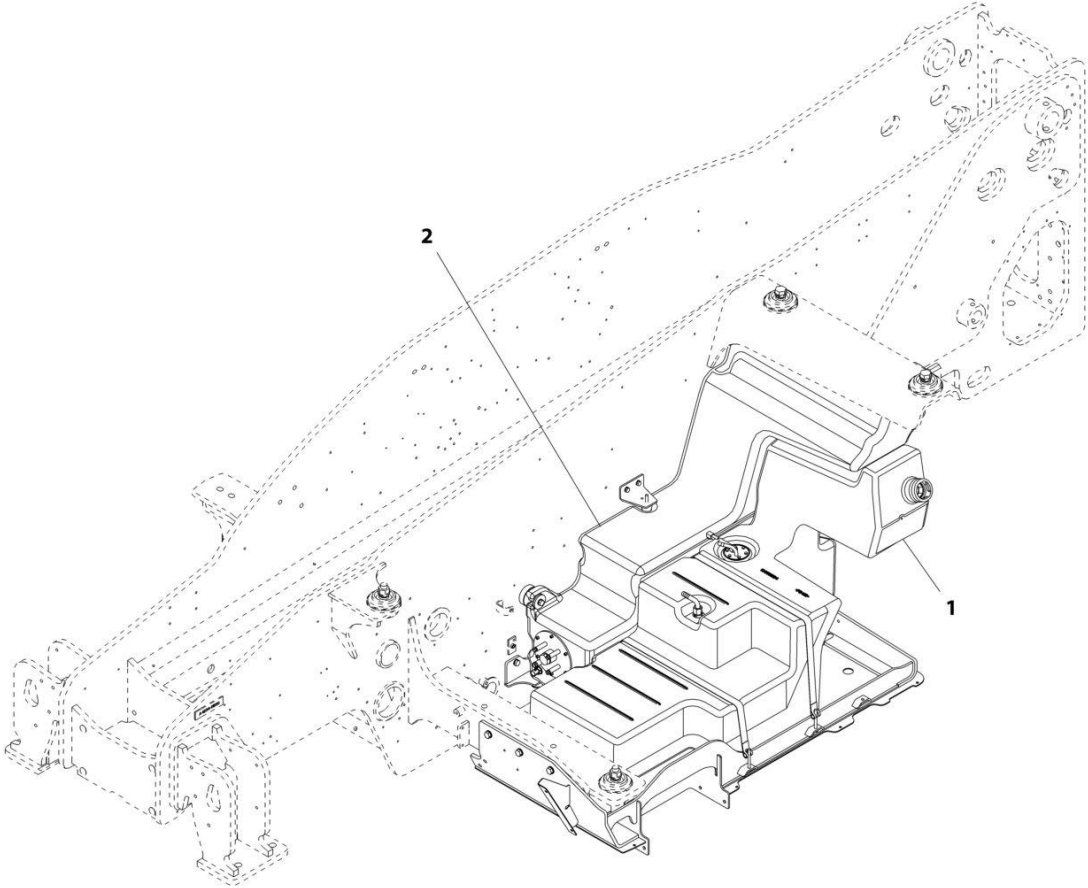
SECTION 1 - FRAME AND ATTACHING PARTS

FIGURE 1-12. REAR COVER PLATE INSTALLATION (NO HYDRAULIC HITCH)

ITEM	PART NUMBER	QTY	DESCRIPTION	REV
	1001203291	Ref	Rear Cover Plate Installation (No Hydraulic Hitch)	B
1	0760810	8	Bolt, M8X20	
2	4811900	8	Washer, M8	
3	1001183909J	1	Plate, Cover	
4	1001183910J	1	Plate, Cover	

SECTION 1 - FRAME AND ATTACHING PARTS

FIGURE 1-13. TANKS INSTALLATION



ART_1001176964-B

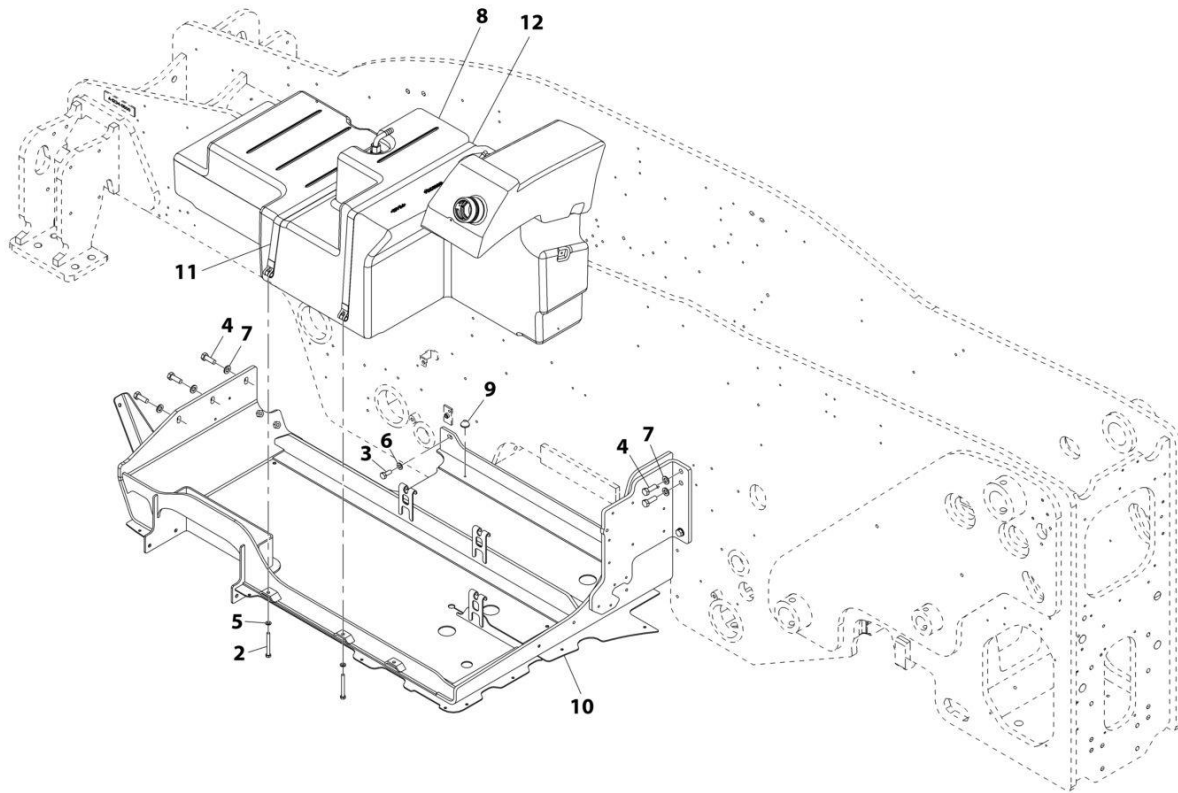
SECTION 1 - FRAME AND ATTACHING PARTS

FIGURE 1-13. TANKS INSTALLATION

ITEM	PART NUMBER	QTY	DESCRIPTION	REV
1	1001176964	Ref	Tanks Installation	B
	1001176965	Ref	Installation, Fuel Tank (See Separate Breakdown in this Section)	
	1001176966	Ref	Installation, Hydraulic Tank (See Separate Breakdown in this Section)	

SECTION 1 - FRAME AND ATTACHING PARTS

FIGURE 1-14. FUEL TANK INSTALLATION



ART_1001176965-D

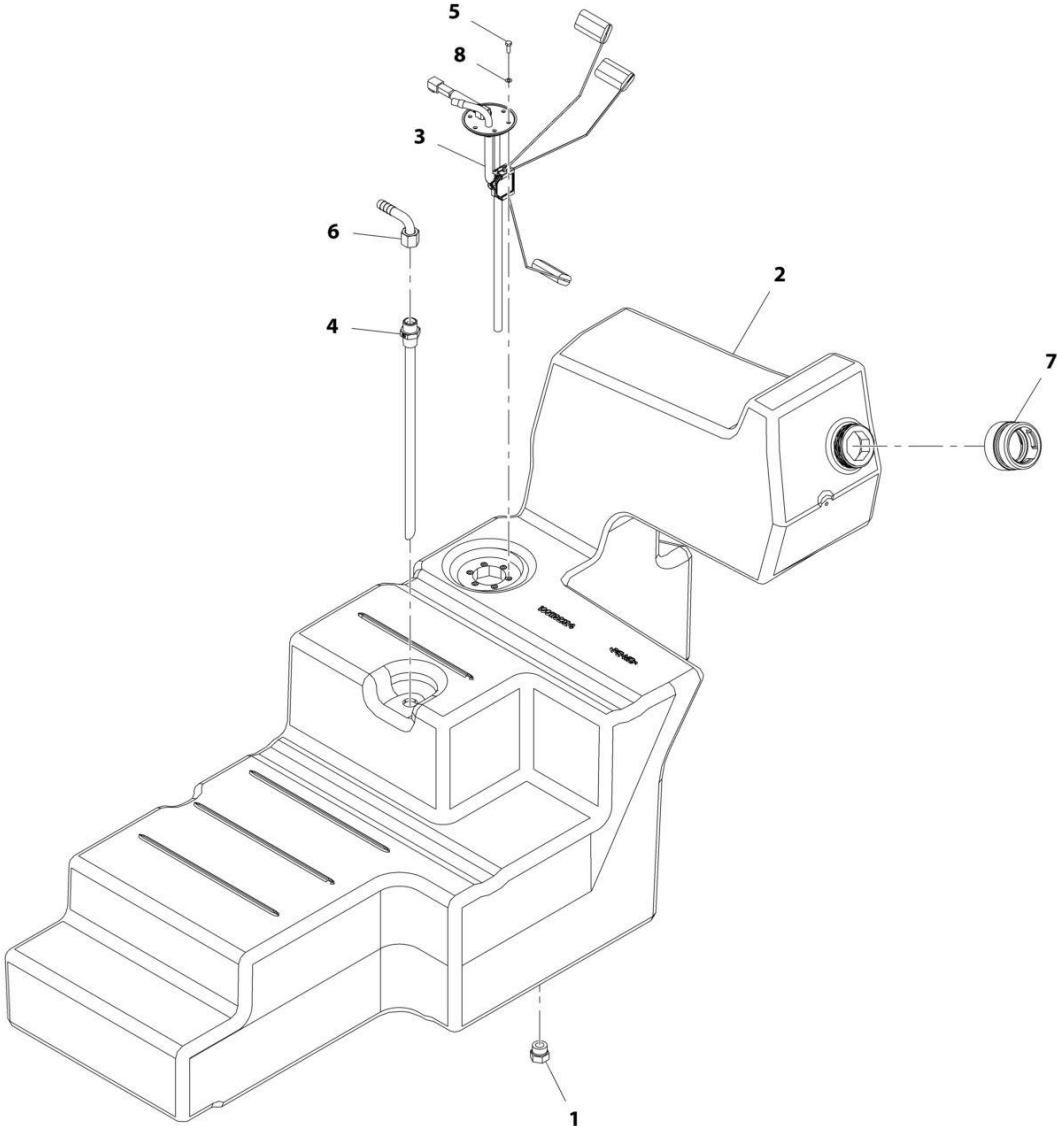
SECTION 1 - FRAME AND ATTACHING PARTS

FIGURE 1-14. FUEL TANK INSTALLATION

ITEM	PART NUMBER	QTY	DESCRIPTION	REV
	1001176965	Ref	Fuel Tank Installation	D
2	0760823	2	Bolt, M8X75	
3	0761012	1	Bolt, M10X25	
4	0761215	6	Bolt, M12X35	
5	4811900	2	Washer, M8	
6	4812000	1	Washer, M10	
7	4812100	6	Washer, M12	
8	1001192125	1	Assembly, Fuel Tank (See Separate Breakdown in this Section)	
9	1001169454	4	Mount	
10	1001197360	1	Support, Plate	
11	1001178474	1	Strap, Tank	
12	1001178693	1	Strap, Tank	

SECTION 1 - FRAME AND ATTACHING PARTS

FIGURE 1-15. FUEL TANK ASSEMBLY



ART_1001192125-C

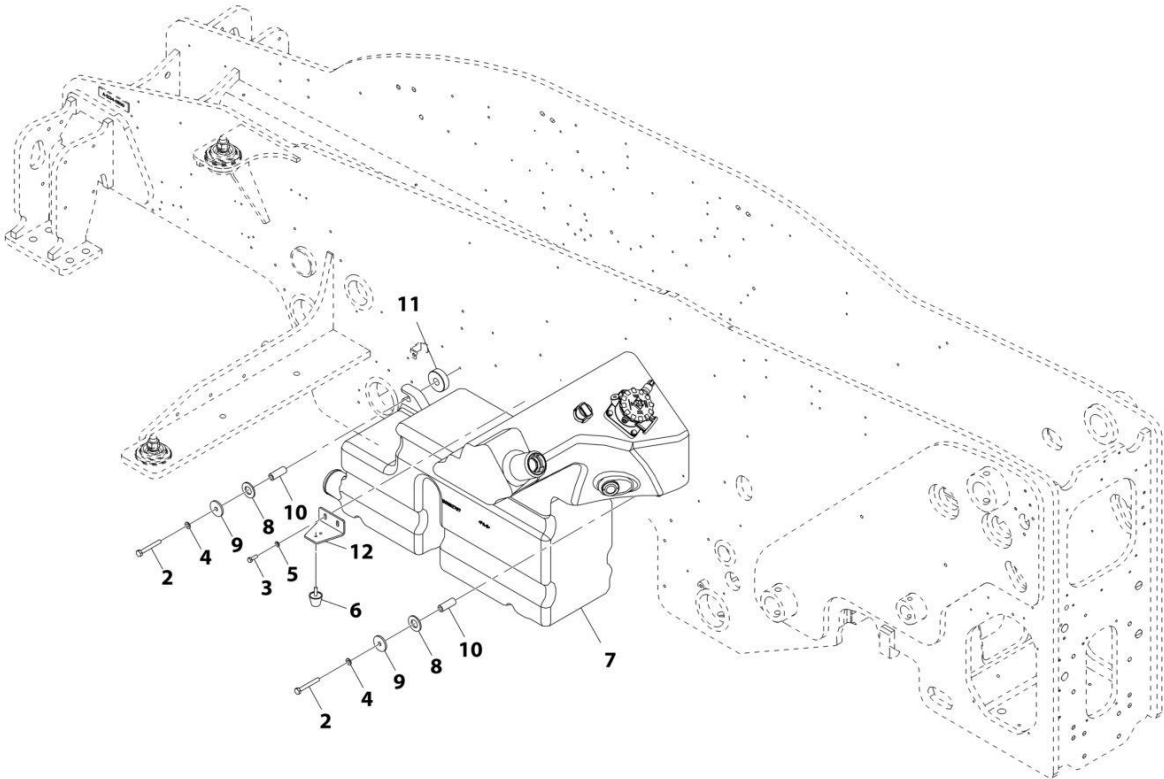
SECTION 1 - FRAME AND ATTACHING PARTS

FIGURE 1-15. FUEL TANK ASSEMBLY

ITEM	PART NUMBER	QTY	DESCRIPTION	REV
	1001192125	Ref	FUEL TANK ASSEMBLY	C
1	1001003427	1	Plug	
2	1001192124	1	Tank, Fuel	
3	1001222188	1	Pump, Fuel	
4	1001170106	1	Pipe, Fuel Supply	
5	4031607	6	Bolt, M5X16	
6	1001172693	1	Fitting, 90	
7	1001192392	1	Adapter	
8	1001222190	6	Washer	

SECTION 1 - FRAME AND ATTACHING PARTS

FIGURE 1-16. HYDRAULIC TANK INSTALLATION



ART_1001176966-C

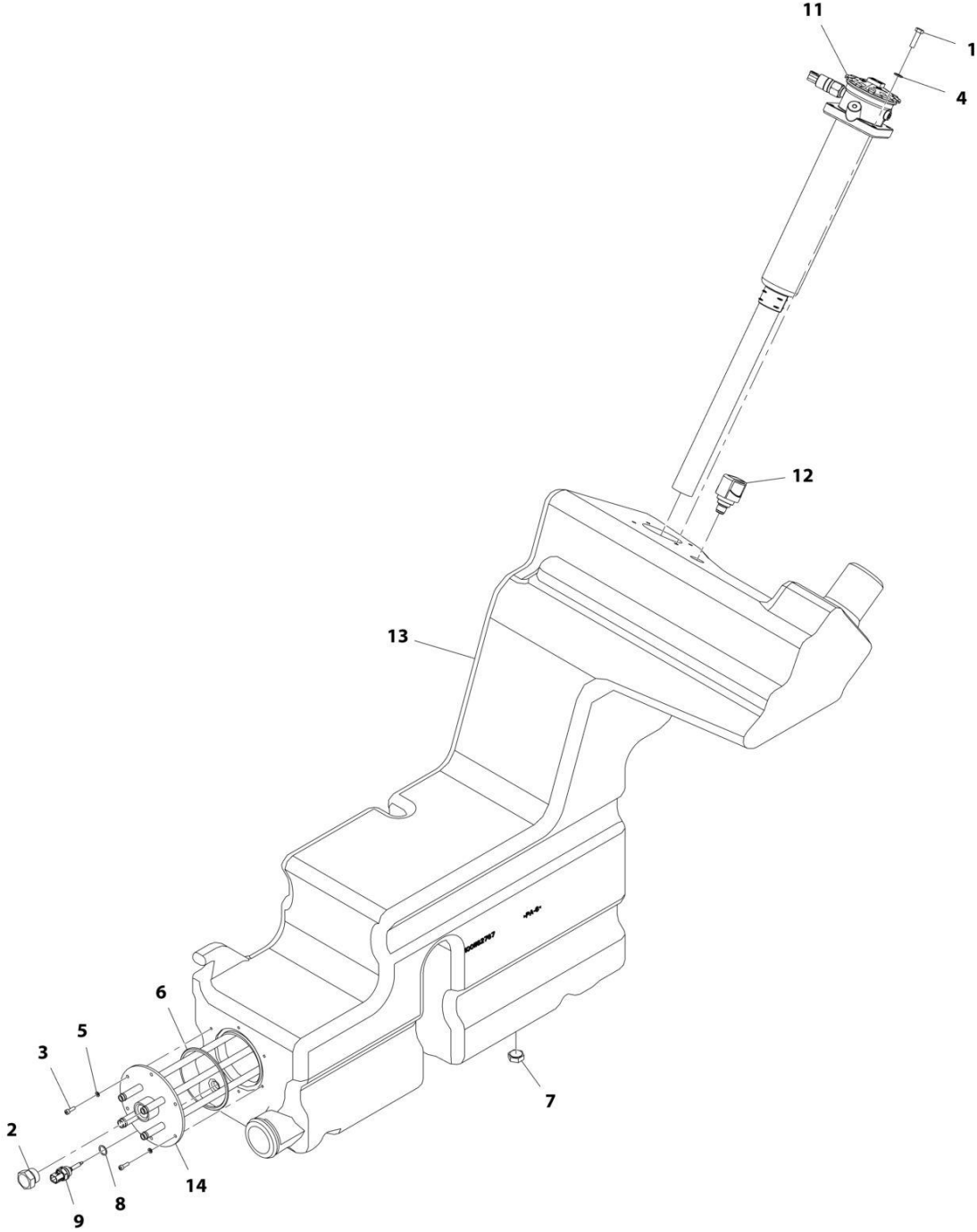
SECTION 1 - FRAME AND ATTACHING PARTS

FIGURE 1-16. HYDRAULIC TANK INSTALLATION

ITEM	PART NUMBER	QTY	DESCRIPTION	REV
	1001176966	Ref	Hydraulic Tank Installation	C
2	0701024	2	Bolt, M10X80	
3	0760812	2	Bolt, M8X25	
4	4812000	2	Washer, M10	
5	4811900	2	Washer, M8	
6	1001008575	1	Bumper	
7	1001191521	1	Assembly, Hydraulic Tank (See Separate Breakdown in this Section)	
8	1001172146	2	Washer	
9	1001172147	2	Washer, M10	
10	1001177060	2	Sleeve, Spacer	
11	1001177062	2	Washer	
12	1001177082	1	Bracket, Frame	

SECTION 1 - FRAME AND ATTACHING PARTS

FIGURE 1-17. HYDRAULIC TANK ASSEMBLY



ART_1001191521-D

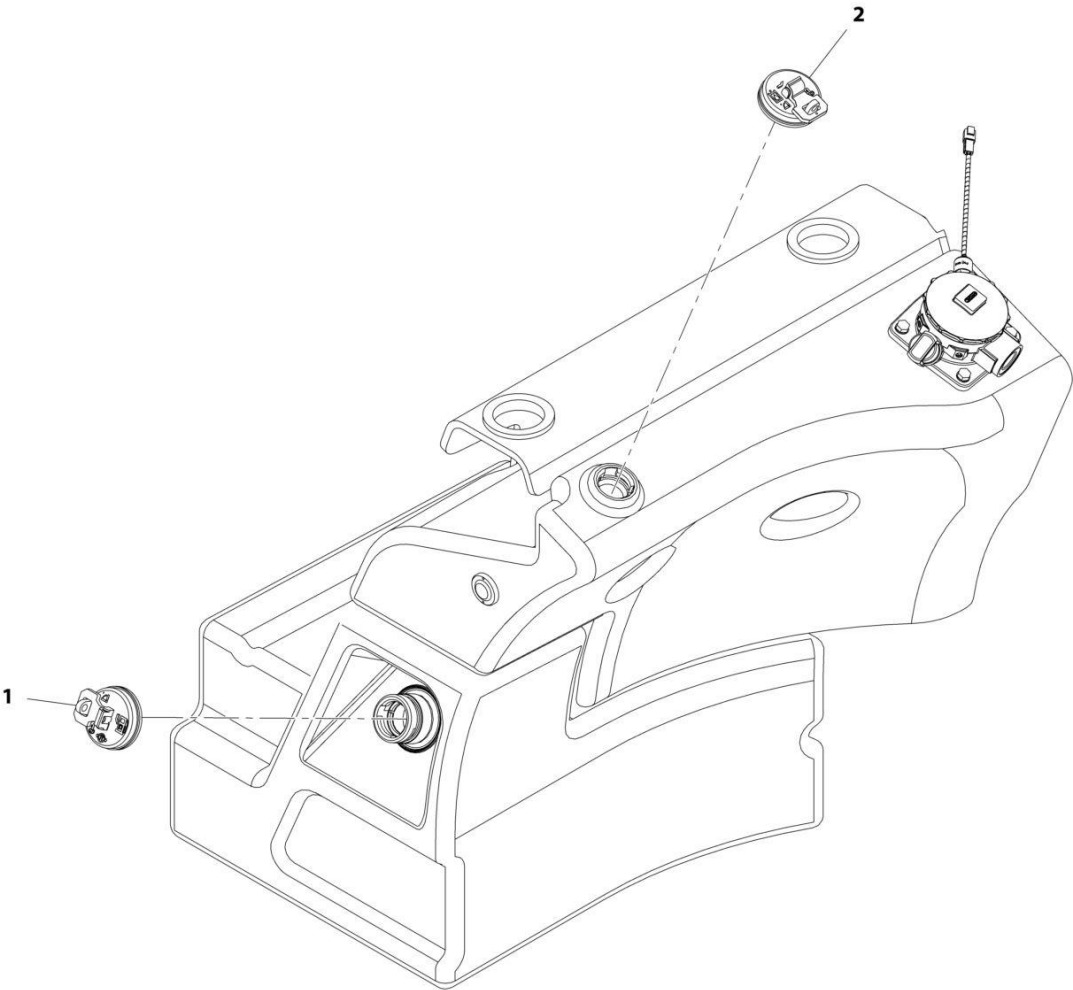
SECTION 1 - FRAME AND ATTACHING PARTS

FIGURE 1-17. HYDRAULIC TANK ASSEMBLY

ITEM	PART NUMBER	QTY	DESCRIPTION	REV
	1001191521	Ref	HYDRAULIC TANK ASSEMBLY	D
1	0700814	4	Bolt M8 x 30	
2	2220240	1	Plug	
3	4031607	6	Screw M5 x 16	
4	4811900	4	Washer M8	
5	4831600	6	Washer, Lock M5	
6	1001003301	1	O-Ring	
7	2220239	1	Plug	
8	1001009163	1	O-Ring	
9	1001128478	1	Sensor, Hydraulic Oil Temperature	
11	1001162659	1	Filter, Hydraulic	
12	1001162662	1	Filter, Breather	
13	1001162767	1	Tank, Hydraulic	
14	1001191533	1	Manifold, Hydraulic Return	

SECTION 1 - FRAME AND ATTACHING PARTS

FIGURE 1-18. FUEL AND HYDRAULIC CAP INSTALLATION



ART_1001197275-A

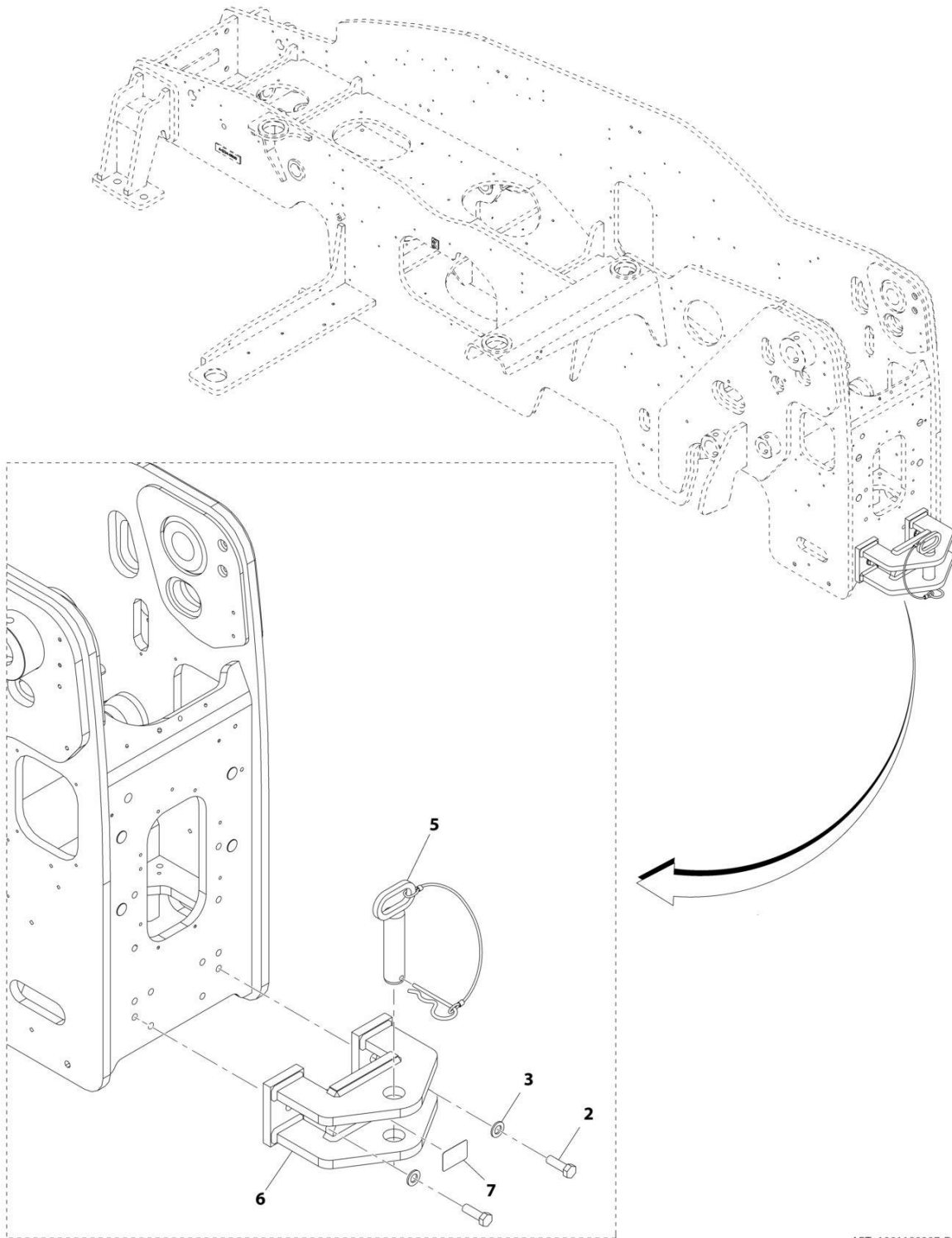
SECTION 1 - FRAME AND ATTACHING PARTS

FIGURE 1-18. FUEL AND HYDRAULIC CAP INSTALLATION

ITEM	PART NUMBER	QTY	DESCRIPTION	REV
	1001197275	Ref	Fuel and Hydraulic Cap Installation	A
1	1001142658	1	Cap, Fuel	
2	1001142659	1	Cap, Hydraulic	

SECTION 1 - FRAME AND ATTACHING PARTS

FIGURE 1-19. HITCH RETRIEVAL INSTALLATION



ART_1001180207-D

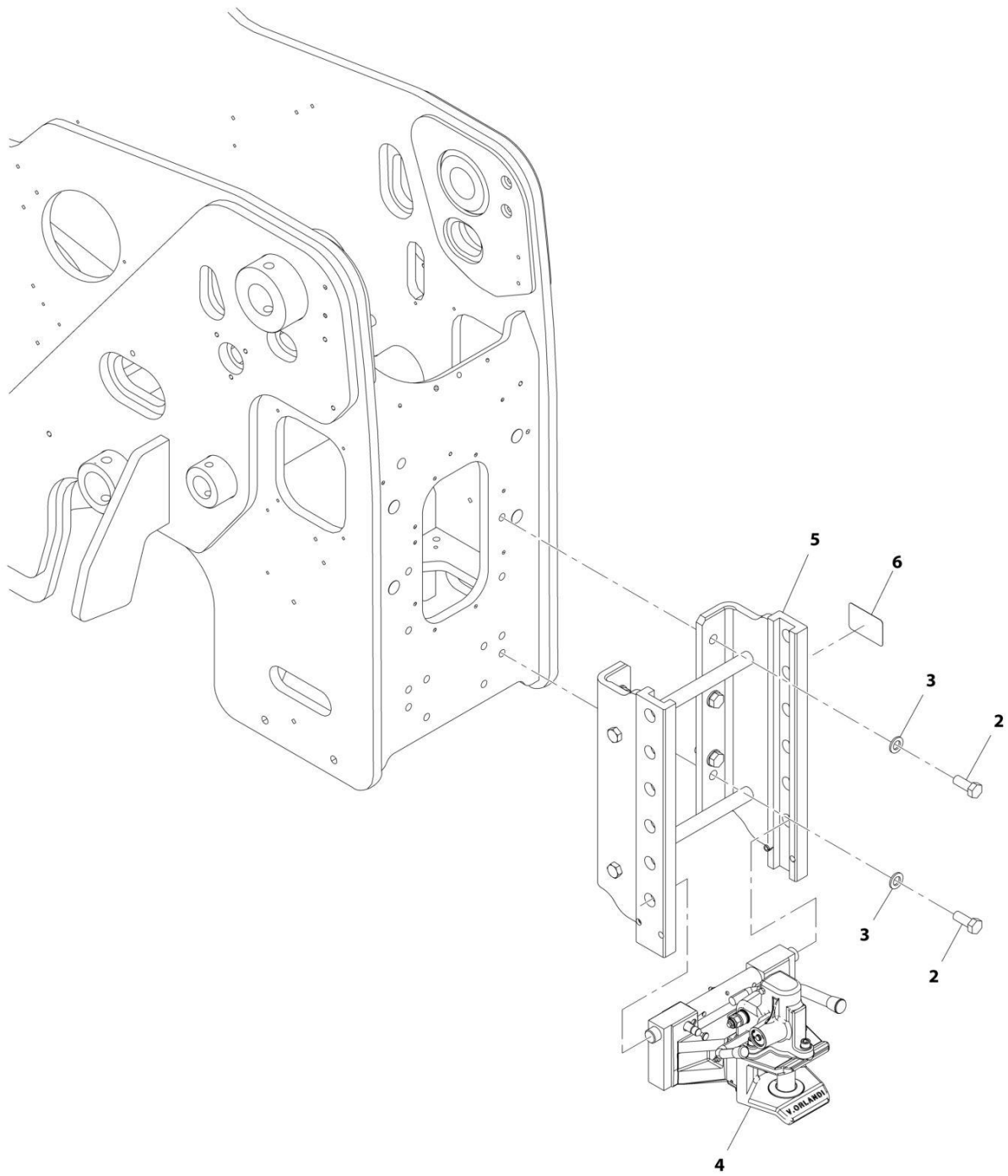
SECTION 1 - FRAME AND ATTACHING PARTS

FIGURE 1-19. HITCH RETRIEVAL INSTALLATION

ITEM	PART NUMBER	QTY	DESCRIPTION	REV
	1001180207	Ref	Hitch Retrieval Installation	D
2	0771618	2	Bolt, M16X50 Grade 10.9	
3	5241600	2	Washer, M16	
6	1001106570	NLA	Hitch, Retrieval (no longer available, use 1001238460 for replacement)	
6	1001238460	1	Hitch, Retrieval	
7	1001241674	1	Decal, Retrieval Point	

SECTION 1 - FRAME AND ATTACHING PARTS

FIGURE 1-20. HITCH INSTALLATION (EEC AUTO)



ART_1001180196-C

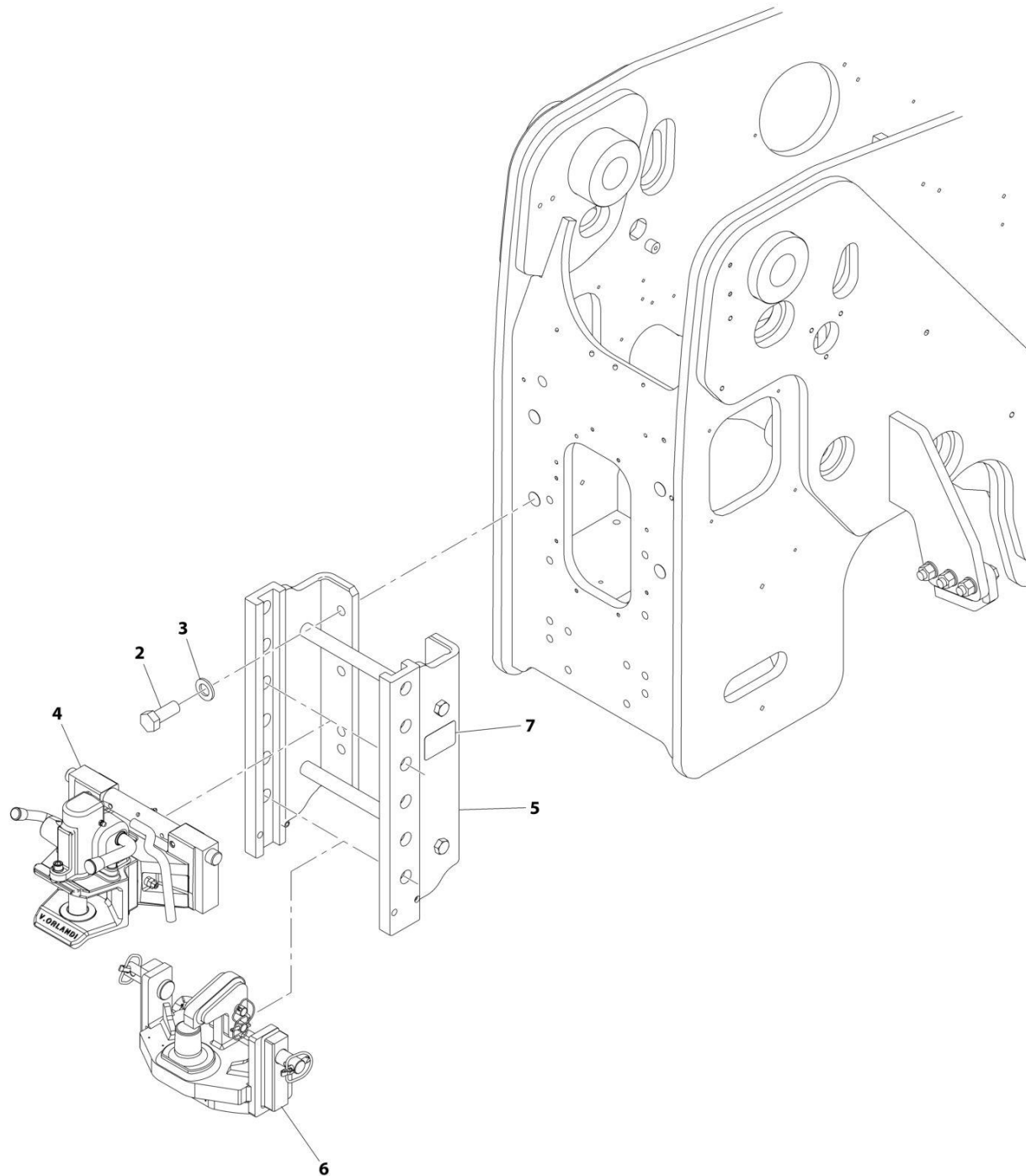
SECTION 1 - FRAME AND ATTACHING PARTS

FIGURE 1-20. HITCH INSTALLATION (EEC AUTO)

ITEM	PART NUMBER	QTY	DESCRIPTION	REV
	1001180196	Ref	Hitch Installation (EEC Auto)	C
2	0701616	8	Bolt, M16X40	
3	4812300	8	Washer, M6	
4	1001098629	1	Assembly, Hitch (EEC Auto) (See Separate Breakdown in this Section)	
5	1001183274	1	Hitch, Sliding Towing Bracket	
6	1001241674	1	Decal, Retrieval Point	

SECTION 1 - FRAME AND ATTACHING PARTS

FIGURE 1-21. HITCH INSTALLATION (PITON)



ART_1001180202-C

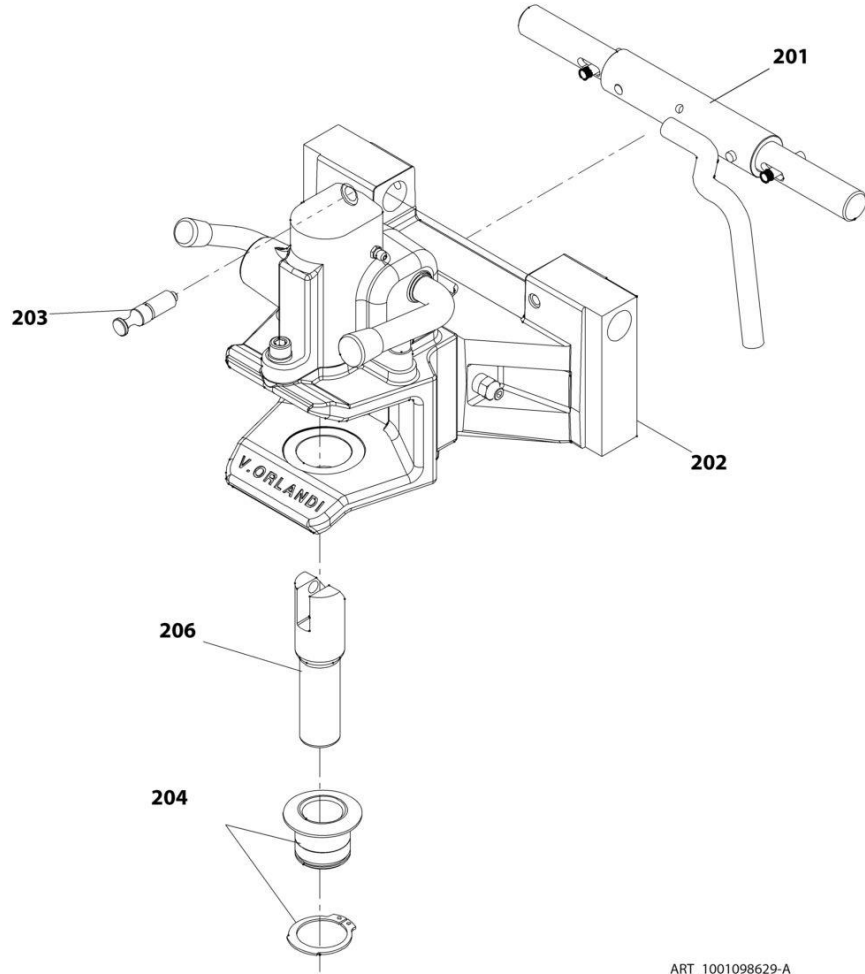
SECTION 1 - FRAME AND ATTACHING PARTS

FIGURE 1-21. HITCH INSTALLATION (PITON)

ITEM	PART NUMBER	QTY	DESCRIPTION	REV
	1001180202	Ref	Hitch Installation (Piton)	C
2	0701616	8	Bolt, M16X40	
3	4812300	8	Washer, M16	
4	1001098629	1	Assembly, Hitch (EEC AUTO) (See Separate Breakdown in this Section)	
5	1001183274	1	Hitch, Sliding Towing Bracket	
6	1001185248	1	Hitch, Sliding (Piton) (See Separate Breakdown in this Section)	
7	1001241674	1	Decal, Retrieval Point	

SECTION 1 - FRAME AND ATTACHING PARTS

FIGURE 1-22. HITCH ASSEMBLY (EEC AUTO)



ART_1001098629-A

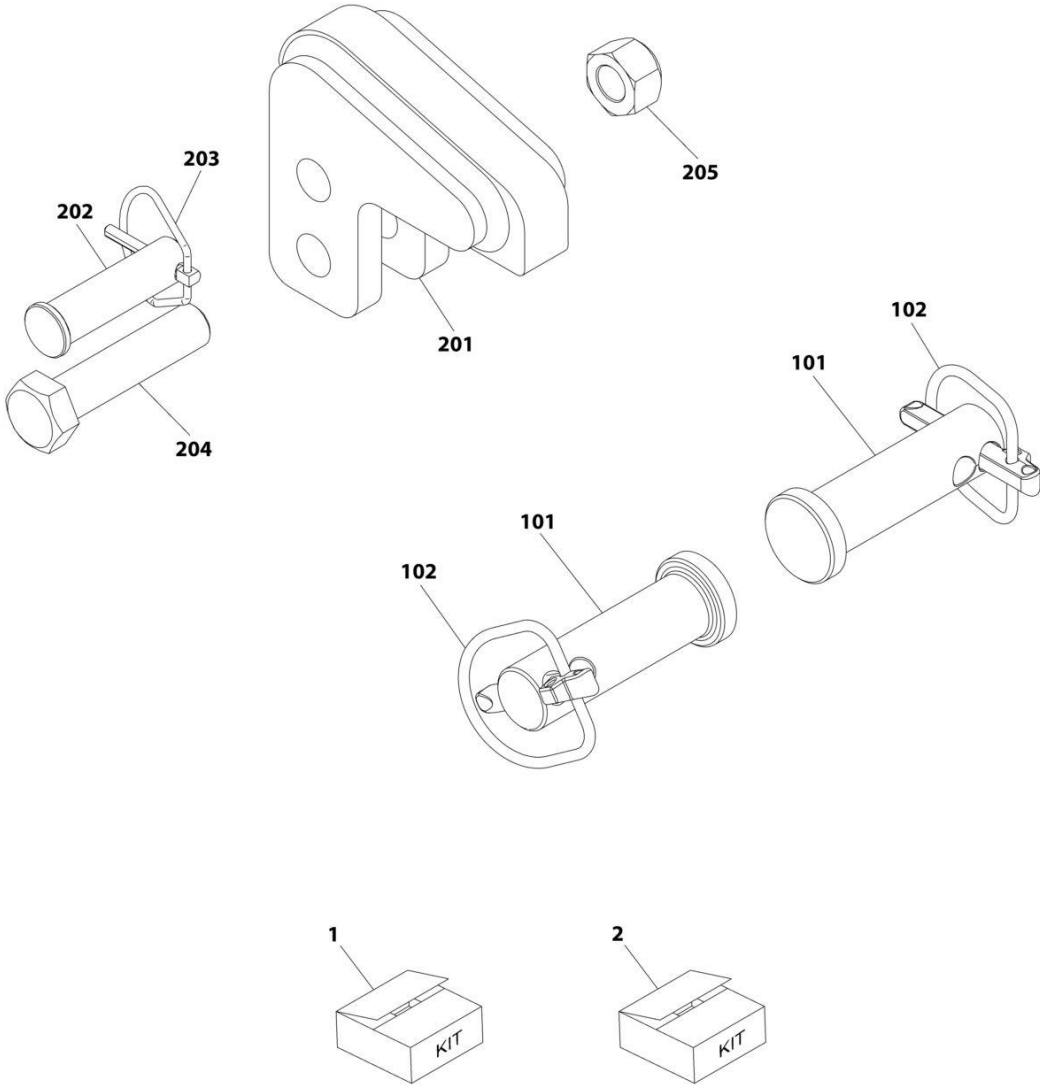
SECTION 1 - FRAME AND ATTACHING PARTS

FIGURE 1-22. HITCH ASSEMBLY (EEC AUTO)

ITEM	PART NUMBER	QTY	DESCRIPTION	REV
	1001098629	Ref	Hitch Assembly (EEC Auto)	A
201	70022821	1	Lever, Opening	
202	70022822	1	Mechanism, Box	
203	70022823	1	Pivot, Security	
204	70022824	1	Bushing	
206	70022825	1	Pin	

SECTION 1 - FRAME AND ATTACHING PARTS

FIGURE 1-23. SLIDING HITCH ASSEMBLY (PITON)



ART_1001185248-A

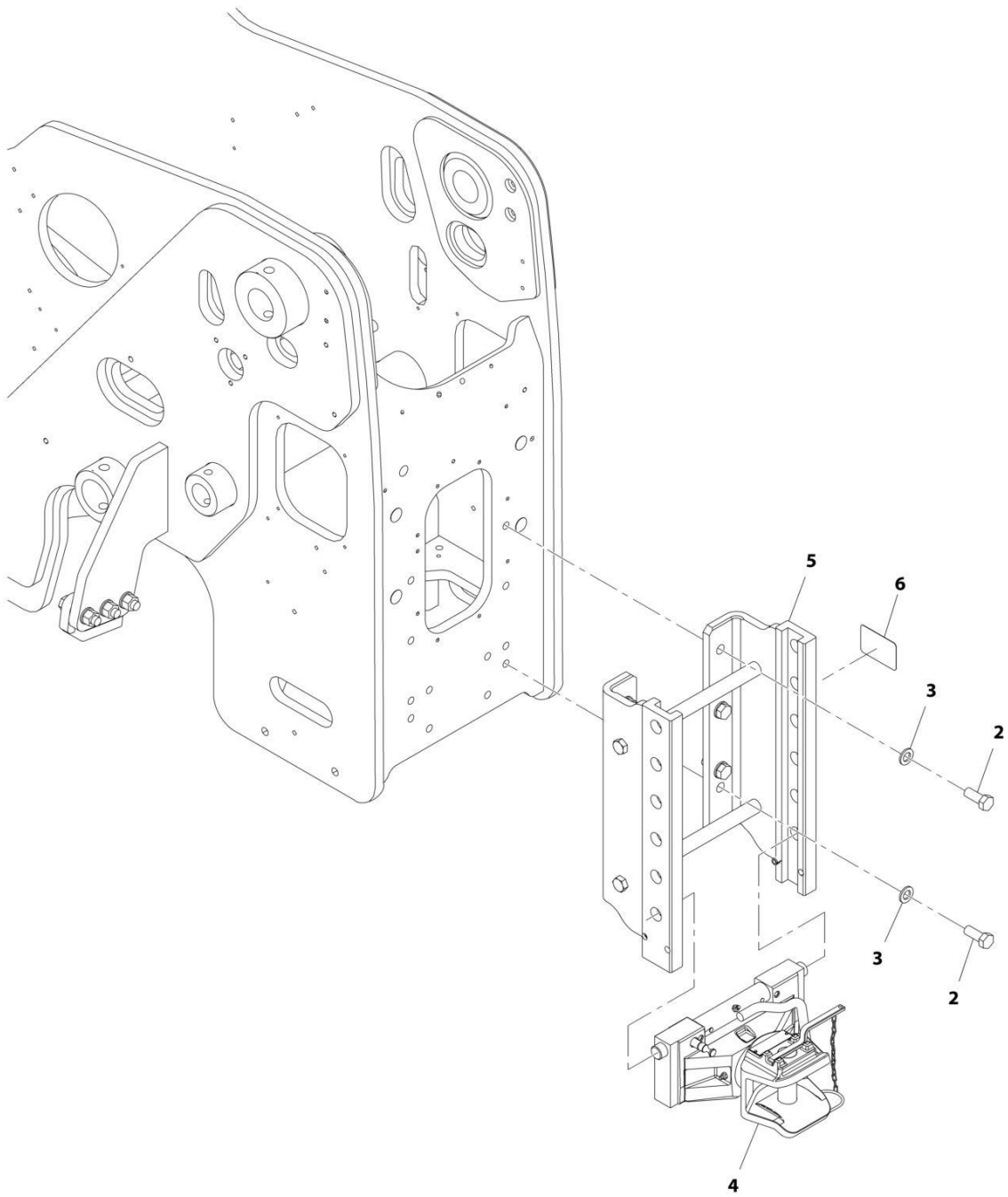
SECTION 1 - FRAME AND ATTACHING PARTS

FIGURE 1-23. SLIDING HITCH ASSEMBLY (PITON)

ITEM	PART NUMBER	QTY	DESCRIPTION	REV
	1001185248	Ref	Sliding Hitch Assembly (Piton)	A
1	70027175	1	Kit, Pins (includes items 101 and 102)	
2	70027174	1	Kit, Keeper (includes items 201 thru 205)	
101	Kit	2	Pin	
102	Kit	2	Pin, Safety	
201	Kit	1	Keeper	
202	Kit	1	Pin	
203	Kit	1	Pin, Safety	
204	Kit	1	Bolt, M20X95	
205	Kit	1	Nut	

SECTION 1 - FRAME AND ATTACHING PARTS

FIGURE 1-24. HITCH INSTALLATION (EEC MANUAL)



ART_1001180198-C

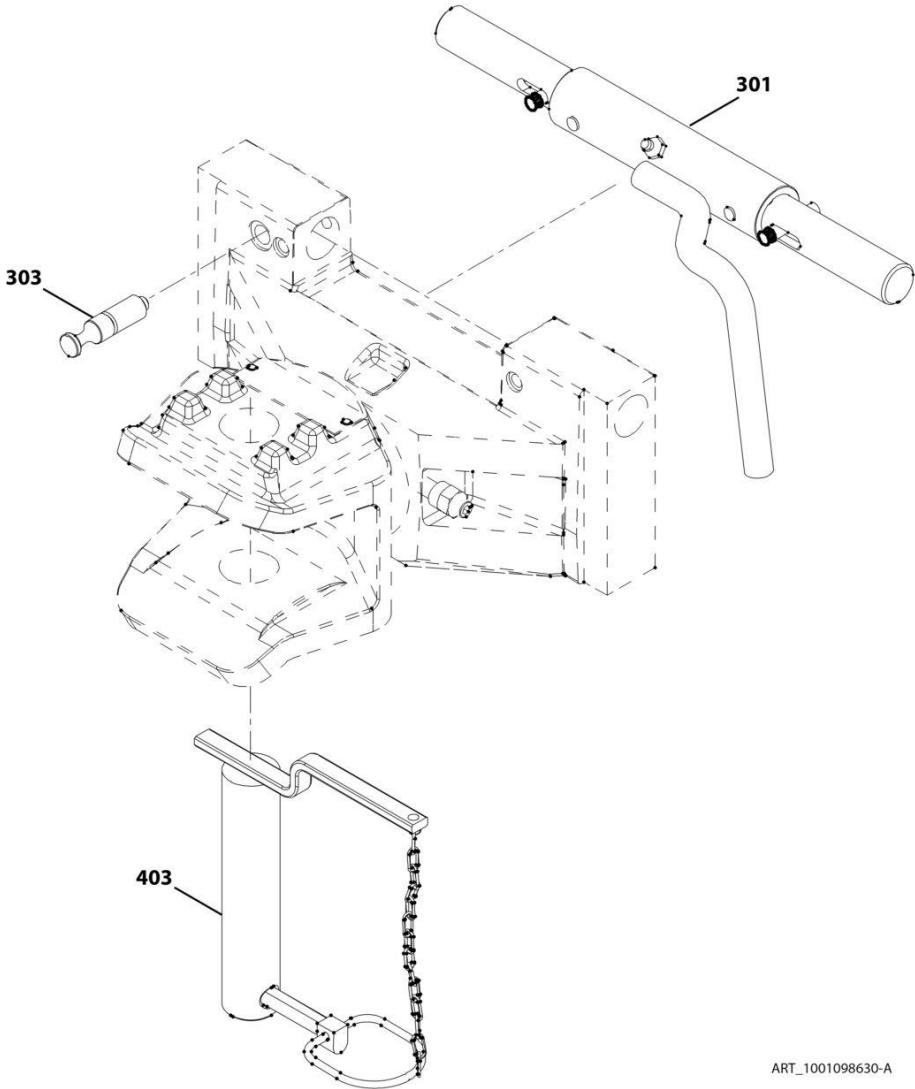
SECTION 1 - FRAME AND ATTACHING PARTS

FIGURE 1-24. HITCH INSTALLATION (EEC MANUAL)

ITEM	PART NUMBER	QTY	DESCRIPTION	REV
	1001180198	Ref	Hitch Installation (EEC Manual)	C
2	0701616	8	Bolt, M16X40	
3	4812300	8	Washer, M16	
4	1001098630	1	Assembly, Hitch (EEC Manual) (See Separate Breakdown in this Section)	
5	1001183274	1	Hitch, Sliding Towing Bracket	
6	1001241674	1	Decal, Retrieval Point	

SECTION 1 - FRAME AND ATTACHING PARTS

FIGURE 1-25. HITCH ASSEMBLY (EEC MANUAL)



ART_1001098630-A

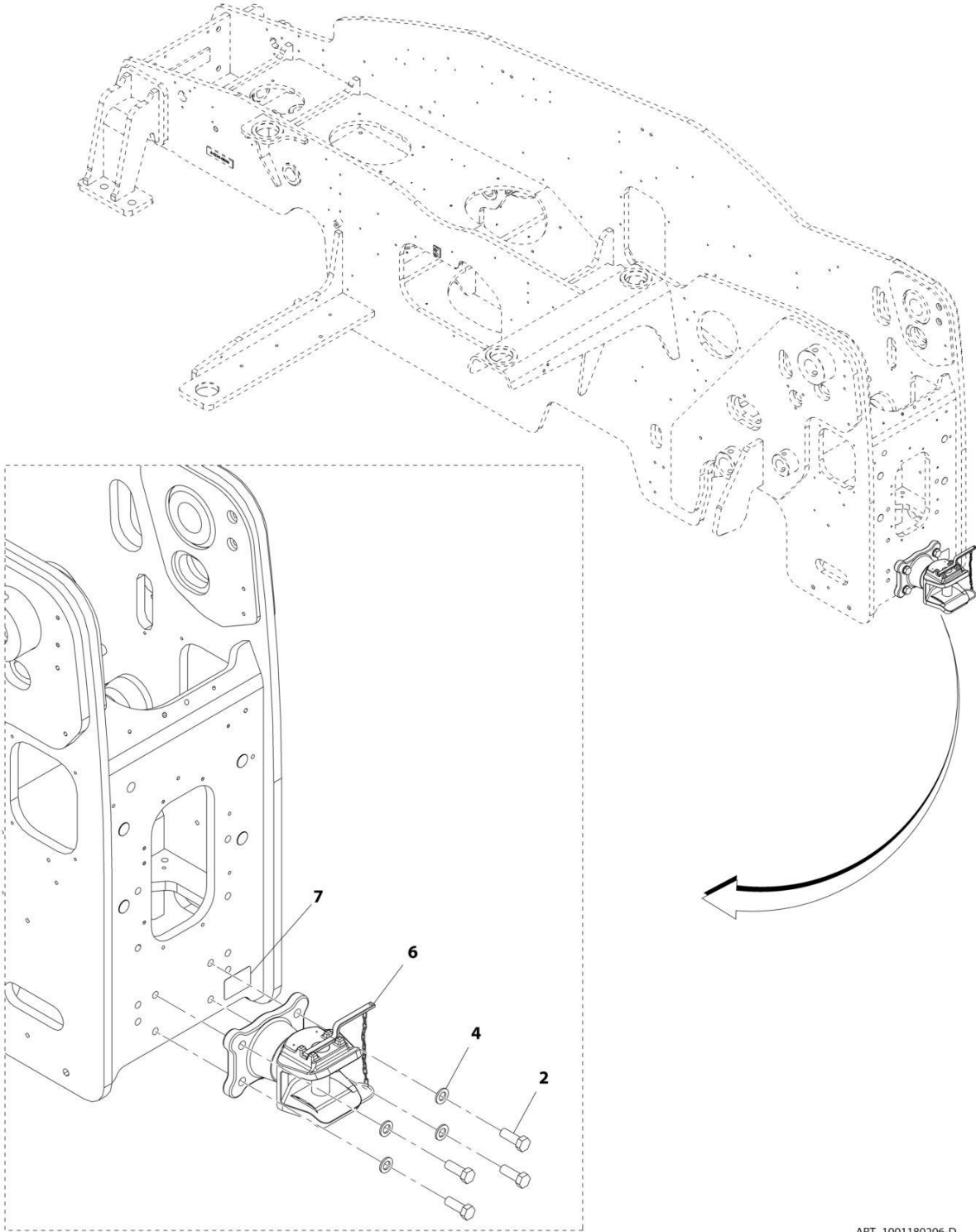
SECTION 1 - FRAME AND ATTACHING PARTS

FIGURE 1-25. HITCH ASSEMBLY (EEC MANUAL)

ITEM	PART NUMBER	QTY	DESCRIPTION	REV
	1001098630	Ref	Hitch Assembly (EEC Manual)	A
301	70022821	1	Lever, Opening	
303	70022823	1	Pivot, Security	
403	70022826	1	Pin	

SECTION 1 - FRAME AND ATTACHING PARTS

FIGURE 1-26. HITCH INSTALLATION (FIXED)



ART_1001180206-D

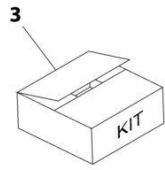
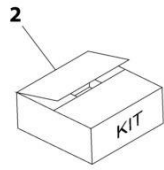
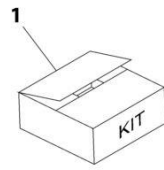
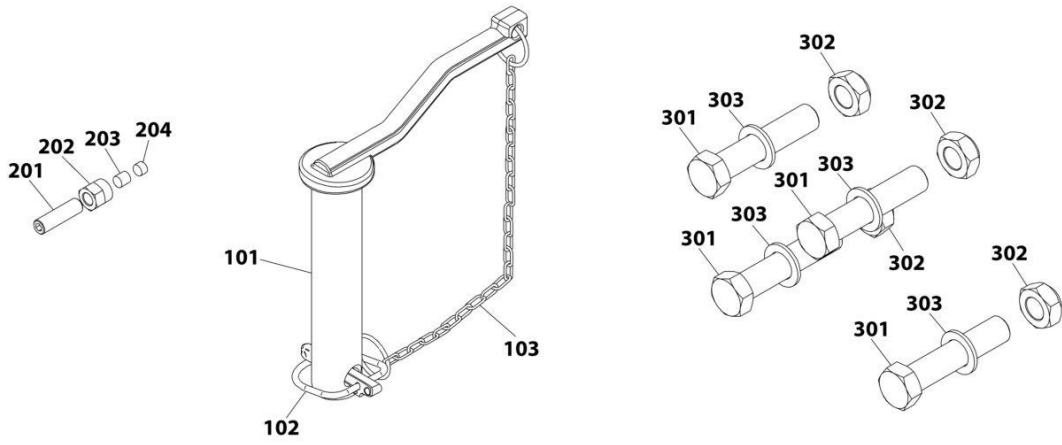
SECTION 1 - FRAME AND ATTACHING PARTS

FIGURE 1-26. HITCH INSTALLATION (FIXED)

ITEM	PART NUMBER	QTY	DESCRIPTION	REV
	1001180206	Ref	Hitch Installation (Fixed)	D
2	0701617	4	Bolt, M16X45	
4	4812300	4	Washer, M16	
6	1001110849	1	Assembly, Hitch (Fixed) (See Separate Breakdown in this Section)	
7	1001241674	1	Decal, Retrieval Point	

SECTION 1 - FRAME AND ATTACHING PARTS

FIGURE 1-27. HITCH ASSEMBLY (FIXED)



ART_1001110849-B

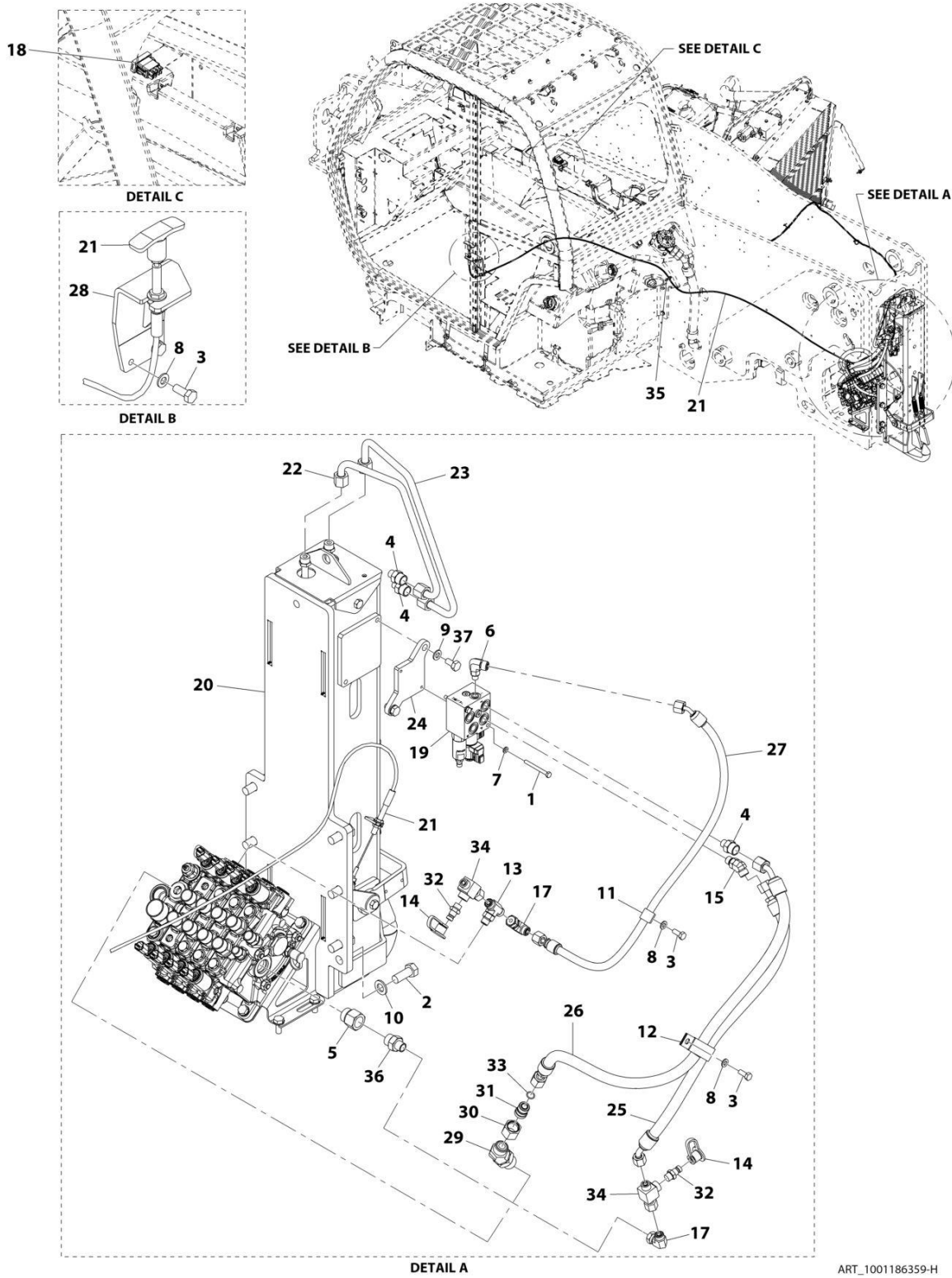
SECTION 1 - FRAME AND ATTACHING PARTS

FIGURE 1-27. HITCH ASSEMBLY (FIXED)

ITEM	PART NUMBER	QTY	DESCRIPTION	REV
	1001110849	Ref	Hitch Assembly (Fixed)	B
1	70027178	1	Kit, Towing Pin (includes items 101 thru 103)	
2	70027176	1	Kit, Friction (includes items 201 thru 204)	
3	70027177	1	Kit, Screws (includes items 301 thru 303)	
101	Kit	1	Pin	
102	Kit	1	Chain, Safety	
103	Kit	1	Pin, Safety	
201	Kit	1	Screw, M16X80	
202	Kit	1	Nut, M10	
203	Kit	1	Insert	
204	Kit	1	Insert	
301	Kit	4	Screw, M16X80	
302	Kit	4	Nut, M16	
303	Kit	4	Washer	

SECTION 1 - FRAME AND ATTACHING PARTS

FIGURE 1-28. HITCH INSTALLATION (HYDRAULIC)



ART_1001186359-H

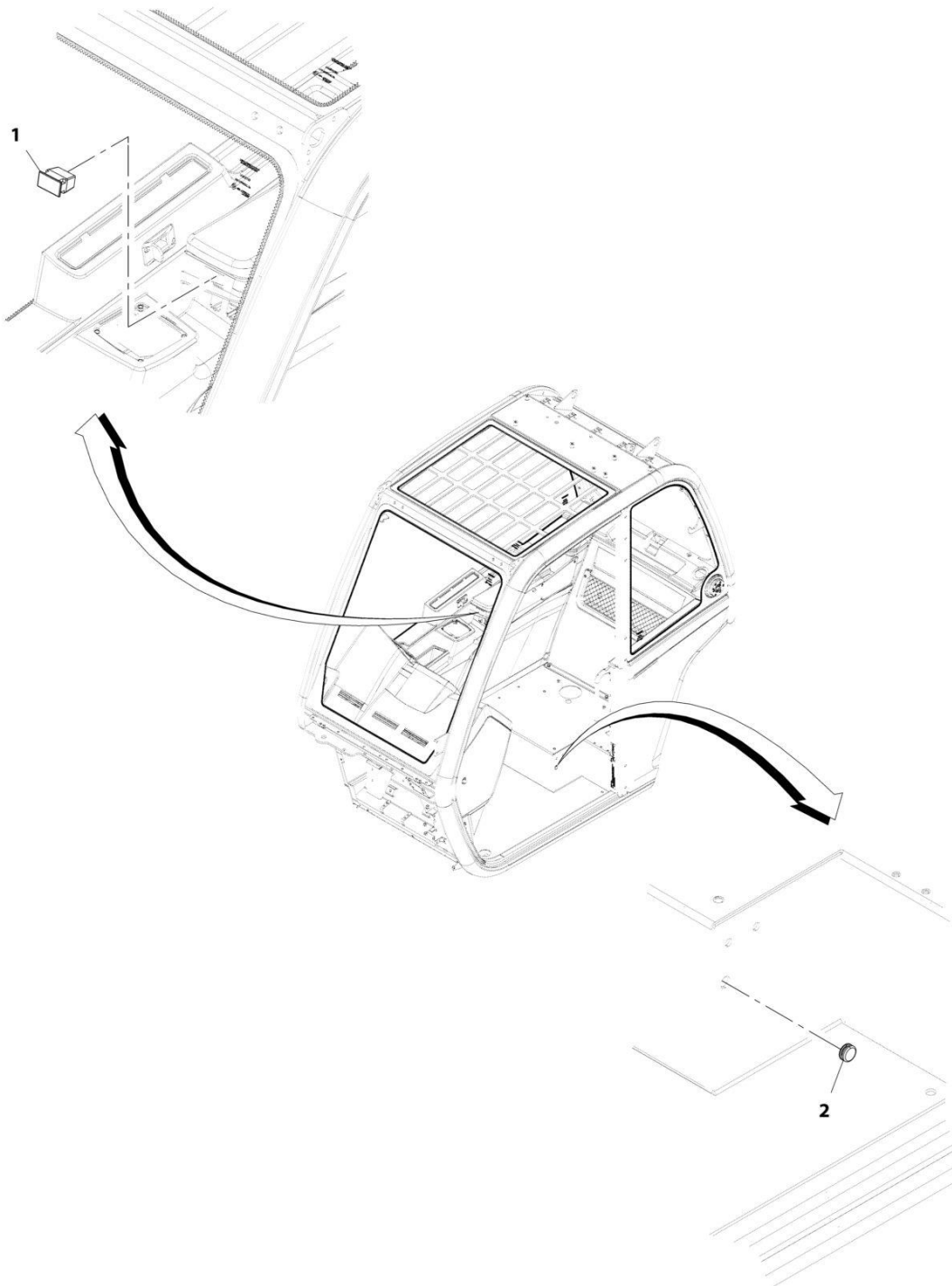
SECTION 1 - FRAME AND ATTACHING PARTS

FIGURE 1-28. HITCH INSTALLATION (HYDRAULIC)

ITEM	PART NUMBER	QTY	DESCRIPTION	REV
	1001186359	Ref	Hitch Installation (Hydraulic)	H
1	0700620	2	Bolt, M6X60	
2	0711616	8	Bolt, M16X40 Grade 10.9	
3	0760810	4	Bolt, M8X20	
4	2110806	3	Fitting, Straight ORFS	
5	8760550	1	Fitting, Tee	
6	2130604	1	Fitting, 90 ORFS	
7	4811700	2	Washer, M6	
8	4811900	4	Washer, M8	
9	4812000	2	Washer, M10	
10	4812300	8	Washer, M16	
11	1001009207	1	Clip	
12	1001008720	1	Clip	
13	2170406	1	Fitting, Tee ORFS	
14	1001008761	2	Dust Cap	
15	2150606	1	Fitting, 45 ORFS	
17	2172106	2	Fitting, 90 ORFS	
18	1001198836	1	Switch, Hitch Up/Down	
19	1001226722	Ref	Valve, Hydraulic Hitch Control (See Separate Breakdown in HYDRAULIC COMPONENTS Section)	
20	1001182763	1	Hitch, Hydraulic	
21	1001186392	1	Cable, Hitch Release	
22	1001204374	1	Pipe	
23	1001204375	1	Pipe	
24	1001188413	1	Plate	
25	1001204518	1	Hose, ORFS	
26	1001206557	1	Hose, ORFS	
27	1001206558	1	Hose, ORFS	
28	1001188722	1	Bracket, Hitch	
29	2151012	1	Fitting, 45 ORFS	
30	8770143	1	Nut, ORFS	
31	1001032853	1	Reducer, ORFS	
32	1001003590	2	Fitting, Straight	
33	1001008805	1	Seal	
34	1001033119	2	Adapter, ORFS	
35	1001146588	1	Tie Strap	
36	2110610	1	Fitting, Straight	
37	0761010	2	Bolt, M10X20	

SECTION 1 - FRAME AND ATTACHING PARTS

FIGURE 1-29. CAB PLUG INSTALLATION (NON HYDRAULIC HITCH)



ART_1001214572-A

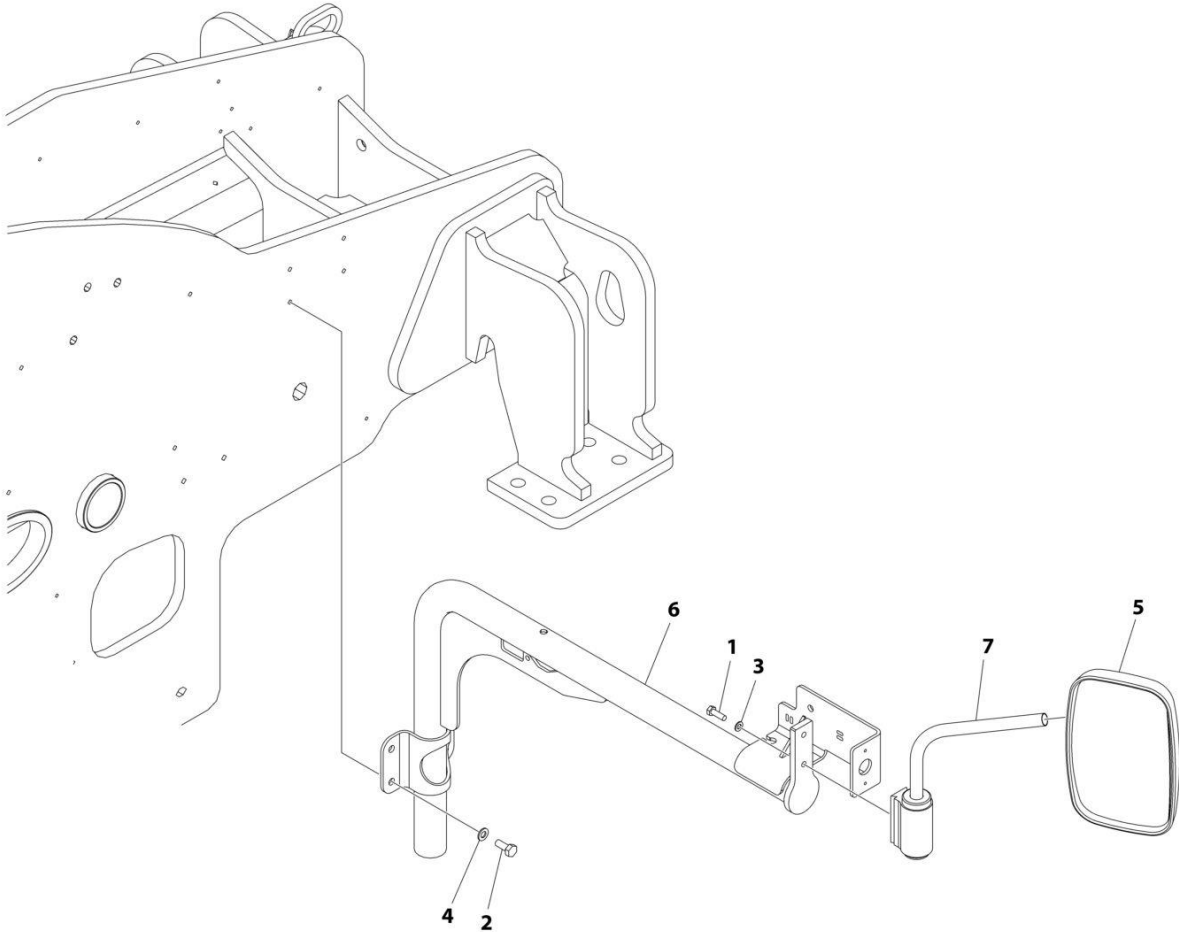
SECTION 1 - FRAME AND ATTACHING PARTS

FIGURE 1-29. CAB PLUG INSTALLATION (NON HYDRAULIC HITCH)

ITEM	PART NUMBER	QTY	DESCRIPTION	REV
	1001214572	1	Cab Plug Installation (Non Hydraulic Hitch)	A
1	4360669	1	Cover, Switch	
2	1001176323	1	Plug	

SECTION 1 - FRAME AND ATTACHING PARTS

FIGURE 1-30. MIRROR INSTALLATION



ART_1001269628

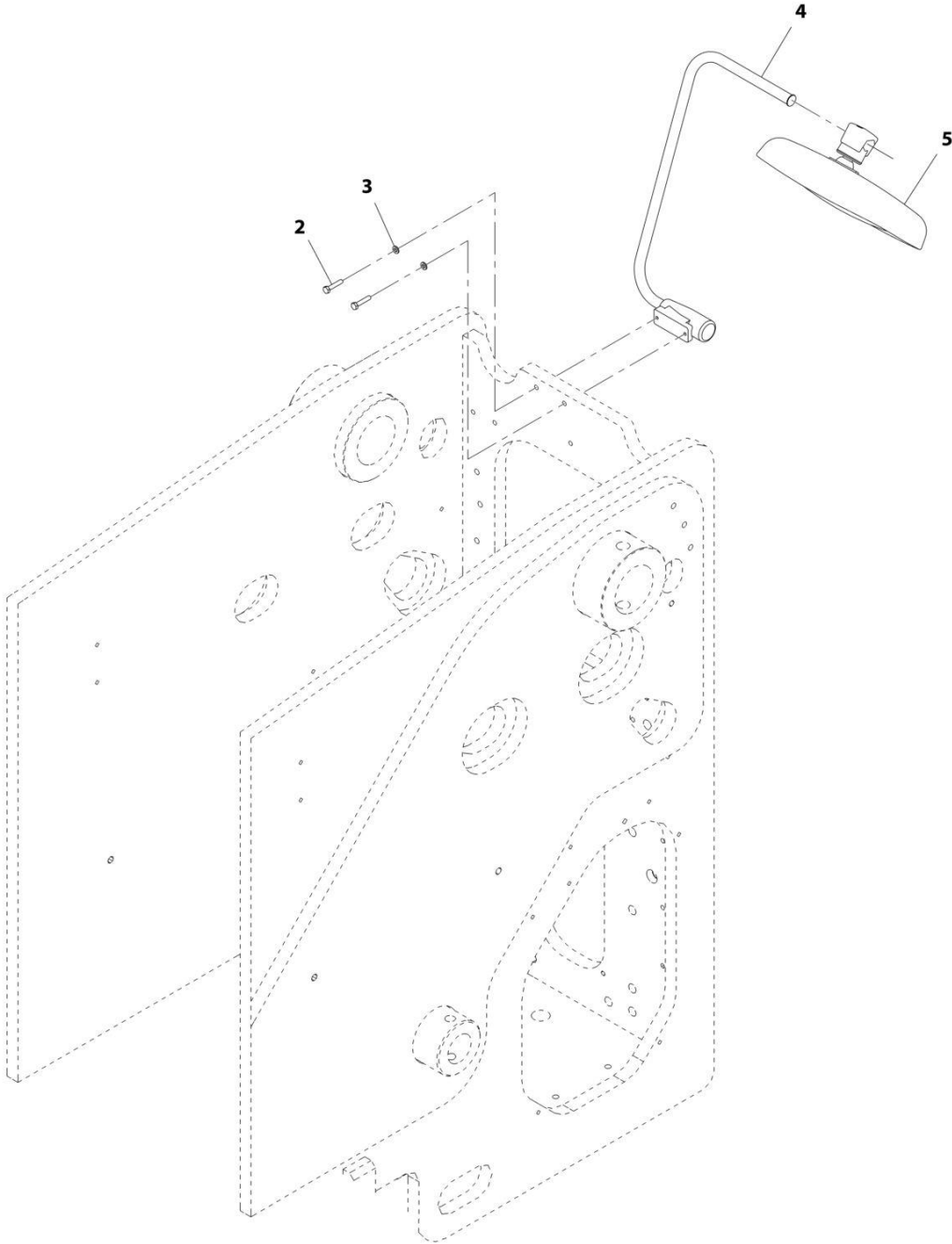
SECTION 1 - FRAME AND ATTACHING PARTS

FIGURE 1-30. MIRROR INSTALLATION

ITEM	PART NUMBER	QTY	DESCRIPTION	REV
	1001269628	Ref	MIRROR INSTALLATION	A
1	0760812	2	Bolt M8 x 25	
2	0761012	4	Bolt M10 x 25	
3	4811900	2	Washer M8	
4	4812000	4	Washer M10	
5	1001005981	1	Mirror	
6	1001265395	1	Bracket	
7	1001269627	1	Bracket	

SECTION 1 - FRAME AND ATTACHING PARTS

FIGURE 1-31. REAR MIRROR INSTALLATION (FLAT)



ART_1001186395-B

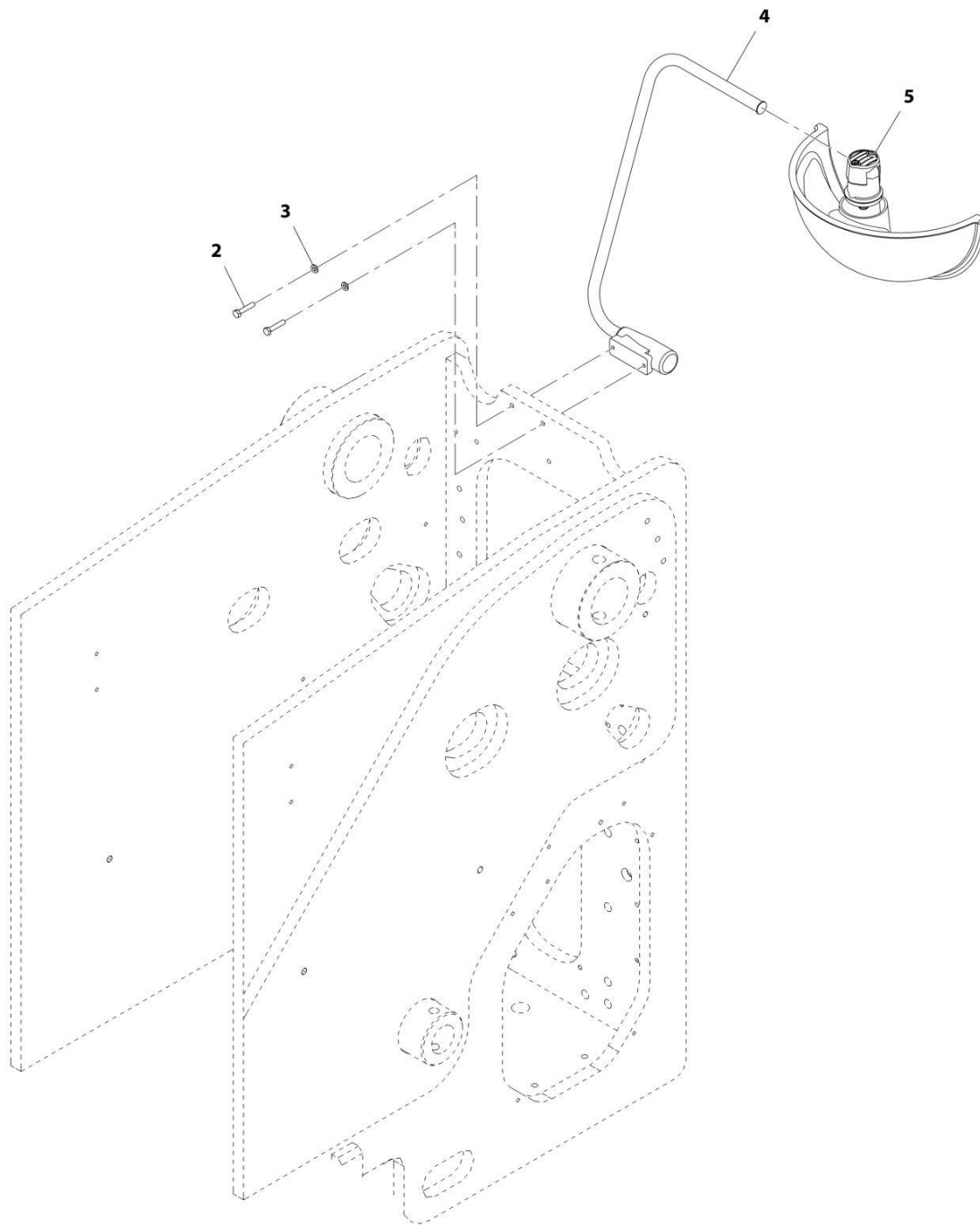
SECTION 1 - FRAME AND ATTACHING PARTS

FIGURE 1-31. REAR MIRROR INSTALLATION (FLAT)

ITEM	PART NUMBER	QTY	DESCRIPTION	REV
	1001186395	Ref	REAR MIRROR INSTALLATION (FLAT)	B
2	0700614	2	Bolt M6 x 30	
3	4811700	2	Washer M6	
4	1001005980	1	Arm	
5	1001005981	1	Assembly, Mirror	

SECTION 1 - FRAME AND ATTACHING PARTS

FIGURE 1-32. REAR MIRROR INSTALLATION (CONVEX)



ART_1001186439-B

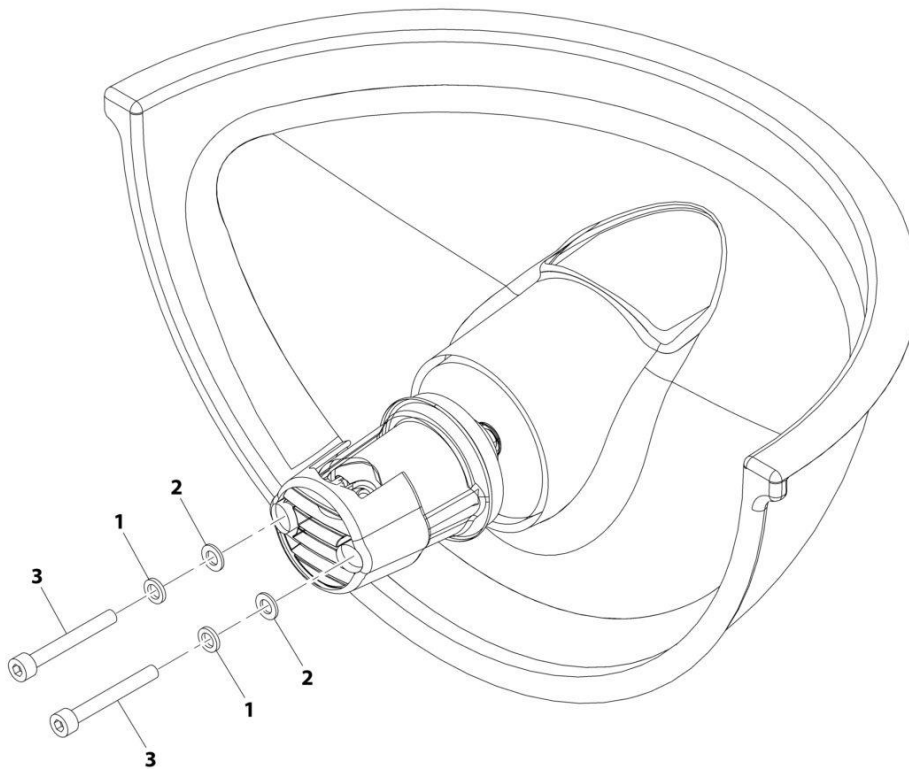
SECTION 1 - FRAME AND ATTACHING PARTS

FIGURE 1-32. REAR MIRROR INSTALLATION (CONVEX)

ITEM	PART NUMBER	QTY	DESCRIPTION	REV
	1001186439	Ref	Hitch Mirror Installation (Fish Eye)	B
2	0700614	2	Bolt, M6X30	
3	4811700	2	Washer, M6	
4	1001005980	1	Arm	
5	1001008436	1	Assembly, Mirror (Convex) (See Separate Breakdown in this Section)	

SECTION 1 - FRAME AND ATTACHING PARTS

FIGURE 1-33. MIRROR ASSEMBLY (CONVEX)



ART_1001008436-D

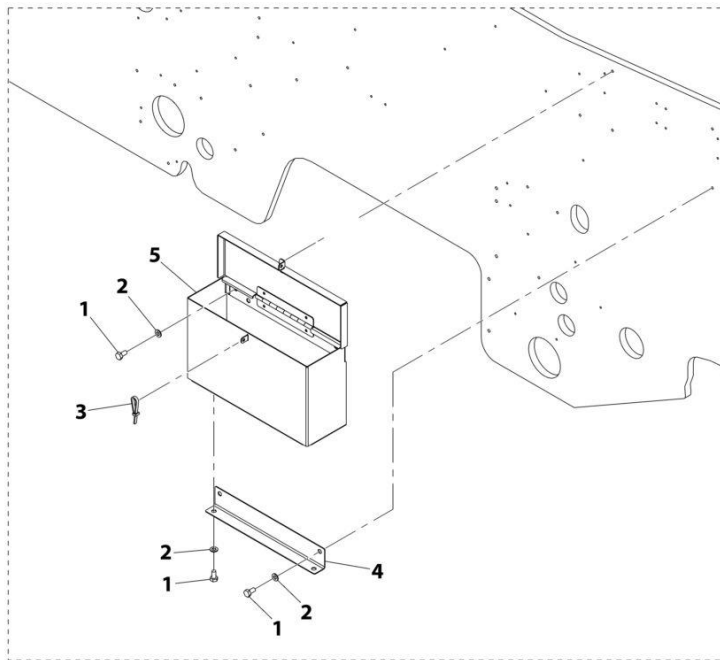
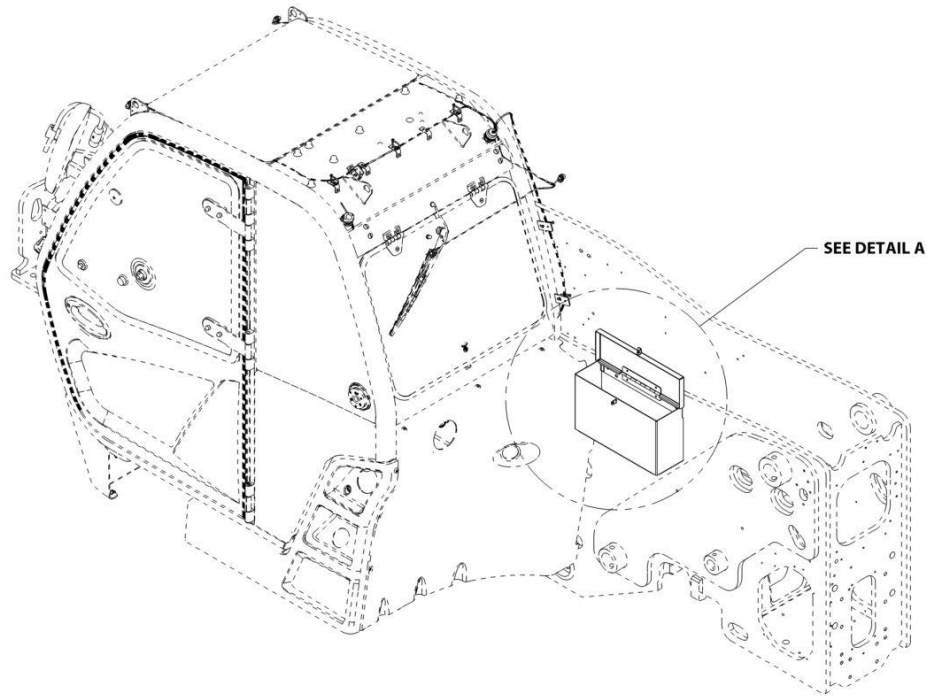
SECTION 1 - FRAME AND ATTACHING PARTS

FIGURE 1-33. MIRROR ASSEMBLY (CONVEX)

ITEM	PART NUMBER	QTY	DESCRIPTION	REV
	1001008436	Ref	Mirror Assembly (Convex)	D
1	1001008475	2	Washer, Lock	
2	1001009062	2	Washer	
3	1001010838	2	Bolt	

SECTION 1 - FRAME AND ATTACHING PARTS

FIGURE 1-34. TOOLBOX INSTALLATION



DETAIL A

ART_1001225619-A

SECTION 1 - FRAME AND ATTACHING PARTS

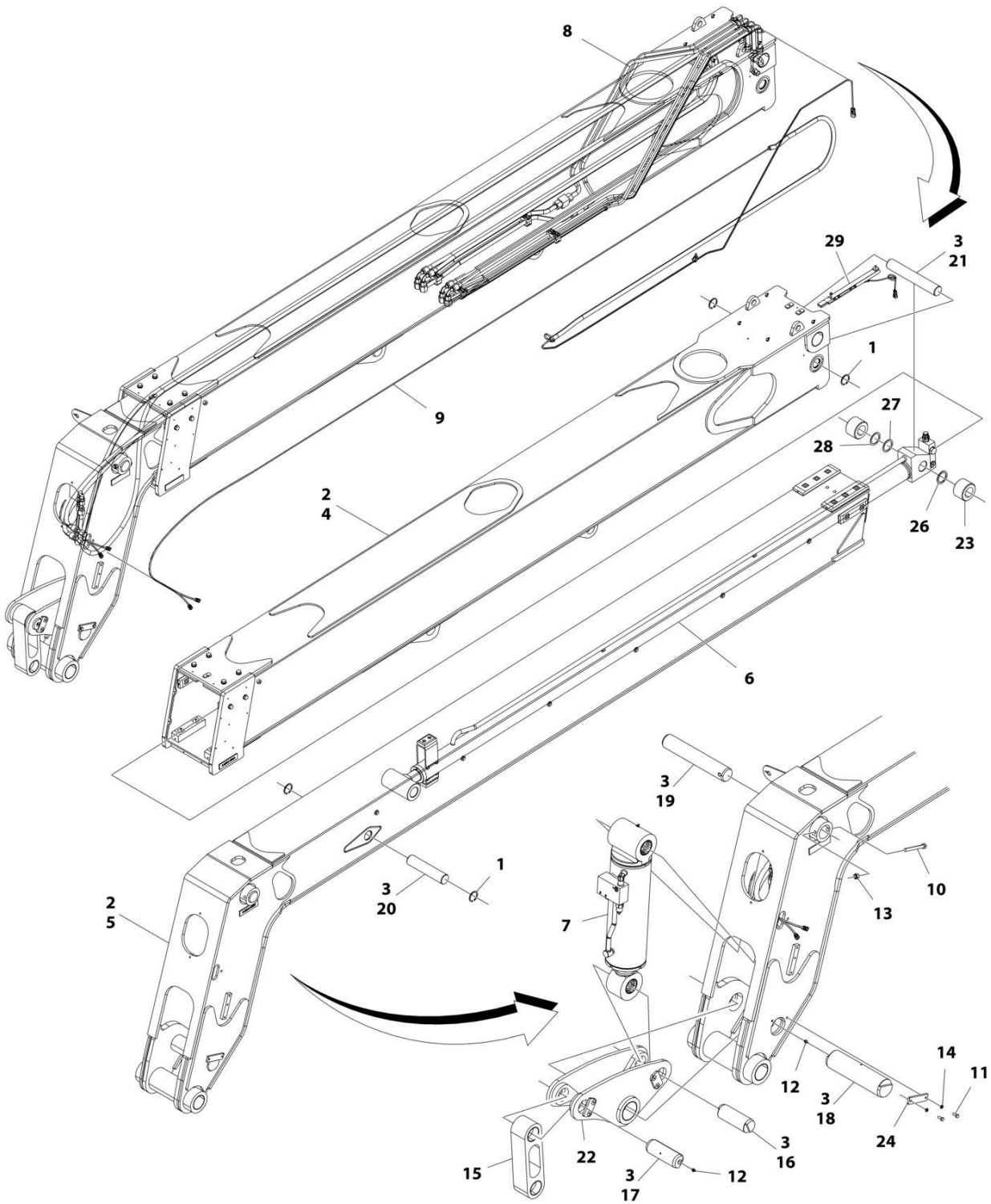
FIGURE 1-34. TOOLBOX INSTALLATION

ITEM	PART NUMBER	QTY	DESCRIPTION	REV
	1001225619	Ref	Toolbox Installation	A
1	0761010	6	Bolt, M10X20	
2	4812000	6	Washer, M10	
3	1001008559	1	Strap	
4	1001178729	1	Bracket	
5	1001192836	1	Box	

SECTION 2 - BOOM

SECTION 2 - BOOM

FIGURE 2-1. BOOM ASSEMBLY



ART_1001155408_K

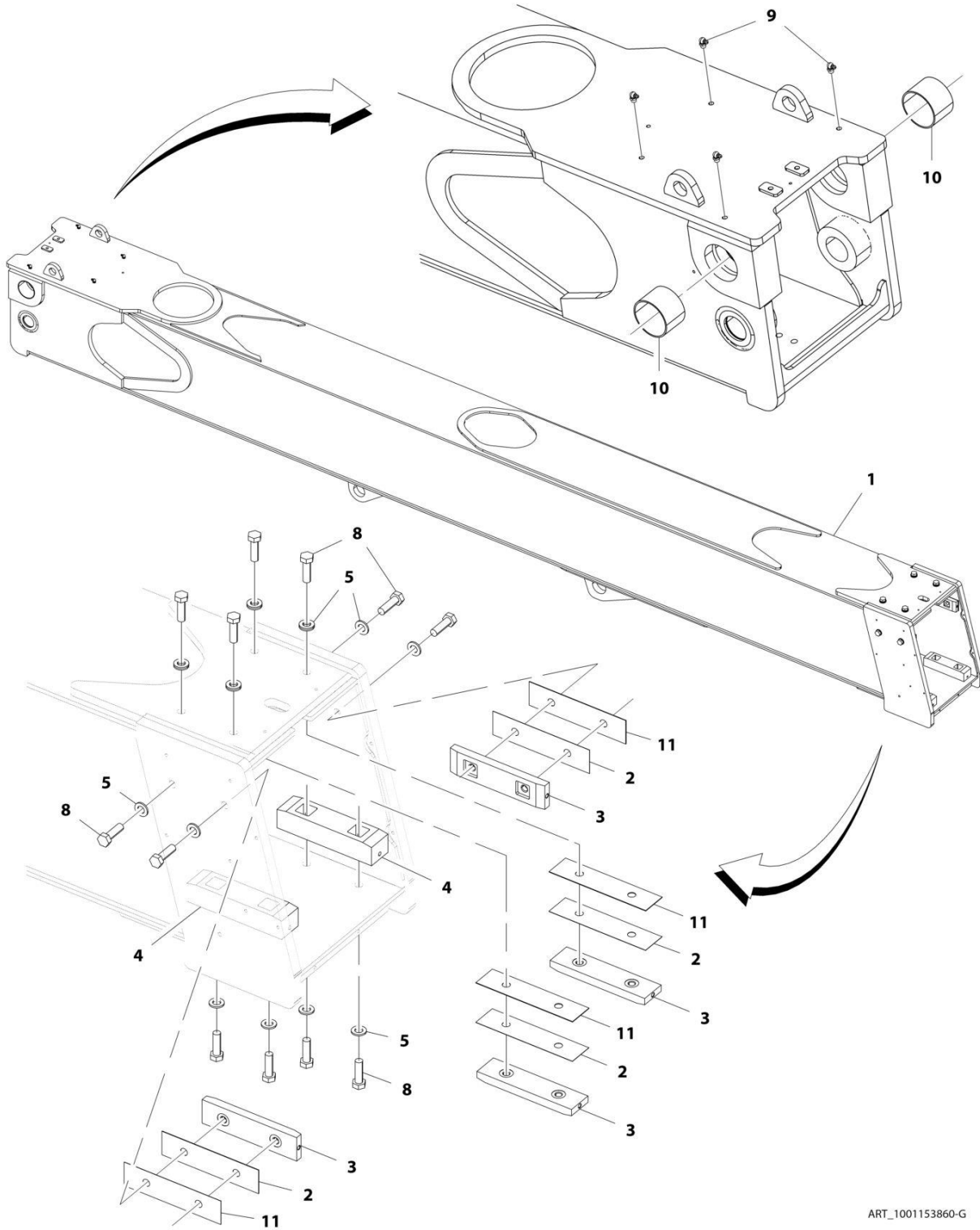
SECTION 2 - BOOM

FIGURE 2-1. BOOM ASSEMBLY

ITEM	PART NUMBER	QTY	DESCRIPTION	REV
	1001155408	Ref	BOOM ASSEMBLY	K
1	314689	4	Ring, Retaining 50MM	
2	1001098457	AR	Grease, Lithium	
3	3020040	AR	Lubricant, Moly Paste	
4	1001153860	1	Assembly, First Boom Section (JLG) (See Separate Breakdown in this Section)	
5	1001153861	1	Assembly, Second Boom Section (See Separate Breakdown in this Section)	
6	1001266775	1	Assembly, Extend/Retract Cylinder (See Separate Breakdown in HYDRAULIC COMPONENTS Section)	
7	1001180117	1	Cylinder, Tilt (See Separate Breakdown in HYDRAULIC COMPONENTS Section)	
8	1001216312	Ref	Installation, Boom Hydraulic (See Separate Breakdown in HYDRAULIC CIRCUITS Section)	
9	1001185364	Ref	Installation, Boom Harness (See Separate Breakdown in ELECTRICAL Section)	
10	0711228	1	Bolt M12 x 110	
11	0760810	2	Bolt M8 x 20	
12	2160016	2	Fitting, Grease	
13	3291205	1	Nut M12	
14	4831900	2	Washer M8	
15	1001096870	1	Assembly, Link (See Separate Breakdown in this Section)	
16	1001175746	1	Pin	
17	1001175749	1	Pin	
18	1001175747	1	Pin	
19	1001175896	1	Pin	
20	1001175897	1	Pin	
21	1001175900	1	Pin	
22	1001176407	1	Assembly, Lever (See Separate Breakdown in this Section)	
23	1001176691	2	Spacer	
24	1001191621	1	Plate	
26	1001155958	AR	Shim, 3MM	
27	1001155959	AR	Shim, 2MM	
28	1001155960	AR	Shim, 1MM	
29	1001221242	1	Retract Sensor Installation (See Separate Breakdown in this Section)	

SECTION 2 - BOOM

FIGURE 2-2. FIRST BOOM SECTION



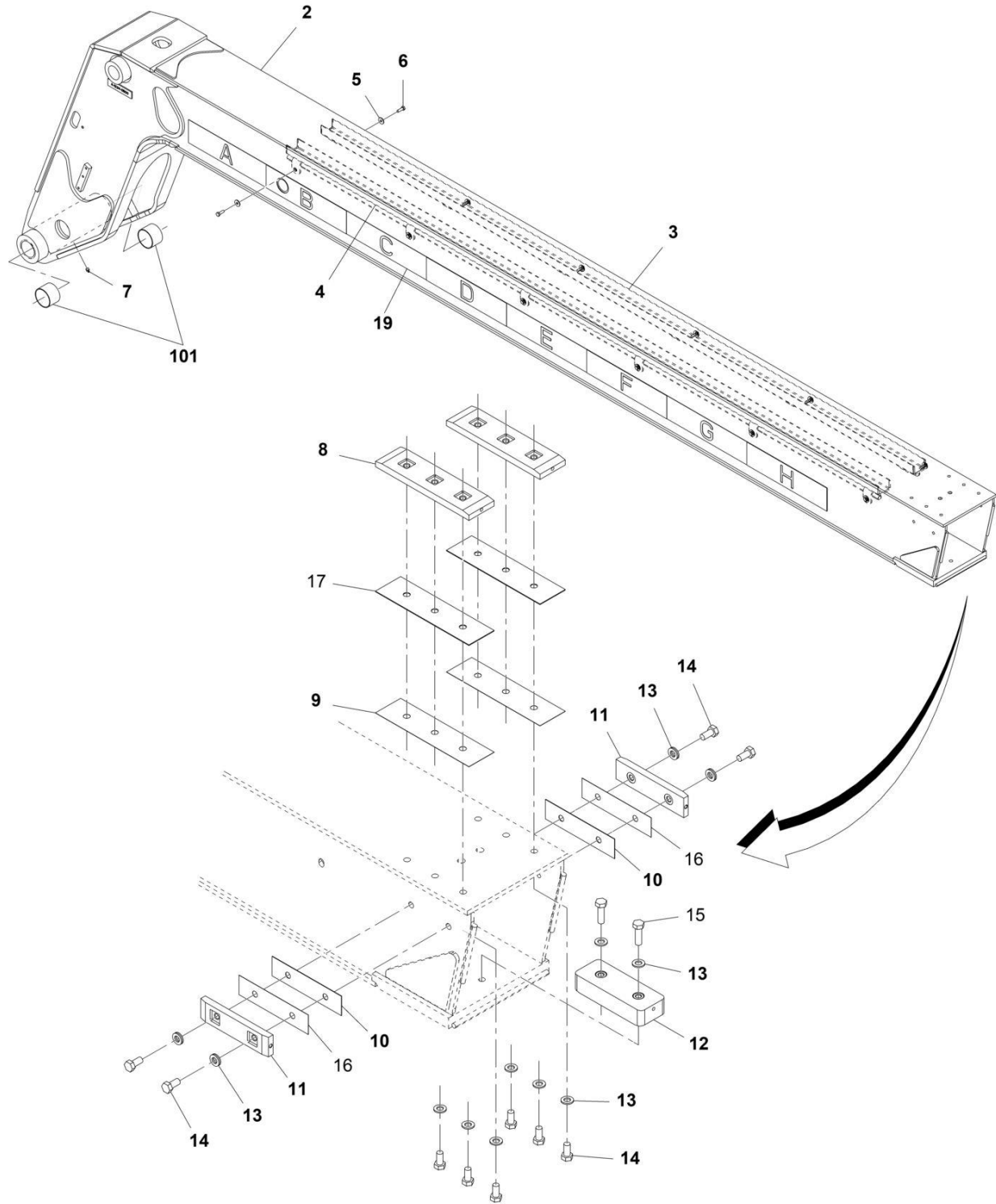
ART_1001153860-G

FIGURE 2-2. FIRST BOOM SECTION

ITEM	PART NUMBER	QTY	DESCRIPTION	REV
	1001153860	Ref	First Boom Section	K
1	1001173789J	1	Weldment, First Boom Section (Includes Item 101)	
2	1001147731	AR	Shim, M1X45X185	
3	1001147657	4	Pad, M15X45X181	
4	1001175853	2	Pad, M38X45X181	
5	1001125117	AR	Washer, M12	
8	0711216	12	Bolt, M12X40	
9	2160018	4	Fitting, Grease	
11	1001154174	AR	Shim, M0.5X45X185	
12	1001163103	AR	Plate, Shim (Not Shown)	
101	1001090150	2	Bushing	

SECTION 2 - BOOM

FIGURE 2-3. SECOND BOOM SECTION ASSEMBLY



ART_1001153861-H

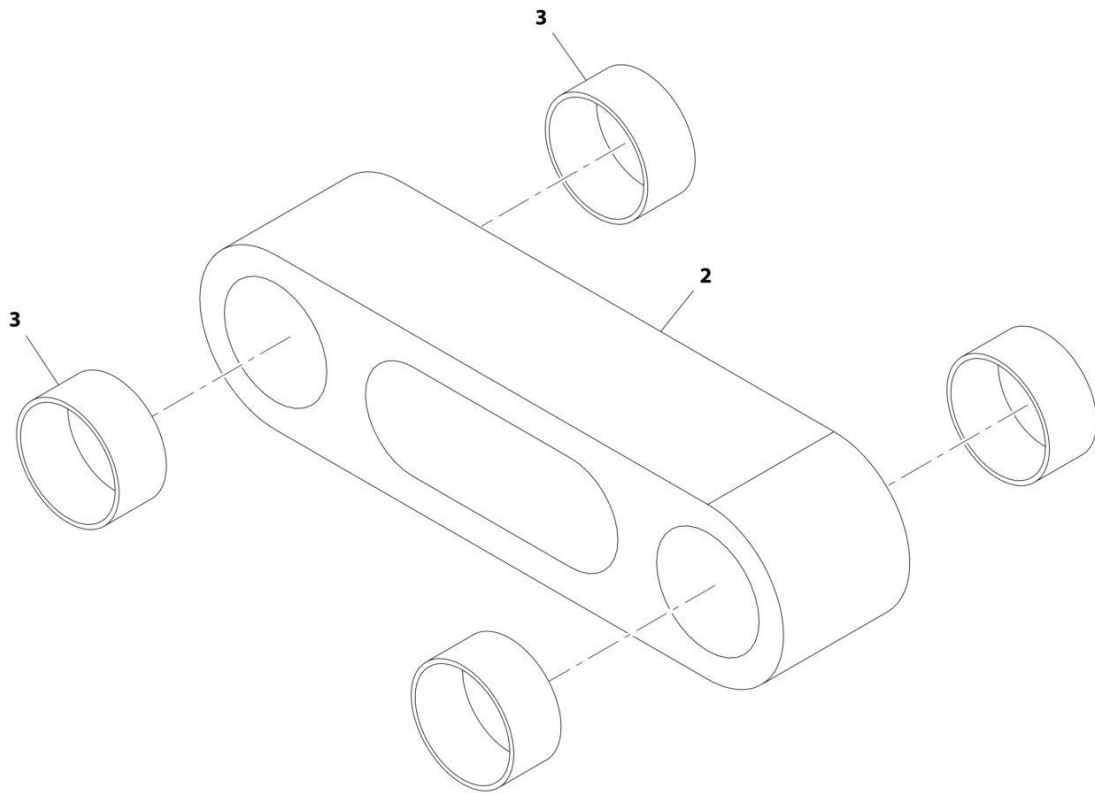
SECTION 2 - BOOM

FIGURE 2-3. SECOND BOOM SECTION ASSEMBLY

ITEM	PART NUMBER	QTY	DESCRIPTION	REV
	1001153861	Ref	Second Boom Section Assembly	L
2	1001242219	1	Weldment, Second Boom Section (Includes Item 101)	
3	1001174557	1	Support, Hose	
4	1001175661	1	Support, Hose	
5	4811902	12	Washer M8	
6	0760812	12	Bolt M8X25	
7	2160016	1	Fitting, Grease	
8	1001177054	2	Pad, M67.5X250X15	
9	1001177073	AR	Shim, M1.5X67.5X250	
10	1001147731	AR	Shim, M1X45X185	
11	1001147657	2	Pad, M15X45X181	
12	1001175762	1	Pad, M38X67.5X181	
13	1001125117	AR	Washer M12	
14	0771212	10	Bolt M12X25	
16	0711216	2	Bolt M12X40	
17	1001154174	AR	Shim, M0.5X45X185	
17	1001163103	1	Shim	
18	1001221577	AR	Shim, M0.5X67.5X250	
19	1001227229	1	Decal, Boom Extend	
101	1001090150	2	Bearing, M70X50	

SECTION 2 - BOOM

FIGURE 2-4. LINK ASSEMBLY



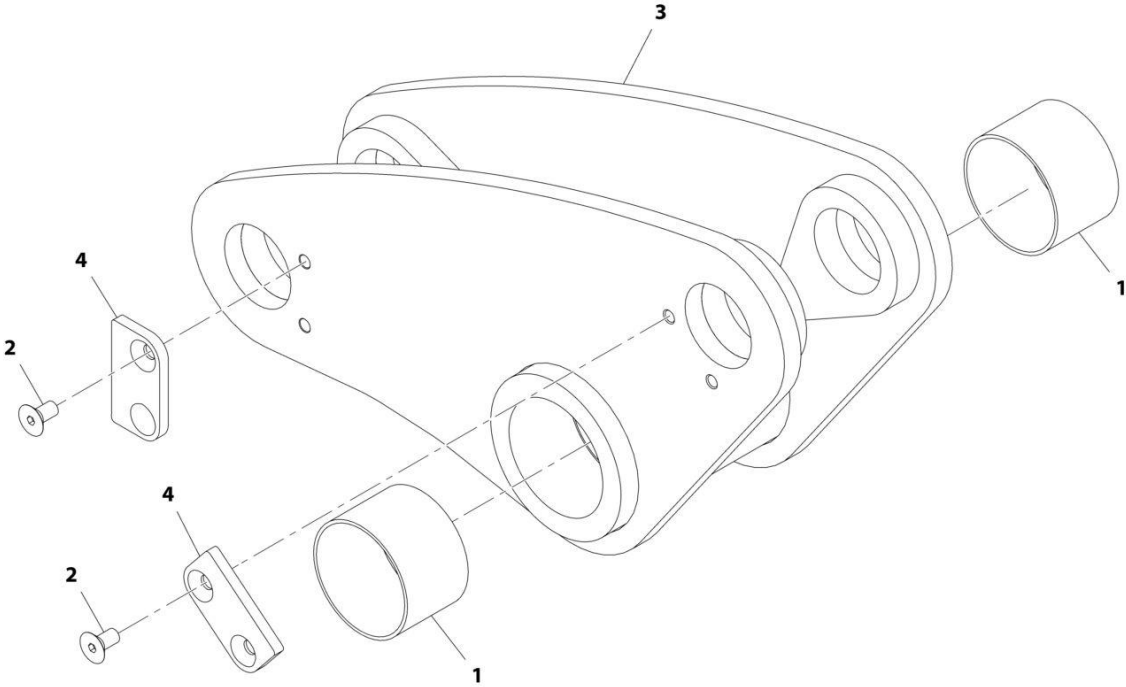
ART_1001096870-B

FIGURE 2-4. LINK ASSEMBLY

ITEM	PART NUMBER	QTY	DESCRIPTION	REV
	1001096870	Ref	Link Assembly	B
2	1001096726	NSS	Link (Use PN 1001096870 Link Assembly	
3	1001100442	4	Bearing	

SECTION 2 - BOOM

FIGURE 2-5. LEVER ASSEMBLY



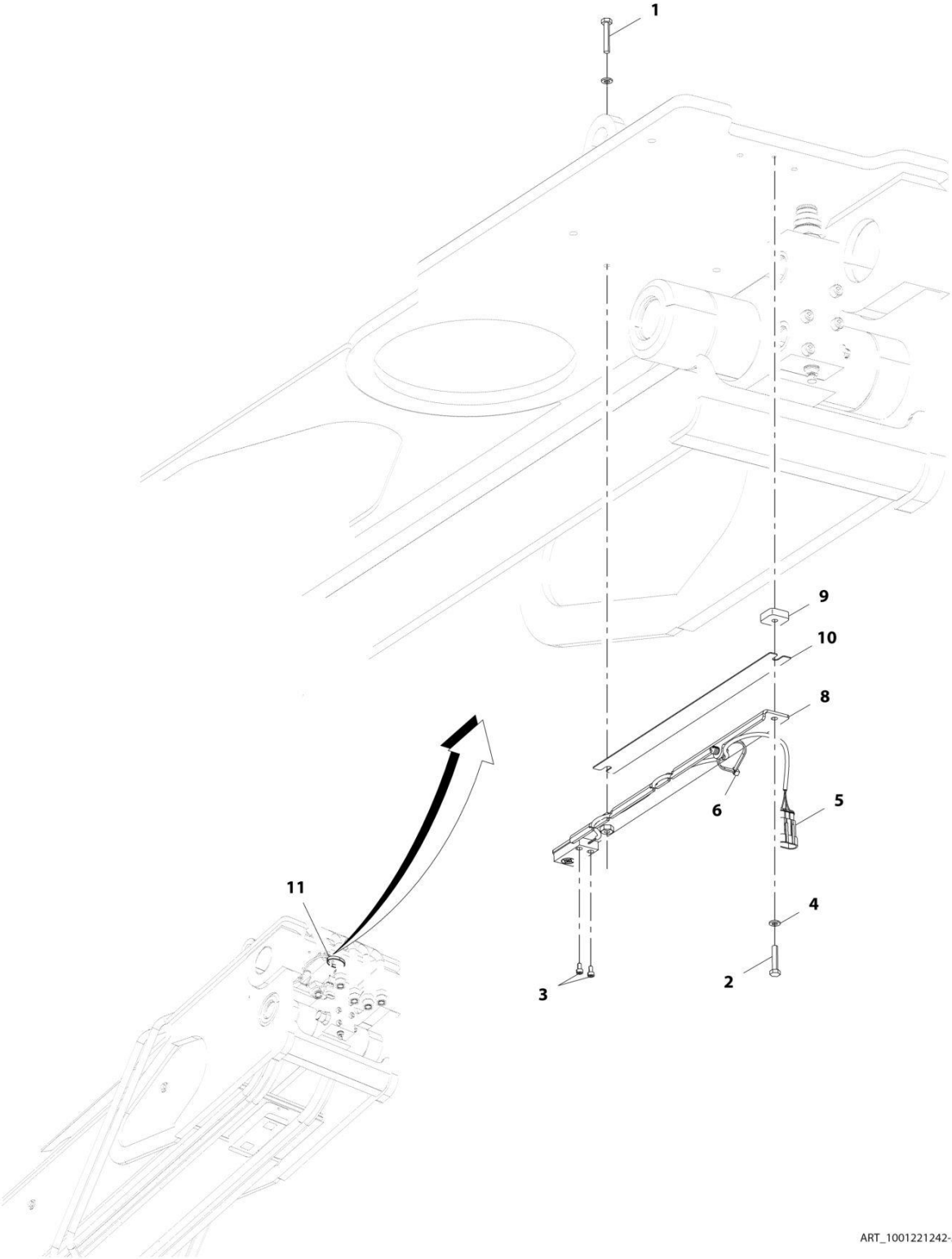
ART_1001176407-C

FIGURE 2-5. LEVER ASSEMBLY

ITEM	PART NUMBER	QTY	DESCRIPTION	REV
	1001176407	Ref	Lever Assembly	C
1	1001092298	2	Bearing	
2	1001155441	4	Screw, M10-1.5X20	
3	1001189480	1	Plate	
4	1001176882	2	Plate, Pin Retainer	

SECTION 2 - BOOM

FIGURE 2-6. RETRACT SENSOR INSTALLATION



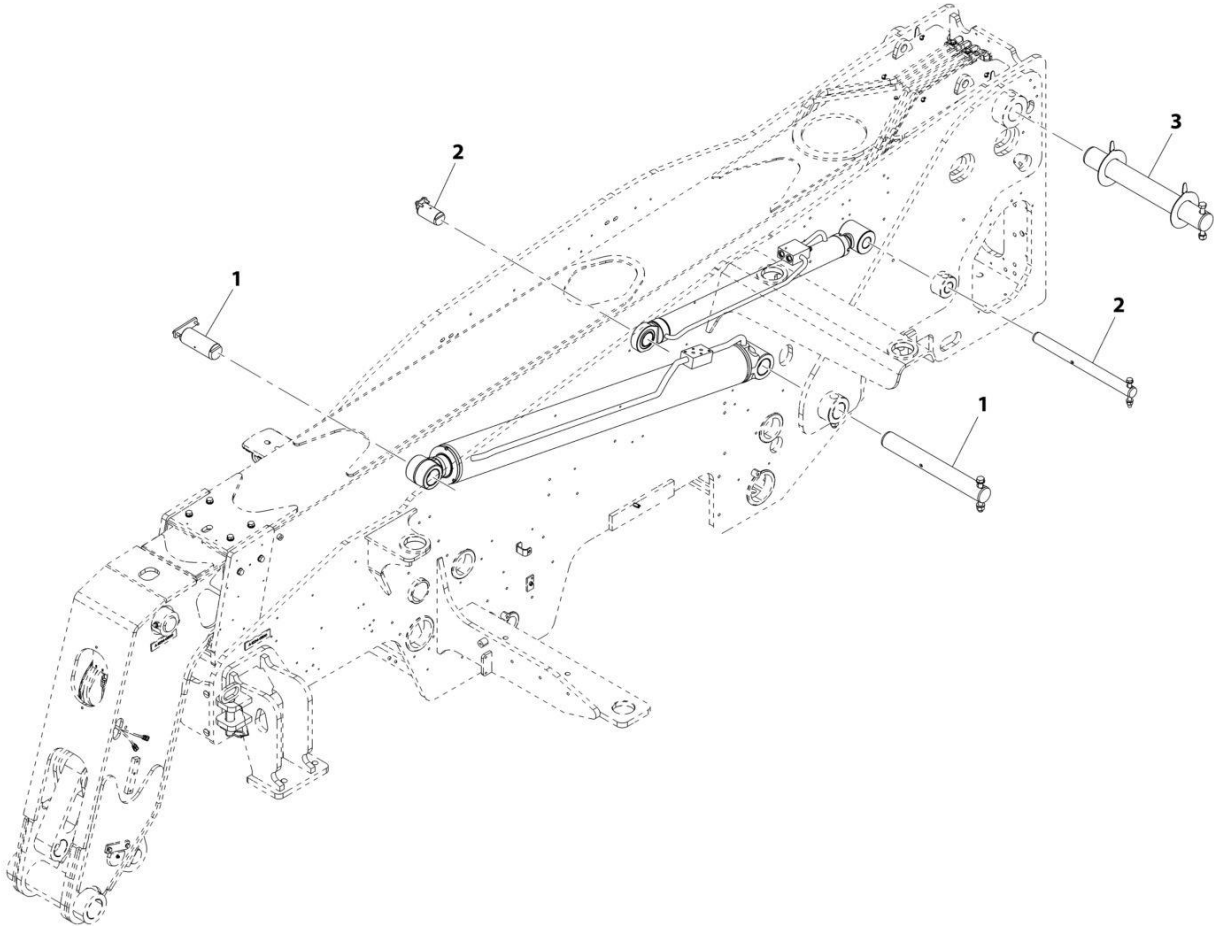
ART_1001221242-A

FIGURE 2-6. RETRACT SENSOR INSTALLATION

ITEM	PART NUMBER	QTY	DESCRIPTION	REV
	1001221242	Ref	Boom Retract Sensor Installation	A
1	0700615	1	Bolt, M6X35	
2	0760614	1	Bolt, M6X30	
3	4031504	2	Screw, M4X8	
4	4811700	2	Washer, M6	
5	1001121021	1	Sensor, Proximity	
6	1001146588	1	Strap, Cable	
8	1001221249	1	Bracket	
9	1001221257	1	Plate	
10	1001221293	1	Shim	
11	1001008923	1	Strap, Cable	

SECTION 2 - BOOM

FIGURE 2-7. BOOM PINNING INSTALLATION



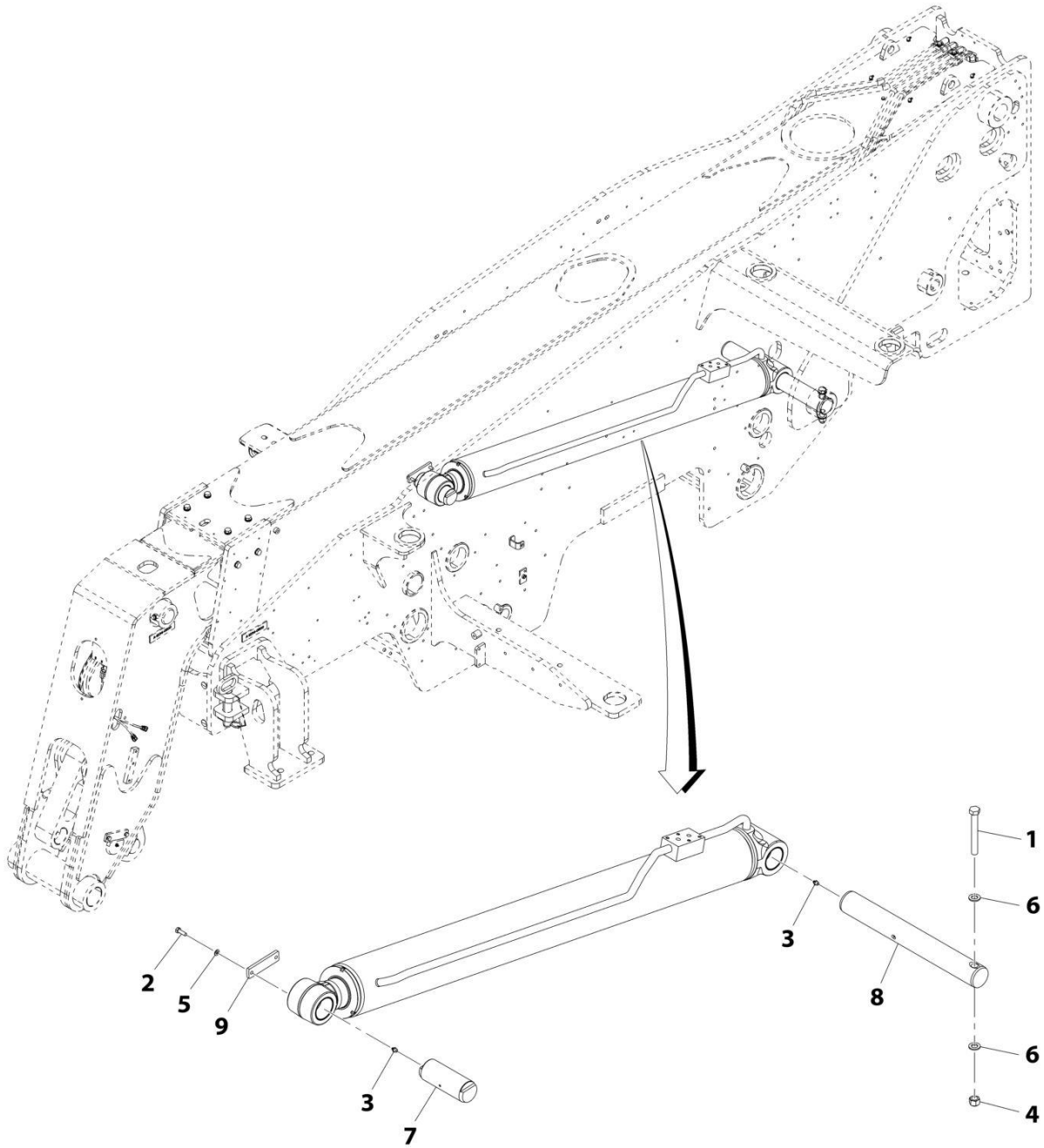
ART_1001256335-A

FIGURE 2-7. BOOM PINNING INSTALLATION

ITEM	PART NUMBER	QTY	DESCRIPTION	REV
	1001256335	Ref	Boom Pinning Installation	A
1	1001256336	1	Installation, Lift Cylinder Pinning (See Separate Breakdown in this Section)	
2	1001256337	1	Installation, Compensation Cylinder Pinning (See Separate Breakdown in this Section)	
3	1001256338	1	Installation, Boom Pivot (See Separate Breakdown in this Section)	

SECTION 2 - BOOM

FIGURE 2-8. LIFT CYLINDER PINNING INSTALLATION



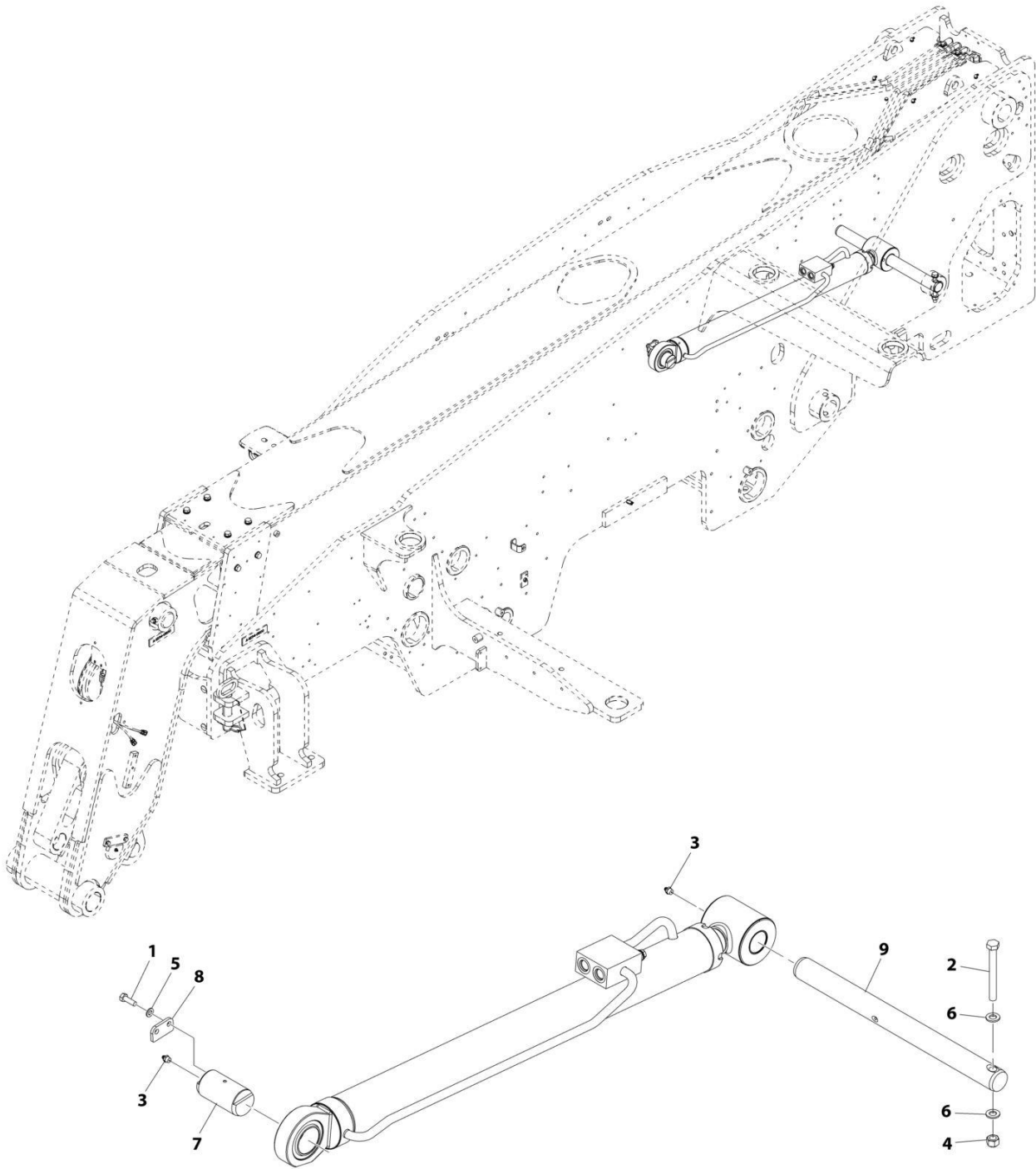
ART_1001256336-A

FIGURE 2-8. LIFT CYLINDER PINNING INSTALLATION

ITEM	PART NUMBER	QTY	DESCRIPTION	REV
	1001256336	Ref	Lift Cylinder Pinning Installation	A
1	0701630	1	Bolt, M16X130	
2	0760812	2	Bolt, M8X25	
3	2160016	2	Fitting, Grease	
4	3291605	1	Nut, Lock M16X2 Grade 8	
5	4811900	2	Washer, M8	
6	4812300	2	Washer, M16	
7	1001175898	1	Pin	
8	1001183460	1	Pin	
9	1001191621	1	Plate	

SECTION 2 - BOOM

FIGURE 2-9. COMPENSATION CYLINDER PINNING INSTALLATION



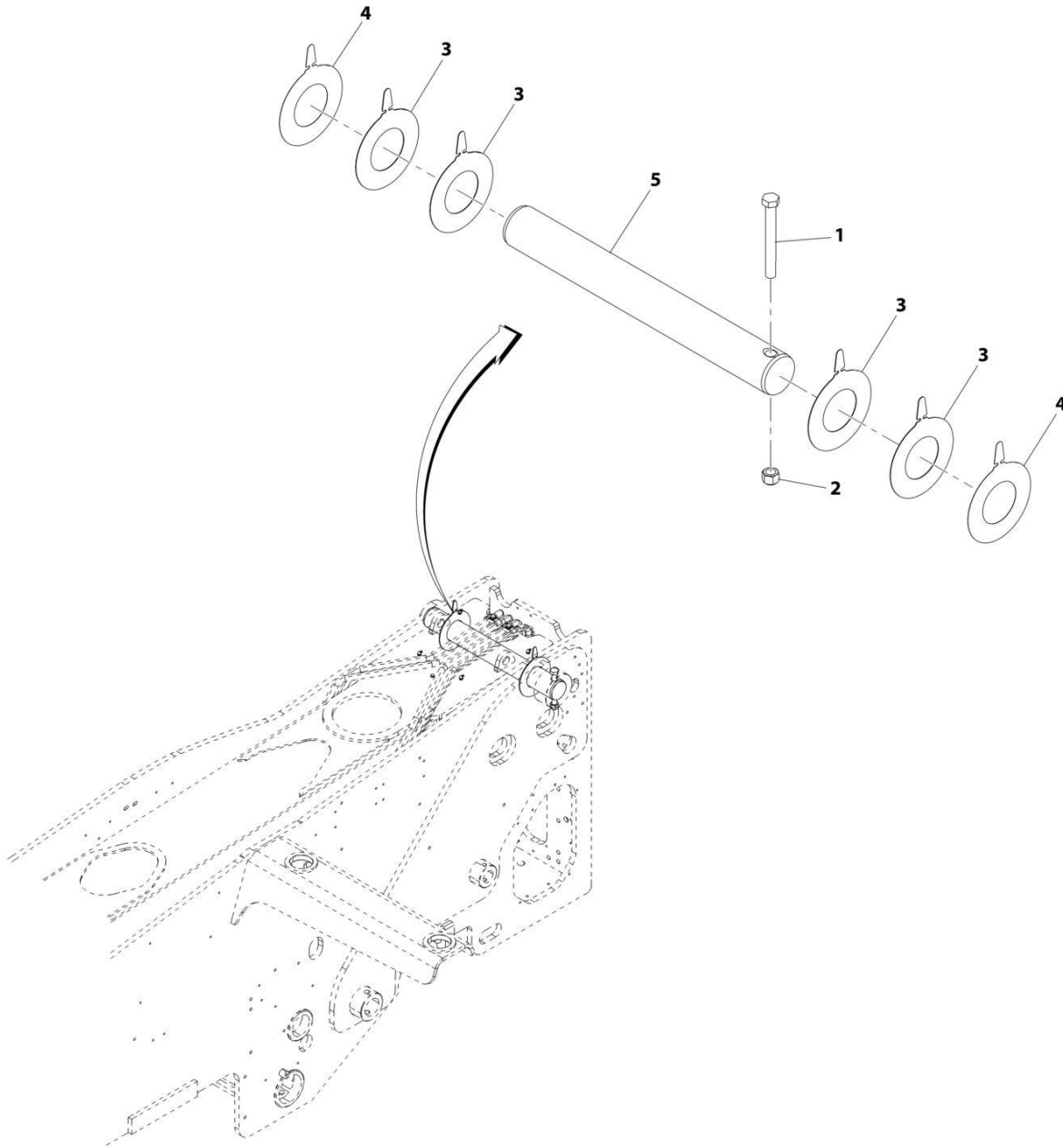
ART_1001256337-A

FIGURE 2-9. COMPENSATION CYLINDER PINNING INSTALLATION

ITEM	PART NUMBER	QTY	DESCRIPTION	REV
	1001256337	Ref	Compensation Cylinder Pinning Installation	A
1	0760812	2	Bolt, M8X25	
2	0761228	1	Bolt, M12X110	
3	2160016	2	Fitting, Grease	
4	3291205	1	Nut, Lock M12X1.75 Grade 8	
5	4811900	2	Washer, M8	
6	4812100	2	Washer, M12	
7	1001175754	1	Pin	
8	1001176942	1	Bracket	
9	1001183461	1	Pin	

SECTION 2 - BOOM

FIGURE 2-10. BOOM PIVOT INSTALLATION



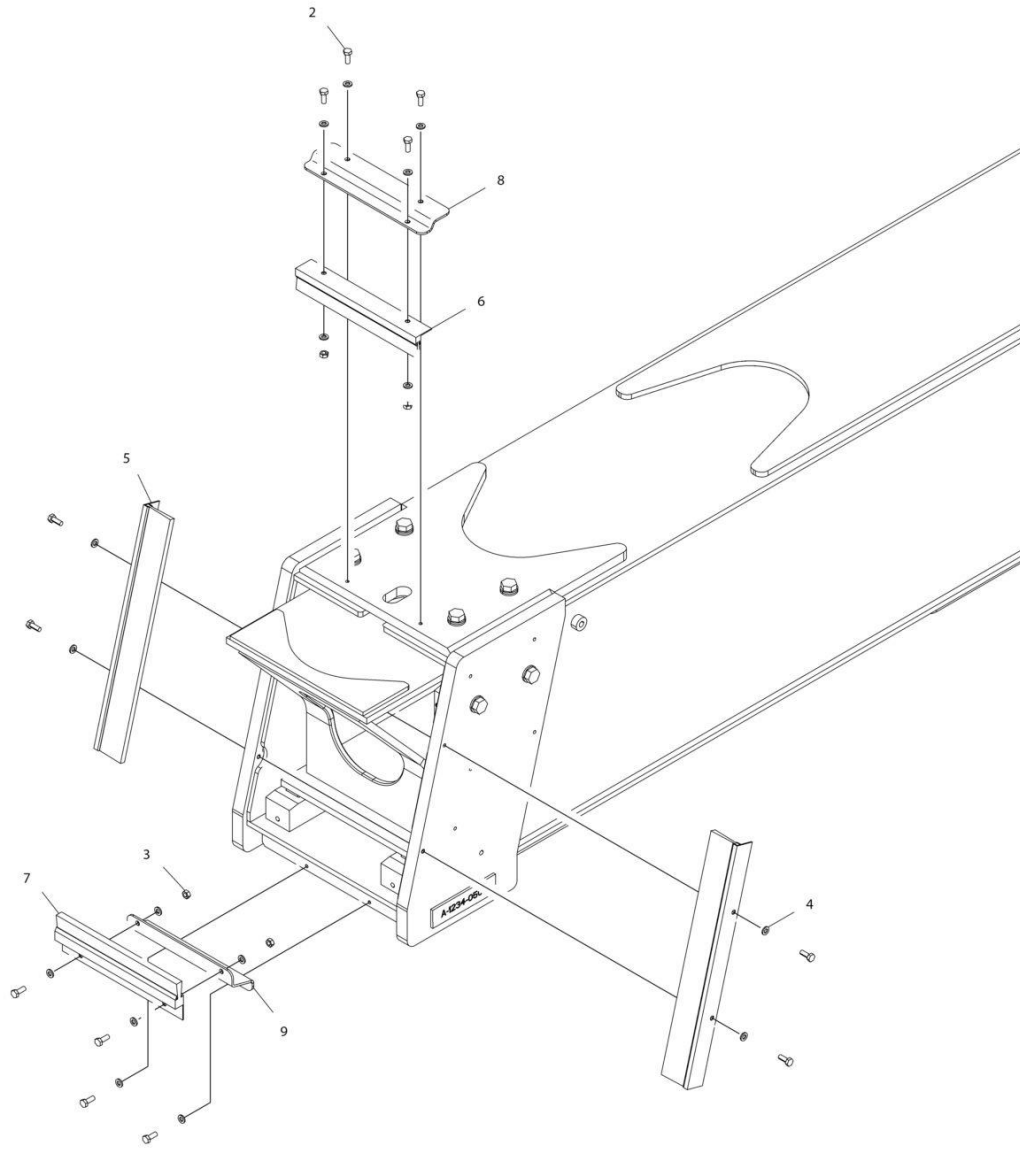
ART_1001256338-A

FIGURE 2-10. BOOM PIVOT INSTALLATION

ITEM	PART NUMBER	QTY	DESCRIPTION	REV
	1001256338	Ref	Boom Pivot Installation	A
1	0711631	1	Bolt, M16X140	
2	3291605	1	Nut, Lock M16X2	
3	1001169048	AR	Shim, 1MM	
4	1001169049	AR	Shim, 0.5MM	
5	1001175225	1	Pin	

SECTION 2 - BOOM

FIGURE 2-11. BOOM BRUSHES INSTALLATION



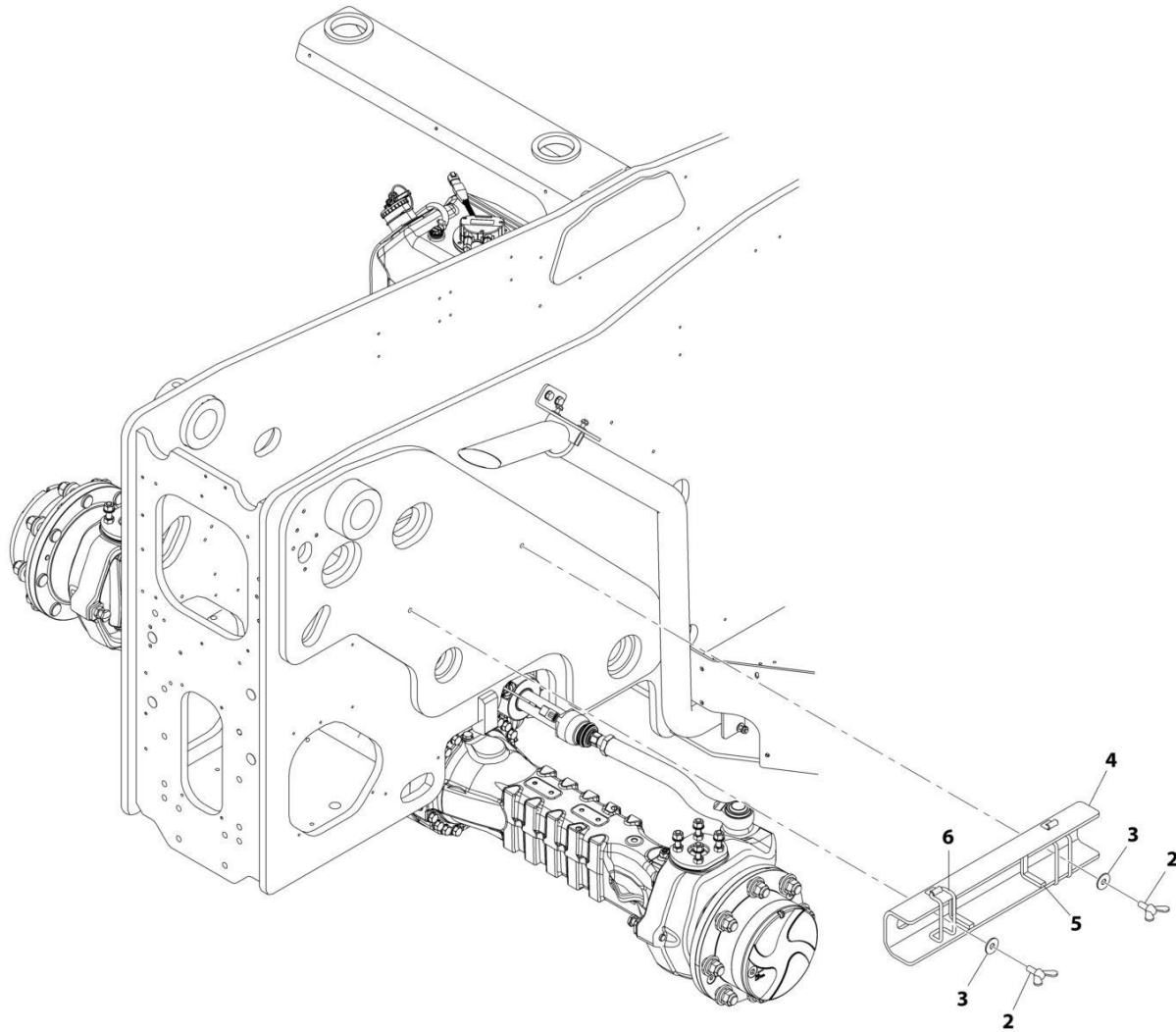
ART_1001186698

FIGURE 2-11. BOOM BRUSHES INSTALLATION

ITEM	PART NUMBER	QTY	DESCRIPTION	REV
	1001186698	Ref	BOOM BRUSHES INSTALLATION	E
2	0760608	12	Bolt M6 x 16	
3	3290601	4	Nut M6 x 1	
4	4811700	16	Washer M6	
5	1001184423	2	Seal	
6	1001184425	1	Seal	
7	1001184426	1	Seal	
8	1001214297	1	Bracket	
9	1001214312	1	Bracket	

SECTION 2 - BOOM

FIGURE 2-12. BOOM PROP INSTALLATION



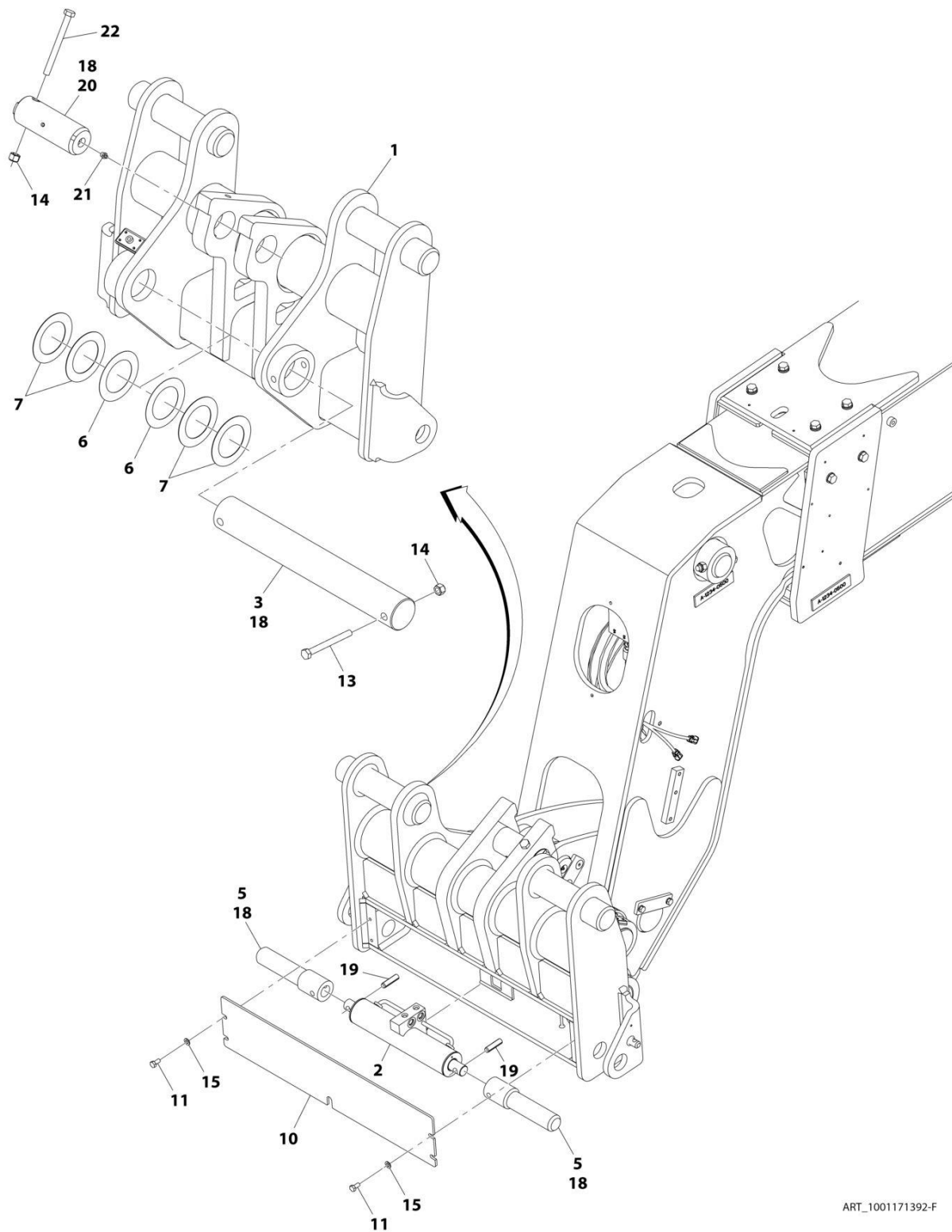
ART_1001189475-D

FIGURE 2-12. BOOM PROP INSTALLATION

ITEM	PART NUMBER	QTY	DESCRIPTION	REV
	1001189475	Ref	Boom Prop Installation	D
2	443630	2	Screw, Wing M12X30	
3	4812102	2	Washer, M12	
4	1001204535	1	Bracket, Boom Support	
5	1001189476	2	Pad	
6	1784861	2	O-Ring	

SECTION 2 - BOOM

FIGURE 2-13. HYDRAULIC QUICK COUPLER INSTALLATION



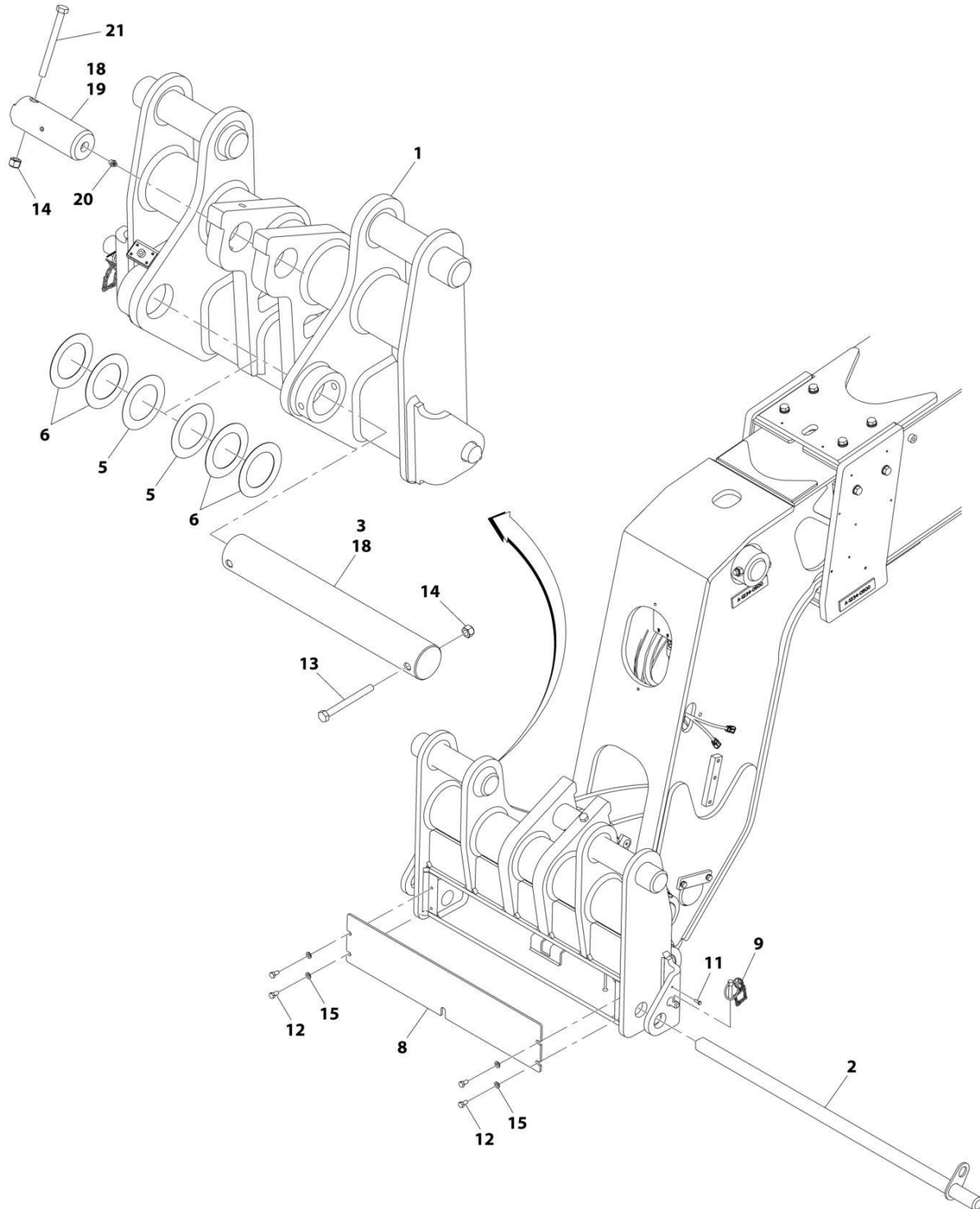
ART_1001171392-F

FIGURE 2-13. HYDRAULIC QUICK COUPLER INSTALLATION

ITEM	PART NUMBER	QTY	DESCRIPTION	REV
	1001171392	Ref	Hydraulic Quick Coupler Installation	F
1	1001189099	1	Carriage	
2	1001114787	1	Assembly, Coupler Locking Cylinder (See Separate Breakdown in HYDRAULIC COMPONENTS Section)	
3	1001172886	1	Pin	
5	1001170984	2	Rod, Locking	
6	1001098146	AR	Shim, M72X110X0.5	
7	1001098147	AR	Shim, M72X110X1.0	
10	1001171390	1	Plate	
11	0760808	4	Bolt, M8X16	
13	0701229	1	Bolt, M12X120	
14	3291205	2	Nut, Lock M12X1.75 Grade 8	
15	4811900	4	Washer, M8	
18	1001098457	AR	Lube, Lithium Grease	
19	1001184610	2	Pin	
20	1001197479	1	Pin	
21	2160016	1	Fitting, Grease	
22	0701232	1	Bolt, M12X150	

SECTION 2 - BOOM

FIGURE 2-14. MANUAL QUICK COUPLER INSTALLATION



ART_1001178526-E

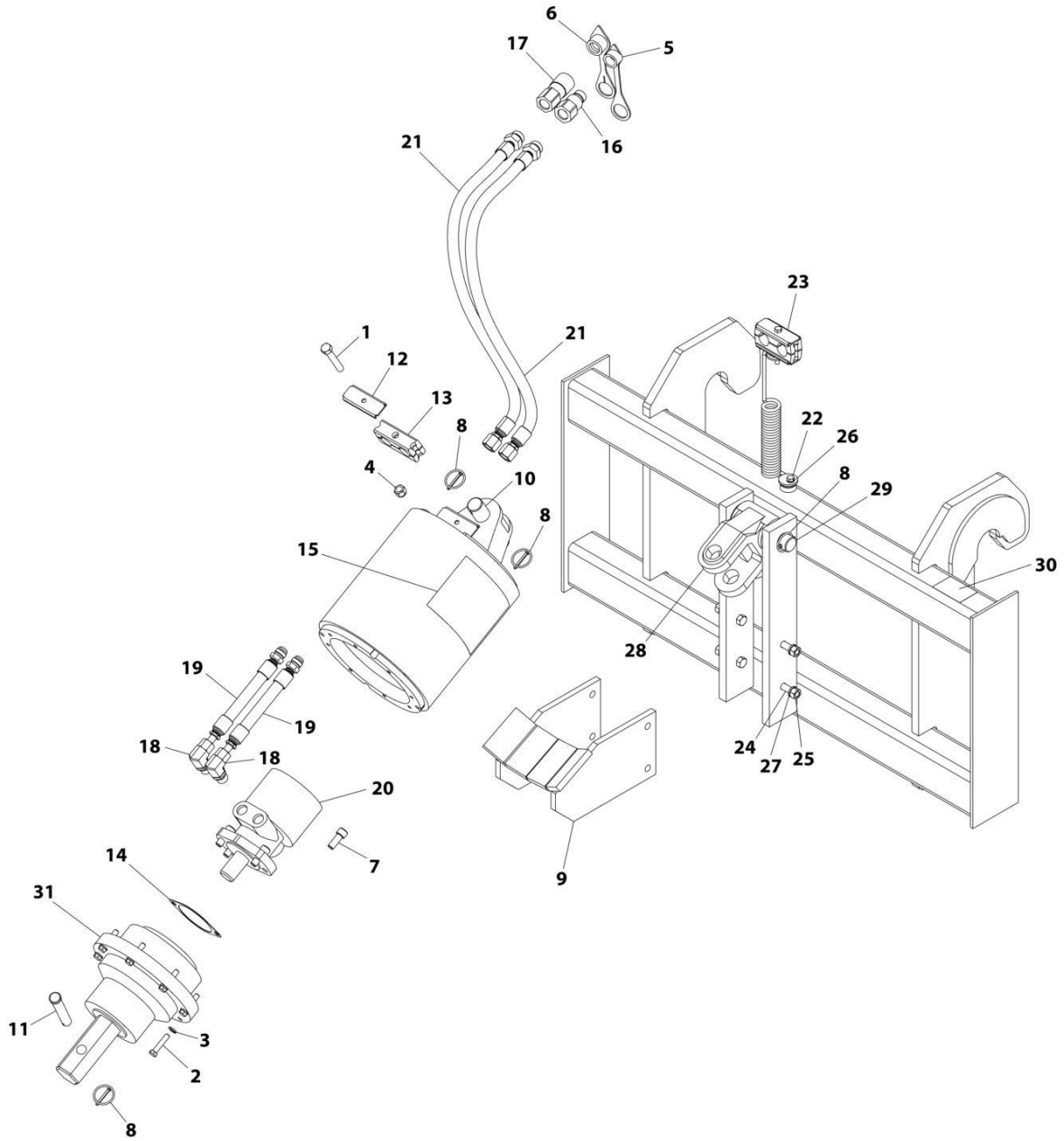
FIGURE 2-14. MANUAL QUICK COUPLER INSTALLATION

ITEM	PART NUMBER	QTY	DESCRIPTION	REV
	1001178526	Ref	Manual Quick Coupler Installation	E
1	1001189099	1	Carriage	
2	1001162636	1	Pin	
3	1001172886	1	Pin	
5	1001098146	AR	Shim, M72X110X0.5	
6	1001098147	AR	Shim, M72X110X1.0	
8	1001171390	1	Plate	
9	1001149923	1	Chain, Retaining Pin	
11	0760507	1	Bolt, M5X14	
12	0760808	4	Bolt, M8X16	
13	0701229	1	Bolt, M12X120	
14	3291205	2	Nut, Lock M12X1.75 Grade 8	
15	4811900	4	Washer, M8	
18	1001098457	AR	Lube, Lithium Grease	
19	1001197479	1	Pin	
20	2160016	1	Fitting, Grease	
21	0701232	1	Bolt, M12X150	

SECTION 3 - ATTACHMENTS

SECTION 3 - ATTACHMENTS

FIGURE 3-1. AUGER COUPLING



ART_1001206173-B

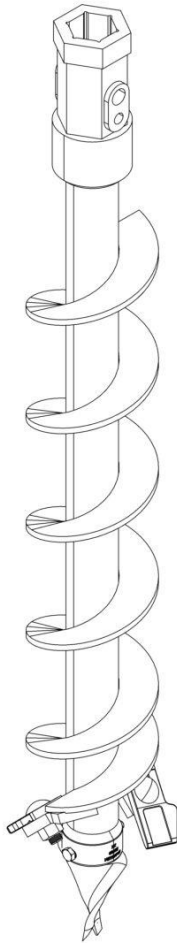
SECTION 3 - ATTACHMENTS

FIGURE 3-1. AUGER COUPLING

ITEM	PART NUMBER	QTY	DESCRIPTION	REV
	1001206173	1	Auger (Coupler Mounted)	E
1	90554070	1	Bolt	
2	70027774	8	Bolt	
3	90554042	8	Washer, Lock	
4	70027775	1	Nut, Lock	
5	1001093826	1	Cap, Male Dust	
6	1001093827	1	Cap, Female Dust	
7	70027776	4	Bolt	
8	70027777	5	Pin	
9	70027778	1	Bracket, Cradle	
10	70027781	1	Pin	
11	70027782	1	Pin	
12	70027783	1	Plate, Hose Cushion	
13	70027784	1	Block, Hose Cushion	
14	70027785	1	Gasket, Motor	
15	70027787	2	Decal, Danger	
16	1001101041	1	Coupler, Male Hydraulic	
17	1001101042	1	Coupler, Female Hydraulic	
18	70027788	2	Fitting	
19	70027789	2	Hose	
20	70027791	1	Motor	
21	70027794	2	Hose	
22	70027773	1	Bolt	
23	70027792	1	Clamp, Hose	
24	90554019	4	Bolt	
25	90554054	4	Nut	
26	90554067	1	Washer, Lock	
27	90554020	4	Washer, Lock	
28	70027779	1	Swivel	
29	70027780	1	Pin	
30	70027786	1	Decal, Warning	
31	70027793	1	Gearbox, Planetary	
101	N.S.S.	1	Plate, Serial Number	

SECTION 3 - ATTACHMENTS

FIGURE 3-2. AUGER BIT (6INX4IN)



ART_1001204128-B

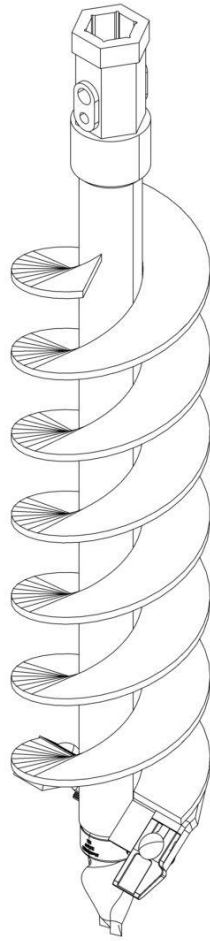
SECTION 3 - ATTACHMENTS

FIGURE 3-2. AUGER BIT (6INX4IN)

ITEM	PART NUMBER	QTY	DESCRIPTION	REV
	1001204128	Ref	Auger Bit (6INX4IN)	B

SECTION 3 - ATTACHMENTS

FIGURE 3-3. AUGER BIT (9INX4IN)



ART_1001204129-B

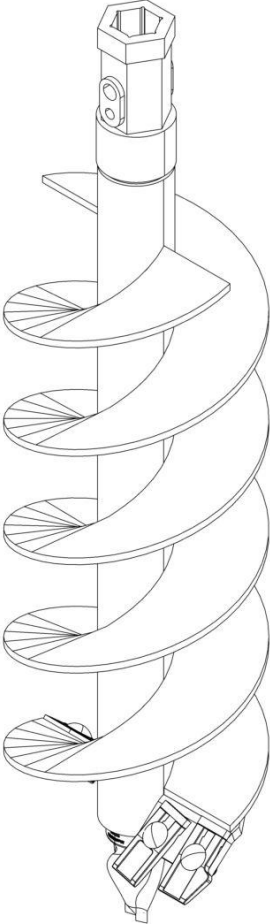
SECTION 3 - ATTACHMENTS

FIGURE 3-3. AUGER BIT (9INX4IN)

ITEM	PART NUMBER	QTY	DESCRIPTION	REV
	1001204129	Ref	Auger Bit (9INX4IN)	B

SECTION 3 - ATTACHMENTS

FIGURE 3-4. AUGER BIT (12INX4IN)



ART_1001204130-B

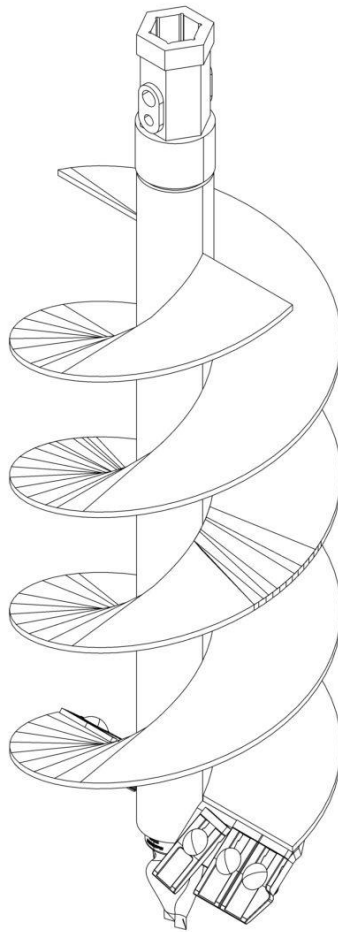
SECTION 3 - ATTACHMENTS

FIGURE 3-4. AUGER BIT (12INX4IN)

ITEM	PART NUMBER	QTY	DESCRIPTION	REV
	1001204130	Ref	Auger Bit (12INX4IN)	B

SECTION 3 - ATTACHMENTS

FIGURE 3-5. AUGER BIT (15INX4IN)



ART_1001204131-B

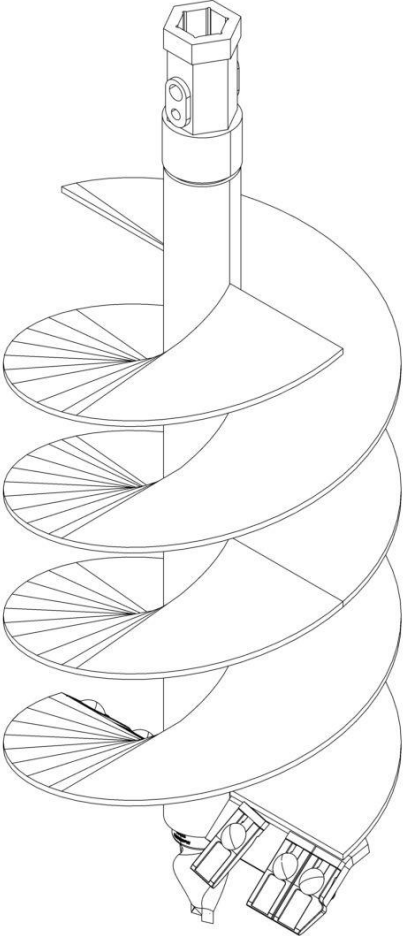
SECTION 3 - ATTACHMENTS

FIGURE 3-5. AUGER BIT (15INX4IN)

ITEM	PART NUMBER	QTY	DESCRIPTION	REV
	1001204131	Ref	Auger Bit (15INX4IN)	B

SECTION 3 - ATTACHMENTS

FIGURE 3-6. AUGER BIT (18INX4IN)



ART_1001204132-B

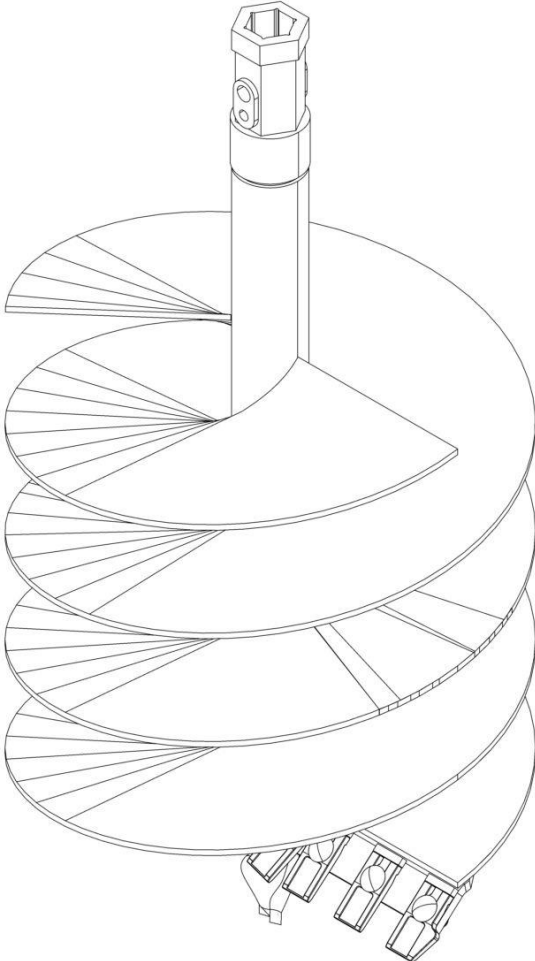
SECTION 3 - ATTACHMENTS

FIGURE 3-6. AUGER BIT (18INX4IN)

ITEM	PART NUMBER	QTY	DESCRIPTION	REV
	1001204132	Ref	Auger Bit (18INX4IN)	B

SECTION 3 - ATTACHMENTS

FIGURE 3-7. AUGER BIT (24INX4IN)



ART_1001204133-B

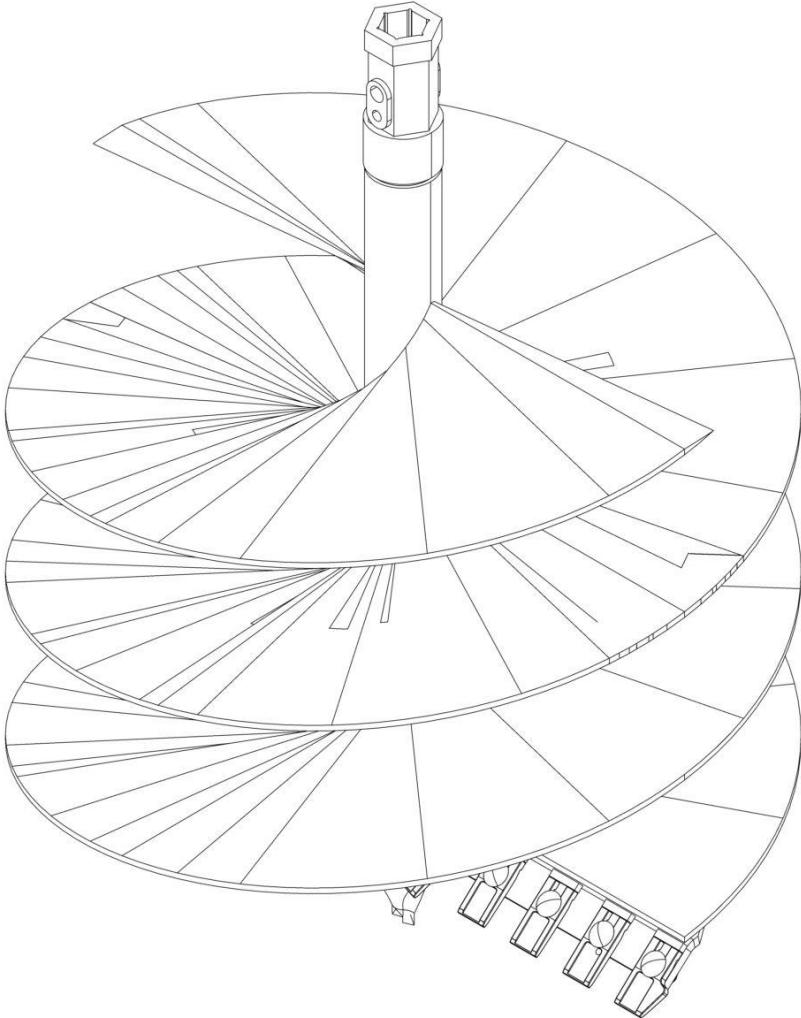
SECTION 3 - ATTACHMENTS

FIGURE 3-7. AUGER BIT (24INX4IN)

ITEM	PART NUMBER	QTY	DESCRIPTION	REV
	1001204133	Ref	Auger Bit (24INX4IN)	B

SECTION 3 - ATTACHMENTS

FIGURE 3-8. AUGER BIT (36INX4IN)



ART_1001204134-B

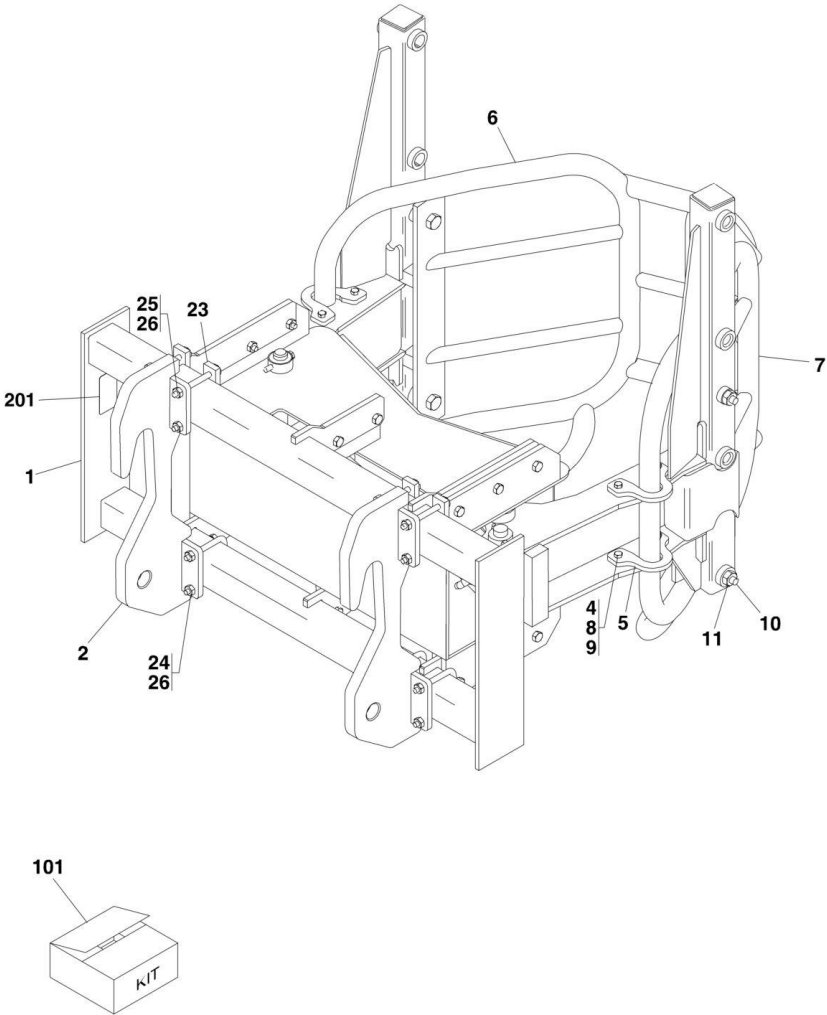
SECTION 3 - ATTACHMENTS

FIGURE 3-8. AUGER BIT (36INX4IN)

ITEM	PART NUMBER	QTY	DESCRIPTION	REV
	1001204134	Ref	Auger Bit (36INX4IN)	B

SECTION 3 - ATTACHMENTS

FIGURE 3-9. BALE HANDLER (TUBE CLAMP)



ART_0240117-E

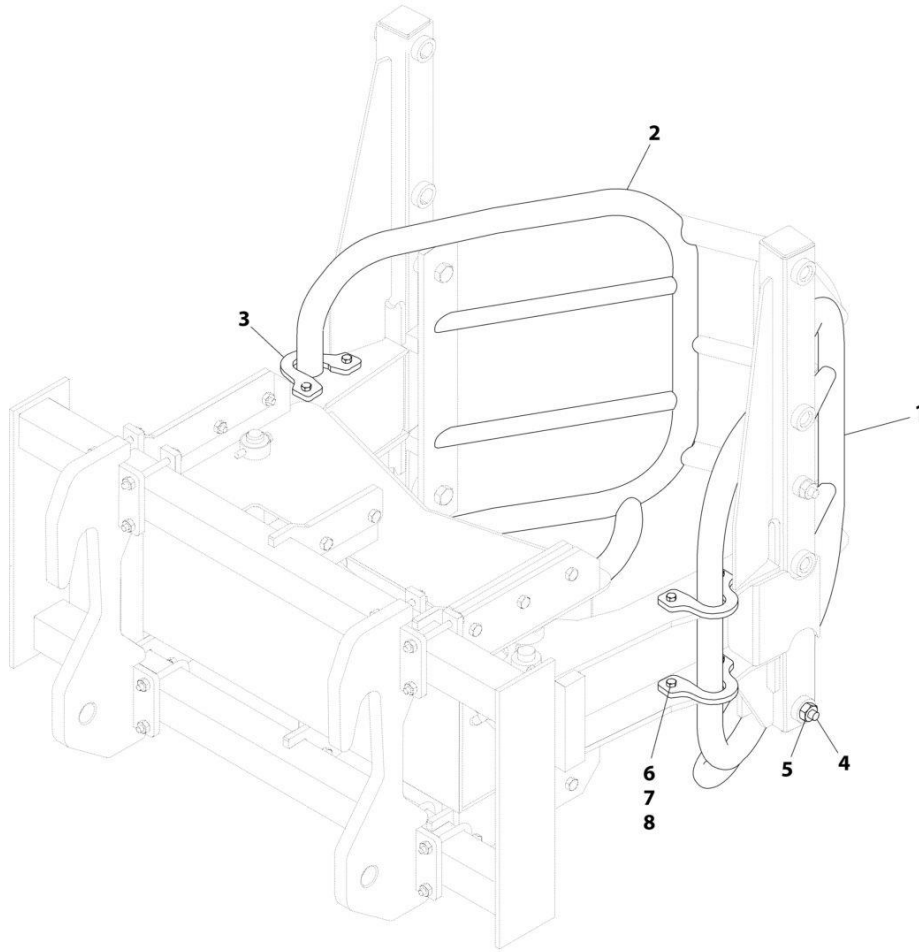
SECTION 3 - ATTACHMENTS

FIGURE 3-9. BALE HANDLER (TUBE CLAMP)

ITEM	PART NUMBER	QTY	DESCRIPTION	REV
	0240117	1	Bale Handler (Tube Clamp)	E
1	N.S.S.	1	Weldment	
2	7029344	1	Weldment, Attach (includes items 23 thru 26)	
4	7029345	8	Bolt, M12X45	
5	7029346	4	Strap	
6	7029347	1	Arm, Left Tube	
7	7029348	1	Arm, Right Tube	
8	7029349	8	Washer, M12	
9	7029350	8	Locknut, M12X8	
10	7029351	4	Bolt, M22X180	
11	7029352	4	Locknut, M22X8	
23	7029353	4	Plate	
24	7029354	4	U-Bolt	
25	7029355	8	Bolt, M16X130	
26	7029356	16	Locknut, M16X8	
101	2902440	1	Kit, Bale Handler (Spikes to Tube) (CE & AUS) (includes items 4 thru 11) (See Separate Breakdown in this Section)	
201	N.S.S.	AR	SN Plate	

SECTION 3 - ATTACHMENTS

FIGURE 3-10. BALE HANDLER KIT (TUBE CLAMP)



ART_2902440-A

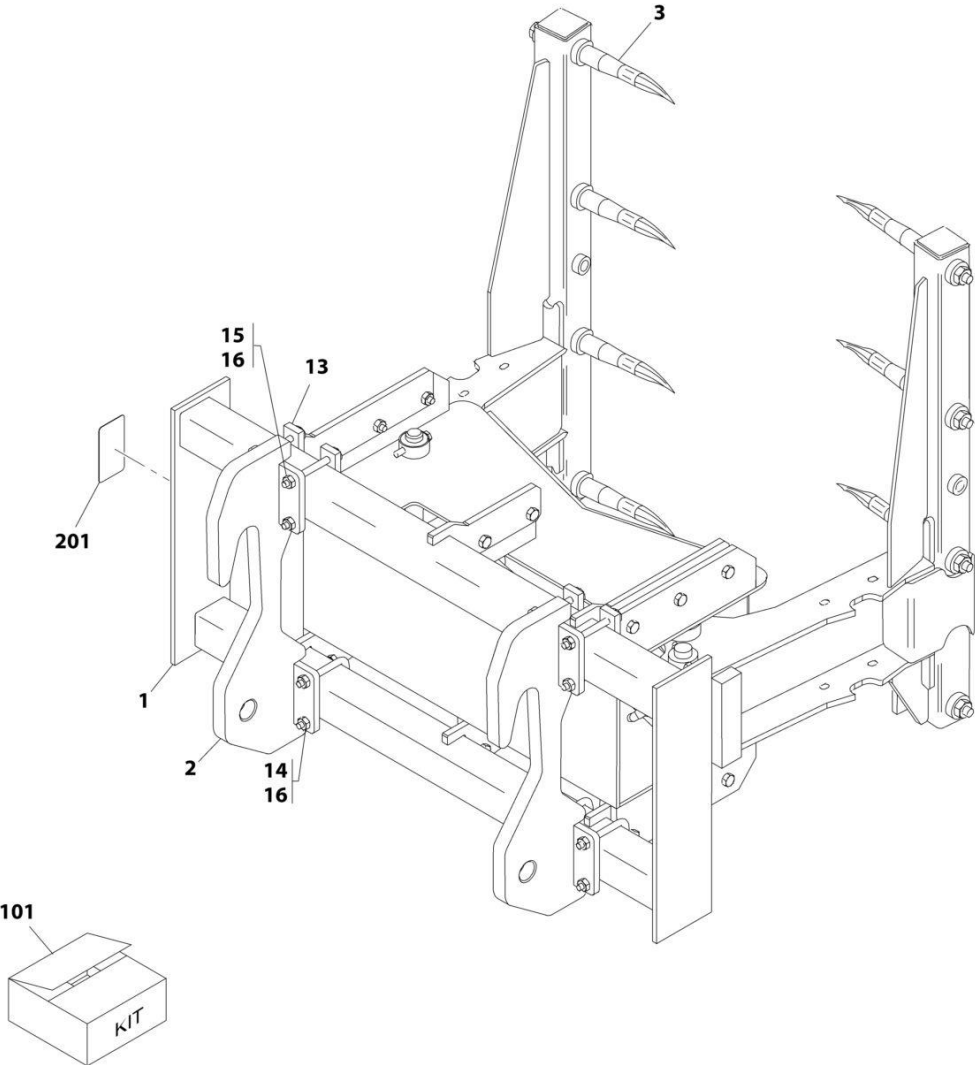
SECTION 3 - ATTACHMENTS

FIGURE 3-10. BALE HANDLER KIT (TUBE CLAMP)

ITEM	PART NUMBER	QTY	DESCRIPTION	REV
	2902440	Ref	Bale Handler Kit (Spikes to Tube)	A
1	7029348	1	Bent Arm, Right	
2	7029347	1	Bent Arm, Left	
3	7029346	4	Strap	
4	7029351	4	Bolt, M22X180-8.8	
5	7029352	4	Locknut, M22-8	
6	7029345	8	Bolt, M12X45-8.8	
7	7029350	8	Locknut, M12-8	
8	7029349	8	Washer, M12	

SECTION 3 - ATTACHMENTS

FIGURE 3-11. BALE HANDLER (SPIKE CLAMP)



ART_0240118-E

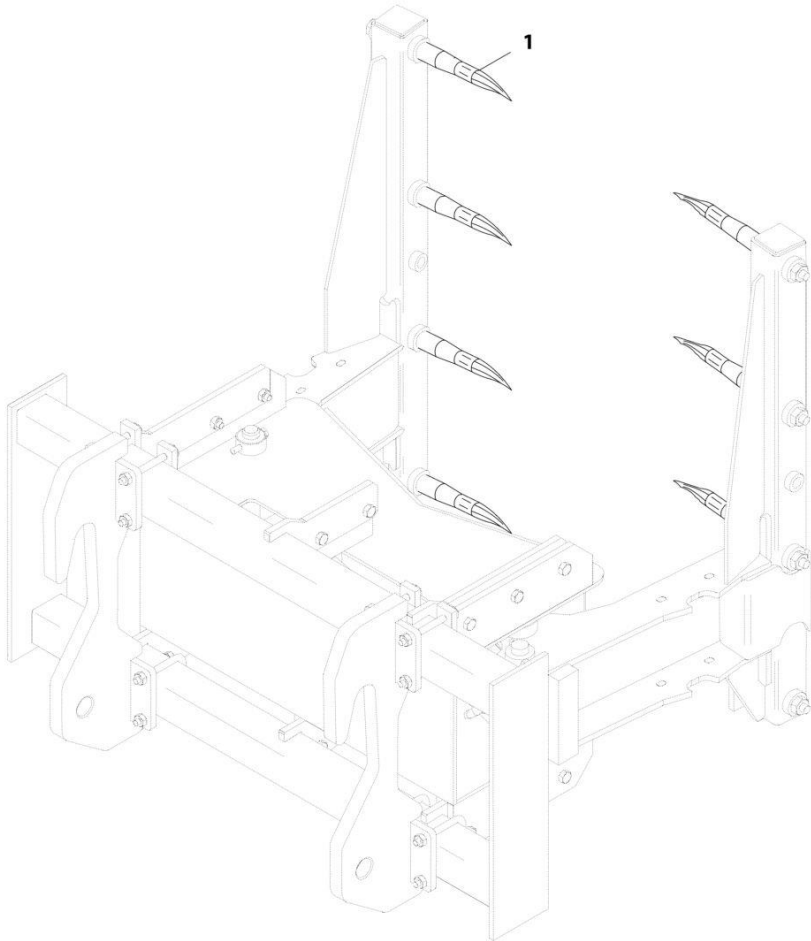
SECTION 3 - ATTACHMENTS

FIGURE 3-11. BALE HANDLER (SPIKE CLAMP)

ITEM	PART NUMBER	QTY	DESCRIPTION	REV
	0240118	1	Bale Handler (Spike Clamp)	E
1	N.S.S.	1	Weldment	
2	7029344	1	Weldment, Attach (includes items 13 thru 16)	
3	7029357	8	Spike	
13	7029353	4	Plate	
14	7029354	4	U-Bolt	
15	7029355	8	Bolt, M16X130	
16	7029356	16	Locknut, M16X8	
101	2902441	1	Kit, Bale Handler Kit (Spikes) (CE & AUS) (includes item 3) (See Separate Breakdown in this Section)	
201	N.S.S.	AR	SN Plate	

SECTION 3 - ATTACHMENTS

FIGURE 3-12. BALE HANDLER KIT (SPIKE CLAMP)



ART_2902441-A

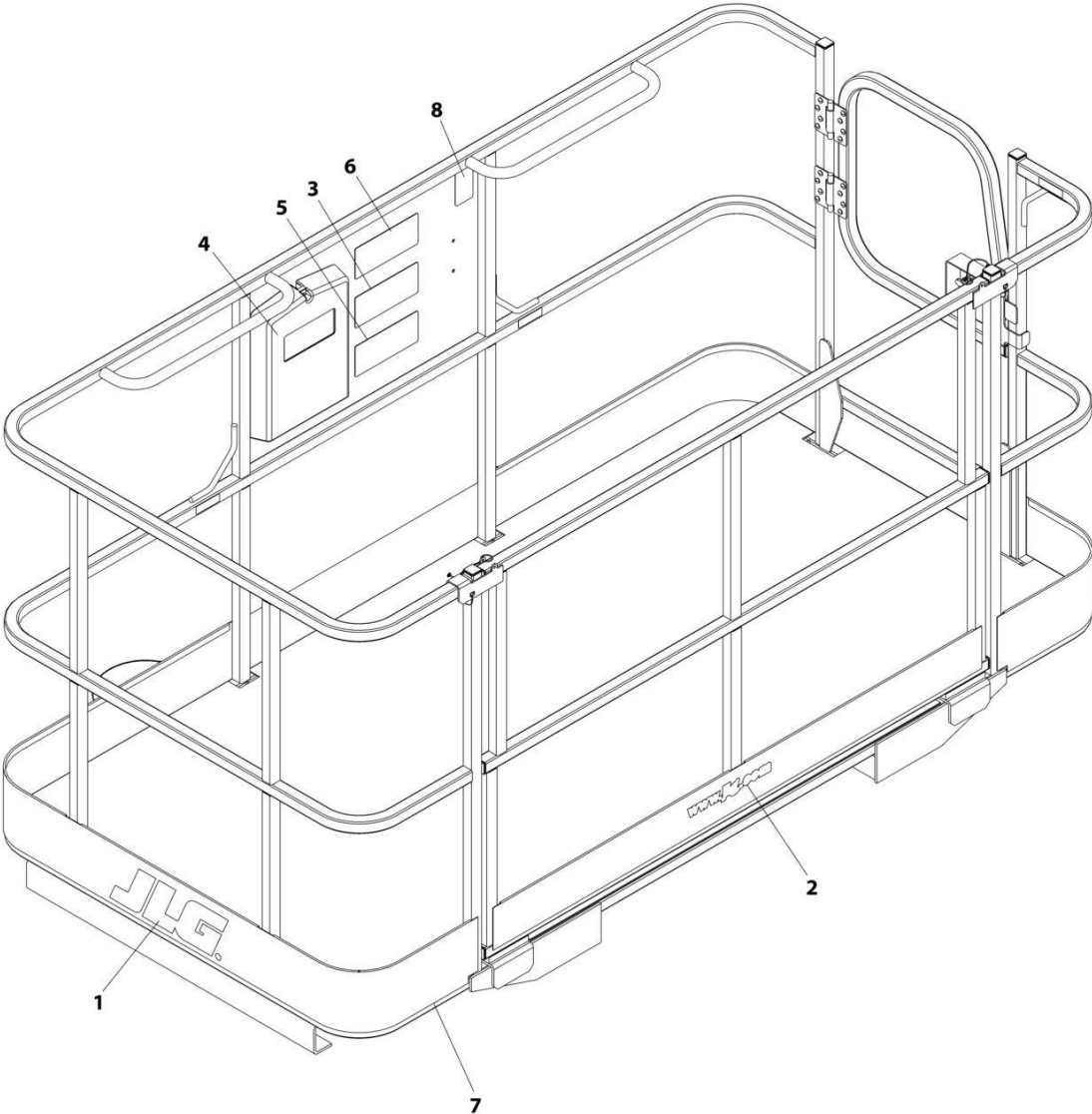
SECTION 3 - ATTACHMENTS

FIGURE 3-12. BALE HANDLER KIT (SPIKE CLAMP)

ITEM	PART NUMBER	QTY	DESCRIPTION	REV
1	2902441 Kit	1 1	Bale Handler Kit (Spikes) Kit	A

SECTION 3 - ATTACHMENTS

FIGURE 3-13. BASKET PERSONNEL (1.2MX2.4M) (DOMESTIC)



ART_1001238653-A

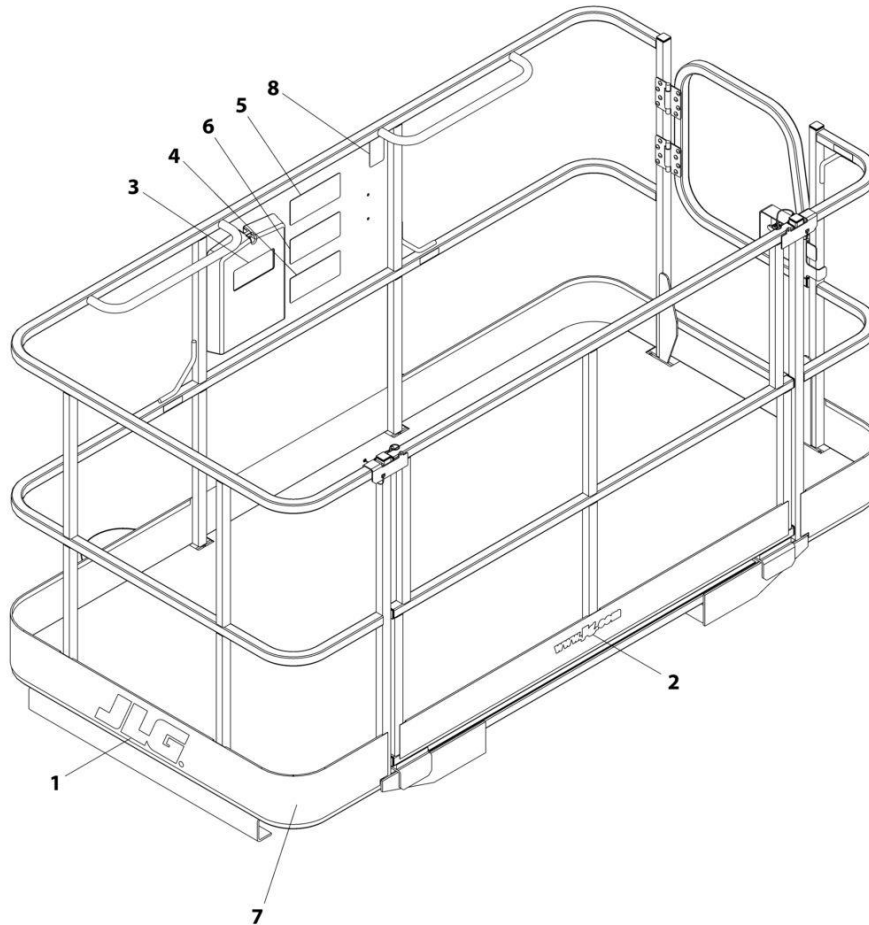
SECTION 3 - ATTACHMENTS

FIGURE 3-13. BASKET PERSONNEL (1.2MX2.4M) (DOMESTIC)

ITEM	PART NUMBER	QTY	DESCRIPTION	REV
	1001238653	Ref	FORK MOUNTED PLATFORM	B
1	1702773	2	Decal, JLG	
2	1704885	1	Decal, Website	
3	1706892	1	Decal, Platform Warning	
4	31200160	1	Manual, Personnel Work Platform Operation and Safety	
5	1001092481	1	Decal, Warning Attachment	
6	1001092482	1	Decal, Platform Capacity	
7	1001238565	1	Platform, Fork Mounted (See Separate Breakdown in this Section)	
8	See Note	NSS	SN Plate (Note: Stamped Part - Not Available for Purchase)	

SECTION 3 - ATTACHMENTS

FIGURE 3-14. BASKET PERSONNEL (1.2MX2.4M) (FRENCH LANGUAGE)



ART_1001238655-A

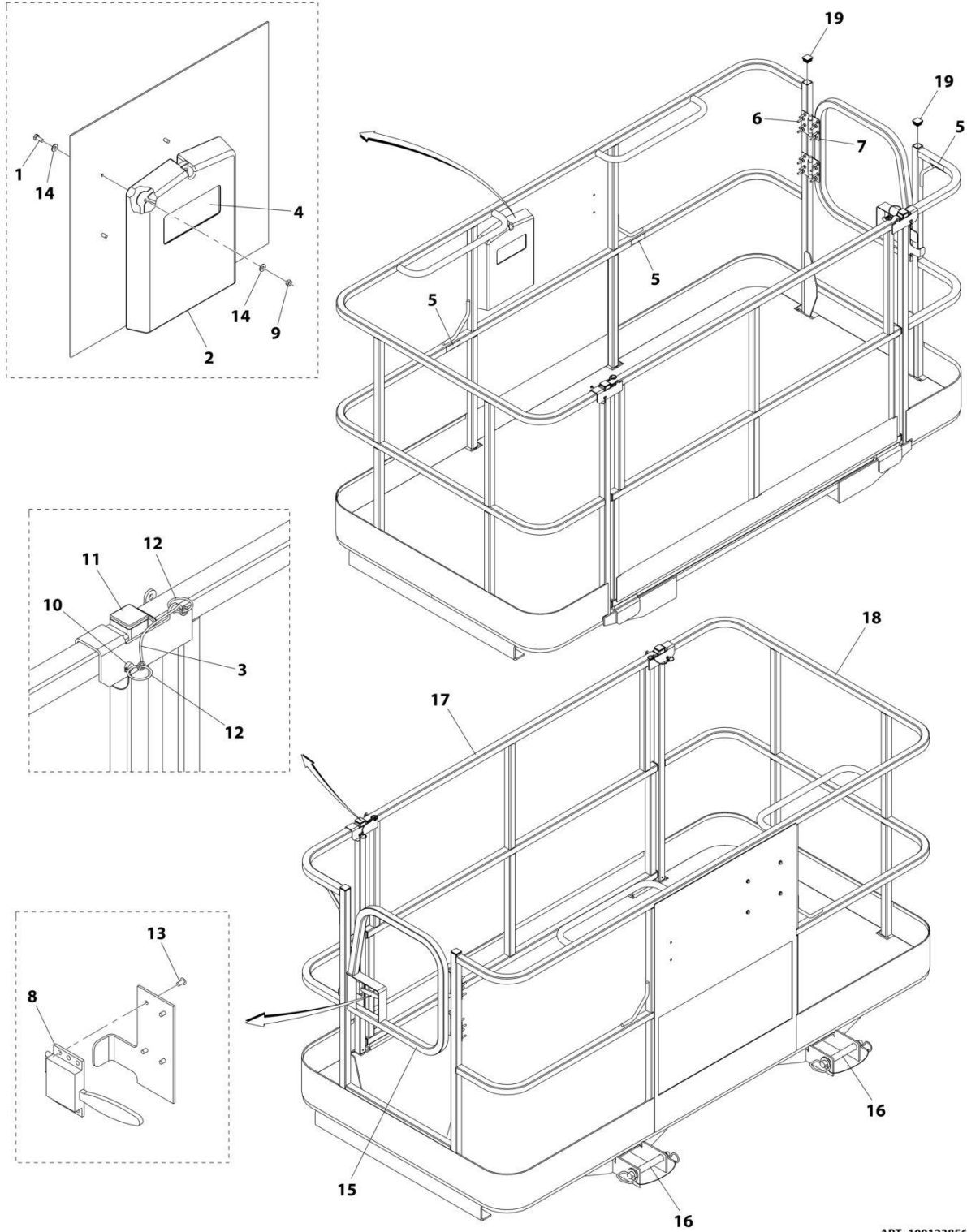
SECTION 3 - ATTACHMENTS

FIGURE 3-14. BASKET PERSONNEL (1.2MX2.4M) (FRENCH LANGUAGE)

ITEM	PART NUMBER	QTY	DESCRIPTION	REV
	1001238655	Ref	BASKET, PERSONNEL	B
1	1702773	2	Decal, JLG	
2	1704885	1	Decal, Website	
3	31200386	1	Manual, Operation and Safety (French)	
4	1001096019	1	Decal, Warning Attachment (French)	
5	1001096020	1	Decal, Platform Capacity (French)	
6	1001096024	1	Decal, Platform Warning (French)	
7	1001238565	1	Platform, Fork Mounted (ANSI) (See Separate Breakdown in this Section)	
8	See Note	NSS	SN Plate (Note: Stamped Part - Not Available for Purchase)	

SECTION 3 - ATTACHMENTS

FIGURE 3-15. BASKET PERSONNEL (FORK MOUNTED)



ART_1001238565

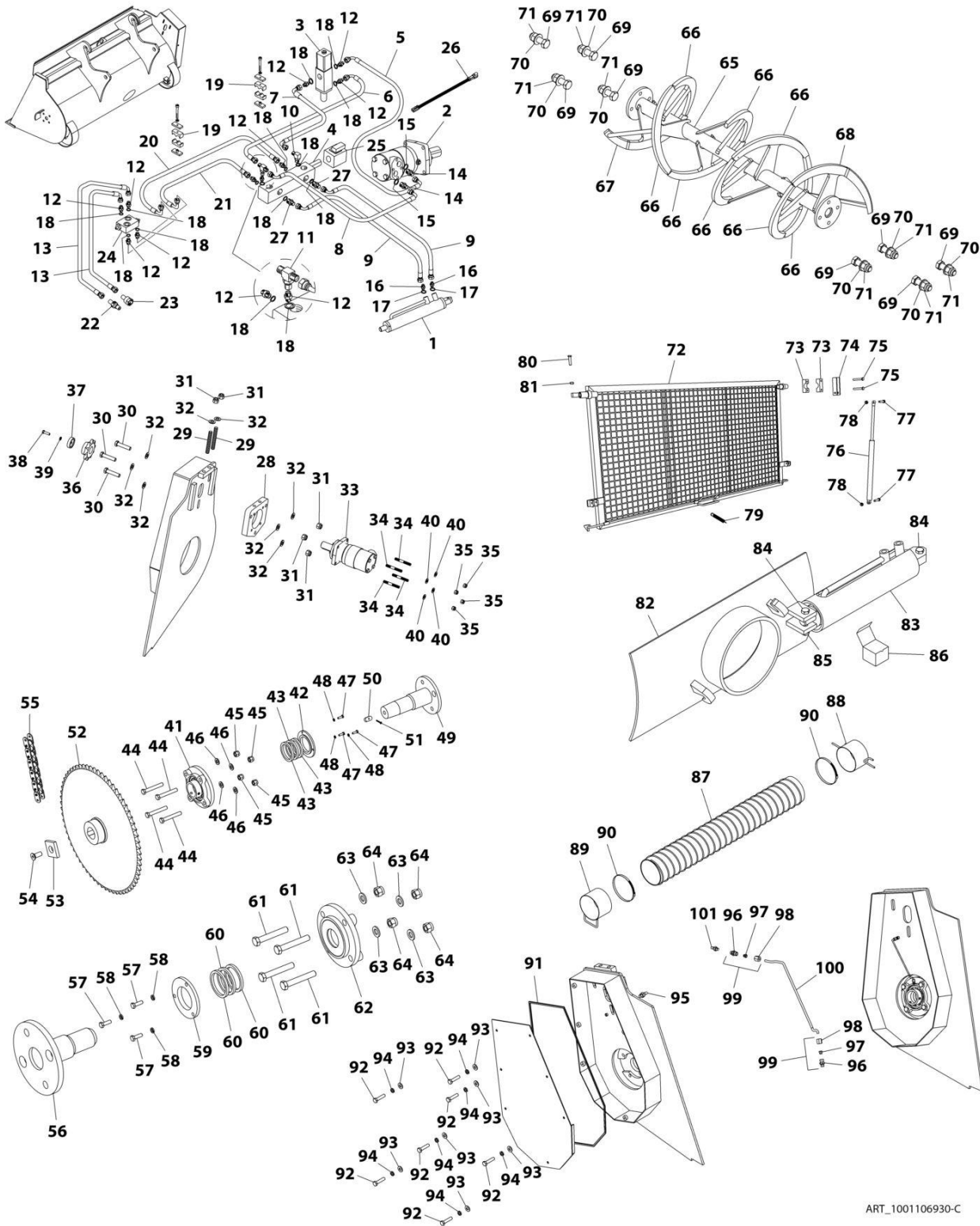
SECTION 3 - ATTACHMENTS

FIGURE 3-15. BASKET PERSONNEL (FORK MOUNTED)

ITEM	PART NUMBER	QTY	DESCRIPTION	REV
	1001238565	Ref	FORK MOUNTED PLATFORM ASSEMBLY	F
1	0641405	4	Bolt 1/4 x 5/8	
2	0860520	1	Box, Manual Storage	
3	1060379	2	Cable, Lanyard	
4	1701509	1	Decal, Manual	
5	1704277	3	Decal, Lanyard Attach	
6	2080040	16	Fastener	
7	2600281	2	Hinge	
8	2940074	1	Latch	
9	3311405	4	Nut 1/4	
10	3421453	2	Pin	
11	3520072	7	Plug	
12	3760170	4	Ring	
13	3820020	4	Rivet	
14	4711400	8	Washer 1/4	
15	1001144629J	1	Gate	
16	1001238560	2	Pin, Hitch	
17	1001095810	1	Gate	
18	See Note	NSS	Platform, Fork Mounted	
19	3520198	4	Plug	

SECTION 3 - ATTACHMENTS

FIGURE 3-16. BUCKET (CONCRETE)



ART_1001106930-C

SECTION 3 - ATTACHMENTS

FIGURE 3-16. BUCKET (CONCRETE)

ITEM	PART NUMBER	QTY	DESCRIPTION	REV
	1001106930	1	Concrete Bucket	E
1	70024436	1	Cylinder, Concrete Bucket	
2	70024437	1	Engine, Hydraulic	
3	70024438	1	Valve, Flow Divisor	
4	70024439	1	Valve, Solenoid	
5	70024440	1	Pipe	
6	70024441	1	Pipe	
7	70024442	1	Pipe	
8	70024443	1	Pipe	
9	70024444	2	Pipe	
10	70024445	1	Fitting, 90	
11	70024446	1	Fitting, Tee	
12	70024447	10	Fitting, Straight	
13	70024448	2	Pipe	
14	70024449	2	Fitting, Straight	
15	70024450	2	Gasket	
16	1001104958	2	Fitting, Straight	
17	1001103531	2	Gasket	
18	70022927	2	Gasket	
19	70024452	2	Clamp	
20	70024453	1	Pipe	
21	70024454	1	Pipe	
22	1001101041	1	Coupling, Male Quick Disconnect	
23	1001101042	1	Coupling, Female Quick Disconnect	
24	70027990	1	Valve	
25	70024455	1	Coil	
26	70024456	1	Electric Cable	
27	70027991	2	Fitting, Straight	
28	70027992	1	Regulation plate	
29	70027993	2	Stud	
30	70027994	3	Bolt	
31	70027995	5	Nut, Self Locking	
32	70020728	8	Washer	
33	70024437	1	Hydraulic Engine	
34	70027996	4	Stud	
35	70027997	4	Nut, Self Locking	
36	70027998	1	Pinion	
37	70027999	1	Pinion cover	
38	70028000	1	Bolt	
39	70028001	1	Grower	
40	70028002	4	Washer	
41	70028003	1	Support Flange bearing	
42	70028004	1	Cover seal press	
43	70028005	3	Rope Fat	
44	70020724	4	Bolt	
45	70020726	4	Nut, Self Locking	
46	70020725	4	Washer	
47	70028006	3	Bolt	
48	70028007	3	Grower	
49	70028008	1	Pin	

SECTION 3 - ATTACHMENTS

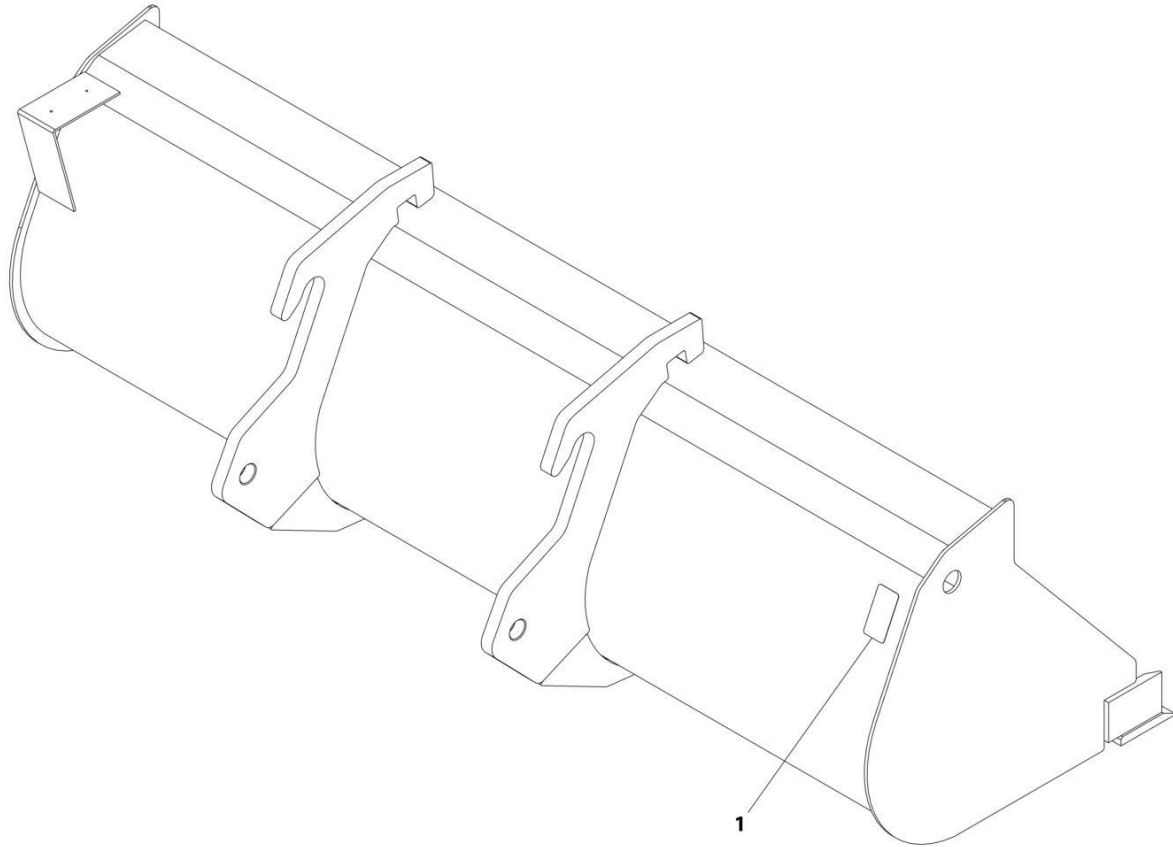
ITEM	PART NUMBER	QTY	DESCRIPTION	REV
50	70028009	1	Tab	
51	70028010	1	Bolt	
52	70028011	1	Koruna Wheels	
53	70028012	1	Fixing Koruna Wheels	
54	70028013	1	Bolt	
55	70028014	1	Track	
56	70028015	1	Pin	
57	70028006	3	Bolt	
58	70028007	3	Grower	
59	70028016	1	Cover seal press	
60	70028017	3	Rope Fat	
61	70028018	4	Bolt	
62	70028019	1	Support flange bearing	
63	70028002	4	Washer	
64	70027997	4	Nut, Self Locking	
65	70028020	1	Helical mixer only carpentry	
66	70028021	8	Central Sector	
67	70028022	1	Left Sector	
68	70028023	1	Right Sector	
69	70028024	8	Bolt	
70	70020728	8	Washer	
71	70027995	8	Nut, Self Locking	
72	70028025	1	Grid only carpentry	
73	70028026	4	Clamp heavy	
74	70028027	2	Pull nitrogen absorber	
75	70028028	4	Bolt	
76	70028029	2	Nitrogen absorber	
77	70028030	4	Bolt	
78	1001103201	4	Nut, Self Locking	
79	70028031	1	Return spring	
80	70028032	1	Bolt	
81	70028033	1	Nut	
82	70028034	1	Sliding door only carpentry	
83	70024436	1	Cylinder	
84	70028035	2	Bolt	
85	1001103201	2	Nut, Self Locking	
86	70028036	1	Gasket Kit	
87	70028037	1	Dump tube	
88	70028038	1	Tube with clevis door blocking	
89	70028039	1	Tube with clevis move	
90	70028040	2	Hose Clamp	
91	70028041	1	Gasket carter	
92	70028042	7	Bolt	
93	70028087	7	Washer	
94	70028007	7	Grower	
95	70021242	1	Greaser	
96	70028043	2	Link	
97	70028044	2	Sleeve	
98	70028046	2	Nut	
99	70028045	2	Link, sleeve, nut	
100	70028047	1	Pipe	

SECTION 3 - ATTACHMENTS

ITEM	PART NUMBER	QTY	DESCRIPTION	REV
101	70021242	1	Greaser	

SECTION 3 - ATTACHMENTS

FIGURE 3-17. BUCKET (DIRT)



ART_1001197945-A

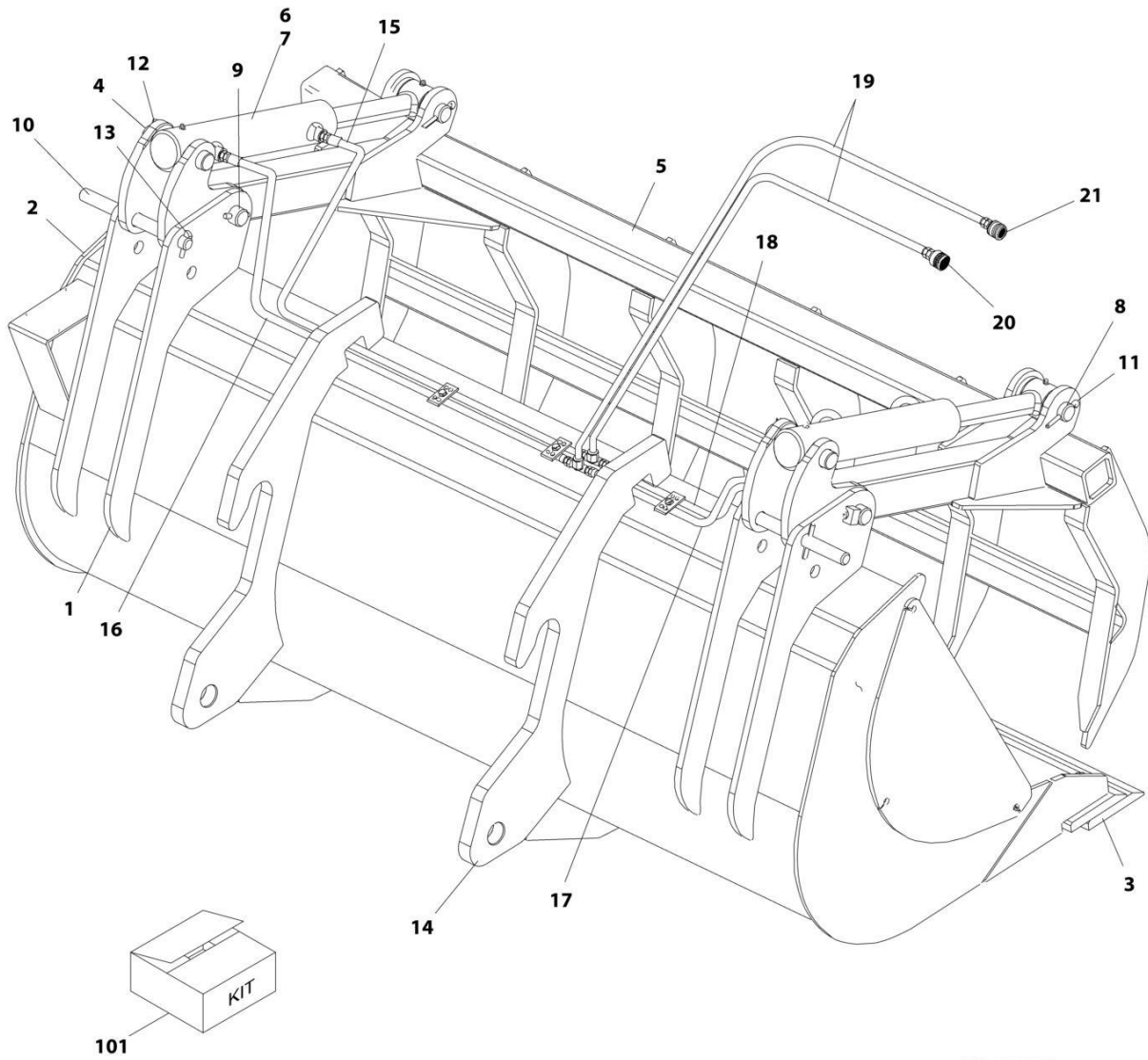
SECTION 3 - ATTACHMENTS

FIGURE 3-17. BUCKET (DIRT)

ITEM	PART NUMBER	QTY	DESCRIPTION	REV
1	1001197945	1	Dig Bucket (1.0 m ³)	D
	N.S.S.	1	Plate, Serial Number	

SECTION 3 - ATTACHMENTS

FIGURE 3-18. BUCKET (GRAPPLE MULTI-PURPOSE)



ART_0930004-E

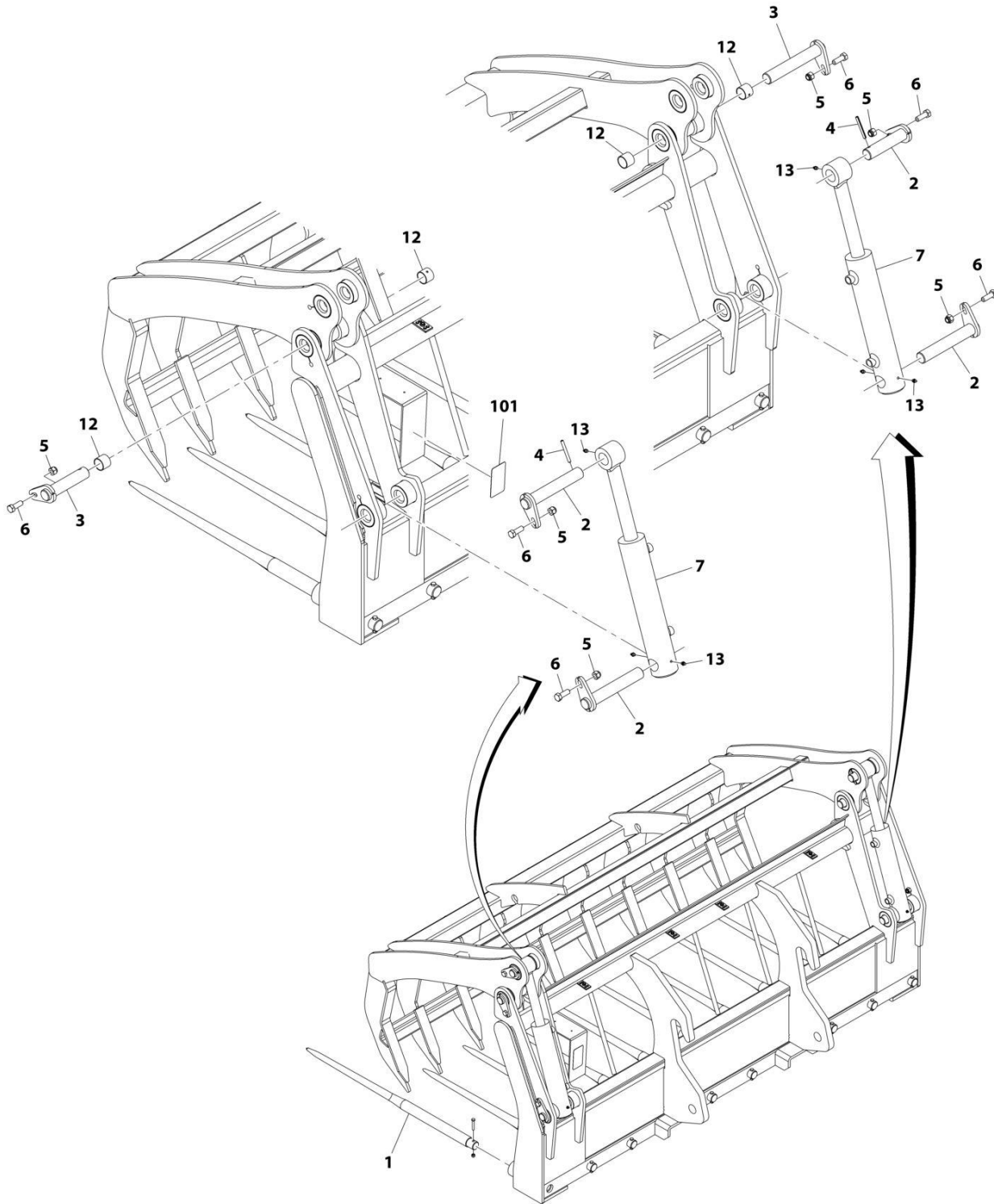
SECTION 3 - ATTACHMENTS

FIGURE 3-18. BUCKET (GRAPPLE MULTI-PURPOSE)

ITEM	PART NUMBER	QTY	DESCRIPTION	REV
	0930004	1	Multi-Purpose Grapple Bucket (Wide Grip - 2450 MM) (CE & AUS)	E
1	N.S.S.	1	Weldment	
2	7028133	1	Plate	
3	7028132	1	Assembly, Blade (includes blade and the following hardware)	
	7029356	8	Nut, Lock M16	
	70023484	8	Bolt, M16X60	
4	7028126	2	Bracket	
5	7028125	1	Grapple	
6	7028127	2	Cylinder, Tilt	
	7028910	AR	Kit, Seal	
7	7028131	6	Bushing	
8	7028128	2	Pin	
9	7028129	2	Pin, Locking	
10	7028130	2	Pin	
11	7028135	4	Pin, Roll	
12	7028134	8	Pin, Roll	
13	7029124	2	Circlip	
14	7029749	1	Assembly, Connecting	
15	7028986	1	Hose	
16	7028987	1	Hose	
17	7028988	1	Hose	
18	7028989	1	Hose	
19	7028984	2	Hose	
20	1001094555	1	Coupler, Female	
21	1001094556	1	Coupler, Male	
101	Kit	1	Kit	

SECTION 3 - ATTACHMENTS

FIGURE 3-19. BUCKET (MANURE GRAPPLE)



ART_1001216001-B

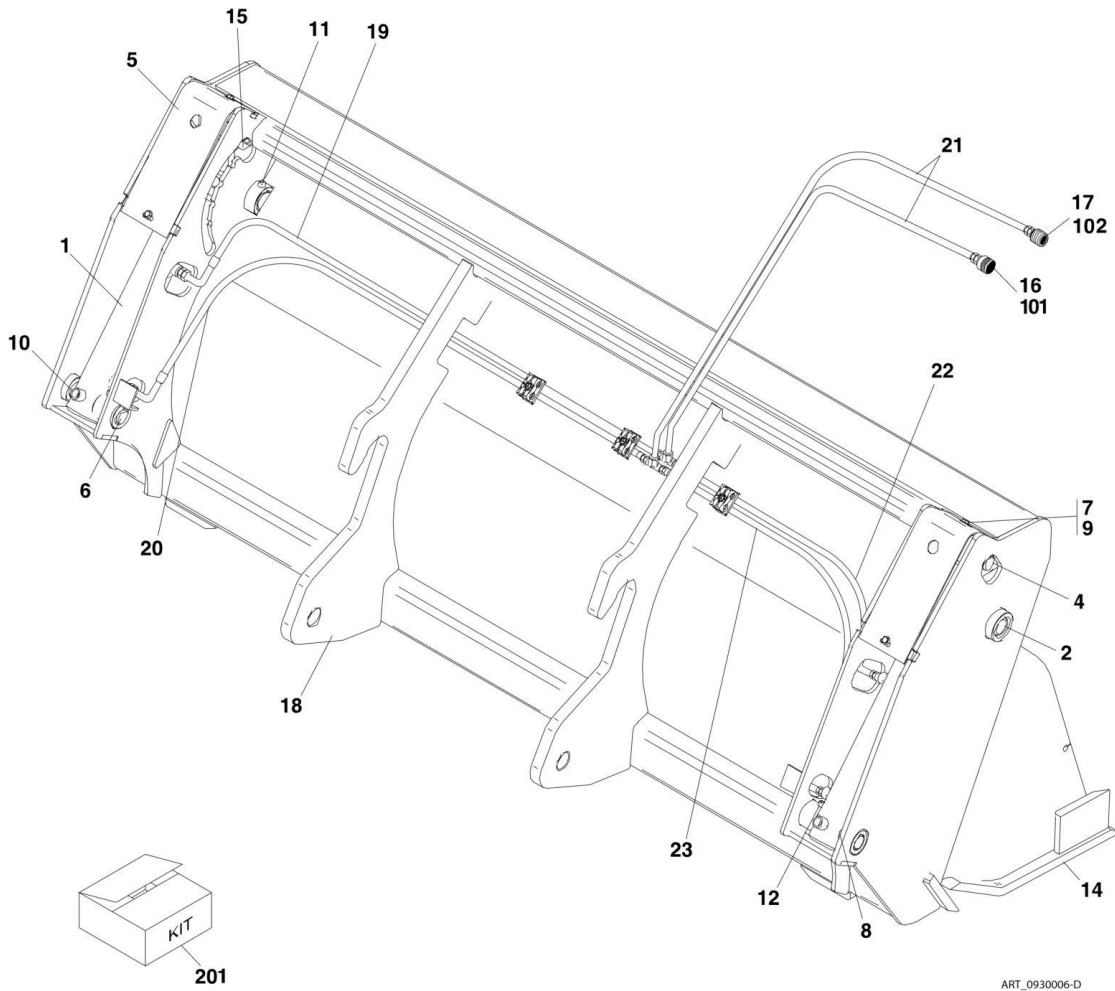
SECTION 3 - ATTACHMENTS

FIGURE 3-19. BUCKET (MANURE GRAPPLE)

ITEM	PART NUMBER	QTY	DESCRIPTION	REV
	1001216001	1	Manure Grapple Bucket (2300 MM)	D
1	70027302	10	Right Electro-Forged Fingers	
2	70027294	4	Pin	
3	70027293	2	Pin	
4	70027298	2	Roll Pin	
5	70027296	6	Nut	
6	70027297	6	Screw	
7	7028127	2	Cylinder	
8	70027325	1	Hose (not shown)	
9	7028988	1	Hose (not shown)	
10	70027326	1	Hose (not shown)	
11	7028986	1	Hose (not shown)	
12	7028131	10	Bush	
13	7028918	6	Grease Nipple	
101	N.S.S.	1	Plate, Serial Number	

SECTION 3 - ATTACHMENTS

FIGURE 3-20. BUCKET(0.6 M³) (MULTI-PURPOSE 4 IN 1)



ART_0930006-D

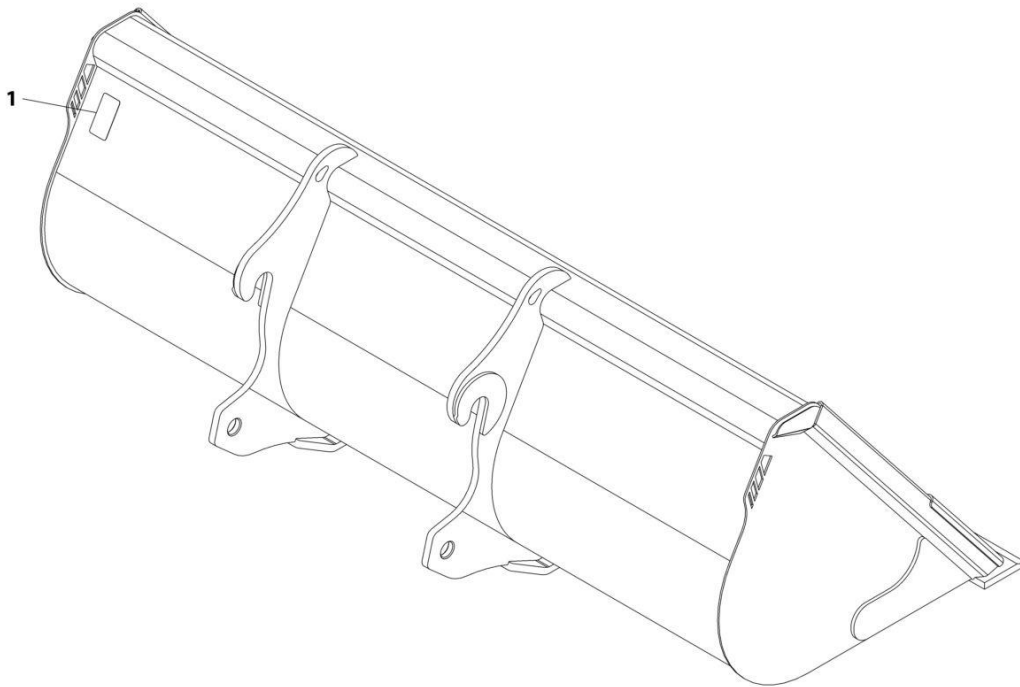
SECTION 3 - ATTACHMENTS

FIGURE 3-20. BUCKET(0.6 M³) (MULTI-PURPOSE 4 IN 1)

ITEM	PART NUMBER	QTY	DESCRIPTION	REV
	0930006	1	4 in 1 Bucket 0.6 M ³	D
1	7028990	2	Cylinder	
1	7028910	1	Kit, Seal, Cylinder	
2	7028911	2	Pin	
3	7028912	6	Nut, (not shown)	
4	7028913	2	Pin	
5	7028914	2	Plate, Protective	
6	7028915	2	Pin	
7	7028916	4	Bolt	
8	7028131	6	Bushing	
9	7028917	4	Washer	
10	7028918	6	Nipple, Grease	
11	7028920	2	Screw	
12	7028919	4	Screw	
14	N.S.S.	1	Weldment	
15	7028923	1	Gauge	
16	1001094555	1	Adapter, Female Quick Disconnect	
17	1001094556	1	Adapter, Male Quick Disconnect	
18	N.S.S.	1	Weldment	
19	7028982	1	Hose	
20	7028983	1	Hose	
21	7028984	2	Hose	
22	7028985	1	Hose	
23	7028991	1	Hose	
101	1001093826	1	Cap, Dust	
102	1001093827	1	Plug, Dust	
201	1001097287	1	Kit, Quick Disconnect Adapter (includes items 16, 17, 101 & 102)	

SECTION 3 - ATTACHMENTS

FIGURE 3-21. BUCKET(1 M³) (GENERAL PURPOSE)



ART_1001215988-B

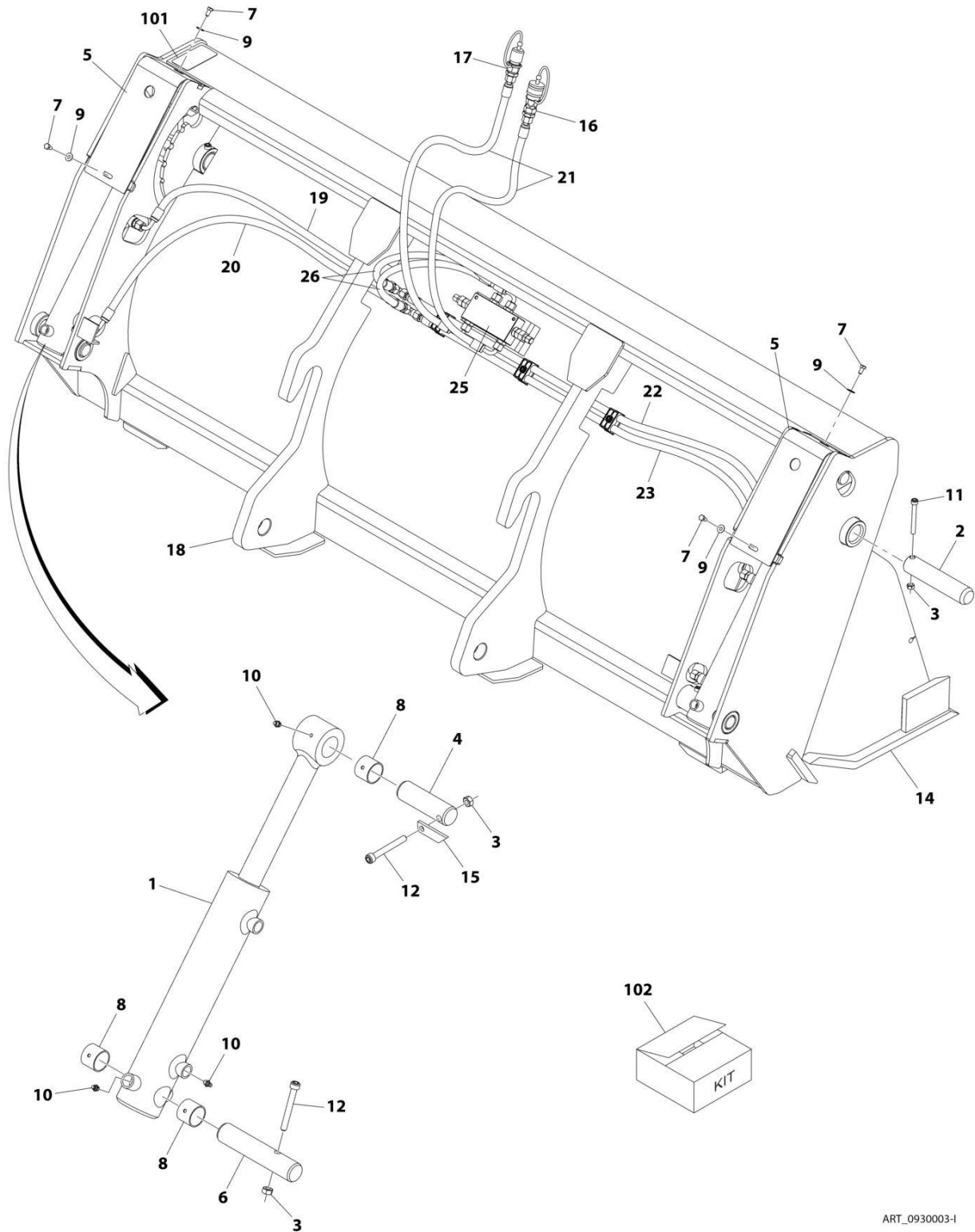
SECTION 3 - ATTACHMENTS

FIGURE 3-21. BUCKET(1 M³) (GENERAL PURPOSE)

ITEM	PART NUMBER	QTY	DESCRIPTION	REV
	1001215988	1	Bucket (1 m ³)	D
1	N.S.S.	1	Plate, Serial Number	
2	70031031	1	Attachment, Cutting Edge (Optional - Must be Ordered Separately) (Not Shown)	

SECTION 3 - ATTACHMENTS

FIGURE 3-22. BUCKET(1 M³) (MULTI-PURPOSE 4 IN 1)



ART_0930003-I

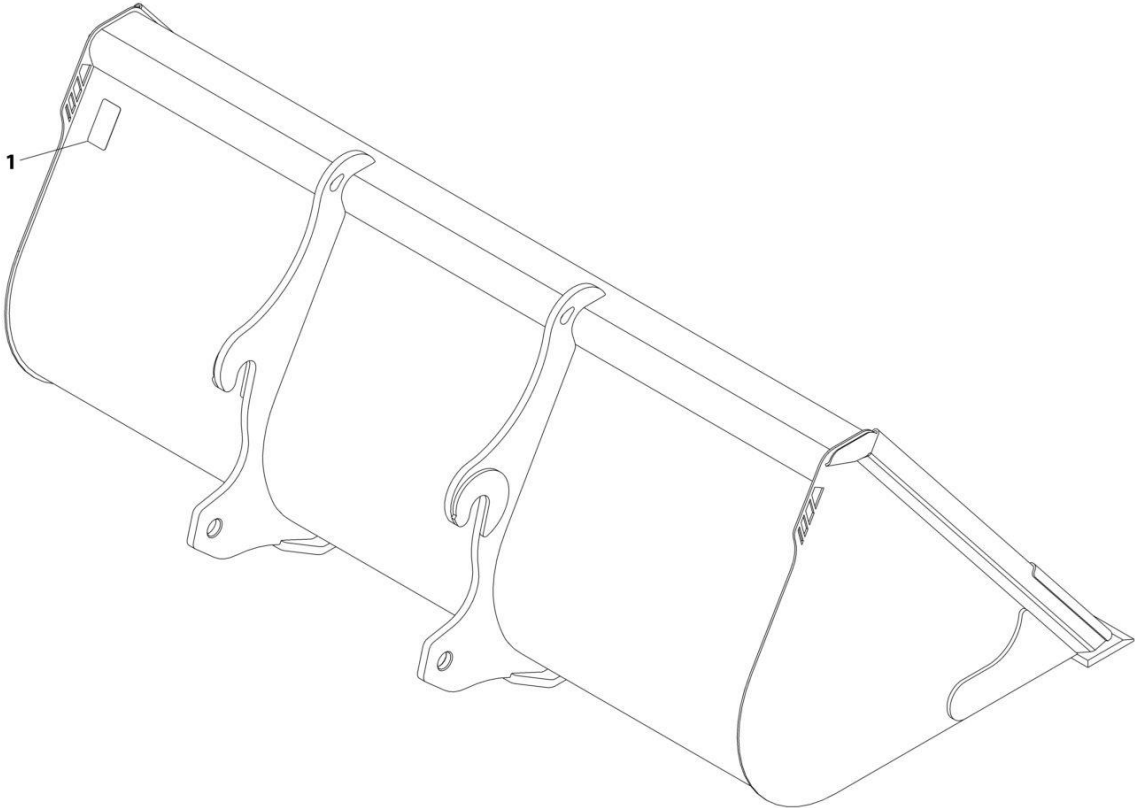
SECTION 3 - ATTACHMENTS

FIGURE 3-22. BUCKET(1 M³) (MULTI-PURPOSE 4 IN 1)

ITEM	PART NUMBER	QTY	DESCRIPTION	REV
	0930003	Ref	4 in 1 Bucket (1.0 m ³)	1
1	7028990	2	Cylinder	
	7028910	AR	Kit, Seal, Cylinder	
2	7028911	2	Pin	
3	7028912	6	Nut, (not shown)	
4	7028913	2	Pin	
5	N.S.S.	2	Plate	
6	7028915	2	Pin	
7	7028916	4	Bolt	
8	7028131	6	Bushing	
9	7028917	4	Washer	
10	7028918	6	Nipple, Grease	
11	7028920	2	Screw	
12	7028919	4	Screw	
14	N.S.S.	1	Weldment	
15	7028923	1	Gauge	
16	1001094555	1	Coupling, Female Quick Disconnect	
17	1001094556	1	Coupling, Male Quick Disconnect	
18	N.S.S.	1	Weldment	
19	7028982	1	Hose	
20	7028983	1	Hose	
21	7028984	2	Hose	
22	7028995	1	Hose	
23	7028991	1	Hose	
24	70027291	1	Balancing Valve	
26	70029011	2	Hose	
101	N.S.S.	1	S/N Plate	
102	1001097287	1	Quick Disconnect Coupling Kit, (includes items 16, 17 dust cap and dust plug)	

SECTION 3 - ATTACHMENTS

FIGURE 3-23. BUCKET (1.5 M³) (GENERAL PURPOSE)



ART_1001215990-B

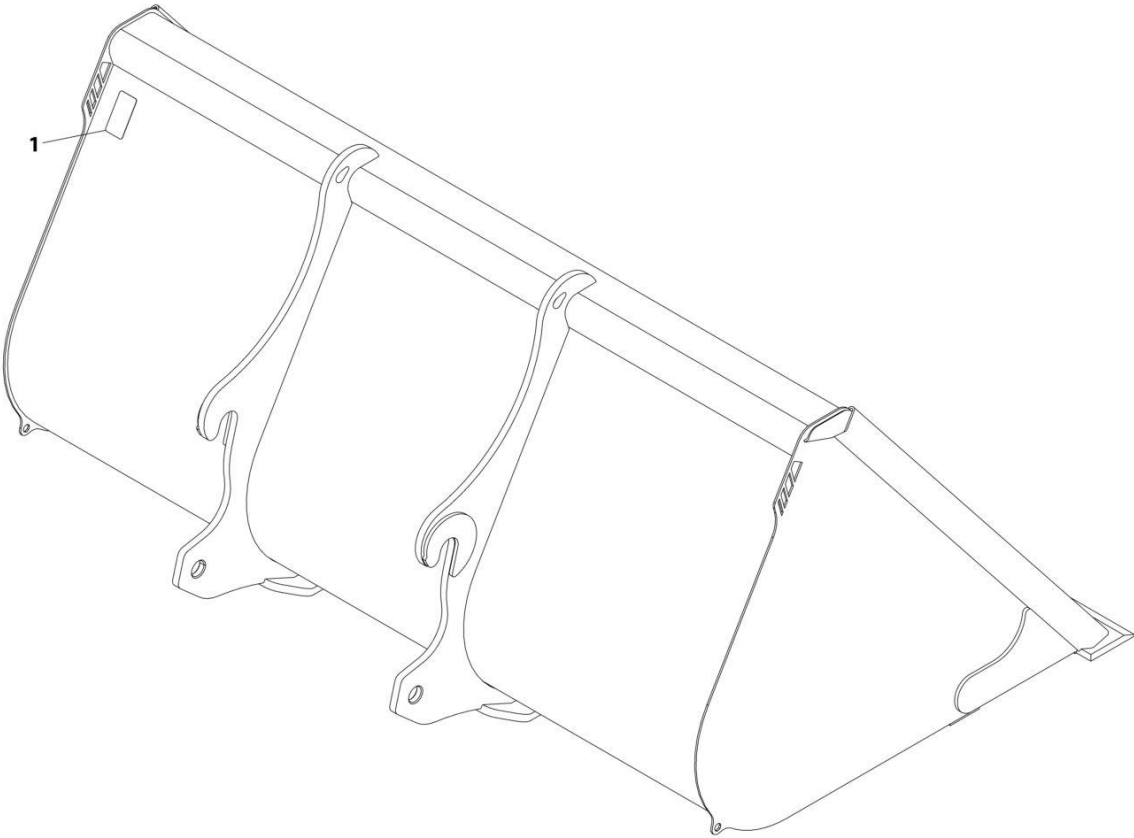
SECTION 3 - ATTACHMENTS

FIGURE 3-23. BUCKET (1.5 M³) (GENERAL PURPOSE)

ITEM	PART NUMBER	QTY	DESCRIPTION	REV
	1001215990	1	Bucket (1.5 m ³)	D
1	N.S.S.	1	Plate, Serial Number	
2	70031031	1	Attachment, Cutting Edge (Optional - Must be Ordered Separately) (Not Shown)	

SECTION 3 - ATTACHMENTS

FIGURE 3-24. BUCKET (2 M³) (GENERAL PURPOSE)



ART_1001215992-B

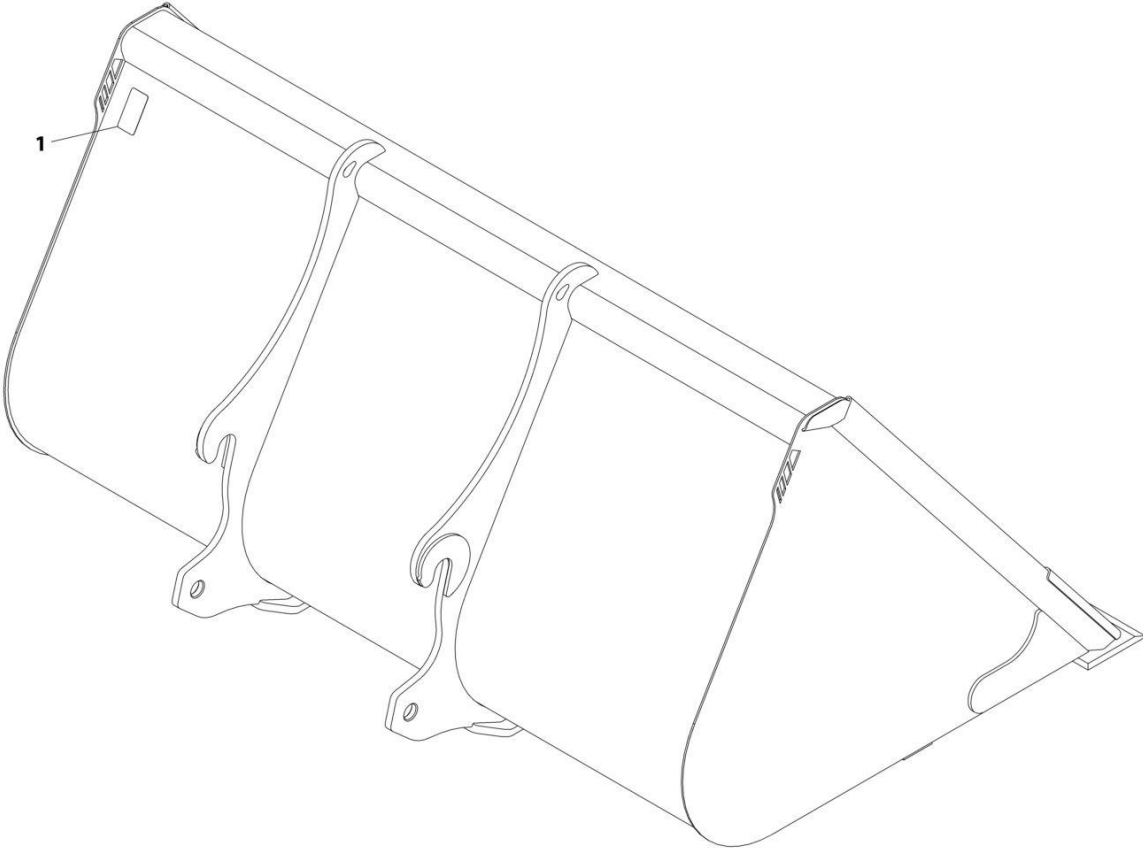
SECTION 3 - ATTACHMENTS

FIGURE 3-24. BUCKET (2 M³) (GENERAL PURPOSE)

ITEM	PART NUMBER	QTY	DESCRIPTION	REV
	1001215992	1	Bucket (2 m ³)	D
1	N.S.S.	1	Plate, Serial Number	
2	70031031	1	Attachment, Cutting Edge (Optional - Must be Ordered Separately) (Not Shown)	

SECTION 3 - ATTACHMENTS

FIGURE 3-25. BUCKET (2.5 M³) (GENERAL PURPOSE)



ART_1001215994-B

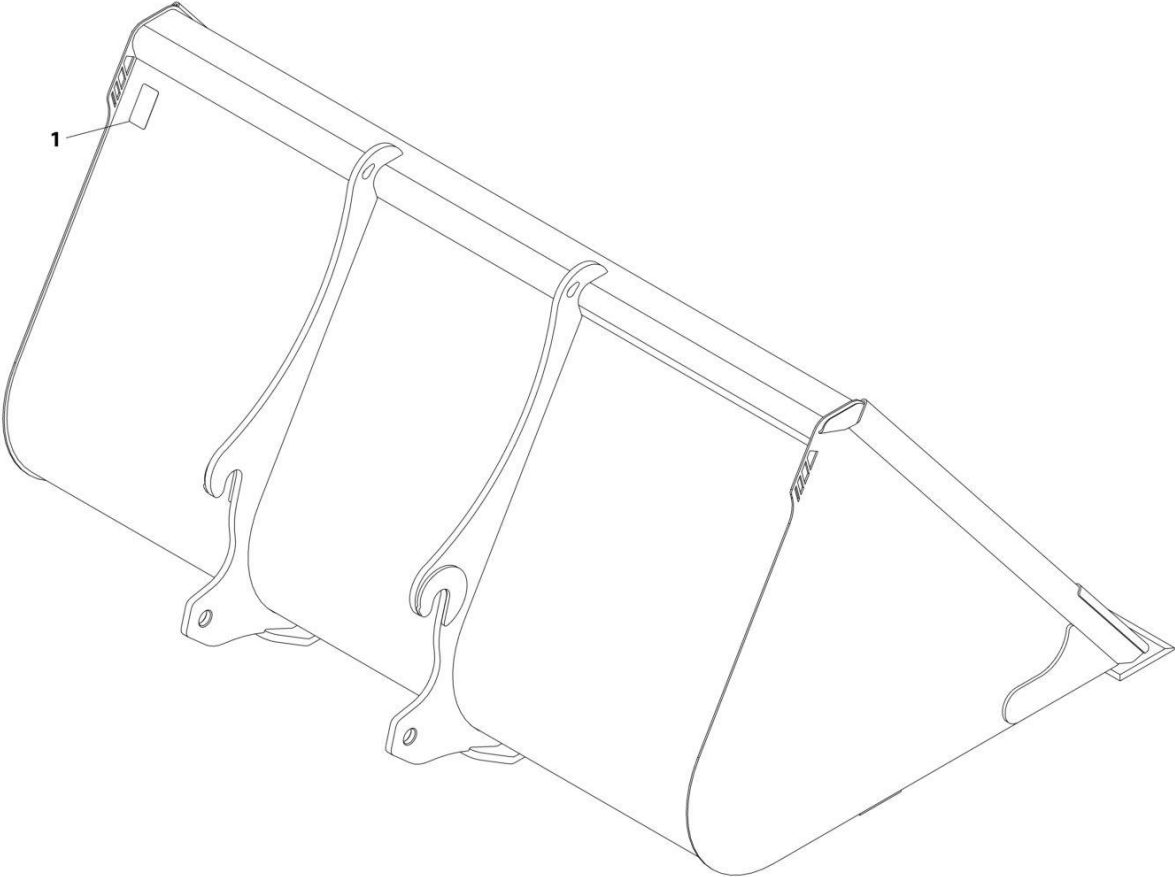
SECTION 3 - ATTACHMENTS

FIGURE 3-25. BUCKET (2.5 M³) (GENERAL PURPOSE)

ITEM	PART NUMBER	QTY	DESCRIPTION	REV
	1001215994	1	Bucket (2.5 m ³)	D
1	N.S.S.	1	Plate, Serial Number	
2	70031031	1	Attachment, Cutting Edge (Optional - Must be Ordered Separately) (Not Shown)	

SECTION 3 - ATTACHMENTS

FIGURE 3-26. BUCKET (3 M³) (GENERAL PURPOSE)



ART_1001215996-B

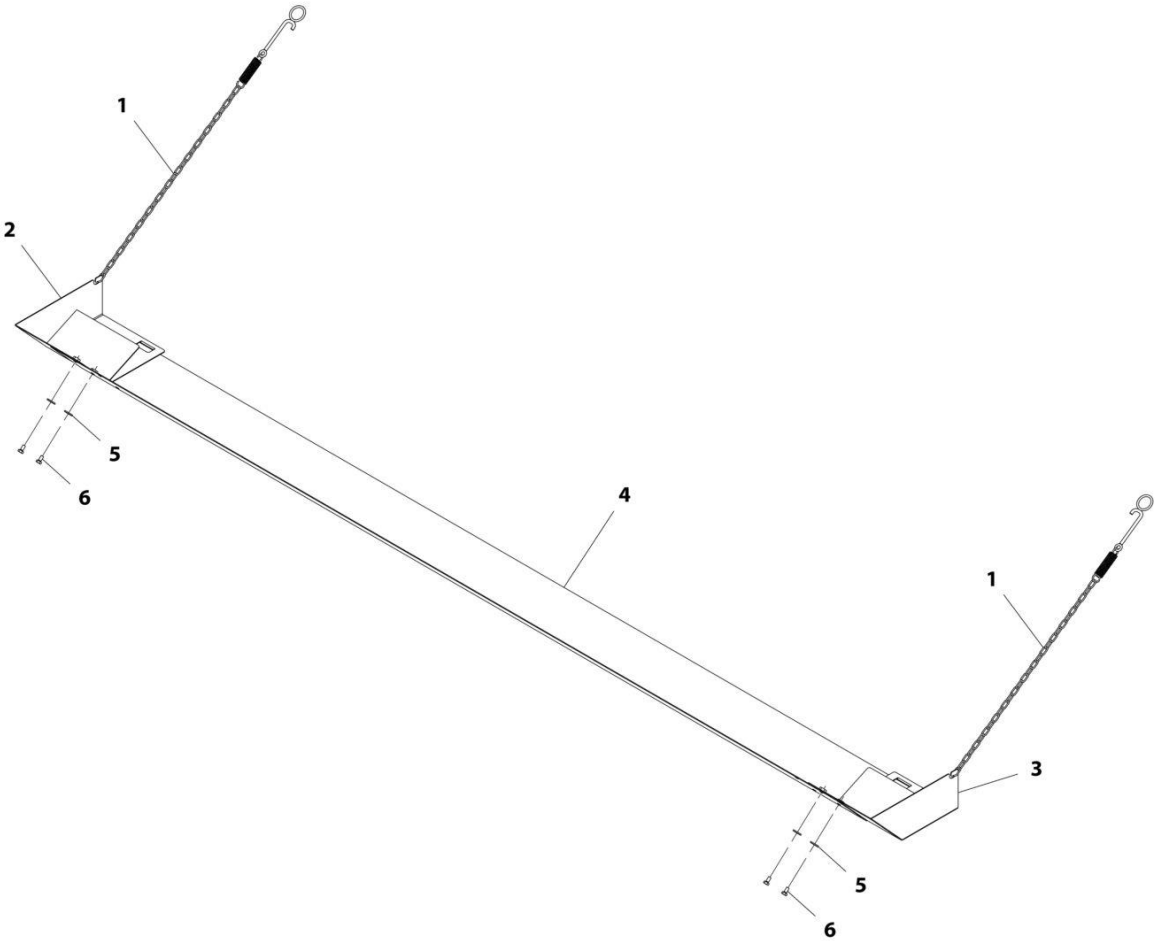
SECTION 3 - ATTACHMENTS

FIGURE 3-26. BUCKET (3 M³) (GENERAL PURPOSE)

ITEM	PART NUMBER	QTY	DESCRIPTION	REV
	1001215996	1	Bucket (3 m ³)	D
1	N.S.S.	1	Plate, Serial Number	
2	70031032	1	Attachment, Cutting Edge (Optional - Must be Ordered Separately) (Not Shown)	

SECTION 3 - ATTACHMENTS

FIGURE 3-27. BUCKET FRONT GUARD



ART_1001004620-B

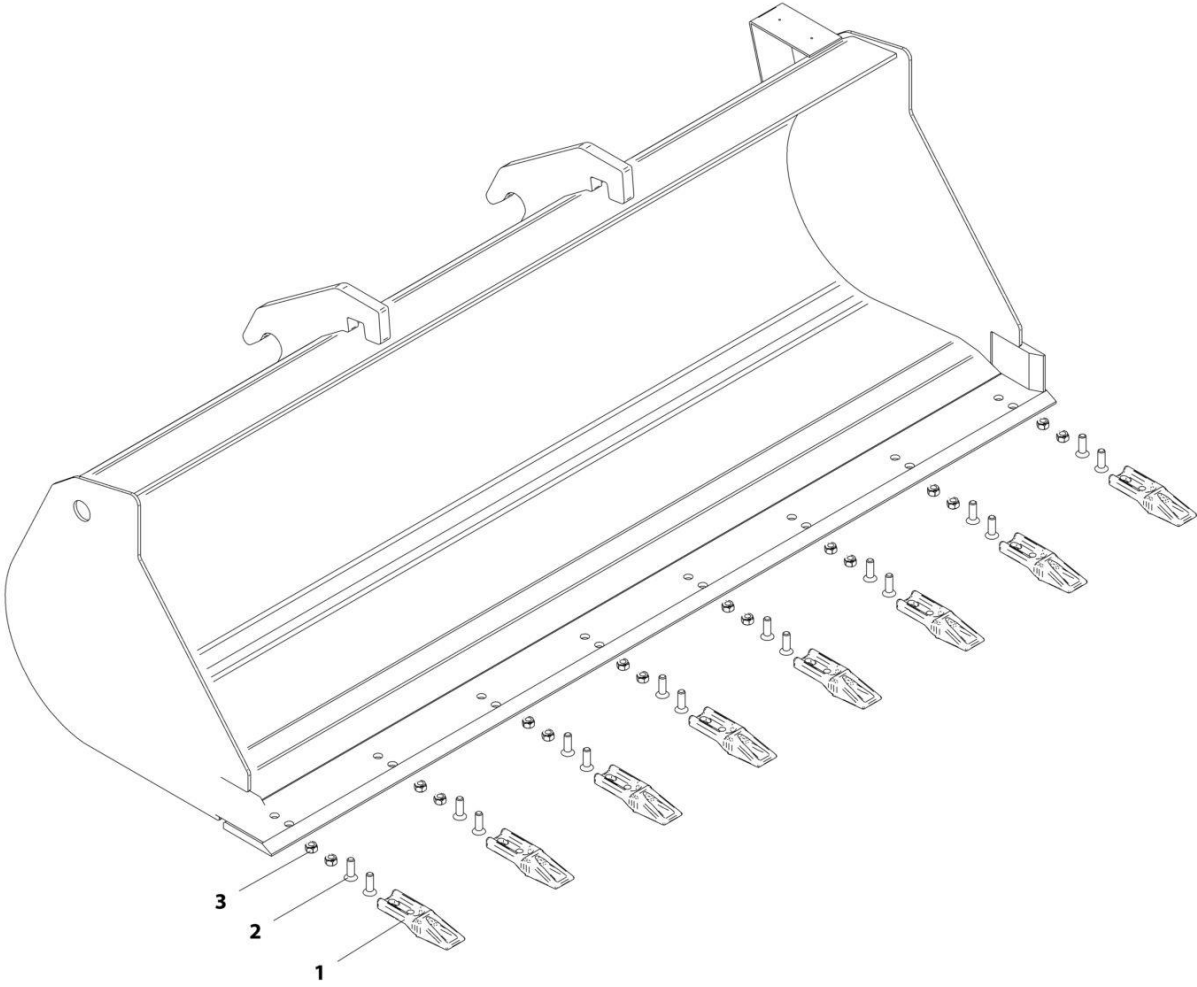
SECTION 3 - ATTACHMENTS

FIGURE 3-27. BUCKET FRONT GUARD

ITEM	PART NUMBER	QTY	DESCRIPTION	REV
	1001004620	1	Bucket Guard	B
1	1001003064	2	Assembly, Retainer	
2	1001004617	1	Plate	
3	1001004618	1	Plate	
4	1001004619	1	Plate	
5	1001008665	4	Washer	
6	1001009105	4	Bolt, M6X1	

SECTION 3 - ATTACHMENTS

FIGURE 3-28. BUCKET TEETH KIT



ART_1001196751-A

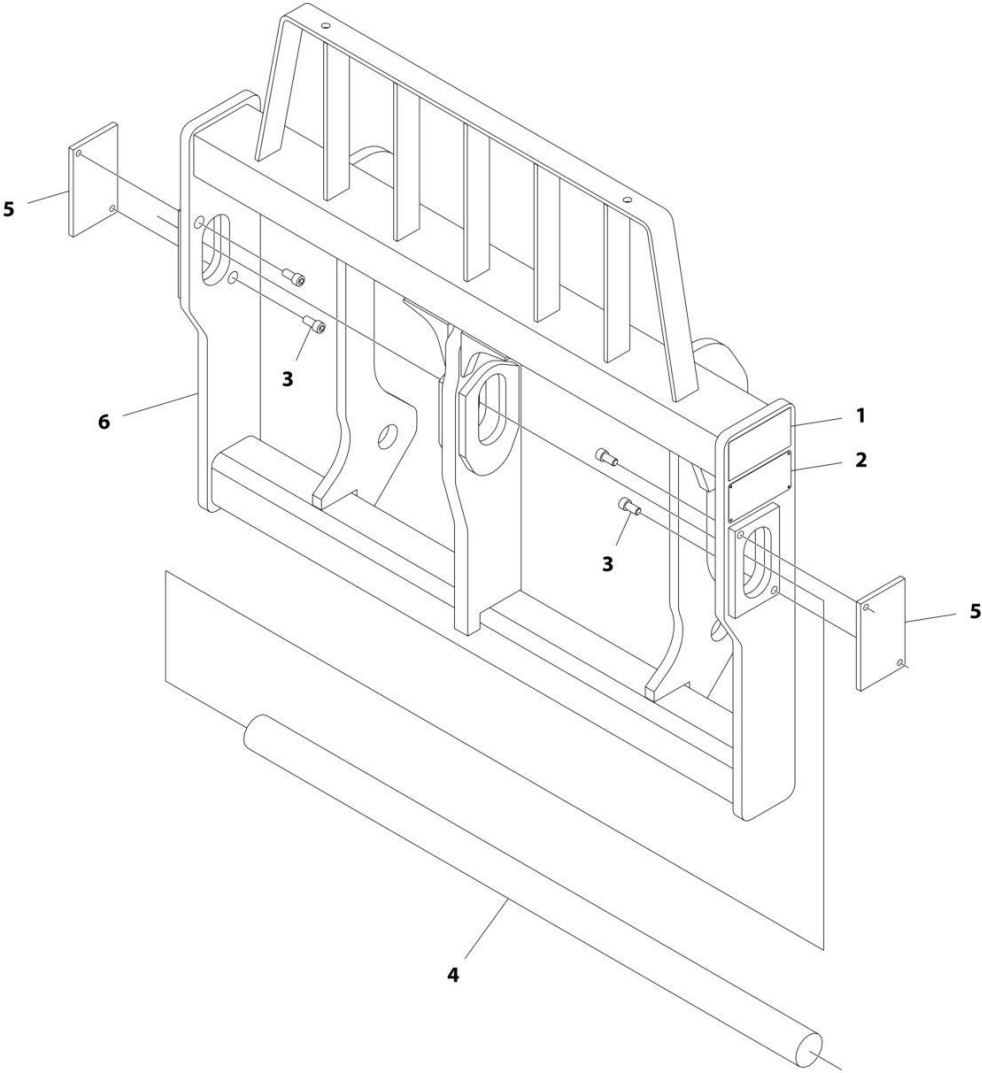
SECTION 3 - ATTACHMENTS

FIGURE 3-28. BUCKET TEETH KIT

ITEM	PART NUMBER	QTY	DESCRIPTION	REV
	1001196751	1	Bucket Teeth Kit	A
1	Kit	8	Tooth	
2	Kit	16	Screw	
3	Kit	16	Nut	

SECTION 3 - ATTACHMENTS

FIGURE 3-29. CARRIAGE ASSEMBLY (1225MM)



ART_1001107581

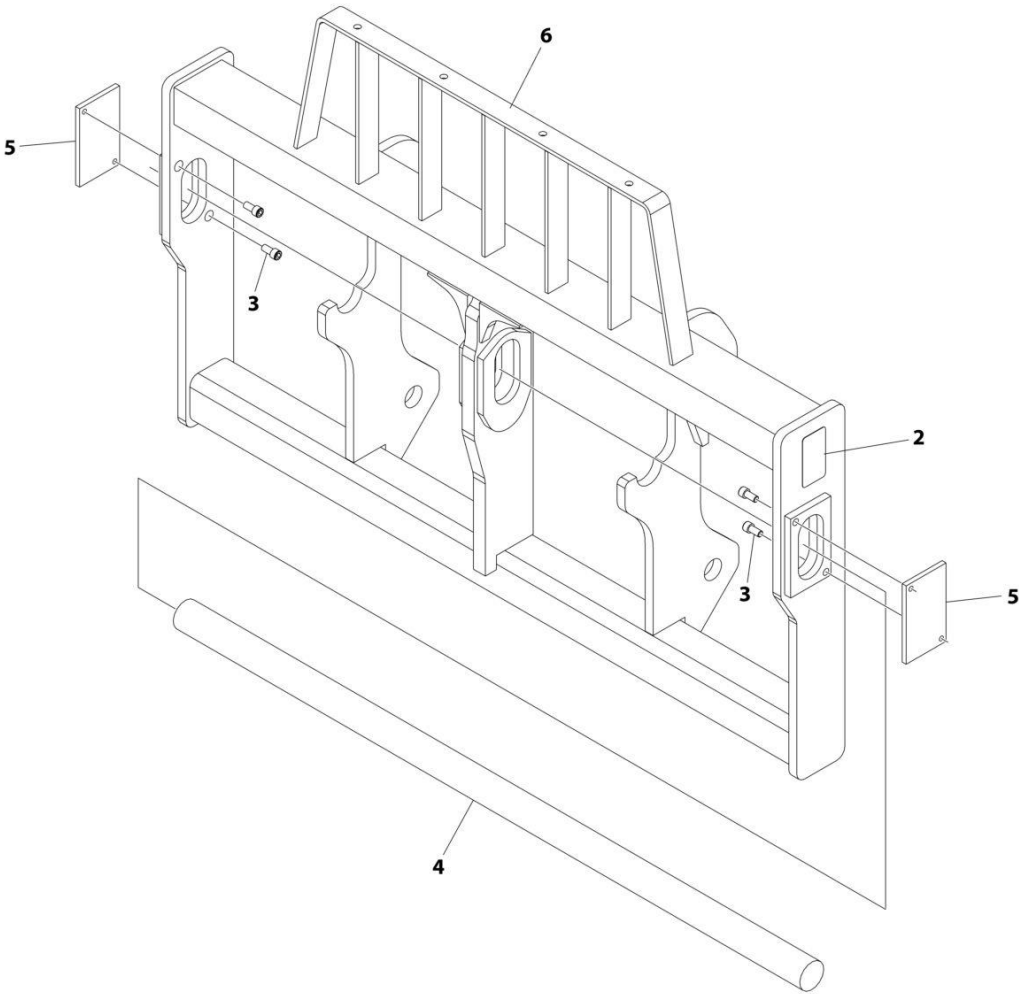
SECTION 3 - ATTACHMENTS

FIGURE 3-29. CARRIAGE ASSEMBLY (1225MM)

ITEM	PART NUMBER	QTY	DESCRIPTION	REV
	1001107581	Ref	CARRIAGE ASSEMBLY (1225MM)	E
1	See Note	NSS	Name Plate, Carriage (Note: Not Available for Purchase)	
2	See Note	NSS	Plate, Serial Number (Note: Not Available for Purchase)	
3	4032109	4	Bolt M12 x 25	
4	1001107336	1	Shaft, Carriage	
5	1001107338	2	Cover, Shaft	
6	See Note	NSS	Carriage (Note: Purchase PN 1001107581)	

SECTION 3 - ATTACHMENTS

FIGURE 3-30. CARRIAGE ASSEMBLY (1524MM)



ART_1001259144

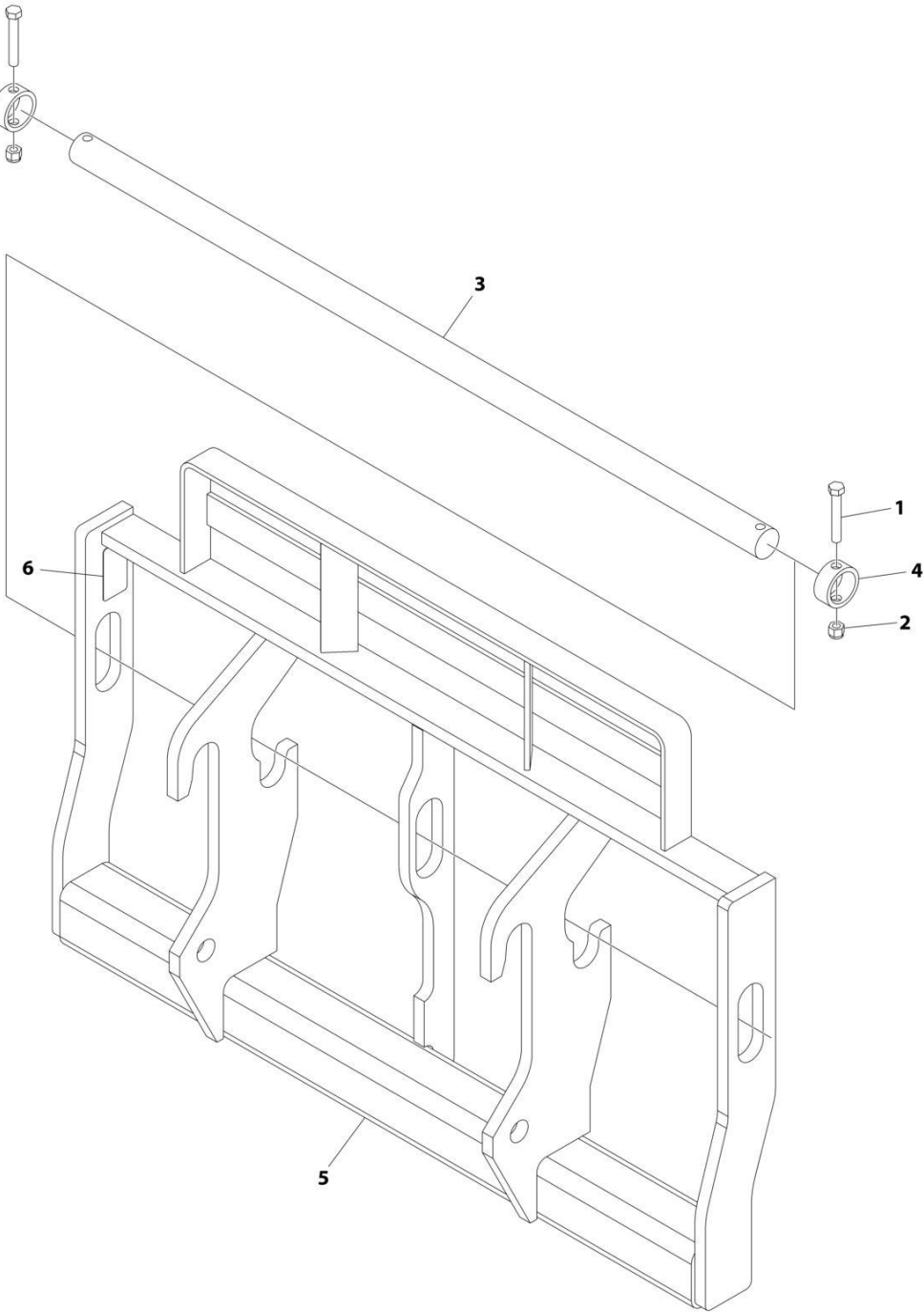
SECTION 3 - ATTACHMENTS

FIGURE 3-30. CARRIAGE ASSEMBLY (1524MM)

ITEM	PART NUMBER	QTY	DESCRIPTION	REV
	1001259144	Ref	CARRIAGE ASSEMBLY (1524MM)	C
1	See Note	NSS	Name Plate (Note: Not Available for Purchase)	
2	See Note	NSS	Plate, Serial Number (Note: Not Available for Purchase)	
3	70021504	4	Bolt M12X25	
4	70030283	1	Shaft, Carriage	
5	1001107338	2	Cover, Shaft	
6	See Note	NSS	Carriage (Use PN 1001259144)	

SECTION 3 - ATTACHMENTS

FIGURE 3-31. CARRIAGE ASSEMBLY (1524MM)



ART_1001278598

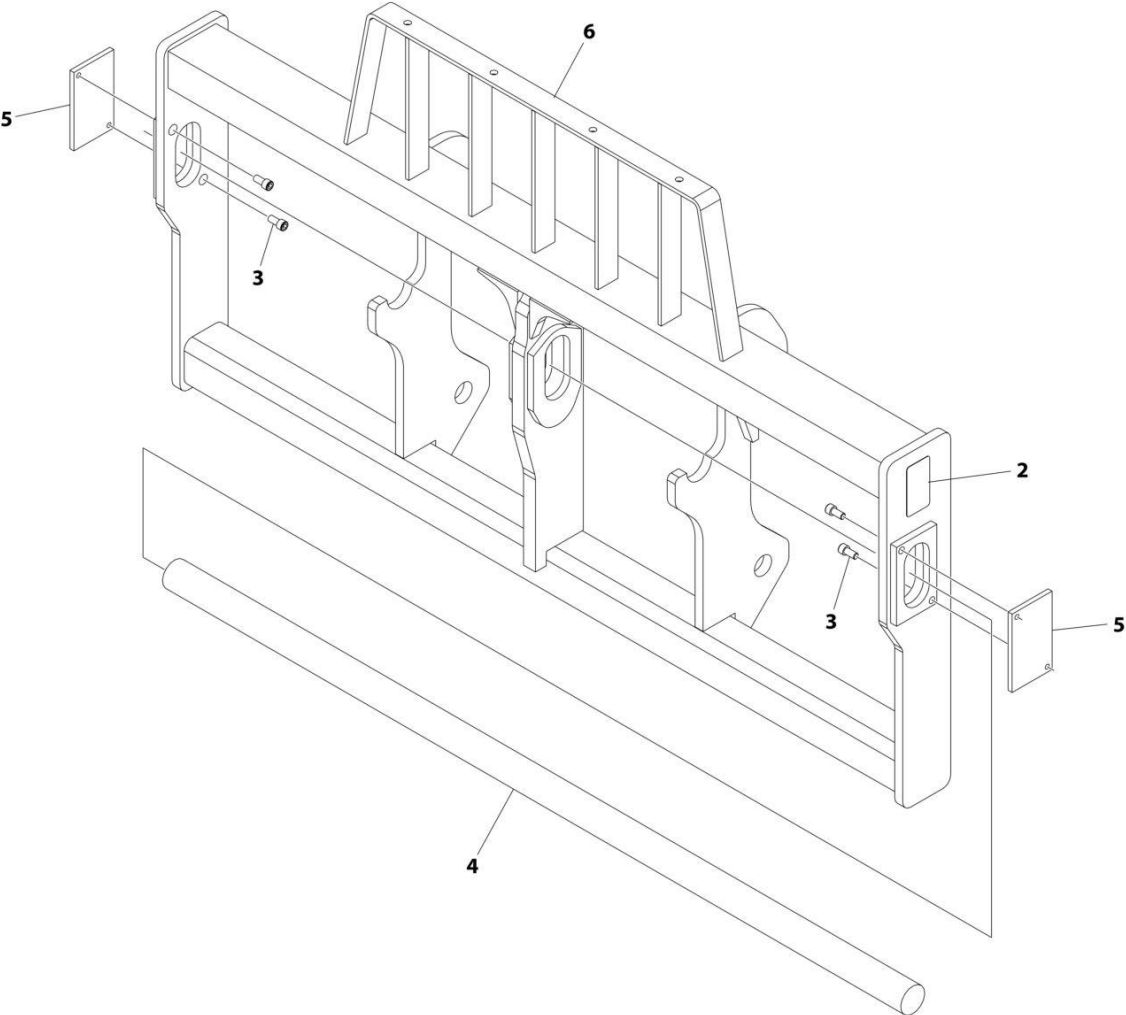
SECTION 3 - ATTACHMENTS

FIGURE 3-31. CARRIAGE ASSEMBLY (1524MM)

ITEM	PART NUMBER	QTY	DESCRIPTION	REV
	1001278598	Ref	CARRIAGE ASSEMBLY (1524MM)	A
1	0642032	2	Screw 5/8 x 4	
2	3300240	2	Nut 5/8	
3	3423242	1	Pin	
4	90200003	2	Pin	
5	N.S.S.	1	Weldment, Carriage	
6	N.S.S.	1	S/N Plate	

SECTION 3 - ATTACHMENTS

FIGURE 3-32. CARRIAGE ASSEMBLY (1829MM)



ART_1001259146

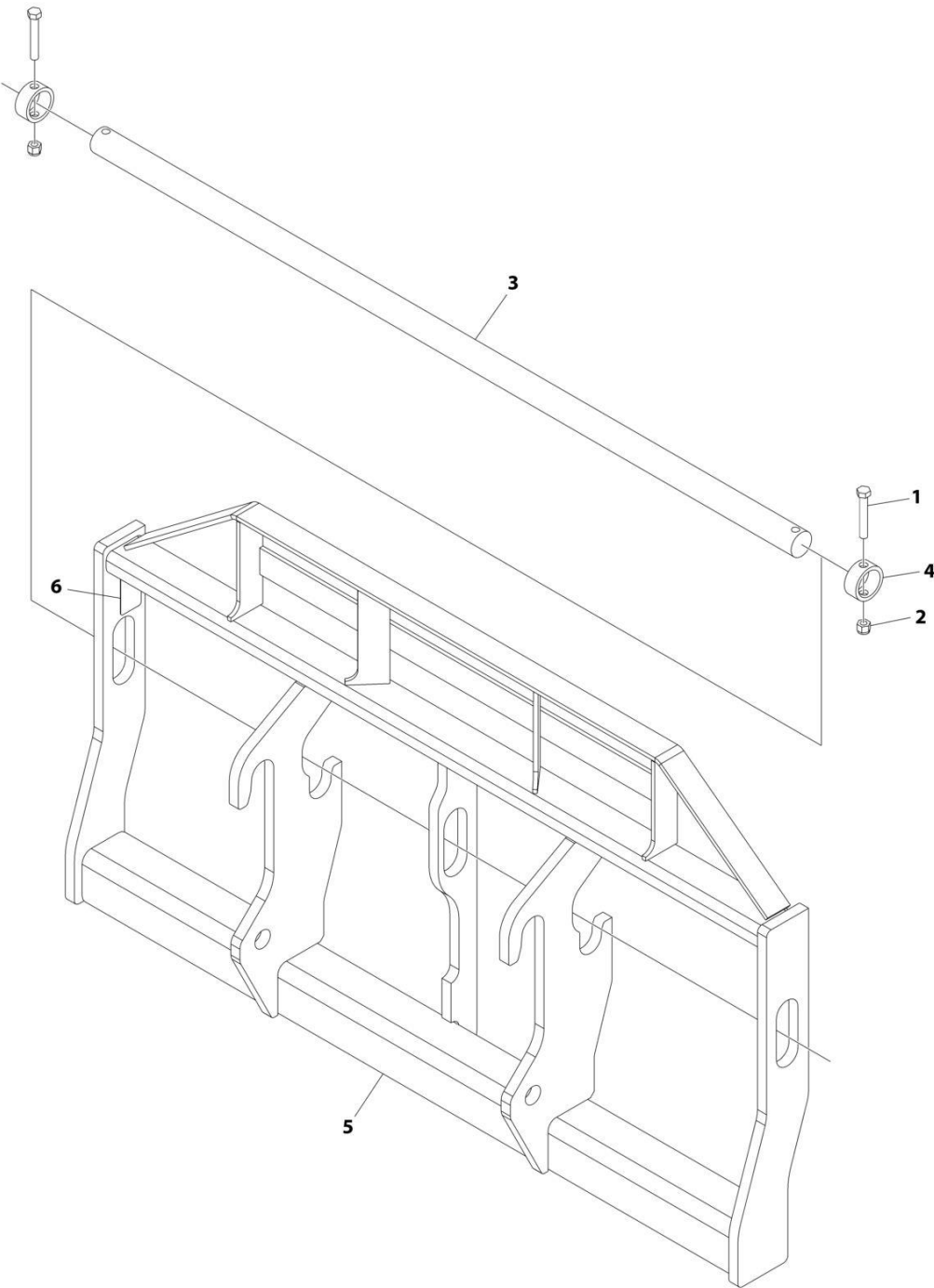
SECTION 3 - ATTACHMENTS

FIGURE 3-32. CARRIAGE ASSEMBLY (1829MM)

ITEM	PART NUMBER	QTY	DESCRIPTION	REV
	1001259146	Ref	CARRIAGE ASSEMBLY (1829MM)	C
1	See Note	NSS	Name Plate, Carriage (Note: Not Available for Purchase)	
2	See Note	NSS	Plate, Serial Number (Note: Not Available for Purchase)	
3	70021504	4	Bolt M12X25	
4	70030282	1	Shaft	
5	1001107338	2	Cover, Shaft	
6	See Note	NSS	Carriage (Note: Use PN 1001259146)	

SECTION 3 - ATTACHMENTS

FIGURE 3-33. CARRIAGE ASSEMBLY (1829MM)



ART_1001278600

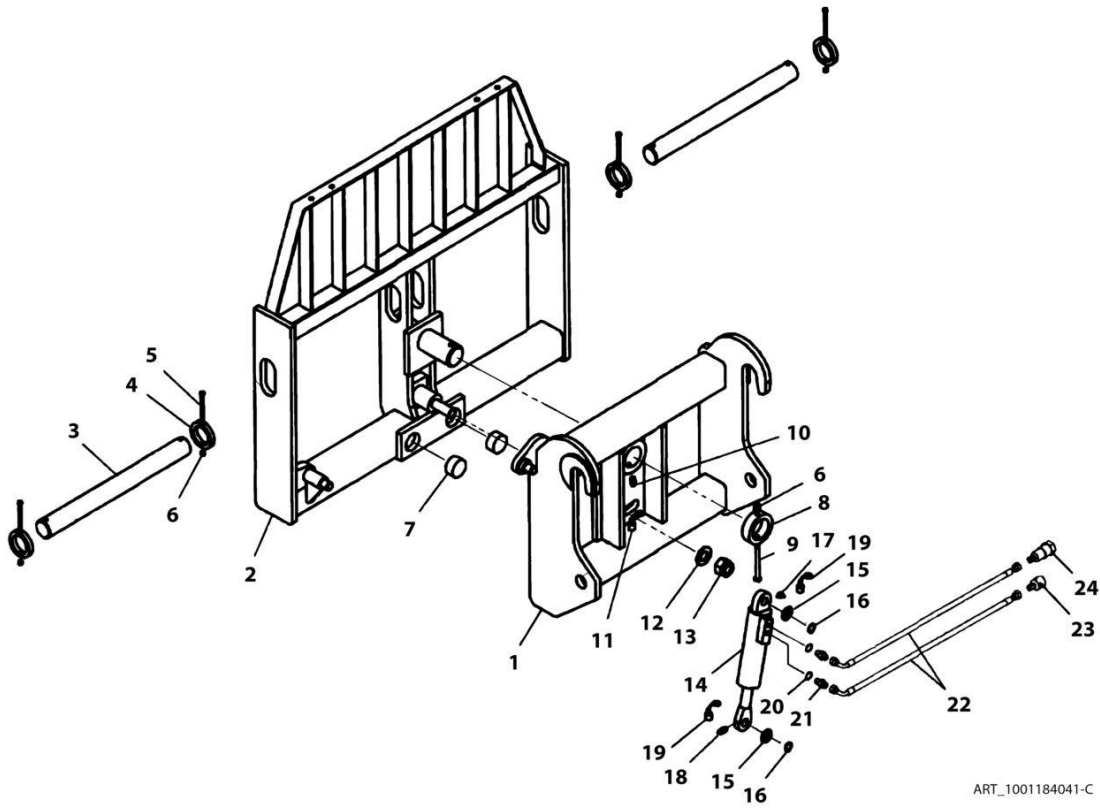
SECTION 3 - ATTACHMENTS

FIGURE 3-33. CARRIAGE ASSEMBLY (1829MM)

ITEM	PART NUMBER	QTY	DESCRIPTION	REV
	1001278600	Ref	CARRIAGE ASSEMBLY (1829MM)	A
1	0642032	2	Screw 5/8 x 4	
2	3300240	2	Nut 5/8	
3	3423276	1	Pin	
4	90200003	2	Pin	
5	N.S.S.	1	Weldment, Carriage	
6	N.S.S.	1	S/N Plate	

SECTION 3 - ATTACHMENTS

FIGURE 3-34. CARRIAGE ASSEMBLY - SIDE TILTING (4.5 TON - 1225 MM)



ART_1001184041-C

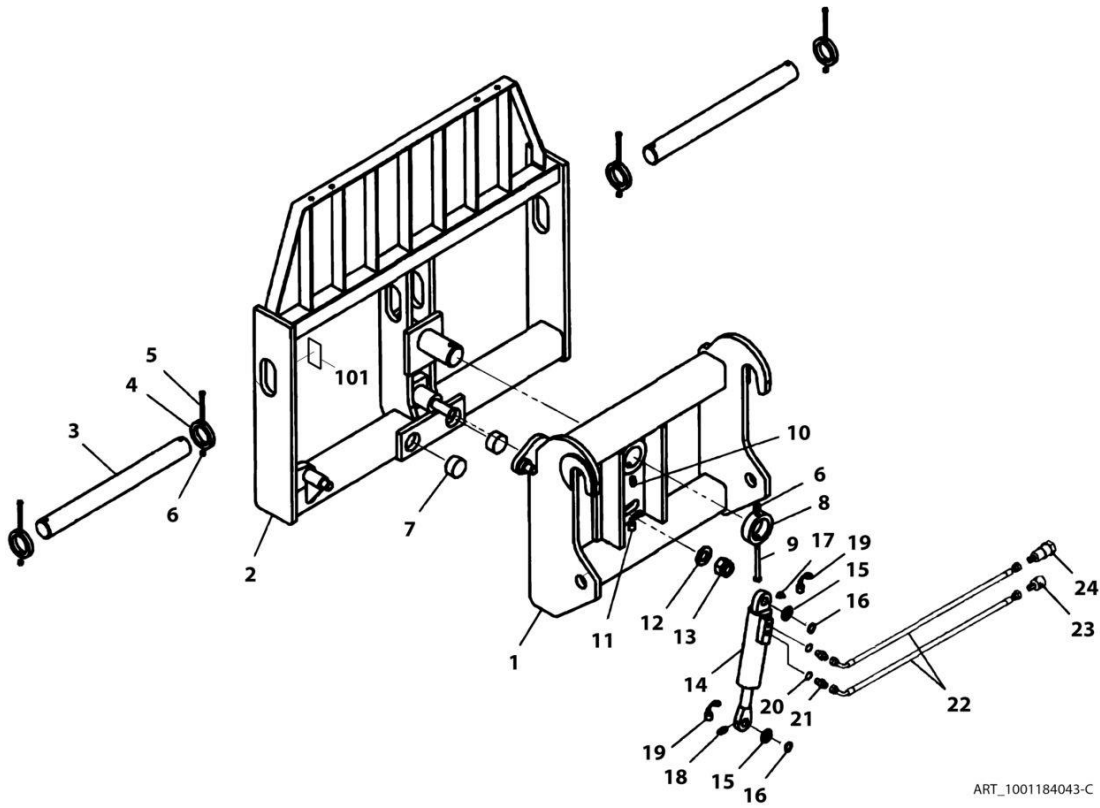
SECTION 3 - ATTACHMENTS

FIGURE 3-34. CARRIAGE ASSEMBLY - SIDE TILTING (4.5 TON - 1225 MM)

ITEM	PART NUMBER	QTY	DESCRIPTION	REV
	1001184041	1	Side Tilting Carriage (4.5 ton - 1225 MM)	E
1	N.S.S.	1	Carriage Weldment	
2	70027604	1	Fork, Carriage	
3	70027605	2	Pin	
4	70027606	4	Pin, Block	
5	70027607	4	Bolt	
6	70021241	5	Nut, Lock M12	
7	70021238	2	Buffer	
8	70021239	1	Collar	
9	70021240	1	Bolt	
10	70021242	1	Fitting, Grease	
11	70021243	1	Cover, Grease Fitting	
12	70021244	1	Washer	
13	70022697	1	Nut, Lock	
14	70020506	1	Cylinder	
15	70020507	1	Washer	
16	70020508	2	Ring, Snap	
17	70021245	1	Fitting, Grease	
18	70021246	1	Fitting, Grease	
19	70021247	2	Cover, Grease Fitting	
20	70020730	2	O-Ring	
21	70020731	2	Fitting	
22	70021248	2	Tube, Hydraulic	
23	1001094556	1	Coupling, Male Quick Disconnect	
24	1001094555	1	Coupling, Female Quick Disconnect	

SECTION 3 - ATTACHMENTS

FIGURE 3-35. CARRIAGE ASSEMBLY - SIDE TILTING (4.0 TON - 1575 MM)



ART_1001184043-C

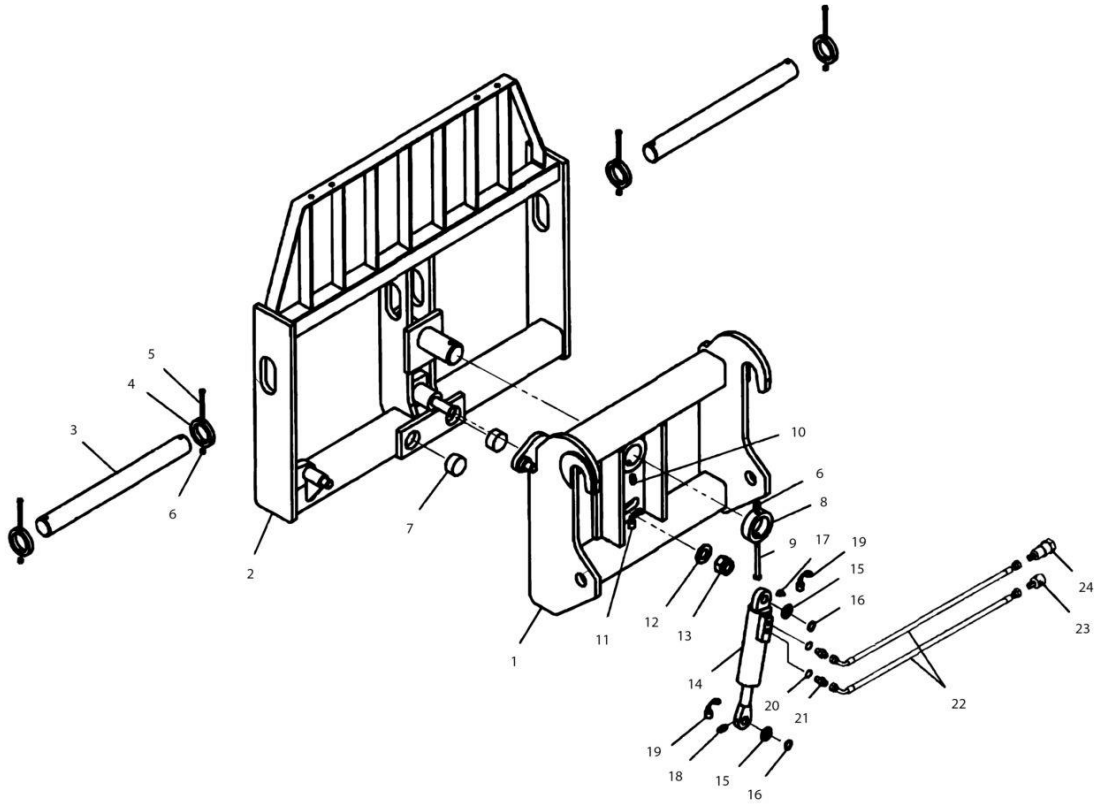
SECTION 3 - ATTACHMENTS

FIGURE 3-35. CARRIAGE ASSEMBLY - SIDE TILTING (4.0 TON - 1575 MM)

ITEM	PART NUMBER	QTY	DESCRIPTION	REV
	1001184043	1	Side Tilting Carriage (4.0 ton - 1575 MM)	E
1	N.S.S.	Ref	Weldment, Carriage	
2	70027604	1	Fork, Carriage	
3	70027605	2	Pin	
4	70027606	4	Pin, Block	
5	70027607	4	Bolt	
6	70021241	5	Locknut, M12	
7	70021238	2	Buffer	
8	70021239	1	Collar	
9	70021240	1	Bolt	
10	70021242	1	Fitting, Grease	
11	70021243	1	Cover, Grease Fitting	
12	70021244	1	Washer	
13	70022697	1	Bolt	
14	70020506	1	Cylinder	
15	70020507	1	Washer	
16	70020508	2	Ring, Snap	
17	70021245	1	Fitting, Grease	
18	70021246	1	Fitting, Grease	
19	70021247	2	Cover, Grease Fitting	
20	70020730	2	O-Ring	
21	70020731	2	Fitting, Straight	
22	70021248	2	Tube	
23	1001094556	1	Coupling, Male Quick Disconnect	
24	1001094555	1	Coupling, Female Quick Disconnect	
101	N.S.S.	Ref	Plate, Serial Number	

SECTION 3 - ATTACHMENTS

FIGURE 3-36. CARRIAGE ASSEMBLY - SID TILTING (4.0 TON - 1829 MM)



ART_1001184045-B

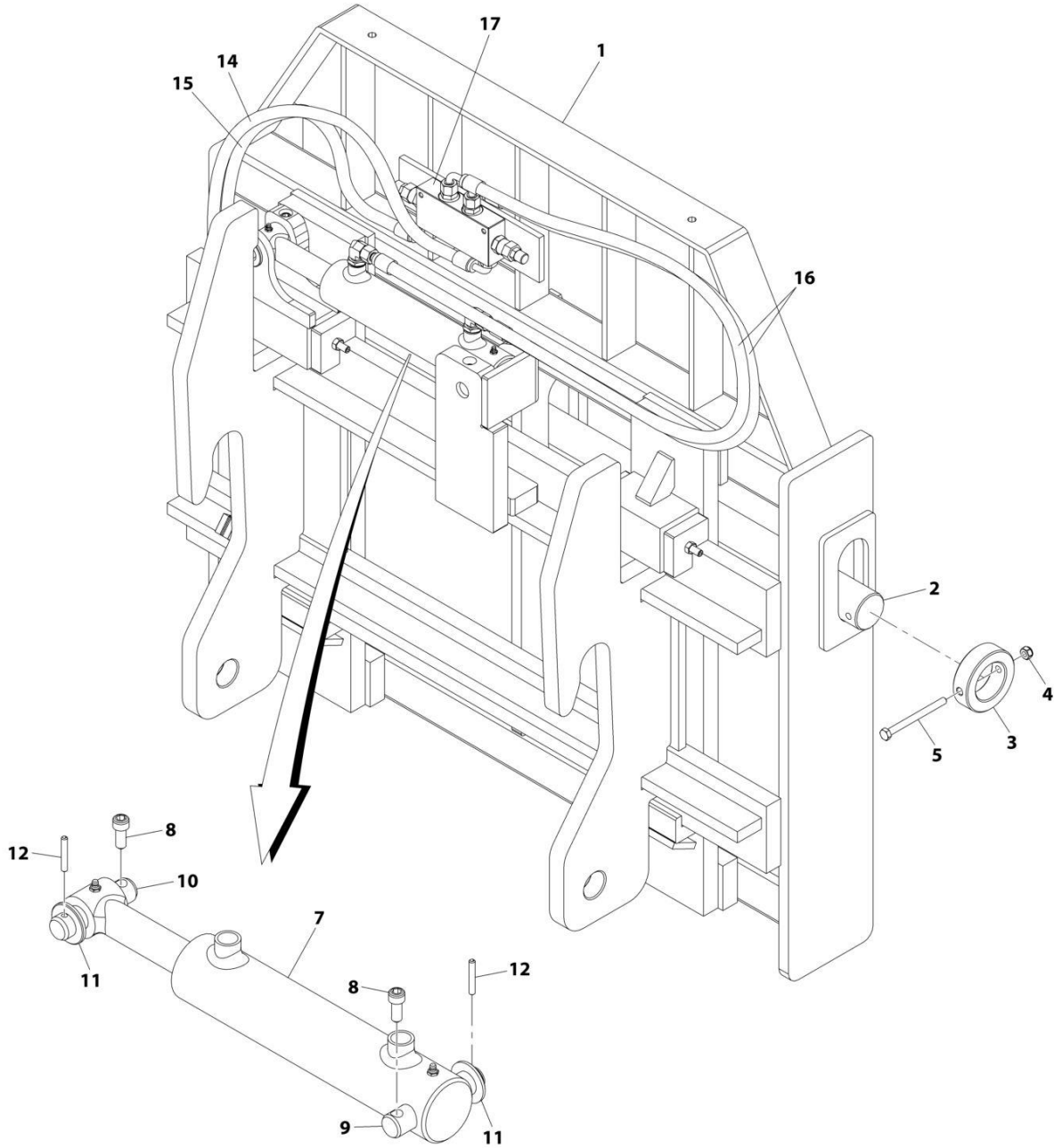
SECTION 3 - ATTACHMENTS

FIGURE 3-36. CARRIAGE ASSEMBLY - SID TILTING (4.0 TON - 1829 MM)

ITEM	PART NUMBER	QTY	DESCRIPTION	REV
	1001184045	1	Side Tilting Carriage (4.0 ton - 1829 MM)	E
1	N.S.S.	1	Weldment	
2	N.S.S.	1	Weldment, Carriage	
3	70027658	2	Shaft, Fork	
4	70027606	4	Pin, Block	
5	70027607	4	Bolt	
6	70021241	5	Nut, Lock M12	
7	70021238	2	Buffer	
8	70021239	1	Collar	
9	70021240	1	Bolt	
10	70021242	1	Fitting, Grease	
11	70021243	1	Cover	
12	70021244	1	Washer	
13	70022697	1	Nut, Lock	
14	70020506	1	Cylinder	
15	70020507	2	Washer	
16	70020508	2	Ring	
17	70021245	1	Fitting, Grease	
18	70021246	1	Fitting, Grease	
19	70021247	2	Cover	
20	70020730	2	O-Ring	
21	70020731	2	Link	
22	70027608	2	Pipe, Flexible	
23	1001094556	1	Coupling, Male Quick Disconnect	
24	1001094555	1	Coupling, Female Quick Disconnect	

SECTION 3 - ATTACHMENTS

FIGURE 3-37. CARRIAGE ASSEMBLY - SIDE SHIFT (4.0 TON - 1225 MM)



ART_1170002-L

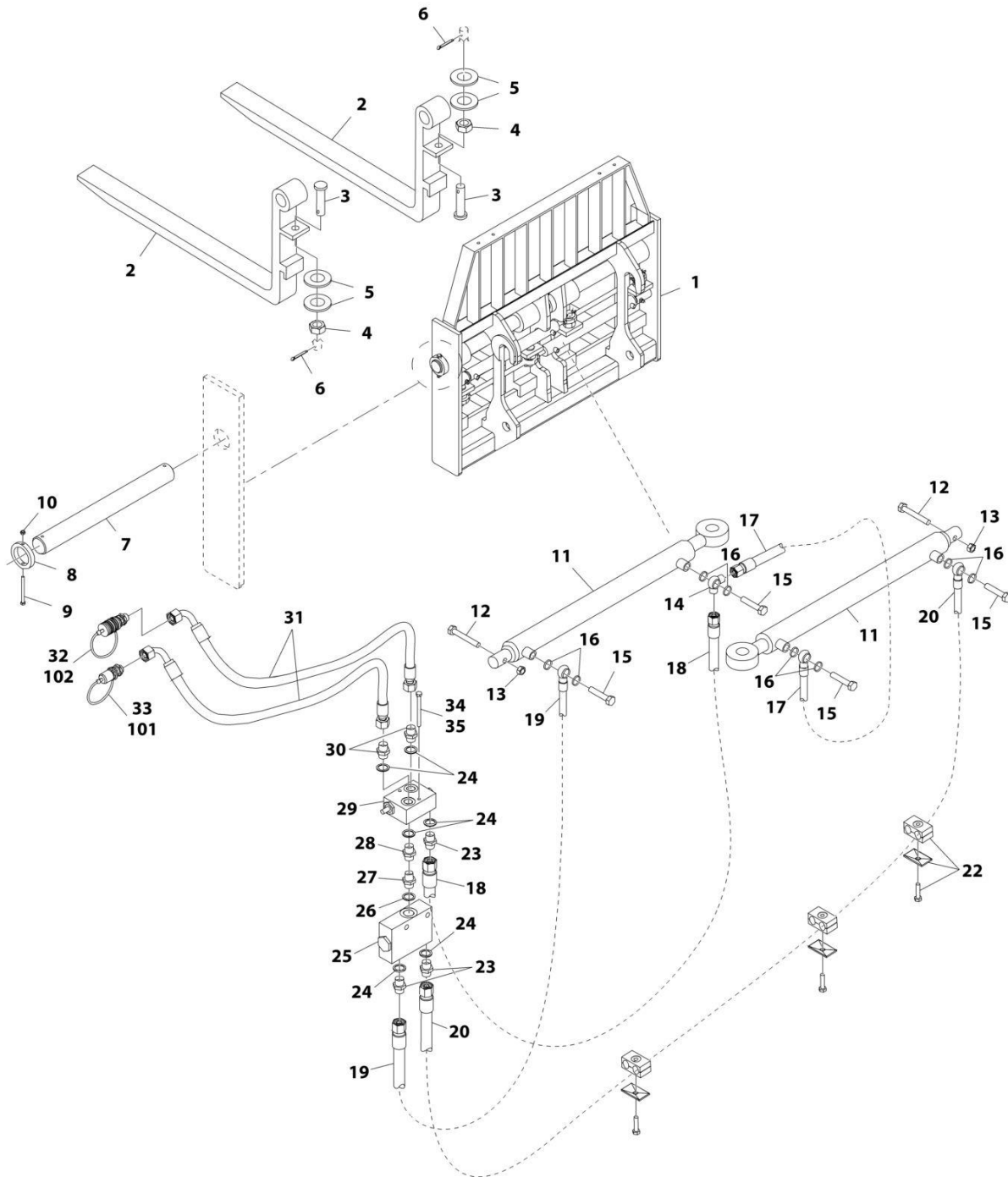
SECTION 3 - ATTACHMENTS

FIGURE 3-37. CARRIAGE ASSEMBLY - SIDE SHIFT (4.0 TON - 1225 MM)

ITEM	PART NUMBER	QTY	DESCRIPTION	REV
	1170002	Ref	Side Shift Carriage (4.0 ton - 1255 MM)	L
1	N.S.S.	1	Carriage, Side Shift	
2	7028136	1	Bar, Fork Carrier	
3	7028137	2	Collar	
4	3291005	2	Nut, Lock M10X1.5	
5	0701029	2	Bolt, M10X120	
7	70021558	1	Cylinder	
8	70021559	2	Bolt	
9	70021560	1	Pin	
10	70021561	1	Pin	
11	70021562	2	Washer	
12	70021563	2	Pin	
13	N.S.S.	1	Plate, Serial Number, (not shown)	
14	70029011	3	Hose	
15	70029012	1	Hose	
16	70029013	2	Hose	
17	70027291	1	Balancing Valve	

SECTION 3 - ATTACHMENTS

FIGURE 3-38. CARRIAGE ASSEMBLY - FORK POSITIONING (4.0 TON)



ART_1001091313-C

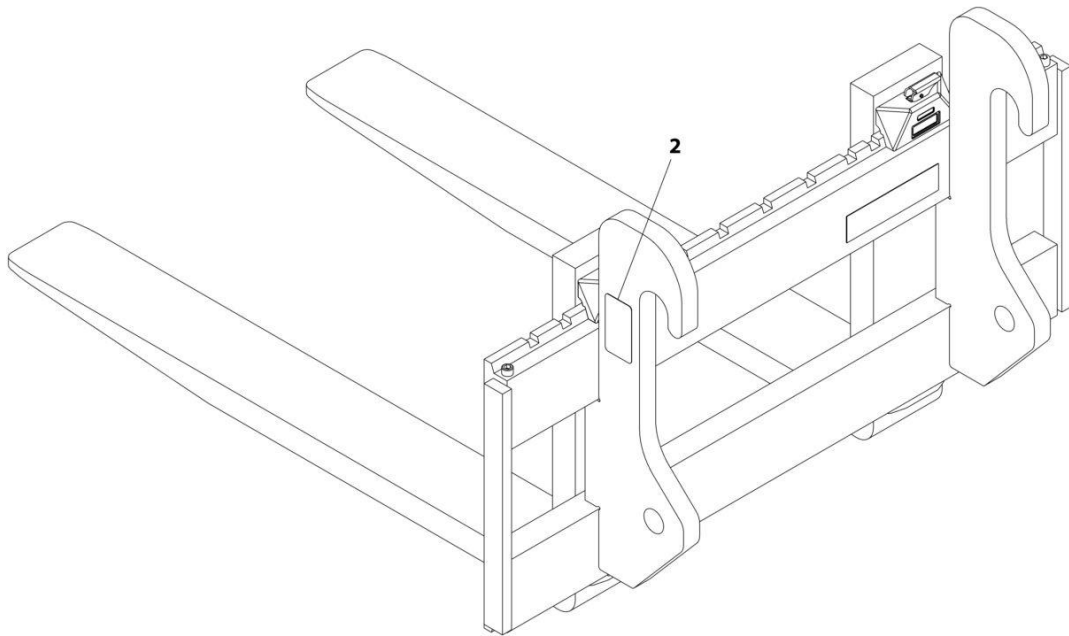
SECTION 3 - ATTACHMENTS

FIGURE 3-38. CARRIAGE ASSEMBLY - FORK POSITIONING (4.0 TON)

ITEM	PART NUMBER	QTY	DESCRIPTION	REV
	1001091313	Ref	Fork Positioning Carriage with Forks (4.0 ton)	D
1	N.S.S.	1	Weldment	
2	70022922	2	Forks, (100X50X1200), (2000kg per fork)	
3	70021835	2	Rod Pin	
4	70026018	2	Nut	
5	70028978	4	Washer	
6	70021836	2	Split Pin	
7	70022923	2	Carriage Shaft	
8	70022924	4	Shaft Collar	
9	70028979	4	Bolt	
10	70021241	4	Hex Locknut, M12	
11	70023276	2	Cylinder	
11	70023278	AR	Seal Kit, (use with cylinders marked 1.3351.01C.02.01)	
11	70023277	AR	Seal Kit, (use with cylinders marked 1.3351.01C.02.02)	
13	70028031	2	Locknut	
12	70028028	2	Bolt	
14	70022925	1	Elbow, 90	
15	1001103530	4	Bolt	
16	70020730	8	O-Ring	
17	70021838	1	Hose	
18	70021839	1	Hose	
19	70021840	1	Hose	
20	70021841	1	Hose	
22	1001103533	3	Clamp Set, (includes screw and plate)	
23	70020731	3	Fitting	
24	70022907	6	O-Ring	
25	70021842	1	Counter Valve	
26	70022927	1	O-Ring	
27	70022928	1	Fitting	
28	70022929	1	Fitting	
29	70021843	1	Pressure Valve	
30	70022906	2	Adapter	
31	70022930	2	Pipe	
32	1001094555	1	Female Quick Disconnect Coupling	
33	1001094556	1	Male Quick Disconnect Coupling	
34	70028980	2	Bolt	
35	70022912	2	Nut	
101	1001093826	1	Dust Cap	
102	1001093827	1	Dust Plug	

SECTION 3 - ATTACHMENTS

FIGURE 3-39. CARRIAGE ASSEMBLY - FEM CARRIAGE AND FORKS



ART_1001265218

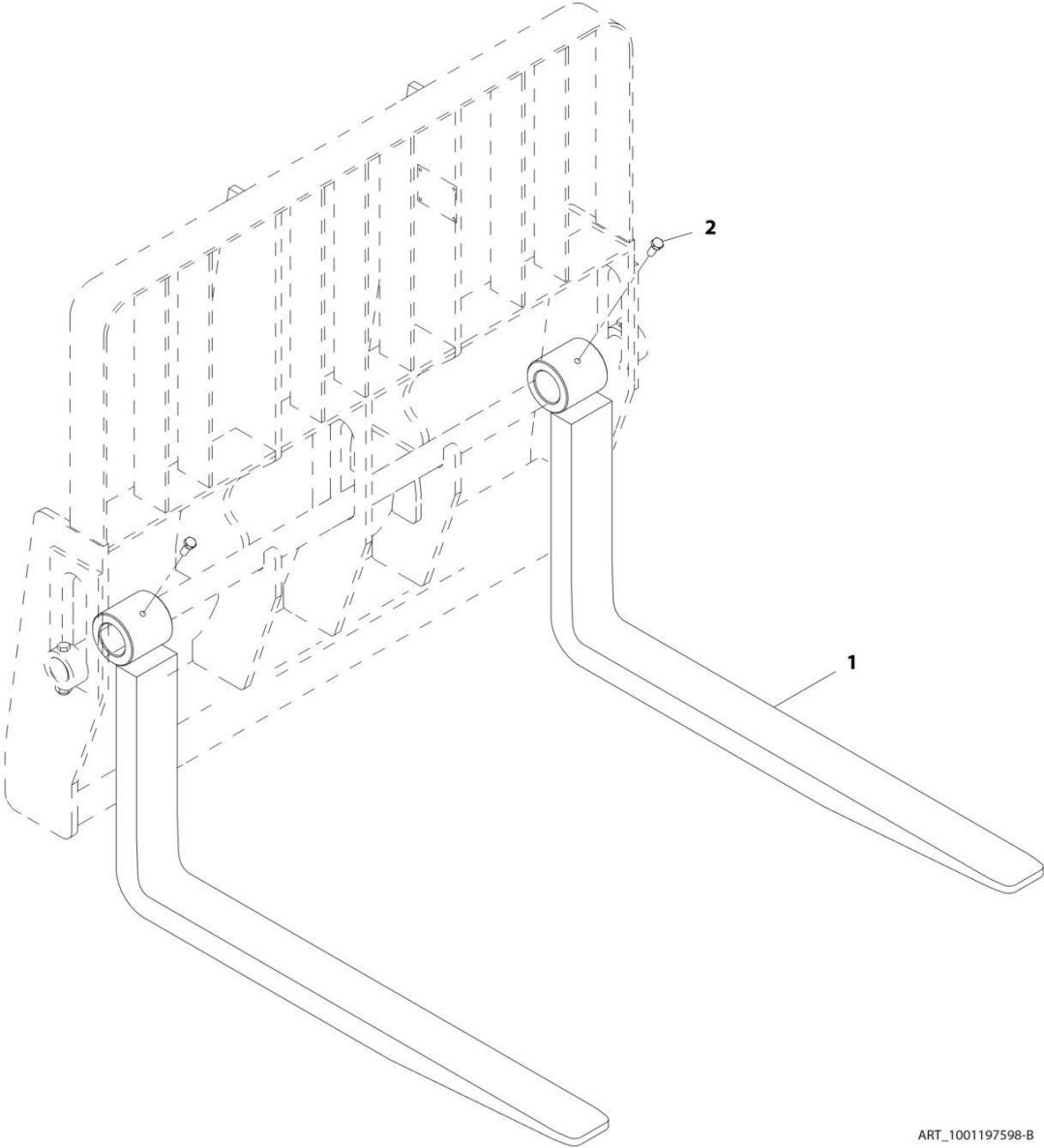
SECTION 3 - ATTACHMENTS

FIGURE 3-39. CARRIAGE ASSEMBLY - FEM CARRIAGE AND FORKS

ITEM	PART NUMBER	QTY	DESCRIPTION	REV
1	1001265218 N.S.S.	Ref 1	FEM CARRIAGE AND FORKS Plate, Serial Number	A

SECTION 3 - ATTACHMENTS

FIGURE 3-40. FORK - LUMBER (45X150X1540)



ART_1001197598-B

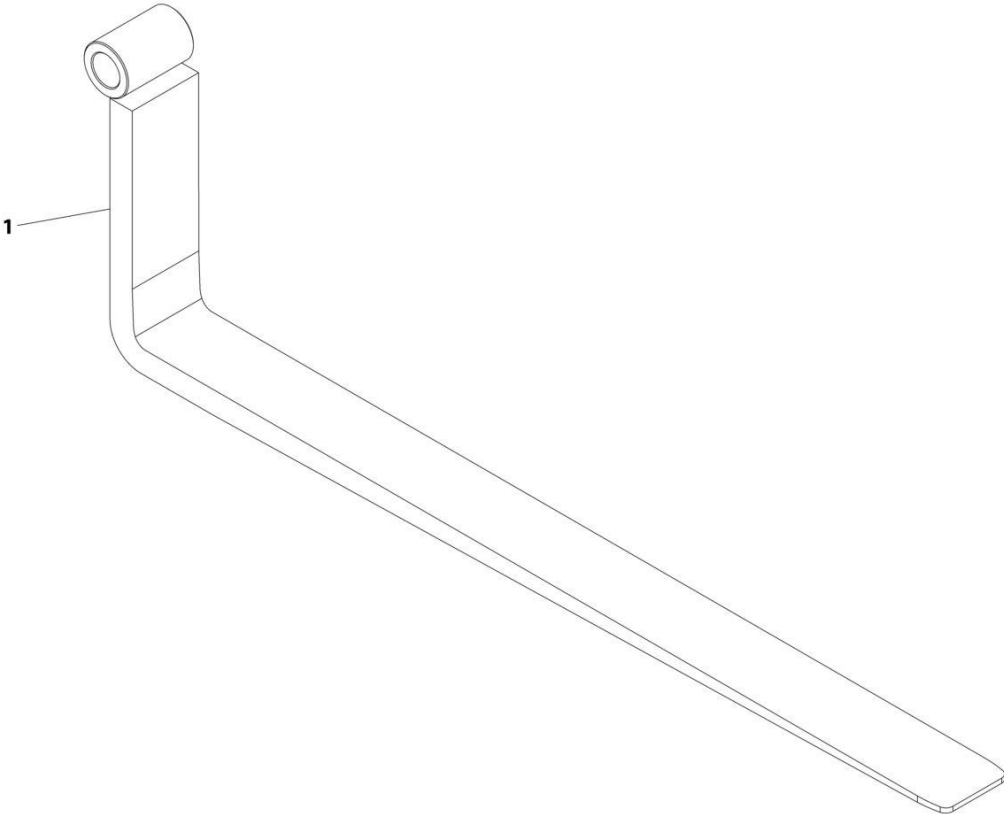
SECTION 3 - ATTACHMENTS

FIGURE 3-40. FORK - LUMBER (45X150X1540)

ITEM	PART NUMBER	QTY	DESCRIPTION	REV
1	1001197598	2	Lumber Fork (45X150X1540)	B
2	70027180	2	Screw, M16X30	
	Note	Ref	<p>FORKS RATED LESS THAN THE ATTACHMENT OR MACHINE'S CAPACITY DECREASES CAPACITY OF THE ATTACHMENT OR MACHINE TO THAT OF THE FORKS. FORKS RATED MORE THAN THE ATTACHMENT OR MACHINE'S CAPACITY DO NOT INCREASE ATTACHMENT OR MACHINE'S CAPACITY.</p>	
	Note	Ref	<p>PLEASE CONSULT JLG PARTS DEPARTMENT TO DETERMINE THE CORRECT FORKS APPLICABLE TO YOUR SPECIFIC CARRIAGE ASSEMBLY AND APPLICATION.</p>	

SECTION 3 - ATTACHMENTS

FIGURE 3-41. FORK - LUMBER (50X150X1830)



ART_1001257317-B

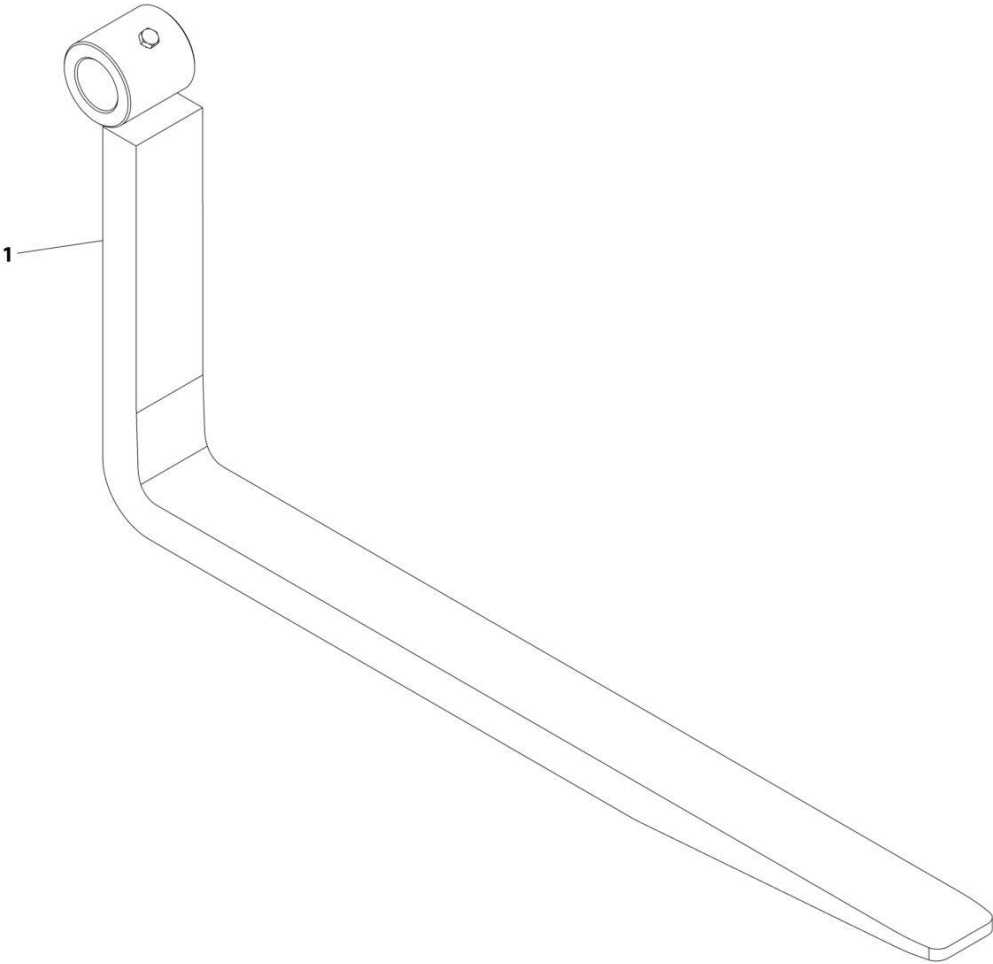
SECTION 3 - ATTACHMENTS

FIGURE 3-41. FORK - LUMBER (50X150X1830)

ITEM	PART NUMBER	QTY	DESCRIPTION	REV
1	1001257317	2	Lumber Fork (50X150X1830)	B
	Note	Ref	FORKS RATED LESS THAN THE ATTACHMENT OR MACHINE'S CAPACITY DECREASES CAPACITY OF THE ATTACHMENT OR MACHINE TO THAT OF THE FORKS. FORKS RATED MORE THAN THE ATTACHMENT OR MACHINE'S CAPACITY DO NOT INCREASE ATTACHMENT OR MACHINE'S CAPACITY.	
	Note	Ref	PLEASE CONSULT JLG PARTS DEPARTMENT TO DETERMINE THE CORRECT FORKS APPLICABLE TO YOUR SPECIFIC CARRIAGE ASSEMBLY AND APPLICATION.	

SECTION 3 - ATTACHMENTS

FIGURE 3-42. FORK - PALLET (50X100X1200)



ART_1001257263-B

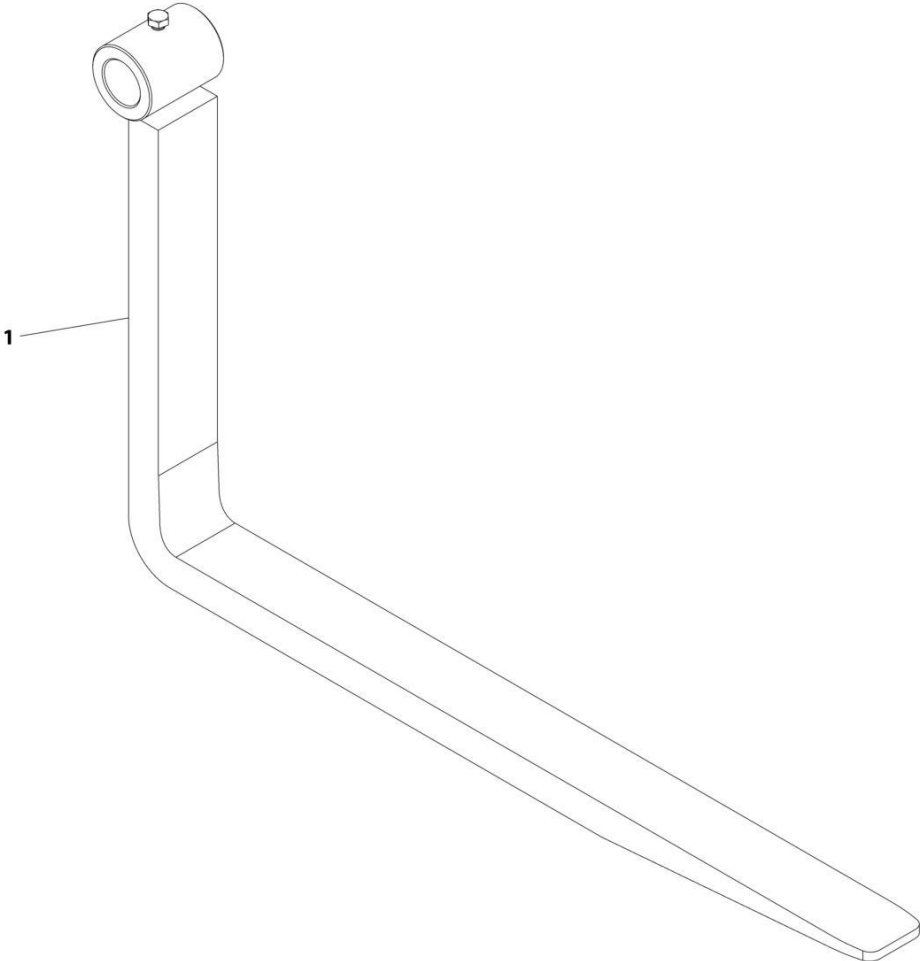
SECTION 3 - ATTACHMENTS

FIGURE 3-42. FORK - PALLET (50X100X1200)

ITEM	PART NUMBER	QTY	DESCRIPTION	REV
1	1001257263	1 pr	Pallet Fork (50X100X1200)	B
	Note	Ref	FORKS RATED LESS THAN THE ATTACHMENT OR MACHINE'S CAPACITY DECREASES CAPACITY OF THE ATTACHMENT OR MACHINE TO THAT OF THE FORKS. FORKS RATED MORE THAN THE ATTACHMENT OR MACHINE'S CAPACITY DO NOT INCREASE ATTACHMENT OR MACHINE'S CAPACITY.	
	Note	Ref	PLEASE CONSULT JLG PARTS DEPARTMENT TO DETERMINE THE CORRECT FORKS APPLICABLE TO YOUR SPECIFIC CARRIAGE ASSEMBLY AND APPLICATION.	

SECTION 3 - ATTACHMENTS

FIGURE 3-43. FORK - PALLET (50X100X1200) (CE & AUS WITH SIDE SHIFT CARRIAGE) (4.0 TON - 1225MM)



ART_1001257265-B

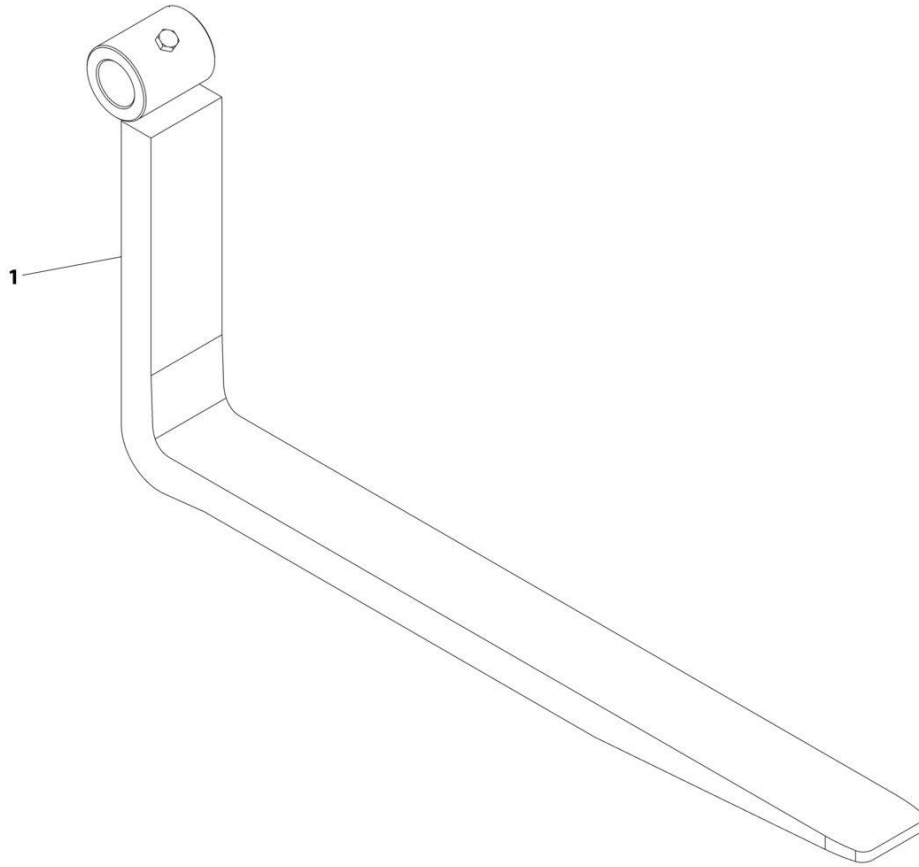
SECTION 3 - ATTACHMENTS

FIGURE 3-43. FORK - PALLET (50X100X1200) (CE & AUS WITH SIDE SHIFT CARRIAAGE) (4.0 TON - 1225MM)

ITEM	PART NUMBER	QTY	DESCRIPTION	REV
1	1001257265	2 pr	Pallet Fork (50X100X1200)	B
	Note	Ref	FORKS RATED LESS THAN THE ATTACHMENT OR MACHINE'S CAPACITY DECREASES CAPACITY OF THE ATTACHMENT OR MACHINE TO THAT OF THE FORKS. FORKS RATED MORE THAN THE ATTACHMENT OR MACHINE'S CAPACITY DO NOT INCREASE ATTACHMENT OR MACHINE'S CAPACITY.	
	Note	Ref	PLEASE CONSULT JLG PARTS DEPARTMENT TO DETERMINE THE CORRECT FORKS APPLICABLE TO YOUR SPECIFIC CARRIAGE ASSEMBLY AND APPLICATION.	

SECTION 3 - ATTACHMENTS

FIGURE 3-44. FORK - PALLET (50X120X1200)



ART_1001257327-B

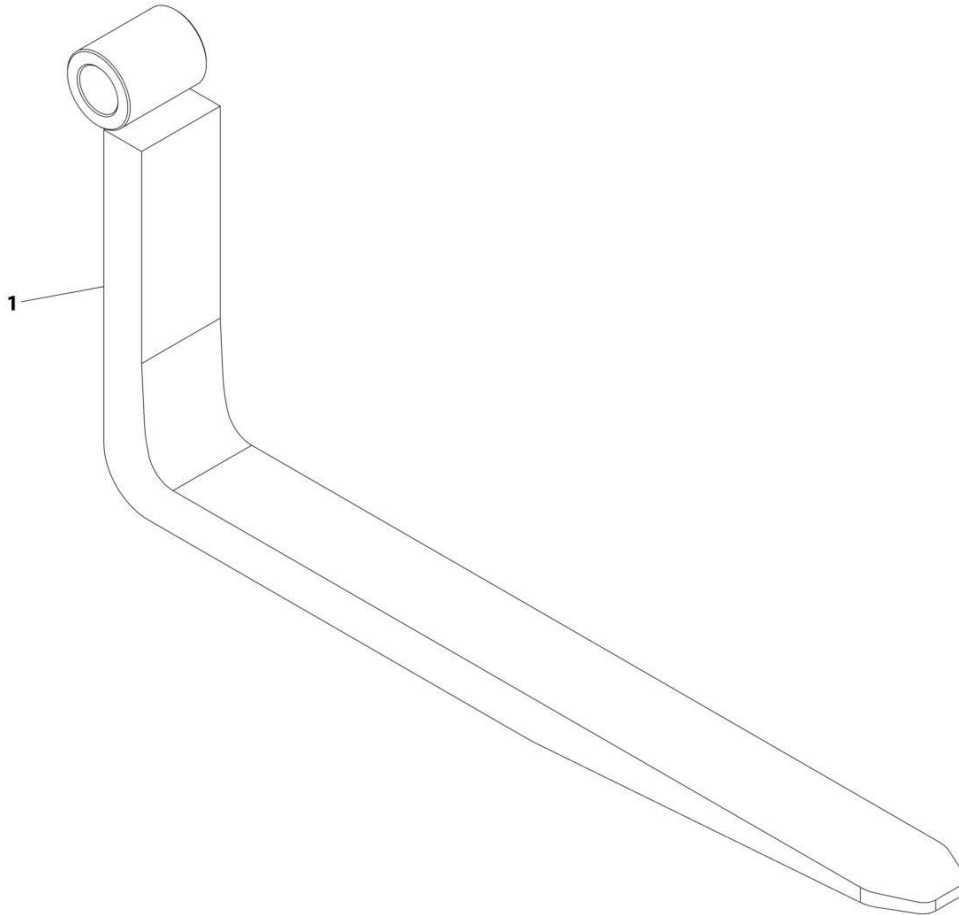
SECTION 3 - ATTACHMENTS

FIGURE 3-44. FORK - PALLET (50X120X1200)

ITEM	PART NUMBER	QTY	DESCRIPTION	REV
	1001257327	1	Fork-Pallet (50X120X1200)	B
	Note	Ref	FORKS RATED LESS THAN THE ATTACHMENT OR MACHINE'S CAPACITY DECREASES CAPACITY OF THE ATTACHMENT OR MACHINE TO THAT OF THE FORKS. FORKS RATED MORE THAN THE ATTACHMENT OR MACHINE'S CAPACITY DO NOT INCREASE ATTACHMENT OR MACHINE'S CAPACITY.	
	Note	Ref	PLEASE CONSULT JLG PARTS DEPARTMENT TO DETERMINE THE CORRECT FORKS APPLICABLE TO YOUR SPECIFIC CARRIAGE ASSEMBLY AND APPLICATION.	

SECTION 3 - ATTACHMENTS

FIGURE 3-45. FORK - PALLET (60X125X1220)



ART_1001257318-B

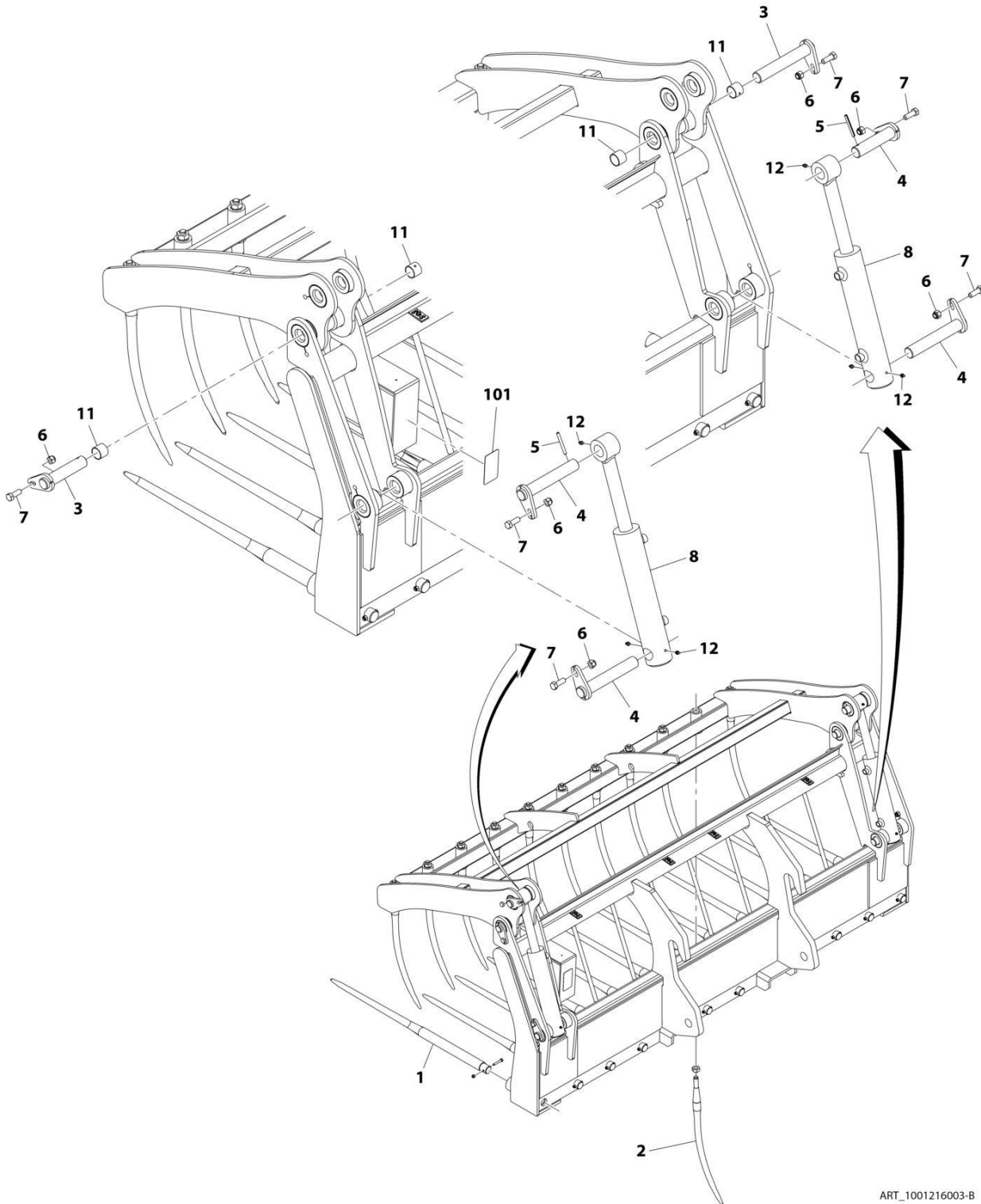
SECTION 3 - ATTACHMENTS

FIGURE 3-45. FORK - PALLET (60X125X1220)

ITEM	PART NUMBER	QTY	DESCRIPTION	REV
	1001257318	1 pr	Pallet Fork (60X125X1220)	B
	Note	Ref	FORKS RATED LESS THAN THE ATTACHMENT OR MACHINE'S CAPACITY DECREASES CAPACITY OF THE ATTACHMENT OR MACHINE TO THAT OF THE FORKS. FORKS RATED MORE THAN THE ATTACHMENT OR MACHINE'S CAPACITY DO NOT INCREASE ATTACHMENT OR MACHINE'S CAPACITY.	
	Note	Ref	PLEASE CONSULT JLG PARTS DEPARTMENT TO DETERMINE THE CORRECT FORKS APPLICABLE TO YOUR SPECIFIC CARRIAGE ASSEMBLY AND APPLICATION.	

SECTION 3 - ATTACHMENTS

FIGURE 3-46. FORK - MUCK WITH GRAB



ART_1001216003-B

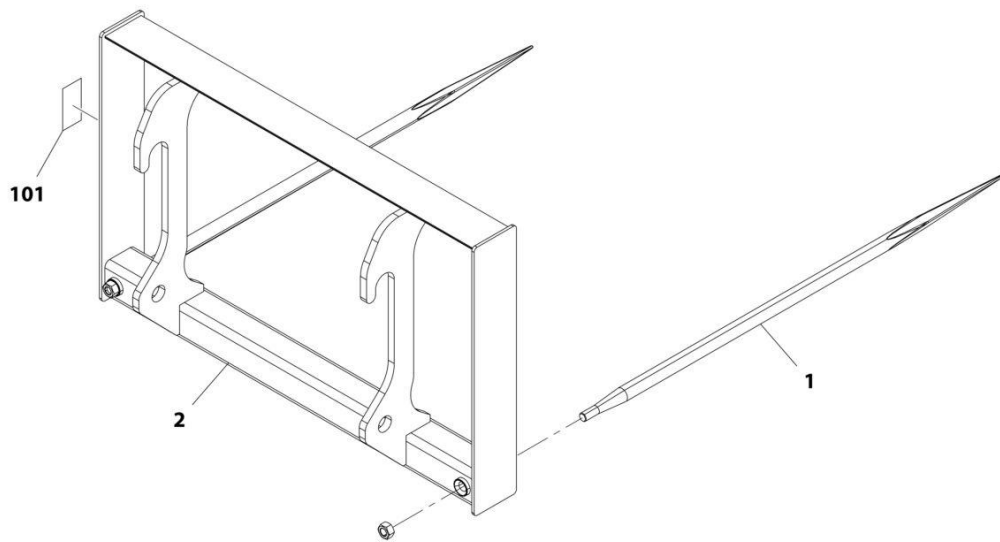
SECTION 3 - ATTACHMENTS

FIGURE 3-46. FORK - MUCK WITH GRAB

ITEM	PART NUMBER	QTY	DESCRIPTION	REV
	1001216003	1	Muck Fork and Grab (2450MM)	D
1	70027302	12	Right Electro-Forged Fingers	
2	70027324	11	Curved Electro-Forged Fingers	
3	70027293	2	Pin	
4	70027294	4	Pin	
5	70027298	2	Roll Pin	
6	70027296	6	Nut	
7	70027297	6	Screw	
8	7028127	2	Cylinder	
9	70027295	2	Hose (not shown)	
10	70028436	2	Hose (not shown)	
11	7028131	10	Ring	
12	7028918	6	Grease Nipple	
101	N.S.S.	1	Plate, Serial Number	

SECTION 3 - ATTACHMENTS

FIGURE 3-47. FORK - DUAL TINE BAILING WITH CARRIAGE



ART_1001211897-B

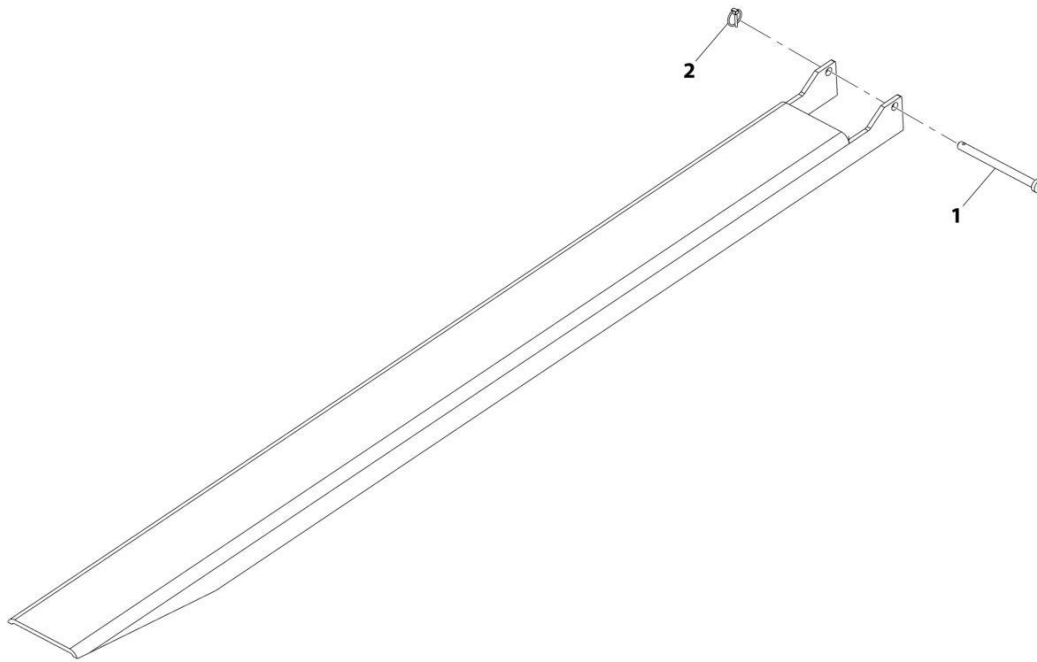
SECTION 3 - ATTACHMENTS

FIGURE 3-47. FORK - DUAL TINE BAILING WITH CARRIAGE

ITEM	PART NUMBER	QTY	DESCRIPTION	REV
	1001211897	1	Dual Tine Bailing Fork Carriage	B
1	70027631	2	Tine, Bale (includes Hex Nut)	
2	N.S.S.	Ref	Weldment, Carriage	
101	N.S.S.	Ref	Plate, Serial Number	

SECTION 3 - ATTACHMENTS

FIGURE 3-48. FORK _ EXTENSIONS (62X163X2286) (ANSI)



ART_1001137512-D

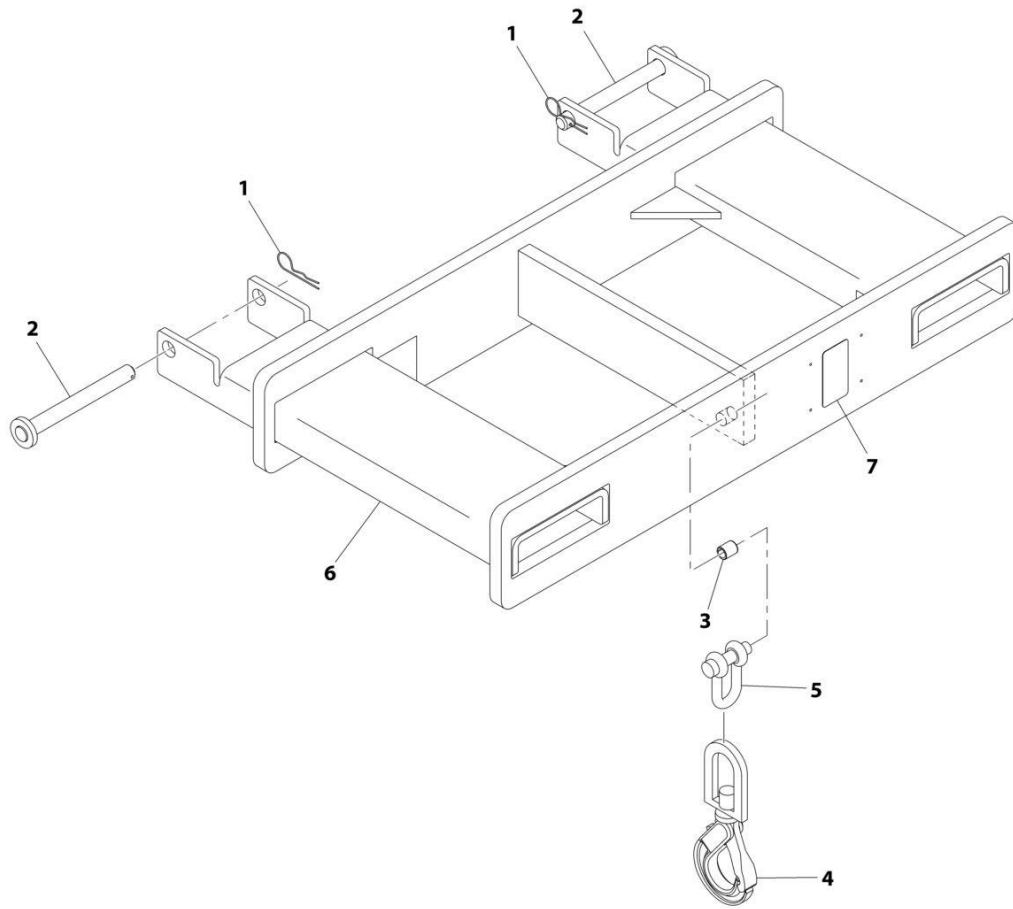
SECTION 3 - ATTACHMENTS

FIGURE 3-48. FORK _ EXTENSIONS (62X163X2286) (ANSI)

ITEM	PART NUMBER	QTY	DESCRIPTION	REV
	1001137512	2 pr	Fork Extensions (62X163X2286)	D
1	70024306	1	Pin	
2	70024307	1	Clip	

SECTION 3 - ATTACHMENTS

FIGURE 3-49. HOOK_CRANE (FORK MOUNTED)



ART_1001097205-I

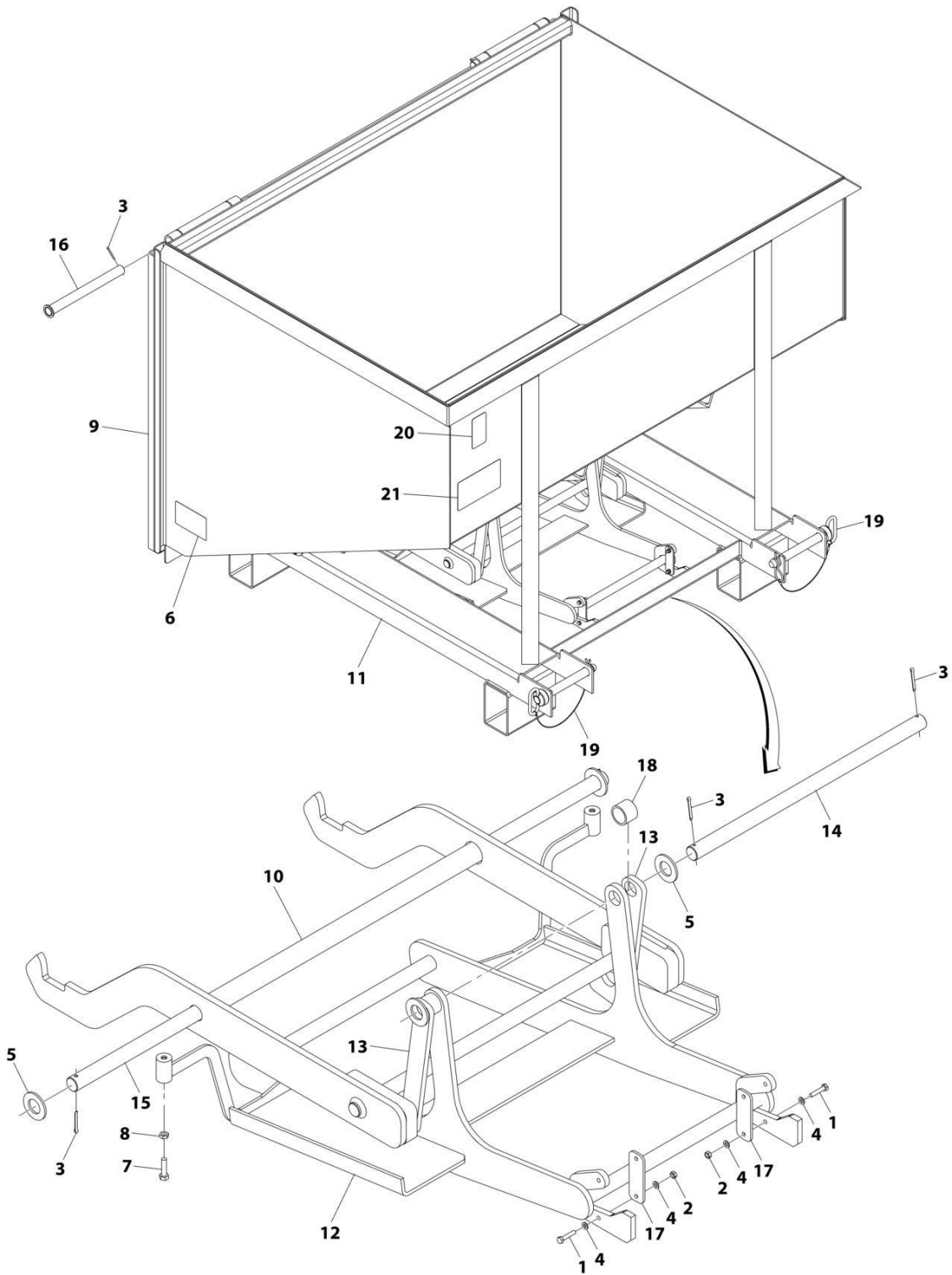
SECTION 3 - ATTACHMENTS

FIGURE 3-49. HOOK_CRANE (FORK MOUNTED)

ITEM	PART NUMBER	QTY	DESCRIPTION	REV
	1001097205	Ref	Fork Mounted Hook (4 Ton)	J
1	7029520	2	Pin, Cotter	
2	1001093171	2	Pin	
3	70020555	1	Bushing	
4	90554080	1	Hook	
5	7029521	1	Shackle	
6	See Note	NSS	Frame, Hook (Note: Purchase Complete Assembly)	
7	See Note	NSS	S/N Plate (Note: Stamped Part - Not Available for Purchase)	

SECTION 3 - ATTACHMENTS

FIGURE 3-50. TRASH HOPPER INSTALLATION



ART_1001238566-B

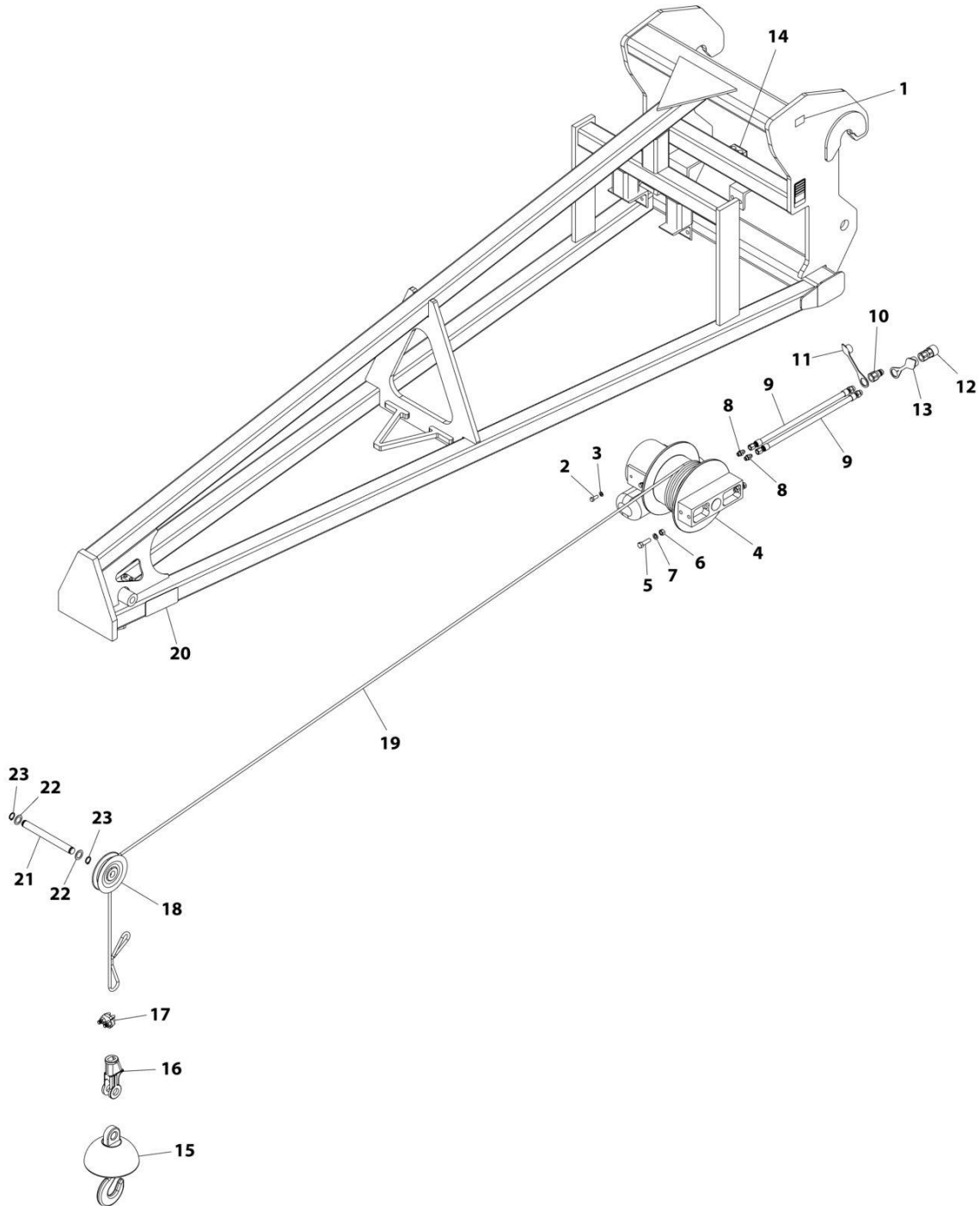
SECTION 3 - ATTACHMENTS

FIGURE 3-50. TRASH HOPPER INSTALLATION

ITEM	PART NUMBER	QTY	DESCRIPTION	REV
	1001238566	Ref	FORK MOUNTED TRASH HOPPER	C
1	0700614	4	Bolt M6 x 30	
2	3290601	4	Nut M6 x 1	
3	3391410	6	Pin	
4	4811700	8	Washer M6	
5	5242400	4	Washer M24	
6	1706302	2	Decal, Pinch Point	
7	0641510	2	Bolt 5/16 x 1-1/4	
8	3311502	2	Nut 5/16	
9	1001192711	1	Door Assembly	
10	1001192720	1	Hook Assembly	
11	See Note	NSS	Hopper, Trash (Note: Purchase Complete Assembly)	
12	1001192875	1	Tray Assembly	
13	1001192876	2	Arm, Swing	
14	1001192877	1	Rod, Swing	
15	1001238570	1	Bar	
16	1001193540	2	Pin	
17	1001193729	2	Plate	
18	1001198355	2	Spacer	
19	1001238560	2	Pin	
20	See Note	NSS	SN Plate (Note: Stamped Part - Not Available for Purchase)	
21	1001203503	1	Decal, Trash Hopper Operation	

SECTION 3 - ATTACHMENTS

FIGURE 3-51. TRUSS BOOM (0.9 TON - 12 FT WITH WINCH)



ART_1001206671-B

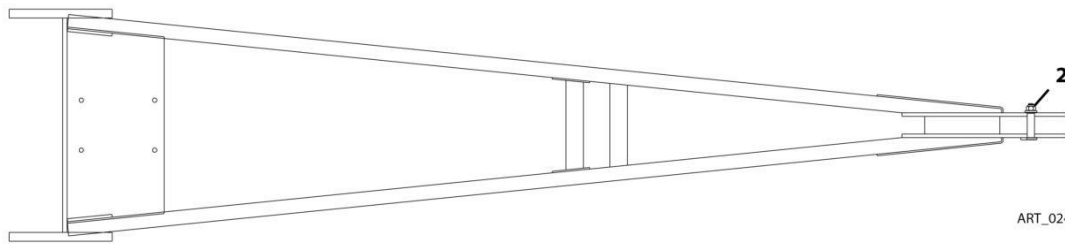
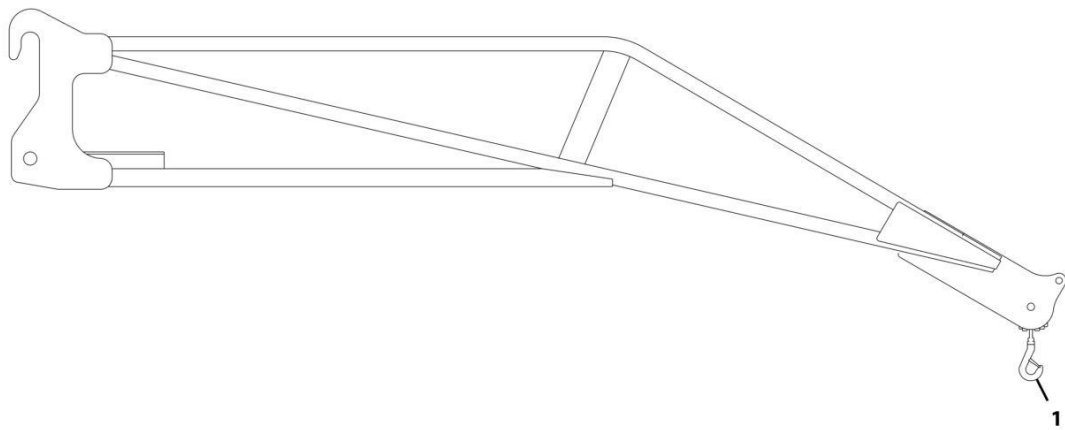
SECTION 3 - ATTACHMENTS

FIGURE 3-51. TRUSS BOOM (0.9 TON - 12 FT WITH WINCH)

ITEM	PART NUMBER	QTY	DESCRIPTION	REV
	1001206671	1	Truss Boom	E
1	90554016	1	Decal	
2	70021349	4	Bolt	
3	90554042	4	Washer	
4	70021921	1	Winch, Truss Boom, Assembly	
5	70024059	2	Bolt	
6	90554054	2	Nut	
7	90554020	2	Washer	
8	70021415	2	Fitting	
9	70026702	2	Hose	
10	1001101041	1	Hydraulic Couplier, Male	
11	1001093826	1	Dust Cap, Male	
12	1001101042	1	Hydraulic Couplier, Female	
13	1001093827	1	Plug, Dust, Female	
14	70021387	1	Hose Clamp	
15	70021978	1	Ball Swivel Safety Hook	
16	70021979	1	Wedge Socket Assembly	
17	70022528	1	Clamp, Cable	
18	70021935	1	Sheave, Grooved Pulley	
19	70022028	1	Cable	
20	70027790	2	Decal	
21	70022529	1	Pin	
22	70027009	2	Washer	
23	70026698	2	Ring, Snap	

SECTION 3 - ATTACHMENTS

FIGURE 3-52. TRUSS BOOM (1 TON - 3.4M)



ART_0240063-D

SECTION 3 - ATTACHMENTS

FIGURE 3-52. TRUSS BOOM (1 TON - 3.4M)

ITEM	PART NUMBER	QTY	DESCRIPTION	REV
	0240063	Ref	Truss Boom (1 Ton - 3.4M)	D
1	70020421	1	Hook	
2	70020422	1	Bolt	

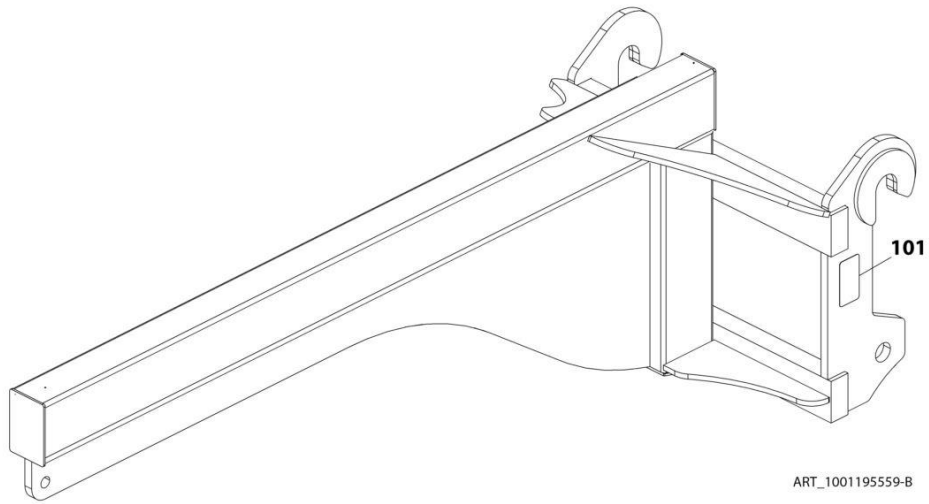
SECTION 3 - ATTACHMENTS

FIGURE 3-53. TRUSS BOOM (1.8 TON - 3 FT WITH WINCH)

ITEM	PART NUMBER	QTY	DESCRIPTION	REV
	1001206669	1	Truss Boom (1.8 Ton - 3 FT with Winch)	E
1	N.S.S.	1	Weldment, Truss Boom Frame	
2	70021921	1	Winch	
3	90554042	4	Washer	
4	70021349	4	Bolt	
5	70024059	2	Bolt	
6	90554020	2	Washer	
7	90554054	2	Nut	
8	70022028	1	Cable	
9	70021935	1	Pulley	
10	70022529	1	Pin	
11	70027009	2	Washer	
12	70026698	2	Ring, Snap	
13	70021979	1	Assembly, Socket (includes Pin & Cotter Pin)	
14	70022528	1	Clamp	
15	70021978	1	Hook, Ball Swivel	
16	70021415	2	Fitting	
17	70021977	2	Hose	
18	70022527	2	Fitting, 90	
19	7029692	1	Coupler, Male Quick	
20	1001003475	1	Cap, Dust	
21	70021342	1	Coupler, Female Quick	
22	1001003474	1	Plug, Dust	
23	70021387	1	Clamp, Hose	
24	4110422	2	Decal, Swinging Loads Danger	
25	N.S.S.	1	Plate, Serial Number	
26	90554016	1	Decal, Made in USA	

SECTION 3 - ATTACHMENTS

FIGURE 3-54. TRUSS BOOM (4 TON - 2.1M)



SECTION 3 - ATTACHMENTS

FIGURE 3-54. TRUSS BOOM (4 TON - 2.1M)

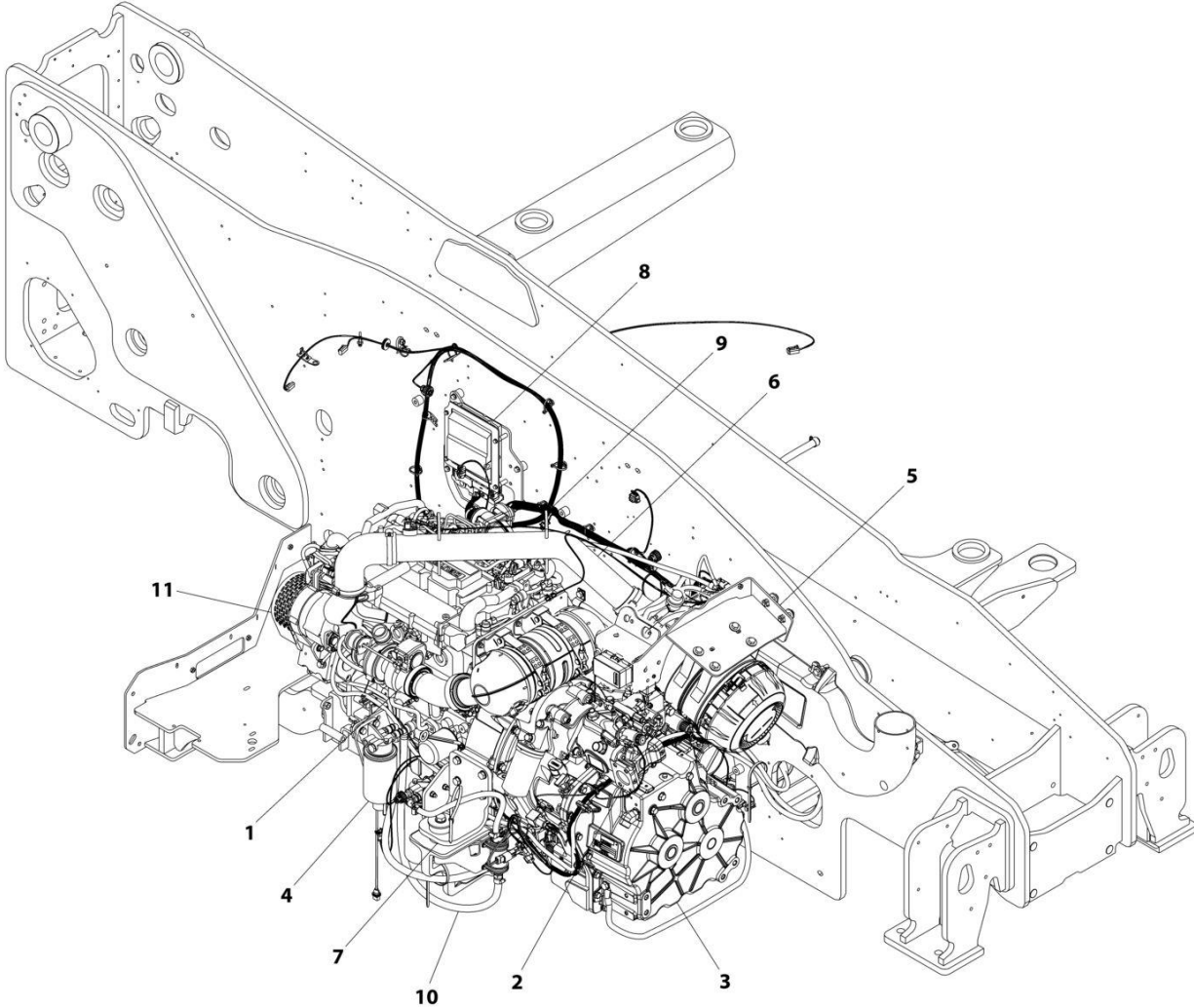
ITEM	PART NUMBER	QTY	DESCRIPTION	REV
	1001195559	1	Truss Boom (4 Ton - 2.1M)	B
101	N.S.S.	1	Plate, Serial Number	

SECTION 4 - ENGINE AND ATTACHING PARTS

SECTION 4 - ENGINE AND ATTACHING PARTS

SECTION 4 - ENGINE AND ATTACHING PARTS

FIGURE 4-1. ENGINE INSTALLATION (90KW - ULS - PISTON PUMP)



ART_1001175309_G

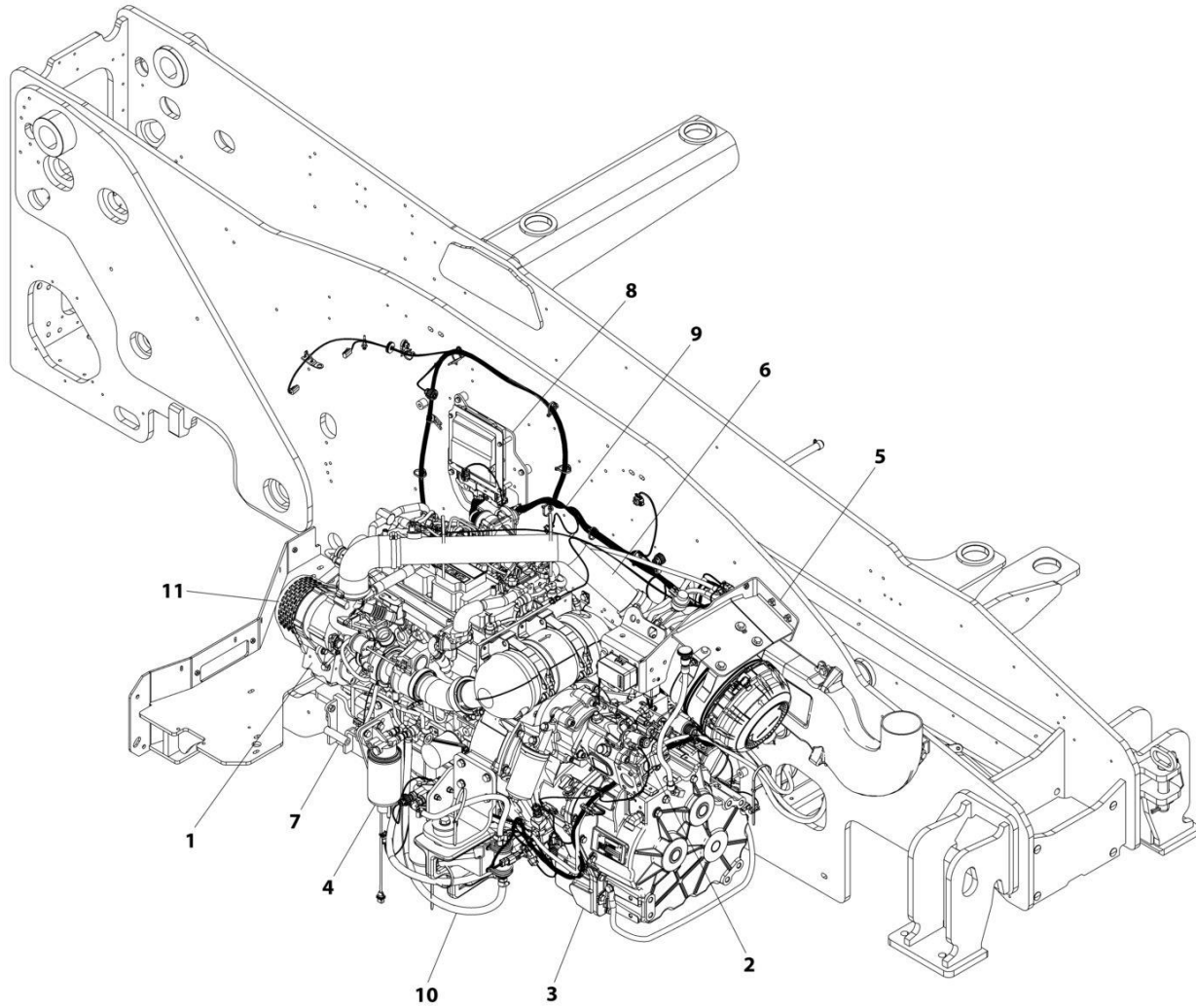
SECTION 4 - ENGINE AND ATTACHING PARTS

FIGURE 4-1. ENGINE INSTALLATION (90KW - ULS - PISTON PUMP)

ITEM	PART NUMBER	QTY	DESCRIPTION	REV
	1001175309	Ref	Engine Installation (90KW - ULS - Piston Pump)	G
1	1001175553	1	Engine, 3.6L (90KW - ULS - Piston Pump) (See Separate Breakdown in this Section)	
2	1001177863	Ref	Installation, Main Hydraulic Pump (See Separate Breakdown in HYDRAULIC CIRCUITS Section)	
3	1001178439	Ref	Installation, Transmission (6 SPD) (See Separate Breakdown in DRIVETRAIN Section)	
4	1001181951	Ref	Installation, Fuel Filter (90/100KW - ULS) (See Separate Breakdown in this Section)	
5	1001257142	Ref	Installation, Air Cleaner (90/100KW) (See Separate Breakdown in this Section)	
6	1001182037	Ref	Installation, Air Intake Lines (90/100KW - ULS) (See Separate Breakdown in this Section)	
7	1001182582	Ref	Installation, Engine Mounting (90/100KW) (See Separate Breakdown in this Section)	
8	1001182735	Ref	Installation, Engine ECU (ULS) (See Separate Breakdown in this Section)	
9	1001185375	Ref	Installation, Engine Wiring (ULS) (See Separate Breakdown in ELECTRICAL Section)	
10	1001197821	Ref	Installation, Fuel Lines (ULS - RHOC) (See Separate Breakdown in this Section)	
11	1001182235	Ref	Installation, Bracket Guard (See Separate Breakdown in this Section)	

SECTION 4 - ENGINE AND ATTACHING PARTS

FIGURE 4-2. ENGINE INSTALLATION (100KW - ULS - PISTON PUMP)



ART_1001178622_H

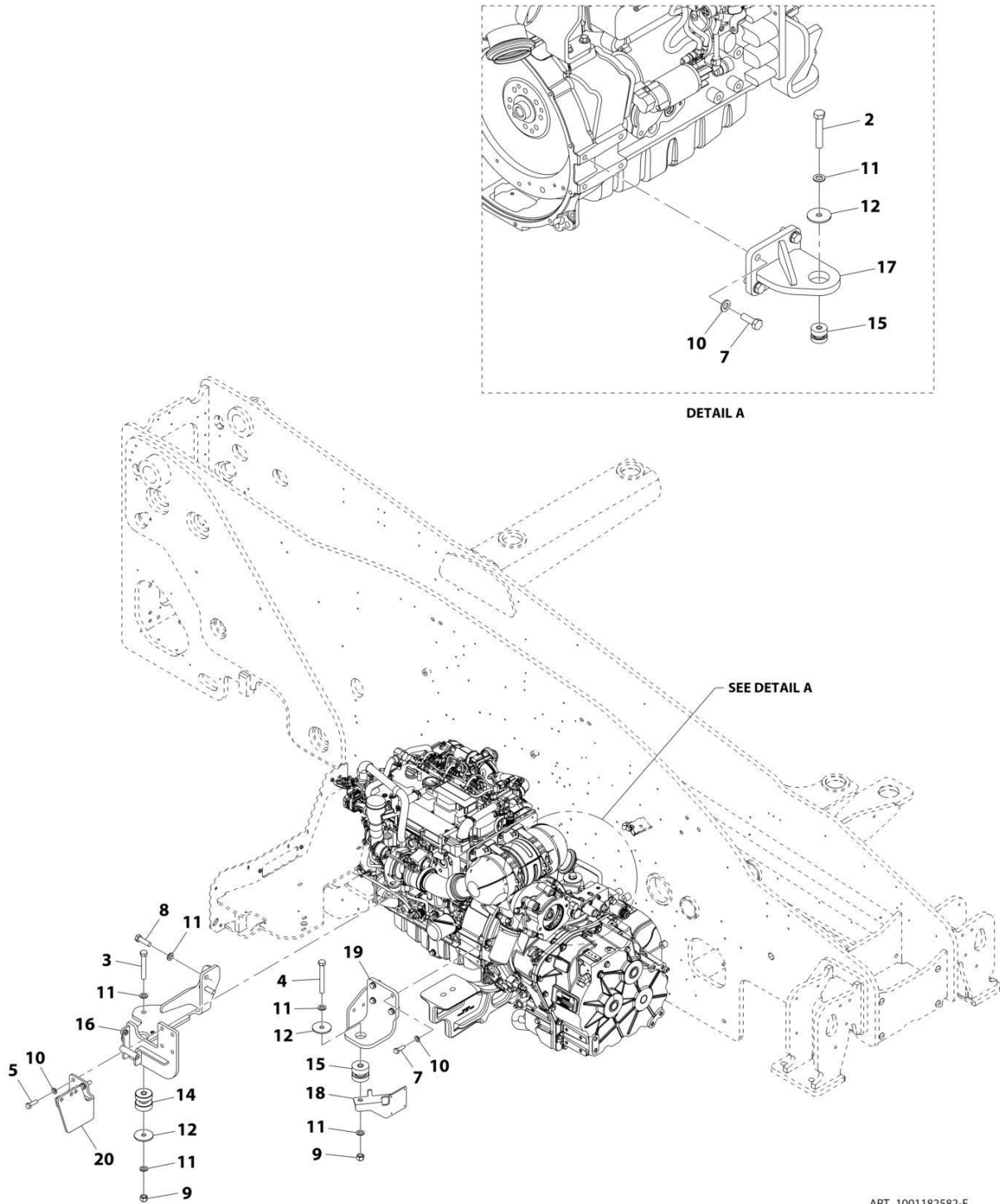
SECTION 4 - ENGINE AND ATTACHING PARTS

FIGURE 4-2. ENGINE INSTALLATION (100KW - ULS - PISTON PUMP)

ITEM	PART NUMBER	QTY	DESCRIPTION	REV
1	1001178622	Ref	EENGINE INSTALLATION (100KW - ULS - Piston Pump)	H
	1001175555	Ref	Engine, 3.6L (100KW - ULS - Piston Pump) (See Separate Breakdown in this Section)	
2	1001177863	Ref	Installation, Main Hydraulic Pump (See Separate Breakdown in HYDRAULIC CIRCUITS Section)	
3	1001182647	Ref	Installation, Transmission (6 SPD - HHP) (See Separate Breakdown in DRIVETRAIN Section)	
4	1001181951	Ref	Installation, Fuel Filter (90/100KW - ULS) (See Separate Breakdown in this Section)	
5	1001257142	Ref	Installation, Air Cleaner (90/100KW) (See Separate Breakdown in this Section)	
6	1001182037	Ref	Installation, Air Intake Lines (90/100KW - ULS) (See Separate Breakdown in this Section)	
7	1001182582	Ref	Installation, Engine Mounting (90/100KW) (See Separate Breakdown in this Section)	
8	1001182735	Ref	Installation, Engine ECU (ULS) (See Separate Breakdown in this Section)	
9	1001185375	Ref	Installation, Engine Wiring (ULS) (See Separate Breakdown in ELECTRICAL Section)	
10	1001197821	Ref	Installation, Fuel Lines (ULS - RHOC) (See Separate Breakdown in this Section)	
11	1001182235	Ref	Installation, Bracket Guard (See Separate Breakdown in this Section)	

SECTION 4 - ENGINE AND ATTACHING PARTS

FIGURE 4-3. ENGINE MOUNTING INSTALLATION (90KW/100KW)



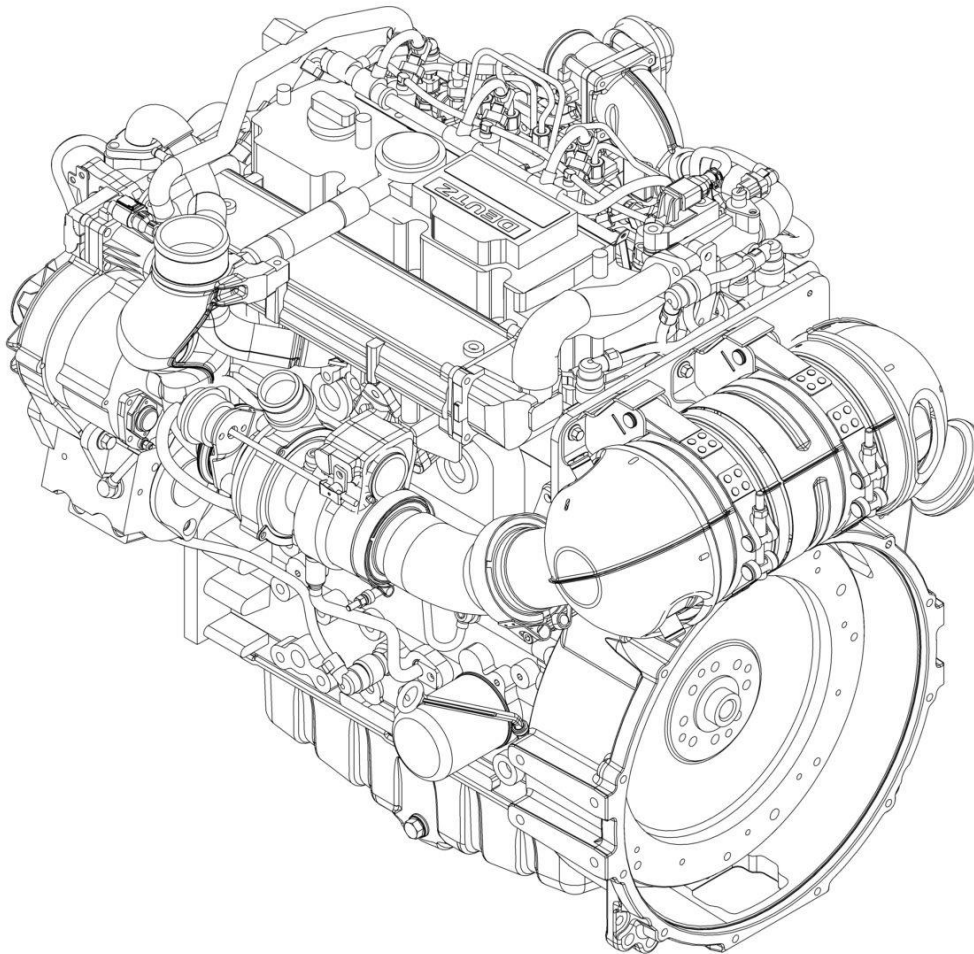
SECTION 4 - ENGINE AND ATTACHING PARTS

FIGURE 4-3. ENGINE MOUNTING INSTALLATION (90KW/100KW)

ITEM	PART NUMBER	QTY	DESCRIPTION	REV
	1001182582	Ref	Engine Mounting Installation (90KW/100KW)	G
2	0701626	1	Bolt, M16X90	
3	0701628	1	Bolt, M16X110	
4	0701630	1	Bolt, M16X130	
5	0761216	4	Bolt, M12X40	
7	0761215	8	Bolt, M12X35	
8	0761619	2	Bolt, M16X55	
9	3291605	2	Bolt, M16X2	
10	4812100	12	Washer, M12	
11	4812300	7	Washer, M16	
12	7300435	3	Washer	
14	1001163387	1	Mount, Isolator Engine	
15	1001195518	2	Mount, Isolator Engine	
16	1001169216	1	Bracket, Engine Mount	
17	1001169424	1	Bracket, Engine Mount	
18	1001188204	1	Bracket, Fuel Pump	
19	1001183745	1	Bracket, Engine Mount	
20	1001189586	1	Bracket, Fuel Filter	

SECTION 4 - ENGINE AND ATTACHING PARTS

FIGURE 4-4. 3.6L ENGINE (90KW - ULS - PISTON PUMP)



ART_1001175553

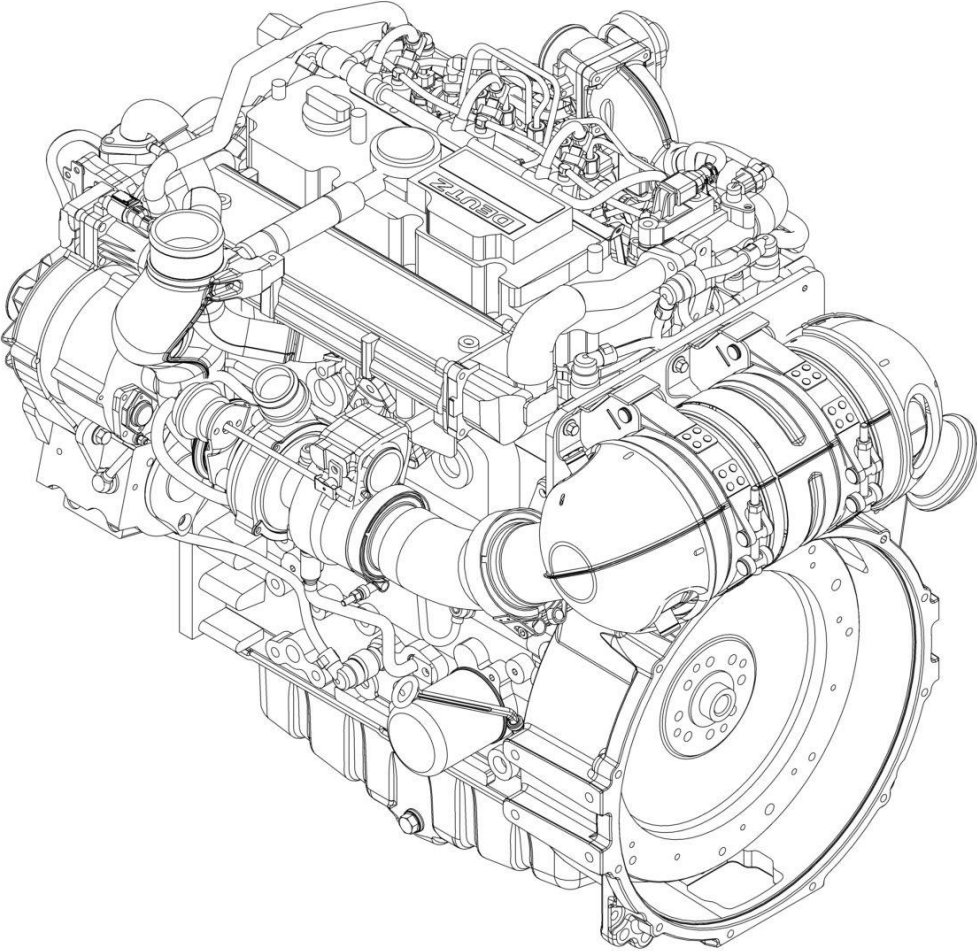
SECTION 4 - ENGINE AND ATTACHING PARTS

FIGURE 4-4. 3.6L ENGINE (90KW - ULS - PISTON PUMP)

ITEM	PART NUMBER	QTY	DESCRIPTION	REV
	1001175553	Ref	3.6L Engine (90KW - ULS - Piston Pump)	H
	70027657	1	Dipstick	
	7020442	2	O-Ring	
	7020465	1	Cap, Filler	
	70025205	1	Gasket	
	70004280	1	Seal	
	7016331	1	Filter, Oil	
	70024494	1	Oil cooler	
	70024495	1	Gasket	
	70024509	1	Gasket	
	70011901	1	Pump, High Pressure	
	70024485	4	Injector, Fuel	
	70024504	1	Sensor, Pressure	
	70024920	1	Seal	
	70026011	1	Pump, Water	
	70024918	1	Sender, Temperature	
	70005504	1	Sensor, Pressure	
	70005505	2	O-Seal	
	70027405	1	Sensor, Temperature	
	70005507	2	O-Seal	
	70005515	1	Turbocharger	
	70024480	1	Gasket	
	70027404	1	Generator	
	70027403	1	V-Belt	
	70025535	1	Starter	
	70026210	1	Sensor	
	70005191	1	O-Ring	
	70024505	1	Sensor, Temperature	
	70005556	1	Sensor, Temperature	
	70005559	1	Sensor, Temperature	
	70025153	1	Prefilter, Fuel	
	70027417	1	Filter, Fuel	
	1001225432	1	Element, Filter	

SECTION 4 - ENGINE AND ATTACHING PARTS

FIGURE 4-5. 3.6L ENGINE (100KW - ULS - PISTON PUMP)



ART_1001175555

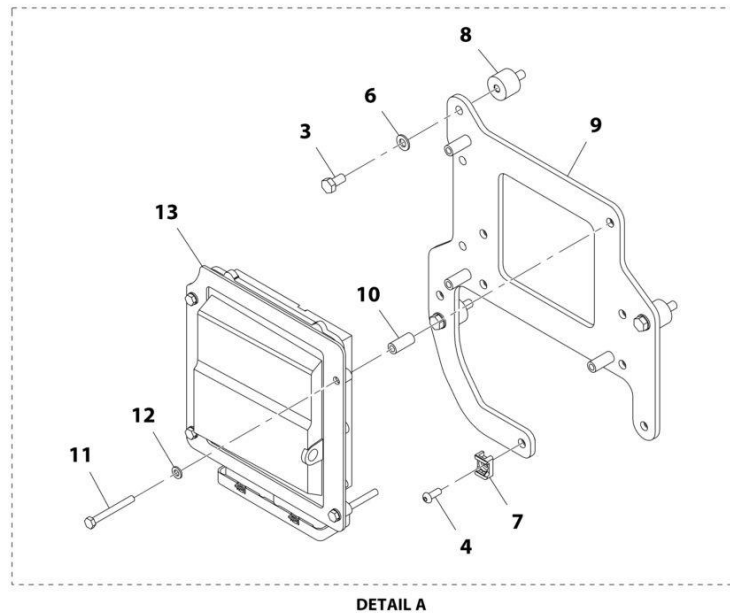
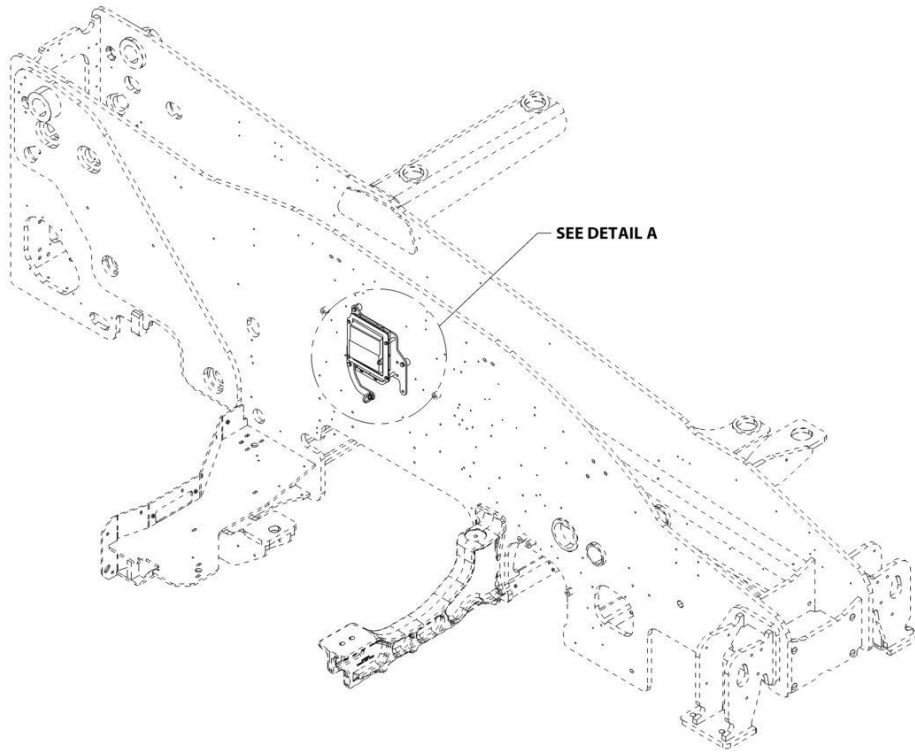
SECTION 4 - ENGINE AND ATTACHING PARTS

FIGURE 4-5. 3.6L ENGINE (100KW - ULS - PISTON PUMP)

ITEM	PART NUMBER	QTY	DESCRIPTION	REV
	1001175555	Ref	3.6L Engine (100KW - ULS - Piston Pump)	H
	70027657	1	Dipstick	
	7020442	2	O-Ring	
	7020465	1	Cap, Filler	
	70025205	1	Gasket	
	70004280	1	Seal	
	7016331	1	Filter, Oil	
	70024494	1	Oil cooler	
	70024495	1	Gasket	
	70024509	1	Gasket	
	70011901	1	Pump, High Pressure	
	70024485	4	Injector, Fuel	
	70024504	1	Sensor, Pressure	
	70024920	1	Seal	
	70026011	1	Pump, Water	
	70024918	1	Sender, Temperature	
	70005504	1	Sensor, Pressure	
	70005505	2	O-Seal	
	70027405	1	Sensor, Temperature	
	70005507	2	O-Seal	
	70005515	1	Turbocharger	
	70024480	1	Gasket	
	70027404	1	Generator	
	70027403	1	V-Belt	
	70025535	1	Starter	
	70026210	1	Sensor	
	70005191	1	O-Ring	
	70024505	1	Sensor, Temperature	
	70005556	1	Sensor, Temperature	
	70005559	1	Sensor, Temperature	
	70027417	1	Filter, Fuel	
	1001225432	1	Element, Filter	
	70025153	1	Prefilter, Fuel	

SECTION 4 - ENGINE AND ATTACHING PARTS

FIGURE 4-6. ENGINE ECU INSTALLATION (ULS)



ART_1001182735-D

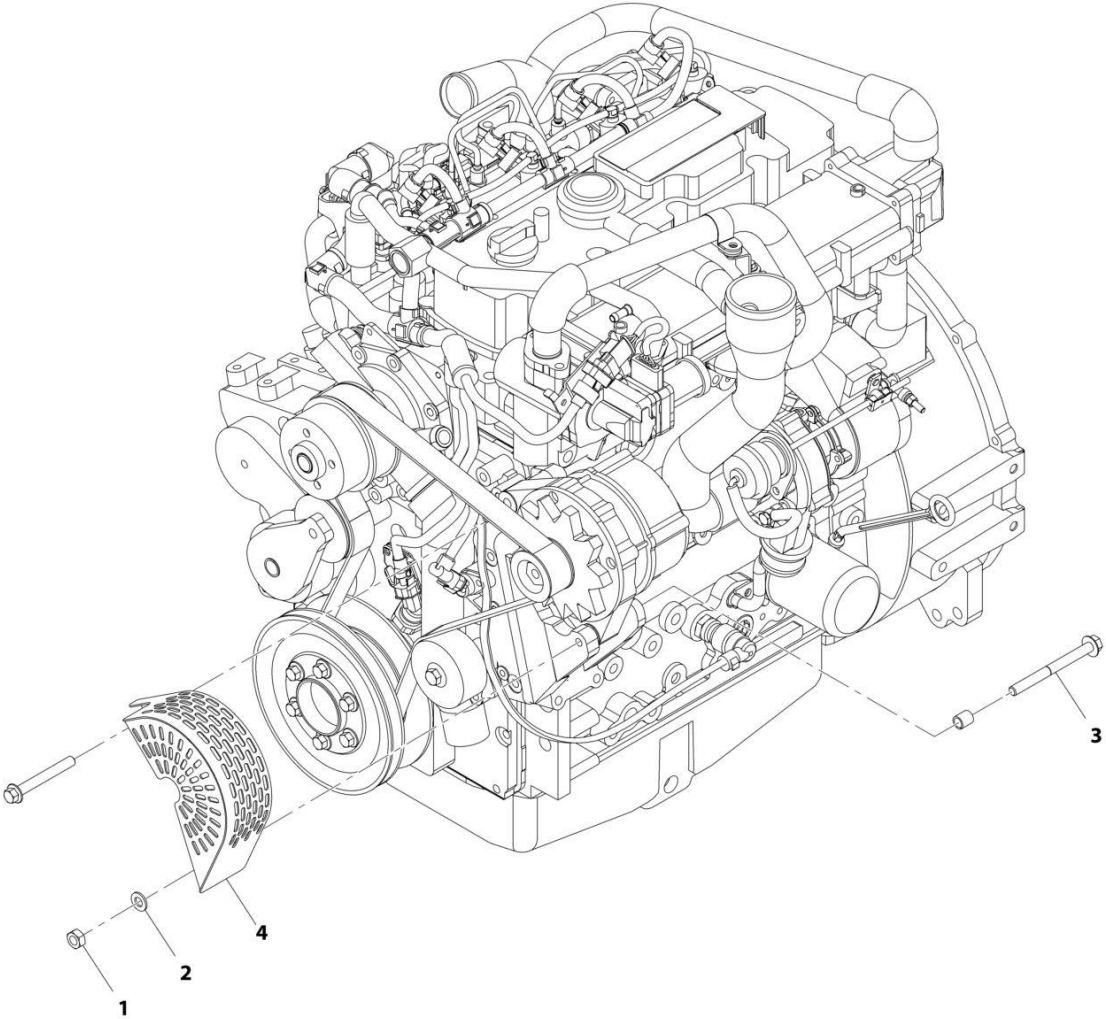
SECTION 4 - ENGINE AND ATTACHING PARTS

FIGURE 4-6. ENGINE ECU INSTALLATION (ULS)

ITEM	PART NUMBER	QTY	DESCRIPTION	REV
	1001182735	Ref	Engine ECU Installation (ULS)	D
3	0760808	3	Bolt, M8X16	
4	3900357	1	Capscrew, M6X16	
6	4811900	3	Washer, M8	
7	1001138645	1	Mount, Cable Tie	
8	1001179907	3	Mount, Isolator	
9	1001183347	1	Plate	
10	1001196587	4	Sleeve, Spacer	
11	0760619	4	Bolt, M6X55	
12	4811700	4	Washer, M6	
13	1001206120	1	Plate	

SECTION 4 - ENGINE AND ATTACHING PARTS

FIGURE 4-7. BRACKET GUARD INSTALLATION



ART_1001182235-B

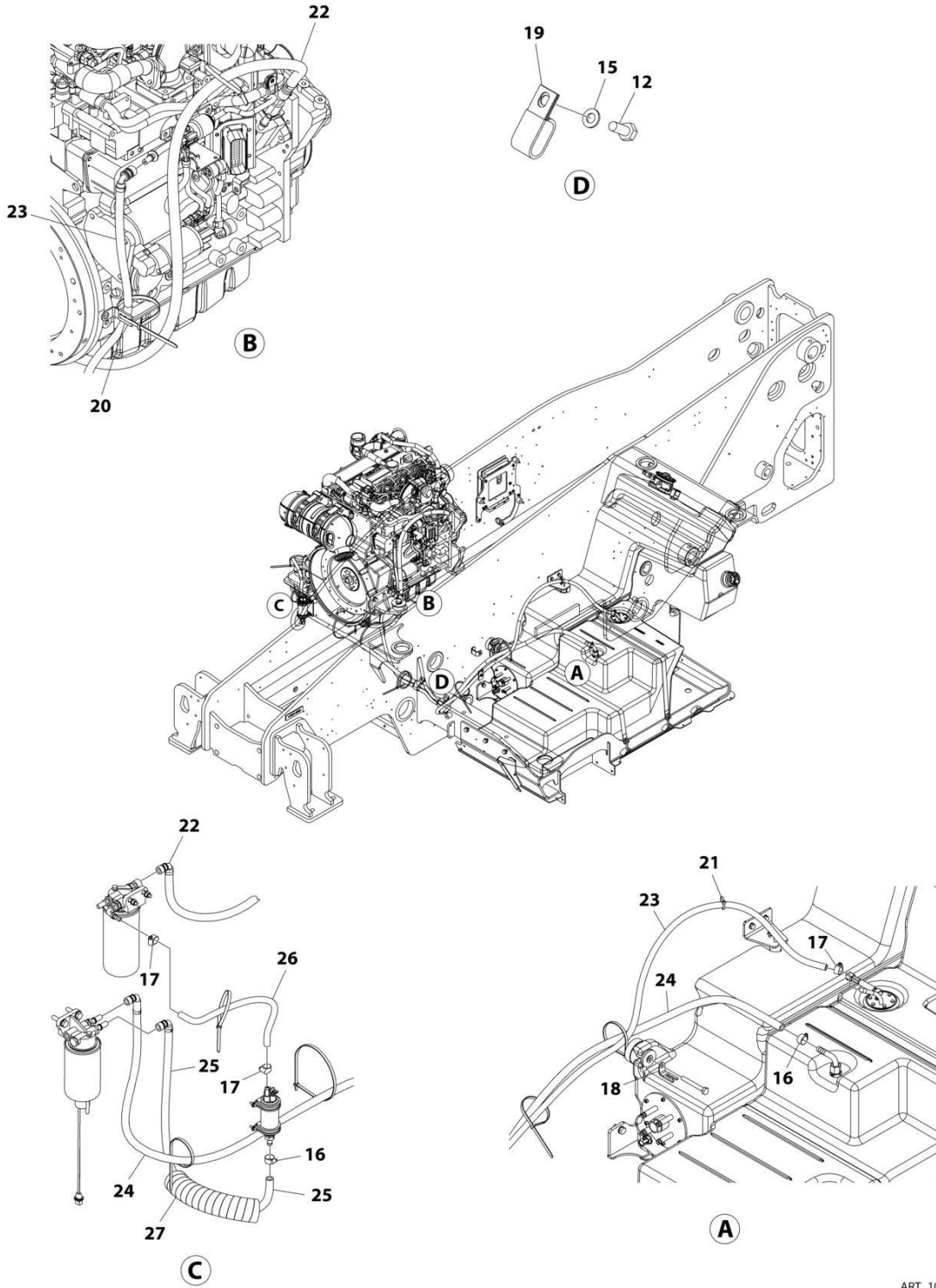
SECTION 4 - ENGINE AND ATTACHING PARTS

FIGURE 4-7. BRACKET GUARD INSTALLATION

ITEM	PART NUMBER	QTY	DESCRIPTION	REV
	1001182235	Ref	Bracket Guard Installation	B
1	3291001	1	Nut, M10X1.5 Grade 8	
2	4812000	1	Washer, M10	
3	1001152378	1	Bolt, M10X110 Grade 10.9	
4	1001213006	1	Bracket, Guard	

SECTION 4 - ENGINE AND ATTACHING PARTS

FIGURE 4-8. FUEL LINES INSTALLATION (ULS - RHOC)



ART_1001197821_F

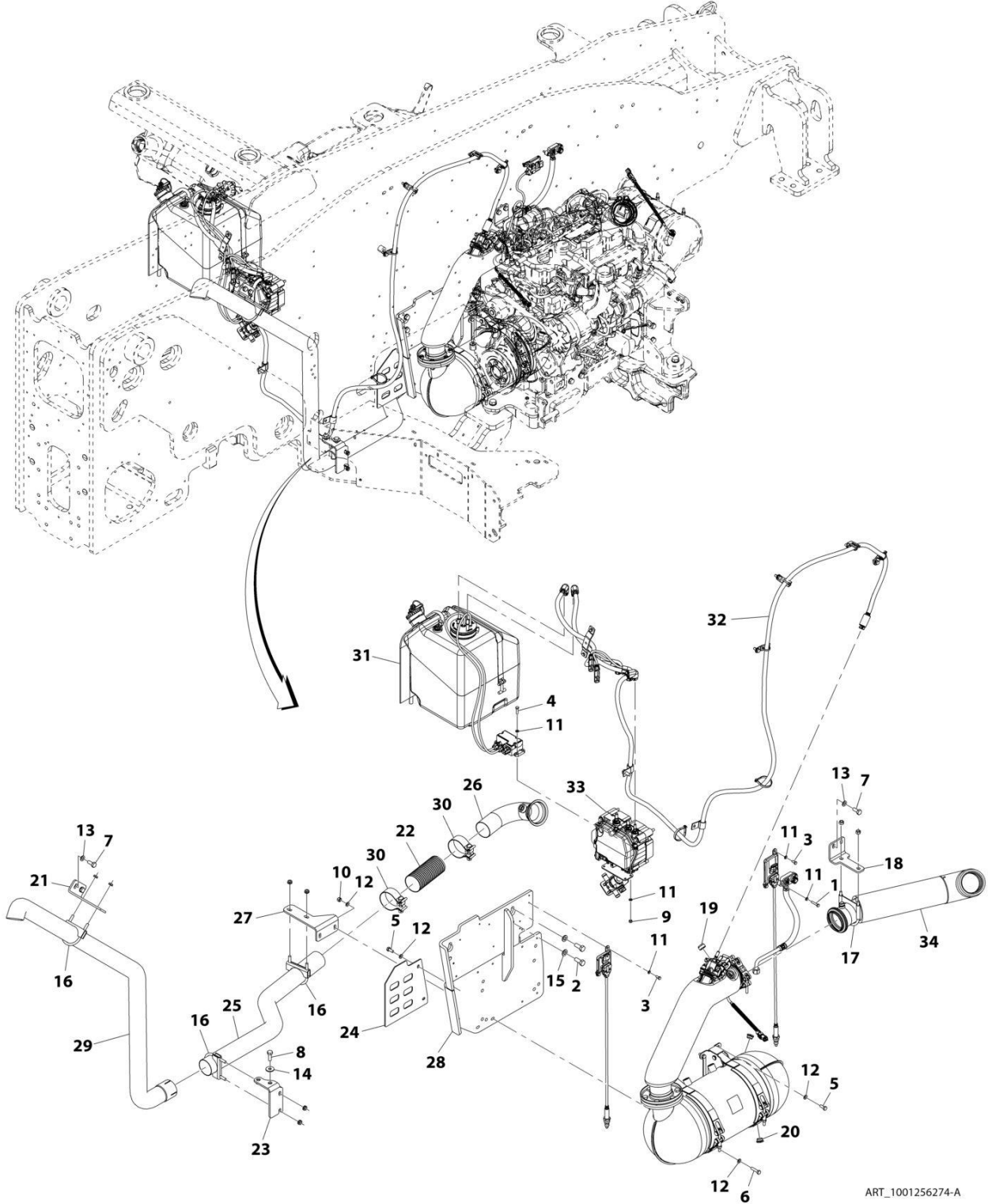
SECTION 4 - ENGINE AND ATTACHING PARTS

FIGURE 4-8. FUEL LINES INSTALLATION (ULS - RHOC)

ITEM	PART NUMBER	QTY	DESCRIPTION	REV
	1001197821	Ref	FUEL LINES INSTALLATION (ULS - RHOC)	F
12	0761012	2	Bolt M10 x 25	
13	1062255	AR	Tie-Strap 365MM (Not Shown)	
14	4240127	AR	Tie-Strap 615MM (Not Shown)	
15	4812000	2	Washer M10	
16	8405006	2	Clamp, Gear	
17	8410013	3	Clamp, Gear	
18	1001003305	1	Clip	
19	1001026104	2	Clip	
20	1001130198	1	Clip, 90	
21	1001146588	1	Strap, Fir Tree Cable Tie	
22	1001204841	1	Hose, 0.5IN Fuel	
23	1001256644	1	Hose, 0.38IN Fuel	
24	1001216854	1	Hose, 0.5IN Fuel	
25	1001216855	1	Hose, 0.5IN Fuel	
26	1001205041	1	Hose, 0.38IN Fuel	
27	1001268889	1	Sleeve, Hose Wrap	

SECTION 4 - ENGINE AND ATTACHING PARTS

FIGURE 4-9. EXHAUST INSTALLATION (ULS)



ART_1001256274-A

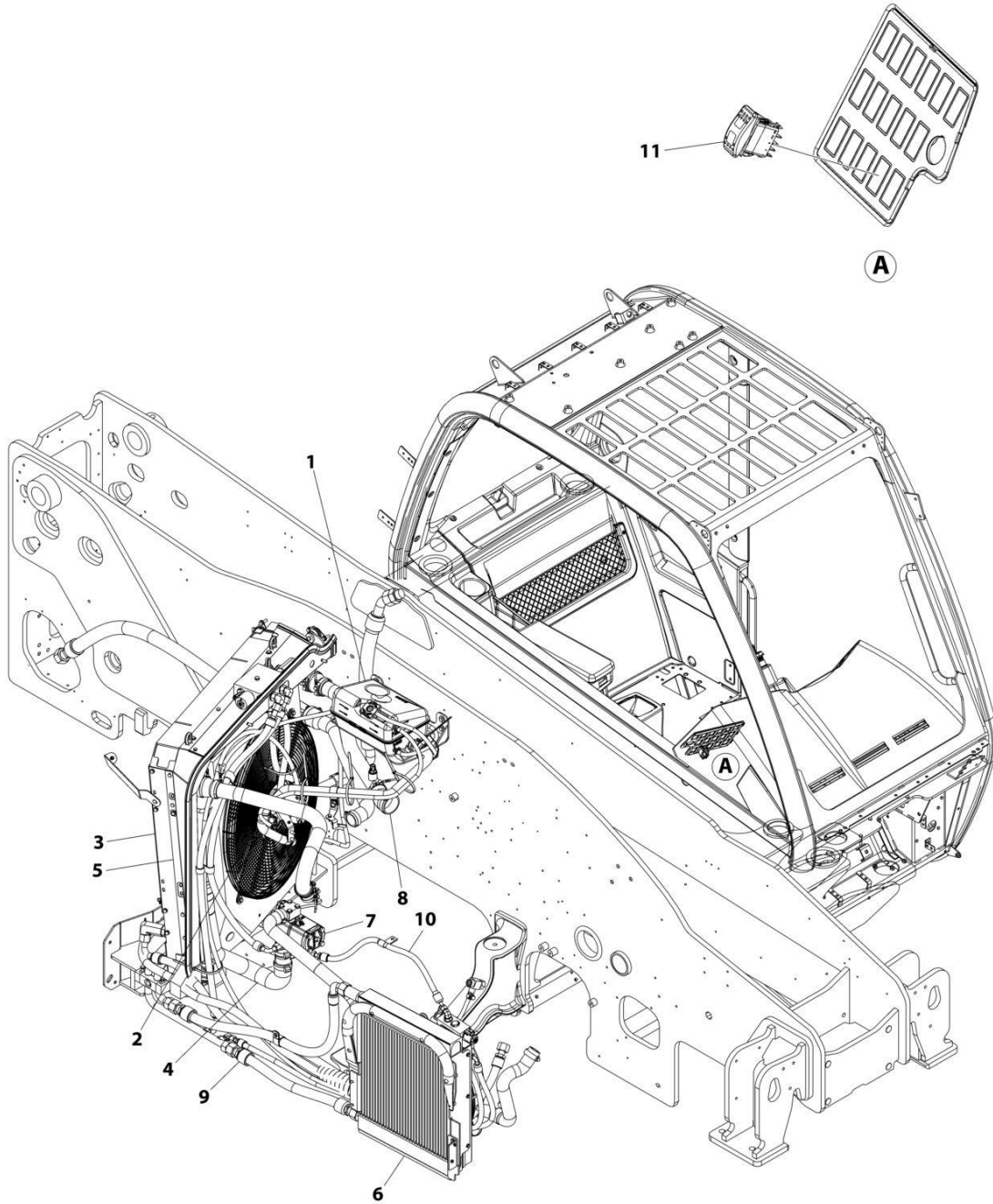
SECTION 4 - ENGINE AND ATTACHING PARTS

FIGURE 4-9. EXHAUST INSTALLATION (ULS)

ITEM	PART NUMBER	QTY	DESCRIPTION	REV
	1001256274	Ref	EXHAUST INSTALLATION (ULS)	A
1	0700614	2	Bolt M6 x 30	
2	0701214	4	Bolt M12 x 30	
3	0760607	4	Bolt M6 x 14	
4	0760612	4	Bolt, M6 x 25	
5	0760810	8	Bolt M8 x 20	
6	0760815	2	Bolt M8 x 35	
7	0761012	4	Bolt M10 x 25	
8	0761014	2	Bolt M10 x 30	
9	3290605	4	Nut, Lock M6 x 1 Grade 8	
10	3290805	2	Nut, Lock M8 x 1.25 Grade 8	
11	4811700	5	Washer M6	
12	4811900	12	Washer M8	
13	4812000	4	Washer M10	
14	4812002	2	Washer M10	
15	4812100	4	Washer M12	
16	8275212	3	Clamp, Muffler	
17	24921332	1	Clamp, Exhaust	
18	1001169918	1	Plate, Exhaust	
19	1001171913	1	Cap	
20	1001171959	2	Plug	
21	1001182824	1	Bracket, Tailpipe	
22	1001201766	1	Pipe, Exhaust Flex	
23	1001201811	1	Bracket, Tailpipe	
24	1001201823	1	Plate, Airflow	
25	1001201929	1	Pipe, Exhaust	
26	1001201930	1	Pipe, Exhaust	
27	1001201933	1	Support, Exhaust Pipe	
28	1001210022	1	Bracket	
29	1001222187	1	Pipe, Tail Exhaust	
30	1001225213	2	Clamp, Flex Pipe	
31	1001256277	1	Installation, DEF Tank (ULS) (See Separate Breakdown in this Section)	
32	1001256278	1	Installation, DEF Lines (ULS) (See Separate Breakdown in this Section)	
33	1001256563	1	Installation, DEF Control Module (ULS) (See Separate Breakdown in this Section)	
34	1001193551	1	Pipe, Exhaust Flex	

SECTION 4 - ENGINE AND ATTACHING PARTS

FIGURE 4-10. COOLING PACKAGE INSTALLATION (90KW - ULS)



ART_1001182450

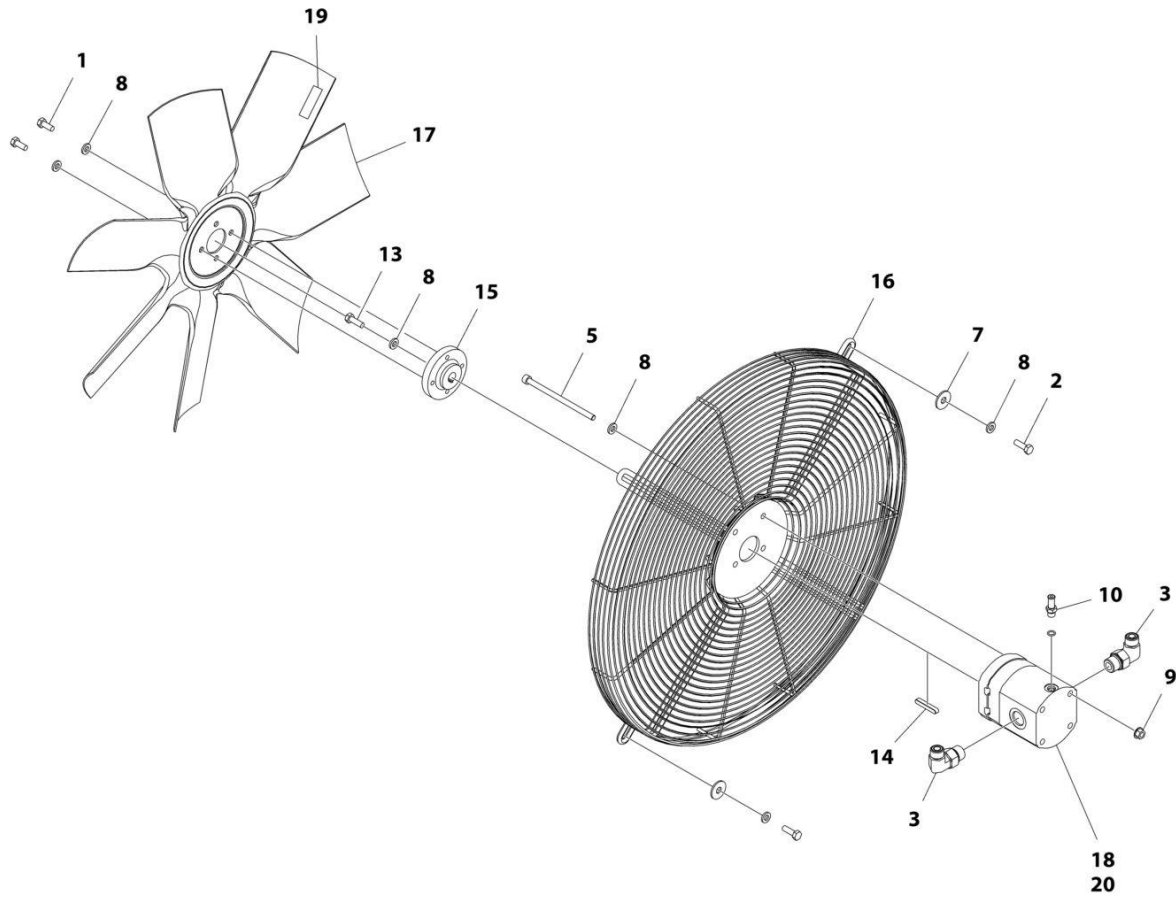
SECTION 4 - ENGINE AND ATTACHING PARTS

FIGURE 4-10. COOLING PACKAGE INSTALLATION (90KW - ULS)

ITEM	PART NUMBER	QTY	DESCRIPTION	REV
	1001182450	Ref	COOLING PACKAGE INSTALLATION (90KW - ULS)	H
1	1001179864	Ref	Installation, Surge Tank (See Separate Breakdown in this Section)	
2	1001182112	Ref	Installation, Cooling Fan (See Separate Breakdown in this Section)	
3	1001184062	Ref	Installation, Cooler (90KW) (See Separate Breakdown in this Section)	
4	1001184120	Ref	Installation, Coolant Lines (ULS) (See Separate Breakdown in this Section)	
5	1001184955	Ref	Installation, Bulkhead (See Separate Breakdown in this Section)	
6	1001185337	Ref	Installation, Remote HOC (See Separate Breakdown in this Section)	
7	1001185864	Ref	Installation, Hydraulic Pump (90KW) (See Separate Breakdown in this Section)	
8	1001186849	Ref	Installation, CAC Lines (ULS) (See Separate Breakdown in this Section)	
9	1001183076	Ref	Installation, Cooler Lines (90KW) (See Separate Breakdown in this Section)	
10	1001187276	Ref	Installation, Fan Lines (90KW) (See Separate Breakdown in this Section)	
11	1001145204	1	Switch, Reversing Fan	

SECTION 4 - ENGINE AND ATTACHING PARTS

FIGURE 4-11. COOLING FAN INSTALLATION



ART_1001182112

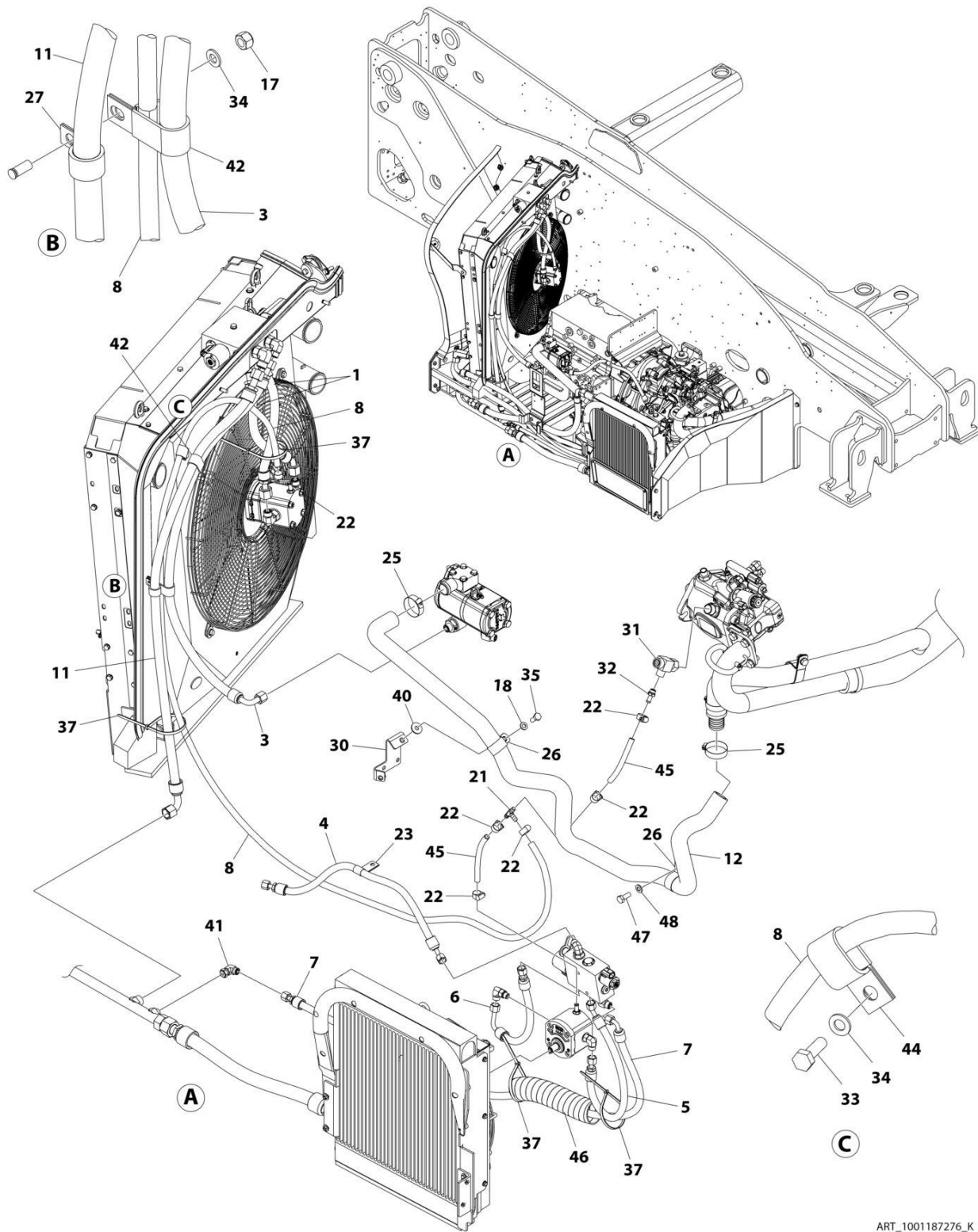
SECTION 4 - ENGINE AND ATTACHING PARTS

FIGURE 4-11. COOLING FAN INSTALLATION

ITEM	PART NUMBER	QTY	DESCRIPTION	REV
	1001182112	Ref	COOLING FAN INSTALLATION	F
1	0770810	4	Bolt M8 x 20 Grade 10.9	
2	0760812	4	Bolt M8 x 25	
3	2130810	2	Fitting, 90 ORFS	
5	4031927	4	Bolt M8 x 140	
7	4812002	4	Washer M10	
8	5240800	13	Washer M8	
9	5260800	4	Nut M10	
10	1001093401	1	Fitting, Straight ORFS	
13	1001139034	1	Bolt	
14	1001152940	1	Key, Fan Hub	
15	1001191508	1	Adapter, Fan Hub	
16	1001182111	1	Shield, Fan	
17	1001182193	1	Fan, M610	
18	1001182949	1	Motor, Fan Drive (14.53CC) (See Separate Breakdown in this Section)	
19	1001222573	AR	Reflective Tape	
20	1001125466	AR	Compound, Locking	

SECTION 4 - ENGINE AND ATTACHING PARTS

FIGURE 4-12. FAN LINES INSTALLATION (90KW)



ART_1001187276_K

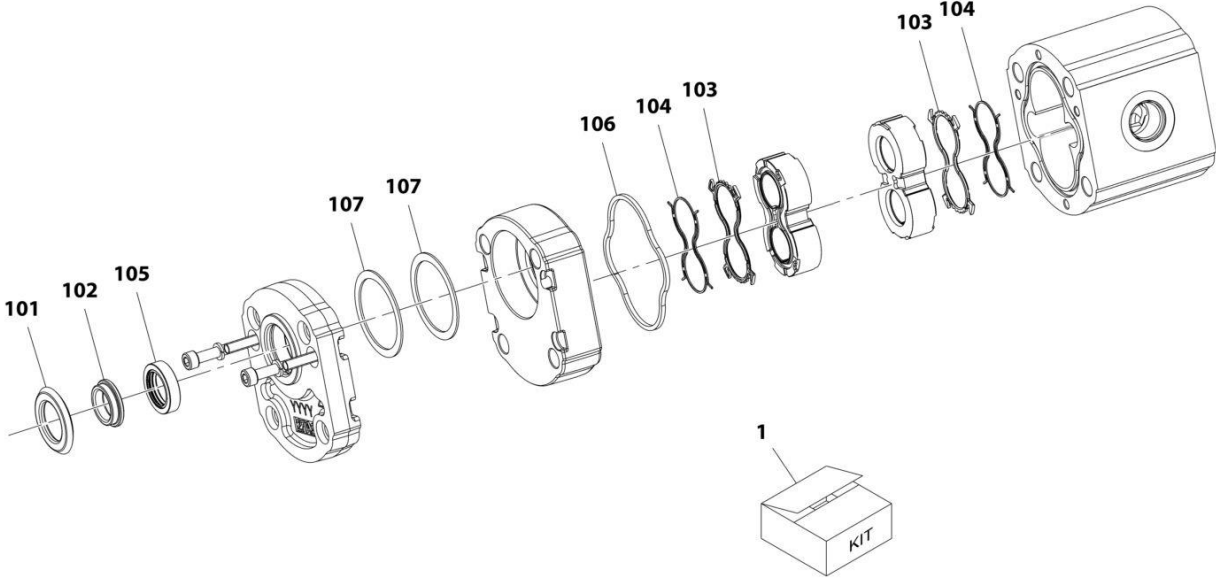
SECTION 4 - ENGINE AND ATTACHING PARTS

FIGURE 4-12. FAN LINES INSTALLATION (90KW)

ITEM	PART NUMBER	QTY	DESCRIPTION	REV
	1001187276	Ref	FAN LINES INSTALLATION (90KW)	K
1	1001187277	2	Hose	
3	1001203025	1	Hose, ORFS	
4	1001202922	1	Hose, ORFS	
5	1001229063	1	Hose, ORFS	
6	1001229068	1	Hose, ORFS	
7	1001228931	1	Hose, ORFS	
8	1001228929	1	Hose	
11	1001203178	1	Hose, ORFS	
12	1001199403	1	Hose	
17	3290805	1	Nut, Lock M8 x 1.25 Grade 8	
18	4812000	1	Washer M10	
21	1001003934	1	Fitting, Tee Barb	
22	8410013	6	Clamp, Gear	
22	1001152729	6	Clamp, Gear	
23	1001004143	1	Clip	
25	1001008657	2	Clamp, Hose	
26	1320239	2	Clamp, 1-3/4IN	
27	1001009384	1	Clip	
30	1001187712	1	Bracket	
31	1001033120	1	Fitting, Tee ORFS	
32	1001168030	1	Barb, Hose	
33	0760812	1	Bolt M8 x 25	
34	4811900	2	Washer M8	
35	0701012	1	Bolt M10 x 25	
37	1062255	4	Tie-Strap	
40	4812002	1	Washer M10	
41	2172106	1	Fitting, 90 ORFS	
42	1001008720	2	Clip	
44	1001008626	1	Clip	
45	1001228930	2	Hose	
46	1001268889	1	Sleeve, Hose Wrap	
47	0701214	1	Bolt M12 x 30	
48	4812100	1	Washer M12	

SECTION 4 - ENGINE AND ATTACHING PARTS

FIGURE 4-13. FAN DRIVE MOTOR (NO RHOC)



ART_1001182949-B

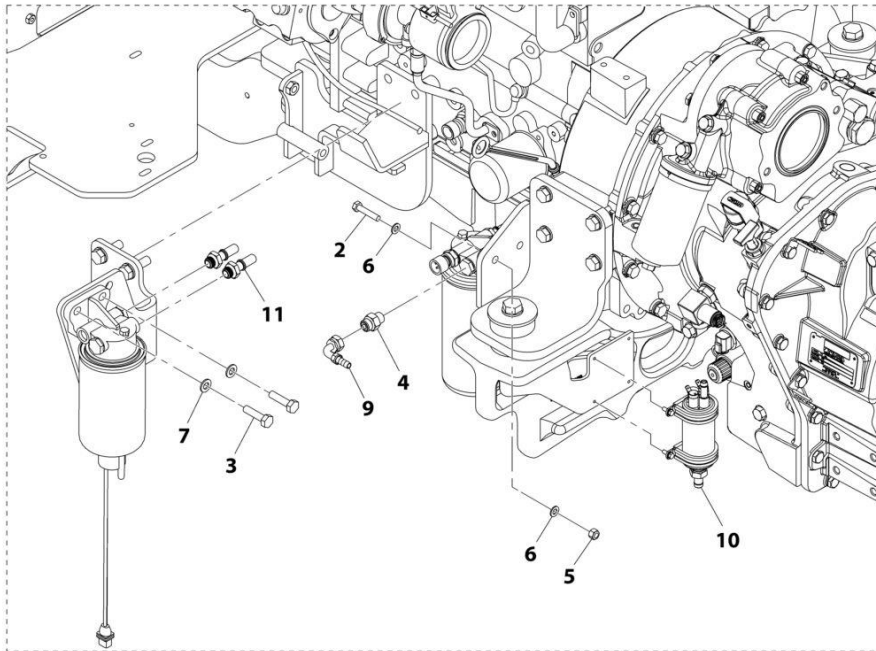
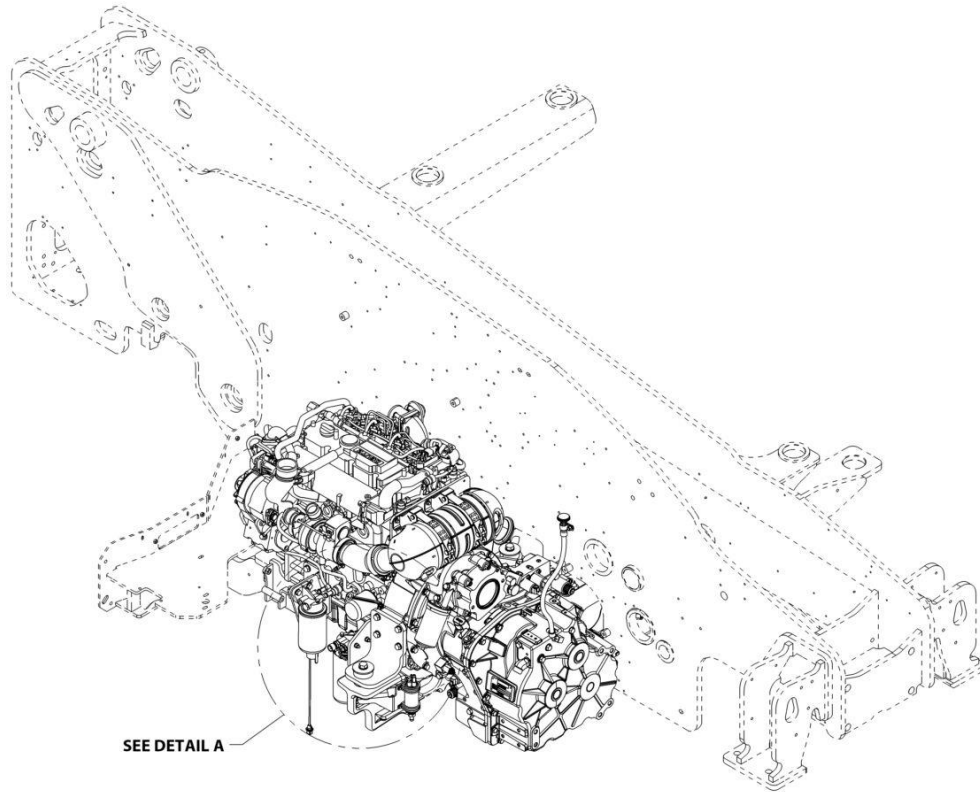
SECTION 4 - ENGINE AND ATTACHING PARTS

FIGURE 4-13. FAN DRIVE MOTOR (NO RHOC)

ITEM	PART NUMBER	QTY	DESCRIPTION	REV
	1001182949	Ref	Fan Drive Motor (No RHOC)	B
1	70027008	1	Kit, Seal	
101	Kit	1	Seal	
102	Kit	1	Holder Bushing	
103	Kit	2	Seal	
104	Kit	2	Ring, Anti-Extrusion	
105	Kit	1	Seal, Shaft	
106	Kit	1	Seal	
107	Kit	2	Seal	

SECTION 4 - ENGINE AND ATTACHING PARTS

FIGURE 4-14. FUEL FILTER INSTALLATION (90/100KW - ULS)



DETAIL A

ART_1001181951-F

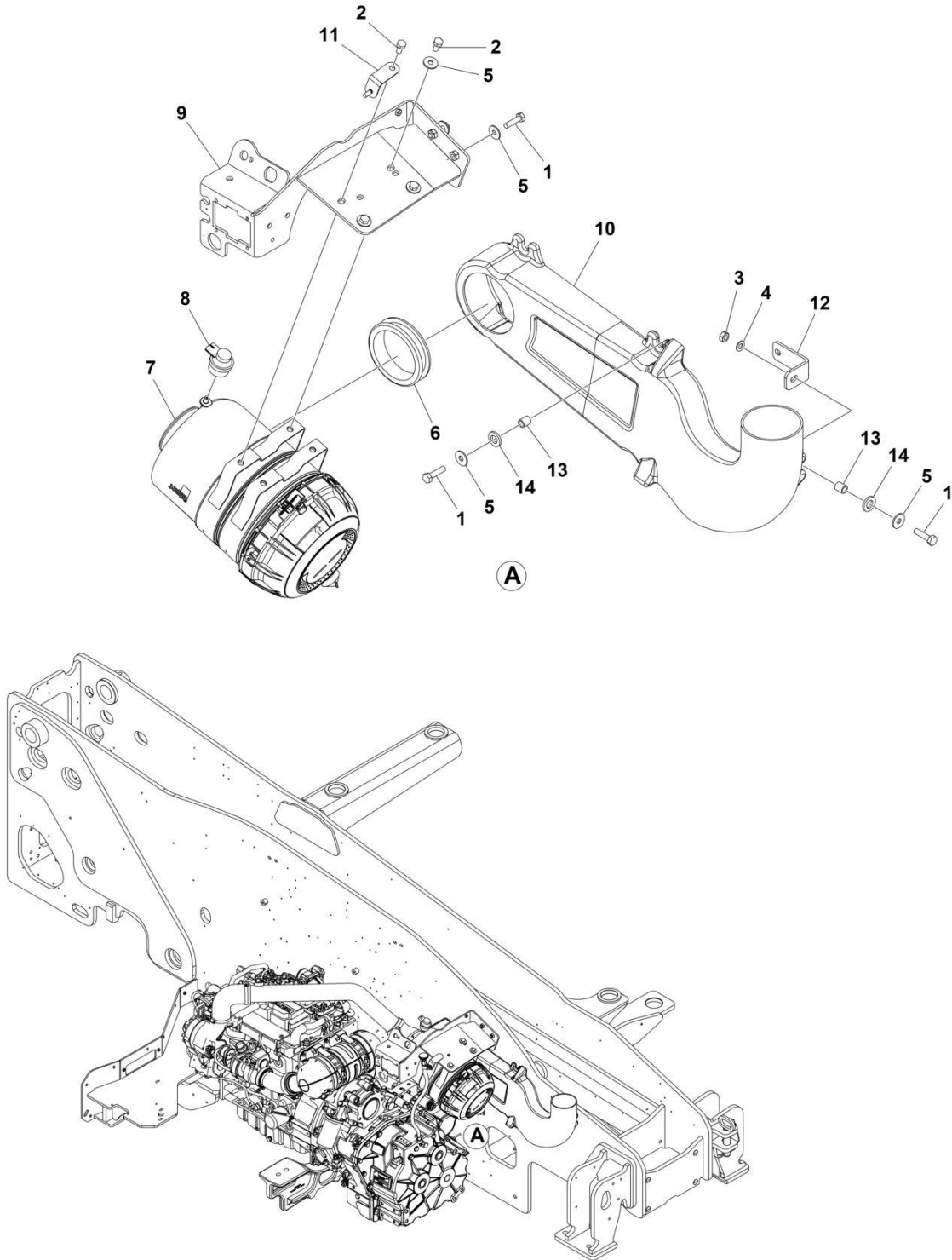
SECTION 4 - ENGINE AND ATTACHING PARTS

FIGURE 4-14. FUEL FILTER INSTALLATION (90/100KW - ULS)

ITEM	PART NUMBER	QTY	DESCRIPTION	REV
	1001181951	Ref	FUEL FILTER INSTALLATION	F
2	0700816	2	Bolt M8X40	
3	0701016	2	Bolt M10X40	
4	2144606	1	Fitting, Straight ORFS	
5	3290805	2	Nut, Lock M8	
6	4811900	4	Washer M8	
7	4812000	2	Washer M10	
9	1001133793	1	Fitting, 90 ORFS	
10	1001165789	1	Remote Fuel Pump Installation (See Separate Breakdown in this Section)	
11	1001133690	2	Coupling, M16X1.5	

SECTION 4 - ENGINE AND ATTACHING PARTS

FIGURE 4-15. AIR CLEANER INSTALLATION (90/100KW)



ART_1001257142_D

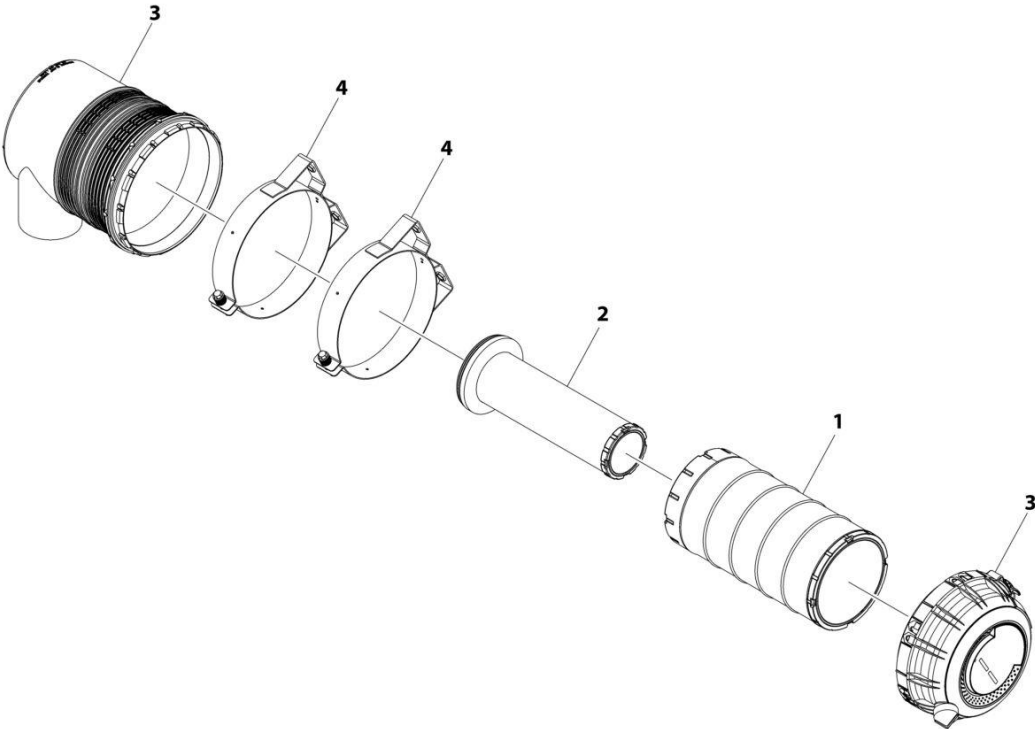
SECTION 4 - ENGINE AND ATTACHING PARTS

FIGURE 4-15. AIR CLEANER INSTALLATION (90/100KW)

ITEM	PART NUMBER	QTY	DESCRIPTION	REV
	1001257142	Ref	AIR CLEANER INSTALLATION (90/100KW)	D
1	0701016	8	Bolt M10 x 40	
2	0761010	4	Bolt M10 x 20	
3	3291001	1	Nut M10 x 1.5 Grade 8	
4	4812000	1	Washer M10	
5	4812002	11	Washer M10	
6	1001183831	1	Grommet	
7	1001166565	1	Filter, Air Cleaner (90/100KW) (See Separate Breakdown in this Section)	
8	1001166715	1	Sensor, Air Restriction	
9	1001212906	1	Bracket	
10	1001216813	1	Duct	
11	1001263830	1	Bracket	
12	1001231388	1	Bracket	
13	1001231389	5	Sleeve, Spacer	
14	1001231390	5	Washer	

SECTION 4 - ENGINE AND ATTACHING PARTS

FIGURE 4-16. AIR CLEANER ASSEMBLY (90/100KW)



ART_1001166565

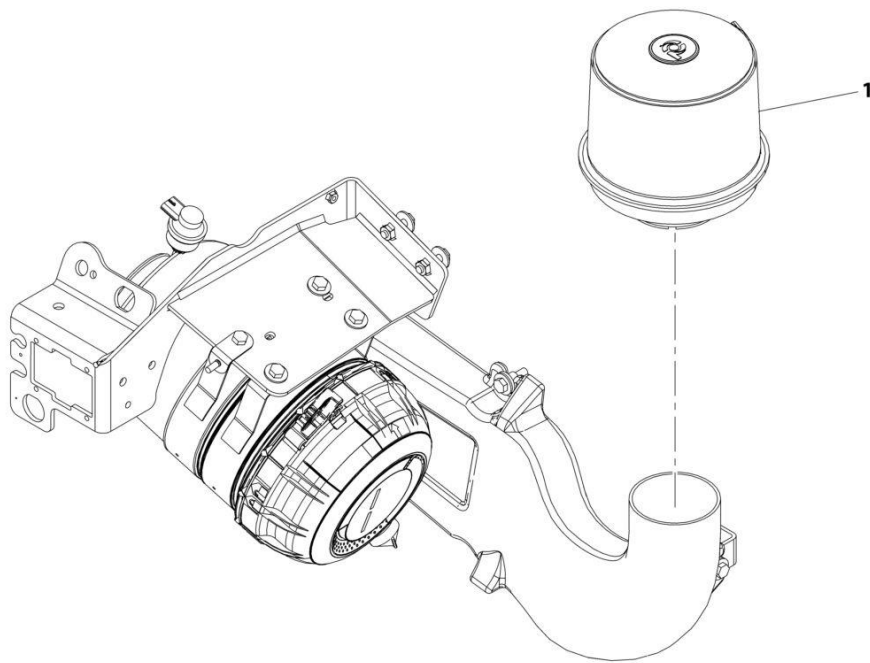
SECTION 4 - ENGINE AND ATTACHING PARTS

FIGURE 4-16. AIR CLEANER ASSEMBLY (90/100KW)

ITEM	PART NUMBER	QTY	DESCRIPTION	REV
	1001166565	Ref	AIR FILTER ASSEMBLY (90/100KW)	F
1	70025850	1	Filter, Cylindrical Air Primary	
2	70025851	1	Filter, Cylindrical Air Secondary	
3	70026395	1	Cover	
4	70026396	2	Bracket	

SECTION 4 - ENGINE AND ATTACHING PARTS

FIGURE 4-17. PRE-AIR CLEANER ACCESSORY



ART_1001231731-A

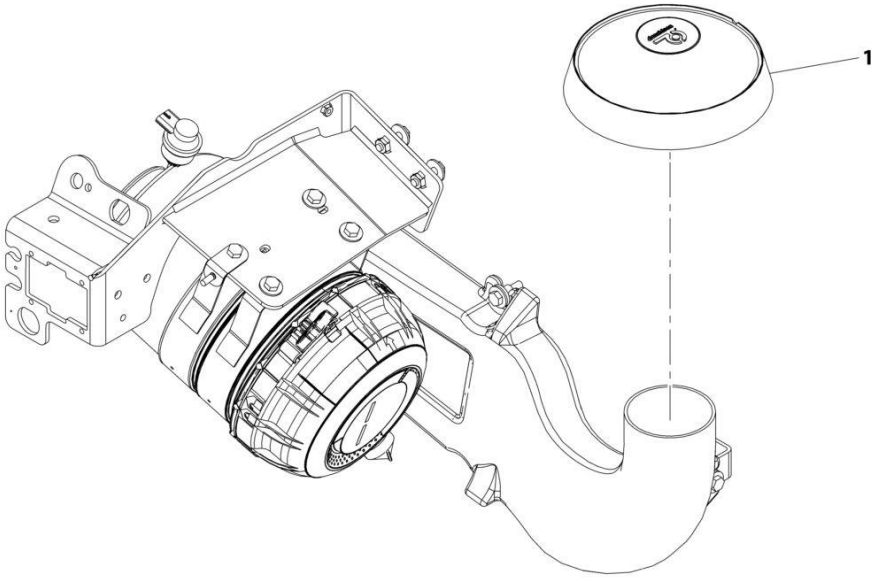
SECTION 4 - ENGINE AND ATTACHING PARTS

FIGURE 4-17. PRE-AIR CLEANER ACCESSORY

ITEM	PART NUMBER	QTY	DESCRIPTION	REV
1	1001231731 1001092771	Ref 1	PRE-AIR CLEANER ACCESSORY Accessory, Pre-Cleaner,Topspin	A

SECTION 4 - ENGINE AND ATTACHING PARTS

FIGURE 4-18. AIR INTAKE RAIN CAP ACCESSORY



ART_1001231732-A

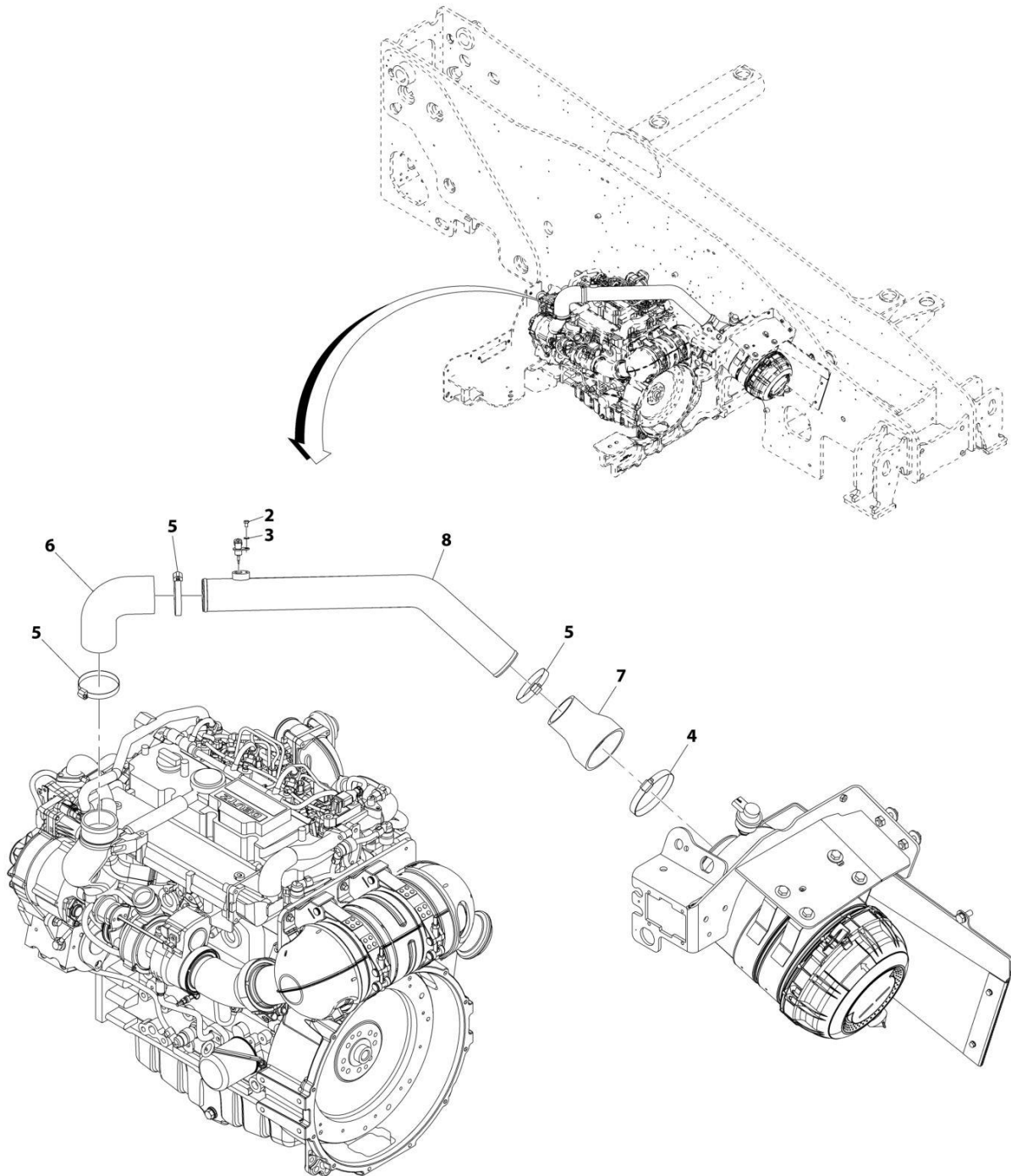
SECTION 4 - ENGINE AND ATTACHING PARTS

FIGURE 4-18. AIR INTAKE RAIN CAP ACCESSORY

ITEM	PART NUMBER	QTY	DESCRIPTION	REV
1	1001231732 1001231750	Ref 1	Air Intake Rain Cap Accessory Accessory, Rain Cap	A

SECTION 4 - ENGINE AND ATTACHING PARTS

FIGURE 4-19. AIR INTAKE LINES INSTALLATION (90/100KW - ULS)



ART_1001182037-D

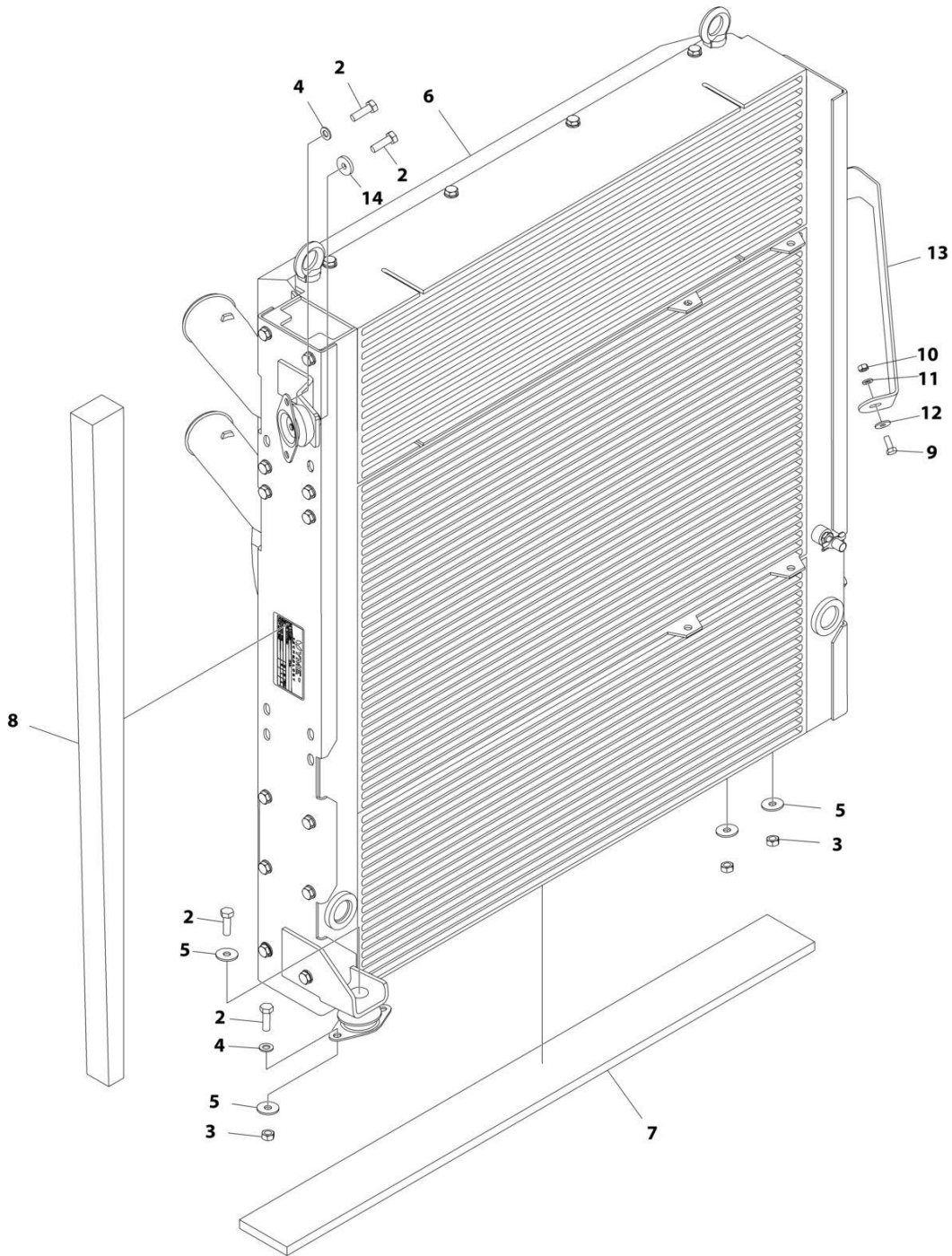
SECTION 4 - ENGINE AND ATTACHING PARTS

FIGURE 4-19. AIR INTAKE LINES INSTALLATION (90/100KW - ULS)

ITEM	PART NUMBER	QTY	DESCRIPTION	REV
	1001182037	Ref	Air Intake Lines Installation (90/100KW - ULS)	D
2	0760605	1	Bolt, M6X10	
3	4811700	1	Washer, M6	
4	8405402	1	Clamp	
5	8410011	3	Clamp, Gear	
6	1001182881	1	Hose	
7	1001182885	1	Hose	
8	1001182886	1	Tube	

SECTION 4 - ENGINE AND ATTACHING PARTS

FIGURE 4-20. COOLER INSTALLATION (90KW)



ART_1001184062

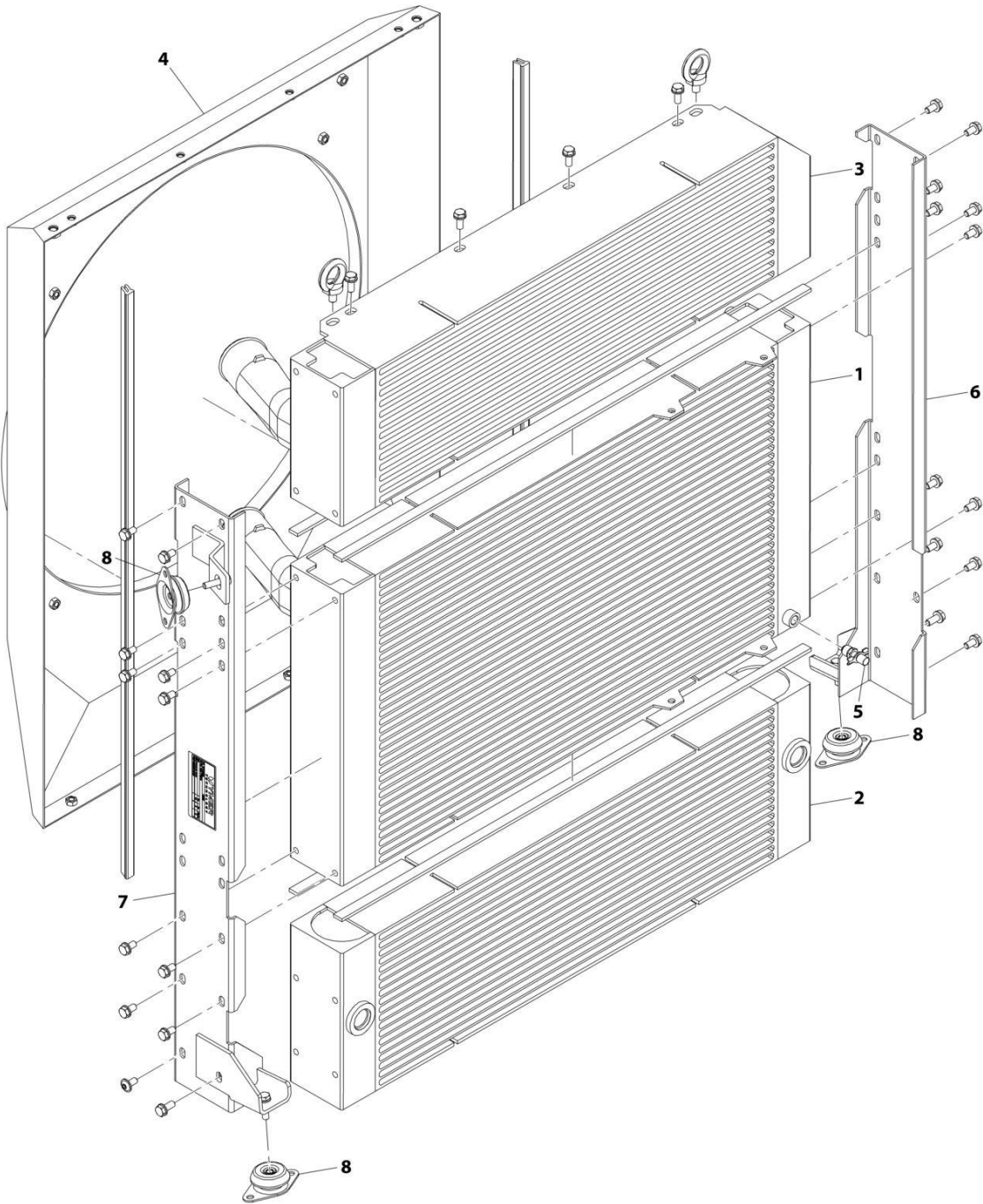
SECTION 4 - ENGINE AND ATTACHING PARTS

FIGURE 4-20. COOLER INSTALLATION (90KW)

ITEM	PART NUMBER	QTY	DESCRIPTION	REV
	1001184062	Ref	COOLER INSTALLATION (90KW)	E
2	0760812	9	Bolt M8 x 25	
3	3290801	4	Nut M8 x 1.25 Grade 8	
4	4811900	6	Washer M8	
5	4811902	6	Washer M8	
6	1001175320	1	Package, Radiator Cooling (90KW) (See Separate Breakdown in this Section)	
7	1001182994	1	Seal	
8	1001182995	1	Seal	
9	0760608	1	Bolt M6 x 16	
10	3290601	1	Nut M6 x 1 Grade 8	
11	4811700	1	Washer M6	
12	4811702	1	Washer M6	
13	1001202120	1	Plate	
14	4740572	1	Washer M10	

SECTION 4 - ENGINE AND ATTACHING PARTS

FIGURE 4-21. RADIATOR COOLING PACKAGE (90KW)



ART_1001175320-C

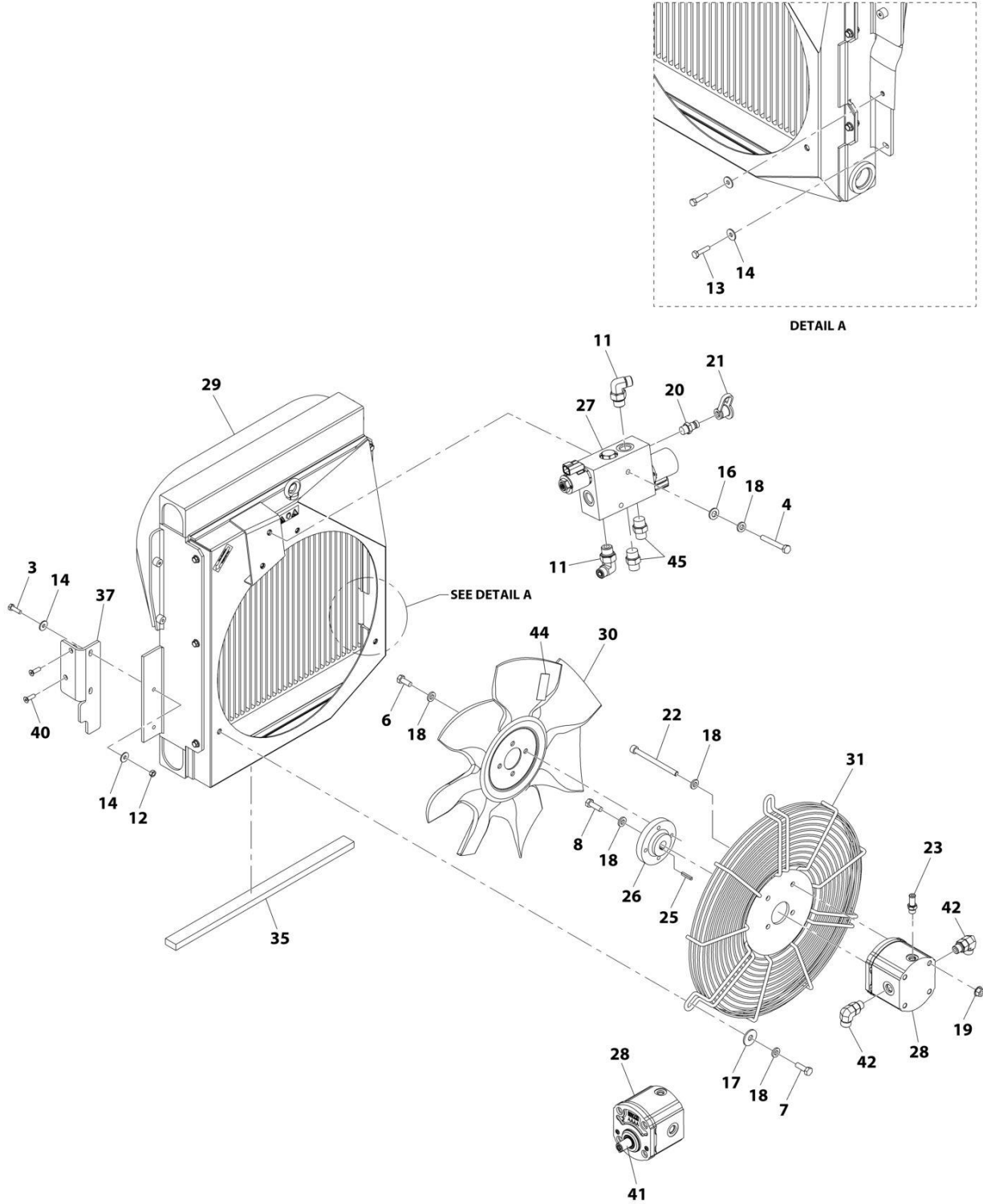
SECTION 4 - ENGINE AND ATTACHING PARTS

FIGURE 4-21. RADIATOR COOLING PACKAGE (90KW)

ITEM	PART NUMBER	QTY	DESCRIPTION	REV
	1001175320	Ref	Radiator Cooling Package (90KW)	C
1	70027199	1	Cooler, Water	
2	70027200	1	Cooler, Oil	
3	70027201	1	Cooler, Air	
4	70027202	1	Shroud	
5	70025644	1	Valve, Drain	
6	70027203	1	Bracket, Mounting	
7	70027204	1	Bracket, Mounting	
8	1001184609	1	Isolator, Mount	

SECTION 4 - ENGINE AND ATTACHING PARTS

FIGURE 4-22. REMOTE HOC INSTALLATION



ART_1001185337-11

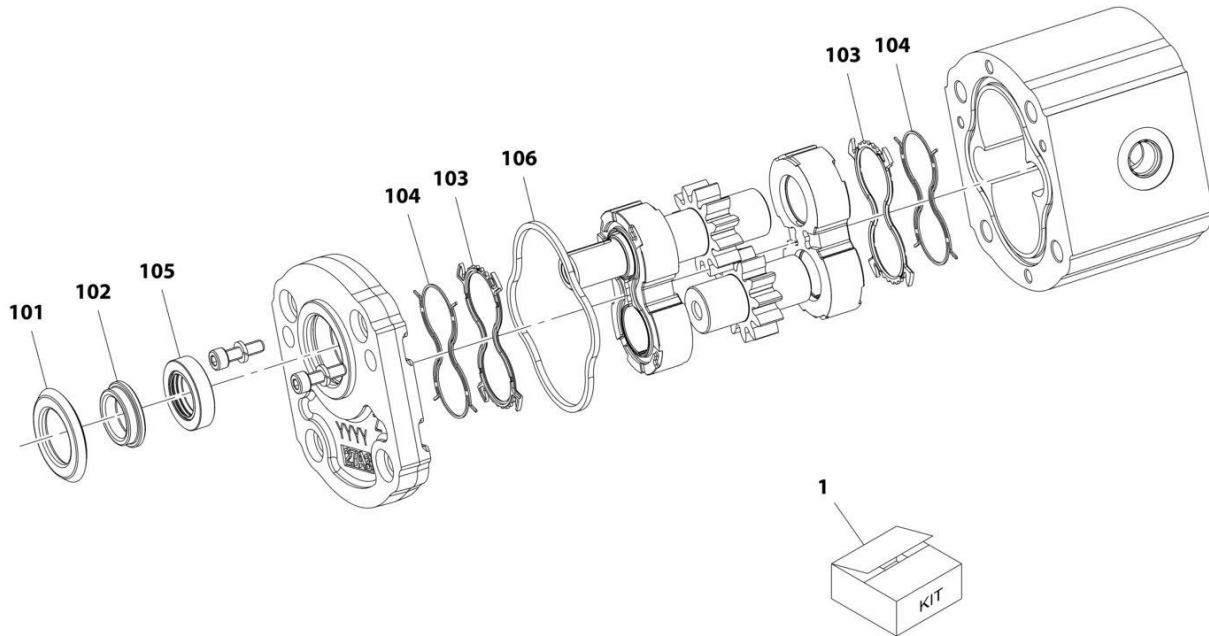
SECTION 4 - ENGINE AND ATTACHING PARTS

FIGURE 4-22. REMOTE HOC INSTALLATION

ITEM	PART NUMBER	QTY	DESCRIPTION	REV
	1001185337	Ref	Remote HOC Installation	1
3	0700610	2	Bolt, M6X20	
4	0700821	2	Bolt, M8X65	
6	0770810	4	Bolt, M8X20 Grade 10.9	
7	0760812	3	Bolt, M8X25	
8	1001139034	1	Bolt	
11	2130608	2	Fitting, 90 ORFS	
12	3290601	2	Nut, M6X1 Grade 8	
13	0700612	2	Bolt, M6X25	
14	4811702	6	Washer, M6	
16	4812000	2	Washer, M10	
17	4812002	3	Washer, M10	
18	5240800	14	Washer, M8	
19	5260800	4	Nut, M8	
20	1001003590	1	Fitting, Straight	
21	1001008761	1	Cap, Dust	
22	1001093277	4	Bolt, M8X100	
23	1001093401	1	Fitting, Straight ORFS	
25	1001152940	1	Key, Fan Hub	
26	1001191508	1	Adapter, Fan Hub	
27	1001182213	1	Valve, Fan Motor Control (See Separate Breakdown in Hydraulic Components Section)	
28	1001182950	1	Motor, Fan Drive (7.29CC) (See Separate Breakdown in this Section)	
29	1001183956	1	Cooler, Oil	
30	1001185210	1	Fan	
31	1001185282	1	Shield, Fan	
35	1001219810	1	Seal	
37	1001197430	1	Bracket	
40	0630576	2	Screw, M6X20	
41	1001125466	AR	Compound, Locking	
42	2130606	2	Fitting, 90 ORFS	
44	1001222573	AR	Reflective Tape	
45	2110608	2	Fitting, Straight ORFS	

SECTION 4 - ENGINE AND ATTACHING PARTS

FIGURE 4-23. FAN DRIVE MOTOR (RHOC)



ART_1001182950-B

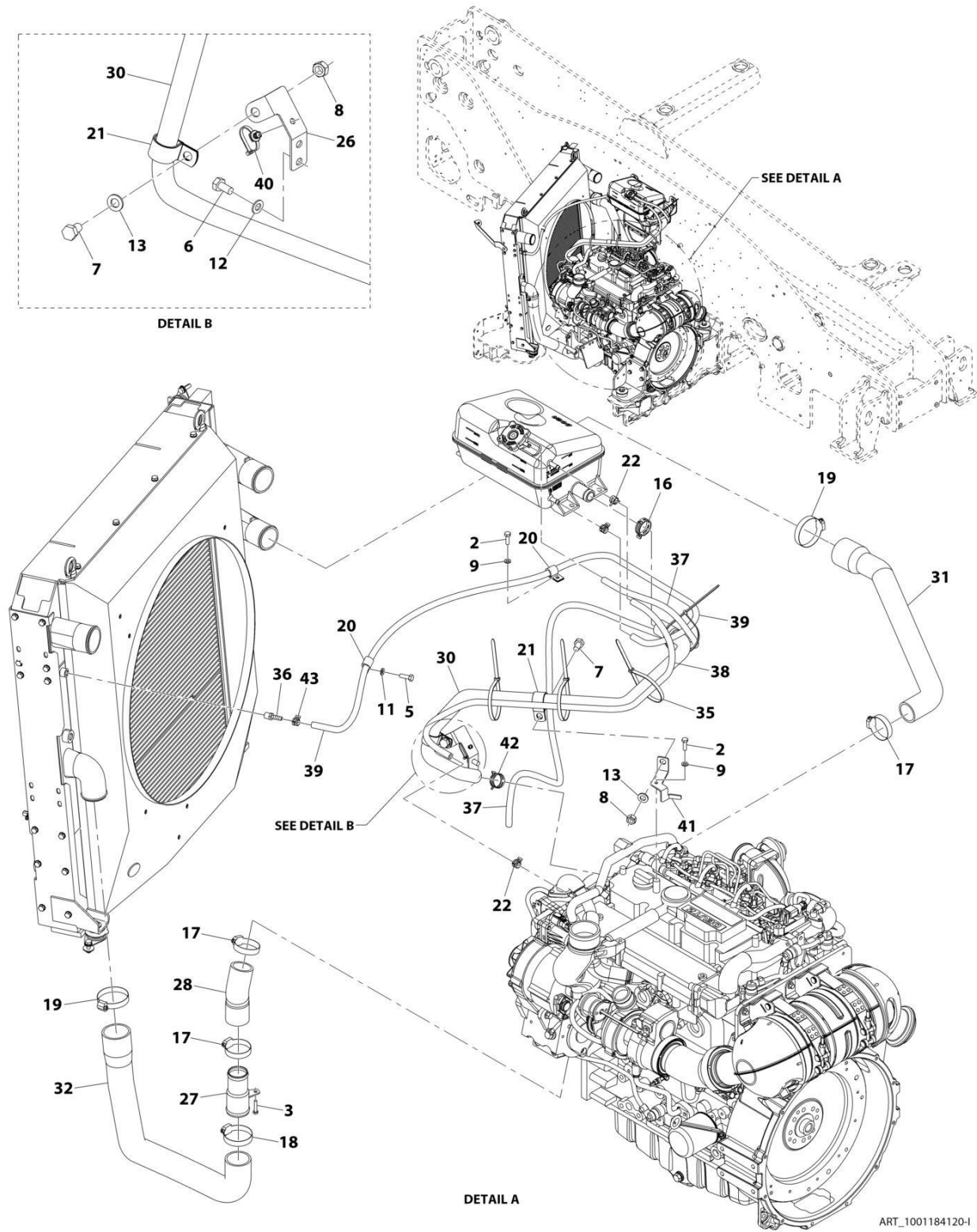
SECTION 4 - ENGINE AND ATTACHING PARTS

FIGURE 4-23. FAN DRIVE MOTOR (RHOC)

ITEM	PART NUMBER	QTY	DESCRIPTION	REV
	1001182950	Ref	Fan Drive Motor (RHOC)	B
1	70027037	1	Kit, Seal	
101	N.S.S.	1	Seal, Axial	
102	N.S.S.	1	Bush Holder	
103	N.S.S.	2	Seal	
104	N.S.S.	2	Ring	
105	N.S.S.	1	Seal	
106	N.S.S.	1	Seal	

SECTION 4 - ENGINE AND ATTACHING PARTS

FIGURE 4-24. COOLANT LINES INSTALLATION (ULS)



ART_1001184120-1

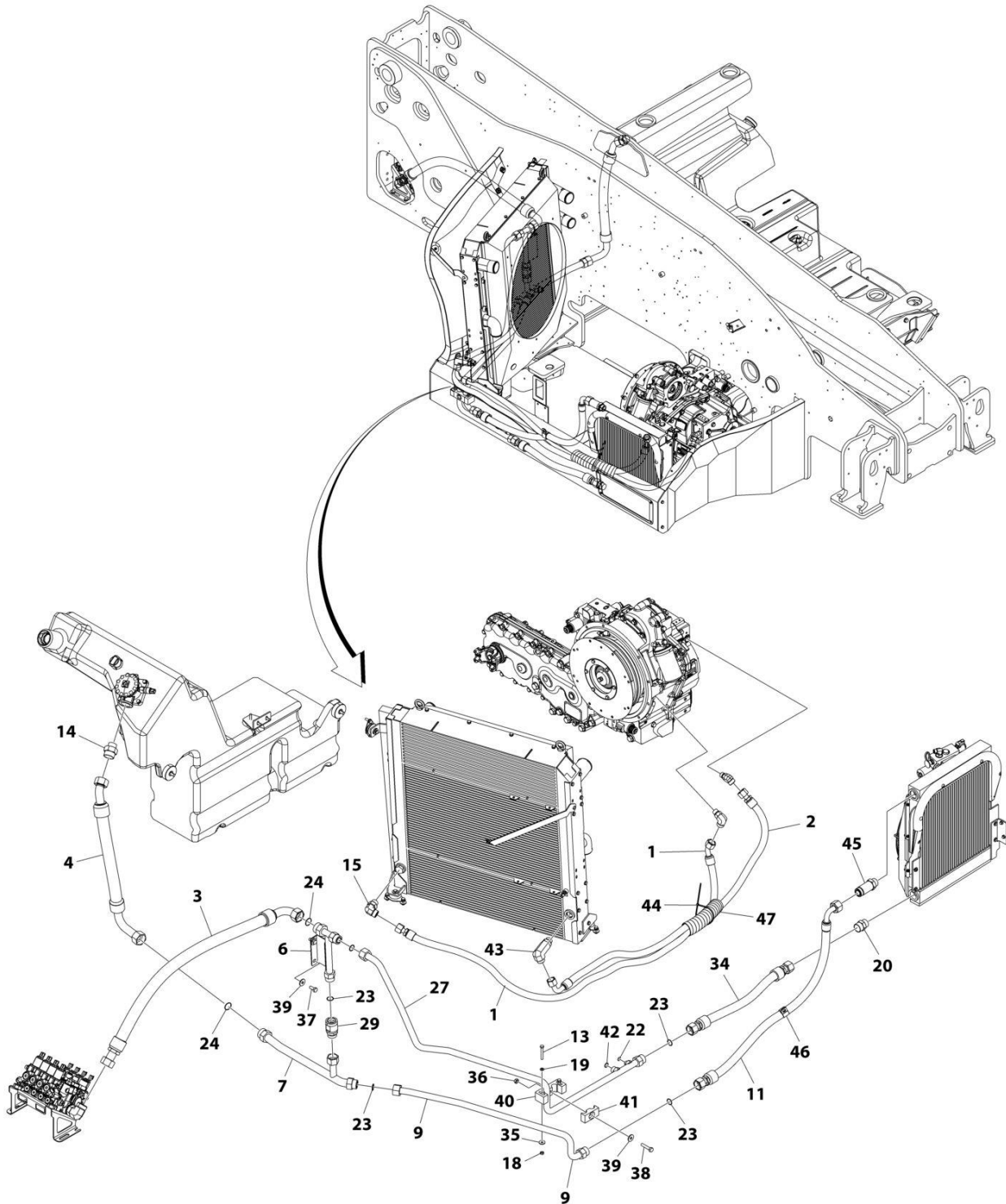
SECTION 4 - ENGINE AND ATTACHING PARTS

FIGURE 4-24. COOLANT LINES INSTALLATION (ULS)

ITEM	PART NUMBER	QTY	DESCRIPTION	REV
	1001184120	Ref	Coolant Lines Installation (ULS)	1
2	0700610	2	Bolt, M6X20	
3	0700614	1	Bolt, M6X30	
5	0760812	1	Bolt, M8X25	
6	0761010	2	Bolt, M10X20	
7	0761210	2	Bolt, M12X20	
8	3291201	2	Nut, M12X1.75 Grade 8	
9	4811700	2	Washer, M6	
11	4811900	1	Washer, M8	
12	4812000	2	Washer, M10	
13	4812100	2	Washer, M12	
16	1001212949	1	Clamp	
17	8405104	3	Clamp	
18	8405201	1	Clamp	
19	8405202	2	Clamp, Gear	
20	1001008580	2	Clip	
21	8406302	2	Clamp, Hose	
22	1001195443	3	Clamp	
26	1001168727	1	Bracket	
27	1001189884	1	Pipe	
28	1001217333	1	Hose	
30	1001184099	1	Hose	
31	1001184129	1	Hose	
32	1001184128	1	Hose	
35	1062255	AR	Strap, Tie	
36	8420231	1	Adapter	
37	1001203009	1	Hose	
38	1001203027	1	Hose	
39	1001203028	1	Hose	
40	1001146588	1	Strap	
41	1001205551	1	Bracket	
42	1001212948	1	Clamp	
43	1001140296	1	Clamp	

SECTION 4 - ENGINE AND ATTACHING PARTS

FIGURE 4-25. COOLER LINES INSTALLATION (90KW)



ART_1001183076_G

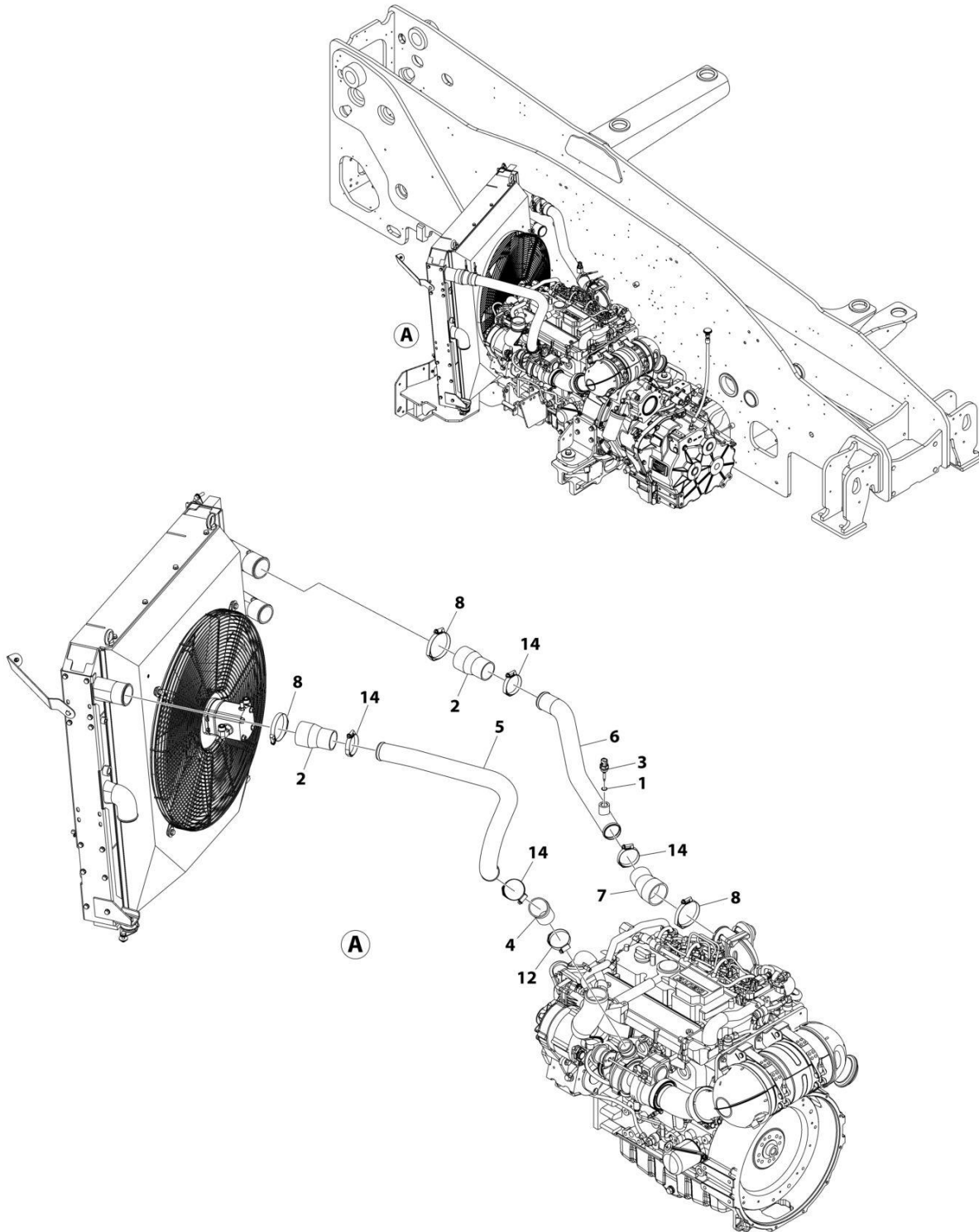
SECTION 4 - ENGINE AND ATTACHING PARTS

FIGURE 4-25. COOLER LINES INSTALLATION (90KW)

ITEM	PART NUMBER	QTY	DESCRIPTION	REV
	1001183076	Ref	COOLER LINES INSTALLATION (90KW)	G
1	1001203173	1	Hose, ORFS	
2	1001229093	1	Hose, ORFS	
3	1001202249	1	Hose, ORFS	
4	1001203039	1	Hose, ORFS	
6	1001202445	1	Pipe, ORFS	
7	1001203014	1	Pipe, ORFS	
9	1001202329	1	Pipe, ORFS	
11	1001265061	1	Hose, ORFS	
13	0700820	2	Bolt, M8X60	
14	2112016	1	Fitting, Straight ORFS	
15	2131212	1	Fitting, 90 ORFS	
18	3290801	2	Nut, M8X1.25 Grade 8	
19	4811900	2	Washer, M8	
20	2111616	1	Fitting, Straight ORFS	
22	1001008804	1	Seal	
23	1001010240	5	Seal, O-Ring ORFS	
24	1001010938	2	Seal, O-Ring ORFS	
27	1001202328	1	Pipe, ORFS	
29	1001185871	1	Check, Valve ORFS	
34	1001202376	1	Hose, ORFS	
35	4811902	2	Washer, M8	
36	3291001	1	Nut, M10X1.5 Grade 8	
37	0701012	2	Bolt, M10X25	
38	0701018	1	Bolt, M10X50	
39	4812002	3	Washer, M10	
40	1001202653	1	Clamp, Pipes Female	
41	1001202654	1	Clamp, Pipes Male	
42	1001008922	1	Seal	
43	2170212	1	Fitting, 90 ORFS	
44	1062255	1	Strap, Tie	
45	2170116	1	Fitting, Straight ORFS	
46	8406302	1	Clamp	
47	1001268889	1	Sleeve, Hose Wrap	

SECTION 4 - ENGINE AND ATTACHING PARTS

FIGURE 4-26. CAC LINES INSTALLATION (ULS)



ART_1001186849_G

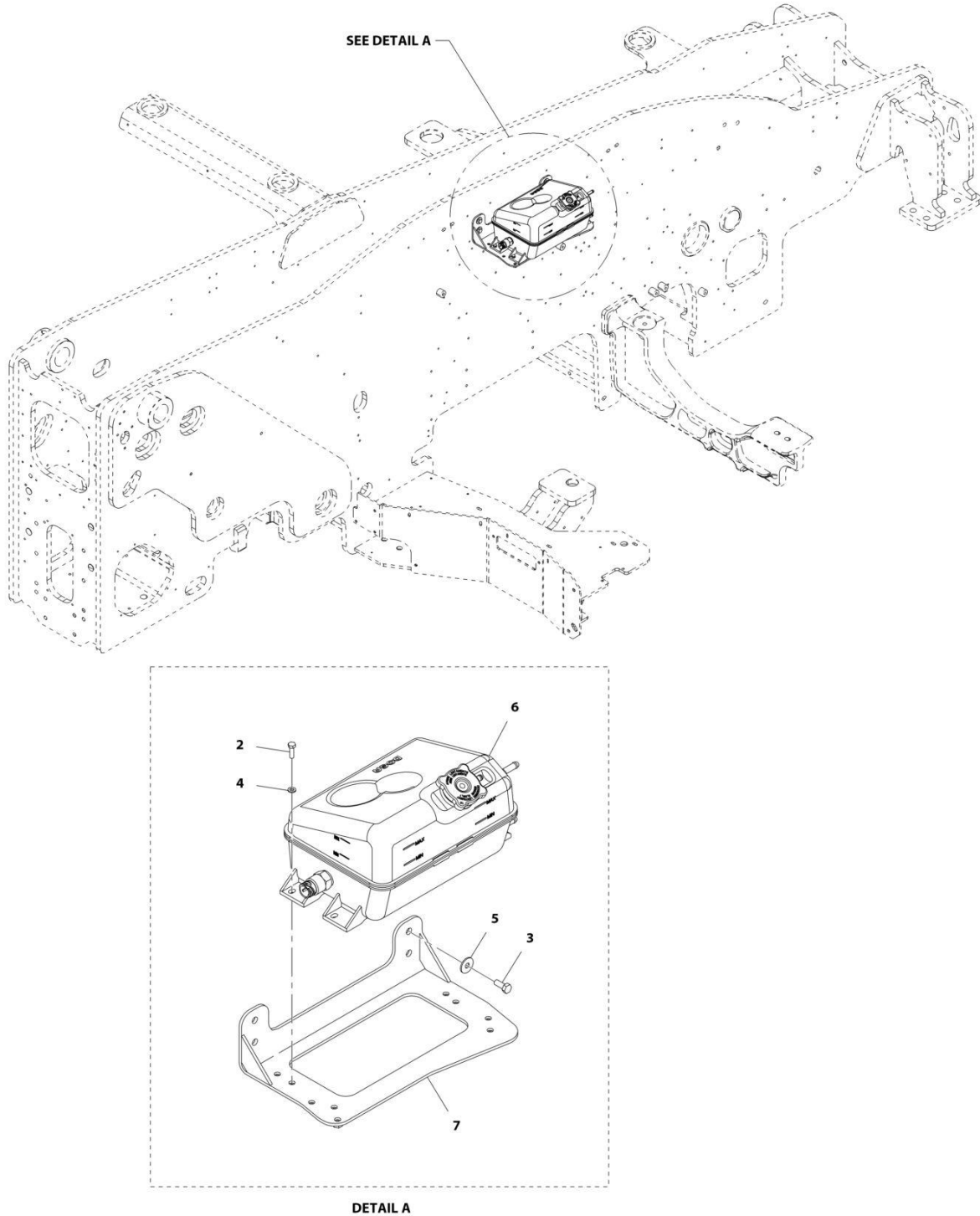
SECTION 4 - ENGINE AND ATTACHING PARTS

FIGURE 4-26. CAC LINES INSTALLATION (ULS)

ITEM	PART NUMBER	QTY	DESCRIPTION	REV
	1001186849	Ref	CAC LINES INSTALLATION (ULS)	G
1	1001009163	1	O-Ring	
2	1001226096	2	Coupling, Reducer	
3	1001128478	1	Sensor, Temperature	
4	1001197653	1	Coupling, Reducer	
5	1001197641	1	Pipe	
6	1001197638	1	Pipe	
7	1001197654	1	Coupling, Reducer	
8	1001215022	3	Clamp	
12	1001215024	1	Clamp	
14	1001215023	4	Clamp	

SECTION 4 - ENGINE AND ATTACHING PARTS

FIGURE 4-27. SURGE TANK INSTALLATION



ART_1001179864-C

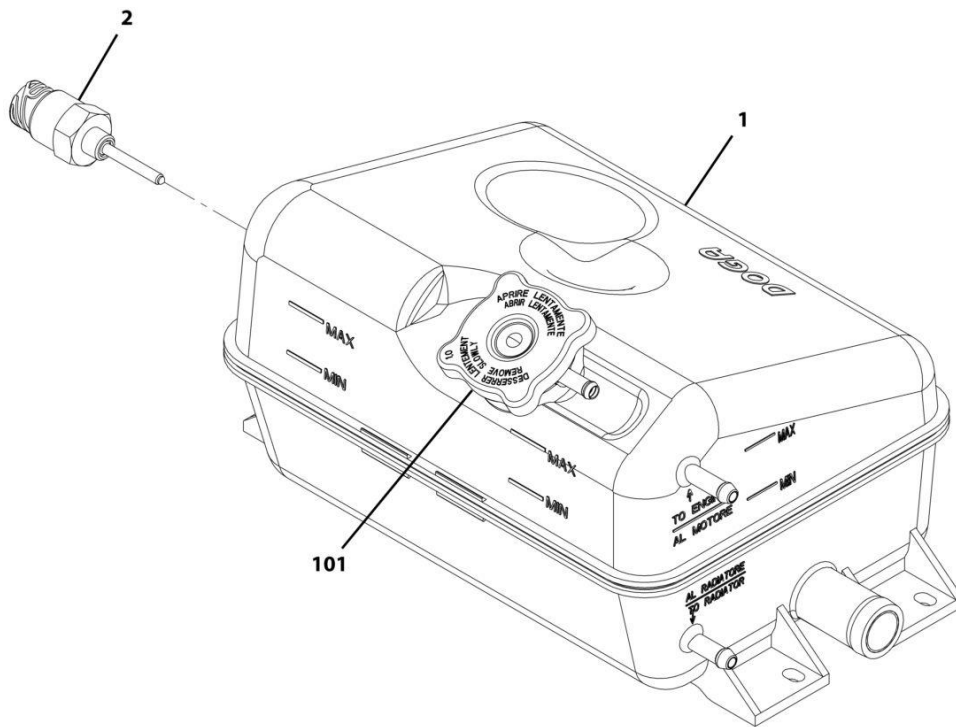
SECTION 4 - ENGINE AND ATTACHING PARTS

FIGURE 4-27. SURGE TANK INSTALLATION

ITEM	PART NUMBER	QTY	DESCRIPTION	REV
	1001179864	Ref	Surge Tank Installation	C
2	0700610	4	Bolt, M6X20	
3	0760810	4	Bolt, M8X20	
4	4811700	4	Washer, M6	
5	4811902	4	Washer, M8	
6	1001149375	1	Tank, Expansion (See Separate Breakdown in this Section)	
7	1001188407	1	Bracket	

SECTION 4 - ENGINE AND ATTACHING PARTS

FIGURE 4-28. TANK EXPANSION



ART_1001149375-B

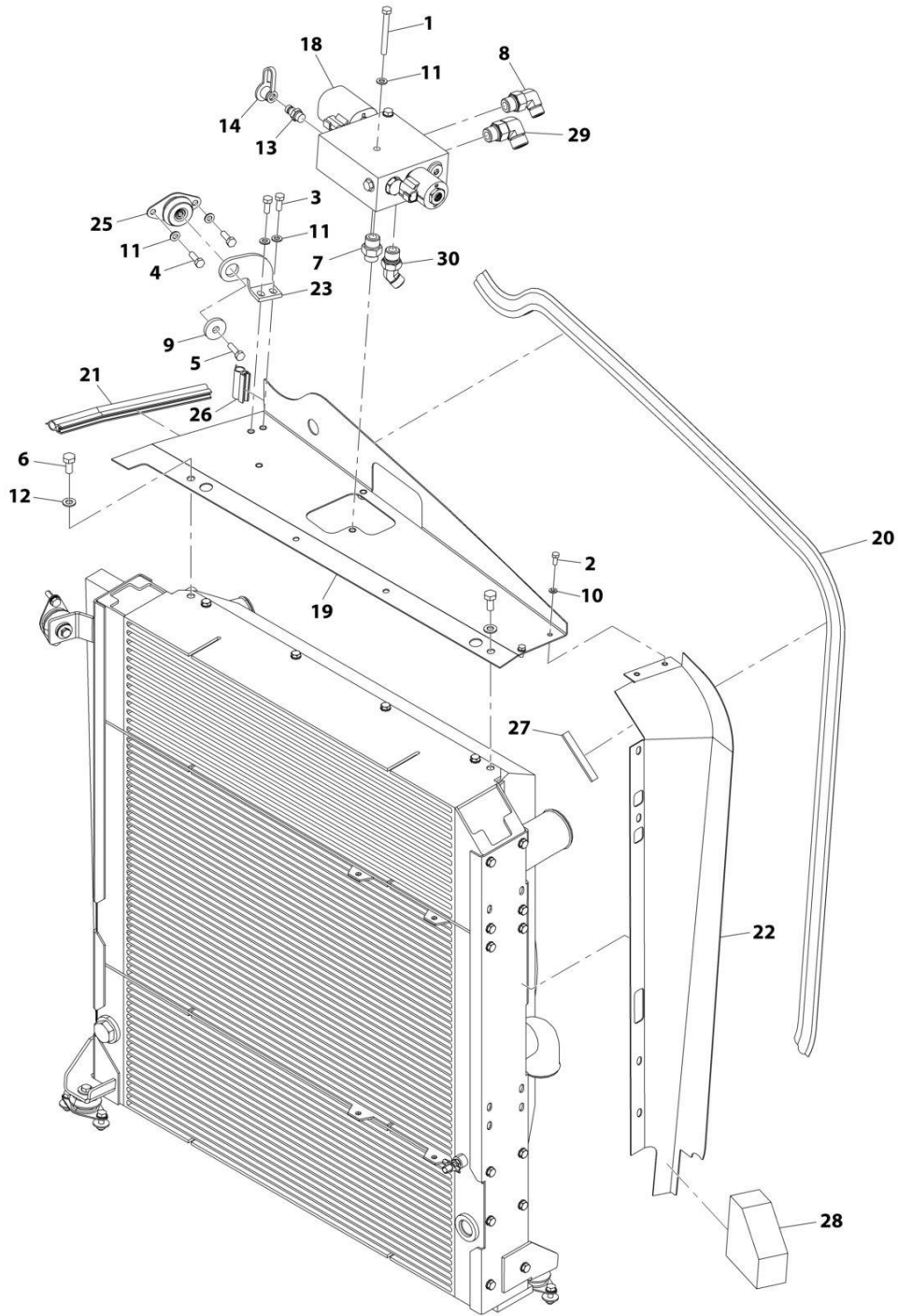
SECTION 4 - ENGINE AND ATTACHING PARTS

FIGURE 4-28. TANK EXPANSION

ITEM	PART NUMBER	QTY	DESCRIPTION	REV
	1001149375	Ref	EXPANSION TANK	B
1	1001149308	1	Tank, Expansion	
2	1001149376	1	Sensor, Coolant Level	
101	70026997	1	Cap	

SECTION 4 - ENGINE AND ATTACHING PARTS

FIGURE 4-29. BULKHEAD INSTALLATION



ART_1001184955-H

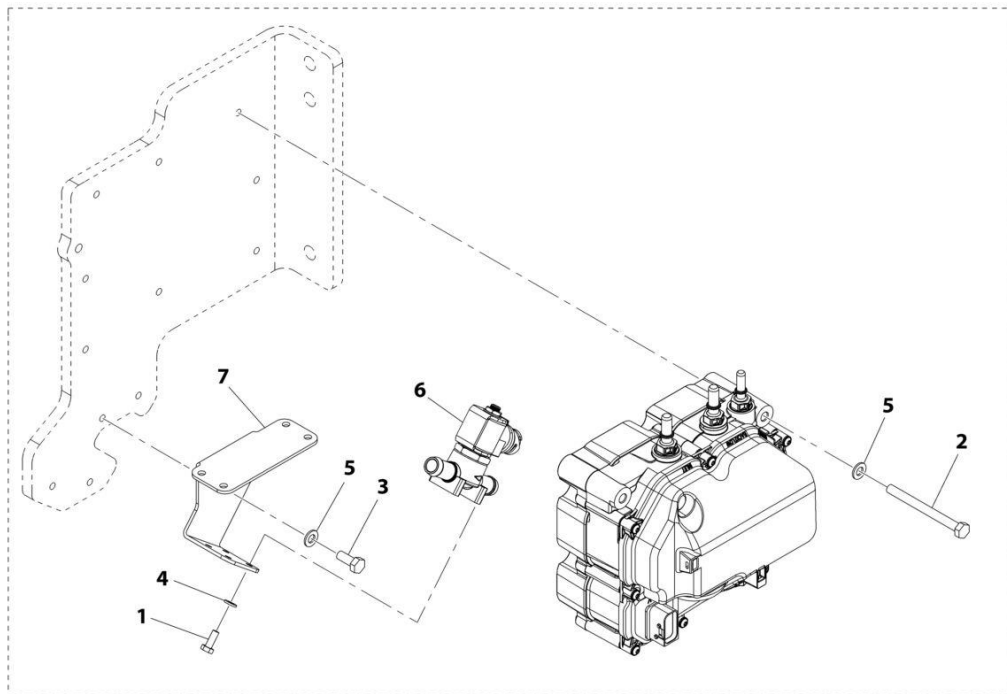
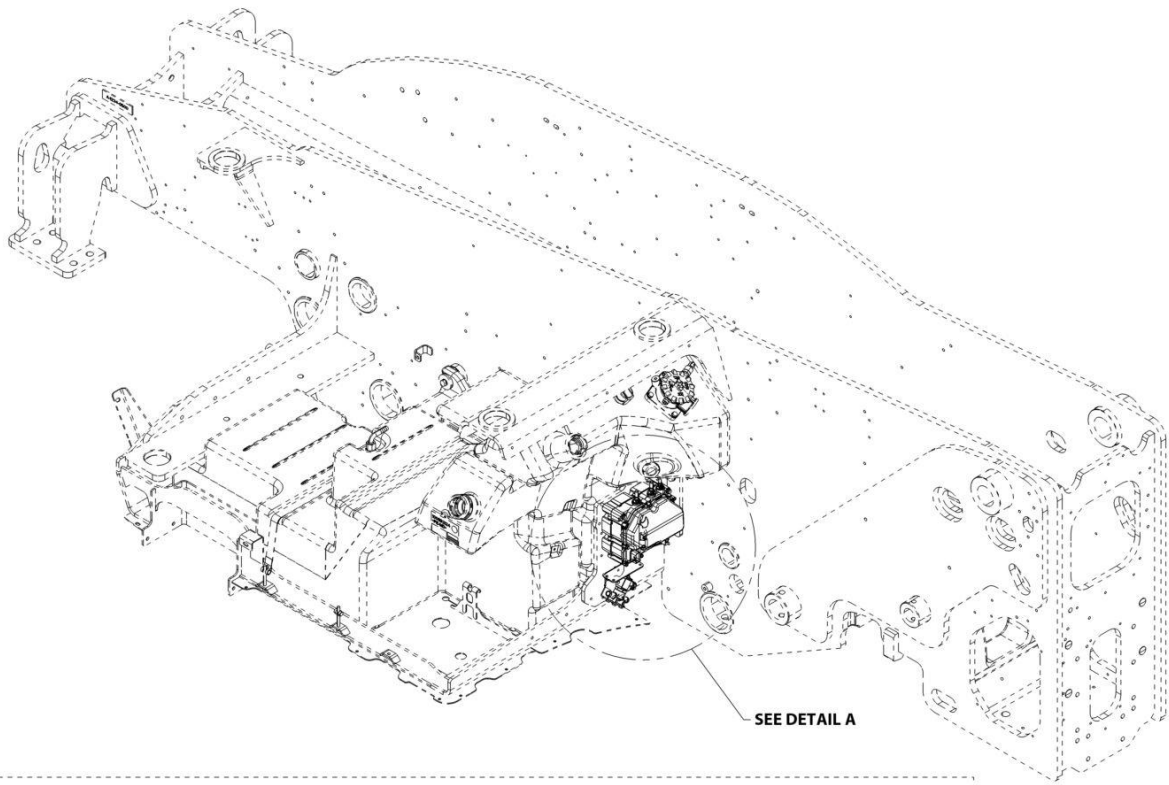
SECTION 4 - ENGINE AND ATTACHING PARTS

FIGURE 4-29. BULKHEAD INSTALLATION

ITEM	PART NUMBER	QTY	DESCRIPTION	REV
	1001184955	Ref	Bulkhead Installation	H
1	0700823	2	Bolt, M8X75	
2	0760607	2	Bolt, M6X14	
3	0760810	2	Bolt, M8X20	
4	0760812	2	Bolt, M8X25	
5	0760814	1	Bolt, M8X30	
6	0761011	2	Bolt, M10X22	
7	2110810	1	Fitting, Straight ORFS	
8	2130810	1	Fitting, 90 ORFS	
9	4740572	1	Washer, M10	
10	4811700	2	Washer, M6	
11	4811900	6	Washer, M8	
12	4812000	2	Washer, M10	
13	1001003590	1	Fitting, Straight	
14	1001008761	1	Cap	
18	1001200908	1	Valve, Fan Motor Control	
19	1001230411	1	Panel	
20	1001182452	1	Seal	
21	1001182453	1	Seal	
22	1001183958	1	Panel	
23	1001184445	1	Bracket	
25	1001184609	1	Mount	
26	1001184800	1	Seal	
27	1001216867	1	Seal, Bulkhead	
28	1001186370	1	Seal	
29	2131010	1	Fitting, 90 ORFS	
30	2150810	1	Fitting, 45 ORFS	

SECTION 4 - ENGINE AND ATTACHING PARTS

FIGURE 4-30. DEF CONTROL MODULE INSTALLATION (ULS)



DETAIL A

ART_1001256563-A

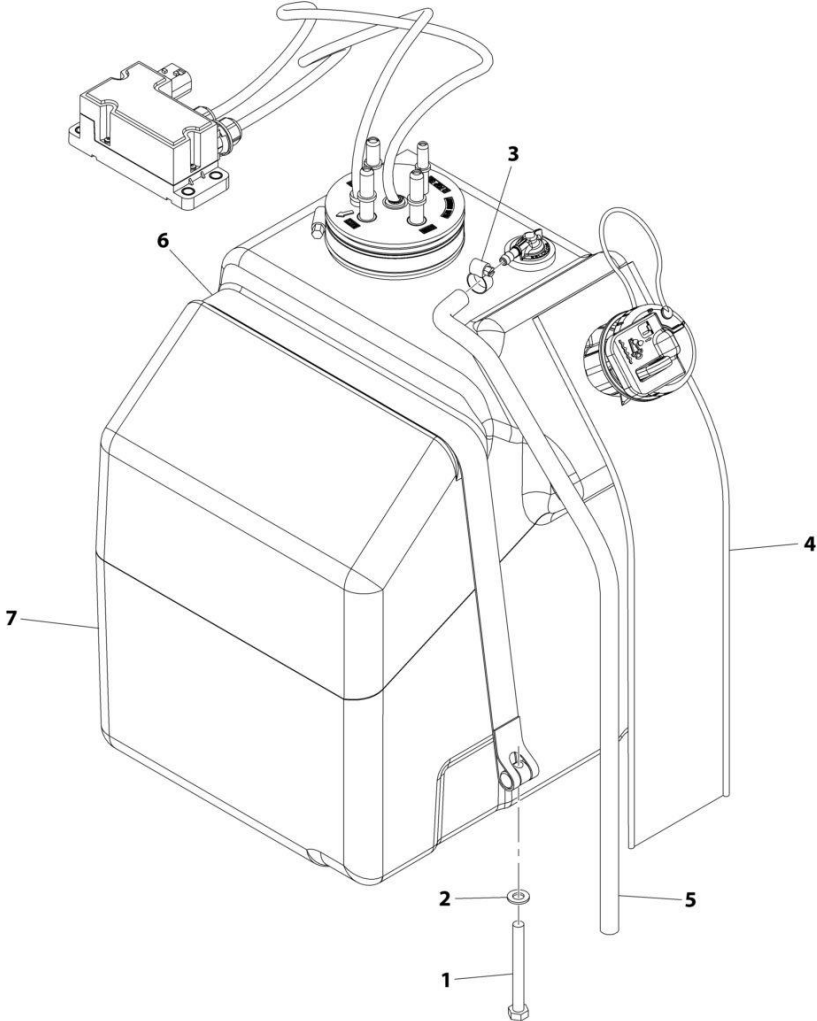
SECTION 4 - ENGINE AND ATTACHING PARTS

FIGURE 4-30. DEF CONTROL MODULE INSTALLATION (ULS)

ITEM	PART NUMBER	QTY	DESCRIPTION	REV
	1001256563	Ref	DEF Control Module Installation (ULS)	A
1	0700608	4	Bolt, M6X16	
2	0700826	3	Bolt, M8X90	
3	0760810	2	Bolt, M8X20	
4	4811700	4	Washer, M6	
5	4811900	5	Washer, M8	
6	1001199670	1	Valve	
7	1001256410	1	Bracket	

SECTION 4 - ENGINE AND ATTACHING PARTS

FIGURE 4-31. DEF TANK INSTALLATION (ULS)



ART_1001256277-A

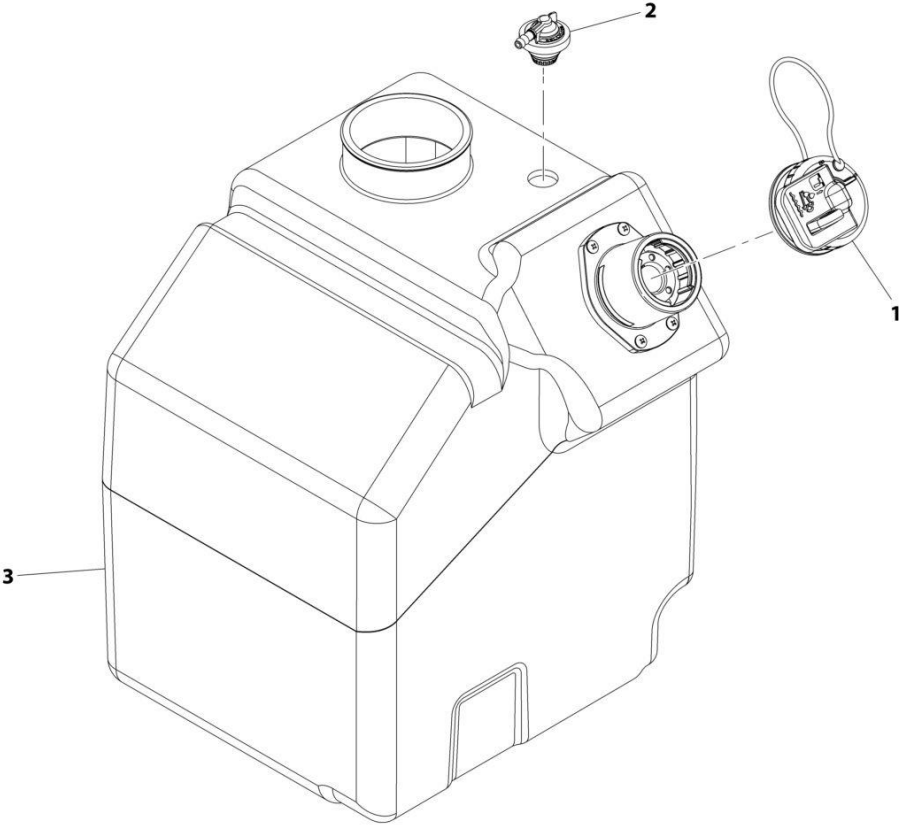
SECTION 4 - ENGINE AND ATTACHING PARTS

FIGURE 4-31. DEF TANK INSTALLATION (ULS)

ITEM	PART NUMBER	QTY	DESCRIPTION	REV
	1001256277	Ref	DEF Tank Installation (ULS)	A
1	0760823	1	Bolt, M8X75	
2	4811900	1	Washer, M8	
3	8405009	1	Clamp	
4	1001168272	1	Sleeve	
5	1001175201	0.6 m	Hose	
6	1001178791	1	Strap	
7	1001247279	1	DEF Tank Assembly (ULS) (See Separate Breakdown in this Section)	

SECTION 4 - ENGINE AND ATTACHING PARTS

FIGURE 4-32. DEF TANK ASSEMBLY (ULS)



ART_1001247279-B

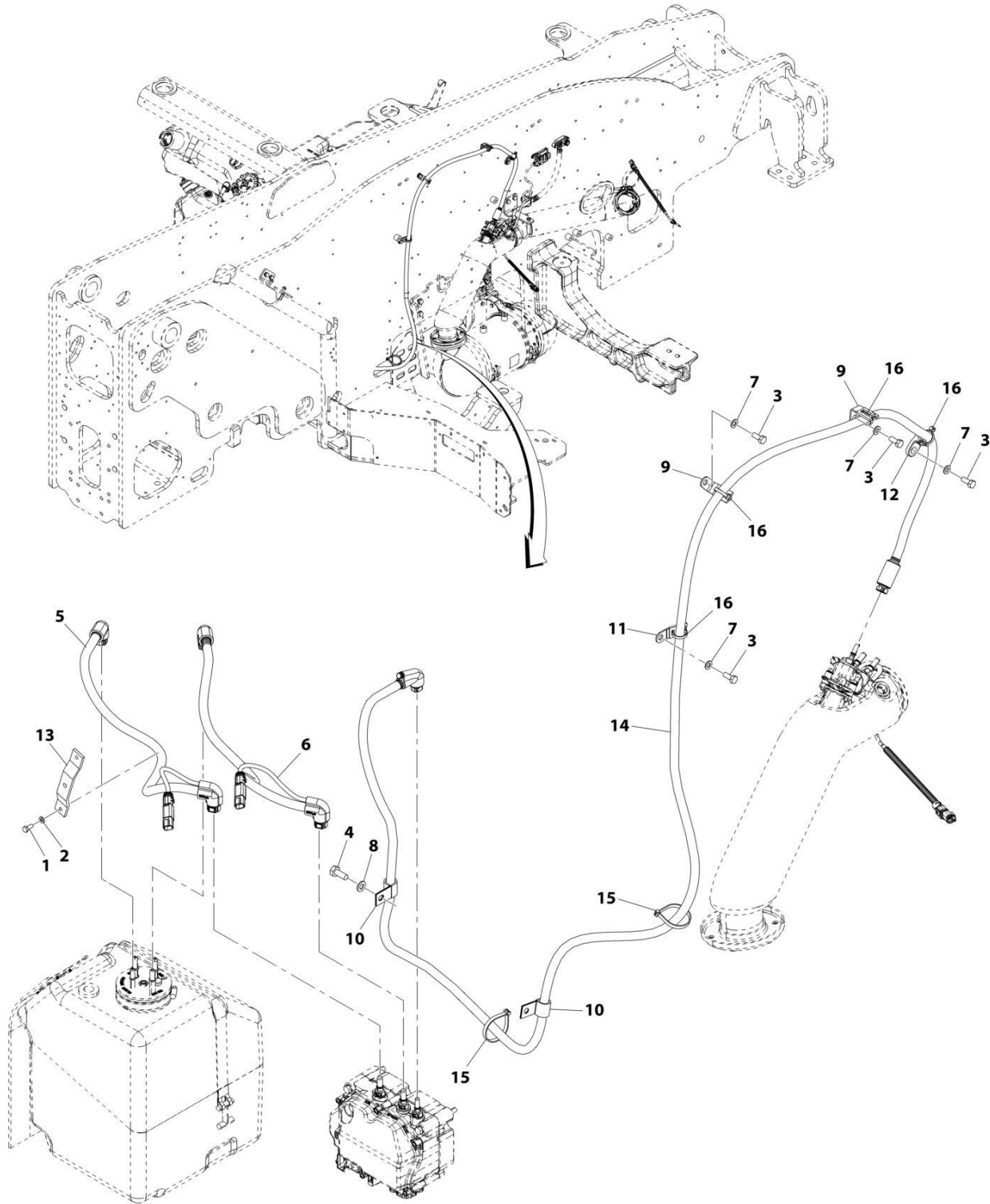
SECTION 4 - ENGINE AND ATTACHING PARTS

FIGURE 4-32. DEF TANK ASSEMBLY (ULS)

ITEM	PART NUMBER	QTY	DESCRIPTION	REV
	1001247279	Ref	DEF Tank Assembly	B
1	1001174795	1	Reutter Cap Assembly	
2	1001215319	1	DEF Breather Valve	
3	1001237897	NLA	DEF Tank (Use PN 1001247279)	

SECTION 4 - ENGINE AND ATTACHING PARTS

FIGURE 4-33. DEF LINES INSTALLATION (ULS)



ART_1001256278-A

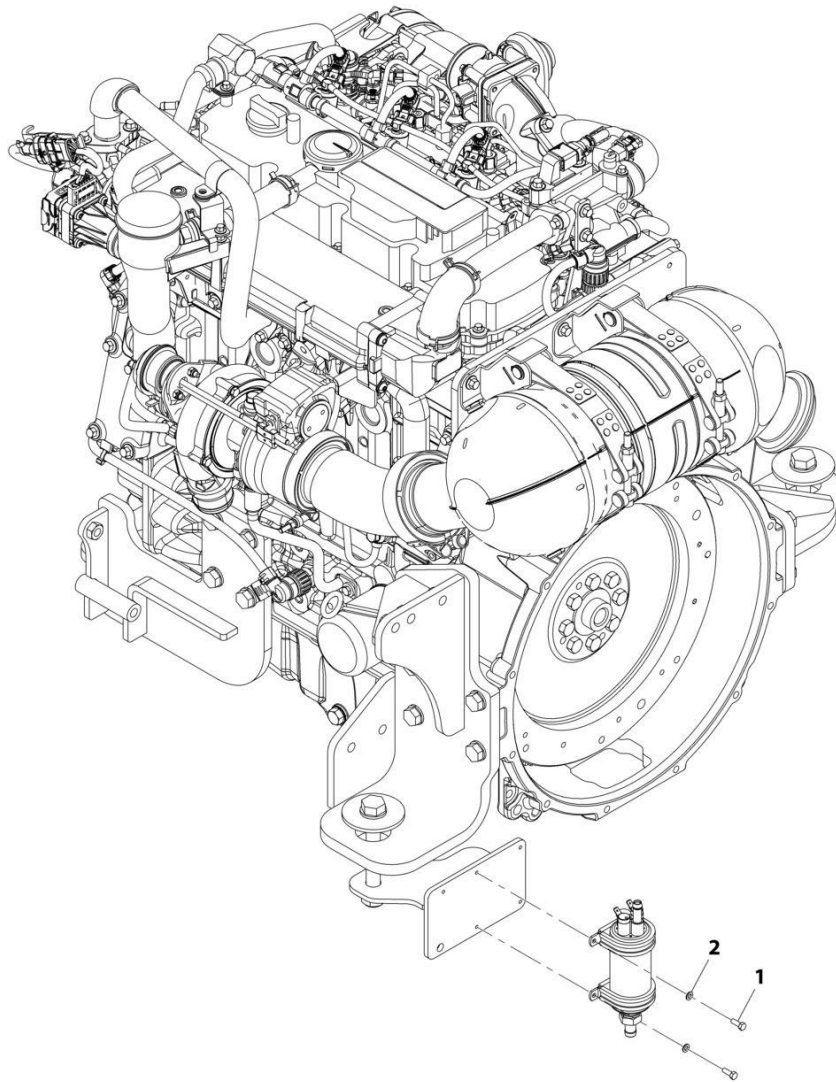
SECTION 4 - ENGINE AND ATTACHING PARTS

FIGURE 4-33. DEF LINES INSTALLATION (ULS)

ITEM	PART NUMBER	QTY	DESCRIPTION	REV
	1001256278	Ref	DEF LINES INSTALLATION (ULS)	A
1	0760607	2	Bolt M6 x 14	
2	4831700	2	Washer, Lock M6	
3	0760810	4	Bolt M8 x 20	
4	0761012	1	Bolt M10 x 25	
5	1001239879	1	Hose, Heated (DEF)	
6	1001239878	1	Hose, Heated (DEF)	
7	4811900	4	Washer M8	
8	4812000	1	Washer M10	
9	1001003305	2	Clip	
10	1001008574	2	Clip	
11	1001008593	1	Clip	
12	1001169146	1	Mount	
13	1001180328	1	Bracket	
14	1001207486	1	Hose, Heated (DEF)	
15	1062255	2	Strap, Tie	
16	471678	4	Strap, Tie	

SECTION 4 - ENGINE AND ATTACHING PARTS

FIGURE 4-34. REMOTE FUEL PUMP INSTALLATION (74.4KW)



ART_1001165789-G

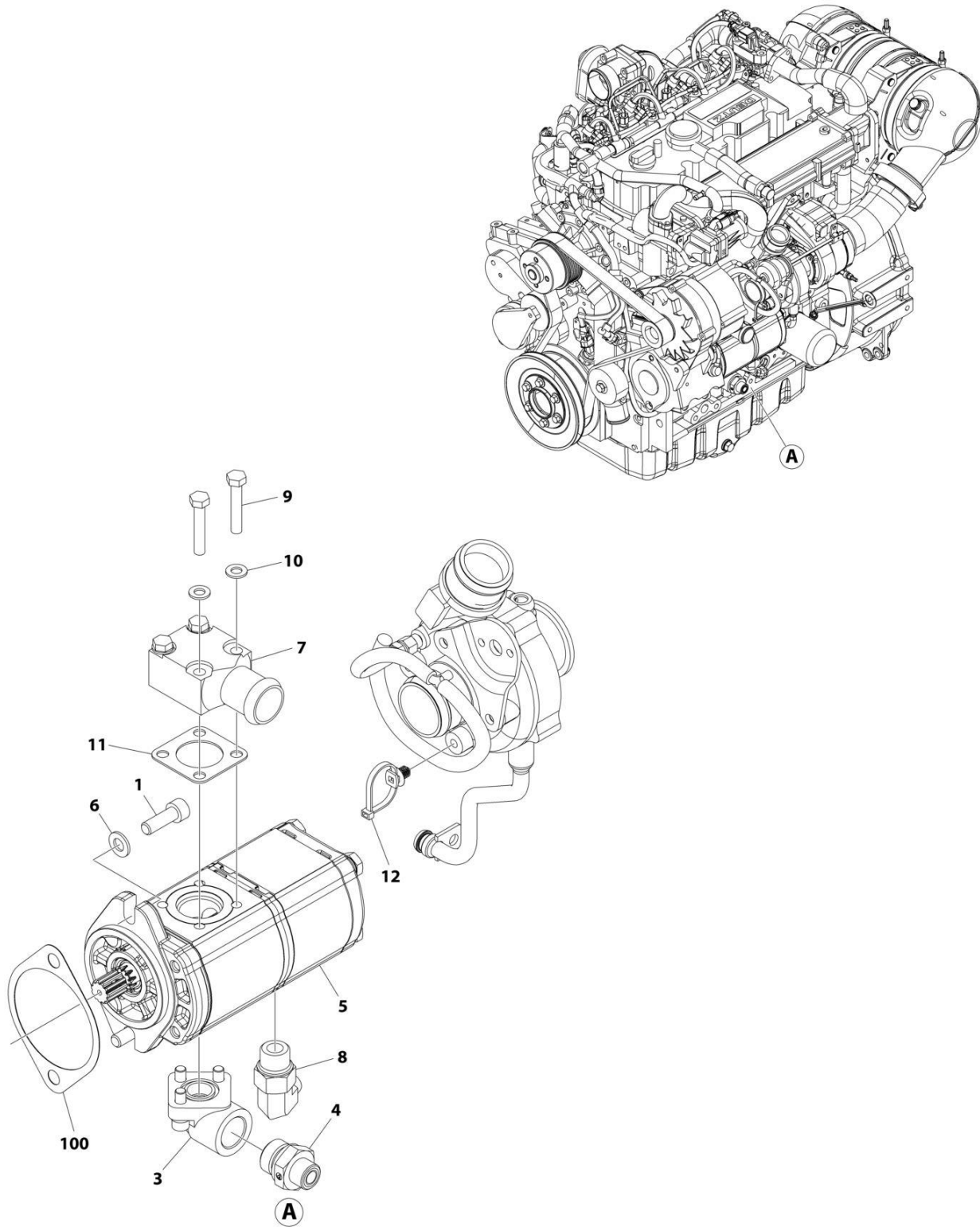
SECTION 4 - ENGINE AND ATTACHING PARTS

FIGURE 4-34. REMOTE FUEL PUMP INSTALLATION (74.4KW)

ITEM	PART NUMBER	QTY	DESCRIPTION	REV
	1001165789	Ref	Remote Fuel Pump Installation (74.4KW)	G
1	0760507	4	Bolt, M5X14	
2	4811600	4	Washer, M5	

SECTION 4 - ENGINE AND ATTACHING PARTS

FIGURE 4-35. HYDRAULIC PUMP INSTALLATION (90KW)



ART_1001185864-G

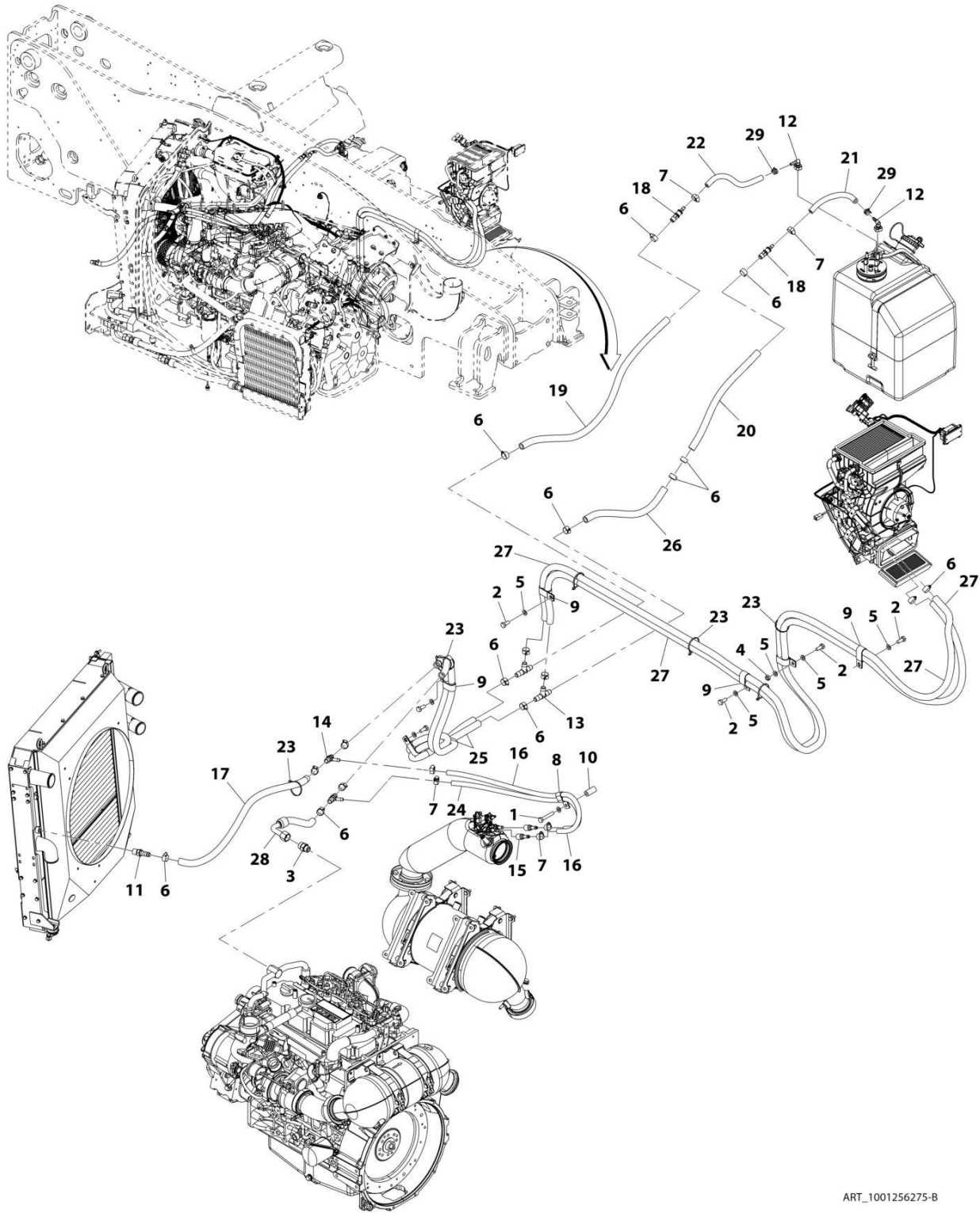
SECTION 4 - ENGINE AND ATTACHING PARTS

FIGURE 4-35. HYDRAULIC PUMP INSTALLATION (90KW)

ITEM	PART NUMBER	QTY	DESCRIPTION	REV
	1001185864	Ref	Hydraulic Pump Installation (90KW)	G
1	4032010	2	Bolt, M10X30	
3	1001135245	1	Elbow, Adapter	
4	1001192411	1	Fitting, Straight ORFS	
5	1001182935	1	Pump	
6	4812000	2	Washer, M10	
7	1001202643	1	Fitting	
8	2130610	1	Fitting, 90 ORFS	
9	0700817	4	Bolt, M8X45	
10	4811900	4	Washer, M8	
11	1001203012	1	Seal	
12	1001146588	1	Strap	
100	70024965	1	Gasket, Fan Pump (Supplied with Engine)	

SECTION 4 - ENGINE AND ATTACHING PARTS

FIGURE 4-36. HEATER LINES INSTALLATION (ULS)



ART_1001256275-B

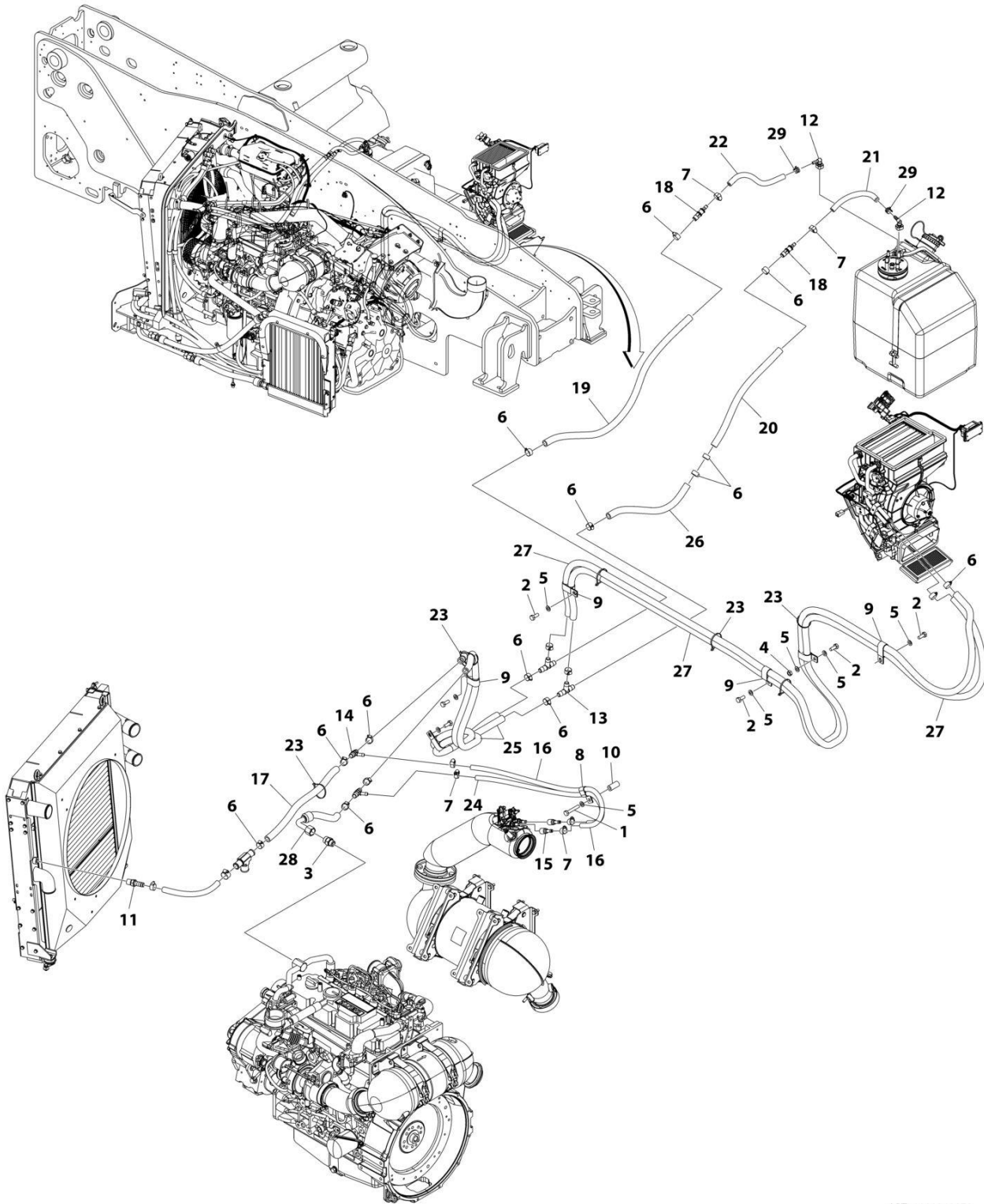
SECTION 4 - ENGINE AND ATTACHING PARTS

FIGURE 4-36. HEATER LINES INSTALLATION (ULS)

ITEM	PART NUMBER	QTY	DESCRIPTION	REV
	1001256275	Ref	Heater Lines Installation (ULS)	B
1	0701020	1	Bolt, M10X60	
2	0761012	6	Bolt, M10X25	
3	1001202921	1	Fitting, Straight ORFS	
4	3291001	1	Nut, M10X1.5	
5	4812000	8	Washer, M10	
6	8410009	17	Clamp, Gear	
7	8410013	6	Clamp, Gear	
8	1001008573	1	Clip	
9	1001008720	6	Clip	
10	1001092122	1	Spacer	
11	1001104685	1	Fitting, Barbed	
12	1001155823	2	Coupling,90 Deg Quick Connect	
13	1001183125	2	Fitting, Tee	
14	1001183149	2	Fitting, Tee	
15	1001183357	2	Fitting, Straight	
16	1001202474	1	Hose	
17	1001202476	1	Hose	
18	1001238470	2	Adapter	
19	1001256381	1	Hose	
20	1001256382	1	Hose	
21	1001256383	1	Hose	
22	1001256384	1	Hose	
23	1001008559	8	Strap	
24	1001202473	1	Hose	
25	1001202477	2	Hose	
26	1001202478	1	Hose	
27	1001202480	2	Hose	
28	1001212956	1	Hose	
29	1001254357	2	Clamp	

SECTION 4 - ENGINE AND ATTACHING PARTS

FIGURE 4-37. HEATER LINES WITH BLOCK HEATER INSTALLATION (ULS)



ART_1001260973

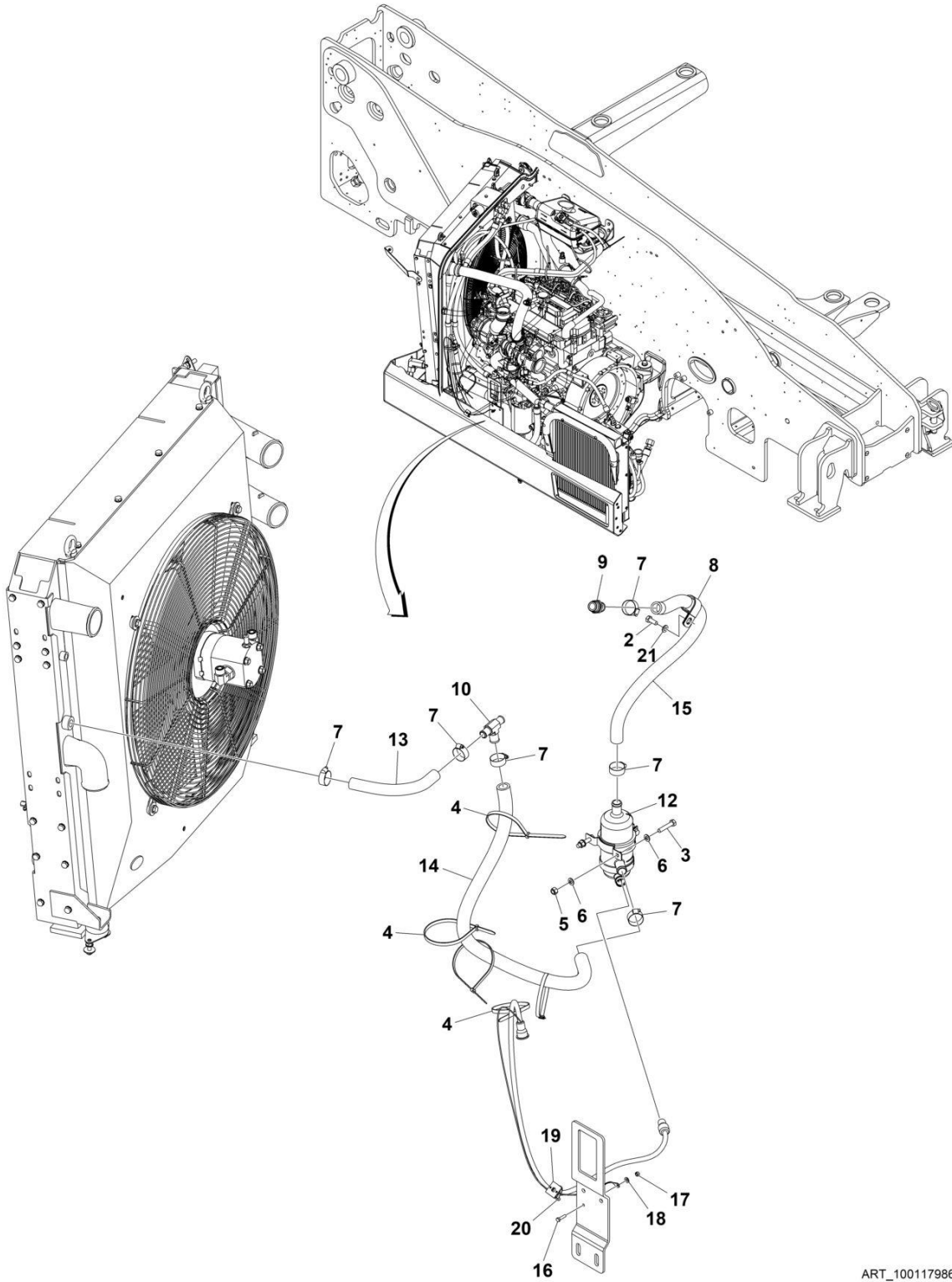
SECTION 4 - ENGINE AND ATTACHING PARTS

FIGURE 4-37. HEATER LINES WITH BLOCK HEATER INSTALLATION (ULS)

ITEM	PART NUMBER	QTY	DESCRIPTION	REV
	1001260973	Ref	HEATER LINES WITH BLOCK HEATER INSTALLATION (ULS)	A
1	0701020	1	Bolt M10X60	
2	0761012	6	Bolt M10X25	
3	1001202921	1	Fitting, Straight ORFS	
4	3291001	1	Nut M10	
5	4812000	8	Washer M10	
6	8410009	17	Clamp, Gear	
7	8410013	6	Clamp, Gear	
8	1001008573	1	Clip	
9	1001008720	6	Clip	
10	1001092122	1	Spacer	
11	1001104685	1	Fitting, Barbed	
12	1001155823	2	Coupling,90 Deg Quick Connect	
13	1001183125	2	Fitting, Tee	
14	1001183149	2	Fitting, Tee	
15	1001183357	2	Fitting, Straight	
16	1001202474	1	Hose	
17	1001260974	1	Hose	
18	1001238470	2	Adapter	
19	1001256381	1	Hose	
20	1001256382	1	Hose	
21	1001256383	1	Hose	
22	1001256384	1	Hose	
23	1001008559	8	Strap	
24	1001202473	1	Hose	
25	1001202477	2	Hose	
26	1001202478	1	Hose	
27	1001202480	2	Hose	
28	1001212956	1	Hose	
29	1001254357	2	Clamp	

SECTION 4 - ENGINE AND ATTACHING PARTS

FIGURE 4-38. BLOCK HEATER INSTALLATION (120V - LS)



ART_1001179861_F

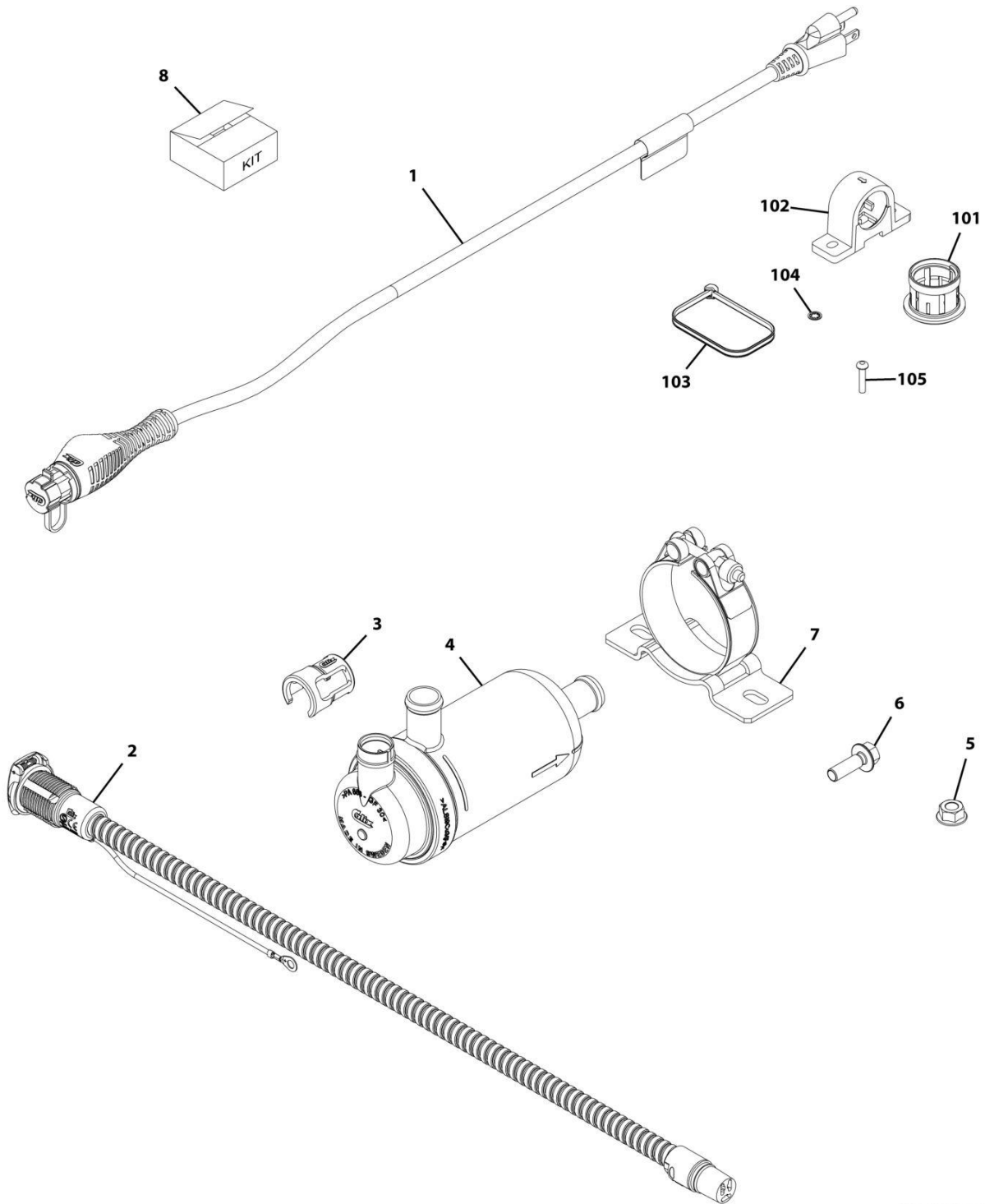
SECTION 4 - ENGINE AND ATTACHING PARTS

FIGURE 4-38. BLOCK HEATER INSTALLATION (120V - LS)

ITEM	PART NUMBER	QTY	DESCRIPTION	REV
	1001179861	Ref	BLOCK HEATER INSTALLATION (120V)	F
2	0761010	1	Bolt M10 x 20	
3	0760816	2	Bolt M8 x 40	
4	1062255	5	Strap, Tie	
5	3290805	2	Nut Lock M8 x 1.25 Grade 8	
6	4811900	4	Washer M8	
7	8405007	6	Clamp	
8	8406302	1	Clamp	
9	1001167408	1	Adapter, Hose	
10	1001167773	1	Fitting, Tee	
12	1001179910	1	Block Heater (120V) (See Separate Breakdown in this Section)	
13	1001204302	1	Hose	
14	1001204301	1	Hose	
15	1001204373	1	Hose	
16	0700510	1	Bolt M5 x 20	
17	3290505	1	Nut M5	
18	4811700	1	Washer M6	
19	4460234	1	Mount, Cable Tie	
20	1001008559	1	Strap, Tie	
21	4812000	1	Washer M10	

SECTION 4 - ENGINE AND ATTACHING PARTS

FIGURE 4-39. BLOCK HEATER (LS)



ART_1001179910-B

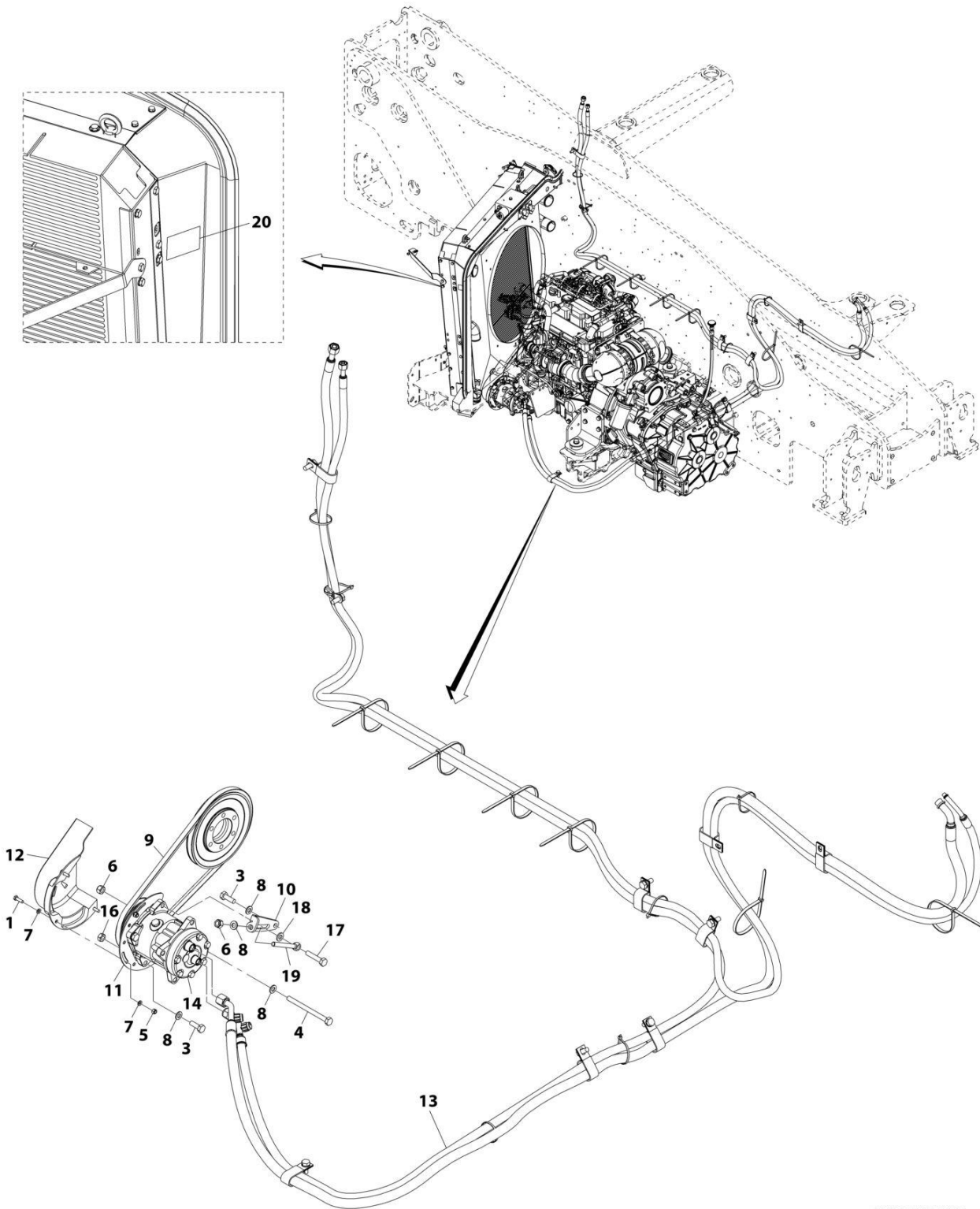
SECTION 4 - ENGINE AND ATTACHING PARTS

FIGURE 4-39. BLOCK HEATER (LS)

ITEM	PART NUMBER	QTY	DESCRIPTION	REV
	1001179910	Ref	Block Heater (LS)	B
1	70026725	1	Cable, Supply	
2	70026726	1	Cable, Inlet	
3	70026720	1	Clip, Safety	
4	70026721	1	Heater	
5	70026722	2	Nut, Flange M8X8	
6	70026723	2	Screw, Flange M8X25	
7	70026724	1	Clamp	
8	70026719	1	Kit, MK Assembly	
101	Kit	1	Expander	
102	Kit	1	Clamp	
103	Kit	5	Wrap, Tie	
104	Kit	2	Washer, Lock	
105	Kit	3	Screw	

SECTION 4 - ENGINE AND ATTACHING PARTS

FIGURE 4-40. A/C PUMP INSTALLATION



ART_1001178725

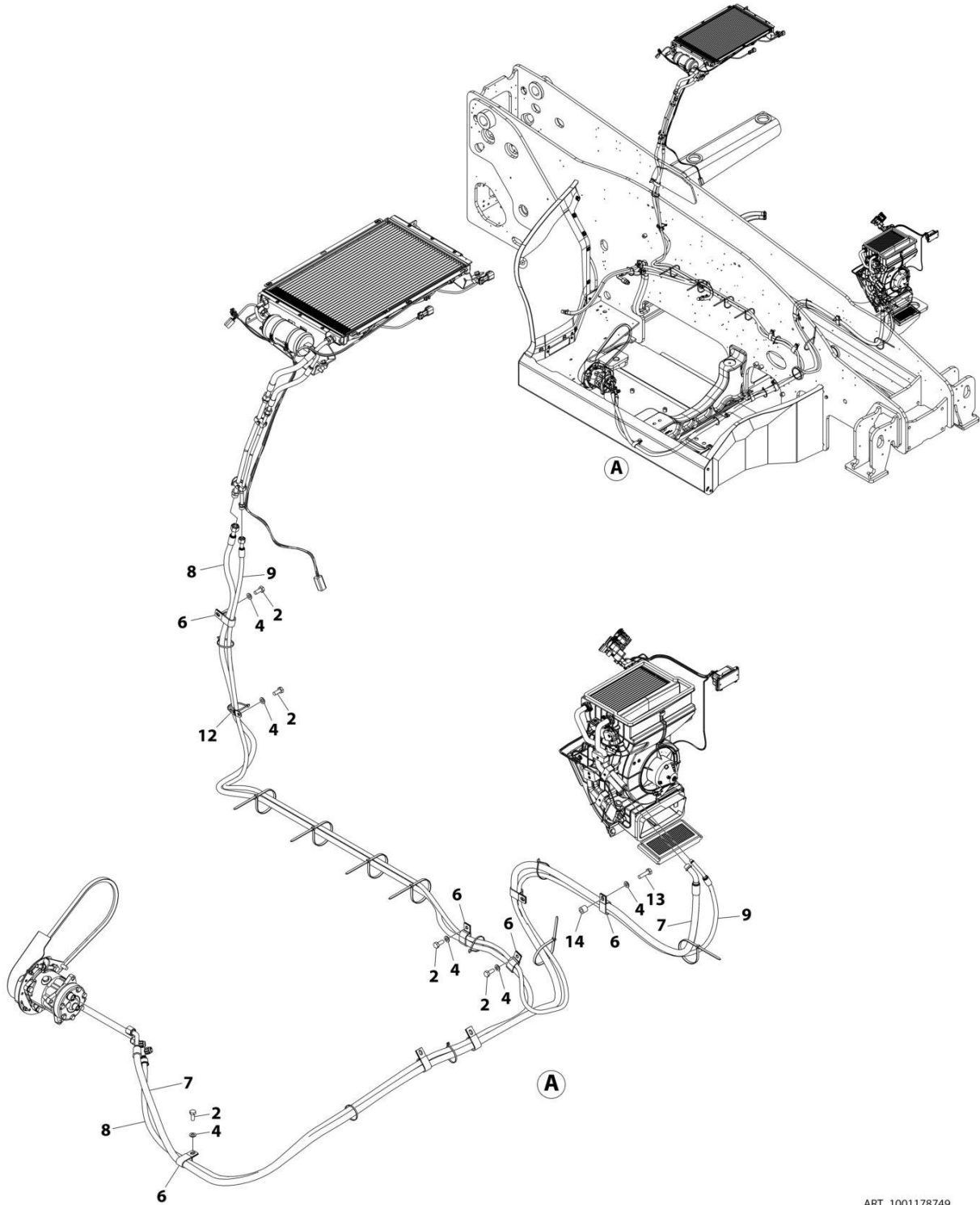
SECTION 4 - ENGINE AND ATTACHING PARTS

FIGURE 4-40. A/C PUMP INSTALLATION

ITEM	PART NUMBER	QTY	DESCRIPTION	REV
	1001178725	Ref	A/C Pump Installation	F
1	0700610	3	Bolt, M6X20	
3	0701014	3	Bolt, M10X30	
4	0701030	1	Bolt, M10X130	
5	3290605	3	Nut, Lock M6X1 Grade 8	
6	3291005	2	Nut, Lock M10X1.5 Grade 8	
7	4811700	6	Washer, M6	
8	4812000	5	Washer, M10	
9	1001167356	1	Belt, Drive A/C	
10	1001188855	1	Plate	
11	1001193735	1	Support	
12	1001171000	1	Cover	
13	1001178749	Ref	Installation, A/C Lines (See Separate Breakdown in this Section)	
14	1001119220	1	Compressor	
16	3291001	2	Nut, M10X1.5 Grade 8	
17	0701018	1	Bolt, M10X50	
18	5241000	1	Washer, M10	
19	1001188856	1	Rod	
20	1001227090	1	Decal	

SECTION 4 - ENGINE AND ATTACHING PARTS

FIGURE 4-41. A/C LINES INSTALLATION



ART_1001178749

SECTION 4 - ENGINE AND ATTACHING PARTS

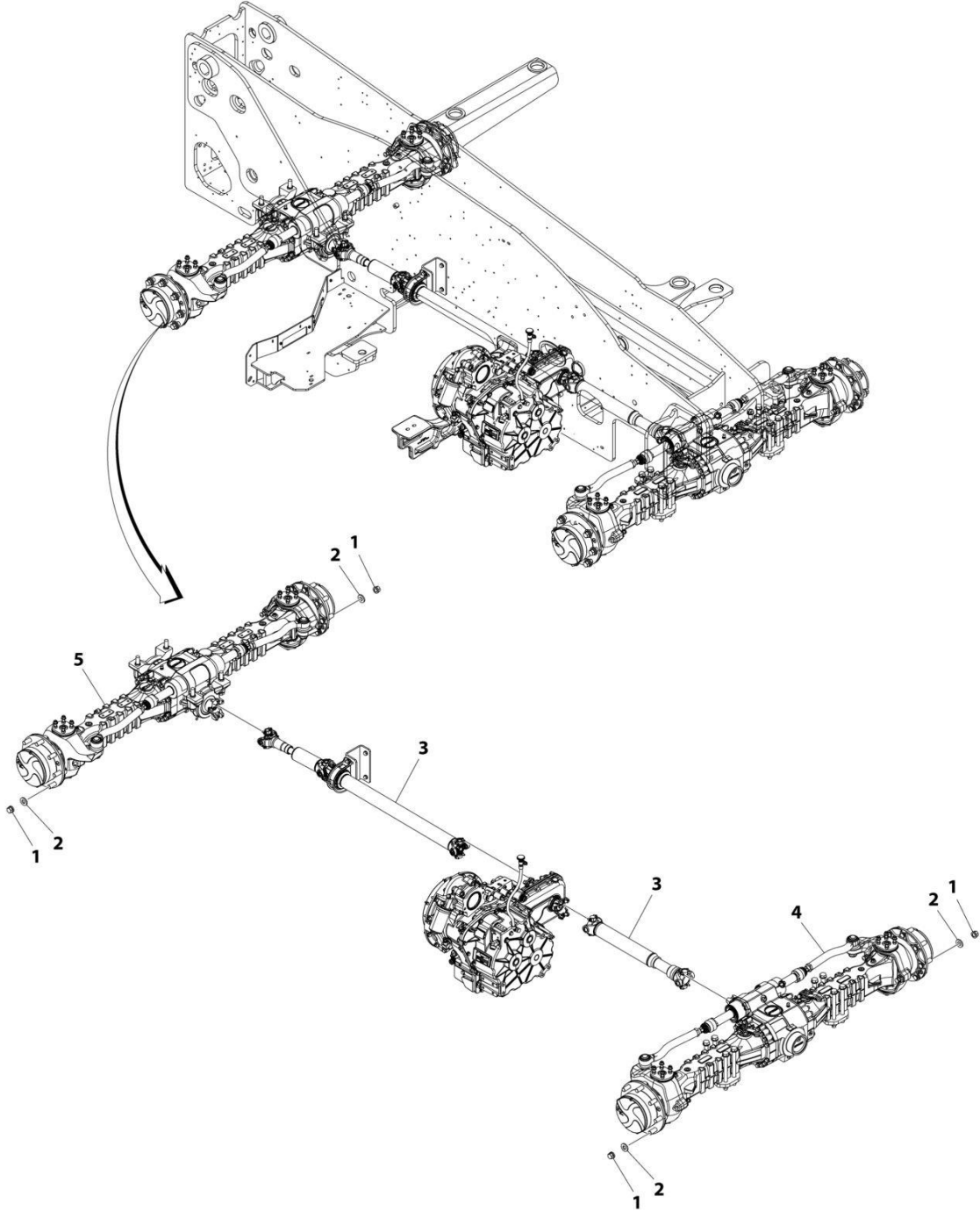
FIGURE 4-41. A/C LINES INSTALLATION

ITEM	PART NUMBER	QTY	DESCRIPTION	REV
	1001178749	Ref	A/C LINES INSTALLATION	G
2	0761012	5	Bolt M10 x 25	
4	4812000	6	Washer M10	
6	1001026104	8	Clip	
7	1001203825	1	Hose	
8	1001180593	1	Hose	
9	1001203826	1	Hose	
10	1001008559	AR	Tie-Strap 365MM (Not Shown)	
11	1062255	AR	Tie-Strap 170MM (Not Shown)	
12	1001008593	1	Clip	
13	0701016	1	Bolt M10 x 40	
14	1001095401	1	Spacer	

SECTION 5 - DRIVE TRAIN

SECTION 5 - DRIVE TRAIN

FIGURE 5-1. DRIVETRAIN INSTALLATION



ART_1001256360

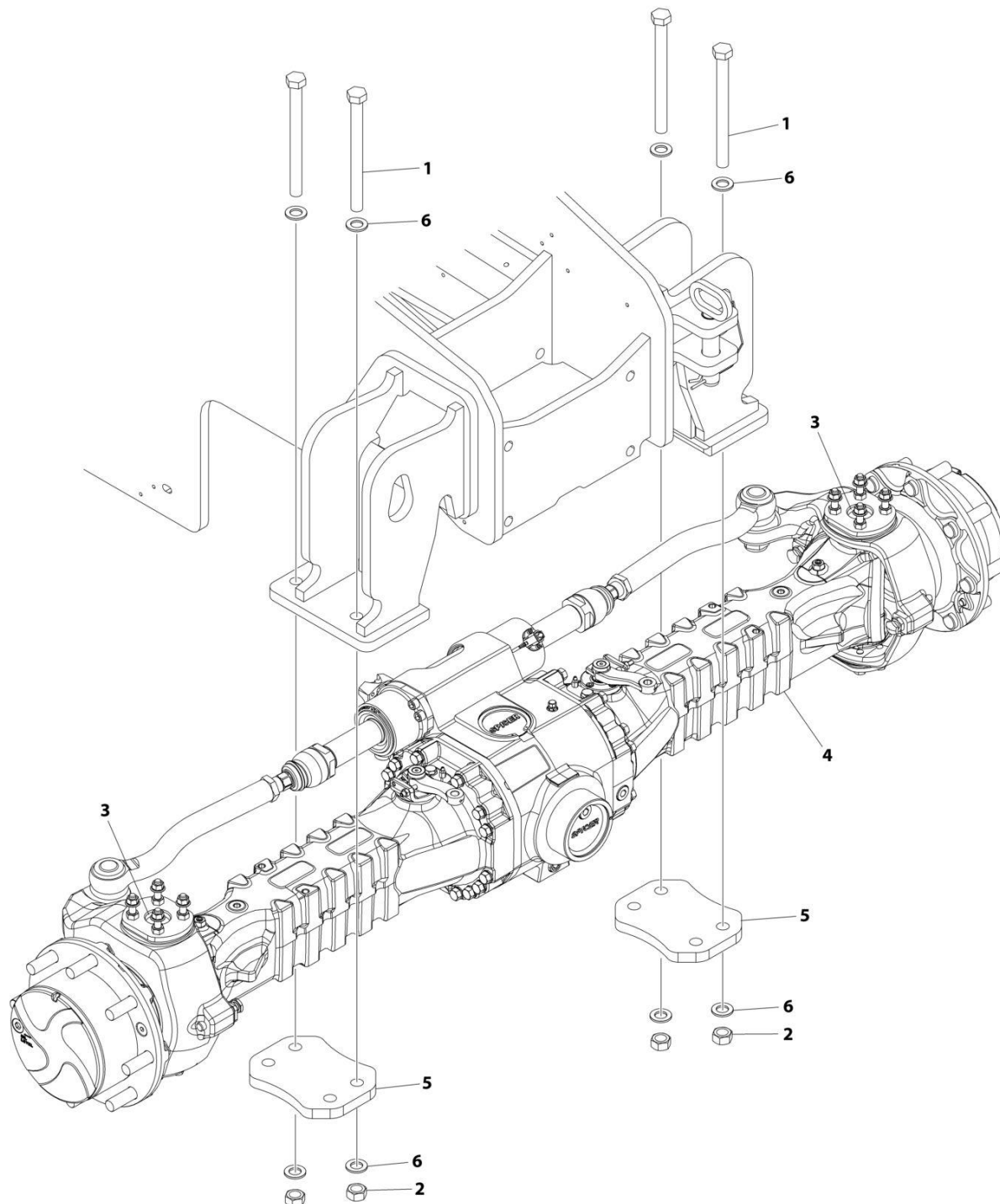
SECTION 5 - DRIVE TRAIN

FIGURE 5-1. DRIVETRAIN INSTALLATION

ITEM	PART NUMBER	QTY	DESCRIPTION	REV
	1001256360	Ref	DRIVETRAIN INSTALLATION	D
1	3300479	32	Nut M22 (Without Free-Spinning Flange)	
1	91403193	32	Nut M22 Grade 8 (With Free-Spinning Flange)	
2	1001114802	32	Washer M22	
3	1001177638	1	Installation, Drive Shaft (See Separate Breakdown in this Section)	
4	1001256366	1	Installation, Front Axle (No Hydraulic Park Brake) (See Separate Breakdown in this Section)	
5	1001256367	1	Installation, Rear Axle (See Separate Breakdown in this Section)	

SECTION 5 - DRIVE TRAIN

FIGURE 5-2. FRONT AXLE INSTALLATION



ART_1001256366_B

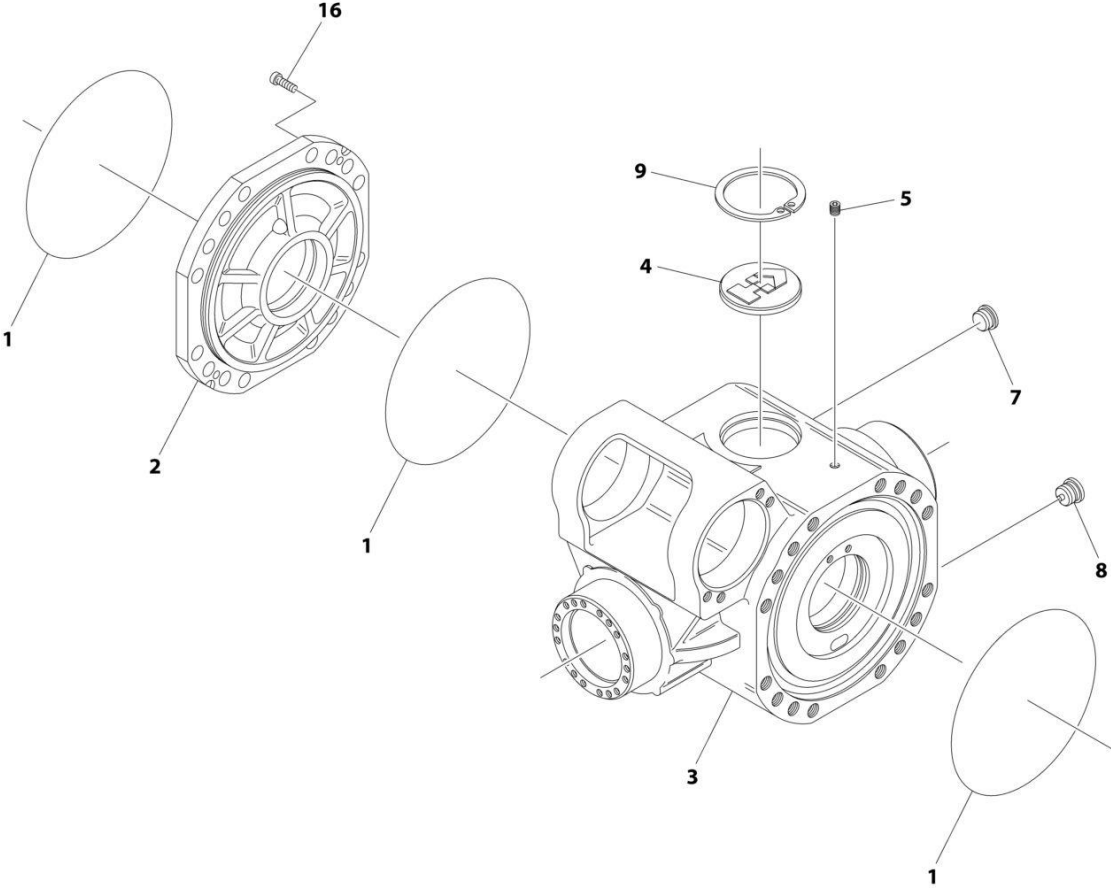
SECTION 5 - DRIVE TRAIN

FIGURE 5-2. FRONT AXLE INSTALLATION

ITEM	PART NUMBER	QTY	DESCRIPTION	REV
	1001256366	Ref	FRONT AXLE INSTALLATION (NO HYDRAULIC PARK BRAKE)	B
1	0712040	8	Bolt M20 x 230, Grade 10.9	
2	3332011	8	Nut M20 x 2.5	
3	1001008462	AR	Grease	
4	1001270167	1	Installation, Front Axle (No Hydraulic Park Brake) (See Separate Breakdown in this Section)	
5	1001190542	2	Plate	
6	1001197130	16	Washer	

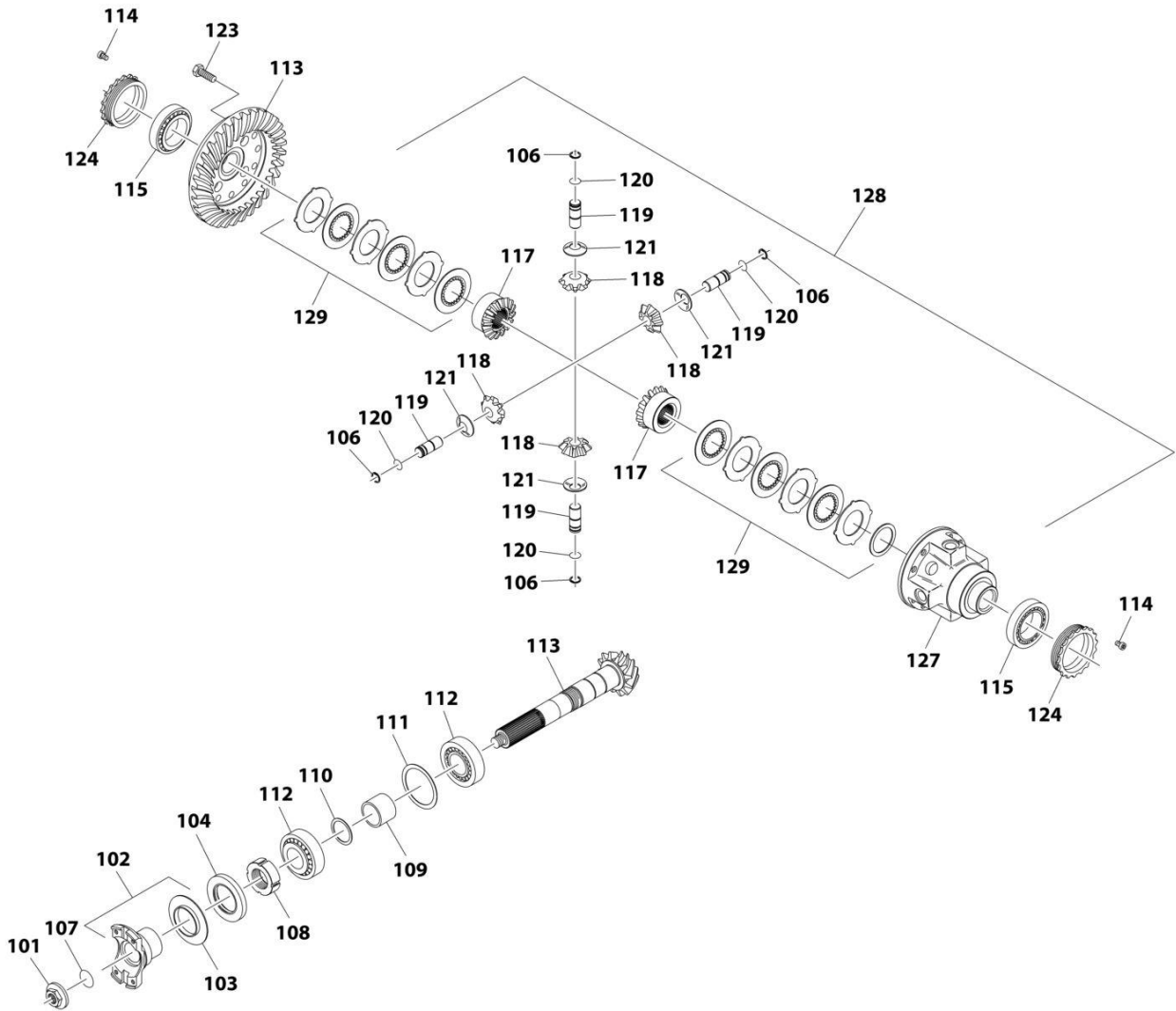
SECTION 5 - DRIVE TRAIN

FIGURE 5-3. FRONT AXLE ASSEMBLY



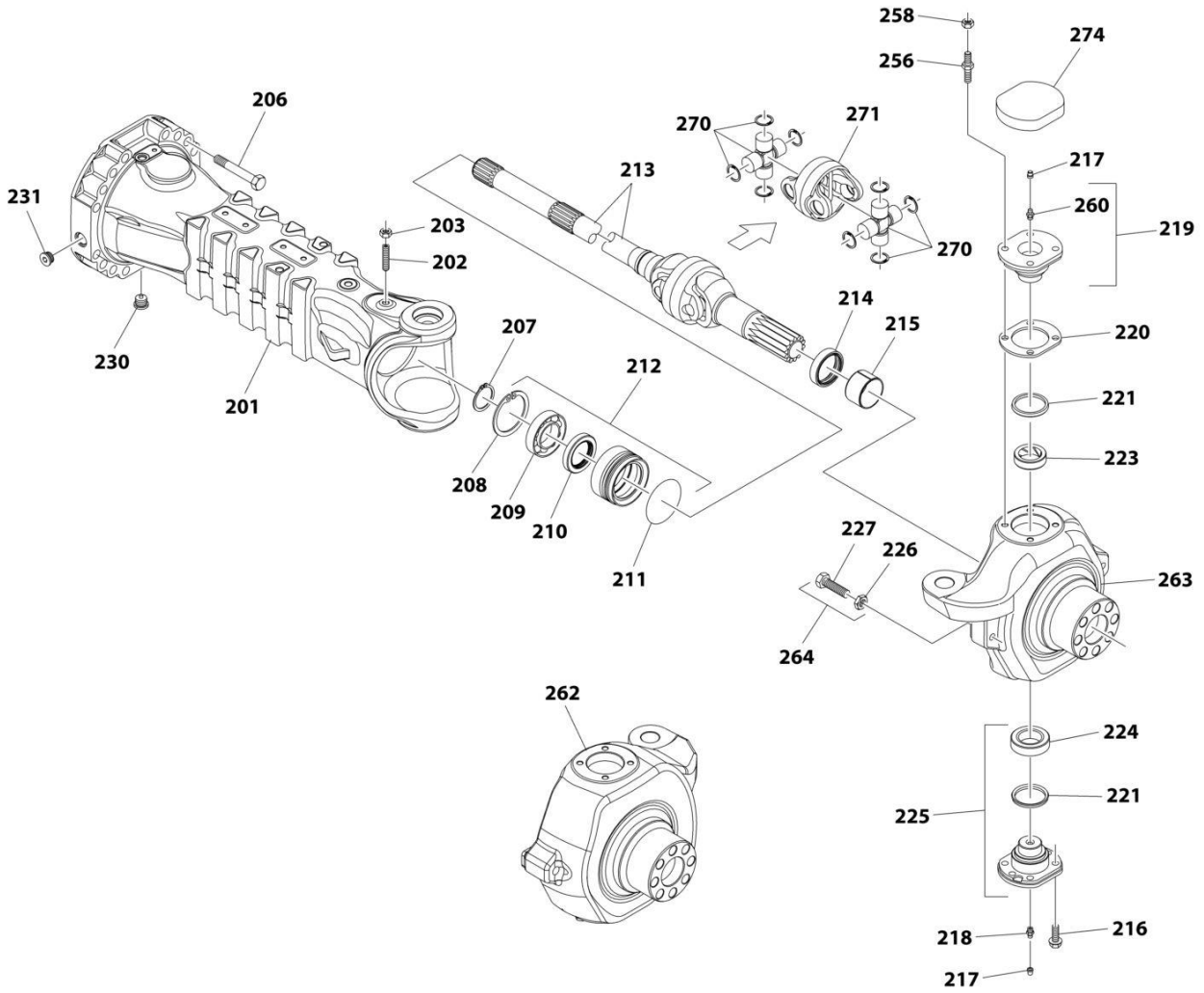
ART_1001270167_10F6

SECTION 5 - DRIVE TRAIN



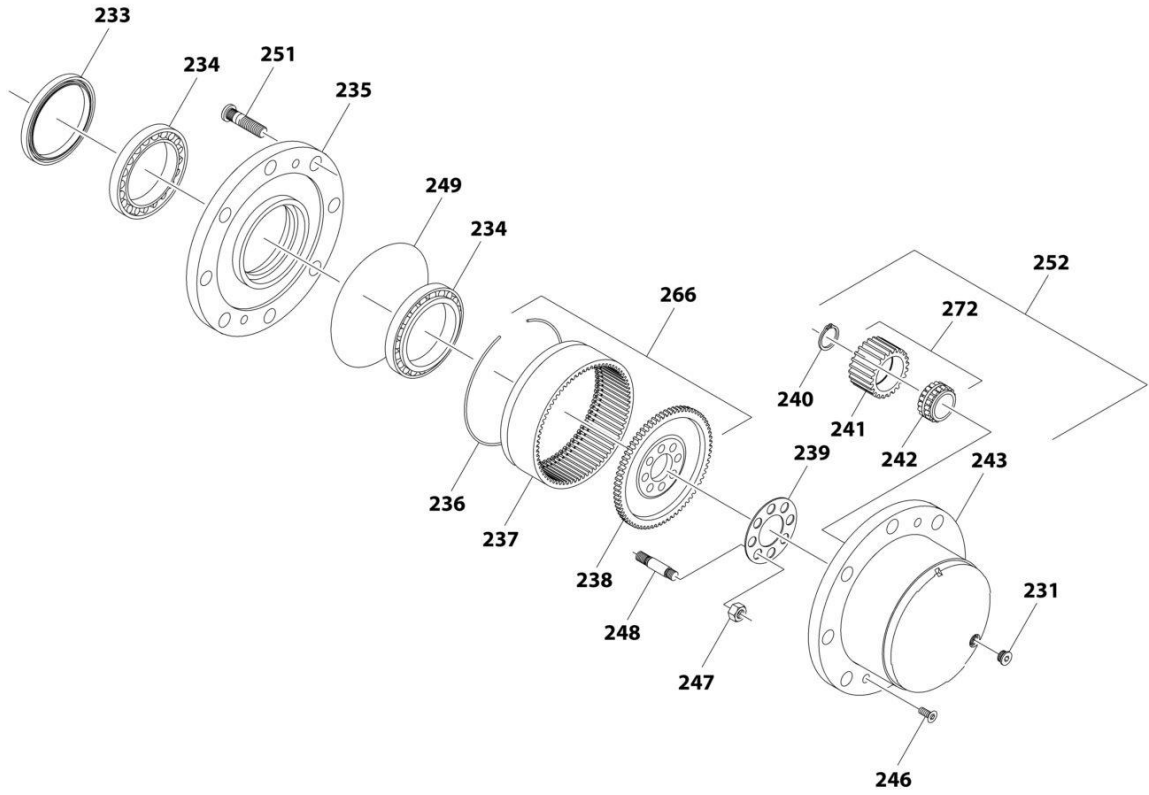
ART_1001270167_20F6

SECTION 5 - DRIVE TRAIN



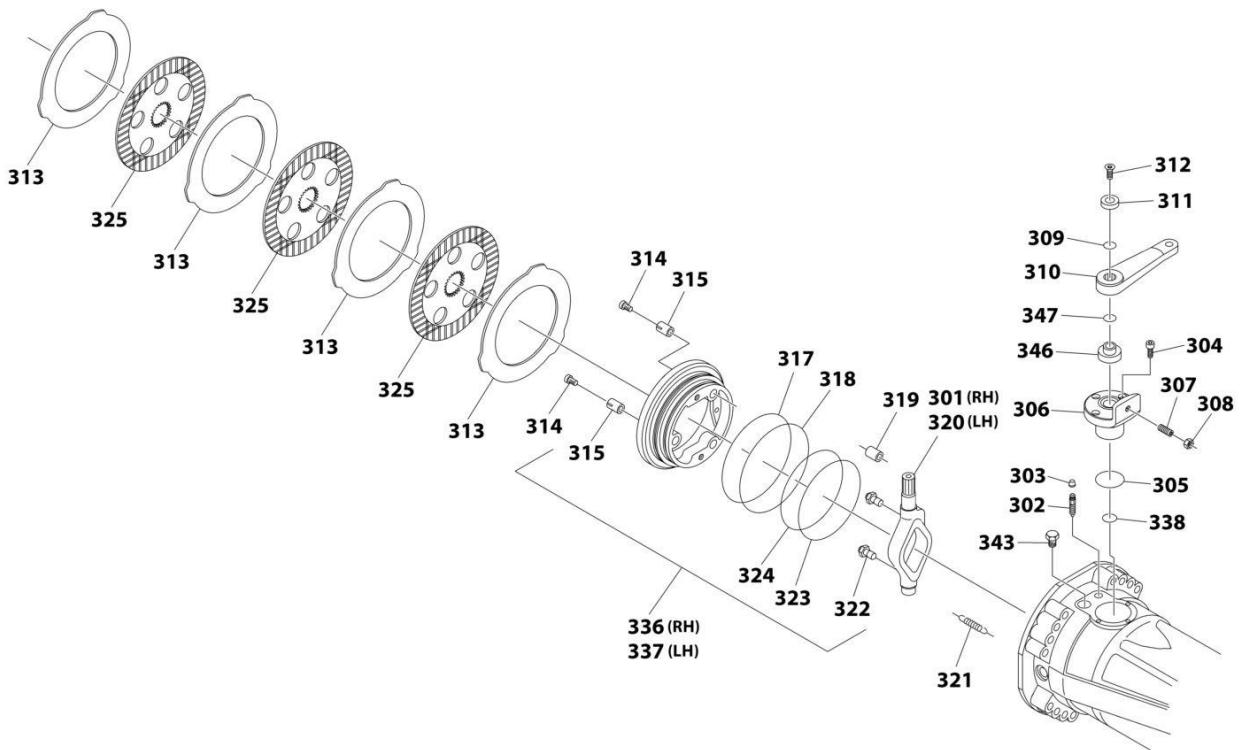
ART_1001270167_30F6

SECTION 5 - DRIVE TRAIN



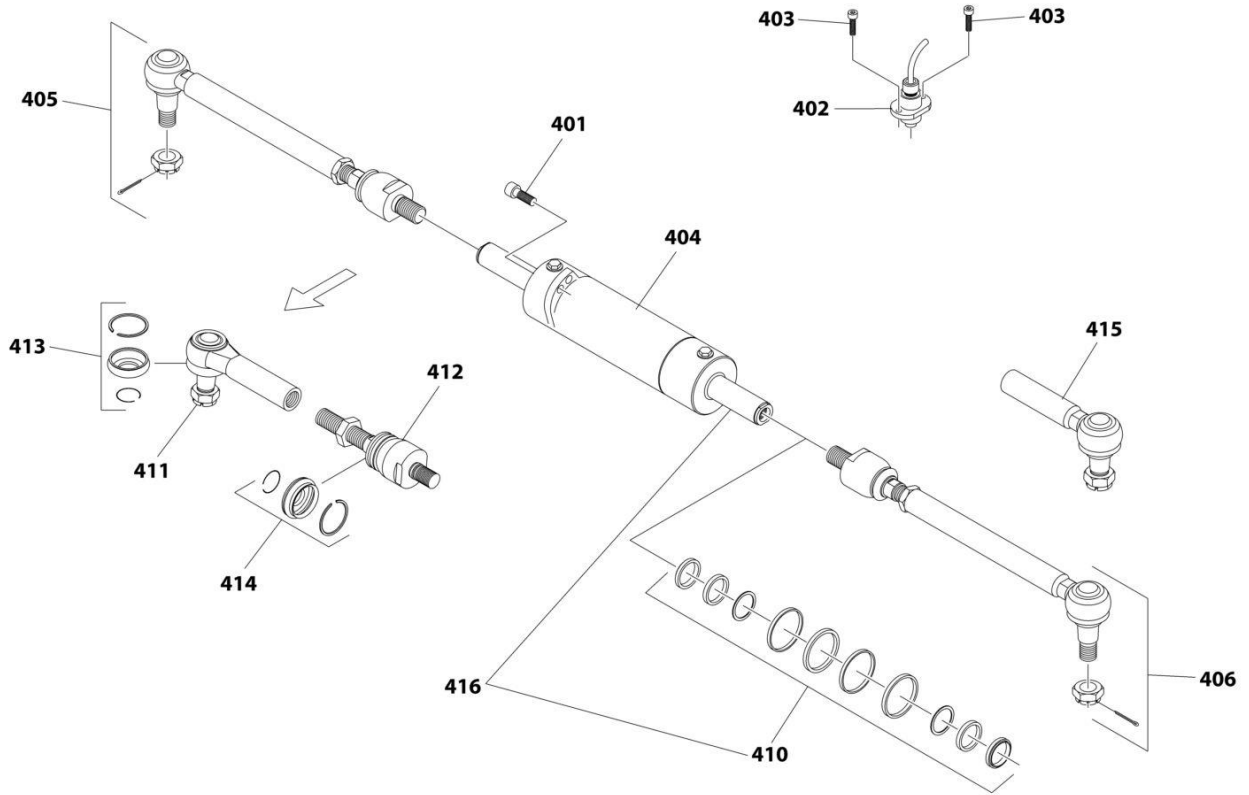
ART_1001270167_4OF6

SECTION 5 - DRIVE TRAIN



ART_1001270167_50F6

SECTION 5 - DRIVE TRAIN



ART_1001270167_60F6

SECTION 5 - DRIVE TRAIN

FIGURE 5-3. FRONT AXLE ASSEMBLY

ITEM	PART NUMBER	QTY	DESCRIPTION	REV
	1001270167	Ref	AXLE ASSEMBLY	B
		Ref	Central Housing Assembly	
1	91474507	3	O-Ring	
2	70027107	1	Cover	
3	70026749	1	Housing	
4	91514098	1	Plug	
5	91474512	1	Plug	
7	91514188	1	Plug	
8	7028706	1	Plug	
9	80204005	1	Circlip	
16	91474591	4	Bolt	
		Ref	Differential Assembly	
101	70026631	1	Nut	
102	7029427	1	Flange	
103	91474531	1	Cover	
104	70024522	1	Seal	
106	91474550	4	Circlip	
107	91474529	1	O-Ring	
108	91474533	1	Ring Nut	
109	91474539	1	Spacer	
110	70025556	1	Shim Kit	
111	70025555	1	Shim Kit	
112	3968141	2	Bearing	
113	8007749	1	Gear Set	
114	91514134	2	Bolt	
115	70028471	2	Bearing	
117	91474549	2	Gear, Side	
118	91474554	4	Gear, Pinion	
119	7029131	4	Pin	
120	91474551	4	Circlip	
121	91474553	4	Washer	
123	70025562	12	Bolt	
124	91474547	2	Ring Nut	
127	91474555	1	Carrier	
128	70028940	1	Differential Sub-Assembly (Includes Items 106, 117-121, 127 & 129)	
129	8007755	2	Disc	
		Ref	Hub Reduction Assembly	
201	70028906	2	Case, Axle	
202	2400600	2	Bolt	
203	91514082	2	Nut	
206	7029428	28	Bolt	
207	80204071	2	Circlip	
208	80204005	2	Circlip	
209	91514146	2	Bearing	
210	91514147	2	Seal	
211	91514148	2	O-Ring	
212	70030992	2	Bushing Kit (Includes Bushing & Items 208-211)	
213	70029869	2	Joint, Universal	
214	8007771	2	Seal	

SECTION 5 - DRIVE TRAIN

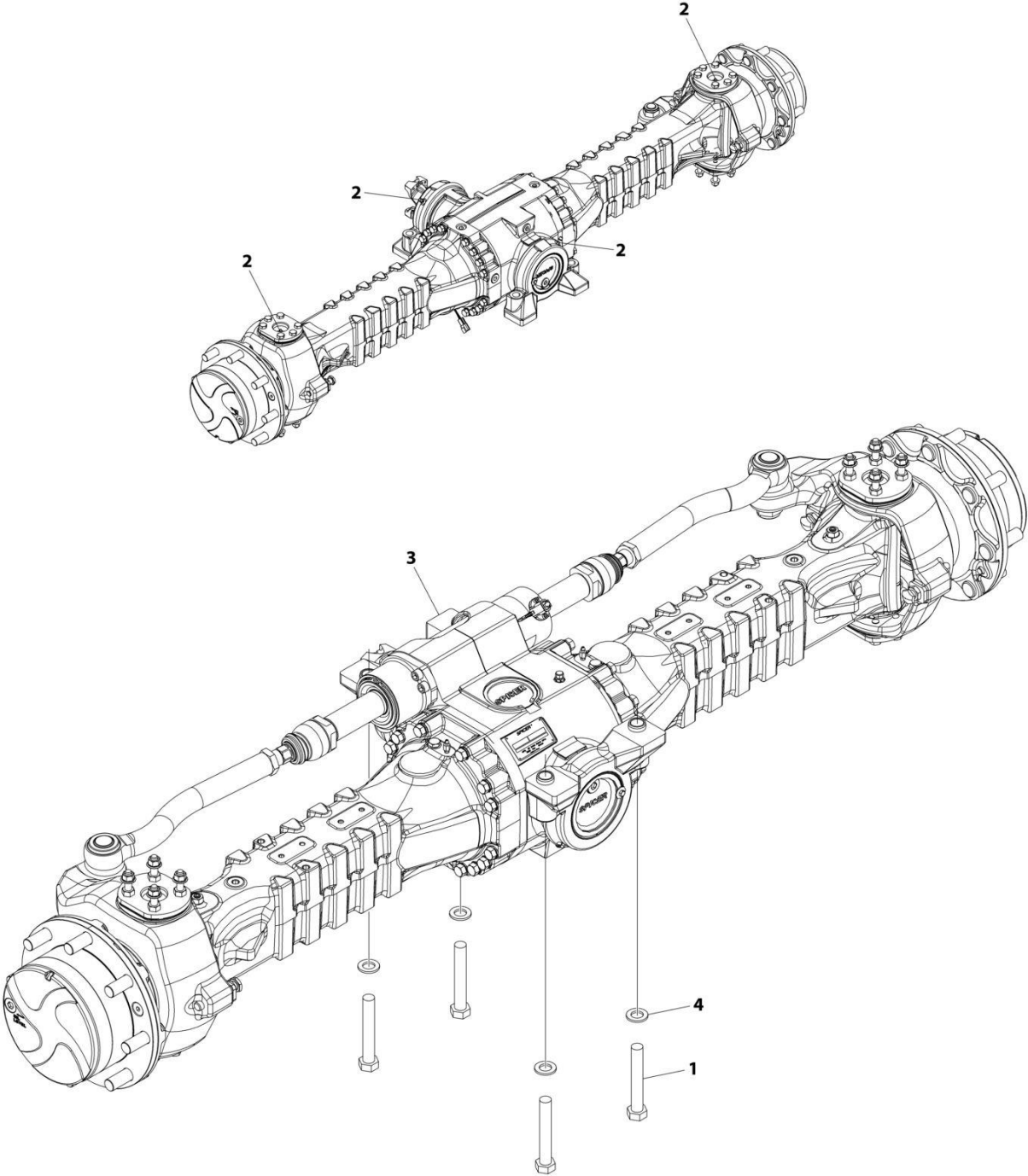
ITEM	PART NUMBER	QTY	DESCRIPTION	REV
215	8004468	2	Bushing	
216	70025562	12	Bolt	
217	80204117	4	Plug	
218	91514099	2	Grease Fitting	
219	70025567	2	Pivot (Includes Item 218)	
220	70028536	1	Shim Kit	
221	2401043	2	Seal	
223	70020173	2	Bushing	
224	2401258	2	Seal	
225	8006605	2	Pivot Kit (Includes Pivot and Items 221 & 224)	
226	80204065	4	Nut	
227	91514117	4	Bolt	
230	7028706	2	Plug	
231	91514188	4	Plug	
233	7029430	2	Seal	
234	70030251	4	Bearing	
235	70028537	2	Hub	
236	91474579	2	Circlip	
237	91474580	2	Ring Gear	
238	3983720	2	Support, Ring Gear	
239	3983731	2	Plate, Locking	
240	91474585	8	Circlip	
241	70028473	8	Gear, Planet	
242	70028474	8	Bearing	
243	70026821	2	Carrier, Planet Gear	
246	91514189	4	Bolt	
247	91474584	16	Nut	
248	70027315	16	Stud	
249	91474507	2	O-Ring	
251	70030365	16	Wheel Stud	
252	70026827	2	Planet Gear Carrier Kit (Includes Housing and Items 240-243)	
256	70025819	8	Stud	
258	70027320	8	Nut	
260	7028115	2	Grease Fitting	
262	70030274	1	Case, Steer (LH) (Includes Item 215)	
263	70030264	1	Case, Steer (RH) (Includes Item 215)	
264	70028733	4	Bolt Kit (Includes Items 226 & 227)	
266	7029432	2	Ring Gear Kit (Includes Items 236-238)	
270	70030933	2	Joint Cross	
271	70030994	1	Center, Joint	
272	70027114	8	Planet Gear Kit (Includes Items 241 & 242)	
274	70028392	2	Cover	
		Ref	Brake Assembly	
301	8007785	1	Lever (RH)	
302	2960243	2	Bolt, Bleeding	
303	80204117	2	Plug	
304	2401736	6	Bolt	
305	3986405	2	O-Ring	
306	70030250	2	Bushing	
307	8002798	2	Setscrew	
308	8008168	2	Nut	

SECTION 5 - DRIVE TRAIN

ITEM	PART NUMBER	QTY	DESCRIPTION	REV
309	7028038	2	O-Ring	
310	70030248	2	Lever, Brake	
311	7028039	2	Washer	
312	8008169	2	Screw	
313	70025823	10	Disc, Intermediate Brake	
314	7029786	6	Bolt	
315	70027317	3	Spring	
317	70025821	1	O-Ring	
318	70025821	1	O-Ring	
319	70021613	2	Bolt	
320	8007786	1	Lever (LH)	
321	3984425	6	Spring	
322	2903197	2	Pusher	
323	70025822	1	O-Ring	
324	70025822	1	O-Ring	
325	91474568	8	Disc	
336	70027319	1	Piston Kit (RH) (Includes Piston and Items 315, 317, 318 & 322-324)	
337	70027318	1	Piston Kit (LH) (Includes Piston and Items 315, 317, 318 & 322-324)	
338	8007802	2	O-Ring	
343	91514154	2	Plug	
346	70030247	2	Bushing	
347	70030249	2	O-Ring	
		Ref	Steering Assembly	
401	91474522	4	Bolt	
402	70031002	1	Sensor	
403	8008175	2	Bolt	
404	70031000	1	Cylinder	
405	70026819	1	Tie Rod (RH)	
406	70026820	1	Tie Rod (LH)	
410	70031001	1	Seal Kit Less Rod (Includes Seals Only)	
411	70028907	1	Joint, 90 Degree (RH)	
412	70028476	2	Joint, Axial (1 Per Side)	
413	70028477	2	Rubber Boot & Locking Ring Kit (1 Per Side)	
414	70028468	2	Rubber Boot & Locking Ring Kit (1 Per Side)	
415	70028908	1	Joint, 90 Degree (LH)	
416	70031003	1	Seal & Rod Kit (Includes Seals & Rod)	

SECTION 5 - DRIVE TRAIN

FIGURE 5-4. REAR AXLE INSTALLATION



ART_1001256367_B

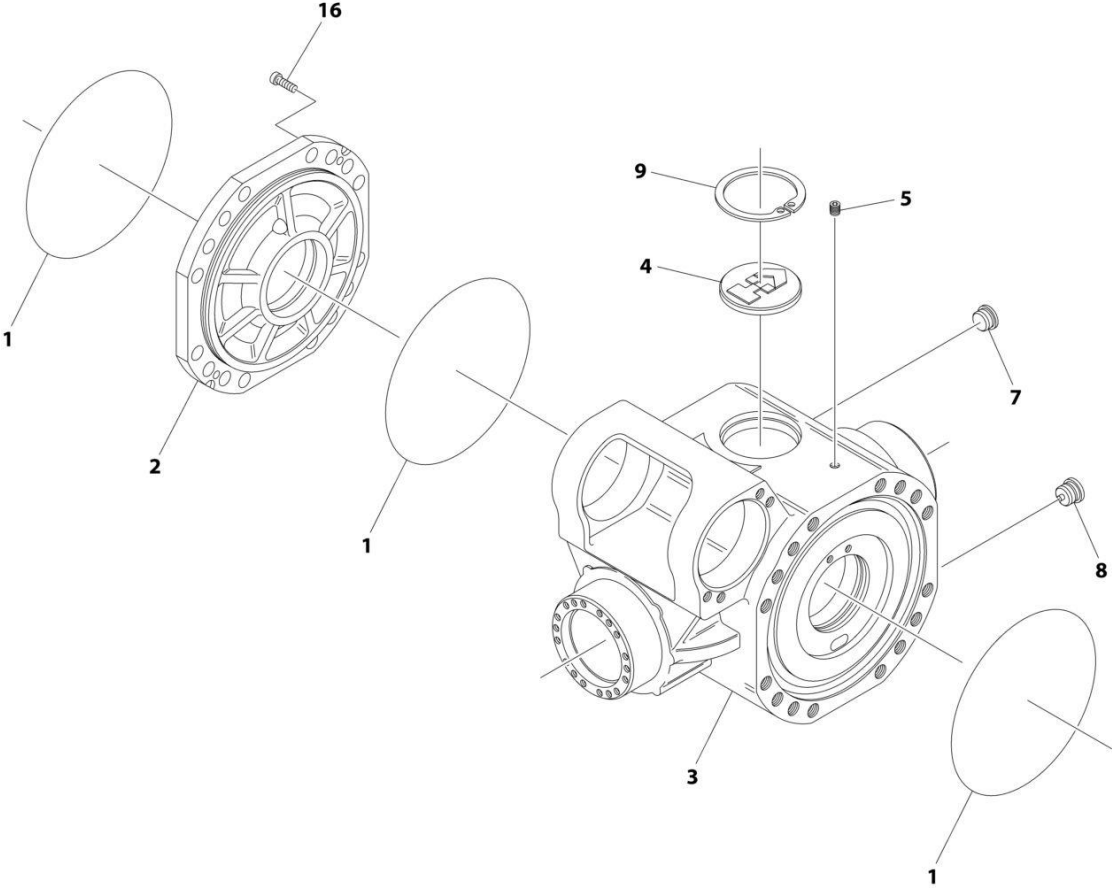
SECTION 5 - DRIVE TRAIN

FIGURE 5-4. REAR AXLE INSTALLATION

ITEM	PART NUMBER	QTY	DESCRIPTION	REV
	1001256367	Ref	Rear Axle Installation	B
1	0712030	4	Bolt, M20X130 Grade 10.9	
2	1001008462	AR	Grease	
3	1001270170	1	Installation, Rear Axle (See Separate Breakdown in this Section)	
4	1001197130	4	Washer	

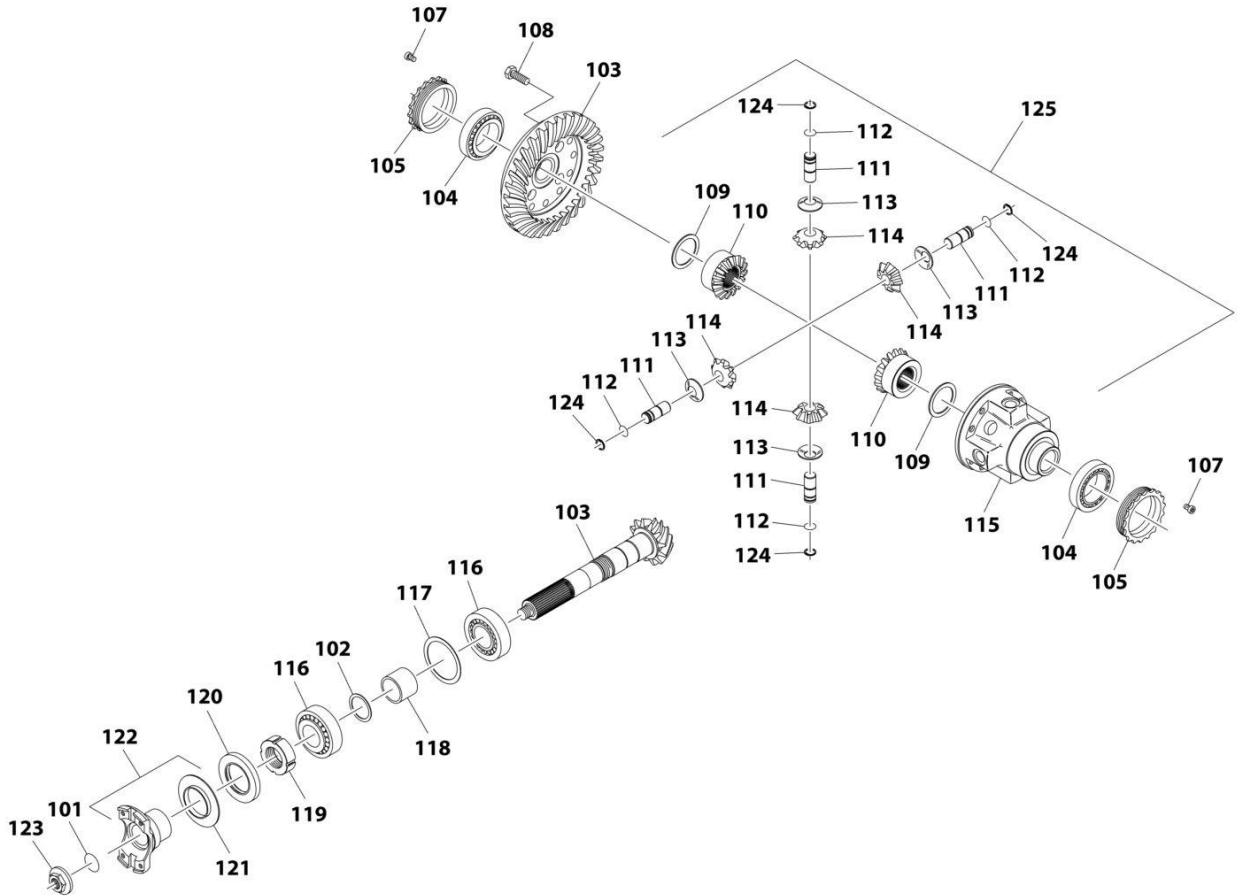
SECTION 5 - DRIVE TRAIN

FIGURE 5-5. REAR AXLE ASSEMBLY



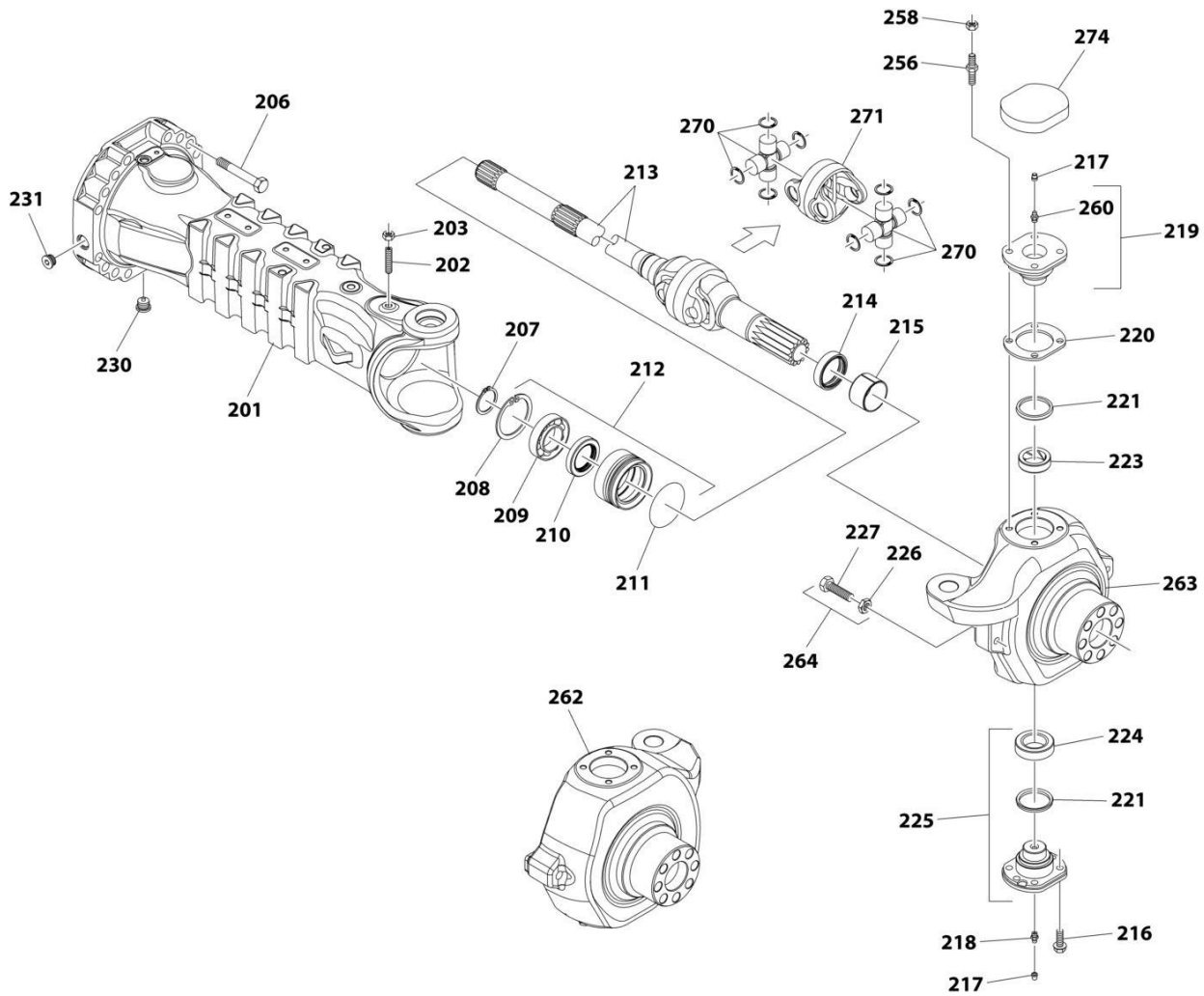
ART_1001270170_10F7

SECTION 5 - DRIVE TRAIN



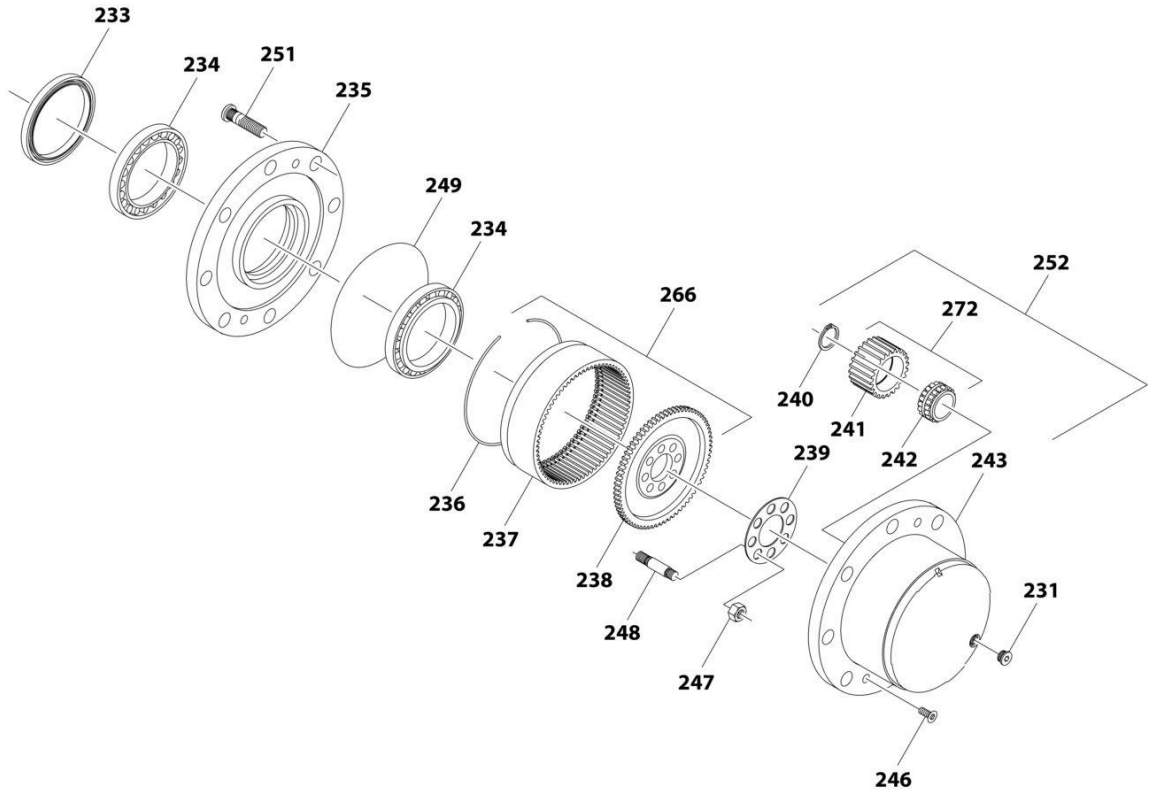
ART_1001270170_2OF7

SECTION 5 - DRIVE TRAIN



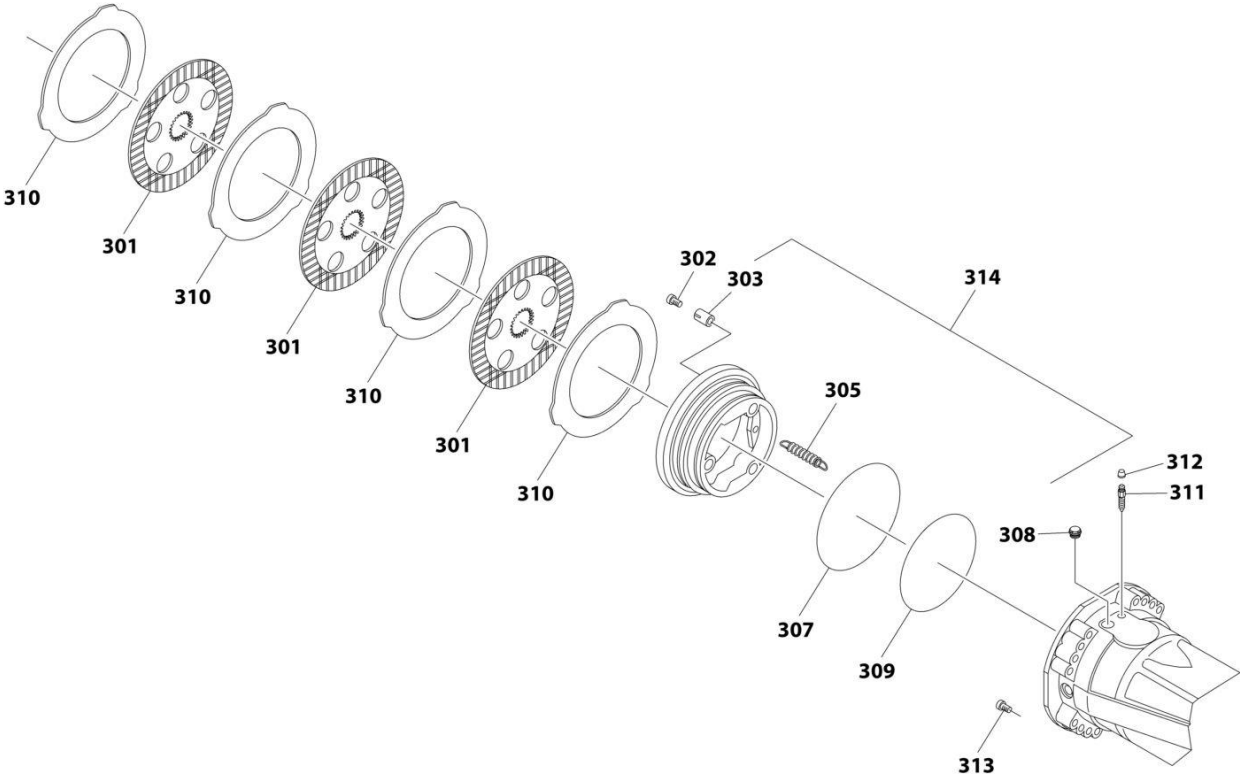
ART_1001270170_30F7

SECTION 5 - DRIVE TRAIN



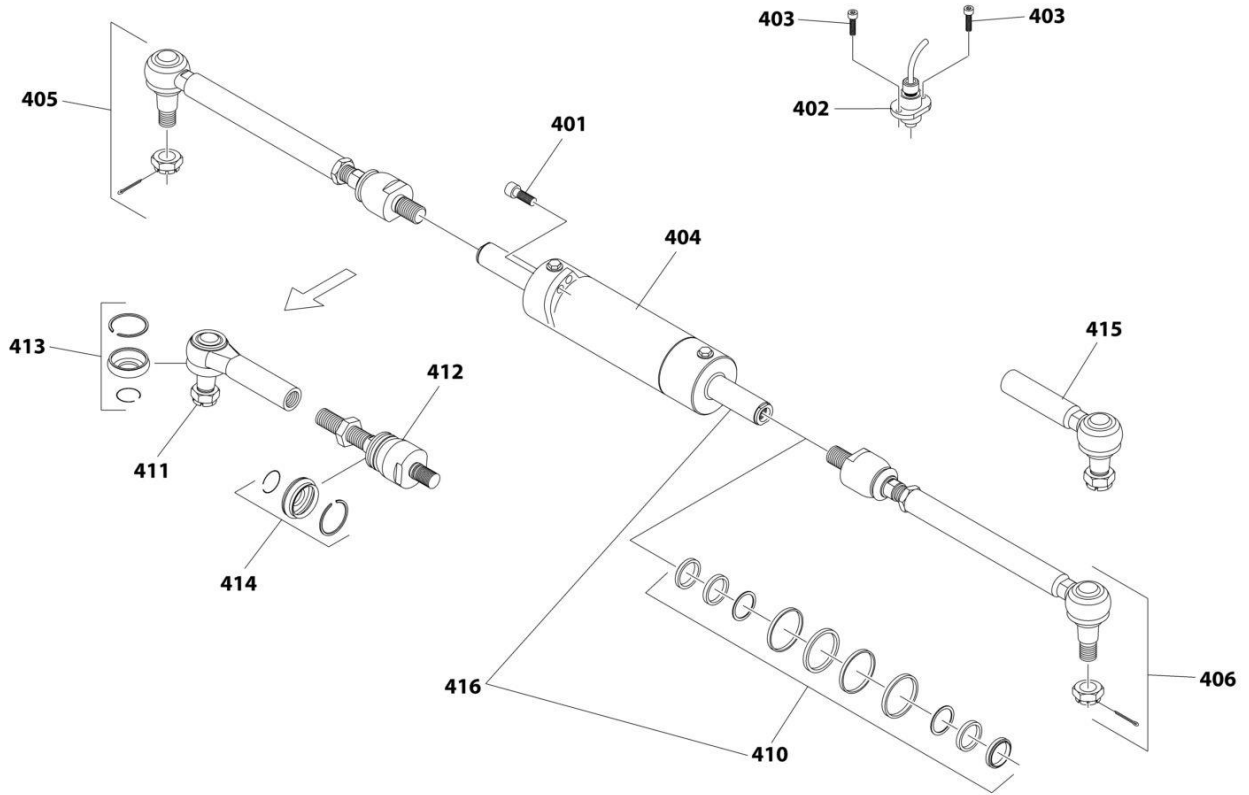
ART_1001270170_4OF7

SECTION 5 - DRIVE TRAIN



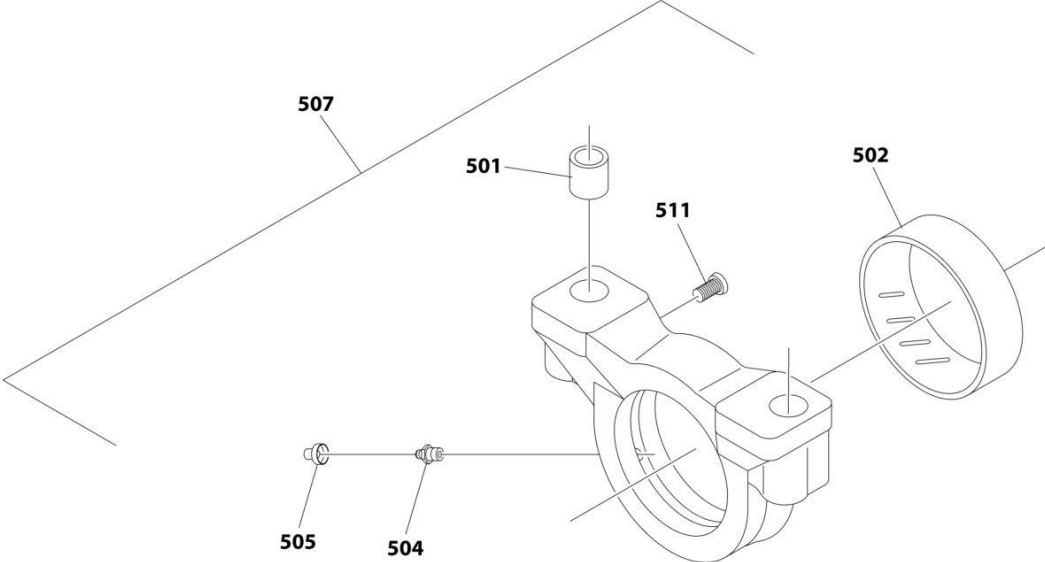
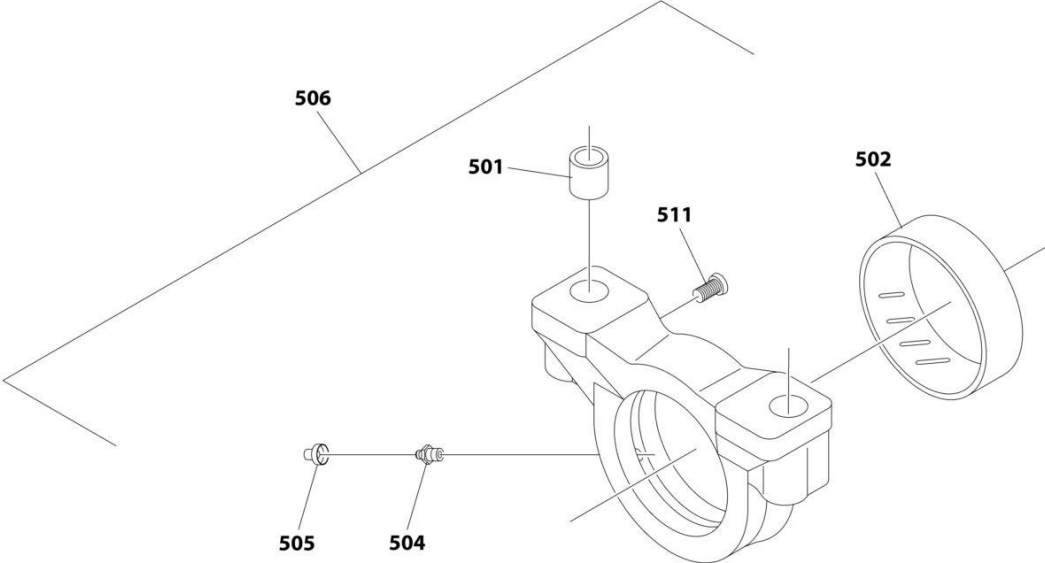
ART_1001270170_S0F7

SECTION 5 - DRIVE TRAIN



ART_1001270170_GOF7

SECTION 5 - DRIVE TRAIN



ART_1001270170_7OF7

SECTION 5 - DRIVE TRAIN

FIGURE 5-5. REAR AXLE ASSEMBLY

ITEM	PART NUMBER	QTY	DESCRIPTION	REV
	1001270170	Ref	AXLE ASSEMBLY	C
		Ref	Central Housing Assembly	
1	91474507	3	O-Ring	
2	70027107	1	Cover	
3	70026749	1	Housing	
4	91514098	1	Plug	
5	91474512	1	Plug	
7	91514188	1	Plug	
8	7028706	1	Plug	
9	80204005	1	Circlip	
16	91474591	4	Bolt	
		Ref	Differential Assembly	
101	91474529	1	O-Ring	
102	70025556	1	Shim Kit	
103	7028043	1	Gear Set	
104	70028471	2	Bearing	
105	91474547	2	Ring Nut	
107	91514134	2	Bolt	
108	70025562	12	Bolt	
109	91474593	2	Washer	
110	70025569	2	Gear, Side	
111	7029131	4	Pin	
112	91474551	4	Circlip	
113	91474553	4	Washer	
114	70025570	4	Gear, Pinion	
115	91474595	1	Carrier	
116	3968141	2	Bearing	
117	70025555	1	Shim Kit	
118	91474539	1	Spacer	
119	91474533	1	Ring Nut	
120	70024522	1	Seal	
121	91474531	1	Cover	
122	7029427	1	Flange	
123	70026631	1	Nut	
124	91474550	4	Circlip	
125	70021140	1	Differential Sub-Assembly (Includes Items 109-115 & 124)	
		Ref	Hub Reduction Assembly	
201	70027108	2	Case, Axle	
202	2400600	2	Bolt	
203	91514082	2	Nut	
206	7029428	28	Bolt	
207	80204071	2	Circlip	
208	80204005	2	Circlip	
209	91514146	2	Bearing	
210	91514147	2	Seal	
211	91514148	2	O-Ring	
212	70030992	2	Bushing Kit (Includes Bushing & Items 208-211)	
213	70029869	2	Joint, Universal	
214	8007771	2	Seal	
215	8004468	2	Bushing	

SECTION 5 - DRIVE TRAIN

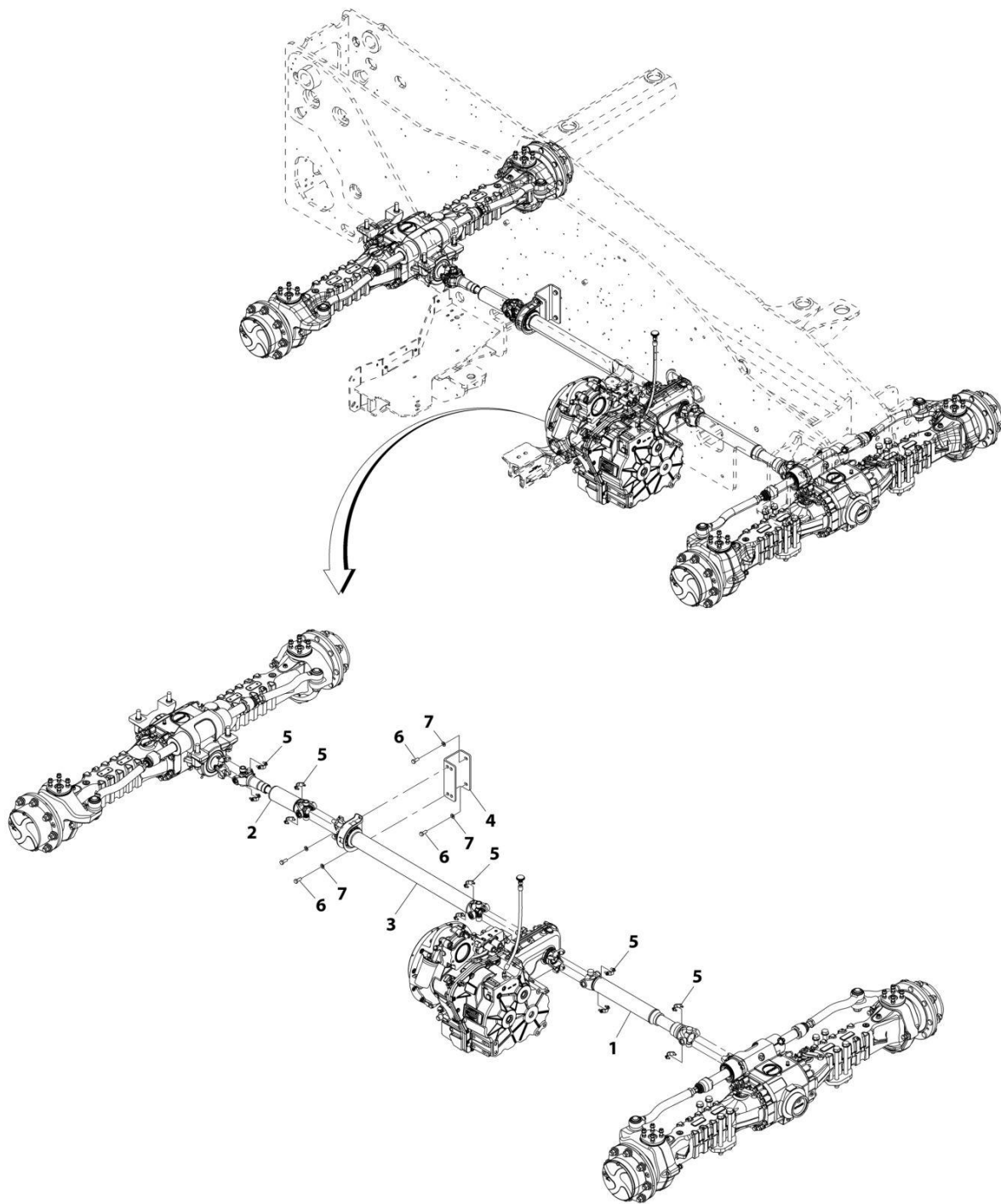
ITEM	PART NUMBER	QTY	DESCRIPTION	REV
216	70025562	12	Bolt	
217	80204117	4	Plug	
218	70024881	2	Grease Fitting	
219	70025567	2	Pivot (Includes Item 218)	
220	70028536	1	Shim Kit	
221	2401043	2	Seal	
223	70020173	2	Bushing	
224	2401258	2	Seal	
225	8006605	2	Pivot Kit (Includes Pivot and Items 221 & 224)	
226	80204065	4	Nut	
227	7028733	4	Bolt	
230	7028706	2	Plug	
231	91514188	4	Plug	
233	7029430	2	Seal	
234	70030251	4	Bearing	
235	70028537	2	Hub	
236	91474579	2	Circlip	
237	91474580	2	Ring Gear	
238	3983720	2	Support, Ring Gear	
239	3983731	2	Plate, Locking	
240	91474585	8	Circlip	
241	70028473	8	Gear, Planet	
242	70028474	8	Bearing	
243	70026821	2	Carrier, Planet Gear	
246	91514189	4	Bolt	
247	91474584	16	Nut	
248	70027315	16	Stud	
249	91474507	2	O-Ring	
251	70030365	16	Wheel Stud	
252	70026827	2	Planet Gear Carrier Kit (Includes Housing and Items 240-243)	
256	70025819	8	Stud	
258	70027320	8	Nut	
260	7028115	2	Grease Fitting	
262	70030274	1	Case, Steer (LH) (Includes Item 215)	
263	70030264	1	Case, Steer (RH) (Includes Item 215)	
264	70028733	4	Bolt Kit (Includes Items 226 & 227)	
266	7029432	2	Ring Gear Kit (Includes Items 236-238)	
270	70030933	2	Joint Cross	
271	70030994	1	Center, Joint	
272	70027114	8	Planet Gear Kit (Includes Items 241 & 242)	
274	70028392	2	Cover	
		Ref	Brake Assembly	
301	91474568	6	Disc	
302	7029786	6	Bolt, Adjusting	
303	70027317	6	Spring	
305	3984425	6	Spring	
307	70025821	2	O-Ring	
308	91514154	2	Plug	
309	70025822	2	O-Ring	
310	70025823	8	Disc, Intermediate Brake	
311	2960243	2	Bolt, Bleeding	

SECTION 5 - DRIVE TRAIN

ITEM	PART NUMBER	QTY	DESCRIPTION	REV
312	80204117	2	Plug	
313	70021613	2	Bolt	
314	70027316	2	Brakes Piston Kit (Includes Items 303-305, 307 & 309)	
		Ref	Steering Assembly	
401	91474522	4	Bolt	
402	70031002	1	Sensor	
403	8008175	2	Bolt	
404	70031000	1	Cylinder	
405	70026819	1	Tie Rod (RH)	
406	70026820	1	Tie Rod (LH)	
410	70031001	1	Seal Kit Less Rod (Includes Seals Only)	
411	70028907	1	Joint, 90 Degree (RH)	
412	70028476	2	Joint, Axial (1 Per Side)	
413	70028477	2	Rubber Boot & Locking Ring Kit (1 Per Side)	
414	70028468	2	Rubber Boot & Locking Ring Kit (1 Per Side)	
415	70028908	1	Joint, 90 Degree (LH)	
416	70031003	1	Seal & Rod Kit (Includes Seals & Rod)	
		Ref	Trunion Assembly	
501	91474516	4	Bushing	
502	7028082	2	Bushing	
504	91514099	2	Grease Fitting	
505	80204117	2	Plug	
506	70026630	1	Trunion Kit (Front) (Includes Trunion and Items 501,502,504,505 & 511)	
507	70026630	1	Trunion Kit (Rear) (Includes Trunion and Items 501,502,504,505 & 511)	
511	70025884	2	Bolt	

SECTION 5 - DRIVE TRAIN

FIGURE 5-6. DRIVE SHAFTS INSTALLATION



ART_1001177638-B

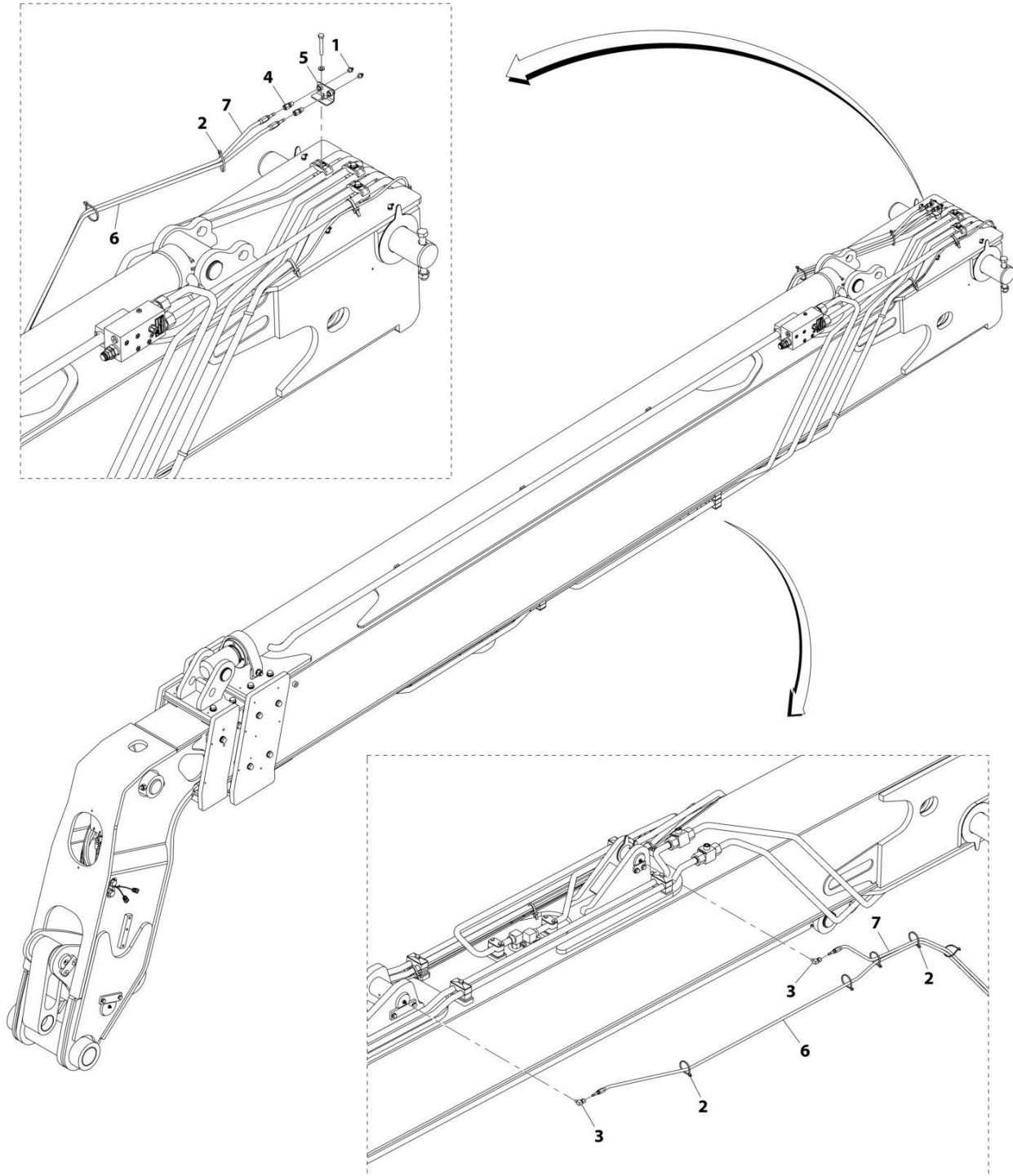
SECTION 5 - DRIVE TRAIN

FIGURE 5-6. DRIVE SHAFTS INSTALLATION

ITEM	PART NUMBER	QTY	DESCRIPTION	REV
	1001177638	Ref	Drive Shafts Installation	B
1	1001174879	1	Shaft, Drive	
2	1001174880	1	Shaft, Drive	
3	1001174881	1	Shaft, Drive	
4	1001177870	1	Support	
5	8005079	10	Clampset	
6	0761214	4	Bolt, M12X30	
7	4812100	4	Washer, M12	

SECTION 5 - DRIVE TRAIN

FIGURE 5-7. REMOTE GREASE SYSTEM INSTALLATION



ART_1001210417-B

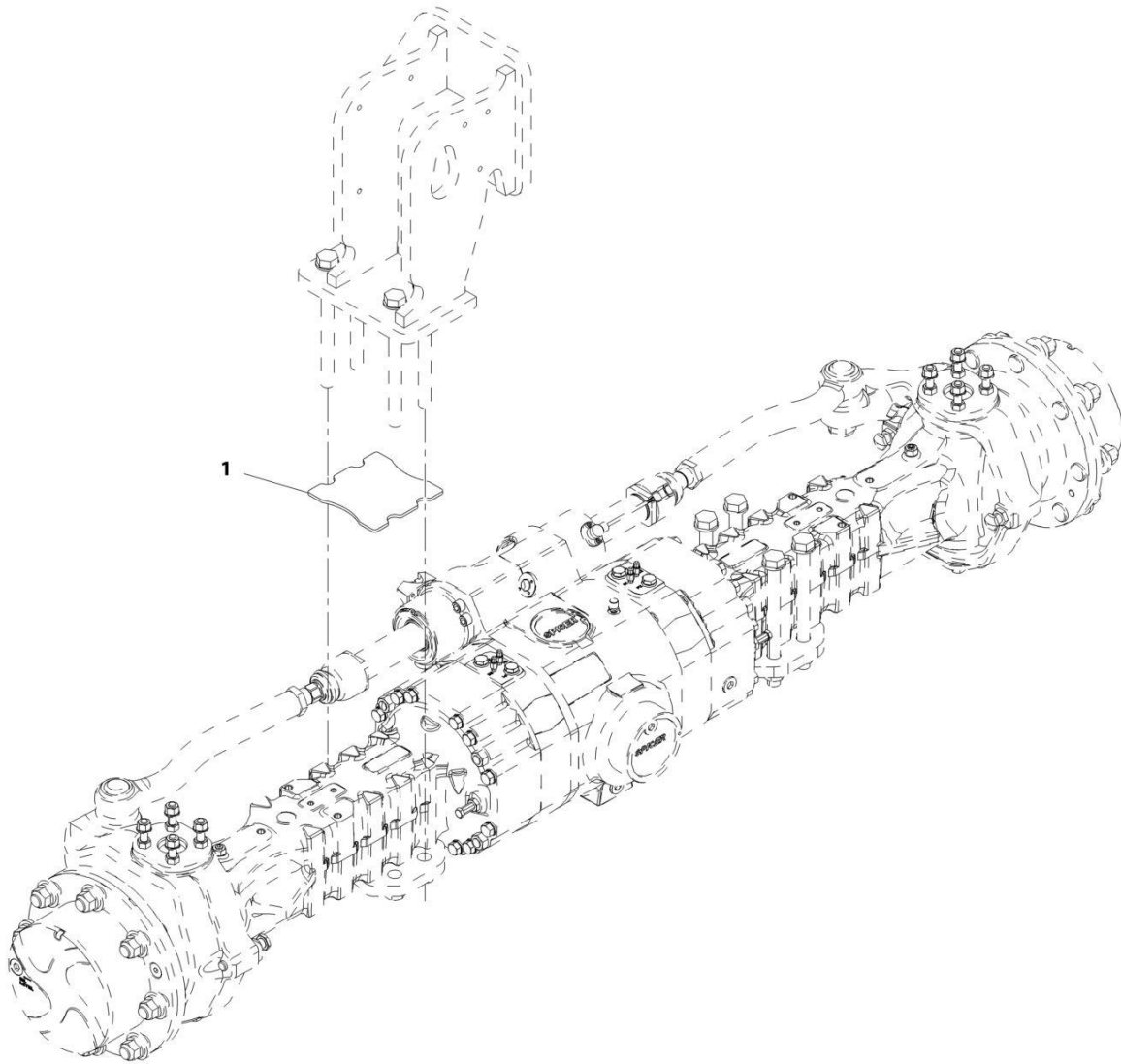
SECTION 5 - DRIVE TRAIN

FIGURE 5-7. REMOTE GREASE SYSTEM INSTALLATION

ITEM	PART NUMBER	QTY	DESCRIPTION	REV
	1001210417	Ref	REMOTE GREASE SYSTEM INSTALLATION	D
1	2160016	1	Fitting, Grease	
2	1001008559	7	Strap, Cable	
3	1001164053	2	Adapter, 90 Grease	
4	1001101563	2	Adapter, Straight Grease	
5	1001227653	1	Bracket	
6	1001210431	1	Hose, Grease	
7	1001210432	1	Hose, Grease	

SECTION 5 - DRIVE TRAIN

FIGURE 5-8. AXLE SHIM INSTALLATION



ART_1001186574-C

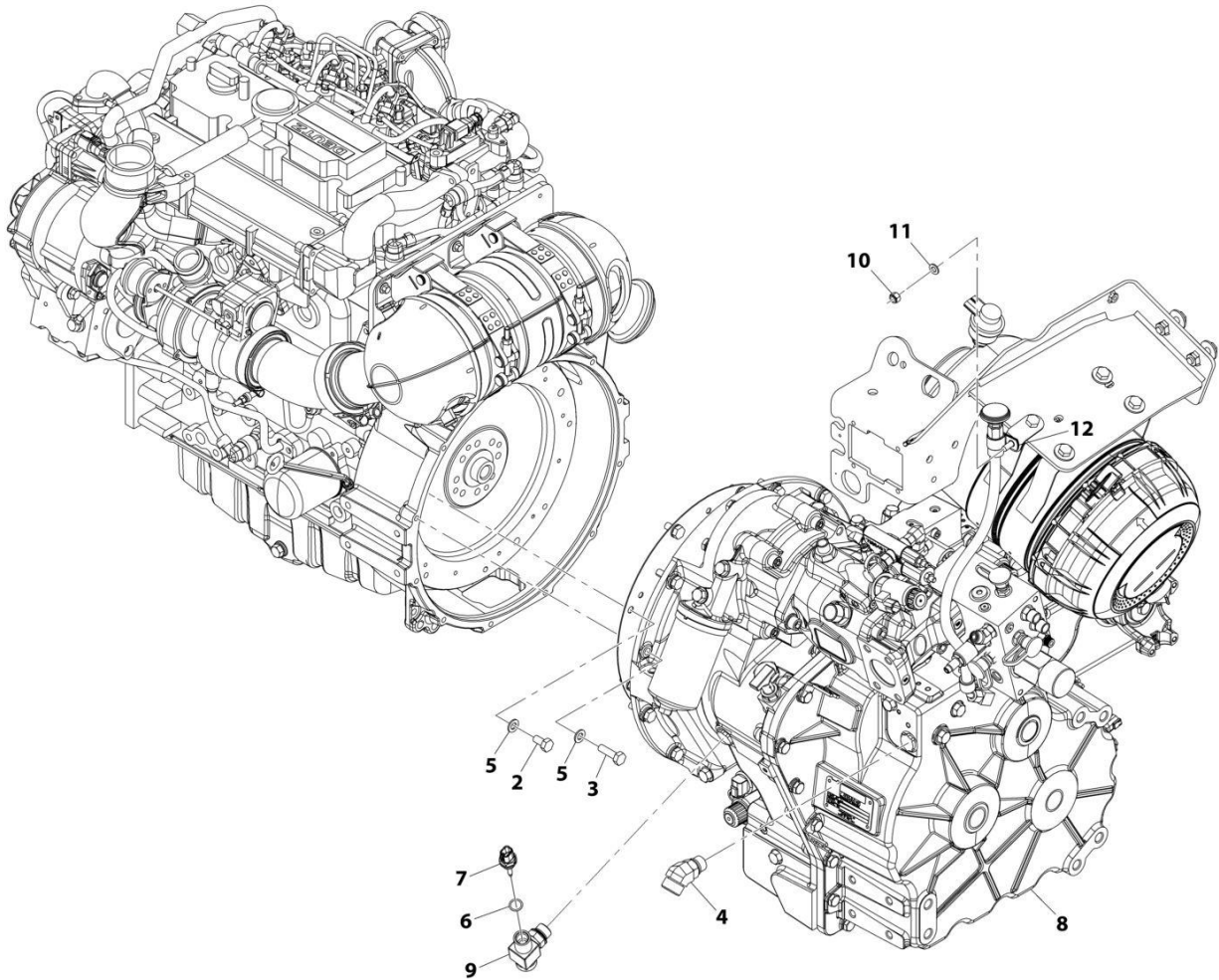
SECTION 5 - DRIVE TRAIN

FIGURE 5-8. AXLE SHIM INSTALLATION

ITEM	PART NUMBER	QTY	DESCRIPTION	REV
1	1001186574 1001190541	Ref 1	Axle Shim Installation (24IN Wheel) Plate, Axle Shim	C

SECTION 5 - DRIVE TRAIN

FIGURE 5-9. TRANSMISSION INSTALLATION (6 SPD - 90KW)



ART_1001178439-F

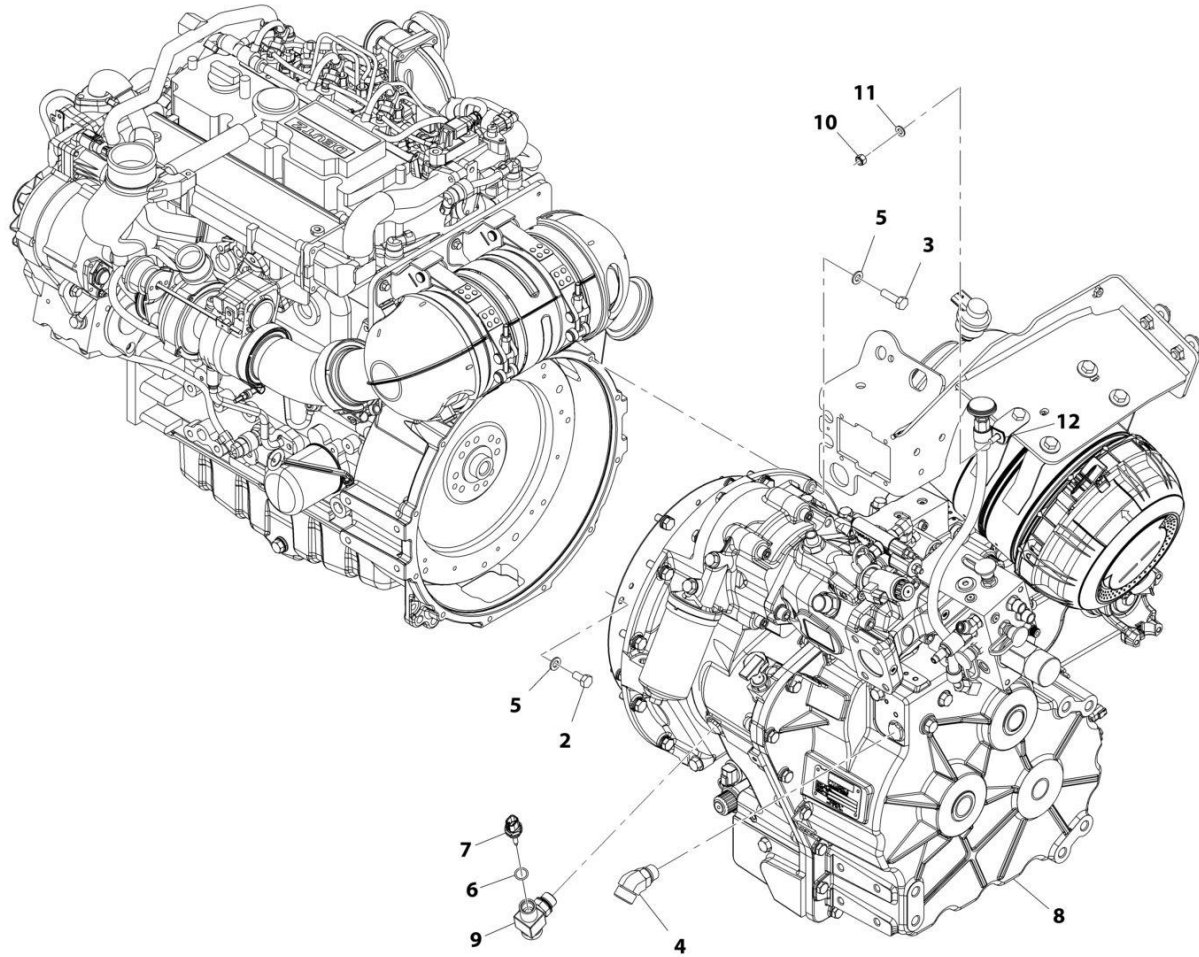
SECTION 5 - DRIVE TRAIN

FIGURE 5-9. TRANSMISSION INSTALLATION (6 SPD - 90KW)

ITEM	PART NUMBER	QTY	DESCRIPTION	REV
	1001178439	Ref	TRANSMISSION INSTALLATION (6 SPD)	F
2	0761010	8	Bolt M10 x 20	
3	0761015	10	Bolt M10 x 35	
4	2151210	1	Fitting, 45 ORFS	
5	4812000	18	Washer M10	
6	1001009163	1	O-Ring	
7	1001128478	1	Sensor, Temperature	
8	1001177851	1	Transmission (6 SPD - DTZ - 90KW) (See Separate Breakdown in this Section)	
9	1001219182	1	Adapter, ORFS	
10	3290805	1	Nut, Lock M8 x 1.25	
11	4811900	1	Washer M8	
12	91043147	1	Clamp	

SECTION 5 - DRIVE TRAIN

FIGURE 5-10. TRANSMISSION INSTALLATION (6 SPD - 97KW)



ART_1001182647-D

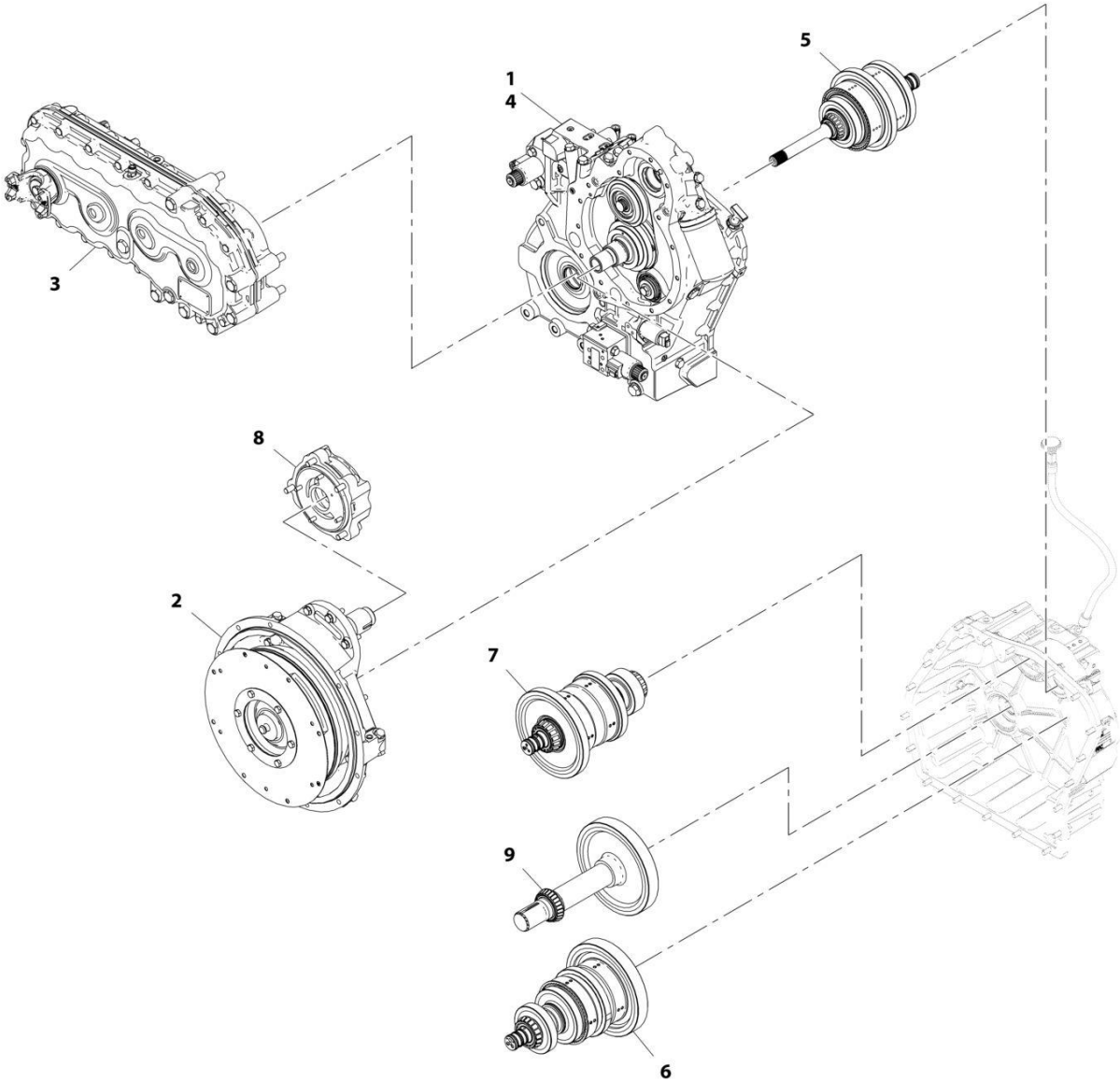
SECTION 5 - DRIVE TRAIN

FIGURE 5-10. TRANSMISSION INSTALLATION (6 SPD - 97KW)

ITEM	PART NUMBER	QTY	DESCRIPTION	REV
	1001182647	Ref	TRANSMISSION INSTALLATION (6 SPD - HHP)	D
2	0761010	8	Bolt M10 x 20	
3	0761015	10	Bolt M10 x 35	
4	2151210	1	Fitting, 45 ORFS	
5	4812000	18	Washer M10	
6	1001009163	1	O-Ring	
7	1001128478	1	Sensor, Temperature	
8	1001181559	1	Transmission (6 SPD - HHP - 97KW) (See Separate Breakdown in this Section)	
9	1001219182	1	Fitting, Tee ORFS	
10	3290805	1	Nut, Lock M8 x 1.25	
11	4811900	1	Washer M8	
12	91043147	1	Clamp	

SECTION 5 - DRIVE TRAIN

FIGURE 5-11. TRANSMISSION (6 SPD - 90KW)



ART_1001177851-E

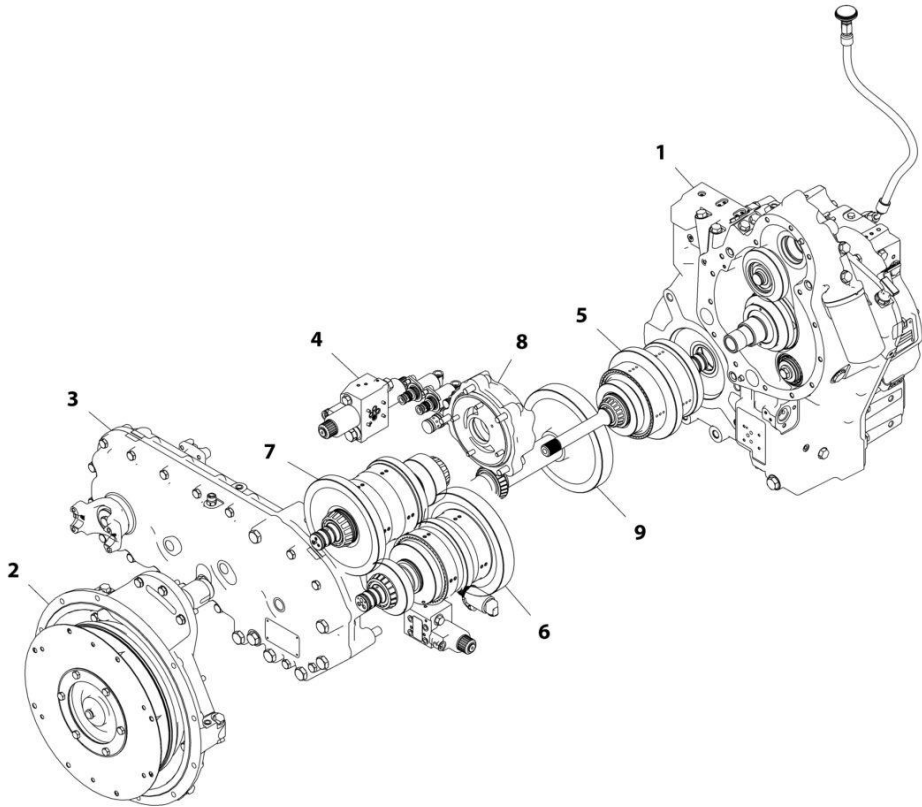
SECTION 5 - DRIVE TRAIN

FIGURE 5-11. TRANSMISSION (6 SPD - 90KW)

ITEM	PART NUMBER	QTY	DESCRIPTION	REV
	1001177851	Ref	Transmission (6 SPD - 90KW)	E
1	70027723	Ref	Group, Planetary Case and Parts (See Separate Breakdown in this Section)	
2	70027721	Ref	Group, Torque Converter (See Separate Breakdown in this Section)	
3	70027725	Ref	Group, Transfer Gear and Case (See Separate Breakdown in this Section)	
4	70027720	Ref	Group, Transmission Hydraulic Control (See Separate Breakdown in this Section)	
5	70027717	Ref	Group, Input Shaft (See Separate Breakdown in this Section)	
6	70027718	Ref	Group, Transmission Clutch (See Separate Breakdown in this Section)	
7	70027715	Ref	Group, Clutch and Gear (See Separate Breakdown in this Section)	
8	70027719	Ref	Group, Transmission Pump (See Separate Breakdown in this Section)	
9	70027716	Ref	Group, Output Shaft (See Separate Breakdown in this Section)	

SECTION 5 - DRIVE TRAIN

FIGURE 5-12. TRANSMISSION (6 SPD - HHP - 97KW)



ART_1001181559-D

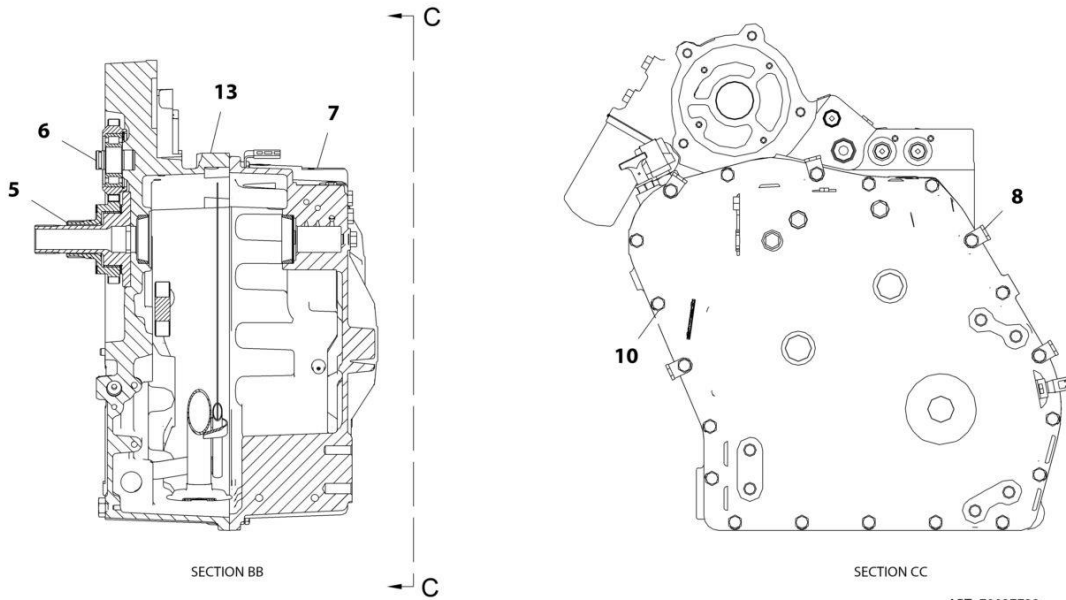
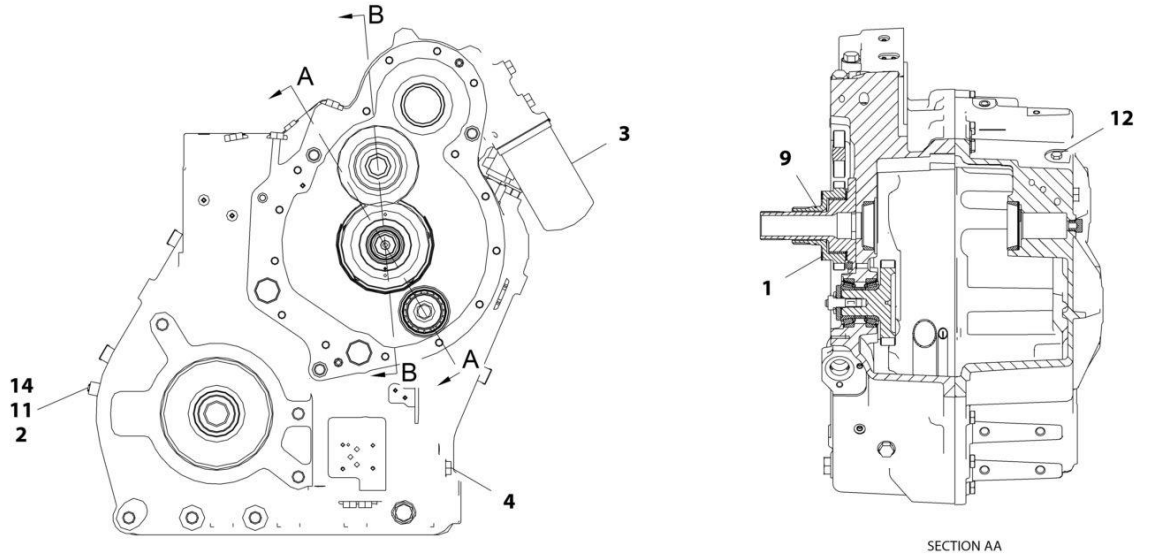
SECTION 5 - DRIVE TRAIN

FIGURE 5-12. TRANSMISSION (6 SPD - HHP - 97KW)

ITEM	PART NUMBER	QTY	DESCRIPTION	REV
	1001181559	Ref	Transmission (6 SPD - HHP - 97KW)	D
1	70027723	Ref	Group, Planetary Case and Parts (See Separate Breakdown in this Section)	
2	70027724	Ref	Group, Torque Converter (See Separate Breakdown in this Section)	
3	70027725	Ref	Group, Transfer Gear and Case (See Separate Breakdown in this Section)	
4	70027720	Ref	Group, Transmission Hydraulic Control (See Separate Breakdown in this Section)	
5	70027717	Ref	Group, Input Shaft (See Separate Breakdown in this Section)	
6	70027718	Ref	Group, Transmission Clutch (See Separate Breakdown in this Section)	
7	70027715	Ref	Group, Clutch and Gear (See Separate Breakdown in this Section)	
8	70027719	Ref	Group, Transmission Pump (See Separate Breakdown in this Section)	
9	70027716	Ref	Group, Output Shaft (See Separate Breakdown in this Section)	

SECTION 5 - DRIVE TRAIN

FIGURE 5-13. PLANETARY CASE AND PARTS GROUP



ART_70027723

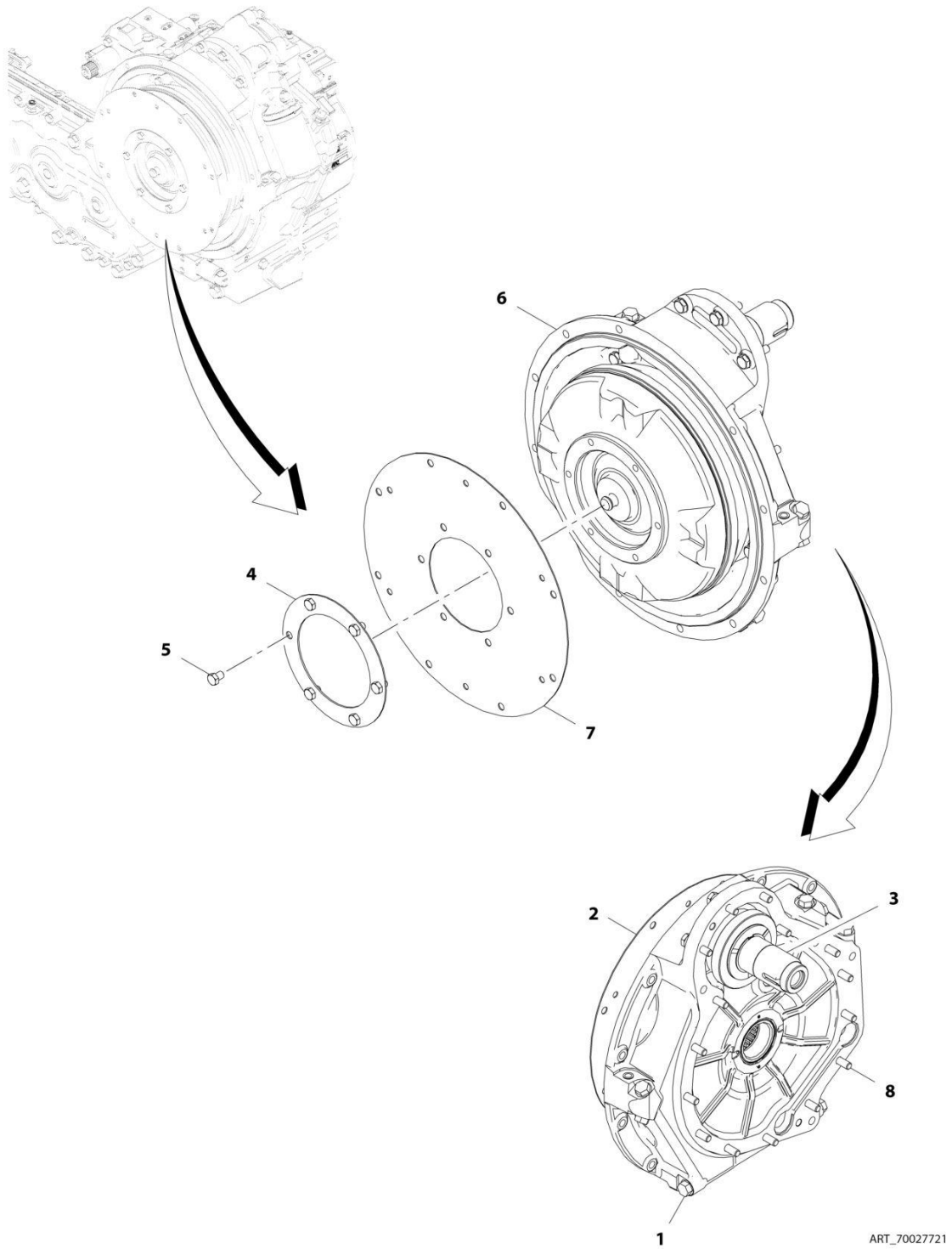
SECTION 5 - DRIVE TRAIN

FIGURE 5-13. PLANETARY CASE AND PARTS GROUP

ITEM	PART NUMBER	QTY	DESCRIPTION	REV
	70027723	Ref	Planetary Case and Parts Group	
1	70025511	2	Washer, Thrust	
2	70025526	1	Sensor, Speed (See Separate Breakdown in this Section)	
3	70025453	1	Filter, Transmission	
4	70027663	1	Assembly, Plug	
	70025525	1	O-Ring	
	70025524	1	Plug	
5	70027341	1	Assembly, Gear	
6	70027707	1	Gear, Idler (See Separate Breakdown in this Section)	
7	70027711	1	Case, Rear Transmission (See Separate Breakdown in this Section)	
8	70027331	5	Clip	
9	70025512	1	O-Ring	
10	70025514	20	Bolt	
11	70025528	1	Bolt	
12	70025529	1	Plug	
13	70027714	1	Case, Planetary (See Separate Breakdown in this Section)	
14	70025527	1	O-Ring	

SECTION 5 - DRIVE TRAIN

FIGURE 5-14. TORQUE CONVERTER GROUP



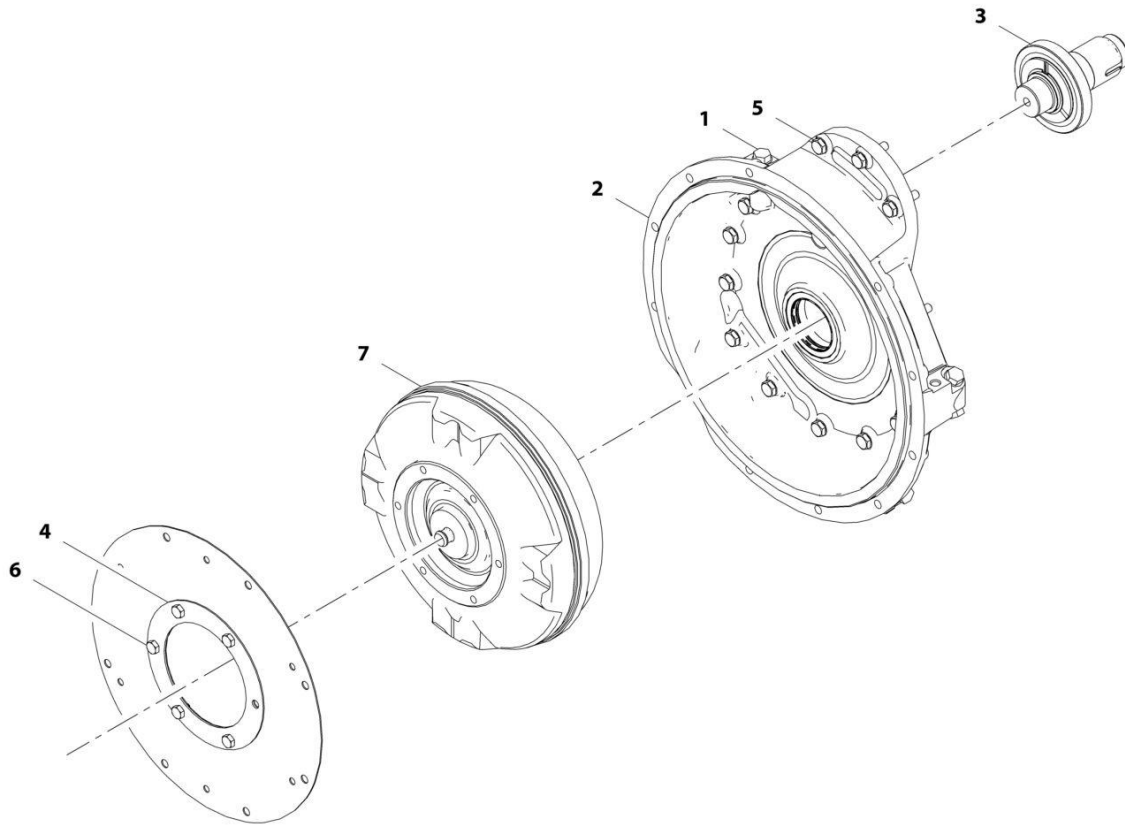
SECTION 5 - DRIVE TRAIN

FIGURE 5-14. TORQUE CONVERTER GROUP

ITEM	PART NUMBER	QTY	DESCRIPTION	REV
1	70027721	Ref	Torque Converter Group	
	70027663	7	Assembly, Plug	
	70025525	1	O-Ring	
	70025524	1	Plug	
2	70027666	1	Assembly, Torque Converter	
	70027676	1	Bearing	
	70025383	1	Seal	
	70025382	2	Pin	
	70027345	1	Converter	
3	70027667	1	Assembly, Shaft	
	70025510	2	Ring, Snap	
	70025393	2	Disc, Thrust	
	70025392	1	Pump, Gear	
4	70025397	1	Plate, Converter Drive	
5	70025398	6	Screw	
6	70027382	1	Converter, Torque	
7	70027670	1	Plate, Converter Drive	
8	70027682	15	Bolt	

SECTION 5 - DRIVE TRAIN

FIGURE 5-15. TORQUE CONVERTER GROUP



ART_70027724

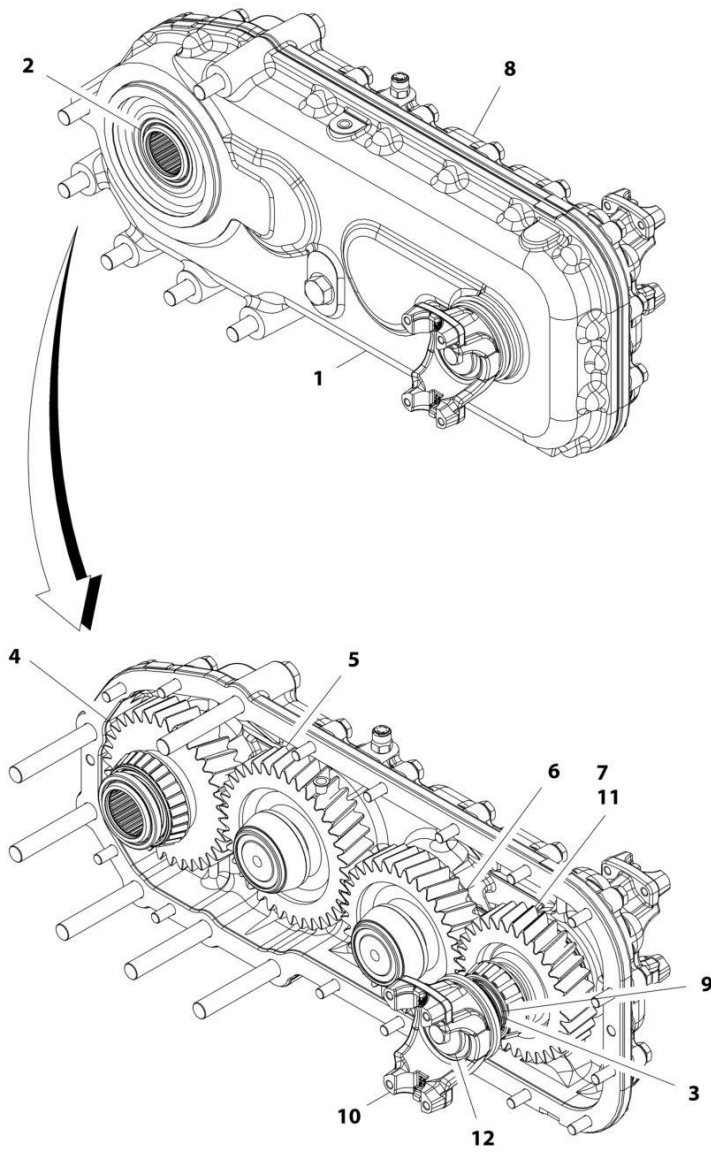
SECTION 5 - DRIVE TRAIN

FIGURE 5-15. TORQUE CONVERTER GROUP

ITEM	PART NUMBER	QTY	DESCRIPTION	REV
1	70027724	Ref	Torque Converter Group	
	70027663	7	Assembly, Plug	
	70025525	1	O-Ring	
	70025524	1	Plug	
2	70027666	1	Torque Converter	
	70027676	1	Bearing	
	70025383	1	Seal	
	70025382	2	Pin	
	70027345	1	Converter	
3	70027667	1	Assembly, Shaft	
	70025510	2	Ring, Snap	
	70025393	2	Disc, Thrust	
	70025392	1	Pump, Gear	
4	70025397	1	Plate, Converter	
5	70025514	15	Bolt	
6	70025398	6	Setscrew	
7	70027383	1	Converter, Torque	

SECTION 5 - DRIVE TRAIN

FIGURE 5-16. TRANSFER GEAR AND CASE GROUP



ART_70027725

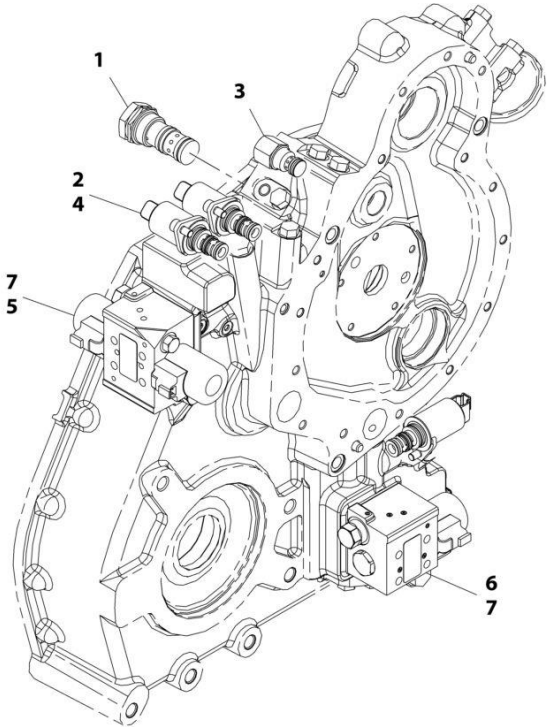
SECTION 5 - DRIVE TRAIN

FIGURE 5-16. TRANSFER GEAR AND CASE GROUP

ITEM	PART NUMBER	QTY	DESCRIPTION	REV
	70027725	Ref	Group, Transfer Gear and Case	
1	70027373	1	Case, Front Transfer (See Separate Breakdown in this Section)	
2	70024642	1	Seal, Lip	
3	70027376	2	Seal, Lip	
4	70027672	1	Gear Assembly	
	70025496	2	Cone, Roller Bearing	
	70024634	1	Cone, Roller Bearing	
	70027368	1	Gear, Input	
5	70027673	1	Assembly, Idler Gear	
	70025493	2	Bearing, Cone	
	70027369	1	Idler, Gear	
6	70027674	1	Assembly, Idler Gear	
	70025493	2	Bearing, Cone	
	70027370	1	Idler, Gear	
7	70027675	1	Assembly, Output Shaft	
	70025496	2	Cone, Roller Bearing	
	70025498	2	Ring, Retaining	
	70024639	1	Shaft, Output	
	70027371	1	Gear, Output	
8	70027375	1	Case, Rear Transfer (See Separate Breakdown in this Section)	
9	70024644	2	Spacer	
10	70024645	2	Yoke	
11	70025503	2	O-Ring	
12	70025504	2	Washer	

SECTION 5 - DRIVE TRAIN

FIGURE 5-17. TRANSMISSION HYDRAULIC CONTROL GROUP



ART_70027720

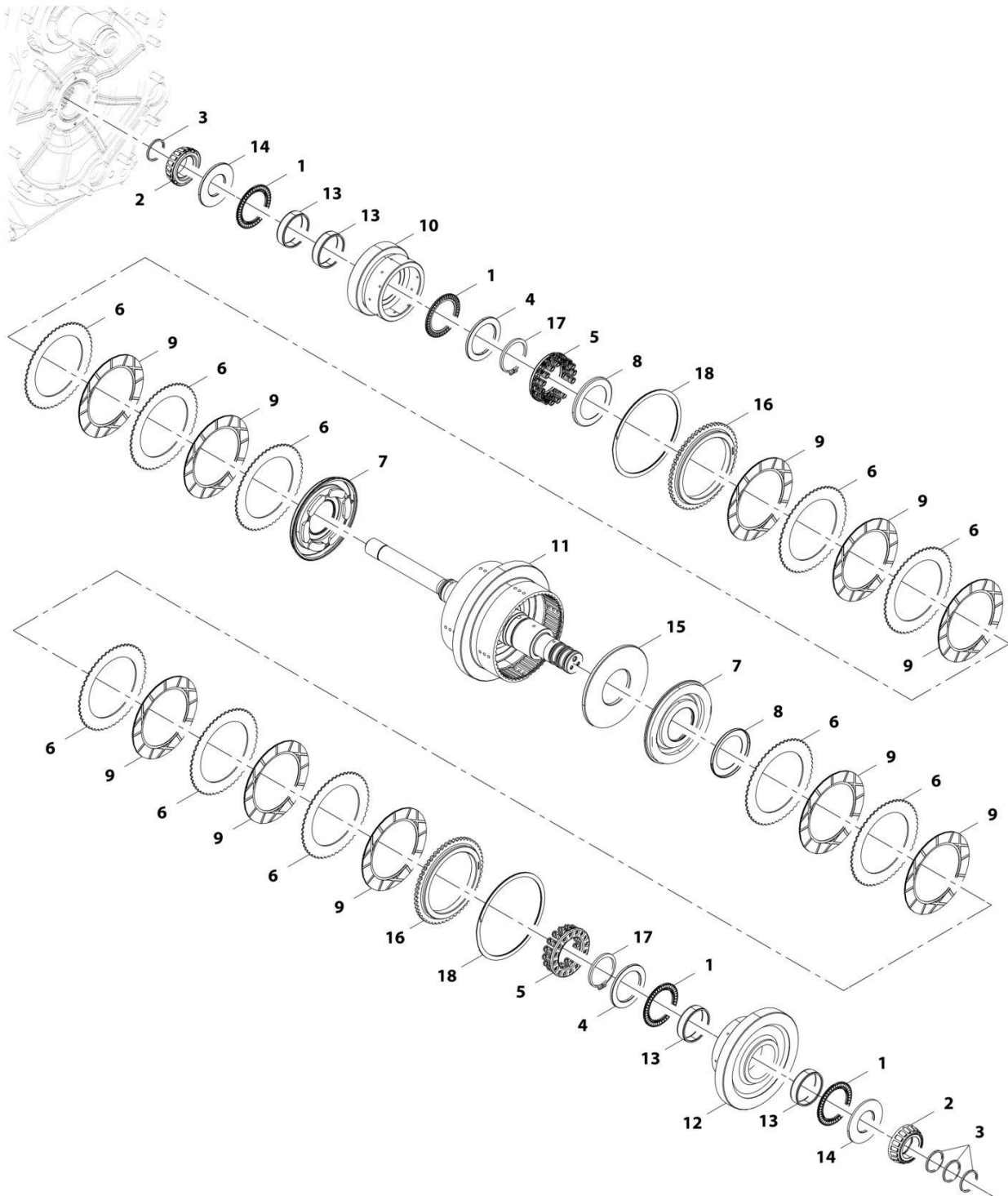
SECTION 5 - DRIVE TRAIN

FIGURE 5-17. TRANSMISSION HYDRAULIC CONTROL GROUP

ITEM	PART NUMBER	QTY	DESCRIPTION	REV
	70027720	Ref	Transmission Hydraulic Control Group	
1	70025469	1	Valve, Relief (See Separate Breakdown in this Section)	
2	70025520	3	Capscrew	
3	70025470	1	Valve, Relief	
	70027387	1	O-Ring	
	70027680	1	O-Ring	
4	70025451	3	Valve, Solenoid	
5	70027362	1	Valve, Solenoid (See Separate Breakdown in this Section)	
6	70027363	1	Valve, Solenoid (See Separate Breakdown in this Section)	
7	70027671	8	Bolt	

SECTION 5 - DRIVE TRAIN

FIGURE 5-18. INPUT SHAFT GROUP



ART_70027717

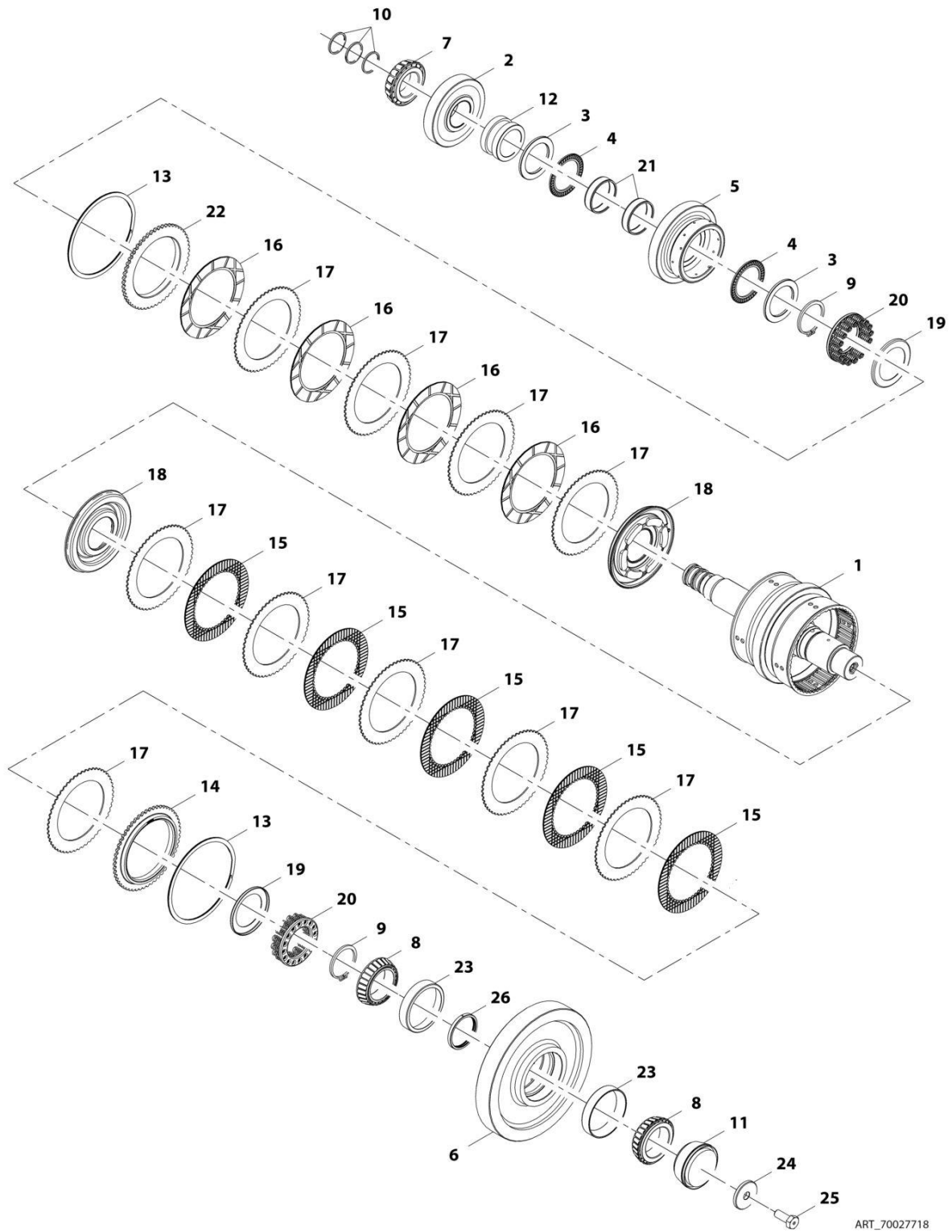
SECTION 5 - DRIVE TRAIN

FIGURE 5-18. INPUT SHAFT GROUP

ITEM	PART NUMBER	QTY	DESCRIPTION	REV
	70027717	Ref	Input Shaft Group	
1	70025432	4	Bearing, Thrust	
2	70025508	2	Bearing, Roller Cone	
3	70025433	4	Ring, Sealing	
4	70025429	2	Washer, Thrust	
5	70025440	2	Assembly, Spring and Retainer	
6	70025437	10	Plate, Clutch	
7	70025438	2	Piston, Clutch	
8	70025439	2	Retainer, Spring	
9	70025448	10	Disc, Friction	
10	70025400	1	Gear	
11	70025445	1	Assembly, Plug	
	70027328	2	Plug	
	70027348	1	Plug, Orifice	
12	70025401	1	Gear	
13	70025424	4	Bearing, Needle Roller	
14	70025446	2	Washer, Thrust	
15	70025449	1	Spacer, Piston	
16	70025447	2	Plate, Retainer	
17	70025498	2	Ring, Retaining	
18	70027681	2	Ring, Retaining	

SECTION 5 - DRIVE TRAIN

FIGURE 5-19. TRANSMISSION CLUTCH GROUP



ART_70027718

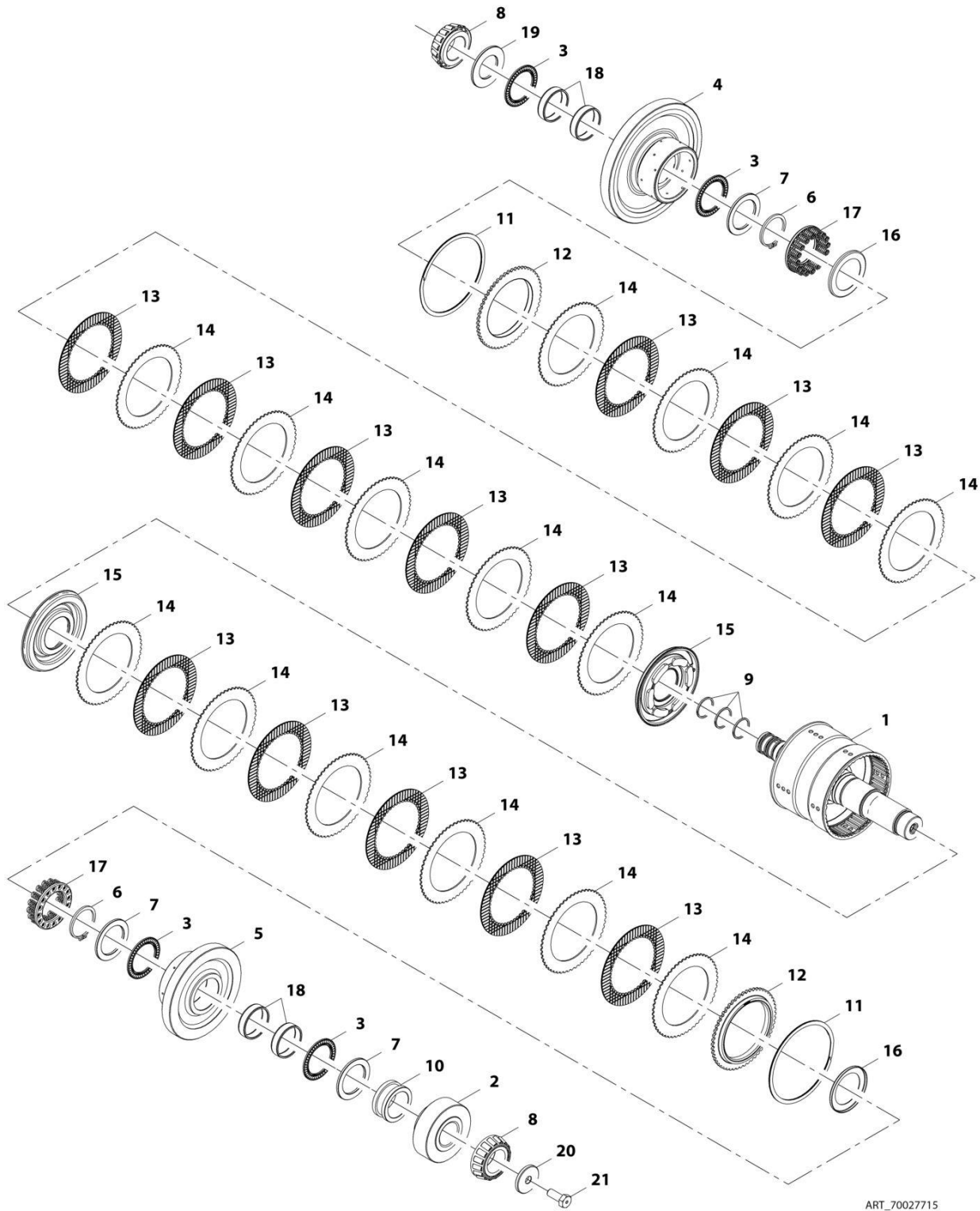
SECTION 5 - DRIVE TRAIN

FIGURE 5-19. TRANSMISSION CLUTCH GROUP

ITEM	PART NUMBER	QTY	DESCRIPTION	REV
	70027718	Ref	Transmission Clutch Group	
1	70025450	1	Shaft, Forward High/3rd	
	70027339	2	Plug	
	70027344	1	Plug-Orifice	
2	70025402	1	Gear	
3	70025429	2	Washer, Thrust	
4	70025432	2	Bearing, Thrust	
5	70025403	1	Gear	
6	70025404	1	Gear	
7	70025406	1	Bearing, Cone Roller	
8	70025407	2	Bearing, Cone Roller	
9	70025498	2	Ring, Retaining	
10	70025433	3	Ring, Sealing	
11	70025493	1	Bearing, Cone Roller	
12	70025409	1	Spacer	
13	70027681	2	Ring, Retaining	
14	70025435	1	Plate, Retainer	
15	70025436	5	Disc-Friction	
16	70025448	4	Disc-Friction	
17	70025437	10	Plate, Clutch	
18	70025438	2	Piston, Clutch	
19	70025439	2	Spring, Retainer	
20	70025440	2	Assembly, Spring and Retainer	
21	70025424	2	Bearing, Needle Roller	
22	70025447	1	Plate, Retaining	
23	70025408	2	Bearing, Cup	
24	70025504	1	Washer	
25	70025442	1	Bolt	
26	70025410	AR	Spacer, 5.88-5.90	
	70025411	AR	Spacer, 5.85-5.87	
	70025412	AR	Spacer, 5.82-5.84	
	70025413	AR	Spacer, 5.79-5.81	
	70025414	AR	Spacer, 6.00-6.02	
	70025415	AR	Spacer, 5.97-5.99	
	70025416	AR	Spacer, 5.94-5.96	
	70025417	AR	Spacer, 5.91-5.93	
	70025418	AR	Spacer, 6.09-6.11	
	70025419	AR	Spacer, 6.06-6.08	
	70027358	AR	Spacer, 6.12-6.14	
	70027359	AR	Spacer, 6.15-6.17	
	70025420	AR	Spacer, 6.03-6.05	
	70027364	AR	Spacer, 6.20-6.22	
	70027365	AR	Spacer, 6.25-6.27	

SECTION 5 - DRIVE TRAIN

FIGURE 5-20. CLUTCH AND GEAR GROUP



ART_70027715

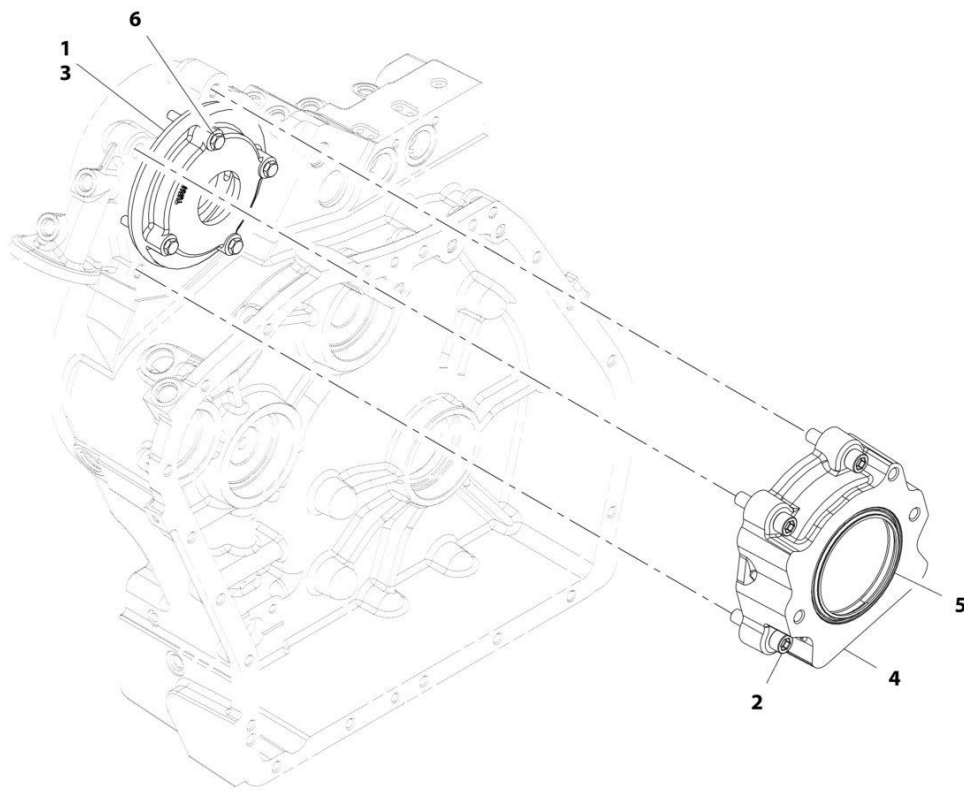
SECTION 5 - DRIVE TRAIN

FIGURE 5-20. CLUTCH AND GEAR GROUP

ITEM	PART NUMBER	QTY	DESCRIPTION	REV
	70027715	Ref	Clutch and Gear Group	
1	70025431	1	Assembly, Plug	
	70027328	2	Plug	
	70027344	1	Plug, Orifice	
	70027349	1	Plug, Orifice	
2	70025423	1	Gear	
3	70025432	4	Bearing, Thrust	
4	70025425	1	Gear	
5	70025401	1	Gear	
6	70025498	2	Ring, Retaining	
7	70025429	3	Washer, Thrust	
8	70025496	2	Cone, Roller Bearing	
9	70025433	3	Ring, Sealing	
10	70025426	1	Spacer	
11	70027681	2	Ring, Retaining	
12	70025435	2	Plate, Retainer	
13	70025436	13	Disc, Friction	
14	70025437	15	Plate, Clutch	
15	70025438	2	Piston, Clutch	
16	70025439	2	Retainer, Spring	
17	70025440	2	Assembly, Spring and Retainer	
18	70025424	4	Bearing, Needle Roller	
19	70025441	1	Washer, Thrust	
20	70025504	1	Washer	
21	70025442	1	Bolt	

SECTION 5 - DRIVE TRAIN

FIGURE 5-21. TRANSMISSION PUMP GROUP



ART_70027719

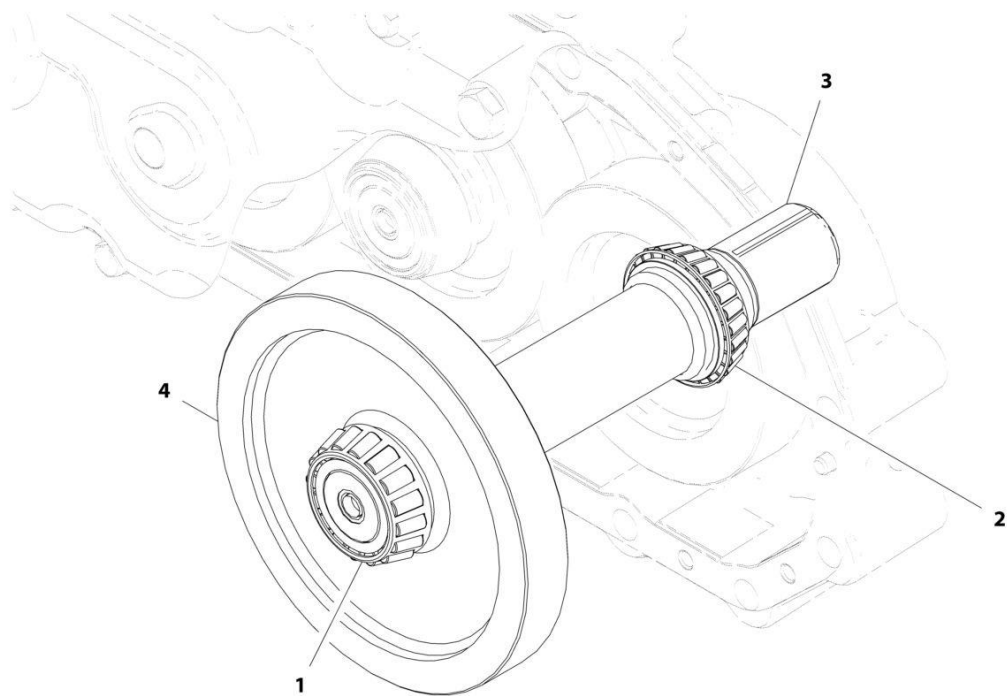
SECTION 5 - DRIVE TRAIN

FIGURE 5-21. TRANSMISSION PUMP GROUP

ITEM	PART NUMBER	QTY	DESCRIPTION	REV
	70027719	Ref	Transmission Pump Group	
1	70025464	1	O-Ring	
2	70025463	4	Capscrew	
3	70025459	1	Pump, Charge	
4	70025452	1	Housing, Pump	
5	70027347	1	Plug	
6	70025522	4	Bolt	

SECTION 5 - DRIVE TRAIN

FIGURE 5-22. OUTPUT SHAFT GROUP



ART_70027716

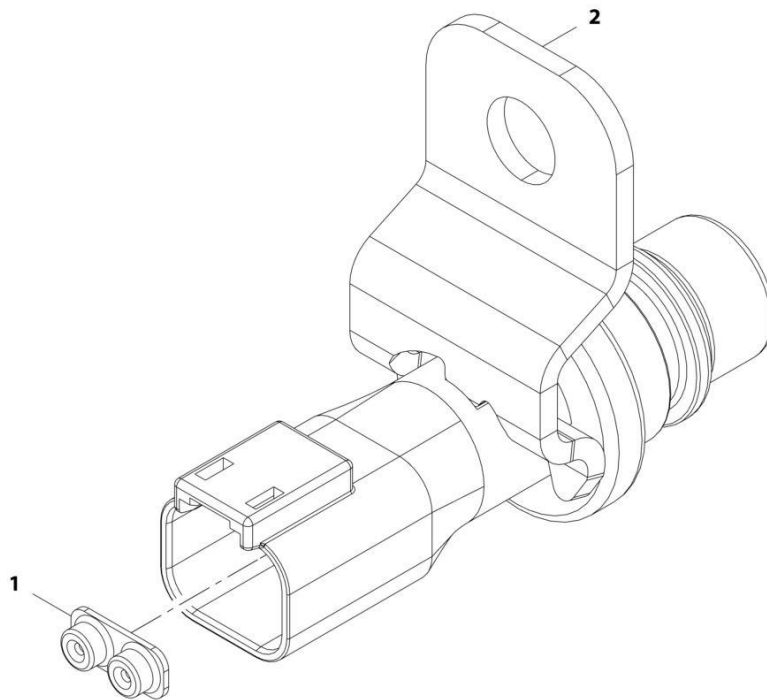
SECTION 5 - DRIVE TRAIN

FIGURE 5-22. OUTPUT SHAFT GROUP

ITEM	PART NUMBER	QTY	DESCRIPTION	REV
	70027716	Ref	Output Shaft Group	
1	70025496	1	Cone, Roller Bearing	
2	70025407	1	Cone, Roller Bearing	
3	70025428	1	Gear	
4	70025427	1	Shaft, Output	

SECTION 5 - DRIVE TRAIN

FIGURE 5-23. SPEED SENSOR



ART_70025526

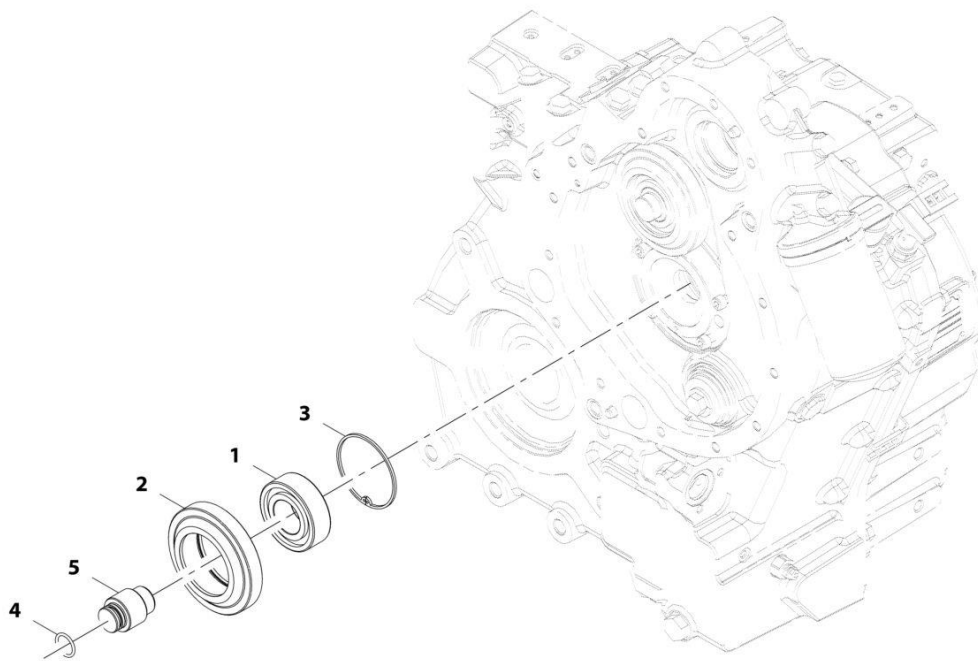
SECTION 5 - DRIVE TRAIN

FIGURE 5-23. SPEED SENSOR

ITEM	PART NUMBER	QTY	DESCRIPTION	REV
	70025526	Ref	Speed Sensor	
1	70027332	1	Connector	
2	70027661	1	Bracket	

SECTION 5 - DRIVE TRAIN

FIGURE 5-24. IDLER GEAR



ART_70027707

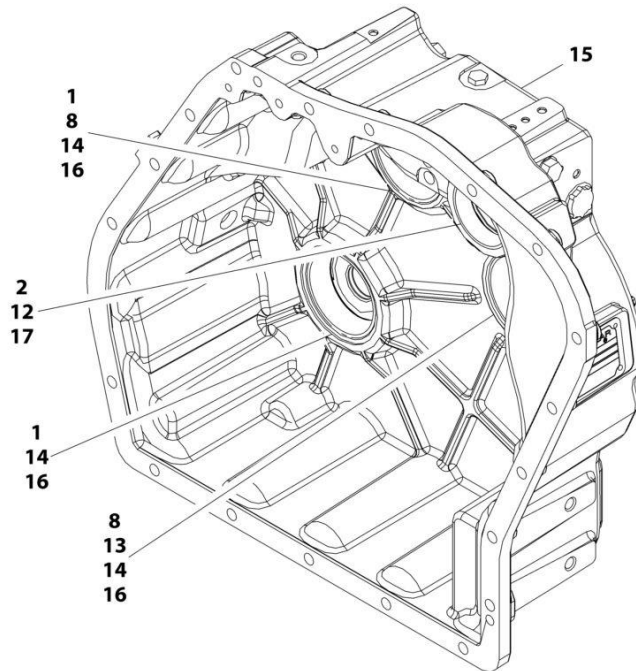
SECTION 5 - DRIVE TRAIN

FIGURE 5-24. IDLER GEAR

ITEM	PART NUMBER	QTY	DESCRIPTION	REV
	70027707	Ref	Idler Gear Group	
1	70025389	1	Bearing, Roller	
2	70025388	1	Pump, Idler Gear	
3	70025391	1	Circlip	
4	70025390	1	O-Ring	
5	70025387	1	Pump, Output Shaft	

SECTION 5 - DRIVE TRAIN

FIGURE 5-25. REAR TRANSMISSION CASE



ART_70027711

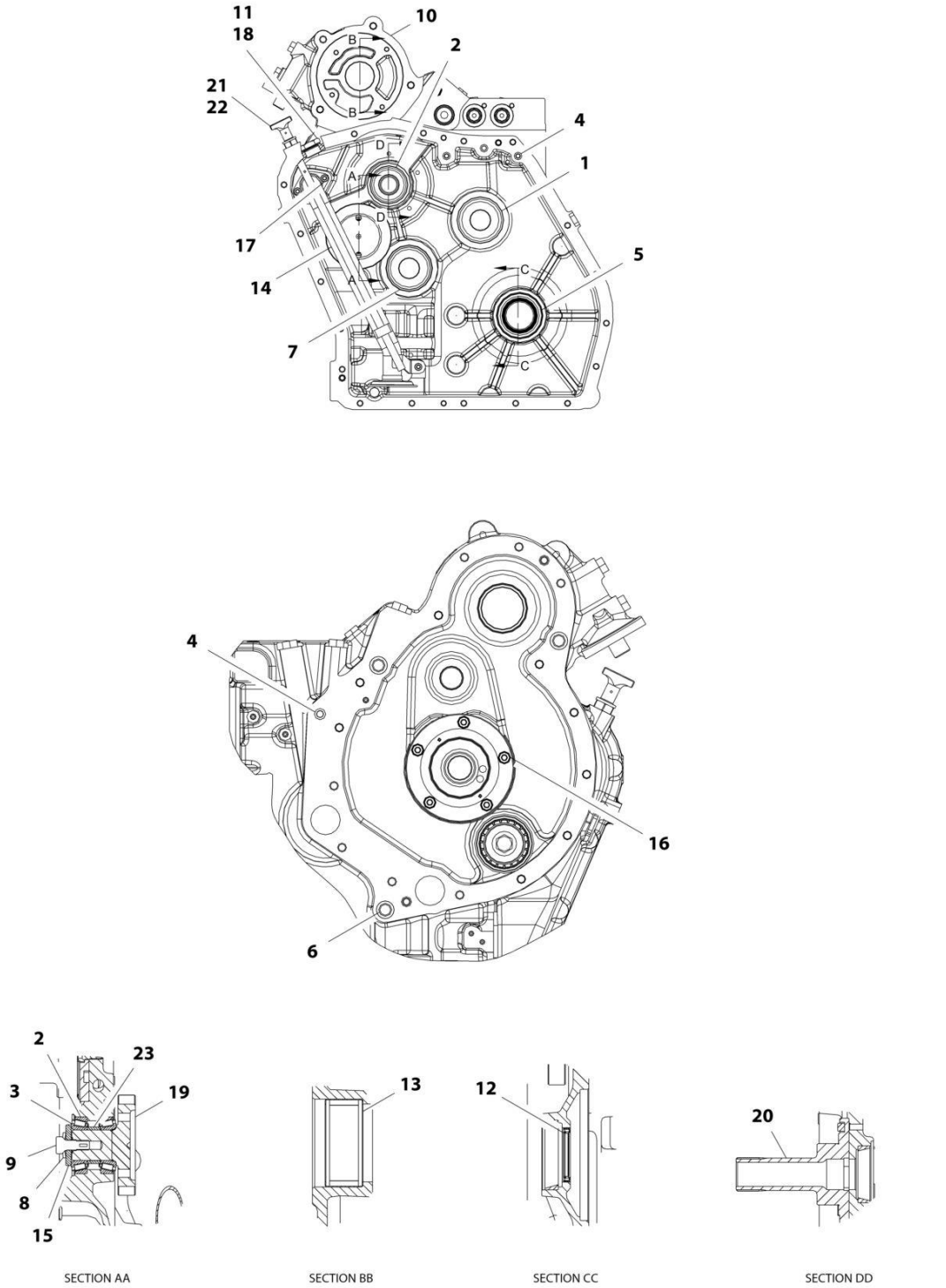
SECTION 5 - DRIVE TRAIN

FIGURE 5-25. REAR TRANSMISSION CASE

ITEM	PART NUMBER	QTY	DESCRIPTION	REV
	70027711	Ref	Rear Transmission Case	
1	70025497	2	Cup, Roller Bearing	
2	70025443	AR	Shim, 0.508	
	70025444	AR	Shim, 0.381	
	70025518	AR	Shim, 0.051	
	70025515	AR	Shim, 0.178	
	70025516	AR	Shim, 0.127	
	70025517	AR	Shim, 0.076	
8	70025502	AR	Shim, 0.599	
	70025501	AR	Shim, 0.178	
	70025500	AR	Shim, 0.076	
	70025499	AR	Shim, 0.051	
12	70025509	1	Cup, Roller Bearing	
13	70025494	1	Cup, Bearing	
14	70025476	3	Cap	
15	70025430	1	Assembly, Rear Transmission Case (See Separate Breakdown in this Section)	
16	70025421	3	Shim	
17	70027350	1	Spacer	

SECTION 5 - DRIVE TRAIN

FIGURE 5-26. PLANETARY CASE



ART_70027714

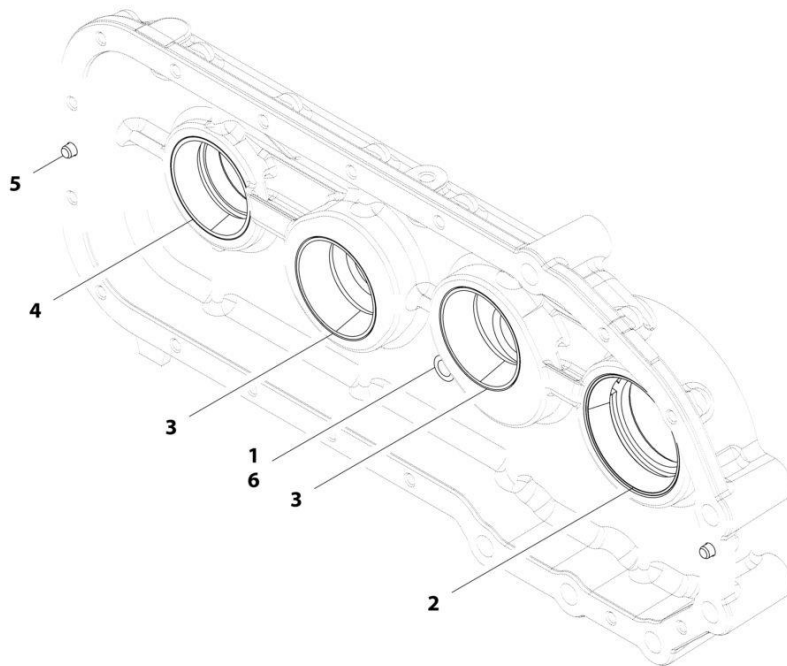
SECTION 5 - DRIVE TRAIN

FIGURE 5-26. PLANETARY CASE

ITEM	PART NUMBER	QTY	DESCRIPTION	REV
	70027714	Ref	Planetary Case	
1	70025497	1	Cup, Roller Bearing	
2	70025509	3	Cup, Roller Bearing	
3	70025508	1	Cone, Roller Bearing	
4	70025523	4	O-Ring	
5	70025408	1	Cup, Bearing	
6	70025468	3	O-Ring	
7	70027340	1	Bearing	
8	70025380	1	Washer, Bevel Spring	
9	70025505	1	Bolt	
10	70025467	1	Assembly, Front Transmission Case (See Separate Breakdown in this Section)	
11	70027664	1	Housing	
12	70027376	1	Seal, Lip	
13	70025360	1	Bearing, Needle Roller	
14	70027668	1	Assembly, Strainer	
	70025461	2	O-Ring	
	70025460	1	Strainer	
15	70025504	1	Washer	
16	70025513	5	Capscrew	
17	70025520	3	Capscrew	
18	70025472	1	Washer	
19	70027665	1	Shaft, Idler	
	70025508	1	Cone, Bearing	
	70025361	1	Gear, Reverse Idler	
20	70025394	1	Support	
	70025382	2	Pin	
21	70025465	1	Dipstick	
22	70025462	1	Assembly, Dipstick Tube	
	70027388	1	O-Ring	
	70027346	1	Tube	
23	70025370	AR	Spacer, 15.09-15.11	
	70025376	AR	Spacer, 15.27-15.29	
	70025362	AR	Spacer, 14.85-14.87	
	70025377	AR	Spacer, 15.30-15.32	
	70025371	AR	Spacer, 15.12-15.14	
	70025372	AR	Spacer, 15.15-15.17	
	70025373	AR	Spacer, 15.18-15.20	
	70025363	AR	Spacer, 14.88-14.90	
	70025364	AR	Spacer, 14.91-14.93	
	70025365	AR	Spacer, 14.94-14.96	
	70025366	AR	Spacer, 14.97-14.99	
	70025367	AR	Spacer, 15.00-15.02	
	70025368	AR	Spacer, 15.03-15.05	
	70025369	AR	Spacer, 15.06-15.08	
	70025374	AR	Spacer, 15.21-15.23	
	70025378	AR	Spacer, 15.33-15.35	
	70025379	AR	Spacer, 15.36-15.38	
	70025375	AR	Spacer, 15.24-15.26	

SECTION 5 - DRIVE TRAIN

FIGURE 5-27. FRONT TRANSFER CASE



ART_70027373

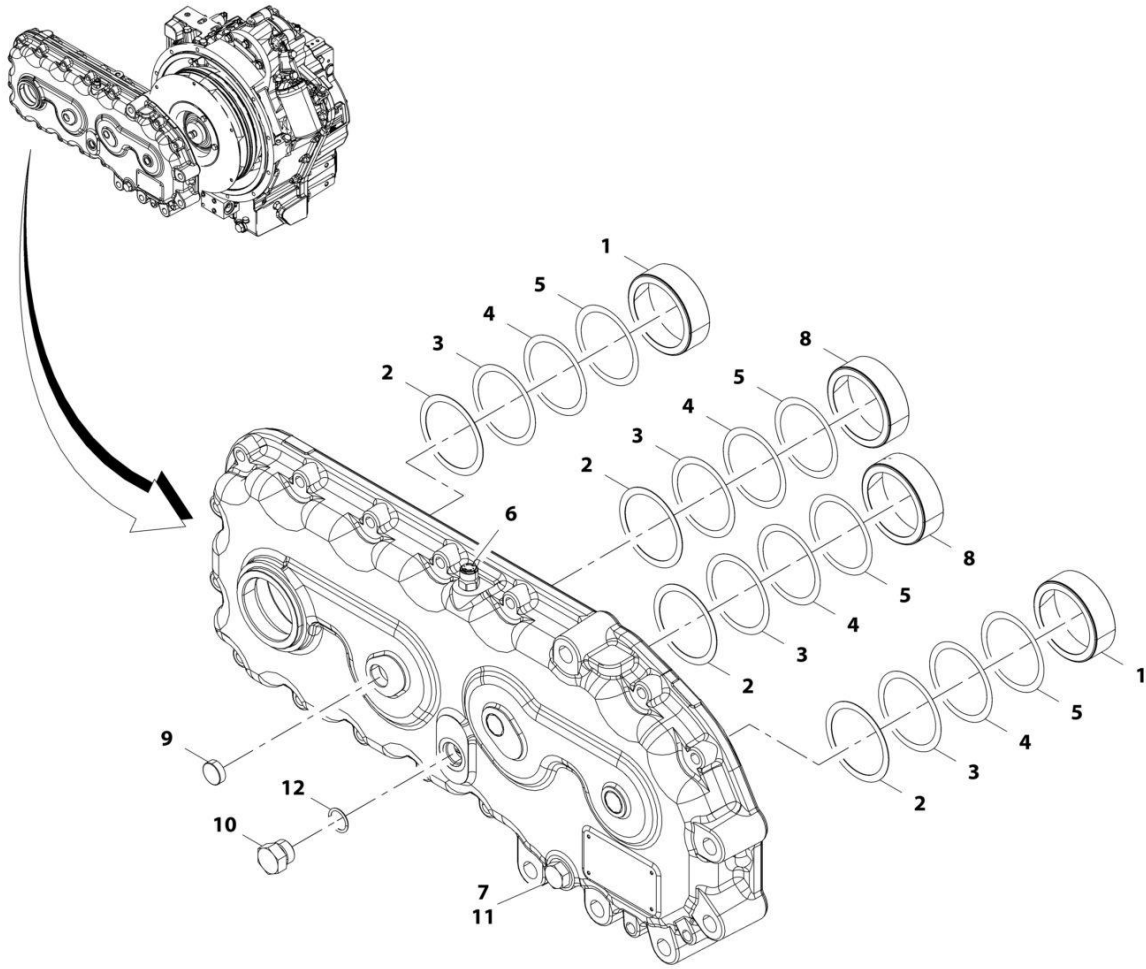
SECTION 5 - DRIVE TRAIN

FIGURE 5-27. FRONT TRANSFER CASE

ITEM	PART NUMBER	QTY	DESCRIPTION	REV
	70027373	Ref	Front Transfer Case	
1	70025506	1	Plug	
2	70024635	1	Cup, Roller Bearing	
3	70025494	2	Cup, Bearing	
4	70025497	1	Cup, Roller Bearing	
5	70025495	2	Dowel	
6	70027387	1	O-Ring	

SECTION 5 - DRIVE TRAIN

FIGURE 5-28. REAR TRANSFER CASE



ART_70027375

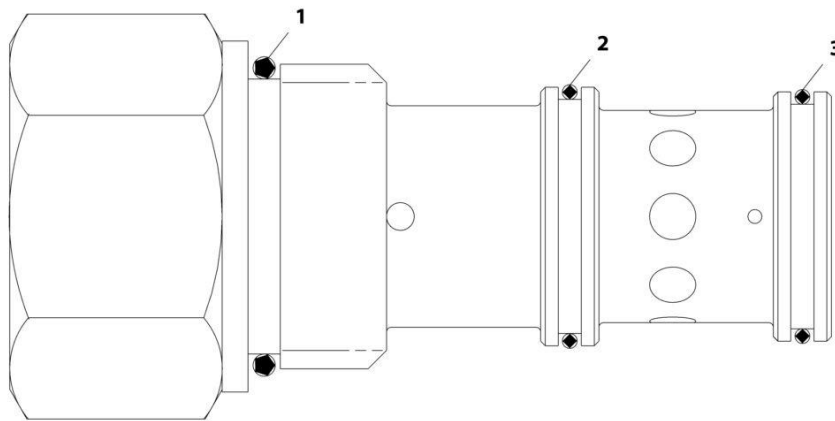
SECTION 5 - DRIVE TRAIN

FIGURE 5-28. REAR TRANSFER CASE

ITEM	PART NUMBER	QTY	DESCRIPTION	REV
	70027375	Ref	Rear Transfer Case	
1	70025497	2	Cup, Roller Bearing	
2	70025502	4	Shim, 0.236	
3	70025501	4	Shim, 0.007	
4	70025500	4	Shim, 0.003	
5	70025499	4	Shim, 0.002	
6	70027374	1	Breather	
7	70024646	1	Plug	
8	70025494	2	Cup, Bearing	
9	70024641	3	Cap	
10	70025506	1	Plug	
11	7022730	1	O-Ring	
12	70027387	1	O-Ring	

SECTION 5 - DRIVE TRAIN

FIGURE 5-29. RELIEF VALVE



ART_70025469

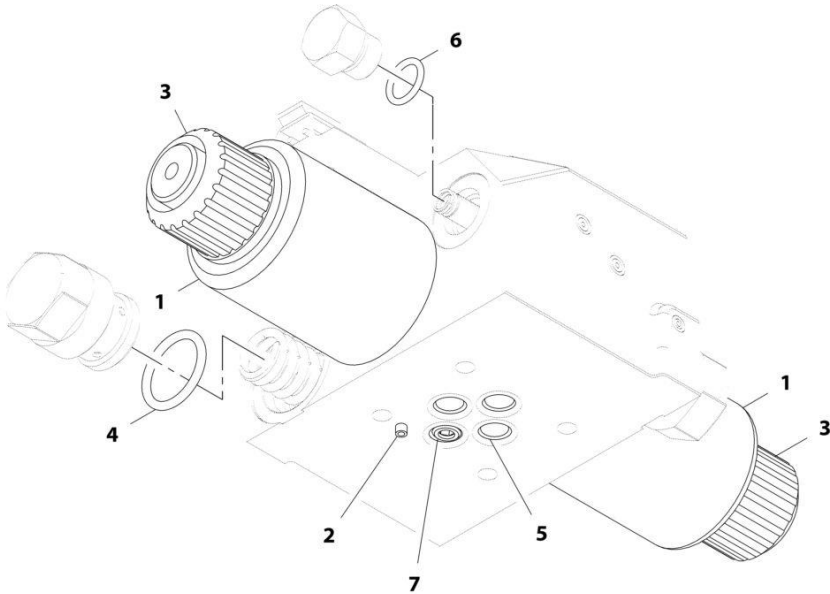
SECTION 5 - DRIVE TRAIN

FIGURE 5-29. RELIEF VALVE

ITEM	PART NUMBER	QTY	DESCRIPTION	REV
	70025469	Ref	Valve, Relief	
1	70027679	1	O-Ring	
2	70027678	1	O-Ring	
3	70027660	1	O-Ring	

SECTION 5 - DRIVE TRAIN

FIGURE 5-30. SOLENOID VALVE



ART_70027362

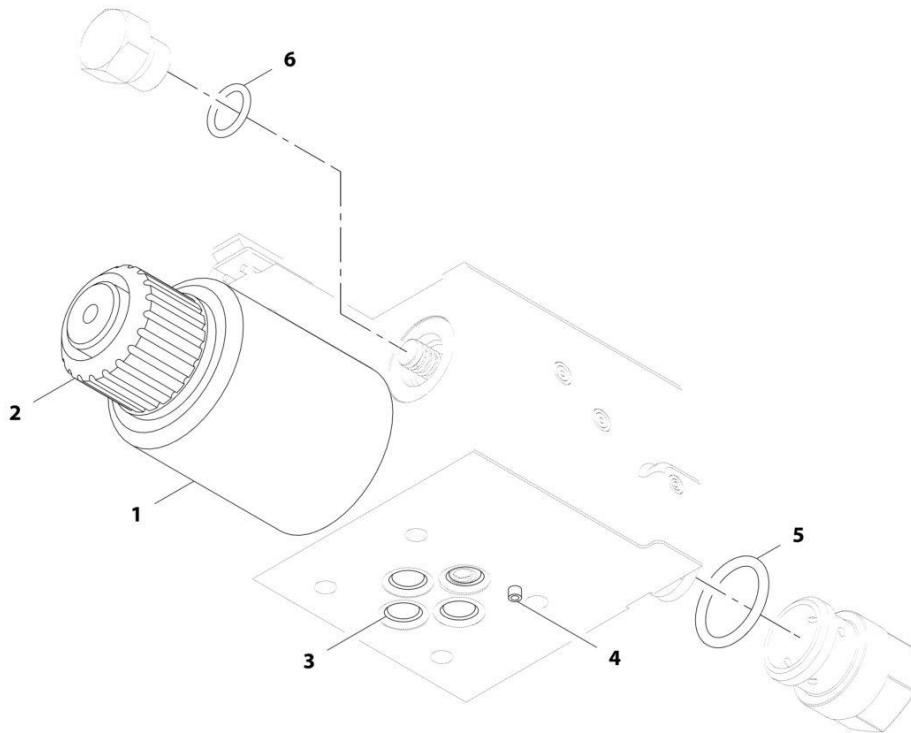
SECTION 5 - DRIVE TRAIN

FIGURE 5-30. SOLENOID VALVE

ITEM	PART NUMBER	QTY	DESCRIPTION	REV
	70027362	Ref	Solenoid Valve	
1	70025456	2	Coil, Solenoid	
2	70027389	1	Pin	
3	70025457	2	Assembly, Solenoid	
	70027677	1	O-Ring	
	70025455	1	Nut, Self Locking	
4	70027352	2	O-Ring	
5	70025466	4	O-Ring	
6	70027353	2	O-Ring	
7	70027361	1	Plug	

SECTION 5 - DRIVE TRAIN

FIGURE 5-31. SOLENOID VALVE



ART_70027363

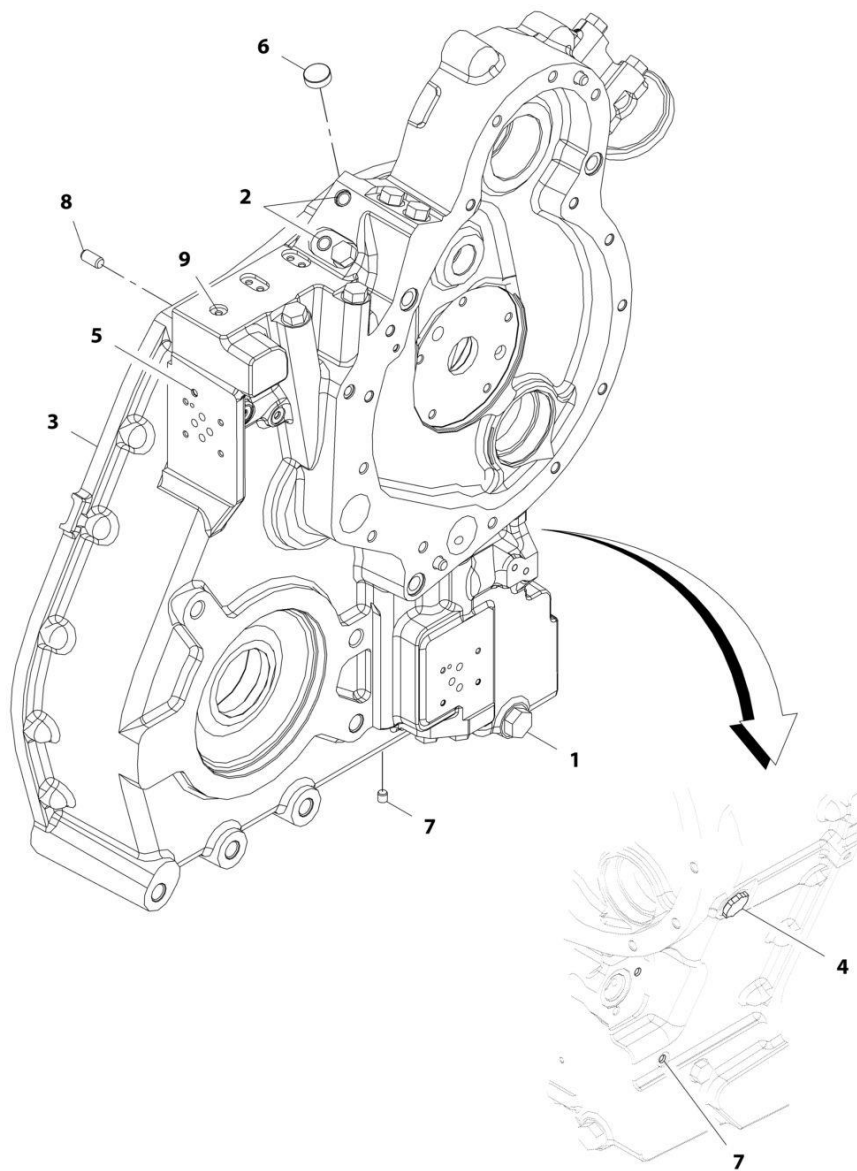
SECTION 5 - DRIVE TRAIN

FIGURE 5-31. SOLENOID VALVE

ITEM	PART NUMBER	QTY	DESCRIPTION	REV
	70027363	Ref	Solenoid Valve	
1	70025456	1	Coil, Solenoid	
2	70025457	1	Tube	
	70027677	1	O-Ring	
	70025455	1	Nut, Self Locking	
3	70025466	4	O-Ring	
4	70027389	1	Pin	
5	70027352	1	O-Ring	
6	70027353	1	O-Ring	

SECTION 5 - DRIVE TRAIN

FIGURE 5-32. FRONT TRANSMISSION CASE ASSEMBLY



ART_70025467

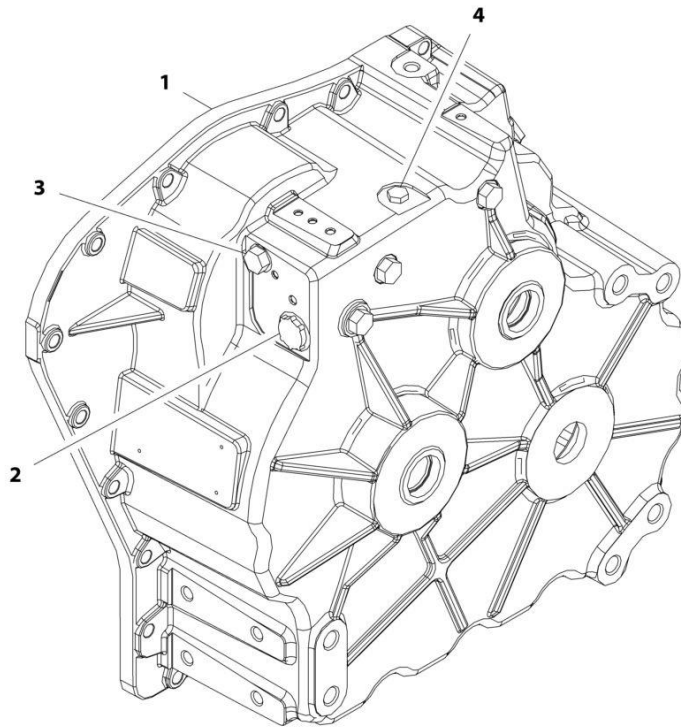
SECTION 5 - DRIVE TRAIN

FIGURE 5-32. FRONT TRANSMISSION CASE ASSEMBLY

ITEM	PART NUMBER	QTY	DESCRIPTION	REV
	70025467	Ref	Front Transmission Case Assembly	
1	70024646	1	Plug	
2	70025471	2	Plug	
3	70027669	1	Case, Front Transmission	
	70027354	1	Adapter	
4	70027337	1	Plug	
5	70027338	4	Plug	
6	70024641	1	Cap	
7	70027339	3	Plug	
8	70025495	4	Dowel	
9	70027328	7	Plug	

SECTION 5 - DRIVE TRAIN

FIGURE 5-33. REAR TRANSMISSION CASE ASSEMBLY



ART_70025430

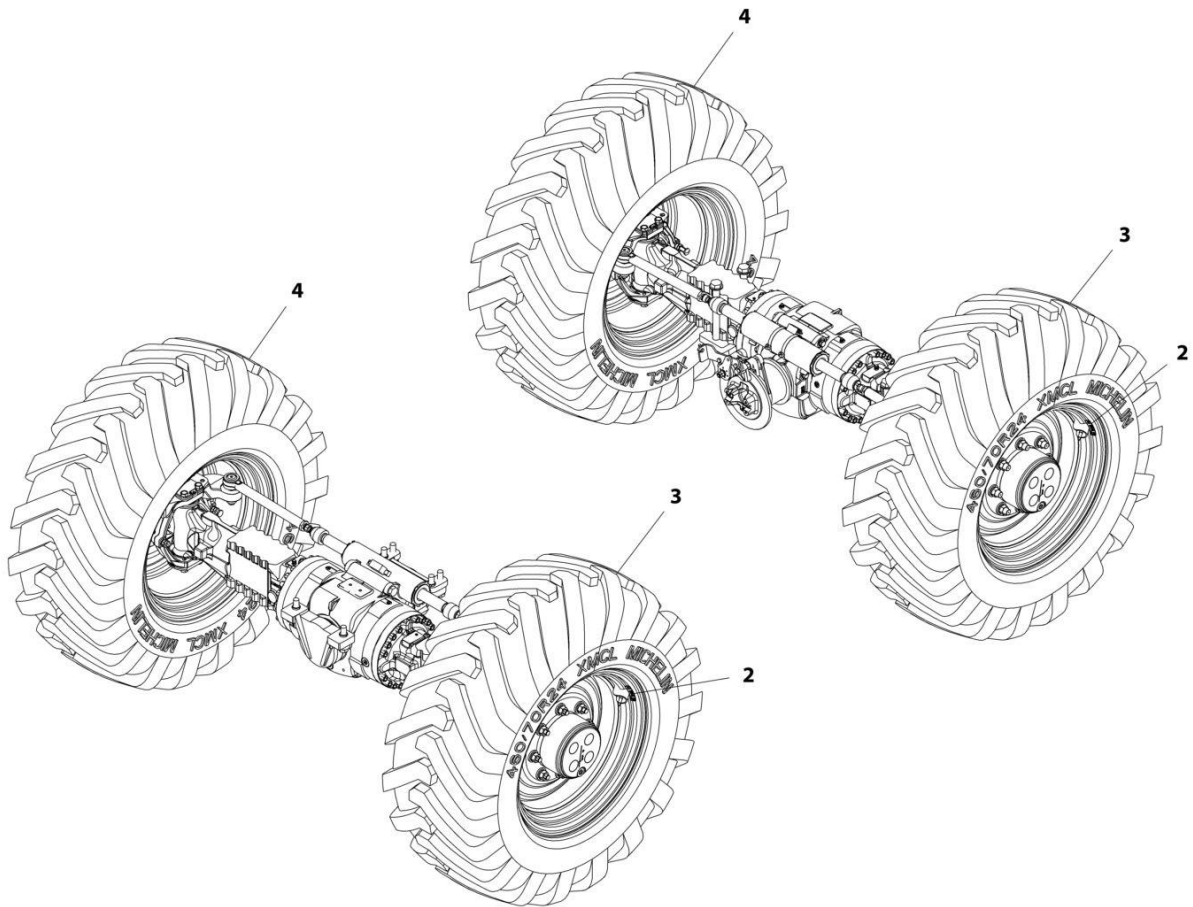
SECTION 5 - DRIVE TRAIN

FIGURE 5-33. REAR TRANSMISSION CASE ASSEMBLY

ITEM	PART NUMBER	QTY	DESCRIPTION	REV
	70025430	Ref	Rear Transmission Case Assembly	
1	70027366	1	Case, Rear Transmission	
	70027338	4	Plug	
	70027339	4	Plug	
2	70027337	1	Plug	
3	70027663	4	Assembly, Plug	
	70025525	1	O-Ring	
	70025524	1	Plug	
4	70025529	1	Plug	

SECTION 5 - DRIVE TRAIN

FIGURE 5-34. TIRE/WHEEL SET (AIR - 460/70 R24 XMCL)



ART_1001142285-D

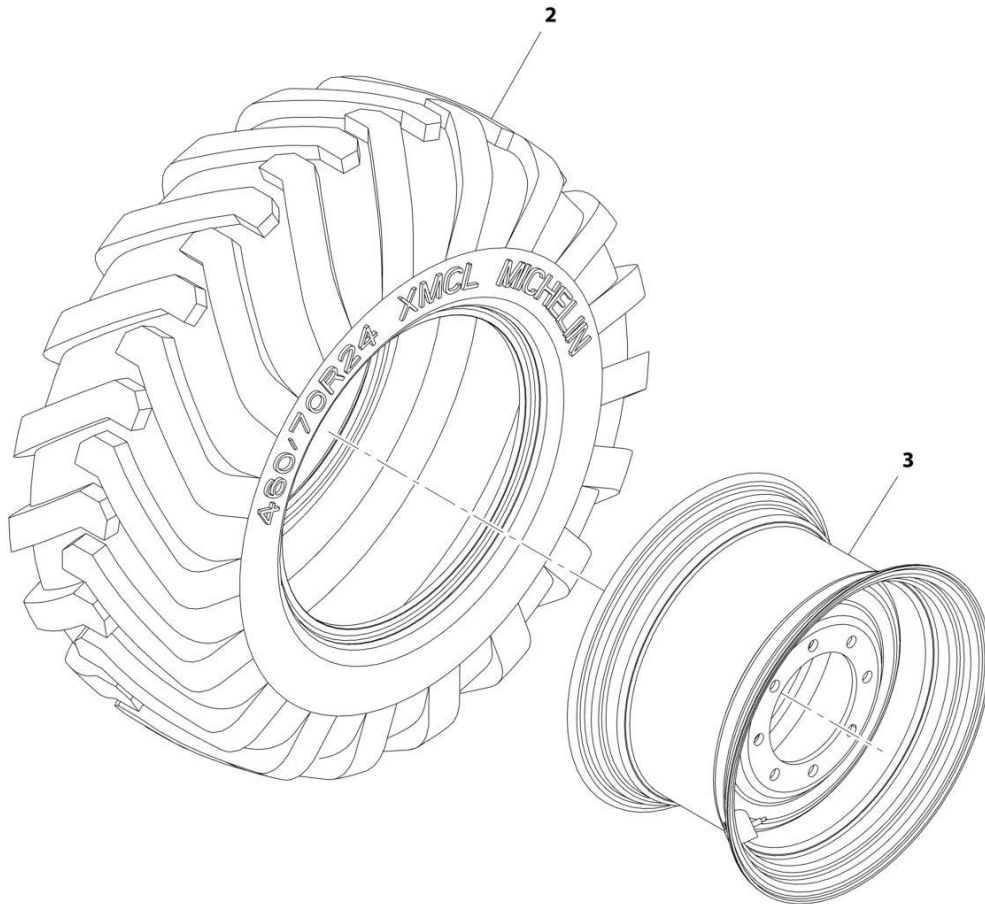
SECTION 5 - DRIVE TRAIN

FIGURE 5-34. TIRE/WHEEL SET (AIR - 460/70 R24 XMCL)

ITEM	PART NUMBER	QTY	DESCRIPTION	REV
	1001142285	1	Tire/Wheel Set (Air - 460/70 R24 XMCL)	D
2	8005827	4	Label	
3	1001142286	2	Assembly, Right Tire/Wheel (Air - 460/70 R24) (See Separate Breakdown in this Section)	
4	1001142287	2	Assembly, Left Tire/Wheel (Air - 460/70 R24) (See Separate Breakdown in this Section)	

SECTION 5 - DRIVE TRAIN

FIGURE 5-35. RIGHT TIRE/WHEEL ASSEMBLY (AIR - 460/70 R24)



ART_1001142286-C

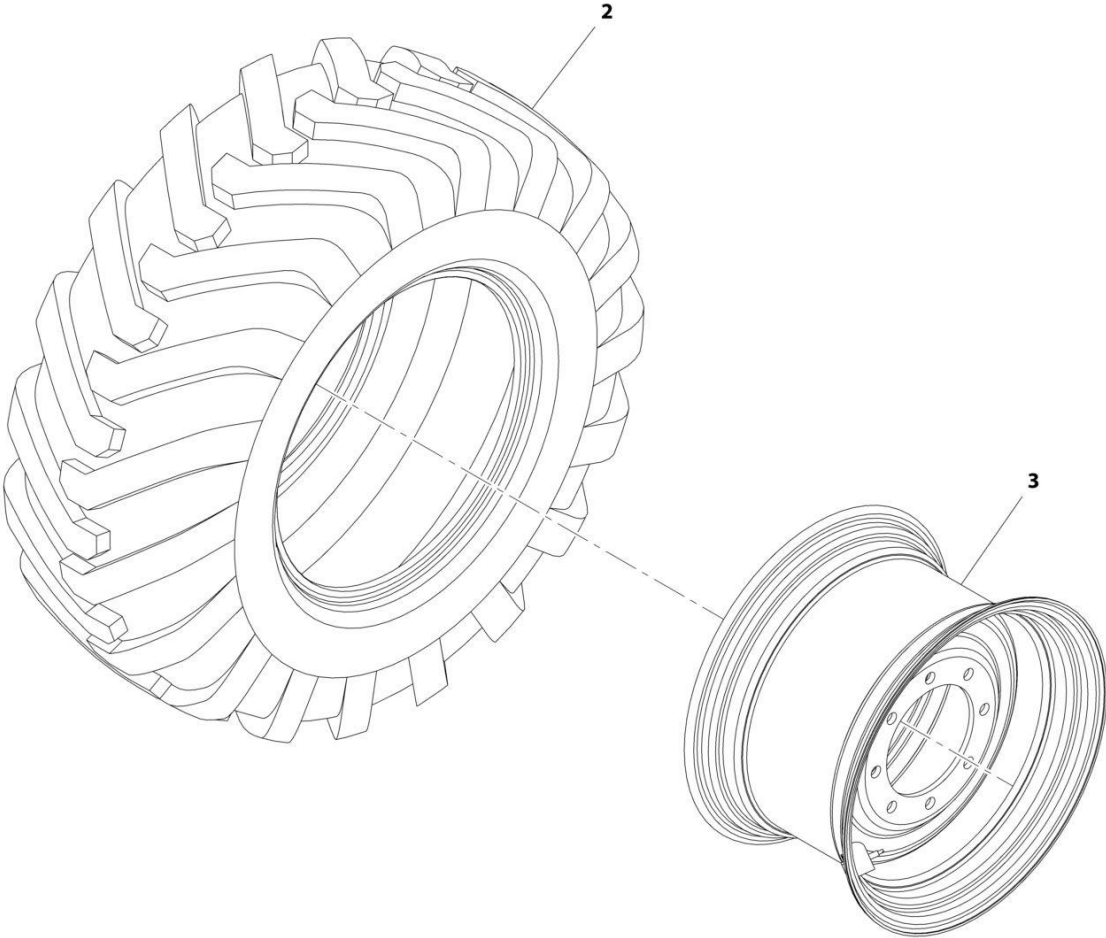
SECTION 5 - DRIVE TRAIN

FIGURE 5-35. RIGHT TIRE/WHEEL ASSEMBLY (AIR - 460/70 R24)

ITEM	PART NUMBER	QTY	DESCRIPTION	REV
	1001142286	Ref	Right Tire/Wheel Assembly (Air - 460/70 R24)	C
2	1001092008	1	Tire, 460/70 R 24 XMCL	
3	1001212590	1	Wheel, RH Rim	

SECTION 5 - DRIVE TRAIN

FIGURE 5-36. LEFT TIRE/WHEEL ASSEMBLY (AIR - 460/70 R24)



ART_1001142287-C

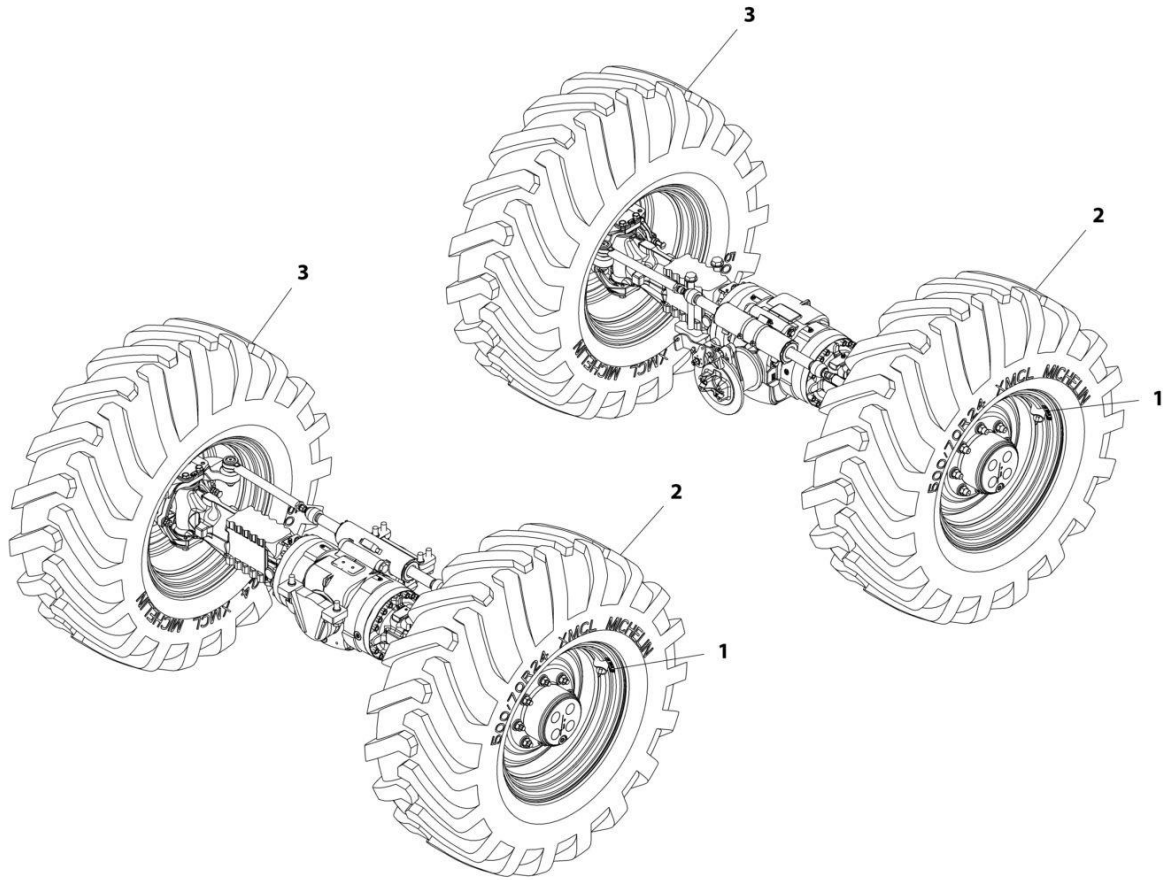
SECTION 5 - DRIVE TRAIN

FIGURE 5-36. LEFT TIRE/WHEEL ASSEMBLY (AIR - 460/70 R24)

ITEM	PART NUMBER	QTY	DESCRIPTION	REV
	1001142287	Ref	Left Tire/Wheel Assembly (Air - 460/70 R24)	C
2	1001092008	1	Tire, 460/70 R 24 XMCL	
3	1001212591	1	Wheel, LH Rim	

SECTION 5 - DRIVE TRAIN

FIGURE 5-37. TIRE/WHEEL SET (AIR - 500/70 R24 XMCL)



ART_1001142288-D

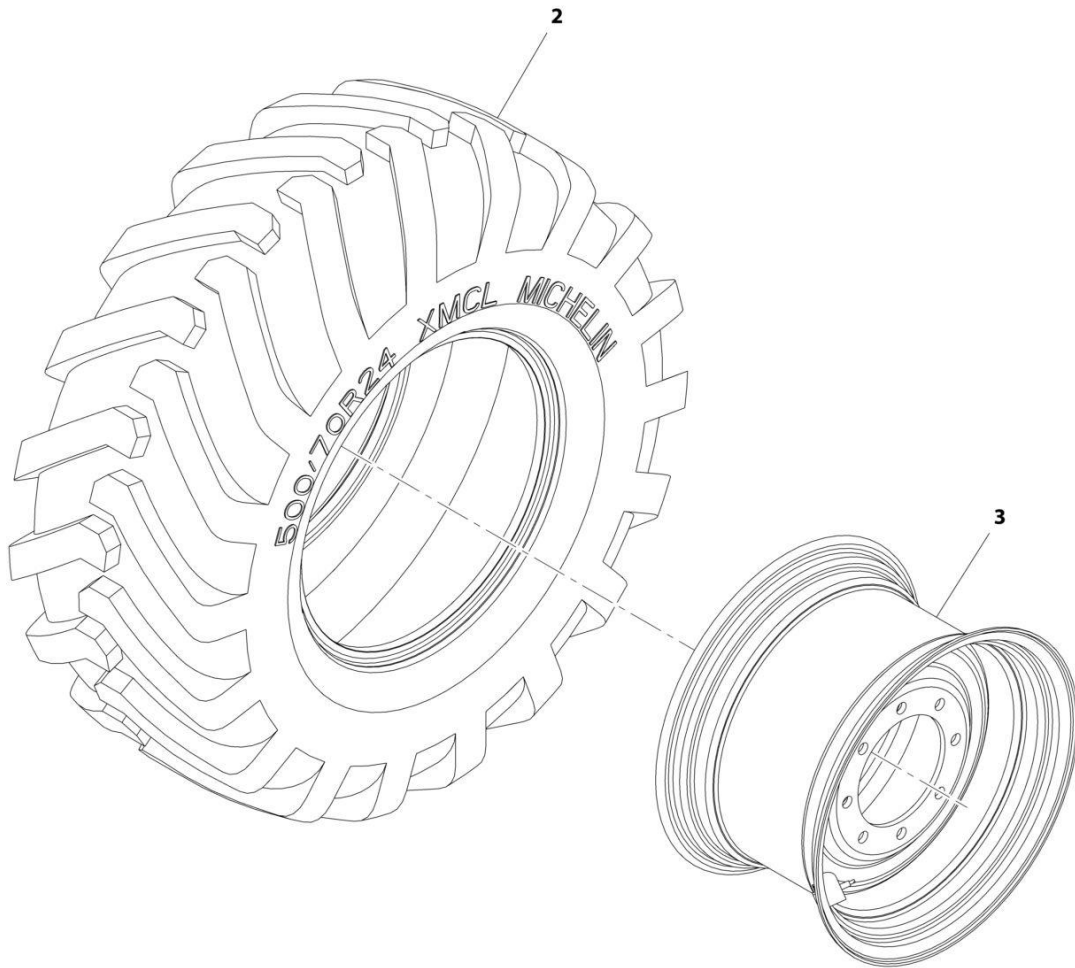
SECTION 5 - DRIVE TRAIN

FIGURE 5-37. TIRE/WHEEL SET (AIR - 500/70 R24 XMCL)

ITEM	PART NUMBER	QTY	DESCRIPTION	REV
	1001142288	1	Tire/Wheel Set (Air - 500/70 R24 XMCL)	D
1	1001127728	4	Decal	
2	1001142289	2	Assembly, Right Tire/Wheel (Air - 500/70 R24) (See Separate Breakdown in this Section)	
3	1001142290	2	Assembly, Left Tire/Wheel (Air - 500/70 R24) (See Separate Breakdown in this Section)	

SECTION 5 - DRIVE TRAIN

FIGURE 5-38. RIGHT TIRE/WHEEL ASSEMBLY (AIR - 500/70 R24)



ART_1001142289-B

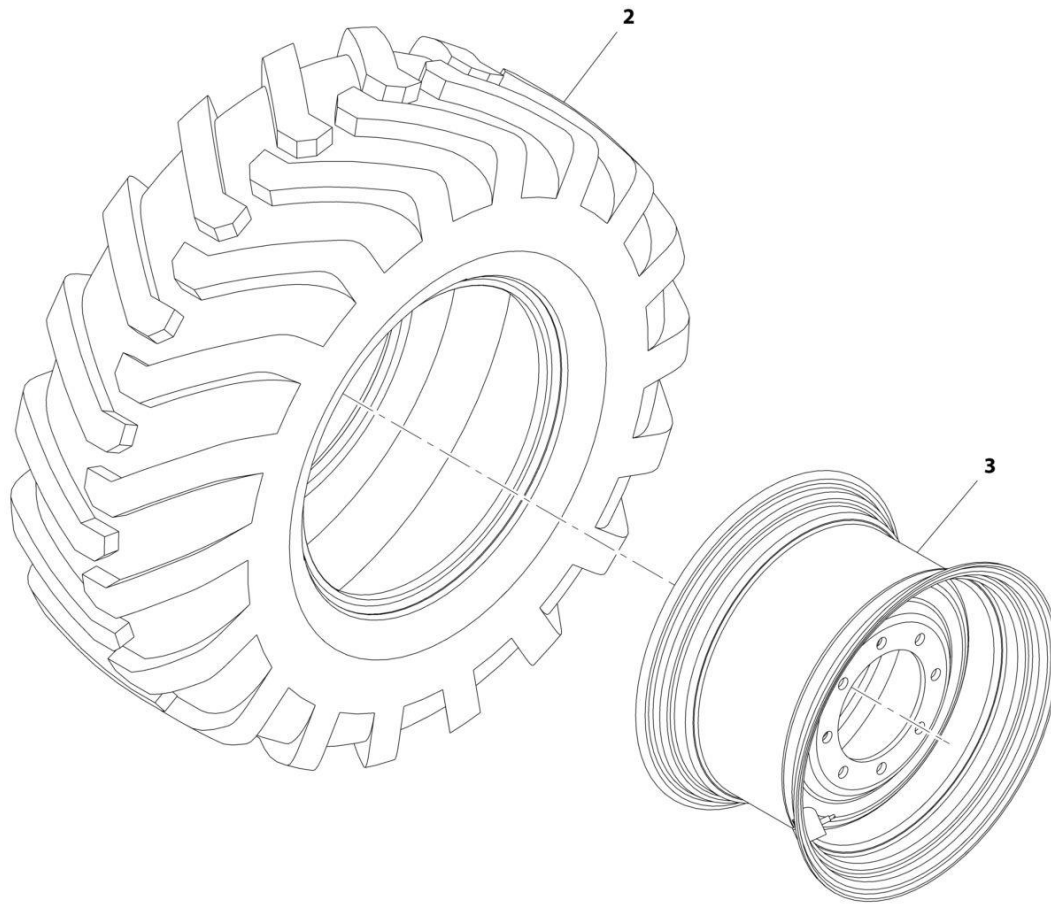
SECTION 5 - DRIVE TRAIN

FIGURE 5-38. RIGHT TIRE/WHEEL ASSEMBLY (AIR - 500/70 R24)

ITEM	PART NUMBER	QTY	DESCRIPTION	REV
	1001142289	Ref	Right Tire/Wheel Assembly (Air - 500/70 R24)	B
2	1001092009	1	Tire, 500/70 R 24 XMCL	
3	1001212598	1	Wheel, RH Rim	

SECTION 5 - DRIVE TRAIN

FIGURE 5-39. LEFT TIRE/WHEEL ASSEMBLY (AIR - 500/70 R24)



ART_1001142290-B

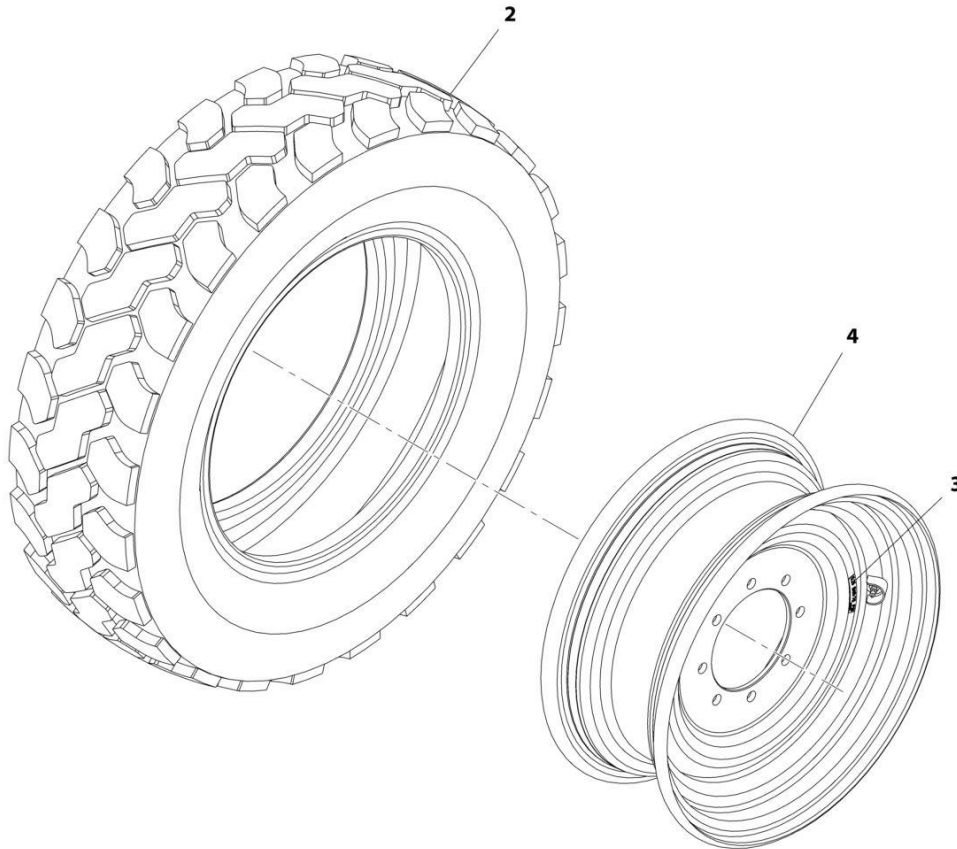
SECTION 5 - DRIVE TRAIN

FIGURE 5-39. LEFT TIRE/WHEEL ASSEMBLY (AIR - 500/70 R24)

ITEM	PART NUMBER	QTY	DESCRIPTION	REV
	1001142290	Ref	Left Tire/Wheel Assembly (Air - 500/70 R24)	B
2	1001092009	1	Tire, 500/70 R 24 XMCL	
3	1001212599	1	Wheel, LH Rim	

SECTION 5 - DRIVE TRAIN

FIGURE 5-40. TIRE/WHEEL ASSEMBLY (AIR - 370/75-28)



ART_1001196385-B

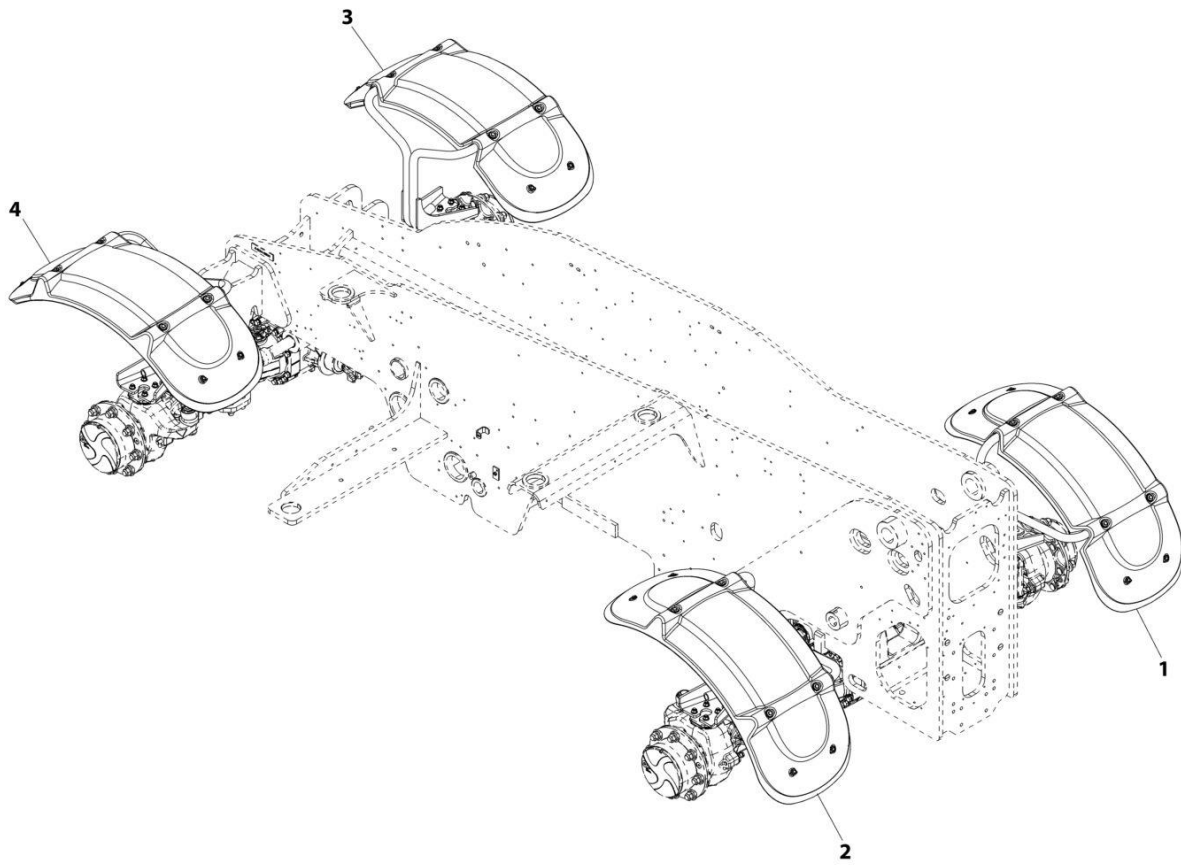
SECTION 5 - DRIVE TRAIN

FIGURE 5-40. TIRE/WHEEL ASSEMBLY (AIR - 370/75-28)

ITEM	PART NUMBER	QTY	DESCRIPTION	REV
	1001196385	Ref	Tire/Wheel Assembly (Air - 370/75-28 14PR)	B
2	1001100284	1	Tire, 370/75-28	
3	1001112923	1	Decal	
4	1001219857	1	Wheel, Rim	

SECTION 5 - DRIVE TRAIN

FIGURE 5-41. FENDER INSTALLATION



ART_1001248161-A

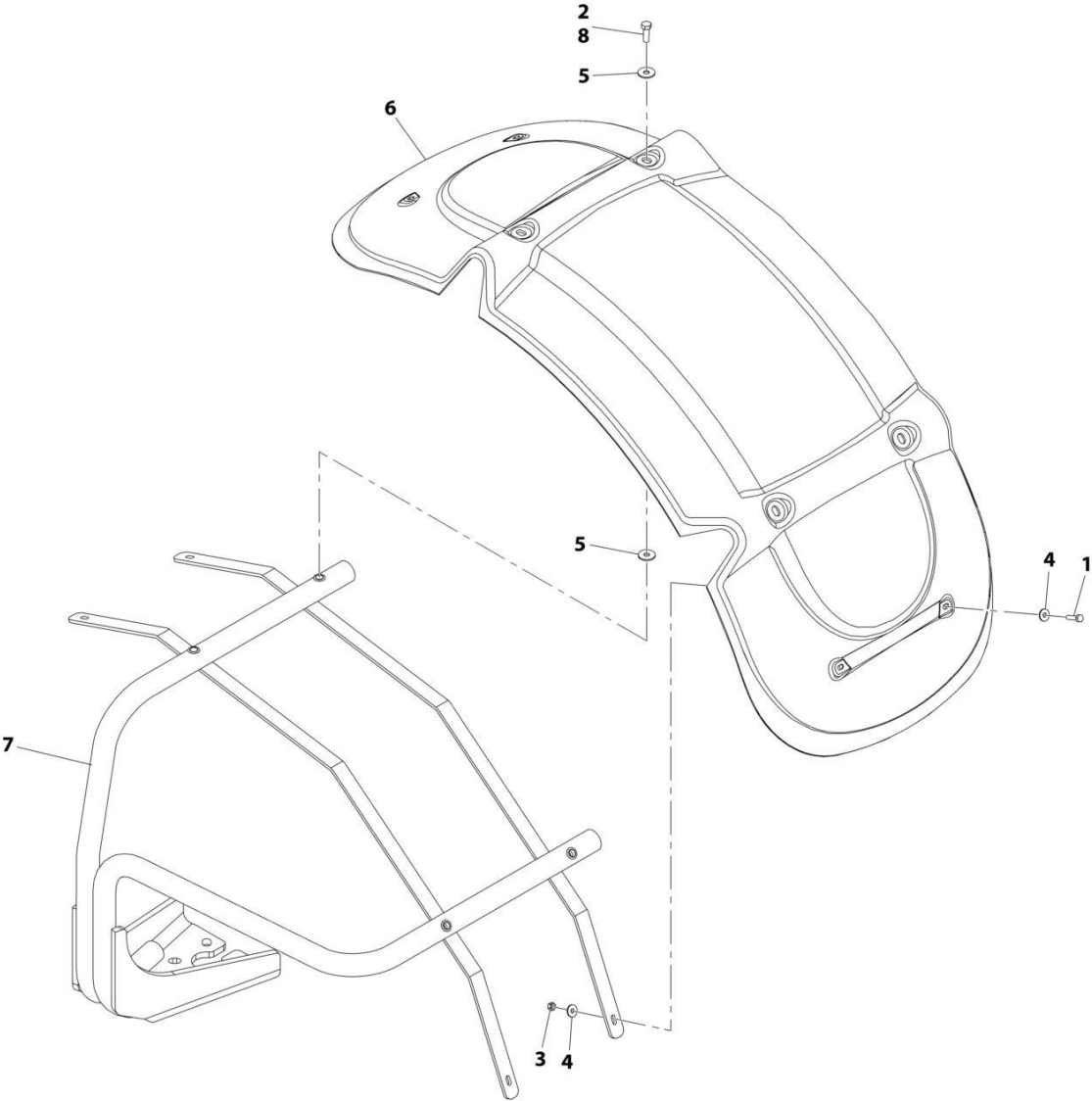
SECTION 5 - DRIVE TRAIN

FIGURE 5-41. FENDER INSTALLATION

ITEM	PART NUMBER	QTY	DESCRIPTION	REV
	1001248161	Ref	Fender Installation	A
1	1001243433	1	Assembly, Fender (RR-RH) (See Separate Breakdown in this Section)	
2	1001243435	1	Assembly, Fender (RR-LH) (See Separate Breakdown in this Section)	
3	1001250416	1	Assembly, Fender (FRT-RH) (See Separate Breakdown in this Section)	
4	1001250417	1	Assembly, Fender (FRT-LH) (See Separate Breakdown in this Section)	

SECTION 5 - DRIVE TRAIN

FIGURE 5-42. FENDER ASSEMBLY (RR-RH)



ART_1001243433-A

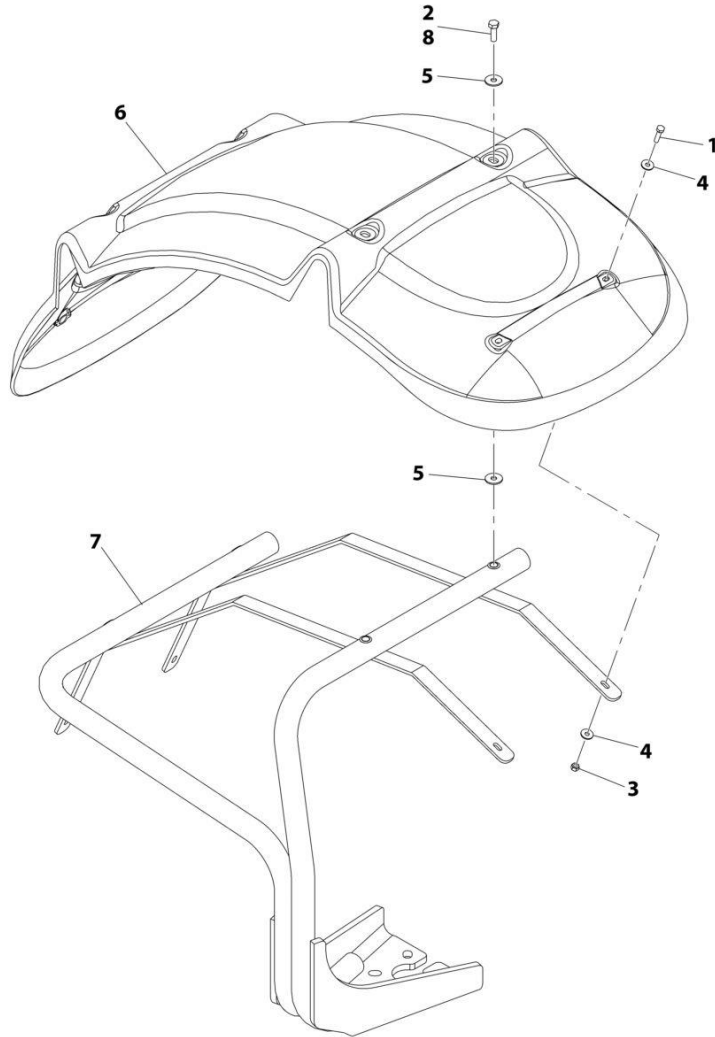
SECTION 5 - DRIVE TRAIN

FIGURE 5-42. FENDER ASSEMBLY (RR-RH)

ITEM	PART NUMBER	QTY	DESCRIPTION	REV
	1001243433	Ref	Fender Assembly (Standard)	A
1	0700612	4	Bolt, M6X25	
2	0760812	4	Bolt, M8X25	
3	3290605	4	Nut M6	
4	4811702	8	Washer, M6	
5	4811902	8	Washer, M8	
6	1001100845	1	Fender	
7	1001243434	1	Fender assembly	
8	1001095650	AR	Adhesive	

SECTION 5 - DRIVE TRAIN

FIGURE 5-43. FENDER ASSEMBLY (RR-LH)



ART_1001243435-A

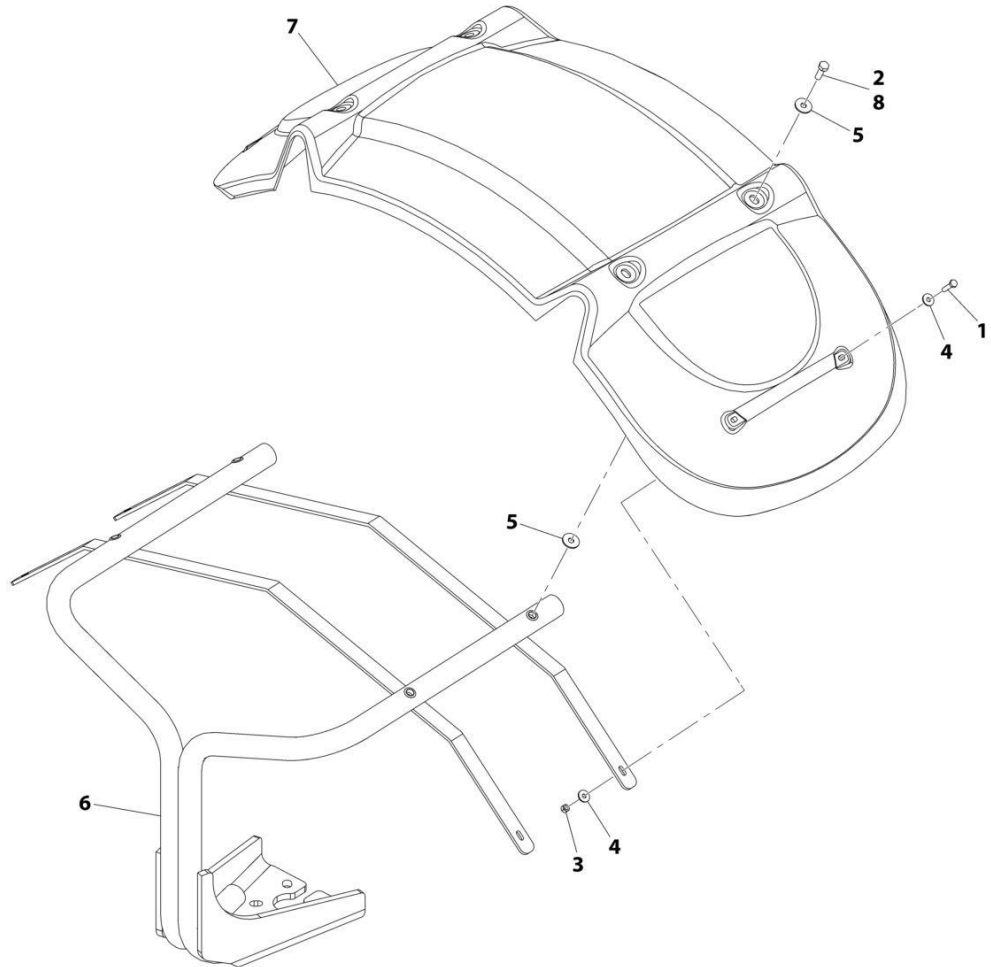
SECTION 5 - DRIVE TRAIN

FIGURE 5-43. FENDER ASSEMBLY (RR-LH)

ITEM	PART NUMBER	QTY	DESCRIPTION	REV
	1001243435	Ref	Fender Assembly (Standard)	A
1	0700612	4	Bolt, M6X25	
2	0760812	4	Bolt, M8X25	
3	3290605	4	Nut M6	
4	4811702	8	Washer, M6	
5	4811902	8	Washer, M8	
6	1001100845	1	Fender	
7	1001243436	1	Fender Assembly	
8	1001095650	AR	Adhesive	

SECTION 5 - DRIVE TRAIN

FIGURE 5-44. FENDER ASSEMBLY (FRT-RH)



ART_1001250416-A

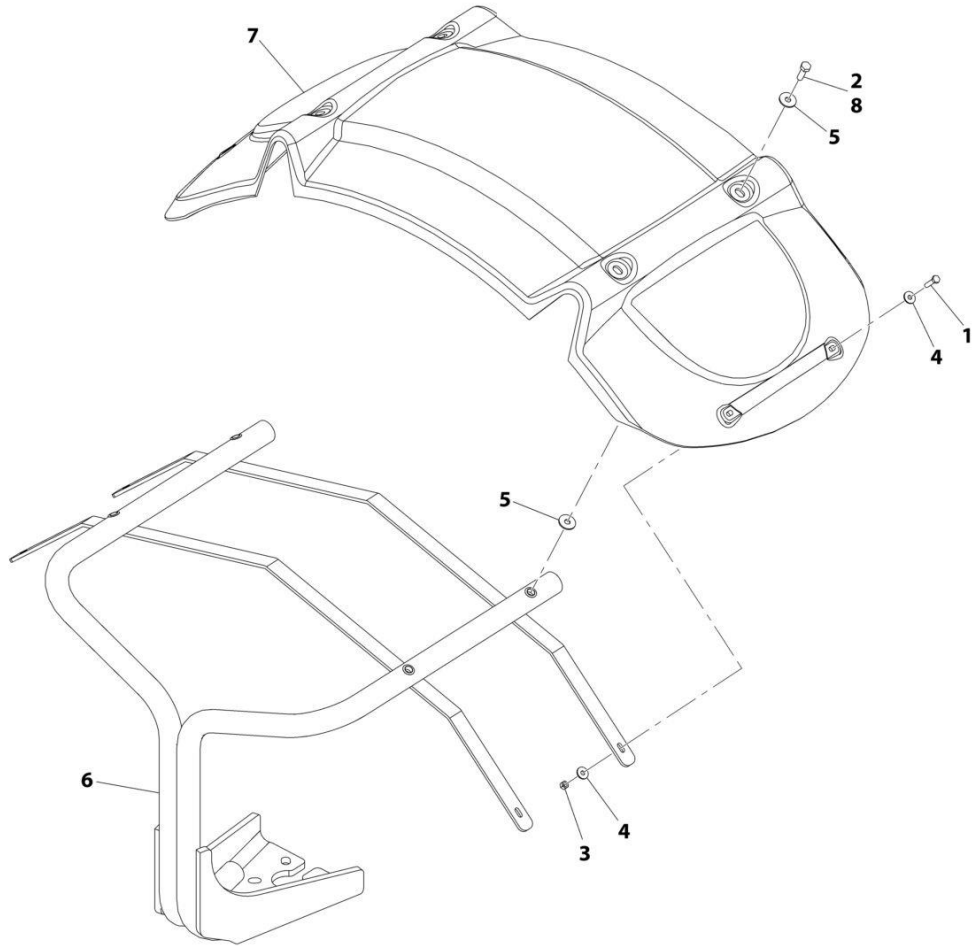
SECTION 5 - DRIVE TRAIN

FIGURE 5-44. FENDER ASSEMBLY (FRT-RH)

ITEM	PART NUMBER	QTY	DESCRIPTION	REV
	1001250416	Ref	Fender Assembly (Standard)	A
1	0700612	4	Bolt, M6X25	
2	0760812	4	Bolt, M8X25	
3	3290605	4	Nut M6	
4	4811702	8	Washer, M6	
5	4811902	8	Washer, M8	
6	1001248760	1	Fender Assembly	
7	1001250421	1	Fender	
8	1001095650	AR	Adhesive	

SECTION 5 - DRIVE TRAIN

FIGURE 5-45. FENDER ASSEMBLY (FRT-LH)



ART_1001250417-A

SECTION 5 - DRIVE TRAIN

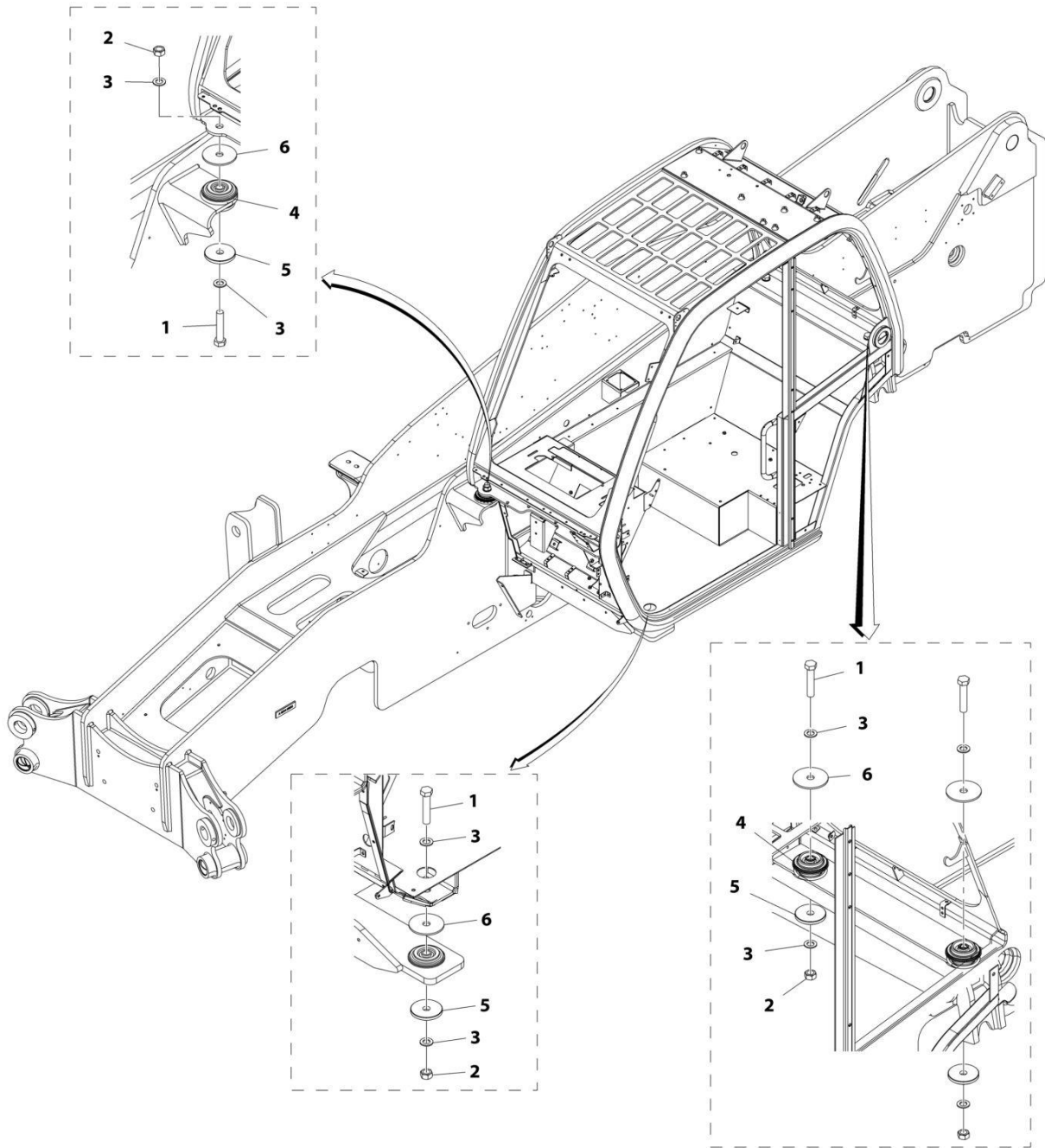
FIGURE 5-45. FENDER ASSEMBLY (FRT-LH)

ITEM	PART NUMBER	QTY	DESCRIPTION	REV
	1001250417	Ref	Fender Assembly (Standard)	A
1	0700612	4	Bolt, M6X25	
2	0760812	4	Bolt, M8X25	
3	3290605	4	Nut M6	
4	4811702	8	Washer, M6	
5	4811902	8	Washer, M8	
6	1001248760	1	Fender Assembly	
7	1001250420	1	Fender	
8	1001095650	AR	Adhesive	

SECTION 6 - CAB

SECTION 6 - CAB

FIGURE 6-1. CAB MOUNTS INSTALLATION



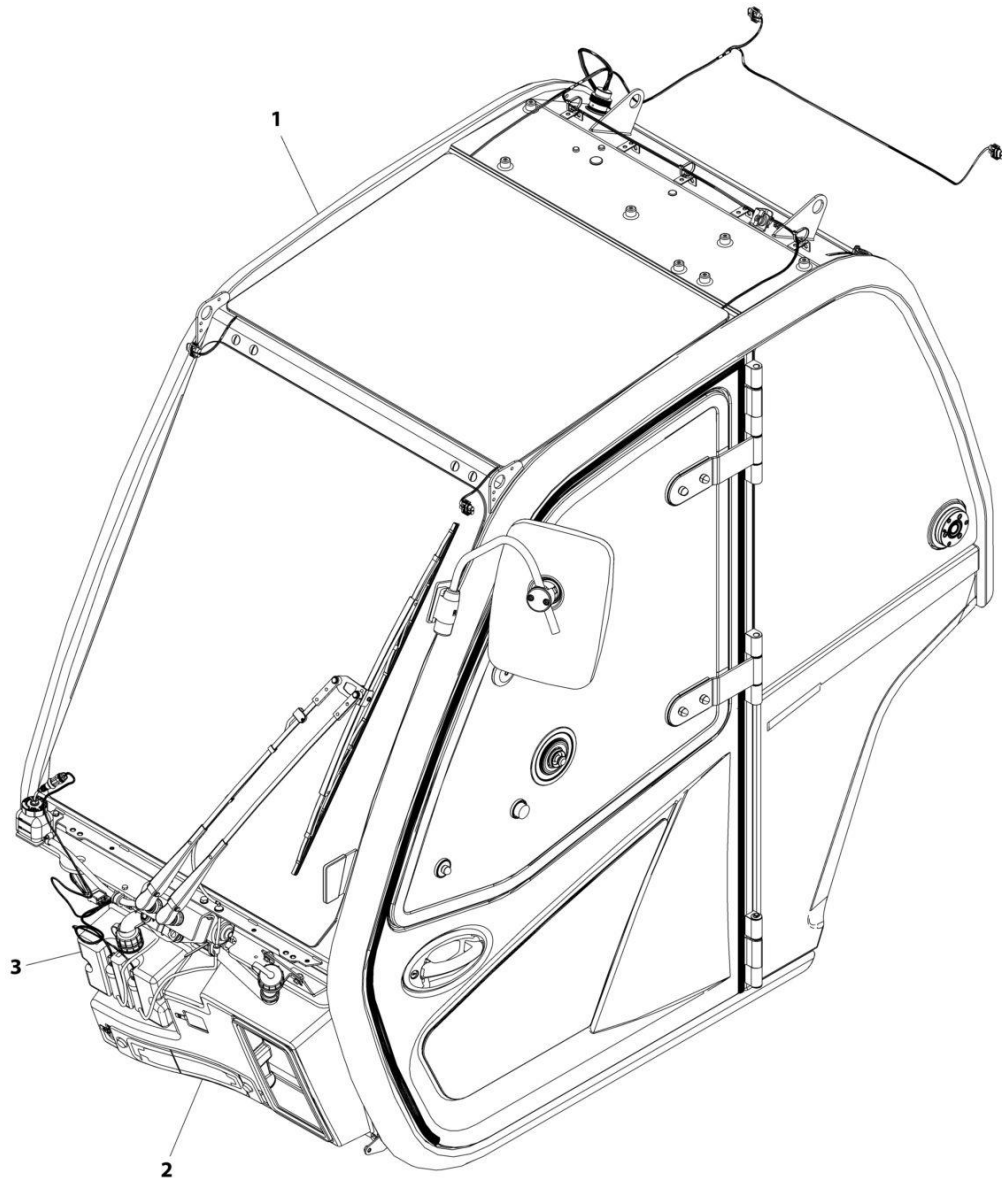
ART_1001155446-E

FIGURE 6-1. CAB MOUNTS INSTALLATION

ITEM	PART NUMBER	QTY	DESCRIPTION	REV
	1001155446	Ref	Cab Mounts Installation	E
1	0712027	4	Bolt, M20X100	
2	3332011	4	Nut, M20X2.5	
3	4812500	8	Washer, M20	
4	1001166754	4	Mount, Cab Isolation	
5	1001166755	4	Washer, Cab Rebound	
6	1001220540	4	Washer, Cab Mount	

SECTION 6 - CAB

FIGURE 6-2. ENCLOSED CAB INSTALLATION



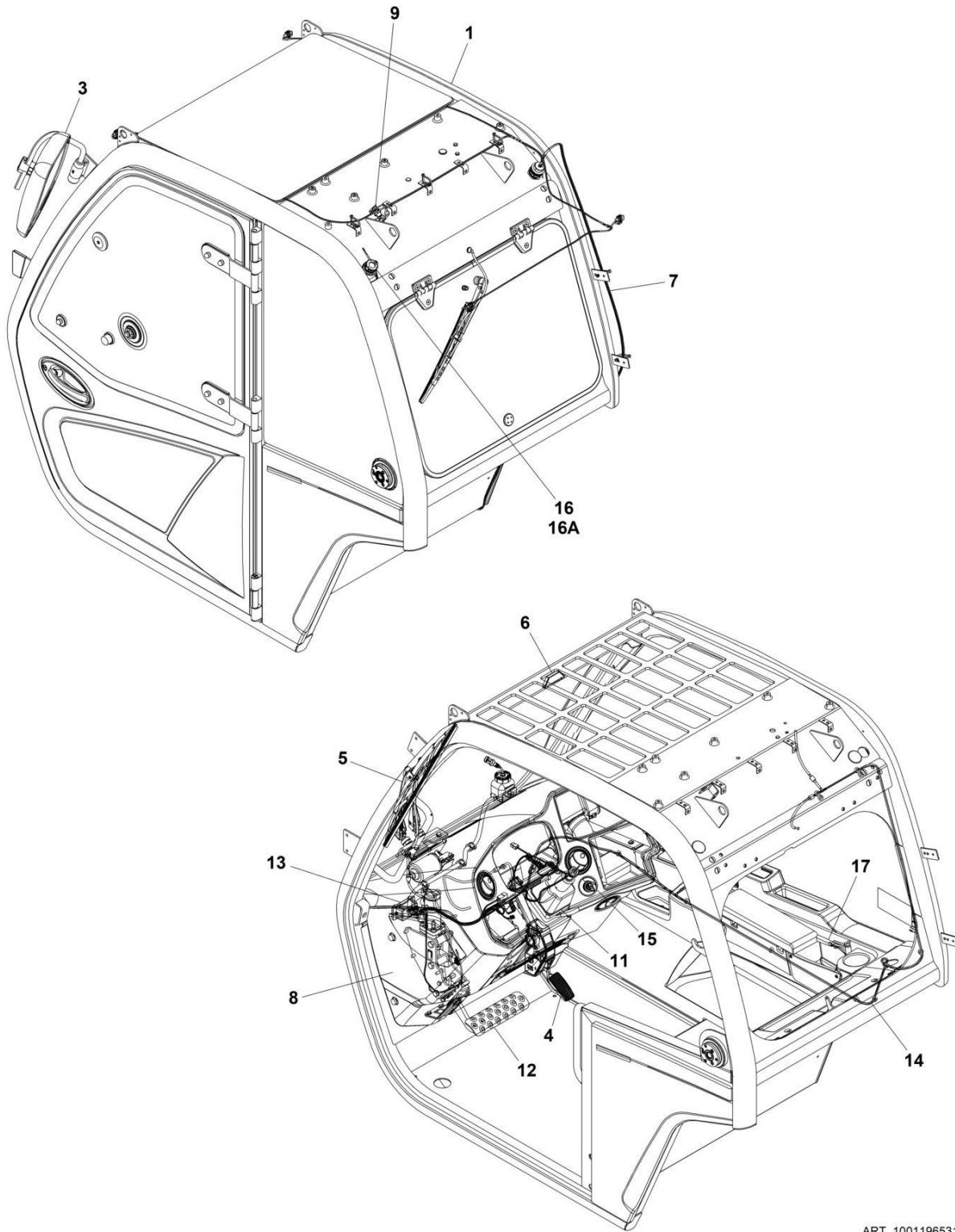
ART_1001202086-D

FIGURE 6-2. ENCLOSED CAB INSTALLATION

ITEM	PART NUMBER	QTY	DESCRIPTION	REV
1	1001202086	Ref	Enclosed Cab Installation	D
	1001196531	Ref	Assembly, Enclosed Cab (JLG) (See Separate Breakdown in this Section)	
2	1001170366	Ref	Installation, Front Cover (See Separate Breakdown in this Section)	
3	1001201027	Ref	Installation, Washer Tank (See Separate Breakdown in this Section)	

SECTION 6 - CAB

FIGURE 6-3. ENCLOSED CAB ASSEMBLY



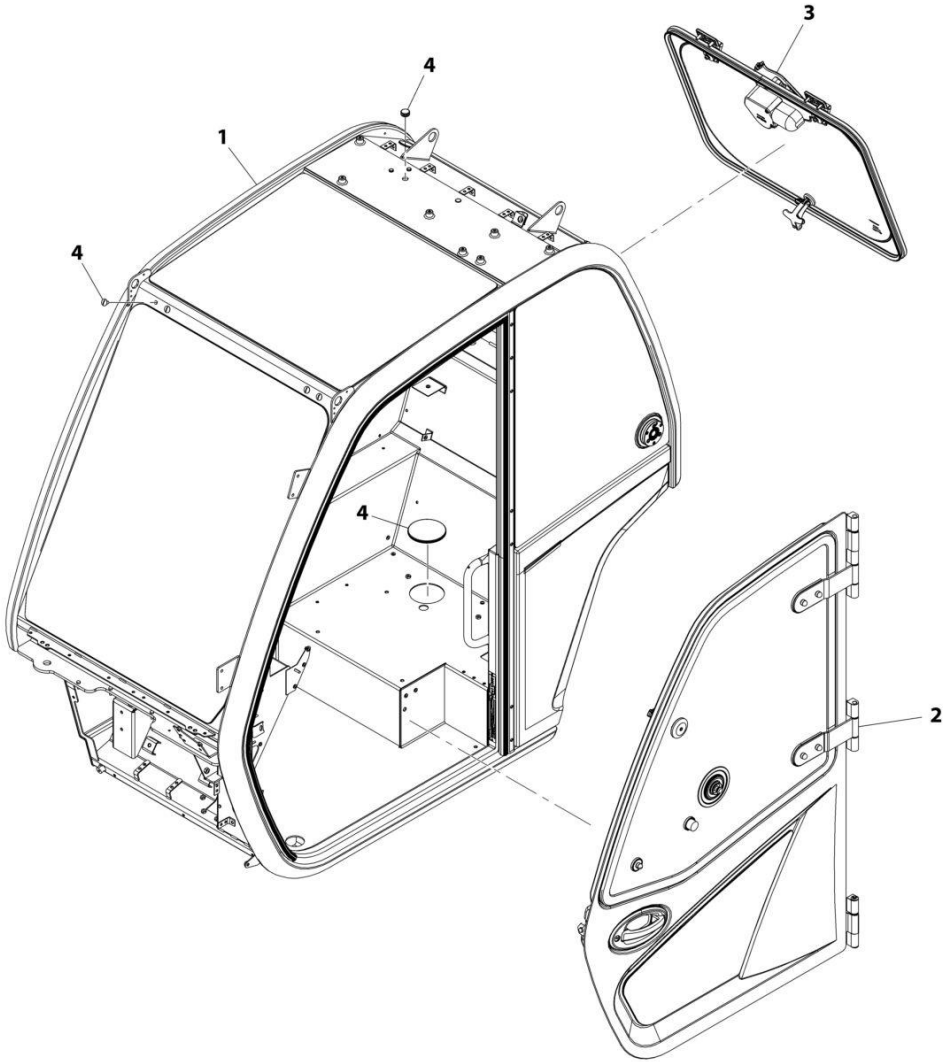
ART_1001196531_AA

FIGURE 6-3. ENCLOSED CAB ASSEMBLY

ITEM	PART NUMBER	QTY	DESCRIPTION	REV
	1001196531	Ref	ENCLOSED CAB ASSEMBLY	AA
1	1001168152	Ref	Group, Enclosed Cab (JLG) (See Separate Breakdown in this Section)	
3	1001230435	Ref	Installation, Interior Mirror (See Separate Breakdown in this Section)	
4	1001161499	Ref	Installation, Accelerator Pedal (See Separate Breakdown in CONTROLS Section)	
5	1001155447	Ref	Installation, Front Wiper (See Separate Breakdown in this Section)	
6	1001172401	Ref	Installation, Level Indicator (See Separate Breakdown in this Section)	
7	1001271363	Ref	Installation, Cab Electrical (See Separate Breakdown in ELECTRICAL Section)	
8	1001167981	Ref	Installation, Enclosed Cab Trim (See Separate Breakdown in this Section)	
9	1001218856	Ref	Installation, Beacon Bracket (See Separate Breakdown in this Section)	
11	1001229534	Ref	Installation, Steering Column Tilt (See Separate Breakdown in CONTROLS Section)	
12	1001188262	Ref	Installation, Brake Pedal (See Separate Breakdown in this Section)	
13	1001201340	Ref	Installation, Cab Heater Harness (See Separate Breakdown in ELECTRICAL Section)	
14	1001201520	Ref	Installation, Washer Hoses (See Separate Breakdown in this Section)	
15	1001208518	Ref	Installation, Ignition Switch (JLG) (See Separate Breakdown in ELECTRICAL Section)	
16	1001201161	Ref	Installation, Telematics Cap	
16A	1001201162	1	Cap	
17	1001210628	Ref	Installation, Hammer (See Separate Breakdown in this Section)	

SECTION 6 - CAB

FIGURE 6-4. ENCLOSED CAB GROUP



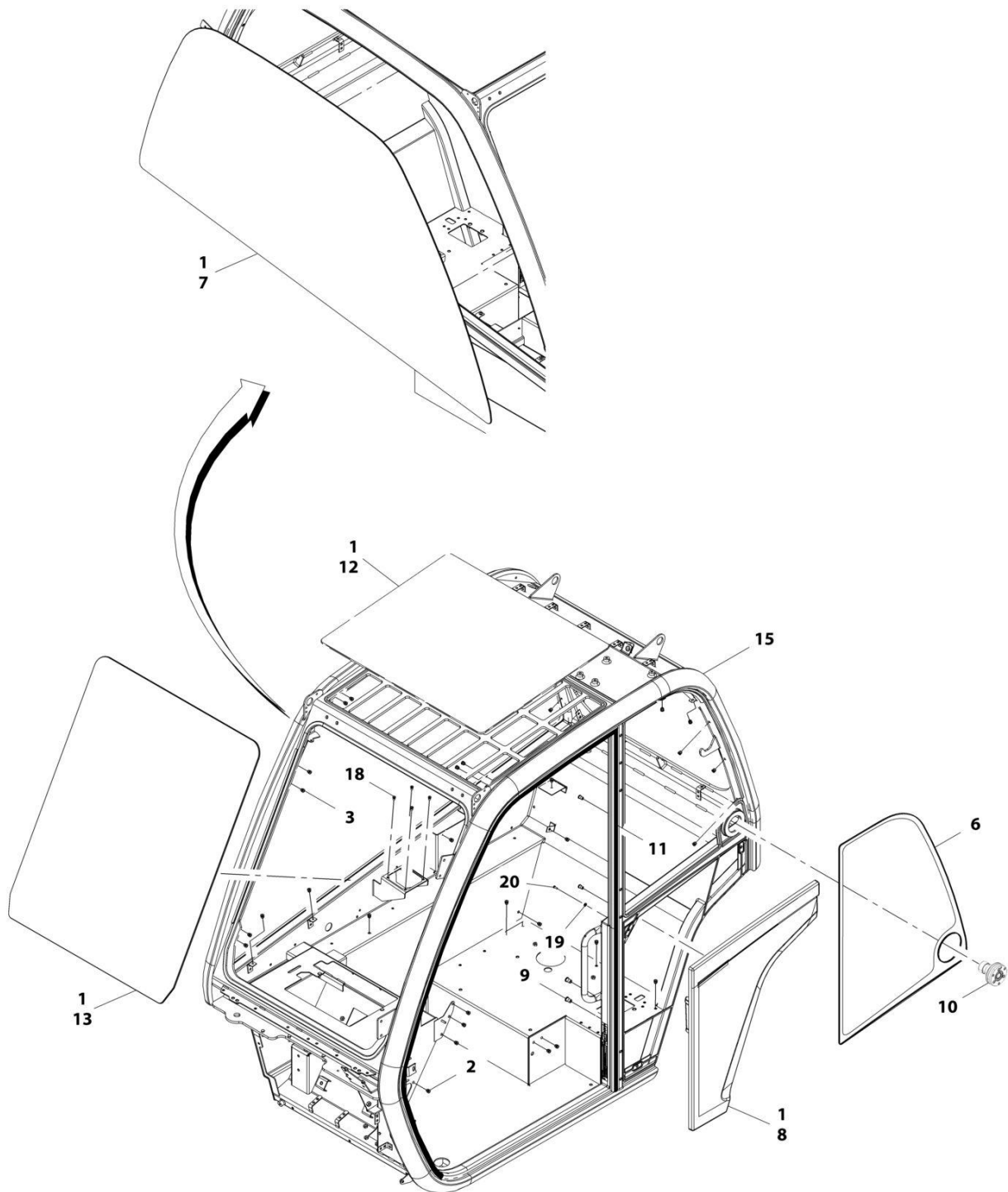
ART_1001168152

FIGURE 6-4. ENCLOSED CAB GROUP

ITEM	PART NUMBER	QTY	DESCRIPTION	REV
	1001168152	Ref	Enclosed Cab Group	1
1	1001173641	Ref	Cab, Enclosed (JLG) (See Separate Breakdown in this Section)	
2	1001155228	Ref	Installation, Door (JLG) (See Separate Breakdown in this Section)	
3	1001178678	Ref	Installation, Rear Window (See Separate Breakdown in this Section)	
4	1001170603	Ref	Group, Enclosed Cab Plug (See Separate Breakdown in this Section)	

SECTION 6 - CAB

FIGURE 6-5. ENCLOSED CAB



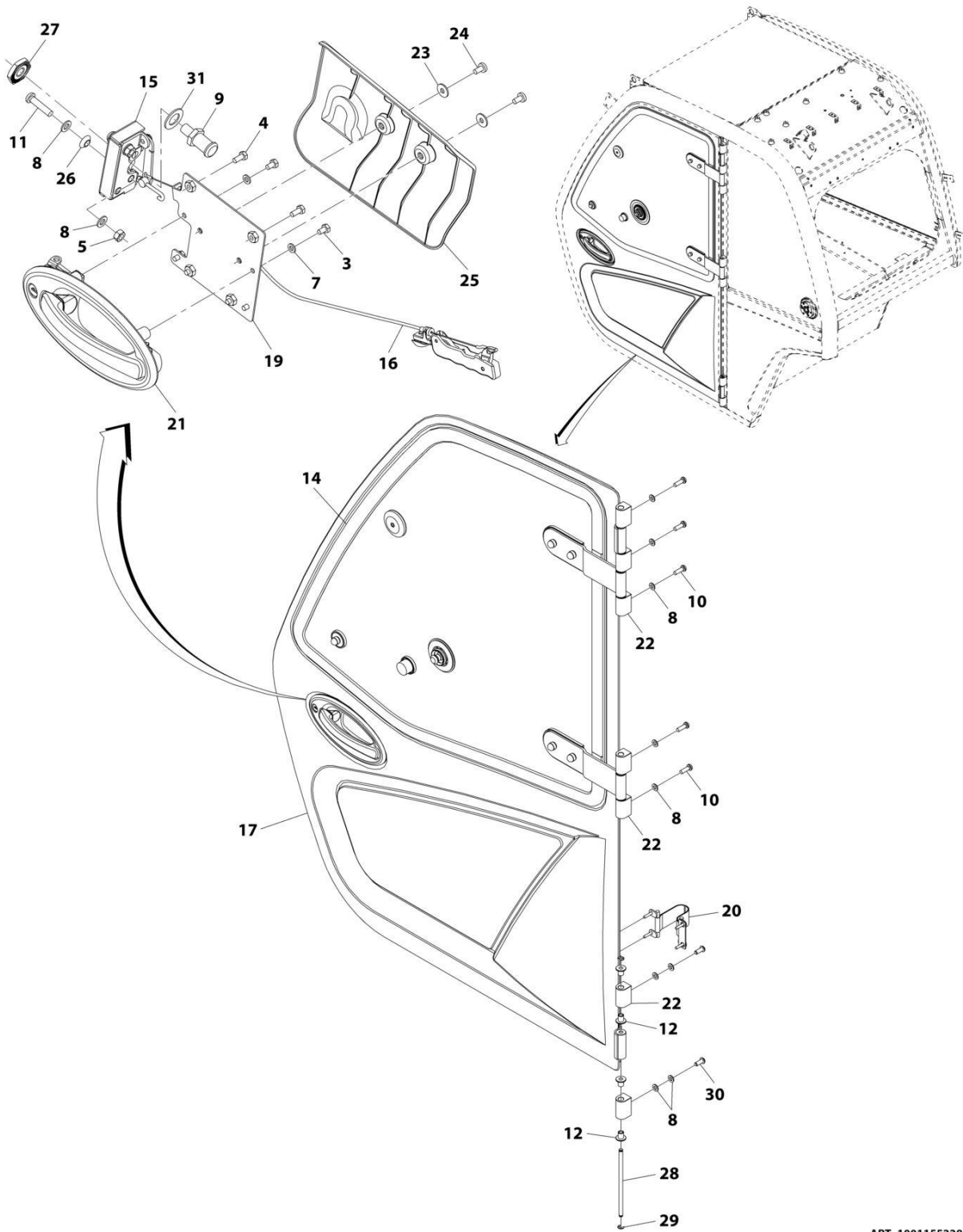
ART_1001173641_I

FIGURE 6-5. ENCLOSED CAB

ITEM	PART NUMBER	QTY	DESCRIPTION	REV
	1001173641	Ref	Enclosed Cab	I
1	1001111317	AR	Compound, Locking	
2	2080086	27	Rivnut, M6X1	
3	2080087	16	Rivnut, M8X1.25	
6	1001152915	1	Glass, LH Screen	
7	1001152947	1	Glass, RH Screen	
8	1001229319	1	Panel, Cab Quarter	
9	1001172193	2	Rivnut, M5X0.8	
10	1001174320	1	Latch, Top Window	
11	1001227186	1	Seal, Cab Door	
12	1001178159	1	Glass, Roof Laminated	
13	1001178160	1	Glass, Front Laminated	
	1001225177	1	Weldment, Cab	
18	1001195878	7	Rivnut, M5X0.8	
19	4811700	3	Washer, M6	
20	0750804	3	Screw	

SECTION 6 - CAB

FIGURE 6-6. DOOR INSTALLATION



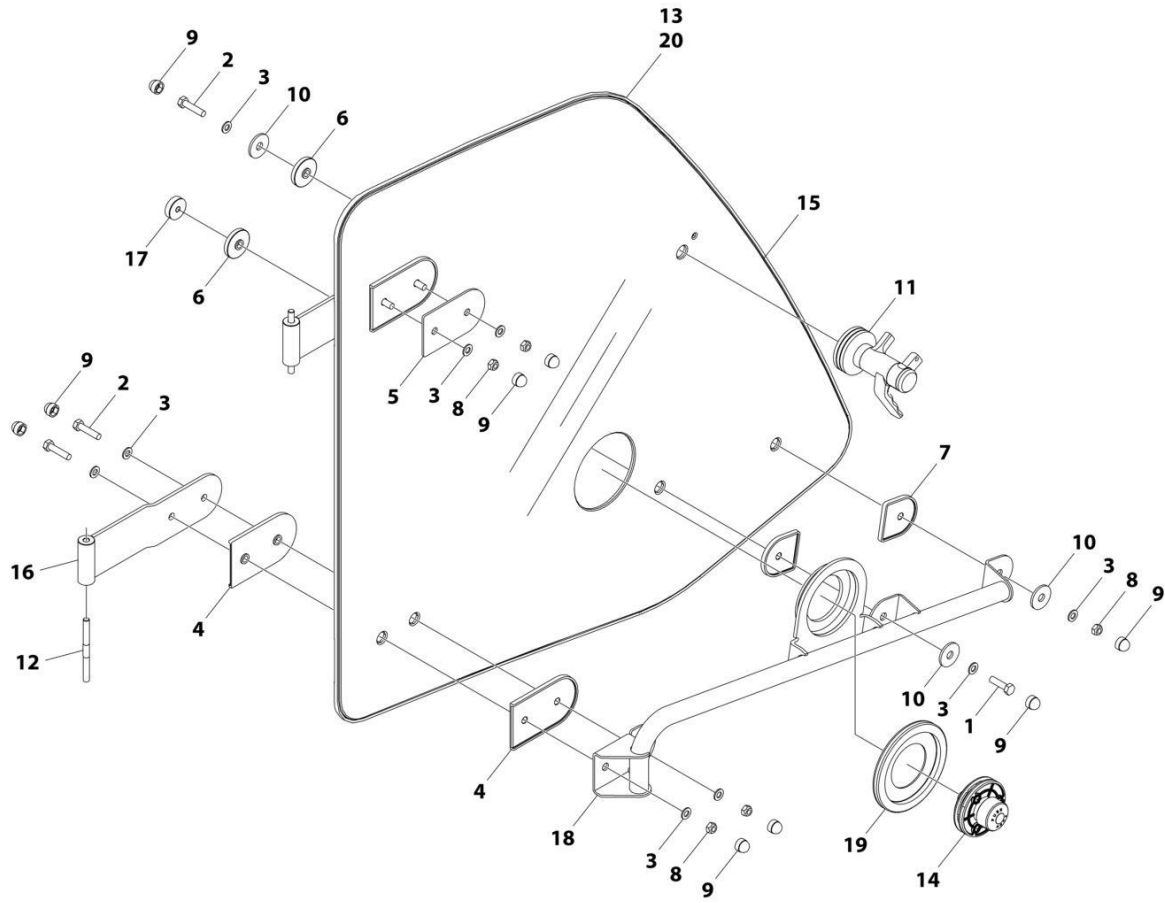
ART_1001155228

FIGURE 6-6. DOOR INSTALLATION

ITEM	PART NUMBER	QTY	DESCRIPTION	REV
	1001155228	Ref	Door Installation	Q
3	0760605	4	Bolt, M6X10	
4	0760607	4	Bolt, M6X14	
5	3290801	2	Nut, M8X1.25 Grade 8	
7	4811700	4	Washer, M6	
8	4811900	13	Washer, M8	
9	8000803	1	Pin, Door Striker	
10	1001008988	5	Screw M8X25	
11	1001047062	2	Screw, M8X35	
12	1001107192	10	Sleeve, Hinge	
14	1001205532	1	Assembly, Door Upper Glass (See Separate Breakdown in this Section)	
15	1001192766	1	Assembly, Cab Latch (See Separate Breakdown in this Section)	
16	1001167958	1	Assembly, Cab Door Trigger (See Separate Breakdown in this Section)	
17	1001170114	1	Assembly, Door (See Separate Breakdown in this Section)	
19	1001173298	1	Bracket	
20	1001174295	1	Installation, Door Strap (See Separate Breakdown in this Section)	
21	1001192646	1	Handle, Exterior Door	
22	1001229543	7	Block, Hinge (Rounded Top/Bottom Edge)	
22	1001170601J	7	Block, Hinge (Square Top/Bottom Edge)	
23	4811702001	2	Washer, M6	
24	4010608002	2	Screw, Posi-Drive, M6X16	
25	1001175477	1	Cover, Cab Door Interior	
26	1001184439	2	Bushing	
27	1001192309	1	Nut, M12X1	
28	1001213791	1	Pin	
29	0498748	2	Washer, Lock M7	
30	1001164726	2	Bolt, M8X20	
31	1001227802	1	Washer	

SECTION 6 - CAB

FIGURE 6-7. DOOR UPPER GLASS ASSEMBLY



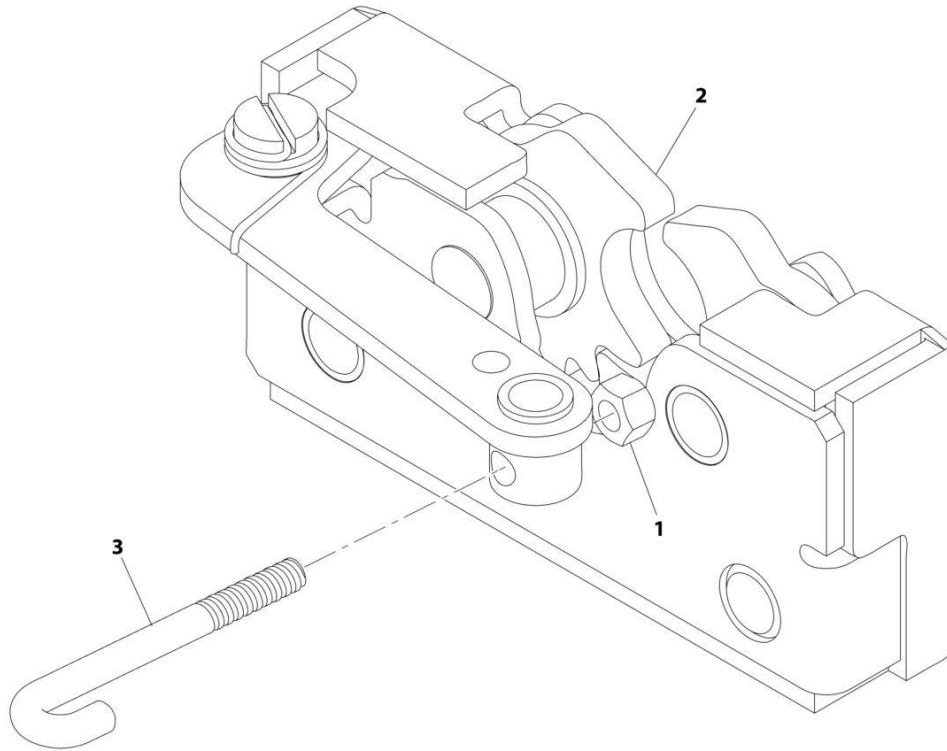
ART_1001205532

FIGURE 6-7. DOOR UPPER GLASS ASSEMBLY

ITEM	PART NUMBER	QTY	DESCRIPTION	REV
	1001205532	Ref	Door Upper Glass Assembly	G
1	0760812	1	Bolt, M8X25	
2	0760815	5	Bolt, M8X35	
3	4811900	11	Washer, 8MM	
4	1001002946	4	Mount, Hinge	
5	1001002947	1	Mount, Hinge	
6	1001002953	2	Mount, Rubber	
7	1001002957	2	Mount, Latch	
8	1001008857	5	Nut, Lock	
9	1001096365	11	Cap, M8	
10	1001141246	3	Mount, Rubber	
11	1001165275	1	Latch, Window	
12	1001166634	2	Pin, Hinge	
13	1001170944	1	Panel, Window Surround	
14	1001174321	1	Striker, Top Window	
15	1001204066	1	Glass, Window	
16	1001204115	2	Hinge	
17	1001222741	1	Buffer, Cab	
18	1001204120	1	Handle	
19	1001213331	1	Gasket	
20	1001215531	AR	Adhesive	

SECTION 6 - CAB

FIGURE 6-8. CAB LATCH ASSEMBLY



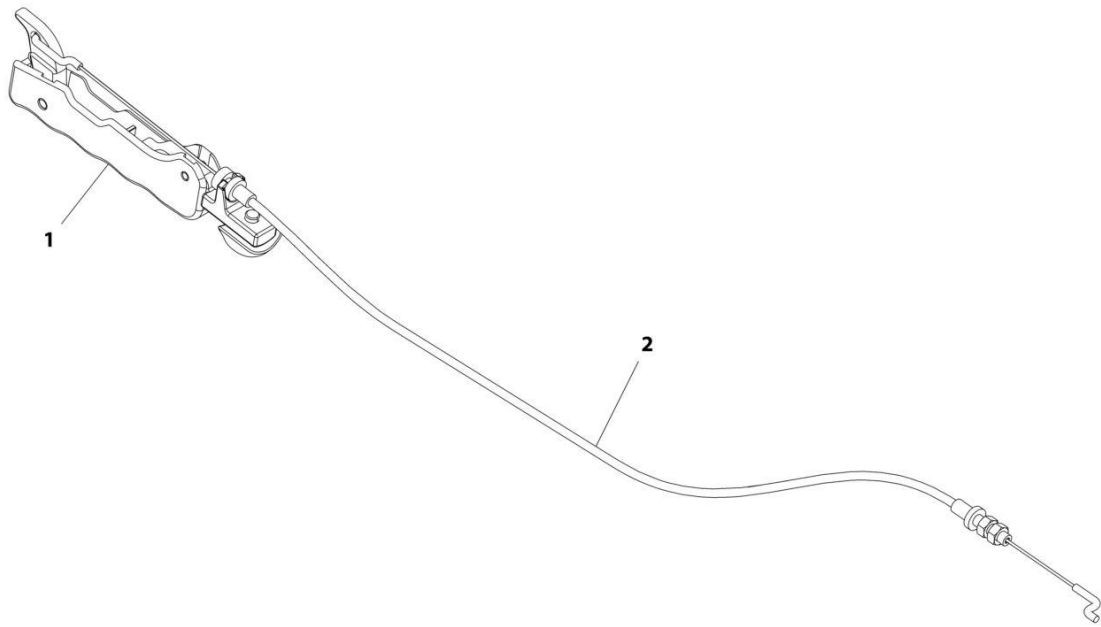
ART_1001192766-B

FIGURE 6-8. CAB LATCH ASSEMBLY

ITEM	PART NUMBER	QTY	DESCRIPTION	REV
	1001192766	Ref	Cab Latch Assembly	B
1	3290405	1	Nut, M4X0.7 Grade 8	
2	1001192643	1	Latch	
3	1001241308	1	Link, Door Handle	

SECTION 6 - CAB

FIGURE 6-9. CAB DOOR TRIGGER ASSEMBLY



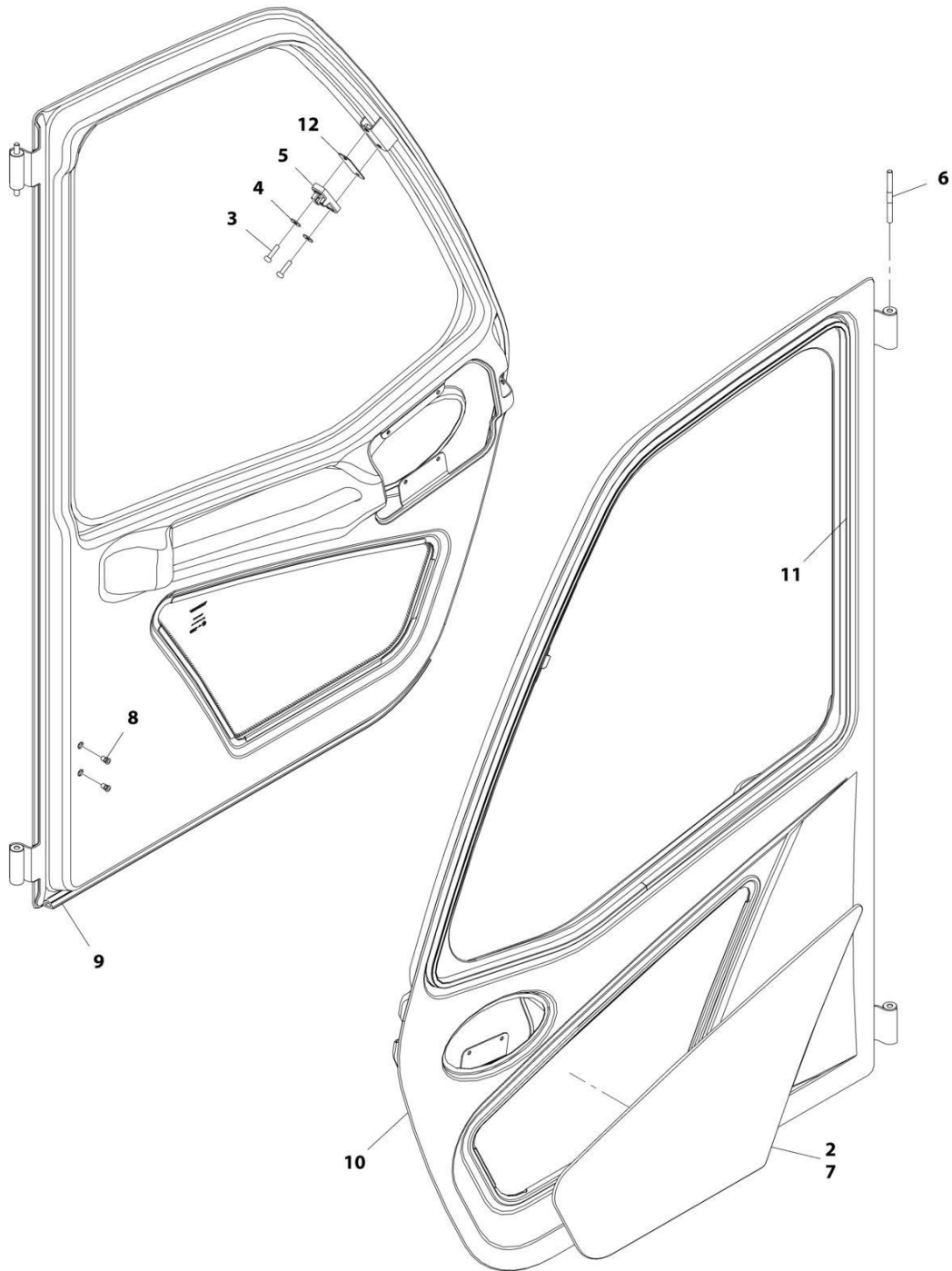
ART_1001167958-E

FIGURE 6-9. CAB DOOR TRIGGER ASSEMBLY

ITEM	PART NUMBER	QTY	DESCRIPTION	REV
	1001167958	Ref	Cab Door Trigger Assembly	E
1	1001167937	1	Trigger, Cab Interior Release	
2	1001192644	1	Cable, Cab Latch Release	

SECTION 6 - CAB

FIGURE 6-10. DOOR ASSEMBLY (AG)



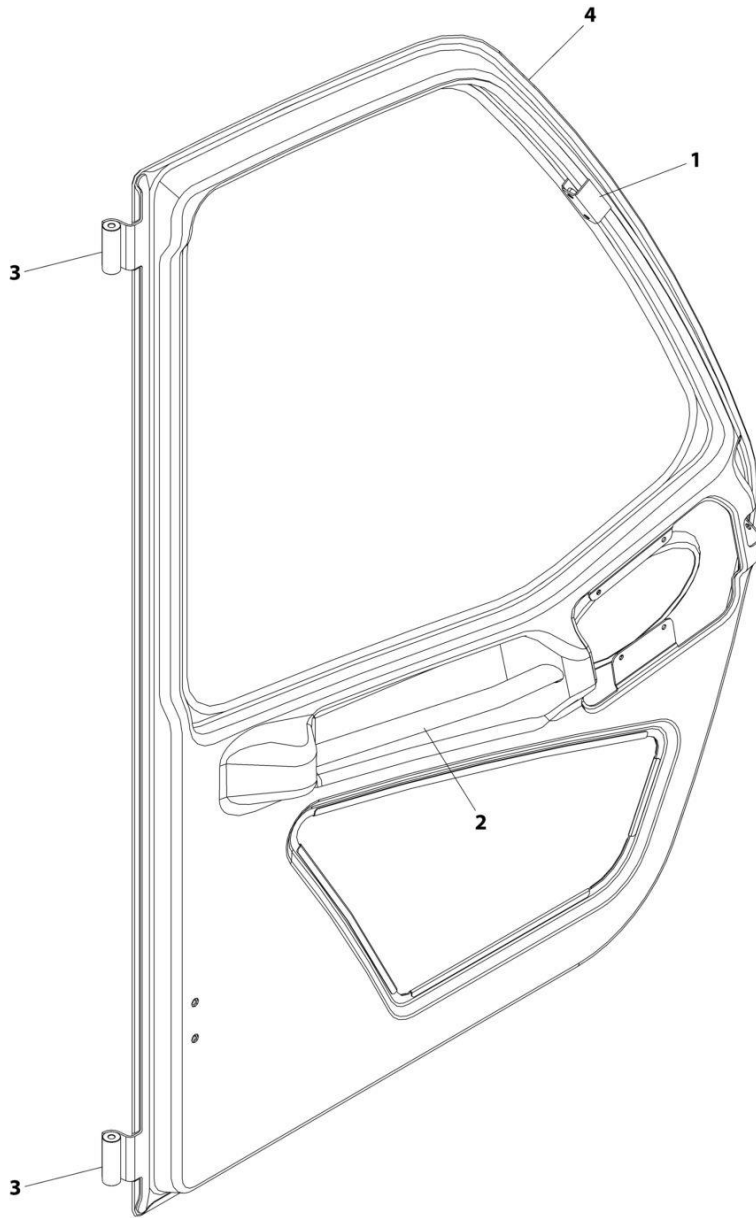
ART_1001170114

FIGURE 6-10. DOOR ASSEMBLY (AG)

ITEM	PART NUMBER	QTY	DESCRIPTION	REV
	1001170114	Ref	Door Assembly	K
2	1001111317	AR	Compound, Locking	
3	4010612002	2	Screw, M6X25	
4	4811702001	2	Washer, M6	
5	1001165276	1	Plate, Window Latch Striker	
6	1001166634	1	Pin, Hinge	
7	1001169880	1	Window, Lower Glass	
8	1001172193	2	Rivnut, M5X0.8	
9	1001227188	1	Seal, Cab Door	
10	1001170113J	1	Door, Cab (See Separate Breakdown in this Section)	
11	1001227187	1	Seal, Cab Door Window	
12	1001193210	AR	Shim, Window Latch	

SECTION 6 - CAB

FIGURE 6-11. CAB DOOR



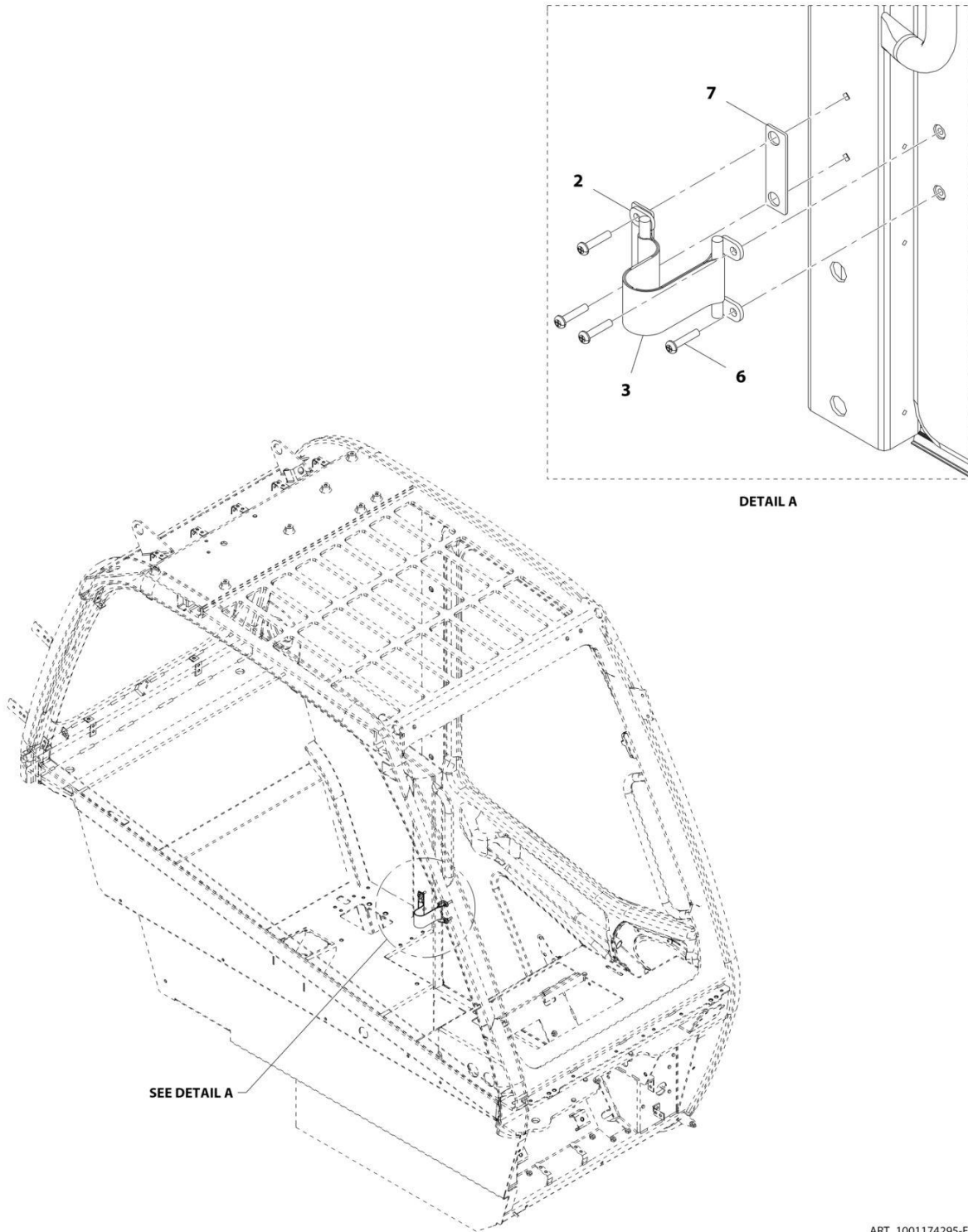
ART_1001170113-E

FIGURE 6-11. CAB DOOR

ITEM	PART NUMBER	QTY	DESCRIPTION	REV
	1001170113	Ref	Cab Door	E
1	1001169883	1	Bracket, Window Latch	
2	1001169885	1	Handle, Interior Door	
3	1001171037	1	Plate, Hinge	
4	1001171635	1	Frame, Door	

SECTION 6 - CAB

FIGURE 6-12. DOOR STRAP INSTALLATION



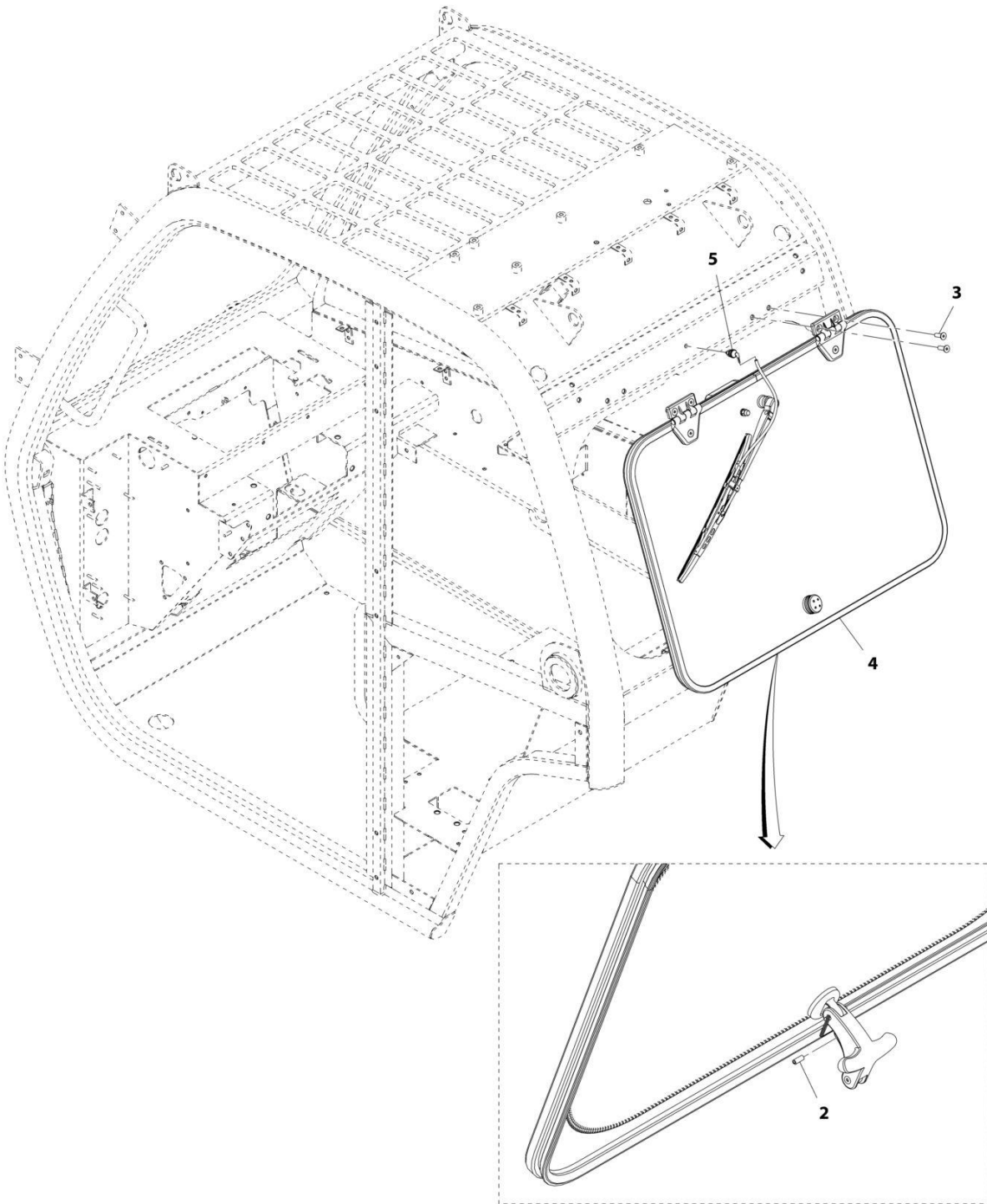
ART_1001174295-F

FIGURE 6-12. DOOR STRAP INSTALLATION

ITEM	PART NUMBER	QTY	DESCRIPTION	REV
	1001174295	Ref	Door Strap Installation	F
2	1001230163	2	Bracket, Strap Holder	
3	1001212011	1	Strap, Door Hold Open	
6	8310559	4	Screw	
7	1001191091	1	Plate, Cab Door Strap	

SECTION 6 - CAB

FIGURE 6-13. REAR WINDOW INSTALLATION



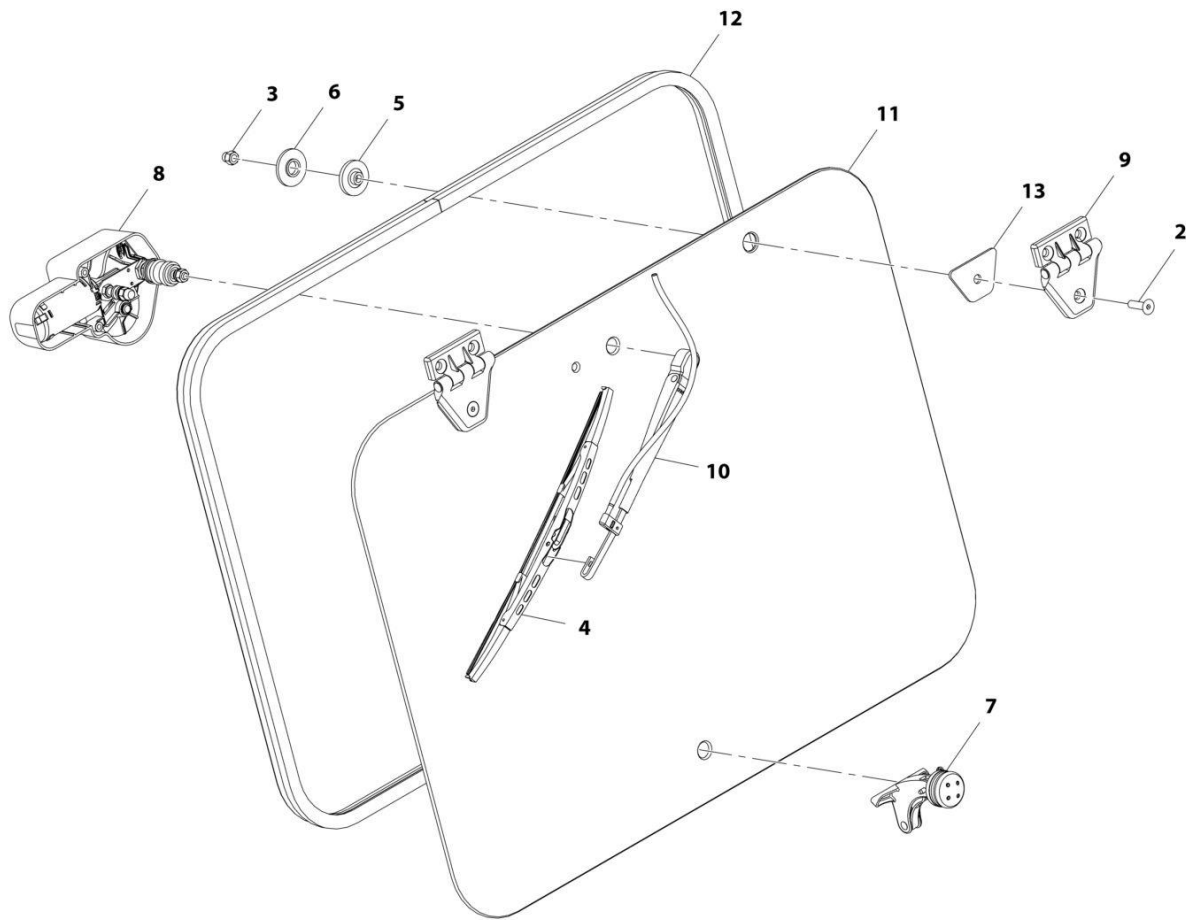
ART_1001178678-C

FIGURE 6-13. REAR WINDOW INSTALLATION

ITEM	PART NUMBER	QTY	DESCRIPTION	REV
	1001178678	Ref	Rear Window Installation	C
2	1001003043	1	Pin, Spring	
3	1001097586	4	Screw, M8X1.25	
4	1001178679	1	Assembly, Rear Window (See Separate Breakdown in this Section)	
5	1001090343	1	Connector	

SECTION 6 - CAB

FIGURE 6-14. REAR WINDOW ASSEMBLY



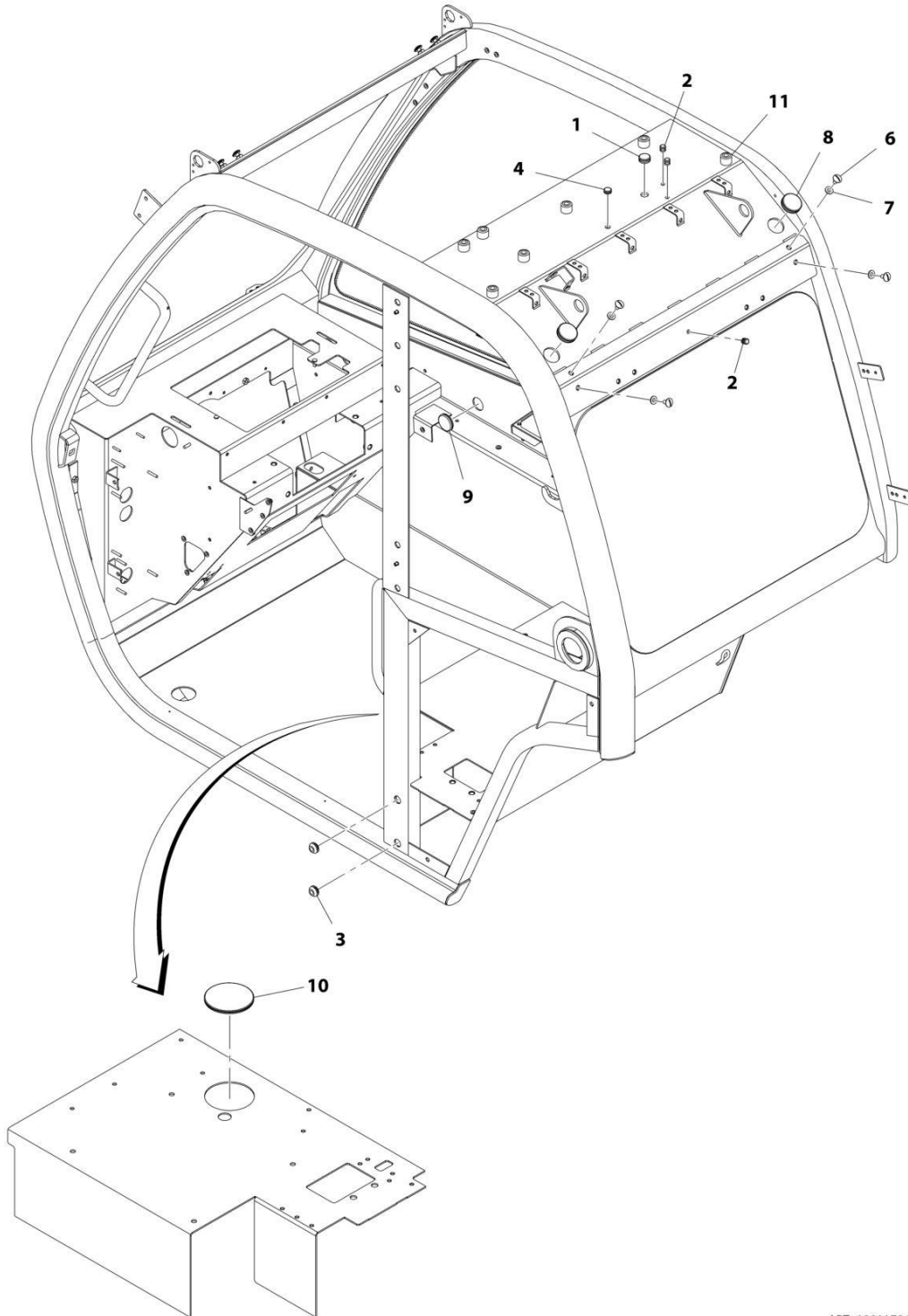
ART_1001178679-C

FIGURE 6-14. REAR WINDOW ASSEMBLY

ITEM	PART NUMBER	QTY	DESCRIPTION	REV
	1001178679	Ref	Rear Window Assembly	C
2	2080078	2	Fastener, M8X30	
3	3290806	2	Nut, M8X1.25 Grade 8	
4	4807718	1	Blade, Wiper	
5	8000759	2	Spacer	
6	8004398	2	Spacer	
7	1001005368	1	Latch, Window	
8	1001139552	1	Motor, Rear Wiper	
9	1001139568	2	Hinge	
10	1001141312	1	Arm, Rear Window Wiper	
11	1001178680	1	Glass, Rear Window	
12	1001178681	1	Seal	
13	1001181411	2	Gasket, Rear Window Hinge	

SECTION 6 - CAB

FIGURE 6-15. ENCLOSED CAB PLUG GROUP



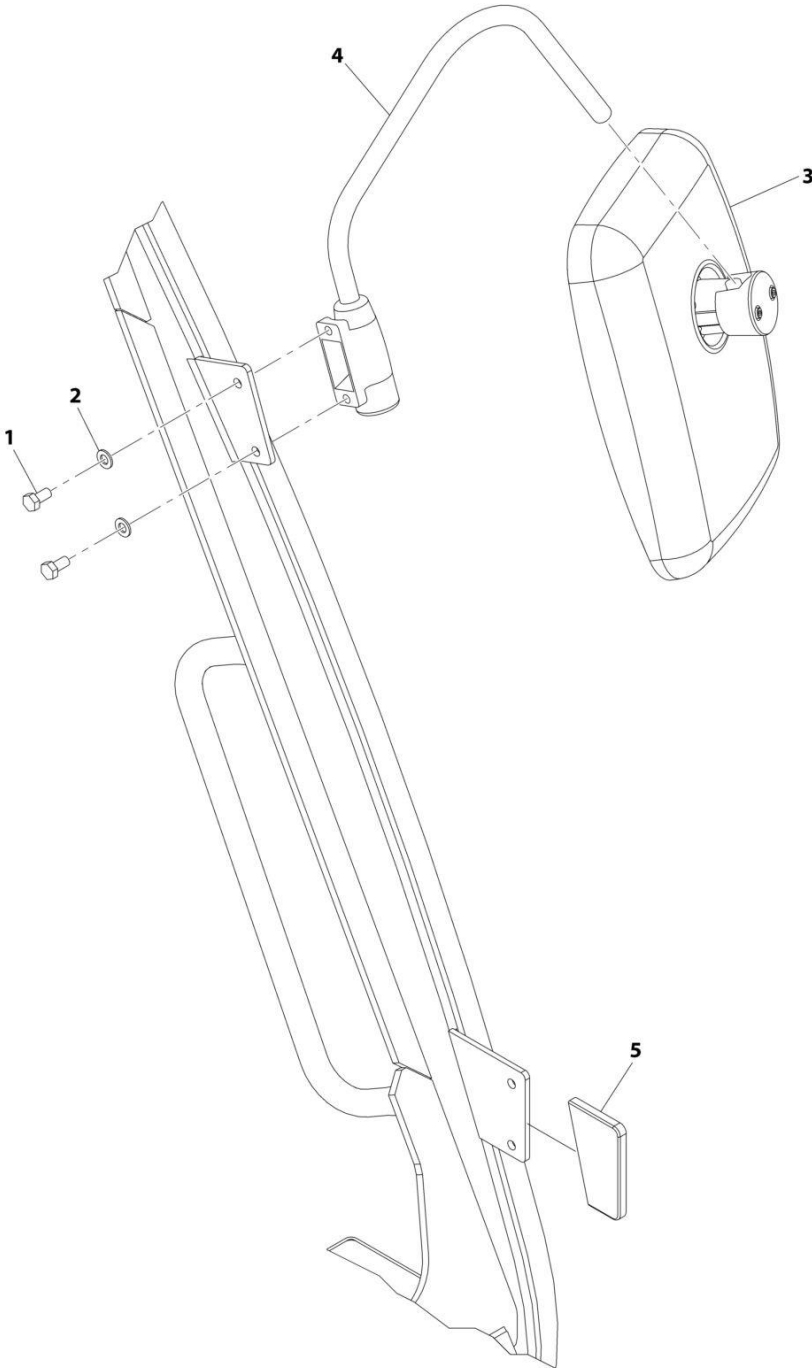
ART_1001170603-E

FIGURE 6-15. ENCLOSED CAB PLUG GROUP

ITEM	PART NUMBER	QTY	DESCRIPTION	REV
	1001170603	Ref	Enclosed Cab Plug Group	E
1	1001176273	1	Plug	
2	1001176272	3	Plug	
3	1001143200	2	Plug	
4	1001176626	1	Plug	
6	1001181920	8	Screw, M8X16	
7	1001181921	8	Washer, Rubber M8	
8	1001182123	2	Plug	
9	1001182139	1	Plug	
10	1001209899	1	Plug	
11	1001219220	7	Cap, Vinyl Round	

SECTION 6 - CAB

FIGURE 6-16. INTERIOR MIRROR INSTALLATION



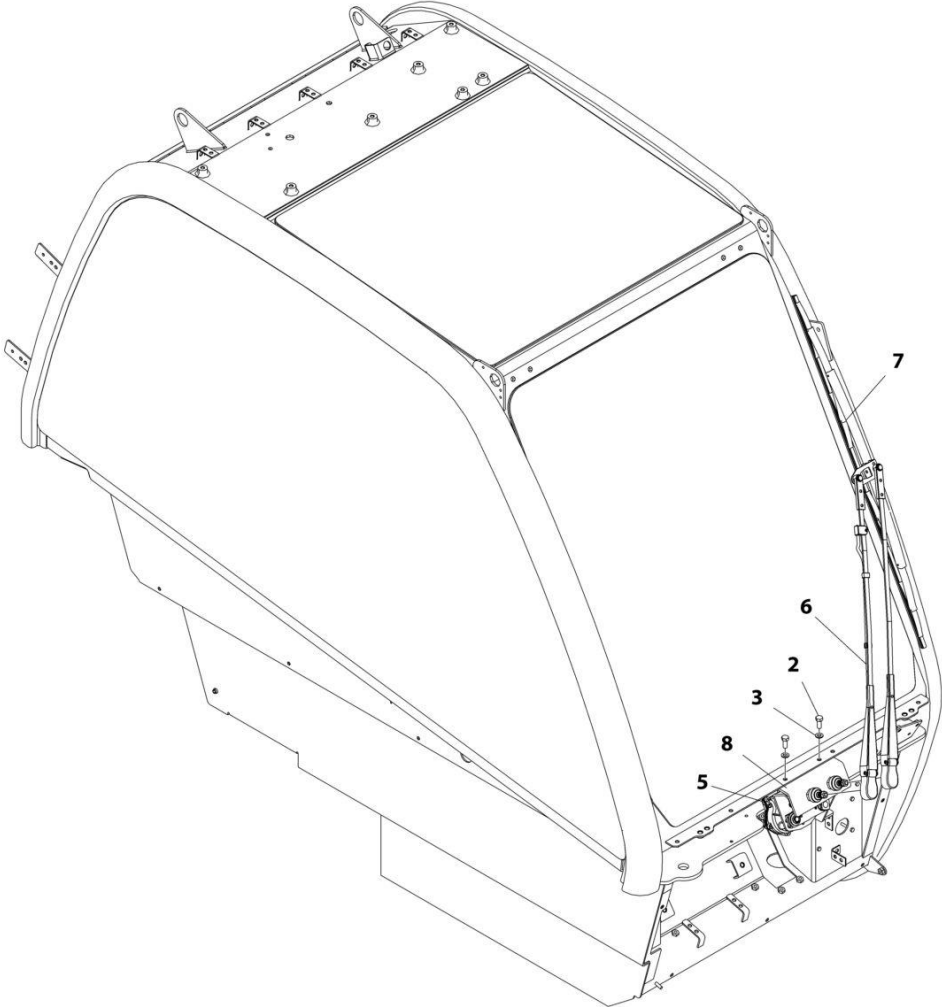
ART_1001230435-A

FIGURE 6-16. INTERIOR MIRROR INSTALLATION

ITEM	PART NUMBER	QTY	DESCRIPTION	REV
	1001230435	Ref	Basic Mirror Installation	A
1	0760808	2	Bolt, M8X16	
2	4811900	2	Washer, M8	
3	80363195	1	Mirror	
4	1001164655	1	Bracket	
5	1001227357	1	Cover, Mirror Bracket	

SECTION 6 - CAB

FIGURE 6-17. FRONT WIPER INSTALLATION



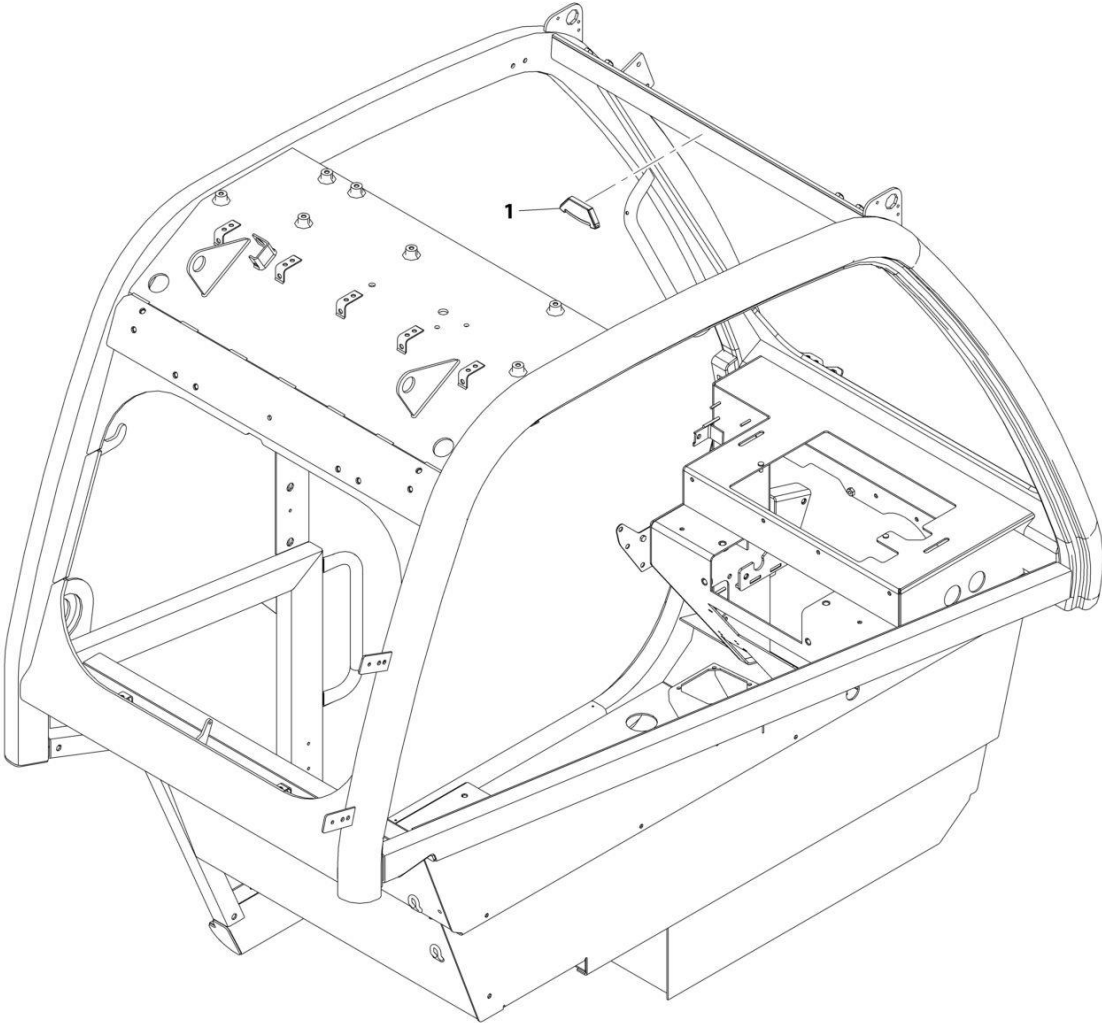
ART_1001155447-G

FIGURE 6-17. FRONT WIPER INSTALLATION

ITEM	PART NUMBER	QTY	DESCRIPTION	REV
	1001155447	Ref	Front Wiper Installation	G
2	0760810	2	Bolt, M8X20	
3	4811900	2	Washer, M8	
5	1001214092	1	Motor, Front Wiper	
6	1001212369	1	Arm, Front Wiper	
7	1001141281	1	Blade, Wiper	
8	1001165637	1	Bracket	

SECTION 6 - CAB

FIGURE 6-18. LEVEL INDICATOR INSTALLATION



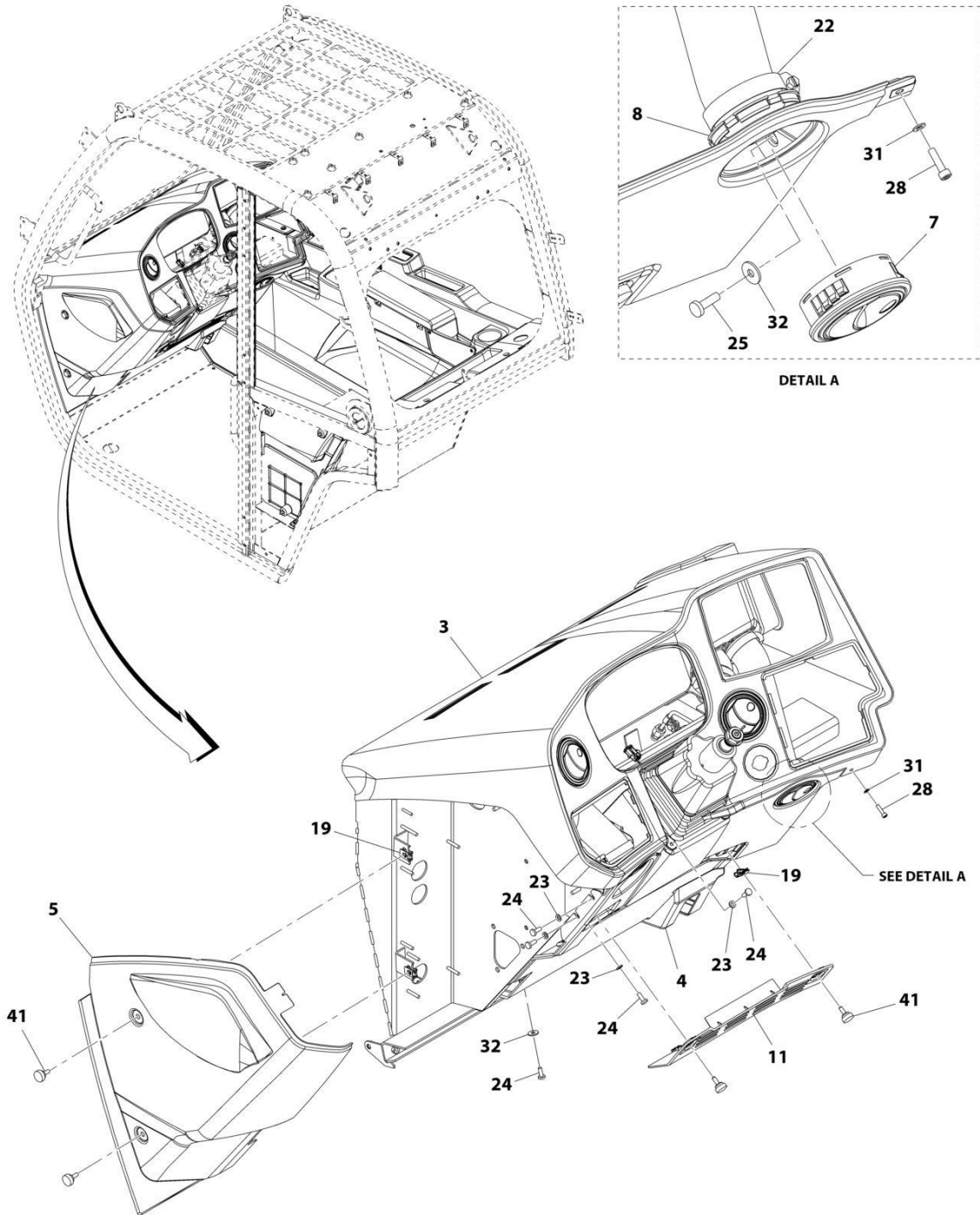
ART_1001172401-C

FIGURE 6-18. LEVEL INDICATOR INSTALLATION

ITEM	PART NUMBER	QTY	DESCRIPTION	REV
1	1001172401 8466306	Ref 1	Level Indicator Installation Gauge, Tilt Angle	C

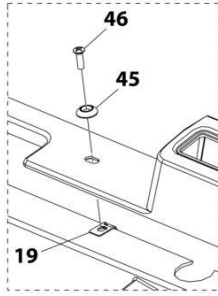
SECTION 6 - CAB

FIGURE 6-19. ENCLOSED CAB TRIM INSTALLATION

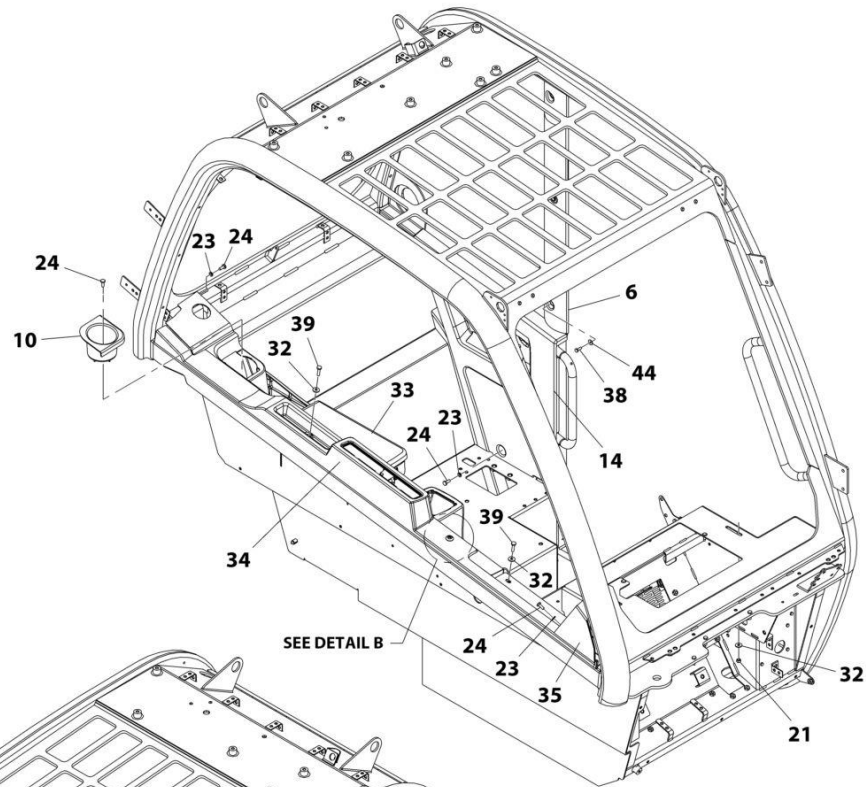


ART_1001167981_1-N

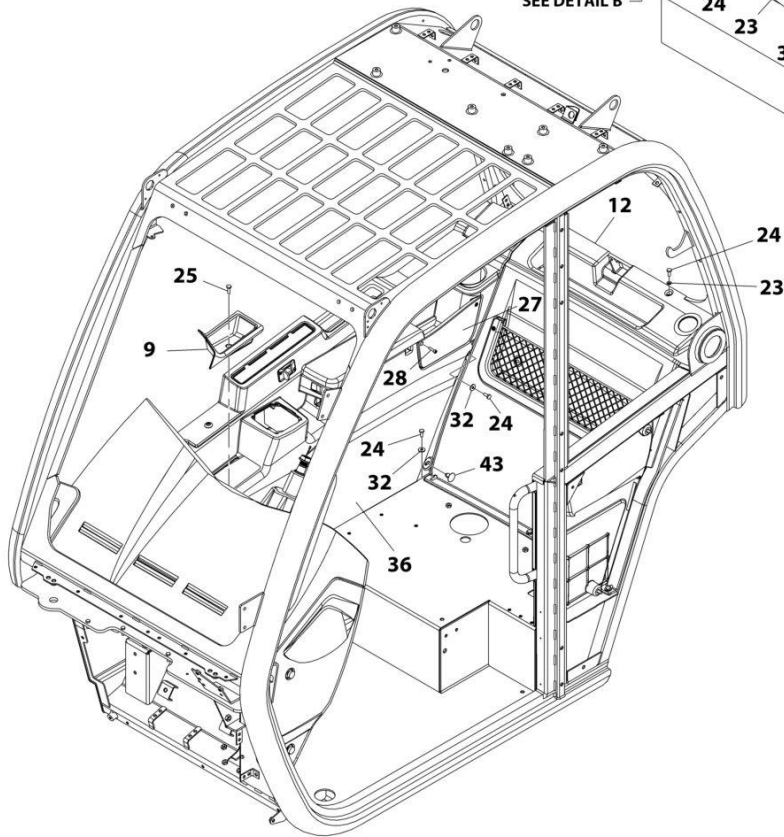
SECTION 6 - CAB



DETAIL B



SEE DETAIL B



ART_1001167981_2-N

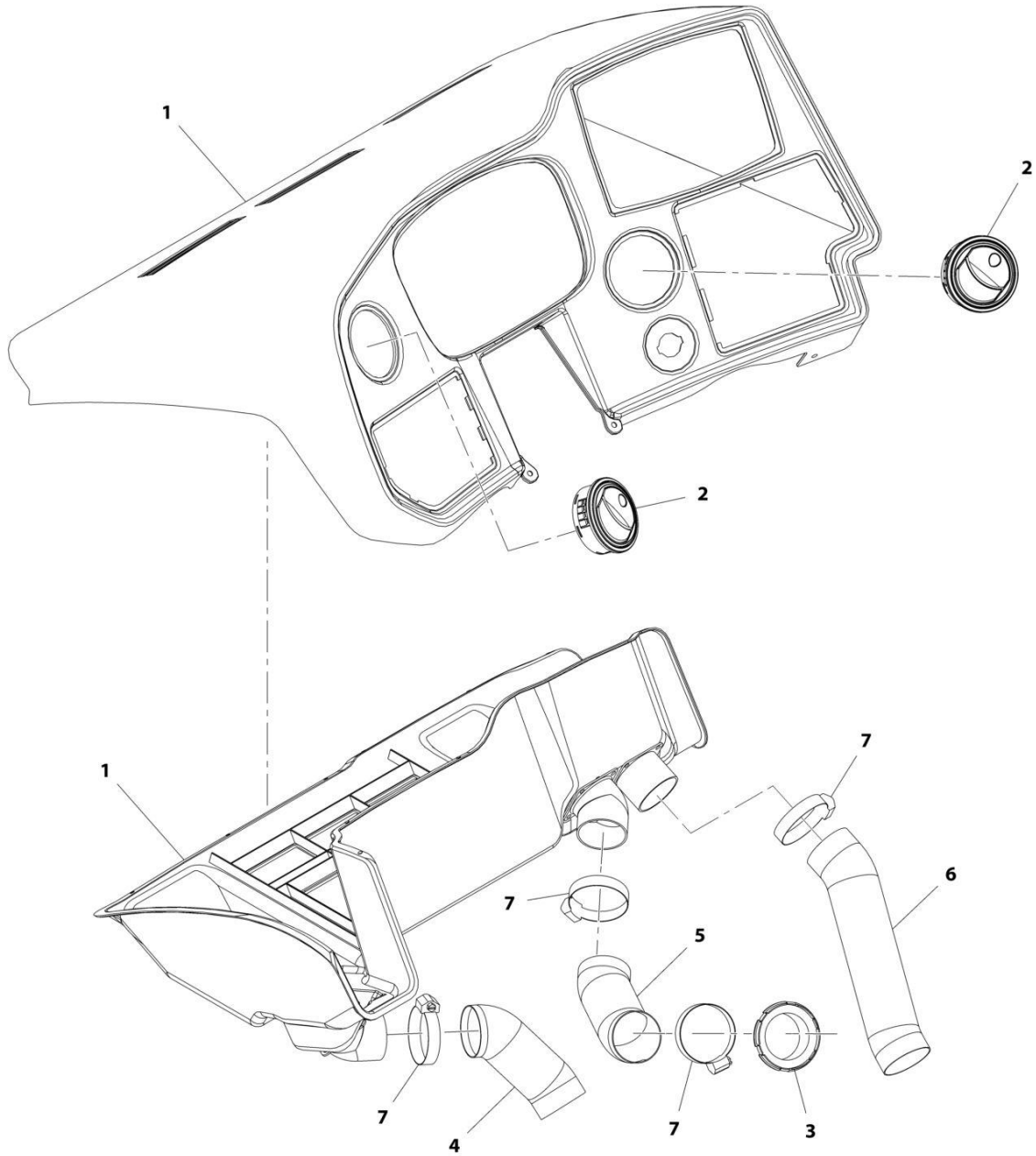
SECTION 6 - CAB

FIGURE 6-19. ENCLOSED CAB TRIM INSTALLATION

ITEM	PART NUMBER	QTY	DESCRIPTION	REV
	1001167981	Ref	Enclosed Cab Trim Installation	P
3	1001169604	1	Assembly, Dash Cover (See Separate Breakdown in this Section)	
4	1001175903	1	Panel, Lower Dash	
5	1001161855	1	Panel, LH Dash	
6	1001219076	1	Panel, Cover	
7	1001147449	2	Vent, Air	
8	1001149278	2	Vent, Connector	
9	1001169603	1	Panel, Trinket Tray	
10	1001170518	1	Holder, Cup	
11	1001170504	1	Panel, Recirculation Grille Cover	
12	1001170519	1	Assembly, Rear Panel Cover (See Separate Breakdown in this Section)	
14	1001161068	1	Panel, Cover	
19	8305919	5	Nut, M6	
21	3290605	2	Nut, Lock M6X1 Grade 8	
22	8405201	2	Clamp, Gear	
23	4811700001	13	Washer, M6	
24	4010608002	20	Screw, M6X16	
25	4010610002	2	Screw, M6X20	
27	1001173965	1	Bezel, RH	
28	4031608001	3	Bolt, M5X20	
31	4811600	1	Washer, M5	
32	4811702001	12	Washer, M6	
33	1001181726	Ref	Installation, Adjustable Armrest (See Separate Breakdown in this Section)	
34	1001182834	1	Panel, Cover	
35	1001185870	1	Panel, Cover	
36	1001189182	1	Panel, Cover	
38	4010508002	3	Bolt, M5-.8X16	
39	4010612002	3	Screw, M6X25	
41	1001208308	4	Bolt, M6X15	
43	1001211907	1	Screw, Retainer	
44	4811602001	3	Washer, 5M	
45	1001098150	1	Washer, M6	
46	1001132564	1	Screw M6X20	

SECTION 6 - CAB

FIGURE 6-20. DASH COVER ASSEMBLY



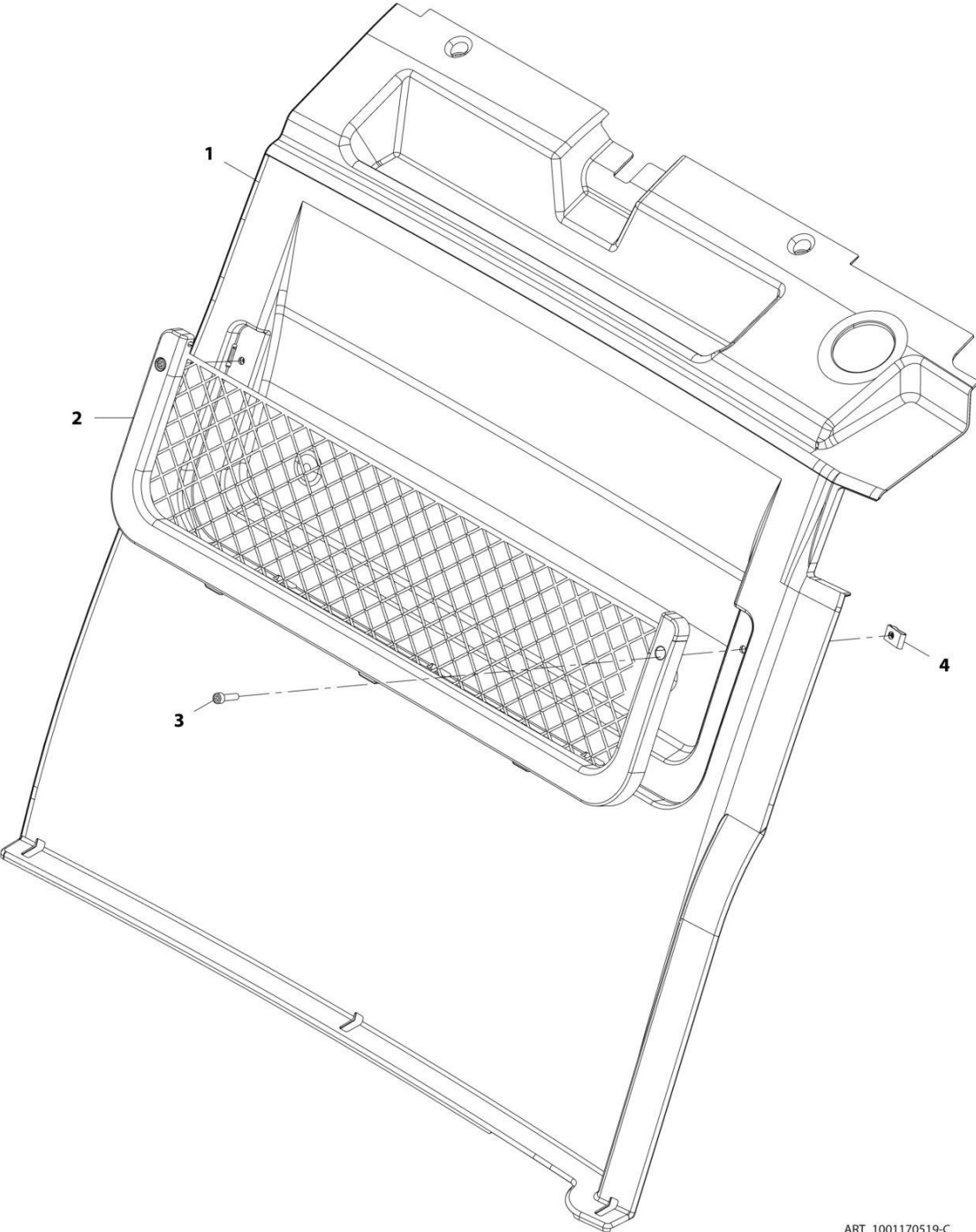
ART_1001169604-B

FIGURE 6-20. DASH COVER ASSEMBLY

ITEM	PART NUMBER	QTY	DESCRIPTION	REV
	1001169604	Ref	Dash Cover Assembly (Construction)	B
1	1001161851	1	Panel, Top Dash	
2	1001147449	2	Vent, Air	
3	1001149278	1	Vent, Connector	
4	1001174652	1	Hose	
5	1001174653	1	Hose	
6	1001174655	1	Hose	
7	8405201	4	Clamp, Gear	

SECTION 6 - CAB

FIGURE 6-21. REAR PANEL COVER ASSEMBLY



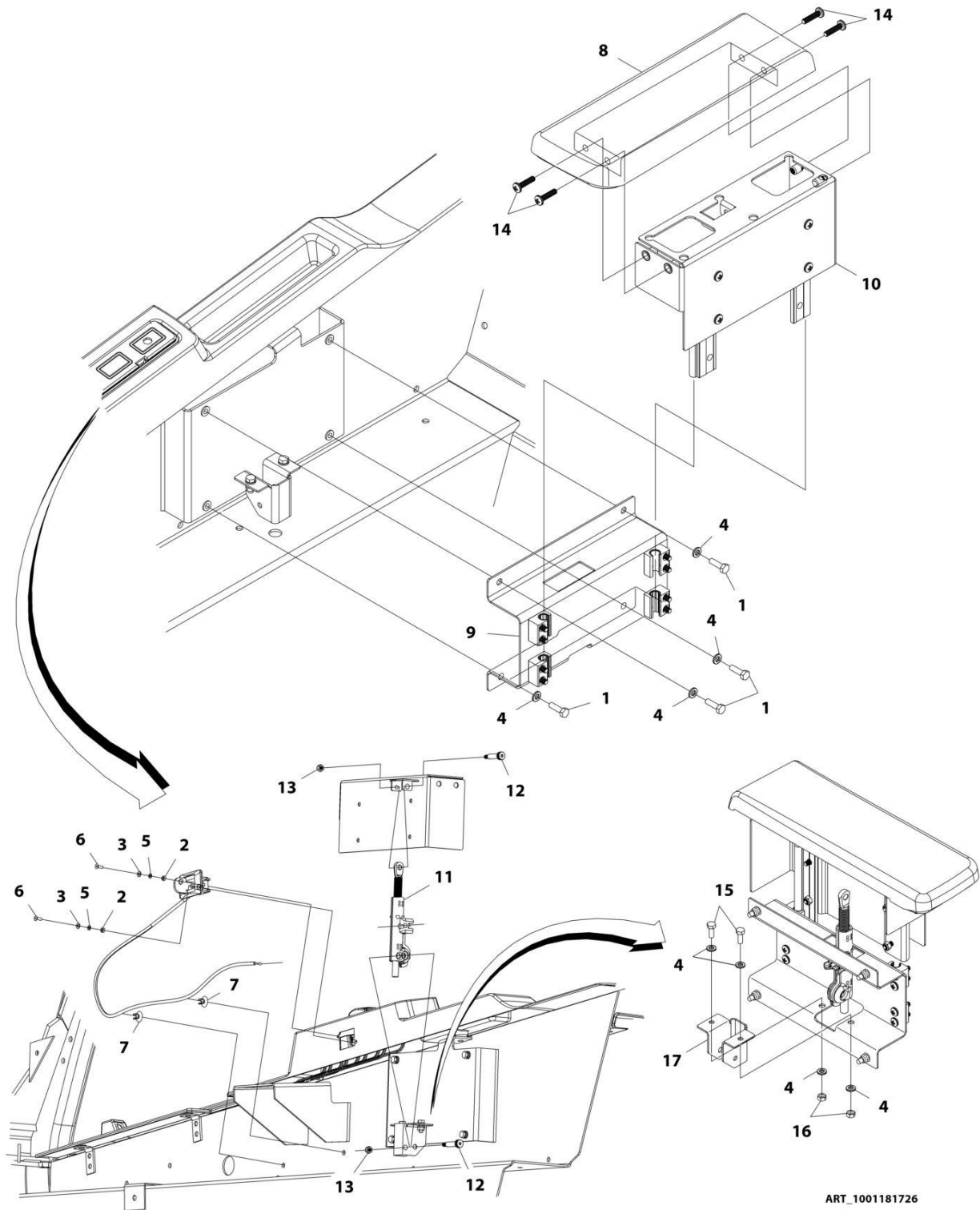
ART_1001170519-C

FIGURE 6-21. REAR PANEL COVER ASSEMBLY

ITEM	PART NUMBER	QTY	DESCRIPTION	REV
	1001170519	Ref	Rear Panel Cover Assembly	C
1	1001161067	1	Panel, Rear	
2	1001170514	1	Storage Net, Rear Panel	
3	4031608	2	Bolt, M5X20	
4	1001183550	2	Nut, Cage M5	

SECTION 6 - CAB

FIGURE 6-22. ADJUSTABLE ARMREST INSTALLATION



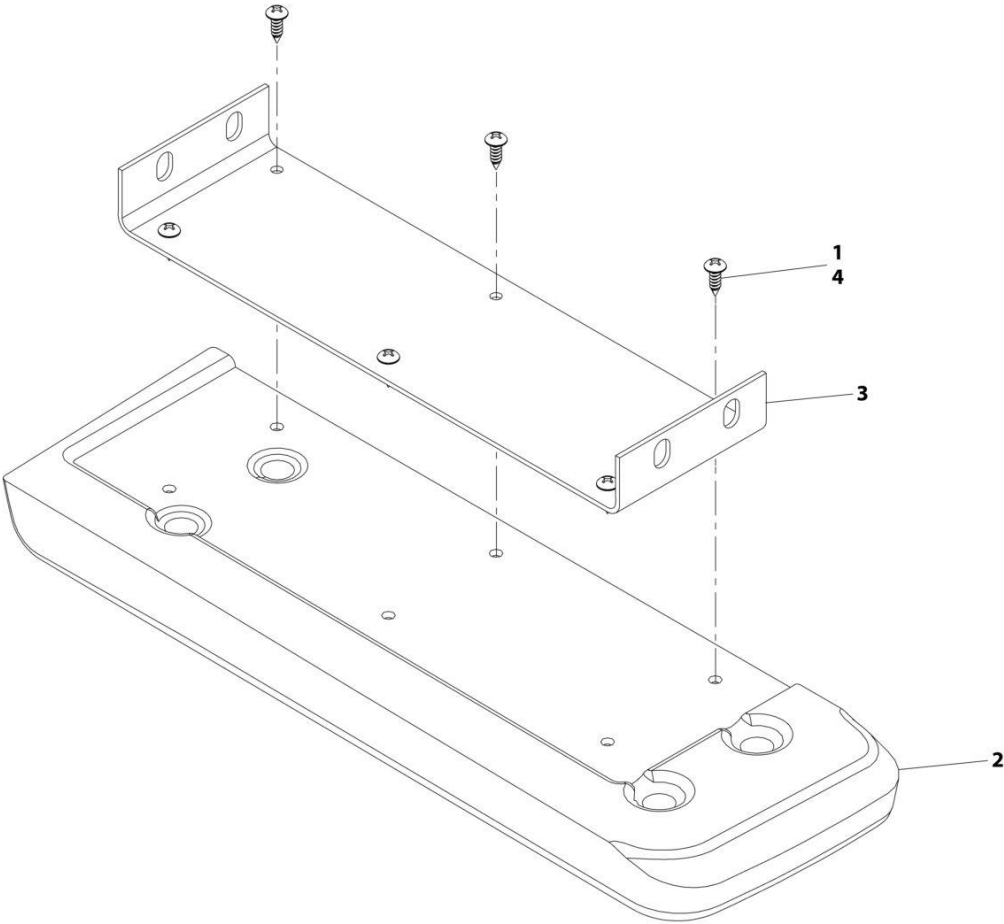
ART_1001181726

FIGURE 6-22. ADJUSTABLE ARMREST INSTALLATION

ITEM	PART NUMBER	QTY	DESCRIPTION	REV
	1001181726	Ref	Adjustable Armrest Installation	F
1	0700610	4	Bolt, M6X20	
2	3290401	2	Nut, M4X0.7	
3	4811400	2	Washer, M4	
4	4811700	8	Washer, M6	
5	4831400	2	Washer, Lock M4	
6	1001097244	2	Screw, M4X12	
7	1001165458	4	Hose	
8	1001191281	1	Armrest (See Separate Breakdown in this Section)	
9	1001191283	1	Bracket, Fixed Armrest (See Separate Breakdown in this Section)	
10	1001191284	1	Bracket, Moving Armrest (See Separate Breakdown in this Section)	
11	1001191285	1	Spring	
12	1001191370	2	Screw, M6	
13	3290605	2	Nut, M6X1 Grade 8	
14	4010612002	4	Screw, M6X25	
15	0760608	2	Bolt, M6X16	
16	3290601	2	Nut, M6X1	
17	1001212468	1	Bracket, Locking Spring Mount	

SECTION 6 - CAB

FIGURE 6-23. ARMREST



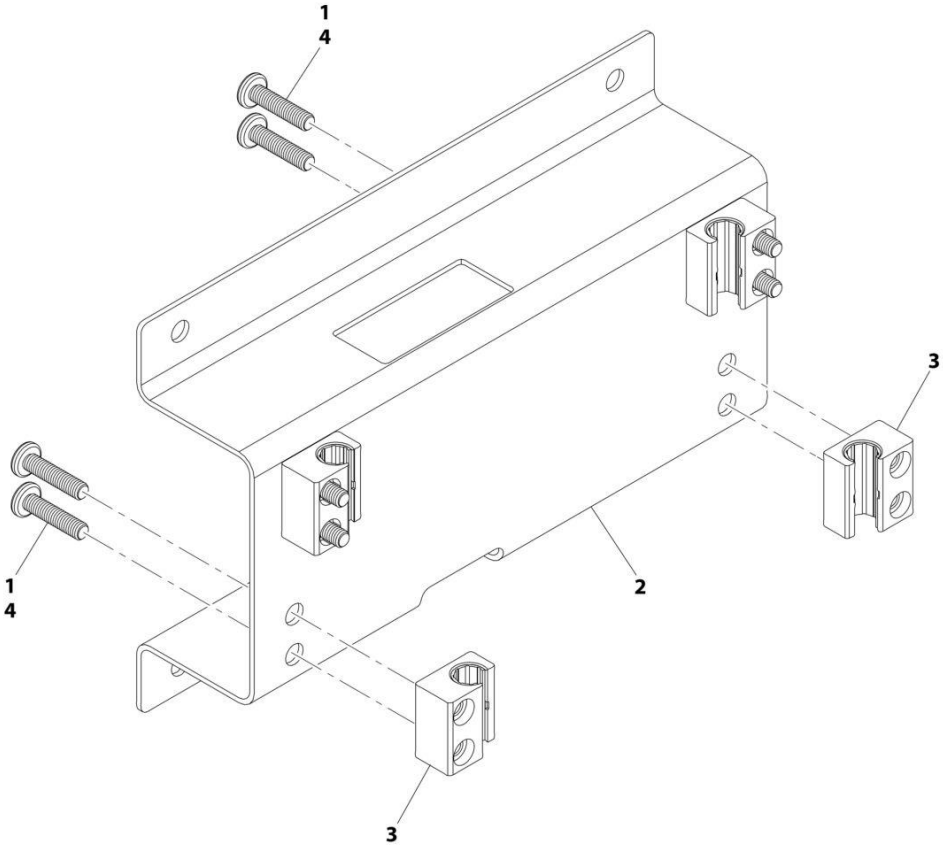
ART_1001191281

FIGURE 6-23. ARMREST

ITEM	PART NUMBER	QTY	DESCRIPTION	REV
	1001191281	Ref	Armrest	E
1	1001095650	AR	Adhesive	
2	1001179484	1	Armrest, Cab	
3	1001191282	1	Bracket, Armrest Pad	
4	1001192240	6	Screw	

SECTION 6 - CAB

FIGURE 6-24. FIXED ARMREST BRACKET



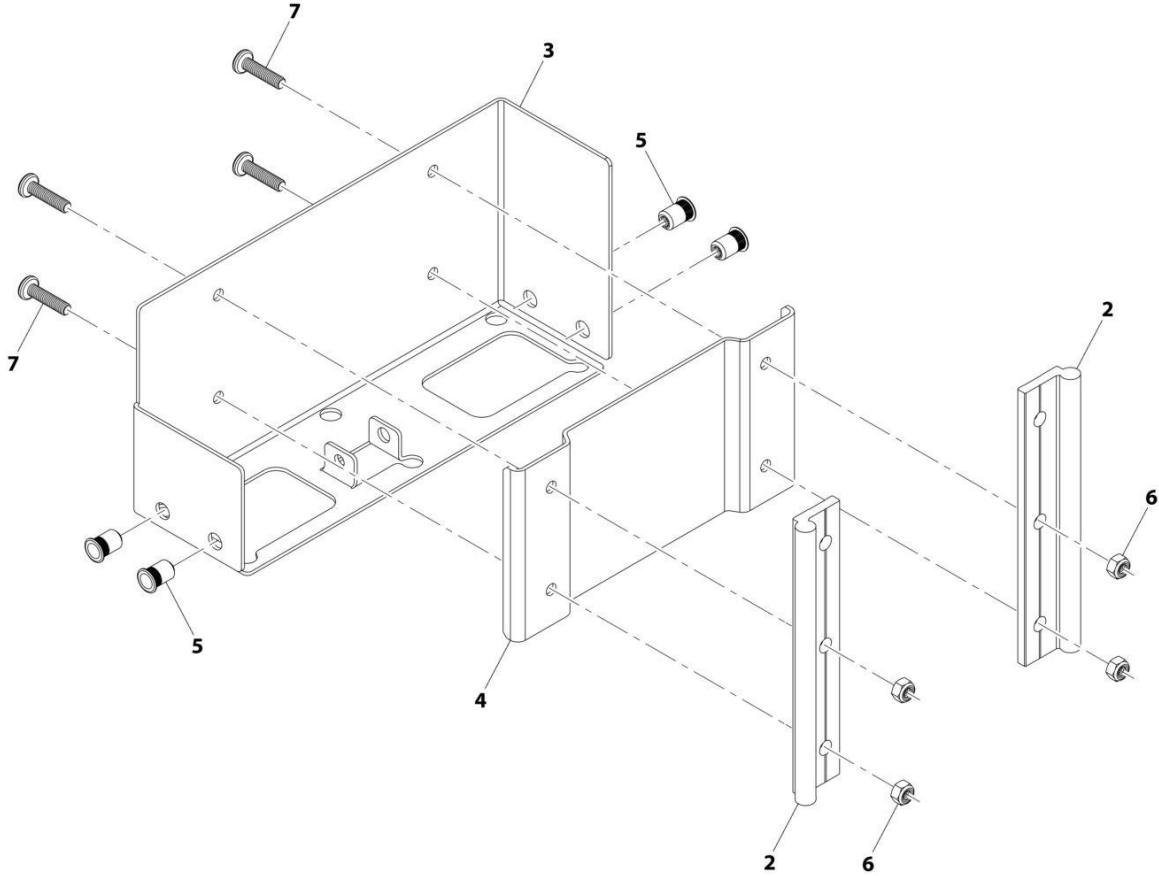
ART_1001191283-B

FIGURE 6-24. FIXED ARMREST BRACKET

ITEM	PART NUMBER	QTY	DESCRIPTION	REV
	1001191283	Ref	Fixed Armrest Bracket	B
1	1001095650	AR	Adhesive	
2	1001183597	1	Armrest Bracket	
3	1001191310	4	Slide Block	
4	4010612002	8	Screw	

SECTION 6 - CAB

FIGURE 6-25. MOVING ARMREST BRACKET



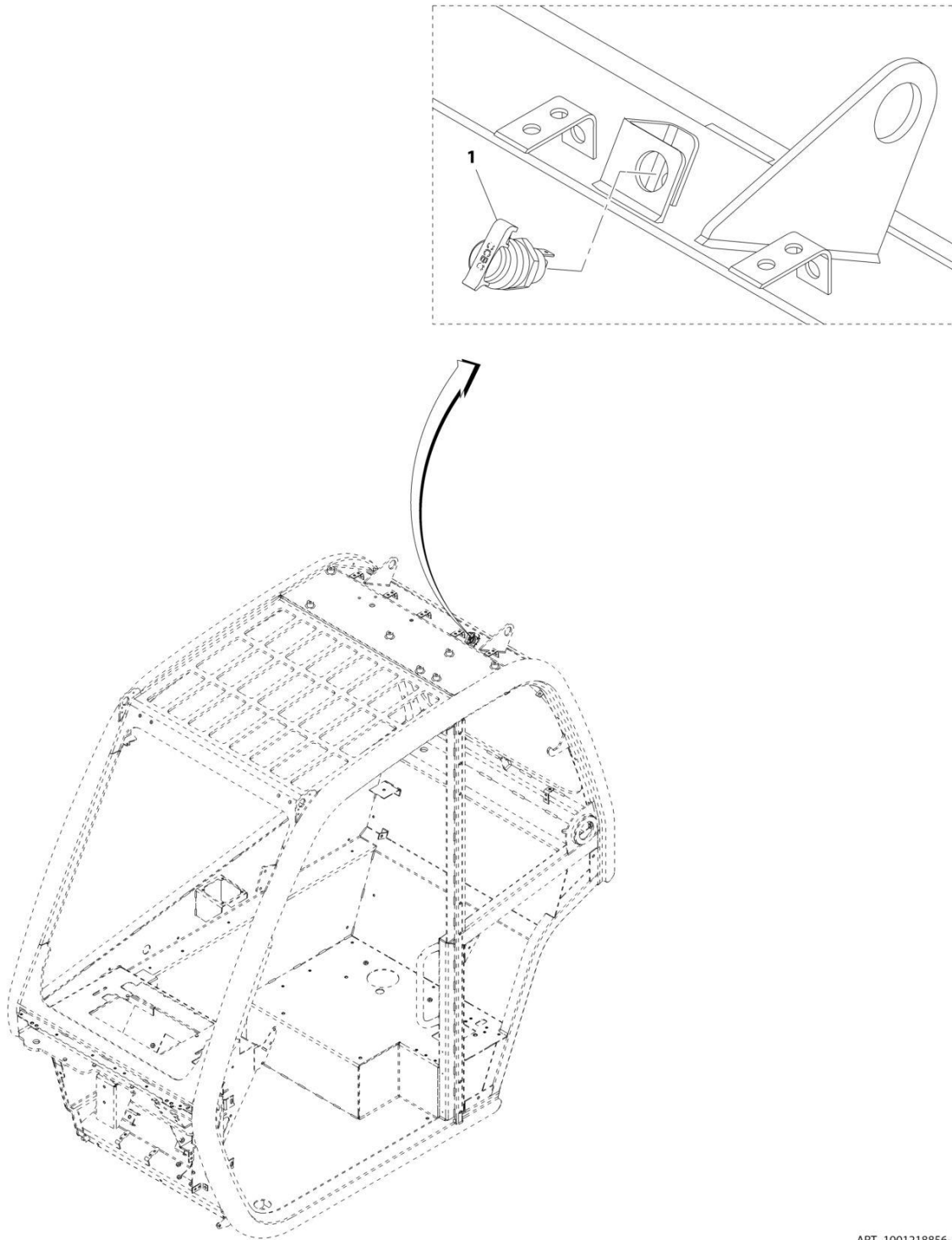
ART_1001191284-B

FIGURE 6-25. MOVING ARMREST BRACKET

ITEM	PART NUMBER	QTY	DESCRIPTION	REV
	1001191284	Ref	Moving Armrest Bracket	B
2	1001191311	2	Side Rail	
3	1001191312	1	Armrest Mount Bracket	
4	1001191313	1	Spacer Block Plate	
5	1001191959	4	Rivenut M6 X 1	
6	3290605	4	Nut, Lock M6X1	
7	4010612002	4	Screw, M6X25	

SECTION 6 - CAB

FIGURE 6-26. BEACON INSTALLATION



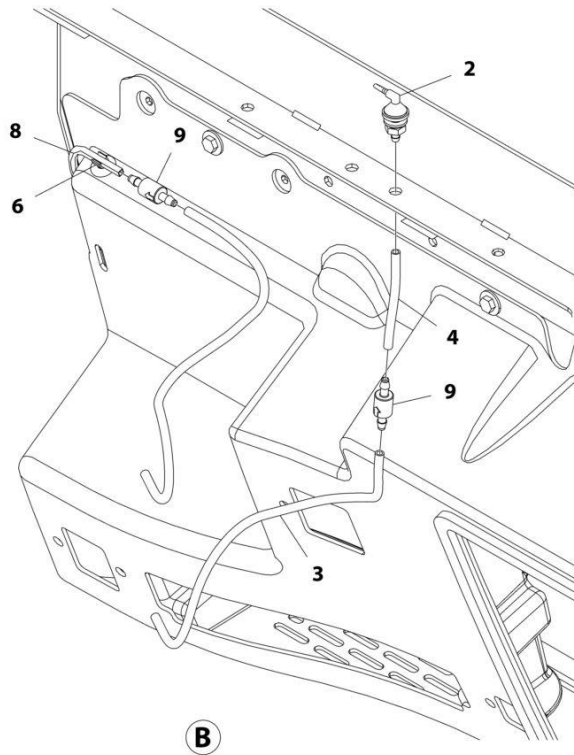
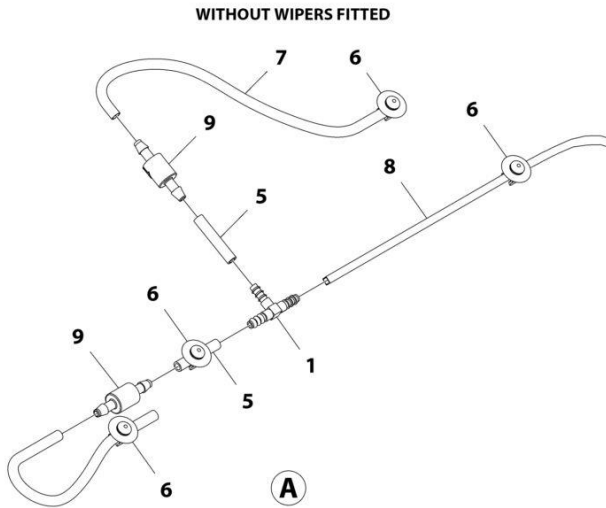
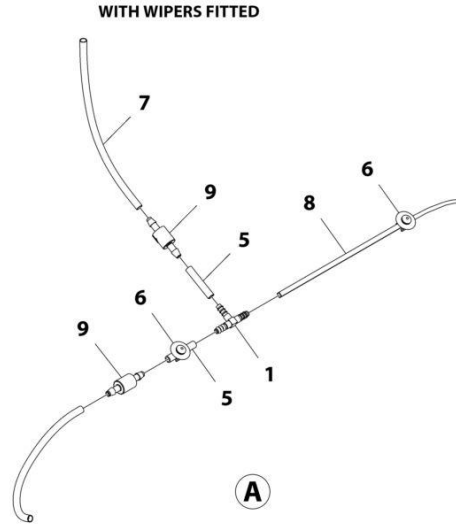
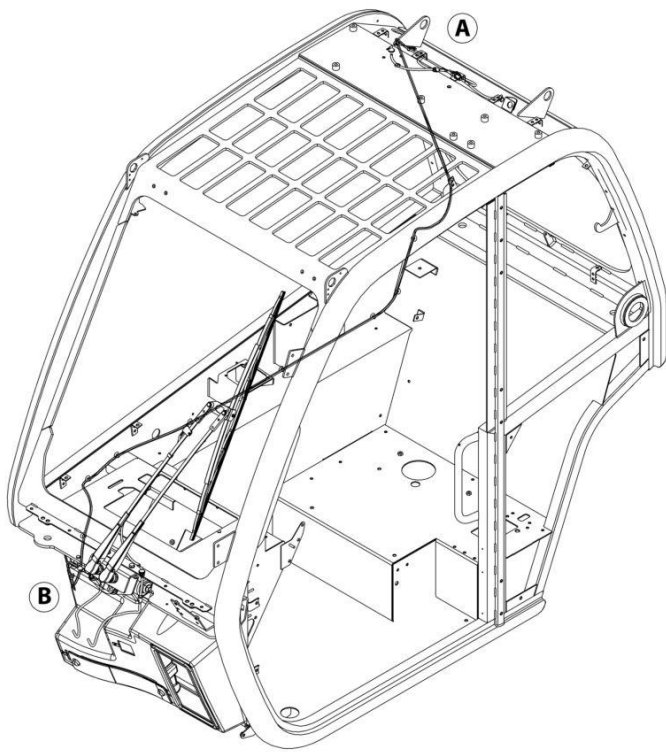
ART_1001218856-A

FIGURE 6-26. BEACON INSTALLATION

ITEM	PART NUMBER	QTY	DESCRIPTION	REV
1	1001218856 4461174	Ref 1	Beacon Bracket Installation Plug, 12V Power	A

SECTION 6 - CAB

FIGURE 6-27. WASHER HOSES INSTALLATION



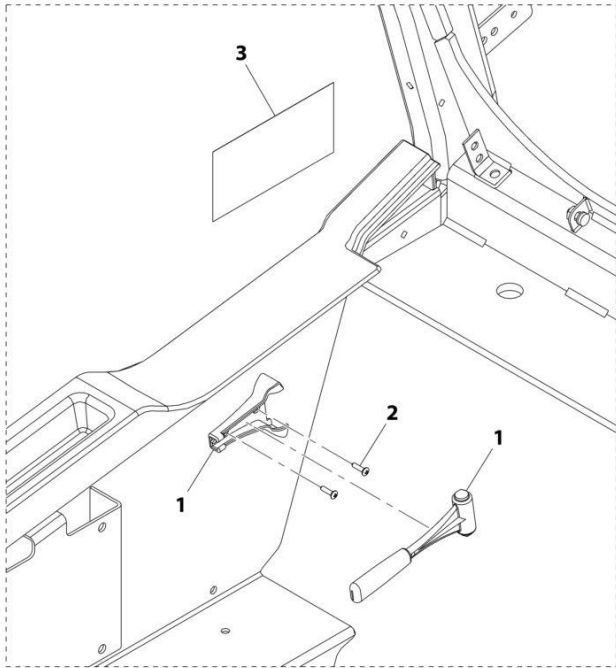
ART_1001201520

FIGURE 6-27. WASHER HOSES INSTALLATION

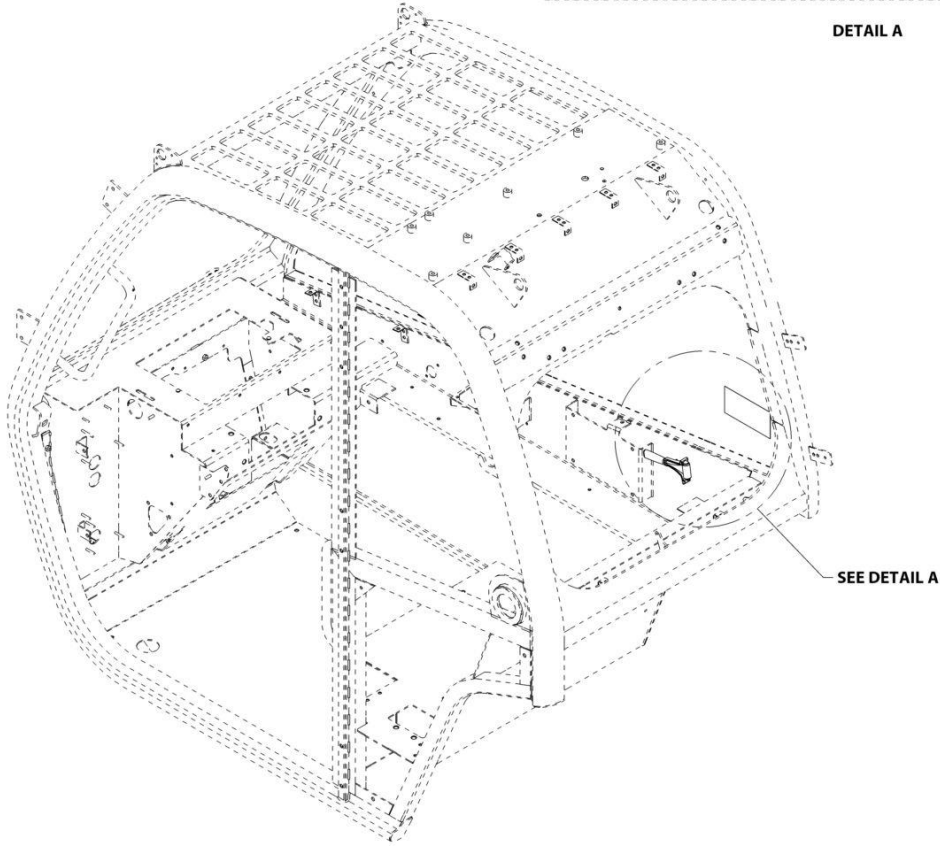
ITEM	PART NUMBER	QTY	DESCRIPTION	REV
	1001201520	Ref	WASHER HOSES INSTALLATION	C
1	1001008742	1	Coupling, Tee	
2	1001090343	1	Connector	
3	1001165351	2	Hose	
4	1001165416	1	Hose	
5	1001165455	2	Hose	
6	1001165458	16	Mount, Hose	
7	1001178123	2	Hose	
8	1001180045	1	Hose	
9	1001201331	4	Valve, Check	

SECTION 6 - CAB

FIGURE 6-28. HAMMER INSTALLATION



DETAIL A



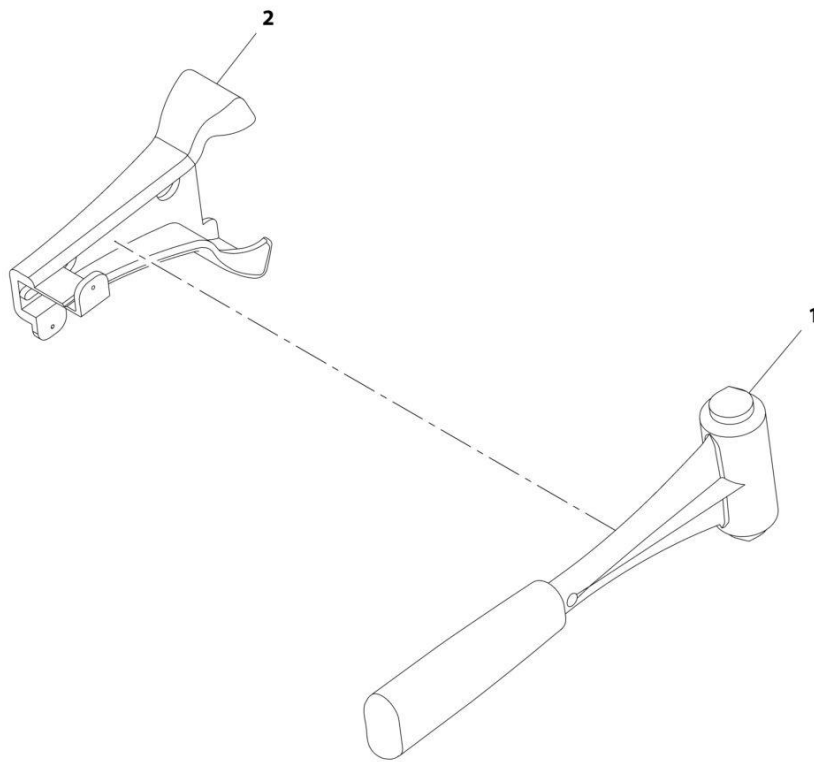
ART_1001210628-B

FIGURE 6-28. HAMMER INSTALLATION

ITEM	PART NUMBER	QTY	DESCRIPTION	REV
1	1001210628	Ref	Hammer Installation	B
	1001005038	1	Assembly, Hammer Attachment (See Separate Breakdown in this Section)	
2	1001005193	2	Screw	
3	1001215804	1	Decal, Emergency Exit	

SECTION 6 - CAB

FIGURE 6-29. HAMMER ATTACHMENT ASSEMBLY



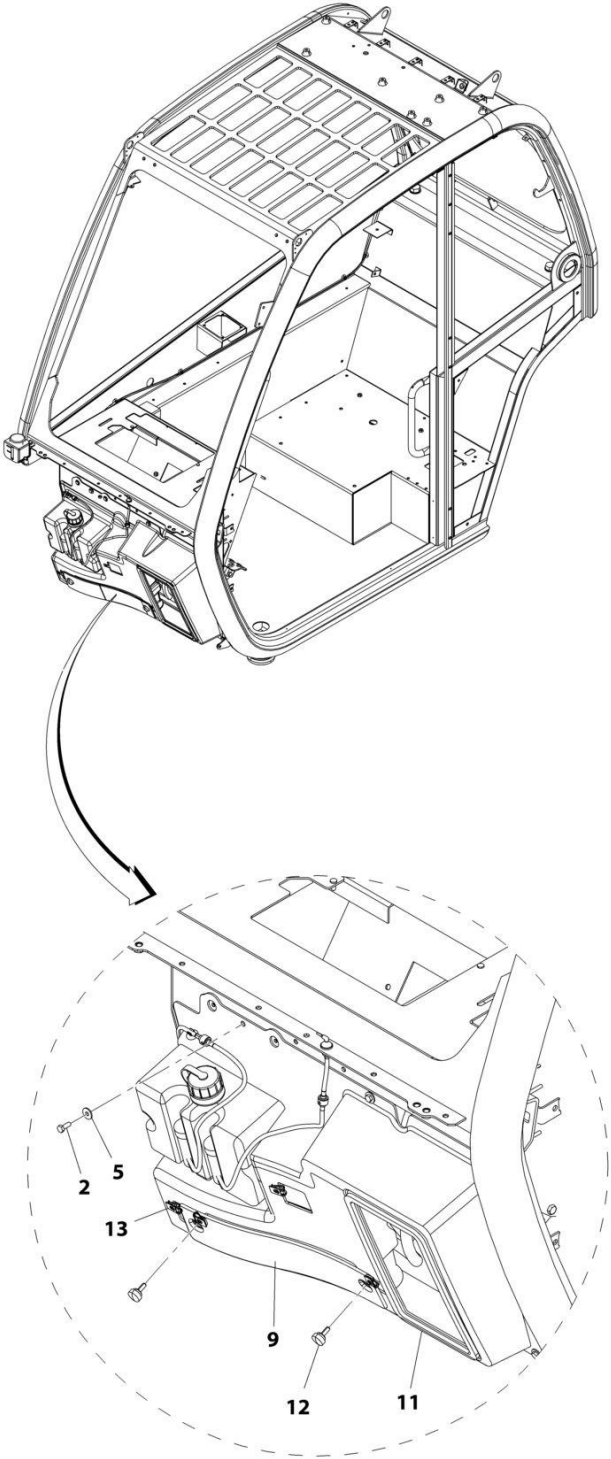
ART_1001005038-B

FIGURE 6-29. HAMMER ATTACHMENT ASSEMBLY

ITEM	PART NUMBER	QTY	DESCRIPTION	REV
	1001005038	Ref	Hammer Attachment Assembly	B
1	1001006954	1	Hammer	
2	1001006955	1	Bracket, Hammer	

SECTION 6 - CAB

FIGURE 6-30. FRONT COVER INSTALLATION



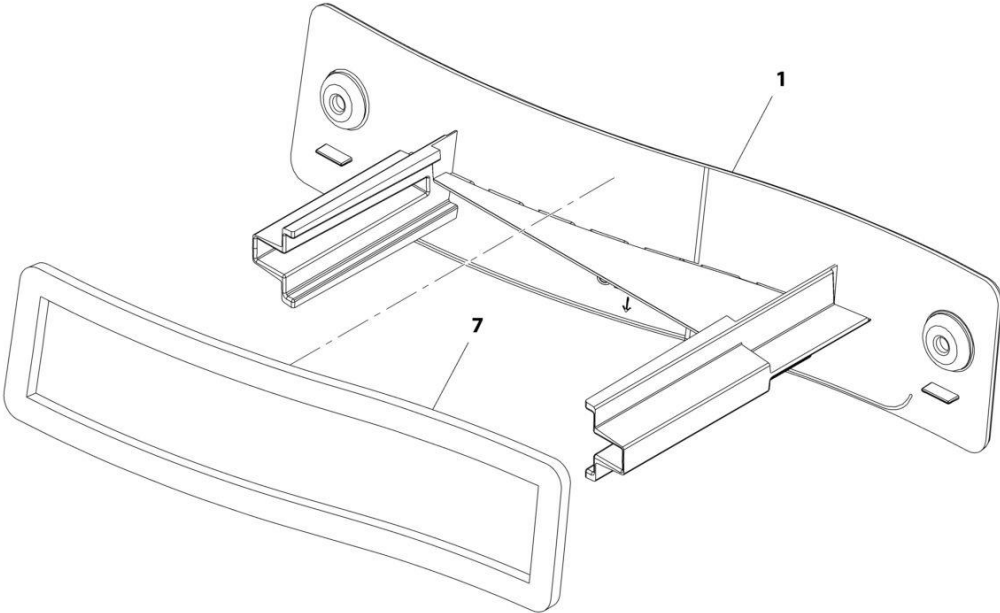
ART_1001170366-G

FIGURE 6-30. FRONT COVER INSTALLATION

ITEM	PART NUMBER	QTY	DESCRIPTION	REV
	1001170366	Ref	Front Cover Installation	G
2	0760608	7	Bolt, M6X16	
5	4811702	7	Washer, M6	
9	1001175471	1	Panel, Filter Tray (See Separate Breakdown in this Section)	
11	1001176121	1	Cover, Front Duct (See Separate Breakdown in this Section)	
12	2080092	2	Thumb Screw, M6X16	
13	8305919	4	Nut, M6	

SECTION 6 - CAB

FIGURE 6-31. FILTER TRAY PANEL



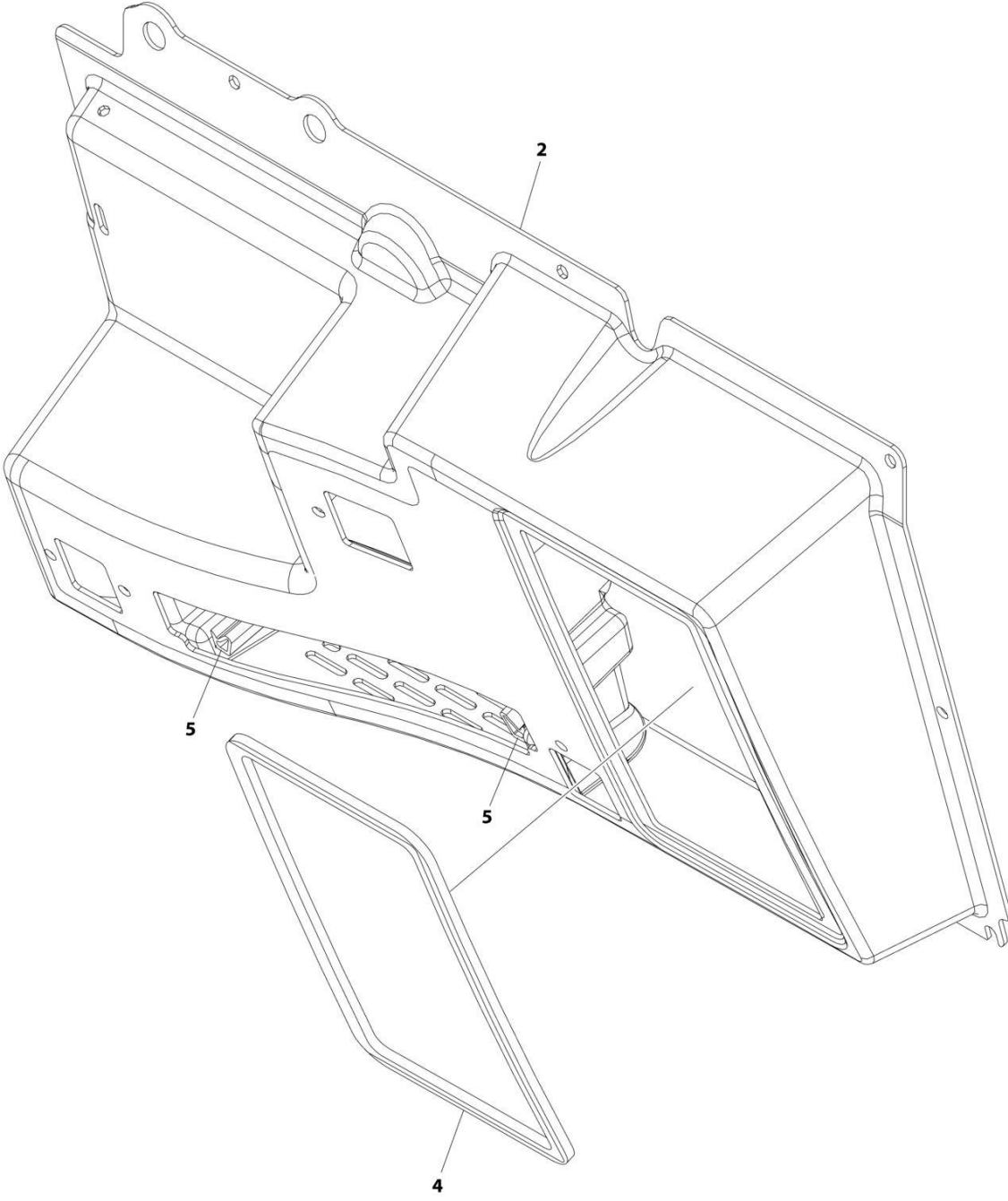
ART_1001175471-D

FIGURE 6-31. FILTER TRAY PANEL

ITEM	PART NUMBER	QTY	DESCRIPTION	REV
	1001175471	Ref	Filter Tray Panel	D
1	1001170993	1	Panel, Front Inlet	
7	1001171767	1	Cab, Front Panel Seal	

SECTION 6 - CAB

FIGURE 6-32. FRONT DUCT COVER



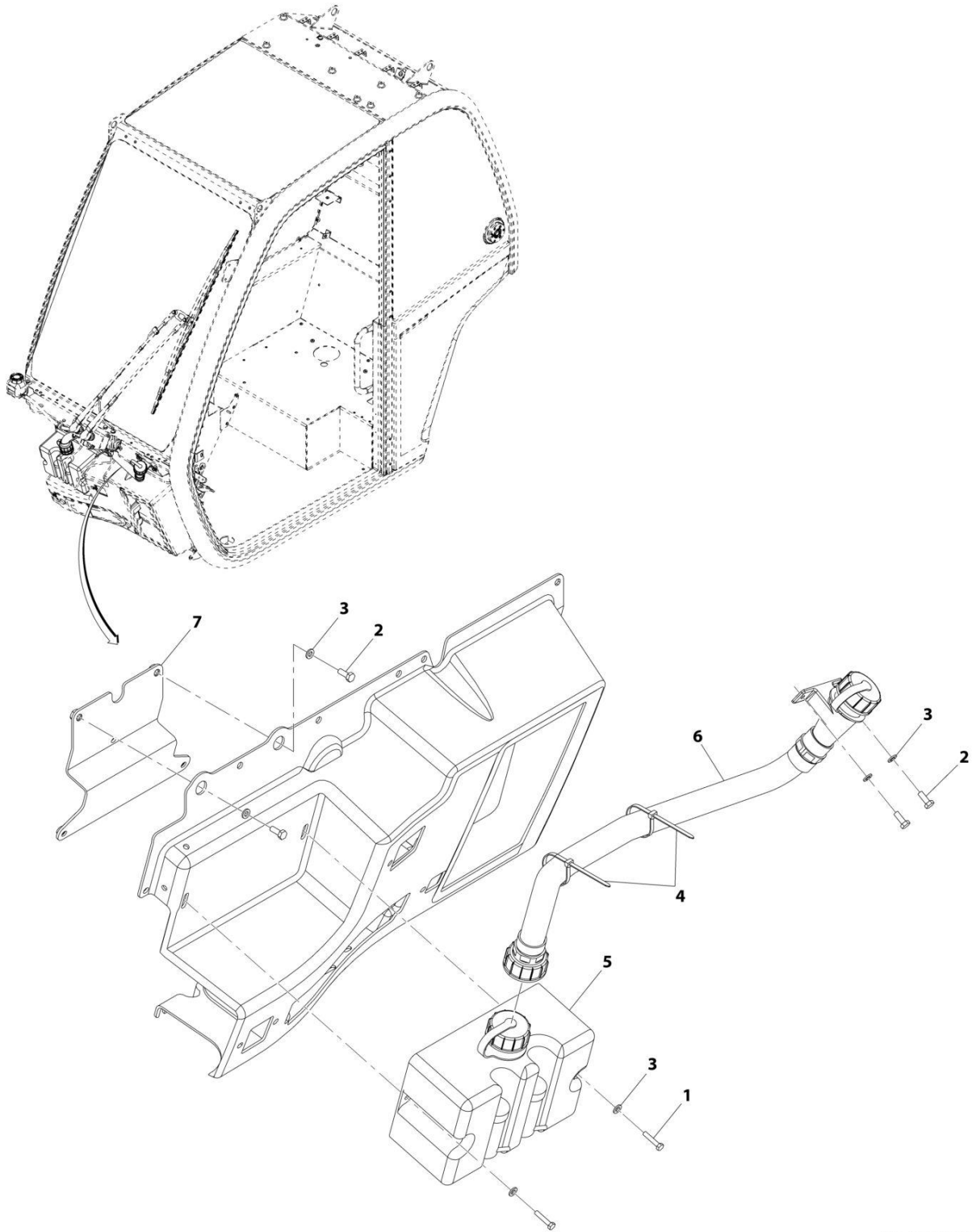
ART_1001176121

FIGURE 6-32. FRONT DUCT COVER

ITEM	PART NUMBER	QTY	DESCRIPTION	REV
	1001176121	Ref	FRONT DUCT COVER	H
2	1001170326	1	Cover, Front	
4	1001175470	1	Seal, Front Cab Panel	
5	1001270117	AR	Seal, Bulb	

SECTION 6 - CAB

FIGURE 6-33. WASHER TANK INSTALLATION



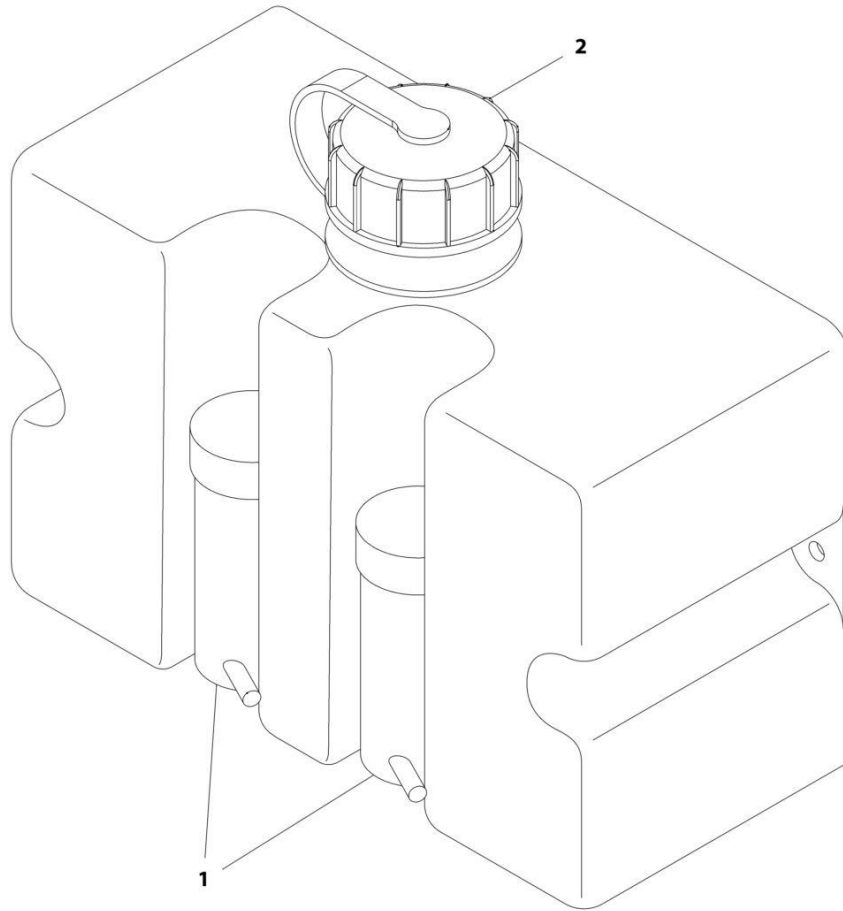
ART_1001201027-C

FIGURE 6-33. WASHER TANK INSTALLATION

ITEM	PART NUMBER	QTY	DESCRIPTION	REV
	1001201027	Ref	Washer Tank Installation	C
1	0760512	2	Bolt M5X25	
2	0760608	4	Bolt, M6X16	
3	4811700	6	Washer, M6	
4	471678	2	Band, Cable	
5	1001165269	1	Bottle, Washer (See Separate Breakdown in this Section)	
6	1001165270	1	Hose, Washer Filler	
7	1001171756	1	Bracket	

SECTION 6 - CAB

FIGURE 6-34. WASHER BOTTLE



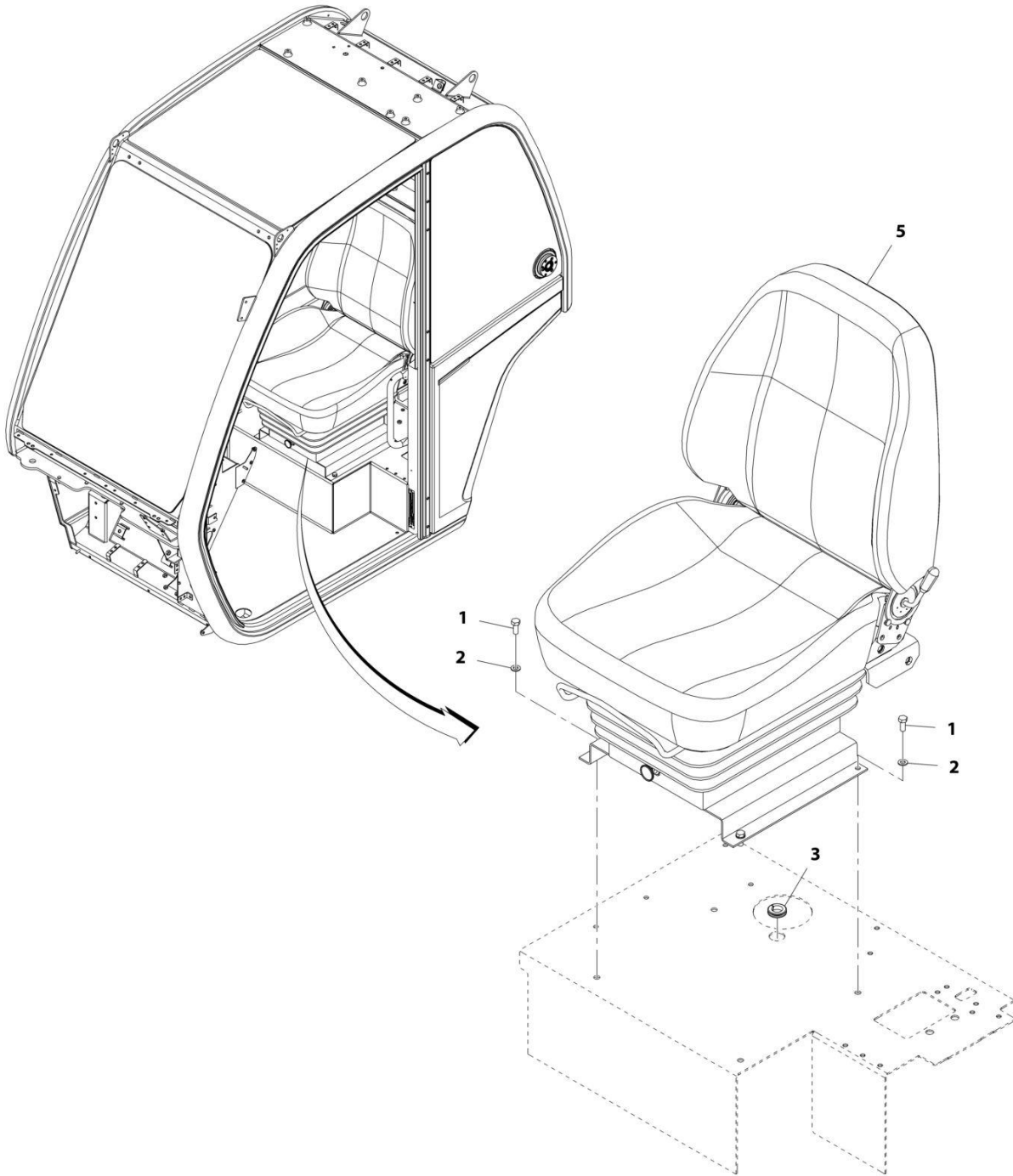
ART_1001165269-B

FIGURE 6-34. WASHER BOTTLE

ITEM	PART NUMBER	QTY	DESCRIPTION	REV
	1001165269	Ref	Washer Bottle	B
1	1001165327	2	Pump, Washer	
2	1001165273	1	Cap, Washer	

SECTION 6 - CAB

FIGURE 6-35. SEAT INSTALLATION (AIR SUSPENSION - STANDARD)



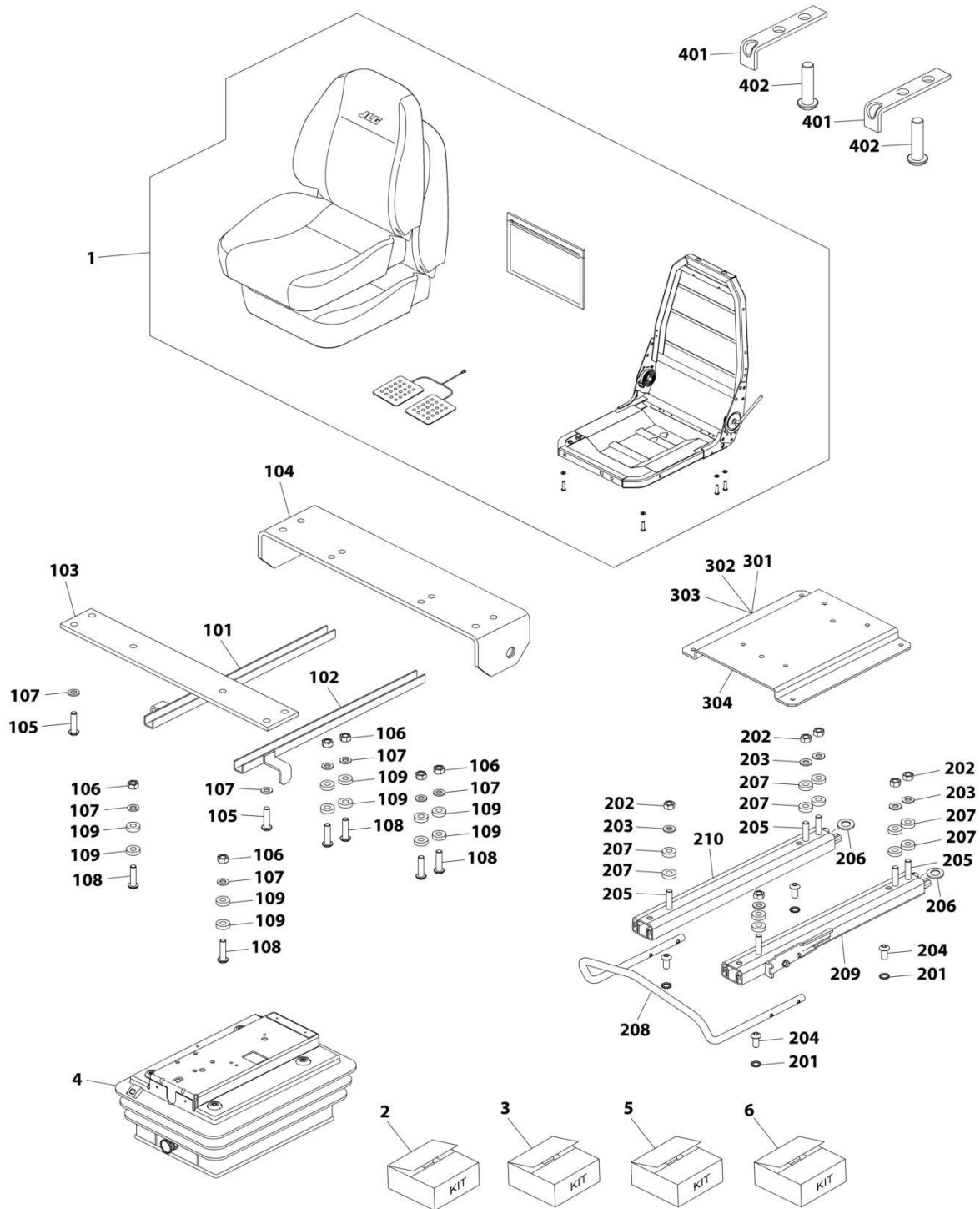
ART_1001158596-D

FIGURE 6-35. SEAT INSTALLATION (AIR SUSPENSION - STANDARD)

ITEM	PART NUMBER	QTY	DESCRIPTION	REV
	1001158596	Ref	Seat Installation (Air Suspension - Standard)	D
1	0760810	4	Bolt, M8X20	
2	4811900	4	Washer, M8	
3	1001216974	1	Grommet	
5	1001165573	1	Assembly, Seat (See Separate Breakdown in this Section)	

SECTION 6 - CAB

FIGURE 6-36. SEAT ASSEMBLY (AIR SUSPENSION - STANDARD)



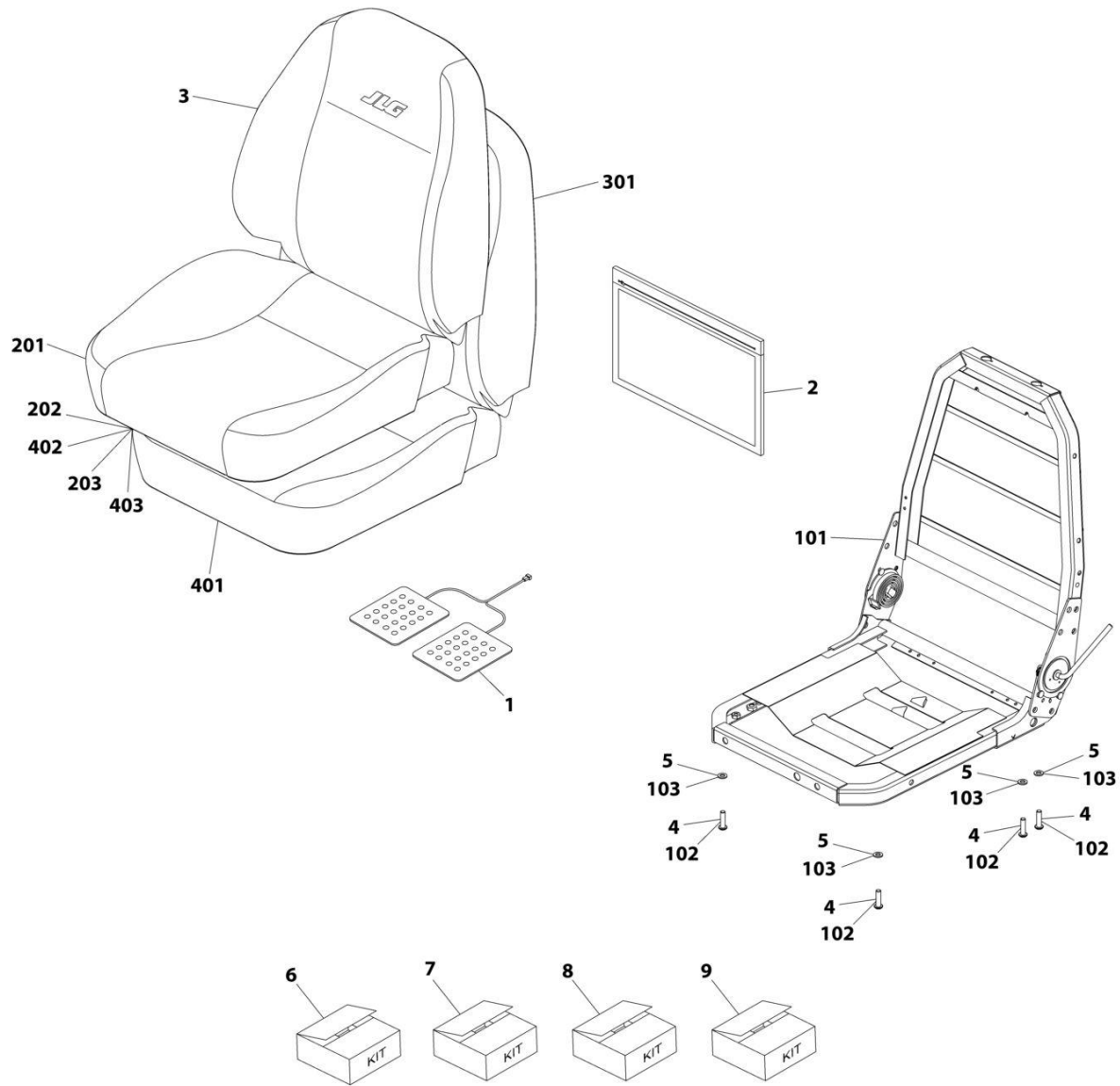
ART_1001165573-C

FIGURE 6-36. SEAT ASSEMBLY (AIR SUSPENSION - STANDARD)

ITEM	PART NUMBER	QTY	DESCRIPTION	REV
	1001165573	Ref	Seat Assembly (Air Suspension - Standard)	C
1	70027392	1	Assembly, Upper Seat (See Separate Breakdown in this Section)	
2	70021317	1	Kit, Cross Strap (includes items 101 thru 109)	
3	70021318	1	Kit, Fore and Aft Adjustment (includes items 201 thru 210)	
4	70021319	1	Kit, Suspension (See Separate Breakdown in this Section)	
5	70027395	1	Kit, Adapter Plate (includes items 301 thru 304)	
6	70021322	1	Kit, Slide Rail Stop (includes items 401 & 402)	
101	N.S.S.	1	Channel	
102	N.S.S.	1	Channel	
103	N.S.S.	1	Plate, Strap	
104	N.S.S.	1	Plate, Strap	
105	N.S.S.	4	Bolt, M8X25	
106	N.S.S.	6	Nut, M8	
107	N.S.S.	10	Washer	
108	N.S.S.	6	Bolt, M8X30	
109	N.S.S.	12	Spacer	
201	N.S.S.	4	Washer, Spring M8	
202	N.S.S.	1	Nut, M8	
203	N.S.S.	1	Washer	
204	N.S.S.	1	Bolt, M8X16	
205	N.S.S.	1	Bolt, M8X30	
206	N.S.S.	1	Washer	
207	N.S.S.	1	Spacer	
208	N.S.S.	1	Handle	
209	N.S.S.	1	Rail, Slide	
210	N.S.S.	1	Rail, Slide	
301	N.S.S.	1	Bolt, M8X25	
302	N.S.S.	1	Bolt, M8X16	
303	N.S.S.	1	Washer	
304	N.S.S.	1	Plate, Adapter	
401	N.S.S.	1	Stop, Sliderrail	
402	N.S.S.	1	Bolt, M8X16	

SECTION 6 - CAB

FIGURE 6-37. UPPER SEAT ASSEMBLY



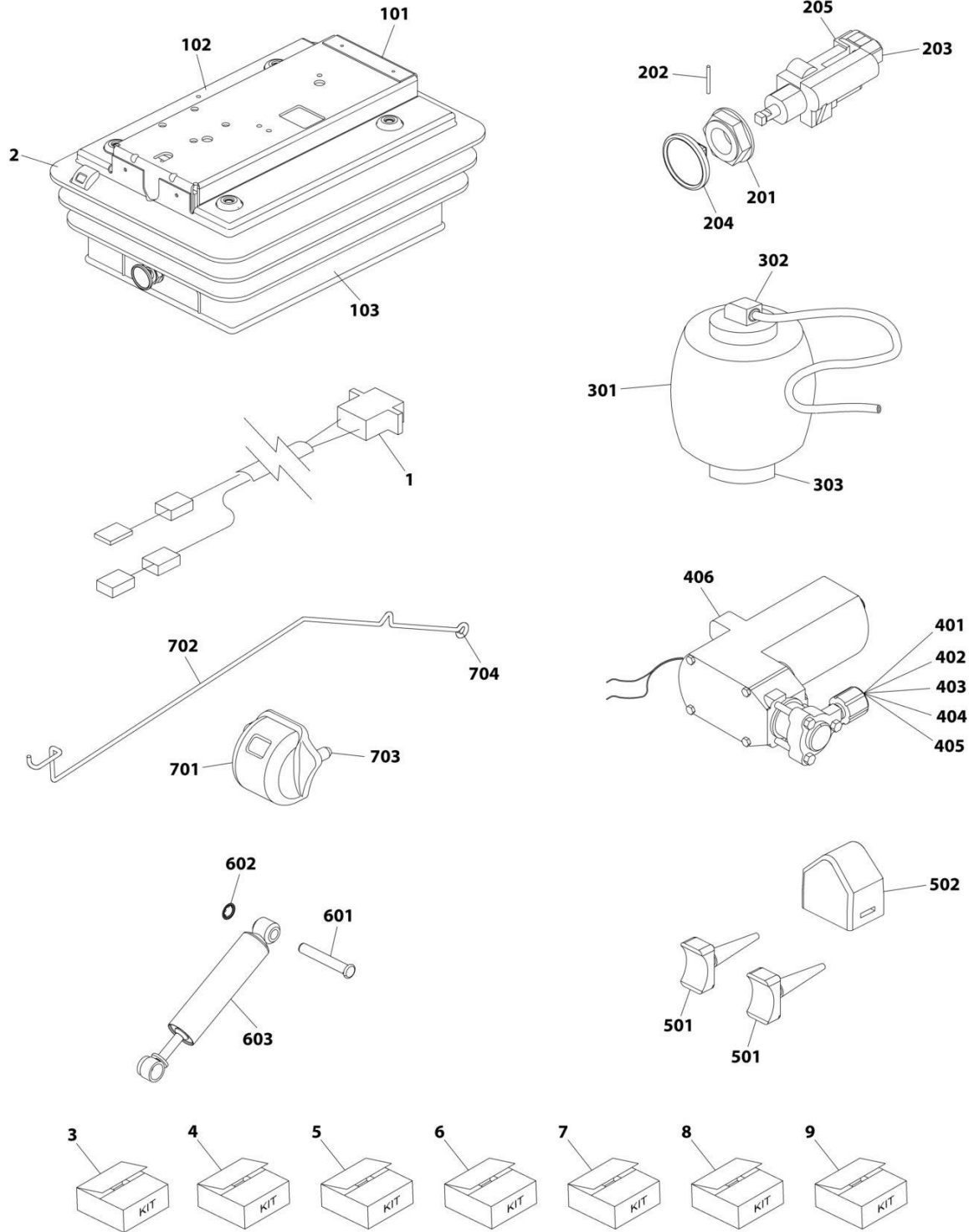
ART_70027392

FIGURE 6-37. UPPER SEAT ASSEMBLY

ITEM	PART NUMBER	QTY	DESCRIPTION	REV
	70027392	Ref	Upper Seat Assembly	
1	70025539	1	Pad, Sensor	
2	70021316	1	Bag	
3	70027393	1	Cover, Back	
4	N.S.S.	4	Bolt, M8X25	
5	N.S.S.	4	Washer	
6	70021314	1	Kit, Frame (includes items 101 thru 103)	
7	70027394	1	Kit, Bottom Seat Cover (includes items 201 thru 203)	
8	80264002	1	Kit, Back Foam (includes items 301 thru 303)	
9	80264004	1	Kit, Seat Foam (includes items 401 thru 403)	
101	N.S.S.	1	Frame, Seat	
102	N.S.S.	4	Bolt, M8X25	
103	N.S.S.	4	Washer	
201	N.S.S.	1	Cover, Seat	
202	N.S.S.	2	Clip	
203	N.S.S.	17	Clip	
301	N.S.S.	1	Foam, Back	
302	N.S.S.	3	Bar, Trim	
303	N.S.S.	4	Ring	
401	N.S.S.	1	Foam, Seat	
402	N.S.S.	2	Clip	
403	N.S.S.	17	Clip	

SECTION 6 - CAB

FIGURE 6-38. SUSPENSION KIT



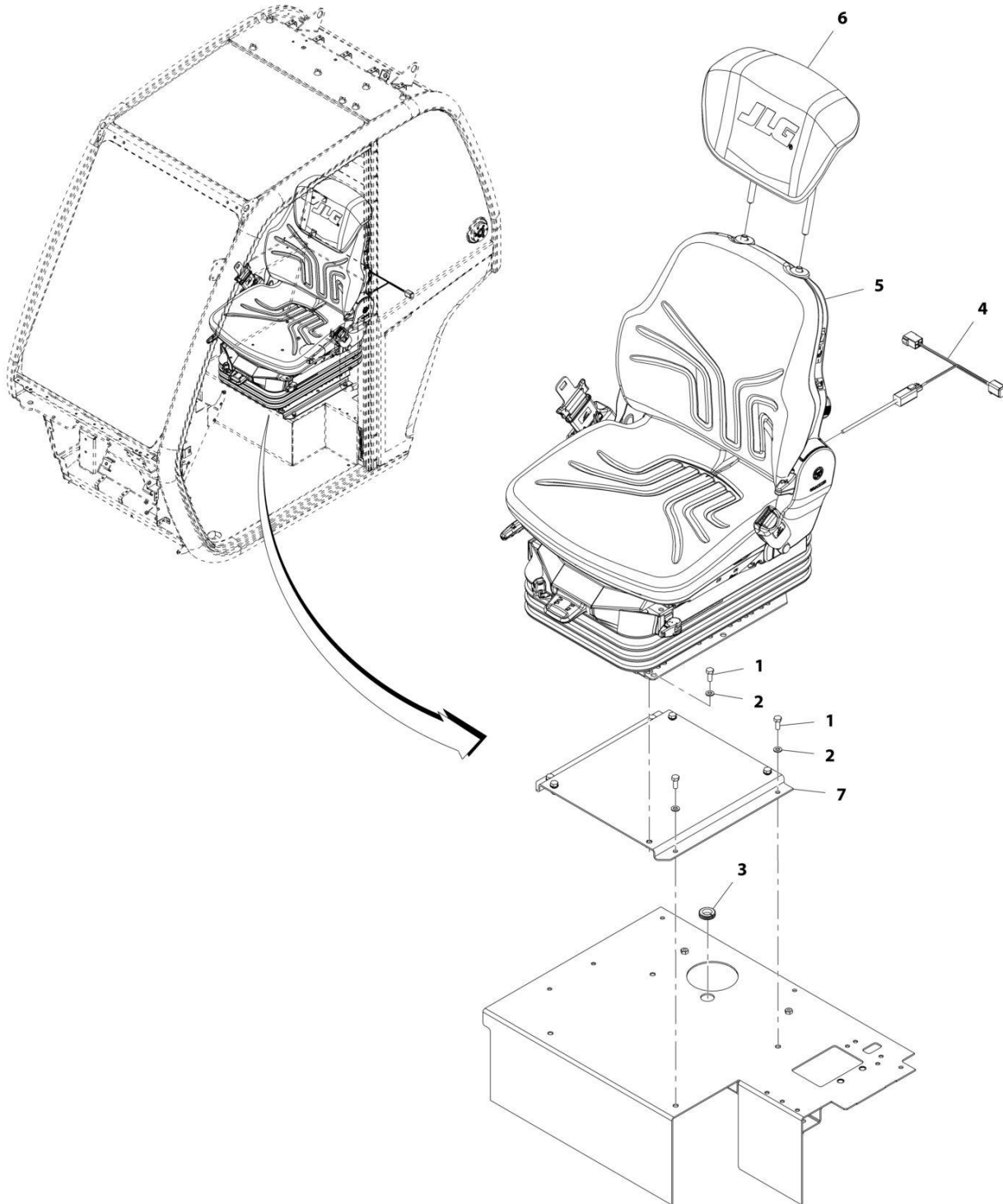
ART_70021319

FIGURE 6-38. SUSPENSION KIT

ITEM	PART NUMBER	QTY	DESCRIPTION	REV
	70021319	Ref	Suspension Kit	
1	70021330	1	Lead, Fly	
2	N.S.S.	1	Suspension	
3	70021321	1	Kit, Suspension Cover (includes items 101 thru 103)	
4	70021323	1	Kit, Air Valve (includes items 201 thru 205)	
5	70021324	1	Kit, Air Spring (includes items 301 thru 303)	
6	70021325	1	Kit, Compressor (includes items 401 thru 406)	
7	70021326	1	Kit, Upstop/Bumpstop (includes items 501 & 502)	
8	70021327	1	Kit, Damper (includes items 601 thru 603)	
9	70021328	1	Kit, Ride Indicator (includes items 701 thru 704)	
101	N.S.S.	6	Clip, Cover	
102	N.S.S.	1	Cover, Suspension	
103	N.S.S.	5	Clip, Cover	
201	N.S.S.	1	Nut, Air Valve	
202	N.S.S.	1	Pin, Retaining	
203	N.S.S.	1	Valve, Combination	
204	N.S.S.	1	Knob	
205	N.S.S.	2	Tie, Plastic	
301	N.S.S.	1	Spring, Air	
302	N.S.S.	1	Clip	
303	N.S.S.	1	Screw, Countersunk Self Tapping	
401	N.S.S.	1	Clip	
402	N.S.S.	1	Pad	
403	N.S.S.	1	Loom	
404	N.S.S.	2	Tie, Cable	
405	N.S.S.	3	Tie, Plastic	
406	N.S.S.	1	Compressor (with Elbow)	
501	N.S.S.	2	Upstop	
502	N.S.S.	1	Bumpstop	
601	N.S.S.	2	Pin	
602	N.S.S.	2	Washer, Starlock	
603	N.S.S.	1	Damper	
701	N.S.S.	1	Indicator, Ride	
702	N.S.S.	1	Wire, Ride Indicator	
703	N.S.S.	2	Washer, Starlock	
704	N.S.S.	1	Washer, Grip M4	

SECTION 6 - CAB

FIGURE 6-39. SEAT INSTALLATION (PREMIUM)



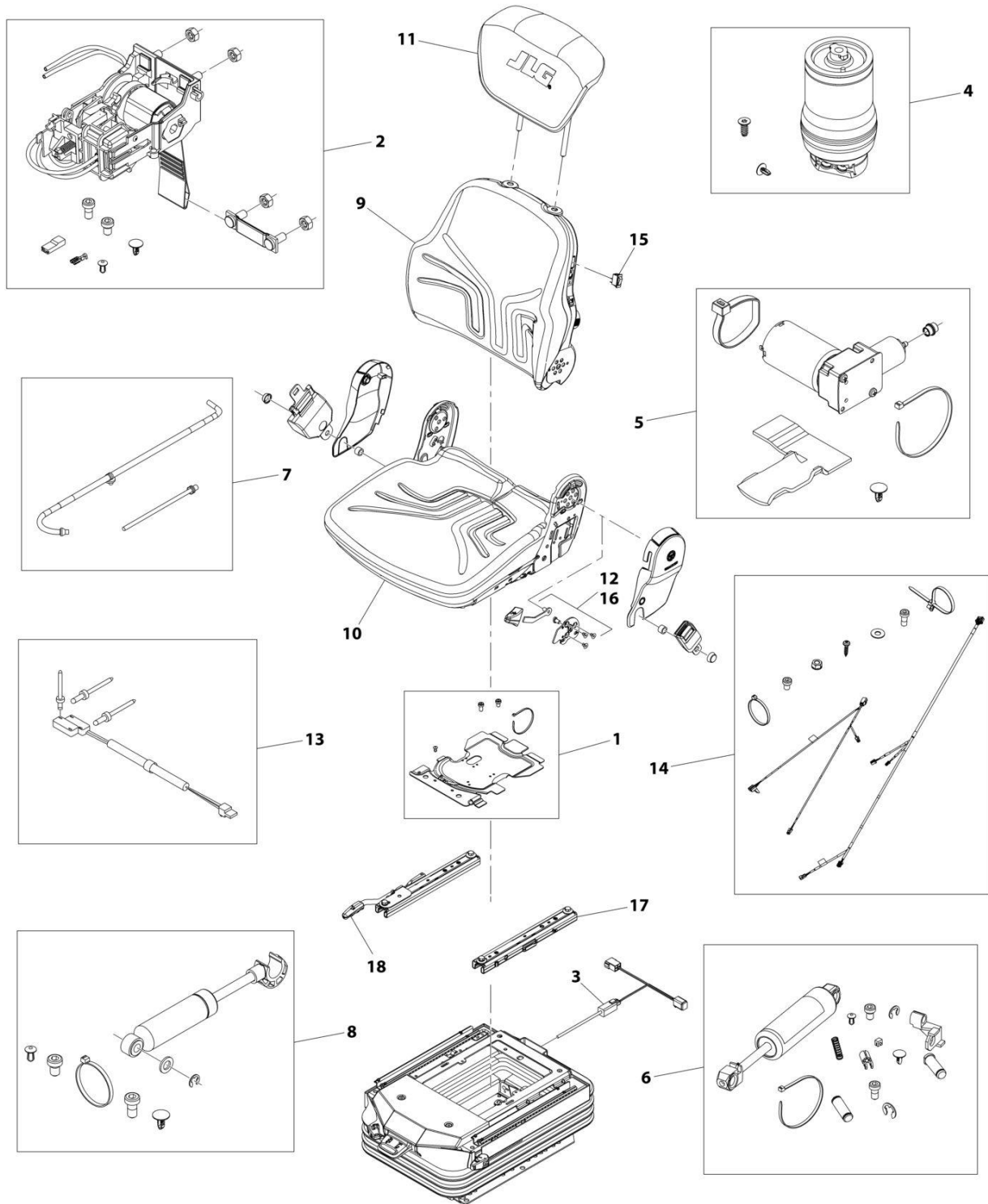
ART_1001205648-B

FIGURE 6-39. SEAT INSTALLATION (PREMIUM)

ITEM	PART NUMBER	QTY	DESCRIPTION	REV
	1001205648	1	Installation, Seat (Premium)	B
1	0760810	8	Bolt, M8X20	
2	4811900	8	Washer, M8	
3	1001216974	1	Grommet	
4	1001168531	1	Harness, Seat Adaptor (See Separate Breakdown in this Section)	
5	1001169135	1	Assembly, Seat (See Separate Breakdown in this Section)	
6	1001182529	1	Headrest	
7	1001158736C	1	Plinth, Seat	

SECTION 6 - CAB

FIGURE 6-40. SEAT ASSEMBLY (AIR SUSPENSION - PREMIUM)



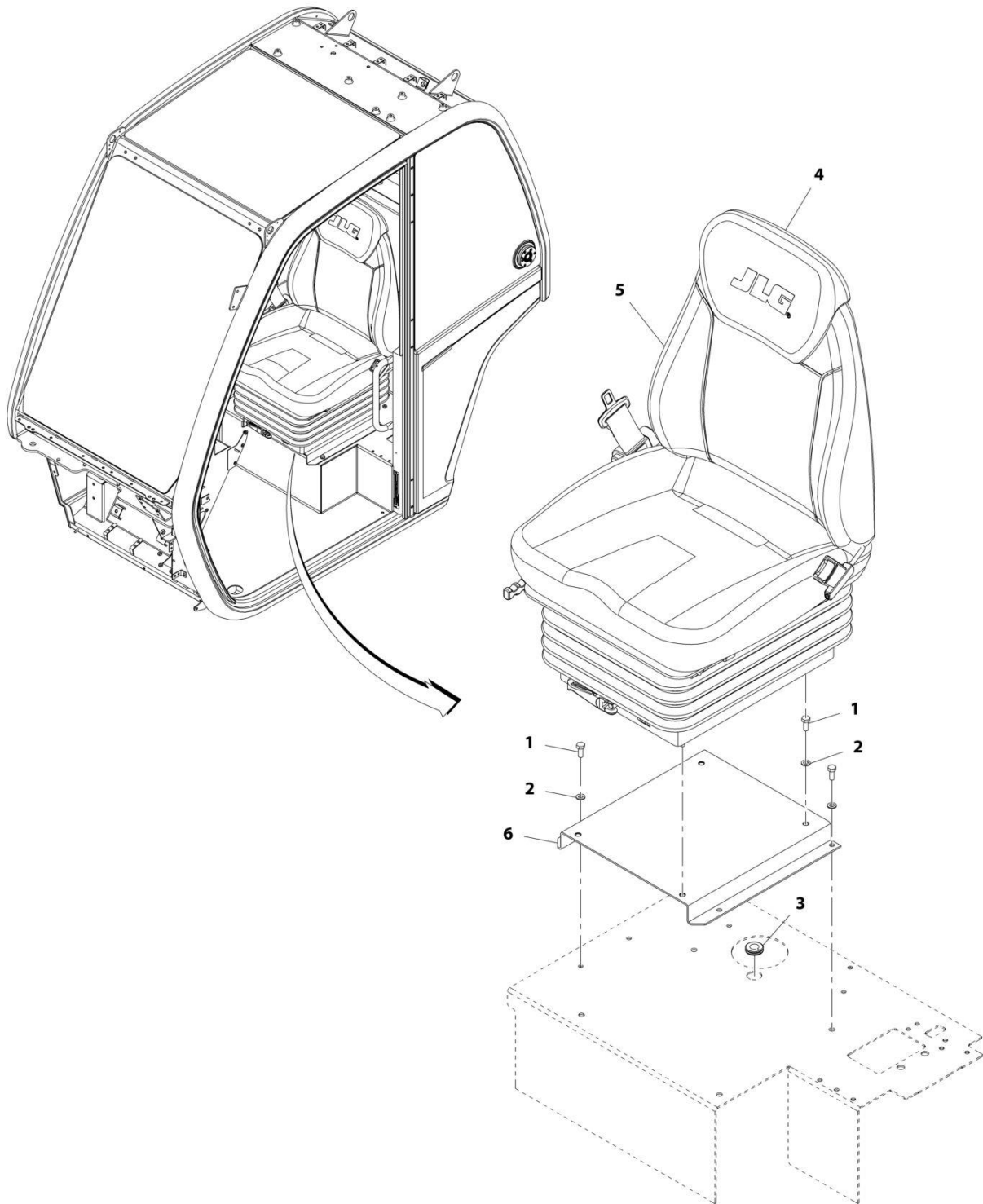
ART_1001169135-B

FIGURE 6-40. SEAT ASSEMBLY (AIR SUSPENSION - PREMIUM)

ITEM	PART NUMBER	QTY	DESCRIPTION	REV
	1001169135	Ref	Seat Assembly (Air Suspension - Premium)	B
1	70024856	1	Cover	
2	70023182	1	Control Level Kit	
3	70023186	1	Wiring Harness, Air/Safeswitch	
4	70023184	1	Air Spring Kit	
5	70024857	1	Compressor, 12V	
6	70023181	1	Shock Absorber Kit	
7	70024459	1	Air Tubes Kit	
8	70023189	2	Shock Absorber Kit	
9	70023179	1	Back Cushion Kit	
10	70024858	1	Seat Cushion Kit	
11	1001182529	1	Headrest, Cloth	
12	70024859	1	Backrest Actuator	
13	70028326	1	Switch	
14	70024861	1	Wiring Harness	
15	70024107	1	Switch, Heater	
16	7028621	1	Handle, Backrest Angle Adjust	
17	3986643	1	Adjust Slide Kit	
18	3986610	1	Handle	

SECTION 6 - CAB

FIGURE 6-41. SEAT INSTALLATION (MECHANICAL)



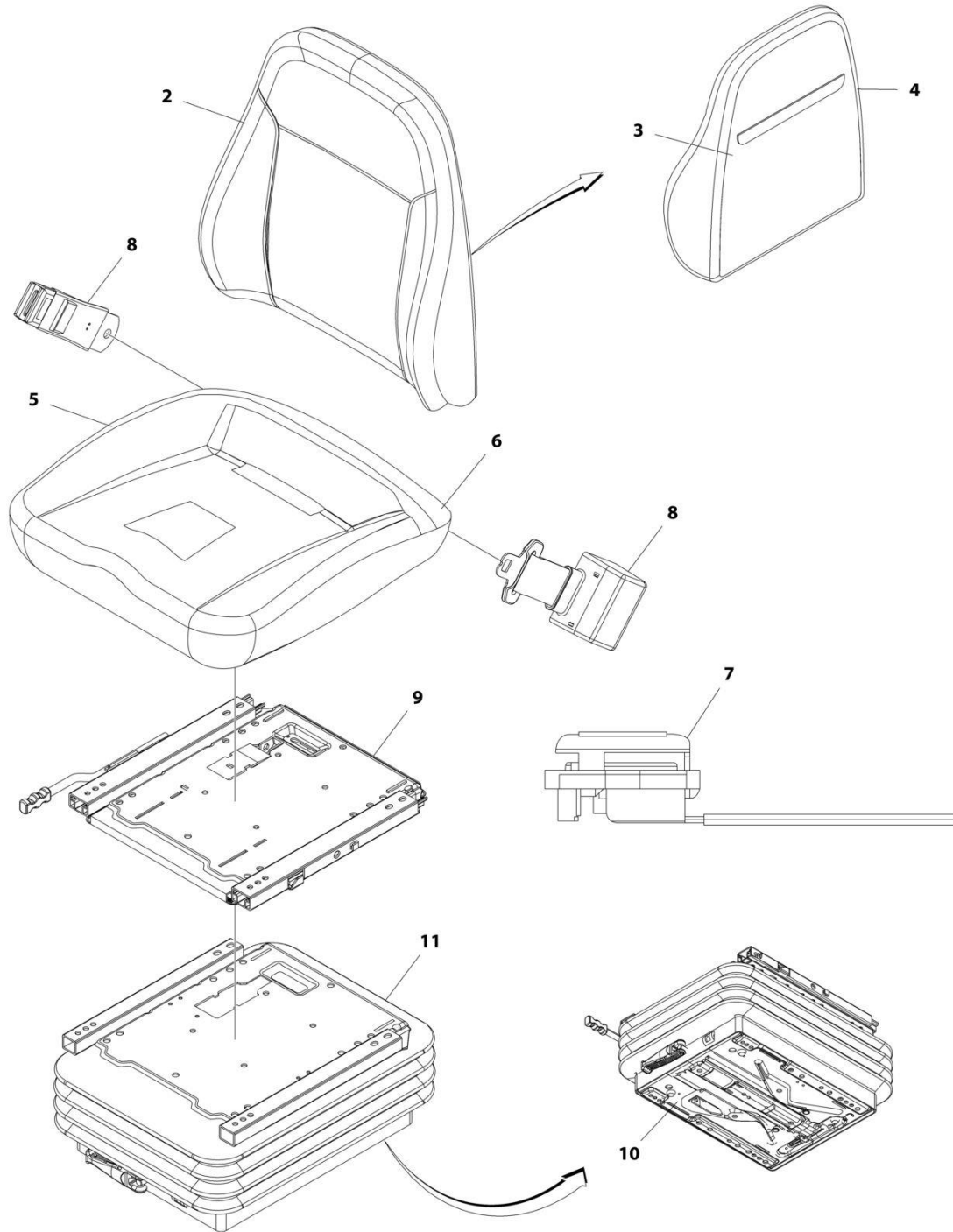
ART_1001205782-B

FIGURE 6-41. SEAT INSTALLATION (MECHANICAL)

ITEM	PART NUMBER	QTY	DESCRIPTION	REV
	1001205782	Ref	Seat Installation (Mechanical - JLG)	C
1	0760810	8	Bolt, M8X20	
2	4811900	8	Washer, M8	
3	1001216974	1	Grommet	
4	1001119467	1	Headrest, Cloth	
5	1001288070	1	Seat, Assembly (See Separate Breakdown in this Section)	
6	1001205514	1	Plinth, Seat	

SECTION 6 - CAB

FIGURE 6-42. SEAT ASSEMBLY



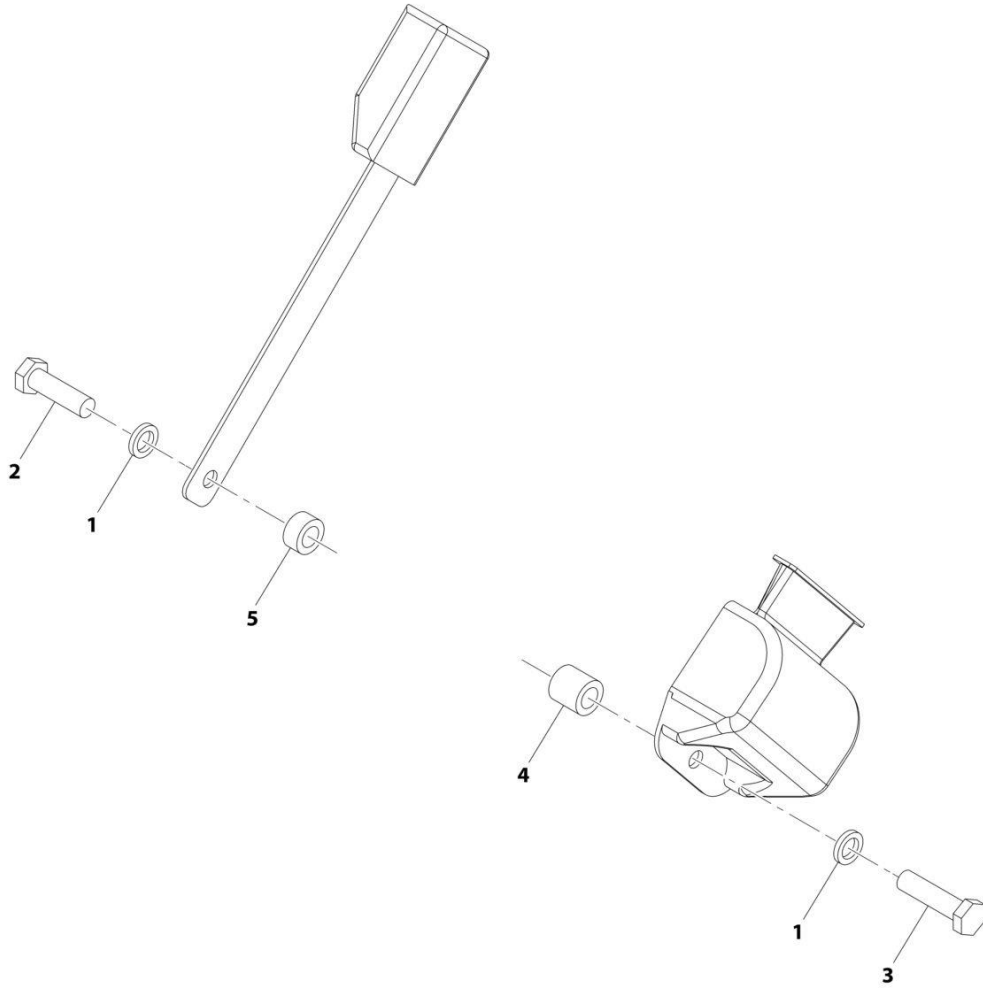
ART_1001150294

FIGURE 6-42. SEAT ASSEMBLY

ITEM	PART NUMBER	QTY	DESCRIPTION	REV
	1001150294	Ref	CLOTH SEAT	F
2	70025489	1	Fabric, Upper Seat	
3	70025490	1	Cover, Back	
4	70025483	1	Foam, Back	
5	70025491	1	Cover, Seat	
6	70025485	1	Foam, Seat	
7	70025486	1	Switch, Contact	
8	7029767	1	Belt, Seat	
9	70021252	1	Rail, Slide	
10	70021251	1	Unit, Suspension	
11	70022034	1	Cover, Rubber	

SECTION 6 - CAB

FIGURE 6-43. SEAT BELT INSTALLATION (2IN)



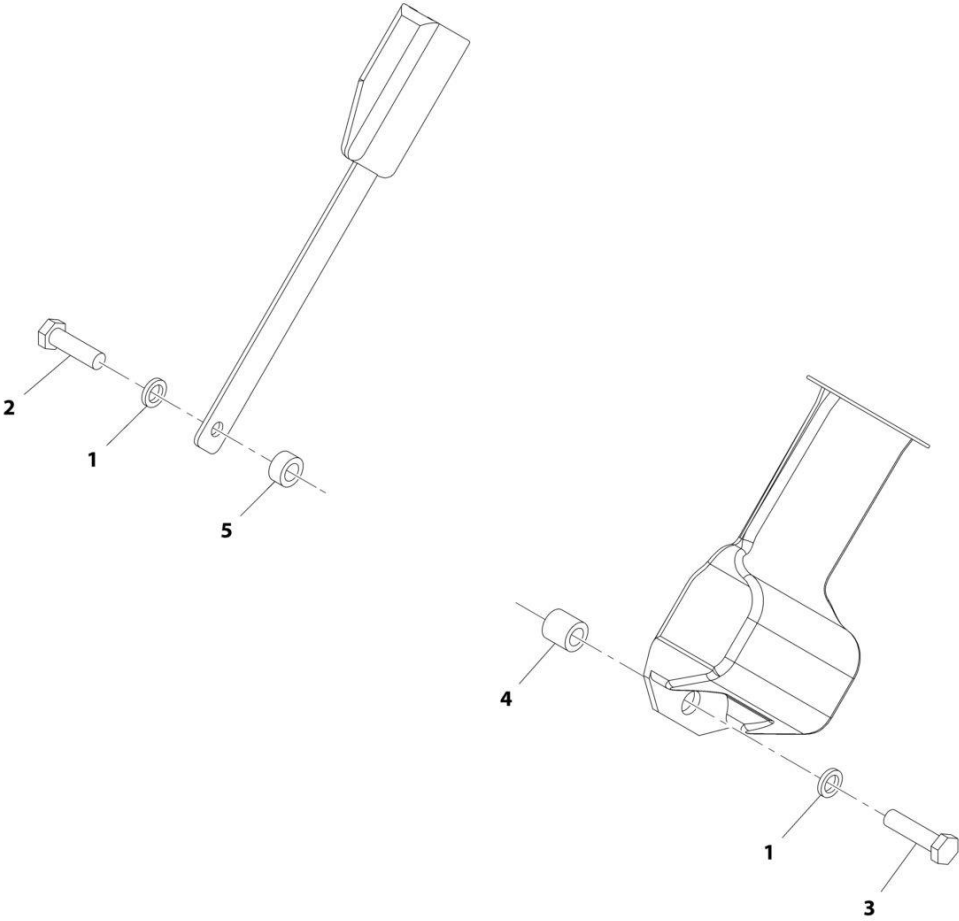
ART_1001006730

FIGURE 6-43. SEAT BELT INSTALLATION (2IN)

ITEM	PART NUMBER	QTY	DESCRIPTION	REV
	1001006730	Ref	Seat Belt Installation (2IN)	H
1	1001010646	2	Washer	
2	1001010647	1	Bolt	
3	1001010648	1	Bolt	
4	1001010649	1	Spacer, Shim	
5	1001010650	1	Spacer, Shim	

SECTION 6 - CAB

FIGURE 6-44. SEAT BELT INSTALLATION (3IN)



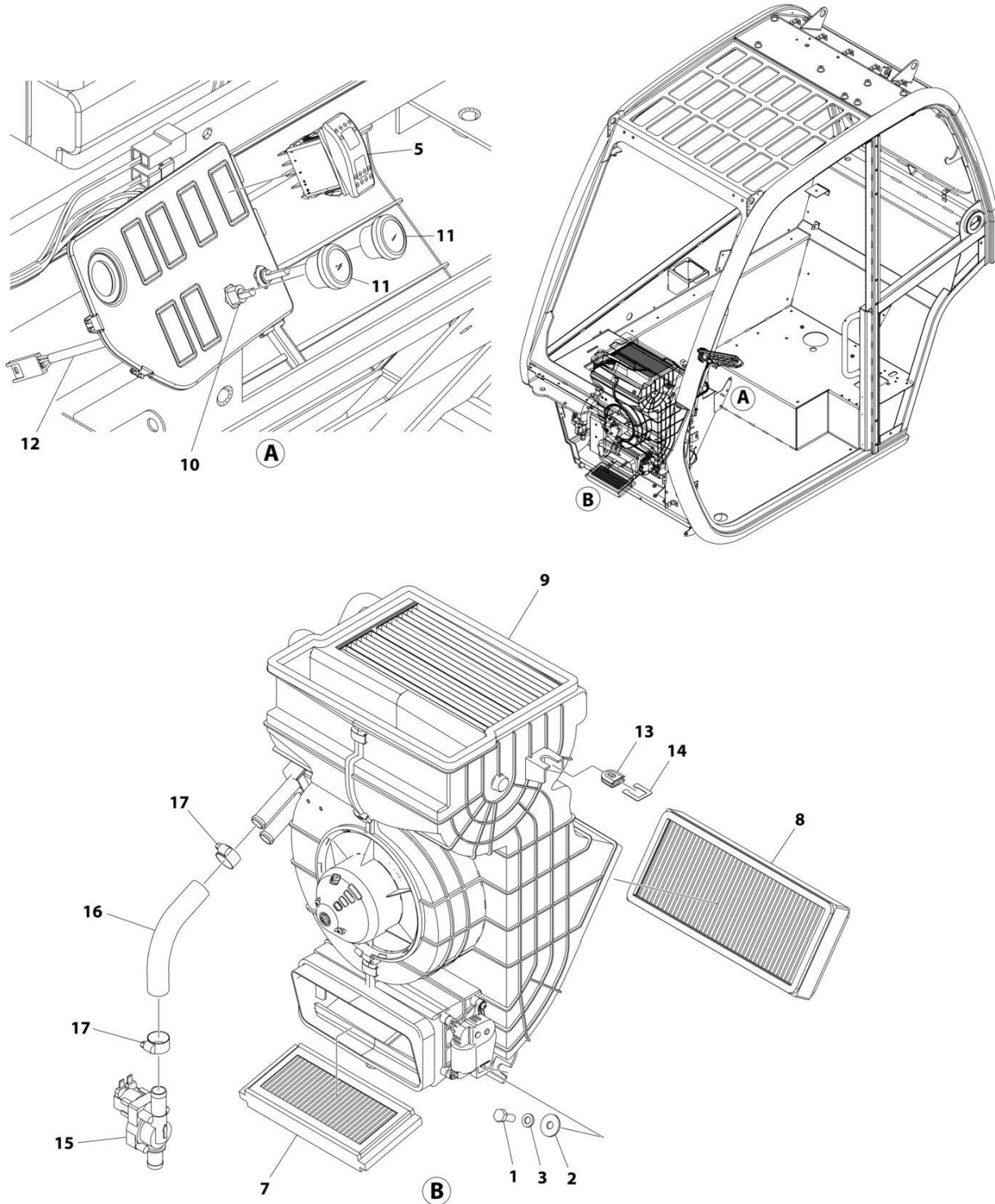
ART_1001006731-B

FIGURE 6-44. SEAT BELT INSTALLATION (3IN)

ITEM	PART NUMBER	QTY	DESCRIPTION	REV
	1001006731	Ref	Seat Belt Installation (3IN)	B
1	1001010646	2	Washer	
2	1001010647	1	Bolt	
3	1001010648	1	Bolt	
4	1001010649	1	Spacer	
5	1001010650	1	Spacer	

SECTION 6 - CAB

FIGURE 6-45. HEATER INSTALLATION



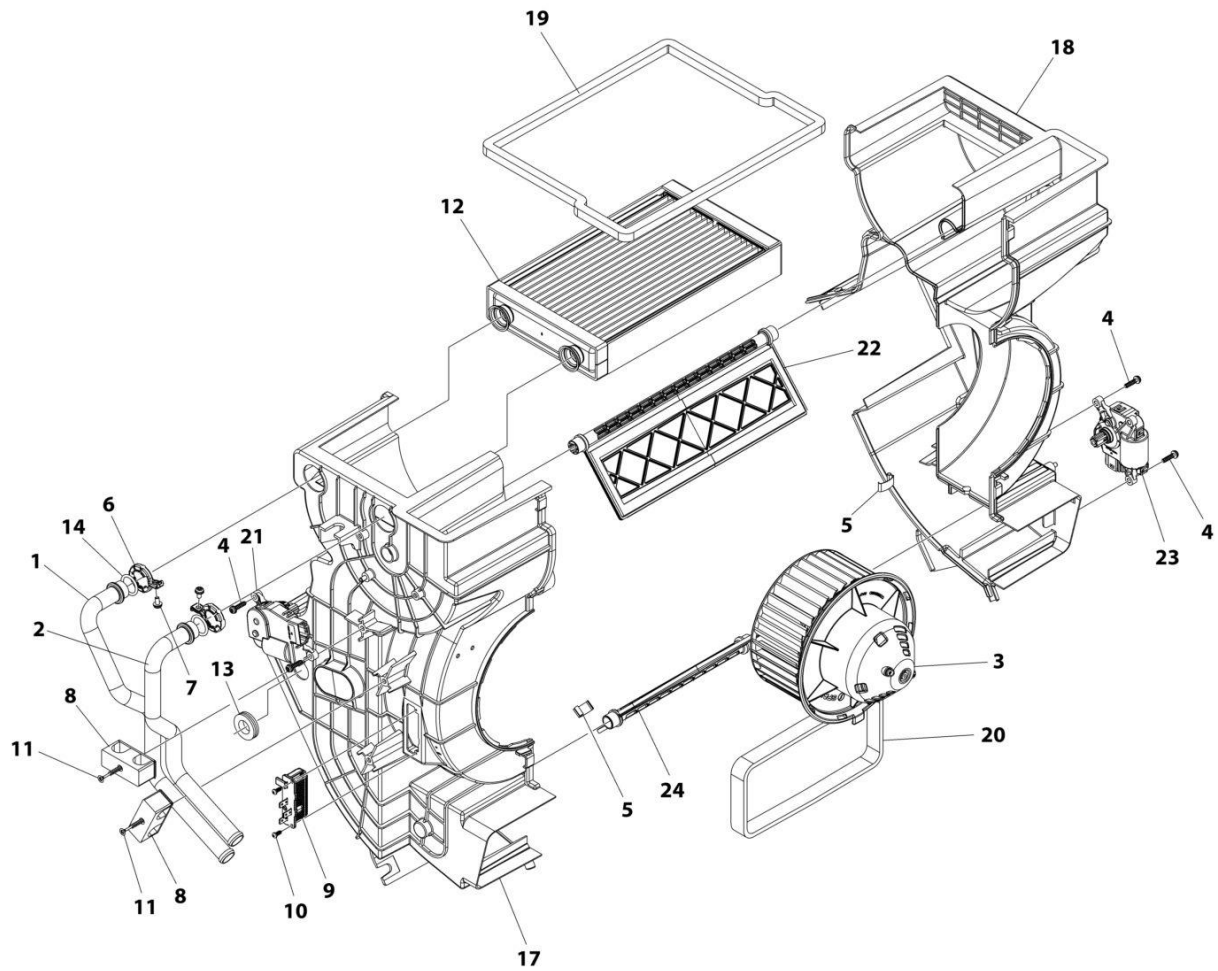
ART_1001201336_G

FIGURE 6-45. HEATER INSTALLATION

ITEM	PART NUMBER	QTY	DESCRIPTION	REV
	1001201336	Ref	HEATER INSTALLATION	G
1	0760810	2	Bolt M8 x 20	
2	4811902	2	Washer M8	
3	4831900	2	Washer M8	
5	1001159925	1	Switch, HVAC Recycle	
7	1001218996	1	Filter, HVAC Air	
8	1001172553	1	Filter, HVAC Recirculation Air	
9	1001268828	1	Assembly, Heater (See Separate Breakdown in this Section)	
10	1001172547	1	Switch	
11	1001172550	2	Knob, HVAC	
12	1001270976	1	Control, HVAC	
13	1001188590	2	Grommet	
14	1001218542	2	Shim	
15	1001221059	1	Valve, HVAC	
16	1001221295	1	Hose	
17	8410009	2	Clamp	

SECTION 6 - CAB

FIGURE 6-46. HEATER ASSEMBLY



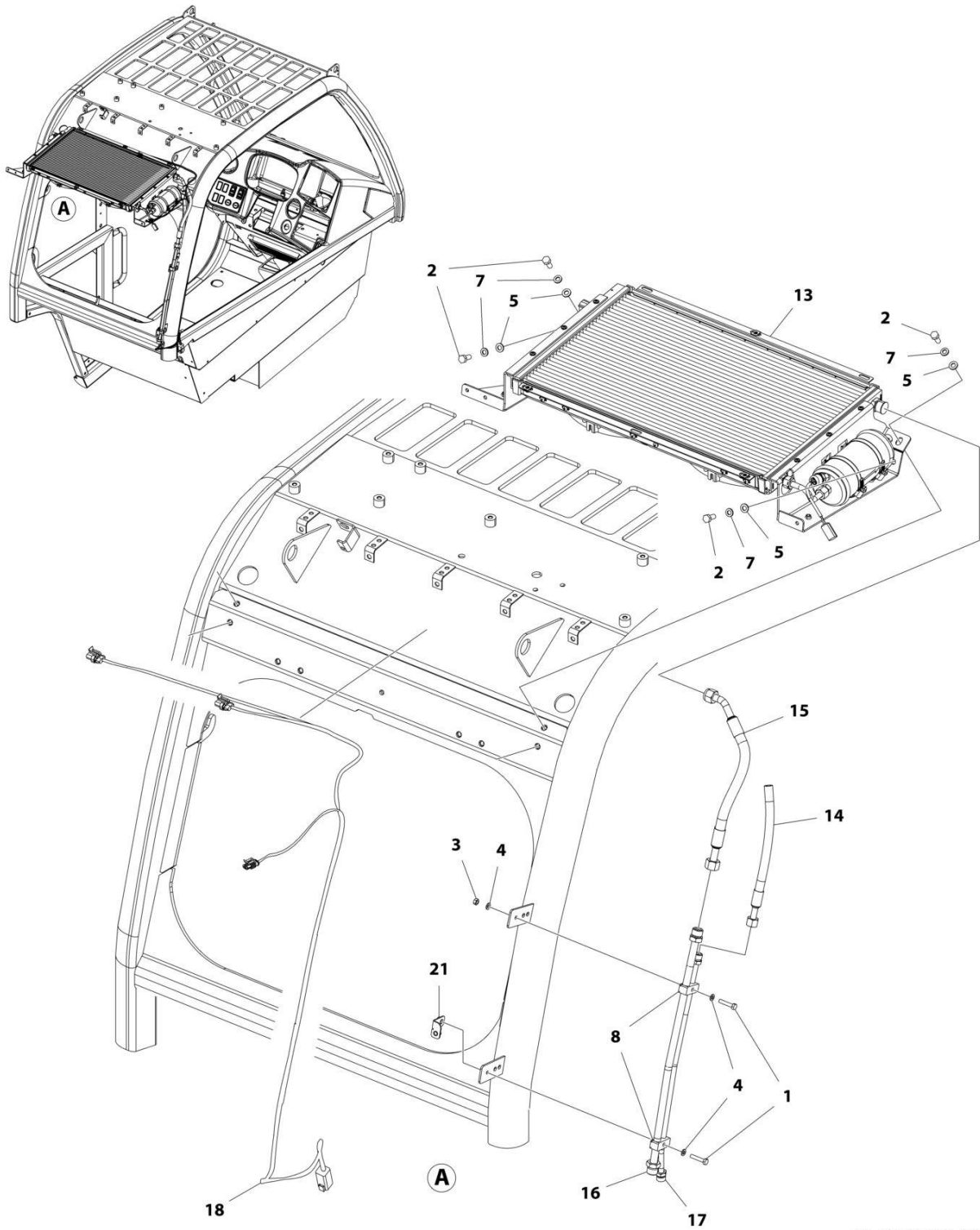
ART_1001268828

FIGURE 6-46. HEATER ASSEMBLY

ITEM	PART NUMBER	QTY	DESCRIPTION	REV
	1001268828	Ref	HEATER	B
1	1001184296	1	Pipe, Water	
2	1001184297	1	Pipe, Water	
3	1001188594	1	Fan, 12V	
4	1001188602	4	Screw	
5	1001188603	9	Clamp	
6	1001188604	2	Clamp	
7	1001188610	2	Screw	
8	1001188612	2	Clamp	
9	1001188614	1	Resistor	
10	1001188720	2	Screw	
11	1001188725	2	Screw	
12	1001188729	1	Radiator, Heater Core	
13	1001188733	1	Grommet	
14	1001189025	2	O-Ring	
17	1001269555	1	Housing, RH	
18	1001269556	1	Housing, LH	
19	1001269558	1	Foam, Air Outlet	
20	1001269559	1	Foam, Air Inlet	
21	1001269560	1	Actuator, Fresh/Recirculation Air	
22	1001269561	1	Flap, Mixing	
23	1001269563	1	Actuator, Fresh/Recirculation Air	
24	1001269564	1	Flap, HVAC Fresh	

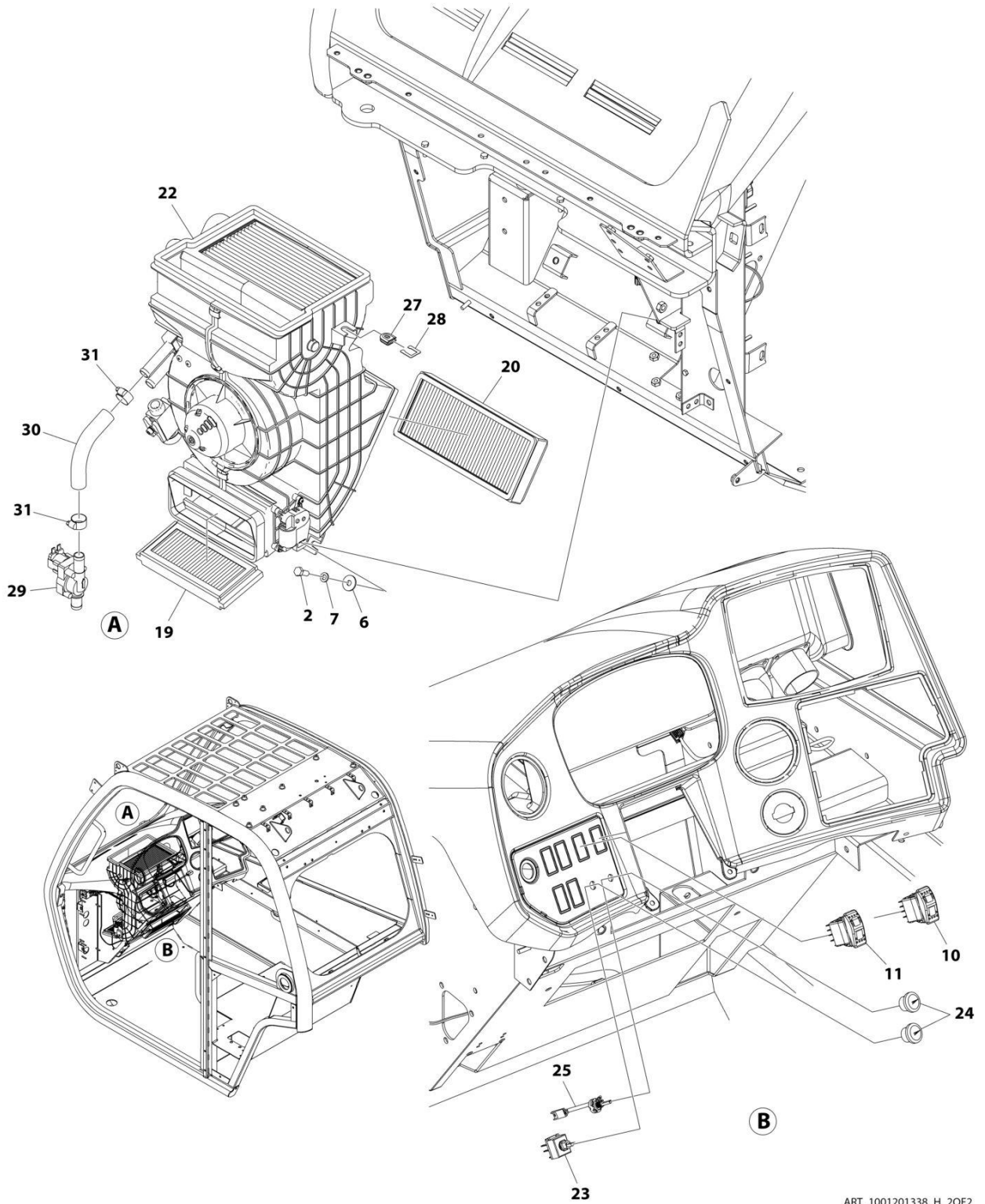
SECTION 6 - CAB

FIGURE 6-47. HEATER AND A/C INSTALLATION



ART_1001201338_H_1OF2

SECTION 6 - CAB



ART_1001201338_H_2OF2

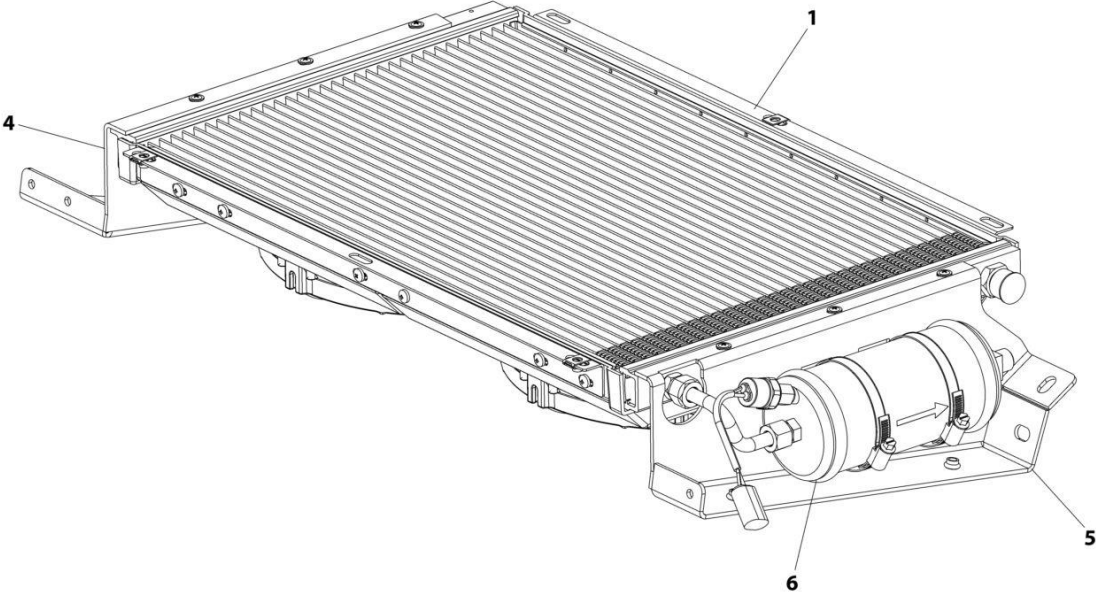
SECTION 6 - CAB

FIGURE 6-47. HEATER AND A/C INSTALLATION

ITEM	PART NUMBER	QTY	DESCRIPTION	REV
	1001201338	Ref	HEATER AND A/C INSTALLATION	H
1	0700614	2	Bolt M6 x 30	
2	0760810	6	Bolt M8 x 20	
3	3290601	1	Nut M6 x 1	
4	4811700	3	Washer M6	
5	4811900	4	Washer M8	
6	4811902	2	Washer M8	
7	4831900	6	Washer M8	
8	1001145539	2	Support, Pipe	
10	1001159925	1	Switch, HVAC Recycle	
11	1001160326	1	Switch, HVAC On/Off	
13	1001162953	1	Assembly, Cab Condenser (See Separate Breakdown in this Section)	
14	1001168327	1	Hose	
15	1001168330	1	Hose	
16	1001168331	1	Tube	
17	1001168456	1	Tube	
18	1001169151	1	Harness, A/C Option (See Separate Breakdown in ELECTRICAL Section)	
19	1001218996	1	Filter, HVAC Fresh Air	
20	1001172553	1	Filter, HVAC Air Recirculation	
21	1001178170	1	Bracket	
22	1001268832	1	Assembly, Heater and A/C (See Separate Breakdown in this Section)	
23	1001172547	1	Switch, HVAC Rotary 3 Speed	
24	1001172550	2	Knob, HVAC Control	
25	1001270976	1	Cable, HVAC	
27	1001188590	2	Grommet	
28	1001218542	2	Shim	
29	1001221059	1	Valve, HVAC	
30	1001221259	1	Hose	
31	8410009	2	Clamp	

SECTION 6 - CAB

FIGURE 6-48. CAB CONDENSER ASSEMBLY



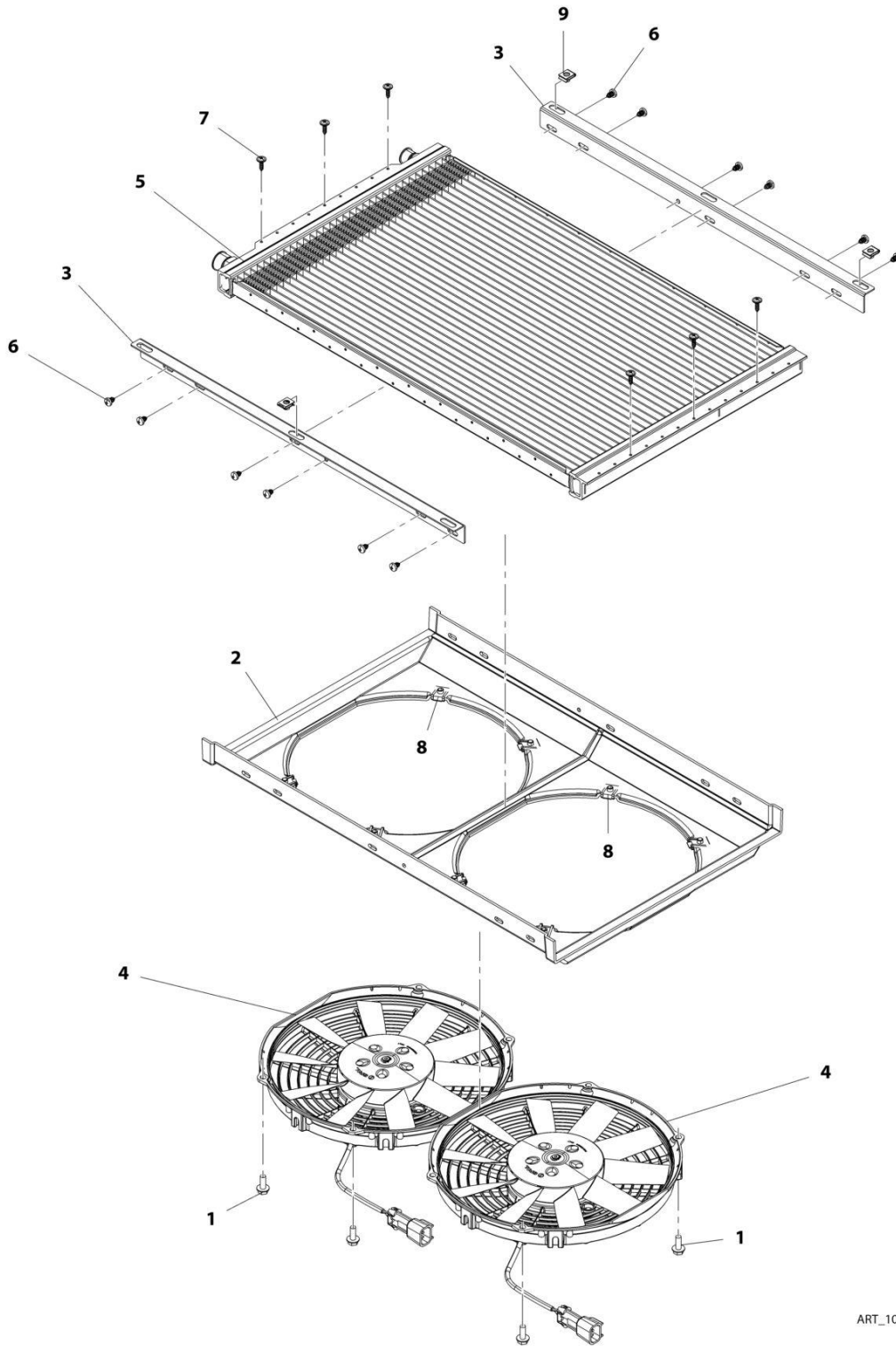
ART_1001162953

FIGURE 6-48. CAB CONDENSER ASSEMBLY

ITEM	PART NUMBER	QTY	DESCRIPTION	REV
	1001162953	Ref	Cab Condenser Assembly	G
1	1001167266	1	Condenser (See Separate Breakdown in this Section)	
4	1001179080	1	Bracket	
5	1001179081	1	Bracket	
6	1001179130	1	Drier, A/C Receiver (See Separate Breakdown in this Section)	

SECTION 6 - CAB

FIGURE 6-49. CONDENSER



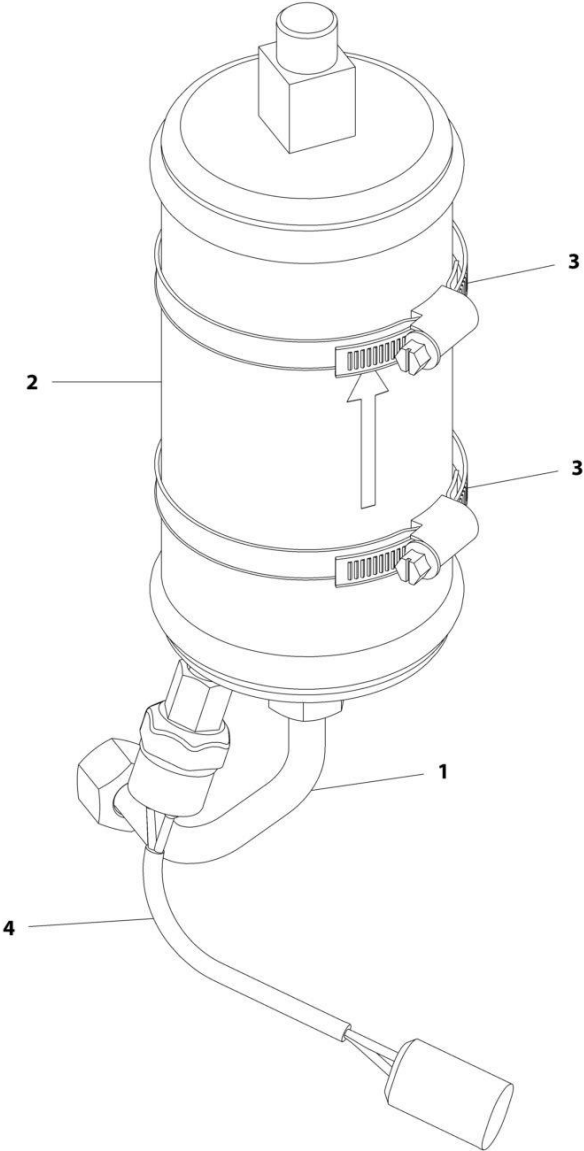
ART_1001167266-C

FIGURE 6-49. CONDENSER

ITEM	PART NUMBER	QTY	DESCRIPTION	REV
	1001167266	Ref	Condenser	C
1	5250608	8	Bolt, M6X16	
2	1001195342	1	Bracket, Condenser Fan Mount	
3	1001195343	2	Support, Condenser	
4	1001195345	2	Fan, Condenser	
5	1001195346	1	Condenser	
6	1001195385	12	Screw, M3.9X9.5	
7	1001195386	6	Screw, M4.2X16	
8	1001195437	8	Clip, M6X1	
9	1001195438	3	Clip, M6X1	

SECTION 6 - CAB

FIGURE 6-50. A/C RECEIVER DRIER



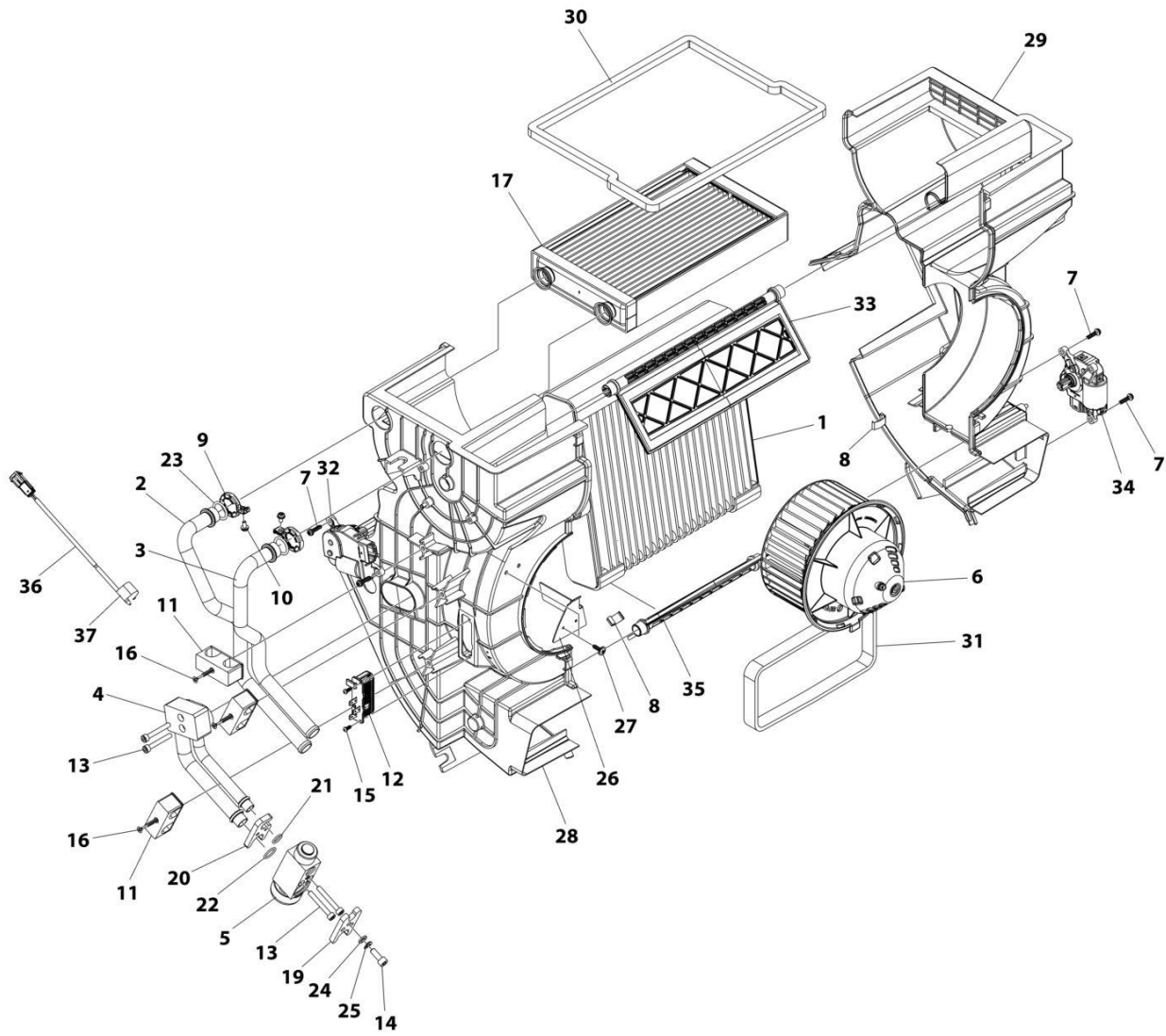
ART_1001179130-B

FIGURE 6-50. A/C RECEIVER DRIER

ITEM	PART NUMBER	QTY	DESCRIPTION	REV
	1001179130	Ref	A/C Receiver Drier	B
1	1001184403	1	Tube, Heater	
2	1001184404	1	Receiver, Heater Drier	
3	1001184405	2	Clamp	
4	1001184406	1	Connector, Heater	

SECTION 6 - CAB

FIGURE 6-51. HEATER AND A/C ASSEMBLY



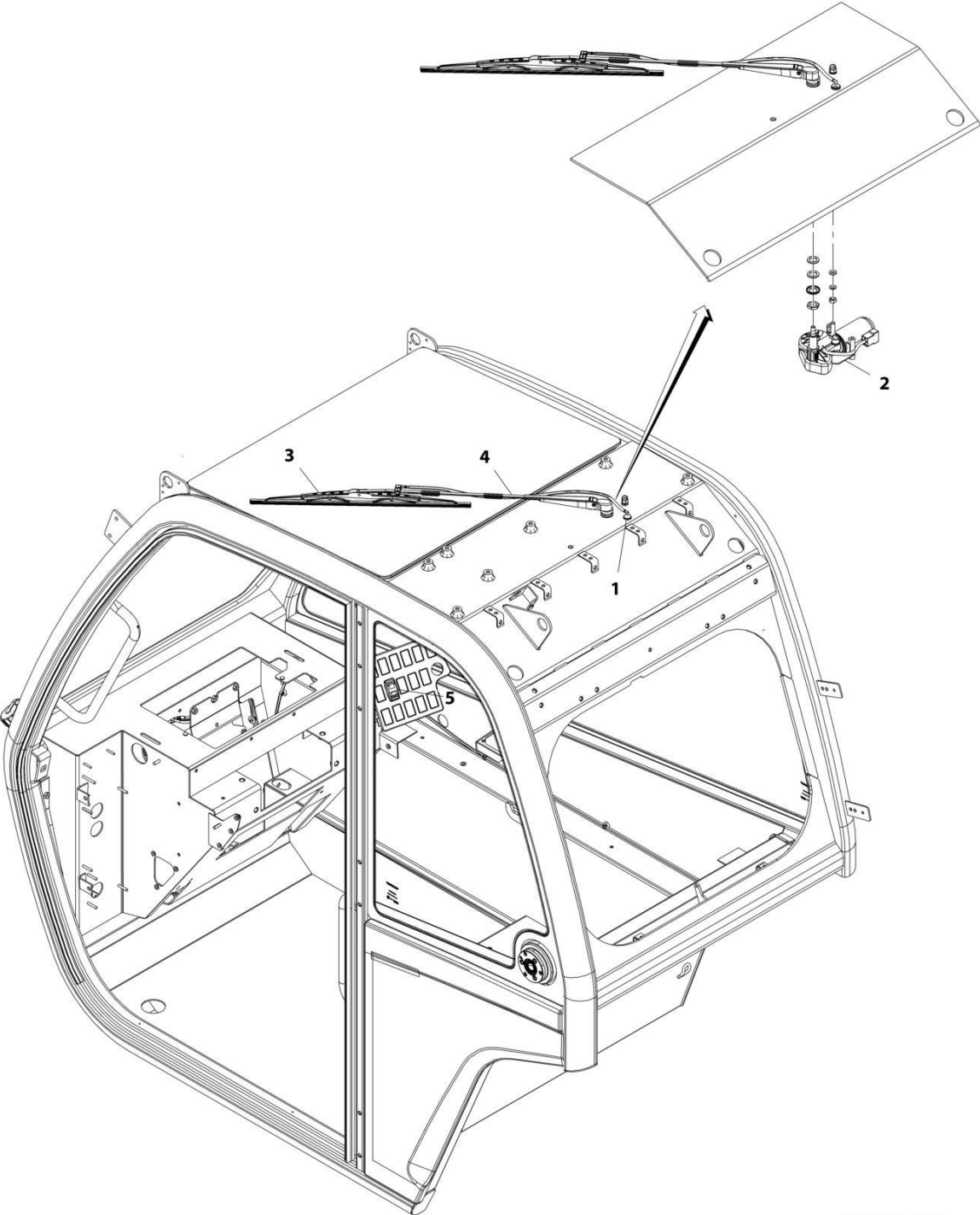
ART_1001268832

FIGURE 6-51. HEATER AND A/C ASSEMBLY

ITEM	PART NUMBER	QTY	DESCRIPTION	REV
	1001268832	Ref	HEATER AND A/C	B
1	1001184280	1	Evaporator, Heater	
2	1001184296	1	Pipe, Heater Water	
3	1001184297	1	Pipe, Heater Water	
4	1001184427	1	Pipe, Heater	
5	1001188592	1	Valve, HVAC Expansion	
6	1001188594	1	Fan, HVAC Centrifugal 12V	
7	1001188602	4	Screw M4	
8	1001188603	9	Clamp, HVAC Case	
9	1001188604	2	Clamp, HVAC Pipe	
10	1001188610	2	Screw M4	
11	1001188612	3	Clamp, Pipe	
12	1001188614	1	Resistor	
13	1001188618	4	Screw M5	
14	1001188619	1	Screw M6	
15	1001188720	2	Screw M2.9 x 9.5	
16	1001188725	3	Screw M4 x 35	
17	1001188729	1	Radiator, Heater Core	
19	1001188817	1	Clamp, Hose	
20	1001188818	1	Clamp, HVAC EVAP/Valve	
21	1001189023	1	O-Ring	
22	1001189024	1	O-Ring	
23	1001189025	2	O-Ring	
24	1001189048	1	Washer	
25	1001189054	1	Washer, Spring	
26	1001221057	1	Plate	
27	1001221058	2	Screw	
28	1001269555	1	Housing, HVAC RH	
29	1001269556	1	Housing, HVAC LH	
30	1001269558	1	Seal, Heater Outlet Foam	
31	1001269559	1	Seal, Air Inlet Foam	
32	1001269560	1	Actuator, Hot/Cold Mixing	
33	1001269561	1	Foam, Heater Mixing Flap	
34	1001269563	1	Actuator, Fresh/Recirculation Air	
35	1001269564	1	Foam, Heater Mixing Flap	
36	1001269578	1	Temperature Sensor	
37	1001269579	1	Clamp, Temperature Sensor	

SECTION 6 - CAB

FIGURE 6-52. ROOF WIPER INSTALLATION



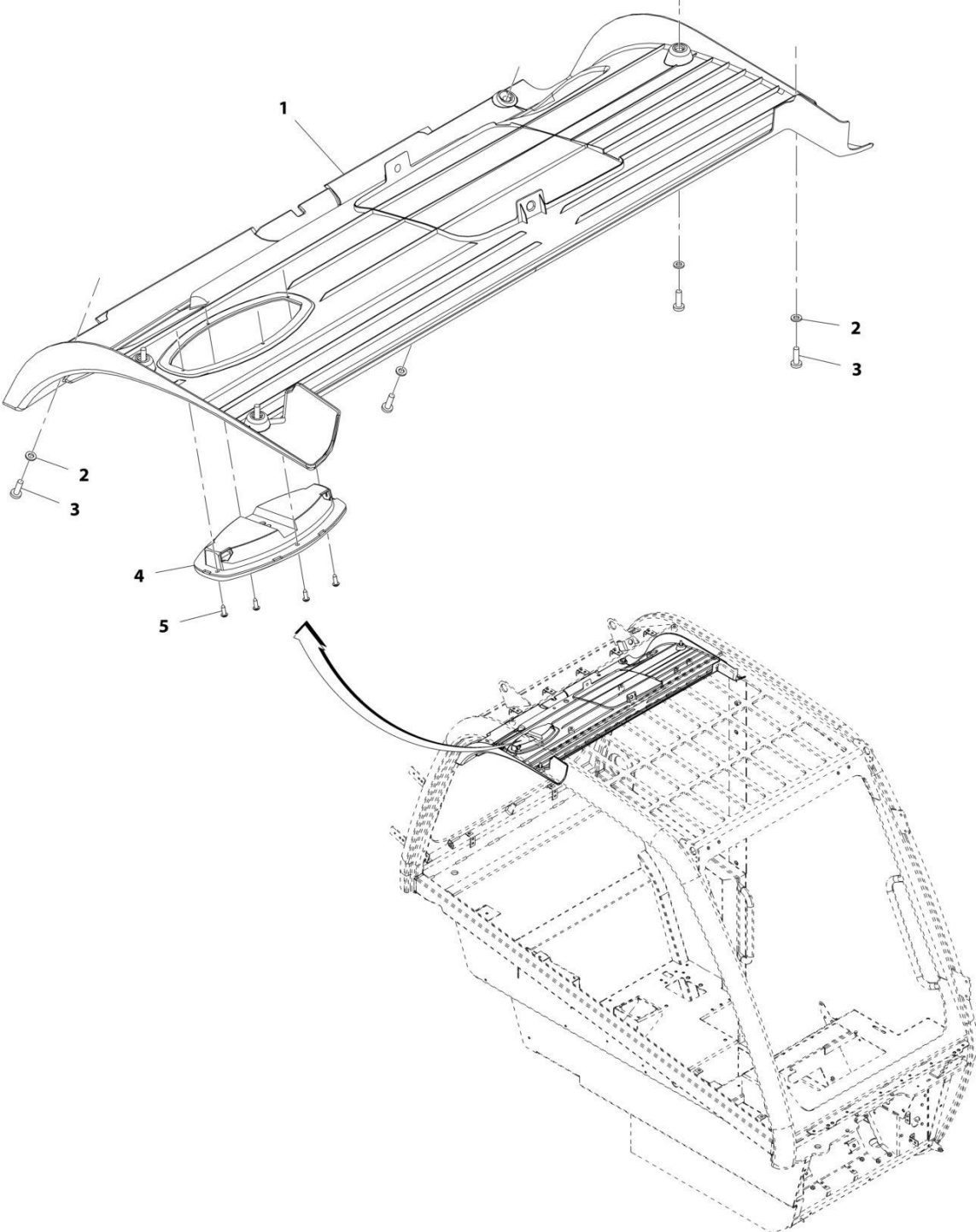
ART_1001155486-B

FIGURE 6-52. ROOF WIPER INSTALLATION

ITEM	PART NUMBER	QTY	DESCRIPTION	REV
	1001155486	Ref	Roof Wiper Installation	B
1	1001090343	1	Connector	
2	1001139551	1	Motor, Roof Wiper	
3	1001141313	1	Blade, Roof Wiper	
4	1001141311	1	Arm, Roof Wiper Blade	
5	1001159736	1	Switch, Roof Wiper	

SECTION 6 - CAB

FIGURE 6-53. HEADLINER INSTALLATION



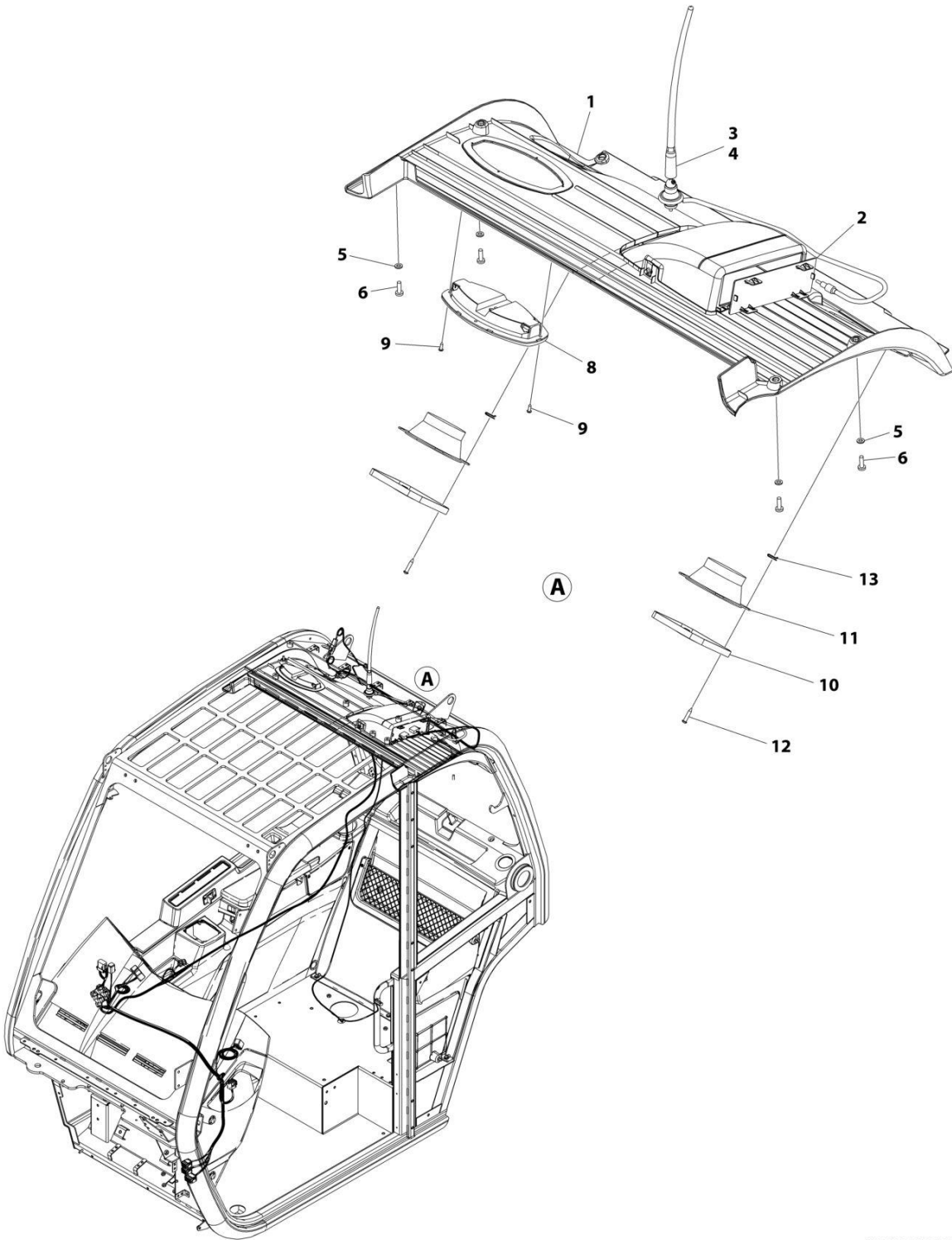
ART_1001170718-C

FIGURE 6-53. HEADLINER INSTALLATION

ITEM	PART NUMBER	QTY	DESCRIPTION	REV
	1001170718	Ref	Headliner Installation	D
1	1001170716	1	Panel, Headliner	
2	4811700	6	Washer, M6	
3	4031708001	6	Capscrew M6 x 20	
4	1001167015	1	Lamp, Dome	
5	7029486	4	Screw	

SECTION 6 - CAB

FIGURE 6-54. HEADLINER/ RADIO READY INSTALLATION



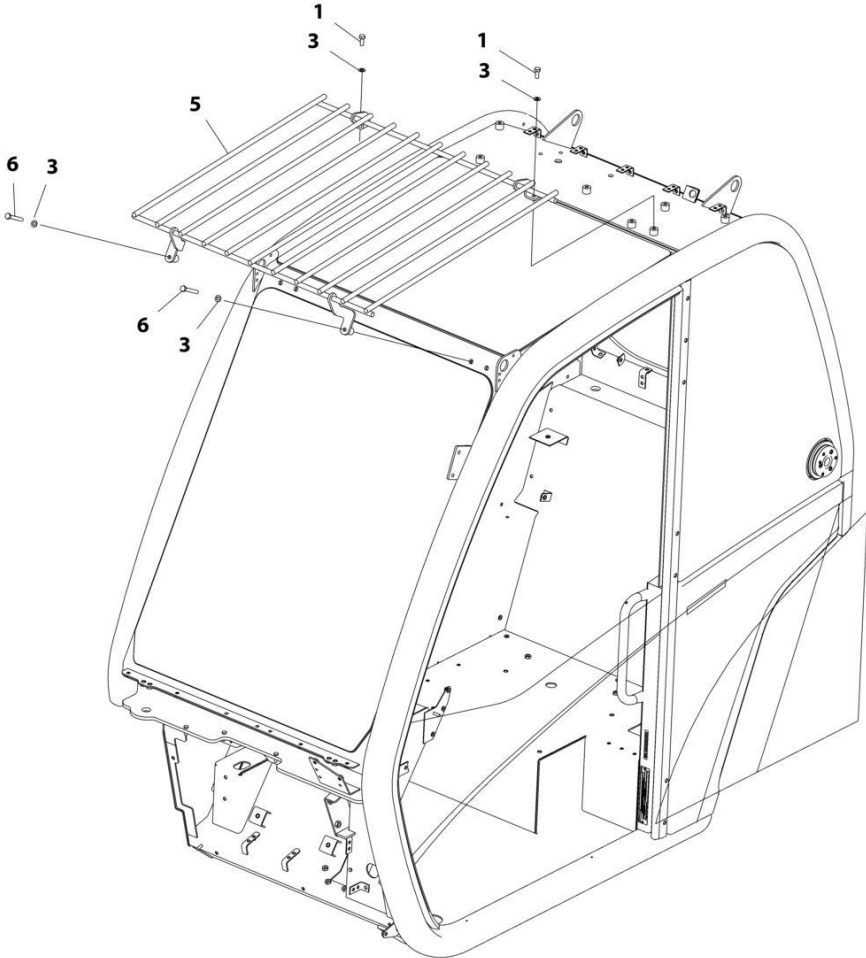
ART_1001173425

FIGURE 6-54. HEADLINER/ RADIO READY INSTALLATION

ITEM	PART NUMBER	QTY	DESCRIPTION	REV
	1001173425	Ref	HEADLINER/ RADIO READY INSTALLATION	F
1	1001243343	1	Cover, Headliner	
2	1001200968	1	Plate	
3	8005901	1	Antenna	
4	1001116128	AR	Sealant, Polysiloxane	
5	4811700	6	Washer, 6M	
6	4031708001	6	Screw, M6 x 20	
8	1001167015	1	Lamp	
9	7029486	4	Screw	
10	1671326	2	Cover, Speaker	
11	1001146901	1	Radio, Speaker	
12	1001111147	8	Screw, Spire	
13	1001258342	8	Nut, Spire	

SECTION 6 - CAB

FIGURE 6-55. CAB GUARD INSTALLATION (TOP)



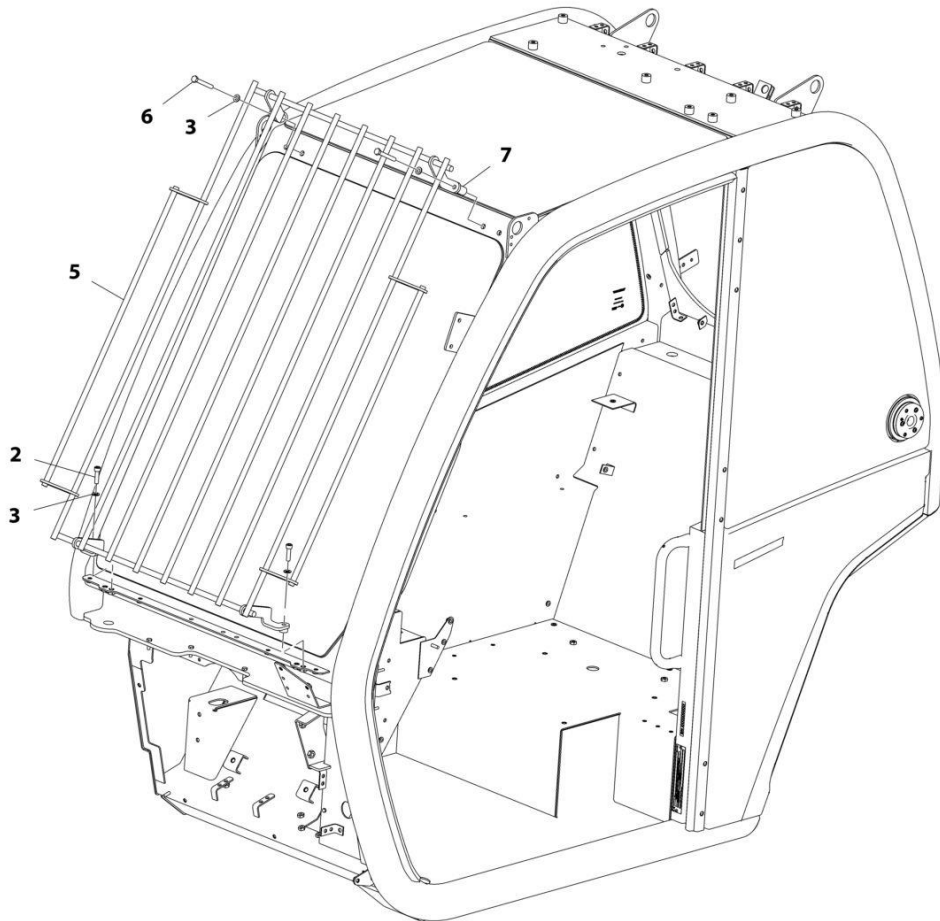
ART_1001160496

FIGURE 6-55. CAB GUARD INSTALLATION (TOP)

ITEM	PART NUMBER	QTY	DESCRIPTION	REV
	1001160496	Ref	Cab Guard Installation (Top)	G
1	0760810	2	Bolt, M8X20	
3	4811900	4	Washer, M8	
5	1001160503	1	Guard, Top Screen	
6	0700820	2	Bolt, M8X60	

SECTION 6 - CAB

FIGURE 6-56. CAB GUARD INSTALLATION (FRONT)



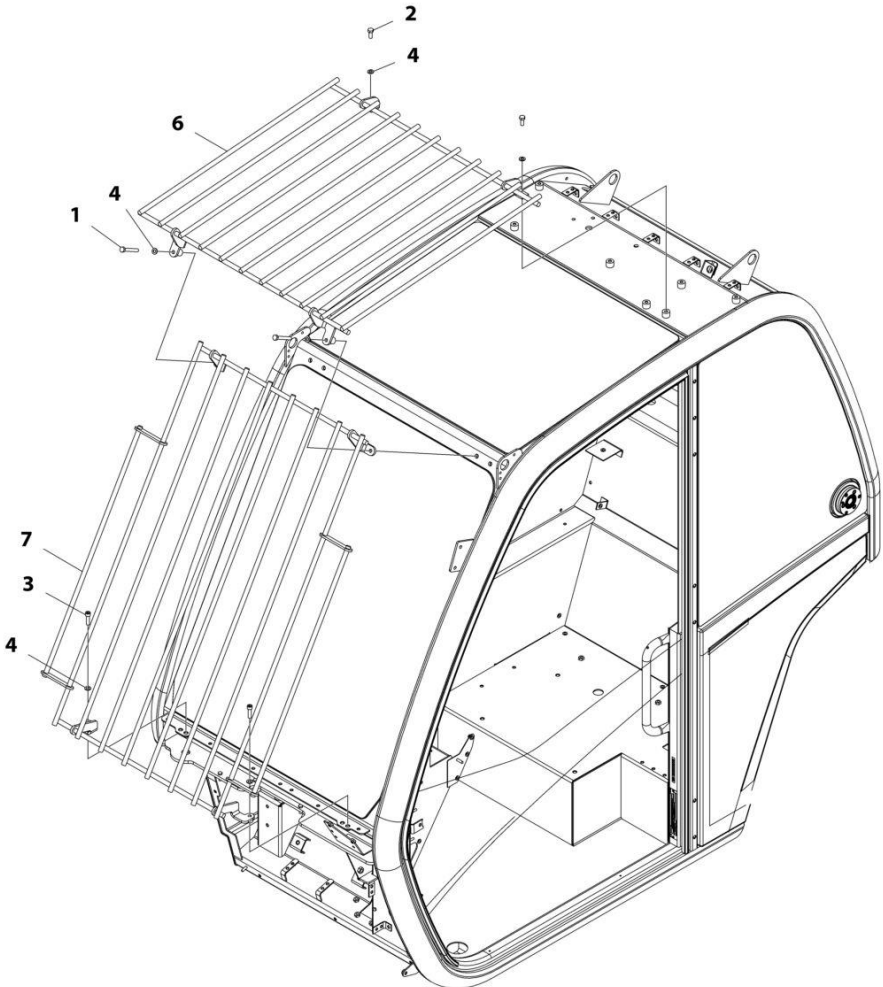
ART_1001160506-G

FIGURE 6-56. CAB GUARD INSTALLATION (FRONT)

ITEM	PART NUMBER	QTY	DESCRIPTION	REV
	1001160506	Ref	Cab Guard Installation (Front)	G
2	4031910	2	Bolt, M8X30	
3	4811900	4	Washer, M8	
5	1001180263	1	Guard, Front Screen	
6	0700820	2	Bolt, M8X60	
7	1001173257	2	Spacer	

SECTION 6 - CAB

FIGURE 6-57. CAB GUARD INSTALLATION (TOP AND FRONT)



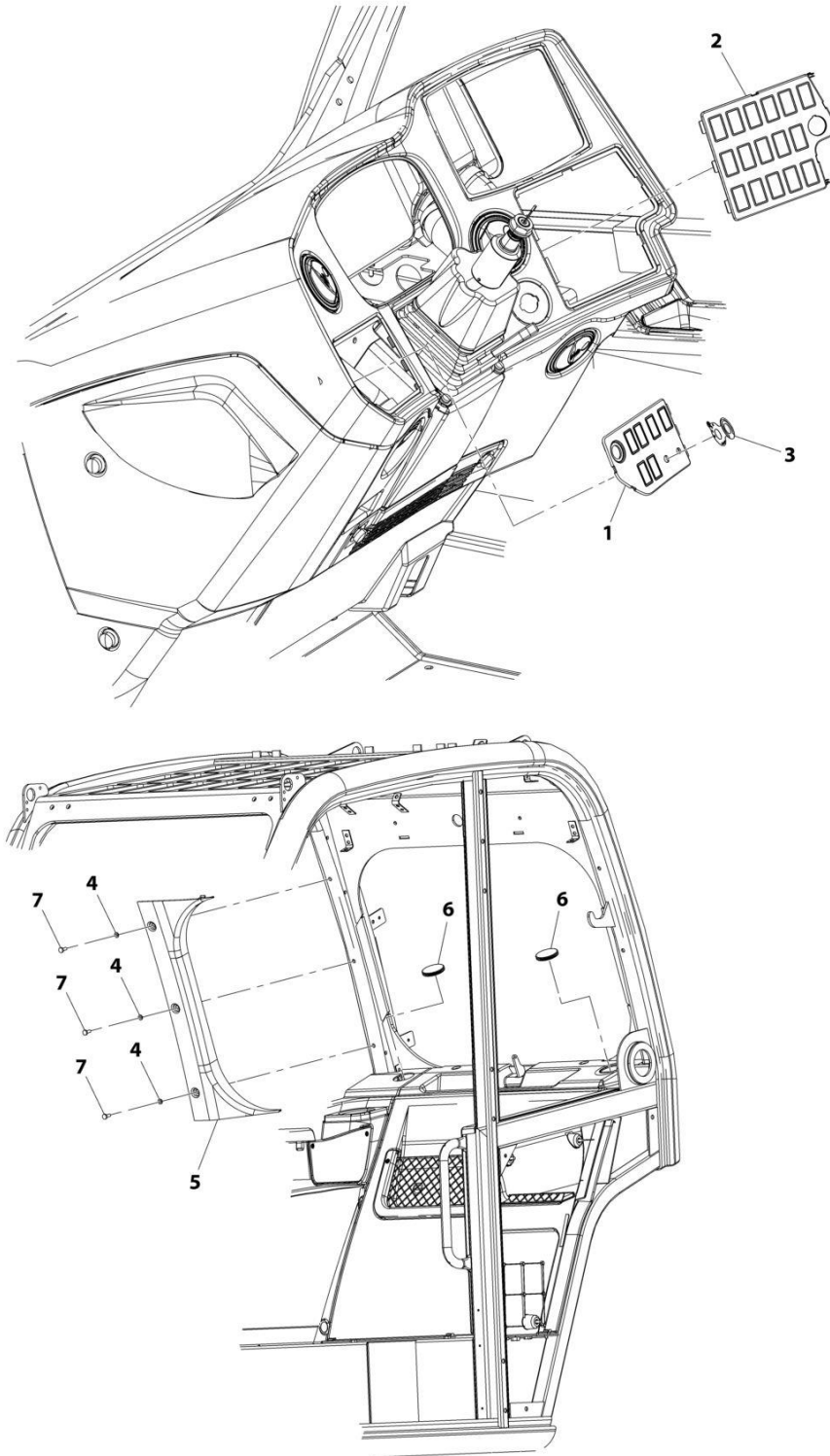
ART_1001172774

FIGURE 6-57. CAB GUARD INSTALLATION (TOP AND FRONT)

ITEM	PART NUMBER	QTY	DESCRIPTION	REV
	1001172774	Ref	CAB GUARD INSTALLATION (TOP AND FRONT)	G
1	0700820	2	Bolt M8 x 60	
2	0760810	2	Bolt M8 x 20	
3	4031910	2	Bolt M8 x 30	
4	4811900	6	Washer M8	
6	1001160503	1	Guard, Top Screen	
7	1001180263	1	Guard, Front Screen	

SECTION 6 - CAB

FIGURE 6-58. COMMON CAB TRIM INSTALLATION



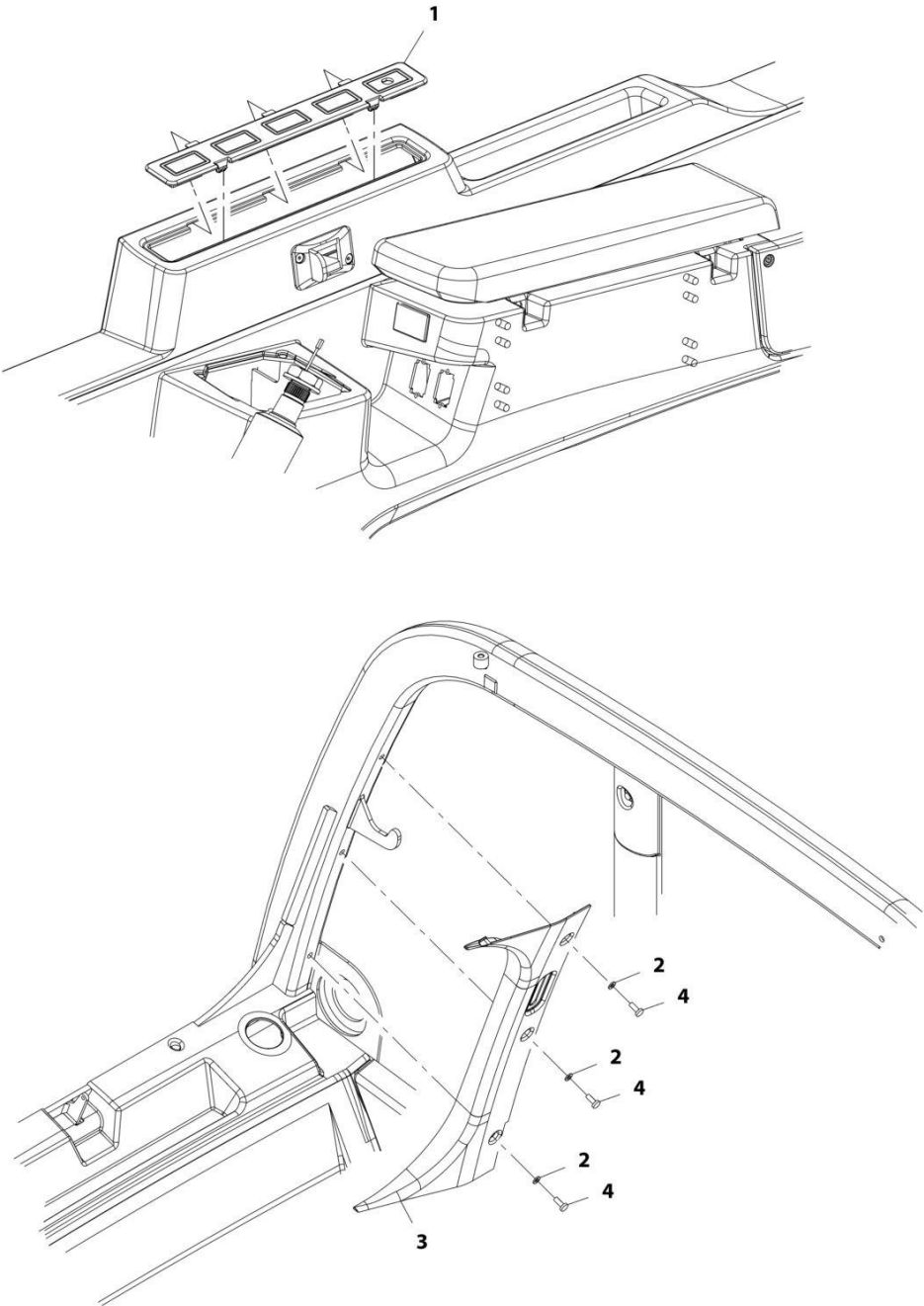
ART_1001200694-D

FIGURE 6-58. COMMON CAB TRIM INSTALLATION

ITEM	PART NUMBER	QTY	DESCRIPTION	REV
	1001200694	Ref	Common Cab Trim Installation	D
1	1001219864	1	Panel, LH Switch	
2	1001219865	1	Panel, RH Switch	
3	1001184975	1	Decal, HVAC	
4	4811700001	3	Washer, M6	
5	1001161253	1	Panel, Cover	
6	1001223265	2	Grommet	
7	4010608002	3	Screw, M6X16	

SECTION 6 - CAB

FIGURE 6-59. CAB TRIM INSTALLATION



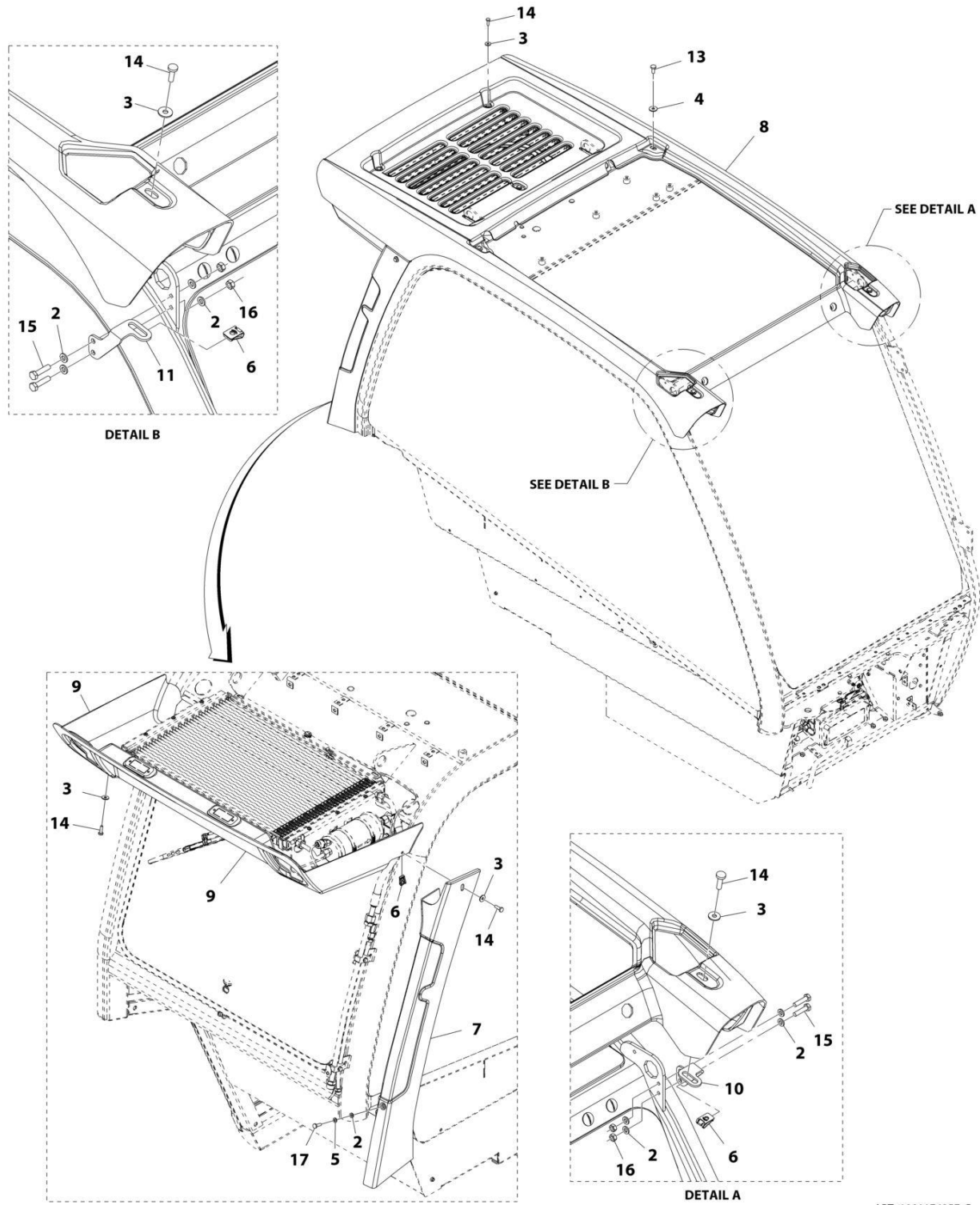
ART_1001201207-B

FIGURE 6-59. CAB TRIM INSTALLATION

ITEM	PART NUMBER	QTY	DESCRIPTION	REV
	1001201207	Ref	Cab Trim Installation	B
1	1001177464	1	Plate, Switch	
2	4811700	1	Washer, M6	
3	1001161252	1	Panel, Cover	
4	4010608002	3	Screw, M6X16	

SECTION 6 - CAB

FIGURE 6-60. ROOF CAP INSTALLATION (A/C)



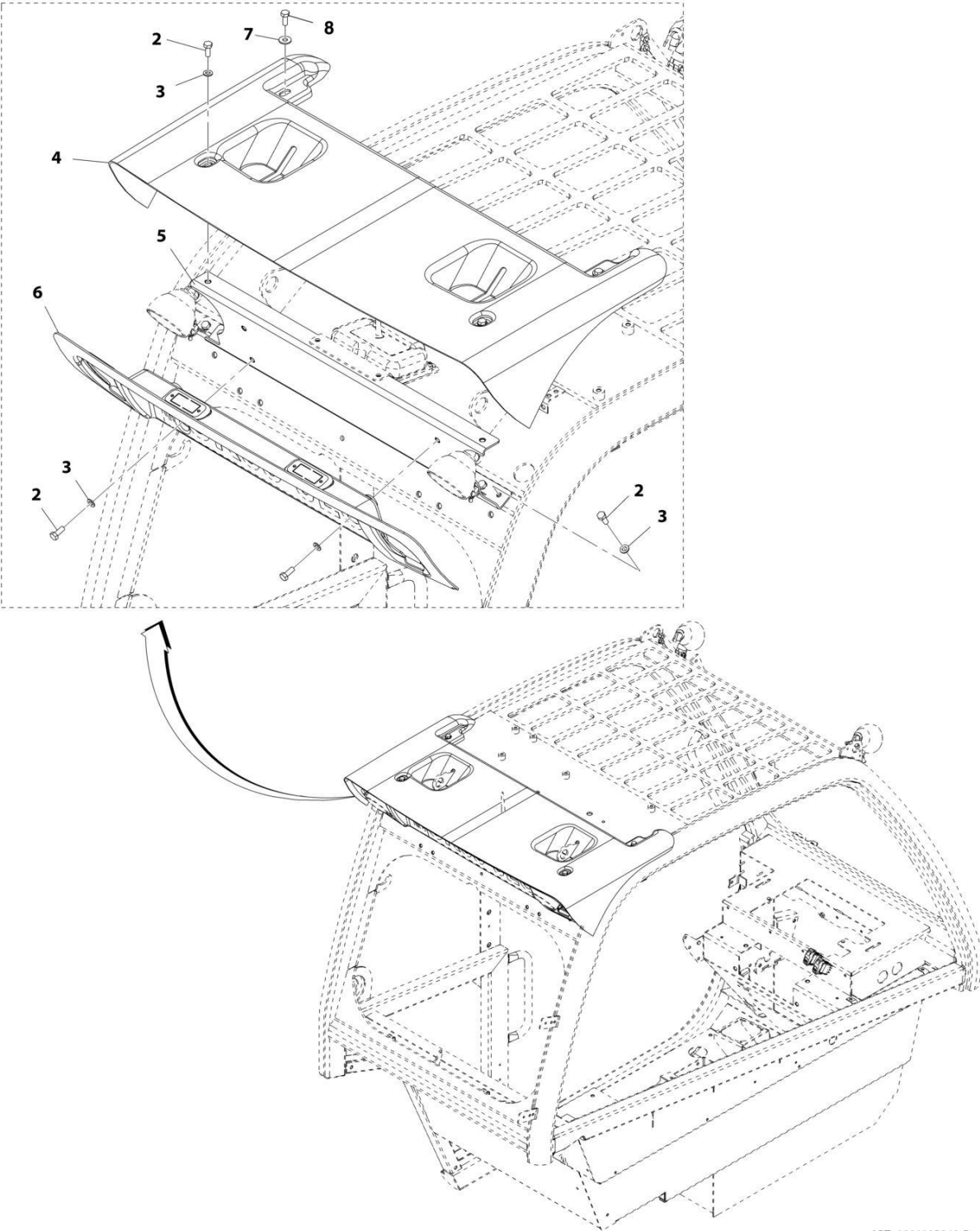
ART_1001176257-G

FIGURE 6-60. ROOF CAP INSTALLATION (A/C)

ITEM	PART NUMBER	QTY	DESCRIPTION	REV
	1001176257	Ref	Roof Cap Installation (A/C)	G
2	4811700	9	Washer, M6	
3	4811702	10	Washer, M6	
4	4811902	2	Washer, M8	
5	4831700	1	Washer, Lock M6	
6	8305919	3	Nut, M6	
7	1001174741	1	Cover	
8	1001176140	1	Cover	
9	1001176318	1	Cover	
10	1001174800	1	Bracket	
11	1001174801	1	Bracket	
13	0760608	2	Bolt, M6X16	
14	4010610002	10	Screw, Posi-Drive M6X20	
15	0700612	4	Bolt, M6X25	
16	3290601	4	Nut, M6X1	
17	4010608002	1	Screw, Posi-Drive, M6X16	

SECTION 6 - CAB

FIGURE 6-61. ROOF CAP INSTALLATION (NO A/C)



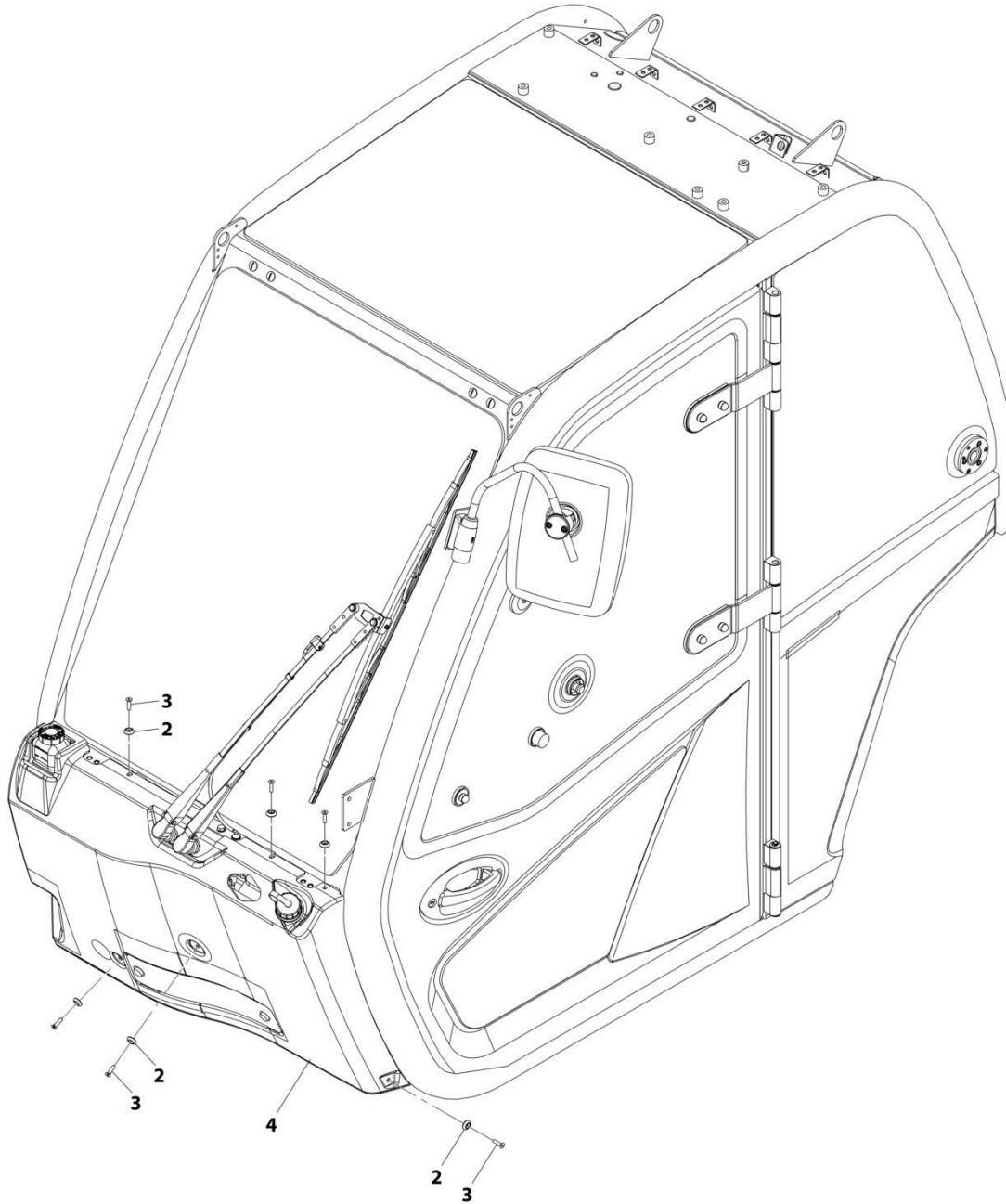
ART_1001185848-D

FIGURE 6-61. ROOF CAP INSTALLATION (NO A/C)

ITEM	PART NUMBER	QTY	DESCRIPTION	REV
	1001185848	Ref	Roof Cap Installation (No A/C - AG)	D
2	0760810	8	Bolt, M8X20	
3	4811900	8	Washer, M8	
4	1001182330	1	Cover, Short Upper Roof Cap	
5	1001185633	1	Bracket, Roof Cap Mount	
6	1001185845	1	Cover, Short Lower Roof Cap	
7	4811902	2	Washer, M8	
8	0760808	2	Bolt, M8X16	

SECTION 6 - CAB

FIGURE 6-62. FRONT NOSE CONE INSTALLATION (SIDELIGHT)



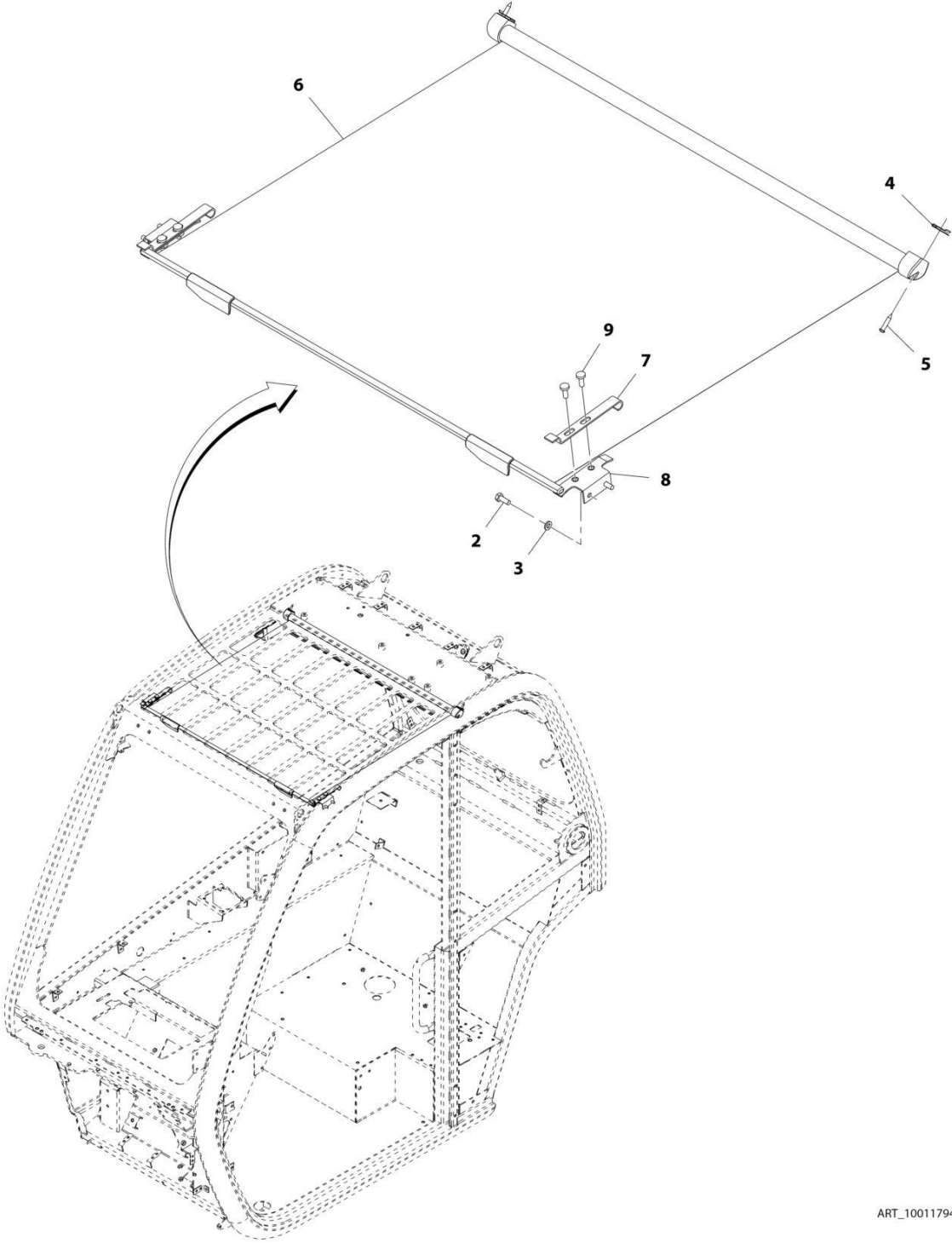
ART_1001179895-G

FIGURE 6-62. FRONT NOSE CONE INSTALLATION (SIDELIGHT)

ITEM	PART NUMBER	QTY	DESCRIPTION	REV
	1001179895	Ref	Front Nose Cone Installation (Sidelight)	G
2	1001097540	6	Washer, M6	
3	3900379	6	Screw, M6X25MM	
4	1001179898	1	Cover	

SECTION 6 - CAB

FIGURE 6-63. RETRACTABLE SUNSCREEN INSTALLATION



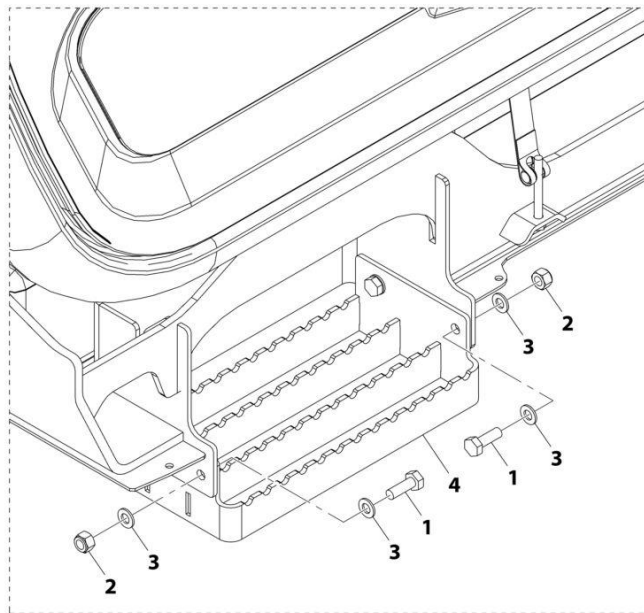
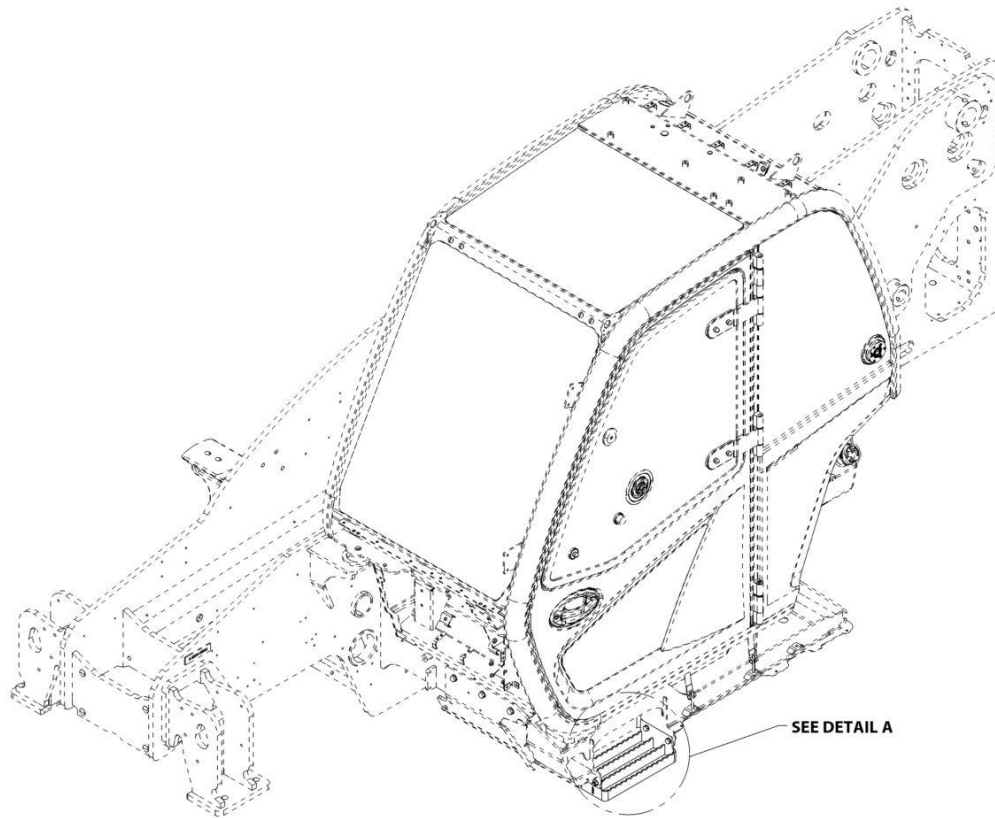
ART_1001179482-D

FIGURE 6-63. RETRACTABLE SUNSCREEN INSTALLATION

ITEM	PART NUMBER	QTY	DESCRIPTION	REV
	1001179482	Ref	Retractable Sunscreen Installation	D
2	0760608	4	Bolt, M6X16	
3	4811700	4	Washer, M6	
4	1001111076	2	Nut, Spire	
5	1001111147	2	Screw, Self Tapping	
6	1001179483	1	Cab, Sun Blind	
7	1001209463	2	Bracket	
8	1001166385	2	Bracket	
9	4010608002	4	Screw, Posi-Drive M6X16	

SECTION 6 - CAB

FIGURE 6-64. CAB STEP INSTALLATION



DETAIL A

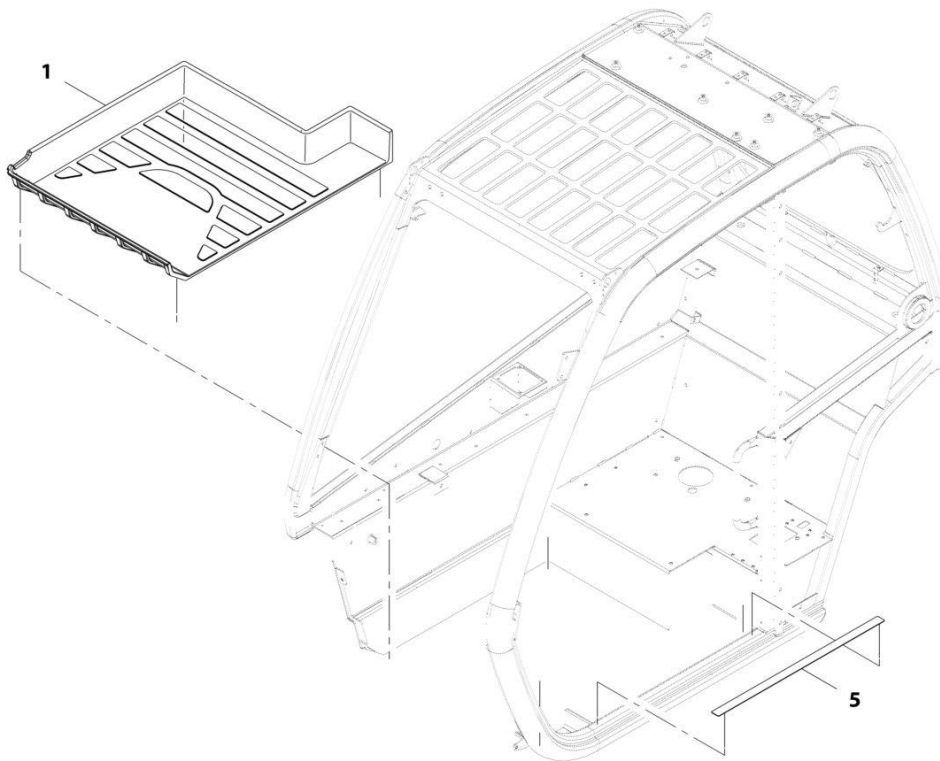
ART_1001198958-B

FIGURE 6-64. CAB STEP INSTALLATION

ITEM	PART NUMBER	QTY	DESCRIPTION	REV
	1001198958	Ref	Cab Step Installation	B
1	0701014	4	Bolt, M10X30	
2	3291005	4	Nut, Lock M10X1.5 Grade 8	
3	4812000	8	Washer, M10	
4	1001198924	1	Bracket, Step	

SECTION 6 - CAB

FIGURE 6-65. FLOOR MAT INSTALLATION



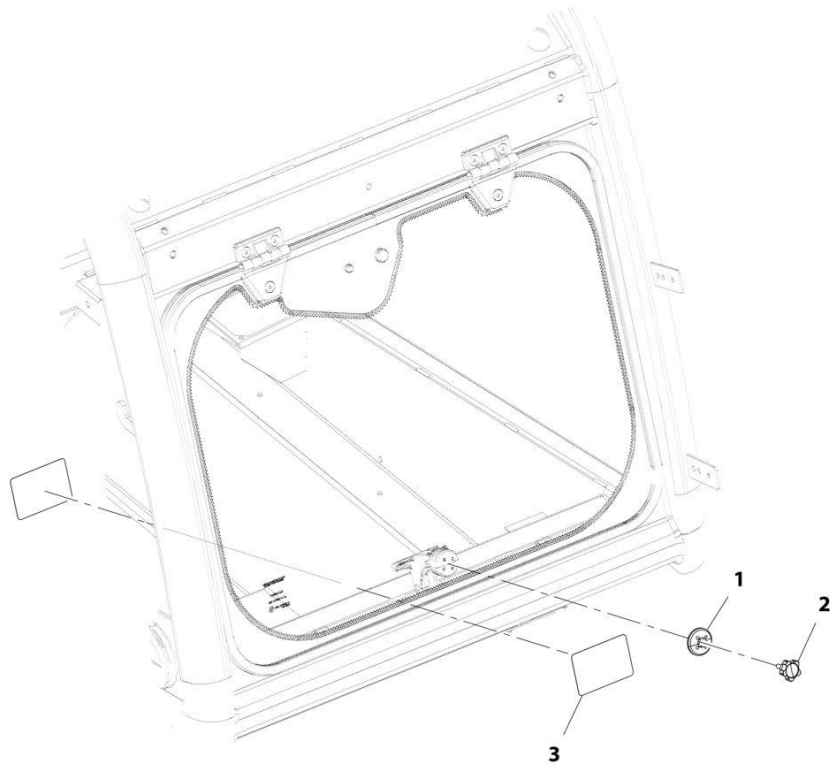
ART_1001161080-E

FIGURE 6-65. FLOOR MAT INSTALLATION

ITEM	PART NUMBER	QTY	DESCRIPTION	REV
	1001161080	Ref	Floor Mat Installation	E
1	1001161078	1	Cab, Floor Mat	
5	1001197259	1	Tape, Frame Non Skid	

SECTION 6 - CAB

FIGURE 6-66. EXTERNAL WINDOW RELEASE INSTALLATION (ANSI)



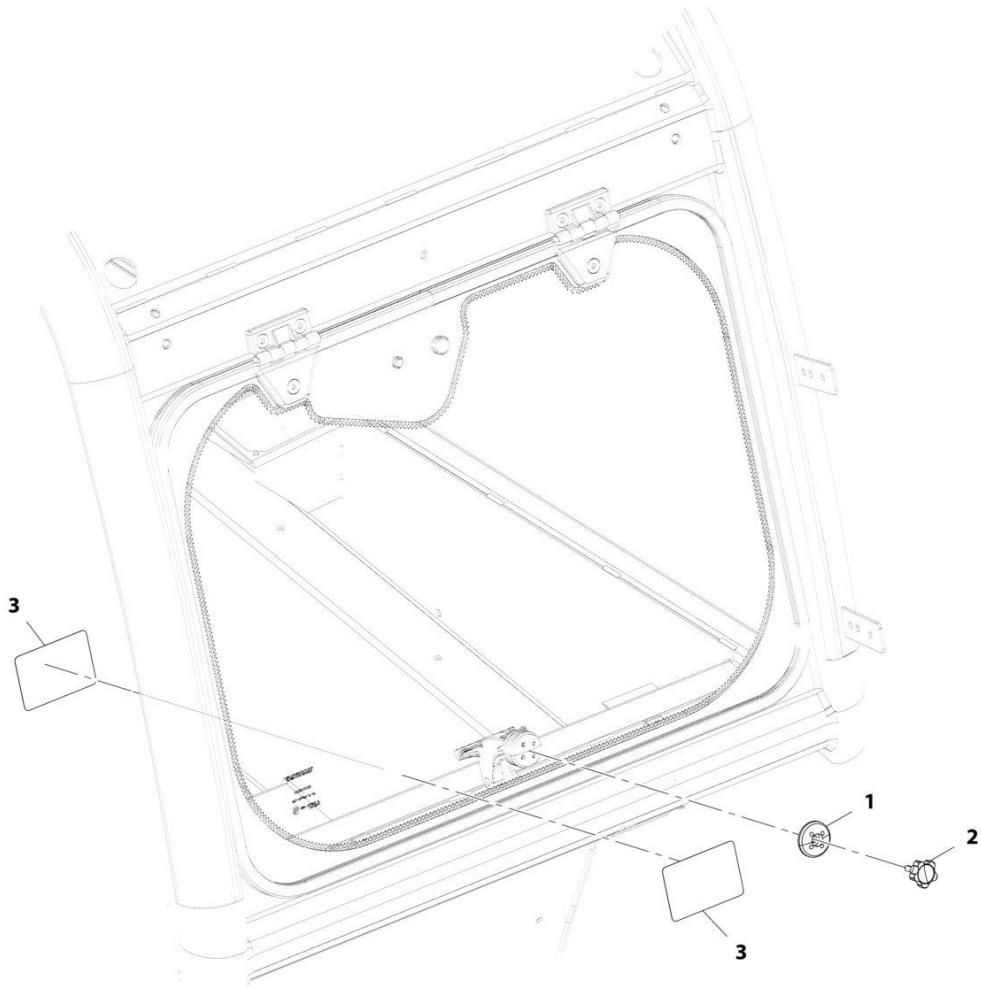
ART_1001212047-A

FIGURE 6-66. EXTERNAL WINDOW RELEASE INSTALLATION (ANSI)

ITEM	PART NUMBER	QTY	DESCRIPTION	REV
	1001212047	Ref	External Window Release Installation (ANSI)	A
1	1001179008	1	Cap, Latch Window	
2	1001179009	1	Cap, Knob M6	
3	1001212049	2	Decal, Emergency Exit	

SECTION 6 - CAB

FIGURE 6-67. EXTERNAL WINDOW RELEASE INSTALLATION (CAN)



ART_1001178826-C

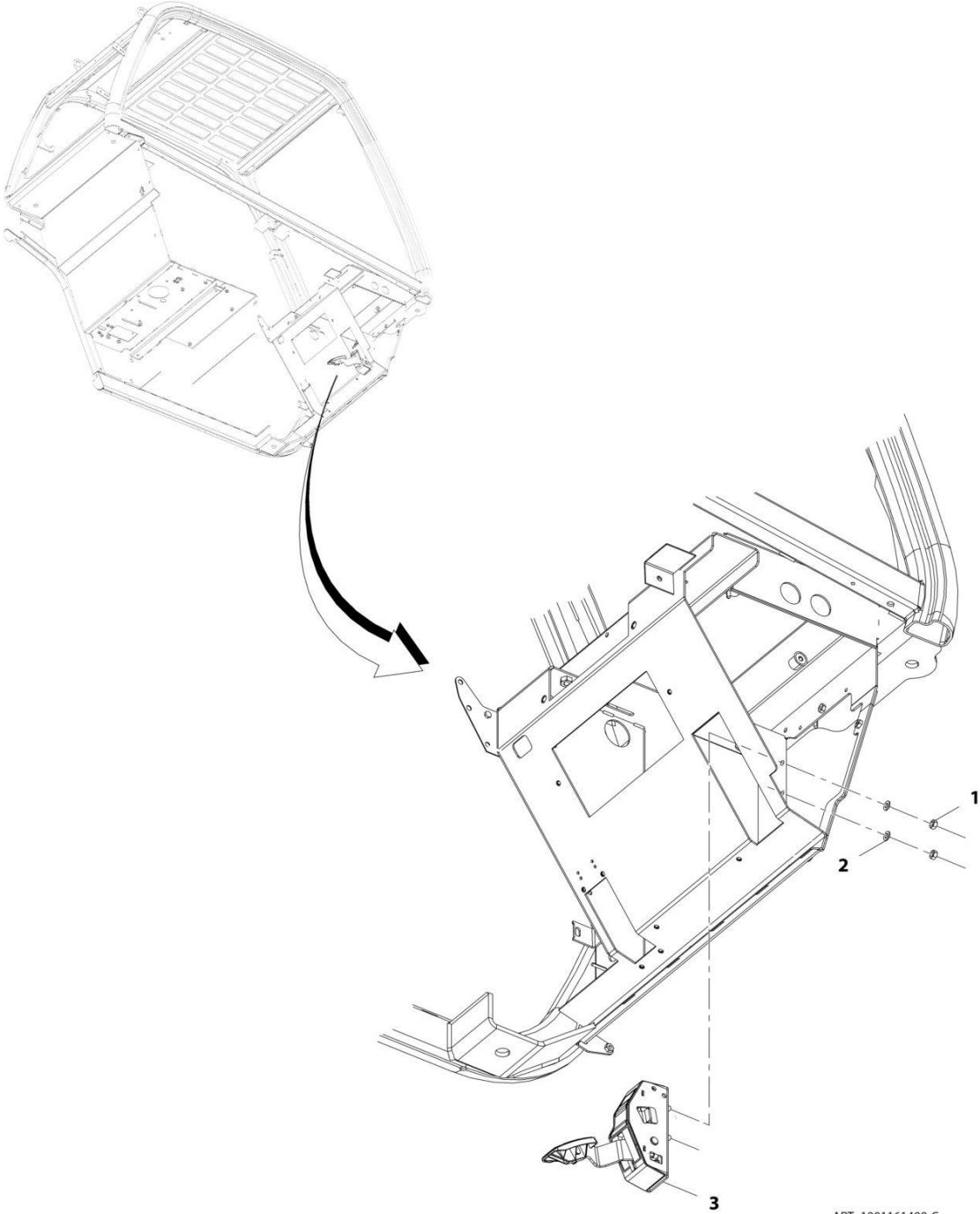
FIGURE 6-67. EXTERNAL WINDOW RELEASE INSTALLATION (CAN)

ITEM	PART NUMBER	QTY	DESCRIPTION	REV
	1001178826	Ref	External Window Release Installation (English/French)	C
1	1001179008	1	Cap, Latch Window	
2	1001179009	1	Knob	
3	1001204709	2	Decal, Emergency Exit (English/French)	

SECTION 7 - CONTROLS

SECTION 7 - CONTROLS

FIGURE 7-1. ACCELERATOR PEDAL INSTALLATION



ART_1001161499-C

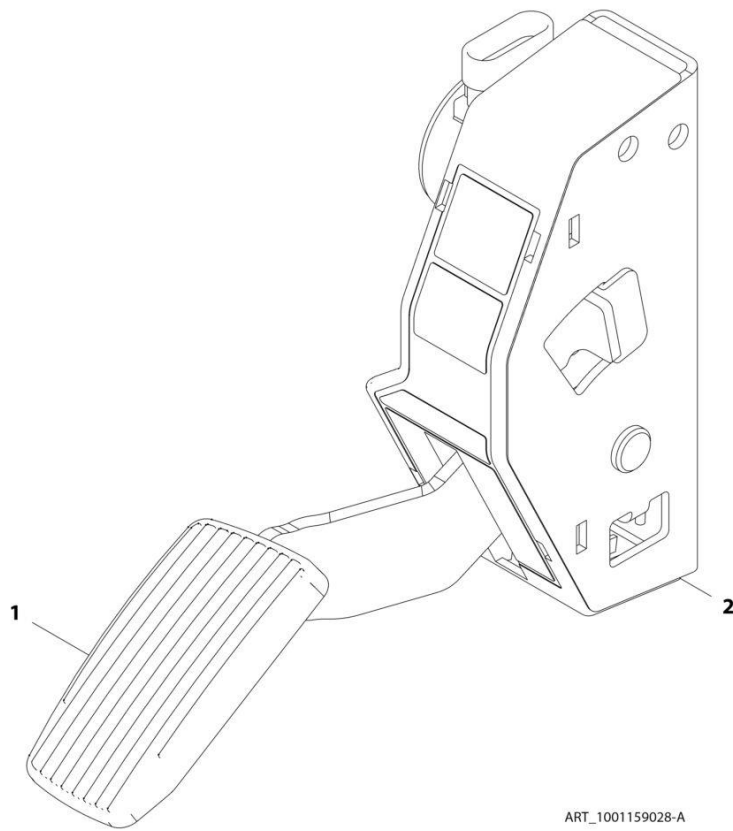
SECTION 7 - CONTROLS

FIGURE 7-1. ACCELERATOR PEDAL INSTALLATION

ITEM	PART NUMBER	QTY	DESCRIPTION	REV
	1001161499	Ref	Accelerator Pedal Installation	C
1	3290801	2	Nut, M8X1.25	
2	4811900	2	Washer, M8	
3	1001159028	1	Pedal, Accelerator (See Separate Breakdown in this Section)	

SECTION 7 - CONTROLS

FIGURE 7-2. ACCELERATOR PEDAL



ART_1001159028-A

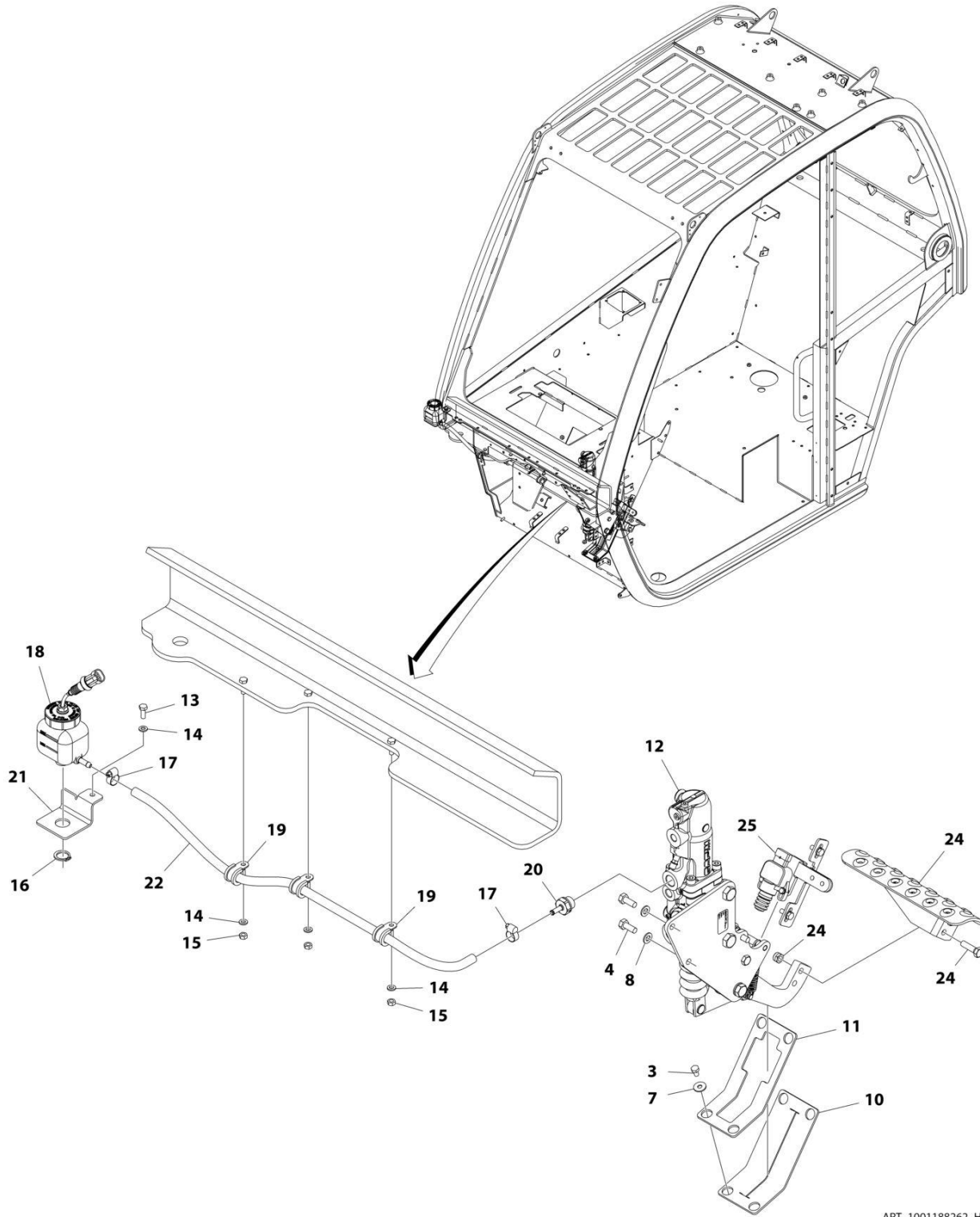
SECTION 7 - CONTROLS

FIGURE 7-2. ACCELERATOR PEDAL

ITEM	PART NUMBER	QTY	DESCRIPTION	REV
	1001159028	Ref	Accelerator Pedal	A
1	70025816	1	Pad, Rubber	
2	70025817	1	Cover, Rubber	

SECTION 7 - CONTROLS

FIGURE 7-3. BRAKE PEDAL INSTALLATION



ART_1001188262_H

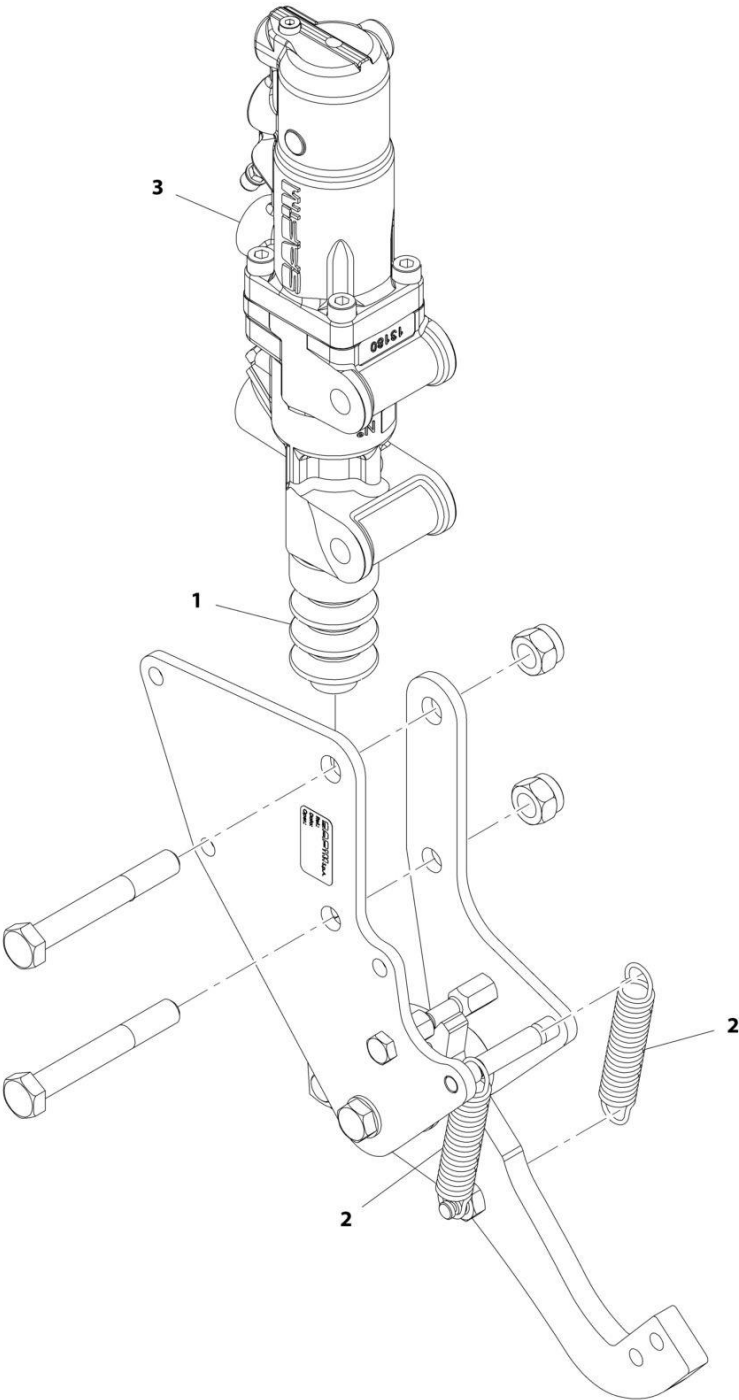
SECTION 7 - CONTROLS

FIGURE 7-3. BRAKE PEDAL INSTALLATION

ITEM	PART NUMBER	QTY	DESCRIPTION	REV
	1001188262	Ref	BRAKE PEDAL INSTALLATION	H
3	0760605	4	Bolt M6 x 10	
4	0760810	3	Bolt M8 x 20	
7	4811702	4	Washer M6	
8	4811900	3	Washer M8	
10	1001162920	1	Gasket, Brake Pedal	
11	1001162922	1	Plate	
12	1001187413	1	Pedal, Brake (See Separate Breakdown in this Section)	
13	0760608	1	Bolt M6 x 16	
14	4811700	4	Washer M6	
15	3290601	3	Nut M6	
16	3760348	1	Ring, Retaining	
17	8405009	2	Clamp, Gear	
18	1001269248	1	Reservoir, Brake	
19	1001170231	3	Clip	
20	1001171874	1	Fitting, Hose Barb	
21	1001172088	1	Bracket	
22	1001172094	1	Hose	
24	1001197139	1	Plate, Brake Pedal (See Separate Breakdown in this Section)	
25	1001205061	Ref	Installation, Brake Sensor (See Separate Breakdown in this Section)	

SECTION 7 - CONTROLS

FIGURE 7-4. BRAKE PEDAL



ART_1001187413-D

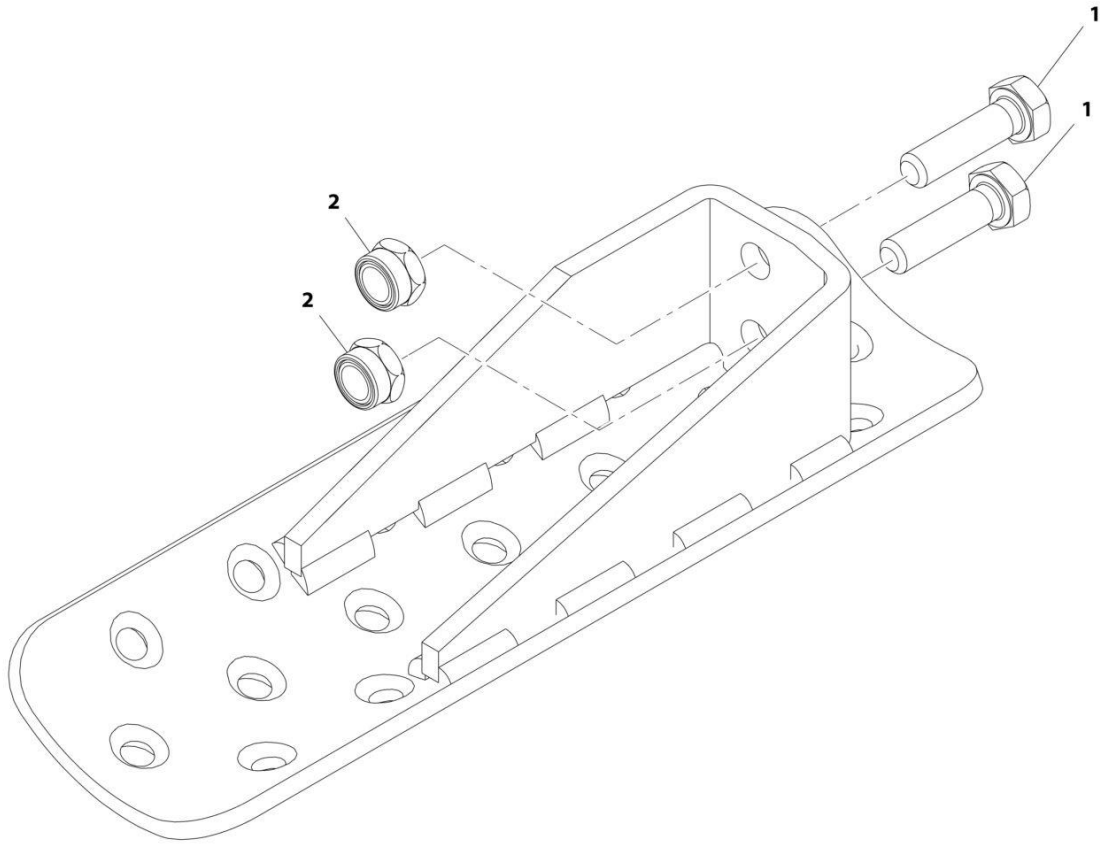
SECTION 7 - CONTROLS

FIGURE 7-4. BRAKE PEDAL

ITEM	PART NUMBER	QTY	DESCRIPTION	REV
	1001187413	Ref	Brake Pedal	D
1	70025859	1	Cover, Dust	
2	70025860	1	Spring, Return	
3	70026537	1	Cylinder, Master	

SECTION 7 - CONTROLS

FIGURE 7-5. BRAKE PEDAL PLATE



ART_1001197139-A

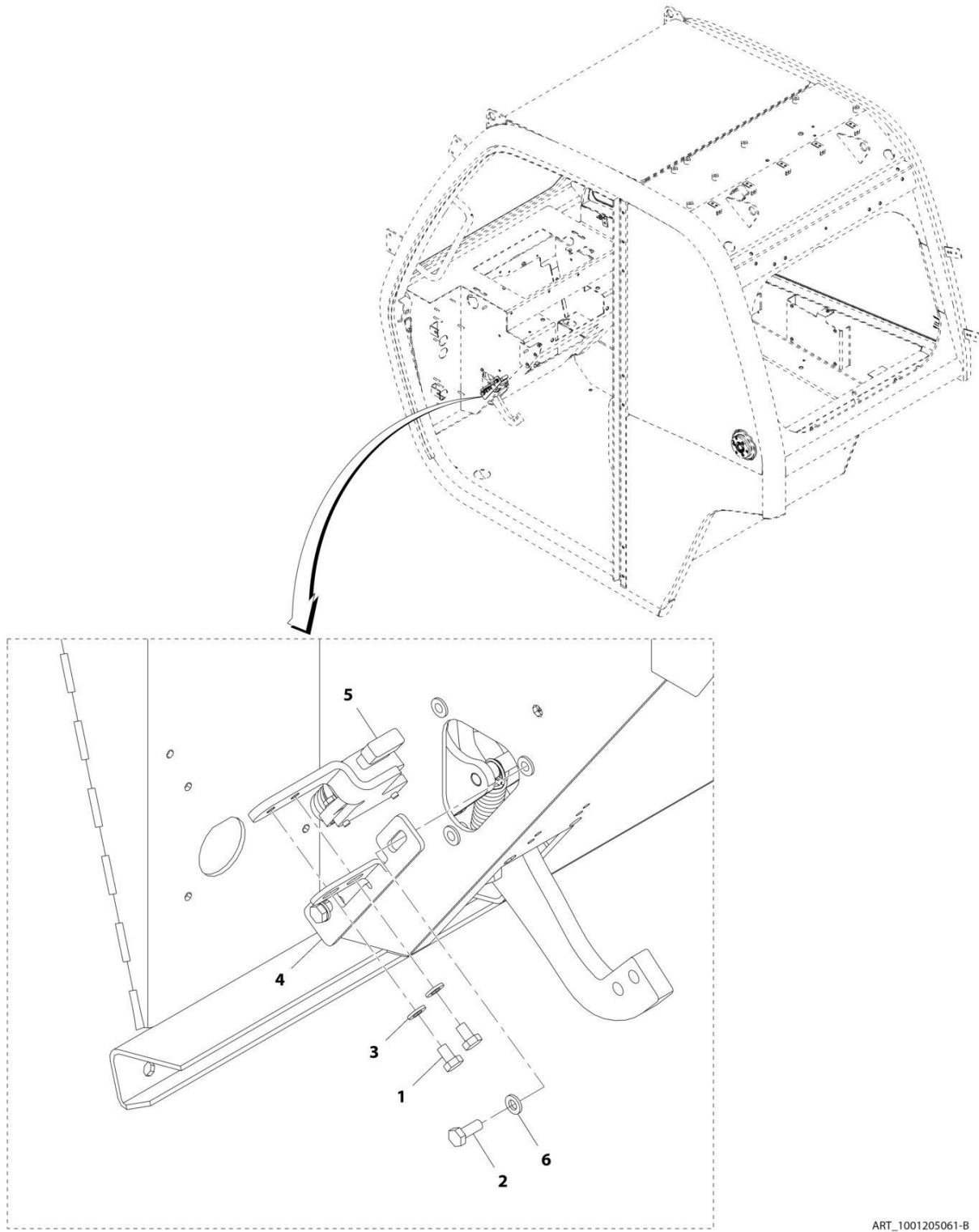
SECTION 7 - CONTROLS

FIGURE 7-5. BRAKE PEDAL PLATE

ITEM	PART NUMBER	QTY	DESCRIPTION	REV
	1001197139	Ref	Brake Pedal Plate	A
1	0770814	1	Bolt, M8X30 Grade 10.9	
2	3290805	1	Nut, Lock M8X1.25 Grade 8	

SECTION 7 - CONTROLS

FIGURE 7-6. BRAKE SENSOR INSTALLATION



ART_1001205061-B

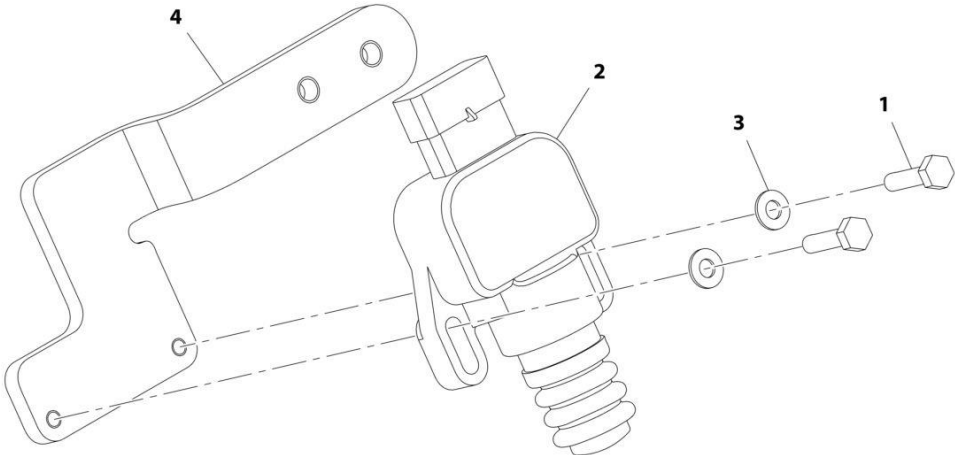
SECTION 7 - CONTROLS

FIGURE 7-6. BRAKE SENSOR INSTALLATION

ITEM	PART NUMBER	QTY	DESCRIPTION	REV
	1001205061	Ref	Brake Sensor Installation	B
1	0760605	2	Bolt, M6X10	
2	0760608	2	Bolt, M6X16	
3	4811700	2	Washer, M6	
4	1001201499	1	Plate, Switch Adjustment	
5	1001201501	1	Assembly, Switch Plate (See Separate Breakdown in this Section)	
6	4811702	2	Washer, M6	

SECTION 7 - CONTROLS

FIGURE 7-7. SWITCH PLATE ASSEMBLY



ART_1001201501-A

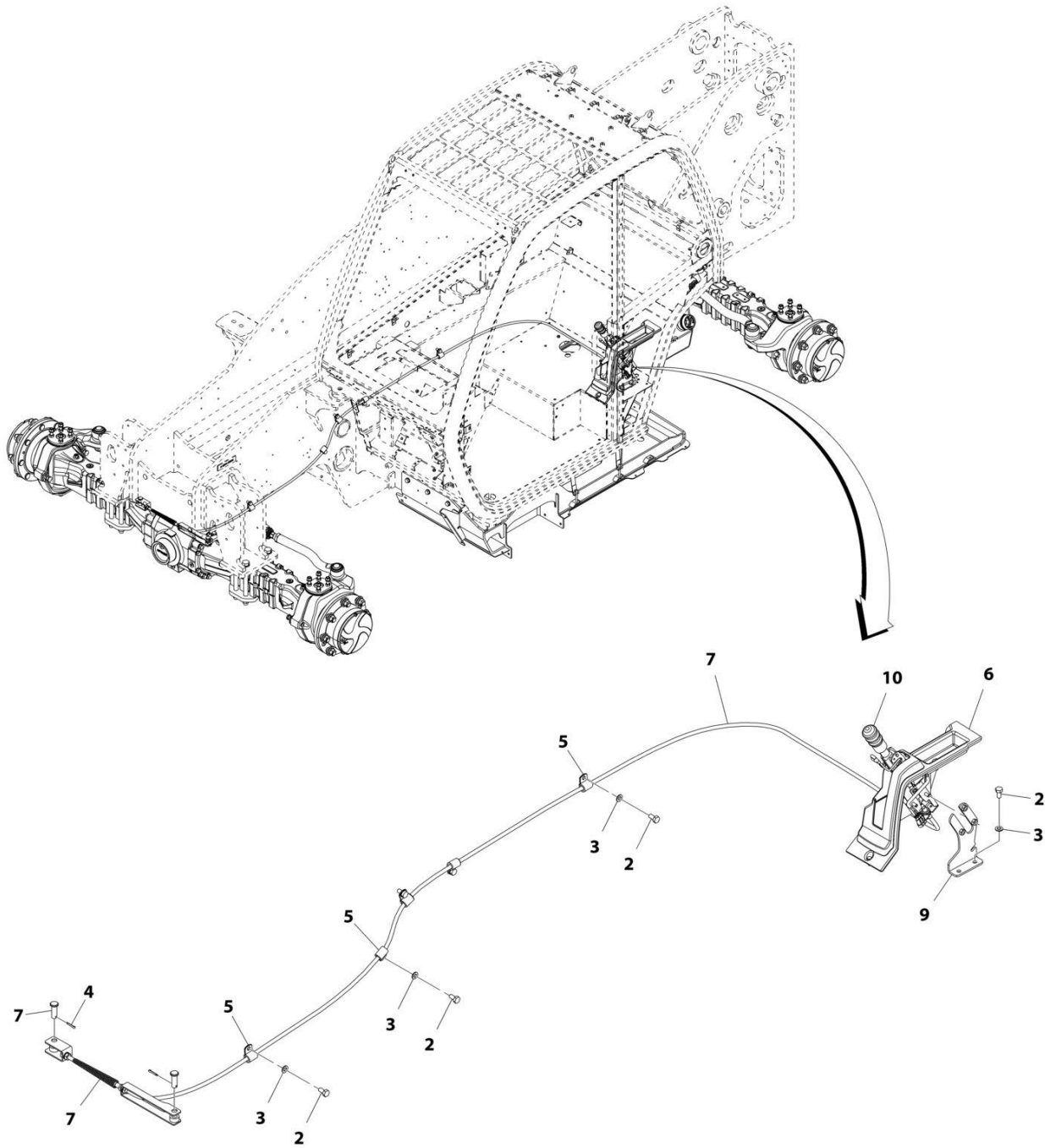
SECTION 7 - CONTROLS

FIGURE 7-7. SWITCH PLATE ASSEMBLY

ITEM	PART NUMBER	QTY	DESCRIPTION	REV
	1001201501	Ref	Switch Plate Assembly	A
1	0700408	2	Bolt, M4X16	
2	4360658	1	Sensor, Brake	
3	4811400	2	Washer, M4	
4	1001201500	1	Plate	

SECTION 7 - CONTROLS

FIGURE 7-8. PARKING BRAKE INSTALLATION (CABLE - STANDARD)



ART_1001180472-E

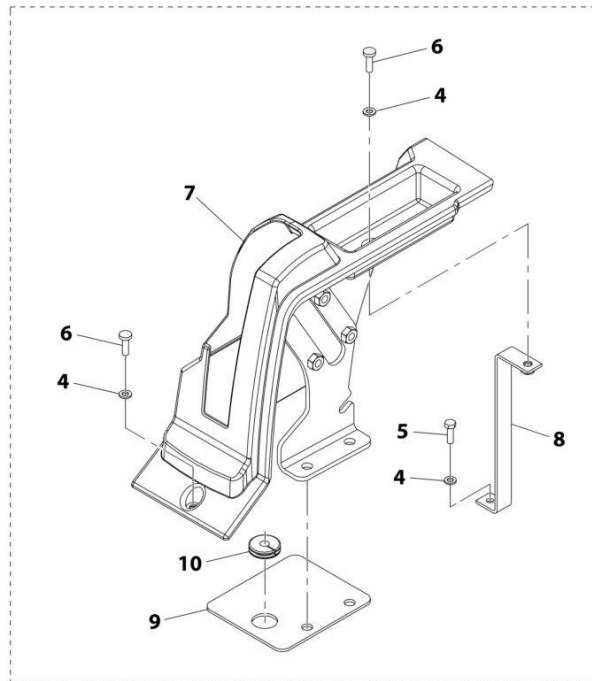
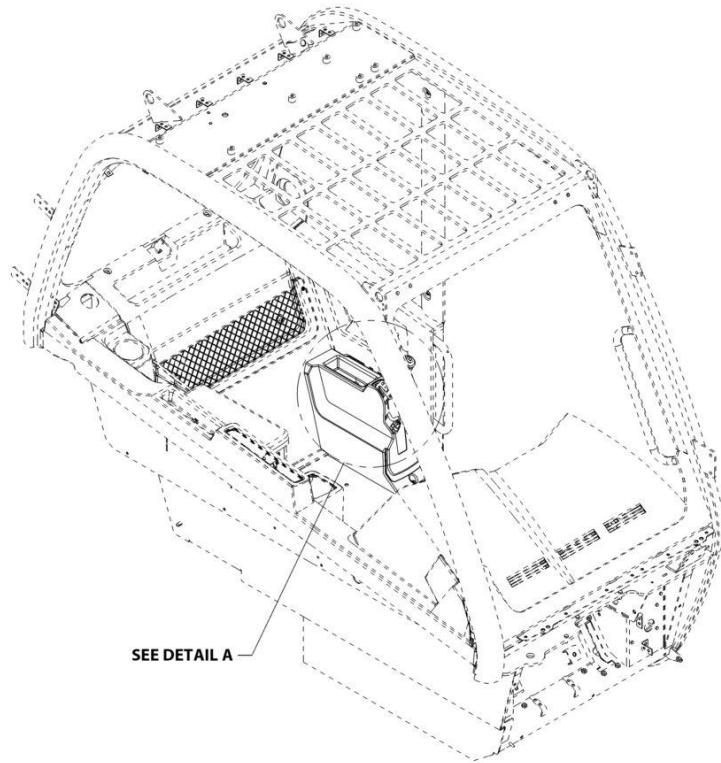
SECTION 7 - CONTROLS

FIGURE 7-8. PARKING BRAKE INSTALLATION (CABLE - STANDARD)

ITEM	PART NUMBER	QTY	DESCRIPTION	REV
	1001180472	Ref	Parking Brake Installation (Cable)	E
2	0761010	7	Bolt, M10X20	
3	4812000	7	Washer, M10	
4	3391408	2	Pin	
5	1001003809	5	Clamp	
6	1001174567	1	Cover, Parking Brake (Mechanical) (See Separate Breakdown in this Section)	
7	1001177053	1	Assembly, Parking Cable (Mechanical) (See Separate Breakdown in this Section)	
9	1001195207	1	Bracket	
10	1001201951	1	Lever, Parking Brake (Mechanical)	

SECTION 7 - CONTROLS

FIGURE 7-9. PARKING BRAKE COVER (MECHANICAL)



DETAIL A

ART_1001174567-C

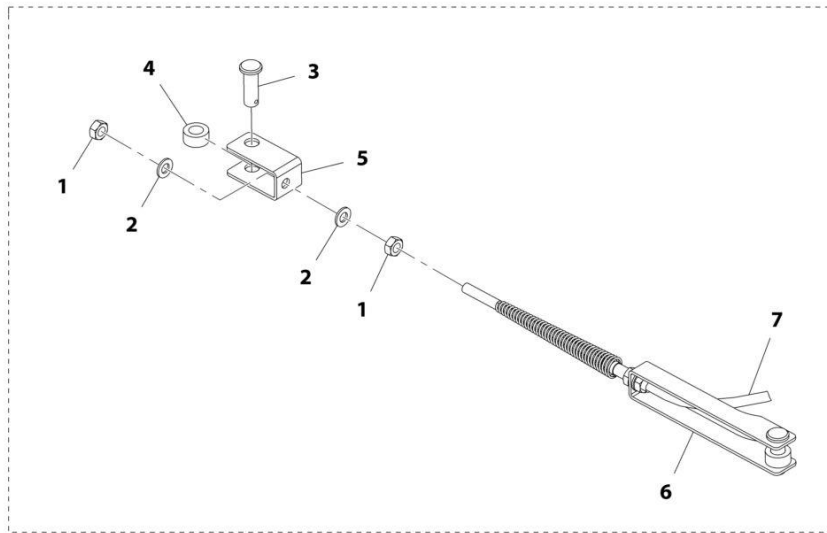
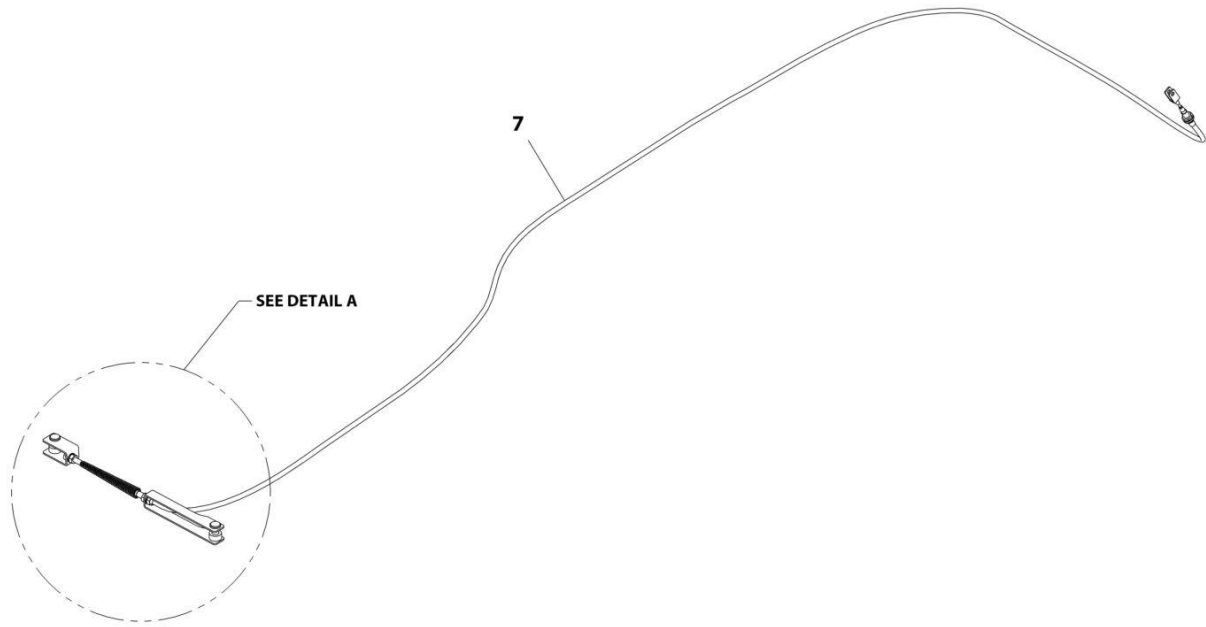
SECTION 7 - CONTROLS

FIGURE 7-9. PARKING BRAKE COVER (MECHANICAL)

ITEM	PART NUMBER	QTY	DESCRIPTION	REV
	1001174567	Ref	Parking Brake Cover (Mechanical)	D
4	4811700	3	Washer, M6	
5	0700610	1	Bolt, M6X20	
6	4010610002	2	Screw, M6X20	
7	1001195004	1	Panel, Brake Cover	
8	1001195254	1	Bracket	
9	1001221255	1	Plate, Cover	
10	1001008469	1	Grommet	
11	3520028	1	Plug (Not Shown)	

SECTION 7 - CONTROLS

FIGURE 7-10. PARKING CABLE ASSEMBLY (MECHANICAL)



DETAIL A

ART_1001177053-A

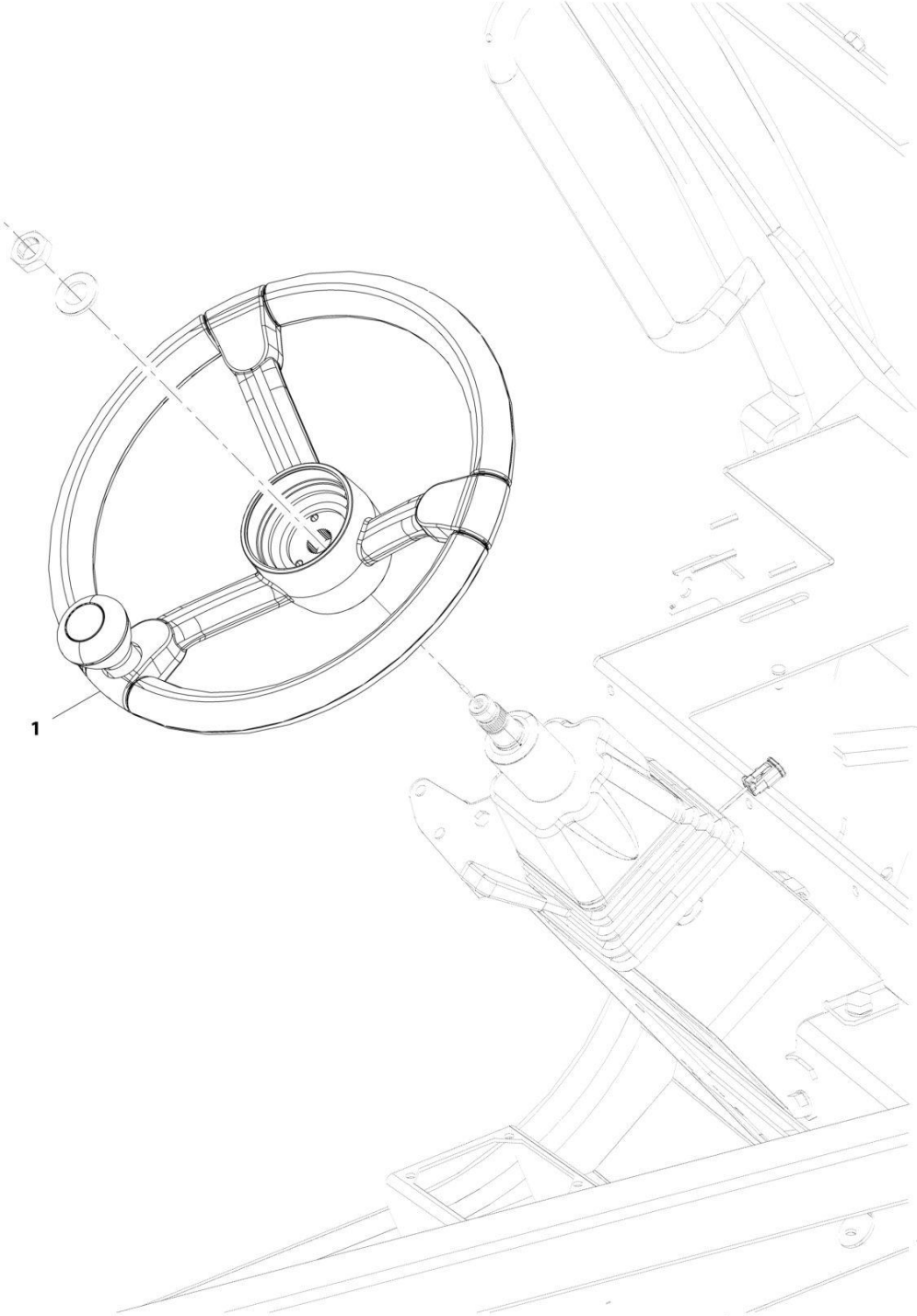
SECTION 7 - CONTROLS

FIGURE 7-10. PARKING CABLE ASSEMBLY (MECHANICAL)

ITEM	PART NUMBER	QTY	DESCRIPTION	REV
	1001177053	Ref	Parking Cable Assembly (Mechanical)	A
1	3291001	4	Nut, M10X1.5 Grade 8	
2	4812000	4	Washer, M10	
3	1001177048	2	Pin	
4	1001177049	2	Spacer	
5	1001177050	1	Clevis, Park Brake Small	
6	1001177051	1	Clevis, Park Brake Large	
7	1001177052	1	Cable, Hand Brake	

SECTION 7 - CONTROLS

FIGURE 7-11. STEERING WHEEL INSTALLATION



ART_1001169751-C

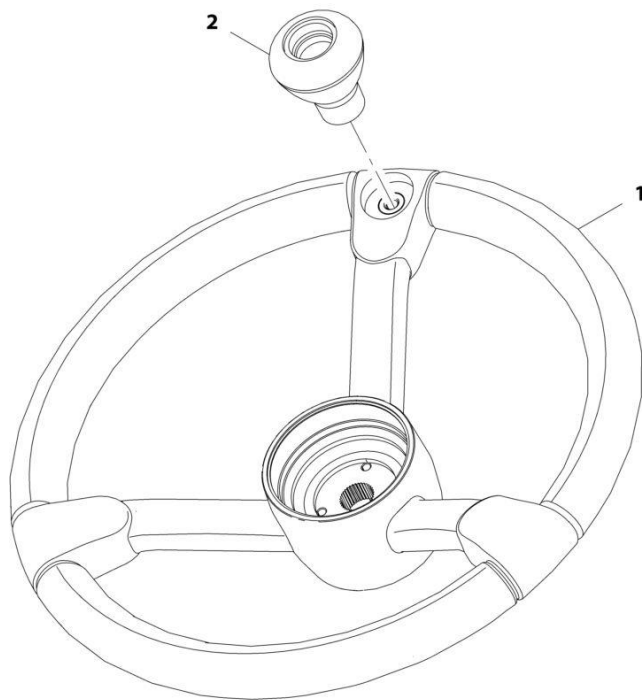
SECTION 7 - CONTROLS

FIGURE 7-11. STEERING WHEEL INSTALLATION

ITEM	PART NUMBER	QTY	DESCRIPTION	REV
1	1001169751 1001169354	Ref 1	Steering Wheel Installation Wheel, Steering (See Separate Breakdown in this Section)	C

SECTION 7 - CONTROLS

FIGURE 7-12. STEERING WHEEL



ART_1001169354-D

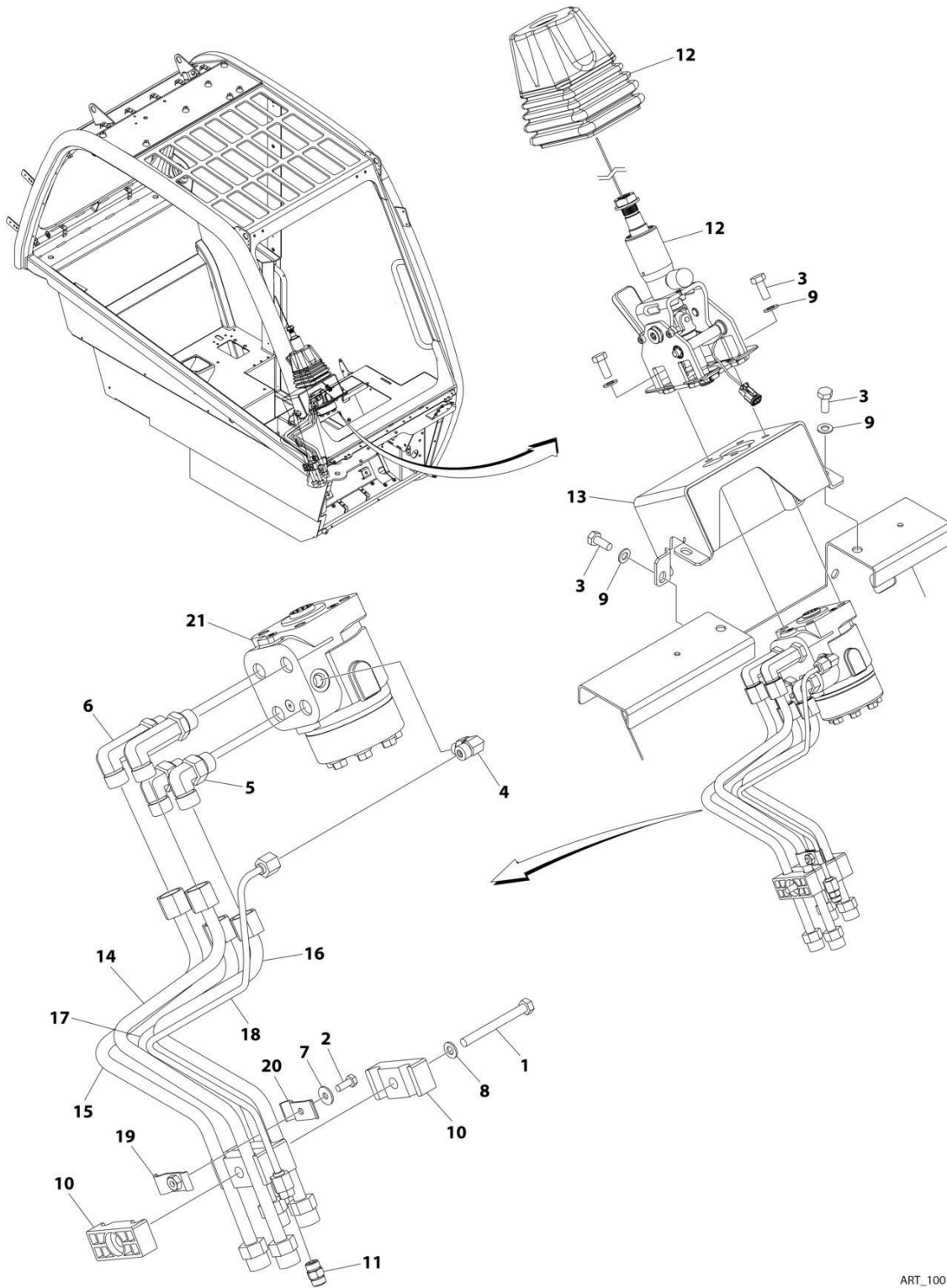
SECTION 7 - CONTROLS

FIGURE 7-12. STEERING WHEEL

ITEM	PART NUMBER	QTY	DESCRIPTION	REV
	1001169354	Ref	Steering Wheel	D
1	1001169367	1	Wheel, Steering	
2	1001169355	1	Handle, Steer Spinner	

SECTION 7 - CONTROLS

FIGURE 7-13. STEERING COLUMN INSTALLATION



ART_1001229534_D

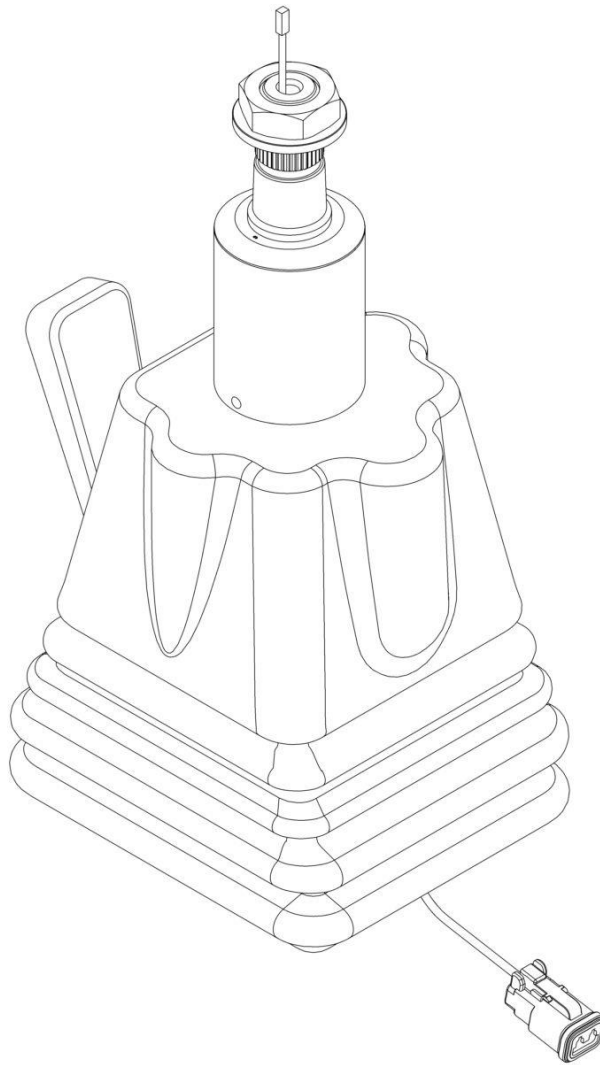
SECTION 7 - CONTROLS

FIGURE 7-13. STEERING COLUMN INSTALLATION

ITEM	PART NUMBER	QTY	DESCRIPTION	REV
	1001229534	Ref	Steering Column Installation	D
1	0700824	1	Bolt, M8X80	
2	0760608	1	Bolt, M6X16	
3	0761012	8	Bolt, M10X25	
4	2130404	1	Fitting, 90 ORFS	
5	2130808	2	Fitting, 90 ORFS	
6	2170208	2	Fitting, 90 ORFS	
7	4811702	1	Washer, M6	
8	4811900	1	Washer, M8	
9	4812000	8	Washer, M10	
10	1001004640	4	Clamp	
11	1001143857	1	Fitting, Straight ORFS	
12	1001257330	1	Column Assembly - Tilt Steering (No Service Parts Available - Purchase Complete Assembly))	
13	1001156265	1	Bracket, Support	
14	1001161672	1	Pipe	
15	1001161896	1	Pipe	
16	1001161897	1	Pipe	
17	1001161898	1	Pipe	
18	1001162979	1	Pipe	
19	1001168142	1	Bracket	
20	1001168151	1	Bracket	
21	1001229087	1	Valve, Steering Unit	

SECTION 7 - CONTROLS

FIGURE 7-14. TILT STEERING COLUMN



ART_1001257330

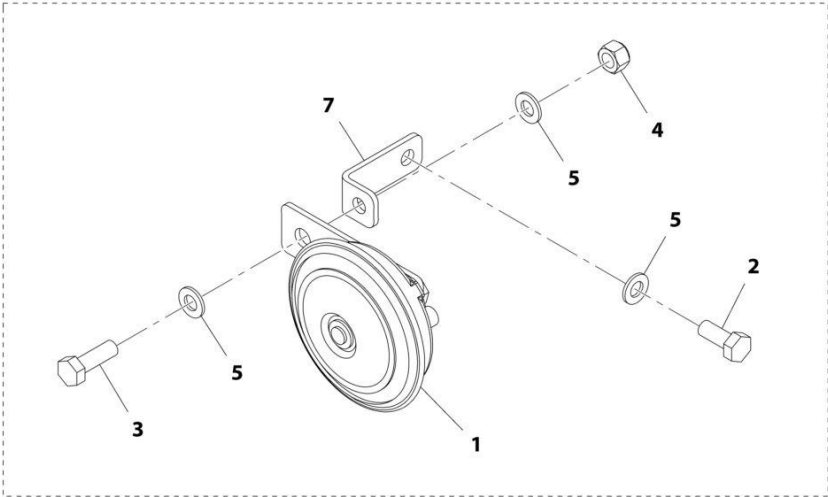
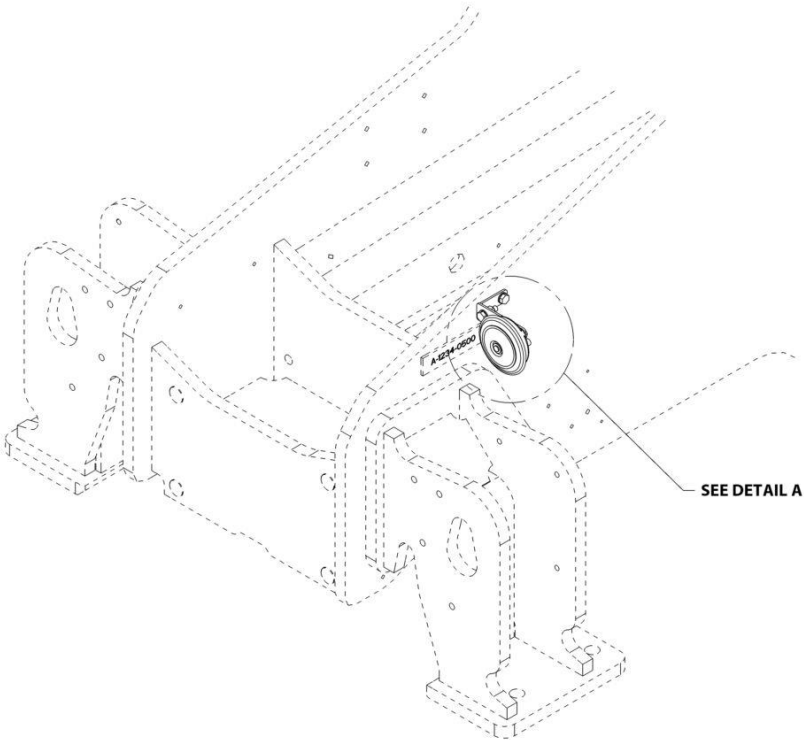
SECTION 7 - CONTROLS

FIGURE 7-14. TILT STEERING COLUMN

ITEM	PART NUMBER	QTY	DESCRIPTION	REV
	1001257330	Ref Ref	TILT STEERING COLUMN Note: No Service Parts Available - Purchase Complete Assembly	A

SECTION 7 - CONTROLS

FIGURE 7-15. HORN INSTALLATION



DETAIL A

ART_1001180418-C

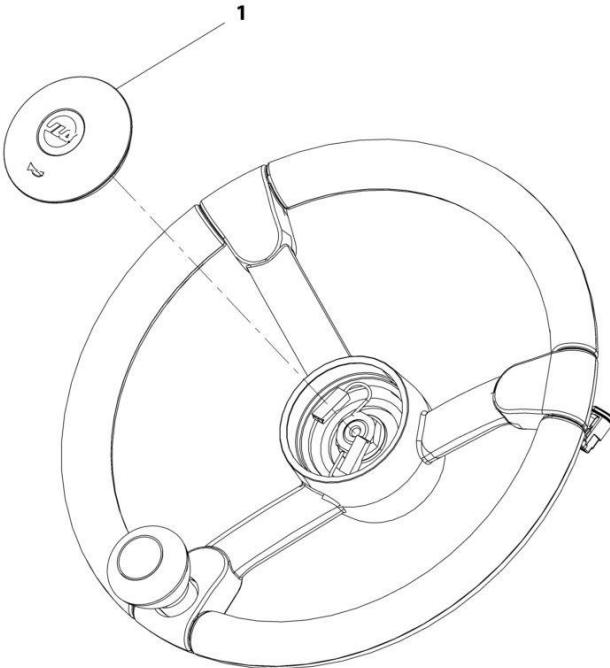
SECTION 7 - CONTROLS

FIGURE 7-15. HORN INSTALLATION

ITEM	PART NUMBER	QTY	DESCRIPTION	REV
	1001180418	Ref	Horn Installation	C
1	1001003596	1	Horn	
2	0760810	1	Bolt, M8X20	
3	0760812	1	Bolt, M8X25	
4	3290805	1	Nut, Lock M8X1.25 Grade 8	
5	4811900	3	Washer, M8	
7	1001104437	1	Bracket, Horn Mount	

SECTION 7 - CONTROLS

FIGURE 7-16. HORN BUTTON INSTALLATION



ART_1001169763-A

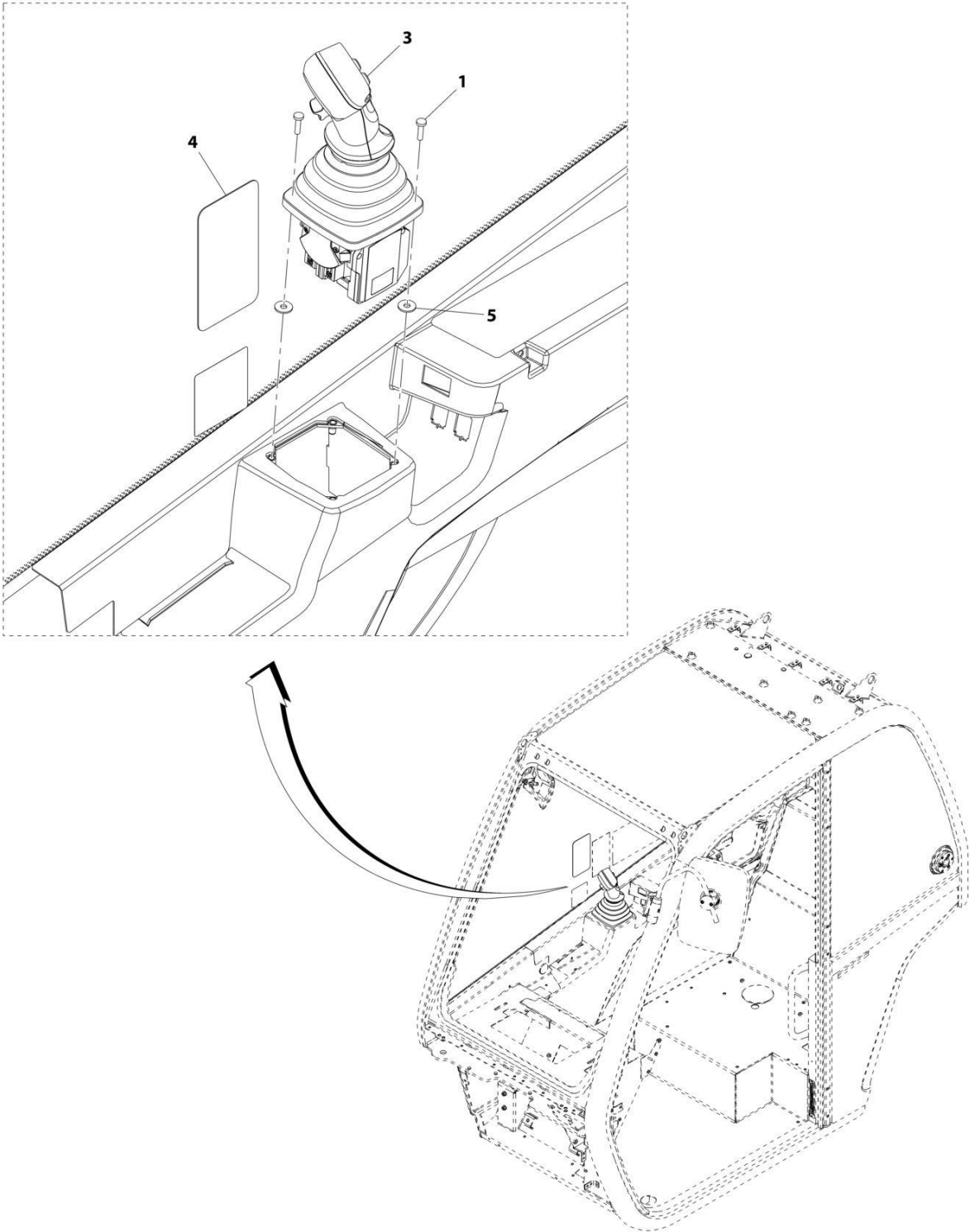
SECTION 7 - CONTROLS

FIGURE 7-16. HORN BUTTON INSTALLATION

ITEM	PART NUMBER	QTY	DESCRIPTION	REV
1	1001169763 1001169268	Ref 1	Horn Button Installation Button, Horn	A

SECTION 7 - CONTROLS

FIGURE 7-17. JOYSTICK INSTALLATION



ART_1001167004-G

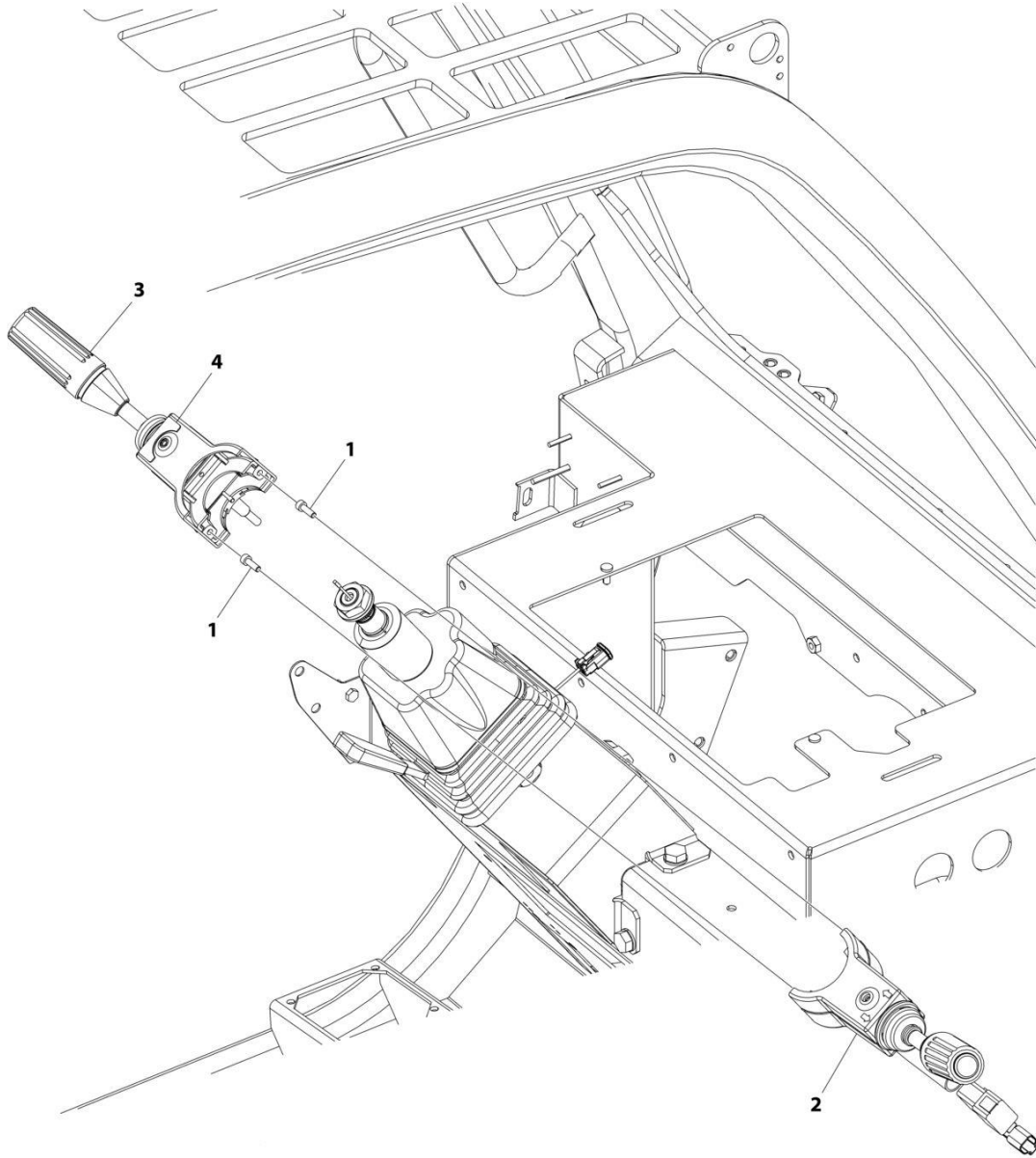
SECTION 7 - CONTROLS

FIGURE 7-17. JOYSTICK INSTALLATION

ITEM	PART NUMBER	QTY	DESCRIPTION	REV
	1001167004	Ref	Joystick Installation	H
1	4010510	4	Screw, M5X20	
3	1001222603	1	Joystick	
4	1001236404	NLA	Decal, Joystick (no longer available, use 1001241950 for replacement)	
4	1001241950	1	Decal, Joystick	
5	4811702001	AR	Washer, M6	

SECTION 7 - CONTROLS

FIGURE 7-18. WIPER-TURN SWITCH (0 SPEED - FNR)



ART_1001181927

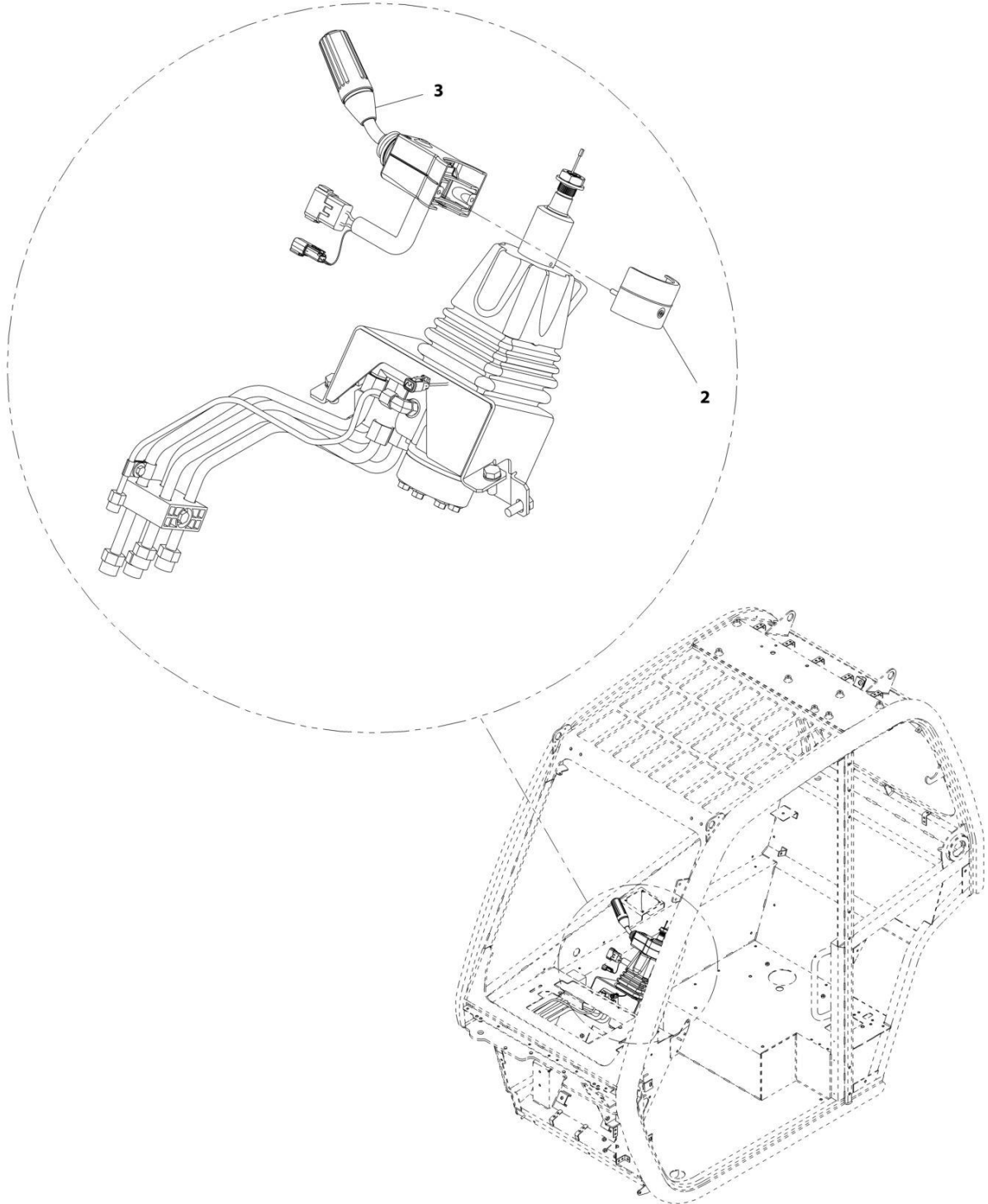
SECTION 7 - CONTROLS

FIGURE 7-18. WIPER-TURN SWITCH (0 SPEED - FNR)

ITEM	PART NUMBER	QTY	DESCRIPTION	REV
	1001181927	Ref	Wiper-Turn Switch (0 Speed - FNR)	F
1	4031607	2	Bolt, M5X16	
2	1001214280	1	Switch, Turn-Wiper	
3	1001257348	1	Switch, Zero Speed	
4	1001236402	1	Decal	

SECTION 7 - CONTROLS

FIGURE 7-19. WIPER-TURN SWITCH (NO SPEED)



ART_1001181928-D

SECTION 7 - CONTROLS

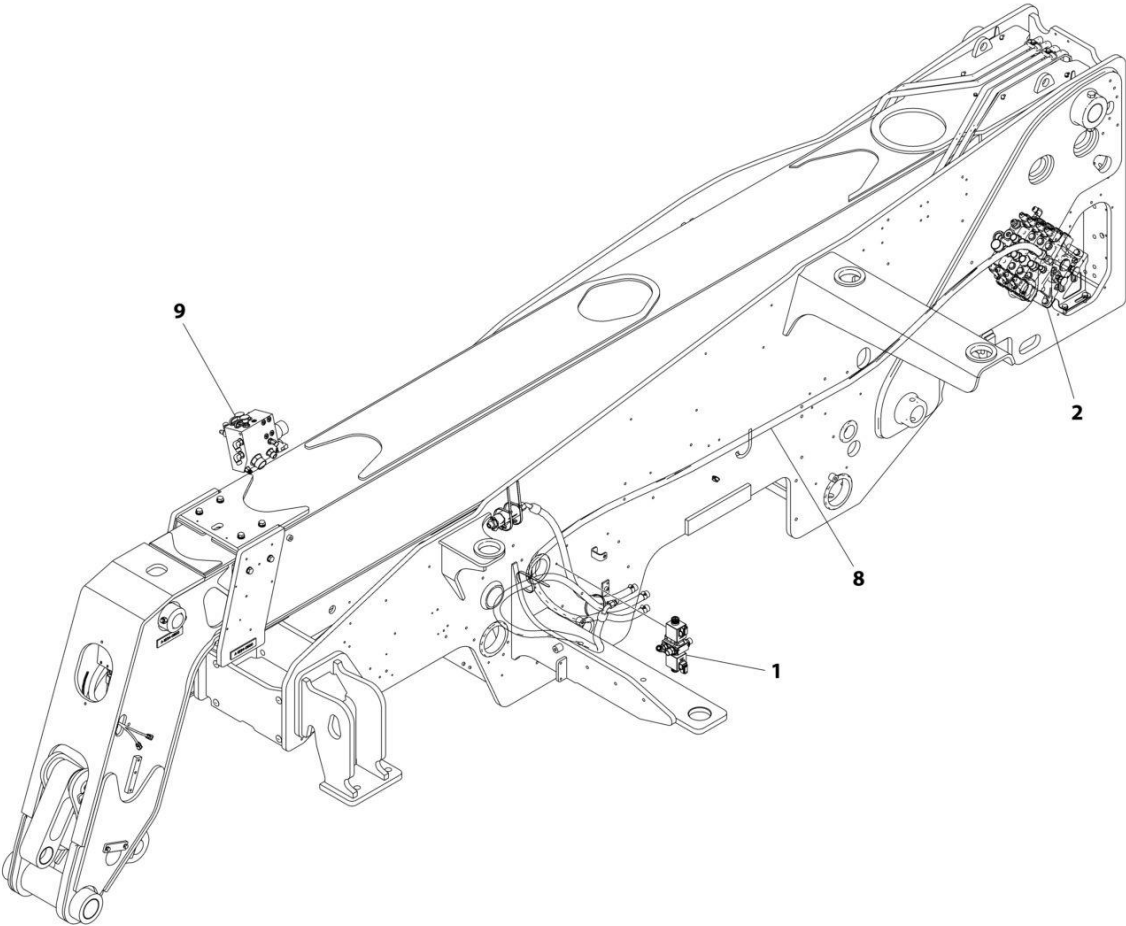
FIGURE 7-19. WIPER-TURN SWITCH (NO SPEED)

ITEM	PART NUMBER	QTY	DESCRIPTION	REV
	1001181928	Ref	Wiper-Turn Switch (No Speed)	D
2	1001146949	1	Clamp	
3	1001214280	1	Switch, Turn-Wiper	

SECTION 8 - HYDRAULIC CIRCUITS

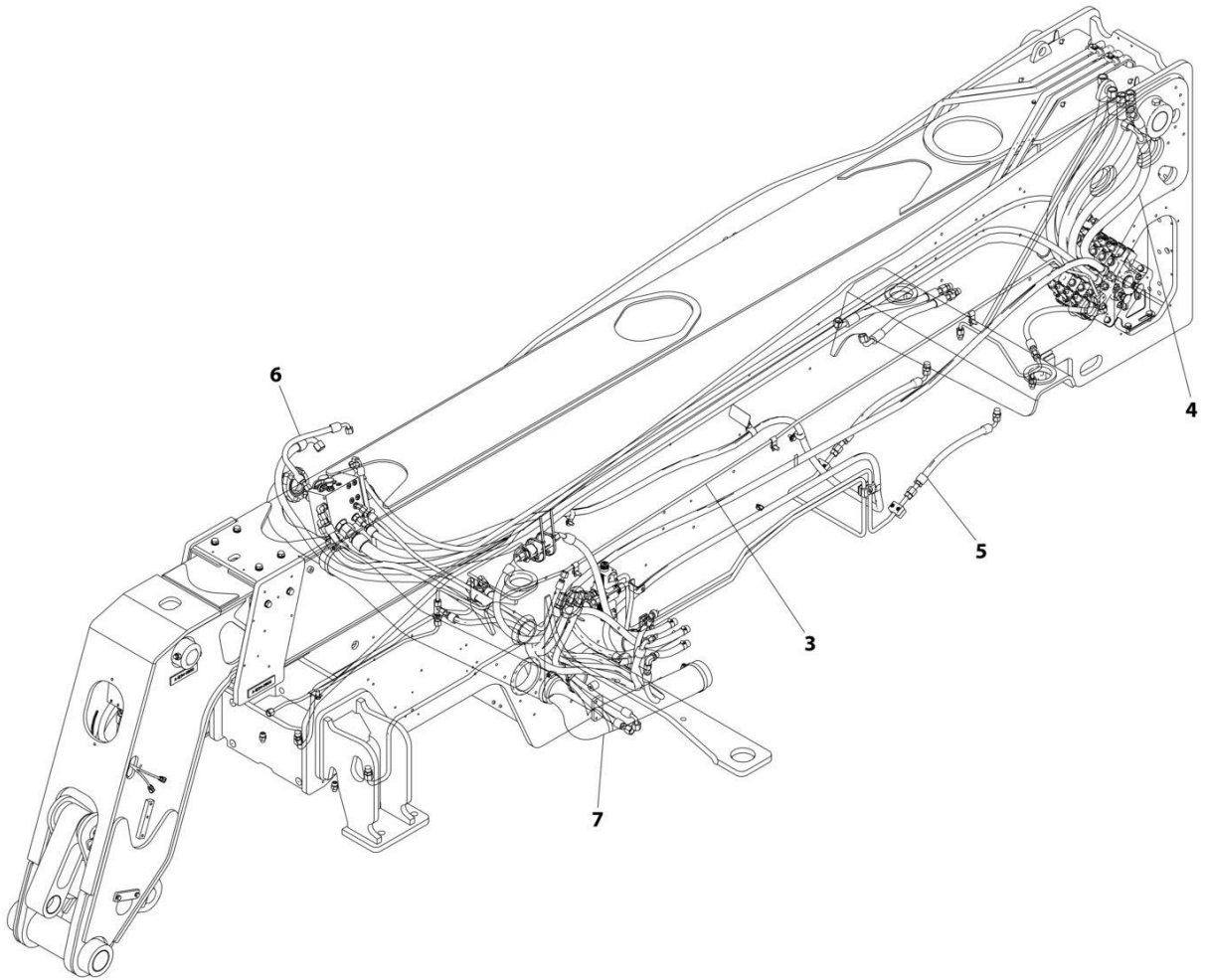
SECTION 8 - HYDRAULIC CIRCUITS

FIGURE 8-1. COMMON HYDRAULICS INSTALLATION



ART_1001256609_F_10F2

SECTION 8 - HYDRAULIC CIRCUITS



ART_1001256609_F_20F2

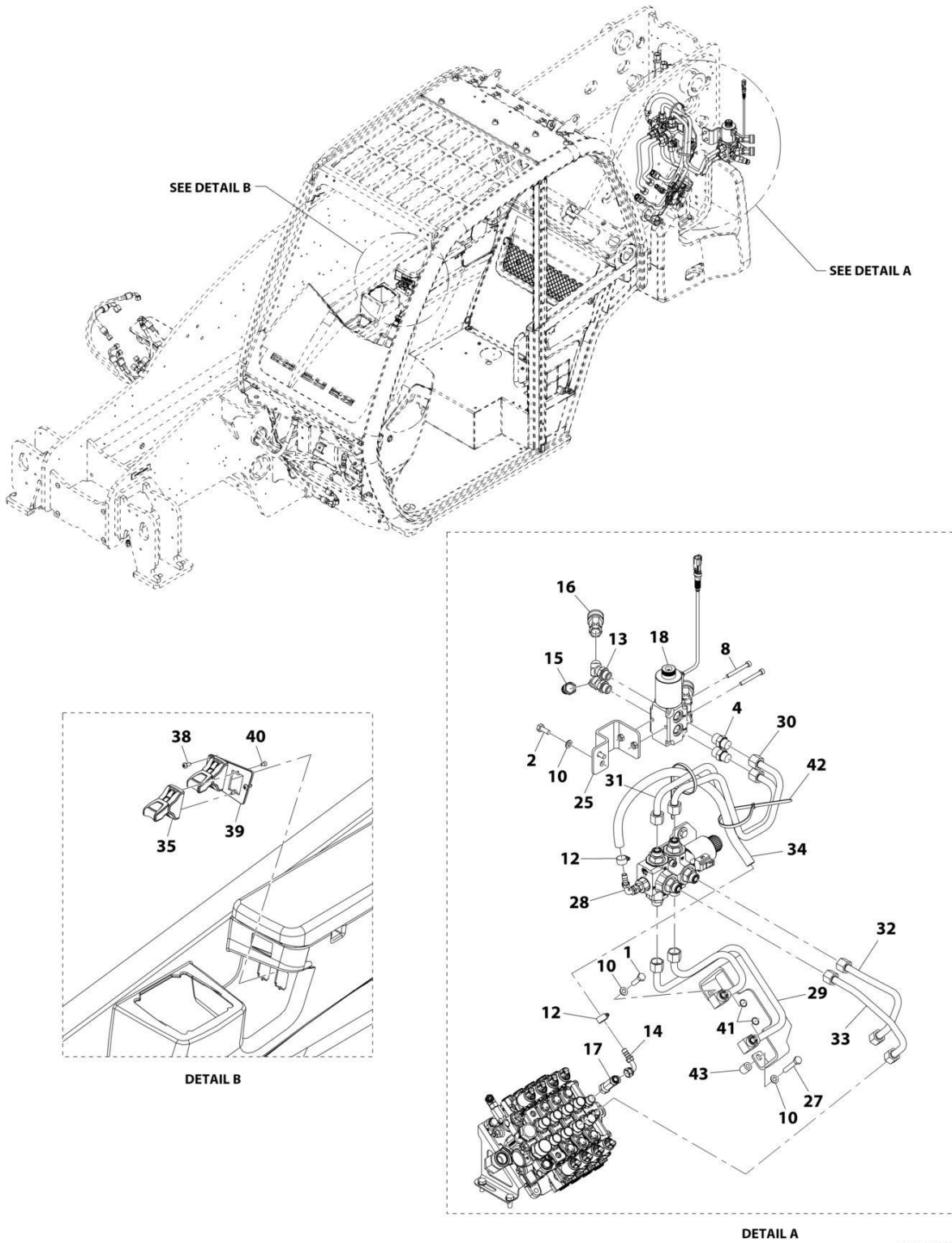
SECTION 8 - HYDRAULIC CIRCUITS

FIGURE 8-1. COMMON HYDRAULICS INSTALLATION

ITEM	PART NUMBER	QTY	DESCRIPTION	REV
	1001256609	Ref	HYDRAULICS INSTALLATION	F
1	1001172894	1	Installation, Steer Valve (See Separate Breakdown in this Section)	
2	1001172900	1	Installation, Main Control Valve (See Separate Breakdown in this Section)	
3	1001172909	1	Installation, Brake Lines (See Separate Breakdown in this Section)	
4	1001173013	1	Installation, Boom Lines (See Separate Breakdown in this Section)	
5	1001180134	1	Installation, Steering Lines (See Separate Breakdown in this Section)	
6	1001269407	1	Installation, Priority Lines (See Separate Breakdown in this Section)	
7	1001184531	1	Installation, Suction Lines (See Separate Breakdown in this Section)	
8	1001185351	1	Installation, Return Lines (See Separate Breakdown in this Section)	
9	1001269021	1	Installation, Priority Valve (See Separate Breakdown in this Section)	

SECTION 8 - HYDRAULIC CIRCUITS

FIGURE 8-2. AUXILIARY HYDRAULICS INSTALLATION - REAR (TWIN)



ART_1001197090-1

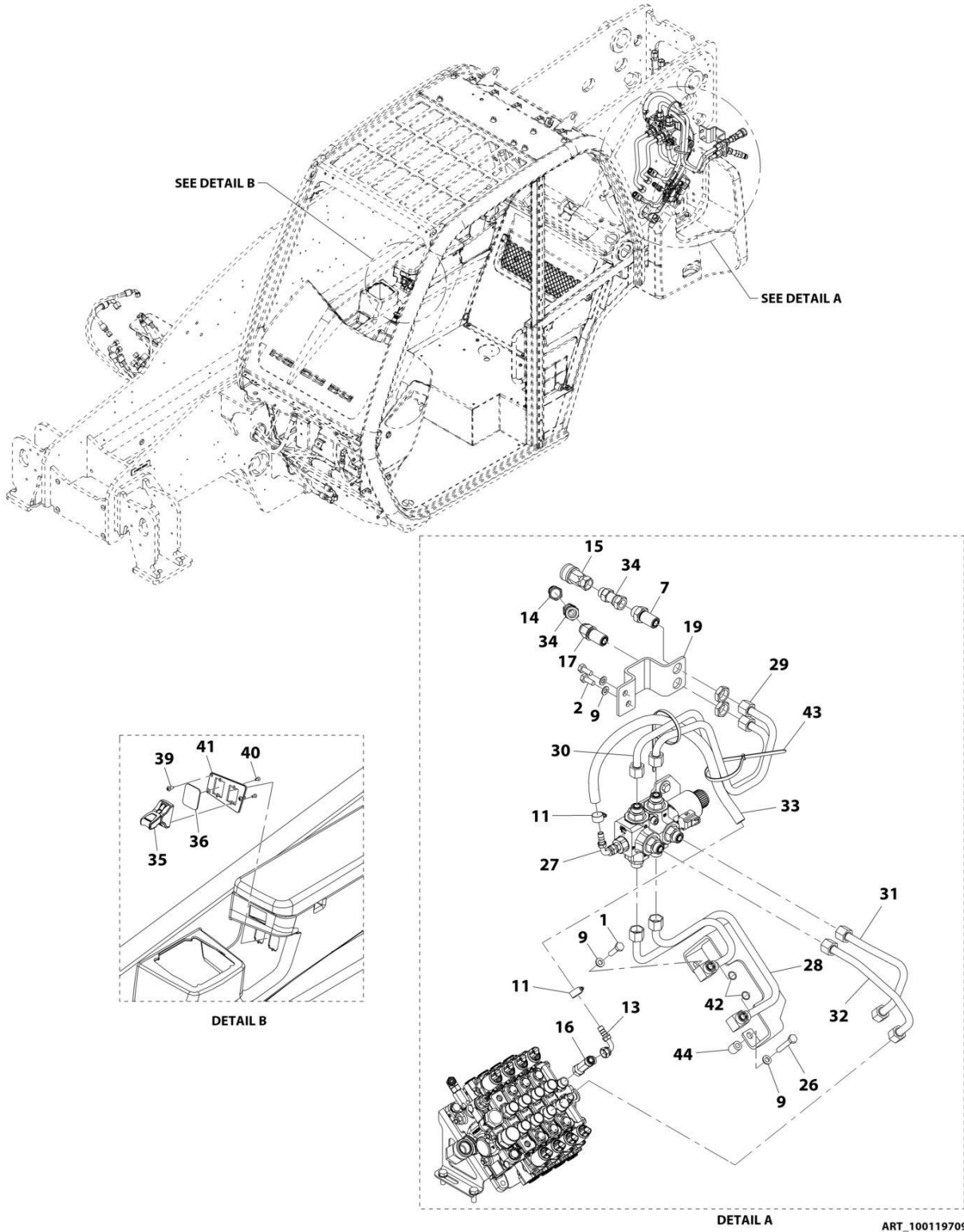
SECTION 8 - HYDRAULIC CIRCUITS

FIGURE 8-2. AUXILIARY HYDRAULICS INSTALLATION - REAR (TWIN)

ITEM	PART NUMBER	QTY	DESCRIPTION	REV
	1001197090	Ref	Rear Aux Hydraulics Installation (Twin)	I
1	0701016	1	Bolt, M10X40	
2	0761012	2	Bolt, M10X25	
4	2111010	2	Fitting, Straight ORFS	
8	4031918	2	Bolt, M8X70	
10	4812000	4	Washer, M10	
12	8405006	2	Clamp	
13	1001005904	4	Fitting, 45	
14	1001095301	1	Fitting, 90 ORFS	
15	1001101041	2	Coupling, Male Quick Disconnect	
16	1001101042	2	Coupling, Female Quick Disconnect	
17	1001104646	1	Fitting, Tee ORFS	
18	1001110023	1	Valve, Divertor (See Separate Breakdown in HYDRAULIC COMPONENTS Section)	
25	1001213871	1	Bracket	
27	0701021	1	Bolt, M10X65	
28	1001204420	1	Assembly, Divertor Valve (Hi Flow) (See Separate Breakdown in HYDRAULIC COMPONENTS Section)	
29	1001204421	NLA	Pipe (no longer available, use 1001226776 for replacement)	
29	1001226776	1	Pipe	
30	1001213771	NLA	Pipe, ORFS (no longer available, use 1001226101 for replacement)	
30	1001226101	1	Pipe, ORFS	
31	1001213772	1	Pipe, ORFS	
32	1001204427	NLA	Pipe, ORFS (no longer available, use 1001226777 for replacement)	
32	1001226777	1	Pipe, ORFS	
33	1001204428	NLA	Pipe, ORFS (no longer available, use 1001226778 for replacement)	
33	1001226778	1	Pipe, ORFS	
34	1001204437	NLA	Hose (no longer available, use 1001226779 for replacement)	
34	1001226779	1	Hose	
35	1001242098	2	Joystick, Fingertip Control	
38	7029486	1	Screw	
39	1001216163	1	Plate	
40	1001216232	4	Screw	
41	1001008922	2	Seal	
42	1062255	2	Strap, Tie	
43	1001188548	1	Boss	

SECTION 8 - HYDRAULIC CIRCUITS

FIGURE 8-3. AUXILIARY HYDRAULICS INSTALLATION - REAR (SINGLE)



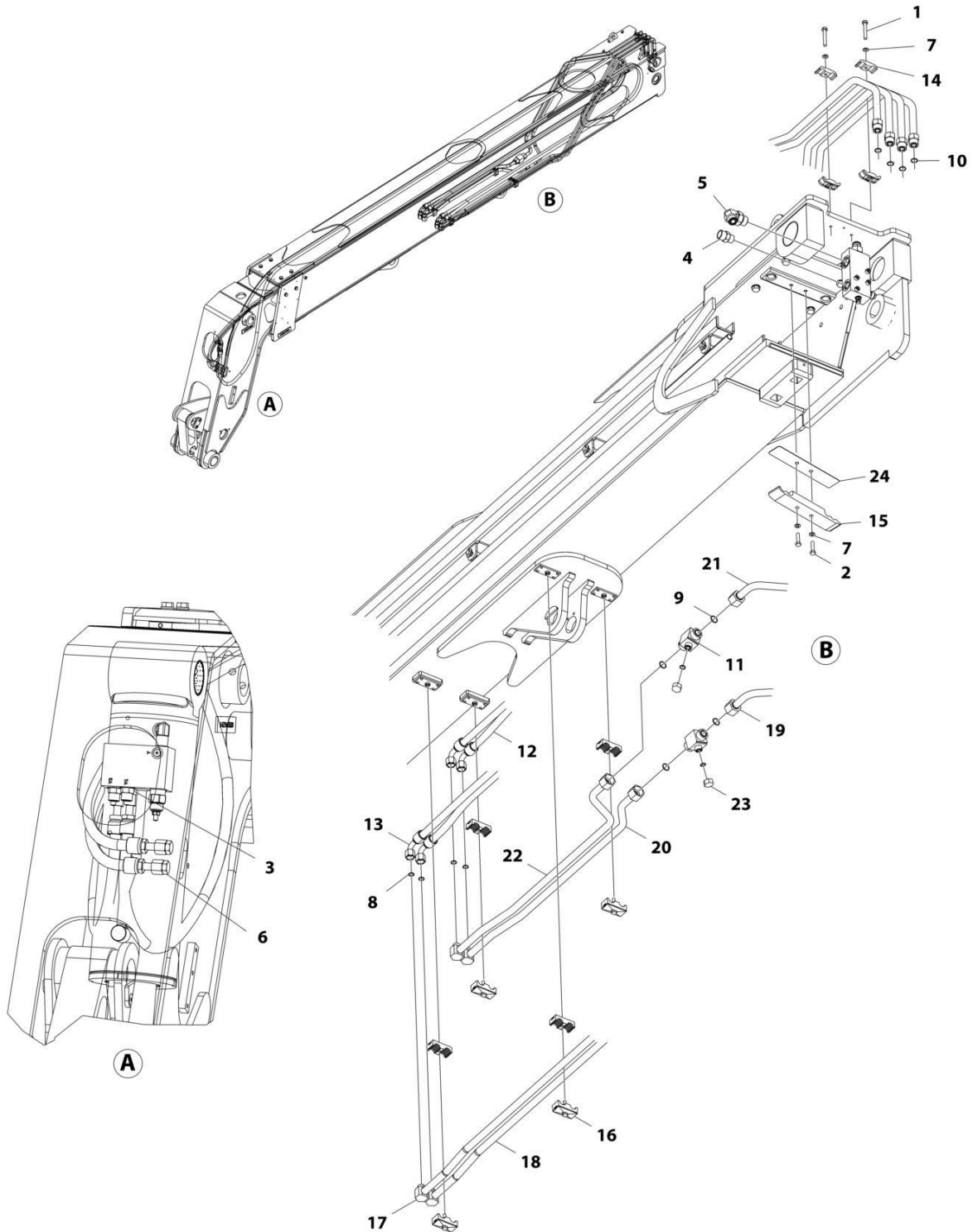
SECTION 8 - HYDRAULIC CIRCUITS

FIGURE 8-3. AUXILIARY HYDRAULICS INSTALLATION - REAR (SINGLE)

ITEM	PART NUMBER	QTY	DESCRIPTION	REV
	1001197093	Ref	Rear Aux Hydraulics Installation (Single)	I
1	0701016	1	Bolt, M10X40	
2	0761012	2	Bolt, M10X25	
7	2171110	1	Fitting, Straight ORFS	
9	4812000	4	Washer, M10	
11	8405006	2	Clamp	
13	1001095301	1	Fitting, 90 ORFS	
14	1001101041	1	Coupling, Male Quick Disconnect	
15	1001101042	1	Coupling, Female Quick Disconnect	
16	1001104646	1	Fitting, Tee ORFS	
17	2171310	1	Fitting, 45 ORFS	
19	1001213829	1	Bracket	
26	0701021	1	Bolt, M10X65	
27	1001204420	1	Assembly, Divertor Valve (Hi Flow) (See Separate Breakdown in HYDRAULIC COMPONENTS Section)	
28	1001204421	NLA	Pipe (no longer available, use 1001226776 for replacement)	
28	1001226776	1	Pipe	
29	1001213771	NLA	Pipe, ORFS (no longer available, use 1001226101 for replacement)	
29	1001226101	1	Pipe, ORFS	
30	1001213772	1	Pipe, ORFS	
31	1001204427	NLA	Pipe, ORFS (no longer available, use 1001226777 for replacement)	
31	1001226777	1	Pipe, ORFS	
32	1001204428	NLA	Pipe, ORFS (no longer available, use 1001226778 for replacement)	
32	1001226778	1	Pipe, ORFS	
33	1001204437	NLA	Hose (no longer available, use 1001226779 for replacement)	
33	1001226779	1	Hose	
34	1001001556	2	Fitting, Straight ORFS	
35	1001242098	1	Joystick, Fingertip Control	
36	1001214399	1	Cover	
39	7029486	3	Screw	
40	1001216232	2	Screw	
41	1001216163	1	Plate	
42	1001008922	2	Seal	
43	1062255	2	Strap, Tie	
44	1001188548	1	Boss	

SECTION 8 - HYDRAULIC CIRCUITS

FIGURE 8-4. BOOM HYDRAULIC INSTALLATION



ART_1001216312_C

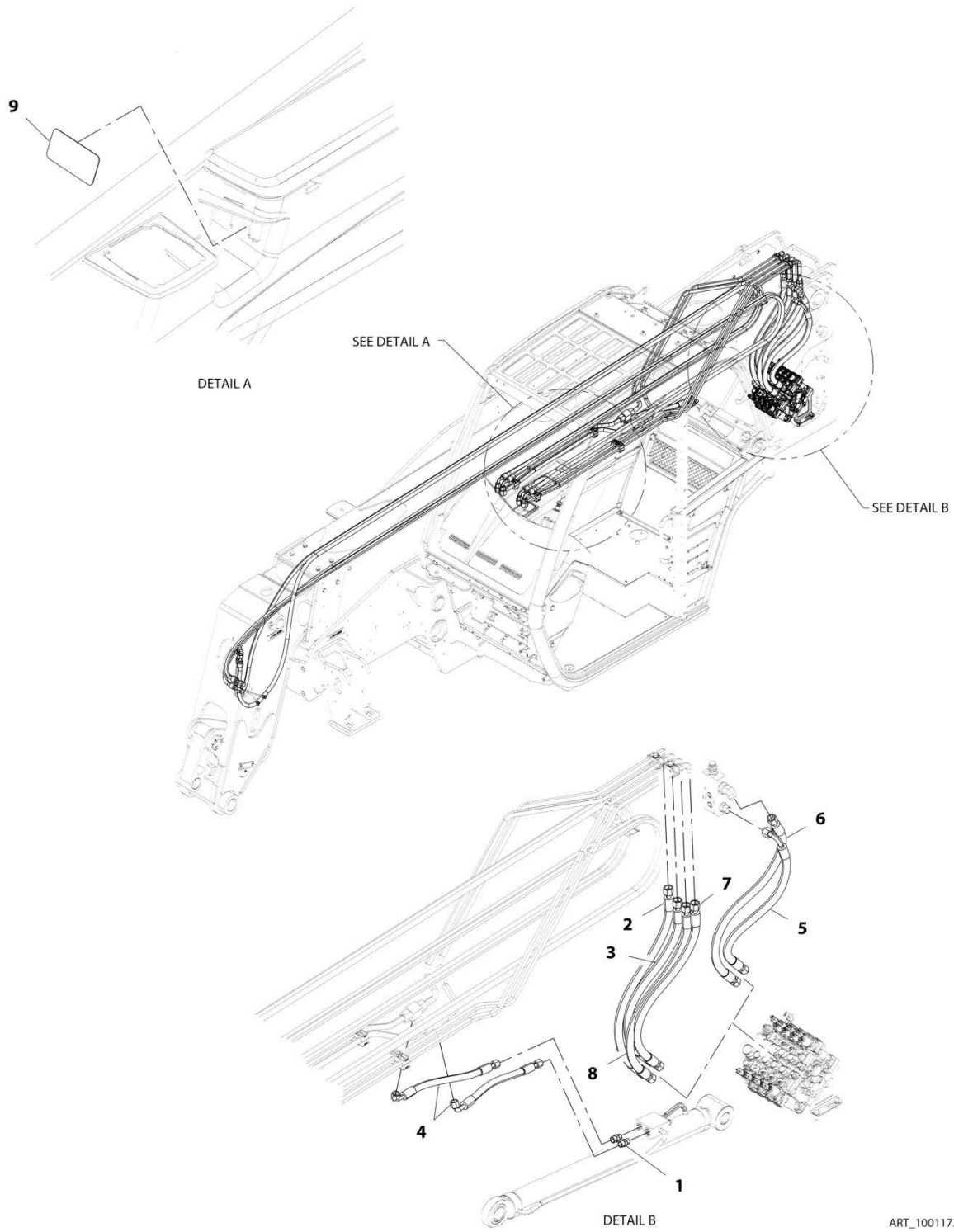
SECTION 8 - HYDRAULIC CIRCUITS

FIGURE 8-4. BOOM HYDRAULIC INSTALLATION

ITEM	PART NUMBER	QTY	DESCRIPTION	REV
	1001216312	Ref	BOOM HYDRAULIC INSTALLATION	C
1	0700819	2	Bolt M8 x 55	
2	0760815	2	Bolt M8 x 35	
2	0760817	2	Bolt M8 x 45	
3	2110808	2	Fitting, Straight ORFS	
4	2111010	1	Fitting, Straight ORFS	
5	2131012	1	Fitting, 90 ORFS	
6	2171008	2	Plug	
7	4811900	4	Washer M8	
8	1001008805	6	Seal	
9	1001008863	4	Seal	
10	1001008922	4	Seal	
11	1001182793	2	Fitting, Straight ORFS	
12	1001270597	1	Hose	
13	1001188808	1	Hose	
14	1001213883	2	Clamp	
15	1001213925	1	Clamp (Used without Item 24 Clamping Plate)	
15	1001282197	1	Clamp (Used with Item 24 Clamping Plate)	
16	1001216237	4	Clamp	
17	1001216275	1	Tube	
18	1001216276	1	Pipe	
19	1001216277	1	Pipe	
20	1001216278	1	Pipe	
21	1001216279	1	Pipe	
22	1001216280	1	Pipe	
23	2170908	2	Cap	
24	1001282247	1	Plate, Clamping	

SECTION 8 - HYDRAULIC CIRCUITS

FIGURE 8-5. BOOM LINES INSTALLATION



ART_1001173013-D

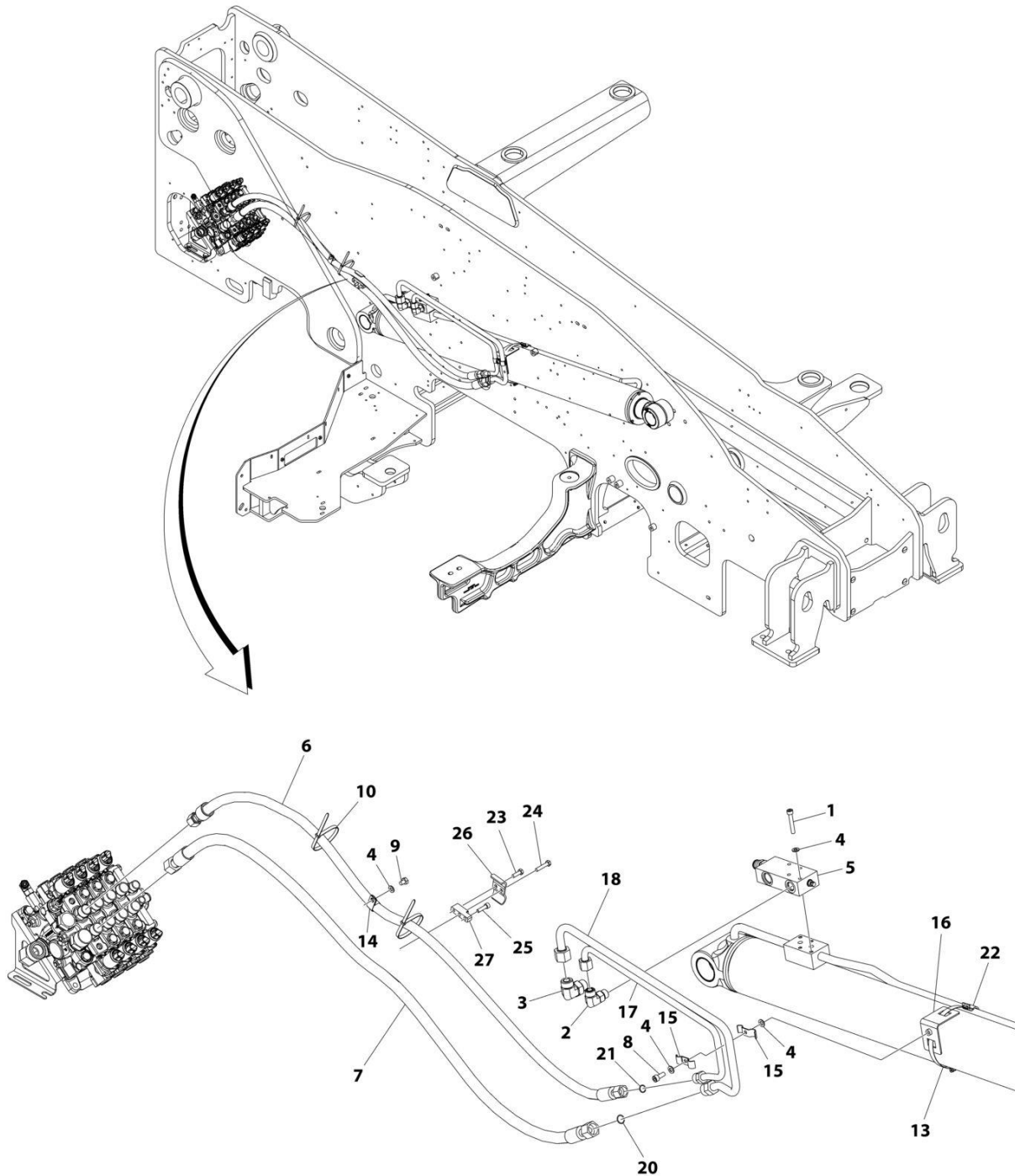
SECTION 8 - HYDRAULIC CIRCUITS

FIGURE 8-5. BOOM LINES INSTALLATION

ITEM	PART NUMBER	QTY	DESCRIPTION	REV
	1001173013	Ref	Boom Lines Installation	D
1	2110808	2	Fitting, Straight ORFS	
2	1001181562	1	Hose	
3	1001181563	1	Hose	
4	1001181784	2	Hose	
5	1001181568	1	Hose	
6	1001181569	1	Hose	
7	1001181565	1	Hose	
8	1001181564	1	Hose	
9	1670836	1	Cover, Boom	

SECTION 8 - HYDRAULIC CIRCUITS

FIGURE 8-6. BOOM RAISE HOSES INSTALLATION (NO RIDE CONTROL)



ART_1001179041_I

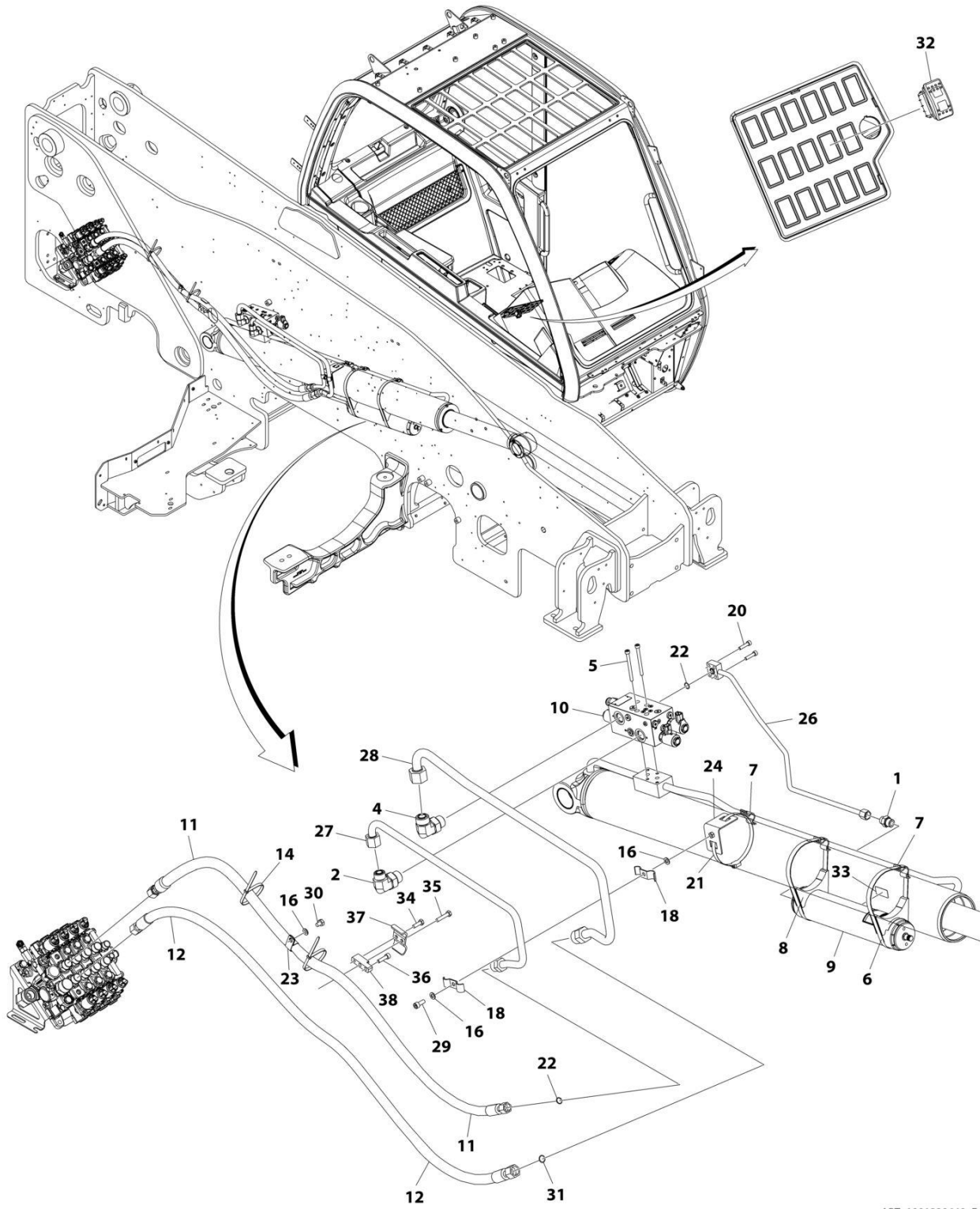
SECTION 8 - HYDRAULIC CIRCUITS

FIGURE 8-6. BOOM RAISE HOSES INSTALLATION (NO RIDE CONTROL)

ITEM	PART NUMBER	QTY	DESCRIPTION	REV
	1001179041	Ref	BOOM RAISE HOSES INSTALLATION (NO RIDE CONTROL)	I
1	5271814	4	Bolt M8 x 50	
2	2131010	1	Fitting, 90 ORFS	
3	2131212	1	Fitting, 90 ORFS	
4	4811900	7	Washer M8	
5	1001201245	1	Valve, Counterbalance (Sold as Assembly - No Service Parts Available)	
5	70027600	1	Seal Kit - Mounting (Includes Seals Between Valve & Cylinder)	
6	1001229223	1	Hose, ORFS	
7	1001203922	1	Hose, ORFS	
8	4031908	1	Bolt M8 x 20	
9	0760807	1	Bolt M8 x 14	
10	1062255	2	Strap, Tie	
13	8405502	1	Clamp	
14	8406201	1	Clamp	
15	1001198331	2	Clamp, Twin	
16	1001221665	1	Bracket	
17	1001221659	1	Pipe, ORFS	
18	1001221660	1	Pipe, ORFS	
20	1001008863	1	Seal	
21	1001008922	1	Seal	
22	1001101064	AR	Clip	
23	0760812	1	Bolt M8 x 25	
24	0760816	1	Bolt M8 x 40	
25	4031910	1	Bolt M8 x 30	
26	1001271129	1	Bracket	
27	1001270857	1	Mount, Block	

SECTION 8 - HYDRAULIC CIRCUITS

FIGURE 8-7. BOOM RAISE HOSES INSTALLATION (WITH RIDE CONTROL)



ART_1001229640_F

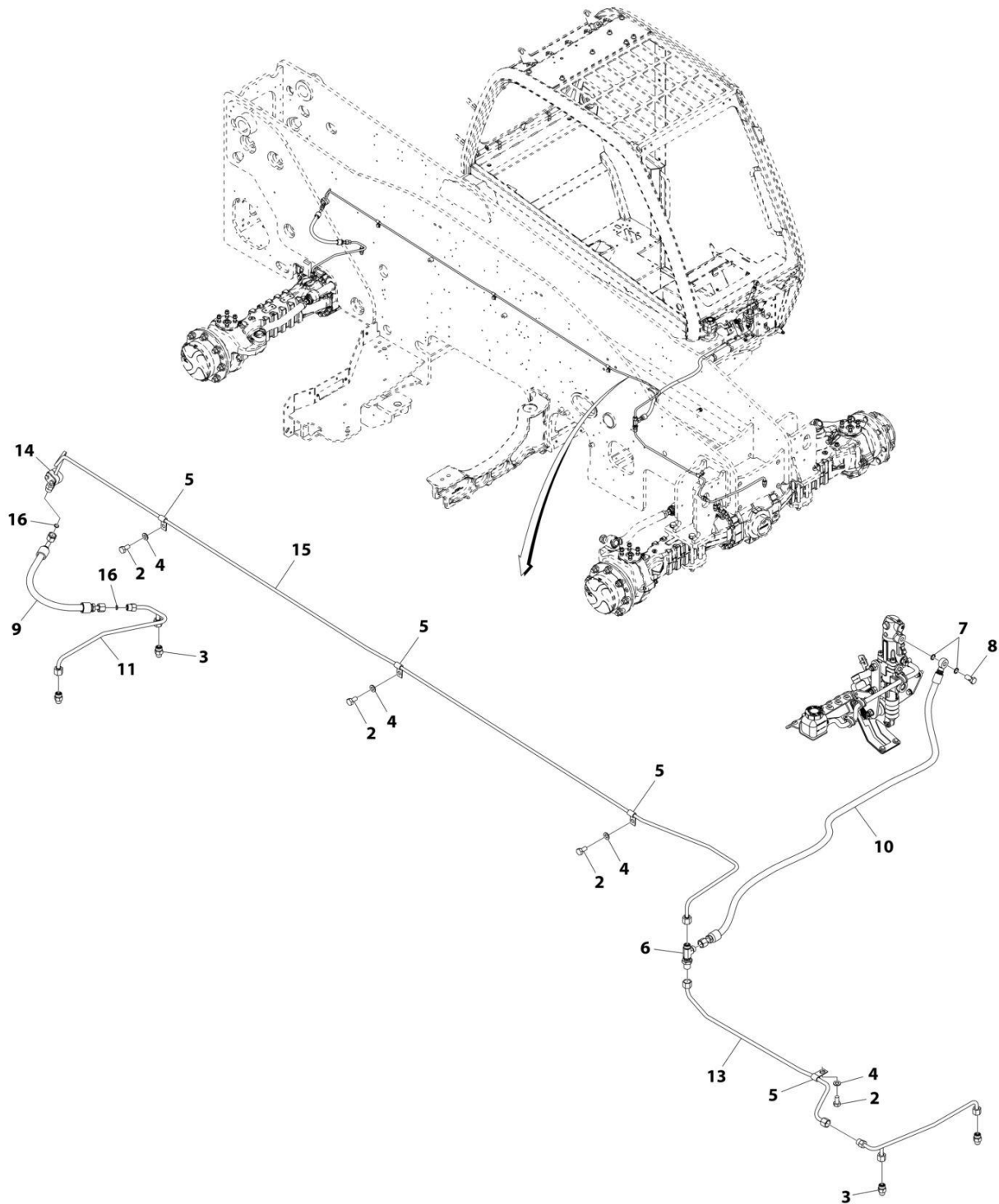
SECTION 8 - HYDRAULIC CIRCUITS

FIGURE 8-7. BOOM RAISE HOSES INSTALLATION (WITH RIDE CONTROL)

ITEM	PART NUMBER	QTY	DESCRIPTION	REV
	1001229640	Ref	BOOM RAISE HOSES INSTALLATION (RIDE CONTROL)	F
1	2110810	1	Fitting, Straight ORFS	
2	2131012	1	Fitting, 90 ORFS	
4	2131212	1	Fitting, 90 ORFS	
5	5271922	4	Bolt M8 x 90	
6	1001101063	2	Clamp	
7	1001101064	AR	Clip	
8	1001208035	2	Bumper	
9	1001229562	1	Cylinder, Piston Accumulator	
10	1001263039	1	Valve, Ride Control (See Separate Breakdown in HYDRAULIC COMPONENTS Section)	
11	1001229223	1	Hose, ORFS	
12	1001203922	1	Hose, ORFS	
14	1062255	2	Strap, Tie	
16	4811900	3	Washer M8	
18	1001198331	2	Clamp, Twin	
20	5271808	4	Screw M8 x 20	
21	8405502	1	Clamp	
22	1001008922	2	Seal	
23	8406201	1	Clamp	
24	1001221665	1	Bracket	
26	1001211452	1	Pipe, ORFS	
27	1001221659	1	Pipe, ORFS	
28	1001229314	1	Pipe	
29	4031908	1	Bolt M8 x 20	
30	0760807	1	Bolt M8 x 14	
31	1001008863	1	Seal	
32	1001159745	1	Switch	
33	1001247708	1	Decal, Stored Energy	
34	0760812	1	Bolt M8 x 25	
35	0760816	1	Bolt M8 x 40	
36	4031910	1	Bolt M8 x 30	
37	1001271129	1	Bracket	
38	1001270857	1	Mount, Block	

SECTION 8 - HYDRAULIC CIRCUITS

FIGURE 8-8. BRAKE LINES INSTALLATION



ART_1001172909-E

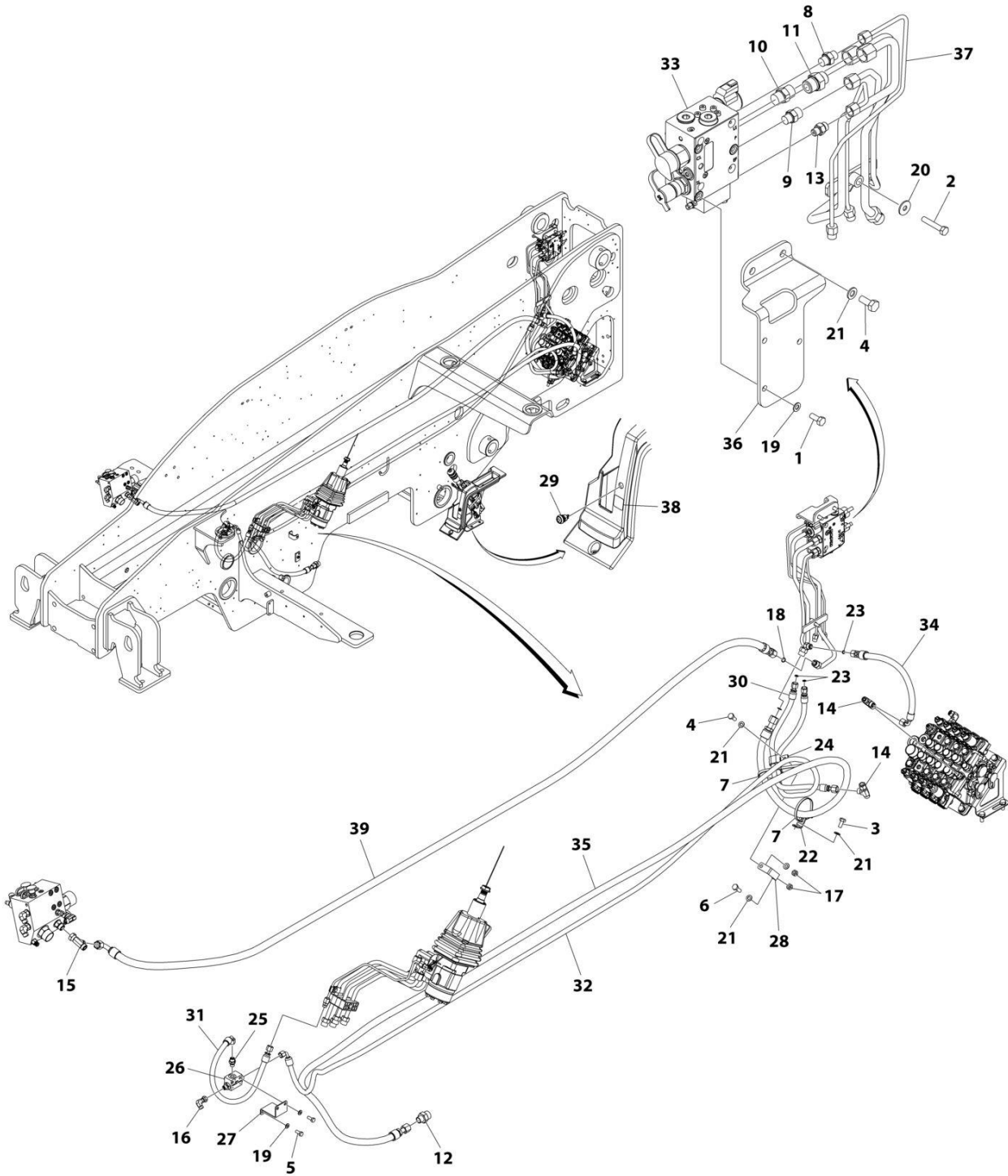
SECTION 8 - HYDRAULIC CIRCUITS

FIGURE 8-8. BRAKE LINES INSTALLATION

ITEM	PART NUMBER	QTY	DESCRIPTION	REV
	1001172909	Ref	Brake Lines Installation	E
2	0761010	4	Bolt, M10X20	
3	2144605	4	Fitting, Straight ORFS	
4	4812000	4	Washer, M10	
5	1001008773	4	Clip	
6	88662434	1	Fitting, Tee ORFS	
7	1001105639	2	Washer	
8	1001105643	1	Bolt	
9	1001181008	1	Hose, Rear Brake	
10	1001221952	1	Hose, ORFS	
11	1001181016	1	Pipe, ORFS	
13	1001181019	1	Pipe, ORFS	
14	1001181170	1	Clamp	
15	1001221953	1	Pipe, ORFS	
16	1001008804	2	Seal	

SECTION 8 - HYDRAULIC CIRCUITS

FIGURE 8-9. BRAKE INSTALLATION – TRAILER



ART_1001269410

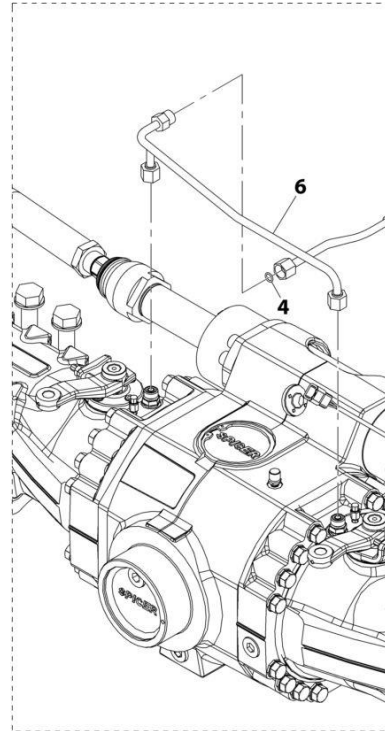
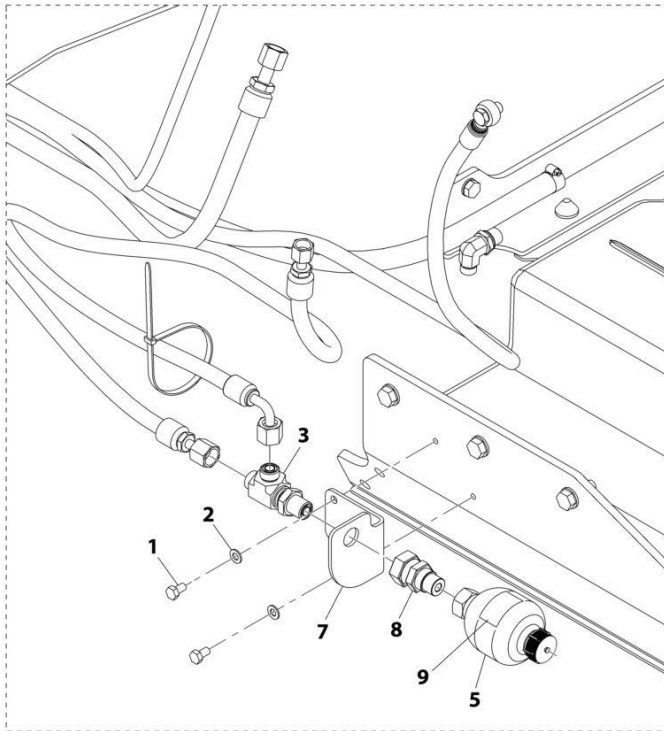
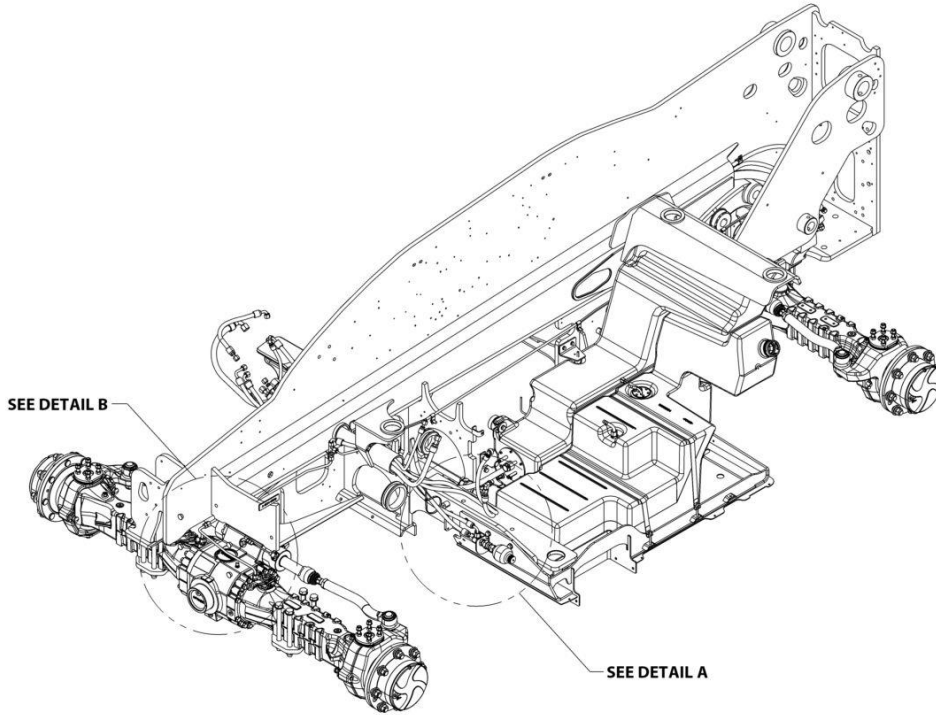
SECTION 8 - HYDRAULIC CIRCUITS

FIGURE 8-9. BRAKE INSTALLATION – TRAILER

ITEM	PART NUMBER	QTY	DESCRIPTION	REV
	1001269410	Ref	TRAILER BRAKE INSTALLATION	C
1	0700810	3	Bolt M8 x 20	
2	0700817	1	Bolt M8 x 45	
3	0701011	1	Bolt M10 x 22	
4	0701012	3	Bolt M10 x 25	
5	0760810	4	Bolt M8 x 20	
6	0761014	1	Bolt M10 x 30	
7	1062255	2	Strap, Tie	
8	2110406	1	Fitting, Straight ORFS/ORB	
9	2110606	1	Fitting, Straight ORFS/ORB	
10	2110808	1	Fitting, Straight ORFS/ORB	
11	2110810	1	Fitting, Straight ORFS/ORB	
12	2110812	1	Fitting, Straight ORFS/ORB	
13	2144602	1	Fitting, Straight ORFS/ORB	
14	2170706	2	Fitting, Tee ORFS	
15	2170708	1	Fitting, Tee ORFS	
16	2172104	1	Fitting, 90 ORFS	
17	3291001	2	Nut M10 x 1.5, Grade 8	
18	3790013	2	O-Ring	
19	4811900	7	Washer M8	
20	4811902	1	Washer M8	
21	4812000	6	Washer M10	
22	1001003305	1	Clip	
23	1001008586	3	O-Ring	
24	1001008626	1	Clip	
25	1001120501	1	Fitting, Straight ORFS/BSPP	
26	1001151257	1	Valve, Dynamic Select	
27	1001184517	1	Bracket	
28	1001184518	1	Bracket	
29	1001200633	1	Switch, Trailer Brake	
30	1001269720	1	Hose	
31	1001269721	1	Hose	
32	1001269722	1	Hose	
33	1001230194	1	Valve, Trailer Brake (See Separate Breakdown in HYDRAULIC COMPONENTS Section)	
34	1001269723	1	Hose	
35	1001269724	1	Hose	
36	1001293727	1	Bracket	
37	1001232651	1	Pipe	
38	1001235451	1	Decal - Trailer Brake	
39	1001204731	1	Hose, ORFS	

SECTION 8 - HYDRAULIC CIRCUITS

FIGURE 8-10. BRAKE ACCUMULATOR LINES INSTALLATION (WITHOUT SAHR)



ART_1001213031-B

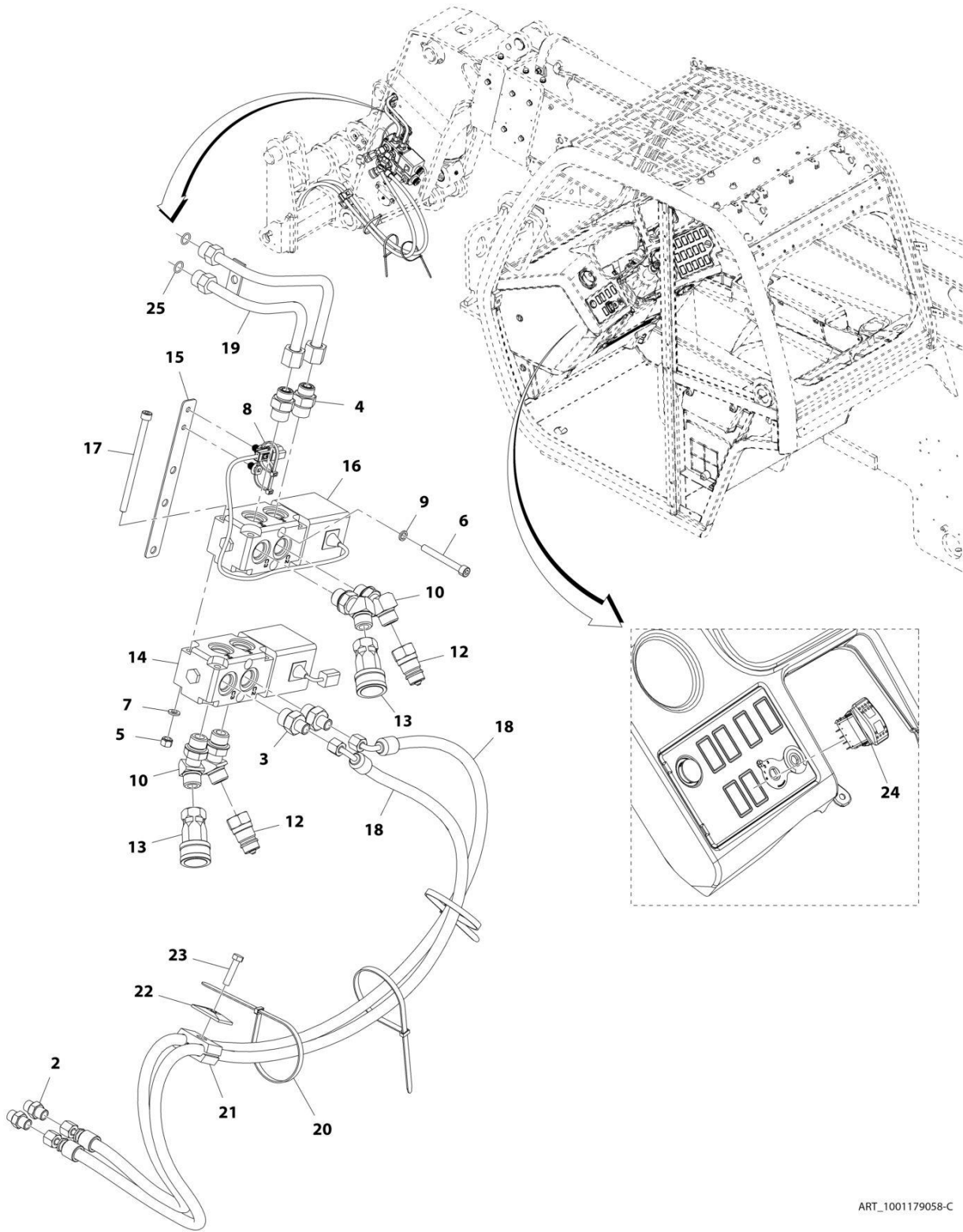
SECTION 8 - HYDRAULIC CIRCUITS

FIGURE 8-10. BRAKE ACCUMULATOR LINES INSTALLATION (WITHOUT SAHR)

ITEM	PART NUMBER	QTY	DESCRIPTION	REV
	1001213031	Ref	Brake Accumulator	C
1	0760807	2	Bolt, M8X14	
2	4811900	2	Washer, M8	
3	8770167	1	Fitting, Tee ORFS	
4	1001008804	1	Seal	
5	1001173418	1	Brake, Damper	
5	1001310831	1	Brake, Damper	
6	1001181017	1	Pipe, ORFS	
7	1001207522	1	Bracket, Accumulator	
8	1001207523	1	Fitting, Straight ORFS	
9	1001237054	1	Decal, Stored Energy	

SECTION 8 - HYDRAULIC CIRCUITS

FIGURE 8-11. COUPLER (HYDRAULIC) LINES INSTALLATION (FRONT BOOM - TWIN)



ART_1001179058-C

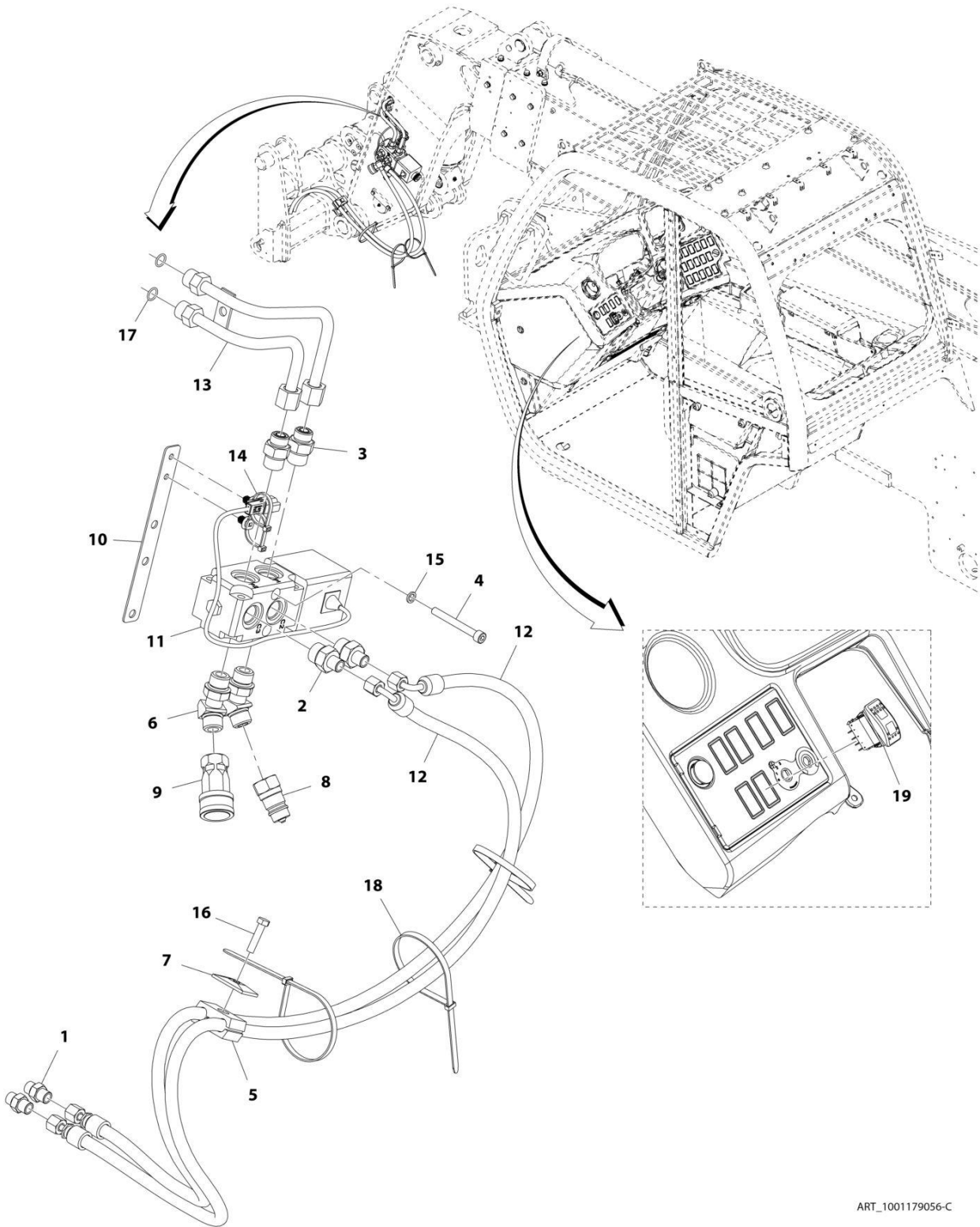
SECTION 8 - HYDRAULIC CIRCUITS

FIGURE 8-11. COUPLER (HYDRAULIC) LINES INSTALLATION (FRONT BOOM - TWIN)

ITEM	PART NUMBER	QTY	DESCRIPTION	REV
	1001179058	Ref	Hydraulic Coupler Lines Installation (Front Boom - Twin)	C
2	2110406	2	Fitting, Straight ORFS	
3	2110410	2	Fitting, Straight ORFS	
4	2110810	2	Fitting, Straight ORFS	
5	3290805	4	Nut, Lock M8X1.25 Grade 8	
6	4031918	2	Bolt, M8X70	
7	4831900	4	Washer, Lock M8	
8	1001146588	2	Strap, Fir Tree Cable Tie	
9	1001005262	2	Washer	
10	1001005904	4	Elbow	
12	1001101041	2	Coupling, Male Quick Disconnect	
13	1001101042	2	Coupling, Female Quick Disconnect	
14	1001104477	1	Valve, Divertor (See Separate Breakdown in HYDRAULIC COMPONENTS Section)	
15	1001108918	1	Plate	
16	1001110023	1	Valve, Divertor (See Separate Breakdown in HYDRAULIC COMPONENTS Section)	
17	1001110115	4	Bolt, M8X100	
18	1001200218	2	Hose, ORFS	
19	1001181161	1	Tube	
20	1062255	3	Strap, Tie	
21	8769124	1	Clamp	
22	77133140	1	Plate, Cover	
23	77133177	1	Bolt, M5/16X1-3/8	
24	1001080375	1	Switch, Quick Switch	
25	1001008805	2	Seal	

SECTION 8 - HYDRAULIC CIRCUITS

FIGURE 8-12. COUPLER (HYDRAULIC) LINES INSTALLATION (FRONT BOOM - SINGLE)



ART_1001179056-C

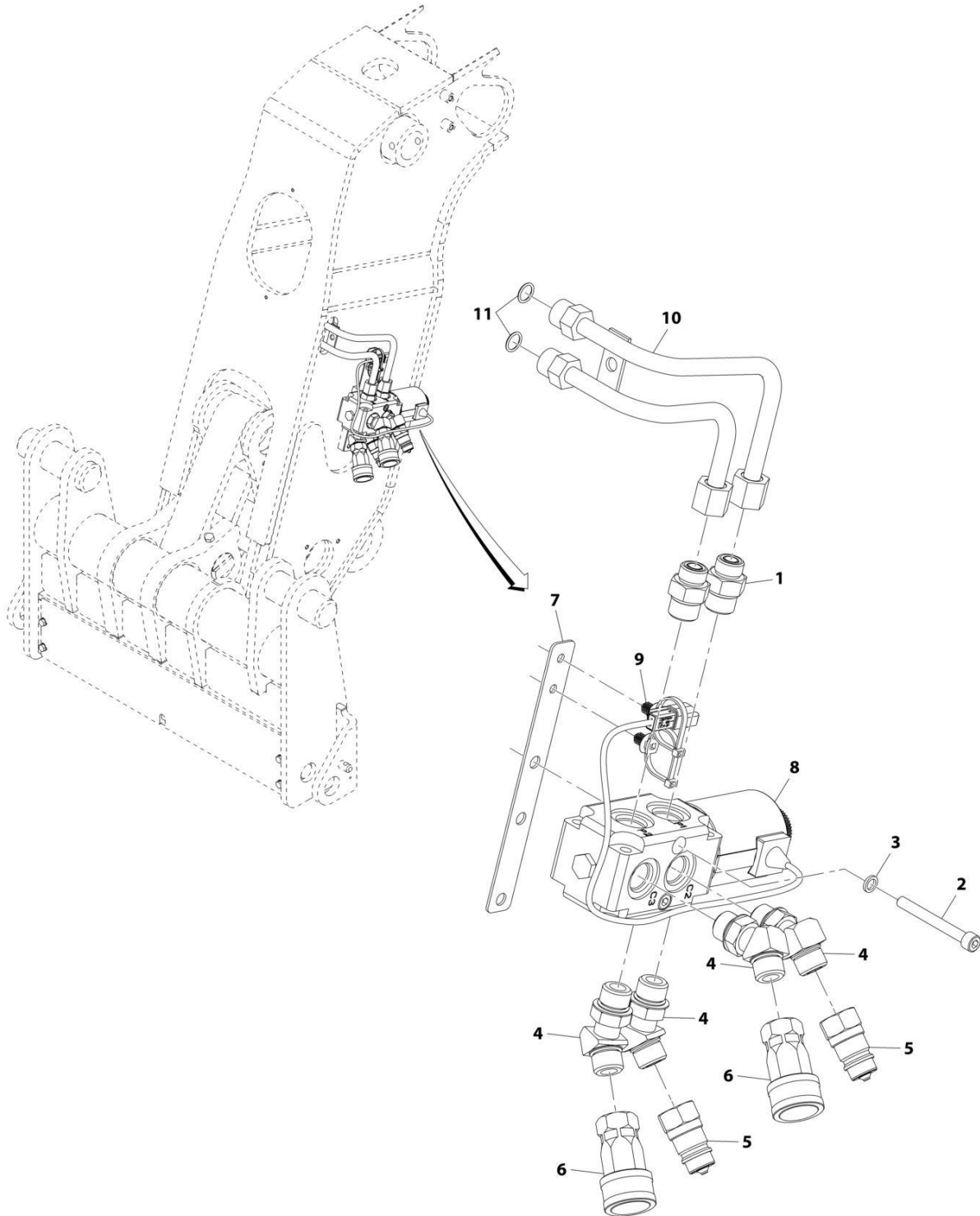
SECTION 8 - HYDRAULIC CIRCUITS

FIGURE 8-12. COUPLER (HYDRAULIC) LINES INSTALLATION (FRONT BOOM - SINGLE)

ITEM	PART NUMBER	QTY	DESCRIPTION	REV
	1001179056	Ref	Hydraulic Coupler Lines Installation (Front Boom - Single)	C
1	2110406	2	Fitting, Straight ORFS	
2	2110410	2	Fitting, Straight ORFS	
3	2110810	2	Fitting, Straight ORFS	
4	4031918	2	Bolt, M8X70	
5	8769124	1	Clamp	
6	1001005904	2	Elbow	
7	77133140	1	Plate, Cover	
8	1001101041	1	Coupling, Male Quick Disconnect	
9	1001101042	1	Coupling, Female Quick Disconnect	
10	1001108918	1	Plate	
11	1001110023	1	Valve, Divertor (See Separate Breakdown in HYDRAULIC COMPONENTS Section)	
12	1001200218	2	Hose, ORFS	
13	1001181161	1	Tube	
14	1001146588	2	Strap, Fir Tree Cable Tie	
15	1001005262	2	Washer	
16	77133177	1	Bolt, M5/16X1-3/8	
17	1001008805	2	Seal	
18	1062255	3	Strap, Tie	
19	1001080375	1	Switch, Quick Switch	

SECTION 8 - HYDRAULIC CIRCUITS

FIGURE 8-13. COUPLER (MANUAL) LINES INSTALLATION (FRONT BOOM - TWIN)



ART_1001201205-B

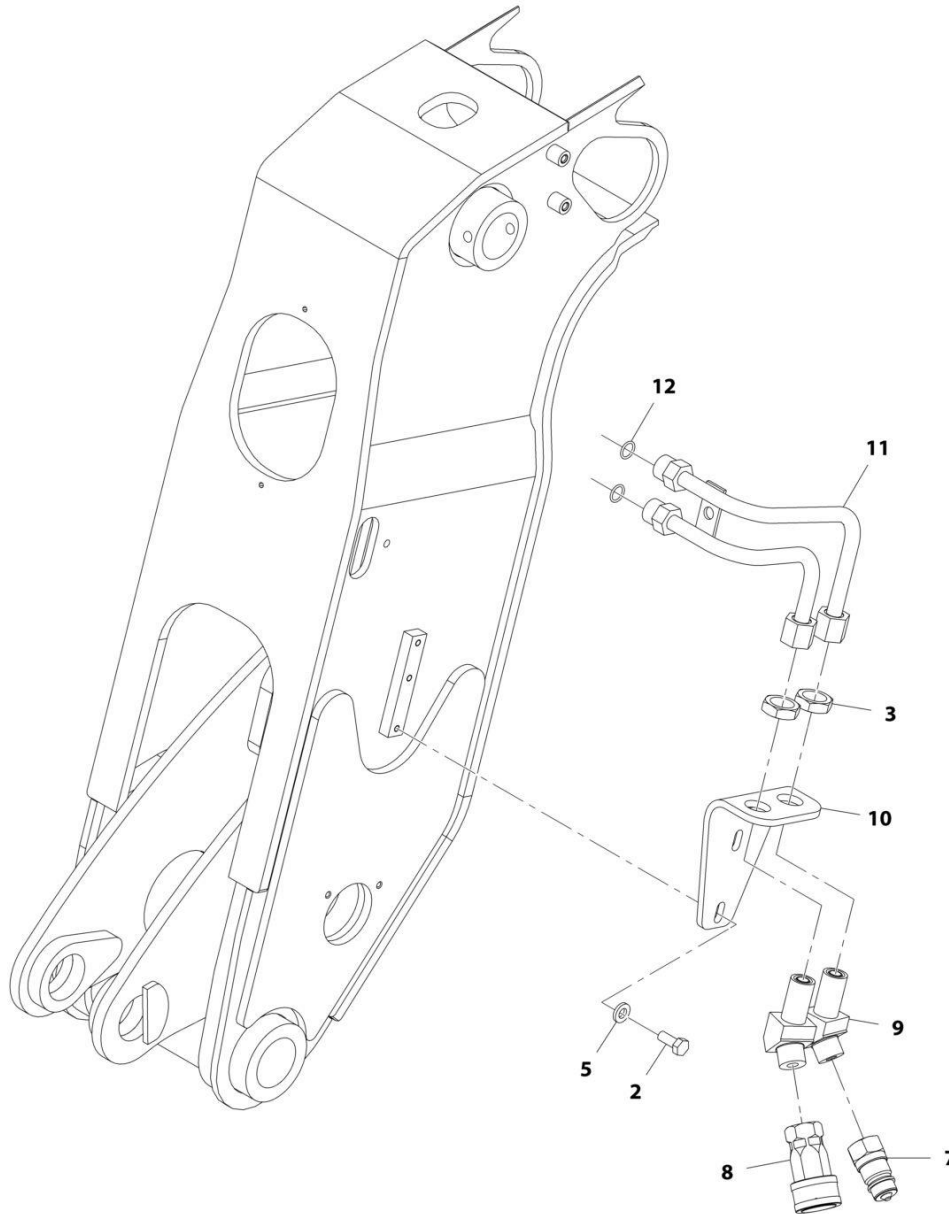
SECTION 8 - HYDRAULIC CIRCUITS

FIGURE 8-13. COUPLER (MANUAL) LINES INSTALLATION (FRONT BOOM - TWIN)

ITEM	PART NUMBER	QTY	DESCRIPTION	REV
	1001201205	Ref	Manual Coupler Lines Installation (Front Boom - Twin)	B
1	2110810	2	Fitting, Straight ORFS	
2	4031918	2	Bolt, M8X70	
3	1001005262	2	Washer	
4	1001005904	4	Fitting, 45	
5	1001101041	2	Adapter, Male Quick Disconnect	
6	1001101042	2	Adapter, Female Quick Disconnect	
7	1001108918	1	Plate	
8	1001110023	1	Valve, Divertor (See Separate Breakdown in HYDRAULIC COMPONENTS Section)	
9	1001146588	2	Strap, Cable	
10	1001181161	1	Tube	
11	1001008805	2	Seal	

SECTION 8 - HYDRAULIC CIRCUITS

FIGURE 8-14. COUPLER (MANUAL) LINES INSTALLATION (FRONT BOOM - SINGLE)



ART_1001179054-C

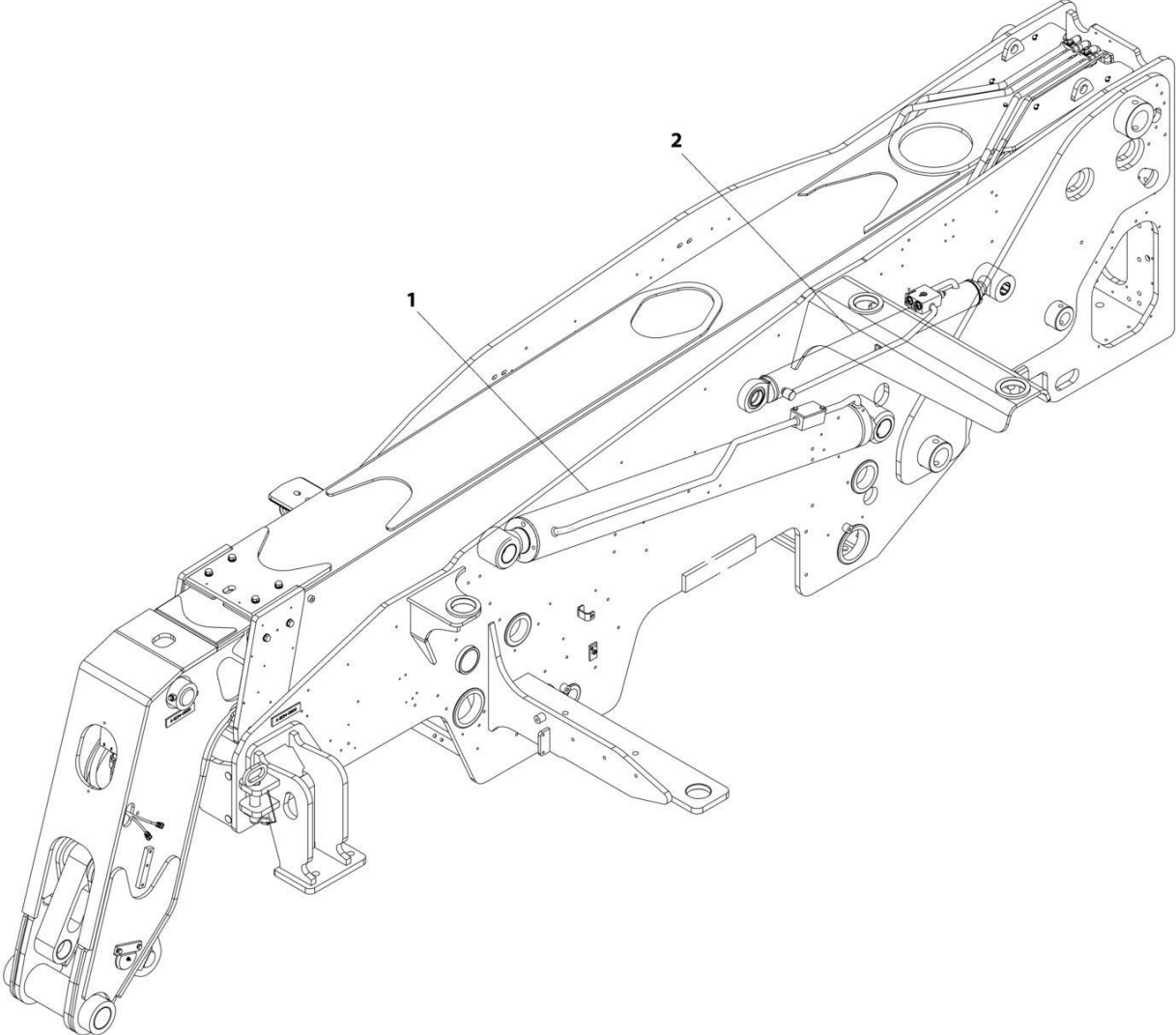
SECTION 8 - HYDRAULIC CIRCUITS

FIGURE 8-14. COUPLER (MANUAL) LINES INSTALLATION (FRONT BOOM - SINGLE)

ITEM	PART NUMBER	QTY	DESCRIPTION	REV
	1001179054	Ref	Manual Coupler Lines Installation (Front Boom - Single)	C
2	0760810	2	Bolt, M8X20	
3	2172208	2	Nut	
5	5240800	2	Washer, M8	
7	1001101041	1	Adapter, Male Quick Disconnect	
8	1001101042	1	Adapter, Female Quick Disconnect	
9	1001103640	2	Adapter, 45 ORFS	
10	1001202177	1	Plate	
11	1001181161	1	Tube	
12	1001008805	2	Seal	

SECTION 8 - HYDRAULIC CIRCUITS

FIGURE 8-15. LIFT CYLINDER INSTALLATION



ART_1001277383

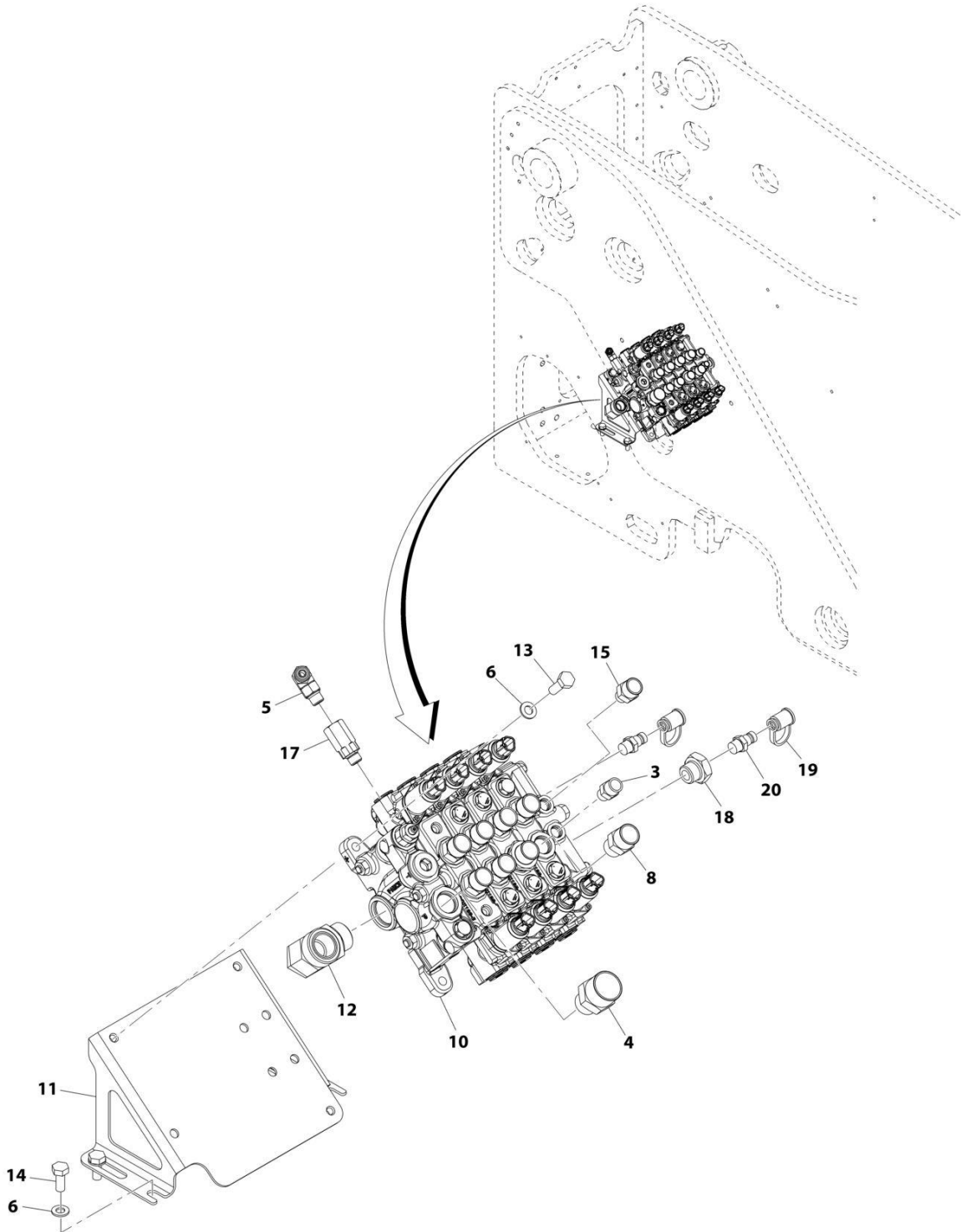
SECTION 8 - HYDRAULIC CIRCUITS

FIGURE 8-15. LIFT CYLINDER INSTALLATION

ITEM	PART NUMBER	QTY	DESCRIPTION	REV
1	1001277383	Ref	LIFT CYLINDER INSTALLATION	A
	1001267963	1	Cylinder, Lift (See Separate Breakdown in HYDRAULIC COMPONENTS Section)	
2	1001274913	1	Compensation Cylinder (See Separate Breakdown in HYDRAULIC COMPONENTS Section)	

SECTION 8 - HYDRAULIC CIRCUITS

FIGURE 8-16. MAIN CONTROL VALVE INSTALLATION



ART_1001172900-J

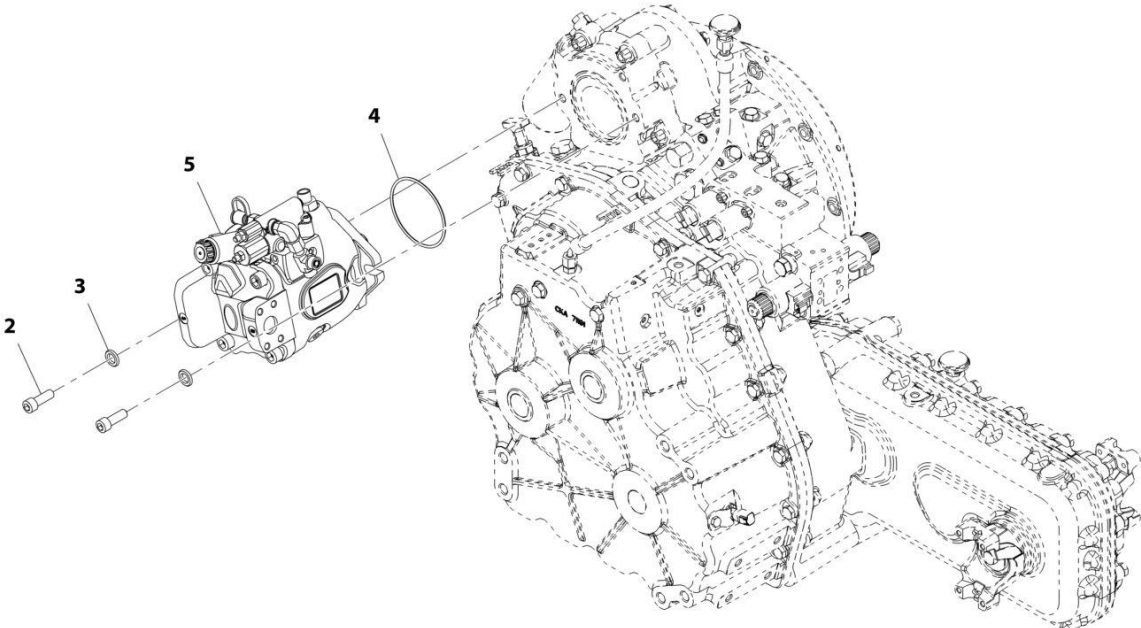
SECTION 8 - HYDRAULIC CIRCUITS

FIGURE 8-16. MAIN CONTROL VALVE INSTALLATION

ITEM	PART NUMBER	QTY	DESCRIPTION	REV
	1001172900	Ref	Main Control Valve Installation	J
3	2110606	1	Fitting, Straight ORFS	
4	2111612	1	Fitting, Straight ORFS	
5	2130606	1	Fitting, 90 ORFS	
6	4812000	7	Washer, M10	
8	2111010	8	Fitting, Straight ORFS	
10	1001241883	1	Valve, Main Control (See Separate Breakdown in HYDRAULIC COMPONENTS Section)	
11	1001182231	1	Bracket	
12	2132016	1	Fitting, 90 ORFS	
13	0701014	3	Bolt, M10X30	
14	0701012	4	Bolt, M10X25	
15	2110806	1	Fitting, Straight ORFS	
17	1001187355	1	Valve, Check	
18	2220221	1	Fitting, Reducer	
19	1001008761	2	Cap	
20	1001003590	2	Fitting, Straight	

SECTION 8 - HYDRAULIC CIRCUITS

FIGURE 8-17. MAIN HYDRAULIC PUMP INSTALLATION



ART_1001177863-B

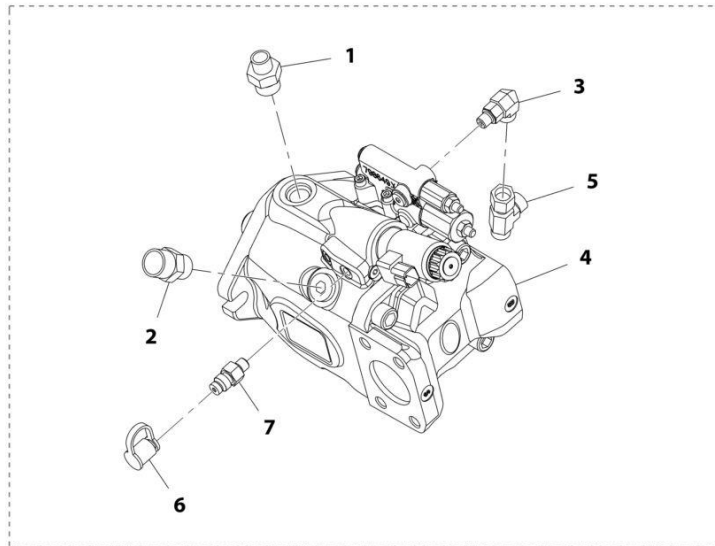
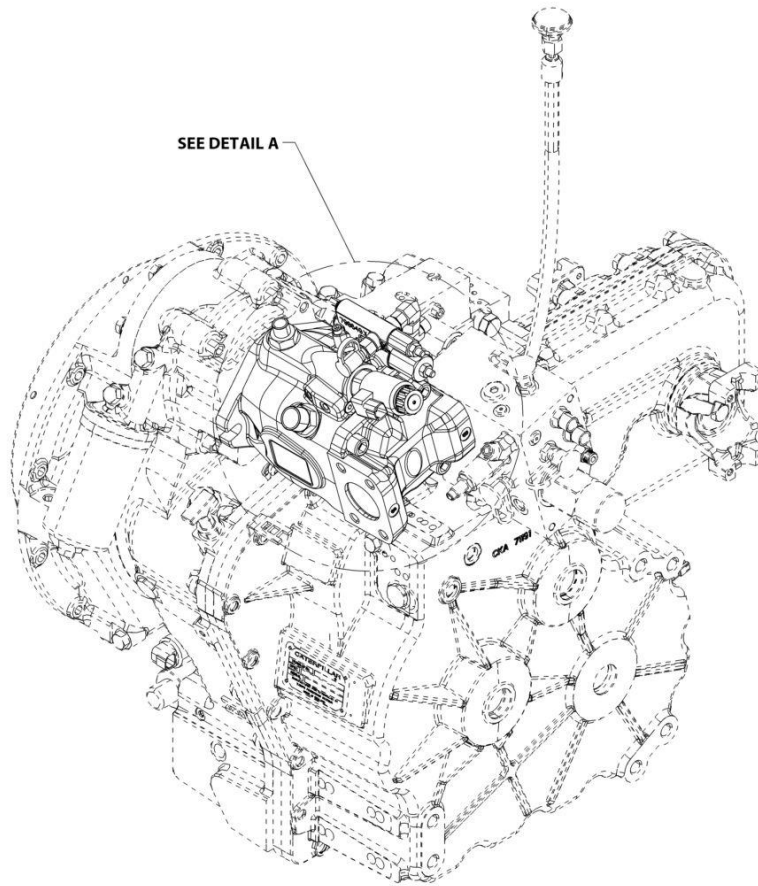
SECTION 8 - HYDRAULIC CIRCUITS

FIGURE 8-17. MAIN HYDRAULIC PUMP INSTALLATION

ITEM	PART NUMBER	QTY	DESCRIPTION	REV
	1001177863	Ref	Main Hydraulic Pump Installation	C
2	0761215	1	Bolt M12X35	
3	4740532	2	Washer M12	
4	1001008450	1	O-Ring	
5	1001183983	Ref	Implement Pump Installation (See Separate Breakdown in this Section)	

SECTION 8 - HYDRAULIC CIRCUITS

FIGURE 8-18. IMPLEMENT PUMP INSTALLATION



DETAIL A

ART_1001183983-B

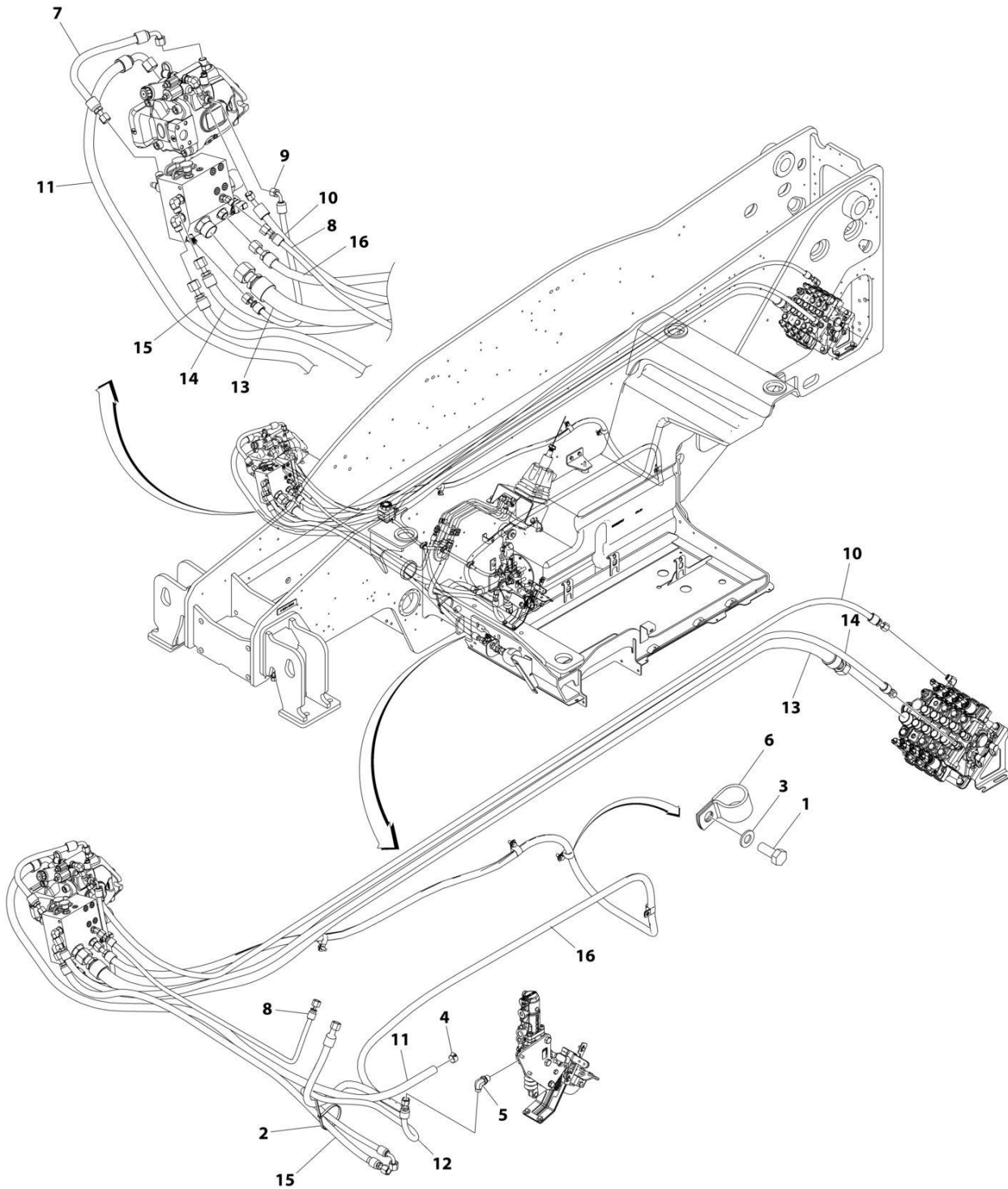
SECTION 8 - HYDRAULIC CIRCUITS

FIGURE 8-18. IMPLEMENT PUMP INSTALLATION

ITEM	PART NUMBER	QTY	DESCRIPTION	REV
	1001183983	Ref	Implement Pump Installation	B
1	2110610	1	Fitting, Straight ORFS	
2	2111010	1	Fitting, Straight ORFS	
3	2130604	1	Fitting, 90 ORFS	
4	1001200815	1	Pump, Implement (See Separate Breakdown in HYDRAULIC COMPONENTS Section)	
5	2170706	1	Fitting, Tee ORFS	
6	8430032	1	Plug	
7	8430033	1	Adapter	

SECTION 8 - HYDRAULIC CIRCUITS

FIGURE 8-19. PRIORITY LINES INSTALLATION



ART_1001269407

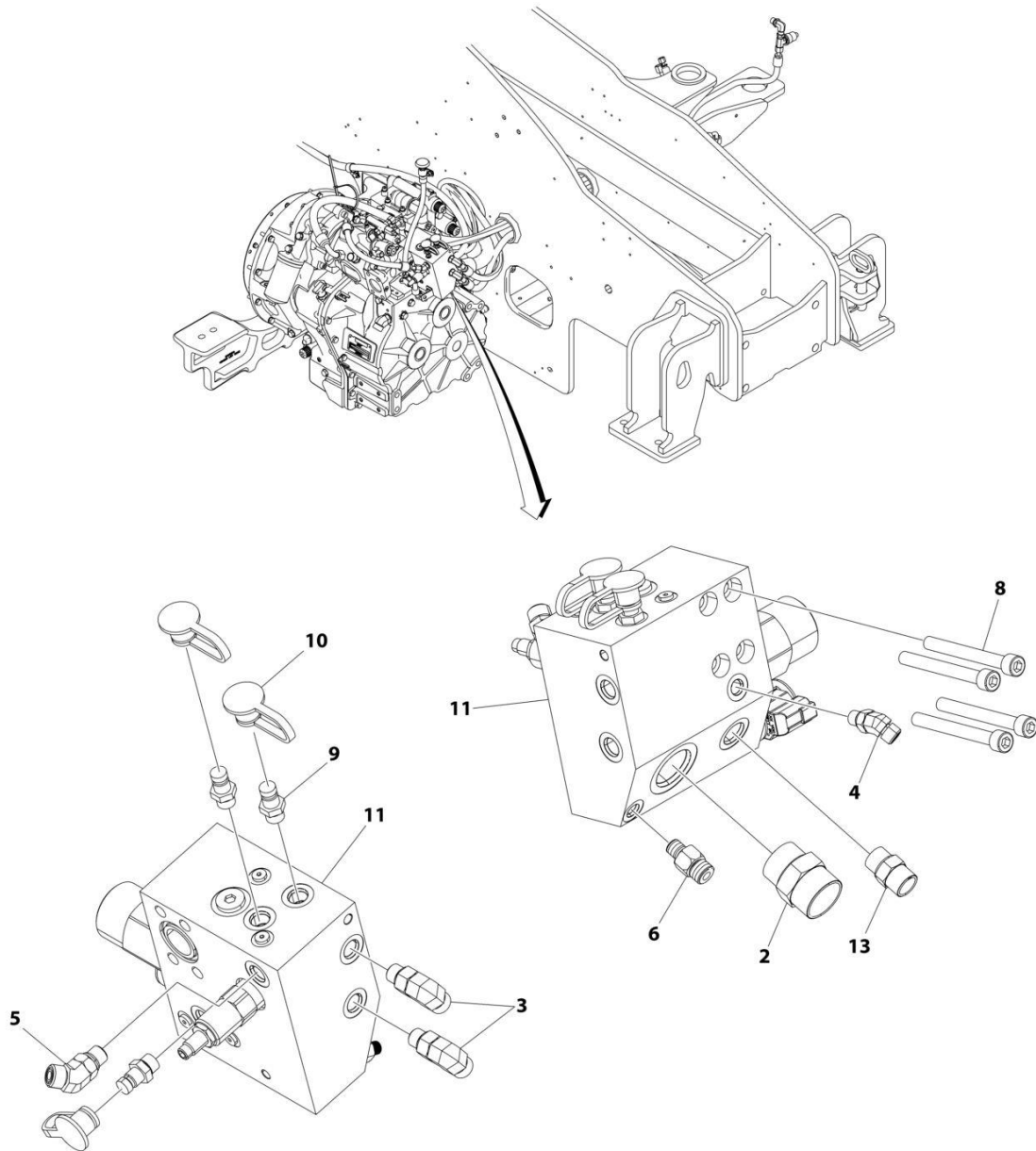
SECTION 8 - HYDRAULIC CIRCUITS

FIGURE 8-19. PRIORITY LINES INSTALLATION

ITEM	PART NUMBER	QTY	DESCRIPTION	REV
	1001269407	Ref	PRIORITY LINES INSTALLATION	B
1	0760810	3	Bolt M8 x 20	
2	1062255	1	Tie-strap	
3	4811900	3	Washer M8	
4	8405006	1	Clamp	
5	80333151	1	Fitting, 90 ORFS	
6	8406202	4	Clip	
7	1001180850	1	Hose	
8	1001180855	1	Hose	
9	1001221027	1	Hose, ORFS	
10	1001196002	1	Hose, ORFS	
11	1001196723	1	Hose, ORFS	
12	1001207525	1	Hose, ORFS	
13	1001221020	1	Hose, ORFS	
14	1001261091	1	Hose, ORFS	
15	1001261092	1	Hose, ORFS	
16	1001269411	1	Hose	

SECTION 8 - HYDRAULIC CIRCUITS

FIGURE 8-20. PRIORITY VALVE INSTALLATION



ART_1001269021

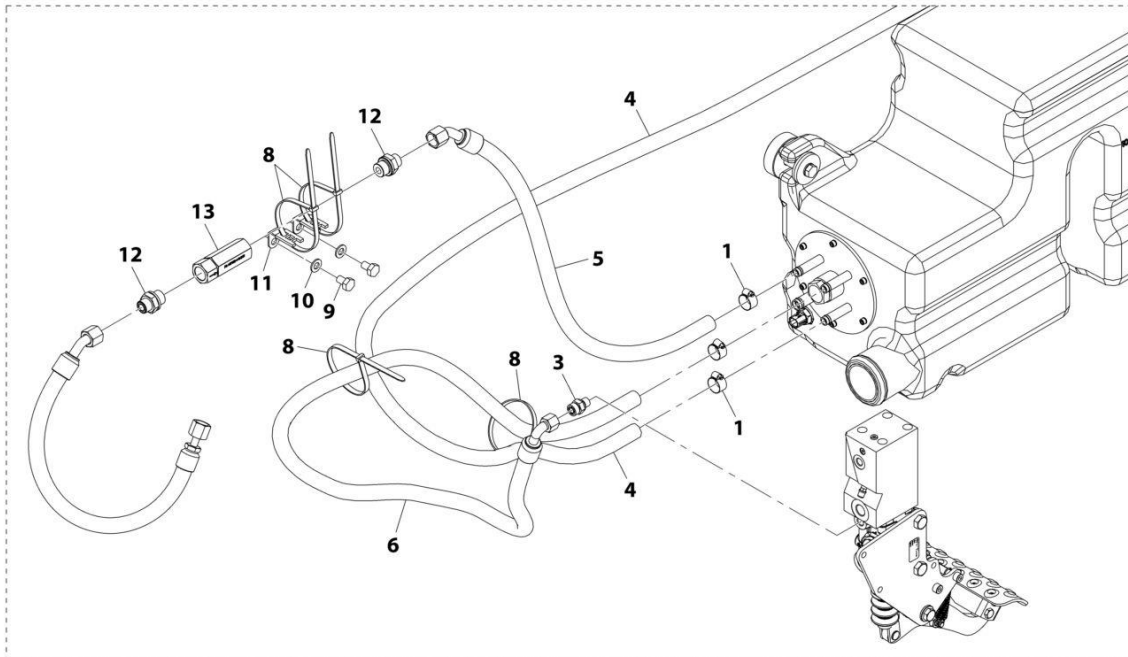
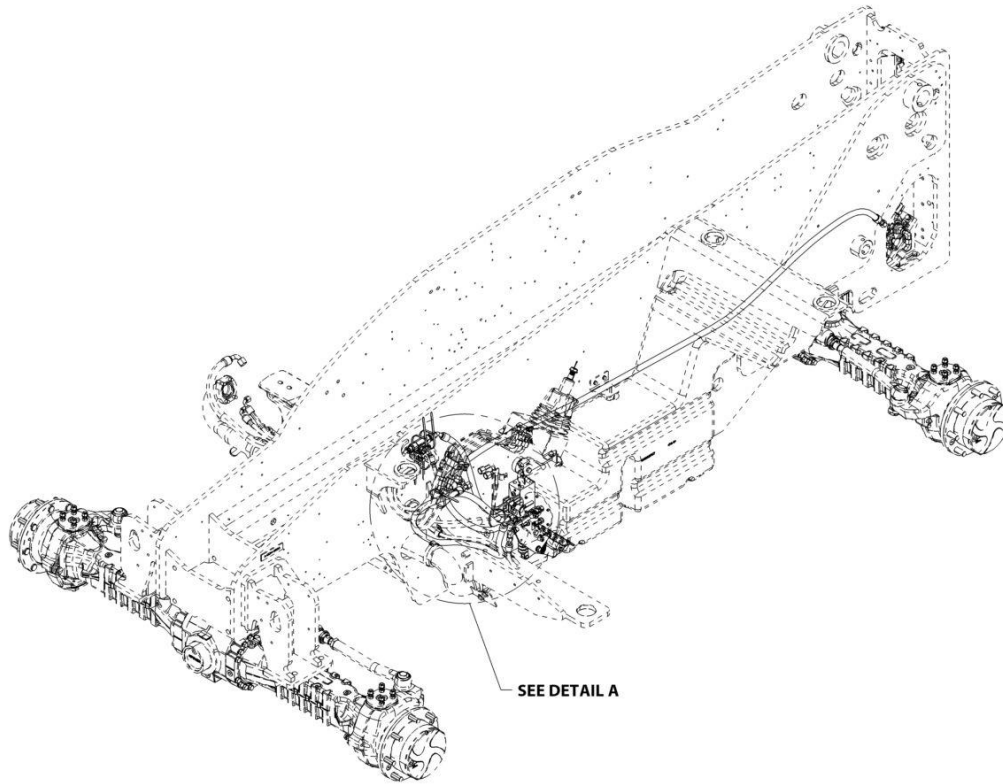
SECTION 8 - HYDRAULIC CIRCUITS

FIGURE 8-20. PRIORITY VALVE INSTALLATION

ITEM	PART NUMBER	QTY	DESCRIPTION	REV
	1001269021	Ref	PRIORITY VALVE INSTALLATION	B
2	2111616	1	Fitting, Straight ORFS	
3	2130606	2	Fitting, 90 ORFS	
4	2150404	1	Fitting, 45 ORFS	
5	2150606	1	Fitting, 45 ORFS	
6	4641237	1	Valve, Check	
8	5272022	4	Screw M10 x 90	
9	1001003590	3	Fitting, Straight	
10	1001008761	3	Cap	
11	1001220639	1	Manifold, Priority Flow (See Separate Breakdown in Hydraulic Components Section)	
13	1001265815	1	Valve, Moms Check	

SECTION 8 - HYDRAULIC CIRCUITS

FIGURE 8-21. RETURN LINES INSTALLATION



DETAIL A

ART_1001185351-D

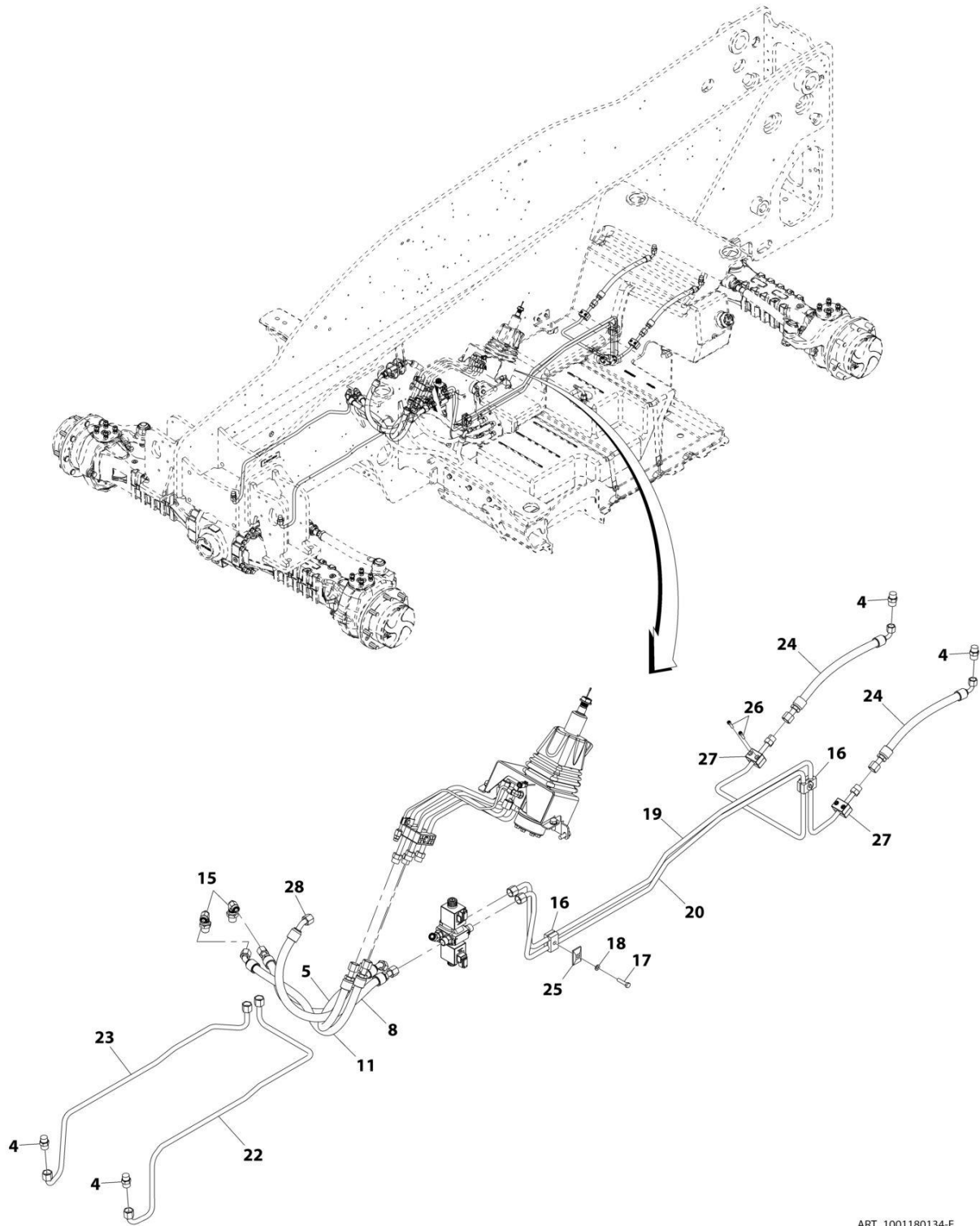
SECTION 8 - HYDRAULIC CIRCUITS

FIGURE 8-21. RETURN LINES INSTALLATION

ITEM	PART NUMBER	QTY	DESCRIPTION	REV
	1001185351	Ref	Return Lines Installation	D
1	8410009	3	Clamp, Gear	
3	80233218	1	Adapter, Straight ORFS	
4	1001196787	NLA	Hose, ORFS (no longer available, use 1001224143 for replacement)	
4	1001224143	1	Hose, ORFS	
5	1001201943	NLA	Hose, ORFS (no longer available, use 1001224144 for replacement)	
5	1001224144	1	Hose, ORFS	
6	1001196661	1	Hose, ORFS	
8	1062255	4	Strap, Tie	
9	0761008	2	Bolt, M10X16	
10	4812000	2	Washer, M10	
11	1001003305	2	Clip	
12	1001121127	2	Adapter, Straight ORFS	
13	1001224447	NLA	Check Valve (no longer available, use 1001227974 for replacement)	
13	1001227974	1	Check Valve	

SECTION 8 - HYDRAULIC CIRCUITS

FIGURE 8-22. STEERING LINES INSTALLATION



ART_1001180134-E

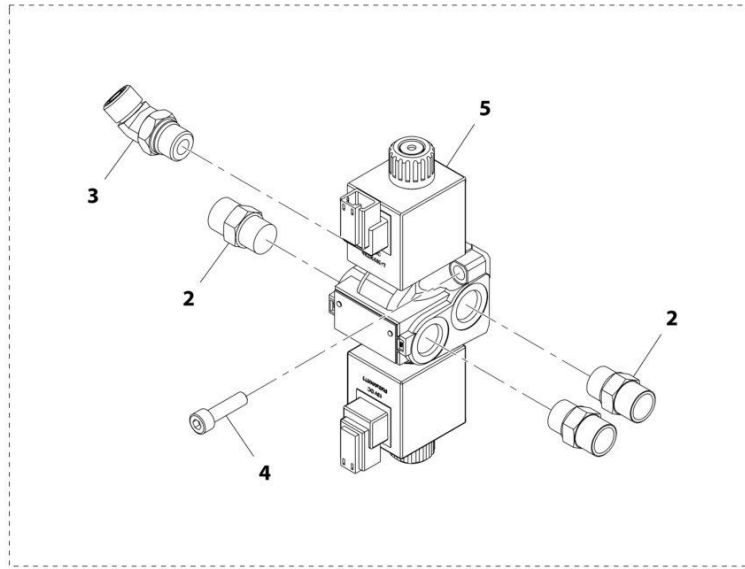
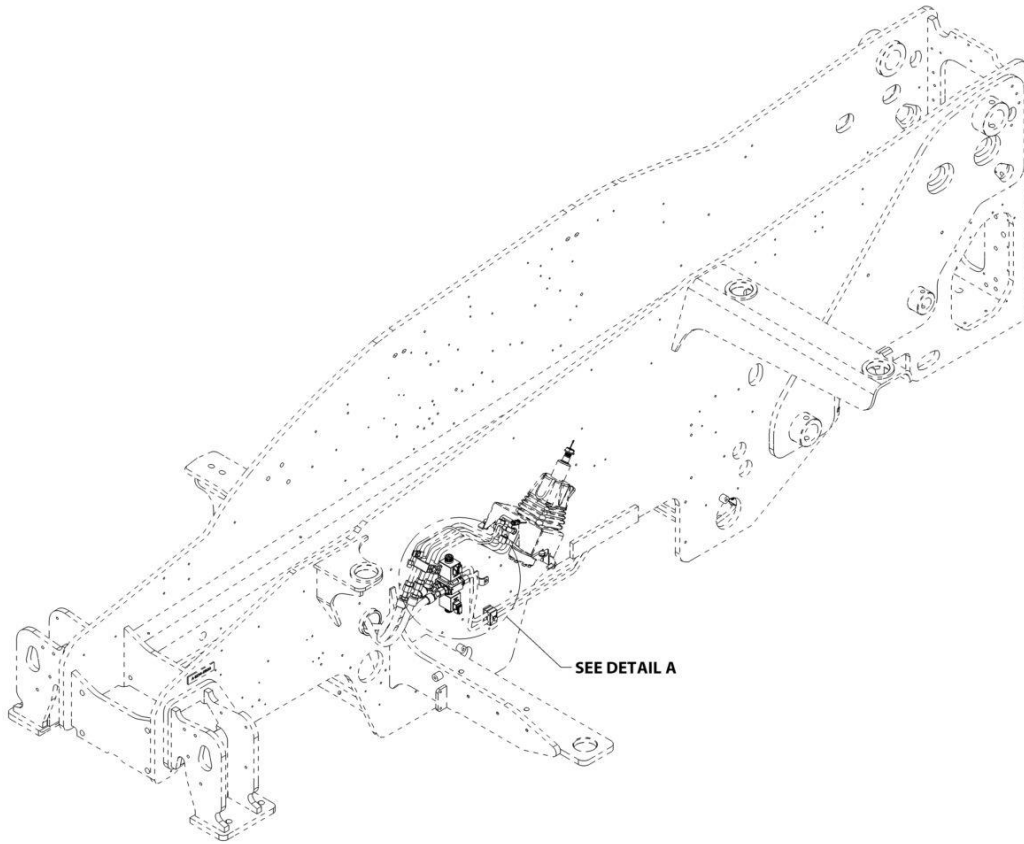
SECTION 8 - HYDRAULIC CIRCUITS

FIGURE 8-22. STEERING LINES INSTALLATION

ITEM	PART NUMBER	QTY	DESCRIPTION	REV
	1001180134	Ref	Steering Lines Installation	E
4	2110808	4	Fitting, Straight ORFS	
5	1001180810	1	Hose, Steering	
8	1001180809	1	Hose, Steering	
11	1001180811	1	Hose, Steering	
15	2171208	2	Adapter, ORFS	
16	77133168	2	Clamp	
17	0700815	2	Bolt, M8X35	
18	4811900	2	Washer, M8	
19	1001195741	1	Pipe, ORFS	
20	1001195742	1	Pipe, ORFS	
22	1001193515	1	Pipe, ORFS	
23	1001193514	NLA	Pipe, ORFS (no longer available, use 1001225423 for replacement)	
23	1001225423	1	Pipe, ORFS	
24	1001193513	2	Hose, ORFS	
25	77133140	2	Plate, Cover	
26	4031709	4	Bolt, M6X25	
27	1001104934	2	Clamp	
28	1001224476	1	Hose Assy, ORFS	

SECTION 8 - HYDRAULIC CIRCUITS

FIGURE 8-23. STEER SELECT VALVE INSTALLATION



ART_1001172894-B

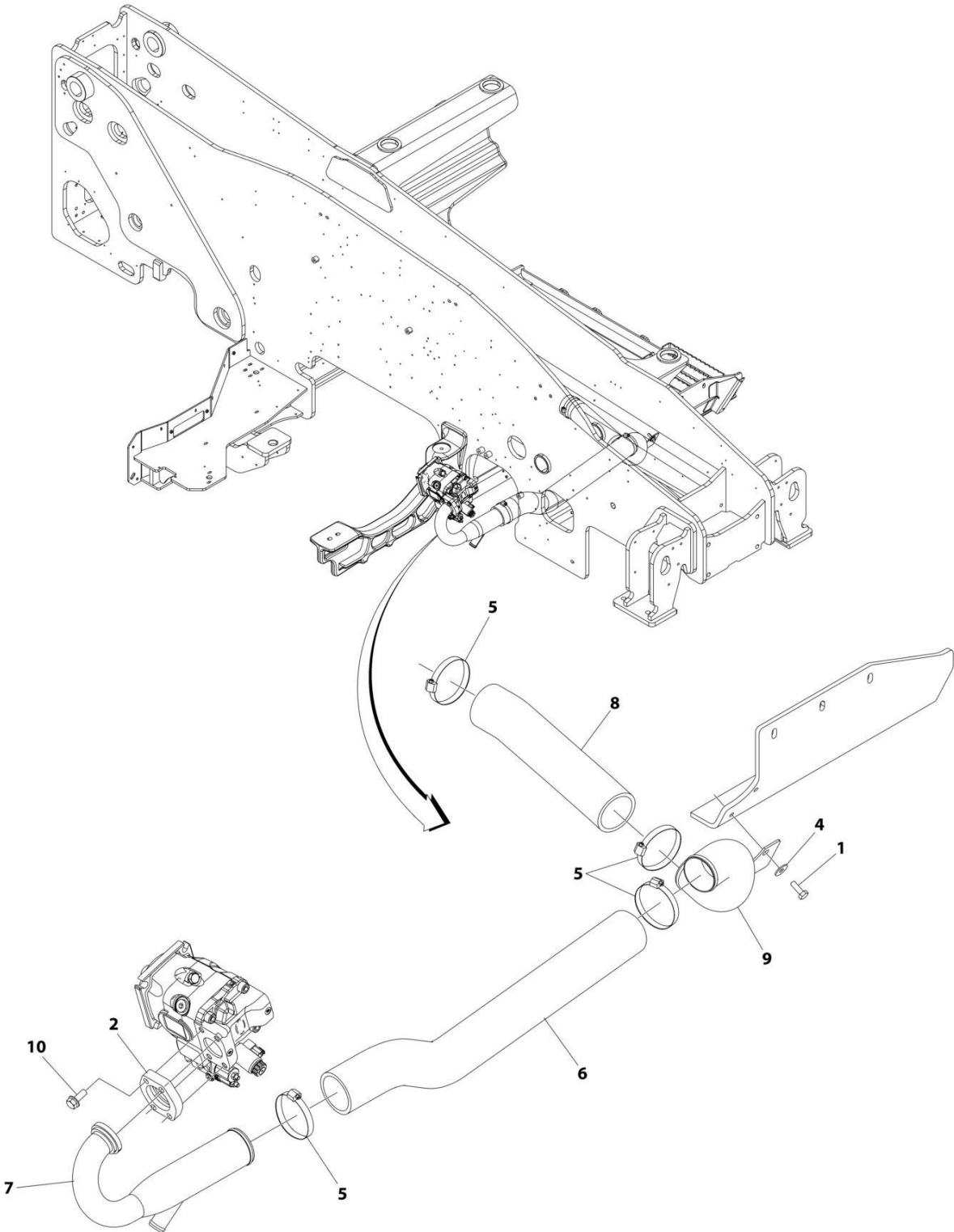
SECTION 8 - HYDRAULIC CIRCUITS

FIGURE 8-23. STEER SELECT VALVE INSTALLATION

ITEM	PART NUMBER	QTY	DESCRIPTION	REV
	1001172894	Ref	Steer Select Valve Installation	B
2	2110808	3	Fitting, Straight ORFS	
3	2150808	1	Fitting, 45 ORFS	
4	4031910	2	Screw, M8X30	
5	1001153748	1	Valve, Steering Select (See Separate Breakdown in HYDRAULIC COMPONENTS Section)	

SECTION 8 - HYDRAULIC CIRCUITS

FIGURE 8-24. SUCTION LINES INSTALLATION



ART_1001184531

SECTION 8 - HYDRAULIC CIRCUITS

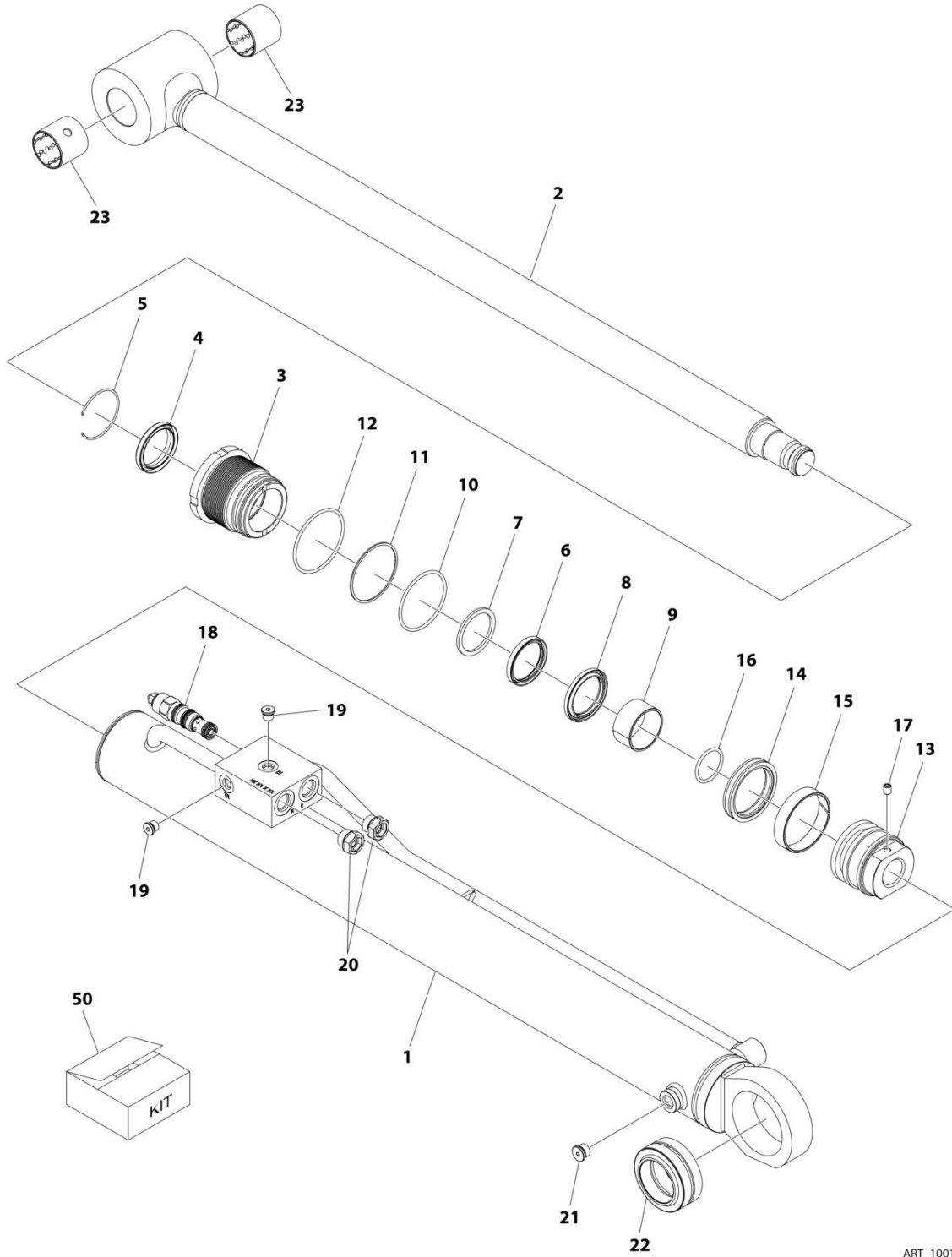
FIGURE 8-24. SUCTION LINES INSTALLATION

ITEM	PART NUMBER	QTY	DESCRIPTION	REV
	1001184531	Ref	SUCTION LINES INSTALLATION	F
1	0761014	2	Bolt M10 x 30	
2	2171832	1	Fitting, Straight	
4	4812002	2	Washer M10	
5	8405301	4	Clamp	
6	1001176313	1	Hose	
7	1001202135	1	Pipe	
8	1001193421	1	Hose	
9	1001184530	1	Pipe	
10	5201215	4	Bolt M12 x 35	

SECTION 9 - HYDRAULIC COMPONENTS

SECTION 9 - HYDRAULIC COMPONENTS

FIGURE 9-1. CYLINDER ASSEMBLY - COMPENSATION



ART_1001274913

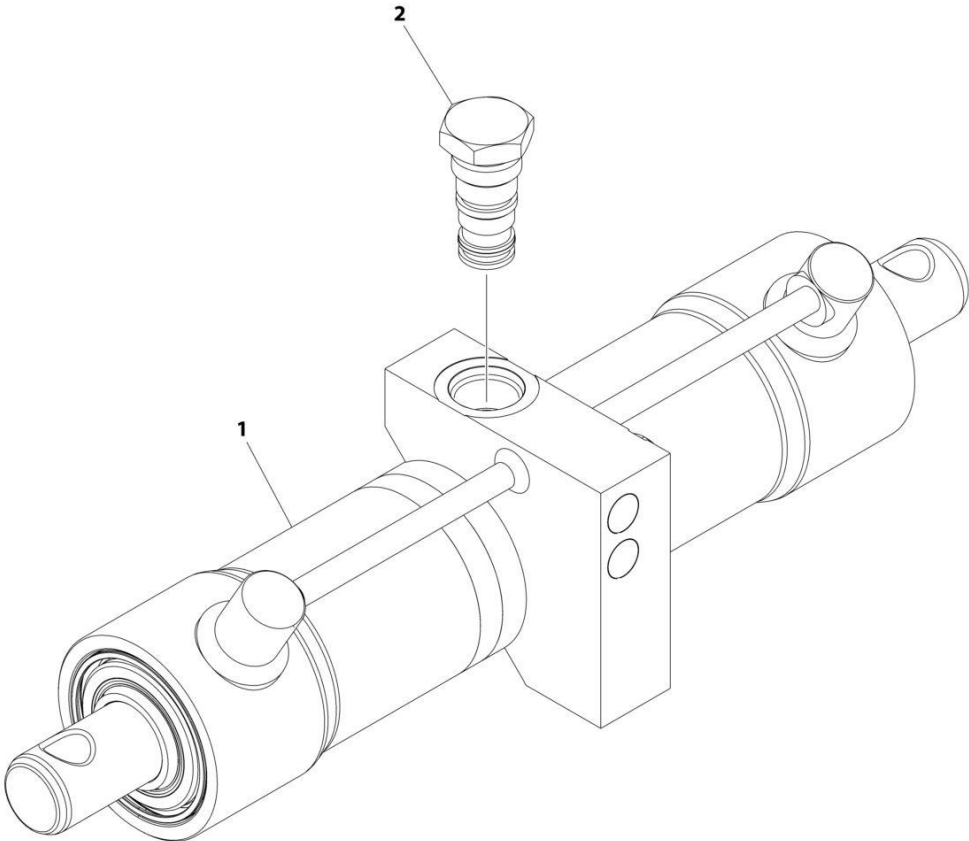
SECTION 9 - HYDRAULIC COMPONENTS

FIGURE 9-1. CYLINDER ASSEMBLY - COMPENSATION

ITEM	PART NUMBER	QTY	DESCRIPTION	REV
	1001274913	Ref	CYLINDER ASSEMBLY - COMPENSATION	A
		Ref	Note: Original Cylinder May Have Been Replaced with Service Replacement. Identify PN Stamped on Cylinder Before Ordering Parts.	
1	See Note	NSS	Barrel (Note: Use PN 1001274913)	
2	70030953	1	Rod	
3	70030954	1	Head	
4	See Note	NSS	Wiper (Note: Use Item 50)	
5	70002410	1	Ring, Retaining	
6	See Note	NSS	Seal (Note: Use Item 50)	
7	See Note	NSS	Ring, Back-up (Note: Use Item 50)	
8	See Note	NSS	Ring (Note: Use Item 50)	
9	70005793	1	Bearing, Dry	
10	See Note	NSS	O-Ring (Note: Use Item 50)	
11	See Note	NSS	Ring, Back-up (Note: Use Item 50)	
12	See Note	NSS	O-Ring (Note: Use Item 50)	
13	70030955	1	Piston	
14	See Note	NSS	Seal (Note: Use Item 50)	
15	See Note	NSS	Ring, Wear (Note: Use Item 50)	
16	See Note	NSS	O-Ring (Note: Use Item 50)	
17	70023369	1	Set Screw	
18	70028384	1	Cartridge, Valve	
19	70023370	2	Plug	
20	See Note	Ref	Dust Plug (Note: Shipping Use Only)	
21	70023371	1	Plug	
22	70030956	1	Bearing	
23	70030957	2	Bearing	
50	70030958	1	Seal Kit - 1001274913 Cylinder (Includes Items 4, 6-8, 10-12 & 14-16)	

SECTION 9 - HYDRAULIC COMPONENTS

FIGURE 9-2. CYLINDER SUB-ASSEMBLY - COUPLER LOCKING



ART_1001114787_C

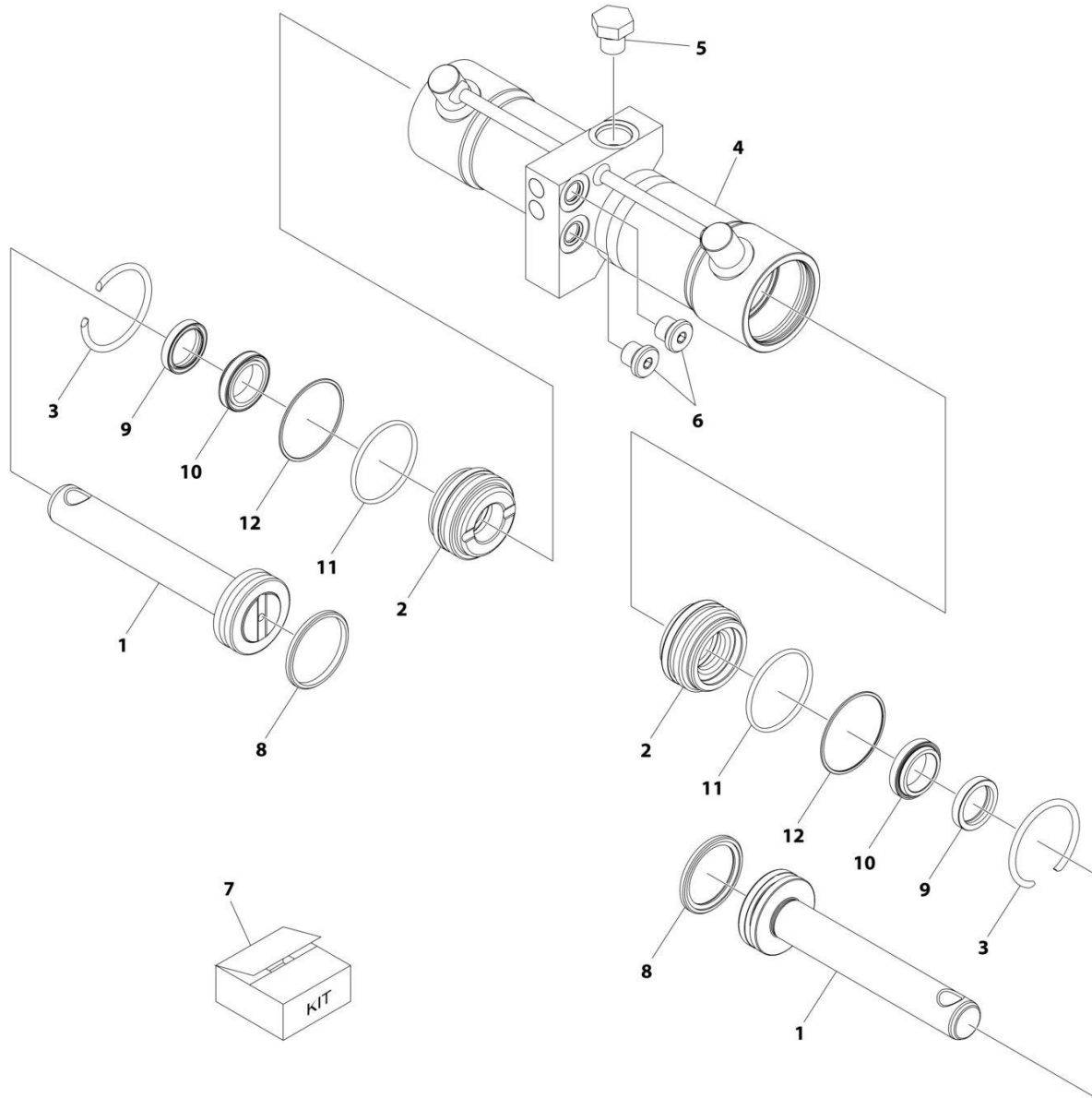
SECTION 9 - HYDRAULIC COMPONENTS

FIGURE 9-2. CYLINDER SUB-ASSEMBLY - COUPLER LOCKING

ITEM	PART NUMBER	QTY	DESCRIPTION	REV
1	1001114787	Ref	COUPLER LOCKING CYLINDER ASSEMBLY	C
	1001267977	1	Cylinder, Coupler Locking (See Separate Breakdown in this Section)	
2	1001145444	1	Valve, P.O. Check	

SECTION 9 - HYDRAULIC COMPONENTS

FIGURE 9-3. CYLINDER ASSEMBLY - COUPLER LOCKING



ART_1001267977

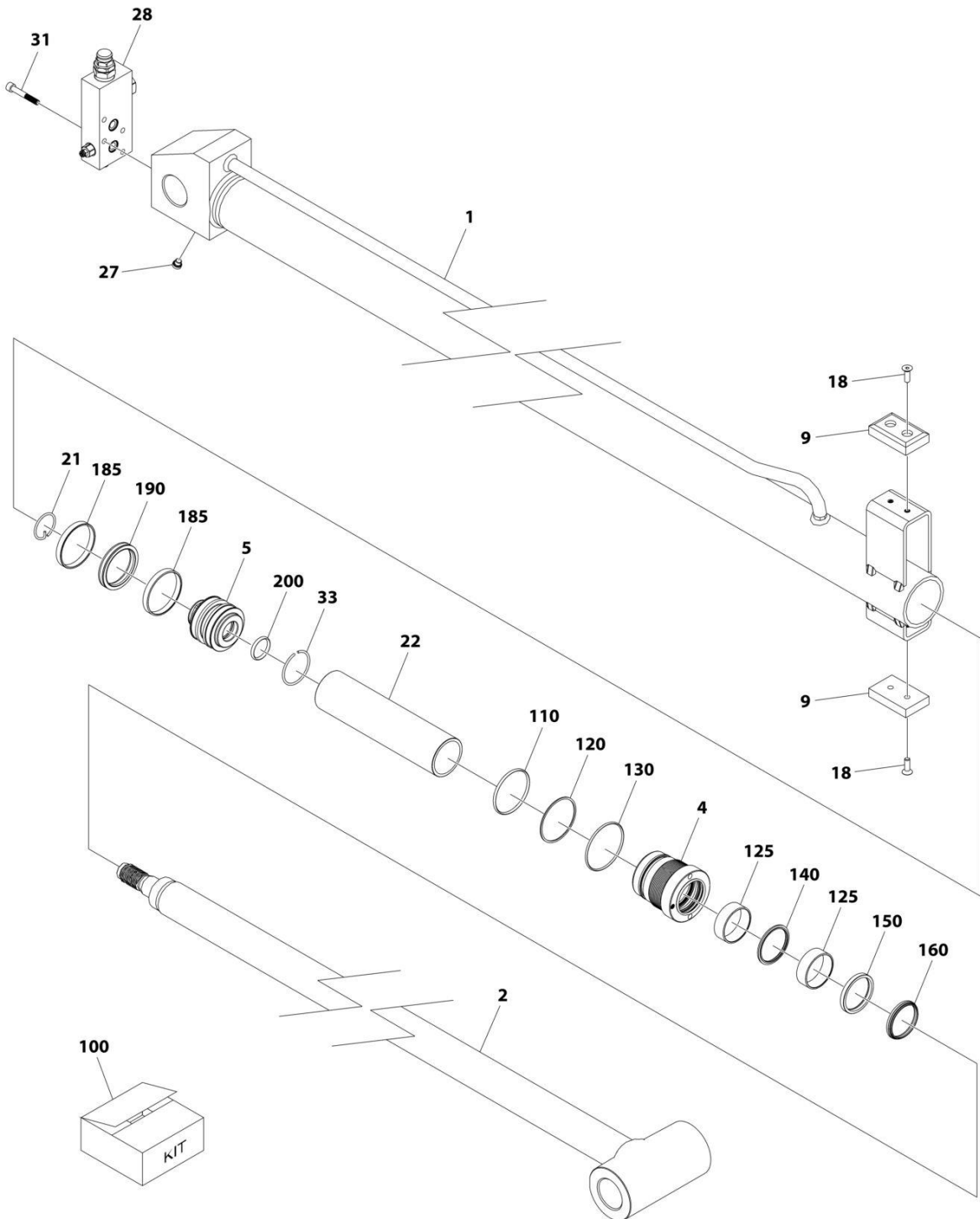
SECTION 9 - HYDRAULIC COMPONENTS

FIGURE 9-3. CYLINDER ASSEMBLY - COUPLER LOCKING

ITEM	PART NUMBER	QTY	DESCRIPTION	REV
	1001267977	Ref	COUPLER LOCKING CYLINDER	B
		Ref	Note: Original Cylinder May Have Been Replaced with Service Replacement. Identify PN Stamped on Cylinder Before Ordering Parts.	
1	70031293	2	Rod	
2	70031294	2	Bushing	
3	70031295	2	Ring, Snap	
4	See Note	NSS	Barrel (Note: Not Sold Separately, Purchase 1001267977)	
5	70031296	1	Plug	
6	2220885	2	Plug	
7	70031297	1	Seal Kit (Includes Items 8-12)	
8	See Note	2	Seal, Piston (Note: Use Item 7)	
9	See Note	2	Seal, Rod (Note: Use Item 7)	
10	See Note	2	Ring, Wiper (Note: Use Item 7)	
11	See Note	2	O-Ring (Note: Use Item 7)	
12	See Note	2	Ring, Backup (Note: Use Item 7)	

SECTION 9 - HYDRAULIC COMPONENTS

FIGURE 9-4. CYLINDER ASSEMBLY - EXTEND/RETRACT (TELESCOPE)



ART_1001266775

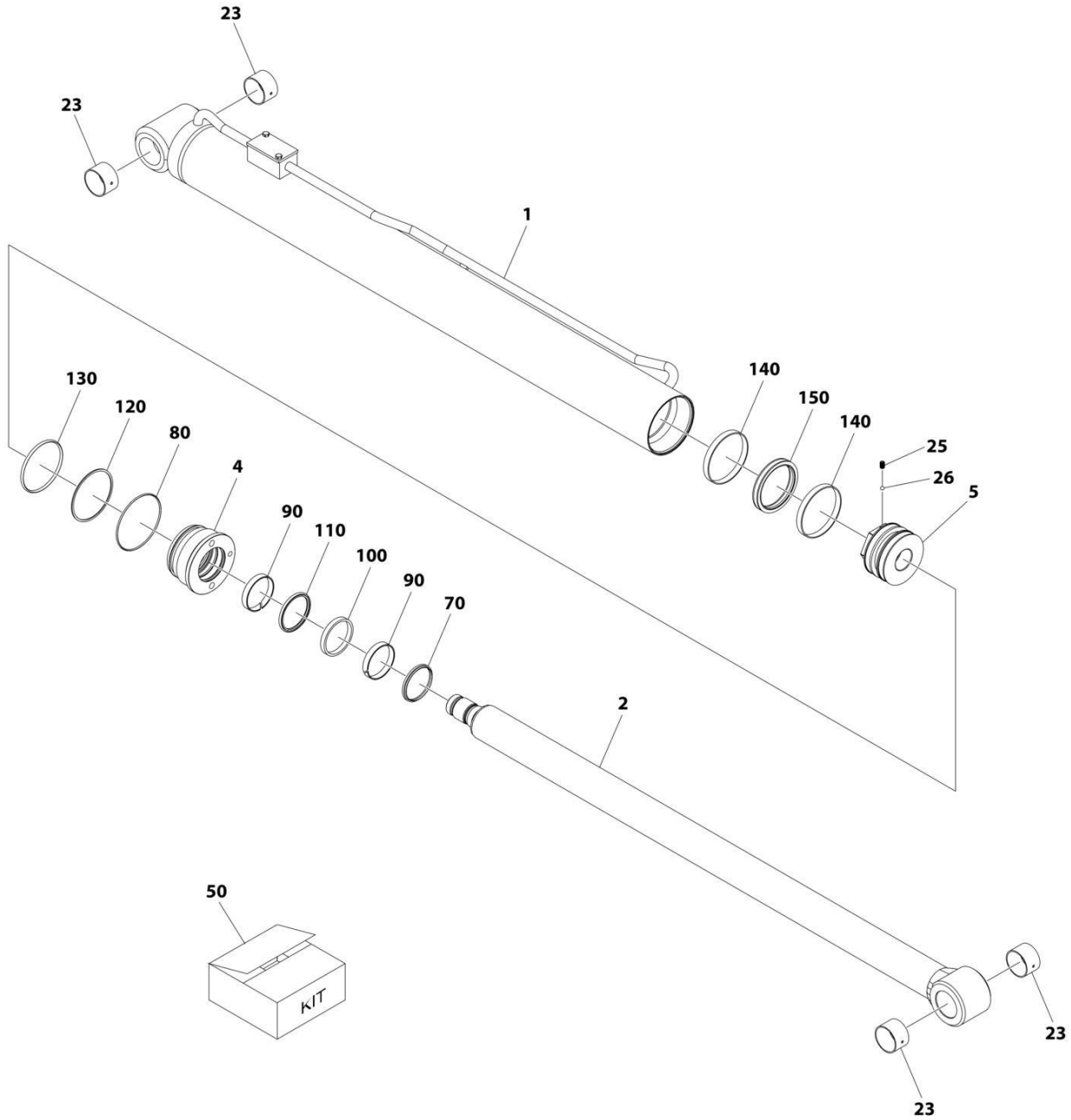
SECTION 9 - HYDRAULIC COMPONENTS

FIGURE 9-4. CYLINDER ASSEMBLY - EXTEND/RETRACT (TELESCOPE)

ITEM	PART NUMBER	QTY	DESCRIPTION	REV
	1001266775	Ref	EXTEND/RETRACT CYLINDER	C
		Ref	Note: Original Cylinder May Have Been Replaced with Service Replacement. Identify PN Stamped on Cylinder Before Ordering Parts.	
1	See Note	NSS	Barrel (Note: Use PN 1001266775)	
2	See Note	NSS	Rod (Note: Use PN 1001266775)	
4	70031016	1	Head	
5	70003819	1	Piston	
9	70031017	2	Guide	
18	70031018	4	Capscrew M8 x 25	
21	70002216	1	Ring, Retaining	
22	70031019	1	Spacer	
27	70025961	1	Plug 1/8	
28	1001201245	1	Valve Assembly (Note: Sold As Assembly Only)	
31	70007334	4	Capscrew M8 x 55	
33	70031020	1	Ring	
100	70031021	1	Seal Kit - 1001266775 Cylinder (Includes Items 110-200)	
110	See Note	NSS	O-Ring (Note: Use Item 100)	
120	See Note	NSS	Ring, Back-up (Note: Use Item 100)	
125	See Note	NSS	Ring, Wear (Note: Use Item 100)	
130	See Note	NSS	O-Ring (Note: Use Item 100)	
140	See Note	NSS	Seal (Note: Use Item 100)	
150	See Note	NSS	Seal (Note: Use Item 100)	
160	See Note	NSS	Wiper (Note: Use Item 100)	
185	See Note	NSS	Ring, Bearing (Note: Use Item 100)	
190	See Note	NSS	Seal (Note: Use Item 100)	
200	See Note	NSS	O-Ring (Note: Use Item 100)	

SECTION 9 - HYDRAULIC COMPONENTS

FIGURE 9-5. CYLINDER ASSEMBLY - LIFT



ART_1001267963

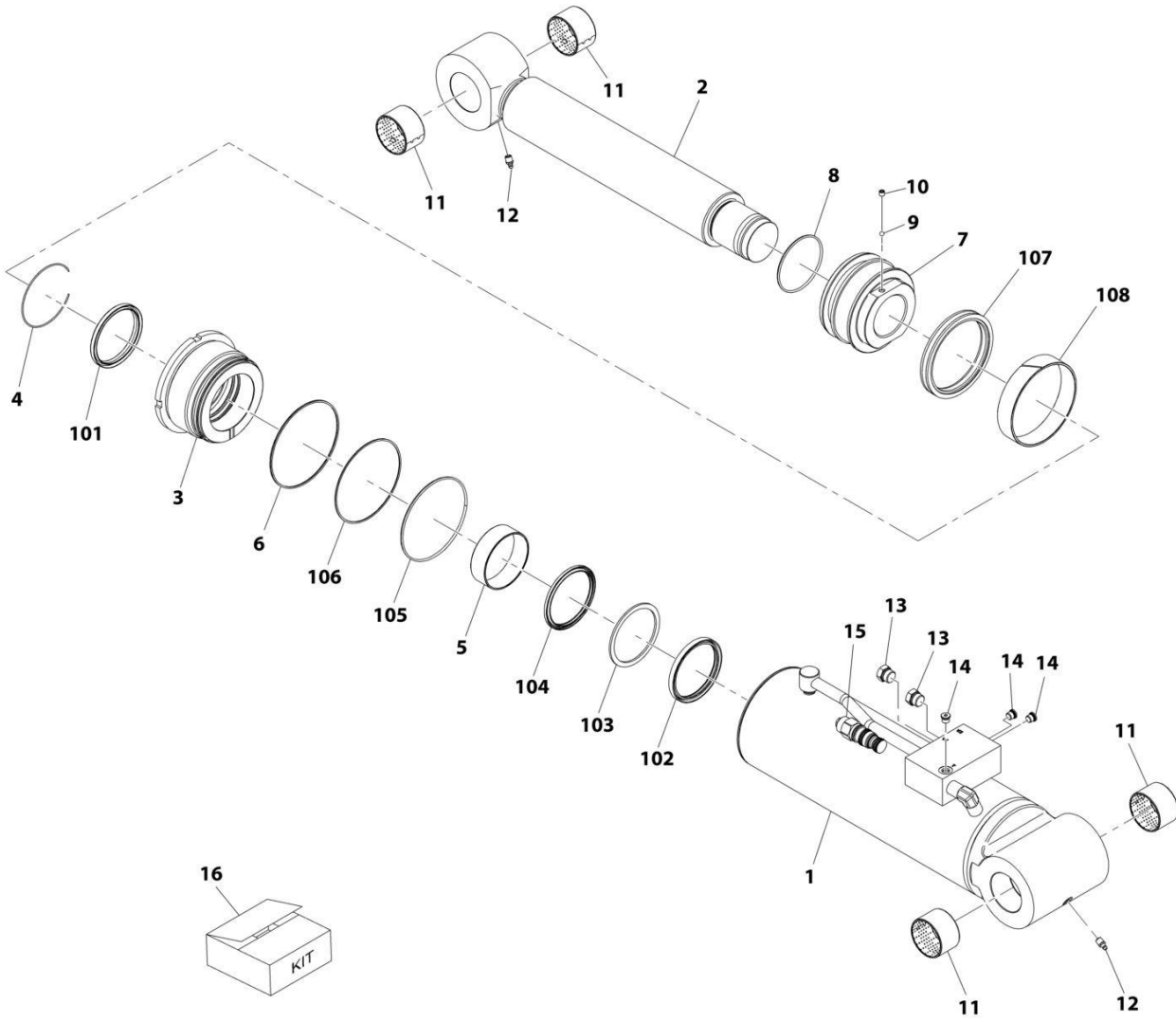
SECTION 9 - HYDRAULIC COMPONENTS

FIGURE 9-5. CYLINDER ASSEMBLY - LIFT

ITEM	PART NUMBER	QTY	DESCRIPTION	REV
	1001267963	Ref	CYLINDER ASSEMBLY - LIFT	B
		Ref	Note: Original Cylinder May Have Been Replaced with Service Replacement. Identify PN Stamped on Cylinder Before Ordering Parts.	
1	See Note	NSS	Barrel (Note: Use PN 1001267963)	
2	See Note	NSS	Rod (Note: Use PN 1001267963)	
4	70030997	1	Head	
5	70030998	1	Piston	
23	70025602	4	Bushing	
25	70025613	1	Set Screw M10 x 16	
26	70025614	1	Ball	
50	70030999	1	Seal Kit - 1001267963 Cylinder	
70	See Note	NSS	Seal (Note: Use Item 50)	
80	See Note	NSS	O-Ring (Note: Use Item 50)	
90	See Note	NSS	Ring Wear (Note: Use Item 50)	
100	See Note	NSS	Seal (Note: Use Item 50)	
110	See Note	NSS	Seal (Note: Use Item 50)	
120	See Note	NSS	Ring (Note: Use Item 50)	
130	See Note	NSS	Ring (Note: Use Item 50)	
140	See Note	NSS	Ring (Note: Use Item 50)	
150	See Note	NSS	Seal (Note: Use Item 50)	

SECTION 9 - HYDRAULIC COMPONENTS

FIGURE 9-6. CYLINDER ASSEMBLY - TILT



ART_1001180117-D

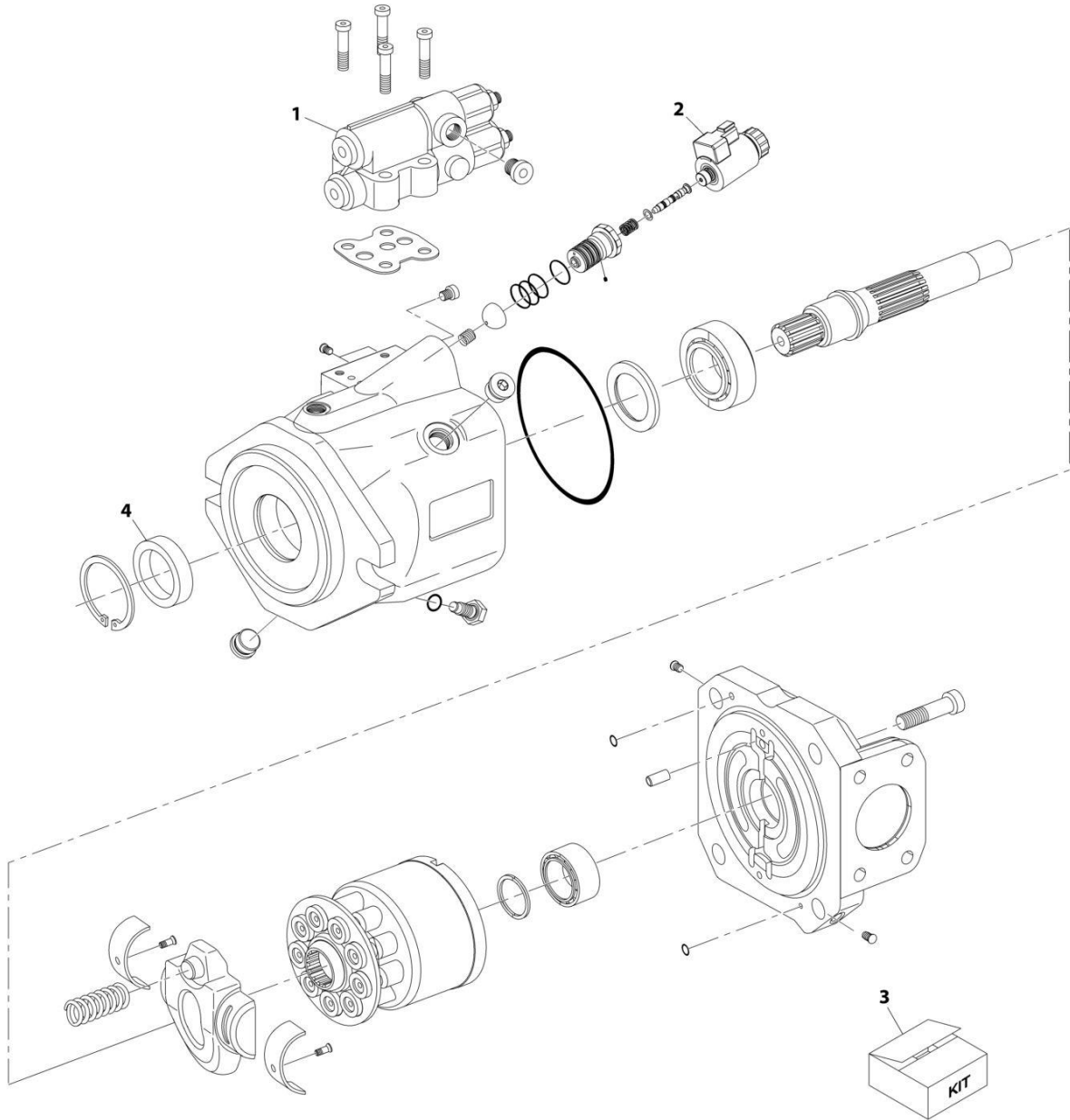
SECTION 9 - HYDRAULIC COMPONENTS

FIGURE 9-6. CYLINDER ASSEMBLY - TILT

ITEM	PART NUMBER	QTY	DESCRIPTION	REV
	1001180117	Ref	Tilt Cylinder	D
		Ref	Note: Original Cylinder May Have Been Replaced with Service Replacement. Identify PN Stamped on Cylinder Before Ordering Parts.	
1	70027743	1	Barrel	
2	70027744	1	Rod	
3	70027745	1	Gland	
4	70023380	1	Ring, Retaining	
5	70027225	1	Bearing, Dry	
6	70005841	1	O-Ring	
7	70027746	1	Piston	
8	70050801	1	O-Ring	
9	70022564	1	Ball, Steel	
10	70022563	1	Screw, Set	
11	70026543	4	Bearing, Dry	
12	70026308	2	Fitting, Grease	
13	70023372	2	Plug, Hex	
14	2220883	3	Plug, Hex	
15	1001189888	1	Valve, Counterbalance	
16	70027747	1	Kit, Seal	
101	Kit	1	Wiper, Dust	
102	Kit	1	Seal, Rod	
103	Kit	1	Ring, Backup	
104	Kit	1	Ring, Buffer	
105	Kit	1	O-Ring	
106	Kit	1	Ring, Backup	
107	Kit	1	Seal, Piston	
108	Kit	1	Ring, Wear	

SECTION 9 - HYDRAULIC COMPONENTS

FIGURE 9-7. IMPLEMENT PUMP



ART_1001200815-B

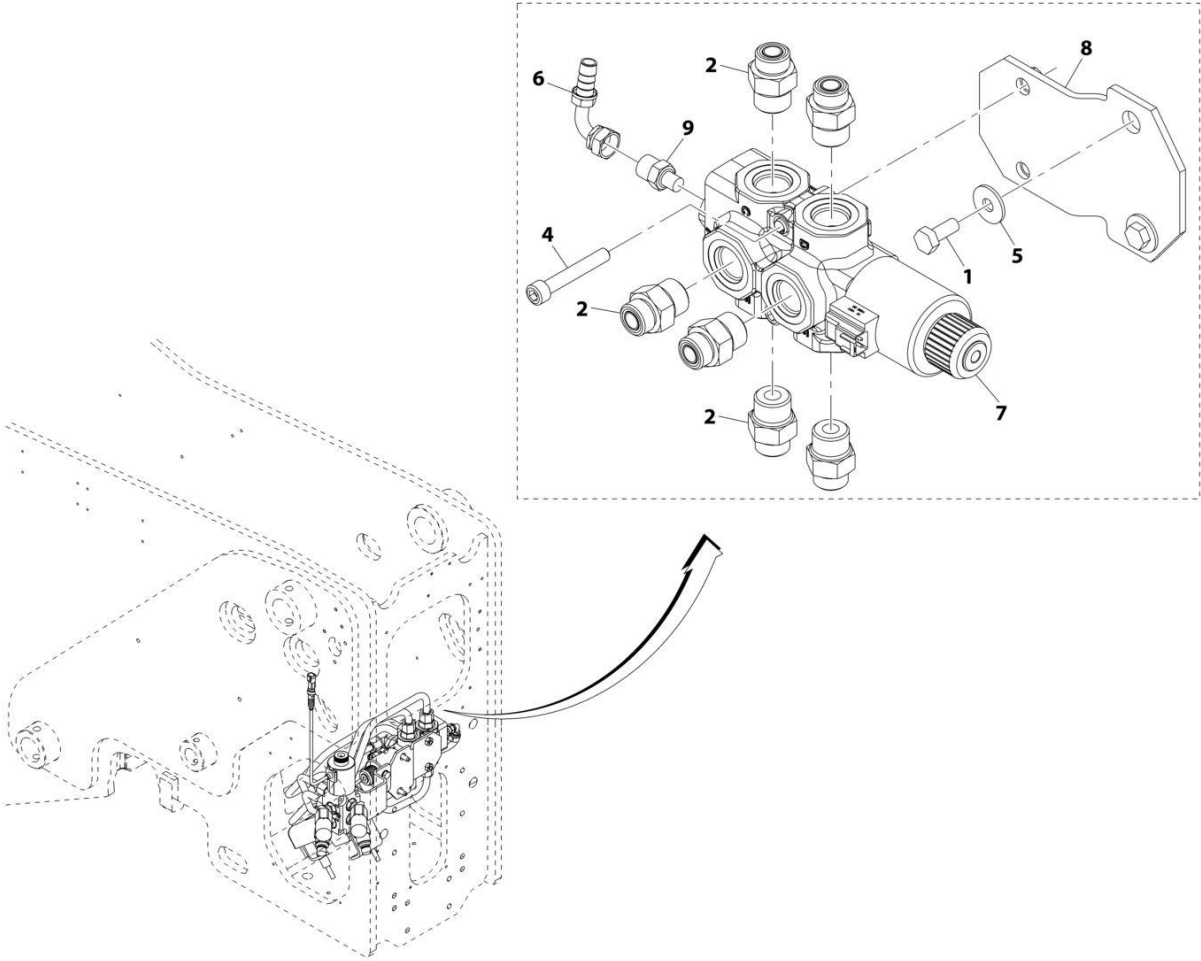
SECTION 9 - HYDRAULIC COMPONENTS

FIGURE 9-7. IMPLEMENT PUMP

ITEM	PART NUMBER	QTY	DESCRIPTION	REV
	1001200815	Ref	Implement Pump	B
1	70027595	1	Controller, DSR	
2	70024186	1	Controller, EK	
3	70024189	1	Kit, Seal	
4	7024947	1	SHAFT SEAL	
	Kit	1	O-Ring	
	Kit	2	O-Ring	
	Kit	2	O-Ring	
	Kit	4	O-Ring	
	Kit	2	O-Ring	
	Kit	1	Seal	
	Kit	1	Ring, Retaining	
	Kit	1	O-Ring	
	Kit	1	Seal	
	Kit	1	O-Ring	
	Kit	6	Seal	
	Kit	1	O-Ring	
	Kit	1	O-Ring	
	Kit	2	O-Ring	
	Kit	2	Ring, Thrust	
	Kit	1	O-Ring	
	Kit	1	O-Ring	
	Kit	1	Ring, Backup	
	Kit	1	O-Ring	
	Kit	1	Ring, Backup	

SECTION 9 - HYDRAULIC COMPONENTS

FIGURE 9-8. VALVE SUB-ASSEMBLY - DIVERTOR (HI-FLOW)



ART_1001204420-C

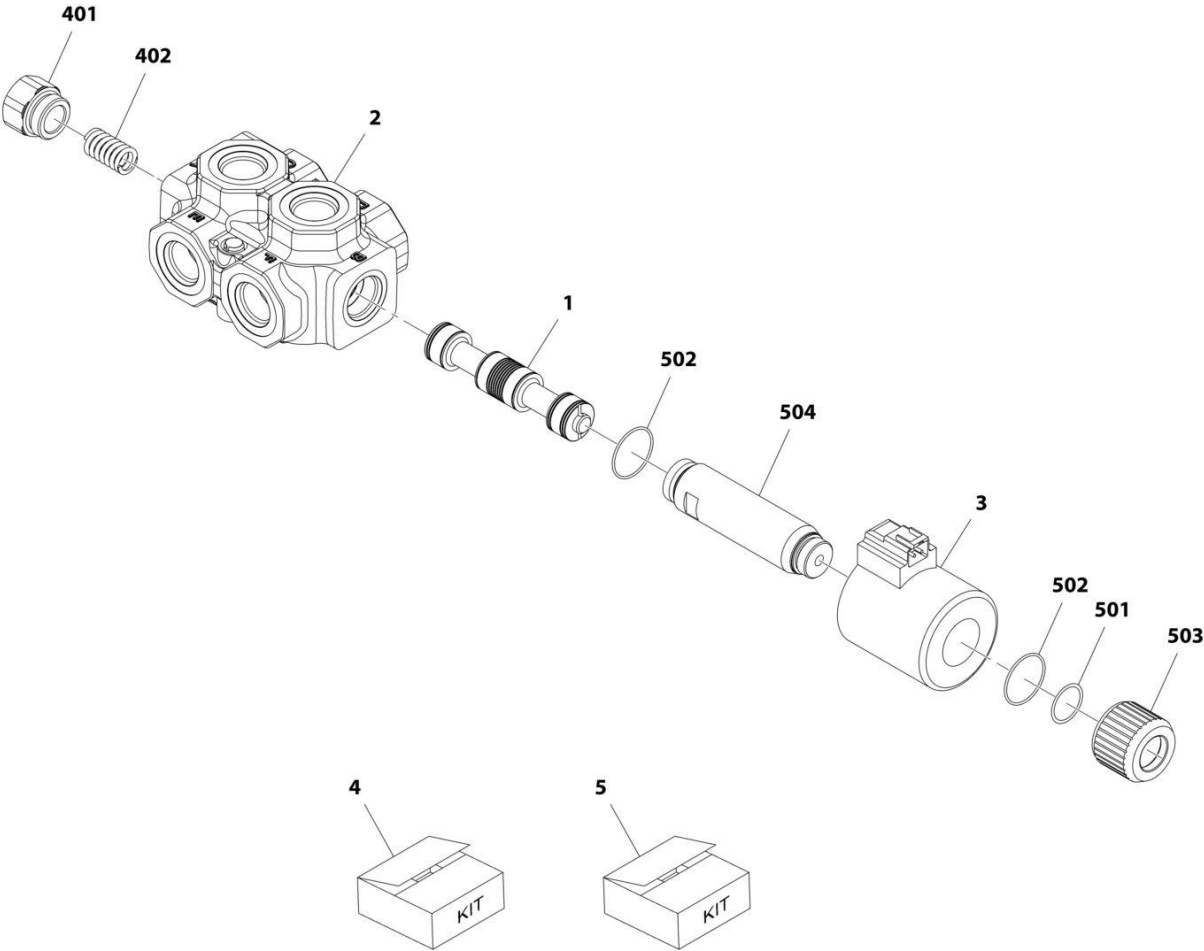
SECTION 9 - HYDRAULIC COMPONENTS

FIGURE 9-8. VALVE SUB-ASSEMBLY - DIVERTOR (HI-FLOW)

ITEM	PART NUMBER	QTY	DESCRIPTION	REV
	1001204420	Ref	Divertor Valve Assembly (Hi Flow)	C
1	0761012	2	Bolt, M10X25	
2	2111012	6	Fitting, Straight ORFS	
4	4032017	2	Bolt	
5	4812002	2	Washer, M10	
6	1001095301	1	Fitting, 90 ORFS	
7	1001173771	1	Valve, Divertor (Hi Flow) (See Separate Breakdown in this Section)	
8	1001213748	1	Bracket	
9	2110604	1	Fitting, Straight ORFS	

SECTION 9 - HYDRAULIC COMPONENTS

FIGURE 9-9. VALVE ASSEMBLY - DIVERTOR (HI-FLOW)



ART_1001173771-D

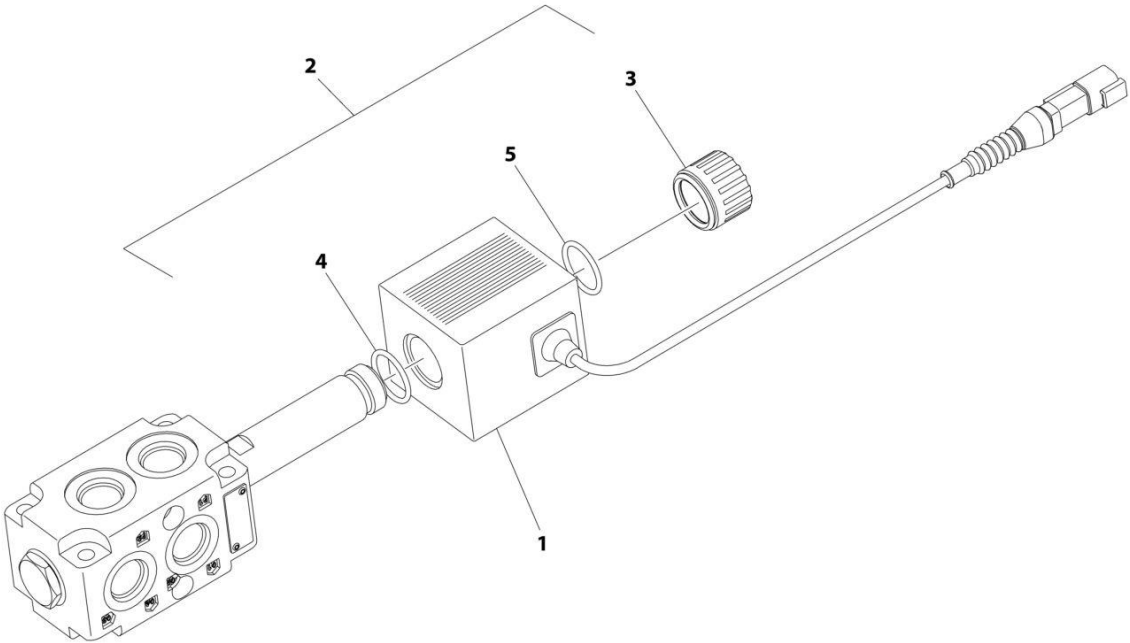
SECTION 9 - HYDRAULIC COMPONENTS

FIGURE 9-9. VALVE ASSEMBLY - DIVERTOR (HI-FLOW)

ITEM	PART NUMBER	QTY	DESCRIPTION	REV
	1001173771	Ref	Divertor Valve	D
1	70027267	1	Spool, Divertor	
2	70027268	1	Body, Divertor	
3	70027269	1	Coil	
4	70027270	1	Kit, Drain Plug	
401	Kit	1	Plug	
402	Kit	1	Spring	
5	70027271	1	Kit, Tube	
501	Kit	1	O-Ring	
502	Kit	2	O-Ring	
503	Kit	1	Plug	
504	Kit	1	Tube	

SECTION 9 - HYDRAULIC COMPONENTS

FIGURE 9-10. VALVE ASSEMBLY - DIVERTOR (TWIN HYDRAULIC COUPLER)



ART_1001104477

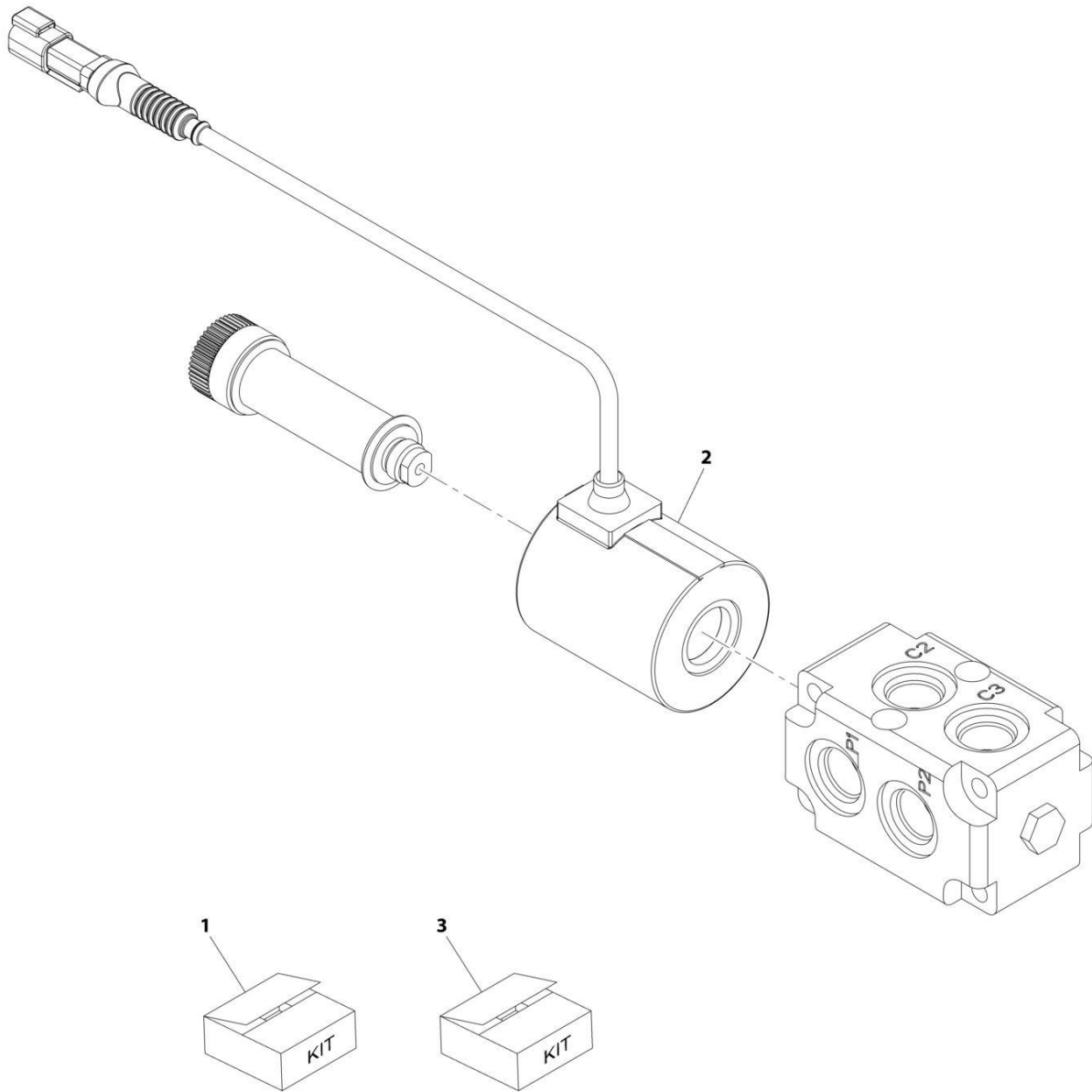
SECTION 9 - HYDRAULIC COMPONENTS

FIGURE 9-10. VALVE ASSEMBLY - DIVERTOR (TWIN HYDRAULIC COUPLER)

ITEM	PART NUMBER	QTY	DESCRIPTION	REV
	1001104477	Ref	DIVERTOR VALVE	D
1	70020764	1	Coil	
2	70021531	1	Retainer Kit (Includes Items 3-5)	
3	Kit	1	Nut	
4	Kit	1	O-Ring	
5	Kit	1	O-Ring	

SECTION 9 - HYDRAULIC COMPONENTS

FIGURE 9-11. VALVE ASSEMBLY - DIVERTOR (TWIN MANUAL & SINGLE/TWIN HYDRAULIC COUPLERS)



ART_1001110023-B

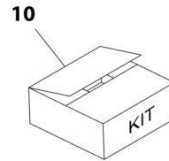
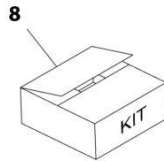
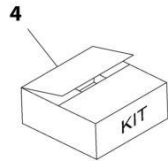
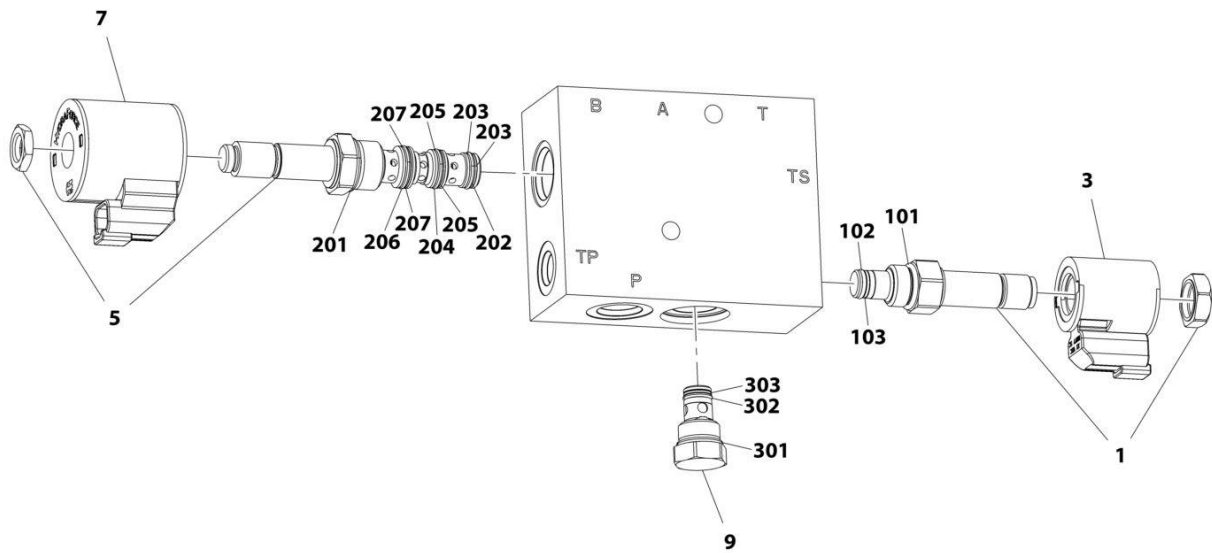
SECTION 9 - HYDRAULIC COMPONENTS

FIGURE 9-11. VALVE ASSEMBLY - DIVERTOR (TWIN MANUAL & SINGLE/TWIN HYDRAULIC COUPLERS)

ITEM	PART NUMBER	QTY	DESCRIPTION	REV
	1001110023	Ref	Divertor Valve	B
1	70027596	1	Kit, Seal	
	Kit	2	O-Ring	
2	70020764	1	Coil	
3	70021531	1	Kit, Coil Nut	
	N.S.S.	1	O-Ring	
	N.S.S.	1	O-Ring	
	N.S.S.	1	Nut	

SECTION 9 - HYDRAULIC COMPONENTS

FIGURE 9-12. VALVE ASSEMBLY - FAN MOTOR CONTROL



ART_1001182213-C

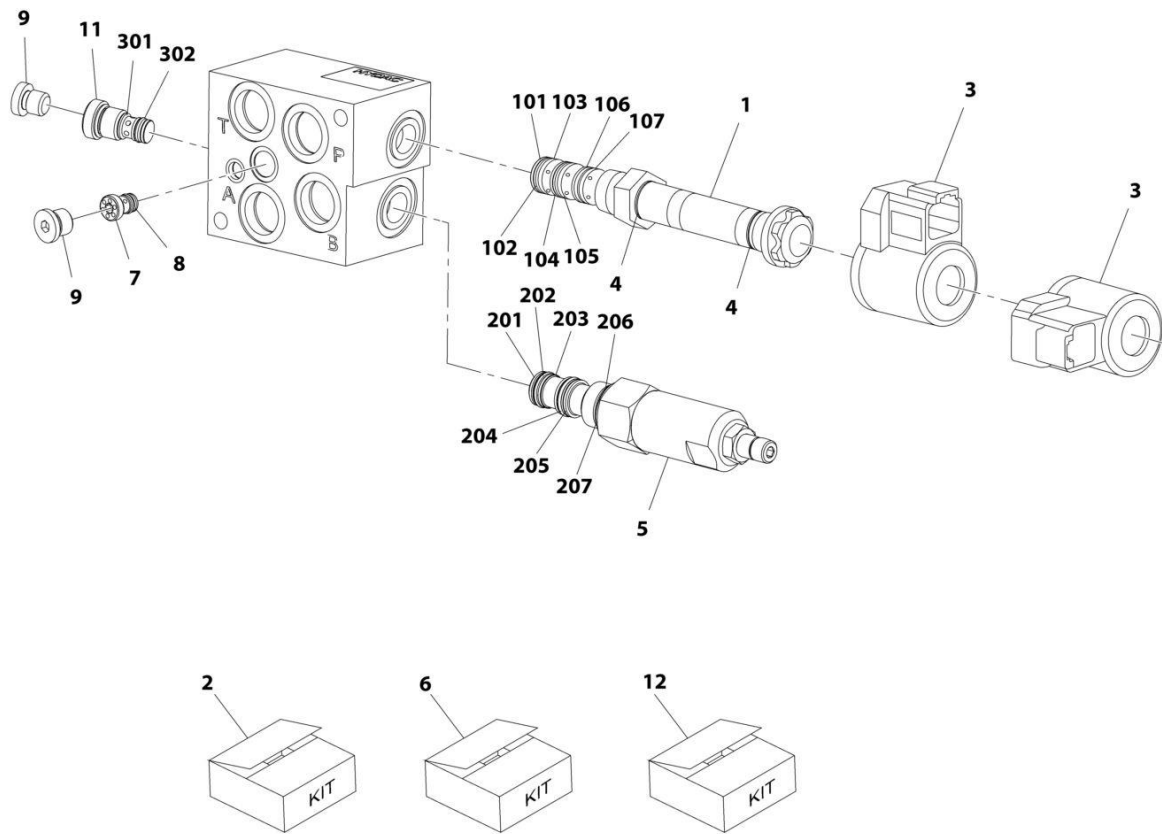
SECTION 9 - HYDRAULIC COMPONENTS

FIGURE 9-12. VALVE ASSEMBLY - FAN MOTOR CONTROL

ITEM	PART NUMBER	QTY	DESCRIPTION	REV
	1001182213	Ref	Fan Motor Control Valve	C
1	70027004	1	Valve, Proportional	
3	70002971	1	Coil	
4	7012998	1	Kit, Seal (includes items 101 thru 103)	
5	8036580	1	Valve, Solenoid	
7	70003788	1	Coil	
8	7012903	1	Kit, Seal (includes items 201 thru 207)	
9	7022391	1	Valve, Check	
10	7012998	1	Kit, Seal (includes items 301 thru 303)	
101	N.S.S.	1	O-Ring	
102	N.S.S.	1	O-Ring	
103	N.S.S.	1	O-Ring, Back-up	
201	N.S.S.	1	O-Ring	
202	N.S.S.	1	O-Ring	
203	N.S.S.	2	O-Ring, Back-up	
204	N.S.S.	1	O-Ring	
205	N.S.S.	2	O-Ring, Back-up	
206	N.S.S.	1	O-Ring	
207	N.S.S.	2	O-Ring, Back-up	
301	N.S.S.	1	O-Ring	
302	N.S.S.	1	O-Ring	
303	N.S.S.	1	O-Ring, Back-up	

SECTION 9 - HYDRAULIC COMPONENTS

FIGURE 9-13. VALVE ASSEMBLY - HYDRAULIC HITCH CONTROL VALVE



ART_1001226722-A

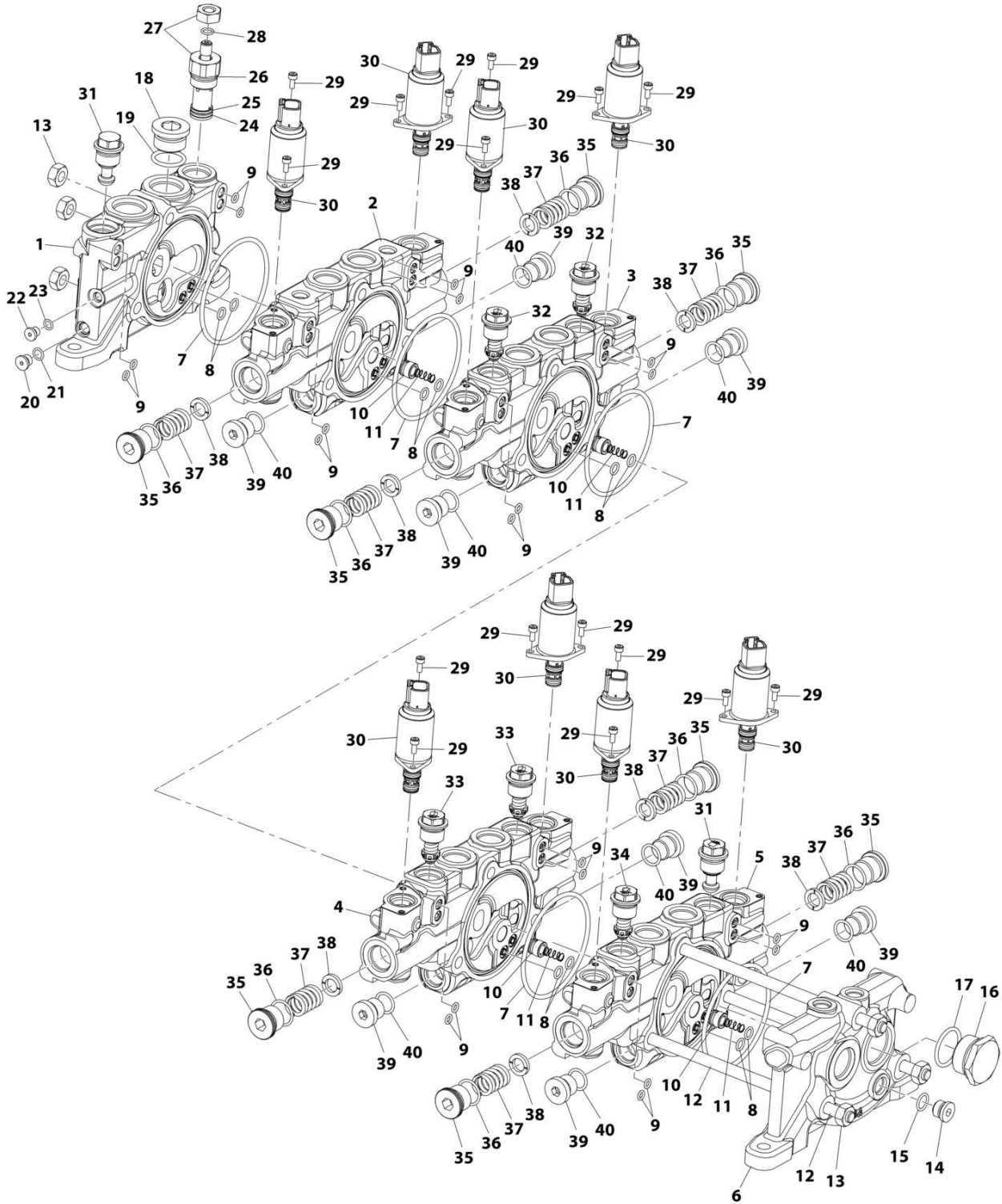
SECTION 9 - HYDRAULIC COMPONENTS

FIGURE 9-13. VALVE ASSEMBLY - HYDRAULIC HITCH CONTROL VALVE

ITEM	PART NUMBER	QTY	DESCRIPTION	REV
	1001226722	Ref	Hydraulic Hitch Control Valve	B
1	70026965	1	Valve	
2	70026966	1	Kit, Seal	
101	Kit	1	O-Ring	
102	Kit	1	O-Ring	
103	Kit	2	Support Ring	
104	Kit	1	O-Ring	
105	Kit	2	Support Ring	
106	Kit	1	O-Ring	
107	Kit	2	Support Ring	
3	70026967	2	Coil	
4	70026968	1	Nut	
5	70026969	1	Valve	
6	70026970	1	Kit, Seal	
201	Kit	1	O-Ring	
202	Kit	1	O-Ring	
203	Kit	2	Support Ring	
204	Kit	1	O-Ring	
205	Kit	2	Support Ring	
206	Kit	1	O-Ring	
207	Kit	2	Support Ring	
7	70026971	1	Valve	
8	70026972	1	Seal	
9	70026973	2	Plug	
11	70026975	1	Valve	
12	70026976	1	Kit, Seal	
301	Kit	1	O-Ring	
302	Kit	1	O-Ring	

SECTION 9 - HYDRAULIC COMPONENTS

FIGURE 9-14. VALVE ASSEMBLY - MAIN CONTROL



ART_1001241883-A

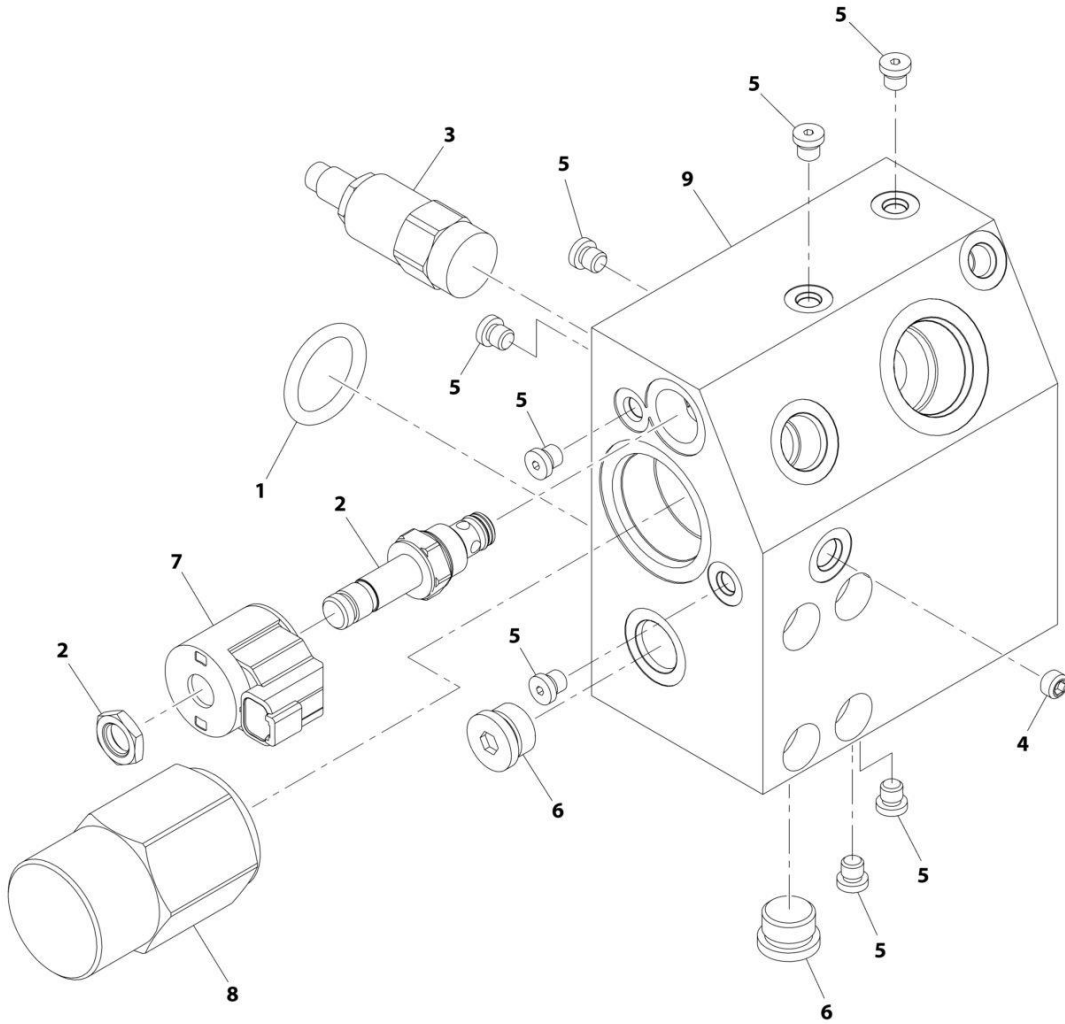
SECTION 9 - HYDRAULIC COMPONENTS

FIGURE 9-14. VALVE ASSEMBLY - MAIN CONTROL

ITEM	PART NUMBER	QTY	DESCRIPTION	REV
	1001241883	Ref	Main Control Valve	A
1	70027136	1	Section, Inlet	
2	70029992	1	Lift Section Assembly	
3	70029993	1	Tilt Section Assembly	
4	70029994	1	Aux Section Assembly	
5	70029995	1	Extend/Retract Section Assembly	
6	70027141	1	Outlet Section Assembly	
7	8034697	5	O-Ring	
8	10837926	10	O-Ring	
9	70027128	20	O-Ring	
10	10837929	4	Poppet	
11	10837937	4	Spring	
12	70026375	3	Tie Rod	
13	70050481	6	Nut-Metric	
14	70050475	1	Plug Assy	
15	70024201	1	O-Ring	
16	70029030	1	Plug Assy W/O-Ring	
17	10732931	1	O-Ring	
18	70050472	1	Plug Assy, W/O-Ring	
19	70026374	1	O-Ring	
20	70026368	1	Plug Assy W/O-Ring	
21	70026371	1	O-Ring	
22	70026379	1	Plug Assy W/O-Ring	
23	70026372	1	O-Ring	
24	70026370	1	O-Ring	
25	70026376	1	Back-Up Ring	
26	10837928	1	O-Ring	
27	70027132	1	Drain Regulator Assembly	
28	70026373	1	O-Ring	
29	70027135	16	Screw	
30	70029820	8	Solenoid, Cartridge Valve	
31	70026382	2	Shut-Off Plug Assembly	
32	70022010	2	Relief Valve Assembly	
33	70027133	2	Relief Valve Assembly	
34	70027134	1	Relief Valve Assembly	
35	70024847	8	Plug Assembly W/O-Ring	
36	70026777	8	O-Ring	
37	70026377	8	Spring	
38	70027129	8	Spring Seat	
39	70027131	8	Plug Assembly W/O-Ring	
40	70027130	8	O-Ring	

SECTION 9 - HYDRAULIC COMPONENTS

FIGURE 9-15. VALVE ASSEMBLY - PRIORITY FLOW MANIFOLD



ART_1001220639-B

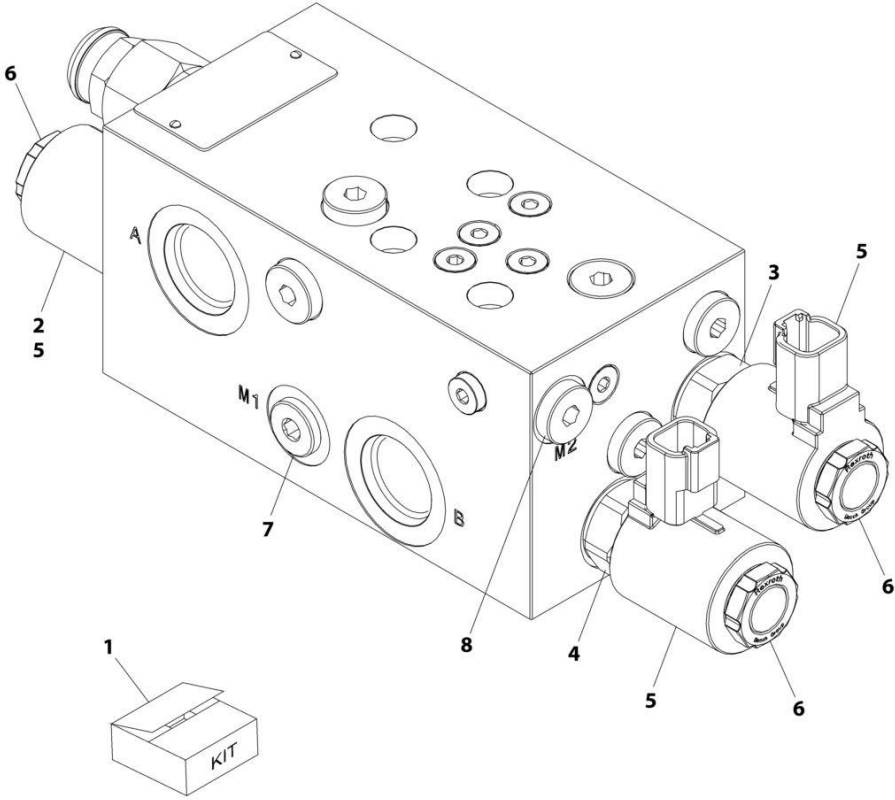
SECTION 9 - HYDRAULIC COMPONENTS

FIGURE 9-15. VALVE ASSEMBLY - PRIORITY FLOW MANIFOLD

ITEM	PART NUMBER	QTY	DESCRIPTION	REV
	1001220639	Ref	Priority Flow Valve	B
1	70027000	1	O-Ring	
2	70027001	1	Valve, Solenoid	
3	70027002	1	Reducer, Pressure	
4	70026313	1	Plug	
5	2220881	8	Plug	
6	2220886	2	Plug	
7	70002386	1	Coil	
8	70028900	1	Direction Control Valve	
9	N.S.S.	1	Body	

SECTION 9 - HYDRAULIC COMPONENTS

FIGURE 9-16. VALVE ASSEMBLY - RIDE CONTROL



ART_1001263039

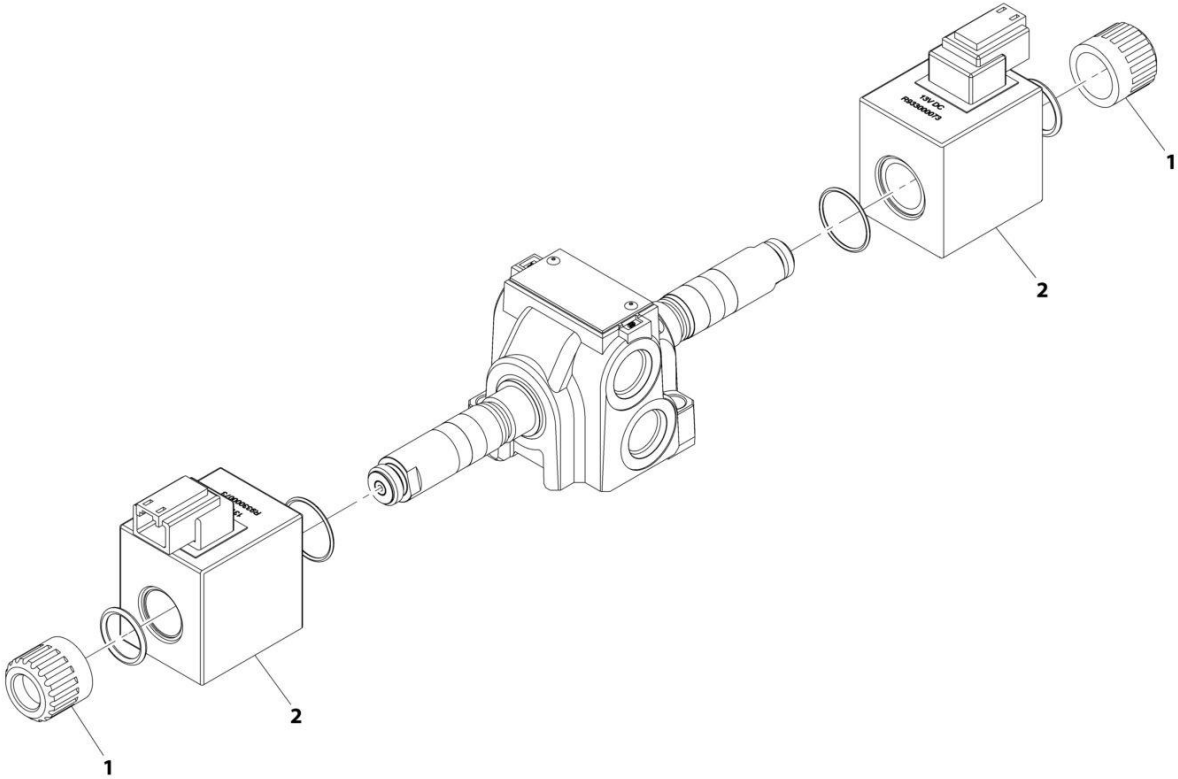
SECTION 9 - HYDRAULIC COMPONENTS

FIGURE 9-16. VALVE ASSEMBLY - RIDE CONTROL

ITEM	PART NUMBER	QTY	DESCRIPTION	REV
	1001263039	Ref	VALVE ASSEMBLY - RIDE CONTROL	A
1	70027600	1	Seal Kit - Mounting (Includes to Mount Valve Assembly)	
2	70030943	1	Valve, Solenoid Cartridge (Less Coil)	
3	70030944	1	Valve, Solenoid Cartridge (Less Coil)	
4	70030945	1	Valve, Solenoid Cartridge (Less Coil)	
5	70030946	3	Coil	
6	70007604	3	Coil Nut	
7	70030947	1	Plug Kit	
8	70030948	1	Plug Kit	

SECTION 9 - HYDRAULIC COMPONENTS

FIGURE 9-17. VALVE ASSEMBLY - STEERING SELECT VALVE



ART_1001153748-C

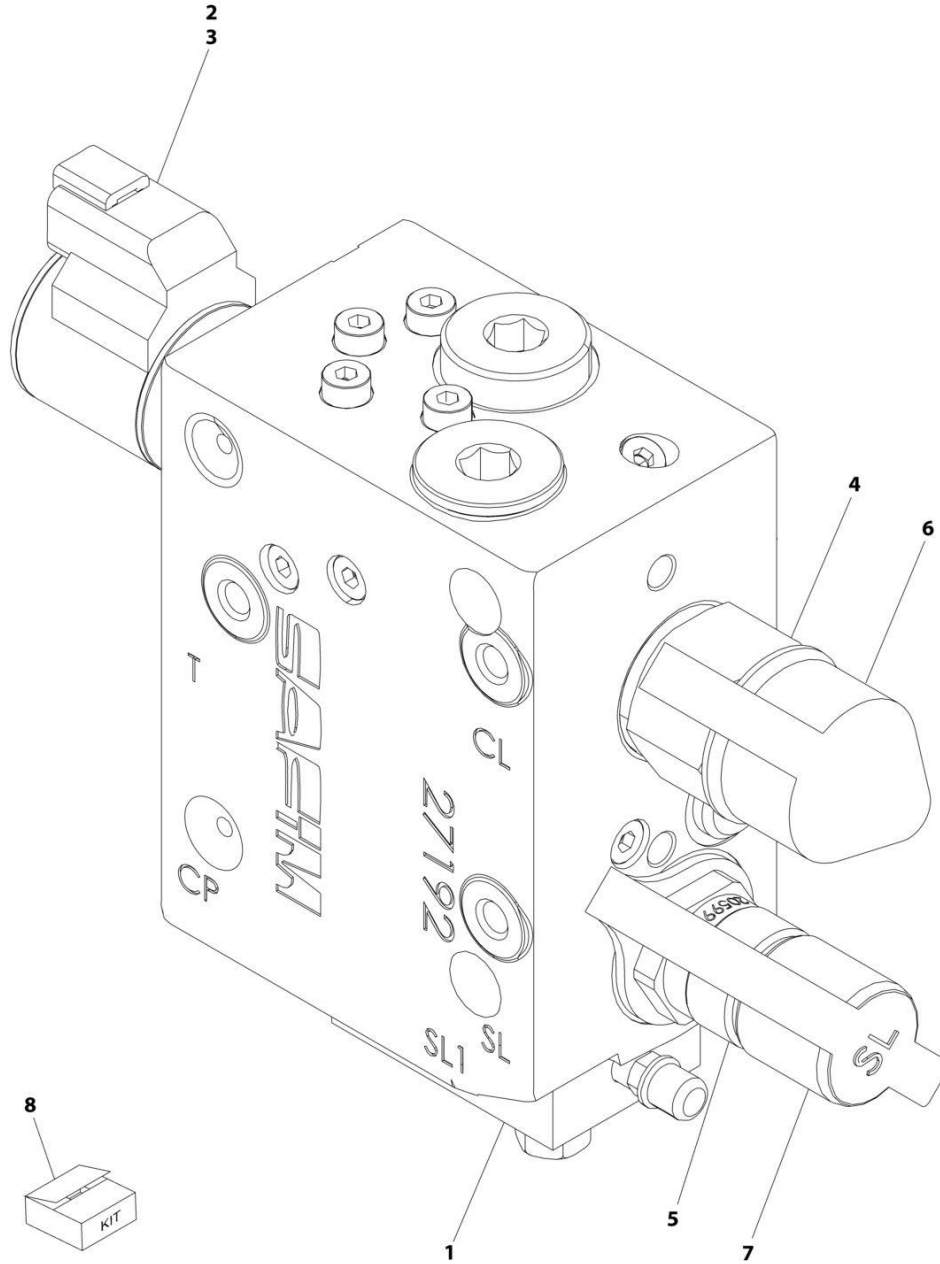
SECTION 9 - HYDRAULIC COMPONENTS

FIGURE 9-17. VALVE ASSEMBLY - STEERING SELECT VALVE

ITEM	PART NUMBER	QTY	DESCRIPTION	REV
	1001153748	Ref	Steering Select Valve	C
1	70020867	2	Nut, Coil	
2	70026582	2	Coil	

SECTION 9 - HYDRAULIC COMPONENTS

FIGURE 9-18. VALVE ASSEMBLY - TRAILER BRAKE



ART_1001230194

SECTION 9 - HYDRAULIC COMPONENTS

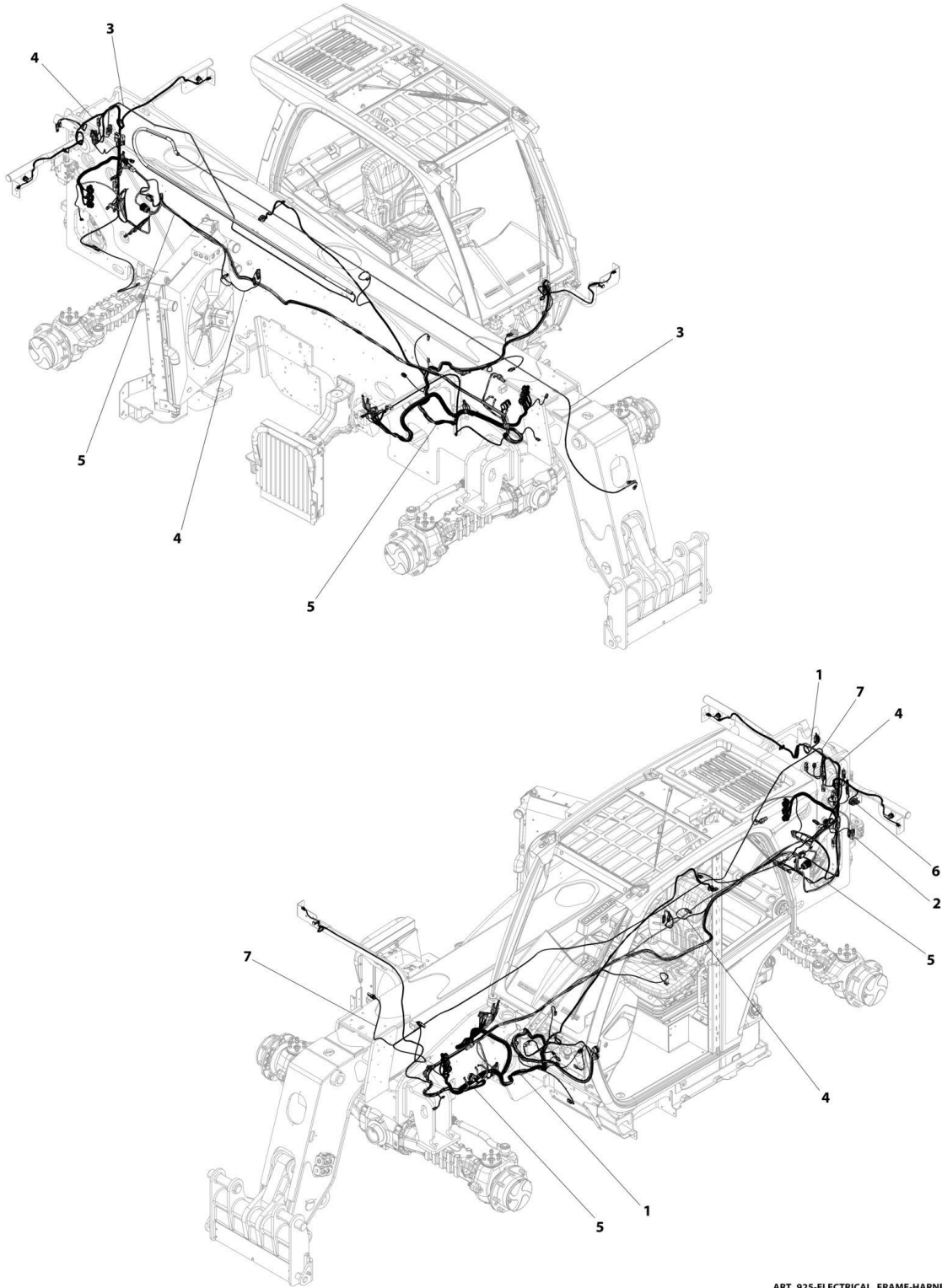
FIGURE 9-18. VALVE ASSEMBLY - TRAILER BRAKE

ITEM	PART NUMBER	QTY	DESCRIPTION	REV
	1001230194	Ref	TRAILER BRAKE VALVE	A
1	70028868	1	Pilot Group	
2	70028869	1	Solenoid Valve with Coil	
3	70028870	1	Coil	
4	70028871	1	Coupling, CL	
5	70028872	1	Coupling, SL	
6	70028873	1	Cap, CL	
7	70028874	1	Cap, SL	
8	70028875	1	Seal Kit (Includes Items 101-112)	
101	Kit	1	Cap Bleeding Screw	
102	Kit	1	Quadrant Pilot Block	
103	Kit	10	Seal	
104	Kit	1	Seal	
105	Kit	1	Seal	
106	Kit	1	Seal	
107	Kit	1	Seal	
108	Kit	1	Seal	
109	Kit	1	Seal	
110	Kit	1	Seal	
111	Kit	1	Anti Extrusion	
112	Kit	1	Anti Extrusion	

SECTION 10 - ELECTRICAL

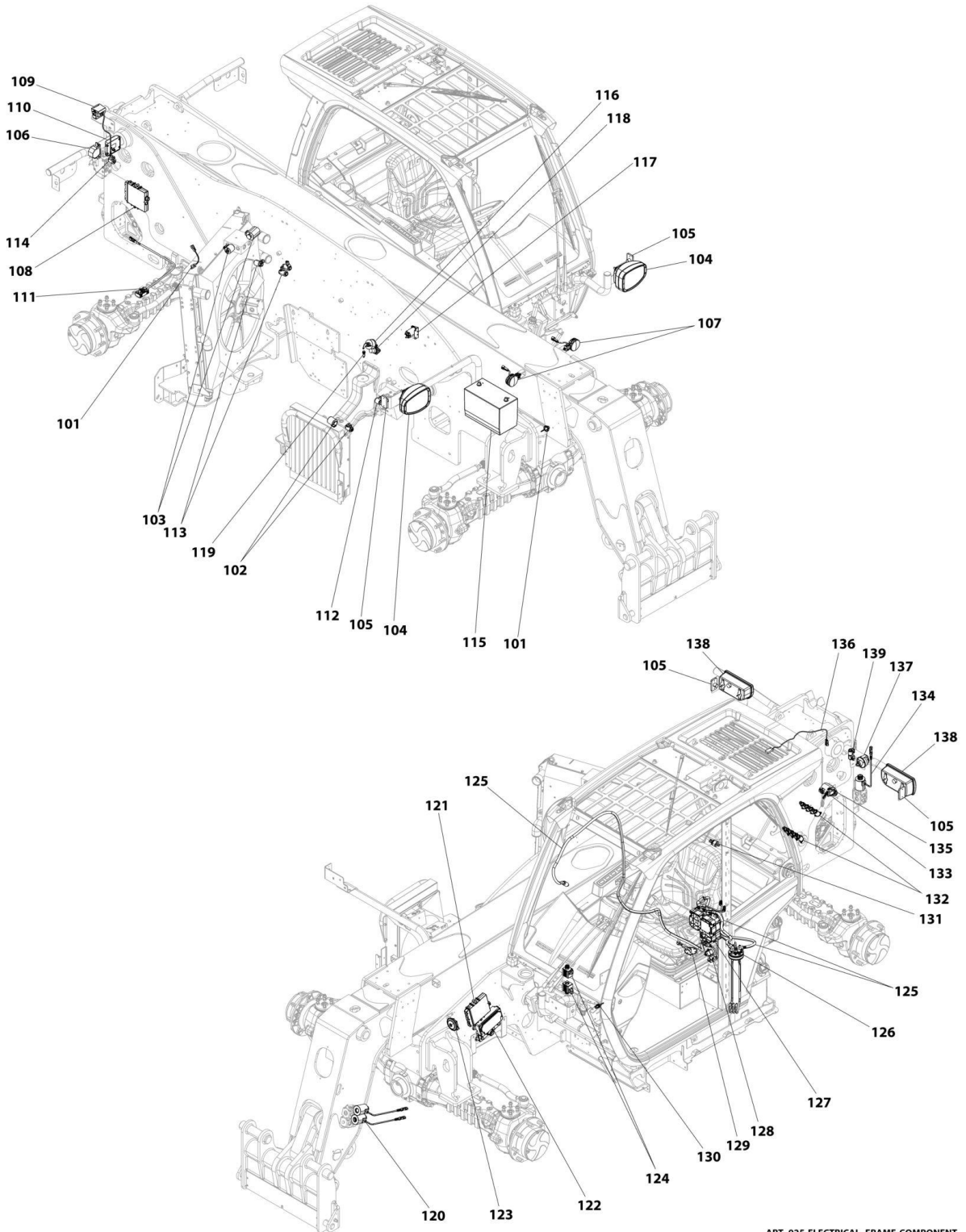
SECTION 10 - ELECTRICAL

FIGURE 10-1. 925 ELECTRICAL LAYOUT



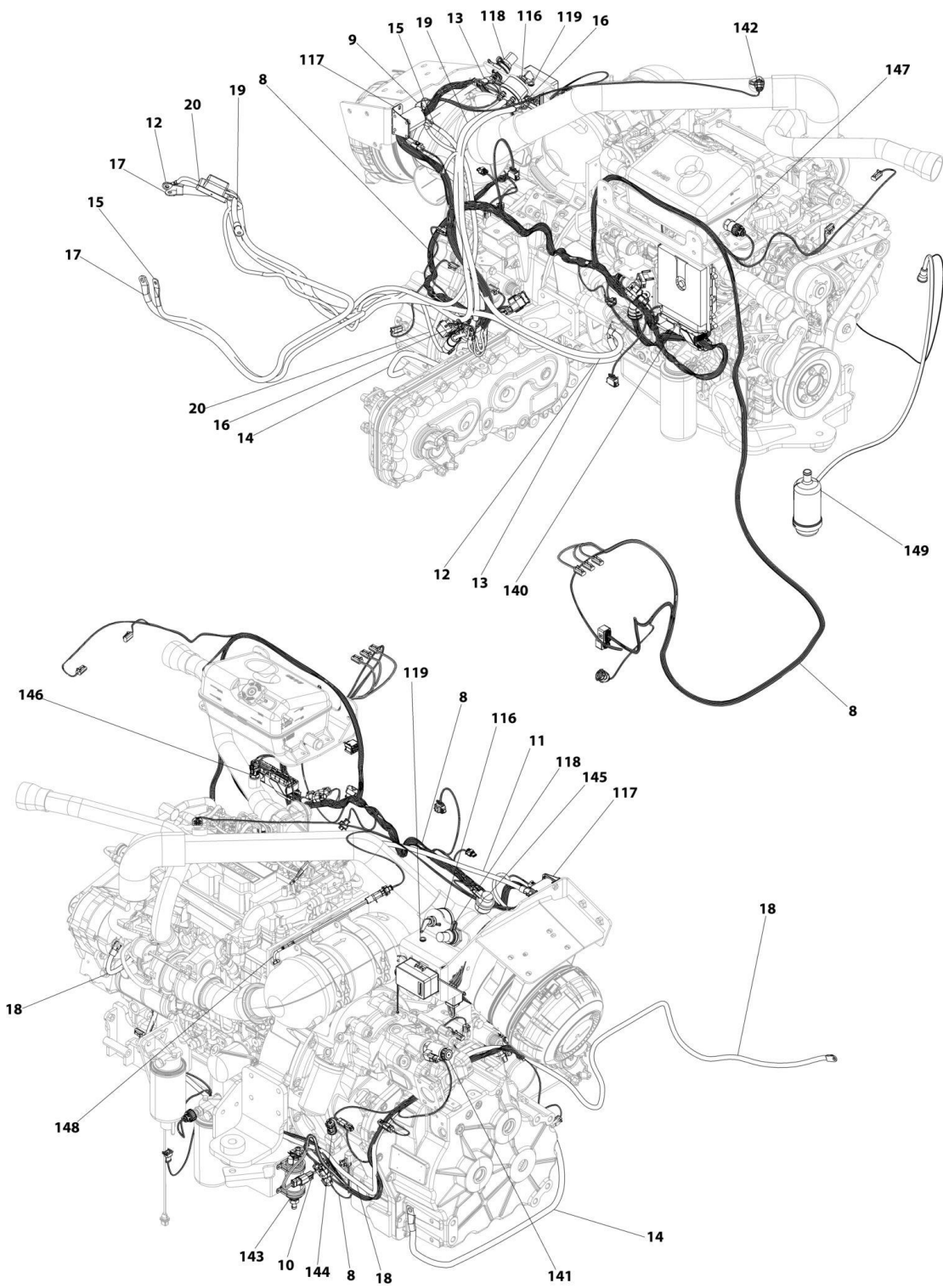
ART_925-ELECTRICAL_FRAME-HARNESS

SECTION 10 - ELECTRICAL



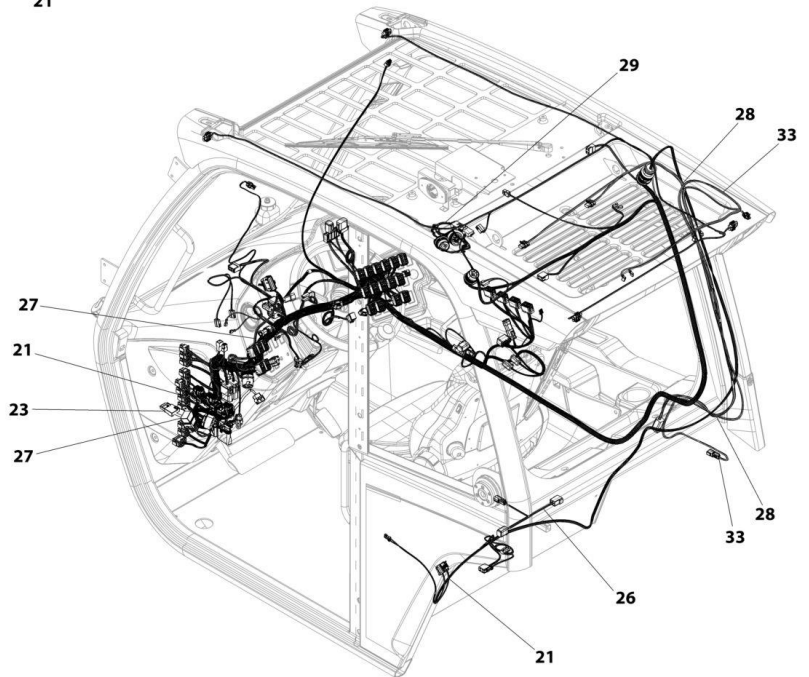
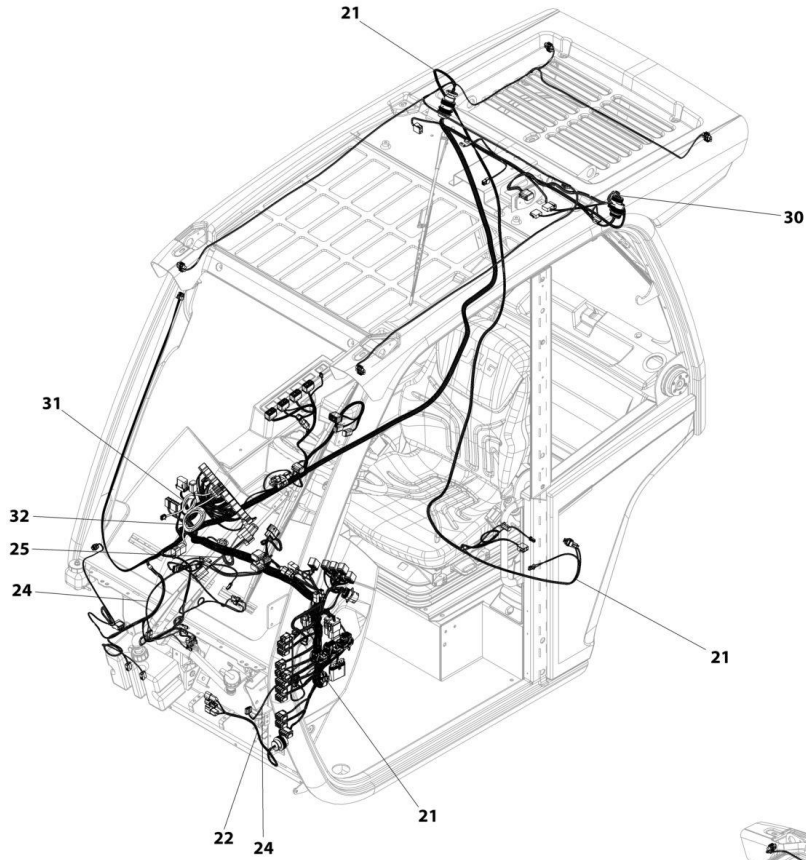
ART_925-ELECTRICAL_FRAME-COMPONENT

SECTION 10 - ELECTRICAL



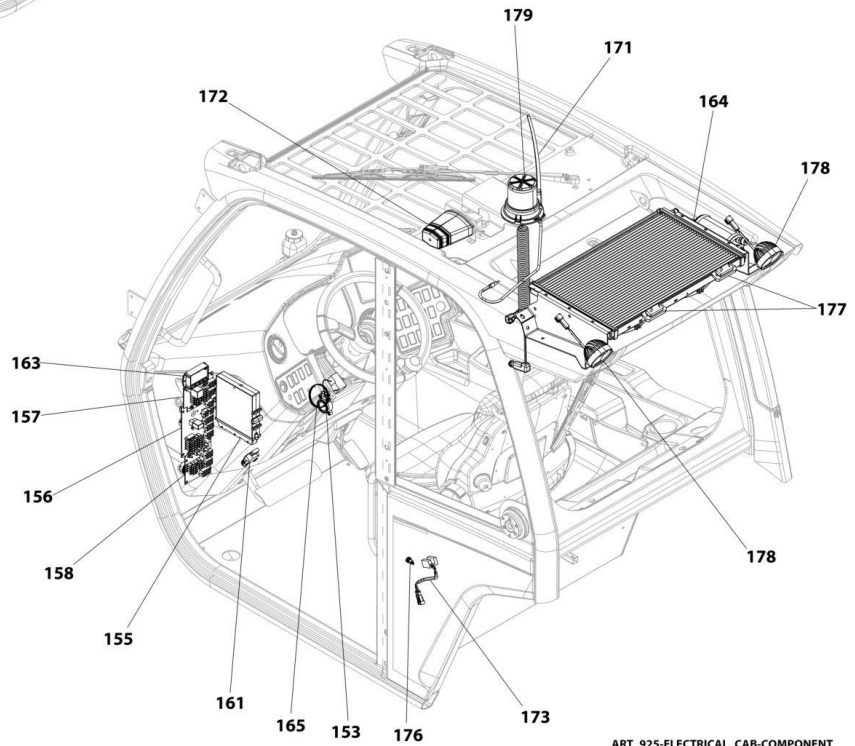
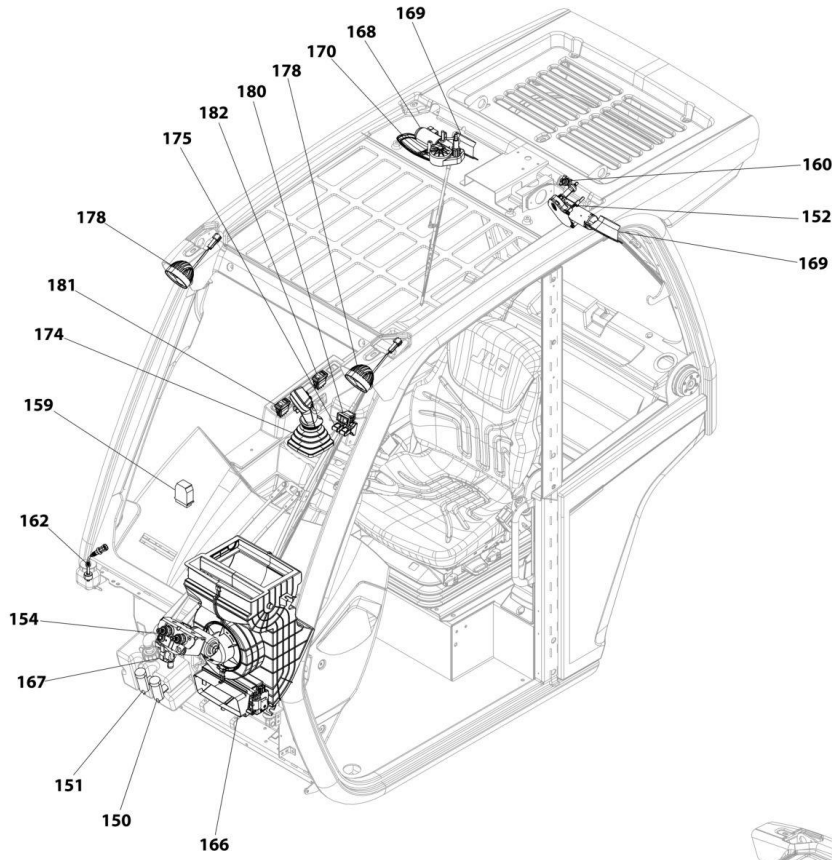
ART_925-ELECTRICAL_ENGINE_DEUTZ3-6-90KW

SECTION 10 - ELECTRICAL



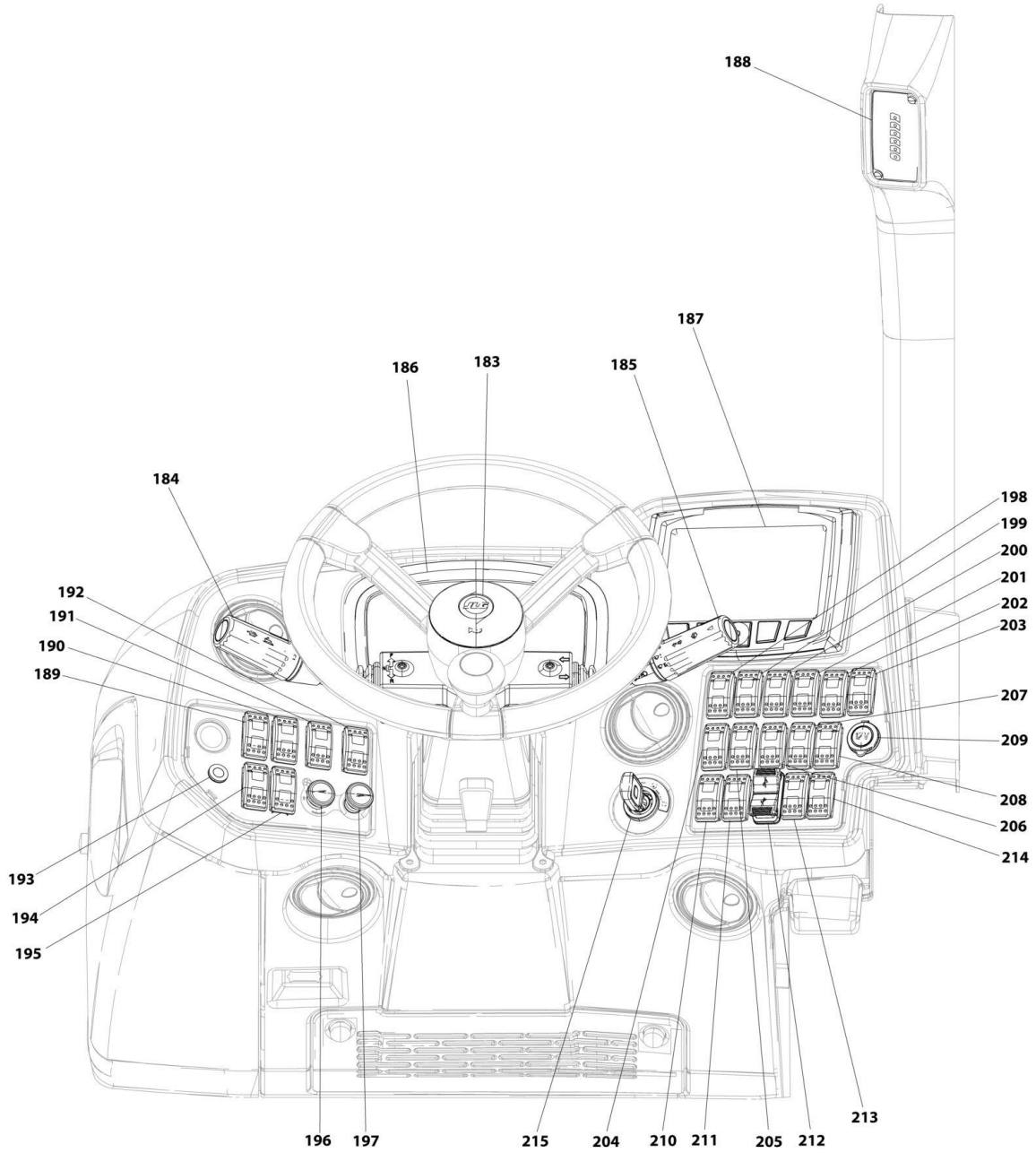
ART_925-ELECTRICAL_CAB-HARNESS

SECTION 10 - ELECTRICAL



ART_925-ELECTRICAL_CAB-COMPONENT

SECTION 10 - ELECTRICAL



ART_925-ELECTRICAL_CONTROLS

SECTION 10 - ELECTRICAL

FIGURE 10-1. 925 ELECTRICAL LAYOUT

ITEM	PART NUMBER	QTY	DESCRIPTION	REV
		Ref	Note: This figure is for identifying part location only.	
		Ref	HARNESS LIST	
1		Ref	Cable, Reverse Camera	
2		Ref	Harness, Reverse Sensor	
3		Ref	Harness, Boom	
4		Ref	Harness, Rear Frame	
5		Ref	Harness, Front Frame	
6		Ref	Harness, Trailer Connector	
7		Ref	Harness, Boom Worklights	
8		Ref	Harness, Engine	
9		Ref	Harness, Glow Plug Relay to Engine Harness	
10		Ref	Harness, Fuel Pump	
11		Ref	Cable, Glow Plug to Relay	
12		Ref	Cable, Battery (+) to Starter	
13		Ref	Cable, Starter to Jump Start Stud	
14		Ref	Cable, Ground Buss to Engine Ground	
15		Ref	Cable, PDM to Glow Plug Relay	
16		Ref	Cable, Disconnect to Ground Buss	
17		Ref	Cable, Battery (+) to PDM	
18		Ref	Cable, Alternator Power	
19		Ref	Cable, Battery (-) to Disconnect	
20		Ref	Cable, ECM Power	
21		Ref	Harness, Cab	
22		Ref	Harness, Cab Option	
23		Ref	Cable, Communication Analyzer	
24		Ref	Harness, HVAC Actuator	
25		Ref	Harness, Ignition Switch	
26		Ref	Harness, Seat Adaptor	
27		Ref	Harness, Seat Belt Alarm	
28		Ref	Harness, A/C Option	
29		Ref	Harness, Telematics Ready	
30		Ref	Harness, Telematics	
31		Ref	Cable, Display Programming	
32		Ref	Cable, Display Video	
33		Ref	Harness, License Plate Light	
		Ref	COMPONENT LIST	
101		Ref	Sensor, Steer	
102		Ref	Solenoids, Hydraulic Cooling Fan	
103		Ref	Solenoids, Engine Cooling Fan	
104		Ref	Headlight	
105		Ref	Light, Side Marker	
106		Ref	Alarm, Backup	
107		Ref	Worklights	
108		Ref	Module, Rear Frame	
109		Ref	Camera, Reverse	
110		Ref	Sensor, Reverse	
111		Ref	Sensor, Rear Axle	
112		Ref	Solenoids, Priority Valve	
113		Ref	Solenoids, Ride Control Valve	
114		Ref	Solenoid, Trailer Brake Valve	

SECTION 10 - ELECTRICAL

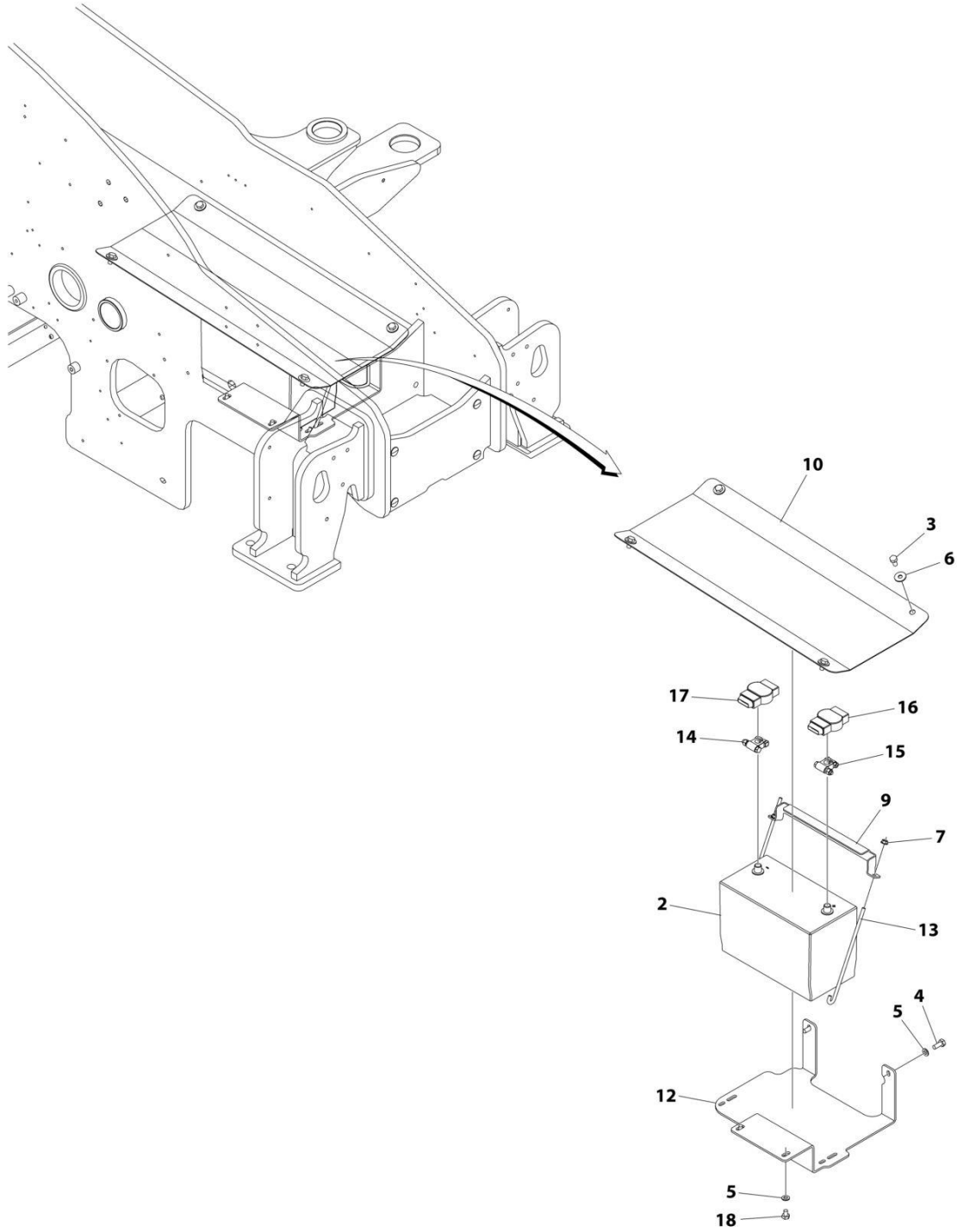
ITEM	PART NUMBER	QTY	DESCRIPTION	REV
115		Ref	Battery	
116		Ref	Switch, Battery Disconnect	
117		Ref	Relay	
118		Ref	Battery Jump Start Stud	
119		Ref	Light, DEF Purge Indicator	
120		Ref	Solenoids, Boom Quick Switch Valve	
121		Ref	Module, Front Frame	
122		Ref	Box, Power Distribution Electrical	
123		Ref	Horn	
124		Ref	Solenoids, Steer Select Valve	
125		Ref	Hose, Heated (DEF)	
126		Ref	Module, DEF Tank	
127		Ref	Pump, DEF Module	
128		Ref	Solenoids, Def Tank	
129		Ref	Fuel Pump	
130		Ref	Sensor, Hydraulic Oil Temperature	
131		Ref	Switch, Hydraulic Oil Pressure	
132		Ref	Solenoids, Main Control Valve	
133		Ref	Sensor, Boom Angle	
134		Ref	Solenoid, Rear Aux Divertor Valve	
135		Ref	Solenoids, Hi-Flow Divertor Valve	
136		Ref	Sensor, Proximity	
137		Ref	Connector, Electrical (Trailer)	
138		Ref	Taillight	
139		Ref	Solenoids, Hitch Control Valve	
140		Ref	Module, Engine Control	
141		Ref	Solenoid, Implement Pump	
142		Ref	Sensor, Ambient Air Temperature	
143		Ref	Fuel Pump	
144		Ref	Sensor, Temperature	
145		Ref	Sensor, Air Restriction	
146		Ref	Sensor, Engine Coolant Temperature	
147		Ref	Sensor, Coolant Level	
148		Ref	Sensor, Temperature	
149		Ref	Heater, Engine Block	
150		Ref	Pump, Windshield Washer	
151		Ref	Pump, Rear Window Washer	
152		Ref	Motor, Rear Wiper	
153		Ref	Sensor, Throttle	
154		Ref	Motor, Front Wiper	
155		Ref	Module, Cab	
156		Ref	Electrical Board, Standard	
157		Ref	Electrical Board, Option 1	
158		Ref	Electrical Board, Option 2	
159		Ref	Module, Wipers	
160		Ref	Plug, 12V Power	
161		Ref	Sensor, Brake	
162		Ref	Sensor, Brake Fluid Level	
163		Ref	HVAC Actuator	
164		Ref	Assembly, Cab Condenser	
165		Ref	Sensor, HVAC Thermostat	

SECTION 10 - ELECTRICAL

ITEM	PART NUMBER	QTY	DESCRIPTION	REV
166		Ref	Assembly, Heater & A/C	
167		Ref	Valve, HVAC	
168		Ref	Motor, Roof Wiper	
169		Ref	Speakers	
170		Ref	Lamp, Dome	
171		Ref	Antenna, Radio	
172		Ref	Module, ClearSky Telematics	
173		Ref	Sensor, Parking Brake	
174		Ref	Joystick	
175		Ref	Control, Fingertip Joystick	
176		Ref	Switch, Trailer Brake	
177		Ref	Light, License Plate	
178		Ref	Worklights	
179		Ref	Beacon	
180		Ref	Switch, Hitch Up/Down	
181		Ref	Switch, Transmission Disconnect	
182		Ref	Switch, Engine Speed Set	
183		Ref	Horn	
184		Ref	Lever, Transmission Control	
185		Ref	Lever, Accessory Control	
186		Ref	Instrument Panel	
187		Ref	Multifunction Display	
188		Ref	Display, LSI	
189		Ref	Switch, Lift/Loader	
190		Ref	Switch, Continuous Auxiliary Hydraulic	
191		Ref	Switch, Air Conditioning	
192		Ref	Switch, HVAC Recirculation	
193		Ref	Light, Seat Belt Indicator	
194		Ref	Switch, LSI Override	
195		Ref	Switch, Coupler	
196		Ref	HVAC Fan Speed	
197		Ref	Switch, HVAC Temperature Control	
198		Ref	Switch, Fog Lights	
199		Ref	Switch, Front Work Lights	
200		Ref	Switch, Boom Work Lights	
201		Ref	Switch, Rear Work Lights	
202		Ref	Switch, Beacon Light	
203		Ref	Switch, Hazard Lights	
204		Ref	Switch, Rear Wiper	
205		Ref	Switch, Roof Wiper	
206		Ref	Switch, Bucket Mode	
207		Ref	Switch, Boom Ride Control	
208		Ref	Switch, Auxiliary Decompression	
209		Ref	Power Outlet	
210		Ref	Switch, Steer Select	
211		Ref	Switch, Road Use	
212		Ref	USB Port	
213		Ref	Switch, Reversing Fan	
214		Ref	Switch, Master Light and Road Lights	
215		Ref	Switch, Ignition	

SECTION 10 - ELECTRICAL

FIGURE 10-2. BATTERY INSTALLATION (STANDARD)



ART_1001180267_G

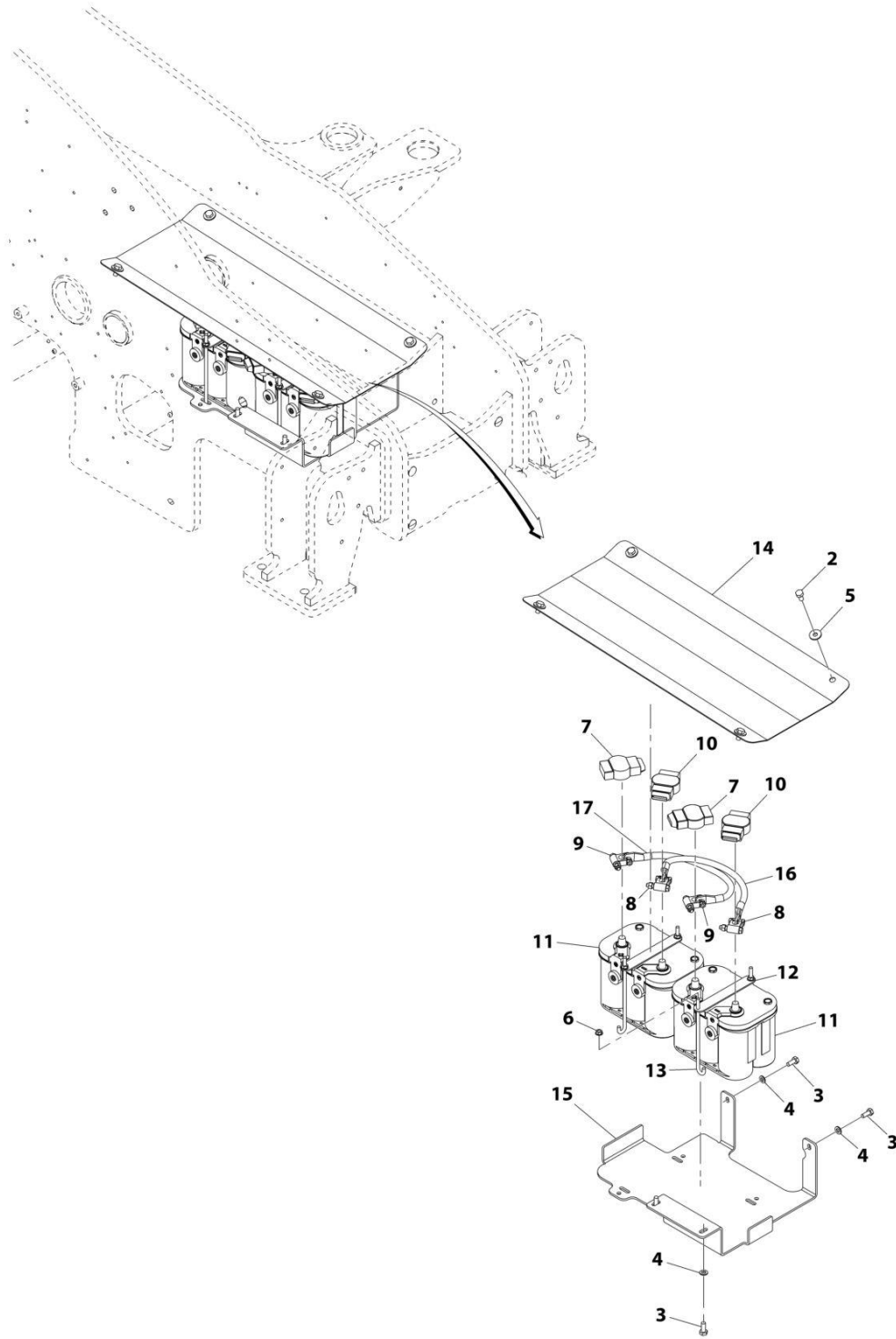
SECTION 10 - ELECTRICAL

FIGURE 10-2. BATTERY INSTALLATION (STANDARD)

ITEM	PART NUMBER	QTY	DESCRIPTION	REV
	1001180267	Ref	BATTERY INSTALLATION (STANDARD)	G
2	0400075	1	Battery, 12V	
3	0761010	4	Bolt M10 x 20	
4	0761012	2	Bolt M10 x 25	
5	4812000	4	Washer M10	
6	4812002	4	Washer M10	
7	5220800	2	Nut M8	
9	1001141596	1	Plate	
10	1001179221J	1	Cover	
12	1001217179	1	Tray	
13	1001179586	2	J-Bolt	
14	8270147	1	Clamp	
15	8270148	1	Clamp	
16	7301893	1	Insulator, Battery Terminal	
17	1001145300	1	Insulator, Battery Terminal	
18	0761007	2	Bolt M10 x 14	

SECTION 10 - ELECTRICAL

FIGURE 10-3. BATTERY INSTALLATION (DUAL)



ART_1001179197-C

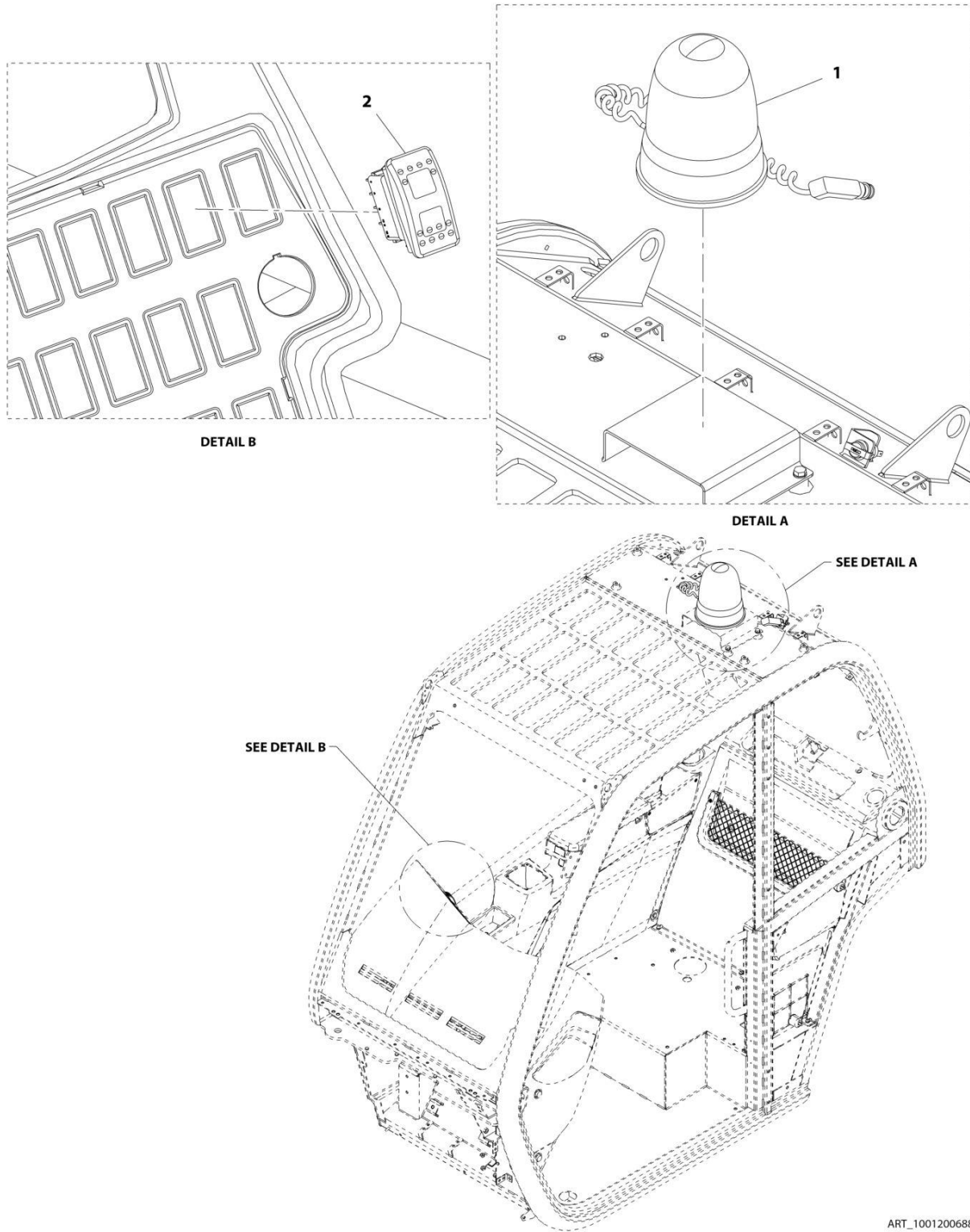
SECTION 10 - ELECTRICAL

FIGURE 10-3. BATTERY INSTALLATION (DUAL)

ITEM	PART NUMBER	QTY	DESCRIPTION	REV
	1001179197	Ref	Battery Installation (Dual)	C
2	0761010	4	Bolt, M10X20	
3	0761012	4	Bolt, M10X25	
4	4812000	4	Washer, M10	
5	4812002	4	Washer, M10	
6	5220800	4	Nut, M8	
7	7301893	2	Insulator, Battery Terminal	
8	8270147	2	Clamp	
9	8270148	2	Clamp	
10	1001145300	2	Insulator, Battery Terminal	
11	1001167212	2	Battery	
12	1001179585	2	Bracket	
13	1001179586	4	Bolt	
14	1001179221J	1	Cover	
15	1001203417J	NLA	Tray (no longer available, use 1001229139 for replacement)	
15	1001229139	1	Tray	
16	1001189339	1	Cable	
17	1001189338	1	Cable	

SECTION 10 - ELECTRICAL

FIGURE 10-4. BEACON/STROBE INSTALLATION



ART_1001200688-B

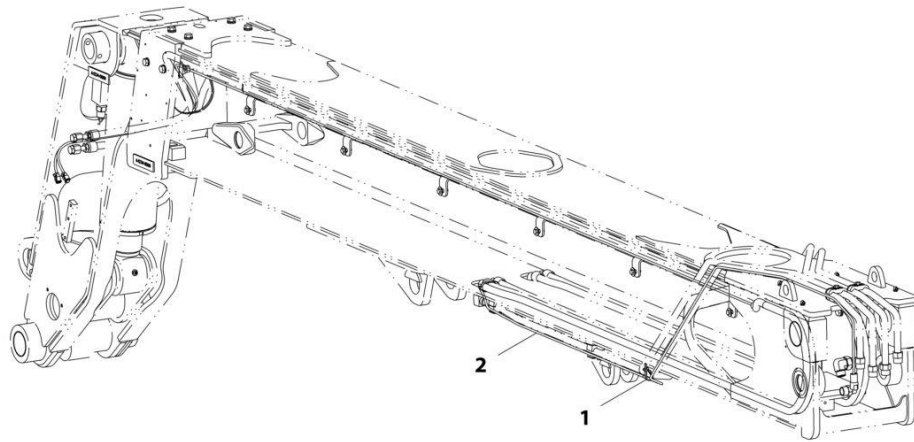
SECTION 10 - ELECTRICAL

FIGURE 10-4. BEACON/STROBE INSTALLATION

ITEM	PART NUMBER	QTY	DESCRIPTION	REV
	1001200688	Ref	BEACON LIGHT INSTALLATION	B
1	1001217623	1	Light, Warning	
2	1001159738	1	Switch, Beacon	

SECTION 10 - ELECTRICAL

FIGURE 10-5. BOOM HARNESS INSTALLATION



ART_1001204078-C

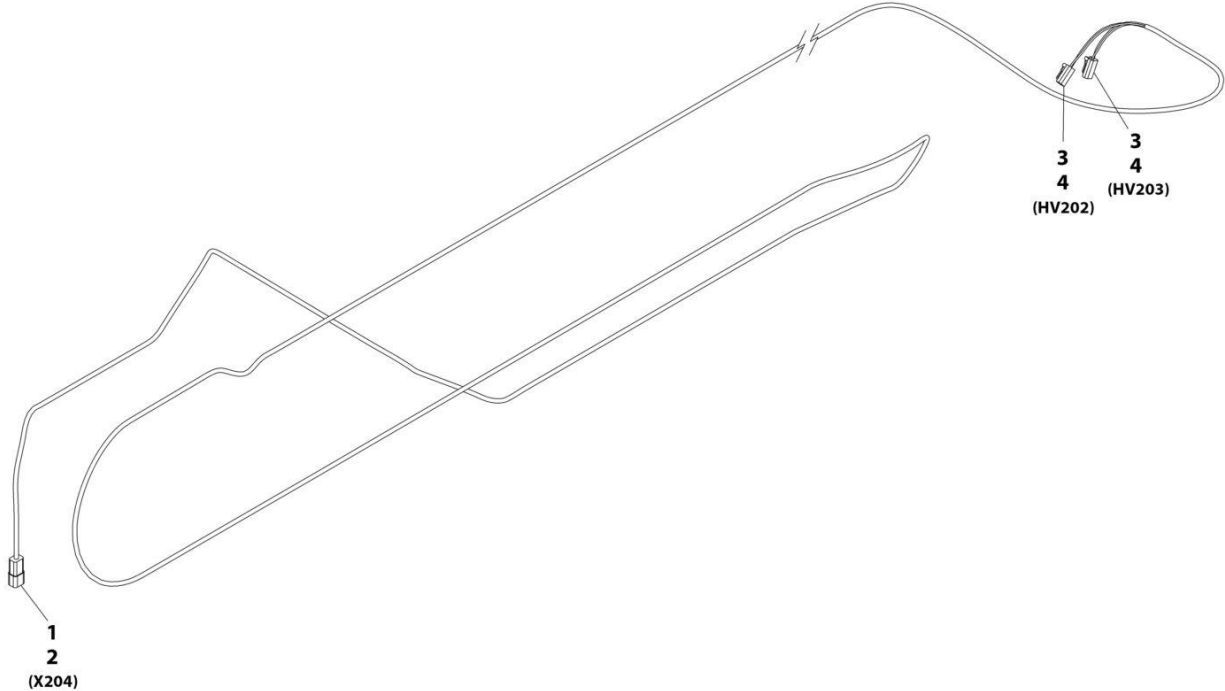
SECTION 10 - ELECTRICAL

FIGURE 10-5. BOOM HARNESS INSTALLATION

ITEM	PART NUMBER	QTY	DESCRIPTION	REV
1	1001185364	Ref	Boom Harness Installation	C
	1001008923	AR	Strap, Cable	
	1001184421	1	Harness, Boom (See Separate Breakdown in this Section)	

SECTION 10 - ELECTRICAL

FIGURE 10-6. BOOM HARNESS



ART_1001184421-C

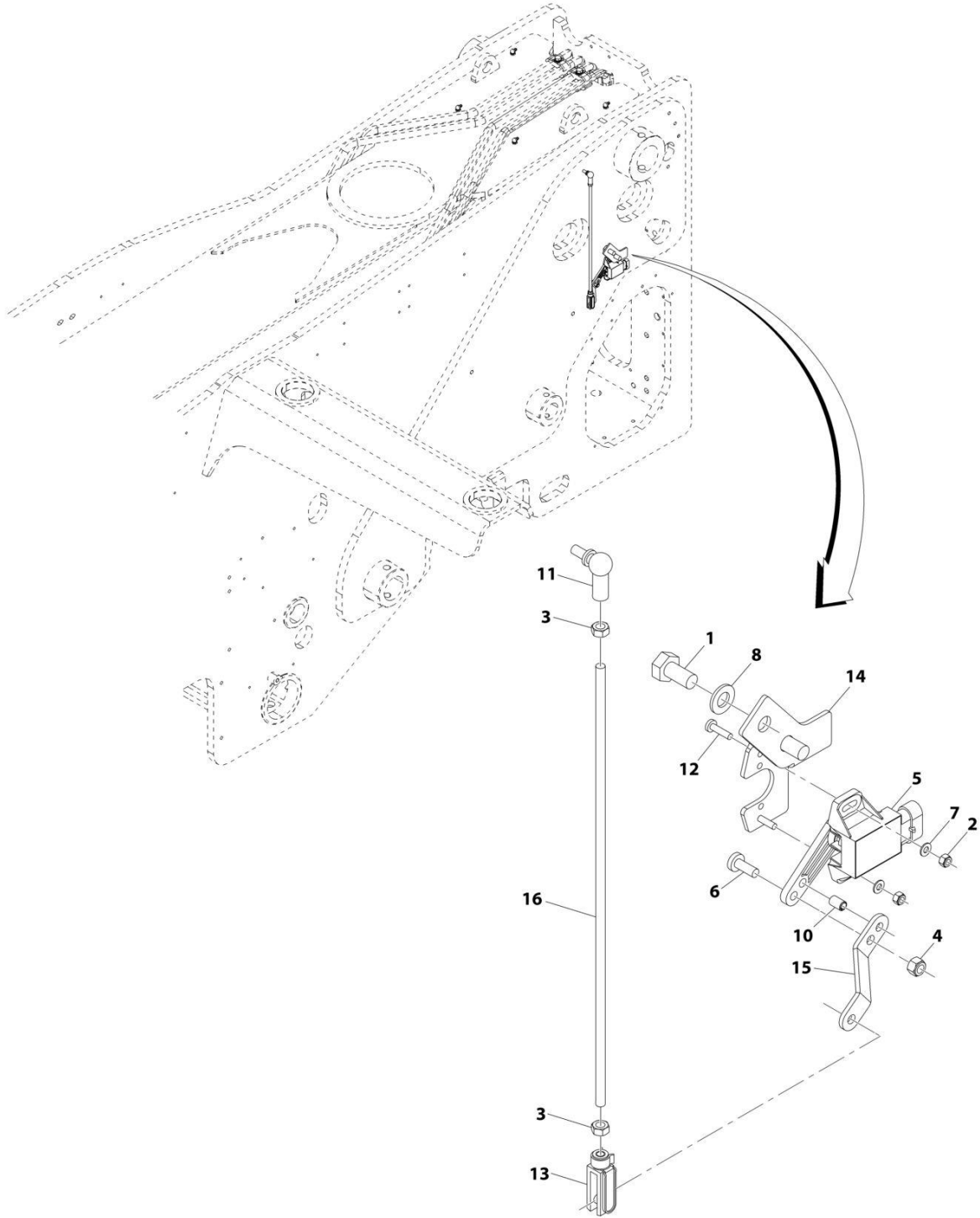
SECTION 10 - ELECTRICAL

FIGURE 10-6. BOOM HARNESS

ITEM	PART NUMBER	QTY	DESCRIPTION	REV
	1001184421	Ref	Boom Harness	C
1	4460932	1	Connector	
2	80604018	1	Lock, Connector	
3	4460891	2	Connector	
4	80604018	2	Lock, Connector	

SECTION 10 - ELECTRICAL

FIGURE 10-7. BOOM ANGLE SENSOR INSTALLATION



ART_1001179937-C

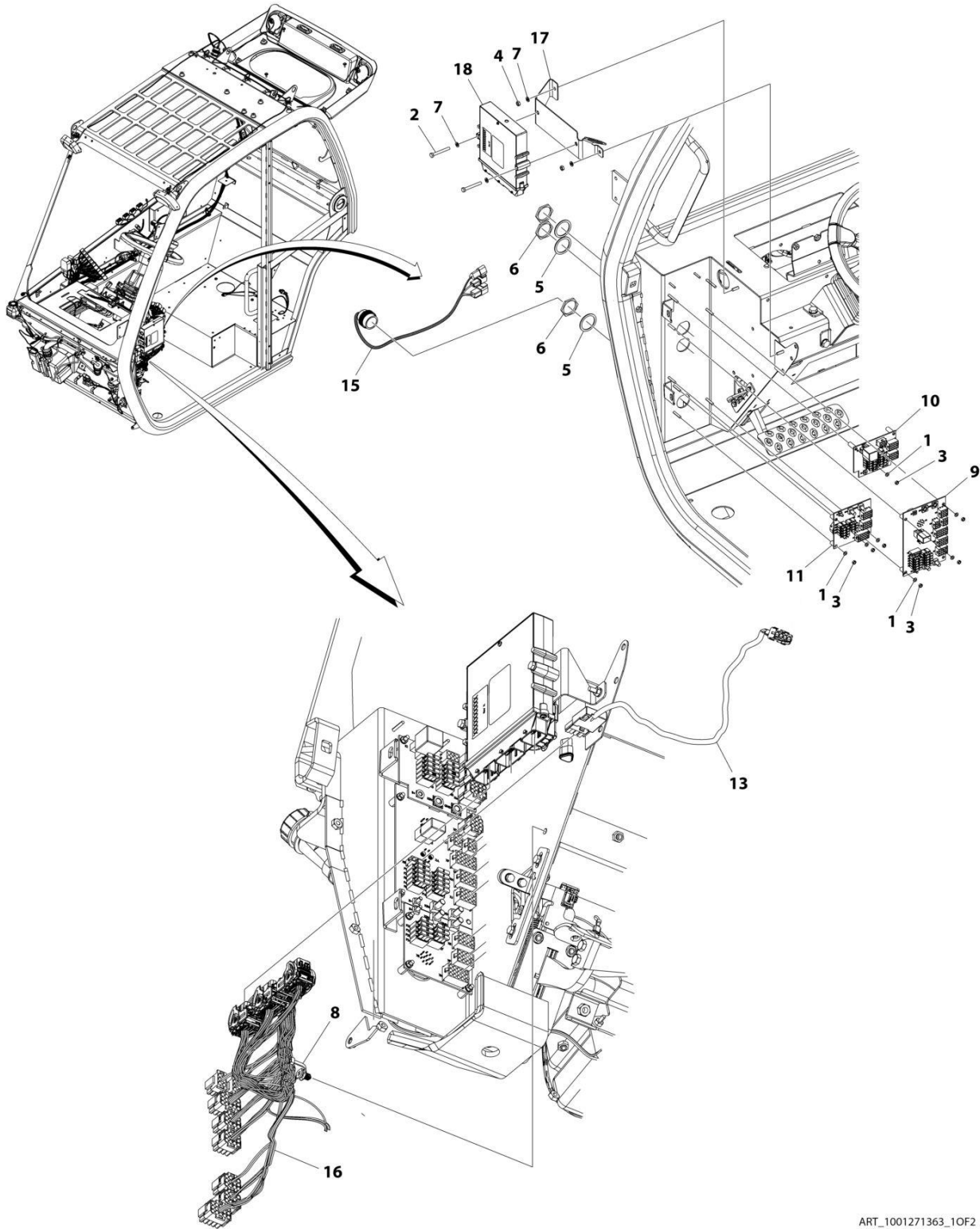
SECTION 10 - ELECTRICAL

FIGURE 10-7. BOOM ANGLE SENSOR INSTALLATION

ITEM	PART NUMBER	QTY	DESCRIPTION	REV
	1001179937	Ref	BOOM ANGLE SENSOR INSTALLATION	D
1	0761010	2	Bolt M10 x 20	
2	3290405	2	Nut, Lock M4 x 0.7	
3	3290601	2	Nut M6 x 1	
4	3290605	1	Nut, Lock M6 x 1	
	1001278028	1	Sensor, Boom Angle	
6	4010608	1	Screw M6 x 16	
7	4811400	2	Washer M4	
8	4812000	2	Washer M10	
10	1001103156	1	Pin	
11	1001103300	1	Ball, Joint	
12	1001126837	2	Screw M4 x 16	
13	1001134274	1	Clevis	
14	1001187851	1	Bracket	
15	1001187852	1	Link	
16	1001187853	1	Rod	

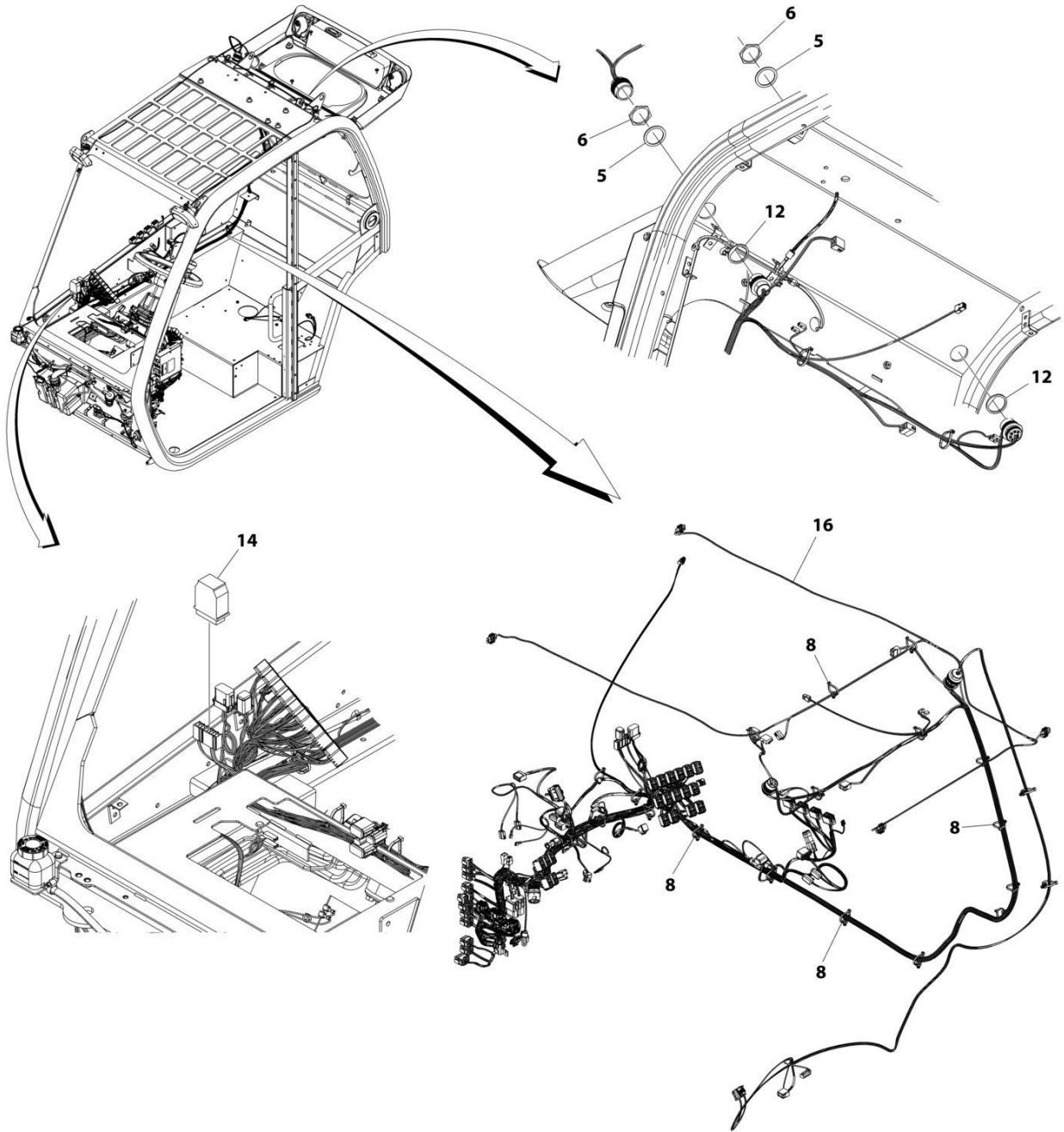
SECTION 10 - ELECTRICAL

FIGURE 10-8. CAB ELECTRICAL INSTALLATION



ART_1001271363_10F2

SECTION 10 - ELECTRICAL



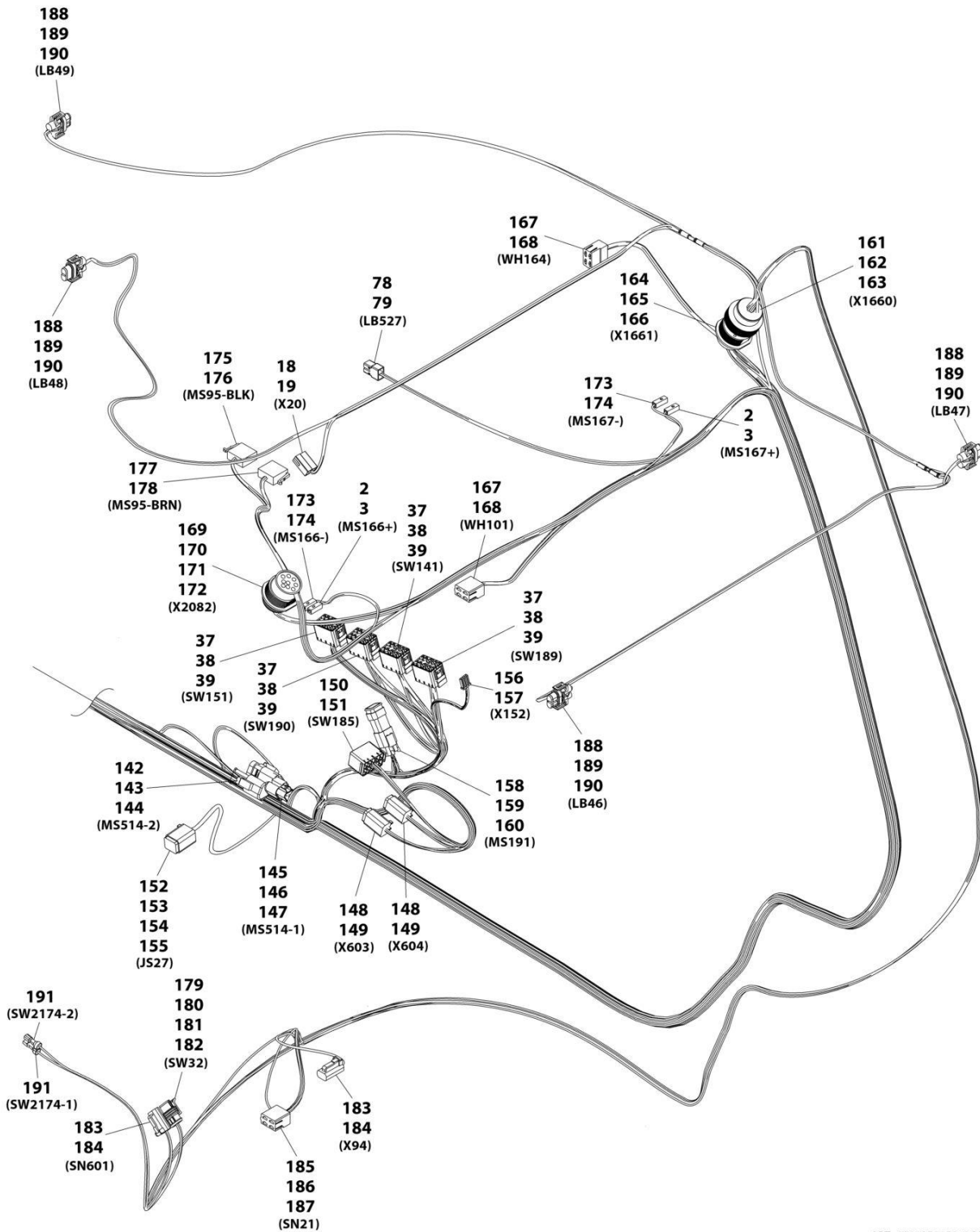
ART_1001271363_2OF2

SECTION 10 - ELECTRICAL

FIGURE 10-8. CAB ELECTRICAL INSTALLATION

ITEM	PART NUMBER	QTY	DESCRIPTION	REV
	1001271363	Ref	CAB ELECTRICAL INSTALLATION	B
1	120034	7	Washer, Plastic	
2	0700618	2	Bolt M6 x 50	
3	3290501	7	Nut M5	
4	3290601	2	Nut M6	
5	4460496	5	Washer, Terminal Lock	
6	4460497	5	Nut, Terminal	
7	4811700	4	Washer M6	
8	1001146588	23	Strap, Cable Tie	
9	1001161769	1	Assembly, Standard Electrical Board (See Separate Breakdown in this Section)	
10	1001161770	1	Assembly, Option 1 Electrical Board (See Separate Breakdown in this Section)	
11	1001161771	1	Assembly, Option 2 Electrical Board (See Separate Breakdown in this Section)	
12	1001211693	2	Seal	
13	1001213988	1	Cable, Communication Analyzer	
14	1001214281	1	Connector, Wiper Module	
15	1001265358	1	Harness, Cab Option LBP (See Separate Breakdown in this Section)	
16	1001266447	1	Harness, Cab (See Separate Breakdown in this Section)	
17	1001270180	1	Bracket	
18	1001270466	1	Module, Cab Control	

SECTION 10 - ELECTRICAL



ART_1001258159_20F2

SECTION 10 - ELECTRICAL

FIGURE 10-9. CAB HARNESS

ITEM	PART NUMBER	QTY	DESCRIPTION	REV
	1001258159	Ref	Harness, B Cab	A
1	1001116995	1	Connector	
2	1001118379	2	Terminal	
3	1001230931	1	Connector	
4	1001116748	6	Terminal	
5	4460994	1	Connector	
6	1001118384	1	Terminal	
7	1001116723	2	Terminal	
8	1001150735	1	Connector	
9	1001150737	7	Terminal	
10	8220051	1	Connector	
11	8220051	1	Connector	
12	8220051	1	Connector	
13	1001194421	1	Connector	
14	1001194421	1	Terminal	
15	4461118	1	Connector	
16	1001107854	2	Terminal	
17	1001104498	2	Seal	
18	1001116997	1	Connector	
19	1001118384	5	Terminal	
20	4460994	1	Connector	
21	1001118384	2	Terminal	
22	1001117081	1	Connector	
23	1001118384	5	Terminal	
24	1001116723	6	Terminal	
25	1001117081	1	Connector	
26	1001118384	2	Terminal	
27	1001116723	4	Terminal	
28	1001117079	1	Connector	
29	1001116723	6	Terminal	
30	1001118384	2	Terminal	
31	8220051	1	Connector	
32	8220051	1	Connector	
33	1001118684	1	Connector	
34	1001116754	2	Terminal	
35	1001117081	1	Connector	
36	1001116723	10	Terminal	
37	1001118384	1	Terminal	
38	1001117081	1	Connector	
39	1001118384	1	Terminal	
40	1001116723	6	Terminal	
41	1001117081	1	Connector	
42	1001116723	6	Terminal	
43	1001118384	1	Terminal	
44	4460894	1	Connector	
45	4460942	2	Terminal	
46	4460466	3	Terminal	
47	4460465	1	Terminal	
48	1001214686	1	Connector	
49	1001116753	4	Terminal	

SECTION 10 - ELECTRICAL

ITEM	PART NUMBER	QTY	DESCRIPTION	REV
50	1001214687	1	Connector	
51	1001116753	3	Terminal	
52	1001117081	1	Connector	
53	1001116723	6	Terminal	
54	1001118384	1	Terminal	
55	1001117081	1	Connector	
56	1001118384	2	Terminal	
57	1001116723	4	Terminal	
58	1001117081	1	Connector	
59	1001116723	6	Terminal	
60	1001118384	1	Terminal	
61	1001117081	1	Connector	
62	1001118384	2	Terminal	
63	1001116723	4	Terminal	
64	1001117081	1	Connector	
65	1001118384	2	Terminal	
66	1001116723	4	Terminal	
67	1001117081	1	Connector	
68	1001116723	6	Terminal	
69	1001118384	1	Terminal	
70	1001117081	1	Connector	
71	1001116723	6	Terminal	
72	1001118384	1	Terminal	
73	1001117081	1	Connector	
74	1001116723	8	Terminal	
75	1001118384	2	Terminal	
76	1001117081	1	Connector	
77	1001118384	3	Terminal	
78	1001116723	4	Terminal	
79	1001162886	1	Connector	
80	1001163340	13	Terminal	
81	1001162887	7	Terminal	
82	4460897	1	Connector	
83	4460941	1	Terminal	
84	4460466	1	Plug	
85	4460933	1	Connector	
86	4460465	9	Terminal	
87	4460466	3	Plug	
88	4460836	1	Connector	
89	4460942	3	Terminal	
90	4460465	8	Terminal	
91	4460466	1	Plug	
92	4460884	1	Connector	
93	4460942	2	Terminal	
94	4460466	2	Plug	
95	4460343	1	Connector	
96	4460267	7	Terminal	
97	1001117081	1	Connector	
98	1001116723	6	Terminal	
99	1001118384	1	Terminal	
100	4460933	1	Connector	

SECTION 10 - ELECTRICAL

ITEM	PART NUMBER	QTY	DESCRIPTION	REV
101	4460465	12	Terminal	
102	1001117081	1	Connector	
103	1001116723	6	Terminal	
104	1001118384	1	Terminal	
105	4460343	1	Connector	
106	4460268	8	Terminal	
107	4460906	1	Terminal	
108	1001116991	1	Connector	
109	1001118384	2	Terminal	
110	1001116999	1	Connector	
111	1001116700	4	Terminal	
112	4460225	1	Connector	
113	4460267	5	Terminal	
114	4460705	1	Terminal	
115	1001117081	1	Connector	
116	1001116723	6	Terminal	
117	1001118384	1	Terminal	
118	1001173411	1	Connector	
119	1001116716	2	Terminal	
120	1001104519	5	Terminal	
121	1001117081	1	Connector	
122	1001116723	6	Terminal	
123	1001118384	1	Terminal	
124	1001117081	1	Connector	
125	1001118384	2	Terminal	
126	1001116723	4	Terminal	
127	4460343	1	Connector	
128	4460268	9	Terminal	
129	4460343	1	Connector	
130	4460267	9	Terminal	
131	4460265	1	Connector	
132	4460268	5	Terminal	
133	4460434	1	Connector	
134	4460268	7	Terminal	
135	4460434	1	Connector	
136	4460268	15	Terminal	
137	1001103012	1	Connector	
138	1001116697	2	Terminal	
139	1001104498	2	Seal	
140	1001116698	2	Plug	
141	4460225	1	Connector	
142	4460267	3	Terminal	
143	4460343	1	Connector	
144	4460267	3	Terminal	
145	1001116812	1	Connector	
146	4460944	2	Terminal	
147	4460466	1	Plug	
148	4460343	1	Connector	
149	4460268	6	Terminal	
150	4461262	1	Connector	
151	1001107854	3	Terminal	

SECTION 10 - ELECTRICAL

ITEM	PART NUMBER	QTY	DESCRIPTION	REV
152	1001104498	3	Seal	
153	4460225	1	Connector	
154	4460268	5	Terminal	
155	1001160498	1	Connector	
156	1001161095	24	Terminal	
157	1001161098	6	Terminal	
158	1001161099	1	Terminal	
159	1001161101	1	Plug	
160	1001160502	1	Connector	
161	1001161095	25	Terminal	
162	1001161100	13	Plug	
163	1001161097	1	Terminal	
164	1001161098	5	Terminal	
165	1001161101	2	Plug	
166	1001161959	1	Connector	
167	1001161095	12	Terminal	
168	1001161097	6	Terminal	
169	1001161100	5	Plug	
170	1001161098	2	Terminal	
171	1001161101	7	Plug	
172	1001176333	1	Connector	
173	4460466	11	Plug	
174	4460465	3	Terminal	
175	4460944	4	Terminal	
176	4460930	1	Connector	
177	4460465	2	Terminal	
178	4460466	6	Plug	
179	4460539	1	Connector	
180	4460944	2	Terminal	
181	4460466	1	Plug	
182	1001116812	1	Connector	
183	4460944	2	Terminal	
184	4460466	1	Plug	
185	4460884	1	Connector	
186	4460465	4	Terminal	
187	4460884	1	Connector	
188	4460465	4	Terminal	
189	1001117081	1	Connector	
190	1001118384	5	Terminal	
191	4460894	1	Connector	
192	4460465	3	Terminal	
193	4460466	1	Plug	
194	4460944	2	Terminal	
195	1001184473	1	Connector	
196	1001184479	3	Terminal	
197	1001117081	1	Connector	
198	1001116723	12	Terminal	
199	1001118384	1	Terminal	
200	4460884	1	Connector	
201	4460465	4	Terminal	
202	1001117081	1	Connector	

SECTION 10 - ELECTRICAL

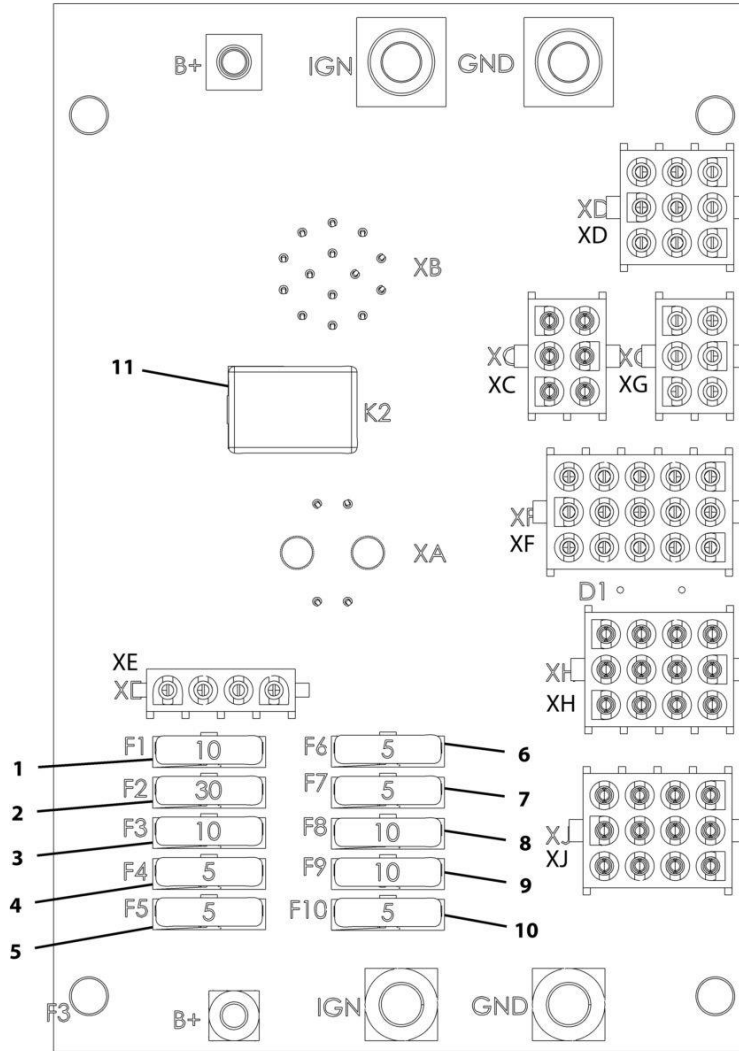
ITEM	PART NUMBER	QTY	DESCRIPTION	REV
203	1001116723	6	Terminal	
204	1001118384	1	Terminal	
205	1001117081	1	Connector	
206	1001116723	6	Terminal	
207	1001118384	1	Terminal	
208	1001117081	1	Connector	
209	1001116723	6	Terminal	
210	1001118384	1	Terminal	
211	1001201080	1	Connector	
212	4460465	8	Terminal	
213	4460942	6	Terminal	
214	1001116986	1	Connector	
215	1001118384	4	Terminal	
216	1001116991	1	Connector	
217	1001118384	2	Terminal	
218	1001201081	1	Connector	
219	4460464	8	Terminal	
220	4460943	6	Terminal	
221	1001112612	1	Connector	
222	4460464	4	Terminal	
223	4460943	2	Terminal	
224	4460466	3	Plug	
225	1001116986	1	Connector	
226	1001118384	4	Terminal	
227	1001116998	1	Connector	
228	1001118387	1	Terminal	
229	1001116995	1	Connector	
230	1001236622	1	Terminal	
231	1001116998	1	Connector	
232	1001118387	1	Terminal	
233	1001116995	1	Connector	
234	1001236622	1	Terminal	
235	1001116985	1	Connector	
236	1001118386	3	Terminal	
237	1001116984	1	Connector	
238	1001118386	4	Terminal	
239	4461262	1	Connector	
240	1001107854	2	Terminal	
241	1001104498	2	Seal	
242	1001116698	1	Plug	
243	4460891	1	Connector	
244	4460465	2	Terminal	
245	1001116986	1	Connector	
246	1001118384	2	Terminal	
247	1001116723	4	Terminal	
248	4460994	1	Connector	
249	1001118384	2	Terminal	
250	4461115	1	Connector	
251	1001234800	2	Terminal	
252	4460458	2	Seal	
253	4461115	1	Connector	

SECTION 10 - ELECTRICAL

ITEM	PART NUMBER	QTY	DESCRIPTION	REV
254	1001234800	2	Terminal	
255	4460458	2	Seal	
256	4460891	1	Connector	
257	4460465	2	Terminal	
258	4461115	1	Connector	
259	1001234800	2	Terminal	
260	4460458	2	Seal	
261	4461115	1	Connector	
262	1001234800	2	Terminal	
263	4460458	2	Seal	
264	8220108	1	Connector	
265	8220108	1	Connector	
266	1001116995	1	Connector	
267	1001236622	1	Terminal	
268	8220051	1	Connector	
269	8220051	1	Connector	
270	8220051	1	Connector	
301	4460945	1	Terminal, 3 Way "T" Receptacle	
302	1001116815	1	Plug connector	
303	1001125677	1	Connector	
304	1001144296	1	Cap	
305	1001201070	1	Connector	

SECTION 10 - ELECTRICAL

FIGURE 10-10. CAB STANDARD ELECTRICAL BOARD ASSEMBLY



ART_1001161769-C

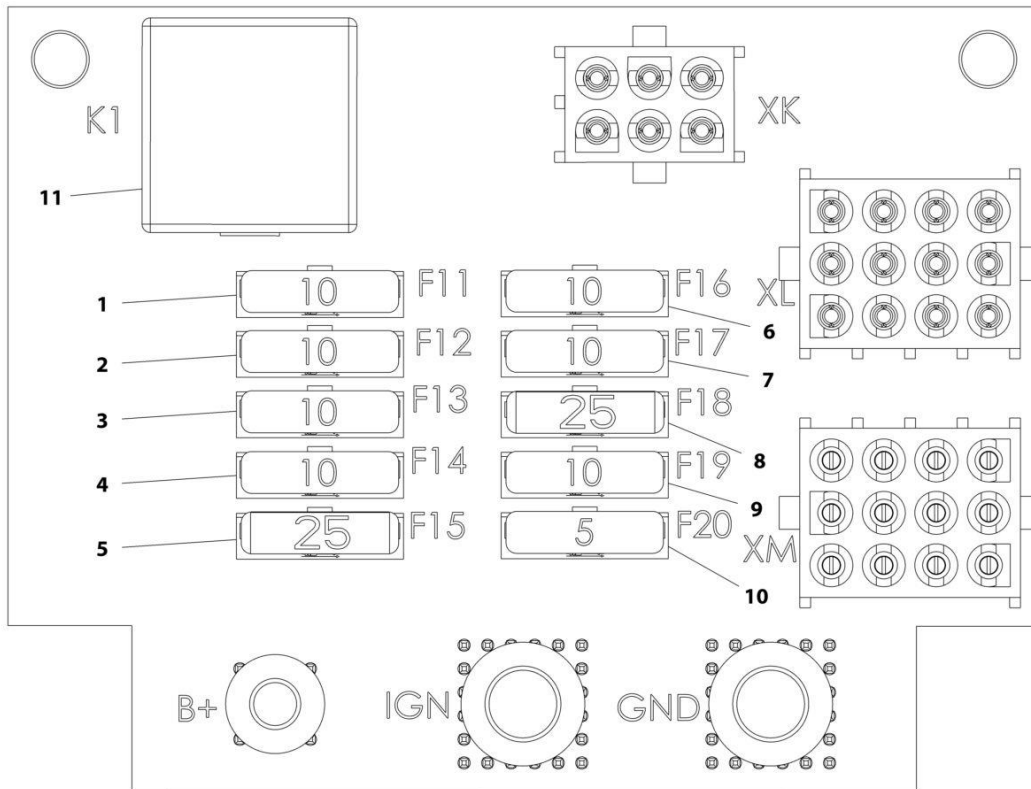
SECTION 10 - ELECTRICAL

FIGURE 10-10. CAB STANDARD ELECTRICAL BOARD ASSEMBLY

ITEM	PART NUMBER	QTY	DESCRIPTION	REV
	1001161769	Ref	Standard Electrical Board Assembly	C
1	80983191	1	Fuse, 10AMP	
2	8229245	1	Fuse, 30AMP	
3	80983191	1	Fuse, 10AMP	
4	8229242	1	Fuse, 5AMP	
5	8229242	1	Fuse, 5AMP	
6	8229242	1	Fuse, 5AMP	
7	8229242	1	Fuse, 5AMP	
8	80983191	1	Fuse, 10AMP	
9	80983191	1	Fuse, 10AMP	
10	8229242	1	Fuse, 5AMP	
11	70026292	1	Fuse, 35AMP	

SECTION 10 - ELECTRICAL

FIGURE 10-11. CAB OPTION 1 ELECTRICAL BOARD ASSEMBLY



ART_1001161770-C

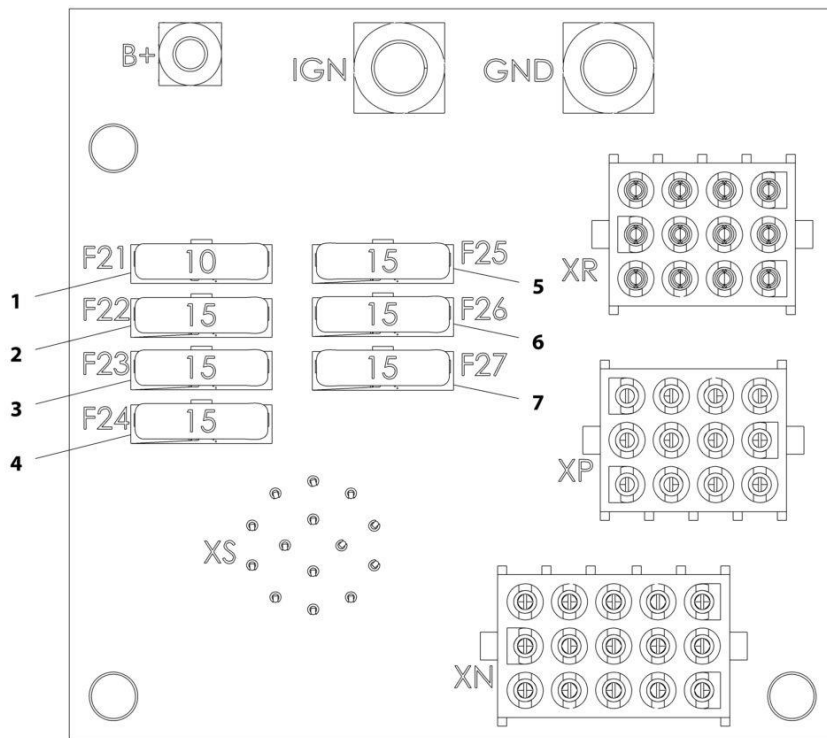
SECTION 10 - ELECTRICAL

FIGURE 10-11. CAB OPTION 1 ELECTRICAL BOARD ASSEMBLY

ITEM	PART NUMBER	QTY	DESCRIPTION	REV
	1001161770	Ref	Option 1 Electrical Board Assembly	C
1	80983191	1	Fuse, 10AMP	
2	80983191	1	Fuse, 10AMP	
3	80983191	1	Fuse, 10AMP	
4	80983191	1	Fuse, 10AMP	
5	8229247	1	Fuse, 25AMP	
6	80983191	1	Fuse, 10AMP	
7	80983191	1	Fuse, 10AMP	
8	8229247	1	Fuse, 25AMP	
9	80983191	1	Fuse, 10AMP	
10	8229242	1	Fuse, 5AMP	
11	70026293	1	Fuse, 50AMP	

SECTION 10 - ELECTRICAL

FIGURE 10-12. CAB OPTION 2 ELECTRICAL BOARD ASSEMBLY



ART_1001161771-B

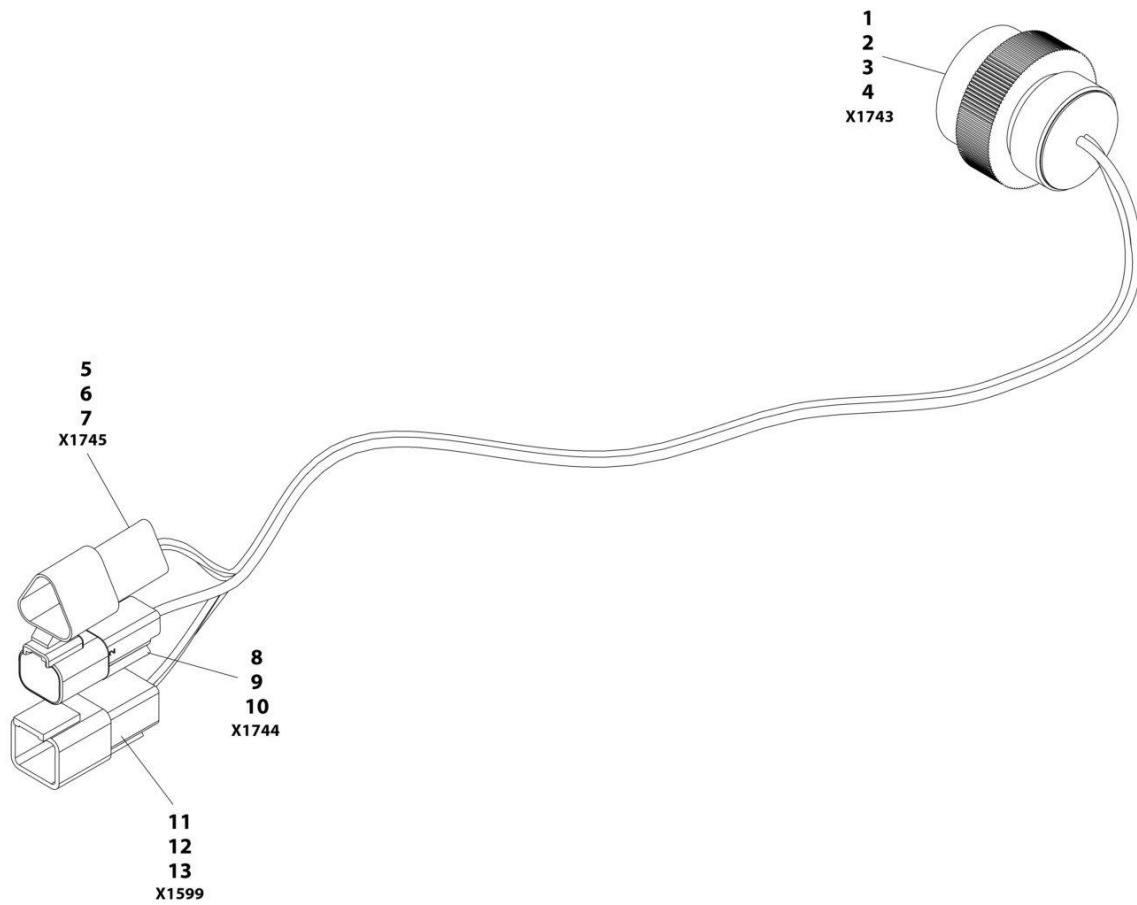
SECTION 10 - ELECTRICAL

FIGURE 10-12. CAB OPTION 2 ELECTRICAL BOARD ASSEMBLY

ITEM	PART NUMBER	QTY	DESCRIPTION	REV
	1001161771	Ref	Option 2 Electrical Board Assembly	B
1	80983191	1	Fuse, 10AMP	
2	8229244	1	Fuse, 15AMP	
3	8229244	1	Fuse, 15AMP	
4	8229244	1	Fuse, 15AMP	
5	8229244	1	Fuse, 15AMP	
6	8229244	1	Fuse, 15AMP	
7	8229244	1	Fuse, 15AMP	

SECTION 10 - ELECTRICAL

FIGURE 10-13. CAB OPTION HARNESS



ART_1001265358

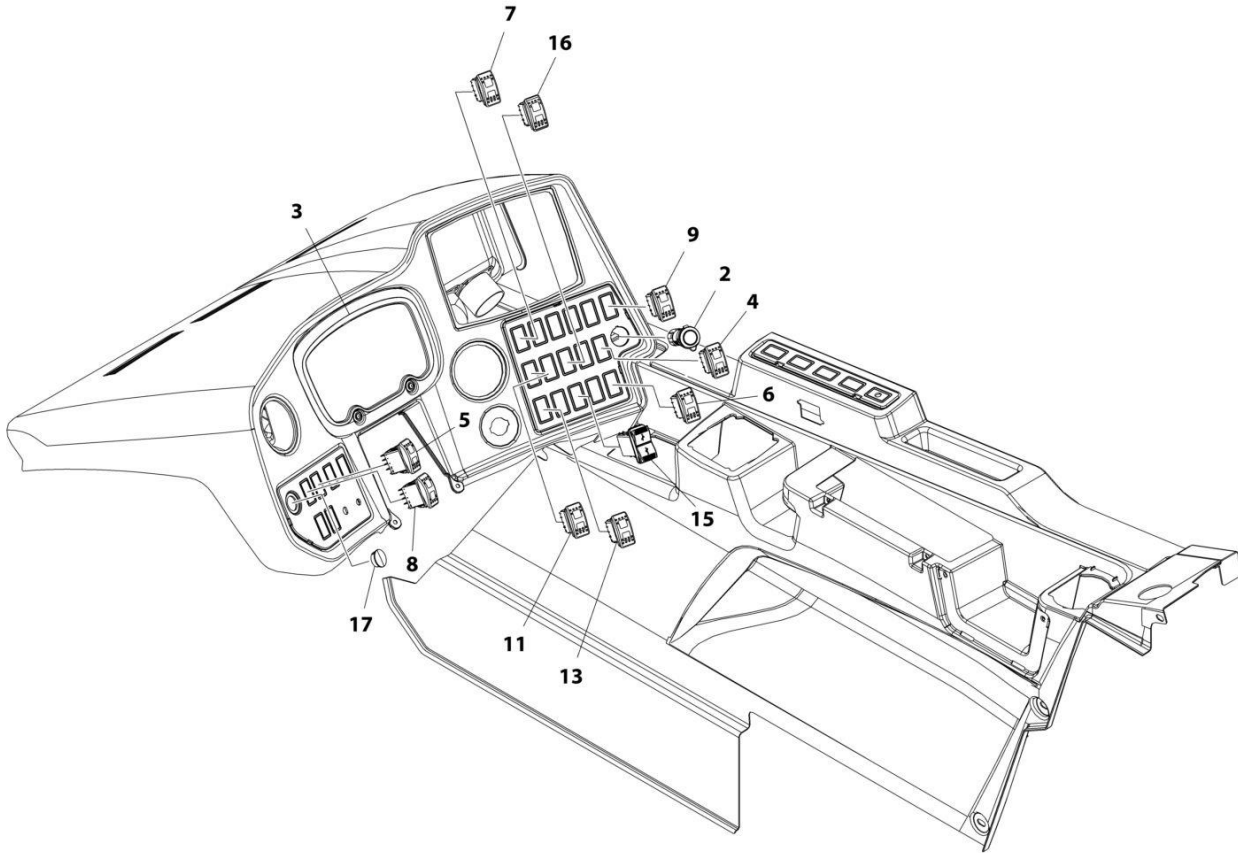
SECTION 10 - ELECTRICAL

FIGURE 10-13. CAB OPTION HARNESS

ITEM	PART NUMBER	QTY	DESCRIPTION	REV
	1001265358	Ref	CAB OPTION HARNESS	A
1	4461015	1	Connector	
2	4460465	5	Terminal	
3	4460942	1	Terminal	
4	4460466	8	Plug	
5	1001144147	1	Connector	
6	4460943	2	Terminal	
7	4460466	1	Plug	
8	4460897	1	Connector	
9	4460941	1	Terminal	
10	4460466	1	Plug	
11	1001097051	1	Connector	
12	4460929	3	Terminal	
13	4460466	1	Plug	

SECTION 10 - ELECTRICAL

FIGURE 10-14. DASH ELECTRICS INSTALLATION (ULS)



ART_1001185809_F

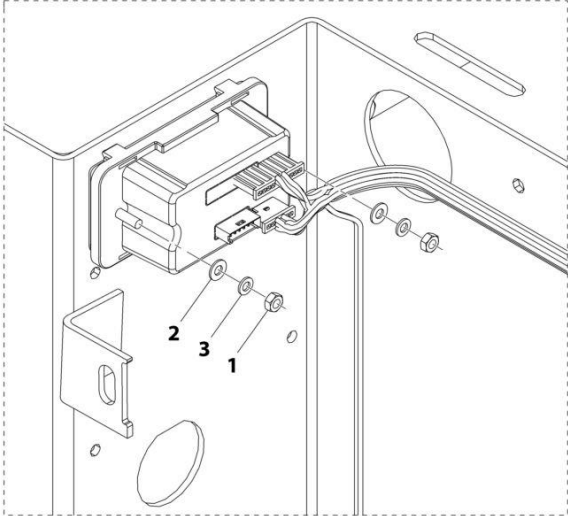
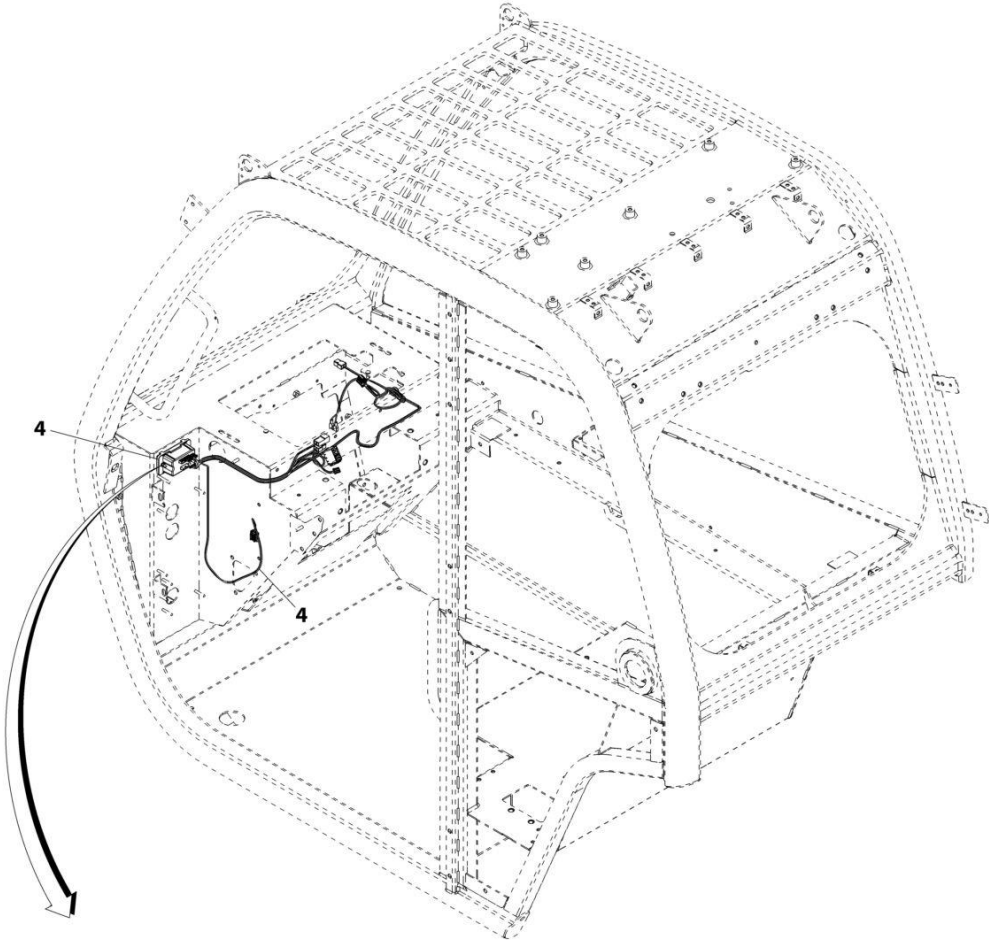
SECTION 10 - ELECTRICAL

FIGURE 10-14. DASH ELECTRICS INSTALLATION (ULS)

ITEM	PART NUMBER	QTY	DESCRIPTION	REV
	1001185809	Ref	Dash Electrics Installation (ULS)	F
2	1001095804	1	Connector, 12V Power Socket	
3	1001158146	1	Cluster, Electrical Gauge	
4	1001104654	1	Switch, AUX Decomp	
5	1001159741	1	Switch, Constanst AUX	
6	1001163639	1	Switch, Driving Lights	
7	1001159737	1	Switch, Fog Lights	
8	1001189898	1	Switch, Framer/Loader	
9	1001159734	1	Switch, Hazard	
11	1001159735	1	Switch, Rear Wiper	
13	1001159849	1	Switch, Steer Mode	
15	1001174712	1	Switch, USB Charger	
16	1001159748	1	Switch, Bucket Mode	
17	1001190589	1	Plug, Blanking	

SECTION 10 - ELECTRICAL

FIGURE 10-15. CAB HEATER HARNESS INSTALLATION



ART_1001201340-C

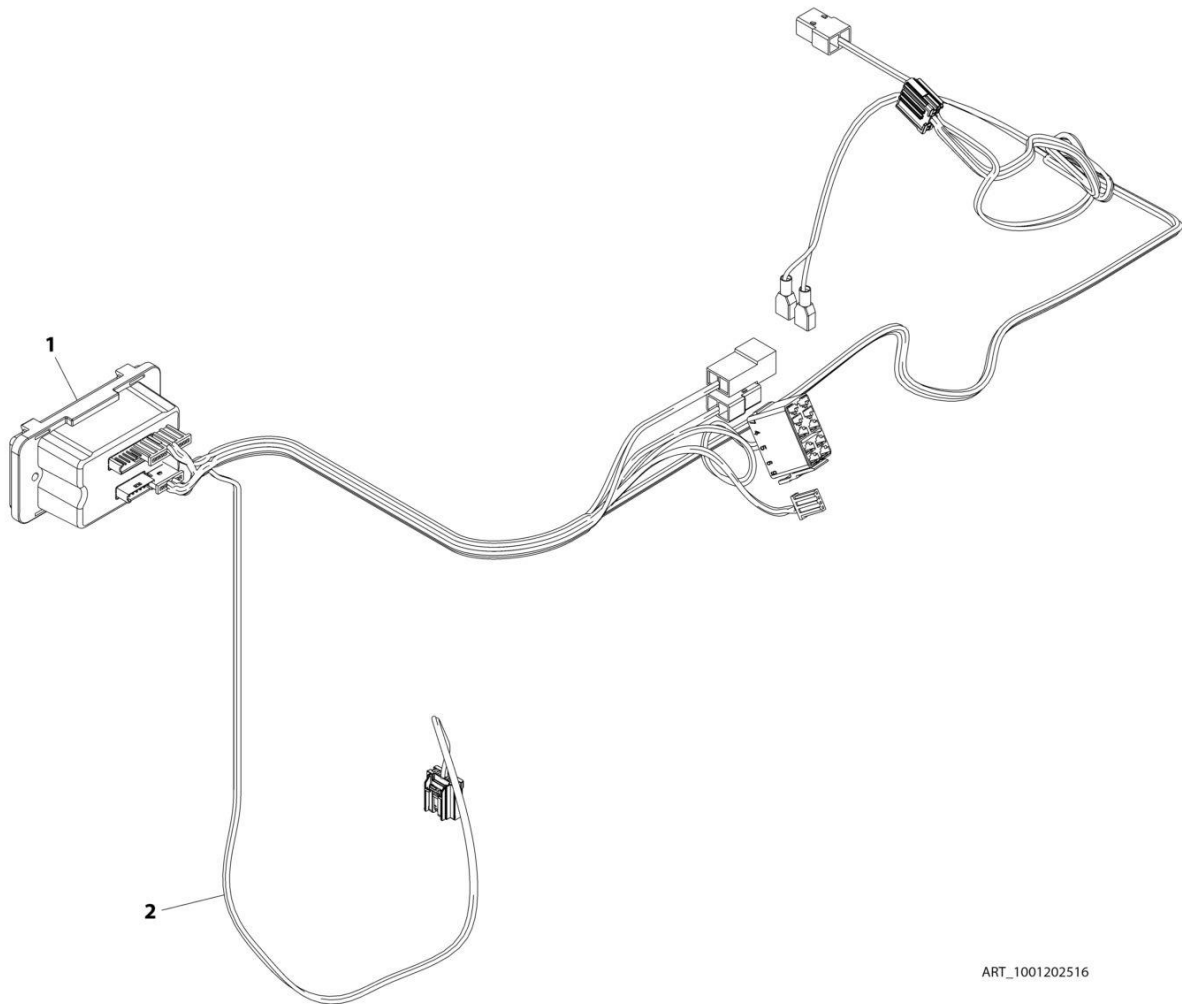
SECTION 10 - ELECTRICAL

FIGURE 10-15. CAB HEATER HARNESS INSTALLATION

ITEM	PART NUMBER	QTY	DESCRIPTION	REV
	1001201340	Ref	Cab Heater Harness Installation	C
1	3290401	2	Nut, M4X0.7 Grade 8	
2	4811400	2	Washer, M4	
3	4831400	2	Washer, Lock M4	
4	1001202516	1	Harness, Cab Heater (See Separate Breakdown in this Section)	

SECTION 10 - ELECTRICAL

FIGURE 10-16. CAB HEATER HARNESS



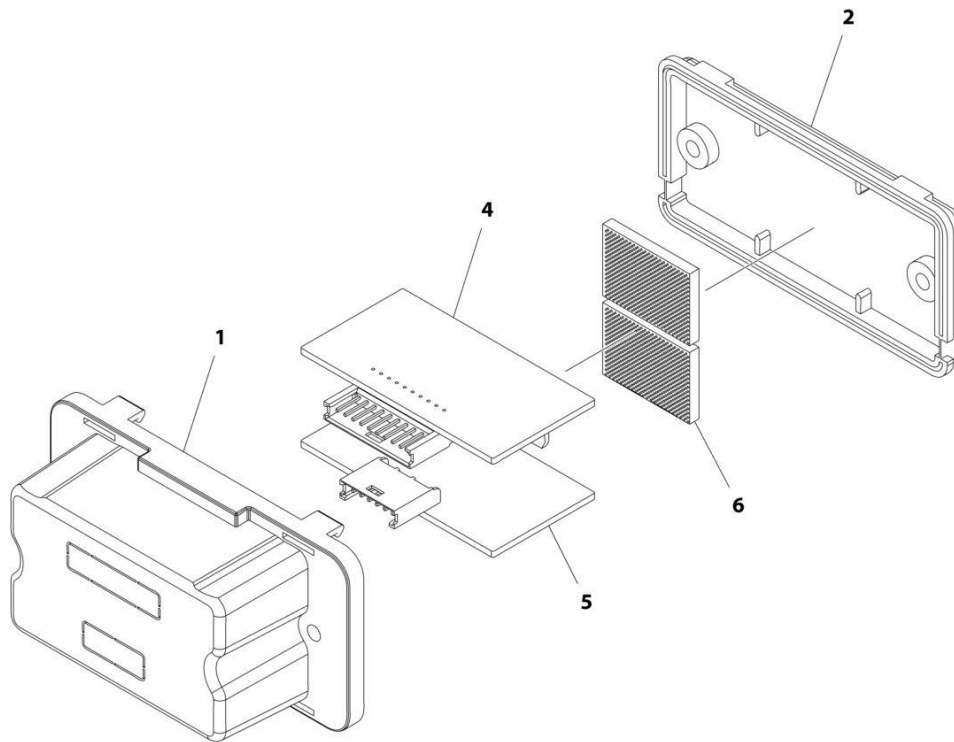
SECTION 10 - ELECTRICAL

FIGURE 10-16. CAB HEATER HARNESS

ITEM	PART NUMBER	QTY	DESCRIPTION	REV
	1001202516	Ref	CAB HEATER HARNESS	F
1	1001172551	1	Actuator, HVAC (See Separate Breakdown in CAB Section)	
2	1001221056	1	HVAC Cab Actuator Harness (See Separate Breakdown in ELECTRICAL Section)	

SECTION 10 - ELECTRICAL

FIGURE 10-17. HVAC CAB ACTUATOR



ART_1001172551

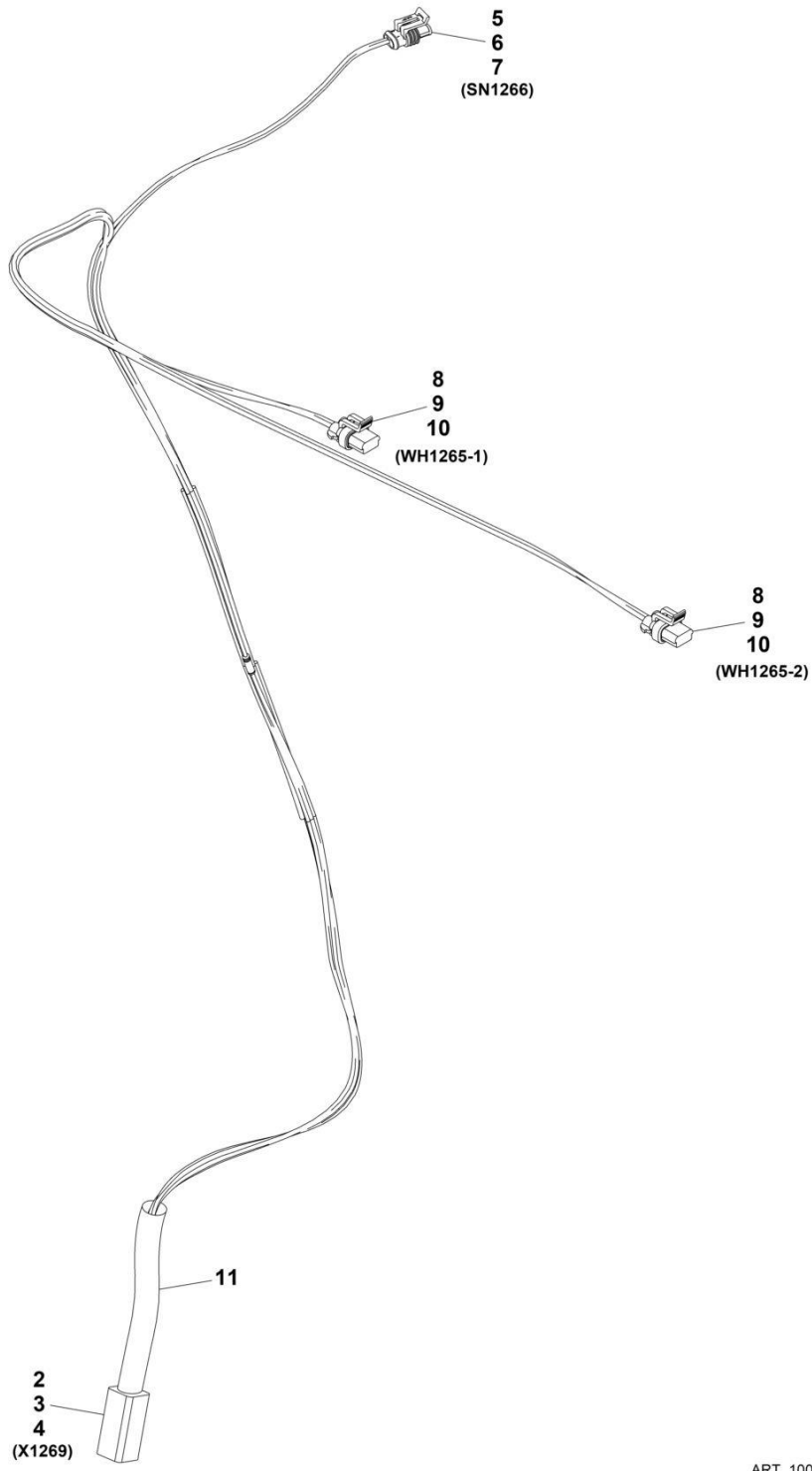
SECTION 10 - ELECTRICAL

FIGURE 10-17. HVAC CAB ACTUATOR

ITEM	PART NUMBER	QTY	DESCRIPTION	REV
	1001172551	Ref	HVAC CAB ACTUATOR	E
1	1001184306	1	Box, Heater Controller	
2	1001184307	1	Base, Heater Controller Box	
4	1001184309	1	Board, Heater Control	
5	1001184310	1	Board, Heater Control	
6	1001189980	2	Insulator, Heater Controller Box	

SECTION 10 - ELECTRICAL

FIGURE 10-18. CAB HVAC ACTUATOR HARNESS



ART_1001169151

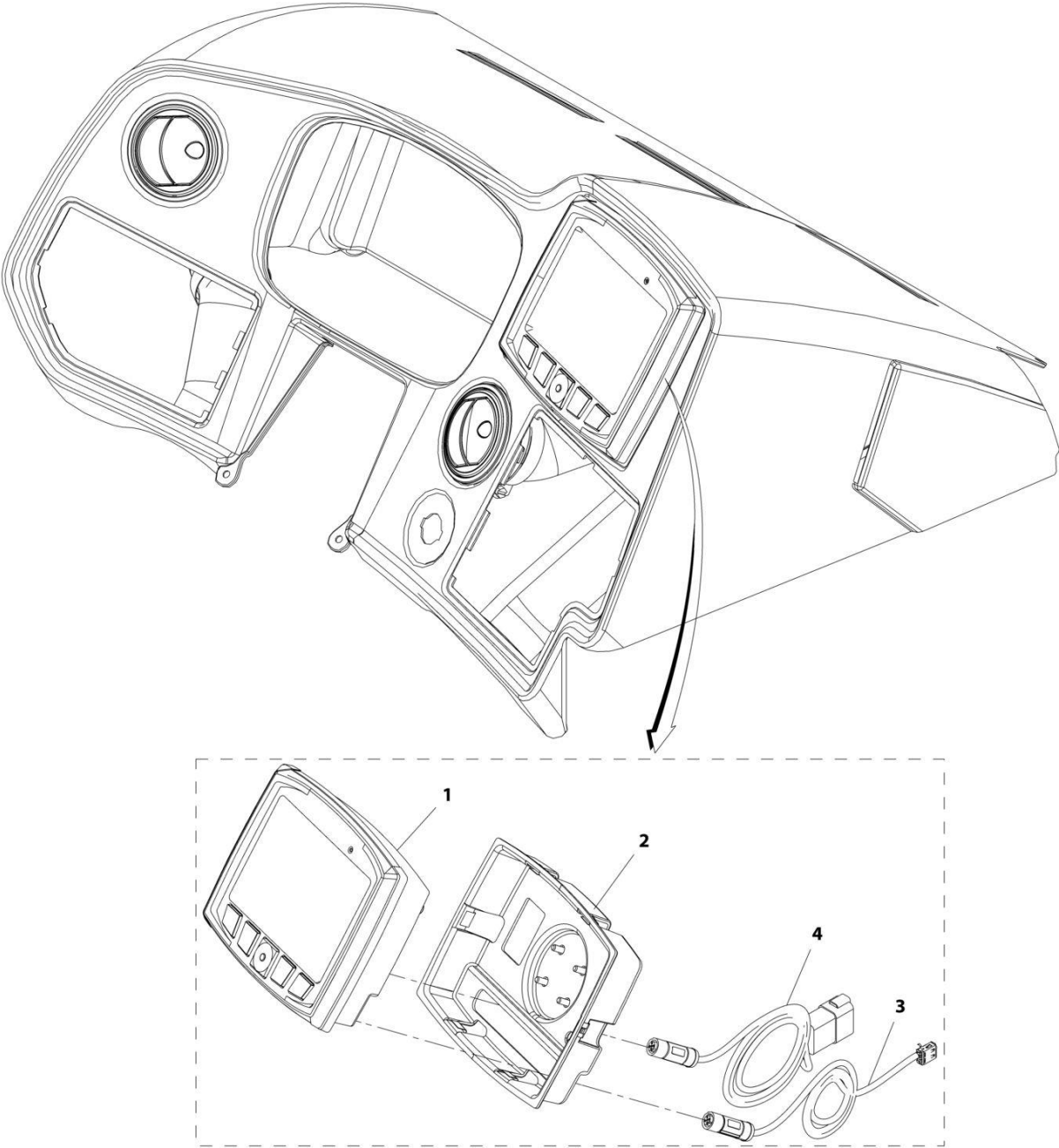
SECTION 10 - ELECTRICAL

FIGURE 10-18. CAB HVAC ACTUATOR HARNESS

ITEM	PART NUMBER	QTY	DESCRIPTION	REV
	1001169151	Ref	A/C Option Harness	G
2	4460899	1	Connector	
3	4460941	4	Terminal	
4	4460464	2	Terminal	
5	4461118	1	Connector	
6	1001107854	2	Terminal	
7	1001116763	2	Seal	
8	1001117021	2	Connector	
9	1001116747	4	Terminal	
10	4460789	4	Seal	
11	70028546	1	Backshell	

SECTION 10 - ELECTRICAL

FIGURE 10-19. CAB - MULTIFUNCTION DISPLAY INSTALLATION



ART_1001176338-B

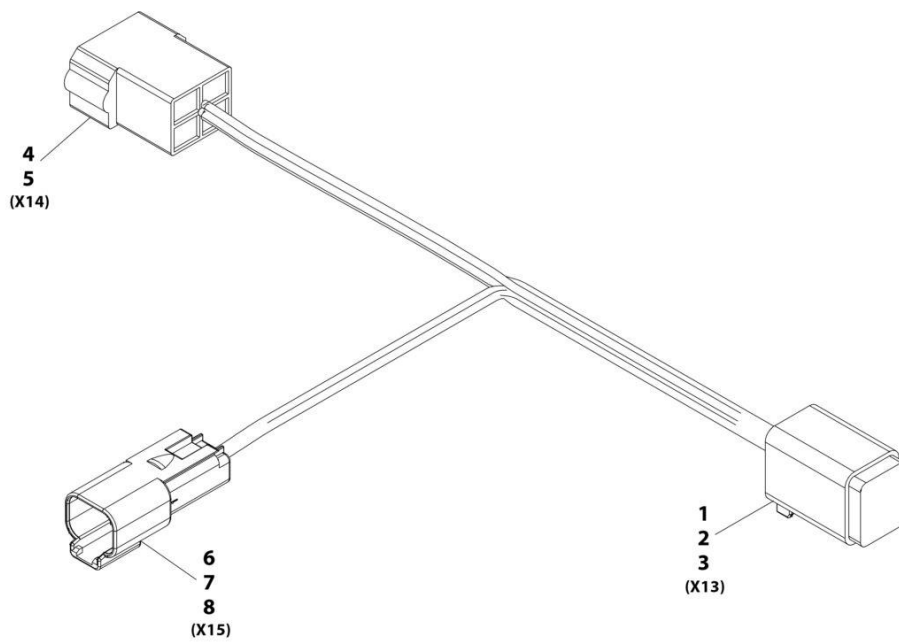
SECTION 10 - ELECTRICAL

FIGURE 10-19. CAB - MULTIFUNCTION DISPLAY INSTALLATION

ITEM	PART NUMBER	QTY	DESCRIPTION	REV
	1001176338	Ref	Multifunction Display Installation	B
1	1001211357	1	Display	
2	1001178783	1	Bezel	
3	1001180682	1	Cable, Display Programming	
4	1001180683	1	Cable, Display Video	

SECTION 10 - ELECTRICAL

FIGURE 10-20. CAB SEAT ADAPTOR HARNESS (PREMIUM SEAT)



ART_1001168531-A

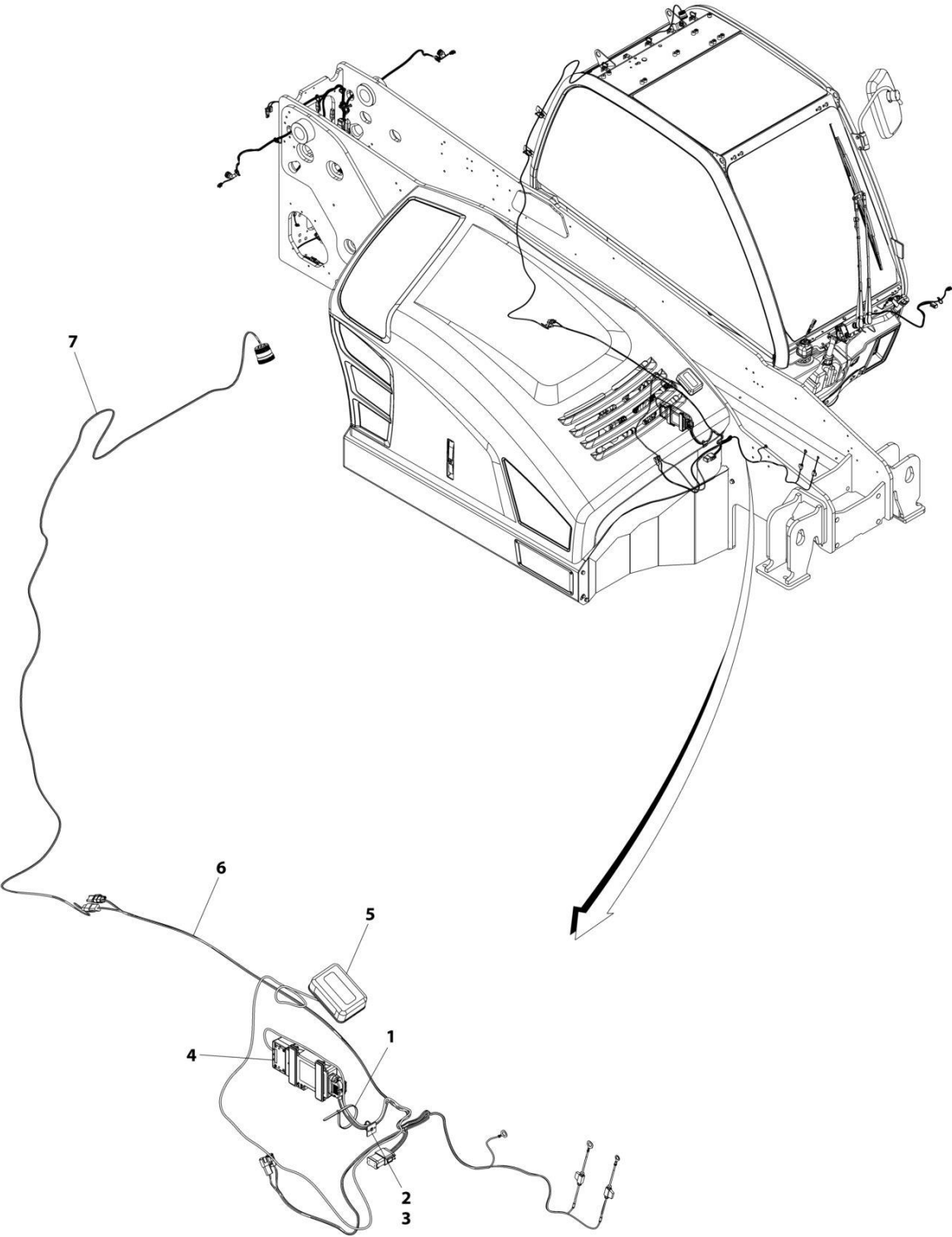
SECTION 10 - ELECTRICAL

FIGURE 10-20. CAB SEAT ADAPTOR HARNESS (PREMIUM SEAT)

ITEM	PART NUMBER	QTY	DESCRIPTION	REV
	1001168531	Ref	Seat Adaptor Harness	A
1	4460894	1	Connector	
2	91504107	1	Lock, Connector	
3	4460465	6	Terminal	
4	1001117011	1	Connector	
5	1001116700	3	Terminal	
6	4460897	1	Connector	
7	80604017	1	Lock, Connector	
8	4460943	2	Terminal	

SECTION 10 - ELECTRICAL

FIGURE 10-21. CLEARSKY 4G CANBUS INSTALLATION



ART_1001268384

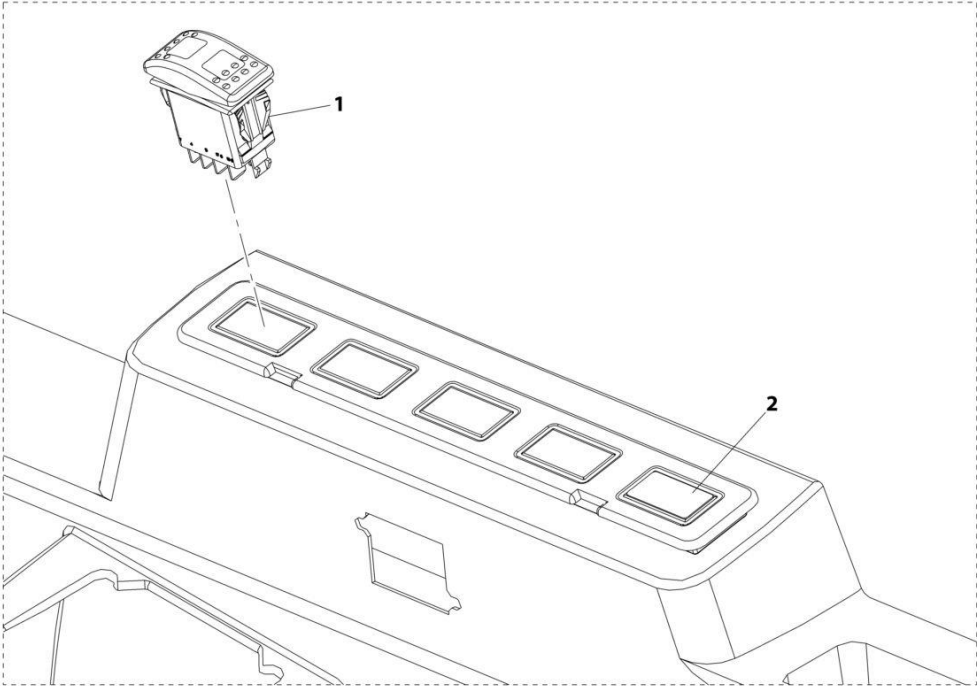
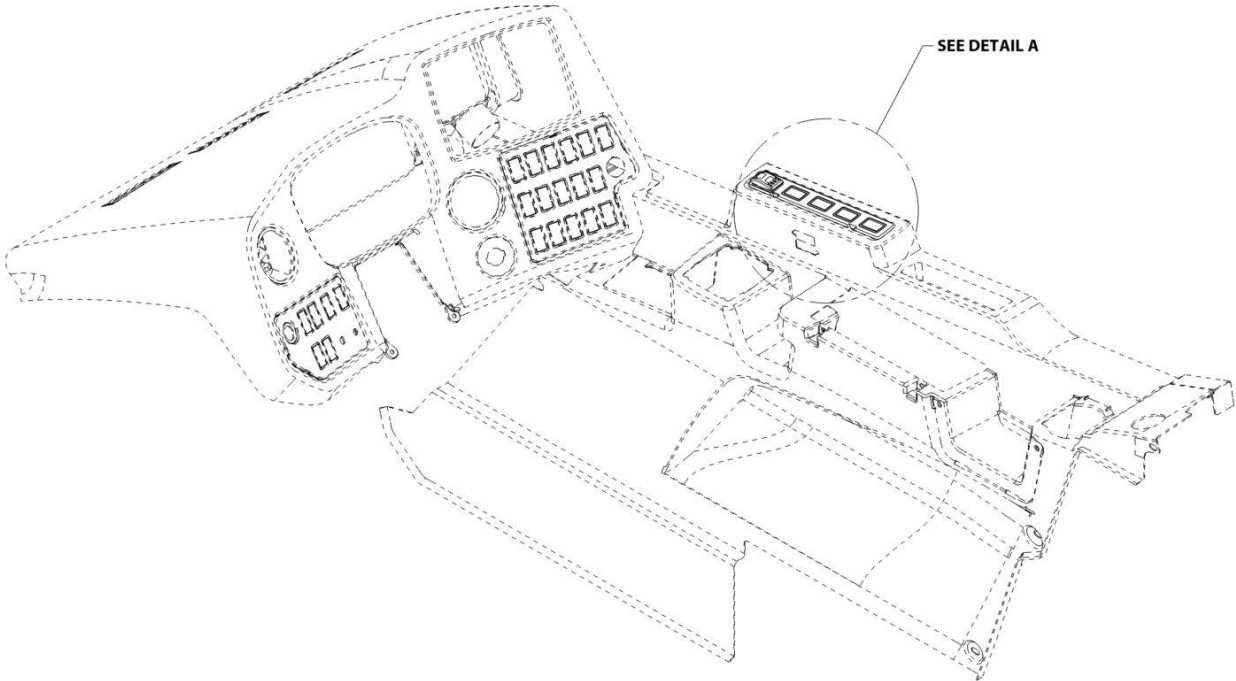
SECTION 10 - ELECTRICAL

FIGURE 10-21. CLEARSKY 4G CANBUS INSTALLATION

ITEM	PART NUMBER	QTY	DESCRIPTION	REV
	1001268384	Ref	CLEARSKY 4G CANBUS INSTALLATION	B
1	1062255	AR	Tie-Strap	
2	4240032	AR	Tie-Strap	
3	4460234	AR	Terminal Mount	
4	1001262322	1	Module, ClearSky Telematics Canbus	
5	1001262326	1	Antenna	
6	1001268553	1	Harness, 4Ward Telematics Clearsky Can (See Separate Breakdown in this Section)	
7	1001254185	1	Harness, Adapter (See Separate Breakdown in this Section)	

SECTION 10 - ELECTRICAL

FIGURE 10-22. DECLUTCH SWITCH INSTALLATION



DETAIL A

ART_1001202430-B

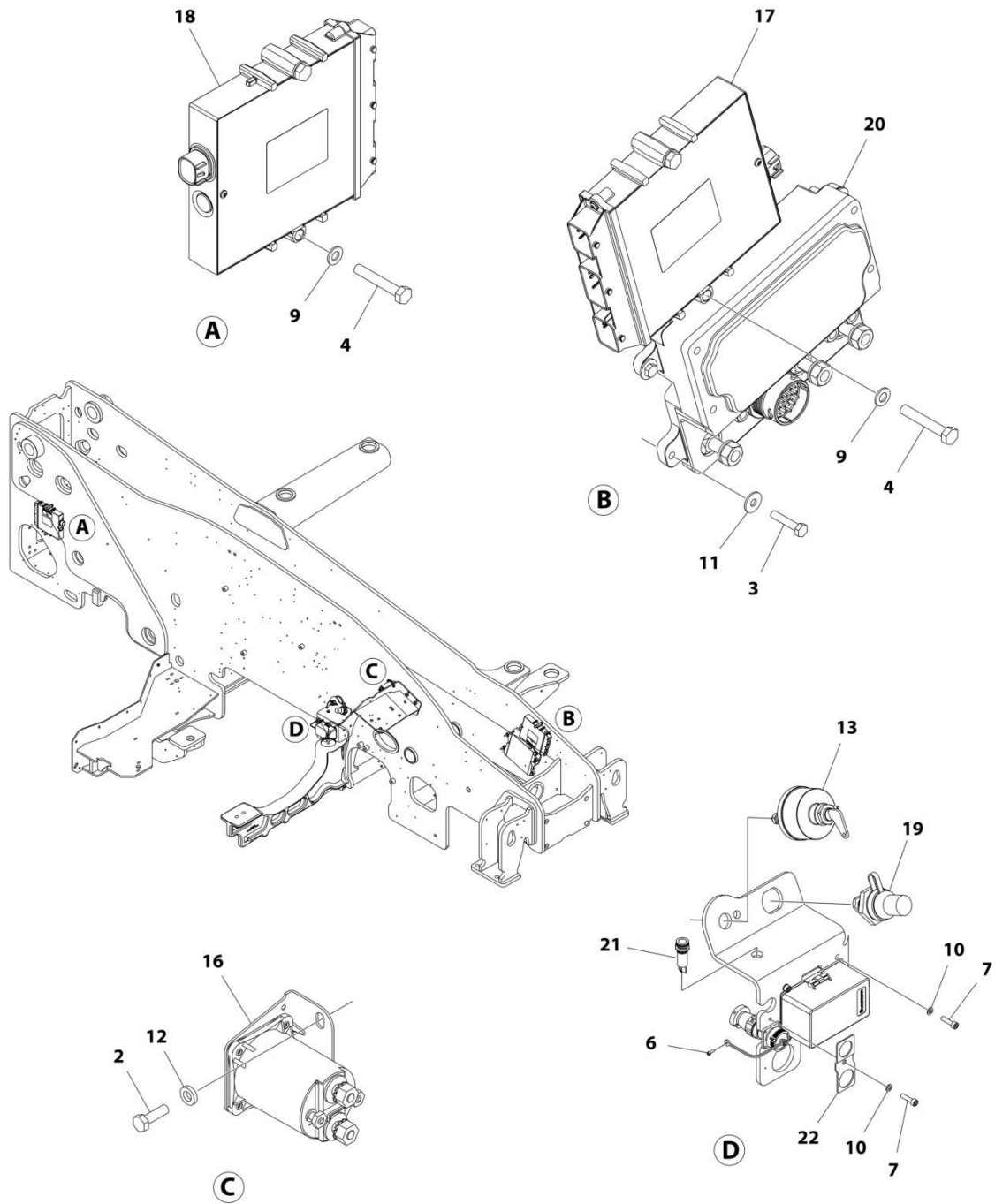
SECTION 10 - ELECTRICAL

FIGURE 10-22. DECLUTCH SWITCH INSTALLATION

ITEM	PART NUMBER	QTY	DESCRIPTION	REV
	1001202430	Ref	Declutch Switch Installation	B
1	1001202421	1	Switch, Transmission Disconnect	
2	1001226481	1	Decal, Blank	

SECTION 10 - ELECTRICAL

FIGURE 10-23. ELECTRICAL COMPONENTS INSTALLATION



ART_1001183838_E

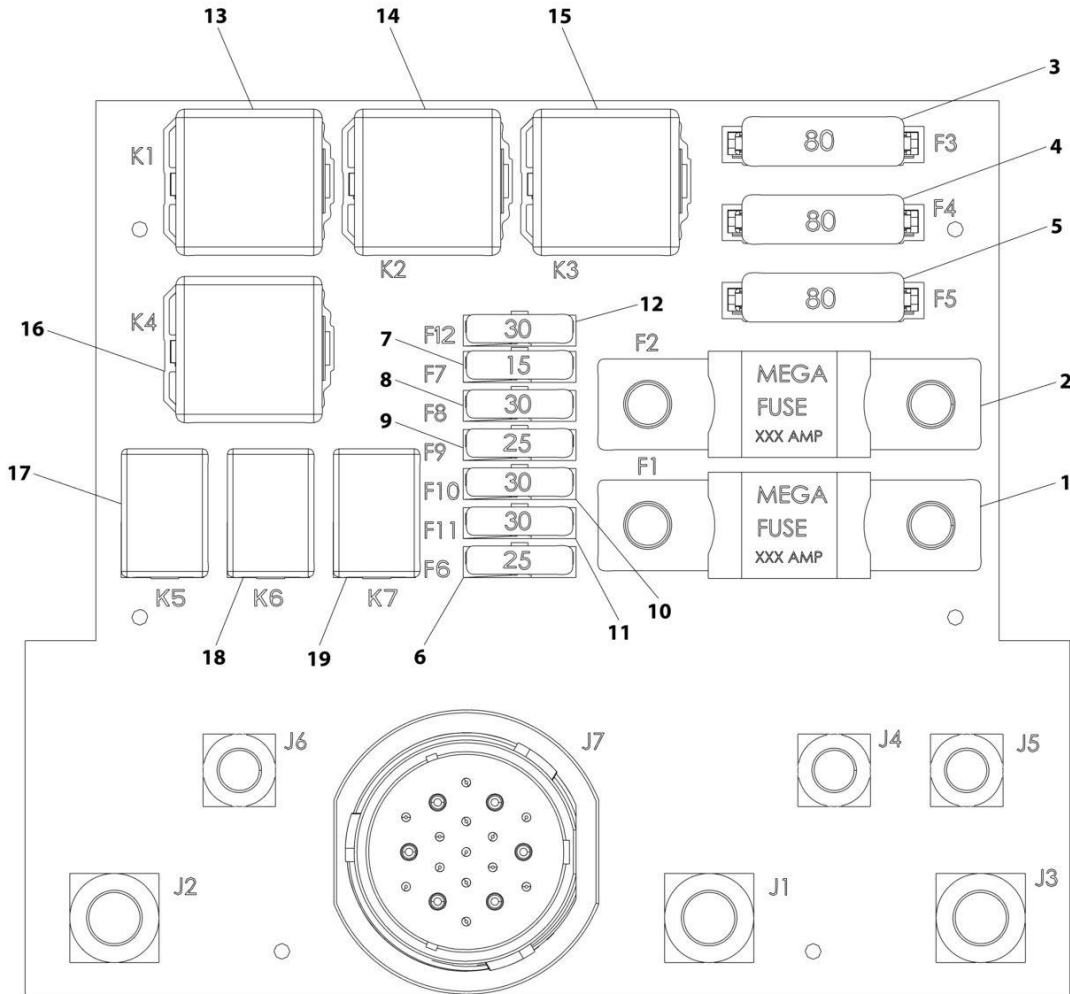
SECTION 10 - ELECTRICAL

FIGURE 10-23. ELECTRICAL COMPONENTS INSTALLATION

ITEM	PART NUMBER	QTY	DESCRIPTION	REV
	1001183838	Ref	ELECTRICAL COMPONENTS INSTALLATION	E
2	0700610	2	Bolt M6 x 20	
3	0700614	4	Bolt M6 x 30	
4	0700818	4	Bolt M8 x 50	
6	3900349	1	Screw M2.5 x 0.45	
7	4031608	5	Screw M5 x 20	
9	4811900	4	Washer M8	
10	4831600	5	Washer M5	
11	4811702	4	Washer M6	
12	5240600	2	Washer M6	
13	1001008926	NLA	Switch, Disconnect (no longer available, use 1001192142 for replacement)	
13	1001192142	1	Switch, Battery Disconnect	
16	1001117308	1	Relay, 200 AMP (See Separate Breakdown in this Section)	
17	1001270467	1	Module, Rear Frame (Note: Re-calibration required when replaced)	
18	1001270468	1	Module, Front Frame (Note: Re-calibration required when replaced)	
19	1001193993	1	Stud, Battery Jump Start	
20	1001164402	1	Box, Power Distribution Electrical (See Separate Breakdown in this Section)	
21	1001169825	1	Light, DEF Purge Indicator	
22	1001186693	1	Plate	

SECTION 10 - ELECTRICAL

FIGURE 10-24. ELECTRICAL POWER DISTRIBUTION ELECTRICAL BOX



ART_1001164402-G

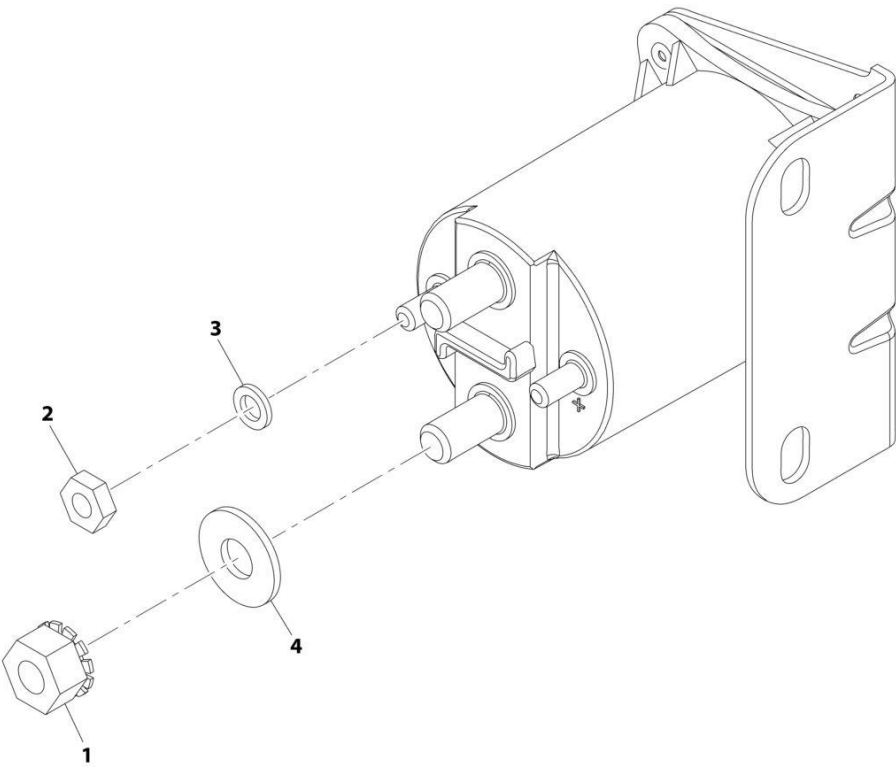
SECTION 10 - ELECTRICAL

FIGURE 10-24. ELECTRICAL POWER DISTRIBUTION ELECTRICAL BOX

ITEM	PART NUMBER	QTY	DESCRIPTION	REV
	1001164402	Ref	Power Distribution Electrical Box	G
1	1001095336	1	Fuse, 150AMP	
2	70026296	1	Fuse, 200AMP	
3	70026297	1	Fuse, 80AMP	
4	70026297	1	Fuse, 80AMP	
5	70026297	1	Fuse, 80AMP	
6	8229247	1	Fuse, 25AMP	
7	8229244	1	Fuse, 15AMP	
8	8229245	1	Fuse, 30AMP	
9	8229247	1	Fuse, 25AMP	
10	8229245	1	Fuse, 30AMP	
11	8229245	1	Fuse, 30AMP	
12	8229245	1	Fuse, 30AMP	
13	70026294	1	Fuse, 70AMP	
14	70026294	1	Fuse, 70AMP	
15	70026294	1	Fuse, 70AMP	
16	70026294	1	Fuse, 70AMP	
17	70026295	1	Fuse, 35AMP	
18	70026295	1	Fuse, 35AMP	
19	70026295	1	Fuse, 35AMP	

SECTION 10 - ELECTRICAL

FIGURE 10-25. ELECTRICAL RELAY INSTALLATION - 200 AMP



ART_1001117308-C

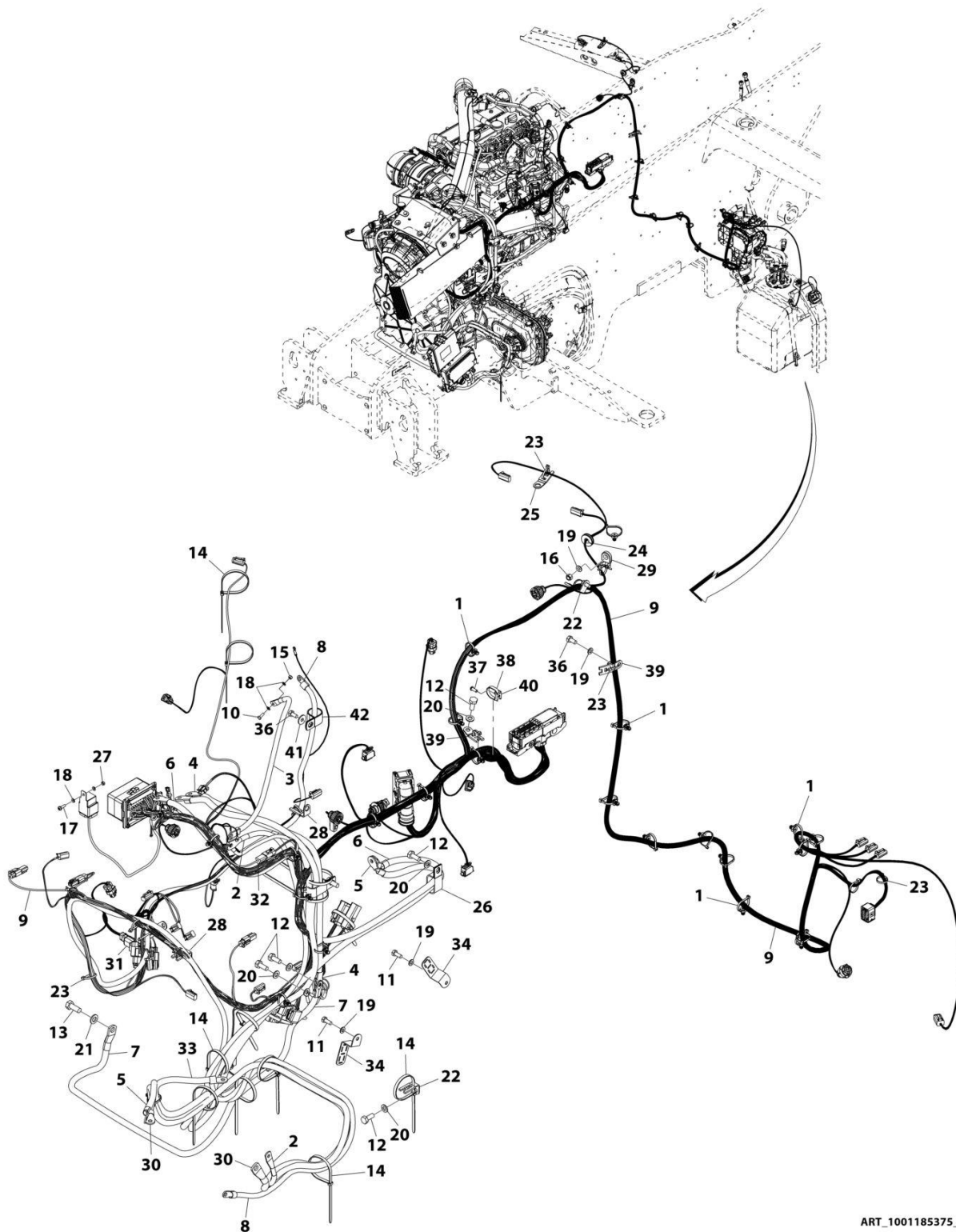
SECTION 10 - ELECTRICAL

FIGURE 10-25. ELECTRICAL RELAY INSTALLATION - 200 AMP

ITEM	PART NUMBER	QTY	DESCRIPTION	REV
	1001117308	Ref	200 AMP Relay Installation	C
1	3300220	2	Nut, Washer	
2	3321001	2	Nut	
3	4761000	2	Washer, Lock	
4	1001111424	2	Washer	

SECTION 10 - ELECTRICAL

FIGURE 10-26. ENGINE WIRING INSTALLATION (ULS)



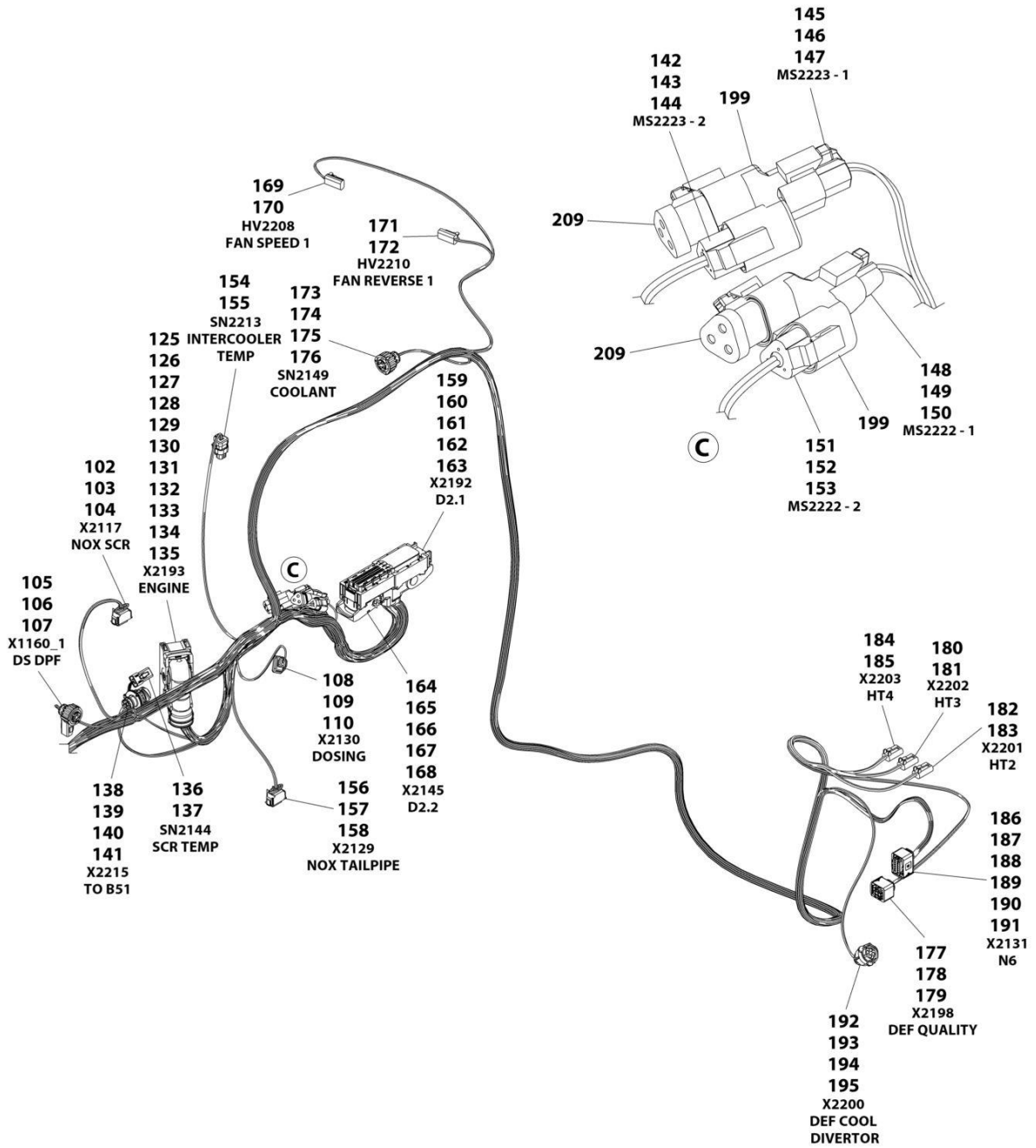
ART_1001185375_F

SECTION 10 - ELECTRICAL

FIGURE 10-26. ENGINE WIRING INSTALLATION (ULS)

ITEM	PART NUMBER	QTY	DESCRIPTION	REV
	1001185375	Ref	Engine Wiring Installation (ULS)	F
1	1001146588	24	Strap, Tie	
2	1001182218	1	Cable, PDM to Glow Plug Relay	
3	1001182219	1	Cable, Glow Plug to Relay	
4	1001182654	1	Cable, Batt to Ground	
5	1001182650	1	Cable, Starter to Battery +	
6	1001182651	1	Cable, Starter to Remote B+	
7	1001182652	1	Cable, Ground Buss to Engine Ground	
8	1001182216	1	Cable, Alternator	
9	1001256834	1	Harness, Engine (ULS) (See Separate Breakdown in this Section)	
10	0760507	1	Bolt, M5X14	
11	0760810	2	Bolt, M8X20	
12	0761012	7	Bolt, M10X25	
13	0761214	1	Bolt, M12X30	
14	1062255	13	Strap, Tie	
15	3290505	1	Nut, Lock M5X0.8 Grade 8	
16	3290805	1	Nut, Lock M8X1.25 Grade 8	
17	3900381	1	Screw, M5X16	
18	4811600	4	Washer, M5	
19	4811900	5	Washer, M8	
20	4812000	7	Washer, M10	
21	4812100	1	Washer, M12	
22	1001003305	4	Clip	
23	1001008559	12	Strap, Tie	
24	1001009375	1	Grommet	
25	1001025750	1	Clip, Ladder	
26	1001008720	2	Clip	
27	3290501	1	Nut, M5X0.8	
28	1001130198	3	Clip, Ladder	
29	1001169146	1	Mount	
30	1001182217	1	Cable, Batt + to PDM	
31	1001182929	1	Harness, Fuel Pump (See Separate Breakdown in this Section)	
32	1001182930	1	Harness, Glow Plug Relay (See Separate Breakdown in this Section)	
33	1001203015	1	Cable, Batt (-) to Batt Disc	
34	1001203882	2	Bracket, Harness Tie Wrap	
36	0760808	3	Bolt, M8X16	
37	3900357	1	Screw, M6X16	
38	8881800	1	Strap, Tie	
39	1001008593	2	Clip	
40	1001138645	1	Mount, Cable Tie	
41	4811902	1	Washer, M8	
42	8406302	1	Clamp	

SECTION 10 - ELECTRICAL



ART_1001256834_B_20F2

SECTION 10 - ELECTRICAL

FIGURE 10-27. ENGINE HARNESS (ULS)

ITEM	PART NUMBER	QTY	DESCRIPTION	REV
	1001256834	Ref	Engine Harness (ULS)	B
1	4460247	1	Terminal, Ring	
2	1001167636	1	Connector	
3	1001166707	2	Terminal	
4	4461006	2	Seal	
5	1001133714	1	Connector	
6	1001133715	3	Terminal	
7	1001135650	3	Seal	
8	1001135651	1	Plug	
9	4460891	1	Connector	
10	4460465	1	Terminal	
11	4460466	1	Plug	
12	4461095	1	Connector	
13	4460465	2	Terminal	
14	4460466	1	Plug	
15	4460539	1	Connector	
16	4460944	2	Terminal	
17	4460466	1	Plug	
18	4461018	1	Connector	
19	4460509	2	Terminal	
20	1001116812	1	Connector	
21	4460944	2	Terminal	
22	4460466	1	Plug	
23	4461095	1	Connector	
24	4460465	2	Terminal	
25	4460466	1	Plug	
26	4460891	1	Connector	
27	4460465	2	Terminal	
28	1001116812	1	Connector	
29	4460944	2	Terminal	
30	4460466	1	Plug	
31	4460891	1	Connector	
32	4460465	2	Terminal	
33	1001116950	1	Connector	
34	4460465	2	Terminal	
35	4460891	1	Connector	
36	4460465	2	Terminal	
37	4460891	1	Connector	
38	4460465	2	Terminal	
39	4460891	1	Connector	
40	4460465	2	Terminal	
41	4460891	1	Connector	
42	4460465	2	Terminal	
43	4460891	1	Connector	
44	4460465	2	Terminal	
45	4460891	1	Connector	
46	4460465	2	Terminal	
47	4460891	1	Connector	
48	4460465	2	Terminal	
49	4460891	1	Connector	

SECTION 10 - ELECTRICAL

ITEM	PART NUMBER	QTY	DESCRIPTION	REV
50	4460465	2	Terminal	
51	4460891	1	Connector	
52	4460465	2	Terminal	
53	4460891	1	Connector	
54	4460465	2	Terminal	
55	1001209097	1	Connector	
56	8220124	2	Terminal	
57	4460608	2	Seal	
58	1001126487	1	Connector	
59	1001167634	2	Terminal	
60	1001126485	2	Seal	
61	1001126487	1	Connector	
62	1001167634	2	Terminal	
63	1001126485	2	Seal	
64	1001117110	1	Terminal, Ring	
65	1001117110	1	Terminal, Ring	
66	4460256	1	Terminal, Ring	
67	1001117109	1	Terminal, Ring	
68	1001117110	1	Terminal, Ring	
69	4460933	1	Connector	
70	4460465	7	Terminal	
71	4460466	5	Plug	
72	1001144147	1	Connector	
73	4460464	2	Terminal	
74	4460466	1	Plug	
75	4460950	1	Connector	
76	4460464	8	Terminal	
77	4460466	4	Plug	
78	1001116811	1	Connector	
79	4460508	3	Plug	
80	4460466	1	Plug	
81	4460970	1	Connector	
82	4460464	8	Terminal	
83	4460466	4	Plug	
84	4460539	1	Connector	
85	4460944	2	Terminal	
86	4460466	1	Plug	
87	1001116812	1	Connector	
88	4460944	2	Terminal	
89	4460466	1	Plug	
90	1001118282	1	Connector	
91	1001116734	2	Terminal	
92	1001116732	2	Terminal	
93	1001128128	1	Plug	
94	4460894	1	Connector	
95	4460465	5	Terminal	
96	4460466	1	Plug	
97	4460933	1	Connector	
98	4460944	12	Terminal	
99	8220115	1	Terminal, Ring	
100	4460539	1	Connector	

SECTION 10 - ELECTRICAL

ITEM	PART NUMBER	QTY	DESCRIPTION	REV
101	4460465	2	Terminal	
102	1001167631	1	Connector	
103	1001167630	4	Terminal	
104	1001126485	4	Seal	
105	1001138116	1	Connector	
106	1001133715	3	Terminal	
107	1001135650	4	Seal	
108	1001126487	1	Connector	
109	1001167635	2	Terminal	
110	1001126485	2	Seal	
111	1001167616	1	Box, Fuse	
112	8220097	19	Terminal	
113	8220098	9	Terminal	
114	1001116725	3	Terminal	
115	1001116726	9	Terminal	
116	1001175265	19	Seal	
117	4460458	9	Seal	
118	4460789	6	Seal	
119	80963067	4	Seal	
120	4460748	5	Plug	
121	2902443	1	Kit, Receptacle	
122	4461071	6	Terminal	
123	8220108	1	Terminal, Blade	
124	8220108	1	Terminal, Blade	
125	1001126362	1	Connector	
126	1001166556	26	Terminal	
127	1001166701	26	Seal	
128	1001166774	10	Terminal	
129	1001126393	10	Seal	
130	1001166543	2	Terminal	
131	4461054	2	Seal	
132	1001166541	2	Terminal	
133	4461006	2	Seal	
134	1001126391	20	Plug	
135	4461008	2	Plug	
136	1001126245	1	Connector	
137	1001126008	2	Terminal	
138	1001148842	1	Connector	
139	1001148841	3	Terminal	
140	1001135650	3	Seal	
141	1001135651	1	Plug	
142	4460539	1	Connector	
143	4460944	2	Terminal	
144	4460466	1	Plug	
145	1001116812	1	Connector	
146	4460944	2	Terminal	
147	4460466	1	Plug	
148	1001116812	1	Connector	
149	4460944	2	Terminal	
150	4460466	1	Plug	
151	4460539	1	Connector	

SECTION 10 - ELECTRICAL

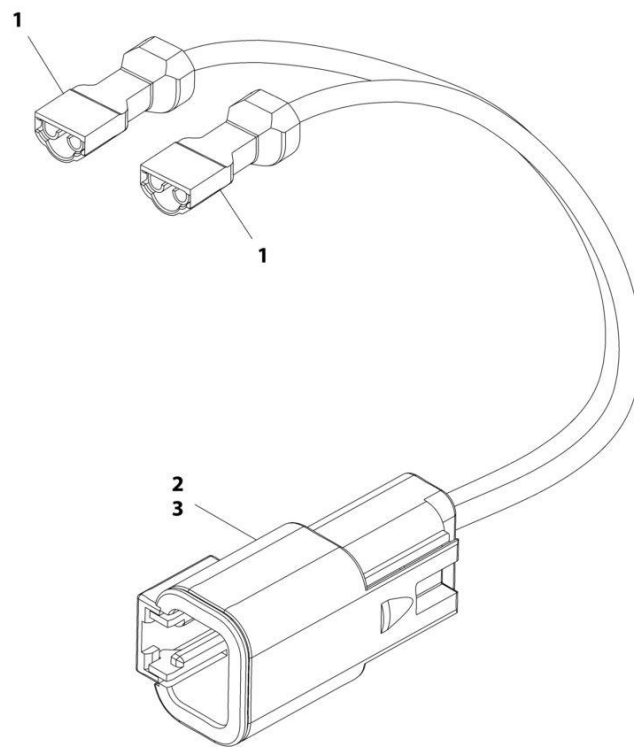
ITEM	PART NUMBER	QTY	DESCRIPTION	REV
152	4460944	2	Terminal	
153	4460466	1	Plug	
154	1001116950	1	Connector	
155	4460465	2	Terminal	
156	1001167629	1	Connector	
157	1001167630	4	Terminal	
158	1001126485	4	Seal	
159	1001167625	1	Connector	
160	1001166555	13	Terminal	
161	1001167621	50	Terminal	
162	1001167623	5	Plug	
163	1001167622	37	Terminal	
164	1001167615	1	Connector	
165	1001166551	6	Terminal	
166	1001126353	6	Seal	
167	1001167621	21	Terminal	
168	1001167622	64	Plug	
169	4460891	1	Connector	
170	4460465	2	Terminal	
171	4460891	1	Connector	
172	4460465	2	Terminal	
173	1001133714	1	Connector	
174	1001133715	3	Terminal	
175	1001135650	3	Seal	
176	1001135651	1	Plug	
177	1001167528	1	Connector	
178	1001166704	4	Terminal	
179	1001137578	4	Seal	
180	4460891	1	Connector	
181	4460942	2	Terminal	
182	4460891	1	Connector	
183	4460942	2	Terminal	
184	4460891	1	Connector	
185	4460942	2	Terminal	
186	1001165194	1	Connector	
187	1001166556	8	Terminal	
188	1001116701	8	Seal	
189	1001166774	2	Terminal	
190	1001126393	2	Seal	
191	1001126391	2	Plug	
192	1001167620	1	Connector	
193	1001176004	2	Terminal	
194	1001176002	2	Seal	
195	1001167624	2	Plug	
196	4460466	6	Seal	
197	4460892	1	Terminal	
198	4460897	3	Connector	
199	4460945	4	Receptacle, 3-Way	
200	4461070	2	Connector	
201	8229242	5	Fuse, 5A	
202	8229244	1	Fuse, 15A	

SECTION 10 - ELECTRICAL

ITEM	PART NUMBER	QTY	DESCRIPTION	REV
203	8229245	1	Fuse, 30A	
204	8229247	1	Fuse, 25A	
205	1001125677	1	Connector	
206	1001177597	1	Fuse, 6A	
207	1001190921	1	Seal, Fuse Box	
208	1001205172	5	Fuse, 35A	
209	1001116815	3	Connector	

SECTION 10 - ELECTRICAL

FIGURE 10-28. ENGINE FUEL PUMP HARNESS



ART_1001182929-E

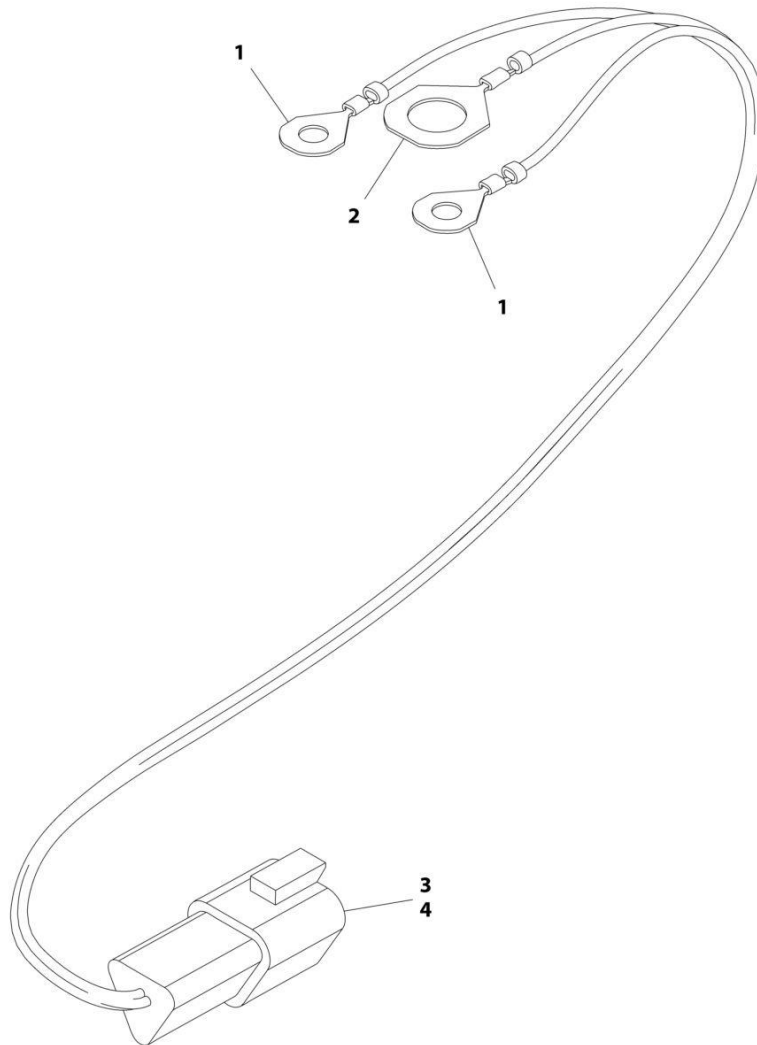
SECTION 10 - ELECTRICAL

FIGURE 10-28. ENGINE FUEL PUMP HARNESS

ITEM	PART NUMBER	QTY	DESCRIPTION	REV
	1001182929	Ref	Fuel Pump Harness	E
1	8220043	2	Connector	
2	4461017	1	Connector	
3	4460508	2	Terminal	

SECTION 10 - ELECTRICAL

FIGURE 10-29. ENGINE GLOW PLUG RELAY HARNESS



ART_1001182930-C

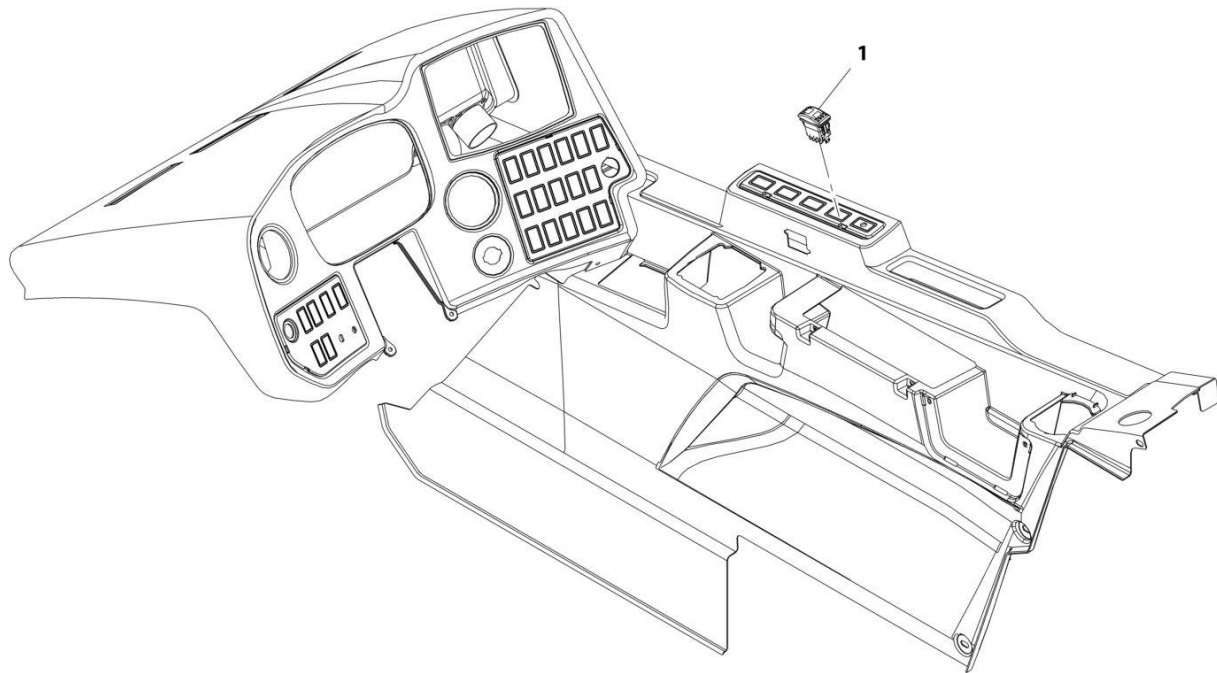
SECTION 10 - ELECTRICAL

FIGURE 10-29. ENGINE GLOW PLUG RELAY HARNESS

ITEM	PART NUMBER	QTY	DESCRIPTION	REV
	1001182930	Ref	Glow Plug Relay Harness	C
1	1001187070	2	Ring, Terminal	
2	1001187077	1	Ring, Terminal	
3	4460536	1	Connector	
4	4460464	3	Terminal	

SECTION 10 - ELECTRICAL

FIGURE 10-30. ENGINE SPEED SET SWITCH INSTALLATION



ART_1001197639-B

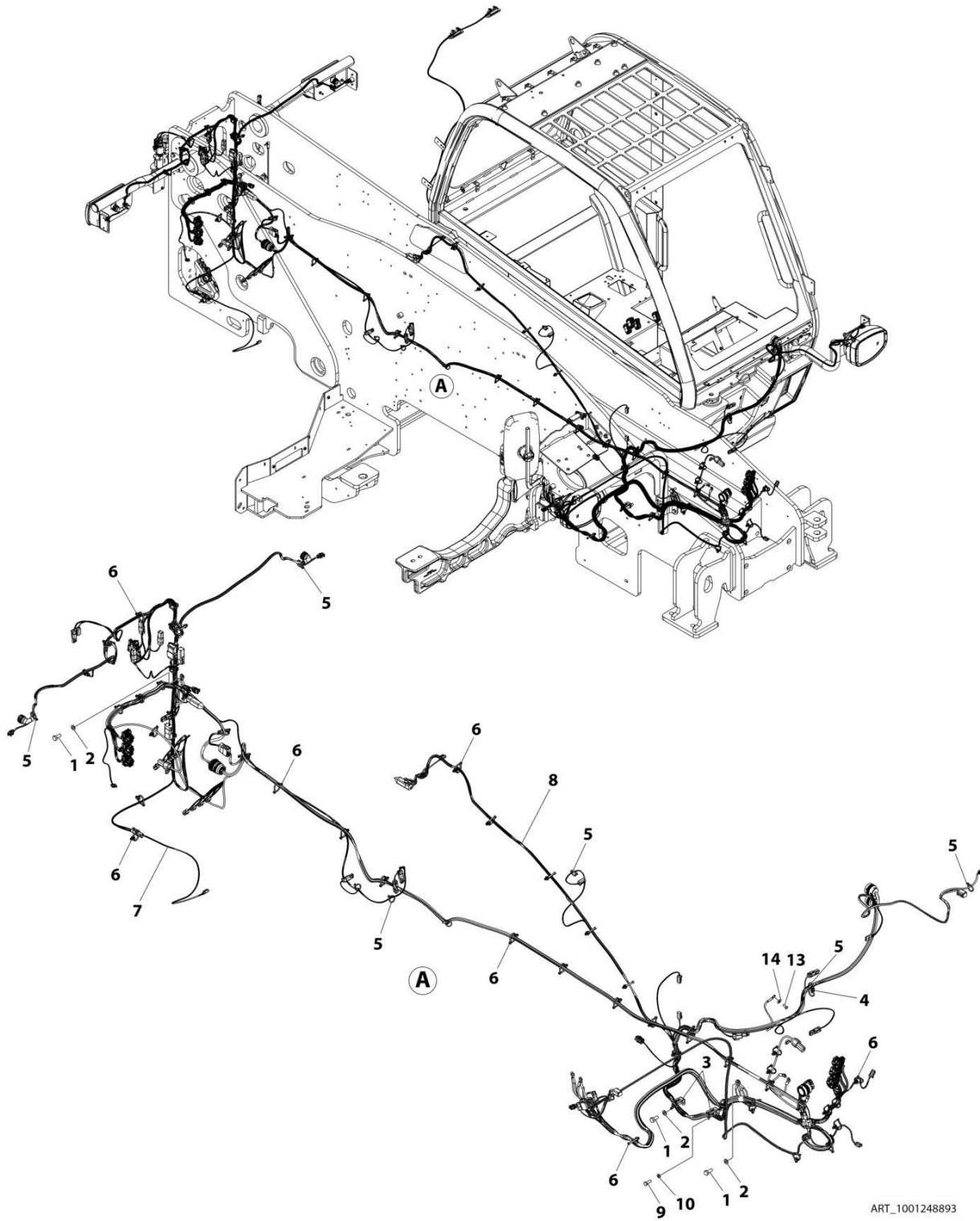
SECTION 10 - ELECTRICAL

FIGURE 10-30. ENGINE SPEED SET SWITCH INSTALLATION

ITEM	PART NUMBER	QTY	DESCRIPTION	REV
1	1001197639	1	Engine Speed Set Switch Installation	B
	1001198932	1	Switch, Engine Speed Set	

SECTION 10 - ELECTRICAL

FIGURE 10-31. FRAME MAIN ELECTRICAL INSTALLATION



ART_1001248893

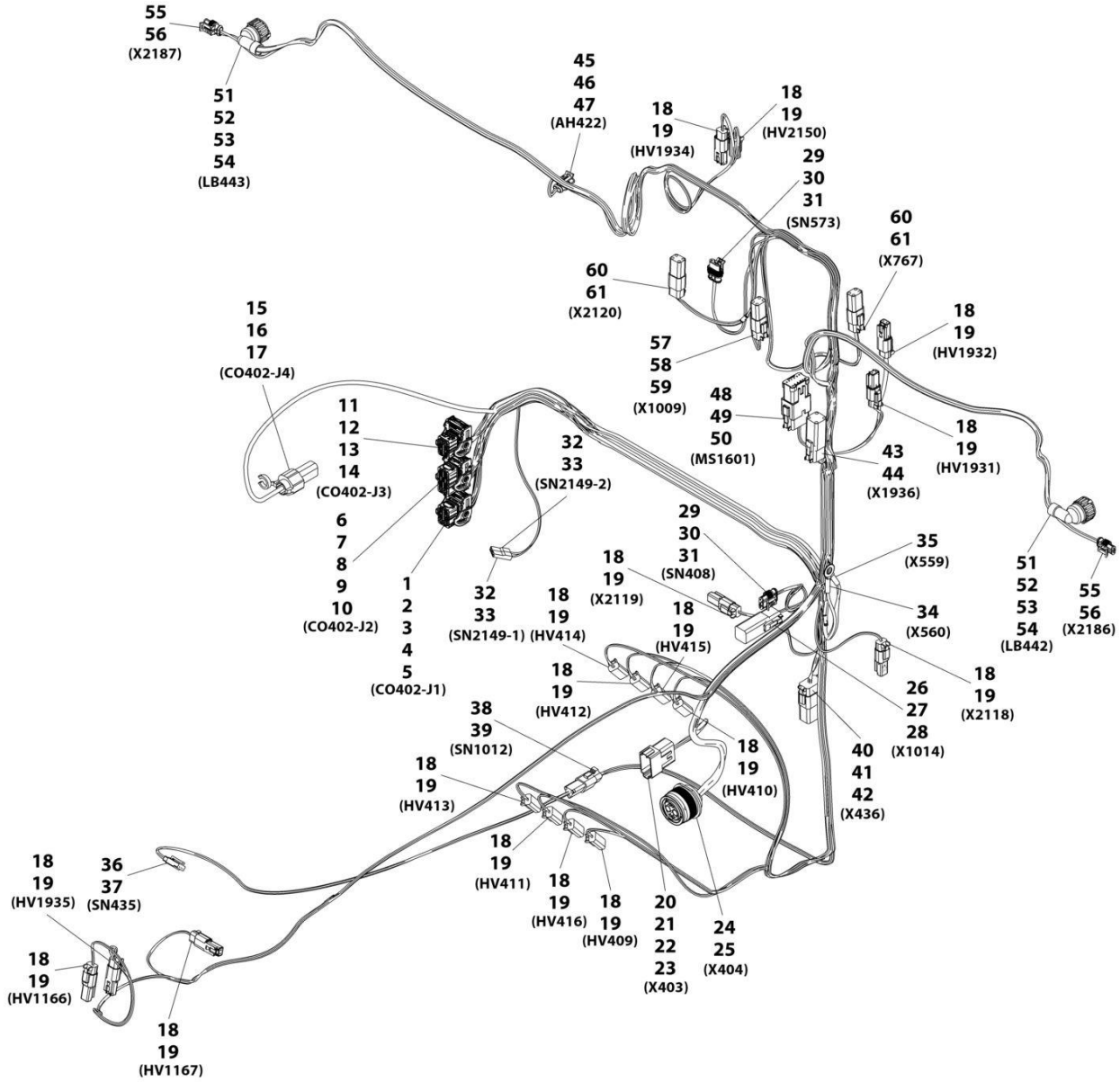
SECTION 10 - ELECTRICAL

FIGURE 10-31. FRAME MAIN ELECTRICAL INSTALLATION

ITEM	PART NUMBER	QTY	DESCRIPTION	REV
	1001248893	Ref	MAIN ELECTRICAL INSTALLATION	D
1	0761012	3	Bolt, M10 x 25	
2	4812000	3	Washer, M10	
3	1001003305	2	Clip	
4	1001004723	1	Saddle	
5	1001008559	14	Strap, Cable	
6	1001146588	50	Strap, Cable Tie	
7	1001248891	1	Harness, Rear Frame (See Separate Breakdown in this Section)	
8	1001268851	1	Harness, Front Frame (See Separate Breakdown in this Section)	
9	0700812	1	Capscrew M8 x 25	
10	4811900	1	Washer M8	
13	0760608	1	Capscrew M6 x 16	
14	4811702	1	Washer M6	

SECTION 10 - ELECTRICAL

FIGURE 10-32. FRAME HARNESS - FRONT



ART_1001248891-B

SECTION 10 - ELECTRICAL

FIGURE 10-32. FRAME HARNESS - FRONT

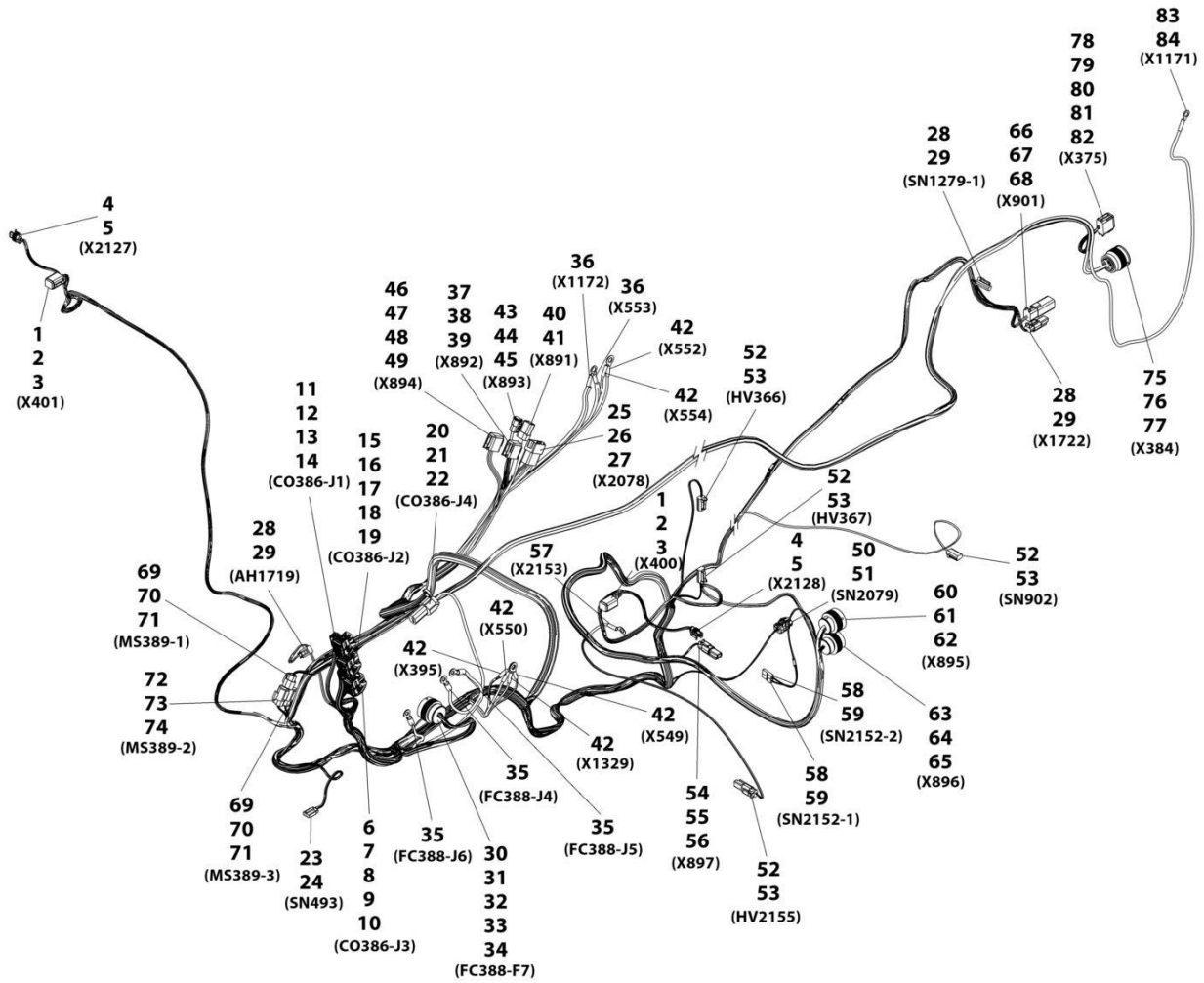
ITEM	PART NUMBER	QTY	DESCRIPTION	REV
	1001248891	Ref	Rear Frame Harness	B
1	1001161958	1	Connector	
2	1001161095	11	Terminal	
3	1001161100	13	Terminal	
4	1001161101	4	Terminal	
5	1001161099	4	Terminal	
6	1001161964	1	Connector	
7	1001161095	29	Terminal	
8	1001161100	11	Plug	
9	1001161099	7	Terminal	
10	1001161101	1	Plug	
11	1001160499	1	Connector	
12	1001161100	20	Plug	
13	1001161095	5	Terminal	
14	1001161099	7	Terminal	
15	1001160509	1	Connector	
16	1001160510	1	Terminal	
17	1001175266	1	Seal	
18	4460891	1	Connector	
19	4460465	2	Terminal	
20	4460970	1	Connector	
21	4460464	4	Terminal	
22	1001157891	1	Terminal	
23	4460466	7	Plug	
24	1001165311	1	Connector	
25	91013191	2	Terminal	
26	4460894	1	Connector	
27	4460465	2	Terminal	
28	4460466	4	Plug	
29	4461262	1	Connector	
30	1001107854	3	Terminal	
31	1001104498	3	Seal	
32	1001116995	1	Connector	
33	1001118379	1	Terminal	
34	1001117110	1	Connector	
35	1001117108	1	Connector	
36	4460911	1	Connector	
37	1001126008	3	Terminal	
38	4460539	1	Connector	
39	4460465	3	Terminal	
40	4460931	1	Connector	
41	4460465	6	Terminal	
42	4460466	2	Plug	
43	4460894	1	Connector	
44	4460942	6	Terminal	
45	4461118	1	Connector	
46	1001107854	2	Terminal	
47	1001104498	2	Seal	
48	4460933	1	Connector	
49	4460465	10	Terminal	

SECTION 10 - ELECTRICAL

ITEM	PART NUMBER	QTY	DESCRIPTION	REV
50	4460466	2	Plug	
51	1001116996	1	Connector	
52	1001118392	6	Terminal	
53	4461054	6	Seal	
54	1001116696	1	Plug	
55	4461118	1	Connector	
56	1001107854	2	Terminal	
57	4460884	1	Connector	
58	4460465	2	Terminal	
59	4460466	2	Plug	
60	4460884	1	Connector	
61	4460465	4	Plug	

SECTION 10 - ELECTRICAL

FIGURE 10-33. FRAME HARNESS - REAR



ART_1001248892-B

SECTION 10 - ELECTRICAL

FIGURE 10-33. FRAME HARNESS - REAR

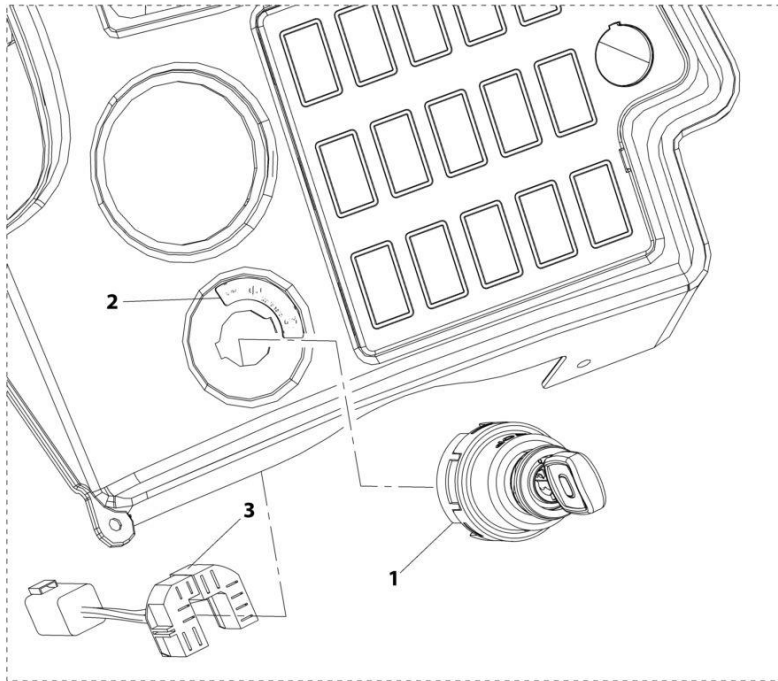
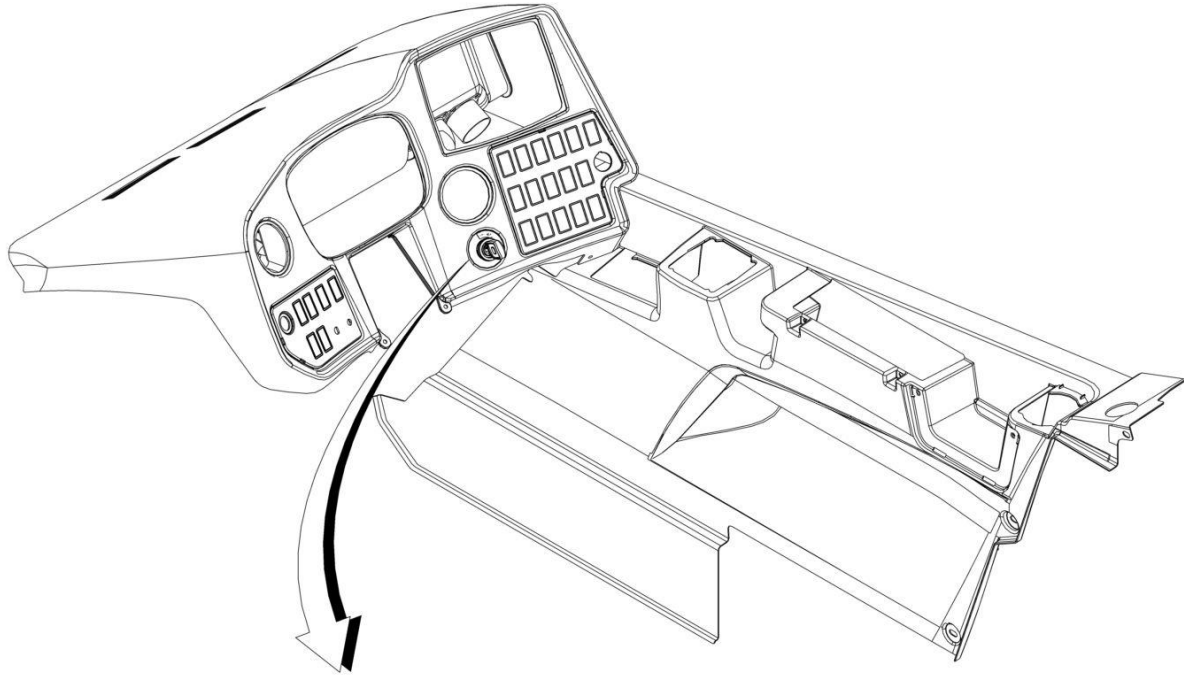
ITEM	PART NUMBER	QTY	DESCRIPTION	REV
	1001248892	Ref	Front Frame Harness	B
1	4460894	1	Connector	
2	4460942	5	Terminal	
3	4460466	1	Plug	
4	4461118	1	Connector	
5	1001107854	3	Terminal	
6	1001160500	1	Connector	
7	1001161100	13	Plug	
8	1001161095	11	Terminal	
9	1001161101	1	Plug	
10	1001161099	7	Terminal	
11	1001161957	1	Connector	
12	1001161095	11	Terminal	
13	1001161100	18	Plug	
14	1001161098	3	Terminal	
15	1001161963	1	Connector	
16	1001161095	18	Terminal	
17	1001161100	22	Plug	
18	1001161099	6	Terminal	
19	1001161101	2	Plug	
20	1001160509	1	Connector	
21	1001160510	1	Terminal	
22	1001175266	1	Seal	
23	4460911	1	Connector	
24	1001126008	3	Terminal	
25	4460970	1	Connector	
26	4460464	7	Terminal	
27	4460466	5	Plug	
28	4460891	1	Connector	
29	4460942	2	Terminal	
30	1001165309	1	Connector	
31	4460466	2	Plug	
32	4460465	7	Terminal	
33	4460509	7	Terminal	
34	1001150611	4	Terminal	
35	8220114	1	Connector	
36	1001128127	1	Connector	
37	4460933	1	Connector	
38	4460465	9	Terminal	
39	4460466	3	Plug	
40	1001116810	1	Connector	
41	4460509	4	Terminal	
42	1001117110	1	Connector	
43	1001116812	1	Connector	
44	4460465	2	Terminal	
45	4460466	1	Terminal	
46	4460836	1	Connector	
47	4460942	1	Terminal	
48	4460465	9	Terminal	
49	4460466	2	Plug	

SECTION 10 - ELECTRICAL

ITEM	PART NUMBER	QTY	DESCRIPTION	REV
50	1001116950	1	Connector	
51	4460465	2	Terminal	
52	4460891	1	Connector	
53	4460465	2	Terminal	
54	4460891	1	Connector	
55	1001157890	1	Terminal	
56	4460466	1	Plug	
57	1001117109	1	Connector	
58	1001116995	1	Connector	
59	1001118379	1	Terminal	
60	1001118323	1	Connector	
61	4460942	4	Terminal	
62	91013192	2	Terminal	
63	4461015	1	Connector	
64	4460465	7	Terminal	
65	4460466	7	Plug	
66	4460894	1	Connector	
67	4460942	4	Terminal	
68	4460465	2	Terminal	
69	1001116812	1	Connector	
70	4460944	2	Terminal	
71	4460466	1	Plug	
72	4460539	1	Connector	
73	4460944	2	Terminal	
74	4460466	1	Plug	
75	1001165310	1	Connector	
76	1001116686	4	Terminal	
77	91013192	2	Terminal	
78	4460933	1	Connector	
79	4460465	3	Terminal	
80	4460942	1	Terminal	
81	1001157890	2	Terminal	
82	4460466	6	Plug	
83	1001117108	1	Connector	
84	1001117109	1	Terminal	

SECTION 10 - ELECTRICAL

FIGURE 10-34. IGNITION SWITCH INSTALLATION



ART_1001208518-B

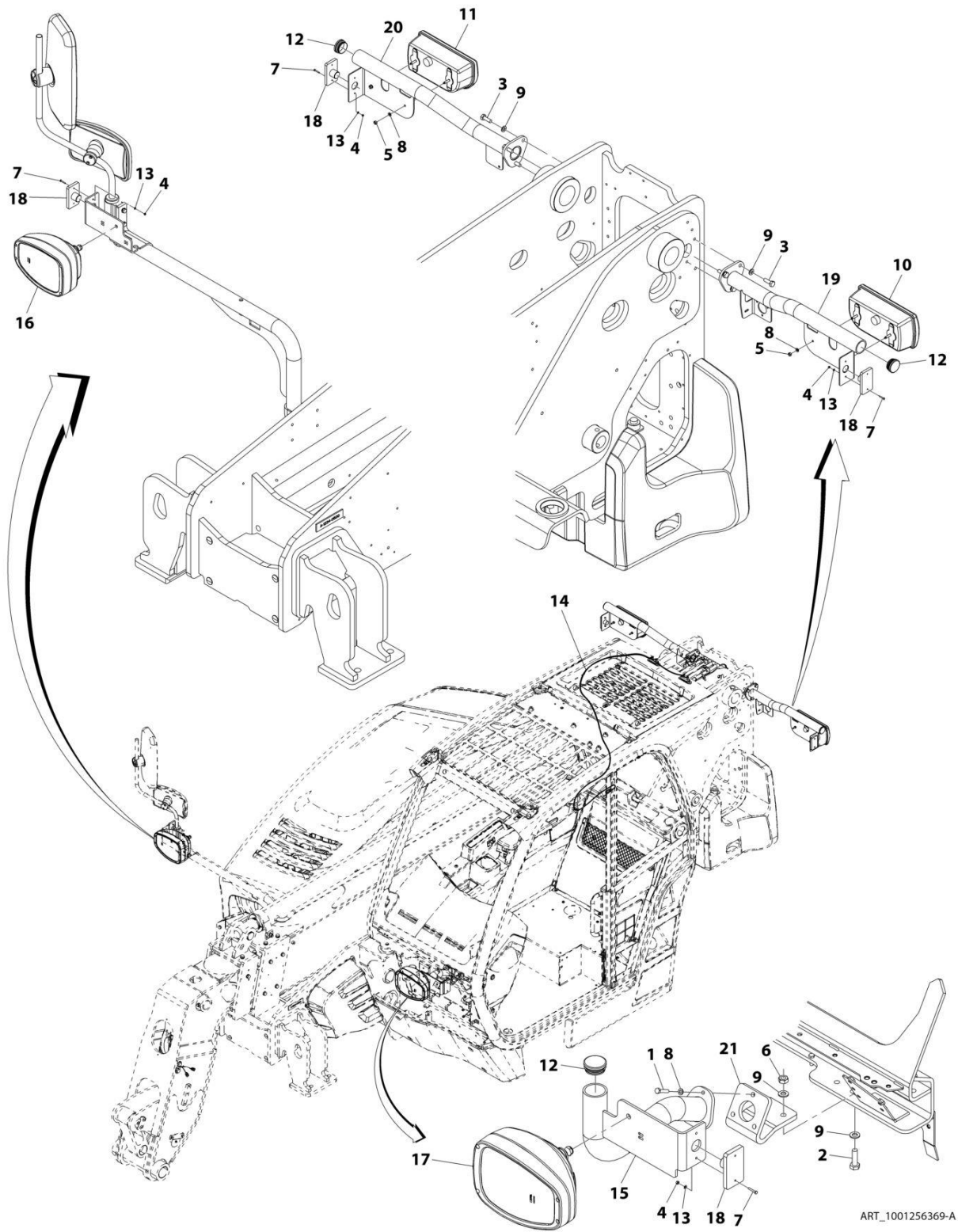
SECTION 10 - ELECTRICAL

FIGURE 10-34. IGNITION SWITCH INSTALLATION

ITEM	PART NUMBER	QTY	DESCRIPTION	REV
	1001208518	Ref	Ignition Switch Installation	B
1	1001102502	1	Switch, 4 Position Key	
1	70022765	1	Key, Ignition	
2	1001181531	1	Decal, Ignition Switch	
3	1001223968	1	Harness, Ignition Switch	

SECTION 10 - ELECTRICAL

FIGURE 10-35. LIGHTS - DIP LIGHTS INSTALLATION (RH)



ART_1001256369-A

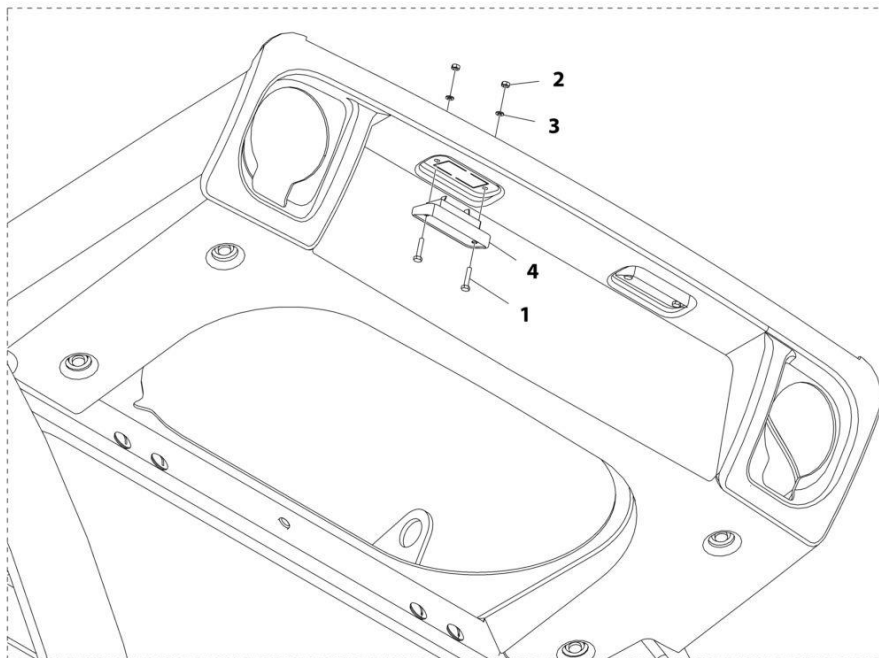
SECTION 10 - ELECTRICAL

FIGURE 10-35. LIGHTS - DIP LIGHTS INSTALLATION (RH)

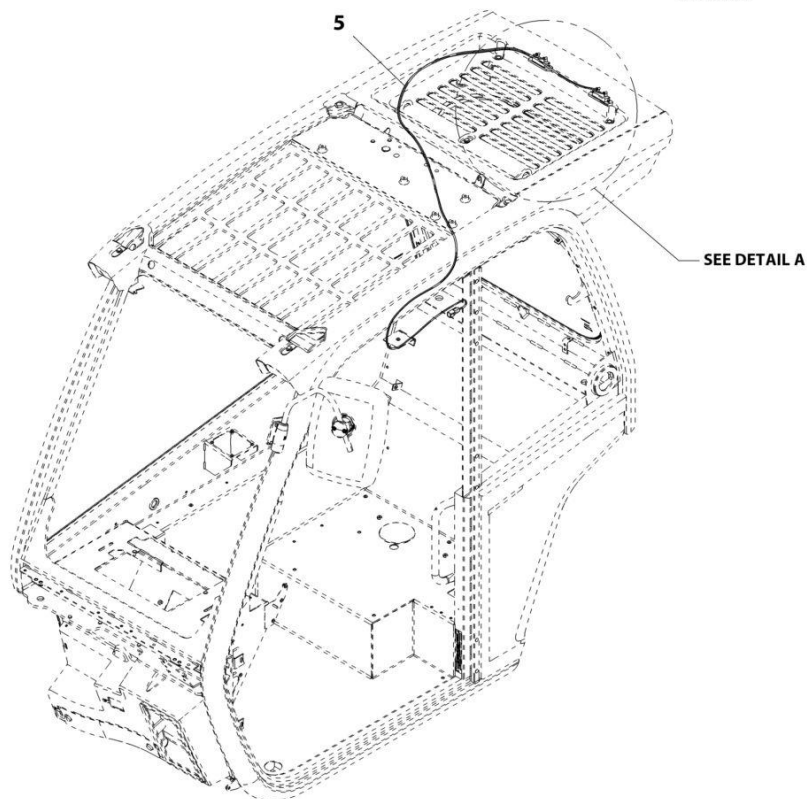
ITEM	PART NUMBER	QTY	DESCRIPTION	REV
	1001256369	Ref	Dip Lights Installation (RHD - No Outriggers)	B
1	0700614	3	Bolt M6 X 30	
2	0701015	2	Bolt M10 X 35	
3	0761012	1	Bolt M10 X 25	
4	3290305	8	Nut, Lock M3 X 0.5	
5	3290601	4	Nut M6 X 1	
6	3291001	2	Nut M10 X 1.5	
7	4010310	8	Screw M3 X 20	
8	4811700	7	Washer M6	
9	4812000	10	Washer M10	
10	1001091715	1	Taillight (LH)	
11	1001091716	1	Taillight (RH)	
12	1001096913	3	Bracket	
13	1001110544	8	Washer	
14	1001189569	1	Installation, License Plate Lamp (See Separate Breakdown in this Section)	
15	1001242650	1	Bracket	
16	1001244593	1	Headlight (RH)	
17	1001244594	1	Headlight (LH)	
18	1001248416	4	Light, Side Marker	
19	1001248899	1	Bracket	
20	1001248901	1	Bracket	
21	1001248902	1	Mount	

SECTION 10 - ELECTRICAL

FIGURE 10-36. LIGHTS - LICENSE PLATE LAMP INSTALLATION



DETAIL A



ART_1001189569-A

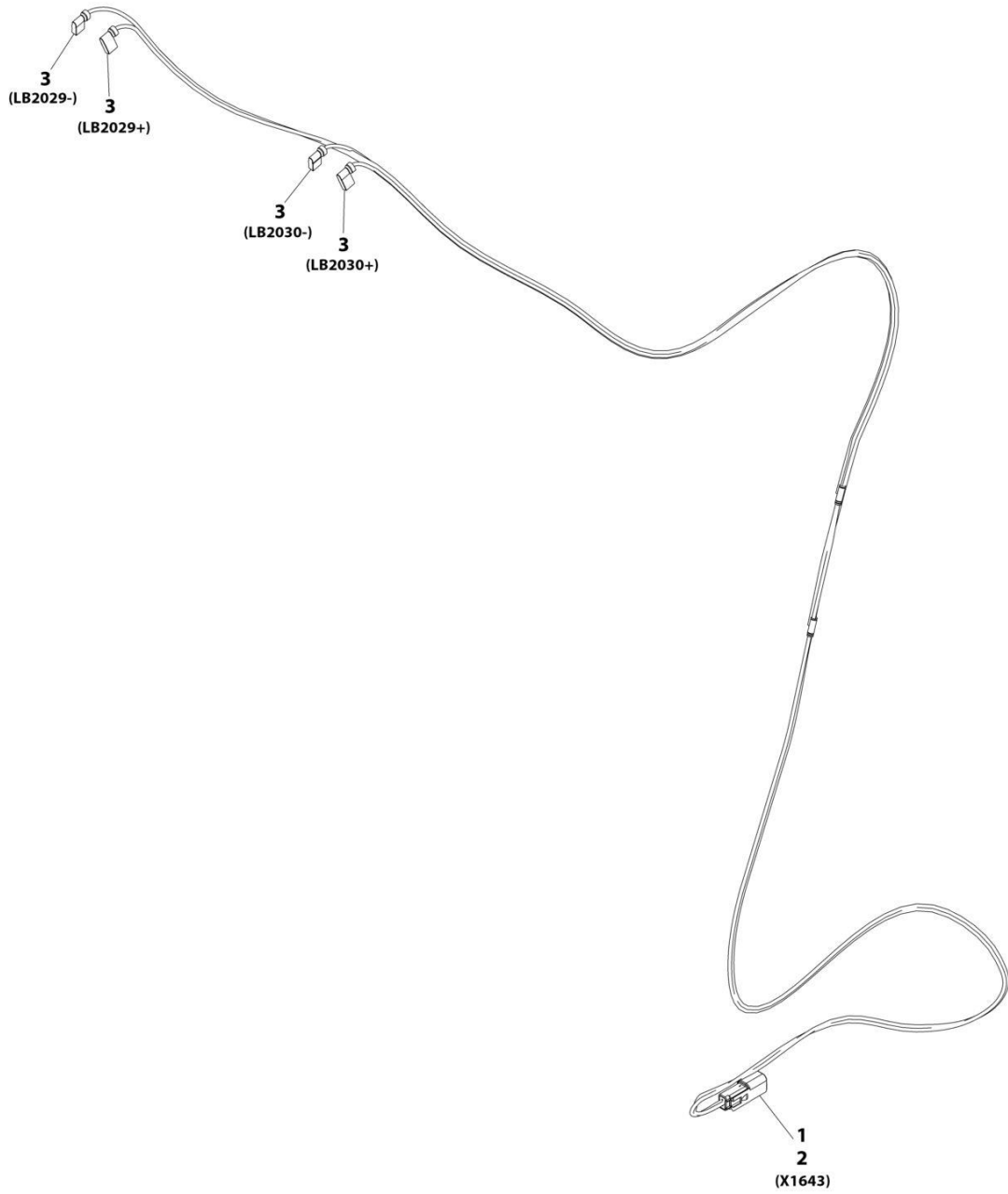
SECTION 10 - ELECTRICAL

FIGURE 10-36. LIGHTS - LICENSE PLATE LAMP INSTALLATION

ITEM	PART NUMBER	QTY	DESCRIPTION	REV
	1001189569	Ref	License Plate Lamp Installation	A
1	0760410	4	Bolt, M4X20	
2	3290401	4	Nut, M4X0.7 Grade 8	
3	4831400	4	Washer, Lock M4	
4	1001173829	2	Lamp, License Plate	
5	1001178053	1	Harness, License Light (See Separate Breakdown in this Section)	

SECTION 10 - ELECTRICAL

FIGURE 10-37. LIGHTS - LICENSE PLATE LAMP HARNESS



ART_1001178053-C

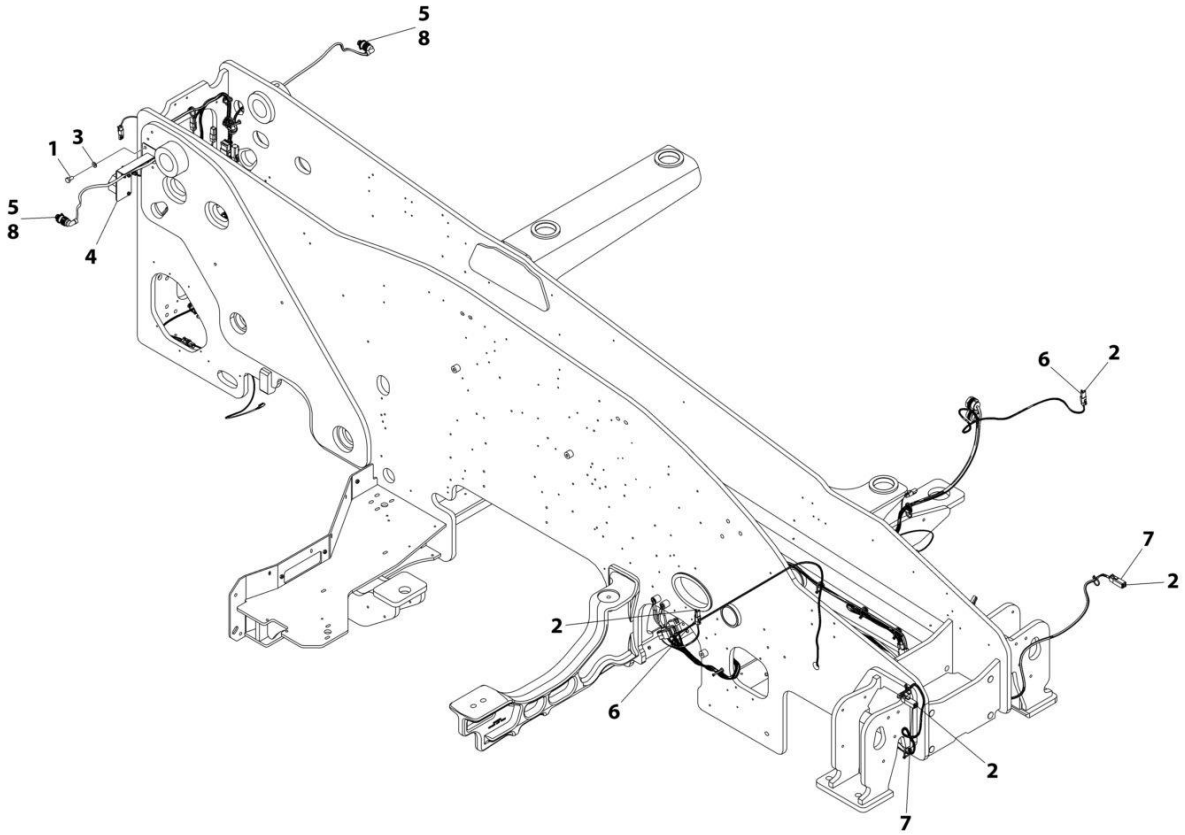
SECTION 10 - ELECTRICAL

FIGURE 10-37. LIGHTS - LICENSE PLATE LAMP HARNESS

ITEM	PART NUMBER	QTY	DESCRIPTION	REV
	1001178053	Ref	License Light Harness	C
1	4460897	1	Connector	
2	4460941	2	Terminal	
3	1001190396	4	Connector	

SECTION 10 - ELECTRICAL

FIGURE 10-38. LIGHTS - NO ROADLIGHTS INSTALLATION



ART_1001225382-A

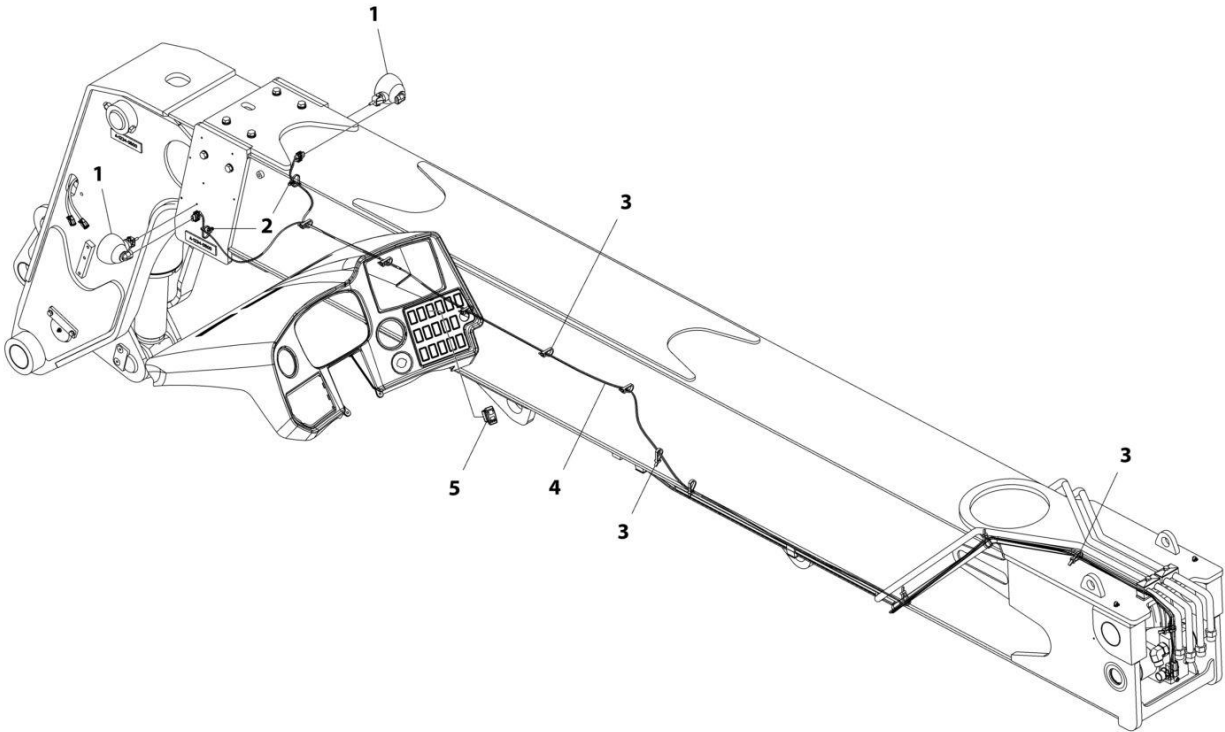
SECTION 10 - ELECTRICAL

FIGURE 10-38. LIGHTS - NO ROADLIGHTS INSTALLATION

ITEM	PART NUMBER	QTY	DESCRIPTION	REV
	1001225382	Ref	No Road Lights Installation	A
1	0761010	2	Bolt, M10X20	
2	4460466	18	Plug	
3	4812000	2	Washer, M10	
4	1001225386	1	Mount, Reverse Alarm	
5	1001225658	2	Connector	
6	4460536	2	Connector	
7	4460899	2	Connector	
8	4461008	14	Plug	

SECTION 10 - ELECTRICAL

FIGURE 10-39. LIGHTS - WORKLIGHTS INSTALLATION (BOOM MOUNTED)



ART_1001180529

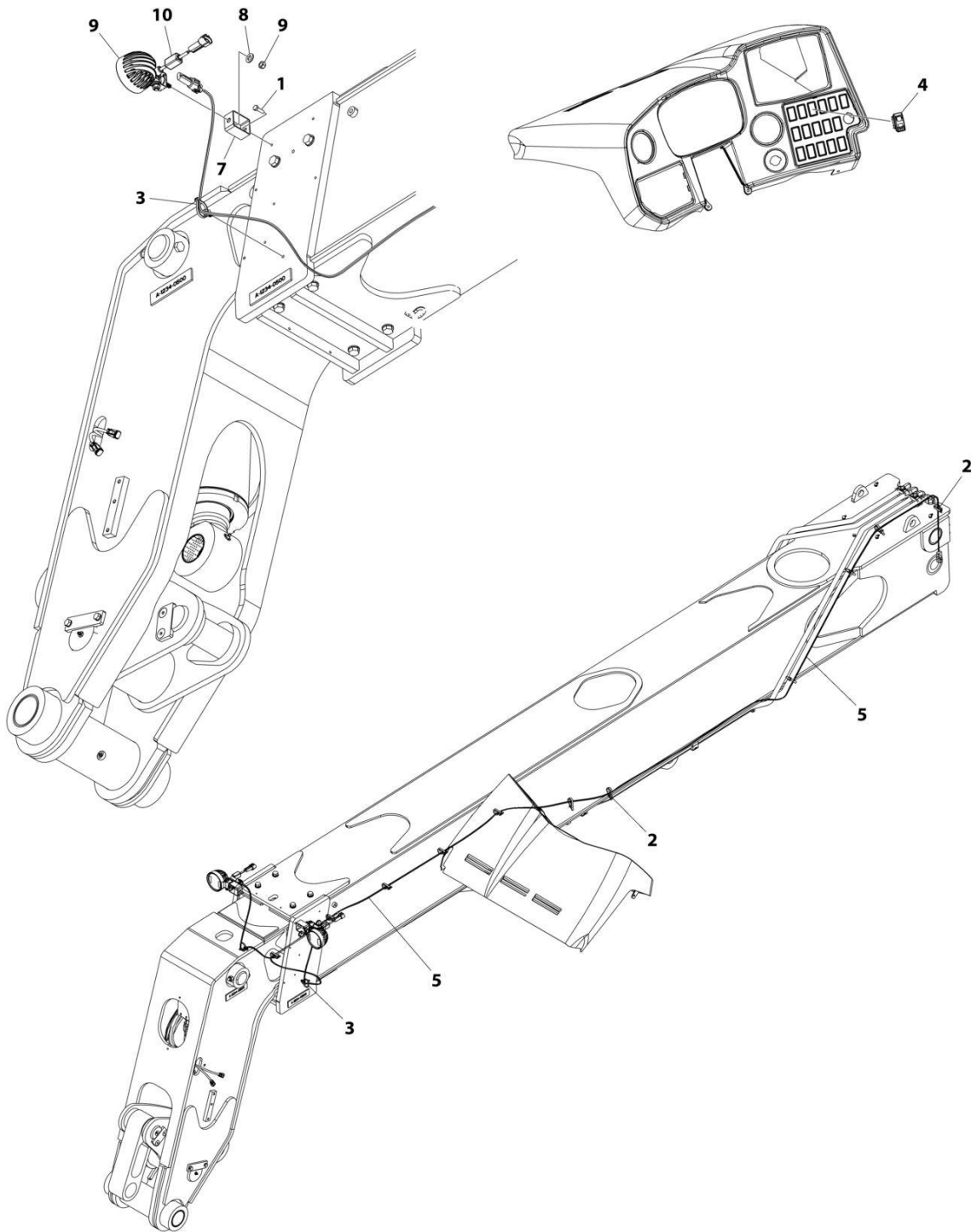
SECTION 10 - ELECTRICAL

FIGURE 10-39. LIGHTS - WORKLIGHTS INSTALLATION (BOOM MOUNTED)

ITEM	PART NUMBER	QTY	DESCRIPTION	REV
	1001180529	Ref	Boom Worklights Installation	D
1	2920206	2	Worklight	
2	1001146588	2	Strap, Cable	
3	1001008923	11	Strap, Cable	
4	1001183297	1	Harness, Boom Worklights (See Separate Breakdown in this Section)	
5	1001159739	1	Switch, Boom Worklights	

SECTION 10 - ELECTRICAL

FIGURE 10-40. LIGHTS - WORKLIGHTS INSTALLATION - LED (BOOM MOUNTED)



ART_1001210961

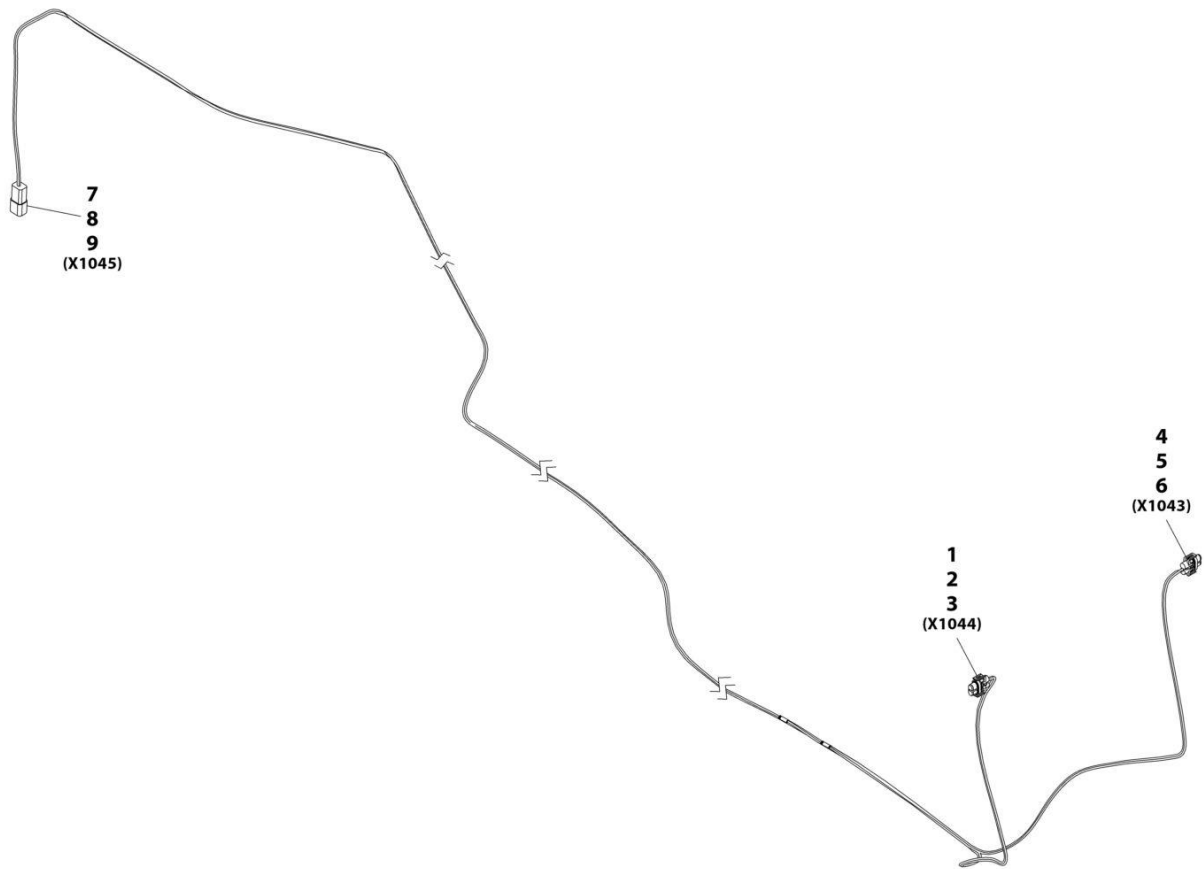
SECTION 10 - ELECTRICAL

FIGURE 10-40. LIGHTS - WORKLIGHTS INSTALLATION - LED (BOOM MOUNTED)

ITEM	PART NUMBER	QTY	DESCRIPTION	REV
	1001210961	Ref	Boom LED Worklights Installation	D
1	0760610	2	Bolt, M6X20	
2	1001008923	11	Strap, Cable	
3	1001146588	2	Strap, Tie	
4	1001159739	1	Switch, Boom Worklights	
5	1001183297	1	Harness, Boom Worklights (See Separate Breakdown in this Section)	
7	1001210962	2	Bracket	
8	4812000	2	Washer, M10	
9	1001203640	2	Lamp, LED Worklights	
10	1001228989	2	Harness, Ferrite	

SECTION 10 - ELECTRICAL

FIGURE 10-41. LIGHTS - WORKLIGHTS HARNESS (BOOM MOUNTED LIGHTS)



ART_1001183297-C

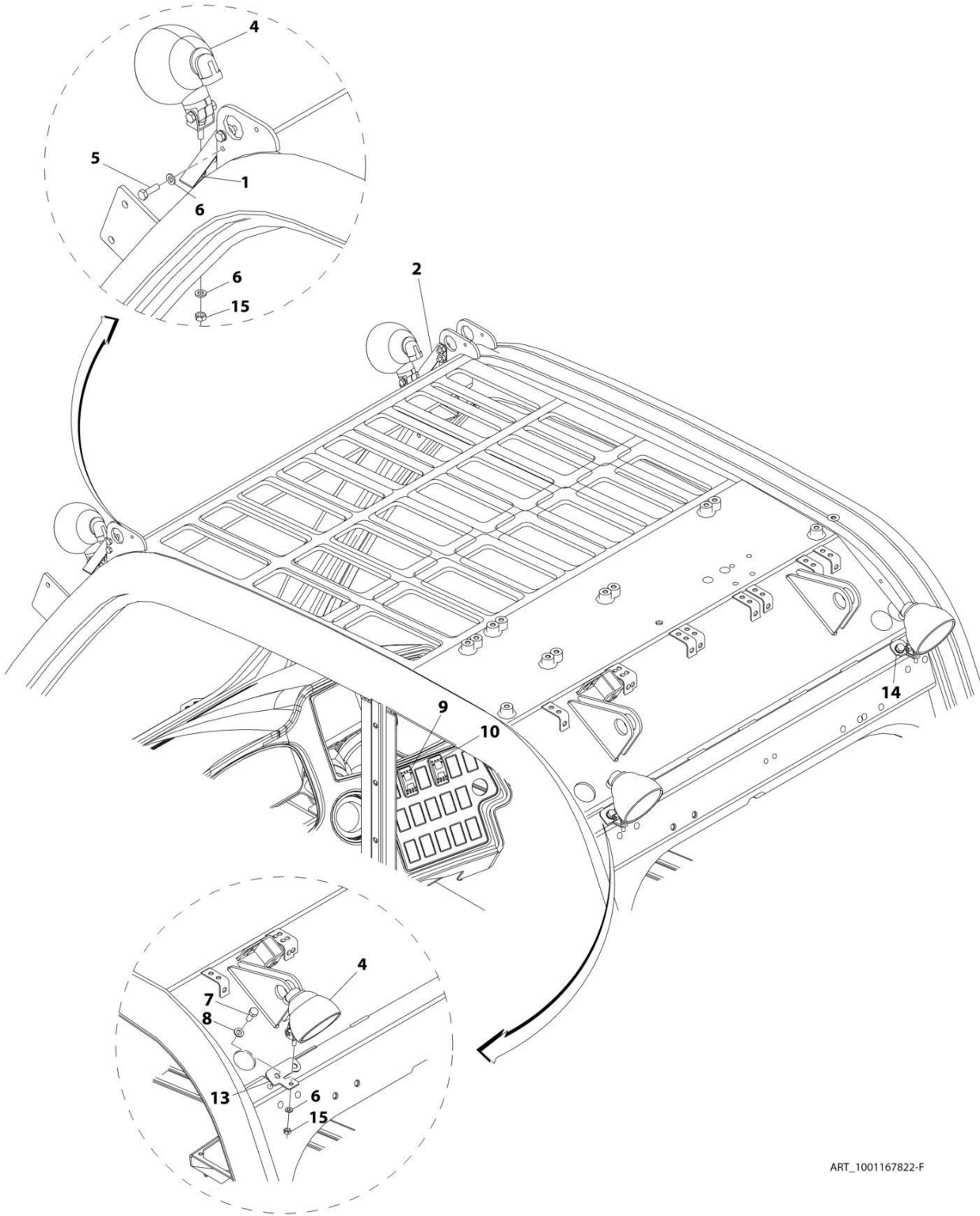
SECTION 10 - ELECTRICAL

FIGURE 10-41. LIGHTS - WORKLIGHTS HARNESS (BOOM MOUNTED LIGHTS)

ITEM	PART NUMBER	QTY	DESCRIPTION	REV
	1001183297	Ref	Boom Worklights Harness	C
1	4461115	1	Connector	
2	1001116728	2	Terminal	
3	4460458	2	Seal	
4	4461115	1	Connector	
5	1001116728	2	Terminal	
6	4460458	2	Seal	
7	4460932	1	Connector	
8	4460464	2	Terminal	
9	4460466	2	Plug	

SECTION 10 - ELECTRICAL

FIGURE 10-42. LIGHTS - WORKLIGHTS INSTALLATION (CAB MOUNTED) (NO A/C)



ART_1001167822-F

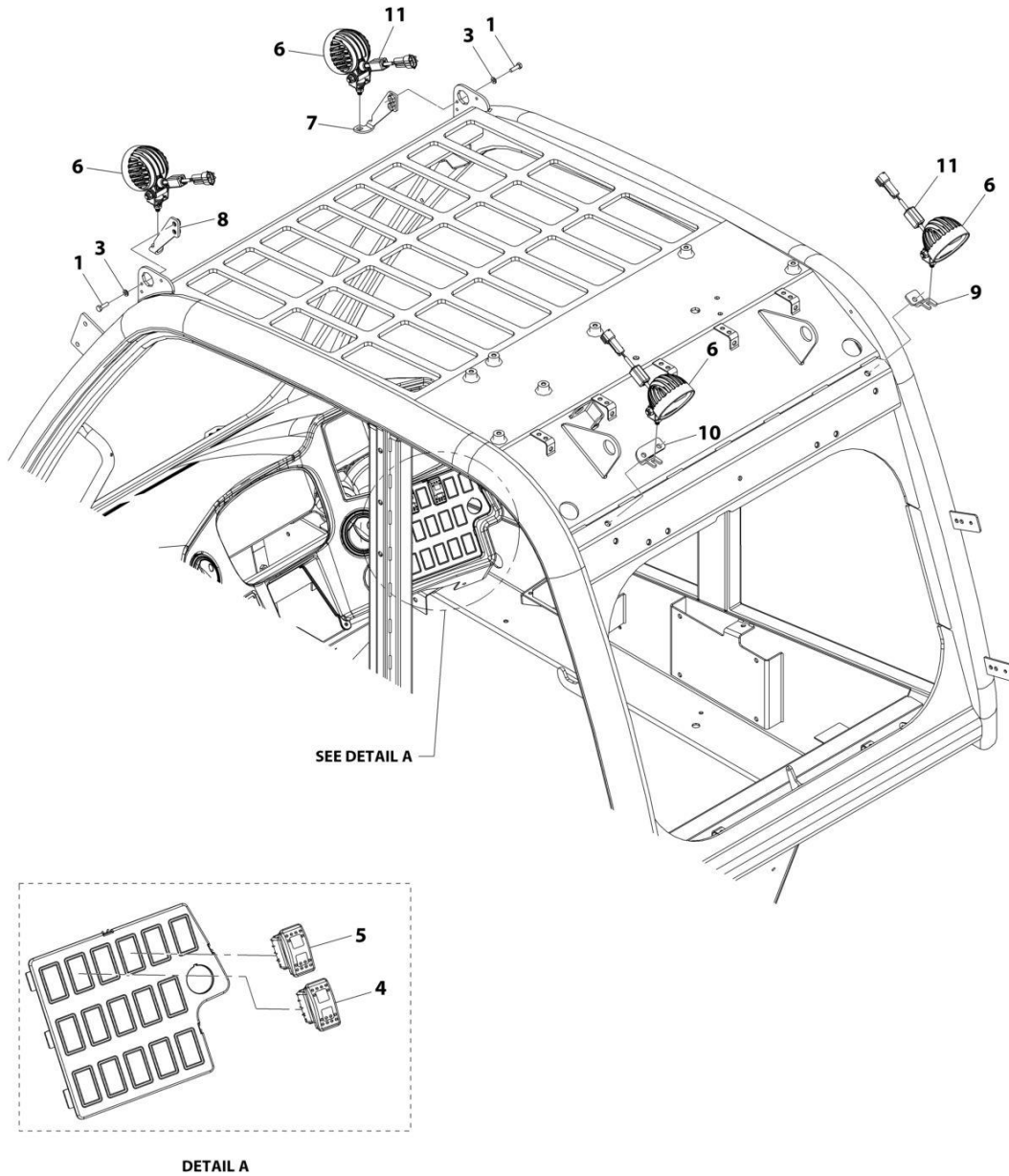
SECTION 10 - ELECTRICAL

FIGURE 10-42. LIGHTS - WORKLIGHTS INSTALLATION (CAB MOUNTED) (NO A/C)

ITEM	PART NUMBER	QTY	DESCRIPTION	REV
	1001167822	Ref	Cab Worklights Installation (No A/C)	F
1	1001186567	1	Bracket, Work Light LH	
2	1001186565	1	Bracket, Work Light RH	
4	2920206	4	Worklight	
5	0700610	4	Bolt, M6X20	
6	4811700	8	Washer, M6	
7	0760810	2	Bolt, M8X20	
8	4811900	2	Washer, M8	
9	1001159845	1	Switch, Front Worklights	
10	1001159846	1	Switch, Rear Worklights	
13	1001183888	1	Bracket, Work Light LH	
14	1001183890	1	Bracket, Work Light RH	
15	3290601	4	Nut, M6X1 Grade 8	

SECTION 10 - ELECTRICAL

FIGURE 10-43. LIGHTS - WORKLIGHTS INSTALLATION - LED (CAB MOUNTED) (NO A/C)



ART_1001200538-D

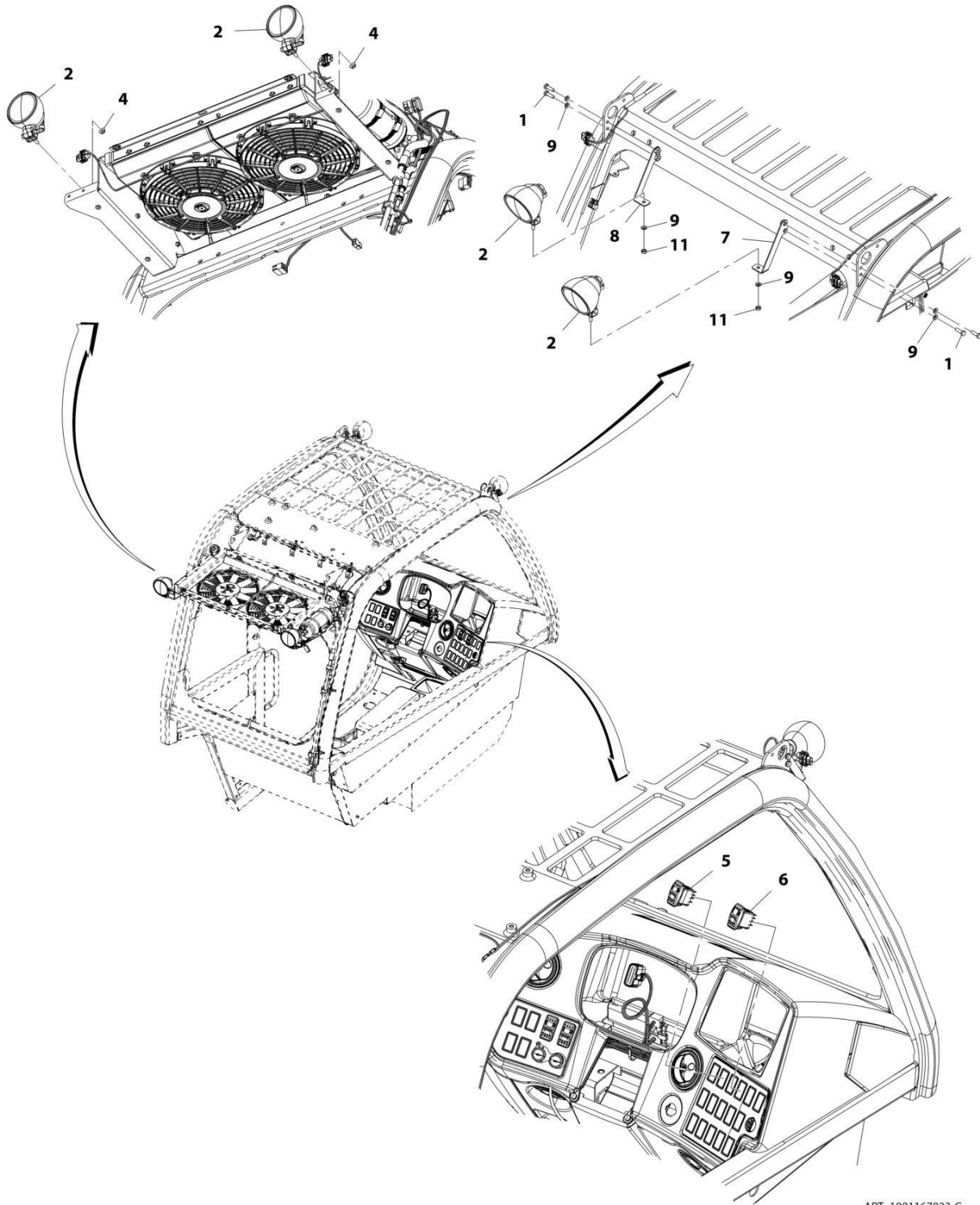
SECTION 10 - ELECTRICAL

FIGURE 10-43. LIGHTS - WORKLIGHTS INSTALLATION - LED (CAB MOUNTED) (NO A/C)

ITEM	PART NUMBER	QTY	DESCRIPTION	REV
	1001200538	Ref	Cab Worklights Installation (No A/C - LED)	D
1	0700610	4	Bolt, M6X20	
3	4811700	4	Washer, M6	
4	1001159845	1	Switch, Front Worklights	
5	1001159846	1	Switch, Rear Worklights	
6	1001203640	4	Lamp, LED Work Light	
7	1001244193	1	Support, LED Work Light RH	
8	1001244192	1	Support, LED Work Light LH	
9	1001204528	1	Support, LED Work Light RH	
10	1001204530	1	Support, LED Work Light LH	
11	1001228989	4	Harness, Ferrite	

SECTION 10 - ELECTRICAL

FIGURE 10-44. LIGHTS - WORKLIGHTS INSTALLATION (CAB MOUNTED) (WITH A/C)



ART_1001167823-G

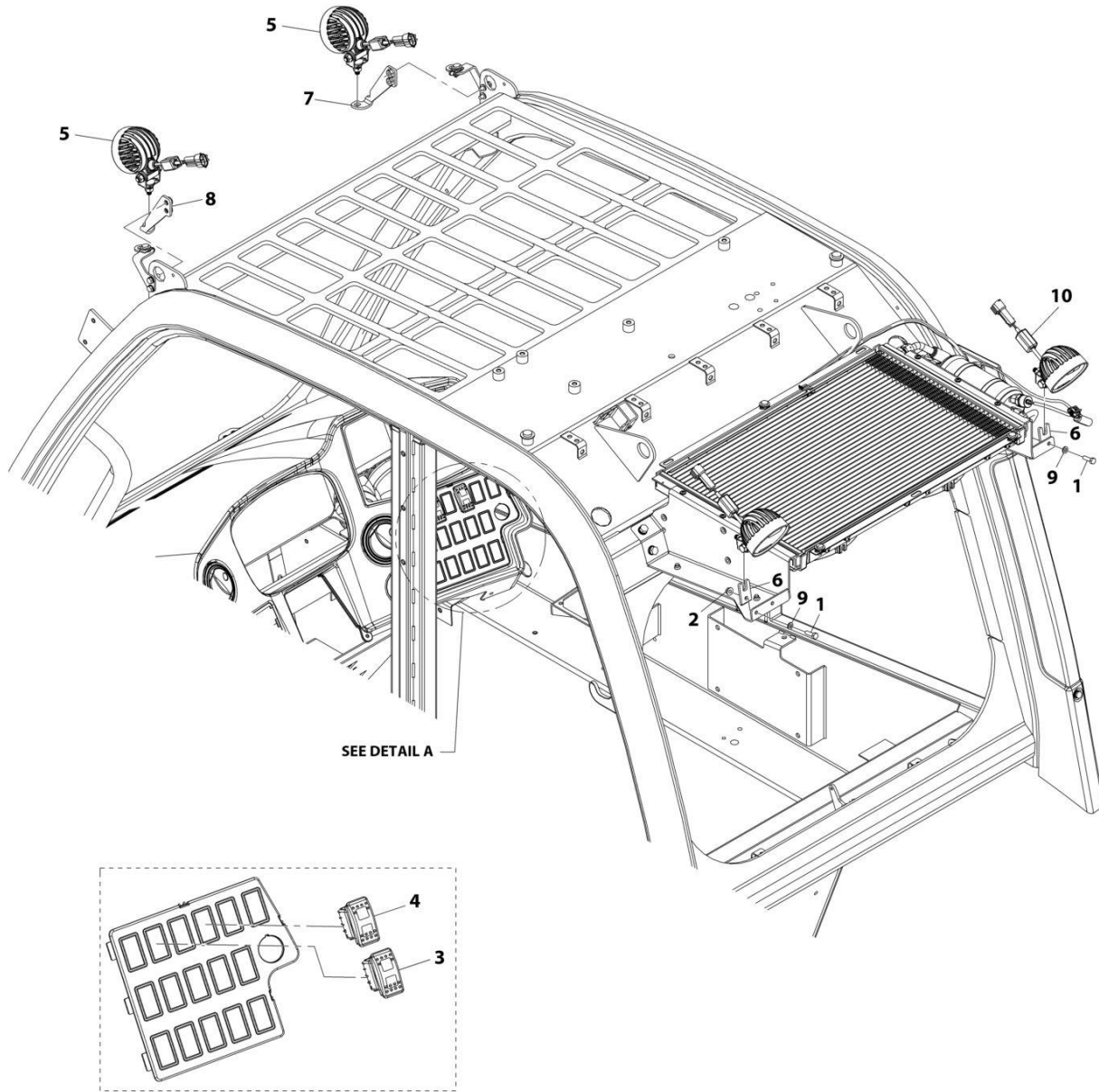
SECTION 10 - ELECTRICAL

FIGURE 10-44. LIGHTS - WORKLIGHTS INSTALLATION (CAB MOUNTED) (WITH A/C)

ITEM	PART NUMBER	QTY	DESCRIPTION	REV
	1001167823	Ref	Cab Worklights Installation (A/C)	G
1	0700610	4	Bolt, M6X20	
2	2920206	4	Worklight	
4	5220600	2	Nut, M6	
5	1001159845	1	Switch, Front Worklights	
6	1001159846	1	Switch, Rear Worklights	
7	1001186567	1	Bracket, Work Light LH	
8	1001186565	1	Bracket, Work Light RH	
9	4811700	6	Washer, M6	
11	3290601	2	Nut, M6X1 Grade 8	

SECTION 10 - ELECTRICAL

FIGURE 10-45. LIGHTS - WORKLIGHTS INSTALLATION -LED (CAB MOUNTED) (WITH A/C)



ART_1001200539-D

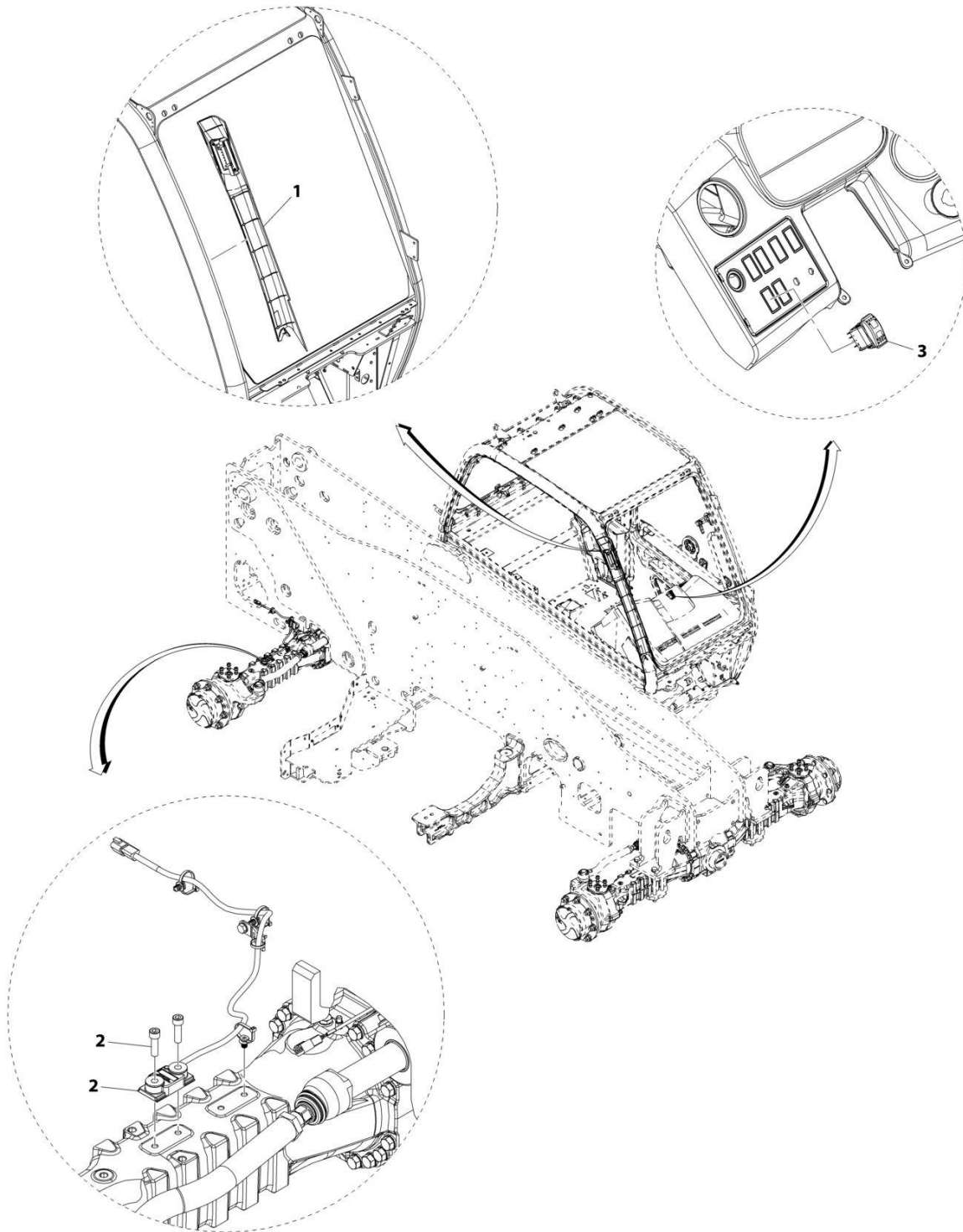
SECTION 10 - ELECTRICAL

FIGURE 10-45. LIGHTS - WORKLIGHTS INSTALLATION -LED (CAB MOUNTED) (WITH A/C)

ITEM	PART NUMBER	QTY	DESCRIPTION	REV
	1001200539	Ref	Cab Worklights Installation (A/C - LED)	D
1	0700610	2	Bolt, M6X20	
2	5220600	2	Nut, M6	
3	1001159845	1	Switch, Front Worklights	
4	1001159846	1	Switch, Rear Worklights	
5	1001203640	4	Lamp, LED Work Light	
6	1001204060	2	Bracket	
7	1001244193	1	Support, LED Work Light RH	
8	1001244192	1	Support, LED Work Light LH	
9	4811700	2	Washer, M6	
10	1001228989	4	Harness, Ferrite	

SECTION 10 - ELECTRICAL

FIGURE 10-46. LSI SENSOR INSTALLATION



ART_1001257425-A

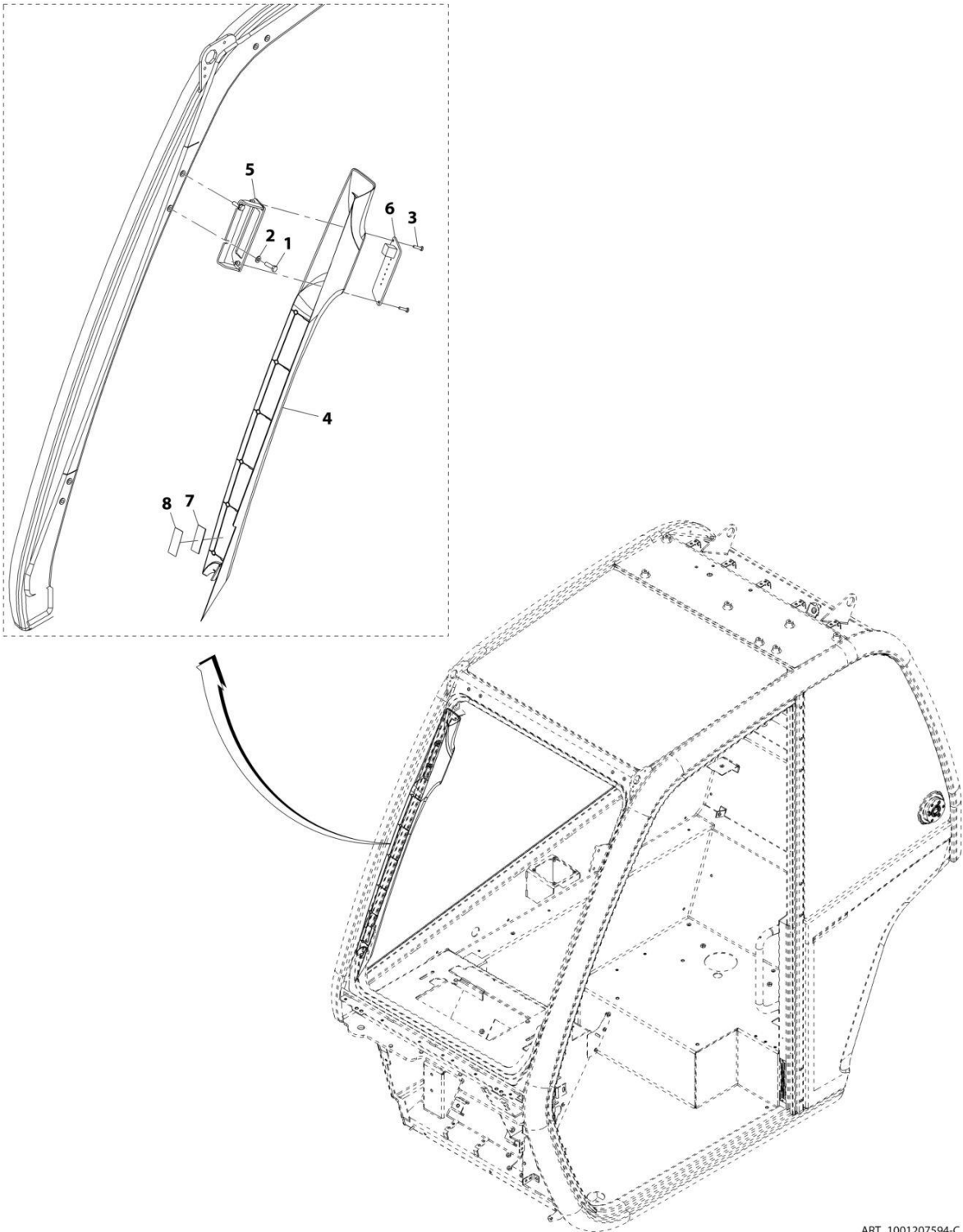
SECTION 10 - ELECTRICAL

FIGURE 10-46. LSI SENSOR INSTALLATION

ITEM	PART NUMBER	QTY	DESCRIPTION	REV
1	1001257425	Ref	LSI Sensor Installation (24IN Wheel)	A
	1001207594	1	Installation, LSI Assembly (See Separate Breakdown in this Section)	
2	1001199935	1	Installation, LSI Sensor (24IN Wheel) (See Separate Breakdown in this Section)	
3	1001257426	1	Installation, LSI Switch (See Separate Breakdown in this Section)	

SECTION 10 - ELECTRICAL

FIGURE 10-47. LSI DISPLAY INSTALLATION



ART_1001207594-C

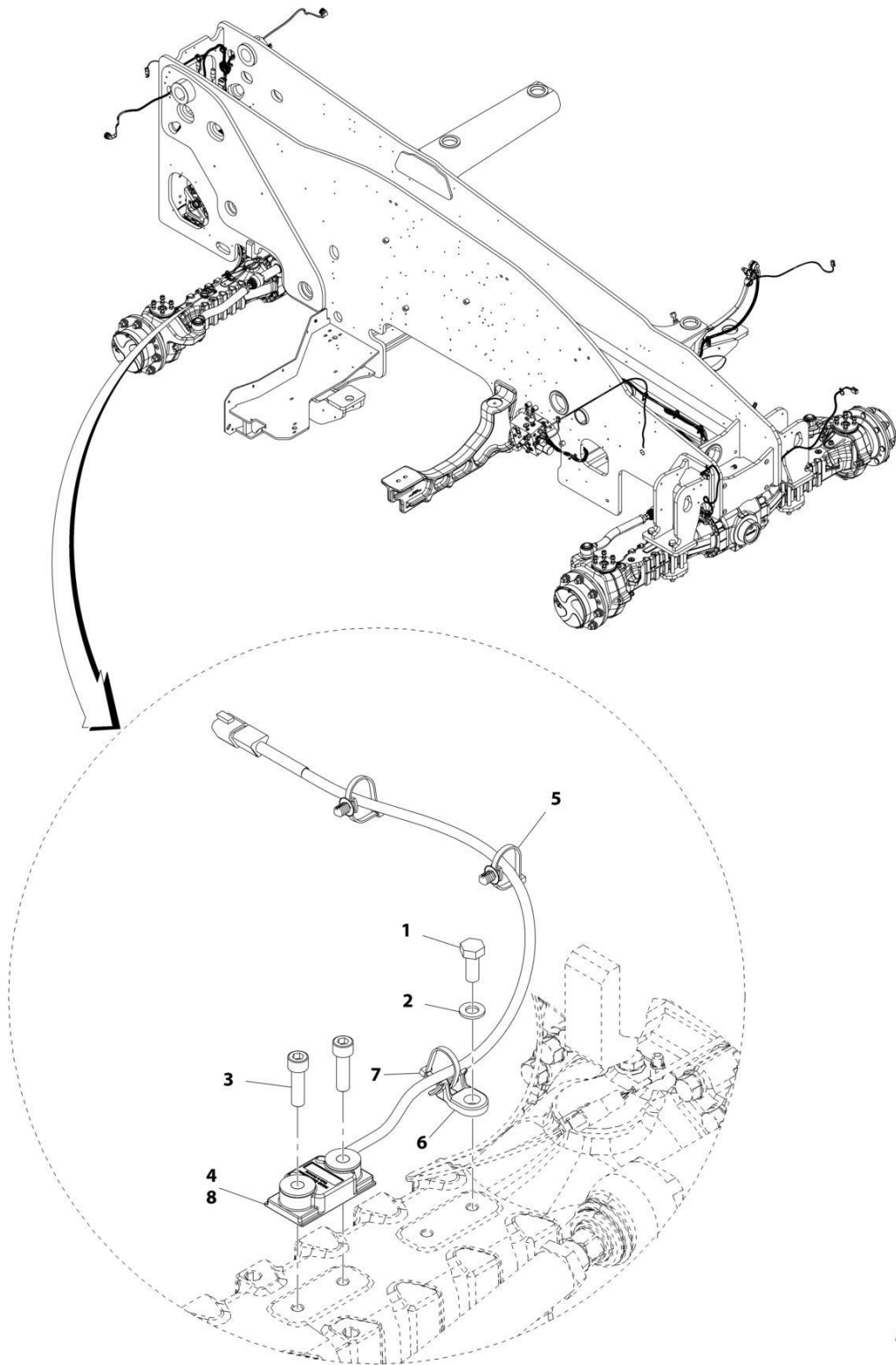
SECTION 10 - ELECTRICAL

FIGURE 10-47. LSI DISPLAY INSTALLATION

ITEM	PART NUMBER	QTY	DESCRIPTION	REV
	1001207594	Ref	LSI Display Installation	C
1	0760610	2	Bolt, M6X20	
2	4811700	2	Washer, M6	
3	1001126837	2	Screw, M4X16	
4	1001182839	1	Cover	
5	1001214401	1	Bracket	
6	1001213752	1	Display, LSI	
7	1001221318	1	Tape, Hook Fastener	
8	1001221319	1	Tape, Hook Fastener	

SECTION 10 - ELECTRICAL

FIGURE 10-48. LSI SENSOR INSTALLATION



ART_1001199935-B

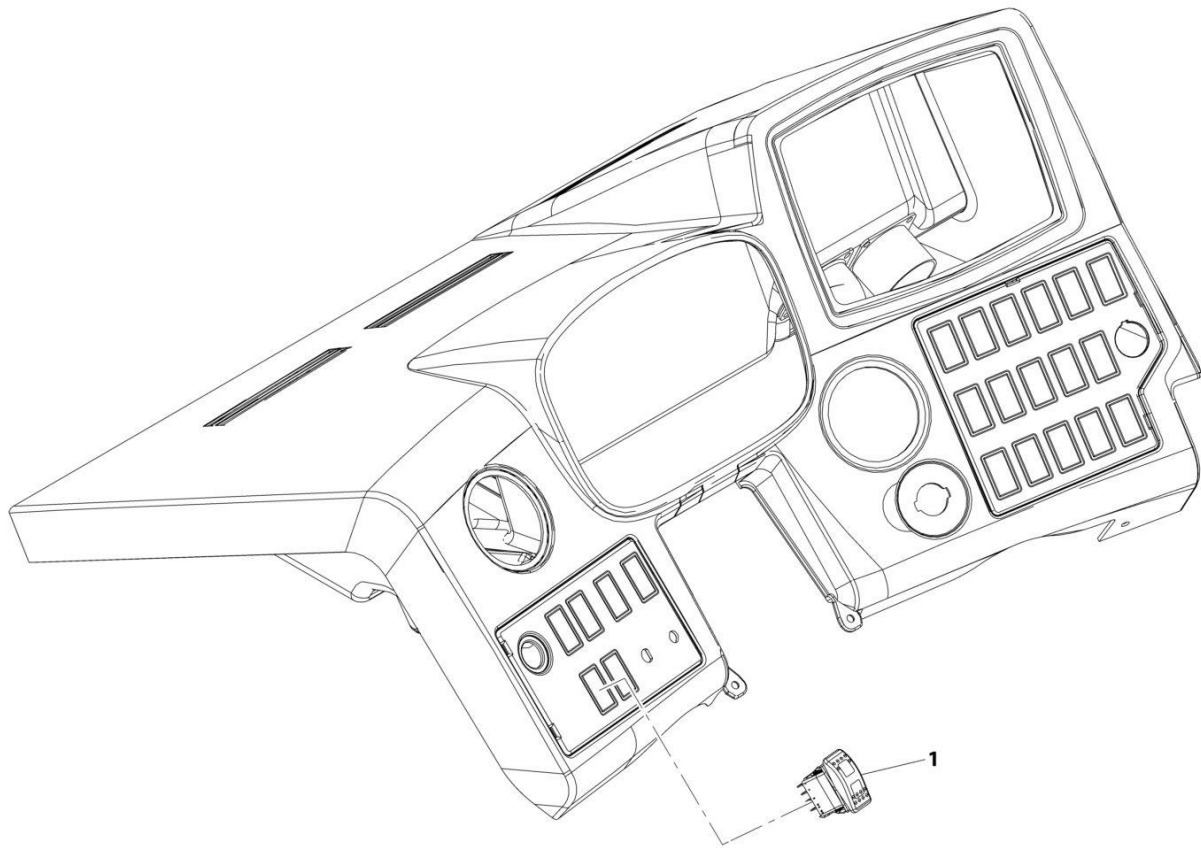
SECTION 10 - ELECTRICAL

FIGURE 10-48. LSI SENSOR INSTALLATION

ITEM	PART NUMBER	QTY	DESCRIPTION	REV
	1001199935	Ref	LSI Sensor (24IN Wheel)	B
1	0761012	1	Bolt, M10X25	
2	4812000	1	Washer, M10	
3	5272011	2	Screw, M10X35	
4	1001116128	1	Sealant, Polysiloxane	
5	1001146588	2	Strap, Cable	
6	1001169146	1	Mount	
7	1001004720	1	Strap, Cable	
8	1001160730	1	Sensor, Rear Axle LSI	

SECTION 10 - ELECTRICAL

FIGURE 10-49. LSI SWITCH INSTALLATION



ART_1001257426-A

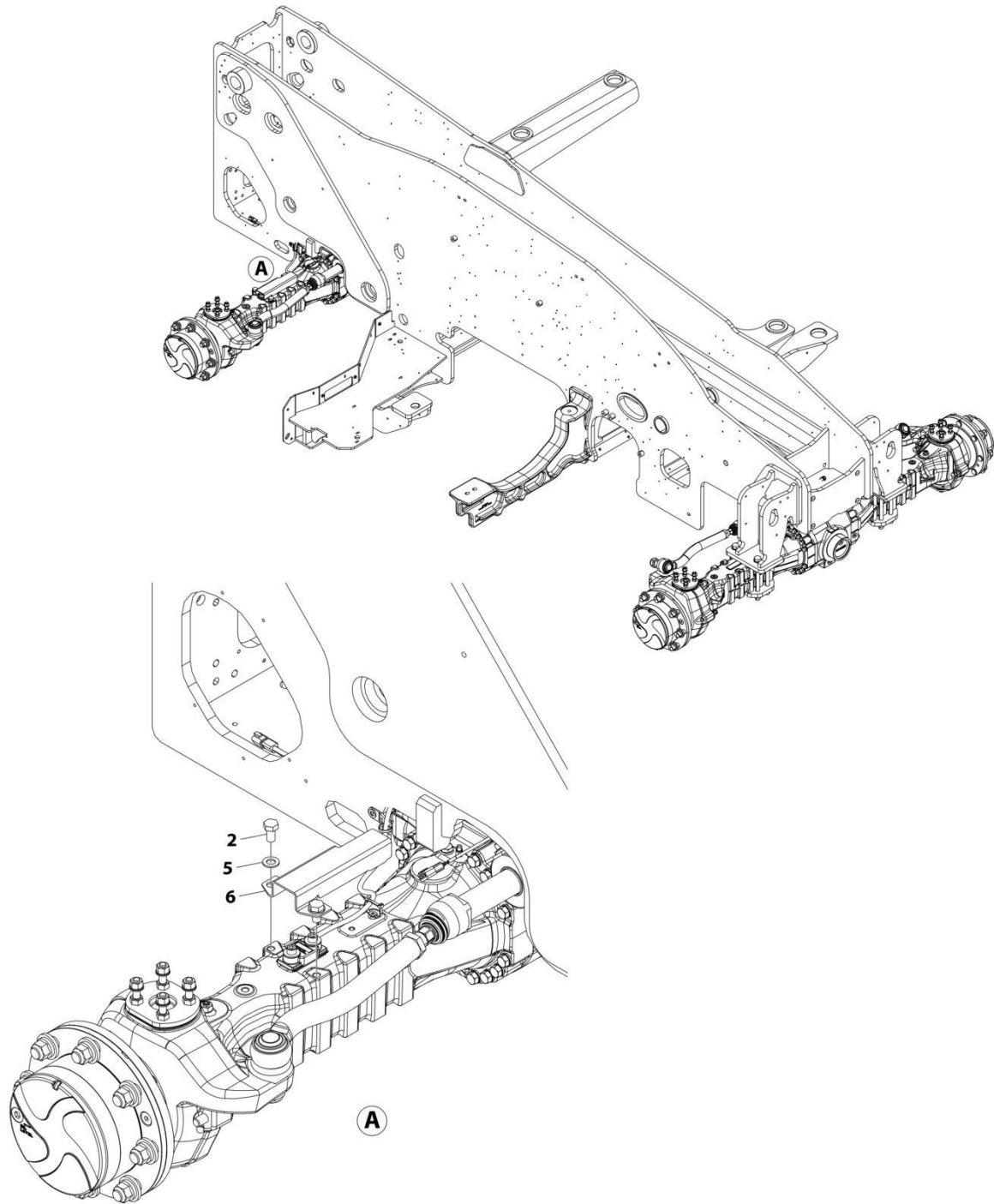
SECTION 10 - ELECTRICAL

FIGURE 10-49. LSI SWITCH INSTALLATION

ITEM	PART NUMBER	QTY	DESCRIPTION	REV
1	1001257426 1001159742	Ref 1	LSI Switch Installation Switch, LSI Override	A

SECTION 10 - ELECTRICAL

FIGURE 10-50. LSI SENSOR COVER INSTALLATION



ART_1001225414

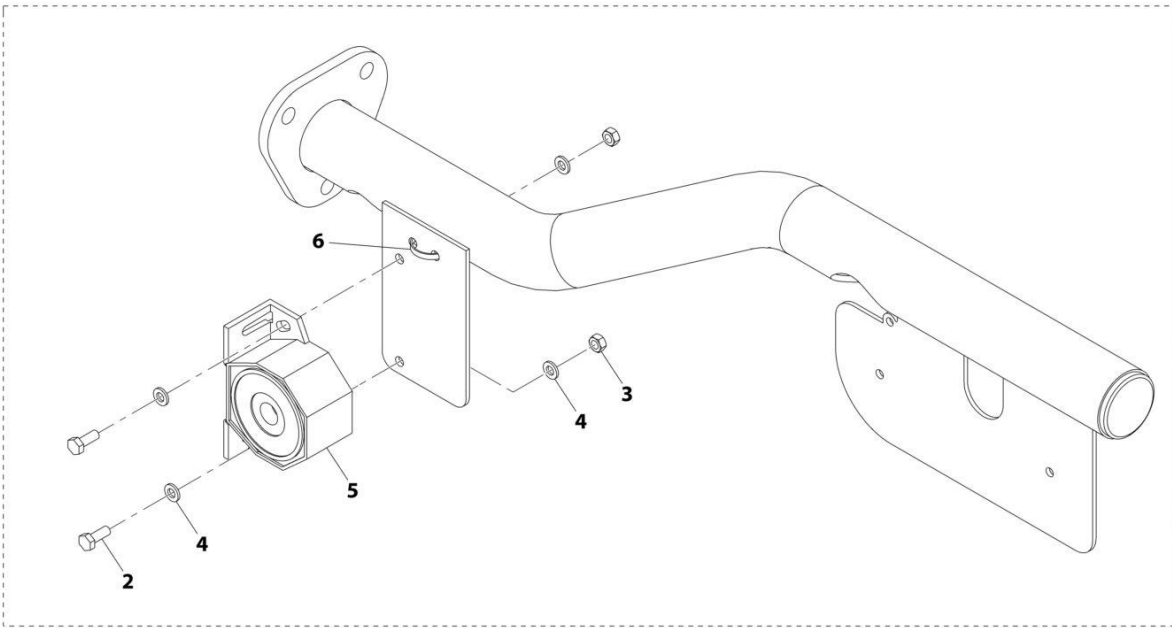
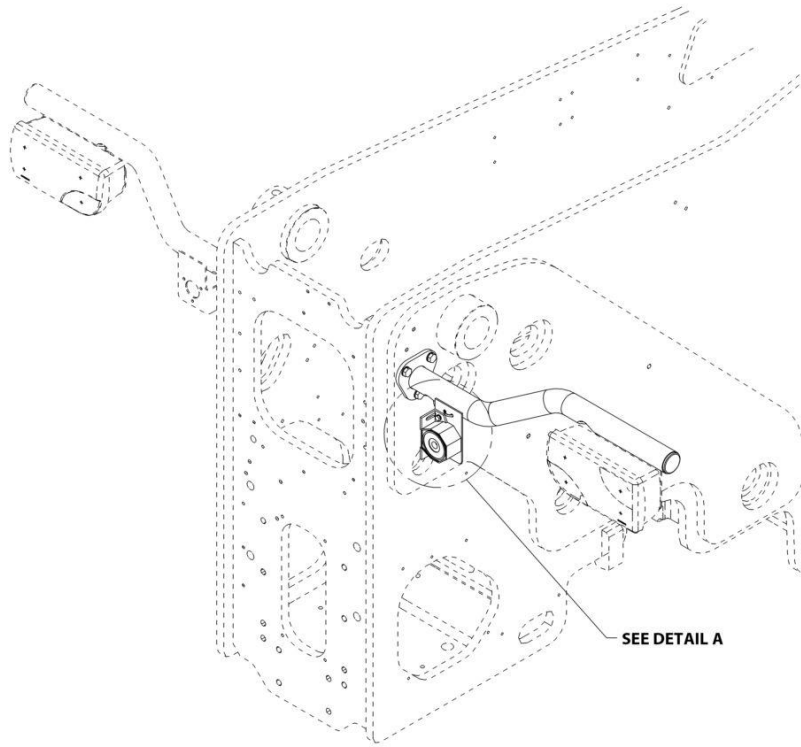
SECTION 10 - ELECTRICAL

FIGURE 10-50. LSI SENSOR COVER INSTALLATION

ITEM	PART NUMBER	QTY	DESCRIPTION	REV
	1001225414	Ref	LSI SENSOR COVER INSTALLATION	D
2	0761412	2	Bolt M14 x 25	
5	4812200	2	Washer M14	
6	1001290666	1	Shield, LSI Sensor	

SECTION 10 - ELECTRICAL

FIGURE 10-51. REVERSE ALARM INSTALLATION



DETAIL A

ART_1001183596-D

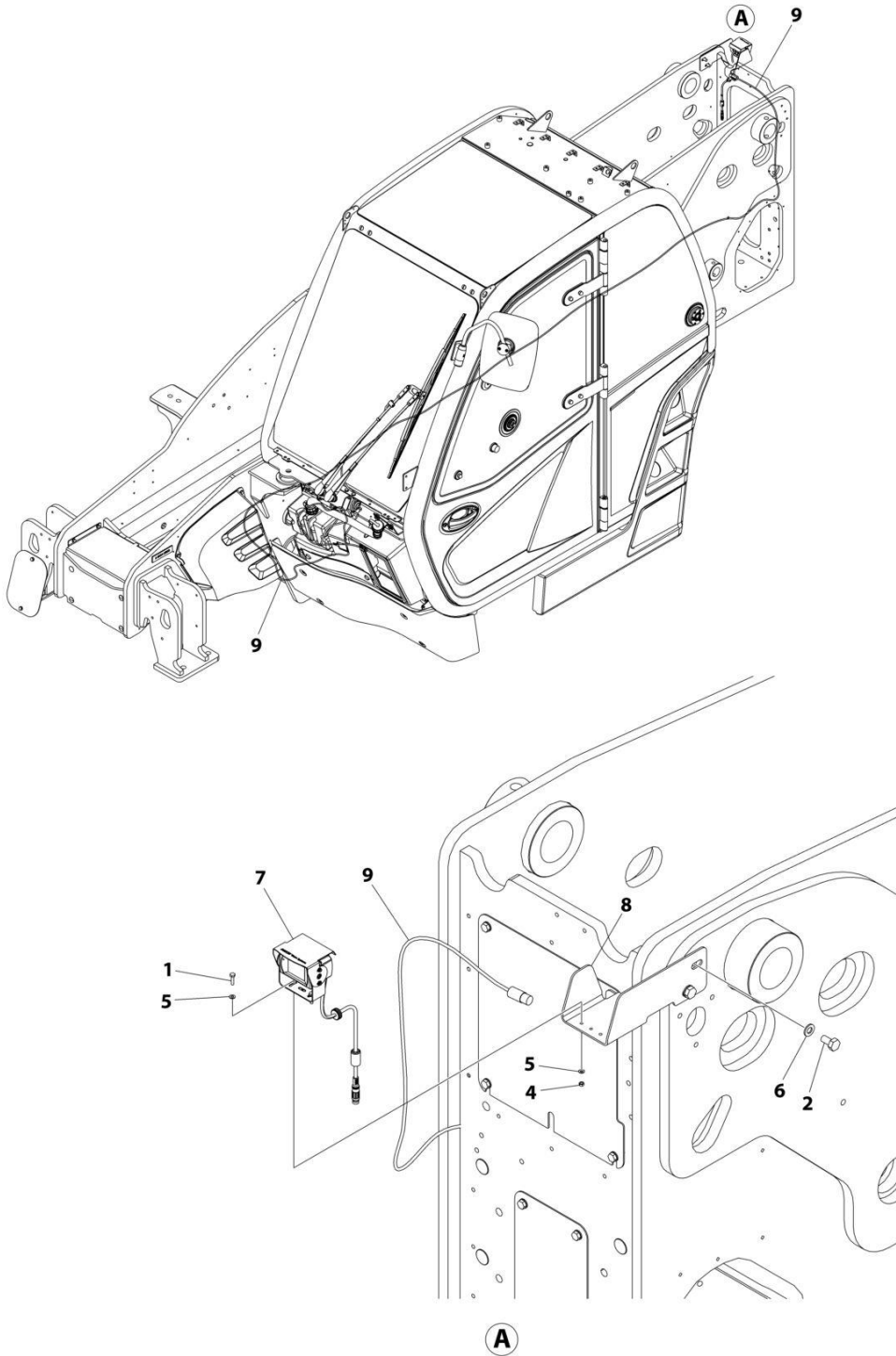
SECTION 10 - ELECTRICAL

FIGURE 10-51. REVERSE ALARM INSTALLATION

ITEM	PART NUMBER	QTY	DESCRIPTION	REV
	1001183596	Ref	Reverse Alarm Installation	D
2	0760608	2	Bolt, M6X16	
3	3290601	2	Nut, M6X1	
4	4811700	4	Washer, M6	
5	1001147060	1	Alarm, Reverse	
6	1001008559	1	Strap, Cable	

SECTION 10 - ELECTRICAL

FIGURE 10-52. REVERSE CAMERA INSTALLATION



ART_1001190225_C

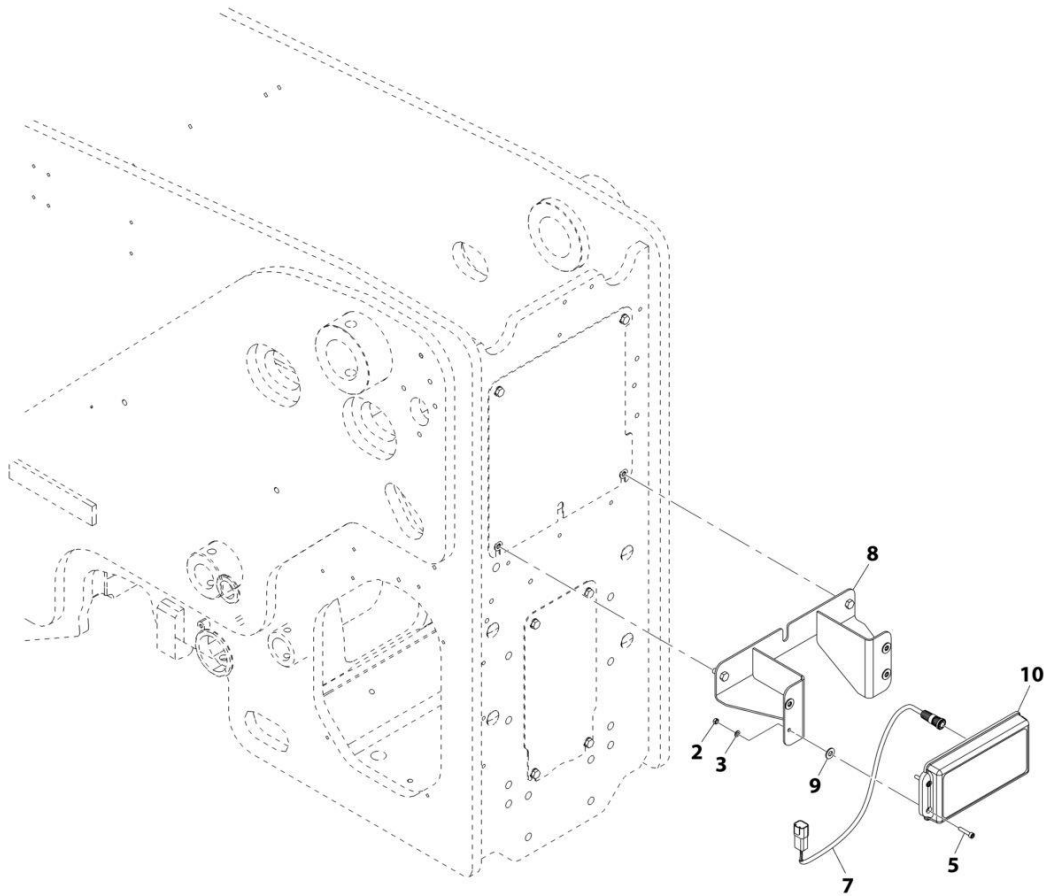
SECTION 10 - ELECTRICAL

FIGURE 10-52. REVERSE CAMERA INSTALLATION

ITEM	PART NUMBER	QTY	DESCRIPTION	REV
	1001190225	Ref	REVERSE CAMERA INSTALLATION (TRAILER BRAKES)	C
1	0700408	2	Bolt M4 x 16	
2	0761010	2	Bolt M10 x 20	
4	3290401	2	Nut M4 x 0.7	
5	4811400	4	Washer M4	
6	4812000	2	Washer M10	
7	1001167017	1	Camera	
8	1001202293	1	Bracket	
9	1001265375	1	Cable	

SECTION 10 - ELECTRICAL

FIGURE 10-53. REVERSE SENSING INSTALLATION



ART_1001190227-C

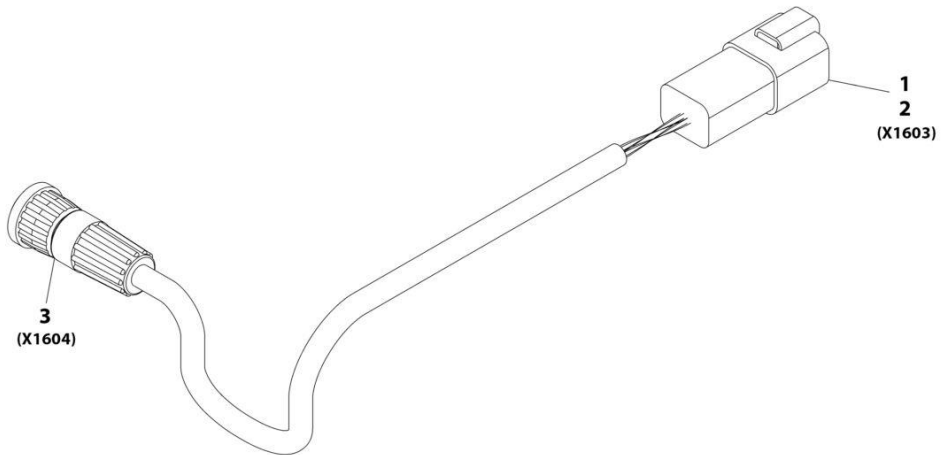
SECTION 10 - ELECTRICAL

FIGURE 10-53. REVERSE SENSING INSTALLATION

ITEM	PART NUMBER	QTY	DESCRIPTION	REV
	1001190227	Ref	Reverse Sensor Installation (No Hydraulic Hitch)	C
2	3290501	4	Nut, M5X0.8	
3	4811600	4	Washer, M5	
5	5271609	4	Screw, M5X25	
7	1001175776	1	Harness, Reverse Sensor (See Separate Breakdown in this Section)	
8	1001202288	1	Bracket	
9	1001181921	4	Washer, Rubber M8	
10	1001189997	1	Sensor, Reverse	

SECTION 10 - ELECTRICAL

FIGURE 10-54. REVERSE SENSING HARNESS



ART_1001175776-C

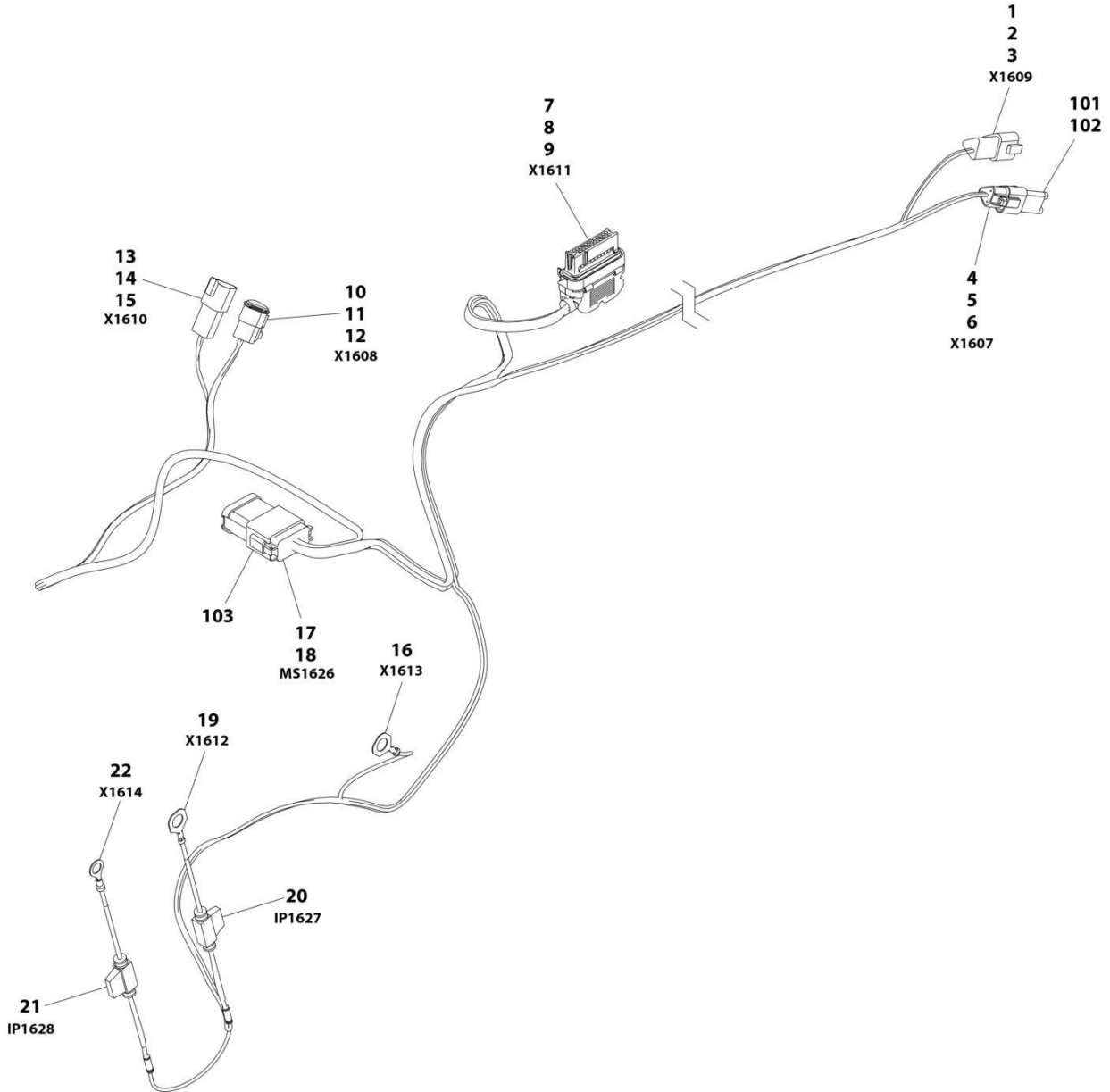
SECTION 10 - ELECTRICAL

FIGURE 10-54. REVERSE SENSING HARNESS

ITEM	PART NUMBER	QTY	DESCRIPTION	REV
	1001175776	Ref	Reverse Sensor Harness	C
1	4460932	1	Connector	
2	4460464	4	Terminal	
3	1001175733	1	Connector	

SECTION 10 - ELECTRICAL

FIGURE 10-55. TELEMATICS CLEARSKY CAN 4WARD HARNESS



ART_1001268553

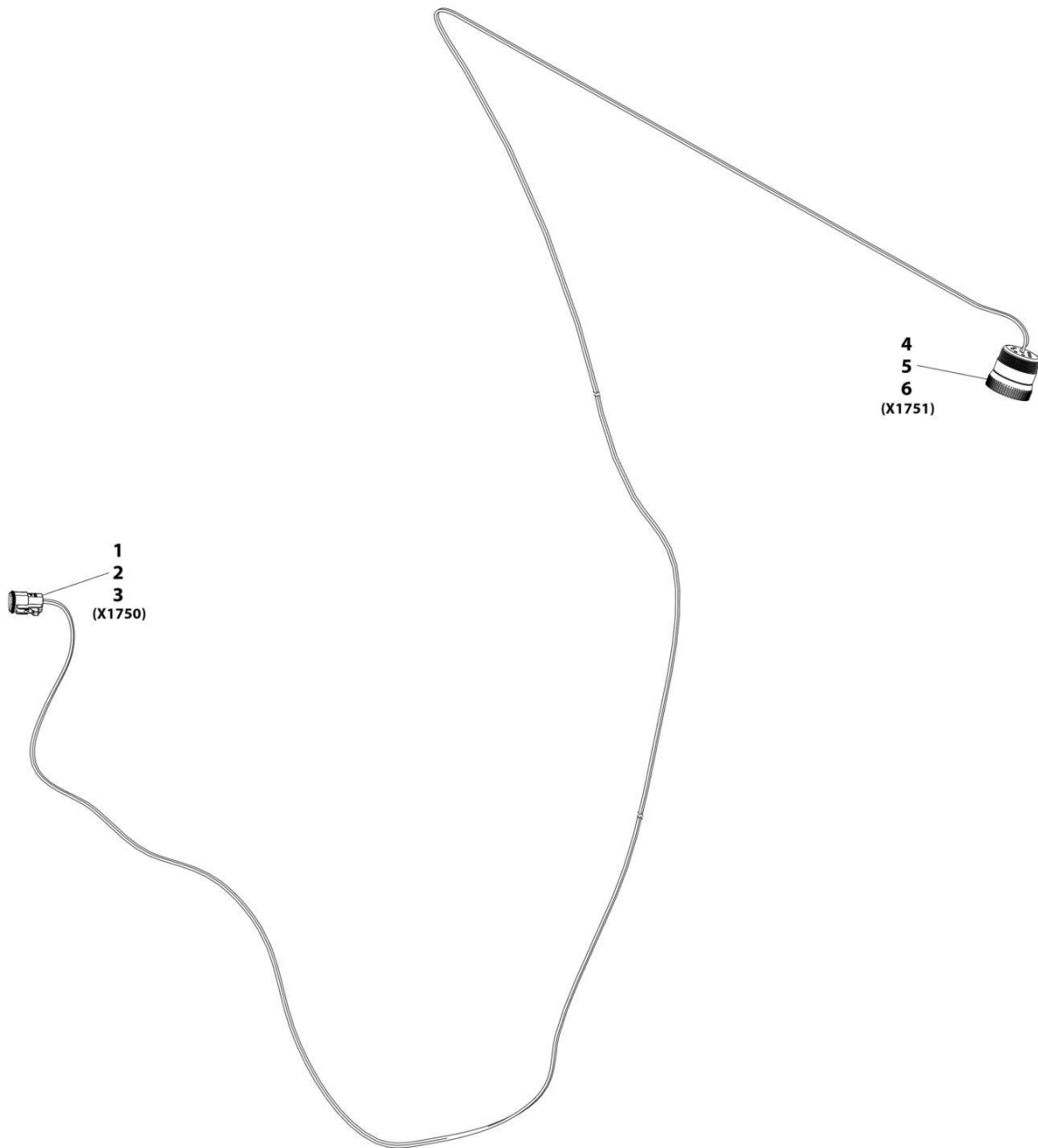
SECTION 10 - ELECTRICAL

FIGURE 10-55. TELEMATICS CLEARSKY CAN 4WARD HARNESS

ITEM	PART NUMBER	QTY	DESCRIPTION	REV
	1001268553	Ref	TELEMATICS CLEARSKY CAN 4WARD HARNESS	A
1	1001144147	1	Connector	
2	4460464	2	Terminal	
3	4460466	1	Plug	
4	1001116812	1	Connector	
5	4460465	2	Terminal	
6	4460466	1	Plug	
7	1001226636	1	Connector	
8	1001226637	7	Terminal	
9	1001116731	17	Plug	
10	1001116812	1	Connector	
11	4460465	2	Terminal	
12	4460466	1	Plug	
13	1001144147	1	Connector	
14	4460464	2	Terminal	
15	4460466	1	Plug	
16	1001187081	1	Ring, Terminal	
17	4460933	1	Connector	
18	4460465	12	Terminal	
19	1001187078	1	Ring, Terminal	
20	2400060	1	Fuse, Holder	
21	2400060	1	Fuse, Holder	
22	4460670	1	Ring, Terminal	
101	4460466	3	Plug	
102	1001144147	1	Connector	
103	1001200206	1	Connector	

SECTION 10 - ELECTRICAL

FIGURE 10-56. TELEMATICS ADAPTER HARNESS



ART_1001254185-A

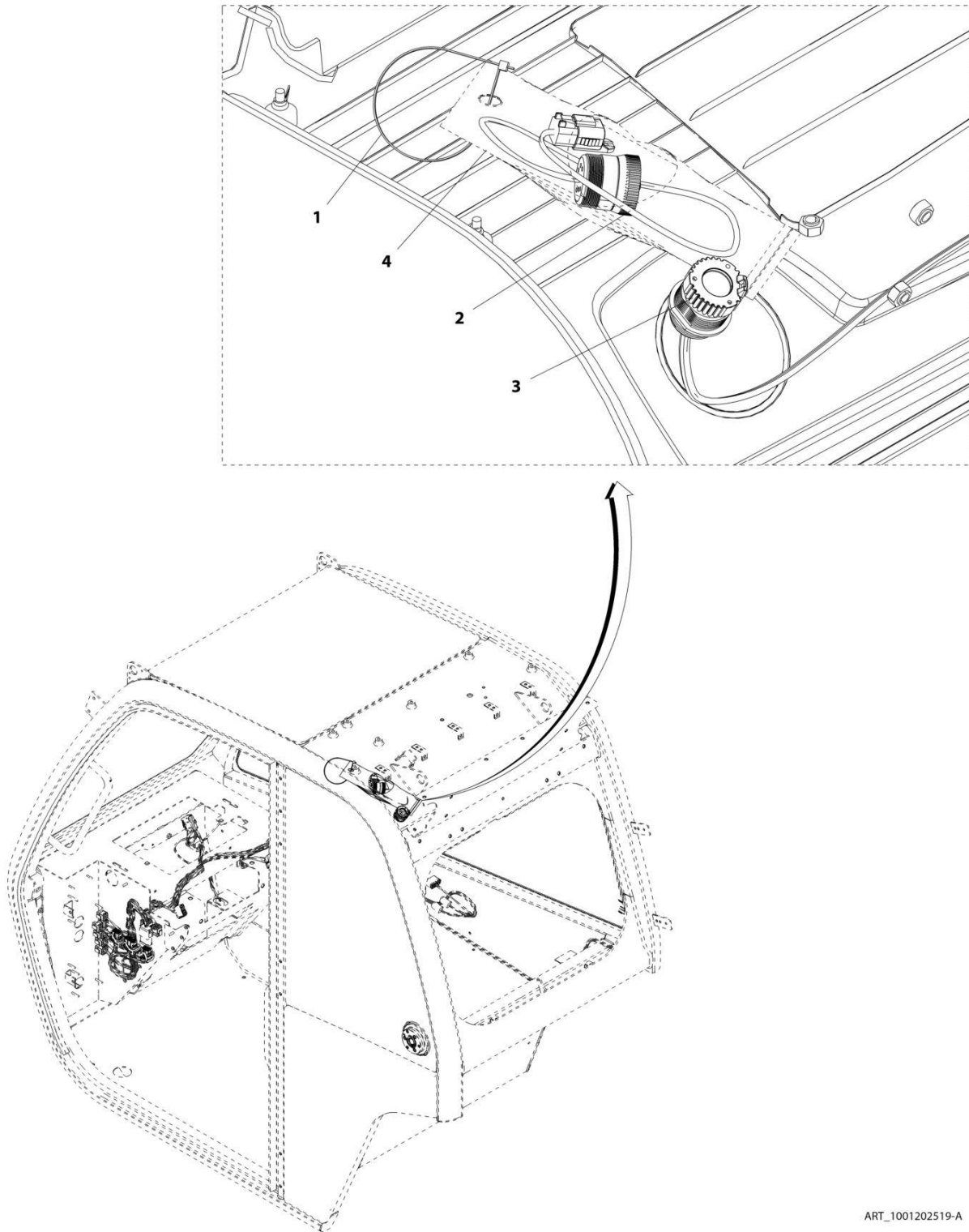
SECTION 10 - ELECTRICAL

FIGURE 10-56. TELEMATICS ADAPTER HARNESS

ITEM	PART NUMBER	QTY	DESCRIPTION	REV
	1001254185	Ref	TELEMATICS ADAPTER HARNESS	A
1	1001116812	1	Connector	
2	4460465	2	Terminal	
3	4460466	1	Plug	
4	1001112796	1	Connector	
5	4460944	2	Terminal	
6	4460466	7	Plug	

SECTION 10 - ELECTRICAL

FIGURE 10-57. TELEMATICS READY INSTALLATION



ART_1001202519-A

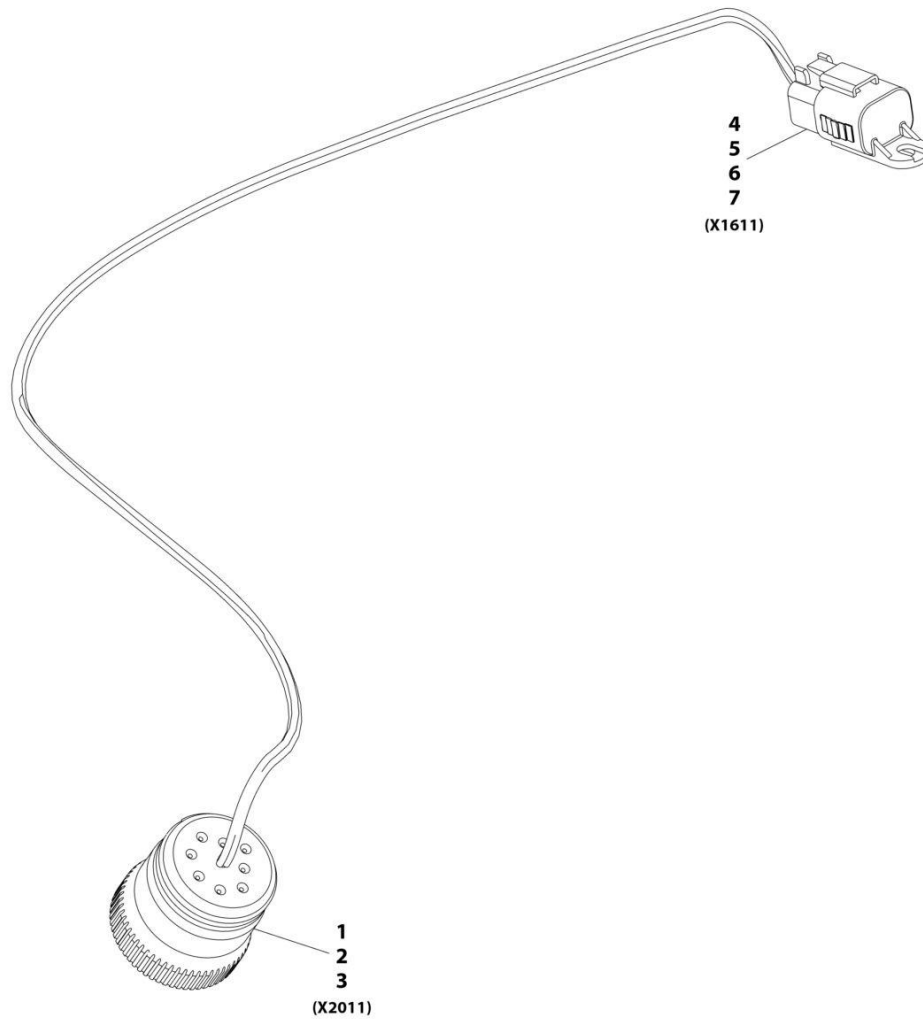
SECTION 10 - ELECTRICAL

FIGURE 10-57. TELEMATICS READY INSTALLATION

ITEM	PART NUMBER	QTY	DESCRIPTION	REV
	1001202519	Ref	Telematics Ready Installation	A
1	8584003	1	Strap, Tie	
2	1001196289	1	Harness, Telematics Ready (See Separate Breakdown in ELECTRICAL Section)	
3	1001201162	1	Cap	
4	1001202617	1	Bag	

SECTION 10 - ELECTRICAL

FIGURE 10-58. TELEMATICS READY HARNESS



ART_1001196289-A

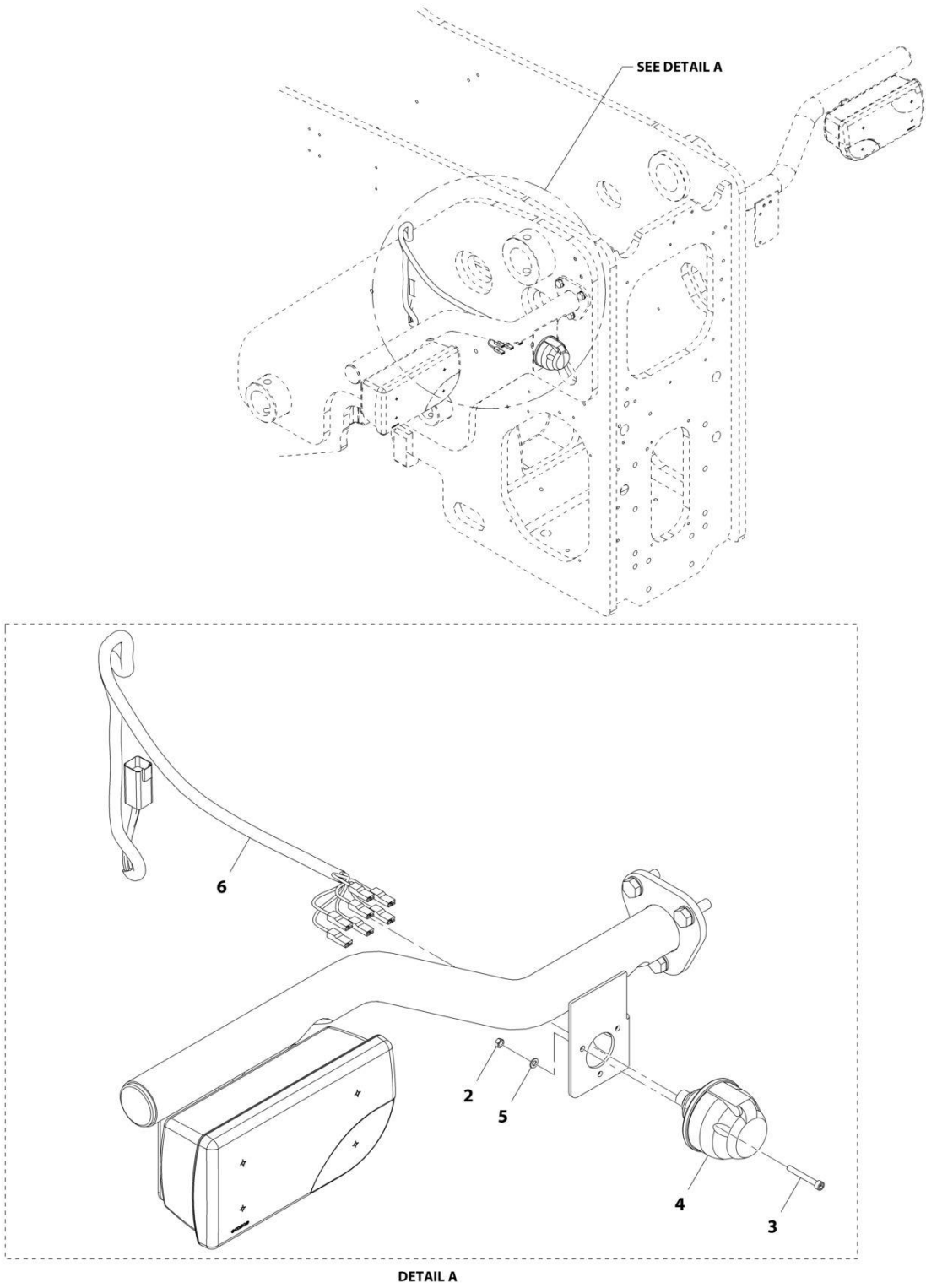
SECTION 10 - ELECTRICAL

FIGURE 10-58. TELEMATICS READY HARNESS

ITEM	PART NUMBER	QTY	DESCRIPTION	REV
	1001196289	Ref	Telematics Ready Harness	A
1	1001112796	1	Connector	
2	4460465	3	Terminal	
3	4460466	6	Plug	
4	4460884	1	Connector	
5	80604021	1	Lock, Connector	
6	4460465	3	Terminal	
7	4460466	1	Terminal	

SECTION 10 - ELECTRICAL

FIGURE 10-59. TRAILER ELECTRICS INSTALLATION



ART_1001179059-B

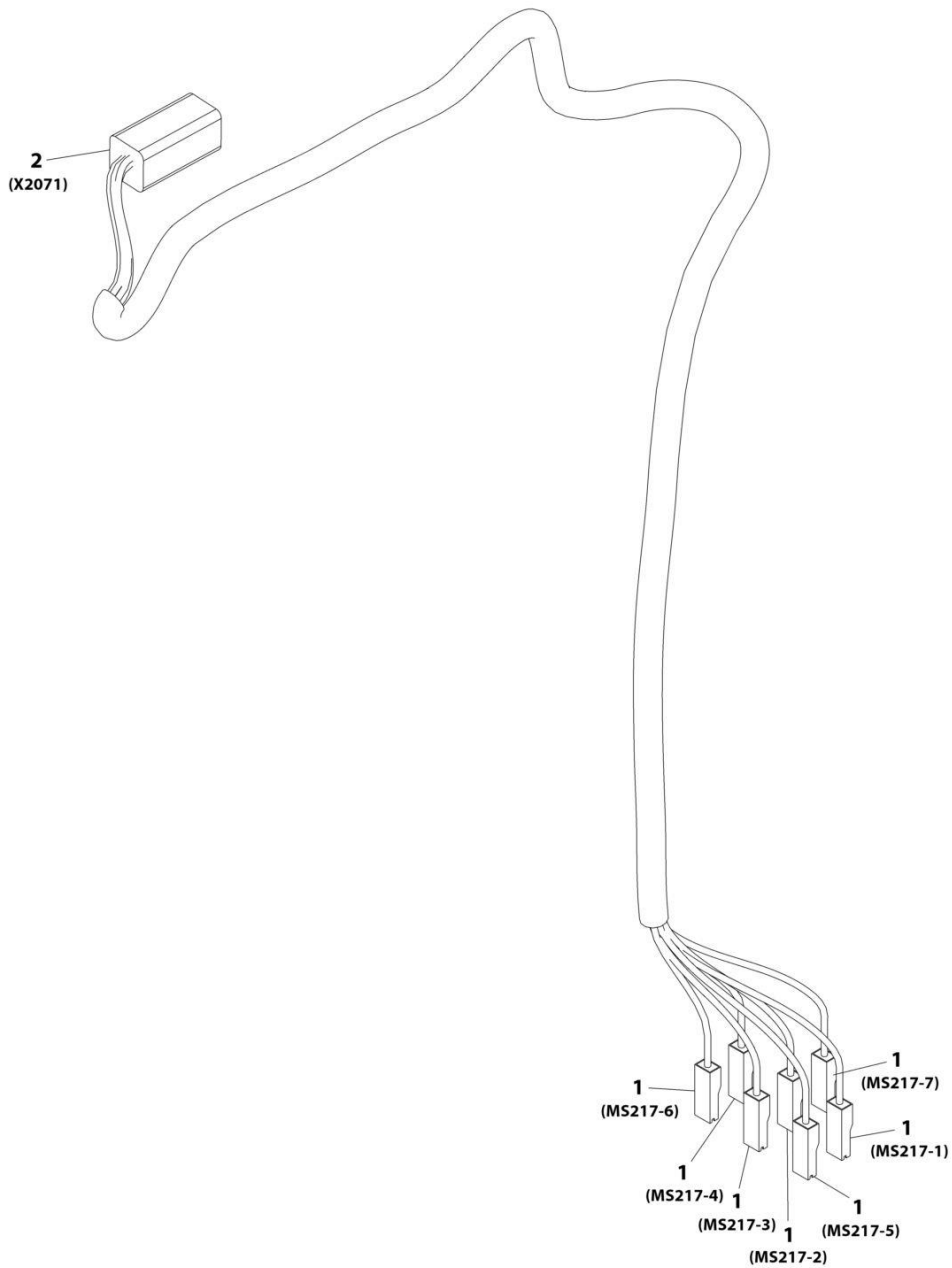
SECTION 10 - ELECTRICAL

FIGURE 10-59. TRAILER ELECTRICS INSTALLATION

ITEM	PART NUMBER	QTY	DESCRIPTION	REV
	1001179059	Ref	TRAILER ELECTRICS INSTALLATION	B
2	3290501	3	Nut M5	
3	4031612	3	Bolt M5 X 40	
4	4461170	1	Connector	
5	4811600	3	Washer M5	
6	1001184839	1	Harness,Trailer Connector (See Separate Breakdown in this Section)	

SECTION 10 - ELECTRICAL

FIGURE 10-60. TRAILER CONNECTOR HARNESS



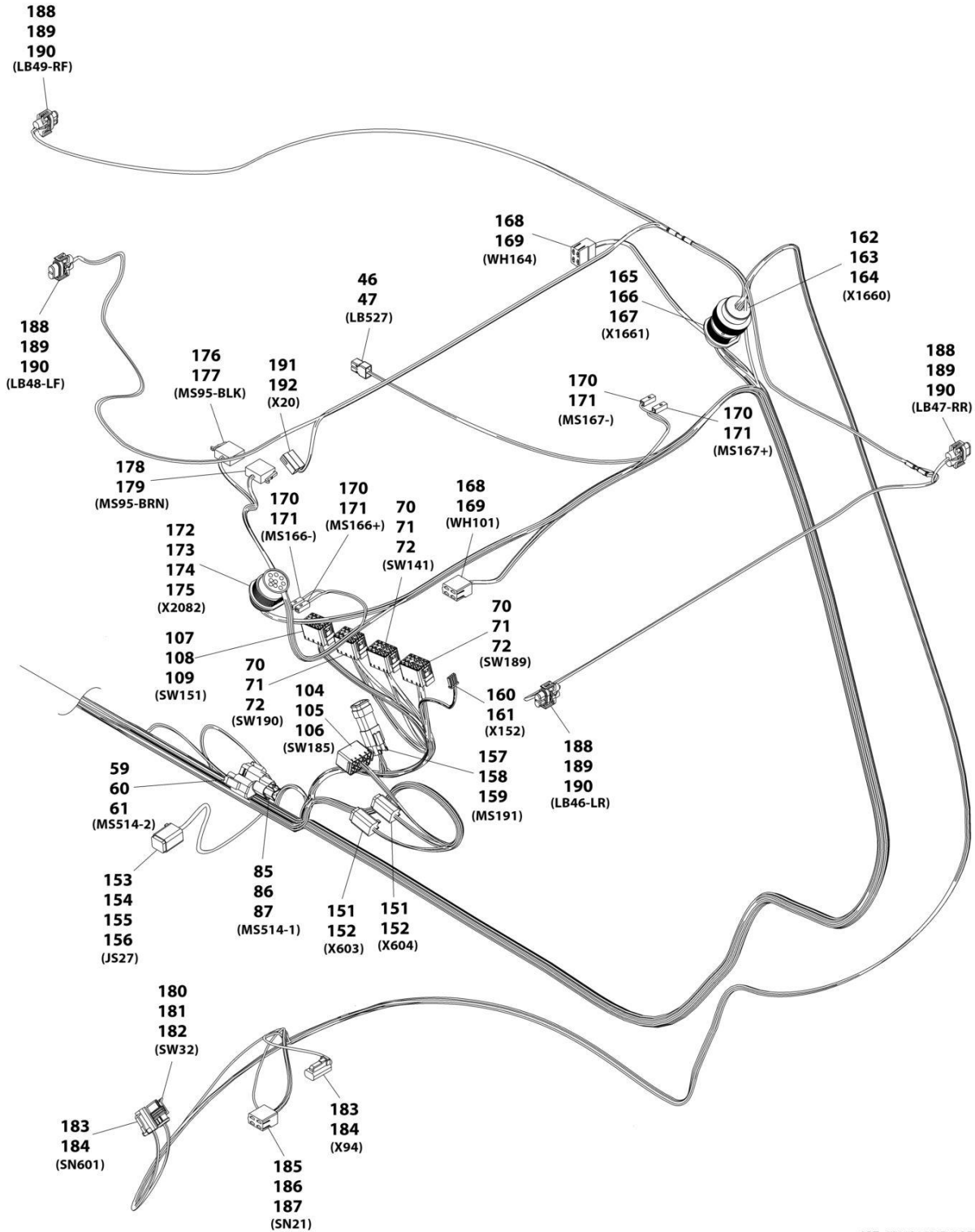
ART_1001184839-C

SECTION 10 - ELECTRICAL

FIGURE 10-60. TRAILER CONNECTOR HARNESS

ITEM	PART NUMBER	QTY	DESCRIPTION	REV
	1001184839	Ref	TRAILER CONNECTOR HARNESS	C
1	1001116995	7	Connector	
2	4460899	1	Connector	
2	4460941	6	Pin	

SECTION 10 - ELECTRICAL



ART_1001266447_2OF2

SECTION 10 - ELECTRICAL

FIGURE 10-61. CAB HARNESS

ITEM	PART NUMBER	QTY	DESCRIPTION	REV
	1001266447	Ref	CAB HARNESS	B
1	1001160498	1	Connector	
2	1001161095	24	Terminal	
3	1001161098	6	Terminal	
4	1001161099	1	Terminal	
5	1001161101	1	Plug	
6	1001160502	1	Connector	
7	1001161095	23	Terminal	
8	1001161100	16	Plug	
9	1001161097	1	Terminal	
10	1001161098	5	Terminal	
11	1001161099	1	Terminal	
12	1001161101	2	Plug	
13	1001161959	1	Connector	
14	1001161095	12	Terminal	
15	1001161097	6	Terminal	
17	1001161098	2	Terminal	
16	1001161100	5	Plug	
18	1001161101	7	Plug	
19	4460434	1	Connector	
20	4460268	7	Terminal	
21	4460343	1	Connector	
22	4460268	6	Terminal	
23	4460343	1	Connector	
24	4460267	3	Terminal	
25	4461262	1	Connector	
26	1001107854	3	Terminal	
27	1001103012	1	Connector	
28	1001116698	2	Plug	
29	1001116697	2	Terminal	
30	4460225	1	Connector	
31	4460267	3	Terminal	
32	4460265	1	Connector	
33	4460268	7	Terminal	
34	4460434	1	Connector	
35	4460268	15	Terminal	
36	4460225	1	Connector	
37	4460268	5	Terminal	
38	4460343	1	Connector	
39	4460268	9	Terminal	
40	4460343	1	Connector	
41	4460267	9	Terminal	
42	1001231397	1	Connector	
43	1001231399	2	Terminal	
44	1001116999	1	Connector	
45	1001116700	4	Terminal	
46	1001116991	2	Connector	
47	1001118384	4	Terminal	
48	1001116812	1	Connector	
49	1001144296	1	Cap	

SECTION 10 - ELECTRICAL

ITEM	PART NUMBER	QTY	DESCRIPTION	REV
50	4460944	2	Terminal	
51	4460466	1	Plug	
52	4460930	1	Connector	
53	4460465	8	Terminal	
54	4460933	1	Connector	
55	4460465	12	Terminal	
56	1001112612	1	Connector	
57	4460464	6	Terminal	
58	4460466	3	Plug	
59	4460539	2	Connector	
60	4460944	4	Terminal	
61	4460466	2	Plug	
62	4460343	1	Connector	
63	4460267	7	Terminal	
64	4460343	1	Connector	
65	4460268	8	Terminal	
66	4460906	1	Terminal	
67	4460225	1	Connector	
68	4460267	5	Terminal	
69	4460906	1	Terminal	
70	1001117081	9	Connector	
71	1001118384	9	Terminal	
72	1001116723	54	Terminal	
73	1001173411	1	Connector	
74	1001116716	2	Terminal	
75	1001104519	5	Terminal	
76	1001162886	1	Connector	
77	1001163340	13	Plug	
78	1001162887	7	Terminal	
79	4460897	1	Connector	
80	4460464	1	Terminal	
81	4460466	1	Plug	
82	4460884	1	Connector	
83	4460942	2	Terminal	
84	4460466	2	Plug	
85	1001116812	2	Connector	
86	4460944	4	Terminal	
87	4460466	2	Plug	
88	4460836	1	Connector	
89	4460942	3	Terminal	
90	4460465	8	Terminal	
91	4460466	1	Plug	
92	4461095	1	Connector	
93	4460465	2	Terminal	
94	4460466	1	Plug	
95	4460933	1	Connector	
96	4460465	9	Terminal	
97	4460466	3	Plug	
98	4460894	1	Connector	
99	4460465	3	Terminal	
100	4460466	3	Plug	

SECTION 10 - ELECTRICAL

ITEM	PART NUMBER	QTY	DESCRIPTION	REV
101	1001117079	1	Connector	
102	1001118384	2	Terminal	
103	1001116723	6	Terminal	
104	1001117081	7	Connector	
105	1001118384	14	Terminal	
106	1001116723	28	Terminal	
107	1001117081	2	Connector	
108	1001118384	2	Terminal	
109	1001116723	20	Terminal	
110	1001117081	2	Connector	
111	1001118384	6	Terminal	
112	1001116723	8	Terminal	
113	1001117081	1	Connector	
114	1001118384	5	Terminal	
115	1001116723	6	Terminal	
116	1001117081	1	Connector	
117	1001118384	4	Terminal	
118	1001116723	6	Terminal	
119	1001117081	1	Connector	
120	1001118384	2	Terminal	
121	1001116723	8	Terminal	
122	1001118684	1	Connector	
123	1001116754	2	Terminal	
124	1001214686	1	Connector	
125	1001116753	5	Terminal	
126	1001214687	1	Connector	
127	1001116753	3	Terminal	
128	1001150735	1	Connector	
129	1001150737	7	Terminal	
130	1001116995	1	Connector	
131	1001118379	1	Terminal	
132	1001116995	1	Connector	
133	1001118379	2	Terminal	
134	4460994	1	Connector	
135	1001118384	2	Terminal	
136	4460994	1	Connector	
137	1001118384	1	Terminal	
138	1001116723	2	Terminal	
139	8220051	9	Connector	
140	1001116997	1	Connector	
141	1001118384	5	Terminal	
142	1001117064	1	Connector	
143	91554014	6	Terminal	
144	1001176333	1	Connector	
145	4460466	11	Plug	
146	4460465	3	Terminal	
147	4460944	4	Terminal	
148	4460930	1	Connector	
149	4460466	6	Plug	
150	4460465	2	Terminal	
151	4460884	2	Connector	

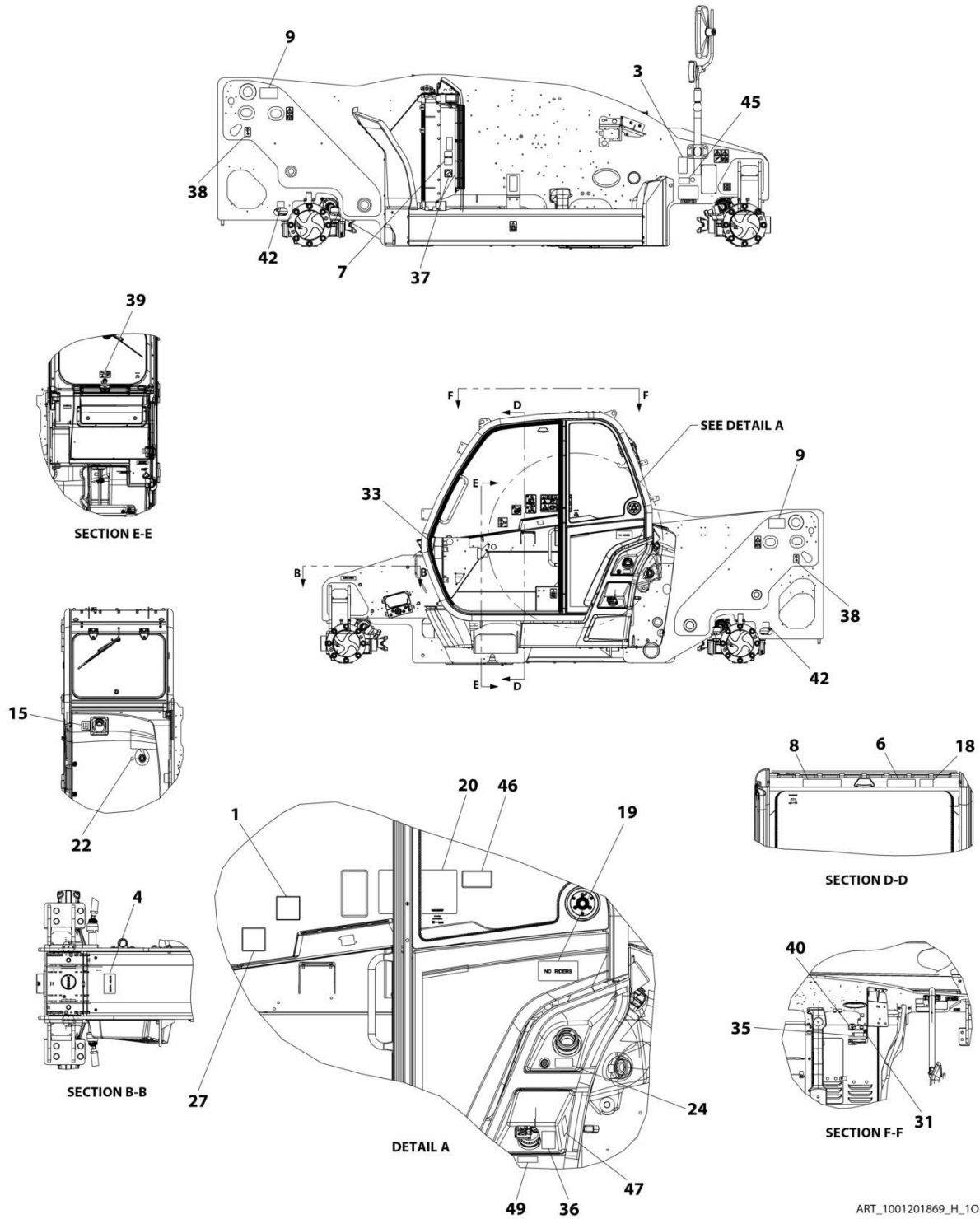
SECTION 10 - ELECTRICAL

ITEM	PART NUMBER	QTY	DESCRIPTION	REV
152	4460465	8	Terminal	
153	4460894	1	Connector	
154	4460465	3	Terminal	
155	4460466	1	Plug	
156	4460944	2	Terminal	
157	4460884	1	Connector	
158	1001201070	1	Connector	
159	4460465	4	Terminal	
160	1001184473	1	Connector	
161	1001184479	3	Terminal	
162	1001201080	1	Connector	
163	4460465	8	Terminal	
164	4460942	6	Terminal	
165	1001201081	1	Connector	
166	4460464	8	Terminal	
167	4460943	6	Terminal	
168	1001116986	2	Connector	
169	1001118384	8	Terminal	
170	1001116998	4	Connector	
171	1001118387	4	Terminal	
172	1001112612	1	Connector	
173	4460464	6	Terminal	
174	4460943	2	Terminal	
175	4460466	1	Plug	
176	1001116985	1	Connector	
177	1001118386	3	Terminal	
178	1001116984	1	Connector	
179	1001118386	4	Terminal	
180	4461262	1	Connector	
181	1001107854	2	Terminal	
182	1001116698	1	Terminal	
183	4460891	2	Connector	
184	4460465	4	Terminal	
185	1001116986	1	Connector	
186	1001118384	2	Terminal	
187	1001116723	2	Terminal	
188	4461115	4	Connector	
189	1001116728	8	Terminal	
190	4460458	8	Seal	
191	4460994	1	Connector	
192	1001118384	2	Terminal	

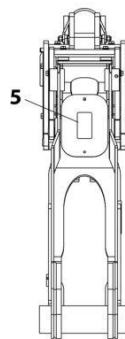
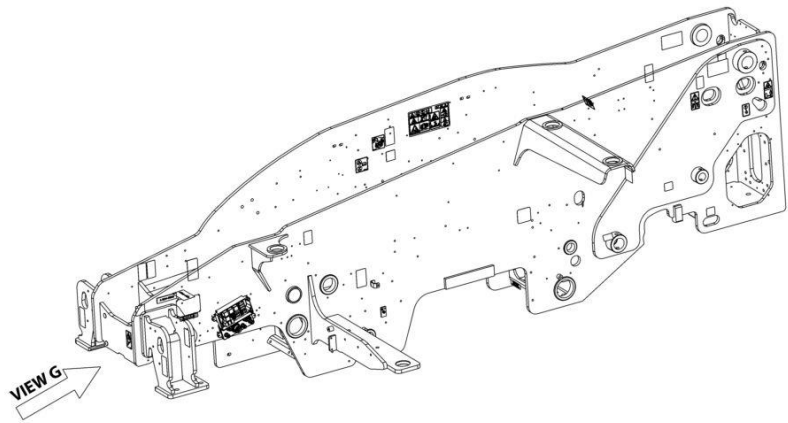
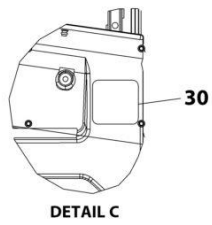
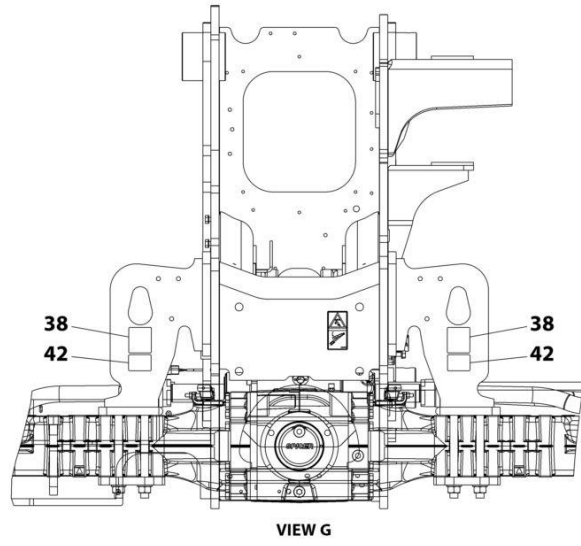
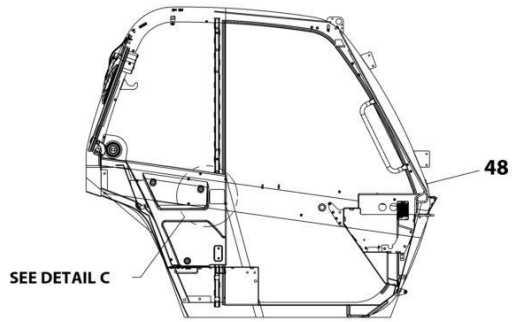
SECTION 11 - DECALS

SECTION 11 - DECALS

FIGURE 11-1. DECALS INSTALLATION (ANSI)



SECTION 11 - DECALS



ART_1001201869_H_20F2

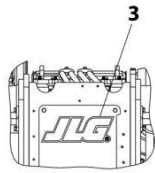
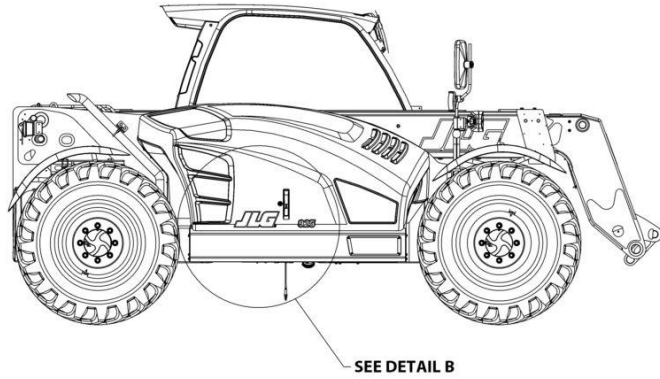
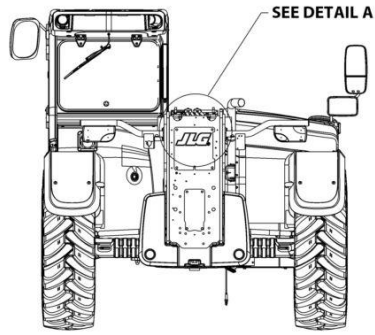
SECTION 11 - DECALS

FIGURE 11-1. DECALS INSTALLATION (ANSI)

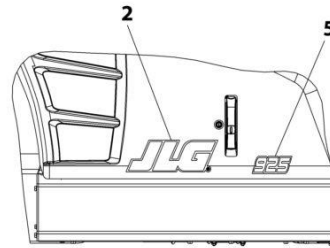
ITEM	PART NUMBER	QTY	DESCRIPTION	REV
	1001201869	Ref	Decals Installation (ULS)	H
1	1001227287	1	Decal, Manual Location	
3	1706300	1	Decal, Ether Warning	
4	1706296	1	Decal, Battery Warning (ANSI)	
5	1001102750	1	Decal, No Standing On Forks	
6	1706299	1	Decal, Contacting Power Lines Warning	
7	1706301	1	Decal, Keep Clear Of Rotating Parts Warning	
8	1706306	1	Decal, Tip Over Warning	
9	1706302	2	Decal, Pinch Point Boom Holes	
15	1001094708	1	Decal, Hydraulic Oil	
18	1706850	1	Decal, Crush Hazard Warning	
19	1706768	1	Decal, Vehicle Roll Away	
20	1707078	1	Decal, Warning/Danger	
22	1001130323	1	Decal, Oil Level	
24	1001125387	1	Decal, Ultra Low Sulfur Diesel	
27	1001172035	1	Decal, No Weld or Drill	
30	1001214206	1	Decal, Park Brake	
31	1001184632	1	Decal, Battery Positive	
33	1001191229	1	Decal, Fuse Panel	
35	1001195855	1	Decal, Battery Disconnect	
36	1001196806	1	Decal, Diesel Exhaust Fluid	
37	AU2105	1	Decal, No Karcher	
38	1701500	1	Decal, Lift	
39	8005870	1	Decal, Emergency Exit	
40	1001008540	1	Plate, Battery	
42	4109801	4	Decal, Tie Down Point	
45	1001223453	1	Decal, ICES	
46	1001231801	1	Decal, Warning Prop 65	
47	1001247646	1	Decal, Def Min Refill Volume	
48	1001218659	1	Decal, Brake Fluid Spec	
49	1001219212	1	Decal, Def Fluid Only	

SECTION 11 - DECALS

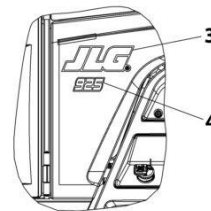
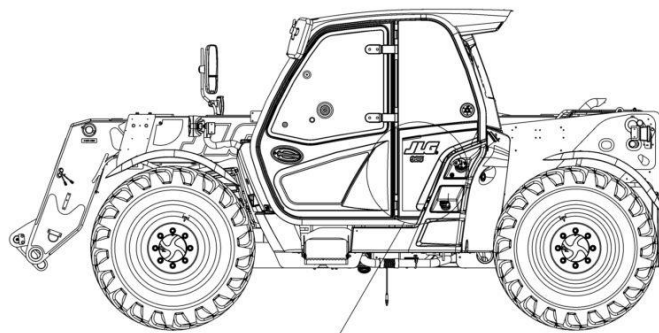
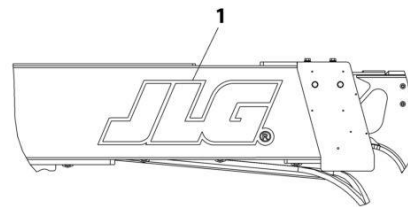
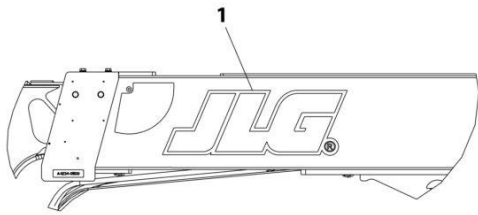
FIGURE 11-2. DECALS INSTALLATION - JLG



DETAIL A



DETAIL B



DETAIL C

ART_1001256508_B

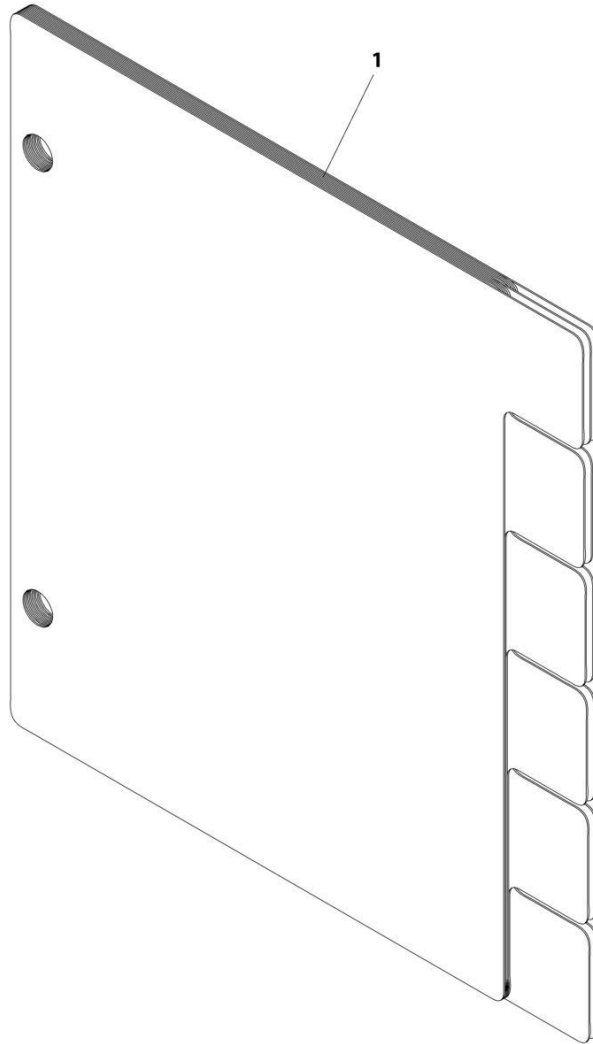
SECTION 11 - DECALS

FIGURE 11-2. DECALS INSTALLATION - JLG

ITEM	PART NUMBER	QTY	DESCRIPTION	REV
	1001256508	Ref	DECALS INSTALLATION	B
1	1001159728	2	Decal, JLG Logo	
2	1001160775	1	Decal, JLG - 5" Black	
3	1001169674	2	Decal, JLG M100X285	
4	1001276755	1	Decal, JLG 925 Cab	
5	1001276756	1	Decal, JLG 925 Hood	

SECTION 11 - DECALS

FIGURE 11-3. CAPACITY CHART (ANSI)



ART_1001257002_E

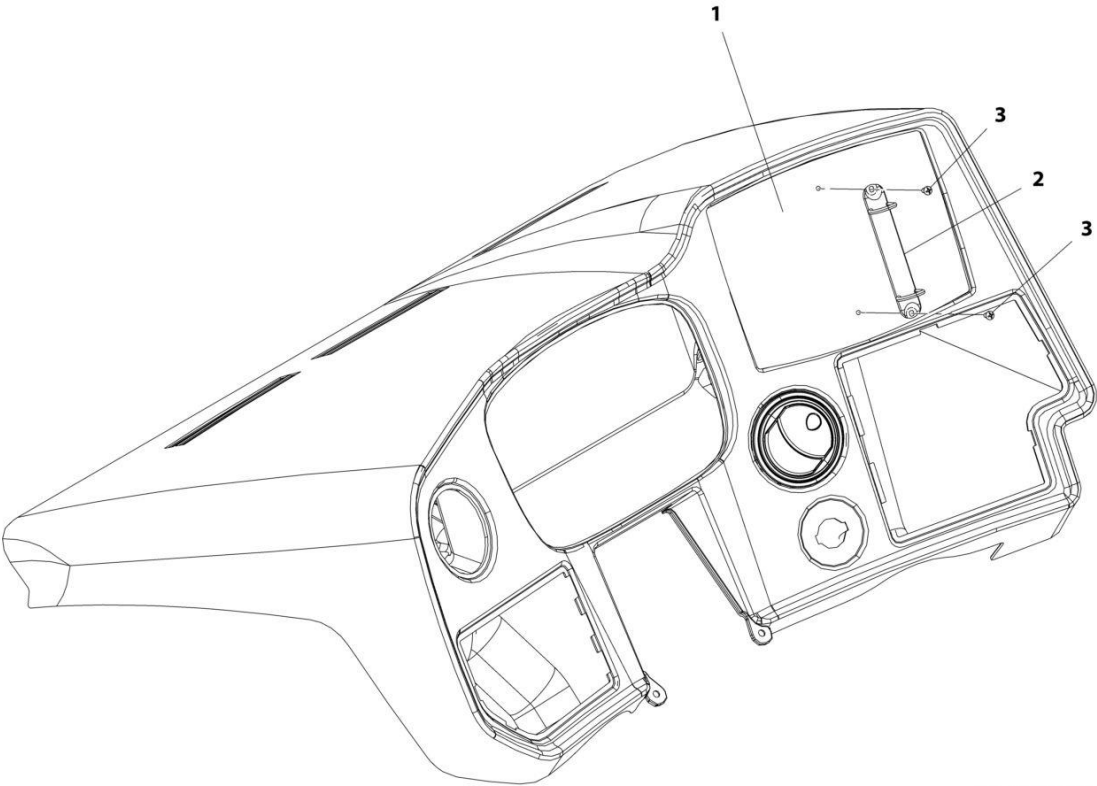
SECTION 11 - DECALS

FIGURE 11-3. CAPACITY CHART (ANSI)

ITEM	PART NUMBER	QTY	DESCRIPTION	REV
1	1001257002	Ref	CAPACITY CHART (ANSI)	

SECTION 11 - DECALS

FIGURE 11-4. CAPACITY CHART HOLDER INSTALLATION



ART_1001178706-A

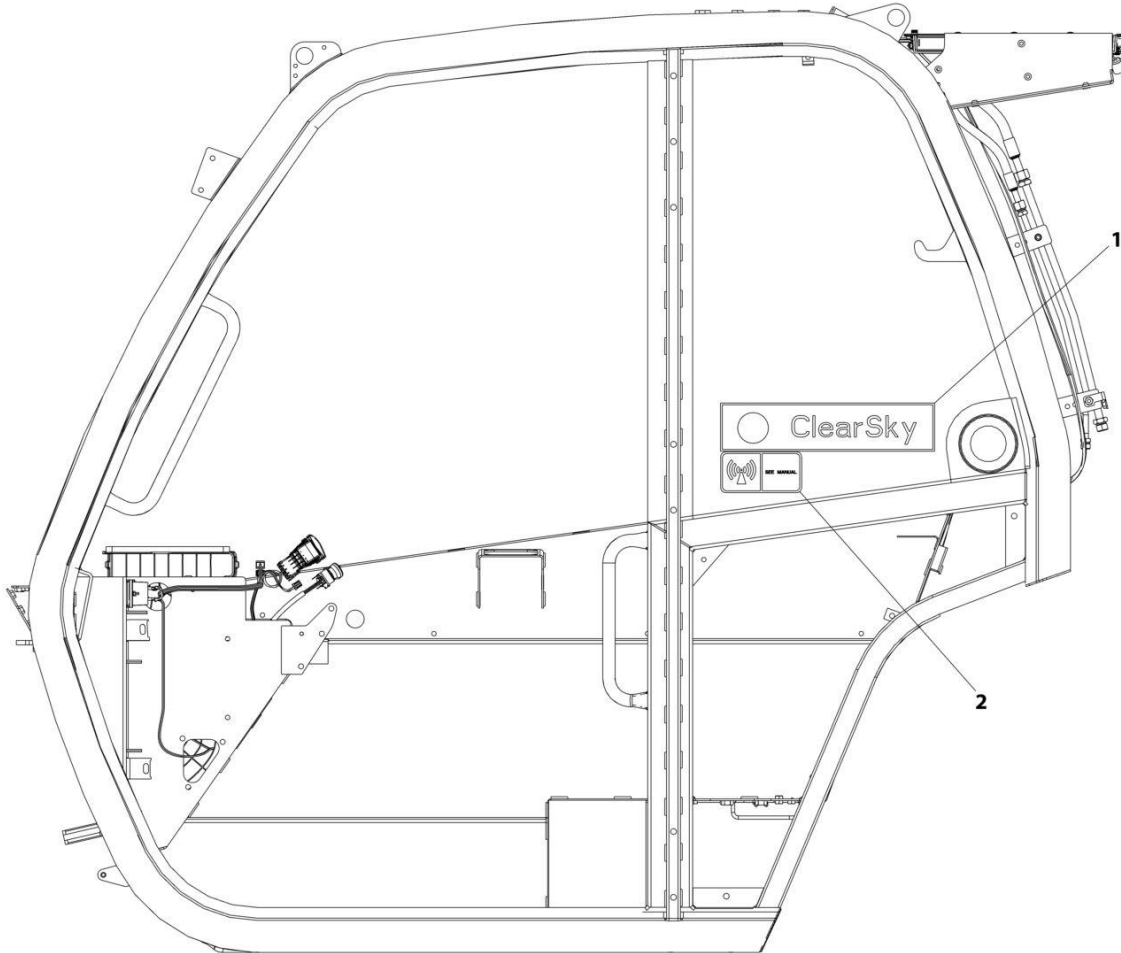
SECTION 11 - DECALS

FIGURE 11-4. CAPACITY CHART HOLDER INSTALLATION

ITEM	PART NUMBER	QTY	DESCRIPTION	REV
	1001178706	Ref	Capacity Chart Holder Installation	A
1	1001179297	1	Load Chart, Bezel	
2	1001005960	1	Holder	
3	7029486	2	Screw	

SECTION 11 - DECALS

FIGURE 11-5. CLEARSKY DECAL INSTALLATION



ART_1001229707

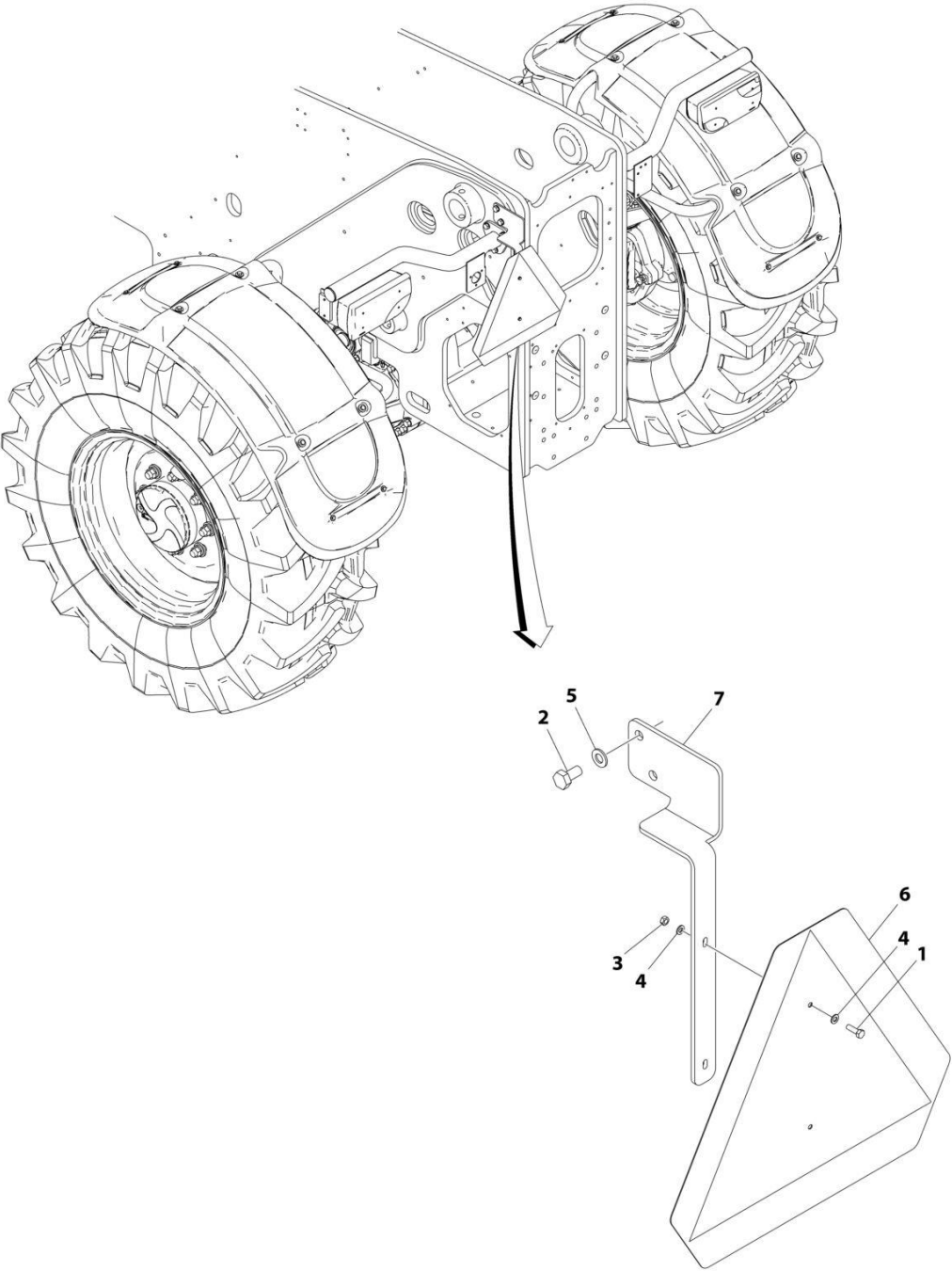
SECTION 11 - DECALS

FIGURE 11-5. CLEARSKY DECAL INSTALLATION

ITEM	PART NUMBER	QTY	DESCRIPTION	REV
	1001229707	Ref	Clearsky Decal Installation	C
1	1001294815	1	Decal - ClearSky	
2	1001120989	1	Radio Frequency Decal	

SECTION 11 - DECALS

FIGURE 11-6. TRIANGLE INSTALLATION - SLOW MOVING VEHICLE



ART_1001273005

SECTION 11 - DECALS

FIGURE 11-6. TRIANGLE INSTALLATION - SLOW MOVING VEHICLE

ITEM	PART NUMBER	QTY	DESCRIPTION	REV
	1001273005	Ref	TRIANGLE INSTALLATION - SLOW MOVING VEHICLE	A
1	0760508	2	Bolt M5 x 16	
2	0761010	2	Bolt M10 x 20	
3	3290501	2	Nut M5	
4	4811600	4	Washer M5	
5	4812000	2	Washer M10	
6	1001272882	1	Reflector, Red Triangle	
7	1001273004	1	Bracket	

SECTION 12 - RECOMMENDED SERVICE PARTS STOCK

SECTION 12 - RECOMMENDED SERVICE PARTS STOCK

SECTION 12 - RECOMMENDED SERVICE PARTS STOCK

FIGURE 12-1. RECOMMENDED SERVICE PARTS STOCK

ITEM	PART NUMBER	QTY	DESCRIPTION	REV
		Ref	Note: The following list will service one machine (built to current production per date on the front cover) with emergency repair parts which can be installed in the field. Parts from the list should be replaced when inventory is depleted to keep service parts stock supplied. For further information, contact your JLG dealer or the JLG Industries Parts Department.	
	70024455	1	Coil (Concrete Bucket)	
	70027269	1	Coil (Divertor Valve)	
	70020764	1	Coil (Divertor Valve)	
	70002971	1	Coil (Fan Motor Control)	
	70003788	1	Coil (Fan Motor Control)	
	70026967	1	Coil (Hydraulic Hitch Control)	
	70002386	1	Coil (Priority Flow Manifold)	
	70026582	1	Coil (Steering Select Valve)	
	70028870	1	Coil (Trailer Brake Valve)	
	70025456	1	Coil, Solenoid (Solenoid Valve)	
	1001270467	1	Control, TMH Front Frame Module LBP	
	1001270468	1	Control, TMH Rear Frame Module LBP	
	1001159028	1	Controller, Accelerator Pedal	
	70024859	1	Controller, Backrest Actuator (Seat Assembly Air Suspension - Premium)	
	1001187413	1	Controller, Brake Pedal	
	1001222603	1	Controller, Joystick 3R4B	
	1001242098	1	Controller, Joystick Fingertip Control	
	1001201951	1	Controller, Parking Brake (Mechanical)	
		Ref	Engine (90KW ULS)	
	70004511	12	Filter, Fuel	
	70025153	12	Filter, Fuel Prefilter	
	7016331	12	Filter, Oil	
	70025850	12	Filter, Primary Air	
	70025851	12	Filter, Secondary Air	
		Ref	Engine (100KW ULS)	
	70027417	12	Filter, Fuel	
	70025153	12	Filter, Fuel Prefilter	
	7016331	12	Filter, Oil	
	70025850	12	Filter, Primary Air	
	70025851	12	Filter, Secondary Air	
	1001162662	12	Filter, Breather Hydraulic (Hydraulic Tank)	
	1001162659	12	Filter, Hydraulic (Hydraulic Tank)	
	8229242	2	Fuse, 5A (Electrical & OPT 1 Board, Engine Harness)	
	80983191	2	Fuse, 10A (Electrical, OPT 1 & OPT 2 Board)	
	8229234	2	Fuse, 10A (Cab Harness)	
	8229244	2	Fuse, 15A (OPT 2 Board, Power Distribution Box & Engine Harness)	
	8229247	2	Fuse, 25A (OPT 1 Board, Power Distribution Box & Engine Harness)	
	8229245	2	Fuse, 30A (Electrical Board, Power Distribution Box & Engine Harness)	
	1001205172	2	Fuse, 35A (Engine Harness)	
	70026297	2	Fuse, 80A (Power Distribution Box)	

SECTION 12 - RECOMMENDED SERVICE PARTS STOCK

ITEM	PART NUMBER	QTY	DESCRIPTION	REV
	1001095336	2	Fuse, 150A (Power Distribution Box)	
	70026296	2	Fuse, 200A (Power Distribution Box)	
	1001177597	2	Fuse, Mini Diode 6A (Engine Harness)	
	70022765	1	Key, Ignition	
	2940074	1	Latch (Fork Mounted Platform)	
	1001270466	1	Module, Cab Control	
	1001262322	1	Module, ClearSky Telematics CANBUS	
	70026292	1	Relay, 35Amp (Electrical Board)	
	70026295	1	Relay, 35Amp (Power Distribution Box)	
	70026293	1	Relay, 50Amp (OPT 1 Board)	
	70026294	1	Relay, 70Amp (Power Distribution Box)	
	1001117308	1	Relay, 200Amp (Electrical Relay Installation)	
	4000015	1	Sensor, Angle (Boom Angle Sensor)	
	1001149376	1	Sensor, Coolant Level (Expansion Tank)	
	70025539	1	Sensor, Pad (Upper Seat Assembly)	
	1001160730	1	Sensor, Rear Axle LSI	
	1001189997	1	Sensor, Reverse	
	70026808	1	Sensor, Steering (Rear Axle)	
	1001128478	1	Sensor, Temperature (CAC & Hydraulic Tank)	
	1001269578	1	Sensor, Temperature (Heat & A/C)	
	1001102502	1	Switch, 4 Position Key (Ignition Switch)	
	1001104654	1	Switch, AUX Decomp (Dash Electrical)	
	1001159738	1	Switch, Beacon (Beacon Install)	
	1001159745	1	Switch, Boom Ride (Boom Raise Hoses Install (With Ride Control)	
	1001159739	1	Switch, Boom Worklights	
	4360658	1	Switch, Brake Light (Switch Plate)	
	1001159748	1	Switch, Bucket Mode (Dash Electrical)	
	1001159741	1	Switch, Constant AUX (Dash Electrical)	
	1001202421	1	Switch, Declutch (Declutch Switch Installation)	
	1001192142	1	Switch, Disconnect (Electrical Components)	
	1001163639	1	Switch, Driving Lights (Dash Electrical)	
	1001198932	1	Switch, Engine Speed Set (Engine Speed Set Installation)	
	1001159737	1	Switch, Fog Lights (Dash Electrical)	
	1001189898	1	Switch, Framer/Loader (Dash Electrical)	
	1001159845	1	Switch, Front Worklights (Cab Worklights)	
	1001159734	1	Switch, Hazard (Dash Electrical)	
	70024107	1	Switch, Heater (Premium Air Suspension Seat)	
	1001198836	1	Switch, Hitch (Hitch Installation)	
	1001169268	1	Switch, Horn (Horn Button Installation)	
	1001160326	1	Switch, HVAC On/Off (Heater & AC)	
	1001159925	1	Switch, HVAC Recycle (Heater & AC)	
	1001172547	1	Switch, HVAC Rotary 3 Speed (Heater & AC)	
	1001159742	1	Switch, LSI Override	
	1001200633	1	Switch, Pushbutton (Brake Installation - Trailer)	
	1001080375	1	Switch, Quick Switch (Hydraulic Coupler)	
	1001159735	1	Switch, Rear Wiper (Dash Electrical)	
	1001159846	1	Switch, Rear Worklights (Cab Worklights)	
	1001145204	1	Switch, Reversing Fan (Cooling Package)	
	1001159736	1	Switch, Roof Wiper	
	1001159849	1	Switch, Steer Mode (Dash Electrical)	
	1001214280	1	Switch, Turn-Wiper (Wiper - Turn Switch (0 Speed -FNR) & (No Speed)	

SECTION 12 - RECOMMENDED SERVICE PARTS STOCK

ITEM	PART NUMBER	QTY	DESCRIPTION	REV
	1001174712	1	Switch, USB Charger (Dash Electrical)	
	1001257348	1	Switch, Zero Speed (Wiper - Turn Switch (0 Speed -FNR)	

SECTION 13 - SPECIAL OPTIONS/ACCESSORIES/KITS

SECTION 13 - SPECIAL OPTIONS/ACCESSORIES/KITS

SECTION 13 - SPECIAL OPTIONS/ACCESSORIES/KITS

FIGURE 13-1. SPECIAL OPTIONS/ACCESSORIES/KITS

ITEM	PART NUMBER	QTY	DESCRIPTION	REV
	See Note	Ref	Note: This list is to accommodate machines ordered with special equipment. Options may not be applicable to all models. For more specific parts information contact JLG Parts Department.	
		Ref	SPECIAL OPTIONS/ACCESSORIES/KITS	
	1001264937	Ref	Boom Assembly Kit	
	1001264916	Ref	Boom Brush Kit	
	1001264918	Ref	Boom Kit	
	1001199382	Ref	Cab Guard Front & Top Kit	
	1001199381	Ref	Cab Guard Front Kit	
	1001199380	Ref	Cab Guard Top Kit	
	1001268341	Ref	Camera (Rear View) Add-on Kit(Dealer Installed)	
	1001264727	Ref	ClearSky Kit	
	70024168	Ref	Coupler Locking Cylinder Seal Kit	
	1001264873	Ref	Filter Kit - Without HVAC (Level 1)	
	1001264874	Ref	Filter Kit - With HVAC (Level 2)	
	1001274892	Ref	Forward/Reverse Lever Kit - 0 Speed	
	1001265291	Ref	Service Kits	C
	1001264921	Ref	Wear Pad Kit	

SECTION 13 - SPECIAL OPTIONS/ACCESSORIES/KITS

PART NUMBER INDEX

SECTION 13 - SPECIAL OPTIONS/ACCESSORIES/KITS

0240063.....223	0760507 115, 297, 759	1001002953 435	1001008857.....435
0240117.....135	0760508 859	1001002957 435	1001008863.....611, 615, 617
0240118.....139	0760512 489	1001003043 447	1001008922.....279, 607, 609, 611, 615, 617
0400075.....703	0760605 ... 267, 433, 567, 573	1001003064 173	1001008923 99, 709, 795, 797
0498748.....433	0760607 ... 247, 287, 295, 433	1001003301 51	1001008926.....753
0630576.....29, 273	0760608 ... 109, 269, 467, 483, 489, 545, 551, 567, 573, 587, 775, 819	1001003305 245, 295, 621, 645, 759, 775	1001008988.....433
0641405.....147	0760610 797, 811	1001003427 47	1001009062.....83
0641510.....219	0760612 29, 247	1001003439 19	1001009105.....173
0642032.....181, 185	0760614 99	1001003474 225	1001009163 51, 281, 347, 349
0700408.....575, 821	0760619 241	1001003475 225	1001009207.....73
0700510.....305	0760807 ... 615, 617, 623	1001003590 73, 273, 287, 635, 643	1001009375.....759
0700608.....289	0760808 ... 113, 115, 241, 453, 547, 759	1001003809 577	1001009384.....253
0700610 23, 29, 273, 277, 283, 309, 467, 579, 753, 801, 803, 805, 807	0760810 ... 25, 27, 29, 31, 33, 35, 37, 39, 41, 73, 89, 247, 283, 287, 289, 295, 455, 493, 501, 505, 513, 518, 535, 539, 547, 567, 591, 621, 631, 641, 759, 801	1001003934 253	1001010240.....279
0700612 ... 273, 413, 415, 417, 419, 545	0760812 . 49, 77, 93, 103, 105, 251, 253, 269, 273, 277, 287, 413, 415, 417, 419, 435, 591, 615, 617	1001004143 253	1001010646.....509, 511
0700614 79, 81, 219, 247, 277, 518, 753, 787	0760814 287	1001004617 173	1001010647.....509, 511
0700615.....99	0760815 ... 247, 435, 611	1001004618 173	1001010648.....509, 511
0700618.....716	0760816 305, 615, 617	1001004619 173	1001010649.....509, 511
0700620.....73	0760817 611	1001004620 173	1001010650.....509, 511
0700810.....621	0760823 45, 291	1001004640 587	1001010838.....83
0700812.....775	0760824 587	1001004720 813	1001010938.....279
0700814.....51	0760826 289	1001004723 775	1001025750.....759
0700815.....647	0701011 621	1001005038 479, 481	1001026104.....245, 311
0700816.....257	0701012 ... 253, 279, 621, 635	1001005193 479	1001028291.....19
0700817.....299, 621	0701014 23, 309, 553, 635	1001005262 625, 627, 629	1001028308.....19
0700818.....753	0701015 787	1001005368 449	1001032853.....73
0700819.....611	0701016 ... 257, 259, 311, 607, 609	1001005904 607, 625, 627, 629	1001033119.....73
0700820 ... 279, 535, 537, 539	0701018 279, 309	1001005960 855	1001033120.....253
0700821.....273	0701020 301, 303	1001005980 79, 81	1001047062.....433
0700823.....287	0701021 607, 609	1001005981 77, 79	1001080375.....625, 627, 863
0700824.....587	0701024 49	1001006730 509	1001090150.....91, 93
0700826 289	0701029 193	1001006731 511	1001090343.....447, 477, 529
0701011 621	0701030 309	1001006954 481	1001091126.....19
0701012 ... 253, 279, 621, 635	0701214 247, 253	1001006955 481	1001091313.....195
0701014 23, 309, 553, 635	0701229 113, 115	1001008436 81, 83	1001091715.....787
0701015 787	0701232 113, 115	1001008450 637	1001091716.....787
0701016 ... 257, 259, 311, 607, 609	0701616 57, 59, 65	1001008462 317, 329	1001092008.....399, 401
0701018 279, 309	0701617 69	1001008469 579	1001092009.....405, 407
0701020 301, 303	0701626 235	1001008475 83	1001092122.....301, 303
0701021 607, 609	0701628 235	1001008540 848	1001092298.....97
0701024 49	0701630 103, 235	1001008559 85, 301, 303, 305, 311, 343, 759, 775, 819	1001092481.....143
0701029 193	0711216 91, 93	1001008573 301, 303	1001092482.....143
0701030 309	0711228 89	1001008574 295	1001092771.....263
0701214 247, 253	0711616 73	1001008575 49	1001093171.....217
0701229 113, 115	0711631 107	1001008580 277	1001093277.....273
0701232 113, 115	0712027 423	1001008586 621	1001093401.....251, 273
0701616 57, 59, 65	0712030 329	1001008593 295, 311, 759	1001093826.....119, 159, 195, 221
0701617 69	0712040 317	1001008626 253, 621	1001093827.....119, 159, 195, 221
0701626 235	0750804 431	1001008657 253	1001094555.....155, 159, 163, 187, 189, 191, 195
0701628 235	0760410 789	1001008665 173	1001094556.....155, 159, 163, 187, 189, 191, 195
0701630 103, 235		1001008720 73, 253, 301, 303, 759	1001094708.....848
0711216 91, 93		1001008742 477	1001095301.....607, 609, 669
0711228 89		1001008761 73, 273, 287, 635, 643	1001095336.....755, 863
0711616 73		1001008773 619	1001095401.....311
0711631 107		1001008804 279, 619, 623	1001095650.....413, 415, 417, 419, 469, 471
0712027 423		1001008805 73, 611, 625, 627, 629, 631	1001095804.....735
0712030 329			
0712040 317			
0750804 431			
0760410 789			

SECTION 13 - SPECIAL OPTIONS/ACCESSORIES/KITS

1001095810..... 147	1001110023..... 607, 625, 627, 629, 675	1001117110..... 763, 777, 781	1001141312..... 449
1001096019..... 145	1001110115..... 625	1001117308..... 753, 757, 863	1001141313..... 529
1001096020..... 145	1001110544..... 787	1001118282..... 763	1001141596..... 703
1001096024..... 145	1001110849..... 69, 71	1001118323..... 782	1001142285..... 397
1001096365..... 435	1001111076..... 551	1001118379..... 720, 777, 782, 842	1001142286..... 397, 399
1001096726..... 95	1001111147..... 533, 551	1001118384..... 720, 721, 722, 723, 724, 840, 841, 842, 843	1001142287..... 397, 401
1001096870..... 89, 95	1001111424..... 757	1001118386..... 724, 843	1001142288..... 403
1001096913..... 787	1001112612..... 724, 841, 843	1001118387..... 724, 843	1001142289..... 403, 405
1001097051..... 733	1001112796..... 829, 833	1001118392..... 778	1001142290..... 403, 407
1001097205..... 217	1001112923..... 409	1001118684..... 720, 842	1001142658..... 53
1001097244..... 467	1001114787..... 113, 657	1001119220..... 309	1001142659..... 53
1001097287..... 159, 163	1001114802..... 315	1001119467..... 505	1001143200..... 451
1001097540..... 29, 549	1001116128..... 533, 813	1001120501..... 621	1001143857..... 587
1001097586..... 447	1001116686..... 782	1001120989..... 857	1001144147..... 733, 763, 827
1001098146..... 113, 115	1001116696..... 778	1001121021..... 99	1001144296..... 725, 840
1001098157..... 113, 115	1001116697..... 722, 840	1001121127..... 645	1001144629J..... 147
1001098150..... 460	1001116698..... 722, 724, 840, 843	1001125117..... 91, 93	1001145204..... 249, 863
1001098457..... 89, 113, 115	1001116700..... 722, 747, 840	1001125387..... 848	1001145300..... 703, 705
1001098629..... 57, 59, 61	1001116701..... 765	1001125466..... 251, 273	1001145444..... 657
1001098630..... 65, 67	1001116716..... 722, 841	1001125677..... 725, 766	1001145539..... 518
1001100284..... 409	1001116723..... 720, 721, 722, 723, 724, 841, 842, 843	1001126008..... 764, 777, 781	1001146588..... 73, 99, 245, 277, 299, 625, 627, 629, 716, 759, 775, 795, 797, 813
1001100442..... 95	1001116725..... 764	1001126245..... 764	1001146901..... 533
1001100845..... 413, 415	1001116726..... 764	1001126353..... 765	1001146949..... 599
1001101041..... 119, 149, 221, 607, 609, 625, 627, 629, 631	1001116728..... 799, 843	1001126362..... 764	1001147060..... 819
1001101042..... 119, 149, 221, 607, 609, 625, 627, 629, 631	1001116731..... 827	1001126391..... 764, 765	1001147449..... 460, 463
1001101063..... 617	1001116732..... 763	1001126393..... 764, 765	1001147657..... 91, 93
1001101064..... 615, 617	1001116734..... 763	1001126485..... 763, 764, 765	1001147731..... 91, 93
1001101563..... 343	1001116747..... 743	1001126487..... 763, 764	1001148841..... 764
1001102502..... 785, 863	1001116748..... 720	1001126837..... 713, 811	1001148842..... 764
1001102750..... 848	1001116753..... 720, 721, 842	1001127728..... 403	1001149278..... 460, 463
1001103012..... 722, 840	1001116754..... 720, 842	1001128127..... 781	1001149308..... 285
1001103156..... 713	1001116763..... 743	1001128128..... 763	1001149375..... 283, 285
1001103201..... 150	1001116810..... 781	1001128478..... 281, 347, 349, 863	1001149376..... 285, 863
1001103300..... 713	1001116811..... 763	1001130198..... 245, 759	1001149923..... 115
1001103530..... 195	1001116812..... 722, 723, 762, 763, 764, 781, 782, 827, 829, 840, 841	1001130323..... 848	1001150294..... 507
1001103531..... 149	1001116815..... 725, 766	1001132564..... 460	1001150611..... 781
1001103533..... 195	1001116950..... 762, 765, 782	1001133690..... 257	1001150735..... 720, 842
1001103640..... 631	1001116984..... 724, 843	1001133714..... 762, 765	1001150737..... 720, 842
1001104437..... 591	1001116985..... 724, 843	1001133715..... 762, 764, 765	1001151257..... 621
1001104477..... 625, 673	1001116986..... 724, 843	1001133793..... 257	1001152378..... 243
1001104498..... 720, 722, 723, 724, 777	1001116991..... 722, 724, 840	1001134274..... 713	1001152729..... 253
1001104519..... 722, 841	1001116995..... 720, 724, 725, 777, 782, 837, 842	1001135245..... 299	1001152915..... 431
1001104646..... 607, 609	1001116996..... 778	1001135650..... 762, 764, 765	1001152940..... 251, 273
1001104654..... 735, 863	1001116997..... 720, 842	1001135651..... 762, 764, 765	1001152947..... 431
1001104685..... 301, 303	1001116998..... 724, 843	1001137512..... 215	1001153748..... 649, 687
1001104934..... 647	1001116999..... 722, 840	1001137578..... 765	1001153860..... 89, 91
1001104958..... 149	1001117011..... 747	1001138116..... 764	1001153861..... 89, 93
1001105639..... 619	1001117021..... 743	1001138645..... 241, 759	1001154174..... 91, 93
1001105643..... 619	1001117064..... 842	1001139034..... 251, 273	1001154688..... 23
1001106570..... 55	1001117079..... 720, 842	1001139551..... 529	1001155228..... 429, 433
1001106930..... 149	1001117081..... 720, 721, 722, 723, 724, 841, 842	1001139552..... 449	1001155408..... 89
1001107192..... 433	1001117108..... 777, 782	1001139568..... 449	1001155441..... 97
1001107336..... 177	1001117109..... 763, 782	1001140296..... 277	1001155446..... 423
1001107338..... 177, 179, 183		1001141246..... 435	1001155447..... 427, 455
1001107581..... 177		1001141281..... 455	1001155486..... 529
1001107854..... 720, 722, 724, 743, 777, 778, 781, 840, 843		1001141311..... 529	1001155823..... 301, 303
1001108918..... 625, 627, 629			1001155958..... 89

SECTION 13 - SPECIAL OPTIONS/ACCESSORIES/KITS

1001158596.....493	1001162636..... 115	1001167630 764, 765	1001171392.....113
1001158736C501	1001162659..... 51, 862	1001167631 764	1001171635.....443
1001159028.....563, 565, 862	1001162662..... 51, 862	1001167634 763	1001171756.....489
1001159728.....851	1001162767..... 51	1001167635 764	1001171767.....485
1001159734.....735, 863	1001162886..... 721, 841	1001167636 762	1001171782.....29
1001159735.....735, 863	1001162887..... 721, 841	1001167773 305	1001171874.....567
1001159736.....529, 863	1001162920..... 567	1001167822 801	1001171913.....247
1001159737.....735, 863	1001162922..... 567	1001167823 805	1001171959.....247
1001159738.....707, 863	1001162953..... 518, 521	1001167937 439	1001172035.....848
1001159739.....795, 797, 863	1001162979..... 587	1001167958 433, 439	1001172088.....567
1001159741.....735, 863	1001163103..... 91, 93	1001167981 427, 460	1001172094.....567
1001159742.....815, 863	1001163340..... 721, 841	1001168030 253	1001172146.....49
1001159745.....617, 863	1001163387..... 235	1001168142 587	1001172147.....49
1001159748.....735, 863	1001163639..... 735, 863	1001168151 587	1001172193.....431, 441
1001159845.....801, 803, 805, 807, 863	1001164053..... 343	1001168152 427, 429	1001172401.....427, 457
1001159846.....801, 803, 805, 807, 863	1001164402..... 753, 755	1001168272 291	1001172547.....513, 518, 863
1001159849.....735, 863	1001164655..... 453	1001168327 518	1001172550.....513, 518
1001159925.....513, 518, 863	1001164726..... 433	1001168330 518	1001172551.....739, 741
1001160326.....518, 863	1001165194..... 765	1001168331 518	1001172553.....513, 518
1001160496.....535	1001165269..... 489, 491	1001168456 518	1001172693.....47
1001160498.....723, 840	1001165270..... 489	1001168531 501, 747	1001172774.....539
1001160499.....777	1001165273..... 491	1001168727 277	1001172886.....113, 115
1001160500.....781	1001165275..... 435	1001168758 29	1001172894.....604, 649
1001160502.....723, 840	1001165276..... 441	1001169048 107	1001172900.....604, 635
1001160503.....535, 539	1001165309..... 781	1001169049 107	1001172909.....604, 619
1001160506.....537	1001165310..... 782	1001169135 501, 503	1001173013.....604, 613
1001160509.....777, 781	1001165311..... 777	1001169146 295, 759, 813	1001173257.....537
1001160510.....777, 781	1001165327..... 491	1001169151 518, 743	1001173298.....433
1001160730.....813, 863	1001165351..... 477	1001169216 235	1001173411.....722, 841
1001160775.....851	1001165416..... 477	1001169268 593, 863	1001173418.....623
1001161067.....465	1001165455..... 477	1001169354 583, 585	1001173425.....533
1001161068.....460	1001165458..... 467, 477	1001169355 585	1001173641.....429, 431
1001161078.....555	1001165573..... 493, 495	1001169367 585	1001173771.....669, 671
1001161080.....555	1001165637..... 455	1001169424 235	1001173789J.....91
1001161095.....723, 777, 781, 840	1001165789..... 257, 297	1001169454 45	1001173829.....789
1001161097.....723, 840	1001166385..... 551	1001169603 460	1001173965.....460
1001161098.....723, 781, 840	1001166541..... 764	1001169604 460, 463	1001174295.....433, 445
1001161099.....723, 777, 781, 840	1001166543..... 764	1001169674 851	1001174320.....431
1001161100.....723, 777, 781, 840	1001166551..... 765	1001169751 583	1001174321.....435
1001161101.....723, 777, 781, 840	1001166555..... 765	1001169763 593	1001174328.....29
1001161252.....543	1001166556..... 764, 765	1001169825 753	1001174557.....93
1001161253.....541	1001166565..... 259, 261	1001169880 441	1001174567.....577, 579
1001161499.....427, 563	1001166634..... 435, 441	1001169883 443	1001174652.....463
1001161672.....587	1001166701..... 764	1001169885 443	1001174653.....463
1001161769.....716, 727	1001166704..... 765	1001169918 247	1001174655.....463
1001161770.....716, 729	1001166707..... 762	1001170106 47	1001174712.....735, 864
1001161771.....716, 731	1001166715..... 259	1001170113 443	1001174741.....545
1001161851.....463	1001166754..... 423	1001170113J.....441	1001174795.....293
1001161855.....460	1001166755..... 423	1001170114 433, 441	1001174800.....545
1001161896.....587	1001166774..... 764, 765	1001170231 567	1001174801.....545
1001161897.....587	1001167004..... 595	1001170326 487	1001174879.....341
1001161898.....587	1001167015..... 531, 533	1001170366 425, 483	1001174880.....341
1001161957.....781	1001167017..... 821	1001170504 460	1001174881.....341
1001161958.....777	1001167212..... 705	1001170514 465	1001175201.....291
1001161959.....723, 840	1001167266..... 521, 523	1001170518 460	1001175225.....107
1001161963.....781	1001167356..... 309	1001170519 460, 465	1001175265.....764
1001161964.....777	1001167408..... 305	1001170601J.....433	1001175266.....777, 781
	1001167528..... 765	1001170603 429, 451	1001175309.....231
	1001167615..... 765	1001170716 531	1001175320.....269, 271
	1001167616..... 764	1001170718 531	1001175470.....487
	1001167620..... 765	1001170944 435	1001175471.....483, 485
	1001167621..... 765	1001170984 113	1001175477.....433
	1001167622..... 765	1001170993 485	1001175553.....231, 237
	1001167623..... 765	1001171000 309	1001175555.....233, 239
	1001167624..... 765	1001171037 443	1001175661.....93
	1001167625..... 765	1001171390 113, 115	1001175733.....825
	1001167629..... 765		

SECTION 13 - SPECIAL OPTIONS/ACCESSORIES/KITS

1001175746..... 89	1001178749..... 309, 311	1001181569..... 613	1001183597..... 471
1001175747..... 89	1001178783..... 745	1001181726..... 460, 467	1001183745..... 235
1001175749..... 89	1001178791..... 291	1001181784..... 613	1001183831..... 259
1001175754..... 105	1001178826..... 559	1001181920..... 451	1001183838..... 753
1001175762..... 93	1001179008..... 557, 559	1001181921..... 451, 823	1001183888..... 801
1001175776..... 823, 825	1001179009..... 557, 559	1001181927..... 597	1001183890..... 801
1001175853..... 91	1001179041..... 615	1001181928..... 599	1001183908J..... 35
1001175896..... 89	1001179054..... 631	1001181951..... 231, 233, 257	1001183909J..... 41
1001175897..... 89	1001179056..... 627	1001182037..... 231, 233, 267	1001183910J..... 41
1001175898..... 103	1001179058..... 625	1001182111..... 251	1001183956..... 273
1001175900..... 89	1001179059..... 835	1001182112..... 249, 251	1001183958..... 287
1001175903..... 460	1001179080..... 521	1001182123..... 451	1001183983..... 637, 639
1001176002..... 765	1001179081..... 521	1001182139..... 451	1001184041..... 187
1001176004..... 765	1001179130..... 521, 525	1001182193..... 251	1001184043..... 189
1001176121..... 483, 487	1001179197..... 705	1001182210..... 29	1001184045..... 191
1001176140..... 545	1001179221J..... 703, 705	1001182213..... 273, 677	1001184062..... 249, 269
1001176257..... 545	1001179297..... 855	1001182216..... 759	1001184099..... 277
1001176272..... 451	1001179482..... 551	1001182217..... 759	1001184120..... 249, 277
1001176273..... 451	1001179483..... 551	1001182218..... 759	1001184128..... 277
1001176313..... 651	1001179484..... 469	1001182219..... 759	1001184129..... 277
1001176318..... 545	1001179585..... 705	1001182231..... 635	1001184280..... 527
1001176323..... 75	1001179586..... 703, 705	1001182235..... 231, 233, 243	1001184296..... 515, 527
1001176333..... 723, 842	1001179861..... 305	1001182330..... 547	1001184297..... 515, 527
1001176338..... 745	1001179864..... 249, 283	1001182450..... 249	1001184306..... 741
1001176407..... 89, 97	1001179895..... 549	1001182452..... 287	1001184307..... 741
1001176626..... 451	1001179898..... 549	1001182453..... 287	1001184309..... 741
1001176691..... 89	1001179907..... 241	1001182529..... 501, 503	1001184310..... 741
1001176882..... 97	1001179910..... 305, 307	1001182582..... 231, 233, 235	1001184403..... 525
1001176942..... 105	1001179937..... 713	1001182647..... 233, 349	1001184404..... 525
1001176964..... 43	1001180045..... 477	1001182650..... 759	1001184405..... 525
1001176965..... 43, 45	1001180117..... 89, 665	1001182651..... 759	1001184406..... 525
1001176966..... 43, 49	1001180134..... 604, 647	1001182652..... 759	1001184421..... 709, 711
1001177048..... 581	1001180196..... 57	1001182654..... 759	1001184423..... 109
1001177049..... 581	1001180198..... 65	1001182735..... 231, 233, 241	1001184425..... 109
1001177050..... 581	1001180202..... 59	1001182763..... 73	1001184426..... 109
1001177051..... 581	1001180206..... 69	1001182793..... 611	1001184427..... 527
1001177052..... 581	1001180207..... 55	1001182824..... 247	1001184439..... 433
1001177053..... 577, 581	1001180263..... 537, 539	1001182834..... 460	1001184445..... 287
1001177054..... 93	1001180267..... 703	1001182839..... 811	1001184473..... 723, 843
1001177060..... 49	1001180328..... 295	1001182881..... 267	1001184479..... 723, 843
1001177062..... 49	1001180418..... 591	1001182885..... 267	1001184514..... 27
1001177073..... 93	1001180472..... 577	1001182886..... 267	1001184517..... 621
1001177082..... 49	1001180529..... 795	1001182929..... 759, 769	1001184518..... 621
1001177464..... 543	1001180574J..... 31	1001182930..... 759, 771	1001184524..... 23
1001177597..... 766, 863	1001180593..... 311	1001182935..... 299	1001184524..... 23
1001177638..... 315, 341	1001180682..... 745	1001182949..... 251, 255	1001184530..... 651
1001177851..... 347, 351	1001180683..... 745	1001182950..... 273, 275	1001184531..... 604, 651
1001177863..... 231, 233, 637	1001180809..... 647	1001182994..... 269	1001184609..... 271, 287
1001177870..... 341	1001180810..... 647	1001182995..... 269	1001184610..... 113
1001178053..... 789, 791	1001180811..... 647	1001183076..... 249, 279	1001184632..... 848
1001178123..... 477	1001180850..... 641	1001183125..... 301, 303	1001184800..... 287
1001178159..... 431	1001180855..... 641	1001183149..... 301, 303	1001184839..... 835, 837
1001178160..... 431	1001181008..... 619	1001183274..... 57, 59, 65	1001184955..... 249, 287
1001178170..... 518	1001181016..... 619	1001183297..... 795, 797, 799	1001184975..... 541
1001178439..... 231, 347	1001181017..... 623	1001183347..... 241	1001185023J..... 23
1001178474..... 45	1001181019..... 619	1001183357..... 301, 303	1001185061..... 23
1001178526..... 115	1001181161..... 625, 627, 629, 631	1001183460..... 103	1001185210..... 273
1001178622..... 233	1001181170..... 619	1001183461..... 105	1001185248..... 59, 63
1001178678..... 429, 447	1001181411..... 449	1001183550..... 465	1001185282..... 273
1001178679..... 447, 449	1001181531..... 785	1001183590..... 29	1001185337..... 249, 273
1001178680..... 449	1001181559..... 349, 353	1001183596..... 819	1001185351..... 604, 645
1001178681..... 449	1001181562..... 613		1001185364..... 89, 709
1001178693..... 45	1001181563..... 613		1001185375..... 231, 233, 759
1001178706..... 855	1001181564..... 613		1001185633..... 547
1001178725..... 309	1001181565..... 613		1001185809..... 735
1001178729..... 85	1001181568..... 613		1001185845..... 547

SECTION 13 - SPECIAL OPTIONS/ACCESSORIES/KITS

1001185864.....249, 299	1001189569 787, 789	1001195254 579	1001200688.....707
1001185870.....460	1001189586 235	1001195342 523	1001200694.....541
1001185871279	1001189884 277	1001195343 523	1001200815..... 639, 667
1001185936.....29	1001189888 665	1001195345 523	1001200908.....287
1001186359.....73	1001189898 735, 863	1001195346 523	1001200968.....533
1001186370.....287	1001189980 741	1001195385 523	1001201027.....425, 489
1001186392.....73	1001189984J 29	1001195386 523	1001201070.....725, 843
1001186395.....79	1001189997 823, 863	1001195437 523	1001201080.....724, 843
1001186439.....81	1001190225 821	1001195438 523	1001201081.....724, 843
1001186565.....801, 805	1001190227 823	1001195443 277	1001201161.....427
1001186567.....801, 805	1001190396 791	1001195518 235	1001201162.....427, 831
1001186574345	1001190408 29	1001195559 227	1001201205.....629
1001186693753	1001190541 345	1001195587 25, 27	1001201207.....543
1001186698109	1001190542 317	1001195741 647	1001201245.....615, 661
1001186849.....249, 281	1001190589 735	1001195742 647	1001201331.....477
1001187070.....771	1001190921 766	1001195829 21, 23	1001201336.....513
1001187077771	1001191091 445	1001195855 848	1001201338.....518
1001187078827	1001191229 848	1001195878 431	1001201340.....427, 737
1001187081827	1001191281 467, 469	1001196002 641	1001201499.....573
1001187276.....249, 253	1001191282 469	1001196289 831, 833	1001201500.....575
1001187277253	1001191283 467, 471	1001196385 409	1001201501.....573, 575
1001187355635	1001191284 467, 473	1001196418 27	1001201504J.....29
1001187413.....567, 569, 862	1001191285 467	1001196531 425, 427	1001201520.....427, 477
1001187712.....253	1001191310 471	1001196587 241	1001201766.....247
100118771729	1001191311 473	1001196661 645	1001201805J.....23
1001187851713	1001191312 473	1001196723 641	1001201811.....247
1001187852713	1001191313 473	1001196751 175	1001201823.....247
1001187853713	1001191370 467	1001196787 645	1001201869.....848
1001188204.....235	1001191508 251, 273	1001196806 848	1001201929.....247
1001188262.....427, 567	1001191521 49, 51	1001196876J.....23	1001201930.....247
1001188407283	1001191533 51	1001197090 607	1001201933.....247
100118841373	1001191621 89, 103	1001197093 609	1001201943.....645
1001188548.....607, 609	1001191808 29	1001197130 317, 329	1001201951.....577, 862
1001188590.....513, 518	1001191959 473	1001197135 23	1001202086.....425
1001188592.....527	1001192124 47	1001197139 567, 571	1001202120.....269
1001188594.....515, 527	1001192125 45, 47	1001197259 555	1001202135.....651
1001188602.....515, 527	1001192142 753, 863	1001197266 23	1001202177.....631
1001188603.....515, 527	1001192240 469	1001197275 53	1001202249.....279
1001188604.....515, 527	1001192309 433	1001197360 45	1001202288.....823
1001188610.....515, 527	1001192392 47	1001197430 273	1001202293.....821
1001188612.....515, 527	1001192411 299	1001197479 113, 115	1001202328.....279
1001188614.....515, 527	1001192643 437	1001197598 199	1001202329.....279
1001188618.....527	1001192644 439	1001197638 281	1001202376.....279
1001188619.....527	1001192646 433	1001197639 773	1001202421.....751, 863
1001188720.....515, 527	1001192711 219	1001197641 281	1001202430.....751
100118872273	1001192720 219	1001197653 281	1001202445.....279
1001188725.....515, 527	1001192766 433, 437	1001197654 281	1001202473.....301, 303
1001188729.....515, 527	1001192836 85	1001197821 231, 233, 245	1001202474.....301, 303
1001188733515	1001192875 219	1001197945 153	1001202476.....301
1001188808611	1001192876 219	1001198331 615, 617	1001202477.....301, 303
1001188817527	1001192877 219	1001198335 219	1001202478.....301, 303
1001188818527	1001193210 441	1001198355 219	1001202480.....301, 303
1001188855309	1001193421 651	1001198836 73, 863	1001202516.....737, 739
1001188856309	1001193513 647	1001198924 553	1001202519.....831
1001189023527	1001193514 647	1001198932 773, 863	1001202617.....831
1001189024527	1001193515 647	1001198958 553	1001202643.....299
1001189025.....515, 527	1001193540 219	1001199380 866	1001202653.....279
1001189048527	1001193551 247	1001199381 866	1001202654.....279
1001189054527	1001193729 219	1001199382 866	1001202921.....301, 303
1001189099.....113, 115	1001193735 309	1001199403 253	1001202922.....253
1001189182460	1001193993 753	1001199670 289	1001203009.....277
1001189338705	1001194421 720	1001199935 809, 813	1001203012.....299
1001189339705	1001195004 579	1001200206 827	1001203014.....279
1001189475111	1001195207 577	1001200218 625, 627	1001203015.....759
1001189476111	1001195210J 23	1001200538 803	1001203025.....253
100118948097	1001195240J 23	1001200539 807	1001203027.....277
	1001195252J 23	1001200633 621, 863	1001203028.....277

SECTION 13 - SPECIAL OPTIONS/ACCESSORIES/KITS

1001203039 279	1001208035..... 617	1001215994..... 169	1001223453 848
1001203173 279	1001208308..... 460	1001215996..... 171	1001223968 785
1001203178 253	1001208518..... 427, 785	1001216001..... 157	1001224143 645
1001203291 41	1001209097..... 763	1001216003..... 211	1001224144 645
1001203374 35	1001209463..... 551	1001216163..... 607, 609	1001224447 645
1001203386 31	1001209899..... 451	1001216232..... 607, 609	1001224476 647
1001203402 37	1001210022..... 247	1001216237..... 611	1001225177 431
1001203406 33	1001210417..... 343	1001216275..... 611	1001225213 247
1001203408J 37	1001210431..... 343	1001216276..... 611	1001225382 793
1001203410 33	1001210432..... 343	1001216277..... 611	1001225386 793
1001203417J 705	1001210628..... 427, 479	1001216278..... 611	1001225414 817
1001203503 219	1001210961..... 797	1001216279..... 611	1001225423 647
1001203640 797, 803, 807	1001210962..... 797	1001216280..... 611	1001225432 237, 239
1001203825 311	1001211357..... 745	1001216312..... 89, 611	1001225619 85
1001203826 311	1001211452..... 617	1001216813..... 259	1001225658 793
1001203882 759	1001211693..... 716	1001216854..... 245	1001226096 281
1001203922 615, 617	1001211897..... 213	1001216855..... 245	1001226101 607, 609
1001204060 807	1001211907..... 460	1001216867..... 287	1001226481 751
1001204066 435	1001212011..... 445	1001216923J..... 29	1001226636 827
1001204115 435	1001212047..... 557	1001216974..... 493, 501, 505	1001226637 827
1001204120 435	1001212049..... 557	1001217179..... 703	1001226722 73, 679
1001204128 121	1001212369..... 455	1001217333..... 277	1001226776 607, 609
1001204129 123	1001212468..... 467	1001217550..... 19	1001226777 607, 609
1001204130 125	1001212590..... 399	1001217623..... 707	1001226778 607, 609
1001204131 127	1001212591..... 401	1001218542..... 513, 518	1001226779 607, 609
1001204132 129	1001212598..... 405	1001218659..... 848	1001227090 309
1001204133 131	1001212599..... 407	1001218856..... 427, 475	1001227186 431
1001204134 133	1001212906..... 259	1001218996..... 513, 518	1001227187 441
1001204301 305	1001212948..... 277	1001219076..... 460	1001227188 441
1001204302 305	1001212949..... 277	1001219078..... 347, 349	1001227229 93
1001204373 305	1001212956..... 301, 303	1001219182..... 848	1001227287 848
1001204374 73	1001213006..... 243	1001219212..... 451	1001227357 453
1001204375 73	1001213031..... 623	1001219220..... 273	1001227653 343
1001204420 607, 609, 669	1001213331..... 435	1001219810..... 409	1001227802 433
1001204421 607, 609	1001213748..... 669	1001219857..... 541	1001227974 645
1001204427 607, 609	1001213752..... 811	1001219864..... 541	1001228929 253
1001204428 607, 609	1001213771..... 607, 609	1001219865..... 541	1001228930 253
1001204437 607, 609	1001213772..... 607, 609	1001220540..... 423	1001228931 253
1001204518 73	1001213791..... 433	1001220639..... 643, 683	1001228989 797, 803, 807
1001204528 803	1001213829..... 609	1001221020..... 641	1001229063 253
1001204530 803	1001213871..... 607	1001221027..... 641	1001229068 253
1001204535 111	1001213883..... 611	1001221056..... 739	1001229087 587
1001204709 559	1001213925..... 611	1001221057..... 527	1001229093 279
1001204731 621	1001213988..... 716	1001221058..... 527	1001229139 705
1001204841 245	1001214036J..... 39	1001221059..... 513, 518	1001229223 615, 617
1001205041 245	1001214092..... 455	1001221242..... 89, 99	1001229314 617
1001205061 567, 573	1001214206..... 848	1001221249..... 99	1001229319 431
1001205080 25, 27	1001214280..... 597, 599, 863	1001221255..... 579	1001229534 427, 587
1001205172 766, 862	1001214281..... 716	1001221257..... 99	1001229543 433
1001205514 505	1001214297..... 109	1001221259..... 518	1001229562 617
1001205532 433, 435	1001214312..... 109	1001221293..... 99	1001229640 617
1001205551 277	1001214399..... 609	1001221295..... 513	1001229707 857
1001205648 501	1001214401..... 811	1001221318..... 811	1001230163 445
1001205782 505	1001214492..... 39	1001221319..... 811	1001230194 621, 689
1001206120 241	1001214492..... 39	1001221577..... 93	1001230411 287
1001206173 119	1001214572..... 75	1001221659..... 615, 617	1001230435 427, 453
1001206557 73	1001214686..... 720, 842	1001221660..... 615	1001230931 720
1001206558 73	1001214687..... 721, 842	1001221665..... 615, 617	1001231388 259
1001206669 225	1001215022..... 281	1001221952..... 619	1001231389 259
1001206671 221	1001215023..... 281	1001222187..... 247	1001231390 259
1001207486 295	1001215024..... 281	1001222188..... 47	1001231397 840
1001207522 623	1001215319..... 293	1001222190..... 47	1001231399 840
1001207523 623	1001215531..... 435	1001222573..... 251, 273	1001231731 263
1001207525 641	1001215804..... 479	1001222603..... 595, 862	1001231732 265
1001207594 809, 811	1001215988..... 161	1001222741..... 435	1001231750 265
	1001215990..... 165	1001223265..... 541	1001231801 848
	1001215992..... 167		

SECTION 13 - SPECIAL OPTIONS/ACCESSORIES/KITS

1001232651.....621	1001256381..... 301, 303	1001269407..... 604, 641	1671326.....533
1001234800.....724, 725	1001256382..... 301, 303	1001269410..... 621	1701500.....848
1001235451.....621	1001256383..... 301, 303	1001269411..... 641	1701509.....147
1001236402.....597	1001256384..... 301, 303	1001269555..... 515, 527	1702773..... 143, 145
1001236404.....595	1001256410..... 289	1001269556..... 515, 527	1704277.....147
1001236622.....724, 725	1001256433..... 19	1001269558..... 515, 527	1704885..... 143, 145
1001237054.....623	1001256434..... 19	1001269559..... 515, 527	1706296.....848
1001237897.....293	1001256508..... 851	1001269560..... 515, 527	1706299.....848
1001238460.....55	1001256563..... 247, 289	1001269561..... 515, 527	1706300.....848
1001238470.....301, 303	1001256609..... 604	1001269563..... 515, 527	1706301.....848
1001238560..... 147, 219	1001256644..... 245	1001269564..... 515, 527	1706302..... 219, 848
1001238565.....143, 145, 147	1001256834..... 759, 762	1001269578..... 527, 863	1706306.....848
1001238566.....219	1001257002..... 853	1001269579..... 527	1706768.....848
1001238570.....219	1001257142..... 231, 233, 259	1001269627..... 77	1706850.....848
1001238653.....143	1001257263..... 203	1001269628..... 77	1706892.....143
1001238655.....145	1001257265..... 205	1001269720..... 621	1707078.....848
1001239878.....295	1001257317..... 201	1001269721..... 621	1784861.....111
1001239879.....295	1001257318..... 209	1001269722..... 621	2080040.....147
1001241308.....437	1001257327..... 207	1001269723..... 621	2080078.....449
1001241674.....55, 57, 59, 65, 69	1001257330..... 587, 589	1001269724..... 621	2080086.....431
1001241883.....635, 681	1001257348..... 597, 864	1001270117..... 487	2080087.....431
1001241950.....595	1001257413..... 25	1001270167..... 317, 324	2080092..... 29, 483
1001242098.....607, 609, 862	1001257414..... 21, 25	1001270170..... 329, 337	2110406..... 621, 625, 627
1001242219.....93	1001257415..... 21	1001270180..... 716	2110410..... 625, 627
1001242650.....787	1001257425..... 809	1001270466..... 716, 863	2110604.....669
1001243343.....533	1001257426..... 809, 815	1001270467..... 753, 862	2110606..... 621, 635
1001243433..... 411, 413	1001258159..... 720	1001270468..... 753, 862	2110608.....273
1001243434.....413	1001258342..... 533	1001270597..... 611	2110610..... 73, 639
1001243435.....411, 415	1001259144..... 179	1001270857..... 615, 617	2110806..... 73, 635
1001243436.....415	1001259146..... 183	1001270976..... 513, 518	2110808..... 611, 613, 621, 647, 649
1001244192.....803, 807	1001260973..... 303	1001271129..... 615, 617	2110810.....287, 617, 621, 625, 627, 629
1001244193.....803, 807	1001260974..... 303	1001271338..... 25, 27	2110812.....621
1001244593.....787	1001260974..... 303	1001271363..... 427, 716	2111010..... 607, 611, 635, 639
1001244594.....787	1001261091..... 641	1001272882..... 859	2111012.....669
1001247279.....291, 293	1001261092..... 641	1001273004..... 859	2111612.....635
1001247646.....848	1001262322..... 749, 863	1001273005..... 859	2111616.....279, 643
1001247708.....617	1001262326..... 749	1001273847..... 25, 27	2112016.....279
1001248161.....411	1001263039..... 617, 685	1001274892..... 866	2130404.....587
1001248416.....787	1001263830..... 259	1001274913..... 633, 655	2130604..... 73, 639
1001248760.....417, 419	1001264727..... 866	1001276755..... 851	2130606.....273, 635, 643
1001248891.....775, 777	1001264873..... 866	1001276756..... 851	2130608.....273
1001248892.....781	1001264874..... 866	1001277383..... 633	2130610.....299
1001248893.....775	1001264916..... 866	1001278028..... 713	2130808.....587
1001248899.....787	1001264918..... 866	1001278598..... 181	2130810..... 251, 287
1001248901.....787	1001264921..... 866	1001278600..... 185	2131010..... 287, 615
1001248902.....787	1001264937..... 866	1001282197..... 611	2131012..... 611, 617
1001250416.....411, 417	1001265061..... 279	1001282247..... 611	2131212..... 279, 615, 617
1001250417.....411, 419	1001265218..... 197	1001288070..... 505	2132016.....635
1001250420.....419	1001265291..... 866	1001290666..... 817	2144602.....621
1001250421.....417	1001265358..... 716, 733	1001293727..... 621	2144605.....619
1001254185.....749, 829	1001265375..... 821	1001294815..... 857	2144606.....257
1001254357.....301, 303	1001265395..... 77	1001310831..... 623	2150404.....643
1001256274.....247	1001265815..... 643	1060379.....147	2150606..... 73, 643
1001256275.....301	1001266447..... 716, 840	1062255 ... 245, 253, 277, 279, 295, 305, 311, 607, 609, 615, 617, 621, 625, 627, 641, 645, 749, 759	2150808.....649
1001256277.....247, 291	1001266775..... 89, 661	10732931..... 681	2150810.....287
1001256278.....247, 295	1001267963..... 633, 663	10837926..... 681	2151012.....73
1001256335.....101	1001267977..... 657, 659	10837928..... 681	2151210.....347, 349
1001256336.....101, 103	1001268341..... 866	10837929..... 681	216001689, 93, 103, 105, 113, 115, 343
1001256337.....101, 105	1001268384..... 749	10837937..... 681	2160018.....91
1001256338.....101, 107	1001268553..... 749, 827	1170002..... 193	2170116.....279
1001256360.....315	1001268828..... 513, 515	120034..... 716	2170208.....587
1001256366.....315, 317	1001268832..... 518, 527	1320239..... 253	2170212.....279
1001256367.....315, 329	1001268851..... 775	1670836..... 613	2170406.....73
1001256369.....787	1001268889..... 245, 253, 279		
	1001269021..... 604, 643		
	1001269248..... 567		

SECTION 13 - SPECIAL OPTIONS/ACCESSORIES/KITS

2170706 621, 639	3311405 147	4460265.....722, 840	4460944 ... 722, 723, 762,
2170708 621	3311502 219	4460267.....721, 722, 840,	763, 764, 765, 782,
2170908 611	3321001 757	841	829, 841, 842, 843
2171008 611	3332011 317, 423	4460268....722, 723, 840,	4460945 725, 765
2171110 609	3391408 577	841	4460950 763
2171208 647	3391410 219	4460343....721, 722, 840,	4460970 763, 777, 781
2171310 609	3421453 147	841	4460994 ... 720, 724, 842,
2171832 651	3423242 181	4460434.....722, 840	843
2172104 621	3423276 185	4460458....724, 725, 764,	4461006 762, 764
2172106 73, 253	3520028 579	799, 843	4461008 764, 793
2172208 631	3520072 147	4460464....724, 743, 763,	4461015 733, 782
2220221 635	3520198 147	771, 777, 781, 799,	4461017 769
2220239 51	3760170 147	825, 827, 841, 843	4461018 762
2220240 51	3760348 567	4460465....720, 721, 722,	4461054 764, 778
2220881 683	3790013 621	723, 724, 725, 733,	4461070 765
2220883 665	3820020 147	747, 762, 763, 764,	4461071 764
2220885 659	3900224 23	765, 777, 778, 781,	4461095 762, 841
2220886 683	3900349 753	782, 827, 829, 833,	4461115 ... 724, 725, 799,
2400060 827	3900357 241, 759	841, 842, 843	843
2400600 324, 337	3900379 29, 549	4460466....720, 721, 722,	4461118 ... 720, 743, 777,
2401043 325, 338	3900381 759	723, 724, 733, 762,	778, 781
2401258 325, 338	3968141 324, 337	763, 764, 765, 777,	4461170 835
2401736 325	3983720 325, 338	778, 781, 782, 793,	4461174 475
24921332 247	3983731 325, 338	799, 827, 829, 833,	4461262 ... 722, 724, 777,
2600281 147	3984425 326, 338	841, 842, 843	840, 843
2902440 135, 137	3986405 325	4460496.....716	4641237 643
2902441 139, 141	3986610 503	4460497.....716	4711400 147
2902443 764	3986643 503	4460508.....763, 769	471678 295, 489
2903197 326	4000015 863	4460509.....762, 781	4740532 637
2920206 795, 801, 805	4010310 787	4460536.....771, 793	4740572 269, 287
2940074 147, 863	4010508002.....460	4460539....723, 762, 763,	4761000 757
2960243 325, 338	4010510 595	764, 777, 782, 841	4807718 449
3020040 89	4010608 713	4460608.....763	4811400 ... 467, 575, 713,
31200160 143	4010608002....433, 460,	4460670.....827	737, 821
31200386 145	541, 543, 545, 551	4460705.....722	4811600 ... 297, 460, 759,
314689 89	4010610002....460, 545,	4460748.....764	823, 835, 859
3290305 787	579	4460789.....743, 764	4811602001 460
3290401 ... 467, 737, 789,	4010612002....441, 460,	4460836....721, 781, 841	4811700 ... 29, 73, 79, 81,
821	467, 471, 473	4460884....721, 723, 778,	99, 109, 219, 241, 247,
3290405 437, 713	4031504 99	833, 841, 842, 843	267, 269, 277, 283,
3290501 ... 716, 759, 823,	4031607 47, 51, 597	4460891....711, 724, 725,	287, 289, 305, 309,
835, 859	4031608 465, 753	762, 763, 765, 777,	431, 433, 467, 489,
3290505 305, 759	4031608001.....460	781, 782, 843	518, 531, 533, 543,
3290601 ... 109, 219, 269,	4031612 835	4460892.....765	545, 551, 567, 573,
273, 467, 518, 545,	4031708001.....531, 533	4460894....720, 723, 747,	579, 716, 787, 801,
567, 713, 716, 787,	4031709 647	763, 777, 781, 782,	803, 805, 807, 811, 819
801, 805, 819	4031908 615, 617	841, 843	4811700001 460, 541
3290605 29, 247, 309,	4031910 ... 537, 539, 615,	4460897....721, 733, 747,	4811702 23, 269, 273,
413, 415, 417, 419,	617, 649	765, 791, 841	413, 415, 417, 419,
460, 467, 473, 713	4031918 ... 607, 625, 627,	4460899....743, 793, 837	483, 545, 567, 573,
3290801 ... 269, 279, 433,	629	4460906.....722, 841	587, 753, 775
563	4031927 251	4460911.....777, 781	4811702001 433, 441,
3290805 25, 27, 247, 253,	4032010 299	4460929 733	460, 595
257, 305, 347, 349,	4032017 669	4460930....723, 841, 842	4811900 ... 25, 27, 29, 31,
571, 591, 625, 759	4032109 177	4460931.....777	33, 35, 37, 39, 41, 45,
3290806 449	4109801 848	4460932....711, 799, 825	49, 51, 73, 77, 103,
3291001 25, 27, 243, 259,	4110422 225	4460933....721, 763, 777,	105, 113, 115, 241,
279, 301, 303, 309,	4240032 749	781, 782, 827, 841	247, 253, 257, 269,
581, 621, 787	4240127 245	4460941....721, 733, 743,	277, 279, 287, 289,
3291005 193, 309, 553	4360658 575, 863	791, 837	291, 295, 299, 305,
3291201 277	4360669 75	4460942....720, 721, 724,	347, 349, 433, 435,
3291205 89, 105, 113,	443630 111	733, 765, 777, 781,	453, 455, 493, 501,
115	4460225 ... 722, 723, 840,	782, 841, 843	505, 518, 535, 537,
3291605 103, 107, 235	841	4460943....724, 733, 747,	539, 547, 563, 567,
3300220 757	4460234 305, 749	843	587, 591, 611, 615,
3300240 181, 185	4460247 762		617, 621, 623, 641, 647,
3300479 315	4460256 763		753, 759, 775, 801

SECTION 13 - SPECIAL OPTIONS/ACCESSORIES/KITS

481190229, 93, 269, 279, 283, 413, 415, 417, 419, 513, 518, 545, 547, 621, 759	70011901 237, 239	70021842 195	70024446 149
4812000....23, 25, 27, 29, 45, 49, 73, 77, 85, 243, 245, 247, 253, 257, 259, 273, 277, 287, 295, 299, 301, 303, 305, 309, 311, 347, 349, 553, 577, 581, 587, 607, 609, 619, 621, 635, 645, 703, 705, 713, 759, 775, 787, 793, 797, 813, 821, 859	70020173 325, 338	70021843 195	70024447 149
4812002....247, 251, 253, 259, 273, 279, 651, 669, 703, 705	70020421 223	70021921 221, 225	70024448 149
481210023, 45, 105, 235, 247, 253, 277, 341, 759	70020422 223	70021935 221, 225	70024449 149
4812102 111	70020506 .. 187, 189, 191	70021977 225	70024450 149
4812200 817	70020507 .. 187, 189, 191	70021978 221, 225	70024452 149
4812300....57, 59, 65, 69, 73, 103, 235	70020508 .. 187, 189, 191	70021979 221, 225	70024453 149
4812500 423	70020555 217	70022010 681	70024454 149
4831400....467, 737, 789	70020724 149	70022028 221, 225	70024455 149, 862
4831600 51, 753	70020725 149	70022034 507	70024456 149
4831700 295, 545	70020726 149	70022527 225	70024459 503
4831900 89, 513, 518, 625	70020728 149, 150	70022528 221, 225	70024480 237, 239
5201215 651	70020730 . 187, 189, 191, 195	70022529 221, 225	70024485 237, 239
5220600 805, 807	70020731 . 187, 189, 191, 195	70022563 665	70024494 237, 239
5220800 703, 705	70020764 .. 673, 675, 862	70022564 665	70024495 237, 239
5240600 753	70020867 687	70022697 .. 187, 189, 191	70024504 237, 239
5240800....251, 273, 631	70021140 337	70022765 785, 863	70024505 237, 239
5241000 309	70021238 .. 187, 189, 191	70022821 61, 67	70024509 237, 239
5241600 55	70021239 .. 187, 189, 191	70022822 61	70024522 324, 337
5242400 219	70021240 .. 187, 189, 191	70022823 61, 67	70024634 361
5250608 523	70021241 . 187, 189, 191, 195	70022824 61	70024635 383
5251010 23	70021242 . 150, 151, 187, 189, 191	70022825 61	70024639 361
5260800 251, 273	70021243 .. 187, 189, 191	70022826 67	70024641 385, 393
5271609 823	70021244 .. 187, 189, 191	70022906 195	70024642 361
5271808 617	70021245 .. 187, 189, 191	70022907 195	70024644 361
5271814 615	70021246 .. 187, 189, 191	70022912 195	70024645 361
5271922 617	70021247 .. 187, 189, 191	70022922 195	70024646 385, 393
5272011 813	70021248 187, 189	70022923 195	70024847 681
5272022 643	70021251 507	70022924 195	70024856 503
70002216 661	70021252 507	70022925 195	70024857 503
70002386 683, 862	70021314 497	70022927 149, 195	70024858 503
70002410 655	70021316 497	70022928 195	70024859 503, 862
70002971 677, 862	70021317 495	70022929 195	70024861 503
70003788 677, 862	70021318 495	70022930 195	70024881 338
70003819 661	70021319 495, 499	70023179 503	70024918 237, 239
70004280 237, 239	70021321 499	70023181 503	70024920 237, 239
70004511 862	70021322 495	70023182 503	70024965 299
70005191 237, 239	70021323 499	70023184 503	70025153.. 237, 239, 862
70005504 237, 239	70021324 499	70023186 503	70025205 237, 239
70005505 237, 239	70021325 499	70023189 503	70025360 381
70005507 237, 239	70021326 499	70023276 195	70025361 381
70005515 237, 239	70021327 499	70023277 195	70025362 381
70005556 237, 239	70021328 499	70023278 195	70025363 381
70005559 237, 239	70021330 499	70023369 655	70025364 381
70005793 655	70021342 225	70023370 655	70025365 381
70005841 665	70021349 221, 225	70023371 655	70025366 381
70007334 661	70021387 221, 225	70023372 665	70025367 381
70007604 685	70021415 221, 225	70023380 665	70025368 381
	70021504 179, 183	70023484 155	70025369 381
	70021531 673, 675	70024059 221, 225	70025370 381
	70021558 193	70024107 503, 863	70025371 381
	70021559 193	70024168 866	70025372 381
	70021560 193	70024186 667	70025373 381
	70021561 193	70024189 667	70025374 381
	70021562 193	70024201 681	70025375 381
	70021563 193	70024306 215	70025376 381
	70021613 326, 339	70024307 215	70025377 381
	70021835 195	70024436 149, 150	70025378 381
	70021836 195	70024437 149	70025379 381
	70021838 195	70024438 149	70025380 381
	70021839 195	70024439 149	70025382... 357, 359, 381
	70021840 195	70024440 149	70025383 357, 359
	70021841 195	70024441 149	70025387 377
		70024442 149	70025388 377
		70024443 149	70025389 377
		70024444 149	70025390 377
		70024445 149	70025391 377

SECTION 13 - SPECIAL OPTIONS/ACCESSORIES/KITS

70025392	357, 359	70025467	381, 393	70025819.....	325, 338	70026997.....	285
70025393	357, 359	70025468	381	70025821.....	326, 338	70027000.....	683
70025394	381	70025469	363, 387	70025822.....	326, 338	70027001.....	683
70025397	357, 359	70025470	363	70025823.....	326, 338	70027002.....	683
70025398	357, 359	70025471	393	70025850.....	261, 862	70027004.....	677
70025400	365	70025472	381	70025851.....	261, 862	70027008.....	255
70025401	365, 369	70025476	379	70025859.....	569	70027009.....	221, 225
70025402	367	70025483	507	70025860.....	569	70027037.....	275
70025403	367	70025485	507	70025884.....	339	70027107.....	324, 337
70025404	367	70025486	507	70025961.....	661	70027108.....	337
70025406	367	70025489	507	70026011.....	237, 239	70027114.....	325, 338
70025407	367, 373	70025490	507	70026018.....	195	70027128.....	681
70025408	367, 381	70025491	507	70026210.....	237, 239	70027129.....	681
70025409	367	70025493	361, 367	70026292.....	727, 863	70027130.....	681
70025410	367	70025494	379, 383, 385	70026293.....	729, 863	70027131.....	681
70025411	367	70025495	383, 393	70026294.....	755, 863	70027132.....	681
70025412	367	70025496	361, 369, 373	70026295.....	755, 863	70027133.....	681
70025413	367	70025497	379, 381, 383, 385	70026296.....	755, 863	70027134.....	681
70025414	367	70025498	361, 365, 367, 369	70026297.....	755, 862	70027135.....	681
70025415	367	70025499	379, 385	70026308.....	665	70027136.....	681
70025416	367	70025500	379, 385	70026313.....	683	70027141.....	681
70025417	367	70025501	379, 385	70026368.....	681	70027174.....	63
70025418	367	70025502	379, 385	70026370.....	681	70027175.....	63
70025419	367	70025503	361	70026371.....	681	70027176.....	71
70025420	367	70025504	361, 367, 369, 381	70026372.....	681	70027177.....	71
70025421	379	70025505	381	70026373.....	681	70027178.....	71
70025423	369	70025506	383, 385	70026374.....	681	70027180.....	199
70025424	365, 367, 369	70025508	365, 381	70026375.....	681	70027199.....	271
70025425	369	70025509	379, 381	70026376.....	681	70027200.....	271
70025426	369	70025510	357, 359	70026377.....	681	70027201.....	271
70025427	373	70025511	355	70026379.....	681	70027202.....	271
70025428	373	70025512	355	70026382.....	681	70027203.....	271
70025429	365, 367, 369	70025513	381	70026395.....	261	70027204.....	271
70025430	379, 395	70025514	355, 359	70026396.....	261	70027225.....	665
70025431	369	70025515	379	70026537.....	569	70027267.....	671
70025432	365, 367, 369	70025516	379	70026543.....	665	70027268.....	671
70025433	365, 367, 369	70025517	379	70026582.....	687, 862	70027269.....	671, 862
70025435	367, 369	70025518	379	70026630.....	339	70027270.....	671
70025436	367, 369	70025520	363, 381	70026631.....	324, 337	70027271.....	671
70025437	365, 367, 369	70025522	371	70026698.....	221, 225	70027291.....	163, 193
70025438	365, 367, 369	70025523	381	70026702.....	221	70027293.....	157, 211
70025439	365, 367, 369	70025524	355, 357, 359, 395	70026719.....	307	70027294.....	157, 211
70025440	365, 367, 369	70025525	355, 357, 359, 395	70026720.....	307	70027295.....	211
70025441	369	70025526	355, 375	70026721.....	307	70027296.....	157, 211
70025442	367, 369	70025527	355	70026722.....	307	70027297.....	157, 211
70025443	379	70025528	355	70026723.....	307	70027298.....	157, 211
70025444	379	70025529	355, 395	70026724.....	307	70027302.....	157, 211
70025445	365	70025535	237, 239	70026725.....	307	70027315.....	325, 338
70025446	365	70025539	497, 863	70026726.....	307	70027316.....	339
70025447	365, 367	70025555	324, 337	70026749.....	324, 337	70027317.....	326, 338
70025448	365, 367	70025556	324, 337	70026777.....	681	70027318.....	326
70025449	365	70025562	324, 325, 337, 338	70026808.....	863	70027319.....	326
70025450	367	70025567	325, 338	70026819.....	326, 339	70027320.....	325, 338
70025451	363	70025569	337	70026820.....	326, 339	70027324.....	211
70025452	371	70025570	337	70026821.....	325, 338	70027325.....	157
70025453	355	70025602	663	70026827.....	325, 338	70027326.....	157
70025455	389, 391	70025613	663	70026965.....	679	70027328	365, 369, 393
70025456	389, 391, 862	70025614	663	70026966.....	679	70027331.....	355
70025457	389, 391	70025644	271	70026967.....	679, 862	70027332.....	375
70025459	371	70025816	565	70026968.....	679	70027337.....	393, 395
70025460	381	70025817	565	70026969.....	679	70027338.....	393, 395
70025461	381			70026970.....	679	70027339	367, 393, 395
70025462	381			70026971.....	679	70027340.....	381
70025463	371			70026972.....	679	70027341.....	355
70025464	371			70026973.....	679	70027344.....	367, 369
70025465	381			70026975.....	679	70027345.....	357, 359
70025466	389, 391			70026976.....	679	70027346.....	381

SECTION 13 - SPECIAL OPTIONS/ACCESSORIES/KITS

70027347.....	371	70027680.....	363	70028014.....	150	70029013.....	193
70027348.....	365	70027681..	365, 367, 369	70028015.....	150	70029030.....	681
70027349.....	369	70027682.....	357	70028016.....	150	70029820.....	681
70027350.....	379	70027707.....	355, 377	70028017.....	150	70029869.....	324, 337
70027352.....	389, 391	70027711.....	355, 379	70028018.....	150	70029992.....	681
70027353.....	389, 391	70027714.....	355, 381	70028019.....	150	70029993.....	681
70027354.....	393	70027715..	351, 353, 369	70028020.....	150	70029994.....	681
70027358.....	367	70027716..	351, 353, 373	70028021.....	150	70029995.....	681
70027359.....	367	70027717..	351, 353, 365	70028022.....	150	70030247.....	326
70027361.....	389	70027718..	351, 353, 367	70028023.....	150	70030248.....	326
70027362.....	363, 389	70027719..	351, 353, 371	70028024.....	150	70030249.....	326
70027363.....	363, 391	70027720..	351, 353, 363	70028025.....	150	70030250.....	325
70027364.....	367	70027721.....	351, 357	70028026.....	150	70030251.....	325, 338
70027365.....	367	70027723..	351, 353, 355	70028027.....	150	70030264.....	325, 338
70027366.....	395	70027724.....	353, 359	70028028.....	150, 195	70030274.....	325, 338
70027368.....	361	70027725..	351, 353, 361	70028029.....	150	70030282.....	183
70027369.....	361	70027743.....	665	70028030.....	150	70030283.....	179
70027370.....	361	70027744.....	665	70028031.....	150, 195	70030365.....	325, 338
70027371.....	361	70027745.....	665	70028032.....	150	70030933.....	325, 338
70027373.....	361, 383	70027746.....	665	70028033.....	150	70030943.....	685
70027374.....	385	70027747.....	665	70028034.....	150	70030944.....	685
70027375.....	361, 385	70027773.....	119	70028035.....	150	70030945.....	685
70027376.....	361, 381	70027774.....	119	70028036.....	150	70030946.....	685
70027382.....	357	70027775.....	119	70028037.....	150	70030947.....	685
70027383.....	359	70027776.....	119	70028038.....	150	70030948.....	685
70027387... 363, 383, 385		70027777.....	119	70028039.....	150	70030953.....	655
70027388.....	381	70027778.....	119	70028040.....	150	70030954.....	655
70027389.....	389, 391	70027779.....	119	70028041.....	150	70030955.....	655
70027392.....	495, 497	70027780.....	119	70028042.....	150	70030956.....	655
70027393.....	497	70027781.....	119	70028043.....	150	70030957.....	655
70027394.....	497	70027782.....	119	70028044.....	150	70030958.....	655
70027395.....	495	70027783.....	119	70028045.....	150	70030992.....	324, 337
70027403.....	237, 239	70027784.....	119	70028046.....	150	70030994.....	325, 338
70027404.....	237, 239	70027785.....	119	70028047.....	150	70030997.....	663
70027405.....	237, 239	70027786.....	119	70028087.....	150	70030998.....	663
70027417... 237, 239, 862		70027787.....	119	70028326.....	503	70030999.....	663
70027595.....	667	70027788.....	119	70028384.....	655	70031000.....	326, 339
70027596.....	675	70027789.....	119	70028392.....	325, 338	70031001.....	326, 339
70027600.....	615, 685	70027790.....	221	70028436.....	211	70031002.....	326, 339
70027604.....	187, 189	70027791.....	119	70028468.....	326, 339	70031003.....	326, 339
70027605.....	187, 189	70027792.....	119	70028471.....	324, 337	70031016.....	661
70027606... 187, 189, 191		70027793.....	119	70028473.....	325, 338	70031017.....	661
70027607... 187, 189, 191		70027794.....	119	70028474.....	325, 338	70031018.....	661
70027608.....	191	70027990.....	149	70028476.....	326, 339	70031019.....	661
70027631.....	213	70027991.....	149	70028477.....	326, 339	70031020.....	661
70027657.....	237, 239	70027992.....	149	70028536.....	325, 338	70031021.....	661
70027658.....	191	70027993.....	149	70028537.....	325, 338	70031031.. 161, 165, 167,	
70027660.....	387	70027994.....	149	70028546.....	743	169	
70027661.....	375	70027995.....	149, 150	70028733.....	325, 338	70031032.....	171
70027663.. 355, 357, 359,		70027996.....	149	70028868.....	689	70031293.....	659
395		70027997.....	149, 150	70028869.....	689	70031294.....	659
70027664.....	381	70027998.....	149	70028870.....	689, 862	70031295.....	659
70027665.....	381	70027999.....	149	70028871.....	689	70031296.....	659
70027666.....	357, 359	70028000.....	149	70028872.....	689	70031297.....	659
70027667.....	357, 359	70028001.....	149	70028873.....	689	70050472.....	681
70027668.....	381	70028002.....	149, 150	70028874.....	689	70050475.....	681
70027669.....	393	70028003.....	149	70028875.....	689	70050481.....	681
70027670.....	357	70028004.....	149	70028900.....	683	70050801.....	665
70027671.....	363	70028005.....	149	70028906.....	324	7012903.....	677
70027672.....	361	70028006.....	149, 150	70028907.....	326, 339	7012998.....	677
70027673.....	361	70028007.....	149, 150	70028908.....	326, 339	7016331.... 237, 239, 862	
70027674.....	361	70028008.....	149	70028940.....	324	7020442.....	237, 239
70027675.....	361	70028009.....	150	70028978.....	195	7020465.....	237, 239
70027676.....	357, 359	70028010.....	150	70028979.....	195	7022391.....	677
70027677.....	389, 391	70028011.....	150	70028980.....	195	7022730.....	385
70027678.....	387	70028012.....	150	70029011.....	163, 193	7024947.....	667
70027679.....	387	70028013.....	150	70029012.....	193	7028038.....	326

SECTION 13 - SPECIAL OPTIONS/ACCESSORIES/KITS

7028039.....	326	7029351.....	135, 137	80604018.....	711	8770167.....	623
7028043.....	337	7029352.....	135, 137	80604021.....	833	88662434.....	619
7028082.....	339	7029353.....	135, 139	80963067.....	764	8881800.....	759
7028115.....	325, 338	7029354.....	135, 139	80983191..	727, 729, 731,	90200003.....	181, 185
7028125.....	155	7029355.....	135, 139	862		90554016.....	221, 225
7028126.....	155	7029356.....	135, 139, 155	8220043.....	769	90554019.....	119
7028127....	155, 157, 211	7029357.....	139	8220051....	720, 725, 842	90554020..	119, 221, 225
7028128.....	155	7029427.....	324, 337	8220097.....	764	90554042..	119, 221, 225
7028129.....	155	7029428.....	324, 337	8220098.....	764	90554054..	119, 221, 225
7028130.....	155	7029430.....	325, 338	8220108.....	725, 764	90554067.....	119
7028131... ..	155, 157, 159, 163, 211	7029432.....	325, 338	8220114.....	781	90554070.....	119
7028132.....	155	7029486... ..	531, 533, 607, 609, 855	8220115.....	763	90554080.....	217
7028133.....	155	7029520.....	217	8220124.....	763	91013191.....	777
7028134.....	155	7029521.....	217	8229234.....	862	91013192.....	782
7028135.....	155	7029692.....	225	8229242....	727, 729, 765, 862	91043147.....	347, 349
7028136.....	193	7029749.....	155	8229244....	731, 755, 765, 862	91403193.....	315
7028137.....	193	7029767.....	507	8229245....	727, 755, 766, 862	91474507. .	324, 325, 337, 338
7028621.....	503	7029786.....	326, 338	8229247....	729, 755, 766, 862	91474512.....	324, 337
7028706... ..	324, 325, 337, 338	7300435.....	235	8270147.....	703, 705	91474516.....	339
7028733.....	338	7301893.....	703, 705	8270148.....	703, 705	91474522.....	326, 339
7028910....	155, 159, 163	77133140 ..	625, 627, 647	8275212.....	247	91474529.....	324, 337
7028911.....	159, 163	77133168.....	647	830591923, 29, 460, 483, 545		91474531.....	324, 337
7028912.....	159, 163	8000759.....	449	8310559.....	445	91474533.....	324, 337
7028913.....	159, 163	8000803.....	433	8405006....	245, 607, 609, 641	91474539.....	324, 337
7028914.....	159	8002798.....	325	8405007.....	305	91474547.....	324, 337
7028915.....	159, 163	8004398.....	449	8405009.....	291, 567	91474549.....	324
7028916.....	159, 163	8004468.....	325, 337	8405104.....	277	91474550.....	324, 337
7028917.....	159, 163	8005079.....	341	8405201....	277, 460, 463	91474551.....	324, 337
7028918... ..	157, 159, 163, 211	8005827.....	397	8405202.....	277	91474553.....	324, 337
7028919.....	159, 163	8005870.....	848	8405301.....	651	91474554.....	324
7028920.....	159, 163	8005901.....	533	8405402.....	267	91474555.....	324
7028923.....	159, 163	8006605.....	325, 338	8405502.....	615, 617	91474568.....	326, 338
7028982.....	159, 163	8007749.....	324	8406201.....	615, 617	91474579.....	325, 338
7028983.....	159, 163	8007755.....	324	8406202.....	641	91474580.....	325, 338
7028984....	155, 159, 163	8007771.....	324, 337	8406302....	277, 279, 305, 759	91474584.....	325, 338
7028985.....	159	8007785.....	325	8410009....	301, 303, 513, 518, 645	91474585.....	325, 338
7028986.....	155, 157	8007786.....	326	8410011.....	267	91474591.....	324, 337
7028987.....	155	8007802.....	326	8410013....	245, 253, 301, 303	91474593.....	337
7028988.....	155, 157	8008168.....	325	8420231.....	277	91474595.....	337
7028989.....	155	8008169.....	326	8430032.....	639	91504107.....	747
7028990.....	159, 163	8008175.....	326, 339	8430033.....	639	91514082.....	324, 337
7028991.....	159, 163	80204005.....	324, 337	8466306.....	457	91514098.....	324, 337
7028995.....	163	80204065.....	325, 338	8584003.....	831	91514099.....	325, 339
7029124.....	155	80204071.....	324, 337	8760550.....	73	91514117.....	325
7029131.....	324, 337	80204117 ..	325, 338, 339	8769124.....	625, 627	91514134.....	324, 337
7029344.....	135, 139	80233218.....	645	8770143.....	73	91514146.....	324, 337
7029345.....	135, 137	80264002.....	497			91514147.....	324, 337
7029346.....	135, 137	80264004.....	497			91514148.....	324, 337
7029347.....	135, 137	80333151.....	641			91514154.....	326, 338
7029348.....	135, 137	8034697.....	681			91514188. .	324, 325, 337, 338
7029349.....	135, 137	80363195.....	453			91514189.....	325, 338
7029350.....	135, 137	8036580.....	677			91554014.....	842
		80604017.....	747			AU2105.....	848



*Corporate Office
JLG Industries, Inc.
1 JLG Drive
McConnellsburg, PA 17233-9533 USA
☎ (717) 485-5161 (Corporate)
☎ (833) 554-3276 (Customer Support)
farm@jlg.com (Customer Support)*

*Visit our website for JLG Worldwide Locations.
www.jlgagriculture.com*



OSHKOSH™