



# Illustrated Parts Manual

***Model  
1930ES***

**PVC  
1910  
2004**

**P/N  
31215075**

**March 15, 2021 - Rev D**

***ANSI***

**CE**



***AS/NZS***



An Oshkosh Corporation Company



## **REVISION LOG**

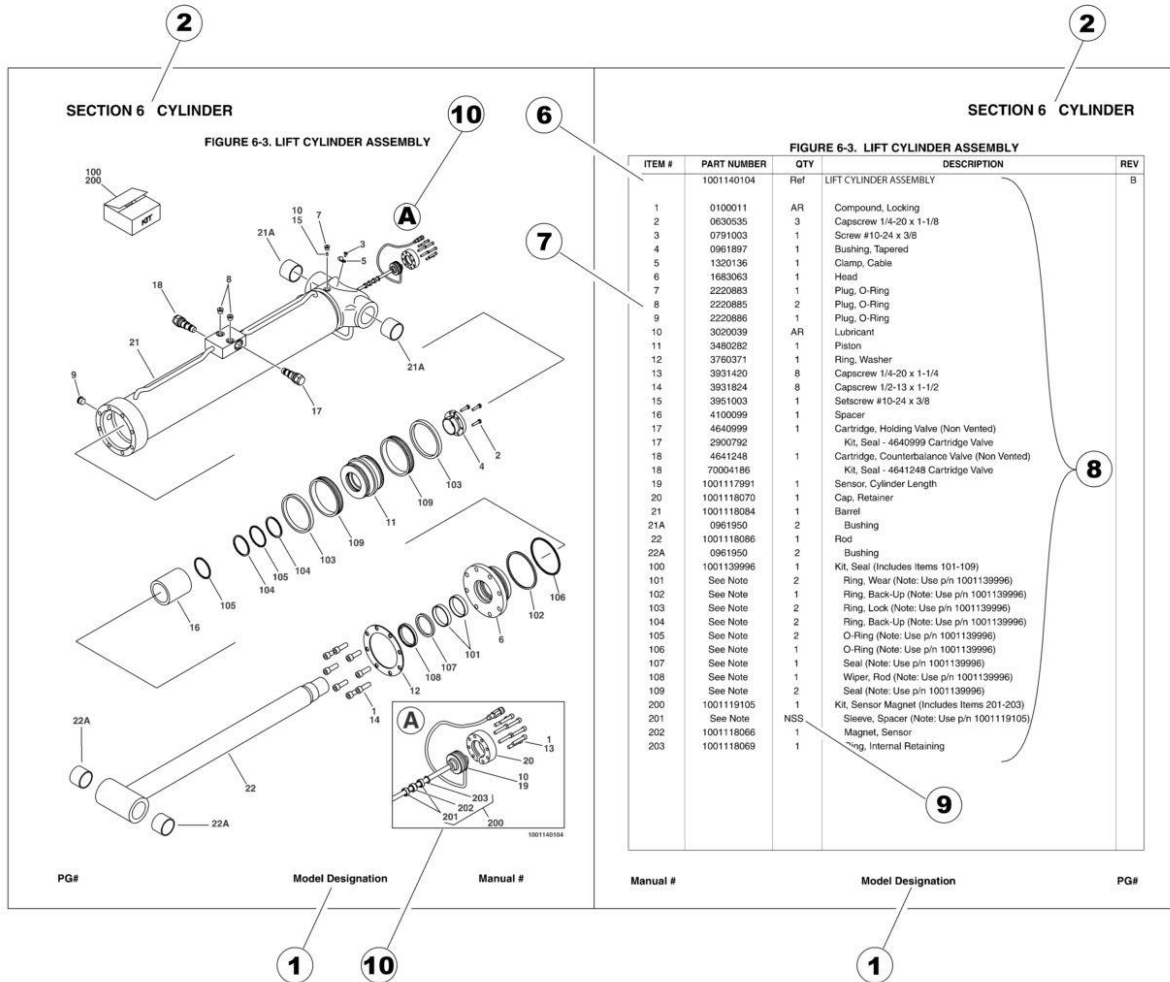
November 1, 2019 - A - Original Issue of Manual (Edited to B/M 1001249611 Revision C and 1001215518 Revision K)

March 15, 2020 - B - Revised Manual (Edited to B/M 1001249611 Revision D and 1001215518 Revision K)

September 18, 2020 - C - Revised Manual (Edited to B/M 1001249611 Revision E and 1001215518 Revision M)

March 15, 2021 - D - Revised Manual (Edited to 1001249611 Revision E and 1001215518 Revision M)

# GENERAL INFORMATION



## 1) MACHINE IDENTIFICATION

Machines are identified by model and in some cases a combination of models, serial number (SN) or regional standard (i.e ANSI, CE, CSA). Components may also be identified by SN or manufacturer. Common components that may be identified by these characteristics are engines and hydraulic components.

## 2) PARTS MANUAL ORGANIZATION

Product information in this manual is organized under section titles. Frame, Cylinder, Hydraulic and Electrical are a few examples. Each section is organized by figure and page number. The information within the Figure is then organized by item number, part number, description and corresponding illustration (s).

## 3) TABLE OF CONTENTS (NOT SHOWN)

A table of contents is found toward the beginning of the manual. Figure number, description and page number are provided for quick reference to the page containing the related information.

## 4) RECOMMENDED SPARE PARTS (NOT SHOWN)

The Recommended Spare Parts List, located near the end of the manual, reference most frequently used maintenance parts.

## 5) PART NUMBER INDEX (NOT SHOWN)

A numerical index listing all part numbers and the corresponding page number(s) appears at the back of the manual.

## GENERAL INFORMATION

### 6) NON-SERVICED PARTS

In some instances, it is necessary to display non-serviced parts, assemblies or installations. In the case of assemblies and installations there will be a Ref in the Qty. column. In case of parts that are not available for service within assemblies or components, there will be a NSS (Not Sold Separately) or NLA (No Longer Available) listed in the Qty. column of the manual.

### 7) PARTS LIST ITEM NUMBERS

Numbers shown in the item# column correspond to numbers used in the associated illustration (s). Item numbers which are missing from the sequence in the parts list are not used on that page.

### 8) INDENTED PARTS DESCRIPTION

An indented part description is included in the item under which it is indented.

### 9) ABBREVIATION AND SYMBOLS

AC.....	Alternating Current	L.....	Liter
ADE.....	Advanced Design Electronics	LB(LBS).....	Pounds
AG.....	Agricultural	LCD.....	Liquid Crystal Display
ANSI.....	American National Standards Institute	LED.....	Light Emitting Diodes
AR.....	As Required	LH.....	Left Hand
ASSY.....	Assembly	LRC.....	Low Rated Countries
AUS.....	Australia	LSS.....	Load Sensing System
AUX.....	Auxiliary	M(m).....	Metric/Meter
AWG.....	American Wire Gauge	MM(mm).....	Milimeter
B/M.....	Bill of Material	mA.....	Miliamps
CAC.....	Charge Air Cooler	NLA.....	No Longer Available
CE.....	European Conformity	NPT.....	National Pipe Threads
CCW.....	Counter Clockwise	NSS.....	Not Sold Separately
CM.....	Centimeter	OD.....	Outside Diameter
CW.....	Clockwise	ORB.....	O-Ring Boss
CSA.....	Canadian Standards Association	ORFS.....	O-Ring Face Seal
CYL.....	Cylinder	OZ (oz).....	Ounces
DIA.....	Diameter	PG.....	Page
DC.....	Direct Current	PN.....	Part Number
DEF.....	Diesel Exhaust Fluid	QT(qt.).....	Quarts
EMS.....	Emergency Stop	QTY.....	Quantity
ENG.....	Engine	REF.....	Reference
FT(ft).....	Feet	REV.....	Revision Level
GA(Ga).....	Gauge	RH.....	Right Hand
HRC.....	High Rated Countries	SAE.....	Society of Automotive Engineers
HVAC.....	Heating, Ventilating, and Air Conditioning	SN.....	Serial Number
HYD.....	Hydraulic	SPEC(S).....	Specifications
Hz.....	Hertz	T/T.....	Turntable
ID.....	Inside Diameter	UGM.....	Universal Ground Module
IN.....	inches	V.....	Volts
ISO.....	International Organization for Standards	W.....	Watts
JIC.....	Joint Industry Council	#.....	Number
KG.....	Kilogram		

### 10) ILLUSTRATION REFERENCE LETTERS

When necessary, illustrations may contain reference letters that are intended to track information (i. e. hoses, harnesses) from one point to another or to track visual enlargement of components to show details that may be located in another area on the illustration.

*Note: Due to continuous product improvements, JLG Industries, Inc. reserves the right to make specification changes without prior notification. Contact JLG Industries, Inc. for updated information.*



# TABLE OF CONTENTS

SECTION 1 - FRAME.....	11
FIGURE 1-1. STEERING INSTALLATION .....	12
FIGURE 1-2. DRIVE HUB AND MODULE INSTALLATION .....	14
FIGURE 1-3. DRIVE HUB AND MODULE INSTALLATION (BELGIUM BUILT MACHINES ONLY) .....	16
FIGURE 1-4. DRIVE MOTOR/HUB ASSEMBLY .....	18
FIGURE 1-5. HUB ASSEMBLY - REAR .....	22
FIGURE 1-6. TIRE AND WHEEL ASSEMBLY (SOLIDEAL) .....	24
FIGURE 1-7. TIRE AND WHEEL ASSEMBLY (EXMILE).....	26
FIGURE 1-8. POTHOLE PROTECTION INSTALLATION - NON-UL .....	28
FIGURE 1-9. CHARGER (INVERTER) INSTALLATION (ANSI, ANSI EXPORT AND CSA SPECS) BATTERY CHARGER INSTALLATION WITH LOCALLY SUPPLIED PLUG (AUSTRALIAN SPEC) .....	30
FIGURE 1-10. BATTERY CHARGER INSTALLATION - DELTA-Q WITH 110 PLUG (ANSI, ANSI EXPORT, CSA, JAPANESE AND KOREA SPECS) .....	32
FIGURE 1-11. BATTERY CHARGER INSTALLATION - DELTA-Q WITH CHINESE PLUG (ANSI EXPORT, CHINESE AND KOREA SPECS) (PVC 1910) .....	34
FIGURE 1-12. BATTERY CHARGER INSTALLATION - DELTA-Q WITH CHINESE PLUG (ANSI EXPORT, CHINESE AND KOREA SPECS) (PVC 2004) .....	36
FIGURE 1-13. BATTERY CHARGER INSTALLATION - DELTA-Q WITH LOCALLY SUPPLIED PLUG (ANSI, ANSI EXPORT, CE, CSA AND KOREA SPECS) .....	38
FIGURE 1-14. BATTERY CHARGER INSTALLATION - DELTA-Q WITH LOCALLY SUPPLIED PLUG (AUSTRALIAN SPEC) ..	40
FIGURE 1-15. BATTERY CHARGER INSTALLATION - DELTA-Q WITH VOLTAGE GUARD (LOCALLY SUPPLIED PLUG) (ANSI EXPORT AND KOREA SPECS) .....	42
FIGURE 1-16. BATTERY CHARGER INSTALLATION - DELTA-Q WITH VOLTAGE GUARD AND CHINESE PLUG (ANSI EXPORT, CHINESE AND KOREA SPECS).....	44
FIGURE 1-17. BATTERY CHARGER INSTALLATION - EAGLE PERFORMANCE (ANSI AND CSA SPEC) .....	46
FIGURE 1-18. BATTERY CHARGER INSTALLATION WITH LOCALLY SUPPLIED - EAGLE PERFORMANCE (ANSI AND CSA SPEC).....	48
FIGURE 1-19. BATTERY CHARGER ASSEMBLY EAGLE PERFORMANCE.....	50
FIGURE 1-20. BATTERY CHARGER INSTALLATION - GREEN POWER (CHINESE PLUG) (CHINESE SPECS).....	52
FIGURE 1-21. BEACON (AMBER) LIGHT INSTALLATION (OPTIONAL) .....	54
FIGURE 1-22. LADDER INSTALLATION - 1930ES .....	56
SECTION 2 - GROUND COMPONENTS.....	59
FIGURE 2-1. GROUND CONTROL BOX/ALARM INSTALLATION - LSS (CHINA BUILT MACHINES) .....	60
FIGURE 2-2. GROUND CONTROL BOX/ALARM INSTALLATION - LSS (CE SPECS) (BELGIUM BUILT MACHINES).....	62
FIGURE 2-3. GROUND CONTROL BOX ASSEMBLY - LSS.....	64
FIGURE 2-4. BATTERIES INSTALLATION - AGM AND EVG TYPE - 225 AH RATING (NON-LOCKING COVERS).....	66
FIGURE 2-5. BATTERIES INSTALLATION - AGM AND EVG TYPE - 225 AH RATING (NON-UL LOCKING COVERS) .....	68
FIGURE 2-6. BATTERIES INSTALLATION - AGM VISION AND EVG TYPE - 220 AH RATING (NON-LOCKING COVERS).....	70
FIGURE 2-7. BATTERIES INSTALLATION - AGM VISION AND EVG TYPE - 220 AH RATING (NON-UL LOCKING COVERS) ..	72
FIGURE 2-8. BATTERIES INSTALLATION - GC TYPE - 225 AH RATING (NON-LOCKING COVERS).....	74
FIGURE 2-9. BATTERIES INSTALLATION - GC TYPE - 225 AH RATING (NON-UL LOCKING COVERS) .....	76
FIGURE 2-10. BATTERIES INSTALLATION - GC TYPE - 225 AH RATING (UL LOCKING COVERS) .....	78
FIGURE 2-11. BATTERIES INSTALLATION - 220 AH RATING WITHOUT BATTERIES (NON LOCKING COVERS) .....	80
FIGURE 2-12. BATTERY TRAY ASSEMBLY - NON-UL.....	82
FIGURE 2-13. BATTERY TRAY ASSEMBLY - UL.....	84
FIGURE 2-14. BATTERY COVER ASSEMBLY - NON-LOCKING .....	86

# TABLE OF CONTENTS

FIGURE 2-15. BATTERY COVER ASSEMBLY - LOCKING.....	88
FIGURE 2-16. BRAKE DISCONNECT AND MDI (MULTIFUNCTION DIGITAL INDICATOR) GAUGE INSTALLATION .....	90
FIGURE 2-17. BRAKE CABLE INSTALLATION (OPTIONAL).....	92
SECTION 3 - SCISSOR ARMS .....	95
FIGURE 3-1. SCISSORS ARMS INSTALLATION - 1930ES STANDARD HYDRAULIC OIL .....	96
FIGURE 3-2. SCISSORS ARMS ASSEMBLY - 1930ES STANDARD HYDRAULIC OIL.....	98
FIGURE 3-3. SCISSORS ARMS INSTALLATION - 1930ES BIODEGRADABLE HYDRAULIC OIL (CHINA BUILT MACHINES) .....	100
FIGURE 3-4. SCISSORS ARMS ASSEMBLY - 1930ES BIODEGRADABLE HYDRAULIC OIL (CHINA BUILT MACHINES)...	102
SECTION 4 - PLATFORM .....	105
FIGURE 4-1. PLATFORM INSTALLATION - WITH INSIDE EXTENSION RAILS AND WITH LSS .....	106
FIGURE 4-2. PLATFORM INSTALLATION - WITH OUTSIDE EXTENSION RAILS AND WITH LSS .....	108
FIGURE 4-3. PLATFORM AND EXTENSION ASSEMBLY - WITH INSIDE EXTENSION RAILS .....	110
FIGURE 4-4. PLATFORM AND EXTENSION ASSEMBLY - WITH OUTSIDE EXTENSION RAILS .....	112
FIGURE 4-5. LATCH ASSEMBLY - WITH INSIDE EXTENSION RAILS .....	114
FIGURE 4-6. LATCH ASSEMBLY - WITH OUTSIDE EXTENSION RAILS .....	116
FIGURE 4-7. RAILS INSTALLATION - WITH INSIDE EXTENSION RAILS AND SELF CLOSING GATE (AUSTRALIAN SPECS) .....	118
FIGURE 4-8. RAILS INSTALLATION - WITH INSIDE EXTENSION RAILS, HANDLE AND SELF CLOSING GATE (AUSTRALIAN SPECS).....	120
FIGURE 4-9. RAIL KIT - WITH INSIDE EXTENSION RAILS AND SELF CLOSING GATE.....	122
FIGURE 4-10. RAIL KIT - WITH INSIDE EXTENSION RAILS, HANDLE AND SELF CLOSING GATE .....	124
FIGURE 4-11. RAILS INSTALLATION - WITH INSIDE EXTENSION RAILS AND SELF CLOSING GATE .....	126
FIGURE 4-12. RAILS INSTALLATION - WITH INSIDE EXTENSION RAILS, HANDLE AND SELF CLOSING GATE .....	128
FIGURE 4-13. RAILS INSTALLATION - WITH OUTSIDE EXTENSION RAILS AND SELF CLOSING GATE .....	130
FIGURE 4-14. RAIL KIT - WITH INSIDE EXTENSION RAILS AND SELF CLOSING GATE.....	132
FIGURE 4-15. RAIL KIT - WITH INSIDE EXTENSION RAILS, HANDLE AND SELF CLOSING GATE .....	134
FIGURE 4-16. RAIL KIT - WITH OUTSIDE EXTENSION RAILS AND SELF CLOSING GATE.....	136
FIGURE 4-17. PLATFORM CONSOLE ASSEMBLY .....	138
FIGURE 4-18. DRIVE/STEER CONTROLLER ASSEMBLY .....	140
FIGURE 4-19. PLATFORM CONSOLE HANGER INSTALLATION (OPTIONAL) .....	142
FIGURE 4-20. WORKSTATION WITHOUT DC CONVERTER INSTALLATION .....	144
FIGURE 4-21. ELECTRICIAN'S TREE INSTALLATION.....	146
FIGURE 4-22. LOW HEIGHT DRIVE CUTOUT (JAPANESE SPECS ONLY) .....	148
FIGURE 4-23. OVERHEAD PROTECTION AND LOW HEIGHT DRIVE CUTOUT (KOREA SPECS ONLY) (PVC 1910).....	150
FIGURE 4-24. OVERHEAD PROTECTION AND LOW HEIGHT DRIVE CUTOUT (KOREA SPECS ONLY) (PVC 2004).....	152
FIGURE 4-25. OVERHEAD SWITCH KIT (FRONT) .....	154
FIGURE 4-26. PANEL INSTALLATION (AUSTRALIAN AND CE SPECS).....	156
FIGURE 4-27. PIPE RACK INSTALLATION (AUSTRALIAN AND CE SPECS).....	158
FIGURE 4-28. QUIK WELDER INSTALLATION .....	160
FIGURE 4-29. QUIK WELDER READY INSTALLATION.....	162
SECTION 5 - CYLINDER.....	165
FIGURE 5-1. LIFT CYLINDER ASSEMBLY - 1930ES WITH STANDARD HYDRAULIC OIL (SH-PAC).....	166
FIGURE 5-2. LIFT CYLINDER ASSEMBLY - 1930ES WITH STANDARD HYDRAULIC OIL (SH-PAC).....	170



# TABLE OF CONTENTS

FIGURE 5-3. LIFT CYLINDER ASSEMBLY - 1930ES WITH BIODEGRADABLE HYDRAULIC OIL (SH-PAC) .....	174
FIGURE 5-4. STEER CYLINDER ASSEMBLY (SH-PAC).....	178
SECTION 6 - HYDRAULIC .....	181
FIGURE 6-1. HYDRAULIC DIAGRAM LIST .....	182
SECTION 7 - ELECTRICAL .....	183
FIGURE 7-1. AC BOX AT PLATFORM INSTALLATION - 110V GFI.....	184
FIGURE 7-2. AC BOX AT PLATFORM INSTALLATION - 220V CEE7 SIDE (ANSI EXPORT SPEC ONLY) .....	186
FIGURE 7-3. AC BOX AT PLATFORM INSTALLATION - 110V IEC YELLOW (CE SPEC ONLY) .....	188
FIGURE 7-4. AC BOX AT PLATFORM INSTALLATION - 220V IEC BLUE (CE SPEC ONLY) .....	190
FIGURE 7-5. AC BOX AT PLATFORM INSTALLATION - 220V AFSINT107 (CE SPEC ONLY) .....	192
FIGURE 7-6. AC BOX AT PLATFORM INSTALLATION - 220V CEE7 SIDE GRD (CE SPEC ONLY) .....	194
FIGURE 7-7. AC BOX AT PLATFORM INSTALLATION - 220V CEE7 POST GRD (CE SPEC ONLY).....	196
FIGURE 7-8. AC BOX AT PLATFORM INSTALLATION - 220V (CHINA SPEC ONLY).....	198
FIGURE 7-9. BATTERY CABLE KIT .....	200
FIGURE 7-10. BRAKE DISCONNECT HARNESS.....	202
FIGURE 7-11. BREAKER BOX KIT WITH TWO BREAKERS (CE SPEC ONLY) .....	204
FIGURE 7-12. BREAKER BOX KIT WITH THREE BREAKERS (CE SPEC ONLY) .....	206
FIGURE 7-13. CABLES INSTALLATION .....	208
FIGURE 7-14. CABLES INSTALLATION .....	210
FIGURE 7-15. CHARGER CORD PLUG INSTALLATION - 110V IEC YELLOW (CE SPEC ONLY) .....	212
FIGURE 7-16. CHARGER CORD PLUG INSTALLATION - 220V IEC BLUE (CE SPEC).....	214
FIGURE 7-17. CHARGER CORD PLUG INSTALLATION - 220V AFSINT 107 (CE SPEC) .....	216
FIGURE 7-18. CHARGER CORD PLUG INSTALLATION - 220V CEE7 POST GROUND (CE SPEC) .....	218
FIGURE 7-19. CHARGER CORD PLUG INSTALLATION - 220V POST GROUND (CE SPEC) .....	220
FIGURE 7-20. CHARGER CORD PLUG INSTALLATION (KOREA SPEC).....	222
FIGURE 7-21. CHARGER HARNESS TO CHASSIS HARNESS.....	224
FIGURE 7-22. CHARGER HARNESS TO BATTERY .....	226
FIGURE 7-23. CHASSIS HARNESS.....	228
FIGURE 7-24. CYLINDER HARNESS.....	230
FIGURE 7-25. DRIVE CABLE ASSEMBLY.....	232
FIGURE 7-26. DRIVE FIELD CONNECTION HARNESS.....	234
FIGURE 7-27. ES HARNESS (CAN SPLICE) .....	236
FIGURE 7-28. GROUND CONTROL BOX HARNESS.....	238
FIGURE 7-29. GROUND TO PLATFORM HARNESS .....	240
FIGURE 7-30. GROUND TO PLATFORM HARNESS .....	242
FIGURE 7-31. LOAD SENSE HARNESS.....	244
FIGURE 7-32. MDI (MULTIFUNCTION DIGITAL INDICATOR) HARNESS .....	246
FIGURE 7-33. PLATFORM BOX HARNESS.....	248
FIGURE 7-34. PLATFORM CABLE ASSEMBLY.....	250
FIGURE 7-35. PUMP POWER CABLE ASSEMBLY .....	252
FIGURE 7-36. RECEPTACLE BOX KIT – 110V GFI .....	254
FIGURE 7-37. RECEPTACLE BOX KIT – 110V IEC YELLOW (CE SPEC) .....	256
FIGURE 7-38. RECEPTACLE BOX KIT – 220V IEC BLUE (CE SPEC) .....	258
FIGURE 7-39. RECEPTACLE BOX KIT – 220V AFSINT 107 (CE SPEC).....	260

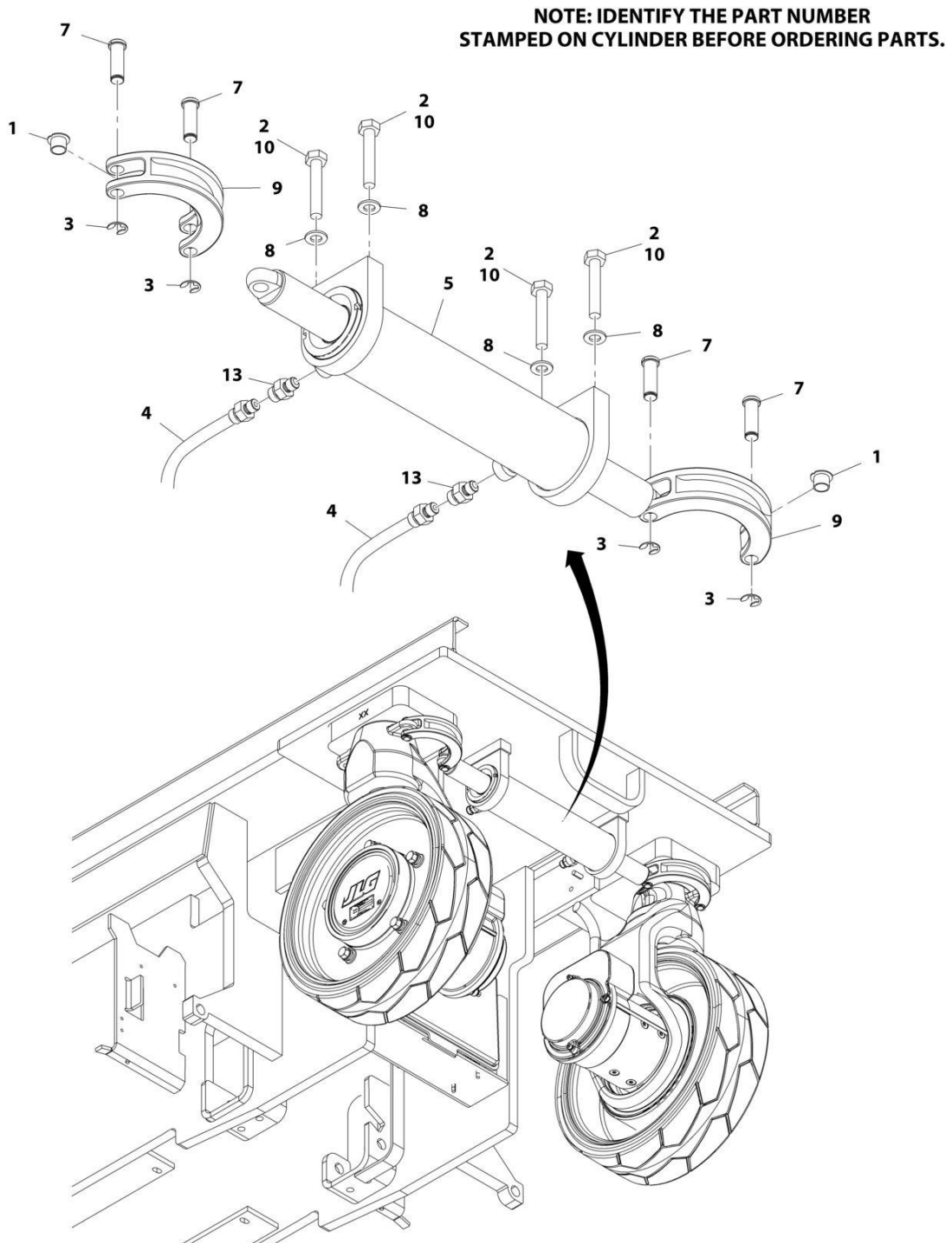
# TABLE OF CONTENTS

FIGURE 7-40. RECEPTACLE BOX KIT – 220V CEE7 SIDE GROUND (CE SPEC) .....	262
FIGURE 7-41. RECEPTACLE BOX KIT – 220V CEE7 POST GROUND (CE SPEC) .....	264
SECTION 8 - DECALS .....	267
FIGURE 8-1. DECAL INSTALLATION - ANSI SPEC (ENGLISH) .....	268
FIGURE 8-2. DECAL INSTALLATION - AUSTRALIAN SPEC (ENGLISH) .....	270
FIGURE 8-3. DECAL INSTALLATION - BRAZIL SPEC (PORTUGUESE/SPANISH) .....	272
FIGURE 8-4. DECAL INSTALLATION - CE SPEC (ENGLISH) .....	274
FIGURE 8-5. DECAL INSTALLATION - CHINA SPEC (GB) .....	276
FIGURE 8-6. DECAL INSTALLATION - CHINESE SPEC (CHINESE/ENGLISH) .....	278
FIGURE 8-7. DECAL INSTALLATION - CSA SPEC (ENGLISH/FRENCH) .....	280
FIGURE 8-8. DECAL INSTALLATION - KOREAN SPEC (KOREAN/ENGLISH) .....	282
FIGURE 8-9. DECAL INSTALLATION - LATIN AMERICAN SPEC (ENGLISH/SPANISH) .....	284
FIGURE 8-10. DECAL INSTALLATION - OPTIONS .....	286
SECTION 9 - RECOMMENDED SERVICE PARTS .....	289
FIGURE 9-1. RECOMMENDED SERVICE PARTS STOCK .....	290
SECTION 10 - SPECIAL OPTIONS .....	291
FIGURE 10-1. SPECIAL OPTIONS .....	292
PART NUMBER INDEX .....	295

**SECTION 1 - FRAME**

# SECTION 1 - FRAME

## FIGURE 1-1. STEERING INSTALLATION



ART\_1001131074

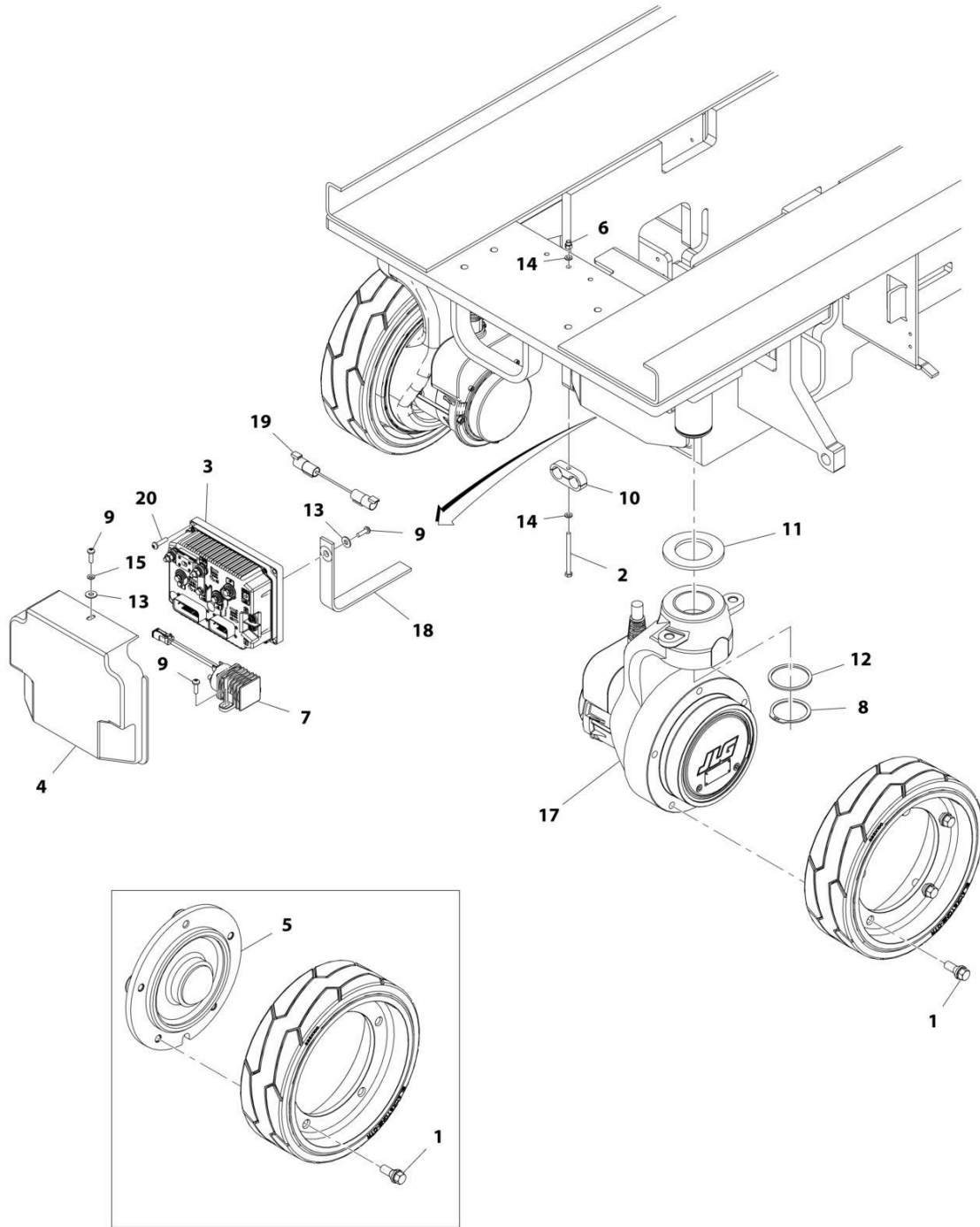
## SECTION 1 - FRAME

### FIGURE 1-1. STEERING INSTALLATION

ITEM	PART NUMBER	QTY	DESCRIPTION	REV
	1001131074	Ref	STEERING INSTALLATION	B
1	0440259	2	Bearing, Flange	
2	0701016	4	Bolt M10 x 40	
3	1380153	4	Clip	
4	2755056	2	Hose Assembly	
5	1001129267	1	Steer Cylinder Assembly (See Separate Breakdown in CYLINDER SECTION)	
7	3423037	4	Pin, Clevis	
8	4812000	4	Washer M10	
9	4846757	2	Lug, Steer	
10	0100011	AR	Compound, Locking	
13	2110404	2	Fitting, Straight ORFS/ORB	

# SECTION 1 - FRAME

## FIGURE 1-2. DRIVE HUB AND MODULE INSTALLATION



REAR WHEEL SHOWN HERE FOR CLARITY

ART\_1001117032

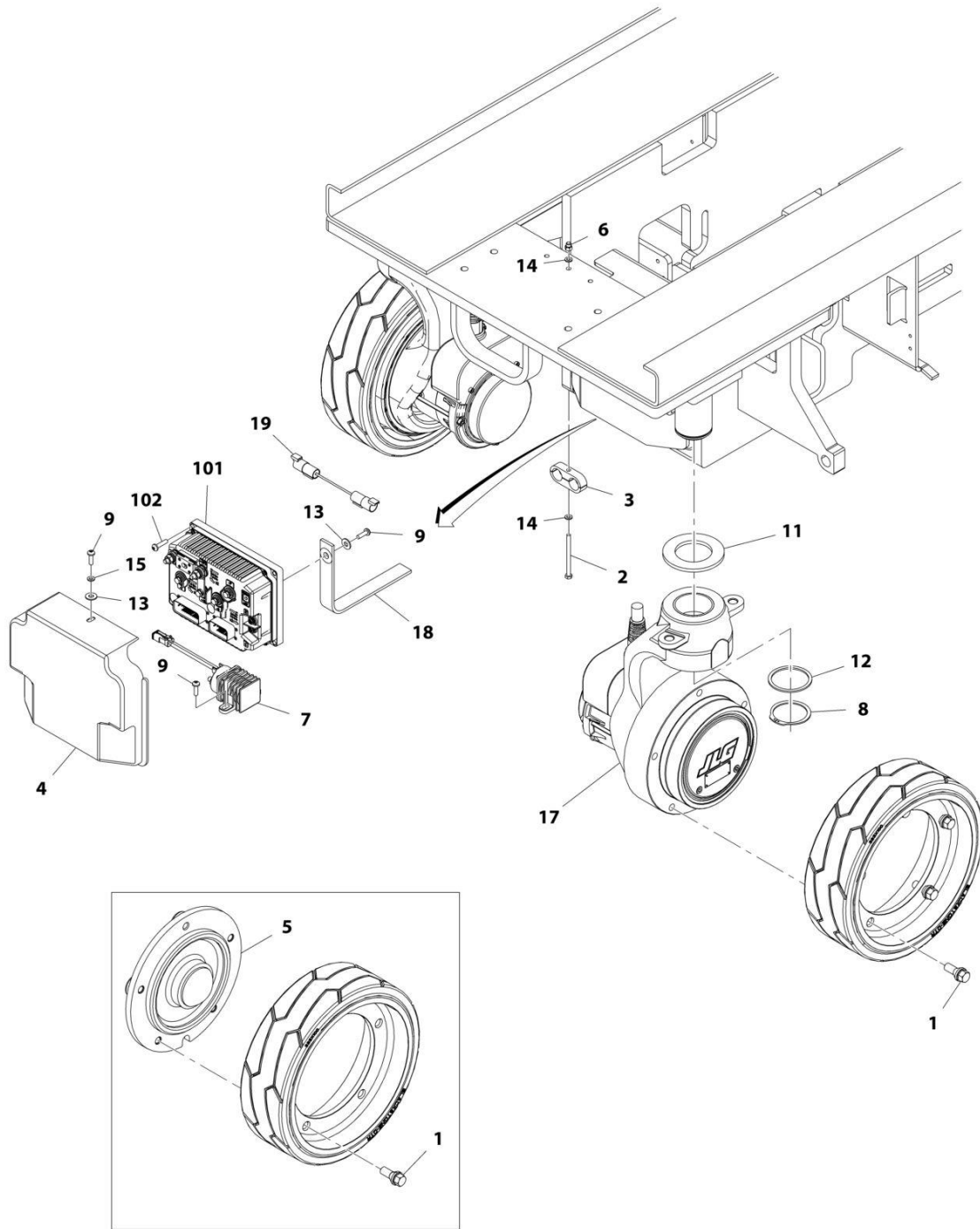
## SECTION 1 - FRAME

**FIGURE 1-2. DRIVE HUB AND MODULE INSTALLATION**

ITEM	PART NUMBER	QTY	DESCRIPTION	REV
	1001117032	Ref	DRIVE HUB AND MODULE INSTALLATION	B
1	0630580	20	Bolt, Wheel	
2	0700624	1	Bolt M6 x 80	
3	1001092456	1	Module, Control	
4	1001115170	1	Cover	
5	2780266	2	Hub Assembly - Rear (See HUB ASSEMBLY - REAR for Breakdown)	
6	3290606	1	Nut M6	
7	3740150	1	Relay	
7	4460891	1	Connector - 2 Position	
8	3760463	2	Ring, Retaining	
9	4191708	4	Screw M6 x 20	
10	1001094301	1	Clamp	
11	4740524	2	Washer, Thrust	
12	4740564	2	Washer	
13	4751400	2	Washer 1/4	
14	4811700	2	Washer M6	
15	4831700	1	Lockwasher, M6	
17	1001092737	2	Drive Motor Assembly (See Separate Breakdown in this Section)	
18	4240147	1	Strap, Anti-Static	
19	4923602	1	Harness, Field Wire Connection (See Separate Breakdown in ELECTRICAL SECTION)	
20	4191709	4	Screw M6 x 25	

# SECTION 1 - FRAME

## FIGURE 1-3. DRIVE HUB AND MODULE INSTALLATION (BELGIUM BUILT MACHINES ONLY)



REAR WHEEL SHOWN HERE FOR CLARITY

ART\_1001219122



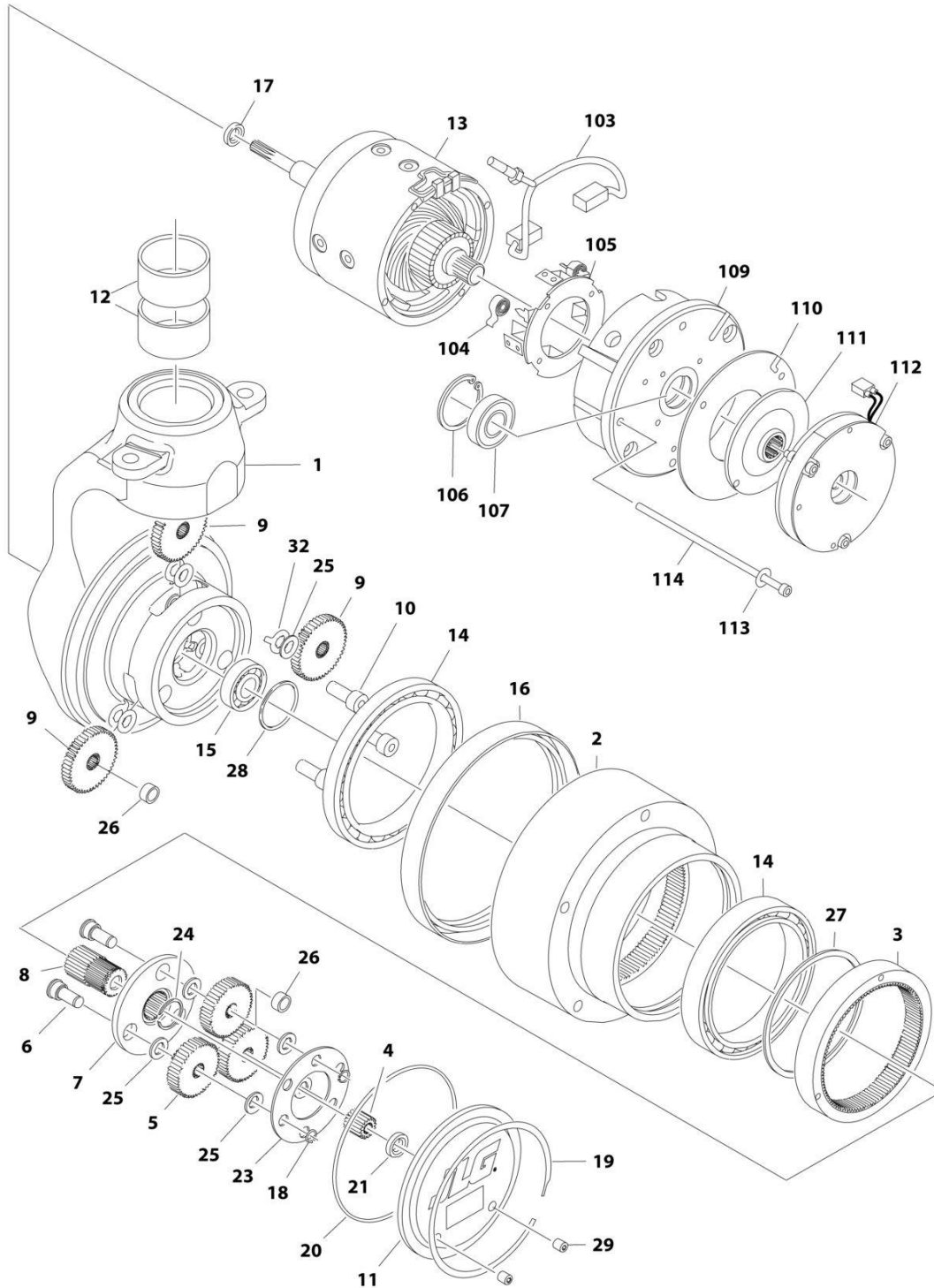
## SECTION 1 - FRAME

**FIGURE 1-3. DRIVE HUB AND MODULE INSTALLATION (BELGIUM BUILT MACHINES ONLY)**

ITEM	PART NUMBER	QTY	DESCRIPTION	REV
	1001219122	Ref	DRIVE HUB AND MODULE INSTALLATION	A
1	0630580	20	Bolt, Wheel	
2	0700624	1	Bolt M6 x 80	
3	1001094301	1	Clamp	
4	1001115170	1	Cover	
5	2780266	2	Hub Assembly - Rear (See Separate Breakdown in this Section)	
6	3290606	1	Nut M6	
7	3740150	1	Relay	
7	4460891	1	Connector - 2 Position	
8	3760463	2	Ring, Retaining	
9	4191708	4	Screw M6 x 20	
11	4740524	2	Washer, Thrust	
12	4740564	2	Washer	
13	4751400	2	Washer 1/4	
14	4811700	2	Washer M6	
15	4831700	1	Lockwasher, M6	
17	1001092737	2	Drive Motor Assembly (See Separate Breakdown in this Section)	
18	4240147	1	Strap, Anti-Static	
19	4923602	1	Harness, Field Wire Connection (See Separate Breakdown in ELECTRICAL SECTION)	
		Ref	ADDITIONAL COMPONENTS ORDERED SEPARATE	
101	1001092456	1	Module, Control	
102	4191709	4	Screw M6 x 25	

# SECTION 1 - FRAME

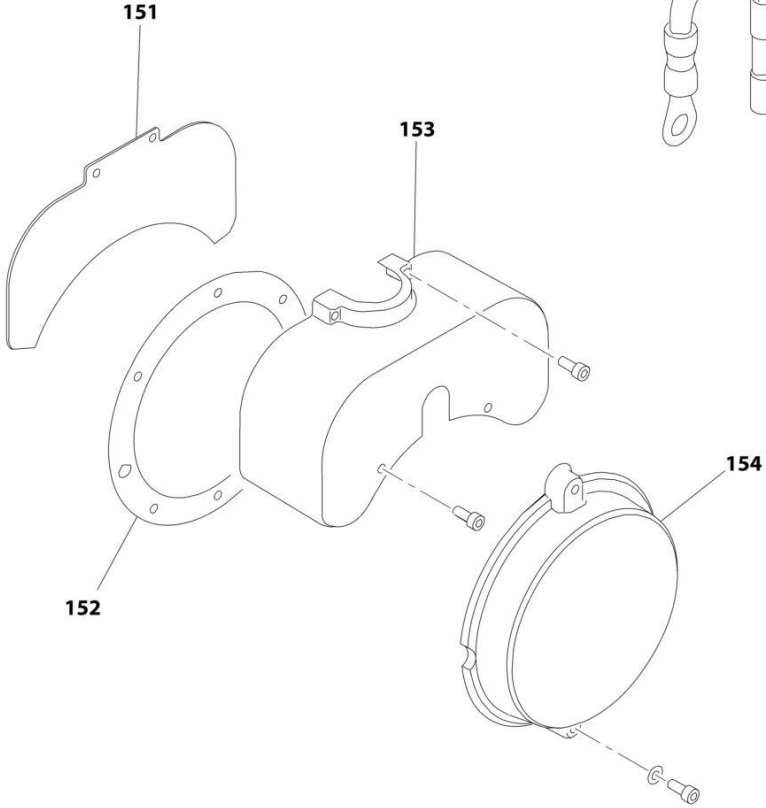
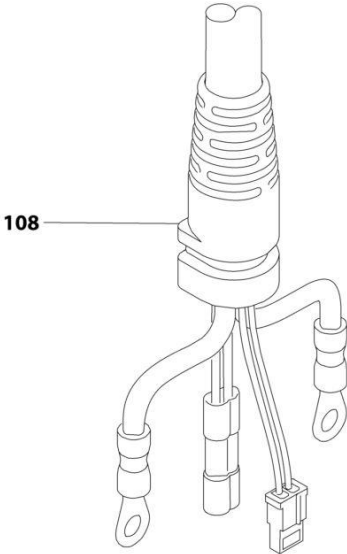
## FIGURE 1-4. DRIVE MOTOR/HUB ASSEMBLY



ART\_1001092737\_10F2

**SECTION 1 - FRAME**

- 201
- 202
- 203
- 204
- 205
- 206
- 207
- 208
- 209
- 210
- 211



ART\_1001092737\_20F2

# SECTION 1 - FRAME

## FIGURE 1-4. DRIVE MOTOR/HUB ASSEMBLY

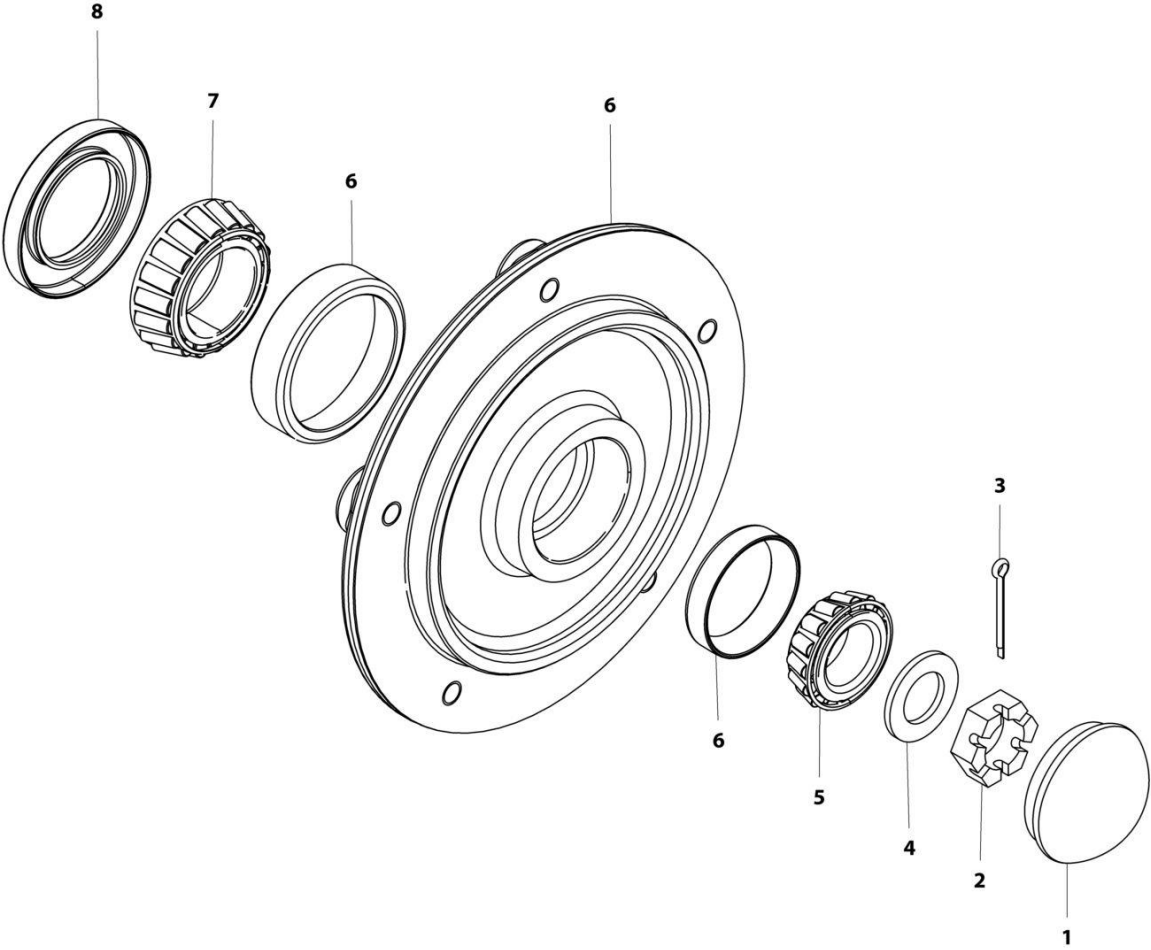
ITEM	PART NUMBER	QTY	DESCRIPTION	REV
	1001092737	Ref	DRIVE MOTOR/HUB ASSEMBLY	I
		Ref	HUB ASSEMBLY	
1	See Note	NSS	Spindle (Note: Purchase Complete Assembly)	
2	See Note	NSS	Hub (Note: Use Item 206)	
3	See Note	NSS	Ring, Input (Note: Use Item 204)	
4	See Note	NSS	Gear, Input Sun (Note: Use Item 203)	
5	See Note	NSS	Gear, Input Planet (Note: Use Item 203)	
6	See Note	NSS	Pin, Planet Gear (Note: Use Item 203)	
7	See Note	NSS	Carrier (Note: Use Item 203)	
8	See Note	NSS	Gear, Output Sun (Note: Use Item 203)	
9	See Note	NSS	Gear, Output Planet (Note: Use Item 207)	
10	See Note	NSS	Pin, Output Planet (Note: Use Item 207)	
11	See Note	NSS	Cover (Note: Use Item 201)	
12	7024757	1	Bushing Kit, Kingpin (Includes 2 Bushings)	
13	See Note	NSS	Motor, Electric (Note: Use Item 205)	
14	See Note	NSS	Bearing, Main (Note: Use Item 202, 204, 206 or 207)	
15	See Note	NSS	Bearing, Shaft (Note: Use Item 207)	
16	70001739	1	Seal, Lip	
17	7024786	1	Seal, Lip	
18	See Note	NSS	Ring, Retaining (Note: Use Item 203)	
19	See Note	NSS	Ring, Retaining (Note: Use Item 201)	
20	70000191	1	O-Ring	
21	See Note	NSS	Washer, Thrust (Note: Use Item 201)	
23	See Note	NSS	Plate, Thrust (Note: Use Item 203)	
24	See Note	NSS	Ring, Retaining (Note: Use Item 203)	
25	See Note	NSS	Washer, Thrust (Note: Use Item 203 or 207)	
26	See Note	NSS	Bushing (Note: Use Item 203 or 207)	
27	See Note	NSS	Ring, Retaining (Note: Use Item 204, 206 or 207)	
28	See Note	NSS	Ring, Retaining (Note: Use Item 207)	
29	See Note	NSS	Plug (Note: Use Item 201)	
32	See Note	NSS	Washer, Tanged (Note: Use Item 207)	
		Ref	BRAKE AND MOTOR COMPONENTS	
103	See Note	NSS	Brush and Terminal Assembly (Note: Use Item 208)	
104	70000790	2	Spring, Brush	
105	70000791	1	Box, Brush	
106	See Note	NSS	Ring, Retaining (Note: Use Item 208)	
107	See Note	NSS	Bearing (Note: Use Item 208)	
108	1001091502	1	Harness, Drive Motor (See Separate Breakdown in ELECTRICAL SECTION)	
109	70000792	1	Commutator	
110	See Note	NSS	Disc, Reaction (Note: Use Item 209)	
111	7024785	1	Disc, Friction	
112	See Note	NSS	Brake Assembly (Note: Use Item 209)	
113	See Note	NSS	Washer (Note: Use Item 210)	
114	See Note	NSS	Bolt (Note: Use Item 210)	
151	See Note	NSS	Plate, Cover (Note: Use Item 211)	
152	70001949	1	Gasket, Cover	
153	70006426	1	Cover, Top	
154	See Note	NSS	Cover, End (Note: Use Item 211)	
		Ref	KIT OPTIONS	

## SECTION 1 - FRAME

ITEM	PART NUMBER	QTY	DESCRIPTION	REV
201	7024747	1	Cover Kit (Includes Items 11, 19, 20, 21 & 29)	
202	7024748	1	Main Seal Kit (Includes Qty 1 of Items 14, 16 & 20)	
203	7024749	1	Input Carrier Kit (Includes Items 4-8, 18, 20 & 23-26)	
204	7024758	1	Input Ring Kit (Includes Items 3, 20, 27 & Qty 1 of Item 14)	
205	70001263	1	Motor Kit (Includes Items 13,17,103-114, 151, 152 & 154)	
206	7024756	1	Hub Kit (Includes Items 2, 16, 20, 27 & Qty 1 of Item 14)	
207	7024750	1	Output Planet Kit (Includes Items 9, 10, 15, 20, 25-28, 32 & Qty 1 of Item 14)	
208	7024771	1	Motor Brush and Bearing Kit (Includes Items 103, 106 & 107)	
209	7024772	1	Brake Kit (Includes Items 110, 111 & 112)	
210	7024773	1	Motor Hardware Kit (Includes Items 113 & 114)	
211	70001265	1	Brake Cover Kit (Includes Items 151, 152 & 154)	

**SECTION 1 - FRAME**

**FIGURE 1-5. HUB ASSEMBLY - REAR**



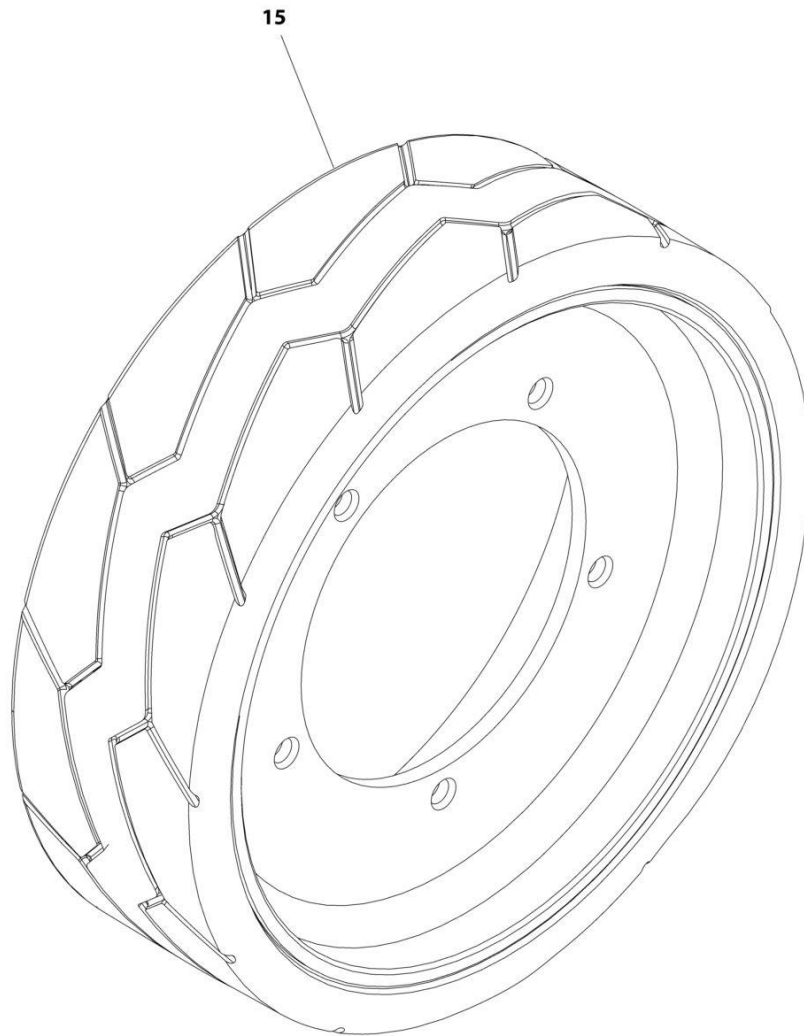
ART\_2780266

FIGURE 1-5. HUB ASSEMBLY - REAR

ITEM	PART NUMBER	QTY	DESCRIPTION	REV
	2780266	Ref	HUB ASSEMBLY - REAR	E
1	1001102354	1	Cap, Dust (was p/n 7012524)	
2	3300423	1	Nut, Slotted (was p/n 7010641)	
3	3450406	1	Pin, Cotter 2 x 3/16 (was p/n 7010642)	
4	4740468	1	Washer (was p/n 7019697)	
5	1001102351	1	Bearing, Cone - Outer (was p/n 7026185)	
6	See Note	NSS	Hub (Note: Purchase Complete Assembly p/n 2780266)	
7	1001102353	1	Bearing, Cone - Inner (was p/n 7026183)	
8	1001102349	1	Seal (was p/n 7026184)	

# SECTION 1 - FRAME

FIGURE 1-6. TIRE AND WHEEL ASSEMBLY (SOLIDEAL)



ART\_100114467



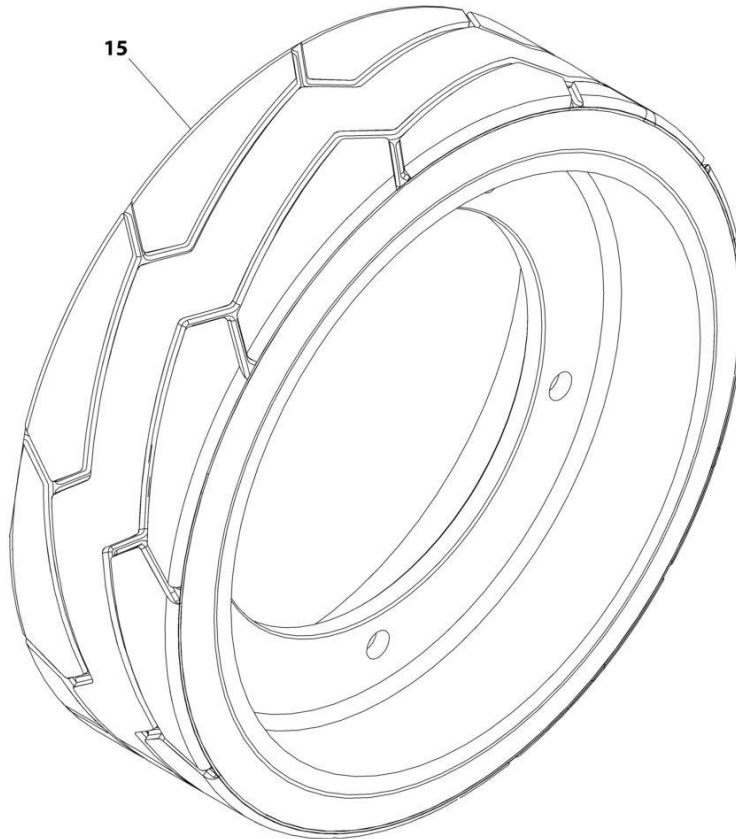
**SECTION 1 - FRAME**

**FIGURE 1-6. TIRE AND WHEEL ASSEMBLY (SOLIDEAL)**

ITEM	PART NUMBER	QTY	DESCRIPTION	REV
15	1001114467 2915012	Ref	TIRE AND WHEEL ASSEMBLY (SOLIDEAL)	
		Ref	NOTE: MUST REPLACE TIRE AND WHEEL ASSEMBLIES IN PAIRS PER AXLE.	
		4	Tire and Wheel Assembly - Non-Marking	
		4	Tire and Wheel Kit (Includes Tire, Wheel and Bolts)	

# SECTION 1 - FRAME

## FIGURE 1-7. TIRE AND WHEEL ASSEMBLY (EXMILE)



ART\_1001219582

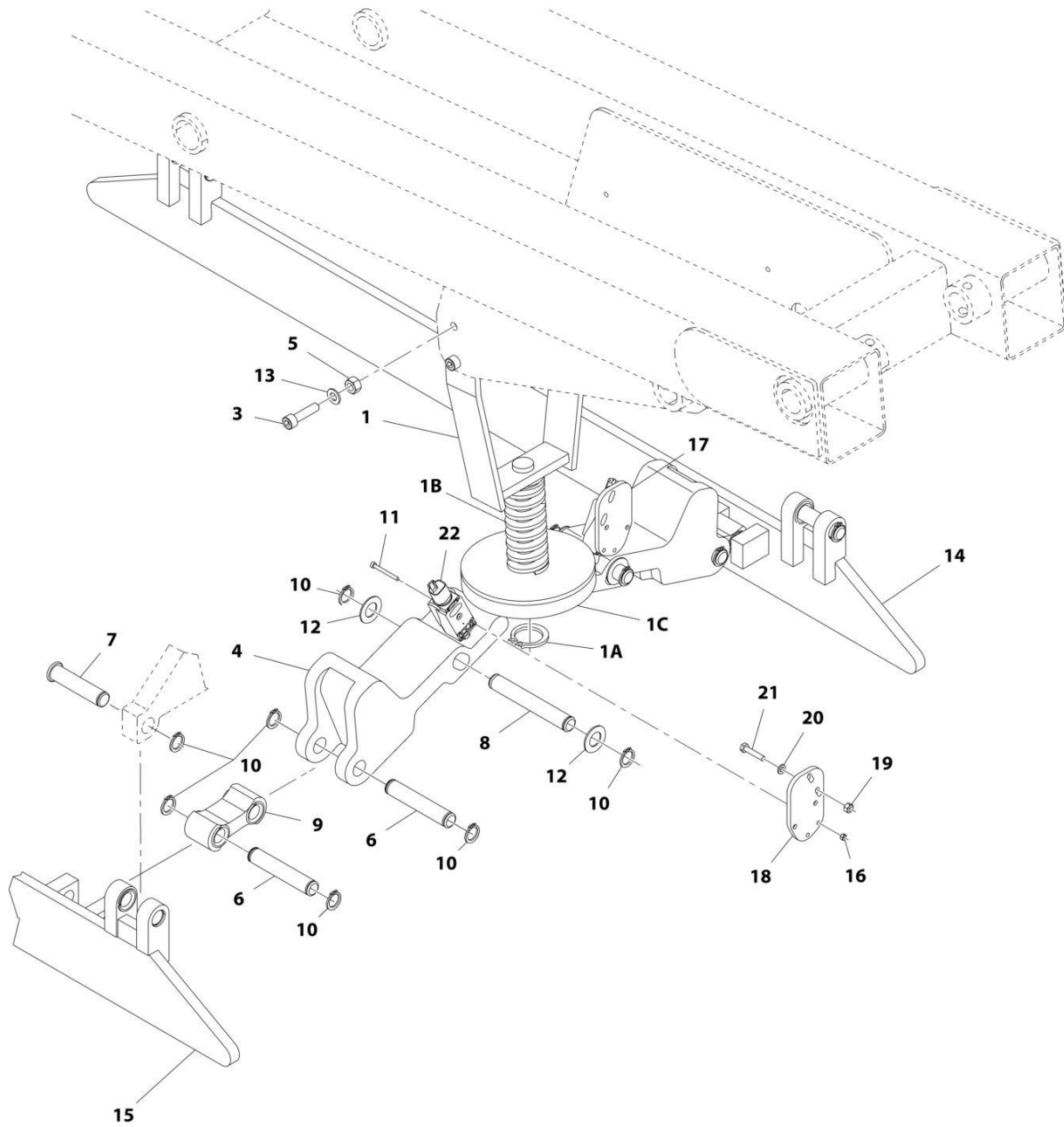
## SECTION 1 - FRAME

### FIGURE 1-7. TIRE AND WHEEL ASSEMBLY (EXMILE)

ITEM	PART NUMBER	QTY	DESCRIPTION	REV
		Ref	TIRE AND WHEEL ASSEMBLY (EXMILE)	
		Ref	NOTE: MUST REPLACE TIRE AND WHEEL ASSEMBLIES IN PAIRS PER AXLE.	
15	1001219582	4	Tire and Wheel Assembly - Non-Marking	

# SECTION 1 - FRAME

## FIGURE 1-8. POTHOLE PROTECTION INSTALLATION - NON-UL



ART\_1001117265

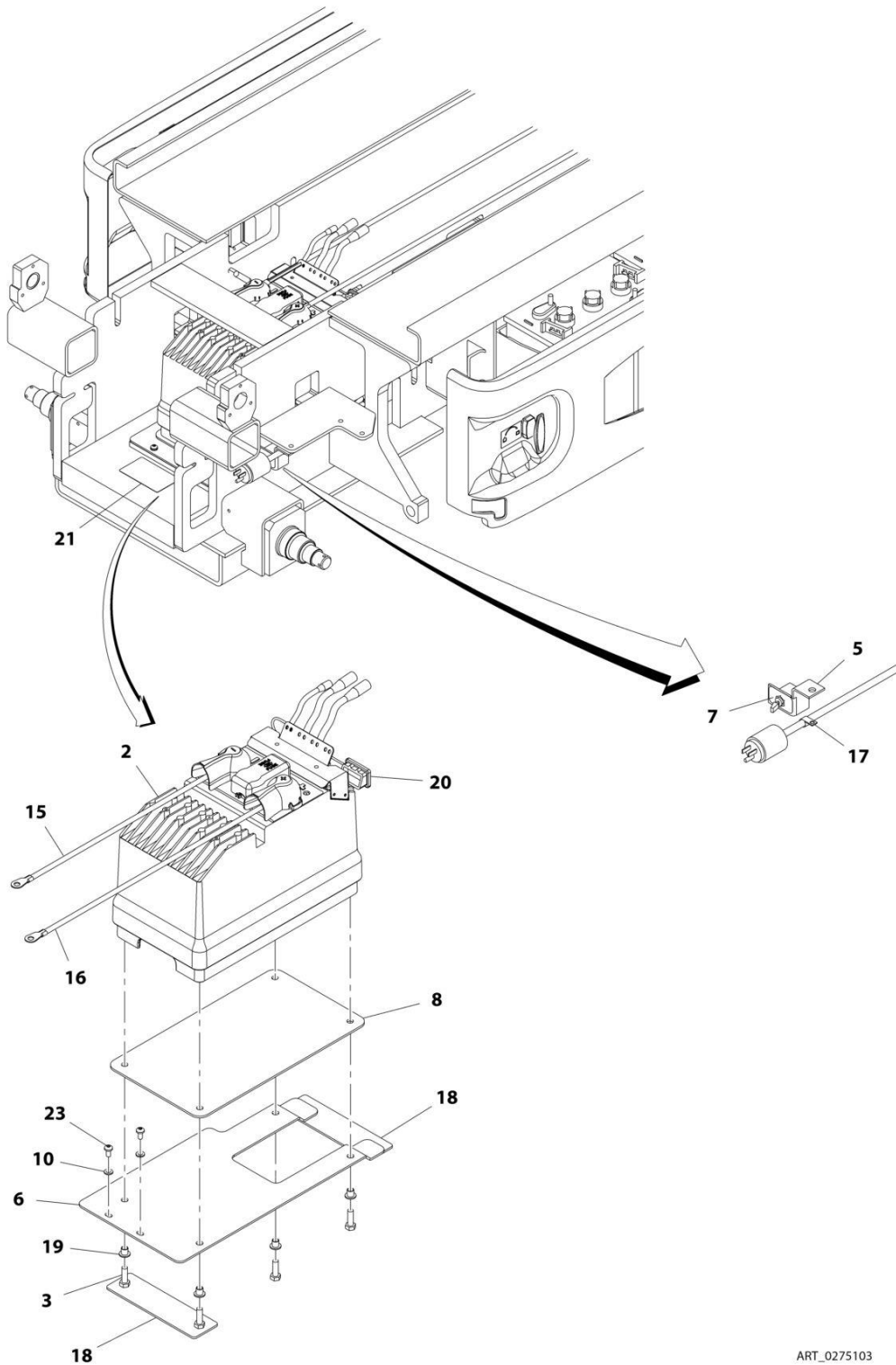
## SECTION 1 - FRAME

**FIGURE 1-8. POTHOLE PROTECTION INSTALLATION - NON-UL**

ITEM	PART NUMBER	QTY	DESCRIPTION	REV
	1001117265	Ref	POTHOLE PROTECTION INSTALLATION - NON-UL	B
1	0060090	1	Actuator Pothole	F
1A	3760115	1	Ring, Retaining	
1B	4160202	1	Spring	
1C	4220287	1	Pad	
3	3900351	4	Capscrew M10 x 30	
4	3010158	2	Link	
5	3291005	4	Nut M10	
6	3423045	4	Pin, Pivot	
7	3423189	4	Pin, Pivot	
8	3423267	2	Pin	
9	3574176	2	Plate, Link	
10	3760348	16	Ring, Retaining	
11	4031512	4	Capscrew M4 x 40	
12	4740086	4	Washer, Thrust	
13	4812000	4	Washer M10	
14	4846775	1	Support (RH)	
15	4846861	1	Support (LH)	
16	3290405	4	Nut M4	
17	1001109232	1	Plate, Mounting	
18	1001109233	1	Plate, Mounting	
19	3290605	4	Nut M6	
20	4811700	4	Washer M6	
21	0700614	4	Bolt M6 x 30	
22	1001109088	2	Switch, Limit	

# SECTION 1 - FRAME

**FIGURE 1-9. CHARGER (INVERTER) INSTALLATION (ANSI, ANSI EXPORT AND CSA SPECS) BATTERY CHARGER INSTALLATION WITH LOCALLY SUPPLIED PLUG (AUSTRALIAN SPEC)**



ART\_0275103

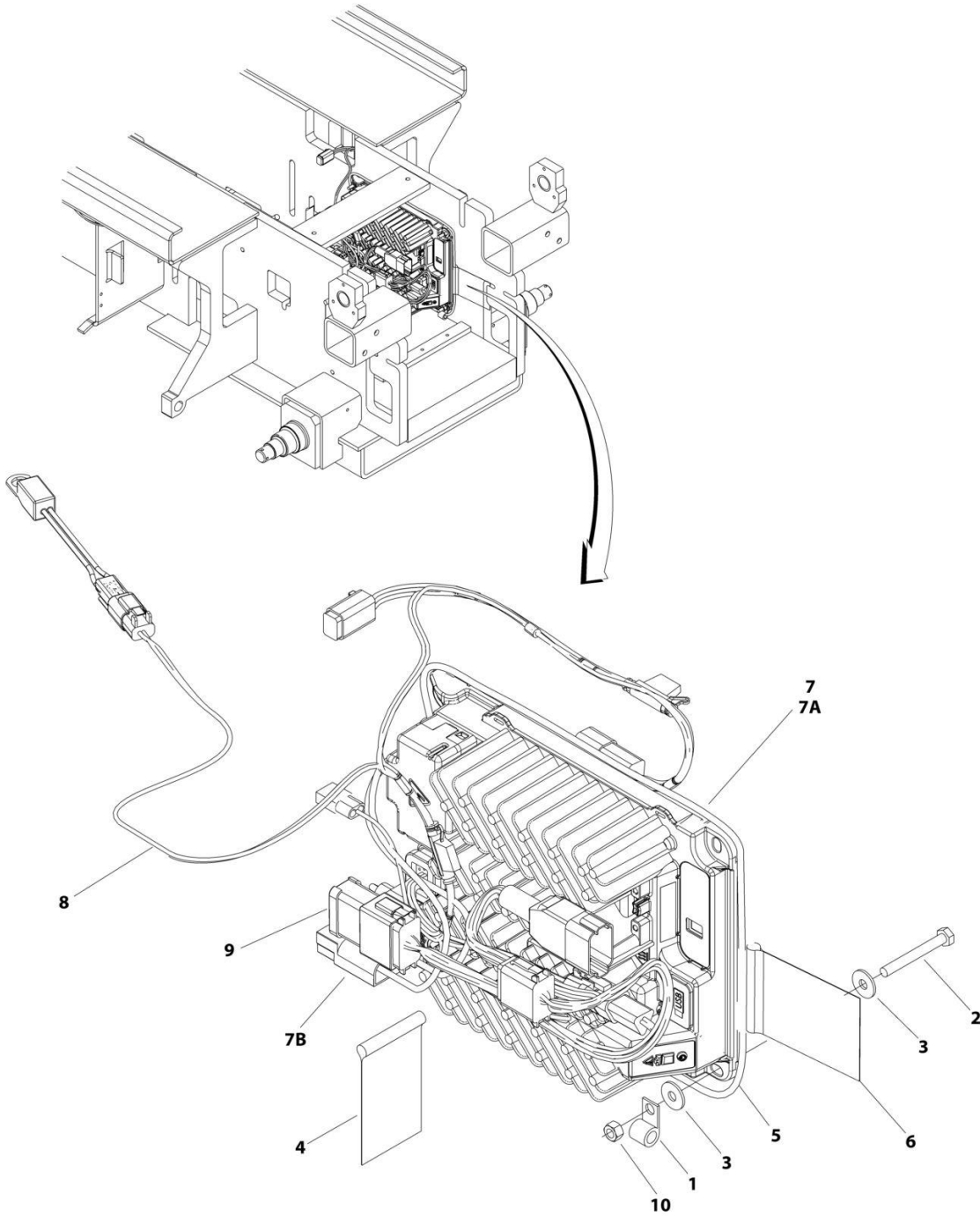
## SECTION 1 - FRAME

**FIGURE 1-9. CHARGER (INVERTER) INSTALLATION (ANSI, ANSI EXPORT AND CSA SPECS) BATTERY CHARGER INSTALLATION WITH LOCALLY SUPPLIED PLUG (AUSTRALIAN SPEC)**

ITEM	PART NUMBER	QTY	DESCRIPTION	REV
	0275103	Ref	CHARGER (INVERTER) INSTALLATION	G
1	0100011	AR	Compound, Locking	
2	1001093839	1	Charger, Inverter	
3	0760812	4	Screw M8 x 25	
5	0902780	1	Bracket, Remote Switch	
6	0903444	1	Bracket, Inverter Mounting	
7	1705052	1	Decal - Inverter On-Off	
8	2820239	1	Insulation	
10	4811700	2	Washer M6	
12	1001091479	1	Harness, AC Input (Not Shown)	
13	4923390	1	Harness, AC Output (Not Shown)	
14	4923391	1	Harness Data Interface (Not Shown)	
15	4923392	1	Cable, Inverter Positive	
16	4923393	1	Cable, Inverter Negative	
17	1320043	1	Clamp	
18	2820240	2	Insulation	
19	4740562	4	Washer Special	
20	1671266	1	Cover	
21	1706749	1	Decal - Inverter	
23	4191706	2	Screw M6 x 12	

# SECTION 1 - FRAME

FIGURE 1-10. BATTERY CHARGER INSTALLATION - DELTA-Q WITH 110 PLUG (ANSI, ANSI EXPORT, CSA, JAPANESE AND KOREA SPECS)



ART\_1001252960



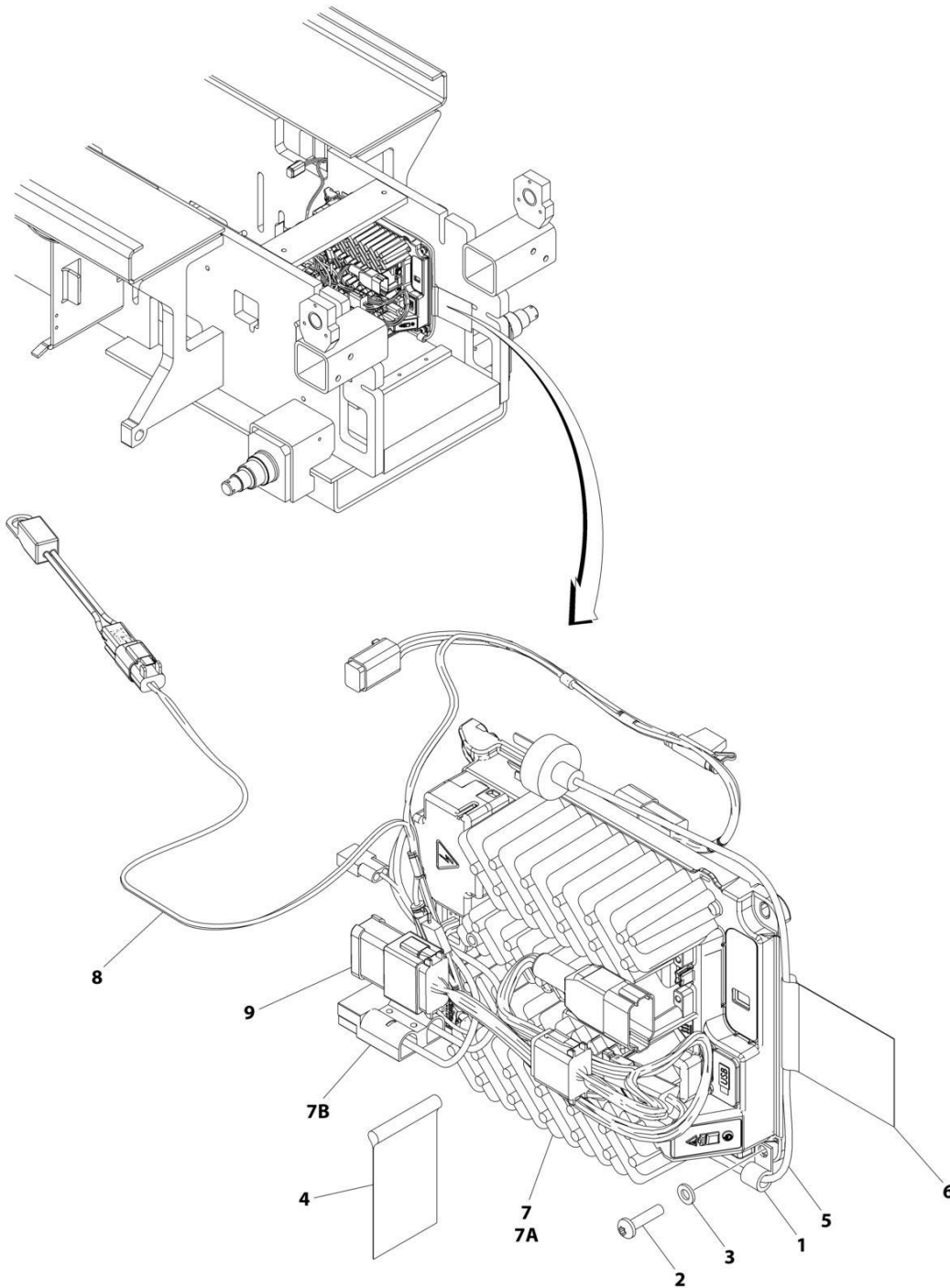
## SECTION 1 - FRAME

**FIGURE 1-10. BATTERY CHARGER INSTALLATION - DELTA-Q WITH 110 PLUG (ANSI, ANSI EXPORT, CSA, JAPANESE AND KOREA SPECS)**

ITEM	PART NUMBER	QTY	DESCRIPTION	REV
	1001252960	Ref	BATTERY CHARGER INSTALLATION WITH 110 PLUG	C
1	1320136	1	Clamp	
2	0700618	3	Bolt M6 x 50	
3	4811702	6	Washer M6	
4	1001102258	1	Decal - AC Label	
5	1001207970	1	Cable, Charger Input	
6	1001215870	1	Decal - Charger Input Voltage	
7	1001252957	1	Battery Charger Assembly	
7A	1001253952	1	Charger	
7B	1001253638	1	Harness, Charger (See Separate Breakdown in ELECTRICAL SECTION)	
8	1001253641	1	Harness, Charger (See Separate Breakdown in ELECTRICAL SECTION)	
9	1001253643	1	Harness, ES, Can Splice (See Separate Breakdown in ELECTRICAL SECTION)	
10	3290607	3	Nut M6	

# SECTION 1 - FRAME

FIGURE 1-11. BATTERY CHARGER INSTALLATION - DELTA-Q WITH CHINESE PLUG (ANSI EXPORT, CHINESE AND KOREA SPECS) (PVC 1910)



ART\_1001253639

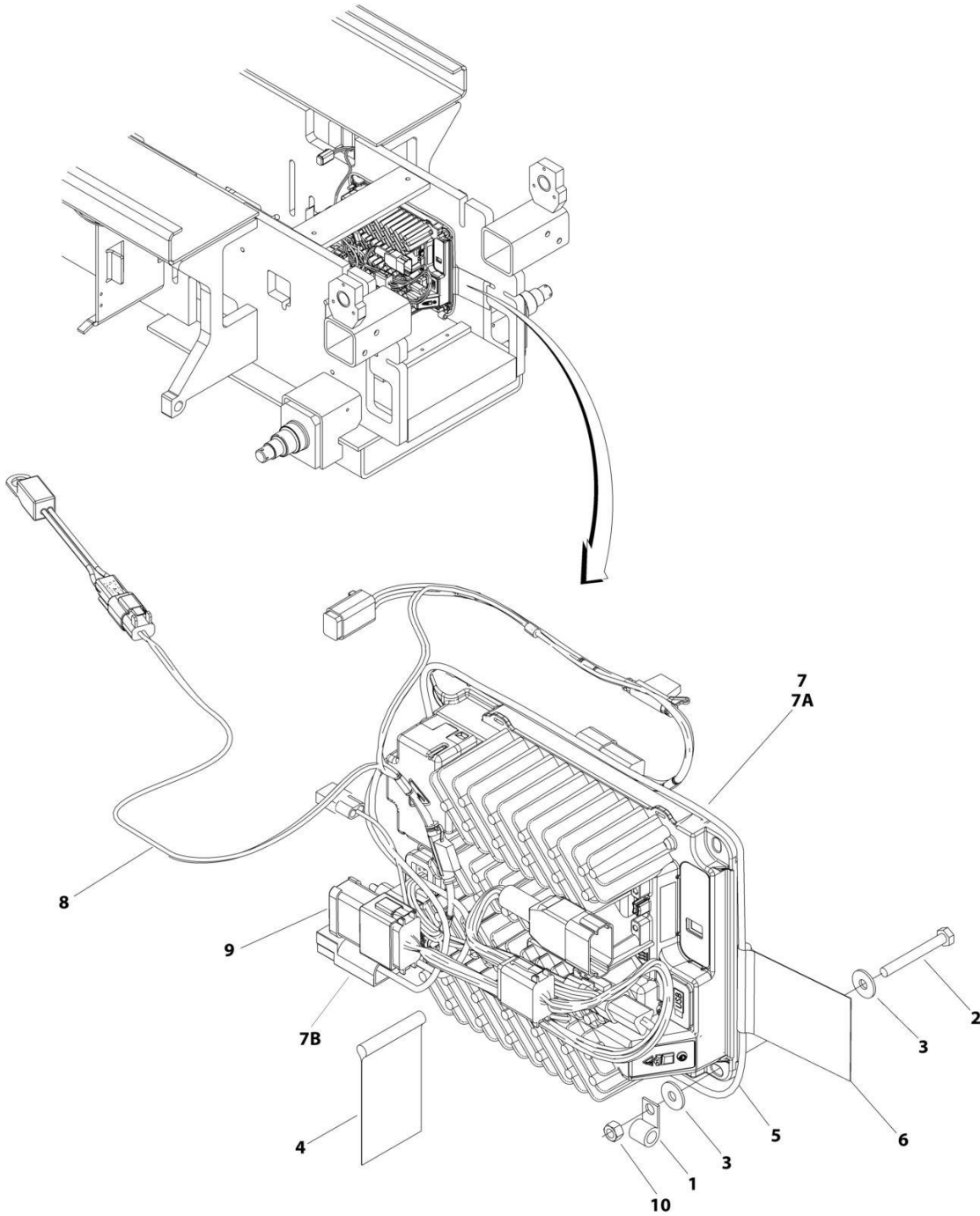
## SECTION 1 - FRAME

**FIGURE 1-11. BATTERY CHARGER INSTALLATION - DELTA-Q WITH CHINESE PLUG (ANSI EXPORT, CHINESE AND KOREA SPECS) (PVC 1910)**

ITEM	PART NUMBER	QTY	DESCRIPTION	REV
	1001253639	Ref	BATTERY CHARGER INSTALLATION WITH CHINESE PLUG	A
1	1321293	1	Clamp	
2	4191709	4	Bolt M6 x 25	
3	4811700	4	Washer M6	
4	1001102258	1	Decal - AC Label	
5	1001207973	1	Cable, Charger Input	
6	1001215870	1	Decal - Charger Input Voltage	
7	1001252957	1	Battery Charger Assembly	
7A	1001253952	1	Charger	
7B	1001253638	1	Harness, Charger (See Separate Breakdown in ELECTRICAL SECTION)	
8	1001253641	1	Harness, Charger (See Separate Breakdown in ELECTRICAL SECTION)	
9	1001253643	1	Harness, ES, Can Splice (See Separate Breakdown in ELECTRICAL SECTION)	

# SECTION 1 - FRAME

FIGURE 1-12. BATTERY CHARGER INSTALLATION - DELTA-Q WITH CHINESE PLUG (ANSI EXPORT, CHINESE AND KOREA SPECS) (PVC 2004)



ART\_1001253639\_C

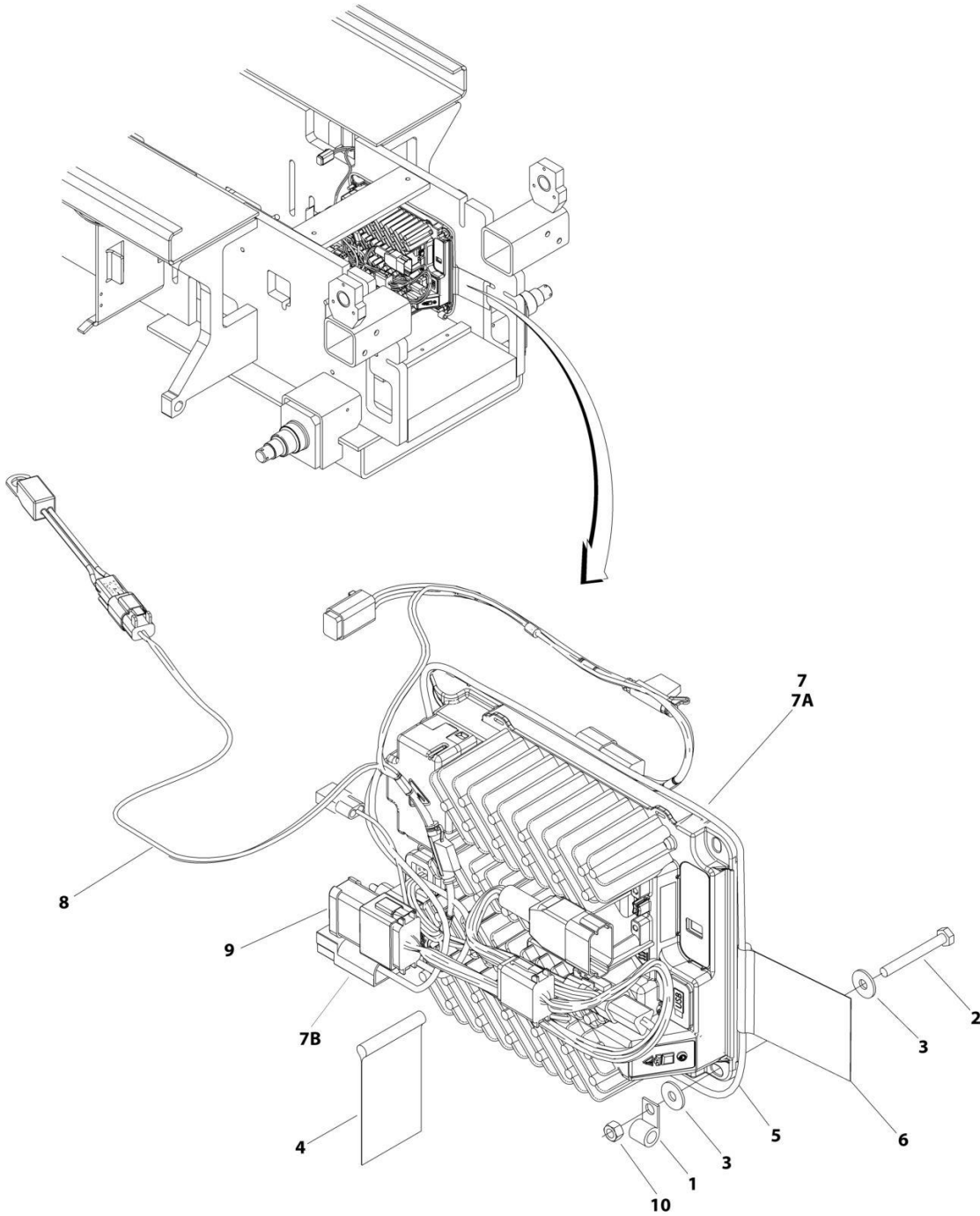
## SECTION 1 - FRAME

**FIGURE 1-12. BATTERY CHARGER INSTALLATION - DELTA-Q WITH CHINESE PLUG (ANSI EXPORT, CHINESE AND KOREA SPECS) (PVC 2004)**

ITEM	PART NUMBER	QTY	DESCRIPTION	REV
	1001253639	Ref	BATTERY CHARGER INSTALLATION WITH CHINESE PLUG	C
1	1321293	1	Clamp	
2	0700618	4	Bolt M6 x 50	
3	4811702	8	Washer M6	
4	1001102258	1	Decal - AC Label	
5	1001207973	1	Cable, Charger Input	
6	1001215870	1	Decal - Charger Input Voltage	
7	1001252957	1	Battery Charger Assembly	
7A	1001253952	1	Charger	
7B	1001253638	1	Harness, Charger (See Separate Breakdown in ELECTRICAL SECTION)	
8	1001253641	1	Harness, Charger (See Separate Breakdown in ELECTRICAL SECTION)	
9	1001253643	1	Harness, ES, Can Splice (See Separate Breakdown in ELECTRICAL SECTION)	
10	3290607	4	Nut M6	

# SECTION 1 - FRAME

**FIGURE 1-13. BATTERY CHARGER INSTALLATION - DELTA-Q WITH LOCALLY SUPPLIED PLUG  
(ANSI, ANSI EXPORT, CE, CSA AND KOREA SPECS)**



ART\_1001252961

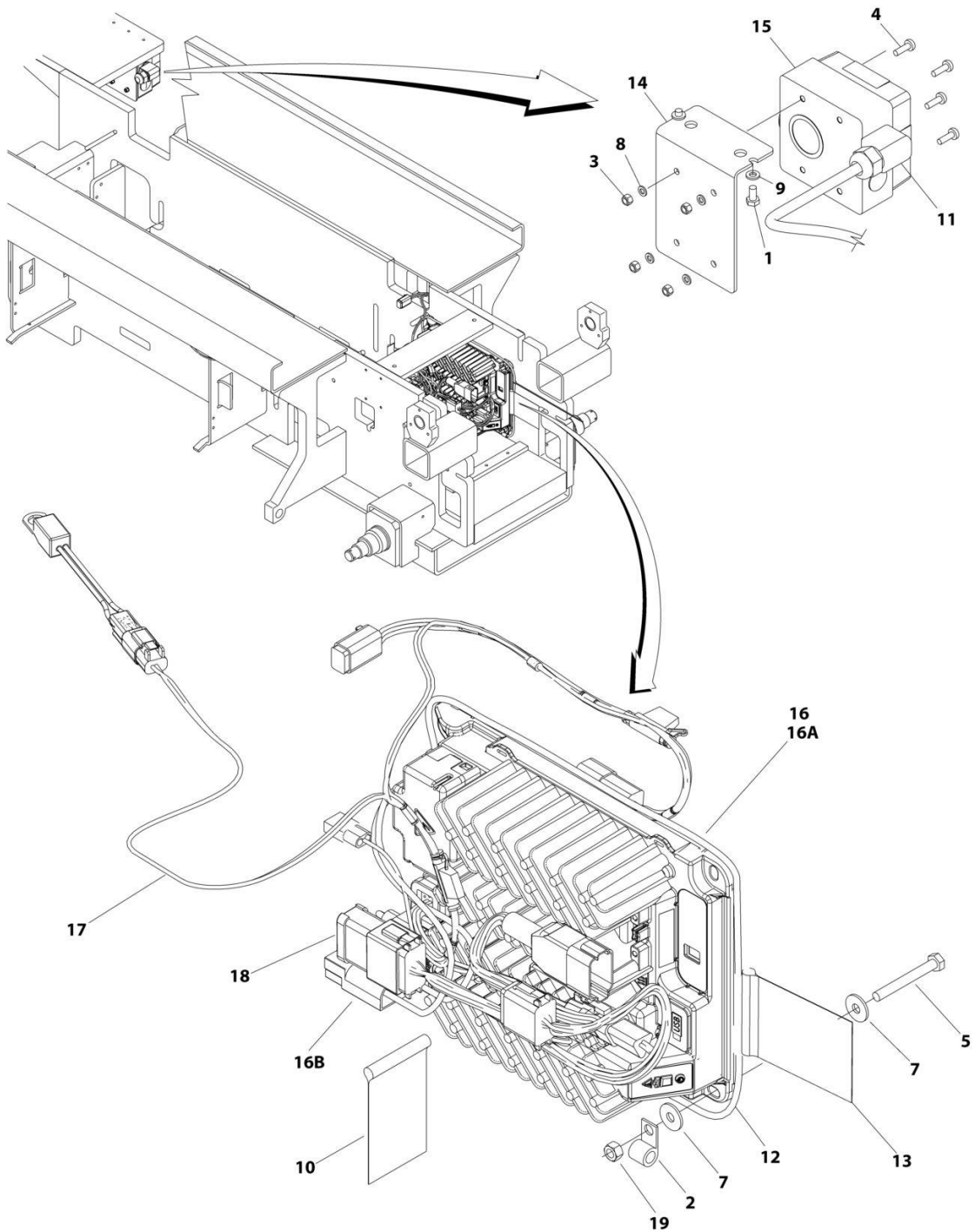
## SECTION 1 - FRAME

**FIGURE 1-13. BATTERY CHARGER INSTALLATION - DELTA-Q WITH LOCALLY SUPPLIED PLUG  
(ANSI, ANSI EXPORT, CE, CSA AND KOREA SPECS)**

ITEM	PART NUMBER	QTY	DESCRIPTION	REV
	1001252961	Ref	BATTERY CHARGER INSTALLATION WITH LOCALLY SUPPLIED PLUG	C
1	1320136	1	Clamp	
2	0700618	3	Bolt M6 x 50	
3	4811702	6	Washer M6	
4	1001102258	1	Decal – AC Label	
5	1001207974	1	Cable, Charger Input	
6	1001215870	1	Decal – Charger Input Voltage	
7	1001252957	1	Battery Charger Assembly	
7A	1001253952	1	Charger	
7B	1001253638	1	Harness, Charger (See Separate Breakdown in ELECTRICAL SECTION)	
8	1001253641	1	Harness, Charger (See Separate Breakdown in ELECTRICAL SECTION)	
9	1001253643	1	Harness, ES, Can Splice (See Separate Breakdown in ELECTRICAL SECTION)	
10	3290607	3	Nut M6	

# SECTION 1 - FRAME

## FIGURE 1-14. BATTERY CHARGER INSTALLATION - DELTA-Q WITH LOCALLY SUPPLIED PLUG (AUSTRALIAN SPEC)



ART\_1001252962



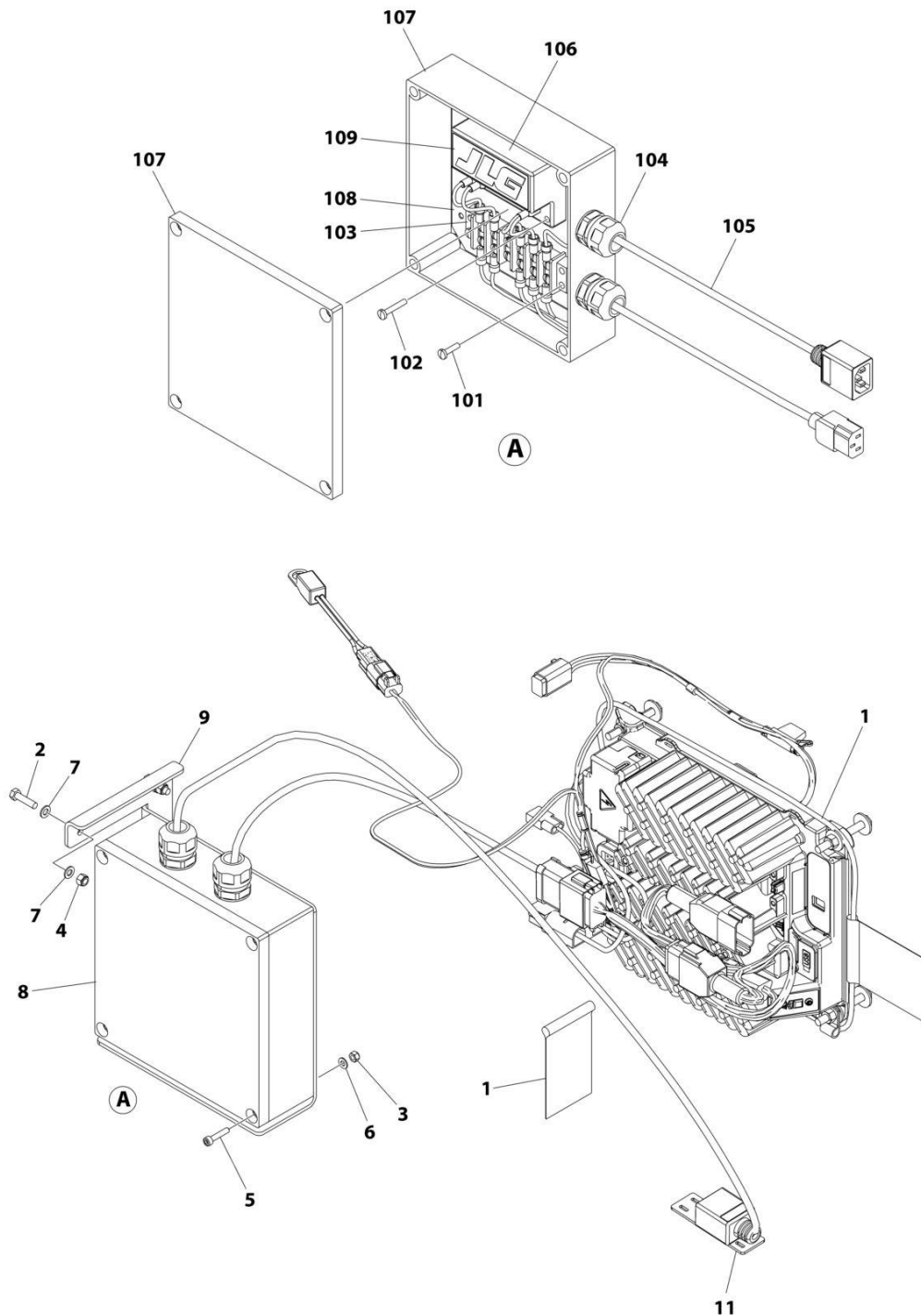
## SECTION 1 - FRAME

**FIGURE 1-14. BATTERY CHARGER INSTALLATION - DELTA-Q WITH LOCALLY SUPPLIED PLUG  
(AUSTRALIAN SPEC)**

ITEM	PART NUMBER	QTY	DESCRIPTION	REV
	1001252962	Ref	BATTERY CHARGER INSTALLATION WITH LOCALLY SUPPLIED PLUG	D
1	0760606	2	Bolt M6 x 12	
2	1320136	1	Clamp	
3	3290505	4	Nut M5	
4	3900381	4	Screw M5 x 16	
5	0700618	3	Bolt M6 x 50	
6	4240033	AR	Tie-Strap e Strap (Not Shown)	
7	4811702	8	Washer M6	
8	4831600	4	Washer M5	
9	4831700	2	Washer M6	
10	1001102258	1	Decal – AC Label	
11	1001103471	1	Connector, Strain Relief	
12	1001207974	NLA	Cable, Charger Input (Use 1060689)	
12	1060689	1	Cable, Charger Input	
13	1001215870	1	Decal – Charger Input Voltage	
14	1001227213	1	Bracket	
15	1001227267	1	Electric Assembly	
16	1001252957	1	Battery Charger Assembly	
16A	1001253952	1	Charger	
16B	1001253638	1	Harness, Charger (See Separate Breakdown in ELECTRICAL SECTION)	
17	1001253641	1	Harness, Charger (See Separate Breakdown in ELECTRICAL SECTION)	
18	1001253643	1	Harness, ES, Can Splice (See Separate Breakdown in ELECTRICAL SECTION)	
19	3290607	3	Nut M6	

# SECTION 1 - FRAME

FIGURE 1-15. BATTERY CHARGER INSTALLATION - DELTA-Q WITH VOLTAGE GUARD (LOCALLY SUPPLIED PLUG) (ANSI EXPORT AND KOREA SPECS)



ART\_1001212460\_C

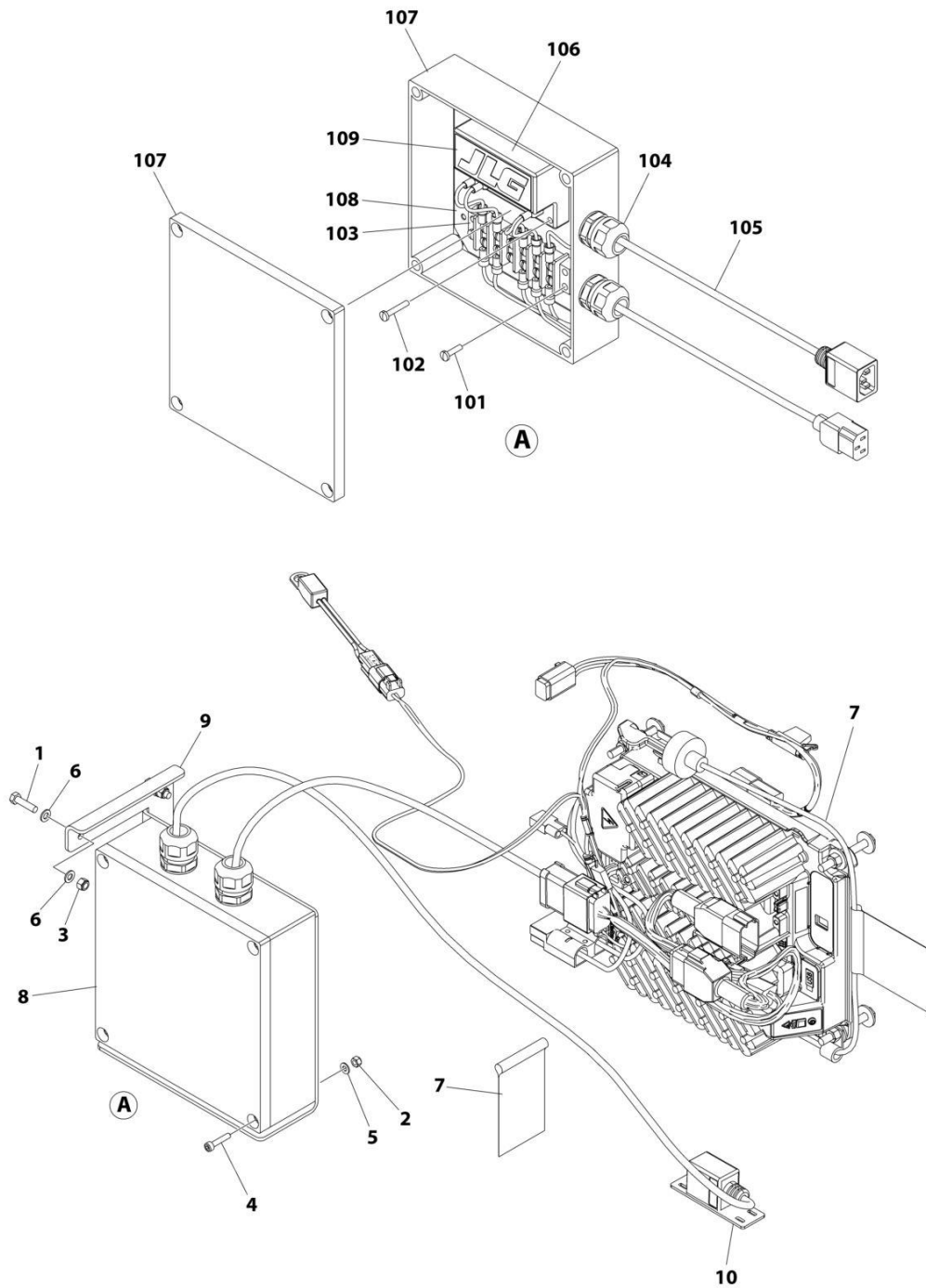
## SECTION 1 - FRAME

**FIGURE 1-15. BATTERY CHARGER INSTALLATION - DELTA-Q WITH VOLTAGE GUARD (LOCALLY SUPPLIED PLUG) (ANSI EXPORT AND KOREA SPECS)**

ITEM	PART NUMBER	QTY	DESCRIPTION	REV
	1001212460	Ref	BATTERY CHARGER INSTALLATION - WITH VOLTAGE GUARD (LOCALLY SUPPLIED PLUG)	C
1	1001252961	1	Charger Installation (See Separate Breakdown in this Section)	
2	0700510	2	Bolt M5 x 20	
3	3290405	4	Nut M4	
4	3290505	2	Nut M5	
5	4031508	4	Screw M4 x 20	
6	4811400	4	Washer M4	
7	4811600	4	Washer M5	
8	1001185306	1	Voltage Guard Installation (See Items 101-109)	
9	1001185830	1	Bracket	
10	4240017	2	Tie Strap (Not Shown)	
11	1001215326	1	Support	
	1001185306	Ref	VOLTAGE GUARD INSTALLATION	C
101	4010408	2	Screw M4 x 16	
102	4010412	2	Screw M4 x 24	
103	4460007	1	Bus Bar	
104	4460968	2	Connector Strain Relief	
105	1001184947	1	Harness	
106	1001185156	1	Voltage Guard	
107	1001186497	1	Box	
108	1001187101	1	Plate	
109	1001187530	1	Decal - JLG	

# SECTION 1 - FRAME

FIGURE 1-16. BATTERY CHARGER INSTALLATION - DELTA-Q WITH VOLTAGE GUARD AND CHINESE PLUG (ANSI EXPORT, CHINESE AND KOREA SPECS)



ART\_1001196958\_C

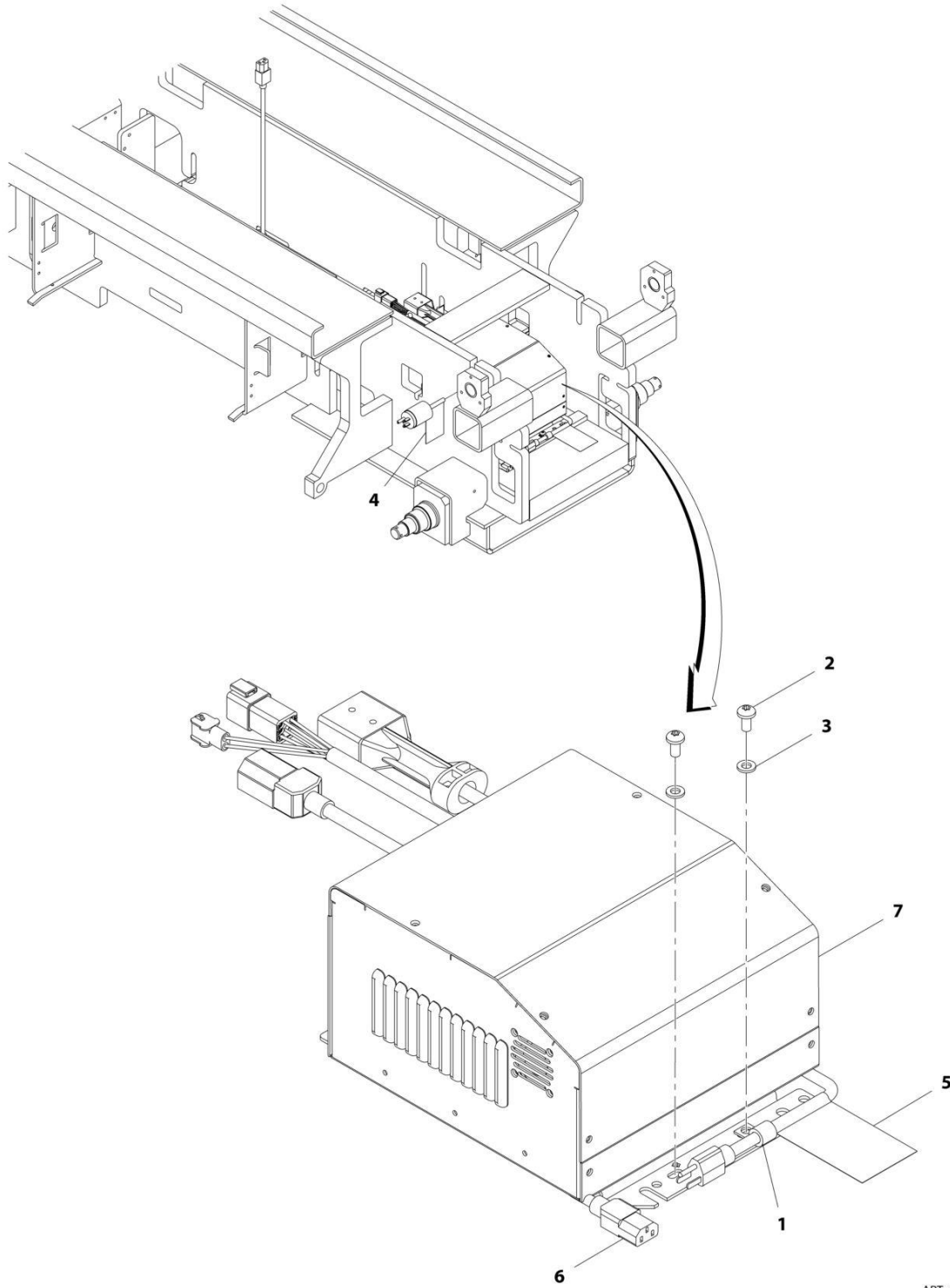
## SECTION 1 - FRAME

**FIGURE 1-16. BATTERY CHARGER INSTALLATION - DELTA-Q WITH VOLTAGE GUARD AND CHINESE PLUG (ANSI EXPORT, CHINESE AND KOREA SPECS)**

ITEM	PART NUMBER	QTY	DESCRIPTION	REV
	1001196958	Ref	BATTERY CHARGER INSTALLATION - WITH VOLTAGE GUARD AND CHINESE PLUG	C
1	0700510	2	Bolt M5 x 20	
2	3290405	4	Nut M4	
3	3290505	2	Nut M5	
4	4031508	4	Bolt M4 x 20	
5	4811400	4	Washer M4	
6	4811600	4	Washer M5	
7	1001253639	1	Charger Installation (See Separate Breakdown in this Section)	
8	1001185306	1	Voltage Guard Installation (See Items 101-109)	
9	1001185830	1	Bracket	
10	1001215326	1	Support	
11	4240017	2	Tie Strap (Not Shown)	
	1001185306	Ref	VOLTAGE GUARD INSTALLATION	C
101	4010408	2	Screw M4 x 16	
102	4010412	2	Screw M4 x 24	
103	4460007	1	Bus Bar	
104	4460968	2	Connector Strain Relief	
105	1001184947	1	Harness	
106	1001185156	1	Voltage Guard	
107	1001186497	1	Box	
108	1001187101	1	Plate	
109	1001187530	1	Decal - JLG	

# SECTION 1 - FRAME

## FIGURE 1-17. BATTERY CHARGER INSTALLATION - EAGLE PERFORMANCE (ANSI AND CSA SPEC)



ART\_1001179427

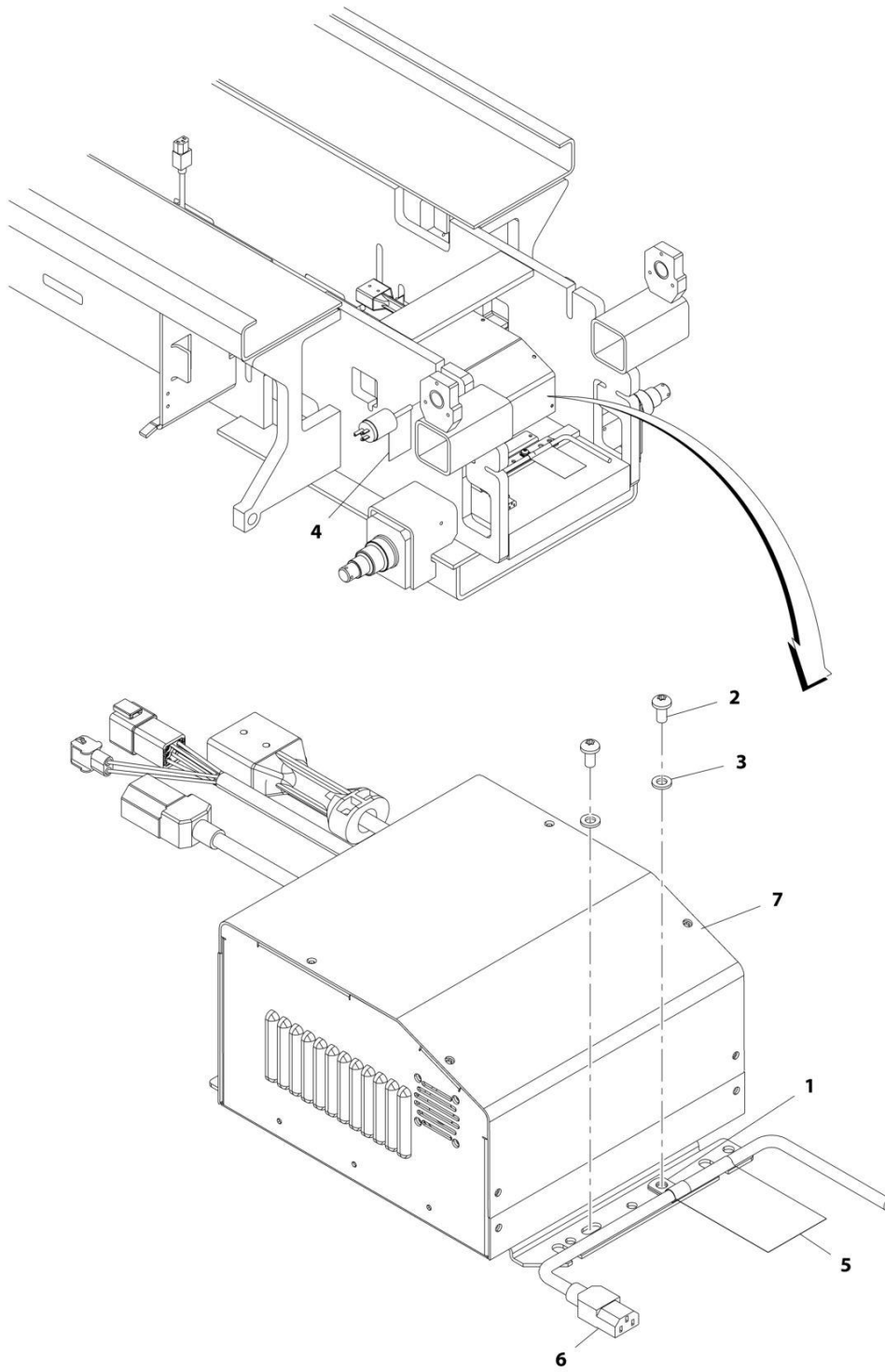
**SECTION 1 - FRAME**

**FIGURE 1-17. BATTERY CHARGER INSTALLATION - EAGLE PERFORMANCE (ANSI AND CSA SPEC)**

<b>ITEM</b>	<b>PART NUMBER</b>	<b>QTY</b>	<b>DESCRIPTION</b>	<b>REV</b>
	1001179427	Ref	BATTERY CHARGER INSTALLATION - EAGLE PERFORMANCE	A
1	1321293	1	Clamp	
2	4191706	2	Screw M6 x 12	
3	4811700	2	Washer M6	
4	1001102258	1	Decal - AC to Platform	
5	1001102489	1	Decal - Charger Plug	
6	1001103257	1	Cable, Charger (AC Input)	
7	1001177842	1	Battery Charger Assembly (See Separate Breakdown in this Section)	

# SECTION 1 - FRAME

FIGURE 1-18. BATTERY CHARGER INSTALLATION WITH LOCALLY SUPPLIED - EAGLE PERFORMANCE (ANSI AND CSA SPEC)



ART\_1001180313



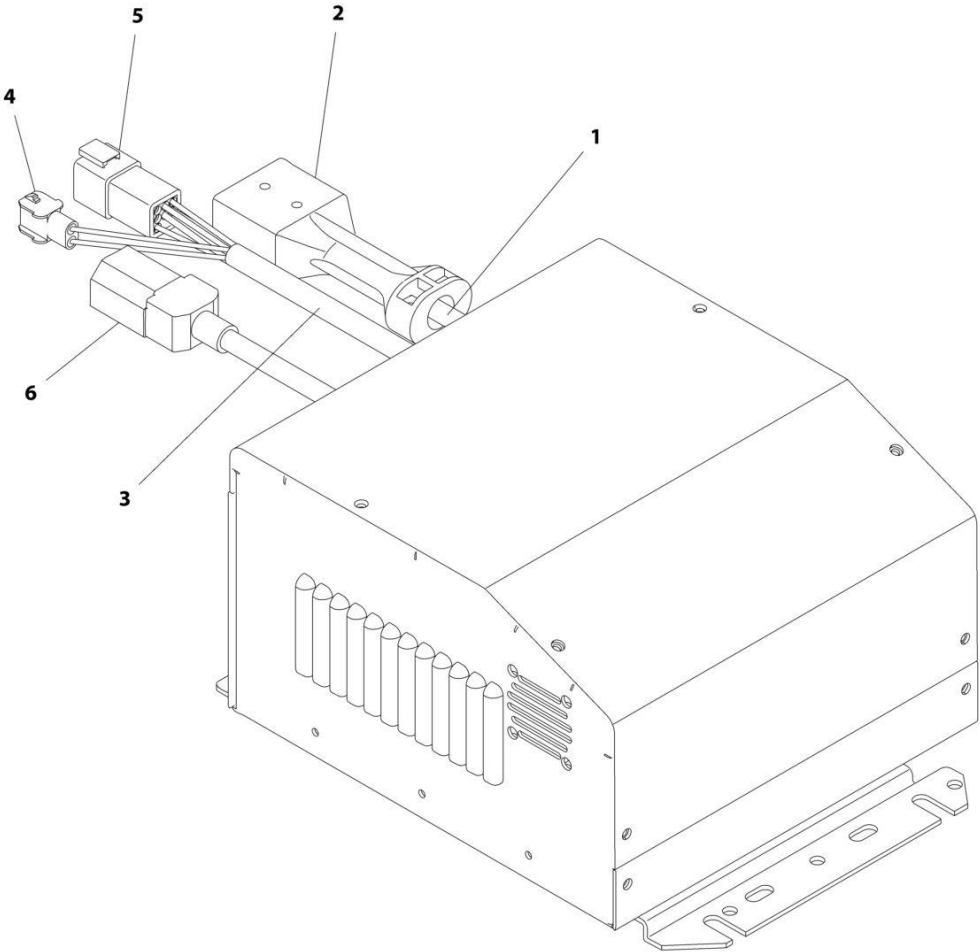
**SECTION 1 - FRAME**

**FIGURE 1-18. BATTERY CHARGER INSTALLATION WITH LOCALLY SUPPLIED - EAGLE PERFORMANCE (ANSI AND CSA SPEC)**

ITEM	PART NUMBER	QTY	DESCRIPTION	REV
	1001180313	Ref	BATTERY CHARGER INSTALLATION WITH LOCALLY SUPPLIED PLUG - EAGLE PERFORMANCE	A
1	1320136	1	Clamp	
2	4191706	2	Screw M6 x 12	
3	4811700	2	Washer M6	
4	1001102258	1	Decal - AC to Platform	
5	1001102489	1	Decal - Charger Plug	
6	1001103258	1	Cable, Charger (AC Input)	
7	1001177842	1	Battery Charger Assembly (See Separate Breakdown in this Section)	

**SECTION 1 - FRAME**

**FIGURE 1-19. BATTERY CHARGER ASSEMBLY EAGLE PERFORMANCE**



ART\_1001177842

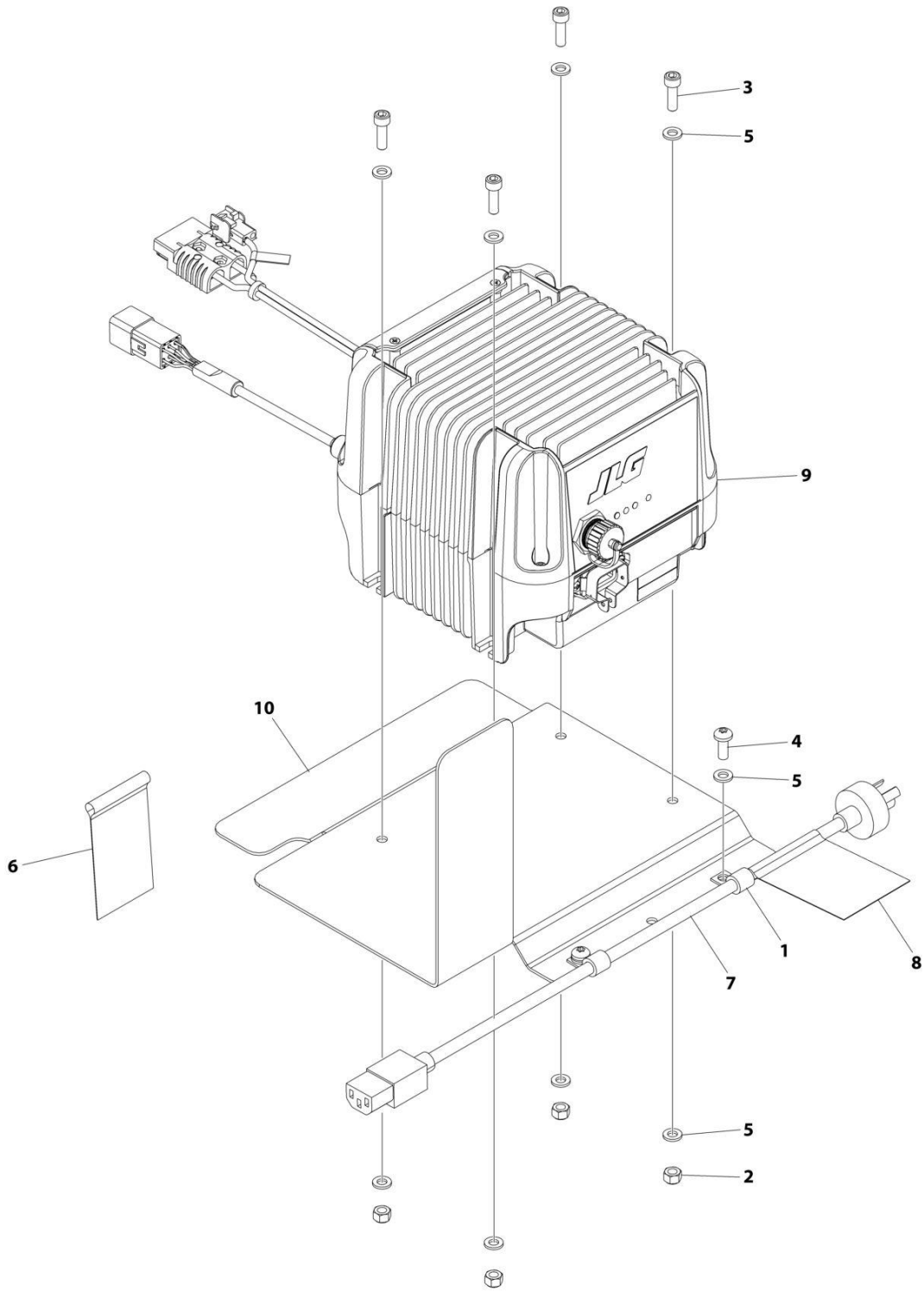
## SECTION 1 - FRAME

**FIGURE 1-19. BATTERY CHARGER ASSEMBLY EAGLE PERFORMANCE**

ITEM	PART NUMBER	QTY	DESCRIPTION	REV
	1001177842	Ref	BATTERY CHARGER ASSEMBLY - EAGLE PERFORMANCE	A
1	Not Available	1	Harness with Plug	
2	Not Available	1	Plug, Battery Cable	
3	Not Available	1	Harness	
4	4460424	1	Connector, Female - 2 Position	
4	4460227	2	Pin, Male	
5	4460899	1	Connector, Female - 6 Position	
5	4460464	6	Pin, Male	
6	Not Available	1	Harness with Connector	

# SECTION 1 - FRAME

FIGURE 1-20. BATTERY CHARGER INSTALLATION - GREEN POWER (CHINESE PLUG) (CHINESE SPECS)



ART\_1001242757

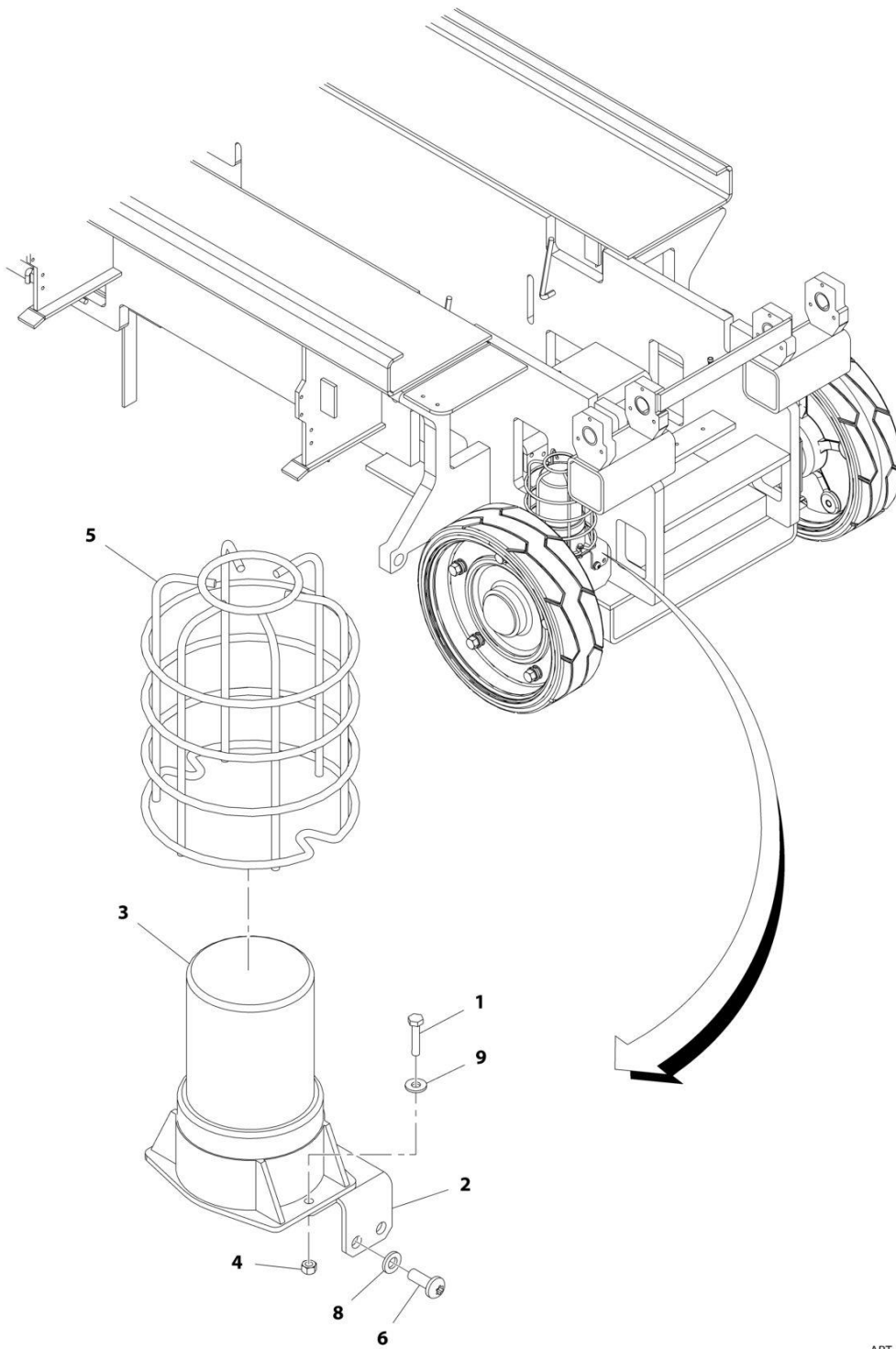
## SECTION 1 - FRAME

**FIGURE 1-20. BATTERY CHARGER INSTALLATION - GREEN POWER (CHINESE PLUG) (CHINESE SPECS)**

ITEM	PART NUMBER	QTY	DESCRIPTION	REV
	1001242757	Ref	BATTERY CHARGER INSTALLATION - GREEN POWER (CHINESE PLUG)	A
1	1321293	2	Clamp	
2	3290605	4	Nut M6	
3	4031708	4	Capscrew M6 x 20	
4	4191707	2	Screw M6 x 16	
5	4811700	10	Washer M6	
6	1001102258	1	Decal - AC to Platform	
7	1001172010	1	Cable, Charger (AC Input)	
8	1001215870	1	Decal - Charger Plug	
9	1001218595	1	Charger, Battery - Green Power	
10	1001242542	1	Bracket	
11	1001112113	1	Sensor, Temperature (Not Shown - Located on Negative Battery Terminal)	

# SECTION 1 - FRAME

## FIGURE 1-21. BEACON (AMBER) LIGHT INSTALLATION (OPTIONAL)



ART\_0272309

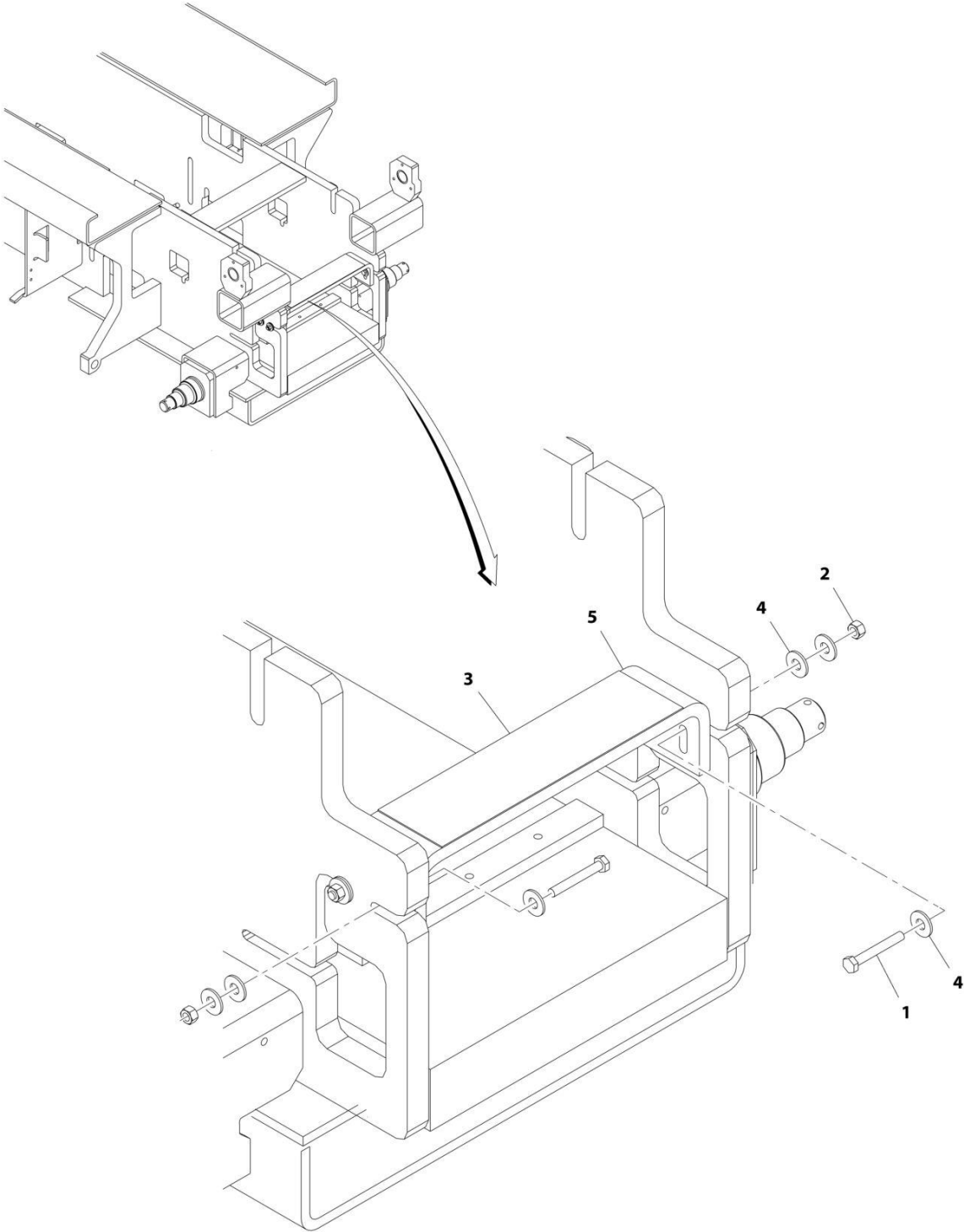
**SECTION 1 - FRAME**

**FIGURE 1-21. BEACON (AMBER) LIGHT INSTALLATION (OPTIONAL)**

ITEM	PART NUMBER	QTY	DESCRIPTION	REV
	0272309	Ref	BEACON (AMBER) LIGHT INSTALLATION (OPTIONAL)	E
		Ref	Note: See SPECIAL OPTIONS SECTION for Machines with 2 Beacon Lights.	
1	0760410	2	Screw M4 x 20	
2	0902905	1	Bracket	
3	2920161	1	Light, Beacon	
4	3290405	2	Nut M4	
5	4060865	1	Guard	
6	4191707	2	Screw M6 x 16	
8	4811700	2	Washer M6	
9	4750800	2	Washer #8	

**SECTION 1 - FRAME**

**FIGURE 1-22. LADDER INSTALLATION - 1930ES**



ART\_1001177410



## SECTION 1 - FRAME

### FIGURE 1-22. LADDER INSTALLATION - 1930ES

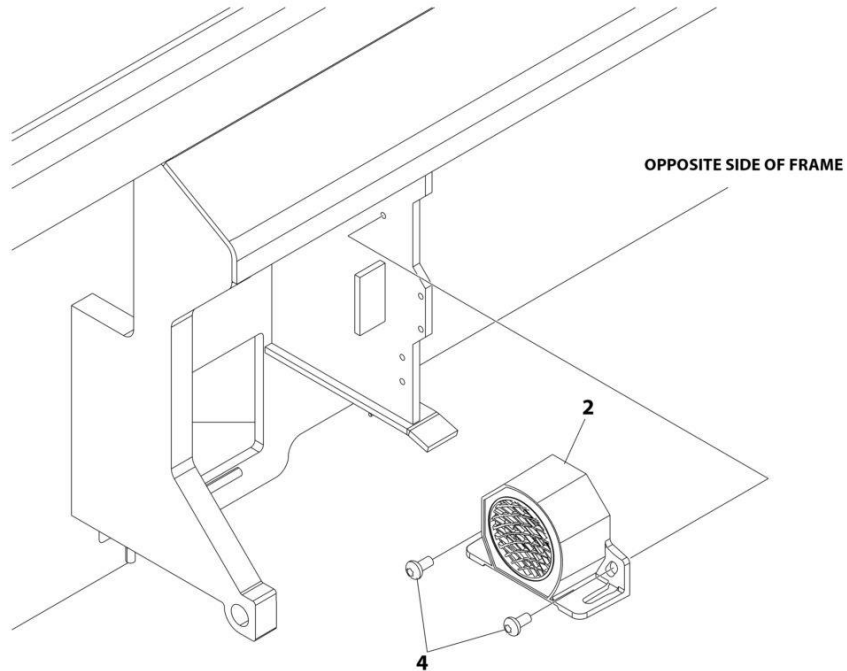
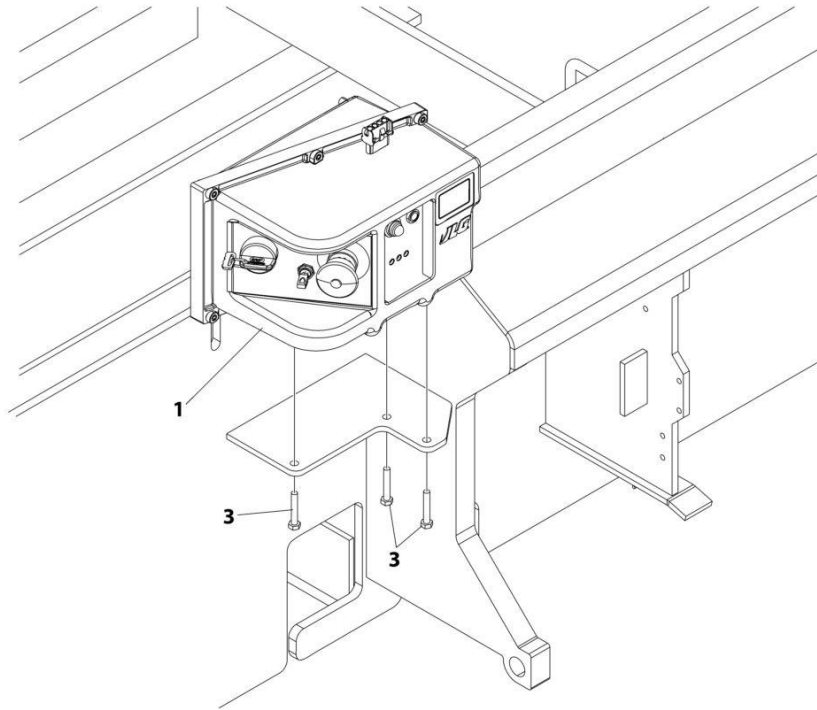
ITEM	PART NUMBER	QTY	DESCRIPTION	REV
	1001177410	Ref	LADDER INSTALLATION	B
1	0700617	4	Bolt M6 x 45	
2	3290607	4	Nut M6	
3	4420080	1	Tape, Anti - Skid	
4	4751400	12	Washer 1/4	
5	1001177418	1	Ladder	



**SECTION 2 - GROUND COMPONENTS**

## SECTION 2 - GROUND COMPONENTS

FIGURE 2-1. GROUND CONTROL BOX/ALARM INSTALLATION - LSS (CHINA BUILT MACHINES)



ART\_1001166828

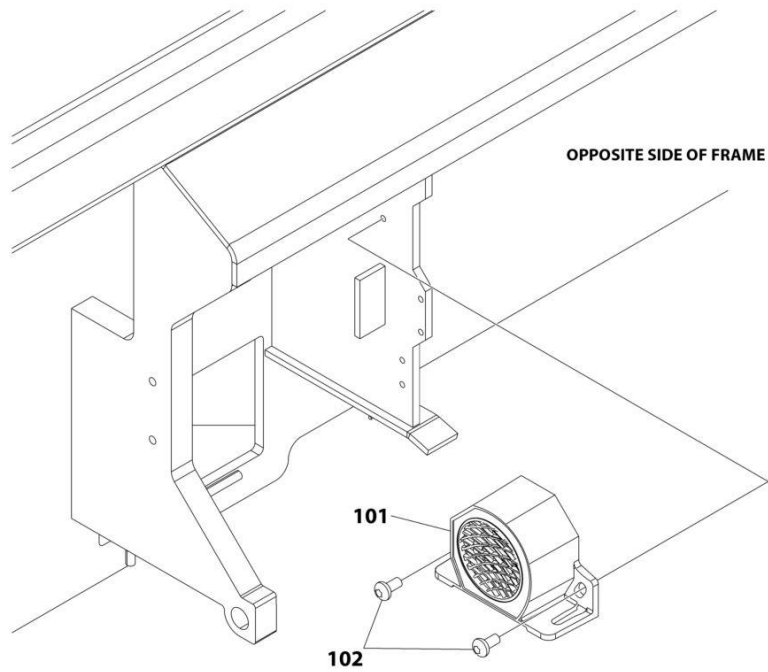
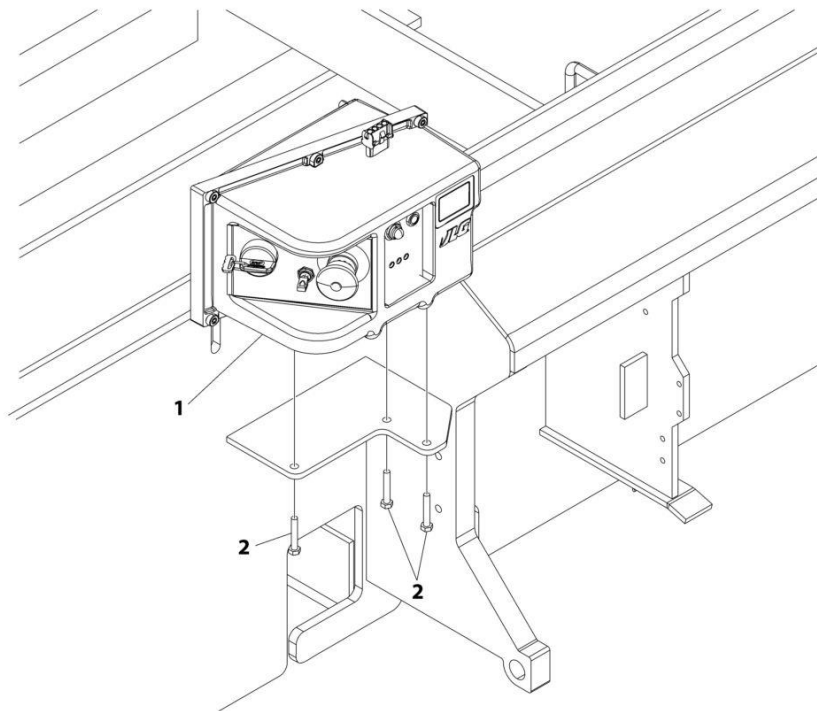
## SECTION 2 - GROUND COMPONENTS

**FIGURE 2-1. GROUND CONTROL BOX/ALARM INSTALLATION - LSS (CHINA BUILT MACHINES)**

ITEM	PART NUMBER	QTY	DESCRIPTION	REV
	1001166828	Ref	GROUND CONTROL BOX/ALARM INSTALLATION - LSS	C
		Ref	Note: Standard Alarm located on LH side of operators position on machine. Optional Alarms are located on the RH Side of operators position on machines. For optional alarm components, See SPECIAL OPTIONS Section.	
1	1001166197	1	Ground Control Box Assembly (See Separate Breakdown in this Section)	
2	0140043	1	Alarm	
2	4460536	1	Receptacle, Female - 3 Position	
2	4460464	3	Pin, Male	
3	0700615	3	Bolt M6 x 35	
4	4191706	2	Screw M6 x 12	

## SECTION 2 - GROUND COMPONENTS

FIGURE 2-2. GROUND CONTROL BOX/ALARM INSTALLATION - LSS (CE SPECS) (BELGIUM BUILT MACHINES)



ART\_1001215247\_A

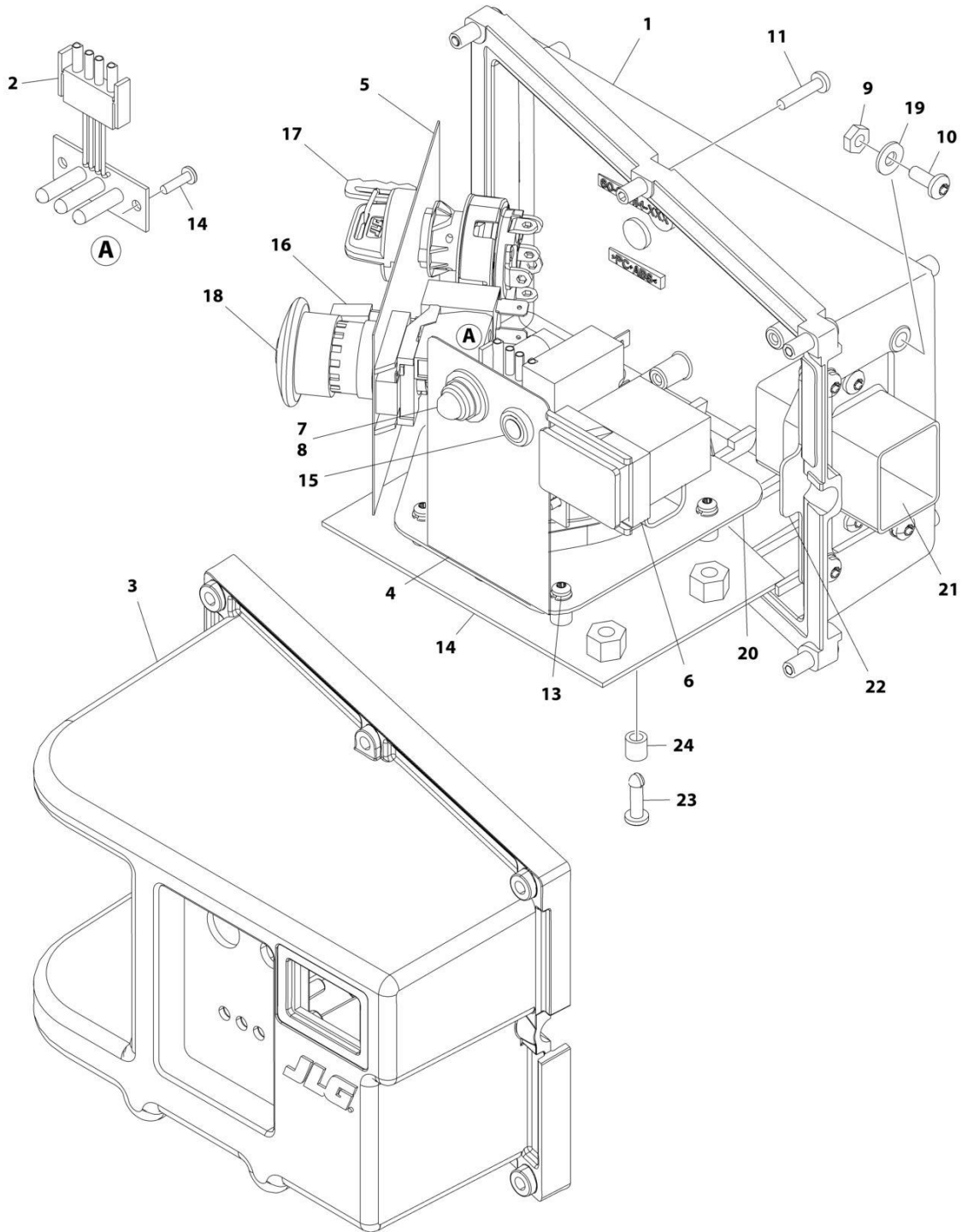
## SECTION 2 - GROUND COMPONENTS

**FIGURE 2-2. GROUND CONTROL BOX/ALARM INSTALLATION - LSS (CE SPECS) (BELGIUM BUILT MACHINES)**

ITEM	PART NUMBER	QTY	DESCRIPTION	REV
1	1001215247	Ref	GROUND CONTROL BOX/ALARM INSTALLATION - LSS	A
	1001166197	1	Ground Control Box Assembly (See Separate Breakdown in this Section)	
2	0700615	3	Bolt M6 x 35	A
	1001215248	Ref	Alarm Installation	
101	0140043	1	Alarm	
101	4460536	1	Receptacle, Female - 3 Position	
101	4460464	3	Pin, Male	
102	4191706	2	Screw M6 x 12	

# SECTION 2 - GROUND COMPONENTS

## FIGURE 2-3. GROUND CONTROL BOX ASSEMBLY - LSS



ART\_1001166197\_G



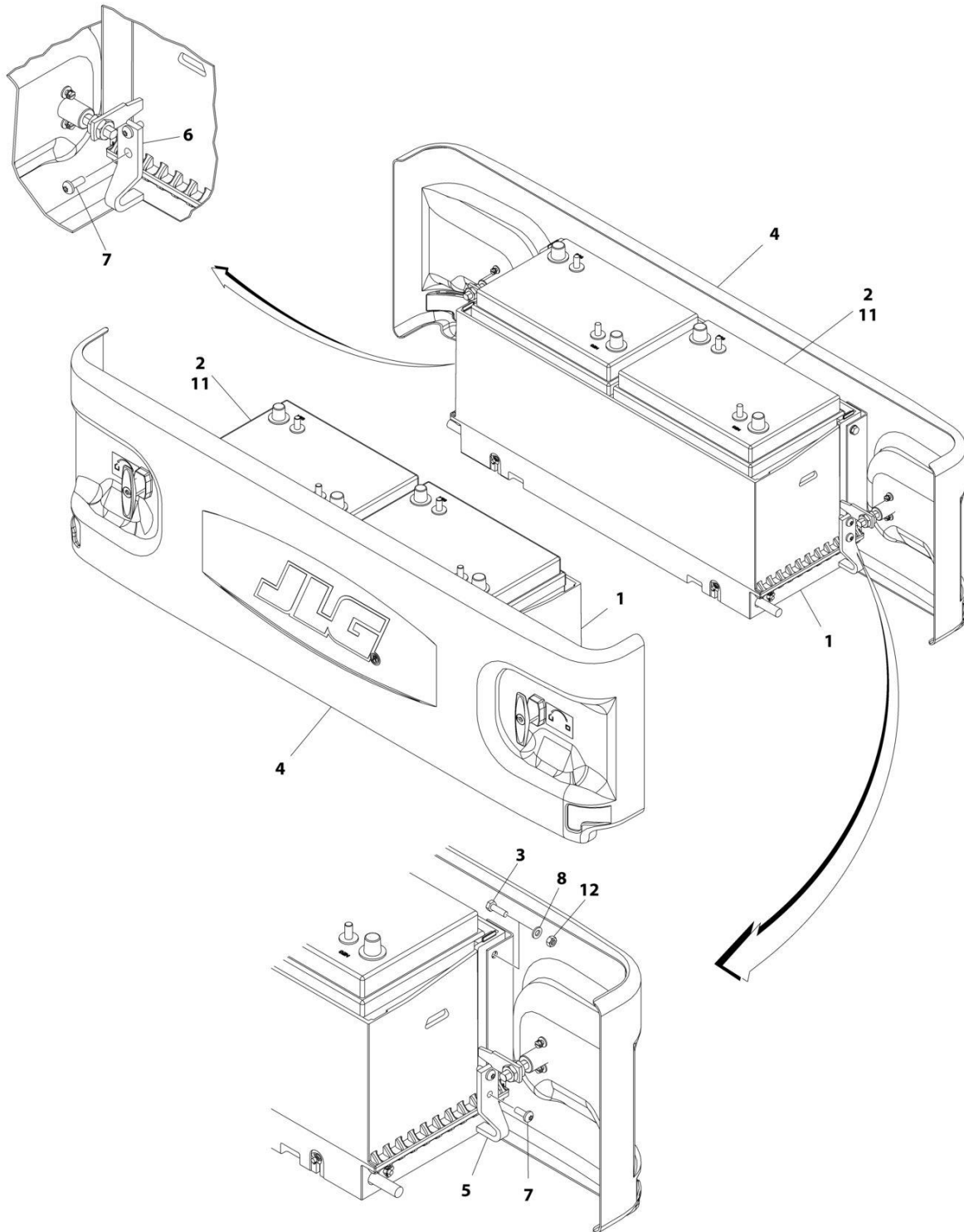
## SECTION 2 - GROUND COMPONENTS

**FIGURE 2-3. GROUND CONTROL BOX ASSEMBLY - LSS**

ITEM	PART NUMBER	QTY	DESCRIPTION	REV
	1001166197	Ref	GROUND CONTROL BOX ASSEMBLY - LSS	G
1	0380025	1	Base, Box	
2	0610161	1	PC Board, Charger LED	
2	4460321	1	Plug, Male - 4 Position	
2	4460268	3	Socket, Female	
3	1671105	1	Cover	
4	1001253951	1	Decal	
5	1705698	1	Decal	
6	2420172	1	Hourmeter	
7	2920026	1	Lamp	
8	2920094	1	Bulb	
9	3321005	4	Nut #10	
10	3900336	6	Screw	
11	3900338	6	Screw	
12	3900339	2	Screw	
13	1001180090	4	Screw M3.5 x 20	
14	1001165315	1	Support	
15	4360069	1	Breaker, Circuit 10Amp	
16	4360328	1	Switch, Toggle	
17	4360469	1	Switch, Key	
17	2860030	1	Key, Replacement	
18	4360475	1	Switch, Emergency Stop	
18	7020175	1	Cap	
18	7020176	1	Block, Contact	
19	4751000	4	Washer #10	
20	1001166255	1	Sensor, Tilt (Includes Sensor, Mounting Plate and Hardware)	
20	3931412	3	Screw 1/4 x 3/4	
20	1001163095	1	Sensor	
20	1001165316	1	Mount, Sensor	
20	1001166776	4	Mount, Standoff	
21	1001167256	1	Harness, Ground Control Box (See Separate Breakdown in ELECTRICAL SECTION)	
22	1001114937	1	Mount, Harness	
23	1001165284	1	Fastener	
24	1001165286	1	Spacer	

## SECTION 2 - GROUND COMPONENTS

FIGURE 2-4. BATTERIES INSTALLATION - AGM AND EVG TYPE - 225 AH RATING (NON-LOCKING COVERS)



ART\_0275401-F

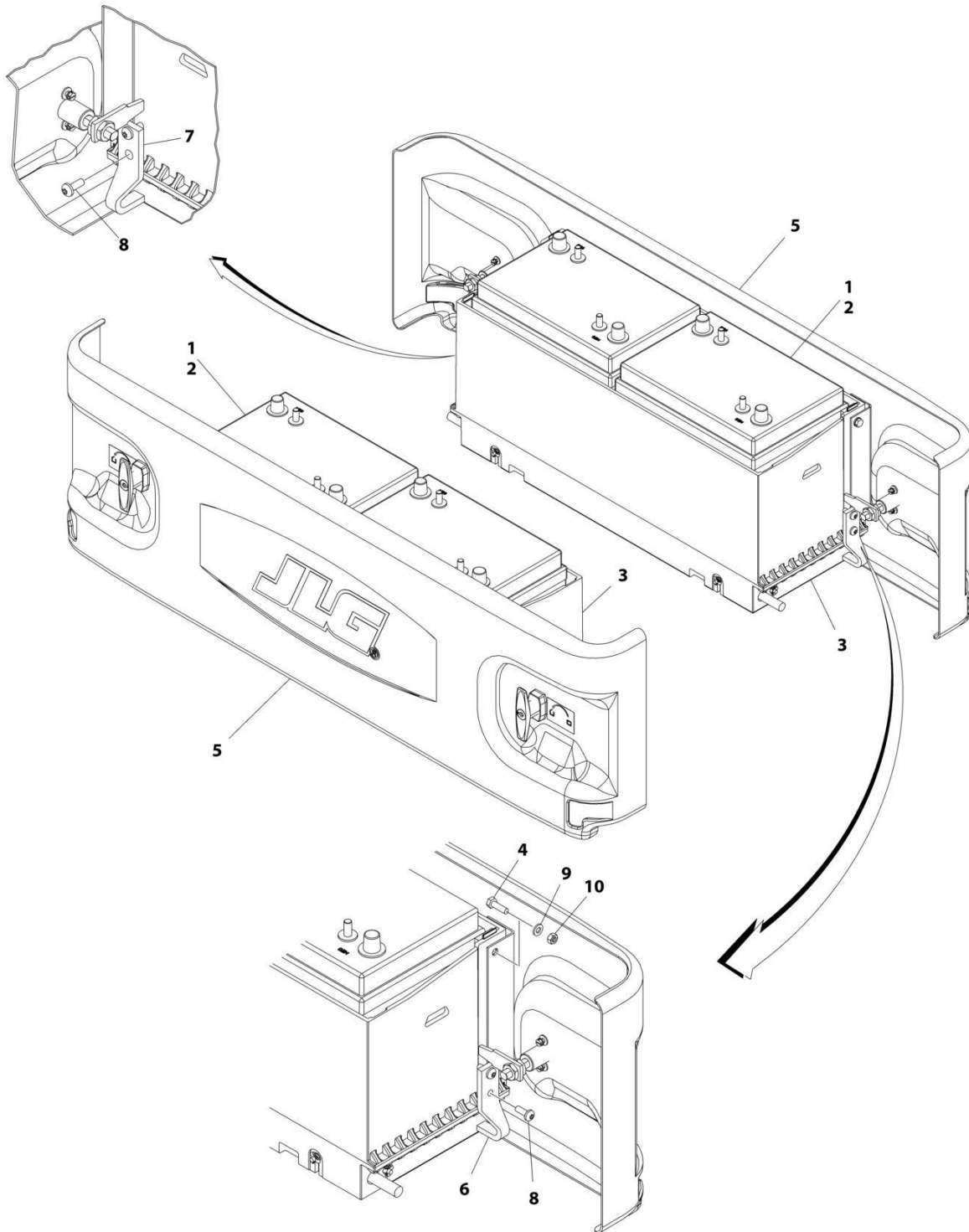
## SECTION 2 - GROUND COMPONENTS

**FIGURE 2-4. BATTERIES INSTALLATION - AGM AND EVG TYPE - 225 AH RATING (NON-LOCKING COVERS)**

ITEM	PART NUMBER	QTY	DESCRIPTION	REV
	0275401	1	BATTERIES INSTALLATION - AGM AND EVG TYPE - 225 AH RATING (NON-LOCKING COVERS)	F
1	0273698	2	Tray Assembly (See Separate Breakdown in this Section)	
2	1001112112	4	Battery Type EVGC6A-A	
3	1001100451	8	Bolt M6 x 20	
4	1671202	2	Cover Assembly (See Separate Breakdown in this Section)	
5	3574981	2	Plate, Slide Stop (LH)	
6	3574984	2	Plate, Slide Stop (RH)	
7	4191707	8	Screw M6 x 16	
8	4811700	8	Washer M6	
11	0100051	AR	Grease, Terminal	
12	3290605	8	Nut M6	

## SECTION 2 - GROUND COMPONENTS

FIGURE 2-5. BATTERIES INSTALLATION - AGM AND EVG TYPE - 225 AH RATING (NON-UL LOCKING COVERS)



ART\_1001132233-D

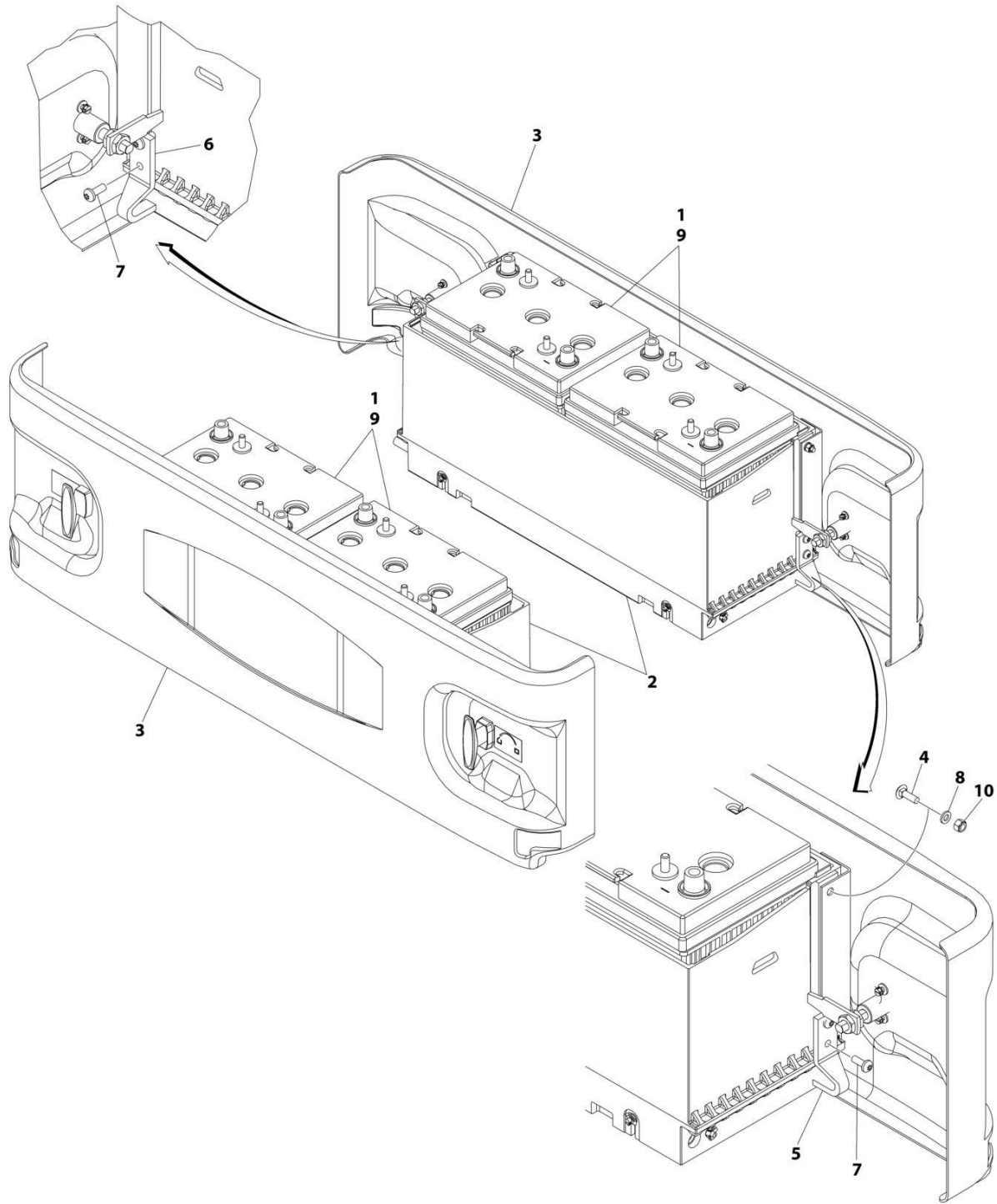
## SECTION 2 - GROUND COMPONENTS

**FIGURE 2-5. BATTERIES INSTALLATION - AGM AND EVG TYPE - 225 AH RATING (NON-UL LOCKING COVERS)**

ITEM	PART NUMBER	QTY	DESCRIPTION	REV
	1001132233	Ref	BATTERIES INSTALLATION - AGM AND EVG TYPE - 225 AH RATING (NON-UL LOCKING COVERS)	D
1	0100051	AR	Grease, Terminal	
2	1001112112	4	Battery Type EVGC6A-A	
3	0273698	2	Tray Assembly (See Separate Breakdown in this Section)	
4	1001100451	8	Bolt M6 x 20	
5	1671204	2	Cover Assembly (See Separate Breakdown in this Section)	
6	3574981	2	Plate, Slide Stop (LH)	
7	3574984	2	Plate, Slide Stop (RH)	
8	4191707	8	Screw M6 x 16	
9	4811700	8	Washer M6	
10	3290605	8	Nut M6	

## SECTION 2 - GROUND COMPONENTS

FIGURE 2-6. BATTERIES INSTALLATION - AGM VISION AND EVG TYPE - 220 AH RATING (NON-LOCKING COVERS)



ART\_1001248130

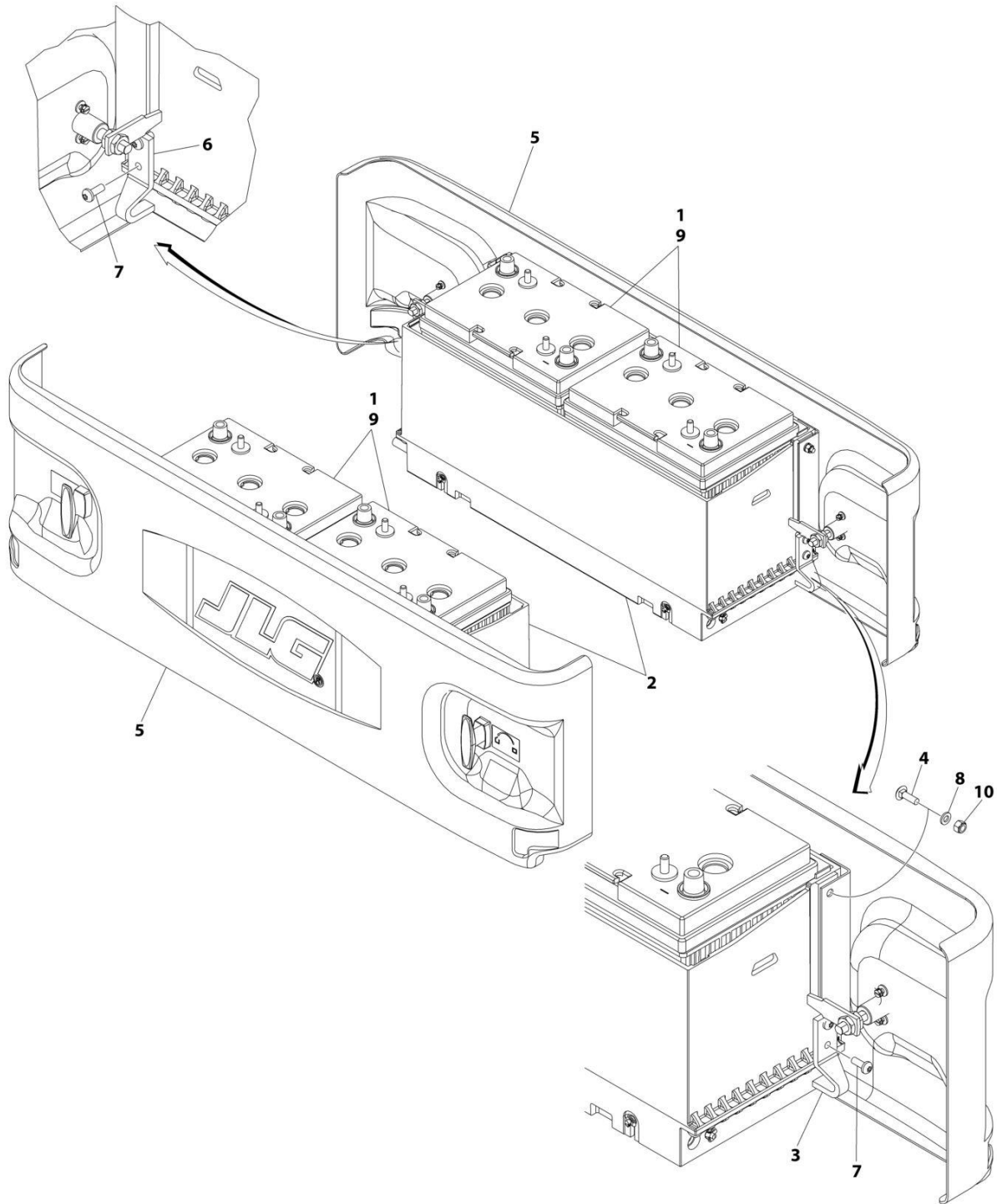
## SECTION 2 - GROUND COMPONENTS

**FIGURE 2-6. BATTERIES INSTALLATION - AGM VISION AND EVG TYPE - 220 AH RATING (NON-LOCKING COVERS)**

ITEM	PART NUMBER	QTY	DESCRIPTION	REV
	1001248130	Ref	BATTERIES INSTALLATION - AGM VISION AND EVG TYPE - 220 AH RATING (UL LOCKING COVERS)	A
1	0100051	AR	Grease, Terminal	
2	0273698	2	Tray Assembly (See Separate Breakdown in this Section)	
3	1671202	2	Cover Assembly (See Separate Breakdown in this Section)	
4	1001100451	8	Bolt M6 x 20	
5	3574981	2	Plate, Slide Stop (LH)	
6	3574984	2	Plate, Slide Stop (RH)	
7	4191707	8	Screw M6 x 16	
8	4811700	8	Washer M6	
9	1001214347	4	Battery Type EVGC-220A-AM	
10	3290605	8	Nut M6	

## SECTION 2 - GROUND COMPONENTS

FIGURE 2-7. BATTERIES INSTALLATION - AGM VISION AND EVG TYPE - 220 AH RATING (NON-UL LOCKING COVERS)



ART\_1001248131



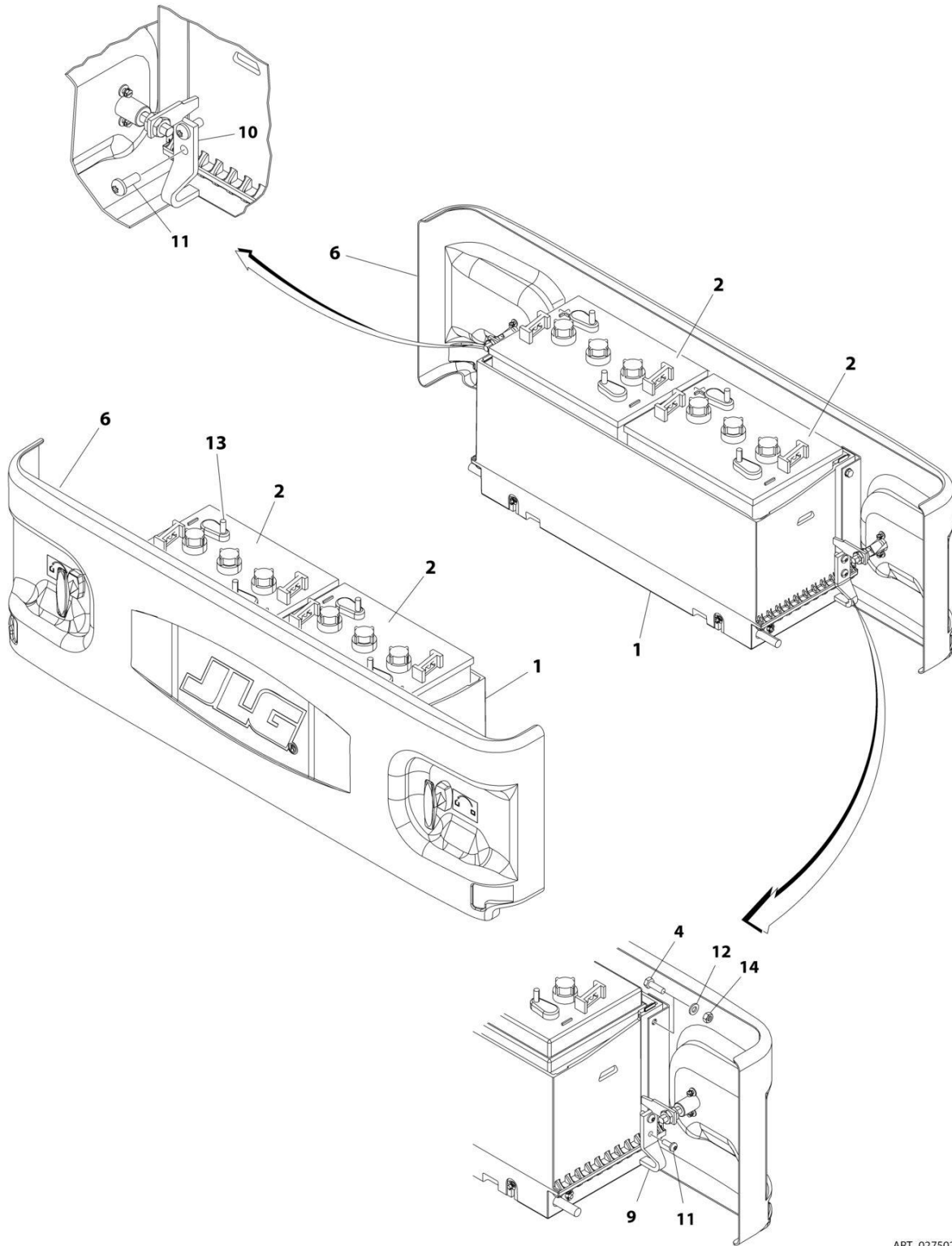
## SECTION 2 - GROUND COMPONENTS

**FIGURE 2-7. BATTERIES INSTALLATION - AGM VISION AND EVG TYPE - 220 AH RATING (NON-UL LOCKING COVERS)**

ITEM	PART NUMBER	QTY	DESCRIPTION	REV
	1001248131	Ref	BATTERIES INSTALLATION - AGM VISION AND EVG TYPE - 220 AH RATING (NON-UL LOCKING COVERS)	A
1	0100051	AR	Grease, Terminal	
2	0273698	2	Tray Assembly (See Separate Breakdown in this Section)	
3	3574981	2	Plate, Slide Stop (LH)	
4	1001100451	8	Bolt M6 x 20	
5	1671204	2	Cover Assembly (See Separate Breakdown in this Section)	
6	3574984	2	Plate, Slide Stop (RH)	
7	4191707	8	Screw M6 x 16	
8	4811700	8	Washer M6	
9	1001214347	4	Battery Type EVGC-220A-AM	
10	3290605	8	Nut M6	

## SECTION 2 - GROUND COMPONENTS

FIGURE 2-8. BATTERIES INSTALLATION - GC TYPE - 225 AH RATING (NON-LOCKING COVERS)



ART\_0275020-G

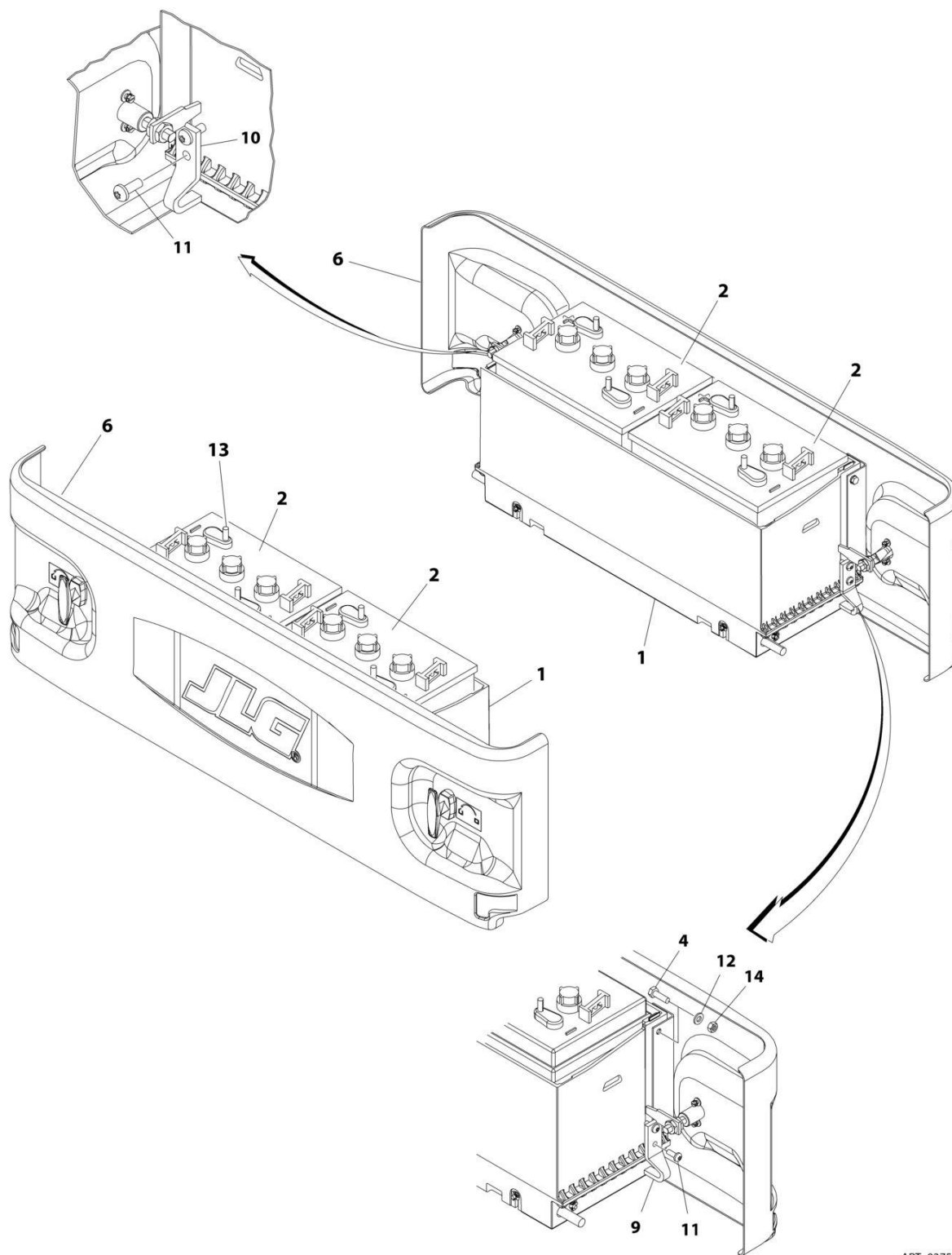
## SECTION 2 - GROUND COMPONENTS

**FIGURE 2-8. BATTERIES INSTALLATION - GC TYPE - 225 AH RATING (NON-LOCKING COVERS)**

ITEM	PART NUMBER	QTY	DESCRIPTION	REV
	0275020	Ref	BATTERIES INSTALLATION - GC TYPE - 225 AH RATING (NON LOCKING COVERS)	G
1	0273698	2	Tray Assembly (See Separate Breakdown in this Section)	
2	0400215	4	Battery Type GC-110-WNL	
4	1001100451	8	Bolt M6 x 20	
6	1671202	2	Cover Assembly (See Separate Breakdown in this Section)	
9	3574981	2	Plate, Slide Stop (LH)	
10	3574984	2	Plate, Slide Stop (RH)	
11	4191707	8	Screw M6 x 16	
12	4811700	8	Washer M6	
13	0100051	AR	Grease, Terminal	
14	3290605	8	Nut M6	

## SECTION 2 - GROUND COMPONENTS

FIGURE 2-9. BATTERIES INSTALLATION - GC TYPE - 225 AH RATING (NON-UL LOCKING COVERS)



ART\_0275022-G

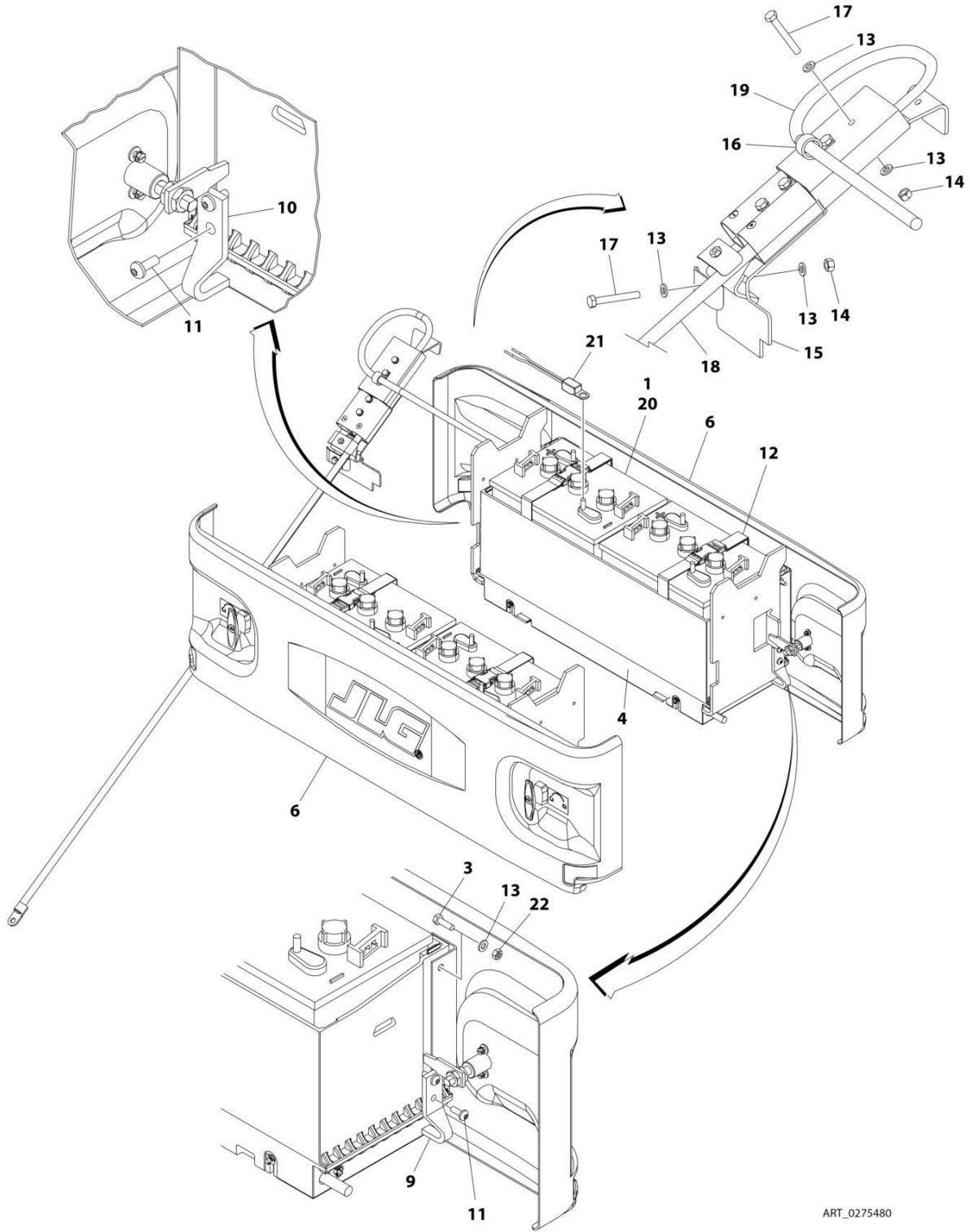
## SECTION 2 - GROUND COMPONENTS

**FIGURE 2-9. BATTERIES INSTALLATION - GC TYPE - 225 AH RATING (NON-UL LOCKING COVERS)**

ITEM	PART NUMBER	QTY	DESCRIPTION	REV
	0275022	Ref	BATTERIES INSTALLATION - GC TYPE - 225 AH RATING (NON-UL LOCKING COVERS)	G
1	0273698	2	Tray Assembly (See Separate Breakdown in this Section)	
2	0400215	4	Battery Type GC-110-WNL	
4	1001100451	8	Bolt M6 x 20	
6	1671204	2	Cover Assembly (See Separate Breakdown in this Section)	
9	3574981	2	Plate, Slide Stop (LH)	
10	3574984	2	Plate, Slide Stop (RH)	
11	4191707	8	Screw M6 x 16	
12	4811700	8	Washer M6	
13	0100051	AR	Grease, Terminal	
14	3290605	8	Nut M6	

# SECTION 2 - GROUND COMPONENTS

FIGURE 2-10. BATTERIES INSTALLATION - GC TYPE - 225 AH RATING (UL LOCKING COVERS)



ART\_0275480

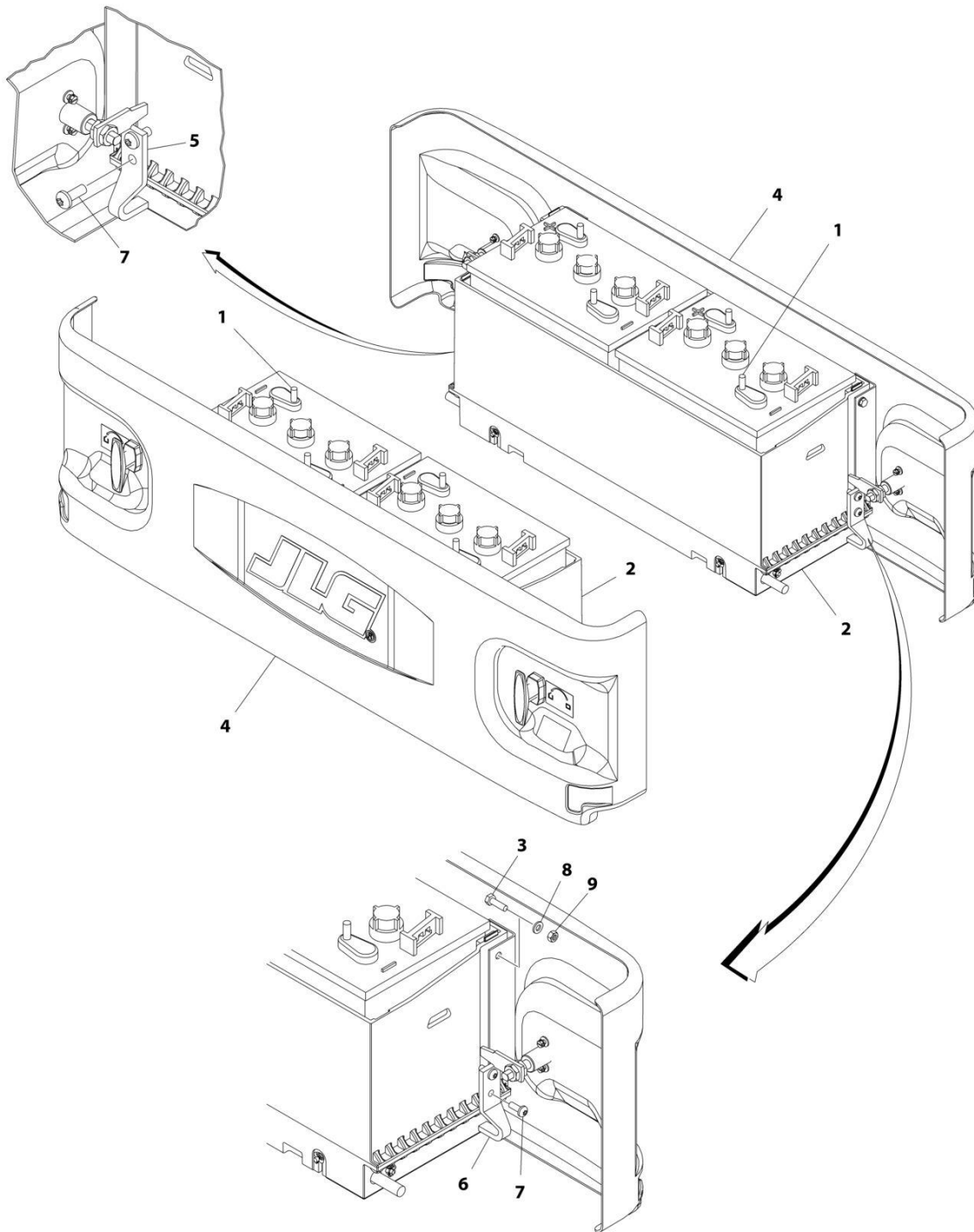
## SECTION 2 - GROUND COMPONENTS

**FIGURE 2-10. BATTERIES INSTALLATION - GC TYPE - 225 AH RATING (UL LOCKING COVERS)**

ITEM	PART NUMBER	QTY	DESCRIPTION	REV
	0275480	Ref	BATTERIES INSTALLATION - GC TYPE - 225 AH RATING (UL LOCKING COVERS)	H
1	0400215	4	Battery Type GC-110-WNL	
3	0760610	8	Bolt M6 x 20	
3	1001100451	8	Bolt M6 x 20	
4	0861678	2	Tray Assembly (See BATTERY TRAY ASSEMBLY - UL for Breakdown)	
6	1671204	2	Cover Assembly (See BATTERY COVER ASSEMBLY - LOCKING for Breakdown)	
9	3574981	2	Plate, Slide Stop (LH)	
10	3574984	2	Plate, Slide Stop (RH)	
11	4191707	8	Screw M6 x 16	
12	4240172	4	Strap, Battery	
13	4811700	17	Washer M6	
14	3290607	5	Nut M6	
15	1001110826	1	Bracket	
16	1320224	1	Clamp	
17	0700617	5	Bolt M6 x 45	
18	1001127523	1	Cable, Battery	
19	4923414	1	Cable, Battery	
20	0100051	AR	Grease, Terminal	
22	3290605	8	Nut M6	

## SECTION 2 - GROUND COMPONENTS

FIGURE 2-11. BATTERIES INSTALLATION - 220 AH RATING WITHOUT BATTERIES (NON LOCKING COVERS)



ART\_1001209104-C



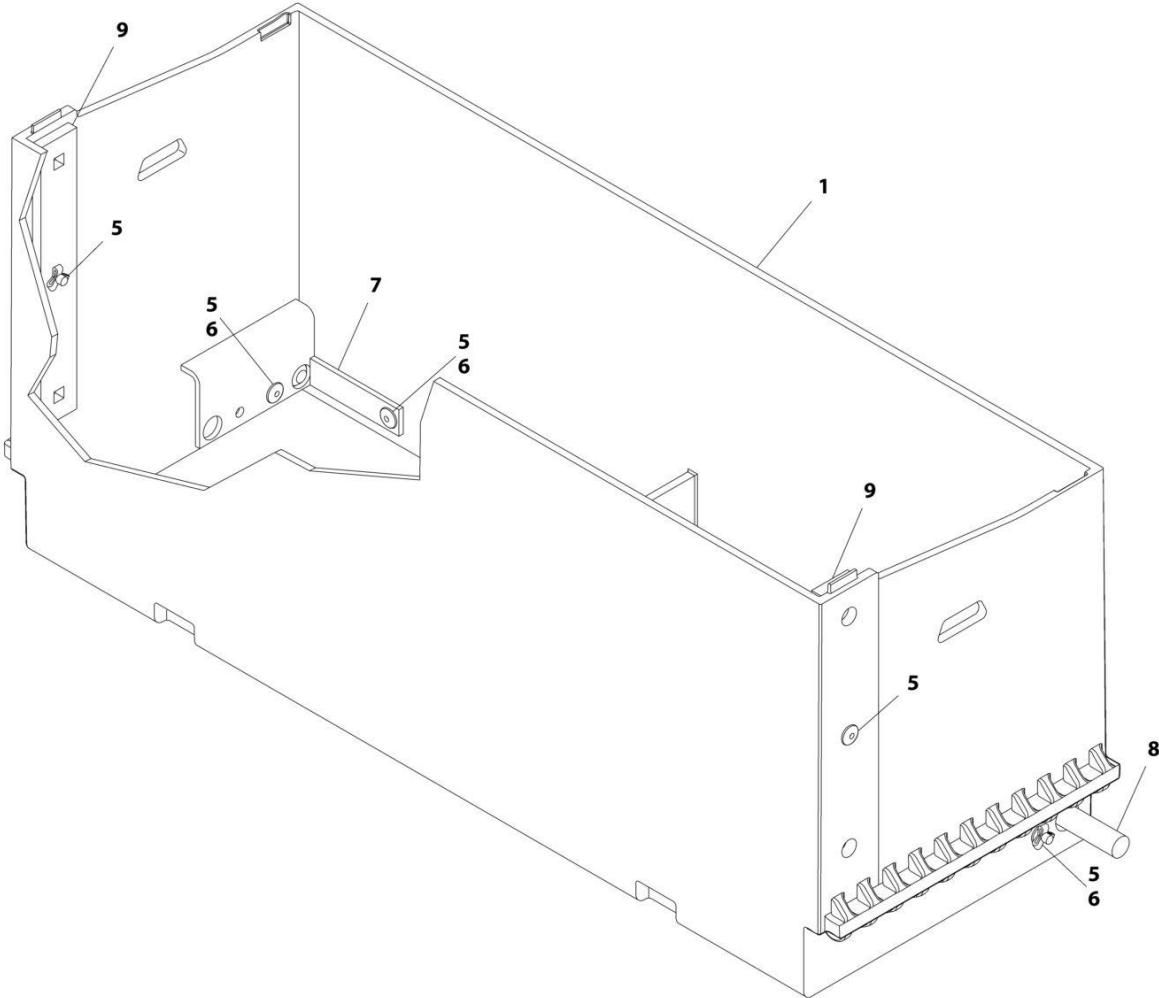
## SECTION 2 - GROUND COMPONENTS

**FIGURE 2-11. BATTERIES INSTALLATION - 220 AH RATING WITHOUT BATTERIES (NON LOCKING COVERS)**

ITEM	PART NUMBER	QTY	DESCRIPTION	REV
	1001209104	Ref	BATTERIES INSTALLATION - 220 AH RATING WITHOUT BATTERIES (NON LOCKING COVERS)	C
1	0100051	AR	Grease, Terminal	
2	0273698	2	Tray Assembly (See Separate Breakdown in this Section)	
3	1001100451	8	Bolt M6 x 20	
4	1671202	1	Cover Assembly (See Separate Breakdown in this Section)	
5	3574981	2	Plate, Slide Stop (LH)	
6	3574984	2	Plate, Slide Stop (RH)	
7	4191707	8	Screw M6 x 16	
8	4811700	8	Washer M6	
9	3290605	8	Nut M6	

# SECTION 2 - GROUND COMPONENTS

FIGURE 2-12. BATTERY TRAY ASSEMBLY - NON-UL



ART\_0273698

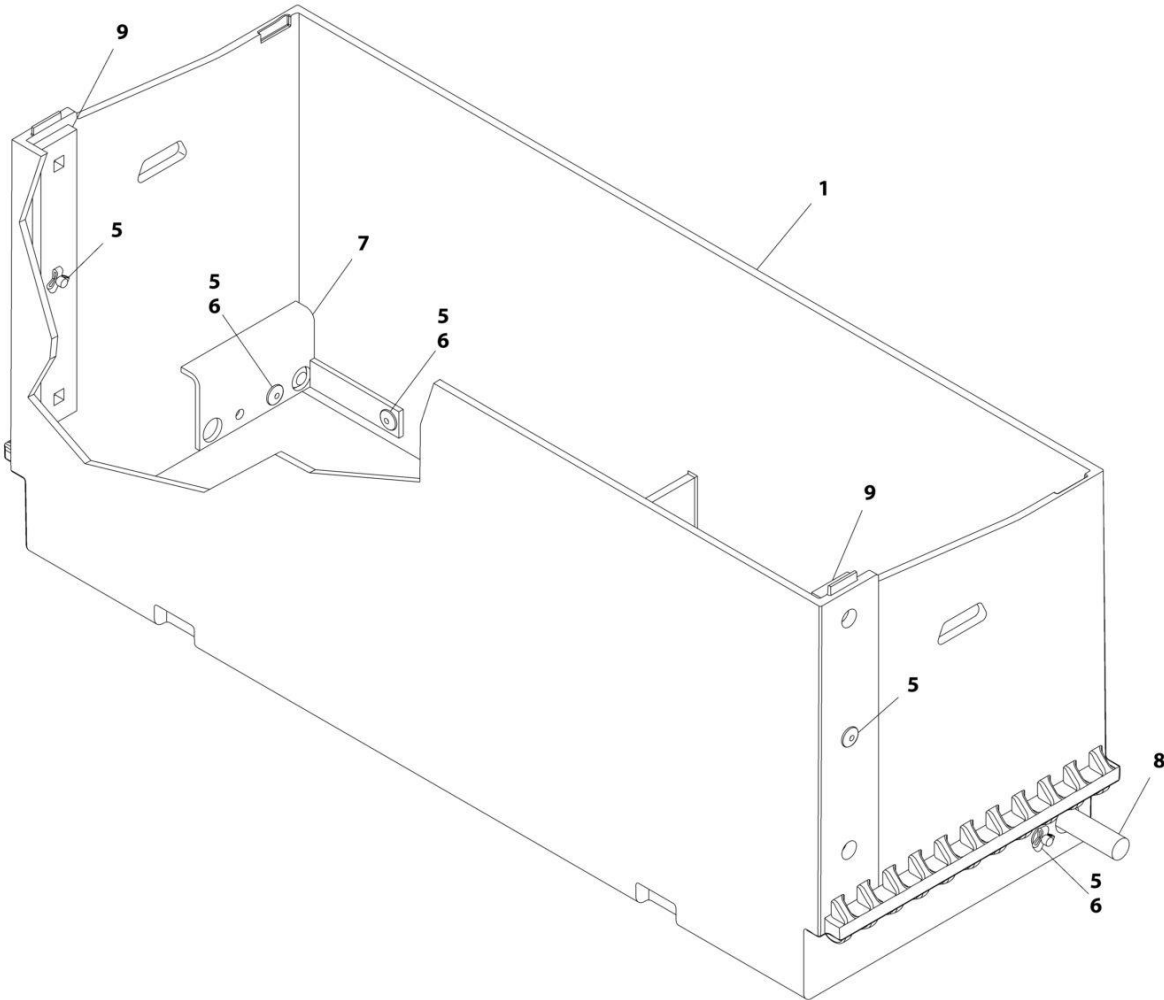
## SECTION 2 - GROUND COMPONENTS

FIGURE 2-12. BATTERY TRAY ASSEMBLY - NON-UL

ITEM	PART NUMBER	QTY	DESCRIPTION	REV
	0273698	Ref	BATTERY TRAY ASSEMBLY - NON-UL	K
1	0861650	1	Tray, Battery	
5	3820032	6	Rivet	
6	4811600	4	Washer M5	
7	4220252	1	Stop (LH)	
8	4220253	1	Stop (RH)	
9	1001233888	2	Bar	

# SECTION 2 - GROUND COMPONENTS

FIGURE 2-13. BATTERY TRAY ASSEMBLY - UL



ART\_0861678

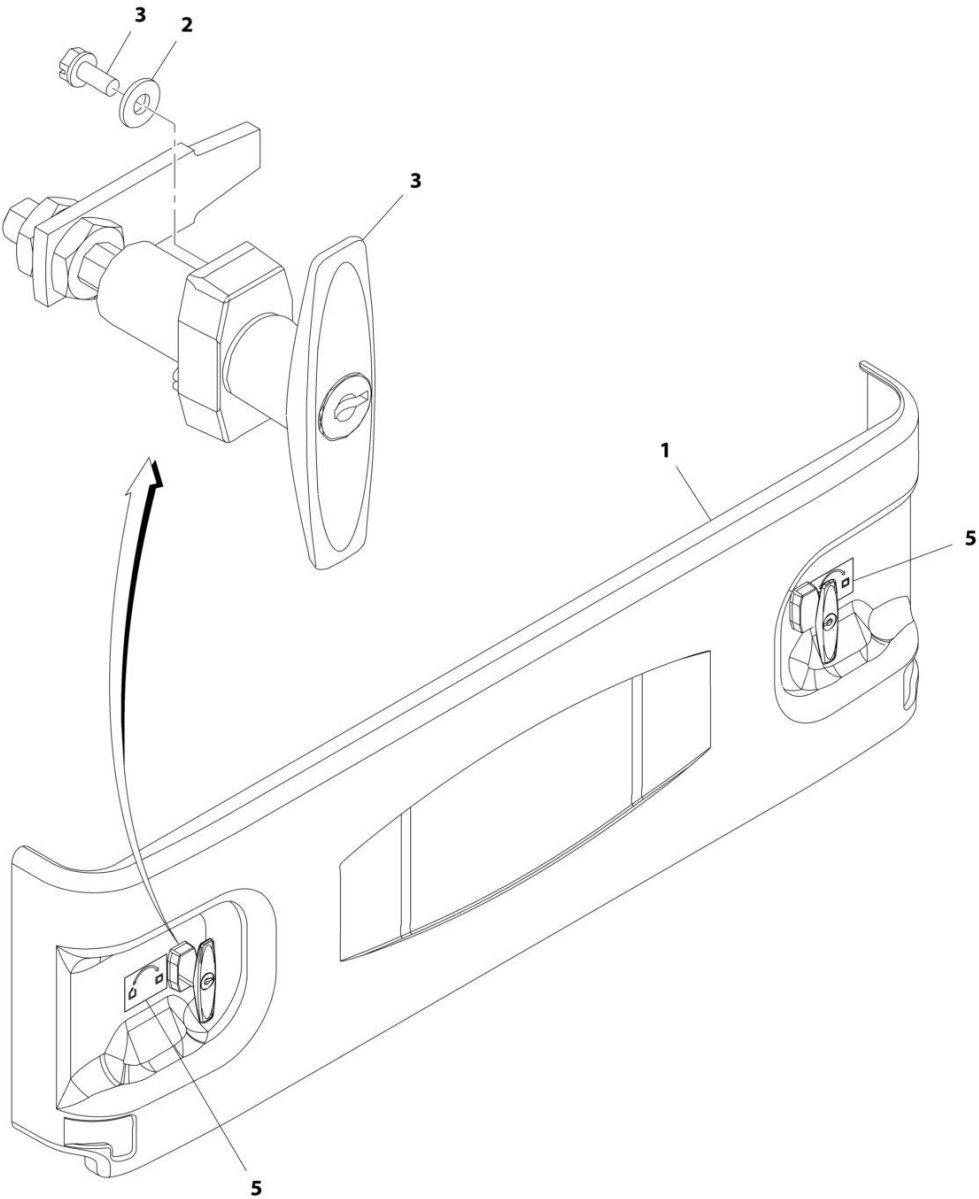
## SECTION 2 - GROUND COMPONENTS

FIGURE 2-13. BATTERY TRAY ASSEMBLY - UL

ITEM	PART NUMBER	QTY	DESCRIPTION	REV
	0861678	Ref	BATTERY TRAY ASSEMBLY - UL	I
1	0861677	1	Tray, Battery	
5	3820032	6	Rivet	
6	4811600	4	Washer M5	
7	4220252	1	Stop (LH)	
8	4220253	1	Stop (RH)	
9	1001233888	2	Bar	

**SECTION 2 - GROUND COMPONENTS**

**FIGURE 2-14. BATTERY COVER ASSEMBLY - NON-LOCKING**



ART\_1671202-1

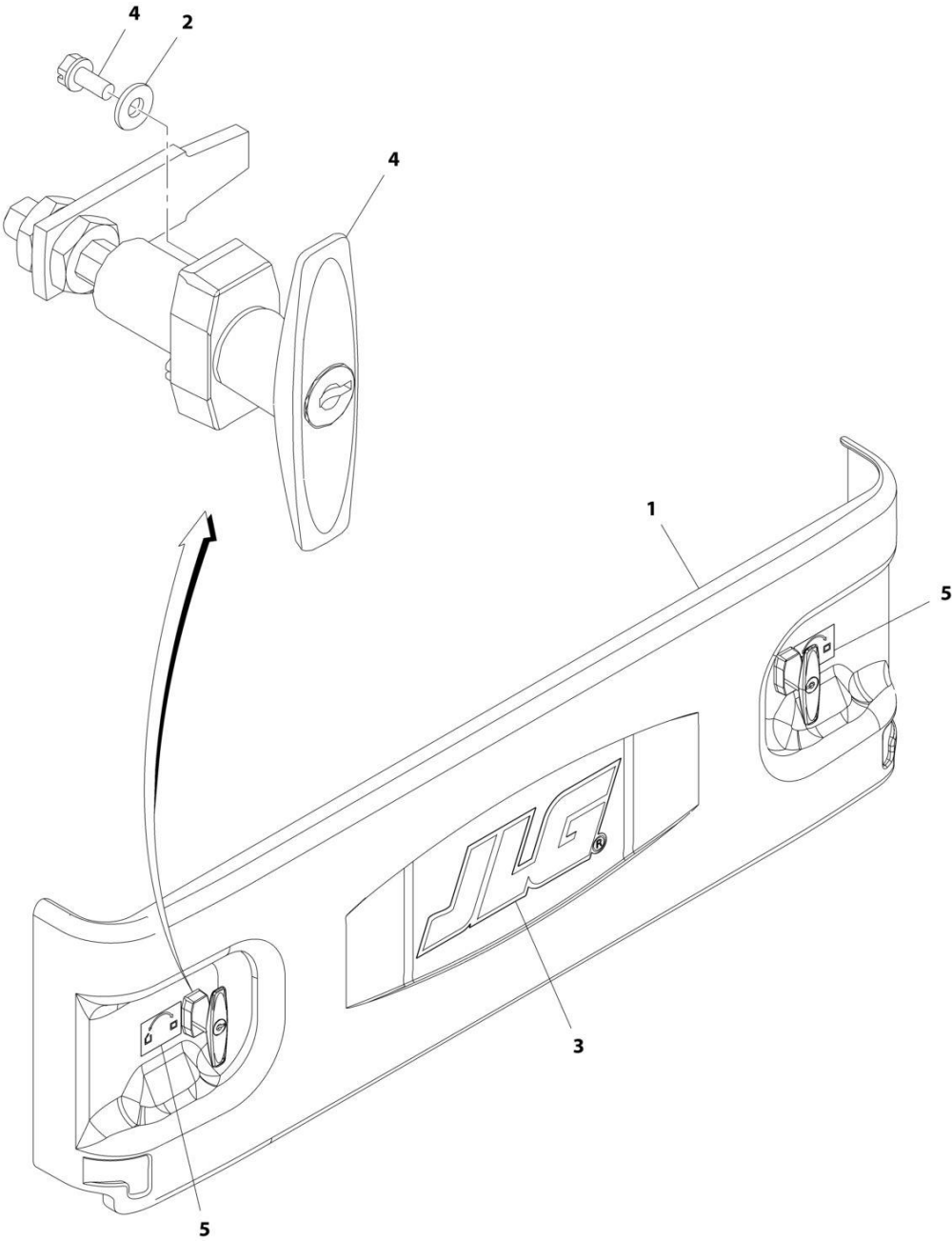
## SECTION 2 - GROUND COMPONENTS

FIGURE 2-14. BATTERY COVER ASSEMBLY - NON-LOCKING

ITEM	PART NUMBER	QTY	DESCRIPTION	REV
	1671202	Ref	BATTERY COVER ASSEMBLY - NON-LOCKING	I
1	1671203	1	Cover, Battery Less Decals and Latches	
2	4750800	4	Washer #8	
3	2940174	2	Latch, T-Handle	
5	1706350	2	Decal - Cover	

**SECTION 2 - GROUND COMPONENTS**

**FIGURE 2-15. BATTERY COVER ASSEMBLY - LOCKING**



ART\_1671204



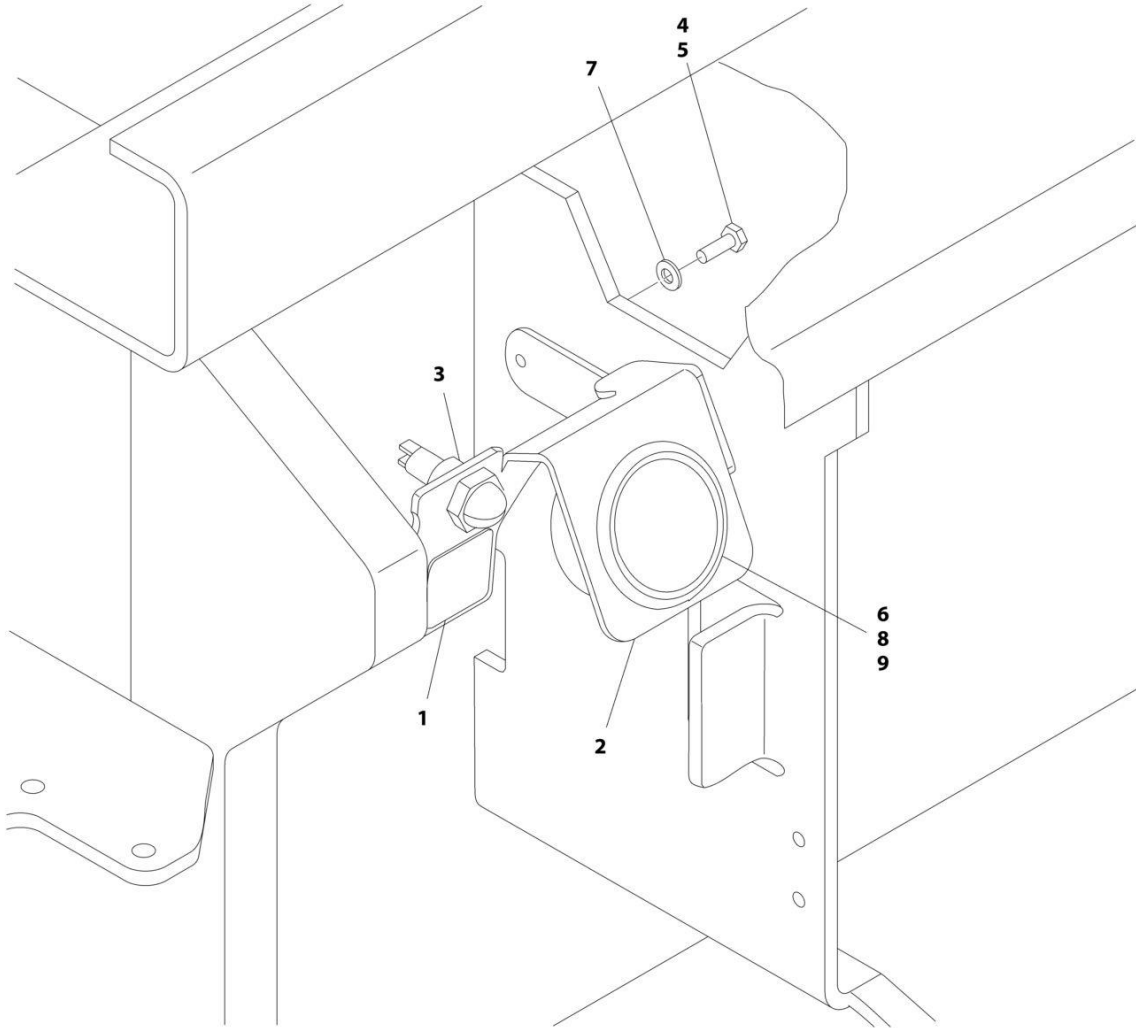
## SECTION 2 - GROUND COMPONENTS

FIGURE 2-15. BATTERY COVER ASSEMBLY - LOCKING

ITEM	PART NUMBER	QTY	DESCRIPTION	REV
	1671204	Ref	BATTERY COVER ASSEMBLY - LOCKING	I
1	1671203	1	Cover, Battery Less Decals and Latches	
2	4750800	4	Washer #8	
3	1705754	1	Decal - JLG	
4	2940175	2	Latch, T-Handle (Locking)	
4	7027863	2	Key	
5	1706350	2	Decal - Cover	

## SECTION 2 - GROUND COMPONENTS

FIGURE 2-16. BRAKE DISCONNECT AND MDI (MULTIFUNCTION DIGITAL INDICATOR) GAUGE INSTALLATION



ART\_0275530

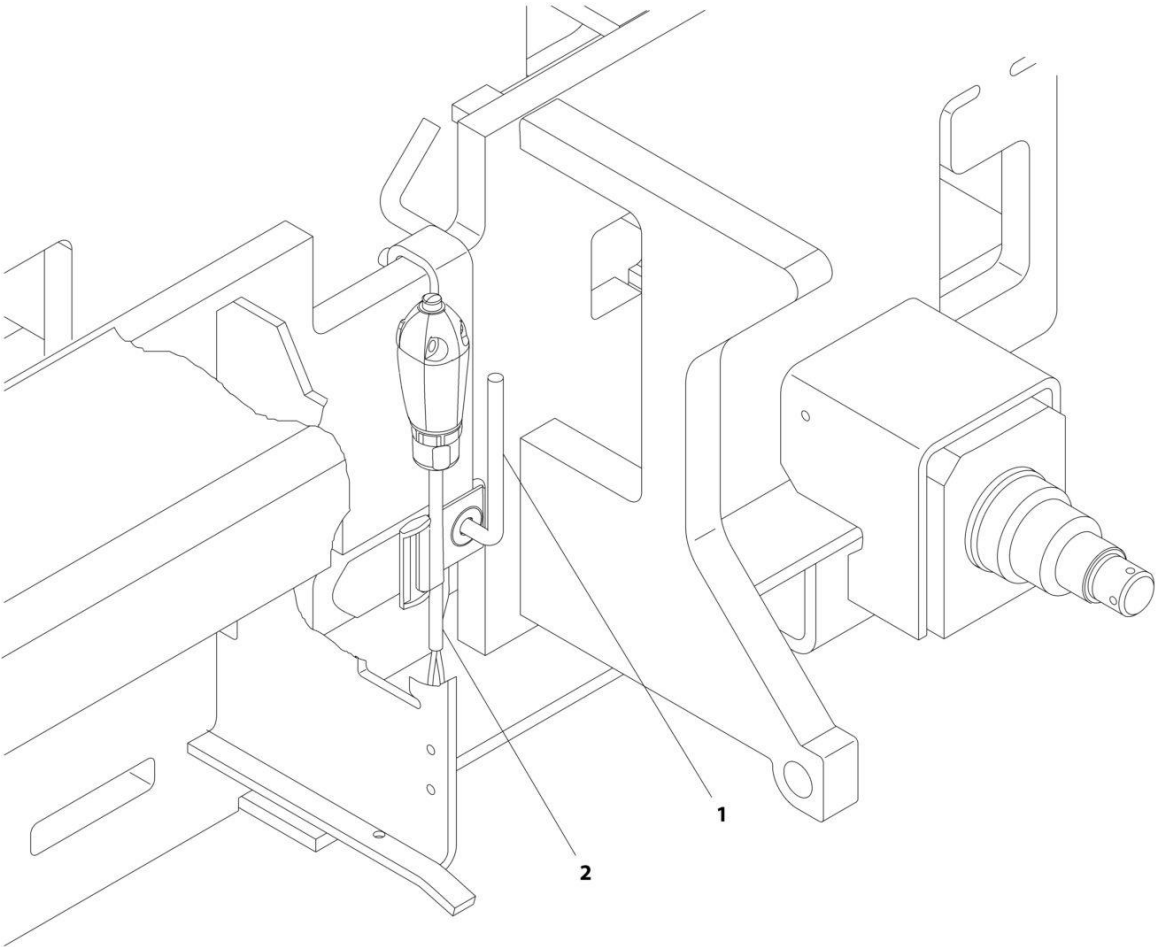
## SECTION 2 - GROUND COMPONENTS

**FIGURE 2-16. BRAKE DISCONNECT AND MDI (MULTIFUNCTION DIGITAL INDICATOR) GAUGE INSTALLATION**

ITEM	PART NUMBER	QTY	DESCRIPTION	REV
	0275530	Ref	BRAKE DISCONNECT AND MDI (MULTIFUNCTION DIGITAL INDICATOR) GAUGE INSTALLATION	D
1	1706679	1	Decal - Brake Release	
2	1001094203	1	Bracket	
3	4360387	1	Switch, Push Button	
4	4031607	2	Capscrew M5 x 16	
5	0100011	AR	Compound, Locking	
6	0100048	AR	Grease, Dielectric	
7	4811600	2	Washer M5	
8	1001092454	1	Gauge, MDI (Multifunction Digital Indicator)	
9	1001093556	1	MDI Harness (Not Shown - See Separate Breakdown in ELECTRICAL SECTION)	

**SECTION 2 - GROUND COMPONENTS**

**FIGURE 2-17. BRAKE CABLE INSTALLATION (OPTIONAL)**



ART\_0275432

## SECTION 2 - GROUND COMPONENTS

FIGURE 2-17. BRAKE CABLE INSTALLATION (OPTIONAL)

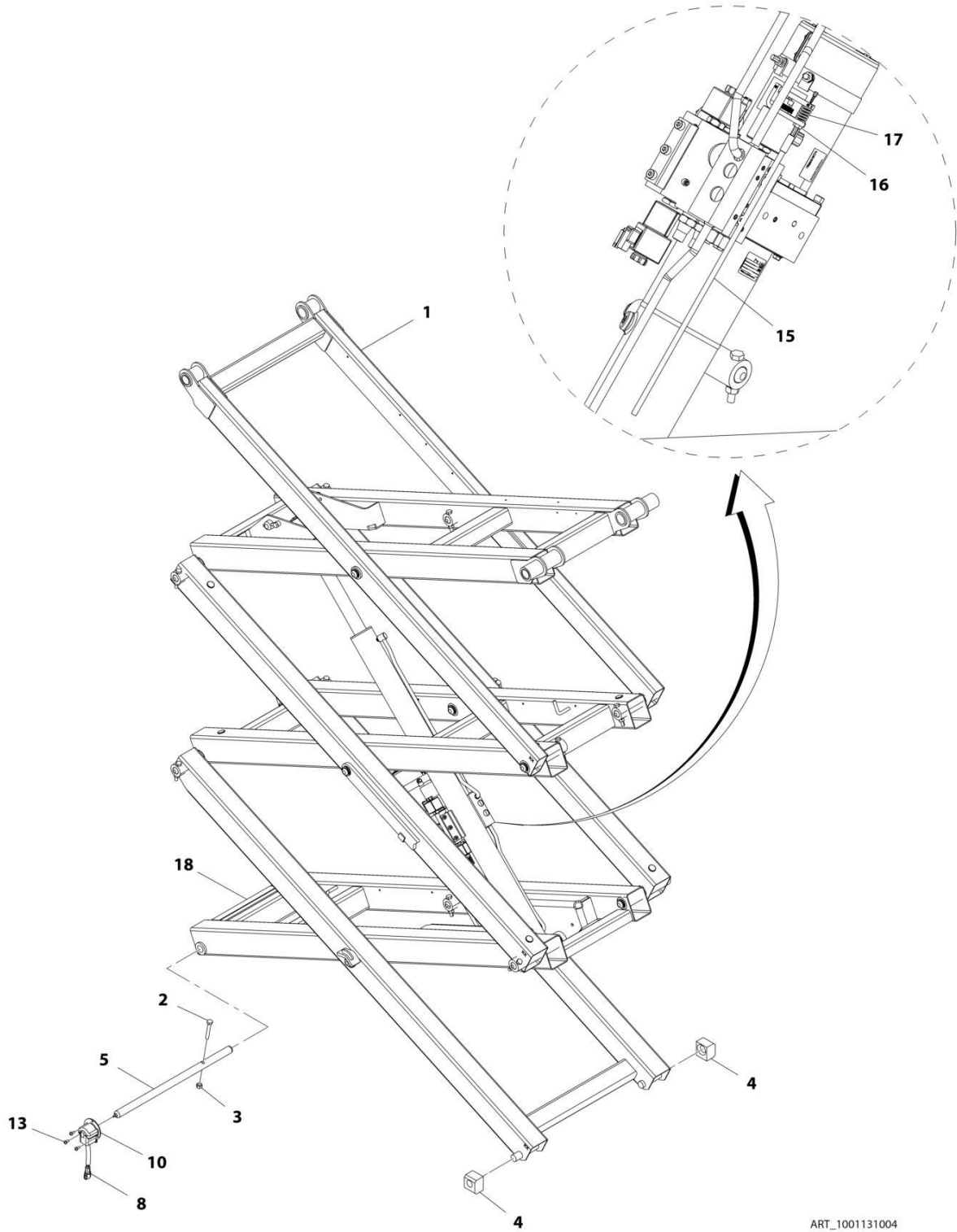
ITEM	PART NUMBER	QTY	DESCRIPTION	REV
	0275432	Ref	BRAKE CABLE INSTALLATION (OPTIONAL)	B
1	2902331	1	Brake Release Mount Kit (Includes Mounting Bracket and Setscrew)	
1	3951608	1	Setscrew 3/8 x 1	
2	4922944	1	Brake Disconnect Harness (See Separate Breakdown in ELECTRICAL SECTION)	



**SECTION 3 - SCISSOR ARMS**

# SECTION 3 - SCISSOR ARMS

FIGURE 3-1. SCISSORS ARMS INSTALLATION - 1930ES STANDARD HYDRAULIC OIL



ART\_1001131004



## SECTION 3 - SCISSOR ARMS

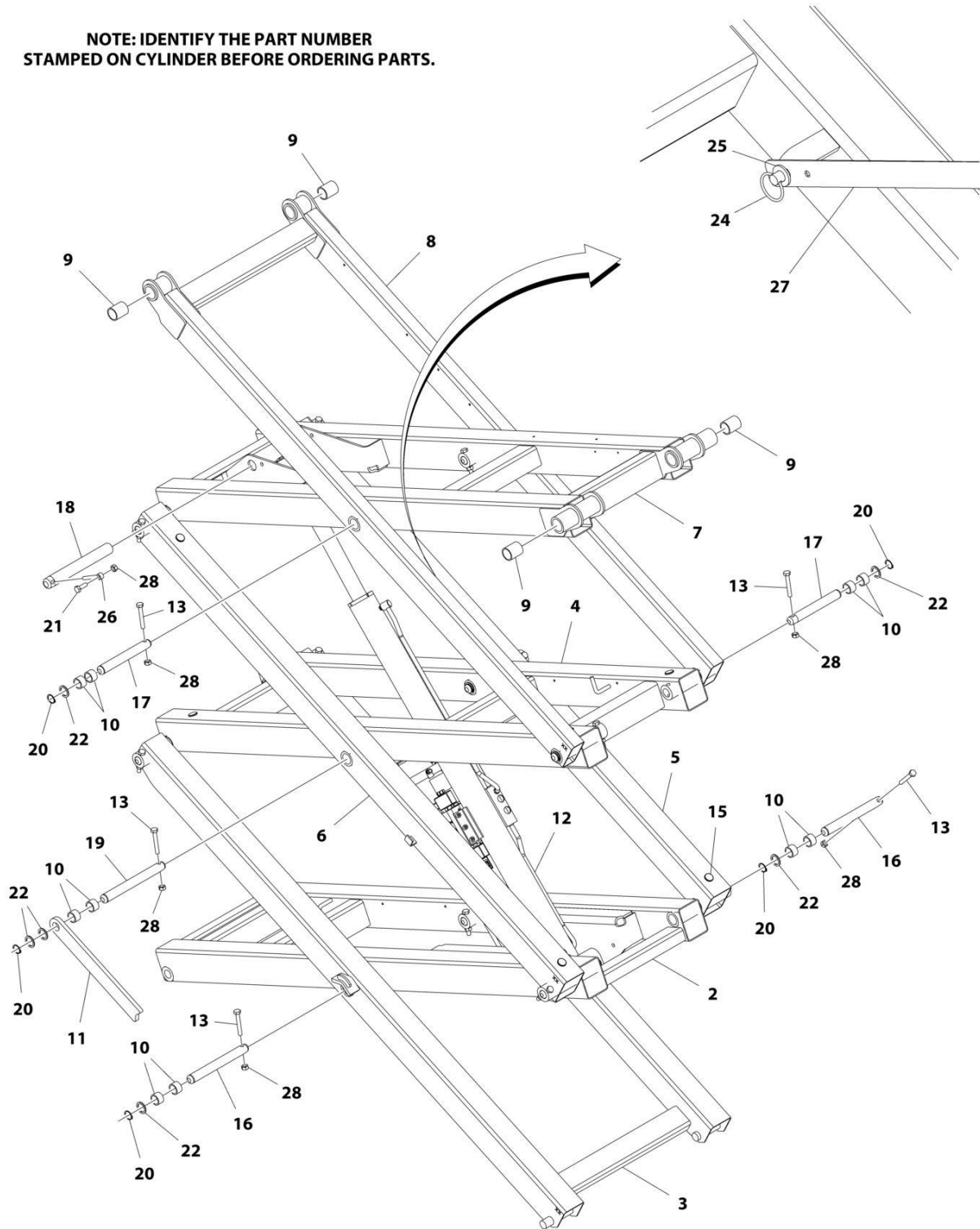
**FIGURE 3-1. SCISSORS ARMS INSTALLATION - 1930ES STANDARD HYDRAULIC OIL**

ITEM	PART NUMBER	QTY	DESCRIPTION	REV
	1001131004	Ref	SCISSOR ARMS INSTALLATION - 1930ES STANDARD HYDRAULIC OIL	B
1	1001131019	1	Arms Assembly (See Separate Breakdown in this Section)	
2	0701022	1	Bolt M10 x 70	
3	3291005	1	Nut M10	
4	3340964	2	Pad, Slide	
5	3423239	1	Pin, Sensor	
8	1001092354	1	Switch, Rotary Angle Sensor	
10	3200454	1	Mount, Rotary Angle Sensor	
13	4191706	3	Screw M6 x 12	
15	1061036	1	Cable, Manual Descent	
15	7020218	1	T-Handle (1/4)	
15	70001878	1	T-Handle (M5)	
16	3321402	1	Nut 1/4 - 28	
17	4160078	1	Spring, Compression	
18	4420070	1	Tape - Anti Skid	

# SECTION 3 - SCISSOR ARMS

## FIGURE 3-2. SCISSORS ARMS ASSEMBLY - 1930ES STANDARD HYDRAULIC OIL

NOTE: IDENTIFY THE PART NUMBER STAMPED ON CYLINDER BEFORE ORDERING PARTS.



ART\_1001131019-C

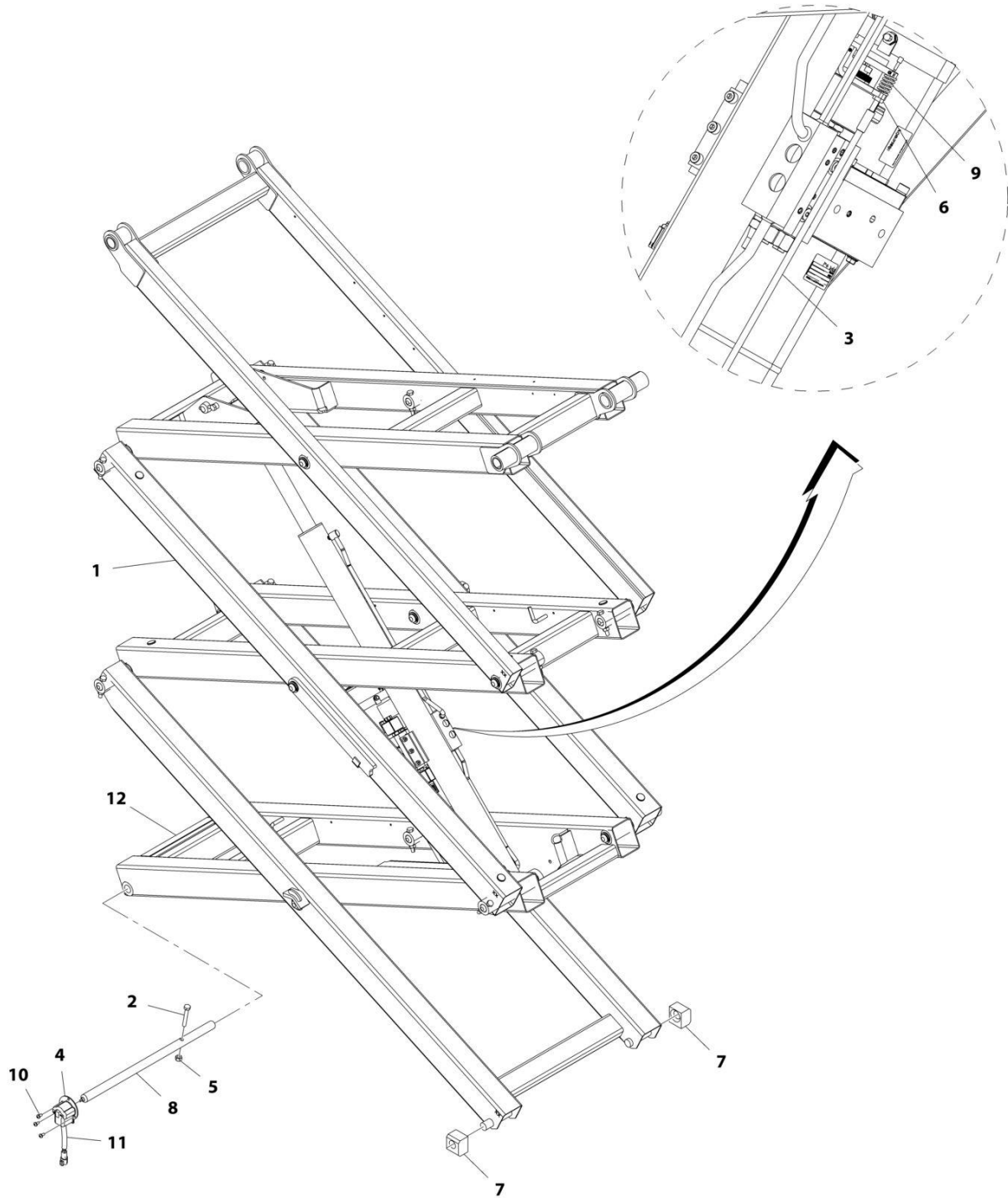
## SECTION 3 - SCISSOR ARMS

**FIGURE 3-2. SCISSORS ARMS ASSEMBLY - 1930ES STANDARD HYDRAULIC OIL**

ITEM	PART NUMBER	QTY	DESCRIPTION	REV
	1001131019	Ref	SCISSOR ARMS ASSEMBLY - 1930ES STANDARD HYDRAULIC OIL	C
2	0200825	1	Arm - Lower Inboard	
3	0200810	1	Arm - Lower Outboard	
4	0200824	1	Arm - Mid Inboard	
5	0200823	1	Arms - Mid Outboard	
6	0200822	1	Arm - Mid Outboard	
7	0200821	1	Arm - Top Inboard	
8	0200815	1	Arm - Top Outboard	
9	0440266	4	Bearing	
10	0440264	28	Bearing	
11	3574159	1	Plate, Safety Prop	
12	1001214270	1	Lift Cylinder Assembly - 1930ES Standard Hydraulic Oil (SH-PAC) (See Separate Breakdown in CYLINDER SECTION)	
13	0701022	14	Bolt M10 x 70	
15	3340962	16	Pad, Arm	
16	3423031	9	Pin	
17	3423032	4	Pin	
18	3423038	2	Pin	
19	3423042	1	Pin	
20	3760115	14	Ring, Retaining	
21	0761014	2	Bolt M10 x 30	
22	4740531	15	Washer	
24	3760170	2	Ring, Split	
25	4812000	2	Washer M10	
26	3841143	2	Keeper, Pin	
27	3576093	1	Bar, Cable Carrier	
28	3291007	16	Nut M10	
29	2902455	1	Kit, 1930ES Arm Weldments (Includes Items 2 - 11) (Not Shown)	

# SECTION 3 - SCISSOR ARMS

FIGURE 3-3. SCISSORS ARMS INSTALLATION - 1930ES BIODEGRADABLE HYDRAULIC OIL (CHINA BUILT MACHINES)



ART\_1001131009

## SECTION 3 - SCISSOR ARMS

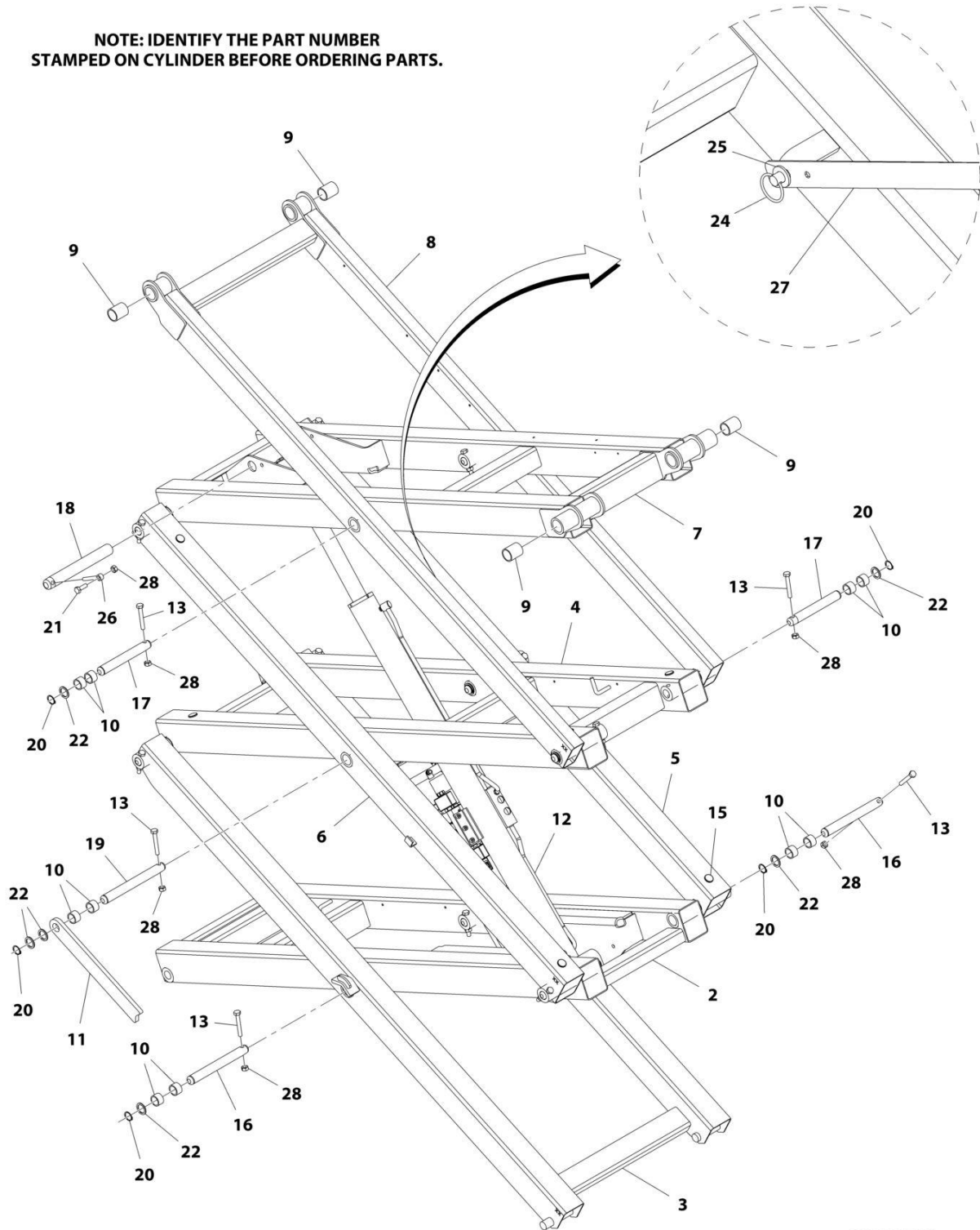
**FIGURE 3-3. SCISSORS ARMS INSTALLATION - 1930ES BIODEGRADEABLE HYDRAULIC OIL  
(CHINA BUILT MACHINES)**

ITEM	PART NUMBER	QTY	DESCRIPTION	REV
	1001131009	Ref	SCISSOR ARMS INSTALLATION - 1930ES BIODEGRADEABLE HYDRAULIC OIL	B
1	1001131027	1	SCISSORS ARMS ASSEMBLY - 1930ES (See Separate Breakdown in this Section)	
2	0701022	1	Bolt M10 x 70	
3	1061036	1	Cable, Manual Descent	
3	7020218	1	T-Handle (1/4)	
3	70001878	1	T-Handle (M5)	
4	3200454	1	Mount, Switch	
5	3291005	1	Nut M10	
6	3321402	1	Nut 1/4 - 28	
7	3340964	2	Pad, Slide	
8	3423239	1	Pin, Sensor	
9	4160078	1	Spring, Compression	
10	4191706	3	Screw M6 x 12	
11	1001092354	1	Switch, Rotary Angle Sensor	
12	4420070	1	Tape, Anti - Skid	

# SECTION 3 - SCISSOR ARMS

## FIGURE 3-4. SCISSORS ARMS ASSEMBLY - 1930ES BIODEGRADABLE HYDRAULIC OIL (CHINA BUILT MACHINES)

NOTE: IDENTIFY THE PART NUMBER STAMPED ON CYLINDER BEFORE ORDERING PARTS.



ART\_1001131027

## SECTION 3 - SCISSOR ARMS

**FIGURE 3-4. SCISSORS ARMS ASSEMBLY - 1930ES BIODEGRADABLE HYDRAULIC OIL (CHINA BUILT MACHINES)**

ITEM	PART NUMBER	QTY	DESCRIPTION	REV
	1001131027	Ref	SCISSOR ARMS ASSEMBLY - 1930ES BIODEGRADABLE HYDRAULIC OIL	D
2	0200825	1	Arm - Lower Inboard	
3	0200810	1	Arm - Lower Outboard	
4	0200824	1	Arm - Mid Inboard	
5	0200823	1	Arms - Mid Outboard	
6	0200822	1	Arm - Mid Outboard	
7	0200821	1	Arm - Top Inboard	
8	0200815	1	Arm - Top Outboard	
9	0440266	9	Bearing	
10	0440264	28	Bearing	
11	3574159	1	Plate, Safety Prop	
12	1001131033	1	Lift Cylinder Assembly - 1930ES Biodegradable Hydraulic Oil (SH-PAC) (See Separate Breakdown in CYLINDER SECTION)	
13	0701022	14	Screw M10 x 70	
15	3340962	16	Pad, Arm	
16	3423031	9	Pin	
17	3423032	4	Pin	
18	3423038	2	Pin	
19	3423042	1	Pin	
20	3760115	14	Ring, Retaining	
21	0761014	2	Screw M10 x 30	
22	4740531	15	Washer	
24	3760170	2	Ring, Split	
25	4812000	2	Washer M10	
26	3841143	2	Keeper, Pin	
27	3576093	1	Bar, Prop Attach	
28	3291007	16	Nut, M10	
29	2902455	1	Kit, 1930 Arm Weldments (Includes Items 2 - 11) (Not Shown)	

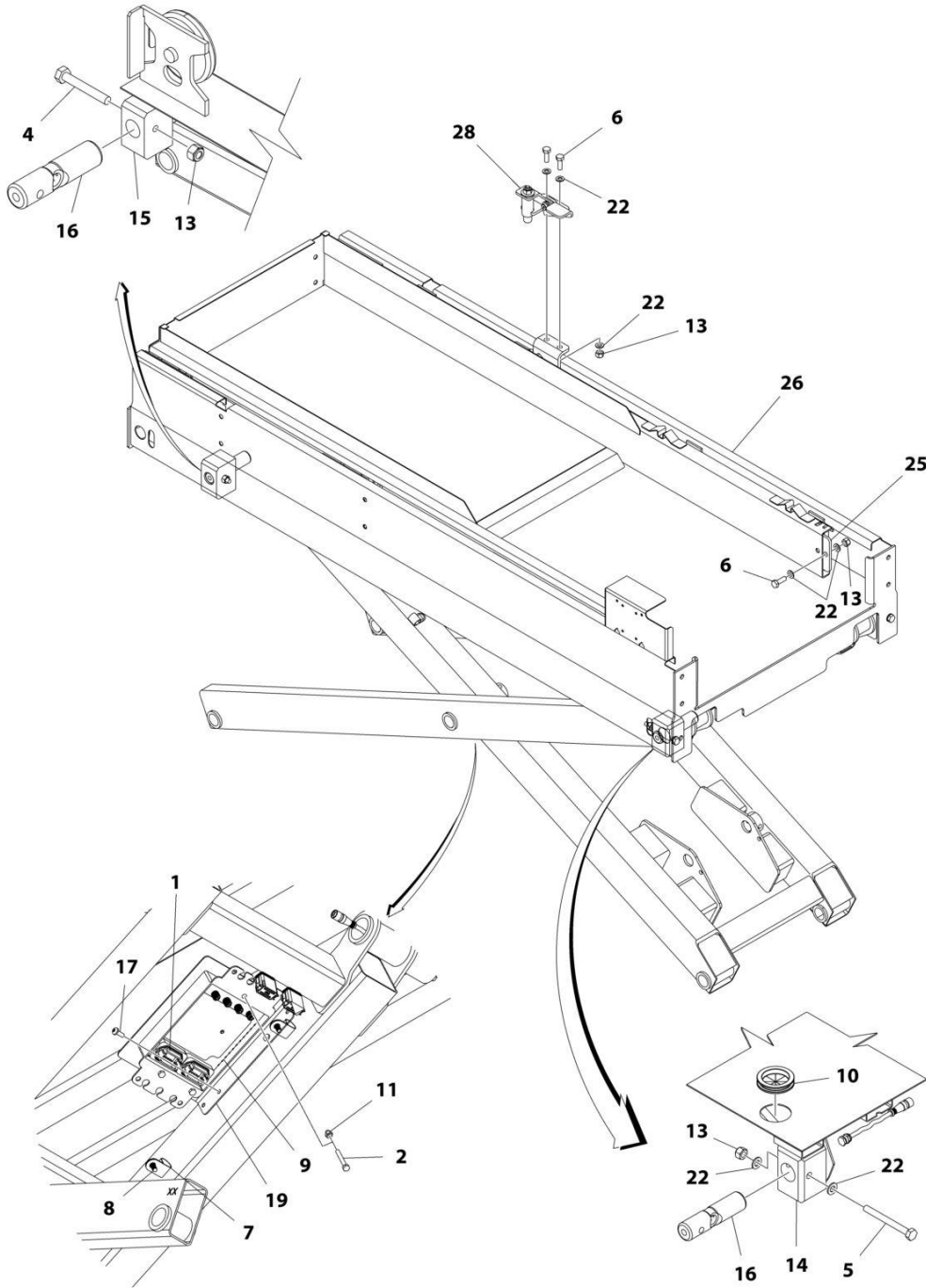




**SECTION 4 - PLATFORM**

# SECTION 4 - PLATFORM

## FIGURE 4-1. PLATFORM INSTALLATION - WITH INSIDE EXTENSION RAILS AND WITH LSS



ART\_1001177176-E

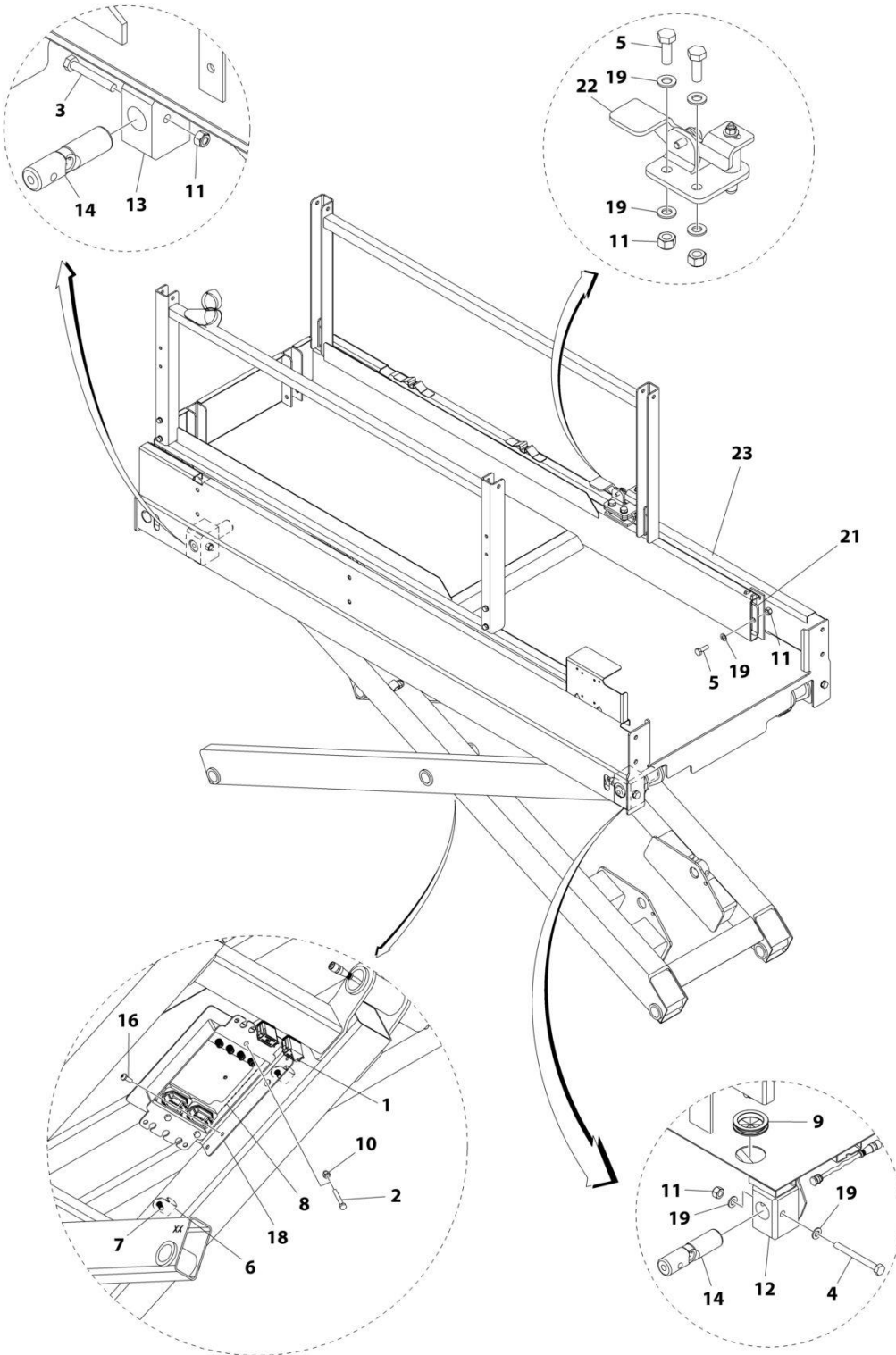
## SECTION 4 - PLATFORM

**FIGURE 4-1. PLATFORM INSTALLATION - WITH INSIDE EXTENSION RAILS AND WITH LSS**

ITEM	PART NUMBER	QTY	DESCRIPTION	REV
	1001177176	Ref	PLATFORM INSTALLATION - WITH INSIDE EXTENSION RAILS AND WITH LSS	E
1	0100048	AR	Grease, Dielectric	
2	0700617	3	Bolt M6 x 45	
4	0701022	2	Bolt M10 x 70	
5	0701027	2	Bolt M10 x 100	
6	0761014	4	Bolt M10 x 30	
7	1320318	2	Clamp	
8	1380158	2	Clip	
9	1600387	1	Controller, Load Sense	
10	2540045	1	Grommet	
11	3290606	3	Nut M6	
13	3291005	8	Nut M10	
14	3340965	2	Block, Slide	
15	3340976	2	Block, Slide	
16	3422938	4	Pin	
17	4191707	2	Screw M6 x 16	
18	4240033	AR	Tie-Strap (Not Shown)	
19	4340931	1	Mount, LSS Module	
22	4812000	10	Washer M10	
23	4923228	1	Harness, Load Sense (Not Shown - See Separate Breakdown in ELECTRICAL SECTION)	
25	1001175188	2	Bracket, Stop	
26	1001175463	1	Platform and Extension Assembly - With Inside Extension Rails (See Separate Breakdown in this Section)	
28	1001234398	1	Latch Assembly - With Inside Extension Rails (See Separate Breakdown in this Section)	

# SECTION 4 - PLATFORM

FIGURE 4-2. PLATFORM INSTALLATION - WITH OUTSIDE EXTENSION RAILS AND WITH LSS



ART\_1001216831

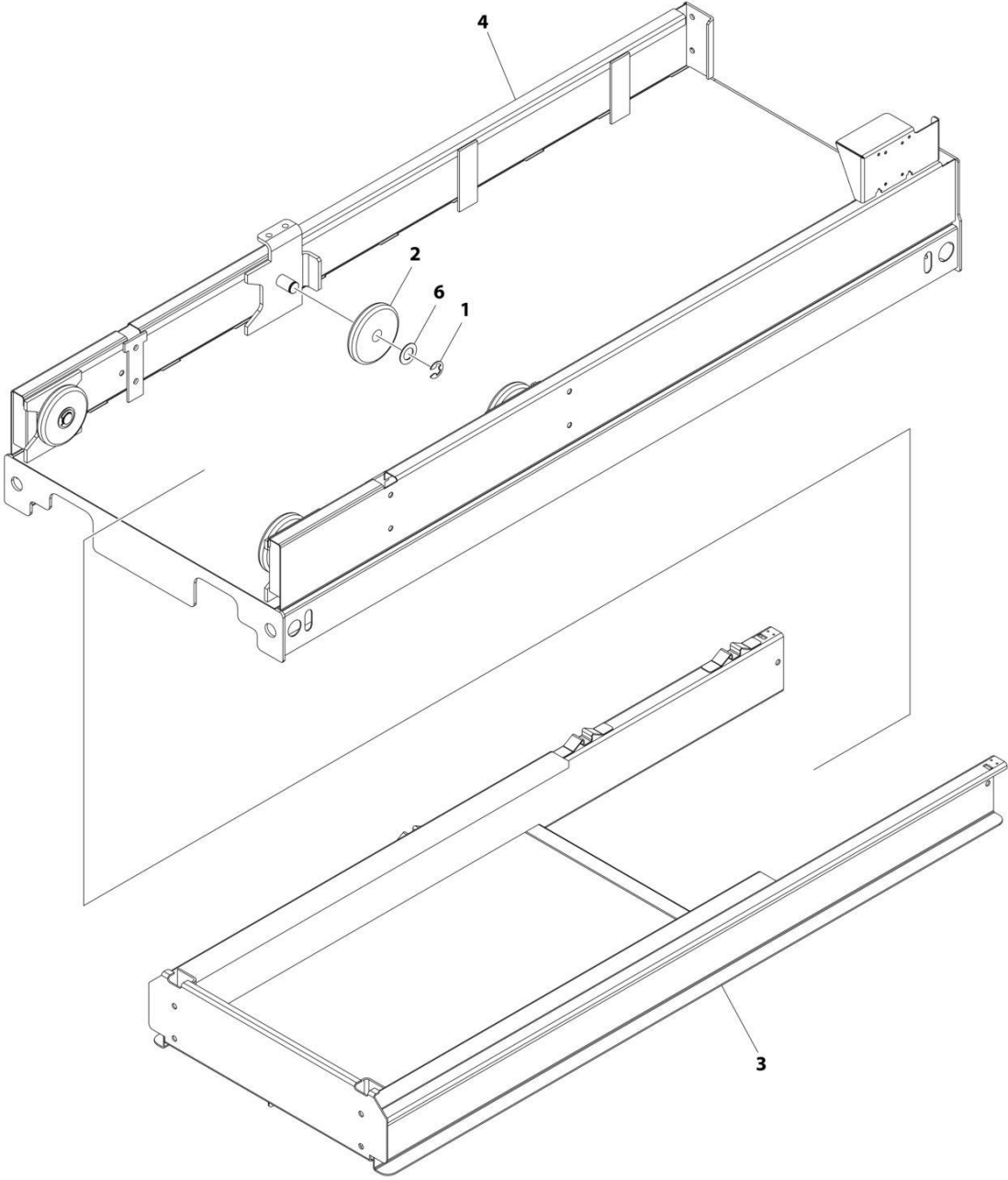
## SECTION 4 - PLATFORM

**FIGURE 4-2. PLATFORM INSTALLATION - WITH OUTSIDE EXTENSION RAILS AND WITH LSS**

ITEM	PART NUMBER	QTY	DESCRIPTION	REV
	1001216831	Ref	PLATFORM INSTALLATION - WITH OUTSIDE EXTENSION RAILS AND WITH LSS	A
1	0100048	AR	Grease, Dielectric	
2	0700617	3	Bolt M6 x 45	
3	0701022	2	Bolt M10 x 70	
4	0701027	2	Bolt M10 x 100	
5	0761014	4	Bolt M10 x 30	
6	1320318	2	Clamp	
7	1380158	2	Clip	
8	1600387	1	Controller, Load Sense	
9	2540045	1	Grommet	
10	3290606	3	Nut M6	
11	3291005	8	Nut M10	
12	0561513	2	Block, Upper Slide	
13	3340976	2	Block, Upper Slide	
14	3422938	4	Pin	
16	4191707	2	Screw M6 x 16	
17	4240033	AR	Tie-Strap (Not Shown)	
18	3200456	1	Mount, Module	
19	4812000	10	Washer M10	
20	4923228	1	Harness, Load Sense (Not Shown – See Separate Breakdown in ELECTRICAL SECTION)	
21	1001175188	2	Bracket, Stop	
22	1001209256	1	Latch Assembly - With Outside Extension Rails (See Separate Breakdown in this Section)	
23	1001215239	1	Platform and Extension Assembly - With Outside Extension Rails (See Separate Breakdown in this Section)	

# SECTION 4 - PLATFORM

FIGURE 4-3. PLATFORM AND EXTENSION ASSEMBLY - WITH INSIDE EXTENSION RAILS



ART\_1001175463\_O

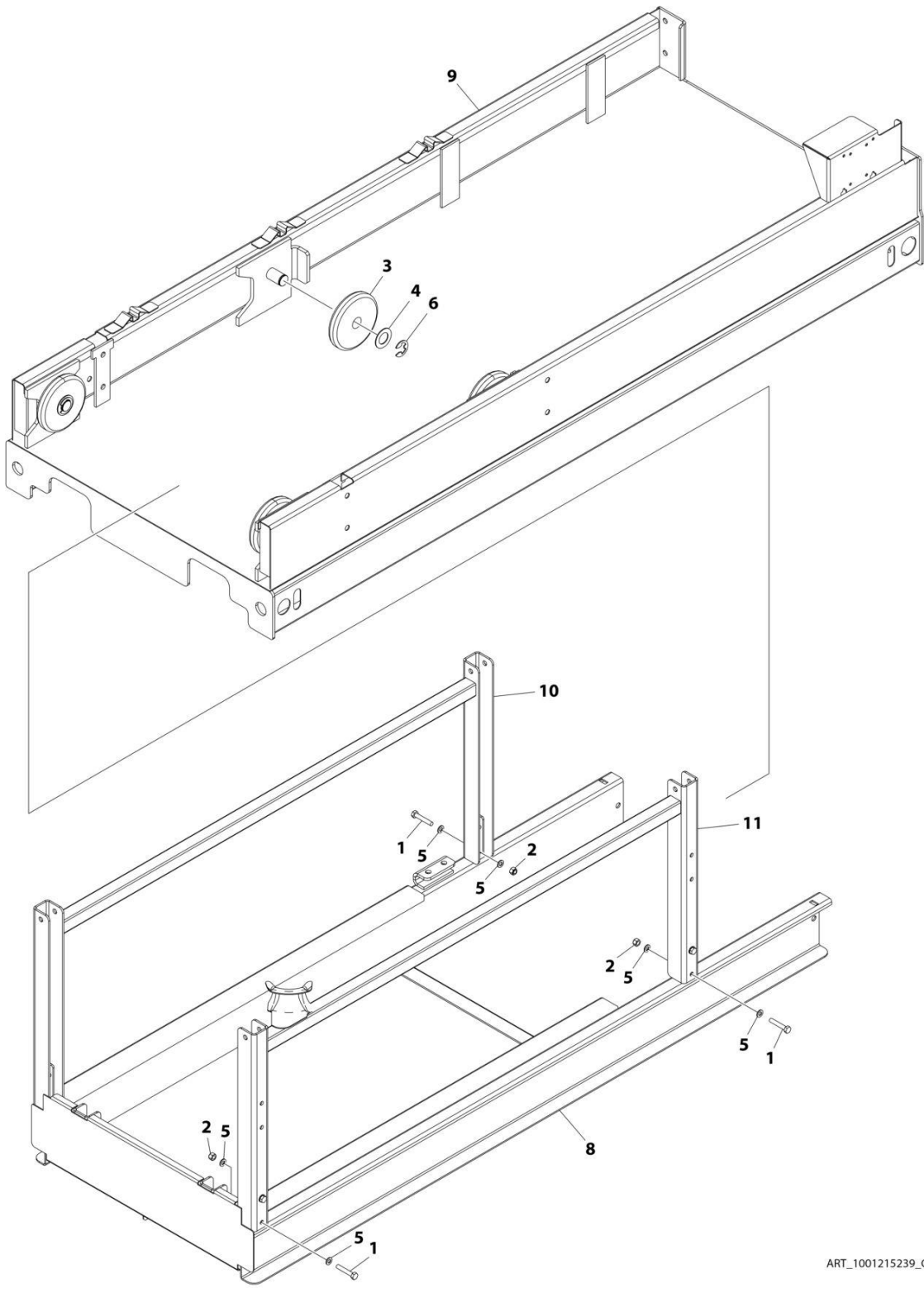
## SECTION 4 - PLATFORM

**FIGURE 4-3. PLATFORM AND EXTENSION ASSEMBLY - WITH INSIDE EXTENSION RAILS**

ITEM	PART NUMBER	QTY	DESCRIPTION	REV
	1001175463	Ref	PLATFORM AND EXTENSION ASSEMBLY - WITH INSIDE EXTENSION RAILS	O
1	1001182339	4	Clip	
2	1001243601	4	Roller	
3	1001232145	1	Extension, Platform	
4	1001175402	1	Platform	
6	4740446	4	Washer, Thrust	

# SECTION 4 - PLATFORM

FIGURE 4-4. PLATFORM AND EXTENSION ASSEMBLY - WITH OUTSIDE EXTENSION RAILS



ART\_1001215239\_C



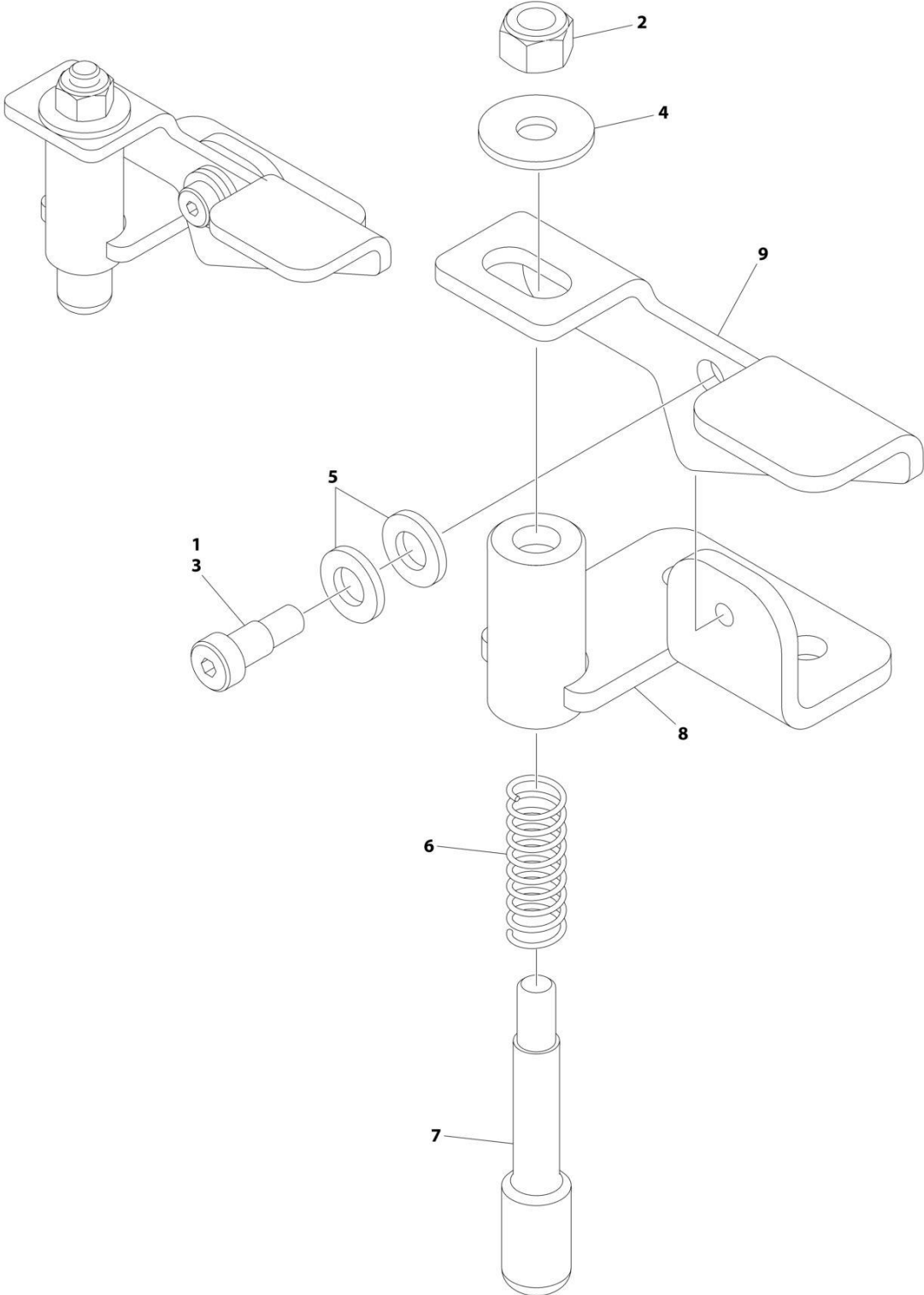
## SECTION 4 - PLATFORM

**FIGURE 4-4. PLATFORM AND EXTENSION ASSEMBLY - WITH OUTSIDE EXTENSION RAILS**

ITEM	PART NUMBER	QTY	DESCRIPTION	REV
	1001215239	Ref	PLATFORM AND EXTENSION ASSEMBLY - WITH OUTSIDE EXTENSION RAILS	C
1	0700814	8	Bolt M8 x 30	
1	0700817	8	Bolt M8 x 45	
2	3290805	8	Nut M8	
3	1001243601	4	Roller	
4	4740446	4	Washer, Thrust	
5	4811900	16	Washer M8	
6	1001182339	4	Clip	
8	1001217730	1	Extension, Platform	
9	1001217745	1	Platform	
10	1001217923	1	Rail, Mid	
11	1001217924	1	Rail, Mid	

**SECTION 4 - PLATFORM**

**FIGURE 4-5. LATCH ASSEMBLY - WITH INSIDE EXTENSION RAILS**



ART\_1001234398

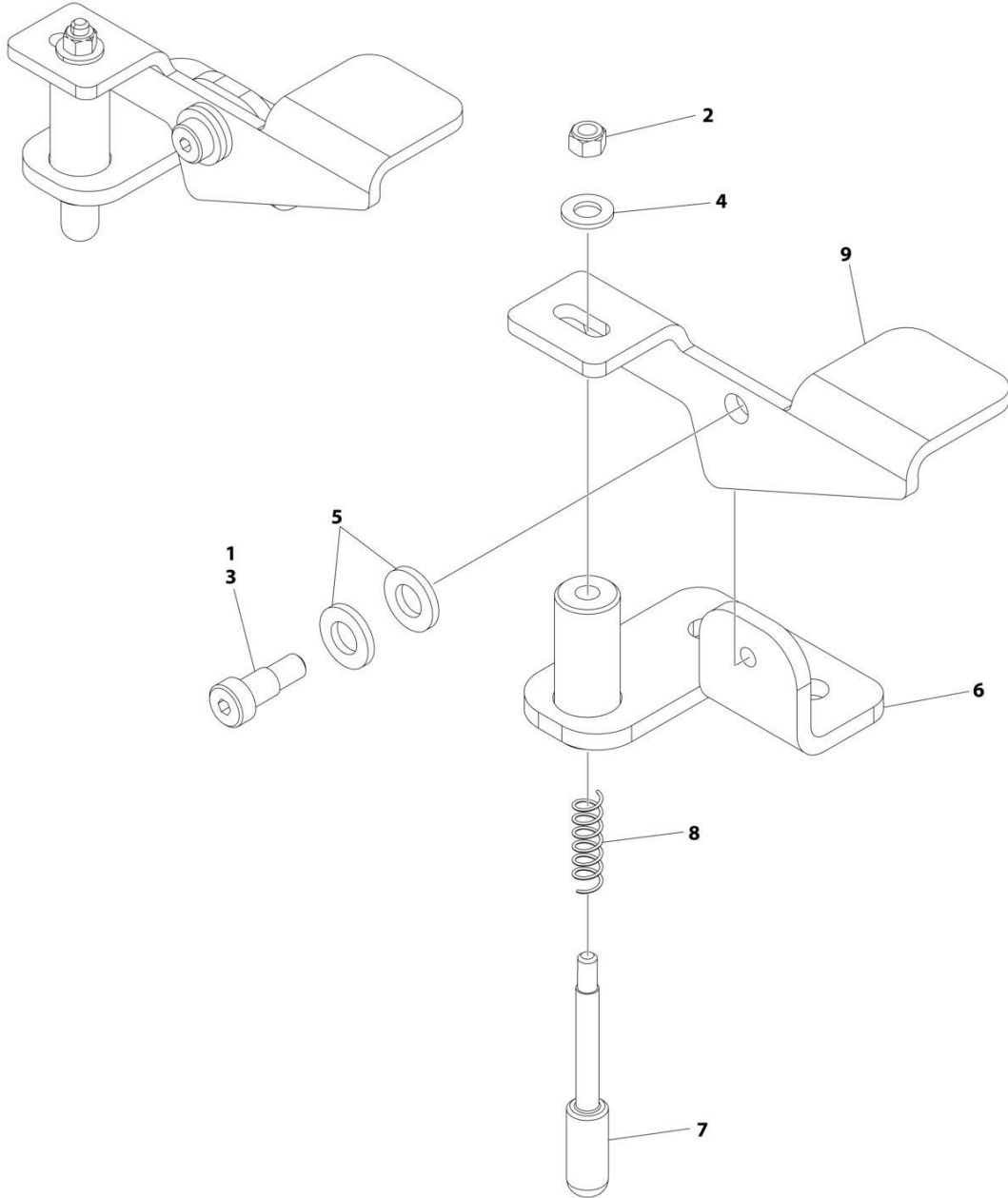
## SECTION 4 - PLATFORM

**FIGURE 4-5. LATCH ASSEMBLY - WITH INSIDE EXTENSION RAILS**

ITEM	PART NUMBER	QTY	DESCRIPTION	REV
	1001234398	Ref	LATCH ASSEMBLY - WITH INSIDE EXTENSION RAILS	B
1	0100011	AR	Compound, Locking	
2	3291005	1	Nut M10	
3	3900190	1	Screw	
4	4812002	1	Washer M10	
5	5241000	2	Washer M10	
6	1001221475	1	Spring	
7	1001221476	1	Rod, Threaded	
8	1001234399	1	Bracket	
9	1001234401	1	Latch	

# SECTION 4 - PLATFORM

## FIGURE 4-6. LATCH ASSEMBLY - WITH OUTSIDE EXTENSION RAILS



ART\_1001209256-E

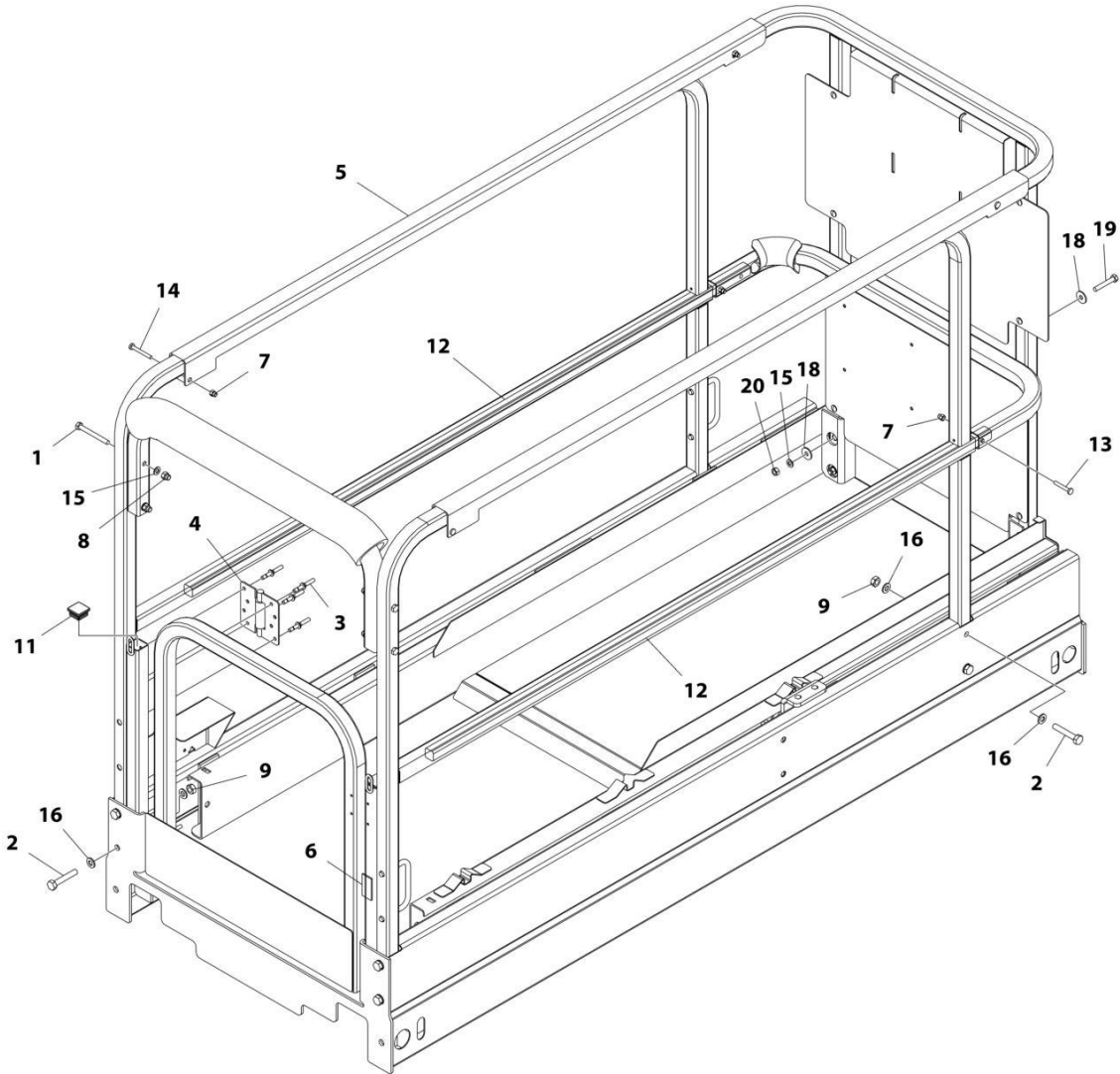
## SECTION 4 - PLATFORM

**FIGURE 4-6. LATCH ASSEMBLY - WITH OUTSIDE EXTENSION RAILS**

ITEM	PART NUMBER	QTY	DESCRIPTION	REV
	1001209256	Ref	LATCH ASSEMBLY - WITH OUTSIDE EXTENSION RAILS	E
1	0100011	AR	Compound, Locking	
2	3291005	1	Nut M10	
3	3900190	1	Screw	
4	4812002	1	Washer M10	
5	5241000	2	Washer M10	
6	1001234399	1	Bracket	
7	1001221476	1	Rod, Threaded	
8	1001221475	1	Spring	
9	1001209280	1	Latch	

# SECTION 4 - PLATFORM

FIGURE 4-7. RAILS INSTALLATION - WITH INSIDE EXTENSION RAILS AND SELF CLOSING GATE (AUSTRALIAN SPECS)



ART\_1001176737\_G

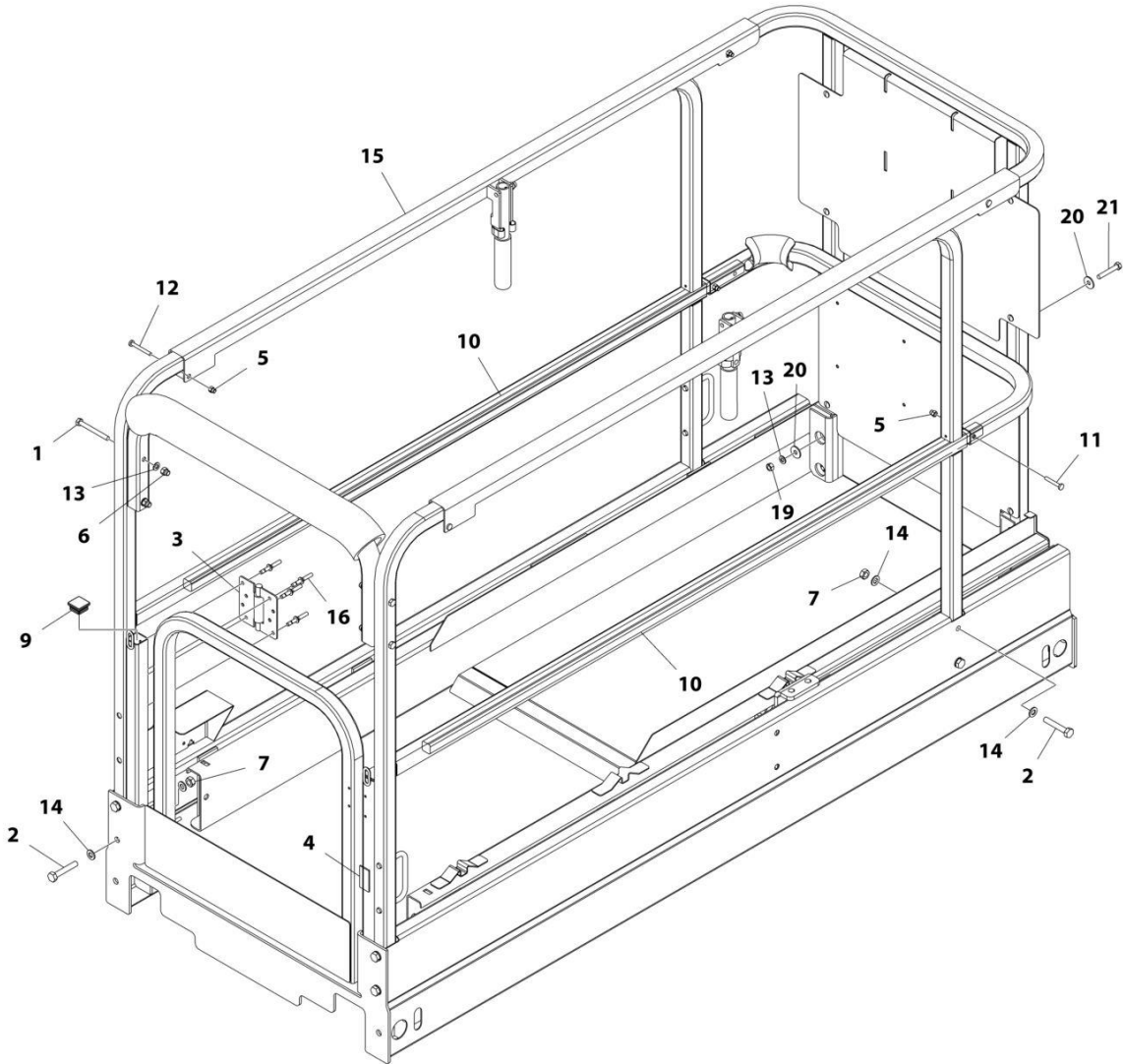
## SECTION 4 - PLATFORM

**FIGURE 4-7. RAILS INSTALLATION - WITH INSIDE EXTENSION RAILS AND SELF CLOSING GATE  
(AUSTRALIAN SPECS)**

ITEM	PART NUMBER	QTY	DESCRIPTION	REV
	1001176737	Ref	RAILS INSTALLATION - WITH INSIDE EXTENSION RAILS AND SELF CLOSING GATE	G
1	0700823	4	Bolt M8 x 75	
2	0701019	8	Bolt M10 x 55	
3	2080040	8	Fastener, Huck	
4	2600281	2	Hinge	
5	1001182100	1	Rail Kit - Self Closing Gate (See Separate Breakdown in this Section)	
6	3080007	1	Magnet	
7	3290606	4	Nut M6	
8	3290806	4	Nut M8	
9	3291001	8	Nut M10	
11	3520072	2	Cap	
12	3841716	2	Rod	
13	4010616	2	Screw M6 x 40	
14	4010618	2	Screw M6 x 50	
15	4811900	8	Washer M8	
16	4812000	16	Washer M10	
18	4811902	8	Washer M8	
19	0700818	4	Bolt M8 x 50	
20	3290807	4	Nut M8	

# SECTION 4 - PLATFORM

FIGURE 4-8. RAILS INSTALLATION - WITH INSIDE EXTENSION RAILS, HANDLE AND SELF CLOSING GATE (AUSTRALIAN SPECS)



ART\_1001212700\_C



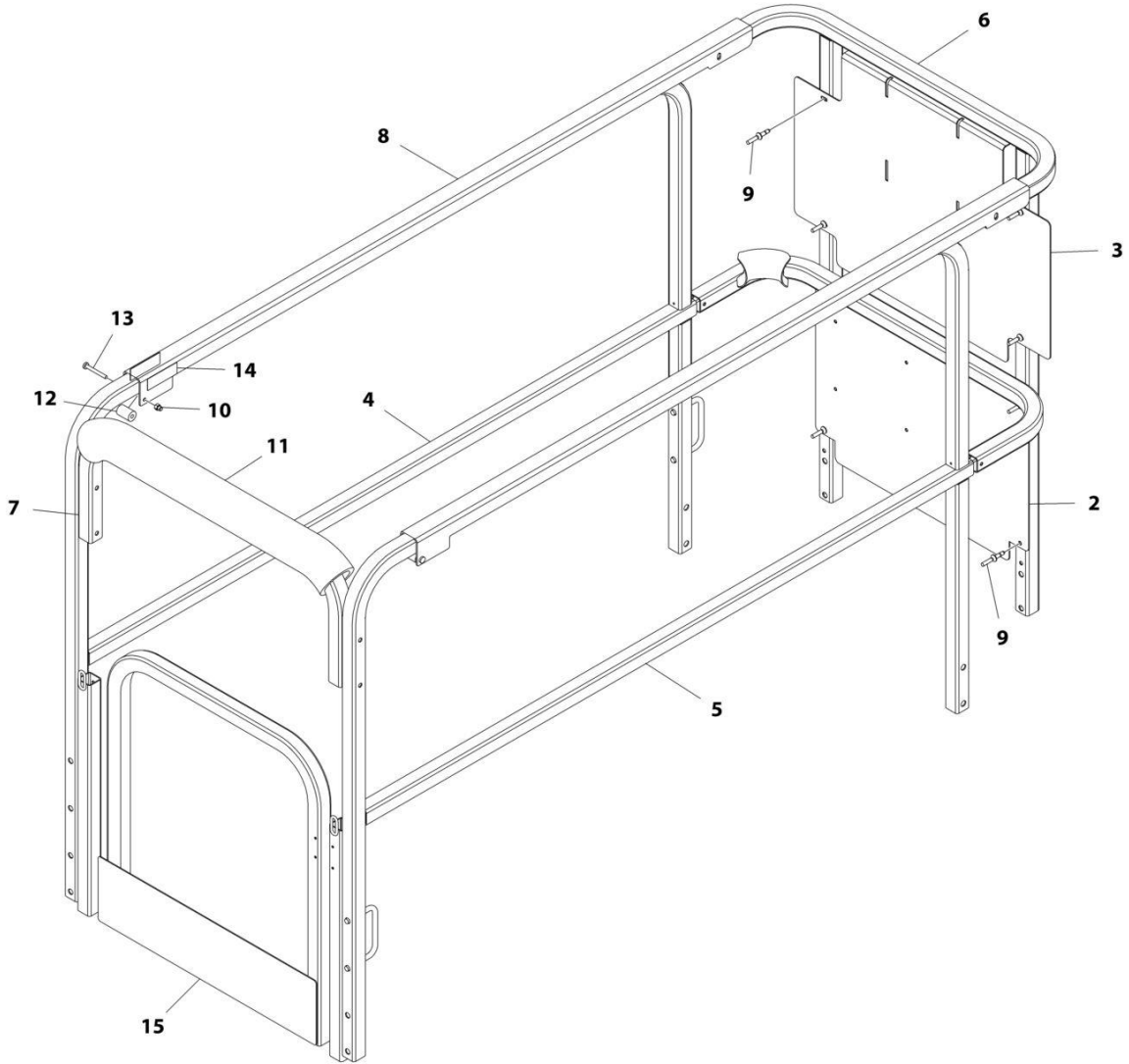
## SECTION 4 - PLATFORM

**FIGURE 4-8. RAILS INSTALLATION - WITH INSIDE EXTENSION RAILS, HANDLE AND SELF CLOSING GATE (AUSTRALIAN SPECS)**

ITEM	PART NUMBER	QTY	DESCRIPTION	REV
	1001212700	Ref	RAILS INSTALLATION - WITH INSIDE EXTENSION RAILS, HANDLE AND SELF CLOSING GATE	C
1	0700823	4	Bolt M8 x 75	
2	0701019	8	Bolt M10 x 55	
3	2600281	2	Hinge	
4	3080007	1	Magnet	
5	3290606	4	Nut M6	
6	3290806	4	Nut M8	
7	3291001	8	Nut M10	
9	3520072	2	Cap	
10	3841716	2	Rod	
11	4010616	2	Screw M6 x 40	
12	4010618	2	Screw M6 x 50	
13	4811900	8	Washer M8	
14	4812000	16	Washer M10	
15	1001212859	1	Rail Kit - With Inside Extension rails, Handle and Self Closing Gate (See Separate Breakdown in this Section)	
16	2080040	8	Fastener, Huck	
19	3290807	4	Nut M8	
20	4811902	8	Washer M8	
21	0700818	4	Bolt M8 x 50	

# SECTION 4 - PLATFORM

FIGURE 4-9. RAIL KIT - WITH INSIDE EXTENSION RAILS AND SELF CLOSING GATE



ART\_1001182100-G

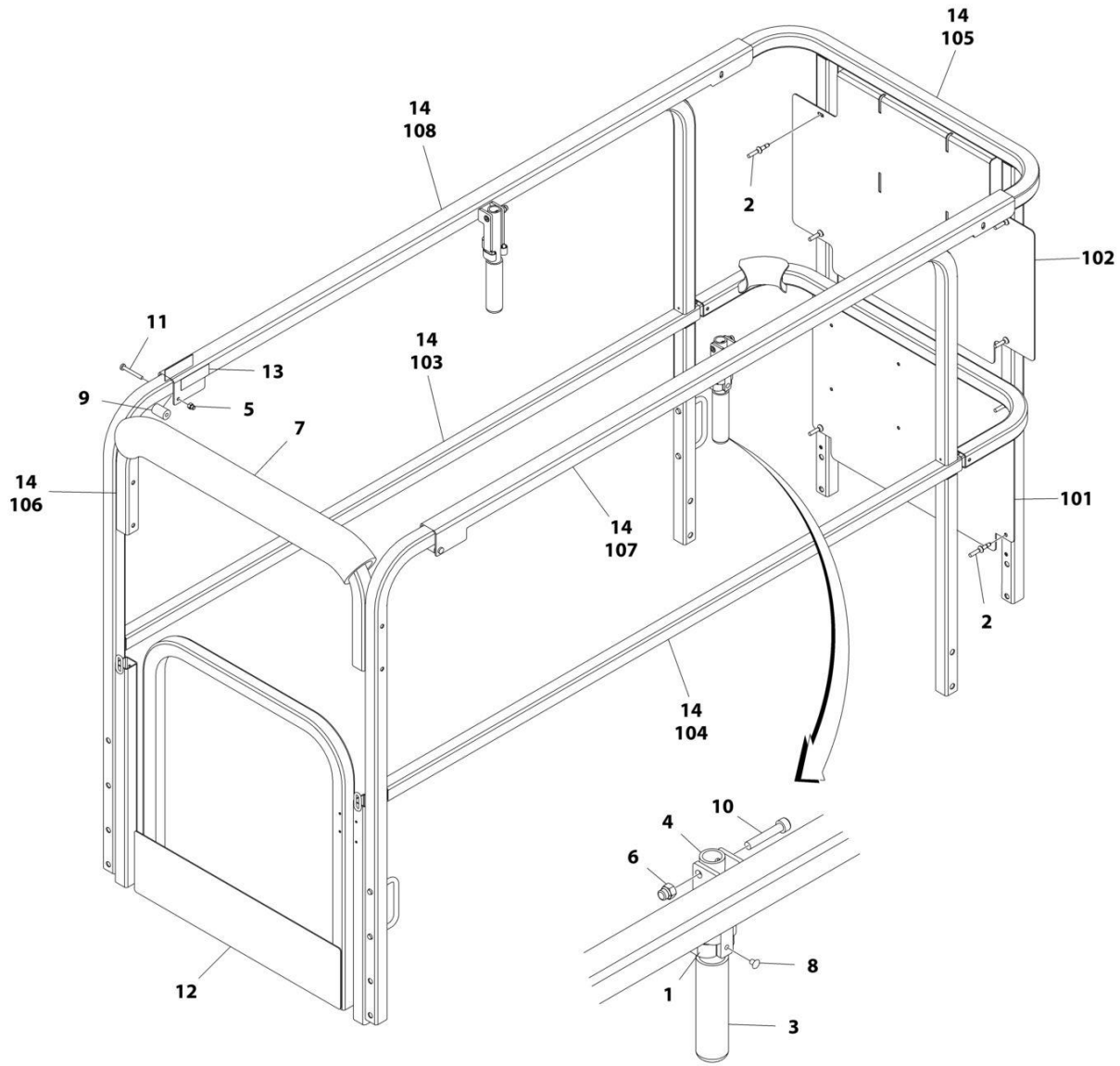
## SECTION 4 - PLATFORM

**FIGURE 4-9. RAIL KIT - WITH INSIDE EXTENSION RAILS AND SELF CLOSING GATE**

ITEM	PART NUMBER	QTY	DESCRIPTION	REV
	1001182100	Ref	RAIL KIT - WITH INSIDE EXTENSION RAILS AND SELF CLOSING GATE	G
2	1001232637	1	Plate, Lower Billboard	
3	3576645	1	Plate, Upper Billboard	
4	3641604	1	Rail, Left Side	
5	3641605	1	Rail, Right Side	
6	3641606	1	Rail, Extension Platform	
7	4569305	1	Tube, Drywall Gate	
8	1001182096	1	Channel, Top Rail Slide	
9	2080040	8	Fastener, Huck	
10	3290606	2	Nut M6	
11	3340612	1	Pad	
12	3860111	2	Roller	
13	4010618	2	Screw M6 x 50	
14	1001189762	AR	Tape	
15	4846723	1	Weldment, Gate	
16	1001182099	1	Rail Kit (Includes Items 2-8) (Not Shown)	

# SECTION 4 - PLATFORM

FIGURE 4-10. RAIL KIT - WITH INSIDE EXTENSION RAILS, HANDLE AND SELF CLOSING GATE



ART\_1001212859-C

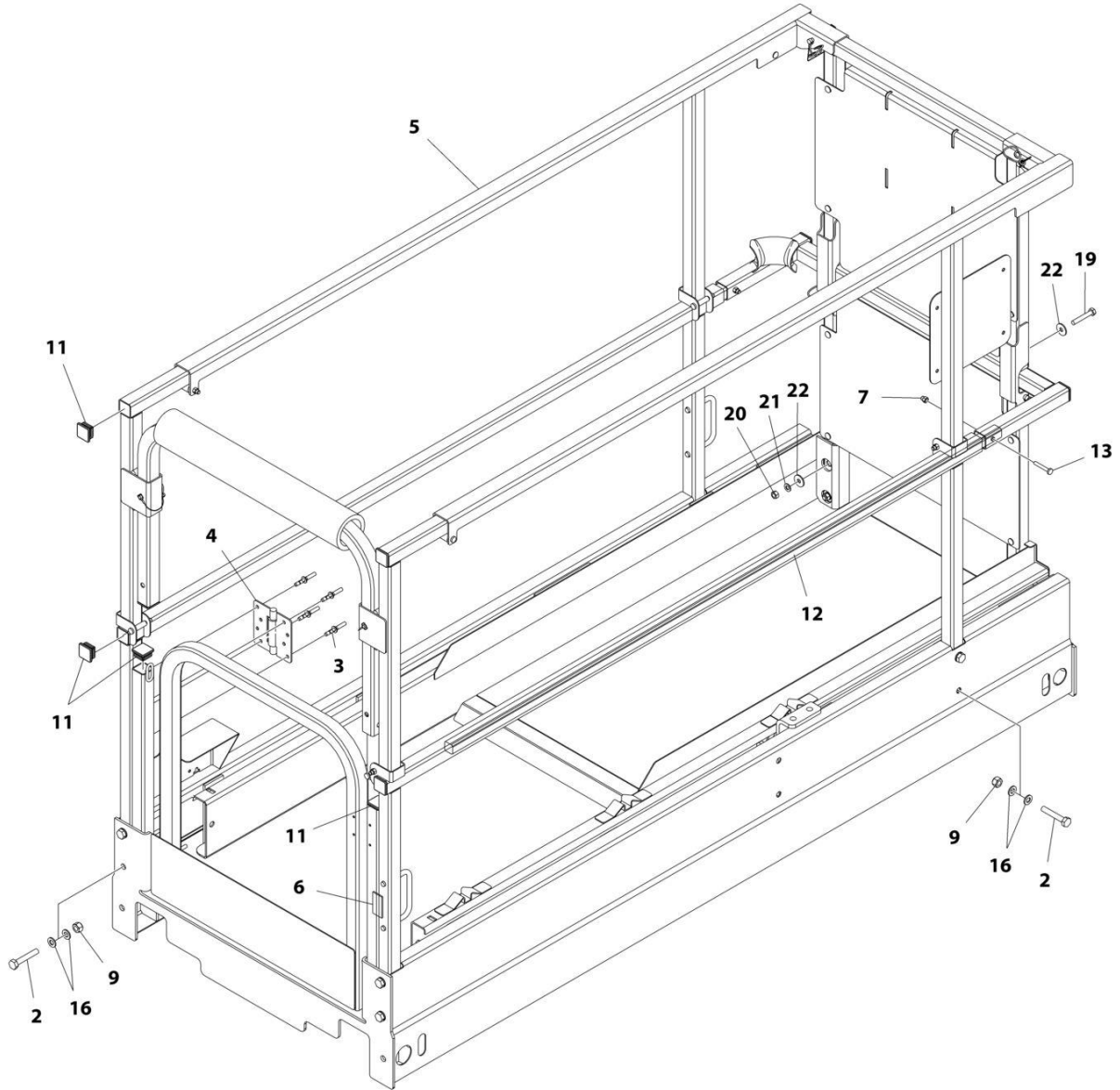
## SECTION 4 - PLATFORM

**FIGURE 4-10. RAIL KIT - WITH INSIDE EXTENSION RAILS, HANDLE AND SELF CLOSING GATE**

ITEM	PART NUMBER	QTY	DESCRIPTION	REV
	1001212859	Ref	RAIL KIT - WITH INSIDE EXTENSION RAILS, HANDLE AND SELF CLOSING GATE	C
1	1380132	2	Clip, Gripper	
2	2080040	8	Fastener, Huck	
3	2560088	2	Handle	
4	2560190	2	Handle, Platform	
5	3290606	2	Nut M6	
6	3290806	2	Nut M8	
7	3340612	18 in /45cm	Pad, Cover	
8	3820019	2	Rivet	
9	3860111	2	Roller	
10	3900345	2	Screw	
11	4010618	2	Screw M6 x 50	
12	4846723	1	Gate	
13	1001189762	AR	Tape	
14	1001212860	1	Rail Kit (See 101-108 for Breakdown)	
	1001212860	Ref	RAIL KIT	D
101	1001232637	1	Plate, Lower Billboard	
102	3576645	1	Plate, Upper Billboard	
103	1001241857	1	Rail, Left Side	
104	1001241858	1	Rail, Right Side	
105	3641606	1	Rail, Extension Platform	
106	4569305	1	Tube, Drywall Gate	
107	1001212861	1	Rail, Top Left Side	
108	1001212862	1	Rail, Top Right Side	

# SECTION 4 - PLATFORM

FIGURE 4-11. RAILS INSTALLATION - WITH INSIDE EXTENSION RAILS AND SELF CLOSING GATE



ART\_1001176743\_F

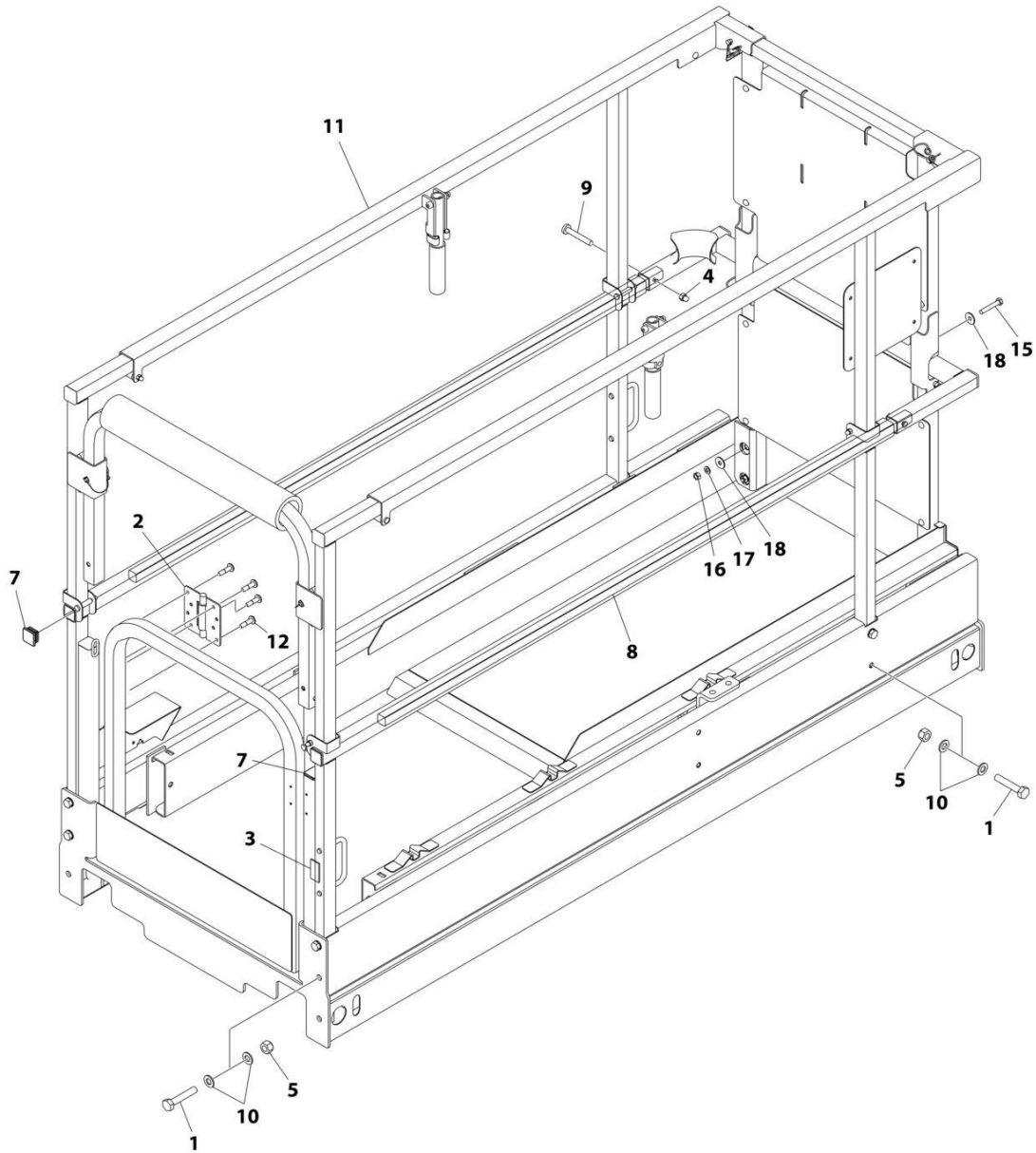
## SECTION 4 - PLATFORM

**FIGURE 4-11. RAILS INSTALLATION - WITH INSIDE EXTENSION RAILS AND SELF CLOSING GATE**

ITEM	PART NUMBER	QTY	DESCRIPTION	REV
	1001176743	Ref	RAILS INSTALLATION - WITH INSIDE EXTENSION RAILS AND SELF CLOSING GATE	F
2	0701019	8	Bolt M10 x 55	
3	2080040	8	Fastener, Huck	
4	2600281	2	Hinge	
5	1001179382	1	Rail Kit - Self Closing Gate (See Separate Breakdown in this Section)	
6	3080007	1	Magnet	
7	3290606	2	Nut M6	
9	3291005	8	Nut M10	
11	3520072	8	Cap	
12	3841716	2	Rod	
13	4010616	2	Screw M6 x 40	
16	4812000	16	Washer M10	
19	0700818	4	Bolt M8 x 50	
20	3290807	4	Nut M8	
21	4811900	4	Washer M8	
22	4811902	8	Washer M8	

# SECTION 4 - PLATFORM

## FIGURE 4-12. RAILS INSTALLATION - WITH INSIDE EXTENSION RAILS, HANDLE AND SELF CLOSING GATE



ART\_1001212853\_C



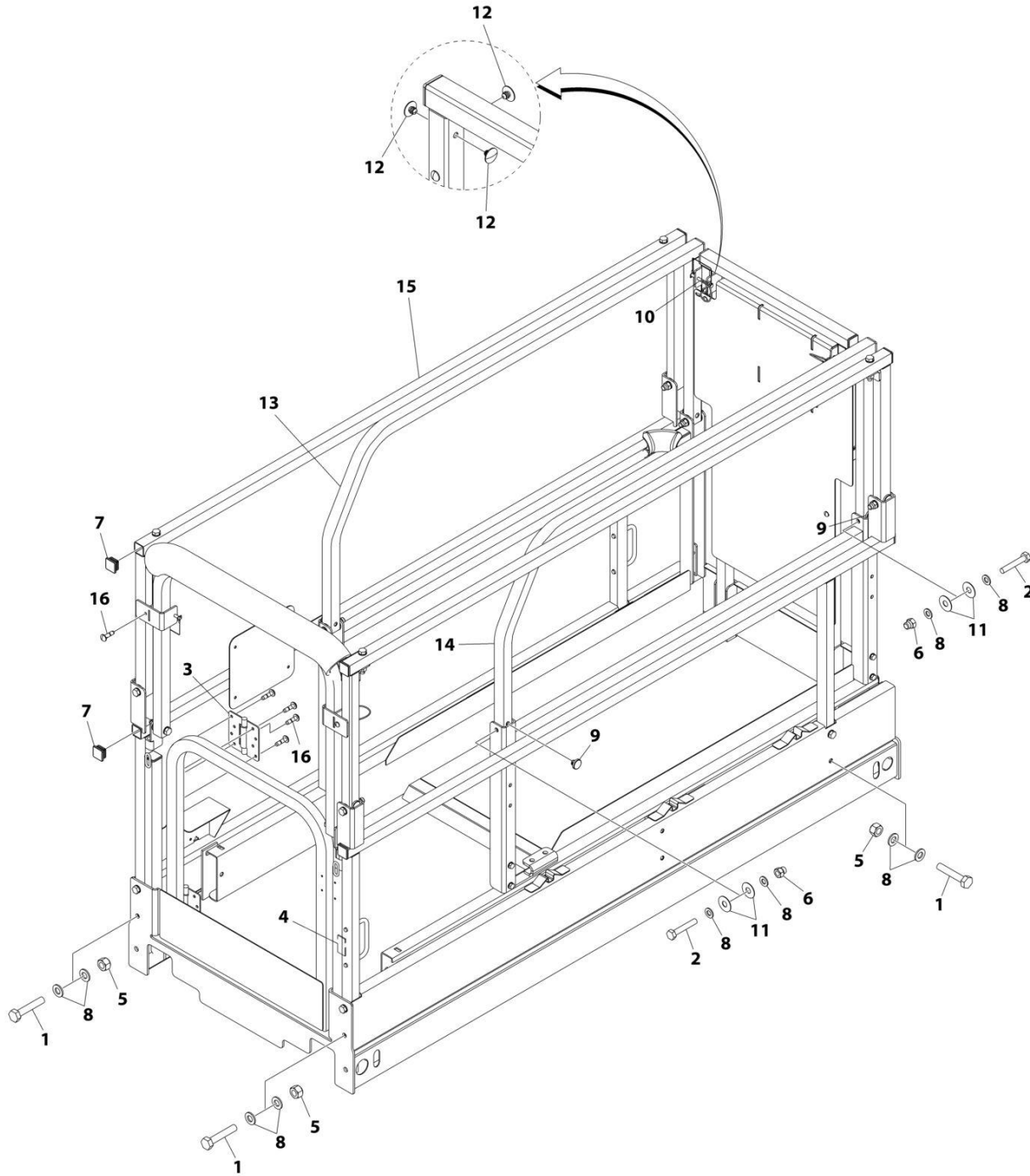
## SECTION 4 - PLATFORM

**FIGURE 4-12. RAILS INSTALLATION - WITH INSIDE EXTENSION RAILS, HANDLE AND SELF CLOSING GATE**

ITEM	PART NUMBER	QTY	DESCRIPTION	REV
	1001212853	Ref	RAILS INSTALLATION - WITH INSIDE EXTENSION RAILS, HANDLE AND SELF CLOSING GATE	C
1	0701019	8	Screw M10 x 55	
2	2600281	2	Hinge	
3	3080007	1	Magnet	
4	3290606	2	Nut M6	
5	3291005	8	Nut M10	
7	3520072	8	Cap	
8	3841716	2	Rod	
9	4010616	2	Screw M6 x 40	
10	4812000	16	Washer M10	
11	1001212864	1	Rail Kit - With Inside Extension Rails, Handle and Self Closing Gate (See Separate Breakdown in this Section)	
12	2080040	8	Fastener, Huck	
15	0700818	4	Bolt M8 x 50	
16	3290807	4	Nut M8	
17	4811900	4	Washer M8	
18	4811902	8	Washer M8	

# SECTION 4 - PLATFORM

## FIGURE 4-13. RAILS INSTALLATION - WITH OUTSIDE EXTENSION RAILS AND SELF CLOSING GATE



ART\_1001215230

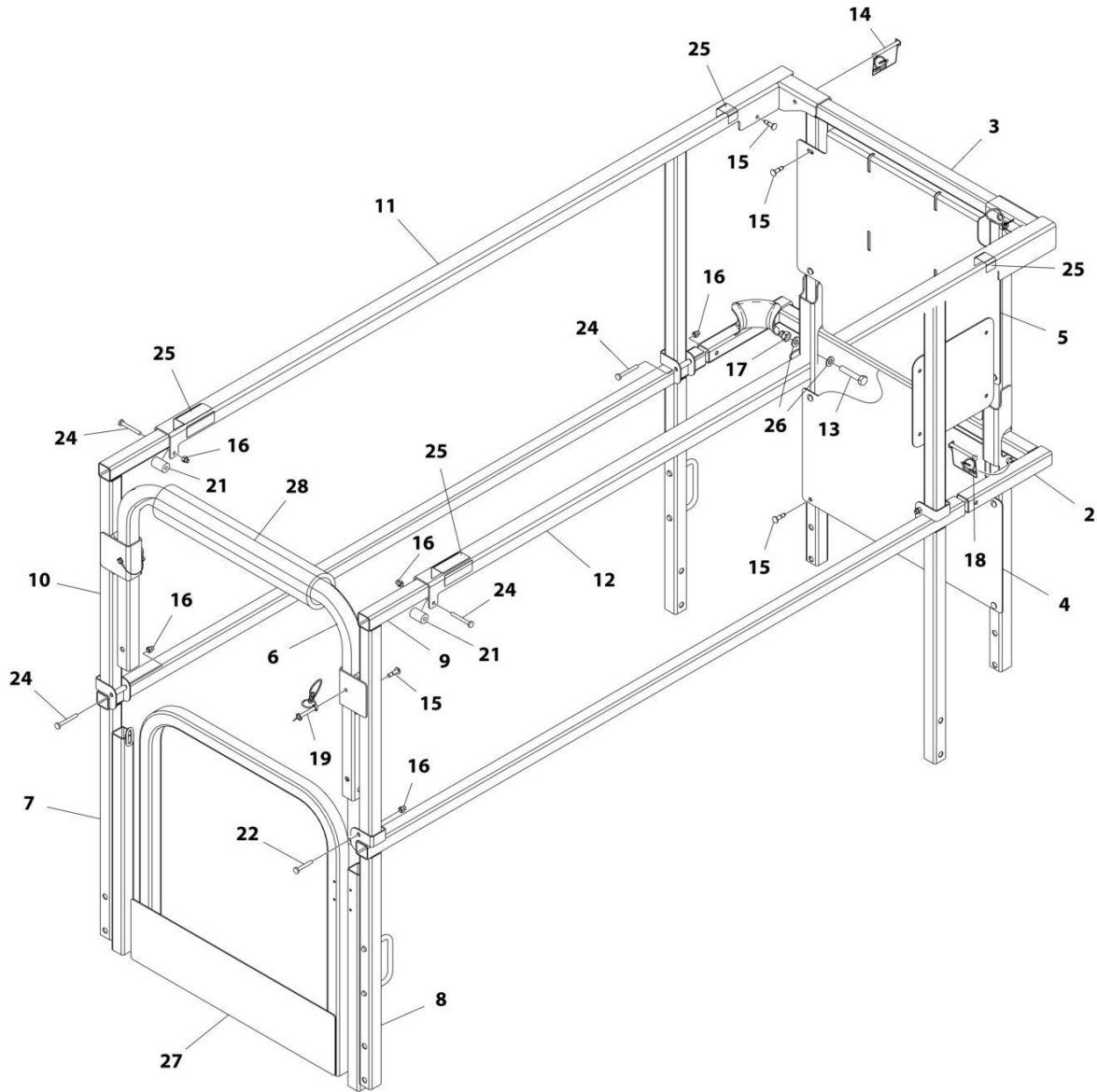
## SECTION 4 - PLATFORM

**FIGURE 4-13. RAILS INSTALLATION - WITH OUTSIDE EXTENSION RAILS AND SELF CLOSING GATE**

ITEM	PART NUMBER	QTY	DESCRIPTION	REV
	1001215230	Ref	RAILS INSTALLATION - WITH OUTSIDE EXTENSION RAILS AND SELF CLOSING GATE	A
1	0701019	8	Screw M10 x 55	
2	0701020	4	Bolt M10 x 60	
3	2600281	2	Hinge	
4	3080007	1	Magnet	
5	3291005	8	Nut M10	
6	3291006	4	Nut M10	
7	3520072	16	Cap	
8	4812000	26	Washer M10	
9	1001137675	4	Bumper	
10	1001187587	2	Pin	
11	1001211895	8	Plate, Washer	
12	1001211896	6	Bumper	
13	1001217739	1	Rail, Left	
14	1001217740	1	Rail, Right	
15	1001217741	1	Rail Kit - With Outside Extension Rails and Self Closing Gate (See Separate Breakdown in this Section)	
16	2080040	10	Fastener, Huck	

# SECTION 4 - PLATFORM

FIGURE 4-14. RAIL KIT - WITH INSIDE EXTENSION RAILS AND SELF CLOSING GATE



ART\_1001179382\_I

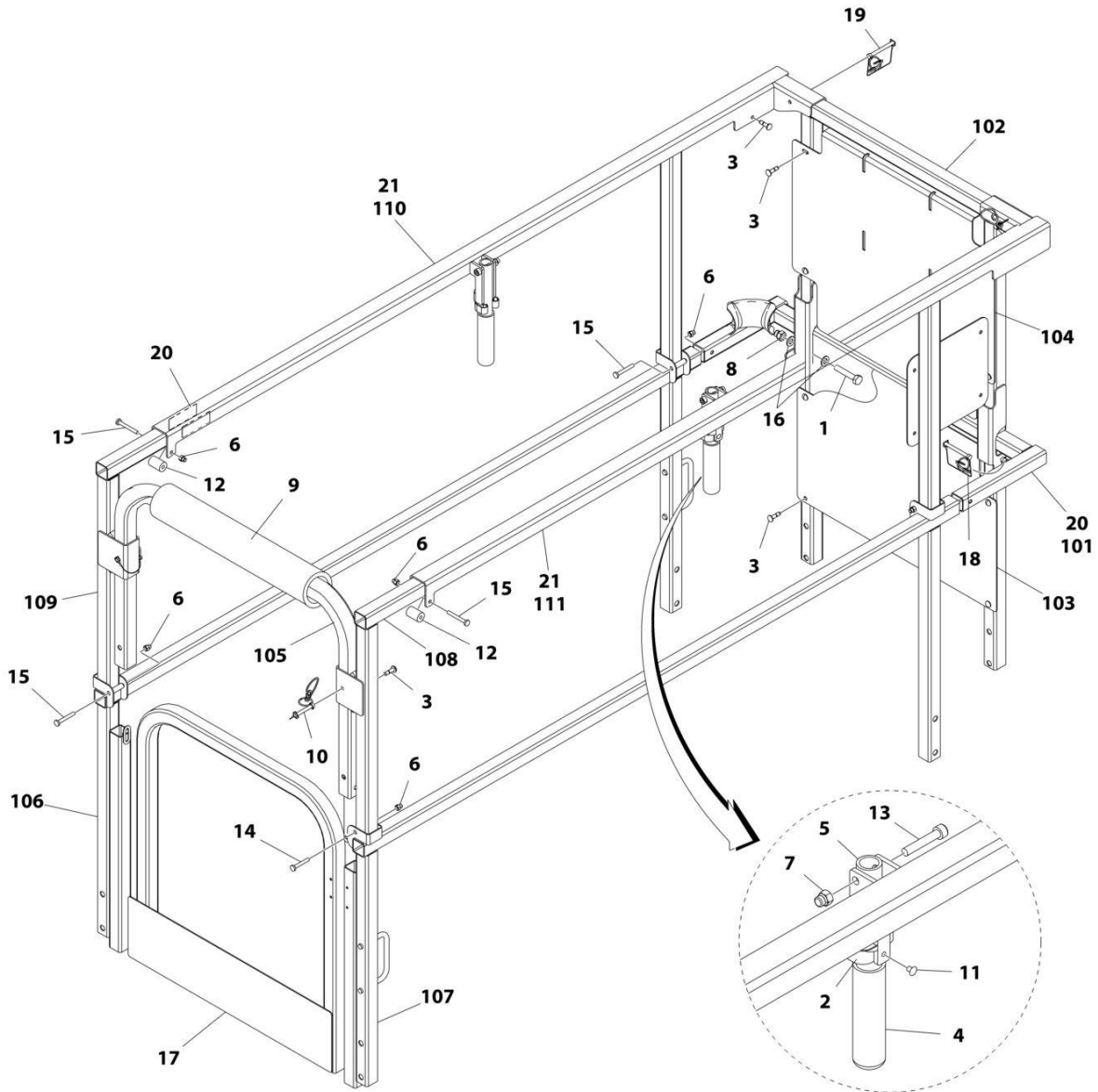
## SECTION 4 - PLATFORM

**FIGURE 4-14. RAIL KIT - WITH INSIDE EXTENSION RAILS AND SELF CLOSING GATE**

ITEM	PART NUMBER	QTY	DESCRIPTION	REV
	1001179382	Ref	RAIL KIT - WITH INSIDE EXTENSION RAILS AND SELF CLOSING GATE	I
2	1001179277	1	Rail, Mid Bottom	
3	1001179287	1	Rail, Mid Top	
4	1001179298	1	Plate, Lower Billboard	
5	1001179299	1	Plate, Upper Billboard	
6	1001179332	1	Tube, Drywall Gate	
7	1001179384	1	Rail, Left Bottom	
8	1001179386	1	Rail, Right Bottom	
9	1001179387	1	Rail, Right Top	
10	1001179389	1	Rail, Left Top	
11	1001179390	1	Rail, Top Left Side	
12	1001179393	1	Rail, Top Right Side	
13	0701019	2	Screw M10 x 55	
14	1001187587	2	Lanyard	
15	2080040	12	Fastener, Huck	
16	3290606	7	Nut M6	
17	3291006	2	Nut M10	
18	1001187585	2	Pin	
19	3423278	2	Pin	
21	3860111	2	Roller	
22	4010616	1	Screw M6 x 40	
24	4010618	6	Screw M6 x 50	
25	1001189762	AR	Tape	
26	4812000	4	Washer	
27	4846723	1	Weldment, Gate	
28	3340612	18 in /45cm	Pad, Cover	
29	1001179383	1	Rail Kit (Includes Items 2-12) (Not Shown)	

# SECTION 4 - PLATFORM

## FIGURE 4-15. RAIL KIT - WITH INSIDE EXTENSION RAILS, HANDLE AND SELF CLOSING GATE



ART\_1001212864

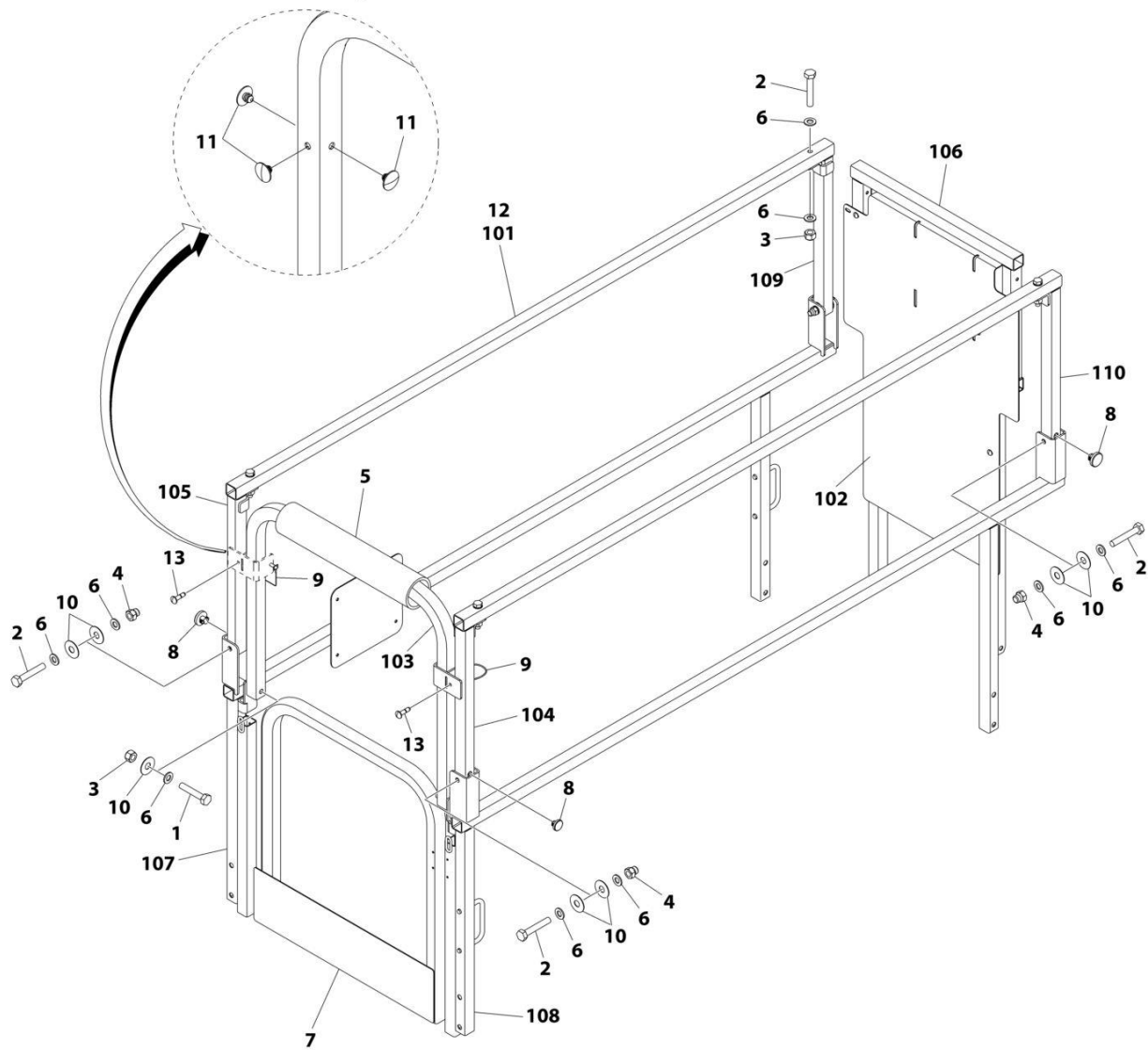
## SECTION 4 - PLATFORM

**FIGURE 4-15. RAIL KIT - WITH INSIDE EXTENSION RAILS, HANDLE AND SELF CLOSING GATE**

ITEM	PART NUMBER	QTY	DESCRIPTION	REV
	1001212864	Ref	RAIL KIT - WITH INSIDE EXTENSION RAILS, HANDLE AND SELF CLOSING GATE	A
1	0701019	2	Screw M10 x 55	
2	1380132	2	Clip, Gripper	
3	2080040	12	Fastener, Huck	
4	2560088	2	Handle	
5	2560190	2	Handle, Platform	
6	3290606	7	Nut M6	
7	3290806	2	Nut M8	
8	3291006	2	Nut M10	
9	3340612	18 in /45cm	Pad, Cover	
10	3423278	2	Pin	
11	3820019	2	Rivet	
12	3860111	2	Roller	
13	3900345	2	Screw	
14	4010616	1	Screw M6 x 40	
15	4010618	6	Screw M6 x 50	
16	4812000	4	Washer	
17	4846723	1	Gate	
18	1001187585	2	Pin	
19	1001187587	2	Pin	
20	1001189762	AR	Tape	
21	1001212865	1	Rail Kit (See Items 101-111 for Breakdown)	
	1001212865	Ref	RAIL KIT	A
101	1001179277	1	Rail, Mid Bottom	
102	1001179287	1	Rail, Mid Top	
103	1001179298	1	Plate, Lower Billboard	
104	1001179299	1	Plate, Upper Billboard	
105	1001179332	1	Tube, Drywall Gate	
106	1001179384	1	Rail, Left Bottom	
107	1001179386	1	Rail, Right Bottom	
108	1001179387	1	Rail, Right Top	
109	1001179389	1	Rail, Left Top	
110	1001212866	1	Rail, Top Left Side	
111	1001212867	1	Rail, Top Right Side	

# SECTION 4 - PLATFORM

## FIGURE 4-16. RAIL KIT - WITH OUTSIDE EXTENSION RAILS AND SELF CLOSING GATE



ART\_1001217741



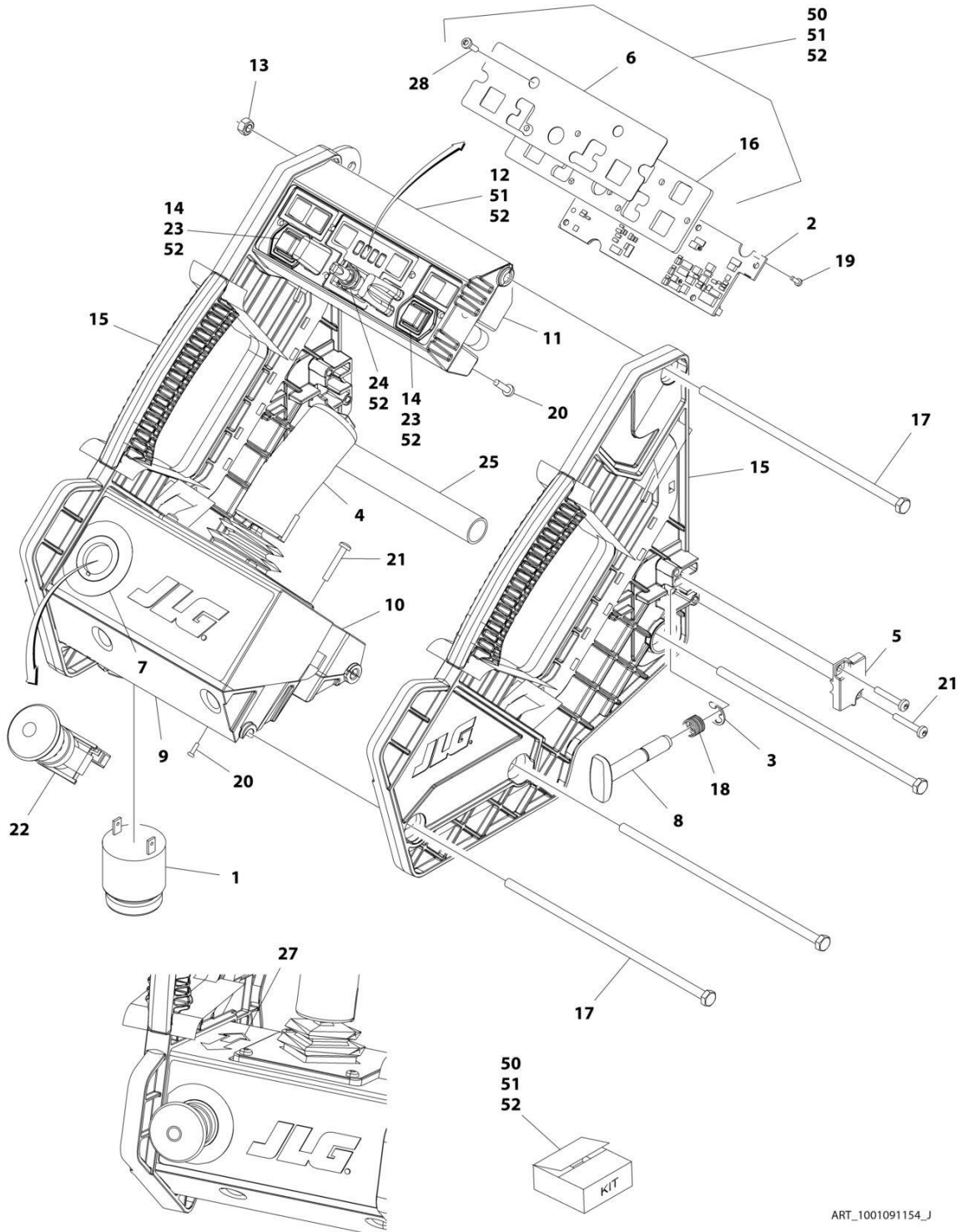
## SECTION 4 - PLATFORM

**FIGURE 4-16. RAIL KIT - WITH OUTSIDE EXTENSION RAILS AND SELF CLOSING GATE**

ITEM	PART NUMBER	QTY	DESCRIPTION	REV
	1001217741	Ref	RAIL KIT - WITH OUTSIDE EXTENSION RAILS AND SELF CLOSING GATE	B
1	0701019	2	Screw M10 x 55	
2	0701020	8	Bolt M10 x 60	
3	3291005	6	Nut M10	
4	3291006	4	Nut M10	
5	3340612	18 in/ 45cm	Pad, Cover	
6	4812000	18	Washer #10	
7	4846723	1	Gate	
8	1001137675	4	Bumper	
9	1001187587	2	Pin	
10	1001211895	10	Plate, Washer	
11	1001211896	6	Bumper	
12	1001217742	1	Rail Kit (See Items 101-110 for Breakdown)	
13	2080040	6	Fastener, Huck	
	1001217742	Ref	RAIL KIT	B
101	1001215237	2	Rail, Mid	
102	1001217118	1	Plate, Billboard	
103	1001217173	1	Tube, Drywall Gate	
104	1001217735	1	Rail, Right Entrance	
105	1001217736	1	Rail, Left Entrance	
106	1001217737	1	Rail, Front	
107	1001217743	1	Rail, Left Bottom	
108	1001217744	1	Rail, Right Bottom	
109	1001217746	1	Rail, Support	
110	1001217747	1	Rail, Support	

# SECTION 4 - PLATFORM

## FIGURE 4-17. PLATFORM CONSOLE ASSEMBLY



ART\_1001091154\_J

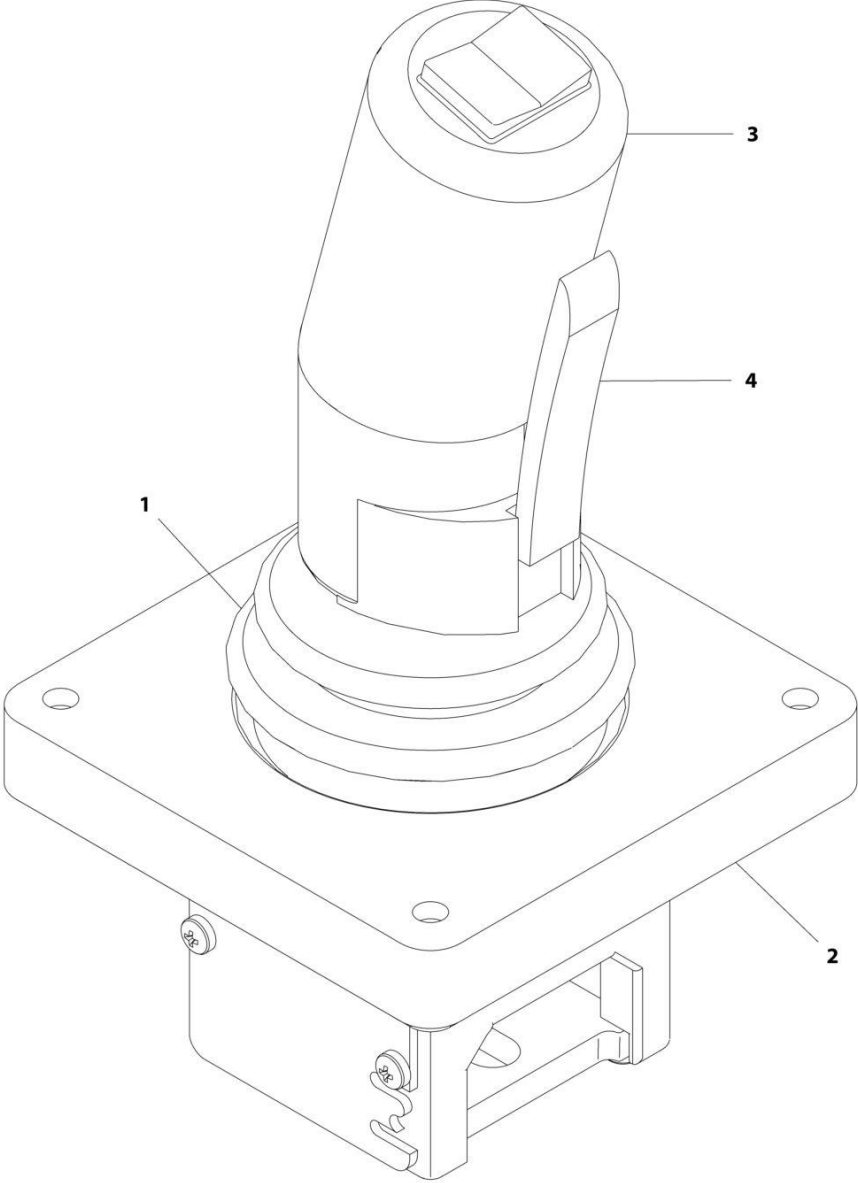
## SECTION 4 - PLATFORM

**FIGURE 4-17. PLATFORM CONSOLE ASSEMBLY**

ITEM	PART NUMBER	QTY	DESCRIPTION	REV
	1001091154	Ref	PLATFORM CONSOLE ASSEMBLY	J
1	0140011	1	Alarm	
2	1600439	1	PC Board	
3	1380156	1	E-Clip	
4	1600402	1	Drive/Steer Controller Assembly (See Separate Breakdown in this Section)	
5	1671098	1	Latch	
6	1001091275	1	Decal - Icon	
7	1705676	1	Decal - Emergency Stop Ring	
8	2560179	1	Handle, Latch	
9	1001091277	1	Housing, Joystick (Lower)	
10	1001091278	1	Mount, Joystick	
11	1001091279	1	Housing, Module Mounting (Lower)	
12	1001091280	1	Housing, Module Mounting (Upper)	
13	3300473	4	Nut M6	
14	3340968	2	Button (Includes Black Button Only)	
15	3380475	2	Panel, Side	
16	1001091283	1	Plate, Decal	
17	3900333	4	Screw M6 x 190	
18	4160203	1	Spring, Compression	
19	4191306	5	Screw M3.5 x 12	
20	4191407	8	Screw M4 x 16	
21	4191409	6	Screw M4 x 25	
22	4360475	1	Switch, Emergency Stop	
22	7020175	1	Cap	
22	7020176	1	Block, Contact	
23	4360538	2	Strip, Switch and Membrane	
24	4360539	1	Switch, Toggle	
25	4568738	1	Tube, Spacer	
26	4922870	1	Harness, Platform Box (Not Shown - See Separate Breakdown in ELECTRICAL SECTION)	
27	1703819	1	Decal - Directional Arrow	
28	1001091396	6	Screw M3.5 x 12	
29	See Note	NSS	Decal - Control Module (Not Shown - Located on Bottom of Box) (Note: Not Available for Purchase)	
50	1001091968	1	Decal Kit (Includes Items 6, 16 & 28)	A
51	1001091393	1	Decal and Housing Kit (Includes Items 6, 12, 16 & 28)	C
52	1001091965	1	Decal, Housing and PC Board Kit (Includes Items 2, 6, 12, 14, 16, 19, 23, 24 & 28)	C

**SECTION 4 - PLATFORM**

**FIGURE 4-18. DRIVE/STEER CONTROLLER ASSEMBLY**



ART\_1600402

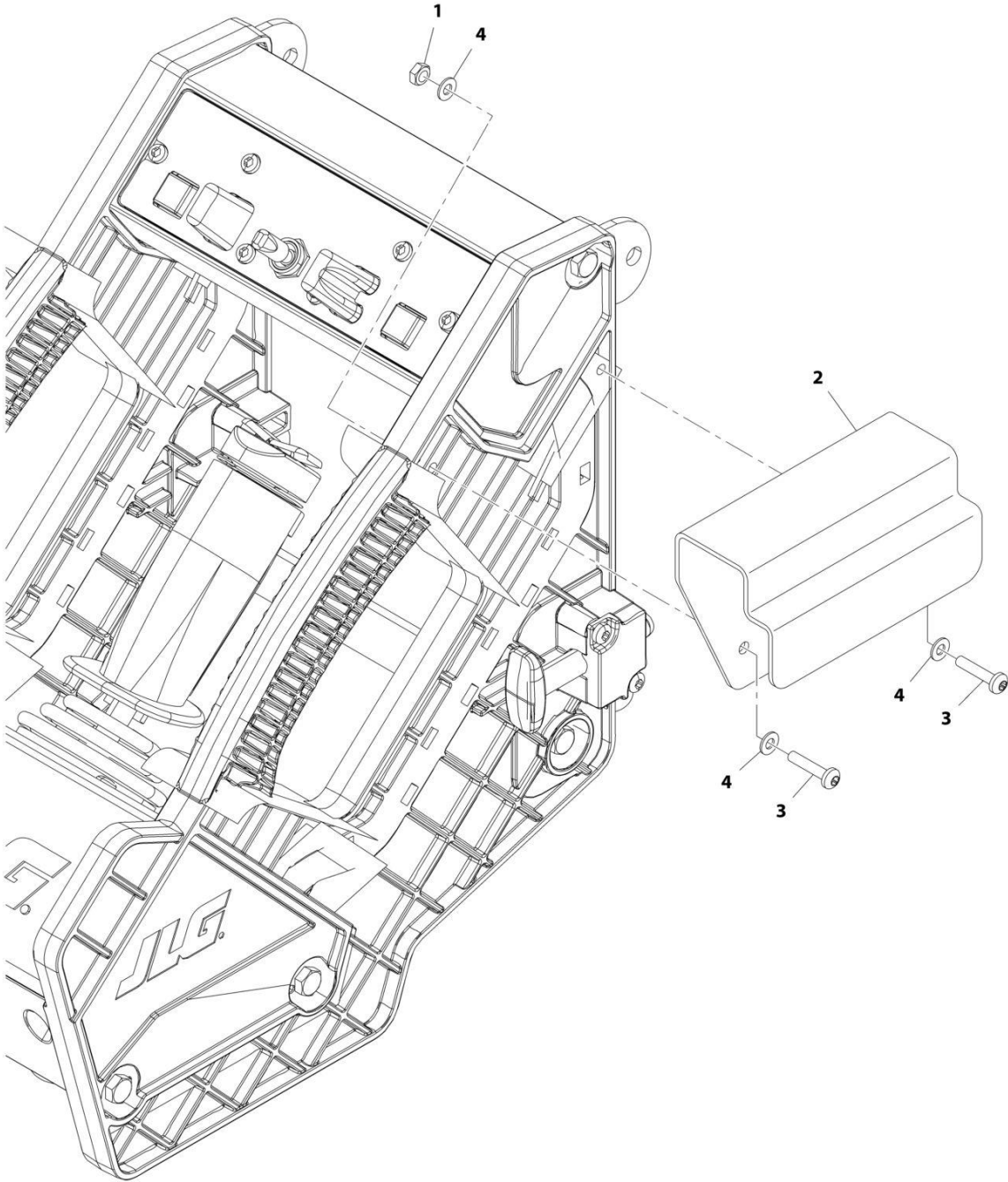
## SECTION 4 - PLATFORM

**FIGURE 4-18. DRIVE/STEER CONTROLLER ASSEMBLY**

ITEM	PART NUMBER	QTY	DESCRIPTION	REV
	1600402	Ref	DRIVE/STEER CONTROLLER ASSEMBLY	A
1	70001250	1	Boot, Panel	
2	70001252	1	Gasket, Mounting	
2	70001251	1	Bezel, Mounting	
3	70003650	1	Handle Repair Kit (Includes handle gasket, item#4 push button and item #4 lever installed in front handle half, back handle half, top actuator, boot and hardware.)	
3	70000084	1	Cap, Rubber	
3	70000082	1	Microswitch	
3	7027766	1	Ring, Retaining	
3	7027365	1	Actuator, Handle	
3	70001253	1	Gasket, Handle	
3	70000683	4	Washer, Neoprene	
3	70000685	2	Spacer, Plastic	
3	70000686	2	Screw (Top)	
3	70000684	2	Screw (Bottom)	
4	7027367	1	Switch, Push Button	
4	7027765	1	Lever, Enable	

**SECTION 4 - PLATFORM**

**FIGURE 4-19. PLATFORM CONSOLE HANGER INSTALLATION (OPTIONAL)**



ART\_0274386

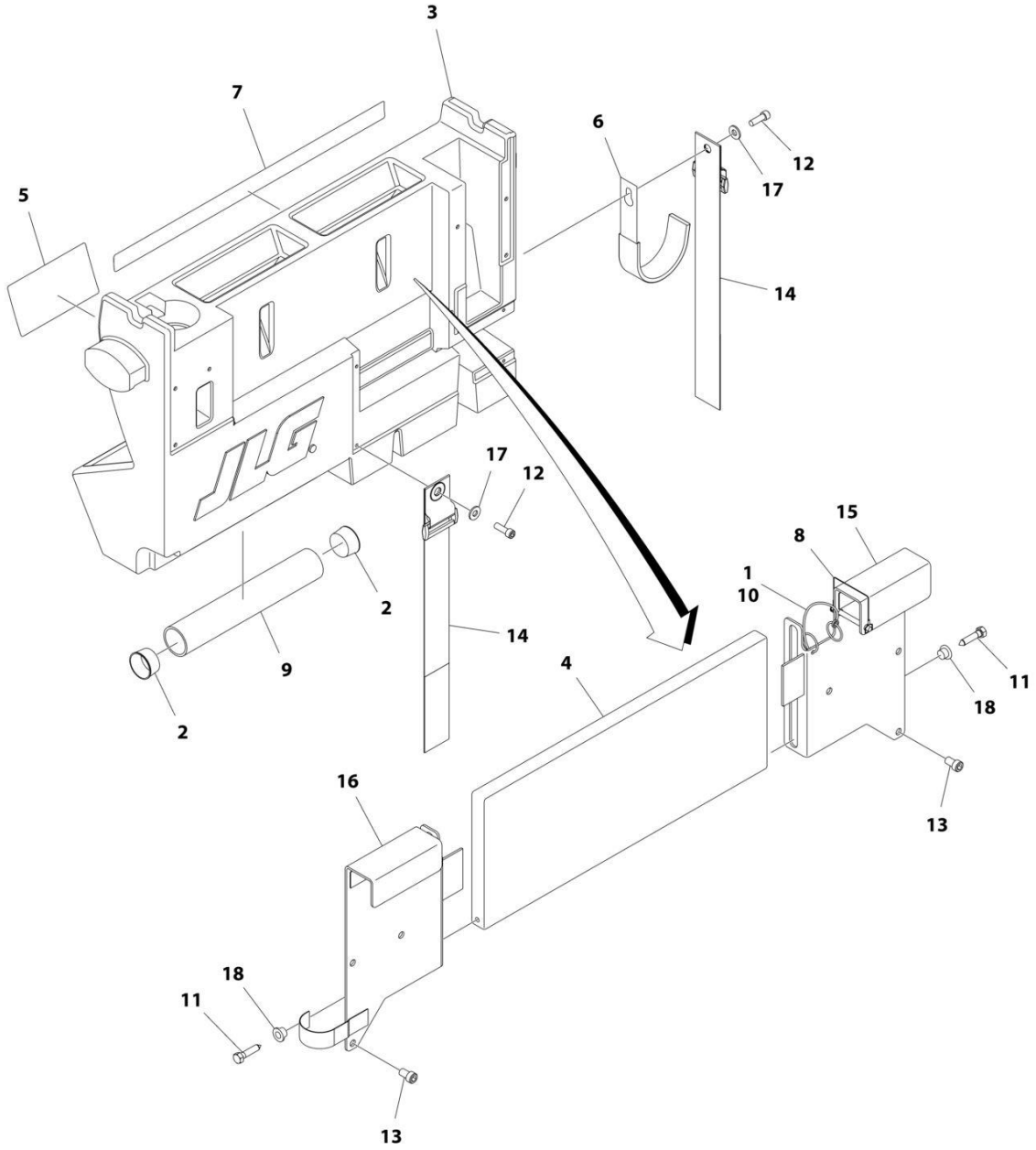
## SECTION 4 - PLATFORM

**FIGURE 4-19. PLATFORM CONSOLE HANGER INSTALLATION (OPTIONAL)**

ITEM	PART NUMBER	QTY	DESCRIPTION	REV
	0274386	Ref	PLATFORM CONSOLE HANGER INSTALLATION (OPTIONAL)	B
1	3290405	2	Nut M4	
2	3575794	1	Plate, Bracket	
3	3900338	2	Screw M4 x 20	
4	4811400	4	Washer M4	

# SECTION 4 - PLATFORM

## FIGURE 4-20. WORKSTATION WITHOUT DC CONVERTER INSTALLATION



ART\_1001246392



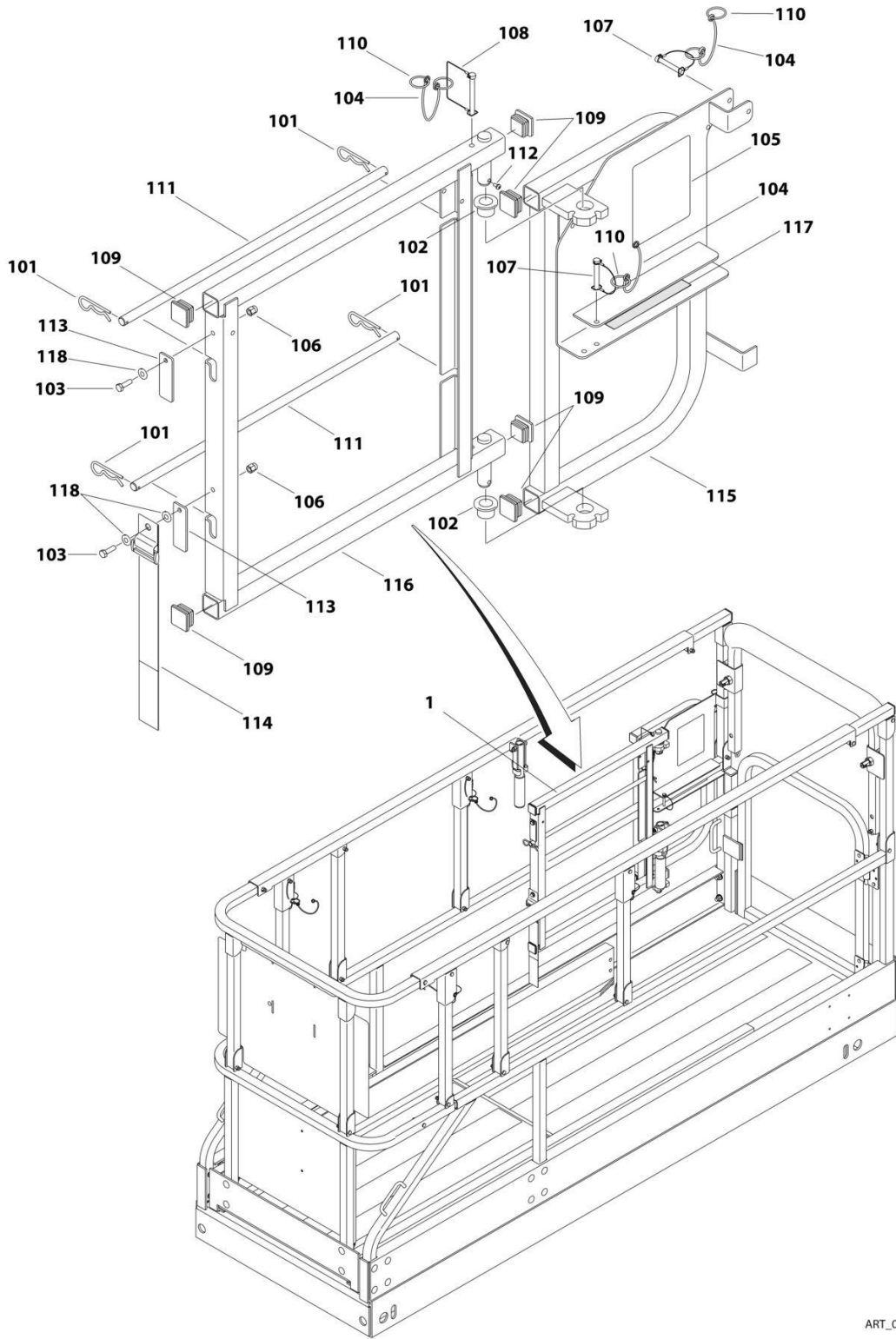
## SECTION 4 - PLATFORM

**FIGURE 4-20. WORKSTATION WITHOUT DC CONVERTER INSTALLATION**

ITEM	PART NUMBER	QTY	DESCRIPTION	REV
	0273965	Ref	WORKSTATION INSTALLATION - REFERENCE CHART	C
	1001246392	Ref	WORKSTATION WITHOUT DC CONVERTER INSTALLATION	B
1	1060379	1	Cable, Lanyard	
2	1120555	2	Cap, Manual Storage	
3	1580023	1	Container	
4	1580024	1	Tray	
5	1705997	1	Decal - Workstation	
6	2700100	1	Hook, Hanger	
7	1001246395	1	Decal - Workstation Kit	
8	3422219	1	Pin	
9	3460334	1	PVC Pipe	
10	3760170	2	Ring	
11	3900355	2	Screw 5/16 x 1-1/2	
12	3931412	2	Bolt 1/4 x 3/4	
13	3931508	6	Bolt 5/16 x 1/2	
14	4240003	2	Strap	
15	4340853	1	Mount, RH Channel	
16	4340854	1	Mount, LH Channel	
17	4711400	2	Washer 1/4	
18	4740480	2	Insert, Plastic	

# SECTION 4 - PLATFORM

## FIGURE 4-21. ELECTRICIAN'S TREE INSTALLATION



ART\_0274153

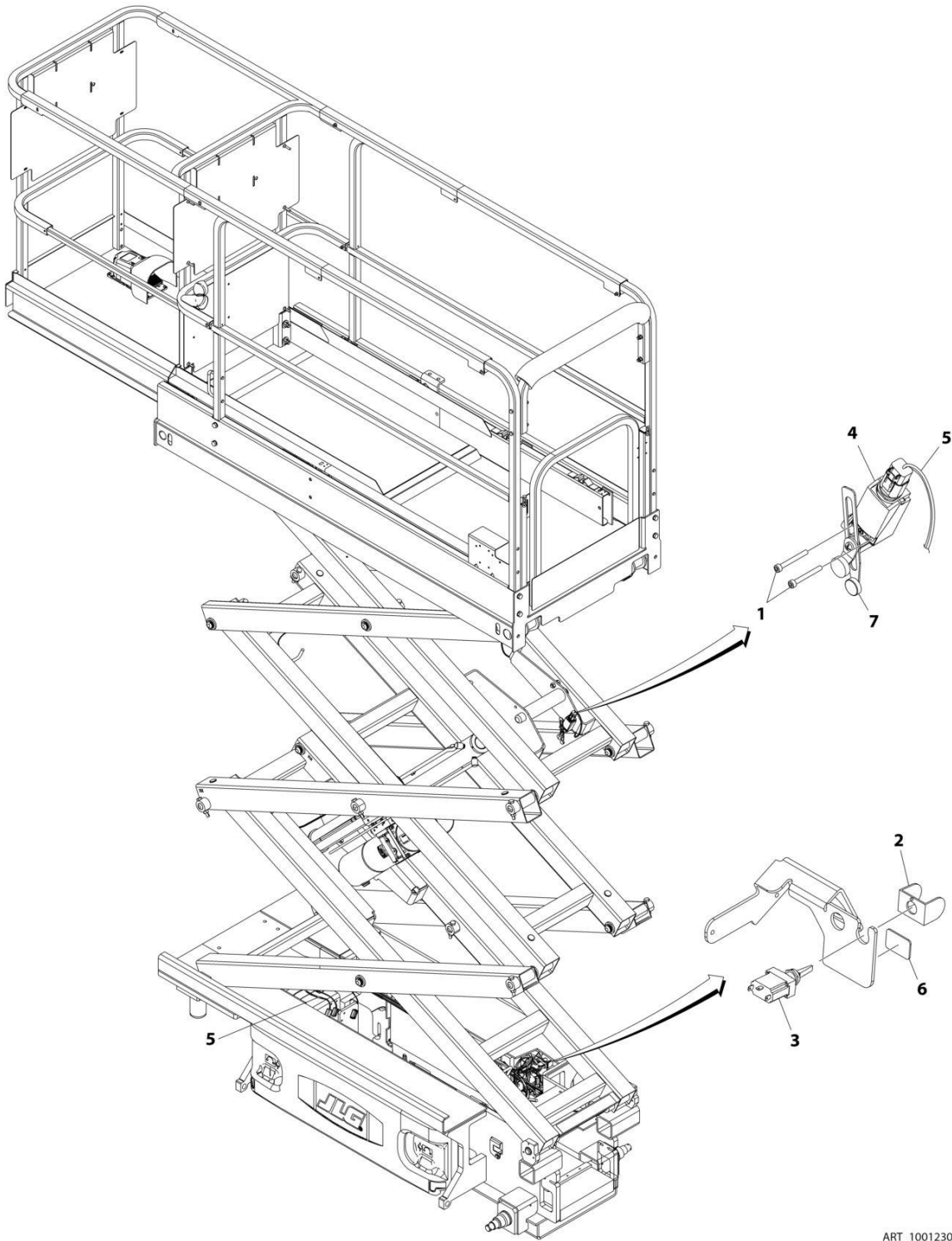
## SECTION 4 - PLATFORM

**FIGURE 4-21. ELECTRICIAN'S TREE INSTALLATION**

ITEM	PART NUMBER	QTY	DESCRIPTION	REV
	0274153	Ref	ELECTRICIAN'S TREE INSTALLATION	B
1	0240102	NLA	Electrician's Tree (Use p/n 1001234783) (See Items 101-118 for Breakdown)	
	0240102	Ref	ELECTRICIAN'S TREE	C
101	80325	4	Hairpin, Cotter	
102	0440223	2	Bushing	
103	0700610	3	Bolt M6 x 20	
104	1060379	3	Cable, Lanyard	
105	2902386	1	Decal - Electrician's Tree Kit	
106	3290606	3	Nut M6	
107	3421453	2	Pin	
108	3422219	1	Pin	
109	3520072	6	Plug	
110	3760170	5	Ring	
111	3841675	2	Rod, Spool	
112	4191706	1	Screw M6 x 12	
113	4220227	2	Stop, Spool Rod	
114	4240003	1	Strap	
115	4340946	1	Mount, Base Pivot	
116	4340947	1	Mount, Spool Rack	
117	4420062	AR	Tape, UHMW	
118	4711400	3	Washer 1/4	
200	1001234783	1	Electrician's Tree Kit (Not Shown - Includes Items 101-108)	

# SECTION 4 - PLATFORM

## FIGURE 4-22. LOW HEIGHT DRIVE CUTOUT (JAPANESE SPECS ONLY)



ART\_1001230753

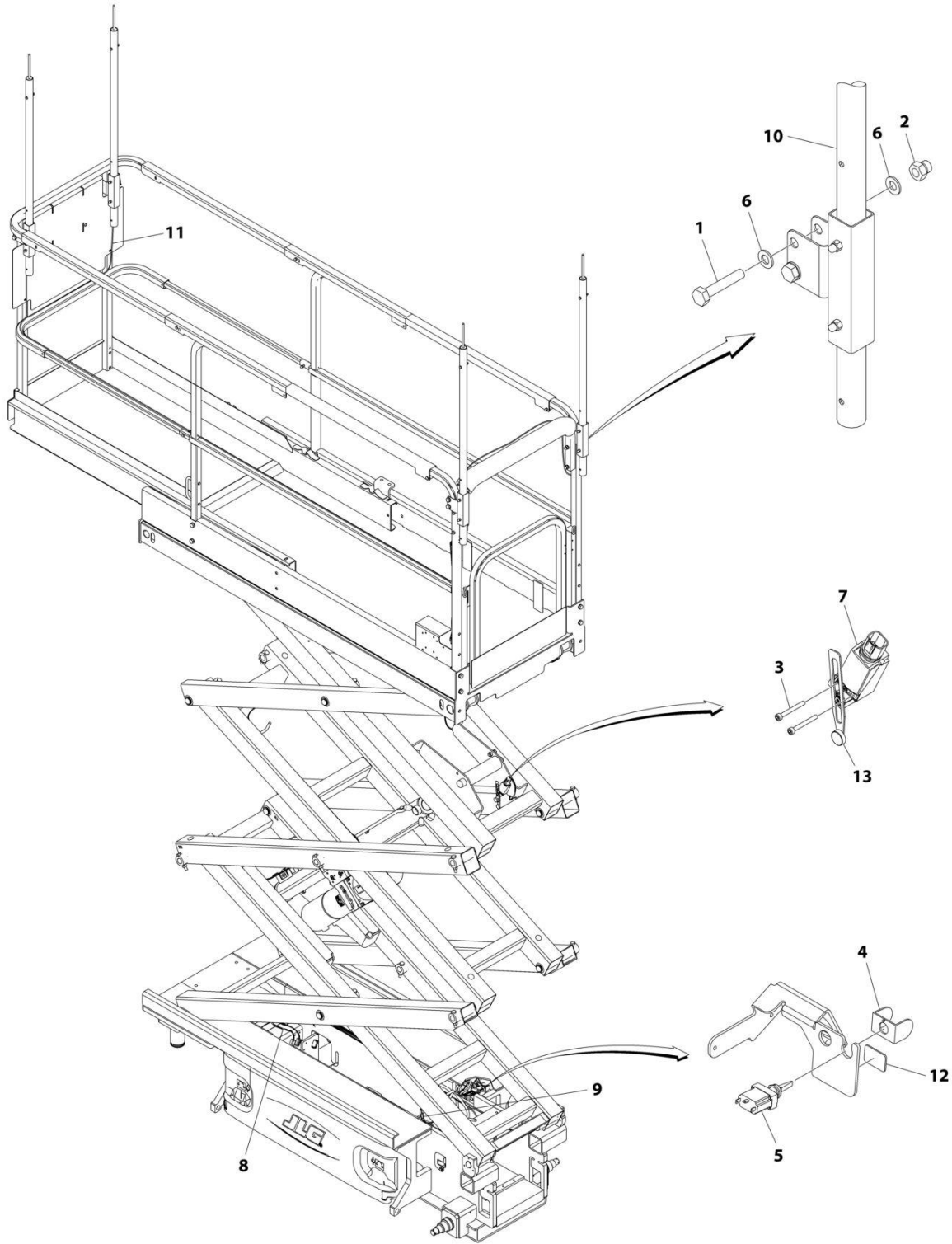
## SECTION 4 - PLATFORM

**FIGURE 4-22. LOW HEIGHT DRIVE CUTOUT (JAPANESE SPECS ONLY)**

ITEM	PART NUMBER	QTY	DESCRIPTION	REV
	1001230753	Ref	LOW HEIGHT DRIVE CUTOUT	A
1	4031511	2	Capscrew M4 x 35	
2	4060906	1	Guard, Switch	
3	4360345	1	Switch	
4	1001130614	1	Switch, Limit	
5	1001213391	1	Harness, Low Height	
5	4460418	1	Connector - 6 Position	
5	4460419	3	Terminal	
5	4460884	2	Connector - 4 Position	
5	4460465	4	Socket, Female	
5	4460466	4	Seal	
5	4460932	2	Connector - 4 Position	
5	4460464	3	Pin, Male	
5	4460466	5	Seal	
6	1001214409	1	Decal - Low Drive Cutout	
7	1001231234	1	Lever, Switch	

# SECTION 4 - PLATFORM

FIGURE 4-23. OVERHEAD PROTECTION AND LOW HEIGHT DRIVE CUTOUT (KOREA SPECS ONLY)  
(PVC 1910)



ART\_1001214119-B

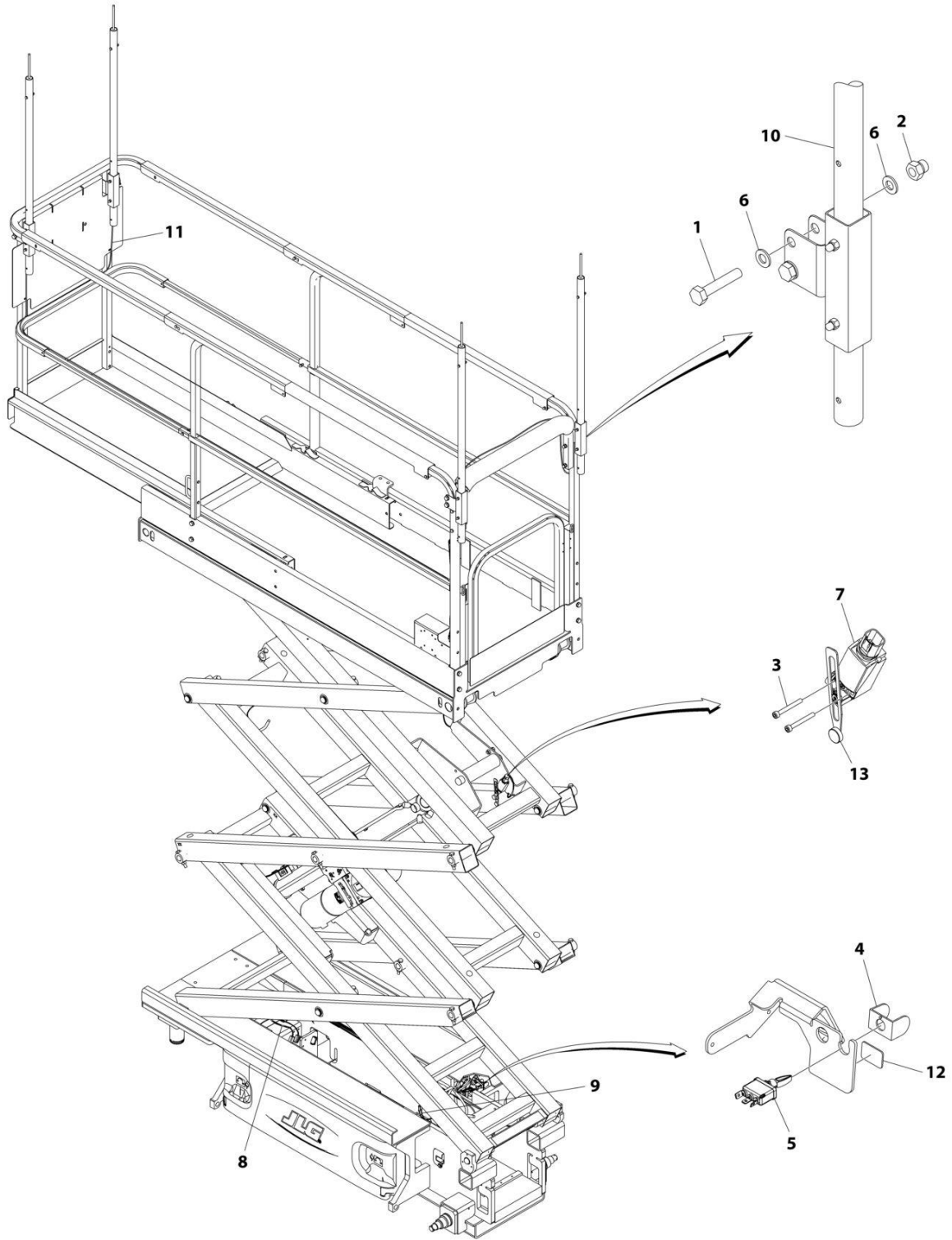
## SECTION 4 - PLATFORM

**FIGURE 4-23. OVERHEAD PROTECTION AND LOW HEIGHT DRIVE CUTOUT (KOREA SPECS ONLY)  
(PVC 1910)**

ITEM	PART NUMBER	QTY	DESCRIPTION	REV
	1001214119	Ref	OVERHEAD PROTECTION AND LOW HEIGHT DRIVE CUTOUT	B
1	0701019	8	Bolt M10 x 55	
2	3291006	8	Nut M10	
3	4031511	2	Capscrew M4 x 35	
4	4060906	1	Guard, Switch	
5	4360345	1	Switch	
6	4812000	16	Washer #10	
7	1001130614	1	Switch, Limit	
8	1001213391	1	Harness, Low Height	
8	4460418	1	Connector - 6 Position	
8	4460419	3	Terminal	
8	4460884	2	Connector - 4 Position	
8	4460465	4	Socket, Female	
8	4460466	4	Seal	
8	4460932	2	Connector - 4 Position	
8	4460464	3	Pin, Male	
8	4460466	5	Seal	
9	1001213660	1	Harness, Overhead	
9	4460424	1	Connector, Female - 2 Position	
9	4460227	1	Pin, Male	
9	4460320	1	Plug, Male - 2 Position	
9	4460226	1	Socket, Female	
10	1001214311	4	Overhead Switch Kit (See Separate Breakdown in this Section)	
11	1001214340	1	Cable, Overhead Switches	
11	4460891	4	Connector - 2 Position	
11	4460465	8	Socket, Female	
12	1001214409	1	Decal - Low Drive Cutout	
13	1001231234	1	Lever, Switch	

# SECTION 4 - PLATFORM

FIGURE 4-24. OVERHEAD PROTECTION AND LOW HEIGHT DRIVE CUTOUT (KOREA SPECS ONLY)  
(PVC 2004)



ART\_1001214119\_C



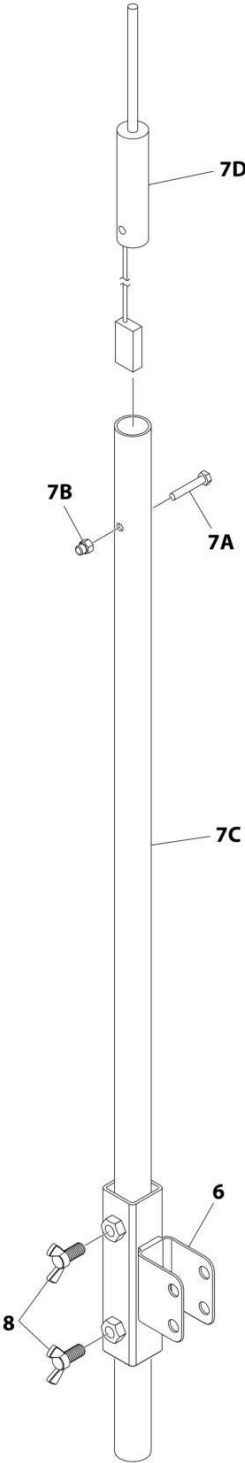
## SECTION 4 - PLATFORM

**FIGURE 4-24. OVERHEAD PROTECTION AND LOW HEIGHT DRIVE CUTOUT (KOREA SPECS ONLY)  
(PVC 2004)**

ITEM	PART NUMBER	QTY	DESCRIPTION	REV
	1001214119	Ref	OVERHEAD PROTECTION AND LOW HEIGHT DRIVE CUTOUT	C
1	0701019	8	Bolt M10 x 55	
2	3291006	8	Nut M10	
3	4031511	2	Capscrew M4 x 35	
4	4060906	1	Guard, Switch	
5	1001258446	1	Switch	
6	4812000	16	Washer #10	
7	1001130614	1	Switch, Limit	
8	1001213391	1	Harness, Low Height	
8	4460418	1	Connector - 6 Position	
8	4460419	3	Terminal	
8	4460884	2	Connector - 4 Position	
8	4460465	4	Socket, Female	
8	4460466	4	Seal	
8	4460932	2	Connector - 4 Position	
8	4460464	3	Pin, Male	
8	4460466	5	Seal	
9	1001213660	1	Harness, Overhead	
9	4460424	1	Connector, Female - 2 Position	
9	4460227	1	Pin, Male	
9	4460320	1	Plug, Male - 2 Position	
9	4460226	1	Socket, Female	
10	1001214311	4	Overhead Switch Kit (See Separate Breakdown in this Section)	
11	1001214340	1	Cable, Overhead Switches	
11	4460891	4	Connector - 2 Position	
11	4460465	8	Socket, Female	
12	1001214409	1	Decal - Low Drive Cutout	
13	1001231234	1	Lever, Switch	

**SECTION 4 - PLATFORM**

**FIGURE 4-25. OVERHEAD SWITCH KIT (FRONT)**



ART\_1001214311

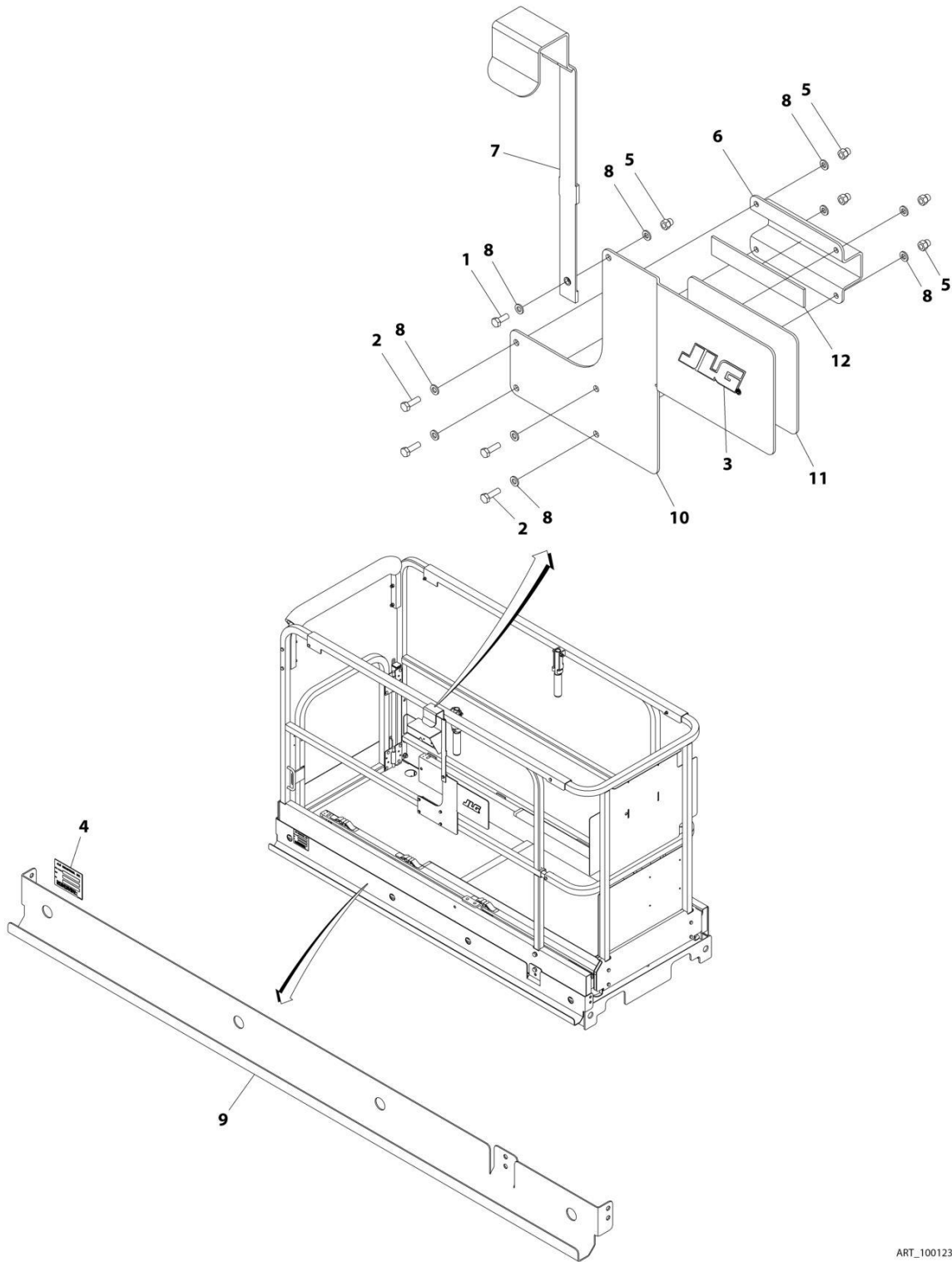
## SECTION 4 - PLATFORM

**FIGURE 4-25. OVERHEAD SWITCH KIT (FRONT)**

ITEM	PART NUMBER	QTY	DESCRIPTION	REV
	1001214311	Ref	OVERHEAD SWITCH KIT (FRONT/REAR)	C
6	1001214310	1	Bracket	
7	1001217666	1	Switch Kit (Includes Items 7A-7D)	
7A	0700615	1	Bolt M6 x 35	
7B	3290606	1	Nut M6	
7C	1001213821	1	Tube	
7D	1001213822	1	Switch	
7D	7028909	1	Connector - 2 Position	
7D	77363228	2	Terminal	
8	1001222914	2	Screw, Thumb	

# SECTION 4 - PLATFORM

## FIGURE 4-26. PANEL INSTALLATION (AUSTRALIAN AND CE SPECS)



ART\_1001235923

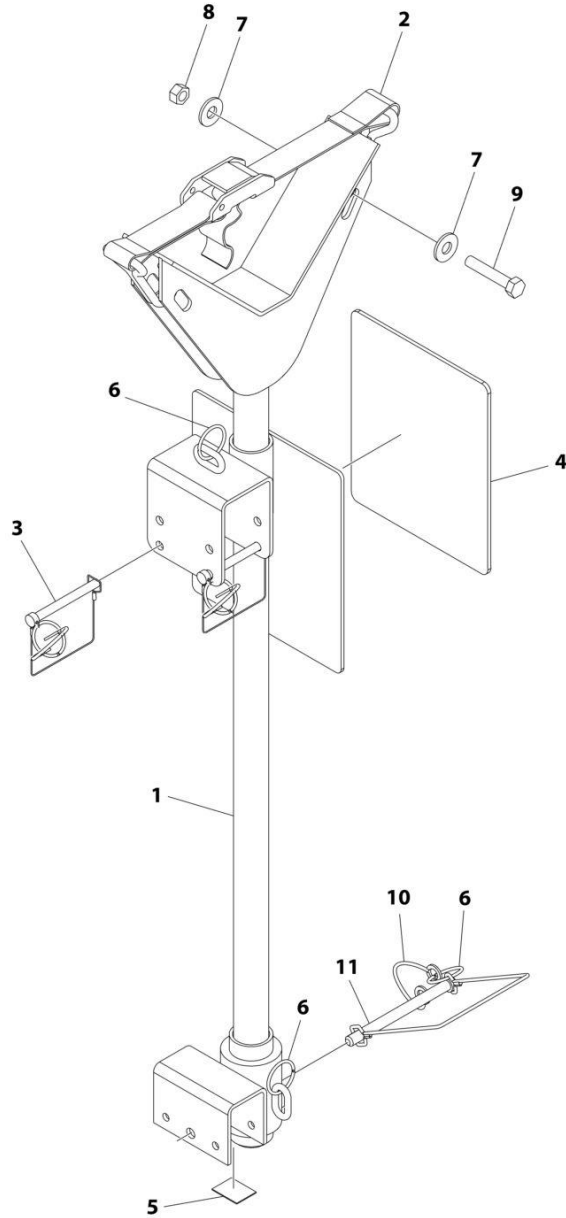
## SECTION 4 - PLATFORM

**FIGURE 4-26. PANEL INSTALLATION (AUSTRALIAN AND CE SPECS)**

ITEM	PART NUMBER	QTY	DESCRIPTION	REV
	1001235923	Ref	PANEL INSTALLATION (AUSTRALIAN AND CE SPECS)	B
1	0760608	1	Bolt M6 x 16	
2	0760610	4	Bolt M6 x 20	
3	1702010	1	Decal - JLG	
4	See Note	NSS	Nameplate (Note: Not Available for Purchase)	
5	3290606	5	Nut M6	
6	3574505	1	Plate, Bracket	
7	4240165	1	Strap, Tie Down	
8	4811700	10	Washer M6	
9	1001235514	1	Channel	
10	1001235863	1	Plate, Billboard	
11	1001236508	1	Decal - Capacity	
12	4420037	6 in /15.2cm	Tape, Insulation	

# SECTION 4 - PLATFORM

## FIGURE 4-27. PIPE RACK INSTALLATION (AUSTRALIAN AND CE SPECS)



ART\_1001229469

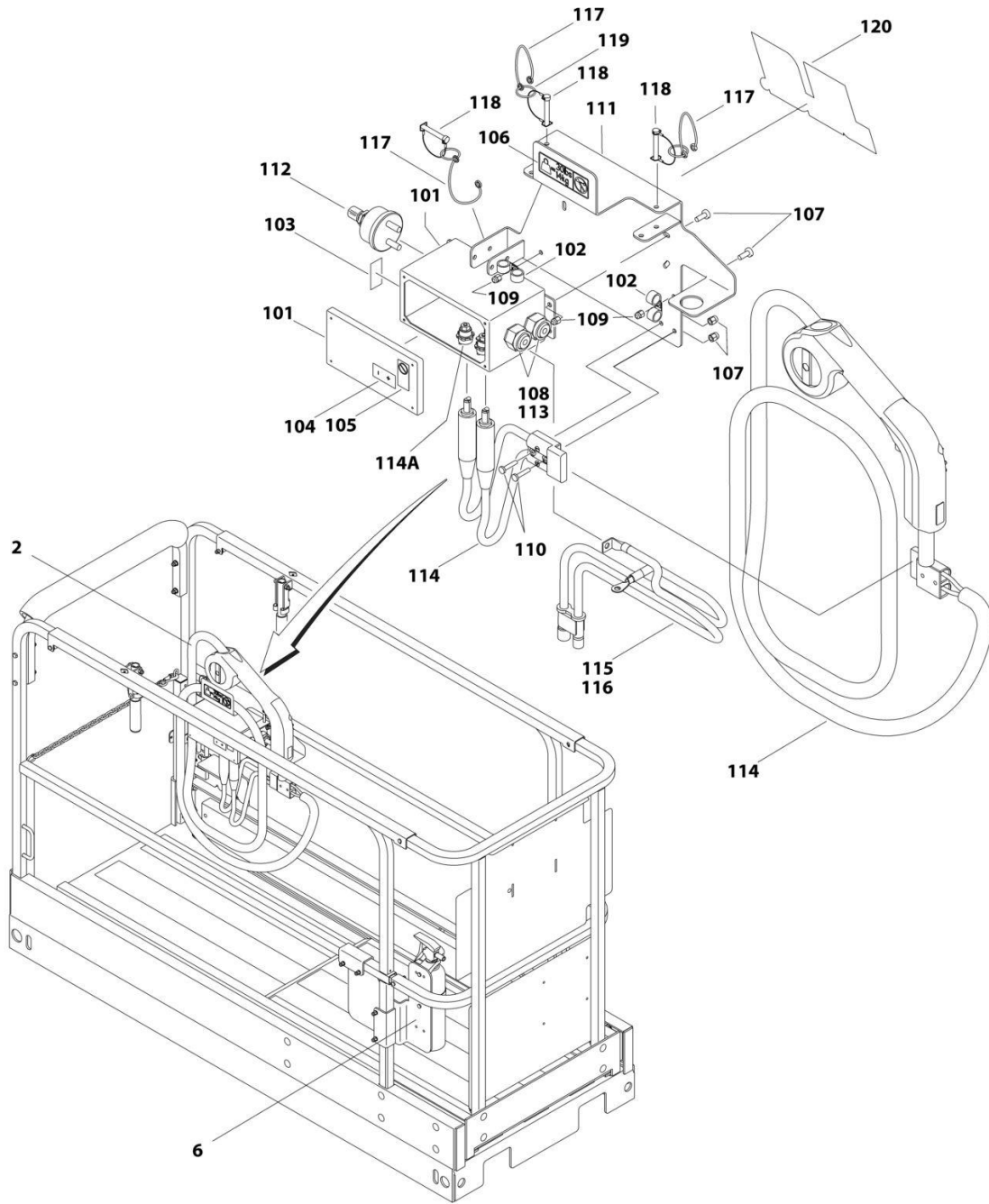
## SECTION 4 - PLATFORM

**FIGURE 4-27. PIPE RACK INSTALLATION (AUSTRALIAN AND CE SPECS)**

ITEM	PART NUMBER	QTY	DESCRIPTION	REV
	1001229469	Ref	PIPE RACK INSTALLATION	A
1	1001199189	2	Rack Pipe	
2	0480100	2	Tie-Strap	
3	1001187587	4	Pin	
4	1001229441	2	Decal - Pipe Rack Capacity	
5	4420062	3 ft/ 1m	Tape	
6	3760170	6	Ring	
7	4751500	8	Washer 5/16	
8	3311505	4	Nut 5/16	
9	0641514	4	Bolt 5/16 x 1-3/4	
10	1060379	2	Lanyard	
11	3421854	2	Pin	

# SECTION 4 - PLATFORM

## FIGURE 4-28. QUIK WELDER INSTALLATION



ART\_0272879



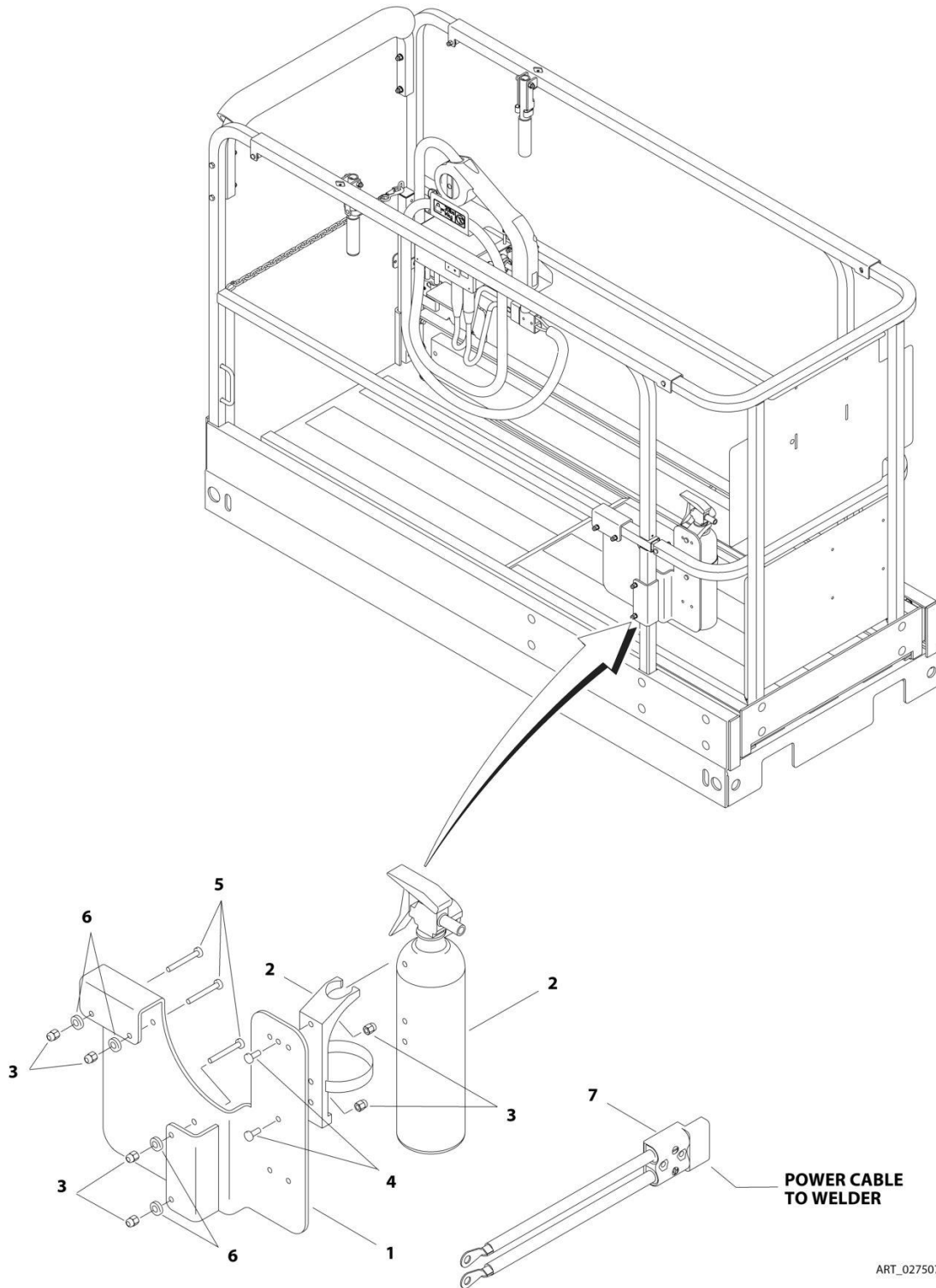
## SECTION 4 - PLATFORM

**FIGURE 4-28. QUIK WELDER INSTALLATION**

ITEM	PART NUMBER	QTY	DESCRIPTION	REV
	0272879	Ref	QUIK WELDER INSTALLATION	D
2	2902334	1	Kit, Quik Welder (See Items 101-120 for Breakdown)	
6	0275072	1	Quik Welder Ready (See Separate Breakdown in this Section)	
	2902334	Ref	QUIK WELDER KIT	C
101	0861527	1	Box, Welder Disconnect	
102	1320224	4	Clamp	
103	1705213	1	Decal - On/Off	
104	1705214	1	Decal - Plus/ Minus	
105	1705305	1	Decal - Weld Lead	
106	1705953	1	Decal - Weight	
107	3290606	8	Bolt M6 x 1	
108	3300048	2	Nut 3/4	
109	4010608	6	Screw M6 x 16	
110	4010614	2	Screw M6 x 30	
111	4340938	1	Mount, Quik Welder	
112	4360155	1	Switch, Master Disconnect	
113	4460328	2	Terminal, Connector	
114	4530021	1	Welder	
114A	7027303	2	Connector, Female	
115	4923048	1	Cable, Quik Welder Assembly	
116	1060957	1	Cable, Welder	
117	1060379	3	Cable, Lanyard	
118	3421453	3	Pin	
119	3760170	3	Ring	
120	1705754	1	Decal - JLG	

# SECTION 4 - PLATFORM

## FIGURE 4-29. QUIK WELDER READY INSTALLATION



ART\_0275072

## SECTION 4 - PLATFORM

### FIGURE 4-29. QUIK WELDER READY INSTALLATION

ITEM	PART NUMBER	QTY	DESCRIPTION	REV
	0275072	Ref	QUIK WELDER READY INSTALLATION	B
1	0903416	1	Bracket, Fire Extinguisher Mount	
2	2030010	1	Extinguisher, Fire	
3	3290606	6	Nut M6 x 1	
4	4010608	2	Screw M6 x 16	
5	4010618	4	Screw M6 x 50	
6	4811700	4	Washer M6	
7	4923049	1	Cable, Quik Welder Power	

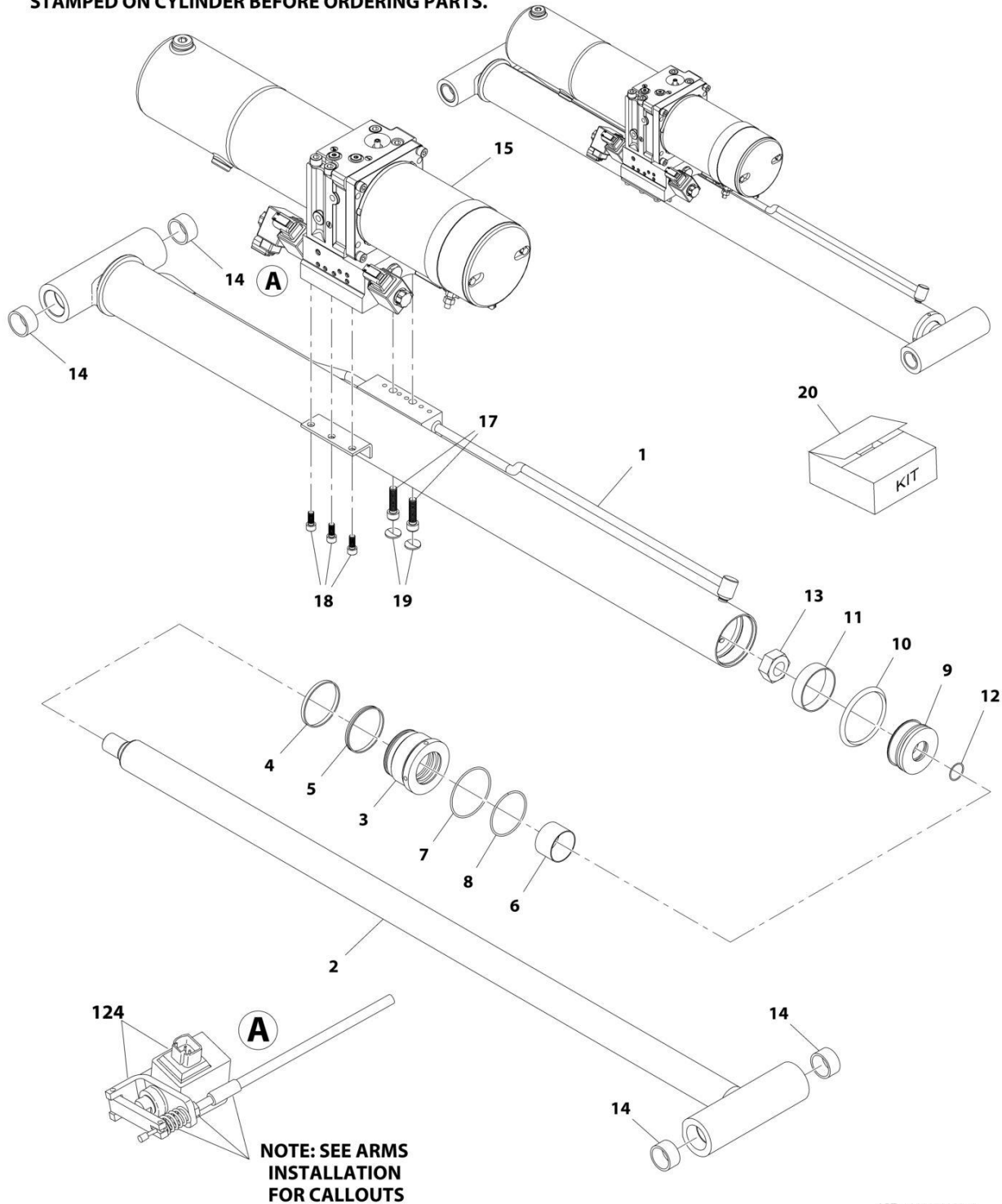


**SECTION 5 - CYLINDER**

# SECTION 5 - CYLINDER

## FIGURE 5-1. LIFT CYLINDER ASSEMBLY - 1930ES WITH STANDARD HYDRAULIC OIL (SH-PAC)

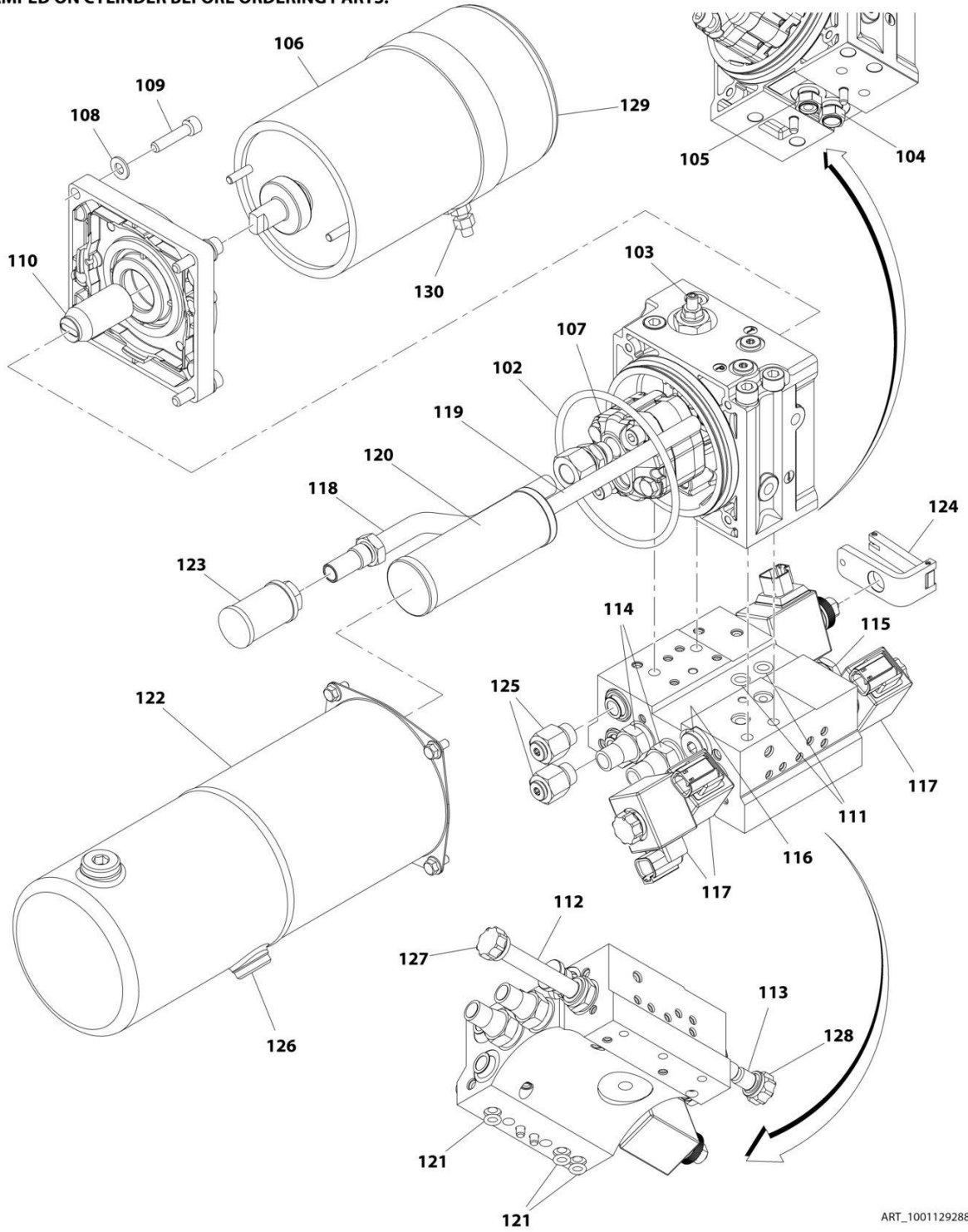
**NOTE: IDENTIFY THE PART NUMBER STAMPED ON CYLINDER BEFORE ORDERING PARTS.**



ART\_1001129288\_1

# SECTION 5 - CYLINDER

**NOTE: IDENTIFY THE PART NUMBER  
STAMPED ON CYLINDER BEFORE ORDERING PARTS.**



ART\_1001129288\_2

## SECTION 5 - CYLINDER

**FIGURE 5-1. LIFT CYLINDER ASSEMBLY - 1930ES WITH STANDARD HYDRAULIC OIL (SH-PAC)**

ITEM	PART NUMBER	QTY	DESCRIPTION	REV
	1001129288	Ref	LIFT CYLINDER ASSEMBLY - 1930ES WITH STANDARD HYDRAULIC OIL (SH-PAC)	E
		Ref	Note: Original Cylinder May Have Been Replaced with Service Replacement. Identify PN Stamped on Cylinder Before Ordering Parts.	
1	70004620	1	Barrel	
2	70004621	1	Rod	
3	70004622	1	Head, Cylinder	
4	See Note	NSS	Seal, Dust (Note: Use Item 20)	
5	See Note	NSS	Seal (Note: Use Item 20)	
6	70004237	1	Bearing	
7	See Note	NSS	O-Ring (Note: Use Item 20)	
8	See Note	NSS	O-Ring (Note: Use Item 20)	
9	70004623	1	Piston	
10	See Note	NSS	Seal (Note: Use Item 20)	
11	See Note	NSS	Ring, Wear (Note: Use Item 20)	
12	See Note	NSS	O-Ring (Note: Use Item 20)	
13	70003663	1	Nut	
14	0962257	4	Bushing	
15	70004938	1	Motor/Pump/Tank Assembly (See Items 102-121 for Breakdown)	
16	See Note	1	O-Ring (Note: Use Item 20)	
17	70004624	2	Capscrew M10 x 40	
18	70004625	3	Capscrew M8 x 20	
19	70004626	2	Plug, Extension	
20	70004627	1	Seal Kit - Cylinder (Includes Items 4, 5, 7, 8, 10, 11, 12 & 16)	
		Ref	MOTOR/PUMP/TANK ASSEMBLY	
	70004938	1	Motor/Pump/Tank Assembly	
102	70004914	1	O-Ring	
103	70004915	1	Cartridge, Valve (Main Relief)	
104	70004916	1	Cartridge, Valve (Breather Vacuum Check)	
105	70004917	1	Cartridge, Valve (Breather Pressure Check)	
106	70004970	1	Kit, Motor (Includes motor, flange and ring)	
107	70005233	1	Kit, Pump (Includes pump and hardware)	
108	70004974	4	Washer M8	
109	70004975	4	Capscrew M8 x 60	
110	70004973	1	Shaft Coupling	
111	70004925	2	O-Ring	
112	70003028	1	Cartridge, Solenoid Valve Less Coil (Steer)	
113	70004926	1	Cartridge, Solenoid Valve Less Coil (Lift)	
114	70004927	2	Cartridge, Valve (Steer Relief)	
115	70004585	1	Cartridge, Valve (Lift Check)	
116	70004928	1	Filter 300 micron	
117	70003707	3	Coil	
118	70004932	1	Pipe, Suction	
119	70004934	1	Pipe, Return	
120	70004935	1	Filter, Bypass	
121	70004936	3	O-Ring	
122	70005234	1	Kit, Tank (Includes tank, plug, "o"-ring and screws)	
123	70005235	1	Kit, Filter (Includes strainer and seal ring)	
124	70005236	1	Kit, Solenoid Valve (Includes solenoid, coil and lever)	

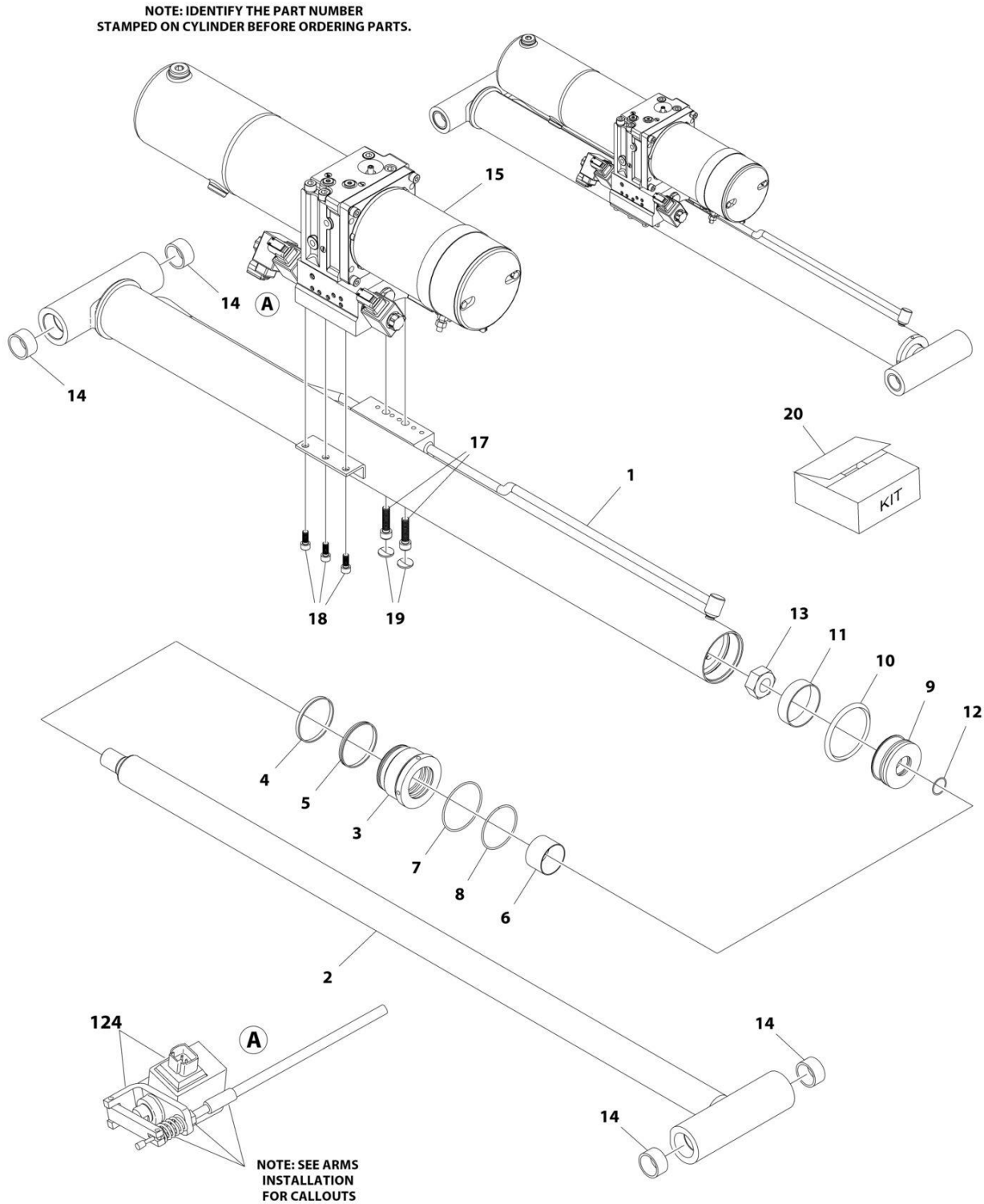


## SECTION 5 - CYLINDER

ITEM	PART NUMBER	QTY	DESCRIPTION	REV
125	70005237	2	Kit, Fitting (Includes adapter, seal washer and plug)	
126	70004921	1	Plug	
127	70004654	1	Nut, Coil (for Item #112)	
128	70005238	1	Nut, Retaining (for Item #113)	
129	70004971	1	Kit, Brush	
130	70004972	1	Nut	

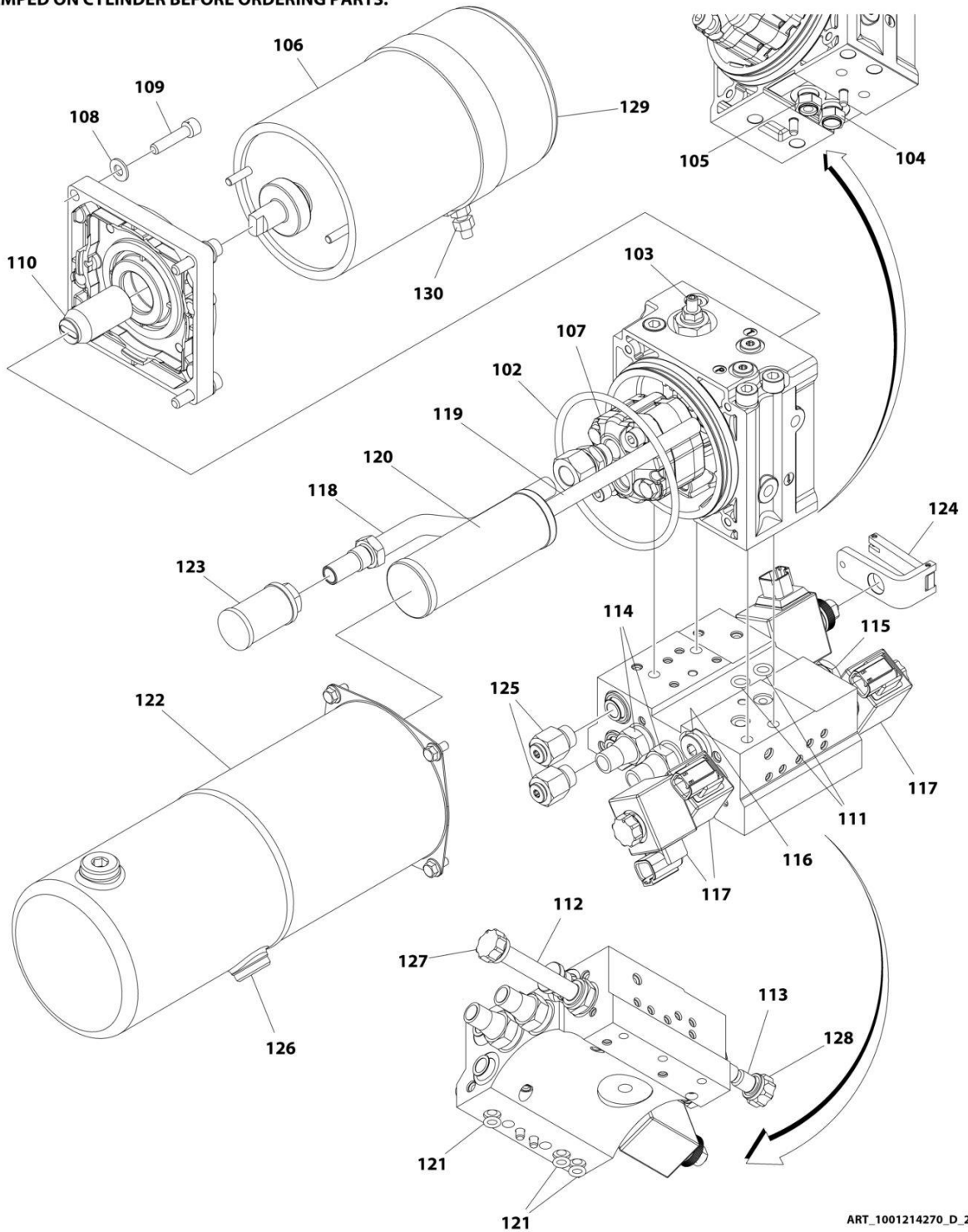
# SECTION 5 - CYLINDER

## FIGURE 5-2. LIFT CYLINDER ASSEMBLY - 1930ES WITH STANDARD HYDRAULIC OIL (SH-PAC)



# SECTION 5 - CYLINDER

NOTE: IDENTIFY THE PART NUMBER  
STAMPED ON CYLINDER BEFORE ORDERING PARTS.



ART\_1001214270\_D\_20F2

## SECTION 5 - CYLINDER

**FIGURE 5-2. LIFT CYLINDER ASSEMBLY - 1930ES WITH STANDARD HYDRAULIC OIL (SH-PAC)**

ITEM	PART NUMBER	QTY	DESCRIPTION	REV
	1001214270	Ref	LIFT CYLINDER ASSEMBLY - 1930ES WITH STANDARD HYDRAULIC OIL (SH-PAC)	D
		Ref	Note: Original Cylinder May Have Been Replaced with Service Replacement. Identify PN Stamped on Cylinder Before Ordering Parts.	
1	70005975	1	Barrel	
2	70004621	1	Rod	
3	70004622	1	Head, Cylinder	
4	See Note	NSS	Seal, Dust (Note: Use Item 20)	
5	See Note	NSS	Seal (Note: Use Item 20)	
6	70004237	1	Bearing	
7	See Note	NSS	O-Ring (Note: Use Item 20)	
8	See Note	NSS	O-Ring (Note: Use Item 20)	
9	70004623	1	Piston	
10	See Note	NSS	Seal (Note: Use Item 20)	
11	See Note	NSS	Ring, Wear (Note: Use Item 20)	
12	See Note	NSS	O-Ring (Note: Use Item 20)	
13	70003663	1	Nut	
14	0962257	1	Bushing	
15	70004938	1	Motor/Pump/Tank Assembly (See Items 102-121 for Breakdown)	
16	See Note	1	O-Ring (Note: Use Item 20)	
17	70004624	2	Capscrew M10 x 40	
18	70004625	3	Capscrew M8 x 20	
19	70004626	2	Plug, Extension	
20	See Note	1	Seal Kit - Cylinder (Includes Items 4, 5, 7, 8, 10, 11, 12 & 16)	
		Ref	MOTOR/PUMP/TANK ASSEMBLY	
	70004938	1	Motor/Pump/Tank Assembly	
102	70004914	1	O-Ring	
103	70004915	1	Cartridge, Valve (Main Relief)	
104	70004916	1	Cartridge, Valve (Breather Vacuum Check)	
105	70004917	1	Cartridge, Valve (Breather Pressure Check)	
106	70004970	1	Kit, Motor (Includes motor, flange and ring)	
107	70005233	1	Kit, Pump (Includes pump and hardware)	
108	70004974	4	Washer M8	
109	70004975	4	Capscrew M8 x 60	
110	70004973	1	Shaft Coupling	
111	70004925	2	O-Ring	
112	70003028	1	Cartridge, Solenoid Valve Less Coil (Steer)	
113	70004926	1	Cartridge, Solenoid Valve Less Coil (Lift)	
114	70004927	2	Cartridge, Valve (Steer Relief)	
115	70004585	1	Cartridge, Valve (Lift Check)	
116	70004928	1	Filter 300 micron	
117	70003707	3	Coil	
118	70004932	1	Pipe, Suction	
119	70004934	1	Pipe, Return	
120	70004935	1	Filter, Bypass	
121	70004936	3	O-Ring	
122	70005234	1	Kit, Tank (Includes tank, plug, "o"-ring and screws)	
123	70005235	1	Kit, Filter (Includes strainer and seal ring)	
124	70005236	1	Kit, Solenoid Valve (Includes solenoid, coil and lever)	

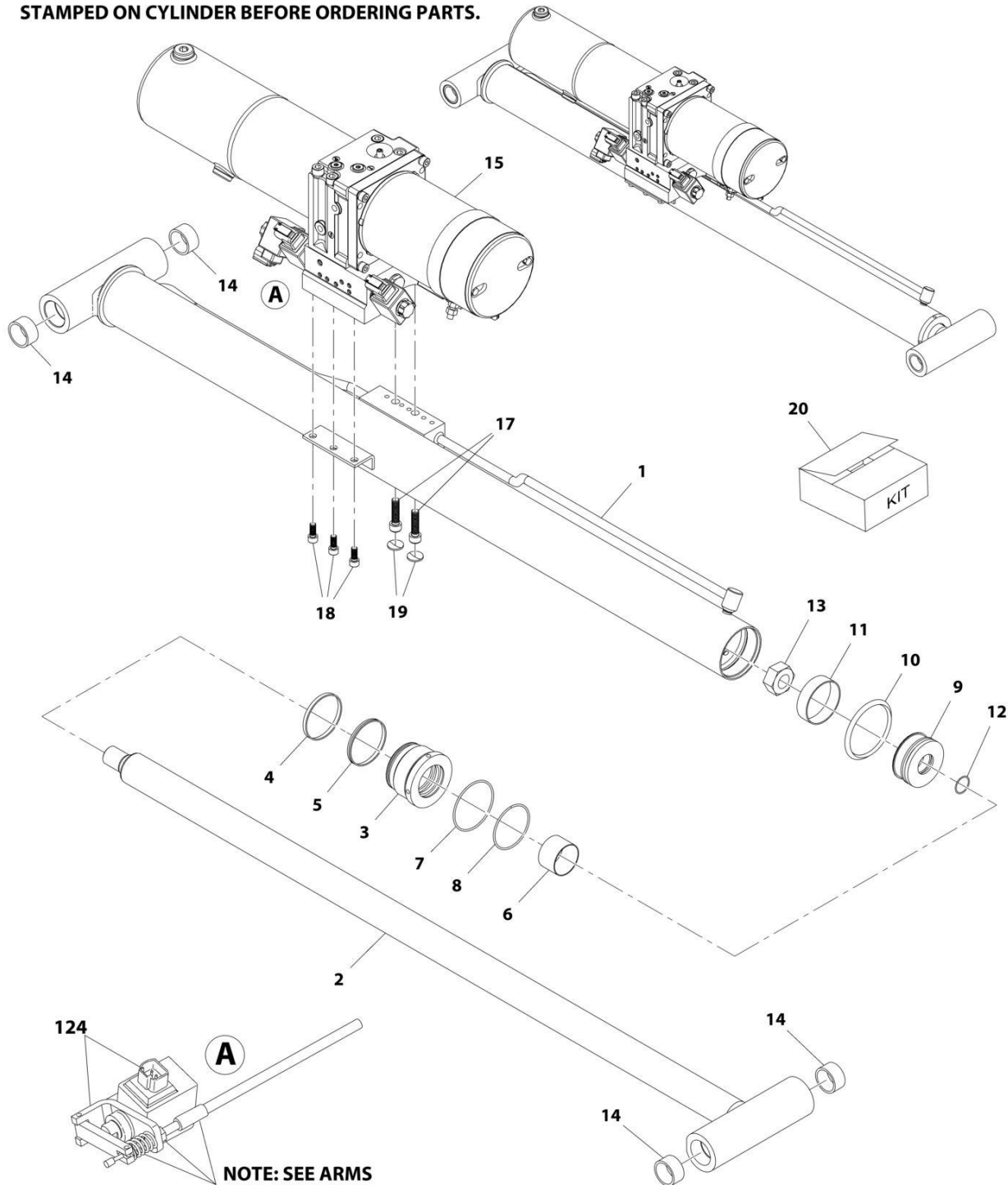
## SECTION 5 - CYLINDER

ITEM	PART NUMBER	QTY	DESCRIPTION	REV
125	70005237	2	Kit, Fitting (Includes adapter, seal washer and plug)	
126	70004921	1	Plug	
127	70004654	1	Nut, Coil (for Item #112)	
128	70005238	1	Nut, Retaining (for Item #113)	
129	70004971	1	Kit, Brush	
130	70004972	1	Nut	

# SECTION 5 - CYLINDER

FIGURE 5-3. LIFT CYLINDER ASSEMBLY - 1930ES WITH BIODEGRADABLE HYDRAULIC OIL (SH-PAC)

**NOTE: IDENTIFY THE PART NUMBER STAMPED ON CYLINDER BEFORE ORDERING PARTS.**

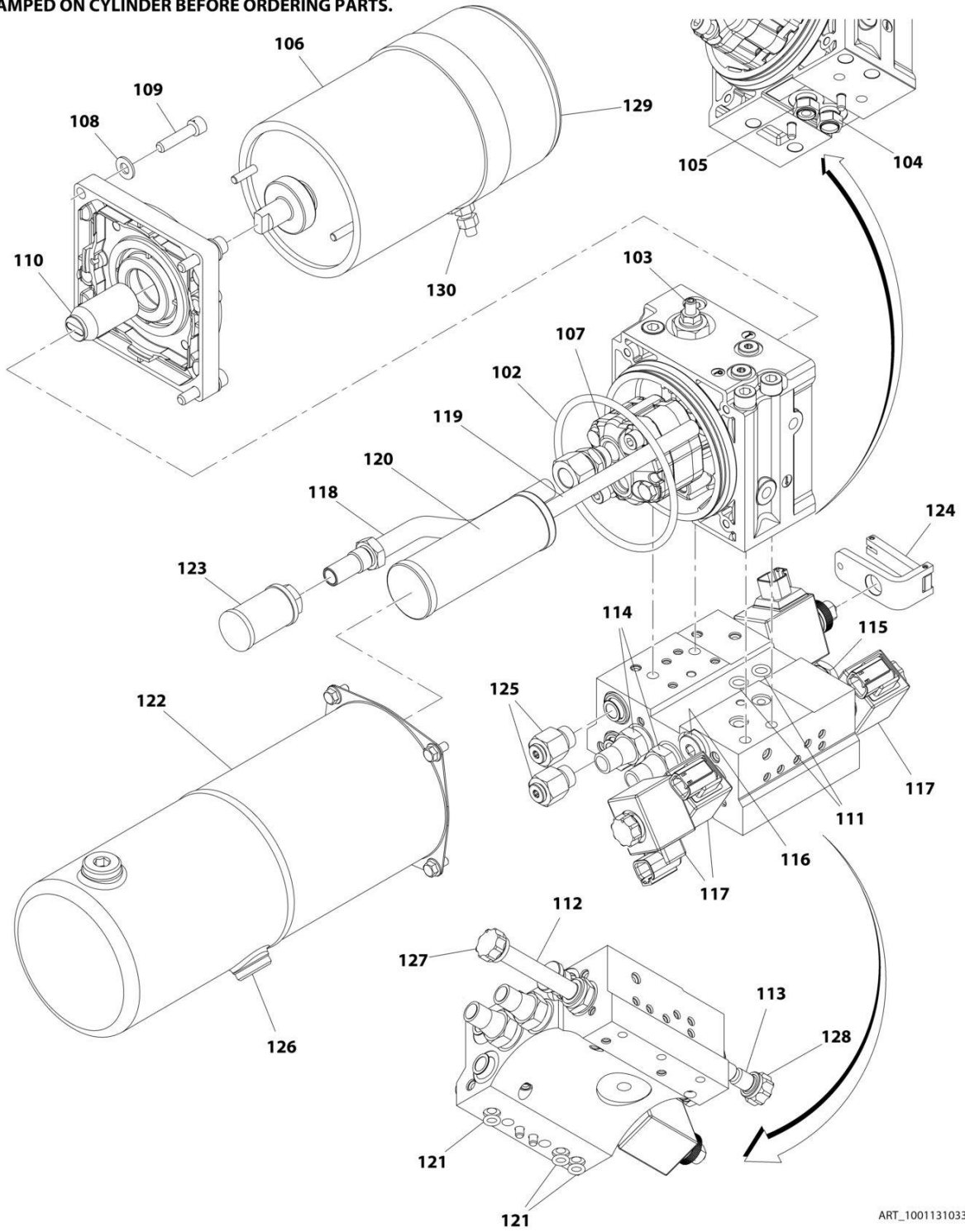


**NOTE: SEE ARMS INSTALLATION FOR CALLOUTS**

ART\_1001131033\_1

# SECTION 5 - CYLINDER

NOTE: IDENTIFY THE PART NUMBER  
STAMPED ON CYLINDER BEFORE ORDERING PARTS.



ART\_1001131033\_2

## SECTION 5 - CYLINDER

**FIGURE 5-3. LIFT CYLINDER ASSEMBLY - 1930ES WITH BIODEGRADABLE HYDRAULIC OIL (SH-PAC)**

ITEM	PART NUMBER	QTY	DESCRIPTION	REV
	1001131033	Ref	LIFT CYLINDER ASSEMBLY - 1930ES WITH BIODEGRADABLE HYDRAULIC OIL (SH-PAC)	H
		Ref	Note: Original Cylinder May Have Been Replaced with Service Replacement. Identify PN Stamped on Cylinder Before Ordering Parts.	
1	70004620	1	Barrel	
2	70004621	1	Rod	
3	70004622	1	Head, Cylinder	
4	See Note	NSS	Seal, Dust (Note: Use Item 20)	
5	See Note	NSS	Seal (Note: Use Item 20)	
6	70004237	1	Bearing	
7	See Note	NSS	O-Ring (Note: Use Item 20)	
8	See Note	NSS	O-Ring (Note: Use Item 20)	
9	70004623	1	Piston	
10	See Note	NSS	Seal (Note: Use Item 20)	
11	See Note	NSS	Ring, Wear (Note: Use Item 20)	
12	See Note	NSS	O-Ring (Note: Use Item 20)	
13	70003663	1	Nut	
14	0962257	4	Bushing	
15	70004938	1	Motor/Pump/Tank Assembly (See Items 102-121 for Breakdown)	
16	See Note	1	O-Ring (Note: Use Item 20)	
17	70004624	2	Capscrew M10 x 40	
18	70004625	3	Capscrew M8 x 20	
19	70004626	2	Plug, Extension	
20	70004627	1	Seal Kit - Cylinder (Includes Items 4, 5, 7, 8, 10, 11, 12 & 16)	
		Ref	MOTOR/PUMP/TANK ASSEMBLY	
	70004938	1	Motor/Pump/Tank Assembly	
102	70004914	1	O-Ring	
103	70004915	1	Cartridge, Valve (Main Relief)	
104	70004916	1	Cartridge, Valve (Breather Vacuum Check)	
105	70004917	1	Cartridge, Valve (Breather Pressure Check)	
106	70004970	1	Kit, Motor (Includes motor, flange and ring)	
107	70005233	1	Kit, Pump (Includes pump and hardware)	
108	70004974	4	Washer M8	
109	70004975	4	Capscrew M8 x 60	
110	70004973	1	Shaft Coupling	
111	70004925	2	O-Ring	
112	70003028	1	Cartridge, Solenoid Valve Less Coil (Steer)	
113	70004926	1	Cartridge, Solenoid Valve Less Coil (Lift)	
114	70004927	2	Cartridge, Valve (Steer Relief)	
115	70004585	1	Cartridge, Valve (Lift Check)	
116	70004928	1	Filter 300 micron	
117	70003707	3	Coil	
118	70004932	1	Pipe, Suction	
119	70004934	1	Pipe, Return	
120	70004935	1	Filter, Bypass	
121	70004936	3	O-Ring	
122	70005234	1	Kit, Tank (Includes tank, plug, "o"-ring and screws)	
123	70005235	1	Kit, Filter (Includes strainer and seal ring)	

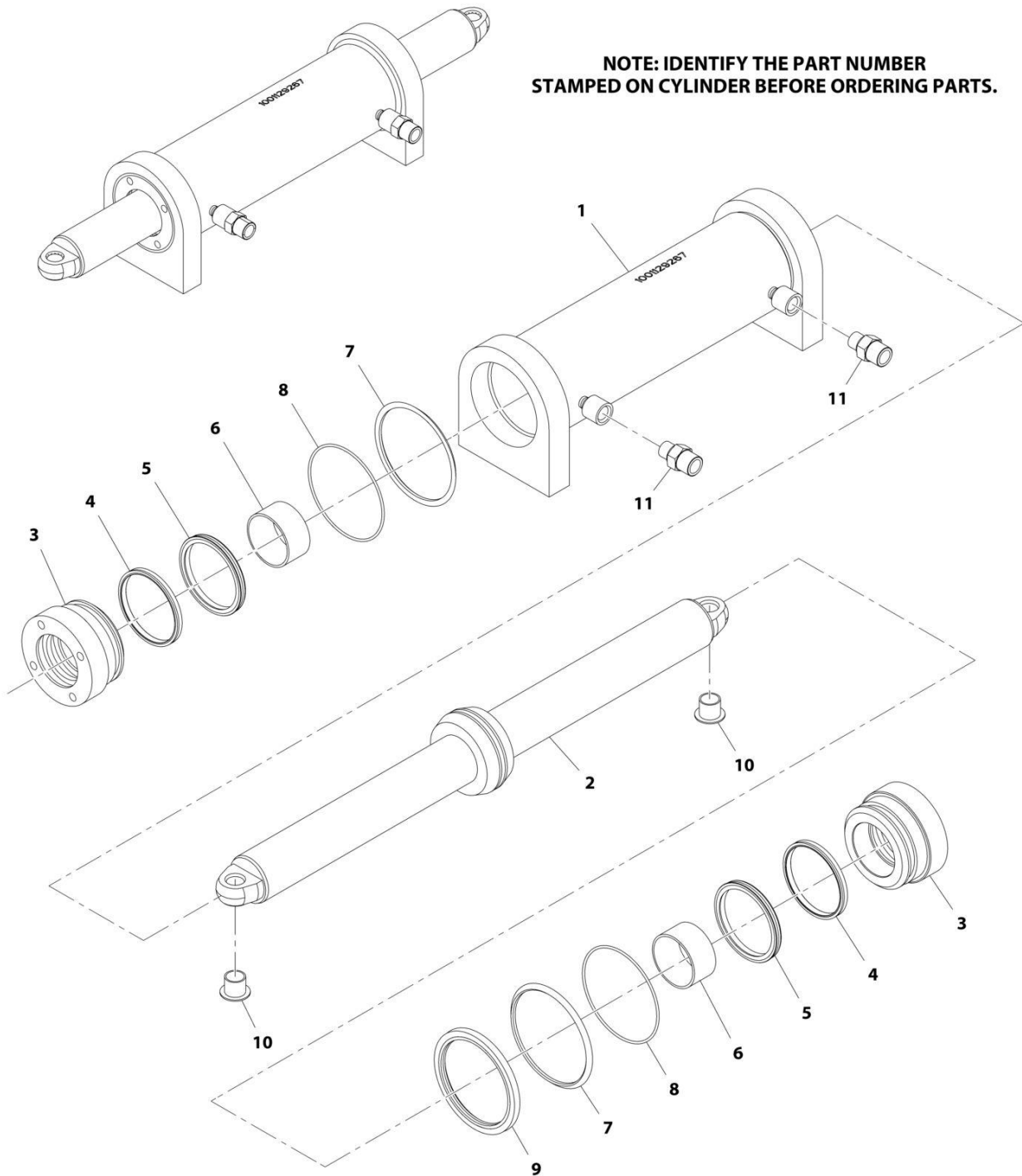


## SECTION 5 - CYLINDER

ITEM	PART NUMBER	QTY	DESCRIPTION	REV
124	70005236	1	Kit, Solenoid Valve (Includes solenoid, coil and lever)	
125	70005237	2	Kit, Fitting (Includes adapter, seal washer and plug)	
126	70004921	1	Plug	
127	70004654	1	Nut, Coil (for Item #112)	
128	70005238	1	Nut, Retaining (for Item #113)	
129	70004971	1	Kit, Brush	
130	70004972	1	Nut	

# SECTION 5 - CYLINDER

## FIGURE 5-4. STEER CYLINDER ASSEMBLY (SH-PAC)



**NOTE: IDENTIFY THE PART NUMBER  
STAMPED ON CYLINDER BEFORE ORDERING PARTS.**

ART\_1001129267

## SECTION 5 - CYLINDER

**FIGURE 5-4. STEER CYLINDER ASSEMBLY (SH-PAC)**

ITEM	PART NUMBER	QTY	DESCRIPTION	REV
	1001129267	Ref	STEER CYLINDER ASSEMBLY (SH-PAC)	C
		Ref	Note: Original Cylinder May Have Been Replaced with Service Replacement. Identify PN Stamped on Cylinder Before Ordering Parts.	
1	70004245	1	Barrel, Cylinder	
2	70004244	1	Rod, Cylinder	
3	70004241	2	Head, Cylinder	
4	See Note	NSS	Seal, Dust (Note: Use Item 12)	
5	See Note	NSS	Seal (Note: Use Item 12)	
6	See Note	NSS	Bearing (Note: Use Item 12)	
7	See Note	NSS	O-Ring (Note: Use Item 12)	
8	See Note	NSS	O-Ring (Note: Use Item 12)	
9	See Note	NSS	Seal (Note: Use Item 12)	
10	0440259	2	Bearing	
11	2110404	2	Fitting, Straight ORFS/ORB	
12	70004239	1	Seal Kit (Includes Items 4-9)	



**SECTION 6 - HYDRAULIC**

## SECTION 6 - HYDRAULIC

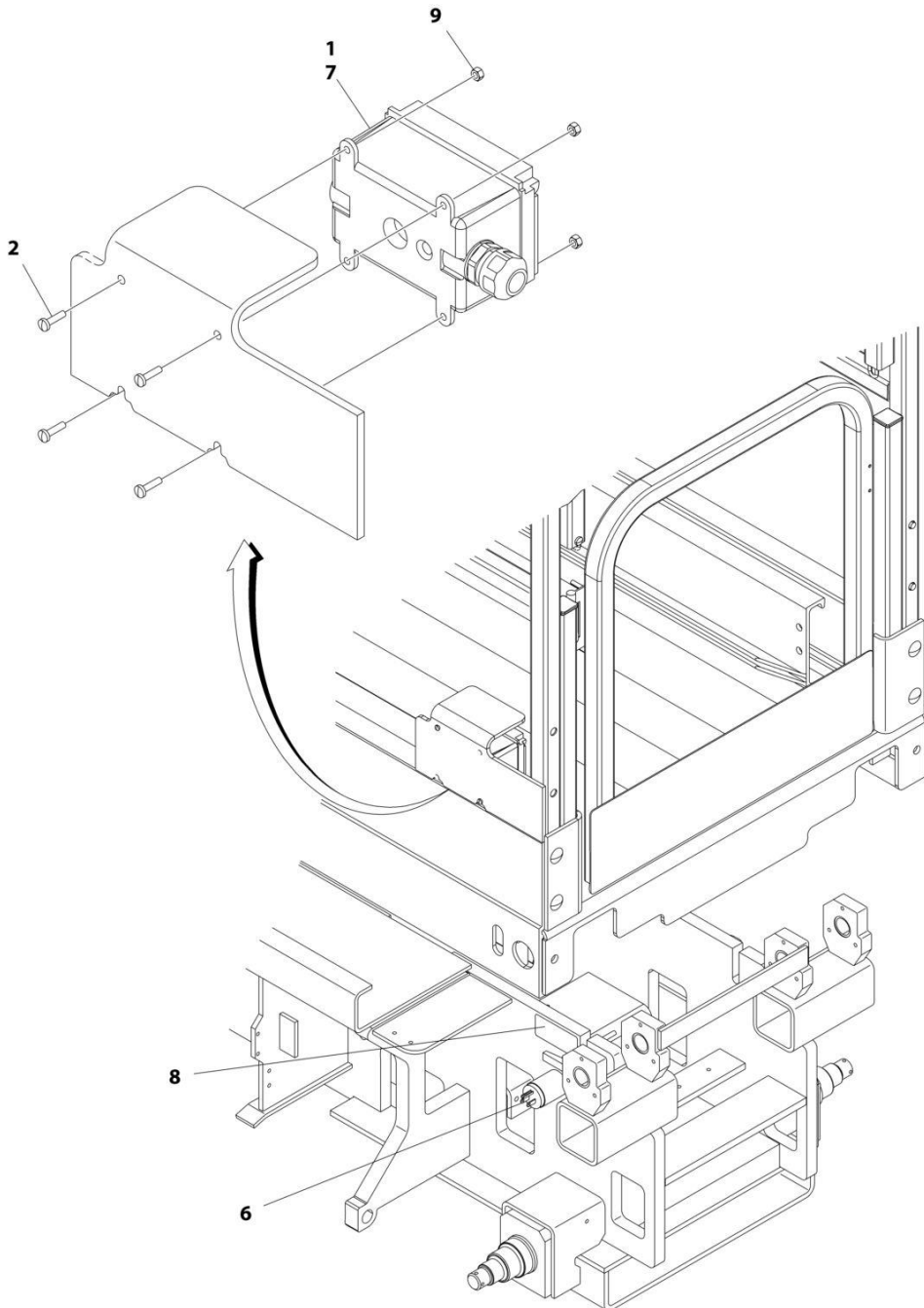
FIGURE 6-1. HYDRAULIC DIAGRAM LIST

ITEM	PART NUMBER	QTY	DESCRIPTION	REV
		Ref	HYDRAULIC DIAGRAM LIST	
		Ref	Note: For hoses and fittings associated with steering, see Steering Installation.	
	2792599	Ref	Hydraulic Schematic - USA Built Machines (Not Shown - See Service Manual)	
	1001143663	Ref	Hydraulic Schematic - China Built Machines (Not Shown - See Service Manual)	

**SECTION 7 - ELECTRICAL**

**SECTION 7 - ELECTRICAL**

**FIGURE 7-1. AC BOX AT PLATFORM INSTALLATION - 110V GFI**



ART\_0272839



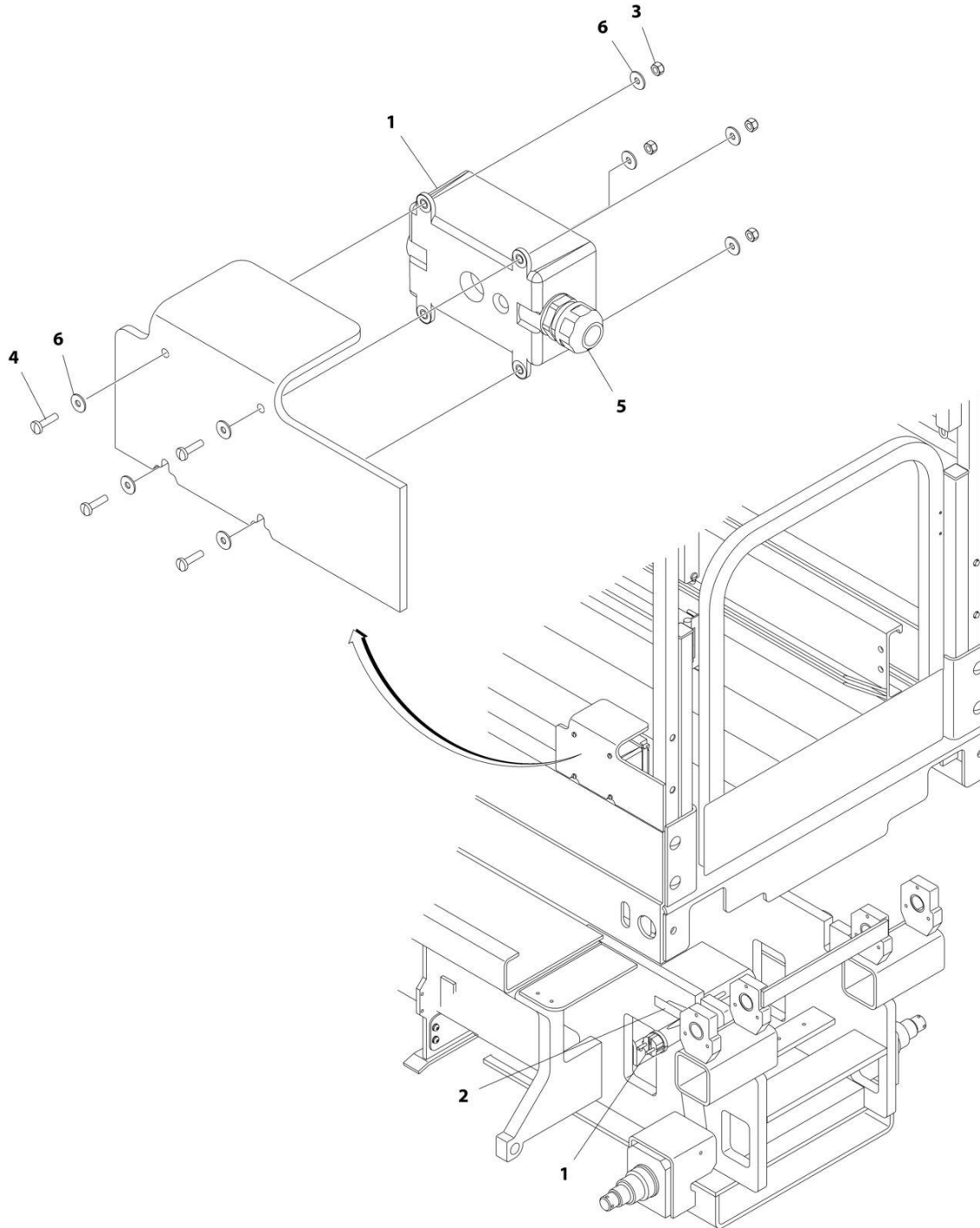
## SECTION 7 - ELECTRICAL

**FIGURE 7-1. AC BOX AT PLATFORM INSTALLATION - 110V GFI**

ITEM	PART NUMBER	QTY	DESCRIPTION	REV
	0272839	Ref	AC BOX AT PLATFORM INSTALLATION - 110V GFI	I
1	2902431	1	Receptacle Box Kit - 110V GFI (See Separate Breakdown in this Section)	
2	4010408	4	Screw M4 x 16	
6	4460138	1	Plug, Male	
7	4460315	3	Terminal	
8	1703464	1	Decal - 120V-60Hz AC Power to Platform	
9	3290405	4	Nut M4	

# SECTION 7 - ELECTRICAL

## FIGURE 7-2. AC BOX AT PLATFORM INSTALLATION - 220V CEE7 SIDE (ANSI EXPORT SPEC ONLY)



ART\_1001211593

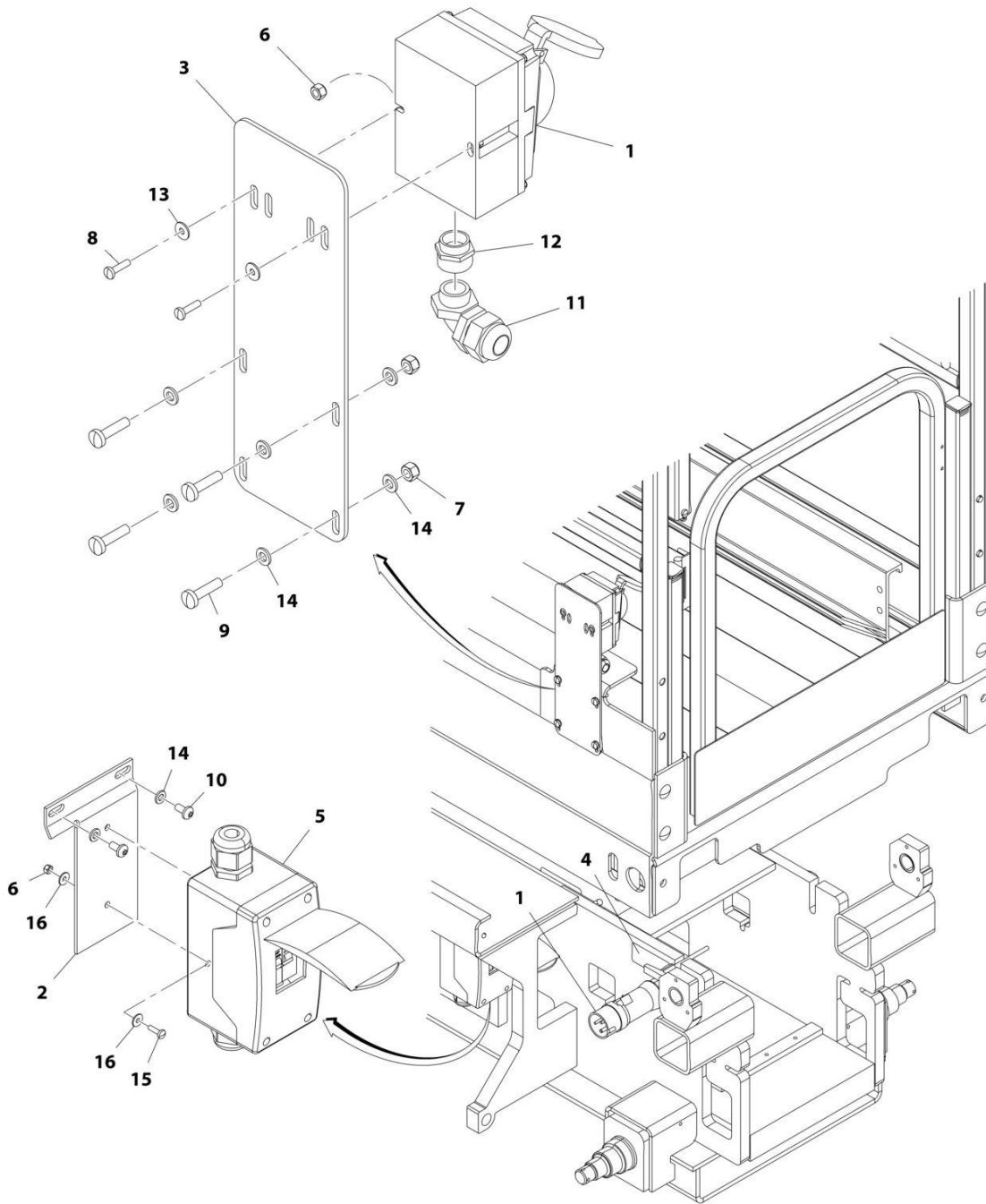
## SECTION 7 - ELECTRICAL

**FIGURE 7-2. AC BOX AT PLATFORM INSTALLATION - 220V CEE7 SIDE (ANSI EXPORT SPEC ONLY)**

ITEM	PART NUMBER	QTY	DESCRIPTION	REV
	1001211593	Ref	AC BOX AT PLATFORM INSTALLATION - 220V CEE7 SIDE GRD	A
1	0275453	1	Receptacle Box Kit - 220V CEE7 Side Ground (See Separate Breakdown in this Section)	
2	3252507	1	Decal - 220V-50/60Hz	
3	3290405	4	Nut M4	
4	4010408	4	Screw M4 x 16	
5	4460662	1	Connector, Strain Relief	
6	1001091102	8	Washer M4	

# SECTION 7 - ELECTRICAL

## FIGURE 7-3. AC BOX AT PLATFORM INSTALLATION - 110V IEC YELLOW (CE SPEC ONLY)



ART\_0275487

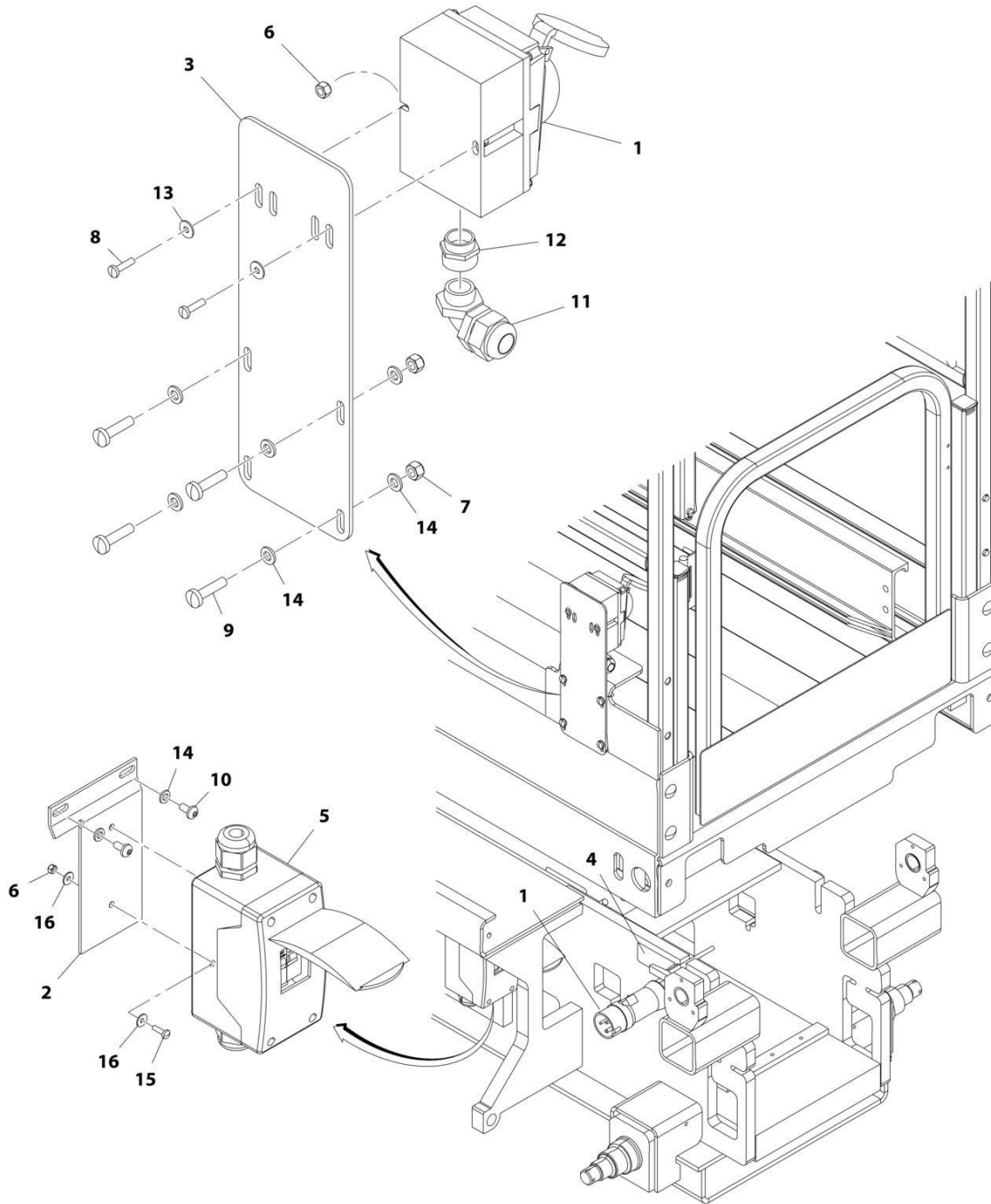
## SECTION 7 - ELECTRICAL

**FIGURE 7-3. AC BOX AT PLATFORM INSTALLATION - 110V IEC YELLOW (CE SPEC ONLY)**

ITEM	PART NUMBER	QTY	DESCRIPTION	REV
	0275487	Ref	AC BOX AT PLATFORM INSTALLATION - 110V IEC YELLOW	E
1	0275216	1	Receptacle Box Kit - 110V IEC Yellow (See Separate Breakdown in this Section)	
2	0903566	1	Bracket	
3	0903569	1	Bracket	
4	1703464	1	Decal - 120V-60Hz	
5	2902541	1	Breaker Box Kit (See Separate Breakdown in this Section)	
6	3290405	4	Nut M4	
7	3290605	4	Nut M6	
8	4010408	2	Screw M4 x 16	
9	4010612	4	Screw M6 x 25	
10	4191706	2	Screw M6 x 12	
11	4461257	1	Connector, Strain Relief	
12	4461258	1	Adapter	
13	4811400	2	Washer M4	
14	4811700	10	Washer M6	
15	1001101540	2	Screw M4 x 14	
16	1001091102	4	Washer M4	

# SECTION 7 - ELECTRICAL

## FIGURE 7-4. AC BOX AT PLATFORM INSTALLATION - 220V IEC BLUE (CE SPEC ONLY)



ART\_0275488

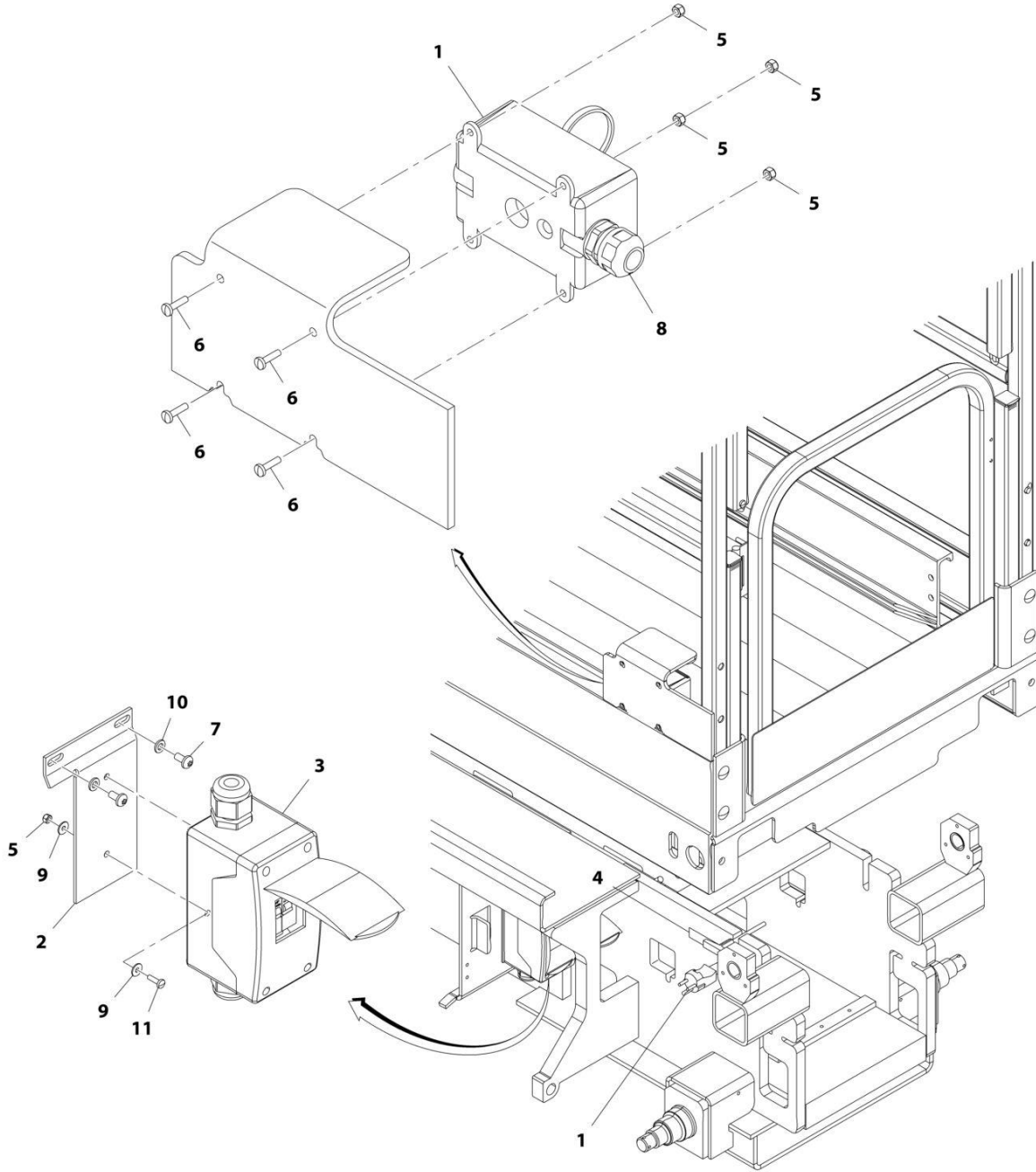
## SECTION 7 - ELECTRICAL

**FIGURE 7-4. AC BOX AT PLATFORM INSTALLATION - 220V IEC BLUE (CE SPEC ONLY)**

ITEM	PART NUMBER	QTY	DESCRIPTION	REV
	0275488	Ref	AC BOX AT PLATFORM INSTALLATION - 220V IEC BLUE	E
1	0275217	1	Receptacle Box Kit - 220V IEC Blue (See Separate Breakdown in this Section)	
2	0903566	1	Bracket	
3	0903569	1	Bracket	
4	3252507	1	Decal - 220V-50/60Hz	
5	2902541	1	Breaker Box Kit (See Separate Breakdown in this Section)	
6	3290405	4	Nut M4	
7	3290605	4	Nut M6	
8	4010408	2	Screw M4 x 16	
9	4010612	4	Screw M6 x 25	
10	4191706	2	Screw M6 x 12	
11	4461257	1	Connector, Strain Relief	
12	4461258	1	Adapter	
13	4811400	2	Washer M4	
14	4811700	10	Washer M6	
15	1001101540	2	Screw M4 x 14	
16	1001091102	4	Washer M4	

# SECTION 7 - ELECTRICAL

## FIGURE 7-5. AC BOX AT PLATFORM INSTALLATION - 220V AFSINT107 (CE SPEC ONLY)



ART\_0275486



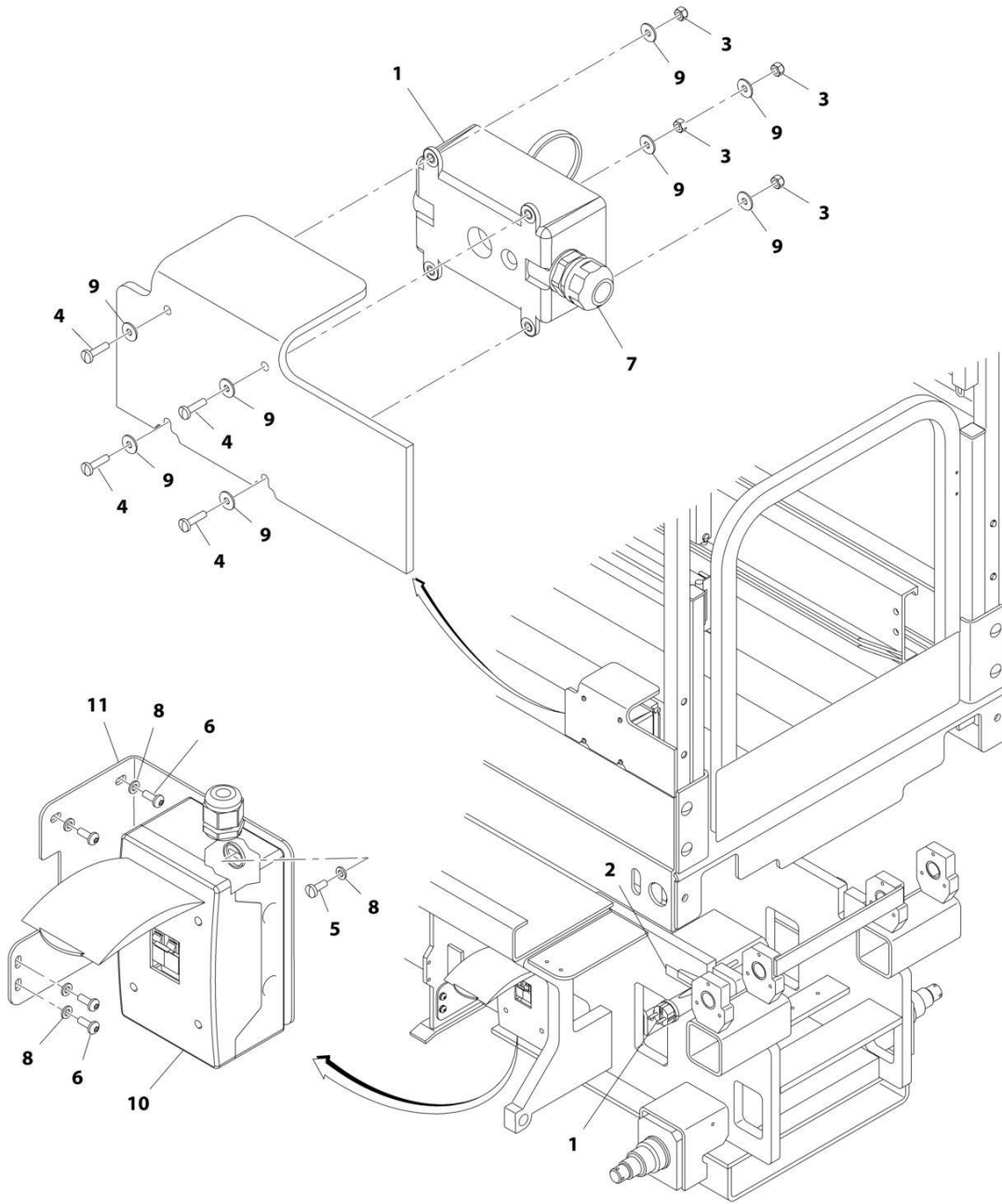
## SECTION 7 - ELECTRICAL

**FIGURE 7-5. AC BOX AT PLATFORM INSTALLATION - 220V AFSINT107 (CE SPEC ONLY)**

ITEM	PART NUMBER	QTY	DESCRIPTION	REV
	0275486	Ref	AC BOX AT PLATFORM INSTALLATION - 220V AFSINT107	E
1	0275454	1	Receptacle Box Kit - 220V AFSINT107 (See Separate Breakdown in this Section)	
2	0903566	1	Bracket	
3	2902541	1	Breaker Box Kit (See Separate Breakdown in this Section)	
4	3252507	1	Decal - 220V/50-60Hz	
5	3290405	6	Nut M4	
6	4010408	4	Screw M4 x 16	
7	4191706	2	Screw M6 x 12	
8	4460662	1	Connector, Strain Relief	
9	1001091102	2	Washer M4	
10	4811700	2	Washer M6	
11	1001101540	2	Screw M4 x 14	

# SECTION 7 - ELECTRICAL

FIGURE 7-6. AC BOX AT PLATFORM INSTALLATION - 220V CEE7 SIDE GRD (CE SPEC ONLY)



ART\_1001162447

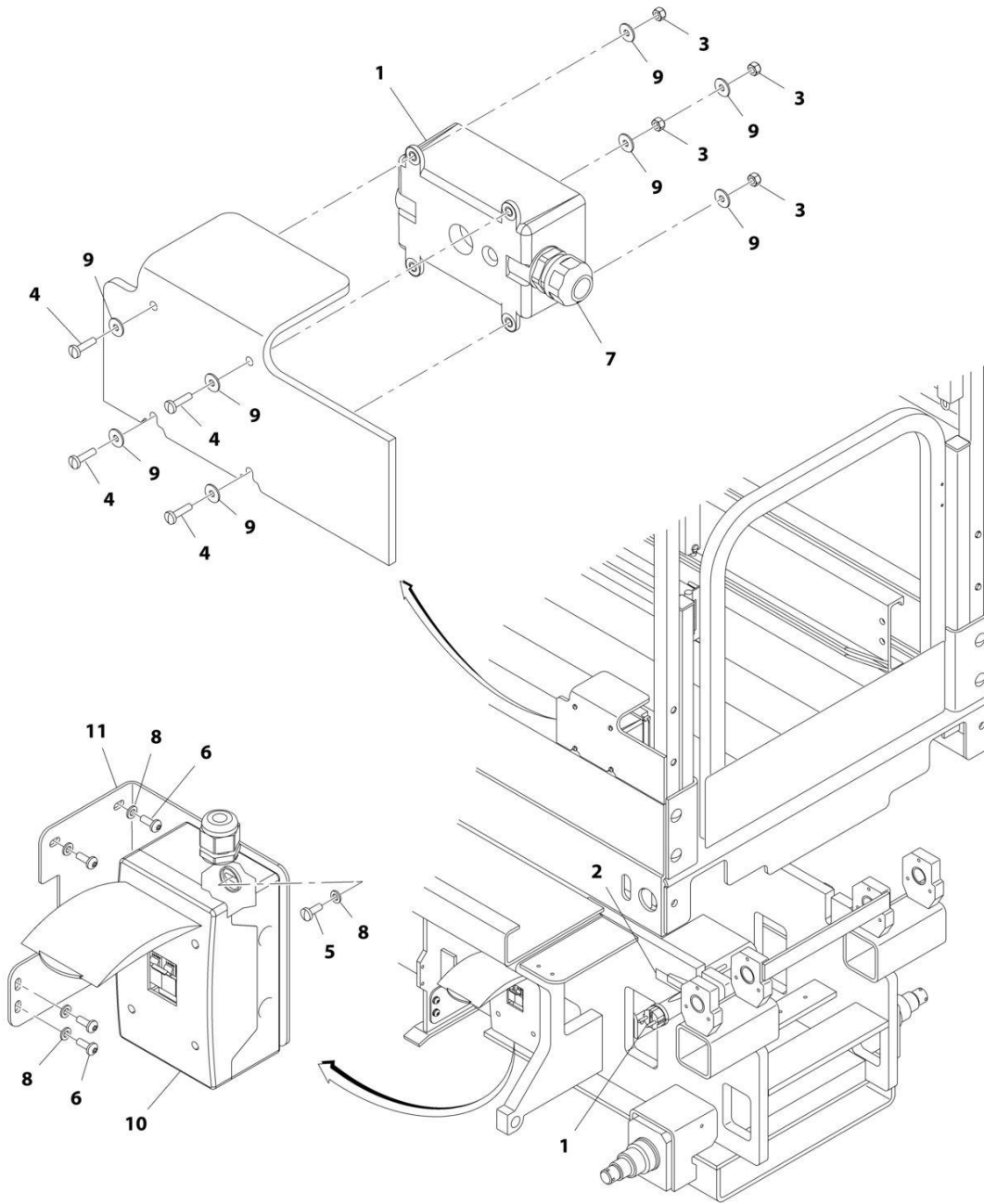
## SECTION 7 - ELECTRICAL

**FIGURE 7-6. AC BOX AT PLATFORM INSTALLATION - 220V CEE7 SIDE GRD (CE SPEC ONLY)**

ITEM	PART NUMBER	QTY	DESCRIPTION	REV
	1001162447	Ref	AC BOX AT PLATFORM INSTALLATION - 220V CEE7 SIDE GRD	A
1	0275453	1	Receptacle Box Kit - 220V CEE7 Side Ground (See Separate Breakdown in this Section)	
2	3252507	1	Decal - 220V-50/60Hz	
3	3290405	4	Nut M4	
4	4010408	4	Screw M4 x 16	
5	4010608	2	Screw M6 x 16	
6	4191707	4	Screw M6 x 16	
7	4460662	1	Connector, Strain Relief	
8	4811700	10	Washer M6	
9	1001091102	8	Washer M4	
10	1001152485	1	Breaker Box Kit (See Separate Breakdown in this Section)	
11	1001162362	1	Bracket	

# SECTION 7 - ELECTRICAL

## FIGURE 7-7. AC BOX AT PLATFORM INSTALLATION - 220V CEE7 POST GRD (CE SPEC ONLY)



ART\_1001162449

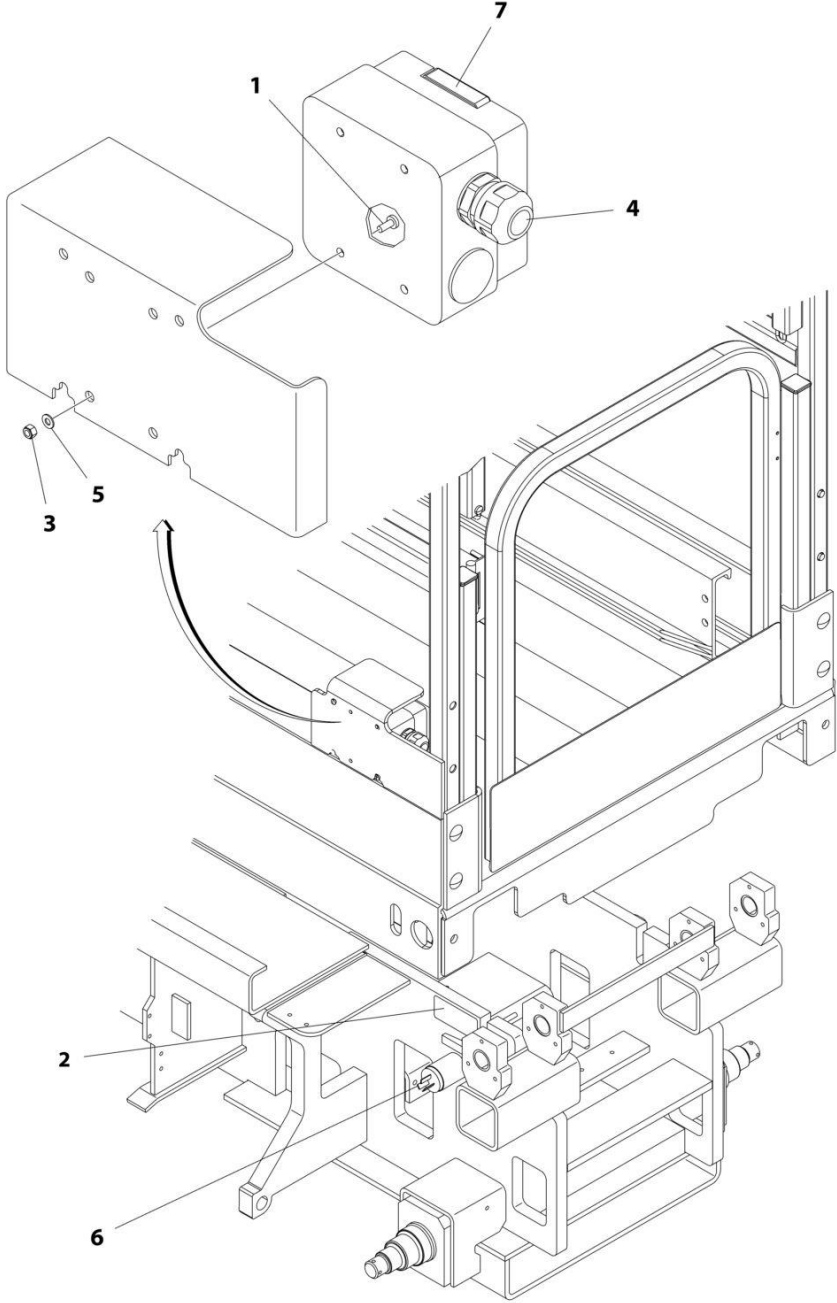
## SECTION 7 - ELECTRICAL

**FIGURE 7-7. AC BOX AT PLATFORM INSTALLATION - 220V CEE7 POST GRD (CE SPEC ONLY)**

ITEM	PART NUMBER	QTY	DESCRIPTION	REV
	1001162449	Ref	AC BOX AT PLATFORM INSTALLATION - 220V CEE7 POST GRD	A
1	0275452	1	Receptacle Box Kit - 220V CEE7 Post Ground (See Separate Breakdown in this Section)	
2	3252507	1	Decal - 220V-50/60Hz	
3	3290405	4	Nut M4	
4	4010408	4	Screw M4 x 16	
5	4010608	2	Screw M6 x 16	
6	4191706	4	Screw M6 x 12	
7	4460662	1	Connector, Strain Relief	
8	4811700	6	Washer M6	
9	1001091102	8	Washer M4	
10	1001152485	1	Breaker Box Kit (See Separate Breakdown in this Section)	
11	1001162362	1	Bracket	

# SECTION 7 - ELECTRICAL

FIGURE 7-8. AC BOX AT PLATFORM INSTALLATION - 220V (CHINA SPEC ONLY)



ART\_1001198711

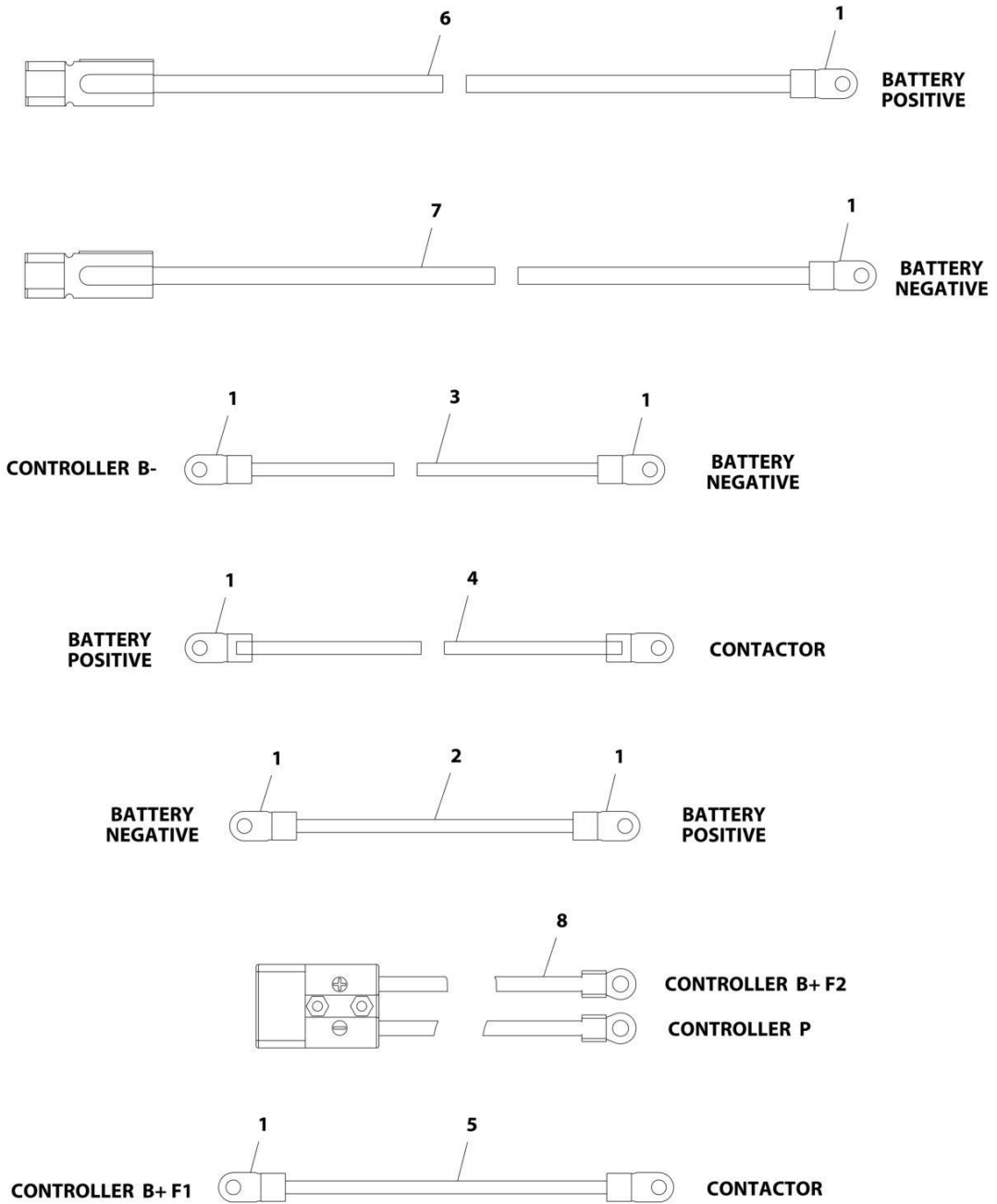
## SECTION 7 - ELECTRICAL

**FIGURE 7-8. AC BOX AT PLATFORM INSTALLATION - 220V (CHINA SPEC ONLY)**

ITEM	PART NUMBER	QTY	DESCRIPTION	REV
	1001198711	Ref	AC BOX AT PLATFORM INSTALLATION - 220V	A
1	4010405	4	Screw M4 X 10	
2	3252507	1	Decal - 220V-50/60Hz	
3	3290405	4	Nut M4	
4	4460968	1	Connector, Strain Relief	
5	4811400	4	Washer M4	
6	1001187816	1	Plug	
7	1001188116	1	Box, Receptacle	

# SECTION 7 - ELECTRICAL

## FIGURE 7-9. BATTERY CABLE KIT



ART\_1001178535



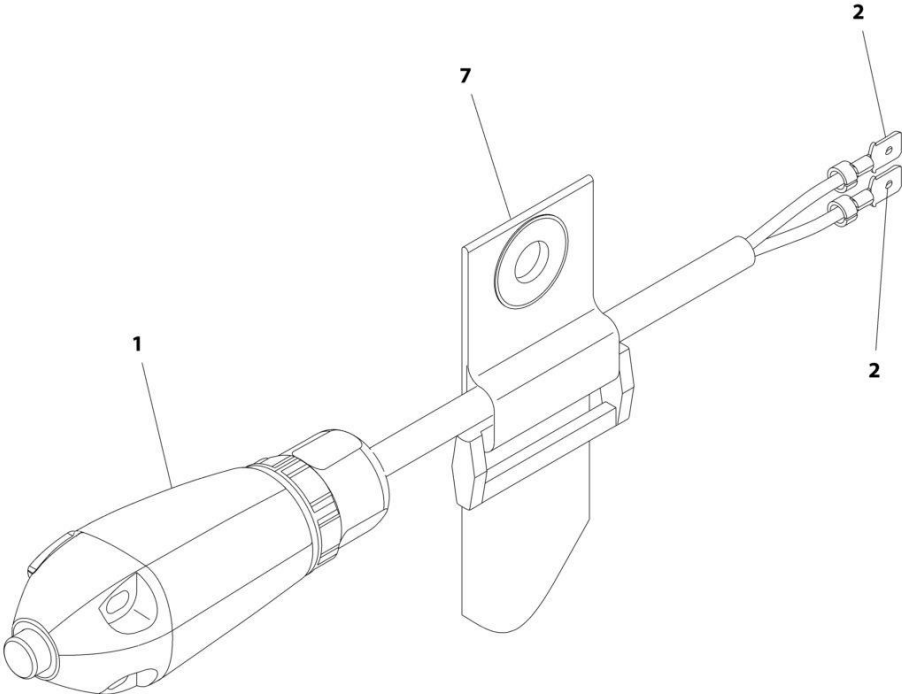
## SECTION 7 - ELECTRICAL

### FIGURE 7-9. BATTERY CABLE KIT

ITEM	PART NUMBER	QTY	DESCRIPTION	REV
	1001178535	Ref	BATTERY CABLE KIT	E
1	0840060	8	Boot, Terminal	
2	1060998	2	Cable, Battery	
3	4923367	1	Cable, Negative to Controller	
4	4923374	1	Cable, B Positive to Contactor	
5	1001114992	1	Cable, Battery	
6	1001178532	1	Cable, Battery	
7	1001178533	1	Cable, Battery	
8	1001178534	1	Cable, Pump Power	

**SECTION 7 - ELECTRICAL**

**FIGURE 7-10. BRAKE DISCONNECT HARNESS**



ART\_4922944

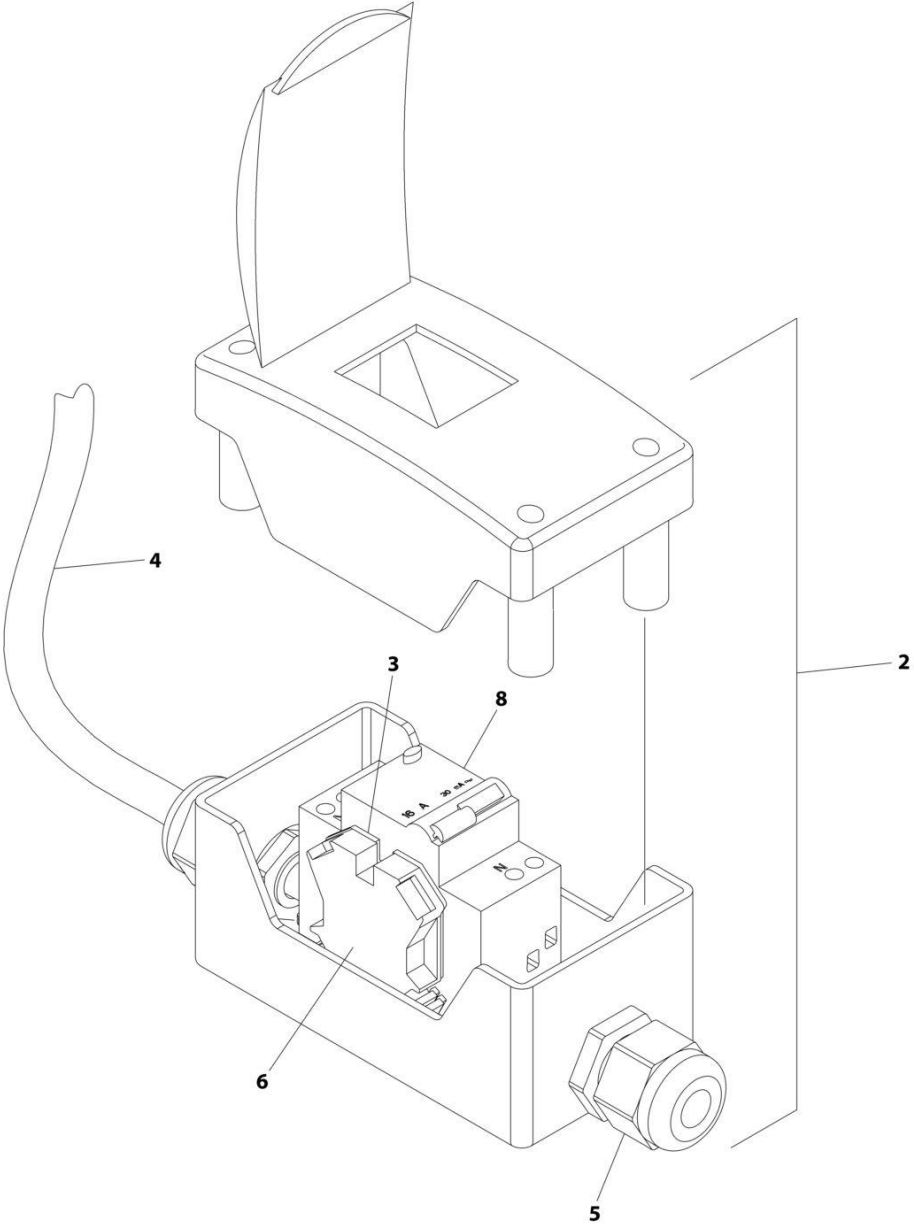
## SECTION 7 - ELECTRICAL

### FIGURE 7-10. BRAKE DISCONNECT HARNESS

ITEM	PART NUMBER	QTY	DESCRIPTION	REV
	4922944	Ref	BRAKE DISCONNECT HARNESS	F
1	4360613	1	Switch, Push Button Limit	
2	4461002	2	Terminal	
7	4240003	1	Strap, Cinch	

**SECTION 7 - ELECTRICAL**

**FIGURE 7-11. BREAKER BOX KIT WITH TWO BREAKERS (CE SPEC ONLY)**



ART\_2902541-G

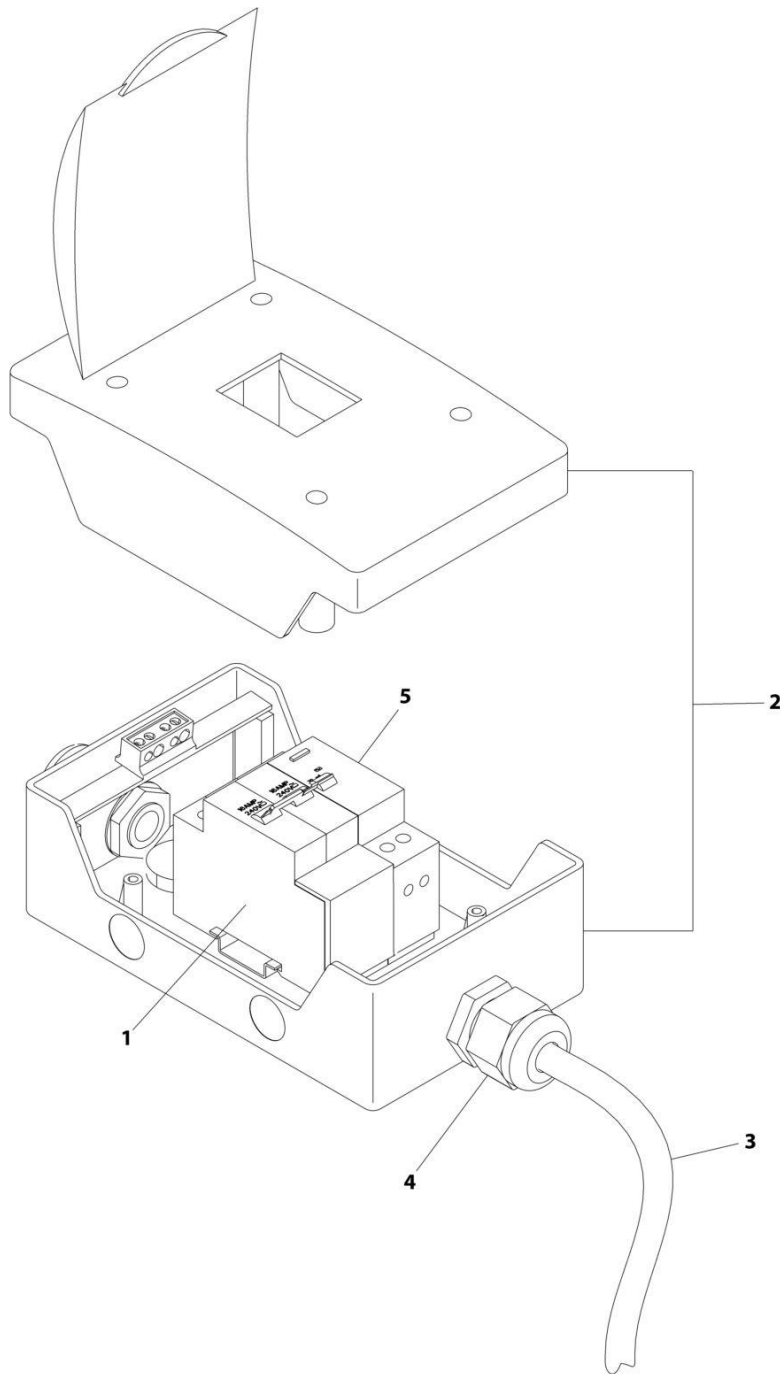
## SECTION 7 - ELECTRICAL

**FIGURE 7-11. BREAKER BOX KIT WITH TWO BREAKERS (CE SPEC ONLY)**

ITEM	PART NUMBER	QTY	DESCRIPTION	REV
	2902541	Ref	BREAKER BOX KIT WITH TWO BREAKERS	G
2	0861880	1	Box	
3	4460956	1	Barrier, Terminal	
4	1060908	4.6 ft /1.4m	Cable, 12/3	
5	1001097150	2	Connector, Strain Relief	
6	4460957	1	Block, Terminal	
8	1001181045	1	Breaker, 16A/30mAmp Combination	

# SECTION 7 - ELECTRICAL

## FIGURE 7-12. BREAKER BOX KIT WITH THREE BREAKERS (CE SPEC ONLY)



ART\_1001152485\_F

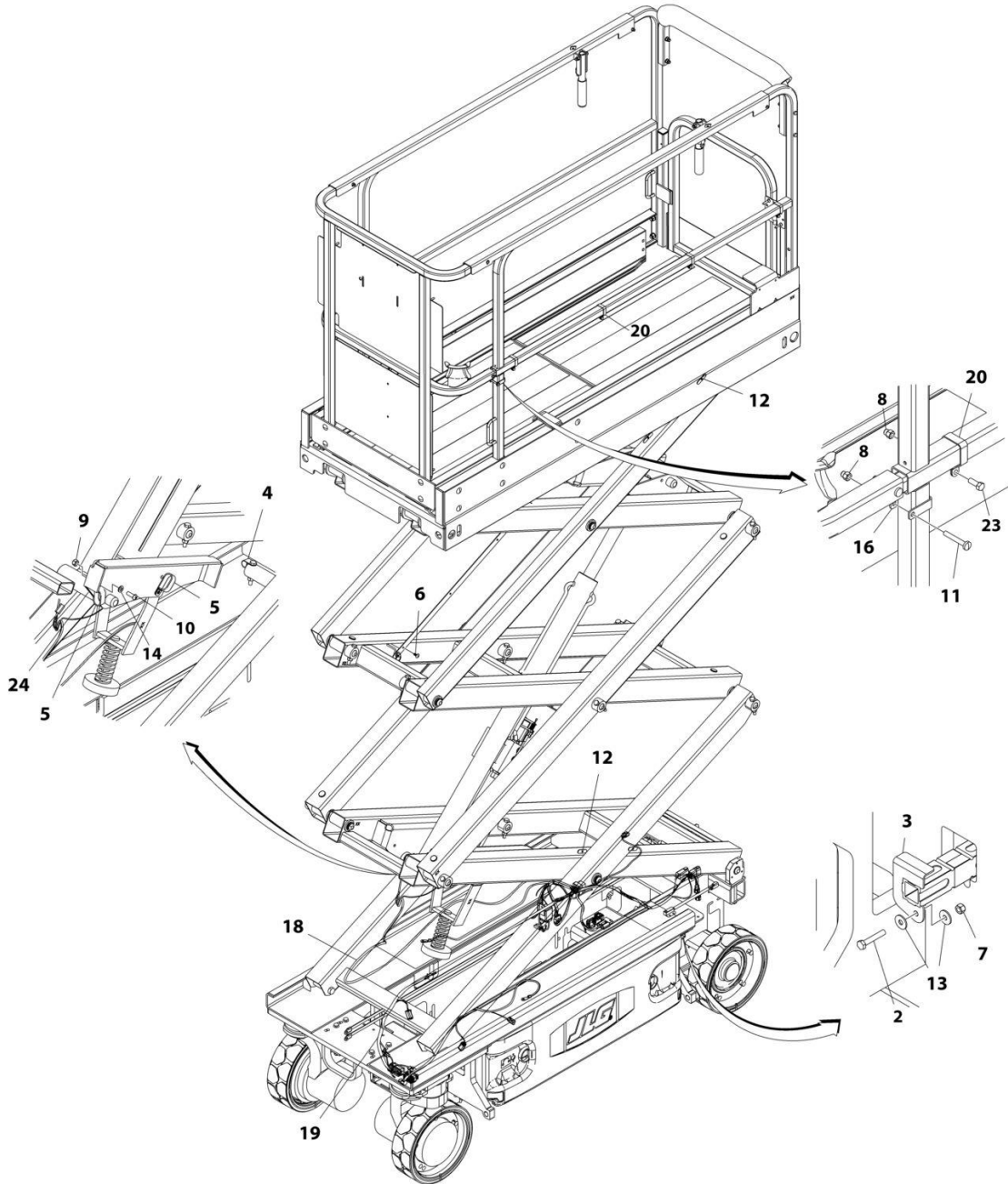
## SECTION 7 - ELECTRICAL

**FIGURE 7-12. BREAKER BOX KIT WITH THREE BREAKERS (CE SPEC ONLY)**

ITEM	PART NUMBER	QTY	DESCRIPTION	REV
	1001152485	Ref	BREAKER BOX KIT WITH TWO BREAKERS	F
1	1001189172	1	Breaker 16Amp Double	
2	1001152483	1	Box	
3	1060908	6 ft/1.8m	Cable, 12/3	
4	1001097150	2	Connector, Strain Relief	
5	1001189171	1	Breaker, 30mA	

# SECTION 7 - ELECTRICAL

## FIGURE 7-13. CABLES INSTALLATION



ART\_1001219353\_C



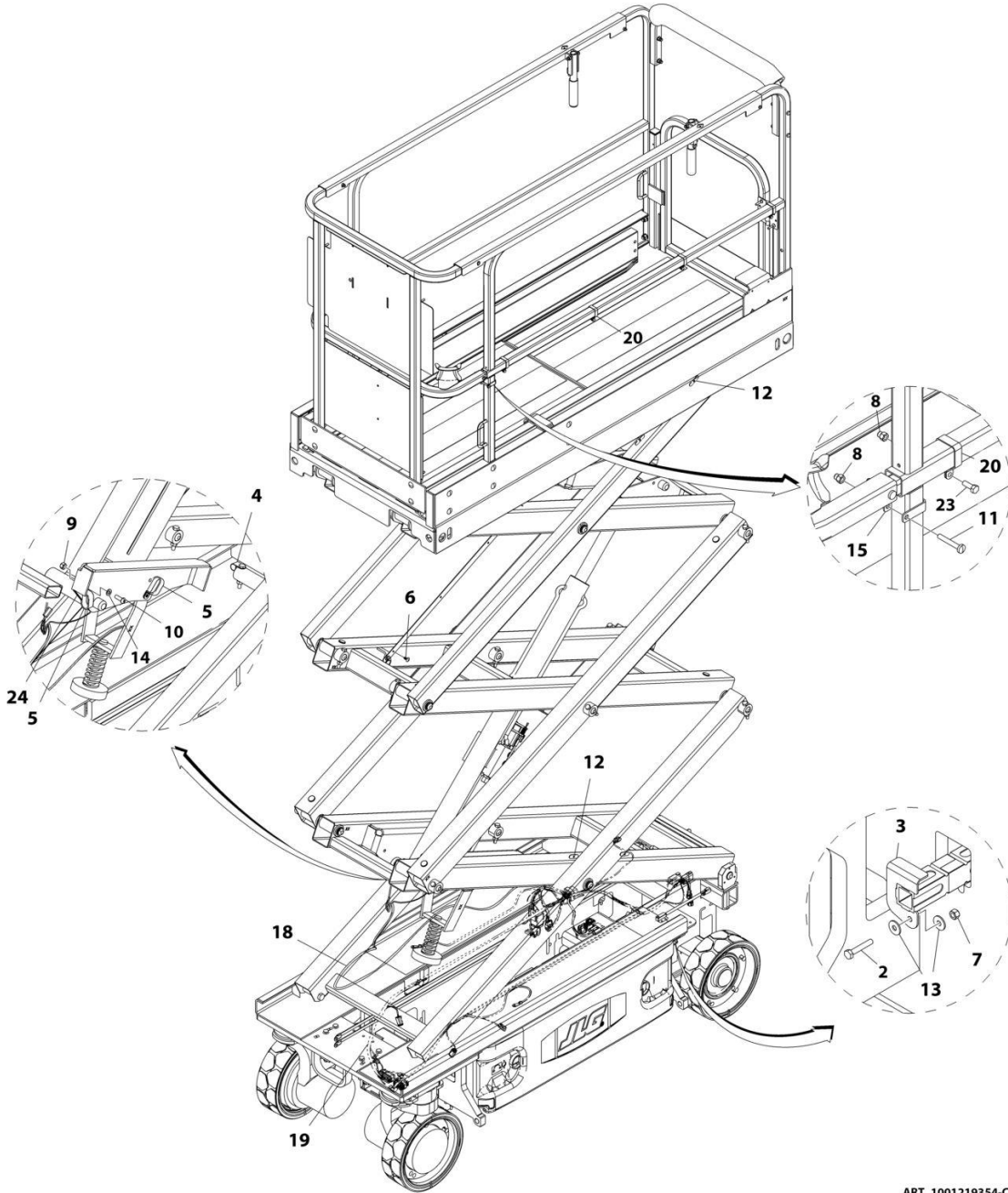
## SECTION 7 - ELECTRICAL

### FIGURE 7-13. CABLES INSTALLATION

ITEM	PART NUMBER	QTY	DESCRIPTION	REV
	1001219353	Ref	CABLES INSTALLATION	C
1	0100048	AR	Grease, Dielectric (Not Shown)	
2	0700615	1	Screw, M6 x 35	
3	0903339	1	Bracket, Battery	
4	1320318	1	Clamp	
5	1321716	2	Clamp	
6	1380158	11	Clip	
7	3290605	1	Nut M6	
8	3290606	5	Cap Nut, M6	
9	3291005	1	Nut, M10	
10	3900351	1	Screw, M10 x 30	
11	4010616	1	Screw, M6 x 40	
12	4740545	4	Washer	
13	4811702	2	Washer M6	
14	4812000	1	Washer M10	
15	1001178685	1	Ground to Platform Harness (Not Shown - See Separate Breakdown in this Section)	
16	1001094175	1	Clamp	
17	1001096705	1	Platform Harness (Includes Item 20) (Not Shown - See Separate Breakdown in this Section)	
18	1001115002	1	Cylinder Harness (See Separate Breakdown in this Section)	
19	1001187203	1	Chassis Harness (See Separate Breakdown in this Section)	
20	1001220668	4	Clamp	
21	1001178535	1	Battery Cable Kit (Not Shown - See Separate Breakdown in this Section)	
22	1001178536	1	Cable, Pump Power (Not Shown - See Separate Breakdown in this Section)	
23	0760606	4	Bolt M6 x 12	
23	0760605	4	Bolt M6 x 10	
24	4060805	8 in/20cm	Flex-Trim	

# SECTION 7 - ELECTRICAL

## FIGURE 7-14. CABLES INSTALLATION



ART\_1001219354-C

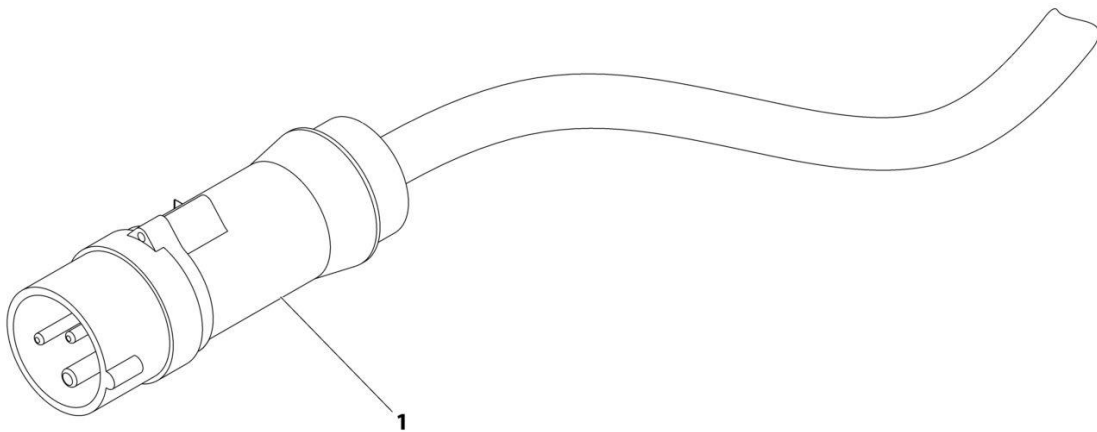
## SECTION 7 - ELECTRICAL

### FIGURE 7-14. CABLES INSTALLATION

ITEM	PART NUMBER	QTY	DESCRIPTION	REV
	1001219354	Ref	CABLES INSTALLATION	C
1	0100048	AR	Grease, Dielectric (Not Shown)	
2	0700615	1	Screw, M6 x 35	
3	0903339	1	Bracket, Battery	
4	1320318	1	Clamp	
5	1321716	2	Clamp	
6	1380158	11	Clip	
7	3290605	1	Nut M6	
8	3290606	5	Cap Nut, M6	
9	3291005	1	Nut M10	
10	3900351	1	Screw, M10 x 30	
11	4010616	1	Screw, M6 x 40	
12	4740545	4	Washer	
13	4811702	2	Washer M6	
14	4812000	1	Washer M10	
15	1001094175	1	Clamp	
16	1001178683	1	Ground to Platform Harness (Not Shown - See Separate Breakdown in this Section)	
17	1001096705	1	Platform Harness (Includes Item 20) (Not Shown - See Separate Breakdown in this Section)	
18	1001115002	1	Cylinder Harness (See Separate Breakdown in this Section)	
19	1001187203	1	Chassis Harness (See Separate Breakdown in this Section)	
20	1001220668	4	Clamp	
21	1001178535	1	Battery Cable Kit (Not Shown - See Separate Breakdown in this Section)	
22	1001178536	1	Cable, Pump Power (Not Shown - See Separate Breakdown in this Section)	
23	0760606	4	Bolt M6 x 12	
23	0760605	4	Bolt M6 x 10	
24	4060805	8 in/20cm	Flex-Trim	

## SECTION 7 - ELECTRICAL

FIGURE 7-15. CHARGER CORD PLUG INSTALLATION - 110V IEC YELLOW (CE SPEC ONLY)



ART\_0275666

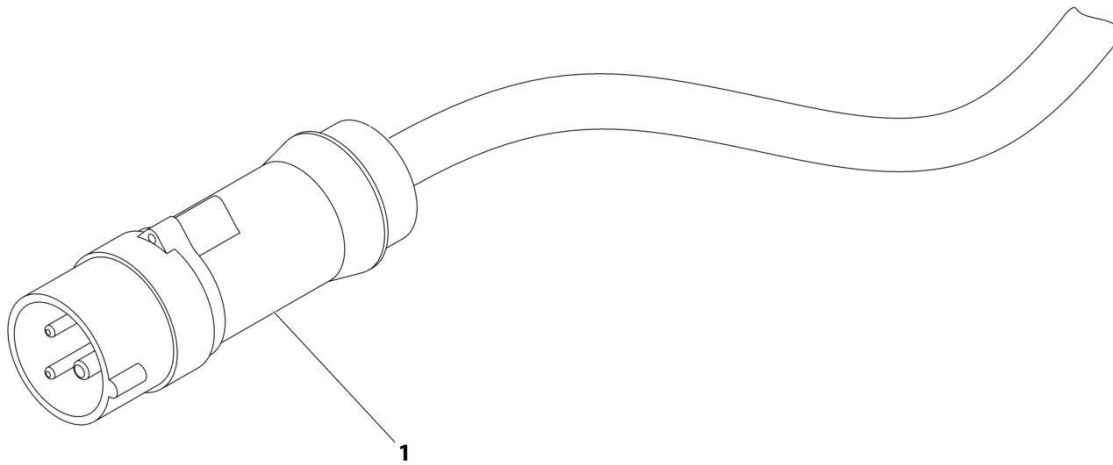
## SECTION 7 - ELECTRICAL

**FIGURE 7-15. CHARGER CORD PLUG INSTALLATION - 110V IEC YELLOW (CE SPEC ONLY)**

ITEM	PART NUMBER	QTY	DESCRIPTION	REV
	0275666	Ref	CHARGER CORD PLUG INSTALLATION - 110V IEC YELLOW	B
1	4461196	1	PLUG Plug	

## SECTION 7 - ELECTRICAL

FIGURE 7-16. CHARGER CORD PLUG INSTALLATION - 220V IEC BLUE (CE SPEC)



ART\_0275667

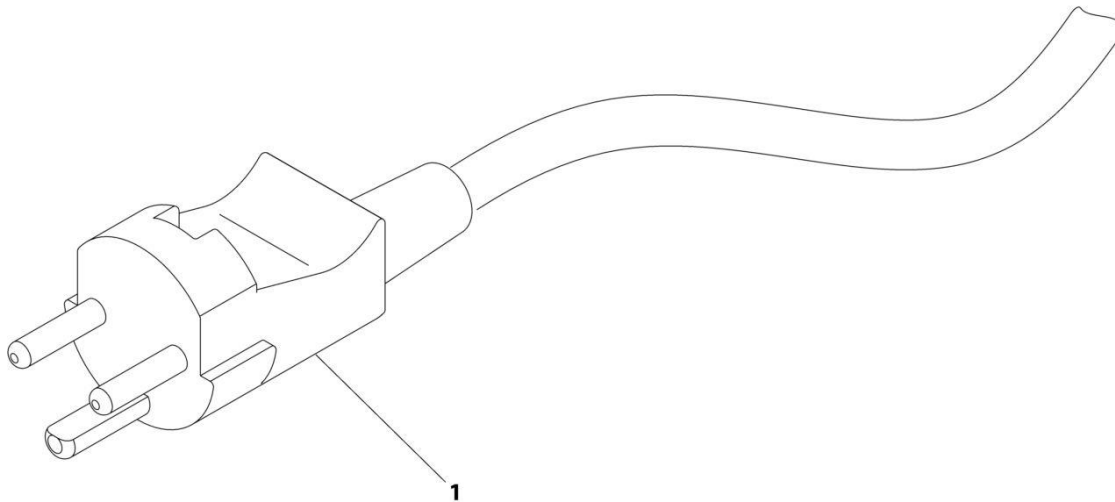
## SECTION 7 - ELECTRICAL

**FIGURE 7-16. CHARGER CORD PLUG INSTALLATION - 220V IEC BLUE (CE SPEC)**

ITEM	PART NUMBER	QTY	DESCRIPTION	REV
1	0275667 4461199	Ref 1	CHARGER CORD PLUG INSTALLATION - 220V IEC BLUE PLUG Plug	B

## SECTION 7 - ELECTRICAL

FIGURE 7-17. CHARGER CORD PLUG INSTALLATION - 220V AFSINT 107 (CE SPEC)



ART\_0275665



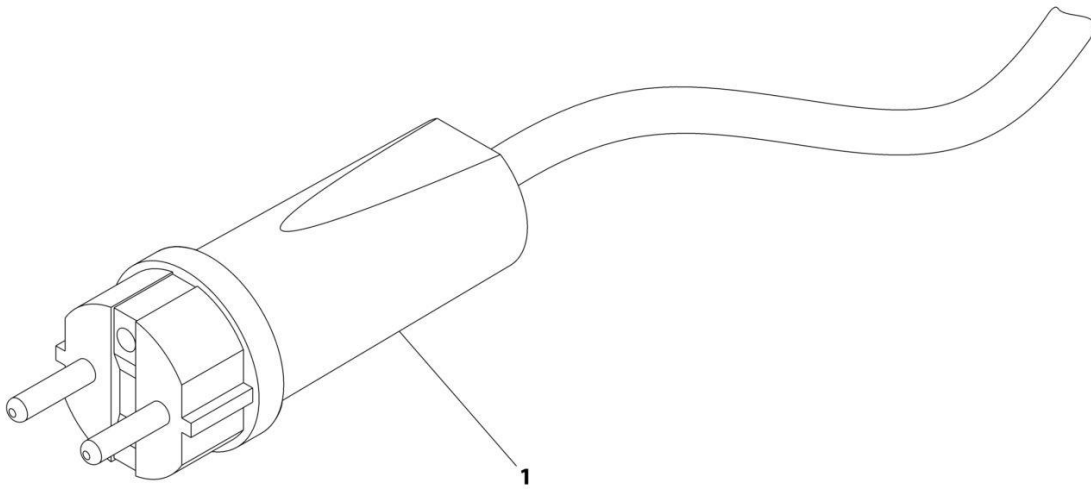
## SECTION 7 - ELECTRICAL

**FIGURE 7-17. CHARGER CORD PLUG INSTALLATION - 220V AFSINT 107 (CE SPEC)**

ITEM	PART NUMBER	QTY	DESCRIPTION	REV
	0275665	Ref	CHARGER CORD PLUG INSTALLATION - 220V AFSINT 107 KEYED GROUND	B
1	4461249	1	Plug	

## SECTION 7 - ELECTRICAL

FIGURE 7-18. CHARGER CORD PLUG INSTALLATION - 220V CEE7 POST GROUND (CE SPEC)



ART\_0275664

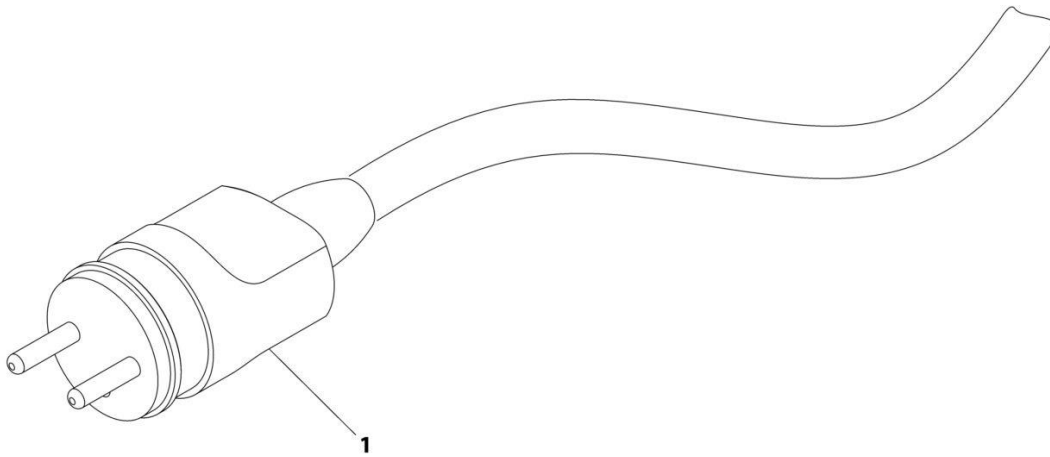
## SECTION 7 - ELECTRICAL

**FIGURE 7-18. CHARGER CORD PLUG INSTALLATION - 220V CEE7 POST GROUND (CE SPEC)**

ITEM	PART NUMBER	QTY	DESCRIPTION	REV
	0275664	Ref	CHARGER CORD PLUG INSTALLATION - 220V CEE7 SIDE GROUND	A
1	4461205	1	Plug	

## SECTION 7 - ELECTRICAL

FIGURE 7-19. CHARGER CORD PLUG INSTALLATION - 220V POST GROUND (CE SPEC)



ART\_0275663-C

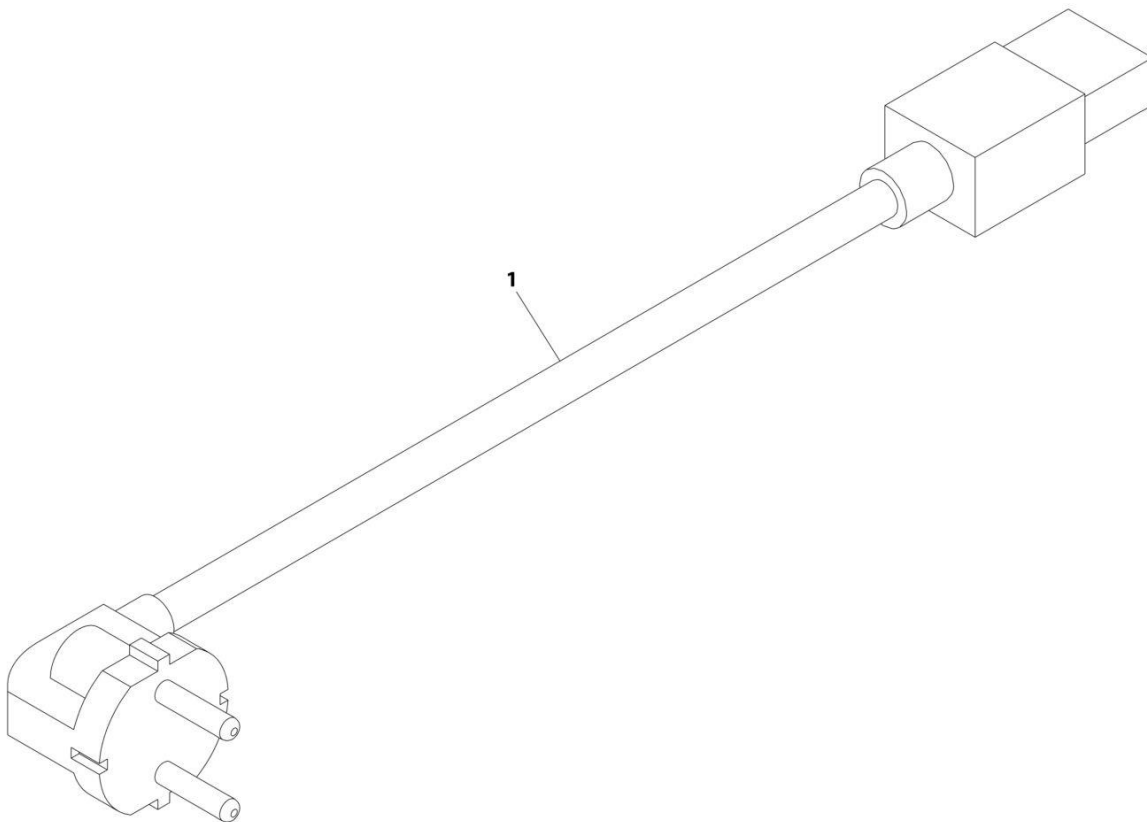
## SECTION 7 - ELECTRICAL

**FIGURE 7-19. CHARGER CORD PLUG INSTALLATION - 220V POST GROUND (CE SPEC)**

ITEM	PART NUMBER	QTY	DESCRIPTION	REV
1	0275663 4461205	Ref 1	CHARGER CORD PLUG INSTALLATION - 220V POST GROUND Plug	C

## SECTION 7 - ELECTRICAL

FIGURE 7-20. CHARGER CORD PLUG INSTALLATION (KOREA SPEC)



ART\_1001221984

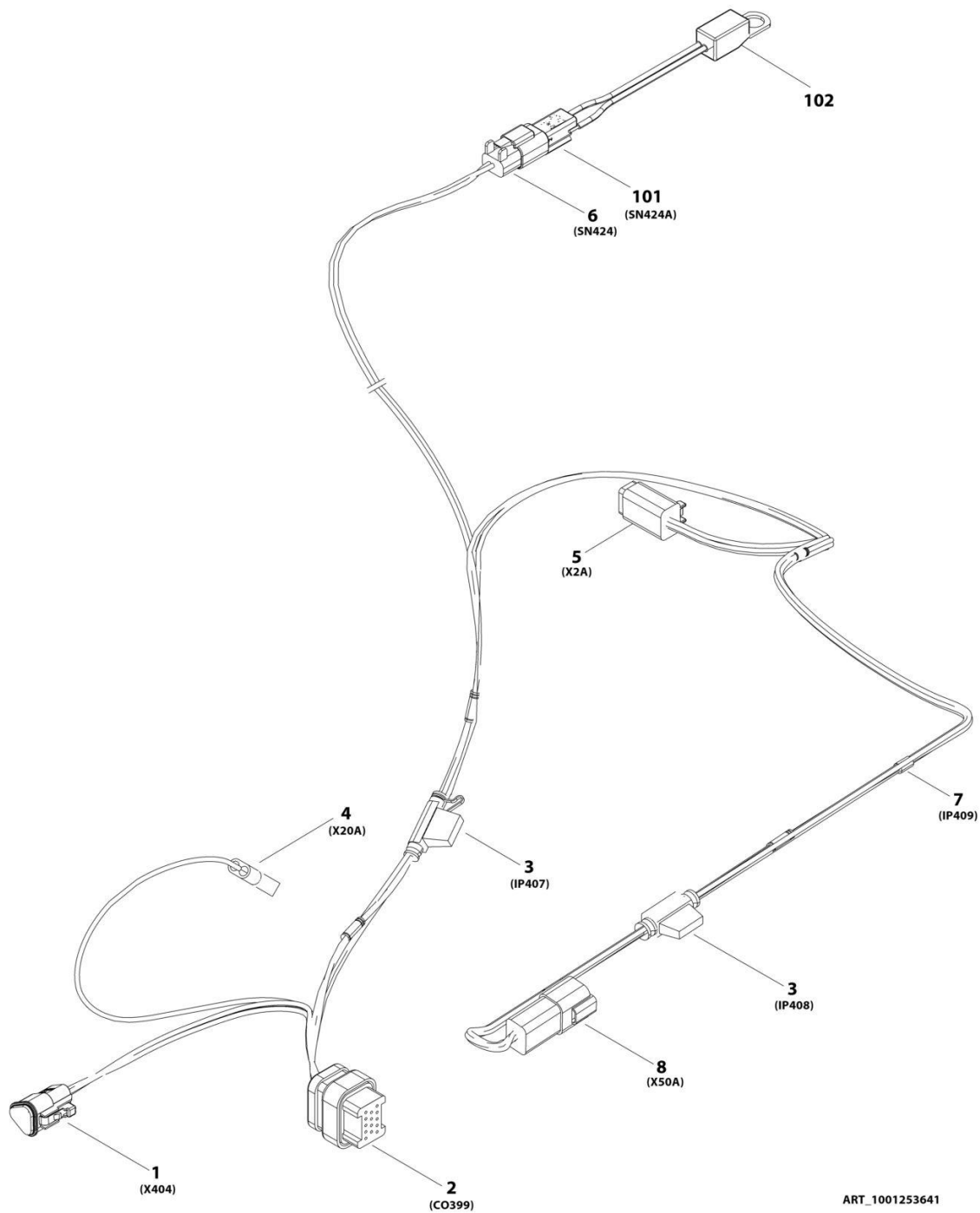
## SECTION 7 - ELECTRICAL

**FIGURE 7-20. CHARGER CORD PLUG INSTALLATION (KOREA SPEC)**

ITEM	PART NUMBER	QTY	DESCRIPTION	REV
1	1001221984 1001221949	Ref 1	CHARGER CORD PLUG INSTALLATION AC Input Cord and Plug	A

# SECTION 7 - ELECTRICAL

## FIGURE 7-21. CHARGER HARNESS TO CHASSIS HARNESS





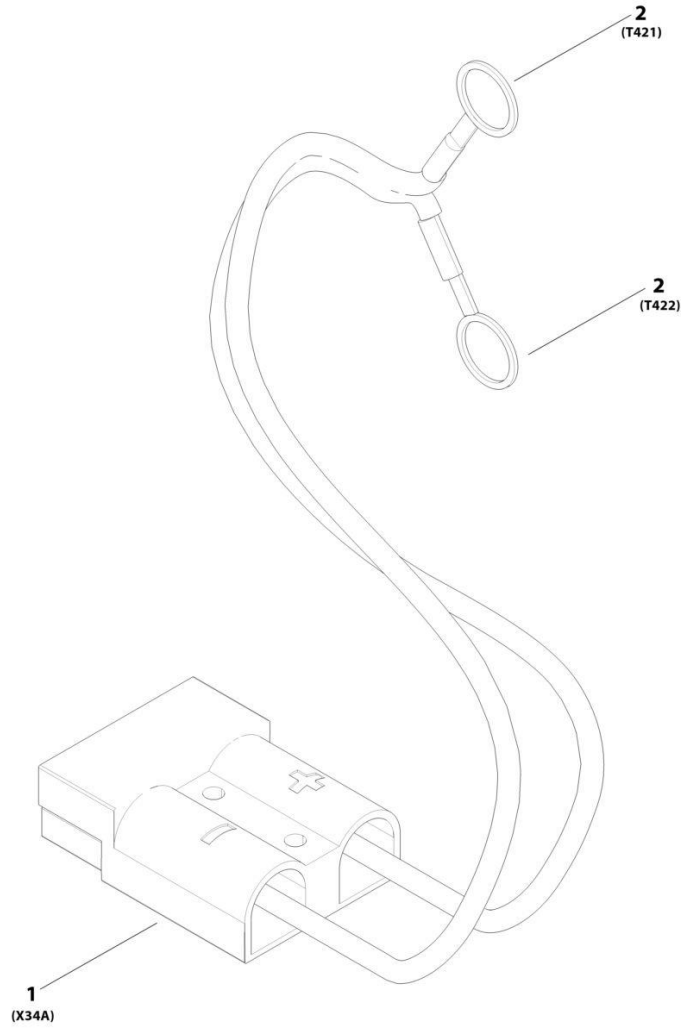
## SECTION 7 - ELECTRICAL

### FIGURE 7-21. CHARGER HARNESS TO CHASSIS HARNESS

ITEM	PART NUMBER	QTY	DESCRIPTION	REV
	1001253641	Ref	CHARGER HARNESS TO CHASSIS HARNESS	B
1	1001116812	1	Plug, Male - 3 Position	
1	4460944	3	Socket, Female	
2	4460872	1	Connector, Male - 14 Position (Black)	
2	4460871	8	Socket, Female	
2	4460905	6	Seal	
3	2400060	2	Fuseholder with Cover	
3	1001196634	2	Fuse, 2Amp	
4	4460424	1	Connector, Female - 2 Position	
4	4460227	1	Pin, Male	
5	4460884	1	Plug, Male - 4 Position	
5	4460465	4	Socket, Female	
6	4460891	1	Plug, Male - 2 Position	
6	4460465	2	Socket, Female	
7	3990001	1	Diode	
8	4460932	1	Connector - 4 Position	
8	4460464	4	Pin, Male	
101	4460897	1	Receptacle, Female - 2 Position	
101	4460464	2	Pin, Male	
102	1001102771	1	Sensor, Temperature	

# SECTION 7 - ELECTRICAL

## FIGURE 7-22. CHARGER HARNESS TO BATTERY



ART\_1001253638

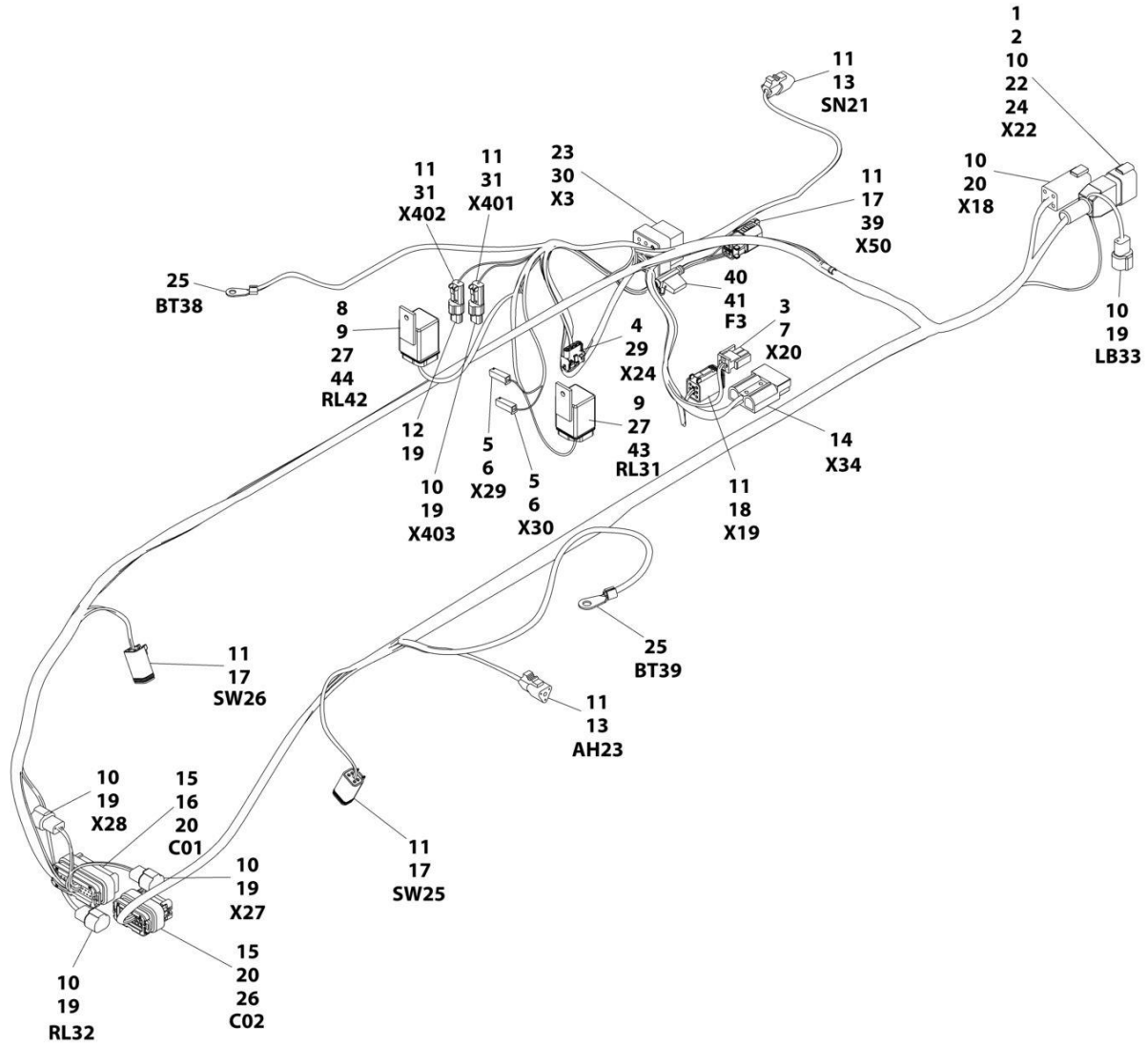
## SECTION 7 - ELECTRICAL

### FIGURE 7-22. CHARGER HARNESS TO BATTERY

ITEM	PART NUMBER	QTY	DESCRIPTION	REV
	1001253638	Ref	CHARGER HARNESS TO BATTERY	A
1	4460975	1	Connector, Anderson	
1	1001151824	2	Terminal	
2	4460019	2	Terminal, Ring	

# SECTION 7 - ELECTRICAL

## FIGURE 7-23. CHASSIS HARNESS



ART\_1001187203\_G

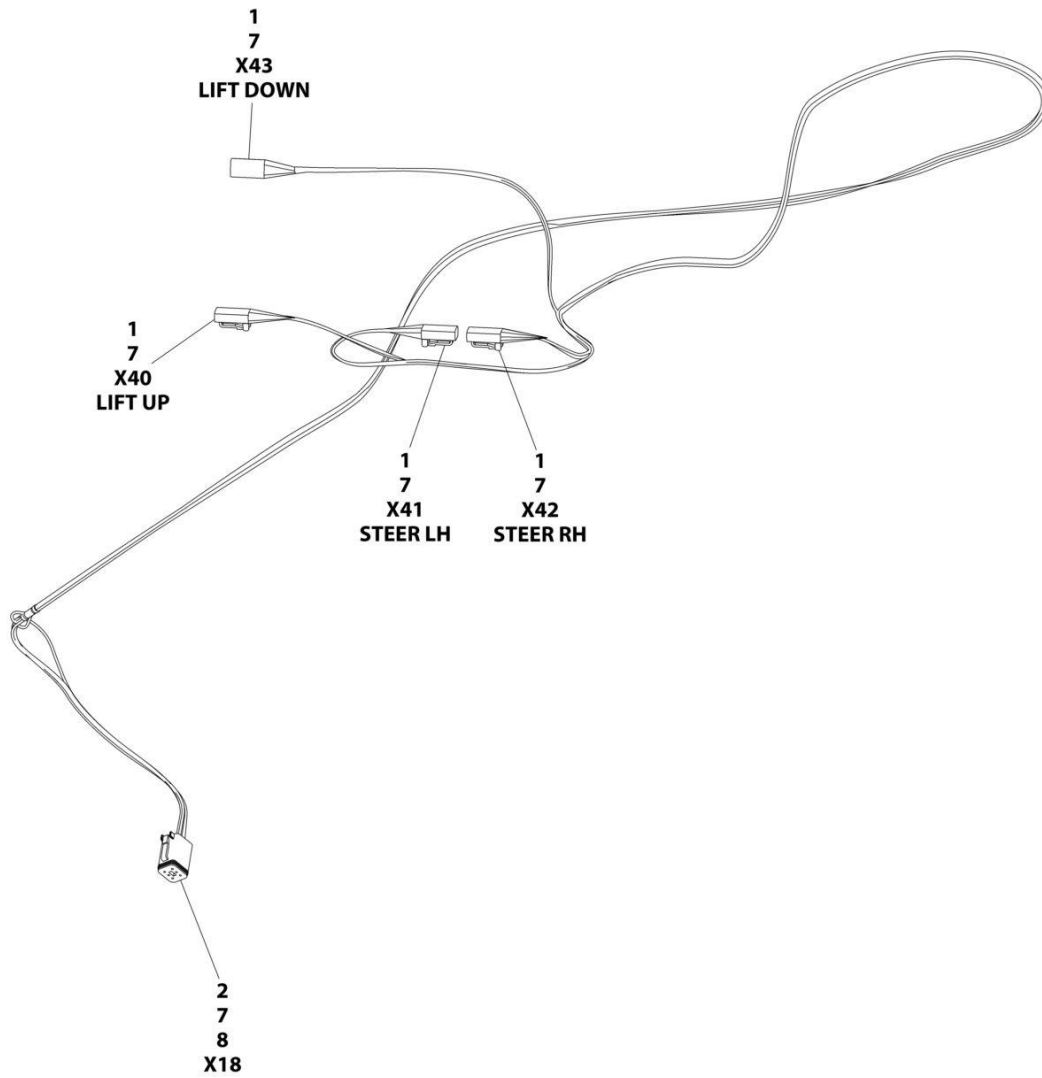
## SECTION 7 - ELECTRICAL

### FIGURE 7-23. CHASSIS HARNESS

ITEM	PART NUMBER	QTY	DESCRIPTION	REV
	1001187203	Ref	CHASSIS HARNESS	G
1	0840058	1	Boot	
2	2820029	1	Heat Shrink	
3	4460226	2	Socket, Female	
4	4460227	4	Pin, Male	
5	4460259	2	Terminal	
6	4460260	2	Terminal	
7	4460320	1	Terminal	
8	4460374	1	Plug, Relay	
9	1001116732	7	Terminal	
10	4460464	18	Pin, Male	
11	4460465	34	Socket, Female	
12	4460466	11	Seal	
13	4460539	2	Plug, Male - 3 Position	
14	4460648	1	Connector, Anderson	
15	4460871	39	Socket, Female	
16	4460873	1	Connector - 35 Position (Black)	
17	4460884	3	Plug, Male - 4 Position	
18	4460894	1	Plug, Male - 6 Position	
19	4460897	6	Receptacle, Female - 2 Position	
20	4460899	1	Receptacle, Female - 6 Position	
21	4460905	20	Seal (Not Shown)	
22	4460931	1	Receptacle, Female - 8 Position	
23	4460942	2	Socket, Female	
24	4460943	2	Pin, Male	
25	4460986	2	Terminal, Ring	
26	1001096138	1	Connector, 23 Position	
27	1001097347	2	Relay	
29	4460761	1	Receptacle, Female - 4 Position	
30	1001115076	1	Connector, 18 Position	
31	4460891	2	Plug, Male - 2 Position	
39	1001192401	1	Cap, Dust	
40	2400060	1	Fuseholder with Cover	
41	8229242	1	Fuse 5Amp	
43	1001117057	1	Connector - 4 Position	
44	1001116733	2	Terminal	

# SECTION 7 - ELECTRICAL

## FIGURE 7-24. CYLINDER HARNESS



ART\_1001115002

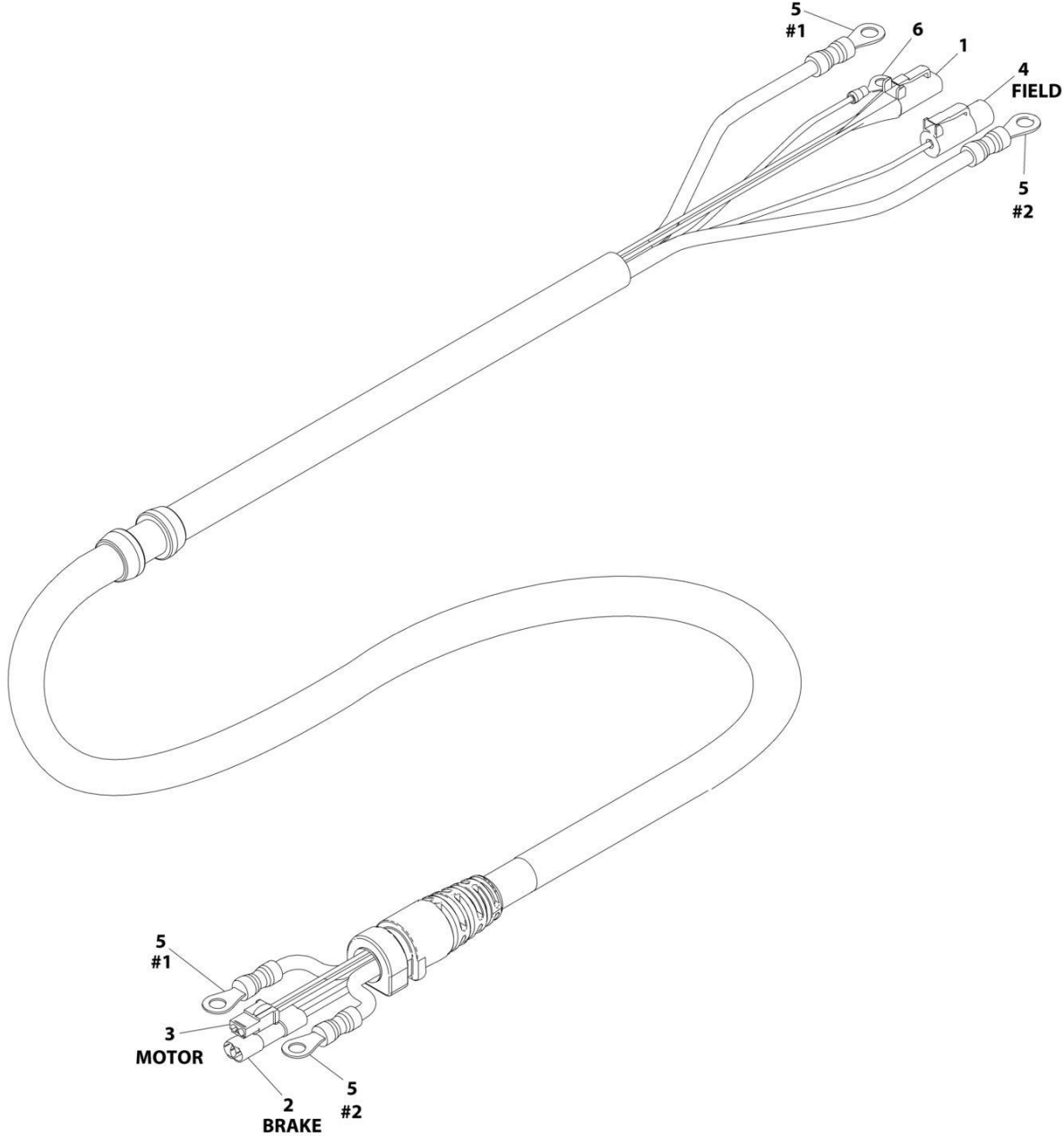
## SECTION 7 - ELECTRICAL

### FIGURE 7-24. CYLINDER HARNESS

ITEM	PART NUMBER	QTY	DESCRIPTION	REV
	1001115002	Ref	CYLINDER HARNESS	D
1	4460891	4	Plug, Male - 2 Position	
2	4460894	1	Plug, Male - 6 Position	
7	4460465	14	Socket, Female	
8	0840059	1	Boot	

**SECTION 7 - ELECTRICAL**

**FIGURE 7-25. DRIVE CABLE ASSEMBLY**



ART\_1001091502



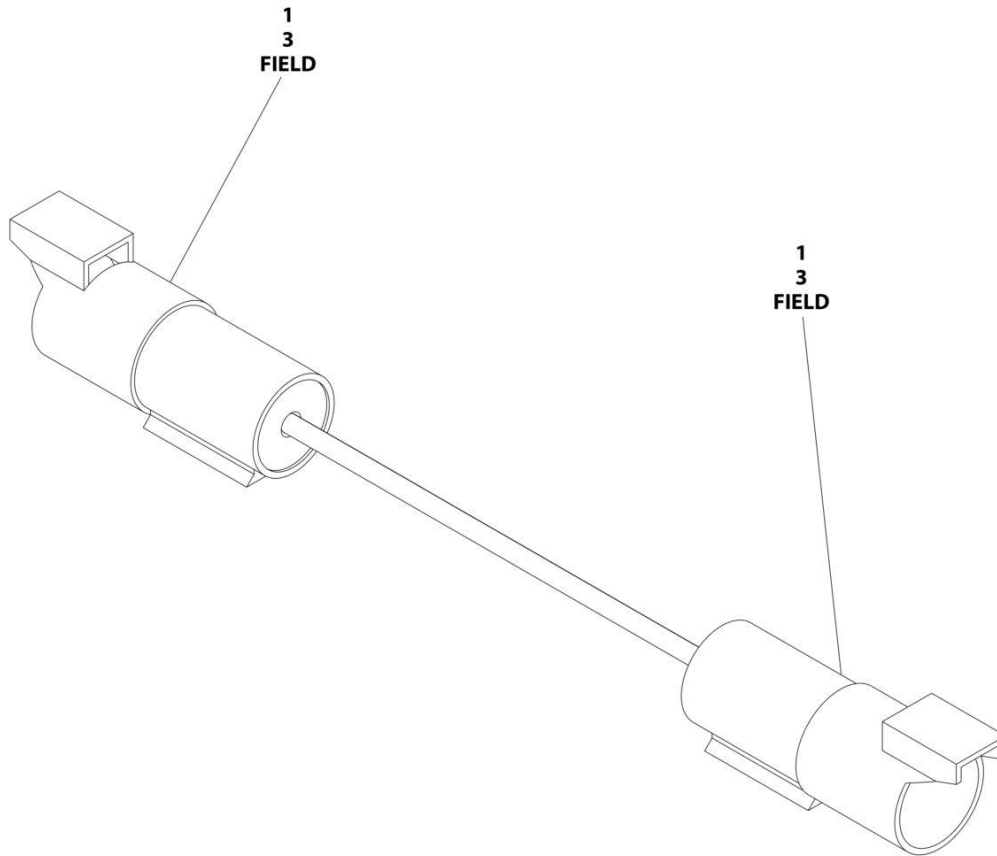
## SECTION 7 - ELECTRICAL

### FIGURE 7-25. DRIVE CABLE ASSEMBLY

ITEM	PART NUMBER	QTY	DESCRIPTION	REV
	1001091502	Ref	DRIVE CABLE ASSEMBLY	F
1	4460891	1	Plug, Male - 2 Position	
1	4460465	2	Socket, Female	
2	70001442	1	Plug, Male - 2 Position	
2	See Note	NSS	Socket, Female (Note: Not Available for Purchase)	
3	70001443	1	Plug, Male - 2 Position	
4	4461261	1	Plug, Male - 1 Position	
4	4460509	1	Terminal	
5	See Note	NSS	Terminal, Ring (Note: Not Available for Purchase)	
6	See Note	NSS	Terminal, Ring (Note: Not Available for Purchase)	

# SECTION 7 - ELECTRICAL

## FIGURE 7-26. DRIVE FIELD CONNECTION HARNESS



ART\_4923602

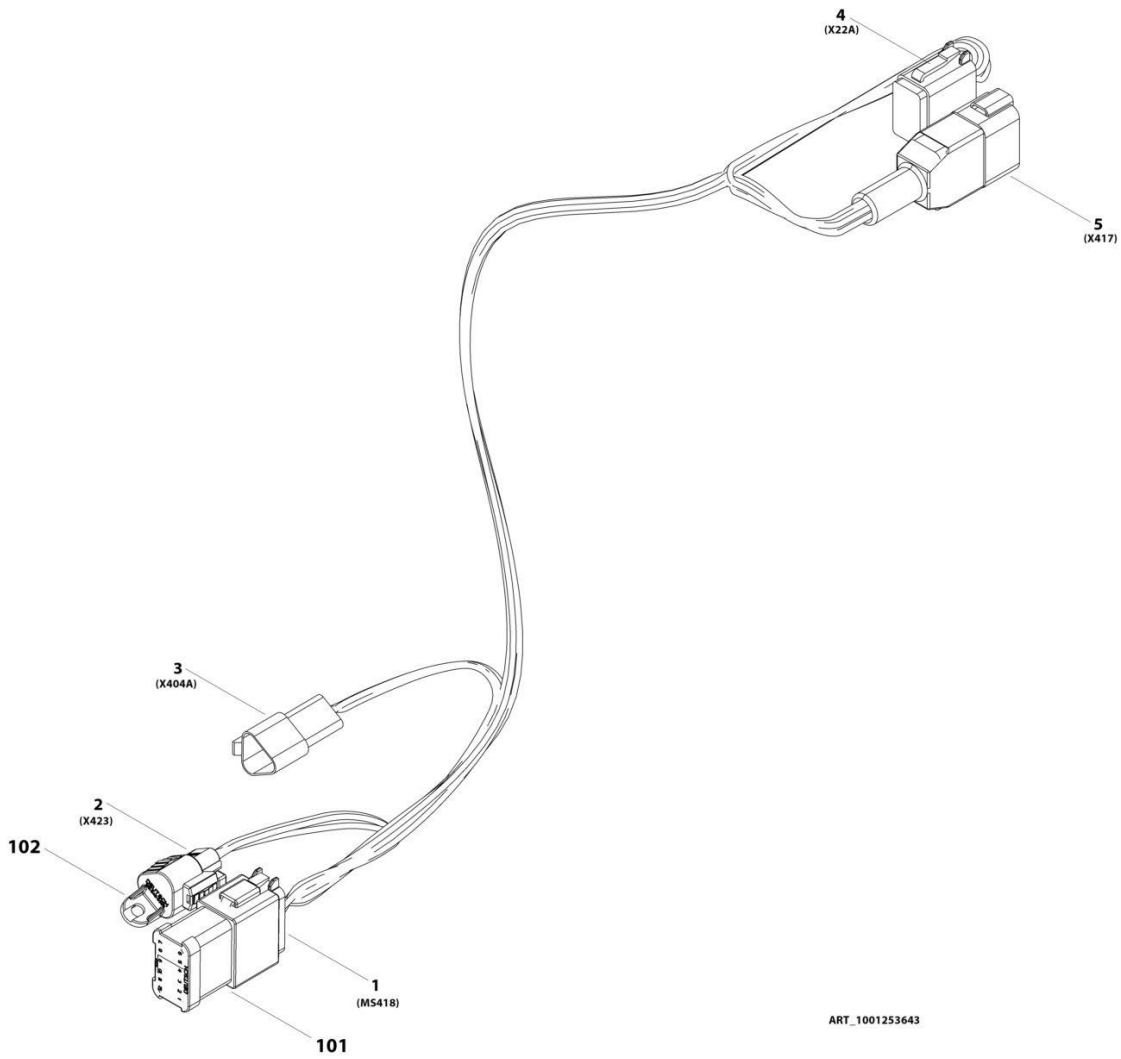
## SECTION 7 - ELECTRICAL

**FIGURE 7-26. DRIVE FIELD CONNECTION HARNESS**

ITEM	PART NUMBER	QTY	DESCRIPTION	REV
	4923602	Ref	DRIVE FIELD CONNECTION HARNESS	C
1	4461260	2	Receptacle, Female - 1 Position	
3	4460508	2	Pin, Male	

# SECTION 7 - ELECTRICAL

## FIGURE 7-27. ES HARNESS (CAN SPLICE)



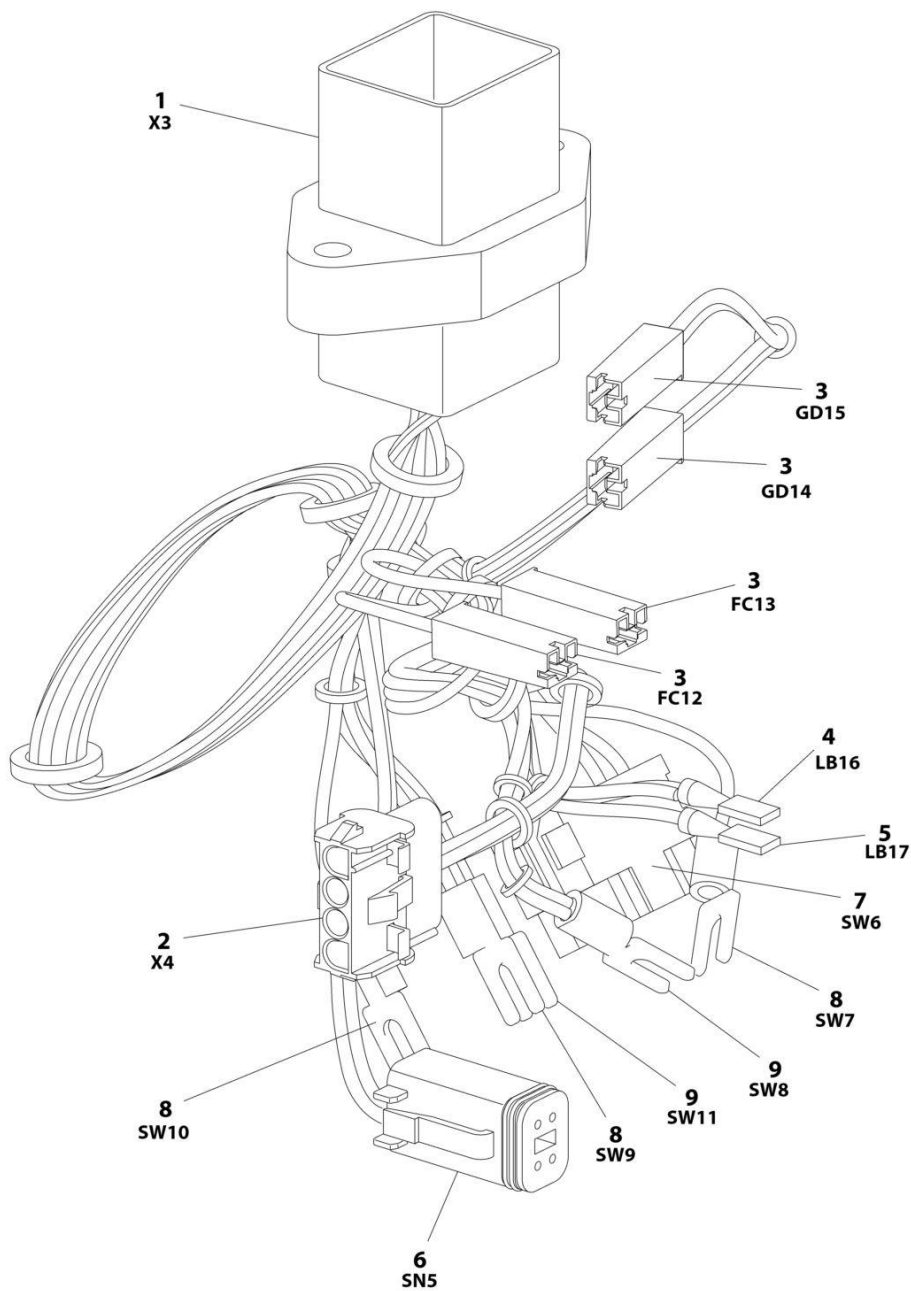
## SECTION 7 - ELECTRICAL

**FIGURE 7-27. ES HARNESS (CAN SPLICE)**

ITEM	PART NUMBER	QTY	DESCRIPTION	REV
	1001253643	Ref	ES HARNESS (CAN SPLICE)	A
1	4460933	1	Plug, Male - 12 Position	
1	4460944	12	Socket, Female	
2	1001116812	1	Plug, Male - 3 Position	
2	4460944	3	Socket, Female	
3	1001144147	1	Receptacle, Female - 3 Position	
3	4460943	3	Pin, Male	
4	4460930	1	Plug, Male - 8 Position	
4	0840058	1	Boot	
4	4460465	5	Socket, Female	
4	4460944	3	Socket, Female	
5	4460931	1	Receptacle, Female - 8 Position	
5	4460464	5	Pin, Male	
5	4460943	3	Pin, Male	
101	1001119020	1	Connector, Buss Bar	
102	1001144296	1	Cover	

# SECTION 7 - ELECTRICAL

## FIGURE 7-28. GROUND CONTROL BOX HARNESS



ART\_1001167256-E

## SECTION 7 - ELECTRICAL

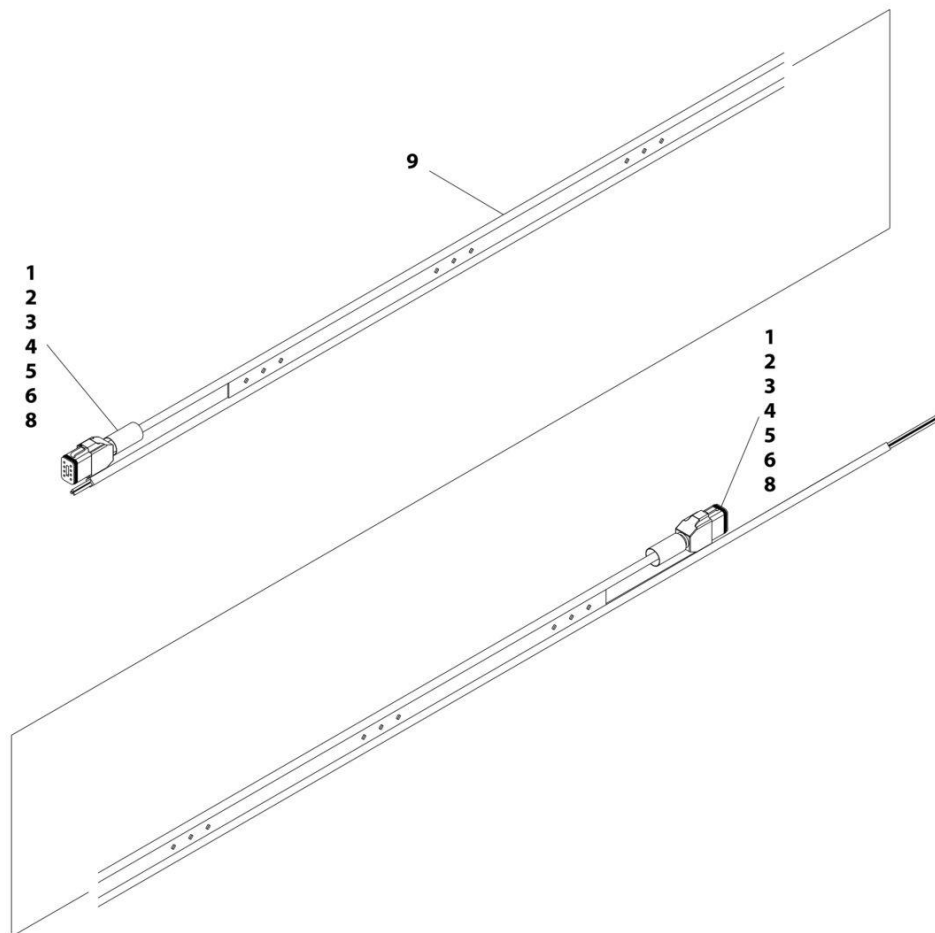
### FIGURE 7-28. GROUND CONTROL BOX HARNESS

ITEM	PART NUMBER	QTY	DESCRIPTION	REV
	1001167256	Ref	GROUND CONTROL BOX HARNESS	E
1	1001115077	1	Connector - 18 Position	
1	4460464	14	Pin, Male	
1	4460943	2	Pin, Male	
1	4460466	2	Seal	
2	1001119032	1	Connector - 4 Position	
2	4460268	4	Socket, Female	
3	4460260	4	Housing, Terminal	
3	4460259	4	Terminal	
4	1001202618	1	Terminal	
5	1001202619	1	Terminal	
6	4460884	1	Connector - 4 Position	
6	4460944	4	Socket, Female	
7	4460418	1	Connector - 6 Position	
7	1001159186	3	Terminal	
8	4460183	3	Terminal, Fork	
9	4460115	2	Terminal, Fork	

# SECTION 7 - ELECTRICAL

## FIGURE 7-29. GROUND TO PLATFORM HARNESS

**USAGE CHART:**  
ANSI, CSA, JAPANESE AND UL SPECS (ALL MACHINES)  
ANSI EXPORT AND CHINA SPECS  
(SN 0200239382 THROUGH 0200248240,  
SN B200020296 THROUGH B200024249,  
SN M200000100 THROUGH M200000140)



ART\_1001178685-D



## SECTION 7 - ELECTRICAL

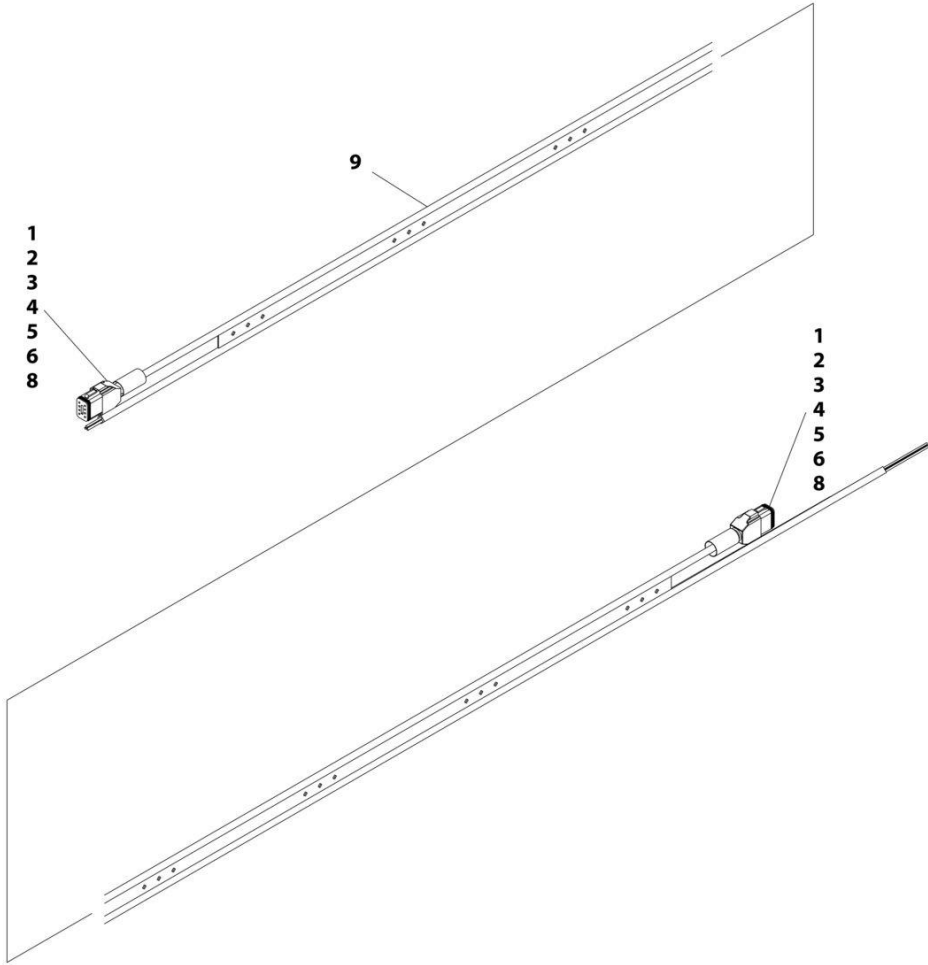
### FIGURE 7-29. GROUND TO PLATFORM HARNESS

ITEM	PART NUMBER	QTY	DESCRIPTION	REV
	1001178685	Ref	GROUND TO PLATFORM HARNESS	D
1	0840061	2	Boot	
2	2820026	AR	Insulator, Clear Tubing	
3	2820028	AR	Heat Shrink	
4	4460465	8	Socket, Female	
5	4460466	2	Plug, Terminal	
6	4460930	2	Plug, Male - 8 Position	
7	4460943	3	Pin, Male (Not Shown)	
8	4460944	6	Socket, Female (Gold)	
9	1001178682	AR	Cable	

# SECTION 7 - ELECTRICAL

## FIGURE 7-30. GROUND TO PLATFORM HARNESS

**USAGE CHART:**  
ANSI EXPORT AND CHINA SPECS  
(SN 0200248241 TO PRESENT,  
SN B200024250 TO PRESENT,  
SN M200000141 TO PRESENT)  
AUSTRALIAN AND CE SPECS (ALL MACHINES)



ART\_1001178683-C

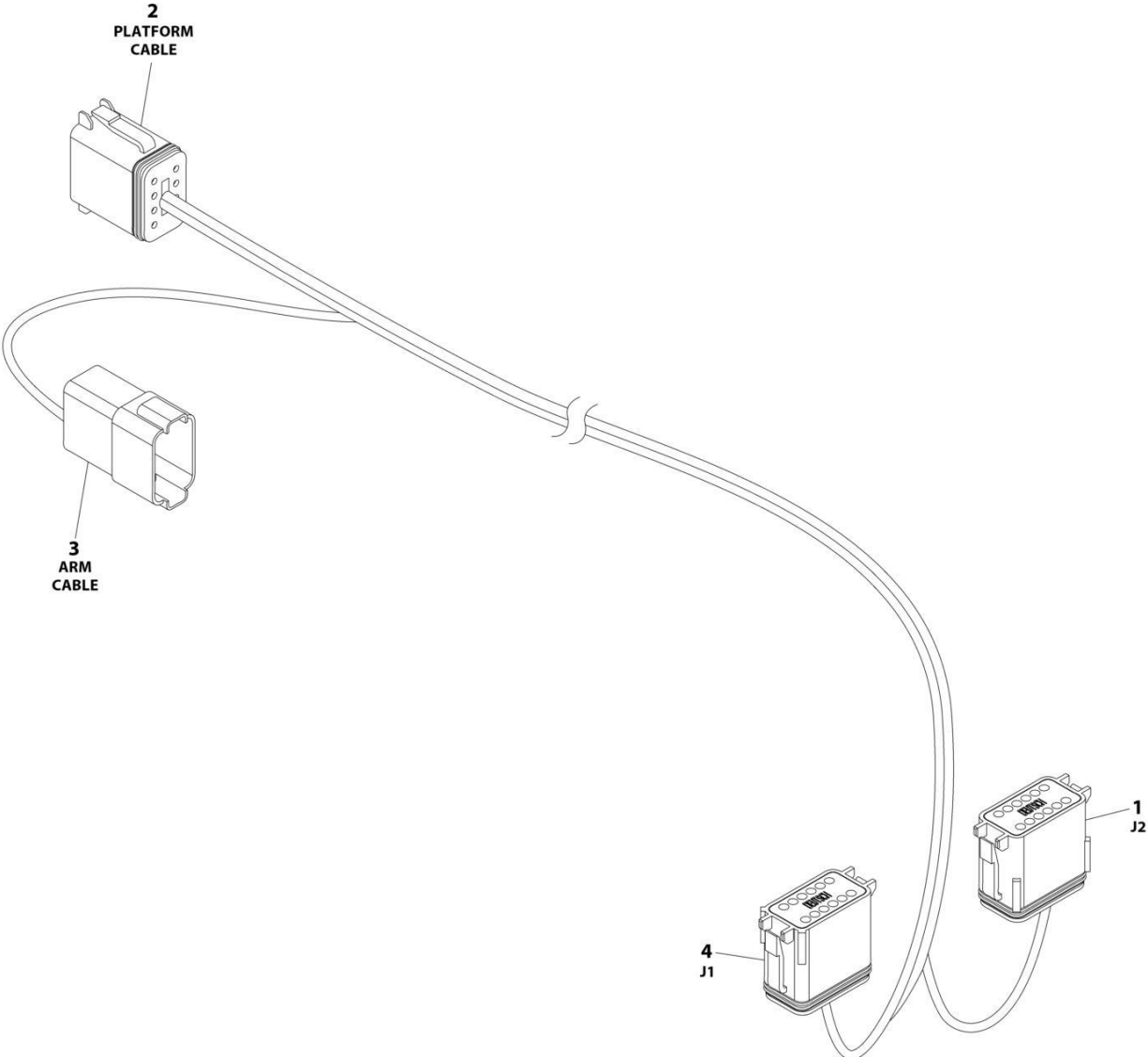
## SECTION 7 - ELECTRICAL

### FIGURE 7-30. GROUND TO PLATFORM HARNESS

ITEM	PART NUMBER	QTY	DESCRIPTION	REV
	1001178683	Ref	GROUND TO PLATFORM HARNESS	C
1	0840061	2	Boot	
2	2820026	AR	Insulator, Clear Tubing	
3	2820028	AR	Heat Shrink	
4	4460465	8	Socket, Female	
5	4460466	2	Plug, Terminal	
6	4460930	2	Plug, Male - 8 Position	
7	4460943	3	Pin, Male (Not Shown)	
8	4460944	6	Socket, Female (Gold)	
9	1001178682	AR	Cable	

**SECTION 7 - ELECTRICAL**

**FIGURE 7-31. LOAD SENSE HARNESS**



ART\_4923228

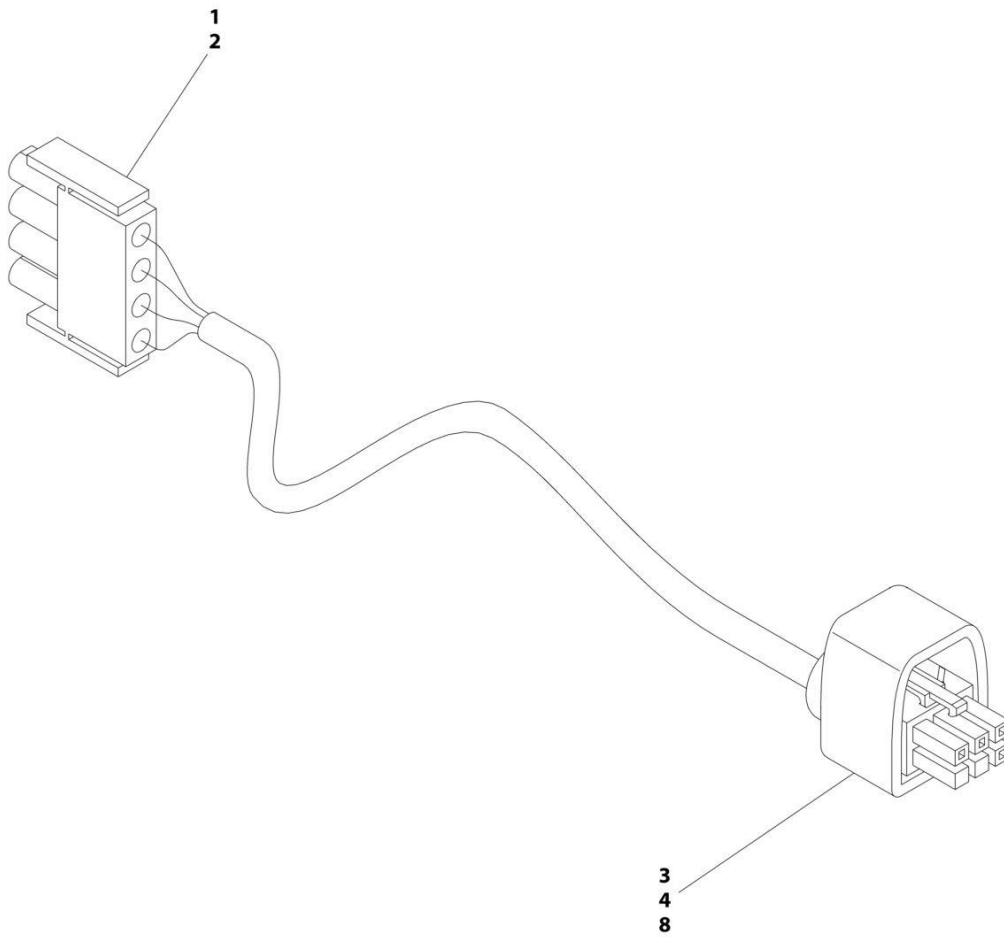
## SECTION 7 - ELECTRICAL

### FIGURE 7-31. LOAD SENSE HARNESS

ITEM	PART NUMBER	QTY	DESCRIPTION	REV
	4923228	Ref	LOAD SENSE HARNESS	D
1	4460836	1	Connector - 12 Position	
1	4460466	6	Plug, Sealing	
1	4460944	6	Socket, Female (Gold)	
1	0840055	1	Boot	
2	4460930	1	Connector - 8 Position	
2	4460465	4	Socket, Female	
2	4460466	1	Plug, Sealing	
2	4460944	3	Socket, Female (Gold)	
2	0840061	1	Boot	
3	4460931	1	Connector - 8 Position	
3	4460464	4	Pin, Male	
3	4460466	1	Plug, Sealing	
3	4460943	3	Pin, Male	
3	0840058	1	Boot	
4	4460933	1	Connector - 12 Position	
4	4460465	4	Socket, Female	
4	4460466	8	Plug, Sealing	
4	0840055	1	Boot	

# SECTION 7 - ELECTRICAL

## FIGURE 7-32. MDI (MULTIFUNCTION DIGITAL INDICATOR) HARNESS



ART\_1001093556

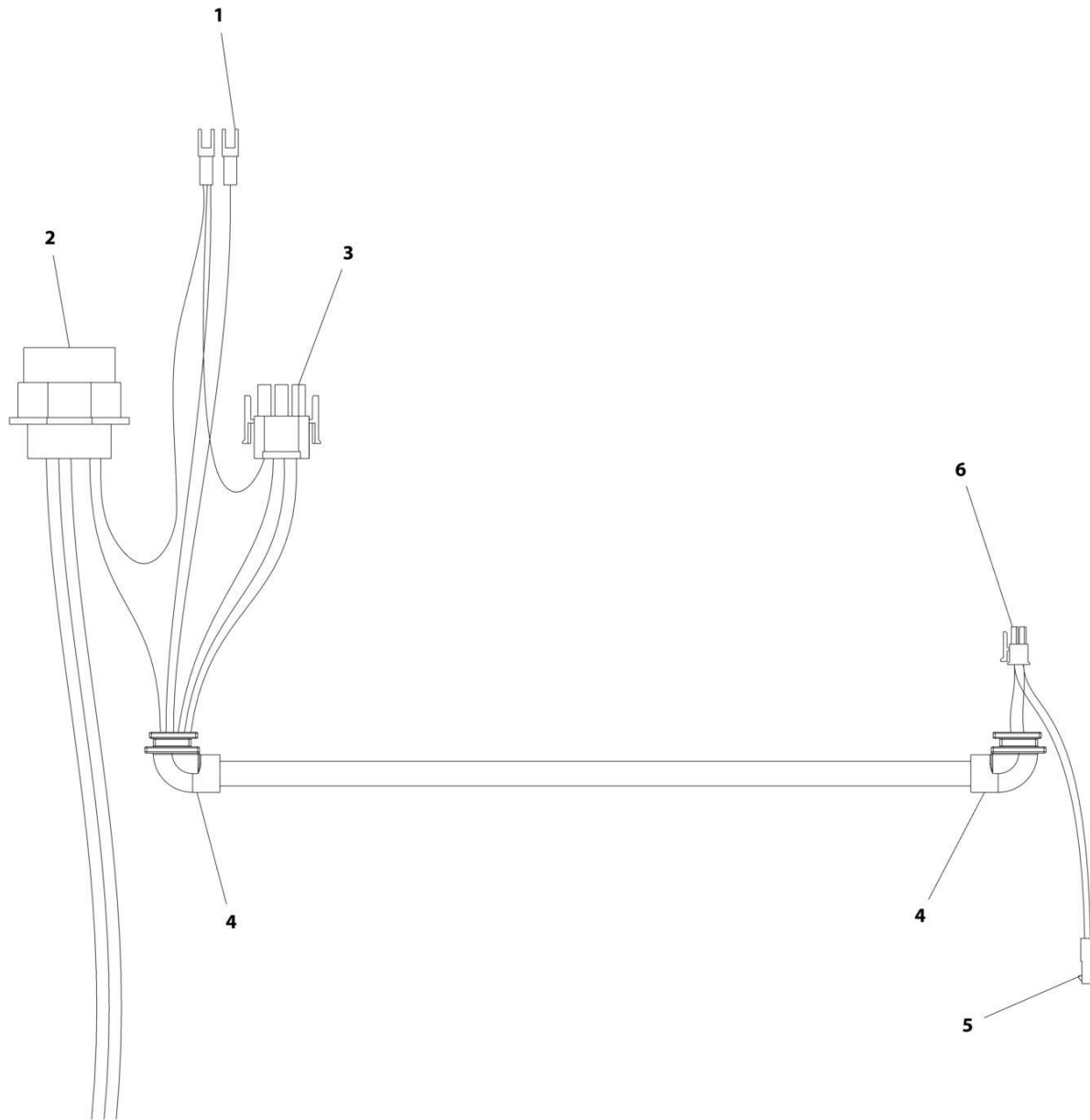
## SECTION 7 - ELECTRICAL

**FIGURE 7-32. MDI (MULTIFUNCTION DIGITAL INDICATOR) HARNESS**

ITEM	PART NUMBER	QTY	DESCRIPTION	REV
	1001093556	Ref	MDI (MULTIFUNCTION DIGITAL INDICATOR) HARNESS	D
1	4460226	4	Socket, Female	
2	4460321	1	Plug, Male - 4 Position	
3	4460868	1	Plug, Male - 6 Position	
4	4460877	4	Terminal	
8	1001094105	1	Boot	

# SECTION 7 - ELECTRICAL

## FIGURE 7-33. PLATFORM BOX HARNESS



ART\_4922870



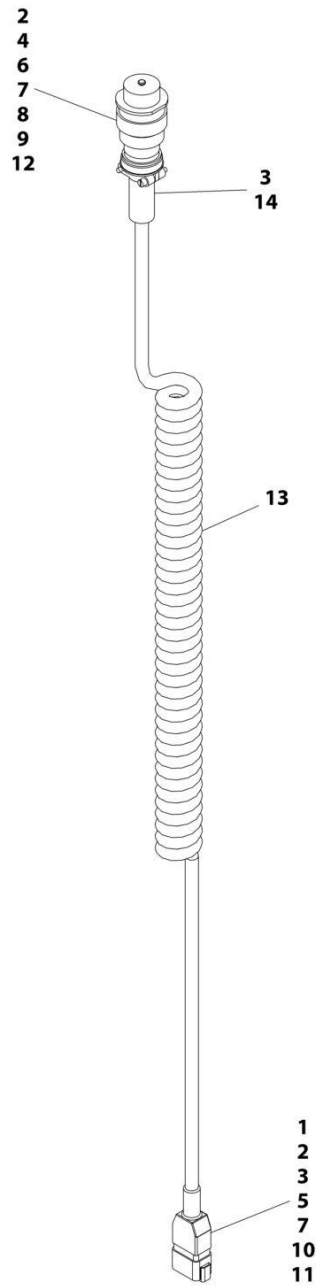
## SECTION 7 - ELECTRICAL

### FIGURE 7-33. PLATFORM BOX HARNESS

ITEM	PART NUMBER	QTY	DESCRIPTION	REV
1	4922870	Ref	PLATFORM BOX HARNESS	D
2	4461016	1	Connector - 14 Position	
2	4460464	6	Pin, Male	
2	4460466	8	Plug, Sealing	
2	4460496	1	Lockwasher	
2	4460497	1	Nut, Panel	
3	4460265	1	Plug, Male - 9 Position	
3	4460267	8	Pin, Male	
4	2540042	2	Grommet 90	
5	See Note	NSS	Receptacle, Female - Position (Note: Not Available for Purchase)	
6	4461057	1	Plug, Male - 16 Position	

# SECTION 7 - ELECTRICAL

## FIGURE 7-34. PLATFORM CABLE ASSEMBLY



ART\_1001096705

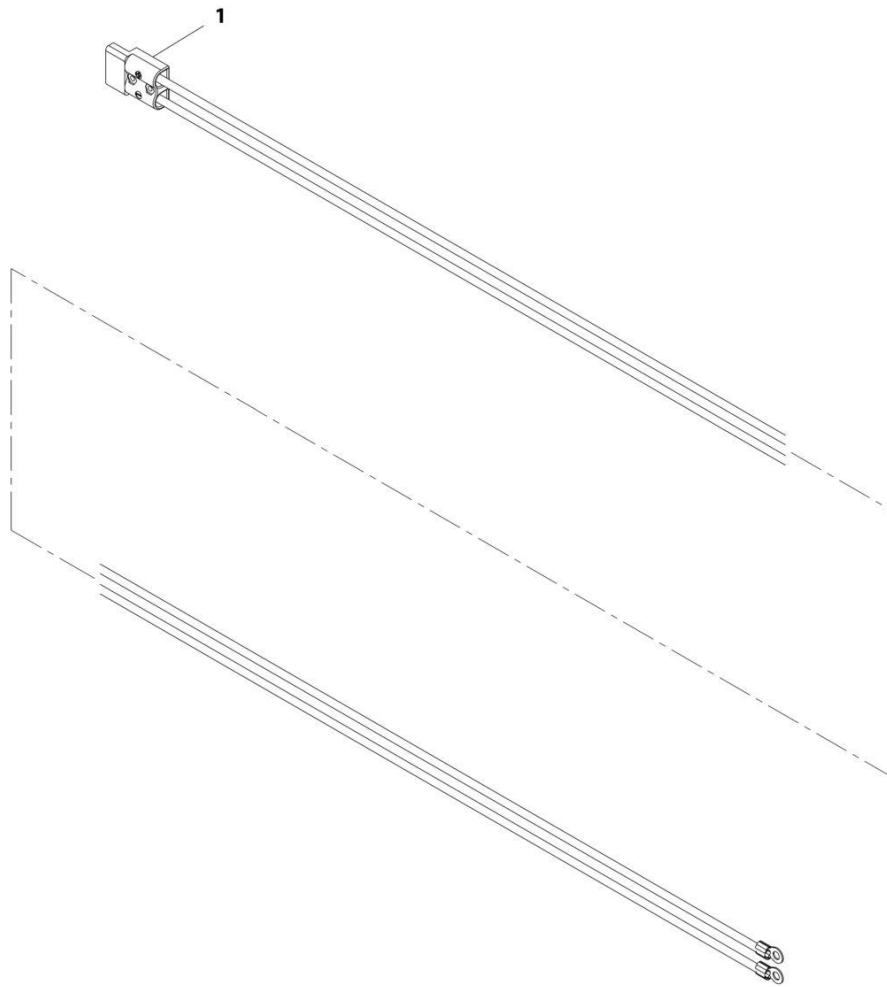
## SECTION 7 - ELECTRICAL

**FIGURE 7-34. PLATFORM CABLE ASSEMBLY**

ITEM	PART NUMBER	QTY	DESCRIPTION	REV
	1001096705	Ref	PLATFORM CABLE ASSEMBLY	G
1	0840058	1	Boot, 8 Position Receptacle	
2	2820026	AR	Insulation, Clear Tubing	
3	2820028	AR	Heat Shrink	
4	3730119	1	Resistor	
5	4460464	4	Pin, Male	
6	4460465	4	Socket, Female	
7	4460466	5	Plug, Sealing	
8	4460493	1	Cap, Dust	
9	4460754	1	Connector - 14 Position	
10	4460931	1	Receptacle, Female - 8 Position	
11	4460943	3	Pin, Male (Gold)	
12	4460944	3	Socket, Female	
13	1001094167	1	Cable, Platform Coil	
14	1001226400	1	Insulate, Heat Shrink	

# SECTION 7 - ELECTRICAL

## FIGURE 7-35. PUMP POWER CABLE ASSEMBLY



ART\_1001178536

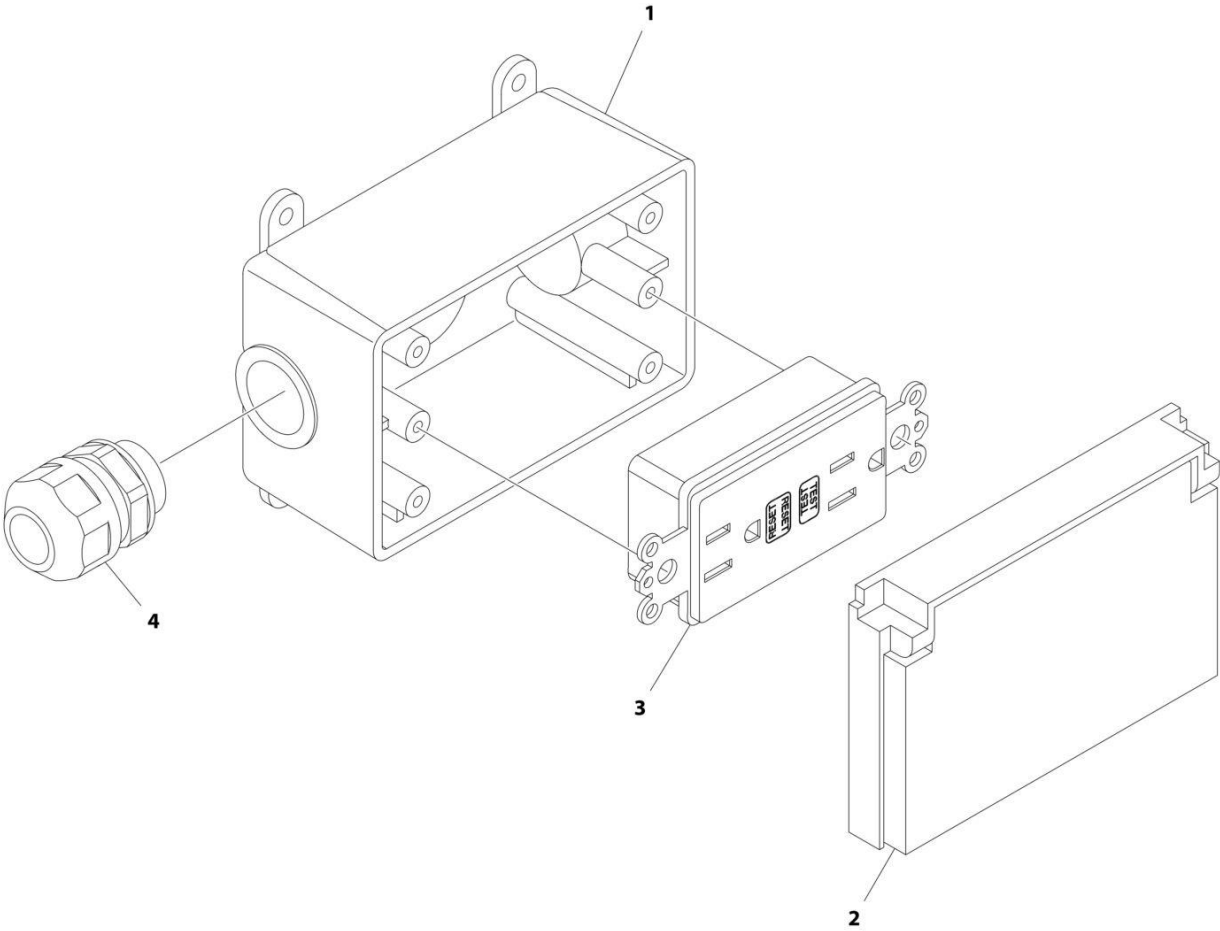
## SECTION 7 - ELECTRICAL

### FIGURE 7-35. PUMP POWER CABLE ASSEMBLY

ITEM	PART NUMBER	QTY	DESCRIPTION	REV
1	1001178536 4460778	Ref 1	PUMP POWER CABLE ASSEMBLY Connector, Anderson	B

**SECTION 7 - ELECTRICAL**

**FIGURE 7-36. RECEPTACLE BOX KIT – 110V GFI**



ART\_2902431

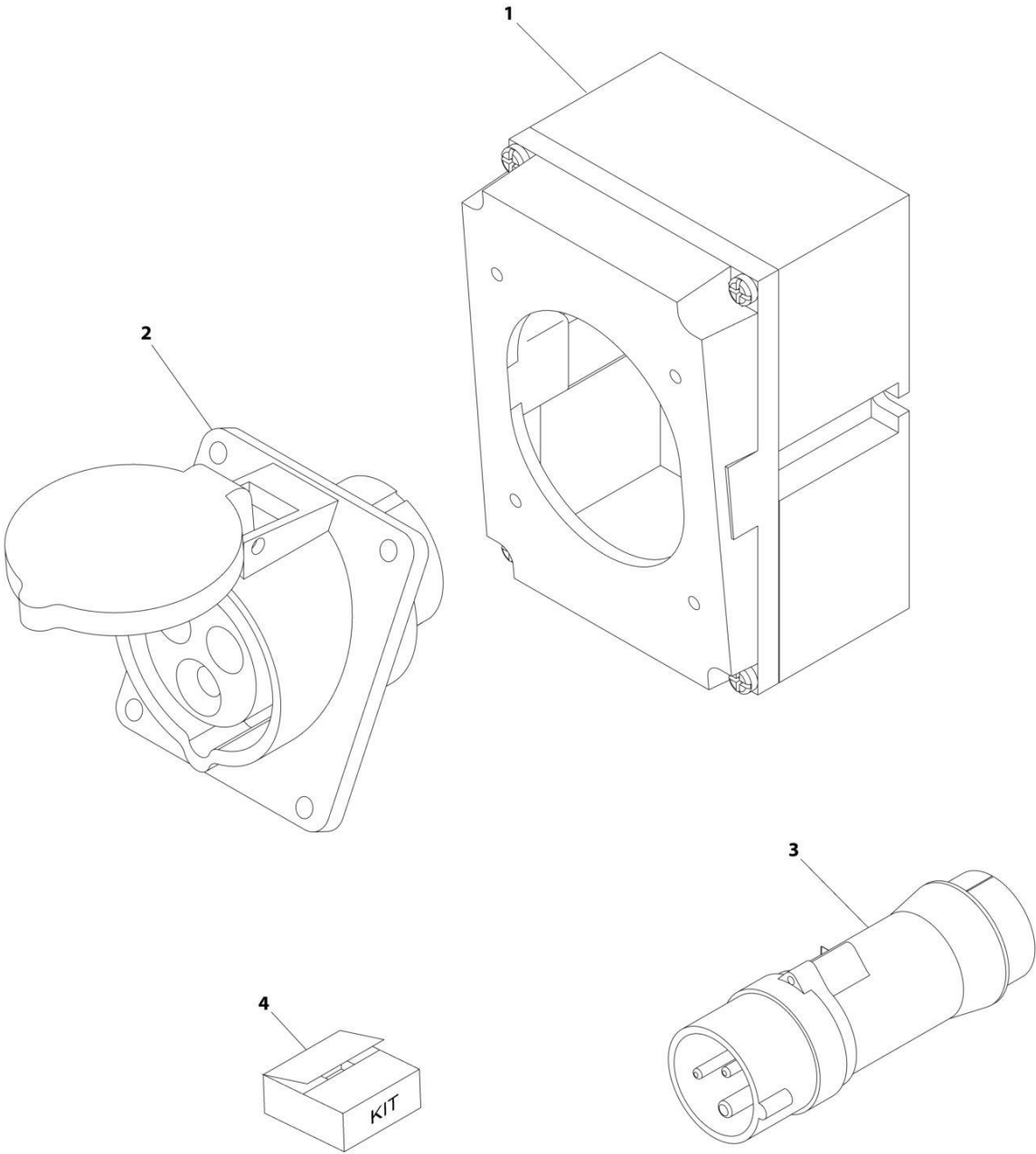
## SECTION 7 - ELECTRICAL

**FIGURE 7-36. RECEPTACLE BOX KIT – 110V GFI**

ITEM	PART NUMBER	QTY	DESCRIPTION	REV
	2902431	Ref	RECEPTACLE BOX KIT - 110V GFI	D
1	0861731	1	Box, Receptacle	
2	1671207	1	Cover, Receptacle	
3	4460346	1	Receptacle	
4	4460662	1	Connector, Strain Relief	

**SECTION 7 - ELECTRICAL**

**FIGURE 7-37. RECEPTACLE BOX KIT – 110V IEC YELLOW (CE SPEC)**



ART\_0275216



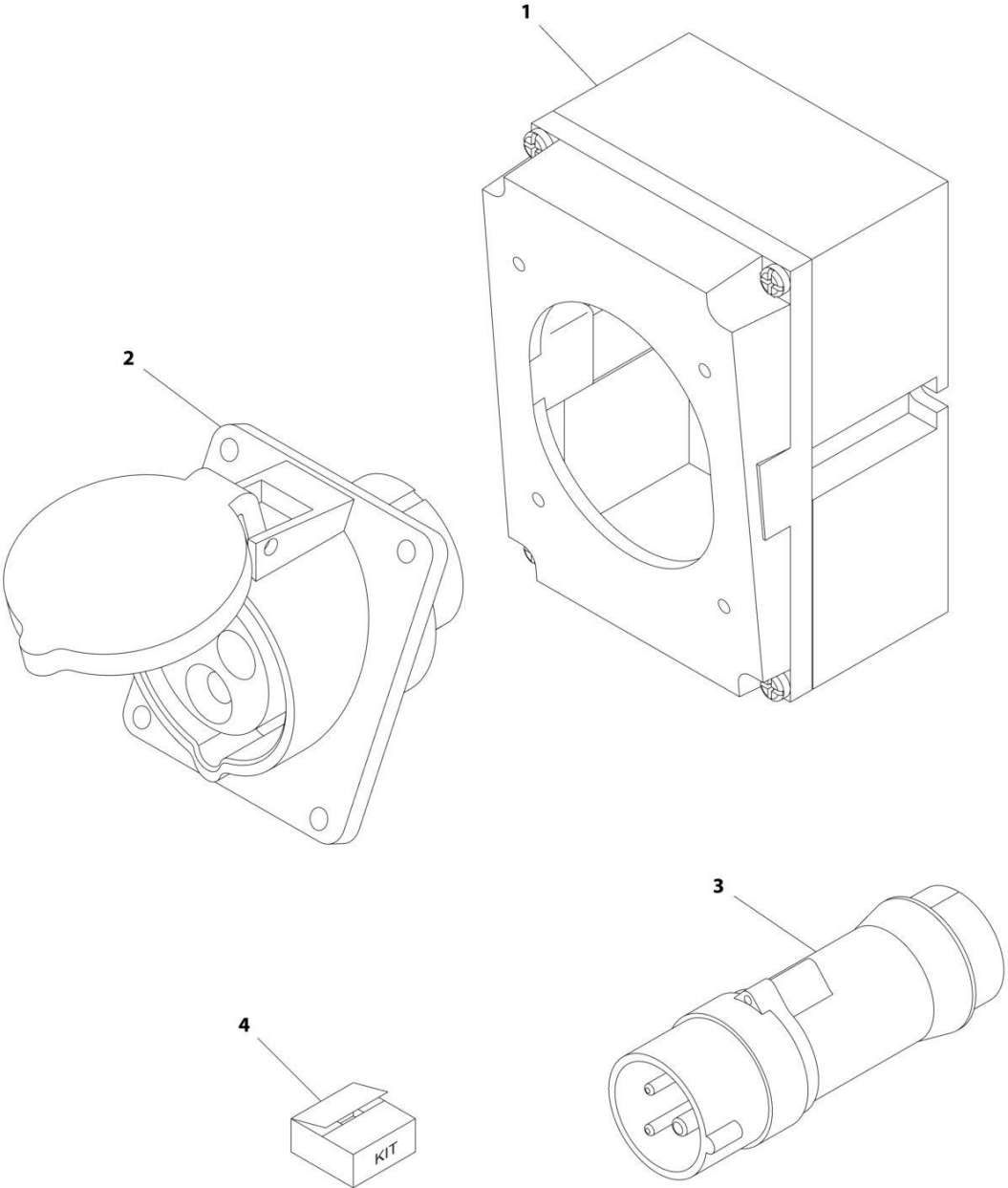
## SECTION 7 - ELECTRICAL

**FIGURE 7-37. RECEPTACLE BOX KIT – 110V IEC YELLOW (CE SPEC)**

ITEM	PART NUMBER	QTY	DESCRIPTION	REV
	0275216	Ref	RECEPTACLE BOX KIT - 110V IEC YELLOW	B
1	0861781	1	Box, Switch	
2	4461198	1	Receptacle	
3	4461196	1	Plug, Male	
4	1001100341	1	Plug and Socket Kit (Includes Items 1-3 and Female Plug p/n 4461197)	

**SECTION 7 - ELECTRICAL**

**FIGURE 7-38. RECEPTACLE BOX KIT – 220V IEC BLUE (CE SPEC)**



ART\_0275217

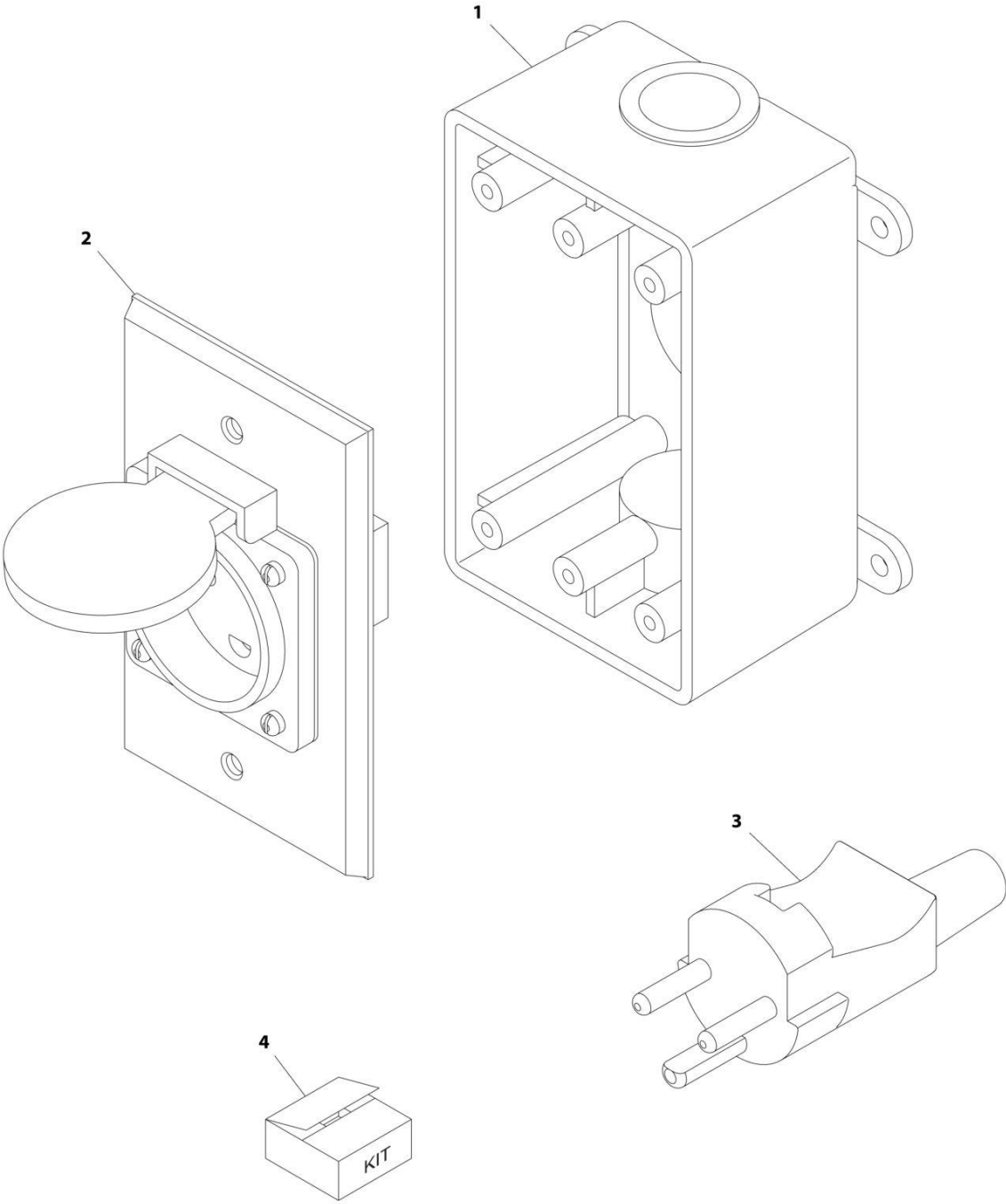
## SECTION 7 - ELECTRICAL

**FIGURE 7-38. RECEPTACLE BOX KIT – 220V IEC BLUE (CE SPEC)**

ITEM	PART NUMBER	QTY	DESCRIPTION	REV
	0275217	Ref	RECEPTACLE BOX KIT - 220V IEC BLUE	B
1	0861781	1	Box, Switch	
2	4461201	1	Receptacle	
3	4461199	1	Plug, Male	
4	1001100342	1	Plug and Socket Kit (Includes Items 1-3 and Female Plug p/n 4461200)	

**SECTION 7 - ELECTRICAL**

**FIGURE 7-39. RECEPTACLE BOX KIT – 220V AFSINT 107 (CE SPEC)**



ART\_0275454

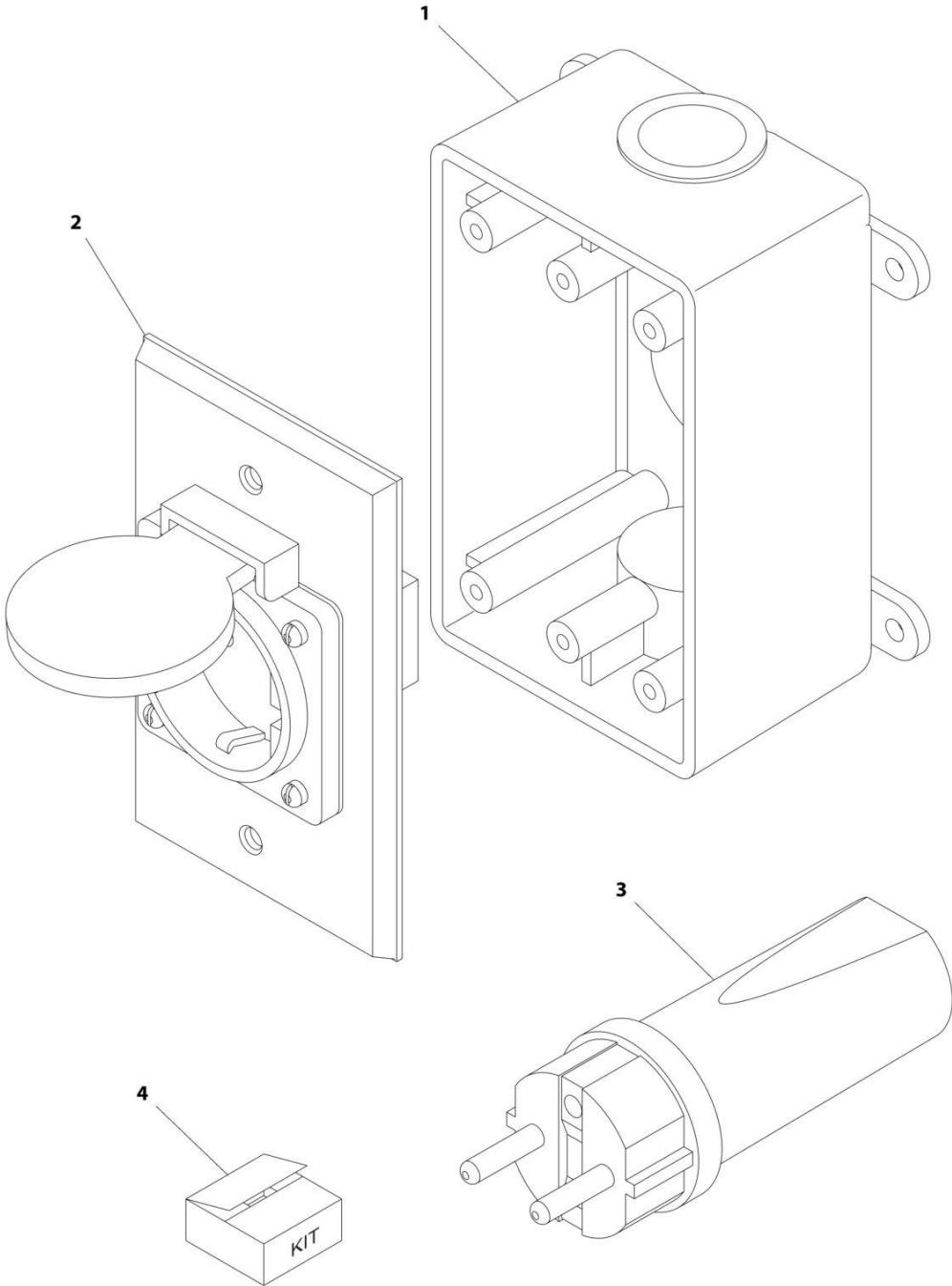
## SECTION 7 - ELECTRICAL

**FIGURE 7-39. RECEPTACLE BOX KIT – 220V AFSINT 107 (CE SPEC)**

ITEM	PART NUMBER	QTY	DESCRIPTION	REV
	0275454	Ref	RECEPTACLE BOX KIT - 220V AFSINT 107	B
1	0861731	1	Box, Switch	
2	4461246	1	Receptacle	
3	4461249	1	Plug, Male	
4	1001100346	1	Plug and Socket Kit (Includes Items 1-3 and Female Plug p/n 4461250)	

**SECTION 7 - ELECTRICAL**

**FIGURE 7-40. RECEPTACLE BOX KIT – 220V CEE7 SIDE GROUND (CE SPEC)**



ART\_0275453

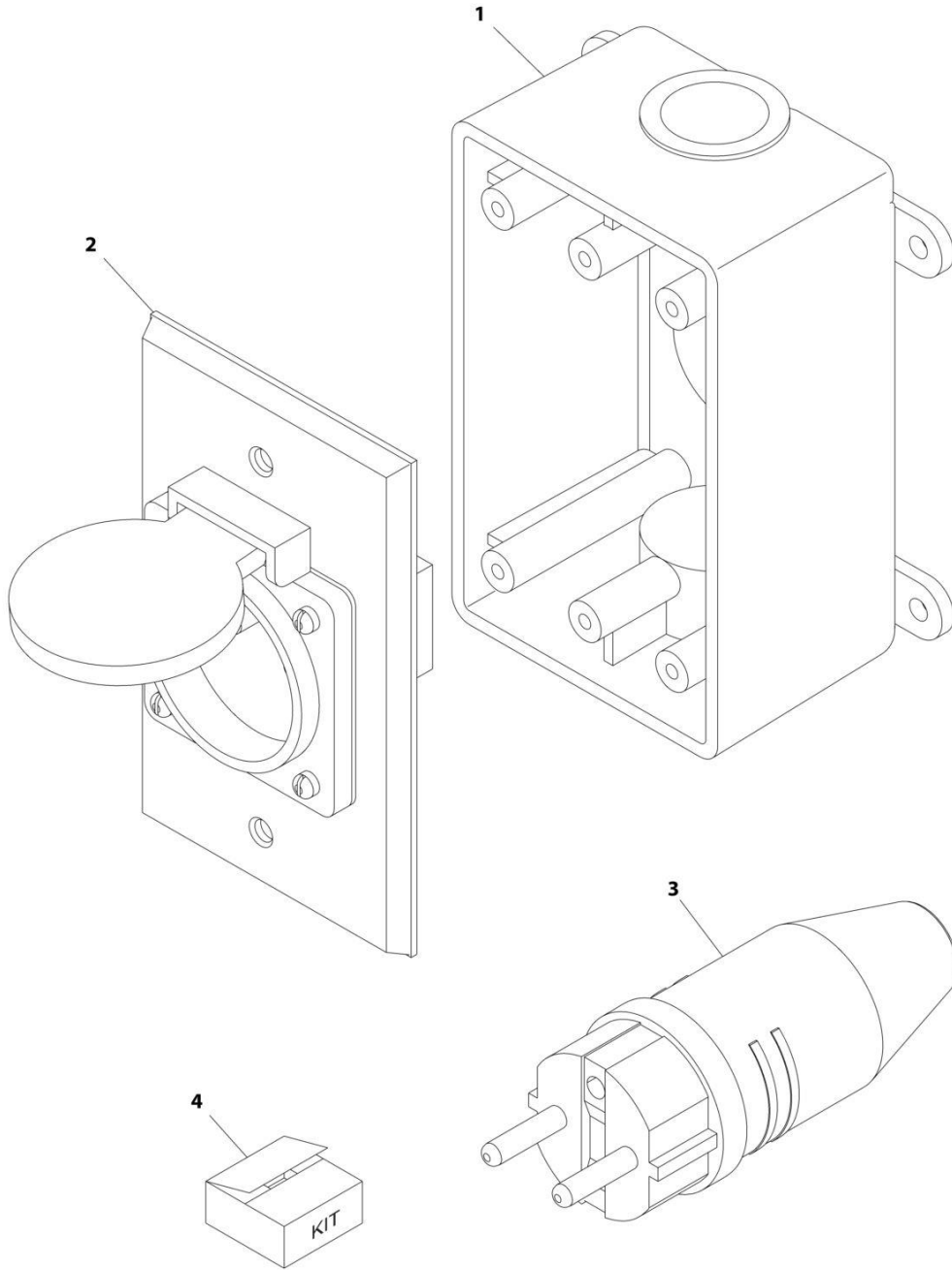
## SECTION 7 - ELECTRICAL

**FIGURE 7-40. RECEPTACLE BOX KIT – 220V CEE7 SIDE GROUND (CE SPEC)**

ITEM	PART NUMBER	QTY	DESCRIPTION	REV
	0275453	Ref	RECEPTACLE BOX KIT - 220V CEE7 SIDE GROUND	B
1	0861731	1	Box, Switch	
2	4461245	1	Receptacle	
3	4461205	1	Plug, Male	
4	1001100347	1	Plug and Socket Kit (Includes Items 1-3 and Female Plug p/n 4461206)	

# SECTION 7 - ELECTRICAL

FIGURE 7-41. RECEPTACLE BOX KIT – 220V CEE7 POST GROUND (CE SPEC)



ART\_0275452-C



## SECTION 7 - ELECTRICAL

**FIGURE 7-41. RECEPTACLE BOX KIT – 220V CEE7 POST GROUND (CE SPEC)**

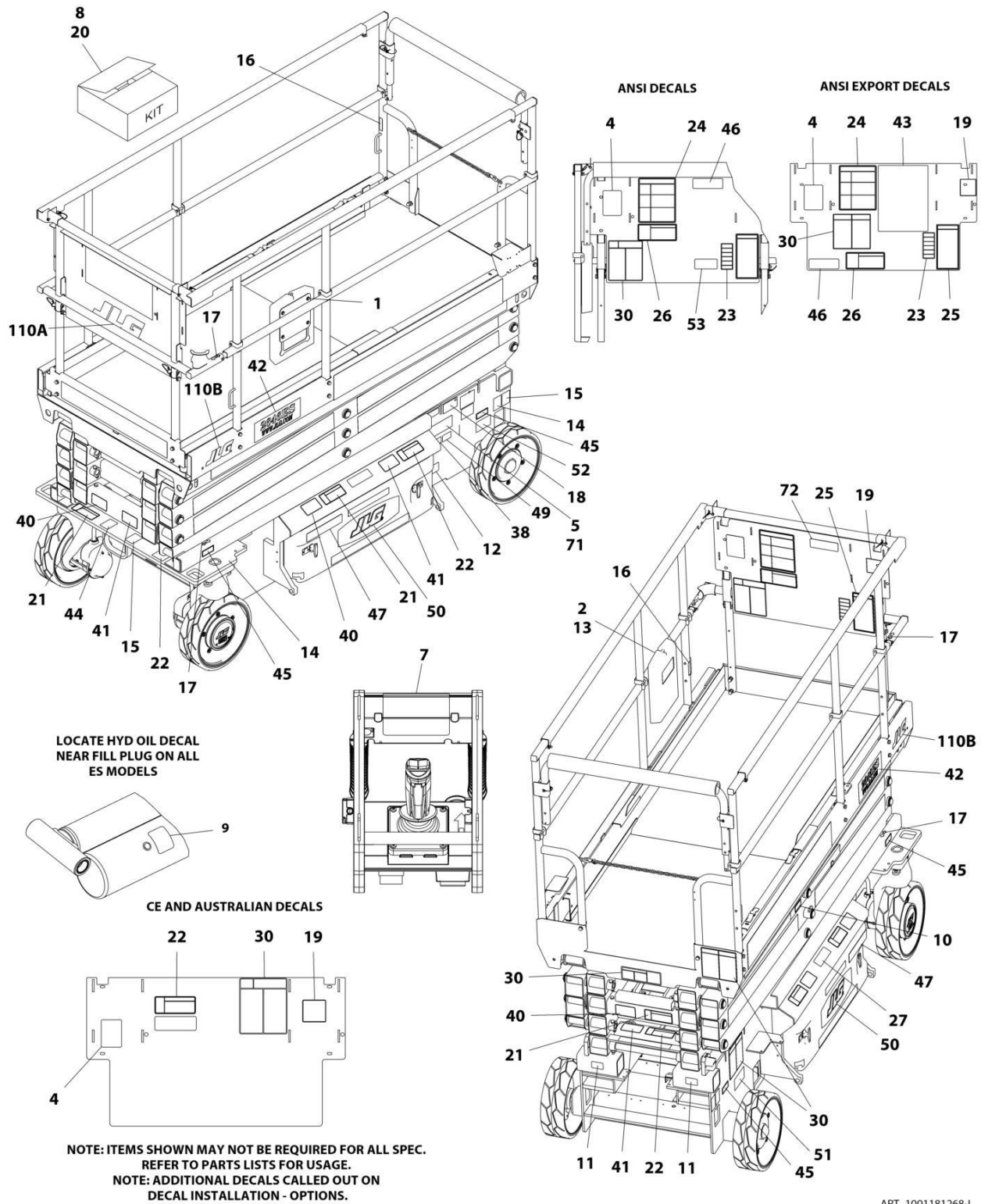
ITEM	PART NUMBER	QTY	DESCRIPTION	REV
	0275452	Ref	RECEPTACLE BOX KIT - 220V CEE7 POST GROUND 2IN X 4IN BOX	C
1	0861731	1	Box, Switch	
2	4461244	1	Receptacle	
3	4461205	1	Plug, Male	
4	1001100345	1	Plug and Socket Kit (Includes Items 1-3 and Female Plug p/n 4461203)	



**SECTION 8 - DECALS**

# SECTION 8 - DECALS

## FIGURE 8-1. DECAL INSTALLATION - ANSI SPEC (ENGLISH)



ART\_1001181268-I

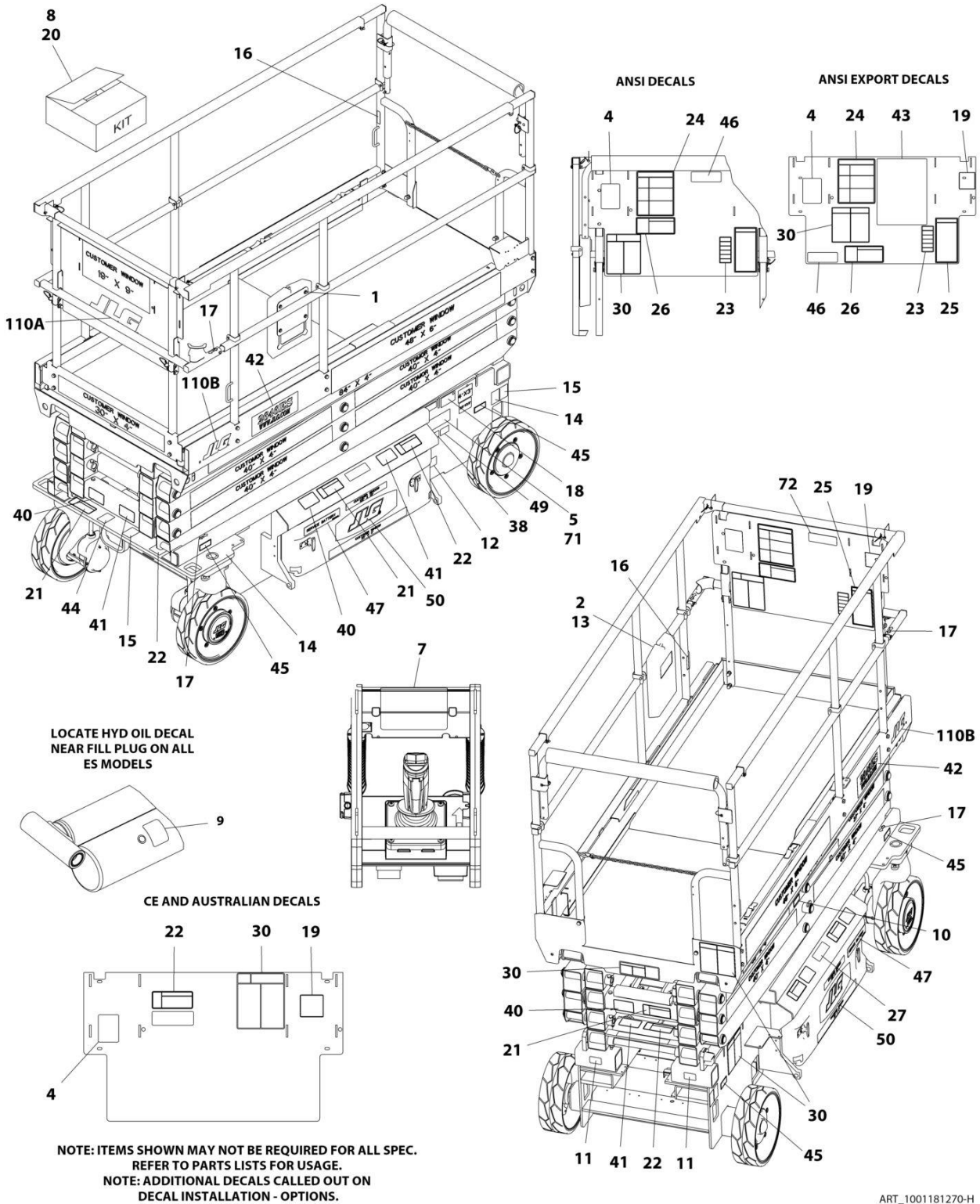
## SECTION 8 - DECALS

**FIGURE 8-1. DECAL INSTALLATION - ANSI SPEC (ENGLISH)**

ITEM	PART NUMBER	QTY	DESCRIPTION	REV
	1001181268	Ref	DECAL INSTALLATION - ANSI SPEC (ENGLISH)	I
		Ref	Note: See DECAL INSTALLATION - OPTIONS for additional decals.	
1	2080040	4	Fastener	
2	0860520	1	Box, Manual Storage	
4	1001131270	1	Decal - Patent	
5	2080057	4	Fastener	
7	See Note	1	Decal - Bar Code (Note: Not Available for Purchase)	
8	2902267	1	Decal Kit - Master (Standard Decals) (Includes Items 9-19 & 44)	B
9	1704412	1	Decal - Hydraulic Oil	
10	1705693	1	Decal - Safety Prop	
11	1704016	2	Decal - Forklift	
12	1702155	1	Decal - Battery Disconnect	
13	1701509	1	Decal - Manual Reference	
14	1703811	4	Decal - Lifting Lugs	
15	1703814	3	Decal - Tie Down	
16	1704277	3	Decal - Lanyard Attach	
17	1703819	4	Decal - Directional Arrow	
18	1703822	1	Decal - Manual Descent Instructions	
19	1705692	1	Decal - Control Box Location	
20	2902522	1	Decal Kit - ANSI Spec (Includes Items 21-27)	B
21	1705694	4	Decal - Crushing	
22	1705695	4	Decal - Danger Electrocution	
23	1705686	1	Decal - Legend	
24	1705680	1	Decal - Danger/Warning	
25	1705679	1	Decal - Inspection	
26	1705681	1	Decal - Electrocution	
27	1703813	2	Decal - Warning Battery Ventilation	
44	1701499	1	Decal - No Lift (Part of Item 8)	
46	1001094359	1	Decal - Troubleshooting	
47	1001146794	2	Decal - See Manual	
49	1001216313	1	Decal - 24 Volts	
50	1705754	2	Decal - JLG	
51	1001223055	1	Decal - Yearly Inspection	
52	1001228370	1	Decal - CSA Ices	
53	1001231801	1	Decal - Prop 65	

# SECTION 8 - DECALS

## FIGURE 8-2. DECAL INSTALLATION - AUSTRALIAN SPEC (ENGLISH)



ART\_1001181270-H

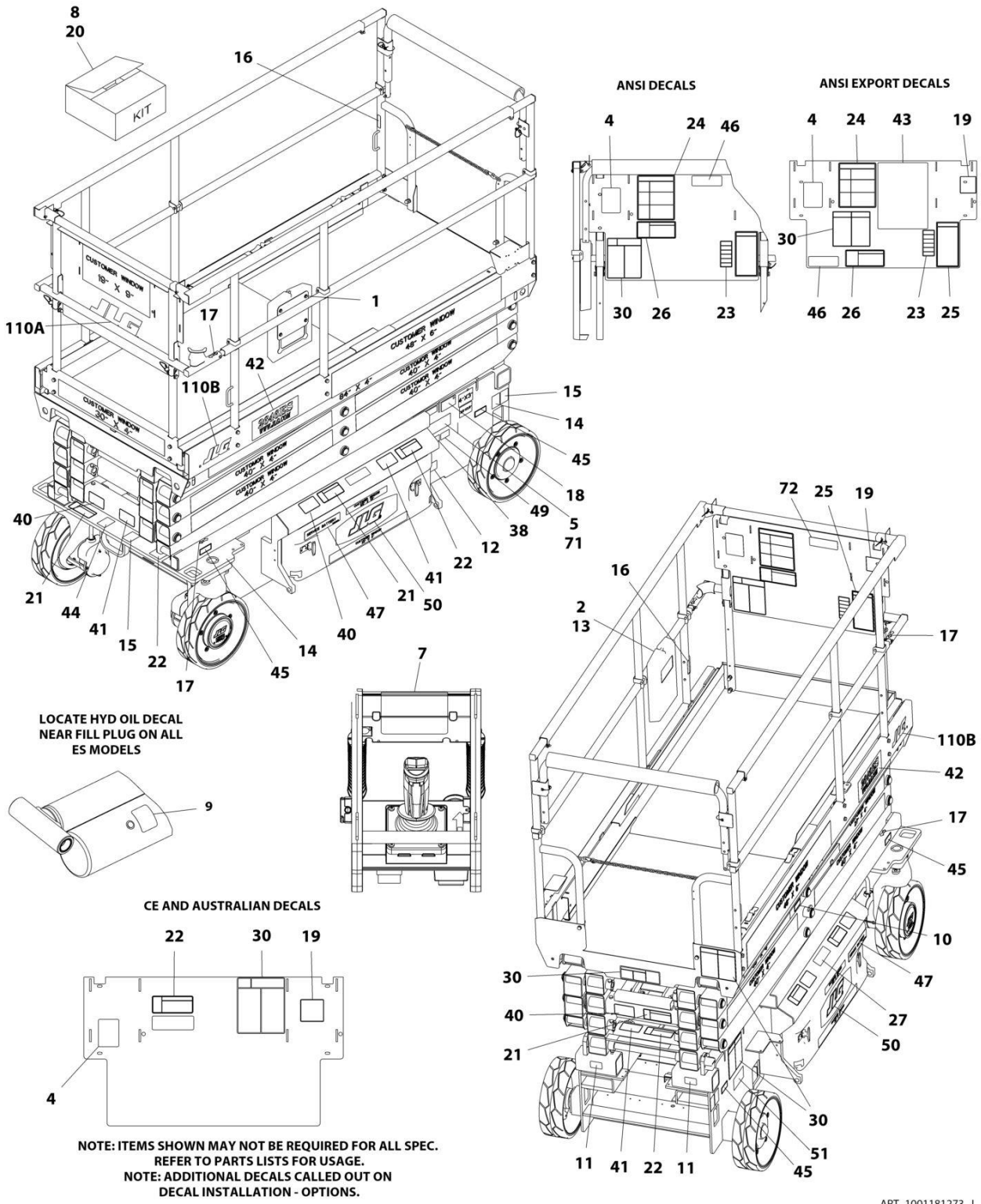
## SECTION 8 - DECALS

**FIGURE 8-2. DECAL INSTALLATION - AUSTRALIAN SPEC (ENGLISH)**

ITEM	PART NUMBER	QTY	DESCRIPTION	REV
	1001181270	Ref	DECAL INSTALLATION - AUSTRALIAN SPEC (ENGLISH)	H
		Ref	Note: See DECAL INSTALLATION - OPTIONS for additional decals.	
1	2080040	4	Fastener	
2	0860520	1	Box, Manual Storage	
5	2080057	4	Fastener	
7	See Note	1	Decal - Bar Code (Note: Not Available for Purchase)	
8	2902267	1	Decal Kit - Master (Standard Decals) (Includes Items 9-19 & 44)	B
9	1704412	1	Decal - Hydraulic Oil	
10	1705693	1	Decal - Safety Prop	
11	1704016	2	Decal - Forklift	
12	1702155	1	Decal - Battery Disconnect	
13	1701509	1	Decal - Manual Reference	
14	1703811	4	Decal - Lifting Lugs	
15	1703814	3	Decal - Tie Down	
16	1704277	3	Decal - Lanyard Attach	
17	1703819	4	Decal - Directional Arrow	
18	1703822	1	Decal - Manual Descent Instructions	
19	1705692	1	Decal - Control Box Location	
20	2902523	1	Decal Kit - Australian Spec (Includes Items 21, 22 & 27)	2
21	1705673	4	Decal - Crushing	
22	1705671	5	Decal - Electrocution	
27	1705670	2	Decal - Warning Battery Ventilation/Fire Hazard	
44	1701499	1	Decal - No Lift (Part of Item 8)	
46	1001094359	1	Decal - Troubleshooting	
47	1001146794	2	Decal - See Manual	
49	1001216313	1	Decal - 24 Volts	
50	1705754	2	Decal - JLG	

# SECTION 8 - DECALS

## FIGURE 8-3. DECAL INSTALLATION - BRAZIL SPEC (PORTUGUESE/SPANISH)



ART\_1001181273\_J



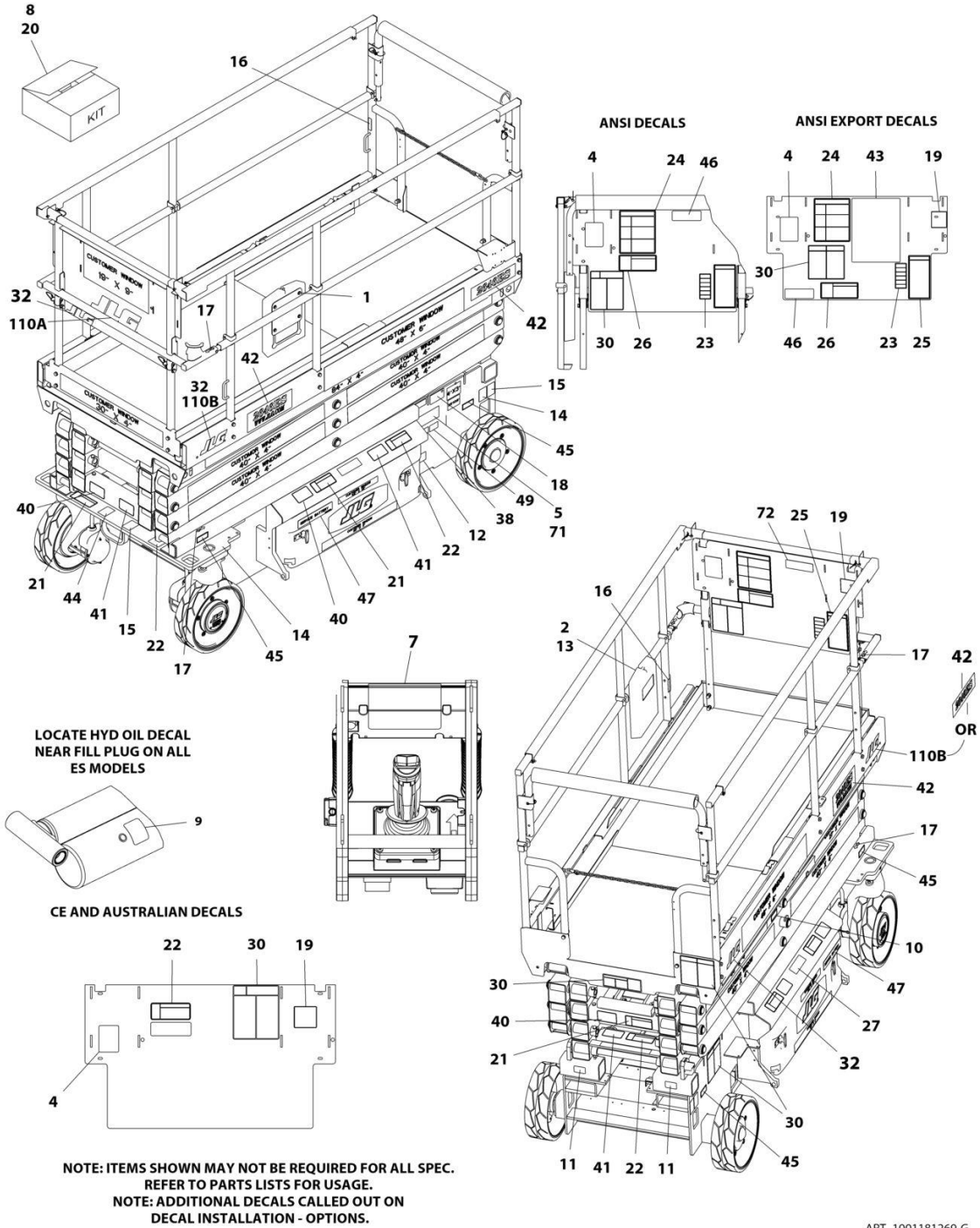
## SECTION 8 - DECALS

**FIGURE 8-3. DECAL INSTALLATION - BRAZIL SPEC (PORTUGUESE/SPANISH)**

ITEM	PART NUMBER	QTY	DESCRIPTION	REV
	1001181273	Ref	DECAL INSTALLATION - BRAZIL SPEC (PORTUGUESE/SPANISH)	J
		Ref	Note: See DECAL INSTALLATION - OPTIONS for additional decals.	
1	2080040	4	Fastener	
2	0860520	1	Box, Manual Storage	
5	2080057	4	Fastener	
7	See Note	1	Decal - Bar Code (Note: Not Available for Purchase)	
8	2902267	1	Decal Kit - Master (Standard Decals) (Includes Items 9-19 & 44)	B
9	1704412	1	Decal - Hydraulic Oil	
10	1705693	1	Decal - Safety Prop	
11	1704016	2	Decal - Forklift	
12	1702155	1	Decal - Battery Disconnect	
13	1701509	1	Decal - Manual Reference	
14	1703811	4	Decal - Lifting Lugs	
15	1703814	3	Decal - Tie Down	
16	1704277	3	Decal - Lanyard Attach	
17	1703819	4	Decal - Directional Arrow	
18	1703822	1	Decal - Manual Descent Instructions	
19	1705692	1	Decal - Control Box Location	
20	2902526	1	Decal Kit - Brazil Spec (Includes Items 21-27, 40 & 41)	B
21	1705722	5	Decal - Warning Crushing Hazard	
22	1703834	4	Decal - Warning/Danger	
23	1705726	1	Decal - Legend	
24	1705894	1	Decal - Danger/Warning	
25	1705727	1	Decal - Inspection	
26	1705721	1	Decal - Electrocutation	
27	1704341	2	Decal - Warning Battery Ventilation	
40	1705725	4	Decal - Crushing Hazard	
41	1705724	4	Decal - Electrocutation	
43	1705719	1	Decal - Danger/Warning	
44	1701499	1	Decal - No Lift (Part of Item 8)	
46	1001094359	1	Decal - Troubleshooting	
47	1001146794	2	Decal - See Manual	
49	1001216313	1	Decal - 24 Volts	
50	1705754	2	Decal - JLG	
51	1001224052	1	Decal - Yearly Inspection	

# SECTION 8 - DECALS

## FIGURE 8-4. DECAL INSTALLATION - CE SPEC (ENGLISH)



ART\_1001181269-G

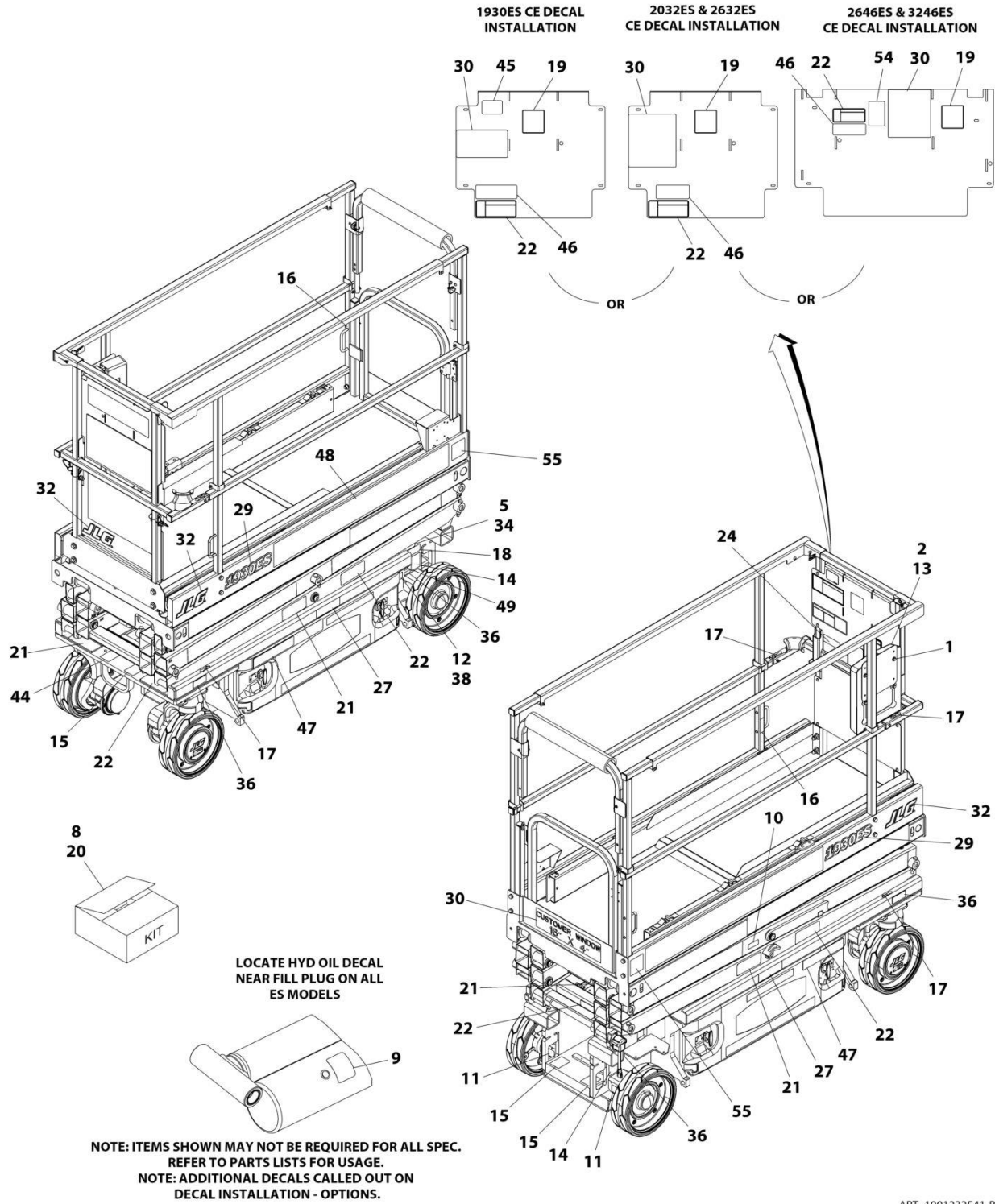
## SECTION 8 - DECALS

**FIGURE 8-4. DECAL INSTALLATION - CE SPEC (ENGLISH)**

ITEM	PART NUMBER	QTY	DESCRIPTION	REV
	1001217327	Ref	DECAL INSTALLATION – REFERENCE	B
	1001181269	Ref	DECAL INSTALLATION - CE SPEC (ENGLISH)	G
		Ref	Note: See DECAL INSTALLATION - OPTIONS for additional decals.	
1	2080040	4	Fastener	
2	0860520	1	Box, Manual Storage	
5	2080057	4	Fastener	
7	See Note	1	Decal - Bar Code (Note: Not Available for Purchase)	
8	2902267	1	Decal Kit - Master (Standard Decals) (Includes Items 9-19 & 44)	B
9	1704412	1	Decal - Hydraulic Oil	
10	1705693	1	Decal - Safety Prop	
11	1704016	2	Decal - Forklift	
12	1702155	1	Decal - Battery Disconnect	
13	1701509	1	Decal - Manual Reference	
14	1703811	4	Decal - Lifting Lugs	
15	1703814	3	Decal - Tie Down	
16	1704277	3	Decal - Lanyard Attach	
17	1703819	4	Decal - Directional Arrow	
18	1703822	1	Decal - Manual Descent Instructions	
19	1705692	1	Decal - Control Box Location	
20	2902523	1	Decal Kit - CE Spec (Includes Items 21, 22 & 27)	2
21	1705673	4	Decal - Crushing	
22	1705671	5	Decal - Electrocution	
27	1705670	2	Decal - Warning Battery Ventilation/Fire Hazard	
32	1705781	3	Decal - JLG	
44	1701499	1	Decal - No Lift (Part of Item 8)	
46	1001094359	1	Decal - Troubleshooting	
47	1001146795	2	Decal - See Manual	
49	1001216313	1	Decal - 24 Volts	

# SECTION 8 - DECALS

## FIGURE 8-5. DECAL INSTALLATION - CHINA SPEC (GB)



ART\_1001232541-B

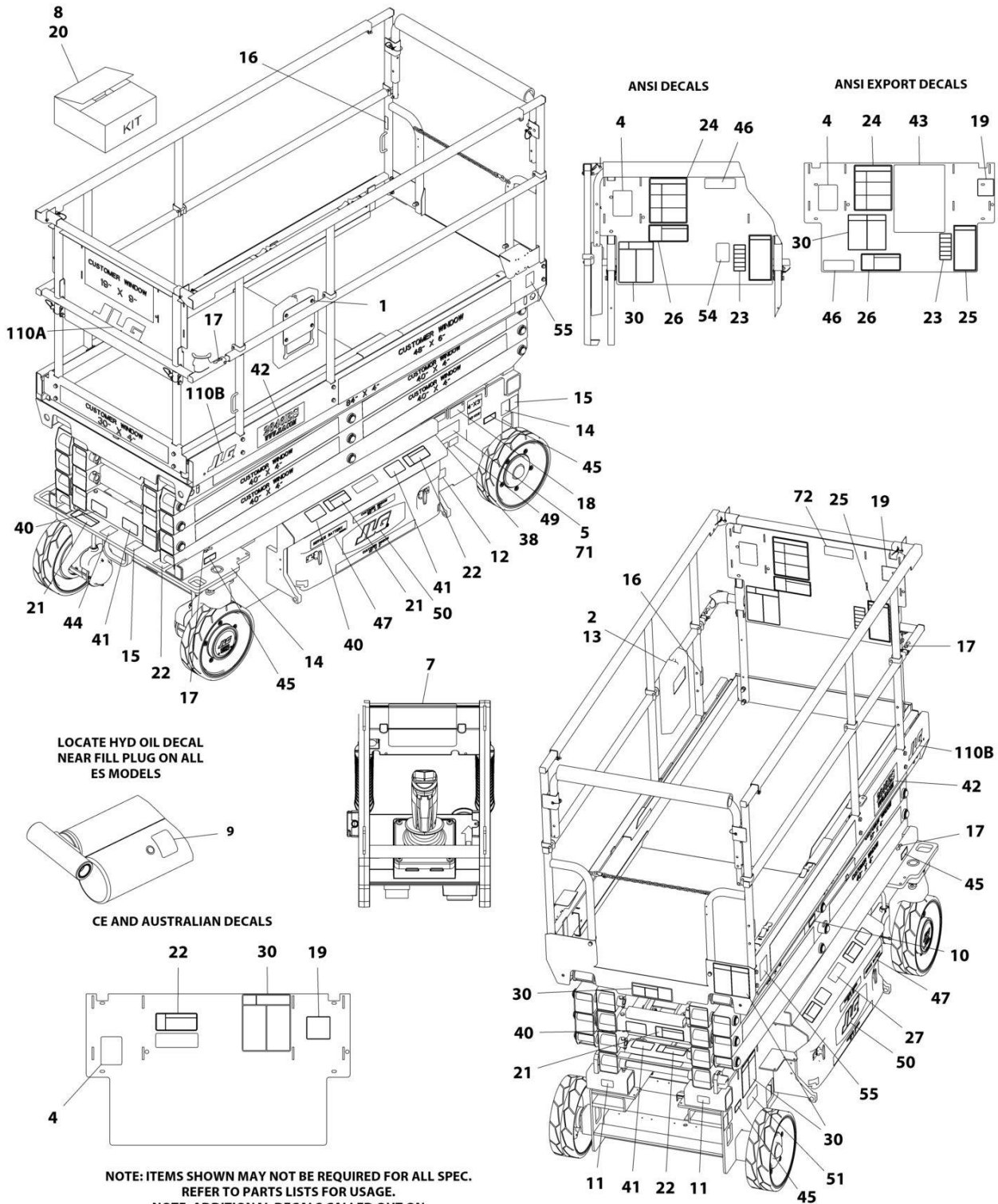
## SECTION 8 - DECALS

**FIGURE 8-5. DECAL INSTALLATION - CHINA SPEC (GB)**

ITEM	PART NUMBER	QTY	DESCRIPTION	REV
	1001232541	Ref	DECAL INSTALLATION - CHINA SPEC (GB)	B
		Ref	Note: See DECAL INSTALLATION - OPTIONS for additional decals.	
1	2080040	4	Fastener	
2	0860520	1	Box, Manual Storage	
5	2080057	4	Fastener	
8	2902267	1	Decal Kit - Master (Standard Decals) (Includes Items 9-19 & 44)	B
9	1704412	1	Decal - Hydraulic Oil	
10	1705693	1	Decal - Safety Prop	
11	1704016	2	Decal - Forklift	
12	1702155	1	Decal - Battery Disconnect	
13	1701509	1	Decal - Manual Reference	
14	1703811	4	Decal - Lifting Lugs	
15	1703814	3	Decal - Tie Down	
16	1704277	3	Decal - Lanyard Attach	
17	1703819	4	Decal - Directional Arrow	
18	1703822	1	Decal - Manual Descent Instructions	
19	1705692	1	Decal - Control Box Location	
20	2902523	1	Decal Kit - CE Spec (Includes Items 21, 22 & 27)	2
21	1705673	4	Decal - Crushing	
22	1705671	5	Decal - Electrocution	
27	1705670	2	Decal - Warning Battery Ventilation/Fire Hazard	
32	1705781	3	Decal - JLG	
44	1701499	1	Decal - No Lift (Part of Item 8)	
46	1001094359	1	Decal - Troubleshooting	
47	1001146794	2	Decal - See Manual	
49	1001216313	1	Decal - 24 Volts	
54	1001244301	1	Decal - No Over the Rail to Ground	
55	1001244298	1	Decal - Wechat	

# SECTION 8 - DECALS

## FIGURE 8-6. DECAL INSTALLATION - CHINESE SPEC (CHINESE/ENGLISH)



ART\_1001181274\_I

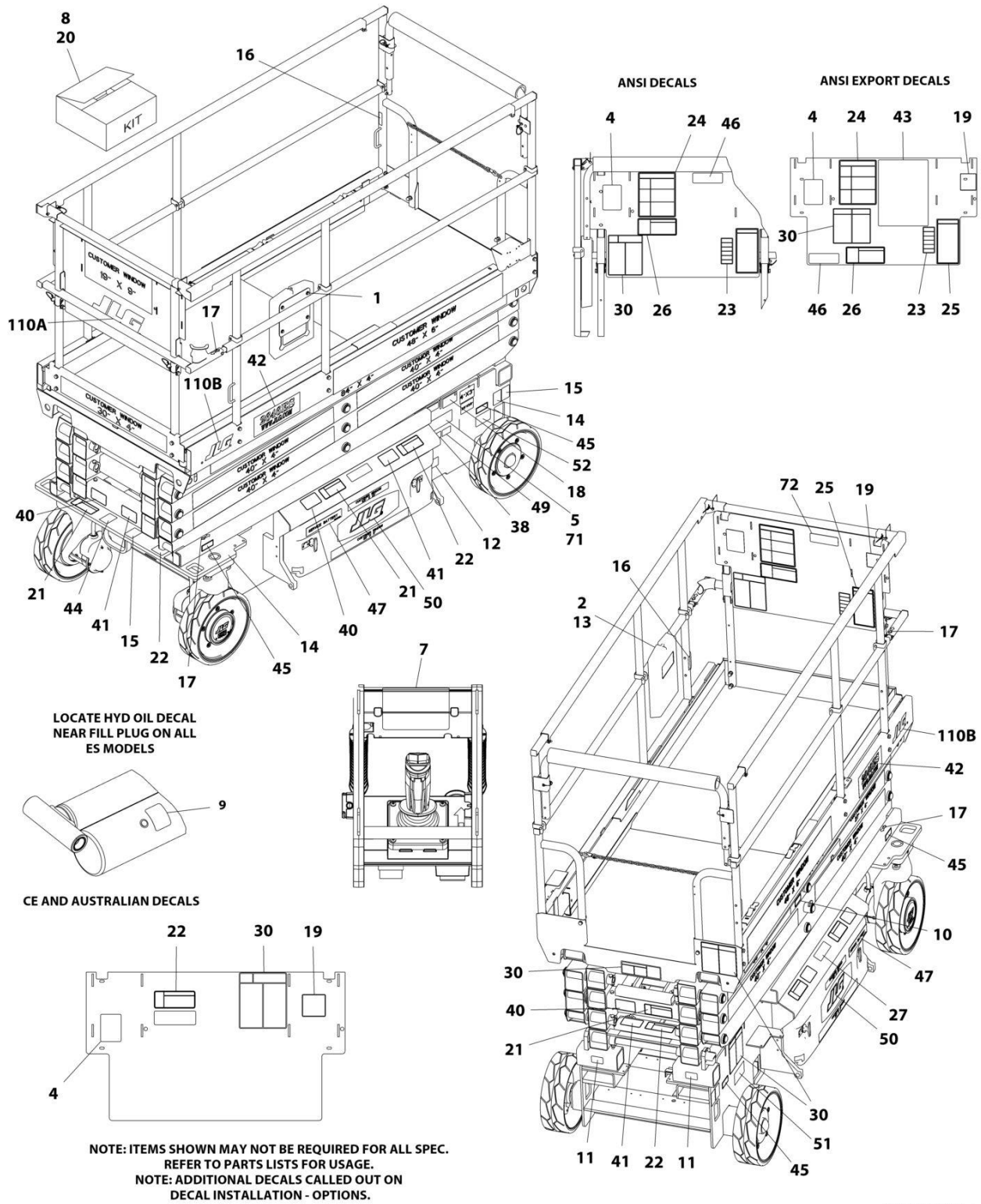
## SECTION 8 - DECALS

**FIGURE 8-6. DECAL INSTALLATION - CHINESE SPEC (CHINESE/ENGLISH)**

ITEM	PART NUMBER	QTY	DESCRIPTION	REV
	1001181274	Ref	DECAL INSTALLATION - CHINESE SPEC (CHINESE/ENGLISH)	I
		Ref	Note: See DECAL INSTALLATION - OPTIONS for additional decals.	
1	2080040	4	Fastener	
2	0860520	1	Box, Manual Storage	
5	2080057	4	Fastener	
7	See Note	1	Decal - Bar Code (Note: Not Available for Purchase)	
8	2902267	1	Decal Kit - Master (Standard Decals) (Includes Items 9-19 & 44)	B
9	1704412	1	Decal - Hydraulic Oil	
10	1705693	1	Decal - Safety Prop	
11	1704016	2	Decal - Forklift	
12	1702155	1	Decal - Battery Disconnect	
13	1701509	1	Decal - Manual Reference	
14	1703811	4	Decal - Lifting Lugs	
15	1703814	3	Decal - Tie Down	
16	1704277	3	Decal - Lanyard Attach	
17	1703819	4	Decal - Directional Arrow	
18	1703822	1	Decal - Manual Descent Instructions	
19	1705692	1	Decal - Control Box Location	
20	2902528	1	Decal Kit - Chinese Spec (Includes Items 21-27, 40 & 41)	B
21	1705694	4	Decal - Crushing	
22	1705695	4	Decal - Danger	
23	1705946	1	Decal - Legend	
24	1705680	1	Decal - Danger/Warning	
25	1705679	1	Decal - Inspection	
26	1705681	1	Decal - Electrocution	
27	1704344	2	Decal - Warning Battery Ventilation	
40	1705943	4	Decal - Crushing	
41	1705944	4	Decal - Electrocution	
43	1705945	1	Decal - Danger/Warning	
44	1701499	1	Decal - No Lift (Part of Item 8)	
46	1001094359	1	Decal - Troubleshooting	
47	1001146794	2	Decal - See Manual	
49	1001216313	1	Decal - 24 Volts	
50	1705754	2	Decal - JLG	
51	1001224050	1	Decal - Yearly Inspection	
54	1001244301	1	Decal - No Over the Rail to Ground	
55	1001244298	1	Decal - Wechat	

# SECTION 8 - DECALS

## FIGURE 8-7. DECAL INSTALLATION - CSA SPEC (ENGLISH/FRENCH)



ART\_1001181271\_I



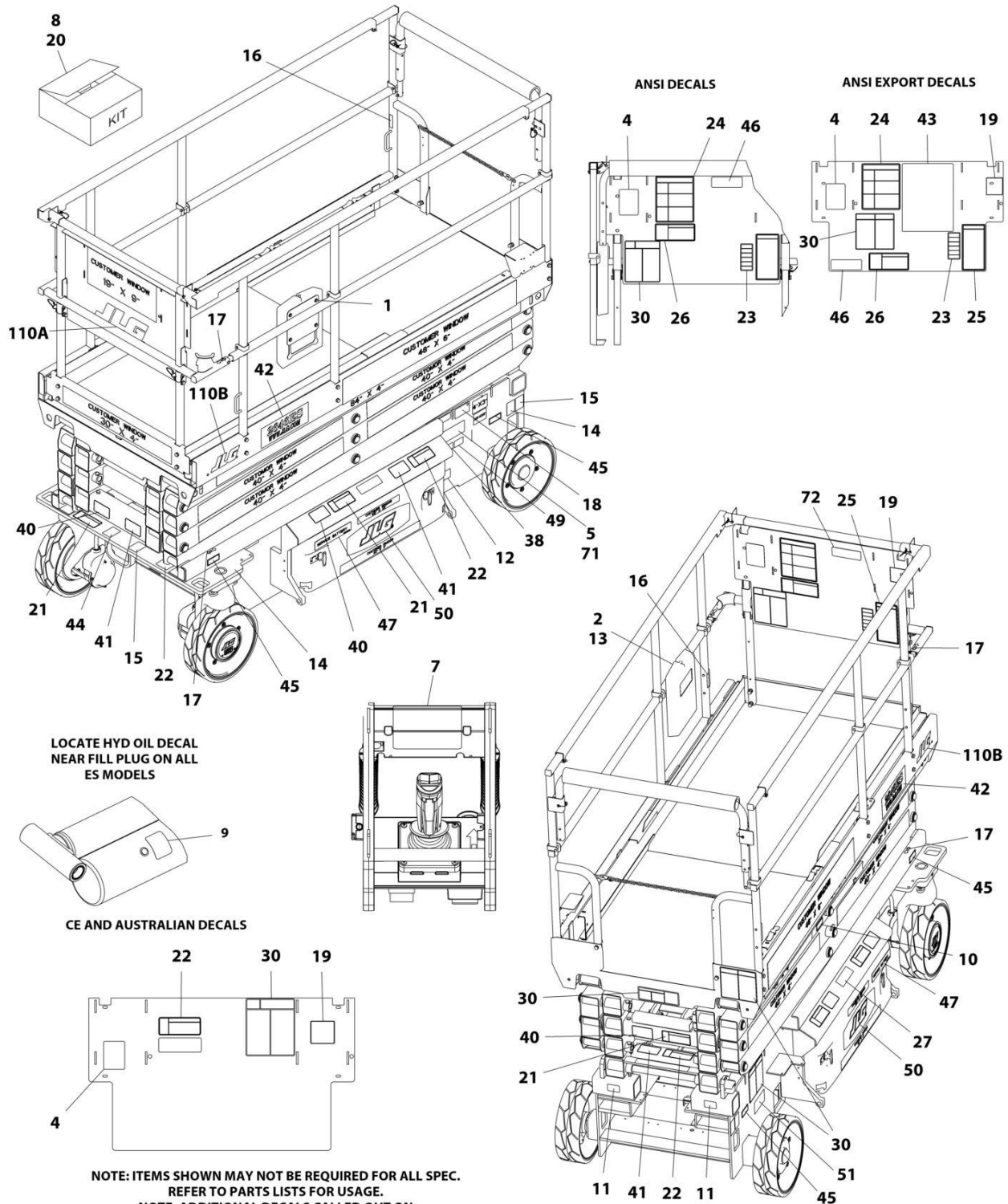
## SECTION 8 - DECALS

**FIGURE 8-7. DECAL INSTALLATION - CSA SPEC (ENGLISH/FRENCH)**

ITEM	PART NUMBER	QTY	DESCRIPTION	REV
	1001181271	Ref	DECAL INSTALLATION - CSA SPEC (ENGLISH/FRENCH)	I
		Ref	Note: See DECAL INSTALLATION - OPTIONS for additional decals.	
1	2080040	4	Fastener	
2	0860520	1	Box, Manual Storage	
4	1001131270	1	Decal - Patent	
5	2080057	4	Fastener	
7	See Note	1	Decal - Bar Code (Note: Not Available for Purchase)	
8	2902267	1	Decal Kit - Master (Standard Decals) (Includes Items 9-19 & 44)	B
9	1704412	1	Decal - Hydraulic Oil	
10	1705693	1	Decal - Safety Prop	
11	1704016	2	Decal - Forklift	
12	1702155	1	Decal - Battery Disconnect	
13	1701509	1	Decal - Manual Reference	
14	1703811	4	Decal - Lifting Lugs	
15	1703814	3	Decal - Tie Down	
16	1704277	3	Decal - Lanyard Attach	
17	1703819	4	Decal - Directional Arrow	
18	1703822	1	Decal - Manual Descent Instructions	
19	1705692	1	Decal - Control Box Location	
20	2902524	1	Decal Kit - CSA Spec (Includes Items 21-27, 40 & 41)	B
21	1705694	4	Decal - Crushing	
22	1705695	4	Decal - Warning/Danger	
23	1705723	1	Decal - Legend	
24	1705680	1	Decal - Danger/Warning	
25	1705679	1	Decal - Inspection	
26	1705681	1	Decal - Electrocution	
27	1704340	2	Decal - Warning Battery Ventilation	
40	1705717	4	Decal - Crushing	
41	1705718	4	Decal - Electrocution	
43	3252098	1	Nameplate - Warning/Danger	
44	1701499	1	Decal - No Lift (Part of Item 8)	
46	1001094359	1	Decal - Troubleshooting	
47	1001146794	2	Decal - See Manual	
49	1001216313	1	Decal - 24 Volts	
50	1705754	2	Decal - JLG	
51	1001223971	1	Decal - Yearly Inspection	
52	1001228370	1	Decal - CSA Ices	

# SECTION 8 - DECALS

## FIGURE 8-8. DECAL INSTALLATION - KOREAN SPEC (KOREAN/ENGLISH)



ART\_1001181275\_I

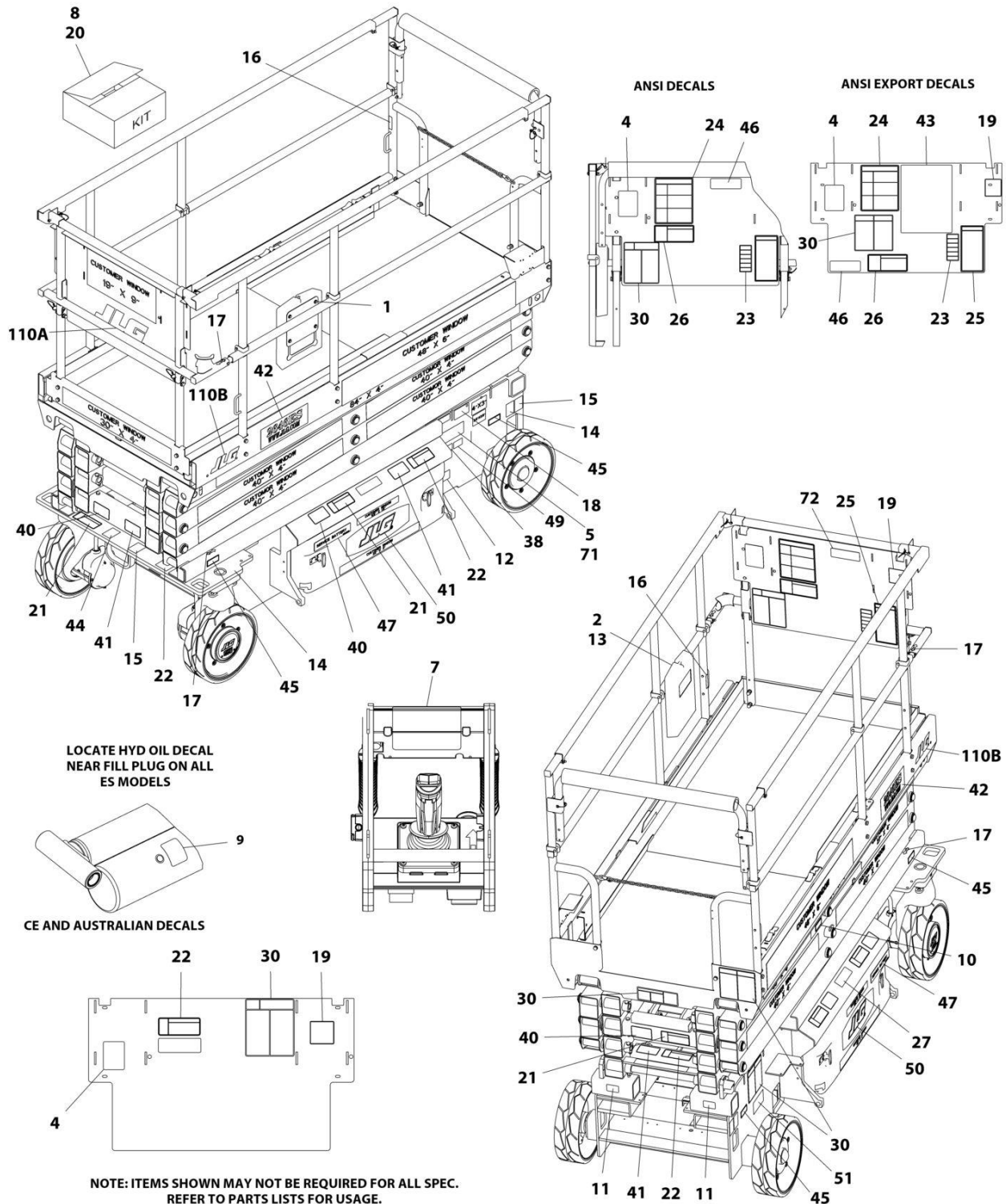
## SECTION 8 - DECALS

**FIGURE 8-8. DECAL INSTALLATION - KOREAN SPEC (KOREAN/ENGLISH)**

ITEM	PART NUMBER	QTY	DESCRIPTION	REV
	1001181275	Ref	DECAL INSTALLATION - KOREAN SPEC (KOREAN/ENGLISH)	I
		Ref	Note: See DECAL INSTALLATION - OPTIONS for additional decals.	
1	2080040	4	Fastener	
2	0860520	1	Box, Manual Storage	
5	2080057	4	Fastener	
7	See Note	1	Decal - Bar Code (Note: Not Available for Purchase)	
8	2902267	1	Decal Kit - Master (Standard Decals) (Includes Items 9-19 & 44)	B
9	1704412	1	Decal - Hydraulic Oil	
10	1705693	1	Decal - Safety Prop	
11	1704016	2	Decal - Forklift	
12	1702155	1	Decal - Battery Disconnect	
13	1701509	1	Decal - Manual Reference	
14	1703811	4	Decal - Lifting Lugs	
15	1703814	3	Decal - Tie Down	
16	1704277	3	Decal - Lanyard Attach	
17	1703819	4	Decal - Directional Arrow	
18	1703822	1	Decal - Manual Descent Instructions	
19	1705692	1	Decal - Control Box Location	
20	2902532	1	Decal Kit - Korean Spec (Includes Items 21-27, 40 & 41)	2
21	1705694	4	Decal - Crushing	
22	1705695	4	Decal - Danger Electrocution	
23	1706057	1	Decal - Legend	
24	1705680	1	Decal - Danger/Warning	
25	1705679	1	Decal - Inspection	
26	1705681	1	Decal - Electrocution	
27	1707022	2	Decal - Warning Battery Ventilation	
40	1706052	4	Decal - Crushing Hazard	
41	1706056	4	Decal - Danger Electrocution	
43	1706053	1	Decal - Danger/Warning	
44	1701499	1	Decal - No Lift (Part of Item 8)	
46	1001094359	1	Decal - Troubleshooting	
47	1001146794	2	Decal - See Manual	
49	1001216313	1	Decal - 24 Volts	
50	1705754	2	Decal - JLG	
51	1001224048	1	Decal - Yearly Inspection	

# SECTION 8 - DECALS

## FIGURE 8-9. DECAL INSTALLATION - LATIN AMERICAN SPEC (ENGLISH/SPANISH)



ART\_1001181272\_J

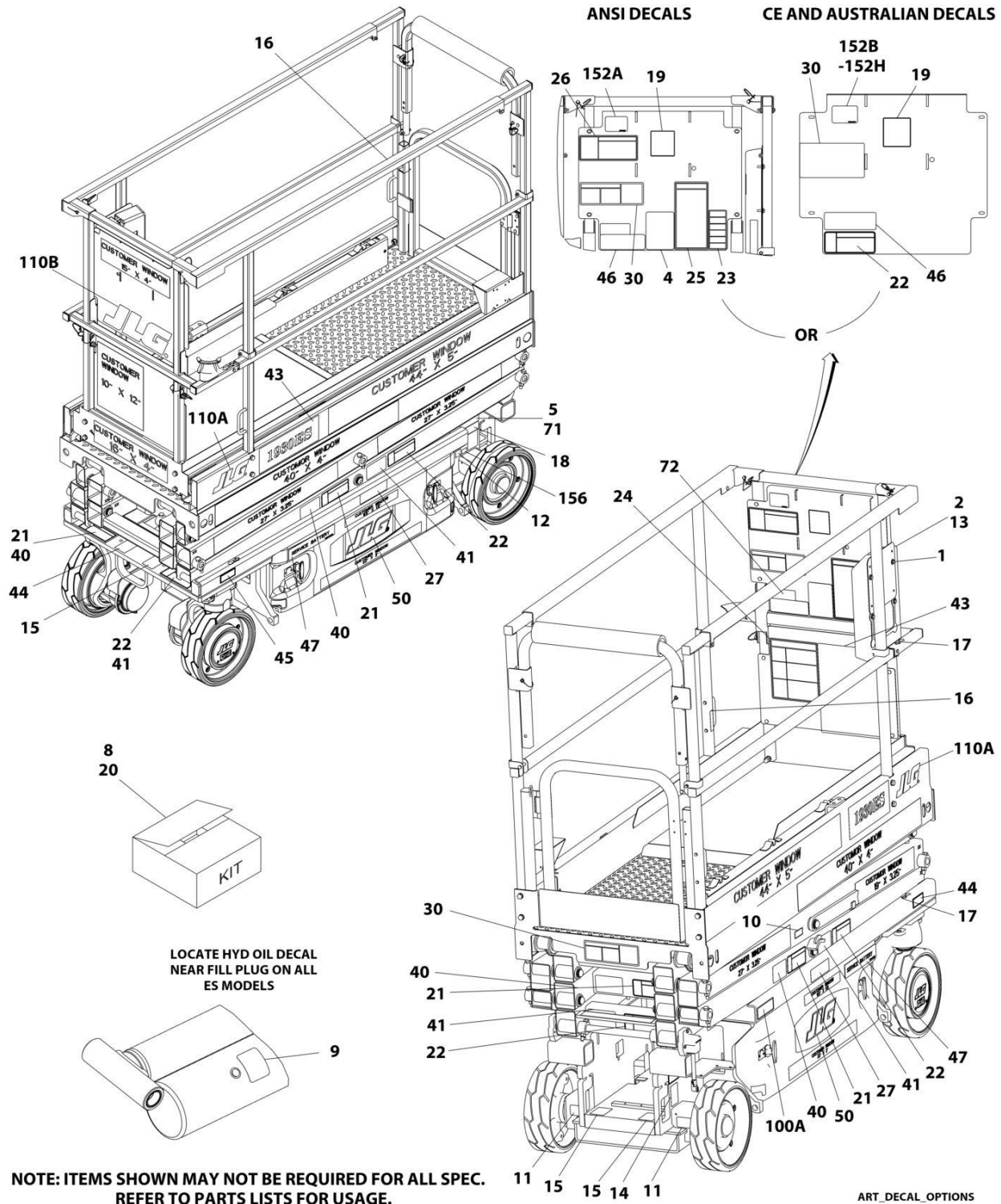
## SECTION 8 - DECALS

**FIGURE 8-9. DECAL INSTALLATION - LATIN AMERICAN SPEC (ENGLISH/SPANISH)**

ITEM	PART NUMBER	QTY	DESCRIPTION	REV
	1001181272	Ref	DECAL INSTALLATION - LATIN AMERICAN SPEC (ENGLISH/SPANISH)	I
		Ref	Note: See DECAL INSTALLATION - OPTIONS for additional decals.	
1	2080040	4	Fastener	
2	0860520	1	Box, Manual Storage	
5	2080057	4	Fastener	
7	See Note	1	Decal - Bar Code (Note: Not Available for Purchase)	
8	2902267	1	Decal Kit - Master (Standard Decals) (Includes Items 9-19 & 44)	B
9	1704412	1	Decal - Hydraulic Oil	
10	1705693	1	Decal - Safety Prop	
11	1704016	2	Decal - Forklift	
12	1702155	1	Decal - Battery Disconnect	
13	1701509	1	Decal - Manual Reference	
14	1703811	4	Decal - Lifting Lugs	
15	1703814	3	Decal - Tie Down	
16	1704277	3	Decal - Lanyard Attach	
17	1703819	4	Decal - Directional Arrow	
18	1703822	1	Decal - Manual Descent Instructions	
19	1705692	1	Decal - Control Box Location	
20	2902525	1	Decal Kit - Latin American Spec (English/Spanish) (Includes Items 21-27, 40 & 41)	B
21	1705694	4	Decal - Crushing	
22	1705695	4	Decal - Danger Electrocutation	
23	1705720	1	Decal - Legend	
24	1705680	1	Decal - Danger/Warning	
25	1705679	1	Decal - Inspection	
26	1705681	1	Decal - Electrocutation	
27	1704339	2	Decal - Warning Battery Ventilation	
40	1705725	4	Decal - Crushing Hazard	
41	1705724	1	Decal - Danger Electrocutation	
43	1705719	1	Decal - Danger/Warning	
44	1701499	1	Decal - No Lift (Part of Item 8)	
46	1001094359	1	Decal - Troubleshooting	
47	1001146794	2	Decal - See Manual	
49	1001216313	1	Decal - 24 Volts	
50	1705754	2	Decal - JLG	
51	1001224049	1	Decal - Yearly Inspection	

# SECTION 8 - DECALS

## FIGURE 8-10. DECAL INSTALLATION - OPTIONS



## SECTION 8 - DECALS

**FIGURE 8-10. DECAL INSTALLATION - OPTIONS**

ITEM	PART NUMBER	QTY	DESCRIPTION	REV
		Ref	DECAL INSTALLATION - OPTIONS	
25	0272721	Ref	Corner Safety Stripes Installation	D
25	4420051	29.5 in/0.75m	Tape, Safety (Not Shown - Located on Platform Extension)	
30	1001256660	1	Decal - 500LB Capacity (All Specs except Australian, CE and China Specs)	
30	1705666	1	Decal - 360KG (Australian/CE/China Specs)	
43	1001099919	2	Decal - Model Designation	
44	1705648	4	Decal - Maximum Tire Load	
71	See Note	1	Decal - Serial Number (Note: Not Available for Purchase)	
110	0272870	Ref	JLG Logo Installation	2
110	1001228965	Ref	JLG Logo Installation (China Specs)	A
110A	1705781	2	Decal - JLG (2.75 inch)	
110B	1702773	1	Decal - JLG (5 inch)	
110B	1705754	1	Decal - JLG (3.5 inch) (China Specs)	
		Ref	Decal - No Pipe Racks Allowed Options:	A
152A	1001092071	1	Decal - No Pipe Racks Allowed - English (ANSI/ANSI Export/China Specs)	
152B	1001092497	1	Decal - No Pipe Racks Allowed (CE/Australian/Japanese Specs)	
152C	1001092580	1	Decal - No Pipe Racks Allowed (CSA Specs)	
152D	1001120621	1	Decal - No Pipe Racks Allowed - English/Korean (Korea Specs)	
152E	1001120622	1	Decal - No Pipe Racks Allowed - English/Chinese (ANSI Export/China Specs)	
152F	1001120623	1	Decal - No Pipe Racks Allowed - Portuguese/Spanish (ANSI Export Specs)	
152G	1001120629	1	Decal - No Pipe Racks Allowed - English/Spanish (ANSI Export Specs)	
152H	1001231066	1	Decal - No Panel Carrier Allowed (Australian and CE Specs)	
156	1001214029	1	Decal Installation - EAC (Russian/CIS Specs)	A
156	1001173703	1	Decal - EAC (Russian/CIS Specs)	





## **SECTION 9 - RECOMMENDED SERVICE PARTS**

## **SECTION 9 - RECOMMENDED SERVICE PARTS**

## SECTION 9 - RECOMMENDED SERVICE PARTS

FIGURE 9-1. RECOMMENDED SERVICE PARTS STOCK

ITEM	PART NUMBER	QTY	DESCRIPTION	REV
		Ref	Note: The following list will service one machine (built to current production per date on the front cover) with emergency repair parts which can be installed in the field. Parts from the list should be replaced when inventory is depleted to keep service parts stock supplied. For further information, contact your JLG dealer or the JLG Industries Parts Department.	
		Ref	STANDARD PARTS	
	4360069	1	Breaker, Circuit - 10 Amp	
	4360328	1	Switch, Toggle	
	2860030	1	Key, Replacement	
	4360475	1	Switch, Mushroom	
	4360387	1	Switch, Push Button	
	1001092354	1	Switch, Rotary Angle Sensor	
	1600402	1	Controller, Drive/Steer	
	4360538	1	Switch and Membrane	
	4360539	1	Switch, Toggle	
	1001097347	1	Relay	
	70004928	1	Filter - 300 Micron	
	70003707	1	Coil	
		Ref	VARIABLE PARTS	
	1001092456	1	Module, Drive Control	
	1001109088	1	Switch, Limit	
	1001130614	1	Switch, Limit (Machines with Overhead Protection and Low Height Drive Cutout)	
	0610161	1	PC Board - Charger	
	4360469	1	Switch, Key	
	1001163095	1	Sensor, Tilt	
	1600439	1	PC Board, Console Box	
	4360613	1	Switch, Limit (Brake Disconnect)	
	1001181045	1	Breaker, Circuit – 16Amp/30mA (CE Spec Only)	
	1001189171	1	Breaker, Circuit - 30mA (CE Spec Only)	
	1001189172	1	Breaker, Circuit - Double 16 Amp (CE Spec Only)	

**SECTION 10 - SPECIAL OPTIONS**

## SECTION 10 - SPECIAL OPTIONS

**FIGURE 10-1. SPECIAL OPTIONS**

ITEM	PART NUMBER	QTY	DESCRIPTION	REV
		Ref	Note: This list is to accommodate machines ordered with special equipment. Options may not be applicable to all models. For more specific parts information contact the JLG Parts Department.	
		Ref	SPECIAL OPTIONS	
	0272843	Ref	AC Plug and Receptacle Installation (Customer Supplied Plug and Receptacle)	
	0274516	Ref	Airline Installation	
	0272913	Ref	Alarm Installation - Motion (See Ground Control Box /Alarm Installation for Components)	
	1001185053	Ref	Alarm Installation - White Noise (Available on All Specs except UL Spec) (Factory Installed)	
	1001183458	Ref	Ambient Adjusting Motion Alarm Kit) (Dealer Installed)	
	0272878	Ref	Antivandalism Package (ANSI Export, CE, Australian, UL, China and Korea Specs Only)	
	1001213525	Ref	Antivandalism Package (ANSI Export, China and Korea Specs)	
	1001188716	Ref	Arm Guards Installation (China Built Machines)	
	0274341	Ref	Battery Charger Interlock Override Installation (ANSI Specs Only)	
	1001190009	Ref	Beacon Light Installation with 2 Lights	
	1001255613	Ref	Can Battery Charger Kit (ANSI, ANSI Export and Korea Specs)	
	1001255614	Ref	Can Battery Charger Kit (ANSI Export, China and Korea Specs)	
	1001255596	Ref	Can Battery Charger Kit (Australian Specs)	
		Ref	ClearSky (Telematics) Installations (Dealer Installed)	
	1001243574	Ref	ClearSky Telematics Access Control Kit (Dealer Installed) (All Specs)	
	1001243185	Ref	ClearSky Telematics Access Control Kit – Single Can (Dealer Installed) (ANSI Specs)	
	1001243186	Ref	ClearSky Telematics Access Control Kit – Single Can (Dealer Installed) (CE Specs)	
	1001265377	Ref	ClearSky Installation - Canbus (Dealer Installed) (ANSI & CSA Specs)	
	1001253879	Ref	ClearSky Installation - Canbus (Dealer Installed) (ANSI Export & CE Specs)	
	1001254325	Ref	ClearSky Installation - Canbus (Dealer Installed) (Australian Specs)	
	1001265384	Ref	ClearSky Installation - Canbus (Dealer Installed) (China Specs)	
		Ref	ClearSky (Telematics) Installations (Factory Installed)	
	1001229107	Ref	ClearSky Installation - 3 Wire (ANSI & CSA Specs)	
	1001233237	Ref	ClearSky Installation - 3 Wire (ANSI Export & CE Specs)	
	1001253627	Ref	ClearSky Installation - Canbus (ANSI & CSA Specs)	
	1001253949	Ref	ClearSky Installation - Canbus (Australian Specs)	
	1001253948	Ref	ClearSky Installation - Canbus (ANSI Export, CE & Korea Specs)	
	1001229696	Ref	Decals - ClearSky (ANSI, ANSI Export, CE and CSA Specs)	
	1001262959	Ref	ClearSky Voltage Regulator Installation Kit (Dealer Installed)	
	1706765	Ref	Decal - Hazardous Voltage (English Language) (Used with Inverter Installation) (ANSI AND CSA Specs)	
	1001136847	Ref	Decal - Hazardous Voltage (English/Spanish Language) (Used with Inverter Installation) (ANSI Export, China and Korea Specs)	
	1001230981	Ref	Decal - Quick Start Reference (Dutch Spec)	
	1001226419	Ref	Decal - Quick Start Reference (English Spec)	
	1001230979	Ref	Decal - Quick Start Reference (French Spec)	
	1001230975	Ref	Decal - Quick Start Reference (German Spec)	

## SECTION 10 - SPECIAL OPTIONS

ITEM	PART NUMBER	QTY	DESCRIPTION	REV
	1001230980	Ref	Decal - Quick Start Reference (Italian Spec)	
	1001230983	Ref	Decal - Quick Start Reference (Russian Spec)	
	1001230982	Ref	Decal - Quick Start Reference (Spanish Spec)	
	1001230984	Ref	Decal - Quick Start Reference (Swedish Spec)	
	1706922	Ref	Decal - Service Support (24HR) (ANSI AND CSA Specs)	
	1705304	Ref	Decal - Service Support (CSG Machines Only)	
		Ref	Decal Kits	
	1001149795	Ref	Decal Kit - Complete 1930ES	
	1001233512	Ref	Drive Motor Covers	
	2915042	Ref	Drive Motors Replacing Kit (Peerless Motors)	
		Ref	Electrical Connector Kits	
	1001148902	Ref	Amp/Tyco Electrical Connector Kit	
	1001148903	Ref	Deutsch DT Electrical Connector Kit	
	1001148904	Ref	Deutsch HD Electrical Connector Kit	
	1001148905	Ref	Packard Electrical Connector Kit	
	1001148906	Ref	Various Electrical Connectors Kit	
	1001253989	Ref	EDS Level 1 Scissors Kit (Factory Installed) (PVC 1910)	
	1001247037	Ref	EDS Level 1 Scissors Kit (Dealer Installed) (PVC 1910)	
	1001247036	Ref	EDS Level 2 Scissors Kit (Dealer Installed) (PVC 1910)	
	1001099628	Ref	ES Drive Cable Upgrade	
	1001109345	Ref	ES Pothole Protection Switch Kit	
	1001109218	Ref	ES Pothole Protection Switch and Harness Kit	
	1001189484	Ref	Fire Extinguisher Installation (ANSI Spec Only)	
	0273761	Ref	Footswitch Installation with LSS (ANSI Export, Japanese and Korea Specs)	
	1001223323	Ref	<b>Frame Protective Cover (All Specs Except CE Specs)</b>	
	0273859	Ref	Hydraulic Pressure Checks Installation (All Specs except Australian AND CE Specs)	
	1001140336	Ref	Latch, Magnetic Gate (ANSI, ANSI Export, Australian, China, Japanese and Korea Specs)	
	1001260888	Ref	Leak Containment Kit	
	0273454	Ref	Lifting Lugs Installation (Factory Installed) (All Specs except Australian Specs)	
	1001135753	Ref	Lifting Lugs Installation (Australian Specs Only)	
	1001215518	Ref	Machine Kit	K
	1001215519	1	1930ES Machine Sub-Assembly	D
	1001258357	1	Access Control Keypad Installation	
	1001219125	1	Controller (ES System Module)	
	1001215241	1	Batteries Installation (220 A-HR) (Standard)	
	1001215243	1	Batteries AGM Installation (220 A-HR) (No Lock)	
	2940175	1	Battery Cover Latch (Locking)	
	1001263426	Ref	Mobile Control Add-on Kit (Dealer Installed)	
	1001118216	Ref	Platform Control Box Cover Installation (ANSI Export, CE, China, Japanese, Korea AND UL Specs)	
	1001104466	Ref	Platform Corner Hook Kit	
	1001238848	Ref	Platform Entry Kit (Chain Entry)	
	1001262556	Ref	Platform Entry Kit (Gate Entry)	
	1001239166	Ref	Platform Extension Kit	
	1001231786	Ref	Platform Extension Block Installation	
	1001232895	Ref	Platform Kit (Gate, Fixed Rails) (Dealer Installed)	
	1001232897	Ref	Platform Kit (Gate, Fold Down Rails) (Dealer Installed)	
	1001232896	Ref	Platform Kit (Chain Entry) (Dealer Installed)	

## SECTION 10 - SPECIAL OPTIONS

ITEM	PART NUMBER	QTY	DESCRIPTION	REV
	1001176744	Ref	Platform Rail Padding Installation (Available on All Specs)	K
	1001176753	Ref	Platform Rail Padding with Limit Switches (ANSI Specs)	
	1001176749	Ref	Platform Rail Padding with Limit Switches (ANSI, ANSI Export, China and Korea Specs)	
	1001180071	Ref	Platform Worklights Installation (Note: Not Available on UL Machines)	
	1001220687	Ref	Platform Worklights Installation 24 Volt (Fixed) (Available on All Specs Except UL Specs)	
	1001243598	Ref	Platform Worklights Installation - Portable (Available on All Specs)	
	1001171015	Ref	RCD Box Installation (Brazil Spec Only)	
	1001230763	Ref	Service Kits & Tools	
	1001253372	Ref	SkySense Level 1 Scissors Kit (Factory Installed) (PVC 2004)	
	1001249707	Ref	SkySense Level 1 Scissors Kit (Dealer Installed) (PVC 2004)	
	3125053	Ref	Video, Operators (ANSI, CSA AND UL Specs)	
	1001185053	Ref	White Noise Motion Alarm Kit (Dealer Installed)	
	1001246747	Ref	Workstation With DC Converter Kit (Dealer Installed)	
	1001246750	Ref	Workstation With DC Converter Kit (Dealer Installed)	

**PART NUMBER INDEX**

## SECTION 10 - SPECIAL OPTIONS

0060090.....29	0700510 ..... 43, 45	1001091965 ..... 139	1001117057.....229
0100011..13, 31, 91, 115, 117	0700610..... 147	1001091968 ..... 139	1001117265.....29
0100048.....91, 107, 109, 209, 211	0700614 ..... 29	1001092071 ..... 287	1001118216.....293
0100051....67, 69, 71, 73, 75, 77, 79, 81	070061561, 63, 155, 209, 211	1001092354 97, 101, 290	1001119020.....237
0140011.....139	0700617 .57, 79, 107, 109	1001092454 ..... 91	1001119032.....239
0140043.....61, 63	0700618 .... 33, 37, 39, 41	1001092456 .. 15, 17, 290	1001120621.....287
0200810.....99, 103	0700624 ..... 15, 17	1001092497 ..... 287	1001120622.....287
0200815.....99, 103	0700814 ..... 113	1001092580 ..... 287	1001120623.....287
0200821.....99, 103	0700817 ..... 113	1001092737 .... 15, 17, 20	1001120629.....287
0200822.....99, 103	0700818 ... 119, 121, 127, 129	1001093556 ..... 91, 247	1001127523.....79
0200823.....99, 103	0700823 ..... 119, 121	1001093839 ..... 31	1001129267..... 13, 179
0200824.....99, 103	0701016 ..... 13	1001094105 ..... 247	1001129288.....168
0200825.....99, 103	0701019 ... 119, 121, 127, 129, 131, 133, 135, 137, 151, 153	1001094167 ..... 251	1001130614..... 149, 151, 153, 290
0240102.....147	0701020 ..... 131, 137	1001094175 ..... 209, 211	1001131004.....97
0272309.....55	070102297, 99, 101, 103, 107, 109	1001094203 ..... 91	1001131009.....101
0272721.....287	0701027 ..... 107, 109	1001094301 ..... 15, 17	1001131019.....97, 99
0272839.....185	0760410 ..... 55	1001094359 ..... 269, 271, 273, 275, 277, 279, 281, 283, 285	1001131027..... 101, 103
0272843.....292	0760605 ..... 209, 211	1001096138 ..... 229	1001131033..... 103, 176
0272870.....287	0760606 ..... 41, 209, 211	1001096705 ..... 209, 211, 251	1001131074..... 13
0272878.....292	0760608 ..... 157	1001097150 ..... 205, 207	1001131270.....269, 281
0272879.....161	0760610 ..... 79, 157	1001097347 ..... 229, 290	1001132233.....69
0272913.....292	0760812 ..... 31	1001099628 ..... 293	1001135753.....293
0273454.....293	0761014 ..... 99, 103, 107, 109	1001099919 ..... 287	1001136847.....292
0273698....67, 69, 71, 73, 75, 77, 81, 83	0840055 ..... 245	1001100341 ..... 257	1001137675..... 131, 137
0273761.....293	0840058 ... 229, 237, 245, 251	1001100342 ..... 259	1001140336.....293
0273859.....293	0840059 ..... 231	1001100345 ..... 265	1001143663.....182
0273965.....145	0840060 ..... 201	1001100346 ..... 261	1001144147.....237
0274153.....147	0840061 .... 241, 243, 245	1001100347 ..... 263	1001144296.....237
0274341.....292	0860520 ... 269, 271, 273, 275, 277, 279, 281, 283, 285	1001100451 ... 67, 69, 71, 73, 75, 77, 79, 81	1001146794.....269, 271, 273, 277, 279, 281, 283, 285
0274386.....143	0861527 ..... 161	1001101540 ..... 189, 191, 193	1001146795.....275
0274516.....292	0861650 ..... 83	1001102258 ... 33, 35, 37, 39, 41, 47, 49, 53	1001148902.....293
0275020.....75	0861677 ..... 85	1001102349 ..... 23	1001148903.....293
0275022.....77	0861678 ..... 79, 85	1001102351 ..... 23	1001148904.....293
0275072..... 161, 163	0861731 ... 255, 261, 263, 265	1001102353 ..... 23	1001148905.....293
0275103.....31	0861781 ..... 257, 259	1001102354 ..... 23	1001148906.....293
0275216..... 189, 257	0861880 ..... 205	1001102489 ..... 47, 49	1001149795.....293
0275217 ..... 191, 259	0902780 ..... 31	1001102771 ..... 225	1001151824.....227
0275401 ..... 67	0902905 ..... 55	1001103257 ..... 47	1001152483.....207
0275432.....93	0903339 ..... 209, 211	1001103258 ..... 49	1001152485..... 195, 197, 207
0275452..... 197, 265	0903416 ..... 163	1001103471 ..... 41	1001159186.....239
0275453..... 187, 195, 263	0903444 ..... 31	1001104466 ..... 293	1001162362..... 195, 197
0275454..... 193, 261	0903566 ... 189, 191, 193	1001109088 ..... 29, 290	1001162447.....195
0275480.....79	0903569 ..... 189, 191	1001109218 ..... 293	1001162449.....197
0275486..... 193	0962257 ... 168, 172, 176	1001109232 ..... 29	1001163095..... 65, 290
0275487 ..... 189	1001091102 .... 187, 189, 191, 193, 195, 197	1001109233 ..... 29	1001165284.....65
0275488 ..... 191	1001091154 ..... 139	1001109345 ..... 293	1001165286.....65
0275530.....91	1001091275 ..... 139	100110826 ..... 79	1001165315.....65
0275663.....221	1001091277 ..... 139	1001112112 ..... 67, 69	1001165316.....65
0275664.....219	1001091278 ..... 139	1001112113 ..... 53	1001166197..... 61, 63, 65
0275665.....217	1001091279 ..... 139	1001114467 ..... 25	1001166255.....65
0275666.....213	1001091280 ..... 139	1001114937 ..... 65	1001166776.....65
0275667.....215	1001091283 ..... 139	1001114992 ..... 201	1001166828.....61
0380025.....65	1001091393 ..... 139	1001115002 .... 209, 211, 231	1001167256..... 65, 239
0400215.....75, 77, 79	1001091396 ..... 139	1001115076 ..... 229	1001171015.....294
0440223.....147	1001091479 ..... 31	1001115077 ..... 239	1001172010.....53
0440259..... 13, 179	1001091502 ..... 20, 233	1001115170 ..... 15, 17	1001173703.....287
0440264.....99, 103		1001116732 ..... 229	1001175188..... 107, 109
0440266.....99, 103		1001116733 ..... 229	1001175402.....111
0480100.....159		1001116812 ..... 225, 237	1001175463..... 107, 111
0561513.....109		1001117032 ..... 15	1001176737.....119
0610161.....65, 290			1001176743.....127
0630580.....15, 17			1001176744.....294
0641514.....159			1001176749.....294



## SECTION 10 - SPECIAL OPTIONS

1001176753 .....	294	1001190009.....	292	1001217737.....	137	1001234401 .....	115
1001177176 .....	107	1001192401.....	229	1001217739.....	131	1001234783 .....	147
1001177410 .....	57	1001196634.....	225	1001217740.....	131	1001235514 .....	157
1001177418 .....	57	1001196958.....	45	1001217741.....	131, 137	1001235863 .....	157
1001177842 ....	47, 49, 51	1001198711.....	199	1001217742.....	137	1001235923 .....	157
1001178532 .....	201	1001199189.....	159	1001217743.....	137	1001236508 .....	157
1001178533 .....	201	1001202618.....	239	1001217744.....	137	1001238848 .....	293
1001178534 .....	201	1001202619.....	239	1001217745.....	113	1001239166 .....	293
1001178535 ....	201, 209, 211	1001207970.....	33	1001217746.....	137	1001241857 .....	125
1001178536 ....	209, 211, 253	1001207973.....	35, 37	1001217747.....	137	1001241858 .....	125
1001178682 ....	241, 243	1001207974.....	39, 41	1001217923.....	113	1001242542 .....	53
1001178683 ....	211, 243	1001209104.....	81	1001217924.....	113	1001242757 .....	53
1001178685 ....	209, 241	1001209256.....	109, 117	1001218595.....	53	1001243185 .....	292
1001179277 ....	133, 135	1001209280.....	117	1001219122.....	17	1001243186 .....	292
1001179287 ....	133, 135	1001211593.....	187	1001219125.....	293	1001243574 .....	292
1001179298 ....	133, 135	1001211895.....	131, 137	1001219353.....	209	1001243598 .....	294
1001179299 ....	133, 135	1001211896.....	131, 137	1001219354.....	211	1001243601 .....	111, 113
1001179332 ....	133, 135	1001212460.....	43	1001219582.....	27	1001244298 ....	277, 279
1001179382 ....	127, 133	1001212700.....	121	1001220668.....	209, 211	1001244301 ....	277, 279
1001179383 .....	133	1001212853.....	129	1001220687.....	294	1001246392 .....	145
1001179384 ....	133, 135	1001212859.....	121, 125	1001221475.....	115, 117	1001246395 .....	145
1001179386 ....	133, 135	1001212860.....	125	1001221476.....	115, 117	1001246747 .....	294
1001179387 ....	133, 135	1001212861.....	125	1001221949.....	223	1001246750 .....	294
1001179389 ....	133, 135	1001212862.....	125	1001221984.....	223	1001247036 .....	293
1001179390 .....	133	1001212864.....	129, 135	1001222914.....	155	1001247037 .....	293
1001179393 .....	133	1001212865.....	135	1001223055.....	269	1001248130 .....	71
1001179427 .....	47	1001212866.....	135	1001223323.....	293	1001248131 .....	73
1001180071 .....	294	1001212867.....	135	1001223971.....	281	1001249707 .....	294
1001180090 .....	65	1001213391.....	149, 151, 153	1001224048.....	283	1001252957 ...	33, 35, 37, 39, 41
1001180313 .....	49	1001213525.....	292	1001224049.....	285	1001252960 .....	33
1001181045 ....	205, 290	1001213660.....	151, 153	1001224050.....	279	1001252961 .....	39, 43
1001181268 .....	269	1001213821.....	155	1001224052.....	273	1001252962 .....	41
1001181269 .....	275	1001213822.....	155	1001226400.....	251	1001253372 .....	294
1001181270 .....	271	1001214029.....	287	1001226419.....	292	1001253627 .....	292
1001181271 .....	281	1001214119.....	151, 153	1001227213.....	41	1001253638 ...	33, 35, 37, 39, 41, 227
1001181272 .....	285	1001214270.....	99, 172	1001227267.....	41	1001253639 ....	35, 37, 45
1001181273 .....	273	1001214310.....	155	1001228370.....	269, 281	1001253641 ...	33, 35, 37, 39, 41, 225
1001181274 .....	279	1001214311.....	151, 153, 155	1001228965.....	287	1001253643 ...	33, 35, 37, 39, 41, 237
1001181275 .....	283	1001214340.....	151, 153	1001229107.....	292	1001253879 .....	292
1001182096 .....	123	1001214347.....	71, 73	1001229441.....	159	1001253948 .....	292
1001182099 .....	123	1001214409.....	149, 151, 153	1001229469.....	159	1001253949 .....	292
1001182100 ....	119, 123	1001215230.....	131	1001229696.....	292	1001253951 .....	65
1001182339 ....	111, 113	1001215237.....	137	1001230753.....	149	1001253952 ...	33, 35, 37, 39, 41
1001183458 .....	292	1001215239.....	109, 113	1001230763.....	294	1001253989 .....	293
1001184947 .....	43, 45	1001215241.....	293	1001230975.....	292	1001254325 .....	292
1001185053 ....	292, 294	1001215243.....	293	1001230979.....	292	1001255596 .....	292
1001185156 .....	43, 45	1001215247.....	63	1001230980.....	293	1001255613 .....	292
1001185306 .....	43, 45	1001215248.....	63	1001230981.....	292	1001255614 .....	292
1001185830 .....	43, 45	1001215326.....	43, 45	1001230982.....	293	1001256660 .....	287
1001186497 .....	43, 45	1001215518.....	293	1001230983.....	293	1001258357 .....	293
1001187101 .....	43, 45	1001215519.....	293	1001230984.....	293	1001258446 .....	153
1001187203 ....	209, 211, 229	1001215870.....	33, 35, 37, 39, 41, 53	1001230987.....	293	1001260888 .....	293
1001187530 .....	43, 45	1001216313.....	269, 271, 273, 275, 277, 279, 281, 283, 285	1001230988.....	292	1001262556 .....	293
1001187585 ....	133, 135	1001216831.....	109	1001230989.....	292	1001262959 .....	292
1001187587 ....	131, 133, 135, 137, 159	1001217118.....	137	1001232895.....	293	1001263426 .....	293
1001187816 .....	199	1001217173.....	137	1001232896.....	293	1001265377 .....	292
1001188116 .....	199	1001217327.....	275	1001232897.....	293	1001265384 .....	292
1001188716 .....	292	1001217666.....	155	1001233237.....	292	1060379 ...	145, 147, 159, 161
1001189171 ....	207, 290	1001217730.....	113	1001233512.....	293	1060689 .....	41
1001189172 ....	207, 290	1001217735.....	137	1001233888.....	83, 85	1060908 .....	205, 207
1001189484 .....	293	1001217736.....	137	1001234398.....	107, 115	1060957 .....	161
1001189762 ....	123, 125, 133, 135			1001234399.....	115, 117		

## SECTION 10 - SPECIAL OPTIONS

1060998.....201	1704412 ... 269, 271, 273, 275, 277, 279, 281, 283, 285	133, 135, 137, 269, 271, 273, 275, 277, 279, 281, 283, 285	3290606 15, 17, 107, 109, 119, 121, 123, 125, 127, 129, 133, 135, 147, 155, 157, 161, 163, 209, 211
1061036.....97, 101	1705052 ..... 31	2080057 ... 269, 271, 273, 275, 277, 279, 281, 283, 285	3290607....33, 37, 39, 41, 57, 79
1120555.....145	1705213 ..... 161	2110404 ..... 13, 179	3290805.....113
1320043.....31	1705214 ..... 161	2400060 ..... 225, 229	3290806....119, 121, 125, 135
1320136.....33, 39, 41, 49	1705304 ..... 293	2420172 ..... 65	3290807....119, 121, 127, 129
1320224.....79, 161	1705305 ..... 161	2540042 ..... 249	3291001.....119, 121
1320318....107, 109, 209, 211	1705648 ..... 287	2540045 ..... 107, 109	3291005 29, 97, 101, 107, 109, 115, 117, 127, 129, 131, 137, 209, 211
1321293....35, 37, 47, 53	1705666 ..... 287	2560088 ..... 125, 135	3291006....131, 133, 135, 137, 151, 153
1321716.....209, 211	1705670 ... 271, 275, 277	2560179 ..... 139	3291007.....99, 103
1380132.....125, 135	1705671 ... 271, 275, 277	2560190 ..... 125, 135	3300048.....161
1380153.....13	1705673 ... 271, 275, 277	2600281 ... 119, 121, 127, 129, 131	3300423.....23
1380156.....139	1705676 ..... 139	2700100 ..... 145	3300473.....139
1380158....107, 109, 209, 211	1705679 ... 269, 279, 281, 283, 285	2755056 ..... 13	3311505.....159
1580023.....145	1705680 ... 269, 279, 281, 283, 285	2780266 ..... 15, 17, 23	3321005.....65
1580024.....145	1705681 ... 269, 279, 281, 283, 285	2792599 ..... 182	3321402.....97, 101
1600387.....107, 109	1705686 ..... 269	2820026 ... 241, 243, 251	3340612....123, 125, 133, 135, 137
1600402....139, 141, 290	1705692 ... 269, 271, 273, 275, 277, 279, 281, 283, 285	2820028 ... 241, 243, 251	3340962.....99, 103
1600439.....139, 290	1705693 ... 269, 271, 273, 275, 277, 279, 281, 283, 285	2820029 ..... 229	3340964.....97, 101
1671098.....139	1705694 ... 269, 279, 281, 283, 285	2820239 ..... 31	3340965.....107
1671105.....65	1705695 ... 269, 279, 281, 283, 285	2820240 ..... 31	3340968.....139
1671202....67, 71, 75, 81, 87	1705698 ..... 65	2860030 ..... 65, 290	3380475.....139
1671203.....87, 89	1705717 ..... 281	2902267 ... 269, 271, 273, 275, 277, 279, 281, 283, 285	3421453.....147, 161
1671204....69, 73, 77, 79, 89	1705718 ..... 281	2902331 ..... 93	3421854.....159
1671207 .....255	1705719 ..... 273, 285	2902334 ..... 161	3422219.....145, 147
1671266.....31	1705720 ..... 285	2902386 ..... 147	3422938.....107, 109
1701499....269, 271, 273, 275, 277, 279, 281, 283, 285	1705721 ..... 273	2902431 ..... 185, 255	3423031.....99, 103
1701509....269, 271, 273, 275, 277, 279, 281, 283, 285	1705722 ..... 273	2902455 ..... 99, 103	3423032.....99, 103
1702010.....157	1705723 ..... 281	2902522 ..... 269	3423037.....13
1702155....269, 271, 273, 275, 277, 279, 281, 283, 285	1705724 ..... 273, 285	2902523 ... 271, 275, 277	3423038.....99, 103
1702773.....287	1705725 ..... 273, 285	2902524 ..... 281	3423042.....99, 103
1703464.....185, 189	1705726 ..... 273	2902525 ..... 285	3423045.....29
1703811 ....269, 271, 273, 275, 277, 279, 281, 283, 285	1705727 ..... 273	2902526 ..... 273	3423189.....29
1703813.....269	1705727 ..... 273	2902528 ..... 279	3423239.....97, 101
1703814....269, 271, 273, 275, 277, 279, 281, 283, 285	1705754 .... 89, 161, 269, 271, 273, 279, 281, 283, 285, 287	2902532 ..... 283	3423267.....29
1703819....139, 269, 271, 273, 275, 277, 279, 281, 283, 285	1705781 ... 275, 277, 287	2902541 ... 189, 191, 193, 205	3423278.....133, 135
1703822....269, 271, 273, 275, 277, 279, 281, 283, 285	1705894 ..... 273	2915012 ..... 25	3450406.....23
1703834.....273	1705943 ..... 279	2915042 ..... 293	3460334.....145
1704016....269, 271, 273, 275, 277, 279, 281, 283, 285	1705944 ..... 279	2920026 ..... 65	3520072....119, 121, 127, 129, 131, 147
1704277....269, 271, 273, 275, 277, 279, 281, 283, 285	1705945 ..... 279	2920094 ..... 65	3574159.....99, 103
1704339.....285	1705946 ..... 279	2920161 ..... 55	3574176.....29
1704340.....281	1705953 ..... 161	2940174 ..... 87	3574505.....157
1704341 .....273	1705953 ..... 161	2940175 ..... 89, 293	3574981....67, 69, 71, 73, 75, 77, 79, 81
1704344.....279	1705997 ..... 145	3010158 ..... 29	3574984....67, 69, 71, 73, 75, 77, 79, 81
	1705997 ..... 145	3080007 ... 119, 121, 127, 129, 131	3575794.....143
	1706052 ..... 283	3125053 ..... 294	3576093.....99, 103
	1706053 ..... 283	3200454 ..... 97, 101	3576645.....123, 125
	1706056 ..... 283	3200456 ..... 109	3641604.....123
	1706057 ..... 283	3252098 ..... 281	3641605.....123
	1706350 ..... 87, 89	3252507 ... 187, 191, 193, 195, 197, 199	3641606.....123, 125
	1706679 ..... 91	3290405 ... 29, 43, 45, 55, 143, 185, 187, 189, 191, 193, 195, 197, 199	3730119.....251
	1706749 ..... 31	3290505 ..... 41, 43, 45	3740150.....15, 17
	1706765 ..... 292	3290605 ... 29, 53, 67, 69, 71, 73, 75, 77, 79, 81, 189, 191, 209, 211	3760115.....29, 99, 103
	1706922 ..... 293		
	1707022 ..... 283		
	2030010 ..... 163		
	2080040 ... 119, 121, 123, 125, 127, 129, 131,		

## SECTION 10 - SPECIAL OPTIONS

3760170 ..... 99, 103, 145, 147, 159, 161	4240165 ..... 157	4460754 ..... 251	4751500 ..... 159
3760348 ..... 29	4240172 ..... 79	4460761 ..... 229	4811400 43, 45, 143, 189, 191, 199
3760463 ..... 15, 17	4340853 ..... 145	4460778 ..... 253	4811600 ... 43, 45, 83, 85, 91
3820019 ..... 125, 135	4340854 ..... 145	4460836 ..... 245	4811700 ... 15, 17, 29, 31, 35, 47, 49, 53, 55, 67, 69, 71, 73, 75, 77, 79, 81, 157, 163, 189, 191, 193, 195, 197
3820032 ..... 83, 85	4340931 ..... 107	4460868 ..... 247	4811702 ... 33, 37, 39, 41, 209, 211
3841143 ..... 99, 103	4340938 ..... 161	4460871 ..... 225, 229	4811900 ... 113, 119, 121, 127, 129
3841675 ..... 147	4340946 ..... 147	4460872 ..... 225	4811902 ... 119, 121, 127, 129
3841716 ... 119, 121, 127, 129	4340947 ..... 147	4460873 ..... 229	4812000 . 13, 29, 99, 103, 107, 109, 119, 121, 127, 129, 131, 133, 135, 137, 151, 153, 209, 211
3860111 ... 123, 125, 133, 135	4360069 ..... 65, 290	4460877 ..... 247	4812002 ..... 115, 117
3900190 ..... 115, 117	4360155 ..... 161	4460884 ... 149, 151, 153, 225, 229, 239	4831600 ..... 41
3900333 ..... 139	4360328 ..... 65, 290	4460891 15, 17, 151, 153, 225, 229, 231, 233	4831700 ..... 15, 17, 41
3900336 ..... 65	4360345 ..... 149, 151	4460894 ..... 229, 231	4846723 ... 123, 125, 133, 135, 137
3900339 ..... 65	4360387 ..... 91, 290	4460897 ..... 225, 229	4846757 ..... 13
3900345 ..... 125, 135	4360469 ..... 65, 290	4460899 ..... 51, 229	4846775 ..... 29
3900351 ..... 29, 209, 211	4360475 ..... 65, 139, 290	4460905 ..... 225, 229	4846861 ..... 29
3900355 ..... 145	4360538 ..... 139, 290	4460930 ... 237, 241, 243, 245	4922870 ..... 139, 249
3900381 ..... 41	4360613 ..... 203, 290	4460931 ... 229, 237, 245, 251	4922944 ..... 93, 203
3931412 ..... 65, 145	4420037 ..... 157	4460932 ... 149, 151, 153, 225	4923048 ..... 161
3931508 ..... 145	4420051 ..... 287	4460933 ..... 237, 245	4923049 ..... 163
3951608 ..... 93	4420062 ..... 147, 159	4460942 ..... 229	4923228 ... 107, 109, 245
3990001 ..... 225	4420070 ..... 97, 101	4460943 ... 229, 237, 239, 241, 243, 245, 251	4923367 ..... 201
4010405 ..... 199	4420080 ..... 57	4460944 ... 225, 237, 239, 241, 243, 245, 251	4923374 ..... 201
4010408 43, 45, 185, 187, 189, 191, 193, 195, 197	4460007 ..... 43, 45	4460956 ..... 205	4923390 ..... 31
4010412 ..... 43, 45	4460019 ..... 227	4460957 ..... 205	4923391 ..... 31
4010608 ... 161, 163, 195, 197	4460115 ..... 239	4460968 ..... 43, 45, 199	4923392 ..... 31
4010612 ..... 189, 191	4460138 ..... 185	4460975 ..... 227	4923393 ..... 31
4010614 ..... 161	4460183 ..... 239	4460986 ..... 229	4923414 ..... 79
4010616 ... 119, 121, 127, 129, 133, 135, 209, 211	4460226 ... 151, 153, 229, 247	4461002 ..... 203	4923602 ..... 15, 17, 235
4010618 ... 119, 121, 123, 125, 133, 135, 163	4460227 ... 51, 151, 153, 225, 229	4461016 ..... 249	5241000 ..... 115, 117
4031508 ..... 43, 45	4460259 ..... 229, 239	4461057 ..... 249	70000082 ..... 141
4031511 ... 149, 151, 153	4460260 ..... 229, 239	4461057 ..... 249	70000084 ..... 141
4031512 ..... 29	4460265 ..... 249	4461196 ..... 213, 257	70000191 ..... 20
4031607 ..... 91	4460267 ..... 249	4461198 ..... 257	70000683 ..... 141
4031708 ..... 53	4460268 ..... 65, 239	4461199 ..... 215, 259	70000684 ..... 141
4060805 ..... 209, 211	4460315 ..... 185	4461201 ..... 259	70000685 ..... 141
4060865 ..... 55	4460320 ... 151, 153, 229	4461205 ... 219, 221, 263, 265	70000686 ..... 141
4060906 ... 149, 151, 153	4460321 ..... 65, 247	4461244 ..... 265	70000790 ..... 20
4160078 ..... 97, 101	4460328 ..... 161	4461245 ..... 263	70000792 ..... 20
4160202 ..... 29	4460346 ..... 255	4461246 ..... 261	70001250 ..... 141
4160203 ..... 139	4460374 ..... 229	4461249 ..... 217, 261	70001251 ..... 141
4191306 ..... 139	4460418 ... 149, 151, 153, 239	4461257 ..... 189, 191	70001252 ..... 141
4191407 ..... 139	4460419 ... 149, 151, 153	4461258 ..... 189, 191	70001253 ..... 141
4191409 ..... 139	4460424 ... 51, 151, 153, 225	4461260 ..... 235	70001263 ..... 21
4191706 ... 31, 47, 49, 61, 63, 97, 101, 147, 189, 191, 193, 197	4460464 . 51, 61, 63, 149, 151, 153, 225, 229, 237, 239, 245, 249, 251	4461261 ..... 233	70001265 ..... 21
4191707 ... 53, 55, 67, 69, 71, 73, 75, 77, 79, 81, 107, 109, 195	4460465 ... 149, 151, 153, 225, 229, 231, 233, 237, 241, 243, 245, 251	4461261 ..... 161	70001442 ..... 233
4191708 ..... 15, 17	4460466 ... 149, 151, 153, 229, 239, 241, 243, 245, 249, 251	4530021 ..... 139	70001443 ..... 233
4191709 ..... 15, 17, 35	4460493 ..... 251	4569305 ..... 123, 125	70001739 ..... 20
4220227 ..... 147	4460496 ..... 249	4711400 ..... 145, 147	70001878 ..... 97, 101
4220252 ..... 83, 85	4460497 ..... 249	4740086 ..... 29	70001949 ..... 20
4220253 ..... 83, 85	4460508 ..... 235	4740446 ..... 111, 113	70003028 .. 168, 172, 176
4220287 ..... 29	4460509 ..... 233	4740468 ..... 23	70003650 ..... 141
4240003 ... 145, 147, 203	4460536 ..... 61, 63	4740480 ..... 145	70003663 .. 168, 172, 176
4240017 ..... 43, 45	4460539 ..... 229	4740524 ..... 15, 17	
4240033 ..... 41, 107, 109	4460648 ..... 229	4740531 ..... 99, 103	
4240147 ..... 15, 17	4460662 ... 187, 193, 195, 197, 255	4740545 ..... 209, 211	
		4740562 ..... 31	
		4740564 ..... 15, 17	
		4750800 ..... 55, 87, 89	
		4751000 ..... 65	
		4751400 ..... 15, 17, 57	

## SECTION 10 - SPECIAL OPTIONS

70003707..168, 172, 176, 290	70004915.. 168, 172, 176	70004974 .. 168, 172, 176	7024757.....20
70004237... 168, 172, 176	70004916.. 168, 172, 176	70004975 .. 168, 172, 176	7024758.....21
70004239.....179	70004917 .. 168, 172, 176	70005233 .. 168, 172, 176	7024771.....21
70004241.....179	70004921 .. 169, 173, 177	70005234 .. 168, 172, 176	7024772.....21
70004244.....179	70004925 .. 168, 172, 176	70005235 .. 168, 172, 176	7024773.....21
70004245.....179	70004926 .. 168, 172, 176	70005236 .. 168, 172, 177	7024785.....20
70004585... 168, 172, 176	70004927 .. 168, 172, 176	70005237 .. 169, 173, 177	7024786.....20
70004620..... 168, 176	70004928 . 168, 172, 176, 290	70005238 .. 169, 173, 177	7027303.....161
70004621... 168, 172, 176	70004932 .. 168, 172, 176	70005975 ..... 172	7027365.....141
70004622... 168, 172, 176	70004934.. 168, 172, 176	70006426 ..... 20	7027367.....141
70004623... 168, 172, 176	70004935.. 168, 172, 176	7020175 ..... 65, 139	7027765.....141
70004624... 168, 172, 176	70004936.. 168, 172, 176	7020176 ..... 65, 139	7027766.....141
70004625... 168, 172, 176	70004938 .. 168, 172, 176	7020218 ..... 97, 101	7027863.....89
70004626... 168, 172, 176	70004938 .. 168, 172, 176	7024747 ..... 21	7028909.....155
70004627..... 168, 176	70004970.. 168, 172, 176	7024748 ..... 21	77363228.....155
70004654... 169, 173, 177	70004971 .. 169, 173, 177	7024749 ..... 21	80325.....147
70004914... 168, 172, 176	70004972 .. 169, 173, 177	7024750 ..... 21	8229242.....229
	70004973.. 168, 172, 176	7024756 ..... 21	





**Corporate Office  
JLG Industries, Inc.  
1 JLG Drive  
McConnellsburg, PA 17233-9533 USA  
☎ (717) 485-5161 (Corporate)  
☎ (877) 554-5438 (Customer Support)  
📠 (717) 485-6417**

**Visit our website for JLG Worldwide Locations.  
[www.jlg.com](http://www.jlg.com)**



**OSHKOSH™**