



# Illustrated Parts Manual

*Models*  
**2032ES**  
**2632ES**

PVC  
1910  
2004

P/N  
31215076  
March 15, 2021 - Rev D

**ANSI**

**CE**



**AS/NZS**



An Oshkosh Corporation Company



## **REVISION LOG**

### REVISION LOG:

November 1, 2019 - A - Original Issue Of Manual (Edit to B/M 1001249611 Revision C)

March 15, 2020 - B - Revised Manual (Edited to B/M 1001249611 Revision D and 1001215518 Revision K)

September 18, 2020 - C - Revised Manual (Edited to B/M 1001249611 Revision E and 1001215518 Revision M)

March 15, 2021 - D - Revised Manual (Edited to B/M 1001249611 Revision E and 1001215518 Revision M)

# GENERAL INFORMATION



## 1) MACHINE IDENTIFICATION

Machines are identified by model and in some cases a combination of models, serial number (SN) or regional standard (i.e ANSI, CE, CSA). Components may also be identified by SN or manufacturer. Common components that may be identified by these characteristics are engines and hydraulic components.

## 2) PARTS MANUAL ORGANIZATION

Product information in this manual is organized under section titles. Frame, Cylinder, Hydraulic and Electrical are a few examples. Each section is organized by figure and page number. The information within the Figure is then organized by item number, part number, description and corresponding illustration (s).

## 3) TABLE OF CONTENTS (NOT SHOWN)

A table of contents is found toward the beginning of the manual. Figure number, description and page number are provided for quick reference to the page containing the related information.

## 4) RECOMMENDED SPARE PARTS (NOT SHOWN)

The Recommended Spare Parts List, located near the end of the manual, reference most frequently used maintenance parts.

## 5) PART NUMBER INDEX (NOT SHOWN)

A numerical index listing all part numbers and the corresponding page number(s) appears at the back of the manual.

# GENERAL INFORMATION

## 6) NON-SERVICED PARTS

In some instances, it is necessary to display non-serviced parts, assemblies or installations. In the case of assemblies and installations there will be a Ref in the Qty. column. In case of parts that are not available for service within assemblies or components, there will be a NSS (Not Sold Separately) or NLA (No Longer Available) listed in the Qty. column of the manual.

## 7) PARTS LIST ITEM NUMBERS

Numbers shown in the item# column correspond to numbers used in the associated illustration (s). Item numbers which are missing from the sequence in the parts list are not used on that page.

## 8) INDENTED PARTS DESCRIPTION

An indented part description is included in the item under which it is indented.

## 9) ABBREVIATION AND SYMBOLS

AC.....	Alternating Current	L.....	Liter
ADE.....	Advanced Design Electronics	LB(LBS).....	Pounds
AG.....	Agricultural	LCD.....	Liquid Crystal Display
ANSI.....	American National Standards Institute	LED.....	Light Emitting Diodes
AR.....	As Required	LH.....	Left Hand
ASSY.....	Assembly	LRC.....	Low Rated Countries
AUS.....	Australia	LSS.....	Load Sensing System
AUX.....	Auxiliary	M(m).....	Metric/Meter
AWG.....	American Wire Gauge	MM(mm).....	Milimeter
B/M.....	Bill of Material	mA.....	Miliamps
CAC.....	Charge Air Cooler	NLA.....	No Longer Available
CE.....	European Conformity	NPT.....	National Pipe Threads
CCW.....	Counter Clockwise	NSS.....	Not Sold Separately
CM.....	Centimeter	OD.....	Outside Diameter
CW.....	Clockwise	ORB.....	O-Ring Boss
CSA.....	Canadian Standards Association	ORFS.....	O-Ring Face Seal
CYL.....	Cylinder	OZ (oz).....	Ounces
DIA.....	Diameter	PG.....	Page
DC.....	Direct Current	PN.....	Part Number
DEF.....	Diesel Exhaust Fluid	QT(qt.).....	Quarts
EMS.....	Emergency Stop	QTY.....	Quantity
ENG.....	Engine	REF.....	Reference
FT(ft).....	Feet	REV.....	Revision Level
GA(Ga).....	Gauge	RH.....	Right Hand
HRC.....	High Rated Countries	SAE.....	Society of Automotive Engineers
HVAC.....	Heating, Ventilating, and Air Conditioning	SN.....	Serial Number
HYD.....	Hydraulic	SPEC(S).....	Specifications
Hz.....	Hertz	T/T.....	Turntable
ID.....	Inside Diameter	UGM.....	Universal Ground Module
IN.....	inches	V.....	Volts
ISO.....	International Organization for Standards	W.....	Watts
JIC.....	Joint Industry Council	#.....	Number
KG.....	Kilogram		

## 10) ILLUSTRATION REFERENCE LETTERS

When necessary, illustrations may contain reference letters that are intended to track information (i. e. hoses, harnesses) from one point to another or to track visual enlargement of components to show details that may be located in another area on the illustration.

*Note: Due to continuous product improvements, JLG Industries, Inc. reserves the right to make specification changes without prior notification. Contact JLG Industries, Inc. for updated information.*



# TABLE OF CONTENTS

SECTION 1 - FRAME.....	13
FIGURE 1-1. STEERING INSTALLATION (MEXICO BUILT MACHINES).....	14
FIGURE 1-2. STEERING INSTALLATION (BELGIUM AND CHINA BUILT MACHINES) .....	16
FIGURE 1-3. DRIVE HUB AND MODULE INSTALLATION .....	18
FIGURE 1-4. DRIVE HUB AND MODULE INSTALLATION (BELGIUM BUILT MACHINES ONLY) .....	20
FIGURE 1-5. DRIVE MOTOR/HUB ASSEMBLY .....	22
FIGURE 1-6. HUB ASSEMBLY - REAR .....	26
FIGURE 1-7. TIRE AND WHEEL ASSEMBLY .....	28
FIGURE 1-8. POTHOLE PROTECTION INSTALLATION - NON-UL .....	30
FIGURE 1-9. POTHOLE PROTECTION INSTALLATION - UL .....	32
FIGURE 1-10. BATTERY CHARGER INSTALLATION - DELTA-Q WITH 110V PLUG (ANSI, ANSI EXPORT, CSA, JAPANESE, KOREA AND UL SPECS).....	34
FIGURE 1-11. BATTERY CHARGER INSTALLATION – DELTA-Q WITH CHINESE PLUG (ANSI EXPORT, CHINESE AND KOREA SPECS) (PVC 1910) .....	36
FIGURE 1-12. BATTERY CHARGER INSTALLATION – DELTA-Q WITH CHINESE PLUG (ANSI EXPORT, CHINESE AND KOREA SPECS) (PVC 2004) .....	38
FIGURE 1-13. BATTERY CHARGER INSTALLATION - DELTA-Q WITH LOCALLY SUPPLIED PLUG (ANSI, ANSI EXPORT, CSA, CE AND KOREA SPECS) .....	40
FIGURE 1-14. BATTERY CHARGER INSTALLATION - DELTA-Q WITH LOCALLY SUPPLIED PLUG (AUSTRALIAN SPEC) ..	42
FIGURE 1-15. BATTERY CHARGER INSTALLATION - DELTA-Q WITH VOLTAGE GUARD (LOCALLY SUPPLIED PLUG) (ANSI EXPORT AND KOREA SPECS) .....	44
FIGURE 1-16. BATTERY CHARGER INSTALLATION - DELTA-Q WITH VOLTAGE GUARD AND CHINESE PLUG (ANSI EXPORT AND KOREA SPECS).....	46
FIGURE 1-17. BATTERY CHARGER INSTALLATION WITH 110V PLUG AND EAGLE PERFORMANCE CHARGER (ANSI AND CSA SPECS).....	48
FIGURE 1-18. BATTERY CHARGER INSTALLATION WITH LOCALLY SUPPLIED PLUG AND EAGLE PERFORMANCE CHARGER (ANSI AND CSA SPECS) .....	50
FIGURE 1-19. BATTERY CHARGER ASSEMBLY - EAGLE PERFORMANCE .....	52
FIGURE 1-20. CHARGER (INVERTER) INSTALLATION (ANSI, ANSI EXPORT, CSA SPECS) .....	54
FIGURE 1-21. BATTERY CHARGER INSTALLATION - GREEN POWER (CHINESE PLUG) (CHINESE SPECS).....	56
FIGURE 1-22. BATTERY CHARGER INSTALLATION - GREEN POWER (LOCALLY SUPPLIED PLUG) (KOREA SPECS) .....	58
FIGURE 1-23. BATTERY CHARGER INSTALLATION - GREEN POWER (110V PLUG) (JAPANESE SPECS) .....	60
FIGURE 1-24. BEACON (AMBER) LIGHT INSTALLATION (OPTIONAL) .....	62
FIGURE 1-25. LADDER INSTALLATION - 2032ES .....	64
FIGURE 1-26. LADDER INSTALLATION - 2632ES .....	66
SECTION 2 - GROUND COMPONENTS.....	69
FIGURE 2-1. GROUND CONTROL BOX/ALARM INSTALLATION - LSS (CHINA BUILT MACHINES) .....	70
FIGURE 2-2. GROUND CONTROL BOX/ALARM INSTALLATION - LSS (BELGIUM BUILT MACHINES) .....	72
FIGURE 2-3. GROUND CONTROL BOX ASSEMBLY - LSS .....	74
FIGURE 2-4. BATTERIES INSTALLATION - AGM AND EVG TYPE - 225 AH RATING (NON-LOCKING COVERS).....	76
FIGURE 2-5. BATTERIES INSTALLATION - AGM AND EVG TYPE - 225 AH RATING (NON-UL LOCKING COVERS) .....	78
FIGURE 2-6. BATTERIES INSTALLATION - AGM AND EVG TYPE - 225 AH RATING (UL LOCKING COVERS) .....	80
FIGURE 2-7. BATTERIES INSTALLATION - AGM VISION AND EVG TYPE - 220 AH RATING (NON-LOCKING COVERS).....	82
FIGURE 2-8. BATTERIES INSTALLATION - AGM VISION AND EVG TYPE - 220 AH RATING (NON-UL LOCKING COVERS) ..	84
FIGURE 2-9. BATTERIES INSTALLATION - EV TYPE - 244 AH RATING (NON-LOCKING COVERS) .....	86
FIGURE 2-10. BATTERIES INSTALLATION - EV TYPE - 244 AH RATING (NON-UL LOCKING COVERS).....	88

# TABLE OF CONTENTS

FIGURE 2-11. BATTERIES INSTALLATION - EV TYPE - 244 AH RATING (UL LOCKING COVERS) .....	90
FIGURE 2-12. BATTERIES INSTALLATION - GC TYPE - 225 AH RATING (NON-LOCKING COVERS) .....	92
FIGURE 2-13. BATTERIES INSTALLATION - GC TYPE - 225 AH RATING (NON-UL LOCKING COVERS).....	94
FIGURE 2-14. BATTERIES INSTALLATION - GC TYPE - 225 AH RATING (UL LOCKING COVERS).....	96
FIGURE 2-15. BATTERIES INSTALLATION - 220 AH RATING WITHOUT BATTERIES (NON LOCKING COVERS).....	98
FIGURE 2-16. BATTERY TRAY ASSEMBLY - NON-UL .....	100
FIGURE 2-17. BATTERY TRAY ASSEMBLY - UL .....	102
FIGURE 2-18. BATTERY COVER ASSEMBLY - NON-LOCKING.....	104
FIGURE 2-19. BATTERY COVER ASSEMBLY - LOCKING.....	106
FIGURE 2-20. BRAKE DISCONNECT AND MDI (MULTIFUNCTION DIGITAL INDICATOR) GAUGE INSTALLATION .....	108
FIGURE 2-21. BRAKE CABLE INSTALLATION (OPTIONAL).....	110
SECTION 3 - SCISSORS ARMS.....	113
FIGURE 3-1. SCISSORS ARMS INSTALLATION - 2032ES STANDARD HYDRAULIC OIL (BELGIUM AND CHINA BUILT MACHINES).....	114
FIGURE 3-2. SCISSORS ARMS ASSEMBLY - 2032ES STANDARD HYDRAULIC OIL (BELGIUM AND CHINA BUILT MACHINES).....	116
FIGURE 3-3. SCISSORS ARMS INSTALLATION - 2032ES BIODEGRADABLE HYDRAULIC OIL (CHINA BUILT MACHINES) .....	118
FIGURE 3-4. SCISSORS ARMS ASSEMBLY - 2032ES BIODEGRADABLE HYDRAULIC OIL (CHINA BUILT MACHINES)...	120
FIGURE 3-5. SCISSORS ARMS INSTALLATION - 2632ES STANDARD HYDRAULIC OIL (BELGIUM, CHINA AND MEXICO BUILT MACHINES).....	122
FIGURE 3-6. SCISSORS ARMS ASSEMBLY - 2632ES STANDARD HYDRAULIC OIL (BELGIUM, CHINA AND MEXICO BUILT MACHINES).....	124
FIGURE 3-7. SCISSORS ARMS INSTALLATION - 2632ES BIODEGRADABLE HYDRAULIC OIL (MEXICO BUILT MACHINES) .....	128
FIGURE 3-8. SCISSORS ARMS ASSEMBLY - 2632ES BIODEGRADABLE HYDRAULIC OIL (MEXICO BUILT MACHINES).....	130
FIGURE 3-9. SCISSORS ARMS INSTALLATION - 2632ES BIODEGRADABLE HYDRAULIC OIL (CHINA BUILT MACHINES) .....	134
FIGURE 3-10. SCISSORS ARMS ASSEMBLY - 2632ES BIODEGRADABLE HYDRAULIC OIL (CHINA BUILT MACHINES).....	136
SECTION 4 - PLATFORM.....	139
FIGURE 4-1. PLATFORM INSTALLATION - WITH INSIDE EXTENSION RAILS AND WITH LSS.....	140
FIGURE 4-2. PLATFORM INSTALLATION - WITH OUTSIDE EXTENSION RAILS AND WITH LSS .....	142
FIGURE 4-3. PLATFORM AND EXTENSION ASSEMBLY - WITH INSIDE EXTENSION RAILS .....	144
FIGURE 4-4. PLATFORM AND EXTENSION ASSEMBLY - WITH OUTSIDE EXTENSION RAILS .....	146
FIGURE 4-5. LATCH ASSEMBLY - WITH INSIDE EXTENSION RAILS .....	148
FIGURE 4-6. LATCH ASSEMBLY - WITH INSIDE EXTENSION RAILS .....	150
FIGURE 4-7. LATCH ASSEMBLY - WITH OUTSIDE EXTENSION RAILS .....	152
FIGURE 4-8. RAILS INSTALLATION - WITH INSIDE EXTENSION RAILS AND SELF CLOSING GATE .....	154
FIGURE 4-9. RAILS INSTALLATION - WITH INSIDE EXTENSION RAILS, HANDLE AND SELF CLOSING GATE .....	156
FIGURE 4-10. RAILS INSTALLATION - WITH OUTSIDE EXTENSION RAILS AND SELF CLOSING GATE .....	158
FIGURE 4-11. RAIL KIT - WITH INSIDE EXTENSION RAILS AND SELF CLOSING GATE.....	160
FIGURE 4-12. RAIL KIT - WITH INSIDE EXTENSION RAILS, HANDLE AND SELF CLOSING GATE .....	162
FIGURE 4-13. RAIL KIT - WITH OUTSIDE EXTENSION RAILS AND SELF CLOSING GATE.....	164
FIGURE 4-14. PLATFORM CONSOLE ASSEMBLY .....	166
FIGURE 4-15. DRIVE/STEER CONTROLLER ASSEMBLY .....	168
FIGURE 4-16. PLATFORM CONSOLE HANGER INSTALLATION (OPTIONAL) .....	170



# TABLE OF CONTENTS

FIGURE 4-17. WORKSTATION WITHOUT DC CONVERTER INSTALLATION - 2032ES/2632ES .....	172
FIGURE 4-18. ELECTRICIAN'S TREE INSTALLATION .....	174
FIGURE 4-19. LOW HEIGHT DRIVE CUTOUT - 2032ES (JAPANESE SPECS ONLY) .....	176
FIGURE 4-20. LOW HEIGHT DRIVE CUTOUT - 2632ES (JAPANESE SPECS ONLY) .....	178
FIGURE 4-21. OVERHEAD PROTECTION AND LOW HEIGHT DRIVE CUTOUT - 2032ES (KOREAN SPECS ONLY) (PVC 1910) .....	180
FIGURE 4-22. OVERHEAD PROTECTION AND LOW HEIGHT DRIVE CUTOUT - 2032ES (KOREAN SPECS ONLY) (PVC 2004) .....	182
FIGURE 4-23. OVERHEAD PROTECTION AND LOW HEIGHT DRIVE CUTOUT - 2632ES (KOREAN SPECS ONLY) (PVC 1910) .....	184
FIGURE 4-24. OVERHEAD PROTECTION AND LOW HEIGHT DRIVE CUTOUT - 2632ES (KOREAN SPECS ONLY) (PVC 2004) .....	186
FIGURE 4-25. OVERHEAD SWITCH KIT (FRONT/REAR).....	188
FIGURE 4-26. PANEL INSTALLATION (ANSI, ANSI EXPORT, CSA AND KOREA SPECS).....	190
FIGURE 4-27. PANEL INSTALLATION (AUSTRALIAN, CE, CHINA AND JAPANESES SPECS) .....	192
FIGURE 4-28. PIPE RACKS INSTALLATION (FACTORY INSTALLED) .....	194
FIGURE 4-29. PIPE RACK INSTALLATION (FACTORY INSTALLED).....	196
FIGURE 4-30. QUIK WELDER INSTALLATION (2032ES) .....	198
FIGURE 4-31. QUIK WELDER INSTALLATION (2632ES) .....	200
FIGURE 4-32. QUIK WELDER READY INSTALLATION (2032ES) .....	202
FIGURE 4-33. QUIK WELDER READY INSTALLATION (2632ES) .....	204
SECTION 5 - CYLINDER.....	207
FIGURE 5-1. LIFT CYLINDER ASSEMBLY - 2032ES WITH STANDARD HYDRAULIC OIL (SH-PAC) .....	208
FIGURE 5-2. LIFT CYLINDER ASSEMBLY - 2032ES WITH BIODEGRADABLE HYDRAULIC OIL (SH-PAC) .....	212
FIGURE 5-3. LIFT CYLINDER ASSEMBLY - 2632ES WITH STANDARD HYDRAULIC OIL (SH-PAC) .....	216
FIGURE 5-4. LIFT CYLINDER ASSEMBLY - 2632ES WITH BIODEGRADABLE HYDRAULIC OIL (SERTA).....	220
FIGURE 5-5. LIFT CYLINDER ASSEMBLY - 2632ES WITH BIODEGRADABLE HYDRAULIC OIL (SH-PAC) .....	224
FIGURE 5-6. STEER CYLINDER ASSEMBLY (SERTA) .....	228
FIGURE 5-7. STEER CYLINDER ASSEMBLY (SH-PAC).....	230
SECTION 6 - HYDRAULIC .....	233
FIGURE 6-1. HYDRAULIC DIAGRAM LIST .....	234
SECTION 7 - ELECTRICAL .....	235
FIGURE 7-1. AC BOX AT PLATFORM INSTALLATION - 110V GFI.....	236
FIGURE 7-2. AC BOX AT PLATFORM INSTALLATION - 220V CEE7 SIDE GRD (ANSI EXPORT AND KOREA SPECS) .....	238
FIGURE 7-3. AC BOX AT PLATFORM INSTALLATION - 110V IEC YELLOW (CE SPEC ONLY) .....	240
FIGURE 7-4. AC BOX AT PLATFORM INSTALLATION - 220V IEC BLUE (CE SPEC ONLY) .....	242
FIGURE 7-5. AC BOX AT PLATFORM INSTALLATION - 220V AFSINT107 (CE SPEC ONLY) .....	244
FIGURE 7-6. AC BOX AT PLATFORM INSTALLATION - 220V CEE7 SIDE GRD (ANSI EXPORT, CE, CHINA AND KOREA SPECS) .....	246
FIGURE 7-7. AC BOX AT PLATFORM INSTALLATION - 220V CEE7 POST GRD (CE SPEC ONLY).....	248
FIGURE 7-8. AC BOX AT PLATFORM INSTALLATION - 220V (ANSI EXPORT, CHINA AND KOREA SPECS).....	250
FIGURE 7-9. BATTERY CABLE KIT .....	252
FIGURE 7-10. BRAKE DISCONNECT HARNESS.....	254
FIGURE 7-11. BREAKER BOX KIT WITH TWO BREAKERS (CE SPEC ONLY) .....	256
FIGURE 7-12. BREAKER BOX KIT WITH THREE BREAKERS .....	258

# TABLE OF CONTENTS

FIGURE 7-13. CABLES INSTALLATION - 2032ES (ANSI AND CSA SPECS) (CHINA BUILT MACHINES) .....	260
FIGURE 7-14. CABLES INSTALLATION - 2032ES (ALL SPECS EXCEPT ANSI, CSA ANS UL SPECS) (BELGIUM AND CHINA BUILT MACHINES) .....	262
FIGURE 7-15. CABLES INSTALLATION - 2632ES (ANSI, CSA AND UL SPECS) (CHINA AND MEXICO BUILT MACHINES) .....	264
FIGURE 7-16. CABLES INSTALLATION - 2632ES (ALL SPECS EXCEPT ANSI, CSA AND UL SPECS) (BELGIUM, CHINA AND MEXICO BUILT MACHINES) .....	266
FIGURE 7-17. CHARGER CORD PLUG INSTALLATION - 110V IEC YELLOW (CE SPEC ONLY) .....	268
FIGURE 7-18. CHARGER CORD PLUG INSTALLATION - 220V IEC BLUE (CE SPEC) .....	270
FIGURE 7-19. CHARGER CORD PLUG INSTALLATION - 220V AFSINT 107 (CE SPEC) .....	272
FIGURE 7-20. CHARGER CORD PLUG INSTALLATION - 220V CEE7 SIDE GROUND (ANSI EXPORT, CE, CHINA AND KOREA SPECS) .....	274
FIGURE 7-21. CHARGER CORD PLUG INSTALLATION - 220V POST GROUND (CE SPEC) .....	276
FIGURE 7-22. CHARGER CORD PLUG INSTALLATION (KOREA SPEC) .....	278
FIGURE 7-23. CHARGER HARNESS TO CHASSIS HARNESS .....	280
FIGURE 7-24. CHARGER HARNESS TO BATTERY .....	282
FIGURE 7-25. CHASSIS HARNESS .....	284
FIGURE 7-26. CYLINDER HARNESS .....	286
FIGURE 7-27. DRIVE CABLE ASSEMBLY .....	288
FIGURE 7-28. DRIVE FIELD CONNECTION HARNESS .....	290
FIGURE 7-29. ES HARNESS (CAN SPLICE) .....	292
FIGURE 7-30. GROUND CONTROL BOX HARNESS .....	294
FIGURE 7-31. GROUND TO PLATFORM HARNESS - 2032ES (ANSI AND CSA SPECS) (CHINA BUILT MACHINES) .....	296
FIGURE 7-32. GROUND TO PLATFORM HARNESS - 2032ES (ALL SPECS EXCEPT ANSI, CSA ANS UL SPECS) (BELGIUM AND CHINA BUILT MACHINES) .....	298
FIGURE 7-33. GROUND TO PLATFORM HARNESS - 2632ES (ANSI, CSA AND UL SPECS) (CHINA AND MEXICO BUILT MACHINES) .....	300
FIGURE 7-34. GROUND TO PLATFORM HARNESS - 2632ES (ALL SPECS EXCEPT ANSI, CSA AND UL SPECS) (BELGIUM, CHINA AND MEXICO BUILT MACHINES) .....	302
FIGURE 7-35. LOAD SENSE HARNESS - WITHOUT FUSE .....	304
FIGURE 7-36. LOAD SENSE HARNESS - WITH FUSE .....	306
FIGURE 7-37. MDI (MULTIFUNCTION DIGITAL INDICATOR) HARNESS .....	308
FIGURE 7-38. PLATFORM BOX HARNESS .....	310
FIGURE 7-39. PLATFORM CABLE ASSEMBLY .....	312
FIGURE 7-40. PUMP POWER CABLE ASSEMBLY .....	314
FIGURE 7-41. RECEPTACLE BOX KIT - 110V GFI .....	316
FIGURE 7-42. RECEPTACLE BOX KIT - 110V IEC YELLOW (CE SPEC) .....	318
FIGURE 7-43. RECEPTACLE BOX KIT - 220V IEC BLUE (CE SPEC) .....	320
FIGURE 7-44. RECEPTACLE BOX KIT - 220V AFSINT 107 (CE SPEC) .....	322
FIGURE 7-45. RECEPTACLE BOX KIT - 220V CEE7 SIDE GROUND (ANSI EXPORT AND KOREA SPECS) .....	324
FIGURE 7-46. RECEPTACLE BOX KIT - 220V CEE7 POST GROUND (CE SPEC) .....	326
SECTION 8 - DECALS .....	329
FIGURE 8-1. DECAL INSTALLATION - ANSI SPEC (ENGLISH) .....	330
FIGURE 8-2. DECAL INSTALLATION - AUSTRALIAN SPEC (ENGLISH) .....	332
FIGURE 8-3. DECAL INSTALLATION - BRAZIL SPEC (PORTUGUESE/SPANISH) .....	334
FIGURE 8-4. DECAL INSTALLATION - CE SPEC (ENGLISH) .....	336
FIGURE 8-5. DECAL INSTALLATION - CHINA SPEC (GB) .....	338
FIGURE 8-6. DECAL INSTALLATION - CHINESE SPEC (CHINESE/ENGLISH) .....	340

# TABLE OF CONTENTS

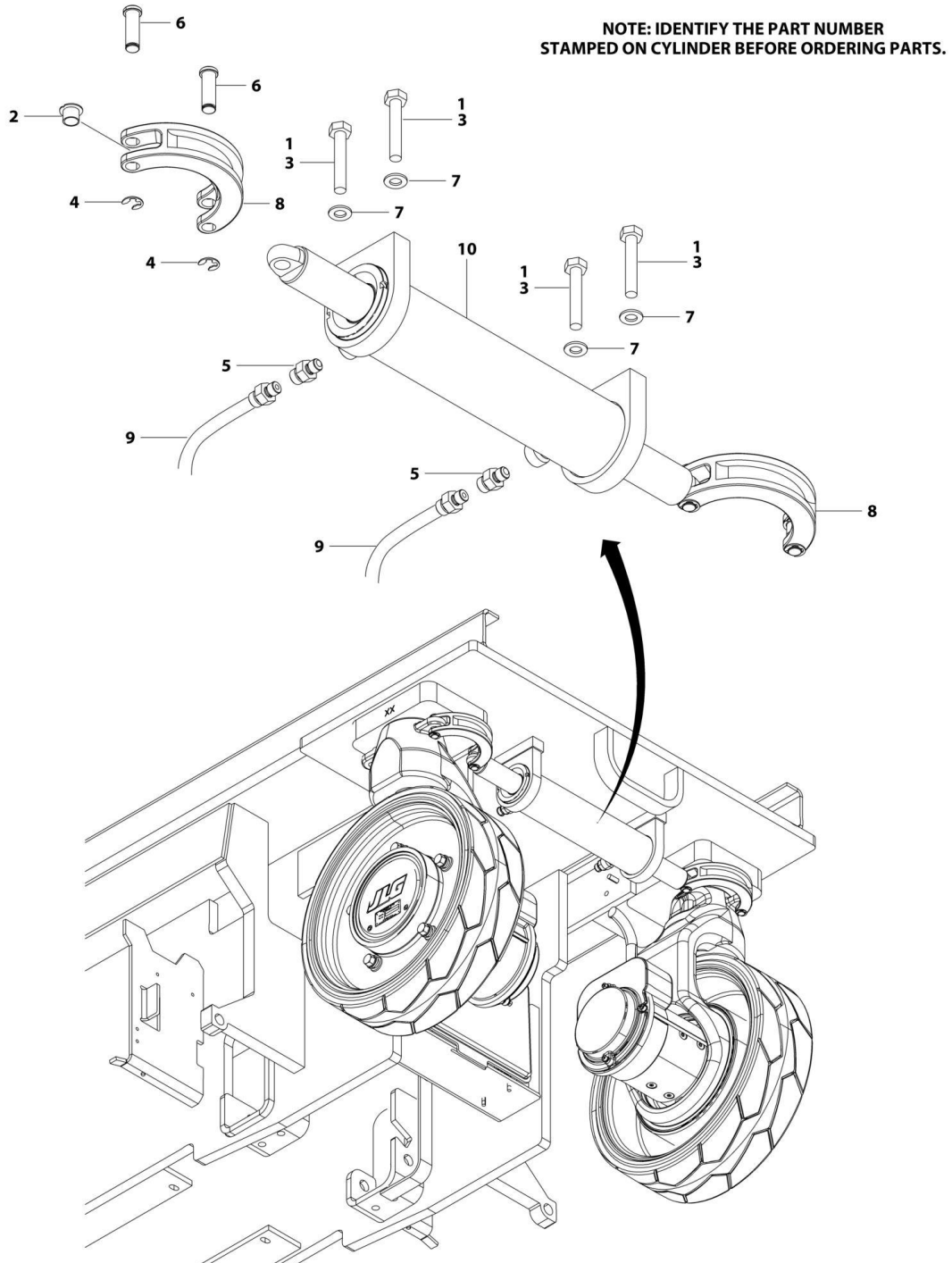
FIGURE 8-7. DECAL INSTALLATION - CSA SPEC (ENGLISH/FRENCH) .....	342
FIGURE 8-8. DECAL INSTALLATION - KOREAN SPEC (KOREAN/ENGLISH) .....	344
FIGURE 8-9. DECAL INSTALLATION - LATIN AMERICAN SPEC (ENGLISH/SPANISH) .....	346
FIGURE 8-10. DECAL INSTALLATION - OPTIONS .....	348
SECTION 9 - RECOMMENDED SERVICE PARTS STOCK .....	351
FIGURE 9-1. RECOMMENDED SERVICE PARTS STOCK .....	352
SECTION 10 - SPECIAL OPTIONS.....	353
FIGURE 10-1. SPECIAL OPTIONS.....	354
PART NUMBER INDEX .....	357



**SECTION 1 - FRAME**

# SECTION 1 - FRAME

## FIGURE 1-1. STEERING INSTALLATION (MEXICO BUILT MACHINES)



ART\_1001177966

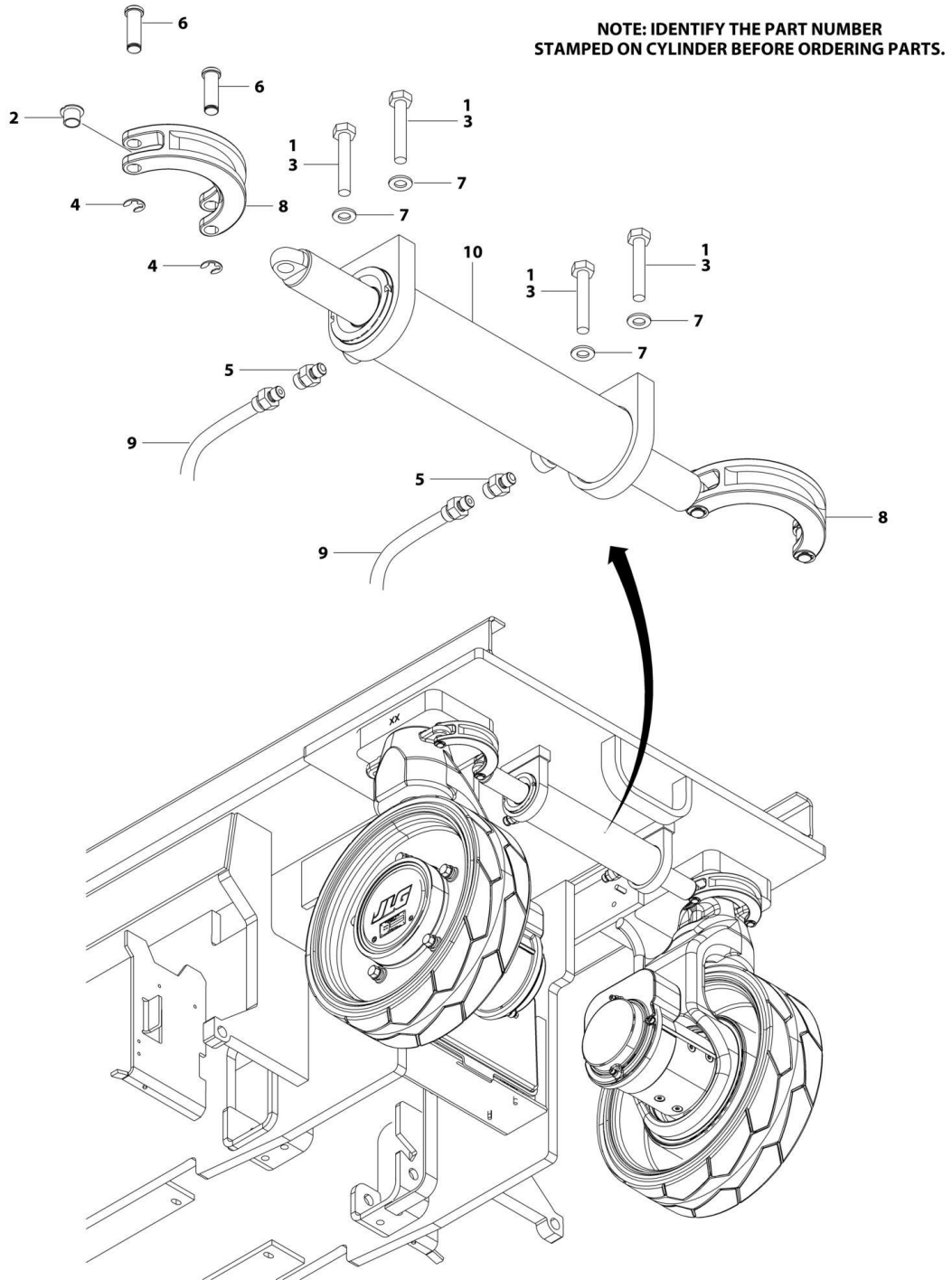
## SECTION 1 - FRAME

**FIGURE 1-1. STEERING INSTALLATION (MEXICO BUILT MACHINES)**

ITEM	PART NUMBER	QTY	DESCRIPTION	REV
	1001177966	Ref	STEERING INSTALLATION (MEXICO BUILT MACHINES)	B
1	0100011	AR	Compound, Locking	
2	0440259	2	Bearing	
3	0701020	4	Bolt M10 x 60	
4	1380153	4	Clip	
5	2110404	2	Fitting, Straight ORFS/ORB	
6	3423037	4	Pin, Clevis	
7	4812000	4	Washer M10	
8	4846757	2	Lug, Steer	
9	1001113888	2	Hose	
10	1001177435	1	Steer Cylinder Assembly (See Separate Breakdown in CYLINDER SECTION)	

# SECTION 1 - FRAME

## FIGURE 1-2. STEERING INSTALLATION (BELGIUM AND CHINA BUILT MACHINES)



ART\_1001179448



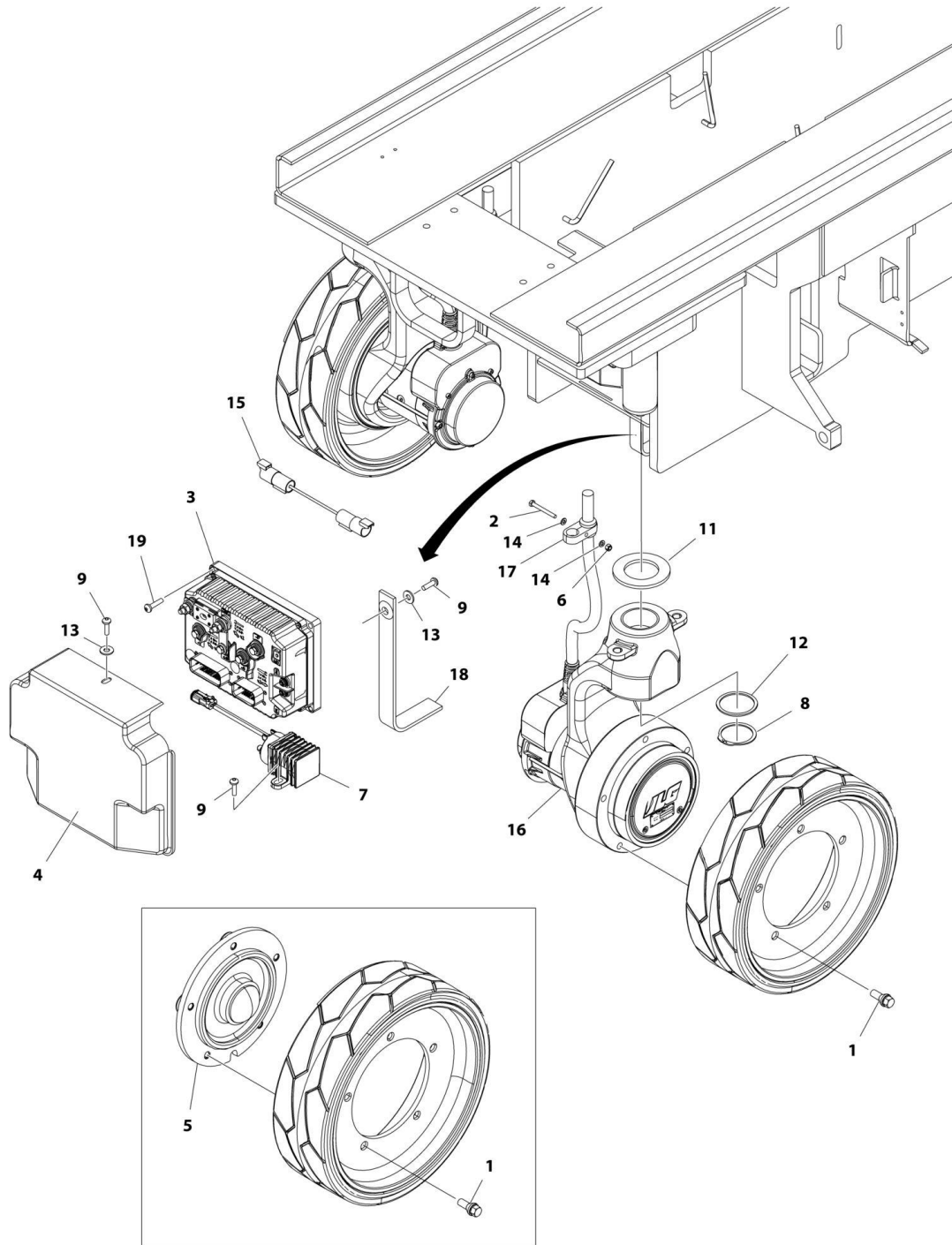
## SECTION 1 - FRAME

**FIGURE 1-2. STEERING INSTALLATION (BELGIUM AND CHINA BUILT MACHINES)**

ITEM	PART NUMBER	QTY	DESCRIPTION	REV
	1001179448	Ref	STEERING INSTALLATION (BELGIUM AND CHINA BUILT MACHINES)	B
1	0100011	AR	Compound, Locking	
2	0440259	2	Bearing	
3	0701020	4	Bolt M10 x 60	
4	1380153	4	Clip	
5	2110404	2	Fitting, Straight ORFS/ORB	
6	3423037	4	Pin, Clevis	
7	4812000	4	Washer M10	
8	4846757	2	Lug, Steer	
9	1001113888	2	Hose	
10	1001179447	1	Steer Cylinder Assembly (See Separate Breakdown in CYLINDER SECTION)	

# SECTION 1 - FRAME

## FIGURE 1-3. DRIVE HUB AND MODULE INSTALLATION



REAR WHEEL SHOWN HERE FOR CLARITY

ART\_1001114882

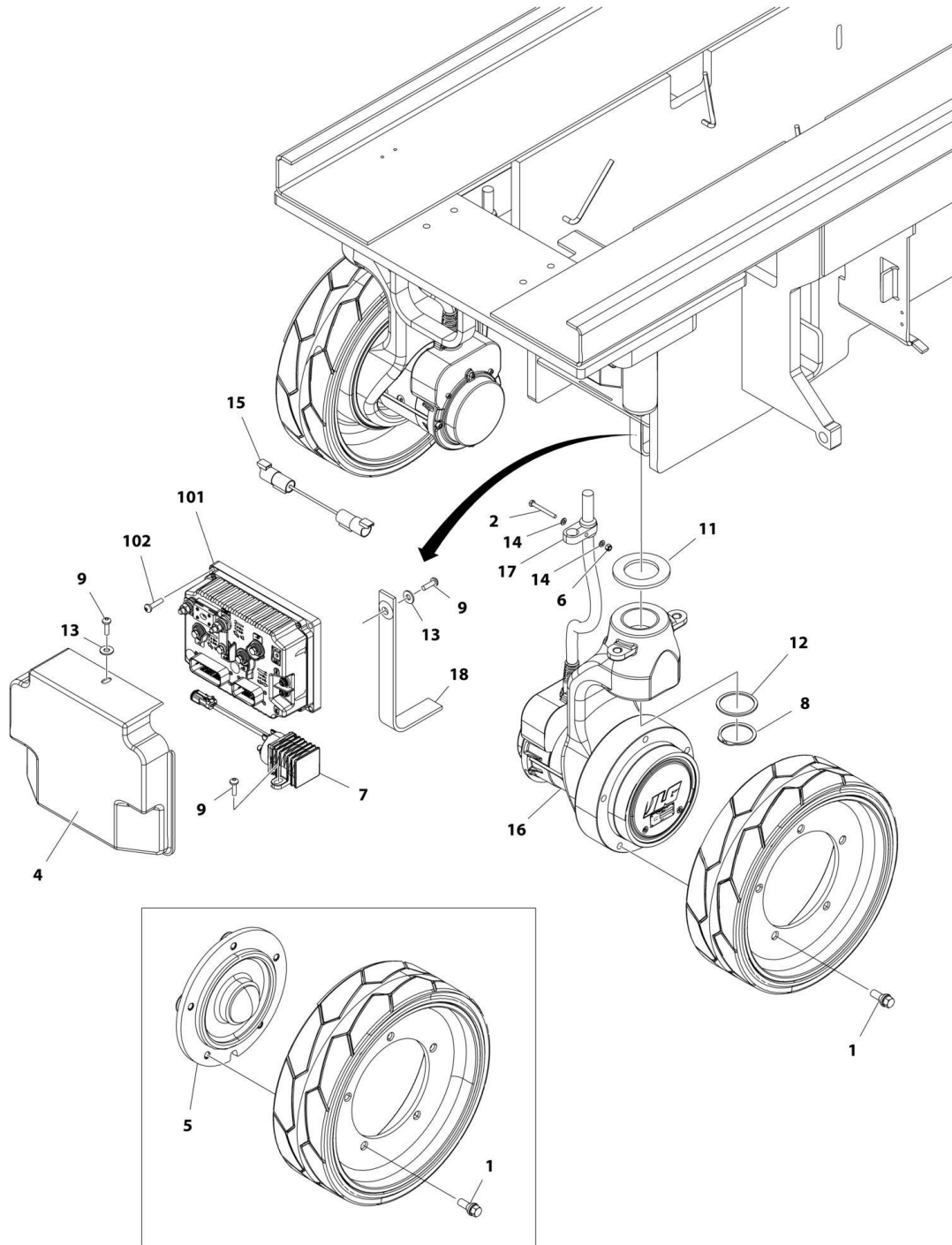
## SECTION 1 - FRAME

**FIGURE 1-3. DRIVE HUB AND MODULE INSTALLATION**

ITEM	PART NUMBER	QTY	DESCRIPTION	REV
	1001114882	Ref	DRIVE HUB AND MODULE INSTALLATION	D
1	0630580	20	Bolt, Wheel	
2	0700619	2	Bolt M6 x 55	
3	1001092456	1	Module, Control	
4	1001115170	1	Cover	
5	2780266	2	Hub Assembly - Rear (See Separate Breakdown in this Section)	
6	3290605	2	Nut M6	
7	3740150	1	Relay	
8	3760463	2	Ring, Retaining	
9	4191708	4	Screw M6 x 20	
11	4740524	2	Washer, Thrust	
12	4740564	2	Washer	
13	4751400	2	Washer 1/4	
14	4811700	4	Washer M6	
15	4923602	1	Harness, Field Wire Connection (See Separate Breakdown in ELECTRICAL SECTION)	
16	1001092738	2	Drive Motor Assembly (See Separate Breakdown in this Section)	
17	1001094301	2	Clamp	
18	4240147	1	Strap, Anti-Static	
19	4191709	4	Screw M6 x 25	

# SECTION 1 - FRAME

## FIGURE 1-4. DRIVE HUB AND MODULE INSTALLATION (BELGIUM BUILT MACHINES ONLY)



REAR WHEEL SHOWN HERE FOR CLARITY

ART\_1001219123

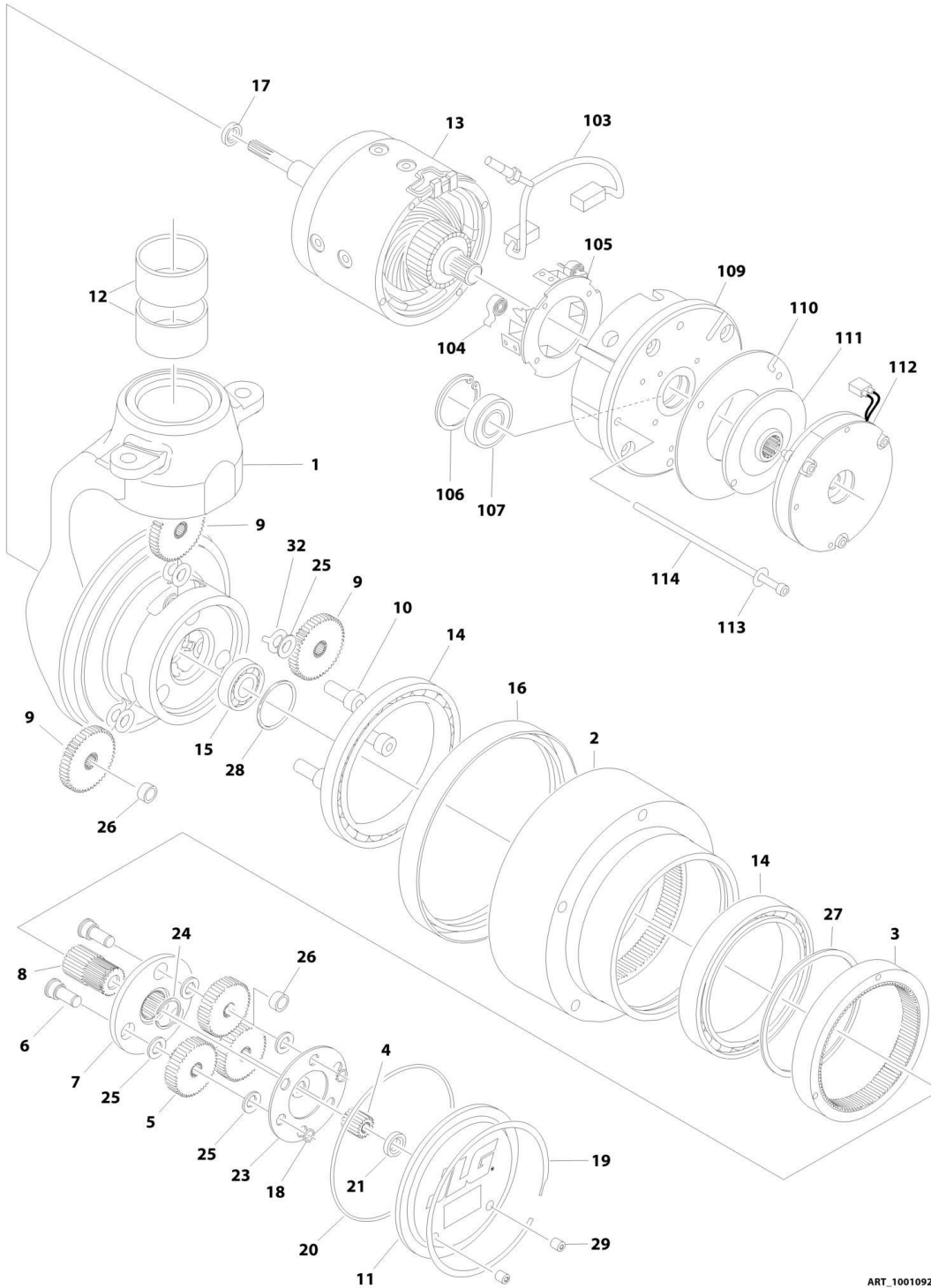
## SECTION 1 - FRAME

**FIGURE 1-4. DRIVE HUB AND MODULE INSTALLATION (BELGIUM BUILT MACHINES ONLY)**

ITEM	PART NUMBER	QTY	DESCRIPTION	REV
	1001219123	Ref	DRIVE HUB AND MODULE INSTALLATION (BELGIUM BUILT MACHINES ONLY)	A
1	0630580	20	Bolt, Wheel	
2	0700619	2	Bolt M6 x 55	
4	1001115170	1	Cover	
5	2780266	2	Hub Assembly - Rear (See Separate Breakdown in this Section)	
6	3290605	2	Nut M6	
7	3740150	1	Relay	
8	3760463	2	Ring, Retaining	
9	4191708	4	Screw M6 x 20	
11	4740524	2	Washer, Thrust	
12	4740564	2	Washer	
13	4751400	2	Washer 1/4	
14	4811700	4	Washer M6	
15	4923602	1	Harness, Field Wire Connection (See Separate Breakdown in ELECTRICAL SECTION)	
16	1001092738	2	Drive Motor Assembly (See Separate Breakdown in this Section)	
17	1001094301	2	Clamp	
18	4240147	1	Strap, Anti-Static	
		Ref	ADDITIONAL COMPONENTS ORDERED SEPARATE	
101	1001092456	1	Module, Control	
102	4191709	4	Screw M6 x 25	

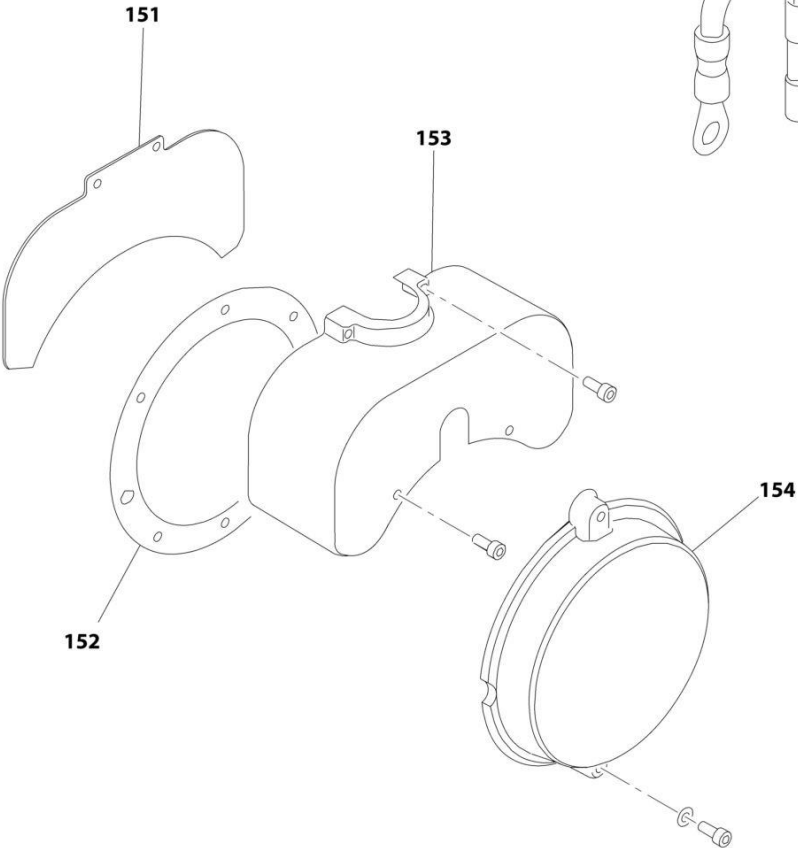
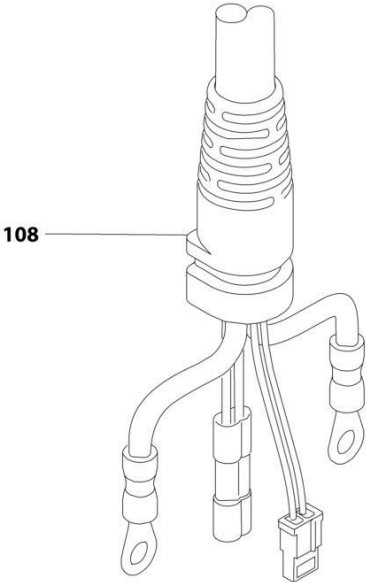
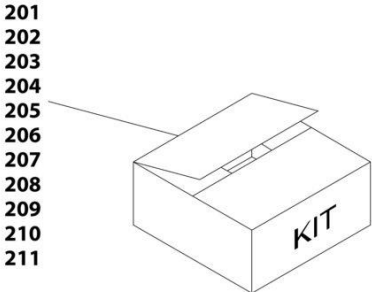
# SECTION 1 - FRAME

## FIGURE 1-5. DRIVE MOTOR/HUB ASSEMBLY



ART\_1001092738\_10F2

**SECTION 1 - FRAME**



ART\_1001092738\_20F2

# SECTION 1 - FRAME

## FIGURE 1-5. DRIVE MOTOR/HUB ASSEMBLY

ITEM	PART NUMBER	QTY	DESCRIPTION	REV
	1001092738	Ref	DRIVE MOTOR/HUB ASSEMBLY	K
		Ref	HUB ASSEMBLY	
1	See Note	NSS	Spindle (Note: Purchase Complete Assembly)	
2	See Note	NSS	Hub (Note: Use Item 206)	
3	See Note	NSS	Ring, Input (Note: Use Item 204)	
4	See Note	NSS	Gear, Input Sun (Note: Use Item 203)	
5	See Note	NSS	Gear, Input Planet (Note: Use Item 203)	
6	See Note	NSS	Pin, Planet Gear (Note: Use Item 203)	
7	See Note	NSS	Carrier (Note: Use Item 203)	
8	See Note	NSS	Gear, Output Sun (Note: Use Item 203)	
9	See Note	NSS	Gear, Output Planet (Note: Use Item 207)	
10	See Note	NSS	Pin, Output Planet (Note: Use Item 207)	
11	See Note	NSS	Cover (Note: Use Item 201)	
12	7024757	1	Bushing Kit, Kingpin (Includes 2 Bushings)	
13	See Note	NSS	Motor, Electric (Note: Use Item 205)	
14	See Note	NSS	Bearing, Main (Note: Use Item 202, 204, 206 or 207)	
15	See Note	NSS	Bearing, Shaft (Note: Use Item 207)	
16	70001739	1	Seal, Lip	
17	7024786	1	Seal, Lip	
18	See Note	NSS	Ring, Retaining (Note: Use Item 203)	
19	See Note	NSS	Ring, Retaining (Note: Use Item 201)	
20	70000191	1	O-Ring	
21	See Note	NSS	Washer, Thrust (Note: Use Item 201)	
23	See Note	NSS	Plate, Thrust (Note: Use Item 203)	
24	See Note	NSS	Ring, Retaining (Note: Use Item 203)	
25	See Note	NSS	Washer, Thrust (Note: Use Item 203 or 207)	
26	See Note	NSS	Bushing (Note: Use Item 203 or 207)	
27	See Note	NSS	Ring, Retaining (Note: Use Item 204, 206 or 207)	
28	See Note	NSS	Ring, Retaining (Note: Use Item 207)	
29	See Note	NSS	Plug (Note: Use Item 201)	
32	See Note	NSS	Washer, Tanged (Note: Use Item 207)	
		Ref	BRAKE AND MOTOR COMPONENTS	
103	See Note	NSS	Brush and Terminal Assembly (Note: Use Item 208)	
104	70000790	2	Spring, Brush	
105	70000791	1	Box, Brush	
106	See Note	NSS	Ring, Retaining (Note: Use Item 208)	
107	See Note	NSS	Bearing (Note: Use Item 208)	
108	1001132439	1	Harness, Drive Motor (See Separate Breakdown in ELECTRICAL SECTION)	
109	70000792	1	Commutator	
110	See Note	NSS	Disc, Reaction (Note: Use Item 209)	
111	7024785	1	Disc, Friction	
112	See Note	NSS	Brake Assembly (Note: Use Item 209)	
113	See Note	NSS	Washer (Note: Use Item 210)	
114	See Note	NSS	Bolt (Note: Use Item 210)	
151	See Note	NSS	Plate, Cover (Note: Use Item 211)	
152	70001949	1	Gasket, Cover	
153	70006426	1	Cover, Top	
154	See Note	NSS	Cover, End (Note: Use Item 211)	
		Ref	KIT OPTIONS	

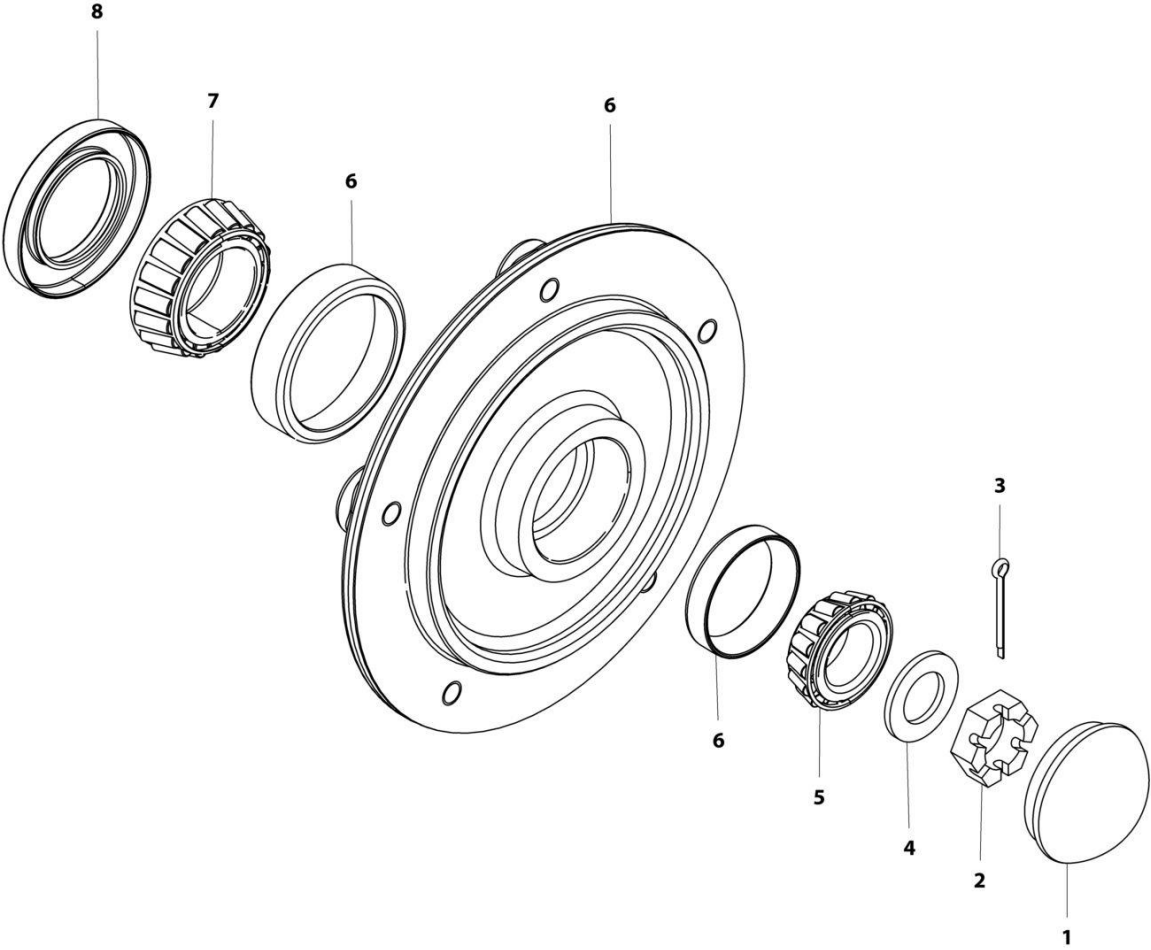


## SECTION 1 - FRAME

ITEM	PART NUMBER	QTY	DESCRIPTION	REV
201	7024747	1	Cover Kit (Includes Items 11, 19, 20, 21 & 29)	
202	7024748	1	Main Seal Kit (Includes Qty 1 of Items 14, 16 & 20)	
203	7024749	1	Input Carrier Kit (Includes Items 4-8, 18, 20 & 23-26)	
204	7024758	1	Input Ring Kit (Includes Items 3, 20, 27 & Qty 1 of Item 14)	
205	70001345	1	Motor Kit (Includes Items 13,17,103-114,151, 152 & 154)	
206	7024756	1	Hub Kit (Includes Items 2, 16, 20, 27 & Qty 1 of Item 14)	
207	7024750	1	Output Planet Kit (Includes Items 9, 10, 15, 20, 25-28, 32 & Qty 1 of Item 14)	
208	7024771	1	Motor Brush and Bearing Kit (Includes Items 103, 106 & 107)	
208	70007781	1	Brush Kit (Brushes Only)	
209	7024772	1	Brake Kit (Includes Items 110, 111 & 112)	
210	7024776	1	Motor Hardware Kit (Includes Items 113 & 114)	
211	70001265	1	Brake Cover Kit (Includes Items 151-154 & Hardware)	

**SECTION 1 - FRAME**

**FIGURE 1-6. HUB ASSEMBLY - REAR**



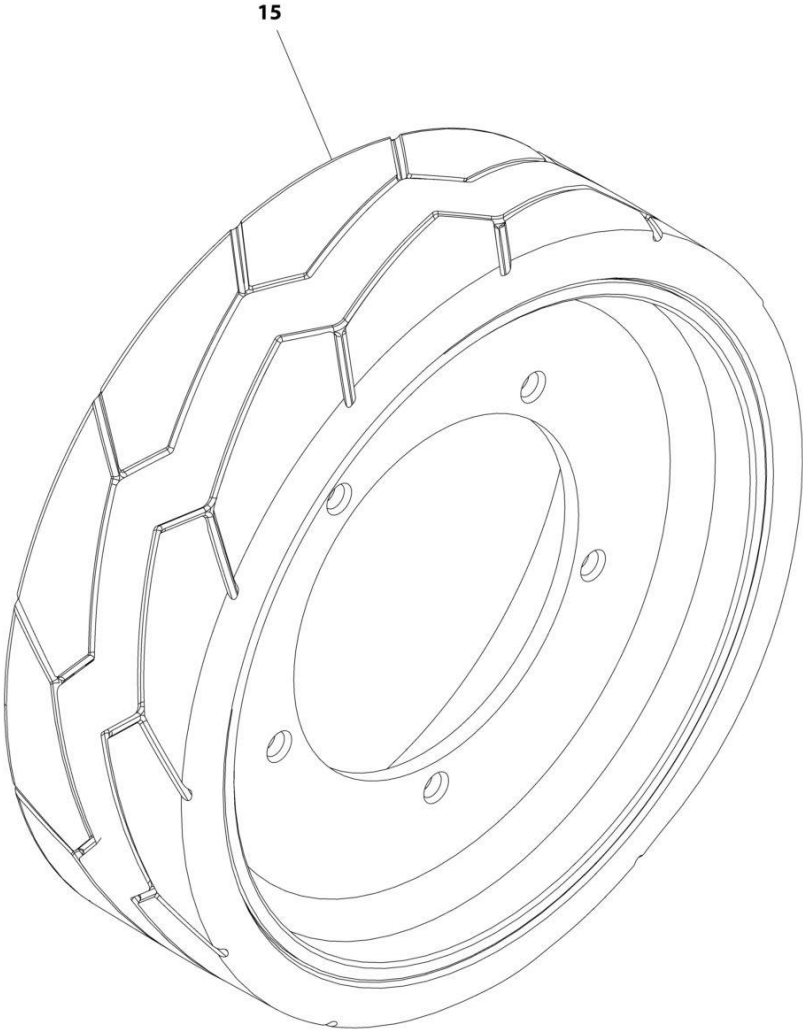
ART\_2780266

**FIGURE 1-6. HUB ASSEMBLY - REAR**

<b>ITEM</b>	<b>PART NUMBER</b>	<b>QTY</b>	<b>DESCRIPTION</b>	<b>REV</b>
	2780266	Ref	HUB ASSEMBLY - REAR	E
1	1001102354	1	Cap, Dust (was p/n 7012524)	
2	3300423	1	Nut, Slotted (was p/n 7010641)	
3	3450406	1	Pin, Cotter 2 x 3/16 (was p/n 7010642)	
4	4740468	1	Washer (was p/n 7019697)	
5	1001102351	1	Bearing, Cone - Outer (was p/n 7026185)	
6	See Note	NSS	Hub (Note: Purchase Complete Assembly p/n 2780266)	
7	1001102353	1	Bearing, Cone - Inner (was p/n 7026183)	
8	1001102349	1	Seal (was p/n 7026184)	

**SECTION 1 - FRAME**

**FIGURE 1-7. TIRE AND WHEEL ASSEMBLY**



ART\_100114466

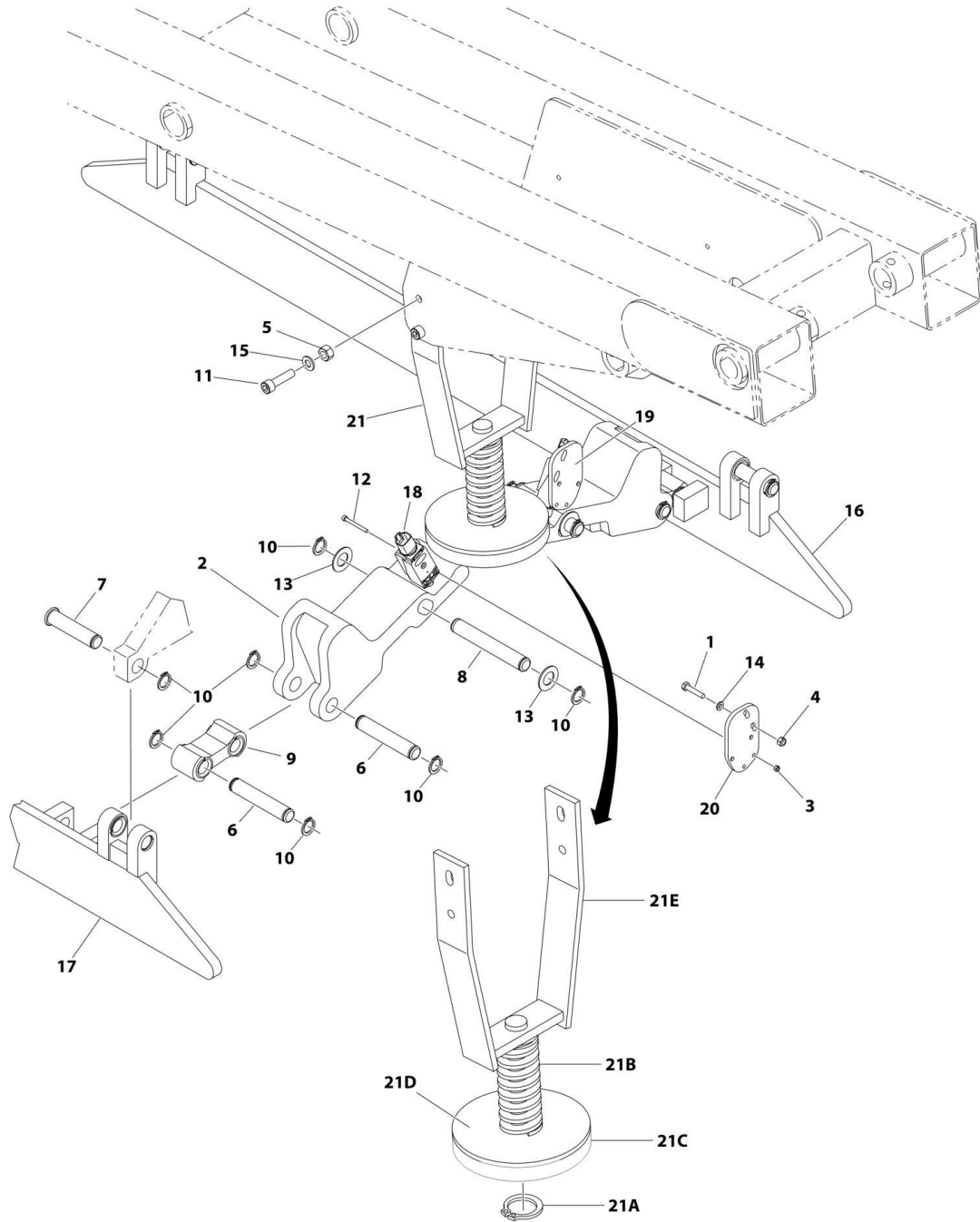
**SECTION 1 - FRAME**

**FIGURE 1-7. TIRE AND WHEEL ASSEMBLY**

ITEM	PART NUMBER	QTY	DESCRIPTION	REV
15	1001114466 2915013	Ref	TIRE AND WHEEL ASSEMBLY	
		Ref	NOTE: MUST REPLACE TIRE AND WHEEL ASSEMBLIES IN PAIRS PER AXLE.	
		4	Tire and Wheel Assembly - Non-Marking	
		4	Tire and Wheel Kit (Includes Tire, Wheel and Bolts)	

# SECTION 1 - FRAME

## FIGURE 1-8. POTHOLE PROTECTION INSTALLATION - NON-UL



ART\_1001178234

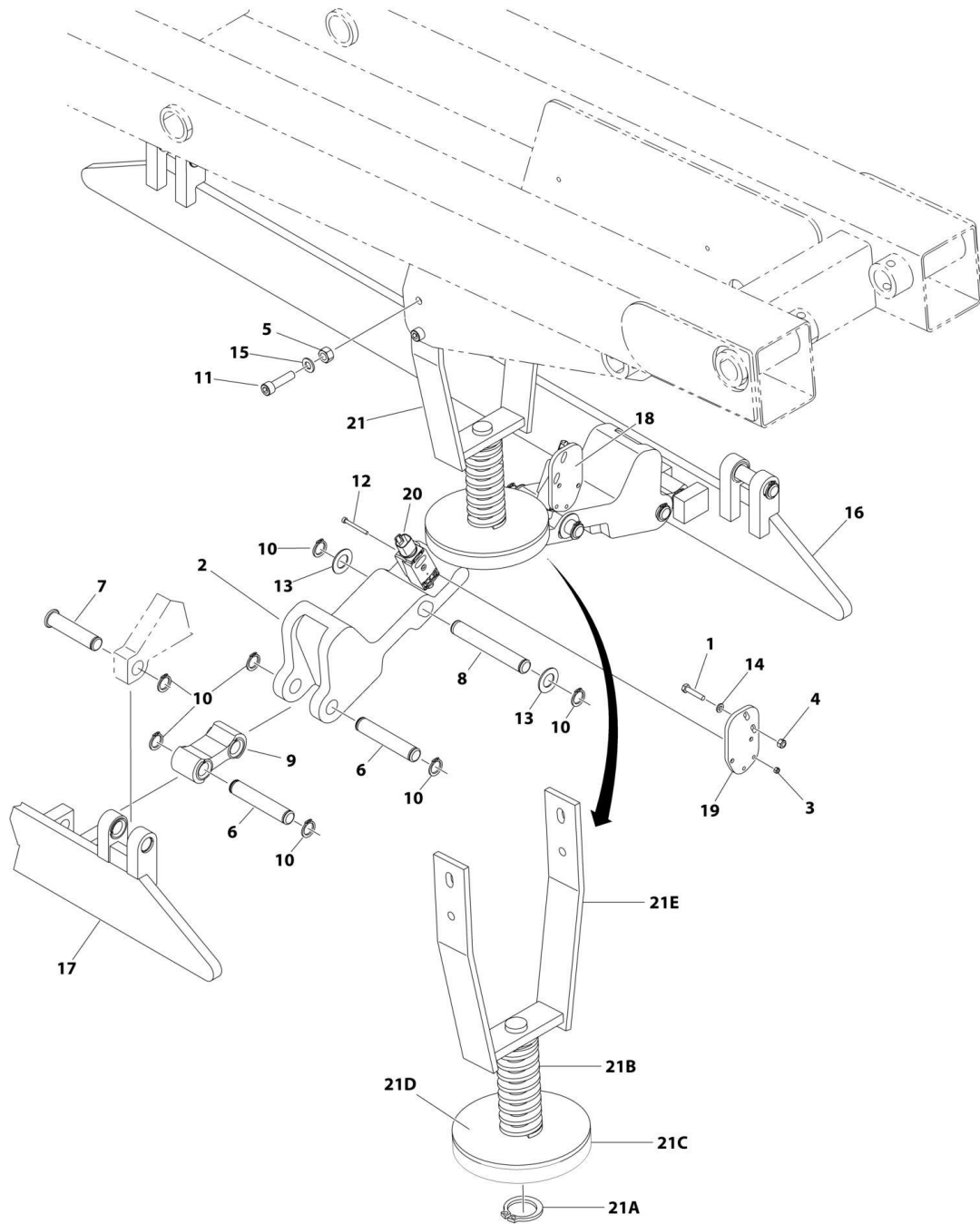
## SECTION 1 - FRAME

**FIGURE 1-8. POTHOLE PROTECTION INSTALLATION - NON-UL**

ITEM	PART NUMBER	QTY	DESCRIPTION	REV
	1001178234	Ref	POTHOLE PROTECTION INSTALLATION - NON-UL	D
1	0700614	4	Bolt M6 x 30	
2	3010158	2	Link	
3	3290405	4	Nut M4	
4	3290605	4	Nut M6	
5	3291005	4	Nut M10	
6	3423045	4	Pin, Pivot	
7	3423189	4	Pin, Pivot	
8	3423267	2	Pin	
9	3574176	2	Plate, Link	
10	3760348	16	Ring, Retaining	
11	5272012	4	Capscrew M10 x 40	
11	3900357	4	Screw M10 x 30	
12	4031512	4	Capscrew M4 x 40	
13	4740086	4	Washer, Thrust	
14	4811700	4	Washer M6	
15	4812000	4	Washer M10	
16	4846816	1	Support (RH)	
17	4846863	1	Support (LH)	
18	1001109088	2	Switch, Limit	
19	1001109232	1	Plate, Mounting	
20	1001109233	1	Plate, Mounting	
21	1001178239	1	Actuator Assembly (Includes Items 21A-21E)	D
21A	3760115	1	Ring, Retaining	
21B	4160202	1	Spring	
21C	1001178146	1	Pad	
21D	1001178147	1	Plate	
21E	0060091	1	Bracket, Actuator	

# SECTION 1 - FRAME

## FIGURE 1-9. POTHOLE PROTECTION INSTALLATION - UL



ART\_1001178357



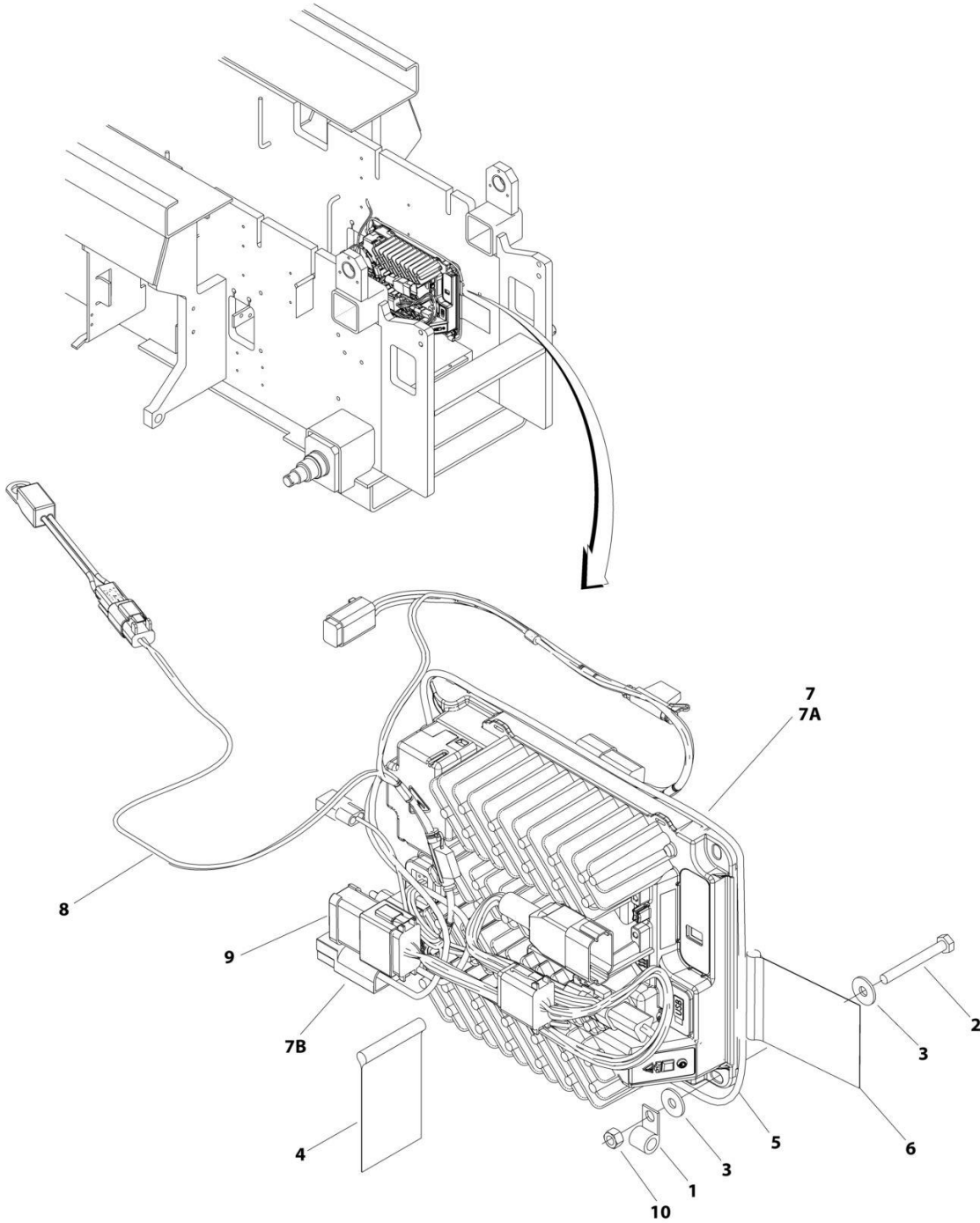
## SECTION 1 - FRAME

**FIGURE 1-9. POTHOLE PROTECTION INSTALLATION - UL**

ITEM	PART NUMBER	QTY	DESCRIPTION	REV
	1001178357	Ref	POTHOLE PROTECTION INSTALLATION - UL	C
1	0700614	4	Bolt M6 x 30	
2	3010158	2	Link	
3	3290405	4	Nut M4	
4	3290605	4	Nut M6	
5	3291005	4	Nut M10	
6	3423045	4	Pin, Pivot	
7	3423189	4	Pin, Pivot	
8	3423267	2	Pin	
9	3574176	2	Plate, Link	
10	3760348	16	Ring, Retaining	
11	5272012	4	Capscrew M10 x 40	
12	4031512	4	Capscrew M4 x 40	
13	4740086	4	Washer, Thrust	
14	4811700	4	Washer M6	
15	4812000	4	Washer M10	
16	4846816	1	Support (RH)	
17	4846863	1	Support (LH)	
18	1001109232	1	Plate, Mounting	
19	1001109233	1	Plate, Mounting	
20	1001126905	2	Switch, Limit	
20	4460535	2	Receptacle, Female - 4 Position (1 per Switch)	
20	4460464	8	Pin, Male (4 per Switch)	
21	1001178239	1	Actuator Assembly (Includes Items 21A-21E)	D
21A	3760115	1	Ring, Retaining	
21B	4160202	1	Spring	
21C	1001178146	1	Pad	
21D	1001178147	1	Plate	
21E	0060091	1	Bracket, Actuator	

# SECTION 1 - FRAME

FIGURE 1-10. BATTERY CHARGER INSTALLATION - DELTA-Q WITH 110V PLUG (ANSI, ANSI EXPORT, CSA, JAPANESE, KOREA AND UL SPECS)



ART\_1001252958

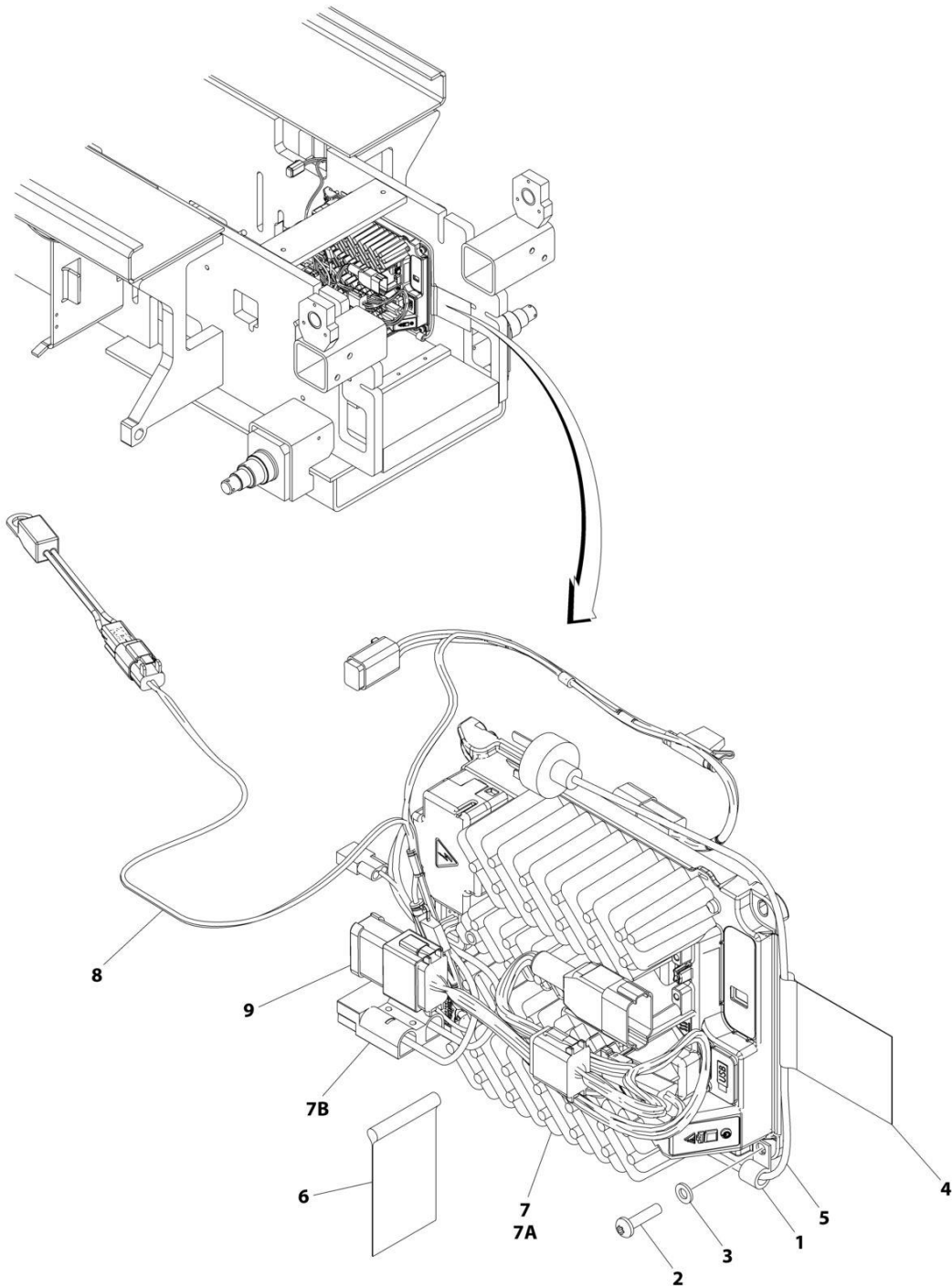
## SECTION 1 - FRAME

**FIGURE 1-10. BATTERY CHARGER INSTALLATION - DELTA-Q WITH 110V PLUG (ANSI, ANSI EXPORT, CSA, JAPANESE, KOREA AND UL SPECS)**

ITEM	PART NUMBER	QTY	DESCRIPTION	REV
	1001252958	Ref	BATTERY CHARGER INSTALLATION WITH 110 PLUG	C
1	1321293	1	Clamp	
2	0700618	4	Bolt M6 x 50	
3	4811702	8	Washer M6	
4	1001102258	1	Decal – AC Label	
5	1001207970	1	Cable, Charger Input	
6	1001215870	1	Decal – Charger Input Voltage	
7	1001252957	1	Battery Charger Assembly	
7A	1001253952	1	Charger	
7B	1001253638	1	Harness, Charger (See Separate Breakdown in ELECTRICAL SECTION)	
8	1001253641	1	Harness, Charger (See Separate Breakdown in ELECTRICAL SECTION)	
9	1001253643	1	Harness, ES, Can Splice (See Separate Breakdown in ELECTRICAL SECTION)	
10	3290607	4	Nut M6	

# SECTION 1 - FRAME

FIGURE 1-11. BATTERY CHARGER INSTALLATION – DELTA-Q WITH CHINESE PLUG (ANSI EXPORT, CHINESE AND KOREA SPECS) (PVC 1910)



ART\_1001253670

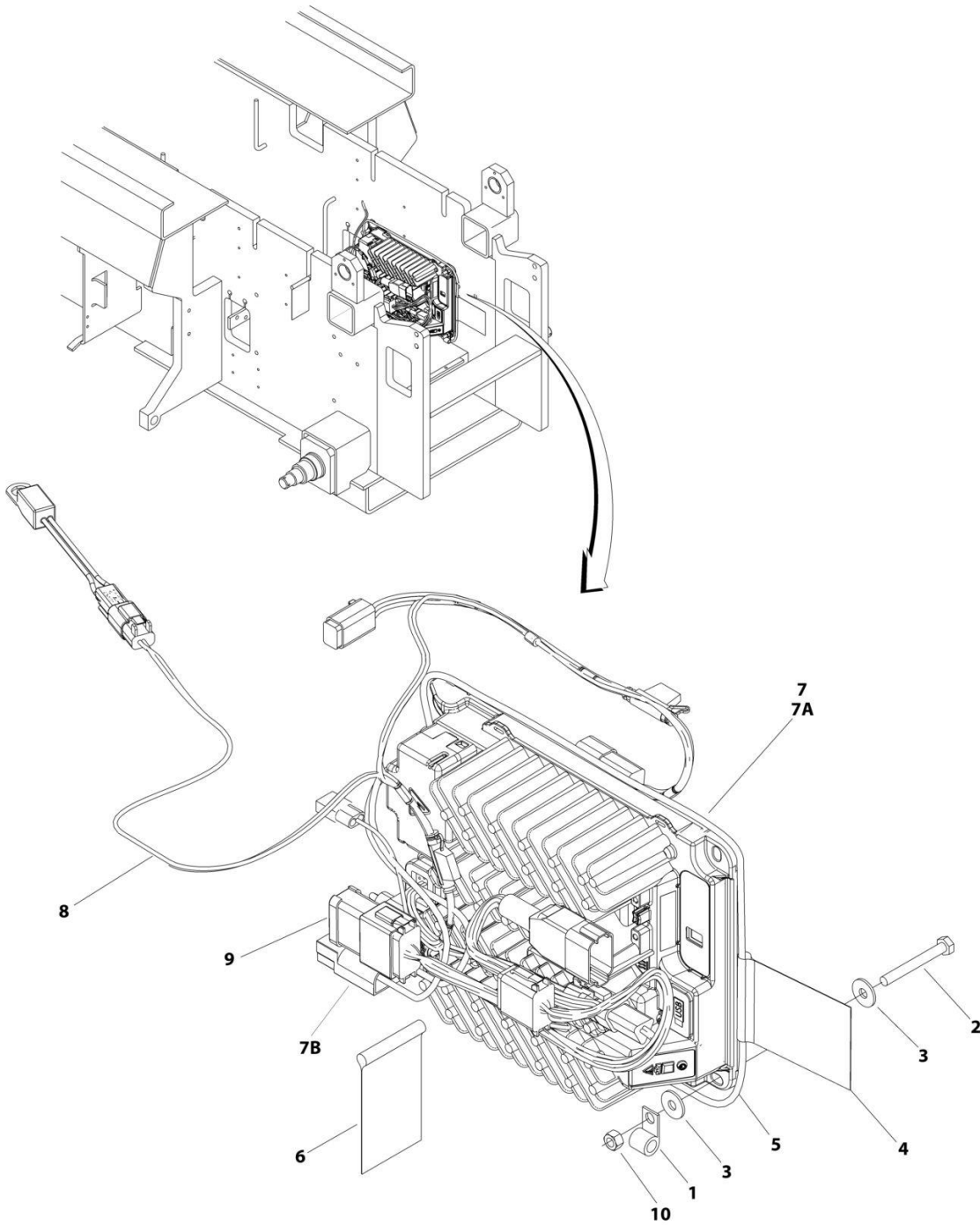
## SECTION 1 - FRAME

**FIGURE 1-11. BATTERY CHARGER INSTALLATION – DELTA-Q WITH CHINESE PLUG (ANSI EXPORT, CHINESE AND KOREA SPECS) (PVC 1910)**

ITEM	PART NUMBER	QTY	DESCRIPTION	REV
	1001253670	Ref	BATTERY CHARGER INSTALLATION WITH CHINESE PLUG	A
1	1321293	1	Clamp	
2	4191708	4	Bolt M6 x 20	
3	4811700	4	Washer M6	
4	1001102258	1	Decal – AC Label	
5	1001207973	1	Cable, Charger Input	
6	1001215870	1	Decal – Charger Input Voltage	
7	1001252957	1	Battery Charger Assembly	
7A	1001253952	1	Charger	
7B	1001253638	1	Harness, Charger (See Separate Breakdown in ELECTRICAL SECTION)	
8	1001253641	1	Harness, Charger (See Separate Breakdown in ELECTRICAL SECTION)	
9	1001253643	1	Harness, ES, Can Splice (See Separate Breakdown in ELECTRICAL SECTION)	

# SECTION 1 - FRAME

**FIGURE 1-12. BATTERY CHARGER INSTALLATION – DELTA-Q WITH CHINESE PLUG (ANSI EXPORT, CHINESE AND KOREA SPECS) (PVC 2004)**



ART\_1001253670\_C

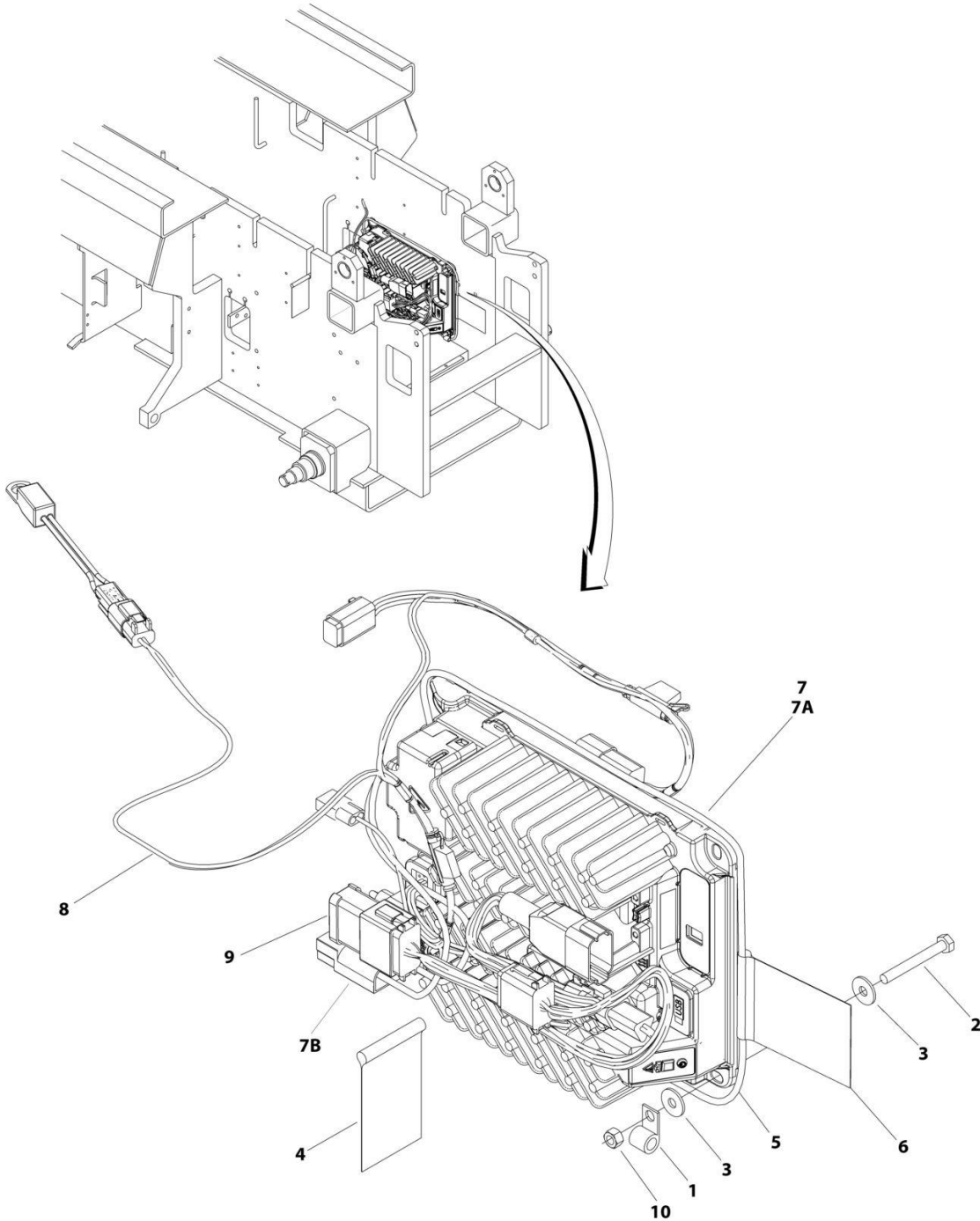
## SECTION 1 - FRAME

**FIGURE 1-12. BATTERY CHARGER INSTALLATION – DELTA-Q WITH CHINESE PLUG (ANSI EXPORT, CHINESE AND KOREA SPECS) (PVC 2004)**

ITEM	PART NUMBER	QTY	DESCRIPTION	REV
	1001253670	Ref	BATTERY CHARGER INSTALLATION WITH CHINESE PLUG	C
1	1321293	1	Clamp	
2	0700615	4	Bolt M6 x 35	
3	4811702	8	Washer M6	
4	1001102258	1	Decal – AC Label	
5	1001207973	1	Cable, Charger Input	
6	1001215870	1	Decal – Charger Input Voltage	
7	1001252957	1	Battery Charger Assembly	
7A	1001253952	1	Charger	
7B	1001253638	1	Harness, Charger (See Separate Breakdown in ELECTRICAL SECTION)	
8	1001253641	1	Harness, Charger (See Separate Breakdown in ELECTRICAL SECTION)	
9	1001253643	1	Harness, ES, Can Splice (See Separate Breakdown in ELECTRICAL SECTION)	
10	3290607	4	Nut M6	

# SECTION 1 - FRAME

FIGURE 1-13. BATTERY CHARGER INSTALLATION - DELTA-Q WITH LOCALLY SUPPLIED PLUG  
(ANSI, ANSI EXPORT, CSA, CE AND KOREA SPECS)



ART\_1001252959



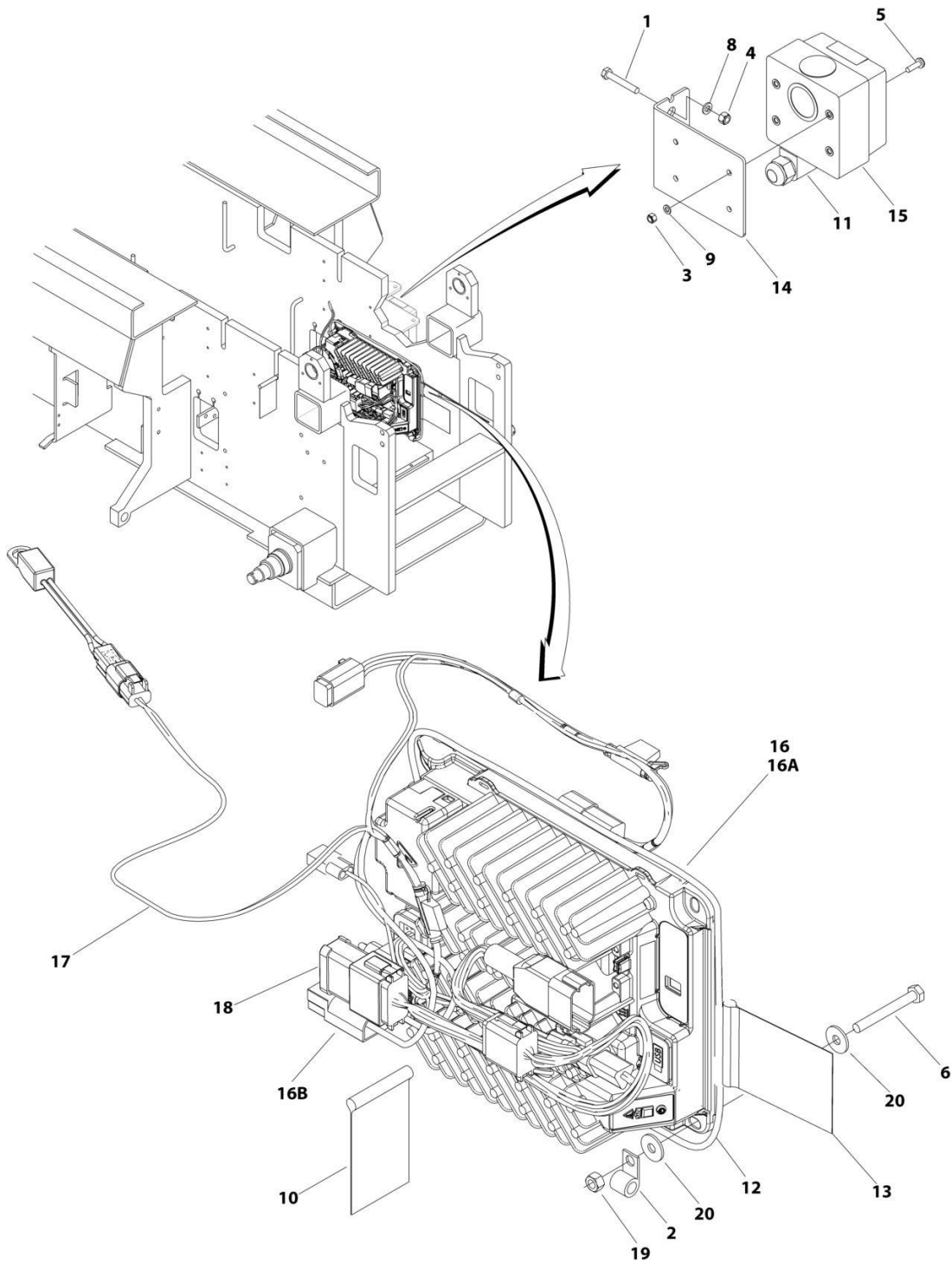
## SECTION 1 - FRAME

**FIGURE 1-13. BATTERY CHARGER INSTALLATION - DELTA-Q WITH LOCALLY SUPPLIED PLUG  
(ANSI, ANSI EXPORT, CSA, CE AND KOREA SPECS)**

ITEM	PART NUMBER	QTY	DESCRIPTION	REV
	1001252959	Ref	BATTERY CHARGER INSTALLATION WITH LOCALLY SUPPLIED PLUG	C
1	1320136	1	Clamp	
2	0700615	4	Bolt M6 x 35	
3	4811702	8	Washer M6	
4	1001102258	1	Decal – AC Label	
5	1001207974	1	Cable, Charger Input	
6	1001215870	1	Decal – Charger Input Voltage	
7	1001252957	1	Battery Charger Assembly	
7A	1001253952	1	Charger	
7B	1001253638	1	Harness, Charger (See Separate Breakdown in ELECTRICAL SECTION)	
8	1001253641	1	Harness, Charger (See Separate Breakdown in ELECTRICAL SECTION)	
9	1001253643	1	Harness, ES, Can Splice (See Separate Breakdown in ELECTRICAL SECTION)	
10	3290607	4	Nut M6	

# SECTION 1 - FRAME

FIGURE 1-14. BATTERY CHARGER INSTALLATION - DELTA-Q WITH LOCALLY SUPPLIED PLUG (AUSTRALIAN SPEC)



ART\_1001252963

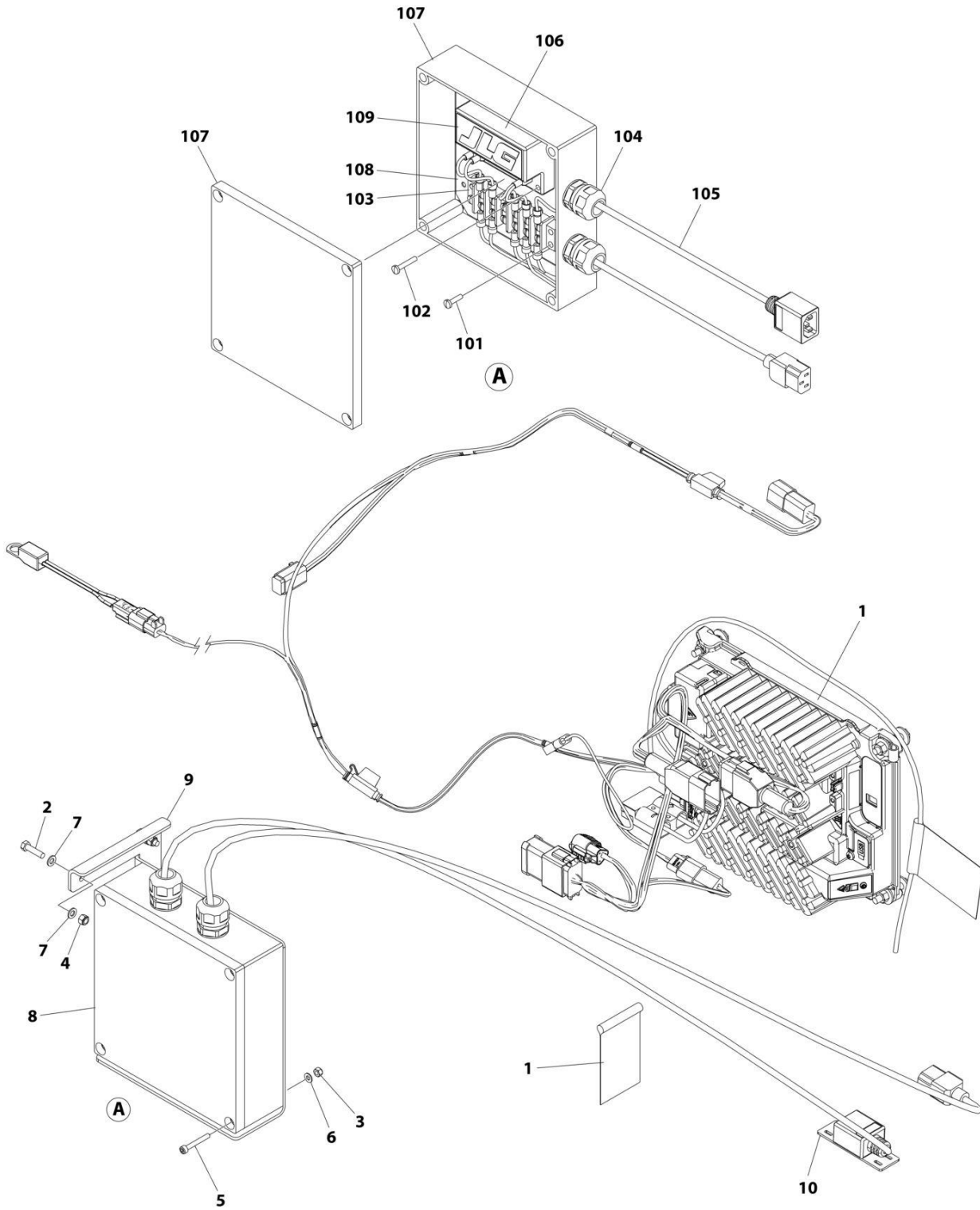
## SECTION 1 - FRAME

**FIGURE 1-14. BATTERY CHARGER INSTALLATION - DELTA-Q WITH LOCALLY SUPPLIED PLUG  
(AUSTRALIAN SPEC)**

ITEM	PART NUMBER	QTY	DESCRIPTION	REV
	1001252963	Ref	BATTERY CHARGER INSTALLATION WITH LOCALLY SUPPLIED PLUG	D
1	0760616	2	Bolt M6 x 40	
2	1320136	1	Clamp	
3	3290505	4	Nut M5	
4	3290605	2	Nut M6	
5	3900381	4	Screw M5 x 16	
6	0700618	4	Bolt M6 x 50	
7	4240033	AR	Tie-Strap e Strap (Not Shown)	
8	4831700	2	Washer M6	
9	4831600	4	Washer M5	
10	1001102258	1	Decal – AC Label	
11	1001103471	1	Connector, Strain Relief	
12	1001207974	NLA	Cable, Charger Input (Use PN 1060689)	
12	1060689	1	Cable, Charger Input	
13	1001215870	1	Decal – Charger Input Voltage	
14	1001227213	1	Bracket	
15	1001227267	1	Electric Assembly	
16	1001252957	1	Battery Charger Assembly	
16A	1001253952	1	Charger	
16B	1001253638	1	Harness, Charger (See Separate Breakdown in ELECTRICAL SECTION)	
17	1001253641	1	Harness, Charger (See Separate Breakdown in ELECTRICAL SECTION)	
18	1001253643	1	Harness, ES, Can Splice (See Separate Breakdown in ELECTRICAL SECTION)	
19	3290607	4	Nut M6	
20	4811702	8	Washer M6	

# SECTION 1 - FRAME

FIGURE 1-15. BATTERY CHARGER INSTALLATION - DELTA-Q WITH VOLTAGE GUARD (LOCALLY SUPPLIED PLUG) (ANSI EXPORT AND KOREA SPECS)



ART\_1001212459\_C

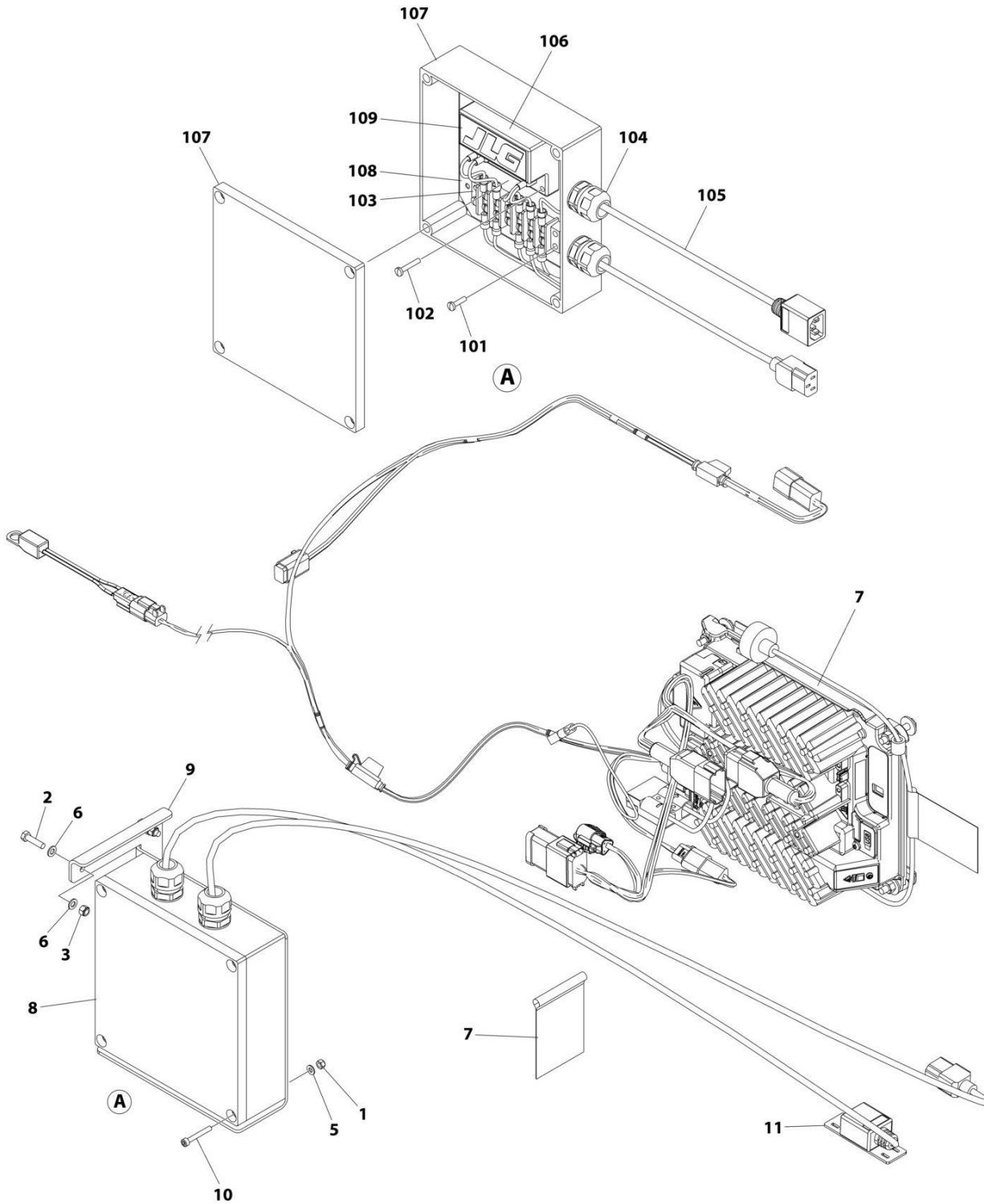
## SECTION 1 - FRAME

**FIGURE 1-15. BATTERY CHARGER INSTALLATION - DELTA-Q WITH VOLTAGE GUARD (LOCALLY SUPPLIED PLUG) (ANSI EXPORT AND KOREA SPECS)**

ITEM	PART NUMBER	QTY	DESCRIPTION	REV
	1001212459	Ref	BATTERY CHARGER INSTALLATION - WITH VOLTAGE GUARD (LOCALLY SUPPLIED PLUG)	C
1	1001252959	1	Charger Installation (See Separate Breakdown in this Section)	
2	0700510	2	Bolt M5 x 20	
3	3290405	4	Nut M4	
4	3290505	2	Nut M5	
5	4031510	4	Screw M4 x 30	
6	4811400	4	Washer M4	
7	4811600	4	Washer M5	
8	1001185306	1	Voltage Guard Installation (See Items 101-109)	
9	1001185830	1	Bracket	
10	1001215326	1	Support	
11	4240017	2	Tie Strap (Not Shown)	
	1001185306	Ref	VOLTAGE GUARD INSTALLATION	C
101	4010408	2	Screw M4 x 16	
102	4010412	2	Screw M4 x 24	
103	4460007	1	Bus Bar	
104	4460968	2	Connector Strain Relief	
105	1001184947	1	Harness	
106	1001185156	1	Voltage Guard	
107	1001186497	1	Box	
108	1001187101	1	Plate	
109	1001187530	1	Decal - JLG	

# SECTION 1 - FRAME

FIGURE 1-16. BATTERY CHARGER INSTALLATION - DELTA-Q WITH VOLTAGE GUARD AND CHINESE PLUG (ANSI EXPORT AND KOREA SPECS)



ART\_1001221857\_B

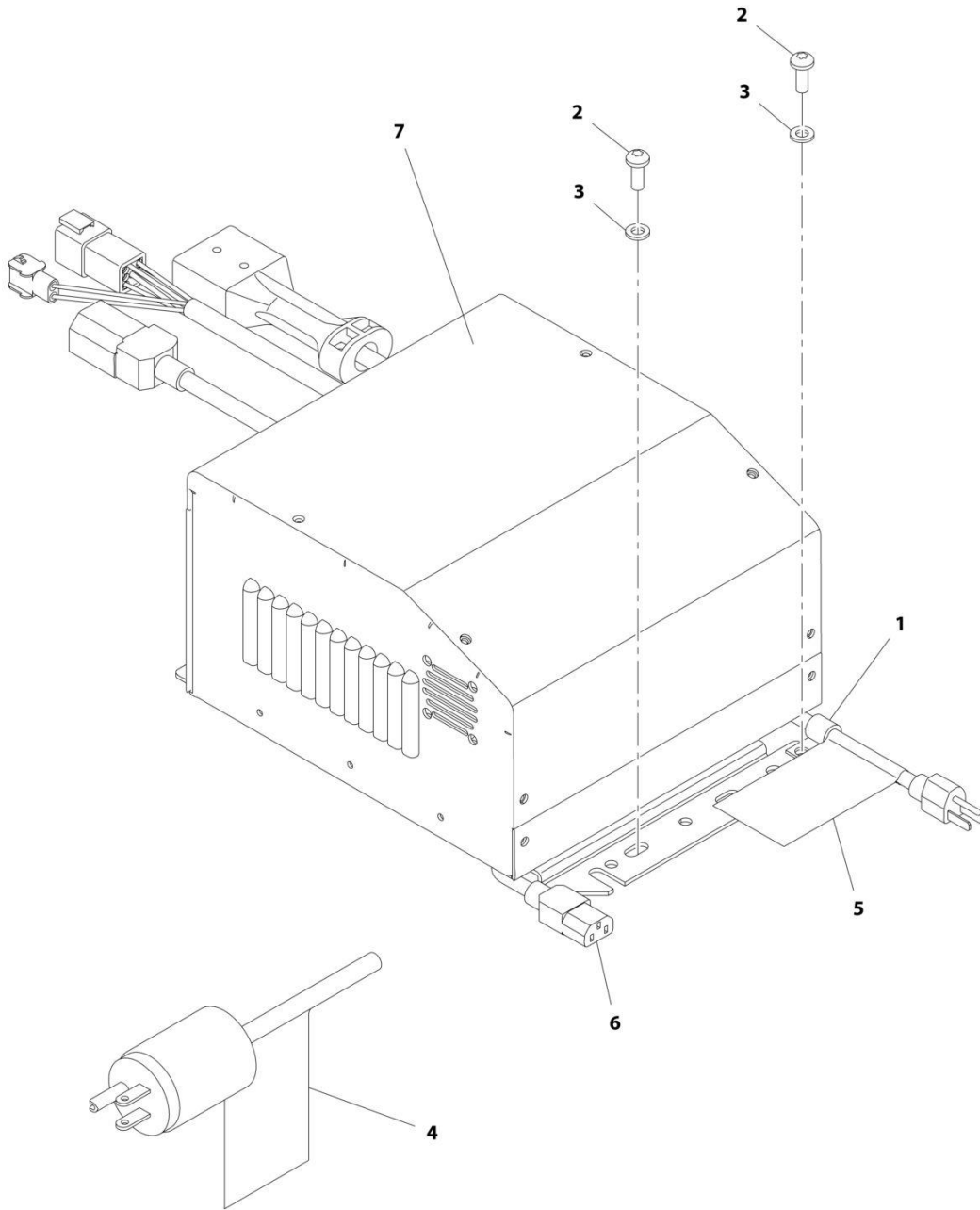
## SECTION 1 - FRAME

**FIGURE 1-16. BATTERY CHARGER INSTALLATION - DELTA-Q WITH VOLTAGE GUARD AND CHINESE PLUG (ANSI EXPORT AND KOREA SPECS)**

ITEM	PART NUMBER	QTY	DESCRIPTION	REV
	1001221857	Ref	BATTERY CHARGER INSTALLATION - WITH VOLTAGE GUARD AND CHINESE PLUG	B
1	3290405	4	Nut M4	
2	0700510	2	Bolt M5 x 20	
3	3290505	2	Nut M5	
5	4811400	4	Washer M4	
6	4811600	4	Washer M5	
7	1001253670	1	Charger Installation (See Separate Breakdown in this Section)	
8	1001185306	1	Voltage Guard Installation (See Items 101-109)	
9	1001185830	1	Bracket	
10	4031510	4	Screw M4 x 30	
11	1001215326	1	Support	
12	4240017	2	Tie Strap (Not Shown)	
	1001185306	Ref	VOLTAGE GUARD INSTALLATION	C
101	4010408	2	Screw M4 x 16	
102	4010412	2	Screw M4 x 24	
103	4460007	1	Bus Bar	
104	4460968	2	Connector Strain Relief	
105	1001184947	1	Harness	
106	1001185156	1	Voltage Guard	
107	1001186497	1	Box	
108	1001187101	1	Plate	
109	1001187530	1	Decal - JLG	

# SECTION 1 - FRAME

FIGURE 1-17. BATTERY CHARGER INSTALLATION WITH 110V PLUG AND EAGLE PERFORMANCE CHARGER (ANSI AND CSA SPECS)



ART\_1001179428



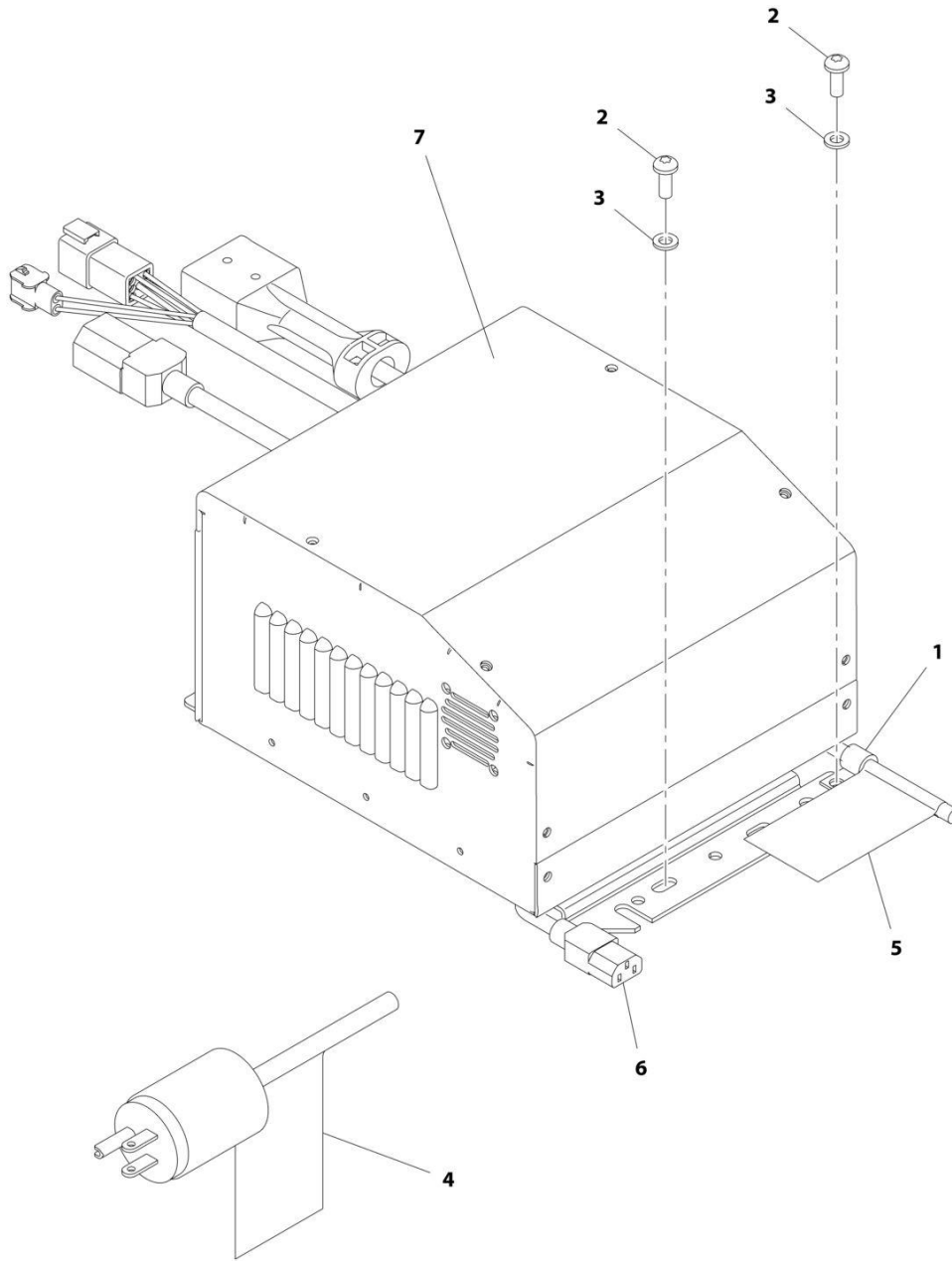
## SECTION 1 - FRAME

**FIGURE 1-17. BATTERY CHARGER INSTALLATION WITH 110V PLUG AND EAGLE PERFORMANCE CHARGER (ANSI AND CSA SPECS)**

ITEM	PART NUMBER	QTY	DESCRIPTION	REV
	1001179428	Ref	BATTERY CHARGER INSTALLATION WITH 110V PLUG AND EAGLE PERFORMANCE CHARGER	A
1	1321293	1	Clamp	
2	4191707	2	Screw M6 x 16	
3	4811700	2	Washer M6	
4	1001102258	1	Decal - AC to Platform	
5	1001102489	1	Decal - Charger Plug	
6	1001103257	1	Cable, Charger (AC Input)	
7	1001177842	1	Battery Charger Assembly (See Separate Breakdown in this Section)	

# SECTION 1 - FRAME

FIGURE 1-18. BATTERY CHARGER INSTALLATION WITH LOCALLY SUPPLIED PLUG AND EAGLE PERFORMANCE CHARGER (ANSI AND CSA SPECS)



ART\_1001180312

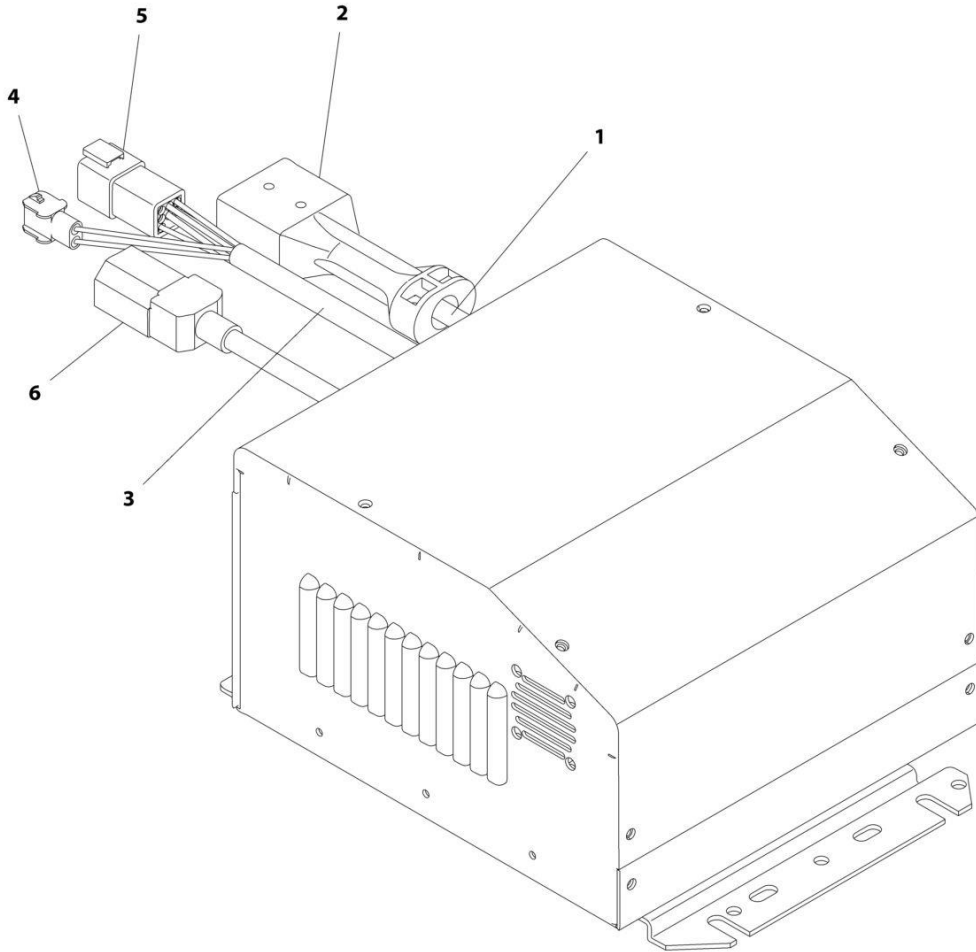
## SECTION 1 - FRAME

**FIGURE 1-18. BATTERY CHARGER INSTALLATION WITH LOCALLY SUPPLIED PLUG AND EAGLE PERFORMANCE CHARGER (ANSI AND CSA SPECS)**

ITEM	PART NUMBER	QTY	DESCRIPTION	REV
	1001180312	Ref	BATTERY CHARGER INSTALLATION WITH LOCALLY SUPPLIED PLUG AND EAGLE PERFORMANCE CHARGER	A
1	1320136	1	Clamp	
2	4191707	2	Screw M6 x 16	
3	4811700	2	Washer M6	
4	1001102258	1	Decal - AC to Platform	
5	1001102489	1	Decal - Charger Plug	
6	1001103258	1	Cable, Charger (AC Input)	
7	1001177842	1	Battery Charger Assembly (See Separate Breakdown in this Section)	

# SECTION 1 - FRAME

FIGURE 1-19. BATTERY CHARGER ASSEMBLY - EAGLE PERFORMANCE



ART\_1001177842

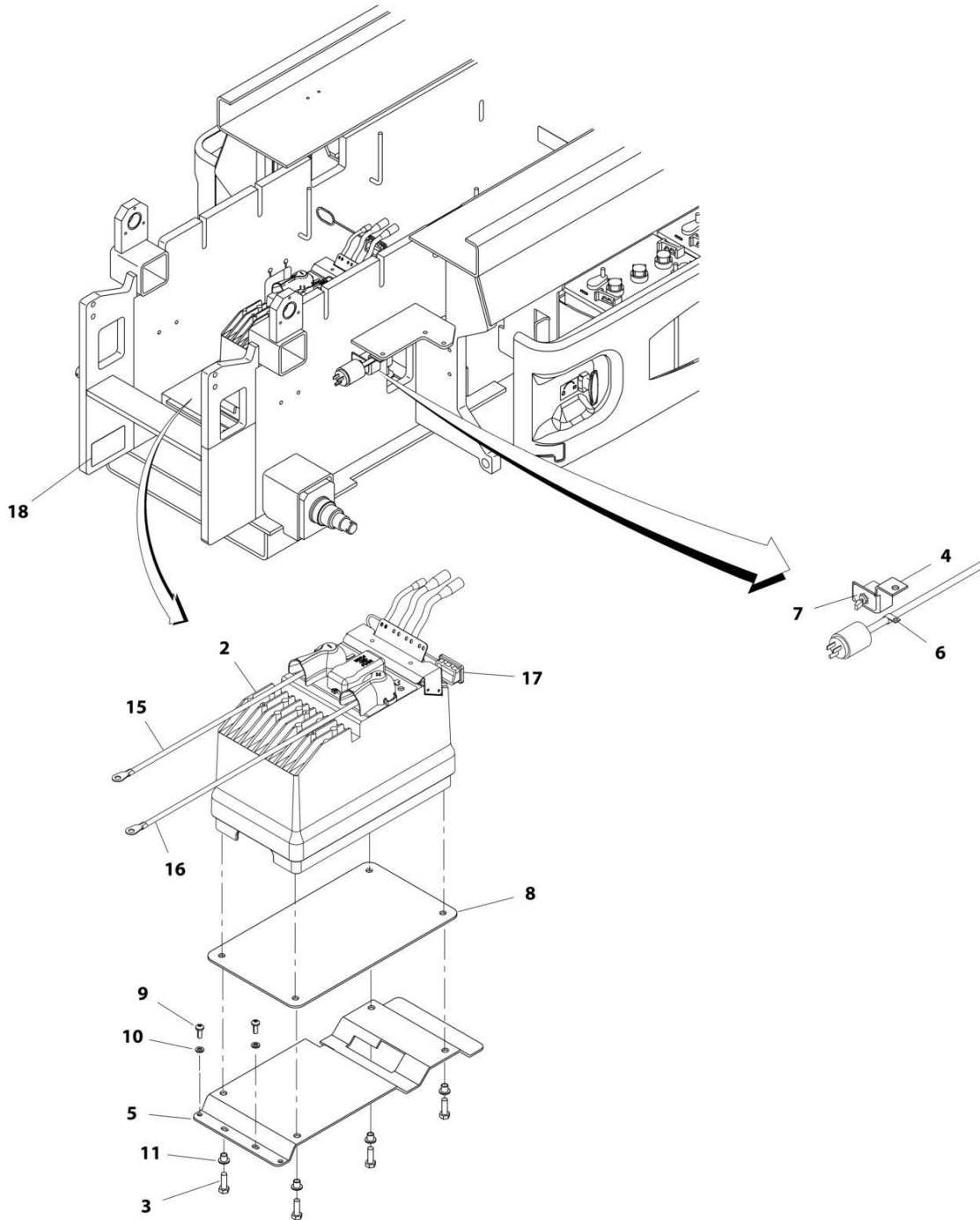
## SECTION 1 - FRAME

**FIGURE 1-19. BATTERY CHARGER ASSEMBLY - EAGLE PERFORMANCE**

ITEM	PART NUMBER	QTY	DESCRIPTION	REV
	1001177842	Ref	BATTERY CHARGER ASSEMBLY - EAGLE PERFORMANCE	A
1	Not Available	1	Harness with Plug	
2	Not Available	1	Plug, Battery Cable	
3	Not Available	1	Harness	
4	4460424	1	Connector, Female - 2 Position	
4	4460227	2	Pin, Male	
5	4460899	1	Connector, Female - 6 Position	
5	4460464	6	Pin, Male	
6	Not Available	1	Harness with Connector	

# SECTION 1 - FRAME

## FIGURE 1-20. CHARGER (INVERTER) INSTALLATION (ANSI, ANSI EXPORT, CSA SPECS)



ART\_0275104

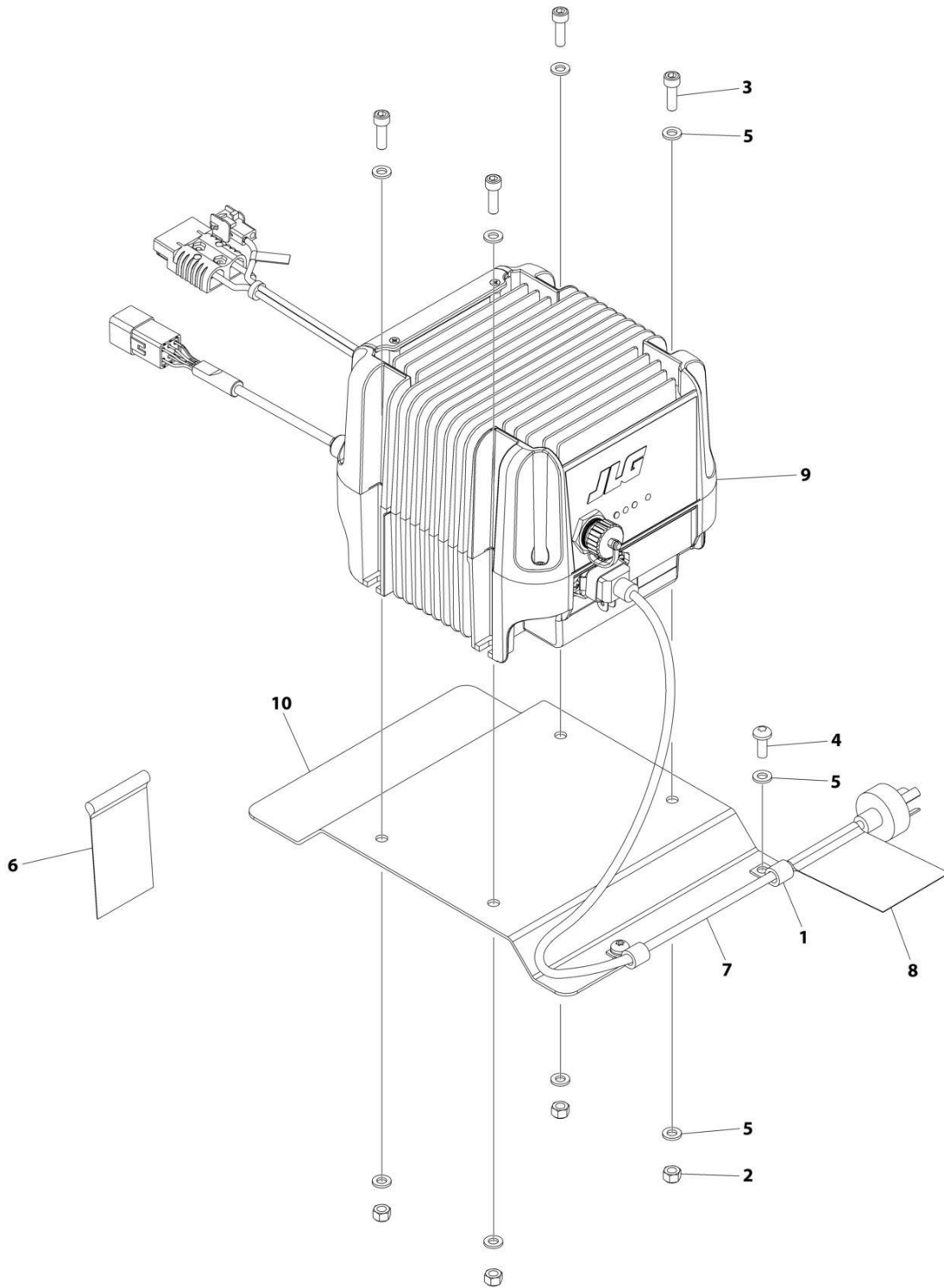
## SECTION 1 - FRAME

**FIGURE 1-20. CHARGER (INVERTER) INSTALLATION (ANSI, ANSI EXPORT, CSA SPECS)**

ITEM	PART NUMBER	QTY	DESCRIPTION	REV
	0275104	Ref	CHARGER (INVERTER) INSTALLATION (ANSI, ANSI EXPORT, CSA SPECS)	G
1	0100011	AR	Compound, Locking	
2	1001093839	1	Charger, Inverter	
3	0760812	4	Screw M8 x 25	
4	0902780	1	Bracket, Remote Switch	
5	0903319	1	Bracket, Inverter Mounting	
6	1320043	1	Clamp	
7	1705052	1	Decal - Inverter On-Off	
8	2820239	1	Insulation	
9	4191707	2	Screw M6 x 16	
10	4811700	2	Washer M6	
11	4740562	4	Washer Special	
12	1001091479	1	Harness, AC Input (Not Shown)	
13	4923390	1	Harness, AC Output (Not Shown)	
14	4923391	1	Harness Data Interface (Not Shown)	
15	4923392	1	Cable, Inverter Positive	
16	4923393	1	Cable, Inverter Negative	
17	1671266	1	Cover	
18	1706749	1	Decal - Inverter	

# SECTION 1 - FRAME

FIGURE 1-21. BATTERY CHARGER INSTALLATION - GREEN POWER (CHINESE PLUG) (CHINESE SPECS)



ART\_1001186498



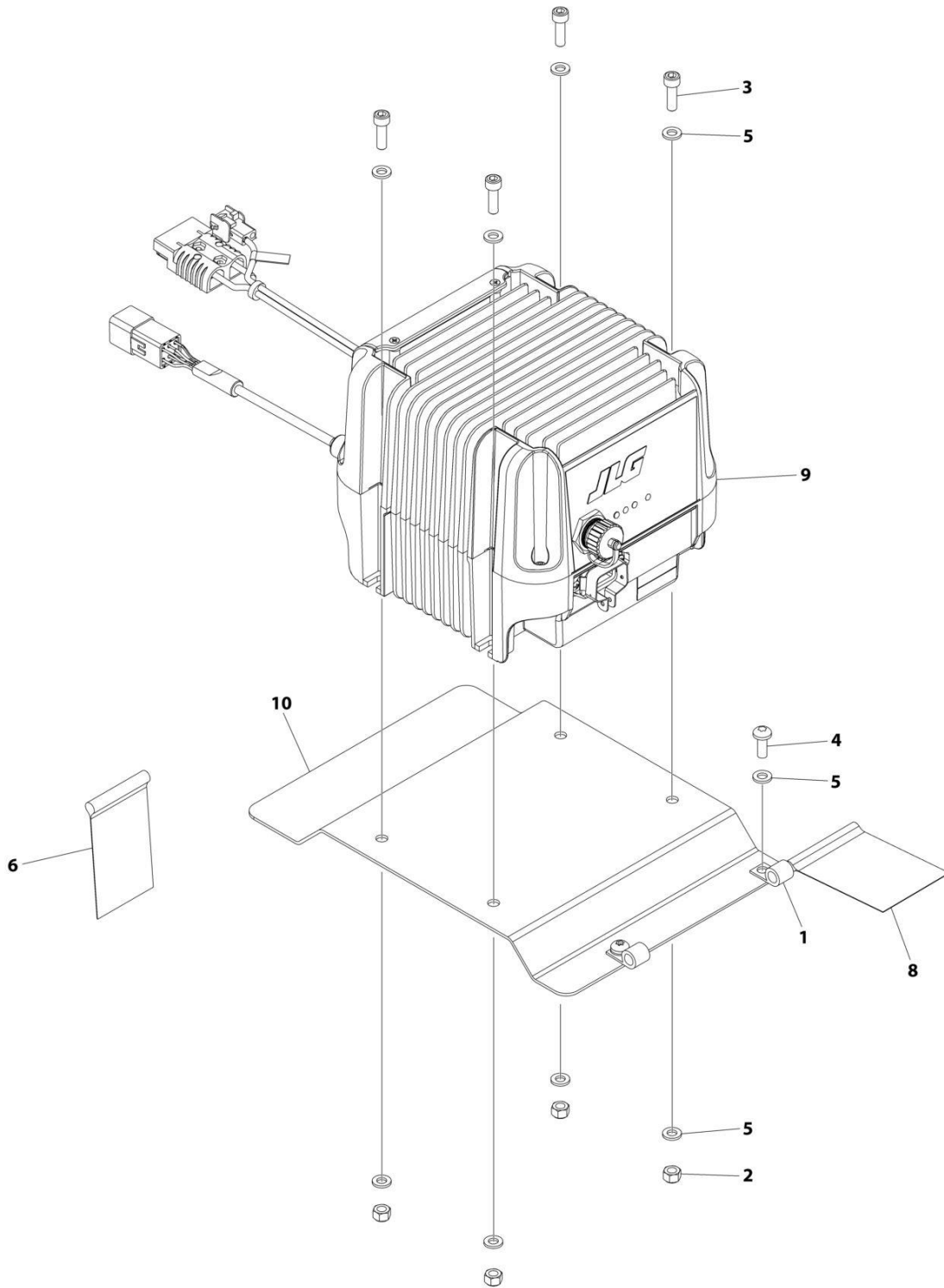
## SECTION 1 - FRAME

**FIGURE 1-21. BATTERY CHARGER INSTALLATION - GREEN POWER (CHINESE PLUG) (CHINESE SPECS)**

ITEM	PART NUMBER	QTY	DESCRIPTION	REV
	1001186498	Ref	BATTERY CHARGER INSTALLATION - GREEN POWER (CHINESE PLUG)	F
1	1321293	2	Clamp	
2	3290605	4	Nut M6	
3	4031708	4	Capscrew M6 x 20	
4	4191707	2	Screw M6 x 16	
5	4811700	10	Washer M6	
6	1001102258	1	Decal - AC to Platform	
7	1001172010	1	Cable, Charger (AC Input)	
8	1001215870	1	Decal - Charger Plug	
9	1001218595	1	Charger, Battery - Green Power	
10	1001218808	1	Bracket	
11	1001112113	1	Sensor, Temperature (Not Shown - Located on Negative Battery Terminal)	

# SECTION 1 - FRAME

FIGURE 1-22. BATTERY CHARGER INSTALLATION - GREEN POWER (LOCALLY SUPPLIED PLUG)  
(KOREA SPECS)



ART\_1001245319

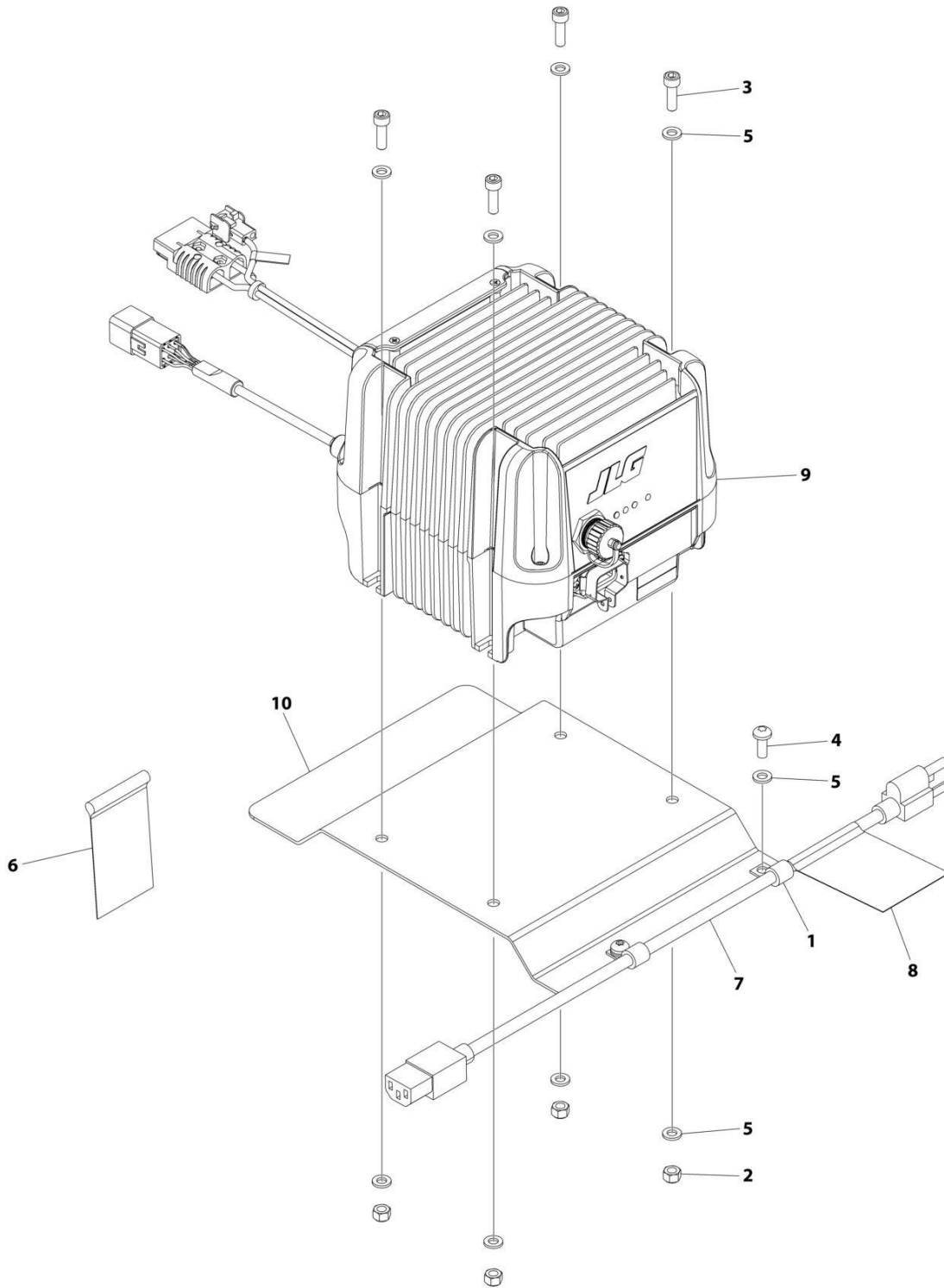
## SECTION 1 - FRAME

**FIGURE 1-22. BATTERY CHARGER INSTALLATION - GREEN POWER (LOCALLY SUPPLIED PLUG)  
(KOREA SPECS)**

ITEM	PART NUMBER	QTY	DESCRIPTION	REV
	1001245319	Ref	BATTERY CHARGER INSTALLATION - GREEN POWER (LOCALLY SUPPLIED PLUG)	A
1	1321293	2	Clamp	
2	3290605	4	Nut M6	
3	4031708	4	Capscrew M6 x 20	
4	4191707	2	Screw M6 x 16	
5	4811700	10	Washer M6	
6	1001102258	1	Decal - AC to Platform	
7	1001112113	1	Sensor, Temperature (Not Shown - Located on Negative Battery Terminal)	
8	1001215870	1	Decal - Charger Plug	
9	1001218595	1	Charger, Battery - Green Power	
10	1001218808	1	Bracket	

# SECTION 1 - FRAME

## FIGURE 1-23. BATTERY CHARGER INSTALLATION - GREEN POWER (110V PLUG) (JAPANESE SPECS)



ART\_1001244948

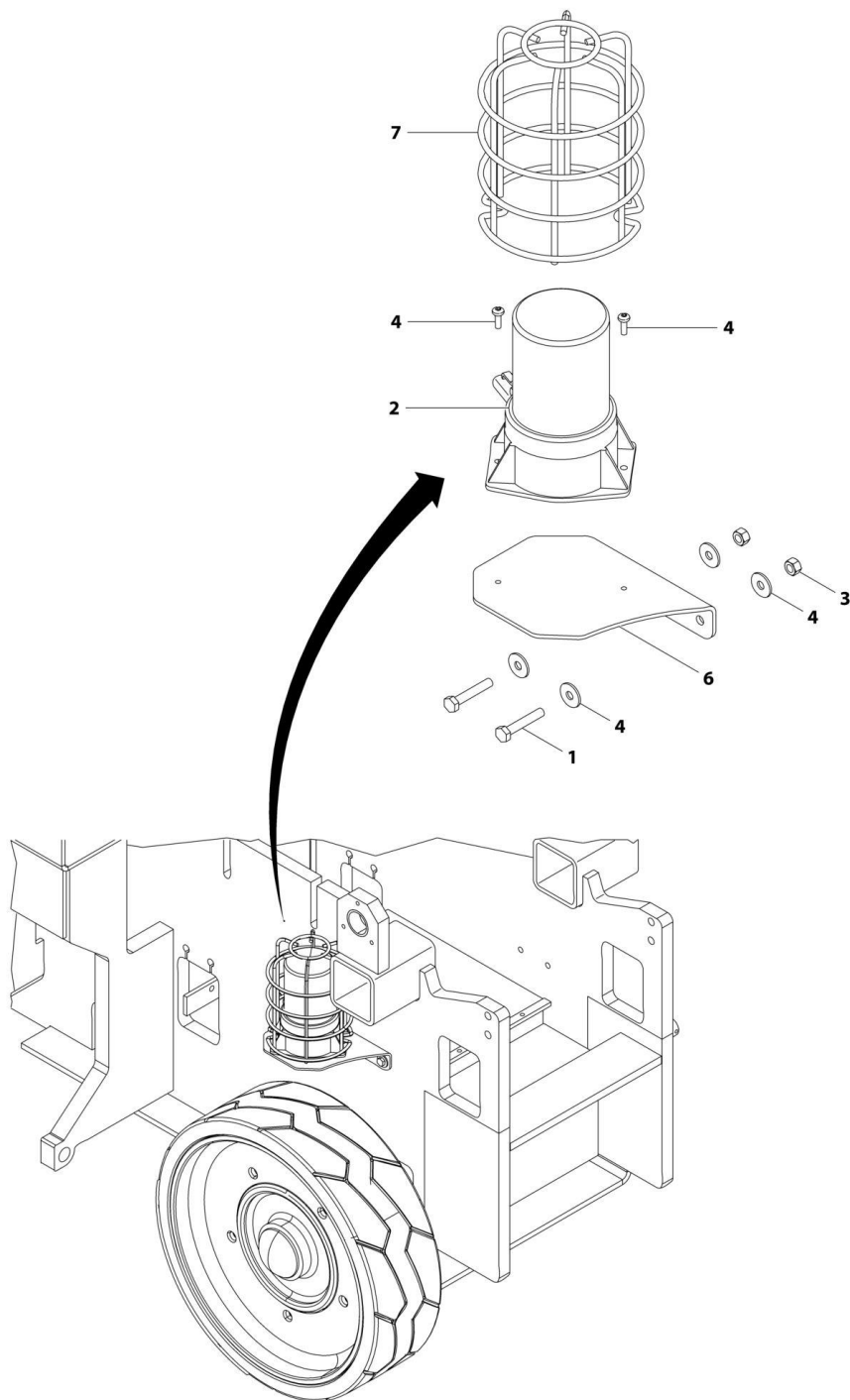
## SECTION 1 - FRAME

**FIGURE 1-23. BATTERY CHARGER INSTALLATION - GREEN POWER (110V PLUG) (JAPANESE SPECS)**

ITEM	PART NUMBER	QTY	DESCRIPTION	REV
	1001244948	Ref	BATTERY CHARGER INSTALLATION - GREEN POWER (110V PLUG)	A
1	1321293	2	Clamp	
2	3290605	4	Nut M6	
3	4031708	4	Capscrew M6 x 20	
4	4031707	2	Capscrew M6 x 16	
5	4811700	10	Washer M6	
6	1001102258	1	Decal - AC to Platform	
7	1001103257	1	Cable, Charger (AC Input)	
8	1001215870	1	Decal - Charger Plug	
9	1001218595	1	Charger, Battery - Green Power	
10	1001218808	1	Bracket	
11	1001112113	1	Sensor, Temperature (Not Shown - Located on Negative Battery Terminal)	

# SECTION 1 - FRAME

## FIGURE 1-24. BEACON (AMBER) LIGHT INSTALLATION (OPTIONAL)



ART\_1001175198

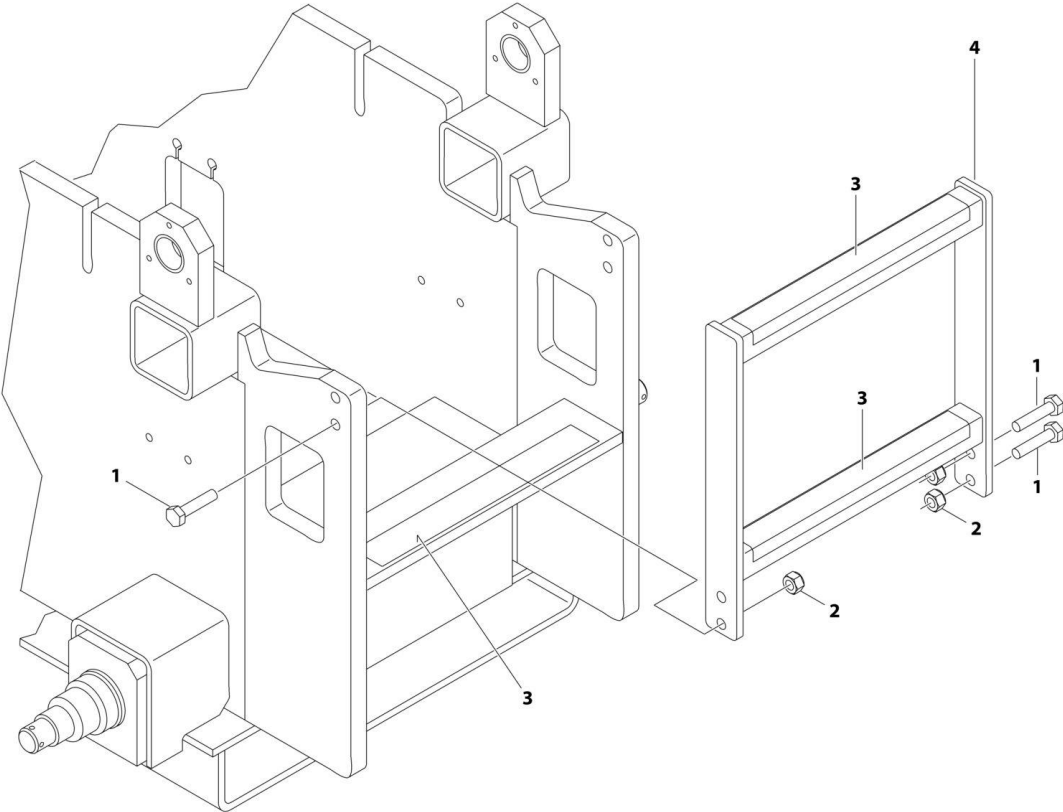
**SECTION 1 - FRAME**

**FIGURE 1-24. BEACON (AMBER) LIGHT INSTALLATION (OPTIONAL)**

ITEM	PART NUMBER	QTY	DESCRIPTION	REV
	1001175198	Ref	BEACON (AMBER) LIGHT INSTALLATION (OPTIONAL)	A
		Ref	Note: See SPECIAL OPTIONS SECTION for Machines with 2 Beacon Lights.	
1	0700615	2	Bolt M6 x 35	
2	2920161	1	Light, Beacon	
2	7016319	1	Bulb	
2	7016372	1	Lens	
3	3290605	2	Nut M6	
4	4191406	2	Screw M4 x 12	
5	4811702	4	Washer M6	
6	1001175598	1	Mount	
7	4060865	1	Guard	

**SECTION 1 - FRAME**

**FIGURE 1-25. LADDER INSTALLATION - 2032ES**



ART\_1001177415\_D

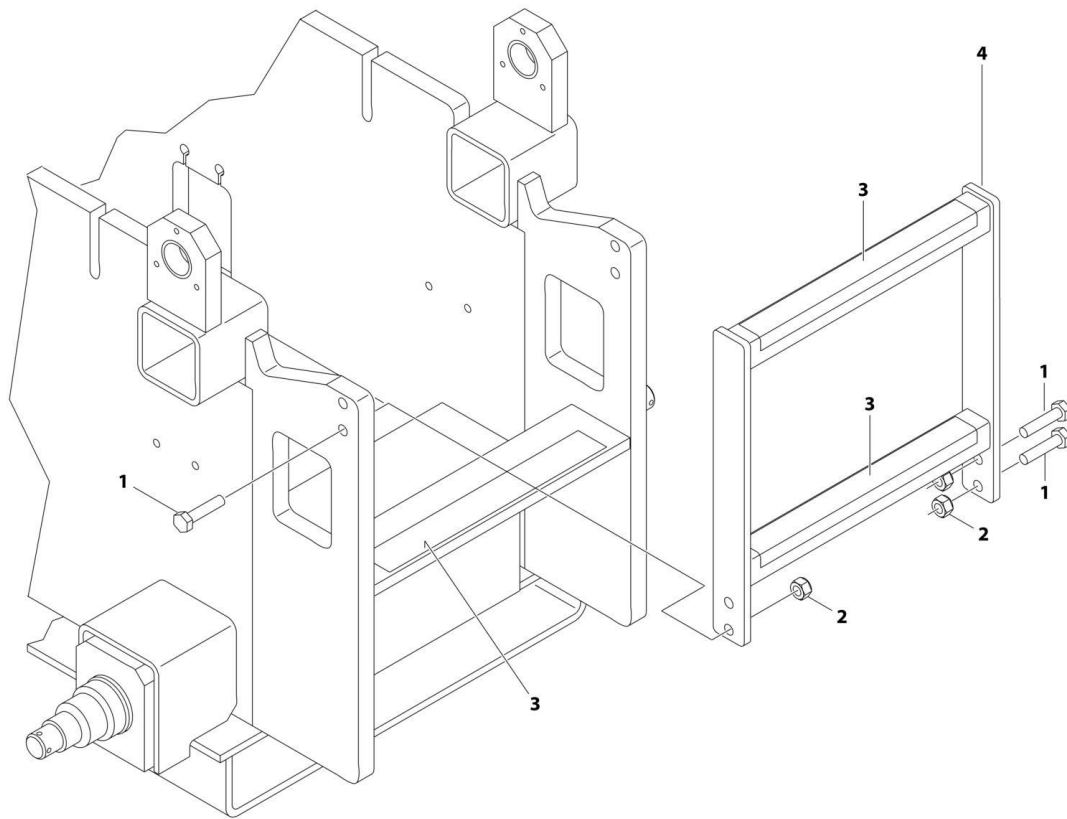


**FIGURE 1-25. LADDER INSTALLATION - 2032ES**

<b>ITEM</b>	<b>PART NUMBER</b>	<b>QTY</b>	<b>DESCRIPTION</b>	<b>REV</b>
	1001177415	Ref	LADDER INSTALLATION - 2032ES	D
1	0701017	4	Bolt M10 x 45	
2	3291005	4	Nut M10	
3	1001206758	3	Tape, Anti-Skid	
4	1001177465	1	Ladder	

# SECTION 1 - FRAME

## FIGURE 1-26. LADDER INSTALLATION - 2632ES



ART\_1001178028

**FIGURE 1-26. LADDER INSTALLATION - 2632ES**

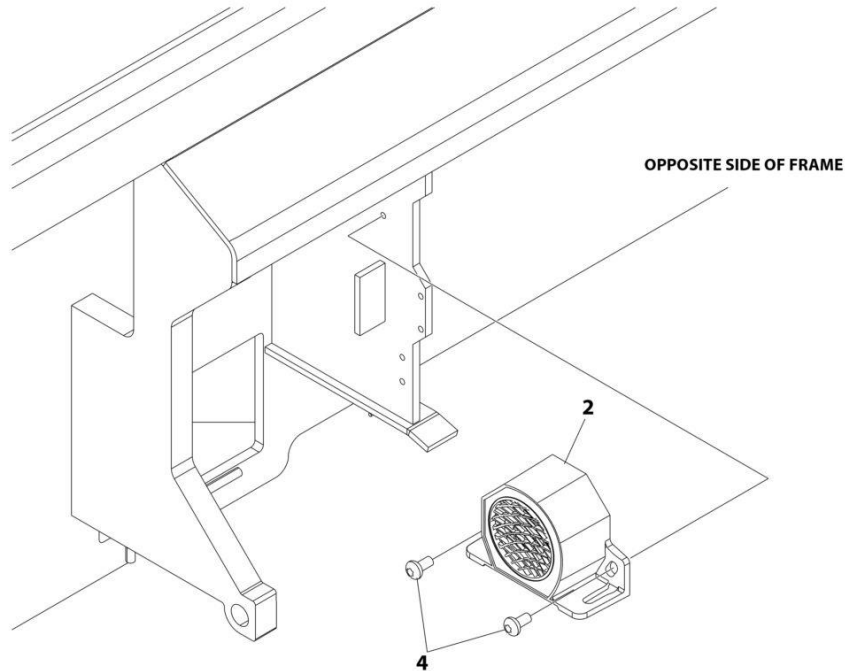
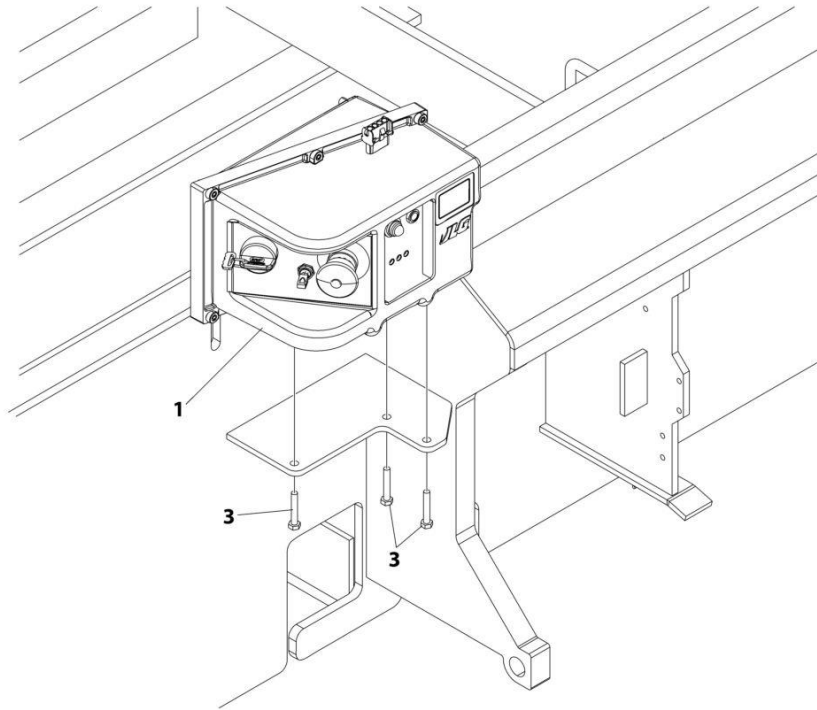
<b>ITEM</b>	<b>PART NUMBER</b>	<b>QTY</b>	<b>DESCRIPTION</b>	<b>REV</b>
	1001178028	Ref	LADDER INSTALLATION - 2632ES	D
1	0701017	4	Bolt M10 x 45	
2	3291005	4	Nut M10	
3	1001206758	3	Tape, Anti-Skid	
4	1001178026	1	Ladder	



**SECTION 2 - GROUND COMPONENTS**

## SECTION 2 - GROUND COMPONENTS

FIGURE 2-1. GROUND CONTROL BOX/ALARM INSTALLATION - LSS (CHINA BUILT MACHINES)



ART\_1001166828

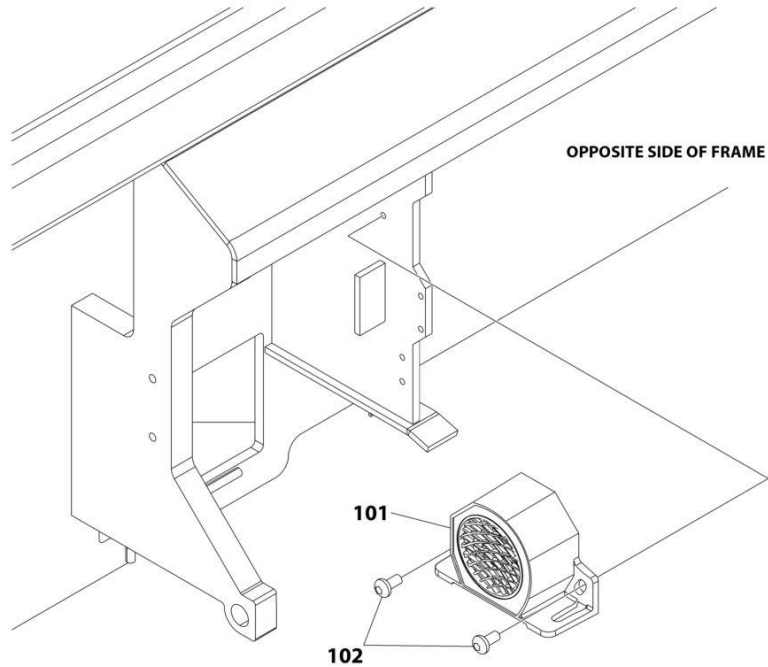
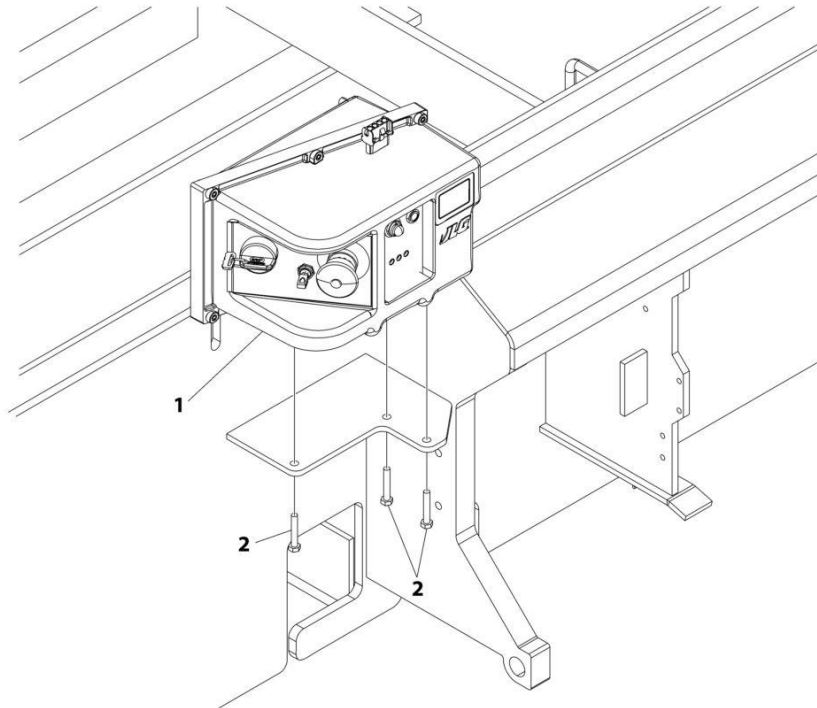
## SECTION 2 - GROUND COMPONENTS

**FIGURE 2-1. GROUND CONTROL BOX/ALARM INSTALLATION - LSS (CHINA BUILT MACHINES)**

ITEM	PART NUMBER	QTY	DESCRIPTION	REV
	1001166828	Ref	GROUND CONTROL BOX/ALARM INSTALLATION - LSS	C
		Ref	Note: Standard Alarm located on LH side of operators position on machine. Optional Alarms are located on the RH Side of operators position on machines. For optional alarm components, See SPECIAL OPTIONS Section.	
1	1001166197	1	Ground Control Box Assembly (See Separate Breakdown in this Section)	
2	0140043	1	Alarm	
2	4460536	1	Receptacle, Female - 3 Position	
2	4460464	3	Pin, Male	
3	0700615	3	Bolt M6 x 35	
4	4191706	2	Screw M6 x 12	

## SECTION 2 - GROUND COMPONENTS

FIGURE 2-2. GROUND CONTROL BOX/ALARM INSTALLATION - LSS (BELGIUM BUILT MACHINES)



ART\_1001215247\_A



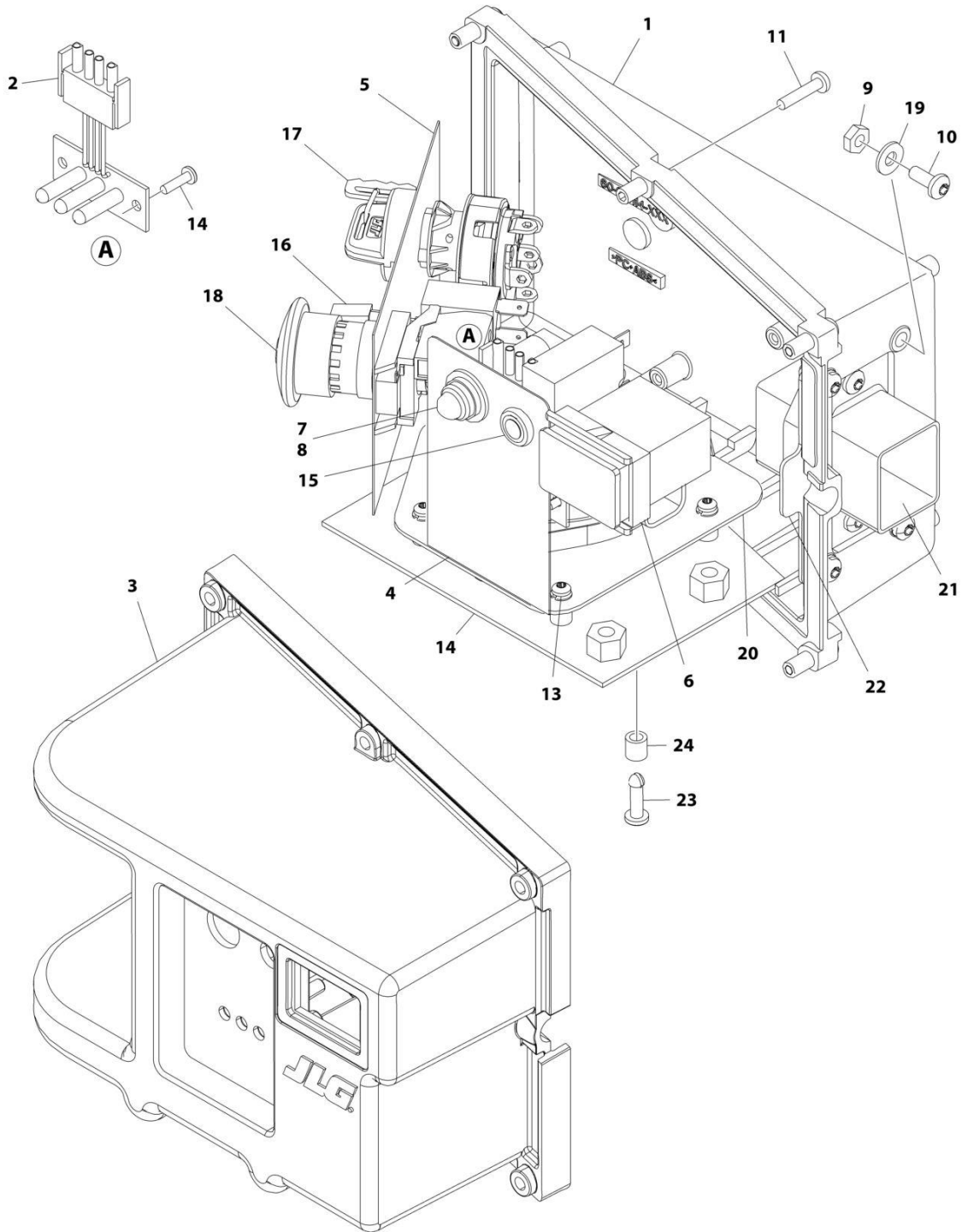
## SECTION 2 - GROUND COMPONENTS

**FIGURE 2-2. GROUND CONTROL BOX/ALARM INSTALLATION - LSS (BELGIUM BUILT MACHINES)**

ITEM	PART NUMBER	QTY	DESCRIPTION	REV
1	1001215247	Ref	GROUND CONTROL BOX/ALARM INSTALLATION - LSS	A
	1001166197	1	Ground Control Box Assembly (See Separate Breakdown in this Section)	
2	0700615	3	Bolt M6 x 35	A
	1001215248	Ref	Alarm Installation	
101	0140043	1	Alarm	
101	4460536	1	Receptacle, Female - 3 Position	
101	4460464	3	Pin, Male	
102	4191706	2	Screw M6 x 12	

# SECTION 2 - GROUND COMPONENTS

## FIGURE 2-3. GROUND CONTROL BOX ASSEMBLY - LSS



ART\_1001166197\_G

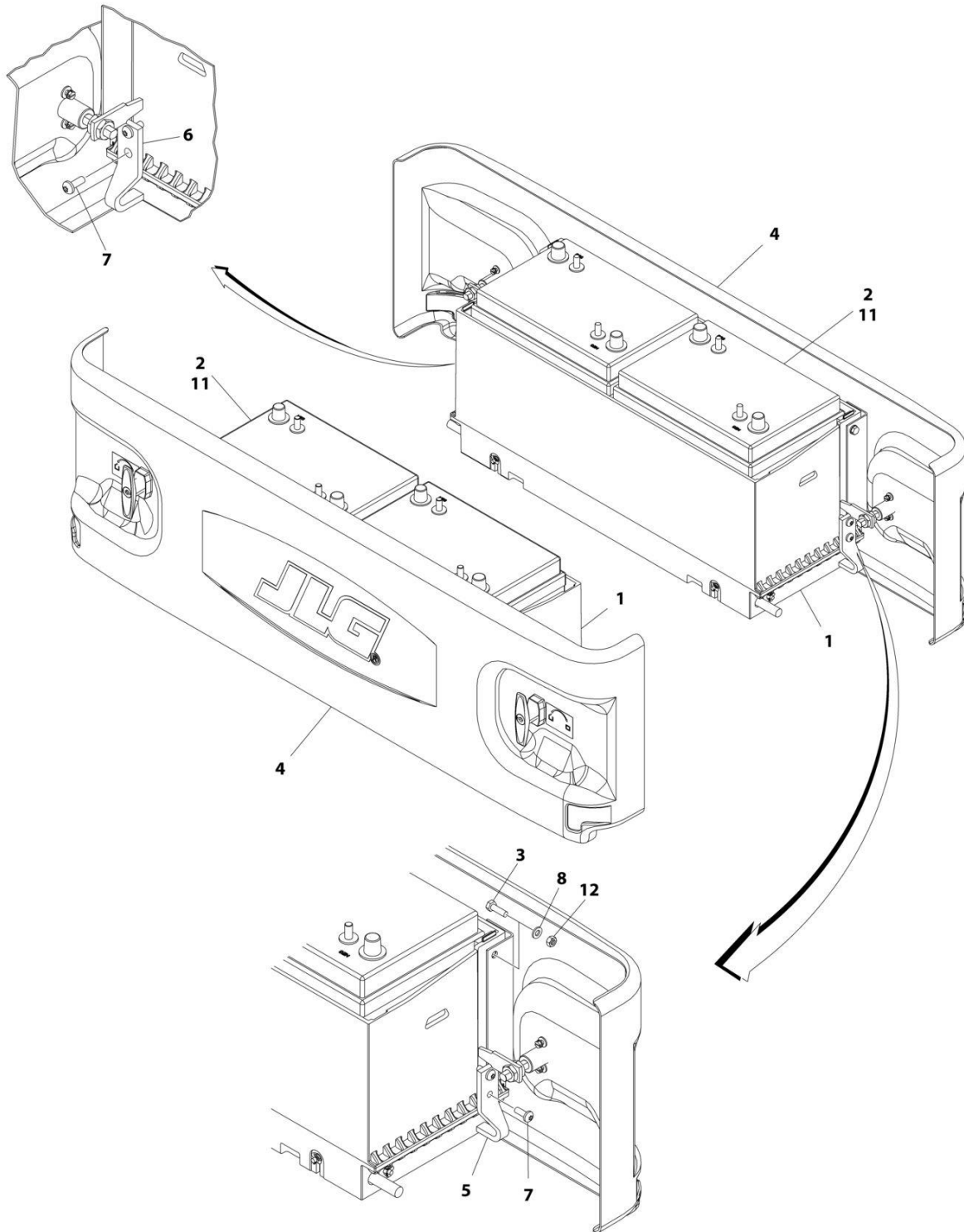
## SECTION 2 - GROUND COMPONENTS

**FIGURE 2-3. GROUND CONTROL BOX ASSEMBLY - LSS**

ITEM	PART NUMBER	QTY	DESCRIPTION	REV
	1001166197	Ref	GROUND CONTROL BOX ASSEMBLY - LSS	G
1	0380025	1	Base, Box	
2	0610161	1	PC Board, Charger LED	
2	4460321	1	Plug, Male - 4 Position	
2	4460268	3	Socket, Female	
3	1671105	1	Cover	
4	1001253951	1	Decal	
5	1705698	1	Decal	
6	2420172	1	Hourmeter	
7	2920026	1	Lamp	
8	2920094	1	Bulb	
9	3321005	4	Nut #10	
10	3900336	6	Screw	
11	3900338	6	Screw	
12	3900339	2	Screw	
13	1001180090	4	Screw M3.5 x 20	
14	1001165315	1	Support	
15	4360069	1	Breaker, Circuit 10Amp	
16	4360328	1	Switch, Toggle	
17	4360469	1	Switch, Key	
17	2860030	1	Key, Replacement	
18	4360475	1	Switch, Emergency Stop	
18	7020175	1	Cap	
18	7020176	1	Block, Contact	
19	4751000	4	Washer #10	
20	1001166255	1	Sensor, Tilt (Includes Sensor, Mounting Plate and Hardware)	
20	3931412	3	Screw 1/4 x 3/4	
20	1001163095	1	Sensor	
20	1001165316	1	Mount, Sensor	
20	1001166776	4	Mount, Standoff	
21	1001167256	1	Harness, Ground Control Box (See Separate Breakdown in ELECTRICAL SECTION)	
22	1001114937	1	Mount, Harness	
23	1001165284	1	Fastener	
24	1001165286	1	Spacer	

## SECTION 2 - GROUND COMPONENTS

FIGURE 2-4. BATTERIES INSTALLATION - AGM AND EVG TYPE - 225 AH RATING (NON-LOCKING COVERS)



ART\_0275401-F

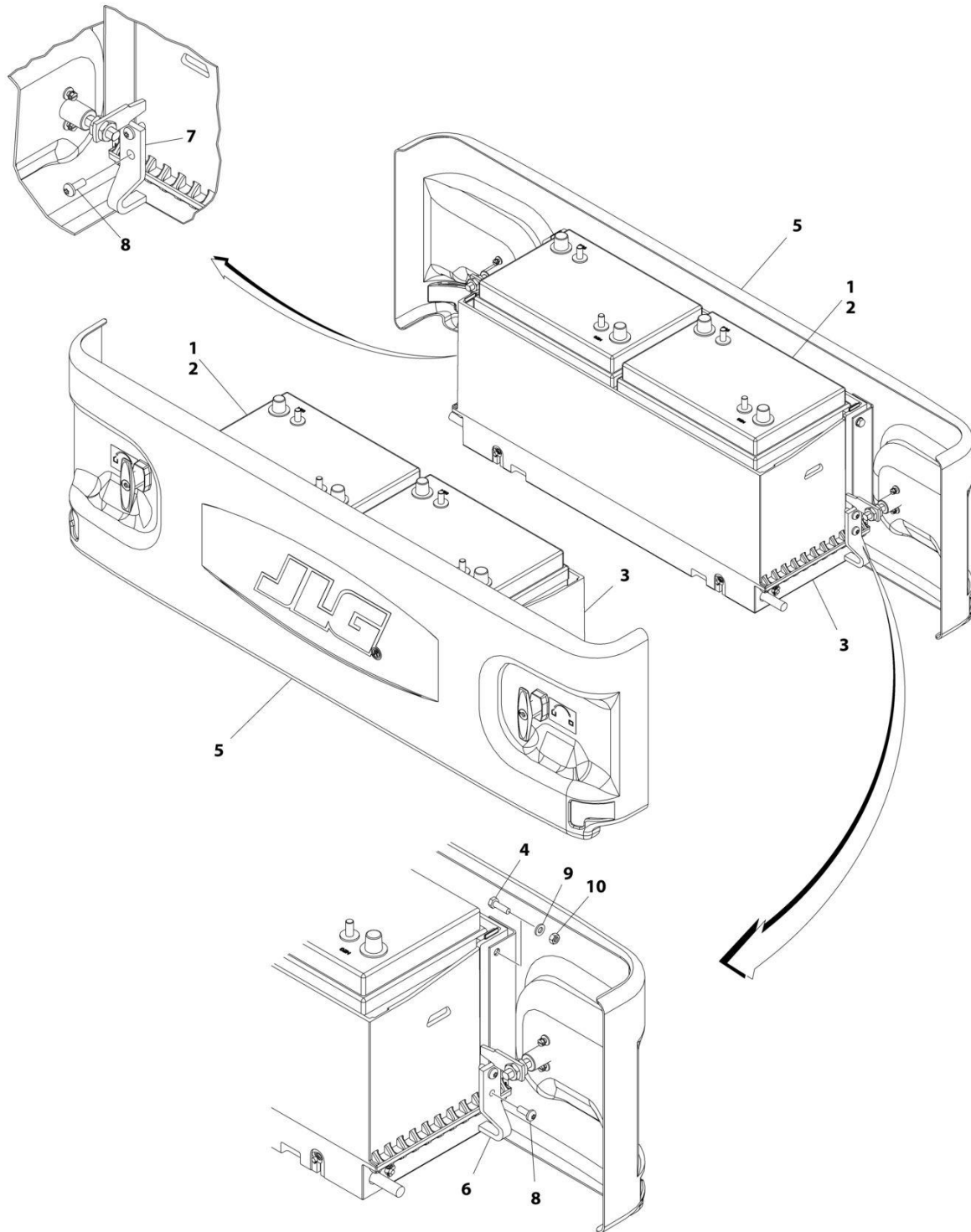
## SECTION 2 - GROUND COMPONENTS

**FIGURE 2-4. BATTERIES INSTALLATION - AGM AND EVG TYPE - 225 AH RATING (NON-LOCKING COVERS)**

ITEM	PART NUMBER	QTY	DESCRIPTION	REV
	0275401	1	BATTERIES INSTALLATION - AGM AND EVG TYPE - 225 AH RATING (NON-LOCKING COVERS)	F
1	0273698	2	Tray Assembly (See Separate Breakdown in this Section)	
2	1001112112	4	Battery Type EVGC6A-A	
3	1001100451	8	Bolt M6 x 20	
4	1671202	2	Cover Assembly (See Separate Breakdown in this Section)	
5	3574981	2	Plate, Slide Stop (LH)	
6	3574984	2	Plate, Slide Stop (RH)	
7	4191707	8	Screw M6 x 16	
8	4811700	8	Washer M6	
11	0100051	AR	Grease, Terminal	
12	3290605	8	Nut M6	

## SECTION 2 - GROUND COMPONENTS

FIGURE 2-5. BATTERIES INSTALLATION - AGM AND EVG TYPE - 225 AH RATING (NON-UL LOCKING COVERS)



ART\_1001132233-D

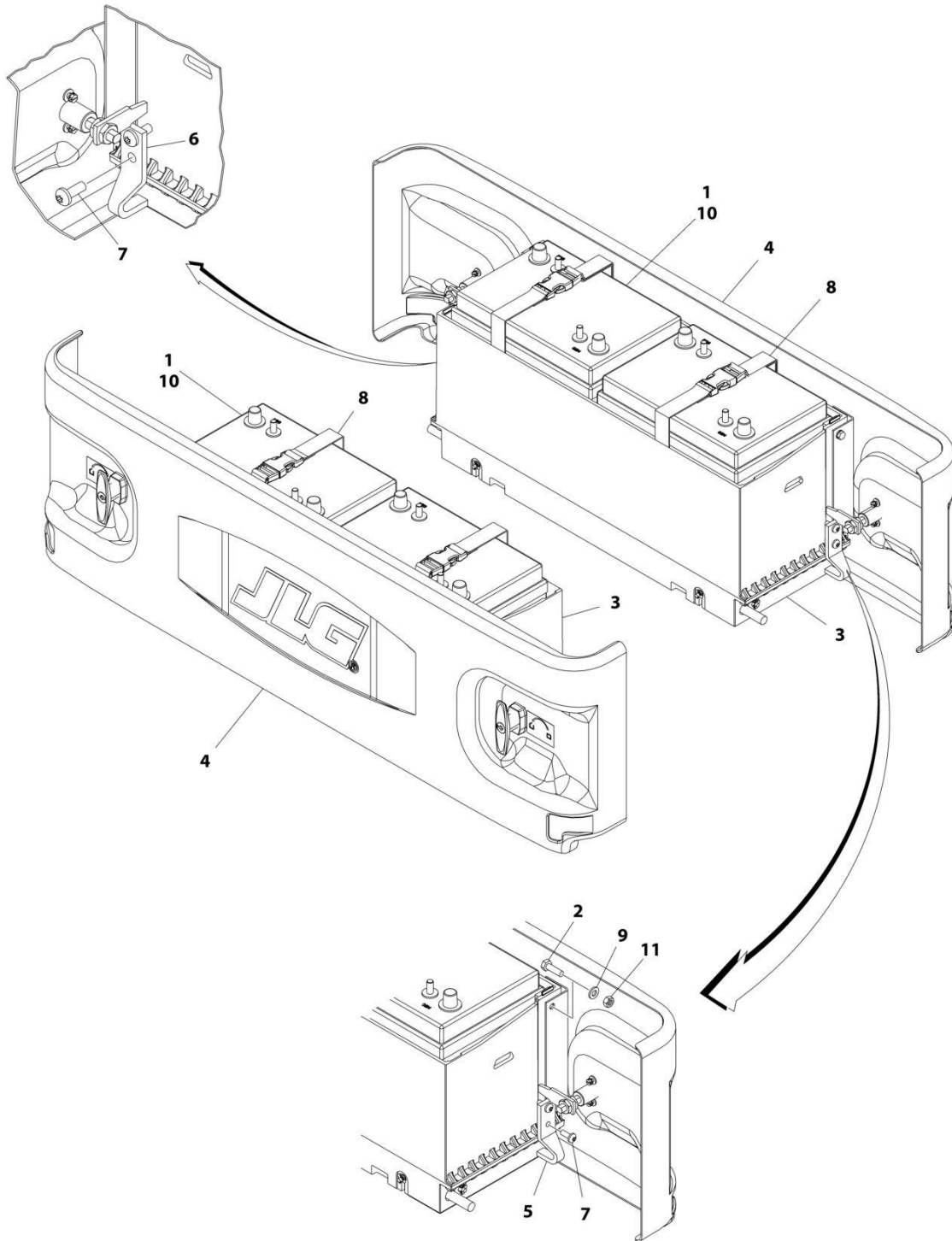
## SECTION 2 - GROUND COMPONENTS

**FIGURE 2-5. BATTERIES INSTALLATION - AGM AND EVG TYPE - 225 AH RATING (NON-UL LOCKING COVERS)**

ITEM	PART NUMBER	QTY	DESCRIPTION	REV
	1001132233	Ref	BATTERIES INSTALLATION - AGM AND EVG TYPE - 225 AH RATING (NON-UL LOCKING COVERS)	D
1	0100051	AR	Grease, Terminal	
2	1001112112	4	Battery Type EVGC6A-A	
3	0273698	2	Tray Assembly (See Separate Breakdown in this Section)	
4	1001100451	8	Bolt M6 x 20	
5	1671204	2	Cover Assembly (See Separate Breakdown in this Section)	
6	3574981	2	Plate, Slide Stop (LH)	
7	3574984	2	Plate, Slide Stop (RH)	
8	4191707	8	Screw M6 x 16	
9	4811700	8	Washer M6	
10	3290605	8	Nut M6	

## SECTION 2 - GROUND COMPONENTS

FIGURE 2-6. BATTERIES INSTALLATION - AGM AND EVG TYPE - 225 AH RATING (UL LOCKING COVERS)



ART\_1001159192-D



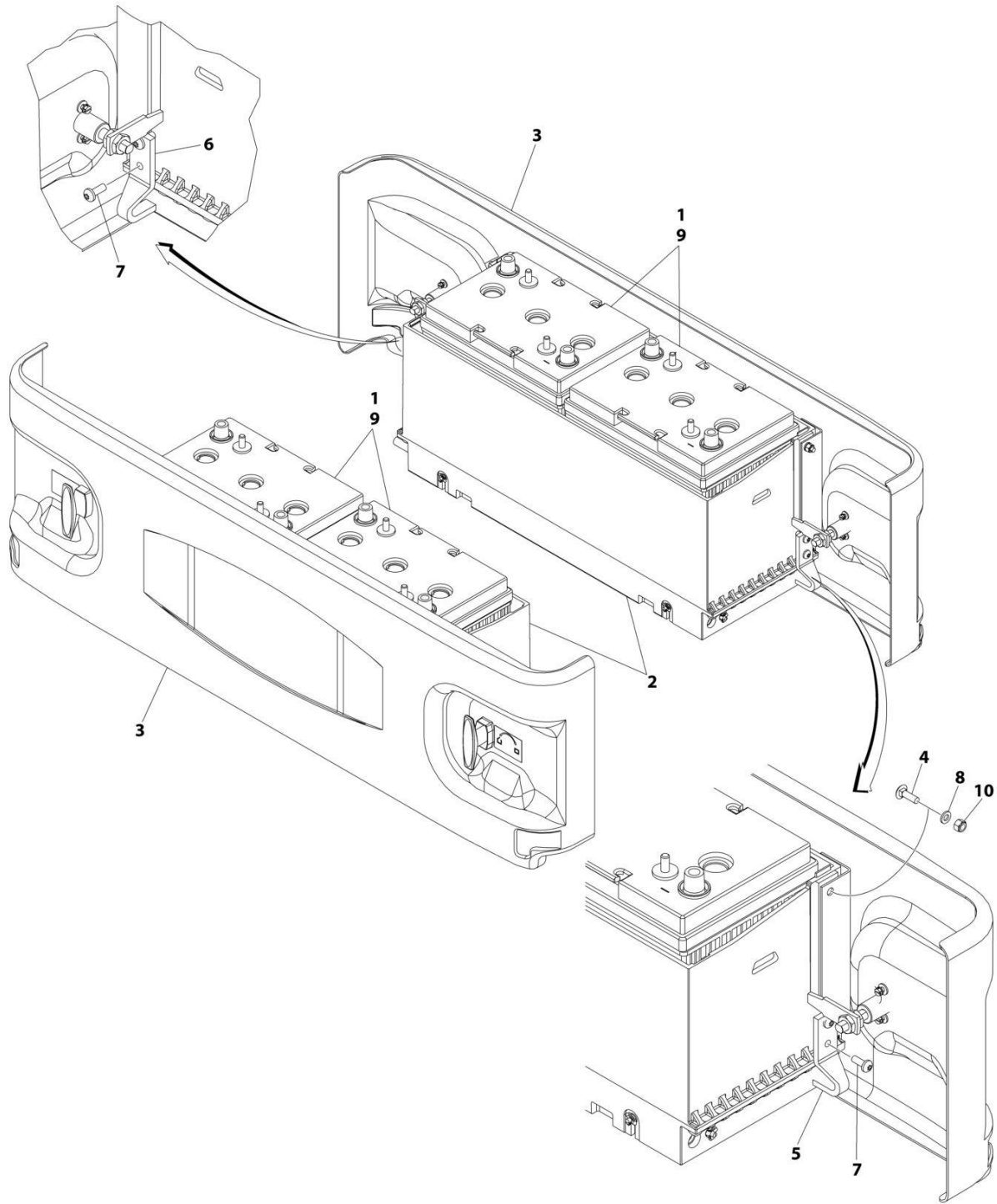
## SECTION 2 - GROUND COMPONENTS

**FIGURE 2-6. BATTERIES INSTALLATION - AGM AND EVG TYPE - 225 AH RATING (UL LOCKING COVERS)**

ITEM	PART NUMBER	QTY	DESCRIPTION	REV
	1001159192	Ref	BATTERIES INSTALLATION - AGM AND EVG TYPE - 225 AH RATING (UL LOCKING COVERS)	D
1	0100051	AR	Grease, Terminal	
2	1001100451	8	Bolt M6 x 20	
3	0861678	2	Tray Assembly (See Separate Breakdown in this Section)	
4	1671204	2	Cover Assembly (See Separate Breakdown in this Section)	
5	3574981	2	Plate, Slide Stop (LH)	
6	3574984	2	Plate, Slide Stop (RH)	
7	4191707	8	Screw M6 x 16	
8	4240172	4	Strap, Battery	
9	4811700	8	Washer M6	
10	1001112112	4	Battery Type EVGC6A-A	
11	3290605	8	Nut M6	

## SECTION 2 - GROUND COMPONENTS

FIGURE 2-7. BATTERIES INSTALLATION - AGM VISION AND EVG TYPE - 220 AH RATING (NON-LOCKING COVERS)



ART\_1001248130

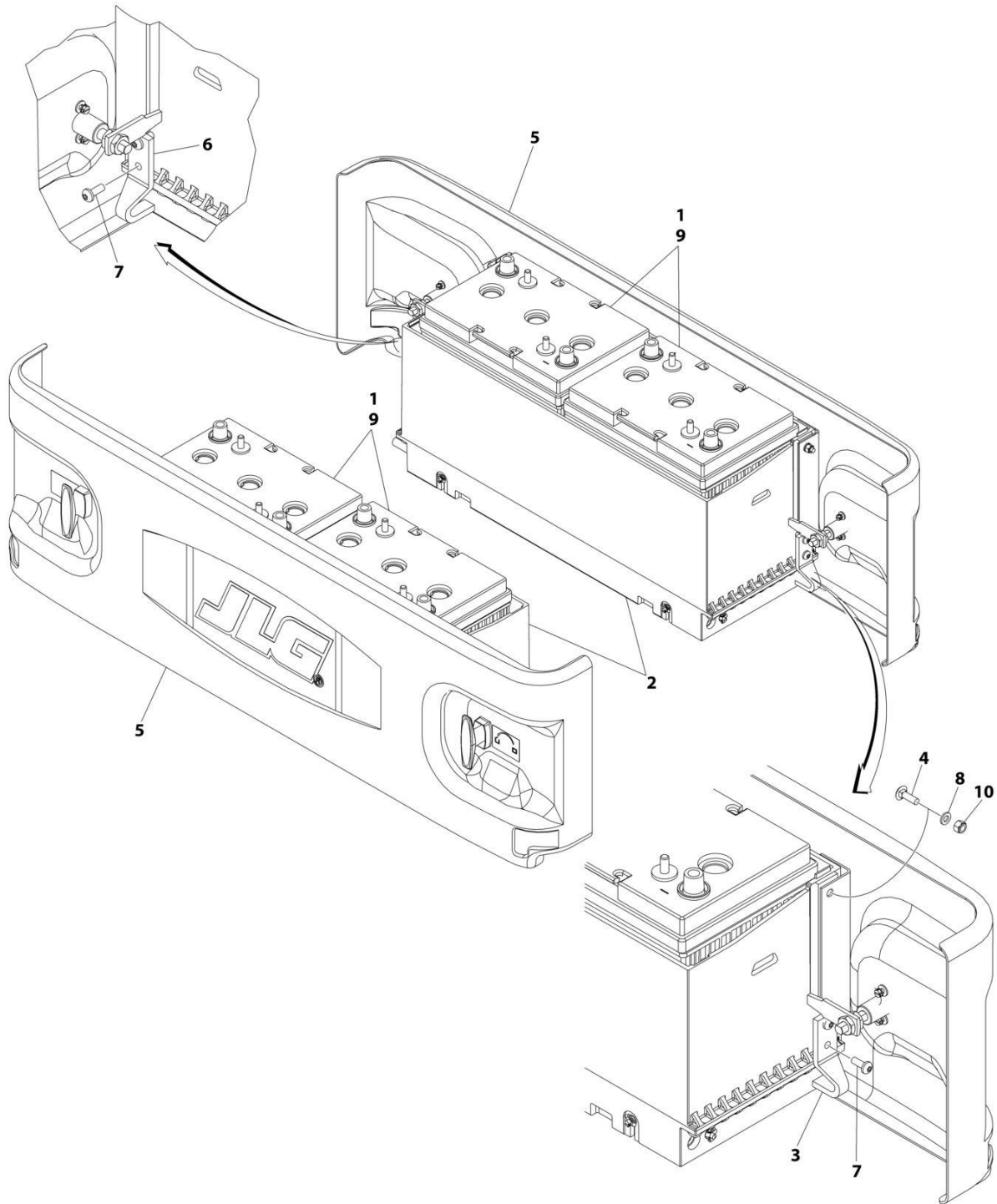
## SECTION 2 - GROUND COMPONENTS

**FIGURE 2-7. BATTERIES INSTALLATION - AGM VISION AND EVG TYPE - 220 AH RATING (NON-LOCKING COVERS)**

ITEM	PART NUMBER	QTY	DESCRIPTION	REV
	1001248130	Ref	BATTERIES INSTALLATION - AGM VISION AND EVG TYPE - 220 AH RATING (UL LOCKING COVERS)	A
1	0100051	AR	Grease, Terminal	
2	0273698	2	Tray Assembly (See Separate Breakdown in this Section)	
3	1671202	2	Cover Assembly (See Separate Breakdown in this Section)	
4	1001100451	8	Bolt M6 x 20	
5	3574981	2	Plate, Slide Stop (LH)	
6	3574984	2	Plate, Slide Stop (RH)	
7	4191707	8	Screw M6 x 16	
8	4811700	8	Washer M6	
9	1001214347	4	Battery Type EVGC-220A-AM	
10	3290605	8	Nut M6	

## SECTION 2 - GROUND COMPONENTS

FIGURE 2-8. BATTERIES INSTALLATION - AGM VISION AND EVG TYPE - 220 AH RATING (NON-UL LOCKING COVERS)



ART\_1001248131

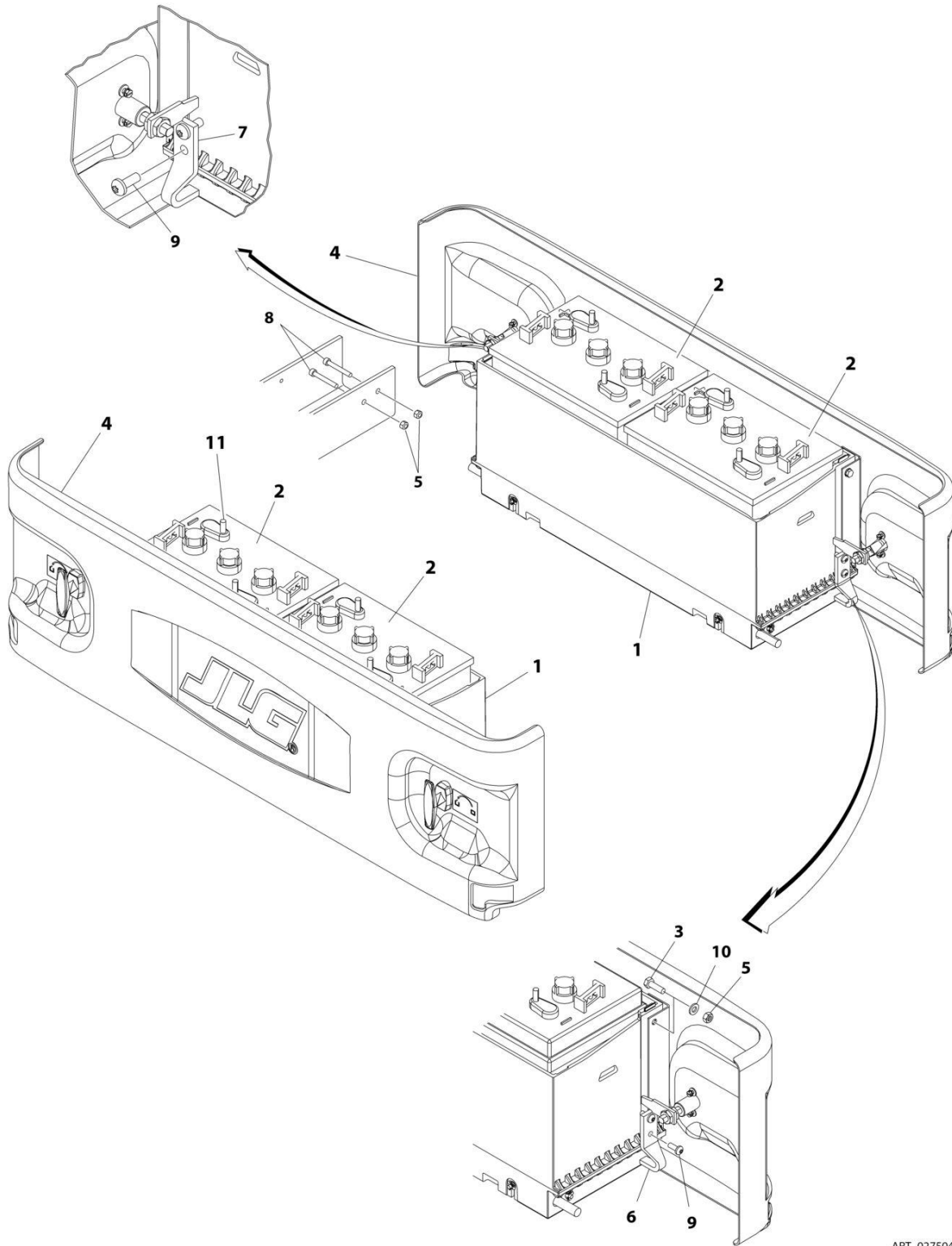
## SECTION 2 - GROUND COMPONENTS

**FIGURE 2-8. BATTERIES INSTALLATION - AGM VISION AND EVG TYPE - 220 AH RATING (NON-UL LOCKING COVERS)**

ITEM	PART NUMBER	QTY	DESCRIPTION	REV
	1001248131	Ref	BATTERIES INSTALLATION - AGM VISION AND EVG TYPE - 220 AH RATING (NON-UL LOCKING COVERS)	A
1	0100051	AR	Grease, Terminal	
2	0273698	2	Tray Assembly (See Separate Breakdown in this Section)	
3	3574981	2	Plate, Slide Stop (LH)	
4	1001100451	8	Bolt M6 x 20	
5	1671204	2	Cover Assembly (See Separate Breakdown in this Section)	
6	3574984	2	Plate, Slide Stop (RH)	
7	4191707	8	Screw M6 x 16	
8	4811700	8	Washer M6	
9	1001214347	4	Battery Type EVGC-220A-AM	
10	3290605	8	Nut M6	

## SECTION 2 - GROUND COMPONENTS

FIGURE 2-9. BATTERIES INSTALLATION - EV TYPE - 244 AH RATING (NON-LOCKING COVERS)



ART\_0275042-F

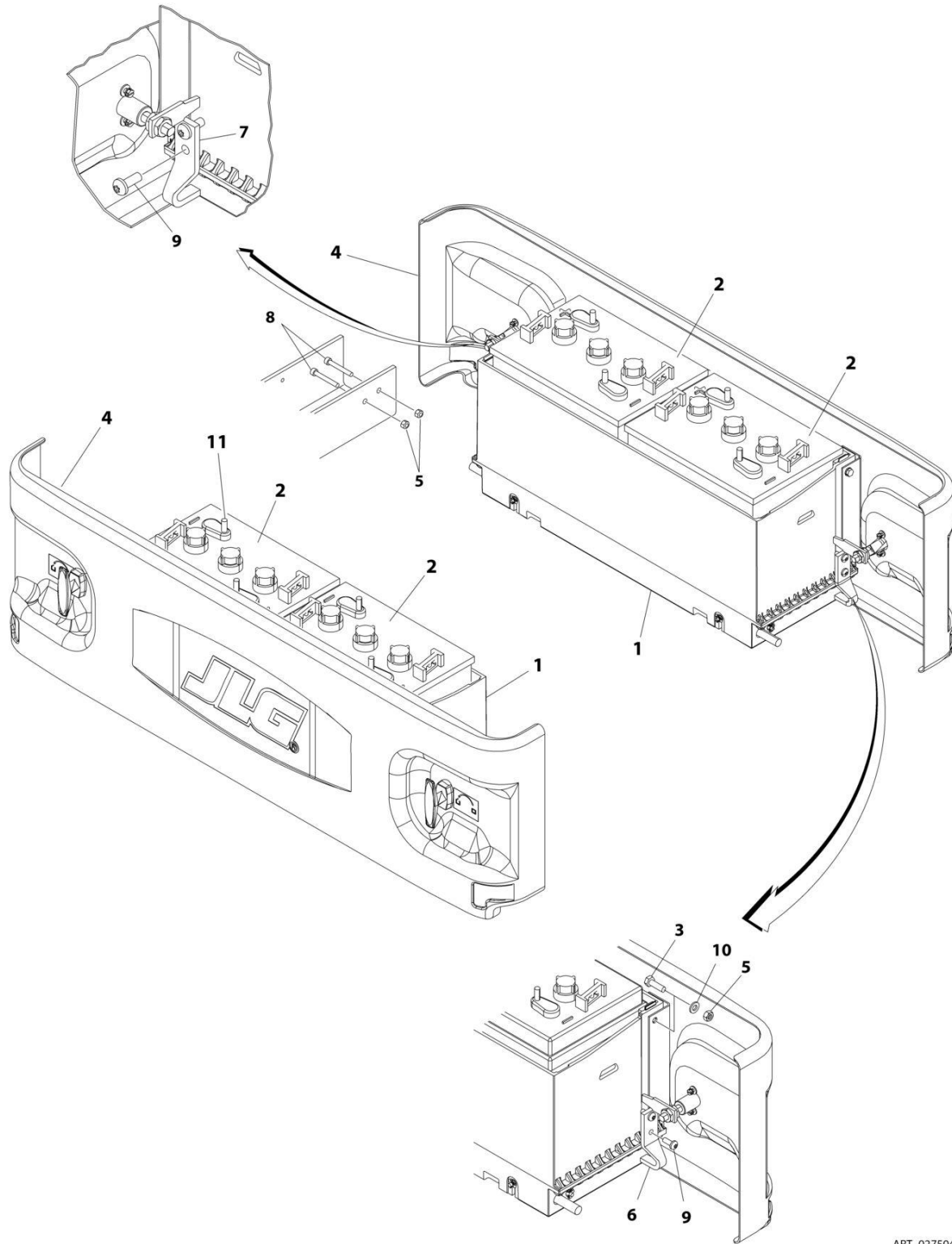
## SECTION 2 - GROUND COMPONENTS

**FIGURE 2-9. BATTERIES INSTALLATION - EV TYPE - 244 AH RATING (NON-LOCKING COVERS)**

ITEM	PART NUMBER	QTY	DESCRIPTION	REV
	0275042	Ref	BATTERIES INSTALLATION - EV TYPE - 244 AH RATING (NON-LOCKING COVERS)	F
1	0273698	2	Tray Assembly (See Separate Breakdown in this Section)	
2	0400216	4	Battery Type EV-145-WNL	
3	1001100451	8	Bolt M6 x 20	
4	1671202	2	Cover Assembly (See Separate Breakdown in this Section)	
5	3290605	10	Nut M6	
6	3574981	2	Plate, Slide Stop (LH)	
7	3574984	2	Plate, Slide Stop (RH)	
8	4031713	2	Capscrew M6 x 45	
9	4191707	8	Screw M6 x 16	
10	4811700	8	Washer M6	
11	0100051	AR	Grease, Terminal	

## SECTION 2 - GROUND COMPONENTS

FIGURE 2-10. BATTERIES INSTALLATION - EV TYPE - 244 AH RATING (NON-UL LOCKING COVERS)



ART\_0275044-F



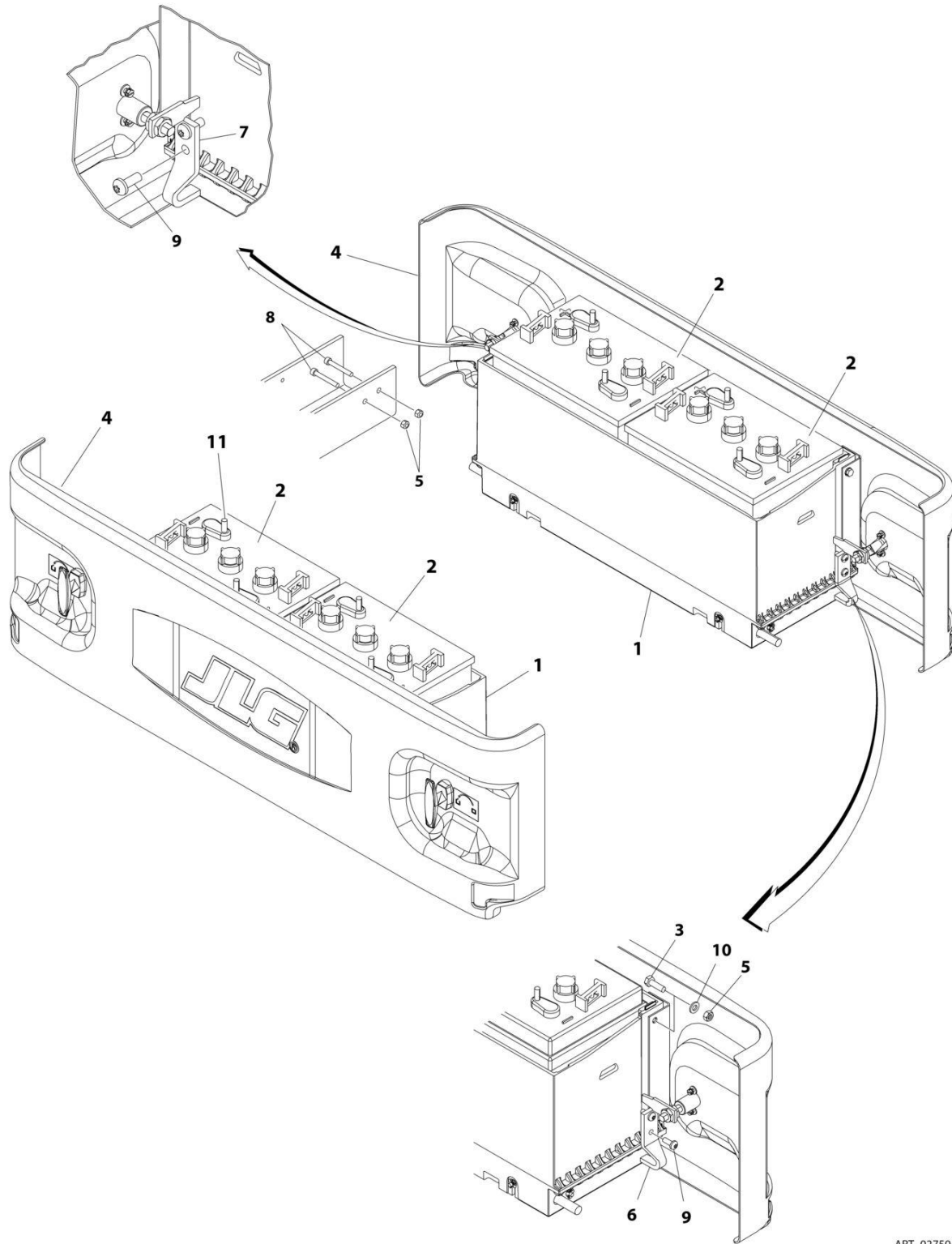
## SECTION 2 - GROUND COMPONENTS

**FIGURE 2-10. BATTERIES INSTALLATION - EV TYPE - 244 AH RATING (NON-UL LOCKING COVERS)**

ITEM	PART NUMBER	QTY	DESCRIPTION	REV
	0275044	Ref	BATTERIES INSTALLATION - EV TYPE - 244 AH RATING (NON-UL LOCKING COVERS)	F
1	0273698	2	Tray Assembly (See Separate Breakdown in this Section)	
2	0400216	4	Battery Type EV-145-WNL	
3	1001100451	8	Bolt M6 x 20	
4	1671204	2	Cover Assembly (See Separate Breakdown in this Section)	
5	3290605	10	Nut M6	
6	3574981	2	Plate, Slide Stop (LH)	
7	3574984	2	Plate, Slide Stop (RH)	
8	4031713	2	Capscrew M6 x 45	
9	4191707	8	Screw M6 x 16	
10	4811700	8	Washer M6	
11	0100051	AR	Grease, Terminal	

## SECTION 2 - GROUND COMPONENTS

FIGURE 2-11. BATTERIES INSTALLATION - EV TYPE - 244 AH RATING (UL LOCKING COVERS)



ART\_0275043-F

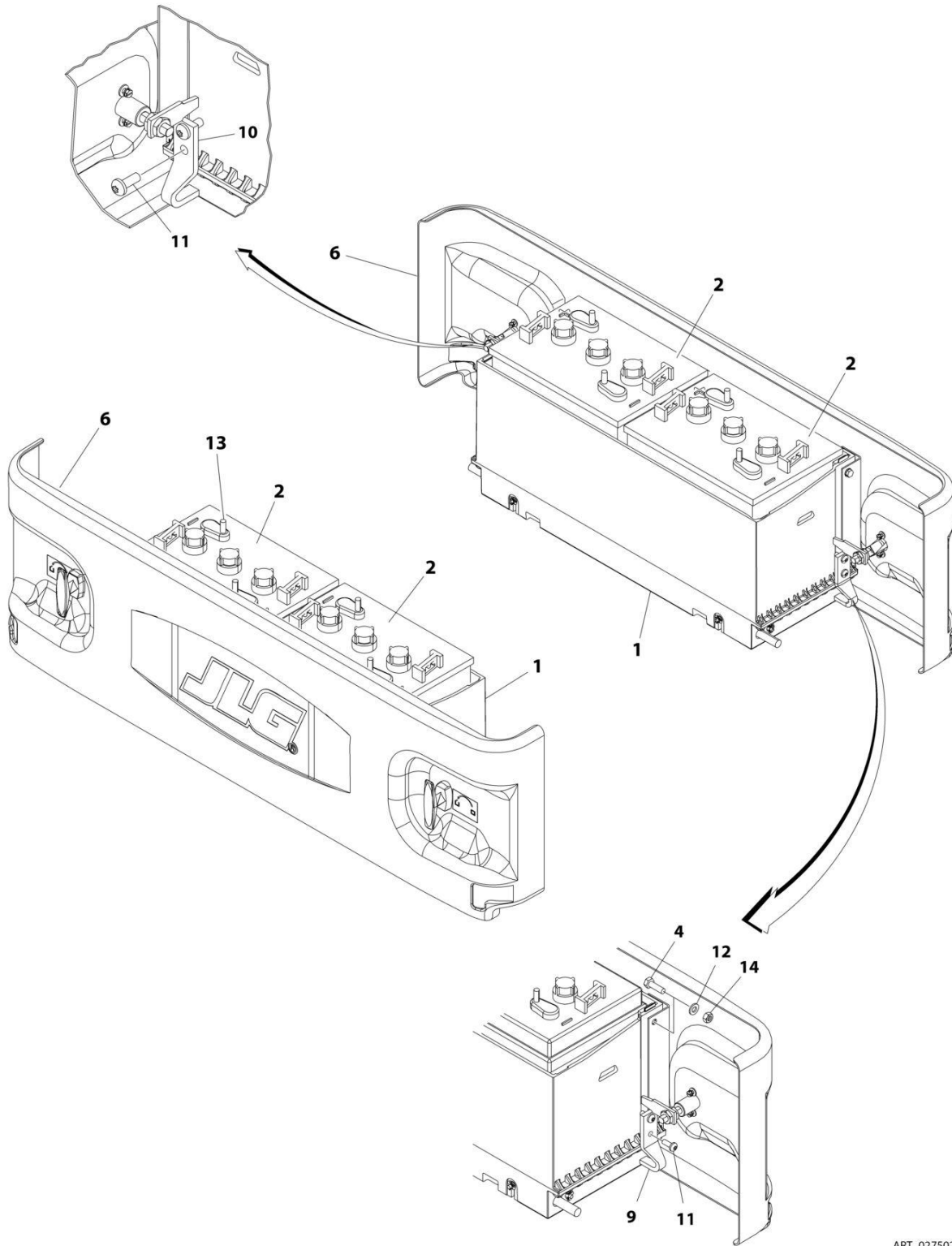
## SECTION 2 - GROUND COMPONENTS

**FIGURE 2-11. BATTERIES INSTALLATION - EV TYPE - 244 AH RATING (UL LOCKING COVERS)**

ITEM	PART NUMBER	QTY	DESCRIPTION	REV
	0275043	Ref	BATTERIES INSTALLATION - EV TYPE - 244 AH RATING (UL LOCKING COVERS)	F
1	0861678	2	Tray Assembly (See Separate Breakdown in this Section))	
2	0400216	4	Battery Type EV-145-WNL	
3	0760610	8	Bolt M6 x 20	
3	1001100451	8	Bolt M6 x 20	
4	1671204	2	Cover Assembly (See Separate Breakdown in this Section)	
5	3290605	10	Nut M6	
6	3574981	2	Plate, Slide Stop (LH)	
7	3574984	2	Plate, Slide Stop (RH)	
8	4031713	2	Capscrew M6 x 45	
9	4191707	8	Screw M6 x 16	
10	4811700	8	Washer M6	
11	0100051	AR	Grease, Terminal	

## SECTION 2 - GROUND COMPONENTS

FIGURE 2-12. BATTERIES INSTALLATION - GC TYPE - 225 AH RATING (NON-LOCKING COVERS)



ART\_0275020-G

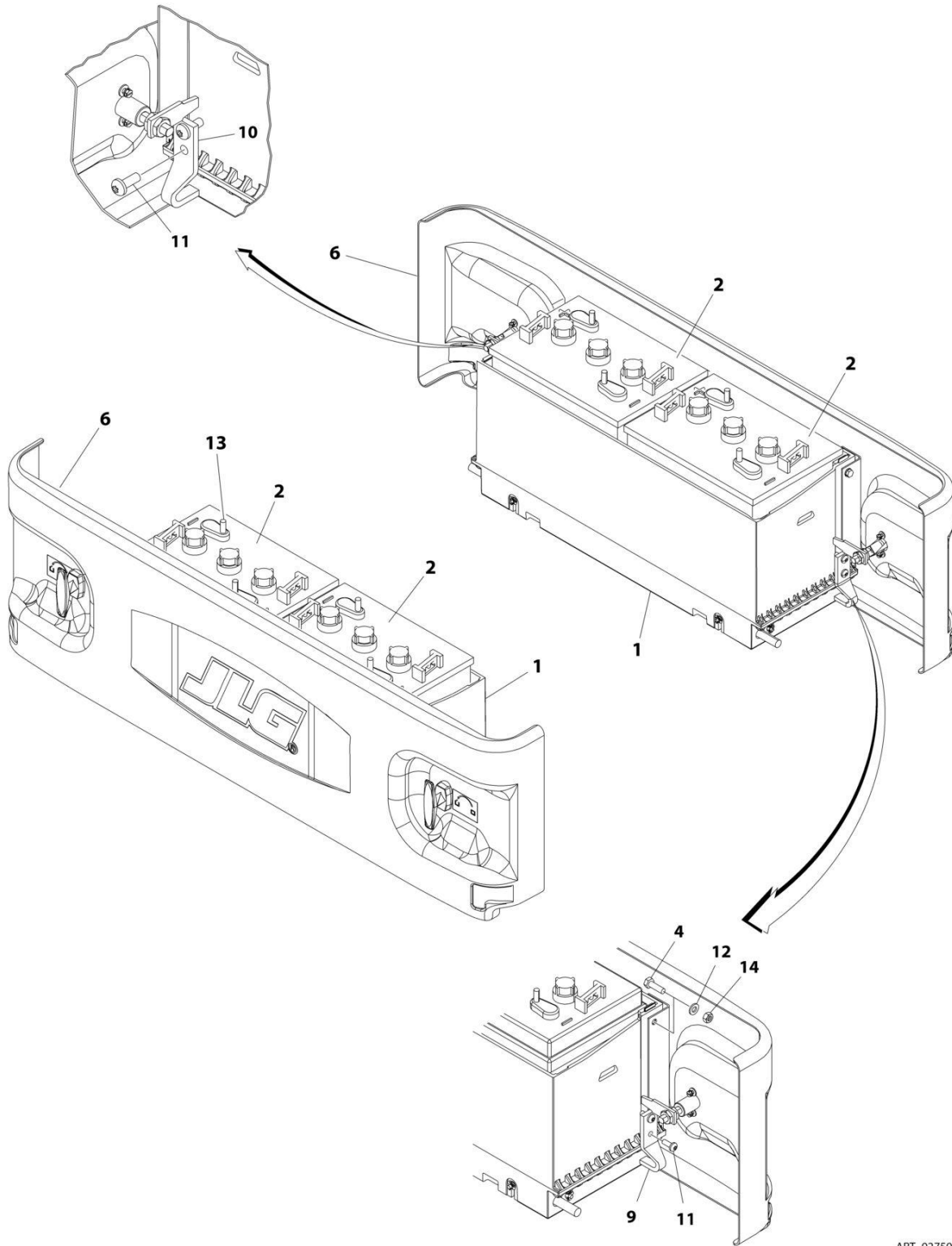
## SECTION 2 - GROUND COMPONENTS

**FIGURE 2-12. BATTERIES INSTALLATION - GC TYPE - 225 AH RATING (NON-LOCKING COVERS)**

ITEM	PART NUMBER	QTY	DESCRIPTION	REV
	0275020	Ref	BATTERIES INSTALLATION - GC TYPE - 225 AH RATING (NON LOCKING COVERS)	G
1	0273698	2	Tray Assembly (See Separate Breakdown in this Section)	
2	0400215	4	Battery Type GC-110-WNL	
4	1001100451	8	Bolt M6 x 20	
6	1671202	2	Cover Assembly (See Separate Breakdown in this Section)	
9	3574981	2	Plate, Slide Stop (LH)	
10	3574984	2	Plate, Slide Stop (RH)	
11	4191707	8	Screw M6 x 16	
12	4811700	8	Washer M6	
13	0100051	AR	Grease, Terminal	
14	3290605	8	Nut M6	

## SECTION 2 - GROUND COMPONENTS

FIGURE 2-13. BATTERIES INSTALLATION - GC TYPE - 225 AH RATING (NON-UL LOCKING COVERS)



ART\_0275022-G

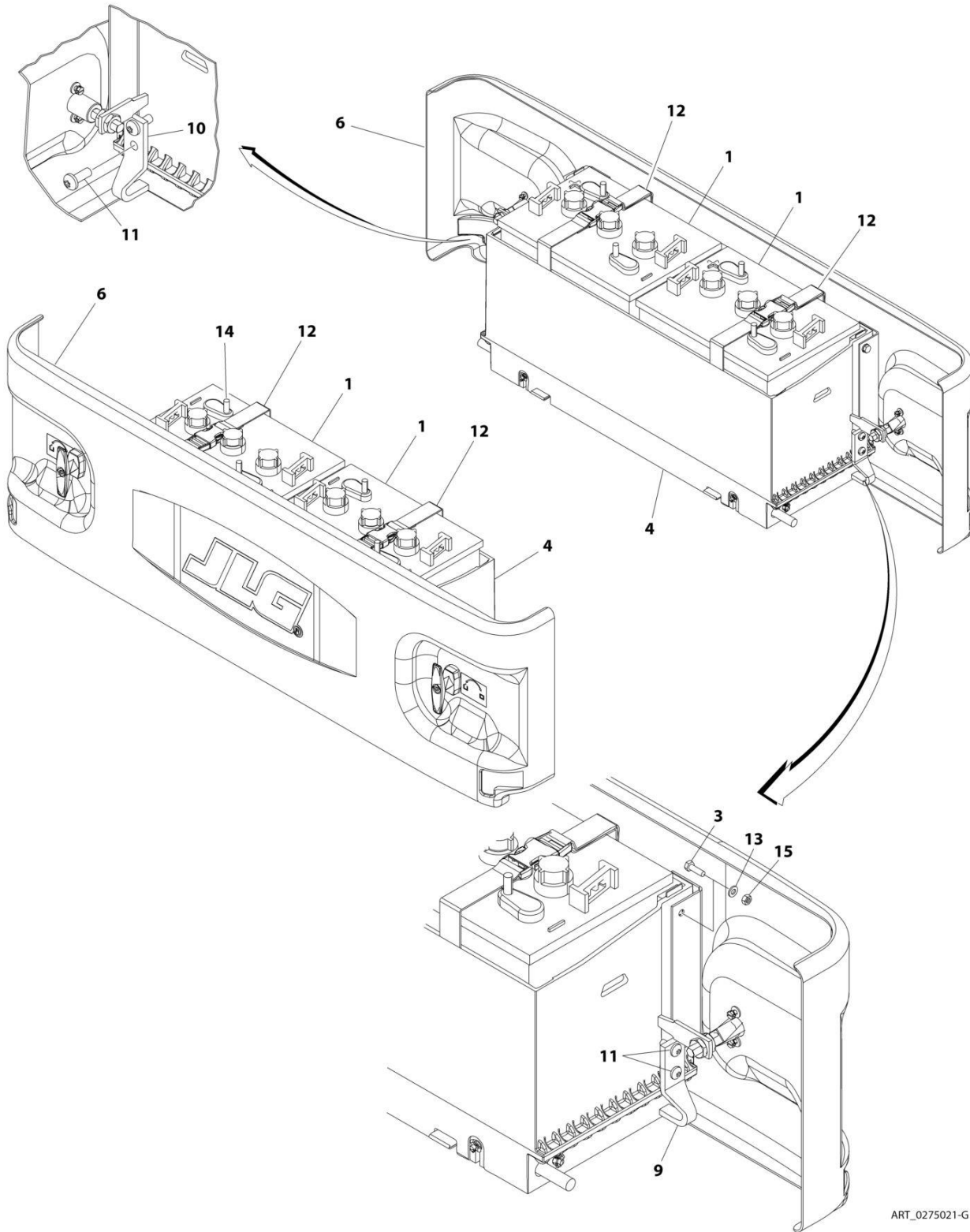
## SECTION 2 - GROUND COMPONENTS

**FIGURE 2-13. BATTERIES INSTALLATION - GC TYPE - 225 AH RATING (NON-UL LOCKING COVERS)**

ITEM	PART NUMBER	QTY	DESCRIPTION	REV
	0275022	Ref	BATTERIES INSTALLATION - GC TYPE - 225 AH RATING (NON-UL LOCKING COVERS)	G
1	0273698	2	Tray Assembly (See Separate Breakdown in this Section)	
2	0400215	4	Battery Type GC-110-WNL	
4	1001100451	8	Bolt M6 x 20	
6	1671204	2	Cover Assembly (See Separate Breakdown in this Section)	
9	3574981	2	Plate, Slide Stop (LH)	
10	3574984	2	Plate, Slide Stop (RH)	
11	4191707	8	Screw M6 x 16	
12	4811700	8	Washer M6	
13	0100051	AR	Grease, Terminal	
14	3290605	8	Nut M6	

## SECTION 2 - GROUND COMPONENTS

FIGURE 2-14. BATTERIES INSTALLATION - GC TYPE - 225 AH RATING (UL LOCKING COVERS)



ART\_0275021-G



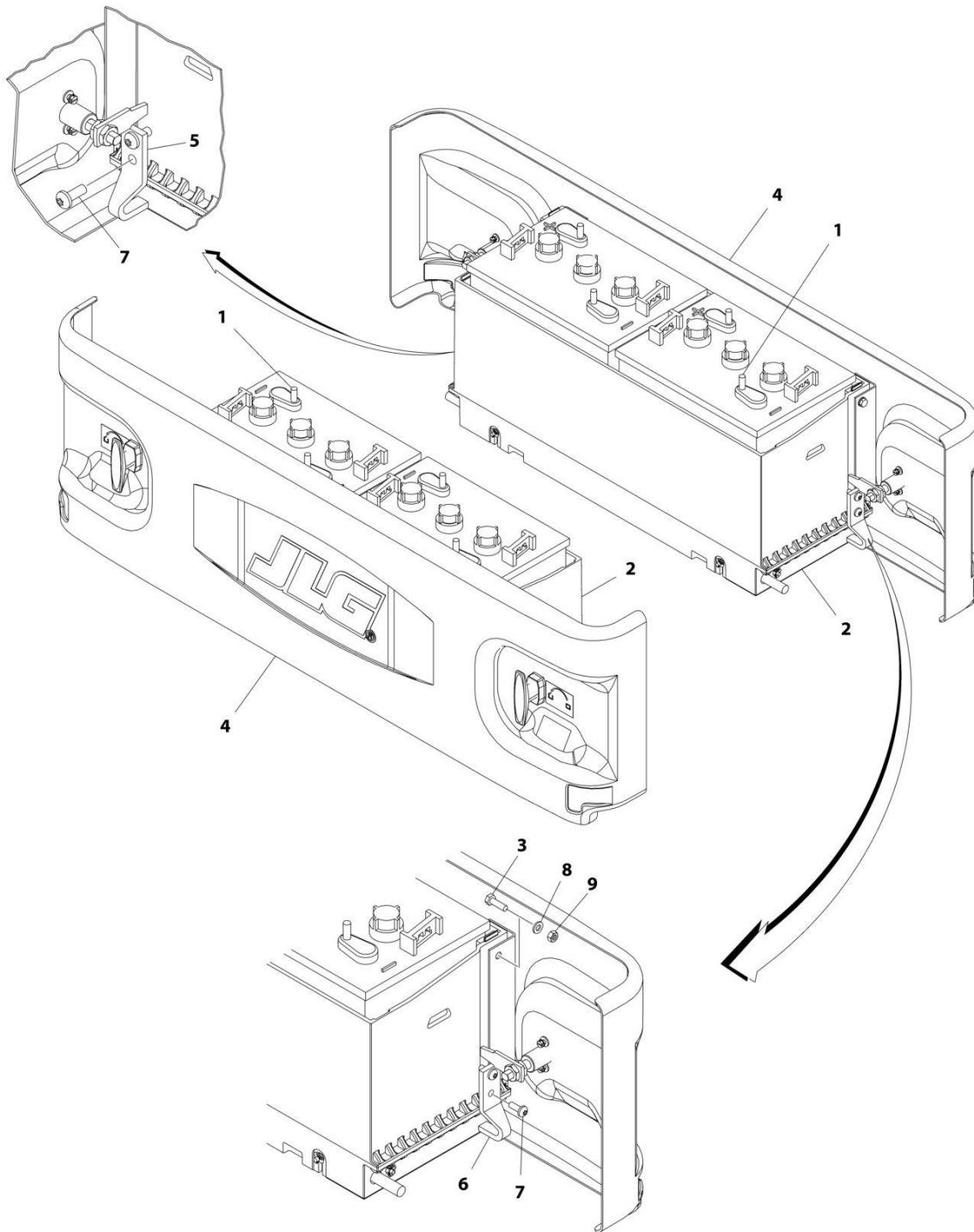
## SECTION 2 - GROUND COMPONENTS

**FIGURE 2-14. BATTERIES INSTALLATION - GC TYPE - 225 AH RATING (UL LOCKING COVERS)**

ITEM	PART NUMBER	QTY	DESCRIPTION	REV
	0275021	Ref	BATTERIES INSTALLATION - GC TYPE - 225 AH RATING (UL LOCKING COVERS)	G
1	0400215	4	Battery Type GC-110-WNL	
3	1001100451	8	Bolt M6 x 20	
4	0861678	2	Tray Assembly (See Separate Breakdown in this Section)	
6	1671204	2	Cover Assembly (See Separate Breakdown in this Section)	
9	3574981	2	Plate, Slide Stop (LH)	
10	3574984	2	Plate, Slide Stop (RH)	
11	4191707	8	Screw M6 x 16	
12	4240172	2	Strap	
13	4811700	8	Washer M6	
14	0100051	AR	Grease, Terminal	
15	3290605	8	Nut M6	

## SECTION 2 - GROUND COMPONENTS

FIGURE 2-15. BATTERIES INSTALLATION - 220 AH RATING WITHOUT BATTERIES (NON LOCKING COVERS)



ART\_1001209104-C

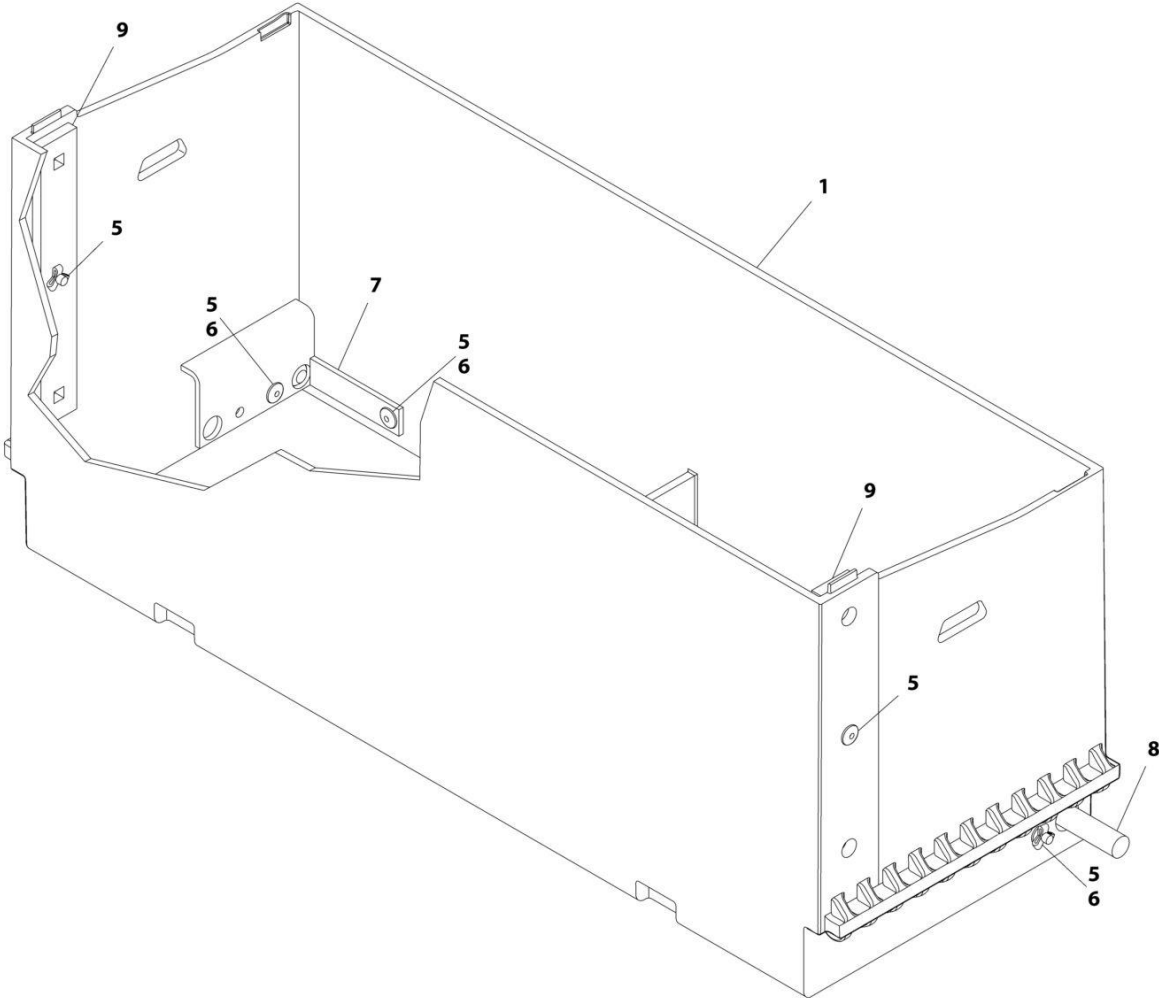
## SECTION 2 - GROUND COMPONENTS

**FIGURE 2-15. BATTERIES INSTALLATION - 220 AH RATING WITHOUT BATTERIES (NON LOCKING COVERS)**

ITEM	PART NUMBER	QTY	DESCRIPTION	REV
	1001209104	Ref	BATTERIES INSTALLATION - 220 AH RATING WITHOUT BATTERIES (NON LOCKING COVERS)	C
1	0100051	AR	Grease, Terminal	
2	0273698	2	Tray Assembly (See Separate Breakdown in this Section)	
3	1001100451	8	Bolt M6 x 20	
4	1671202	1	Cover Assembly (See Separate Breakdown in this Section)	
5	3574981	2	Plate, Slide Stop (LH)	
6	3574984	2	Plate, Slide Stop (RH)	
7	4191707	8	Screw M6 x 16	
8	4811700	8	Washer M6	
9	3290605	8	Nut M6	

# SECTION 2 - GROUND COMPONENTS

FIGURE 2-16. BATTERY TRAY ASSEMBLY - NON-UL



ART\_0273698

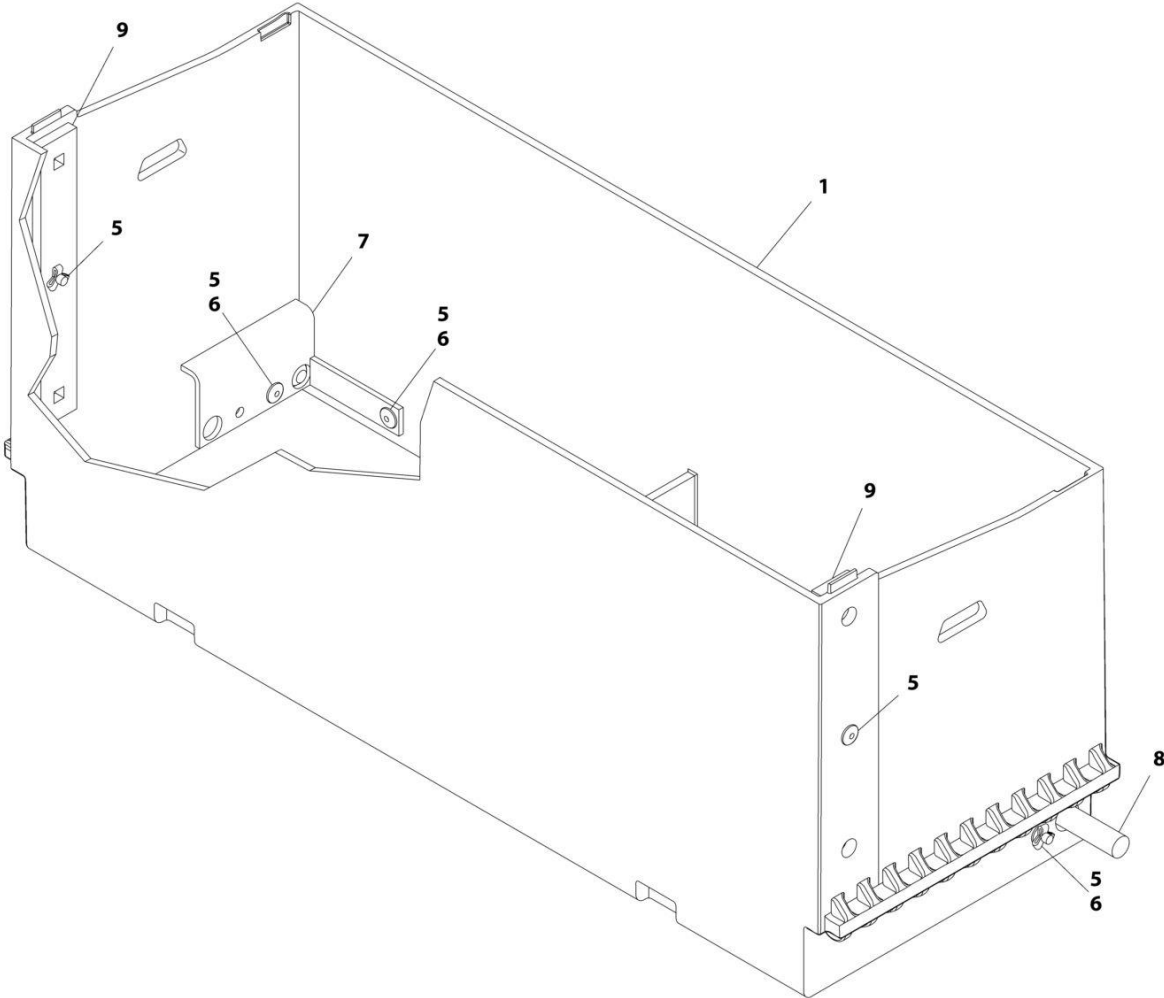
## SECTION 2 - GROUND COMPONENTS

FIGURE 2-16. BATTERY TRAY ASSEMBLY - NON-UL

ITEM	PART NUMBER	QTY	DESCRIPTION	REV
	0273698	Ref	BATTERY TRAY ASSEMBLY - NON-UL	K
1	0861650	1	Tray, Battery	
5	3820032	6	Rivet	
6	4811600	4	Washer M5	
7	4220252	1	Stop (LH)	
8	4220253	1	Stop (RH)	
9	1001233888	2	Bar	

**SECTION 2 - GROUND COMPONENTS**

**FIGURE 2-17. BATTERY TRAY ASSEMBLY - UL**



ART\_0861678

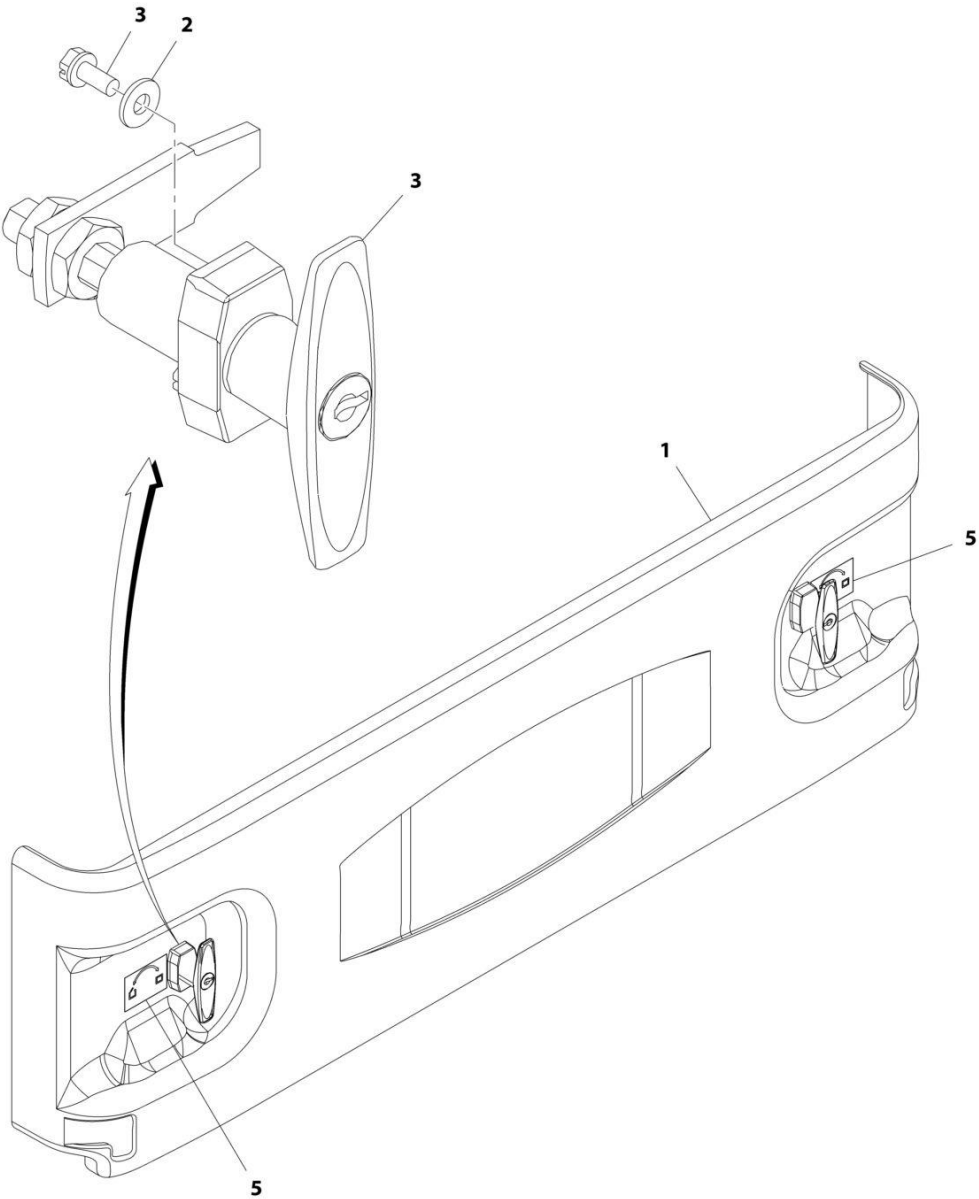
## SECTION 2 - GROUND COMPONENTS

FIGURE 2-17. BATTERY TRAY ASSEMBLY - UL

ITEM	PART NUMBER	QTY	DESCRIPTION	REV
	0861678	Ref	BATTERY TRAY ASSEMBLY - UL	I
1	0861677	1	Tray, Battery	
5	3820032	6	Rivet	
6	4811600	4	Washer M5	
7	4220252	1	Stop (LH)	
8	4220253	1	Stop (RH)	
9	1001233888	2	Bar	

**SECTION 2 - GROUND COMPONENTS**

**FIGURE 2-18. BATTERY COVER ASSEMBLY - NON-LOCKING**



ART\_1671202-1



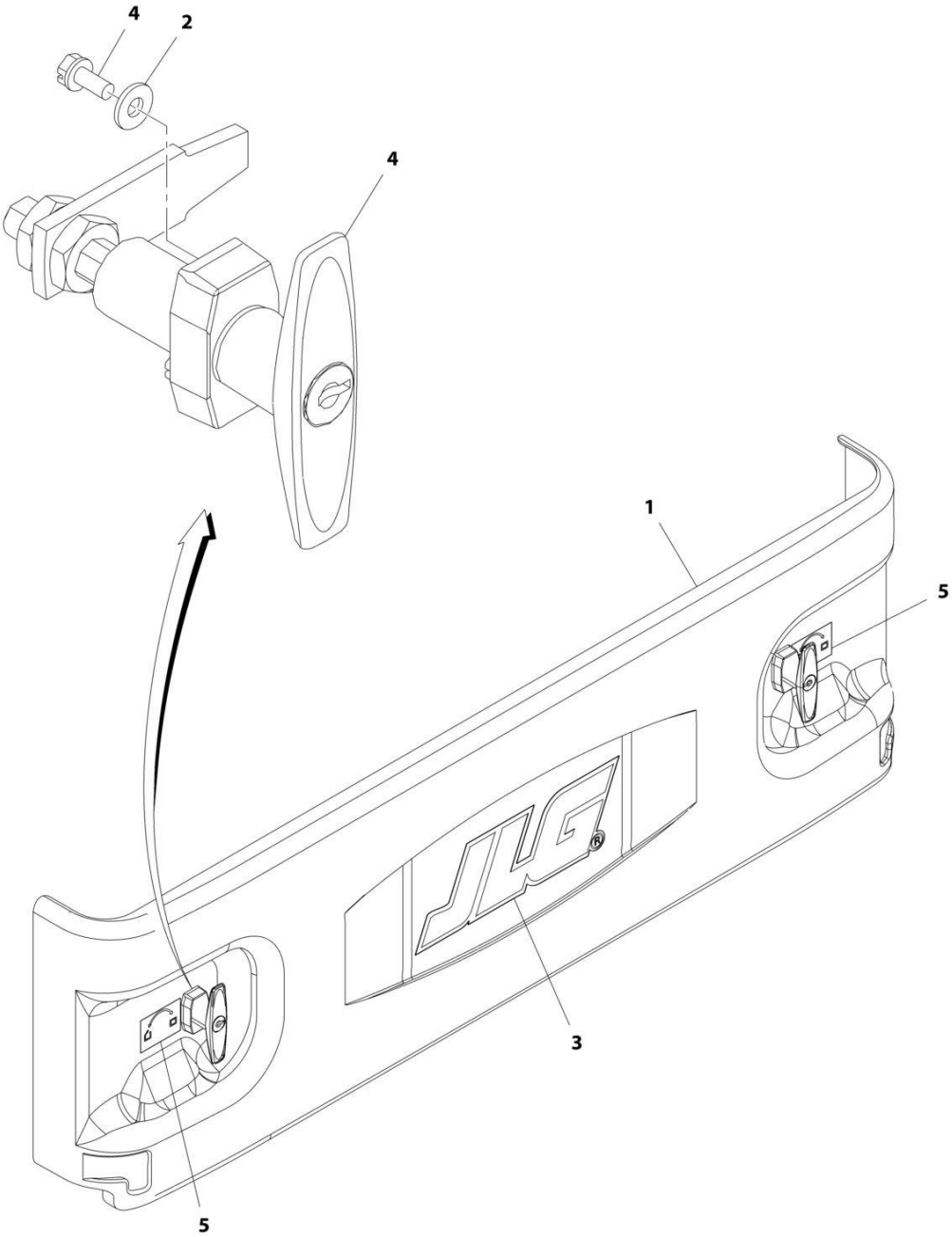
## SECTION 2 - GROUND COMPONENTS

FIGURE 2-18. BATTERY COVER ASSEMBLY - NON-LOCKING

ITEM	PART NUMBER	QTY	DESCRIPTION	REV
	1671202	Ref	BATTERY COVER ASSEMBLY - NON-LOCKING	I
1	1671203	1	Cover, Battery Less Decals and Latches	
2	4750800	4	Washer #8	
3	2940174	2	Latch, T-Handle	
5	1706350	2	Decal - Cover	

# SECTION 2 - GROUND COMPONENTS

FIGURE 2-19. BATTERY COVER ASSEMBLY - LOCKING



ART\_1671204

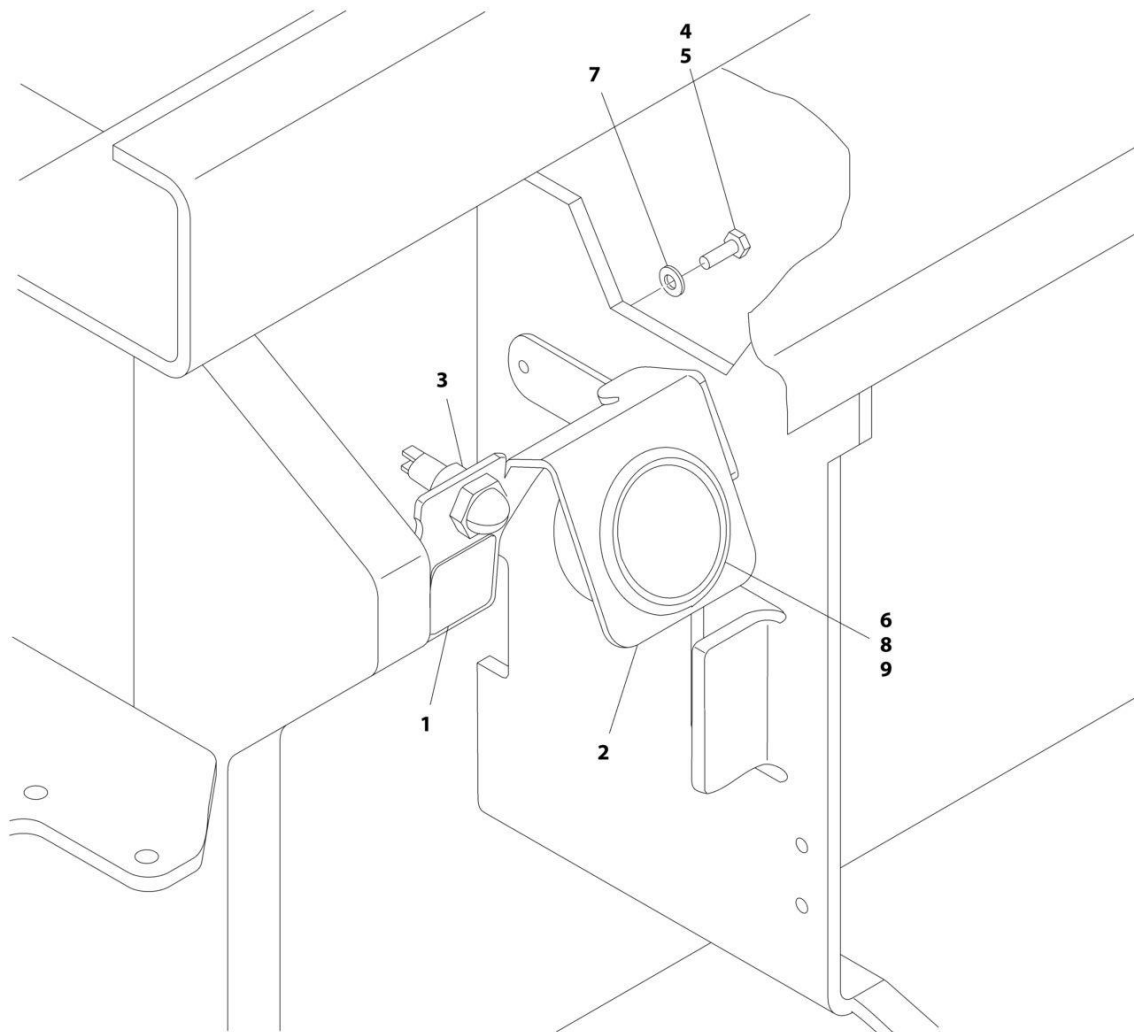
## SECTION 2 - GROUND COMPONENTS

FIGURE 2-19. BATTERY COVER ASSEMBLY - LOCKING

ITEM	PART NUMBER	QTY	DESCRIPTION	REV
	1671204	Ref	BATTERY COVER ASSEMBLY - LOCKING	I
1	1671203	1	Cover, Battery Less Decals and Latches	
2	4750800	4	Washer #8	
3	1705754	1	Decal - JLG	
4	2940175	2	Latch, T-Handle (Locking)	
4	7027863	2	Key	
5	1706350	2	Decal - Cover	

## SECTION 2 - GROUND COMPONENTS

FIGURE 2-20. BRAKE DISCONNECT AND MDI (MULTIFUNCTION DIGITAL INDICATOR) GAUGE INSTALLATION



ART\_0275530

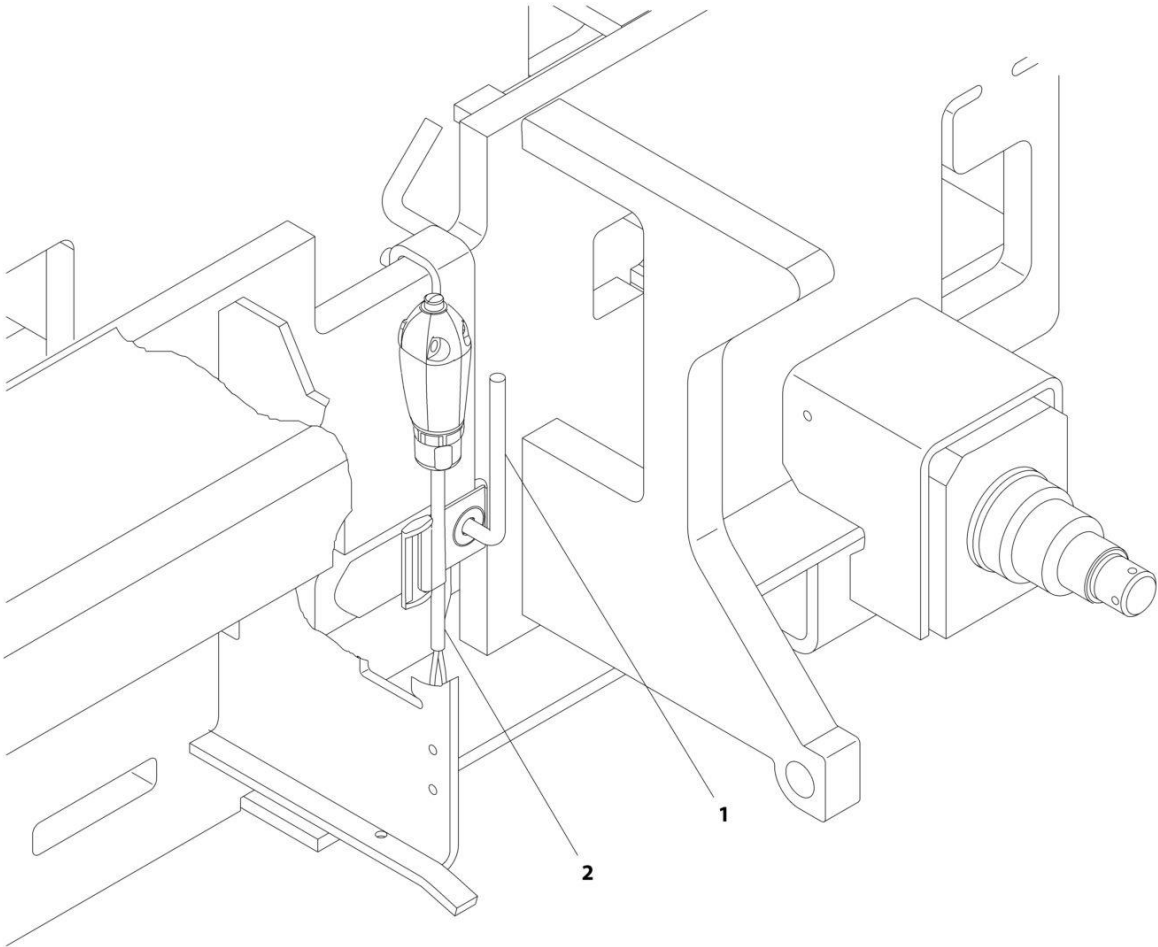
## SECTION 2 - GROUND COMPONENTS

**FIGURE 2-20. BRAKE DISCONNECT AND MDI (MULTIFUNCTION DIGITAL INDICATOR) GAUGE INSTALLATION**

ITEM	PART NUMBER	QTY	DESCRIPTION	REV
	0275530	Ref	BRAKE DISCONNECT AND MDI (MULTIFUNCTION DIGITAL INDICATOR) GAUGE INSTALLATION	D
1	1706679	1	Decal - Brake Release	
2	1001094203	1	Bracket	
3	4360387	1	Switch, Push Button	
4	4031607	2	Capscrew M5 x 16	
5	0100011	AR	Compound, Locking	
6	0100048	AR	Grease, Dielectric	
7	4811600	2	Washer M5	
8	1001092454	1	Gauge, MDI (Multifunction Digital Indicator)	
9	1001093556	1	MDI Harness (Not Shown - See Separate Breakdown in ELECTRICAL SECTION)	

**SECTION 2 - GROUND COMPONENTS**

**FIGURE 2-21. BRAKE CABLE INSTALLATION (OPTIONAL)**



ART\_0275432

## SECTION 2 - GROUND COMPONENTS

FIGURE 2-21. BRAKE CABLE INSTALLATION (OPTIONAL)

ITEM	PART NUMBER	QTY	DESCRIPTION	REV
	0275432	Ref	BRAKE CABLE INSTALLATION (OPTIONAL)	B
1	2902331	1	Brake Release Mount Kit (Includes Mounting Bracket and Setscrew)	
1	3951608	1	Setscrew 3/8 x 1	
2	4922944	1	Brake Disconnect Harness (See Separate Breakdown in ELECTRICAL SECTION)	

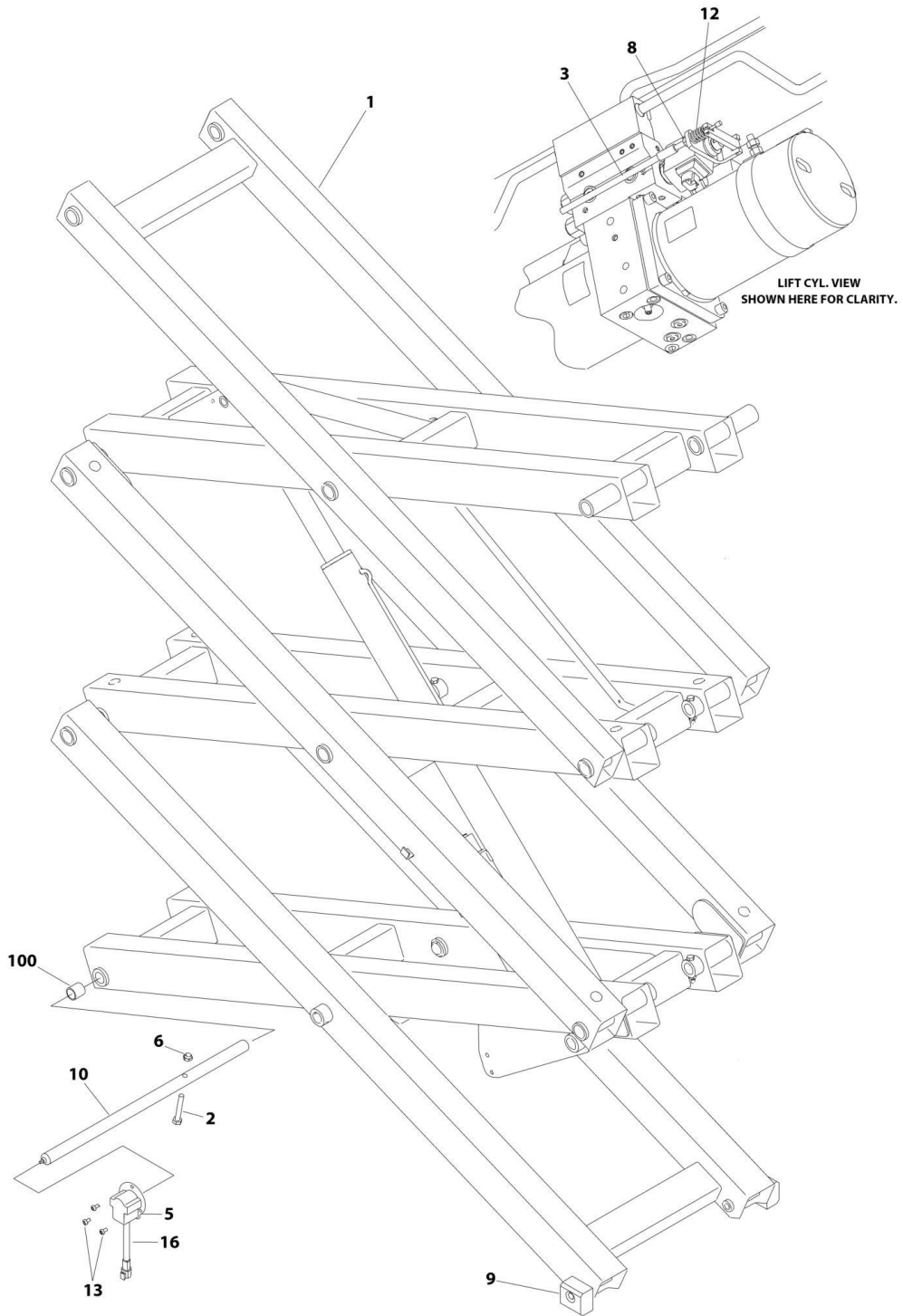




**SECTION 3 - SCISSORS ARMS**

# SECTION 3 - SCISSORS ARMS

FIGURE 3-1. SCISSORS ARMS INSTALLATION - 2032ES STANDARD HYDRAULIC OIL (BELGIUM AND CHINA BUILT MACHINES)



ART\_1001131005

## SECTION 3 - SCISSORS ARMS

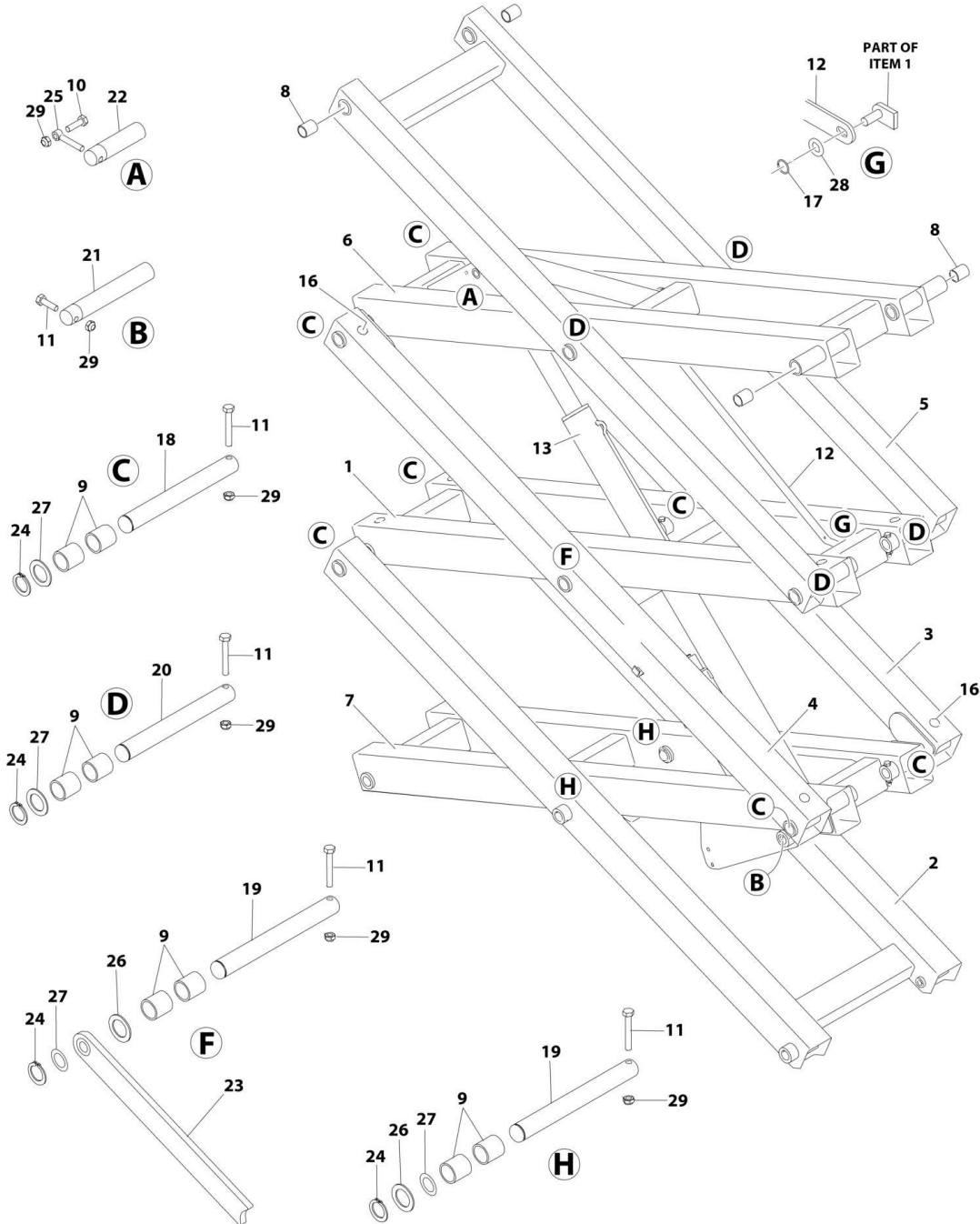
**FIGURE 3-1. SCISSORS ARMS INSTALLATION - 2032ES STANDARD HYDRAULIC OIL (BELGIUM AND CHINA BUILT MACHINES)**

ITEM	PART NUMBER	QTY	DESCRIPTION	REV
	1001131005	Ref	SCISSORS ARMS INSTALLATION - 2032ES STANDARD HYDRAULIC OIL	D
1	1001131020	1	Arms Assembly (See Separate Breakdown in this Section)	
2	0701022	1	Bolt M10 x 70	
3	1061034	1	Cable, Manual Descent	
3	7020218	1	T-Handle (With 1/4-20 Threads)	
3	70001878	1	T-Handle (With 5mm Threads)	
5	3200454	1	Mount, Switch	
6	3291005	1	Nut M10	
8	3321402	1	Nut 1/4-28	
9	3340957	2	Pad, Slide	
10	3423259	1	Pin, Sensor	
12	4160078	1	Spring, Compression	
13	4191706	3	Screw M6 x 12	
16	1001092354	1	Switch, Rotary Angle Sensor	
16	4460536	1	Receptacle, Female - 3 Position	
16	4460464	3	Pin, Male	
100	0440265	2	Bushing (Part of Frame Weldment)	

# SECTION 3 - SCISSORS ARMS

FIGURE 3-2. SCISSORS ARMS ASSEMBLY - 2032ES STANDARD HYDRAULIC OIL (BELGIUM AND CHINA BUILT MACHINES)

NOTE: IDENTIFY THE PART NUMBER STAMPED ON CYLINDER BEFORE ORDERING PARTS.



ART\_1001131020

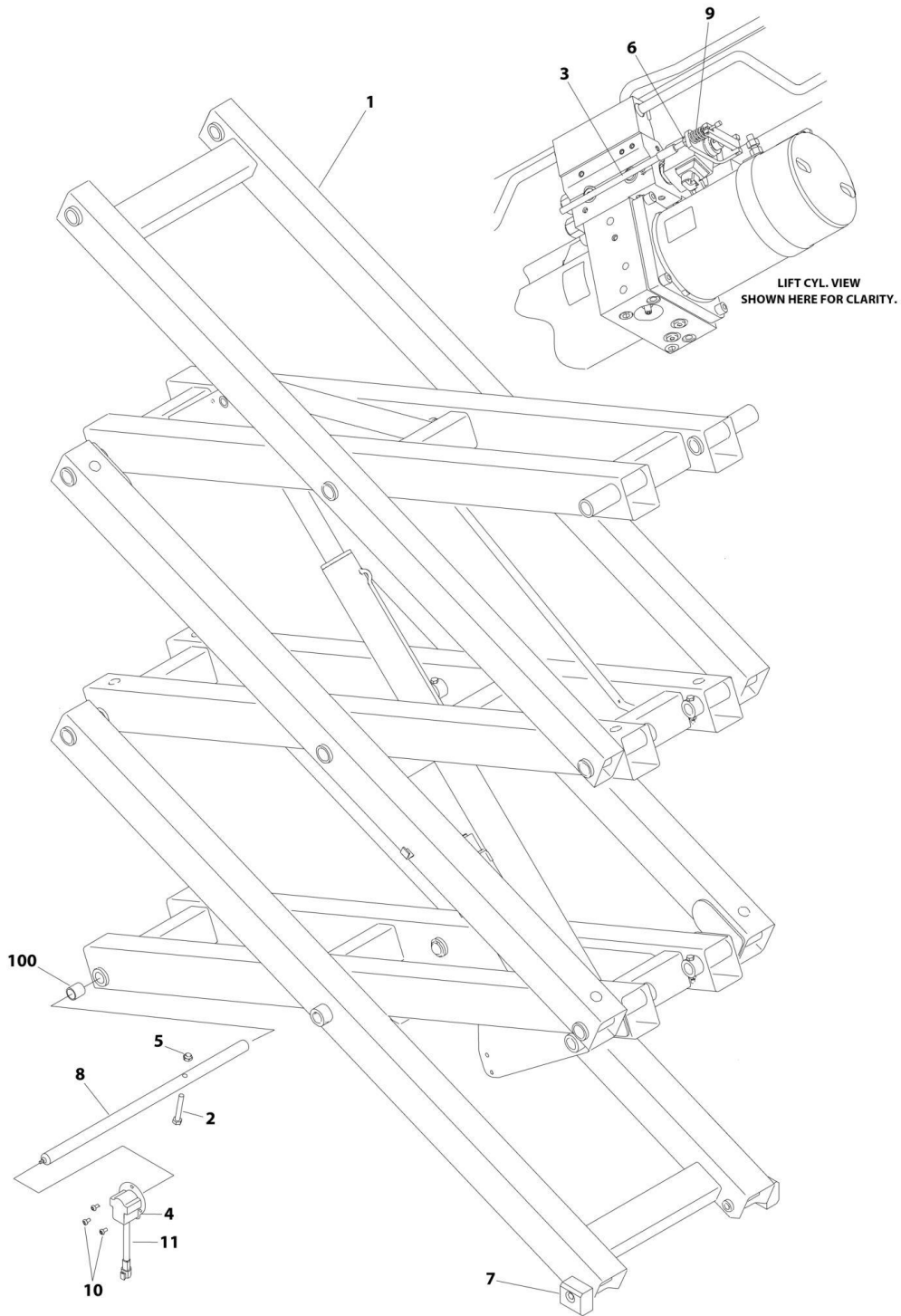
## SECTION 3 - SCISSORS ARMS

**FIGURE 3-2. SCISSORS ARMS ASSEMBLY - 2032ES STANDARD HYDRAULIC OIL (BELGIUM AND CHINA BUILT MACHINES)**

ITEM	PART NUMBER	QTY	DESCRIPTION	REV
	1001131020	Ref	SCISSORS ARMS ASSEMBLY - 2032ES STANDARD HYDRAULIC OIL	D
1	0200799	1	Arm - Mid Inboard	
2	0200802	1	Arm - Lower Outboard	
3	0200803	1	Arm - Mid Outboard (Left Side)	
4	0200804	1	Arm - Mid Outboard (Right Side)	
5	0200807	1	Arm - Upper Outboard	
6	0200816	1	Arm - Upper Inboard	
7	0200834	1	Arm - Lower Inboard	
8	0440266	4	Bearing	
9	0440267	28	Bearing	
10	0701015	1	Bolt M10 x 35	
11	0701022	15	Bolt M10 x 70	
12	1180382	1	Carrier, Cable	
13	1001129289	1	Lift Cylinder Assembly - Standard Hydraulic Oil (See Separate Breakdown in CYLINDER SECTION)	
16	3340962	16	Pad, Arm	
17	3760170	2	Ring, Split	
18	3422997	7	Pin	
19	3423014	3	Pin	
20	3423036	4	Pin	
21	3423038	1	Pin	
22	3423067	1	Pin	
23	3574161	1	Bar, Prop Attach	
24	3760387	14	Ring, Retaining	
25	3841143	1	Keeper, Pin	
26	4071094	AR	Shim, Spacer	
27	4740438	14	Washer	
28	4812000	2	Washer M10	
29	3291007	16	Nut M10	

# SECTION 3 - SCISSORS ARMS

FIGURE 3-3. SCISSORS ARMS INSTALLATION - 2032ES BIODEGRADABLE HYDRAULIC OIL (CHINA BUILT MACHINES)



ART\_1001131010

## SECTION 3 - SCISSORS ARMS

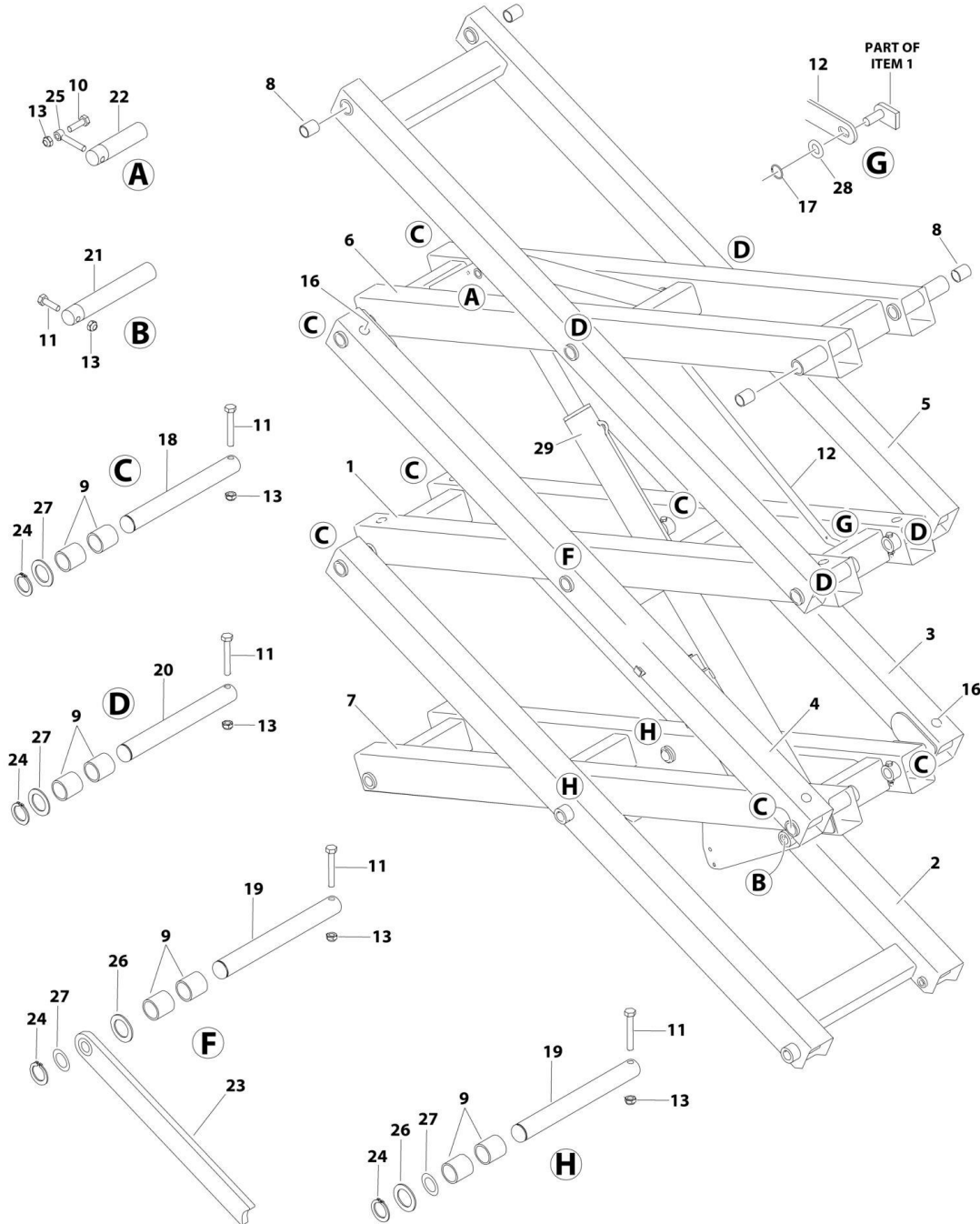
**FIGURE 3-3. SCISSORS ARMS INSTALLATION - 2032ES BIODEGRADEABLE HYDRAULIC OIL  
(CHINA BUILT MACHINES)**

ITEM	PART NUMBER	QTY	DESCRIPTION	REV
	1001131010	Ref	SCISSORS ARMS INSTALLATION - 2032ES BIODEGRADEABLE HYDRAULIC OIL	C
1	1001131028	1	Arms Assembly (See Separate Breakdown in this Section)	
2	0701022	1	Bolt M10 x 70	
3	1061034	1	Cable, Manual Descent	
3	7020218	1	T-Handle (With 1/4-20 Threads)	
3	70001878	1	T-Handle (With 5mm Threads)	
4	3200454	1	Mount, Switch	
5	3291005	1	Nut M10	
6	3321402	1	Nut 1/4-28	
7	3340957	2	Pad, Slide	
8	3423259	1	Pin, Sensor	
9	4160078	1	Spring, Compression	
10	4191706	3	Screw M6 x 12	
11	1001092354	1	Switch, Rotary Angle Sensor	
11	4460536	1	Receptacle, Female - 3 Position	
11	4460464	3	Pin, Male	
100	0440265	2	Bushing (Part of Frame Weldment)	

# SECTION 3 - SCISSORS ARMS

FIGURE 3-4. SCISSORS ARMS ASSEMBLY - 2032ES BIODEGRADABLE HYDRAULIC OIL (CHINA BUILT MACHINES)

NOTE: IDENTIFY THE PART NUMBER STAMPED ON CYLINDER BEFORE ORDERING PARTS.



ART\_1001131028



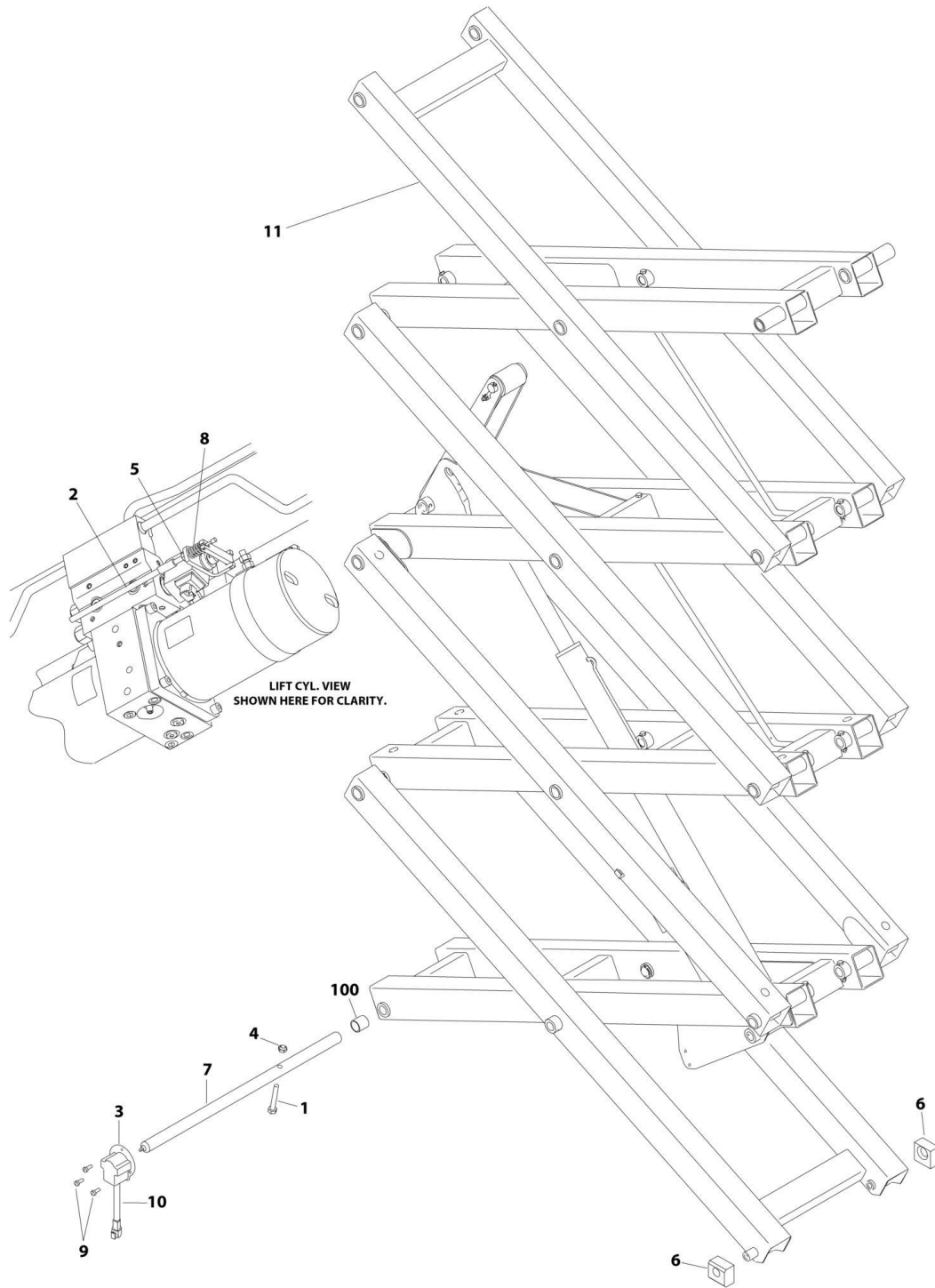
## SECTION 3 - SCISSORS ARMS

**FIGURE 3-4. SCISSORS ARMS ASSEMBLY - 2032ES BIODEGRADABLE HYDRAULIC OIL (CHINA BUILT MACHINES)**

ITEM	PART NUMBER	QTY	DESCRIPTION	REV
	1001131028	Ref	SCISSORS ARMS ASSEMBLY - 2032ES BIODEGRADABLE HYDRAULIC OIL	D
1	0200799	1	Arm - Mid Inboard	
2	0200802	1	Arm - Lower Outboard	
3	0200803	1	Arm - Mid Outboard (Left Side)	
4	0200804	1	Arm - Mid Outboard (Right Side)	
5	0200807	1	Arm - Upper Outboard	
6	0200816	1	Arm - Upper Inboard	
7	0200834	1	Arm - Lower Inboard	
8	0440266	4	Bearing	
9	0440267	28	Bearing	
10	0701015	1	Bolt M10 x 35	
11	0701022	15	Bolt M10 x 70	
12	1180382	1	Carrier, Cable	
13	3291007	16	Nut M10	
16	3340962	16	Pad, Arm	
17	3760170	2	Ring, Split	
18	3422997	7	Pin	
19	3423014	3	Pin	
20	3423036	4	Pin	
21	3423038	1	Pin	
22	3423067	1	Pin	
23	3574161	1	Bar, Prop Attach	
24	3760387	14	Ring, Retaining	
25	3841143	1	Keeper, Pin	
26	4071094	AR	Shim, Spacer	
27	4740438	14	Washer	
28	4812000	2	Washer M10	
29	1001131034	1	Lift Cylinder Assembly - Biodegradable Hydraulic Oil (See Separate Breakdown in CYLINDER SECTION)	

# SECTION 3 - SCISSORS ARMS

FIGURE 3-5. SCISSORS ARMS INSTALLATION - 2632ES STANDARD HYDRAULIC OIL (BELGIUM, CHINA AND MEXICO BUILT MACHINES)



ART\_1001190904

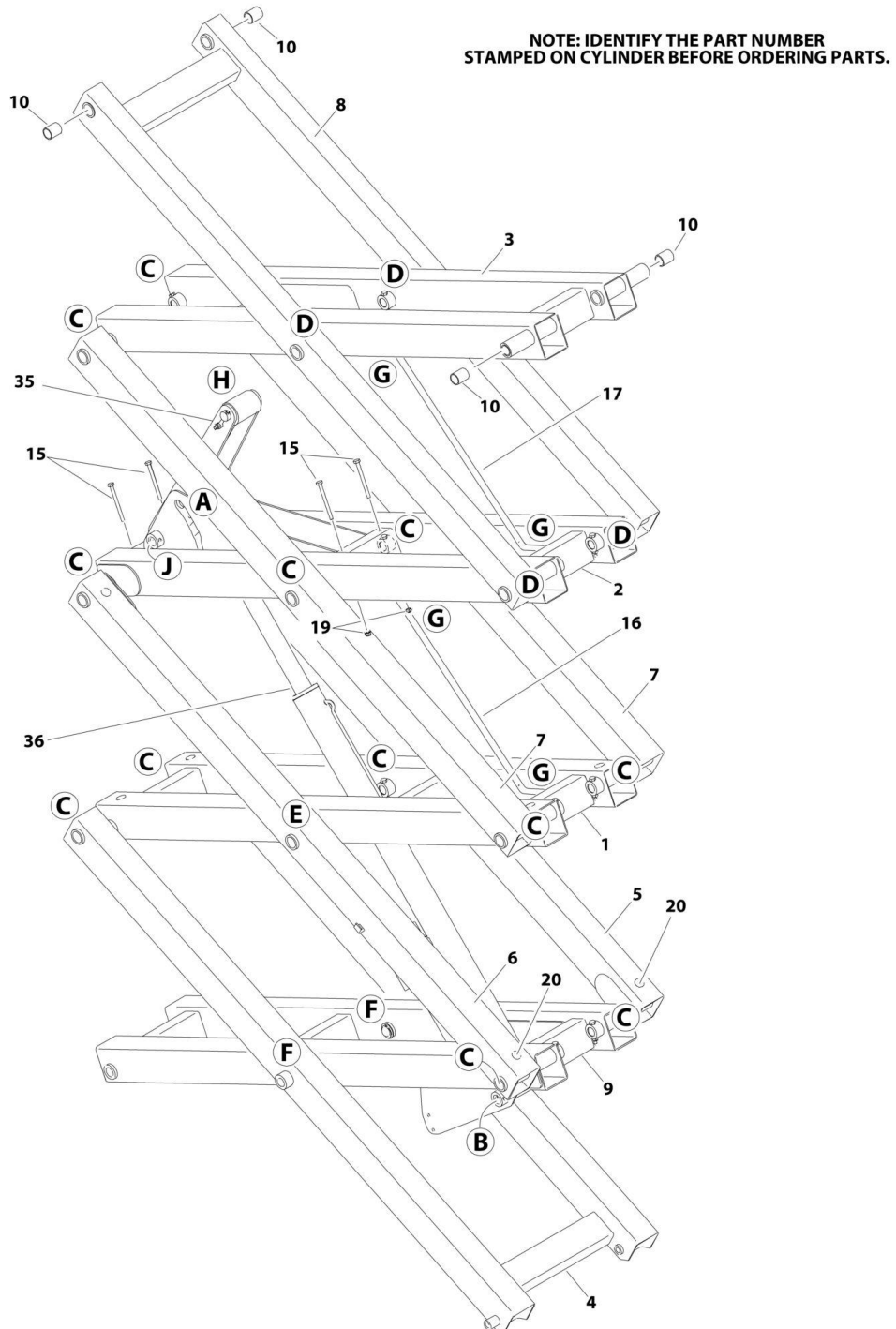
## SECTION 3 - SCISSORS ARMS

**FIGURE 3-5. SCISSORS ARMS INSTALLATION - 2632ES STANDARD HYDRAULIC OIL (BELGIUM, CHINA AND MEXICO BUILT MACHINES)**

ITEM	PART NUMBER	QTY	DESCRIPTION	REV
	1001190904	Ref	SCISSORS ARMS INSTALLATION - 2632ES STANDARD HYDRAULIC OIL	A
1	0701022	1	Bolt M10 x 70	
2	1061034	1	Cable, Manual Descent	
2	7020218	1	T-Handle (With 1/4-20 Threads)	
2	70001878	1	T-Handle (With M5 Threads)	
3	3200454	1	Mount, Switch	
4	3291005	1	Nut M10	
5	3321402	1	Nut 1/4-28	
6	3340957	2	Pad, Slide	
7	3423259	1	Pin, Sensor	
8	4160078	1	Spring, Compression	
9	4191706	3	Screw M6 x 12	
10	1001092354	1	Switch, Rotary Angle Sensor	
10	4460536	1	Receptacle, Female - 3 Position	
10	4460464	3	Pin, Male	
11	1001190902	1	Arms Assembly (See Separate Breakdown in this Section)	
100	0440265	1	Bushing (Part of Frame Weldment)	

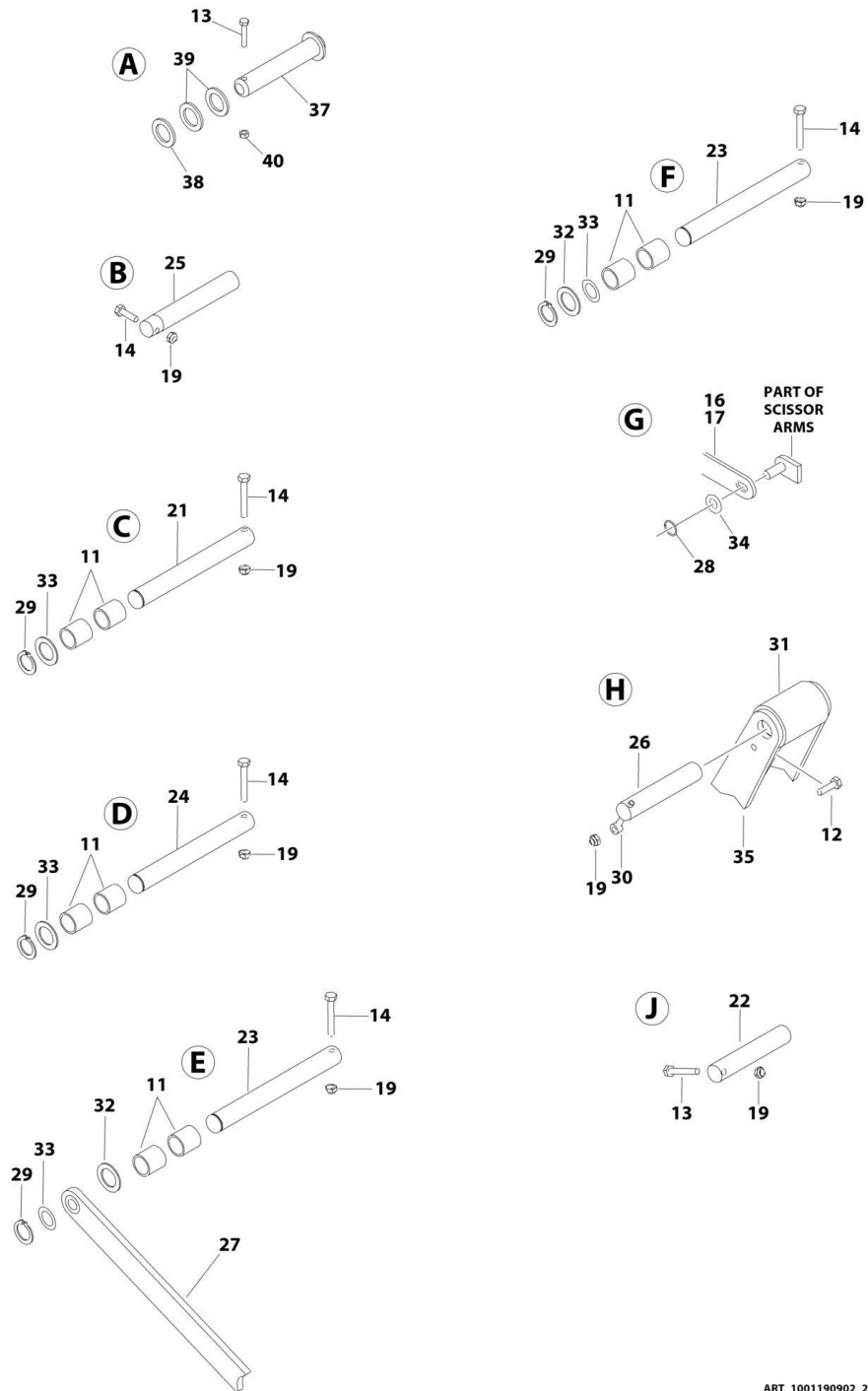
# SECTION 3 - SCISSORS ARMS

FIGURE 3-6. SCISSORS ARMS ASSEMBLY - 2632ES STANDARD HYDRAULIC OIL (BELGIUM, CHINA AND MEXICO BUILT MACHINES)



ART\_1001190902\_10F2

# SECTION 3 - SCISSORS ARMS



ART\_1001190902\_20F2

## SECTION 3 - SCISSORS ARMS

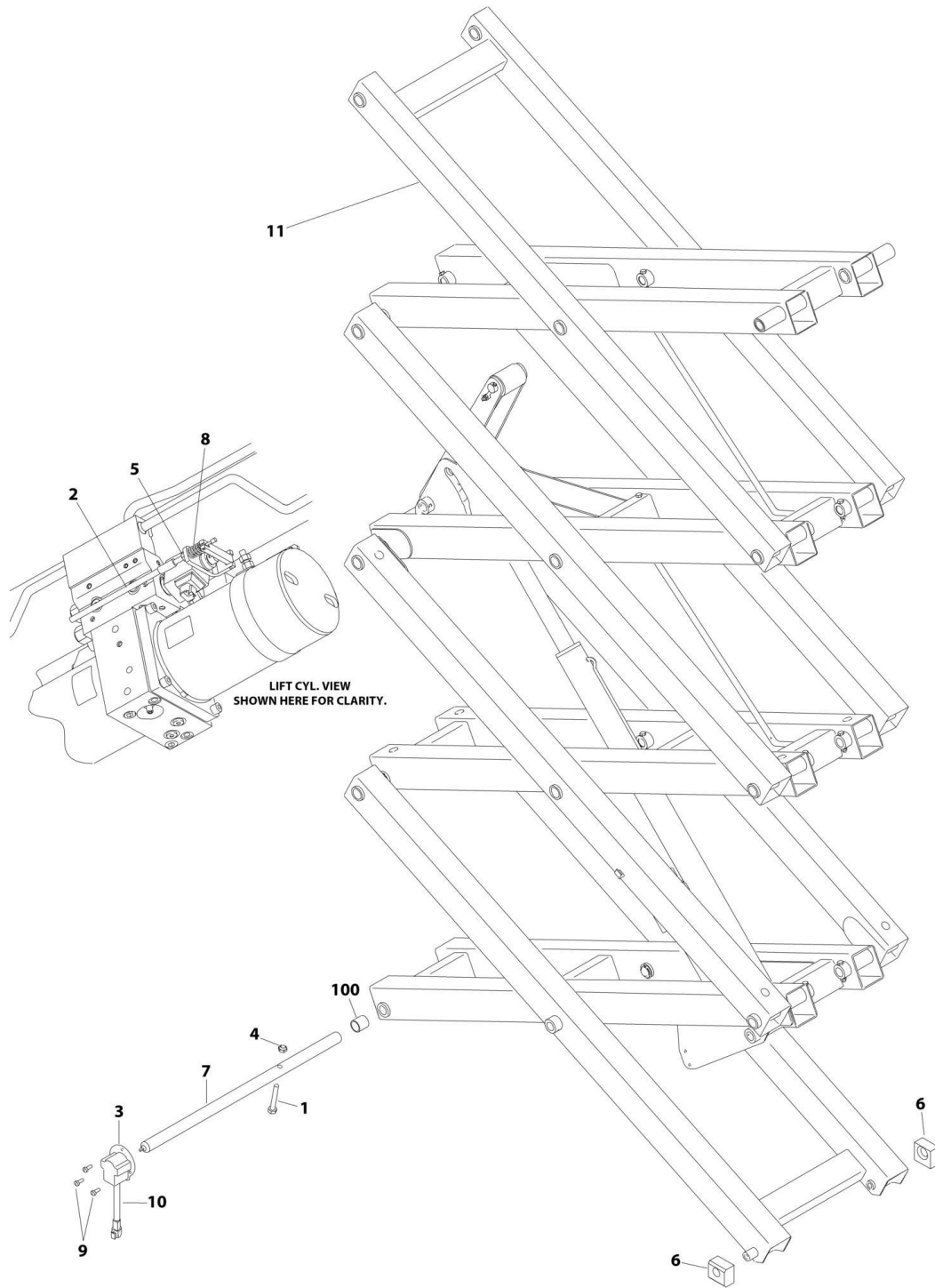
**FIGURE 3-6. SCISSORS ARMS ASSEMBLY - 2632ES STANDARD HYDRAULIC OIL (BELGIUM, CHINA AND MEXICO BUILT MACHINES)**

ITEM	PART NUMBER	QTY	DESCRIPTION	REV
	1001190902	Ref	SCISSORS ARMS ASSEMBLY - 2632ES STANDARD HYDRAULIC OIL	B
1	0200799	1	Arm - Lower Mid Inboard	
2	0200800	1	Arm - Upper Mid Inboard	
3	0200801	1	Arm - Upper Inboard	
4	0200802	1	Arm - Lower Outboard	
5	0200803	1	Arm - Lower Mid Outboard (Left Side)	
6	0200804	1	Arm - Lower Mid Outboard (Right Side)	
7	0200805	2	Arm - Upper Mid Outboard	
8	0200807	1	Arm - Upper Outboard	
9	0200834	1	Arm - Lower Inboard	
10	0440266	4	Bearing	
11	0440267	42	Bearing	
12	0701015	1	Bolt M10 x 35	
13	0700817	1	Bolt M8 x 45	
14	0701022	18	Bolt M10 x 70	
15	0701029	4	Bolt M10 x 120	
16	1180382	1	Carrier, Cable	
17	1180383	1	Carrier, Cable	
19	3291007	23	Nut M8	
20	3340962	24	Pad, Arm	
21	3422997	13	Pin	
22	3422998	1	Pin	
23	3423014	3	Pin	
24	3423036	4	Pin	
25	3423038	1	Pin	
26	3423067	1	Pin	
27	3574161	1	Bar, Prop Attach	
28	3760170	4	Ring, Split	
29	3760387	20	Ring, Retaining	
30	3841143	1	Keeper, Pin	
31	3860107	1	Roller	
32	4071094	AR	Shim, Spacer	
33	4740438	20	Washer	
34	4812000	2	Washer M10	
35	4846752	1	Kicker, Arm	
36	1001129290	1	Lift Cylinder Assembly - Standard Hydraulic Oil (See Separate Breakdown in CYLINDER SECTION)	
37	1001177911	1	Pin	
38	1001177913	1	Plate	
39	1001177914	2	Washer	
40	3290807	1	Nut M8	



# SECTION 3 - SCISSORS ARMS

FIGURE 3-7. SCISSORS ARMS INSTALLATION - 2632ES BIODEGRADABLE HYDRAULIC OIL (MEXICO BUILT MACHINES)



ART\_1001190910



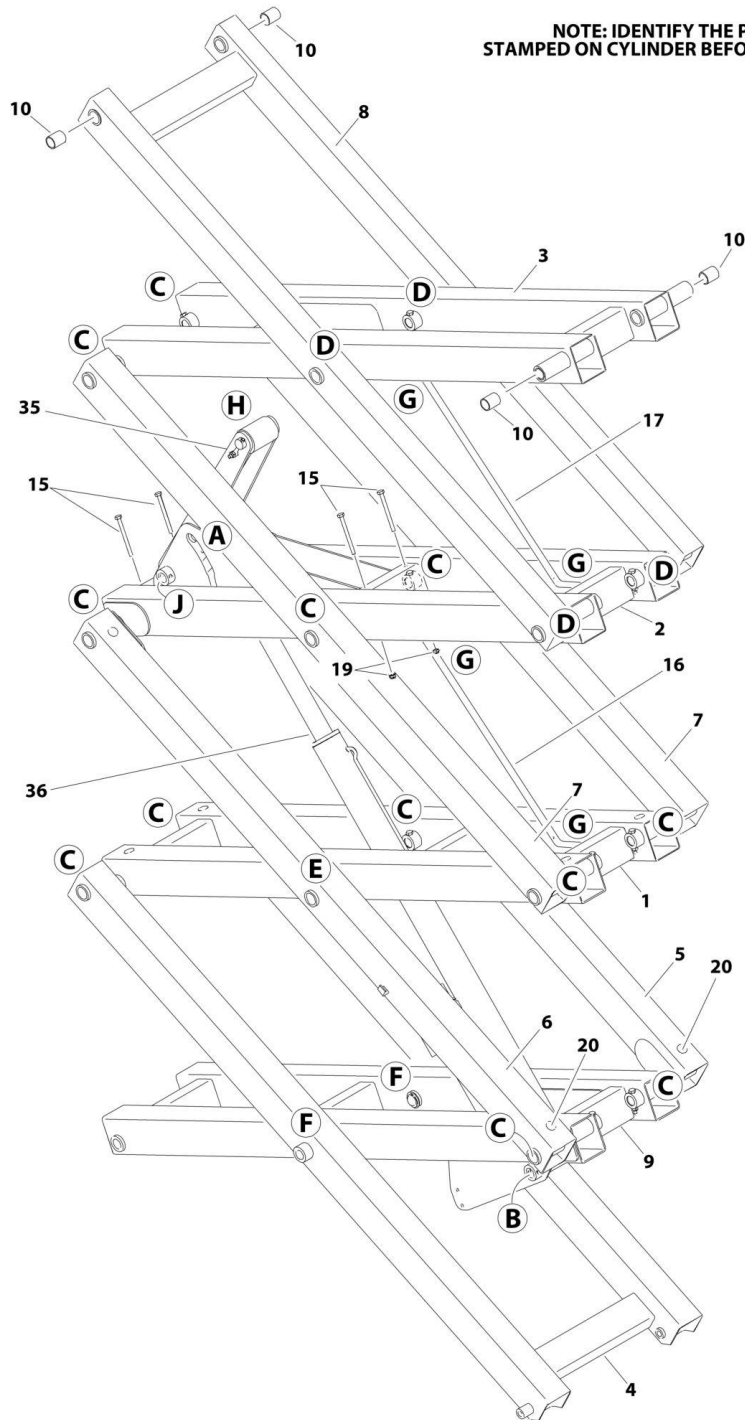
## SECTION 3 - SCISSORS ARMS

**FIGURE 3-7. SCISSORS ARMS INSTALLATION - 2632ES BIODEGRADEABLE HYDRAULIC OIL  
(MEXICO BUILT MACHINES)**

ITEM	PART NUMBER	QTY	DESCRIPTION	REV
	1001190910	Ref	SCISSORS ARMS INSTALLATION - 2632ES BIODEGRADEABLE HYDRAULIC OIL	A
1	0701022	1	Bolt M10 x 70	
2	1061034	1	Cable, Manual Descent	
2	7020218	1	T-Handle (With 1/4-20 Threads)	
2	70001878	1	T-Handle (With M5 Threads)	
3	3200454	1	Mount, Switch	
4	3291005	1	Nut M10	
5	3321402	1	Nut 1/4-28	
6	3340957	2	Pad, Slide	
7	3423259	1	Pin, Sensor	
8	4160078	1	Spring, Compression	
9	4191706	3	Screw M6 x 12	
10	1001092354	1	Switch, Rotary Angle Sensor	
10	4460536	1	Receptacle, Female - 3 Position	
10	4460464	3	Pin, Male	
11	1001190909	1	Arms Assembly (See Separate Breakdown in this Section)	
100	0440265	1	Bushing (Part of Frame Weldment)	

# SECTION 3 - SCISSORS ARMS

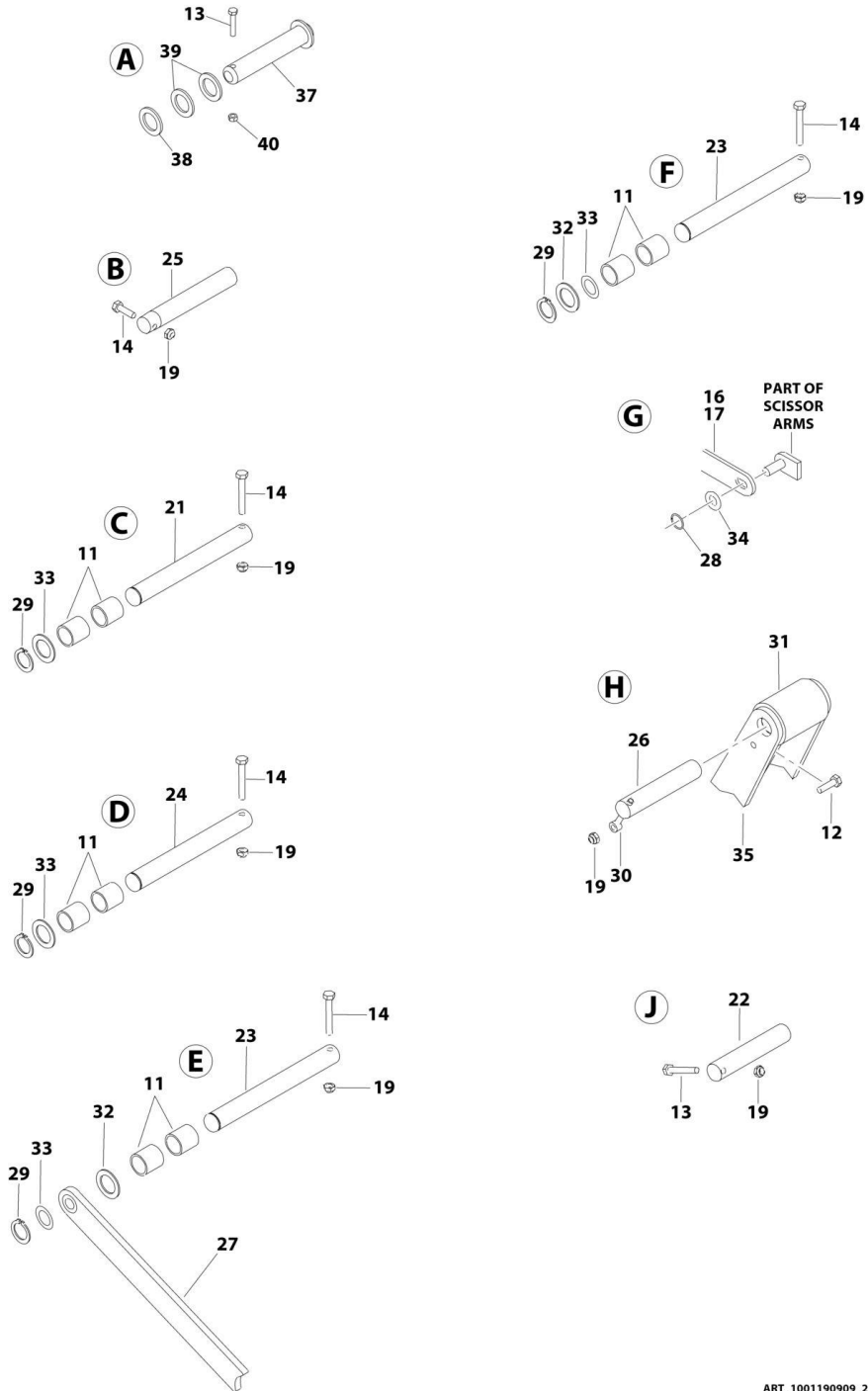
FIGURE 3-8. SCISSORS ARMS ASSEMBLY - 2632ES BIODEGRADABLE HYDRAULIC OIL (MEXICO BUILT MACHINES)



NOTE: IDENTIFY THE PART NUMBER STAMPED ON CYLINDER BEFORE ORDERING PARTS.

ART\_1001190909\_10F2

# SECTION 3 - SCISSORS ARMS



ART\_1001190909\_20F2

## SECTION 3 - SCISSORS ARMS

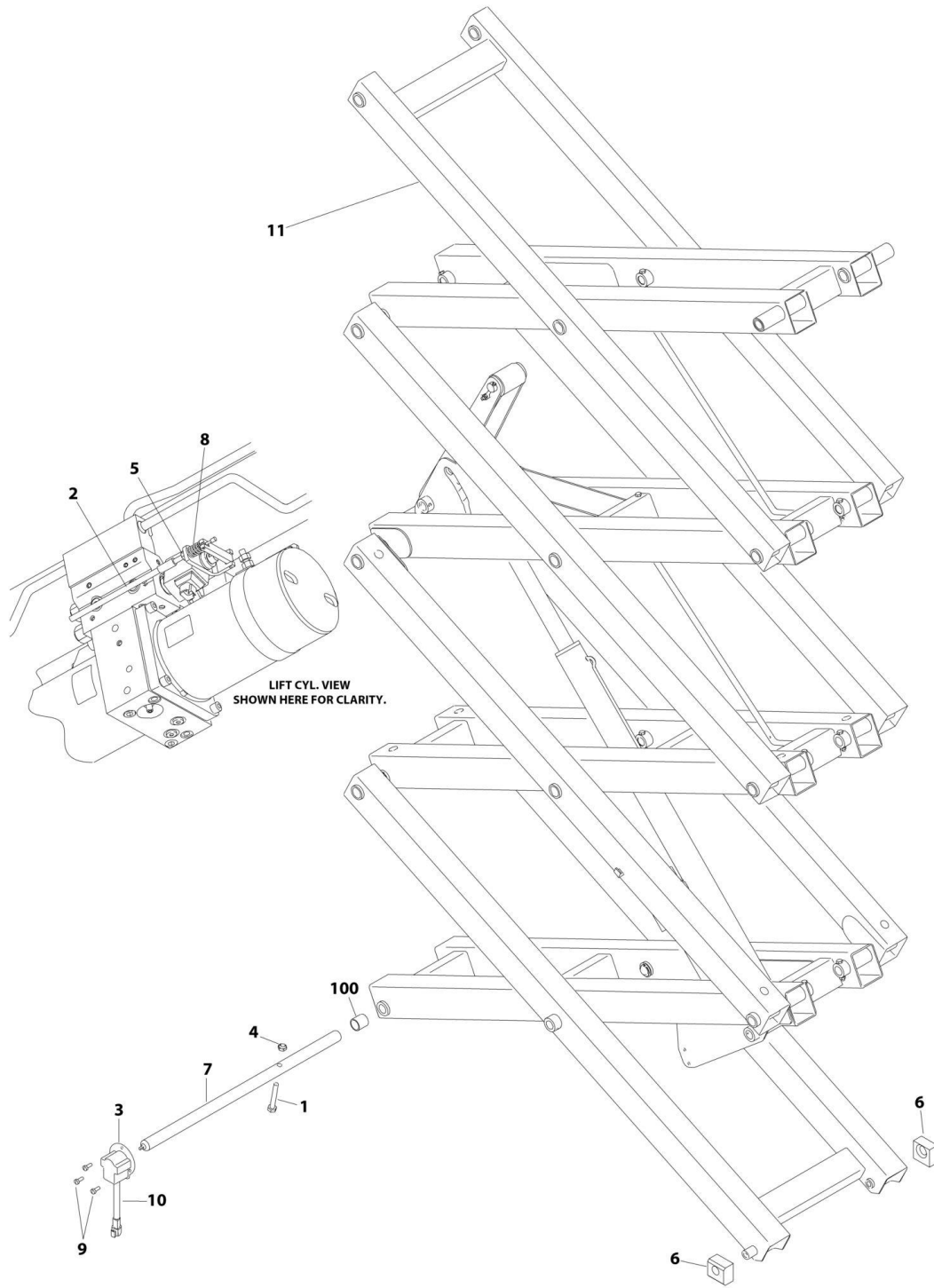
**FIGURE 3-8. SCISSORS ARMS ASSEMBLY - 2632ES BIODEGRADABLE HYDRAULIC OIL (MEXICO BUILT MACHINES)**

ITEM	PART NUMBER	QTY	DESCRIPTION	REV
	1001190909	Ref	SCISSORS ARMS ASSEMBLY - 2632ES BIODEGRADABLE HYDRAULIC OIL	B
1	0200799	1	Arm - Lower Mid Inboard	
2	0200800	1	Arm - Upper Mid Inboard	
3	0200801	1	Arm - Upper Inboard	
4	0200802	1	Arm - Lower Outboard	
5	0200803	1	Arm - Lower Mid Outboard (Left Side)	
6	0200804	1	Arm - Lower Mid Outboard (Right Side)	
7	0200805	2	Arm - Upper Mid Out board	
8	0200807	1	Arm - Upper Outboard	
9	0200834	1	Arm - Lower Inboard	
10	0440266	4	Bearing	
11	0440267	42	Bearing	
12	0701015	1	Bolt M10 x 35	
13	0700817	1	Bolt M8 x 45	
14	0701022	18	Bolt M10 x 70	
15	0701029	4	Bolt M10 x 120	
16	1180382	1	Carrier, Cable	
17	1180383	1	Carrier, Cable	
19	3291007	23	Nut M10	
20	3340962	24	Pad, Arm	
21	3422997	13	Pin	
22	3422998	1	Pin	
23	3423014	3	Pin	
24	3423036	4	Pin	
25	3423038	1	Pin	
26	3423067	1	Pin	
27	3574161	1	Bar, Prop Attach	
28	3760170	4	Ring, Split	
29	3760387	20	Ring, Retaining	
30	3841143	1	Keeper, Pin	
31	3860107	1	Roller	
32	4071094	AR	Shim, Spacer	
33	4740438	20	Washer	
34	4812000	4	Washer M10	
35	4846752	1	Kicker, Arm	
36	1001157331	1	Lift Cylinder Assembly - Biodegradeable Hydraulic Oil (See Separate Breakdown in CYLINDER SECTION)	
37	1001177911	1	Pin	
38	1001177913	1	Plate	
39	1001177914	2	Washer	
40	3290807	1	Nut M8	



# SECTION 3 - SCISSORS ARMS

FIGURE 3-9. SCISSORS ARMS INSTALLATION - 2632ES BIODEGRADABLE HYDRAULIC OIL (CHINA BUILT MACHINES)



ART\_1001190906

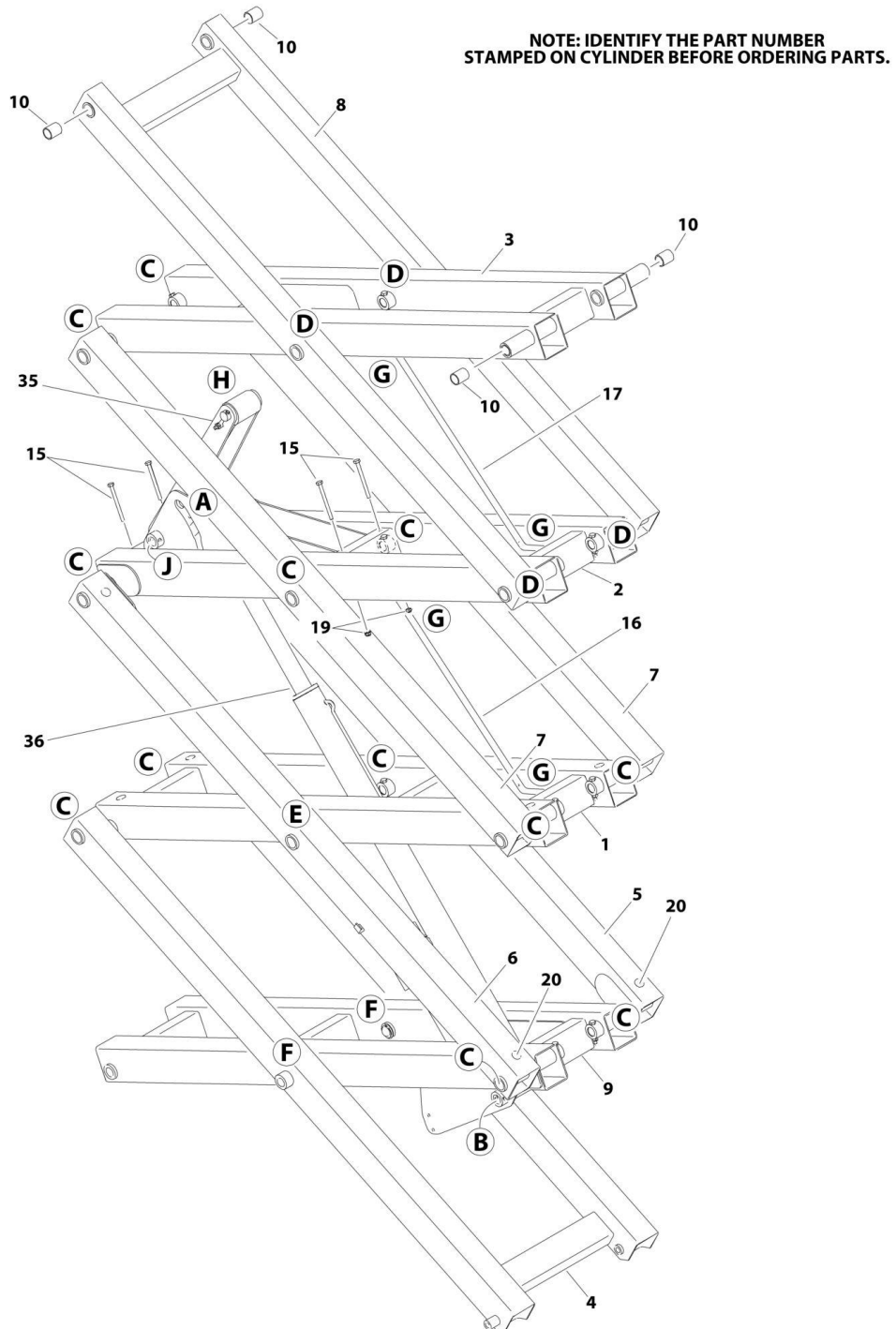
## SECTION 3 - SCISSORS ARMS

**FIGURE 3-9. SCISSORS ARMS INSTALLATION - 2632ES BIODEGRADEABLE HYDRAULIC OIL  
(CHINA BUILT MACHINES)**

ITEM	PART NUMBER	QTY	DESCRIPTION	REV
	1001190906	Ref	SCISSORS ARMS INSTALLATION - 2632ES BIODEGRADEABLE HYDRAULIC OIL	A
1	0701022	1	Bolt M10 x 70	
2	1061034	1	Cable, Manual Descent	
2	7020218	1	T-Handle (With 1/4-20 Threads)	
2	70001878	1	T-Handle (With M5 Threads)	
3	3200454	1	Mount, Switch	
4	3291005	1	Nut M10	
5	3321402	1	Nut 1/4-28	
6	3340957	2	Pad, Slide	
7	3423259	1	Pin, Sensor	
8	4160078	1	Spring, Compression	
9	4191706	3	Screw M6 x 12	
10	1001092354	1	Switch, Rotary Angle Sensor	
10	4460536	1	Receptacle, Female - 3 Position	
10	4460464	3	Pin, Male	
11	1001190905	1	Arms Assembly (See Separate Breakdown in this Section)	
100	0440265	1	Bushing (Part of Frame Weldment)	

# SECTION 3 - SCISSORS ARMS

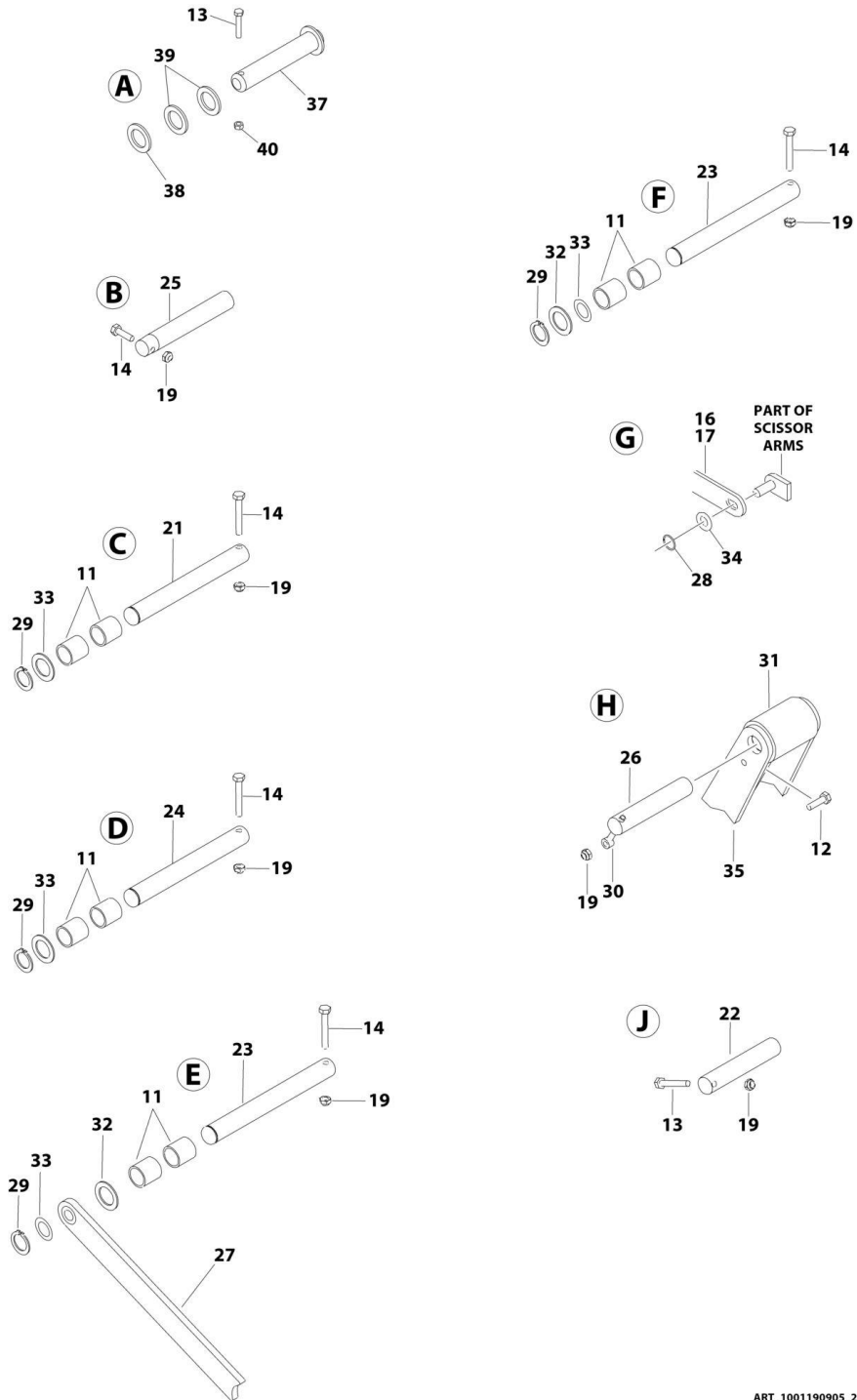
FIGURE 3-10. SCISSORS ARMS ASSEMBLY - 2632ES BIODEGRADABLE HYDRAULIC OIL (CHINA BUILT MACHINES)



ART\_1001190905\_10F2



# SECTION 3 - SCISSORS ARMS



ART\_1001190905\_20F2

## SECTION 3 - SCISSORS ARMS

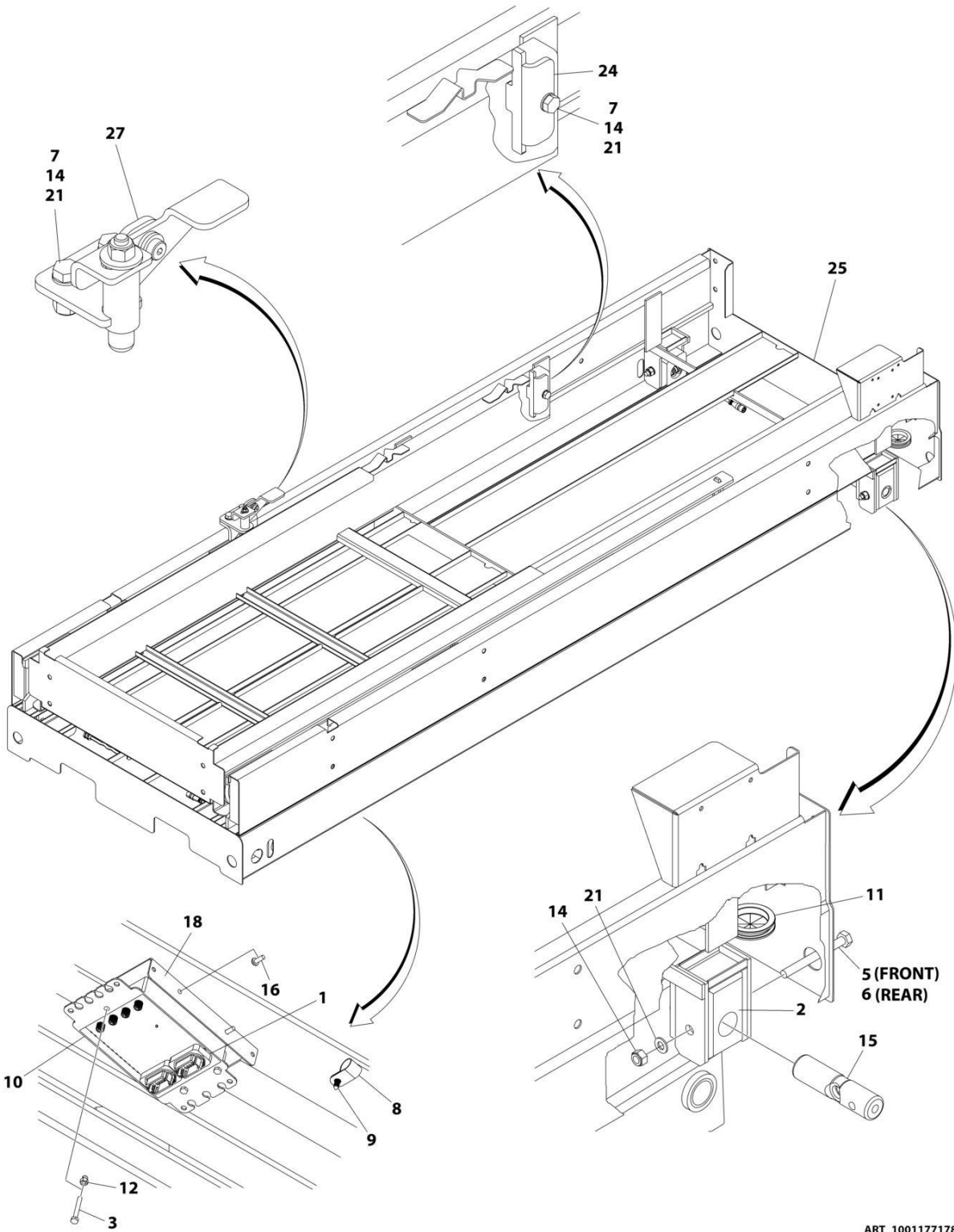
**FIGURE 3-10. SCISSORS ARMS ASSEMBLY - 2632ES BIODEGRADABLE HYDRAULIC OIL (CHINA BUILT MACHINES)**

ITEM	PART NUMBER	QTY	DESCRIPTION	REV
	1001190905	Ref	SCISSORS ARMS ASSEMBLY - 2632ES BIODEGRADABLE HYDRAULIC OIL	B
1	0200799	1	Arm - Lower Mid Inboard	
2	0200800	1	Arm - Upper Mid Inboard	
3	0200801	1	Arm - Upper Inboard	
4	0200802	1	Arm - Lower Outboard	
5	0200803	1	Arm - Lower Mid Outboard (Left Side)	
6	0200804	1	Arm - Lower Mid Outboard (Right Side)	
7	0200805	2	Arm - Upper Mid Out board	
8	0200807	1	Arm - Upper Outboard	
9	0200834	1	Arm - Lower Inboard	
10	0440266	4	Bearing	
11	0440267	42	Bearing	
12	0701015	1	Bolt M10 x 35	
13	0700817	1	Bolt M8 x 45	
14	0701022	18	Bolt M10 x 70	
15	0701029	4	Bolt M10 x 120	
16	1180382	1	Carrier, Cable	
17	1180383	1	Carrier, Cable	
19	3291007	23	Nut M8	
20	3340962	24	Pad, Arm	
21	3422997	13	Pin	
22	3422998	1	Pin	
23	3423014	3	Pin	
24	3423036	4	Pin	
25	3423038	1	Pin	
26	3423067	1	Pin	
27	3574161	1	Bar, Prop Attach	
28	3760170	4	Ring, Split	
29	3760387	20	Ring, Retaining	
30	3841143	1	Keeper, Pin	
31	3860107	1	Roller	
32	4071094	AR	Shim, Spacer	
33	4740438	20	Washer	
34	4812000	2	Washer M10	
35	4846752	1	Kicker, Arm	
36	1001131035	1	Lift Cylinder Assembly - Biodegradeable Hydraulic Oil (See Separate Breakdown in CYLINDER SECTION)	
37	1001177911	1	Pin	
38	1001177913	1	Plate	
39	1001177914	2	Washer	
40	3290807	1	Nut M8	

**SECTION 4 - PLATFORM**

# SECTION 4 - PLATFORM

FIGURE 4-1. PLATFORM INSTALLATION - WITH INSIDE EXTENSION RAILS AND WITH LSS



ART\_1001177178

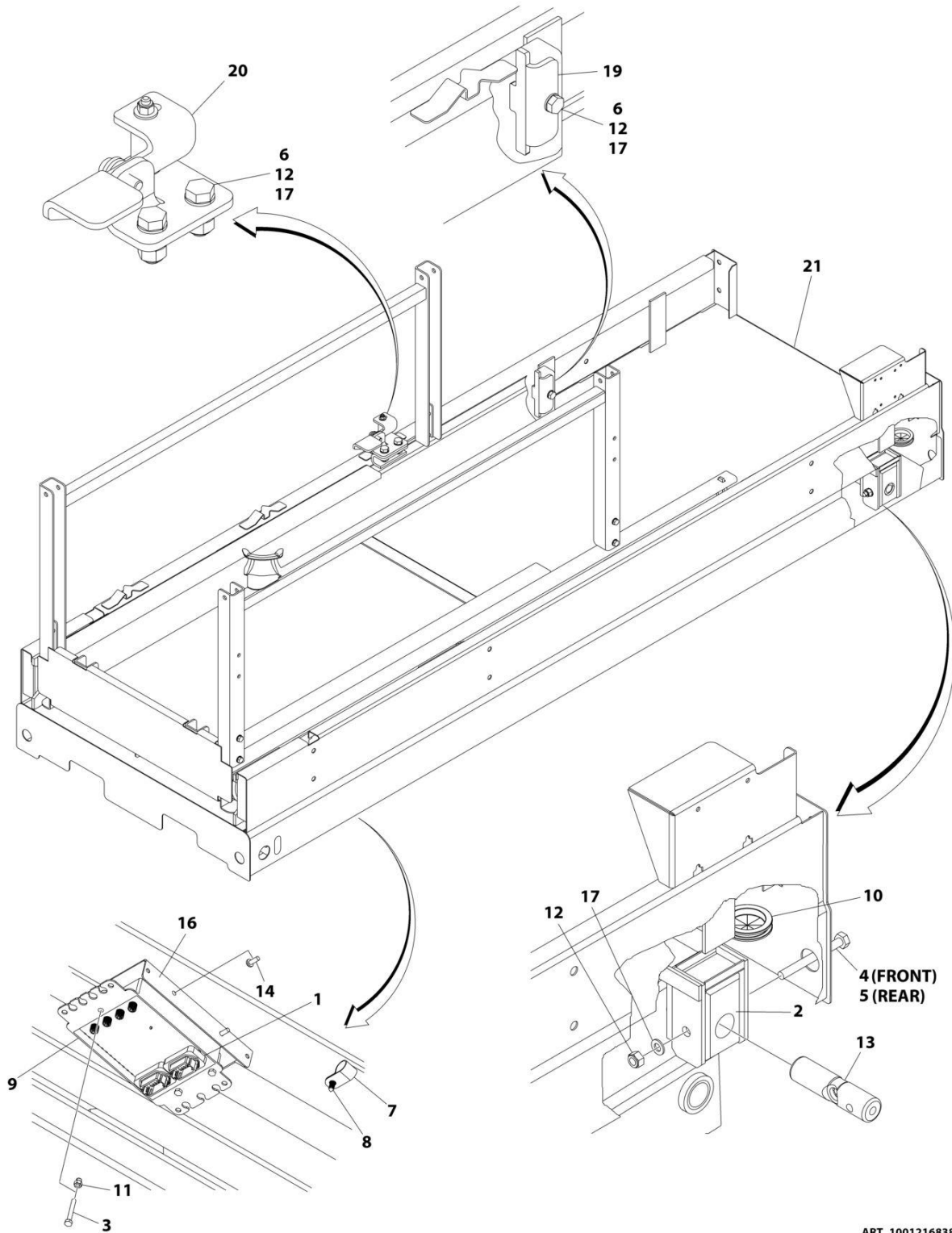
## SECTION 4 - PLATFORM

**FIGURE 4-1. PLATFORM INSTALLATION - WITH INSIDE EXTENSION RAILS AND WITH LSS**

ITEM	PART NUMBER	QTY	DESCRIPTION	REV
	1001177178	Ref	PLATFORM INSTALLATION - WITH INSIDE EXTENSION RAILS AND WITH LSS	F
1	0100048	AR	Grease, Dielectric	
2	0561520	4	Block, Slide	
3	0700617	3	Bolt M6 x 45	
5	0701024	2	Bolt M10 x 80	
6	0701027	2	Bolt M10 x 100	
7	0761014	4	Bolt M10 x 30	
8	1320318	2	Clamp	
9	1380158	2	Clip, Retainer	
10	1600387	1	Controller, Load Sense	
11	2540045	1	Grommet	
12	3290606	3	Nut M6	
14	3291005	8	Nut M10	
15	3422938	4	Pin	
16	4191707	2	Screw M6 x 16	
17	4240033	AR	Tie-Strap (Not Shown)	
18	4340931	1	Mount, LSS Module	
21	4812000	10	Washer M10	
22	4923228	1	Harness, Load Sense - Without Fuse (Not Shown - See Separate Breakdown in ELECTRICAL SECTION)	
22	1001263062	1	Harness, Load Sense - With Fuse (Not Shown - See Separate Breakdown in ELECTRICAL SECTION)	
24	1001175188	2	Bracket, Stop	
25	1001175462	1	Platform and Extension Assembly - With Inside Extension Rails (See Separate Breakdown in this Section)	
27	1001234398	1	Latch Assembly - With Inside Extension Rails (See Separate Breakdown in this Section)	

# SECTION 4 - PLATFORM

FIGURE 4-2. PLATFORM INSTALLATION - WITH OUTSIDE EXTENSION RAILS AND WITH LSS



ART\_1001216838

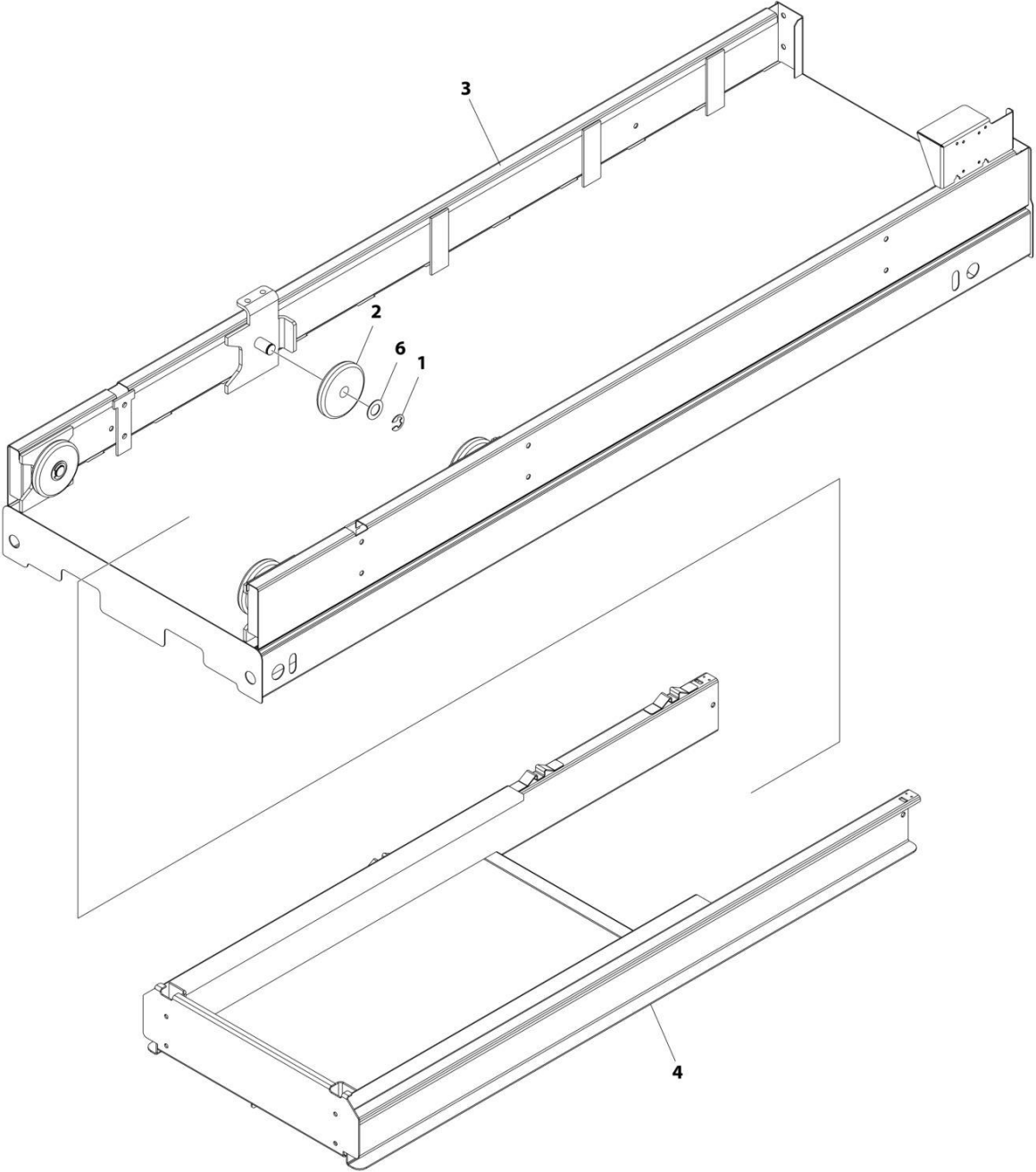
## SECTION 4 - PLATFORM

**FIGURE 4-2. PLATFORM INSTALLATION - WITH OUTSIDE EXTENSION RAILS AND WITH LSS**

ITEM	PART NUMBER	QTY	DESCRIPTION	REV
	1001216838	Ref	PLATFORM INSTALLATION - WITH OUTSIDE EXTENSION RAILS AND WITH LSS	A
1	0100048	AR	Grease, Dielectric	
2	0561520	4	Block, Slide	
3	0700617	3	Bolt M6 x 45	
4	0701024	2	Bolt M10 x 80	
5	0701027	2	Bolt M10 x 100	
6	0761014	4	Bolt M10 x 30	
7	1320318	2	Clamp	
8	1380158	2	Clip, Retainer	
9	1600387	1	Controller, Load Sense	
10	2540045	1	Grommet	
11	3290606	3	Nut M6	
12	3291005	8	Nut M10	
13	3422938	4	Pin	
14	4191707	2	Screw M6 x 16	
15	4240033	AR	Tie-Strap (Not Shown)	
16	4340931	1	Mount, LSS Module	
17	4812000	10	Washer M10	
18	4923228	1	Harness, Load Sense (Not Shown - See Separate Breakdown in ELECTRICAL SECTION)	
19	1001175188	2	Bracket, Stop	
20	1001209256	1	Latch Assembly - With Outside Extension Rails (See Separate Breakdown in this Section)	
21	1001215165	1	Platform and Extension Assembly - With Outside Extension Rails (See Separate Breakdown in this Section)	

# SECTION 4 - PLATFORM

FIGURE 4-3. PLATFORM AND EXTENSION ASSEMBLY - WITH INSIDE EXTENSION RAILS



ART\_1001175462\_N



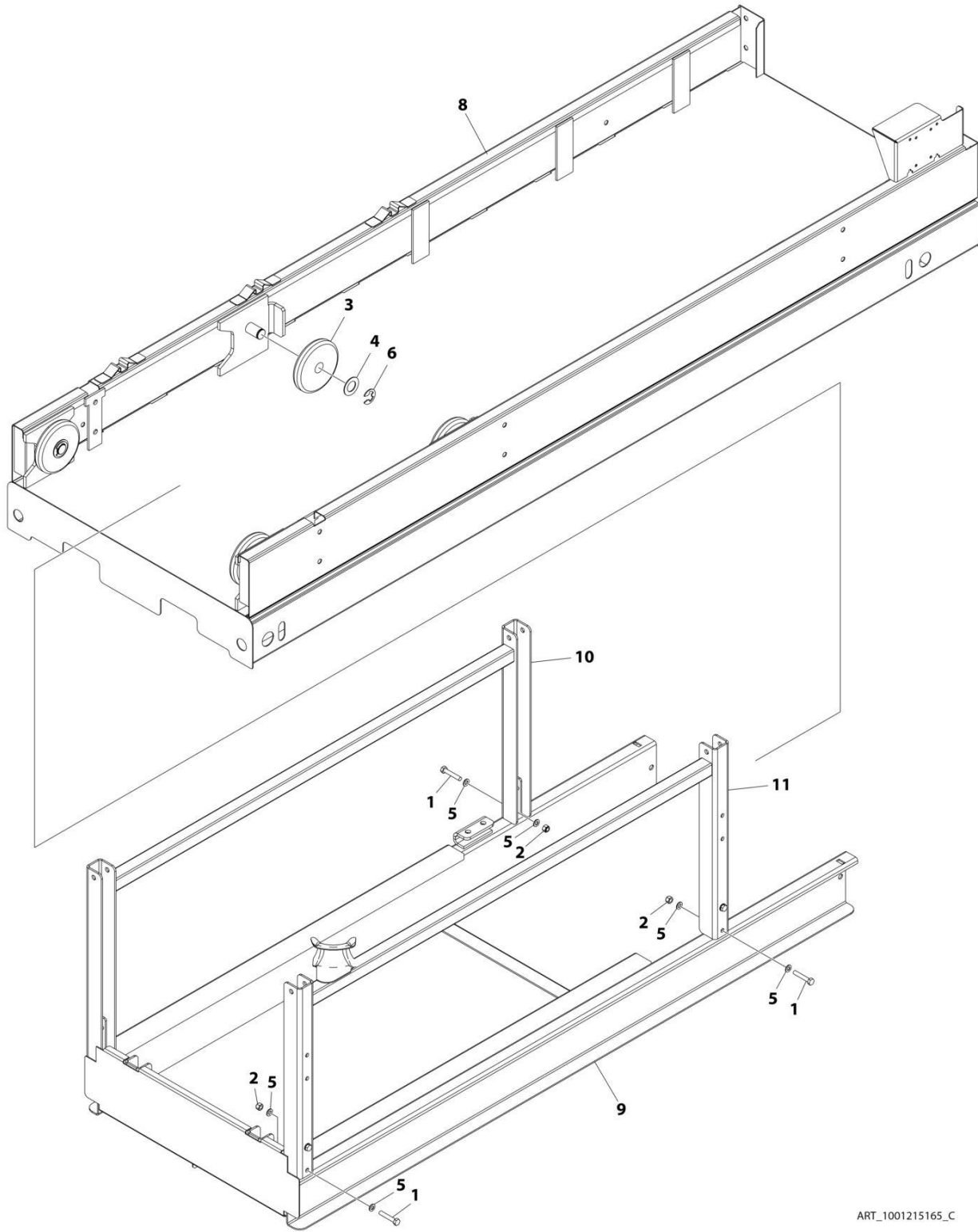
## SECTION 4 - PLATFORM

**FIGURE 4-3. PLATFORM AND EXTENSION ASSEMBLY - WITH INSIDE EXTENSION RAILS**

ITEM	PART NUMBER	QTY	DESCRIPTION	REV
	1001175462	Ref	PLATFORM AND EXTENSION ASSEMBLY - WITH INSIDE EXTENSION RAILS	N
1	1001182339	4	Clip	
2	1001243601	4	Roller	
3	1001175274	1	Platform	
4	1001232145	1	Extension, Platform	
6	4740446	4	Washer, Thrust	

# SECTION 4 - PLATFORM

FIGURE 4-4. PLATFORM AND EXTENSION ASSEMBLY - WITH OUTSIDE EXTENSION RAILS



ART\_1001215165\_C

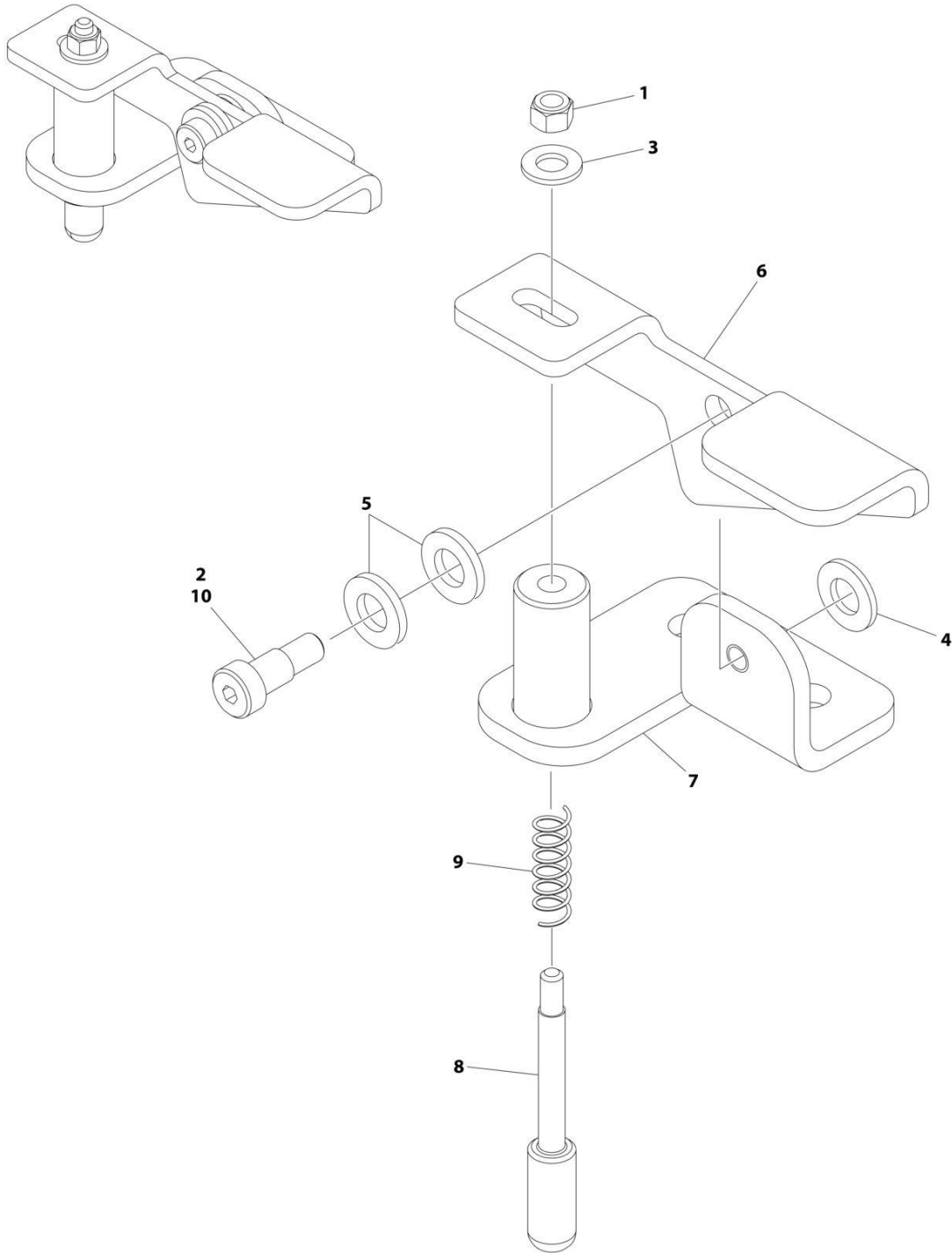
## SECTION 4 - PLATFORM

**FIGURE 4-4. PLATFORM AND EXTENSION ASSEMBLY - WITH OUTSIDE EXTENSION RAILS**

ITEM	PART NUMBER	QTY	DESCRIPTION	REV
	1001215165	Ref	PLATFORM AND EXTENSION ASSEMBLY - WITH OUTSIDE EXTENSION RAILS	C
1	0700814	8	Bolt M8 x 30	
1	0700817	8	Bolt M8 x 45	
2	3290805	8	Nut M8	
3	1001243601	4	Roller	
4	4740446	4	Washer, Thrust	
5	4811900	16	Washer M8	
6	1001182339	4	Clip	
8	1001217729	1	Platform	
9	1001217730	1	Extension, Platform	
10	1001217923	1	Rail, Mid	
11	1001217924	1	Rail, Mid	

# SECTION 4 - PLATFORM

## FIGURE 4-5. LATCH ASSEMBLY - WITH INSIDE EXTENSION RAILS



ART\_1001182302

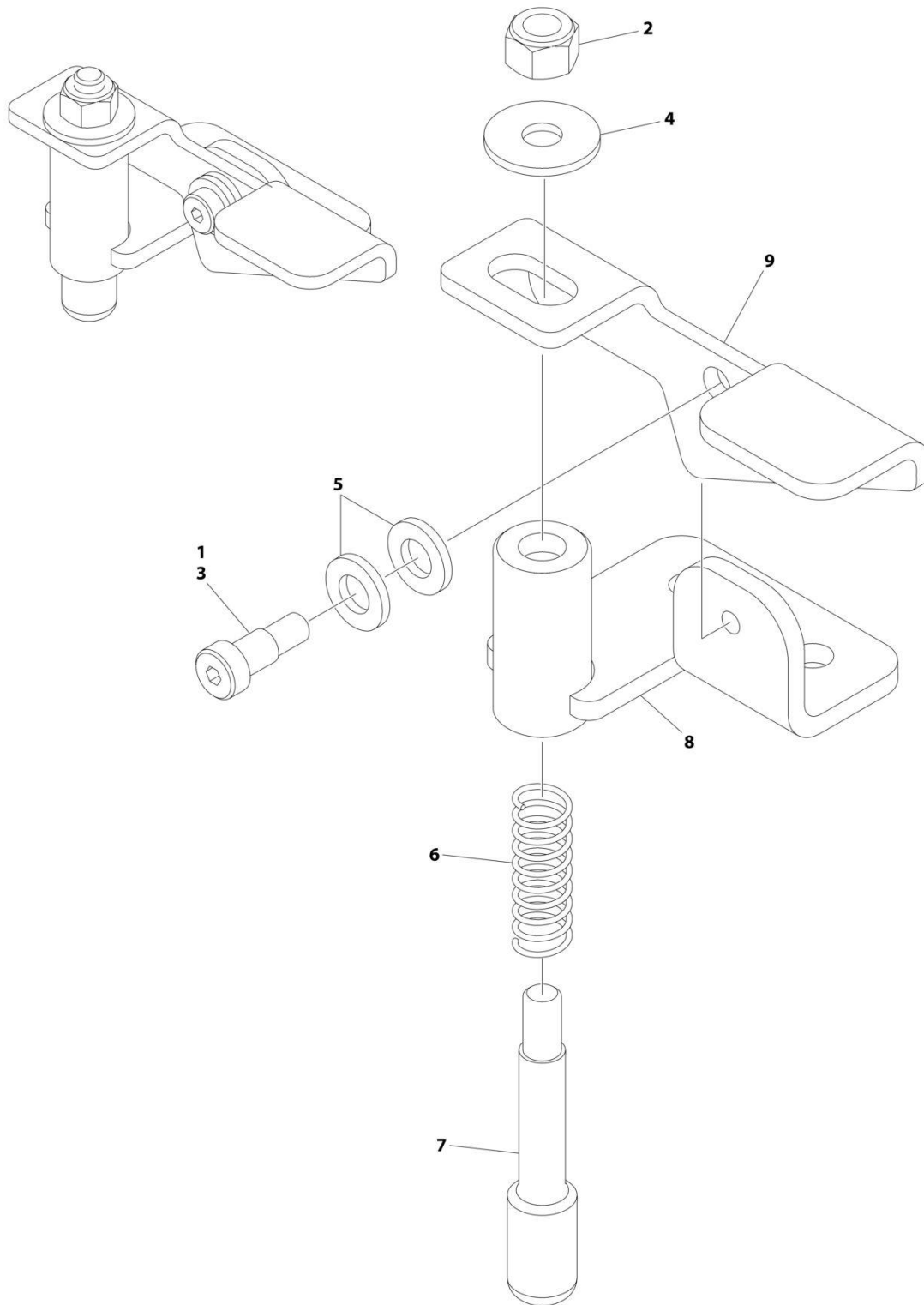
## SECTION 4 - PLATFORM

**FIGURE 4-5. LATCH ASSEMBLY - WITH INSIDE EXTENSION RAILS**

ITEM	PART NUMBER	QTY	DESCRIPTION	REV
	1001182302	Ref	LATCH ASSEMBLY - WITH INSIDE EXTENSION RAILS	G
1	3290605	1	Nut M6	
2	3900190	1	Screw	
3	4811900	1	Washer M8	
4	4812000	1	Washer M10	
5	5241000	2	Washer M10	
6	1001178323	1	Latch	
7	1001182304	1	Bracket	
8	1001182305	1	Rod, Threaded	
9	1001182338	1	Spring	
10	0100011	AR	Compound, Locking	

# SECTION 4 - PLATFORM

## FIGURE 4-6. LATCH ASSEMBLY - WITH INSIDE EXTENSION RAILS



ART\_1001234398

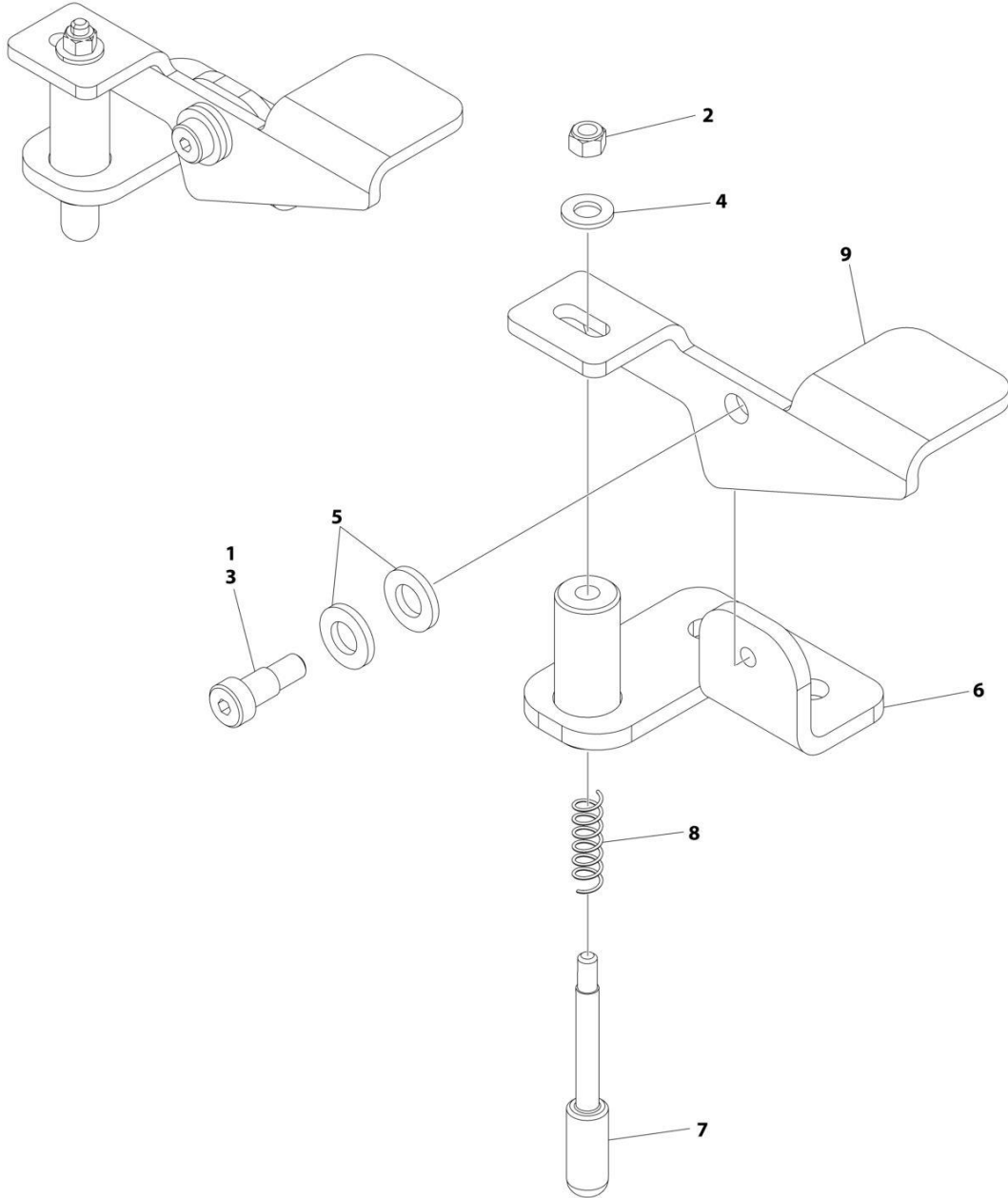
## SECTION 4 - PLATFORM

**FIGURE 4-6. LATCH ASSEMBLY - WITH INSIDE EXTENSION RAILS**

ITEM	PART NUMBER	QTY	DESCRIPTION	REV
	1001234398	Ref	LATCH ASSEMBLY - WITH INSIDE EXTENSION RAILS	B
1	0100011	AR	Compound, Locking	
2	3291005	1	Nut M10	
3	3900190	1	Screw	
4	4812002	1	Washer M10	
5	5241000	2	Washer M10	
6	1001221475	1	Spring	
7	1001221476	1	Rod, Threaded	
8	1001234399	1	Bracket	
9	1001234401	1	Latch	

# SECTION 4 - PLATFORM

## FIGURE 4-7. LATCH ASSEMBLY - WITH OUTSIDE EXTENSION RAILS



ART\_1001209256-E



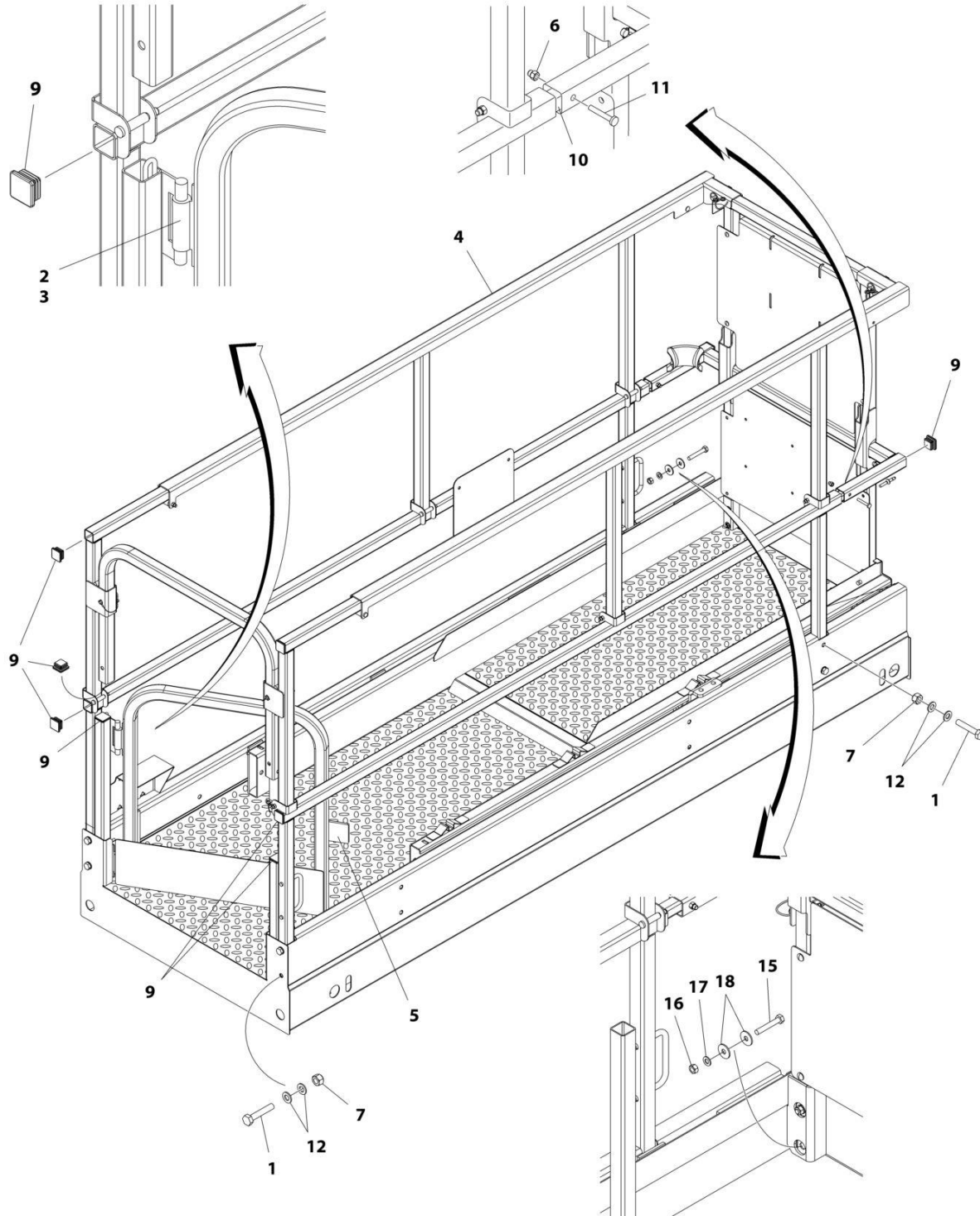
## SECTION 4 - PLATFORM

**FIGURE 4-7. LATCH ASSEMBLY - WITH OUTSIDE EXTENSION RAILS**

ITEM	PART NUMBER	QTY	DESCRIPTION	REV
	1001209256	Ref	LATCH ASSEMBLY - WITH OUTSIDE EXTENSION RAILS	E
1	0100011	AR	Compound, Locking	
2	3291005	1	Nut M10	
3	3900190	1	Screw	
4	4812002	1	Washer M10	
5	5241000	2	Washer M10	
6	1001234399	1	Bracket	
7	1001221476	1	Rod, Threaded	
8	1001221475	1	Spring	
9	1001209280	1	Latch	

# SECTION 4 - PLATFORM

FIGURE 4-8. RAILS INSTALLATION - WITH INSIDE EXTENSION RAILS AND SELF CLOSING GATE



ART\_1001176738\_H

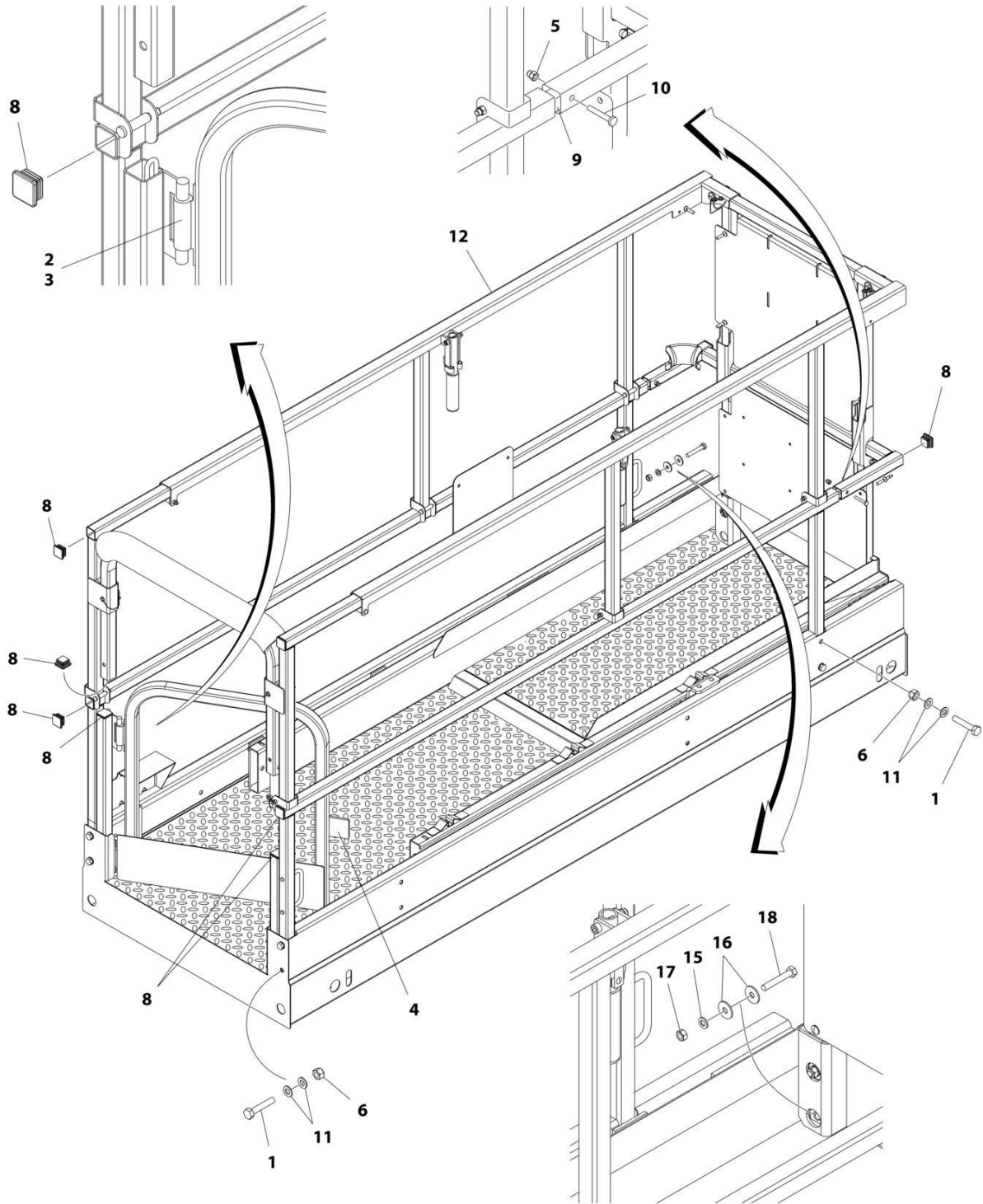
## SECTION 4 - PLATFORM

**FIGURE 4-8. RAILS INSTALLATION - WITH INSIDE EXTENSION RAILS AND SELF CLOSING GATE**

ITEM	PART NUMBER	QTY	DESCRIPTION	REV
	1001176738	Ref	RAILS INSTALLATION - WITH INSIDE EXTENSION RAILS AND SELF CLOSING GATE	H
1	0701019	8	Bolt M10 x 55	
2	2080040	8	Fastener, Huck	
3	2600281	2	Hinge	
4	1001179272	1	Rail Kit - With Inside Extension Rails and Self Closing Gate (See Separate Breakdown in this Section)	
5	3080007	1	Magnet	
6	3290606	2	Nut M6	
7	3291005	8	Nut M10	
9	3520072	8	Plug	
10	3841716	2	Rod, Fiberglass	
11	4010616	2	Screw M6 x 40	
12	4812000	16	Washer M10	
15	0700818	4	Bolt M8 x 50	
16	3290807	4	Nut M8	
17	4811900	4	Washer M8	
18	4811902	8	Washer M8	

# SECTION 4 - PLATFORM

## FIGURE 4-9. RAILS INSTALLATION - WITH INSIDE EXTENSION RAILS, HANDLE AND SELF CLOSING GATE



ART\_1001212701\_C

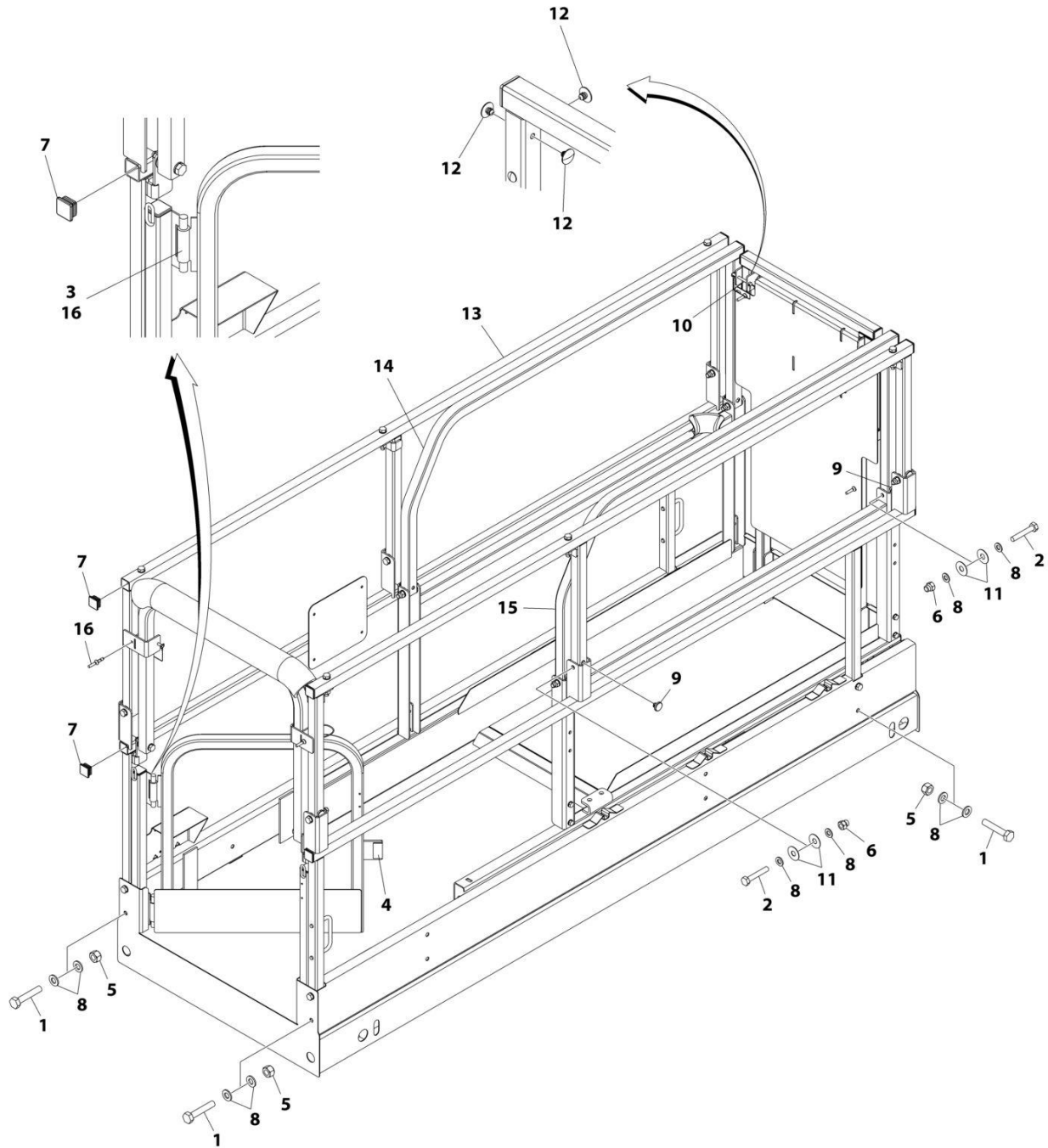
## SECTION 4 - PLATFORM

**FIGURE 4-9. RAILS INSTALLATION - WITH INSIDE EXTENSION RAILS, HANDLE AND SELF CLOSING GATE**

ITEM	PART NUMBER	QTY	DESCRIPTION	REV
	1001212701	Ref	RAILS INSTALLATION - WITH INSIDE EXTENSION RAILS, HANDLE AND SELF CLOSING GATE	C
1	0701019	8	Bolt M10 x 55	
2	2080040	8	Fastener, Huck	
3	2600281	2	Hinge	
4	3080007	1	Magnet	
5	3290606	2	Nut M6	
6	3291005	8	Nut M10	
8	3520072	8	Plug	
9	3841716	2	Rod, Fiberglass	
10	4010616	2	Screw M6 x 40	
11	4812000	16	Washer M10	
12	1001212868	1	Rail Kit - With Inside Extension Rails, Handle and Self Closing Gate (See Separate Breakdown in this Section)	
15	4811900	4	Washer M8	
16	4811902	8	Washer M8	
17	3290807	4	Nut M8	
18	0700818	4	Bolt M8 x 50	

# SECTION 4 - PLATFORM

## FIGURE 4-10. RAILS INSTALLATION - WITH OUTSIDE EXTENSION RAILS AND SELF CLOSING GATE



ART\_10011215164

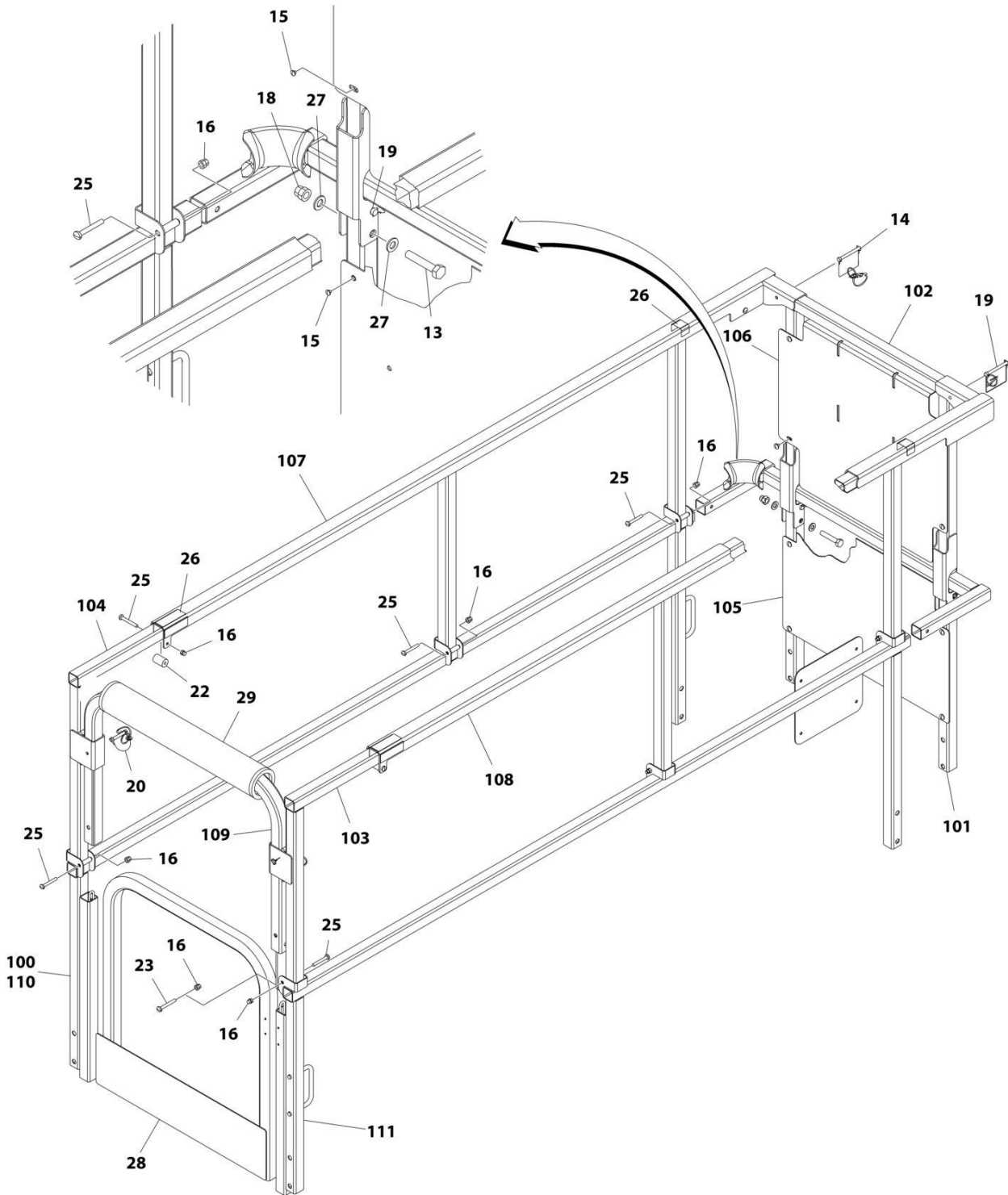
## SECTION 4 - PLATFORM

**FIGURE 4-10. RAILS INSTALLATION - WITH OUTSIDE EXTENSION RAILS AND SELF CLOSING GATE**

ITEM	PART NUMBER	QTY	DESCRIPTION	REV
	1001215164	Ref	RAILS INSTALLATION - WITH OUTSIDE EXTENSION RAILS AND SELF CLOSING GATE	A
1	0701019	8	Bolt M10 x 55	
2	0701020	6	Bolt M10 x 60	
3	2600281	2	Hinge	
4	3080007	1	Magnet	
5	3291005	8	Nut M10	
6	3291006	6	Nut M10	
7	3520072	16	Plug	
8	4812000	28	Washer M10	
9	1001137675	4	Bumper	
10	1001187587	2	Pin	
11	1001211895	12	Plate, Washer	
12	1001211896	6	Bumper	
13	1001217731	1	Rail Kit - With Outside Extension Rails and Self Closing Gate (See Separate Breakdown in this Section)	
14	1001217739	1	Rail, Left	
15	1001217740	1	Rail, Right	
16	2080040	10	Fastener, Huck	

# SECTION 4 - PLATFORM

## FIGURE 4-11. RAIL KIT - WITH INSIDE EXTENSION RAILS AND SELF CLOSING GATE



ART\_1001179272\_J



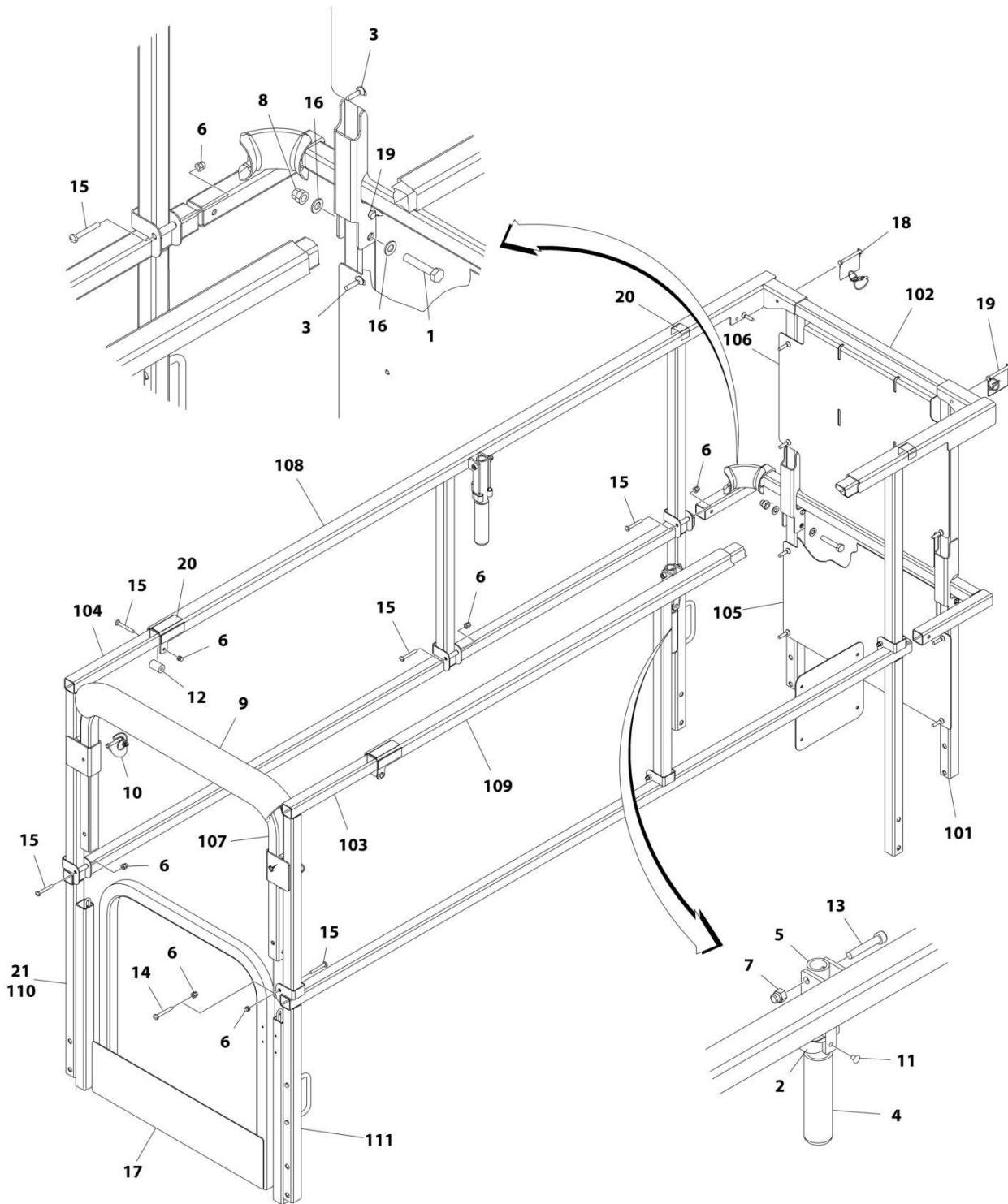
## SECTION 4 - PLATFORM

**FIGURE 4-11. RAIL KIT - WITH INSIDE EXTENSION RAILS AND SELF CLOSING GATE**

ITEM	PART NUMBER	QTY	DESCRIPTION	REV
	1001179272	Ref	RAIL KIT - WITH INSIDE EXTENSION RAILS AND SELF CLOSING GATE	J
13	0701019	2	Bolt M10 x 55	
14	1001187585	2	Lanyard	
15	2080040	12	Fastener, Huck	
16	3290606	9	Nut M6	
18	3291006	2	Nut M10 Grade 8	
19	1001187587	2	Pin, Snap	
20	3423278	2	Pin, Snap	
22	3860111	2	Roller	
23	4010616	1	Screw M6 x 40	
25	4010618	8	Screw M6 x 50	
26	1001189762	AR	Tape	
27	4812000	4	Washer M10	
28	4846723	1	Gate	
29	3340612	18 in /45cm	Pad, Cover	
100	1001247079	1	Rail Kit Less Hardware (Includes Items 101-111)	A
101	1001179277	1	Rail, Bottom Front	
102	1001179287	1	Rail, Top Front	
103	1001179288	1	Rail, Top RH	
104	1001179296	1	Rail, Top LH	
105	1001179298	1	Billboard, Bottom	
106	1001179299	1	Billboard, Top	
107	1001179301	1	Rail, Top LH Slide	
108	1001179304	1	Rail, Top RH Slide	
109	1001179332	1	Rail, Top Rear Entry	
110	1001247075	1	Rail, Bottom Rear LH	
111	1001247083	1	Rail, Bottom Rear RH	

# SECTION 4 - PLATFORM

FIGURE 4-12. RAIL KIT - WITH INSIDE EXTENSION RAILS, HANDLE AND SELF CLOSING GATE



ART\_1001212868\_C

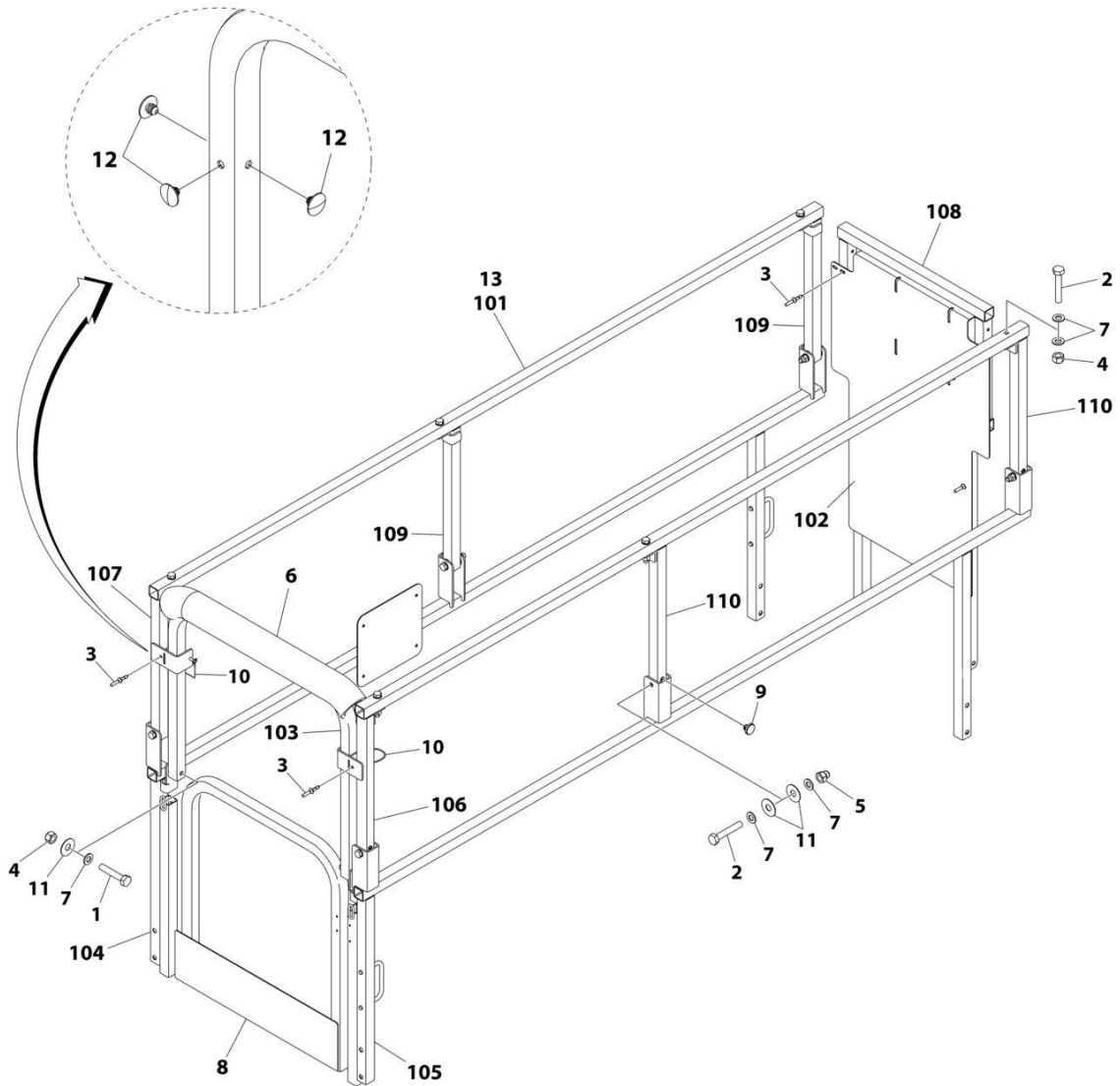
## SECTION 4 - PLATFORM

**FIGURE 4-12. RAIL KIT - WITH INSIDE EXTENSION RAILS, HANDLE AND SELF CLOSING GATE**

ITEM	PART NUMBER	QTY	DESCRIPTION	REV
	1001212868	Ref	RAIL KIT - WITH INSIDE EXTENSION RAILS, HANDLE AND SELF CLOSING GATE	C
1	0701019	2	Bolt M10 x 55	
2	1380132	2	Clip, Gripper	
3	2080040	12	Fastener, Huck	
4	2560088	2	Handle	
5	2560190	2	Handle, Platform	
6	3290606	9	Nut M6	
7	3290806	2	Nut M8	
8	3291006	2	Nut M10	
9	3340612	18 in /45cm	Pad, Cover	
10	3423278	2	Pin	
11	3820019	2	Rivet	
12	3860111	2	Roller	
13	3900345	2	Screw	
14	4010616	1	Screw M6 x 40	
15	4010618	8	Screw M6 x 50	
16	4812000	4	Washer	
17	4846723	1	Gate	
18	1001187585	2	Pin	
19	1001187587	2	Pin	
20	1001189762	AR	Tape	
21	1001247081	1	Rail Kit (See Items 101-111 for Breakdown)	
	1001247081	Ref	RAIL KIT	A
101	1001179277	1	Rail, Bottom Front	
102	1001179287	1	Rail, Top Front	
103	1001179288	1	Rail, Top RH	
104	1001179296	1	Rail, Top LH	
105	1001179298	1	Billboard, Bottom	
106	1001179299	1	Billboard, Top	
107	1001179332	1	Tube, Drywall Gate	
108	1001212870	1	Rail, Top LH Slide	
109	1001212871	1	Rail, Top RH Slide	
110	1001247075	1	Rail, Bottom Rear LH	
111	1001247083	1	Rail, Bottom Rear RH	

# SECTION 4 - PLATFORM

## FIGURE 4-13. RAIL KIT - WITH OUTSIDE EXTENSION RAILS AND SELF CLOSING GATE



ART\_1001217731

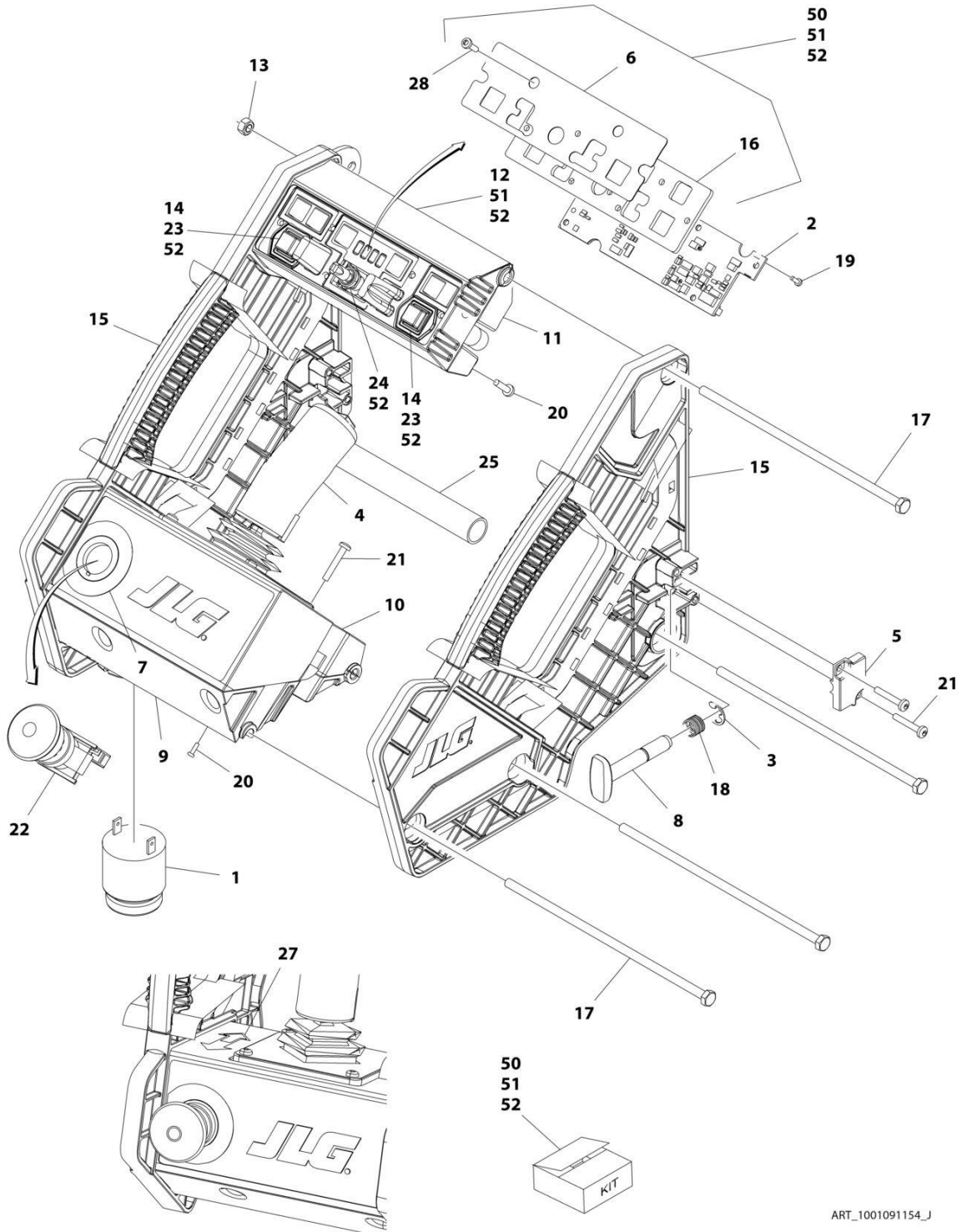
## SECTION 4 - PLATFORM

**FIGURE 4-13. RAIL KIT - WITH OUTSIDE EXTENSION RAILS AND SELF CLOSING GATE**

ITEM	PART NUMBER	QTY	DESCRIPTION	REV
	1001217731	Ref	RAIL KIT - WITH OUTSIDE EXTENSION RAILS AND SELF CLOSING GATE	B
1	0701019	2	Bolt M10 x 55	
2	0701020	12	Bolt M10 x 60	
3	2080040	6	Fastener, Huck	
4	3291005	8	Nut M10	
5	3291006	6	Nut M10	
6	3340612	18 in/ 45cm	Pad, Cover	
7	4812000	26	Washer	
8	4846723	1	Gate	
9	1001137675	6	Bumper	
10	1001187587	2	Pin	
11	1001211895	14	Plate, Washer	
12	1001211896	6	Bumper	
13	1001217732	1	Rail Kit (See Items 101 to 110 for Breakdown)	
	1001217732	Ref	RAIL KIT	A
101	1001215179	2	Rail, Top	
102	1001217118	1	Plate, Billboard	
103	1001217173	1	Gate	
104	1001217733	1	Rail, Bottom LH	
105	1001217734	1	Rail, Bottom RH	
106	1001217735	1	Rail, Right Entrance	
107	1001217736	1	Rail, Left Entrance	
108	1001217737	1	Rail, Front	
109	1001217746	2	Rail, Support	
110	1001217747	2	Rail, Support	

# SECTION 4 - PLATFORM

## FIGURE 4-14. PLATFORM CONSOLE ASSEMBLY



ART\_1001091154\_J

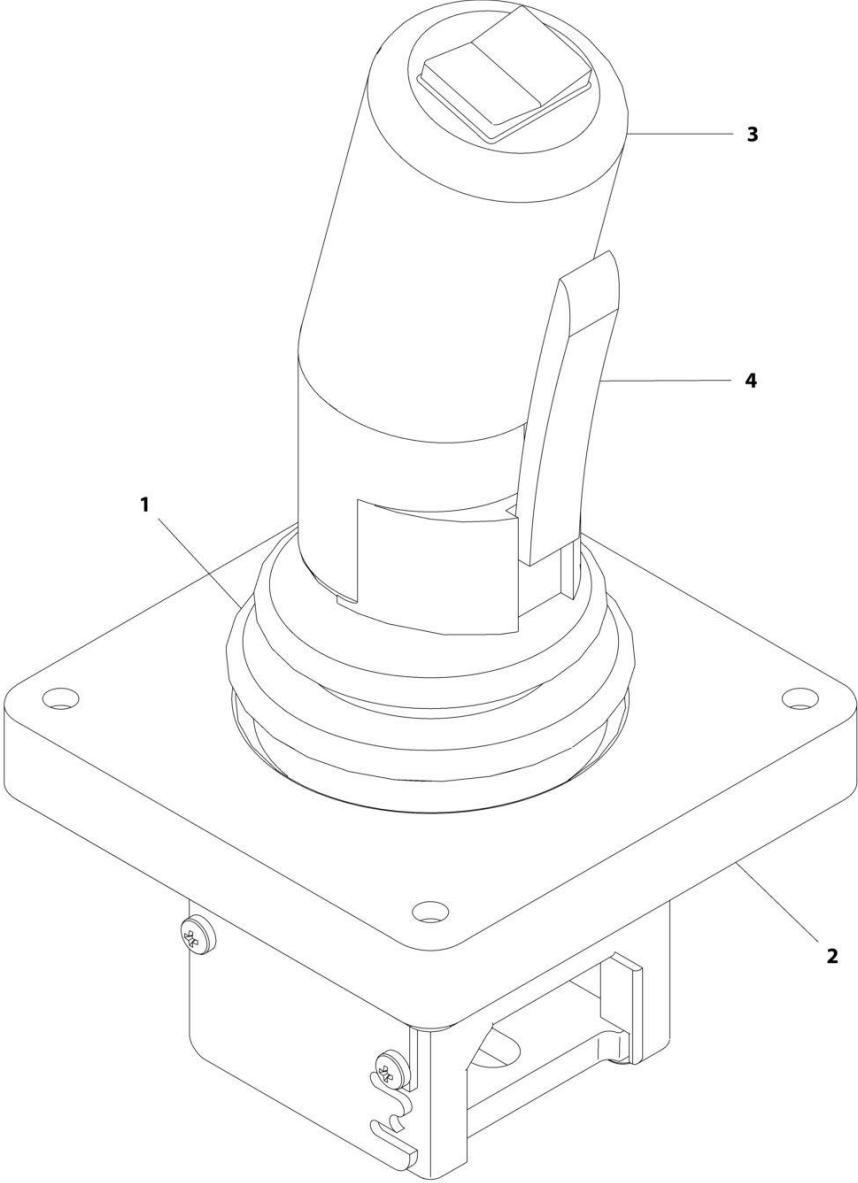
## SECTION 4 - PLATFORM

**FIGURE 4-14. PLATFORM CONSOLE ASSEMBLY**

ITEM	PART NUMBER	QTY	DESCRIPTION	REV
	1001091154	Ref	PLATFORM CONSOLE ASSEMBLY	J
1	0140011	1	Alarm	
2	1600439	1	PC Board	
3	1380156	1	E-Clip	
4	1600402	1	Drive/Steer Controller Assembly (See Separate Breakdown in this Section)	
5	1671098	1	Latch	
6	1001091275	1	Decal - Icon	
7	1705676	1	Decal - Emergency Stop Ring	
8	2560179	1	Handle, Latch	
9	1001091277	1	Housing, Joystick (Lower)	
10	1001091278	1	Mount, Joystick	
11	1001091279	1	Housing, Module Mounting (Lower)	
12	1001091280	1	Housing, Module Mounting (Upper)	
13	3300473	4	Nut M6	
14	3340968	2	Button (Includes Black Button Only)	
15	3380475	2	Panel, Side	
16	1001091283	1	Plate, Decal	
17	3900333	4	Screw M6 x 190	
18	4160203	1	Spring, Compression	
19	4191306	5	Screw M3.5 x 12	
20	4191407	8	Screw M4 x 16	
21	4191409	6	Screw M4 x 25	
22	4360475	1	Switch, Emergency Stop	
22	7020175	1	Cap	
22	7020176	1	Block, Contact	
23	4360538	2	Strip, Switch and Membrane	
24	4360539	1	Switch, Toggle	
25	4568738	1	Tube, Spacer	
26	4922870	1	Harness, Platform Box (Not Shown - See Separate Breakdown in ELECTRICAL SECTION)	
27	1703819	1	Decal - Directional Arrow	
28	1001091396	6	Screw M3.5 x 12	
29	See Note	NSS	Decal - Control Module (Not Shown - Located on Bottom of Box) (Note: Not Available for Purchase)	
50	1001091968	1	Decal Kit (Includes Items 6, 16 & 28)	A
51	1001091393	1	Decal and Housing Kit (Includes Items 6, 12, 16 & 28)	C
52	1001091965	1	Decal, Housing and PC Board Kit (Includes Items 2, 6, 12, 14, 16, 19, 23, 24 & 28)	C

**SECTION 4 - PLATFORM**

**FIGURE 4-15. DRIVE/STEER CONTROLLER ASSEMBLY**



ART\_1600402



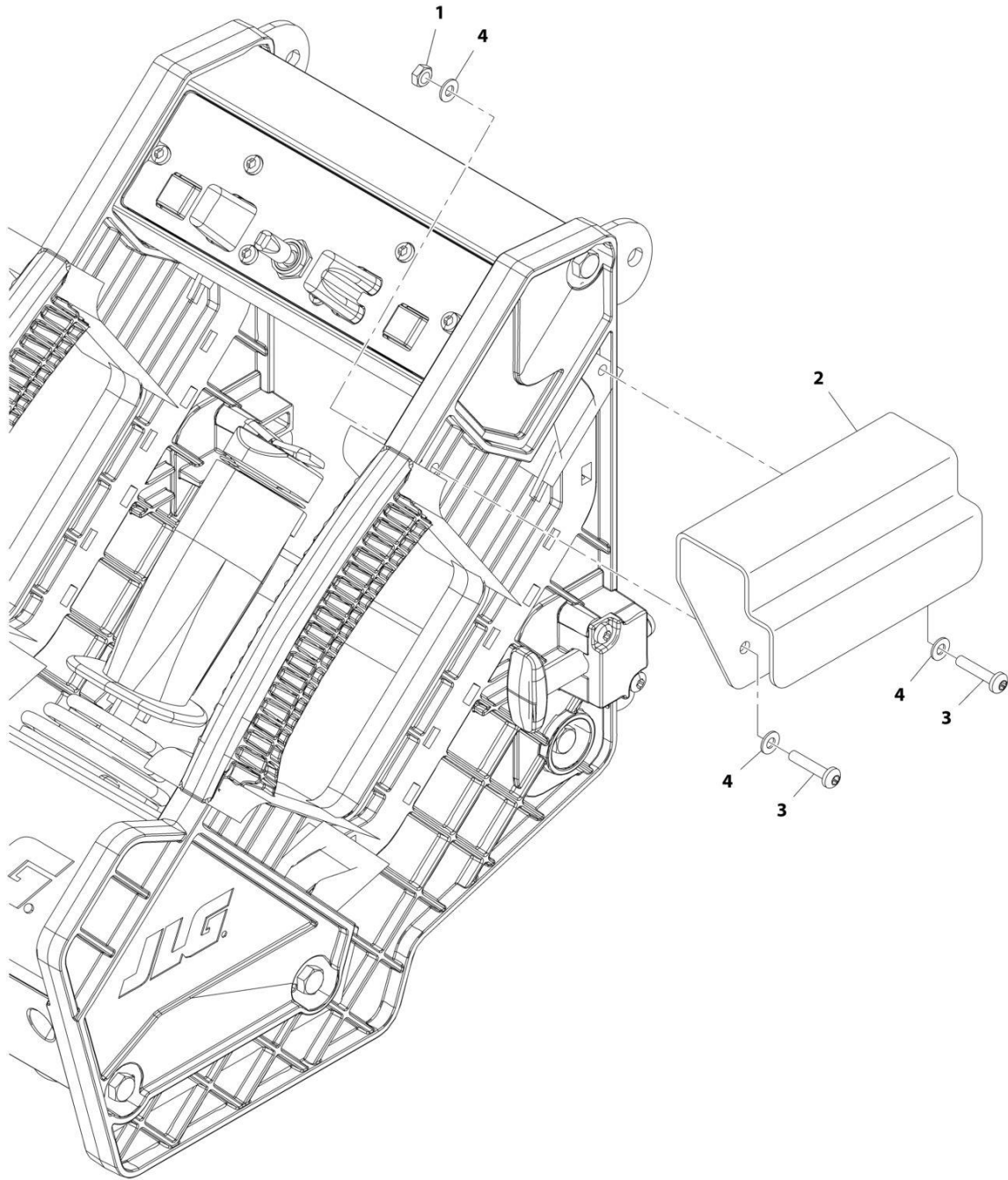
## SECTION 4 - PLATFORM

**FIGURE 4-15. DRIVE/STEER CONTROLLER ASSEMBLY**

ITEM	PART NUMBER	QTY	DESCRIPTION	REV
	1600402	Ref	DRIVE/STEER CONTROLLER ASSEMBLY	A
1	70001250	1	Boot, Panel	
2	70001252	1	Gasket, Mounting	
2	70001251	1	Bezel, Mounting	
3	70003650	1	Handle Repair Kit (Includes handle gasket, item#4 push button and item #4 lever installed in front handle half, back handle half, top actuator, boot and hardware.)	
3	70000084	1	Cap, Rubber	
3	70000082	1	Microswitch	
3	7027766	1	Ring, Retaining	
3	7027365	1	Actuator, Handle	
3	70001253	1	Gasket, Handle	
3	70000683	4	Washer, Neoprene	
3	70000685	2	Spacer, Plastic	
3	70000686	2	Screw (Top)	
3	70000684	2	Screw (Bottom)	
4	7027367	1	Switch, Push Button	
4	7027765	1	Lever, Enable	

# SECTION 4 - PLATFORM

## FIGURE 4-16. PLATFORM CONSOLE HANGER INSTALLATION (OPTIONAL)



ART\_0274386

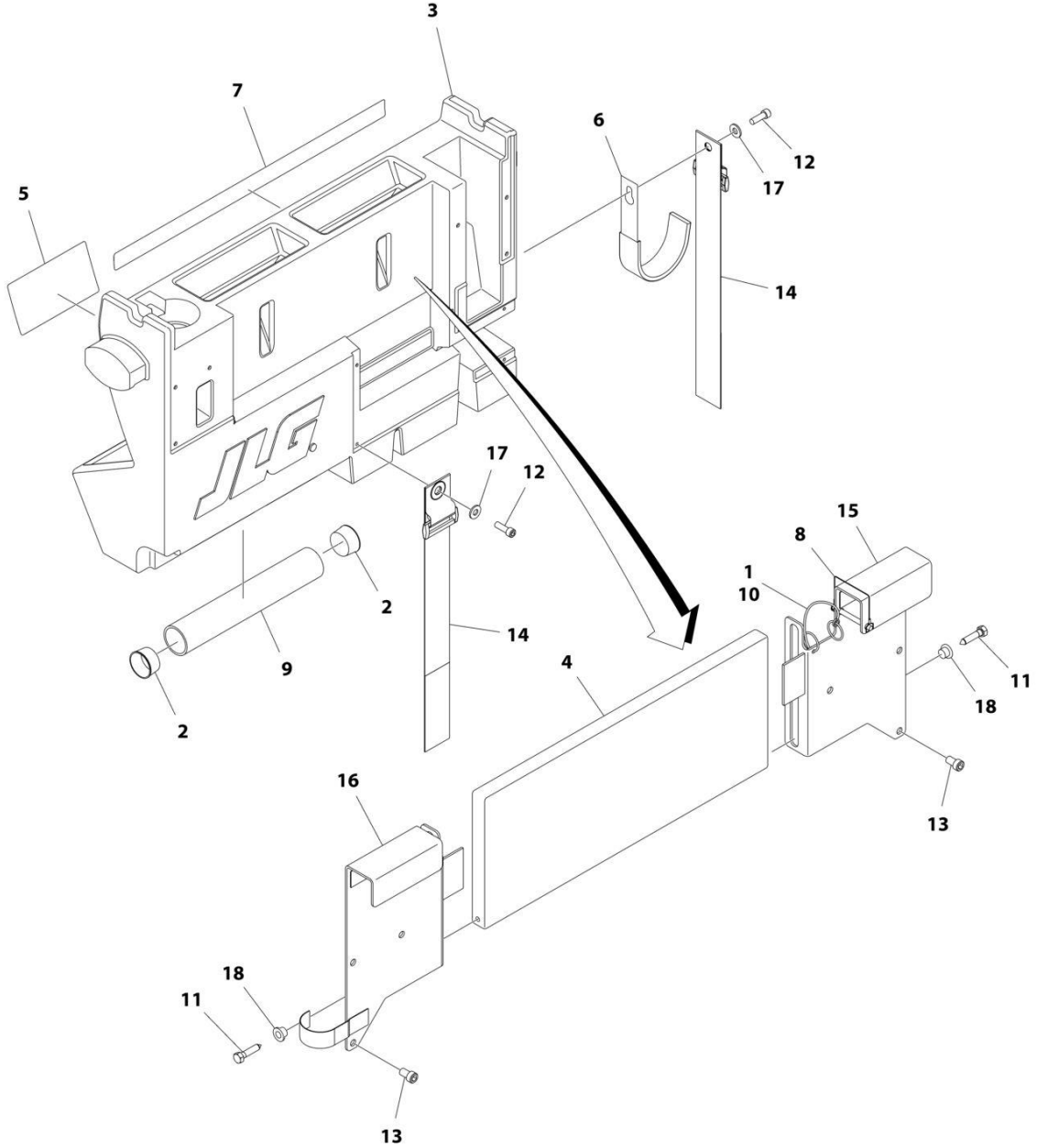
## SECTION 4 - PLATFORM

**FIGURE 4-16. PLATFORM CONSOLE HANGER INSTALLATION (OPTIONAL)**

ITEM	PART NUMBER	QTY	DESCRIPTION	REV
	0274386	Ref	PLATFORM CONSOLE HANGER INSTALLATION (OPTIONAL)	B
1	3290405	2	Nut M4	
2	3575794	1	Plate, Bracket	
3	3900338	2	Screw M4 x 20	
4	4811400	4	Washer M4	

# SECTION 4 - PLATFORM

FIGURE 4-17. WORKSTATION WITHOUT DC CONVERTER INSTALLATION - 2032ES/2632ES



ART\_1001246392

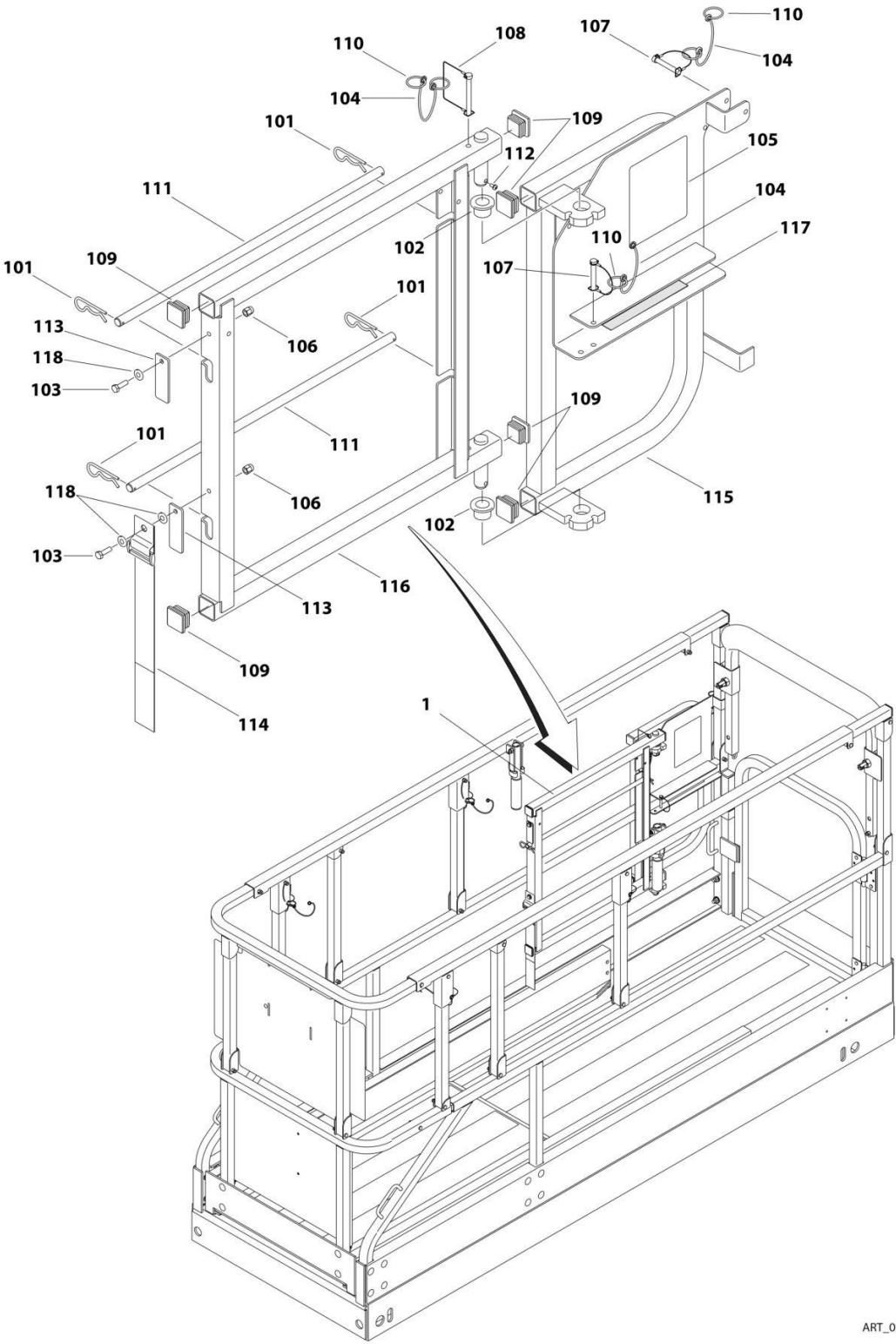
## SECTION 4 - PLATFORM

**FIGURE 4-17. WORKSTATION WITHOUT DC CONVERTER INSTALLATION - 2032ES/2632ES**

ITEM	PART NUMBER	QTY	DESCRIPTION	REV
	0273965	Ref	WORKSTATION INSTALLATION - REFERENCE CHART	C
	1001246392	Ref	WORKSTATION WITHOUT DC CONVERTER INSTALLATION	B
1	1060379	1	Cable, Lanyard	
2	1120555	2	Cap, Manual Storage	
3	1580023	1	Container	
4	1580024	1	Tray	
5	1705997	1	Decal - Workstation	
6	2700100	1	Hook, Hanger	
7	1001246395	1	Decal - Workstation Kit	
8	3422219	1	Pin	
9	3460334	1	PVC Pipe	
10	3760170	2	Ring	
11	3900355	2	Screw 5/16 x 1-1/2	
12	3931412	2	Bolt 1/4 x 3/4	
13	3931508	6	Bolt 5/16 x 1/2	
14	4240003	2	Strap	
15	4340853	1	Mount, RH Channel	
16	4340854	1	Mount, LH Channel	
17	4711400	2	Washer 1/4	
18	4740480	2	Insert, Plastic	

# SECTION 4 - PLATFORM

## FIGURE 4-18. ELECTRICIAN'S TREE INSTALLATION



ART\_0274153

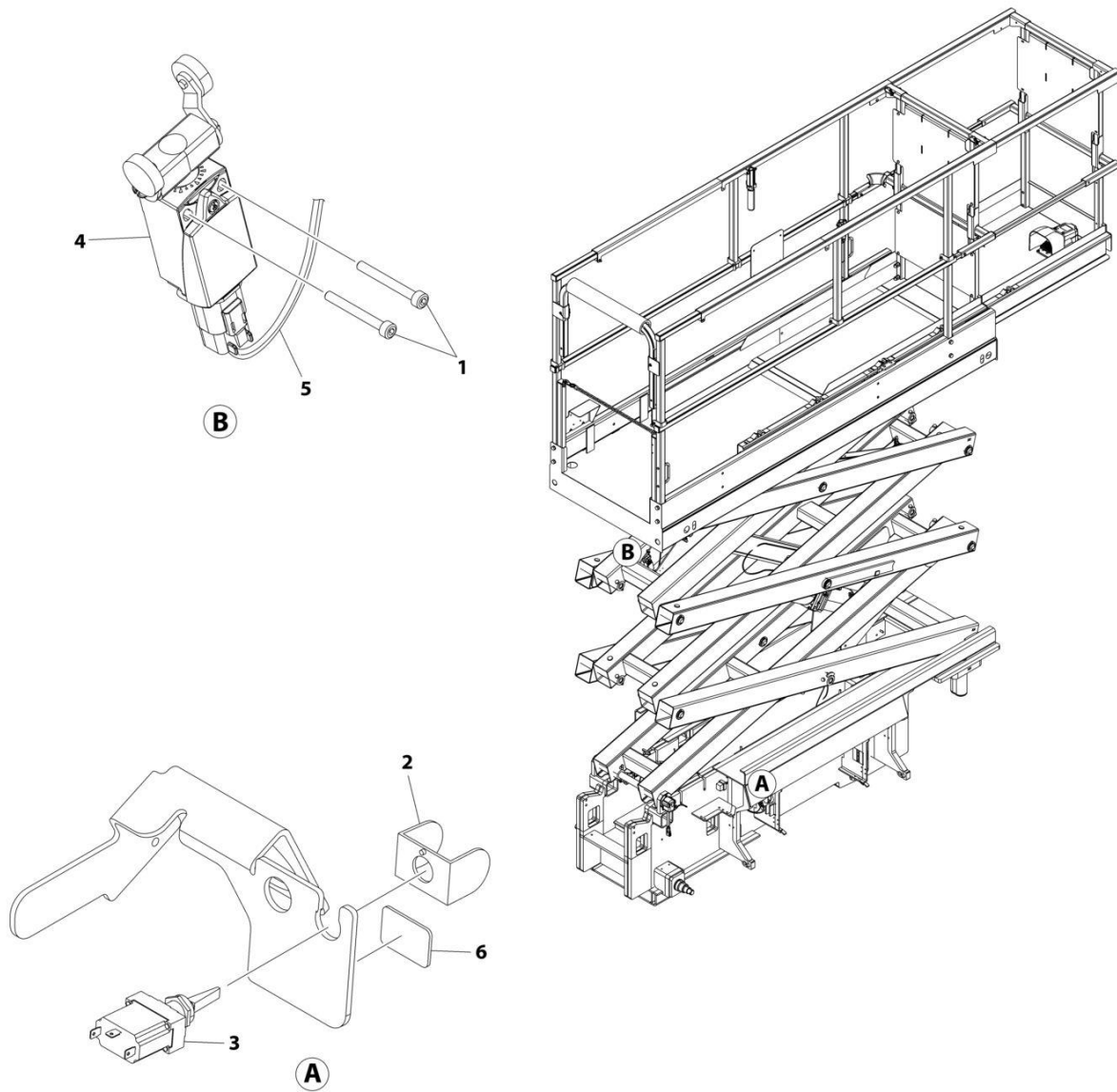
## SECTION 4 - PLATFORM

**FIGURE 4-18. ELECTRICIAN'S TREE INSTALLATION**

ITEM	PART NUMBER	QTY	DESCRIPTION	REV
	0274153	Ref	ELECTRICIAN'S TREE INSTALLATION	B
1	0240102	NLA	Electrician's Tree (Use p/n 1001234783) (See Items 101-118 for Breakdown)	
	0240102	Ref	ELECTRICIAN'S TREE	C
101	80325	4	Hairpin, Cotter	
102	0440223	2	Bushing	
103	0700610	3	Bolt M6 x 20	
104	1060379	3	Cable, Lanyard	
105	2902386	1	Decal - Electrician's Tree Kit	
106	3290606	3	Nut M6	
107	3421453	2	Pin	
108	3422219	1	Pin	
109	3520072	6	Plug	
110	3760170	5	Ring	
111	3841675	2	Rod, Spool	
112	4191706	1	Screw M6 x 12	
113	4220227	2	Stop, Spool Rod	
114	4240003	1	Strap	
115	4340946	1	Mount, Base Pivot	
116	4340947	1	Mount, Spool Rack	
117	4420062	AR	Tape, UHMW	
118	4711400	3	Washer 1/4	
200	1001234783	1	Electrician's Tree Kit (Not Shown - Includes Items 101-108)	

# SECTION 4 - PLATFORM

FIGURE 4-19. LOW HEIGHT DRIVE CUTOUT - 2032ES (JAPANESE SPECS ONLY)



ART\_1001230754



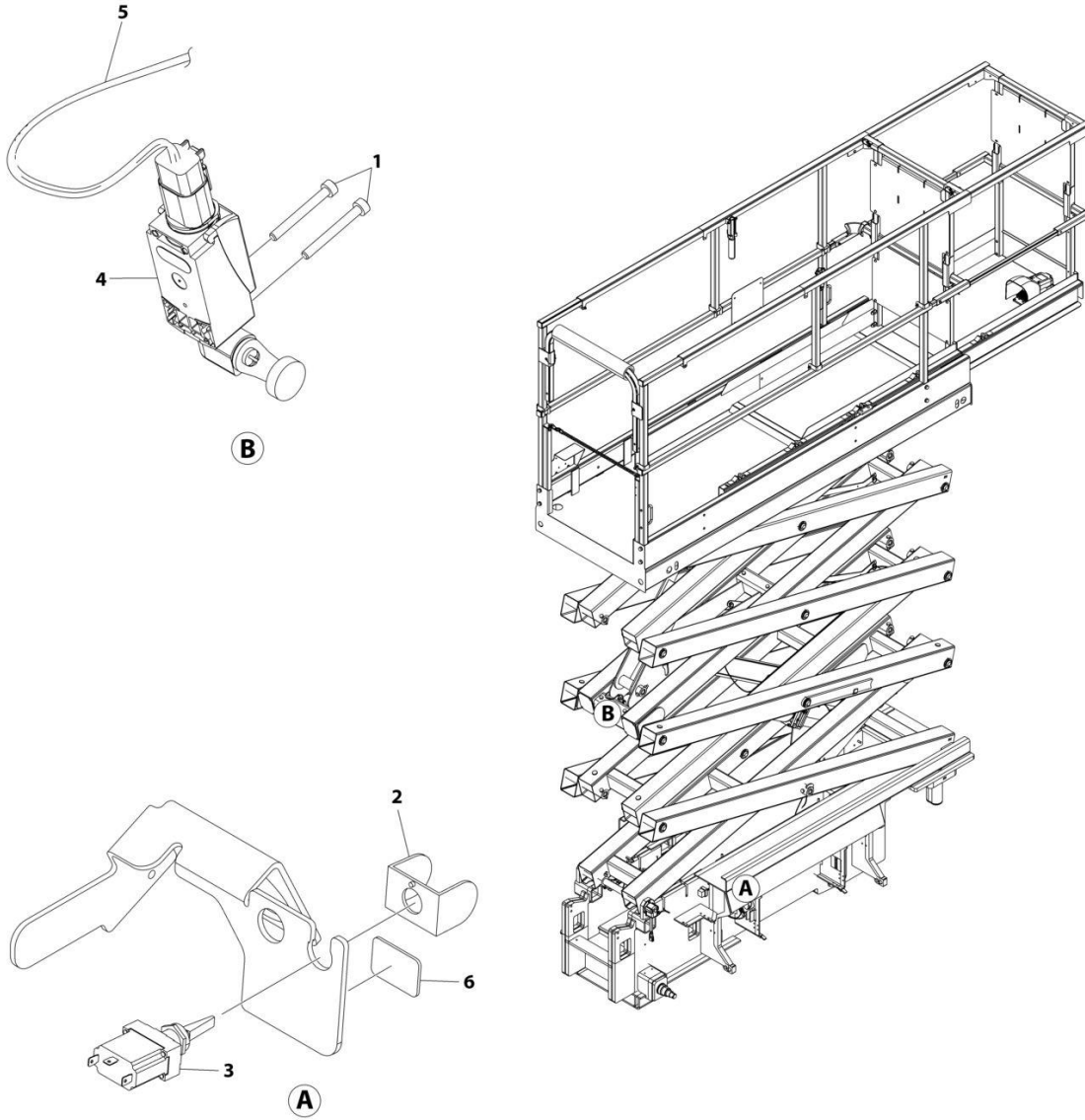
## SECTION 4 - PLATFORM

**FIGURE 4-19. LOW HEIGHT DRIVE CUTOUT - 2032ES (JAPANESE SPECS ONLY)**

ITEM	PART NUMBER	QTY	DESCRIPTION	REV
	1001230754	Ref	LOW HEIGHT DRIVE CUTOUT - 2032ES (JAPANESE SPECS ONLY)	A
1	4031511	2	Capscrew M4 x 35	
2	4060906	1	Guard, Switch	
3	4360345	1	Switch	
4	1001130614	1	Switch, Limit	
5	1001214384	1	Harness, Low Height	
5	4460884	3	Connector - 4 Position	
5	4460465	6	Socket, Female	
5	4460466	6	Seal	
5	4460932	2	Connector - 4 Position	
5	4460464	3	Pin, Male	
5	4460466	5	Seal	
5	4460418	1	Connector - 6 Position	
5	4460419	3	Terminal	
6	1001214409	1	Decal - Low Drive Cutout	

# SECTION 4 - PLATFORM

FIGURE 4-20. LOW HEIGHT DRIVE CUTOUT - 2632ES (JAPANESE SPECS ONLY)



ART\_1001230755

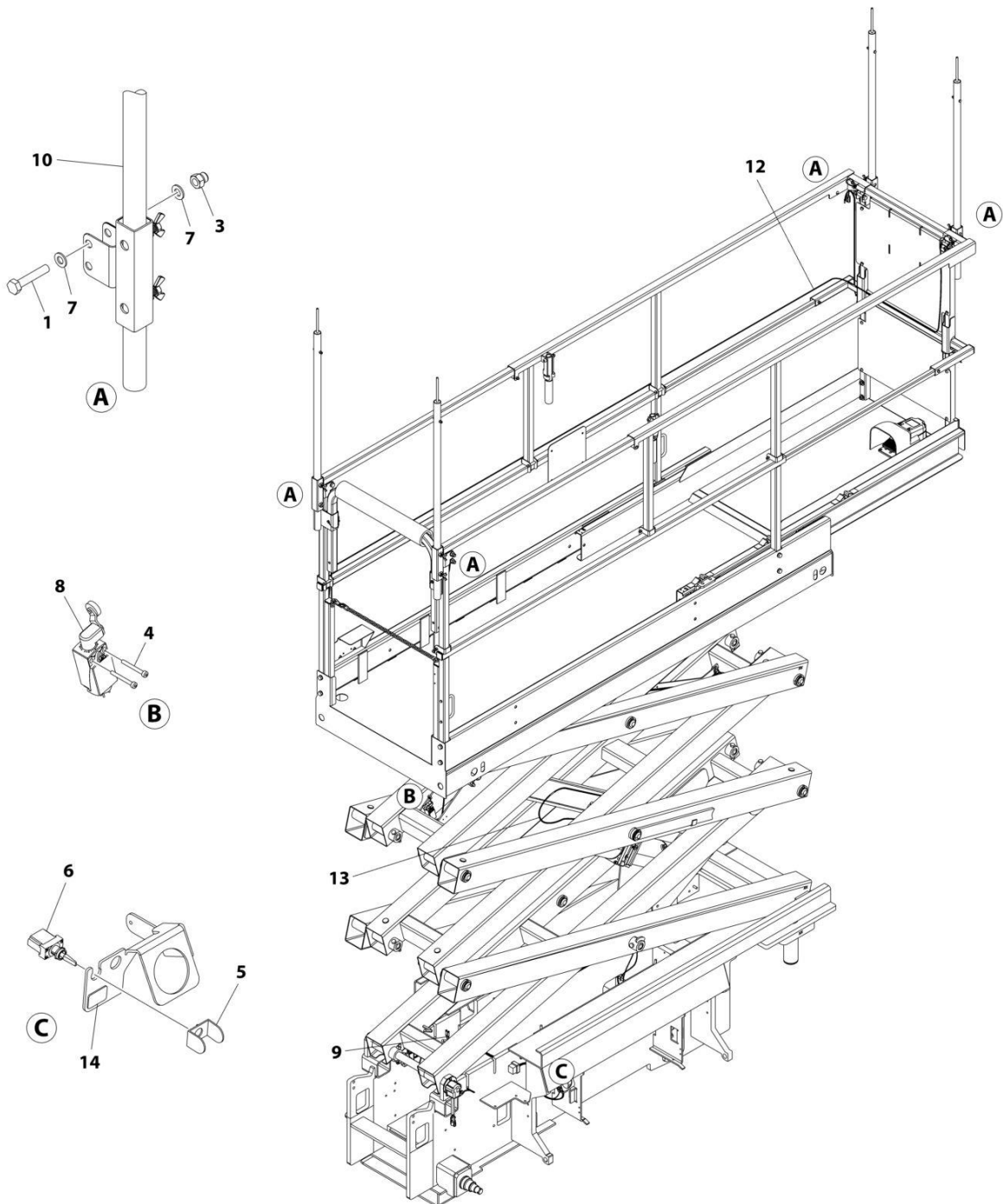
## SECTION 4 - PLATFORM

**FIGURE 4-20. LOW HEIGHT DRIVE CUTOUT - 2632ES (JAPANESE SPECS ONLY)**

ITEM	PART NUMBER	QTY	DESCRIPTION	REV
	1001230755	Ref	LOW HEIGHT DRIVE CUTOUT - 2632ES (JAPANESE SPECS ONLY)	A
1	4031511	2	Capscrew M4 x 35	
2	4060906	1	Guard, Switch	
3	4360345	1	Switch	
4	1001130614	1	Switch, Limit	
5	1001214338	1	Harness, Low Height	
5	4460884	3	Connector - 4 Position	
5	4460465	6	Socket, Female	
5	4460466	6	Seal	
5	4460932	2	Connector - 4 Position	
5	4460464	3	Pin, Male	
5	4460466	5	Seal	
5	4460418	1	Connector - 6 Position	
5	4460419	3	Terminal	
5	1001214341	1	Cable, Overhead Switches	
5	4460891	4	Connector - 2 Position	
5	4460465	8	Socket, Female	
6	1001214409	1	Decal - Low Drive Cutout	

# SECTION 4 - PLATFORM

FIGURE 4-21. OVERHEAD PROTECTION AND LOW HEIGHT DRIVE CUTOUT - 2032ES (KOREAN SPECS ONLY) (PVC 1910)



ART\_1001214383

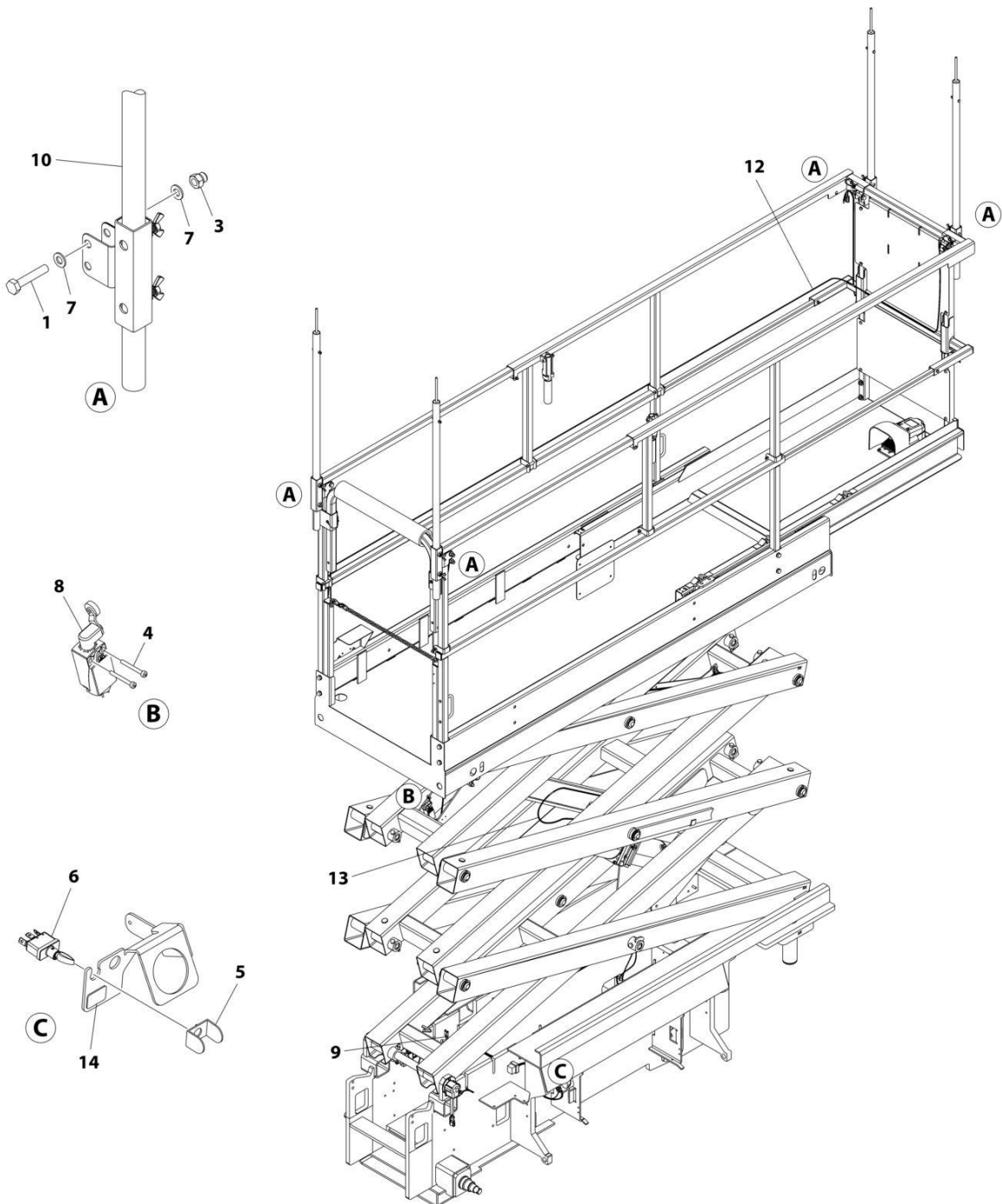
## SECTION 4 - PLATFORM

**FIGURE 4-21. OVERHEAD PROTECTION AND LOW HEIGHT DRIVE CUTOUT - 2032ES (KOREAN SPECS ONLY) (PVC 1910)**

ITEM	PART NUMBER	QTY	DESCRIPTION	REV
	1001214383	Ref	OVERHEAD PROTECTION AND LOW HEIGHT DRIVE CUTOUT - 2032ES	B
1	0701019	8	Bolt M10 x 55	
3	3291006	8	Nut M10	
4	4031511	2	Capscrew M4 x 35	
5	4060906	1	Guard, Switch	
6	4360345	1	Switch	
7	4812000	16	Washer #10	
8	1001130614	1	Switch, Limit	
9	1001213660	1	Harness, Overhead	
9	4460424	1	Connector, Female - 2 Position	
9	4460227	1	Pin, Male	
9	4460320	1	Plug, Male - 2 Position	
9	4460226	1	Socket, Female	
10	1001214311	4	Overhead Switch Kit (Front/Rear) (See Separate Breakdown in this Section)	
12	1001214341	1	Cable, Overhead Switches	
12	4460891	4	Connector - 2 Position	
12	4460465	8	Socket, Female	
13	1001214384	1	Harness, Low Height	
13	4460884	3	Connector - 4 Position	
13	4460465	6	Socket, Female	
13	4460466	6	Seal	
13	4460932	2	Connector - 4 Position	
13	4460464	3	Pin, Male	
13	4460466	5	Seal	
13	4460418	1	Connector - 6 Position	
13	4460419	3	Terminal	
14	1001214409	1	Decal - Low Drive Cutout	

# SECTION 4 - PLATFORM

FIGURE 4-22. OVERHEAD PROTECTION AND LOW HEIGHT DRIVE CUTOUT - 2032ES (KOREAN SPECS ONLY) (PVC 2004)



ART\_1001214383\_C

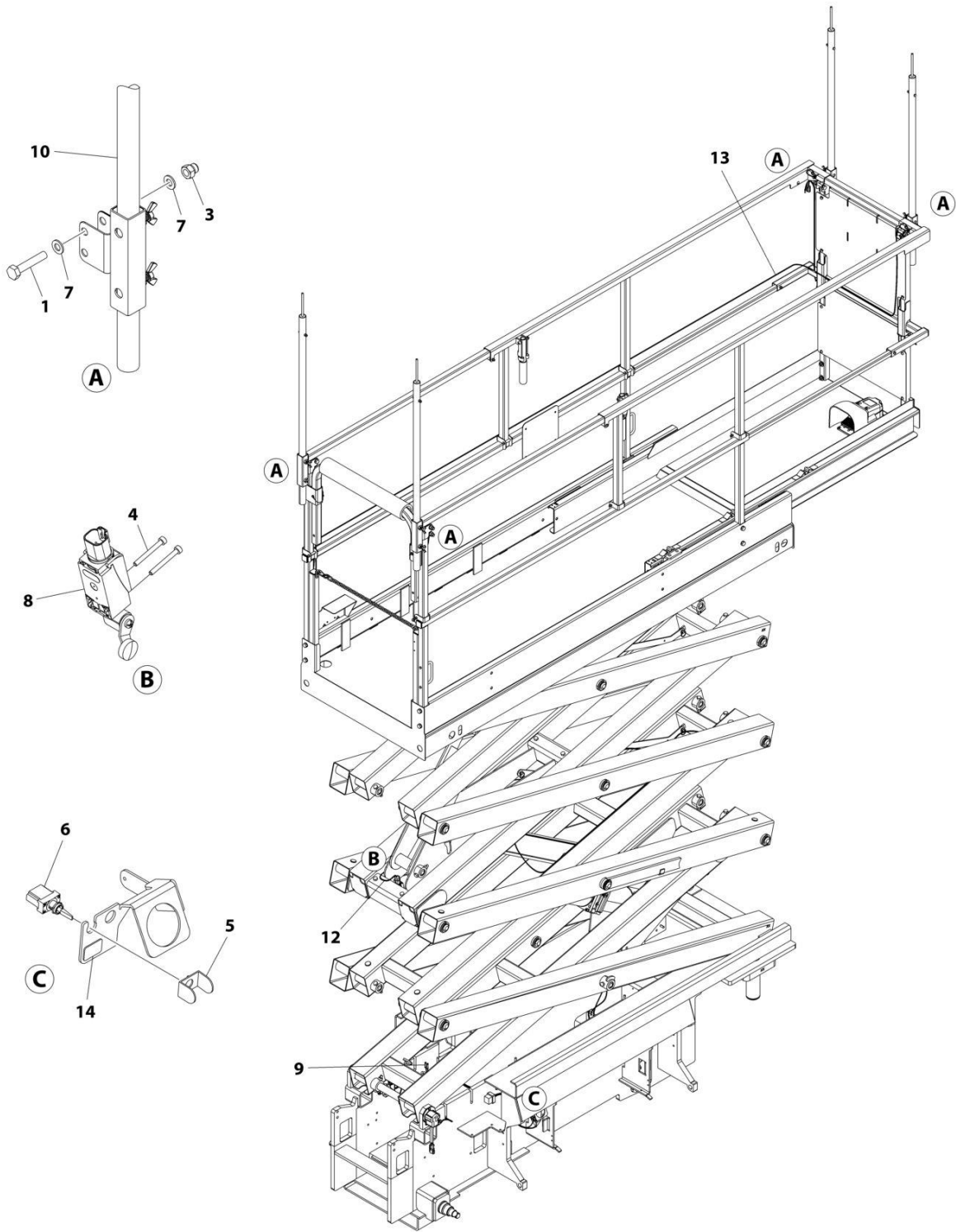
## SECTION 4 - PLATFORM

**FIGURE 4-22. OVERHEAD PROTECTION AND LOW HEIGHT DRIVE CUTOUT - 2032ES (KOREAN SPECS ONLY) (PVC 2004)**

ITEM	PART NUMBER	QTY	DESCRIPTION	REV
	1001214383	Ref	OVERHEAD PROTECTION AND LOW HEIGHT DRIVE CUTOUT - 2032ES	C
1	0701019	8	Bolt M10 x 55	
3	3291006	8	Nut M10	
4	4031511	2	Capscrew M4 x 35	
5	4060906	1	Guard, Switch	
6	1001258446	1	Switch	
7	4812000	16	Washer #10	
8	1001130614	1	Switch, Limit	
9	1001213660	1	Harness, Overhead	
9	4460424	1	Connector, Female - 2 Position	
9	4460227	1	Pin, Male	
9	4460320	1	Plug, Male - 2 Position	
9	4460226	1	Socket, Female	
10	1001214311	4	Overhead Switch Kit (Front/Rear) (See Separate Breakdown in this Section)	
12	1001214341	1	Cable, Overhead Switches	
12	4460891	4	Connector - 2 Position	
12	4460465	8	Socket, Female	
13	1001214384	1	Harness, Low Height	
13	4460884	3	Connector - 4 Position	
13	4460465	6	Socket, Female	
13	4460466	6	Seal	
13	4460932	2	Connector - 4 Position	
13	4460464	3	Pin, Male	
13	4460466	5	Seal	
13	4460418	1	Connector - 6 Position	
13	4460419	3	Terminal	
14	1001214409	1	Decal - Low Drive Cutout	

# SECTION 4 - PLATFORM

FIGURE 4-23. OVERHEAD PROTECTION AND LOW HEIGHT DRIVE CUTOUT - 2632ES (KOREAN SPECS ONLY) (PVC 1910)



ART\_1001214120



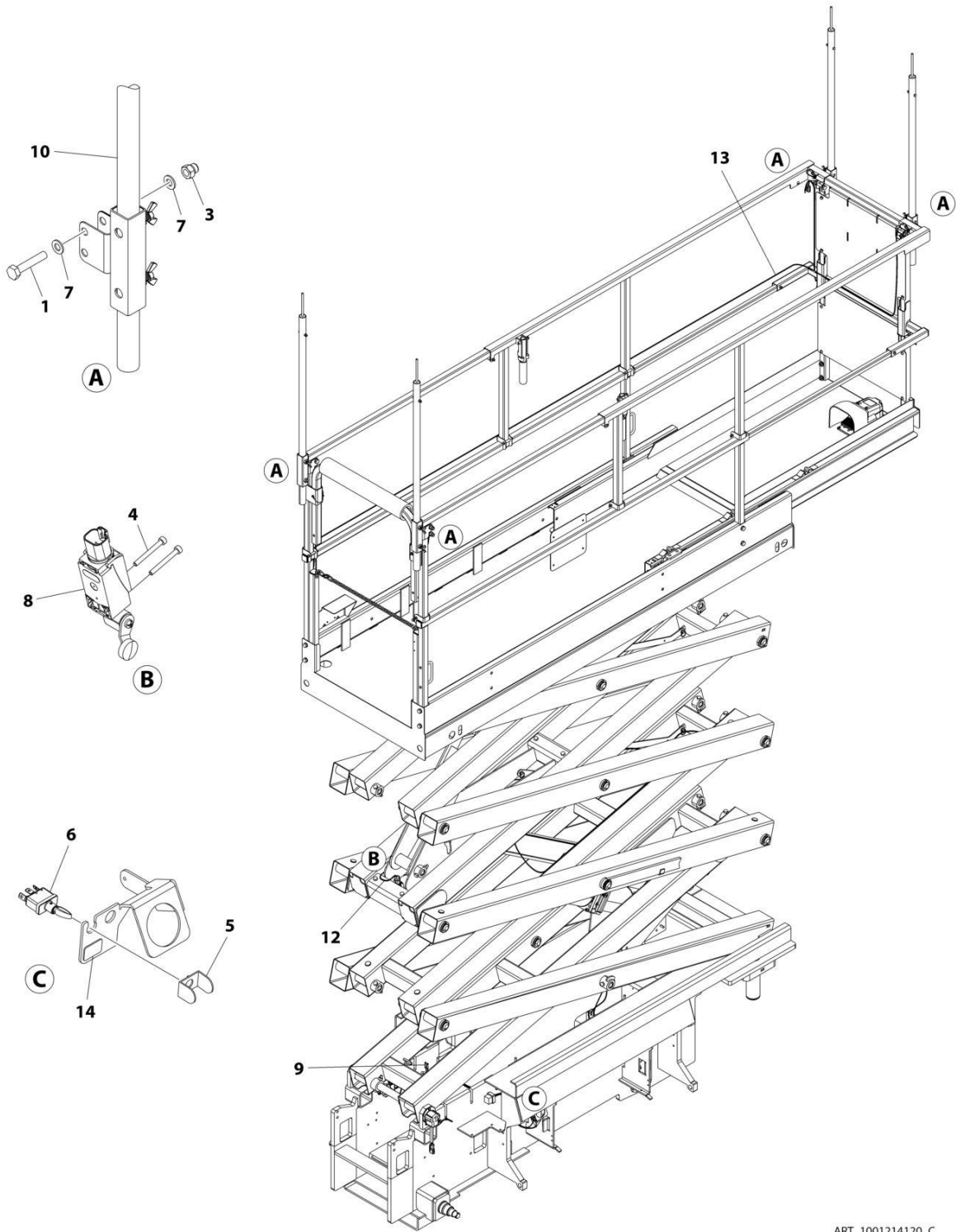
## SECTION 4 - PLATFORM

**FIGURE 4-23. OVERHEAD PROTECTION AND LOW HEIGHT DRIVE CUTOUT - 2632ES (KOREAN SPECS ONLY) (PVC 1910)**

ITEM	PART NUMBER	QTY	DESCRIPTION	REV
	1001214120	Ref	OVERHEAD PROTECTION AND LOW HEIGHT DRIVE CUTOUT - 2632ES	B
1	0701019	8	Bolt M10 x 55	
3	3291006	8	Nut M10	
4	4031511	2	Capscrew M4 x 35	
5	4060906	1	Guard, Switch	
6	4360345	1	Switch	
7	4812000	16	Washer #10	
8	1001130614	1	Switch, Limit	
9	1001213660	1	Harness, Overhead	
9	4460424	1	Connector, Female - 2 Position	
9	4460227	1	Pin, Male	
9	4460320	1	Plug, Male - 2 Position	
9	4460226	1	Socket, Female	
10	1001214311	4	Overhead Switch Kit (Front/Rear) (See Separate Breakdown in this Section)	
12	1001214338	1	Harness, Low Height	
12	4460884	3	Connector - 4 Position	
12	4460465	6	Socket, Female	
12	4460466	6	Seal	
12	4460932	2	Connector - 4 Position	
12	4460464	3	Pin, Male	
12	4460466	5	Seal	
12	4460418	1	Connector - 6 Position	
12	4460419	3	Terminal	
13	1001214341	1	Cable, Overhead Switches	
13	4460891	4	Connector - 2 Position	
13	4460465	8	Socket, Female	
14	1001214409	1	Decal - Low Drive Cutout	

# SECTION 4 - PLATFORM

FIGURE 4-24. OVERHEAD PROTECTION AND LOW HEIGHT DRIVE CUTOUT - 2632ES (KOREAN SPECS ONLY) (PVC 2004)



ART\_1001214120\_C

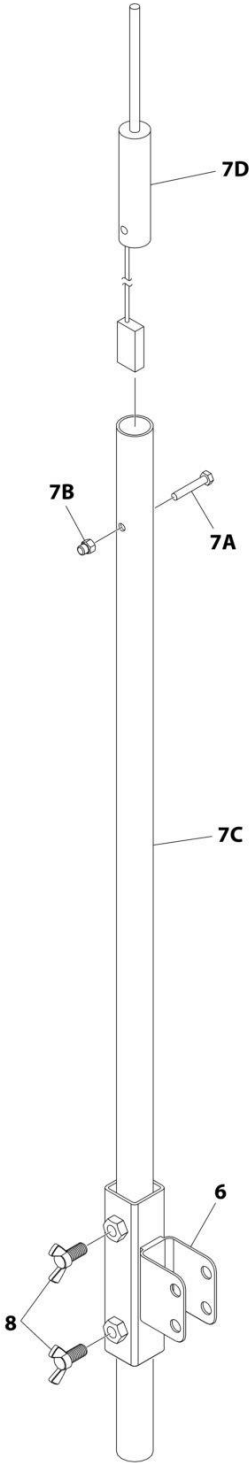
## SECTION 4 - PLATFORM

**FIGURE 4-24. OVERHEAD PROTECTION AND LOW HEIGHT DRIVE CUTOUT - 2632ES (KOREAN SPECS ONLY) (PVC 2004)**

ITEM	PART NUMBER	QTY	DESCRIPTION	REV
	1001214120	Ref	OVERHEAD PROTECTION AND LOW HEIGHT DRIVE CUTOUT - 2632ES	C
1	0701019	8	Bolt M10 x 55	
3	3291006	8	Nut M10	
4	4031511	2	Capscrew M4 x 35	
5	4060906	1	Guard, Switch	
6	1001258446	1	Switch	
7	4812000	16	Washer #10	
8	1001130614	1	Switch, Limit	
9	1001213660	1	Harness, Overhead	
9	4460424	1	Connector, Female - 2 Position	
9	4460227	1	Pin, Male	
9	4460320	1	Plug, Male - 2 Position	
9	4460226	1	Socket, Female	
10	1001214311	4	Overhead Switch Kit (Front/Rear) (See Separate Breakdown in this Section)	
12	1001214338	1	Harness, Low Height	
12	4460884	3	Connector - 4 Position	
12	4460465	6	Socket, Female	
12	4460466	6	Seal	
12	4460932	2	Connector - 4 Position	
12	4460464	3	Pin, Male	
12	4460466	5	Seal	
12	4460418	1	Connector - 6 Position	
12	4460419	3	Terminal	
13	1001214341	1	Cable, Overhead Switches	
13	4460891	4	Connector - 2 Position	
13	4460465	8	Socket, Female	
14	1001214409	1	Decal - Low Drive Cutout	

**SECTION 4 - PLATFORM**

**FIGURE 4-25. OVERHEAD SWITCH KIT (FRONT/REAR)**



ART\_1001214311

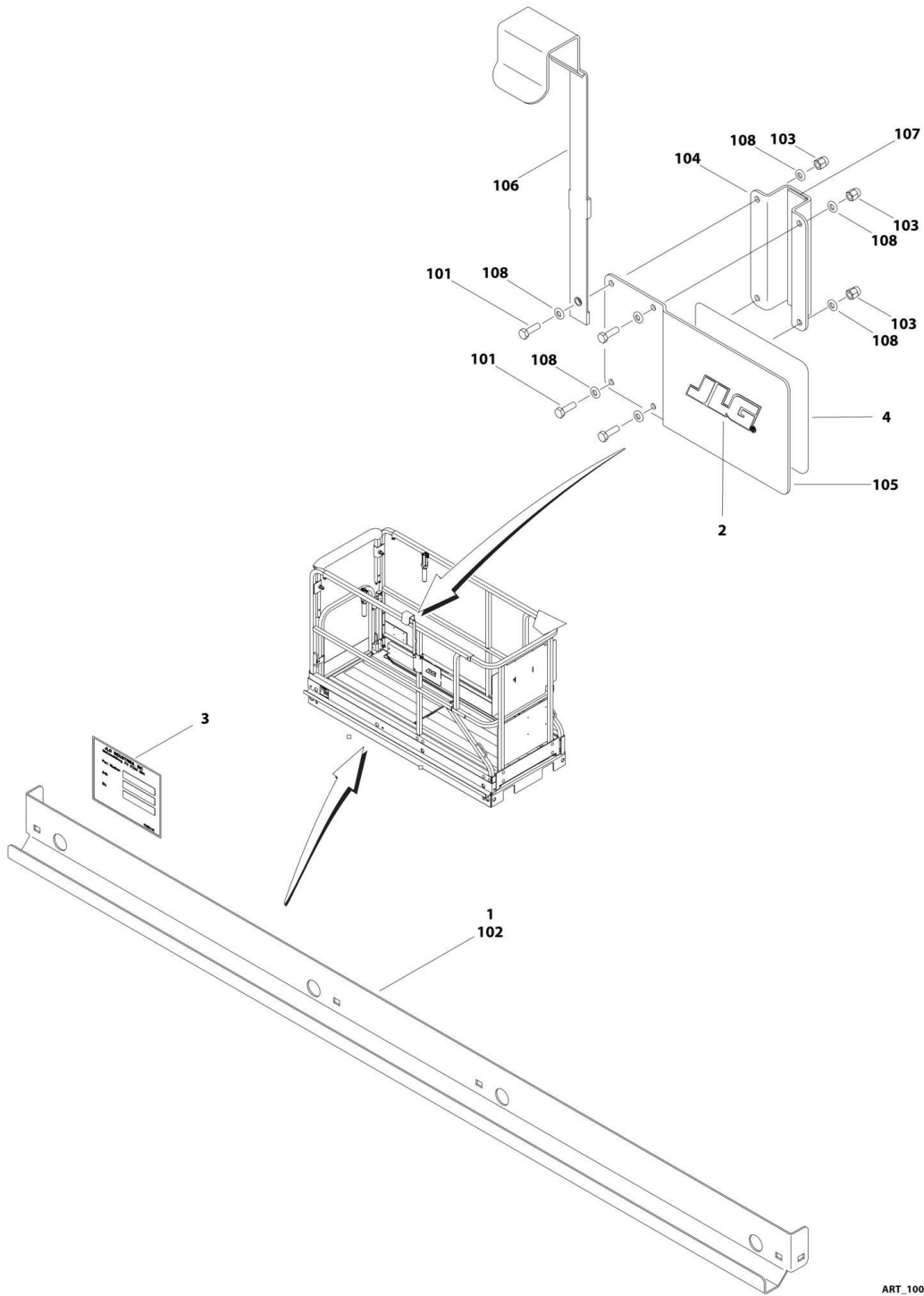
## SECTION 4 - PLATFORM

**FIGURE 4-25. OVERHEAD SWITCH KIT (FRONT/REAR)**

ITEM	PART NUMBER	QTY	DESCRIPTION	REV
	1001214311	Ref	OVERHEAD SWITCH KIT (FRONT/REAR)	C
6	1001214310	1	Bracket	
7	1001217666	1	Switch Kit (Includes Items 7A-7D)	
7A	0700615	1	Bolt M6 x 35	
7B	3290606	1	Nut M6	
7C	1001213821	1	Tube	
7D	1001213822	1	Switch	
7D	7028909	1	Connector - 2 Position	
7D	77363228	2	Terminal	
8	1001222914	2	Screw, Thumb	

# SECTION 4 - PLATFORM

## FIGURE 4-26. PANEL INSTALLATION (ANSI, ANSI EXPORT, CSA AND KOREA SPECS)



ART\_1001178163

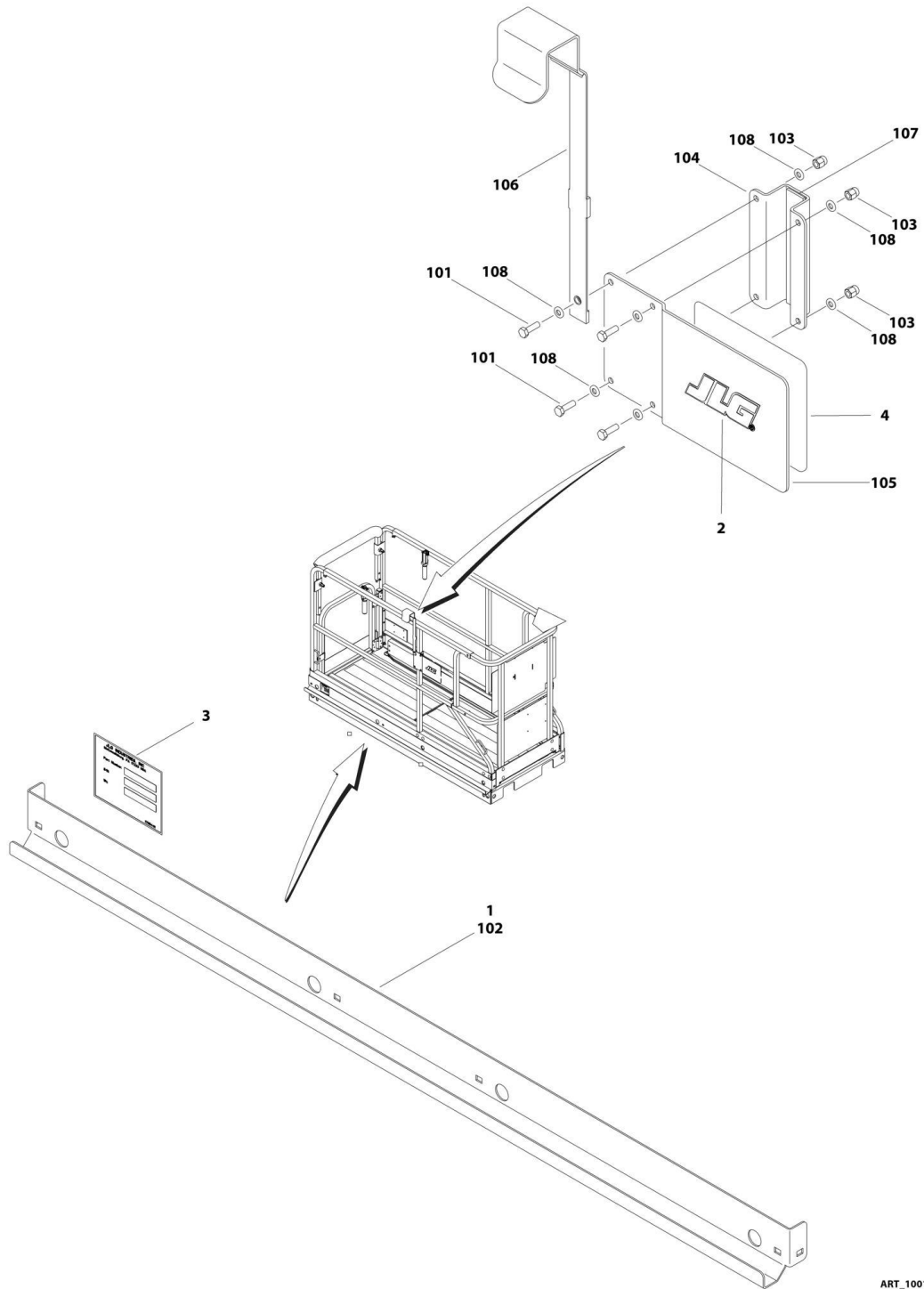
## SECTION 4 - PLATFORM

**FIGURE 4-26. PANEL INSTALLATION (ANSI, ANSI EXPORT, CSA AND KOREA SPECS)**

ITEM	PART NUMBER	QTY	DESCRIPTION	REV
	1001178163	Ref	PANEL INSTALLATION	D
1	0240144	1	Attach, Panel Carrier (See Item 101-108 for Breakdown)	
2	1702010	1	Decal - JLG	
3	See Note	NSS	Nameplate (Note: Not Available for Purchase)	
4	1001182848	1	Decal - Capacity	
	0240144	Ref	PANEL CARRIER ATTACHMENT	C
101	0760610	4	Bolt M6 x 20	
102	1271631	1	Channel	
103	3290606	4	Nut M6	
104	3574505	1	Plate, Bracket	
105	3574506	1	Plate, Billboard	
106	4240165	1	Strap, Tie Down	
107	4420037	6	Tape, Insulation	
		in/15.2cm		
108	4811700	8	Washer M6	

# SECTION 4 - PLATFORM

FIGURE 4-27. PANEL INSTALLATION (AUSTRALIAN, CE, CHINA AND JAPANESE SPECS)



ART\_1001176755



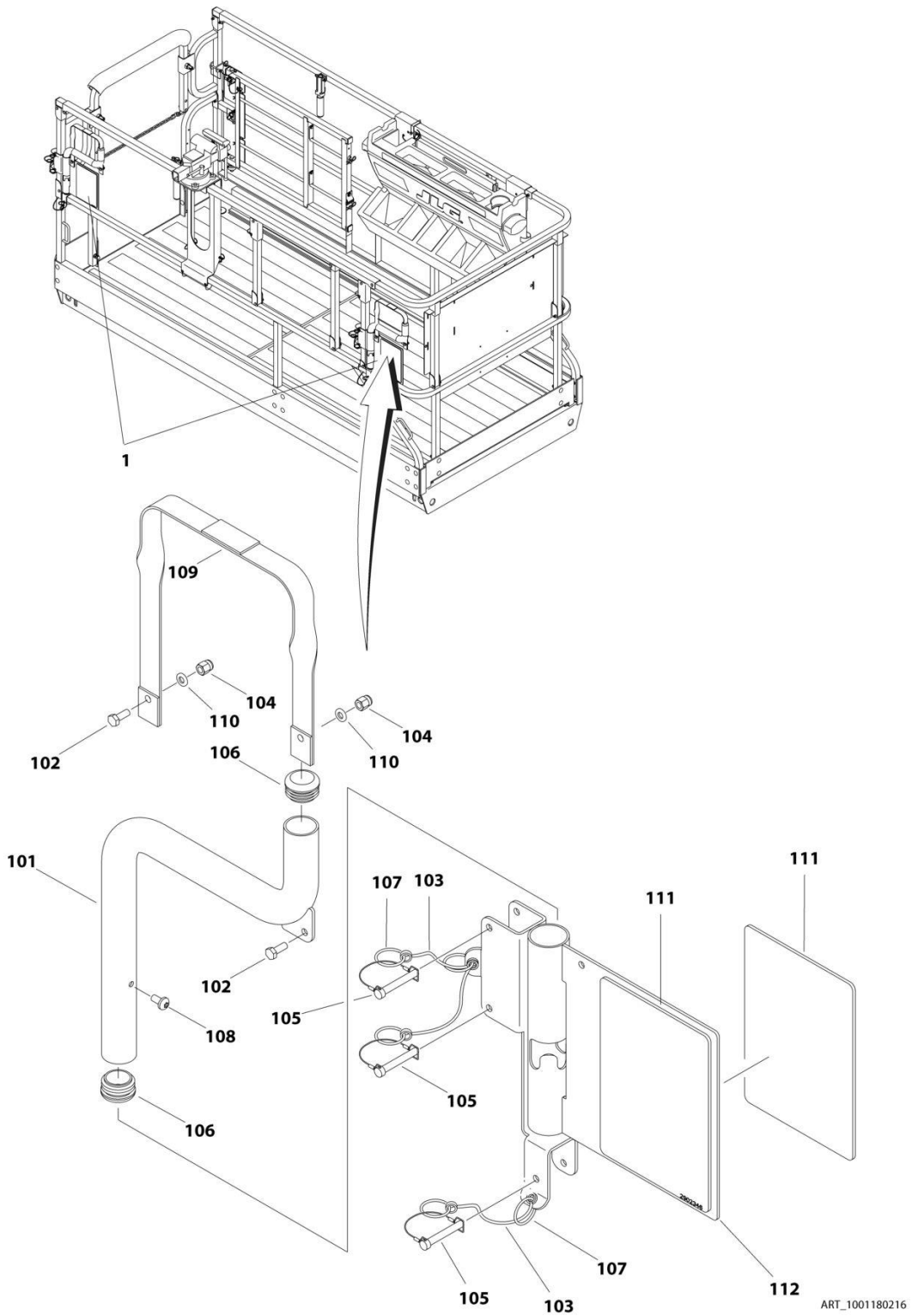
## SECTION 4 - PLATFORM

**FIGURE 4-27. PANEL INSTALLATION (AUSTRALIAN, CE, CHINA AND JAPANESE SPECS)**

ITEM	PART NUMBER	QTY	DESCRIPTION	REV
	1001176755	Ref	PANEL INSTALLATION	D
1	0240144	1	Attach, Panel Carrier (See Item 101-108 for Breakdown)	
2	1702010	1	Decal - JLG	
3	See Note	NSS	Nameplate (Note: Not Available for Purchase)	
4	1001182849	1	Decal - Capacity	
	0240144	Ref	PANEL CARRIER ATTACHMENT	C
101	0760610	4	Bolt M6 x 20	
102	1271631	1	Channel	
103	3290606	4	Nut M6	
104	3574505	1	Plate, Bracket	
105	3574506	1	Plate, Billboard	
106	4240165	1	Strap, Tie Down	
107	4420037	6	Tape, Insulation	
		in/15.2cm		
108	4811700	8	Washer M6	

# SECTION 4 - PLATFORM

## FIGURE 4-28. PIPE RACKS INSTALLATION (FACTORY INSTALLED)



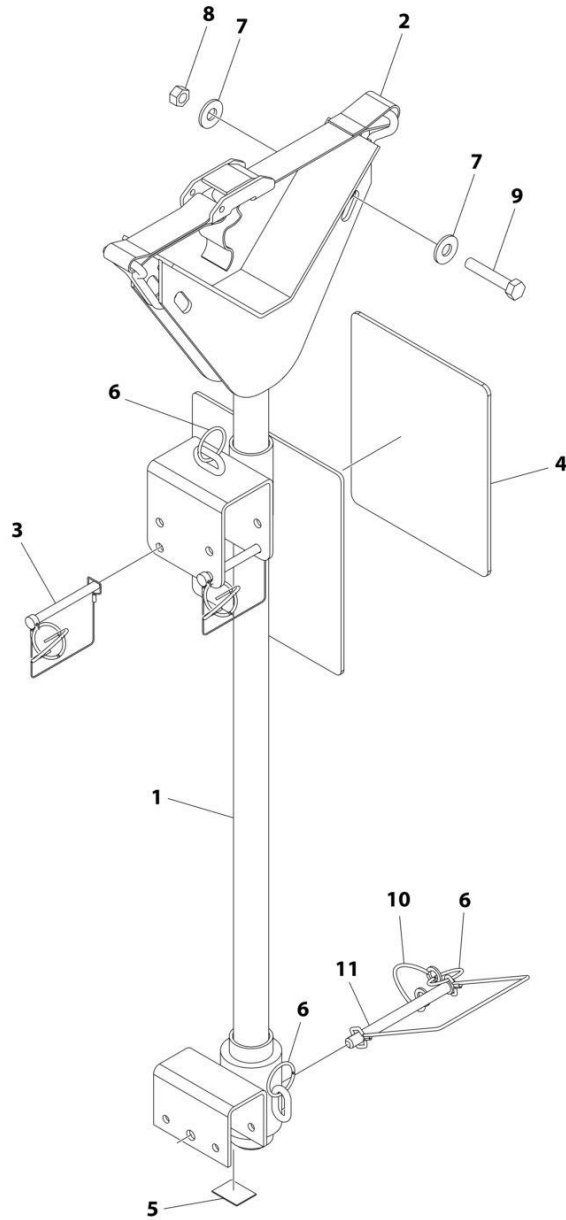
## SECTION 4 - PLATFORM

**FIGURE 4-28. PIPE RACKS INSTALLATION (FACTORY INSTALLED)**

ITEM	PART NUMBER	QTY	DESCRIPTION	REV
1	1001180216	Ref	PIPE RACKS INSTALLATION	B
	1001180197	2	Pipe Racks Assembly (See Items 101-112 for Breakdown)	
	1001180197	Ref	PIPE RACKS ASSEMBLY	D
101	0240054	1	Pipe Rack Tube	
102	0700608	2	Bolt M6 x 16	
103	1060379	3	Cable, Lanyard	
104	3290606	2	Nut M6	
105	3421453	3	Pin	
106	3520176	2	Plug	
107	3760170	5	Ring	
108	4191706	1	Screw M6 x 12	
109	4240164	1	Strap	
110	4811700	4	Washer M6	
111	1001182847	2	Decal – Capacity Pipe Rack Kit	
112	1001180205	1	Pipe Rack	

# SECTION 4 - PLATFORM

## FIGURE 4-29. PIPE RACK INSTALLATION (FACTORY INSTALLED)



ART\_1001229469

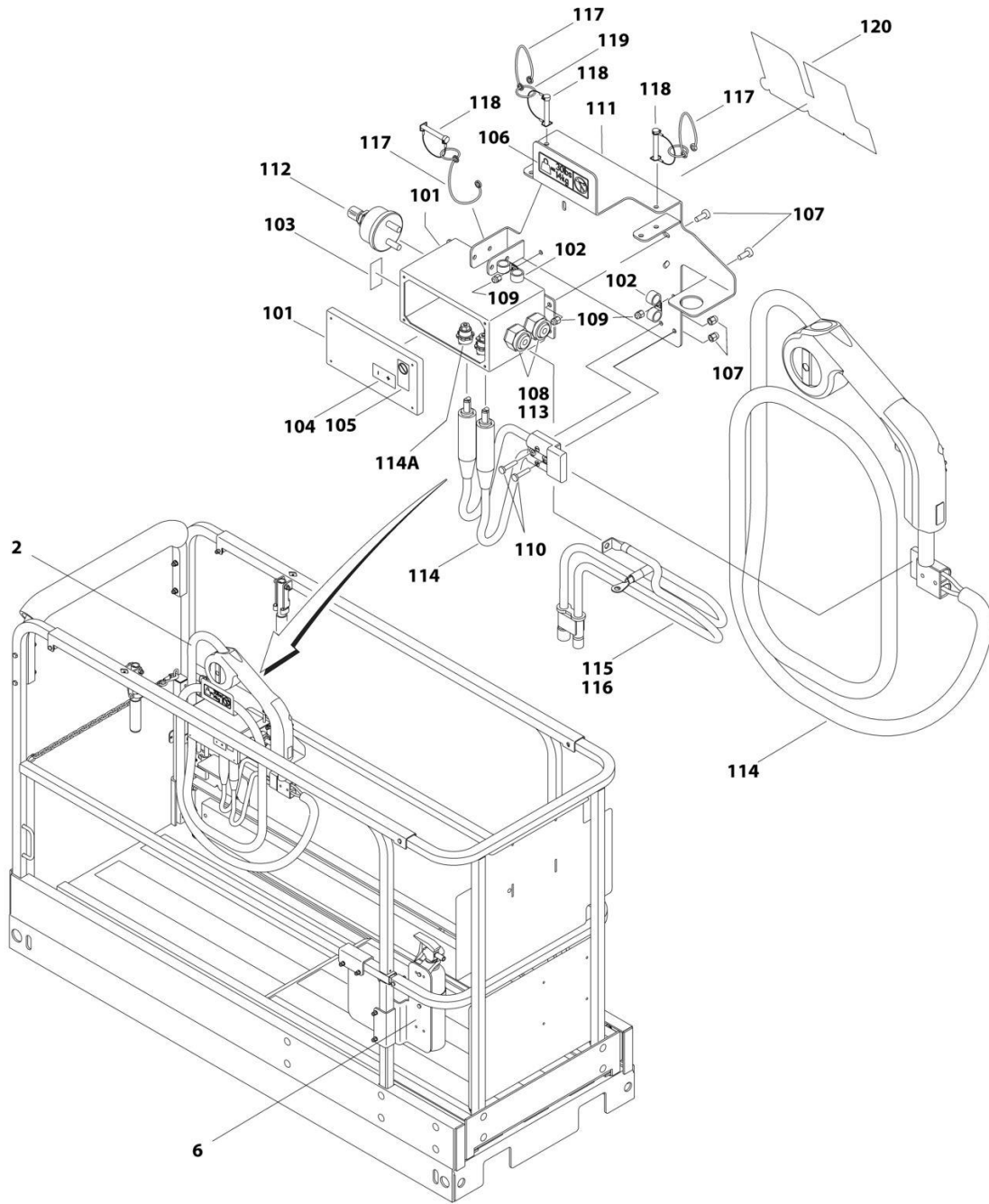
## SECTION 4 - PLATFORM

**FIGURE 4-29. PIPE RACK INSTALLATION (FACTORY INSTALLED)**

ITEM	PART NUMBER	QTY	DESCRIPTION	REV
	1001229469	Ref	PIPE RACK INSTALLATION	A
1	1001199189	2	Rack Pipe	
2	0480100	2	Tie-Strap	
3	1001187587	4	Pin	
4	1001229441	2	Decal - Pipe Rack Capacity	
5	4420062	3 ft/ 1m	Tape	
6	3760170	6	Ring	
7	4751500	8	Washer 5/16	
8	3311505	4	Nut 5/16	
9	0641514	4	Bolt 5/16 x 1-3/4	
10	1060379	2	Lanyard	
11	3421854	2	Pin	

# SECTION 4 - PLATFORM

## FIGURE 4-30. QUIK WELDER INSTALLATION (2032ES)



ART\_0272880

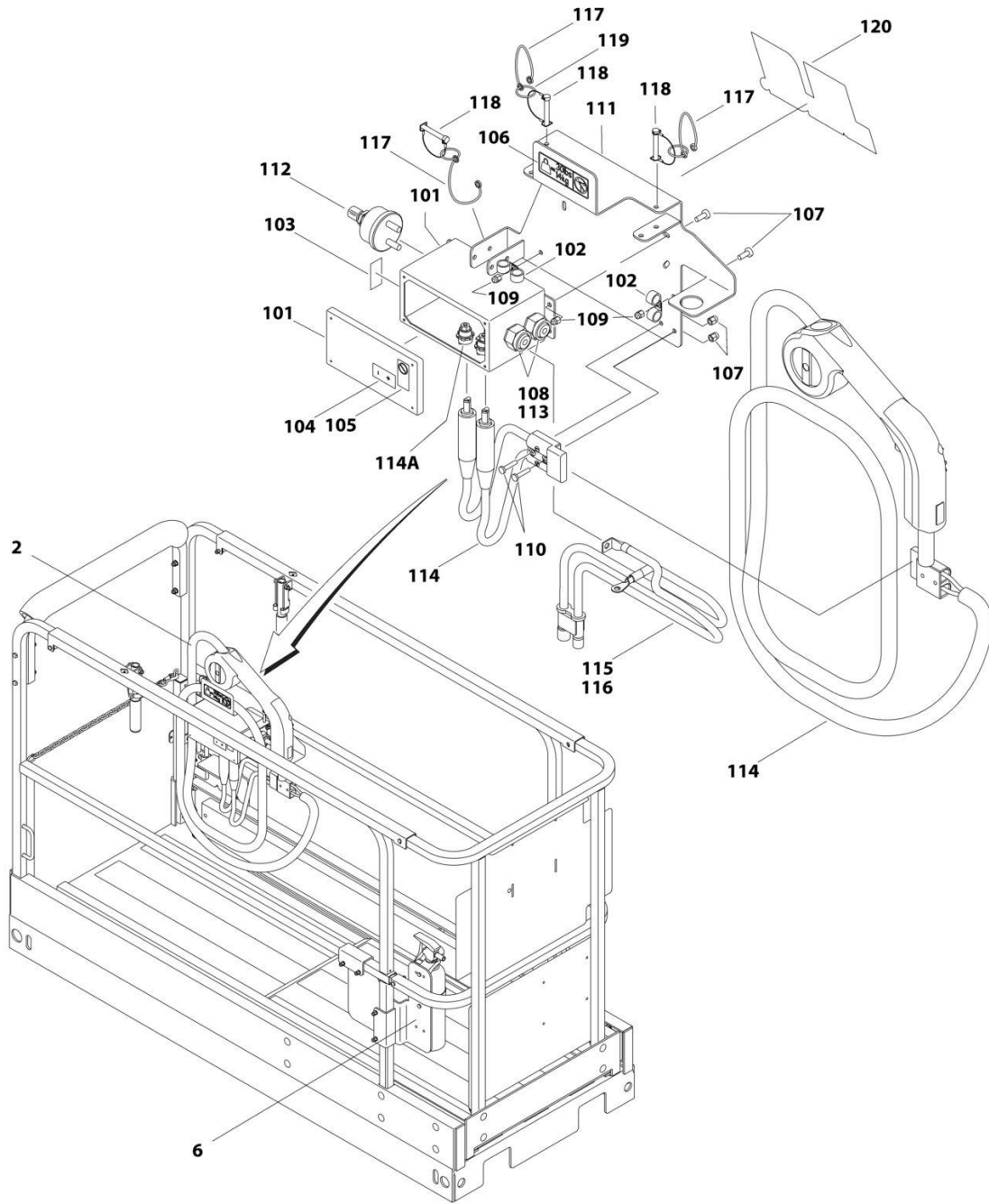
## SECTION 4 - PLATFORM

**FIGURE 4-30. QUIK WELDER INSTALLATION (2032ES)**

ITEM	PART NUMBER	QTY	DESCRIPTION	REV
	0272880	Ref	QUIK WELDER INSTALLATION	D
2	2902334	1	Kit, Quik Welder (See Items 101-120 for Breakdown)	
6	0275073	1	Quik Welder Ready (See Separate Breakdown in this Section)	
	2902334	Ref	QUIK WELDER KIT	C
101	0861527	1	Box, Welder Disconnect	
102	1320224	4	Clamp	
103	1705213	1	Decal - On/Off	
104	1705214	1	Decal - Plus/ Minus	
105	1705305	1	Decal - Weld Lead	
106	1705953	1	Decal - Weight	
107	3290606	8	Bolt M6 x 1	
108	3300048	2	Nut 3/4	
109	4010608	6	Screw M6 x 16	
110	4010614	2	Screw M6 x 30	
111	4340938	1	Mount, Quik Welder	
112	4360155	1	Switch, Master Disconnect	
113	4460328	2	Terminal, Connector	
114	4530021	1	Welder	
114A	7027303	2	Connector, Female	
115	4923048	1	Cable, Quik Welder Assembly	
116	1060957	1	Cable, Welder	
117	1060379	3	Cable, Lanyard	
118	3421453	3	Pin	
119	3760170	3	Ring	
120	1705754	1	Decal - JLG	

# SECTION 4 - PLATFORM

## FIGURE 4-31. QUIK WELDER INSTALLATION (2632ES)



ART\_0272881



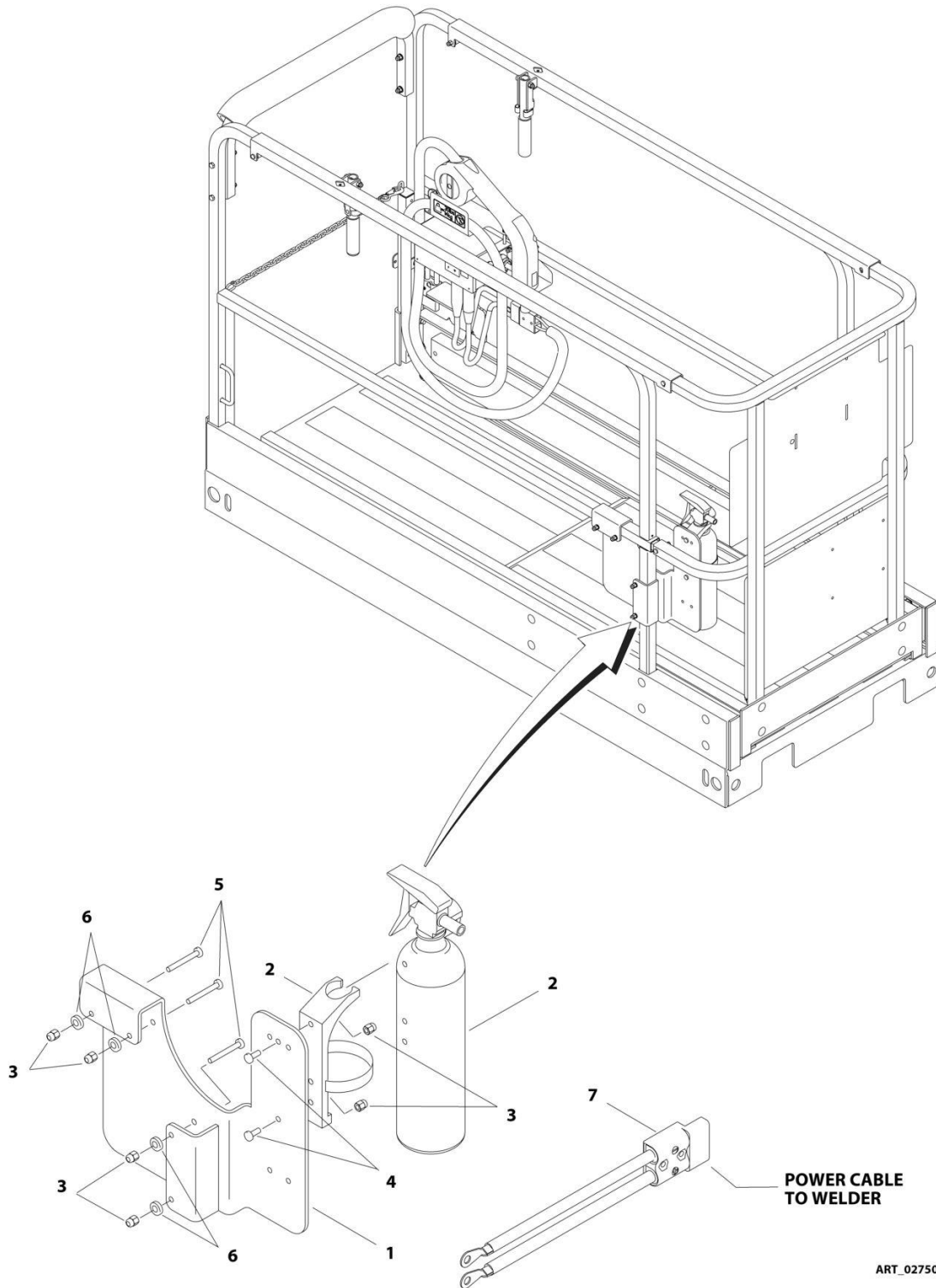
## SECTION 4 - PLATFORM

**FIGURE 4-31. QUIK WELDER INSTALLATION (2632ES)**

ITEM	PART NUMBER	QTY	DESCRIPTION	REV
	0272881	Ref	QUIK WELDER INSTALLATION	D
2	2902334	1	Kit, Quik Welder (See Items 101-120 for Breakdown)	
6	0275074	1	Quik Welder Ready (See Separate Breakdown in this Section)	
	2902334	Ref	QUIK WELDER KIT	C
101	0861527	1	Box, Welder Disconnect	
102	1320224	4	Clamp	
103	1705213	1	Decal - On/Off	
104	1705214	1	Decal - Plus/ Minus	
105	1705305	1	Decal - Weld Lead	
106	1705953	1	Decal - Weight	
107	3290606	8	Bolt M6 x 1	
108	3300048	2	Nut 3/4	
109	4010608	6	Screw M6 x 16	
110	4010614	2	Screw M6 x 30	
111	4340938	1	Mount, Quik Welder	
112	4360155	1	Switch, Master Disconnect	
113	4460328	2	Terminal, Connector	
114	4530021	1	Welder	
114A	7027303	2	Connector, Female	
115	4923048	1	Cable, Quik Welder Assembly	
116	1060957	1	Cable, Welder	
117	1060379	3	Cable, Lanyard	
118	3421453	3	Pin	
119	3760170	3	Ring	
120	1705754	1	Decal - JLG	

# SECTION 4 - PLATFORM

## FIGURE 4-32. QUIK WELDER READY INSTALLATION (2032ES)



ART\_0275073

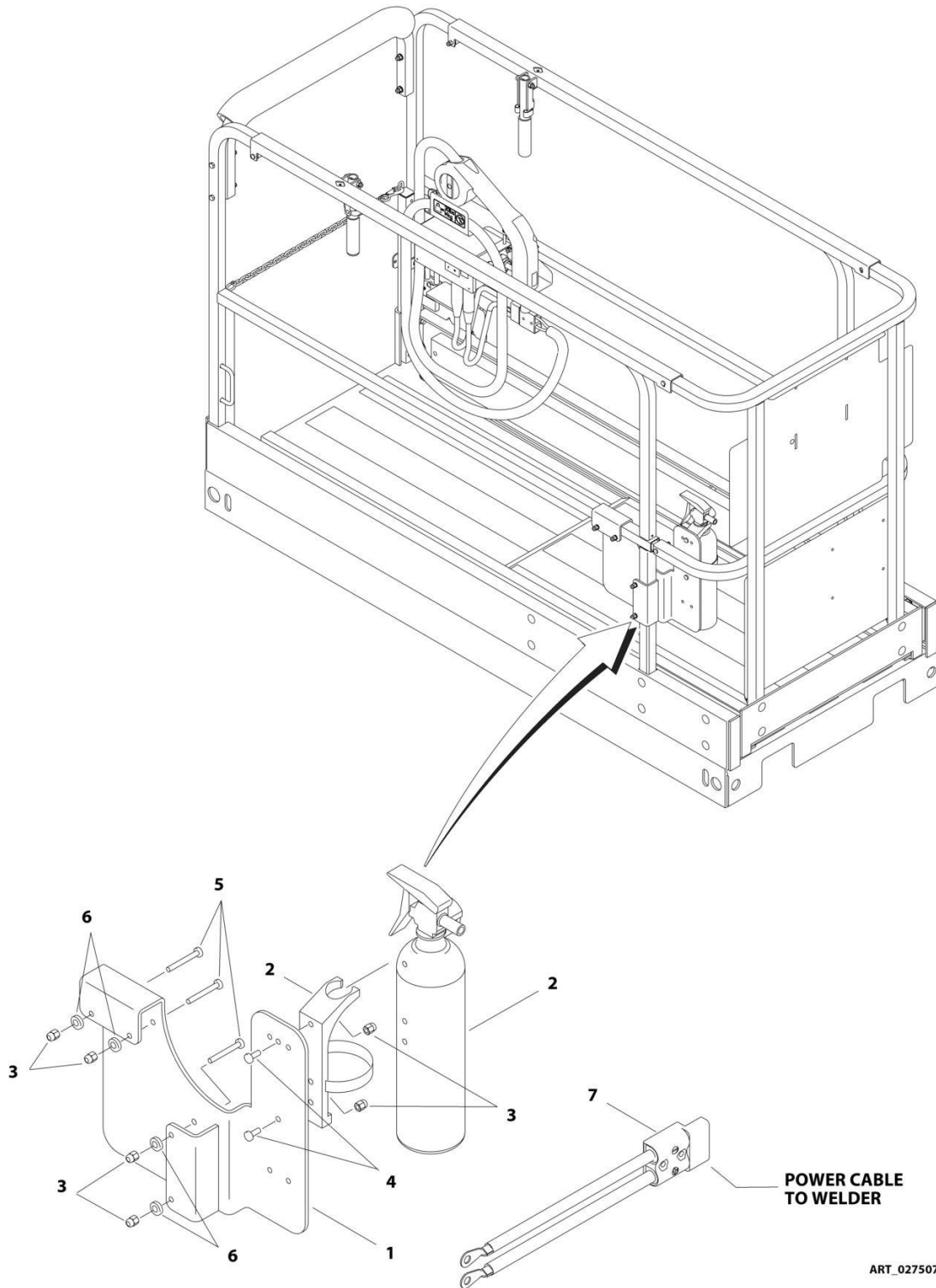
## SECTION 4 - PLATFORM

**FIGURE 4-32. QUIK WELDER READY INSTALLATION (2032ES)**

ITEM	PART NUMBER	QTY	DESCRIPTION	REV
	0275073	Ref	QUIK WELDER READY INSTALLATION (2032ES)	B
1	0903416	1	Bracket, Fire Extinguisher Mount	
2	2030010	1	Extinguisher, Fire	
3	3290606	6	Nut M6 x 1	
4	4010608	2	Screw M6 x 16	
5	4010618	4	Screw M6 x 50	
6	4811700	4	Washer M6	
7	4923050	1	Cable, Quik Welder Power	

# SECTION 4 - PLATFORM

## FIGURE 4-33. QUIK WELDER READY INSTALLATION (2632ES)



ART\_0275074

## SECTION 4 - PLATFORM

**FIGURE 4-33. QUIK WELDER READY INSTALLATION (2632ES)**

ITEM	PART NUMBER	QTY	DESCRIPTION	REV
	0275074	Ref	QUIK WELDER READY INSTALLATION (2632ES)	B
1	0903416	1	Bracket, Fire Extinguisher Mount	
2	2030010	1	Extinguisher, Fire	
3	3290606	6	Nut M6 x 1	
4	4010608	2	Screw M6 x 16	
5	4010618	4	Screw M6 x 50	
6	4811700	4	Washer M6	
7	4923051	1	Cable, Quik Welder Power	

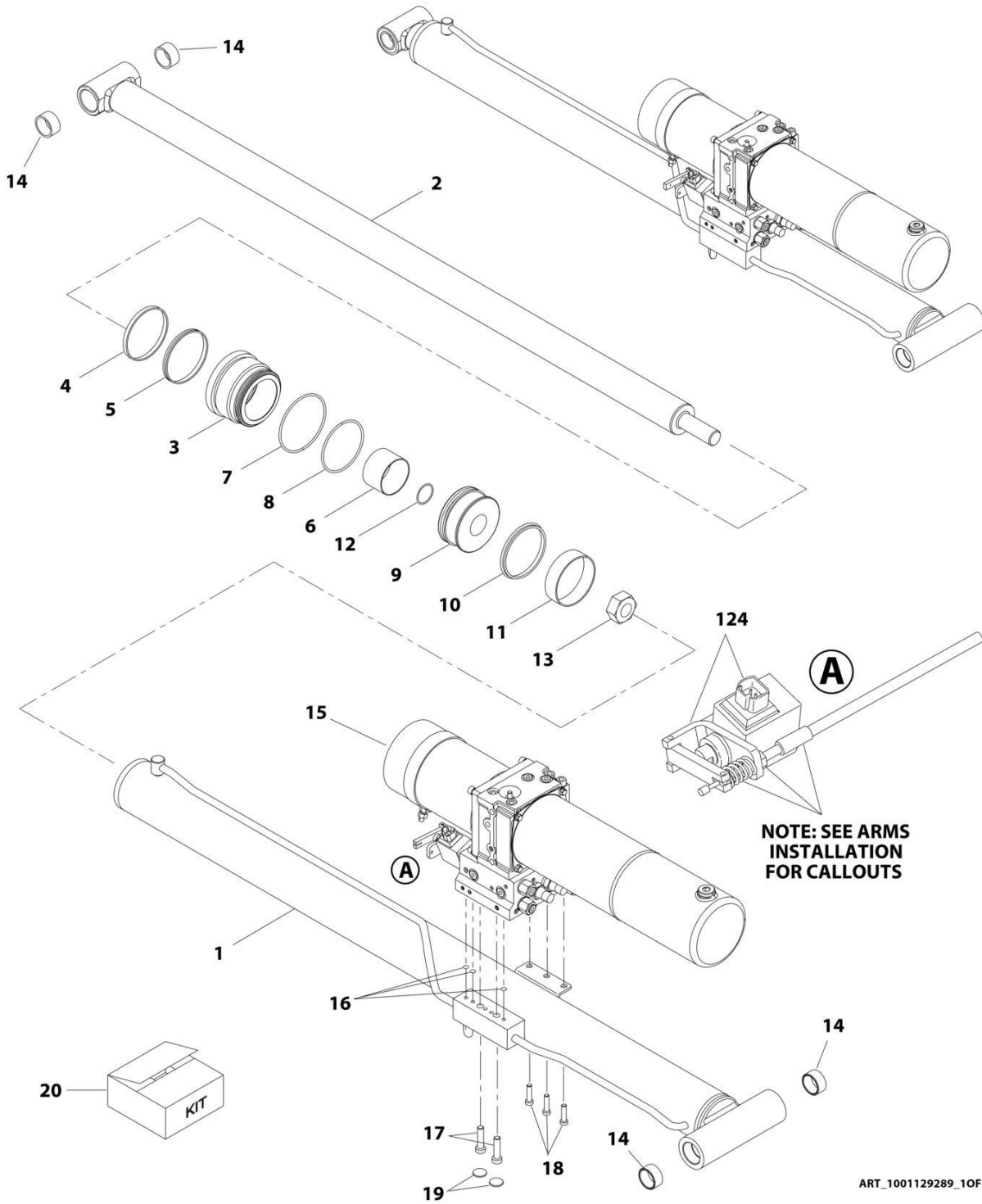


**SECTION 5 - CYLINDER**

# SECTION 5 - CYLINDER

## FIGURE 5-1. LIFT CYLINDER ASSEMBLY - 2032ES WITH STANDARD HYDRAULIC OIL (SH-PAC)

**NOTE: IDENTIFY THE PART NUMBER STAMPED ON CYLINDER BEFORE ORDERING PARTS.**

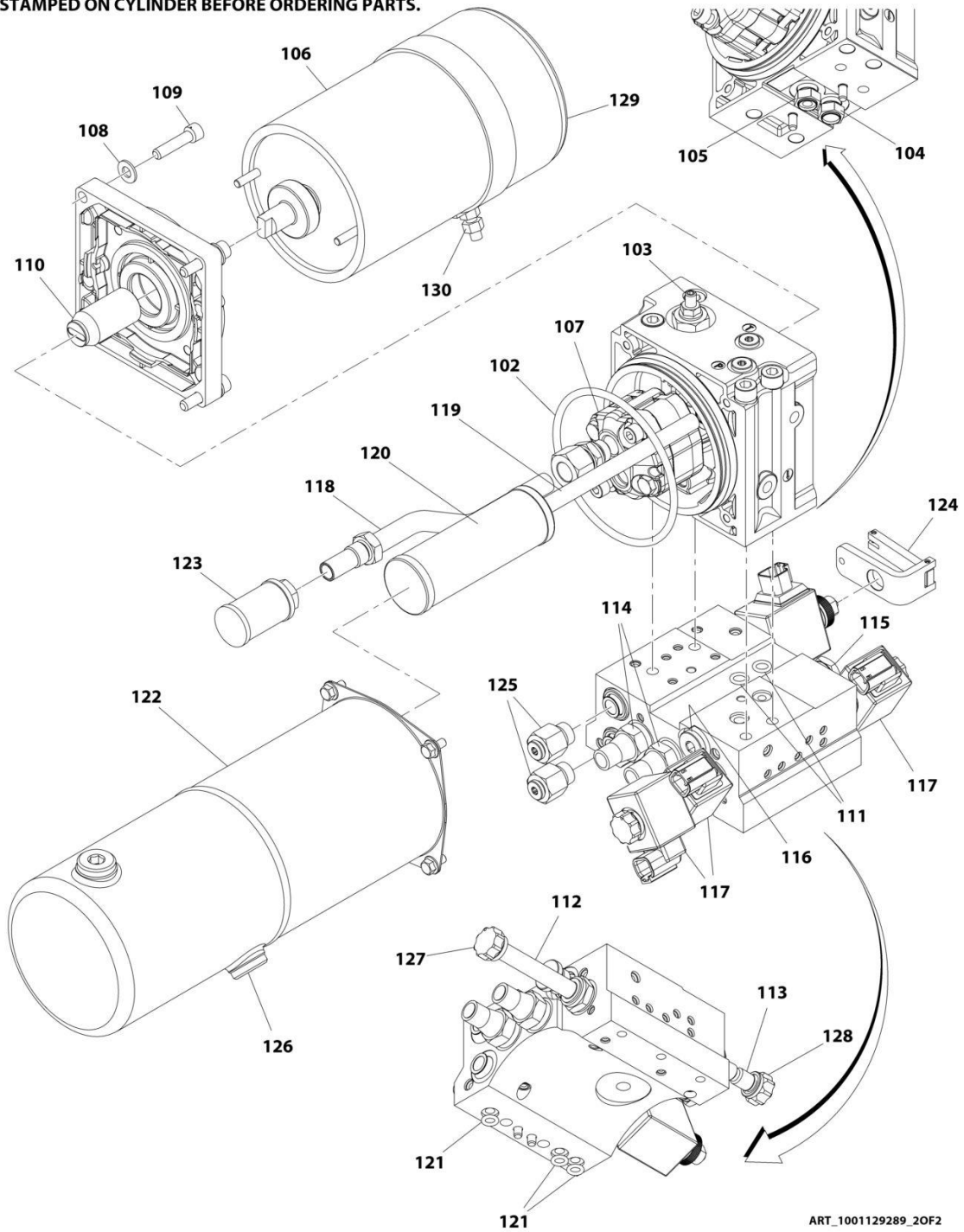


ART\_1001129289\_10F2



# SECTION 5 - CYLINDER

NOTE: IDENTIFY THE PART NUMBER  
STAMPED ON CYLINDER BEFORE ORDERING PARTS.



ART\_1001129289\_20F2

## SECTION 5 - CYLINDER

**FIGURE 5-1. LIFT CYLINDER ASSEMBLY - 2032ES WITH STANDARD HYDRAULIC OIL (SH-PAC)**

ITEM	PART NUMBER	QTY	DESCRIPTION	REV
	1001129289	Ref	LIFT CYLINDER ASSEMBLY - 2032ES WITH STANDARD HYDRAULIC OIL (SH-PAC)	H
		Ref	Note: Original Cylinder May Have Been Replaced with Service Replacement. Identify PN Stamped on Cylinder Before Ordering Parts.	
1	70004628	1	Barrel	
2	70004629	1	Rod	
3	70004630	1	Head, Cylinder	
4	See Note	NSS	Seal, Dust (Note: Use Item 20)	
5	See Note	NSS	Seal (Note: Use Item 20)	
6	70004631	1	Bearing	
7	See Note	NSS	O-Ring (Note: Use Item 20)	
8	See Note	NSS	O-Ring (Note: Use Item 20)	
9	70004632	1	Piston	
10	See Note	NSS	Seal (Note: Use Item 20)	
11	See Note	NSS	Ring, Wear (Note: Use Item 20)	
12	See Note	NSS	O-Ring (Note: Use Item 20)	
13	70003663	1	Nut	
14	0962257	4	Bushing	
15	70004943	1	Motor/Pump/Tank Assembly (See Items 102-121 for Breakdown)	
16	See Note	NSS	O-Ring (Note: Use Item 20)	
17	70004624	2	Capscrew M10 x 40	
18	70004625	3	Capscrew M8 x 20	
19	70004626	2	Plug, Extension	
20	70004633	1	Seal Kit - Cylinder (Includes Items 4, 5, 7, 8, 10, 11, 12 & 16)	
		Ref	MOTOR/PUMP/TANK ASSEMBLY	
	70004943	1	Motor/Pump/Tank Assembly	
102	70004914	1	O-Ring	
103	70004915	1	Cartridge, Valve (Main Relief)	
104	70004916	1	Cartridge, Valve (Breather Vacuum Check)	
105	70004917	1	Cartridge, Valve (Breather Pressure Check)	
106	70004970	1	Kit, Motor (Includes motor, flange and ring)	
107	70005233	1	Kit, Pump (Includes pump and hardware)	
108	70004974	4	Washer M8	
109	70004975	4	Capscrew M8 x 60	
110	70004973	1	Shaft Coupling	
111	70004925	2	O-Ring	
112	70003028	1	Cartridge, Solenoid Valve Less Coil (Steer)	
113	70004926	1	Cartridge, Solenoid Valve Less Coil (Lift)	
114	70004927	2	Cartridge, Valve (Steer Relief)	
115	70004585	1	Cartridge, Valve (Lift Check)	
116	70004928	1	Filter 300 micron	
117	70003707	3	Coil	
118	70004941	1	Pipe, Suction	
119	70004942	1	Pipe, Return	
120	70004935	1	Filter, Bypass	
121	70004936	3	O-Ring	
122	70005239	1	Kit, Tank (Includes tank, plug, "o"-ring and screws)	
123	70005235	1	Kit, Filter (Includes strainer and seal ring)	
124	70005236	1	Kit, Solenoid Valve (Includes solenoid, coil and lever)	

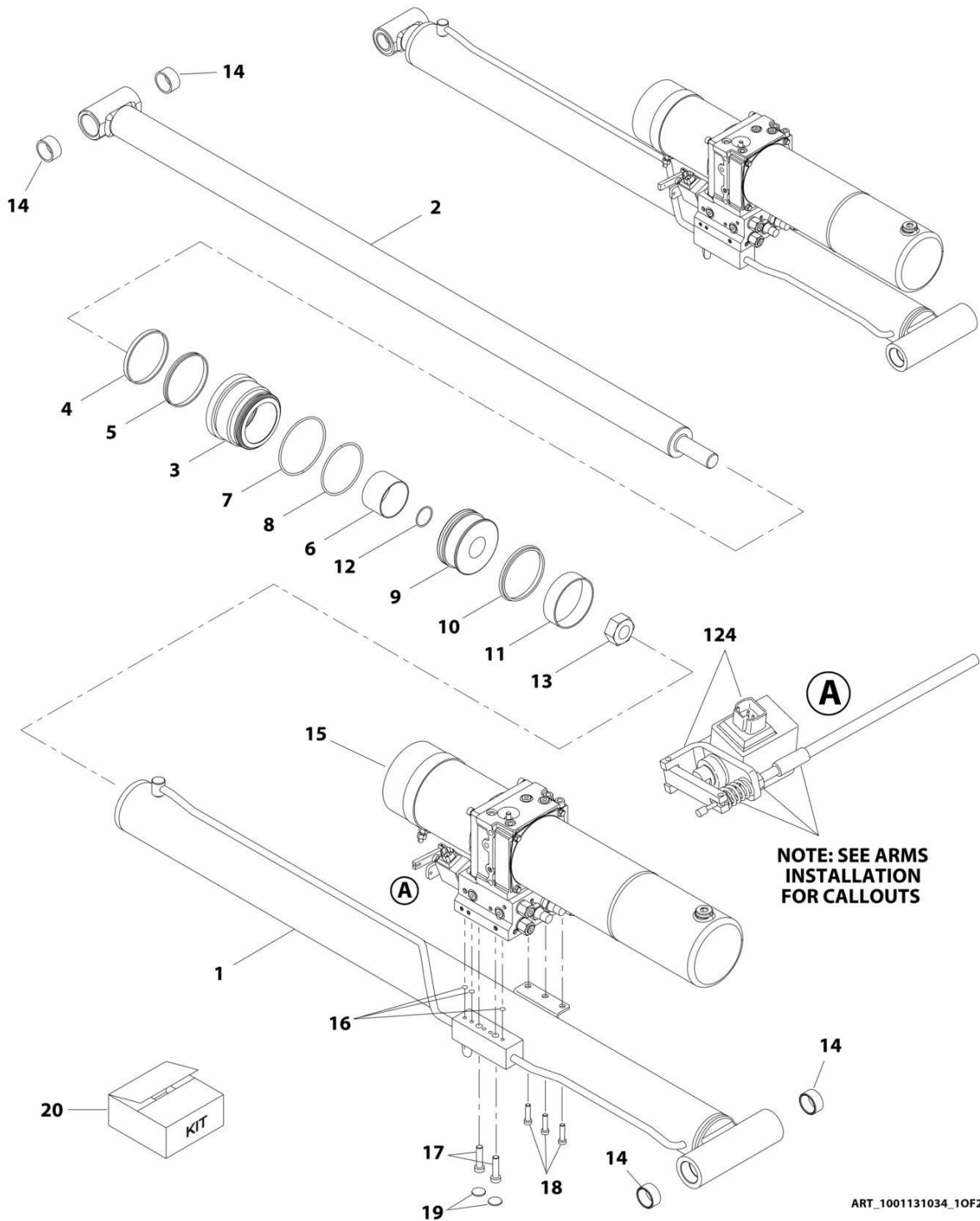
## SECTION 5 - CYLINDER

ITEM	PART NUMBER	QTY	DESCRIPTION	REV
125	70005237	2	Kit, Fitting (Includes adapter, seal washer and plug)	
126	70004921	1	Plug	
127	70004654	1	Nut, Coil (for Item #112)	
128	70005238	1	Nut, Retaining (for Item #113)	
129	70004971	1	Kit, Brush	
130	70004972	1	Nut M8	

# SECTION 5 - CYLINDER

## FIGURE 5-2. LIFT CYLINDER ASSEMBLY - 2032ES WITH BIODEGRADABLE HYDRAULIC OIL (SH-PAC)

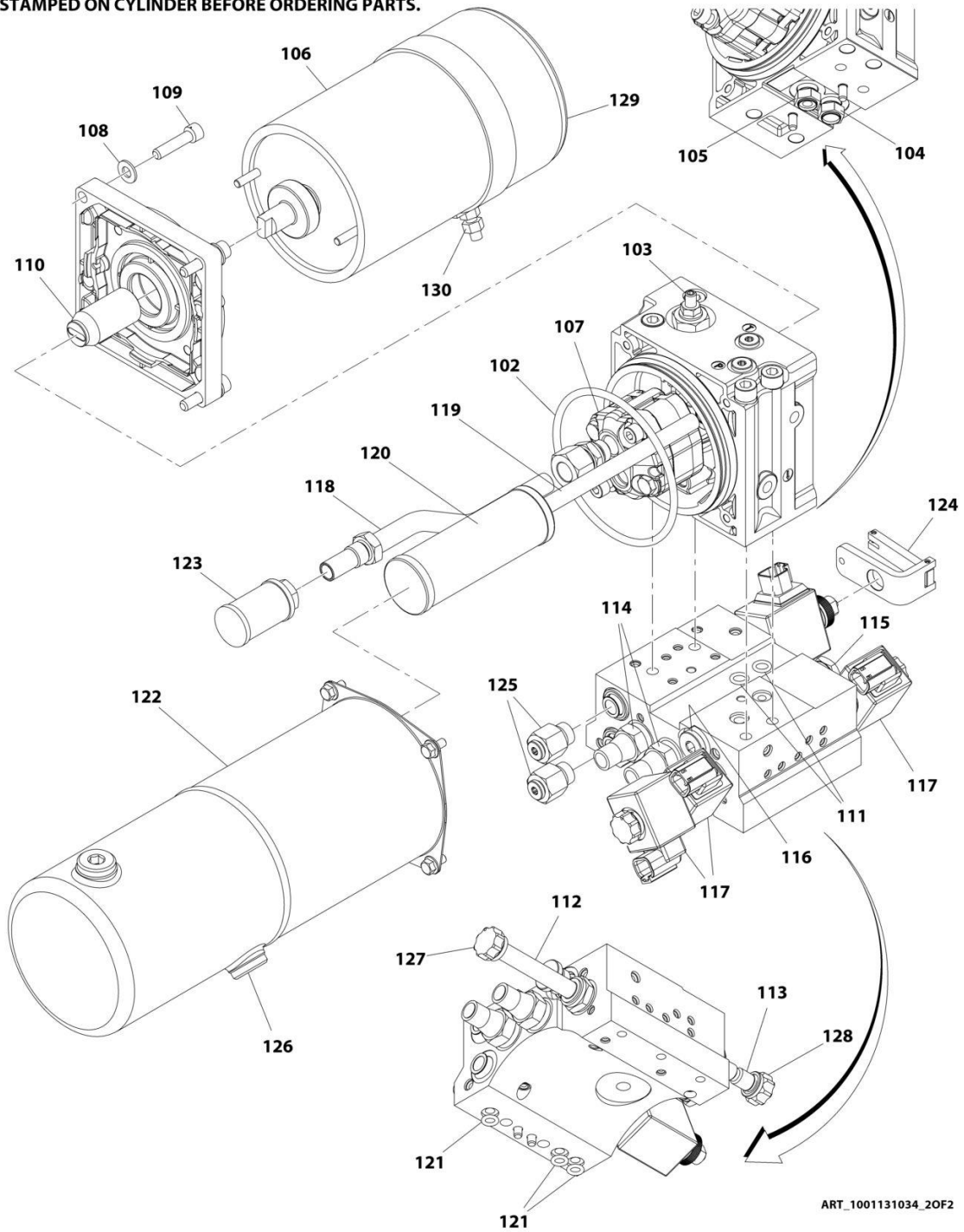
**NOTE: IDENTIFY THE PART NUMBER STAMPED ON CYLINDER BEFORE ORDERING PARTS.**



ART\_1001131034\_10F2

# SECTION 5 - CYLINDER

NOTE: IDENTIFY THE PART NUMBER  
STAMPED ON CYLINDER BEFORE ORDERING PARTS.



ART\_1001131034\_20F2

## SECTION 5 - CYLINDER

**FIGURE 5-2. LIFT CYLINDER ASSEMBLY - 2032ES WITH BIODEGRADABLE HYDRAULIC OIL (SH-PAC)**

ITEM	PART NUMBER	QTY	DESCRIPTION	REV
	1001131034	Ref	LIFT CYLINDER ASSEMBLY - 2032ES WITH BIODEGRADABLE HYDRAULIC OIL (SH-PAC)	H
		Ref	Note: Original Cylinder May Have Been Replaced with Service Replacement. Identify PN Stamped on Cylinder Before Ordering Parts.	
1	70004628	1	Barrel	
2	70004629	1	Rod	
3	70004630	1	Head, Cylinder	
4	See Note	NSS	Seal, Dust (Note: Use Item 20)	
5	See Note	NSS	Seal (Note: Use Item 20)	
6	70004631	1	Bearing	
7	See Note	NSS	O-Ring (Note: Use Item 20)	
8	See Note	NSS	O-Ring (Note: Use Item 20)	
9	70004632	1	Piston	
10	See Note	NSS	Seal (Note: Use Item 20)	
11	See Note	NSS	Ring, Wear (Note: Use Item 20)	
12	See Note	NSS	O-Ring (Note: Use Item 20)	
13	70003663	1	Nut	
14	0962257	4	Bushing	
15	70004943	1	Motor/Pump/Tank Assembly (See Items 102-121 for Breakdown)	
16	See Note	NSS	O-Ring (Note: Use Item 20)	
17	70004624	2	Capscrew M10 x 40	
18	70004625	3	Capscrew M8 x 20	
19	70004626	2	Plug, Extension	
20	70004633	1	Seal Kit - Cylinder (Includes Items 4, 5, 7, 8, 10, 11, 12 & 16)	
		Ref	MOTOR/PUMP/TANK ASSEMBLY	
	70004943	1	Motor/Pump/Tank Assembly	
102	70004914	1	O-Ring	
103	70004915	1	Cartridge, Valve (Main Relief)	
104	70004916	1	Cartridge, Valve (Breather Vacuum Check)	
105	70004917	1	Cartridge, Valve (Breather Pressure Check)	
106	70004970	1	Kit, Motor (Includes motor, flange and ring)	
107	70005233	1	Kit, Pump (Includes pump and hardware)	
108	70004974	4	Washer M8	
109	70004975	4	Capscrew M8 x 60	
110	70004973	1	Shaft Coupling	
111	70004925	2	O-Ring	
112	70003028	1	Cartridge, Solenoid Valve Less Coil (Steer)	
113	70004926	1	Cartridge, Solenoid Valve Less Coil (Lift)	
114	70004927	2	Cartridge, Valve (Steer Relief)	
115	70004585	1	Cartridge, Valve (Lift Check)	
116	70004928	1	Filter 300 micron	
117	70003707	3	Coil	
118	70004941	1	Pipe, Suction	
119	70004942	1	Pipe, Return	
120	70004935	1	Filter, Bypass	
121	70004936	3	O-Ring	
122	70005239	1	Kit, Tank (Includes tank, plug, "o"-ring and screws)	
123	70005235	1	Kit, Filter (Includes strainer and seal ring)	

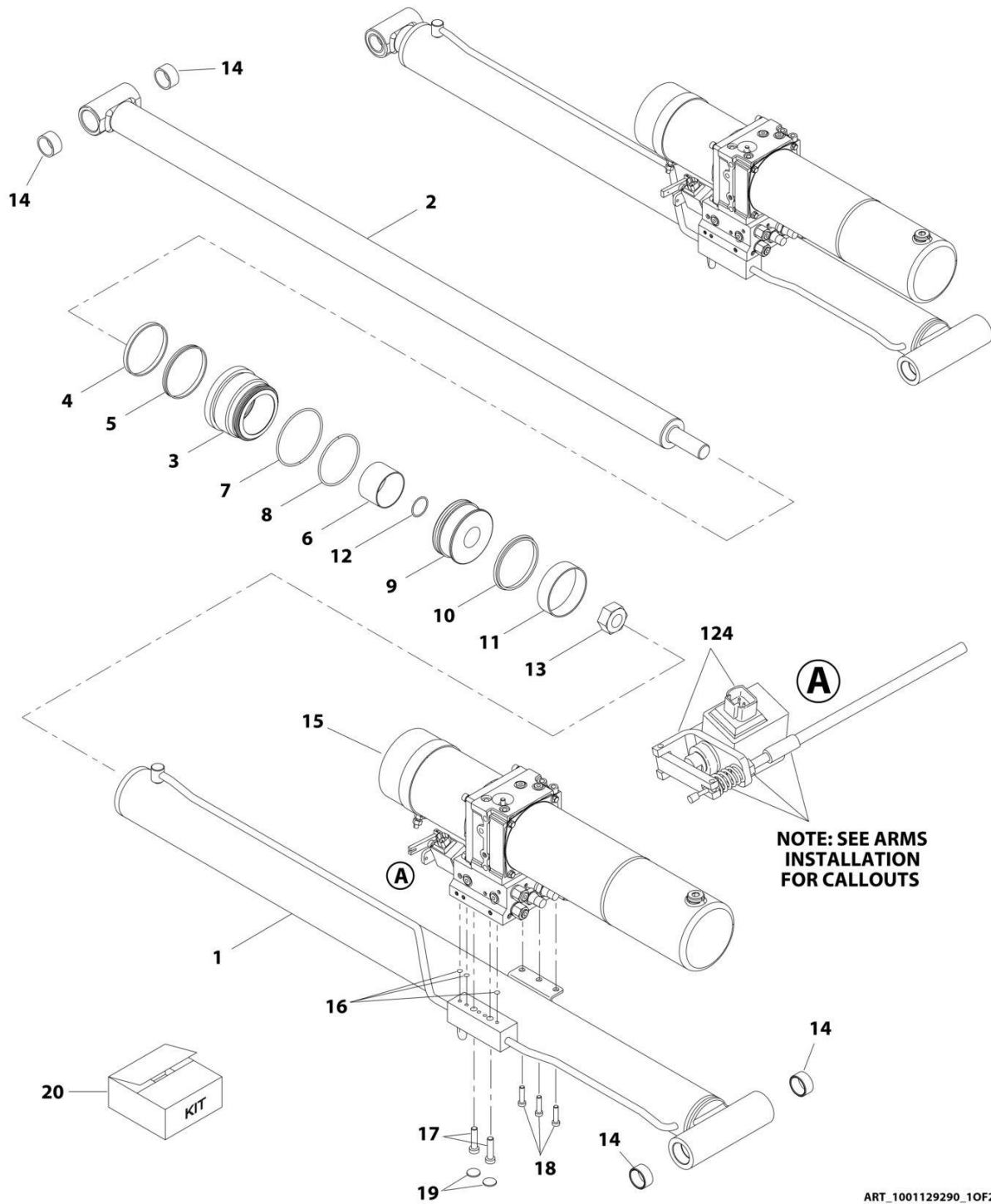
## SECTION 5 - CYLINDER

ITEM	PART NUMBER	QTY	DESCRIPTION	REV
124	70005236	1	Kit, Solenoid Valve (Includes solenoid, coil and lever)	
125	70005237	2	Kit, Fitting (Includes adapter, seal washer and plug)	
126	70004921	1	Plug	
127	70004654	1	Nut, Coil (for Item #112)	
128	70005238	1	Nut, Retaining (for Item #113)	
129	70004971	1	Kit, Brush	
130	70004972	1	Nut M8	

# SECTION 5 - CYLINDER

## FIGURE 5-3. LIFT CYLINDER ASSEMBLY - 2632ES WITH STANDARD HYDRAULIC OIL (SH-PAC)

**NOTE: IDENTIFY THE PART NUMBER STAMPED ON CYLINDER BEFORE ORDERING PARTS.**

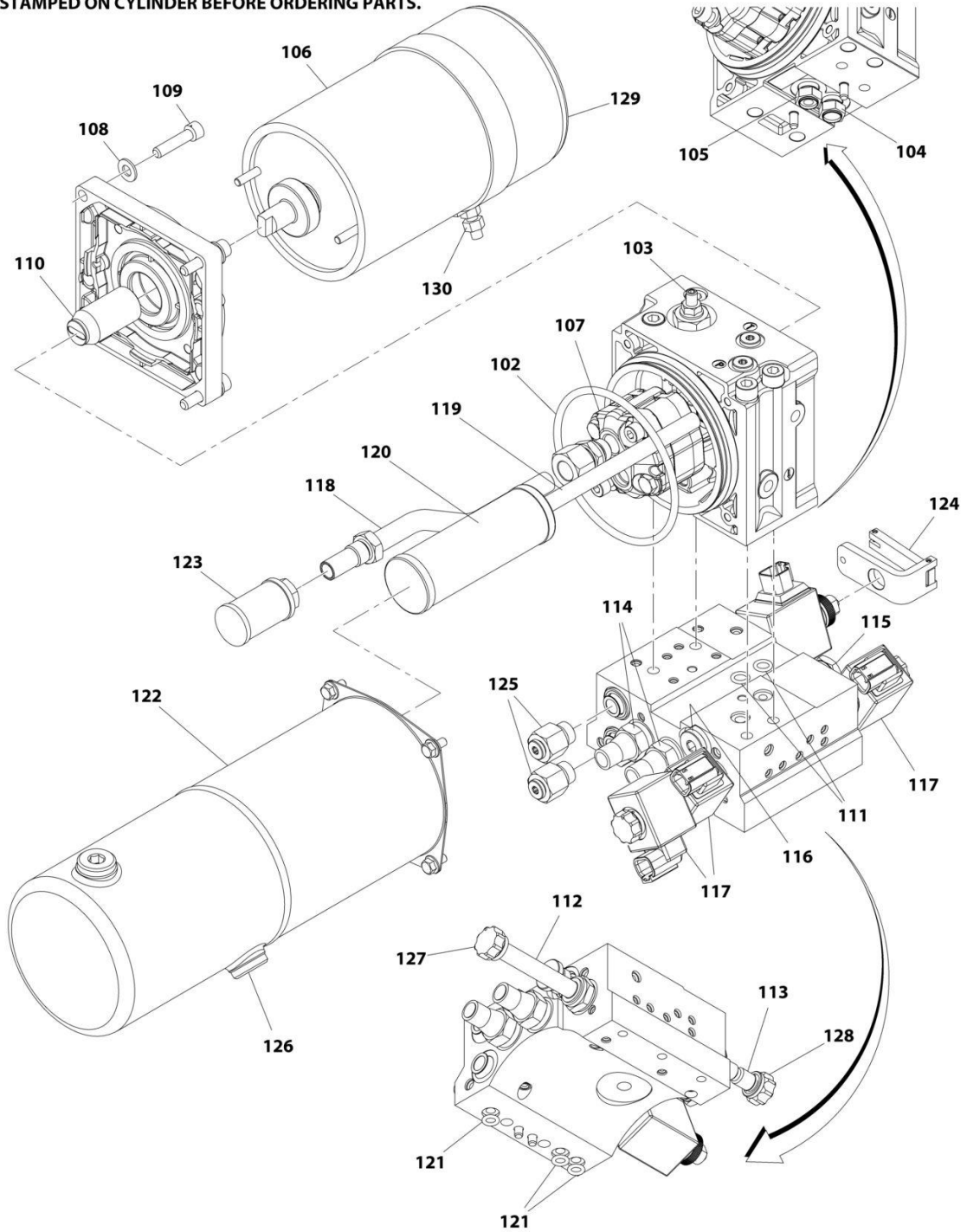


ART\_1001129290\_10F2



# SECTION 5 - CYLINDER

NOTE: IDENTIFY THE PART NUMBER  
STAMPED ON CYLINDER BEFORE ORDERING PARTS.



ART\_1001129290\_20F2

## SECTION 5 - CYLINDER

**FIGURE 5-3. LIFT CYLINDER ASSEMBLY - 2632ES WITH STANDARD HYDRAULIC OIL (SH-PAC)**

ITEM	PART NUMBER	QTY	DESCRIPTION	REV
	1001129290	Ref	LIFT CYLINDER ASSEMBLY - 2632ES WITH STANDARD HYDRAULIC OIL (SH-PAC)	H
		Ref	Note: Original Cylinder May Have Been Replaced with Service Replacement. Identify PN Stamped on Cylinder Before Ordering Parts.	
1	70004628	1	Barrel	
2	70004629	1	Rod	
3	70004630	1	Head, Cylinder	
4	See Note	NSS	Seal, Dust (Note: Use Item 20)	
5	See Note	NSS	Seal (Note: Use Item 20)	
6	70004631	1	Bearing	
7	See Note	NSS	O-Ring (Note: Use Item 20)	
8	See Note	NSS	O-Ring (Note: Use Item 20)	
9	70004632	1	Piston	
10	See Note	NSS	Seal (Note: Use Item 20)	
11	See Note	NSS	Ring, Wear (Note: Use Item 20)	
12	See Note	NSS	O-Ring (Note: Use Item 20)	
13	70003663	1	Nut	
14	0962257	4	Bushing	
15	70004945	1	Motor/Pump/Tank Assembly (See Items 102-121 for Breakdown)	
16	See Note	NSS	O-Ring (Note: Use Item 20)	
17	70004624	2	Capscrew M10 x 40	
18	70004625	3	Capscrew M8 x 20	
19	70004626	2	Plug, Extension	
20	70004633	1	Seal Kit - Cylinder (Includes Items 4, 5, 7, 8, 10, 11, 12 & 16)	
		Ref	MOTOR/PUMP/TANK ASSEMBLY	
	70004945	1	Motor/Pump/Tank Assembly	
102	70004914	1	O-Ring	
103	70004915	1	Cartridge, Valve (Main Relief)	
104	70004916	1	Cartridge, Valve (Breather Vacuum Check)	
105	70004917	1	Cartridge, Valve (Breather Pressure Check)	
106	70004970	1	Kit, Motor (Includes motor, flange and ring)	
107	70005233	1	Kit, Pump (Includes pump and hardware)	
108	70004974	4	Washer M8	
109	70004975	4	Capscrew M8 x 60	
110	70004973	1	Shaft Coupling	
111	70004925	2	O-Ring	
112	70003028	1	Cartridge, Solenoid Valve Less Coil (Steer)	
113	70004926	1	Cartridge, Solenoid Valve Less Coil (Lift)	
114	70004927	2	Cartridge, Valve (Steer Relief)	
115	70004585	1	Cartridge, Valve (Lift Check)	
116	70004928	1	Filter 300 micron	
117	70003707	3	Coil	
118	70004941	1	Pipe, Suction	
119	70004942	1	Pipe, Return	
120	70004935	1	Filter, Bypass	
121	70004936	3	O-Ring	
122	70005240	1	Kit, Tank (Includes tank, plug, "o"-ring and screws)	
123	70005235	1	Kit, Filter (Includes strainer and seal ring)	
124	70005236	1	Kit, Solenoid Valve (Includes solenoid, coil and lever)	

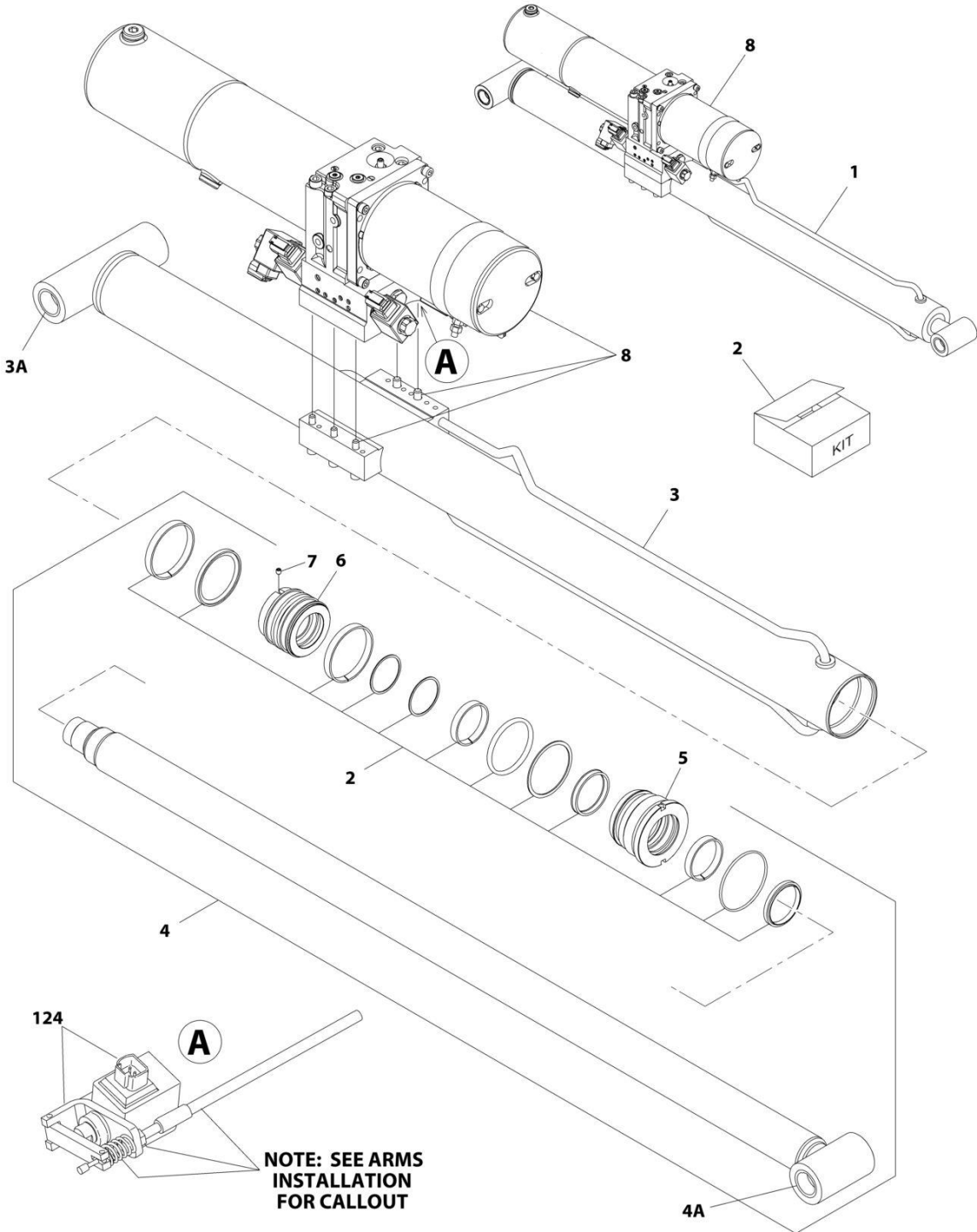
## SECTION 5 - CYLINDER

ITEM	PART NUMBER	QTY	DESCRIPTION	REV
125	70005237	1	Kit, Fitting (Includes adapter, seal washer and plug)	
126	70004921	1	Plug	
127	70004654	1	Nut, Coil (for Item #112)	
128	70005238	1	Nut, Retaining (for Item #113)	
129	70004971	1	Kit, Brush	
130	70004972	1	Nut M8	

# SECTION 5 - CYLINDER

## FIGURE 5-4. LIFT CYLINDER ASSEMBLY - 2632ES WITH BIODEGRADABLE HYDRAULIC OIL (SERTA)

**NOTE: IDENTIFY THE PART NUMBER STAMPED ON CYLINDER BEFORE ORDERING PARTS.**

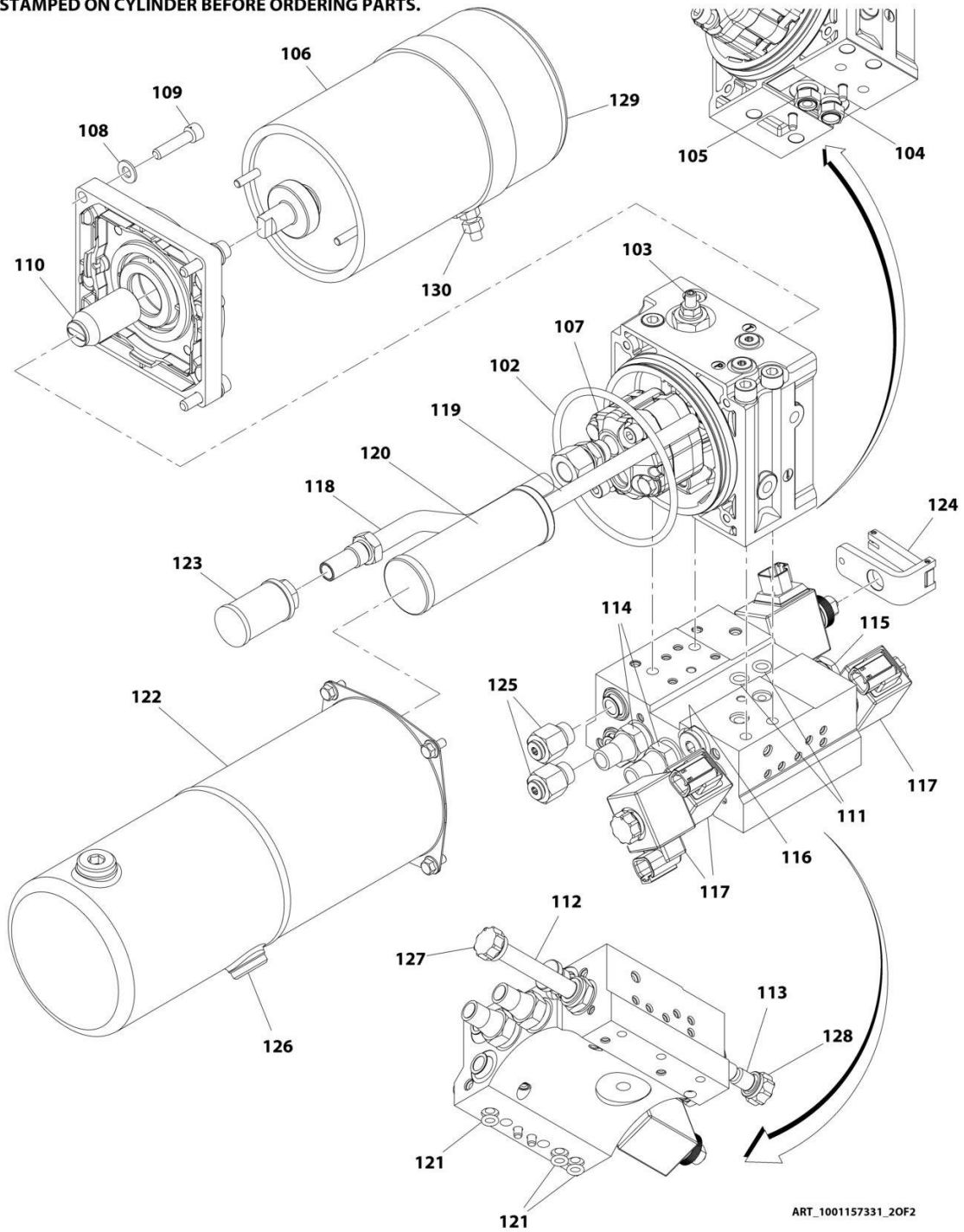


**NOTE: SEE ARMS INSTALLATION FOR CALLOUT**

ART\_1001157331\_10F2

# SECTION 5 - CYLINDER

NOTE: IDENTIFY THE PART NUMBER  
STAMPED ON CYLINDER BEFORE ORDERING PARTS.



ART\_1001157331\_20F2

## SECTION 5 - CYLINDER

**FIGURE 5-4. LIFT CYLINDER ASSEMBLY - 2632ES WITH BIODEGRADEABLE HYDRAULIC OIL (SERTA)**

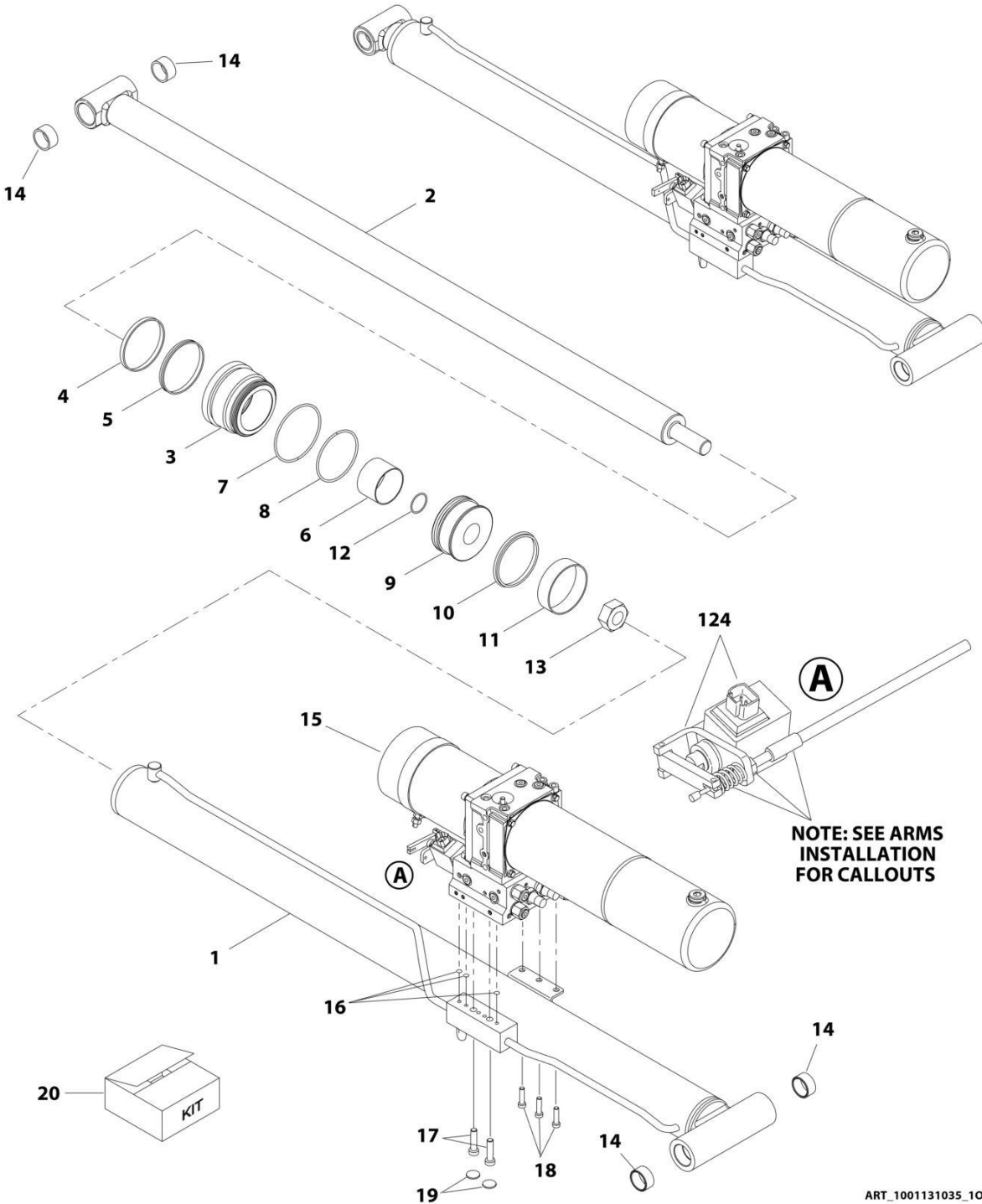
ITEM	PART NUMBER	QTY	DESCRIPTION	REV
	1001157331	Ref	LIFT CYLINDER ASSEMBLY - 2632ES WITH BIODEGRADEABLE HYDRAULIC OIL (SERTA)	F
		Ref	Note: Original Cylinder May Have Been Replaced with Service Replacement. Identify PN Stamped on Cylinder Before Ordering Parts.	
1	70004729	1	Cylinder Assembly Less Powerpack	
2	70004728	1	Seal Kit	
3	70004727	1	Barrel	
3A	0962257	2	Bushing	
4	70004722	1	Rod Assembly (Includes Items 2, 4A, 5, 6 & 7)	
4A	0962257	1	Bushing	
5	70006090	1	Head, Cylinder	
6	70025323	1	Piston	
7	70023915	1	Screw	
8	70004945	1	Motor/Pump/Tank Assembly (Includes Items 102-121)	
		Ref	MOTOR/PUMP/TANK ASSEMBLY	
	70004945	1	Motor/Pump/Tank Assembly	
102	70004914	1	O-Ring	
103	70004915	1	Cartridge, Valve (Main Relief)	
104	70004916	1	Cartridge, Valve (Breather Vacuum Check)	
105	70004917	1	Cartridge, Valve (Breather Pressure Check)	
106	70004970	1	Kit, Motor (Includes motor, flange and ring)	
107	70005233	1	Kit, Pump (Includes pump and hardware)	
108	70004974	4	Washer M8	
109	70004975	4	Capscrew M8 x 60	
110	70004973	1	Shaft Coupling	
111	70004925	2	O-Ring	
112	70003028	1	Cartridge, Solenoid Valve Less Coil (Steer)	
113	70004926	1	Cartridge, Solenoid Valve Less Coil (Lift)	
114	70004927	2	Cartridge, Valve (Steer Relief)	
115	70004585	1	Cartridge, Valve (Lift Check)	
116	70004928	1	Filter 300 micron	
117	70003707	3	Coil	
118	70004941	1	Pipe, Suction	
119	70004942	1	Pipe, Return	
120	70004935	1	Filter, Bypass	
121	70004936	3	O-Ring	
122	70005240	1	Kit, Tank (Includes tank, plug, "o"-ring and screws)	
123	70005235	1	Kit, Filter (Includes strainer and seal ring)	
124	70005236	1	Kit, Solenoid Valve (Includes solenoid, coil and lever)	
125	70005237	2	Kit, Fitting (Includes adapter, seal washer and plug)	
126	70004921	1	Plug	
127	70004654	1	Nut, Coil (for Item #112)	
128	70005238	1	Nut, Retaining (for Item #113)	
129	70004971	1	Kit, Brush	
130	70004972	1	Nut M8	



# SECTION 5 - CYLINDER

## FIGURE 5-5. LIFT CYLINDER ASSEMBLY - 2632ES WITH BIODEGRADABLE HYDRAULIC OIL (SH-PAC)

**NOTE: IDENTIFY THE PART NUMBER STAMPED ON CYLINDER BEFORE ORDERING PARTS.**

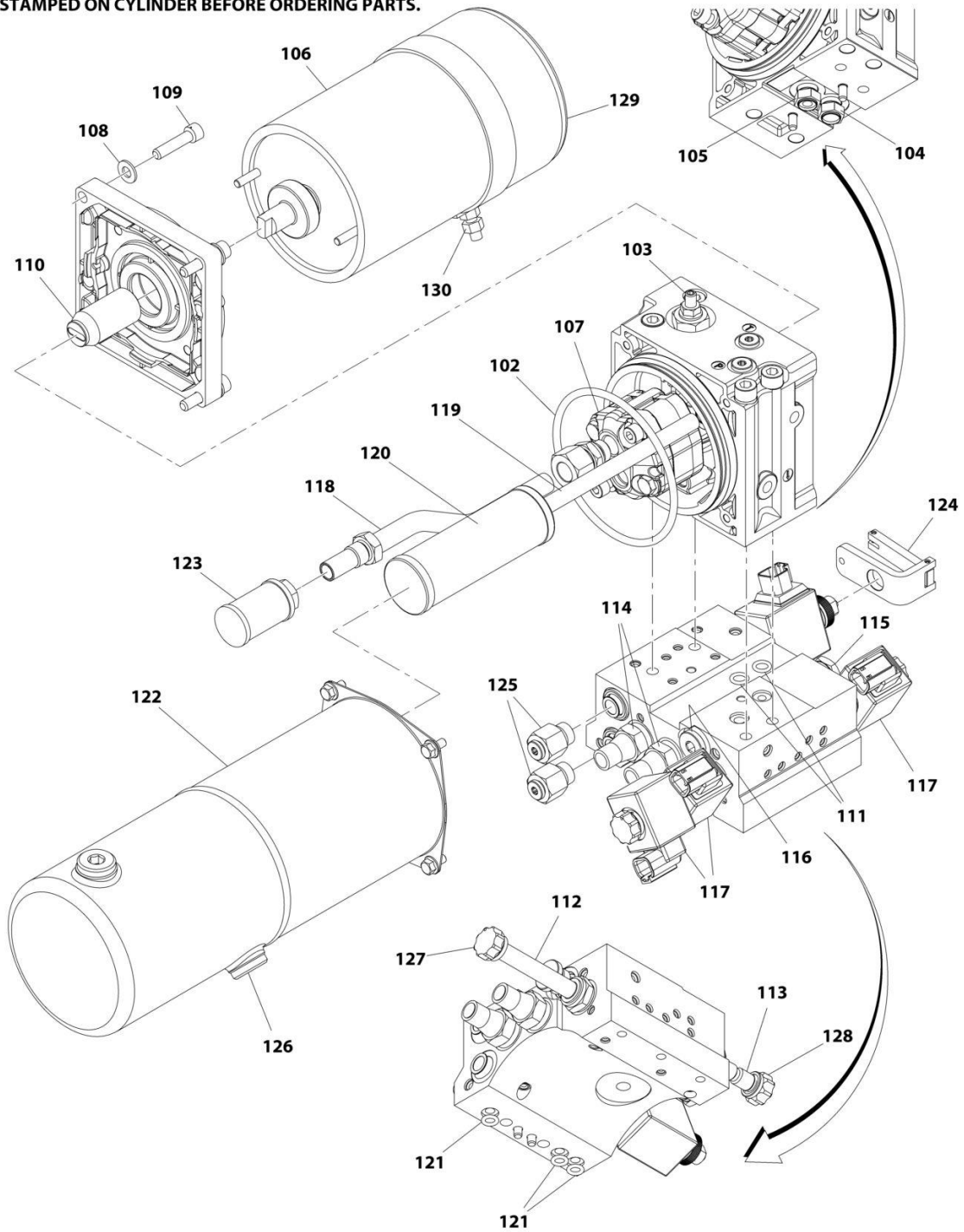


ART\_1001131035\_10F2



# SECTION 5 - CYLINDER

NOTE: IDENTIFY THE PART NUMBER  
STAMPED ON CYLINDER BEFORE ORDERING PARTS.



ART\_1001131035\_20F2

## SECTION 5 - CYLINDER

**FIGURE 5-5. LIFT CYLINDER ASSEMBLY - 2632ES WITH BIODEGRADABLE HYDRAULIC OIL (SH-PAC)**

ITEM	PART NUMBER	QTY	DESCRIPTION	REV
	1001131035	Ref	LIFT CYLINDER ASSEMBLY - 2632ES WITH BIODEGRADABLE HYDRAULIC OIL (SH-PAC)	H
		Ref	Note: Original Cylinder May Have Been Replaced with Service Replacement. Identify PN Stamped on Cylinder Before Ordering Parts.	
1	70004628	1	Barrel	
2	70004629	1	Rod	
3	70004630	1	Head, Cylinder	
4	See Note	NSS	Seal, Dust (Note: Use Item 20)	
5	See Note	NSS	Seal (Note: Use Item 20)	
6	70004631	1	Bearing	
7	See Note	NSS	O-Ring (Note: Use Item 20)	
8	See Note	NSS	O-Ring (Note: Use Item 20)	
9	70004632	1	Piston	
10	See Note	NSS	Seal (Note: Use Item 20)	
11	See Note	NSS	Ring, Wear (Note: Use Item 20)	
12	See Note	NSS	O-Ring (Note: Use Item 20)	
13	70003663	1	Nut	
14	0962257	4	Bushing	
15	70004945	1	Motor/Pump/Tank Assembly (See Items 102-121 for Breakdown)	
16	See Note	NSS	O-Ring (Note: Use Item 20)	
17	70004624	2	Capscrew M10 x 40	
18	70004625	3	Capscrew M8 x 20	
19	70004626	2	Plug, Extension	
20	70004633	1	Seal Kit - Cylinder (Includes Items 4, 5, 7, 8, 10, 11, 12 & 16)	
		Ref	MOTOR/PUMP/TANK ASSEMBLY	
	70004945	1	Motor/Pump/Tank Assembly	
102	70004914	1	O-Ring	
103	70004915	1	Cartridge, Valve (Main Relief)	
104	70004916	1	Cartridge, Valve (Breather Vacuum Check)	
105	70004917	1	Cartridge, Valve (Breather Pressure Check)	
106	70004970	1	Kit, Motor (Includes motor, flange and ring)	
107	70005233	1	Kit, Pump (Includes pump and hardware)	
108	70004974	4	Washer M8	
109	70004975	4	Capscrew M8 x 60	
110	70004973	1	Shaft Coupling	
111	70004925	2	O-Ring	
112	70003028	1	Cartridge, Solenoid Valve Less Coil (Steer)	
113	70004926	1	Cartridge, Solenoid Valve Less Coil (Lift)	
114	70004927	2	Cartridge, Valve (Steer Relief)	
115	70004585	1	Cartridge, Valve (Lift Check)	
116	70004928	1	Filter 300 micron	
117	70003707	3	Coil	
118	70004941	1	Pipe, Suction	
119	70004942	1	Pipe, Return	
120	70004935	1	Filter, Bypass	
121	70004936	3	O-Ring	
122	70005240	1	Kit, Tank (Includes tank, plug, "o"-ring and screws)	
123	70005235	1	Kit, Filter (Includes strainer and seal ring)	

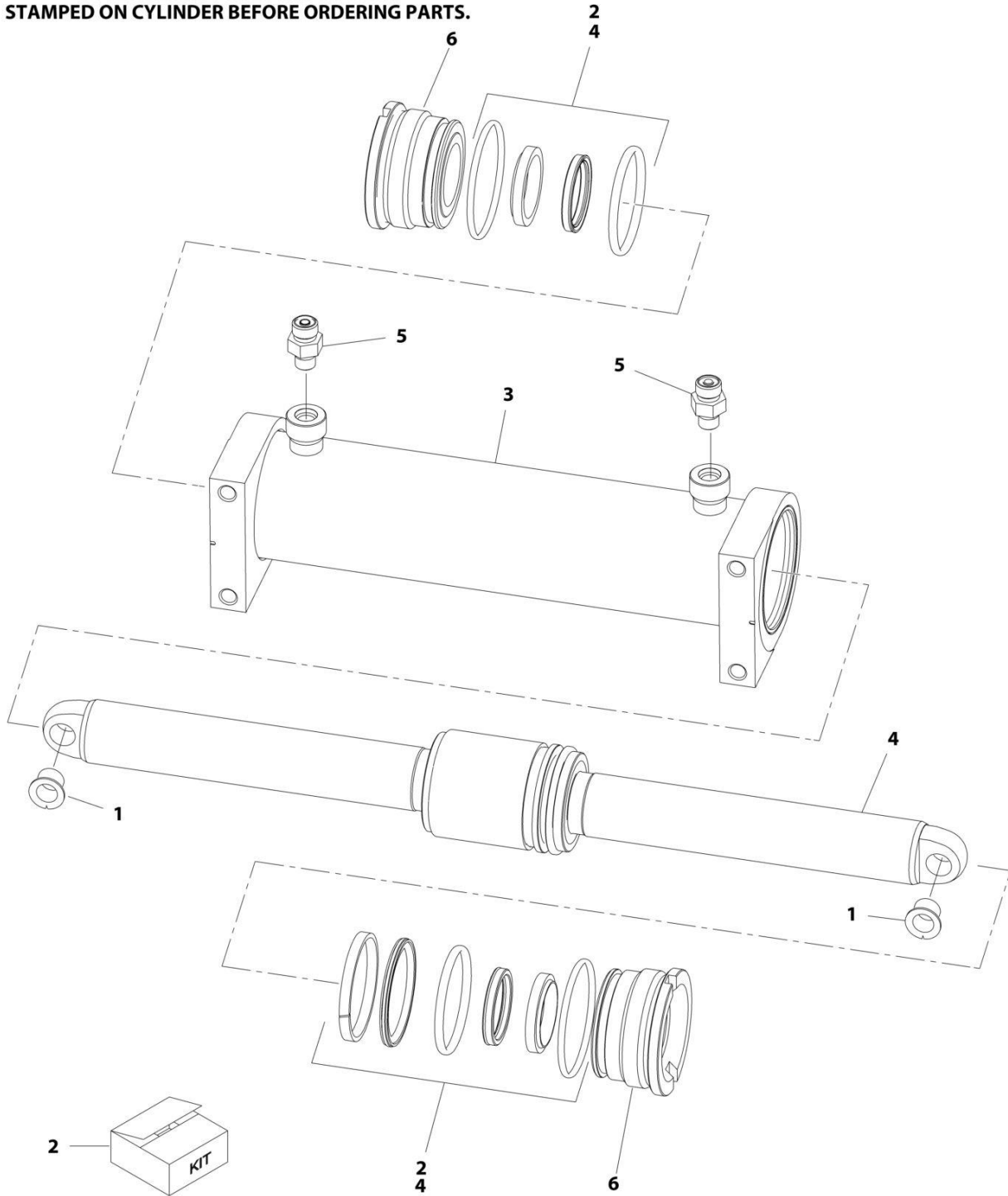
## SECTION 5 - CYLINDER

ITEM	PART NUMBER	QTY	DESCRIPTION	REV
124	70005236	1	Kit, Solenoid Valve (Includes solenoid, coil and lever)	
125	70005237	2	Kit, Fitting (Includes adapter, seal washer and plug)	
126	70004921	1	Plug	
127	70004654	1	Nut, Coil (for Item #112)	
128	70005238	1	Nut, Retaining (for Item #113)	
129	70004971	1	Kit, Brush	
130	70004972	1	Nut M8	

# SECTION 5 - CYLINDER

## FIGURE 5-6. STEER CYLINDER ASSEMBLY (SERTA)

**NOTE: IDENTIFY THE PART NUMBER  
STAMPED ON CYLINDER BEFORE ORDERING PARTS.**



ART\_1001177435

## SECTION 5 - CYLINDER

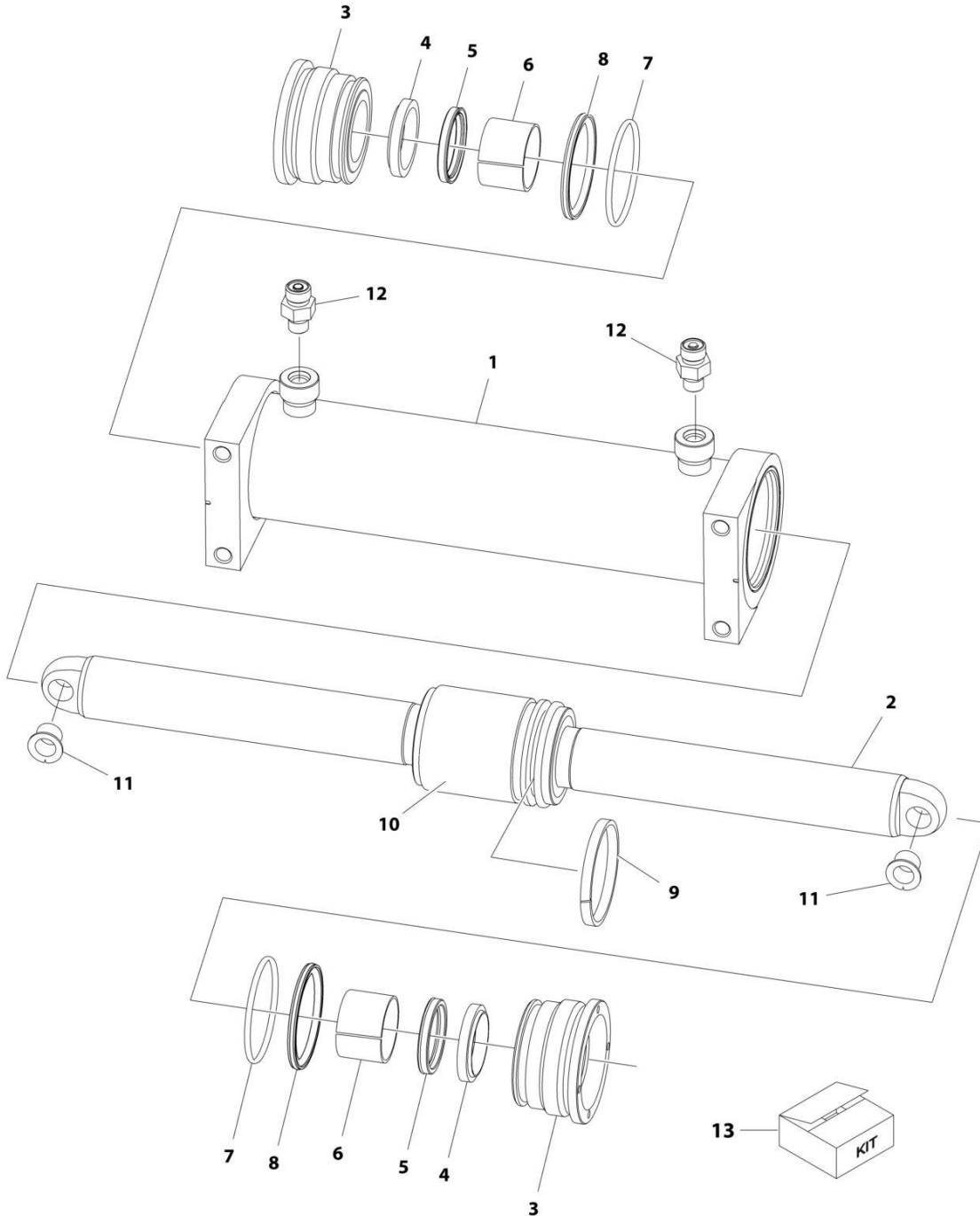
**FIGURE 5-6. STEER CYLINDER ASSEMBLY (SERTA)**

ITEM	PART NUMBER	QTY	DESCRIPTION	REV
	1001177435	Ref	STEER CYLINDER ASSEMBLY (SERTA)	B
		Ref	Note: Original Cylinder May Have Been Replaced with Service Replacement. Identify PN Stamped on Cylinder Before Ordering Parts.	
1	0440259	2	Bearing, Flange	
2	70004779	1	Seal Kit - Cylinder	
3	70004778	1	Barrel, Cylinder	
4	70004777	1	Rod, Cylinder	
5	2110404	2	Fitting, Straight ORFS/ORB	
6	70006342	2	Head	

# SECTION 5 - CYLINDER

## FIGURE 5-7. STEER CYLINDER ASSEMBLY (SH-PAC)

**NOTE: IDENTIFY THE PART NUMBER  
STAMPED ON CYLINDER BEFORE ORDERING PARTS.**



ART\_1001179447

## SECTION 5 - CYLINDER

**FIGURE 5-7. STEER CYLINDER ASSEMBLY (SH-PAC)**

ITEM	PART NUMBER	QTY	DESCRIPTION	REV
	1001179447	Ref	STEER CYLINDER ASSEMBLY (SH-PAC)	A
		Ref	Note: Original Cylinder May Have Been Replaced with Service Replacement. Identify PN Stamped on Cylinder Before Ordering Parts.	
1	70005421	1	Barrel	
2	70005420	1	Rod	
3	70004241	2	Head	
4	See Note	NSS	Wiper (Note: Use Item 13)	
5	See Note	NSS	Seal, Rod (Note: Use Item 13)	
6	See Note	NSS	Ring, Wear (Note: Use Item 13)	
7	See Note	NSS	O-Ring (Note: Use Item 13)	
8	See Note	NSS	Ring, Back-up (Note: Use Item 13)	
9	See Note	NSS	Seal, Piston (Note: Use Item 13)	
10	70005419	1	Spacer	
11	0440259	2	Bearing, Flange	
12	2110404	2	Fitting, Straight ORFS/ORB	
13	70004239	1	Seal Kit - 1001179447 Cylinder (Includes Items 4-9)	





**SECTION 6 - HYDRAULIC**

## SECTION 6 - HYDRAULIC

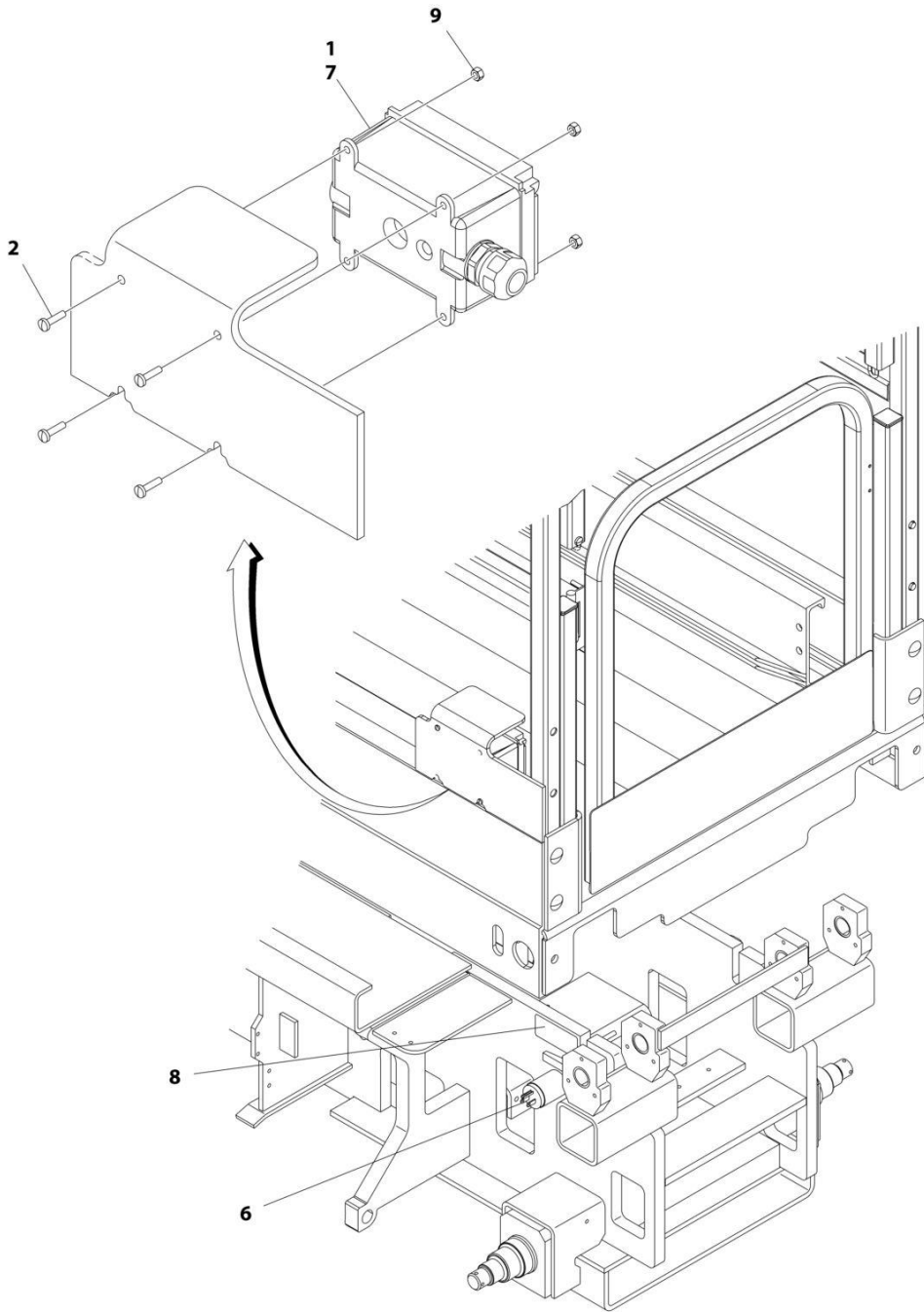
FIGURE 6-1. HYDRAULIC DIAGRAM LIST

ITEM	PART NUMBER	QTY	DESCRIPTION	REV
		Ref	HYDRAULIC DIAGRAM LIST	
		Ref	Note: For hoses and fittings associated with steering, see Steering Installation.	
	2792599	Ref	Hydraulic Schematic - Mexico Built Machines (Not Shown - See Service Manual)	
	1001143663	Ref	Hydraulic Schematic - Belgium and China Built Machines (Not Shown - See Service Manual)	

**SECTION 7 - ELECTRICAL**

# SECTION 7 - ELECTRICAL

## FIGURE 7-1. AC BOX AT PLATFORM INSTALLATION - 110V GFI



ART\_0272839

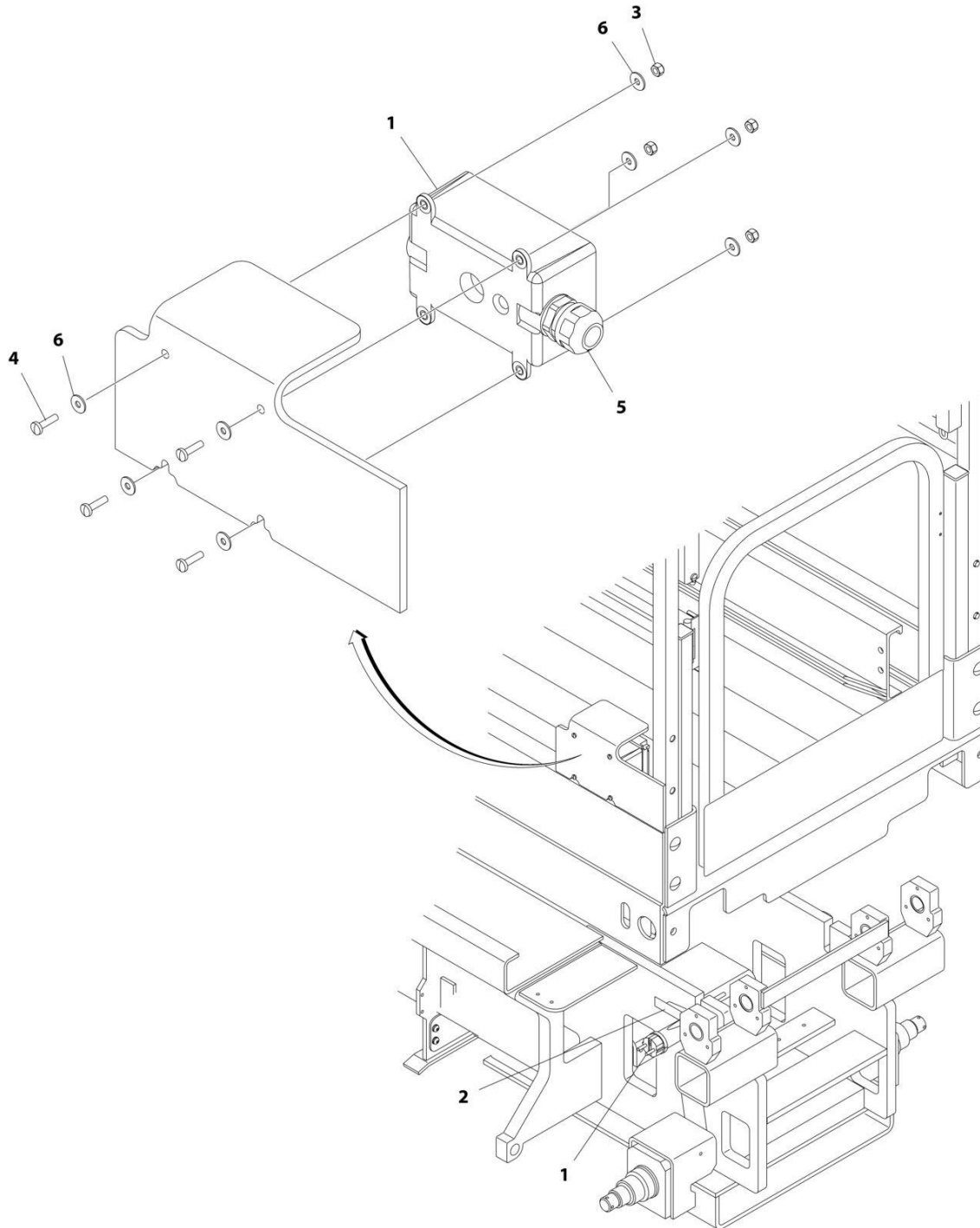
## SECTION 7 - ELECTRICAL

**FIGURE 7-1. AC BOX AT PLATFORM INSTALLATION - 110V GFI**

ITEM	PART NUMBER	QTY	DESCRIPTION	REV
	0272839	Ref	AC BOX AT PLATFORM INSTALLATION - 110V GFI	I
1	2902431	1	Receptacle Box Kit - 110V GFI (See Separate Breakdown in this Section)	
2	4010408	4	Screw M4 x 16	
6	4460138	1	Plug, Male	
7	4460315	3	Terminal	
8	1703464	1	Decal - 120V-60Hz AC Power to Platform	
9	3290405	4	Nut M4	

# SECTION 7 - ELECTRICAL

## FIGURE 7-2. AC BOX AT PLATFORM INSTALLATION - 220V CEE7 SIDE GRD (ANSI EXPORT AND KOREA SPECS)



ART\_1001211593

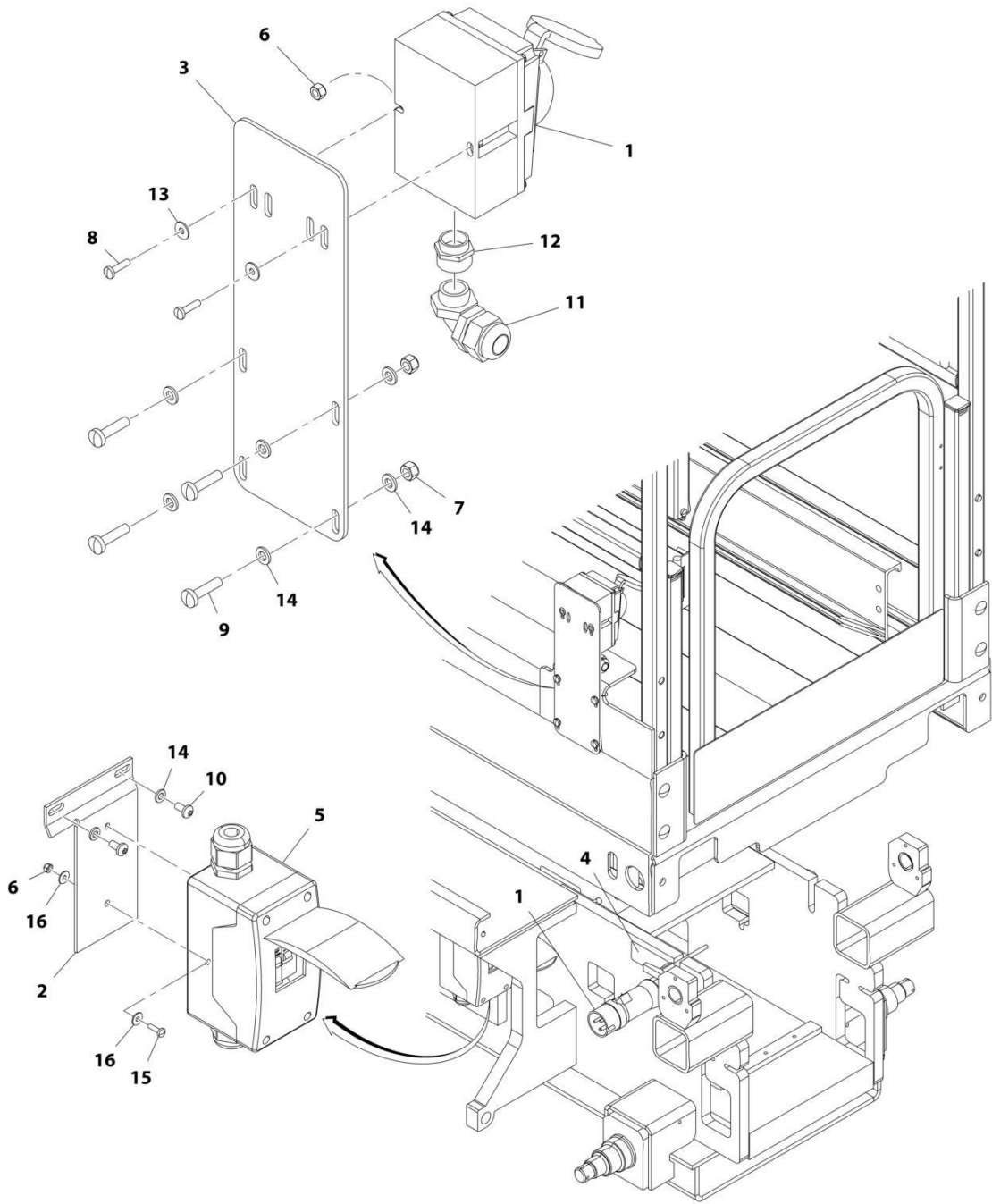
## SECTION 7 - ELECTRICAL

**FIGURE 7-2. AC BOX AT PLATFORM INSTALLATION - 220V CEE7 SIDE GRD (ANSI EXPORT AND KOREA SPECS)**

ITEM	PART NUMBER	QTY	DESCRIPTION	REV
	1001211593	Ref	AC BOX AT PLATFORM INSTALLATION - 220V CEE7 SIDE GRD	A
1	0275453	1	Receptacle Box Kit - 220V CEE7 Side Ground (See Separate Breakdown in this Section)	
2	3252507	1	Decal - 220V-50/60Hz	
3	3290405	4	Nut M4	
4	4010408	4	Screw M4 x 16	
5	4460662	1	Connector, Strain Relief	
6	1001091102	8	Washer M4	

# SECTION 7 - ELECTRICAL

FIGURE 7-3. AC BOX AT PLATFORM INSTALLATION - 110V IEC YELLOW (CE SPEC ONLY)



ART\_0275487



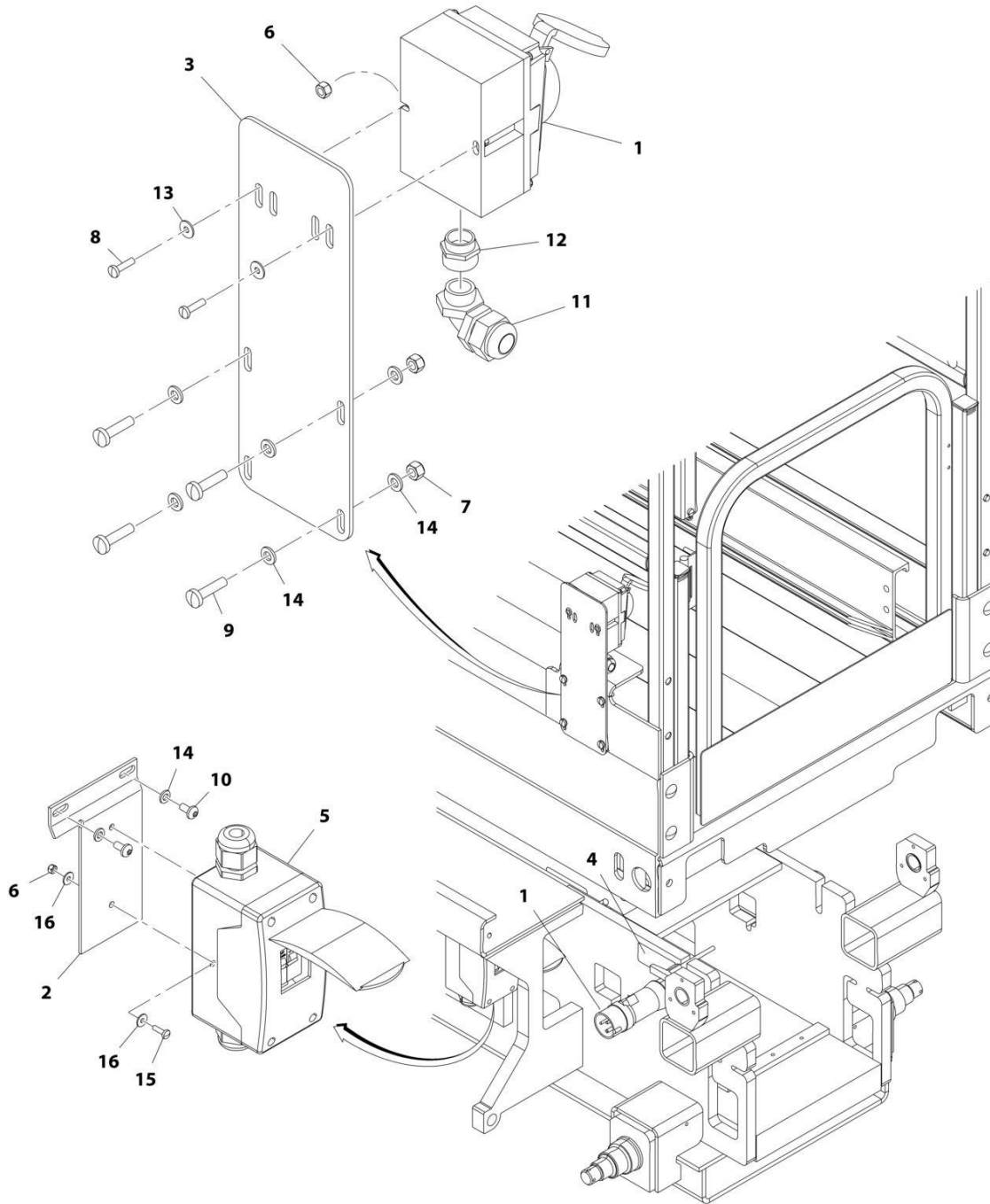
## SECTION 7 - ELECTRICAL

**FIGURE 7-3. AC BOX AT PLATFORM INSTALLATION - 110V IEC YELLOW (CE SPEC ONLY)**

ITEM	PART NUMBER	QTY	DESCRIPTION	REV
	0275487	Ref	AC BOX AT PLATFORM INSTALLATION - 110V IEC YELLOW	E
1	0275216	1	Receptacle Box Kit - 110V IEC Yellow (See Separate Breakdown in this Section)	
2	0903566	1	Bracket	
3	0903569	1	Bracket	
4	1703464	1	Decal - 120V-60Hz	
5	2902541	1	Breaker Box Kit (See Separate Breakdown in this Section)	
6	3290405	4	Nut M4	
7	3290605	4	Nut M6	
8	4010408	2	Screw M4 x 16	
9	4010612	4	Screw M6 x 25	
10	4191706	2	Screw M6 x 12	
11	4461257	1	Connector, Strain Relief	
12	4461258	1	Adapter	
13	4811400	2	Washer M4	
14	4811700	10	Washer M6	
15	1001101540	2	Screw M4 x 14	
16	1001091102	4	Washer M4	

# SECTION 7 - ELECTRICAL

## FIGURE 7-4. AC BOX AT PLATFORM INSTALLATION - 220V IEC BLUE (CE SPEC ONLY)



ART\_0275488

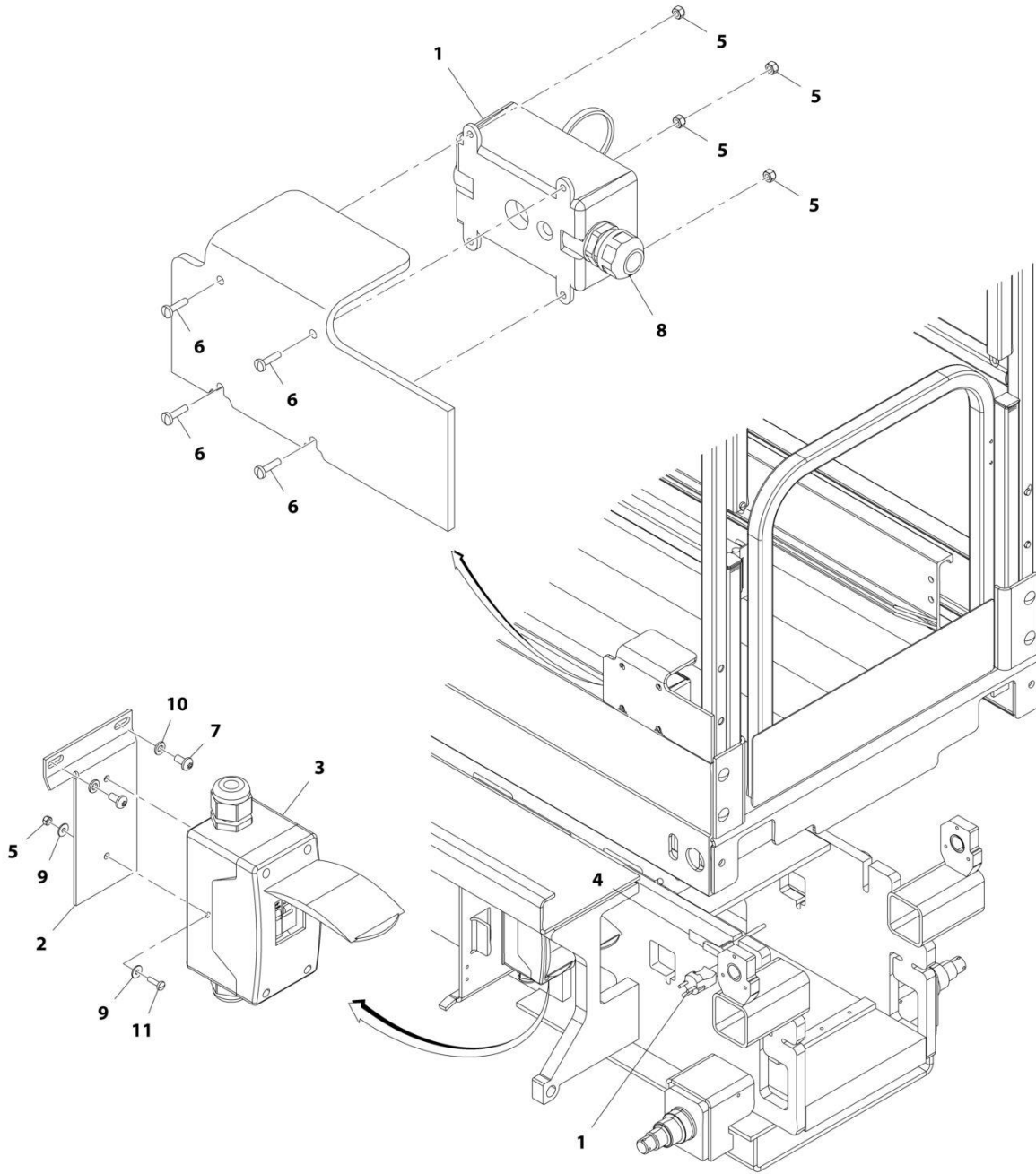
## SECTION 7 - ELECTRICAL

**FIGURE 7-4. AC BOX AT PLATFORM INSTALLATION - 220V IEC BLUE (CE SPEC ONLY)**

ITEM	PART NUMBER	QTY	DESCRIPTION	REV
	0275488	Ref	AC BOX AT PLATFORM INSTALLATION - 220V IEC BLUE	E
1	0275217	1	Receptacle Box Kit - 220V IEC Blue (See Separate Breakdown in this Section)	
2	0903566	1	Bracket	
3	0903569	1	Bracket	
4	3252507	1	Decal - 220V-50/60Hz	
5	2902541	1	Breaker Box Kit (See Separate Breakdown in this Section)	
6	3290405	4	Nut M4	
7	3290605	4	Nut M6	
8	4010408	2	Screw M4 x 16	
9	4010612	4	Screw M6 x 25	
10	4191706	2	Screw M6 x 12	
11	4461257	1	Connector, Strain Relief	
12	4461258	1	Adapter	
13	4811400	2	Washer M4	
14	4811700	10	Washer M6	
15	1001101540	2	Screw M4 x 14	
16	1001091102	4	Washer M4	

# SECTION 7 - ELECTRICAL

## FIGURE 7-5. AC BOX AT PLATFORM INSTALLATION - 220V AFSINT107 (CE SPEC ONLY)



ART\_0275486

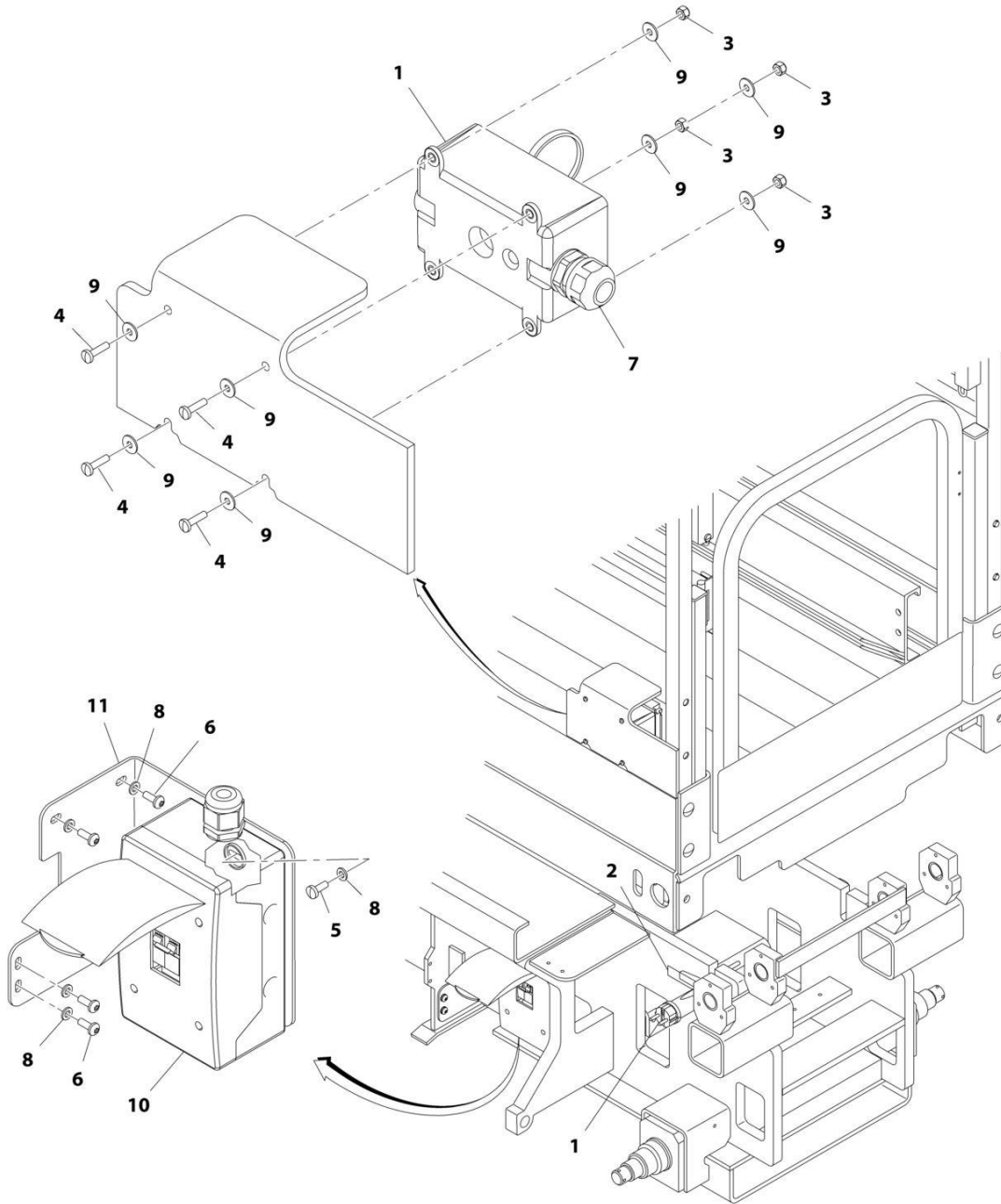
## SECTION 7 - ELECTRICAL

**FIGURE 7-5. AC BOX AT PLATFORM INSTALLATION - 220V AFSINT107 (CE SPEC ONLY)**

ITEM	PART NUMBER	QTY	DESCRIPTION	REV
	0275486	Ref	AC BOX AT PLATFORM INSTALLATION - 220V AFSINT107	E
1	0275454	1	Receptacle Box Kit - 220V AFSINT107 (See Separate Breakdown in this Section)	
2	0903566	1	Bracket	
3	2902541	1	Breaker Box Kit (See Separate Breakdown in this Section)	
4	3252507	1	Decal - 220V/50-60Hz	
5	3290405	6	Nut M4	
6	4010408	4	Screw M4 x 16	
7	4191706	2	Screw M6 x 12	
8	4460662	1	Connector, Strain Relief	
9	1001091102	2	Washer M4	
10	4811700	2	Washer M6	
11	1001101540	2	Screw M4 x 14	

# SECTION 7 - ELECTRICAL

FIGURE 7-6. AC BOX AT PLATFORM INSTALLATION - 220V CEE7 SIDE GRD (ANSI EXPORT, CE, CHINA AND KOREA SPECS)



ART\_1001162447

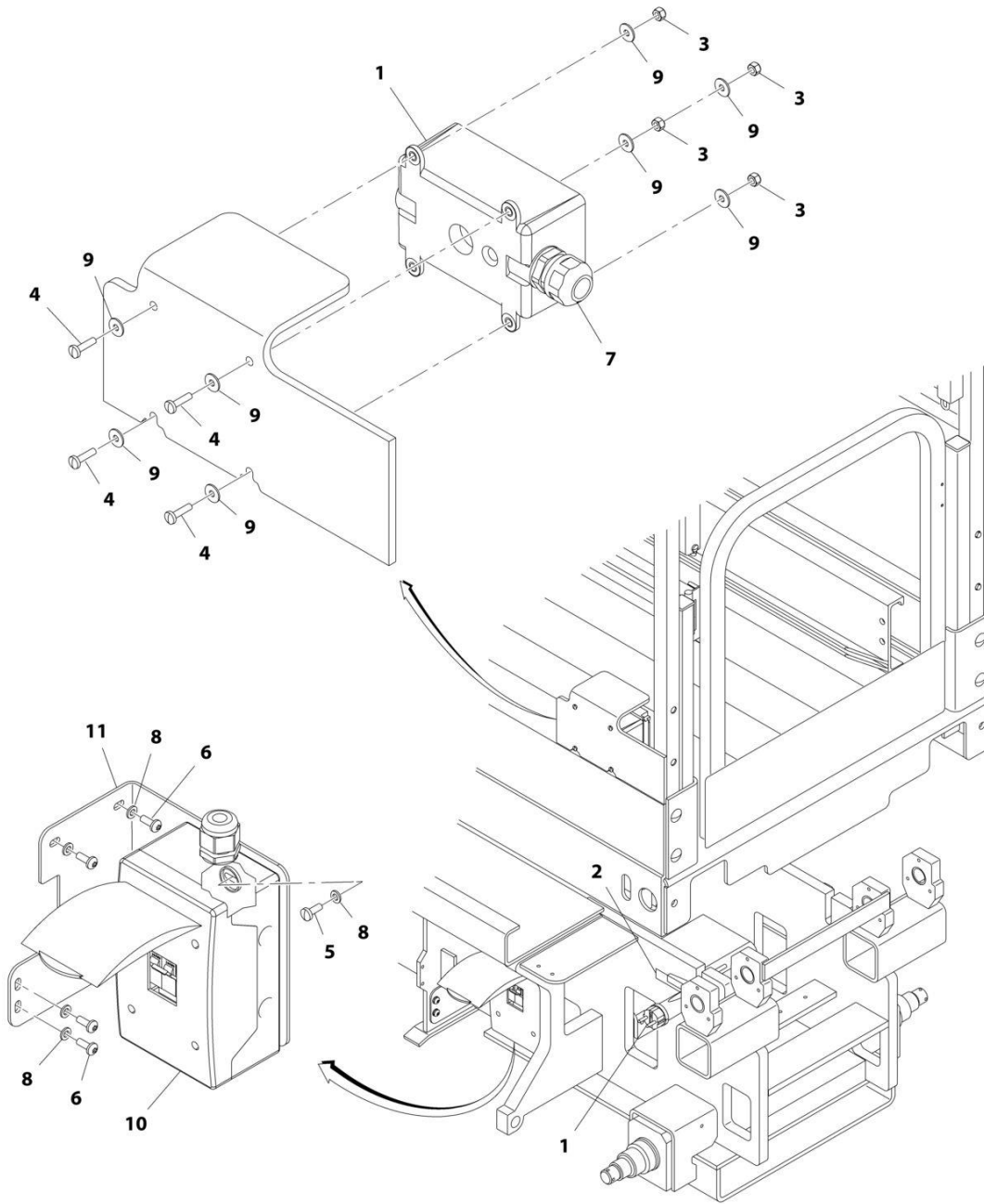
## SECTION 7 - ELECTRICAL

**FIGURE 7-6. AC BOX AT PLATFORM INSTALLATION - 220V CEE7 SIDE GRD (ANSI EXPORT, CE, CHINA AND KOREA SPECS)**

ITEM	PART NUMBER	QTY	DESCRIPTION	REV
	1001162447	Ref	AC BOX AT PLATFORM INSTALLATION - 220V CEE7 SIDE GRD	A
1	0275453	1	Receptacle Box Kit - 220V CEE7 Side Ground (See Separate Breakdown in this Section)	
2	3252507	1	Decal - 220V-50/60Hz	
3	3290405	4	Nut M4	
4	4010408	4	Screw M4 x 16	
5	4010608	2	Screw M6 x 16	
6	4191707	4	Screw M6 x 16	
7	4460662	1	Connector, Strain Relief	
8	4811700	10	Washer M6	
9	1001091102	8	Washer M4	
10	1001152485	1	Breaker Box Kit (See Separate Breakdown in this Section)	
11	1001162362	1	Bracket	

# SECTION 7 - ELECTRICAL

## FIGURE 7-7. AC BOX AT PLATFORM INSTALLATION - 220V CEE7 POST GRD (CE SPEC ONLY)



ART\_1001162449



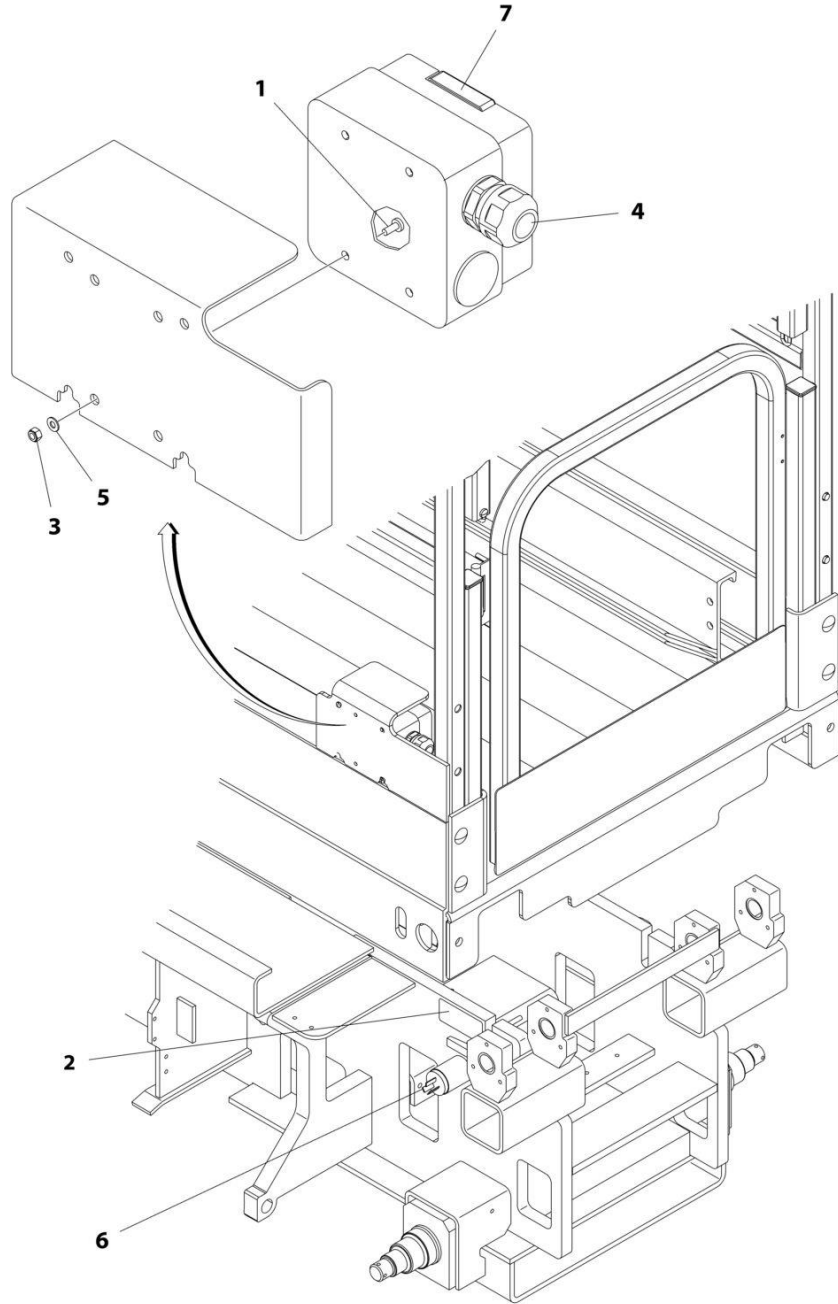
## SECTION 7 - ELECTRICAL

**FIGURE 7-7. AC BOX AT PLATFORM INSTALLATION - 220V CEE7 POST GRD (CE SPEC ONLY)**

ITEM	PART NUMBER	QTY	DESCRIPTION	REV
	1001162449	Ref	AC BOX AT PLATFORM INSTALLATION - 220V CEE7 POST GRD	A
1	0275452	1	Receptacle Box Kit - 220V CEE7 Post Ground (See Separate Breakdown in this Section)	
2	3252507	1	Decal - 220V-50/60Hz	
3	3290405	4	Nut M4	
4	4010408	4	Screw M4 x 16	
5	4010608	2	Screw M6 x 16	
6	4191706	4	Screw M6 x 12	
7	4460662	1	Connector, Strain Relief	
8	4811700	6	Washer M6	
9	1001091102	8	Washer M4	
10	1001152485	1	Breaker Box Kit (See Separate Breakdown in this Section)	
11	1001162362	1	Bracket	

# SECTION 7 - ELECTRICAL

FIGURE 7-8. AC BOX AT PLATFORM INSTALLATION - 220V (ANSI EXPORT, CHINA AND KOREA SPECS)



ART\_1001198711

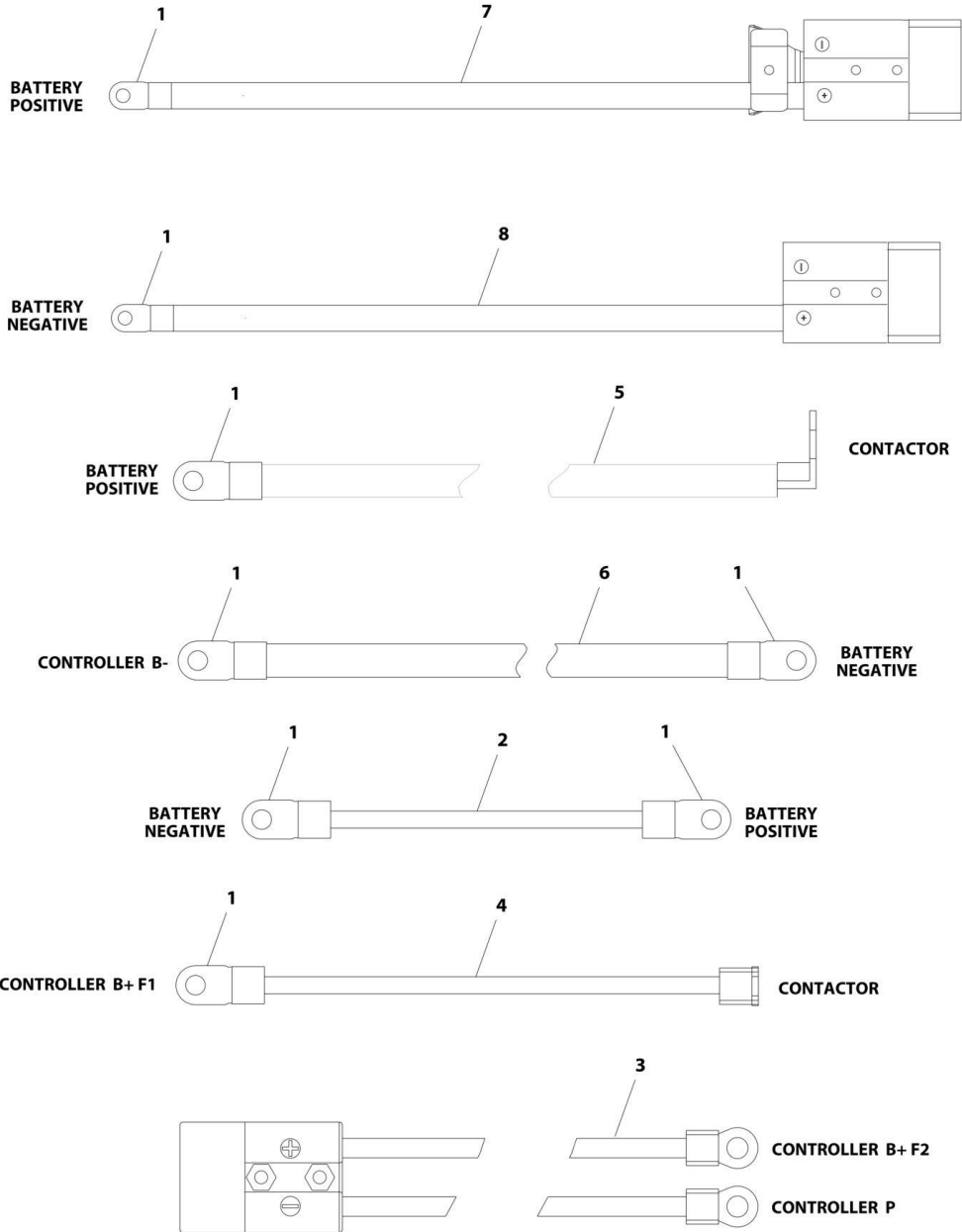
## SECTION 7 - ELECTRICAL

**FIGURE 7-8. AC BOX AT PLATFORM INSTALLATION - 220V (ANSI EXPORT, CHINA AND KOREA SPECS)**

ITEM	PART NUMBER	QTY	DESCRIPTION	REV
	1001198711	Ref	AC BOX AT PLATFORM INSTALLATION - 220V	A
1	4010405	4	Screw M4 X 10	
2	3252507	1	Decal - 220V-50/60Hz	
3	3290405	4	Nut M4	
4	4460968	1	Connector, Strain Relief	
5	4811400	4	Washer M4	
6	1001187816	1	Plug	
7	1001188116	1	Box, Receptacle	

# SECTION 7 - ELECTRICAL

## FIGURE 7-9. BATTERY CABLE KIT



ART\_1001178317

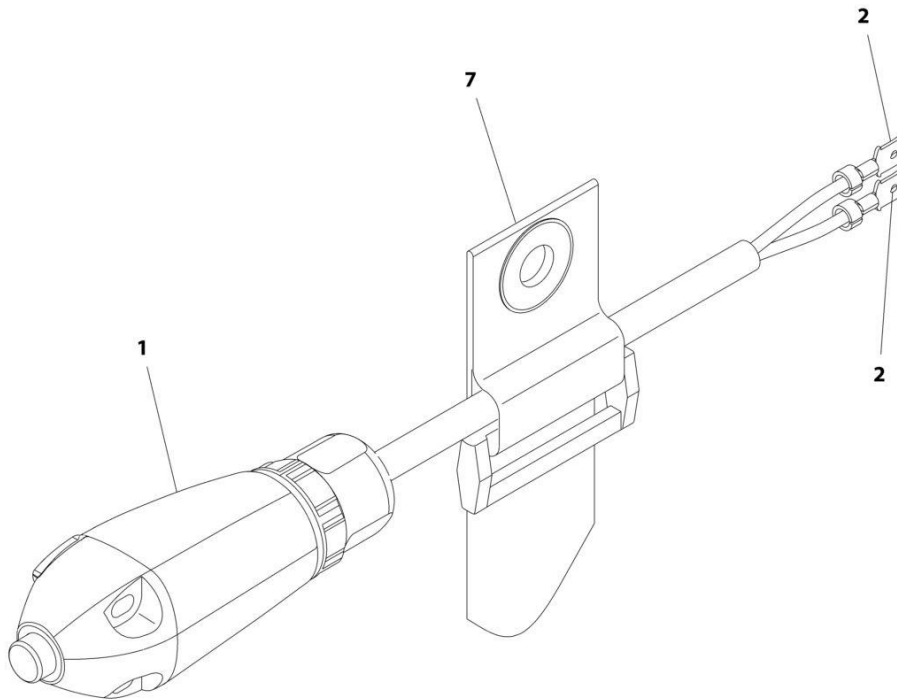
## SECTION 7 - ELECTRICAL

### FIGURE 7-9. BATTERY CABLE KIT

ITEM	PART NUMBER	QTY	DESCRIPTION	REV
	1001178317	Ref	BATTERY CABLE KIT	D
1	0840060	8	Boot, Terminal	
2	1060998	2	Cable, Battery	
3	1001096795	1	Cable, Pump to Controller	
3	4460618	1	Connector, Anderson	
4	1001114992	1	Cable, Battery	
5	1001178315	1	Cable, Battery	
6	1001178316	1	Cable, Battery	
7	1001178493	1	Cable, Battery	
7	4460618	1	Connector, Anderson	
8	1001178528	1	Cable, Battery	
8	4460618	1	Connector, Anderson	

# SECTION 7 - ELECTRICAL

## FIGURE 7-10. BRAKE DISCONNECT HARNESS



ART\_4922944

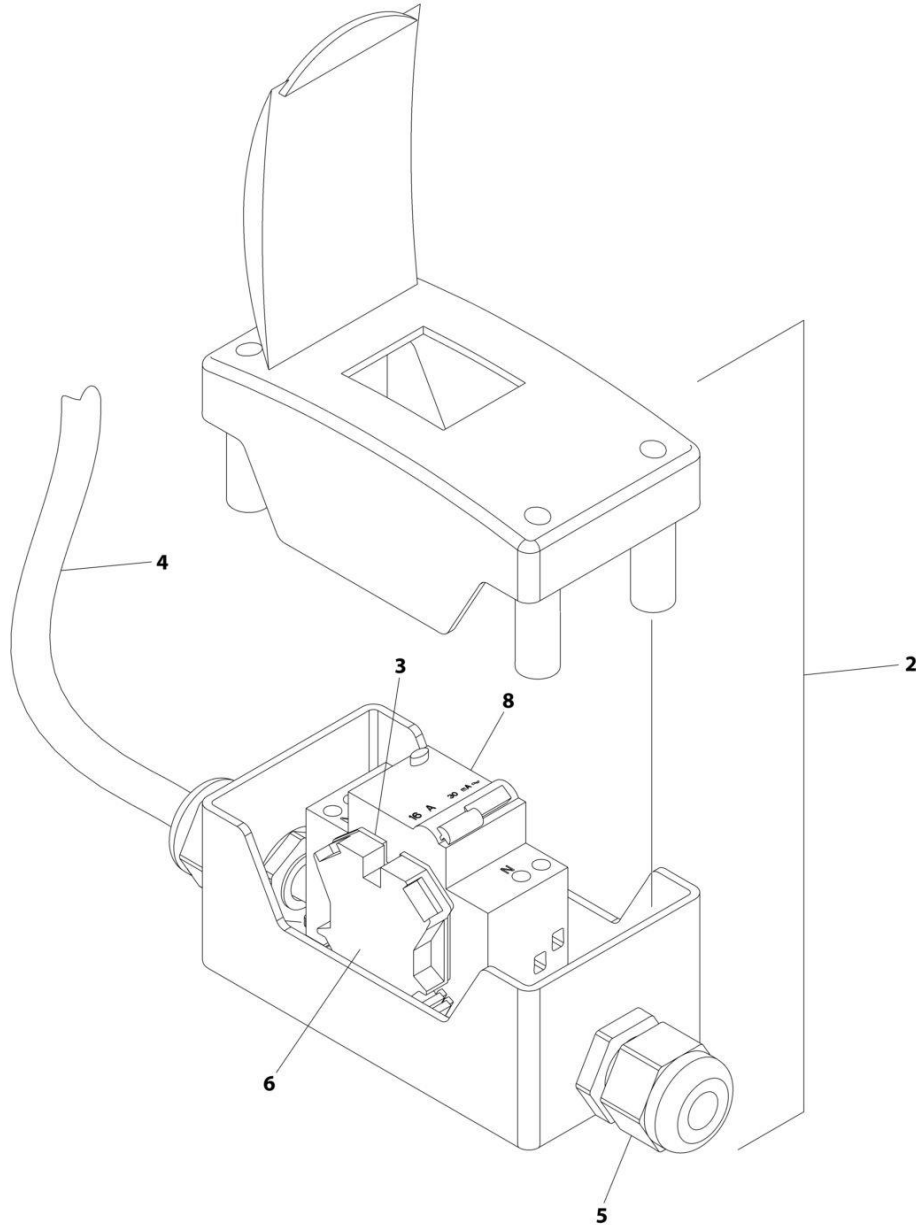
## SECTION 7 - ELECTRICAL

### FIGURE 7-10. BRAKE DISCONNECT HARNESS

ITEM	PART NUMBER	QTY	DESCRIPTION	REV
	4922944	Ref	BRAKE DISCONNECT HARNESS	F
1	4360613	1	Switch, Push Button Limit	
2	4461002	2	Terminal	
7	4240003	1	Strap, Cinch	

# SECTION 7 - ELECTRICAL

## FIGURE 7-11. BREAKER BOX KIT WITH TWO BREAKERS (CE SPEC ONLY)



ART\_2902541-G



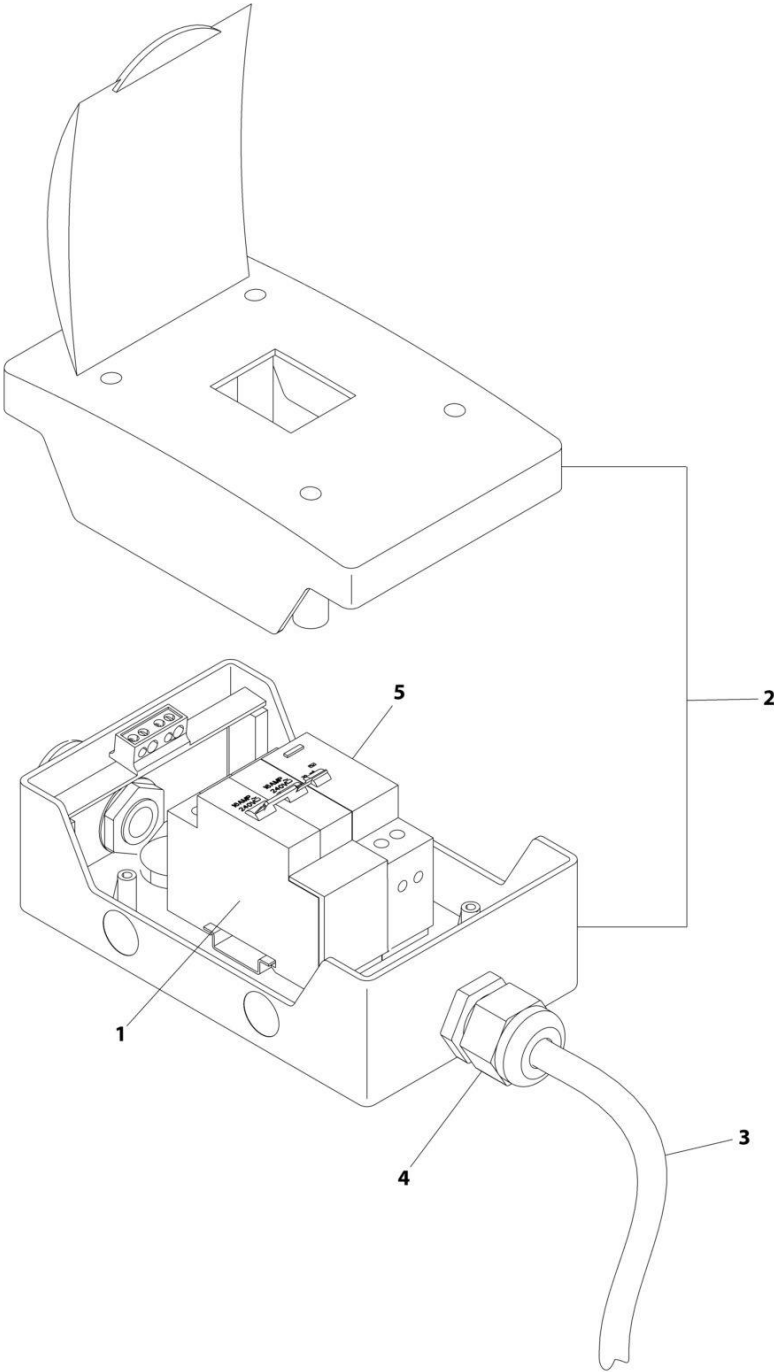
## SECTION 7 - ELECTRICAL

**FIGURE 7-11. BREAKER BOX KIT WITH TWO BREAKERS (CE SPEC ONLY)**

ITEM	PART NUMBER	QTY	DESCRIPTION	REV
	2902541	Ref	BREAKER BOX KIT WITH TWO BREAKERS	G
2	0861880	1	Box	
3	4460956	1	Barrier, Terminal	
4	1060908	4.6 ft /1.4m	Cable, 12/3	
5	1001097150	2	Connector, Strain Relief	
6	4460957	1	Block, Terminal	
8	1001181045	1	Breaker, 16A/30mAmp Combination	

**SECTION 7 - ELECTRICAL**

**FIGURE 7-12. BREAKER BOX KIT WITH THREE BREAKERS**



ART\_1001152485\_F

## SECTION 7 - ELECTRICAL

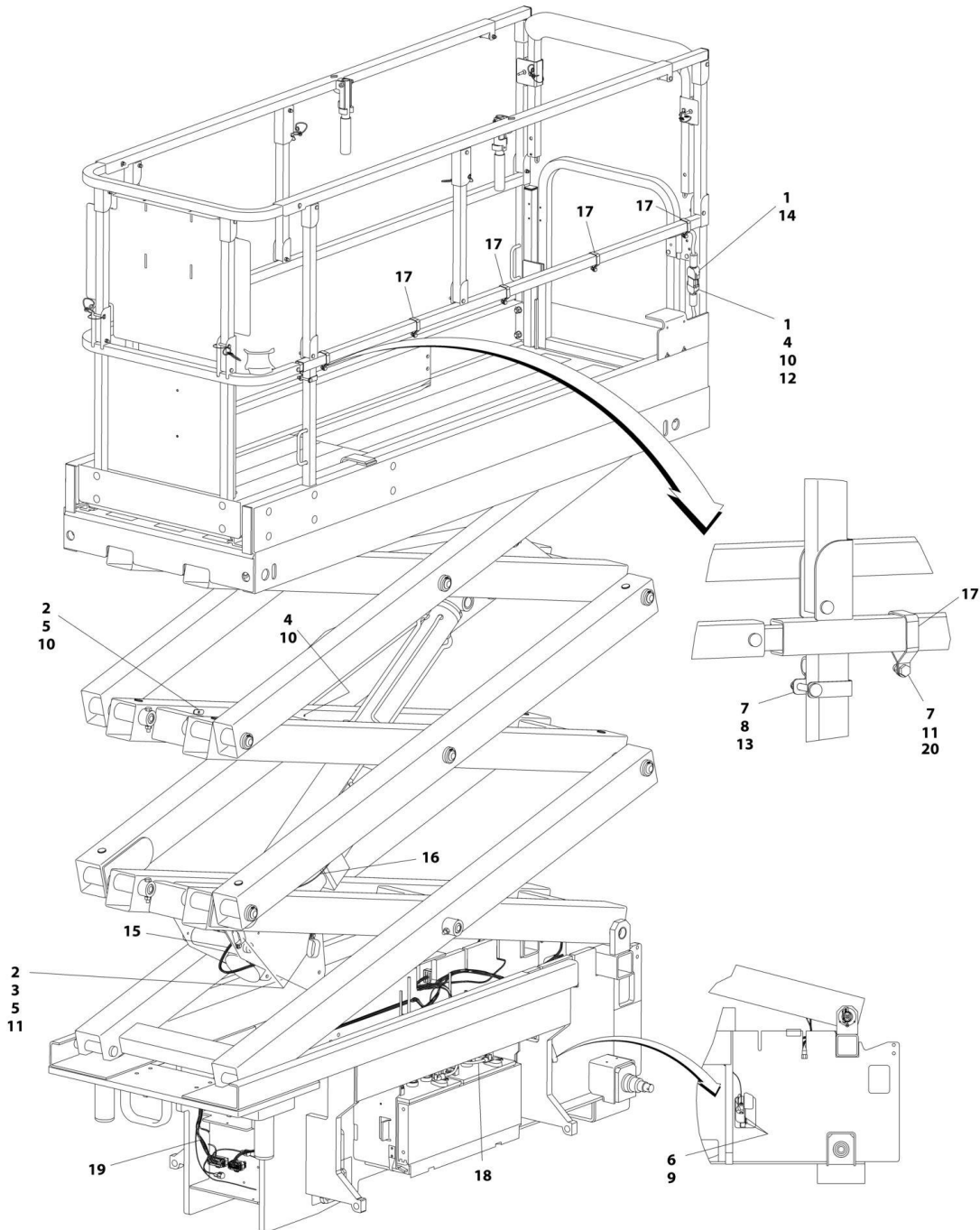
**FIGURE 7-12. BREAKER BOX KIT WITH THREE BREAKERS**

ITEM	PART NUMBER	QTY	DESCRIPTION	REV
	1001152485	Ref	BREAKER BOX KIT WITH TWO BREAKERS	F
1	1001189172	1	Breaker 16Amp Double	
2	1001152483	1	Box	
3	1060908	6 ft/1.8m	Cable, 12/3	
4	1001097150	2	Connector, Strain Relief	
5	1001189171	1	Breaker, 30mA	

# SECTION 7 - ELECTRICAL

## FIGURE 7-13. CABLES INSTALLATION - 2032ES (ANSI AND CSA SPECS) (CHINA BUILT MACHINES)

NOTE: SEE USAGE CHART ON PARTS LIST BEFORE ORDERING PARTS.



ART\_1001219349

## SECTION 7 - ELECTRICAL

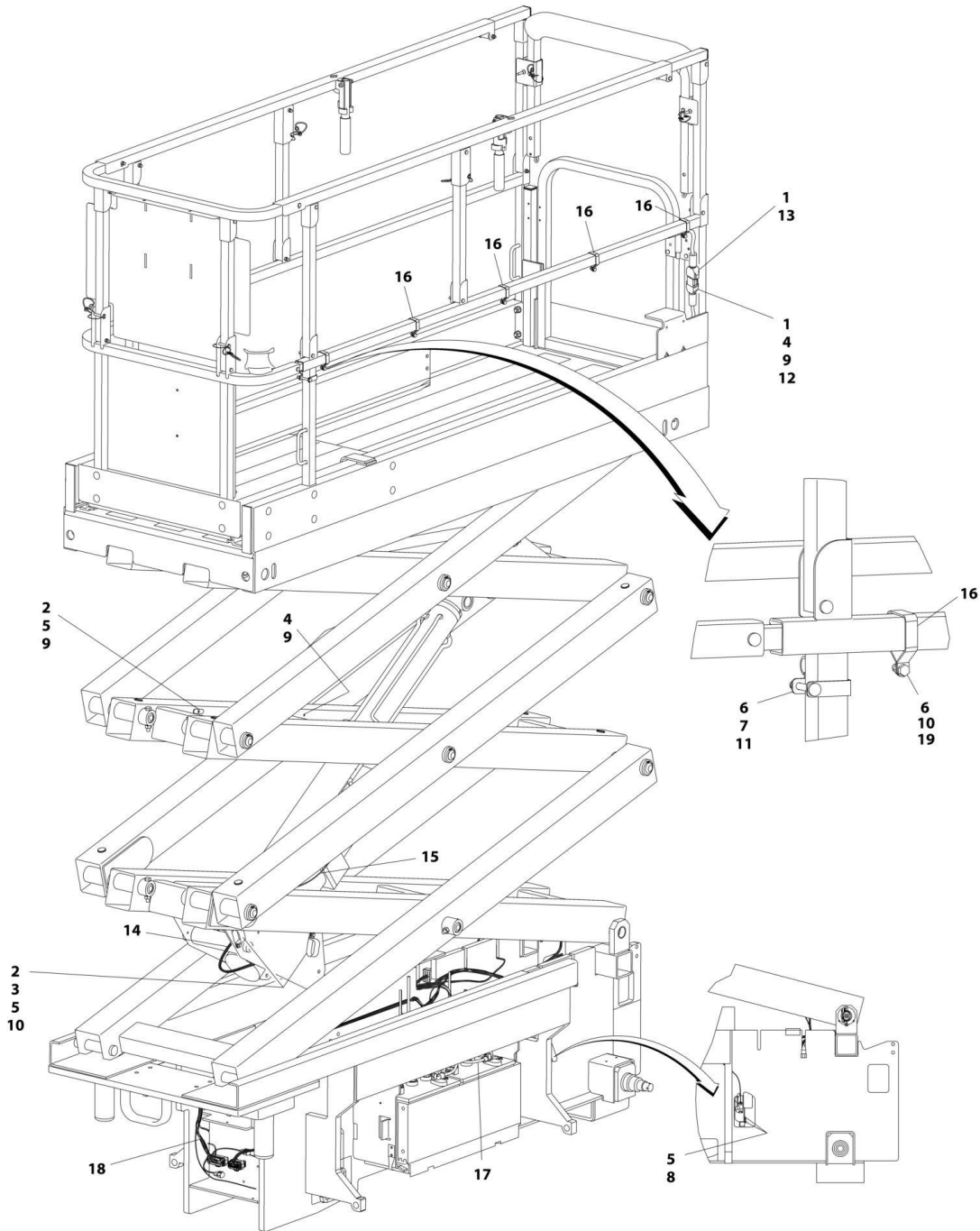
**FIGURE 7-13. CABLES INSTALLATION - 2032ES (ANSI AND CSA SPECS) (CHINA BUILT MACHINES)**

ITEM	PART NUMBER	QTY	DESCRIPTION	REV
	1001219349	Ref	CABLES INSTALLATION - 2032ES	B
1	0100048	AR	Compound, Sealing	
2	0760610	2	Bolt M6 x 20	
3	1321716	2	Clamp	
4	1380158	13	Clip, Retainer	
5	3290601	2	Nut M6	
6	3290605	2	Nut M6	
7	3290606	6	Nut M6	
8	4010616	1	Screw M6 x 40	
9	4031713	2	Capscrew M6 x 45	
10	4740545	5	Washer	
11	4751400	4	Washer 1/4	
12	1001178687	1	Ground to Platform Harness (See Separate Breakdown in this Section)	
13	1001094175	1	Clamp	
14	1001096706	1	Platform Harness (Includes Item 17) (See Separate Breakdown in this Section)	
15	1001096794	1	Pump Power Harness (See Separate Breakdown in this Section)	
16	1001115002	1	Cylinder Harness (See Separate Breakdown in this Section)	
17	1001220668	5	Clamp	
18	1001178317	1	Battery Cable Kit (See Separate Breakdown in this Section)	
19	1001187198	1	Chassis Harness (See Separate Breakdown in this Section)	
20	0760606	5	Bolt M6 x 12	
20	0760605	5	Bolt M6 x 10	

# SECTION 7 - ELECTRICAL

## FIGURE 7-14. CABLES INSTALLATION - 2032ES (ALL SPECS EXCEPT ANSI, CSA ANS UL SPECS) (BELGIUM AND CHINA BUILT MACHINES)

NOTE: SEE USAGE CHART ON PARTS LIST BEFORE ORDERING PARTS.



ART\_1001219351

## SECTION 7 - ELECTRICAL

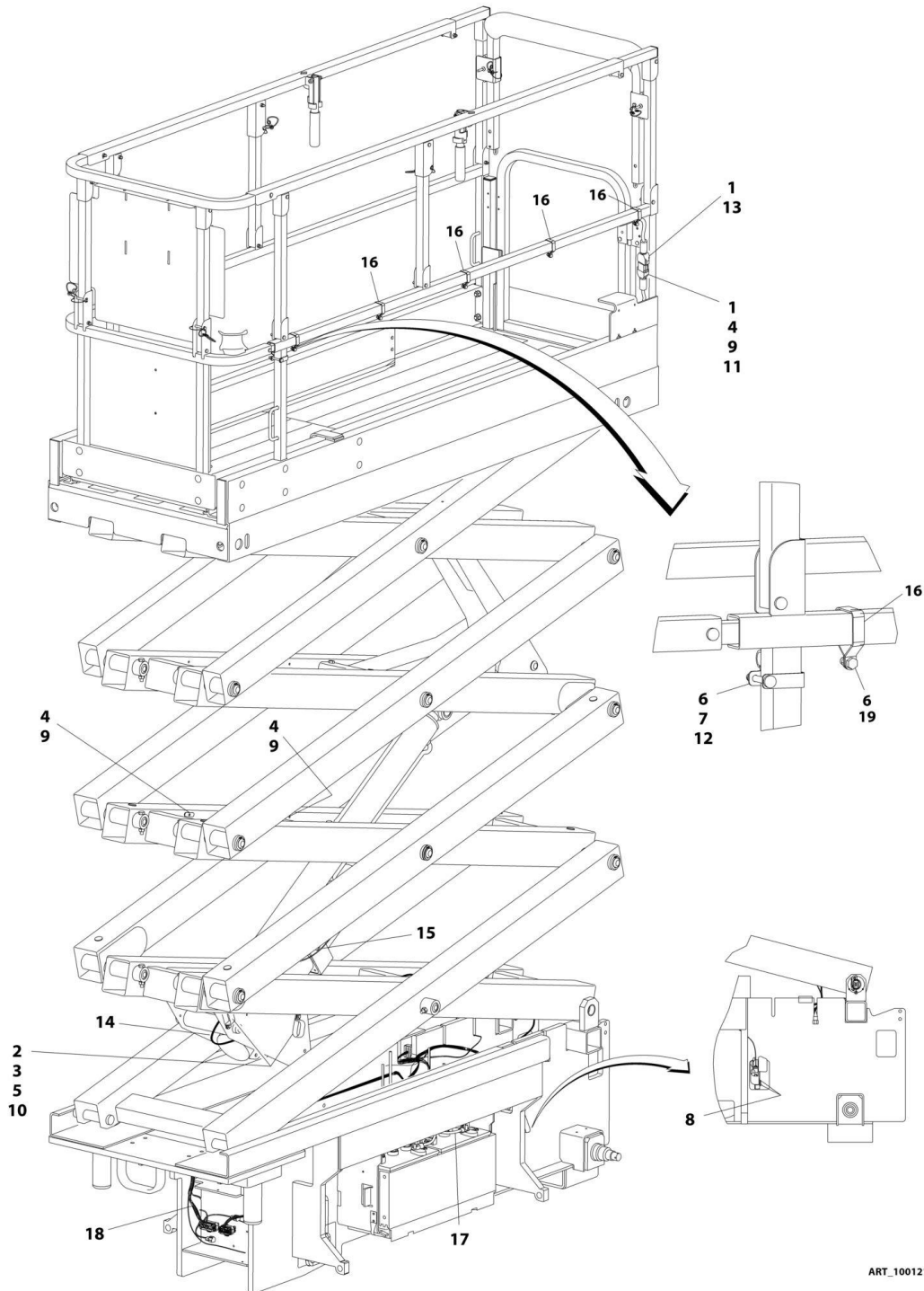
**FIGURE 7-14. CABLES INSTALLATION - 2032ES (ALL SPECS EXCEPT ANSI, CSA ANS UL SPECS)  
(BELGIUM AND CHINA BUILT MACHINES)**

ITEM	PART NUMBER	QTY	DESCRIPTION	REV
	1001219351	Ref	CABLES INSTALLATION - 2032ES	B
1	0100048	AR	Compound, Sealing	
2	0760610	4	Bolt M6 x 20	
3	1321716	2	Clamp	
4	1380158	13	Clip, Retainer	
5	3290605	6	Nut M6	
6	3290606	6	Nut M6	
7	4010616	1	Screw M6 x 40	
8	4031713	2	Capscrew M6 x 45	
9	4740545	5	Washer	
10	4751400	4	Washer 1/4	
11	1001094175	1	Clamp	
12	1001178690	1	Ground to Platform Harness (See Separate Breakdown in this Section)	
13	1001096706	1	Platform Harness (Includes Item 16) (See Separate Breakdown in this Section)	
14	1001096794	1	Pump Power Harness (See Separate Breakdown in this Section)	
15	1001115002	1	Cylinder Harness (See Separate Breakdown in this Section)	
16	1001220668	5	Clamp	
17	1001178317	1	Battery Cable Kit (See Separate Breakdown in this Section)	
18	1001187198	1	Chassis Harness (See Separate Breakdown in this Section)	
19	0760606	5	Bolt M6 x 12	
19	0760605	5	Bolt M6 x 10	

# SECTION 7 - ELECTRICAL

## FIGURE 7-15. CABLES INSTALLATION - 2632ES (ANSI, CSA AND UL SPECS) (CHINA AND MEXICO BUILT MACHINES)

NOTE: SEE USAGE CHART ON PARTS LIST BEFORE ORDERING PARTS.



ART\_1001219350



## SECTION 7 - ELECTRICAL

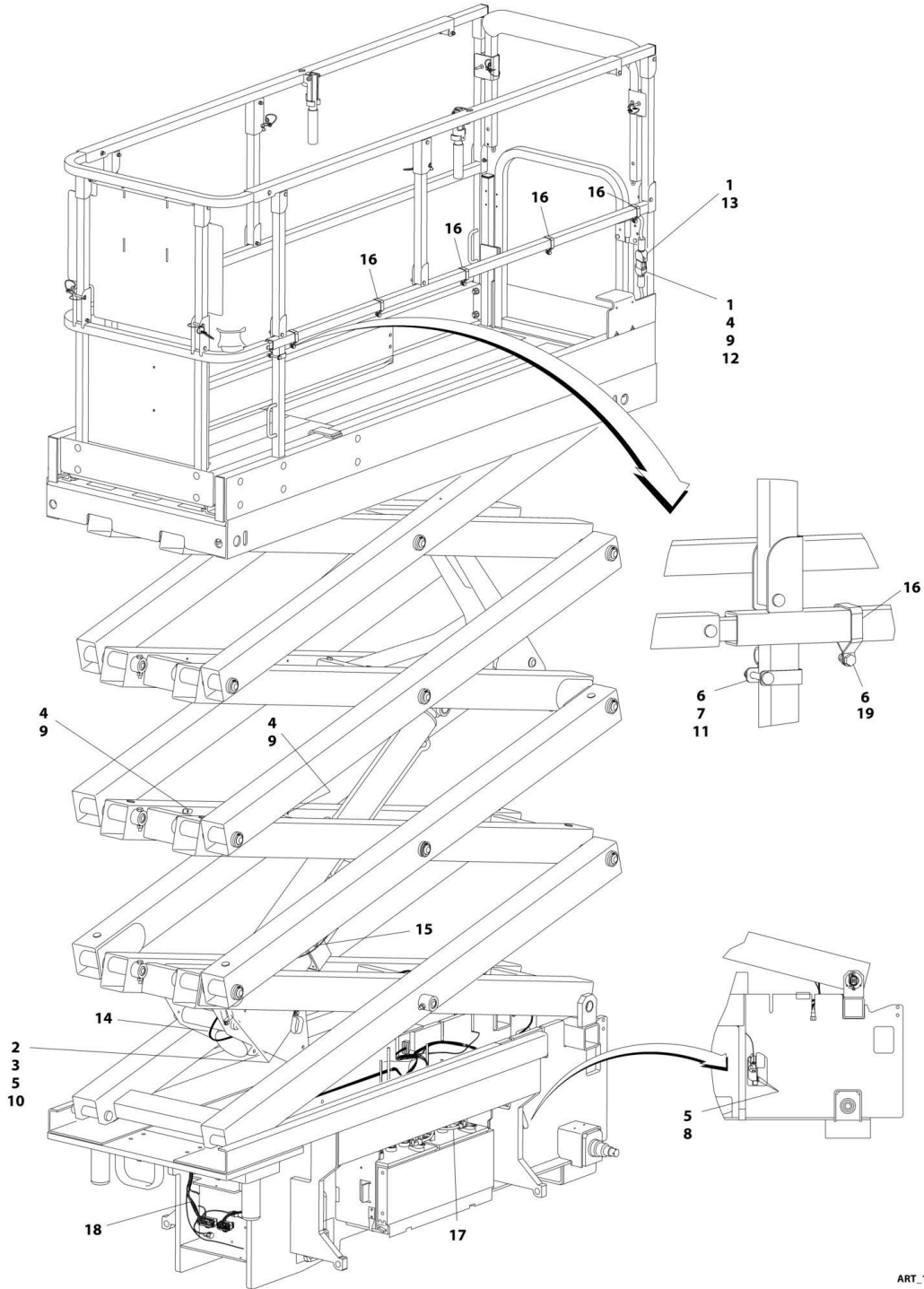
**FIGURE 7-15. CABLES INSTALLATION - 2632ES (ANSI, CSA AND UL SPECS) (CHINA AND MEXICO BUILT MACHINES)**

ITEM	PART NUMBER	QTY	DESCRIPTION	REV
	1001219350	Ref	CABLES INSTALLATION - 2632ES	B
1	0100048	AR	Compound, Sealing	
2	0760610	2	Bolt M6 x 20	
3	1321716	2	Clamp	
4	1380158	20	Clip, Retainer	
5	3290601	2	Nut M6	
6	3290606	6	Nut M6	
7	4010616	1	Screw M6 x 40	
8	4031713	2	Capscrew M6 x 45	
9	4740545	11	Washer	
10	4751400	4	Washer 1/4	
11	1001178688	1	Ground to Platform Harness (See Separate Breakdown in this Section)	
12	1001094175	1	Clamp	
13	1001096706	1	Platform Harness (Includes Item 16) (See Separate Breakdown in this Section)	
14	1001096794	1	Pump Power Harness (See Separate Breakdown in this Section)	
15	1001115002	1	Cylinder Harness (See Separate Breakdown in this Section)	
16	1001220668	5	Clamp	
17	1001178317	1	Battery Cable Kit (See Separate Breakdown in this Section)	
18	1001187198	1	Chassis Harness (See Separate Breakdown in this Section)	
19	0760606	5	Bolt M6 x 12	
19	0760605	5	Bolt M6 x 10	

# SECTION 7 - ELECTRICAL

## FIGURE 7-16. CABLES INSTALLATION - 2632ES (ALL SPECS EXCEPT ANSI, CSA AND UL SPECS) (BELGIUM, CHINA AND MEXICO BUILT MACHINES)

NOTE: SEE USAGE CHART ON PARTS LIST BEFORE ORDERING PARTS.



ART\_1001219352

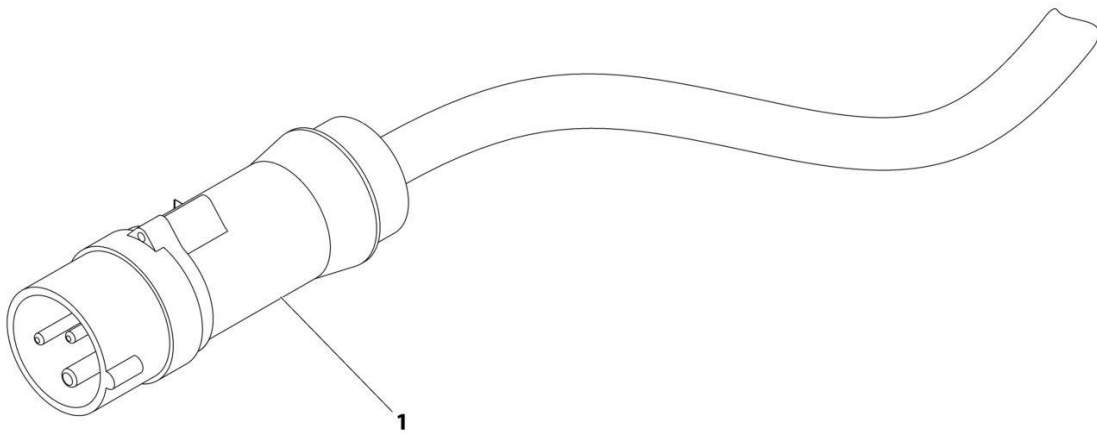
## SECTION 7 - ELECTRICAL

**FIGURE 7-16. CABLES INSTALLATION - 2632ES (ALL SPECS EXCEPT ANSI, CSA AND UL SPECS)  
(BELGIUM, CHINA AND MEXICO BUILT MACHINES)**

ITEM	PART NUMBER	QTY	DESCRIPTION	REV
	1001219352	Ref	CABLES INSTALLATION - 2632ES	B
1	0100048	AR	Compound, Sealing	
2	0760610	4	Bolt M6 x 20	
3	1321716	2	Clamp	
4	1380158	20	Clip, Retainer	
5	3290605	6	Nut M6	
6	3290606	6	Nut M6	
7	4010616	1	Screw M6 x 40	
8	4031713	2	Capscrew M6 x 45	
9	4740545	11	Washer	
10	4751400	4	Washer 1/4	
11	1001094175	1	Clamp	
12	1001178689	1	Ground to Platform Harness (See Separate Breakdown in this Section)	
13	1001096706	1	Platform Harness (Includes Item 16) (See Separate Breakdown in this Section)	
14	1001096794	1	Pump Power Harness (See Separate Breakdown in this Section)	
15	1001115002	1	Cylinder Harness (See Separate Breakdown in this Section)	
16	1001220668	5	Clamp	
17	1001178317	1	Battery Cable Kit (See Separate Breakdown in this Section)	
18	1001187198	1	Chassis Harness (See Separate Breakdown in this Section)	
19	0760606	5	Bolt M6 x 12	
19	0760605	5	Bolt M6 x 10	

## SECTION 7 - ELECTRICAL

FIGURE 7-17. CHARGER CORD PLUG INSTALLATION - 110V IEC YELLOW (CE SPEC ONLY)



ART\_0275666

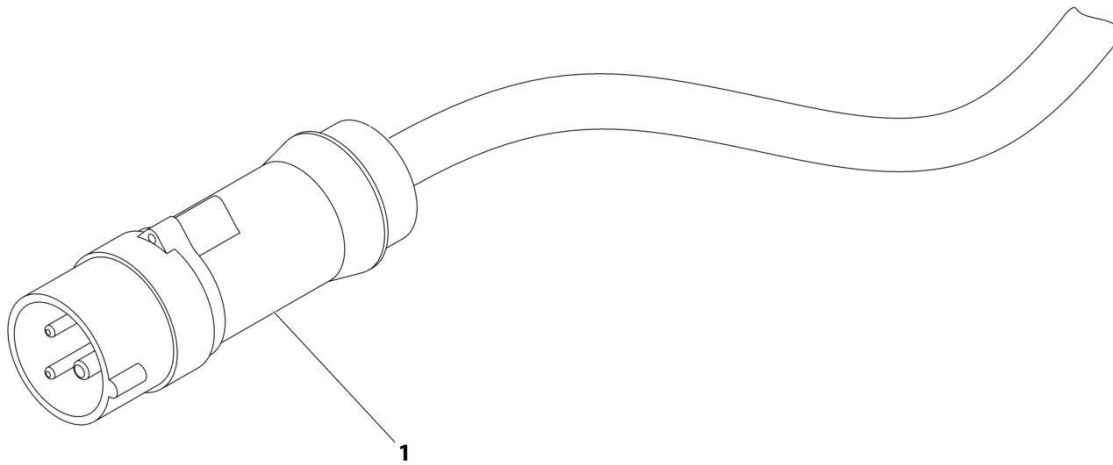
## SECTION 7 - ELECTRICAL

**FIGURE 7-17. CHARGER CORD PLUG INSTALLATION - 110V IEC YELLOW (CE SPEC ONLY)**

ITEM	PART NUMBER	QTY	DESCRIPTION	REV
	0275666	Ref	CHARGER CORD PLUG INSTALLATION - 110V IEC YELLOW	B
1	4461196	1	PLUG Plug	

## SECTION 7 - ELECTRICAL

FIGURE 7-18. CHARGER CORD PLUG INSTALLATION - 220V IEC BLUE (CE SPEC)



ART\_0275667

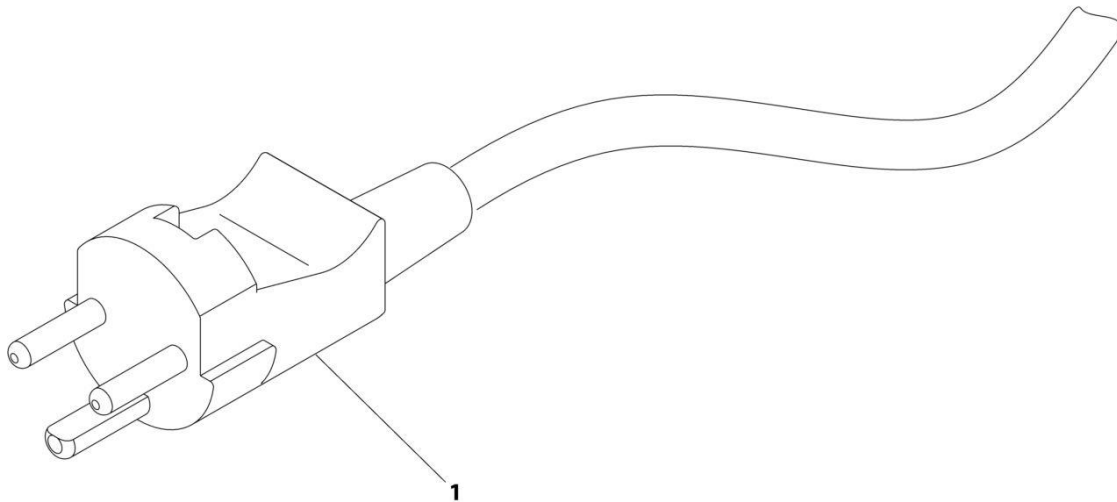
## SECTION 7 - ELECTRICAL

**FIGURE 7-18. CHARGER CORD PLUG INSTALLATION - 220V IEC BLUE (CE SPEC)**

ITEM	PART NUMBER	QTY	DESCRIPTION	REV
1	0275667 4461199	Ref 1	CHARGER CORD PLUG INSTALLATION - 220V IEC BLUE PLUG Plug	B

## SECTION 7 - ELECTRICAL

FIGURE 7-19. CHARGER CORD PLUG INSTALLATION - 220V AFSINT 107 (CE SPEC)



ART\_0275665



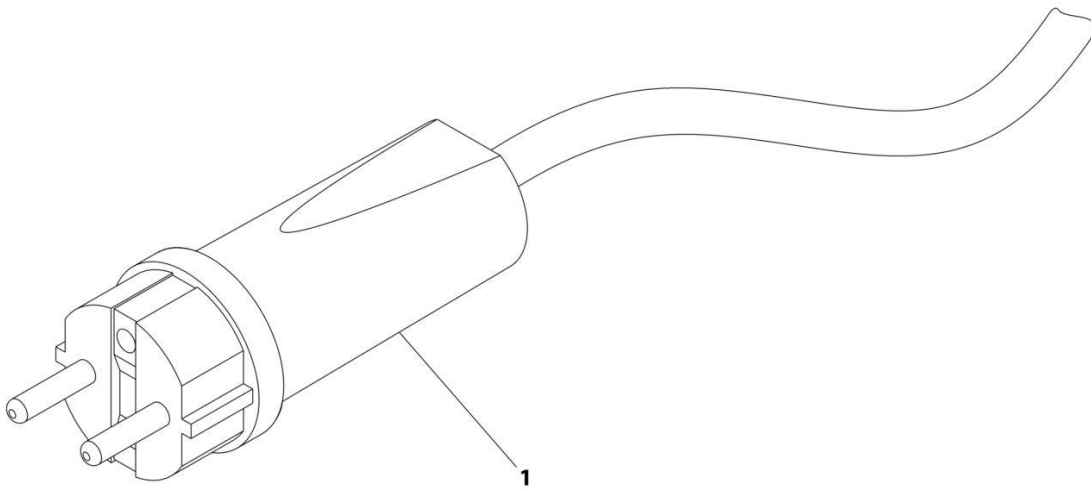
## SECTION 7 - ELECTRICAL

**FIGURE 7-19. CHARGER CORD PLUG INSTALLATION - 220V AFSINT 107 (CE SPEC)**

ITEM	PART NUMBER	QTY	DESCRIPTION	REV
	0275665	Ref	CHARGER CORD PLUG INSTALLATION - 220V AFSINT 107 KEYED GROUND	B
1	4461249	1	Plug	

## SECTION 7 - ELECTRICAL

FIGURE 7-20. CHARGER CORD PLUG INSTALLATION - 220V CEE7 SIDE GROUND (ANSI EXPORT, CE, CHINA AND KOREA SPECS)



ART\_0275664

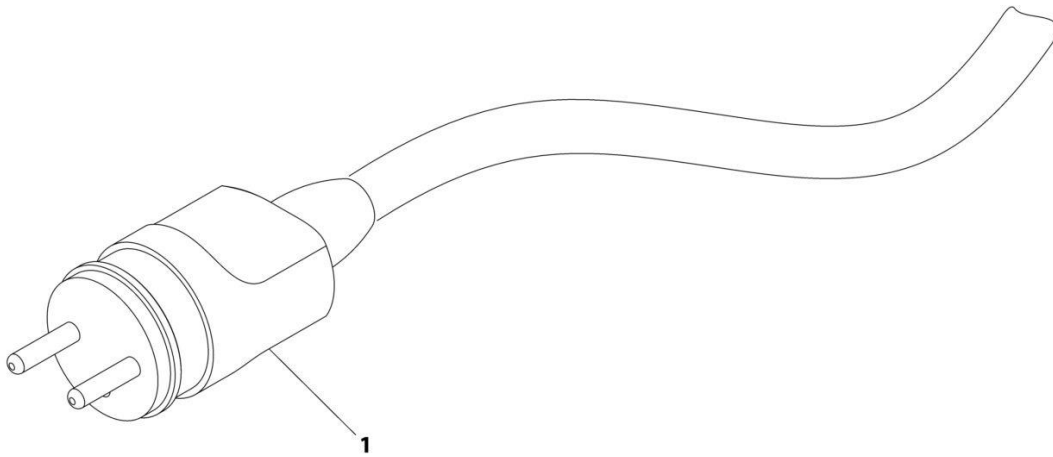
## SECTION 7 - ELECTRICAL

**FIGURE 7-20. CHARGER CORD PLUG INSTALLATION - 220V CEE7 SIDE GROUND (ANSI EXPORT, CE, CHINA AND KOREA SPECS)**

ITEM	PART NUMBER	QTY	DESCRIPTION	REV
	0275664	Ref	CHARGER CORD PLUG INSTALLATION - 220V CEE7 SIDE GROUND	A
1	4461205	1	Plug	

## SECTION 7 - ELECTRICAL

FIGURE 7-21. CHARGER CORD PLUG INSTALLATION - 220V POST GROUND (CE SPEC)



ART\_0275663-C

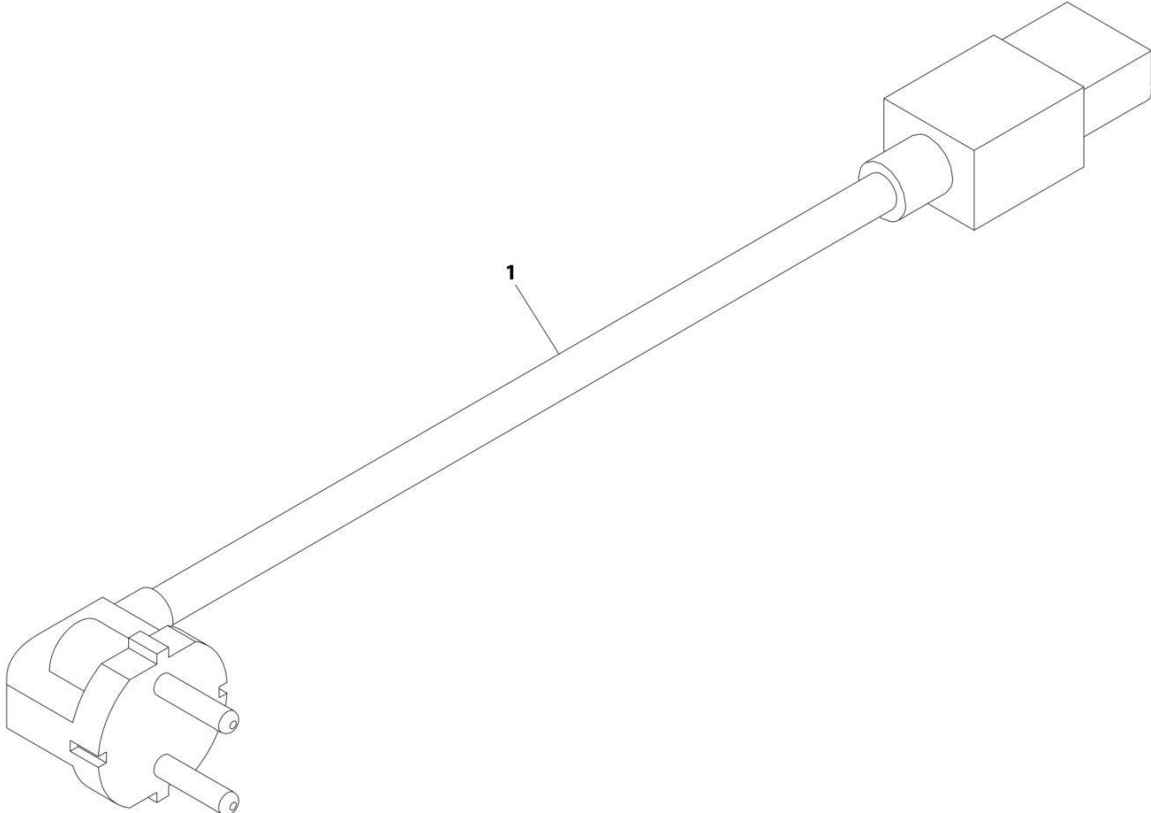
## SECTION 7 - ELECTRICAL

**FIGURE 7-21. CHARGER CORD PLUG INSTALLATION - 220V POST GROUND (CE SPEC)**

ITEM	PART NUMBER	QTY	DESCRIPTION	REV
1	0275663 4461205	Ref 1	CHARGER CORD PLUG INSTALLATION - 220V POST GROUND Plug	C

**SECTION 7 - ELECTRICAL**

**FIGURE 7-22. CHARGER CORD PLUG INSTALLATION (KOREA SPEC)**



ART\_1001221984

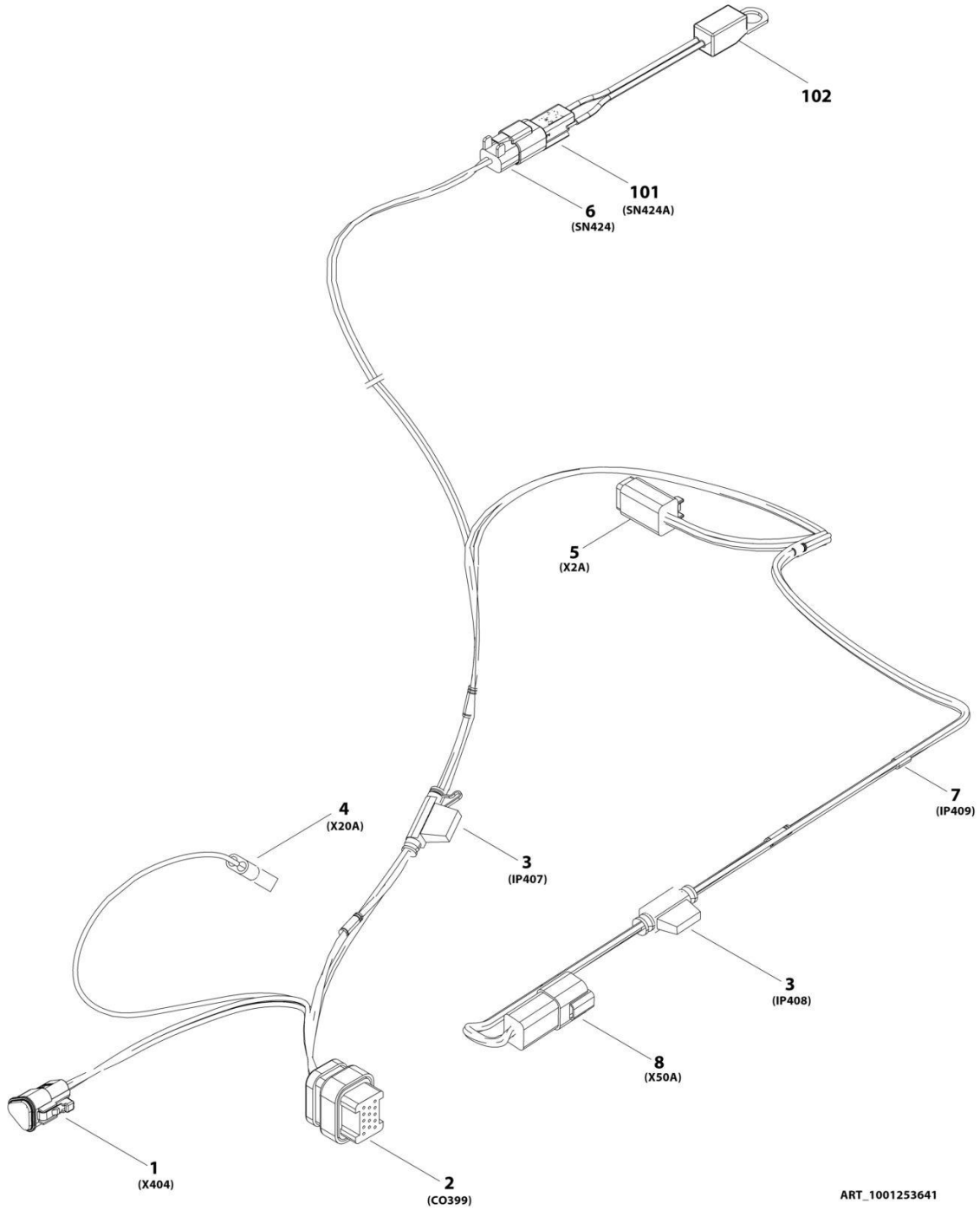
## SECTION 7 - ELECTRICAL

**FIGURE 7-22. CHARGER CORD PLUG INSTALLATION (KOREA SPEC)**

ITEM	PART NUMBER	QTY	DESCRIPTION	REV
1	1001221984 1001221949	Ref 1	CHARGER CORD PLUG INSTALLATION AC Input Cord and Plug	A

# SECTION 7 - ELECTRICAL

## FIGURE 7-23. CHARGER HARNESS TO CHASSIS HARNESS





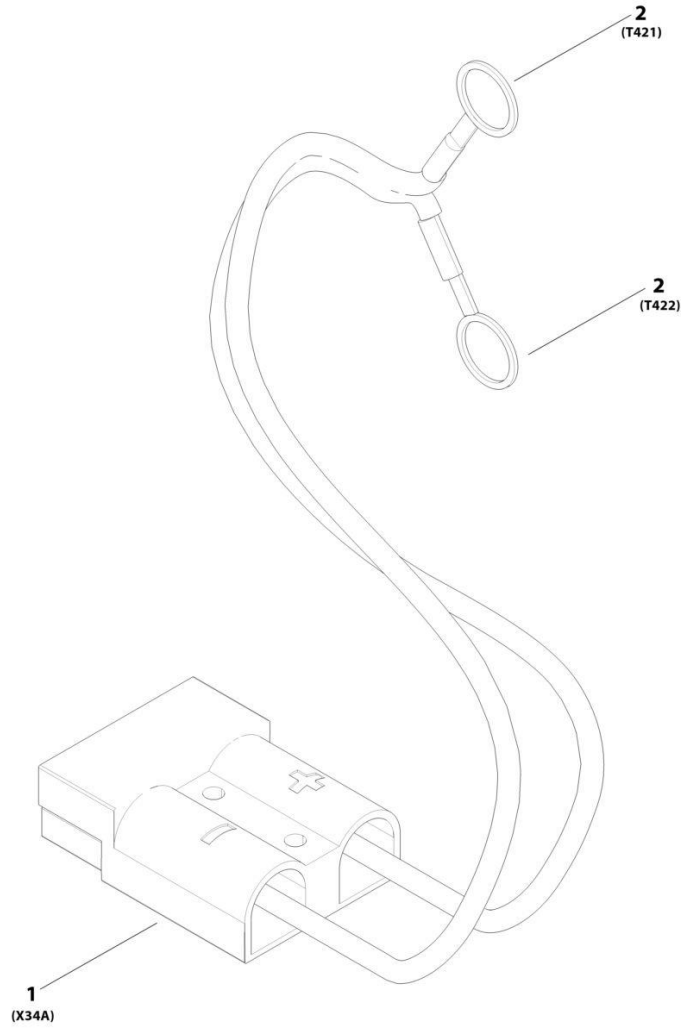
## SECTION 7 - ELECTRICAL

**FIGURE 7-23. CHARGER HARNESS TO CHASSIS HARNESS**

ITEM	PART NUMBER	QTY	DESCRIPTION	REV
	1001253641	Ref	CHARGER HARNESS TO CHASSIS HARNESS	B
1	1001116812	1	Plug, Male - 3 Position	
1	4460944	3	Socket, Female	
2	4460872	1	Connector, Male - 14 Position (Black)	
2	4460871	8	Socket, Female	
2	4460905	6	Seal	
3	2400060	2	Fuseholder with Cover	
3	1001196634	2	Fuse, 2Amp	
4	4460424	1	Connector, Female - 2 Position	
4	4460227	1	Pin, Male	
5	4460884	1	Plug, Male - 4 Position	
5	4460465	4	Socket, Female	
6	4460891	1	Plug, Male - 2 Position	
6	4460465	2	Socket, Female	
7	3990001	1	Diode	
8	4460932	1	Connector - 4 Position	
8	4460464	4	Pin, Male	
101	4460897	1	Receptacle, Female - 2 Position	
101	4460464	2	Pin, Male	
102	1001102771	1	Sensor, Temperature	

# SECTION 7 - ELECTRICAL

## FIGURE 7-24. CHARGER HARNESS TO BATTERY



ART\_1001253638

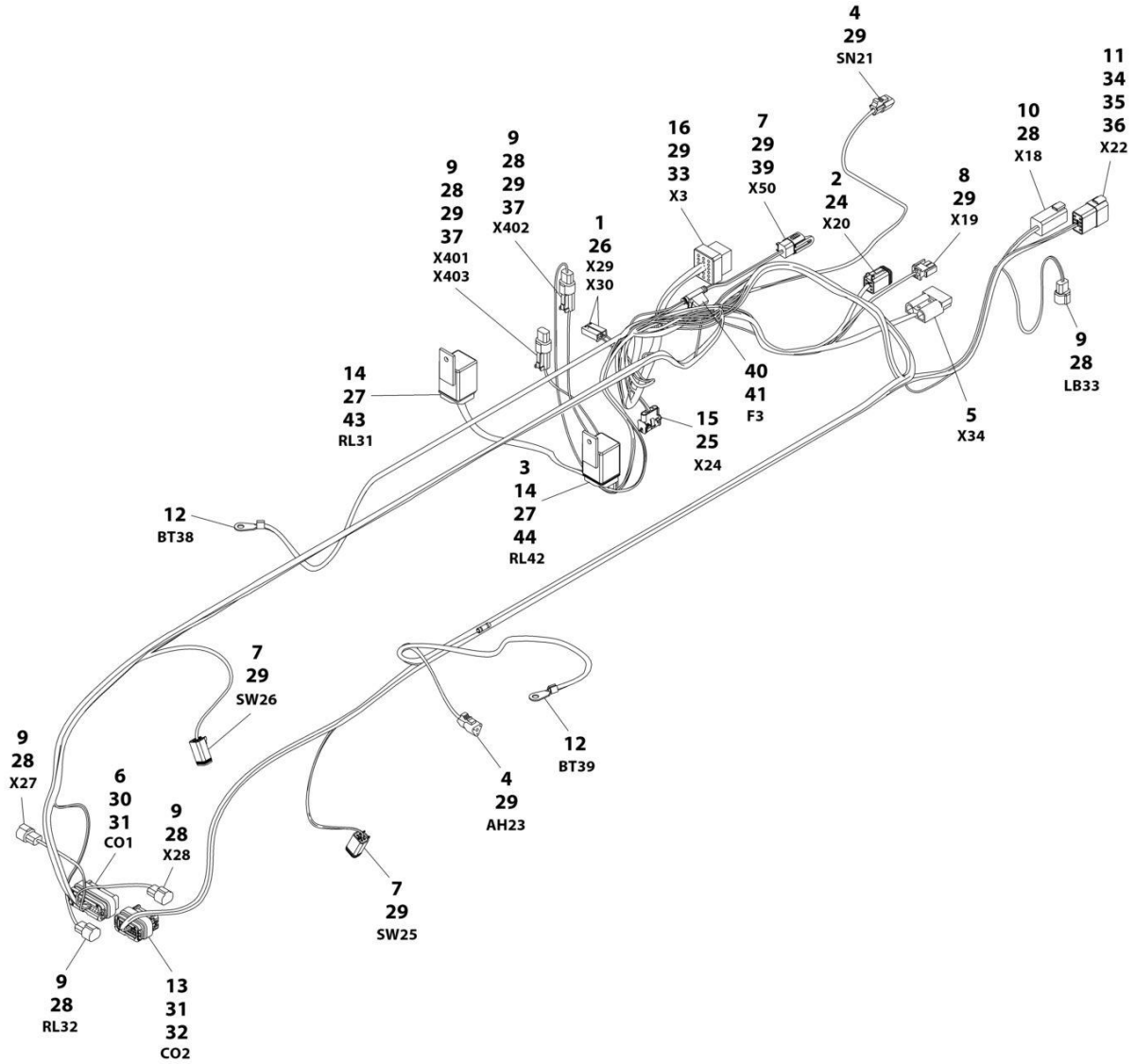
## SECTION 7 - ELECTRICAL

### FIGURE 7-24. CHARGER HARNESS TO BATTERY

ITEM	PART NUMBER	QTY	DESCRIPTION	REV
	1001253638	Ref	CHARGER HARNESS TO BATTERY	A
1	4460975	1	Connector, Anderson	
1	1001151824	2	Terminal	
2	4460019	2	Terminal, Ring	

# SECTION 7 - ELECTRICAL

## FIGURE 7-25. CHASSIS HARNESS



ART\_1001187198\_F

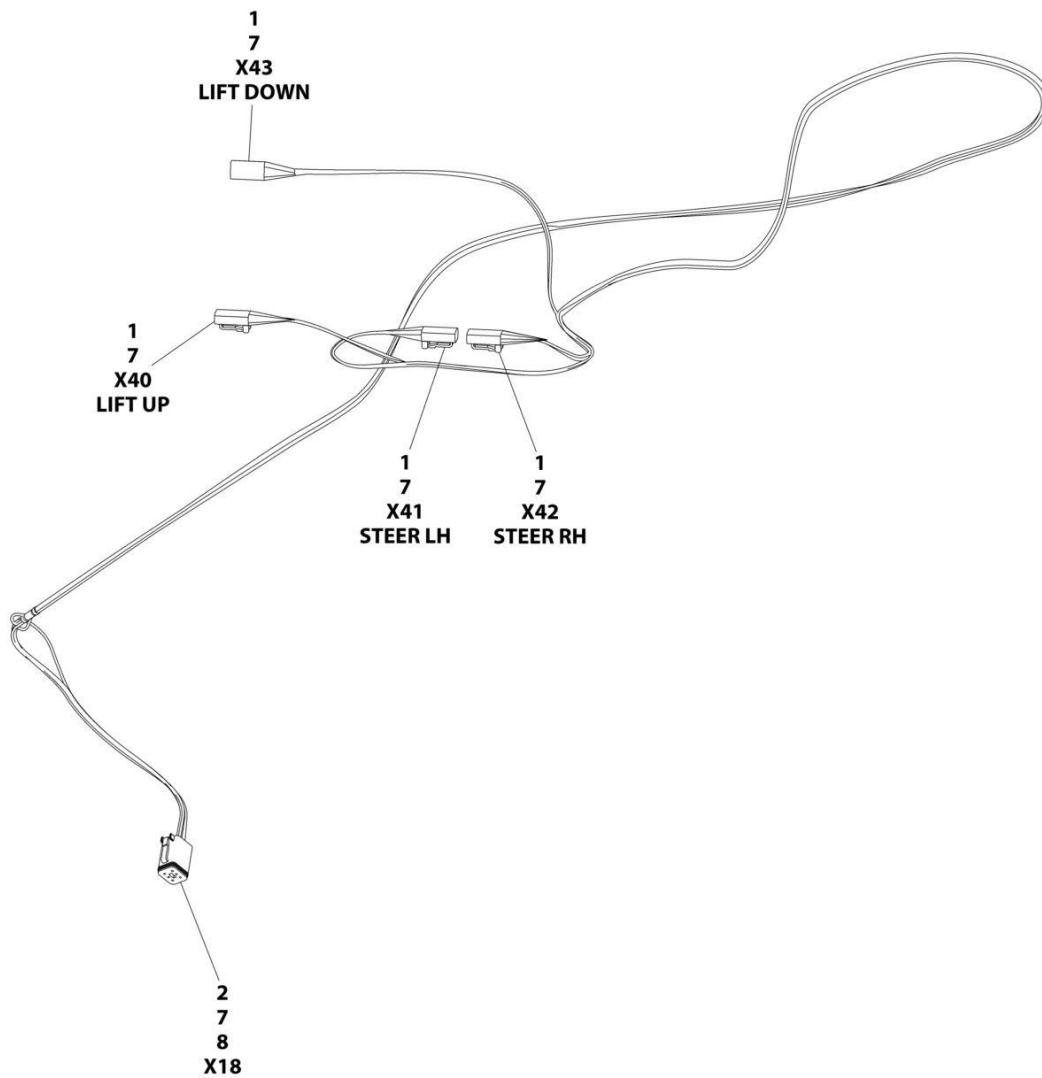
## SECTION 7 - ELECTRICAL

### FIGURE 7-25. CHASSIS HARNESS

ITEM	PART NUMBER	QTY	DESCRIPTION	REV
	1001187198	Ref	CHASSIS HARNESS	F
1	4460260	2	Housing, Terminal	
2	4460320	1	Plug, Male - 2 Position	
3	4460374	1	Plug, Relay	
4	4460539	2	Plug, Male - 3 Position	
5	4460648	1	Connector, Anderson	
6	4460873	1	Connector - 35 Position (Black)	
7	4460884	3	Plug, Male - 4 Position	
8	4460894	1	Plug, Male - 6 Position	
9	4460897	6	Receptacle, Female - 2 Position	
10	4460899	1	Receptacle, Female - 6 Position	
11	4460931	1	Receptacle, Female - 8 Position	
12	4460986	2	Terminal, Ring	
13	1001096138	1	Connector - 23 Position	
14	1001097347	1	Relay	
15	4460761	1	Receptacle, Female - 4 Position	
16	1001115076	1	Connector - 18 Position	
24	4460226	2	Socket, Female	
25	4460227	4	Pin, Male	
26	4460259	2	Terminal	
27	1001116732	7	Terminal	
28	4460464	18	Pin, Male	
29	4460465	34	Socket, Female	
30	4460466	9	Seal	
31	4460871	39	Socket, Female	
32	4460905	20	Seal	
33	4460942	2	Socket, Female	
34	4460943	3	Pin, Male	
35	0840058	1	Boot	
36	2820029	AR	Heat Shrink	
37	4460891	2	Plug, Male - 2 Position	
39	1001192401	1	Cap, Dust	
40	2400060	1	Fuseholder with Cover	
41	8229242	1	Fuse 5Amp	
43	1001117057	1	Connector - 4 Position	
44	1001116733	2	Terminal	

# SECTION 7 - ELECTRICAL

## FIGURE 7-26. CYLINDER HARNESS



ART\_1001115002

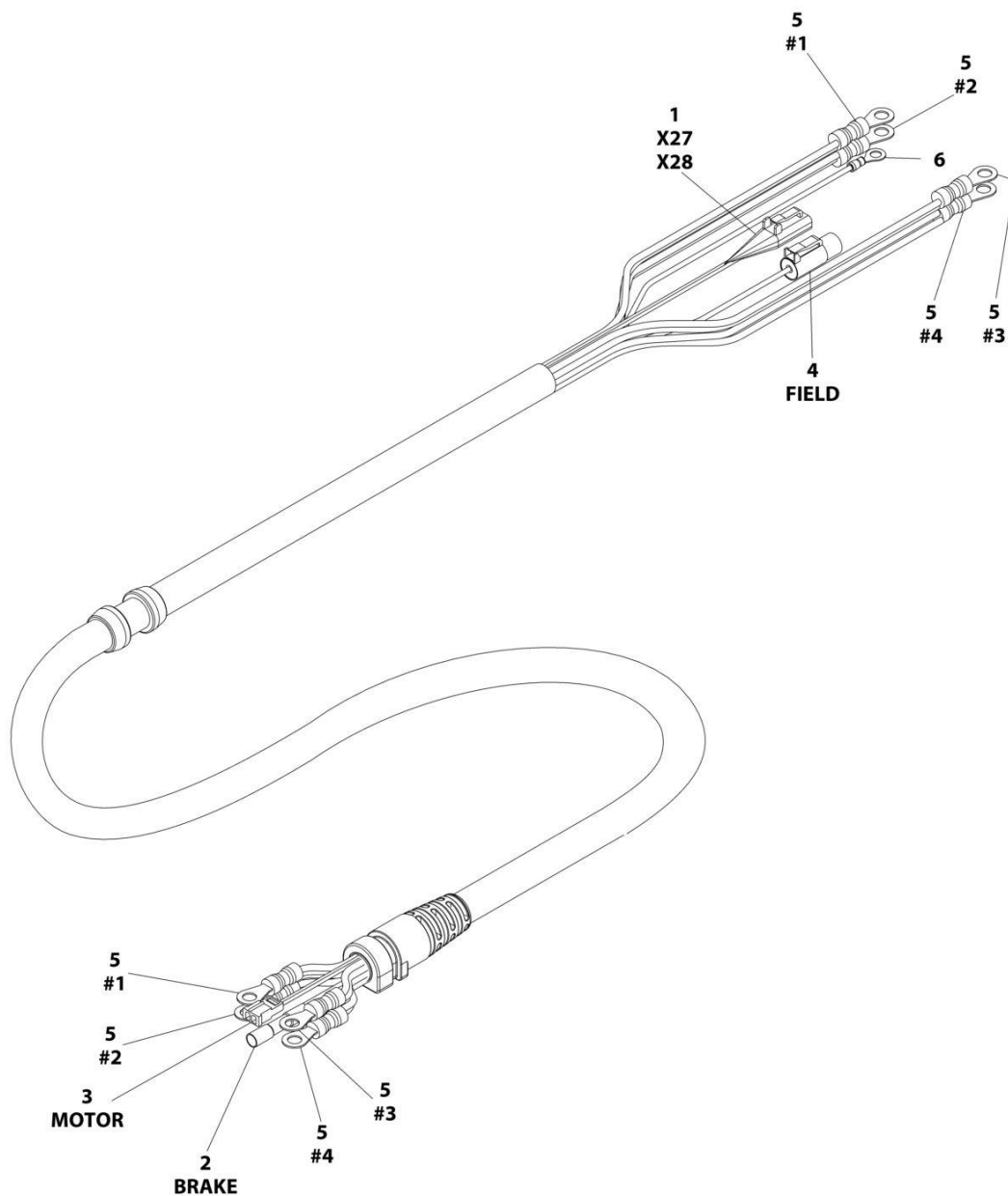
## SECTION 7 - ELECTRICAL

### FIGURE 7-26. CYLINDER HARNESS

ITEM	PART NUMBER	QTY	DESCRIPTION	REV
	1001115002	Ref	CYLINDER HARNESS	D
1	4460891	4	Plug, Male - 2 Position	
2	4460894	1	Plug, Male - 6 Position	
7	4460465	14	Socket, Female	
8	0840059	1	Boot	

# SECTION 7 - ELECTRICAL

## FIGURE 7-27. DRIVE CABLE ASSEMBLY



ART\_1001132439



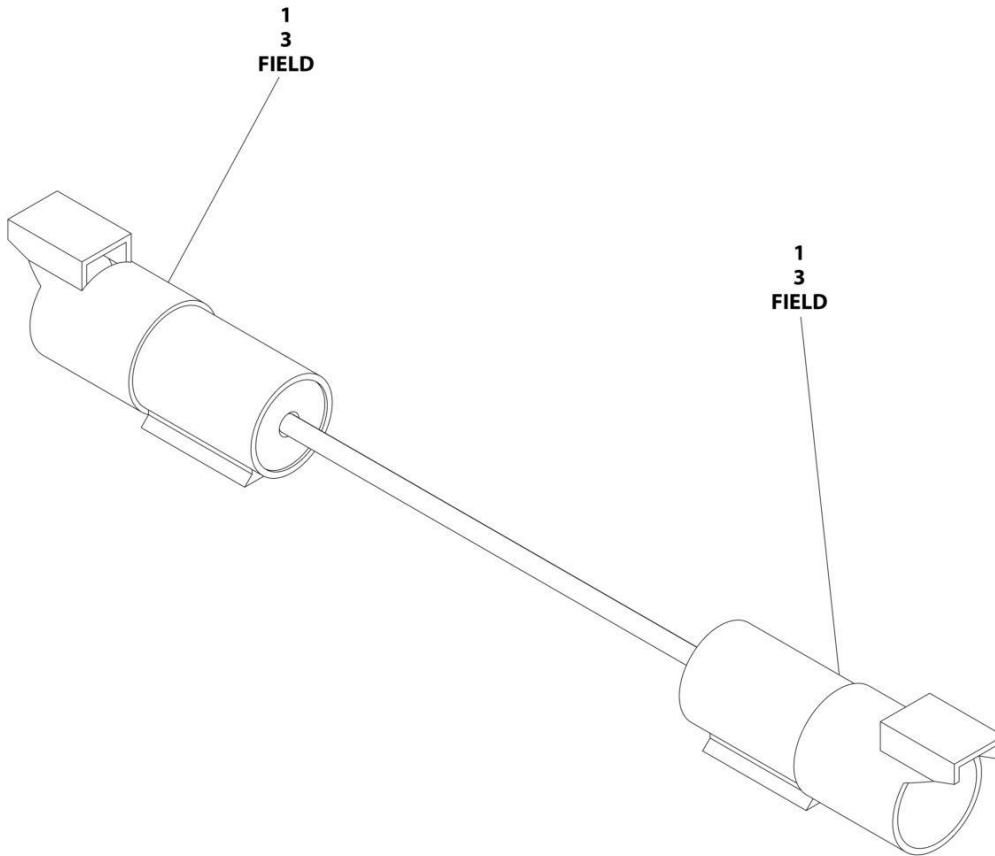
## SECTION 7 - ELECTRICAL

**FIGURE 7-27. DRIVE CABLE ASSEMBLY**

ITEM	PART NUMBER	QTY	DESCRIPTION	REV
	1001132439	Ref	DRIVE CABLE ASSEMBLY	B
1	4460891	1	Plug, Male - 2 Position	
1	4460465	2	Socket, Female	
2	70001442	1	Plug, Male - 2 Position	
2	See Note	NSS	Socket, Female (Note: Not Available for Purchase)	
3	70001443	1	Plug, Male - 2 Position	
3	70001444	2	Socket, Female	
4	4461261	1	Plug, Male - 1 Position	
4	4460509	1	Terminal	
5	See Note	NSS	Terminal, Ring (Note: Not Available for Purchase)	
6	See Note	NSS	Terminal, Ring (Note: Not Available for Purchase)	

# SECTION 7 - ELECTRICAL

## FIGURE 7-28. DRIVE FIELD CONNECTION HARNESS



ART\_4923602

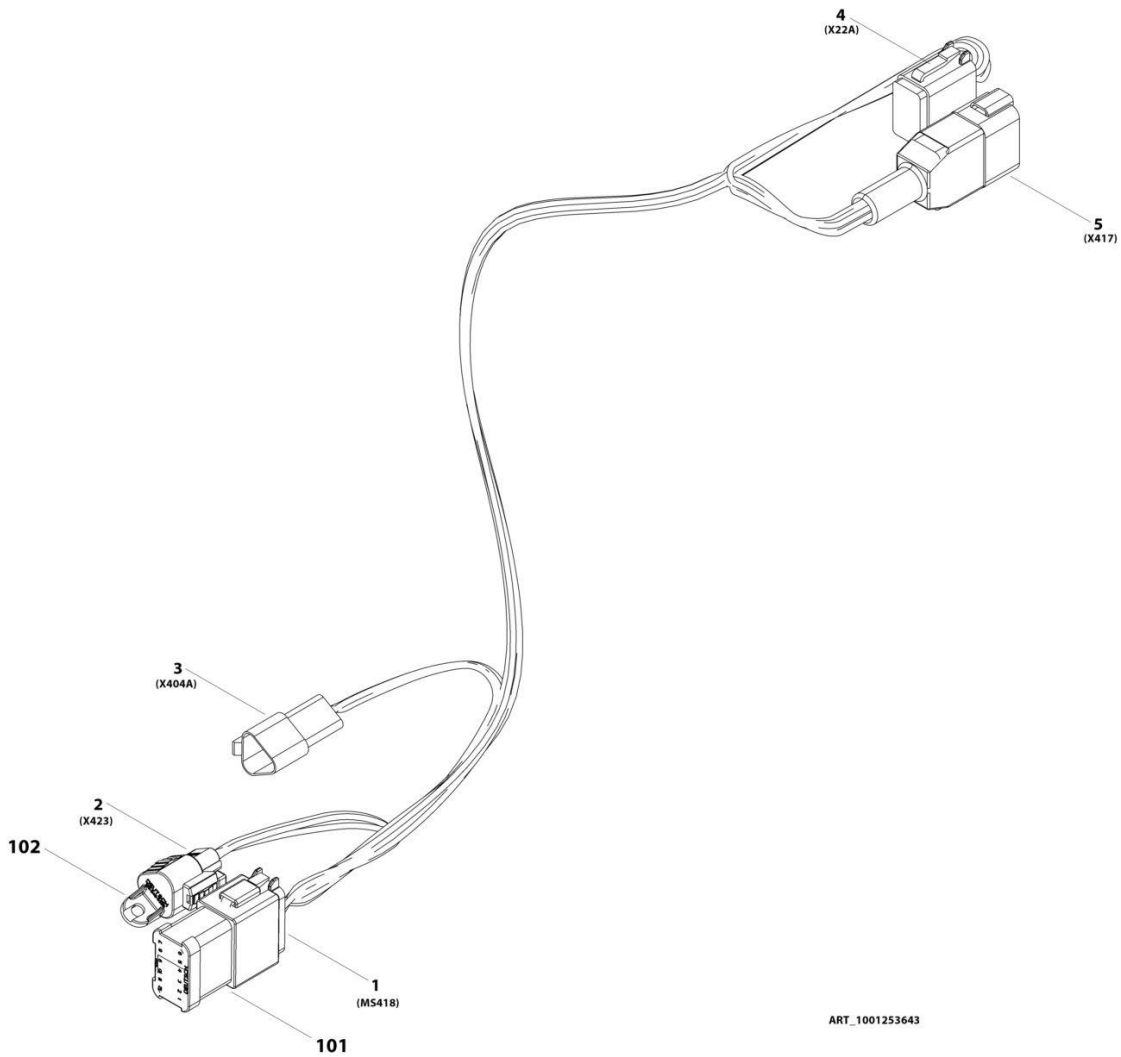
## SECTION 7 - ELECTRICAL

**FIGURE 7-28. DRIVE FIELD CONNECTION HARNESS**

ITEM	PART NUMBER	QTY	DESCRIPTION	REV
	4923602	Ref	DRIVE FIELD CONNECTION HARNESS	C
1	4461260	2	Receptacle, Female - 1 Position	
3	4460508	2	Pin, Male	

# SECTION 7 - ELECTRICAL

## FIGURE 7-29. ES HARNESS (CAN SPLICE)



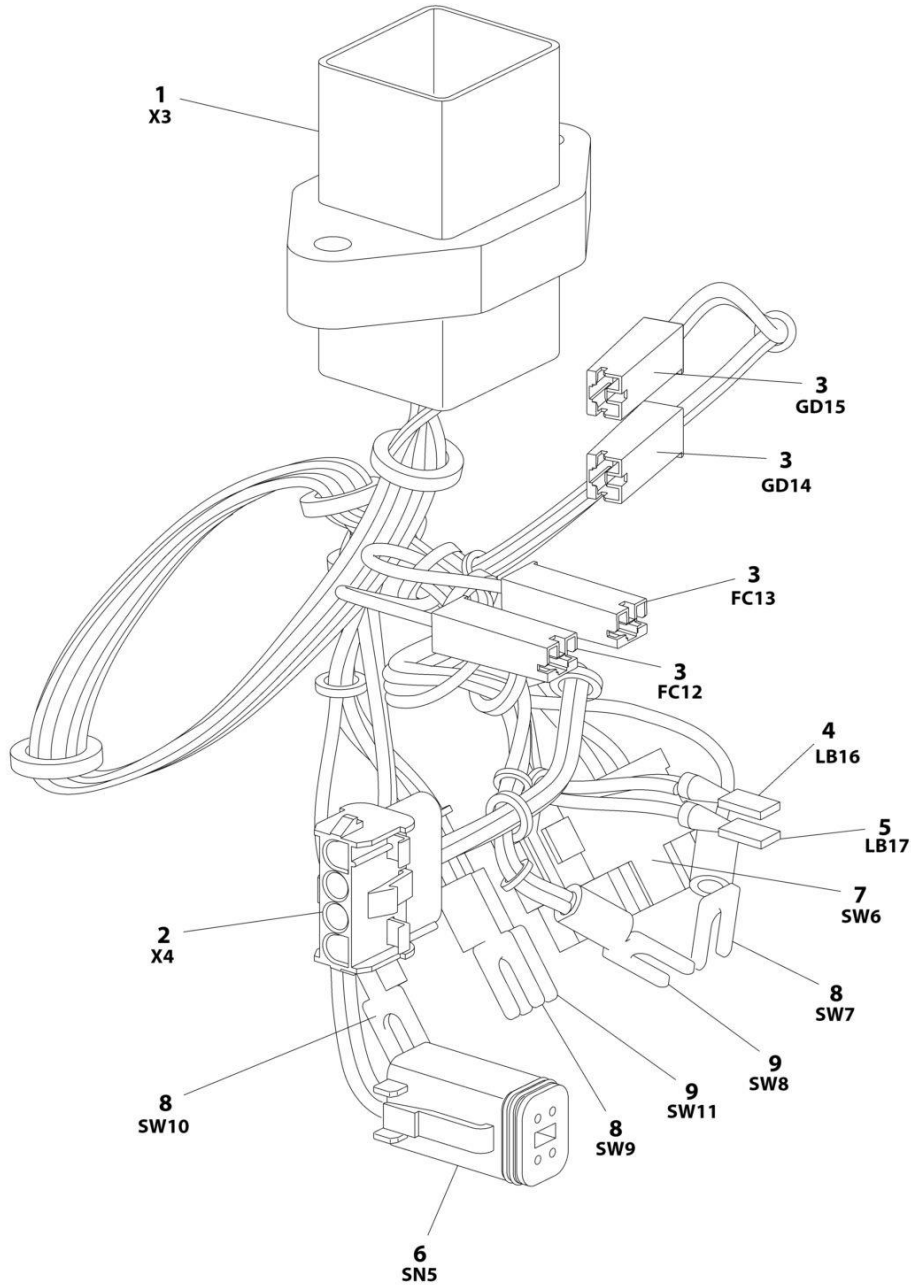
## SECTION 7 - ELECTRICAL

**FIGURE 7-29. ES HARNESS (CAN SPLICE)**

ITEM	PART NUMBER	QTY	DESCRIPTION	REV
	1001253643	Ref	ES HARNESS (CAN SPLICE)	A
1	4460933	1	Plug, Male - 12 Position	
1	4460944	12	Socket, Female	
2	1001116812	1	Plug, Male - 3 Position	
2	4460944	3	Socket, Female	
3	1001144147	1	Receptacle, Female - 3 Position	
3	4460943	3	Pin, Male	
4	4460930	1	Plug, Male - 8 Position	
4	0840058	1	Boot	
4	4460465	5	Socket, Female	
4	4460944	3	Socket, Female	
5	4460931	1	Receptacle, Female - 8 Position	
5	4460464	5	Pin, Male	
5	4460943	3	Pin, Male	
101	1001119020	1	Connector, Buss Bar	
102	1001144296	1	Cover	

# SECTION 7 - ELECTRICAL

## FIGURE 7-30. GROUND CONTROL BOX HARNESS



ART\_1001167256-E

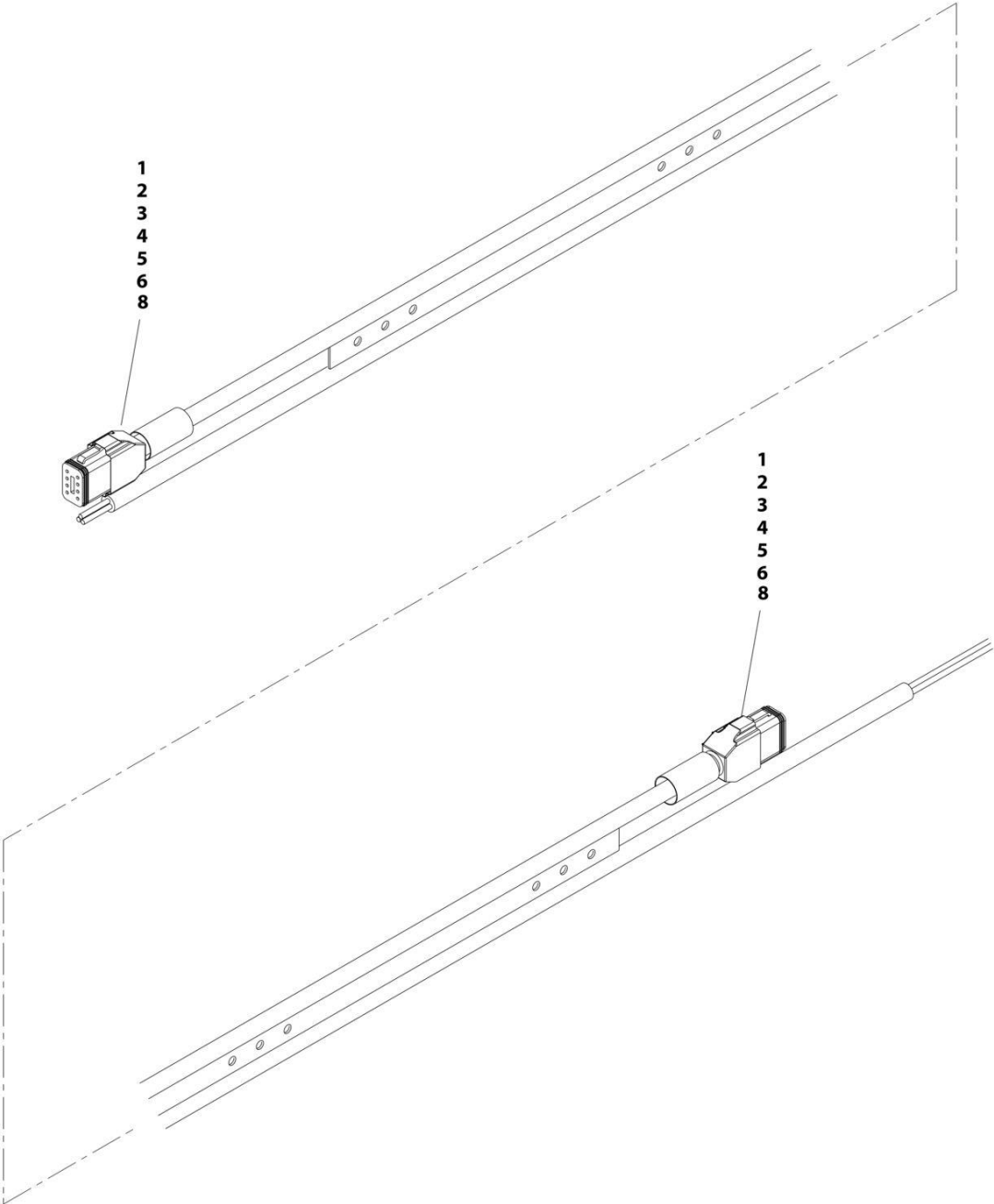
## SECTION 7 - ELECTRICAL

### FIGURE 7-30. GROUND CONTROL BOX HARNESS

ITEM	PART NUMBER	QTY	DESCRIPTION	REV
	1001167256	Ref	GROUND CONTROL BOX HARNESS	E
1	1001115077	1	Connector - 18 Position	
1	4460464	14	Pin, Male	
1	4460943	2	Pin, Male	
1	4460466	2	Seal	
2	1001119032	1	Connector - 4 Position	
2	4460268	4	Socket, Female	
3	4460260	4	Housing, Terminal	
3	4460259	4	Terminal	
4	1001202618	1	Terminal	
5	1001202619	1	Terminal	
6	4460884	1	Connector - 4 Position	
6	4460944	4	Socket, Female	
7	4460418	1	Connector - 6 Position	
7	1001159186	3	Terminal	
8	4460183	3	Terminal, Fork	
9	4460115	2	Terminal, Fork	

**SECTION 7 - ELECTRICAL**

**FIGURE 7-31. GROUND TO PLATFORM HARNESS - 2032ES (ANSI AND CSA SPECS) (CHINA BUILT MACHINES)**



ART\_1001178687



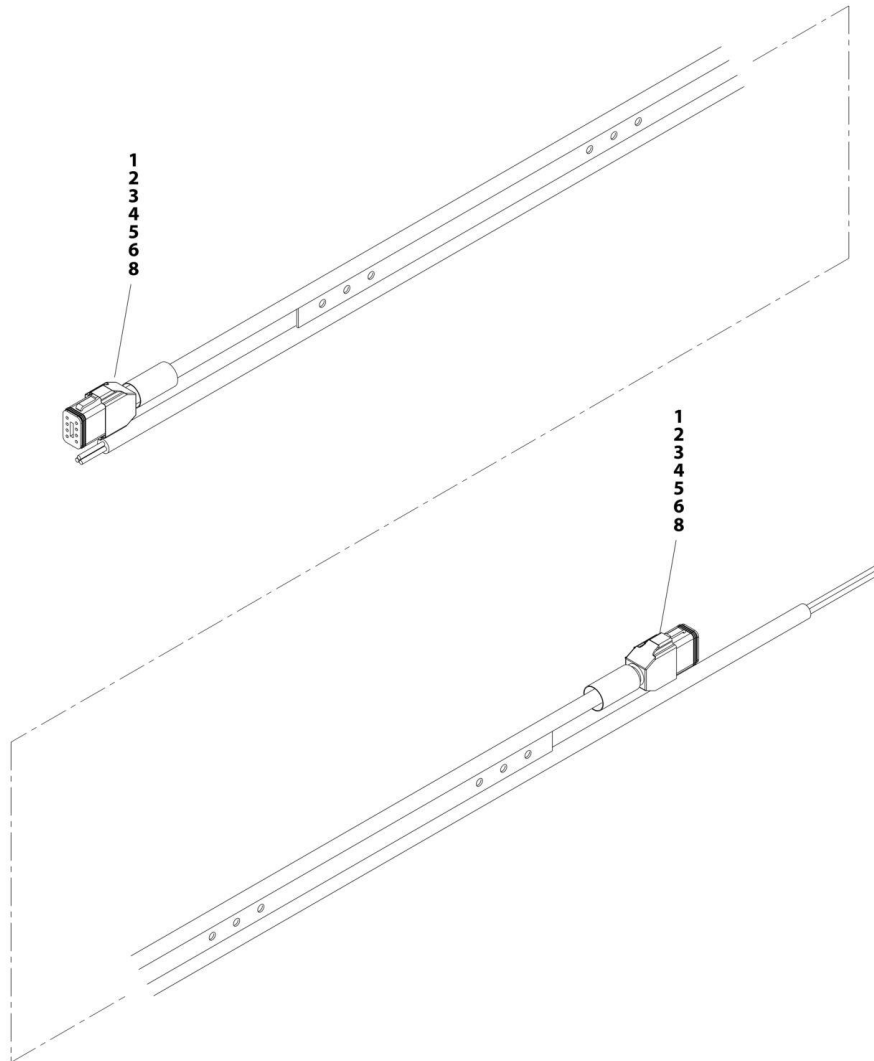
## SECTION 7 - ELECTRICAL

**FIGURE 7-31. GROUND TO PLATFORM HARNESS - 2032ES (ANSI AND CSA SPECS) (CHINA BUILT MACHINES)**

ITEM	PART NUMBER	QTY	DESCRIPTION	REV
	1001178687	Ref	GROUND TO PLATFORM HARNESS - 2032ES	D
1	0840061	2	Boot	
2	2820026	AR	Insulator, Clear Tubing	
3	2820028	AR	Heat Shrink	
4	4460465	8	Socket, Female	
5	4460466	2	Plug, Terminal	
6	4460930	2	Plug, Male - 8 Position	
7	4460943	3	Pin, Male (Not Shown)	
8	4460944	6	Socket, Female (Gold)	

# SECTION 7 - ELECTRICAL

FIGURE 7-32. GROUND TO PLATFORM HARNESS - 2032ES (ALL SPECS EXCEPT ANSI, CSA ANS  
UL SPECS) (BELGIUM AND CHINA BUILT MACHINES)



ART\_1001178690

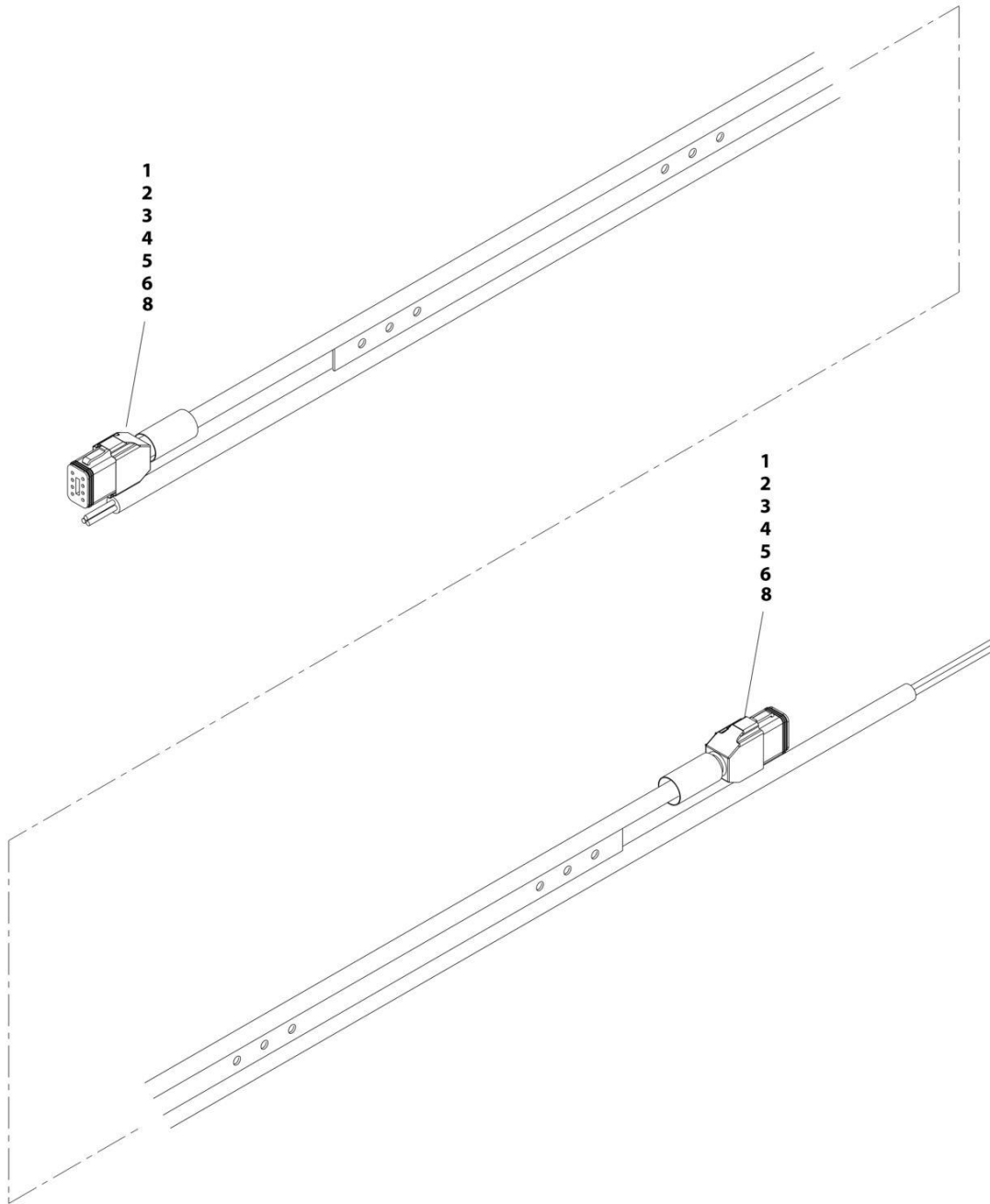
## SECTION 7 - ELECTRICAL

**FIGURE 7-32. GROUND TO PLATFORM HARNESS - 2032ES (ALL SPECS EXCEPT ANSI, CSA ANS  
UL SPECS) (BELGIUM AND CHINA BUILT MACHINES)**

ITEM	PART NUMBER	QTY	DESCRIPTION	REV
	1001178690	Ref	GROUND TO PLATFORM HARNESS - 2032ES	D
1	0840061	2	Boot	
2	2820026	AR	Insulator, Clear Tubing	
3	2820028	AR	Heat Shrink	
4	4460465	8	Socket, Female	
5	4460466	2	Plug, Terminal	
6	4460930	2	Plug, Male - 8 Position	
7	4460943	3	Pin, Male (Not Shown)	
8	4460944	6	Socket, Female (Gold)	

# SECTION 7 - ELECTRICAL

FIGURE 7-33. GROUND TO PLATFORM HARNESS - 2632ES (ANSI, CSA AND UL SPECS) (CHINA AND MEXICO BUILT MACHINES)



ART\_1001178688

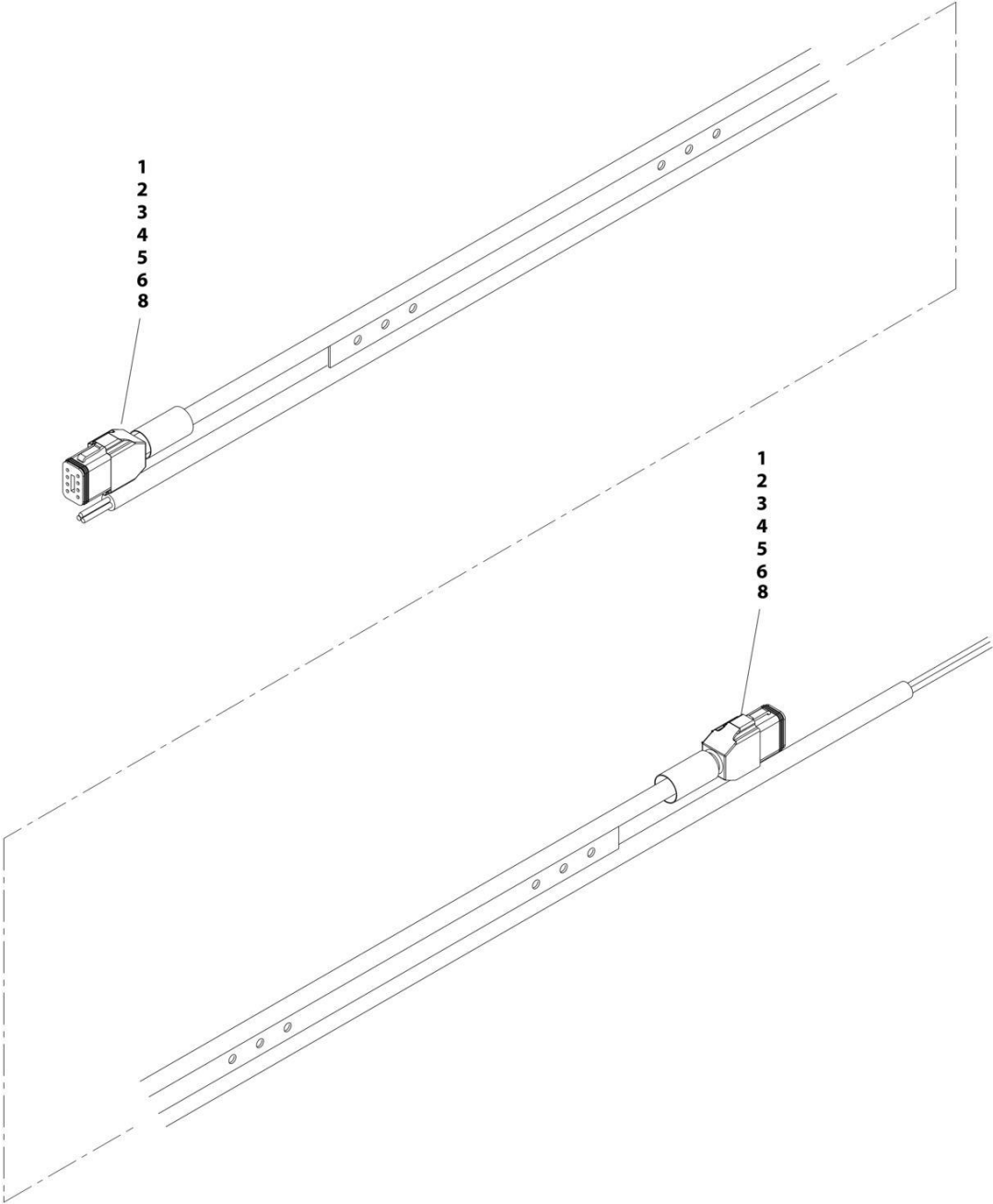
## SECTION 7 - ELECTRICAL

**FIGURE 7-33. GROUND TO PLATFORM HARNESS - 2632ES (ANSI, CSA AND UL SPECS) (CHINA AND MEXICO BUILT MACHINES)**

ITEM	PART NUMBER	QTY	DESCRIPTION	REV
	1001178688	Ref	GROUND TO PLATFORM HARNESS - 2632ES	D
1	0840061	2	Boot	
2	2820026	AR	Insulator, Clear Tubing	
3	2820028	AR	Heat Shrink	
4	4460465	8	Socket, Female	
5	4460466	2	Plug, Terminal	
6	4460930	2	Plug, Male - 8 Position	
7	4460943	3	Pin, Male (Not Shown)	
8	4460944	6	Socket, Female (Gold)	

**SECTION 7 - ELECTRICAL**

**FIGURE 7-34. GROUND TO PLATFORM HARNESS - 2632ES (ALL SPECS EXCEPT ANSI, CSA AND UL SPECS) (BELGIUM, CHINA AND MEXICO BUILT MACHINES)**



ART\_1001178689

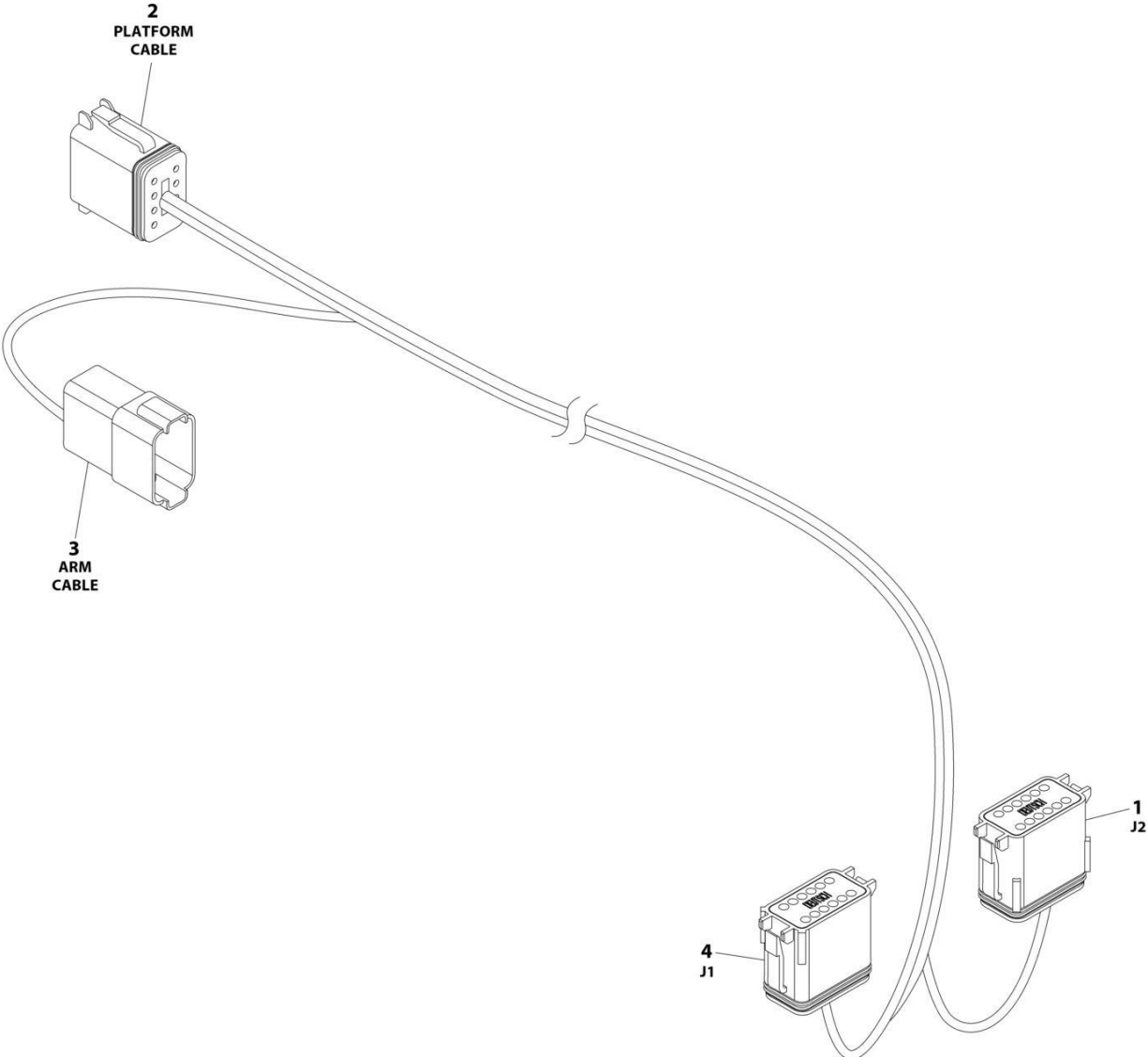
## SECTION 7 - ELECTRICAL

**FIGURE 7-34. GROUND TO PLATFORM HARNESS - 2632ES (ALL SPECS EXCEPT ANSI, CSA AND UL SPECS) (BELGIUM, CHINA AND MEXICO BUILT MACHINES)**

ITEM	PART NUMBER	QTY	DESCRIPTION	REV
	1001178689	Ref	GROUND TO PLATFORM HARNESS - 2632ES	D
1	0840061	2	Boot	
2	2820026	AR	Insulator, Clear Tubing	
3	2820028	AR	Heat Shrink	
4	4460465	8	Socket, Female	
5	4460466	2	Plug, Terminal	
6	4460930	2	Plug, Male - 8 Position	
7	4460943	3	Pin, Male (Not Shown)	
8	4460944	6	Socket, Female (Gold)	

**SECTION 7 - ELECTRICAL**

**FIGURE 7-35. LOAD SENSE HARNESS - WITHOUT FUSE**



ART\_4923228



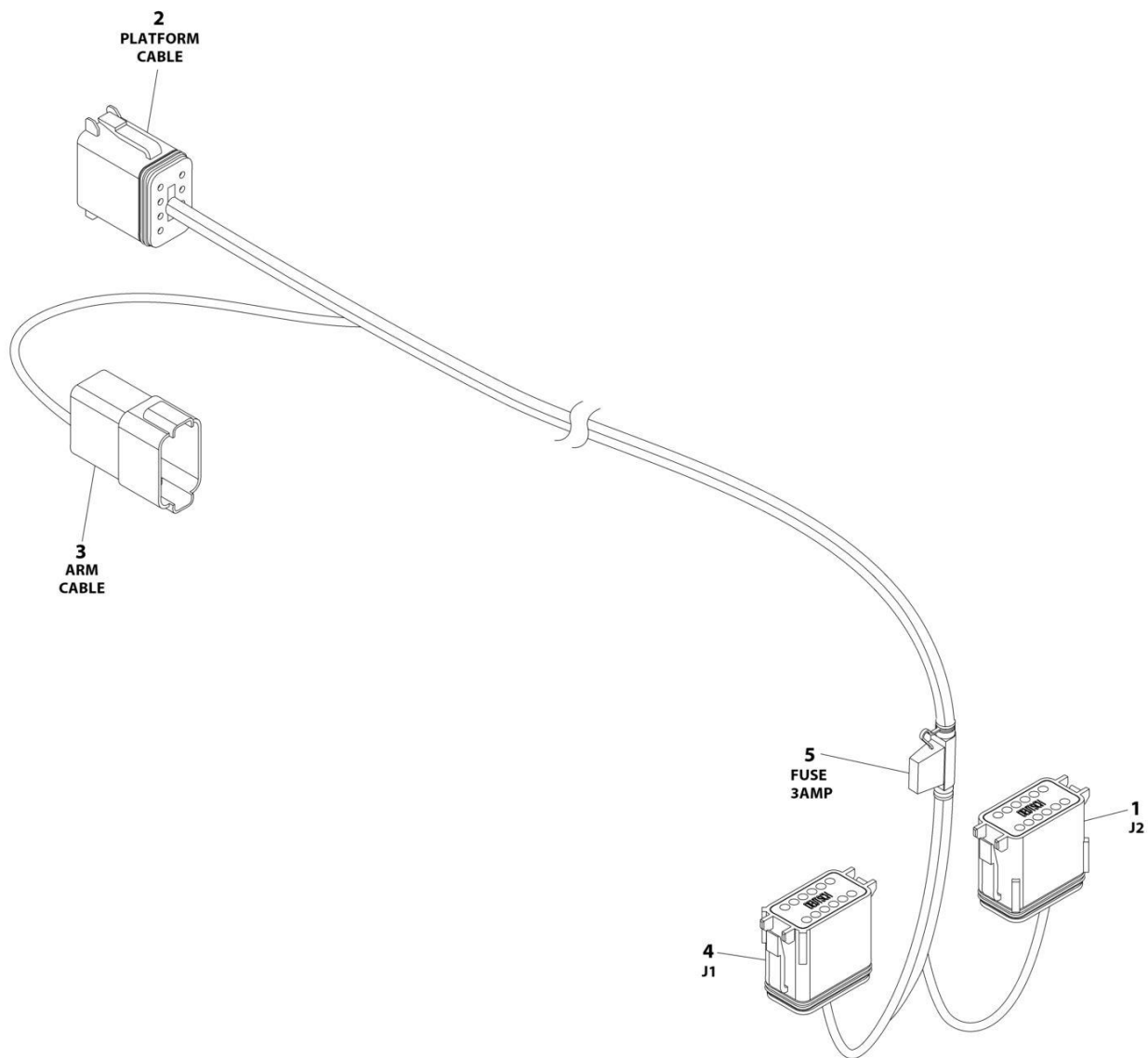
## SECTION 7 - ELECTRICAL

**FIGURE 7-35. LOAD SENSE HARNESS - WITHOUT FUSE**

ITEM	PART NUMBER	QTY	DESCRIPTION	REV
	4923228	Ref	LOAD SENSE HARNESS	D
1	4460836	1	Connector - 12 Position	
1	4460466	6	Plug, Sealing	
1	4460944	6	Socket, Female (Gold)	
1	0840055	1	Boot	
2	4460930	1	Connector - 8 Position	
2	4460465	4	Socket, Female	
2	4460466	1	Plug, Sealing	
2	4460944	3	Socket, Female (Gold)	
2	0840061	1	Boot	
3	4460931	1	Connector - 8 Position	
3	4460464	4	Pin, Male	
3	4460466	1	Plug, Sealing	
3	4460943	3	Pin, Male	
3	0840058	1	Boot	
4	4460933	1	Connector - 12 Position	
4	4460465	4	Socket, Female	
4	4460466	8	Plug, Sealing	
4	0840055	1	Boot	

# SECTION 7 - ELECTRICAL

## FIGURE 7-36. LOAD SENSE HARNESS - WITH FUSE



ART\_1001263062

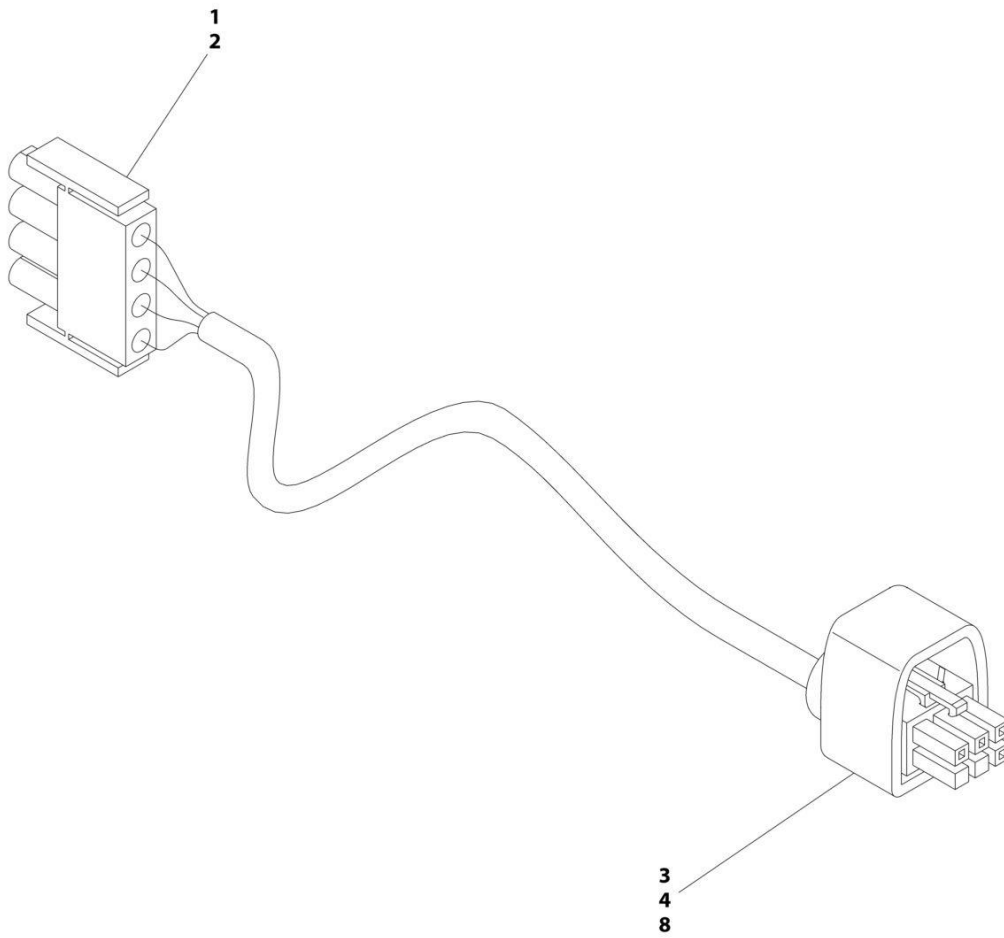
## SECTION 7 - ELECTRICAL

**FIGURE 7-36. LOAD SENSE HARNESS - WITH FUSE**

ITEM	PART NUMBER	QTY	DESCRIPTION	REV
	1001263062	Ref	LOAD SENSE HARNESS	A
1	4460836	1	Connector - 12 Position	
1	4460466	6	Plug, Sealing	
1	4460944	6	Socket, Female (Gold)	
1	0840055	1	Boot	
2	4460930	1	Connector - 8 Position	
2	4460465	4	Socket, Female	
2	4460466	1	Plug, Sealing	
2	4460944	3	Socket, Female (Gold)	
2	0840061	1	Boot	
3	4460931	1	Connector - 8 Position	
3	4460464	4	Pin, Male	
3	4460466	1	Plug, Sealing	
3	4460943	3	Pin, Male	
3	0840058	1	Boot	
4	4460933	1	Connector - 12 Position	
4	4460465	4	Socket, Female	
4	4460466	8	Plug, Sealing	
4	0840055	1	Boot	
5	2400060	1	Fuseholder with Cover	
5	1001196838	1	Fuse 3Amp	

# SECTION 7 - ELECTRICAL

## FIGURE 7-37. MDI (MULTIFUNCTION DIGITAL INDICATOR) HARNESS



ART\_1001093556

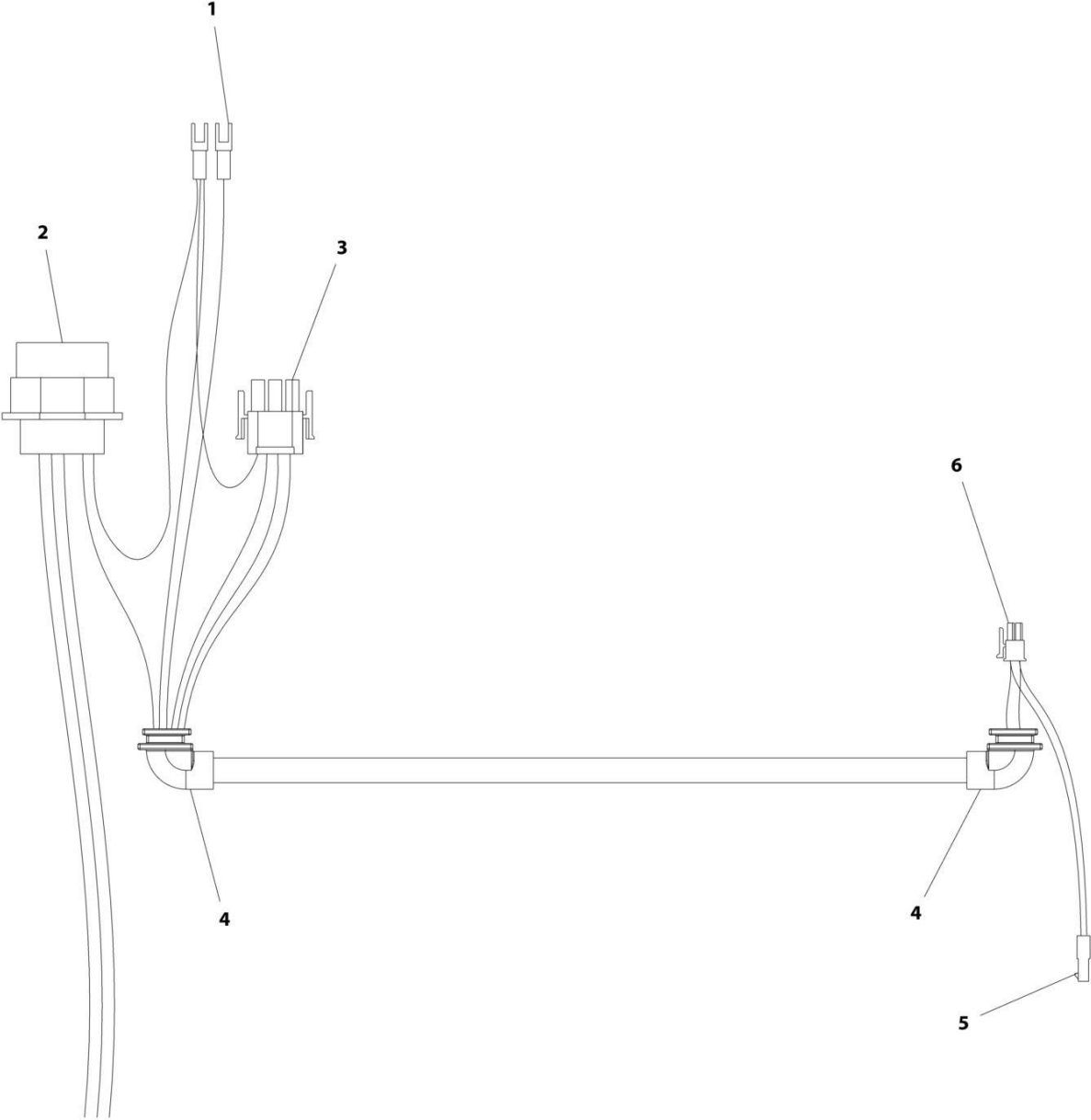
## SECTION 7 - ELECTRICAL

### FIGURE 7-37. MDI (MULTIFUNCTION DIGITAL INDICATOR) HARNESS

ITEM	PART NUMBER	QTY	DESCRIPTION	REV
	1001093556	Ref	MDI (MULTIFUNCTION DIGITAL INDICATOR) HARNESS	D
1	4460226	4	Socket, Female	
2	4460321	1	Plug, Male - 4 Position	
3	4460868	1	Plug, Male - 6 Position	
4	4460877	4	Terminal	
8	1001094105	1	Boot	

**SECTION 7 - ELECTRICAL**

**FIGURE 7-38. PLATFORM BOX HARNESS**



ART\_4922870

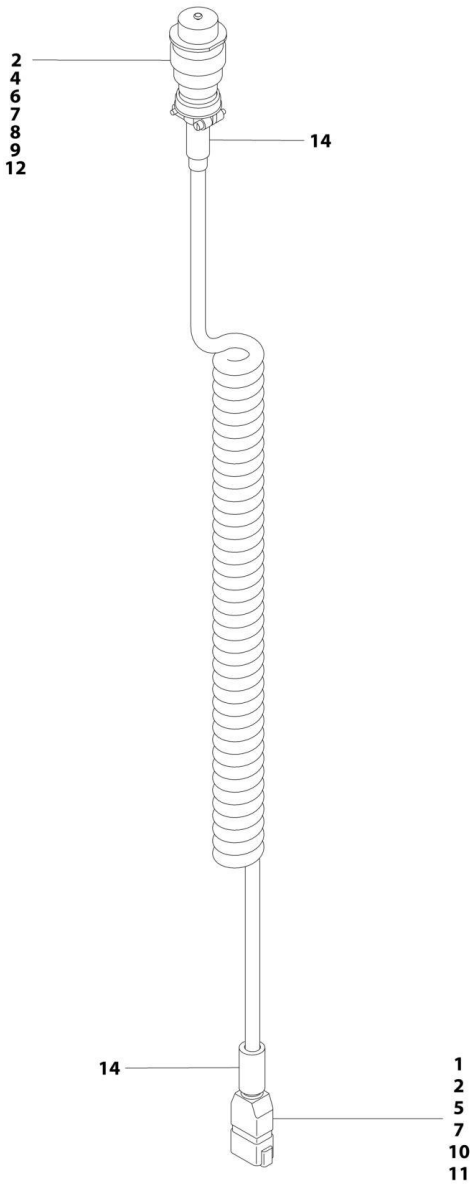
## SECTION 7 - ELECTRICAL

### FIGURE 7-38. PLATFORM BOX HARNESS

ITEM	PART NUMBER	QTY	DESCRIPTION	REV
1	4922870	Ref	PLATFORM BOX HARNESS	D
2	4461016	1	Connector - 14 Position	
2	4460464	6	Pin, Male	
2	4460466	8	Plug, Sealing	
2	4460496	1	Lockwasher	
2	4460497	1	Nut, Panel	
3	4460265	1	Plug, Male - 9 Position	
3	4460267	8	Pin, Male	
4	2540042	2	Grommet 90	
5	See Note	NSS	Receptacle, Female - Position (Note: Not Available for Purchase)	
6	4461057	1	Plug, Male - 16 Position	

**SECTION 7 - ELECTRICAL**

**FIGURE 7-39. PLATFORM CABLE ASSEMBLY**



ART\_1001096706



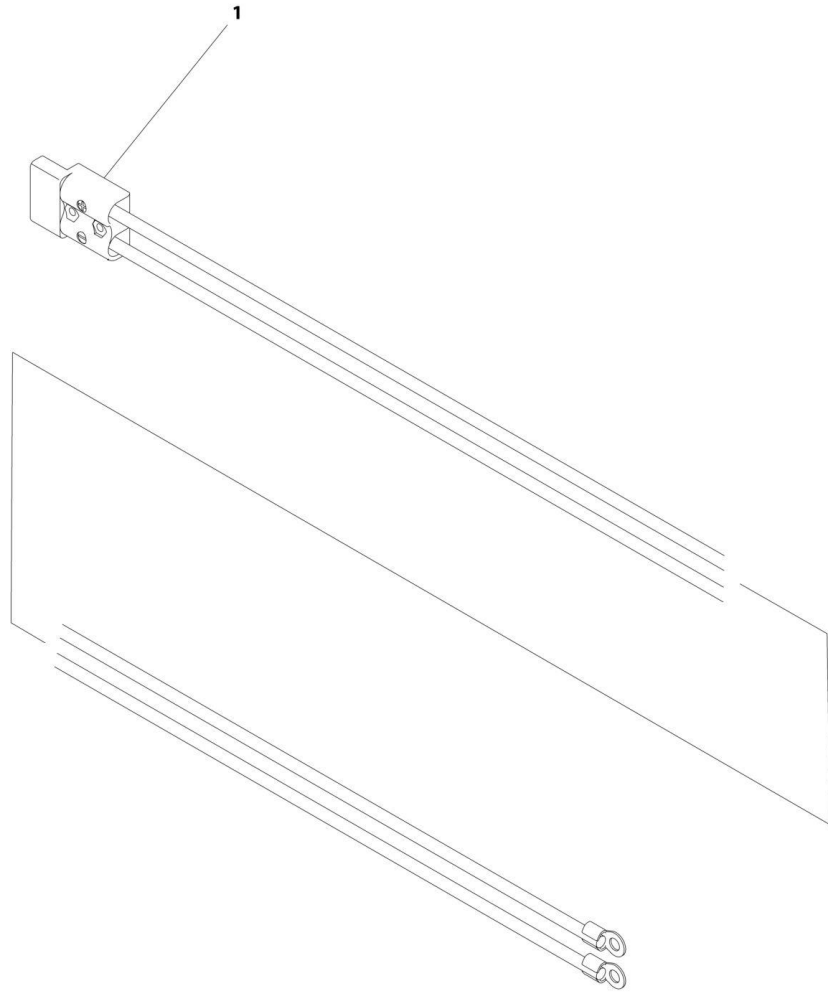
## SECTION 7 - ELECTRICAL

**FIGURE 7-39. PLATFORM CABLE ASSEMBLY**

ITEM	PART NUMBER	QTY	DESCRIPTION	REV
	1001096706	Ref	PLATFORM CABLE ASSEMBLY	G
1	0840058	1	Boot, 8 Position Receptacle	
2	2820026	AR	Insulation, Clear Tubing	
4	3730119	1	Resistor	
5	4460464	4	Pin, Male	
6	4460465	4	Socket, Female	
7	4460466	8	Plug, Sealing	
8	4460493	1	Cap, Dust	
9	4460754	1	Connector -14 Position	
10	4460931	1	Receptacle, Female - 8 Position	
11	4460943	3	Pin, Male (Gold)	
12	4460944	3	Socket, Female	
14	2820028	AR	Heat Shrink	

# SECTION 7 - ELECTRICAL

## FIGURE 7-40. PUMP POWER CABLE ASSEMBLY



ART\_1001096794

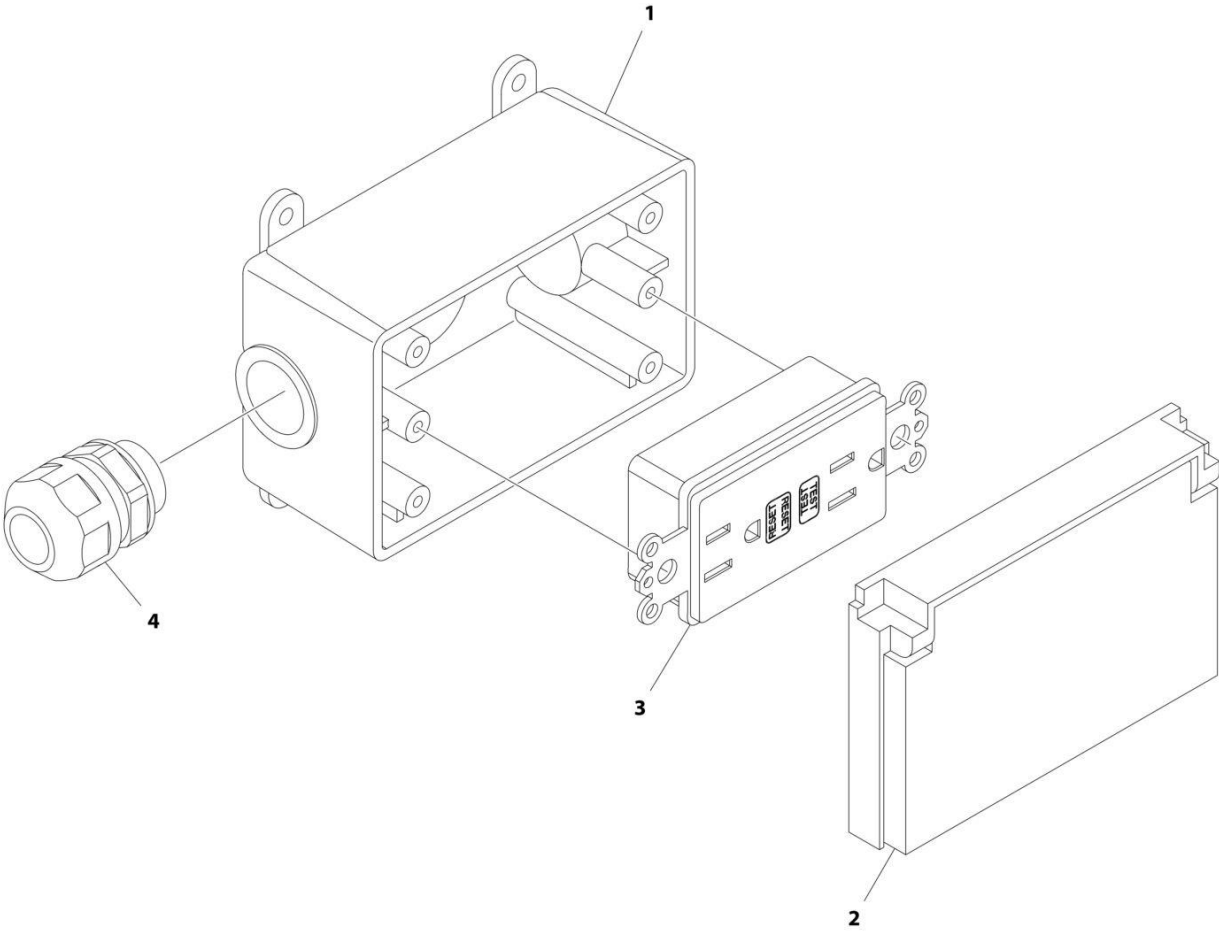
## SECTION 7 - ELECTRICAL

### FIGURE 7-40. PUMP POWER CABLE ASSEMBLY

ITEM	PART NUMBER	QTY	DESCRIPTION	REV
1	1001096794 4460778	Ref 1	PUMP POWER CABLE ASSEMBLY Connector, Anderson	C

**SECTION 7 - ELECTRICAL**

**FIGURE 7-41. RECEPTACLE BOX KIT - 110V GFI**



ART\_2902431

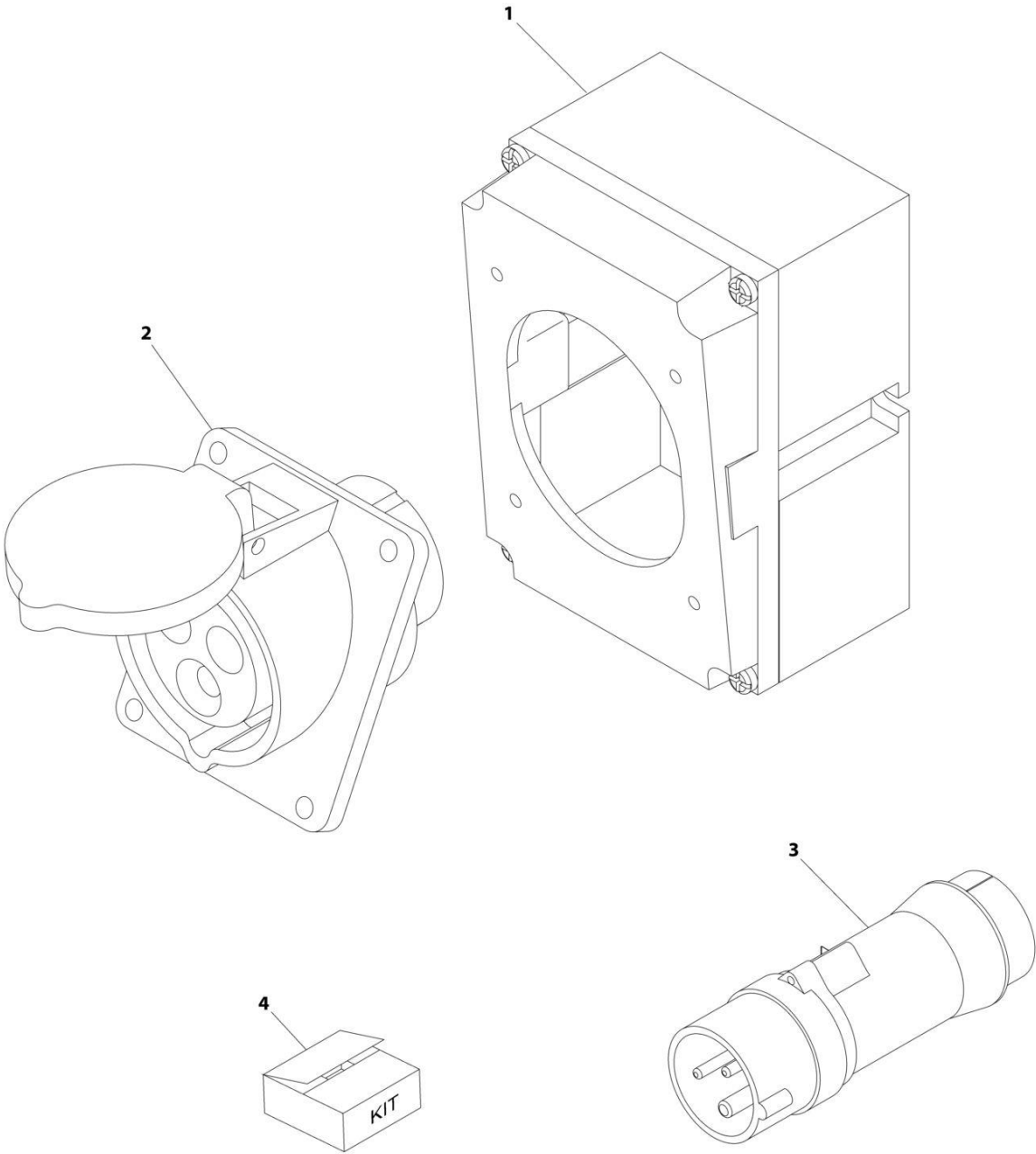
## SECTION 7 - ELECTRICAL

### FIGURE 7-41. RECEPTACLE BOX KIT - 110V GFI

ITEM	PART NUMBER	QTY	DESCRIPTION	REV
	2902431	Ref	RECEPTACLE BOX KIT - 110V GFI	D
1	0861731	1	Box, Receptacle	
2	1671207	1	Cover, Receptacle	
3	4460346	1	Receptacle	
4	4460662	1	Connector, Strain Relief	

**SECTION 7 - ELECTRICAL**

**FIGURE 7-42. RECEPTACLE BOX KIT - 110V IEC YELLOW (CE SPEC)**



ART\_0275216

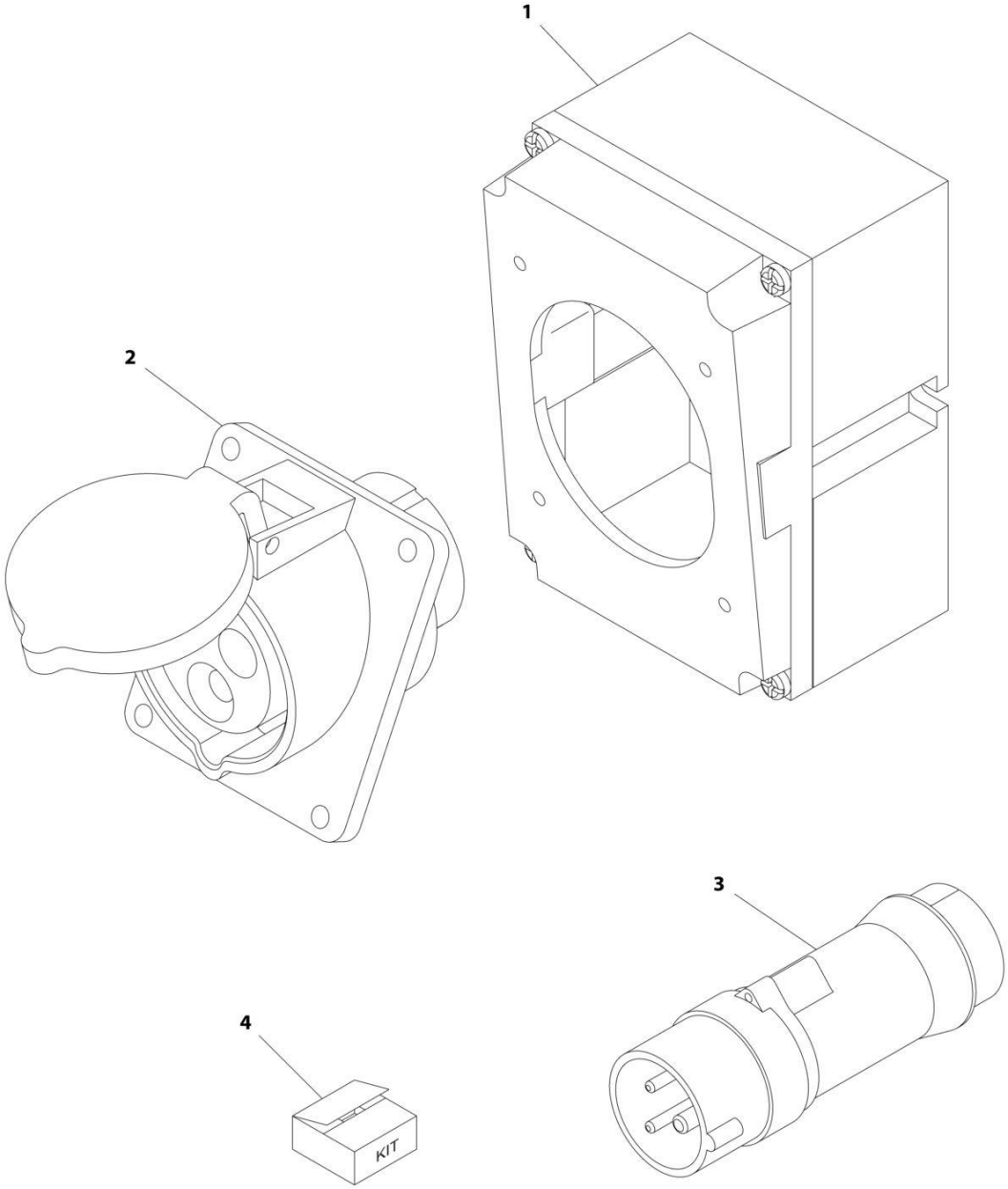
## SECTION 7 - ELECTRICAL

**FIGURE 7-42. RECEPTACLE BOX KIT - 110V IEC YELLOW (CE SPEC)**

ITEM	PART NUMBER	QTY	DESCRIPTION	REV
	0275216	Ref	RECEPTACLE BOX KIT - 110V IEC YELLOW	B
1	0861781	1	Box, Switch	
2	4461198	1	Receptacle	
3	4461196	1	Plug, Male	
4	1001100341	1	Plug and Socket Kit (Includes Items 1-3 and Female Plug p/n 4461197)	

**SECTION 7 - ELECTRICAL**

**FIGURE 7-43. RECEPTACLE BOX KIT - 220V IEC BLUE (CE SPEC)**



ART\_0275217



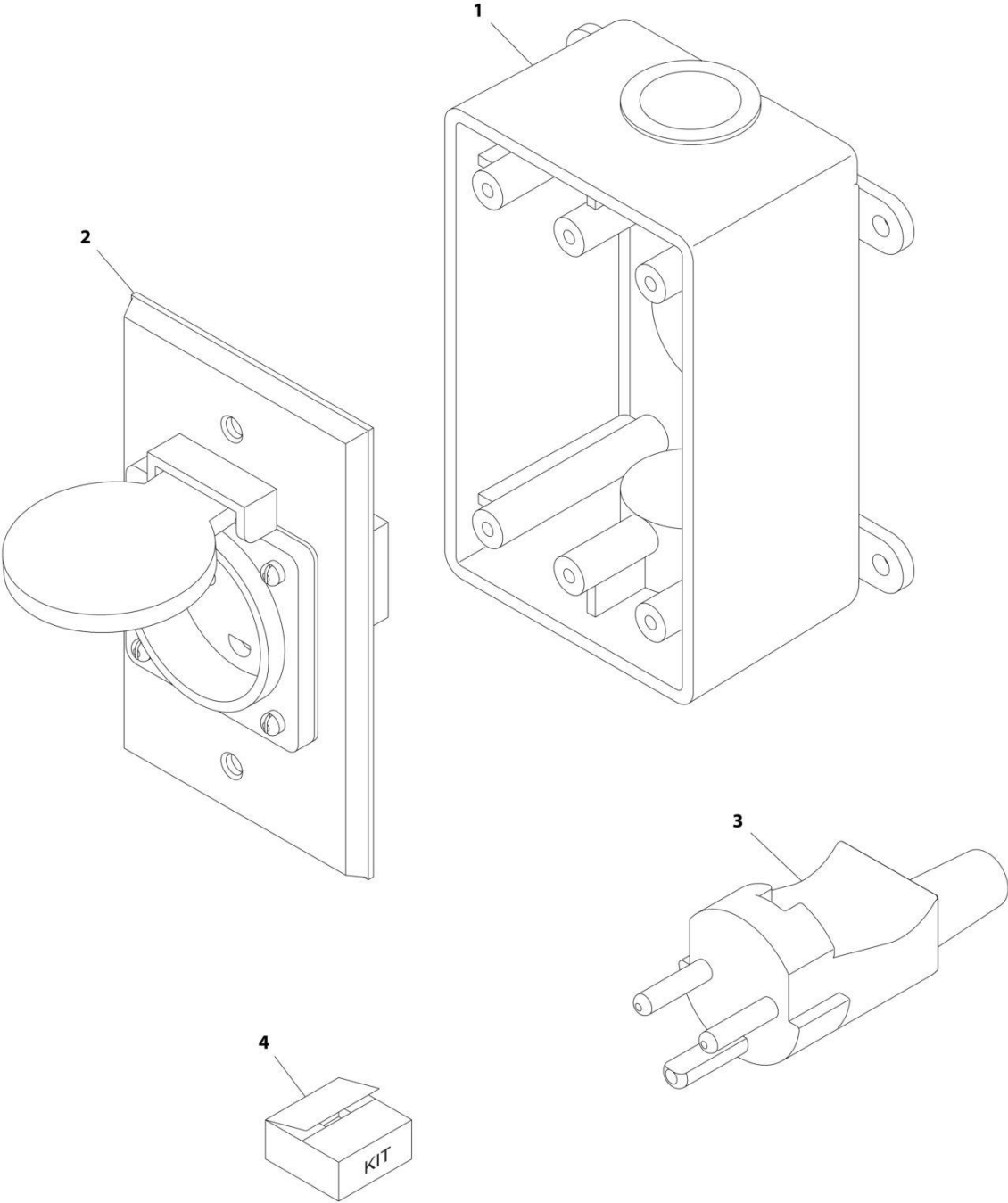
## SECTION 7 - ELECTRICAL

**FIGURE 7-43. RECEPTACLE BOX KIT - 220V IEC BLUE (CE SPEC)**

ITEM	PART NUMBER	QTY	DESCRIPTION	REV
	0275217	Ref	RECEPTACLE BOX KIT - 220V IEC BLUE	B
1	0861781	1	Box, Switch	
2	4461201	1	Receptacle	
3	4461199	1	Plug, Male	
4	1001100342	1	Plug and Socket Kit (Includes Items 1-3 and Female Plug p/n 4461200)	

**SECTION 7 - ELECTRICAL**

**FIGURE 7-44. RECEPTACLE BOX KIT - 220V AFSINT 107 (CE SPEC)**



ART\_0275454

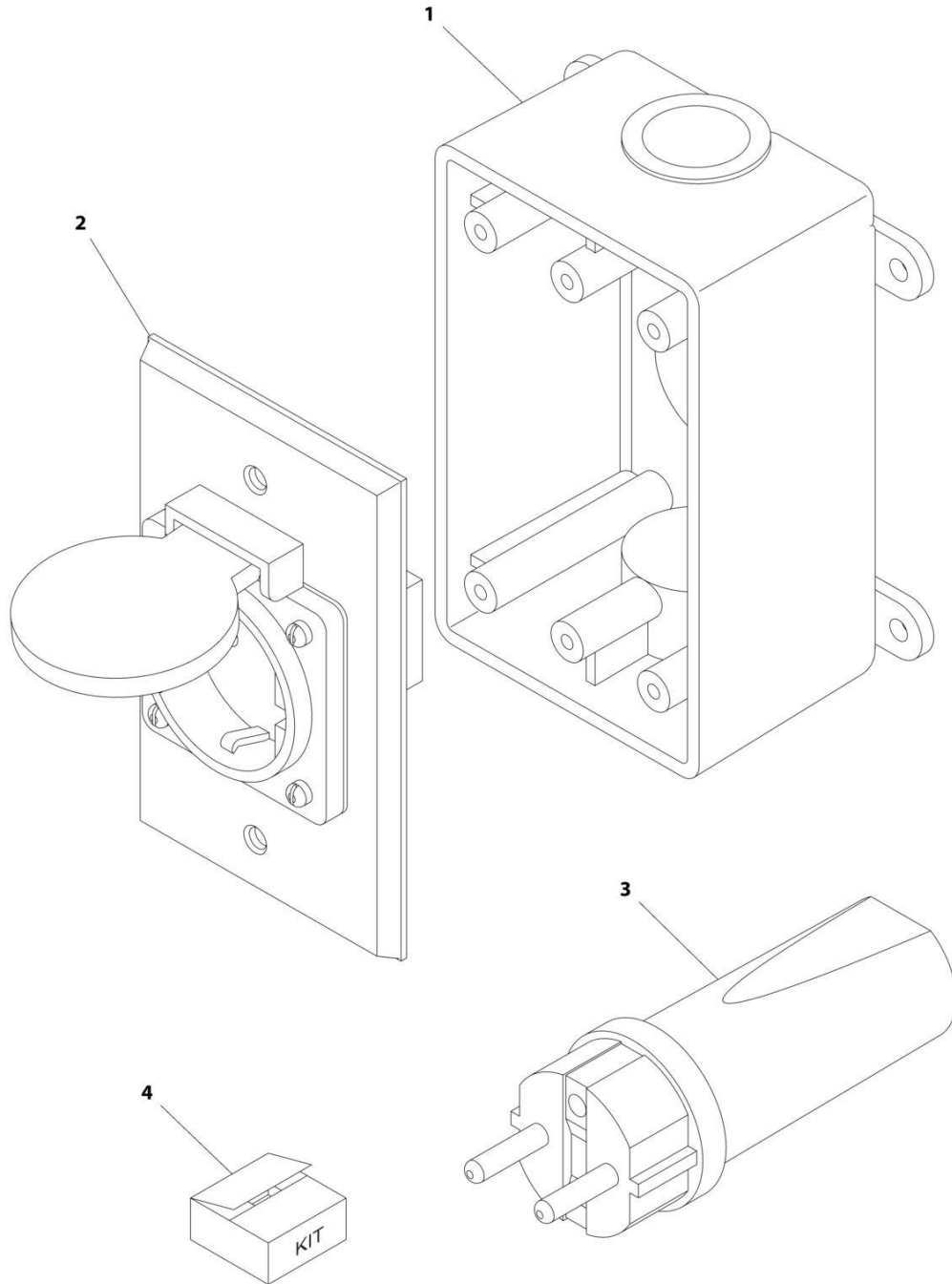
## SECTION 7 - ELECTRICAL

**FIGURE 7-44. RECEPTACLE BOX KIT - 220V AFSINT 107 (CE SPEC)**

ITEM	PART NUMBER	QTY	DESCRIPTION	REV
	0275454	Ref	RECEPTACLE BOX KIT - 220V AFSINT 107	B
1	0861731	1	Box, Switch	
2	4461246	1	Receptacle	
3	4461249	1	Plug, Male	
4	1001100346	1	Plug and Socket Kit (Includes Items 1-3 and Female Plug p/n 4461250)	

# SECTION 7 - ELECTRICAL

FIGURE 7-45. RECEPTACLE BOX KIT - 220V CEE7 SIDE GROUND (ANSI EXPORT AND KOREA SPECS)



ART\_0275453

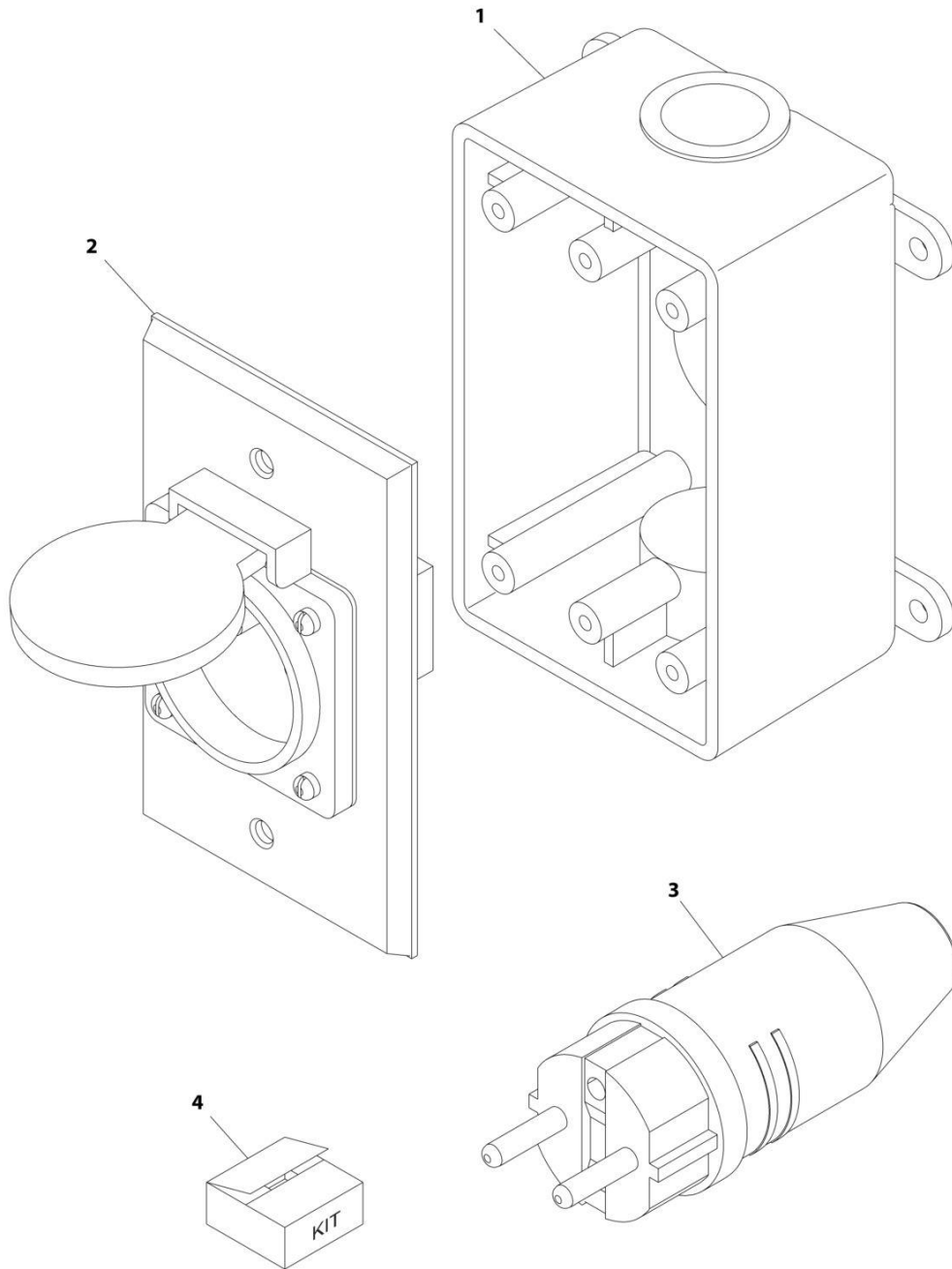
## SECTION 7 - ELECTRICAL

**FIGURE 7-45. RECEPTACLE BOX KIT - 220V CEE7 SIDE GROUND (ANSI EXPORT AND KOREA SPECS)**

ITEM	PART NUMBER	QTY	DESCRIPTION	REV
	0275453	Ref	RECEPTACLE BOX KIT - 220V CEE7 SIDE GROUND	B
1	0861731	1	Box, Switch	
2	4461245	1	Receptacle	
3	4461205	1	Plug, Male	
4	1001100347	1	Plug and Socket Kit (Includes Items 1-3 and Female Plug p/n 4461206)	

# SECTION 7 - ELECTRICAL

FIGURE 7-46. RECEPTACLE BOX KIT - 220V CEE7 POST GROUND (CE SPEC)



ART\_0275452-C

## SECTION 7 - ELECTRICAL

**FIGURE 7-46. RECEPTACLE BOX KIT - 220V CEE7 POST GROUND (CE SPEC)**

ITEM	PART NUMBER	QTY	DESCRIPTION	REV
	0275452	Ref	RECEPTACLE BOX KIT - 220V CEE7 POST GROUND 2IN X 4IN BOX	C
1	0861731	1	Box, Switch	
2	4461244	1	Receptacle	
3	4461205	1	Plug, Male	
4	1001100345	1	Plug and Socket Kit (Includes Items 1-3 and Female Plug p/n 4461203)	

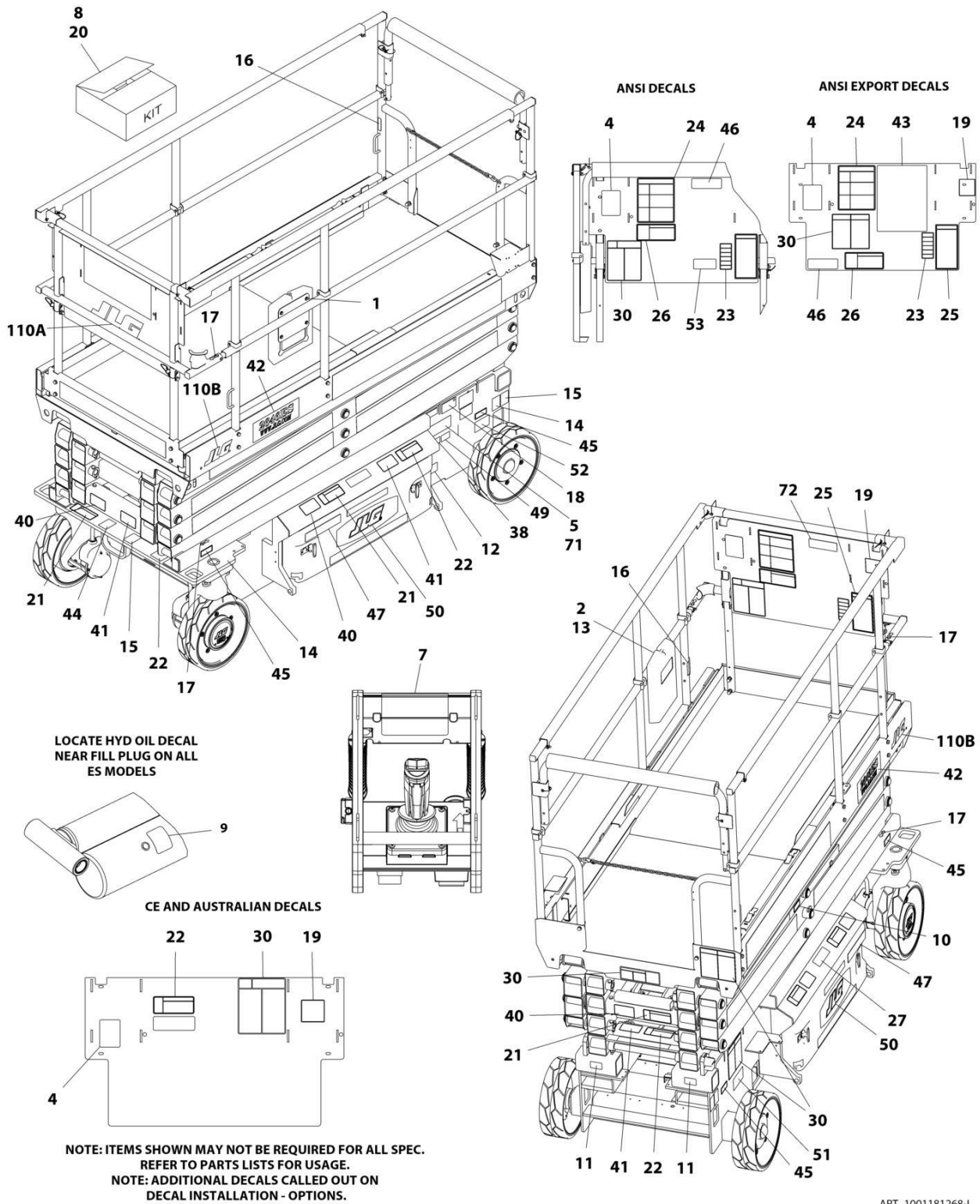




**SECTION 8 - DECALS**

# SECTION 8 - DECALS

## FIGURE 8-1. DECAL INSTALLATION - ANSI SPEC (ENGLISH)



ART\_1001181268-I

## SECTION 8 - DECALS

**FIGURE 8-1. DECAL INSTALLATION - ANSI SPEC (ENGLISH)**

ITEM	PART NUMBER	QTY	DESCRIPTION	REV
	1001181268	Ref	DECAL INSTALLATION - ANSI SPEC (ENGLISH)	I
		Ref	Note: See DECAL INSTALLATION - OPTIONS for additional decals.	
1	2080040	4	Fastener	
2	0860520	1	Box, Manual Storage	
4	1001131270	1	Decal - Patent	
5	2080057	4	Fastener	
7	See Note	1	Decal - Bar Code (Note: Not Available for Purchase)	
8	2902267	1	Decal Kit - Master (Standard Decals) (Includes Items 9-19 & 44)	B
9	1704412	1	Decal - Hydraulic Oil	
10	1705693	1	Decal - Safety Prop	
11	1704016	2	Decal - Forklift	
12	1702155	1	Decal - Battery Disconnect	
13	1701509	1	Decal - Manual Reference	
14	1703811	4	Decal - Lifting Lugs	
15	1703814	3	Decal - Tie Down	
16	1704277	3	Decal - Lanyard Attach	
17	1703819	4	Decal - Directional Arrow	
18	1703822	1	Decal - Manual Descent Instructions	
19	1705692	1	Decal - Control Box Location	
20	2902522	1	Decal Kit - ANSI Spec (Includes Items 21-27)	B
21	1705694	4	Decal - Crushing	
22	1705695	4	Decal - Danger Electrocution	
23	1705686	1	Decal - Legend	
24	1705680	1	Decal - Danger/Warning	
25	1705679	1	Decal - Inspection	
26	1705681	1	Decal - Electrocution	
27	1703813	2	Decal - Warning Battery Ventilation	
44	1701499	1	Decal - No Lift (Part of Item 8)	
46	1001094359	1	Decal - Troubleshooting	
47	1001146794	2	Decal - See Manual	
49	1001216313	1	Decal - 24 Volts	
50	1705754	2	Decal - JLG	
51	1001223055	1	Decal - Yearly Inspection	
52	1001228370	1	Decal - CSA Ices	
53	1001231801	1	Decal - Prop 65	



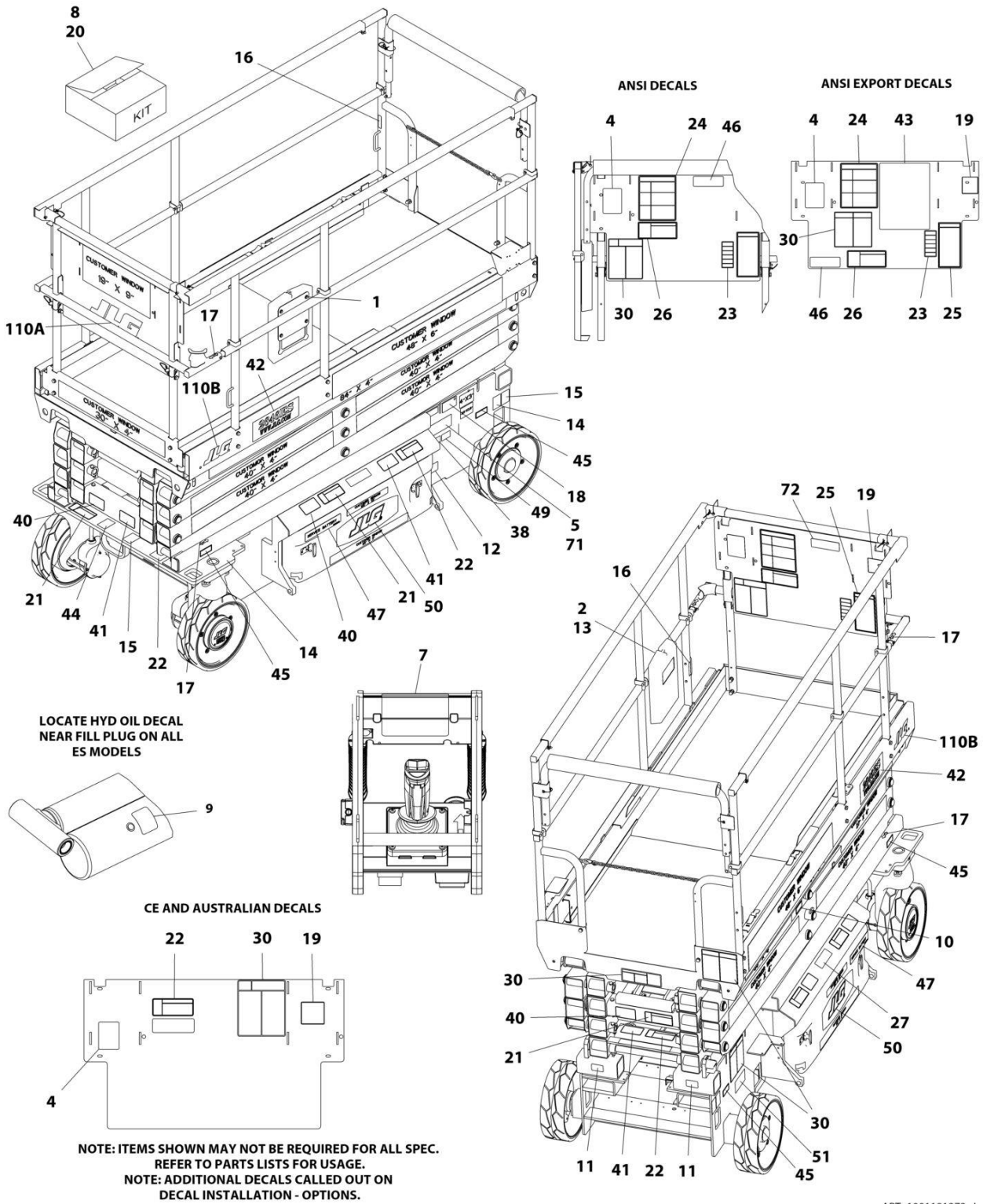
## SECTION 8 - DECALS

**FIGURE 8-2. DECAL INSTALLATION - AUSTRALIAN SPEC (ENGLISH)**

ITEM	PART NUMBER	QTY	DESCRIPTION	REV
	1001181270	Ref	DECAL INSTALLATION - AUSTRALIAN SPEC (ENGLISH)	H
		Ref	Note: See DECAL INSTALLATION - OPTIONS for additional decals	
1	2080040	4	Fastener	
2	0860520	1	Box, Manual Storage	
5	2080057	4	Fastener	
7	See Note	1	Decal - Bar Code (Note: Not Available for Purchase)	
8	2902267	1	Decal Kit - Master (Standard Decals) (Includes Items 9-19 & 44)	B
9	1704412	1	Decal - Hydraulic Oil	
10	1705693	1	Decal - Safety Prop	
11	1704016	2	Decal - Forklift	
12	1702155	1	Decal - Battery Disconnect	
13	1701509	1	Decal - Manual Reference	
14	1703811	4	Decal - Lifting Lugs	
15	1703814	3	Decal - Tie Down	
16	1704277	3	Decal - Lanyard Attach	
17	1703819	4	Decal - Directional Arrow	
18	1703822	1	Decal - Manual Descent Instructions	
19	1705692	1	Decal - Control Box Location	
20	2902523	1	Decal Kit - Australian Spec (Includes Items 21, 22 & 27)	2
21	1705673	4	Decal - Crushing	
22	1705671	5	Decal - Electrocution	
27	1705670	2	Decal - Warning Battery Ventilation/Fire Hazard	
44	1701499	1	Decal - No Lift (Part of Item 8)	
46	1001094359	1	Decal - Troubleshooting	
47	1001146794	2	Decal - See Manual	
49	1001216313	1	Decal - 24 Volts	
50	1705754	2	Decal - JLG	

# SECTION 8 - DECALS

## FIGURE 8-3. DECAL INSTALLATION - BRAZIL SPEC (PORTUGUESE/SPANISH)



ART\_1001181273\_J

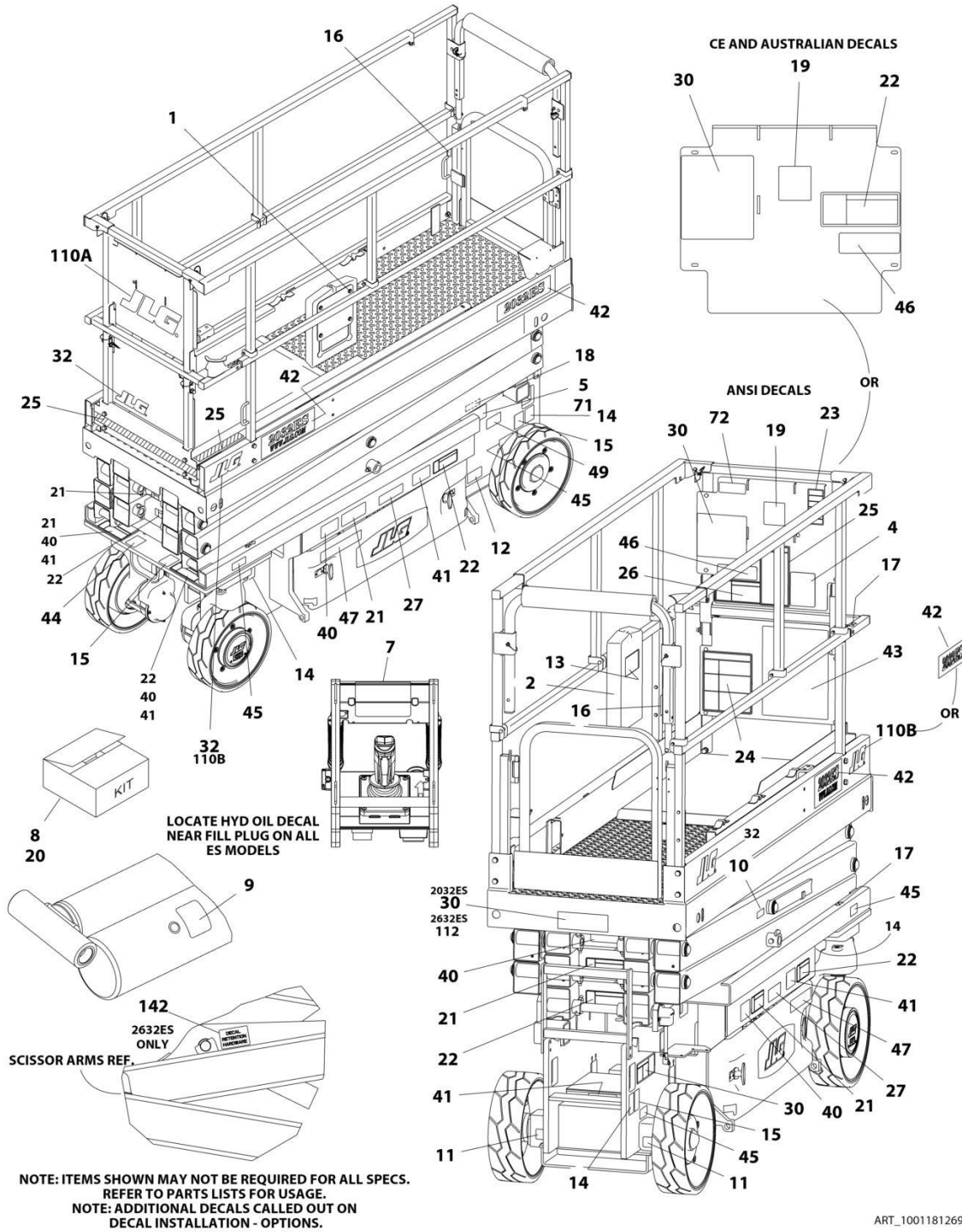
## SECTION 8 - DECALS

**FIGURE 8-3. DECAL INSTALLATION - BRAZIL SPEC (PORTUGUESE/SPANISH)**

ITEM	PART NUMBER	QTY	DESCRIPTION	REV
	1001181273	Ref	DECAL INSTALLATION - BRAZIL SPEC (PORTUGUESE/SPANISH)	J
		Ref	Note: See DECAL INSTALLATION - OPTIONS for additional decals.	
1	2080040	4	Fastener	
2	0860520	1	Box, Manual Storage	
5	2080057	4	Fastener	
7	See Note	1	Decal - Bar Code (Note: Not Available for Purchase)	
8	2902267	1	Decal Kit - Master (Standard Decals) (Includes Items 9-19 & 44)	B
9	1704412	1	Decal - Hydraulic Oil	
10	1705693	1	Decal - Safety Prop	
11	1704016	2	Decal - Forklift	
12	1702155	1	Decal - Battery Disconnect	
13	1701509	1	Decal - Manual Reference	
14	1703811	4	Decal - Lifting Lugs	
15	1703814	3	Decal - Tie Down	
16	1704277	3	Decal - Lanyard Attach	
17	1703819	4	Decal - Directional Arrow	
18	1703822	1	Decal - Manual Descent Instructions	
19	1705692	1	Decal - Control Box Location	
20	2902526	1	Decal Kit - Brazil Spec (Includes Items 21-27, 40 & 41)	B
21	1705722	5	Decal - Warning Crushing Hazard	
22	1703834	4	Decal - Warning/Danger	
23	1705726	1	Decal - Legend	
24	1705894	1	Decal - Danger/Warning	
25	1705727	1	Decal - Inspection	
26	1705721	1	Decal - Electrocutation	
27	1704341	2	Decal - Warning Battery Ventilation	
40	1705725	4	Decal - Crushing Hazard	
41	1705724	4	Decal - Electrocutation	
43	1705719	1	Decal - Danger/Warning	
44	1701499	1	Decal - No Lift (Part of Item 8)	
46	1001094359	1	Decal - Troubleshooting	
47	1001146794	2	Decal - See Manual	
49	1001216313	1	Decal - 24 Volts	
50	1705754	2	Decal - JLG	
51	1001224052	1	Decal - Yearly Inspection	

# SECTION 8 - DECALS

## FIGURE 8-4. DECAL INSTALLATION - CE SPEC (ENGLISH)



ART\_1001181269



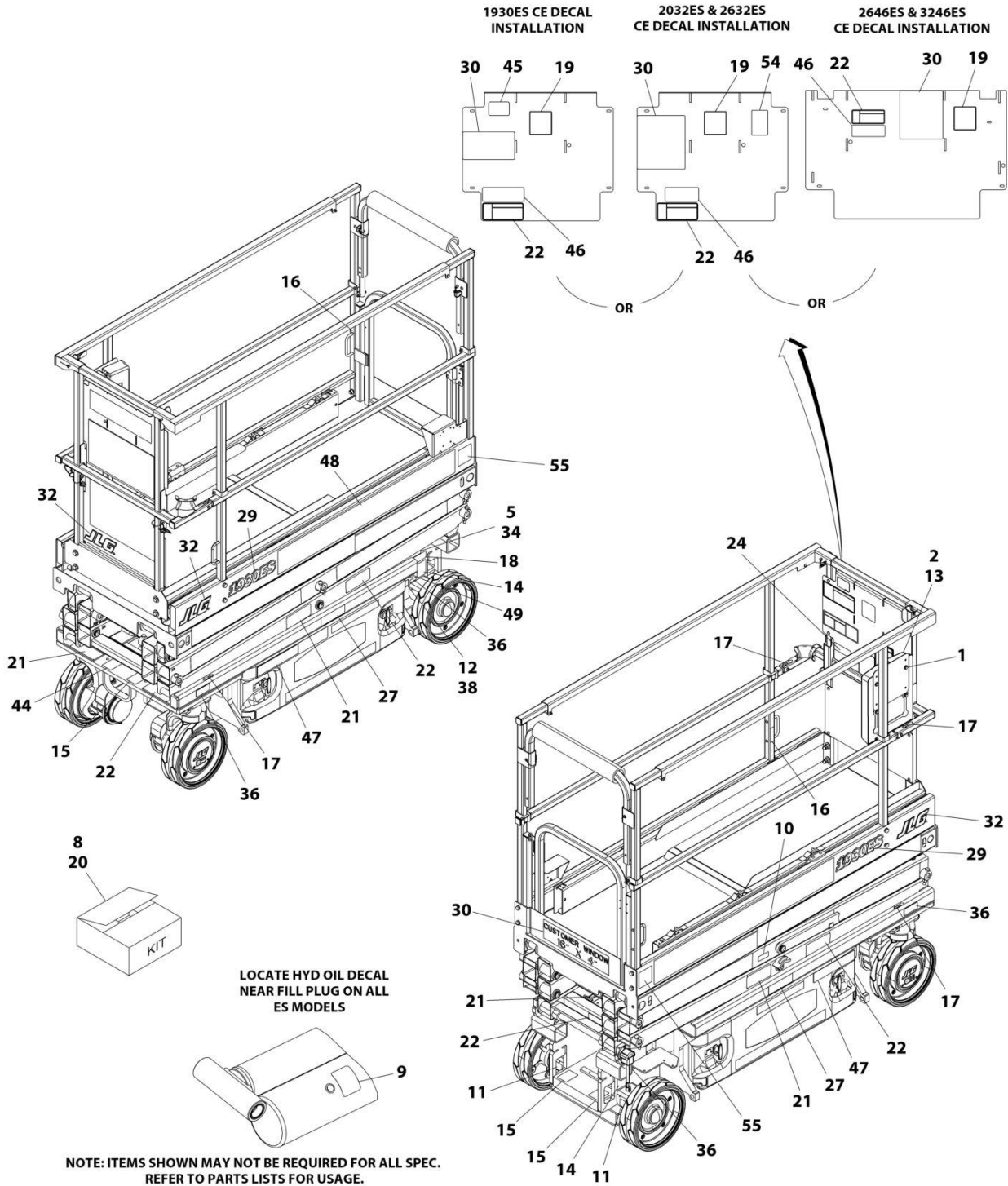
## SECTION 8 - DECALS

**FIGURE 8-4. DECAL INSTALLATION - CE SPEC (ENGLISH)**

ITEM	PART NUMBER	QTY	DESCRIPTION	REV
	1001217327	Ref	DECAL INSTALLATION - REFERENCE CHART	B
	1001181269	Ref	DECAL INSTALLATION - CE SPEC (ENGLISH)	G
		Ref	Note: See DECAL INSTALLATION - OPTIONS for additional decals.	
1	2080040	4	Fastener	
2	0860520	1	Box, Manual Storage	
5	2080057	4	Fastener	
7	See Note	1	Decal - Bar Code (Note: Not Available for Purchase)	
8	2902267	1	Decal Kit - Master (Standard Decals) (Includes Items 9-19 & 44)	B
9	1704412	1	Decal - Hydraulic Oil	
10	1705693	1	Decal - Safety Prop	
11	1704016	2	Decal - Forklift	
12	1702155	1	Decal - Battery Disconnect	
13	1701509	1	Decal - Manual Reference	
14	1703811	4	Decal - Lifting Lugs	
15	1703814	3	Decal - Tie Down	
16	1704277	3	Decal - Lanyard Attach	
17	1703819	4	Decal - Directional Arrow	
18	1703822	1	Decal - Manual Descent Instructions	
19	1705692	1	Decal - Control Box Location	
20	2902523	1	Decal Kit - CE Spec (Includes Items 21, 22 & 27)	2
21	1705673	4	Decal - Crushing	
22	1705671	5	Decal - Electrocution	
27	1705670	2	Decal - Warning Battery Ventilation/Fire Hazard	
32	1705781	3	Decal - JLG	
44	1701499	1	Decal - No Lift (Part of Item 8)	
46	1001094359	1	Decal - Troubleshooting	
47	1001146795	2	Decal - See Manual	
49	1001216313	1	Decal - 24 Volts	

# SECTION 8 - DECALS

## FIGURE 8-5. DECAL INSTALLATION - CHINA SPEC (GB)



ART\_1001232541

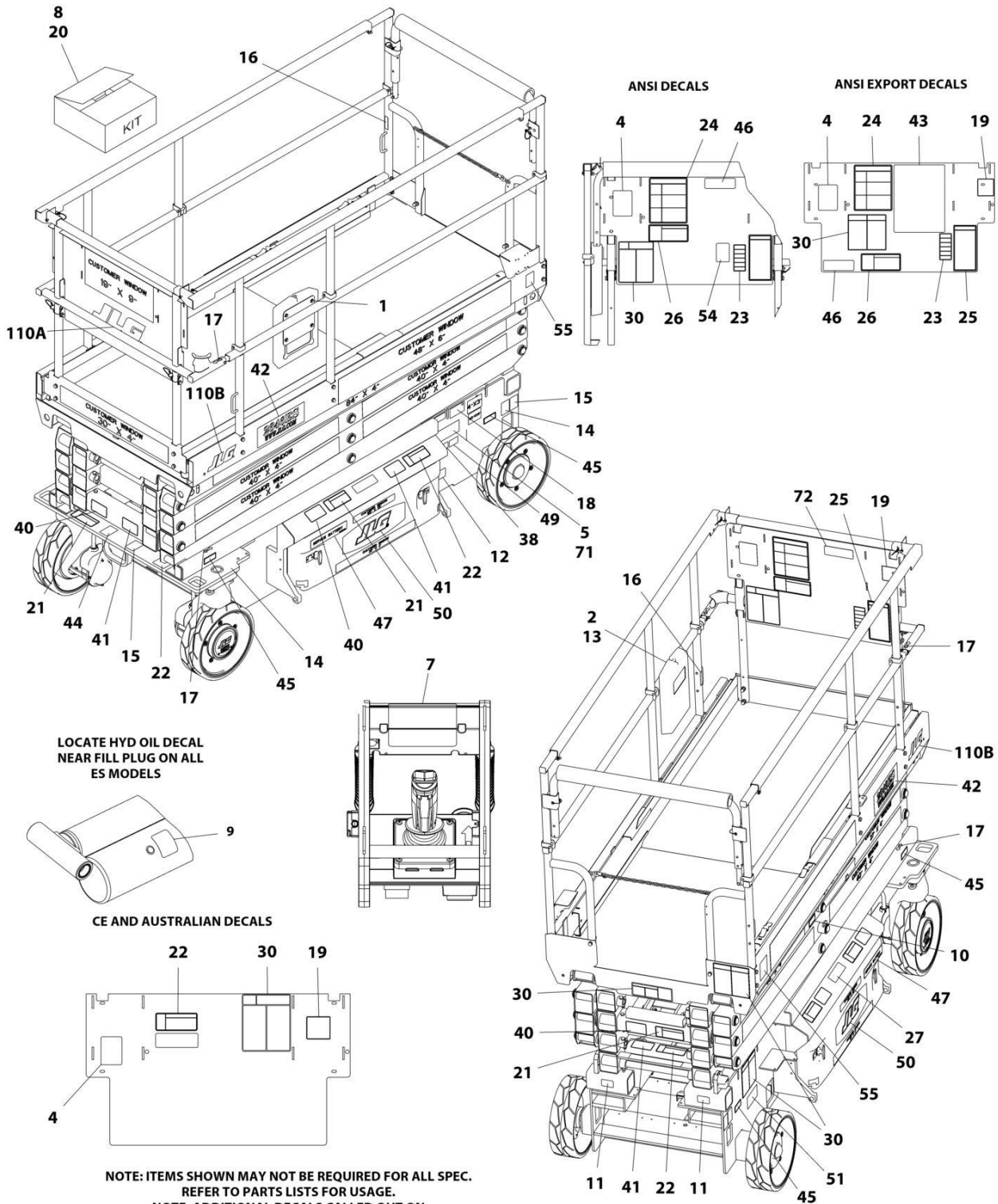
## SECTION 8 - DECALS

**FIGURE 8-5. DECAL INSTALLATION - CHINA SPEC (GB)**

ITEM	PART NUMBER	QTY	DESCRIPTION	REV
	1001232541	Ref	DECAL INSTALLATION - CHINA SPEC (GB)	B
		Ref	Note: See DECAL INSTALLATION - OPTIONS for additional decals.	
1	2080040	4	Fastener	
2	0860520	1	Box, Manual Storage	
5	2080057	4	Fastener	
8	2902267	1	Decal Kit - Master (Standard Decals) (Includes Items 9-19 & 44)	B
9	1704412	1	Decal - Hydraulic Oil	
10	1705693	1	Decal - Safety Prop	
11	1704016	2	Decal - Forklift	
12	1702155	1	Decal - Battery Disconnect	
13	1701509	1	Decal - Manual Reference	
14	1703811	4	Decal - Lifting Lugs	
15	1703814	3	Decal - Tie Down	
16	1704277	3	Decal - Lanyard Attach	
17	1703819	4	Decal - Directional Arrow	
18	1703822	1	Decal - Manual Descent Instructions	
19	1705692	1	Decal - Control Box Location	
20	2902523	1	Decal Kit - CE Spec (Includes Items 21, 22 & 27)	2
21	1705673	4	Decal - Crushing	
22	1705671	5	Decal - Electrocution	
27	1705670	2	Decal - Warning Battery Ventilation/Fire Hazard	
32	1705781	3	Decal - JLG	
44	1701499	1	Decal - No Lift (Part of Item 8)	
46	1001094359	1	Decal - Troubleshooting	
47	1001146794	2	Decal - See Manual	
49	1001216313	1	Decal - 24 Volts	
54	1001244301	1	Decal - No Over the Rail to Ground	
55	1001244298	1	Decal - Wechat	

# SECTION 8 - DECALS

## FIGURE 8-6. DECAL INSTALLATION - CHINESE SPEC (CHINESE/ENGLISH)



ART\_1001181274\_I

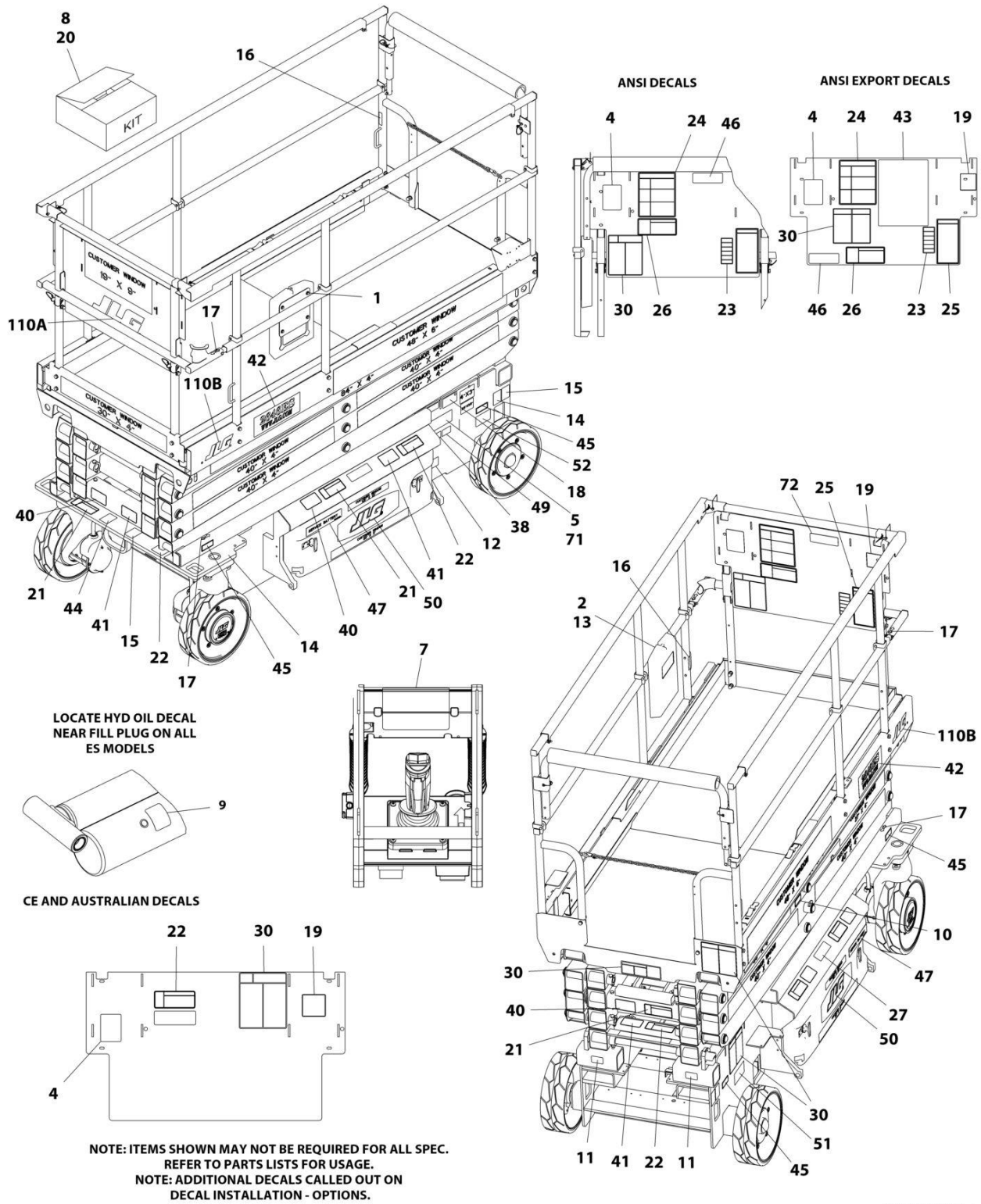
## SECTION 8 - DECALS

**FIGURE 8-6. DECAL INSTALLATION - CHINESE SPEC (CHINESE/ENGLISH)**

ITEM	PART NUMBER	QTY	DESCRIPTION	REV
	1001181274	Ref	DECAL INSTALLATION - CHINESE SPEC (CHINESE/ENGLISH)	I
		Ref	Note: See DECAL INSTALLATION - OPTIONS for additional decals.	
1	2080040	4	Fastener	
2	0860520	1	Box, Manual Storage	
5	2080057	4	Fastener	
7	See Note	1	Decal - Bar Code (Note: Not Available for Purchase)	
8	2902267	1	Decal Kit - Master (Standard Decals) (Includes Items 9-19 & 44)	B
9	1704412	1	Decal - Hydraulic Oil	
10	1705693	1	Decal - Safety Prop	
11	1704016	2	Decal - Forklift	
12	1702155	1	Decal - Battery Disconnect	
13	1701509	1	Decal - Manual Reference	
14	1703811	4	Decal - Lifting Lugs	
15	1703814	3	Decal - Tie Down	
16	1704277	3	Decal - Lanyard Attach	
17	1703819	4	Decal - Directional Arrow	
18	1703822	1	Decal - Manual Descent Instructions	
19	1705692	1	Decal - Control Box Location	
20	2902528	1	Decal Kit - Chinese Spec (Includes Items 21-27, 40 & 41)	B
21	1705694	4	Decal - Crushing	
22	1705695	4	Decal - Danger	
23	1705946	1	Decal - Legend	
24	1705680	1	Decal - Danger/Warning	
25	1705679	1	Decal - Inspection	
26	1705681	1	Decal - Electrocution	
27	1704344	2	Decal - Warning Battery Ventilation	
40	1705943	4	Decal - Crushing	
41	1705944	4	Decal - Electrocution	
43	1705945	1	Decal - Danger/Warning	
44	1701499	1	Decal - No Lift (Part of Item 8)	
46	1001094359	1	Decal - Troubleshooting	
47	1001146794	2	Decal - See Manual	
49	1001216313	1	Decal - 24 Volts	
50	1705754	2	Decal - JLG	
51	1001224050	1	Decal - Yearly Inspection	
54	1001244301	1	Decal - No Over the Rail to Ground	
55	1001244298	1	Decal - Wechat	

# SECTION 8 - DECALS

## FIGURE 8-7. DECAL INSTALLATION - CSA SPEC (ENGLISH/FRENCH)



ART\_1001181271\_I

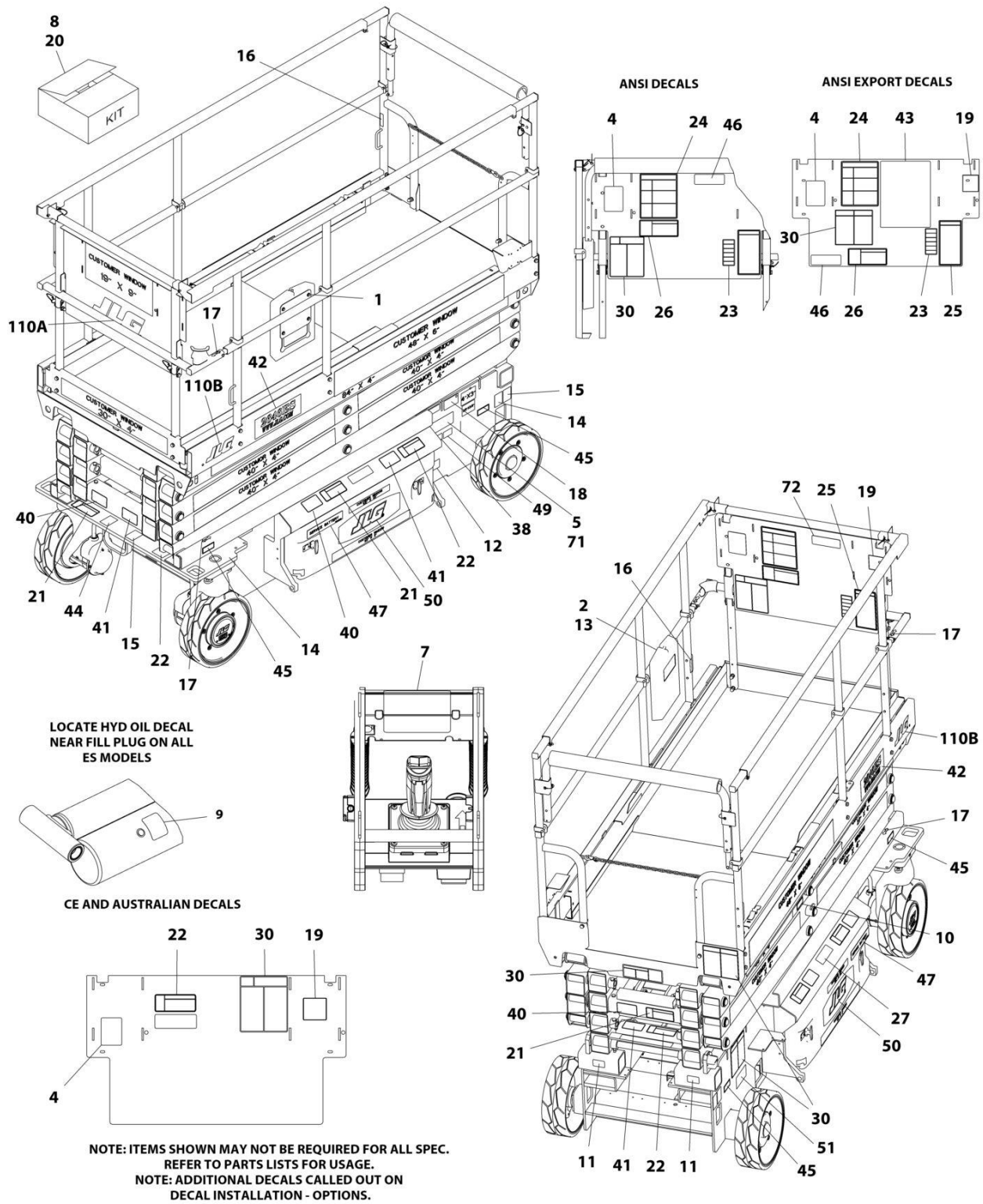
## SECTION 8 - DECALS

**FIGURE 8-7. DECAL INSTALLATION - CSA SPEC (ENGLISH/FRENCH)**

ITEM	PART NUMBER	QTY	DESCRIPTION	REV
	1001181271	Ref	DECAL INSTALLATION - CSA SPEC (ENGLISH/FRENCH)	I
		Ref	Note: See DECAL INSTALLATION - OPTIONS for additional decals.	
1	2080040	4	Fastener	
2	0860520	1	Box, Manual Storage	
4	1001131270	1	Decal - Patent	
5	2080057	4	Fastener	
7	See Note	1	Decal - Bar Code (Note: Not Available for Purchase)	
8	2902267	1	Decal Kit - Master (Standard Decals) (Includes Items 9-19 & 44)	B
9	1704412	1	Decal - Hydraulic Oil	
10	1705693	1	Decal - Safety Prop	
11	1704016	2	Decal - Forklift	
12	1702155	1	Decal - Battery Disconnect	
13	1701509	1	Decal - Manual Reference	
14	1703811	4	Decal - Lifting Lugs	
15	1703814	3	Decal - Tie Down	
16	1704277	3	Decal - Lanyard Attach	
17	1703819	4	Decal - Directional Arrow	
18	1703822	1	Decal - Manual Descent Instructions	
19	1705692	1	Decal - Control Box Location	
20	2902524	1	Decal Kit - CSA Spec (Includes Items 21-27, 40 & 41)	B
21	1705694	4	Decal - Crushing	
22	1705695	4	Decal - Warning/Danger	
23	1705723	1	Decal - Legend	
24	1705680	1	Decal - Danger/Warning	
25	1705679	1	Decal - Inspection	
26	1705681	1	Decal - Electrocutation	
27	1704340	2	Decal - Warning Battery Ventilation	
40	1705717	4	Decal - Crushing	
41	1705718	4	Decal - Electrocutation	
43	3252098	1	Nameplate - Warning/Danger	
44	1701499	1	Decal - No Lift (Part of Item 8)	
46	1001094359	1	Decal - Troubleshooting	
47	1001146794	2	Decal - See Manual	
49	1001216313	1	Decal - 24 Volts	
50	1705754	2	Decal - JLG	
51	1001223971	1	Decal - Yearly Inspection	
52	1001228370	1	Decal - CSA Ices	

# SECTION 8 - DECALS

## FIGURE 8-8. DECAL INSTALLATION - KOREAN SPEC (KOREAN/ENGLISH)



ART\_1001181275\_I



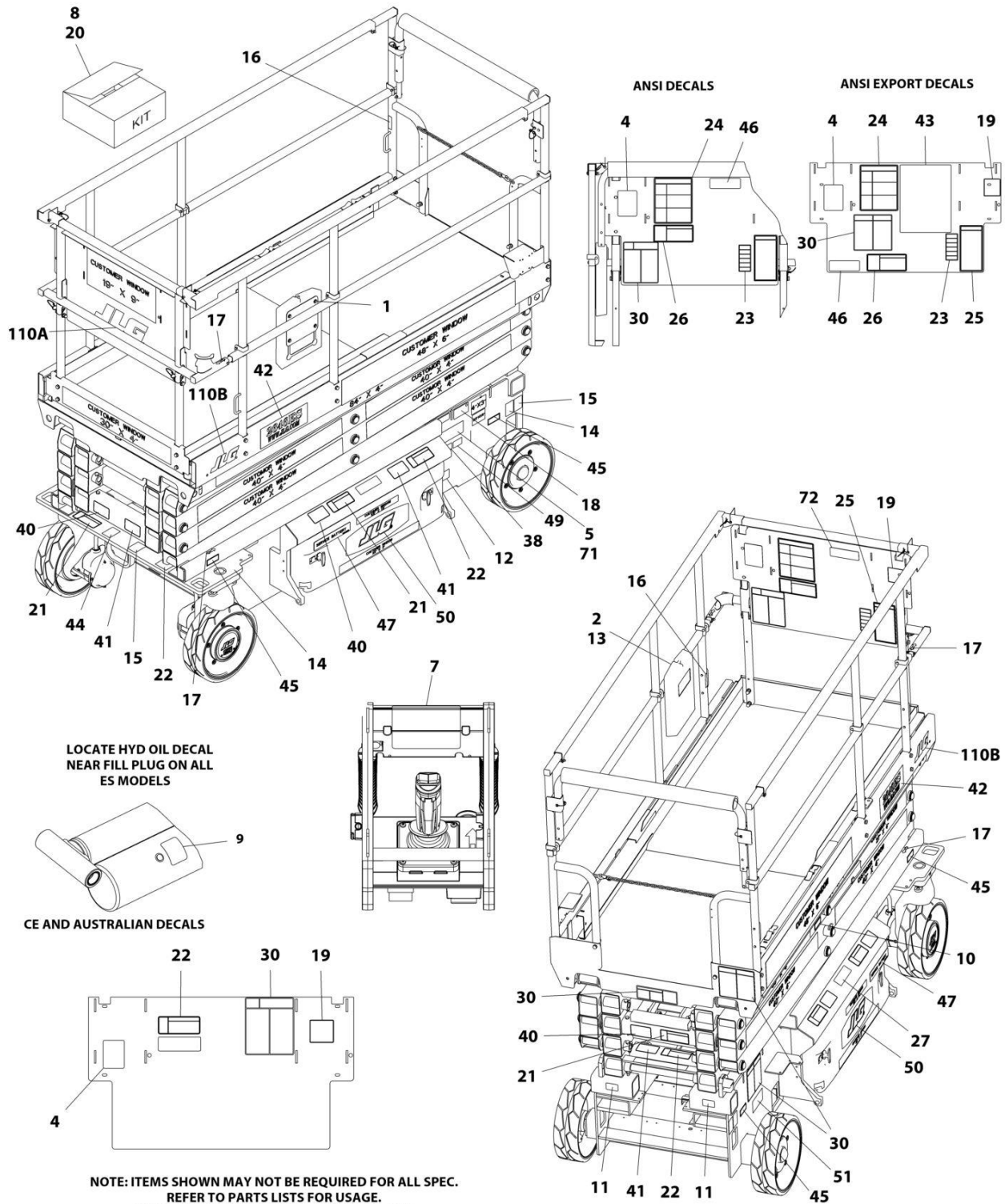
## SECTION 8 - DECALS

**FIGURE 8-8. DECAL INSTALLATION - KOREAN SPEC (KOREAN/ENGLISH)**

ITEM	PART NUMBER	QTY	DESCRIPTION	REV
	1001181275	Ref	DECAL INSTALLATION - KOREAN SPEC (KOREAN/ENGLISH)	I
		Ref	Note: See DECAL INSTALLATION - OPTIONS for additional decals.	
1	2080040	4	Fastener	
2	0860520	1	Box, Manual Storage	
5	2080057	4	Fastener	
7	See Note	1	Decal - Bar Code (Note: Not Available for Purchase)	
8	2902267	1	Decal Kit - Master (Standard Decals) (Includes Items 9-19 & 44)	B
9	1704412	1	Decal - Hydraulic Oil	
10	1705693	1	Decal - Safety Prop	
11	1704016	2	Decal - Forklift	
12	1702155	1	Decal - Battery Disconnect	
13	1701509	1	Decal - Manual Reference	
14	1703811	4	Decal - Lifting Lugs	
15	1703814	3	Decal - Tie Down	
16	1704277	3	Decal - Lanyard Attach	
17	1703819	4	Decal - Directional Arrow	
18	1703822	1	Decal - Manual Descent Instructions	
19	1705692	1	Decal - Control Box Location	
20	2902532	1	Decal Kit - Korean Spec (Includes Items 21-27, 40 & 41)	2
21	1705694	4	Decal - Crushing	
22	1705695	4	Decal - Danger Electrocution	
23	1706057	1	Decal - Legend	
24	1705680	1	Decal - Danger/Warning	
25	1705679	1	Decal - Inspection	
26	1705681	1	Decal - Electrocution	
27	1707022	2	Decal - Warning Battery Ventilation	
40	1706052	4	Decal - Crushing Hazard	
41	1706056	4	Decal - Danger Electrocution	
43	1706053	1	Decal - Danger/Warning	
44	1701499	1	Decal - No Lift (Part of Item 8)	
46	1001094359	1	Decal - Troubleshooting	
47	1001146794	2	Decal - See Manual	
49	1001216313	1	Decal - 24 Volts	
50	1705754	2	Decal - JLG	
51	1001224048	1	Decal - Yearly Inspection	

# SECTION 8 - DECALS

## FIGURE 8-9. DECAL INSTALLATION - LATIN AMERICAN SPEC (ENGLISH/SPANISH)



ART\_1001181272\_J

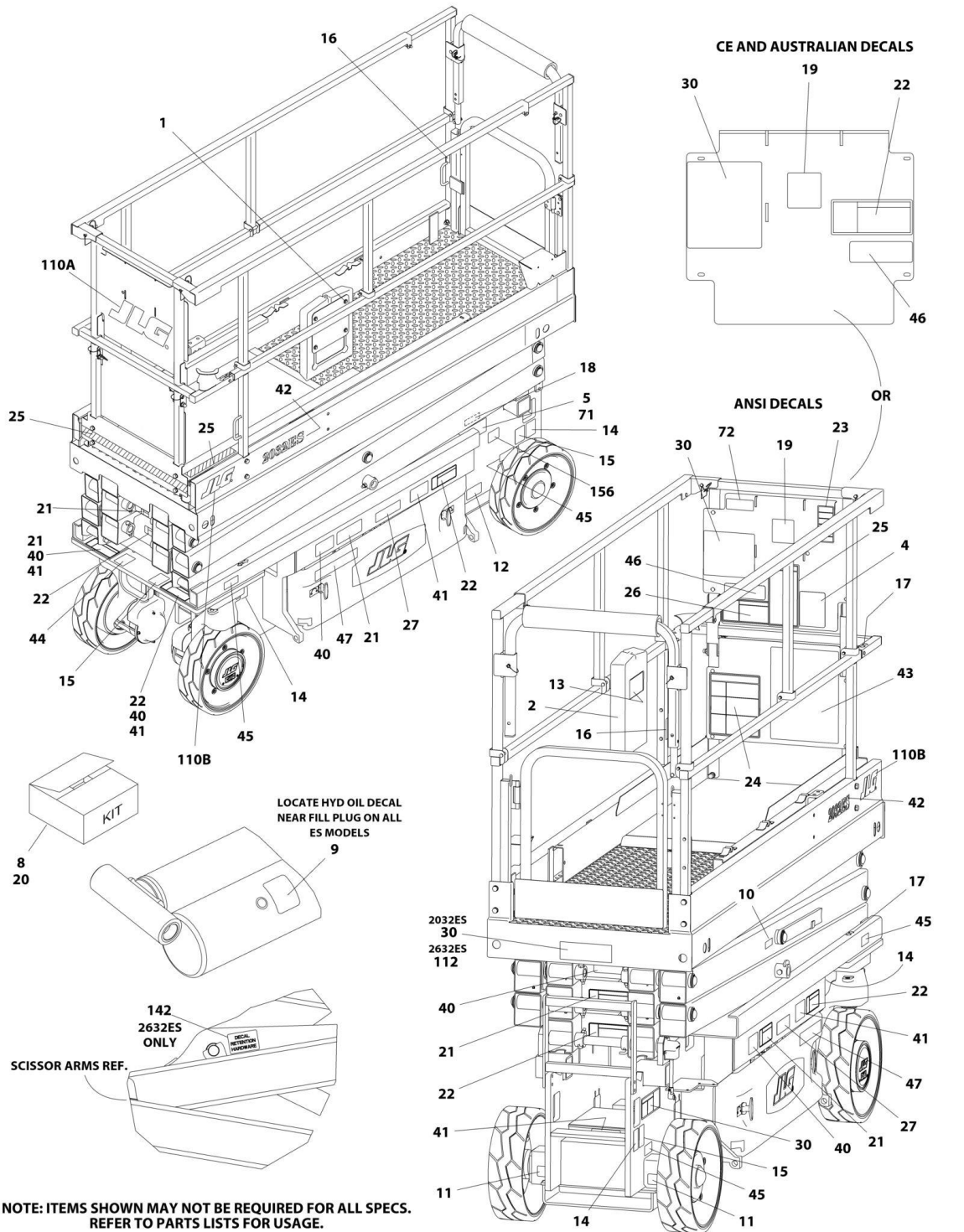
## SECTION 8 - DECALS

**FIGURE 8-9. DECAL INSTALLATION - LATIN AMERICAN SPEC (ENGLISH/SPANISH)**

ITEM	PART NUMBER	QTY	DESCRIPTION	REV
	1001181272	Ref	DECAL INSTALLATION - LATIN AMERICAN SPEC (ENGLISH/SPANISH)	I
		Ref	Note: See DECAL INSTALLATION - OPTIONS for additional decals.	
1	2080040	4	Fastener	
2	0860520	1	Box, Manual Storage	
5	2080057	4	Fastener	
7	See Note	1	Decal - Bar Code (Note: Not Available for Purchase)	
8	2902267	1	Decal Kit - Master (Standard Decals) (Includes Items 9-19 & 44)	B
9	1704412	1	Decal - Hydraulic Oil	
10	1705693	1	Decal - Safety Prop	
11	1704016	2	Decal - Forklift	
12	1702155	1	Decal - Battery Disconnect	
13	1701509	1	Decal - Manual Reference	
14	1703811	4	Decal - Lifting Lugs	
15	1703814	3	Decal - Tie Down	
16	1704277	3	Decal - Lanyard Attach	
17	1703819	4	Decal - Directional Arrow	
18	1703822	1	Decal - Manual Descent Instructions	
19	1705692	1	Decal - Control Box Location	
20	2902525	1	Decal Kit - Latin American Spec (English/Spanish) (Includes Items 21-27, 40 & 41)	B
21	1705694	4	Decal - Crushing	
22	1705695	4	Decal - Danger Electrocutation	
23	1705720	1	Decal - Legend	
24	1705680	1	Decal - Danger/Warning	
25	1705679	1	Decal - Inspection	
26	1705681	1	Decal - Electrocutation	
27	1704339	2	Decal - Warning Battery Ventilation	
40	1705725	4	Decal - Crushing Hazard	
41	1705724	1	Decal - Danger Electrocutation	
43	1705719	1	Decal - Danger/Warning	
44	1701499	1	Decal - No Lift (Part of Item 8)	
46	1001094359	1	Decal - Troubleshooting	
47	1001146794	2	Decal - See Manual	
49	1001216313	1	Decal - 24 Volts	
50	1705754	2	Decal - JLG	
51	1001224049	1	Decal - Yearly Inspection	

# SECTION 8 - DECALS

## FIGURE 8-10. DECAL INSTALLATION - OPTIONS



ART\_DECAL\_OPTIONS

## SECTION 8 - DECALS

**FIGURE 8-10. DECAL INSTALLATION - OPTIONS**

ITEM	PART NUMBER	QTY	DESCRIPTION	REV
		Ref	DECAL INSTALLATION - OPTIONS	
25	0272721	Ref	Corner Safety Stripes Installation	D
25	4420051	29.5 in /0.75m	Tape, Safety	
30	1001256661	1	Decal - 800LB/363KG Capacity (2032ES ANSI, ANSI Export, CSA, Japanese and Korea Specs)	
30	1705667	1	Decal - 360KG (2032ES Australian, CE and China Specs)	
30	1001256662	1	Decal - 500LB/227KG - 800LB/360KG Capacity (2632ES ANSI, ANSI Export, CSA, Japanese, Korea and UL Specs)	
30	1705942	1	Decal - 230KG/360KG Capacity (2632ES Australian, CE and China Specs)	
42	1001178302	2	Decal - 2032ES Model Designation	
42	1001216998	1	Decal - 2032ES Model Designation (Dual Language)	
42	1001178304	2	Decal - 2632ES Model Designation	
42	1001216999	1	Decal - 2632ES Model Designation (Dual Language)	
45	1706310	4	Decal - Maximum Tire Load (2032ES All Specs except UL Specs)	
45	1706310	4	Decal - Maximum Tire Load (2632ES)	
71	See Note	1	Decal - Serial Number (Note: Not Available for Purchase)	
110	0272870	Ref	JLG Logo Installation (All Specs Except China Specs)	2
110	1001228965	Ref	JLG Logo Installation (China Specs)	A
110A	1702773	1	Decal - JLG (5 inch) (All Specs Except China Specs)	
110A	1705754	1	Decal - JLG (3.5 inch) (China Specs)	
110B	1705781	2	Decal - JLG (2.75 inch) (All Specs)	
156	1001214029	1	Decal Installation - EAC (Russian/CIS Specs)	A
156	1001173703	1	Decal - EAC (Russian/CIS Specs)	



## **SECTION 9 - RECOMMENDED SERVICE PARTS STOCK**

## **SECTION 9 - RECOMMENDED SERVICE PARTS STOCK**

## SECTION 9 - RECOMMENDED SERVICE PARTS STOCK

FIGURE 9-1. RECOMMENDED SERVICE PARTS STOCK

ITEM	PART NUMBER	QTY	DESCRIPTION	REV
		Ref	Note: The following list will service one machine (built to current production per date on the front cover) with emergency repair parts which can be installed in the field. Parts from the list should be replaced when inventory is depleted to keep service parts stock supplied. For further information, contact your JLG dealer or the JLG Industries Parts Department.	
		Ref	STANDARD PARTS	
	4360069	1	Breaker, Circuit - 10Amp	
	4360328	1	Switch, Toggle	
	2860030	1	Key, Replacement	
	4360475	1	Switch, Mushroom	
	4360387	1	Switch, Push Button	
	1001092354	1	Switch, Rotary Angle Sensor	
	1600402	1	Controller, Drive/Steer	
	4360538	1	Switch and Membrane	
	4360539	1	Switch, Toggle	
	1001097347	1	Relay	
	70004928	1	Filter - 300 Micron	
	70003707	1	Coil	
		Ref	VARIABLE PARTS	
	1001092456	1	Module, Drive Control	
	1001109088	1	Switch, Limit (Non-UL Machines)	
	1001126905	1	Switch, Limit (UL Machines)	
	1001130614	1	Switch, Limit (Machines with Overhead Protection and Low Height Drive Cutout)	
	0610161	1	PC Board - Charger	
	4360469	1	Switch, Key	
	1001163095	1	Sensor, Tilt	
	1600439	1	PC Board, Console Box	
	4360613	1	Switch, Limit (Brake Disconnect)	
	1001181045	1	Breaker, Circuit – 16A/30mAmp Combination (CE Spec Only)	
	1001189172	1	Breaker, Circuit - Double 16Amp (CE Spec Only)	
	1001189171	1	Breaker, Circuit - 30mA (CE Spec Only)	



**SECTION 10 - SPECIAL OPTIONS**

## SECTION 10 - SPECIAL OPTIONS

**FIGURE 10-1. SPECIAL OPTIONS**

ITEM	PART NUMBER	QTY	DESCRIPTION	REV
		Ref	Note: This list is to accommodate machines ordered with special equipment. Options may not be applicable to all models. For more specific parts information contact the JLG Parts Department.	
		Ref	SPECIAL OPTIONS	
	0272843	Ref	AC Plug and Receptacle Installation (Customer Supplied Plug and Receptacle)	
	0274370	Ref	Airline Installation (2032ES)	
	0274517	Ref	Airline Installation (2632ES)	
	0272913	Ref	Alarm Installation - Motion (See Ground Control Box /Alarm installation for Components)	
	1001185053	Ref	Alarm Installation - White Noise (Available on All Specs except UL Spec) (Factory Installed)	
	1001183458	Ref	Ambient Adjusting Motion Alarm Kit (Dealer Installed)	
	0272878	Ref	Antivandalism Package (ANSI Export, CE, Australian, UL, China and Korea Specs Only)	
	1001213525	Ref	Antivandalism Package (ANSI Export, China and Korea Specs)	
	1001230525	Ref	Arm Spacer Kit	
	1001255613	Ref	Battery Charger Kit (ANSI, ANSI Export and Korea Specs)	
	1001255614	Ref	Battery Charger Kit (ANSI Export, China and Korea Specs)	
	1001255596	Ref	Battery Charger Kit (Australian Specs)	
	0274341	Ref	Battery Charger Interlock Override Installation (ANSI Specs Only)	
	1001190011	Ref	Beacon Light Installation with 2 Lights	
		Ref	ClearSky (Telematics) Installations (Dealer Installed)	
	1001243574	Ref	ClearSky Telematics Access Control Kit (Dealer Installed) (All Specs)	
	1001243185	Ref	ClearSky Telematics Access Control Kit – Single Can (Dealer Installed) (ANSI Specs)	
	1001243186	Ref	ClearSky Telematics Access Control Kit – Single Can (Dealer Installed) (CE Specs)	
	1001265377	Ref	ClearSky Installation - Canbus (Dealer Installed) (ANSI & CSA Specs)	
	1001254325	Ref	ClearSky Installation - Canbus (Dealer Installed) (Australian Specs)	
	1001253879	Ref	ClearSky Installation - Canbus (Dealer Installed) (ANSI Export & CE Specs)	
	1001265384	Ref	ClearSky Installation - Canbus (Dealer Installed) (China Specs)	
		Ref	ClearSky (Telematics) Installations (Factory Installed)	
	1001229107	Ref	ClearSky Installation - 3 Wire (ANSI & CSA Specs)	
	1001233237	Ref	ClearSky Telematics (Factory Installed) (ANSI Export, CE and Korea Specs)	
	1001253627	Ref	ClearSky Installation - Canbus (ANSI & CSA Specs)	
	1001253949	Ref	ClearSky Installation - Canbus (Australian Specs)	
	1001253948	Ref	ClearSky Installation - Canbus (ANSI Export, CE & Korea Specs)	
	1001229696	Ref	Decals - ClearSky (ANSI, ANSI Export, CE and CSA Specs)	
	1706765	Ref	Decal - Hazardous Voltage (English Language) (Used with Inverter Installation) (ANSI and CSA Specs)	
	1001136847	Ref	Decal - Hazardous Voltage (English/Spanish Language) (Used with Inverter Installation) (ANSI Export, China and Korea Specs)	
	1001230981	Ref	Decal - Quick Start Reference (Dutch Spec)	
	1001226419	Ref	Decal - Quick Start Reference (English Spec)	
	1001230979	Ref	Decal - Quick Start Reference (French Spec)	
	1001230975	Ref	Decal - Quick Start Reference (German Spec)	

## SECTION 10 - SPECIAL OPTIONS

ITEM	PART NUMBER	QTY	DESCRIPTION	REV
	1001230980	Ref	Decal - Quick Start Reference (Italian Spec)	
	1001230983	Ref	Decal - Quick Start Reference (Russian Spec)	
	1001230982	Ref	Decal - Quick Start Reference (Spanish Spec)	
	1001230984	Ref	Decal - Quick Start Reference (Swedish Spec)	
	1706922	Ref	Decal - Service Support (24HR) (ANSI and CSA Specs)	
	1705304	Ref	Decal - Service Support (CSA and UL SPECS)	
	1001200363	Ref	Decals - UL (Mexico Built Machines) (UL Specs)	
		Ref	Decal Kits	
	1001212665	Ref	Decal Kit - 2032ES	
	1001212666	Ref	Decal Kit - 2632ES	
	1001233087	Ref	Drive Motor Covers	
	1001253957	Ref	EDS Level 2 Scissors Kit (Factory Installed) (PVC 1910)	
	1001247037	Ref	EDS Level 1 Scissors Kit (Dealer Installed) (PVC 1910)	
	1001247036	Ref	EDS Level 2 Scissors Kit (Dealer Installed) (PVC 1910)	
	1001253958	Ref	EDS Level 2 Scissors Kit (Dealer Installed) (PVC 1910)	
		Ref	Electrical Connector Kits	
	1001148902	Ref	Amp/Tyco Electrical Connector Kit	
	1001148903	Ref	Deutsch DT Electrical Connector Kit	
	1001148904	Ref	Deutsch HD Electrical Connector Kit	
	1001148905	Ref	Packard Electrical Connector Kit	
	1001148906	Ref	Various Electrical Connectors Kit	
	1001232485	Ref	ES Lift Pin Kit (2632ES)	
	1001109345	Ref	ES Pothole Protection Switch Kit	
	1001189484	Ref	Fire Extinguisher Installation (ANSI Spec Only)	
	0273762	Ref	Footswitch Installation with LSS (ANSI Export, Japanese and Korea Specs)	
	1001223324	Ref	Frame Protective Cover (All Specs Except CE Specs)	
	0273859	Ref	Hydraulic Pressure Checks Installation (All Specs except Australian and CE Specs)	
	1001228900	Ref	Inverter/Battery Charger (900W-60Hz) Installation (2632ES ANSI Spec Only)	
	1001140336	Ref	Latch, Magnetic Gate (ANSI, ANSI Export, Australian, China, Japanese and Korea Specs)	
	0273454	Ref	Lifting Lugs Installation (Factory Installed) (All Specs except Australian Specs)	
	1001135753	Ref	Lifting Lugs Installation (Australian Specs Only)	
	1001215518	Ref	Machine Kit	K
	1001215520	1	2032ES Machine Sub-Assembly	D
	1001215521	1	2632ES Machine Sub-Assembly	D
	1001258357	1	Access Control Keypad Installation	
	1001219125	1	Controller (ES System Module)	
	1001215241	1	Batteries Installation (220 A-HR) (Standard)	
	1001215242	1	Batteries Installation (245 A-HR) (No Lock)	
	1001215243	1	Batteries AGM Installation (220 A-HR) (No Lock)	
	2940175	1	Battery Cover Latch (Locking)	
	1001263426	Ref	Mobile Control Add-on Kit (Dealer Installed)	
	1001118216	Ref	Platform Control Box Cover Installation (ANSI Export, CE, China, Japanese, Korea and UL Specs)	
	1001104467	Ref	Platform Med Corner Hook Kit	
	1001238849	Ref	Platform Entry Kit (Chain Entry) (Add-On) (Dealer Installed)	
	1001262556	Ref	Platform Entry Kit (Gate) (Add-On) (Dealer Installed)	
	1001239166	Ref	Platform Extension Kit	
	1001231786	Ref	Platform Extension Block Installation	

## SECTION 10 - SPECIAL OPTIONS

ITEM	PART NUMBER	QTY	DESCRIPTION	REV
	1001176746	Ref	Platform Rail Padding Installation (Available on All Spec)	
	1001176751	Ref	Platform Rail Padding with Limit Switches (ANSI and UL Specs)	
	1001176747	Ref	Platform Rail Padding with Limit Switches (ANSI, ANSI Export, China and Korea Specs)	
	1001180072	Ref	Platform Worklights Installation (Note: Not Available on UL Machines)	
	1001220689	Ref	Platform Worklights Installation 24 Volt (Dual) (ANSI Export, China and Korea Specs Only)	
	1001243598	Ref	Platform Worklights Installation - Portable (Available on All Specs)	
	1001171015	Ref	RCD Box Installation (Brazil Spec Only)	
	1001253374	Ref	SkySense Level 2 Scissors Kit (Factory Installed) (PVC 2004)	
	1001249707	Ref	SkySense Level 1 Scissors Kit (Dealer Installed) (PVC 2004)	
	1001252438	Ref	SkySense Level 2 Scissors Kit (Dealer Installed) (PVC 2004)	
	3125053	Ref	Video, Operators (ANSI, ANSI Export and UL Specs)	
	1001262959	Ref	Voltage Regulator Relocation Kit (ClearSky) (Dealer Installed)	
	1001185053	Ref	White Noise Motion Alarm Kit (Dealer Installed)	
	1001246747	Ref	Workstation Without DC Converter Kit (Dealer Installed)	
	1001246750	Ref	Workstation With DC Converter Kit (2032ES) (Dealer Installed)	
	1001246751	Ref	Workstation With DC Converter Kit (2632ES) (Dealer Installed)	
	1001193039	Ref	ZAPI Programming Harness	

**PART NUMBER INDEX**

## SECTION 10 - SPECIAL OPTIONS

0060091.....31, 33	0275530..... 109	0861527..... 199, 201	1001102353.....27
0100011..15, 17, 55, 109, 149, 151, 153	0275663..... 277	0861650..... 101	1001102354.....27
0100048.... 109, 141, 143, 261, 263, 265, 267	0275664..... 275	0861677..... 103	1001102489.....49, 51
0100051....77, 79, 81, 83, 85, 87, 89, 91, 93, 95, 97, 99	0275665..... 273	0861678 .. 81, 91, 97, 103	1001102771.....281
0140011.....167	0275666..... 269	0861731 ... 317, 323, 325, 327	1001103257..... 49, 61
0140043.....71, 73	0275667..... 271	0861781..... 319, 321	1001103258.....51
0200799.... 117, 121, 126, 132, 138	0380025..... 75	0861880..... 257	1001103471.....43
0200800.... 126, 132, 138	0400215..... 93, 95, 97	0902780..... 55	1001104467.....355
0200801.... 126, 132, 138	0400216..... 87, 89, 91	0903319..... 55	1001109088..... 31, 352
0200802.... 117, 121, 126, 132, 138	0440223..... 175	0903416..... 203, 205	1001109232.....31, 33
0200803.... 117, 121, 126, 132, 138	0440259..15, 17, 229, 231	0903566 .... 241, 243, 245	1001109233.....31, 33
0200804.... 117, 121, 126, 132, 138	0440265 ... 115, 119, 123, 129, 135	0903569..... 241, 243	1001109345.....355
0200805.... 126, 132, 138	0440266 ... 117, 121, 126, 132, 138	0962257 ... 210, 214, 218, 222, 226	1001112112.... 77, 79, 81
0200807.... 117, 121, 126, 132, 138	0440267 ... 117, 121, 126, 132, 138	1001091102 .... 239, 241, 243, 245, 247, 249	1001112113.....57, 59, 61
0200816.....117, 121	0480100..... 197	1001091154..... 167	1001113888..... 15, 17
0200834.... 117, 121, 126, 132, 138	0561520..... 141, 143	1001091275..... 167	1001114466.....29
0240054.....195	0610161..... 75, 352	1001091277..... 167	1001114882..... 19
0240102.....175	0630580..... 19, 21	1001091278..... 167	1001114937.....75
0240144..... 191, 193	0641514..... 197	1001091279..... 167	1001114992.....253
0272721.....349	0700510..... 45, 47	1001091280..... 167	1001115002.....261, 263, 265, 267, 287
0272839.....237	0700608..... 195	1001091283..... 167	1001115076.....285
0272843.....354	0700610..... 175	1001091393..... 167	1001115077.....295
0272870.....349	0700614..... 31, 33	1001091396..... 167	1001115170..... 19, 21
0272878.....354	0700615 ... 39, 41, 63, 71, 73, 189	1001091479..... 55	1001116732.....285
0272880.....199	0700617..... 141, 143	1001091965..... 167	1001116733.....285
0272881.....201	0700618..... 35, 43	1001091968..... 167	1001116812.....281, 293
0272913.....354	0700619..... 19, 21	1001092354 .... 115, 119, 123, 129, 135, 352	1001117057.....285
0273454.....355	0700814..... 147	1001092454..... 109	1001118216.....355
0273698....77, 79, 83, 85, 87, 89, 93, 95, 99, 101	0700817 ... 126, 132, 138, 147	1001092456 .. 19, 21, 352	1001119020.....293
0273762.....355	0700818..... 155, 157	1001092738 ... 19, 21, 24	1001119032.....295
0273859.....355	0701015 ... 117, 121, 126, 132, 138	1001093556 ..... 109, 309	1001126905..... 33, 352
0273965.....173	0701017..... 65, 67	1001093839..... 55	1001129289..... 117, 210
0274153.....175	0701019 ... 155, 157, 159, 161, 163, 165, 181, 183, 185, 187	1001094105 ..... 309	1001129290..... 126, 218
0274341.....354	0701020..15, 17, 159, 165	1001094175 .... 261, 263, 265, 267	1001130614..... 177, 179, 181, 183, 185, 187, 352
0274370.....354	0701022 ... 115, 117, 119, 121, 123, 126, 129, 132, 135, 138	1001094203..... 109	1001131005.....115
0274386.....171	0701024..... 141, 143	1001094301..... 19, 21	1001131010.....119
0274517.....354	0701027..... 141, 143	1001094359 .... 331, 333, 335, 337, 339, 341, 343, 345, 347	1001131020..... 115, 117
0275020.....93	0701029 ... 126, 132, 138	1001096138..... 285	1001131028..... 119, 121
0275021.....97	0760605 ... 261, 263, 265, 267	1001096706 .... 261, 263, 265, 267, 313	1001131034..... 121, 214
0275022.....95	0760606 ... 261, 263, 265, 267	1001096794 .... 261, 263, 265, 267, 315	1001131035..... 138, 226
0275042.....87	0760610 .... 91, 191, 193, 261, 263, 265, 267	1001096795 ..... 253	1001131270.....331, 343
0275043.....91	0760616..... 43	1001097150 ..... 257, 259	1001132233.....79
0275044.....89	0760812..... 55	1001097347 ..... 285, 352	1001132439.....24, 289
0275073..... 199, 203	0761014..... 141, 143	1001100341..... 319	1001135753.....355
0275074.....201, 205	0840055..... 305, 307	1001100342..... 321	1001136847.....354
0275104.....55	0840058 ... 285, 293, 305, 307, 313	1001100345..... 327	1001137675..... 159, 165
0275216.....241, 319	0840059..... 287	1001100346..... 323	1001140336.....355
0275217.....243, 321	0840060..... 253	1001100347..... 325	1001143663.....234
0275401.....77	0840061 ... 297, 299, 301, 303, 305, 307	1001100451 ... 77, 79, 81, 83, 85, 87, 89, 91, 93, 95, 97, 99	1001144147.....293
0275432.....111	0860520 ... 331, 333, 335, 337, 339, 341, 343, 345, 347	1001101540 .... 241, 243, 245	1001144296.....293
0275452.....249, 327		1001102258 ... 35, 37, 39, 41, 43, 49, 51, 57, 59, 61	1001146794..... 331, 333, 335, 339, 341, 343, 345, 347
0275453....239, 247, 325		1001102349..... 27	1001146795..... 337
0275454.....245, 323		1001102351..... 27	1001148902.....355
0275486.....245			1001148903.....355
0275487.....241			1001148904.....355
0275488.....243			1001148905.....355
			1001148906.....355
			1001151824.....283
			1001152483.....259
			1001152485.....247, 249, 259
			1001157331..... 132, 222
			1001159186.....295

## SECTION 10 - SPECIAL OPTIONS

1001159192.....	81	1001179301.....	161	1001207970.....	35	1001217736.....	165
1001162362.....	247, 249	1001179304.....	161	1001207973.....	37, 39	1001217737.....	165
1001162447.....	247	1001179332.....	161, 163	1001207974.....	41, 43	1001217739.....	159
1001162449.....	249	1001179428.....	49	1001209104.....	99	1001217740.....	159
1001163095.....	75, 352	1001179447.....	17, 231	1001209256.....	143, 153	1001217746.....	165
1001165284.....	75	1001179448.....	17	1001209280.....	153	1001217747.....	165
1001165286.....	75	1001180072.....	356	1001211593.....	239	1001217923.....	147
1001165315.....	75	1001180090.....	75	1001211895.....	159, 165	1001217924.....	147
1001165316.....	75	1001180197.....	195	1001211896.....	159, 165	1001218595.....	57, 59, 61
1001166197.....	71, 73, 75	1001180205.....	195	1001212459.....	45	1001218808.....	57, 59, 61
1001166255.....	75	1001180216.....	195	1001212665.....	355	1001219123.....	21
1001166776.....	75	1001180312.....	51	1001212666.....	355	1001219125.....	355
1001166828.....	71	1001181045.....	257, 352	1001212701.....	157	1001219349.....	261
1001167256.....	75, 295	1001181268.....	331	1001212868.....	157, 163	1001219350.....	265
1001171015.....	356	1001181269.....	337	1001212870.....	163	1001219351.....	263
1001172010.....	57	1001181270.....	333	1001212871.....	163	1001219352.....	267
1001173703.....	349	1001181271.....	343	1001213525.....	354	1001220668.....	261, 263, 265, 267
1001175188.....	141, 143	1001181272.....	347	1001213660.....	181, 183, 185, 187	1001220689.....	356
1001175198.....	63	1001181273.....	335	1001213821.....	189	1001221475.....	151, 153
1001175274.....	145	1001181274.....	341	1001213822.....	189	1001221476.....	151, 153
1001175462.....	141, 145	1001181275.....	345	1001214029.....	349	1001221857.....	47
1001175598.....	63	1001182302.....	149	1001214120.....	185, 187	1001221949.....	279
1001176738.....	155	1001182304.....	149	1001214310.....	189	1001221984.....	279
1001176746.....	356	1001182305.....	149	1001214311.....	181, 183, 185, 187, 189	1001222914.....	189
1001176747.....	356	1001182338.....	149	1001214338.....	179, 185, 187	1001223055.....	331
1001176751.....	356	1001182339.....	145, 147	1001214341.....	179, 181, 183, 185, 187	1001223324.....	355
1001176755.....	193	1001182847.....	195	1001214347.....	83, 85	1001223971.....	343
1001177178.....	141	1001182848.....	191	1001214383.....	181, 183	1001224048.....	345
1001177415.....	65	1001182849.....	193	1001214384.....	177, 181, 183	1001224049.....	347
1001177435.....	15, 229	1001183458.....	354	1001214409.....	177, 179, 181, 183, 185, 187	1001224050.....	341
1001177465.....	65	1001184947.....	45, 47	1001215164.....	159	1001224052.....	335
1001177842.....	49, 51, 53	1001185053.....	354, 356	1001215165.....	143, 147	1001226419.....	354
1001177911.....	126, 132, 138	1001185156.....	45, 47	1001215179.....	165	1001227213.....	43
1001177913.....	126, 132, 138	1001185306.....	45, 47	1001215241.....	355	1001227267.....	43
1001177914.....	126, 132, 138	1001185830.....	45, 47	1001215242.....	355	1001228370.....	331, 343
1001177966.....	15	1001186497.....	45, 47	1001215243.....	355	1001228900.....	355
1001178026.....	67	1001186498.....	57	1001215247.....	73	1001228965.....	349
1001178028.....	67	1001187101.....	45, 47	1001215248.....	73	1001229107.....	354
1001178146.....	31, 33	1001187198.....	261, 263, 265, 267, 285	1001215326.....	45, 47	1001229441.....	197
1001178147.....	31, 33	1001187530.....	45, 47	1001215518.....	355	1001229469.....	197
1001178163.....	191	1001187585.....	161, 163	1001215520.....	355	1001229696.....	354
1001178234.....	31	1001187587.....	159, 161, 163, 165, 197	1001215521.....	355	1001230525.....	354
1001178239.....	31, 33	1001187816.....	251	1001215870.....	35, 37, 39, 41, 43, 57, 59, 61	1001230754.....	177
1001178302.....	349	1001188116.....	251	1001216313.....	331, 333, 335, 337, 339, 341, 343, 345, 347	1001230755.....	179
1001178304.....	349	1001189171.....	259, 352	1001216838.....	143	1001230975.....	354
1001178315.....	253	1001189172.....	259, 352	1001216998.....	349	1001230979.....	354
1001178316.....	253	1001189484.....	355	1001216999.....	349	1001230980.....	355
1001178317.....	253, 261, 263, 265, 267	1001189762.....	161, 163	1001217118.....	165	1001230981.....	354
1001178323.....	149	1001190011.....	354	1001217173.....	165	1001230982.....	355
1001178357.....	33	1001190902.....	123, 126	1001217327.....	337	1001230983.....	355
1001178493.....	253	1001190904.....	123	1001217666.....	189	1001230984.....	355
1001178528.....	253	1001190905.....	135, 138	1001217729.....	147	1001231786.....	355
1001178687.....	261, 297	1001190906.....	135	1001217730.....	147	1001231801.....	331
1001178688.....	265, 301	1001190909.....	129, 132	1001217731.....	159, 165	1001232145.....	145
1001178689.....	267, 303	1001190910.....	129	1001217732.....	165	1001232485.....	355
1001178690.....	263, 299	1001192401.....	285	1001217733.....	165	1001232541.....	339
1001179272.....	155, 161	1001193039.....	356	1001217734.....	165	1001233087.....	355
1001179277.....	161, 163	1001196634.....	281	1001217735.....	165	1001233237.....	354
1001179287.....	161, 163	1001196838.....	307			1001233888.....	101, 103
1001179288.....	161, 163	1001198711.....	251			1001234398.....	141, 151
1001179296.....	161, 163	1001199189.....	197			1001234399.....	151, 153
1001179298.....	161, 163	1001200363.....	355			1001234401.....	151
1001179299.....	161, 163	1001202618.....	295			1001234783.....	175
		1001202619.....	295			1001238849.....	355
		1001206758.....	65, 67			1001239166.....	355
						1001243185.....	354

## SECTION 10 - SPECIAL OPTIONS

1001243186.....354	1120555.....173	1704344.....341	2080040....155, 157, 159,
1001243574.....354	1180382... 117, 121, 126,	1704412 ... 331, 333, 335,	161, 163, 165, 331,
1001243598.....356	132, 138	337, 339, 341, 343,	333, 335, 337, 339,
1001243601.....145, 147	1180383.... 126, 132, 138	345, 347	341, 343, 345, 347
1001244298.....339, 341	1271631..... 191, 193	1705052.....55	2080057.... 331, 333, 335,
1001244301.....339, 341	1320043.....55	1705213..... 199, 201	337, 339, 341, 343,
1001244948.....61	1320136..... 41, 43, 51	1705214..... 199, 201	345, 347
1001245319.....59	1320224..... 199, 201	1705304.....355	2110404.15, 17, 229, 231
1001246392.....173	1320318..... 141, 143	1705305..... 199, 201	2400060.... 281, 285, 307
1001246395.....173	1321293... 35, 37, 39, 49,	1705667.....349	2420172.....75
1001246747.....356	57, 59, 61	1705670.... 333, 337, 339	2540042.....311
1001246750.....356	1321716... 261, 263, 265,	1705671.... 333, 337, 339	2540045..... 141, 143
1001246751.....356	267	1705673.... 333, 337, 339	2560088.....163
1001247036.....355	1380132.....163	1705676.....167	2560179.....167
1001247037.....355	1380153..... 15, 17	1705679... 331, 341, 343,	2560190.....163
1001247075.....161, 163	1380156.....167	345, 347	2600281.... 155, 157, 159
1001247079.....161	1380158... 141, 143, 261,	1705680 ... 331, 341, 343,	2700100.....173
1001247081.....163	263, 265, 267	345, 347	2780266..... 19, 21, 27
1001247083.....161, 163	1580023.....173	1705681 ... 331, 341, 343,	2792599.....234
1001248130.....83	1580024.....173	345, 347	2820026.... 297, 299, 301,
1001248131.....85	1600387..... 141, 143	1705686.....331	303, 313
1001249707.....356	1600402... 167, 169, 352	1705692... 331, 333, 335,	2820028.... 297, 299, 301,
1001252438.....356	1600439..... 167, 352	337, 339, 341, 343,	303, 313
1001252957.... 35, 37, 39,	1671098.....167	345, 347	2820029.....285
41, 43	1671105.....75	1705693... 331, 333, 335,	2820239.....55
1001252958.....35	1671202... 77, 83, 87, 93,	337, 339, 341, 343,	2860030..... 75, 352
1001252959.....41, 45	99, 105	345, 347	2902267.... 331, 333, 335,
1001252963.....43	1671203..... 105, 107	1705694... 331, 341, 343,	337, 339, 341, 343,
1001253374.....356	1671204... 79, 81, 85, 89,	345, 347	345, 347
1001253627.....354	91, 95, 97, 107	1705695... 331, 341, 343,	2902331.....111
1001253638.... 35, 37, 39,	1671207.....317	345, 347	2902334..... 199, 201
41, 43, 283	1671266.....55	1705698.....75	2902386.....175
1001253641.... 35, 37, 39,	1701499... 331, 333, 335,	1705717.....343	2902431..... 237, 317
41, 43, 281	337, 339, 341, 343,	1705718.....343	2902522.....331
1001253643.... 35, 37, 39,	345, 347	1705719..... 335, 347	2902523.... 333, 337, 339
41, 43, 293	1701509... 331, 333, 335,	1705720.....347	2902524.....343
1001253670.... 37, 39, 47	337, 339, 341, 343,	1705721.....335	2902525.....347
1001253879.....354	345, 347	1705722.....335	2902526.....335
1001253948.....354	1702010..... 191, 193	1705723.....343	2902528.....341
1001253949.....354	1702155... 331, 333, 335,	1705724..... 335, 347	2902532.....345
1001253951.....75	337, 339, 341, 343,	1705725..... 335, 347	2902541.... 241, 243, 245,
1001253952.... 35, 37, 39,	345, 347	1705726.....335	257
41, 43	1702773.....349	1705727.....335	2915013.....29
1001253957.....355	1703464..... 237, 241	1705754... 107, 199, 201,	2920026.....75
1001253958.....355	1703811... 331, 333, 335,	331, 333, 335, 341,	2920094.....75
1001254325.....354	337, 339, 341, 343,	343, 345, 347, 349	2920161.....63
1001255596.....354	345, 347	1705781.... 337, 339, 349	2940174.....105
1001255613.....354	1703813.....331	1705894.....335	2940175..... 107, 355
1001255614.....354	1703814... 331, 333, 335,	1705942.....349	3010158..... 31, 33
1001256661.....349	337, 339, 341, 343,	1705943.....341	3080007.... 155, 157, 159
1001256662.....349	345, 347	1705944.....341	3125053.....356
1001258357.....355	1703819... 167, 331, 333,	1705945.....341	3200454.... 115, 119, 123,
1001258446..... 183, 187	335, 337, 339, 341,	1705946.....341	129, 135
1001262556.....355	343, 345, 347	1705953..... 199, 201	3252098.....343
1001262959.....356	1703822... 331, 333, 335,	1705997.....173	3252507.... 239, 243, 245,
1001263062..... 141, 307	337, 339, 341, 343,	1706052.....345	247, 249, 251
1001263426.....355	345, 347	1706053.....345	3290405.... 31, 33, 45, 47,
1001265377.....354	1703834.....335	1706056.....345	171, 237, 239, 241,
1001265384.....354	1704016... 331, 333, 335,	1706057.....345	243, 245, 247, 249, 251
1060379.... 173, 175, 195,	337, 339, 341, 343,	1706310.....349	3290505..... 43, 45, 47
197, 199, 201	345, 347	1706350..... 105, 107	3290601..... 261, 265
1060689.....43	1704277... 331, 333, 335,	1706679.....109	3290605.... 19, 21, 31, 33,
1060908.....257, 259	337, 339, 341, 343,	1706749.....55	43, 57, 59, 61, 63, 77,
1060957.....199, 201	345, 347	1706765.....354	79, 81, 83, 85, 87, 89,
1060998.....253	1704339.....347	1706922.....355	91, 93, 95, 97, 99, 149,
1061034.... 115, 119, 123,	1704340.....343	1707022.....345	241, 243, 261, 263, 267
129, 135	1704341.....335	2030010..... 203, 205	



## SECTION 10 - SPECIAL OPTIONS

3290606 ... 141, 143, 155, 157, 161, 163, 175, 189, 191, 193, 195, 199, 201, 203, 205, 261, 263, 265, 267	3574981 ... 77, 79, 81, 83, 85, 87, 89, 91, 93, 95, 97, 99	4160203.....167	4460419... 177, 179, 181, 183, 185, 187
3290607 ... 35, 39, 41, 43	3574984 ... 77, 79, 81, 83, 85, 87, 89, 91, 93, 95, 97, 99	4191306.....167	4460424.... 53, 181, 183, 185, 187, 281
3290805 ..... 147	3575794 ..... 171	4191406.....63	4460464... 33, 53, 71, 73, 115, 119, 123, 129, 135, 177, 179, 181, 183, 185, 187, 281, 285, 293, 295, 305, 307, 311, 313
3290806 ..... 163	3730119 ..... 313	4191407.....167	4460465... 177, 179, 181, 183, 185, 187, 281, 285, 287, 289, 293, 297, 299, 301, 303, 305, 307, 313
3290807 ... 126, 132, 138, 155, 157	3740150 ..... 19, 21	4191409.....167	4460466... 177, 179, 181, 183, 185, 187, 285, 295, 297, 299, 301, 303, 305, 307, 311, 313
3291005... 31, 33, 65, 67, 115, 119, 123, 129, 135, 141, 143, 151, 153, 155, 157, 159, 165	3760115 ..... 31, 33	419170671, 73, 115, 119, 123, 129, 135, 175, 195, 241, 243, 245, 249	4460493 ..... 313
3291006... 159, 161, 163, 165, 181, 183, 185, 187	3760170 ... 117, 121, 126, 132, 138, 173, 175, 195, 197, 199, 201	4191707....49, 51, 55, 57, 59, 77, 79, 81, 83, 85, 87, 89, 91, 93, 95, 97, 99, 141, 143, 247	4460496 ..... 311
3291007 ... 117, 121, 126, 132, 138	3760348 ..... 31, 33	4191708.....19, 21, 37	4460497 ..... 311
3300048 ..... 199, 201	3760387 ... 117, 121, 126, 132, 138	4191709.....19, 21	4460508 ..... 291
3300423 ..... 27	3760463 ..... 19, 21	4220227 ..... 175	4460509 ..... 289
3300473 ..... 167	3820019 ..... 163	4220252..... 101, 103	4460535 ..... 33
3311505 ..... 197	3820032 ..... 101, 103	4220253..... 101, 103	446053671, 73, 115, 119, 123, 129, 135
3321005 ..... 75	3841143 ... 117, 121, 126, 132, 138	4240003.... 173, 175, 255	4460539 ..... 285
3321402 ... 115, 119, 123, 129, 135	3841675 ..... 175	4240017.....45, 47	4460618 ..... 253
3340612 .... 161, 163, 165	3841716 ..... 155, 157	4240033..... 43, 141, 143	4460648 ..... 285
3340957 ... 115, 119, 123, 129, 135	3860107 .... 126, 132, 138	4240147 ..... 19, 21	4460662... 239, 245, 247, 249, 317
3340962... 117, 121, 126, 132, 138	3860111 ..... 161, 163	4240164.....195	4460754 ..... 313
3340968 ..... 167	3900190 .... 149, 151, 153	4240165..... 191, 193	4460761 ..... 285
3380475 ..... 167	3900333 ..... 167	4240172.....81, 97	4460778 ..... 315
3421453... 175, 195, 199, 201	3900336 ..... 75	4340853.....173	4460836 ..... 305, 307
3421854 ..... 197	3900338 ..... 75, 171	4340854.....173	4460868 ..... 309
3422219 ..... 173, 175	3900339 ..... 75	4340931..... 141, 143	4460871 ..... 281, 285
3422938 ..... 141, 143	3900345 ..... 163	4340938..... 199, 201	4460872 ..... 281
3422997 ... 117, 121, 126, 132, 138	3900355 ..... 173	4340946.....175	4460873 ..... 285
3422998 .... 126, 132, 138	3900357 ..... 31	4340947 ..... 175	4460877 ..... 309
3423014 ... 117, 121, 126, 132, 138	3900381 ..... 43	4360069.....75, 352	4460884... 177, 179, 181, 183, 185, 187, 281, 285, 295
3423036... 117, 121, 126, 132, 138	3931412 ..... 75, 173	4360155..... 199, 201	4460891... 179, 181, 183, 185, 187, 281, 285, 287, 289
3423037 ..... 15, 17	3931508 ..... 173	4360328.....75, 352	4460894 ..... 285, 287
3423038 ... 117, 121, 126, 132, 138	3951608 ..... 111	4360345.... 177, 179, 181, 185	4460897 ..... 281, 285
3423045 ..... 31, 33	3990001 ..... 281	4360387 ..... 109, 352	4460899 ..... 53, 285
3423067 ... 117, 121, 126, 132, 138	4010405 ..... 251	4360469 ..... 75, 352	4460905 ..... 281, 285
3423189 ..... 31, 33	4010408 45, 47, 237, 239, 241, 243, 245, 247, 249	4360475.....75, 167, 352	4460930... 293, 297, 299, 301, 303, 305, 307
3423259 ... 115, 119, 123, 129, 135	4010412 ..... 45, 47	4360538.....167, 352	4460931 ... 285, 293, 305, 307, 313
3423267 ..... 31, 33	4010608 ... 199, 201, 203, 205, 247, 249	4360539.....167, 352	4460932... 177, 179, 181, 183, 185, 187, 281
3423278 ..... 161, 163	4010612 ..... 45, 47	4360613.....255, 352	4460933.... 293, 305, 307
3450406 ..... 27	4010614 ..... 199, 201	4420037..... 191, 193	4460942 ..... 285
3460334 ..... 173	4010616 ... 155, 157, 161, 163, 261, 263, 265, 267	4420051 ..... 349	4460943... 285, 293, 295, 297, 299, 301, 303, 305, 307, 313
3520072 ... 155, 157, 159, 175	4010618 ... 161, 163, 203, 205	4420062 ..... 175, 197	4460944... 281, 293, 295, 297, 299, 301, 303, 305, 307, 313
3520176 ..... 195	4031510 ..... 45, 47	4460007 ..... 45, 47	4460956 ..... 257
3574161 ... 117, 121, 126, 132, 138	4031511 ... 177, 179, 181, 183, 185, 187	4460019.....283	4460957 ..... 257
3574176 ..... 31, 33	4031512 ..... 31, 33	4460115.....295	
3574505 ..... 191, 193	4031607 ..... 109	4460138.....237	
3574506 ..... 191, 193	4031707 ..... 61	4460183.....295	
	4031708 ..... 57, 59, 61	4460226.... 181, 183, 185, 187, 285, 309	
	4031713 . 87, 89, 91, 261, 263, 265, 267	4460227.....53, 181, 183, 185, 187, 281, 285	
	4060865 ..... 63	4460259.....285, 295	
	4060906 ... 177, 179, 181, 183, 185, 187	4460260.....285, 295	
	4071094 ... 117, 121, 126, 132, 138	4460265.....311	
	4160078 ... 115, 119, 123, 129, 135	4460267.....311	
	4160202 ..... 31, 33	4460268.....75, 295	
		4460315.....237	
		4460320....181, 183, 185, 187, 285	
		4460321.....75, 309	
		4460328..... 199, 201	
		4460346.....317	
		4460374.....285	
		4460418.... 177, 179, 181, 183, 185, 187, 295	

## SECTION 10 - SPECIAL OPTIONS

4460968.....45, 47, 251	163, 165, 181, 183,	70004625 . 210, 214, 218,	70004973..210, 214, 218,
4460975.....283	185, 187	226	222, 226
4460986.....285	4812002 ..... 151, 153	70004626 . 210, 214, 218,	70004974..210, 214, 218,
4461002.....255	4831600 ..... 43	226	222, 226
4461016.....311	4831700 ..... 43	70004628 . 210, 214, 218,	70004975..210, 214, 218,
4461057.....311	4846723 .... 161, 163, 165	226	222, 226
4461196.....269, 319	4846752 .... 126, 132, 138	70004629 . 210, 214, 218,	70005233..210, 214, 218,
4461198.....319	4846757 ..... 15, 17	226	222, 226
4461199.....271, 321	4846816 ..... 31, 33	70004630 . 210, 214, 218,	70005235..210, 214, 218,
4461201.....321	4846863 ..... 31, 33	226	222, 226
4461205....275, 277, 325,	4922870 ..... 167, 311	70004631 . 210, 214, 218,	70005236..210, 215, 218,
327	4922944 ..... 111, 255	226	222, 227
4461244.....327	4923048 ..... 199, 201	70004632 . 210, 214, 218,	70005237..211, 215, 219,
4461245.....325	4923050 ..... 203	226	222, 227
4461246.....323	4923051 ..... 205	70004633 . 210, 214, 218,	70005238..211, 215, 219,
4461249.....273, 323	4923228 .... 141, 143, 305	226	222, 227
4461257.....241, 243	4923390 ..... 55	70004654 . 211, 215, 219,	70005239.....210, 214
4461258.....241, 243	4923391 ..... 55	222, 227	70005240...218, 222, 226
4461260.....291	4923392 ..... 55	70004722 ..... 222	70005419.....231
4461261.....289	4923393 ..... 55	70004727 ..... 222	70005420.....231
4530021 ..... 199, 201	4923602 ..... 19, 21, 291	70004728 ..... 222	70005421.....231
4568738.....167	5241000 .... 149, 151, 153	70004729 ..... 222	70006090.....222
4711400.....173, 175	5272012 ..... 31, 33	70004777 ..... 229	70006342.....229
4740086.....31, 33	70000082 ..... 169	70004778 ..... 229	70006426.....24
4740438....117, 121, 126,	70000084 ..... 169	70004779 ..... 229	70007781.....25
132, 138	70000191 ..... 24	70004914 . 210, 214, 218,	70023915.....222
4740446.....145, 147	70000683 ..... 169	222, 226	70025323.....222
4740468.....27	70000684 ..... 169	70004915 . 210, 214, 218,	7016319.....63
4740480.....173	70000685 ..... 169	222, 226	7016372.....63
4740524.....19, 21	70000686 ..... 169	70004916 . 210, 214, 218,	7020175.....75, 167
4740545....261, 263, 265,	70000790 ..... 24	222, 226	7020176.....75, 167
267	70000791 ..... 24	70004917 . 210, 214, 218,	7020218....115, 119, 123,
4740562.....55	70000792 ..... 24	222, 226	129, 135
4740564.....19, 21	70001250 ..... 169	70004921 . 211, 215, 219,	7024747.....25
4750800.....105, 107	70001251 ..... 169	222, 227	7024748.....25
4751000.....75	70001252 ..... 169	70004925 . 210, 214, 218,	7024749.....25
4751400 19, 21, 261, 263,	70001253 ..... 169	222, 226	7024750.....25
265, 267	70001265 ..... 25	70004926 . 210, 214, 218,	7024756.....25
4751500.....197	70001345 ..... 25	222, 226	7024757.....24
4811400 45, 47, 171, 241,	70001442 ..... 289	70004927 . 210, 214, 218,	7024758.....25
243, 251	70001443 ..... 289	222, 226	7024771.....25
4811600 45, 47, 101, 103,	70001444 ..... 289	70004928 . 210, 214, 218,	7024772.....25
109	70001739 ..... 24	222, 226, 352	7024776.....25
4811700....19, 21, 31, 33,	70001878 . 115, 119, 123,	70004935 . 210, 214, 218,	7024785.....24
37, 49, 51, 55, 57, 59,	129, 135	222, 226	7024786.....24
61, 77, 79, 81, 83, 85,	70001949 ..... 24	70004936 . 210, 214, 218,	7027303.....199, 201
87, 89, 91, 93, 95, 97,	70003028 . 210, 214, 218,	222, 226	7027365.....169
99, 191, 193, 195, 203,	222, 226	70004941 . 210, 214, 218,	7027367.....169
205, 241, 243, 245,	70003650 ..... 169	222, 226	7027765.....169
247, 249	70003663 . 210, 214, 218,	70004942 . 210, 214, 218,	7027766.....169
4811702....35, 39, 41, 43,	226	222, 226	7027863.....107
63	70003707 . 210, 214, 218,	70004943 ..... 210, 214	7028909.....189
4811900....147, 149, 155,	222, 226, 352	70004945 ..218, 222, 226	77363228.....189
157	70004239 ..... 231	70004970 . 210, 214, 218,	80325.....175
4811902.....155, 157	70004241 ..... 231	222, 226	8229242.....285
4812000....15, 17, 31, 33,	70004585 . 210, 214, 218,	70004971 . 211, 215, 219,	
117, 121, 126, 132,	222, 226	222, 227	
138, 141, 143, 149,	70004624 . 210, 214, 218,	70004972 . 211, 215, 219,	
155, 157, 159, 161,	226	222, 227	





An Oshkosh Corporation Company

**Corporate Office**  
**JLG Industries, Inc.**  
**1 JLG Drive**  
**McConnellsburg, PA 17233-9533 USA**  
**☎ (717) 485-5161 (Corporate)**  
**☎ (877) 554-5438 (Customer Support)**  
**☎ (717) 485-6417**

**Visit our website for JLG Worldwide Locations.**  
**[www.jlg.com](http://www.jlg.com)**