



Illustrated Parts Manual

Model 530LRT

PVC
1910
2004

P/N
31215083

September 15, 2020 - Rev C

ANSI

CE



AS/NZS



An Oshkosh Corporation Company

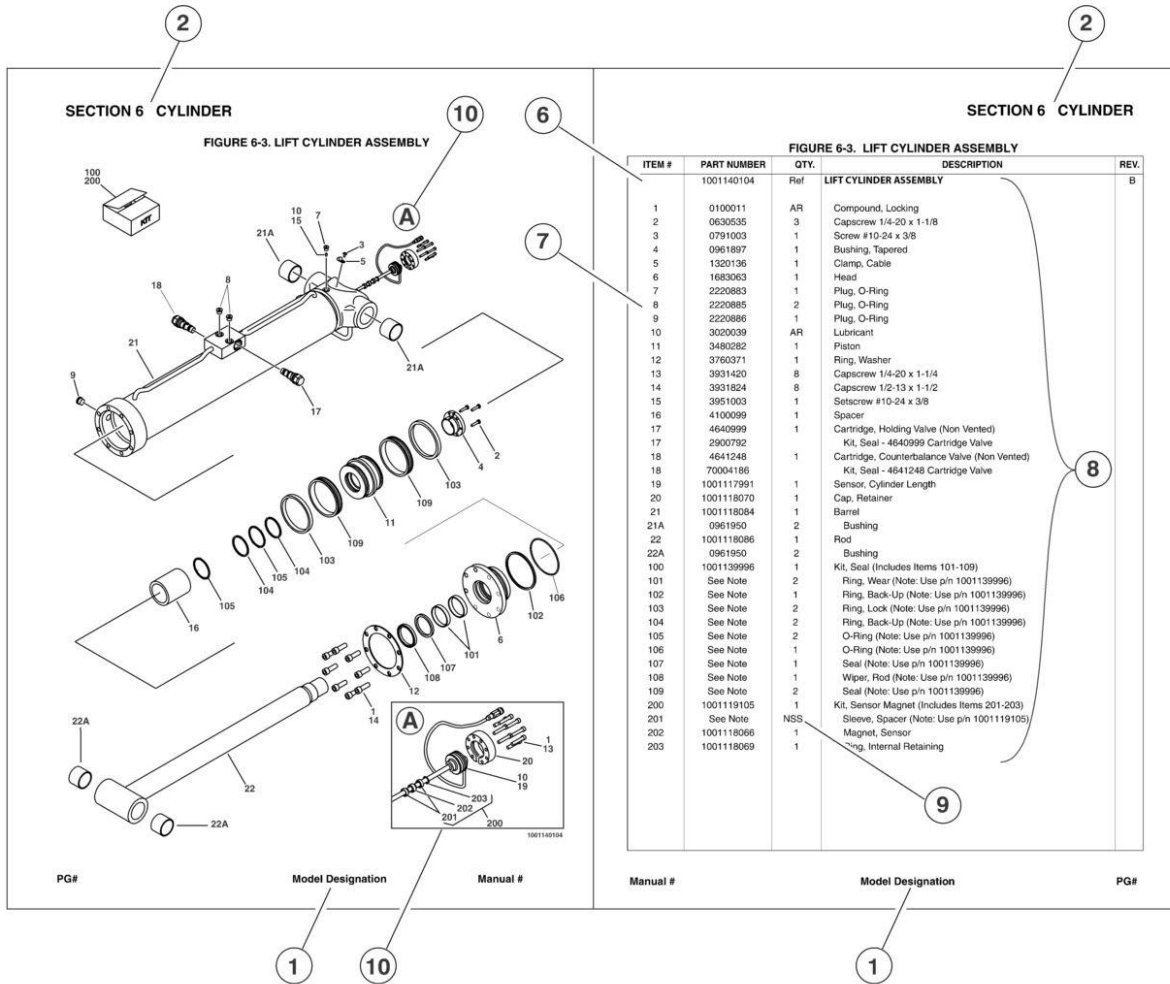
REVISION LOG

November 18, 2019 - A - Original Issue Of Manual

March 15, 2020 - B - Revised Manual (Edited to B/M 1001249143 Revision C)

September 15, 2020 - C - Revised Manual (Edited to B/M 1001249143 Revision G)

GENERAL INFORMATION



1) MACHINE IDENTIFICATION

Machines are identified by model and in some cases a combination of models, serial number (SN) or regional standard (i.e. ANSI, CE, CSA). Components may also be identified by SN or manufacturer. Common components that may be identified by these characteristics are engines and hydraulic components.

2) PARTS MANUAL ORGANIZATION

Product information in this manual is organized under section titles. Frame, Cylinder, Hydraulic and Electrical are a few examples. Each section is organized by figure and page number. The information within the Figure is then organized by item number, part number, description and corresponding illustration (s).

3) TABLE OF CONTENTS

A table of contents is found toward the beginning of the manual. Figure number, description and page number are provided for quick reference to the page containing the related information.

4) RECOMMENDED SPARE PARTS

The Recommended Spare Parts, located near the end of the manual, reference most frequently used maintenance parts.

5) PART NUMBER INDEX

A numerical index listing all part numbers and the corresponding page number(s) appears at the back of the manual.

GENERAL INFORMATION

6) NON-SERVICED PARTS

In some instances, it is necessary to display non-serviced parts, assemblies or installations. In the case of assemblies and installations there will be a Ref in the Qty column. In case of parts that are not available for service within assemblies or components, there will be a NSS (Not Sold Separately) or NLA (No Longer Available) listed in the Qty. column of the manual.

7) PARTS LIST ITEM NUMBERS

Numbers shown in the item# column correspond to numbers used in the associated illustration (s). Item numbers which missing from the sequence in the parts list are not used on that page

8) INDENTED PARTS DESCRIPTION

An indented part description is included in the item under which it is indented.

9) ABB REVIATION AND SYMBOLS

| | | | |
|--------------|--|--------------|---------------------------------------|
| AC..... | .. Alternating Current | LCD..... | Liquid Crystal Display |
| ADE..... | Advanced Design Electronics | LED..... | Light Emitting Diodes |
| ANSI..... | American National Standards Institute | LH..... | Left Hand |
| AR..... | ..As Required | LSS..... | ..Load Sensing System |
| ASSY..... | Assembly | M(m)..... | Metric/Meter |
| AUX..... | Auxiliary | MM (mm)..... |Millimeter |
| AWG..... | ..American Wire Gauge | mA..... |Milliamps |
| B/M..... | Bill of Material | NLA..... |No Longer Available |
| CE..... | ..European Conformity | NPT..... | National Pipe Threads |
| CCW..... | Counter Clockwise | NSS..... |Not Sold Separately |
| cm..... | Centimeter | OD..... | ..Outside Diameter |
| CW..... | Clockwise | ORB..... | O-Ring Boss |
| CSA..... | ..Canadian Standard Association | ORFS..... | O-Ring Face Seal |
| CYL..... | Cylinder | OZ (oz)..... | ..Ounces |
| DIA..... | Diameter | PG..... |Page |
| DC..... | Direct Current | P/N..... | ..Part Number |
| EMS..... | Emergency Stop | qt..... |Quarts |
| ENG..... | Engine | QTY..... |Quantity |
| FT (ft)..... | Feet | REF..... |Reference |
| GA (Ga)..... | Gauge | REV..... | ..Revision Level |
| HYD..... | Hydraulic | RH..... |Right Hand |
| Hz..... | Hertz | SAE..... | Society of Automotive Engineers |
| ID..... | Inside Diameter | SN..... |Serial Number |
| in..... | inches | SPEC(S)..... |Specifications |
| ISO..... | International Organization for Standards | T/T..... |Turntable |
| JIC..... | Joint Industry Council | UGM..... |Universal Ground Module |
| KG..... | Kilogram | V..... |Volts |
| L..... | Liter | W..... |Watts |
| LB..... | Pounds | #..... |Number |

10) ILLUSTRATION REFERENCE LETTERS

When necessary, illustrations may contain reference letters that are intended to track information (i. e. hoses, harnesses) from one point to another or to track visual enlargement of components to show details that may be located in another area on the illustration.

Note: Due to continuous product improvements, JLG Industries, Inc. reserves the right to make specification changes without prior notification. Contact JLG Industries, Inc. for updated information.

TABLE OF CONTENTS

| | |
|--|-----|
| SECTION 1 - FRAME..... | 11 |
| FIGURE 1-1. AXLE INSTALLATION - FIXED..... | 12 |
| FIGURE 1-2. AXLE INSTALLATION - OSCILLATING..... | 14 |
| FIGURE 1-3. STEER INSTALLATION..... | 16 |
| FIGURE 1-4. WHEEL DRIVE INSTALLATION..... | 18 |
| FIGURE 1-5. DRIVE HUB ASSEMBLY - FRONT..... | 20 |
| FIGURE 1-6. DRIVE HUB AND BRAKE ASSEMBLY - REAR..... | 22 |
| FIGURE 1-7. DRIVE MOTOR ASSEMBLY..... | 26 |
| FIGURE 1-8. TIRE AND WHEEL INSTALLATION - 12 X 16.5 FOAM FILLED..... | 28 |
| FIGURE 1-9. TIRE AND WHEEL INSTALLATION - 12 X 16.5 FOAM FILLED NON-MARKING..... | 30 |
| FIGURE 1-10. TIRE AND WHEEL INSTALLATION - IN395/45/D20 FOAM FILLED..... | 32 |
| FIGURE 1-11. TIRE AND WHEEL INSTALLATION - IN395/45/D20 FOAM FILLED NON-MARKING..... | 34 |
| FIGURE 1-12. BEACON LIGHT INSTALLATION - OPTIONAL..... | 36 |
| FIGURE 1-13. LEVELING JACKS INSTALLATION..... | 38 |
| FIGURE 1-14. LEVELING JACKS ASSEMBLY..... | 40 |
| FIGURE 1-15. LEVELING JACKS VALVE ASSEMBLY..... | 42 |
| SECTION 2 - GROUND CONTROLS..... | 45 |
| FIGURE 2-1. VALVE INSTALLATION..... | 46 |
| FIGURE 2-2. MAIN VALVE ASSEMBLY..... | 48 |
| FIGURE 2-3. FLOW DIVIDER VALVE ASSEMBLY..... | 50 |
| FIGURE 2-4. TANKS & HORN INSTALLATION - DIESEL..... | 52 |
| FIGURE 2-5. TANKS AND HORN INSTALLATION - GASOLINE..... | 54 |
| FIGURE 2-6. HYDRAULIC TANK ASSEMBLY..... | 56 |
| FIGURE 2-7. ELECTRICAL COMPONENTS INSTALLATION - DIESEL..... | 58 |
| FIGURE 2-8. ELECTRICAL COMPONENTS INSTALLATION - KUBOTA GASOLINE..... | 60 |
| FIGURE 2-9. GROUND CONTROL BOX ASSEMBLY - KUBOTA DIESEL..... | 62 |
| FIGURE 2-10. GROUND CONTROL BOX ASSEMBLY - KUBOTA GASOLINE..... | 64 |
| FIGURE 2-11. MOTION ALARM INSTALLATION..... | 66 |
| FIGURE 2-12. WHITE NOISE ALARM INSTALLATION..... | 68 |
| FIGURE 2-13. HOODS AND LADDERS INSTALLATION (PVC 1910)..... | 70 |
| FIGURE 2-14. HOODS AND LADDERS INSTALLATION..... | 74 |
| SECTION 3 - ENGINE..... | 79 |
| FIGURE 3-1. ENGINE INSTALLATION - KUBOTA DIESEL T4F..... | 80 |
| FIGURE 3-2. ENGINE AND PUMP SUB-ASSEMBLY - KUBOTA DIESEL T4F..... | 84 |
| FIGURE 3-3. ENGINE ASSEMBLY - KUBOTA DIESEL T4F..... | 86 |
| FIGURE 3-4. ENGINE INSTALLATION - KUBOTA DIESEL T4F WITH GENERATOR..... | 90 |
| FIGURE 3-5. ENGINE AND PUMP SUB-ASSEMBLY - KUBOTA DIESEL T4F WITH GENERATOR..... | 94 |
| FIGURE 3-6. ENGINE ASSEMBLY - KUBOTA DIESEL T4F WITH GENERATOR..... | 96 |
| FIGURE 3-7. ENGINE COMPONENTS - KUBOTA DIESEL T4F..... | 100 |
| FIGURE 3-8. ENGINE INSTALLATION - KUBOTA GASOLINE..... | 104 |
| FIGURE 3-9. ENGINE AND PUMP SUB-ASSEMBLY - KUBOTA GASOLINE..... | 108 |
| FIGURE 3-10. ENGINE ASSEMBLY - KUBOTA GASOLINE..... | 110 |
| FIGURE 3-11. ENGINE INSTALLATION - KUBOTA GASOLINE WITH GENERATOR..... | 114 |

TABLE OF CONTENTS

| | |
|---|-----|
| FIGURE 3-12. ENGINE AND PUMP SUB-ASSEMBLY - KUBOTA GASOLINE WITH GENERATOR | 118 |
| FIGURE 3-13. ENGINE ASSEMBLY - KUBOTA GASOLINE WITH GENERATOR..... | 120 |
| FIGURE 3-14. ENGINE COMPONENTS - KUBOTA GASOLINE | 124 |
| FIGURE 3-15. FUEL/WATER SEPARATOR ASSEMBLY - DIESEL ENGINES | 128 |
| FIGURE 3-16. COUPLING KIT - DIESEL ENGINES | 130 |
| FIGURE 3-17. COUPLING KIT - GASOLINE ENGINES..... | 132 |
| FIGURE 3-18. PISTON PUMP ASSEMBLY..... | 134 |
| FIGURE 3-19. FAN GUARD INSTALLATION - KUBOTA | 138 |
| FIGURE 3-20. SPARK ARRESTOR MUFFLER - OPTIONAL (GASOLINE ENGINES)..... | 140 |
| FIGURE 3-21. GENERATOR INSTALLATION - 4000W (KUBOTA DIESEL STAGE III) | 142 |
| FIGURE 3-22. GENERATOR INSTALLATION - 4000W (KUBOTA DIESEL T4F)..... | 146 |
| FIGURE 3-23. GENERATOR INSTALLATION - 4000W (KUBOTA GASOLINE) (DUAL FUEL)..... | 150 |
| FIGURE 3-24. GENERATOR INSTALLATION - 7500W (KUBOTA DIESEL STAGE III) | 154 |
| FIGURE 3-25. GENERATOR INSTALLATION - 7500W (KUBOTA DIESEL T4F)..... | 158 |
| FIGURE 3-26. GENERATOR INSTALLATION - 7500W (KUBOTA GASOLINE) (DUAL FUEL)..... | 162 |
| FIGURE 3-27. JUNCTION BOX ASSEMBLY - 4000W GENERATOR (ALL SPECS EXCEPT AUSTRALIAN AND CE SPECS) | 166 |
| FIGURE 3-28. JUNCTION BOX ASSEMBLY - 7500W GENERATOR (ALL SPECS EXCEPT AUSTRALIAN AND CE SPECS) | 168 |
| FIGURE 3-29. JUNCTION BOX ASSEMBLY - 4000W/7500W GENERATOR (AUSTRALIAN AND CE SPECS)..... | 170 |
| SECTION 4 - SCISSORS ARMS..... | 173 |
| FIGURE 4-1. SCISSORS ARMS ASSEMBLY | 174 |
| FIGURE 4-2. SCISSORS ARMS INSTALLATION WITH AC CABLE..... | 180 |
| FIGURE 4-3. SCISSORS ARMS INSTALLATION WITH GENERATOR..... | 182 |
| FIGURE 4-4. ARM GUARDS INSTALLATION..... | 184 |
| SECTION 5 - PLATFORM..... | 187 |
| FIGURE 5-1. PLATFORM AND SINGLE EXTENSION INSTALLATION - STANDARD..... | 188 |
| FIGURE 5-2. PLATFORM AND DUAL EXTENSION INSTALLATION - STANDARD | 190 |
| FIGURE 5-3. PLATFORM AND DUAL EXTENSION INSTALLATION - MEGADECK | 192 |
| FIGURE 5-4. RAILS INSTALLATION - STANDARD PLATFORM WITH SINGLE EXTENSION..... | 194 |
| FIGURE 5-5. RAILS INSTALLATION - STANDARD PLATFORM WITH DUAL EXTENSION | 198 |
| FIGURE 5-6. RAILS INSTALLATION - MEGADECK PLATFORM WITH DUAL EXTENSION | 202 |
| FIGURE 5-7. PLATFORM CONSOLE BOX INSTALLATION - DIESEL MACHINES (PVC 1910) | 206 |
| FIGURE 5-8. PLATFORM CONSOLE BOX INSTALLATION - DIESEL MACHINES (PVC 2004) | 208 |
| FIGURE 5-9. PLATFORM CONSOLE BOX INSTALLATION - GASOLINE MACHINES (PVC 1910)..... | 210 |
| FIGURE 5-10. PLATFORM CONSOLE BOX INSTALLATION - GASOLINE MACHINES (PVC 2004)..... | 212 |
| FIGURE 5-11. CONTROLLER ASSEMBLY (PVC 1910) | 214 |
| FIGURE 5-12. CONTROLLER ASSEMBLY (PVC 2004) | 216 |
| FIGURE 5-13. PLATFORM MODULE INSTALLATION | 218 |
| FIGURE 5-14. PIPE RACK INSTALLATION | 220 |
| FIGURE 5-15. SKYWELDER INSTALLATION (OPTIONAL) (ANSI SPECS) | 222 |
| FIGURE 5-16. SKYWELDER INSTALLATION (OPTIONAL) (CE SPECS)..... | 224 |
| FIGURE 5-17. WELDER ASSEMBLY | 226 |
| FIGURE 5-18. WORKSTATION INSTALLATION (OPTIONAL) | 228 |
| SECTION 6 - CYLINDER..... | 231 |

TABLE OF CONTENTS

| | |
|---|-----|
| FIGURE 6-1. AXLE LOCKOUT CYLINDER ASSEMBLY | 232 |
| FIGURE 6-2. LOWER LIFT CYLINDER | 234 |
| FIGURE 6-3. UPPER LIFT CYLINDER | 236 |
| FIGURE 6-4. LEVELING JACK CYLINDER ASSEMBLY | 238 |
| FIGURE 6-5. STEER CYLINDER ASSEMBLY..... | 240 |
| SECTION 7 - HYDRAULIC | 243 |
| FIGURE 7-1. HYDRAULIC DIAGRAM - FIXED AXLE..... | 244 |
| FIGURE 7-2. HYDRAULIC DIAGRAM - OSCILLATING AXLE..... | 252 |
| FIGURE 7-3. HYDRAULIC DIAGRAM - SCISSOR ARMS..... | 262 |
| SECTION 8 - ELECTRICAL | 265 |
| FIGURE 8-1. AC BOX AT PLATFORM INSTALLATION - 110V GFI (ANSI, ANSI EXPORT, CHINA, CSA AND JAPANESE SPECS) | 266 |
| FIGURE 8-2. BOX AT PLATFORM INSTALLATION - 220V (ANSI EXPORT, CSA, CHINA AND JAPANESE SPECS) | 268 |
| FIGURE 8-3. AC BOX AT PLATFORM INSTALLATION - 110V IEC YELLOW (CE SPEC)..... | 270 |
| FIGURE 8-4. AC BOX AT PLATFORM INSTALLATION - 220V IEC BLUE (CE SPEC) | 272 |
| FIGURE 8-5. AC BOX AT PLATFORM INSTALLATION - 220V AFSINT107 (CE SPEC)..... | 274 |
| FIGURE 8-6. AC BOX AT PLATFORM INSTALLATION - 220V CEE7 POST GROUND WITH 2X4 BOX (CE SPEC)..... | 276 |
| FIGURE 8-7. AC BOX AT PLATFORM INSTALLATION - 220V CEE7 POST GROUND WITH 70X70 BOX (CE SPEC)..... | 278 |
| FIGURE 8-8. AC BOX AT PLATFORM INSTALLATION - 220V CEE7 SIDE GROUND WITH 2X4 BOX (CE SPEC)..... | 280 |
| FIGURE 8-9. AC BOX AT PLATFORM INSTALLATION - 220V CEE7 SIDE GROUND WITH 70X70 BOX (CE SPEC)..... | 282 |
| FIGURE 8-10. BATTERY CABLE KIT - DIESEL ENGINES | 284 |
| FIGURE 8-11. BATTERY CABLE KIT - GASOLINE ENGINES..... | 286 |
| FIGURE 8-12. BREAKER BOX KIT - SINGLE DOUBLE POLE BREAKER | 288 |
| FIGURE 8-13. CHASSIS HARNESS | 290 |
| FIGURE 8-14. DUAL FUEL HARNESS..... | 292 |
| FIGURE 8-15. ENGINE HARNESS - KUBOTA DIESEL | 296 |
| FIGURE 8-16. ENGINE HARNESS - KUBOTA GASOLINE..... | 300 |
| FIGURE 8-17. GENERATOR CONTROL HARNESS - 4000W GENERATOR (GENERATOR TO CONTROL BOX)..... | 304 |
| FIGURE 8-18. GENERATOR CONTROL HARNESS - 4000W GENERATOR (CONTROL BOX TO GENERATOR CONTROL)..... | 306 |
| FIGURE 8-19. GENERATOR CONTROL HARNESS - 7500W GENERATOR (GENERATOR TO CONTROL BOX)..... | 308 |
| FIGURE 8-20. GENERATOR CONTROL HARNESS - 7500W GENERATOR (CONTROL BOX TO GENERATOR CONTROL)..... | 310 |
| FIGURE 8-21. GROUND CONTROL BOX HARNESS - LOWER..... | 312 |
| FIGURE 8-22. GROUND CONTROL BOX HARNESS - UPPER | 314 |
| FIGURE 8-23. GROUND TO LOWER AUXILIARY HOLDING VALVE HARNESS | 316 |
| FIGURE 8-24. GROUND TO UPPER AUXILIARY HOLDING VALVE HARNESS | 318 |
| FIGURE 8-25. GROUND TO LOWER LIFT CYLINDER HARNESS | 320 |
| FIGURE 8-26. GROUND TO UPPER LIFT CYLINDER HARNESS | 322 |
| FIGURE 8-27. GROUND TO PLATFORM HARNESS | 324 |
| FIGURE 8-28. HYDRAULIC COMPARTMENT HARNESS | 326 |
| FIGURE 8-29. LEVELING JACK HARNESS | 328 |
| FIGURE 8-30. LSS HARNESS..... | 330 |
| FIGURE 8-31. OSCILLATING AXLE HARNESS..... | 332 |
| FIGURE 8-32. PLATFORM CONTROL BOX HARNESS | 334 |
| FIGURE 8-33. PLATFORM MODULE TO CONSOLE BOX HARNESS..... | 336 |

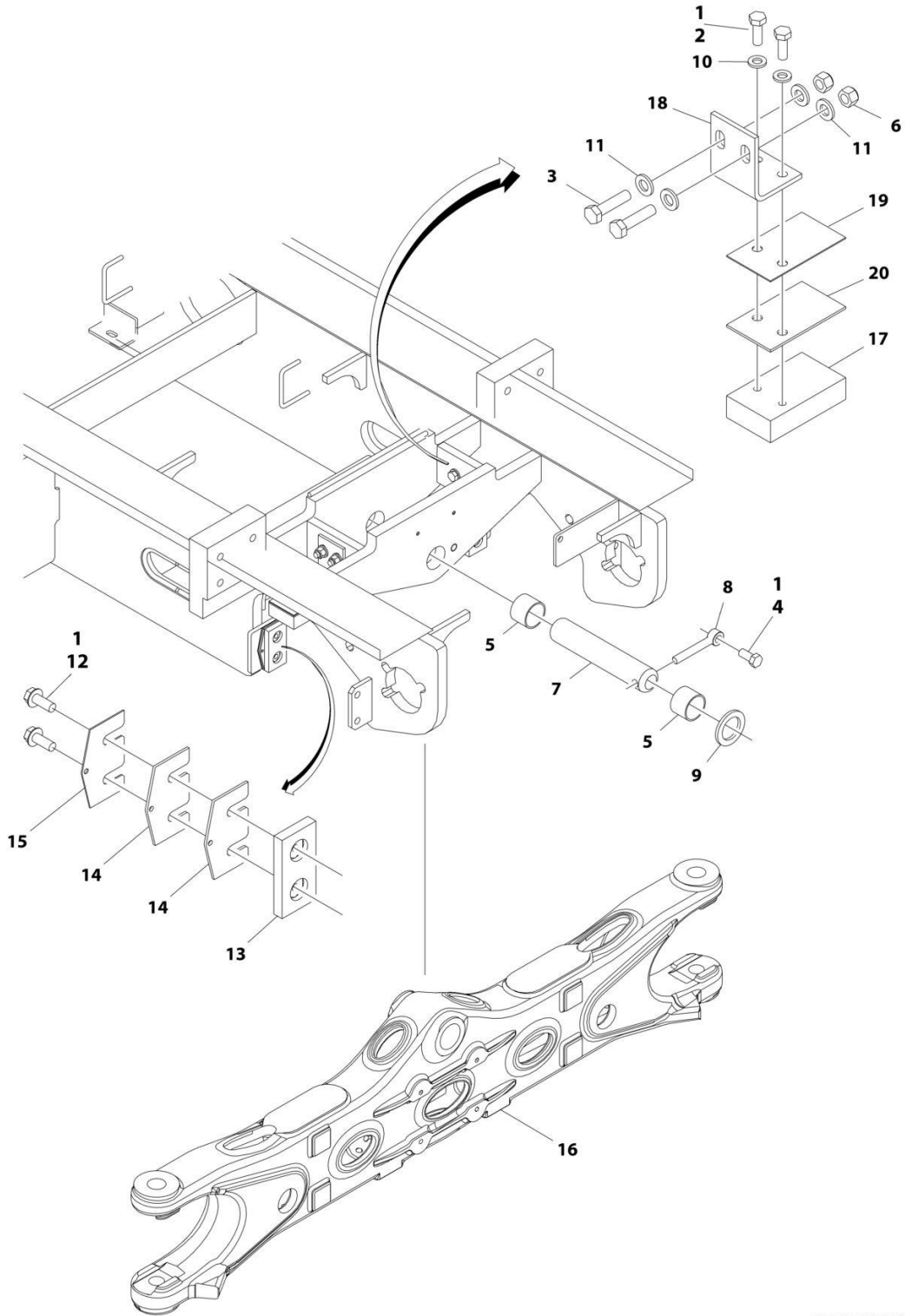
TABLE OF CONTENTS

| | |
|---|-----|
| FIGURE 8-34. RECEPTACLE ASSEMBLY (MACHINES WITH GENERATORS) (ALL SPECS EXCEPT AUSTRALIAN AND CE SPEC) | 338 |
| FIGURE 8-35. RECEPTACLE BOX KIT - 110V GFI | 340 |
| FIGURE 8-36. RECEPTACLE BOX KIT - 110V IEC YELLOW | 342 |
| FIGURE 8-37. RECEPTACLE BOX KIT - 220V IEC BLUE | 344 |
| FIGURE 8-38. RECEPTACLE BOX KIT - 220V AFSINT 107 (CE SPEC) | 346 |
| FIGURE 8-39. RECEPTACLE BOX KIT - 220V CEE7 SIDE GROUND | 348 |
| FIGURE 8-40. RECEPTACLE BOX KIT - 220V CEE7 POST GROUND (CE SPEC) | 350 |
| FIGURE 8-41. RECEPTACLE BOX KIT - 220V CEE7 POST GROUND 70MM X 70MM BOX (CE SPEC) | 352 |
| FIGURE 8-42. SCISSORS ARMS GUARD HARNESS..... | 354 |
| SECTION 9 - DECALS | 357 |
| FIGURE 9-1. DECAL INSTALLATION - ANSI AND ANSI EXPORT SPECS (ENGLISH) | 358 |
| FIGURE 9-2. DECAL INSTALLATION - AUSTRALIAN AND JAPANESE SPECS | 360 |
| FIGURE 9-3. DECAL INSTALLATION - BRAZIL SPECS (SPANISH/PORTUGUESE) | 362 |
| FIGURE 9-4. DECAL INSTALLATION - CE SPEC | 364 |
| FIGURE 9-5. DECAL INSTALLATION - CHINESE SPECS (ENGLISH/CHINESE) | 366 |
| FIGURE 9-6. DECAL INSTALLATION - CSA (ENGLISH/FRENCH)..... | 368 |
| FIGURE 9-7. DECAL INSTALLATION - KOREAN SPECS (ENGLISH/KOREAN)..... | 370 |
| FIGURE 9-8. DECAL INSTALLATION - LATIN AMERICAN SPECS (ENGLISH/SPANISH) | 372 |
| FIGURE 9-9. DECAL INSTALLATION - OPTIONS..... | 374 |
| SECTION 10 - RECOMMENDED SERVICE PARTS STOCK | 377 |
| FIGURE 10-1. RECOMMENDED SERVICE PARTS STOCK..... | 378 |
| SECTION 11 - SPECIAL OPTIONS | 379 |
| FIGURE 11-1. SPECIAL OPTIONS | 380 |
| PART NUMBER INDEX..... | 383 |

SECTION 1 - FRAME

SECTION 1 - FRAME

FIGURE 1-1. AXLE INSTALLATION - FIXED



ART_100117745

SECTION 1 - FRAME

FIGURE 1-1. AXLE INSTALLATION - FIXED

| ITEM | PART NUMBER | QTY | DESCRIPTION | REV |
|------|-------------|-----|---------------------------|-----|
| | 1001177745 | Ref | AXLE INSTALLATION - FIXED | A |
| 1 | 0100011 | AR | Compound, Locking | |
| 2 | 0701014 | 4 | Bolt M10 x 30 | |
| 3 | 0701218 | 4 | Bolt M12 x 50 | |
| 4 | 0761615 | 1 | Bolt M16 x 35 | |
| 5 | 0961950 | 2 | Bearing | |
| 6 | 3291205 | 4 | Nut M12 | |
| 7 | 3422592 | 1 | Pin | |
| 8 | 3841258 | 1 | Keeper, Pin | |
| 9 | 4740158 | 1 | Washer | |
| 10 | 5241000 | 4 | Washer M10 | |
| 11 | 5241200 | 8 | Washer M12 | |
| 12 | 5251012 | 4 | Bolt M10 x 25 | |
| 13 | 1001118511 | 2 | Pad, Wear | |
| 14 | 1001118518 | 4 | Shim 11Ga | |
| 15 | 1001118519 | 2 | Shim 16Ga | |
| 16 | 1001162995 | 1 | Axle | |
| 17 | 1001180307 | 2 | Block | |
| 18 | 1001180309 | 2 | Bracket | |
| 19 | 1001180315 | 2 | Shim .06 | |
| 20 | 1001180316 | 2 | Shim .12 | |

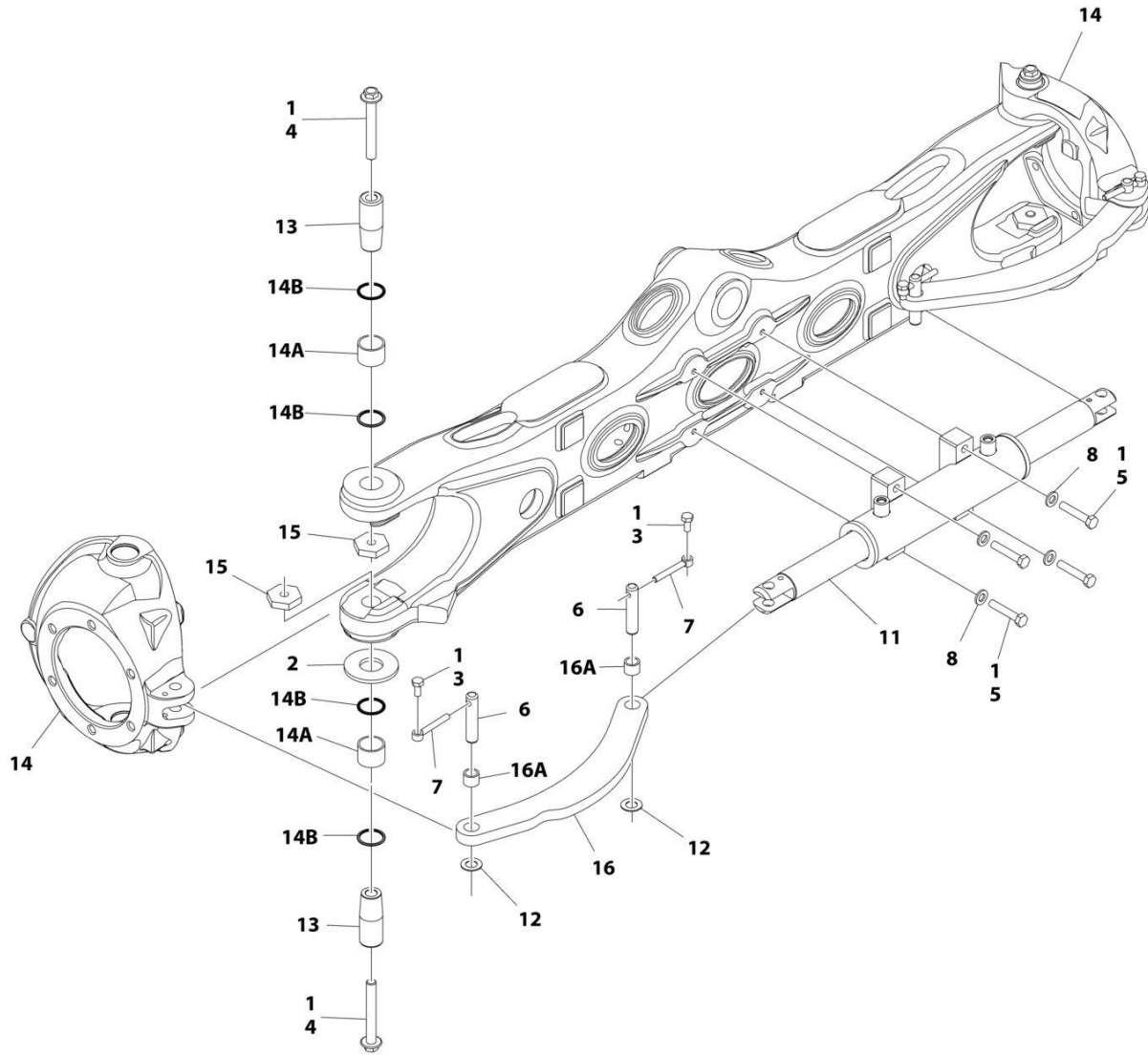
SECTION 1 - FRAME

FIGURE 1-2. AXLE INSTALLATION - OSCILLATING

| ITEM | PART NUMBER | QTY | DESCRIPTION | REV |
|------|-------------|-----|---|-----|
| | 1001177749 | Ref | AXLE INSTALLATION - OSCILLATING | F |
| 1 | 0100011 | AR | Compound, Locking | |
| 2 | 0701222 | 8 | Bolt M12 x 70 | |
| 3 | 0761615 | 1 | Bolt M16 x 35 | |
| 4 | 0961950 | 2 | Bearing | |
| 5 | 3422592 | 1 | Pin | |
| 6 | 3841258 | 1 | Keeper, Pin | |
| 7 | 4740158 | 1 | Washer | |
| 8 | 5241200 | 8 | Washer M12 | |
| 9 | 5251012 | 4 | Bolt M10 x 25 | |
| 10 | 1001118511 | 2 | Pad, Wear | |
| 11 | 1001118518 | 4 | Shim 11Ga | |
| 12 | 1001118519 | 2 | Shim 16Ga | |
| 13 | 1001162995 | 1 | Axle | |
| 14 | 1001163580 | 2 | Axle Lockout Cylinder Assembly (See Separate Breakdown in CYLINDER SECTION) | |
| 15 | 0701012 | 3 | Bolt M10 x 25 | |
| 17 | 5241000 | 3 | Washer M10 | |
| 18 | 1001191201 | 1 | Axle Lockout Valve Assembly | |
| 18A | 7012910 | 2 | Cartridge, Solenoid Less Coil | |
| 18A | 2900708 | 2 | Seal Kit - 7012910 Valve | |
| 18A | 70003977 | 2 | Nut, Coil | |
| 18A | 70050516 | 2 | Coil | |
| 18B | 70005163 | 2 | Cartridge, Solenoid Less Coil | |
| 18B | 70005164 | 2 | Seat Kit - 70005163 Valve | |
| 18B | 7022390 | 2 | Nut, Coil | |
| 18B | 70002963 | 2 | Coil | |
| 20 | 0700616 | 2 | Bolt M6 x 40 | |
| 21 | 3290601 | 2 | Nut M6 | |
| 22 | 4240018 | 5 | Tie-Strap | |
| 23 | 4811700 | 4 | Washer M6 | |
| 24 | 1001186467 | 1 | Sensor, Dual Axis | |
| 25 | 1001187601 | 1 | Oscillating Axle Harness (See Separate Breakdown in ELECTRICAL SECTION) | |
| 26 | 1001187695 | 1 | Bracket | |

SECTION 1 - FRAME

FIGURE 1-3. STEER INSTALLATION



ART_1001177747

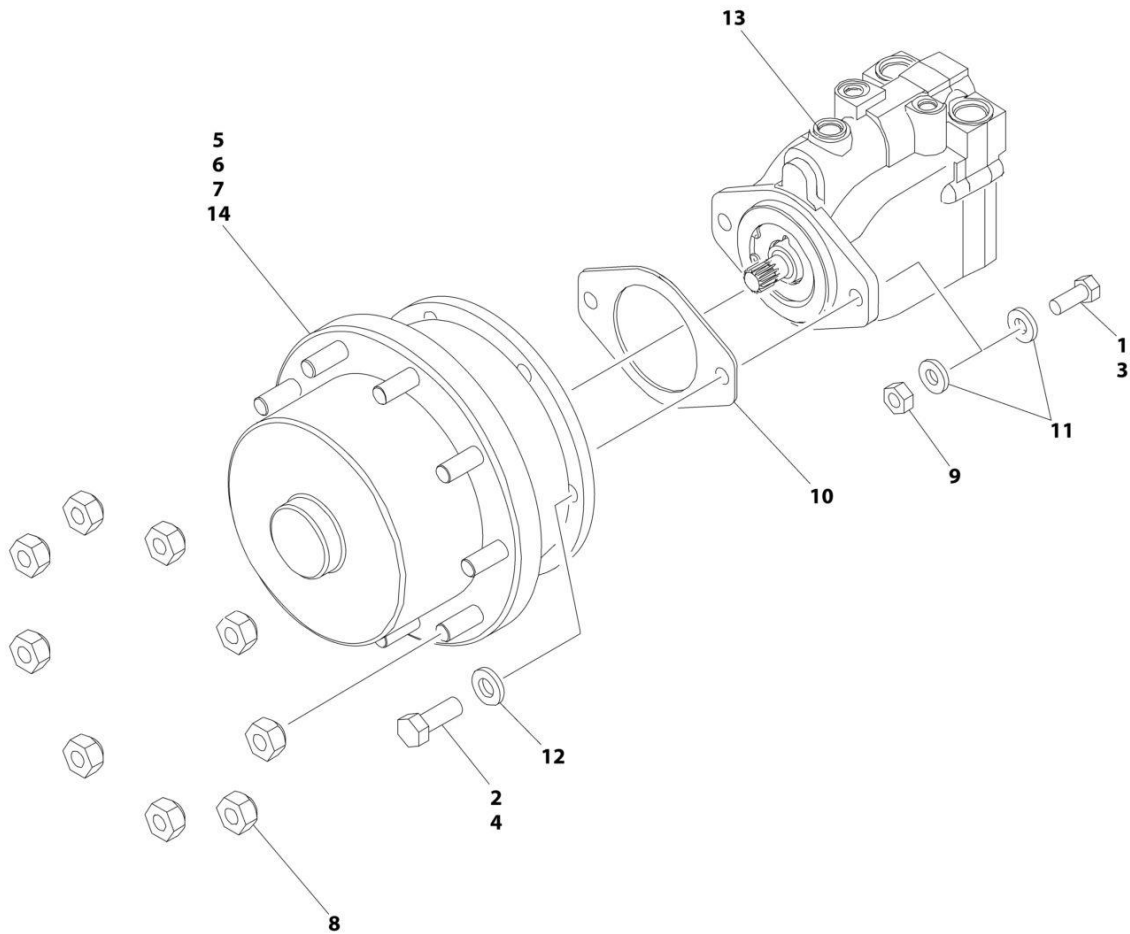
SECTION 1 - FRAME

FIGURE 1-3. STEER INSTALLATION

| ITEM | PART NUMBER | QTY | DESCRIPTION | REV |
|------|-------------|-----|--|-----|
| | 1001177747 | Ref | STEER INSTALLATION | D |
| 1 | 0100011 | AR | Compound, Locking | |
| 2 | 1001233139 | 2 | Washer, Thrust | |
| 3 | 0761011 | 4 | Bolt M10 x 22 | |
| 4 | 1001190368 | 4 | Bolt M16 x 120 | |
| 5 | 0711221 | 4 | Bolt M12 x 65 | |
| 6 | 3423304 | 4 | Pin, Pivot | |
| 7 | 3841143 | 4 | Keeper, Pin | |
| 8 | 5241200 | 4 | Washer M12 | |
| 11 | 1001163178 | 1 | Steer Cylinder Assembly (See Separate Breakdown in CYLINDER SECTION) | |
| 12 | 4740086 | 4 | Washer | |
| 13 | 1001163405 | 4 | Kingpin | |
| 14 | 1001163715 | 2 | Spindle Assembly | |
| 14A | 0961948 | 2 | Bearing | |
| 14B | 1001163716 | 4 | Seal | |
| 15 | 1001176848 | 4 | Nut M16 | |
| 16 | 1001179256 | 2 | Tie-Rod | |
| 16A | 1001164209 | 2 | Bearing | |

SECTION 1 - FRAME

FIGURE 1-4. WHEEL DRIVE INSTALLATION



ART_1001102804

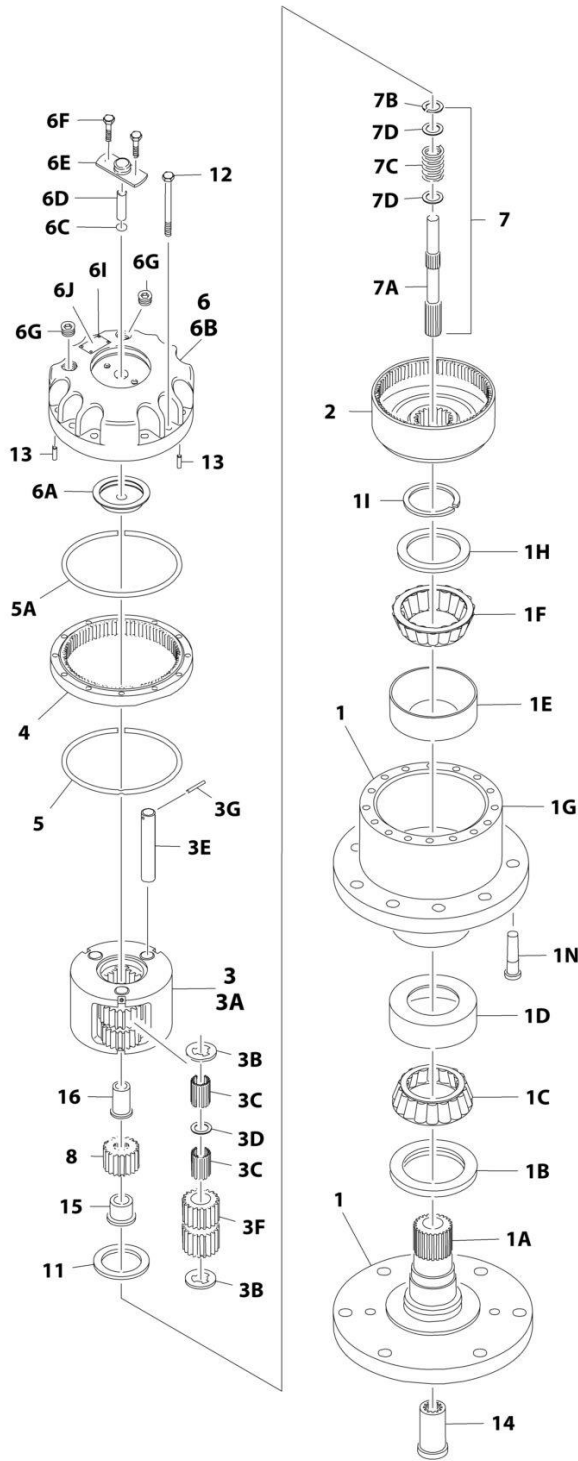
SECTION 1 - FRAME

FIGURE 1-4. WHEEL DRIVE INSTALLATION

| ITEM | PART NUMBER | QTY | DESCRIPTION | REV |
|------|-------------|-----|---|-----|
| | 1001102804 | Ref | WHEEL DRIVE INSTALLATION | H |
| 1 | 0100011 | AR | Compound, Locking | |
| 2 | 0100019 | AR | Compound, Locking | |
| 3 | 0681810 | 4 | Bolt 1/2 x 1-1/4 | |
| 4 | 0682014 | 24 | Bolt 5/8 x 1-3/4 | |
| 6 | 2780267 | 2 | Drive Hub with Brake Assembly (Rear) (See Separate Breakdown in this Section) | |
| 7 | 2780268 | 2 | Drive Hub without Brake Assembly (Front) (See Separate Breakdown in this Section) | |
| 8 | 3300106 | 36 | Lugnut | |
| 9 | 3311801 | 4 | Nut 1/2 | |
| 10 | 3960526 | 4 | Gasket | |
| 11 | 4891800 | 8 | Washer 1/2 | |
| 12 | 4892000 | 24 | Washer 5/8 | |
| 13 | 1001102805 | 4 | Drive Motor Assembly (See Separate Breakdown in this Section) | |

SECTION 1 - FRAME

FIGURE 1-5. DRIVE HUB ASSEMBLY - FRONT



ART_2780268

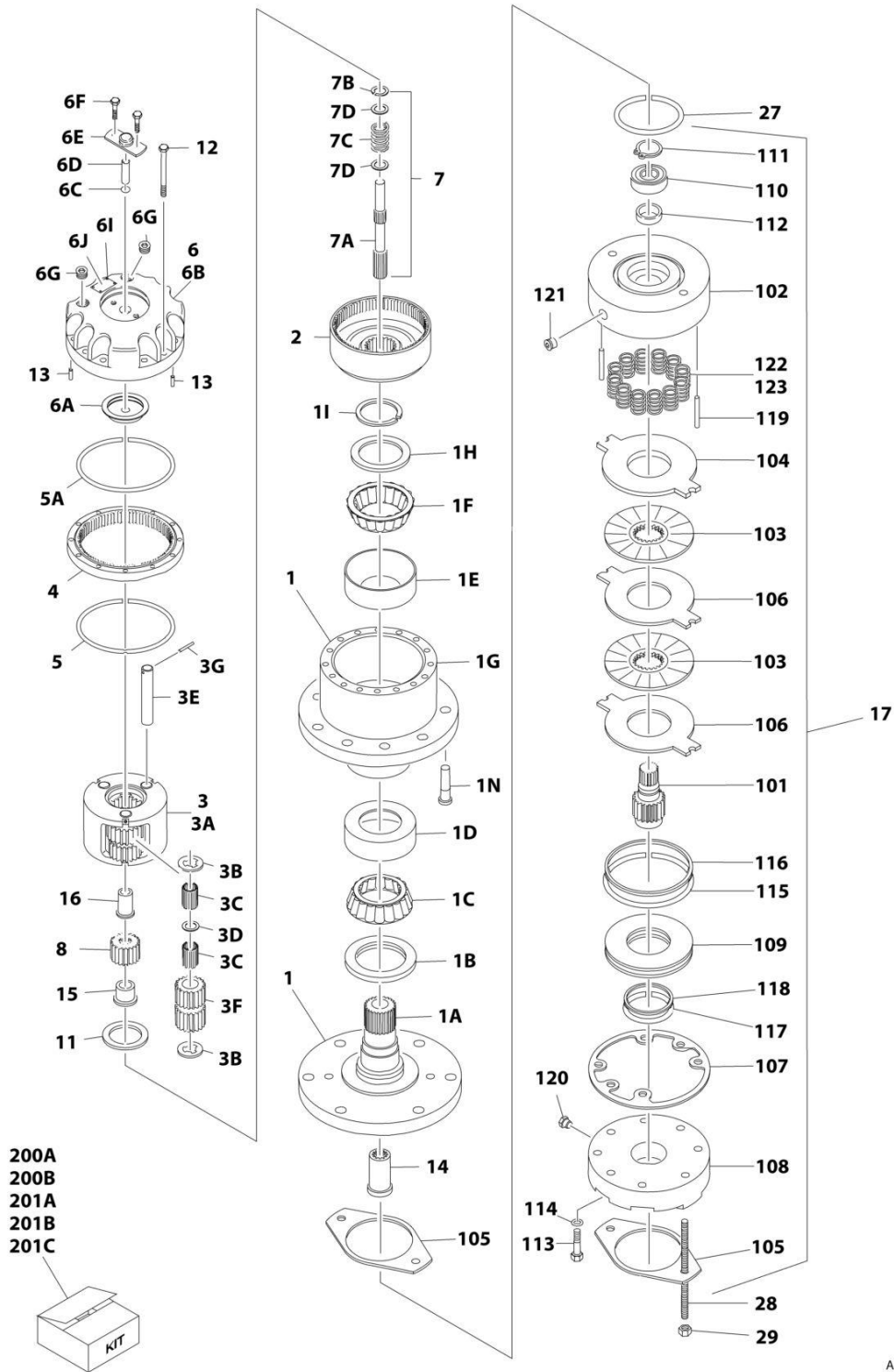
SECTION 1 - FRAME

FIGURE 1-5. DRIVE HUB ASSEMBLY - FRONT

| ITEM | PART NUMBER | QTY | DESCRIPTION | REV |
|------|-------------|-----|---|-----|
| | 2780268 | Ref | DRIVE HUB ASSEMBLY - FRONT | F |
| 1 | See Note | 1 | Spindle/Housing Assembly (Note: Purchase Individual Components) | |
| 1A | 7017059 | 1 | Spindle | |
| 1B | 7001998 | 1 | Seal | |
| 1C | 7010429 | 1 | Cone, Bearing (Includes Item 1D) | |
| 1D | 7010429 | 1 | Cup, Bearing (Includes Item 1C) | |
| 1E | 7000257 | 1 | Cup, Bearing | |
| 1F | 7000258 | 1 | Cone, Bearing | |
| 1G | 7007601 | 1 | Housing/Ring Gear | |
| 1H | 7000232 | 1 | Washer, Thrust | |
| 1I | 7000229 | 1 | Ring, Retaining | |
| 1N | 7007640 | 9 | Stud, Wheel | |
| 2 | 7000246 | 1 | Gear, Internal | |
| 3 | 7024712 | 1 | Carrier Assembly | |
| 3A | See Note | 1 | Carrier (Note: Use Item 3) | |
| 3B | See Note | 6 | Ring, Retaining (Note: Use Item 3) | |
| 3C | See Note | AR | Bearing, Needle (Note: Use Item 3) | |
| 3D | See Note | 3 | Washer, Thrust (Note: Use Item 3) | |
| 3E | See Note | 3 | Shaft, Planet (Note: Use Item 3) | |
| 3F | See Note | 3 | Gear, Planet (Note: Use Item 3) | |
| 3G | See Note | 3 | Roll Pin (Note: Use Item 3) | |
| 4 | 7000248 | 1 | Ring Gear | |
| 5 | 7000230 | 1 | O-Ring | |
| 5A | 7017070 | 1 | O-Ring | |
| 6 | 70001349 | 1 | Cover Assembly Kit | |
| 6A | See Note | 1 | Spacer, Thrust (Note: Use Item 6) | |
| 6B | See Note | 1 | Plate, Cover (Note: Use Item 6) | |
| 6C | See Note | 1 | O-Ring (Note: Use Item 6) | |
| 6D | See Note | 1 | Rod, Disconnect (Note: Use Item 6) | |
| 6E | See Note | 1 | Cap, Disengage (Note: Use Item 6) | |
| 6F | See Note | 2 | Bolt (Note: Use Item 6) | |
| 6G | See Note | 1 | Plug, Pipe (Note: Use Item 6) | |
| 6I | See Note | 4 | Rivet (Note: Not Available for Purchase) | |
| 6J | See Note | 1 | Plate, ID (Note: Not Available for Purchase) | |
| 7 | | Ref | Input Shaft Assembly | |
| 7A | 7024714 | 1 | Shaft | |
| 7B | 7000261 | 1 | Ring, Retaining | |
| 7C | 7000262 | 1 | Spring | |
| 7D | 7000263 | 2 | Spacer, Thrust | |
| 8 | 7024713 | 1 | Gear, Sun | |
| 11 | 7000253 | 1 | Washer, Thrust | |
| 12 | 7017067 | 12 | Bolt | |
| 13 | 7017080 | 4 | Pin, Dowel | |
| 14 | 7000206 | 1 | Coupling | |
| 15 | 7024715 | 1 | Spacer, Input | |
| 16 | 7024716 | 1 | Spacer, Input | |

SECTION 1 - FRAME

FIGURE 1-6. DRIVE HUB AND BRAKE ASSEMBLY - REAR



SECTION 1 - FRAME

FIGURE 1-6. DRIVE HUB AND BRAKE ASSEMBLY - REAR

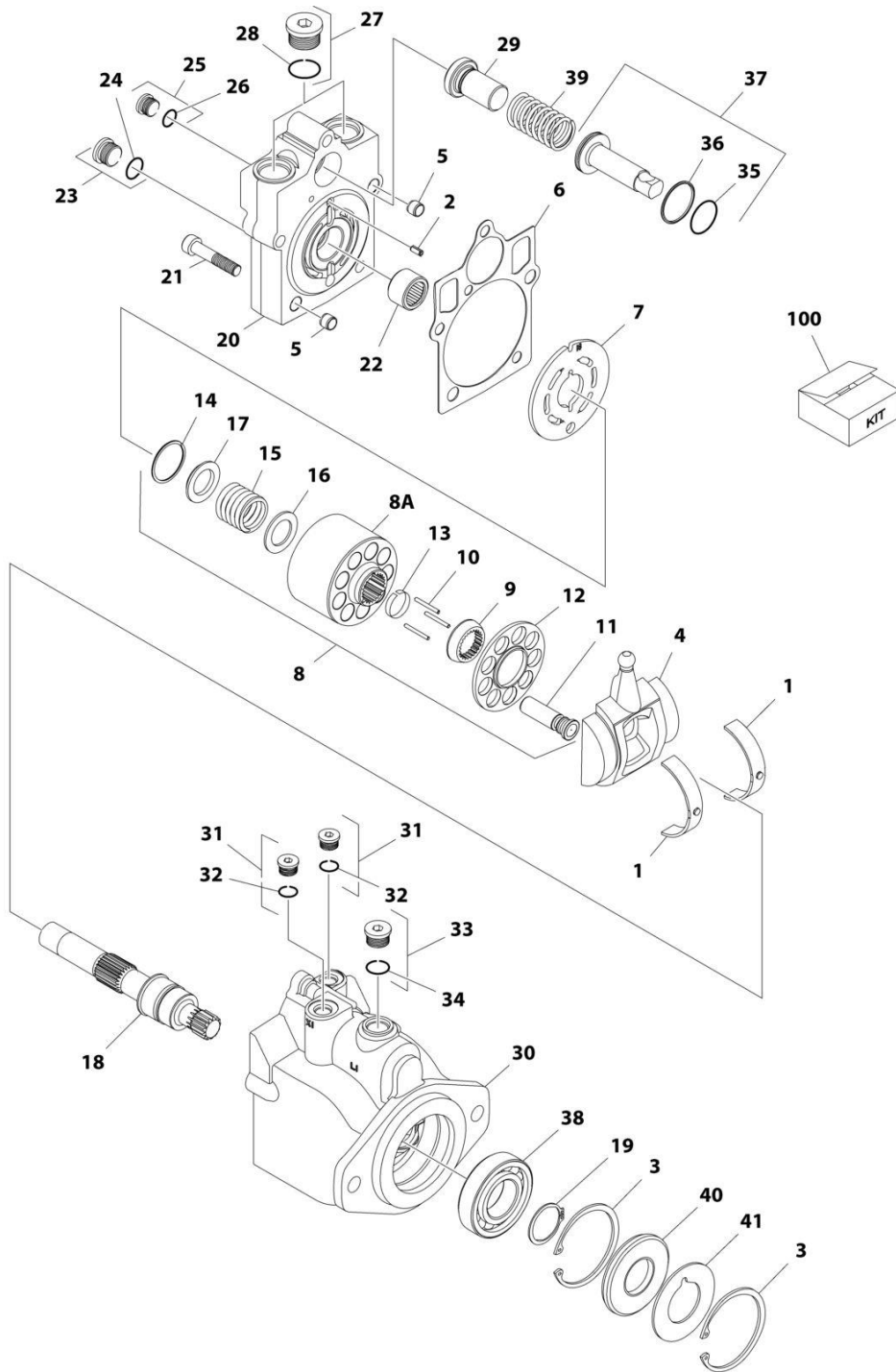
| ITEM | PART NUMBER | QTY | DESCRIPTION | REV |
|------|-------------|-----|---|-----|
| | 2780267 | Ref | DRIVE HUB AND BRAKE ASSEMBLY - REAR | I |
| 1 | See Note | 1 | Spindle/Housing Assembly (Note: Purchase Individual Components) | |
| 1A | 7017059 | 1 | Spindle | |
| 1B | 7001998 | 1 | Seal | |
| 1C | 7010429 | 1 | Cone, Bearing (Includes Item 1D) | |
| 1D | 7010429 | 1 | Cup, Bearing (Includes Item 1C) | |
| 1E | 7000257 | 1 | Cup, Bearing | |
| 1F | 7000258 | 1 | Cone, Bearing | |
| 1G | 7007601 | 1 | Housing/Ring Gear | |
| 1H | 7000232 | 1 | Washer, Thrust | |
| 1I | 7000229 | 1 | Ring, Retaining | |
| 1N | 7007640 | 9 | Stud, Wheel | |
| 2 | 7000246 | 1 | Gear, Internal | |
| 3 | 7024712 | 1 | Carrier Assembly | |
| 3A | See Note | 1 | Carrier (Note: Use Item 3) | |
| 3B | See Note | 6 | Ring, Retaining (Note: Use Item 3) | |
| 3C | See Note | AR | Bearing, Needle (Note: Use Item 3) | |
| 3D | See Note | 3 | Washer, Thrust (Note: Use Item 3) | |
| 3E | See Note | 3 | Shaft, Planet (Note: Use Item 3) | |
| 3F | See Note | 3 | Gear, Planet (Note: Use Item 3) | |
| 3G | See Note | 3 | Roll Pin (Note: Use Item 3) | |
| 4 | 7000248 | 1 | Ring Gear | |
| 5 | 7000230 | 1 | O-Ring | |
| 5A | 7017070 | 1 | O-Ring | |
| 6 | 70001349 | 1 | Cover Assembly Kit | |
| 6A | See Note | 1 | Spacer, Thrust (Note: Use Item 6) | |
| 6B | See Note | 1 | Plate, Cover (Note: Use Item 6) | |
| 6C | See Note | 1 | O-Ring (Note: Use Item 6) | |
| 6D | See Note | 1 | Rod, Disconnect (Note: Use Item 6) | |
| 6E | See Note | 1 | Cap, Disengage (Note: Use Item 6) | |
| 6F | See Note | 2 | Bolt (Note: Use Item 6) | |
| 6G | See Note | 1 | Plug, Pipe (Note: Use Item 6) | |
| 6I | See Note | 4 | Rivet (Note: Not Available for Purchase) | |
| 6J | See Note | 1 | Plate, ID (Note: Not Available for Purchase) | |
| 7 | | Ref | Input Shaft Assembly | |
| 7A | 7024714 | 1 | Shaft | |
| 7B | 7000261 | 1 | Ring, Retaining | |
| 7C | 7000262 | 1 | Spring | |
| 7D | 7000263 | 2 | Spacer, Thrust | |
| 8 | 7024713 | 1 | Gear, Sun | |
| 11 | 7000253 | 1 | Washer, Thrust | |
| 12 | 7017067 | 12 | Bolt | |
| 13 | 7017080 | 4 | Pin, Dowel | |
| 14 | 7000206 | 1 | Coupling | |
| 15 | 7024715 | 1 | Spacer, Input | |
| 16 | 7024716 | 1 | Spacer, Input | |
| 17 | 7024182 | 1 | Brake Assembly (See Items 101-123 for Breakdown) | |
| 27 | 7024705 | 1 | O-Ring | |
| 28 | 7024717 | 2 | Rod, Threaded | |

SECTION 1 - FRAME

| ITEM | PART NUMBER | QTY | DESCRIPTION | REV |
|------|-------------|-----|---|-----|
| 29 | 7024718 | 2 | Nut 1/2in-13NC | |
| | 7024182 | Ref | BRAKE ASSEMBLY | |
| 101 | 7024189 | 1 | Shaft | |
| 102 | See Note | 1 | Housing (Note: Use Item 17) | |
| 103 | See Note | 2 | Plate, Friction (Note: Use Item 201B) | |
| 104 | See Note | 1 | Plate, Pressure (Note: Use Item 201B) | |
| 105 | 7000731 | 2 | Gasket | |
| 106 | See Note | 2 | Plate, Outer (Note: Use Item 201B) | |
| 107 | See Note | 1 | Gasket (Note: Use Item 200A, 201B or 201C) | |
| 108 | 7024191 | 1 | Cylinder | |
| 109 | 7024192 | 1 | Piston | |
| 110 | See Note | 1 | Bearing, Ball (Note: Use Item 201C) | |
| 111 | See Note | 1 | Ring, Retaining (Note: Use Item 201C) | |
| 112 | See Note | 1 | Seal, Shaft (Note: Use Item 201C) | |
| 113 | See Note | 6 | Capscrew (Note: Use Item 17) | |
| 114 | See Note | 6 | Lockwasher (Note: Use Item 17) | |
| 115 | See Note | 1 | O-Ring (Note: Use Item 200B) | |
| 116 | See Note | 1 | Ring, Back-up (Note: Use Item 200B) | |
| 117 | See Note | 1 | O-Ring (Note: Use Item 200B) | |
| 118 | See Note | 1 | Ring, Back-up (Note: Use Item 200B) | |
| 119 | 7024190 | 2 | Pin, Dowel | |
| 120 | See Note | 1 | Plug (Note: Use Item 17) | |
| 121 | See Note | 2 | Plug (Note: Use Item 17) | |
| 122 | See Note | 12 | Spring Kit (Natural) (Note: Use Item 201A) | |
| 123 | See Note | 2 | Spring Kit (Blue) (Note: Use Item 201A) | |
| | | Ref | Kit Options | |
| 200 | | Ref | Seal Kit Options: | |
| 200A | See Note | 1 | Hub Seal Kit (Note: Purchase Individual Components) | |
| 200B | 7024194 | 1 | Brake Seal Kit (Includes Items 105, 107 & 115-118) | |
| 201 | | Ref | Repair Kit Options: | |
| 201A | 7024196 | 1 | Brake Spring Kit (Includes 12 Natural Colored and 2 Blue Colored Springs Items 122 & 123) | |
| 201B | 7024193 | 1 | Brake Friction Disc Kit (Includes Items 103, 104, 106 & 107) | |
| 201C | 7024197 | 1 | Brake Bearing Kit (Includes Items 107 & 110-112) | |

SECTION 1 - FRAME

FIGURE 1-7. DRIVE MOTOR ASSEMBLY



ART_1001102805

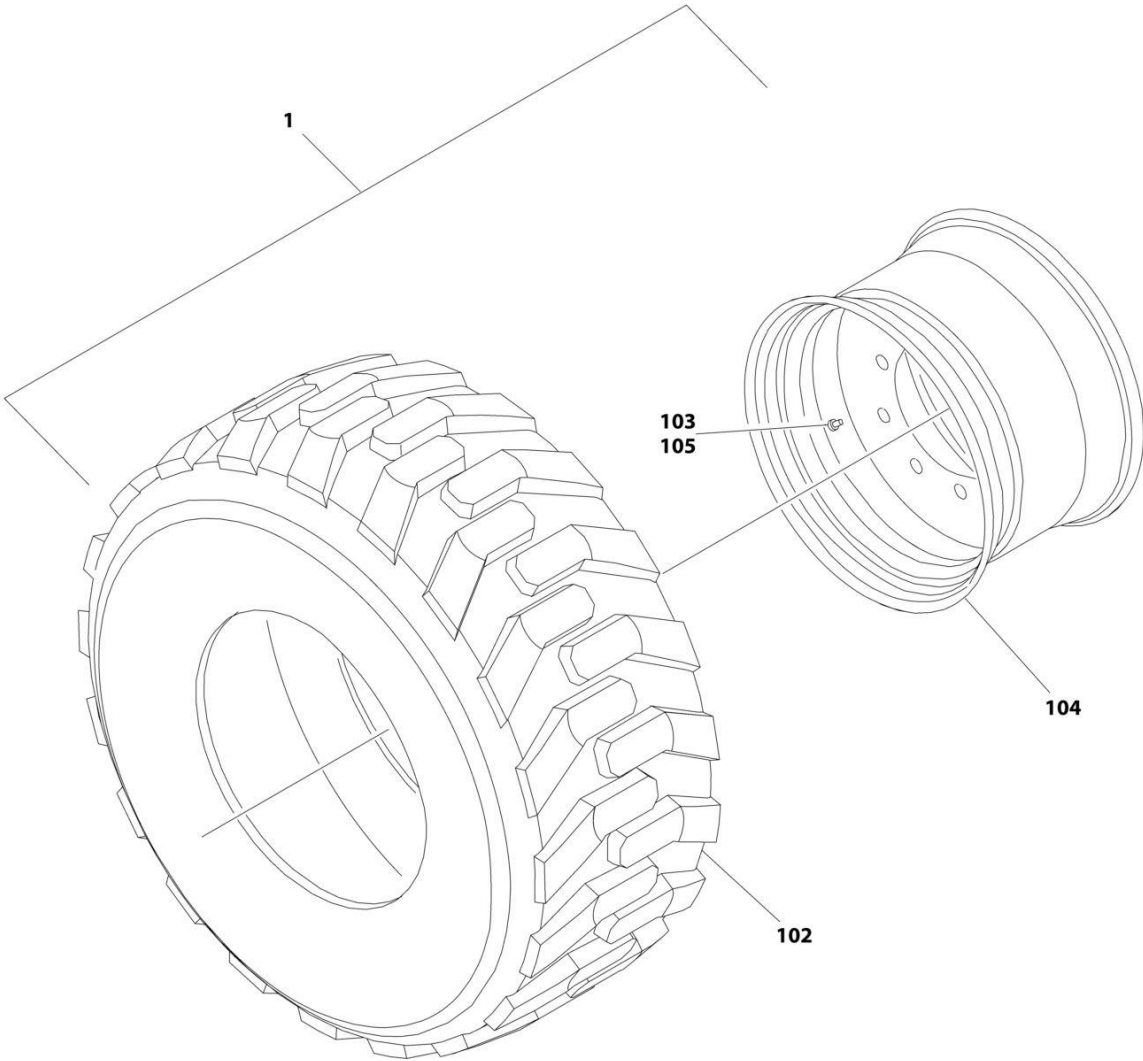
SECTION 1 - FRAME

FIGURE 1-7. DRIVE MOTOR ASSEMBLY

| ITEM | PART NUMBER | QTY | DESCRIPTION | REV |
|------|-------------|-----|--|-----|
| | 1001102805 | Ref | DRIVE MOTOR ASSEMBLY | D |
| 1 | 7022302 | 2 | Bearing, Journal | |
| 2 | 7007446 | 1 | Pin | |
| 3 | 7007438 | 2 | Ring, Retaining | |
| 4 | 7022305 | 1 | Swash Plate | |
| 5 | See Note | 2 | Pin (Note: Not Available for Purchase) | |
| 6 | See Note | 1 | Gasket (Note: Use Item 100) | |
| 7 | 7024862 | 1 | Plate, Valve | |
| 8 | 7023907 | 1 | Cylinder Block Kit (Includes Items 8A & 9-17) | |
| 8A | See Note | 1 | Block, Cylinder (Note: Use Item 8) | |
| 9 | 7021277 | 1 | Guide, Slipper Retainer | |
| 10 | 7021275 | 3 | Pin, Slipper Hold Down | |
| 11 | See Note | 9 | Piston Assembly (Note: Use Item 8) | |
| 12 | 7021276 | 1 | Retainer, Hold Down Pin | |
| 13 | 7022310 | 1 | Retainer, Slipper | |
| 14 | 7022311 | 1 | Ring, Retaining | |
| 15 | 7022312 | 1 | Spring | |
| 16 | 7024868 | 1 | Washer | |
| 17 | 7022314 | 1 | Retainer, Spring | |
| 18 | 7023910 | 1 | Shaft | |
| 19 | 7007439 | 1 | Ring, Retaining | |
| 20 | 70000797 | 1 | Cap, End - Axial | |
| 21 | 7022368 | 5 | Screw | |
| 22 | 7021249 | 1 | Bearing, Needle | |
| 23 | 2220886 | 1 | Plug (Includes Item 24) | |
| 24 | See Note | 1 | O-Ring (Note: Use Item 23 or 100) | |
| 25 | 2220883 | 1 | Plug (Includes Item 26) | |
| 26 | See Note | 1 | O-Ring (Note: Use Item 25 or 100) | |
| 27 | 7027419 | 2 | Plug (Includes Item 28) | |
| 28 | See Note | 2 | O-Ring (Note: Use Item 27 or 100) | |
| 29 | 7022369 | 1 | Seat, Spring | |
| 30 | 70001932 | 1 | Housing | |
| 31 | 2220883 | 2 | Plug (Includes Item 32) | |
| 32 | See Note | 2 | O-Ring (Note: Use Item 31 or 100) | |
| 33 | 2220886 | 1 | Plug (Includes Item 34) | |
| 34 | See Note | 1 | O-Ring (Note: Use Item 33 or 100) | |
| 35 | See Note | 1 | O-Ring (Note: Use Item 37 or 100) | |
| 36 | See Note | 1 | Ring, Seal (Note: Use Item 37 or 100) | |
| 37 | 7024854 | 1 | Piston, Servo (Includes Items 35 & 36) | |
| 38 | 7007437 | 1 | Bearing | |
| 39 | 7022326 | 1 | Spring | |
| 40 | See Note | 1 | Seal, Lip (Note: Use Item 100) | |
| 41 | 7022371 | 1 | Washer, Support | |
| 100 | 7022328 | 1 | Seal Kit (Includes Items 6, 24, 26, 28, 32, 34, 35, 36 & 40) | |

SECTION 1 - FRAME

FIGURE 1-8. TIRE AND WHEEL INSTALLATION - 12 X 16.5 FOAM FILLED



ART_0270092

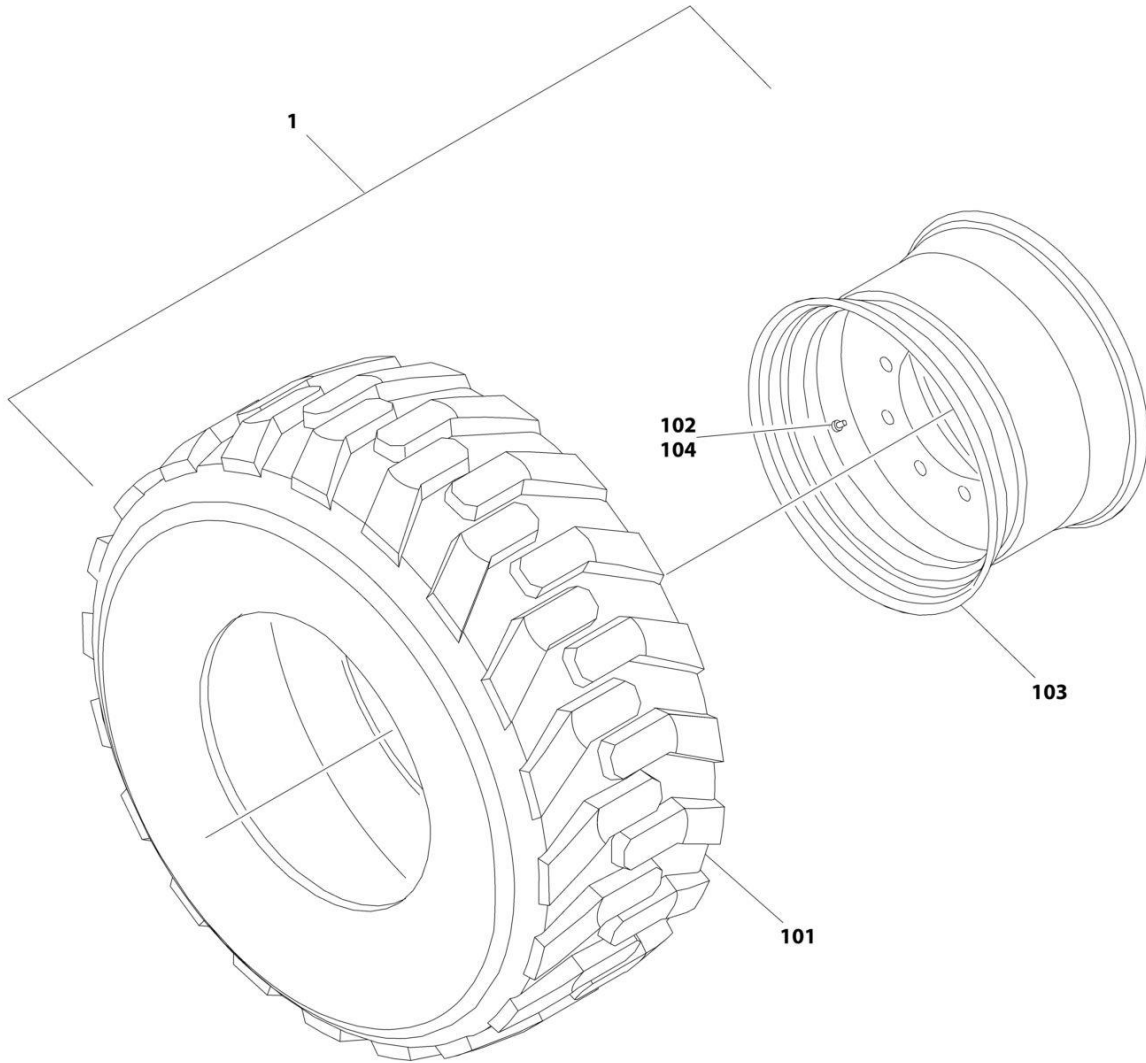
SECTION 1 - FRAME

FIGURE 1-8. TIRE AND WHEEL INSTALLATION - 12 X 16.5 FOAM FILLED

| ITEM | PART NUMBER | QTY | DESCRIPTION | REV |
|------|-------------|-----|--|-----|
| | 0270092 | Ref | TIRE AND WHEEL INSTALLATION - 12 X 16.5 FOAM FILLED | C |
| | | Ref | Note: Assemblies may require ballast/foam filling to manufacturer's specifications prior to installing on a machine. Refer to Operation and Safety or Service and Maintenance Manuals. Purchase individual tire and/or rim only if able to foam fill tire and wheel assembly, otherwise, purchase complete assembly. | |
| 1 | 1001148865 | 2 | Tire and Wheel Assembly - 12 x 16.5 (RH Side) | G |
| 1 | 1001148866 | 2 | Tire and Wheel Assembly - 12 x 16.5 (LH Side) | G |
| 102 | 4520216 | 4 | Tire - 12 x 16.5 | |
| 103 | 4641122 | 4 | Valve | |
| 104 | 1001147274 | 4 | Rim, Wheel | |
| 105 | 1001149953 | 4 | Cap, Valve Stem | |

SECTION 1 - FRAME

FIGURE 1-9. TIRE AND WHEEL INSTALLATION - 12 X 16.5 FOAM FILLED NON-MARKING



ART_0270653

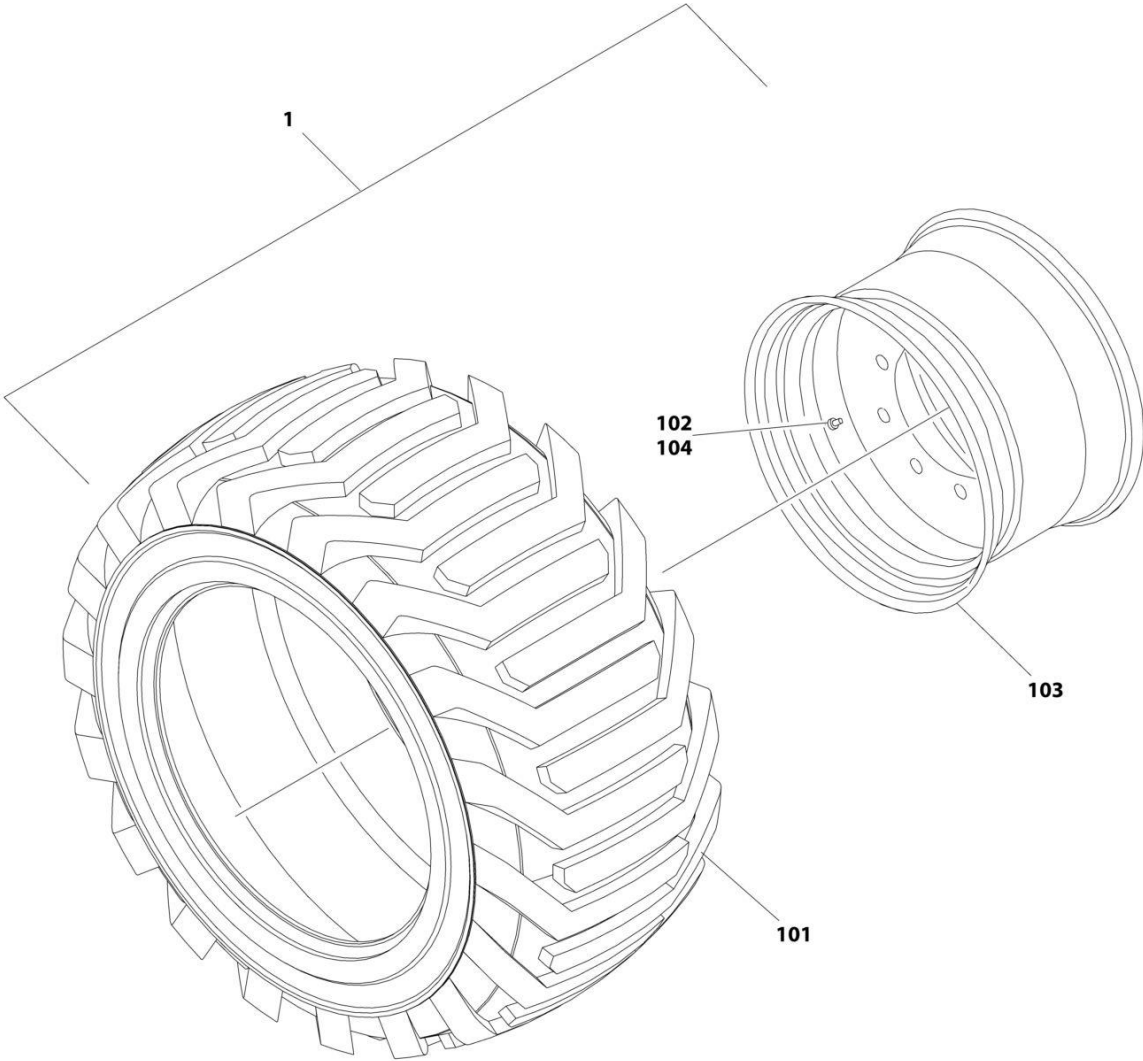
SECTION 1 - FRAME

FIGURE 1-9. TIRE AND WHEEL INSTALLATION - 12 X 16.5 FOAM FILLED NON-MARKING

| ITEM | PART NUMBER | QTY | DESCRIPTION | REV |
|------|-------------|------------|---|-----|
| | 0270653 | Ref Ref | TIRE AND WHEEL INSTALLATION - 12 X 16.5 FOAM FILLED Note: Assemblies may require ballast/foam filling to manufacturer's specifications prior to installing on a machine. Refer to Operation and Safety or Service and Maintenance Manuals. Purchase individual tire and/or rim only if able to foam fill tire and wheel assembly, otherwise, purchase complete assembly. | B |
| 1 | 1001148869 | 1 | Tire and Wheel Assembly - Right Side | H |
| 1 | 1001148870 | 1 | Tire and Wheel Assembly - Left Side | H |
| 101 | 4520240 | 1 | Tire 12 x 16.5 Non-Marking | |
| 102 | 4641122 | 1 | Valve | |
| 103 | 1001147274 | 1 | Rim, Wheel | |
| 104 | 1001149953 | 1 | Cap, Valve Stem | |

SECTION 1 - FRAME

FIGURE 1-10. TIRE AND WHEEL INSTALLATION - IN395/45/D20 FOAM FILLED



ART_1001179171

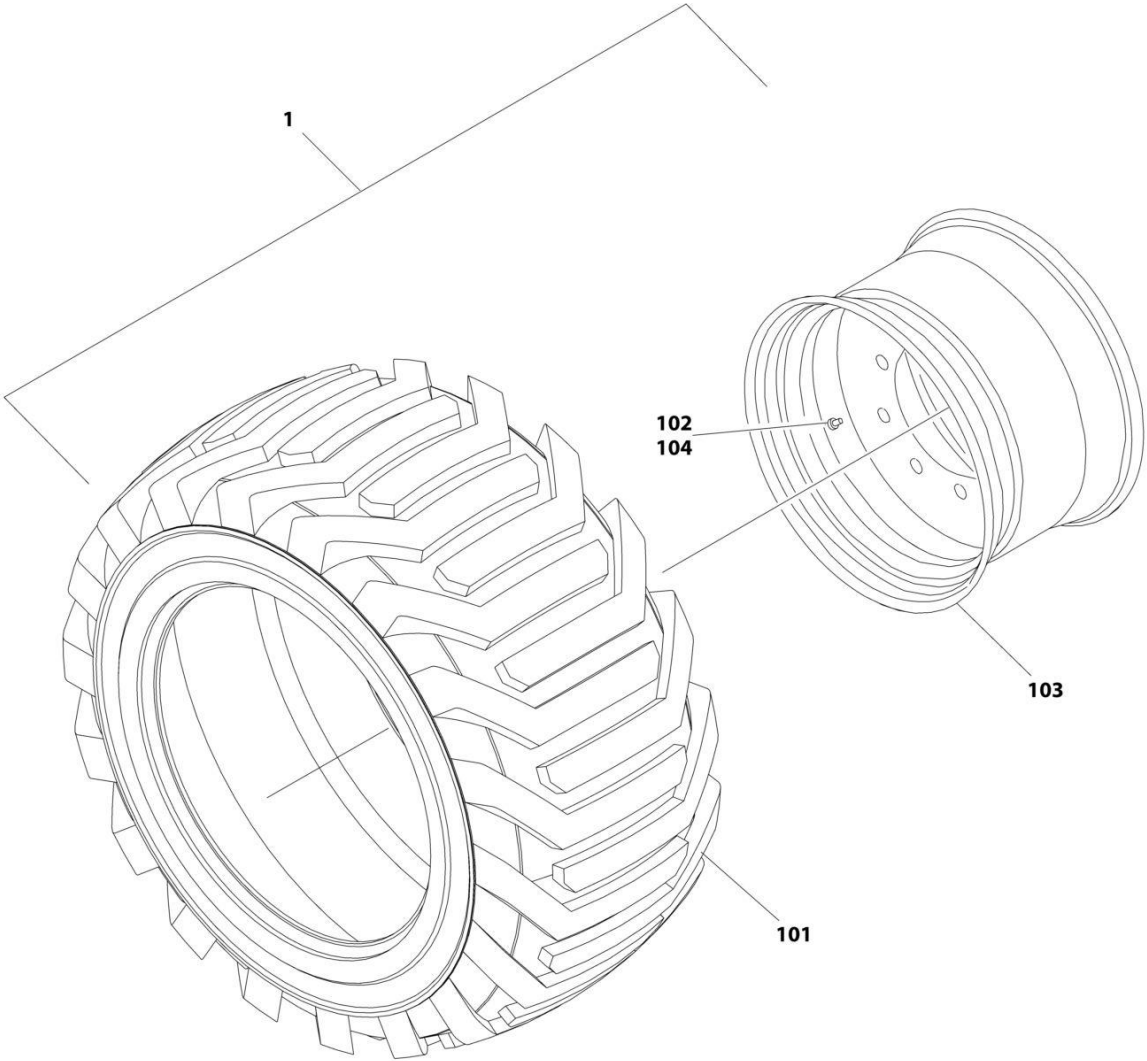
SECTION 1 - FRAME

FIGURE 1-10. TIRE AND WHEEL INSTALLATION - IN395/45/D20 FOAM FILLED

| ITEM | PART NUMBER | QTY | DESCRIPTION | REV |
|------|-------------|------------|--|-----|
| | 1001179171 | Ref Ref | TIRE AND WHEEL INSTALLATION - IN395/45/D20 FOAM FILLED Note: Assemblies may require ballast/foam filling to manufacturer's specifications prior to installing on a machine. Refer to Operation and Safety or Service and Maintenance Manuals. Purchase individual tire and/or rim only if able to foam fill tire and wheel assembly, otherwise, purchase complete assembly. | A |
| 1 | 1001179173 | 2 | Tire and Wheel Assembly - IN395/45/D20 Non-Marking (RH Side) | B |
| 1 | 1001179172 | 2 | Tire and Wheel Assembly - IN395/45/D20 Non-Marking (LH Side) | B |
| 101 | 1001179175 | 4 | Tire IN395/45/D20 | |
| 102 | 4641122 | 4 | Valve | |
| 103 | 1001179174 | 4 | Rim, Wheel | |
| 104 | 1001149953 | 4 | Cap, Valve Stem | |

SECTION 1 - FRAME

FIGURE 1-11. TIRE AND WHEEL INSTALLATION - IN395/45/D20 FOAM FILLED NON-MARKING



ART_1001179956

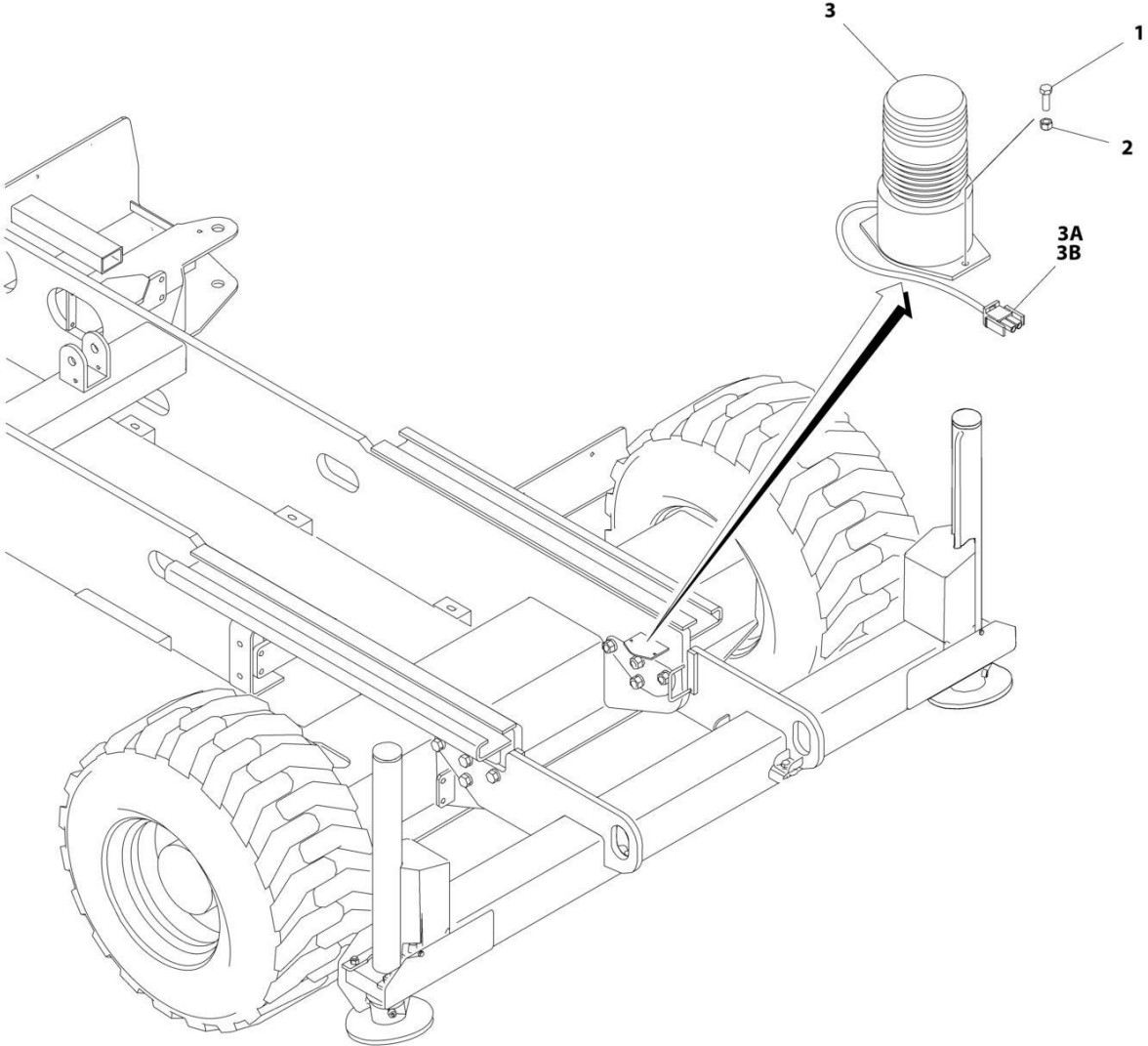
SECTION 1 - FRAME

FIGURE 1-11. TIRE AND WHEEL INSTALLATION - IN395/45/D20 FOAM FILLED NON-MARKING

| ITEM | PART NUMBER | QTY | DESCRIPTION | REV |
|------|-------------|-----|--|-----|
| | 1001179956 | Ref | TIRE AND WHEEL INSTALLATION - IN395/45/D20 FOAM FILLED NON-MARKING | A |
| | | Ref | Note: Assemblies may require ballast/foam filling to manufacturer's specifications prior to installing on a machine. Refer to Operation and Safety or Service and Maintenance Manuals. Purchase individual tire and/or rim only if able to foam fill tire and wheel assembly, otherwise, purchase complete assembly. | |
| 1 | 1001179958 | 2 | Tire and Wheel Assembly - IN395/45/D20 Non-Marking (RH Side) | B |
| 1 | 1001179957 | 2 | Tire and Wheel Assembly - IN395/45/D20 Non-Marking (LH Side) | B |
| 101 | 1001179959 | 4 | Tire IN395/45/D20 Non-Marking | |
| 102 | 4641122 | 4 | Valve | |
| 103 | 1001179174 | 4 | Rim, Wheel | |
| 104 | 1001149953 | 4 | Cap, Valve Stem | |

SECTION 1 - FRAME

FIGURE 1-12. BEACON LIGHT INSTALLATION - OPTIONAL



ART_1001205340

SECTION 1 - FRAME

FIGURE 1-12. BEACON LIGHT INSTALLATION - OPTIONAL

| ITEM | PART NUMBER | QTY | DESCRIPTION | REV |
|------|-------------|-----|--------------------------------------|-----|
| | 1001205340 | Ref | BEACON LIGHT INSTALLATION - OPTIONAL | A |
| 1 | 0760508 | 2 | Bolt, M5 X 16 | |
| 2 | 3290505 | 2 | Nut, Lock M5 X 0.8 | |
| 3 | 1001205343 | 1 | Beacon Light Assembly | |
| 3 | 2920146 | 1 | Beacon Light (Amber) | |
| 3 | 7016319 | 1 | Bulb, Replacement | |
| 3 | 7016372 | 1 | Len, Replacement | |
| 3A | 4460320 | 1 | Plug, Male - 2 Position | |
| 3B | 4460267 | 2 | Terminal | |

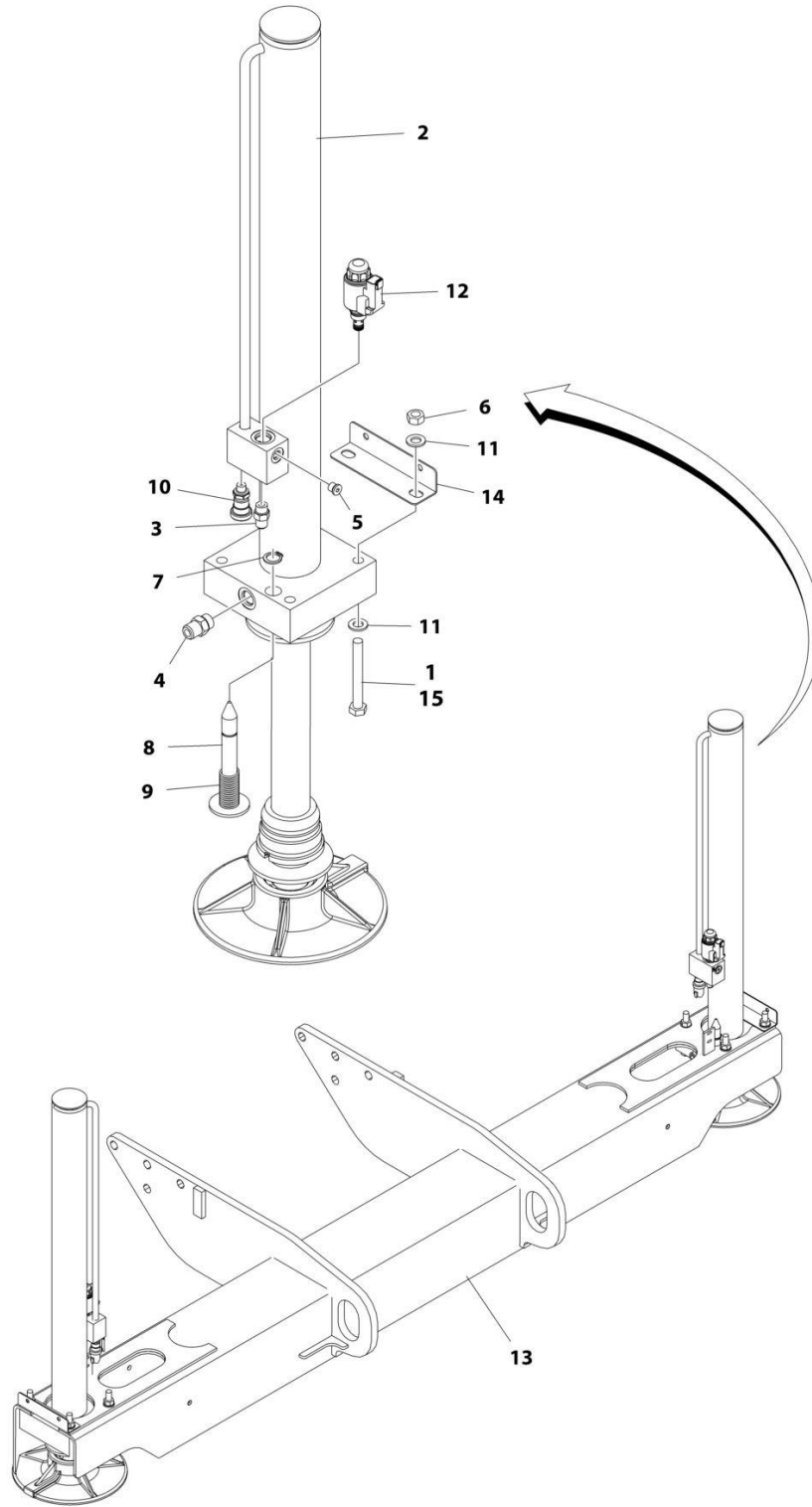
SECTION 1 - FRAME

FIGURE 1-13. LEVELING JACKS INSTALLATION

| ITEM | PART NUMBER | QTY | DESCRIPTION | REV |
|------|-------------|-----|---|-----|
| | 1001178866 | Ref | LEVELING JACKS INSTALLATION | I |
| 1 | 0100011 | AR | Compound, Locking | |
| 2 | 0700610 | 8 | Bolt M6 x 20 | |
| 3 | 0701039 | 4 | Bolt M10 x 220 | |
| 4 | 0712026 | 16 | Bolt M20 x 90 | |
| 5 | 1001130220 | 8 | Nut, Tinnerman M6 | |
| 8 | 3332017 | 16 | Nut M20 | |
| 9 | 4031510 | 8 | Capscrew M4 x 30 | |
| 10 | 4811400 | 8 | Washer M4 | |
| 11 | 4811900 | AR | Washer M8 | |
| 11 | 4811702 | AR | Washer M6 | |
| 12 | 4812000 | 8 | Washer M10 | |
| 13 | 5242000 | 32 | Washer M20 | |
| 14 | 1001217108 | 1 | Leveling Jack Valve Assembly (See Separate Breakdown in this Section) | |
| 15 | 1001103801 | 1 | Leveling Jack Harness (See Separate Breakdown in ELECTRICAL SECTION) | |
| 16 | 1001179200 | 4 | Cover | |
| 17 | 1001182971 | 2 | Leveling Jack Assembly (See Separate Breakdown in this Section) | |
| 18 | 1001183328 | 4 | Plate | |
| 19 | 3290401 | 8 | Nut M4 | |
| 20 | 3291005 | 4 | Nut M10 | |
| 21 | 0641508 | 3 | Bolt 5/16 x 1 | |
| 22 | 4711500 | 3 | Washer 5/16 | |

SECTION 1 - FRAME

FIGURE 1-14. LEVELING JACKS ASSEMBLY



ART_1001182971_E

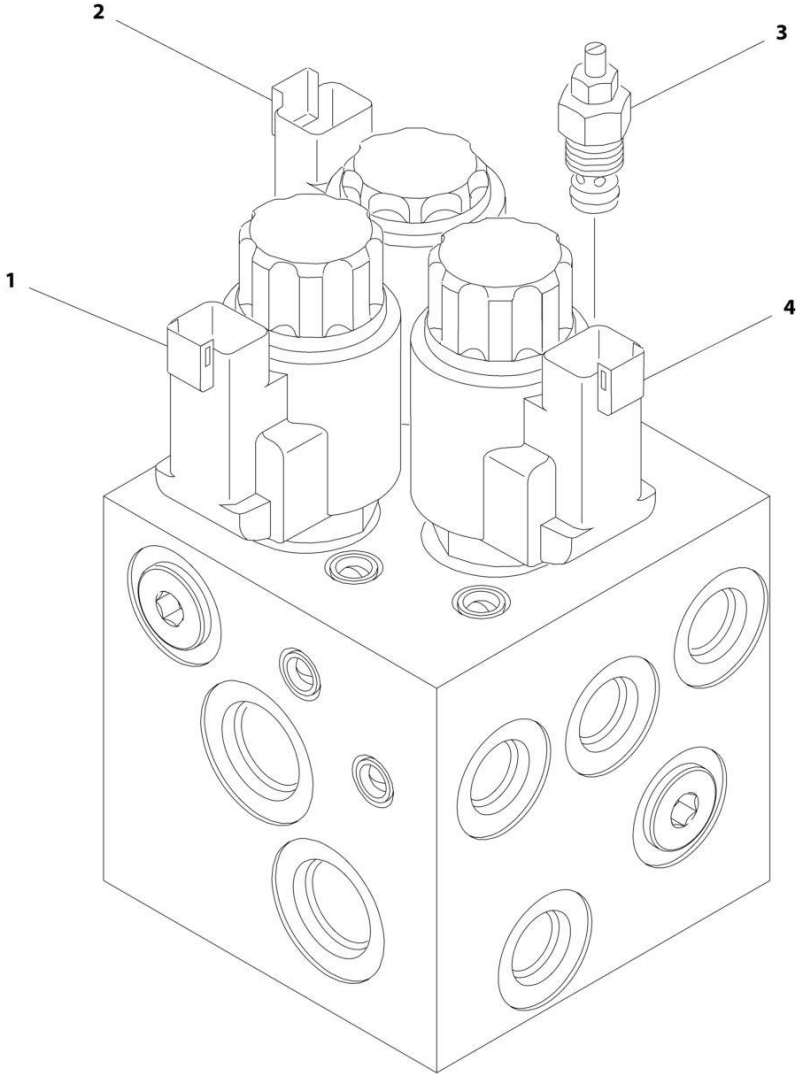
SECTION 1 - FRAME

FIGURE 1-14. LEVELING JACKS ASSEMBLY

| ITEM | PART NUMBER | QTY | DESCRIPTION | REV |
|------|-------------|-----|---|-----|
| | 1001182971 | Ref | LEVELING JACKS ASSEMBLY | E |
| 1 | 0761227 | 8 | Bolt M12 x 100 | |
| 2 | 1001231261 | 2 | Jack Cylinder Assembly (See Separate Breakdown in CYLINDER SECTION) | |
| 3 | 2220371 | 2 | Fitting, Straight JIC/ORB | |
| 4 | 2220373 | 2 | Fitting, Straight JIC/ORB | |
| 5 | 2220883 | 2 | Plug | |
| 6 | 3331211 | 8 | Nut M12 | |
| 7 | 3760348 | 2 | Ring, Retaining | |
| 8 | 3841564 | 2 | Rod | |
| 9 | 4160116 | 2 | Spring | |
| 10 | 4360518 | 2 | Transducer, Pressure | |
| 11 | 4812100 | 16 | Washer M12 | |
| 12 | 1001103761 | 2 | Cartridge, Solenoid Valve | |
| 12 | 7024502 | 2 | Seal Kit - 1001103761 Valve (1 Per Cartridge) | |
| 12 | 70001965 | 2 | Coil (1 Per Cartridge) | |
| 12 | 7024506 | 2 | Coil Nut Kit (1 Per Cartridge) | |
| 13 | 1001179911 | 1 | Frame, Jack | |
| 14 | 1001191325 | 2 | Bracket | |
| 15 | 0100011 | AR | Compound, Locking | |

SECTION 1 - FRAME

FIGURE 1-15. LEVELING JACKS VALVE ASSEMBLY



ART_1001217108

SECTION 1 - FRAME

FIGURE 1-15. LEVELING JACKS VALVE ASSEMBLY

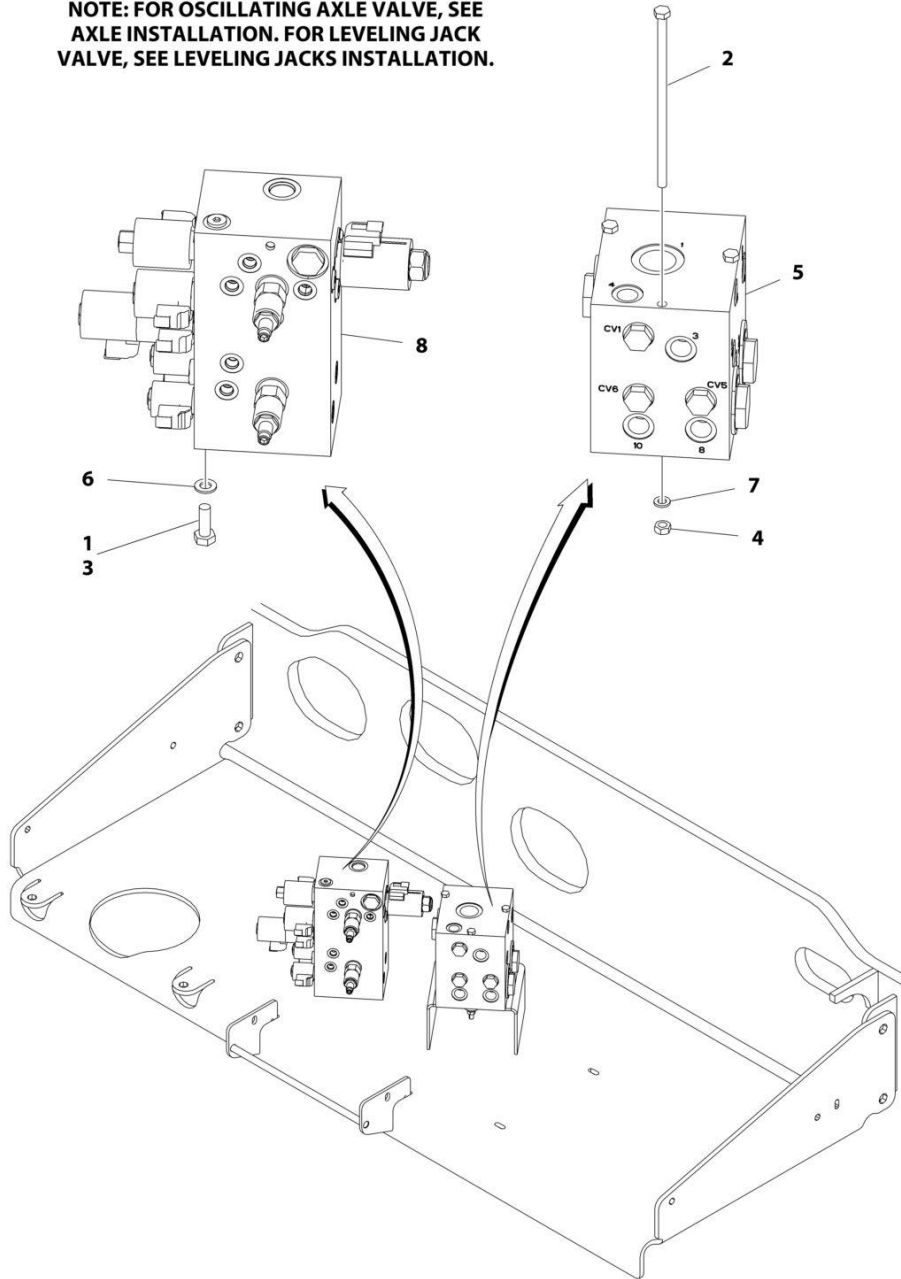
| ITEM | PART NUMBER | QTY | DESCRIPTION | REV |
|------|-------------|-----|----------------------------------|-----|
| | 1001217108 | Ref | LEVELING JACKS VALVE ASSEMBLY | B |
| 1 | 7024497 | 1 | Cartridge without Coil (Retract) | |
| 1 | 7024502 | 1 | Seal Kit - 7024497 Cartridge | |
| 1 | 70001965 | 1 | Coil | |
| 1 | 7024506 | 1 | Coil Nut Kit | |
| 2 | 7024498 | 1 | Cartridge without Coil (Extend) | |
| 2 | 7024503 | 1 | Seal Kit - 7024498 Cartridge | |
| 2 | 70001965 | 1 | Coil | |
| 2 | 7024507 | 1 | Coil Nut Kit | |
| 3 | 70006292 | 1 | Cartridge (Thermal Relief) | |
| 3 | 7024504 | 1 | Seal Kit - 70006292 Cartridge | |
| 4 | 7024500 | 1 | Cartridge without Coil | |
| 4 | 7024505 | 1 | Seal Kit - 7024500 Cartridge | |
| 4 | 70001965 | 1 | Coil | |
| 4 | 7024506 | 1 | Coil Nut Kit | |

SECTION 2 - GROUND CONTROLS

SECTION 2 - GROUND CONTROLS

FIGURE 2-1. VALVE INSTALLATION

NOTE: FOR OSCILLATING AXLE VALVE, SEE AXLE INSTALLATION. FOR LEVELING JACK VALVE, SEE LEVELING JACKS INSTALLATION.



ART_1001178489

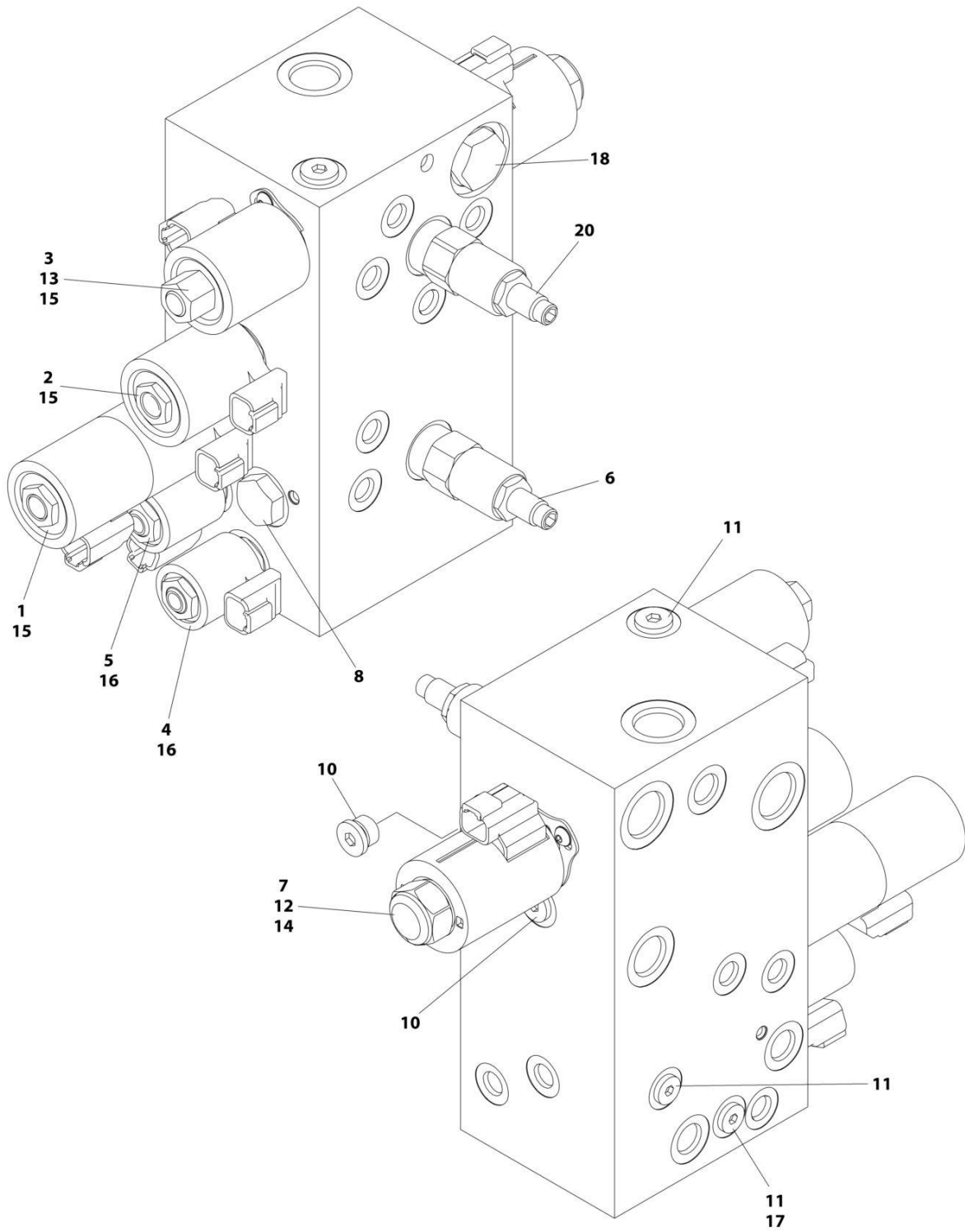
SECTION 2 - GROUND CONTROLS

FIGURE 2-1. VALVE INSTALLATION

| ITEM | PART NUMBER | QTY | DESCRIPTION | REV |
|------|-------------|-----|--|-----|
| | 1001178489 | Ref | VALVE INSTALLATION | D |
| 1 | 0100011 | AR | Compound, Locking | |
| 2 | 0700836 | 3 | Bolt M8 x 190 | |
| 3 | 0771014 | 4 | Bolt M10 x 30 | |
| 4 | 3290801 | 3 | Nut M8 | |
| 5 | 4641303 | 1 | Flow Divider Valve Assembly (See Separate Breakdown in this Section) | |
| 6 | 4812000 | 4 | Washer M10 | |
| 7 | 4831900 | 3 | Washer M8 | |
| 8 | 1001234828 | 1 | Main Valve Assembly (See Separate Breakdown in this Section) | |

SECTION 2 - GROUND CONTROLS

FIGURE 2-2. MAIN VALVE ASSEMBLY



ART_1001234828_C

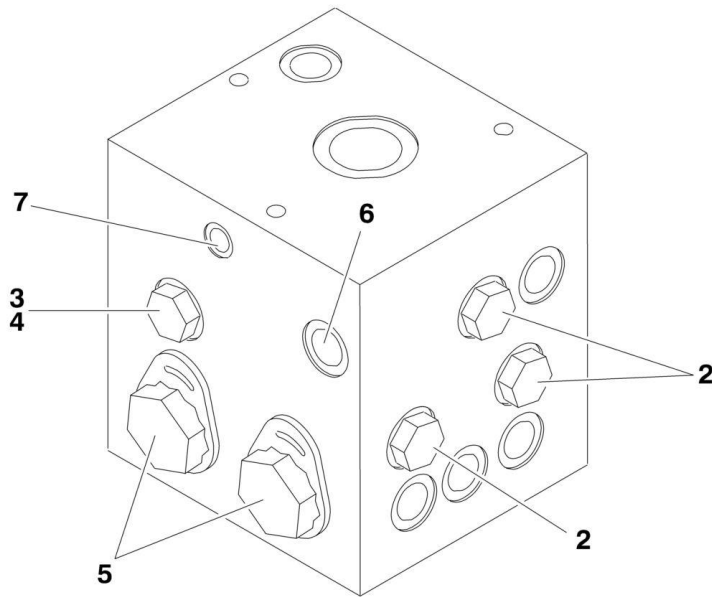
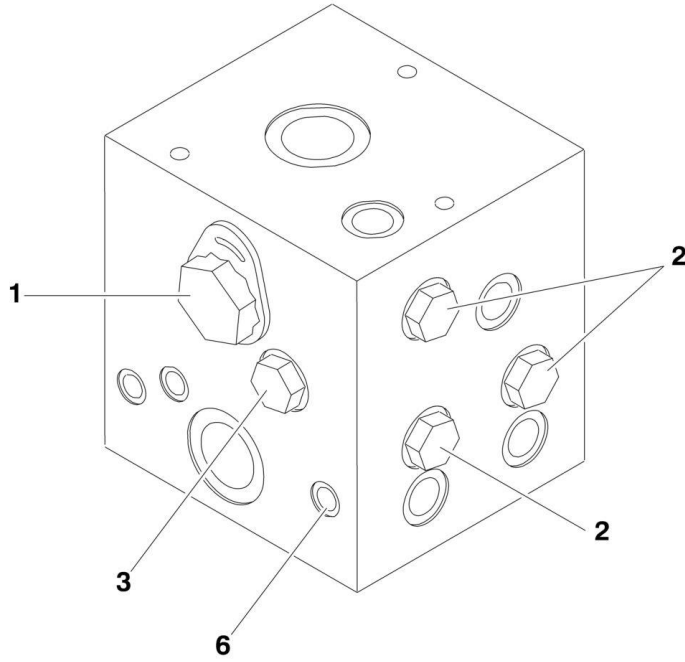
SECTION 2 - GROUND CONTROLS

FIGURE 2-2. MAIN VALVE ASSEMBLY

| ITEM | PART NUMBER | QTY | DESCRIPTION | REV |
|------|-------------|-----|---|-----|
| | 1001234828 | Ref | MAIN VALVE ASSEMBLY | C |
| 1 | 70005449 | 1 | Cartridge, Solenoid Less Coil (Steer) | |
| 1 | 70005073 | 1 | Seal Kit - 70005449 Valve | |
| 1 | 70003024 | 1 | Spacer, Coil | |
| 1 | 7022390 | 1 | Nut, Coil | |
| 2 | 70005448 | 1 | Cartridge, Solenoid Less Coil (Lift Up) | |
| 2 | 70004580 | 1 | Seal Kit - 70005448 Valve | |
| 2 | 7022390 | 1 | Nut, Coil | |
| 3 | 70005069 | 1 | Cartridge, Solenoid Less Coil (Main Dump) | |
| 3 | 7022399 | 1 | Seal Kit - 70005069 Valve | |
| 3 | 70003977 | 1 | Nut, Coil | |
| 4 | 70005167 | 1 | Cartridge, Solenoid Less Coil | |
| 4 | 7023900 | 1 | Seal Kit - 70005167 Valve | |
| 4 | 7022390 | 1 | Nut, Coil | |
| 5 | 70005167 | 1 | Cartridge, Solenoid Less Coil | |
| 5 | 7023900 | 1 | Seal Kit - 70005167 Valve | |
| 5 | 7022390 | 1 | Nut, Coil | |
| 6 | 70007036 | 1 | Cartridge, Relief Valve | |
| 6 | 7023936 | 1 | Seal Kit - 70007036 Valve | |
| 7 | 70006786 | 1 | Cartridge, Solenoid Less Coil | |
| 7 | 7012925 | 1 | Seal Kit - 70006786 Valve | |
| 8 | 7022398 | 1 | Cartridge, Valve (Load Shuttle) | |
| 8 | 7023900 | 1 | Seal Kit - 7022398 Valve | |
| 10 | 2220885 | 3 | Plug | |
| 11 | 2220883 | 2 | Plug | |
| 12 | 70005725 | 1 | Lock Down Kit | |
| 13 | 70005724 | 1 | Lock Down Kit | |
| 14 | 70003789 | 1 | Coil | |
| 15 | 70001967 | 4 | Coil | |
| 16 | 70001977 | 2 | Coil | |
| 17 | 70004883 | 1 | Orifice | |
| 18 | 70005100 | 1 | Cartridge, Check Valve | |
| 18 | 7022399 | 1 | Seal Kit - 70005100 Valve | |
| 20 | 70005165 | 1 | Cartridge, Relief Valve | |
| 20 | 7022399 | 1 | Seal Kit - 70005165 Valve | |

SECTION 2 - GROUND CONTROLS

FIGURE 2-3. FLOW DIVIDER VALVE ASSEMBLY



ART_4641303

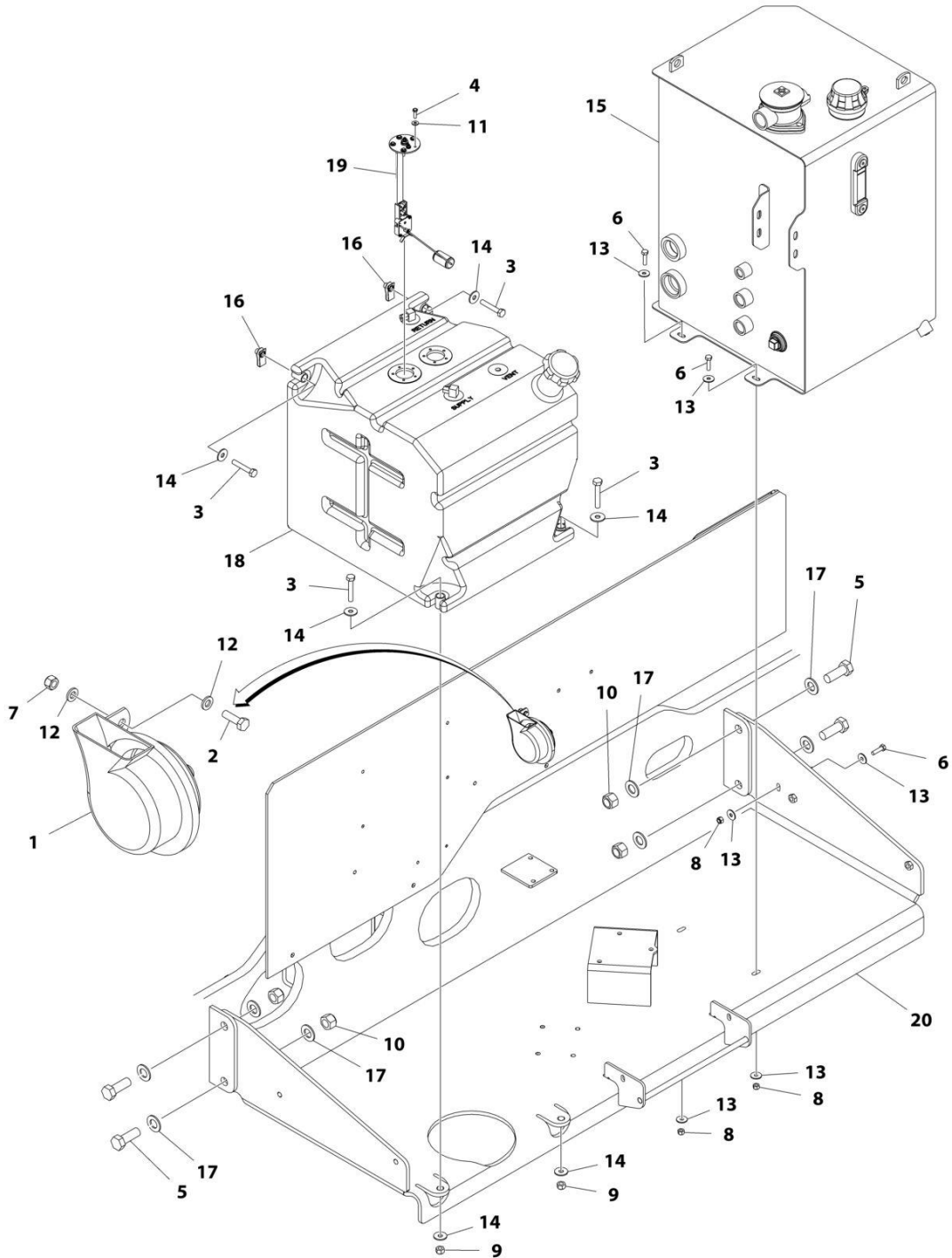
SECTION 2 - GROUND CONTROLS

FIGURE 2-3. FLOW DIVIDER VALVE ASSEMBLY

| ITEM | PART NUMBER | QTY | DESCRIPTION | REV |
|------|-------------|-----|------------------------------|-----|
| | 4641303 | Ref | FLOW DIVIDER VALVE ASSEMBLY | C |
| 1 | 7023933 | 1 | Cartridge, Flow Divider | |
| 1 | 7021625 | 1 | Seal Kit - 7023933 Cartridge | |
| 2 | 7022397 | 6 | Cartridge, Check | |
| 2 | 7022399 | 6 | Seal Kit - 7022397 Cartridge | |
| 3 | 7021639 | 2 | Cartridge, Check Valves | |
| 3 | 2900756 | 2 | Seal Kit - 7022398 Cartridge | |
| 4 | 7024881 | 1 | Piston, Pilot | |
| 5 | 7023917 | 2 | Cartridge, Flow Divider | |
| 5 | 7021625 | 2 | Seal Kit - 7023917 Cartridge | |
| 6 | 70003935 | 2 | Orifice | |
| 7 | 70003936 | 1 | Orifice | |

SECTION 2 - GROUND CONTROLS

FIGURE 2-4. TANKS & HORN INSTALLATION - DIESEL



ART_1001177751

SECTION 2 - GROUND CONTROLS

FIGURE 2-4. TANKS & HORN INSTALLATION - DIESEL

| ITEM | PART NUMBER | QTY | DESCRIPTION | REV |
|------|-------------|-----|--|-----|
| | 1001177751 | Ref | TANKS AND HORN INSTALLATION - DIESEL | E |
| 1 | 0140001 | 1 | Horn | |
| 2 | 0700610 | 1 | Bolt M6 x 20 | |
| 3 | 0701020 | 4 | Bolt M10 x 60 | |
| 4 | 0731005 | 5 | Screw, #10 x 5/8 | |
| 5 | 0762019 | 4 | Bolt M20 x 55 | |
| 6 | 0760814 | 3 | Bolt M8 x 30 | |
| 7 | 3290605 | 1 | Nut M6 | |
| 8 | 3290805 | 3 | Nut M8 | |
| 9 | 3291005 | 2 | Nut M10 | |
| 10 | 3292005 | 4 | Nut M20 | |
| 11 | 4751000 | 5 | Washer #10 | |
| 12 | 4811700 | 2 | Washer M6 | |
| 13 | 4811902 | 6 | Washer M8 | |
| 14 | 4812002 | 6 | Washer M10 | |
| 15 | 1001102823 | 1 | Hydraulic Tank Assembly (See Separate Breakdown in this Section) | |
| 16 | 1001118972 | 2 | Nut Tinnerman M10 | |
| 17 | 5242000 | 8 | Washer M20 | |
| 18 | 1001163418 | 1 | Fuel Tank Assembly | |
| 18 | 1001193336 | 1 | Cap, Fuel | |
| 18 | 70004794 | 1 | Tube, Pick-up | |
| 19 | 1001231195 | 1 | Sensor, Fuel Level | |
| 20 | 1001181554 | 1 | Tray | |

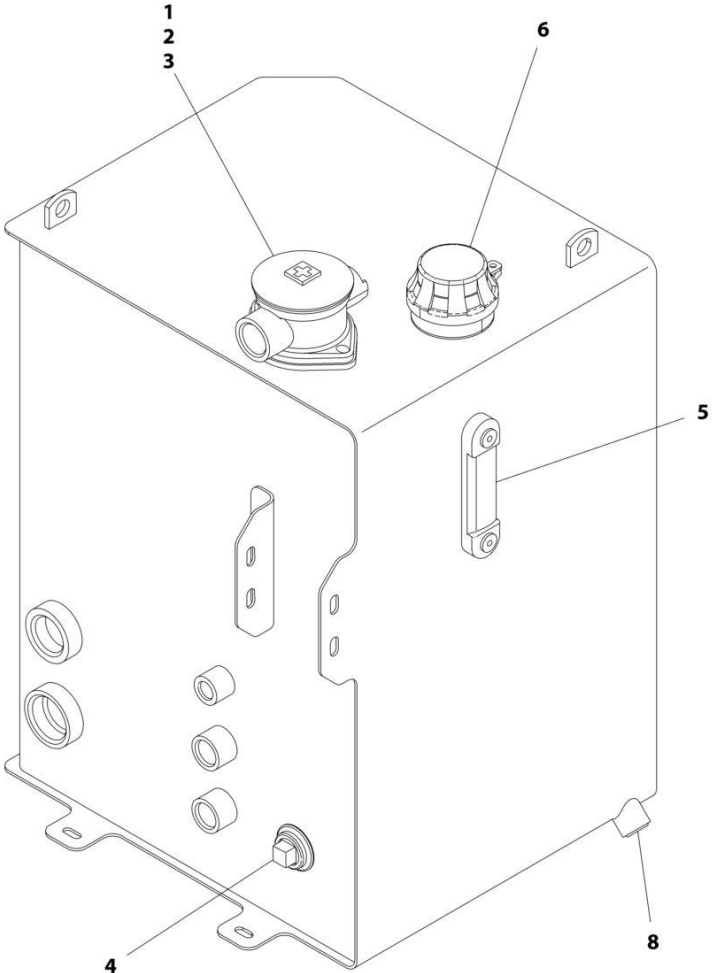
SECTION 2 - GROUND CONTROLS

FIGURE 2-5. TANKS AND HORN INSTALLATION - GASOLINE

| ITEM | PART NUMBER | QTY | DESCRIPTION | REV |
|------|-------------|-----|--|-----|
| | 1001177752 | Ref | TANKS AND HORN INSTALLATION - GASOLINE | E |
| 1 | 0140001 | 1 | Horn | |
| 2 | 0700610 | 1 | Bolt M6 x 20 | |
| 3 | 0701020 | 4 | Bolt M10 x 60 | |
| 4 | 0731005 | 5 | Screw, #10 x 5/8 | |
| 5 | 0762019 | 4 | Bolt M20 x 55 | |
| 6 | 0760814 | 3 | Bolt M8 x 30 | |
| 7 | 3290605 | 1 | Nut M6 | |
| 8 | 3290805 | 3 | Nut M8 | |
| 9 | 3291005 | 2 | Nut M10 | |
| 10 | 3292005 | 4 | Nut M20 | |
| 11 | 4751000 | 5 | Washer #10 | |
| 12 | 4811700 | 2 | Washer M6 | |
| 13 | 4811902 | 6 | Washer M8 | |
| 14 | 4812002 | 6 | Washer M10 | |
| 15 | 1001102823 | 1 | Hydraulic Tank Assembly (See Separate Breakdown in this Section) | |
| 16 | 1001118972 | 2 | Nut Tinnerman M10 | |
| 17 | 5242000 | 8 | Washer M20 | |
| 18 | 1001206896 | 1 | Fuel Tank Assembly | |
| 18 | 1001211336 | 1 | Cap, Fuel | |
| 18 | 70004794 | 1 | Tube, Pick-up | |
| 19 | 1001231195 | 1 | Sensor, Fuel Level | |
| 20 | 1001181554 | 1 | Tray | |

SECTION 2 - GROUND CONTROLS

FIGURE 2-6. HYDRAULIC TANK ASSEMBLY



ART_1001102823

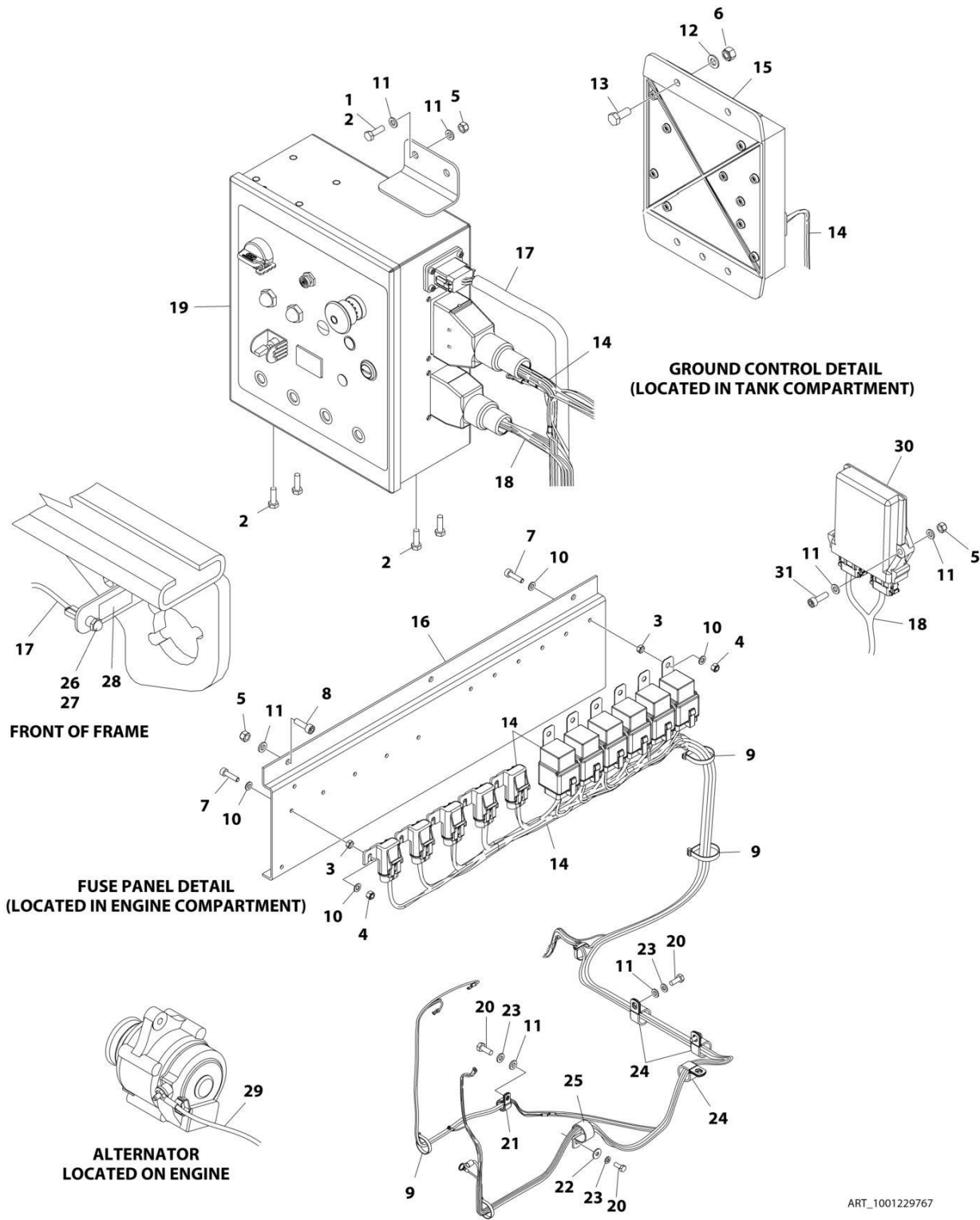
SECTION 2 - GROUND CONTROLS

FIGURE 2-6. HYDRAULIC TANK ASSEMBLY

| ITEM | PART NUMBER | QTY | DESCRIPTION | REV |
|------|-------------|-----|--|-----|
| | 1001102823 | Ref | HYDRAULIC TANK ASSEMBLY | C |
| 1 | 70001959 | 1 | Filter, Return | |
| 1 | 70001960 | 1 | Element, Filter | |
| 1 | 70002768 | 1 | Spring, Return Filter Assembly | |
| 2 | 7023306 | 1 | Seal Between Filter Cover and Head | |
| 3 | 7023347 | 1 | Gasket Between Tank and Filter Flange | |
| 4 | 7024446 | 1 | Plug, Magnetic 1in NPT | |
| 5 | 7024441 | 1 | Gauge, Fluid Level | |
| 6 | 70002113 | 1 | Breather/Fill Cap | |
| 7 | See Note | 2 | Strainer (Note: Not a serviceable Item per Vendor) (Not Shown) | |
| 8 | 70002112 | 1 | Plug, Magnetic | |

SECTION 2 - GROUND CONTROLS

FIGURE 2-7. ELECTRICAL COMPONENTS INSTALLATION - DIESEL



ART_1001229767

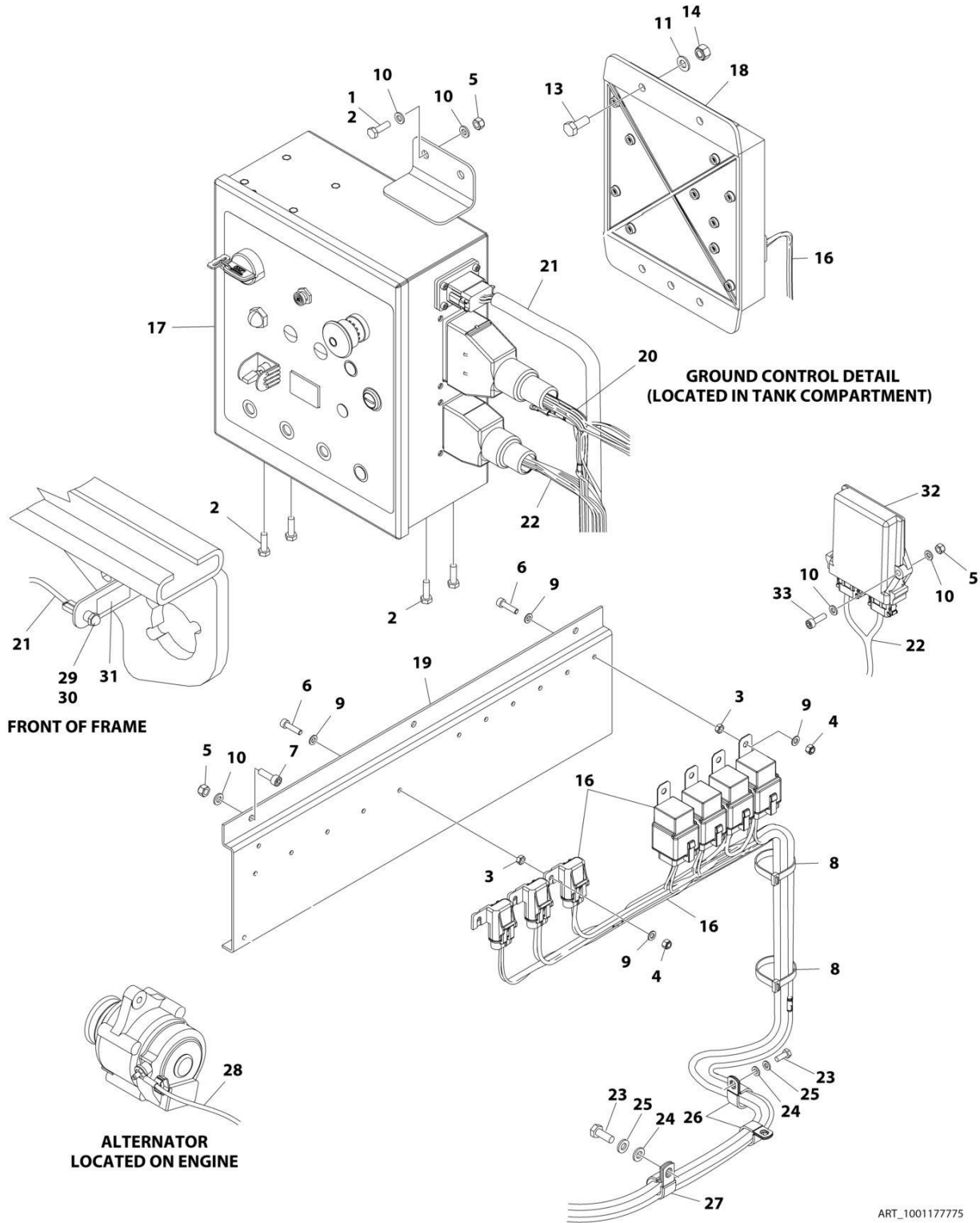
SECTION 2 - GROUND CONTROLS

FIGURE 2-7. ELECTRICAL COMPONENTS INSTALLATION - DIESEL

| ITEM | PART NUMBER | QTY | DESCRIPTION | REV |
|------|-------------|-----|--|-----|
| | 1001229767 | Ref | ELECTRICAL COMPONENTS INSTALLATION - DIESEL | G |
| 1 | 0100011 | AR | Compound, Locking | |
| 2 | 0760610 | 6 | Bolt M6 x 20 | |
| 3 | 3290501 | 11 | Nut M5 | |
| 4 | 3290505 | 11 | Nut M5 | |
| 5 | 3290605 | 7 | Nut M6 | |
| 6 | 3290805 | 4 | Nut M8 | |
| 7 | 4031608 | 11 | Bolt M5 x 20 | |
| 8 | 4031708 | 3 | Bolt M6 x 20 | |
| 9 | 4240018 | 17 | Tie-Strap | |
| 10 | 4811600 | 22 | Washer M5 | |
| 11 | 4811700 | 14 | Washer M6 | |
| 12 | 4811900 | 4 | Washer M8 | |
| 13 | 0760810001 | 4 | Capscrew M8 x 20 | |
| 14 | 1001244348 | 1 | Engine Harness - Diesel (See Separate Breakdown in ELECTRICAL SECTION) | |
| 15 | 1001182481 | 1 | Module, Control (Note: Re-calibration Required when Replaced) | |
| 16 | 1001185125 | 1 | Plate, Mounting | |
| 17 | 1001222025 | 1 | Hydraulic Compartment Harness (See Separate Breakdown in ELECTRICAL SECTION) | |
| 18 | 1001236270 | 1 | Chassis Harness (See Separate Breakdown in ELECTRICAL SECTION) | |
| 19 | 1001236353 | 1 | Ground Box Assembly (See Separate Breakdown in this Section) | |
| 20 | 0760608 | 4 | Bolt M6 x 16 | |
| 21 | 1320041 | 1 | Clamp | |
| 22 | 4811702 | 1 | Washer M6 | |
| 23 | 4831700 | 4 | Washer M6 | |
| 24 | 1001100319 | 3 | Hose Clip M10 | |
| 25 | 1320095 | 1 | Clamp | |
| 26 | 4360387 | 1 | Switch, Push Button | |
| 27 | 1001176469 | 1 | Shroud, Switch | |
| 28 | 1001226116 | 1 | Decal - Manual Descent Instruction | |
| 29 | 1001234069 | 1 | Harness, Fusible Link | |
| 30 | 1001234736 | 1 | Module, Control - Hydraulics (Note: Re-calibration Required when Replaced) | |
| 31 | 4031711 | 2 | Capscrew M6 x 35 | |

SECTION 2 - GROUND CONTROLS

FIGURE 2-8. ELECTRICAL COMPONENTS INSTALLATION - KUBOTA GASOLINE



ART_100117775

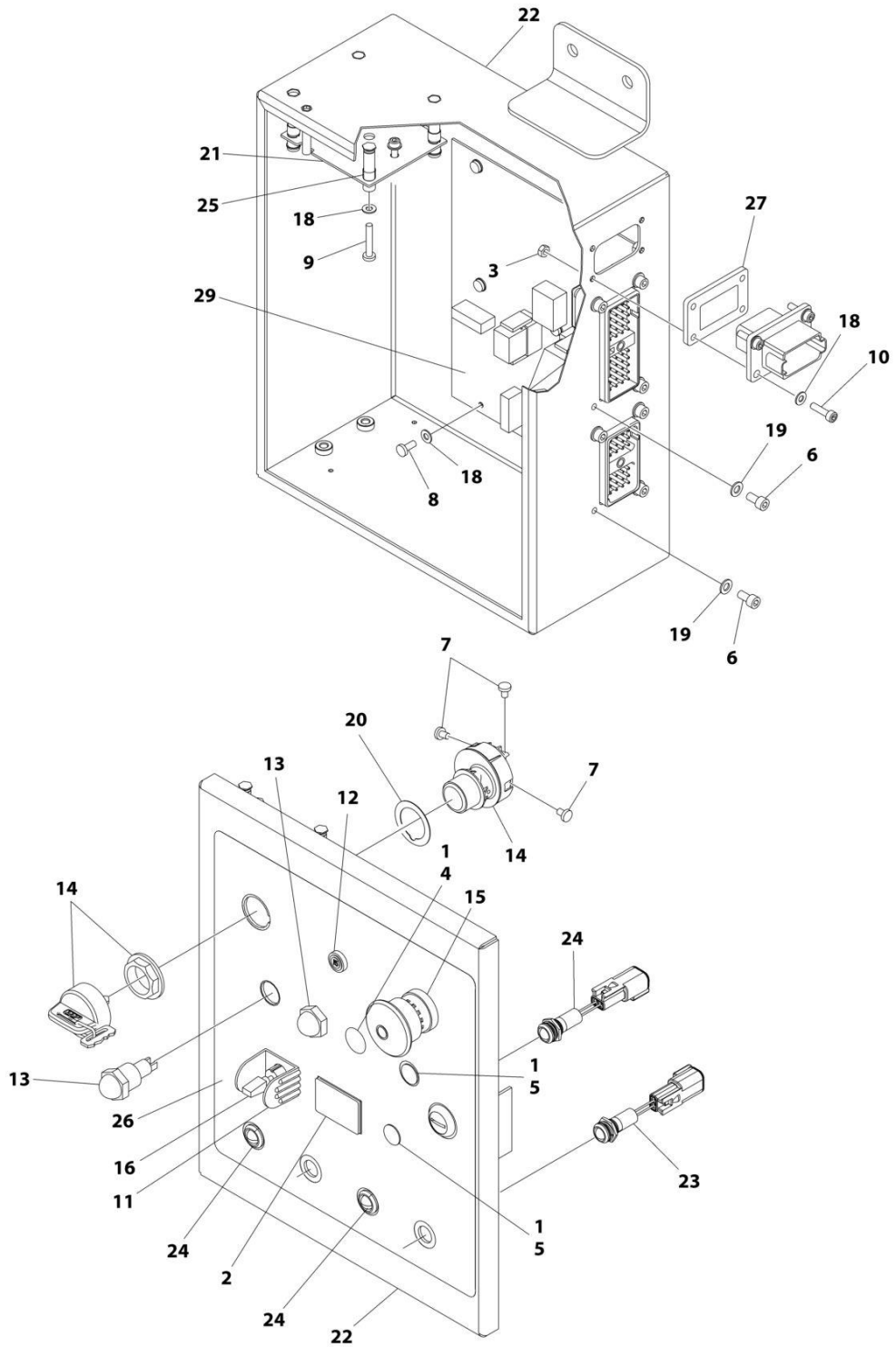
SECTION 2 - GROUND CONTROLS

FIGURE 2-8. ELECTRICAL COMPONENTS INSTALLATION - KUBOTA GASOLINE

| ITEM | PART NUMBER | QTY | DESCRIPTION | REV |
|------|-------------|-----|--|-----|
| | 1001177775 | Ref | ELECTRICAL COMPONENTS INSTALLATION - KUBOTA GASOLINE | J |
| 1 | 0100011 | AR | Compound, Locking | |
| 2 | 0760610 | 6 | Bolt M6 x 20 | |
| 3 | 3290501 | AR | Nut M5 | |
| 4 | 3290505 | AR | Nut M5 | |
| 5 | 3290605 | 5 | Nut M6 | |
| 6 | 4031608 | AR | Capscrew M5 x 20 | |
| 7 | 4031708 | 3 | Capscrew M6 x 20 | |
| 8 | 4240018 | 21 | Tie-Strap | |
| 9 | 4811600 | AR | Washer M5 | |
| 10 | 4811700 | 7 | Washer M6 | |
| 11 | 4811900 | 4 | Washer M8 | |
| 13 | 0760810001 | 4 | Bolt M8 x 20 | |
| 14 | 1001102433 | 4 | Nut M8 | |
| 16 | 1001244349 | 1 | Engine Harness - Gasoline (See Separate Breakdown in ELECTRICAL SECTION) | |
| 17 | 1001236430 | 1 | Ground Control Box Assembly (See Separate Breakdown in this Section) | |
| 18 | 1001182481 | 1 | Module, Control (Note: Re-calibration Required when Replaced) | |
| 19 | 1001185125 | 1 | Plate, Mounting | |
| 20 | 1001236380 | 1 | Dual Fuel Harness (See Separate Breakdown in ELECTRICAL SECTION) | |
| 21 | 1001222025 | 1 | Hydraulic Compartment Harness (See Separate Breakdown in ELECTRICAL SECTION) | |
| 22 | 1001236270 | 1 | Chassis Harness (See Separate Breakdown in ELECTRICAL SECTION) | |
| 23 | 0760608 | 2 | Bolt M6 x 16 | |
| 24 | 4811702 | 2 | Washer M6 | |
| 25 | 4831700 | 2 | Washer M6 | |
| 26 | 1001100319 | AR | Hose Clip M10 | |
| 27 | 1320095 | AR | Clamp | |
| 28 | 1001234069 | 1 | Harness, Fusible Link | |
| 29 | 4360387 | 1 | Switch, Push Button | |
| 30 | 1001176469 | 1 | Shroud, Switch | |
| 31 | 1001226116 | 1 | Decal - Manual Descent Instructions | |
| 32 | 1001234736 | 1 | Module, Control - Hydraulics (Note: Re-calibration Required when Replaced) | |
| 33 | 4031711 | AR | Capscrew M6 x 35 | |

SECTION 2 - GROUND CONTROLS

FIGURE 2-9. GROUND CONTROL BOX ASSEMBLY - KUBOTA DIESEL



ART_1001236353

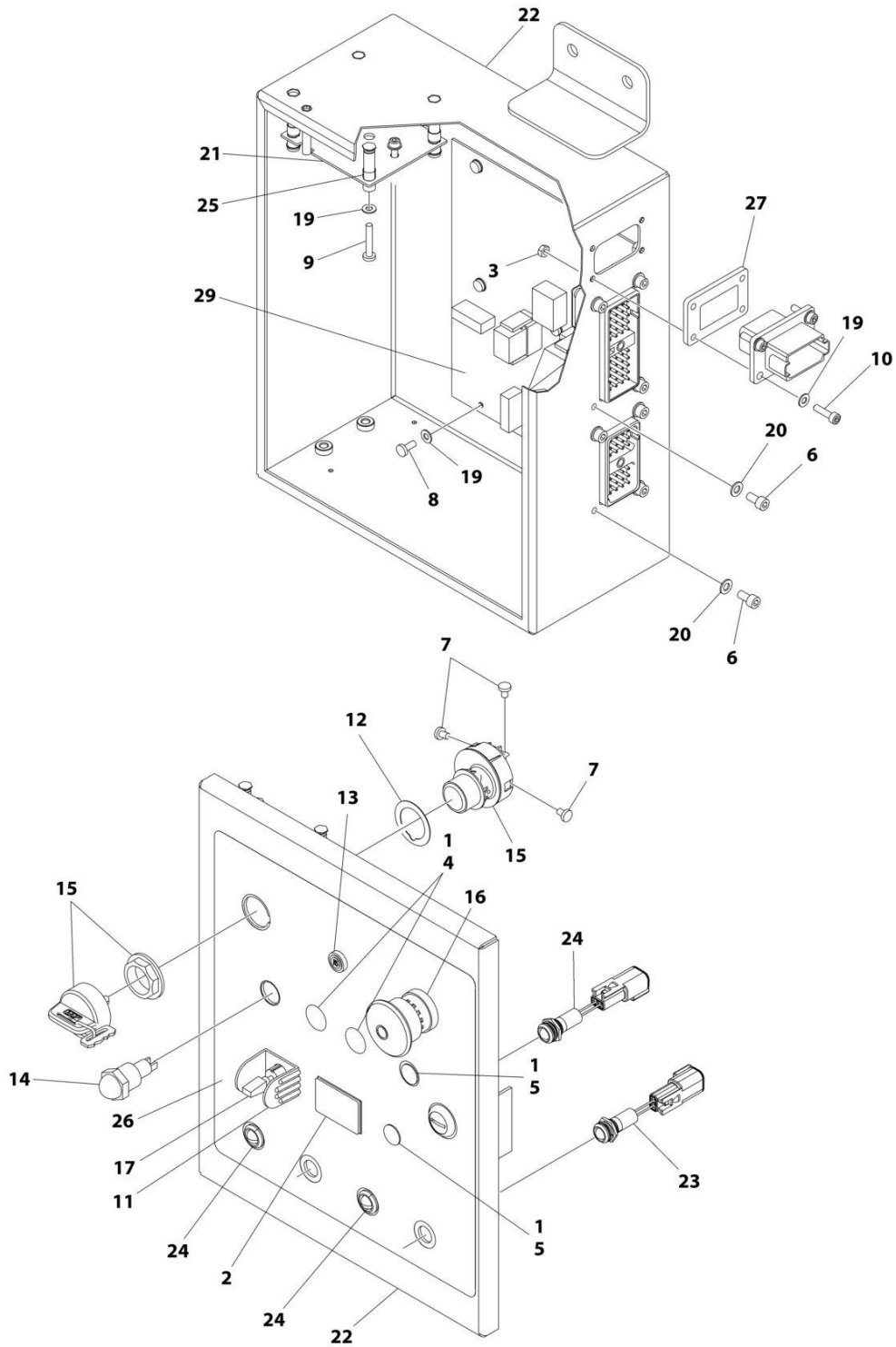
SECTION 2 - GROUND CONTROLS

FIGURE 2-9. GROUND CONTROL BOX ASSEMBLY - KUBOTA DIESEL

| ITEM | PART NUMBER | QTY | DESCRIPTION | REV |
|------|-------------|-------|---|-----|
| | 1001236353 | Ref | GROUND CONTROL BOX ASSEMBLY - KUBOTA DIESEL | D |
| 1 | 0100009 | AR | Sealant | |
| 2 | 2420172 | 1 | Gauge | |
| 3 | 3290405 | 4 | Nut M4 | |
| 4 | 3520026 | 1 | Plug, Hole | |
| 5 | 3520028 | 2 | Plug, Hole | |
| 6 | 3900300 | 8 | Capscrew | |
| 7 | 4010403 | 4 | Screw M4 x 6 | |
| 8 | 4010405 | 4 | Screw M4 x 10 | |
| 9 | 4010412 | 4 | Screw M4 x 24 | |
| 10 | 4031507 | 4 | Capscrew M4 x 16 | |
| 11 | 4060802 | 1 | Guard, Switch | |
| 12 | 4360070 | 1 | Breaker, Circuit 15Amp | |
| 13 | 4360387 | 2 | Switch, Push Button | |
| 14 | 4360469 | 1 | Switch, Key | |
| 14 | 2860030 | 1 set | Key, Replacement | |
| 15 | 1001274559 | 1 | Switch, Emergency Stop (Plastic) | |
| 15 | 4360475 | 1 | Switch, Emergency Stop (Metal) | |
| 15 | 7020175 | 1 | Cap | |
| 15 | 7020176 | 1 | Block, Contact | |
| 16 | 4360524 | 1 | Switch, Toggle | |
| 17 | 4460234 | 8 | Mount, Tie-Strap (Not Shown) | |
| 18 | 4811400 | 12 | Washer M4 | |
| 19 | 4811600 | 8 | Washer M5 | |
| 20 | 4070987 | 5 | Shim, .063 | |
| 21 | 1001181330 | 1 | Sensor | |
| 21 | See Note | 1 | Connector - 4 Position (Note: Not Available for Purchase) | |
| 21 | See Note | 4 | Terminal (Note: Not Available for Purchase) | |
| 22 | 1001181711 | 1 | Box, Ground Control | |
| 22 | 1001165791 | 1 | Hinge | |
| 22 | 1001166257 | 1 | Latch | |
| 23 | 1001182680 | 1 | LED Light with Connector (Red) | |
| 24 | 1001182681 | 3 | LED Light with Connector (Yellow) | |
| 25 | 1001184730 | 4 | Washer, Nylon | |
| 26 | 1001189773 | 1 | Decal, Ground Control | |
| 27 | 1001190002 | 1 | Seal, Connector | |
| 28 | 1001227353 | 1 | Ground Control Box Harness - Upper (Not Shown) (See Separate Breakdown in ELECTRICAL SECTION) | |
| 29 | 1001234735 | 1 | Module, Ground Control (Note: Re-calibration Required when Replaced) | |
| 30 | 1001236153 | 1 | Ground Control Box Harness - Lower (Not Shown) (See Separate Breakdown in ELECTRICAL SECTION) | |

SECTION 2 - GROUND CONTROLS

FIGURE 2-10. GROUND CONTROL BOX ASSEMBLY - KUBOTA GASOLINE



ART_1001236430

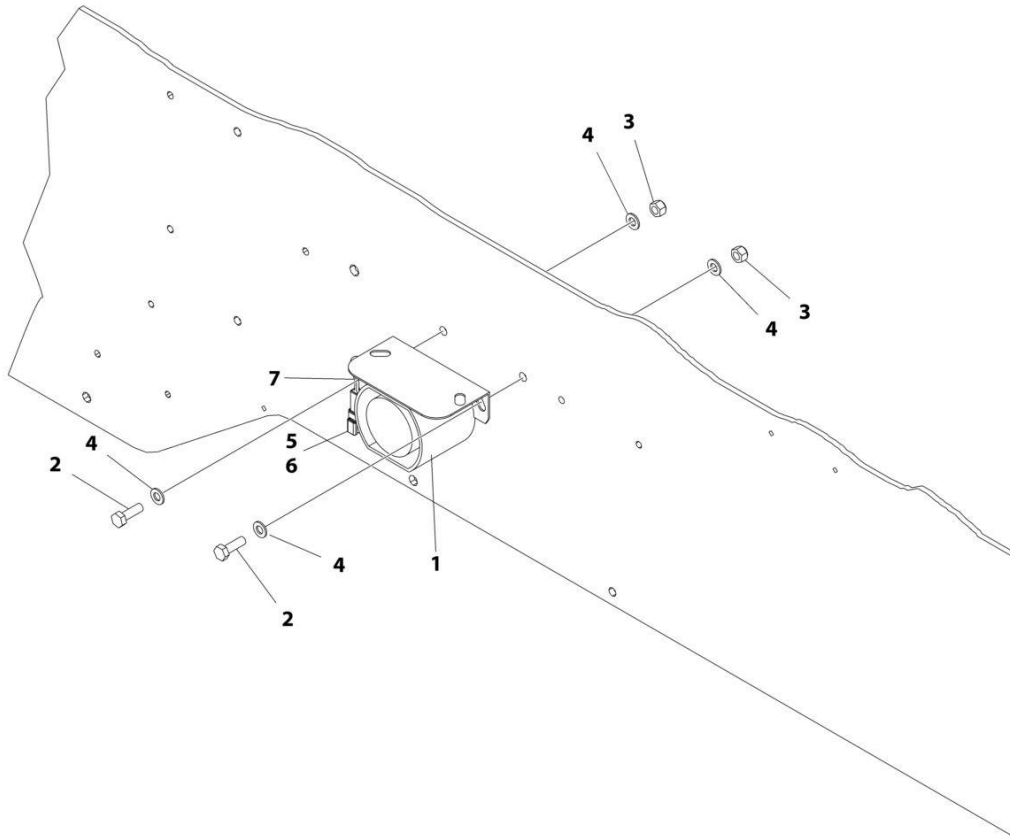
SECTION 2 - GROUND CONTROLS

FIGURE 2-10. GROUND CONTROL BOX ASSEMBLY - KUBOTA GASOLINE

| ITEM | PART NUMBER | QTY | DESCRIPTION | REV |
|------|-------------|-------|---|-----|
| | 1001236430 | Ref | GROUND CONTROL BOX ASSEMBLY - KUBOTA GASOLINE | D |
| 1 | 0100009 | AR | Sealant | |
| 2 | 2420172 | 1 | Gauge | |
| 3 | 3290405 | 4 | Nut M4 | |
| 4 | 3520026 | 2 | Plug, Hole | |
| 5 | 3520028 | 2 | Plug, Hole | |
| 6 | 3900300 | 8 | Capscrew | |
| 7 | 4010403 | 4 | Screw M4 x 6 | |
| 8 | 4010405 | 4 | Screw M4 x 10 | |
| 9 | 4010412 | 4 | Screw M4 x 24 | |
| 10 | 4031507 | 4 | Capscrew M4 x 16 | |
| 11 | 4060802 | 1 | Guard, Switch | |
| 12 | 4070987 | AR | Shim, .015 | |
| 13 | 4360070 | 1 | Breaker, Circuit 15Amp | |
| 14 | 4360387 | 1 | Switch, Push Button | |
| 15 | 4360469 | 1 | Switch, Key | |
| 15 | 2860030 | 1 set | Key, Replacement | |
| 16 | 1001274559 | 1 | Switch, Emergency Stop (Plastic) | |
| 16 | 4360475 | 1 | Switch, Emergency Stop (Metal) | |
| 16 | 7020175 | 1 | Cap | |
| 16 | 7020176 | 1 | Block, Contact | |
| 17 | 4360524 | 1 | Switch, Toggle | |
| 18 | 4460234 | AR | Mount, Tie-Strap (Not Shown) | |
| 19 | 4811400 | 12 | Washer M4 | |
| 20 | 4811600 | 8 | Washer M5 | |
| 21 | 1001181330 | 1 | Sensor | |
| 21 | See Note | 1 | Connector - 4 Position (Note: Not Available for Purchase) | |
| 21 | See Note | 4 | Terminal (Note: Not Available for Purchase) | |
| 22 | 1001181711 | 1 | Box, Ground Control | |
| 22 | 1001165791 | 1 | Hinge | |
| 22 | 1001166257 | 1 | Latch | |
| 23 | 1001182680 | 1 | LED Light with Connector (Red) | |
| 24 | 1001182681 | 3 | LED Light with Connector (Yellow) | |
| 25 | 1001184730 | 4 | Washer, Nylon | |
| 26 | 1001189773 | 1 | Decal - Ground Control | |
| 27 | 1001190002 | 1 | Seal, Connector | |
| 28 | 1001227353 | 1 | Ground Control Box Harness - Upper (Not Shown) (See Separate Breakdown in ELECTRICAL SECTION) | |
| 29 | 1001234735 | 1 | Module, Ground Control (Note: Re-calibration Required when Replaced) | |
| 30 | 1001236153 | 1 | Ground Control Box Harness - Lower (Not Shown) (See Separate Breakdown in ELECTRICAL SECTION) | |

SECTION 2 - GROUND CONTROLS

FIGURE 2-11. MOTION ALARM INSTALLATION



ART_1001191641

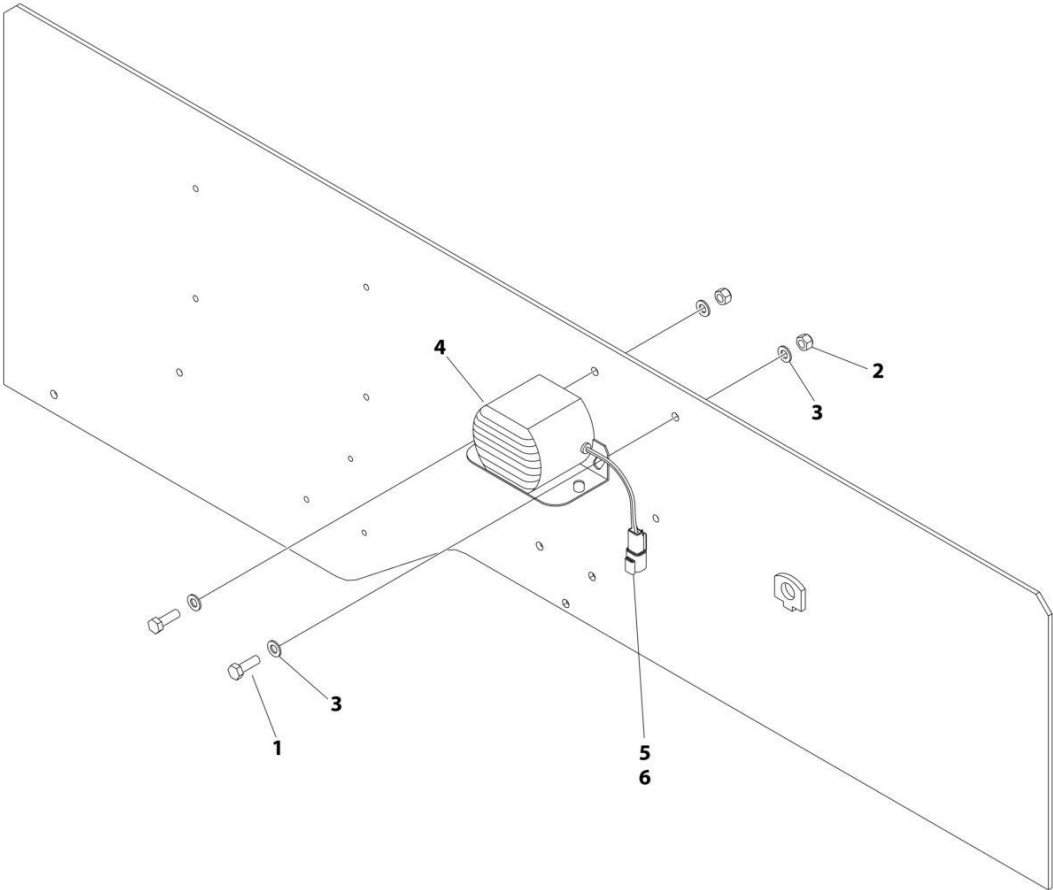
SECTION 2 - GROUND CONTROLS

FIGURE 2-11. MOTION ALARM INSTALLATION

| ITEM | PART NUMBER | QTY | DESCRIPTION | REV |
|------|-------------|-----|---------------------------|-----|
| | 1001191641 | Ref | MOTION ALARM INSTALLATION | C |
| 1 | 0140032 | 1 | Alarm | |
| 2 | 0770812 | 2 | Bolt M8 x 25 | |
| 3 | 3290805 | 2 | Nut M8 | |
| 4 | 4811900 | 4 | Washer M8 | |
| 5 | 4460464 | 2 | Pin, Male | |
| 6 | 4460897 | 1 | Connector - 2 Position | |
| 7 | 1001175012 | AR | Conduit | |

SECTION 2 - GROUND CONTROLS

FIGURE 2-12. WHITE NOISE ALARM INSTALLATION



ART_1001219108

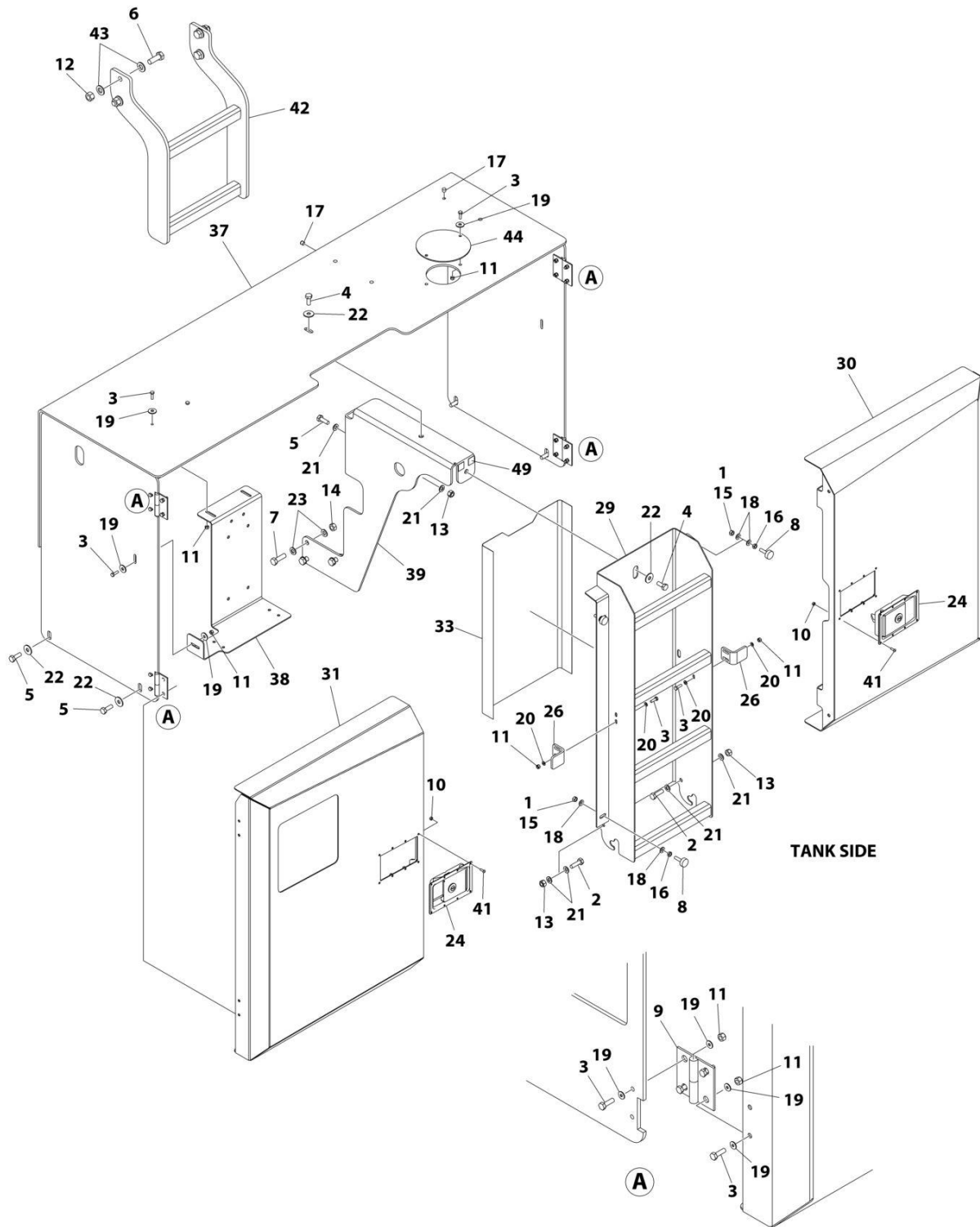
SECTION 2 - GROUND CONTROLS

FIGURE 2-12. WHITE NOISE ALARM INSTALLATION

| ITEM | PART NUMBER | QTY | DESCRIPTION | REV |
|------|-------------|-----|--------------------------------|-----|
| | 1001219108 | Ref | WHITE NOISE ALARM INSTALLATION | A |
| 1 | 0760612 | 2 | Bolt M6 x 25 | |
| 2 | 3290605 | 2 | Nut M6 | |
| 3 | 4811702 | 4 | Washer M6 | |
| 4 | 1001182806 | 1 | Alarm, White Noise | |
| 5 | 4460897 | 1 | Connector - 2 Position | |
| 6 | 4460464 | 2 | Pin, Male | |

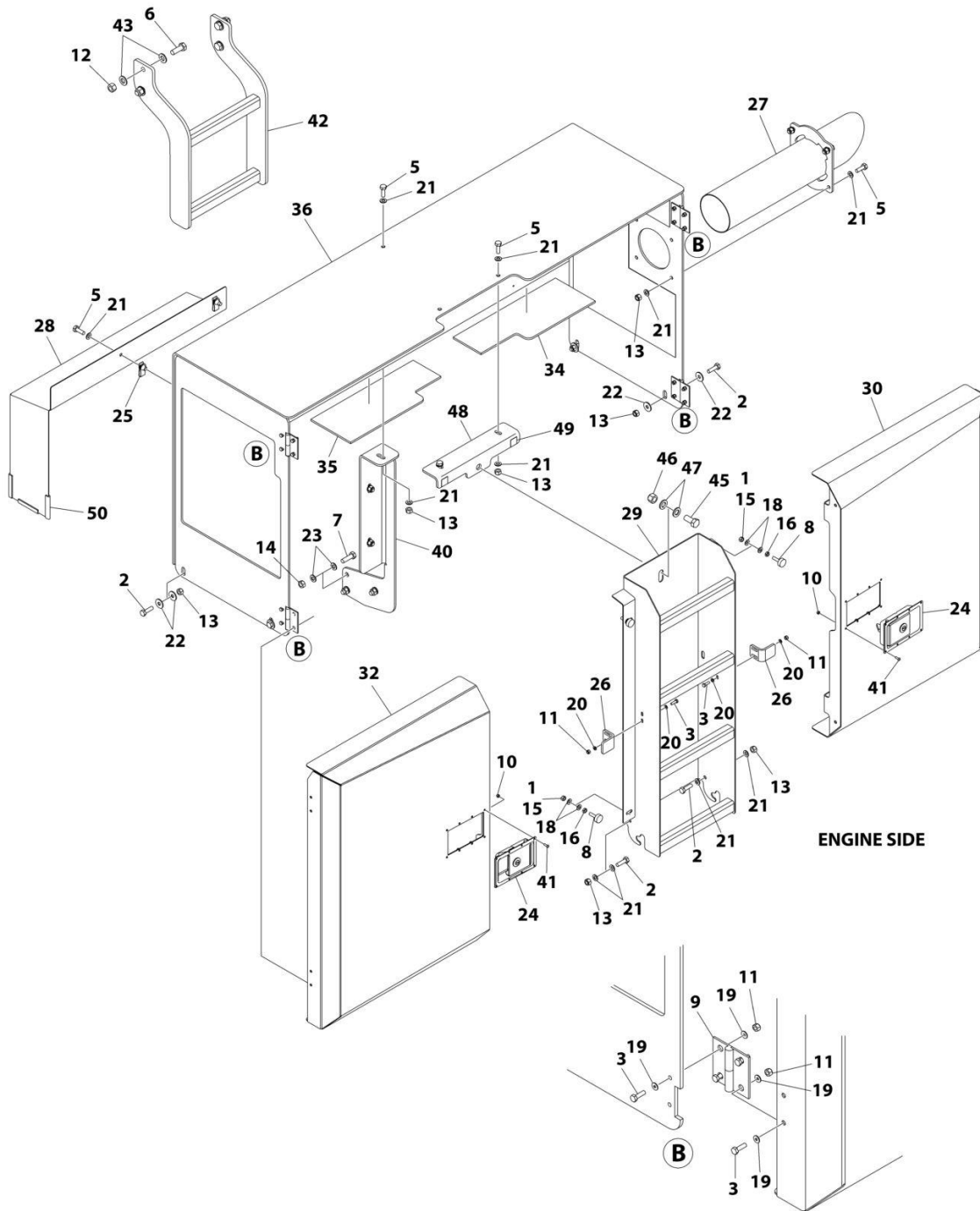
SECTION 2 - GROUND CONTROLS

FIGURE 2-13. HOODS AND LADDERS INSTALLATION (PVC 1910)



ART_1001233738_1OF2_G

SECTION 2 - GROUND CONTROLS



ART_1001233738_2OF2_G

SECTION 2 - GROUND CONTROLS

FIGURE 2-13. HOODS AND LADDERS INSTALLATION (PVC 1910)

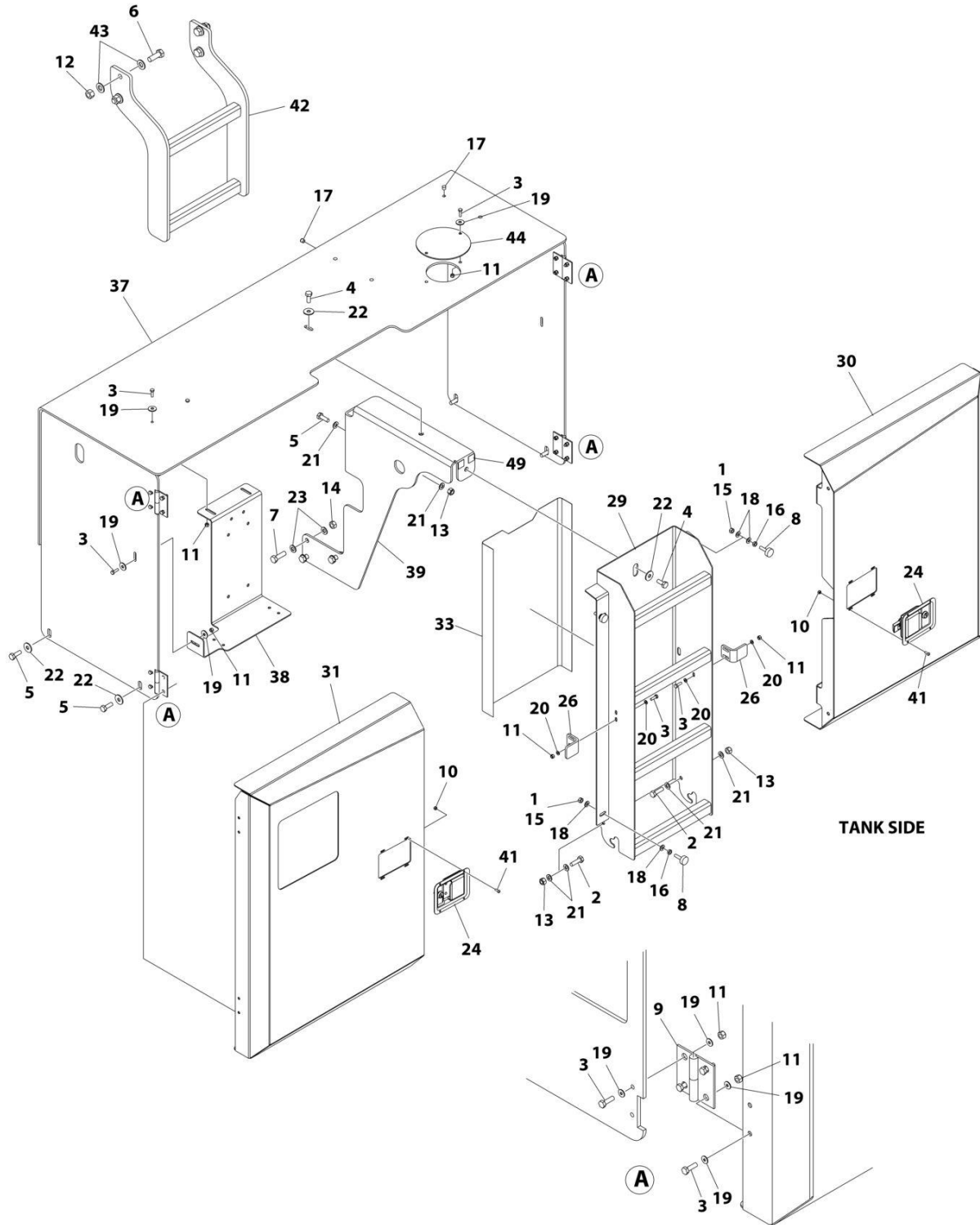
| ITEM | PART NUMBER | QTY | DESCRIPTION | REV |
|------|-------------|-----|------------------------------|-----|
| | 1001233738 | Ref | HOODS INSTALLATION | G |
| 1 | 0100011 | AR | Compound, Locking | |
| 2 | 0701015 | 8 | Bolt M10 x 35 | |
| 3 | 0760610 | 45 | Bolt M6 x 20 | |
| 4 | 0761012 | 2 | Bolt M10 x 25 | |
| 5 | 0761014 | 16 | Bolt M10 x 30 | |
| 6 | 0761416 | 8 | Bolt M14 x 40 | |
| 7 | 0761216 | 6 | Bolt M12 x 40 | |
| 8 | 0940049 | 8 | Stop, Hood | |
| 9 | 2600216 | 8 | Hinge | |
| 10 | 3290505 | 32 | Nut M5 | |
| 11 | 3290605 | 45 | Nut M6 | |
| 12 | 3291407 | 8 | Nut M14 | |
| 13 | 3291005 | 18 | Nut M10 | |
| 14 | 3291201 | 6 | Nut M12 | |
| 15 | 3311501 | 8 | Nut 5/16 | |
| 16 | 3311502 | 8 | Nut 5/16 | |
| 17 | 3520060 | 6 | Plug 3/8 | |
| 18 | 4711500 | 16 | Washer 5/16 | |
| 19 | 4811700 | 72 | Washer M6 | |
| 20 | 4811702 | 18 | Washer M6 | |
| 21 | 4812000 | 30 | Washer M10 | |
| 22 | 4812002 | 14 | Washer M10 | |
| 23 | 4812100 | 12 | Washer M12 | |
| 24 | 1001093383 | 4 | Latch | |
| 25 | 1001118972 | 2 | Nut Tinnerman M10 | |
| 26 | 1001181116 | 4 | Bracket | |
| 27 | 1001183416 | 1 | Tube, Exhaust | |
| 28 | 1001183727 | 1 | Shield, Generator | |
| 29 | 1001204140 | 2 | Ladder | |
| 30 | 1001204145 | 2 | Door, Less Latch | |
| 31 | 1001204146 | 1 | Door, Less Latch | |
| 32 | 1001204147 | 1 | Door, Less Latch | |
| 33 | 1001238471 | 1 | Insulate | |
| 34 | 1001225257 | 1 | Insulate | |
| 35 | 1001225258 | 1 | Insulate | |
| 36 | 1001233544 | 1 | Shield Cover, Engine Side | |
| 37 | 1001233549 | 1 | Shield Cover, Hydraulic Side | |
| 38 | 1001233554 | 1 | Mount | |
| 39 | 1001233576 | 1 | Bracket | |
| 40 | 1001237910 | 1 | Bracket | |
| 41 | 1001234348 | 32 | Screw M5 x 16 Grade 10.9 | |
| 42 | 1001234847 | 2 | Ladder | |
| 43 | 4812200 | 16 | Washer M14 | |
| 44 | 1001226221 | 1 | Plate | |
| 45 | 0761615 | 1 | Bolt M16 x 35 | |
| 46 | 3291605 | 1 | Nut M16 | |
| 47 | 4812300 | 2 | Washer M16 | |
| 48 | 1001237909 | 1 | Bracket | |

SECTION 2 - GROUND CONTROLS

| ITEM | PART NUMBER | QTY | DESCRIPTION | REV |
|------|-------------|-----------------|-------------|-----|
| 49 | 4420062 | 7.1 in/180mm | Tape | |
| 50 | 4060803 | 9.4 in/240mm | Flex-Trim | |

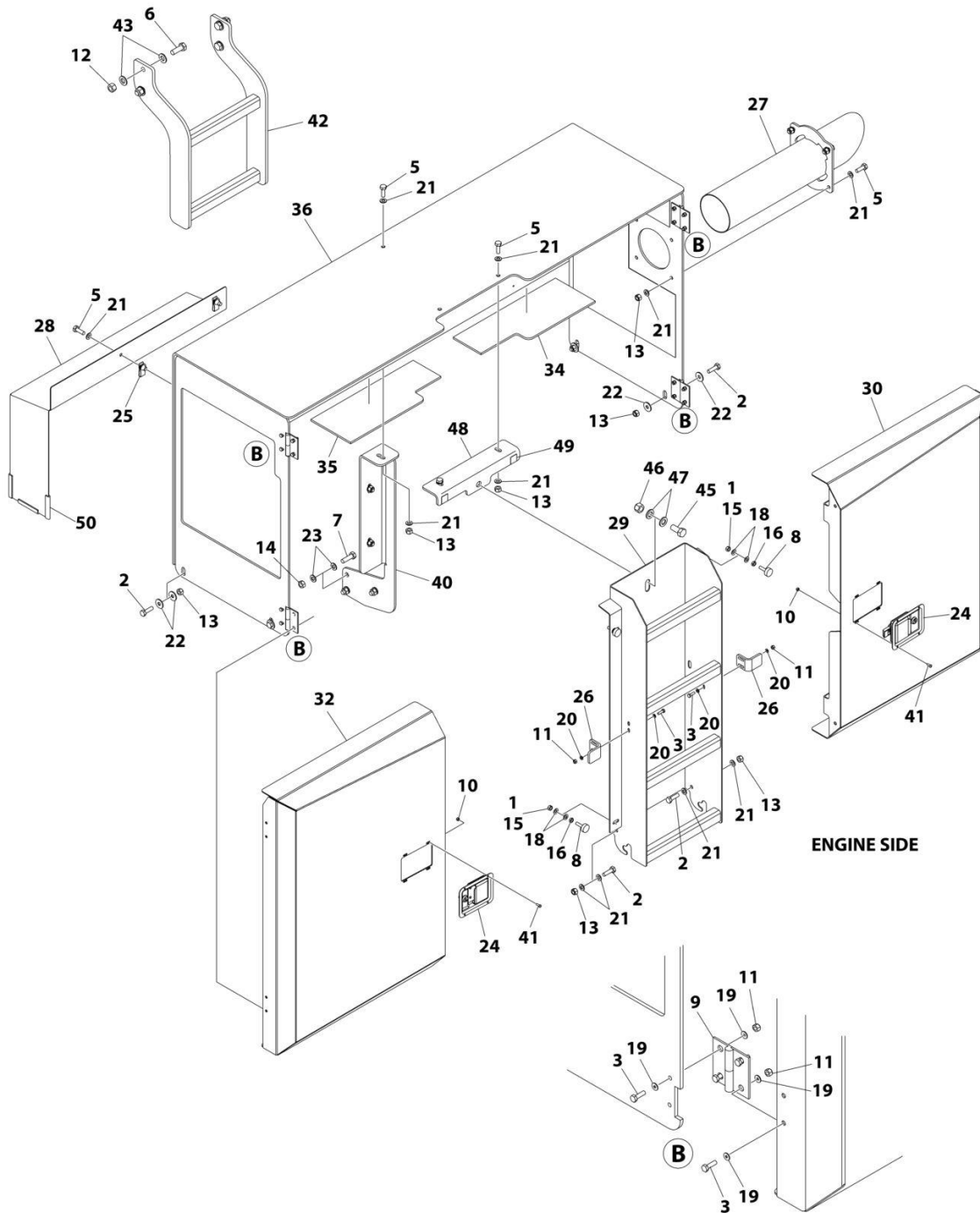
SECTION 2 - GROUND CONTROLS

FIGURE 2-14. HOODS AND LADDERS INSTALLATION



ART_1001233738_10F2_H

SECTION 2 - GROUND CONTROLS



ART_1001233738_2OF2_H

SECTION 2 - GROUND CONTROLS

FIGURE 2-14. HOODS AND LADDERS INSTALLATION

| ITEM | PART NUMBER | QTY | DESCRIPTION | REV |
|------|-------------|-----|------------------------------|-----|
| | 1001233738 | Ref | HOODS INSTALLATION | H |
| 1 | 0100011 | AR | Compound, Locking | |
| 2 | 0701015 | 8 | Bolt M10 x 35 | |
| 3 | 0760610 | 45 | Bolt M6 x 20 | |
| 4 | 0761012 | 2 | Bolt M10 x 25 | |
| 5 | 0761014 | 16 | Bolt M10 x 30 | |
| 6 | 0761416 | 8 | Bolt M14 x 40 | |
| 7 | 0761216 | 6 | Bolt M12 x 40 | |
| 8 | 0940049 | 8 | Stop, Hood | |
| 9 | 2600216 | 8 | Hinge | |
| 10 | 3290505 | 16 | Nut M5 | |
| 11 | 3290605 | 45 | Nut M6 | |
| 12 | 3291407 | 8 | Nut M14 | |
| 13 | 3291005 | 18 | Nut M10 | |
| 14 | 3291201 | 6 | Nut M12 | |
| 15 | 3311501 | 8 | Nut 5/16 | |
| 16 | 3311502 | 8 | Nut 5/16 | |
| 17 | 3520060 | 6 | Plug 3/8 | |
| 18 | 4711500 | 16 | Washer 5/16 | |
| 19 | 4811700 | 72 | Washer M6 | |
| 20 | 4811702 | 18 | Washer M6 | |
| 21 | 4812000 | 30 | Washer M10 | |
| 22 | 4812002 | 14 | Washer M10 | |
| 23 | 4812100 | 12 | Washer M12 | |
| 24 | 1001257454 | 4 | Latch | |
| 25 | 1001118972 | 2 | Nut Tinnerman M10 | |
| 26 | 1001181116 | 4 | Bracket | |
| 27 | 1001183416 | 1 | Tube, Exhaust | |
| 28 | 1001183727 | 1 | Shield, Generator | |
| 29 | 1001204140 | 2 | Ladder | |
| 30 | 1001258390 | 2 | Door, Less Latch | |
| 31 | 1001258391 | 1 | Door, Less Latch | |
| 32 | 1001258392 | 1 | Door, Less Latch | |
| 33 | 1001238471 | 1 | Insulate | |
| 34 | 1001225257 | 1 | Insulate | |
| 35 | 1001225258 | 1 | Insulate | |
| 36 | 1001233544 | 1 | Shield Cover, Engine Side | |
| 37 | 1001233549 | 1 | Shield Cover, Hydraulic Side | |
| 38 | 1001233554 | 1 | Mount | |
| 39 | 1001233576 | 1 | Bracket | |
| 40 | 1001237910 | 1 | Bracket | |
| 41 | 1001234348 | 16 | Screw M5 x 16 Grade 10.9 | |
| 42 | 1001234847 | 2 | Ladder | |
| 43 | 4812200 | 16 | Washer M14 | |
| 44 | 1001226221 | 1 | Plate | |
| 45 | 0761615 | 1 | Bolt M16 x 35 | |
| 46 | 3291605 | 1 | Nut M16 | |
| 47 | 4812300 | 2 | Washer M16 | |
| 48 | 1001237909 | 1 | Bracket | |

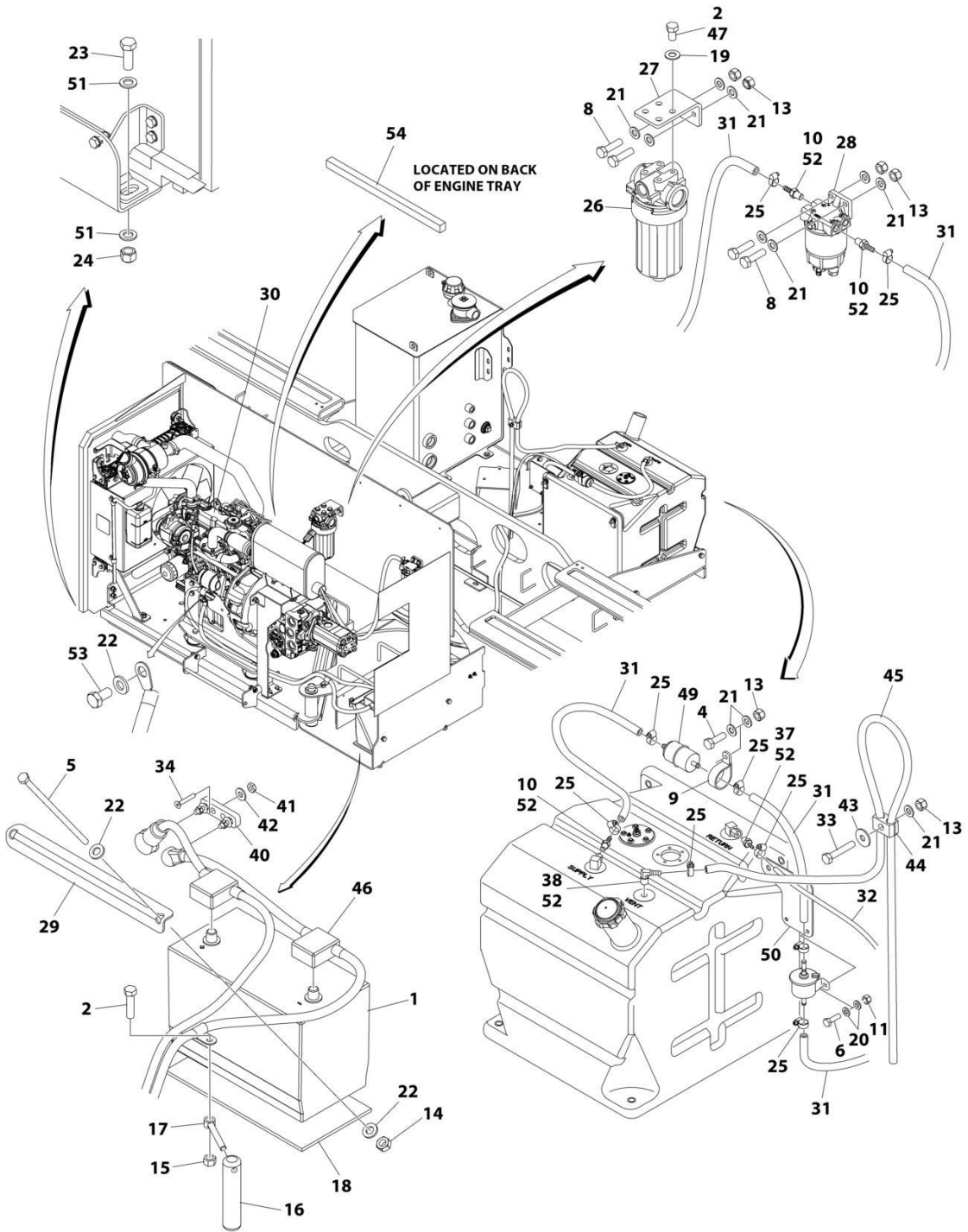
SECTION 2 - GROUND CONTROLS

| ITEM | PART NUMBER | QTY | DESCRIPTION | REV |
|------|-------------|-----------------|-------------|-----|
| 49 | 4420062 | 7.1 in/180mm | Tape | |
| 50 | 4060803 | 9.4 in/240mm | Flex-Trim | |

SECTION 3 - ENGINE

SECTION 3 - ENGINE

FIGURE 3-1. ENGINE INSTALLATION - KUBOTA DIESEL T4F



ART_1001177786_L

SECTION 3 - ENGINE

FIGURE 3-1. ENGINE INSTALLATION - KUBOTA DIESEL T4F

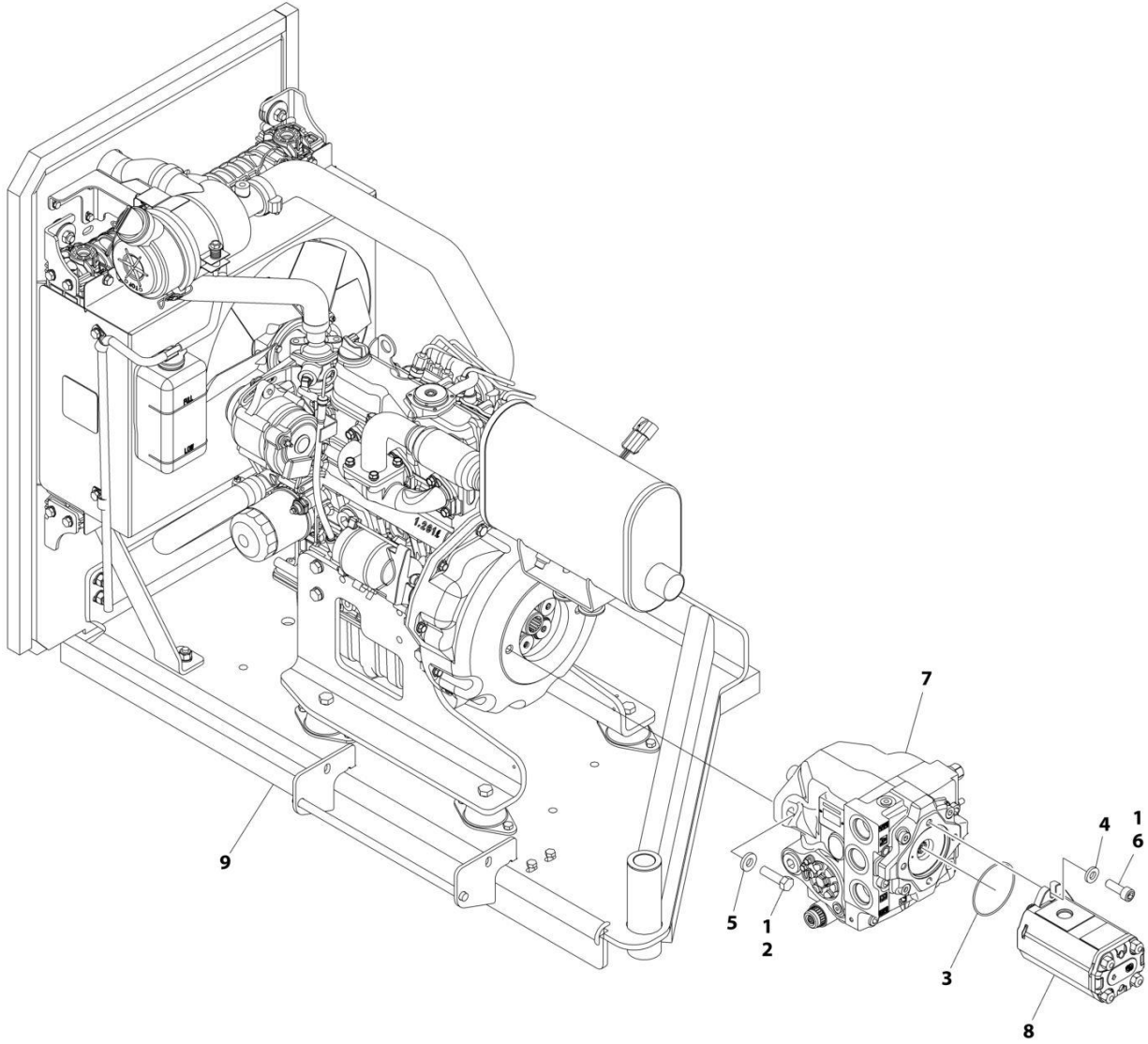
| ITEM | PART NUMBER | QTY | DESCRIPTION | REV |
|------|-------------|-------------------|---|-----|
| | 1001177786 | Ref | ENGINE INSTALLATION - KUBOTA DIESEL T4F | L |
| 1 | 0400075 | 1 | Battery | |
| 2 | 0761010 | 3 | Bolt M10 x 20 | |
| 3 | 0641612 | 1 | Bolt 3/8 x 1-1/2 | |
| 4 | 0700812 | 1 | Bolt M8 x 25 | |
| 5 | 0701047 | 2 | Bolt M10 x 300 | |
| 6 | 0760610 | 2 | Bolt M8 x 20 | |
| 8 | 0760814 | 4 | Bolt M8 x 30 | |
| 9 | 1320265 | 1 | Clamp | |
| 10 | 2180348 | 3 | Fitting, NPT/Barbed | |
| 11 | 3290605 | 2 | Nut M6 | |
| 13 | 3290805 | 6 | Nut M8 | |
| 14 | 3291001 | 2 | Nut M10 | |
| 15 | 3311605 | 1 | Nut 3/8 | |
| 16 | 3422669 | 1 | Pin | |
| 17 | 3841143 | 1 | Keeper, Pin | |
| 18 | 3980007 | 1 | Seat, Battery | |
| 19 | 4812000 | 3 | Washer M10 | |
| 20 | 4811700 | 4 | Washer M6 | |
| 21 | 4811900 | 11 | Washer M8 | |
| 22 | 5241000 | 5 | Washer M10 | |
| 23 | 0761617 | 1 | Bolt M16 x 45 | |
| 24 | 3291605 | 1 | Nut M16 | |
| 25 | 8405009 | 11 | Clamp | |
| 26 | 1001208874 | 1 | Filter, Charge Pump | |
| 26 | 70010383 | 1 | Element, Filter | |
| 27 | 1001194836 | 1 | Bracket, Charge Pump | |
| 28 | 1001190609 | 1 | Fuel/Water Separator Assembly (See Separate Breakdown in this Section) | |
| 29 | 1001184065 | 1 | Bracket, Hold Down | |
| 30 | 1001238776 | 1 | Engine and Pump Sub-Assembly (See Separate Breakdown in this Section) | |
| 31 | 2720058 | 14.5 ft / 4.4m | Hose | |
| 32 | 2720271 | 9.3 ft / 2.8m | Hose | |
| 33 | 0700817 | 1 | Bolt M8 x 45 | |
| 34 | 0741010 | 2 | Screw #10 x 1-1/4 | |
| 37 | 2180666 | 1 | Fitting, NPT/Barbed | |
| 38 | 2220313 | 1 | Fitting, 90° NPTF/Barbed | |
| 40 | 2400044 | 1 | Fuse, Mounting Block | |
| 41 | 3300408 | 2 | Nut | |
| 42 | 4711400 | 2 | Washer 1/4 | |
| 43 | 4811902 | 1 | Washer M8 | |
| 44 | 8750014 | 1 | Clamp | |
| 45 | 1001165035 | 5.5 ft / 1.7m | Hose | |
| 46 | 1001186428 | 1 | Battery Cable Kit - Diesel (See Separate Breakdown in ELECTRICAL SECTION) | |
| 47 | 0100011 | AR | Compound, Locking | |
| 49 | 1001190545 | 1 | Strainer, Fuel | |

SECTION 3 - ENGINE

| ITEM | PART NUMBER | QTY | DESCRIPTION | REV |
|------|-------------|-----|-------------------|-----|
| 50 | 1001191146 | 1 | Bracket | |
| 51 | 4812300 | 2 | Washer M6 | |
| 52 | 0100020 | AR | Sealant | |
| 53 | 8303511 | 1 | Capscrew M10 x 20 | |
| 54 | 1001183421 | 1 | Foam, Baffle | |

SECTION 3 - ENGINE

FIGURE 3-2. ENGINE AND PUMP SUB-ASSEMBLY - KUBOTA DIESEL T4F



ART_1001238776

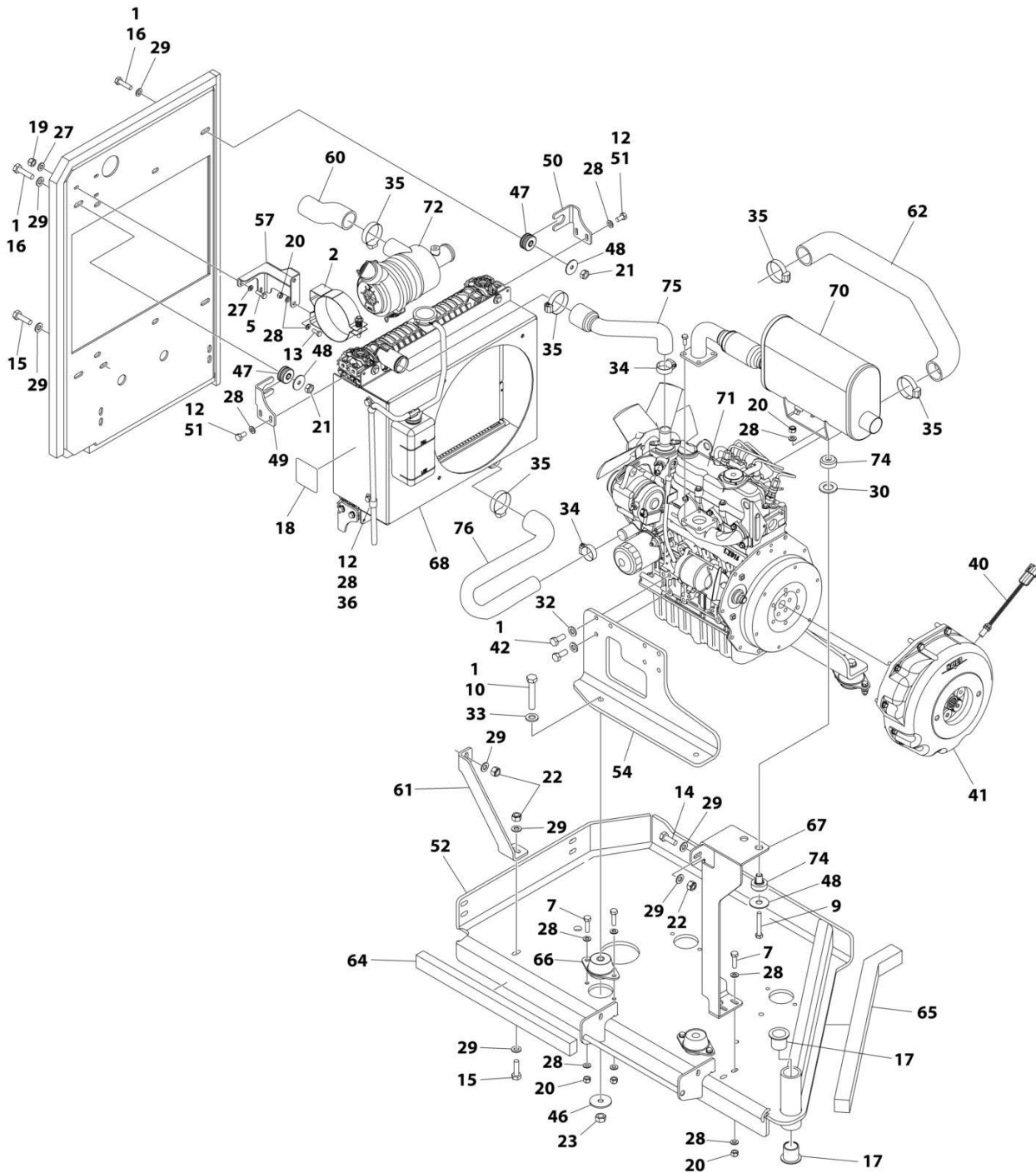
SECTION 3 - ENGINE

FIGURE 3-2. ENGINE AND PUMP SUB-ASSEMBLY - KUBOTA DIESEL T4F

| ITEM | PART NUMBER | QTY | DESCRIPTION | REV |
|------|-------------|-----|---|-----|
| | 1001238776 | Ref | ENGINE AND PUMP SUB-ASSEMBLY - KUBOTA DIESEL T4F | D |
| 1 | 0100011 | AR | Compound, Locking | |
| 2 | 0641814 | 2 | Bolt 1/2 x 1-3/4 | |
| 3 | 3790152 | 1 | O-Ring | |
| 4 | 4891600 | 2 | Washer 3/8 | |
| 5 | 4891800 | 2 | Washer 1/2 | |
| 6 | 83191040 | 2 | Capscrew M10 x 30 | |
| 7 | 1001101331 | 1 | Piston Pump Assembly (See Separate Breakdown in this Section) | |
| 8 | 1001239200 | 1 | Gear Pump Assembly | |
| 8 | 7023929 | 1 | Seal Kit - 1001239200 Pump (Note: Seal Kit is only service component available) | |
| 9 | 1001238775 | 1 | Engine Assembly - Kubota Diesel T4F (See Separate Breakdown in this Section) | |

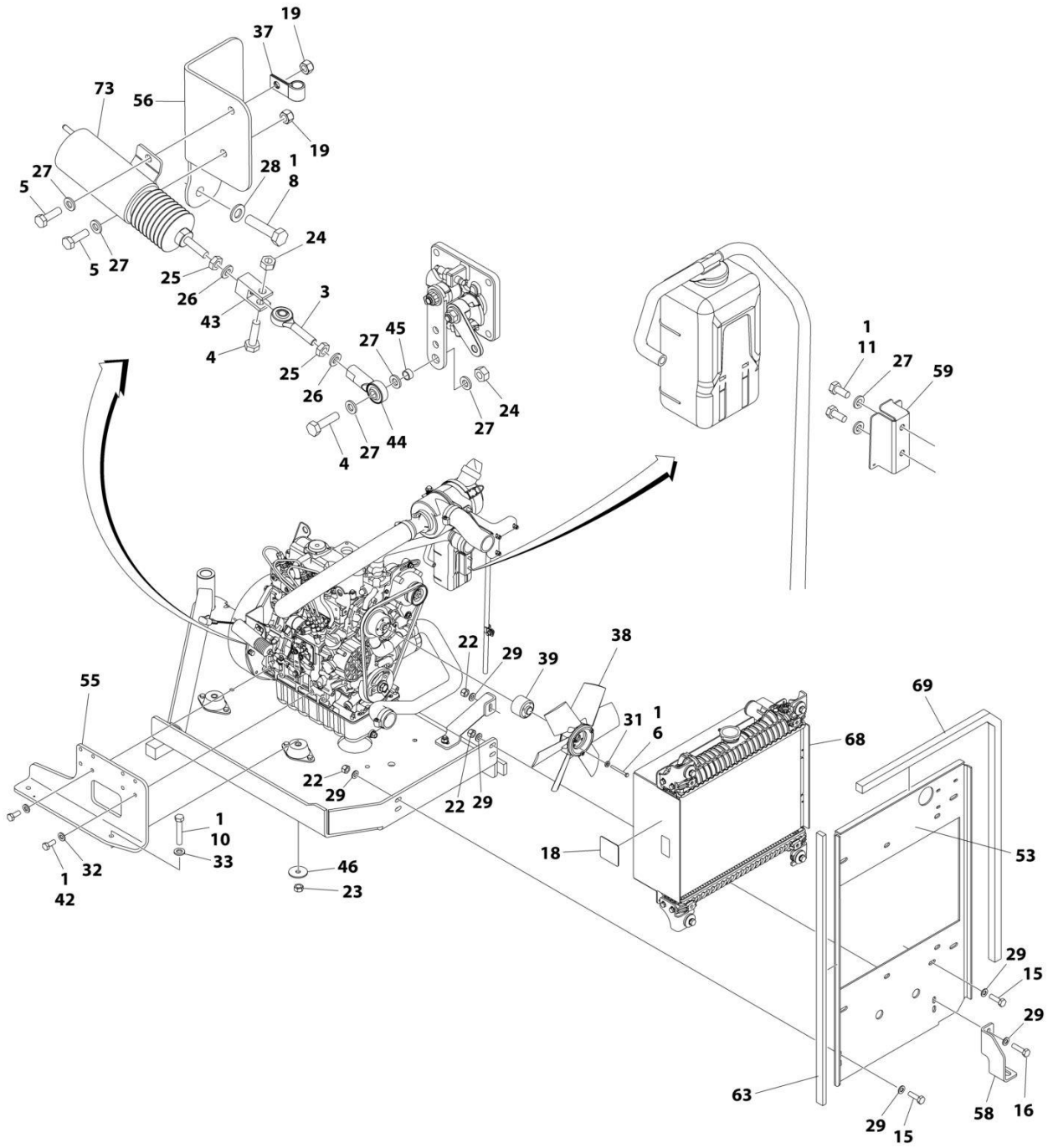
SECTION 3 - ENGINE

FIGURE 3-3. ENGINE ASSEMBLY - KUBOTA DIESEL T4F



ART_1001238775_10F2_B

SECTION 3 - ENGINE



ART_1001238775_2OF2_B

SECTION 3 - ENGINE

FIGURE 3-3. ENGINE ASSEMBLY - KUBOTA DIESEL T4F

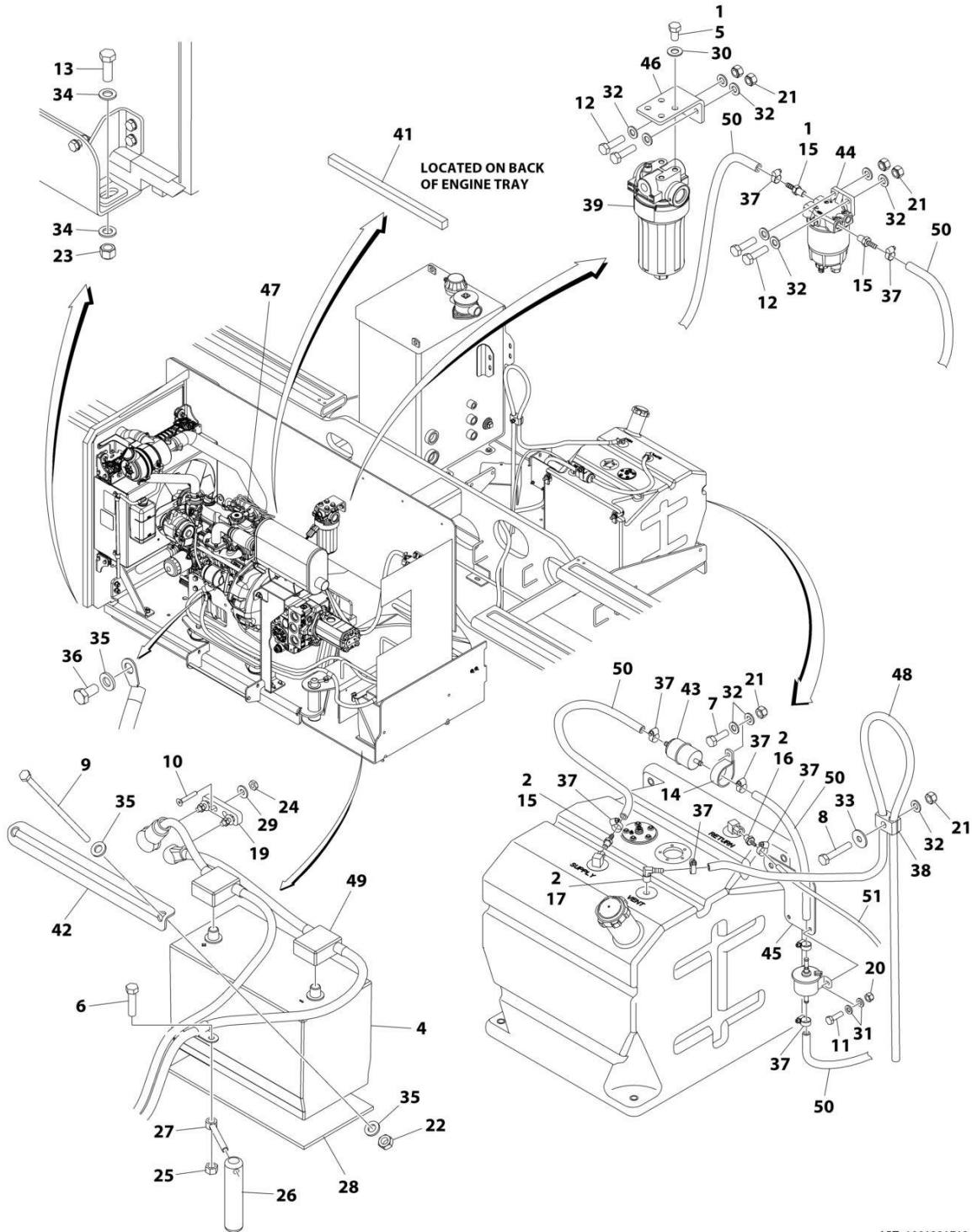
| ITEM | PART NUMBER | QTY | DESCRIPTION | REV |
|------|-------------|-----|--|-----|
| | 1001238775 | Ref | ENGINE ASSEMBLY - KUBOTA DIESEL T4F | B |
| 1 | 0100011 | AR | Compound, Locking | |
| 2 | 0340045 | 1 | Band, Mounting | |
| 3 | 0440334 | 1 | Bearing | |
| 4 | 0641408 | 2 | Bolt 1/4 x 1 | |
| 5 | 0700610 | 5 | Bolt M6 x 20 | |
| 6 | 0700620 | 4 | Bolt M6 x 60 | |
| 7 | 0700814 | 10 | Bolt M8 x 30 | |
| 8 | 0700815 | 2 | Bolt M8 x 35 | |
| 9 | 0700819 | 2 | Bolt M8 x 55 | |
| 10 | 0701222 | 4 | Bolt M12 x 70 | |
| 11 | 0760607 | 2 | Bolt M6 x 14 | |
| 12 | 0760608 | 10 | Bolt M6 x 16 | |
| 13 | 0760810 | AR | Bolt M8 x 20 | |
| 14 | 0761014 | 1 | Bolt M10 x 30 | |
| 15 | 0761015 | 4 | Bolt M10 x 35 | |
| 16 | 0761016 | 6 | Bolt M10 x 40 | |
| 17 | 0961986 | 2 | Bearing, Flange | |
| 18 | 1703162 | 2 | Decal - Fan Blade | |
| 19 | 3290605 | 5 | Nut M6 | |
| 20 | 3290805 | 14 | Nut M8 | |
| 21 | 3291001 | 4 | Nut M10 | |
| 22 | 3291005 | 7 | Nut M10 | |
| 23 | 3291201 | 4 | Nut M12 | |
| 24 | 3311405 | 2 | Nut 1/4 | |
| 25 | 3321402 | 2 | Nut 1/4 | |
| 26 | 4761400 | 2 | Washer 1/4 | |
| 27 | 4811700 | 13 | Washer M6 | |
| 28 | 4811900 | 38 | Washer M8 | |
| 29 | 4812000 | 18 | Washer M10 | |
| 30 | 4812500 | 2 | Washer M20 | |
| 31 | 5240600 | 4 | Washer M6 | |
| 32 | 5241000 | 8 | Washer M10 | |
| 33 | 5241200 | 4 | Washer M12 | |
| 34 | 8405101 | 2 | Clamp | |
| 35 | 8405104 | 5 | Clamp | |
| 36 | 85941016 | 2 | Clamp | |
| 37 | 90021705 | 1 | Clamp, Support | |
| 38 | 1001118538 | 1 | Fan | |
| 39 | 1001118539 | 1 | Fan, Spacer | |
| 40 | 1001118580 | 1 | Sensor, Speed | |
| 41 | 1001118675 | 1 | Housing, Coupling Kit (See Separate Breakdown in this Section) | |
| 42 | 1001118746 | 8 | Bolt M10 x 25 | |
| 43 | 1001118881 | 1 | Clevis, Linkage | |
| 44 | 1001118925 | 1 | Bearing | |
| 45 | 1001128888 | 1 | Washer | |
| 46 | 1001168018 | 4 | Washer | |
| 47 | 1001169054 | 4 | Isolator, Radiator | |
| 48 | 1001169138 | 6 | Pad | |
| 49 | 1001169967 | 2 | Bracket, Radiator | |

SECTION 3 - ENGINE

| ITEM | PART NUMBER | QTY | DESCRIPTION | REV |
|------|-------------|-----|--|-----|
| 50 | 1001170035 | 2 | Bracket, Radiator | |
| 51 | 1001180620 | AR | Compound, Locking | |
| 52 | 1001181649 | 1 | Tray, Engine | |
| 53 | 1001181658 | 1 | Plate, Radiator Mounting | |
| 54 | 1001182976 | 1 | Mount, Engine (LH) | |
| 55 | 1001182977 | 1 | Mount, Engine (RH) | |
| 56 | 1001182979 | 1 | Bracket, Throttle Cylinder | |
| 57 | 1001182980 | 1 | Bracket, Air Cleaner | |
| 58 | 1001182981 | 1 | Bracket, Tray | |
| 59 | 1001182982 | 1 | Mount | |
| 60 | 1001182983 | 1 | Tube, Intake | |
| 61 | 1001182984 | 1 | Bracket, Support | |
| 62 | 1001182987 | 1 | Tube, Air Intake | |
| 63 | 1001247403 | 1 | Foam, Baffle | |
| 64 | 1001183424 | 1 | Foam, Baffle | |
| 65 | 1001184066 | 1 | Foam, Baffle | |
| 66 | 1001187235 | 4 | Mount, Motor | |
| 67 | 1001195600 | 1 | Bracket, Muffler | |
| 68 | 1001220957 | 1 | Radiator & Shroud Assembly | |
| 68 | 1001198726 | 1 | Radiator | |
| 68 | 70007502 | 1 | Valve, Drain | |
| 68 | 1001220959 | 1 | Shroud | |
| 69 | 1001227285 | 1 | Seal | |
| 70 | 1001234950 | 1 | Muffler | |
| 71 | 1001238770 | 1 | Engine Components - Kubota Diesel T4F (See Separate Breakdown in this Section) | |
| 72 | 1001118280 | 1 | Air Filter Assembly | |
| 72 | 7015004 | 2 | Element | |
| 73 | 1001118582 | 1 | Actuator, Throttle | |
| 74 | 1001125248 | 2 | Mount, Engine | |
| 75 | 1001182978 | 1 | Tube, Inlet | |
| 76 | 1001182985 | 1 | Tube, Outlet | |

SECTION 3 - ENGINE

FIGURE 3-4. ENGINE INSTALLATION - KUBOTA DIESEL T4F WITH GENERATOR



ART_1001231712_E

SECTION 3 - ENGINE

FIGURE 3-4. ENGINE INSTALLATION - KUBOTA DIESEL T4F WITH GENERATOR

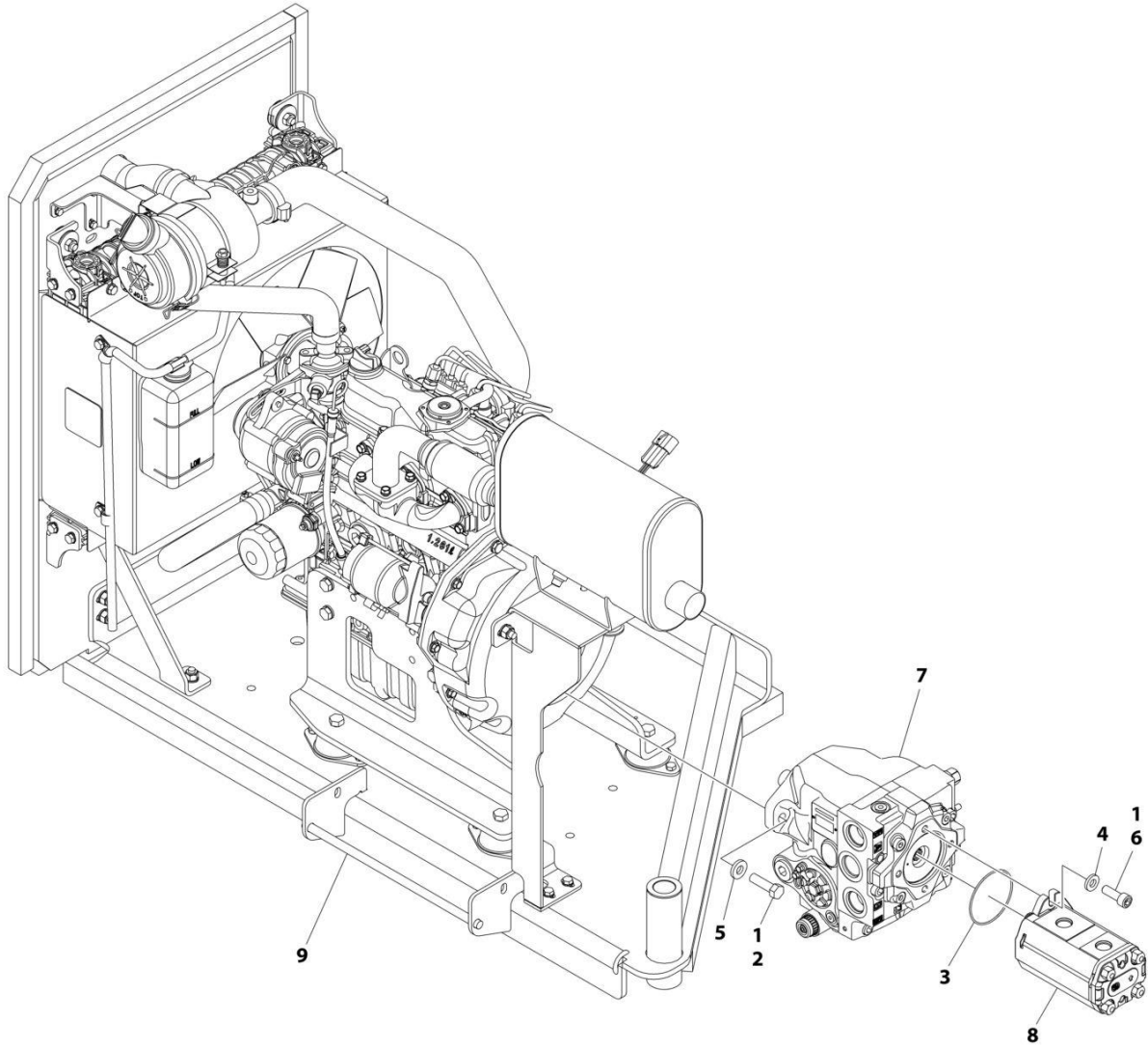
| ITEM | PART NUMBER | QTY | DESCRIPTION | REV |
|------|-------------|-----|--|-----|
| | 1001231712 | Ref | ENGINE INSTALLATION - KUBOTA DIESEL T4F | E |
| 1 | 0100011 | AR | Compound, Locking | |
| 2 | 0100020 | AR | Sealant | |
| 4 | 0400075 | 1 | Battery | |
| 5 | 0641605 | 4 | Bolt 3/8 x 5/8 | |
| 5 | 0761010 | 3 | Bolt M10 x 20 | |
| 6 | 0641612 | 1 | Bolt 3/8 x 1-1/2 | |
| 7 | 0700812 | 1 | Bolt M8 x 25 | |
| 8 | 0700817 | 1 | Bolt M8 x 45 | |
| 9 | 0701047 | 2 | Bolt M10 x 300 | |
| 10 | 0741010 | 2 | Screw #10 x 1-1/4 | |
| 11 | 0760610 | 2 | Bolt M8 x 20 | |
| 12 | 0760814 | 4 | Bolt M8 x 30 | |
| 13 | 0761617 | 1 | Bolt M16 x 45 | |
| 14 | 1320265 | 1 | Clamp | |
| 15 | 2180348 | 3 | Fitting, NPT/Barbed | |
| 16 | 2180666 | 1 | Fitting, NPT/Barbed | |
| 17 | 2220313 | 1 | Fitting, 90° NPTF/Barbed | |
| 19 | 2400044 | 1 | Fuse, Mounting Block | |
| 20 | 3290605 | 2 | Nut M6 | |
| 21 | 3290805 | 6 | Nut M8 | |
| 22 | 3291001 | 2 | Nut M10 | |
| 23 | 3291605 | 1 | Nut M16 | |
| 24 | 3300408 | 2 | Nut | |
| 25 | 3311605 | 1 | Nut 3/8 | |
| 26 | 3422669 | 1 | Pin | |
| 27 | 3841143 | 1 | Keeper, Pin | |
| 28 | 3980007 | 1 | Seat, Battery | |
| 29 | 4711400 | 2 | Washer 1/4 | |
| 30 | 4711600 | 4 | Washer 3/8 | |
| 30 | 4812000 | 3 | Washer M10 | |
| 31 | 4811700 | 4 | Washer M6 | |
| 32 | 4811900 | 11 | Washer M8 | |
| 33 | 4811902 | 1 | Washer M8 | |
| 34 | 4812300 | 2 | Washer M6 | |
| 35 | 5241000 | 5 | Washer M10 | |
| 36 | 8303511 | 1 | Capscrew M10 x 20 | |
| 37 | 8405009 | 11 | Clamp | |
| 38 | 8750014 | 1 | Clamp | |
| 39 | 1001208874 | 1 | Filter, Charge Pump | |
| 39 | 70010383 | 1 | Element, Filter | |
| 41 | 1001183421 | 1 | Foam, Baffle | |
| 42 | 1001184065 | 1 | Bracket, Hold Down | |
| 43 | 1001190545 | 1 | Strainer, Fuel | |
| 44 | 1001190609 | 1 | Fuel/Water Separator Assembly (See Separate Breakdown in this Section) | |
| 45 | 1001191146 | 1 | Bracket | |
| 46 | 1001194836 | 1 | Bracket | |
| 47 | 1001238778 | 1 | Engine and Pump Sub-Assembly (See Separate Breakdown in this Section) | |

SECTION 3 - ENGINE

| ITEM | PART NUMBER | QTY | DESCRIPTION | REV |
|------|-------------|------------------|---|-----|
| 48 | 1001165035 | 5.5 ft/ 1.7m | Hose | |
| 49 | 1001186428 | 1 | Battery Cable Kit - Diesel (See Separate Breakdown in ELECTRICAL SECTION) | |
| 50 | 2720058 | 14.5 ft/ 4.4m | Hose | |
| 51 | 2720271 | 18 ft/ 5.4m | Hose | |

SECTION 3 - ENGINE

FIGURE 3-5. ENGINE AND PUMP SUB-ASSEMBLY - KUBOTA DIESEL T4F WITH GENERATOR



ART_1001238778

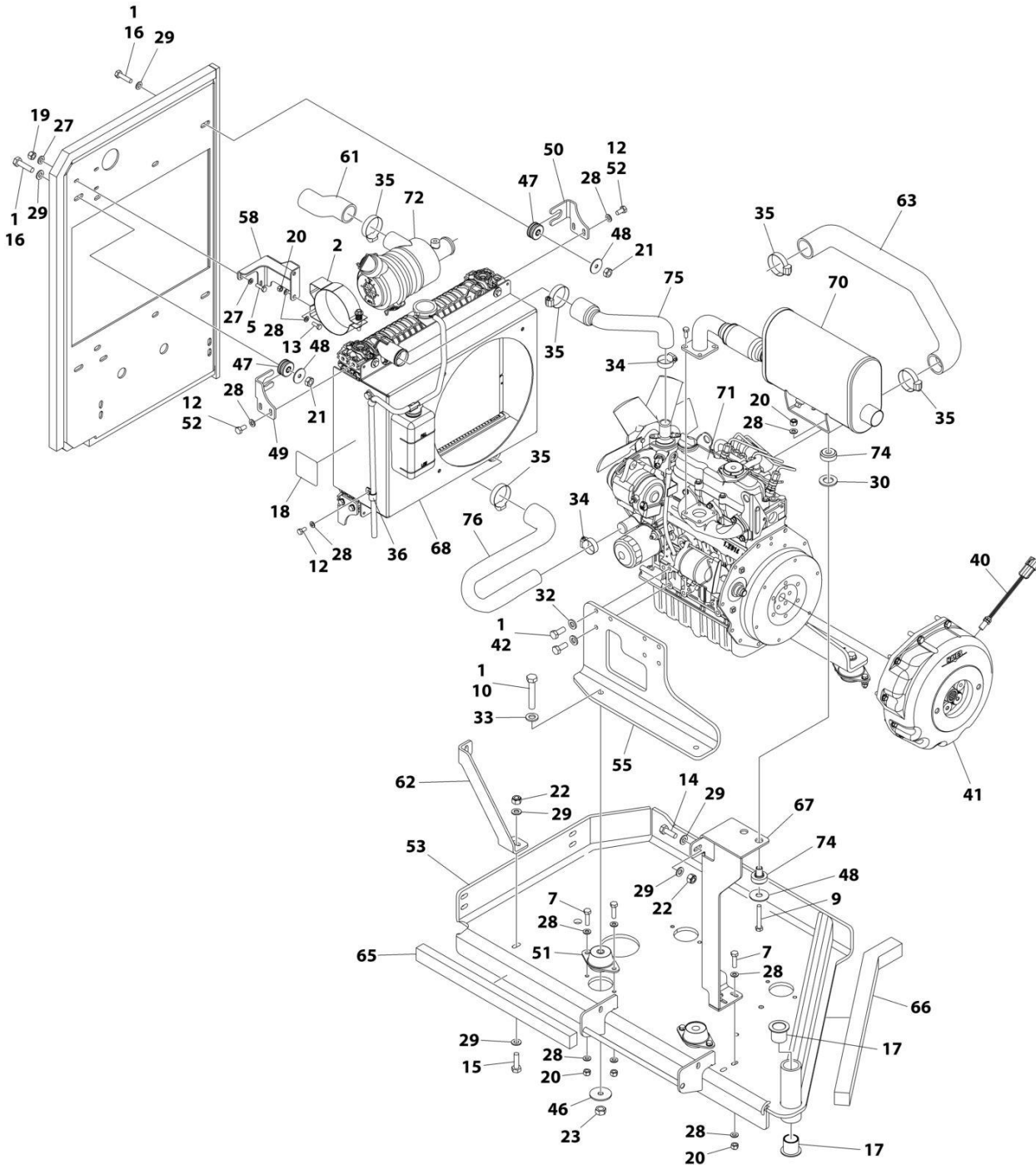
SECTION 3 - ENGINE

FIGURE 3-5. ENGINE AND PUMP SUB-ASSEMBLY - KUBOTA DIESEL T4F WITH GENERATOR

| ITEM | PART NUMBER | QTY | DESCRIPTION | REV |
|------|-------------|-----|---|-----|
| | 1001238778 | Ref | ENGINE AND PUMP SUB-ASSEMBLY - KUBOTA DIESEL T4F | C |
| 1 | 0100011 | AR | Compound, Locking | |
| 2 | 0641814 | 2 | Bolt 1/2 x 1-3/4 | |
| 3 | 3790152 | 1 | O-Ring | |
| 4 | 4891600 | 2 | Washer 3/8 | |
| 5 | 4891800 | 2 | Washer 1/2 | |
| 6 | 83191040 | 2 | Capscrew M10 x 30 | |
| 7 | 1001101331 | 1 | Piston Pump Assembly (See Separate Breakdown in this Section) | |
| 8 | 1001239200 | 1 | Gear Pump Assembly | |
| 8 | 7023929 | 1 | Seal Kit - 1001239200 Pump (Note: Seal Kit is only service component available) | |
| 9 | 1001238777 | 1 | Engine Assembly - Kubota Diesel T4F (See Separate Breakdown in this Section) | |

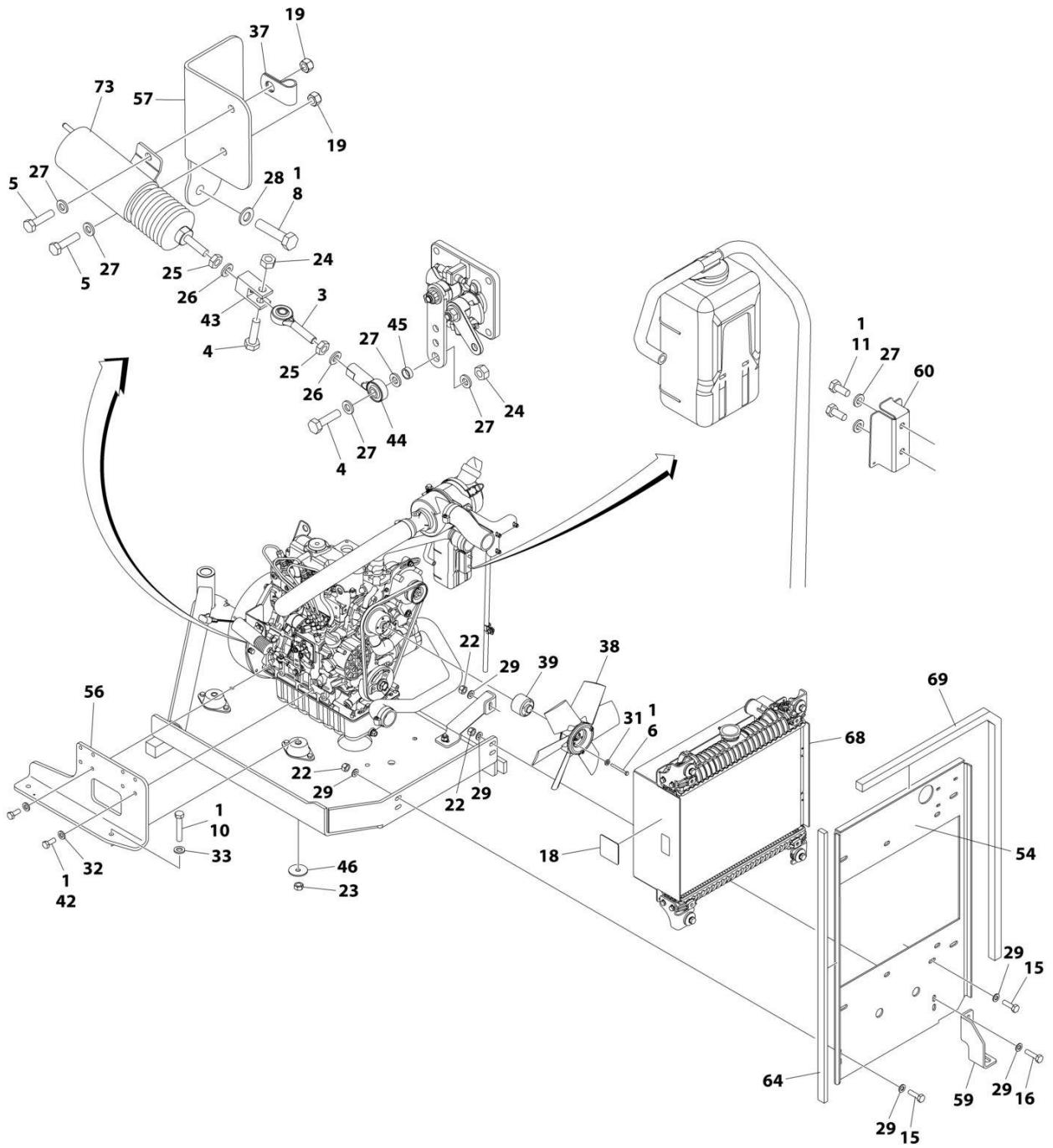
SECTION 3 - ENGINE

FIGURE 3-6. ENGINE ASSEMBLY - KUBOTA DIESEL T4F WITH GENERATOR



ART_1001238777_TOF2_B

SECTION 3 - ENGINE



ART_1001238777_20F2_B

SECTION 3 - ENGINE

FIGURE 3-6. ENGINE ASSEMBLY - KUBOTA DIESEL T4F WITH GENERATOR

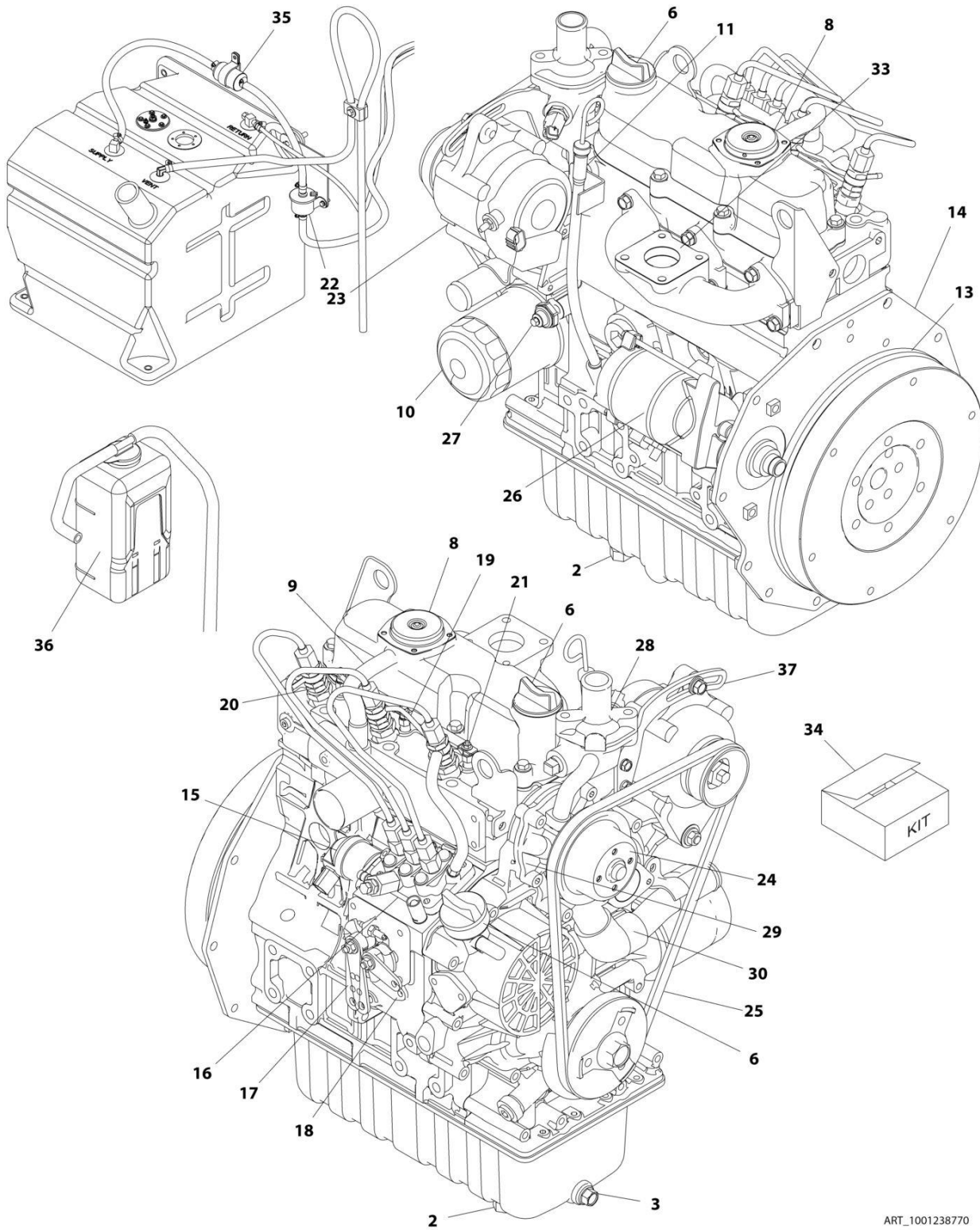
| ITEM | PART NUMBER | QTY | DESCRIPTION | REV |
|------|-------------|-----|---|-----|
| | 1001238777 | Ref | ENGINE ASSEMBLY - KUBOTA DIESEL T4F | B |
| 1 | 0100011 | AR | Compound, Locking | |
| 2 | 0340045 | 1 | Band, Mounting | |
| 3 | 0440334 | 1 | Bearing | |
| 4 | 0641408 | 2 | Bolt 1/4 x 1 | |
| 5 | 0700610 | 5 | Bolt M6 x 20 | |
| 6 | 0700620 | 4 | Bolt M6 x 60 | |
| 7 | 0700814 | 10 | Bolt M8 | |
| 8 | 0700815 | 2 | Bolt M8 x 35 | |
| 9 | 0700819 | 2 | Bolt M8 x 55 | |
| 10 | 0701222 | 4 | Bolt M12 x 70 | |
| 11 | 0760607 | 2 | Bolt M6 x 14 | |
| 12 | 0760808 | 10 | Bolt M8 x 16 | |
| 13 | 0760810 | 2 | Bolt M8 x 20 | |
| 14 | 0761014 | 1 | Bolt M10 x 30 | |
| 15 | 0761015 | 4 | Bolt M10 x 35 | |
| 16 | 0761016 | 6 | Bolt M10 x 40 | |
| 17 | 0961986 | 2 | Bearing, Flange | |
| 18 | 1703162 | 2 | Decal - Fan Blade | |
| 19 | 3290605 | 5 | Nut M6 | |
| 20 | 3290805 | 14 | Nut M8 | |
| 21 | 3291001 | 4 | Nut M10 | |
| 22 | 3291005 | 7 | Nut M10 | |
| 23 | 3291201 | 4 | Nut M12 | |
| 24 | 3311405 | 2 | Nut 1/4 | |
| 25 | 3321402 | 2 | Nut 1/4 | |
| 26 | 4761400 | 2 | Washer 1/4 | |
| 27 | 4811700 | 13 | Washer M6 | |
| 28 | 4811900 | 38 | Washer M8 | |
| 29 | 4812000 | 18 | Washer M10 | |
| 30 | 4812500 | 2 | Washer M20 | |
| 31 | 5240600 | 4 | Washer M6 | |
| 32 | 5241000 | 8 | Washer M10 | |
| 33 | 5241200 | 4 | Washer M12 | |
| 34 | 8405101 | 2 | Clamp | |
| 35 | 8405104 | 5 | Clamp | |
| 36 | 85941016 | 2 | Clamp | |
| 37 | 90021705 | 1 | Clamp, Support | |
| 38 | 1001118538 | 1 | Fan | |
| 39 | 1001118539 | 1 | Spacer, Fan | |
| 40 | 1001118580 | 1 | Sensor, Speed | |
| 41 | 1001118675 | 1 | Coupling Kit (See Separate Breakdown in this Section) | |
| 42 | 1001118746 | 8 | Bolt M10 x 25 | |
| 43 | 1001118881 | 1 | Clevis, Linkage | |
| 44 | 1001118925 | 1 | Bearing | |
| 45 | 1001128888 | 1 | Washer | |
| 46 | 1001168018 | 4 | Washer | |
| 47 | 1001169054 | 4 | Isolator, Radiator | |
| 48 | 1001169138 | 6 | Pad | |
| 49 | 1001169967 | 2 | Bracket, Radiator | |

SECTION 3 - ENGINE

| ITEM | PART NUMBER | QTY | DESCRIPTION | REV |
|------|-------------|-----|--|-----|
| 50 | 1001170035 | 2 | Bracket, Radiator | |
| 51 | 1001175509 | 4 | Mount, Motor | |
| 52 | 1001180620 | AR | Compound, Locking | |
| 53 | 1001181649 | 1 | Tray, Engine | |
| 54 | 1001181658 | 1 | Plate, Radiator Mounting | |
| 55 | 1001182976 | 1 | Mount, Engine (LH) | |
| 56 | 1001182977 | 1 | Mount, Engine (RH) | |
| 57 | 1001182979 | 1 | Bracket, Throttle Cylinder | |
| 58 | 1001182980 | 1 | Bracket, Air Cleaner | |
| 59 | 1001182981 | 1 | Bracket, Tray | |
| 60 | 1001182982 | 1 | Mount | |
| 61 | 1001182983 | 1 | Tube, Intake | |
| 62 | 1001182984 | 1 | Bracket, Support | |
| 63 | 1001182987 | 1 | Tube, Air Intake | |
| 64 | 1001247403 | 1 | Foam, Baffle | |
| 65 | 1001183424 | 1 | Foam, Baffle | |
| 66 | 1001184066 | 1 | Foam, Baffle | |
| 67 | 1001195600 | 1 | Bracket, Muffler | |
| 68 | 1001220957 | 1 | Radiator & Shroud Assembly | |
| 68 | 1001198726 | 1 | Radiator | |
| 68 | 70007502 | 1 | Valve, Drain | |
| 68 | 1001220959 | 1 | Shroud | |
| 69 | 1001227285 | 1 | Seal | |
| 70 | 1001234950 | 1 | Muffler | |
| 71 | 1001238770 | 1 | Engine Components - Kubota Diesel T4F (See Separate Breakdown in this Section) | |
| 72 | 1001118280 | 1 | Air Filter Assembly | |
| 72 | 7015004 | 2 | Element | |
| 73 | 1001118582 | 1 | Actuator, Throttle | |
| 74 | 1001125248 | 2 | Mount, Engine | |
| 75 | 1001182978 | 1 | Tube, Inlet | |
| 76 | 1001182985 | 1 | Tube, Outlet | |

SECTION 3 - ENGINE

FIGURE 3-7. ENGINE COMPONENTS - KUBOTA DIESEL T4F



ART_1001238770

SECTION 3 - ENGINE

FIGURE 3-7. ENGINE COMPONENTS - KUBOTA DIESEL T4F

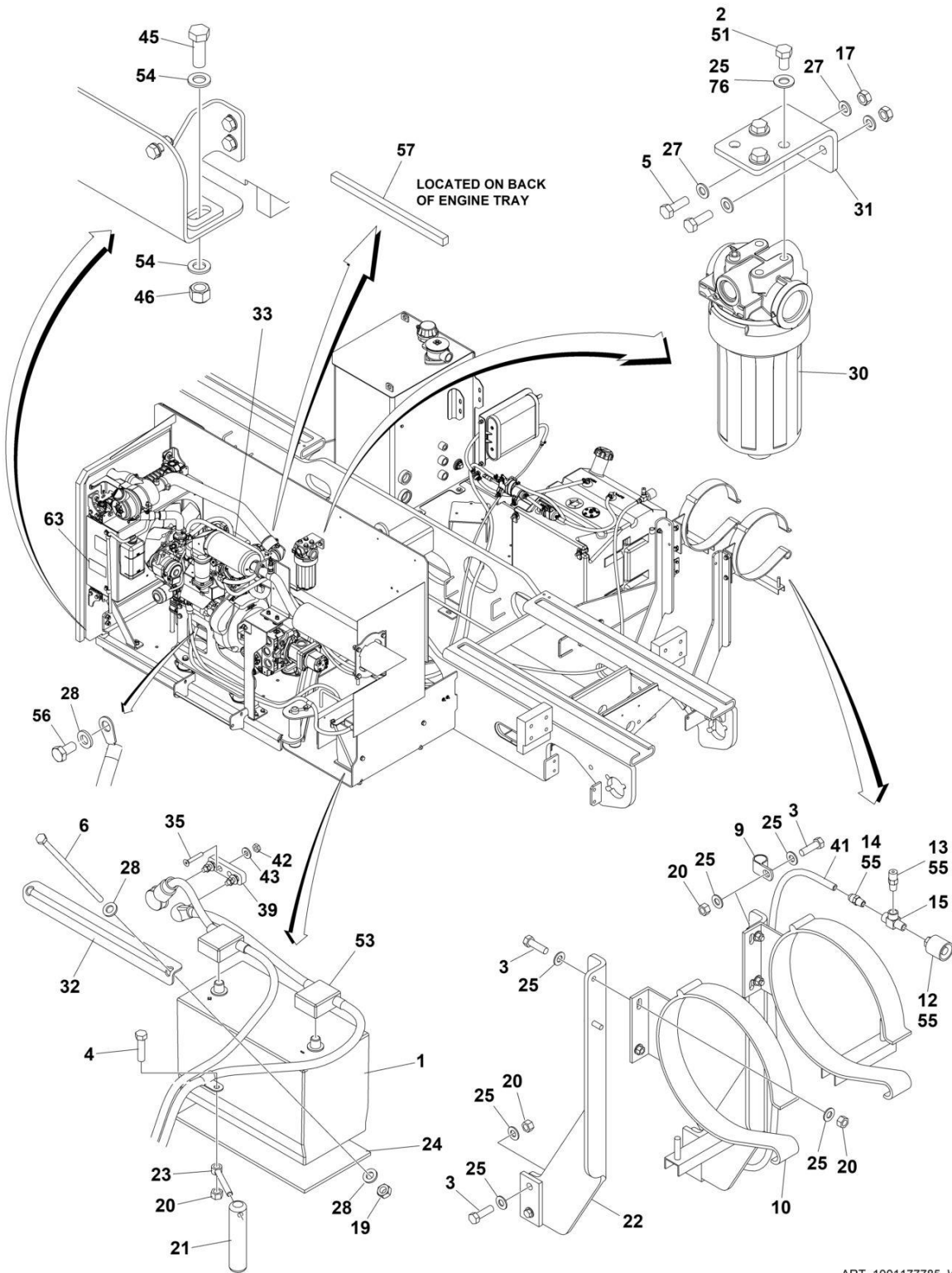
| ITEM | PART NUMBER | QTY | DESCRIPTION | REV |
|------|-------------|-----|---------------------------------------|-----|
| | 1001238770 | Ref | ENGINE COMPONENTS - KUBOTA DIESEL T4F | A |
| 1 | 70004524 | 1 | Drain (Not Shown) | |
| 2 | 7023154 | 1 | Plug, Drain | |
| 2 | 70002315 | 1 | Seal, Plug | |
| 3 | 70004525 | 1 | Plug, Drain | |
| 3 | 70004526 | 1 | Gasket | |
| 4 | 70005220 | 1 | Gasket, Cylinder Head (Not Shown) | |
| 5 | 7017922 | 1 | Seal, Front Main (Not Shown) | |
| 6 | 70002318 | 2 | Cap, Oil Fill | |
| 6 | 70004311 | 2 | O-Ring | |
| 7 | 70005221 | 1 | Gasket, Valve Cover (Not Shown) | |
| 8 | 70003060 | 1 | Comp Valve, Breather | |
| 8 | 70003061 | 1 | Cover, Breather | |
| 8 | 7017934 | 4 | Screw | |
| 9 | 70002316 | 1 | Pipe, Water Return | |
| 9 | 70002317 | 1 | Tube, Breather | |
| 9 | 70004530 | 1 | Clamp, Hose | |
| 9 | 70004531 | 1 | Band, Pipe | |
| 10 | 70004395 | 1 | Filter, Oil | |
| 11 | 70005222 | 1 | Dipstick | |
| 11 | 70005223 | 1 | Tube, Dipstick | |
| 12 | 7017928 | 1 | Seal, Rear Main (Not Shown) | |
| 13 | 70005224 | 1 | Gear, Ring | |
| 14 | 70002419 | 1 | Plate, Rear End | |
| 15 | 7025479 | 1 | Solenoid, Stop | |
| 16 | 7023164 | 1 | Pump, Injection | |
| 16 | 70002319 | 1 | Shim, Injection | |
| 16 | 70002320 | 1 | Shim, Injection | |
| 16 | 70002321 | 1 | Shim, Injection Pump | |
| 16 | 70002322 | 1 | Shim, Injection Pump | |
| 16 | 70002323 | 1 | Shim, Injection Pump | |
| 16 | 7017945 | 1 | Joint, Eye | |
| 17 | 70004396 | 1 | Control, Speed | |
| 17 | 70004397 | 1 | Gasket | |
| 18 | 7023165 | 1 | Gasket | |
| 19 | 70004536 | 1 | Pipe, Over Flow | |
| 19 | 70004537 | 1 | Screw, Air Bleeder | |
| 19 | 70004538 | 1 | Gasket | |
| 19 | 70004539 | 1 | Pipe, Over Flow | |
| 20 | 70004399 | 3 | Holder, Nozzle | |
| 20 | 70004540 | 3 | Nut | |
| 20 | 7023167 | 3 | Gasket | |
| 20 | 7023168 | 3 | Seal, Heat | |
| 21 | 70004398 | 3 | Plug, Glow | |
| 21 | 70004544 | 1 | Cord, Glow Plug | |
| 22 | 70005228 | 1 | Electric Fuel Feed Pump | |
| 23 | 70006661 | 1 | Alternator - 60Amp | |
| 24 | 7023140 | 1 | Pulley, Fan | |
| 25 | 70006665 | 1 | V-Belt | |
| 26 | 7023144 | 1 | Starter | |

SECTION 3 - ENGINE

| ITEM | PART NUMBER | QTY | DESCRIPTION | REV |
|------|-------------|-----|--------------------------------------|-----|
| 27 | 7017901 | 1 | Switch, Oil | |
| 28 | 70004829 | 1 | Pipe, Water Return | |
| 28 | 7023145 | 1 | Gasket, Flange | |
| 28 | 7017958 | 1 | Hose, Water Return | |
| 28 | 7023170 | 1 | Thermostat | |
| 28 | 70002326 | 1 | Gasket, Thermostat | |
| 28 | 70003064 | 1 | Sensor, Water Temperature | |
| 28 | 70003063 | 1 | Washer, Seal | |
| 29 | 70002327 | 1 | Pump, Water | |
| 29 | 70002328 | 1 | Gasket, Water Pump | |
| 30 | 7017963 | 1 | Pipe, Water | |
| 30 | 70002330 | 1 | Pipe, Water | |
| 31 | 7023149 | 1 | Gasket, Inlet Manifold (Not Shown) | |
| 32 | 7023148 | 1 | Gasket, Exhaust Manifold (Not Shown) | |
| 33 | 7023124 | 1 | Gasket (Muffler) | |
| 33 | 70004415 | 4 | Bolt, Sems | |
| 34 | 70005226 | 1 | Upper Gasket Kit | |
| 34 | 70005227 | 1 | Lower Gasket Kit | |
| 35 | 7017992 | 1 | Fuel Filter | |
| 36 | 70005229 | 1 | Tank, Coolant Reserve | |
| 37 | 70006664 | 1 | Arm, Adjustment | |

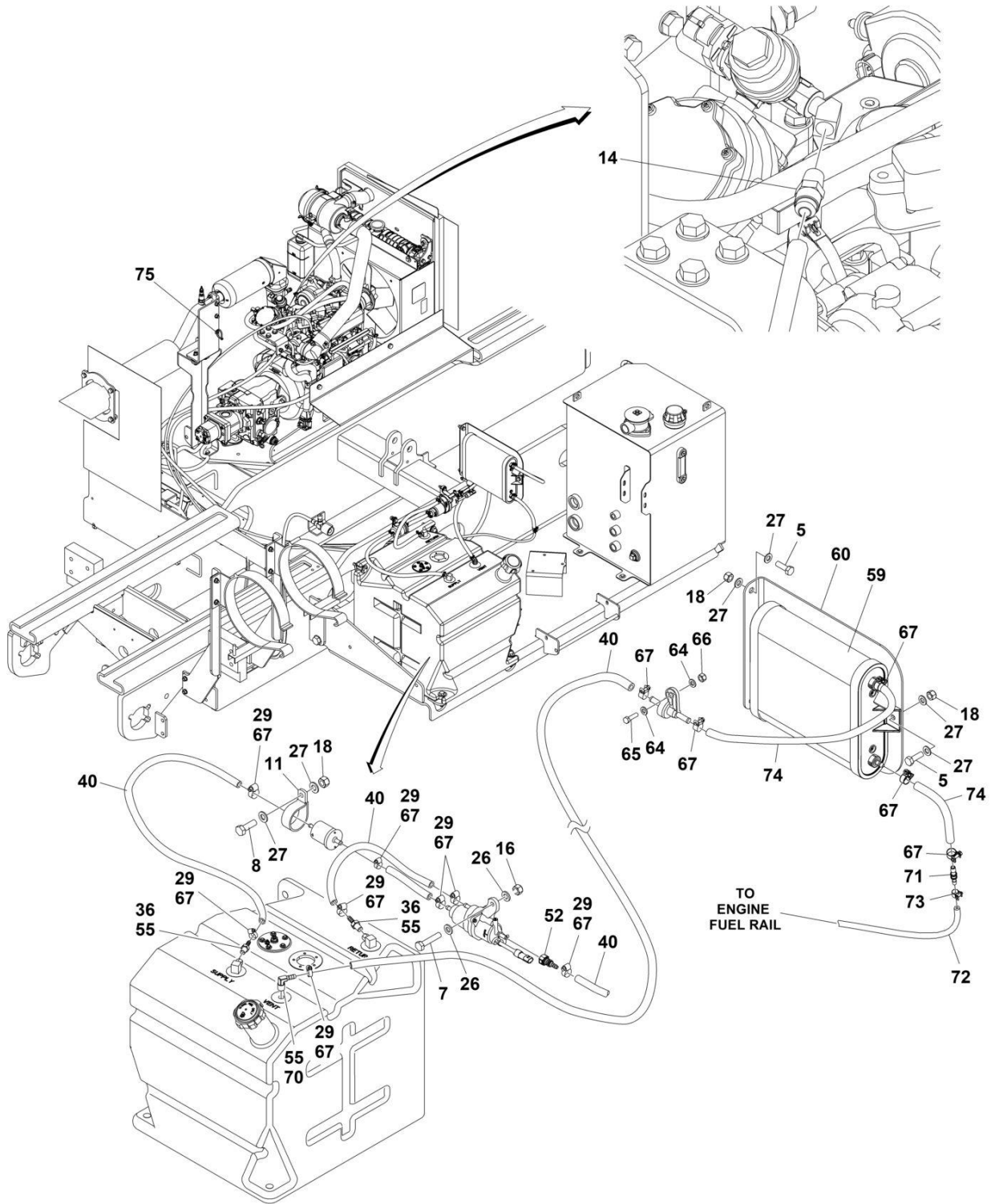
SECTION 3 - ENGINE

FIGURE 3-8. ENGINE INSTALLATION - KUBOTA GASOLINE



ART_100117785_W_10F2

SECTION 3 - ENGINE



ART_100117785_W_20F2

SECTION 3 - ENGINE

FIGURE 3-8. ENGINE INSTALLATION - KUBOTA GASOLINE

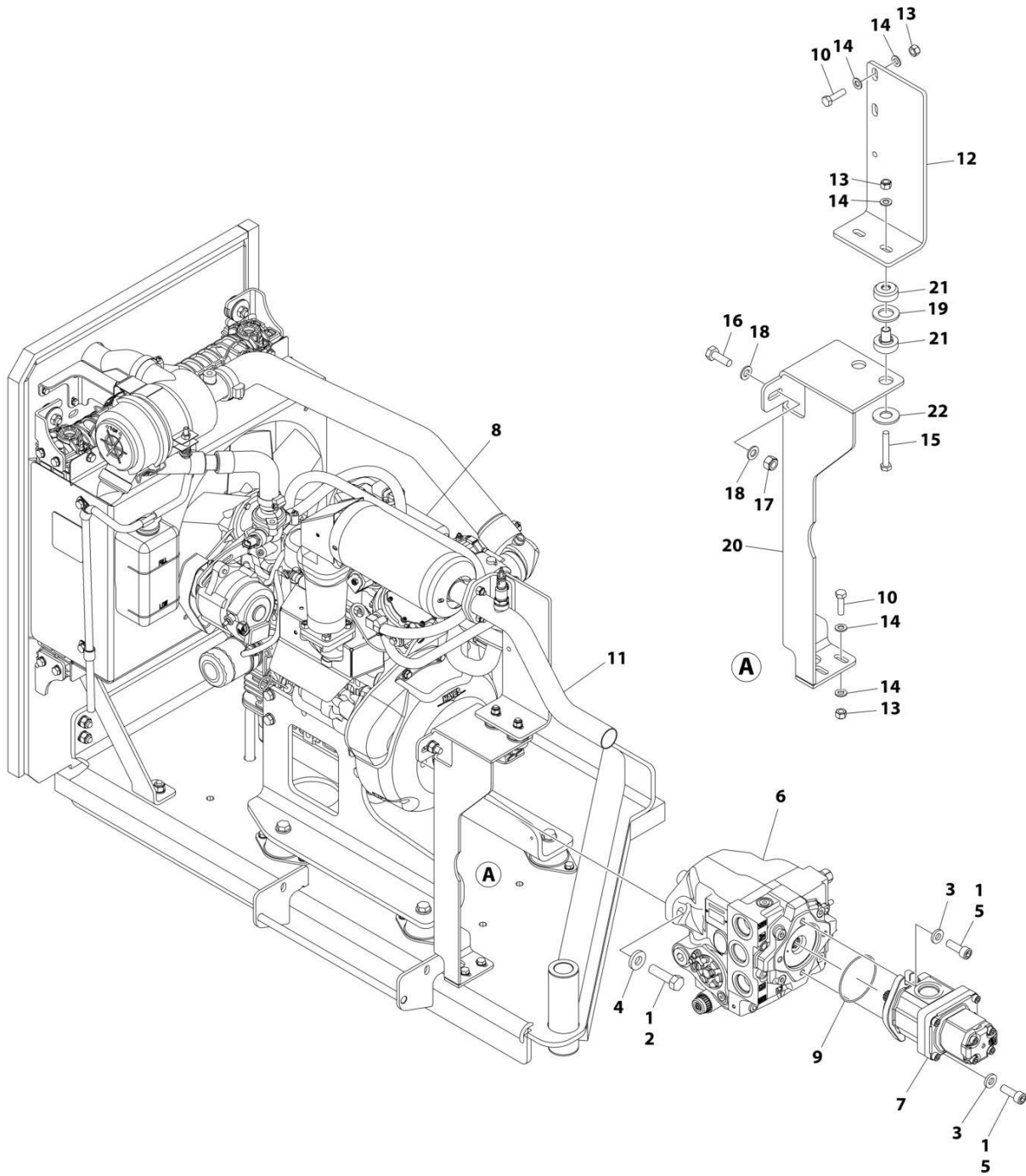
| ITEM | PART NUMBER | QTY | DESCRIPTION | REV |
|------|-------------|------------------|---|-----|
| | 1001177785 | Ref | ENGINE INSTALLATION - KUBOTA GASOLINE | W |
| 1 | 0400075 | 1 | Battery | |
| 2 | 0761010 | AR | Bolt M10 x 20 | |
| 3 | 0641610 | 9 | Bolt 3/8 x 1-1/4 | |
| 4 | 0641612 | 1 | Bolt 3/8 x 1-1/2 | |
| 5 | 0700812 | AR | Bolt M8 x 25 | |
| 6 | 0701047 | 2 | Bolt M10 x 300 | |
| 7 | 0760614 | 3 | Bolt M6 x 30 | |
| 8 | 0760812 | AR | Bolt M8 x 25 | |
| 9 | 1320061 | 1 | Clamp | |
| 10 | 1320220 | 1 | LP Clamp Kit | |
| 11 | 1320265 | 1 | Clamp | |
| 12 | 2180387 | 1 | Fitting, Tank Connector | |
| 13 | 2180389 | 1 | Fitting, Relief Valve - LP | |
| 14 | 2180418 | 2 | Fitting | |
| 15 | 2220290 | 1 | Fitting, Tee | |
| 16 | 3290605 | 3 | Nut M6 | |
| 17 | 3290801 | 2 | Nut M8 | |
| 18 | 3290805 | AR | Nut M8 | |
| 19 | 3291001 | 2 | Nut M10 | |
| 20 | 3311605 | 10 | Nut 3/8 | |
| 21 | 3422669 | 1 | Pin | |
| 22 | 3573440 | 2 | Plate, Mounting | |
| 23 | 3841143 | 1 | Keeper Pin | |
| 24 | 3980007 | 1 | Seat, Battery | |
| 25 | 4711600 | AR | Washer 3/8 | |
| 26 | 4811700 | 6 | Washer M6 | |
| 27 | 4811900 | AR | Washer M8 | |
| 28 | 5241000 | 5 | Washer M10 | |
| 29 | 8405009 | AR | Clamp | |
| 30 | 1001208874 | 1 | Filter, Charge Pump | |
| 30 | 70010383 | 1 | Element, Filter | |
| 31 | 1001194836 | 1 | Bracket | |
| 32 | 1001184065 | 1 | Bracket, Hold Down | |
| 33 | 1001184653 | 1 | Engine and Pump Sub-Assembly (See Separate Breakdown in this Section) | |
| 35 | 0741010 | 2 | Screw #10 x 1-1/4 | |
| 36 | 2180348 | 2 | Fitting, NPT/Barbed | |
| 39 | 2400044 | 1 | Block, Fuse Mounting | |
| 40 | 1001300357 | 15.7 ft/ 4.8m | Hose | |
| 41 | 2720611 | 1 | Hose | |
| 42 | 3300408 | 2 | Nut | |
| 43 | 4711400 | 2 | Washer 1/4 | |
| 45 | 0761617 | 1 | Bolt M16 x 45 | |
| 46 | 3291605 | 1 | Nut M16 | |
| 51 | 0100011 | AR | Compound, Locking | |
| 52 | 1001174093 | 1 | Coupling, Quick Connect | |
| 53 | 1001186429 | 1 | Battery Cable Kit (See Separate Breakdown in ELECTRICAL SECTION) | |

SECTION 3 - ENGINE

| ITEM | PART NUMBER | QTY | DESCRIPTION | REV |
|------|-------------|-----------------|--|-----|
| 54 | 4812300 | 2 | Washer M16 | |
| 55 | 0100020 | AR | Sealant | |
| 56 | 8303511 | 1 | Capscrew M10 x 20 | |
| 57 | 1001183421 | 1 | Foam, Baffle | |
| 59 | 1001225420 | 1 | Canister, Carbon | |
| 60 | 1001225421 | 1 | Bracket | |
| 63 | 1001262941 | 1 | Decal - EPA Evaporation 2020 Standards | |
| 63 | 1001274101 | 1 | Decal - EPA Evaporation 2021 Standards | |
| 63 | 1001288395 | 1 | Decal - EPA Evaporation 2022 Standards | |
| 63 | 1001299769 | 1 | Decal - EPA Evaporation 2023 Standards | |
| 64 | 4811600 | AR | Washer M5 | |
| 65 | 0760512 | AR | Bolt M5 x 25 | |
| 66 | 3290505 | AR | Nut M5 | |
| 67 | 1001174486 | 14 | Clamp | |
| 70 | 2221176 | 1 | Fitting, 90 | |
| 71 | 1001131391 | 1 | Coupling, Fuel Line | |
| 72 | 1001129256 | 9.3 ft/ 2.8m | Hose | |
| 73 | 1001185585 | 2 | Clamp, Hose | |
| 74 | 1001129255 | 2.5 ft/ .8m | Hose | |
| 75 | 1001146588 | AR | Tie-Strap | |
| 76 | 4812000 | AR | Washer M10 | |

SECTION 3 - ENGINE

FIGURE 3-9. ENGINE AND PUMP SUB-ASSEMBLY - KUBOTA GASOLINE



ART_1001184653

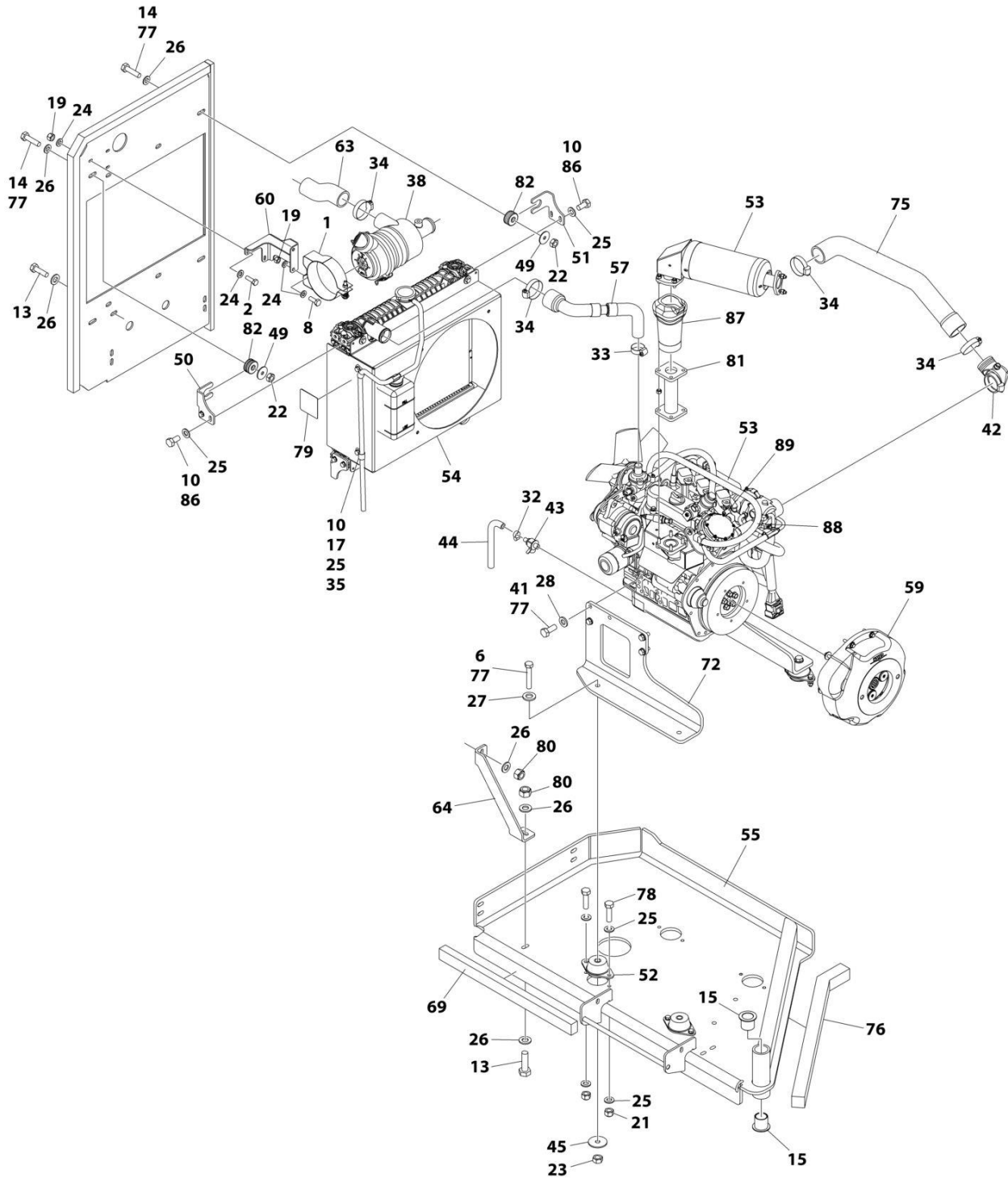
SECTION 3 - ENGINE

FIGURE 3-9. ENGINE AND PUMP SUB-ASSEMBLY - KUBOTA GASOLINE

| ITEM | PART NUMBER | QTY | DESCRIPTION | REV |
|------|-------------|-----|---|-----|
| | 1001184653 | Ref | ENGINE AND PUMP SUB-ASSEMBLY - KUBOTA GASOLINE | F |
| 1 | 0100011 | AR | Compound, Locking | |
| 2 | 0641814 | 2 | Bolt 1/2 x 1-3/4 | |
| 3 | 4891600 | AR | Washer 3/8 | |
| 4 | 4891800 | 2 | Washer 1/2 | |
| 5 | 83191040 | 2 | Capscrew M10 x 30 | |
| 6 | 1001101331 | 1 | Piston Pump Assembly (See Separate Breakdown in this Section) | |
| 7 | 1001217291 | 1 | Gear Pump Assembly | |
| 7 | 70002861 | 1 | Seal Kit - 1001217291 Pump (Note: Seal Kit is only service component available) | |
| 8 | 1001184654 | 1 | Engine Assembly - Kubota Gasoline (See Separate Breakdown in this Section) | |
| 9 | 3790152 | 1 | O-Ring | |
| 10 | 0700814 | AR | Bolt M8 x 30 | |
| 11 | 1001186833 | 1 | Tube, Exhaust | |
| 12 | 1001226420 | 1 | Bracket, Exhaust | |
| 13 | 3290805 | AR | Nut M8 | |
| 14 | 4811900 | AR | Washer M8 | |
| 15 | 0700819 | AR | Bolt M8 x 55 | |
| 16 | 0761014 | AR | Bolt M10 x 30 | |
| 17 | 3291005 | AR | Nut M10 | |
| 18 | 4812000 | AR | Washer M10 | |
| 19 | 4812500 | AR | Washer M20 | |
| 20 | 1001195600 | 1 | Bracket | |
| 21 | 1001125248 | 1 | Mount | |
| 22 | 1001169138 | 2 | Pad | |

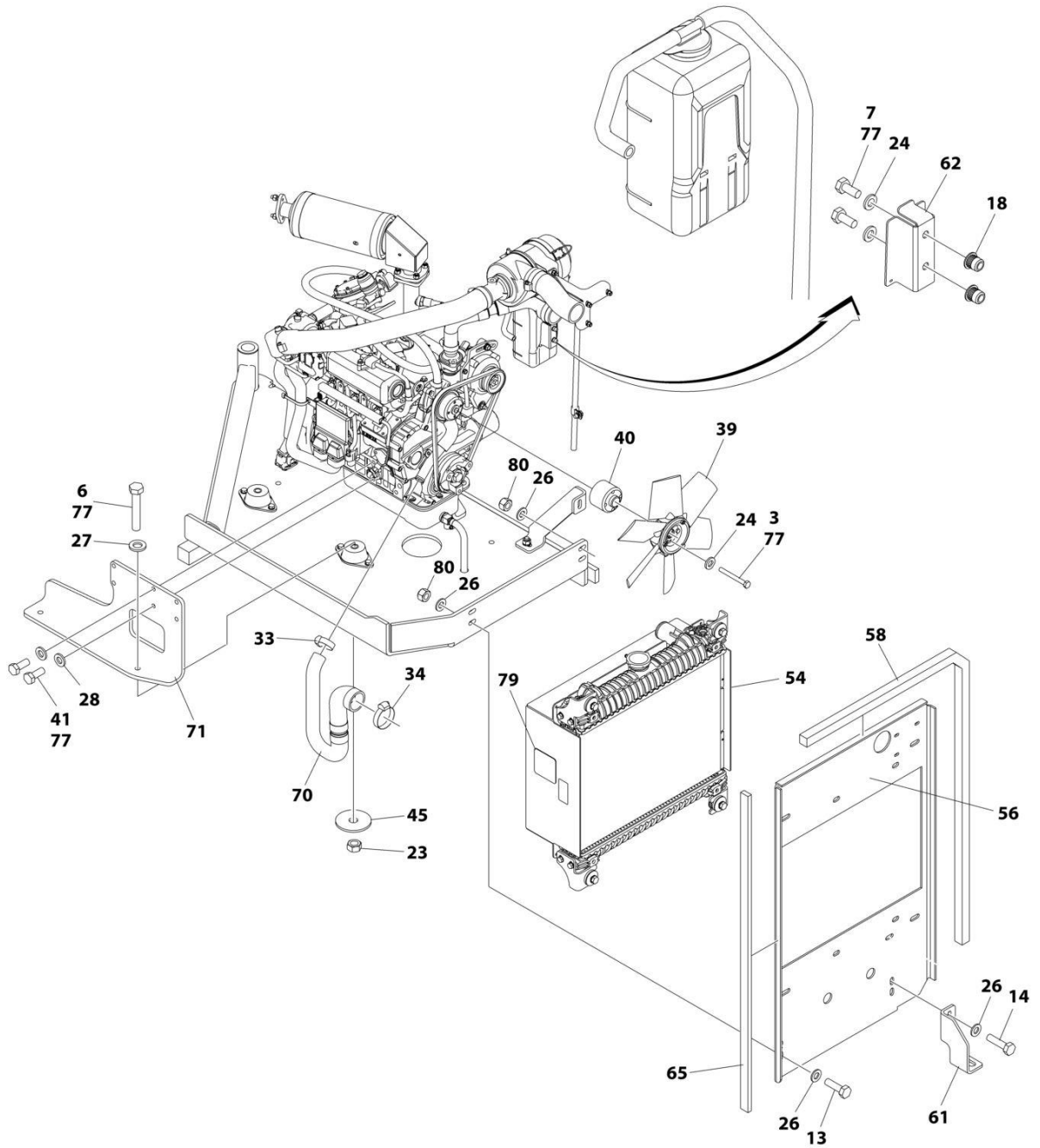
SECTION 3 - ENGINE

FIGURE 3-10. ENGINE ASSEMBLY - KUBOTA GASOLINE



ART_1001184654_10F2_M

SECTION 3 - ENGINE



ART_1001184654_20F2_M

SECTION 3 - ENGINE

FIGURE 3-10. ENGINE ASSEMBLY - KUBOTA GASOLINE

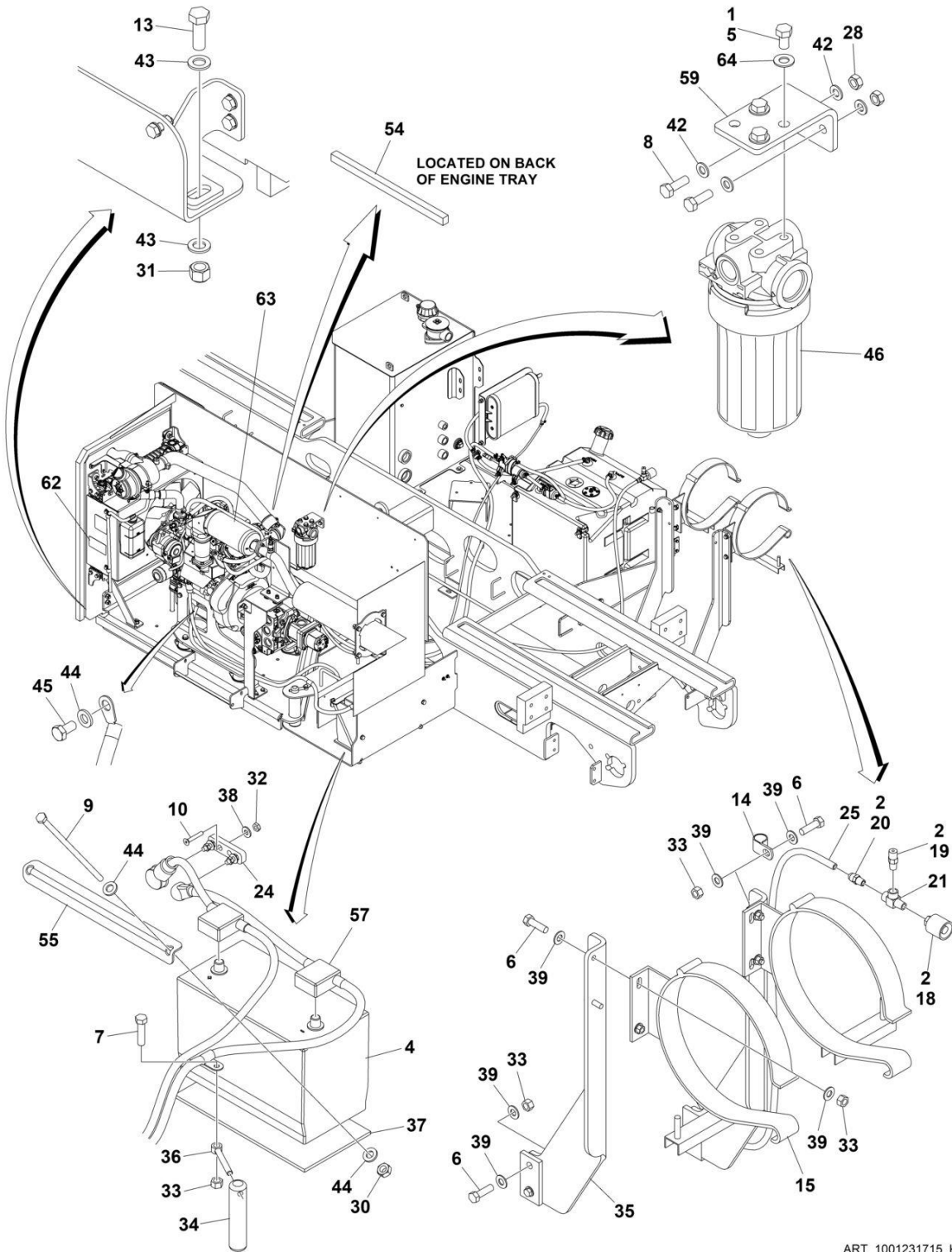
| ITEM | PART NUMBER | QTY | DESCRIPTION | REV |
|------|-------------|-----|--|-----|
| | 1001184654 | Ref | ENGINE ASSEMBLY - KUBOTA GASOLINE | M |
| 1 | 0340045 | 1 | Band, Mounting | |
| 2 | 0700610 | 3 | Bolt M6 x 20 | |
| 3 | 0700619 | 4 | Bolt M6 x 55 | |
| 6 | 0701222 | 4 | Bolt M12 x 70 | |
| 7 | 0760607 | 2 | Bolt M6 x 14 | |
| 8 | 0760608 | AR | Bolt M6 x 16 | |
| 10 | 0760808 | 10 | Bolt M8 x 16 | |
| 11 | 0760815 | AR | Bolt M8 x 35 | |
| 13 | 0761015 | 4 | Bolt M10 x 35 | |
| 14 | 0761016 | 6 | Bolt M10 x 40 | |
| 15 | 0961986 | 2 | Bearing, Flange | |
| 17 | 1001191832 | AR | Nut M8 | |
| 18 | 1001178636 | AR | Nut M6 | |
| 19 | 3290605 | AR | Nut M6 | |
| 21 | 3290805 | AR | Nut M8 | |
| 22 | 3291001 | 4 | Nut M10 | |
| 23 | 3291201 | 4 | Nut M12 | |
| 24 | 4811700 | AR | Washer M6 | |
| 25 | 4811900 | AR | Washer M8 | |
| 26 | 4812000 | 16 | Washer M10 | |
| 27 | 5241200 | 4 | Washer M12 | |
| 28 | 5241000 | 8 | Washer M10 | |
| 32 | 8405009 | 1 | Clamp | |
| 33 | 8405101 | 2 | Clamp | |
| 34 | 8405104 | 5 | Clamp | |
| 35 | 85941016 | 2 | Clamp | |
| 38 | 1001118280 | 1 | Air Filter Assembly | |
| 38 | 7015004 | 2 | Element | |
| 38 | 7015005 | 1 | Cover Assembly | |
| 38 | 1340069 | 1 | Valve, Vacuator | |
| 39 | 1001118538 | 1 | Fan | |
| 40 | 1001118539 | 1 | Fan, Spacer | |
| 41 | 1001118746 | 8 | Bolt M10 x 25 | |
| 42 | 1001146043 | 1 | Elbow | |
| 43 | 1001161497 | 1 | Valve Oil Drain | |
| 44 | 1001165035 | 1 | Hose | |
| 45 | 1001168018 | 4 | Washer | |
| 49 | 1001169138 | 4 | Pad | |
| 50 | 1001169967 | 2 | Bracket, Radiator | |
| 51 | 1001170035 | 2 | Bracket, Radiator | |
| 52 | 1001187235 | 4 | Mount, Motor | |
| 53 | 1001224493 | 1 | Engine Components - Kubota Gasoline (See Separate Breakdown in this Section) | |
| 54 | 1001220957 | 1 | Radiator & Shroud Assembly | |
| 54 | 1001198726 | 1 | Radiator | |
| 54 | 70007502 | 1 | Valve, Drain | |
| 54 | 1001220959 | 1 | Shroud | |
| 55 | 1001181649 | 1 | Tray, Engine | |
| 56 | 1001181658 | 1 | Plate, Radiator Mounting | |

SECTION 3 - ENGINE

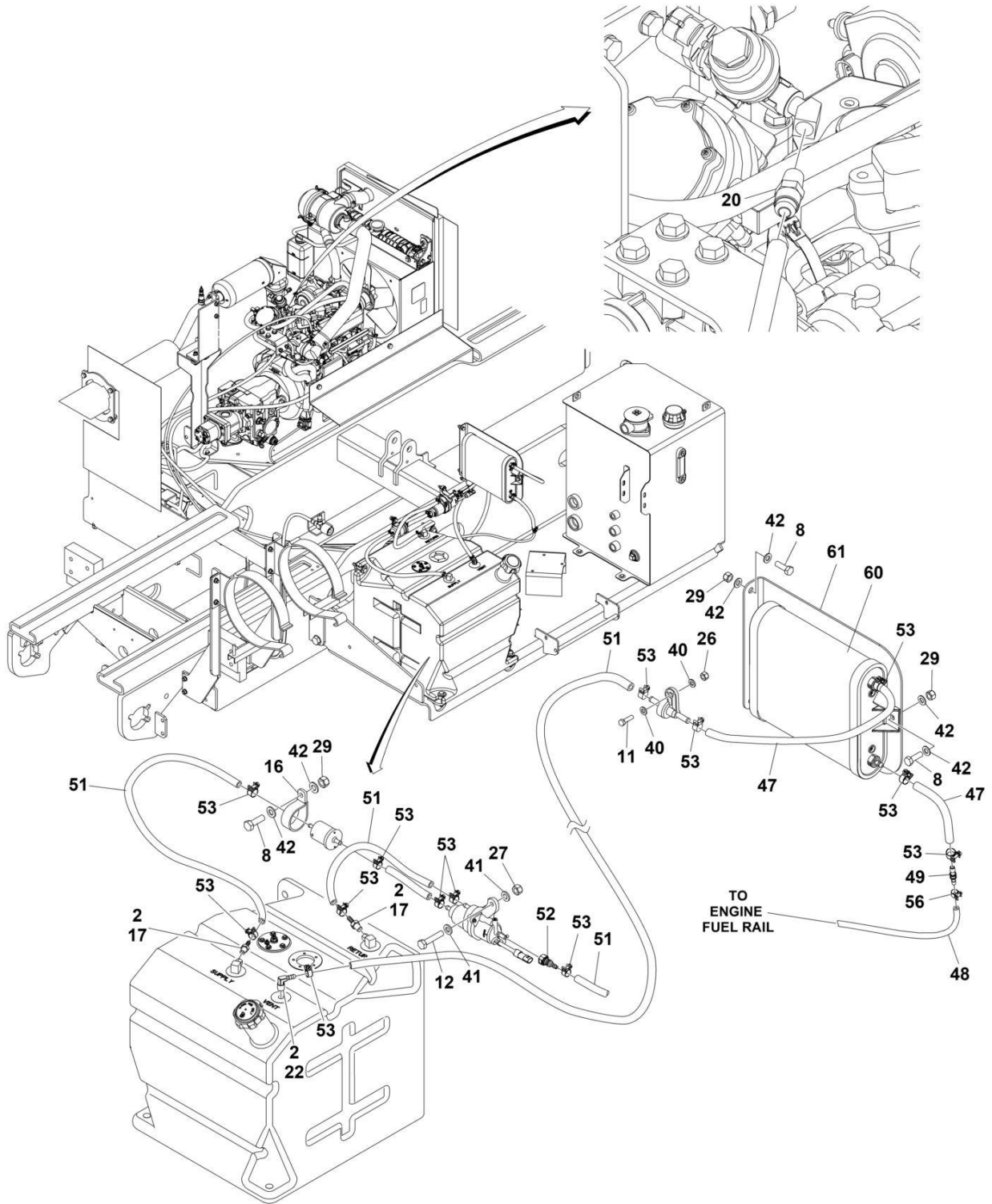
| ITEM | PART NUMBER | QTY | DESCRIPTION | REV |
|------|-------------|-----------------|--|-----|
| 57 | 1001181659 | 1 | Hose, Radiator (Upper) | |
| 58 | 1001181739 | 1 | Seal | |
| 59 | 1001181829 | 1 | Coupling Kit - Gasoline Engines (See Separate Breakdown in this Section) | |
| 60 | 1001182980 | 1 | Bracket, Air Cleaner | |
| 61 | 1001182981 | 1 | Bracket, Tray | |
| 62 | 1001182982 | 1 | Mount | |
| 63 | 1001182983 | 1 | Tube, Intake | |
| 64 | 1001182984 | 1 | Bracket, Support | |
| 65 | 1001247403 | 1 | Foam, Baffle | |
| 69 | 1001183424 | 1 | Foam, Baffle | |
| 70 | 1001183427 | 1 | Tube, Coolant | |
| 71 | 1001183428 | 1 | Mount, Engine (RH) | |
| 72 | 1001183429 | 1 | Mount, Engine (LH) | |
| 75 | 1001184064 | 1 | Tube, Intake | |
| 76 | 1001184066 | 1 | Foam, Baffle | |
| 77 | 0100011 | AR | Compound, Locking | |
| 78 | 0700814 | 8 | Bolt, M8 x 30 | |
| 79 | 1703162 | 2 | Decal - Fan Blade | |
| 80 | 3291005 | 6 | Nut M10 | |
| 81 | 1001213847 | 1 | Tube, Exhaust | |
| 82 | 1001169054 | 4 | Isolator, Radiator | |
| 86 | 1001180620 | AR | Compound, Locking | |
| 87 | 1001210708 | 1 | Sleeve, Insulation | |
| 88 | 1001181625 | 50 in/ 127cm | Hose | |
| 89 | 8410013 | 4 | Clamp | |

SECTION 3 - ENGINE

FIGURE 3-11. ENGINE INSTALLATION - KUBOTA GASOLINE WITH GENERATOR



SECTION 3 - ENGINE



ART_1001231715_K_2OF2

SECTION 3 - ENGINE

FIGURE 3-11. ENGINE INSTALLATION - KUBOTA GASOLINE WITH GENERATOR

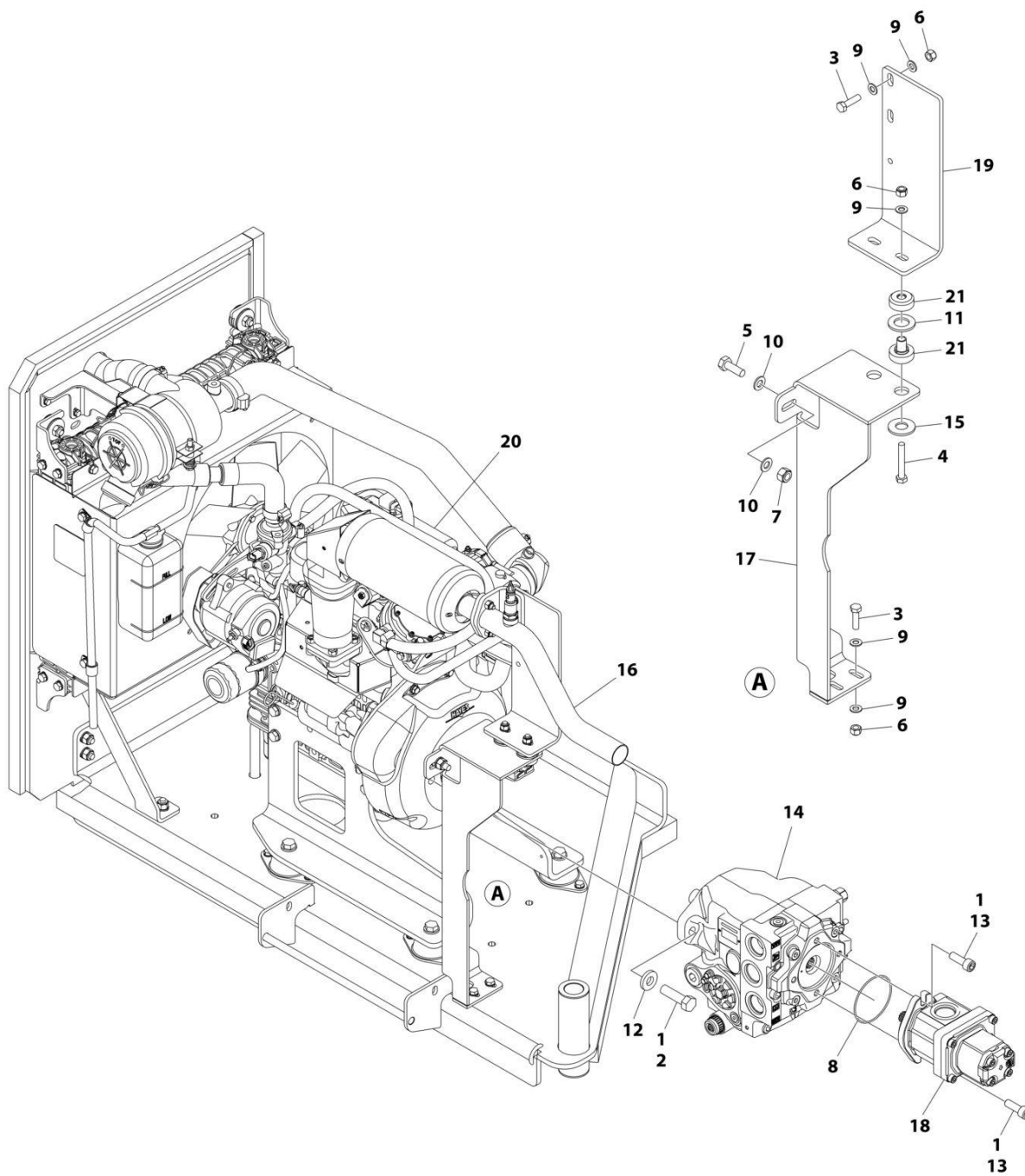
| ITEM | PART NUMBER | QTY | DESCRIPTION | REV |
|------|-------------|--------------|---------------------------------------|-----|
| | 1001231715 | Ref | ENGINE INSTALLATION - KUBOTA GASOLINE | K |
| 1 | 0100011 | AR | Compound, Locking | |
| 2 | 0100020 | AR | Sealant | |
| 4 | 0400075 | 1 | Battery | |
| 5 | 0761010 | 3 | Bolt M10 x 20 | |
| 6 | 0641610 | 9 | Bolt 3/8 x 1-1/4 | |
| 7 | 0641612 | 1 | Bolt 3/8 x 1-1/2 | |
| 8 | 0700812 | 7 | Bolt M8 x 25 | |
| 9 | 0701047 | 2 | Bolt M10 x 300 | |
| 10 | 0741010 | 2 | Screw 10 x 1-1/4 | |
| 11 | 0760512 | 1 | Bolt M5 x 25 | |
| 12 | 0760614 | 3 | Bolt M6 x 30 | |
| 13 | 0761617 | 1 | Bolt M16 x 45 | |
| 14 | 1320061 | 1 | Clamp | |
| 15 | 1320220 | 1 | LP Clamp Kit | |
| 15 | 4400420 | 1 | Tank, LP - Steel (Not Shown) | |
| 15 | 4400275 | 1 | Tank, LP - Aluminum (Not Shown) | |
| 16 | 1320265 | 1 | Clamp | |
| 17 | 2180348 | 2 | Fitting, NPT/Barbed | |
| 18 | 2180387 | 1 | Fitting, Tank Connector | |
| 19 | 2180389 | 1 | Fitting, Relief Valve - LP | |
| 20 | 2180418 | 2 | Fitting | |
| 21 | 2220290 | 1 | Fitting, Tee | |
| 22 | 2221176 | 1 | Fitting, 90 | |
| 24 | 2400044 | 1 | Block, Fuse Mounting | |
| 25 | 2720611 | 1 | Hose | |
| 26 | 3290505 | 1 | Nut M5 | |
| 27 | 3290605 | 3 | Nut M6 | |
| 28 | 3290801 | 2 | Nut M8 | |
| 29 | 3290805 | 5 | Nut M8 | |
| 30 | 3291001 | 2 | Nut M10 | |
| 31 | 3291605 | 1 | Nut M16 | |
| 32 | 3300408 | 2 | Nut | |
| 33 | 3311605 | 10 | Nut 3/8 | |
| 34 | 3422669 | 1 | Pin | |
| 35 | 3573440 | 2 | Plate, Mounting | |
| 36 | 3841143 | 1 | Keeper Pin | |
| 37 | 3980007 | 1 | Seat, Battery | |
| 38 | 4711400 | 2 | Washer 1/4 | |
| 39 | 4711600 | AR | Washer 3/8 | |
| 40 | 4811600 | 2 | Washer M5 | |
| 41 | 4811700 | 6 | Washer M6 | |
| 42 | 4811900 | 14 | Washer M8 | |
| 43 | 4812300 | 2 | Washer M16 | |
| 44 | 5241000 | 5 | Washer M10 | |
| 45 | 8303511 | 1 | Capscrew M10 x 20 | |
| 46 | 1001208874 | 1 | Filter, Charge Pump | |
| 46 | 70010383 | 1 | Element (Includes O-Ring) | |
| 47 | 1001129255 | 30 in/ 75 cm | Hose | |

SECTION 3 - ENGINE

| ITEM | PART NUMBER | QTY | DESCRIPTION | REV |
|------|-------------|-----------------|---|-----|
| 48 | 1001129256 | 9.5 ft/ 2.8m | Hose | |
| 49 | 1001131391 | 1 | Coupling, Fuel Line | |
| 50 | 1001146588 | 1 | Tie-Strap | |
| 51 | 1001300357 | 16 ft/ 4.8m | Hose | |
| 52 | 1001174093 | 1 | Coupling, Quick Connect | |
| 53 | 1001174486 | 14 | Clamp | |
| 54 | 1001183421 | 1 | Foam, Baffle | |
| 55 | 1001184065 | 1 | Bracket, Hold Down | |
| 56 | 1001185585 | 2 | Clamp, Hose | |
| 57 | 1001186429 | 1 | Battery Cable Kit (See Separate Breakdown in ELECTRICAL SECTION) | |
| 59 | 1001194836 | 1 | Bracket | |
| 60 | 1001225420 | 1 | Canister, Carbon | |
| 61 | 1001225421 | 1 | Bracket | |
| 62 | 1001262941 | 1 | Decal - EPA Evaporation 2020 Standards | |
| 62 | 1001274101 | 1 | Decal - EPA Evaporation 2021 Standards | |
| 62 | 1001288395 | 1 | Decal - EPA Evaporation 2022 Standards | |
| 62 | 1001299769 | 1 | Decal - EPA Evaporation 2023 Standards | |
| 63 | 1001231716 | 1 | Engine and Pump Sub-Assembly (See Separate Breakdown in this Section) | |
| 64 | 4812000 | 3 | Washer M10 | |

SECTION 3 - ENGINE

FIGURE 3-12. ENGINE AND PUMP SUB-ASSEMBLY - KUBOTA GASOLINE WITH GENERATOR



ART_1001231716

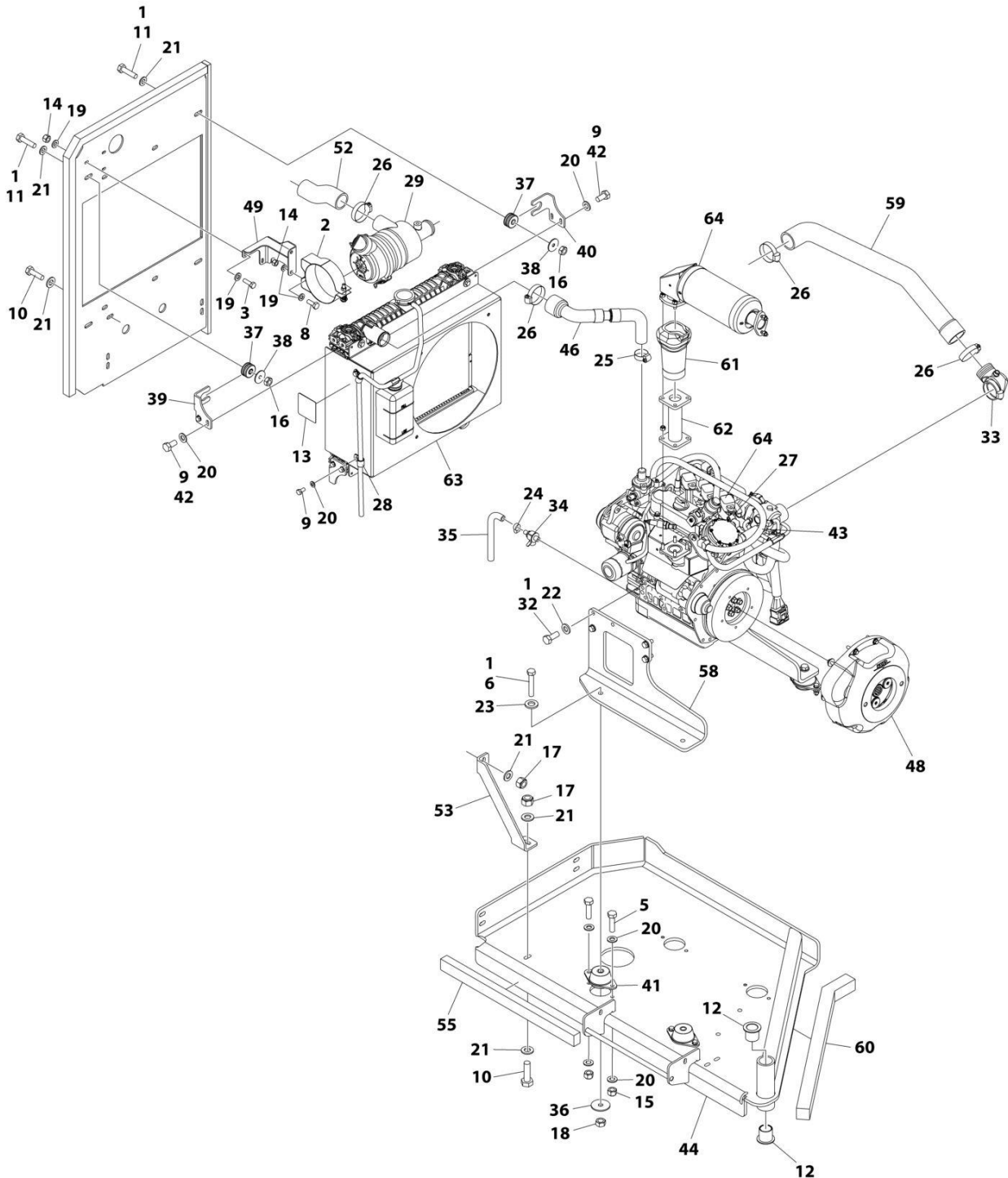
SECTION 3 - ENGINE

FIGURE 3-12. ENGINE AND PUMP SUB-ASSEMBLY - KUBOTA GASOLINE WITH GENERATOR

| ITEM | PART NUMBER | QTY | DESCRIPTION | REV |
|------|-------------|-----|---|-----|
| | 1001231716 | Ref | ENGINE AND PUMP SUB-ASSEMBLY - KUBOTA GASOLINE | B |
| 1 | 0100011 | AR | Compound, Locking | |
| 2 | 0641814 | 2 | Bolt 1/2 x 1-3/4 | |
| 3 | 0700814 | 4 | Bolt M8 x 30 | |
| 4 | 0700819 | 2 | Bolt M8 x 55 | |
| 5 | 0761014 | 1 | Bolt M10 x 30 | |
| 6 | 3290805 | 6 | Nut M8 | |
| 7 | 3291005 | 1 | Nut M10 | |
| 8 | 3790152 | 1 | O-Ring | |
| 9 | 4811900 | 10 | Washer M8 | |
| 10 | 4812000 | 2 | Washer M10 | |
| 11 | 4812500 | 2 | Washer M20 | |
| 12 | 4891800 | 2 | Washer 1/2 | |
| 13 | 83191040 | 2 | Capscrew M10 x 30 | |
| 14 | 1001101331 | 1 | Piston Pump Assembly (See Separate Breakdown in this Section) | |
| 15 | 1001169138 | 2 | Pad | |
| 16 | 1001186833 | 1 | Tube, Exhaust | |
| 17 | 1001195600 | 1 | Bracket | |
| 18 | 1001217291 | 1 | Gear Pump Assembly | |
| 18 | 70002861 | 1 | Seal Kit - 1001217291 Pump (Note: Seal Kit is only service component available) | |
| 19 | 1001226420 | 1 | Bracket, Exhaust | |
| 20 | 1001231717 | 1 | Engine Assembly - Kubota Gasoline (See Separate Breakdown in this Section) | |
| 21 | 1001125248 | 2 | Mount | |

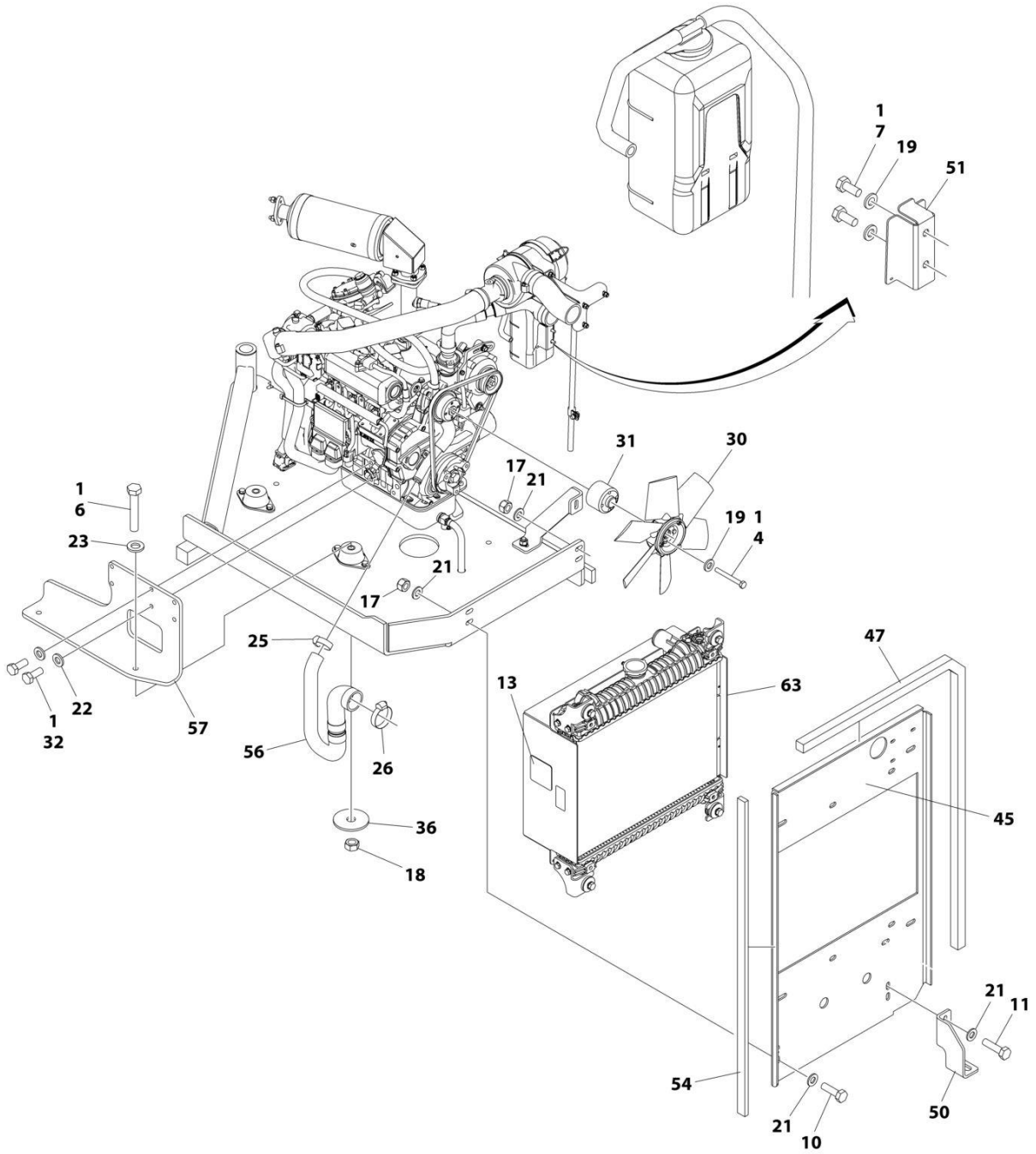
SECTION 3 - ENGINE

FIGURE 3-13. ENGINE ASSEMBLY - KUBOTA GASOLINE WITH GENERATOR



ART_1001231717_10F2_B

SECTION 3 - ENGINE



ART_1001231717_20F2_B

SECTION 3 - ENGINE

FIGURE 3-13. ENGINE ASSEMBLY - KUBOTA GASOLINE WITH GENERATOR

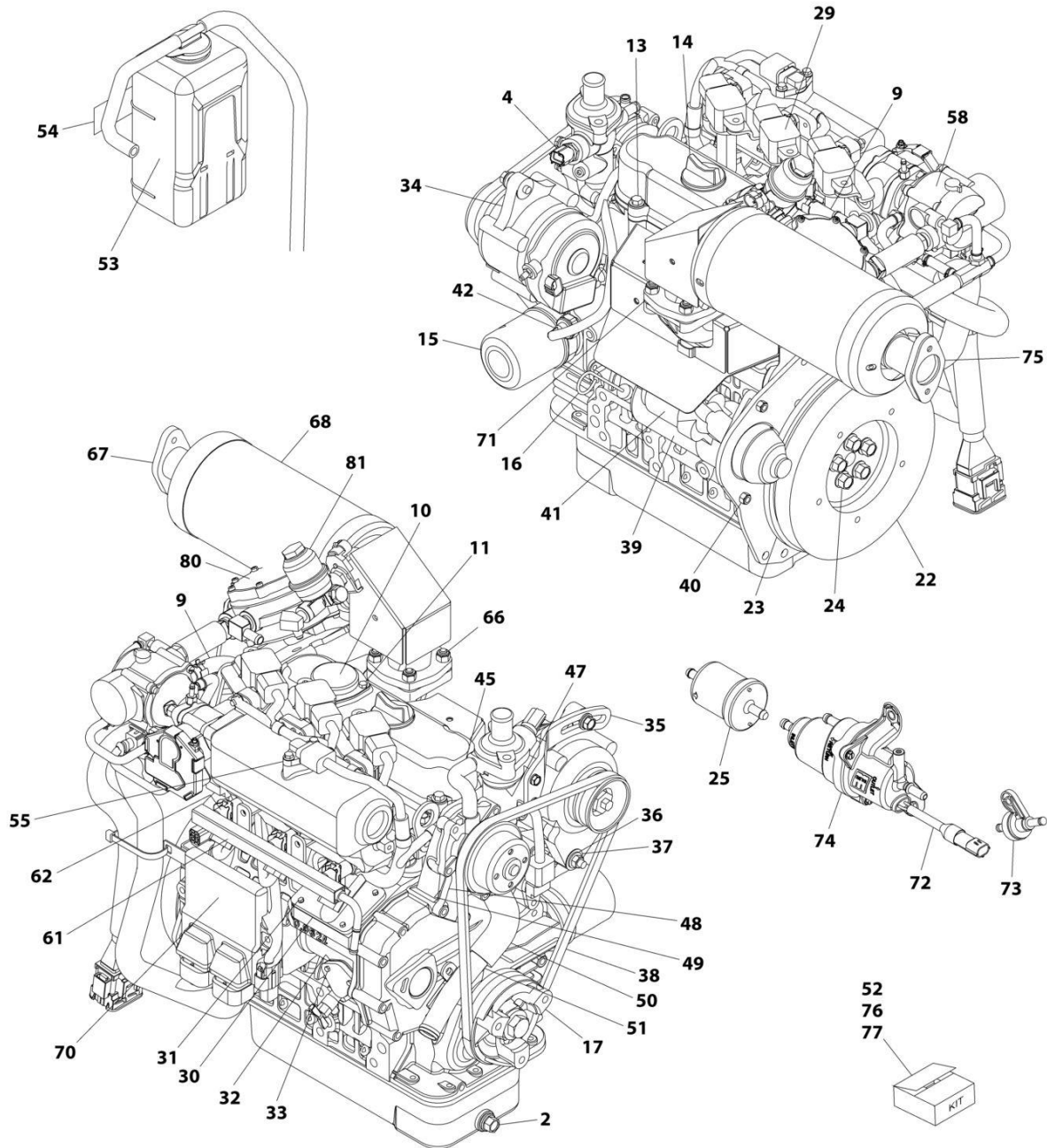
| ITEM | PART NUMBER | QTY | DESCRIPTION | REV |
|------|-------------|-----------------|-----------------------------------|-----|
| | 1001231717 | Ref | ENGINE ASSEMBLY - KUBOTA GASOLINE | B |
| 1 | 0100011 | AR | Compound, Locking | |
| 2 | 0340045 | 1 | Band, Mounting | |
| 3 | 0700610 | 3 | Bolt M6 x 20 | |
| 4 | 0700619 | 4 | Bolt M6 x 55 | |
| 5 | 0700814 | 8 | Bolt M8 x 30 | |
| 6 | 0701222 | 4 | Bolt M12 x 70 | |
| 7 | 0760607 | 2 | Bolt M6 x 14 | |
| 8 | 0760608 | 2 | Bolt M6 x 16 | |
| 9 | 0760808 | 10 | Bolt M8 x 16 | |
| 10 | 0761015 | 4 | Bolt M10 x 35 | |
| 11 | 0761016 | 6 | Bolt M10 x 40 | |
| 12 | 0961986 | 2 | Bearing, Flange | |
| 13 | 1703162 | 2 | Decal - Fan Blade | |
| 14 | 3290605 | 5 | Nut M6 | |
| 15 | 3290805 | 8 | Nut M8 | |
| 16 | 3291001 | 4 | Nut M10 | |
| 17 | 3291005 | 6 | Nut M10 | |
| 18 | 3291201 | 4 | Nut M12 | |
| 19 | 4811700 | 16 | Washer M6 | |
| 20 | 4811900 | 26 | Washer M8 | |
| 21 | 4812000 | 16 | Washer M10 | |
| 22 | 5241000 | 8 | Washer M10 | |
| 23 | 5241200 | 4 | Washer M12 | |
| 24 | 8405009 | 1 | Clamp | |
| 25 | 8405101 | 2 | Clamp | |
| 26 | 8405104 | 5 | Clamp | |
| 27 | 8410013 | 4 | Clamp | |
| 28 | 85941016 | 2 | Clamp | |
| 29 | 1001118280 | 1 | Air Filter Assembly | |
| 29 | 7015004 | 2 | Element | |
| 29 | 7015005 | 1 | Cover Assembly | |
| 29 | 1340069 | 1 | Valve, Vacuator | |
| 30 | 1001118538 | 1 | Fan | |
| 31 | 1001118539 | 1 | Fan, Spacer | |
| 32 | 1001118746 | 8 | Bolt M10 x 25 | |
| 33 | 1001146043 | 1 | Elbow | |
| 34 | 1001161497 | 1 | Valve Oil Drain | |
| 35 | 1001165035 | 1 | Hose | |
| 36 | 1001168018 | 4 | Washer | |
| 37 | 1001169054 | 4 | Isolator, Radiator | |
| 38 | 1001169138 | 4 | Pad | |
| 39 | 1001169967 | 2 | Bracket, Radiator | |
| 40 | 1001170035 | 2 | Bracket, Radiator | |
| 41 | 1001175509 | 4 | Mount, Motor | |
| 42 | 1001180620 | AR | Compound, Locking | |
| 43 | 1001181625 | 50 in/ 127cm | Hose | |
| 44 | 1001181649 | 1 | Tray, Engine | |
| 45 | 1001181658 | 1 | Plate, Radiator Mounting | |

SECTION 3 - ENGINE

| ITEM | PART NUMBER | QTY | DESCRIPTION | REV |
|------|-------------|-----|--|-----|
| 46 | 1001181659 | 1 | Hose, Radiator (Upper) | |
| 47 | 1001181739 | 1 | Seal | |
| 48 | 1001181829 | 1 | Coupling Kit - Gasoline Engines (See Separate Breakdown in this Section) | |
| 49 | 1001182980 | 1 | Bracket, Air Cleaner | |
| 50 | 1001182981 | 1 | Bracket, Tray | |
| 51 | 1001182982 | 1 | Mount | |
| 52 | 1001182983 | 1 | Tube, Intake | |
| 53 | 1001182984 | 1 | Bracket, Support | |
| 54 | 1001247403 | 1 | Foam, Baffle | |
| 55 | 1001183424 | 1 | Foam, Baffle | |
| 56 | 1001183427 | 1 | Tube, Coolant | |
| 57 | 1001183428 | 1 | Mount, Engine (RH) | |
| 58 | 1001183429 | 1 | Mount, Engine (LH) | |
| 59 | 1001184064 | 1 | Tube, Intake | |
| 60 | 1001184066 | 1 | Foam, Baffle | |
| 61 | 1001210708 | 1 | Sleeve, Insulation | |
| 62 | 1001213847 | 1 | Tube, Exhaust | |
| 63 | 1001220957 | 1 | Radiator & Shroud Assembly | |
| 63 | 1001198726 | 1 | Radiator | |
| 63 | 70007502 | 1 | Valve, Drain | |
| 63 | 1001220959 | 1 | Shroud | |
| 64 | 1001224493 | 1 | Engine Components - Kubota Gasoline (See Separate Breakdown in this Section) | |

SECTION 3 - ENGINE

FIGURE 3-14. ENGINE COMPONENTS - KUBOTA GASOLINE



ART_1001224493

SECTION 3 - ENGINE

FIGURE 3-14. ENGINE COMPONENTS - KUBOTA GASOLINE

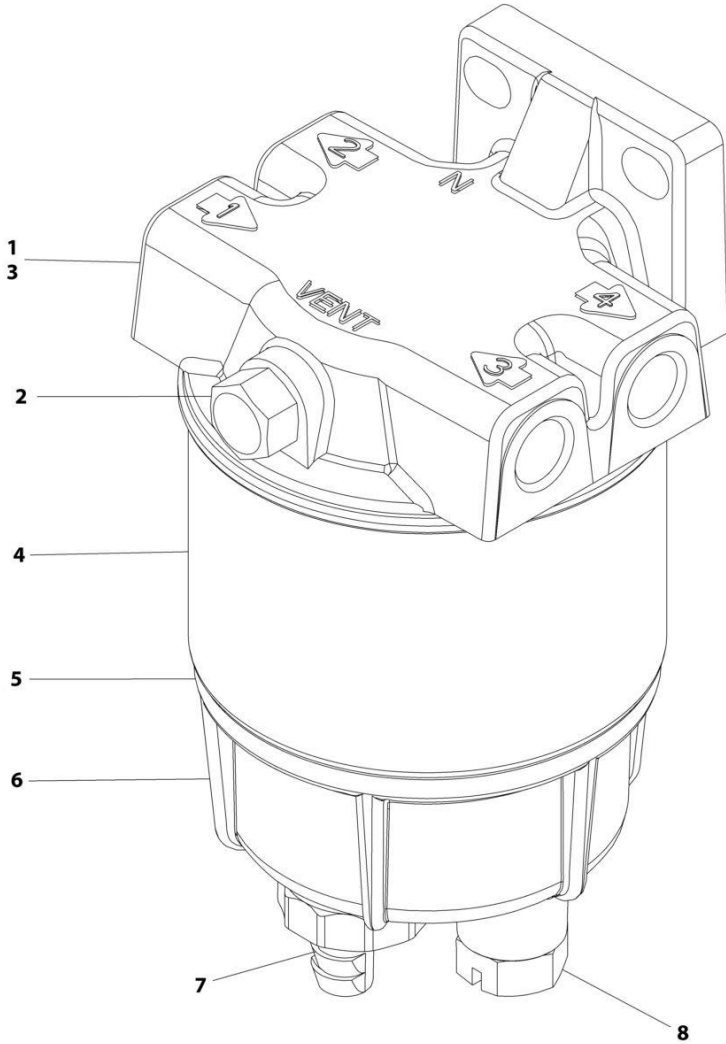
| ITEM | PART NUMBER | QTY | DESCRIPTION | REV |
|------|-------------|-----|-------------------------------------|-----|
| | 1001224493 | Ref | ENGINE COMPONENTS - KUBOTA GASOLINE | C |
| 1 | 70004524 | 1 | Drain (Not Shown) | |
| 2 | 70004525 | 1 | Plug, Drain | |
| 2 | 70004526 | 1 | Gasket | |
| 3 | 7017906 | 2 | Bolt (Not Shown) | |
| 4 | 70005726 | 1 | Sensor, Water Temperature | |
| 4 | 70005727 | 1 | Gasket | |
| 5 | 70005728 | 1 | Gasket, Head (Not Shown) | |
| 6 | 7017914 | 1 | Joint, Pipe (Not Shown) | |
| 7 | 70005729 | 1 | Seal, Oil (Not Shown) | |
| 8 | 70005730 | 1 | Sensor, Revolution (Not Shown) | |
| 9 | 7017959 | 2 | Band, Pipe | |
| 10 | 70005731 | 1 | O-Ring, Breather | |
| 10 | 70005732 | 1 | Cover, Breather | |
| 11 | 7017934 | 4 | Screw | |
| 12 | 70005733 | 1 | Gasket, Head Cover (Not Shown) | |
| 13 | 70004831 | 4 | Bolt | |
| 14 | 70002318 | 1 | Plug, Oil Filler | |
| 14 | 70004311 | 1 | O-Ring | |
| 15 | 7017980 | 1 | Filter, Oil | |
| 16 | 70005734 | 1 | Gauge, Oil | |
| 17 | 70004294 | 1 | Pump, Oil | |
| 17 | 70004295 | 1 | Gasket, Oil | |
| 18 | 70004296 | 1 | Key, Feather (Not Shown) | |
| 19 | 7017982 | 1 | Gasket, Bearing Case (Not Shown) | |
| 20 | 7017983 | 1 | Seal, Oil (Not Shown) | |
| 21 | 7017984 | 1 | Gasket, Case Cover (Not Shown) | |
| 22 | 70005735 | 1 | Gear, Ring | |
| 23 | 70005736 | 1 | Rotor | |
| 24 | 70004834 | 5 | Bolt | |
| 25 | 7017992 | 1 | Fuel, Filter | |
| 26 | 70005737 | 1 | Sensor, Stick (Not Shown) | |
| 27 | 70005738 | 1 | Holder, Sensor (Not Shown) | |
| 28 | 70005739 | 3 | Spark Plug (Not Shown) | |
| 29 | 70005740 | 3 | Coil, Ignition | |
| 30 | 7017986 | 1 | Gasket | |
| 31 | 70004538 | 2 | Packing | |
| 32 | 7017995 | 1 | Gasket, Fuel Pump | |
| 33 | 70004848 | 2 | Bolt | |
| 34 | 70006661 | 1 | Alternator - 60Amp | |
| 35 | 70006662 | 1 | Bracket, Adjustment | |
| 36 | 70004557 | 1 | Washer | |
| 37 | 70004558 | 1 | Washer, Spring Lock | |
| 38 | 7023107 | 1 | V-Belt | |
| 39 | 70005743 | 1 | Starter | |
| 40 | 70005329 | 5 | Nut | |
| 41 | 70005744 | 1 | Magnetic, Switch | |
| 42 | 70005745 | 1 | Switch, Oil Pressure | |
| 43 | 70004829 | 1 | Pipe, Water Return (Not Shown) | |
| 44 | 70004306 | 1 | Gasket, Water Flange (Not Shown) | |

SECTION 3 - ENGINE

| ITEM | PART NUMBER | QTY | DESCRIPTION | REV |
|------|-------------|-----|--------------------------------------|-----|
| 45 | 70004851 | 1 | Pipe, Water Return | |
| 46 | 7023170 | 1 | Thermostat (Not Shown) | |
| 47 | 70002326 | 1 | Gasket, Thermostat | |
| 48 | 70004853 | 1 | Pump, Water | |
| 49 | 70004854 | 1 | Gasket, Water Pump | |
| 50 | 70004912 | 1 | Hose, Water | |
| 51 | 70004913 | 2 | Band, Pipe | |
| 52 | 70005229 | 1 | Coolant Tank Kit | |
| 53 | 4400498 | 1 | Tank, Coolant | |
| 54 | 70004401 | 1 | Decal - Instruction | |
| 55 | 70005746 | 1 | Sensor (TMAP) | |
| 56 | 70005747 | 1 | O-Ring (Not Shown) | |
| 57 | 7017994 | 2 | Gasket, Air Cleaner (Not Shown) | |
| 58 | 70005748 | 1 | Mixer | |
| 59 | 70004537 | 1 | Screw, Air Bleeder (Not Shown) | |
| 60 | 70005749 | 1 | Gasket, In-Manifold (Not Shown) | |
| 61 | 70005750 | 1 | Rail, Fuel Ignition | |
| 62 | 70005751 | 3 | Injector | |
| 63 | 70005752 | 1 | Gasket, Exhaust Manifold (Not Shown) | |
| 64 | 70005753 | 3 | Bolt, Stud (Not Shown) | |
| 65 | 70005327 | 6 | Nut (Not Shown) | |
| 66 | 70005754 | 4 | Bolt, Stud | |
| 67 | 70005755 | 1 | Muffler | |
| 68 | 70005756 | 1 | Cover, Muffler | |
| 69 | 70005757 | 1 | Harness, Wire (ECU) (Not Shown) | |
| 70 | 70005758 | 1 | Module, Engine Control (ECU) | |
| 71 | 70005759 | 2 | Gasket, Muffler | |
| 72 | 70005760 | 2 | Sensor, O2 | |
| 73 | 70005762 | 1 | Valve, 2 Way | |
| 74 | 70005761 | 1 | Pump, Fuel | |
| 75 | 70005763 | 1 | Gasket, Muffler | |
| 76 | 70005764 | 1 | Upper Gasket Kit | |
| 77 | 70005765 | 1 | Lower Gasket Kit | |
| 78 | 70005766 | 1 | Cable Assembly (ECOM) (Not Shown) | |
| 79 | 70005767 | 1 | Adapter (ECOM) (Not Shown) | |
| 80 | 70005768 | 1 | Regulator | |
| 81 | 70005769 | 1 | Valve, Lockoff | |

SECTION 3 - ENGINE

FIGURE 3-15. FUEL/WATER SEPARATOR ASSEMBLY - DIESEL ENGINES



ART_1001190609

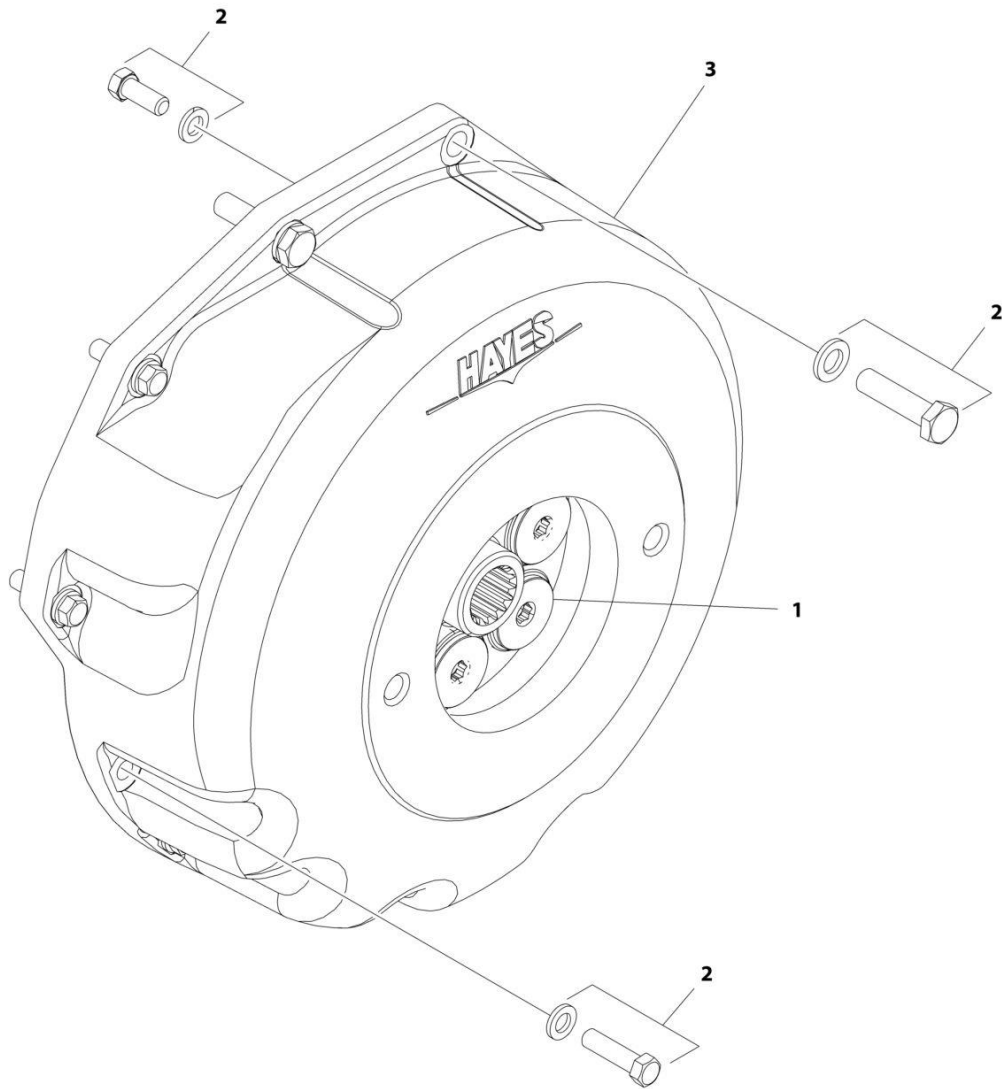
SECTION 3 - ENGINE

FIGURE 3-15. FUEL/WATER SEPARATOR ASSEMBLY - DIESEL ENGINES

| ITEM | PART NUMBER | QTY | DESCRIPTION | REV |
|------|-------------|-----|--|-----|
| | 1001190609 | Ref | FUEL/WATER SEPARATOR ASSEMBLY - DIESEL ENGINES | B |
| 1 | 70005293 | 1 | Head, Mounting | |
| 2 | 70005294 | 1 | Plug | |
| 3 | 70005295 | 1 | Gasket, Head | |
| 4 | 70005296 | 1 | Element | |
| 5 | 70005297 | 1 | O-Ring | |
| 6 | 70002901 | 1 | Bowl | |
| 7 | 70004070 | 1 | Drain, Self Venting | |
| 8 | 70004069 | 1 | Plug | |

SECTION 3 - ENGINE

FIGURE 3-16. COUPLING KIT - DIESEL ENGINES



ART_1001118675

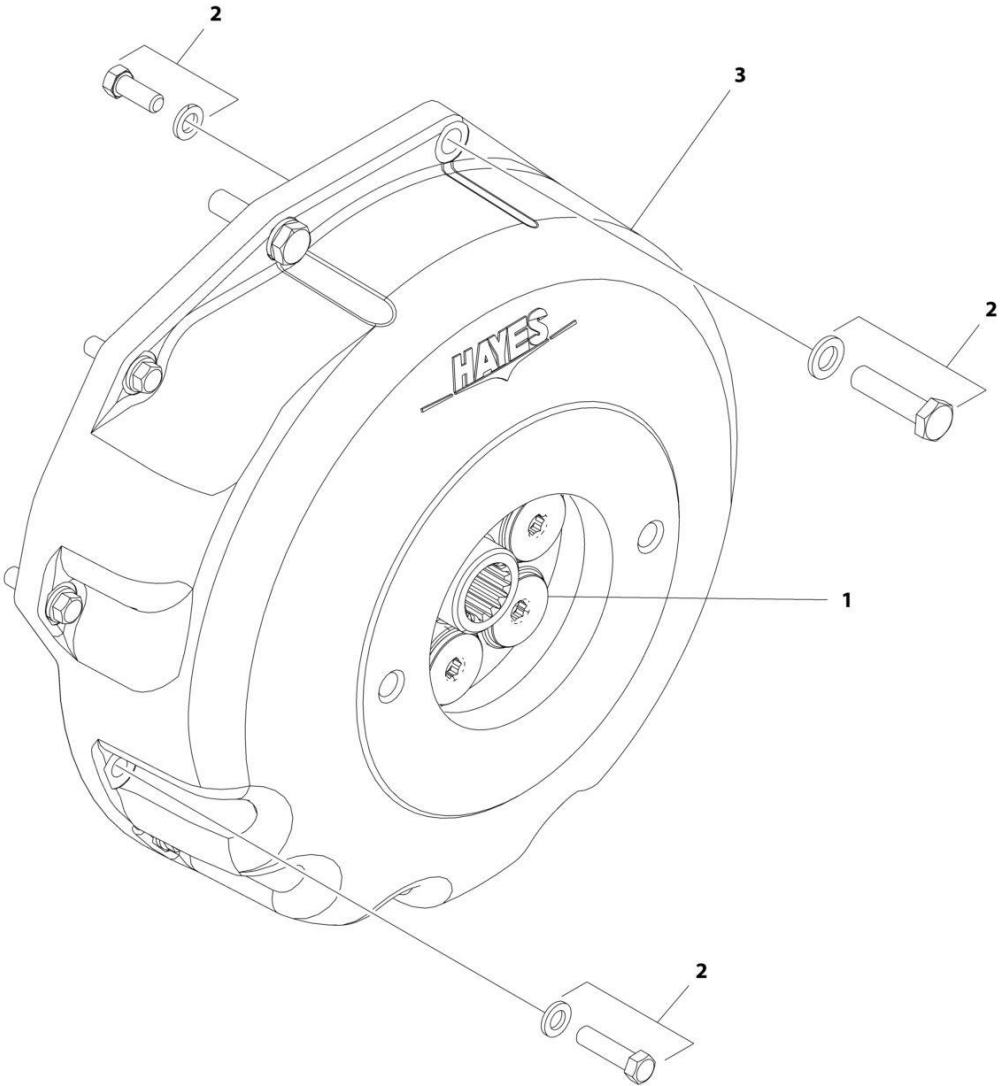
SECTION 3 - ENGINE

FIGURE 3-16. COUPLING KIT - DIESEL ENGINES

| ITEM | PART NUMBER | QTY | DESCRIPTION | REV |
|------|-------------|-----|------------------------------------|-----|
| | 1001118675 | Ref | COUPLING KIT - DIESEL ENGINES | A |
| 1 | 70001933 | 1 | Coupling Assembly | |
| 2 | 70005453 | 1 | Bolt Kit | |
| 3 | See Note | NSS | Housing (Note: Use p/n 1001118675) | |

SECTION 3 - ENGINE

FIGURE 3-17. COUPLING KIT - GASOLINE ENGINES



ART_1001181829

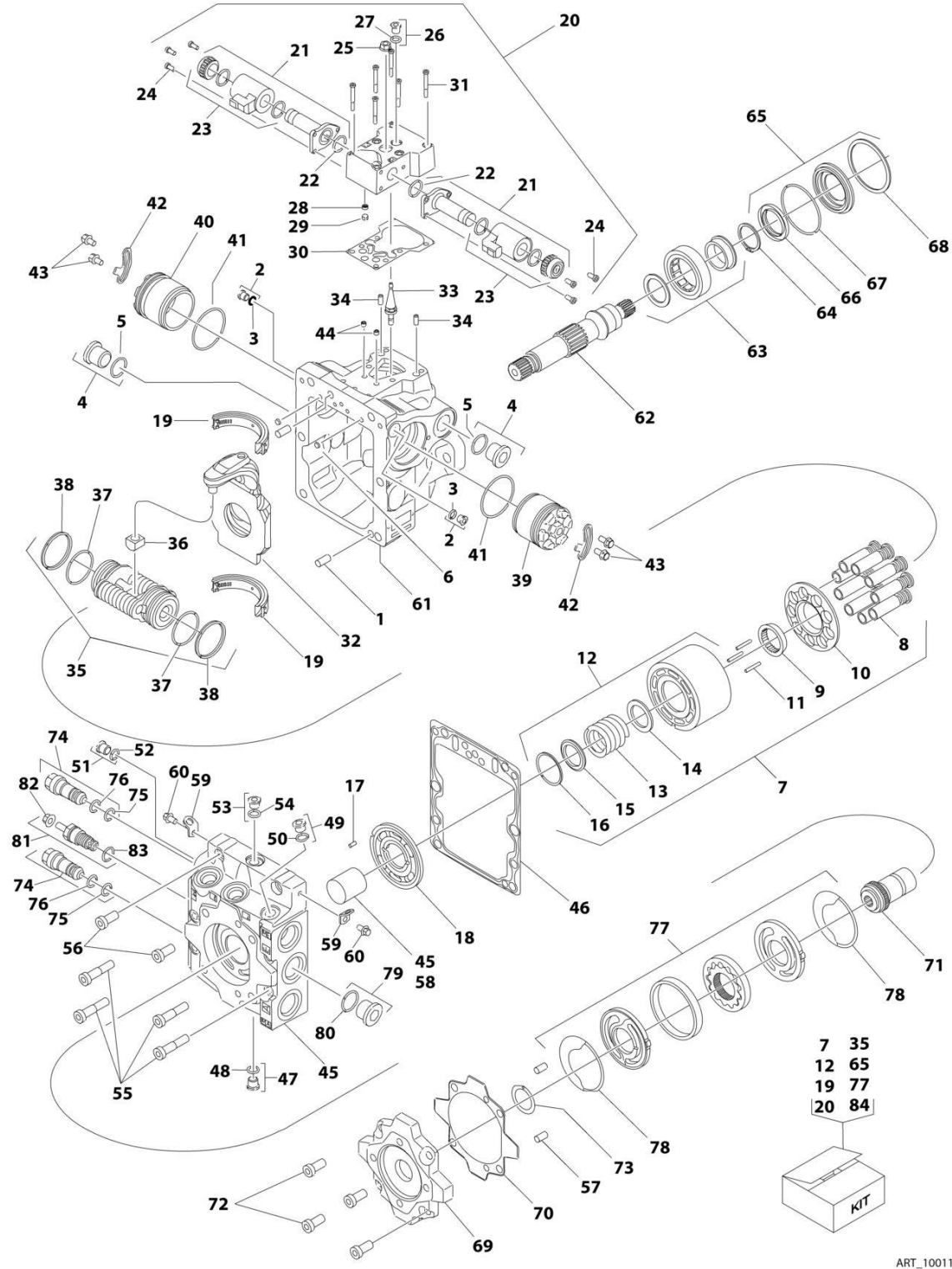
SECTION 3 - ENGINE

FIGURE 3-17. COUPLING KIT - GASOLINE ENGINES

| ITEM | PART NUMBER | QTY | DESCRIPTION | REV |
|------|-------------|-----|------------------------------------|-----|
| | 1001181829 | Ref | COUPLING KIT - GASOLINE ENGINES | B |
| 1 | 70005455 | 1 | Coupling Assembly | |
| 2 | 70005454 | 1 | Bolt Kit | |
| 3 | See Note | NSS | Housing (Note: Use p/n 1001181829) | |

SECTION 3 - ENGINE

FIGURE 3-18. PISTON PUMP ASSEMBLY



ART_1001101331

SECTION 3 - ENGINE

FIGURE 3-18. PISTON PUMP ASSEMBLY

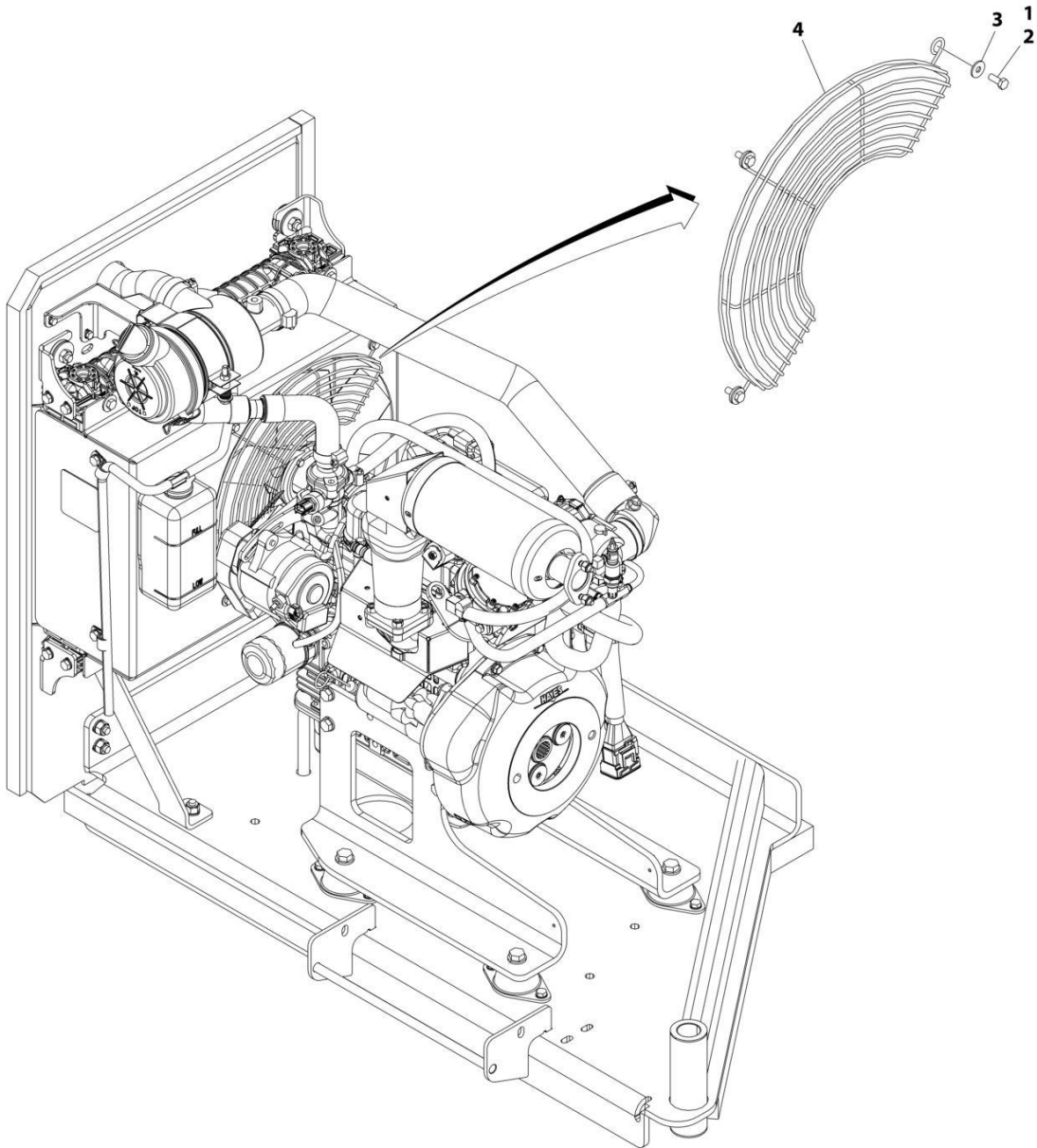
| ITEM | PART NUMBER | QTY | DESCRIPTION | REV |
|------|-------------|-----|---|-----|
| | 1001101331 | Ref | PISTON PUMP ASSEMBLY | E |
| 1 | 70002132 | 2 | Pin | |
| 2 | 70002133 | 2 | Plug Assembly (Includes Item 3) | |
| 3 | 7007207 | 2 | O-Ring (Part of Item 2) | |
| 4 | 7007419 | 2 | Plug Assembly (Includes Item 5) | |
| 5 | 7007418 | 2 | O-Ring (Part of Item 4) | |
| 6 | 70002134 | 2 | Screen | |
| 7 | 70002135 | 1 | Cylinder Block Kit (Includes Items 8-16) | |
| 8 | 70002136 | 1 | Piston Assembly Kit (Includes Qty 9 Piston Assemblies) (Part of Item 7) | |
| 9 | 70002137 | 1 | Guide, Slipper Retainer (Part of Item 7) | |
| 10 | 70002138 | 1 | Retainer, Slipper (Part of Item 7) | |
| 11 | 7021275 | 3 | Pin, Slipper Retainer Hold Down (Part of Item 7) | |
| 12 | 70002143 | 1 | Cylinder Block Assembly (Includes Items 13-16) (Part of Item 7) | |
| 13 | 70002139 | 1 | Spring (Part of Item 12) | |
| 14 | 70002140 | 1 | Washer (Part of Item 12) | |
| 15 | 70002141 | 1 | Washer (Part of Item 12) | |
| 16 | 70002142 | 1 | Ring, Retaining (Part of Item 12) | |
| 17 | 7007446 | 1 | Pin | |
| 18 | 70002144 | 1 | Plate, CW Valve | |
| 19 | 70002145 | 1 | Swash Plate Bearing Kit (Includes Qty 2 Bearings) | |
| 20 | 70002146 | 1 | EDC Kit (Includes Items 21-31) | |
| 21 | 70002147 | 2 | Solenoid Valve Assembly (Includes Item 22 & 23) (Part of Item 20) | |
| 22 | 70002148 | 2 | O-Ring (1 Per Valve Assembly) (Part of Item 21) | |
| 23 | 70002149 | 2 | Coil, Nut and Seals Kit (1 Per Valve Assembly) (Part of Item 21) | |
| 24 | 70002150 | 6 | Screw (Part of Item 20) | |
| 25 | 7022301 | 1 | Nut, Seal (Part of Item 20) | |
| 26 | 70002151 | 1 | Plug Assembly (Part of Item 20) (Includes Item 27) | |
| 27 | 7007207 | 1 | O-Ring (Part of Item 26) | |
| 28 | 70002134 | 1 | Screen (Part of Item 20) | |
| 29 | 70002153 | 1 | Ring, Locking (Part of Item 20) | |
| 30 | 70002154 | 1 | Gasket, Control (Part of Item 20) | |
| 31 | 70002156 | 6 | Capscrew (Part of Item 20) | |
| 32 | 70002152 | 1 | Swash Plate | |
| 33 | 70002155 | 1 | Link, Swash Plate | |
| 34 | 70002157 | 2 | Pin, Dowel | |
| 35 | 70002158 | 1 | Servo Piston Assembly (Includes Items 36-38) | |
| 36 | 70002159 | 1 | Block, Slider (Part of Item 35) | |
| 37 | 70002160 | 2 | O-Ring (Part of Item 35) | |
| 38 | 70002161 | 2 | Ring, Piston (Part of Item 35) | |
| 39 | 70002162 | 1 | Cylinder, Servo | |
| 40 | 70002162 | 1 | Cylinder, Servo | |
| 41 | 70002163 | 2 | O-Ring | |
| 42 | 70002164 | 2 | Plate, Locking | |
| 43 | 70002165 | 4 | Screw | |
| 44 | 70002166 | 2 | Orifice | |
| 45 | 70002167 | 1 | Cap, End (Includes Item 58) | |
| 46 | 70002168 | 1 | Gasket, End Cap | |
| 47 | 70002158 | 1 | Plug Assembly (Includes Item 48) | |

SECTION 3 - ENGINE

| ITEM | PART NUMBER | QTY | DESCRIPTION | REV |
|------|-------------|-----|--|-----|
| 48 | 7021256 | 1 | O-Ring (Part of Item 47) | |
| 49 | 70001958 | 1 | Plug Assembly (Includes Item 50) | |
| 50 | 7021256 | 1 | O-Ring (Part of Item 49) | |
| 51 | 70001958 | 1 | Plug Assembly (Includes Item 52) | |
| 52 | 7021256 | 1 | O-Ring (Part of Item 51) | |
| 53 | 70001958 | 1 | Plug Assembly (Includes Item 54) | |
| 54 | 7021256 | 1 | O-Ring (Part of Item 53) | |
| 55 | 70002169 | 4 | Capscrew | |
| 56 | 70002170 | 2 | Capscrew | |
| 57 | 70002132 | 2 | Pin | |
| 58 | 70002172 | 1 | Bearing, Journal (Part of Item 45) | |
| 59 | 7022340 | 2 | Bracket, Lifting | |
| 60 | 70002165 | 2 | Screw | |
| 61 | See Note | 1 | Housing (Note: Purchase p/n 1001101331) | |
| 62 | 70002175 | 1 | Shaft | |
| 63 | 70002176 | 1 | Ball Bearing Kit | |
| 64 | 70007439 | 1 | Ring, Retaining | |
| 65 | 70002174 | 1 | Shaft Seal Kit (Includes Items 66-68) (Note: This is a universal kit and will contain extra pieces that are not used on this pump assembly.) | |
| 66 | 70002177 | 1 | Seal, Lip | |
| 67 | 70002178 | 1 | O-Ring | |
| 68 | 70002179 | 1 | Ring, Retaining | |
| 69 | 70002180 | 1 | Adapter | |
| 70 | 70002181 | 1 | Seal, Adapter | |
| 71 | 70002182 | 1 | Coupling | |
| 72 | 70002185 | 4 | Capscrew | |
| 73 | 70002186 | 1 | Plate, Thrust | |
| 74 | 70002188 | 2 | High Pressure Relief Valve Cartridge Assembly (Includes Item 75 & 76) | |
| 75 | 70002187 | 2 | O-Ring (1 Per Cartridge) (Part of Item 74) | |
| 76 | 7007415 | 2 | O-Ring (1 Per Cartridge) (Part of Item 74) | |
| 77 | 70002189 | 1 | Charge Pump Kit (Includes Item 78) | |
| 78 | 70002190 | 2 | Ring, Seal (Part of Item 77) | |
| 79 | 7023964 | 1 | Plug Assembly (Includes Item 80) | |
| 80 | 7007415 | 1 | O-Ring (Part of Item 79) | |
| 81 | 70002191 | 1 | Charge Relief Valve Cartridge Assembly (Includes Item 82 & 83) | |
| 82 | 70002187 | 1 | Nut, Seal (Part of Item 81) | |
| 83 | 7007415 | 1 | O-Ring (Part of Item 81) | |
| 84 | 70002192 | 1 | Overhaul Seal Kit (Includes Items 3, 5, 22, 27, 30, 37, 38, 41, 48, 50, 52, 54, 66, 67, 70, 75, 76, 78, 82 & 83) | |

SECTION 3 - ENGINE

FIGURE 3-19. FAN GUARD INSTALLATION - KUBOTA



ART_1001220614

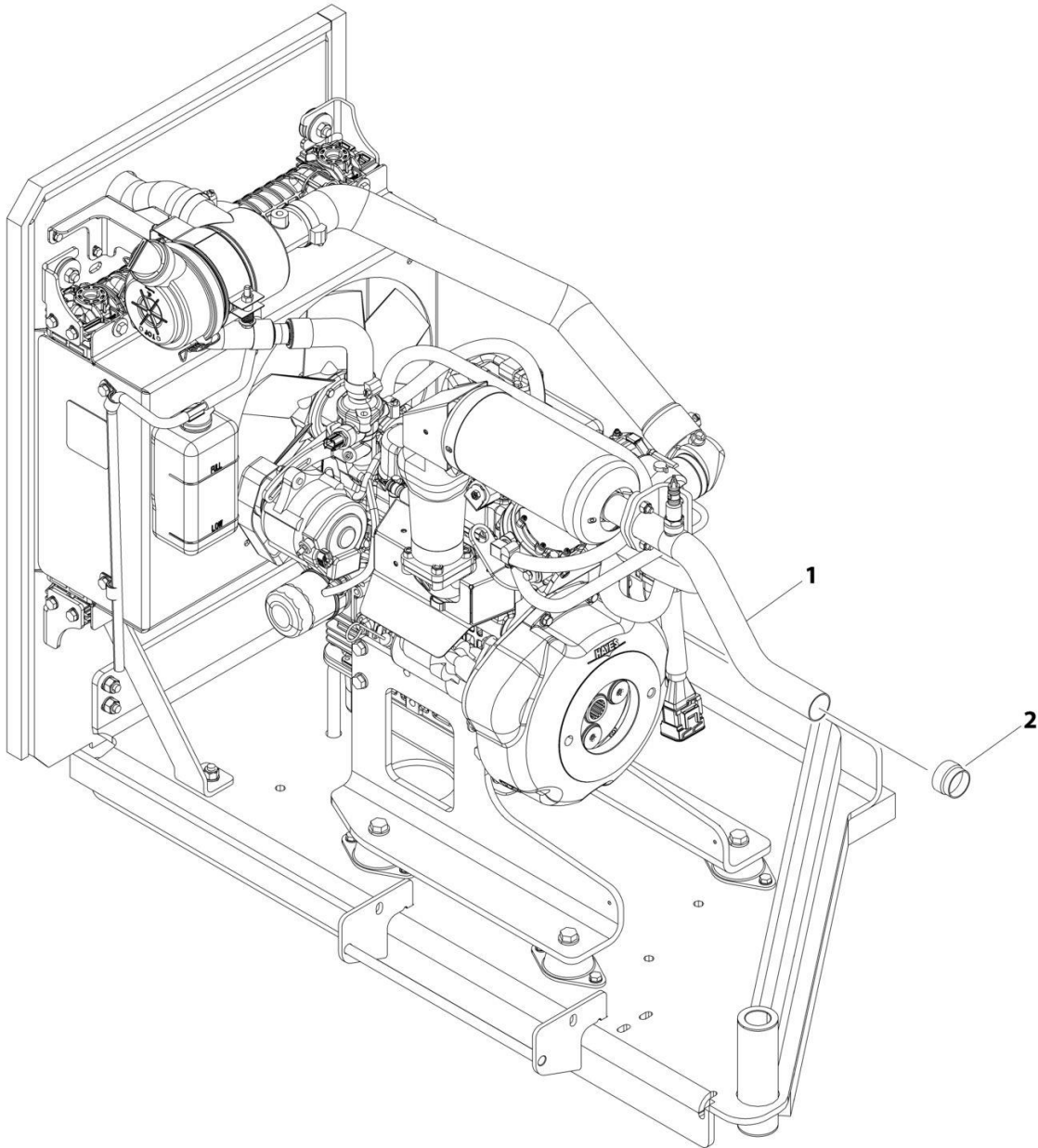
SECTION 3 - ENGINE

FIGURE 3-19. FAN GUARD INSTALLATION - KUBOTA

| ITEM | PART NUMBER | QTY | DESCRIPTION | REV |
|------|-------------|-----|---------------------------------|-----|
| | 1001220614 | Ref | FAN GUARD INSTALLATION - KUBOTA | A |
| 1 | 0100011 | AR | Compound, Locking | |
| 2 | 0760608 | 3 | Bolt M6 x 16 | |
| 3 | 4811702 | 3 | Washer M6 | |
| 4 | 1001220613 | 1 | Shroud, Fan Guard | |

SECTION 3 - ENGINE

FIGURE 3-20. SPARK ARRESTOR MUFFLER - OPTIONAL (GASOLINE ENGINES)



ART_1001187703

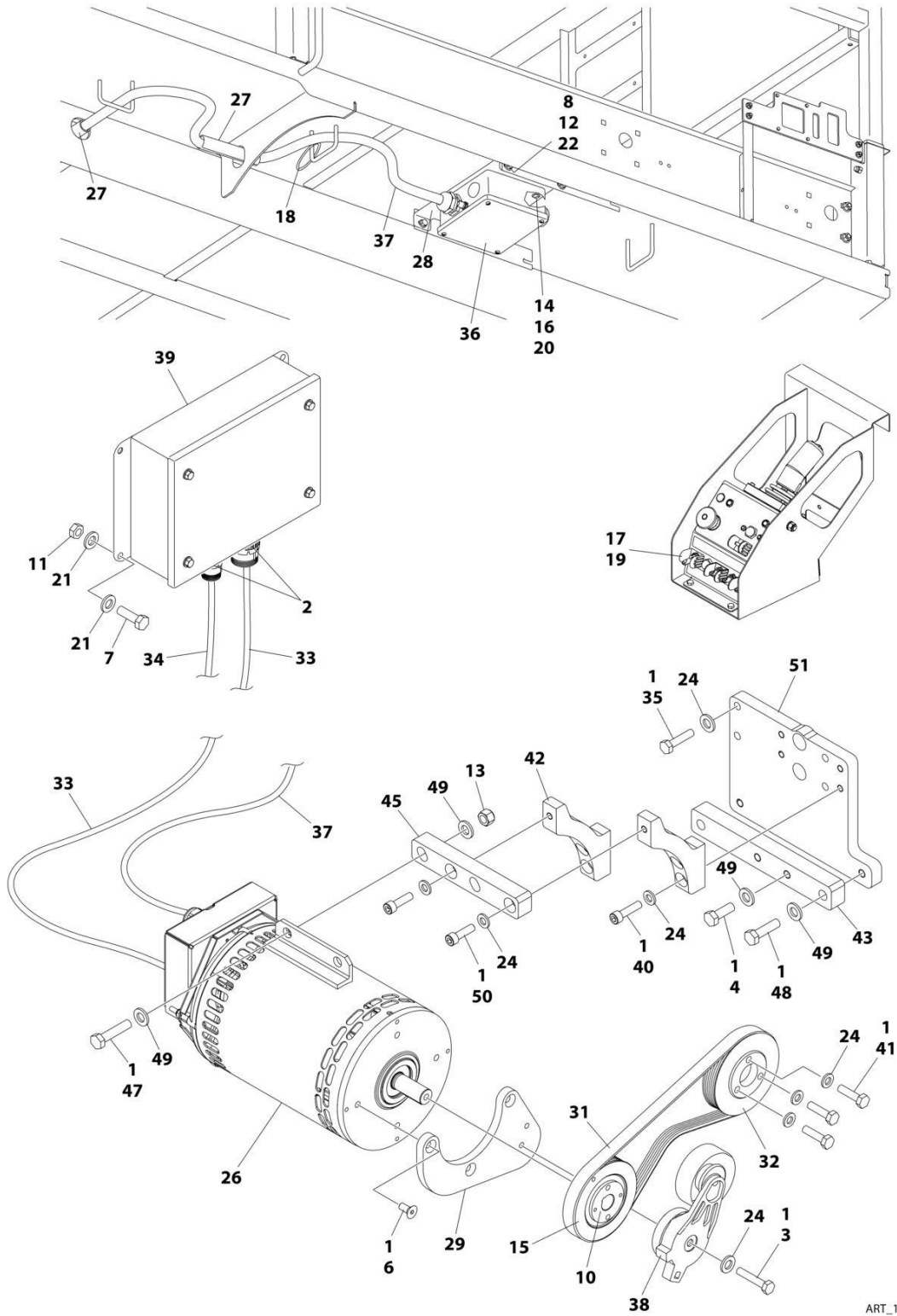
SECTION 3 - ENGINE

FIGURE 3-20. SPARK ARRESTOR MUFFLER - OPTIONAL (GASOLINE ENGINES)

| ITEM | PART NUMBER | QTY | DESCRIPTION | REV |
|------|-------------|-----|--|-----|
| | 1001187703 | Ref | SPARK ARRESTOR MUFFLER - OPTIONAL (GASOLINE ENGINES) | A |
| 1 | 1001219775 | 1 | Arrestor, Spark | |
| 2 | 1001219826 | 1 | Pipe, Exhaust | |

SECTION 3 - ENGINE

FIGURE 3-21. GENERATOR INSTALLATION - 4000W (KUBOTA DIESEL STAGE III)



ART_1001181217_G

SECTION 3 - ENGINE

FIGURE 3-21. GENERATOR INSTALLATION - 4000W (KUBOTA DIESEL STAGE III)

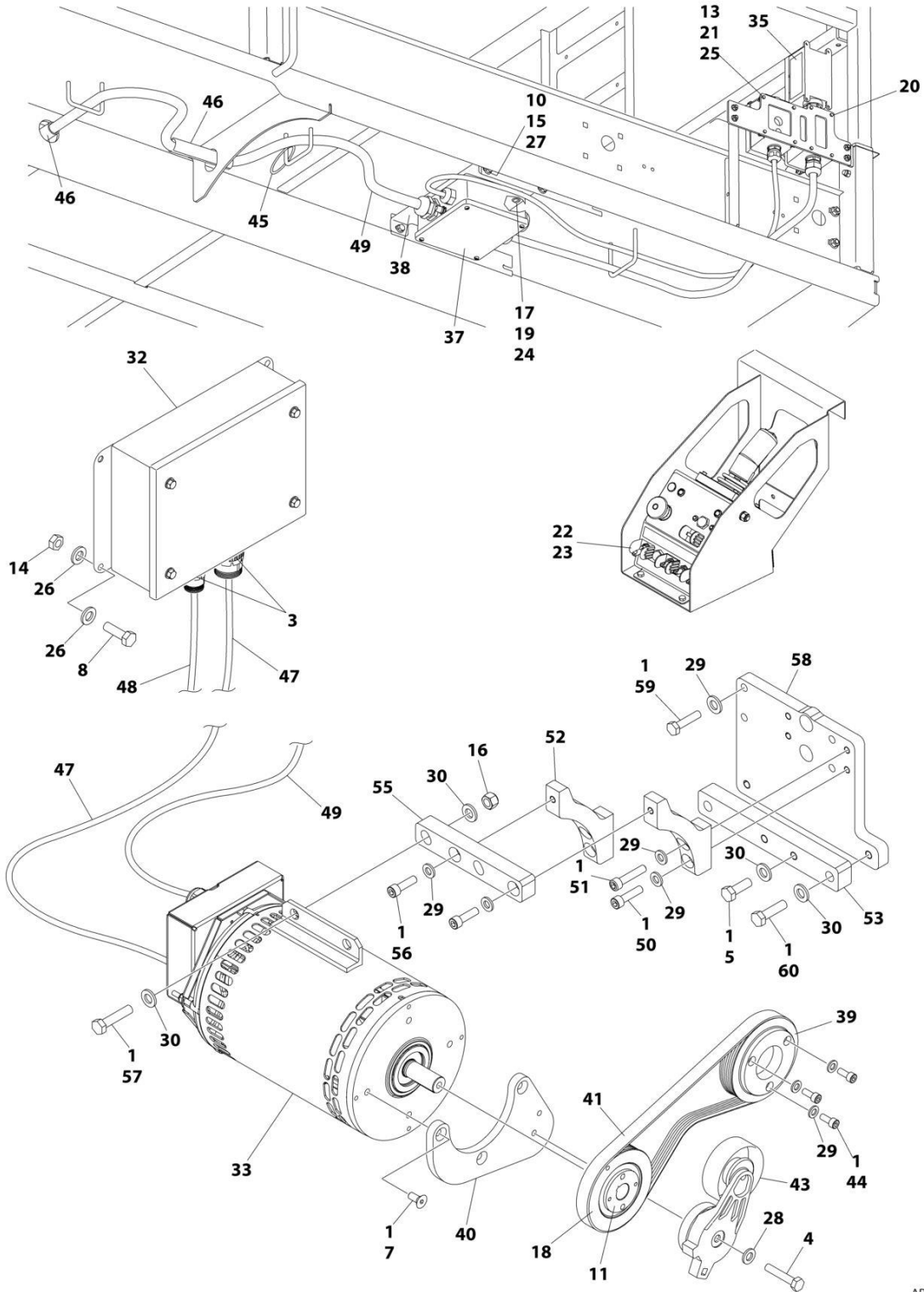
| ITEM | PART NUMBER | QTY | DESCRIPTION | REV |
|------|-------------|-----|--|-----|
| | 1001181217 | Ref | GENERATOR INSTALLATION - 4000W (KUBOTA DIESEL STAGE III) | G |
| 1 | 0100011 | AR | Compound, Locking | |
| 2 | 0100048 | AR | Grease, Silicone (Apply to Contactor Connector) | |
| 3 | 0701019 | 1 | Bolt M10 x 55 | |
| 4 | 0701215 | 2 | Bolt M12 x 35 | |
| 6 | 0741607 | 3 | Bolt 3/8-16 x .88 | |
| 7 | 0760610 | 4 | Bolt M6 x 20 | |
| 8 | 0780810 | 4 | Bolt M8 x 20 | |
| 10 | 0962520 | 1 | Bushing, Taper | |
| 11 | 3290605 | 4 | Nut M6 | |
| 12 | 3290805 | 4 | Nut M8 | |
| 13 | 3291201 | 2 | Nut M12 | |
| 14 | 3311005 | 4 | Nut #10 | |
| 15 | 3580318 | 1 | Pulley, Generator | |
| 16 | 3931016 | 4 | Screw #10 x 1 | |
| 17 | 4060802 | 1 | Guard, Switch | |
| 18 | 4240017 | 2 | Tie Strap | |
| 19 | 4360482 | 1 | Switch, Toggle | |
| 20 | 4751000 | 4 | Washer #10 | |
| 21 | 4811700 | 8 | Washer M6 | |
| 22 | 4811900 | 4 | Washer M8 | |
| 24 | 5241000 | AR | Washer M10 | |
| 26 | 1001140347 | 1 | Generator Assembly | |
| 26 | 70003709 | 1 | Ring, Retaining (External) | |
| 26 | 70003708 | 1 | Ring, Retaining (Internal) | |
| 26 | 70001966 | 1 | Bearing | |
| 26 | 70004092 | 1 | Endbell (Shaft End) | |
| 26 | 70004099 | 1 | Key | |
| 26 | 70004676 | 1 | Rotor | |
| 26 | 70004686 | 1 | Stator | |
| 26 | 70004678 | 1 | Endbell (Rear) | |
| 26 | 70004679 | 1 | Cover, Endbell (Rear) | |
| 26 | 70004680 | 1 | Enclosure, Wiring | |
| 26 | 70004681 | 1 | Cover, Enclosure | |
| 26 | 70004682 | 1 | Switch, Reset (Located on Enclosure Cover) | |
| 26 | 70004683 | 1 | Connector, Strain Relief (Located on Enclosure Cover) | |
| 26 | 4460224 | 1 | Receptacle, Female - 6 Position (Connects to Harness) | |
| 26 | 4460268 | 1 | Pin, Male (Connects to Harness) | |
| 26 | 4460807 | 6 | Seal, Pin (Connects to Harness) | |
| 26 | 4460808 | 1 | Seal, Interface (Connects to Harness) | |
| 27 | 1001151080 | 2 | Conduit, Split Poly | |
| 28 | 1001166732 | 1 | Support | |
| 29 | 1001184162 | 1 | Bracket | |
| 31 | 1001244939 | 1 | Belt | |
| 32 | 1001244937 | 1 | Pulley | |
| 33 | 1001236444 | 1 | Harness, 4000W Generator Control - Generator to Control Box (See Separate Breakdown in ELECTRICAL Section) | |
| 34 | 1001186826 | 1 | Harness, 4000W Generator Control - Control Box to Generator Control (See Separate Breakdown in ELECTRICAL Section) | |

SECTION 3 - ENGINE

| ITEM | PART NUMBER | QTY | DESCRIPTION | REV |
|------|-------------|-----|--|-----|
| 35 | 1001207285 | AR | Bolt M10 x 45 | |
| 36 | 1001187197 | 1 | Junction Box Assembly - 4000W Generator(Australian, CE & UK CA Specs) (See Separate Breakdown in this Section) | |
| 37 | 1001236445 | 1 | Cable, Electrical 10/4 | |
| 38 | 3580317 | 1 | Pulley, Belt Tensioner | |
| 39 | 1001138566 | 1 | Box, Generator Control 4000W Generator 50Hz | |
| 39 | 70006552 | 1 | Capacitor | |
| 39 | 70006553 | 1 | Relay | |
| 40 | 5272012 | AR | Bolt M10 x 40 | |
| 41 | 1001119929 | AR | Bolt M10 x 35 | |
| 42 | 1001202532 | 2 | Generator Arm Mount Bracket | |
| 43 | 1001208340 | 1 | Generator Bracket | |
| 45 | 1001202536 | 1 | Plate | |
| 46 | 4032014 | AR | Bolt M10 x 50 | |
| 47 | 0701219 | AR | Bolt M12 x 55 | |
| 48 | 0701217 | AR | Bolt M12 x 45 | |
| 49 | 5241200 | AR | Washer M12 | |
| 50 | 5272011 | AR | Bolt M10 x 35 | |
| 51 | 1001208339 | 1 | Generator Mount Bracket | |

SECTION 3 - ENGINE

FIGURE 3-22. GENERATOR INSTALLATION - 4000W (KUBOTA DIESEL T4F)



ART_100117770

SECTION 3 - ENGINE

FIGURE 3-22. GENERATOR INSTALLATION - 4000W (KUBOTA DIESEL T4F)

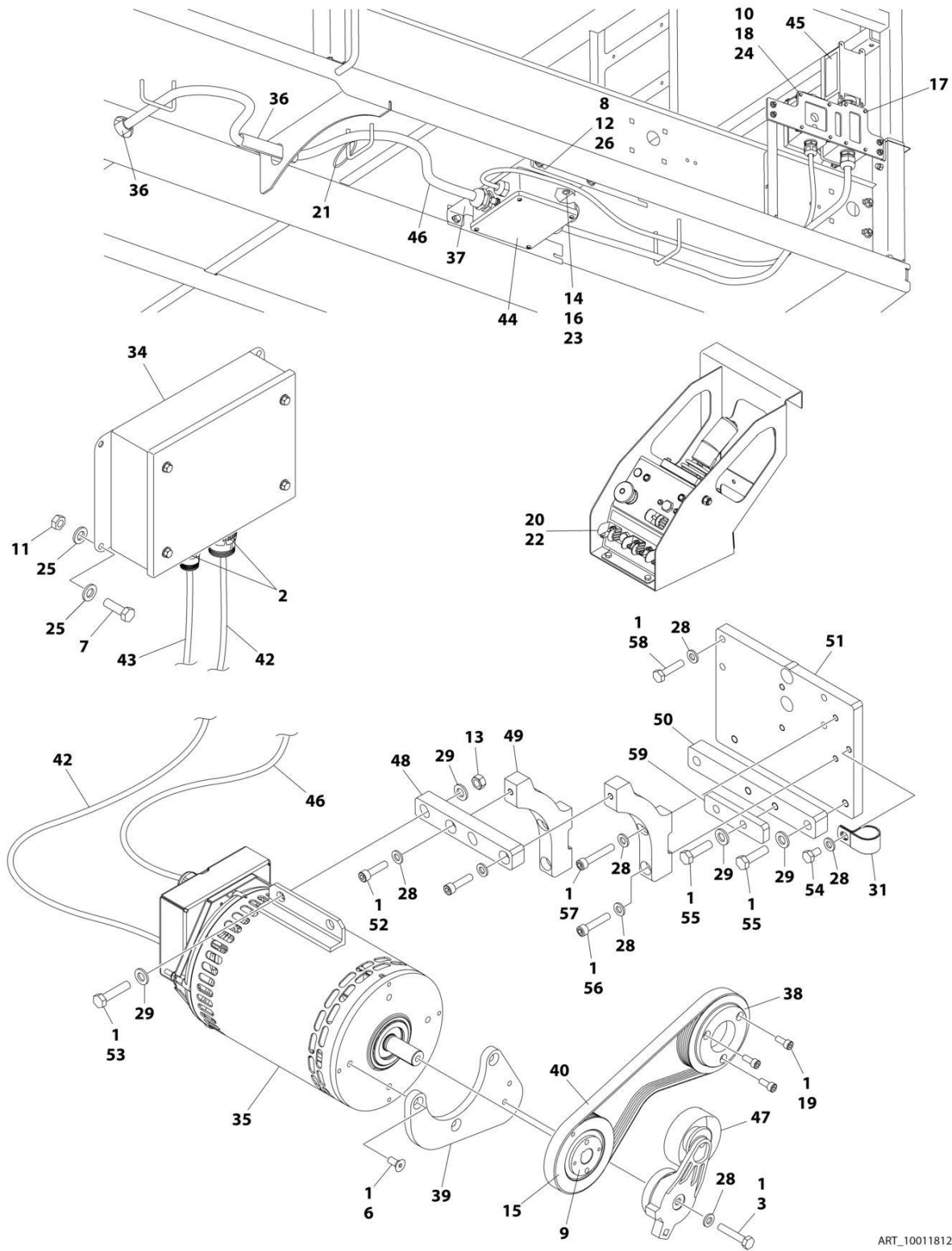
| ITEM | PART NUMBER | QTY | DESCRIPTION | REV |
|------|-------------|-----|---|-----|
| | 1001177770 | Ref | GENERATOR INSTALLATION - 4000W (KUBOTA DIESEL T4F) | H |
| 1 | 0100011 | AR | Compound, Locking | |
| 3 | 0100048 | AR | Grease, Silicone (Apply to Contactor Connector) | |
| 4 | 0701019 | 1 | Bolt M10 x 55 | |
| 5 | 0701215 | 2 | Bolt M12 x 35 | |
| 7 | 0741607 | 3 | Bolt 3/8 x .88 | |
| 8 | 0760610 | 4 | Bolt M6 x 20 | |
| 10 | 0780810 | 4 | Bolt M8 x 20 | |
| 11 | 0962520 | 1 | Bushing, Taper | |
| 13 | 3290405 | 4 | Nut M4 | |
| 14 | 3290605 | 4 | Nut M6 | |
| 15 | 3290805 | 4 | Nut M8 | |
| 16 | 3291201 | 2 | Nut M12 | |
| 17 | 3311005 | 4 | Nut #10 | |
| 18 | 3580318 | 1 | Pulley, Generator | |
| 19 | 3931016 | 4 | Screw #10 x 1 | |
| 20 | 3940804 | 4 | Self, Tapping | |
| 21 | 4010408 | 4 | Screw M4 x 16 | |
| 22 | 4060802 | 1 | Guard, Switch | |
| 23 | 4360482 | 1 | Switch, Toggle | |
| 24 | 4751000 | 4 | Washer #10 | |
| 25 | 4811400 | 4 | Washer M4 | |
| 26 | 4811700 | 8 | Washer M6 | |
| 27 | 4811900 | 4 | Washer M8 | |
| 28 | 4812000 | 1 | Washer M10 | |
| 29 | 5241000 | AR | Washer M10 | |
| 30 | 5241200 | AR | Washer M12 | |
| 32 | 1001138566 | 1 | Box, Generator Control (4000W Generator - 60Hz) | |
| 32 | 70006552 | 1 | Capacitor | |
| 32 | 70006553 | 1 | Relay | |
| 33 | 1001140346 | 1 | Generator Assembly | |
| 33 | 70003709 | 1 | Ring, Retaining (External) | |
| 33 | 70003708 | 1 | Ring, Retaining (Internal) | |
| 33 | 70001966 | 1 | Bearing | |
| 33 | 70004092 | 1 | Endbell (Shaft End) | |
| 33 | 70004099 | 1 | Key | |
| 33 | 70004676 | 1 | Rotor | |
| 33 | 70004687 | 1 | Stator | |
| 33 | 70004678 | 1 | Endbell (Rear) | |
| 33 | 70004679 | 1 | Cover, Endbell (Rear) | |
| 33 | 70004680 | 1 | Enclosure, Wiring | |
| 33 | 70004685 | 1 | Cover, Enclosure | |
| 33 | 70004682 | 1 | Switch, Reset (Located on Enclosure Cover) | |
| 33 | 70004098 | 1 | Connector, Strain Relief (Located on Enclosure Cover) | |
| 33 | 4460224 | 1 | Receptacle, Female - 6 Position (Connects to Harness | |
| 33 | 4460268 | 1 | Pin, Male (Connects to Harness) | |
| 33 | 4460807 | 6 | Seal, Pin (Connects to Harness) | |
| 33 | 4460808 | 1 | Seal, Interface (Connects to Harness) | |
| 35 | 1001187092 | 1 | Platform Receptacle Assembly (See Separate Breakdown in ELECTRICAL SECTION) | |

SECTION 3 - ENGINE

| ITEM | PART NUMBER | QTY | DESCRIPTION | REV |
|------|-------------|-----|--|-----|
| 37 | 1001186828 | 1 | Junction Box Assembly - 4000W Generator (All Specs Except Australian, CE & UK CA Specs) (See Separate Breakdown in this Section) | |
| 38 | 1001166732 | 1 | Support | |
| 39 | 1001183726 | 1 | Pulley | |
| 40 | 1001184162 | 1 | Bracket | |
| 41 | 1001184235 | 1 | Belt | |
| 43 | 3580317 | 1 | Pulley, Belt Tensioner | |
| 44 | 1001186919 | 3 | Bolt M10 x 40 | |
| 45 | 4240017 | 2 | Tie Strap | |
| 46 | 1001151080 | 2 | Conduit, Split Poly | |
| 47 | 1001236444 | 1 | Harness, 4000W Generator Control - Generator to Control Box (See Separate Breakdown in ELECTRICAL SECTION) | |
| 48 | 1001186826 | 1 | Harness, 4000W Generator Control - Control Box to Generator Control (See Separate Breakdown in ELECTRICAL SECTION) | |
| 49 | 1001236445 | 1 | Cable, Electrical 10/4 | |
| 50 | 5272012 | AR | Bolt M10 x 40 | |
| 51 | 4032014 | AR | Bolt M10 x 50 | |
| 52 | 1001202532 | 2 | Generator Arm Mount Bracket | |
| 53 | 1001208340 | 1 | Generator Bracket | |
| 55 | 1001202536 | 1 | Plate | |
| 56 | 5272011 | AR | Bolt M10 x 35 | |
| 57 | 0701219 | AR | Bolt M12 x 55 | |
| 58 | 1001208339 | 1 | Generator Mount Bracket | |
| 59 | 1001207285 | AR | Bolt M10 x 45 Grade 10.9 | |
| 60 | 0701217 | AR | Bolt M12 x 45 | |

SECTION 3 - ENGINE

FIGURE 3-23. GENERATOR INSTALLATION - 4000W (KUBOTA GASOLINE) (DUAL FUEL)



ART_1001181216

SECTION 3 - ENGINE

FIGURE 3-23. GENERATOR INSTALLATION - 4000W (KUBOTA GASOLINE) (DUAL FUEL)

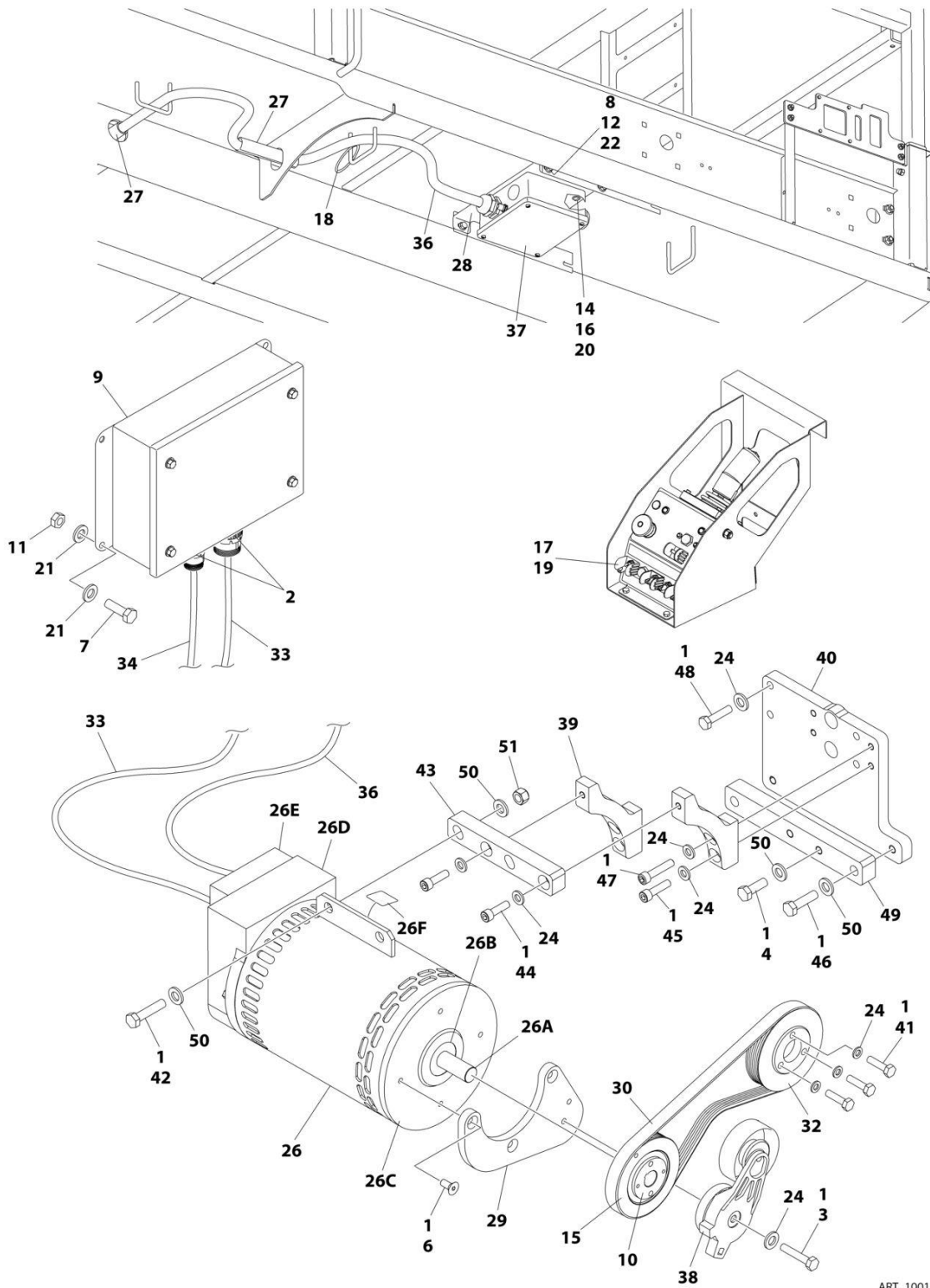
| ITEM | PART NUMBER | QTY | DESCRIPTION | REV |
|------|-------------|-----|---|-----|
| | 1001181216 | Ref | GENERATOR INSTALLATION - 4000W (KUBOTA GASOLINE) (DUAL FUEL) | G |
| 1 | 0100011 | AR | Compound, Locking | |
| 2 | 0100048 | AR | Grease, Silicone (Apply to Contactor Connector) | |
| 3 | 0701019 | 1 | Bolt M10 x 55 | |
| 6 | 0741607 | 3 | Bolt 3/8 x .88 | |
| 7 | 0760610 | 4 | Bolt M6 x 20 | |
| 8 | 0780810 | 4 | Bolt M8 x 20 | |
| 9 | 0962520 | 1 | Bushing, Taper | |
| 10 | 3290405 | 4 | Nut M4 | |
| 11 | 3290605 | 4 | Nut M6 | |
| 12 | 3290805 | 4 | Nut M8 | |
| 13 | 3291201 | AR | Nut M12 | |
| 14 | 3311005 | 4 | Nut #10 | |
| 15 | 3580318 | 1 | Pulley, Generator | |
| 16 | 3931016 | 4 | Screw #10 x 1 | |
| 17 | 3940804 | 4 | Self, Tapping | |
| 18 | 4010408 | 4 | Screw M4 x 16 | |
| 19 | 4031908 | 3 | Bolt M8 x 20 | |
| 20 | 4060802 | 1 | Guard, Switch | |
| 21 | 4240017 | 2 | Tie Strap | |
| 22 | 4360482 | 1 | Switch, Toggle | |
| 23 | 4751000 | 4 | Washer #10 | |
| 24 | 4811400 | 4 | Washer M4 | |
| 25 | 4811700 | 8 | Washer M6 | |
| 26 | 4811900 | 4 | Washer M8 | |
| 28 | 5241000 | AR | Washer M10 | |
| 29 | 5241200 | AR | Washer M12 | |
| 31 | 8406302 | 1 | Clamp | |
| 34 | 1001138566 | 1 | Box, Generator Control (4000W Generator - 60Hz) | |
| 34 | 70006552 | 1 | Capacitor | |
| 34 | 70006553 | 1 | Relay | |
| 35 | 1001140346 | 1 | Generator Assembly | |
| 35 | 70003709 | 1 | Ring, Retaining (External) | |
| 35 | 70003708 | 1 | Ring, Retaining (Internal) | |
| 35 | 70001966 | 1 | Bearing | |
| 35 | 70004092 | 1 | Endbell (Shaft End) | |
| 35 | 70004099 | 1 | Key | |
| 35 | 70004676 | 1 | Rotor | |
| 35 | 70004687 | 1 | Stator | |
| 35 | 70004678 | 1 | Endbell (Rear) | |
| 35 | 70004679 | 1 | Cover, Endbell (Rear) | |
| 35 | 70004680 | 1 | Enclosure, Wiring | |
| 35 | 70004685 | 1 | Cover, Enclosure | |
| 35 | 70004682 | 1 | Switch, Reset (Located on Enclosure Cover) | |
| 35 | 70004098 | 1 | Connector, Strain Relief (Located on Enclosure Cover) | |
| 35 | 4460224 | 1 | Receptacle, Female - 6 Position (Connects to Harness) | |
| 35 | 4460268 | 1 | Pin, Male (Connects to Harness) | |
| 35 | 4460807 | 6 | Seal, Pin (Connects to Harness) | |
| 35 | 4460808 | 1 | Seal, Interface (Connects to Harness) | |

SECTION 3 - ENGINE

| ITEM | PART NUMBER | QTY | DESCRIPTION | REV |
|------|-------------|-----|--|-----|
| 36 | 1001151080 | 2 | Conduit, Split Poly | |
| 37 | 1001166732 | 1 | Support | |
| 38 | 1001181211 | 1 | Pulley | |
| 39 | 1001184162 | 1 | Bracket | |
| 40 | 1001184163 | 1 | Belt | |
| 42 | 1001236444 | 1 | Harness, 4000W Generator Control - Generator to Control Box (See Separate Breakdown in ELECTRICAL SECTION) | |
| 43 | 1001186826 | 1 | Harness, 4000W Generator Control - Control Box to Generator Control (See Separate Breakdown in ELECTRICAL SECTION) | |
| 44 | 1001186828 | 1 | Junction Box Assembly - 4000W Generator (All Specs Except Australian, CE & UK CA Specs) (See Separate Breakdown in this Section) | |
| 45 | 1001187092 | 1 | Platform Receptacle Assembly (See Separate Breakdown in ELECTRICAL SECTION) | |
| 46 | 1001236445 | 1 | Cable, Electrical 10/4 | |
| 47 | 3580317 | 1 | Belt | |
| 48 | 1001202759 | 1 | Plate | |
| 49 | 1001202760 | 2 | Generator Arm Mount Bracket | |
| 50 | 1001208340 | 1 | Generator Bracket | |
| 51 | 1001202764 | 1 | Plate | |
| 52 | 5272012 | AR | Bolt M10 x 40 | |
| 53 | 0701219 | AR | Bolt M12 x 55 | |
| 54 | 0761009 | AR | Bolt M10 x 18 | |
| 55 | 0701217 | AR | Bolt M12 x 45 | |
| 56 | 4032014 | AR | Bolt M10 x 50 | |
| 57 | 4032016 | AR | Bolt M10 x 60 | |
| 58 | 1001207285 | AR | Bolt M10 x 45 Grade 10.9 | |
| 59 | 1001210645 | 1 | Plate | |

SECTION 3 - ENGINE

FIGURE 3-24. GENERATOR INSTALLATION - 7500W (KUBOTA DIESEL STAGE III)



ART_1001181140_H

SECTION 3 - ENGINE

FIGURE 3-24. GENERATOR INSTALLATION - 7500W (KUBOTA DIESEL STAGE III)

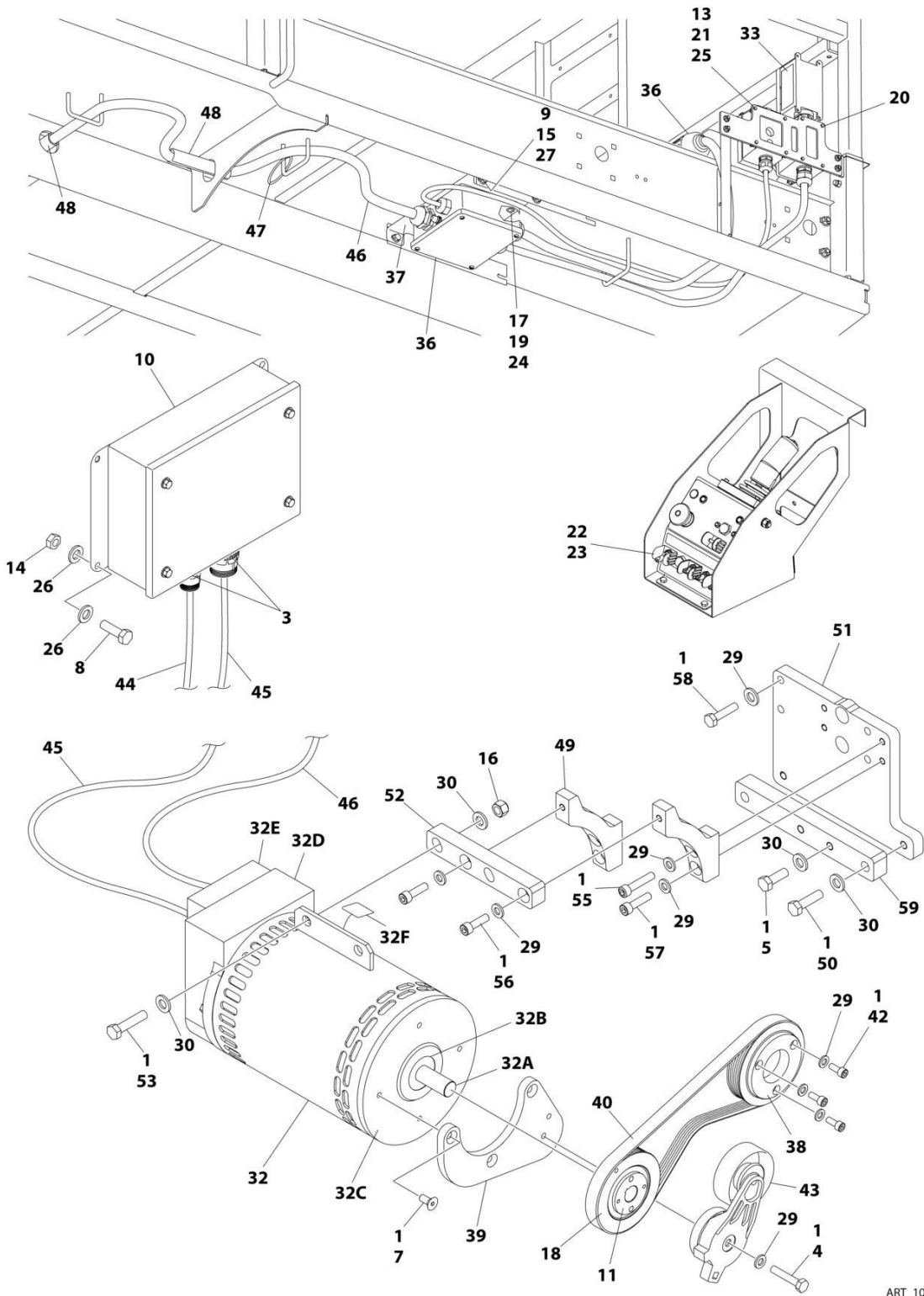
| ITEM | PART NUMBER | QTY | DESCRIPTION | REV |
|------|-------------|-----|--|-----|
| | 1001181140 | Ref | GENERATOR INSTALLATION - 7500W (KUBOTA DIESEL STAGE III) | H |
| 1 | 0100011 | AR | Compound, Locking | |
| 2 | 0100048 | AR | Grease, Silicone (Apply to Contactor Connector) | |
| 3 | 0701019 | 1 | Bolt M10 x 55 | |
| 4 | 0701215 | 2 | Bolt M12 x 35 | |
| 6 | 0741607 | 3 | Bolt 3/8 x .88 | |
| 7 | 0760610 | 4 | Bolt M6 x 20 | |
| 8 | 0780810 | 4 | Bolt M8 x 20 | |
| 9 | 0861572 | 1 | Box, Generator Control 7500W Generator 50Hz | |
| 10 | 0962520 | 1 | Bushing, Taper | |
| 11 | 3290605 | 4 | Nut M6 | |
| 12 | 3290805 | 4 | Nut M8 | |
| 14 | 3311005 | 4 | Nut #10 | |
| 15 | 3580318 | 1 | Pulley, Generator | |
| 16 | 3931016 | 4 | Screw #10 x 1 | |
| 17 | 4060802 | 1 | Guard, Switch | |
| 18 | 4240017 | 2 | Tie Strap | |
| 19 | 4360482 | 1 | Switch, Toggle | |
| 20 | 4751000 | 4 | Washer #10 | |
| 21 | 4811700 | 8 | Washer M6 | |
| 22 | 4811900 | 4 | Washer M8 | |
| 24 | 5241000 | AR | Washer M10 | |
| 26 | 1001212223 | 1 | Generator Assembly | A |
| 26 | 70001100 | 1 | Rotor (Includes p/n 70001384 & 70000863) (Not Shown) | |
| 26 | 70001384 | 1 | Bearing, Ball Radial (Not Shown) | |
| 26 | 70000863 | 1 | Fan (Not Shown) | |
| 26 | 70006093 | 1 | Stator (Not Shown) | |
| 26 | 70002297 | 1 | Stud | |
| 26 | 70003631 | 1 | Brushholder Assembly (Not Shown) (was p/n 7024484) | |
| 26A | 70004099 | 1 | Key | |
| 26B | 70001966 | 1 | Bearing, Ball Radial (Located in Belt Tensioner Endbell) | |
| 26B | 70003708 | 1 | Ring, Internal Retaining (Located in Belt Tensioner Endbell) | |
| 26B | 70003709 | 1 | Ring, External Retaining (Located in Belt Tensioner Endbell) | |
| 26C | 70004092 | 1 | Endbell, Belt Tensioner | |
| 26D | 70004094 | 1 | Endbell, Brush Block | |
| 26E | 70006094 | 1 | Shroud | |
| 26E | 70002291 | 1 | Insulator, Endbell | |
| 26E | 7027799 | 1 | Block, Connector 6 Position (Not Shown) | |
| 26E | 70002460 | 1 | Nut, Brass (Attaches p/n 7027799 to Cover) (Not Shown) | |
| 26E | 70006095 | 1 | Breaker, Circuit 30Amp | |
| 26E | 70006096 | 1 | Boot, Breaker | |
| 26E | 7026626 | 1 | Connector, 6 Position (Includes Seal) (Not Shown) | |
| 26E | 7026597 | 1 | Connector, with Leads (Not Shown) | |
| 26E | 70004098 | 1 | Clamp, Cable | |
| 26E | 70006097 | 1 | Plate, End Panel | |
| 26E | 70001974 | 1 | Decal - Terminal Connections | |
| 26F | 70001973 | 1 | Decal - Warning Moving Parts | |
| 27 | 1001151080 | 2 | Conduit, Split Poly | |
| 28 | 1001166732 | 1 | Support | |

SECTION 3 - ENGINE

| ITEM | PART NUMBER | QTY | DESCRIPTION | REV |
|------|-------------|-----|--|-----|
| 29 | 1001184162 | 1 | Bracket | |
| 30 | 1001244939 | 1 | Belt | |
| 32 | 1001244937 | 1 | Pulley | |
| 33 | 1001236442 | 1 | Harness, 7500W Generator Control - Generator to Generator Control Box (See Separate Breakdown in ELECTRICAL SECTION) | |
| 34 | 1001186822 | 1 | Harness, 7500W Generator Control - Generator Control Box to Generator Control (See Separate Breakdown in ELECTRICAL SECTION) | |
| 36 | 1001236443 | 1 | Cable, Electrical 8/5 | |
| 37 | 1001187197 | 1 | Junction Box Assembly - 7500W Generator (Australian, CE & UK CA Specs) (See Separate Breakdown in this Section) | |
| 38 | 3580317 | 1 | Pulley, Belt Tensioner | |
| 39 | 1001202532 | 2 | Generator Arm Mount Bracket | |
| 40 | 1001208339 | 1 | Generator Mount Bracket | |
| 41 | 1001119929 | AR | Bolt M10 x 35 | |
| 42 | 0701219 | AR | Bolt M12 x 55 | |
| 43 | 1001202536 | 1 | Plate | |
| 44 | 5272011 | AR | Bolt M10 x 35 | |
| 45 | 5272012 | AR | Bolt M10 x 40 | |
| 46 | 0701217 | AR | Bolt M12 x 45 | |
| 47 | 4032014 | AR | Bolt M10 x 50 | |
| 48 | 1001207285 | AR | Bolt M10 x 45 Grade 10.9 | |
| 49 | 1001208340 | 1 | Generator Bracket | |
| 50 | 5241200 | 8 | Washer M12 | |
| 51 | 3291201 | 2 | Nut M12 | |
| 52 | 0760606 | AR | Bolt M6 x 12 (Not Shown) | |
| 53 | 4871700 | AR | Washer M6 (Not Shown) | |

SECTION 3 - ENGINE

FIGURE 3-25. GENERATOR INSTALLATION - 7500W (KUBOTA DIESEL T4F)



ART_100117767

SECTION 3 - ENGINE

FIGURE 3-25. GENERATOR INSTALLATION - 7500W (KUBOTA DIESEL T4F)

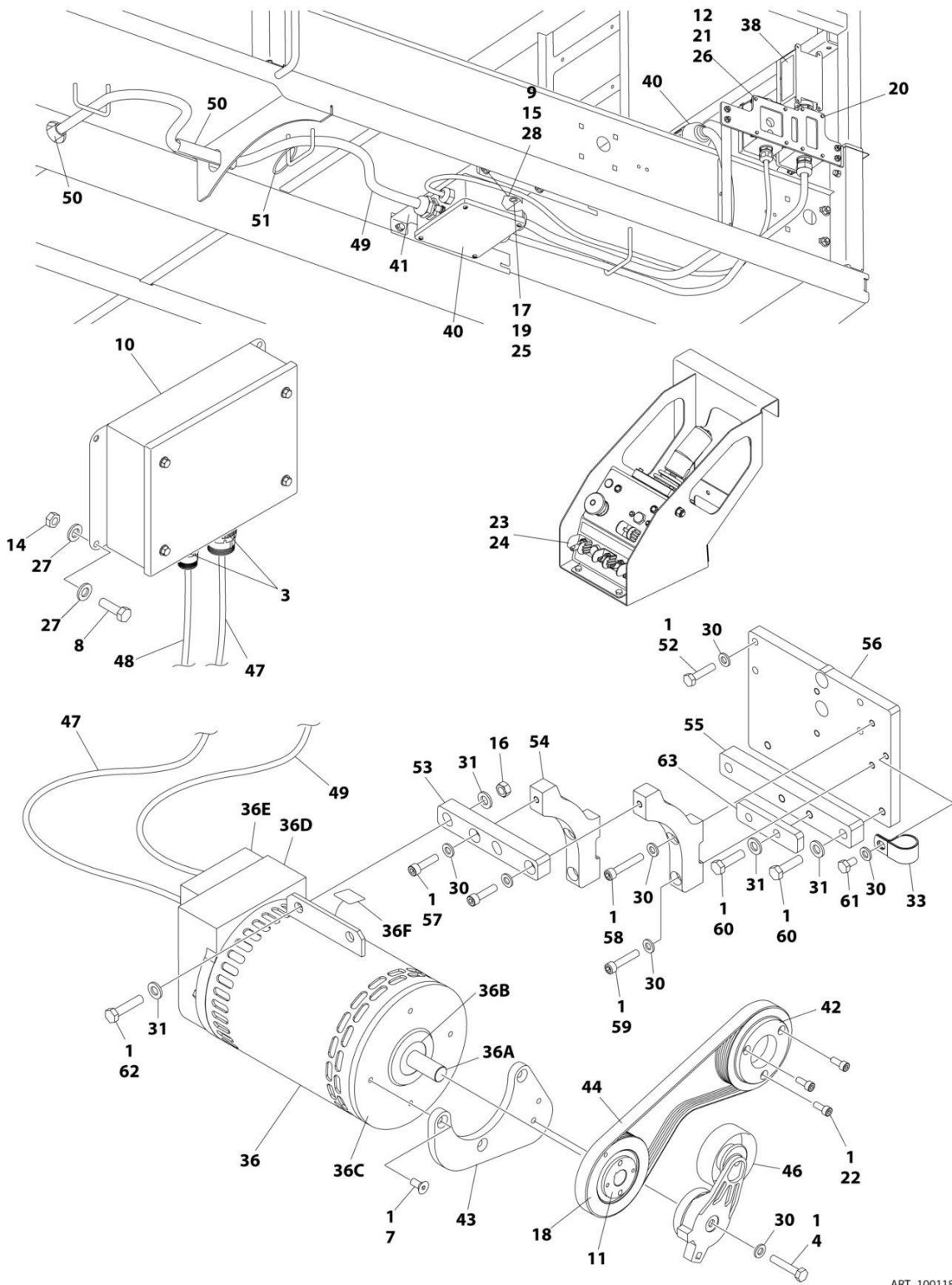
| ITEM | PART NUMBER | QTY | DESCRIPTION | REV |
|------|-------------|-----|--|-----|
| | 1001177767 | Ref | GENERATOR INSTALLATION - 7500W (KUBOTA DIESEL T4F) | I |
| 1 | 0100011 | AR | Compound, Locking | |
| 3 | 0100048 | AR | Grease, Silicone (Apply to Contactor Connector) | |
| 4 | 0701019 | 1 | Bolt M10 x 55 | |
| 5 | 0701215 | 2 | Bolt M12 x 35 | |
| 7 | 0741607 | 3 | Bolt 3/8 x .88 | |
| 8 | 0760610 | 4 | Bolt M6 x 20 | |
| 9 | 0780810 | 4 | Bolt M8 x 20 | |
| 10 | 0861538 | 1 | Box, Generator Control (7500W Generator - 60Hz) | |
| 11 | 0962520 | 1 | Bushing, Taper | |
| 13 | 3290405 | 4 | Nut M4 | |
| 14 | 3290605 | 4 | Nut M6 | |
| 15 | 3290805 | 4 | Nut M8 | |
| 16 | 3291201 | AR | Nut M12 | |
| 17 | 3311005 | 4 | Nut #10 | |
| 18 | 3580318 | 1 | Pulley, Generator | |
| 19 | 3931016 | 4 | Screw #10 x 1 | |
| 20 | 3940804 | 4 | Self, Tapping | |
| 21 | 4010408 | 4 | Screw M4 x 16 | |
| 22 | 4060802 | 1 | Guard, Switch | |
| 23 | 4360482 | 1 | Switch, Toggle | |
| 24 | 4751000 | 4 | Washer #10 | |
| 25 | 4811400 | 4 | Washer M4 | |
| 26 | 4811700 | 8 | Washer M6 | |
| 27 | 4811900 | 4 | Washer M8 | |
| 29 | 5241000 | AR | Washer M10 | |
| 30 | 5241200 | AR | Washer M12 | |
| 32 | 1001212223 | 1 | Generator Assembly | A |
| 32 | 70001100 | 1 | Rotor (Includes p/n 70001384 & 70000863) (Not Shown) | |
| 32 | 70001384 | 1 | Bearing, Ball Radial (Not Shown) | |
| 32 | 70000863 | 1 | Fan (Not Shown) | |
| 32 | 70006093 | 1 | Stator (Not Shown) | |
| 32 | 70002297 | 1 | Stud | |
| 32 | 70003631 | 1 | Brushholder Assembly (Not Shown) (was p/n 7024484) | |
| 32A | 70004099 | 1 | Key | |
| 32B | 70001966 | 1 | Bearing, Ball Radial (Located in Belt Tensioner Endbell) | |
| 32B | 70003708 | 1 | Ring, Internal Retaining (Located in Belt Tensioner Endbell) | |
| 32B | 70003709 | 1 | Ring, External Retaining (Located in Belt Tensioner Endbell) | |
| 32C | 70004092 | 1 | Endbell, Belt Tensioner | |
| 32D | 70004094 | 1 | Endbell, Brush Block | |
| 32E | 70006094 | 1 | Shroud | |
| 32E | 70002291 | 1 | Insulator, Endbell | |
| 32E | 7027799 | 1 | Block, Connector 6 Position (Not Shown) | |
| 32E | 70002460 | 1 | Nut, Brass (Attaches p/n 7027799 to Cover) (Not Shown) | |
| 32E | 70006095 | 1 | Breaker, Circuit 30Amp | |
| 32E | 70006096 | 1 | Boot, Breaker (Not Shown) | |
| 32E | 7026626 | 1 | Connector, 6 Position (Includes Seal) (Not Shown) | |
| 32E | 7026597 | 1 | Connector, with Leads (Not Shown) | |
| 32E | 70004098 | 1 | Clamp, Cable | |
| 32E | 70006097 | 1 | Plate, End Panel | |

SECTION 3 - ENGINE

| ITEM | PART NUMBER | QTY | DESCRIPTION | REV |
|------|-------------|-----|--|-----|
| 32E | 70001974 | 1 | Decal - Terminal Connections | |
| 32F | 70001973 | 1 | Decal - Warning Moving Parts | |
| 33 | 1001187092 | 1 | Platform Receptacle Assembly (See Separate Breakdown in ELECTRICAL SECTION) | |
| 36 | 1001187228 | 1 | Junction Box Assembly - 7500W Generator (All Specs Except Australian, CE & UK CA Specs) (See Separate Breakdown in this Section) | |
| 37 | 1001166732 | 1 | Support | |
| 38 | 1001183726 | 1 | Pulley | |
| 39 | 1001184162 | 1 | Bracket | |
| 40 | 1001184235 | 1 | Belt | |
| 42 | 1001186919 | 3 | Bolt M10 x 40 | |
| 43 | 3580317 | 1 | Pulley, Belt Tensioner | |
| 44 | 1001186822 | 1 | Harness, 7500W Generator Control - Generator Control Box to Generator Control (See Separate Breakdown in ELECTRICAL SECTION) | |
| 45 | 1001236442 | 1 | Harness, 7500W Generator Control - Generator to Generator Control Box (See Separate Breakdown in ELECTRICAL SECTION) | |
| 46 | 1001236443 | 1 | Cable, Electrical 8/5 | |
| 47 | 4240017 | 2 | Tie Strap | |
| 48 | 1001151080 | 2 | Conduit, Split Poly | |
| 49 | 1001202532 | 2 | Generator Arm Mount Bracket | |
| 50 | 0701217 | AR | Bolt M12 x 45 | |
| 51 | 1001208339 | 1 | Generator Mount Bracket | |
| 52 | 1001202536 | 1 | Plate | |
| 53 | 0701219 | AR | Bolt M12 x 55 | |
| 55 | 4032014 | AR | Bolt M10 x 50 | |
| 56 | 5272011 | AR | Bolt M10 x 35 | |
| 57 | 5272012 | AR | Bolt M10 x 40 | |
| 58 | 1001207285 | AR | Bolt M10 x 45 Grade 10.9 | |
| 59 | 1001208340 | 1 | Generator Bracket | |
| 60 | 0760606 | AR | Bolt M6 x 12 (Not Shown) | |
| 61 | 4871700 | AR | Washer M6 (Not Shown) | |

SECTION 3 - ENGINE

FIGURE 3-26. GENERATOR INSTALLATION - 7500W (KUBOTA GASOLINE) (DUAL FUEL)



ART_1001181141

SECTION 3 - ENGINE

FIGURE 3-26. GENERATOR INSTALLATION - 7500W (KUBOTA GASOLINE) (DUAL FUEL)

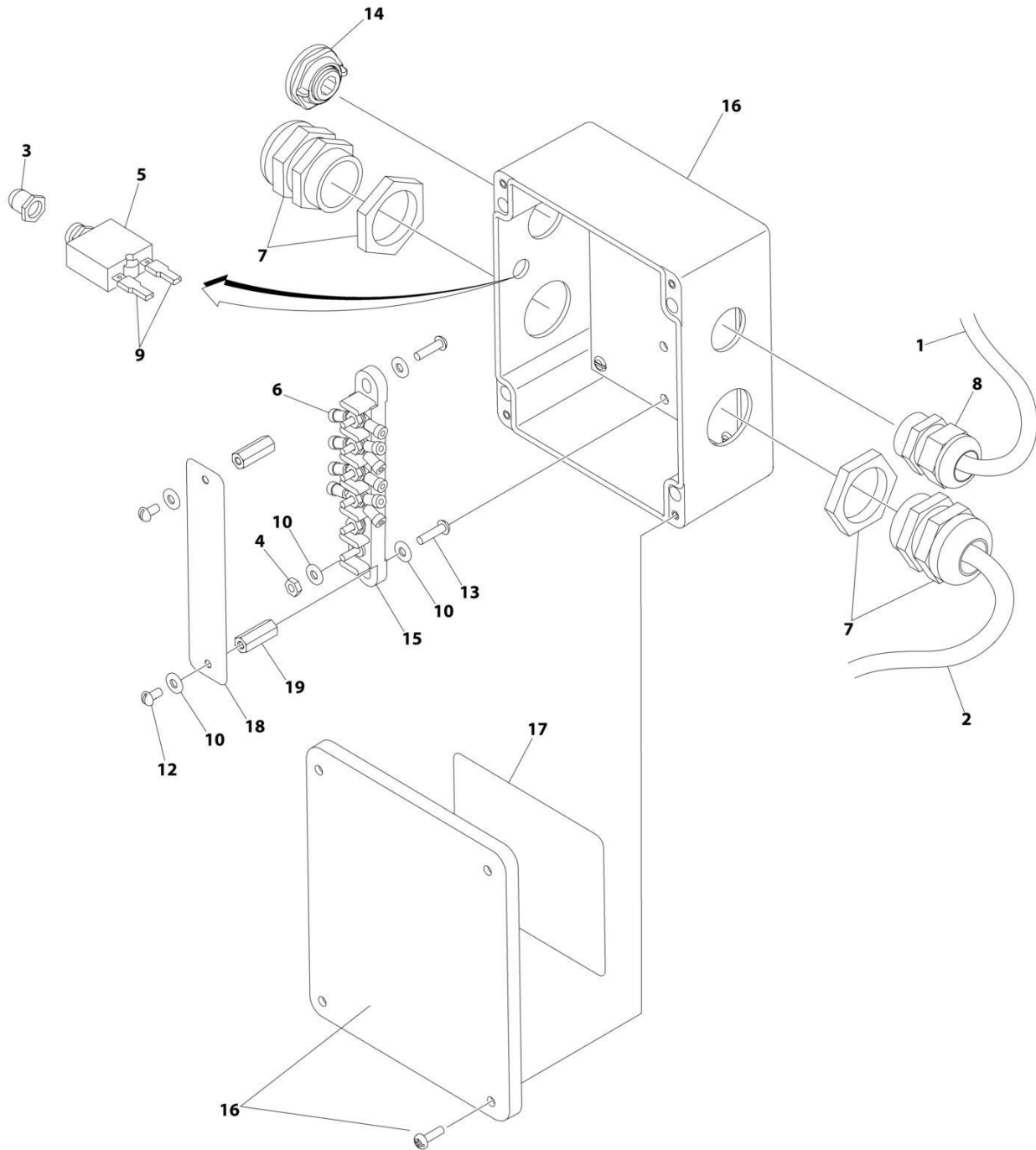
| ITEM | PART NUMBER | QTY | DESCRIPTION | REV |
|------|-------------|-----|---|-----|
| | 1001181141 | Ref | GENERATOR INSTALLATION - 7500W (KUBOTA GASOLINE) (DUAL FUEL) | J |
| 1 | 0100011 | AR | Compound, Locking | |
| 3 | 0100048 | AR | Grease, Silicone (Apply to Contactor Connector) | |
| 4 | 0701019 | 1 | Bolt M10 x 55 | |
| 7 | 0741607 | 3 | Bolt 3/8 x .88 | |
| 8 | 0760610 | 4 | Bolt M6 x 20 | |
| 9 | 0780810 | 4 | Bolt M8 x 20 | |
| 10 | 0861538 | 1 | Box, Generator Control (7500W Generator - 60Hz) | |
| 11 | 0962520 | 1 | Bushing, Taper | |
| 13 | 3290405 | 4 | Nut M4 | |
| 14 | 3290605 | 4 | Nut M6 | |
| 15 | 3290805 | 4 | Nut M8 | |
| 16 | 3291201 | AR | Nut M12 | |
| 17 | 3311005 | 4 | Nut #10 | |
| 18 | 3580318 | 1 | Pulley, Generator | |
| 19 | 3931016 | 4 | Screw #10 x 1 | |
| 20 | 3940804 | 4 | Self, Tapping | |
| 21 | 4010408 | 4 | Screw M4 x 16 | |
| 22 | 4031908 | 3 | Bolt M8 x 20 | |
| 23 | 4060802 | 1 | Guard, Switch | |
| 24 | 4360482 | 1 | Switch, Toggle | |
| 25 | 4751000 | 4 | Washer #10 | |
| 26 | 4811400 | 4 | Washer M4 | |
| 27 | 4811700 | 8 | Washer M6 | |
| 28 | 4811900 | 4 | Washer M8 | |
| 30 | 5241000 | AR | Washer M10 | |
| 31 | 5241200 | AR | Washer M12 | |
| 33 | 8406302 | 1 | Clamp | |
| 36 | 1001212223 | 1 | Generator Assembly | A |
| 36 | 70001100 | 1 | Rotor (Includes p/n 70001384 & 70000863) (Not Shown) | |
| 36 | 70001384 | 1 | Bearing, Ball Radial (Not Shown) | |
| 36 | 70000863 | 1 | Fan (Not Shown) | |
| 36 | 70006093 | 1 | Stator (Not Shown) | |
| 36 | 70002297 | 1 | Stud | |
| 36 | 70003631 | 1 | Brushholder Assembly (Not Shown) (was p/n 7024484) | |
| 36A | 70004099 | 1 | Key | |
| 36B | 70001966 | 1 | Bearing, Ball Radial (Located in Belt Tensioner Endbell) | |
| 36B | 70003708 | 1 | Ring, Internal Retaining (Located in Belt Tensioner Endbell) | |
| 36B | 70003709 | 1 | Ring, External Retaining (Located in Belt Tensioner Endbell) | |
| 36C | 70004092 | 1 | Endbell, Belt Tensioner | |
| 36D | 70004094 | 1 | Endbell, Brush Block | |
| 36E | 70006094 | 1 | Shroud | |
| 36E | 70002291 | 1 | Insulator, Endbell | |
| 36E | 7027799 | 1 | Block, Connector 6 Position (Not Shown) | |
| 36E | 70002460 | 1 | Nut, Brass (Attaches p/n 7027799 to Cover) (Not Shown) | |
| 36E | 70006095 | 1 | Breaker, Circuit 30Amp | |
| 36E | 70006096 | 1 | Boot, Breaker (Not Shown) | |
| 36E | 7026626 | 1 | Connector, 6 Position (Includes Seal) (Not Shown) | |
| 36E | 7026597 | 1 | Connector, with Leads (Not Shown) | |

SECTION 3 - ENGINE

| ITEM | PART NUMBER | QTY | DESCRIPTION | REV |
|------|-------------|-----|--|-----|
| 36E | 70004098 | 1 | Clamp, Cable | |
| 36E | 70006097 | 1 | Plate, End Panel | |
| 36E | 70001974 | 1 | Decal - Terminal Connections | |
| 36F | 70001973 | 1 | Decal - Warning Moving Parts | |
| 38 | 1001187092 | 1 | Platform Receptacle Assembly (See Separate Breakdown in ELECTRICAL SECTION) | |
| 40 | 1001187228 | 1 | Junction Box Assembly - 7500W Generator (All Specs Except Australian, CE & UK CA Specs) (See Separate Breakdown in this Section) | |
| 41 | 1001166732 | 1 | Support | |
| 42 | 1001181211 | 1 | Pulley | |
| 43 | 1001184162 | 1 | Bracket | |
| 44 | 1001184163 | 1 | Belt | |
| 46 | 3580317 | 1 | Pulley, Belt Tensioner | |
| 47 | 1001236442 | 1 | Harness, 7500W Generator Control - Generator to Generator Control Box (See Separate Breakdown in ELECTRICAL SECTION) | |
| 48 | 1001186822 | 1 | Harness, 7500W Generator Control - Generator Control Box to Generator Control (See Separate Breakdown in ELECTRICAL SECTION) | |
| 49 | 1001236443 | 1 | Cable, Electrical 8/5 | |
| 50 | 1001151080 | 2 | Conduit, Split Poly | |
| 51 | 4240017 | 2 | Tie Strap | |
| 52 | 1001207285 | AR | Bolt M10 x 45 Grade 10.9 | |
| 53 | 1001202759 | 1 | Plate | |
| 54 | 1001202760 | 2 | Generator Arm Mount Bracket | |
| 55 | 1001208340 | 1 | Generator Bracket | |
| 56 | 1001202764 | 1 | Plate | |
| 57 | 5272012 | AR | Bolt M10 x 40 | |
| 58 | 4032016 | AR | Bolt M10 x 60 | |
| 59 | 4032014 | AR | Bolt M10 x 50 | |
| 60 | 0701217 | AR | Bolt M12 x 45 | |
| 61 | 0761009 | AR | Bolt M10 x 18 | |
| 62 | 0701219 | AR | Bolt M12 x 55 | |
| 63 | 1001210645 | 1 | Plate | |
| 64 | 0760606 | AR | Bolt M6 x 12 (Not Shown) | |
| 65 | 4871700 | AR | Washer M6 (Not Shown) | |

SECTION 3 - ENGINE

FIGURE 3-27. JUNCTION BOX ASSEMBLY - 4000W GENERATOR (ALL SPECS EXCEPT AUSTRALIAN AND CE SPECS)



ART_1001186828

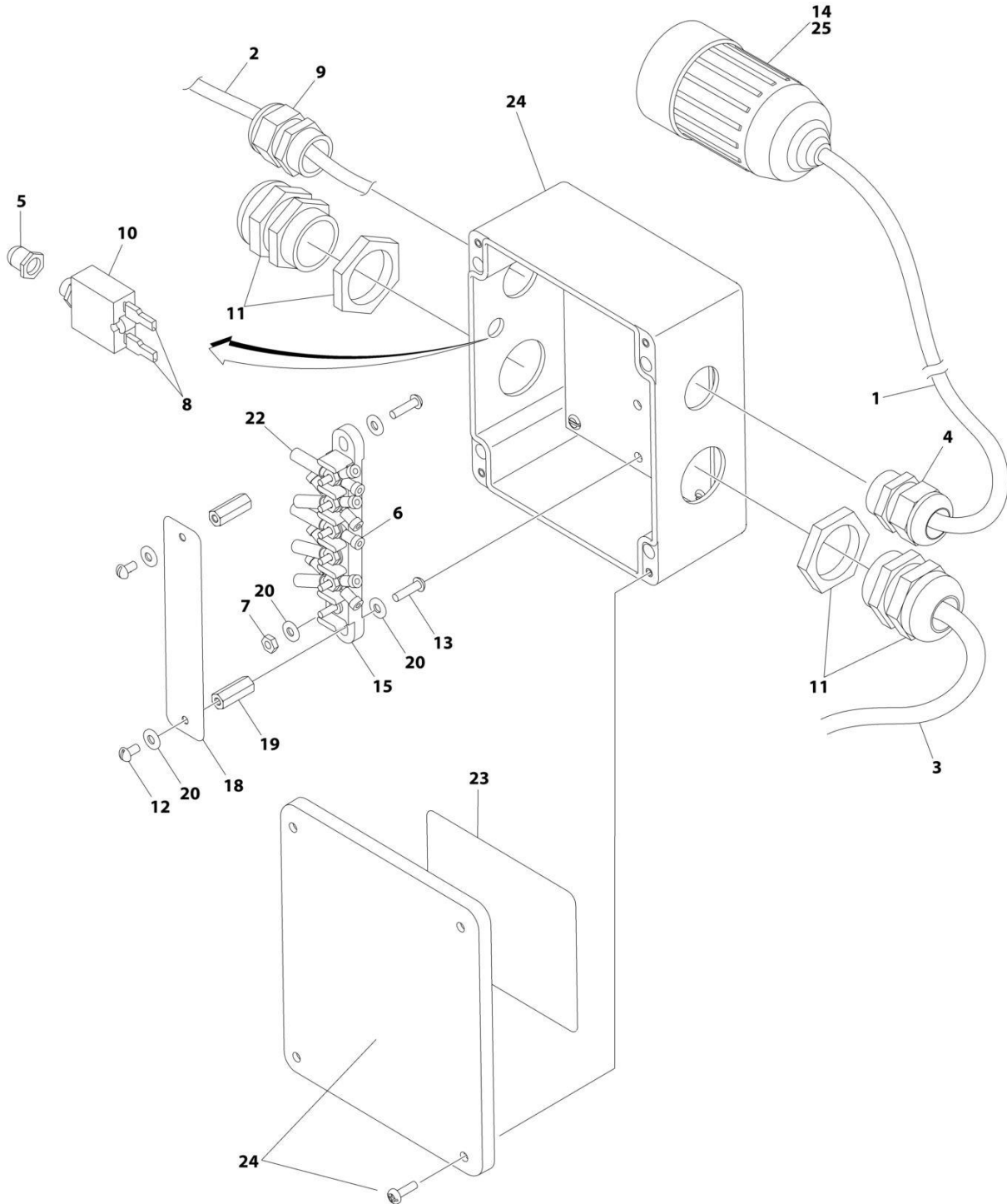
SECTION 3 - ENGINE

FIGURE 3-27. JUNCTION BOX ASSEMBLY - 4000W GENERATOR (ALL SPECS EXCEPT AUSTRALIAN AND CE SPECS)

| ITEM | PART NUMBER | QTY | DESCRIPTION | REV |
|------|-------------|------------|---|-----|
| | 1001186828 | Ref | JUNCTION BOX ASSEMBLY - 4000W GENERATOR | B |
| 1 | 1060494 | 6.8 ft/ 2m | Cable, Electrical - 12/3 | |
| 2 | 1060708 | 6.8 ft/ 2m | Cable, Electrical - 10/3 | |
| 3 | 3300396 | 1 | Cover, Fuse | |
| 4 | 3311001 | 6 | Nut, #10-24 | |
| 5 | 4360070 | 1 | Circuit Breaker - 15Amp | |
| 6 | 4460068 | 10 | Terminal | |
| 7 | 4460426 | 2 | Connector, Strain Relief | |
| 8 | 4460425 | 1 | Strain Relief, Terminal | |
| 9 | 4460483 | 2 | Terminal | |
| 10 | 4711000 | 10 | Washer, #10 | |
| 12 | 10702077 | 2 | Screw, #10-32 X 3/8 | |
| 13 | 10702082 | 2 | Screw, #10-32 X 3/4 | |
| 14 | 1001152525 | 1 | Plug | |
| 15 | 1001157520 | 1 | Block, Terminal - 6 Pole | |
| 16 | 1001157521 | 1 | Box, Junction | |
| 17 | 1001195517 | 1 | Decal - Wiring Schematic | |
| 18 | 1001158007 | 1 | Cover | |
| 19 | 1001158008 | 2 | Stand-Off | |

SECTION 3 - ENGINE

FIGURE 3-28. JUNCTION BOX ASSEMBLY - 7500W GENERATOR (ALL SPECS EXCEPT AUSTRALIAN AND CE SPECS)



ART_1001187228

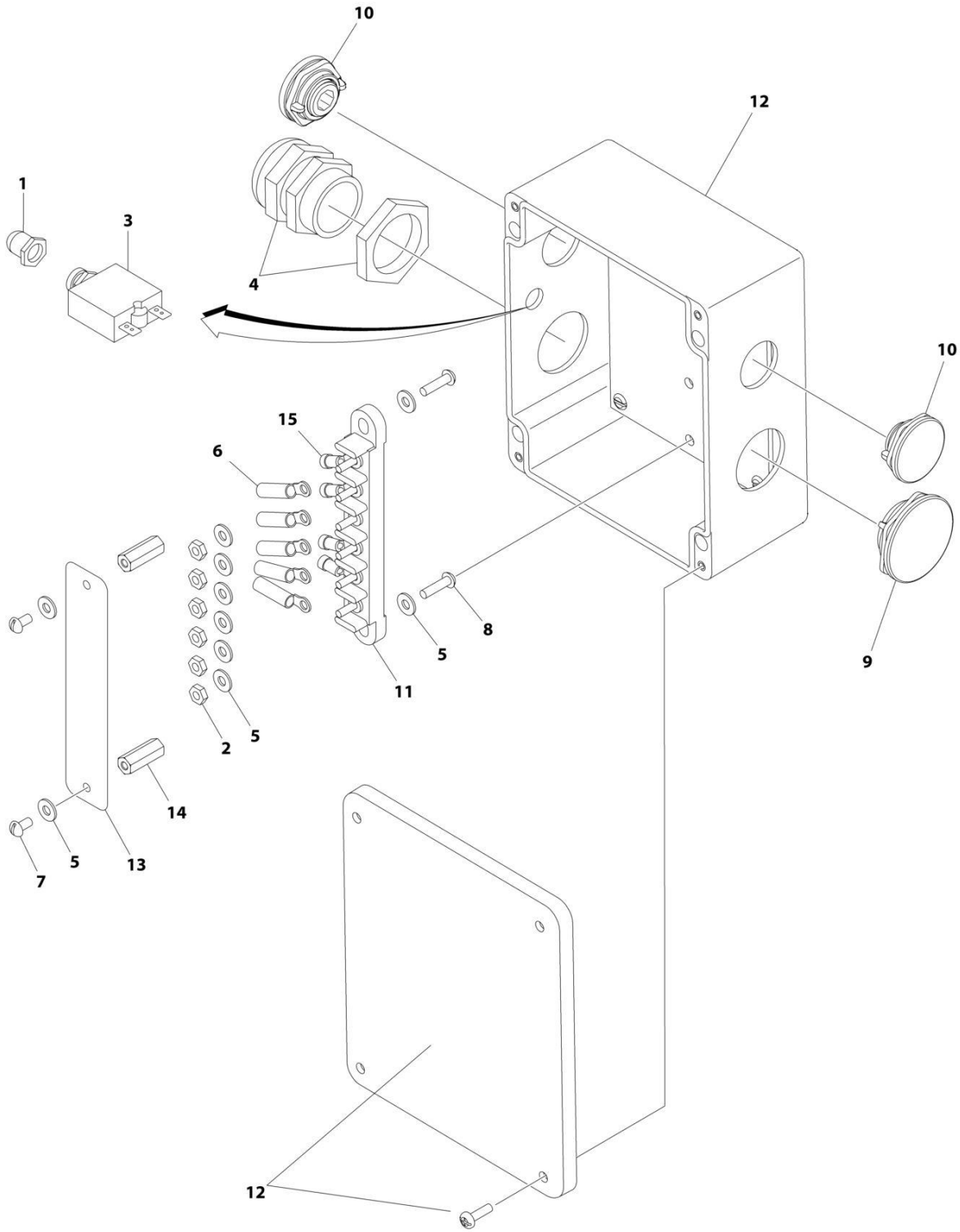
SECTION 3 - ENGINE

FIGURE 3-28. JUNCTION BOX ASSEMBLY - 7500W GENERATOR (ALL SPECS EXCEPT AUSTRALIAN AND CE SPECS)

| ITEM | PART NUMBER | QTY | DESCRIPTION | REV |
|------|-------------|------------|---|-----|
| | 1001187228 | Ref | JUNCTION BOX ASSEMBLY - 7500W GENERATOR | A |
| 1 | 1060343 | 6.8 ft/ 2m | Cable, Electrical - 10/4 | |
| 2 | 1060494 | 6.8 ft/ 2m | Cable, Electrical - 12/3 | |
| 3 | 1060708 | 6.8 ft/ 2m | Cable, Electrical - 10/3 | |
| 4 | 1321692 | 1 | Strain Relief, Terminal | |
| 5 | 3300396 | 1 | Cover, Fuse | |
| 6 | 4460068 | 10 | Terminal | |
| 7 | 3311001 | 6 | Nut, #10-24 | |
| 8 | 4460483 | 2 | Terminal | |
| 9 | 4460425 | 1 | Strain Relief, Terminal | |
| 10 | 4360070 | 1 | Circuit Breaker - 15Amp | |
| 11 | 4460426 | 2 | Connector, Strain Relief | |
| 12 | 10702077 | 2 | Screw, #10-32 X 3/8 | |
| 13 | 10702082 | 2 | Screw, #10-32 X 3/4 | |
| 14 | 4460963 | 1 | Connector, Turnlock | |
| 15 | 1001157520 | 1 | Block, Terminal - 6 Pole | |
| 18 | 1001158007 | 1 | Cover | |
| 19 | 1001158008 | 2 | Stand-Off | |
| 20 | 4711000 | 10 | Washer, #10 | |
| 22 | 8220022 | 5 | Terminal, #10 Stud | |
| 23 | 1001157528 | 1 | Decal - Wiring Schematic | |
| 24 | 1001187232 | 1 | Box, Junction | |
| 25 | 1671092 | 1 | Cover, Connector | |

SECTION 3 - ENGINE

FIGURE 3-29. JUNCTION BOX ASSEMBLY - 4000W/7500W GENERATOR (AUSTRALIAN AND CE SPECS)



ART_1001187197

SECTION 3 - ENGINE

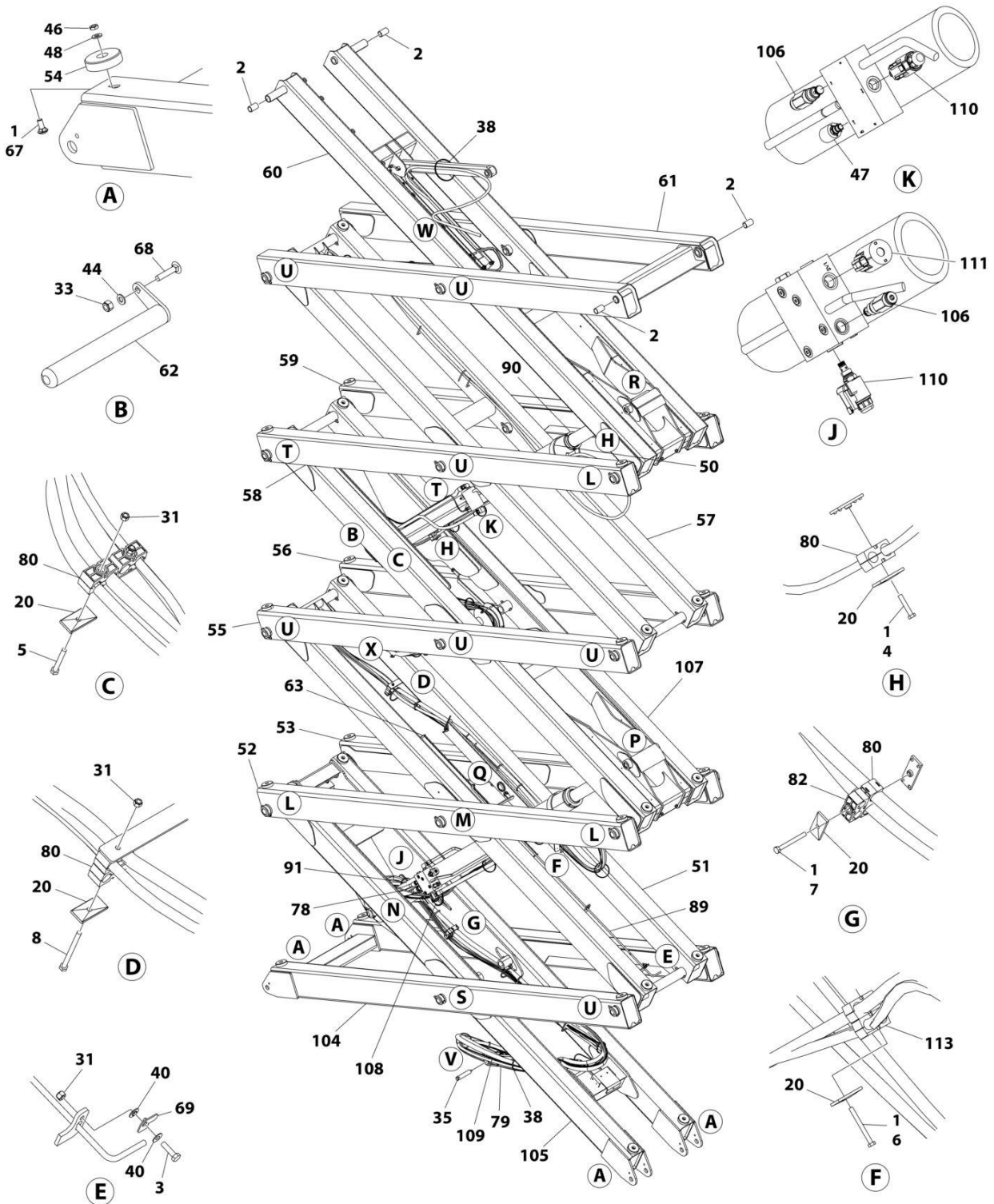
FIGURE 3-29. JUNCTION BOX ASSEMBLY - 4000W/7500W GENERATOR (AUSTRALIAN AND CE SPECS)

| ITEM | PART NUMBER | QTY | DESCRIPTION | REV |
|------|-------------|-----|---|-----|
| | 1001187197 | Ref | JUNCTION BOX ASSEMBLY - 4000W/7500W GENERATOR | A |
| 1 | 3300396 | 1 | Cover, Fuse | |
| 2 | 3311001 | 6 | Nut, #10-24 | |
| 3 | 4360070 | 1 | Circuit Breaker - 15Amp | |
| 4 | 4460426 | 1 | Connector, Strain Relief | |
| 5 | 4711000 | 10 | Washer, #10 | |
| 6 | 8220022 | 5 | Terminal, #10 Stud | |
| 7 | 10702077 | 2 | Screw, #10-32 X 3/8 | |
| 8 | 10702082 | 2 | Screw, #10-32 X 3/4 | |
| 9 | 1001148648 | 1 | Plug | |
| 10 | 1001152525 | 2 | Plug | |
| 11 | 1001157520 | 1 | Block, Terminal - 6 Pole | |
| 12 | 1001157521 | 1 | Box, Junction | |
| 13 | 1001158007 | 1 | Cover | |
| 14 | 1001158008 | 2 | Stand-Off | |
| 15 | 4460068 | 4 | Terminal | |

SECTION 4 - SCISSORS ARMS

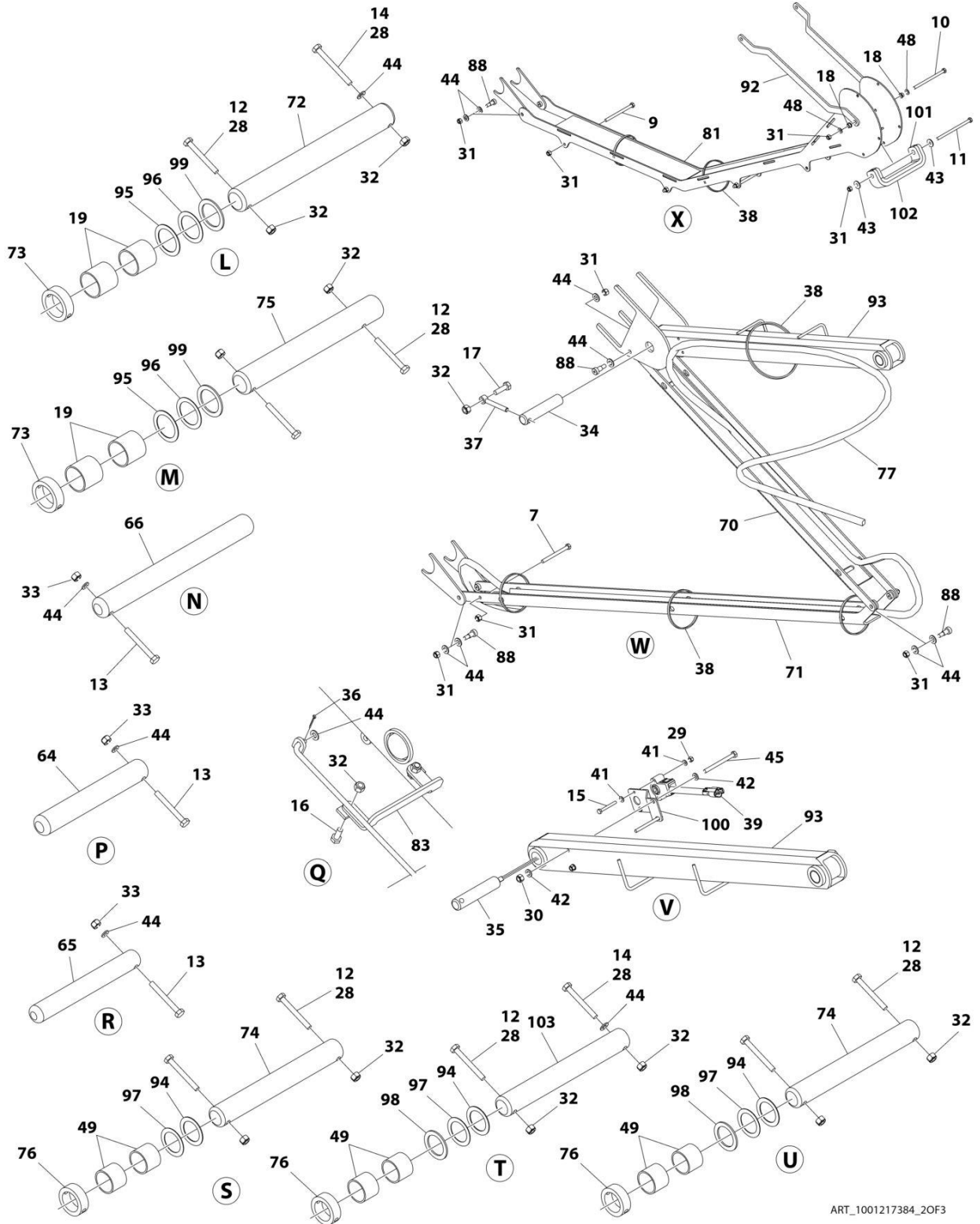
SECTION 4 - SCISSORS ARMS

FIGURE 4-1. SCISSORS ARMS ASSEMBLY



ART_1001217384_10F3

SECTION 4 - SCISSORS ARMS



ART_1001217384_2OF3

SECTION 4 - SCISSORS ARMS

FIGURE 4-1. SCISSORS ARMS ASSEMBLY

| ITEM | PART NUMBER | QTY | DESCRIPTION | REV |
|------|-------------|-----|--|-----|
| | 1001217384 | Ref | SCISSORS ARMS ASSEMBLY | H |
| 1 | 0100011 | AR | Compound, Locking | |
| 2 | 0440250 | 4 | Bearing | |
| 3 | 0700814 | 1 | Bolt M8 x 30 | |
| 4 | 0700817 | 2 | Bolt M8 x 45 | |
| 5 | 0700820 | 2 | Bolt M8 x 60 | |
| 6 | 0700824 | 1 | Bolt M8 x 80 | |
| 7 | 0700826 | 2 | Bolt M8 x 90 | |
| 8 | 0700827 | 1 | Bolt M8 x 100 | |
| 9 | 0700828 | 6 | Bolt M8 x 110 | |
| 10 | 0700830 | 1 | Bolt M8 x 130 | |
| 11 | 0700831 | 1 | Bolt M8 x 140 | |
| 12 | 0711025 | 44 | Bolt M10 x 85 | |
| 13 | 0711026 | 3 | Bolt M10 x 90 | |
| 14 | 0711027 | 8 | Bolt M10 x 100 | |
| 15 | 0760415 | 2 | Bolt M4 x 35 | |
| 16 | 0761012 | 2 | Bolt M10 x 25 | |
| 17 | 0771015 | 2 | Bolt M10 x 35 | |
| 18 | 0962031 | 2 | Bushing, Flange | |
| 19 | 0962036 | 16 | Bushing | |
| 20 | 1309435 | 7 | Cover, Clamp | |
| 28 | 3020039 | AR | Lubricant | |
| 29 | 3290405 | 2 | Nut M4 | |
| 30 | 3290605 | 2 | Nut M6 | |
| 31 | 3290805 | 23 | Nut M8 | |
| 32 | 3291005 | 56 | Nut M10 | |
| 33 | 3331017 | 4 | Nut M10 | |
| 34 | 3422943 | 2 | Pin, Link Pivot | |
| 35 | 3422963 | 1 | Pin, Link Attach | |
| 36 | 3450304 | 1 | Pin, Cotter 3/32 x 1 | |
| 37 | 3841143 | 2 | Keeper, Pin | |
| 38 | 4240018 | 39 | Tie-Strap | |
| 39 | 4360500 | 1 | Switch, Rotary Angle Sensor | |
| 40 | 4740455 | 2 | Washer | |
| 41 | 4811400 | 4 | Washer M4 | |
| 42 | 4811700 | 4 | Washer M6 | |
| 43 | 4811902 | 2 | Washer M8 | |
| 44 | 4812000 | 31 | Washer M10 | |
| 45 | 1001096653 | 2 | Bolt M6 x 70 | |
| 46 | 1001102433 | 32 | Nut M8 | |
| 47 | 1001148972 | 1 | Valve, Solenoid Cartridge | |
| 47 | 70002401 | 1 | Cartridge Less Coil | |
| 47 | 7017496 | 1 | Seal Kit - 70002401 & 1001148972 Valve | |
| 47 | 70003788 | 1 | Coil | |
| 48 | 1001108588 | 36 | Washer M8 | |
| 49 | 1001118665 | 36 | Bearing | |
| 50 | 1001143645 | 2 | Strap, Cinch | |
| 51 | 1001181375 | 1 | Arm, Inner 2 | |
| 52 | 1001181384 | 1 | Arm, Outer 2 (RH) | |
| 53 | 1001181385 | 1 | Arm, Outer 2 (LH) | |

SECTION 4 - SCISSORS ARMS

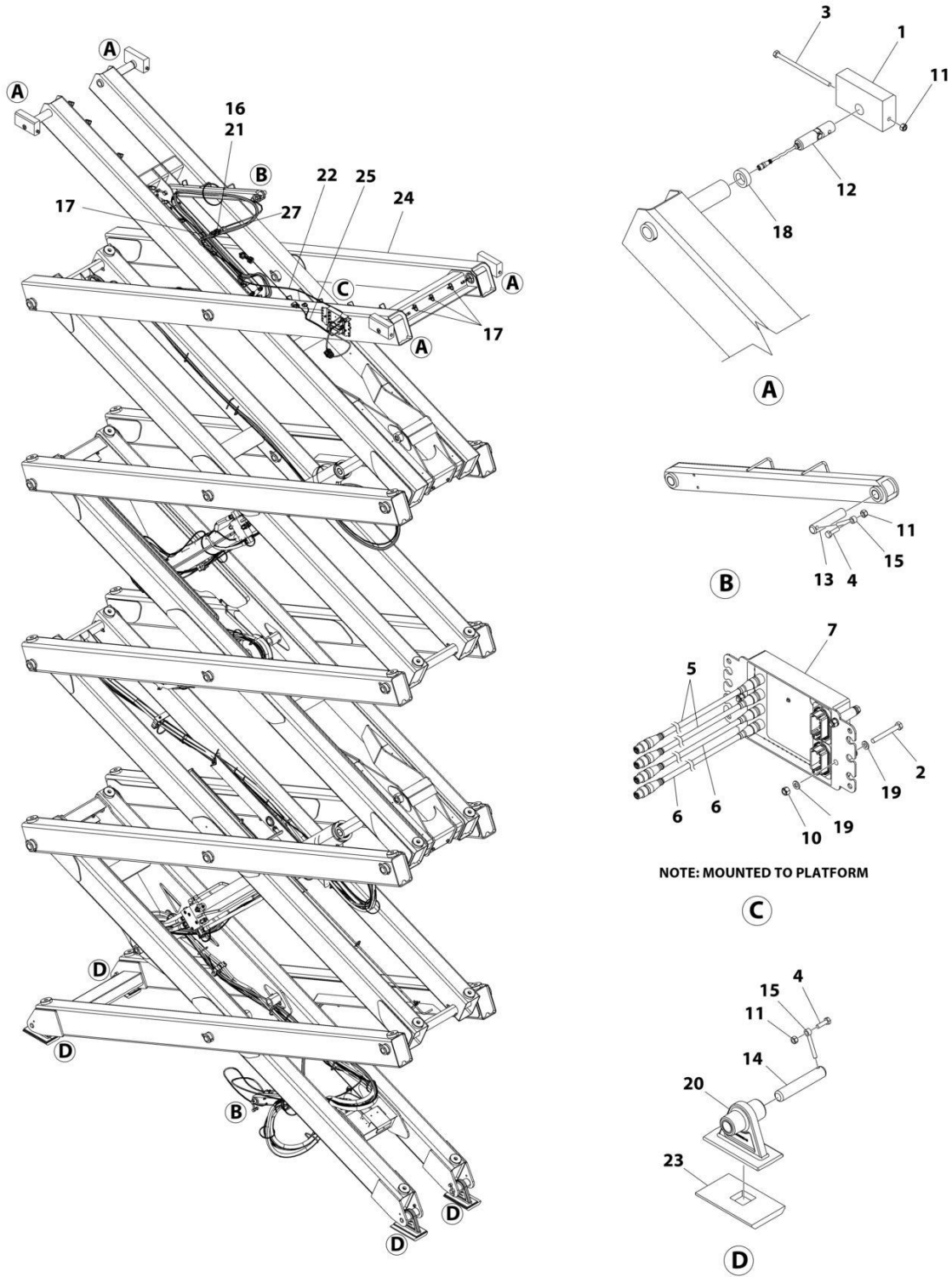
| ITEM | PART NUMBER | QTY | DESCRIPTION | REV |
|------|-------------|-----|--|-----|
| 54 | 1001181436 | 32 | Bumper | |
| 55 | 1001181476 | 1 | Arm, Outer 3 (RH) | |
| 56 | 1001181477 | 1 | Arm, Outer 3 (LH) | |
| 57 | 1001181479 | 1 | Arm, Inner 4 | |
| 58 | 1001181481 | 1 | Arm, Outer 4 (RH) | |
| 59 | 1001181482 | 1 | Arm, Outer 4 (LH) | |
| 60 | 1001181485 | 1 | Arm, Inner 5 | |
| 61 | 1001181486 | 1 | Arm, Outer 5 | |
| 62 | 1001184019 | 1 | Pin | |
| 63 | 1001185315 | 2 | Prop, Safety | |
| 63 | 0962224 | 2 | Bearing (1 per Prop) | |
| 64 | 1001185704 | 1 | Pin | |
| 65 | 1001185705 | 1 | Pin | |
| 66 | 1001185706 | 1 | Pin | |
| 67 | 1001186235 | 32 | Bolt M8 x 20 | |
| 68 | 1001186551 | 1 | Bolt M10 x 50 | |
| 69 | 1001186900 | 1 | Plate, Rod Keeper | |
| 70 | 1001187185 | 1 | Carrier, Cable | |
| 71 | 1001187186 | 1 | Channel, Cable Carrier | |
| 72 | 1001188000 | 6 | Pin | |
| 73 | 1001188001 | 8 | Collar | |
| 74 | 1001188345 | 16 | Pin | |
| 75 | 1001188348 | 2 | Pin | |
| 76 | 1001188351 | 18 | Collar | |
| 77 | 1001236865 | 1 | Ground to Platform Harness (See Separate Breakdown in ELECTRICAL SECTION) | |
| 78 | 1001190522 | 1 | Ground to Lower Lift Cylinder Harness (See Separate Breakdown in ELECTRICAL SECTION) | |
| 79 | 1001190524 | 1 | Ground to Upper Lift Cylinder Harness (See Separate Breakdown in ELECTRICAL SECTION) | |
| 80 | 1001191629 | 7 | Clamp | |
| 81 | 1001191722 | 1 | Plate, Cable Tray | |
| 82 | 1001191838 | 1 | Clamp | |
| 83 | 1001193040 | 1 | Bracket | |
| 88 | 1001193296 | 10 | Bolt M8 x 14 | |
| 89 | 1001193386 | 1 | Rod, Prop Actuator | |
| 90 | 1001225369 | 1 | Lift Cylinder Assembly - Upper (See Separate Breakdown in CYLINDER SECTION) | |
| 91 | 1001234703 | 1 | Lift Cylinder Assembly - Lower (See Separate Breakdown in CYLINDER SECTION) | |
| 92 | 1001194393 | 2 | Plate, Cable Tray | |
| 93 | 1001195209 | 2 | Link | |
| 93 | 0962474 | 4 | Bushing | |
| 94 | 1001197395 | AR | Washer | |
| 95 | 1001197396 | AR | Washer | |
| 96 | 1001197397 | AR | Washer | |
| 97 | 1001197398 | AR | Washer | |
| 98 | 1001197404 | AR | Washer | |
| 99 | 1001197405 | AR | Washer | |
| 100 | 1001202520 | 1 | Bracket, Switch | |
| 101 | 1001209406 | 1 | Plate | |
| 102 | 1001209407 | 1 | Bumper | |

SECTION 4 - SCISSORS ARMS

| ITEM | PART NUMBER | QTY | DESCRIPTION | REV |
|------|-------------|-----|---|-----|
| 103 | 1001217300 | 2 | Pin | |
| 104 | 1001217381 | 1 | Arm, Outer 1 | |
| 105 | 1001217382 | 1 | Arm, Inner 1 | |
| 106 | 1001217888 | 1 | Valve, Cartridge | |
| 106 | 7024808 | 1 | Seal Kit - 1001217888 Valve | |
| 107 | 1001218504 | 1 | Arm, Inner 3 | |
| 108 | 1001222343 | 1 | Ground to Auxilary Lower Holding Valve Harness (See Separate Breakdown in ELECTRICAL SECTION) | |
| 109 | 1001222344 | 1 | Ground to Auxilary Upper Holding Valve Harness (See Separate Breakdown in ELECTRICAL SECTION) | |
| 110 | 1001103761 | 2 | Valve, Solenoid Cartridge | |
| 110 | 7024497 | 1 | Cartridge Less Coil | |
| 110 | 7024502 | 1 | Seal Kit - 1001103761 & 7024497 Valve | |
| 110 | 70001965 | 1 | Coil | |
| 110 | 7024506 | 1 | Nut Kit - Coil | |
| 111 | 1001206625 | 1 | Valve, Solenoid Cartridge | |
| 111 | 70006104 | 1 | Cartridge Less Coil | |
| 111 | 70006105 | 1 | Seal Kit - 1001206625 & 70006104 Valve | |
| 111 | 70005788 | 1 | Coil | |
| 111 | 7022390 | 1 | Nut Coil | |
| 113 | 80933216 | 2 | Clamp | |

SECTION 4 - SCISSORS ARMS

FIGURE 4-2. SCISSORS ARMS INSTALLATION WITH AC CABLE



ART_1001237516_F

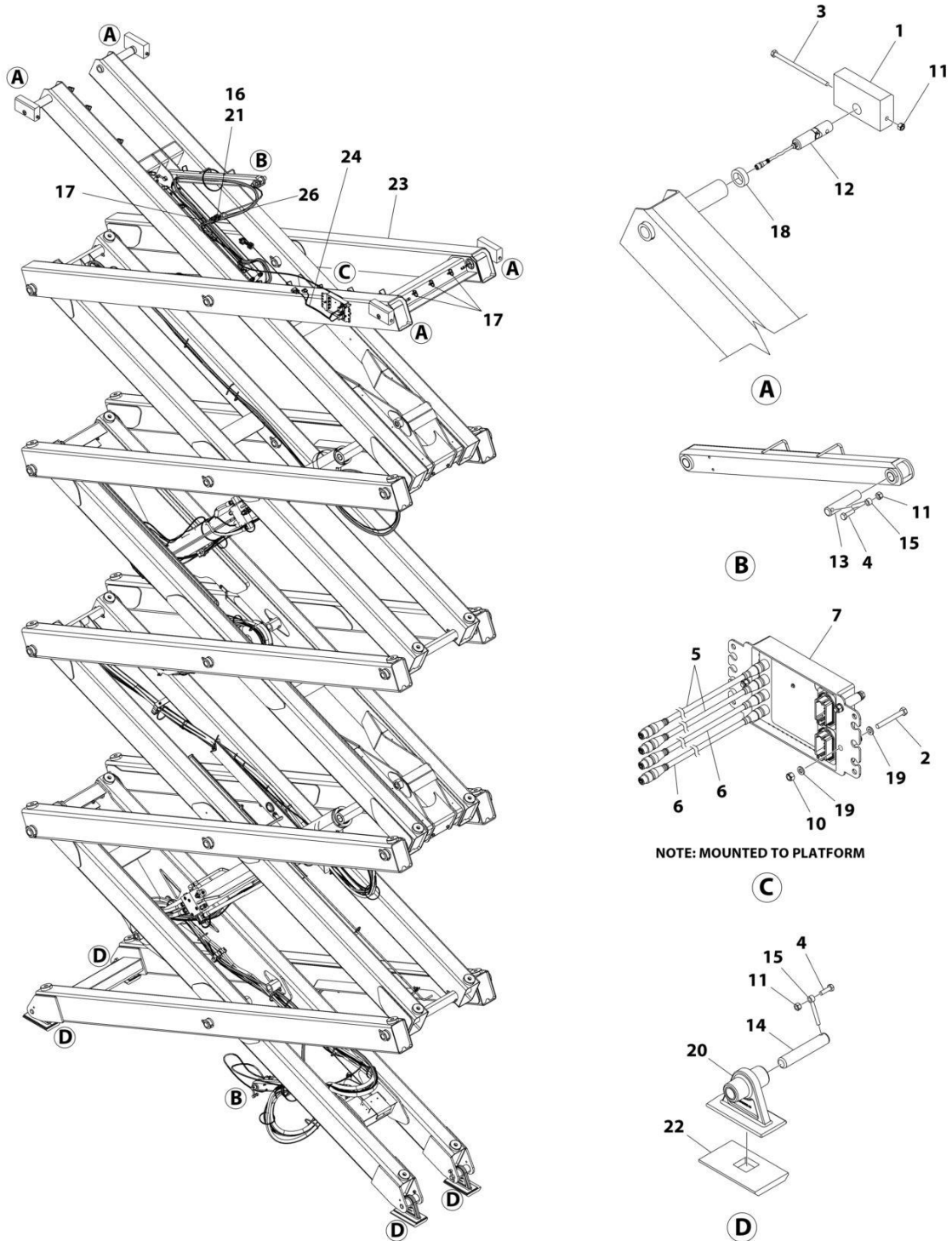
SECTION 4 - SCISSORS ARMS

FIGURE 4-2. SCISSORS ARMS INSTALLATION WITH AC CABLE

| ITEM | PART NUMBER | QTY | DESCRIPTION | REV |
|------|-------------|-----|---|-----|
| | 1001237516 | Ref | SCISSORS ARMS INSTALLATION | F |
| 1 | 0561489 | 4 | Block, Slide | |
| 2 | 0700618 | 3 | Bolt M6 x 50 | |
| 3 | 0701037 | 4 | Bolt M10 x 200 | |
| 4 | 0771015 | 6 | Bolt M10 x 35 | |
| 5 | 1061020 | 2 | Cable (5 FT/1.5 M Length) | |
| 6 | 1061021 | 2 | Cable (10 FT/3 M Length) | |
| 7 | 1600387 | 1 | Module, Control - LSS | |
| 10 | 3290605 | 3 | Nut M6 | |
| 11 | 3291005 | 10 | Nut M10 | |
| 12 | 3422938 | 4 | Pin | |
| 13 | 3422943 | 1 | Pin | |
| 14 | 3422961 | 4 | Pin | |
| 15 | 3841143 | 6 | Keeper, Pin | |
| 16 | 4240018 | 14 | Tie-Strap | |
| 17 | 4240033 | 19 | Tie-Strap | |
| 18 | 4568295 | 4 | Tube, Spacer | |
| 19 | 4811700 | 6 | Washer M6 | |
| 20 | 1001099623 | 4 | Slider | |
| 20 | 0440234 | 8 | Bearing (2 per Slider) | |
| 21 | 1001130781 | 3 | Conduit | |
| 22 | 1001178759 | 1 | Cable, AC | |
| 23 | 1001181501 | 4 | Pad, Slide | |
| 24 | 1001217384 | 1 | Scissors Arms Assembly (See Separate Breakdown in this Section) | |
| 25 | 1001226830 | 1 | LSS Harness (See Separate Breakdown in ELECTRICAL Section) | |
| 26 | 4460234 | 16 | Mount, Tie-Strap (Not Shown) | |
| 27 | 1001244865 | 1 | Grommet | |

SECTION 4 - SCISSORS ARMS

FIGURE 4-3. SCISSORS ARMS INSTALLATION WITH GENERATOR



ART_1001237515_F

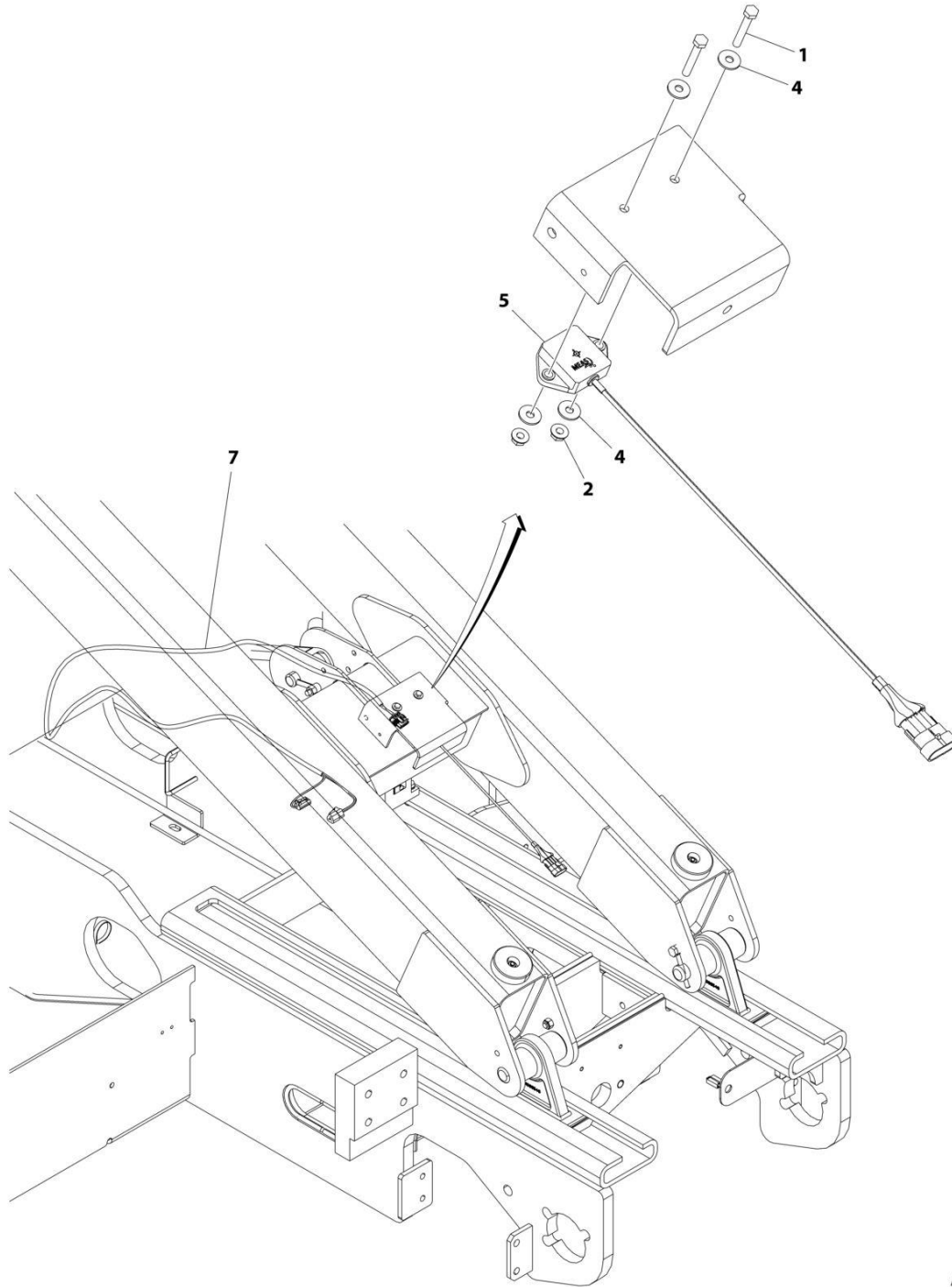
SECTION 4 - SCISSORS ARMS

FIGURE 4-3. SCISSORS ARMS INSTALLATION WITH GENERATOR

| ITEM | PART NUMBER | QTY | DESCRIPTION | REV |
|------|-------------|-----|---|-----|
| | 1001237515 | Ref | SCISSORS ARMS INSTALLATION | F |
| 1 | 0561489 | 4 | Block, Slide | |
| 2 | 0700618 | 3 | Bolt M6 x 50 | |
| 3 | 0701037 | 4 | Bolt M10 x 200 | |
| 4 | 0771015 | 6 | Bolt M10 x 35 | |
| 5 | 1061020 | 2 | Cable (5 FT/1.5 M Length) | |
| 6 | 1061021 | 2 | Cable (10 FT/3 M Length) | |
| 7 | 1600387 | 1 | Module, Control - LSS | |
| 10 | 3290605 | 3 | Nut M6 | |
| 11 | 3291005 | 10 | Nut M10 | |
| 12 | 3422938 | 4 | Pin | |
| 13 | 3422943 | 1 | Pin | |
| 14 | 3422961 | 4 | Pin | |
| 15 | 3841143 | 6 | Keeper, Pin | |
| 16 | 4240018 | 10 | Tie-Strap | |
| 17 | 4240033 | 19 | Tie-Strap | |
| 18 | 4568295 | 4 | Tube, Spacer | |
| 19 | 4811700 | 6 | Washer M6 | |
| 20 | 1001099623 | 4 | Slider | |
| 20 | 0440234 | 8 | Bearing (2 per Slider) | |
| 21 | 1001130781 | 2 | Conduit | |
| 22 | 1001181501 | 4 | Pad, Slide | |
| 23 | 1001217384 | 1 | Scissors Arms Assembly (See Separate Breakdown in this Section) | |
| 24 | 1001226830 | 1 | LSS Harness (See Separate Breakdown in ELECTRICAL Section) | |
| 25 | 4460234 | 16 | Mount, Tie-Strap (Not Shown) | |
| 26 | 1001244865 | 1 | Grommet | |

SECTION 4 - SCISSORS ARMS

FIGURE 4-4. ARM GUARDS INSTALLATION



ART_1001231784

SECTION 4 - SCISSORS ARMS

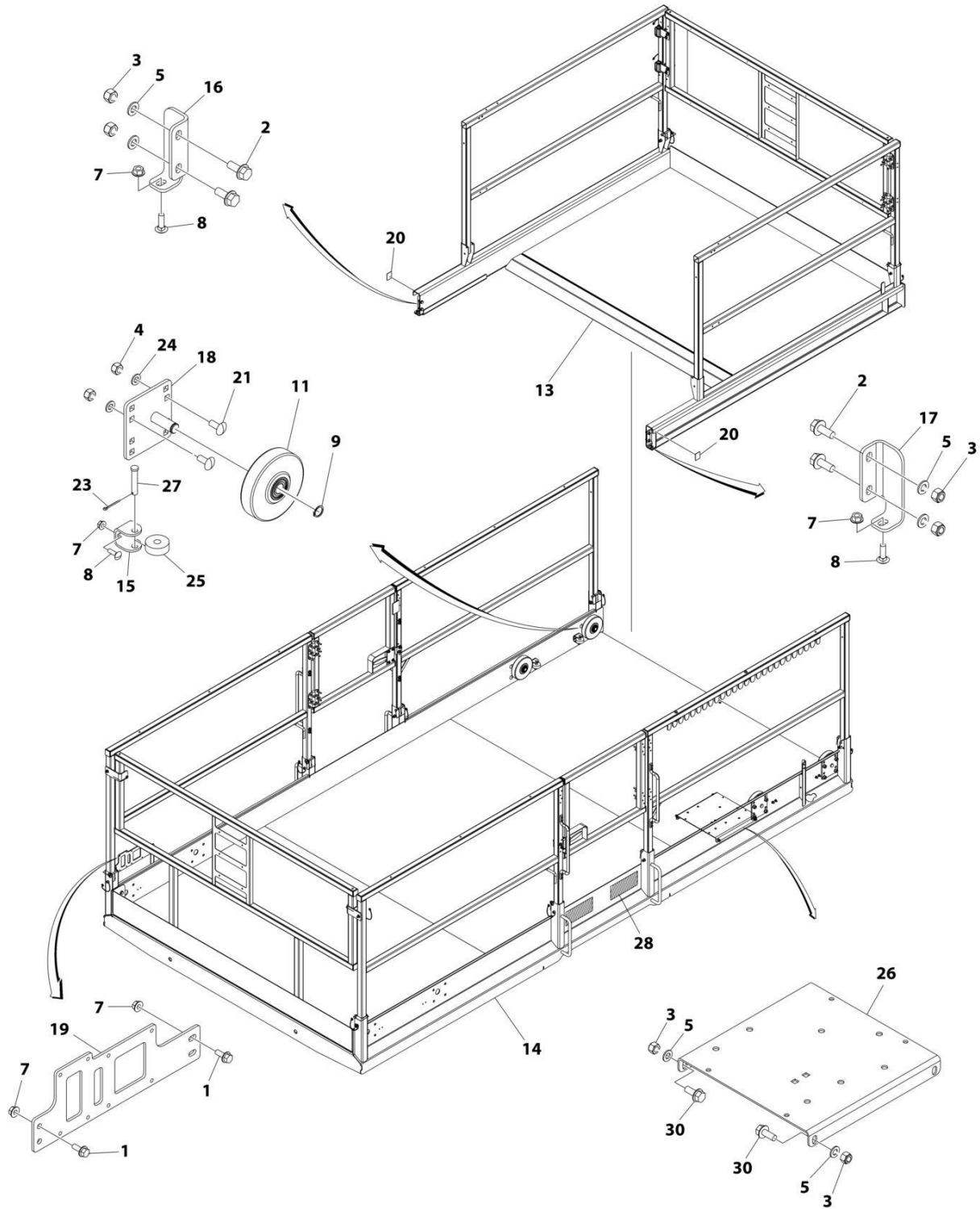
FIGURE 4-4. ARM GUARDS INSTALLATION

| ITEM | PART NUMBER | QTY | DESCRIPTION | REV |
|------|-------------|-----|--|-----|
| | 1001231784 | Ref | ARM GUARDS INSTALLATION | E |
| 1 | 0700616 | 2 | Bolt M6 x 40 | |
| 2 | 3290605 | 2 | Nut M6 | |
| 3 | 4240018 | 12 | Tie-Strap (Not Shown) | |
| 4 | 4811702 | 4 | Washer M6 | |
| 5 | 1001187857 | 1 | Sensor, Dual Axis | |
| 7 | 1001244347 | 1 | Scissors Arms Guard Harness (See Separate Breakdown in ELECTRICAL SECTION) | |

SECTION 5 - PLATFORM

SECTION 5 - PLATFORM

FIGURE 5-1. PLATFORM AND SINGLE EXTENSION INSTALLATION - STANDARD



ART_1001177756

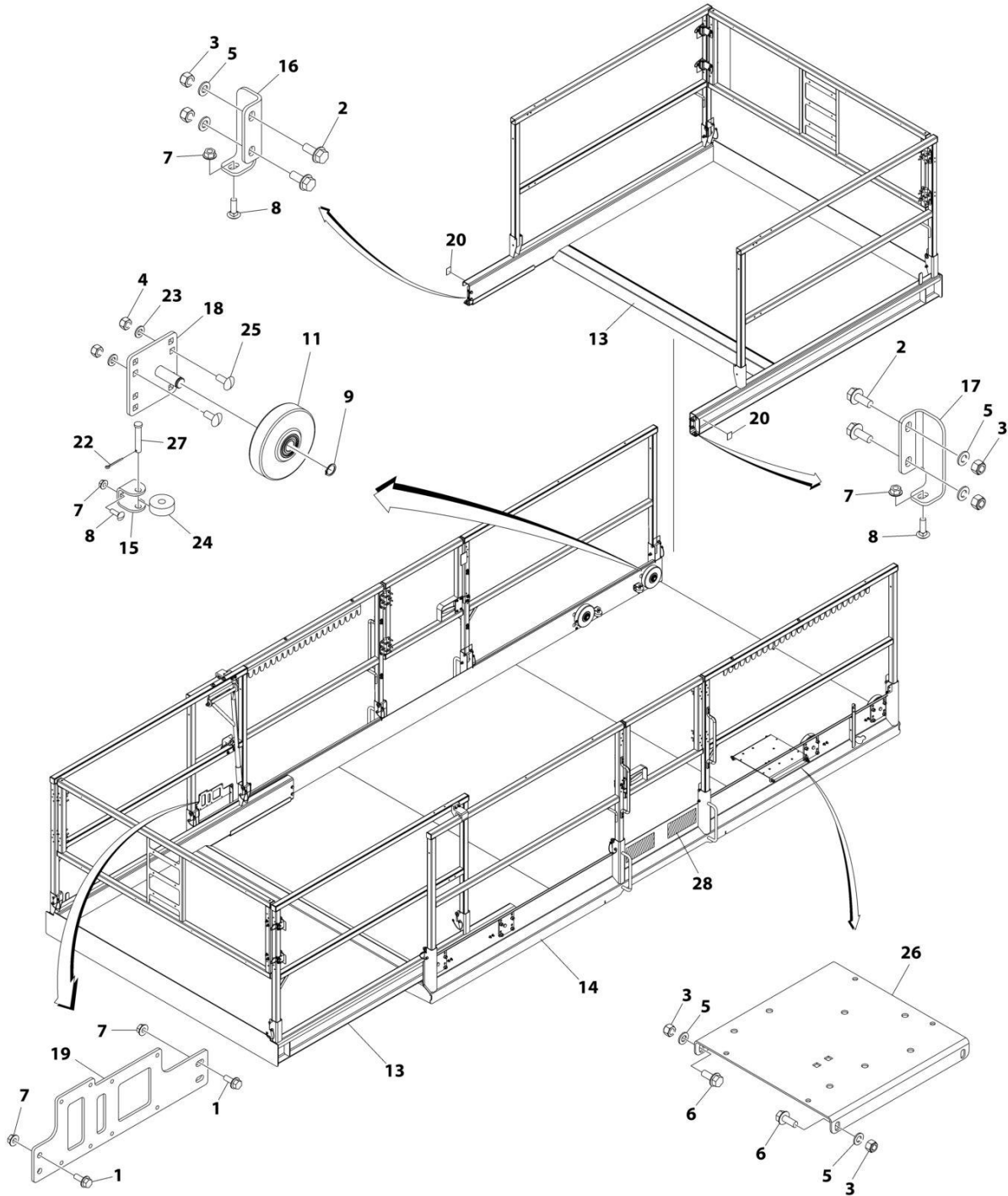
SECTION 5 - PLATFORM

FIGURE 5-1. PLATFORM AND SINGLE EXTENSION INSTALLATION - STANDARD

| ITEM | PART NUMBER | QTY | DESCRIPTION | REV |
|------|-------------|-----------------|---|-----|
| | 1001177756 | Ref | PLATFORM AND SINGLE EXTENSION INSTALLATION - STANDARD | H |
| 1 | 0780608 | 4 | Bolt M6 x 16 | |
| 2 | 0780810 | AR | Bolt M8 x 20 | |
| 3 | 3290805 | AR | Nut M8 | |
| 4 | 3291005 | 16 | Nut M10 | |
| 5 | 4811900 | AR | Washer M8 | |
| 7 | 5260600 | 14 | Nut M6, Grade10 | |
| 8 | 1001100451 | 10 | Bolt M6 x 20 | |
| 9 | 1001149581 | 4 | Ring, Retaining | |
| 11 | 1001167274 | 4 | Roller | |
| 13 | 1001179691 | 1 | Extension, Platform | |
| 14 | 1001179693 | 1 | Platform | |
| 15 | 1001179856 | 4 | Bracket, Roller | |
| 16 | 1001180981 | 1 | Bracket, Stop (LH) | |
| 17 | 1001180983 | 1 | Bracket, Stop (RH) | |
| 18 | 1001180990 | 4 | Bracket, Roller | |
| 19 | 1001182294 | 1 | Bracket | |
| 20 | 4420062 | 1.9 in/ 50mm | Tape | |
| 21 | 0630564 | 16 | Bolt M10 x 25 | |
| 23 | 3450304 | 4 | Pin, Cotter 3/32 x 1 | |
| 24 | 4812000 | 16 | Washer M10 | |
| 25 | 1001143898 | 4 | Roller | |
| 26 | 1001194115 | 1 | Bracket, Module | |
| 27 | 3430616 | 4 | Pin, Clevis | |
| 28 | 4420051 | AR | Tape, Safety | |
| 29 | 1001205831 | 4 | Spacer | |
| 30 | 0780812 | AR | Bolt M8 x 25 | |

SECTION 5 - PLATFORM

FIGURE 5-2. PLATFORM AND DUAL EXTENSION INSTALLATION - STANDARD



ART_1001177755

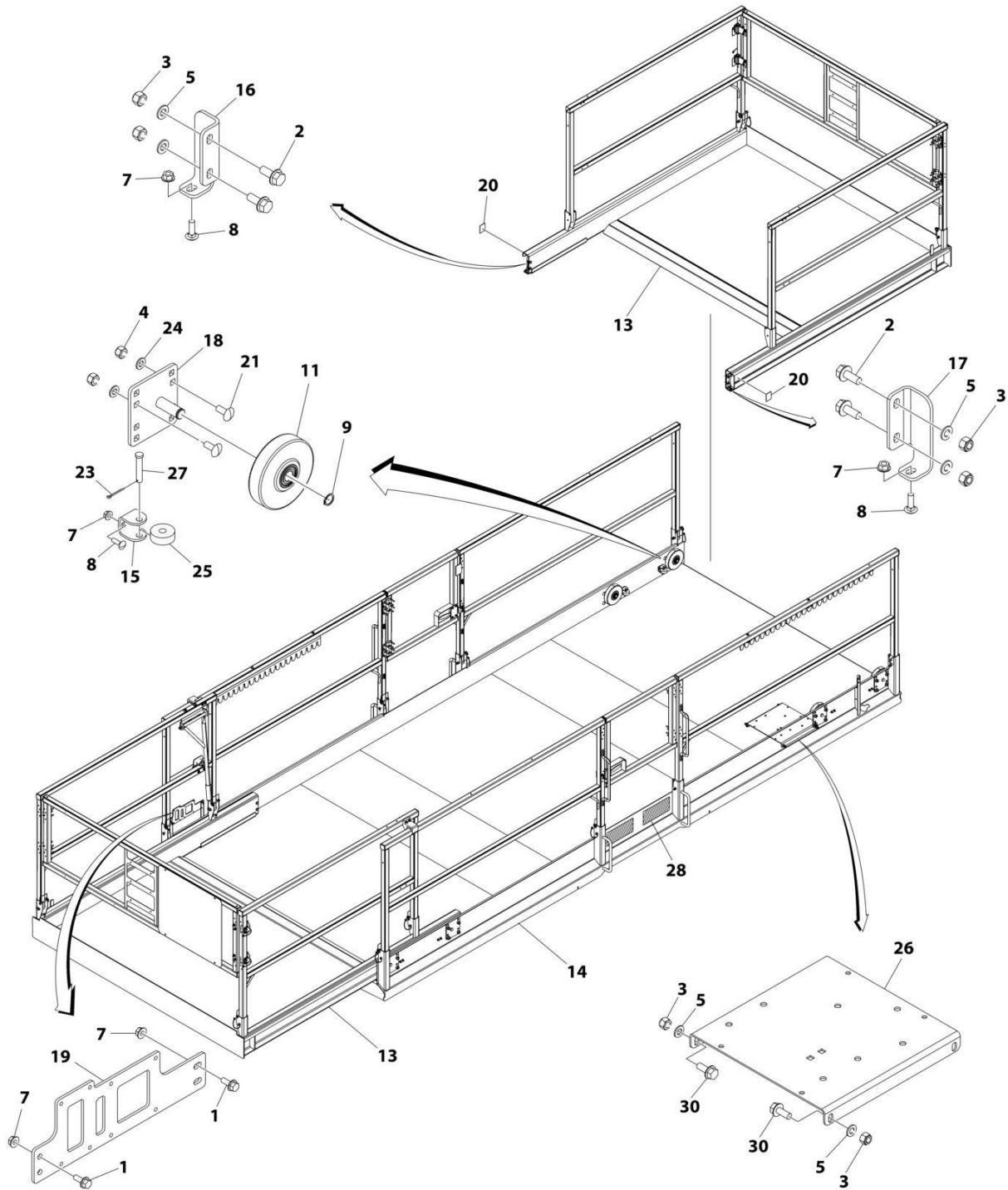
SECTION 5 - PLATFORM

FIGURE 5-2. PLATFORM AND DUAL EXTENSION INSTALLATION - STANDARD

| ITEM | PART NUMBER | QTY | DESCRIPTION | REV |
|------|-------------|------------------|---|-----|
| | 1001177755 | Ref | PLATFORM AND DUAL EXTENSION INSTALLATION - STANDARD | H |
| 1 | 0780608 | 4 | Bolt M6 x 16 | |
| 2 | 0780810 | AR | Bolt M8 x 20 | |
| 3 | 3290805 | AR | Nut M8 | |
| 4 | 3291005 | 32 | Nut M10 | |
| 5 | 4811900 | AR | Washer M8 | |
| 6 | 0780812 | AR | Bolt M8 x 25 | |
| 7 | 5260600 | 24 | Nut M6, Grade 10 | |
| 8 | 1001100451 | 20 | Bolt M6 x 20 | |
| 9 | 1001149581 | 8 | Ring, Retaining | |
| 11 | 1001167274 | 8 | Roller | |
| 13 | 1001179691 | 2 | Extension, Platform | |
| 14 | 1001179693 | 1 | Platform | |
| 15 | 1001179856 | 8 | Bracket, Roller | |
| 16 | 1001180981 | 2 | Bracket, Stop (LH) | |
| 17 | 1001180983 | 2 | Bracket, Stop (RH) | |
| 18 | 1001180990 | 8 | Bracket, Roller | |
| 19 | 1001182294 | 1 | Bracket | |
| 20 | 4420062 | 3.9 in/ 100mm | Tape | |
| 22 | 3450304 | 8 | Pin, Cotter 3/32 x 1 | |
| 23 | 4812000 | 32 | Washer M10 | |
| 24 | 1001143898 | 8 | Roller | |
| 25 | 0630564 | 32 | Bolt M10 x 25 | |
| 26 | 1001194115 | 1 | Bracket, Module | |
| 27 | 3430616 | 8 | Pin, Clevis | |
| 28 | 4420051 | AR | Tape, Safety | |
| 29 | 1001205831 | 8 | Spacer | |

SECTION 5 - PLATFORM

FIGURE 5-3. PLATFORM AND DUAL EXTENSION INSTALLATION - MEGADECK



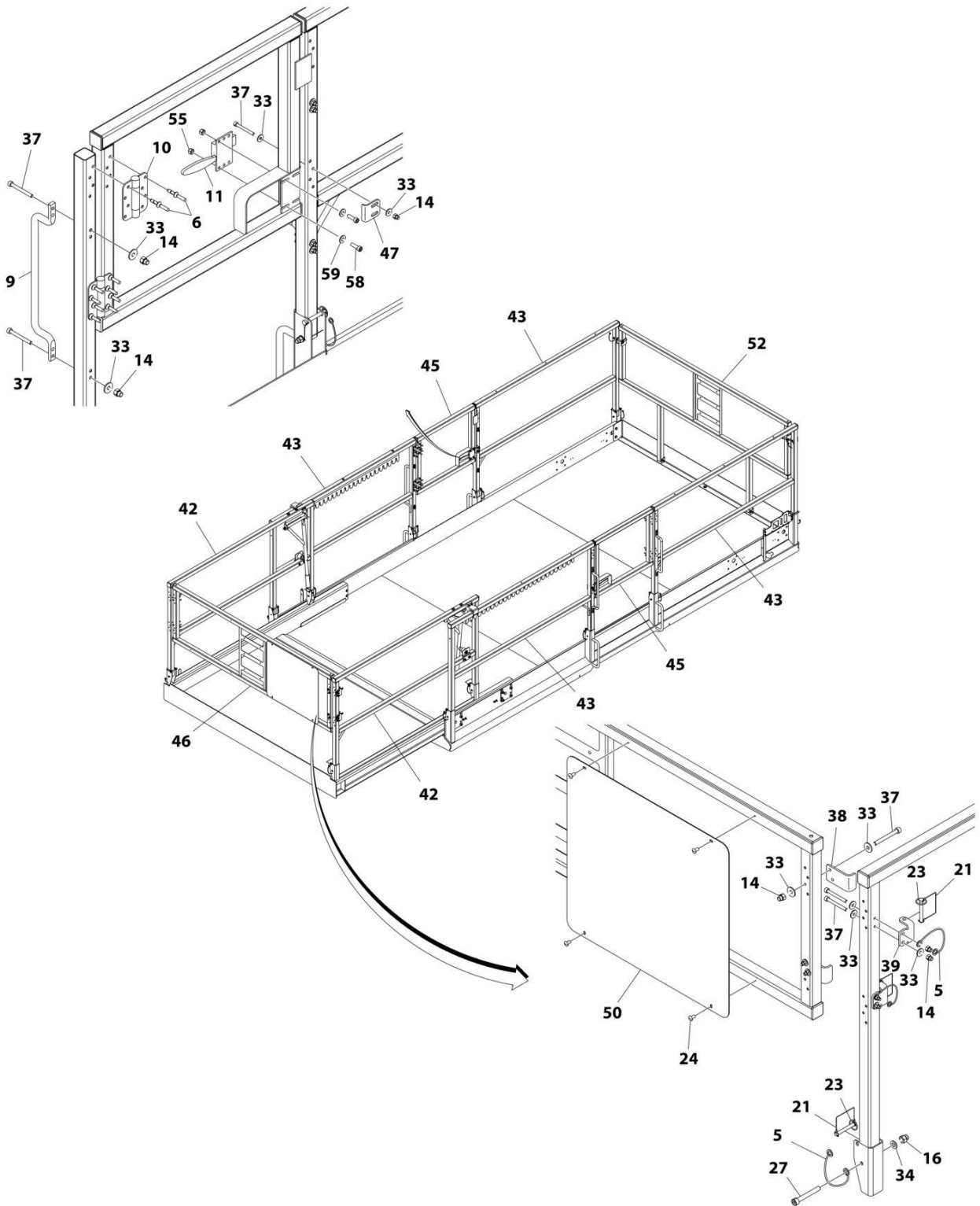
ART_1001177757

SECTION 5 - PLATFORM

FIGURE 5-3. PLATFORM AND DUAL EXTENSION INSTALLATION - MEGADECK

| ITEM | PART NUMBER | QTY | DESCRIPTION | REV |
|------|-------------|------------------|---|-----|
| | 1001177757 | Ref | PLATFORM AND DUAL EXTENSION INSTALLATION - MEGADECK | H |
| 1 | 0780608 | 4 | Bolt M6 x 16 | |
| 2 | 0780810 | AR | Bolt M8 x 20 | |
| 3 | 3290805 | AR | Nut M8 | |
| 4 | 3291005 | 32 | Nut M10 | |
| 5 | 4811900 | AR | Washer M8 | |
| 7 | 5260600 | 24 | Nut M6, Grade 10 | |
| 8 | 1001100451 | 20 | Bolt M6 x 20 | |
| 9 | 1001149581 | 8 | Ring, Retaining | |
| 11 | 1001167274 | 8 | Roller | |
| 13 | 1001179691 | 2 | Extension, Platform | |
| 14 | 1001179696 | 1 | Platform | |
| 15 | 1001179856 | 8 | Bracket, Roller | |
| 16 | 1001180981 | 2 | Bracket, Stop (LH) | |
| 17 | 1001180983 | 2 | Bracket, Stop (RH) | |
| 18 | 1001180990 | 8 | Bracket, Roller | |
| 19 | 1001182294 | 1 | Bracket | |
| 20 | 4420062 | 3.9 in/ 100mm | Tape | |
| 21 | 0630564 | 32 | Bolt M10 x 25 | |
| 23 | 3450304 | 8 | Pin, Cotter 3/32 x 1 | |
| 24 | 4812000 | 32 | Washer M10 | |
| 25 | 1001143898 | 8 | Roller | |
| 26 | 1001194115 | 1 | Bracket, Module | |
| 27 | 3430616 | 8 | Pin, Clevis | |
| 28 | 4420051 | AR | Tape, Safety | |
| 29 | 1001205831 | 8 | Spacer | |
| 30 | 0780812 | AR | Bolt M8 x 25 | |

SECTION 5 - PLATFORM



ART_1001177758_20F2

SECTION 5 - PLATFORM

FIGURE 5-4. RAILS INSTALLATION - STANDARD PLATFORM WITH SINGLE EXTENSION

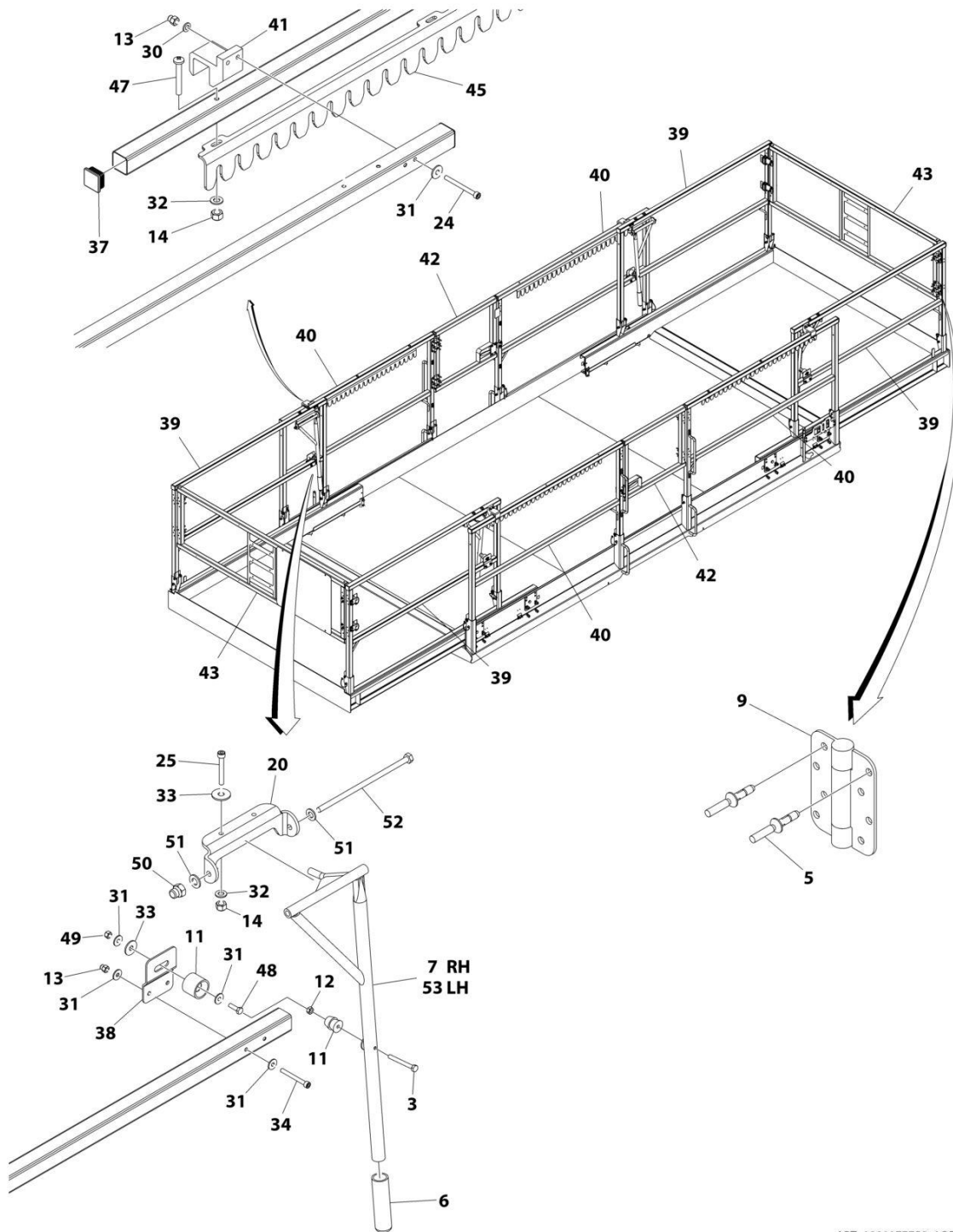
| ITEM | PART NUMBER | QTY | DESCRIPTION | REV |
|------|-------------|-----|--|-----|
| | 1001177758 | Ref | RAILS INSTALLATION - STANDARD PLATFORM WITH SINGLE EXTENSION | H |
| 3 | 0700619 | AR | Bolt M6 x 55 | |
| 4 | 0760814 | 1 | Bolt M8 x 30 | |
| 5 | 1060808 | 16 | Lanyard | |
| 6 | 2080040 | 48 | Fastener, Blind | |
| 7 | 2560088 | AR | Grip, Handle | |
| 8 | 2560172 | 1 | Handle | |
| 9 | 2560176 | 4 | Handle, Grab | |
| 10 | 2600285 | 6 | Hinge, Self Closing | |
| 11 | 2940074 | 2 | Latch | |
| 12 | 2940127 | AR | Latch, Rubber Insert | |
| 13 | 3290601 | AR | Nut M6 | |
| 14 | 3290606 | AR | Nut M6 | |
| 15 | 3290805 | AR | Nut M8 | |
| 16 | 3290806 | 14 | Nut M8 | |
| 17 | 3291005 | 4 | Nut M10 | |
| 21 | 3421565 | 16 | Pin | |
| 22 | 3537609 | AR | Plate, Pivot | |
| 23 | 3760170 | 16 | Ring, Split | |
| 24 | 3820020 | 4 | Rivet | |
| 26 | 4031717 | 4 | Capscrew M6 x 65 | |
| 27 | 4031916 | AR | Capscrew M8 x 60 | |
| 32 | 4811700 | 4 | Washer M6 | |
| 33 | 4811702 | AR | Washer M6 | |
| 34 | 4811900 | AR | Washer M8 | |
| 35 | 4811902 | AR | Washer M8 | |
| 36 | 5251012 | 4 | Bolt M10 x 25 | |
| 37 | 1001118878 | AR | Capscrew M6 x 55 | |
| 38 | 1001179558 | 2 | Bracket | |
| 39 | 1001179559 | 2 | Bracket | |
| 40 | 1001179639 | 28 | Plug | |
| 41 | 1001179644 | AR | Plate, Mounting | |
| 42 | 1001179676 | 2 | Rail, Extension Side | |
| 43 | 1001179677 | 4 | Rail, Platform Side | |
| 44 | 1001179678 | 2 | Pad | |
| 45 | 1001179694 | 2 | Gate | |
| 46 | 1001179695 | 1 | Rail, Extension end | |
| 47 | 1001198325 | 2 | Plate, Latch | |
| 48 | 1001180986 | 1 | Kickplate | |
| 49 | 1001180987 | AR | Bracket, Extension Stop | |
| 50 | 1001180994 | 1 | Plate, Billboard | |
| 51 | 1001181001 | 2 | Bracket, Latch | |
| 52 | 1001181003 | 1 | Rail, Platform End | |
| 53 | 1001192382 | AR | Screw | |
| 54 | 0760610 | AR | Bolt M6 x 20 | |
| 55 | 3290505 | 8 | Nut M5 | |
| 56 | 3290605 | AR | Nut M6 | |
| 57 | 3291006 | AR | Nut M10 | |
| 58 | 4031607 | 8 | Capscrew M5 x 16 | |

SECTION 5 - PLATFORM

| ITEM | PART NUMBER | QTY | DESCRIPTION | REV |
|------|-------------|-----|----------------|-----|
| 59 | 4811602 | 8 | Washer M5 | |
| 60 | 4812000 | AR | Washer M10 | |
| 61 | 1001195137 | AR | Bolt M10 x 240 | |
| 62 | 2560171 | 1 | Handle | |

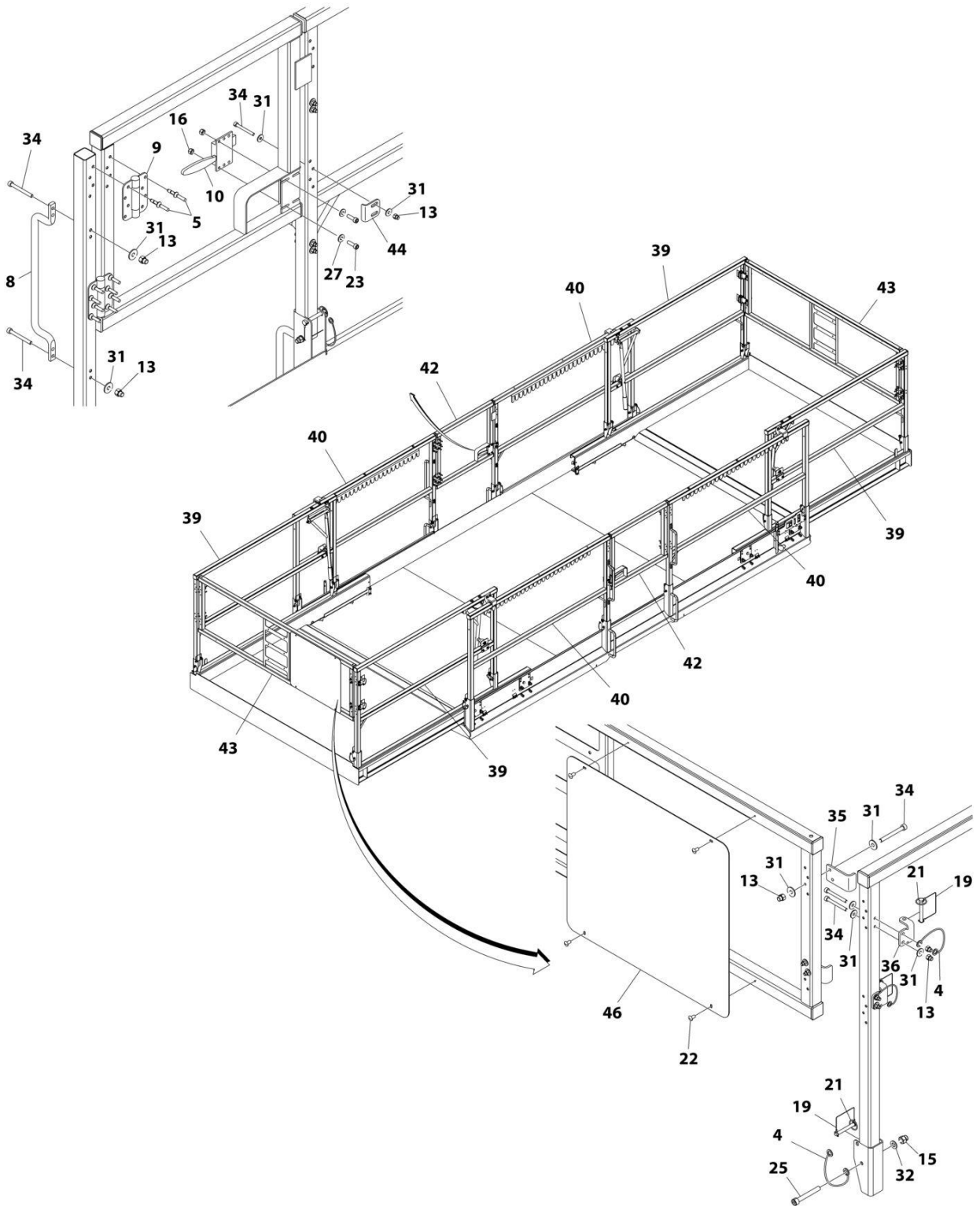
SECTION 5 - PLATFORM

FIGURE 5-5. RAILS INSTALLATION - STANDARD PLATFORM WITH DUAL EXTENSION



ART_1001177759_10F2

SECTION 5 - PLATFORM



ART_100117759_2OF2

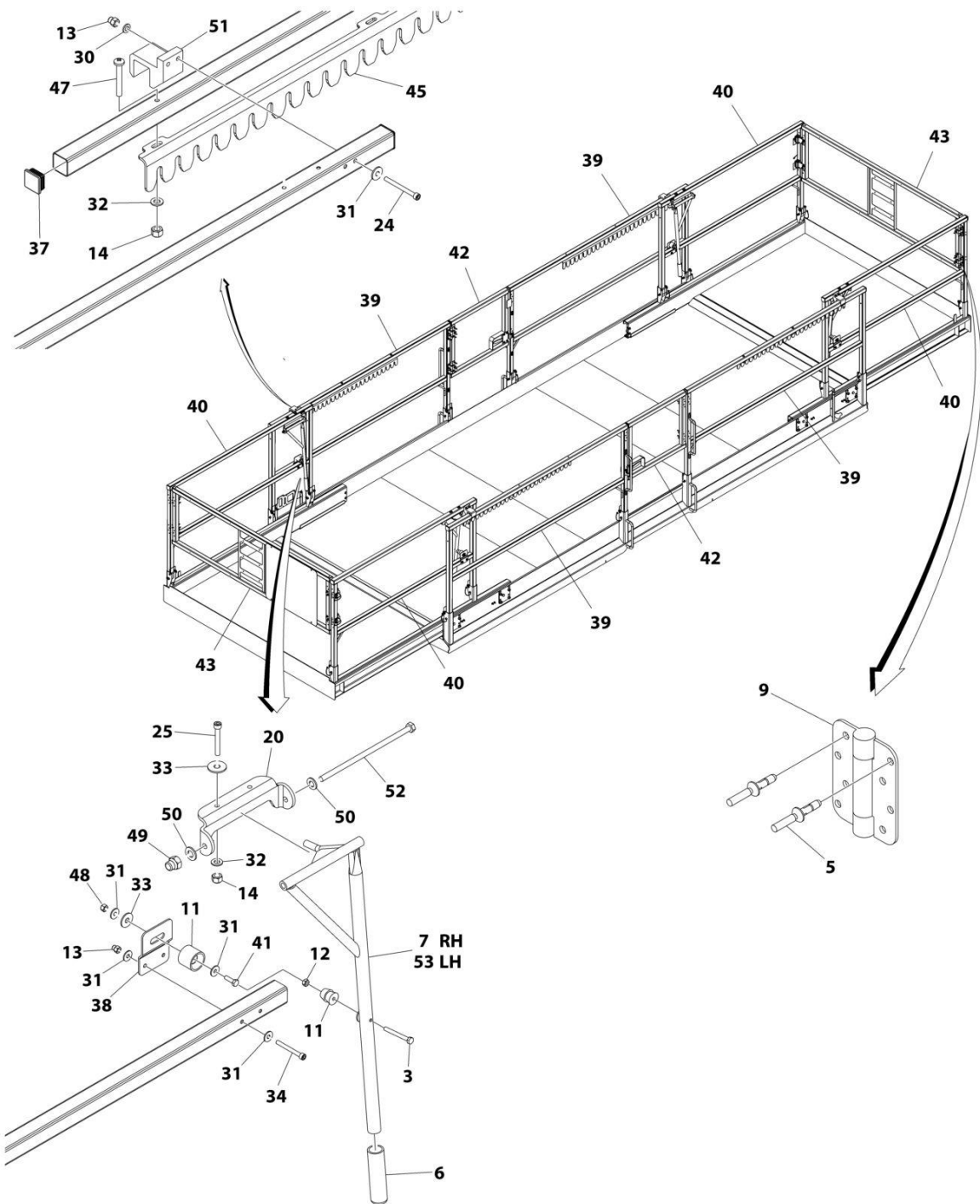
SECTION 5 - PLATFORM

FIGURE 5-5. RAILS INSTALLATION - STANDARD PLATFORM WITH DUAL EXTENSION

| ITEM | PART NUMBER | QTY | DESCRIPTION | REV |
|------|-------------|-----|--|-----|
| | 1001177759 | Ref | RAILS INSTALLATION - STANDARD PLATFORM WITH DUAL EXTENSION | G |
| 3 | 0700619 | AR | Bolt M6 x 55 | |
| 4 | 1060808 | 20 | Lanyard | |
| 5 | 2080040 | 64 | Fastener, Blind | |
| 6 | 2560088 | AR | Grip, Handle | |
| 7 | 2560172 | 2 | Handle | |
| 8 | 2560176 | 4 | Handle, Grab | |
| 9 | 2600285 | 8 | Hinge, Self Closing | |
| 10 | 2940074 | 2 | Latch | |
| 11 | 2940127 | AR | Latch, Rubber Insert | |
| 12 | 3290601 | AR | Nut M6 | |
| 13 | 3290606 | AR | Nut M6 | |
| 14 | 3290805 | AR | Nut M8 | |
| 15 | 3290806 | 16 | Nut M8 | |
| 16 | 3300432 | 8 | Nut #10 | |
| 19 | 3421565 | 20 | Pin | |
| 20 | 3537609 | AR | Plate, Pivot | |
| 21 | 3760170 | 20 | Ring, Split | |
| 22 | 3820020 | 4 | Rivet | |
| 23 | 3931010 | 8 | Capscrew #10 x 5/8 | |
| 24 | 4031717 | 8 | Capscrew M6 x 65 | |
| 25 | 4031916 | AR | Capscrew M8 x 60 | |
| 27 | 4751000 | 8 | Washer #10 | |
| 30 | 4811700 | 8 | Washer M6 | |
| 31 | 4811702 | AR | Washer M6 | |
| 32 | 4811900 | AR | Washer M8 | |
| 33 | 4811902 | AR | Washer M8 | |
| 34 | 1001118878 | AR | Capscrew M6 x 55 | |
| 35 | 1001179558 | 4 | Bracket | |
| 36 | 1001179559 | 4 | Bracket | |
| 37 | 1001179639 | 32 | Plug | |
| 38 | 1001179644 | AR | Plate, Mounting | |
| 39 | 1001179676 | 4 | Rail, Extension Side | |
| 40 | 1001179677 | 4 | Rail, Platform Side | |
| 41 | 1001179678 | 4 | Pad | |
| 42 | 1001179694 | 2 | Gate | |
| 43 | 1001179695 | 2 | Rail, Extension End | |
| 44 | 1001198325 | 2 | Plate, Latch | |
| 45 | 1001180987 | AR | Bracket, Extension Stop | |
| 46 | 1001180994 | 1 | Plate, Billboard | |
| 47 | 1001192382 | AR | Screw | |
| 48 | 0760610 | AR | Bolt M6 x 20 | |
| 49 | 3290605 | AR | Nut M6 | |
| 50 | 3291006 | AR | Nut M10 | |
| 51 | 4812000 | AR | Washer M10 | |
| 52 | 1001195137 | AR | Bolt M10 x 240 | |
| 53 | 2560171 | 2 | Handle | |

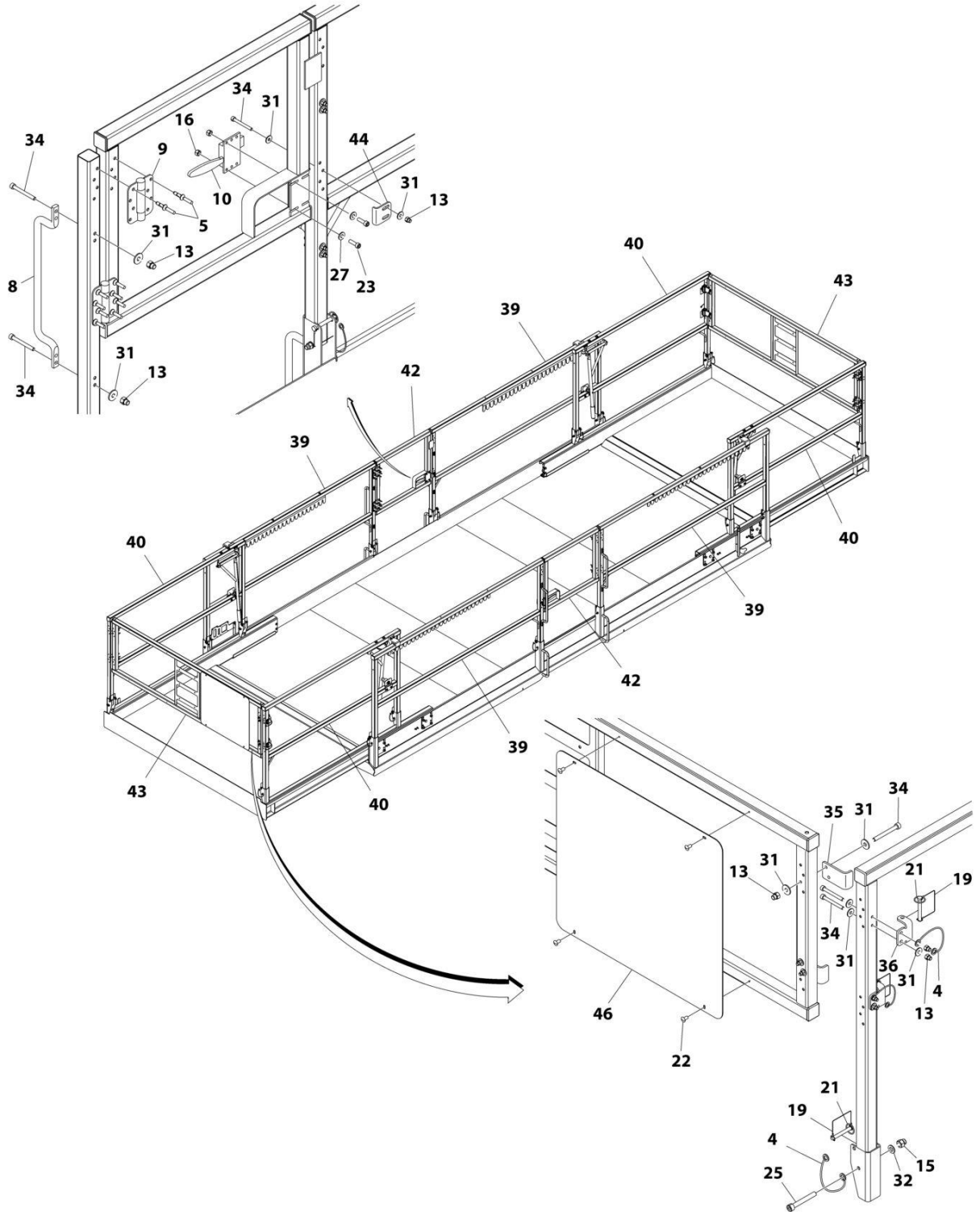
SECTION 5 - PLATFORM

FIGURE 5-6. RAILS INSTALLATION - MEGADECK PLATFORM WITH DUAL EXTENSION



ART_1001177760_10F2

SECTION 5 - PLATFORM



ART_1001177760_20F2

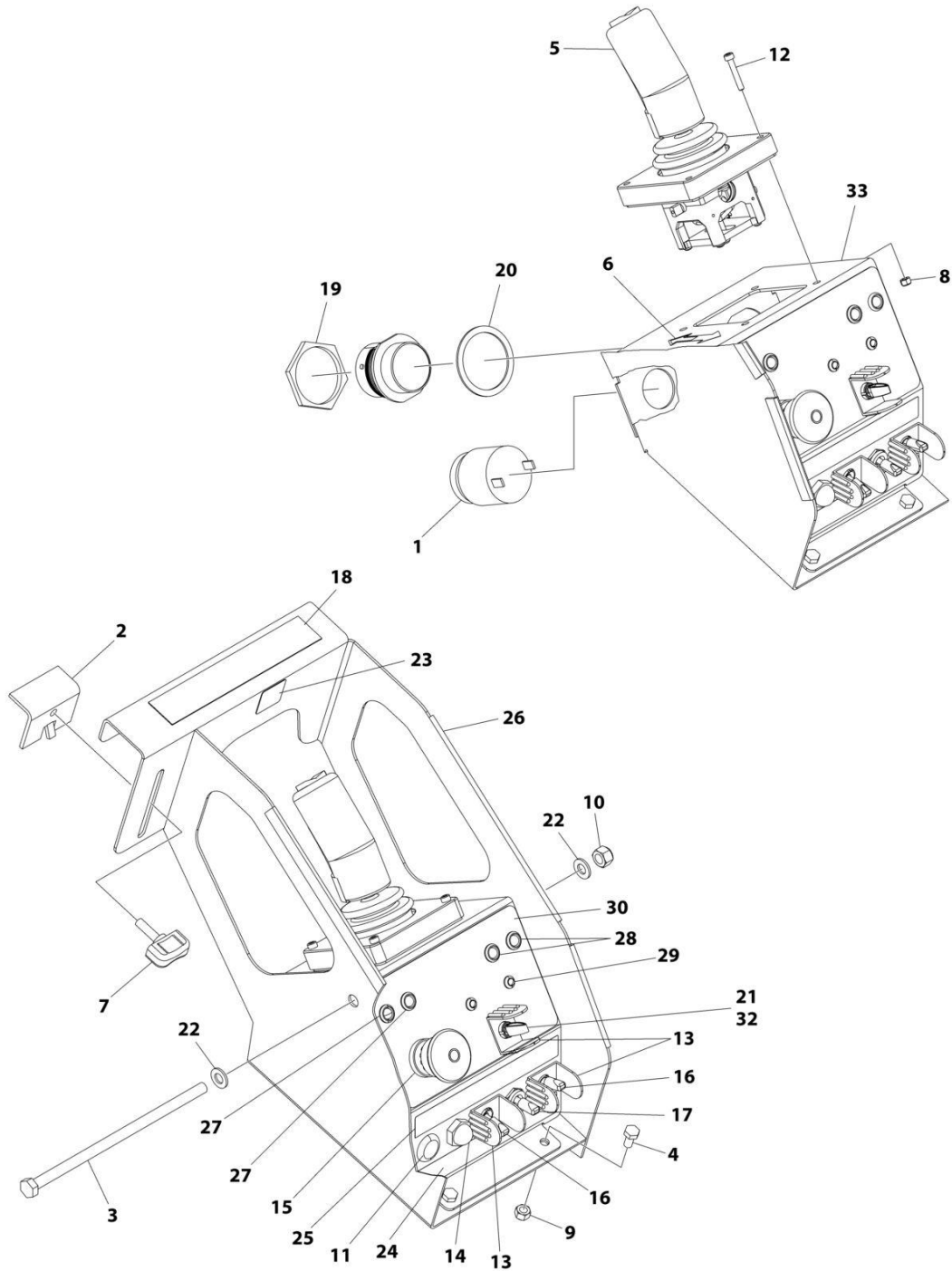
SECTION 5 - PLATFORM

FIGURE 5-6. RAILS INSTALLATION - MEGADECK PLATFORM WITH DUAL EXTENSION

| ITEM | PART NUMBER | QTY | DESCRIPTION | REV |
|------|-------------|-----|--|-----|
| | 1001177760 | Ref | RAILS INSTALLATION - MEGADECK PLATFORM WITH DUAL EXTENSION | G |
| 3 | 0700619 | AR | Bolt M6 x 55 | |
| 4 | 1060808 | 20 | Lanyard | |
| 5 | 2080040 | 64 | Fastener, Blind | |
| 6 | 2560088 | AR | Grip, Handle | |
| 7 | 2560172 | 2 | Handle | |
| 8 | 2560176 | 4 | Handle, Grab | |
| 9 | 2600285 | 8 | Hinge, Self Closing | |
| 10 | 2940074 | 2 | Latch | |
| 11 | 2940127 | AR | Latch, Rubber Insert | |
| 12 | 3290601 | AR | Nut M6 | |
| 13 | 3290606 | AR | Nut M6 | |
| 14 | 3290805 | AR | Nut M8 | |
| 15 | 3290806 | 16 | Nut M8 | |
| 16 | 3300432 | 8 | Nut #10-24 | |
| 19 | 3421565 | 20 | Pin | |
| 20 | 3537609 | AR | Plate, Pivot | |
| 21 | 3760170 | 20 | Ring, Split | |
| 22 | 3820020 | 4 | Rivet | |
| 23 | 3931010 | 8 | Capscrew #10 x 5/8 | |
| 24 | 4031717 | 8 | Capscrew M6 x 65 | |
| 25 | 4031916 | AR | Capscrew M8 x 60 | |
| 27 | 4751000 | 8 | Washer #10 | |
| 30 | 4811700 | 8 | Washer M6 | |
| 31 | 4811702 | AR | Washer M6 | |
| 32 | 4811900 | AR | Washer M8 | |
| 33 | 4811902 | AR | Washer M8 | |
| 34 | 1001118878 | AR | Capscrew M6 x 55 | |
| 35 | 1001179558 | 4 | Bracket | |
| 36 | 1001179559 | 4 | Bracket | |
| 37 | 1001179639 | 32 | Plug | |
| 38 | 1001179644 | AR | Plate, Mounting | |
| 39 | 1001179658 | 4 | Rail, Platform Side | |
| 40 | 1001179676 | 4 | Rail, Extension Side | |
| 41 | 0760610 | 2 | Bolt M6 x 20 | |
| 42 | 1001179694 | 2 | Gate | |
| 43 | 1001179695 | 2 | Rail, Extension End | |
| 44 | 1001198325 | 2 | Plate, Latch | |
| 45 | 1001180987 | AR | Bracket, Extension Stop | |
| 46 | 1001180994 | 1 | Plate, Billboard | |
| 47 | 1001192382 | AR | Screw | |
| 48 | 3290605 | AR | Nut M6 | |
| 49 | 3291006 | AR | Nut M10 | |
| 50 | 4812000 | AR | Washer M10 | |
| 51 | 1001179678 | 4 | Pad | |
| 52 | 1001195137 | AR | Bolt M10 x 240 | |
| 53 | 2560171 | 2 | Handle | |

SECTION 5 - PLATFORM

FIGURE 5-7. PLATFORM CONSOLE BOX INSTALLATION - DIESEL MACHINES (PVC 1910)



ART_1001236264

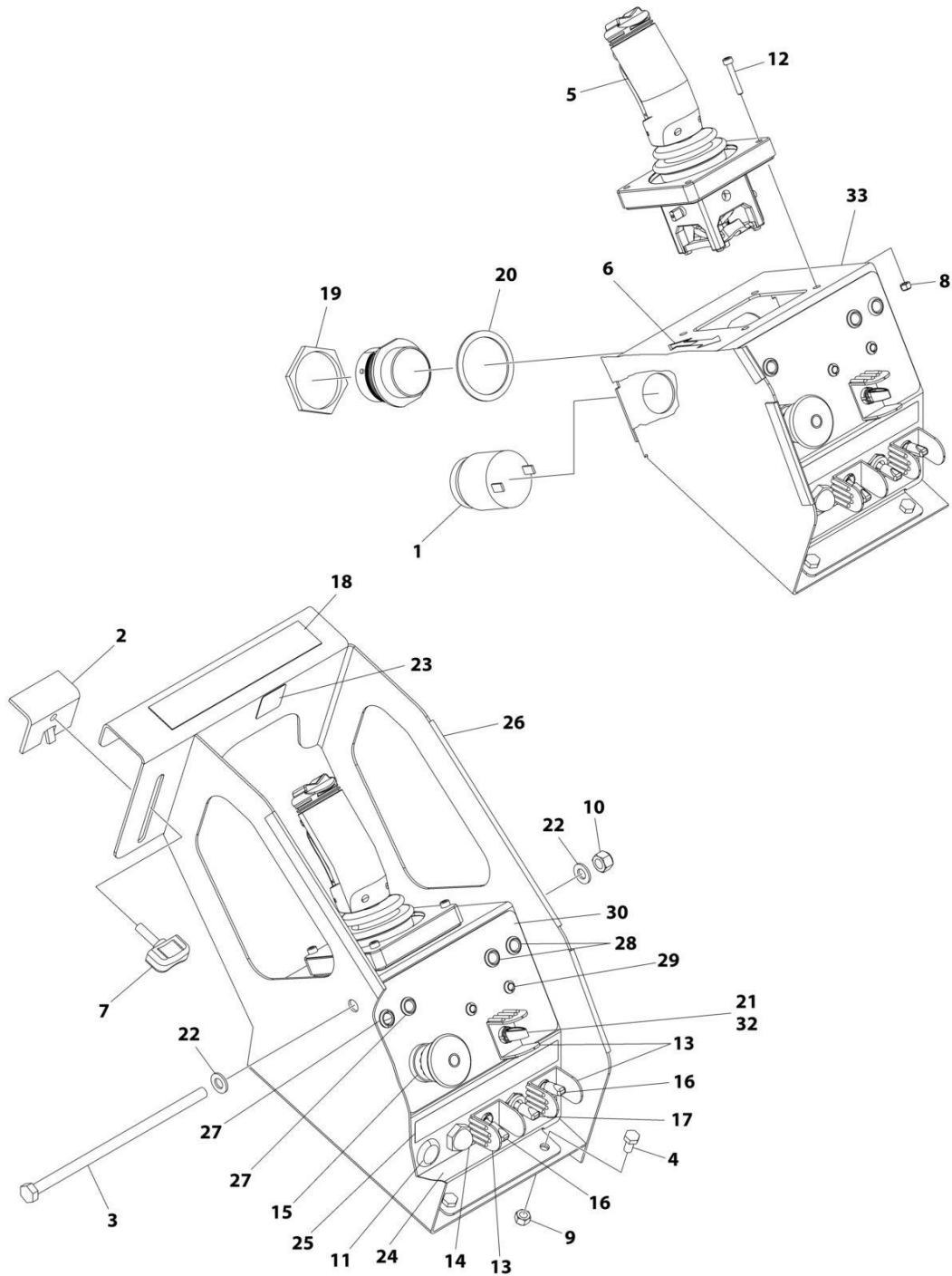
SECTION 5 - PLATFORM

FIGURE 5-7. PLATFORM CONSOLE BOX INSTALLATION - DIESEL MACHINES (PVC 1910)

| ITEM | PART NUMBER | QTY | DESCRIPTION | REV |
|------|-------------|-----|---|-----|
| | 1001236264 | Ref | PLATFORM CONSOLE BOX INSTALLATION - DIESEL MACHINES | D |
| 1 | 0140030 | 1 | Alarm | |
| 2 | 0181847 | 1 | Angle, Clamp | |
| 3 | 0700835 | 1 | Bolt M8 x 180 | |
| 4 | 0760606 | 3 | Bolt M6 x 12 | |
| 5 | 1600402 | 1 | Drive/Steer Controller Assembly (See Separate Breakdown in this Section) | |
| 6 | 1703819 | 1 | Decal - Direction Arrow | |
| 7 | 2560141 | 1 | Thumbscrew | |
| 8 | 3290405 | 4 | Nut M4 | |
| 9 | 3290605 | 3 | Nut M6 | |
| 10 | 3290805 | 1 | Nut M8 | |
| 11 | 1001226421 | 1 | Plug | |
| 12 | 4031509 | 4 | Capscrew M4 x 25 | |
| 13 | 4060802 | 3 | Guard, Switch | |
| 14 | 4360387 | 1 | Switch, Push Button | |
| 15 | 4360475 | 1 | Switch, Emergency Stop | |
| 15 | 7020175 | 1 | Cap | |
| 15 | 7020176 | 1 | Block, Contact | |
| 16 | 4360483 | 2 | Switch, Toggle | |
| 17 | 4360525 | 1 | Switch, Toggle | |
| 18 | 4420076 | 3 | Tape | |
| 19 | 4460470 | 1 | Nut, Terminal | |
| 20 | 4460471 | 1 | Washer, Terminal | |
| 21 | 4711700 | 2 | Washer 7/16 | |
| 22 | 4811900 | 2 | Washer M8 | |
| 23 | 1001132358 | 1 | Decal - Steer | |
| 24 | 1001181622 | 1 | Decal - Platform Diesel | |
| 25 | 1001181623 | 1 | Decal - Platform Diesel | |
| 26 | 1001190270 | 1 | Bracket | |
| 27 | 1001190472 | 2 | Lamp, LED with Harness | |
| 28 | 1001190473 | 2 | Lamp, LED with Harness | |
| 29 | 1001190474 | 2 | Lamp, LED with Harness | |
| 30 | 1001236199 | 1 | Decal - Platform Function | |
| 31 | 1001236230 | 1 | Platform Box Harness (Not Shown - See Separate Breakdown in ELECTRICAL SECTION) | |
| 32 | 1001236560 | 1 | Switch, Toggle | |
| 33 | 1001235922 | 1 | Plate | |

SECTION 5 - PLATFORM

FIGURE 5-8. PLATFORM CONSOLE BOX INSTALLATION - DIESEL MACHINES (PVC 2004)



ART_1001236264_G

SECTION 5 - PLATFORM

FIGURE 5-8. PLATFORM CONSOLE BOX INSTALLATION - DIESEL MACHINES (PVC 2004)

| ITEM | PART NUMBER | QTY | DESCRIPTION | REV |
|------|-------------|-----|---|-----|
| | 1001236264 | Ref | PLATFORM CONSOLE BOX INSTALLATION - DIESEL MACHINES | G |
| 1 | 0140030 | 1 | Alarm | |
| 2 | 0181847 | 1 | Angle, Clamp | |
| 3 | 0700835 | 1 | Bolt M8 x 180 | |
| 4 | 0760606 | 3 | Bolt M6 x 12 | |
| 5 | 1001247682 | 1 | Drive/Steer Controller Assembly (See Separate Breakdown in this Section) | |
| 6 | 1703819 | 1 | Decal - Direction Arrow | |
| 7 | 2560141 | 1 | Thumbscrew | |
| 8 | 3290405 | 4 | Nut M4 | |
| 9 | 3290605 | 3 | Nut M6 | |
| 10 | 3290805 | 1 | Nut M8 | |
| 11 | 1001226421 | 1 | Plug | |
| 12 | 4031509 | 4 | Capscrew M4 x 25 | |
| 13 | 4060802 | 3 | Guard, Switch | |
| 14 | 4360387 | 1 | Switch, Push Button | |
| 15 | 1001274559 | 1 | Switch, Emergency Stop (Plastic) | |
| 15 | 4360475 | 1 | Switch, Emergency Stop (Metal) | |
| 15 | 7020175 | 1 | Cap | |
| 15 | 7020176 | 1 | Block, Contact | |
| 16 | 4360483 | 2 | Switch, Toggle | |
| 17 | 4360525 | 1 | Switch, Toggle | |
| 18 | 4420076 | 3 | Tape | |
| 19 | 4460470 | 1 | Nut, Terminal | |
| 20 | 4460471 | 1 | Washer, Terminal | |
| 21 | 4711700 | 2 | Washer 7/16 | |
| 22 | 4811900 | 2 | Washer M8 | |
| 23 | 1001132358 | 1 | Decal - Steer | |
| 24 | 1001181622 | 1 | Decal - Platform Diesel | |
| 25 | 1001181623 | 1 | Decal - Platform Diesel | |
| 26 | 1001190270 | 1 | Bracket | |
| 27 | 1001190472 | 2 | Lamp, LED with Harness | |
| 28 | 1001190473 | 2 | Lamp, LED with Harness | |
| 29 | 1001190474 | 2 | Lamp, LED with Harness | |
| 30 | 1001236199 | 1 | Decal - Platform Function | |
| 31 | 1001236230 | 1 | Platform Box Harness (Not Shown - See Separate Breakdown in ELECTRICAL SECTION) | |
| 32 | 1001236560 | 1 | Switch, Toggle | |
| 33 | 1001235922 | 1 | Plate | |

SECTION 5 - PLATFORM

FIGURE 5-9. PLATFORM CONSOLE BOX INSTALLATION - GASOLINE MACHINES (PVC 1910)

| ITEM | PART NUMBER | QTY | DESCRIPTION | REV |
|------|-------------|-----|---|-----|
| | 1001236265 | Ref | PLATFORM CONSOLE BOX INSTALLATION - GASOLINE MACHINES | D |
| 1 | 0140030 | 1 | Alarm | |
| 2 | 0181847 | 1 | Angle, Clamp | |
| 3 | 0700835 | 1 | Bolt M8 x 180 | |
| 4 | 0760606 | 3 | Bolt M6 x 12 | |
| 5 | 1600402 | 1 | Drive/Steer Controller Assembly (See Separate Breakdown in this Section) | |
| 6 | 1703819 | 1 | Decal - Direction Arrow | |
| 7 | 2560141 | 1 | Thumbscrew | |
| 8 | 3290405 | 4 | Nut M4 | |
| 9 | 3290605 | 3 | Nut M6 | |
| 10 | 3290805 | 1 | Nut M8 | |
| 11 | 1001226421 | 1 | Plug | |
| 12 | 4031509 | 4 | Capscrew M4 x 25 | |
| 13 | 4060802 | 3 | Guard, Switch | |
| 14 | 4360387 | 1 | Switch, Push Button | |
| 15 | 4360475 | 1 | Switch, Emergency Stop | |
| 15 | 7020175 | 1 | Cap | |
| 15 | 7020176 | 1 | Block, Contact | |
| 16 | 4360482 | 1 | Switch, Toggle | |
| 17 | 4360483 | 1 | Switch, Toggle | |
| 18 | 4360525 | 1 | Switch, Toggle | |
| 19 | 4420076 | 3 | Tape | |
| 20 | 4460470 | 1 | Nut, Terminal | |
| 21 | 4460471 | 1 | Washer, Terminal | |
| 22 | 4711700 | 2 | Washer 7/16 | |
| 23 | 4811900 | 2 | Washer M8 | |
| 24 | 1001132358 | 1 | Decal - Steer | |
| 25 | 1001181626 | 1 | Decal - Platform Dual Fuel | |
| 26 | 1001181627 | 1 | Decal - Platform Dual Fuel | |
| 27 | 1001190270 | 1 | Bracket | |
| 28 | 1001190472 | 2 | Lamp, LED with Harness | |
| 29 | 1001190473 | 2 | Lamp, LED with Harness | |
| 30 | 1001190474 | 2 | Lamp, LED with Harness | |
| 31 | 1001236199 | 1 | Decal - Platform Function | |
| 32 | 1001236230 | 1 | Platform Box Harness (Not Shown - See Separate Breakdown in ELECTRICAL SECTION) | |
| 33 | 1001236560 | 1 | Switch, Toggle | |
| 34 | 1001235922 | 1 | Plate | |

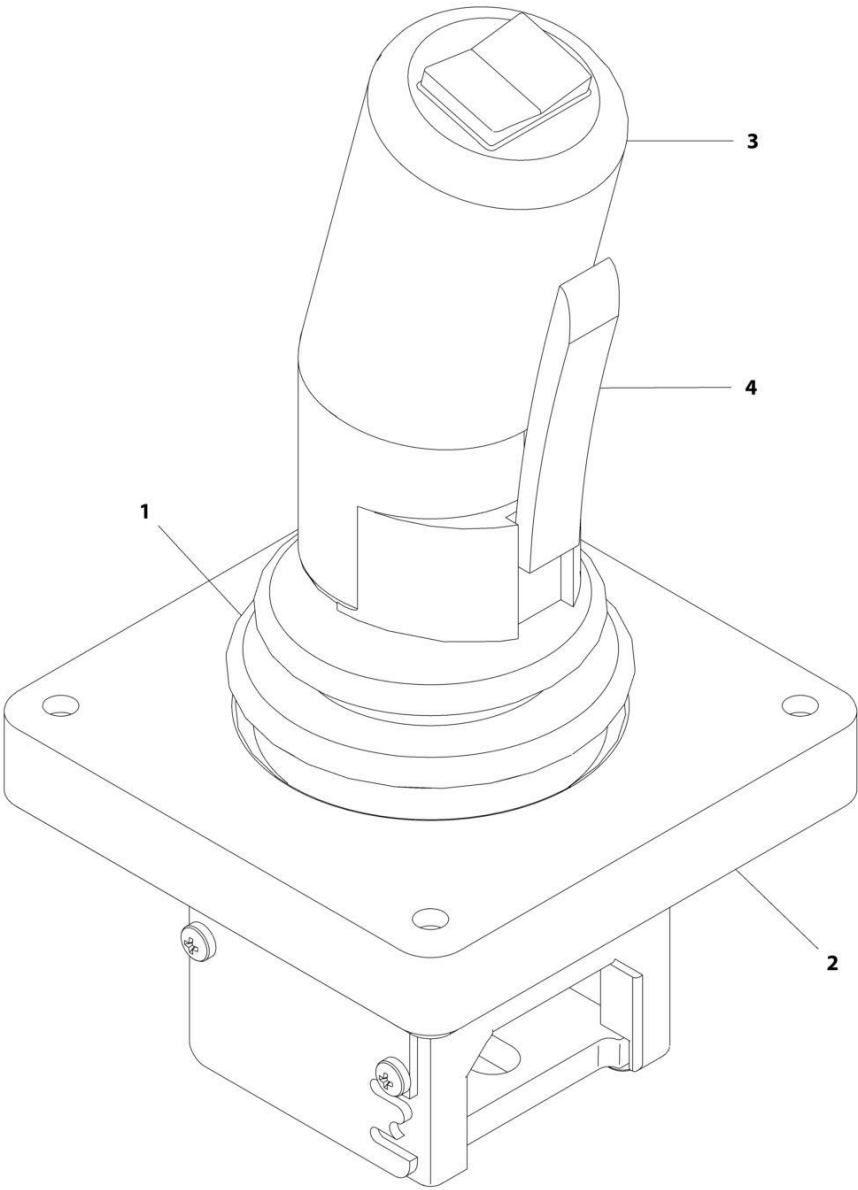
SECTION 5 - PLATFORM

FIGURE 5-10. PLATFORM CONSOLE BOX INSTALLATION - GASOLINE MACHINES (PVC 2004)

| ITEM | PART NUMBER | QTY | DESCRIPTION | REV |
|------|-------------|-----|---|-----|
| | 1001236265 | Ref | PLATFORM CONSOLE BOX INSTALLATION - GASOLINE MACHINES | G |
| 1 | 0140030 | 1 | Alarm | |
| 2 | 0181847 | 1 | Angle, Clamp | |
| 3 | 0700835 | 1 | Bolt M8 x 180 | |
| 4 | 0760606 | 3 | Bolt M6 x 12 | |
| 5 | 1001247682 | 1 | Drive/Steer Controller Assembly (See Separate Breakdown in this Section) | |
| 6 | 1703819 | 1 | Decal - Direction Arrow | |
| 7 | 2560141 | 1 | Thumbscrew | |
| 8 | 3290405 | 4 | Nut M4 | |
| 9 | 3290605 | 3 | Nut M6 | |
| 10 | 3290805 | 1 | Nut M8 | |
| 11 | 1001226421 | 1 | Plug | |
| 12 | 4031509 | 4 | Capscrew M4 x 25 | |
| 13 | 4060802 | 3 | Guard, Switch | |
| 14 | 4360387 | 1 | Switch, Push Button | |
| 15 | 1001274559 | 1 | Switch, Emergency Stop (Plastic) | |
| 15 | 4360475 | 1 | Switch, Emergency Stop (Metal) | |
| 15 | 7020175 | 1 | Cap | |
| 15 | 7020176 | 1 | Block, Contact | |
| 16 | 4360482 | 1 | Switch, Toggle | |
| 17 | 4360483 | 1 | Switch, Toggle | |
| 18 | 4360525 | 1 | Switch, Toggle | |
| 19 | 4420076 | 3 | Tape | |
| 20 | 4460470 | 1 | Nut, Terminal | |
| 21 | 4460471 | 1 | Washer, Terminal | |
| 22 | 4711700 | 2 | Washer 7/16 | |
| 23 | 4811900 | 2 | Washer M8 | |
| 24 | 1001132358 | 1 | Decal - Steer | |
| 25 | 1001181626 | 1 | Decal - Platform Dual Fuel | |
| 26 | 1001181627 | 1 | Decal - Platform Dual Fuel | |
| 27 | 1001190270 | 1 | Bracket | |
| 28 | 1001190472 | 2 | Lamp, LED with Harness | |
| 29 | 1001190473 | 2 | Lamp, LED with Harness | |
| 30 | 1001190474 | 2 | Lamp, LED with Harness | |
| 31 | 1001236199 | 1 | Decal - Platform Function | |
| 32 | 1001236230 | 1 | Platform Box Harness (Not Shown - See Separate Breakdown in ELECTRICAL SECTION) | |
| 33 | 1001236560 | 1 | Switch, Toggle | |
| 34 | 1001235922 | 1 | Plate | |

SECTION 5 - PLATFORM

FIGURE 5-11. CONTROLLER ASSEMBLY (PVC 1910)



ART_1600402

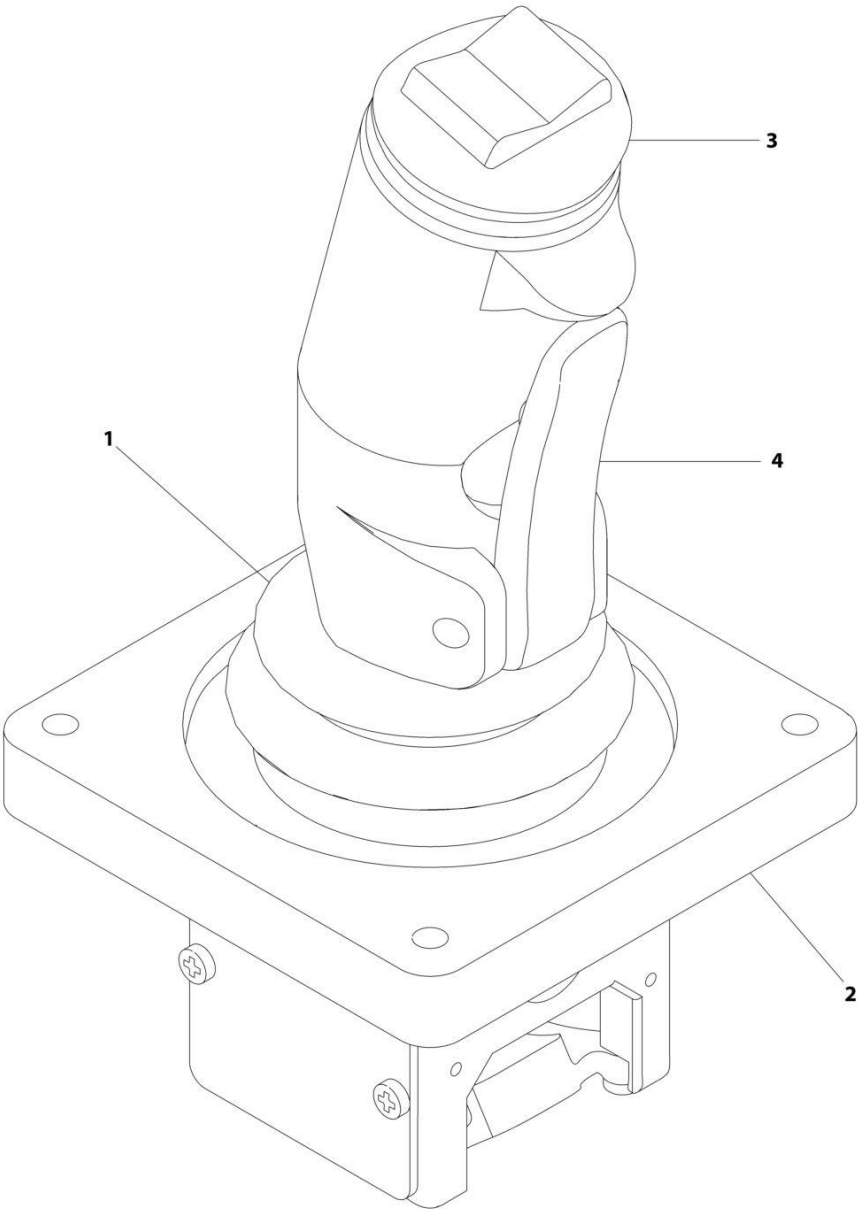
SECTION 5 - PLATFORM

FIGURE 5-11. CONTROLLER ASSEMBLY (PVC 1910)

| ITEM | PART NUMBER | QTY | DESCRIPTION | REV |
|------|-------------|-----|---|-----|
| | 1600402 | Ref | DRIVE/STEER CONTROLLER ASSEMBLY | A |
| 1 | 70001250 | 1 | Boot, Panel | |
| 2 | 70001252 | 1 | Gasket, Mounting | |
| 2 | 70001251 | 1 | Bezel, Mounting | |
| 3 | 70003650 | 1 | Handle Repair Kit (Includes handle gasket, item#4 push button and item #4 lever installed in front handle half, back handle half, top actuator, boot and hardware.) | |
| 3 | 70000084 | 1 | Cap, Rubber | |
| 3 | 70000082 | 1 | Microswitch | |
| 3 | 7027766 | 1 | Ring, Retaining | |
| 3 | 7027365 | 1 | Actuator, Handle | |
| 3 | 70001253 | 1 | Gasket, Handle | |
| 3 | 70000683 | 4 | Washer, Neoprene | |
| 3 | 70000685 | 2 | Spacer, Plastic | |
| 3 | 70000686 | 2 | Screw (Top) | |
| 3 | 70000684 | 2 | Screw (Bottom) | |
| 4 | 7027367 | 1 | Switch, Push Button | |
| 4 | 7027765 | 1 | Lever, Enable | |

SECTION 5 - PLATFORM

FIGURE 5-12. CONTROLLER ASSEMBLY (PVC 2004)



ART_1001247682

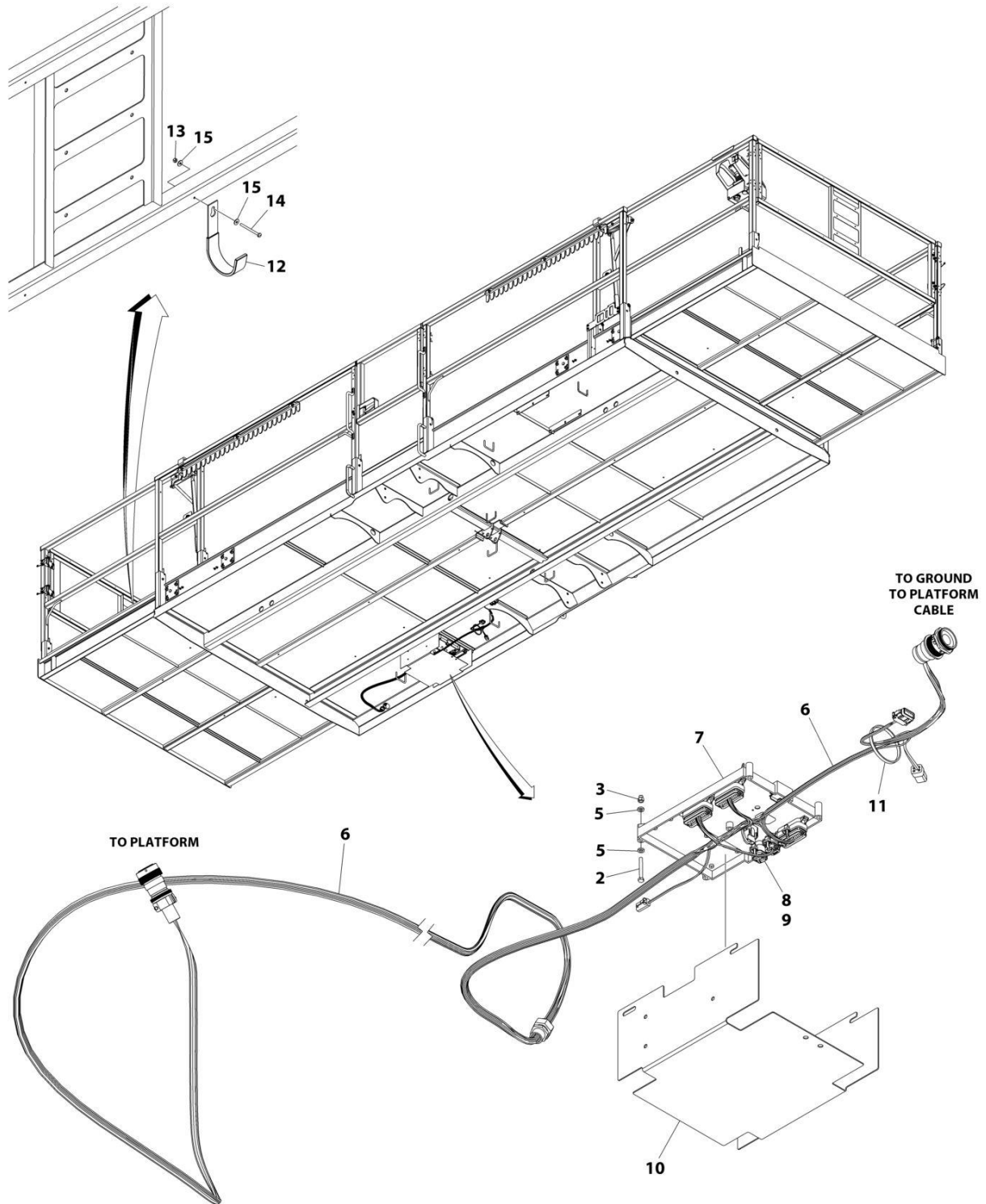
SECTION 5 - PLATFORM

FIGURE 5-12. CONTROLLER ASSEMBLY (PVC 2004)

| ITEM | PART NUMBER | QTY | DESCRIPTION | REV |
|------|-------------|-----|---|-----|
| | 1001247682 | Ref | DRIVE/STEER CONTROLLER ASSEMBLY (LCD) | B |
| 1 | 70001250 | 1 | Boot, Panel | |
| 2 | 70001252 | 1 | Gasket, Mounting | |
| 2 | 70001251 | 1 | Bezel, Mounting | |
| 3 | 70007506 | 1 | Handle Repair Kit (Includes handle gasket, item#4 push button and item #4 lever installed in front handle half, back handle half, top actuator, boot and hardware.) | |
| 3 | 70000084 | 1 | Cap, Rubber | |
| 3 | 70000082 | 1 | Microswitch | |
| 3 | 7027766 | 1 | Ring, Retaining | |
| 3 | 7027365 | 1 | Actuator, Handle | |
| 3 | 70001253 | 1 | Gasket, Handle | |
| 3 | 70000683 | 4 | Washer, Neoprene | |
| 3 | 70000685 | 2 | Spacer, Plastic | |
| 3 | 70000686 | 2 | Screw (Top) | |
| 3 | 70000684 | 2 | Screw (Bottom) | |
| 4 | 7027367 | 1 | Switch, Push Button | |
| 4 | 7027765 | 1 | Lever, Enable | |

SECTION 5 - PLATFORM

FIGURE 5-13. PLATFORM MODULE INSTALLATION



ART_1001177754

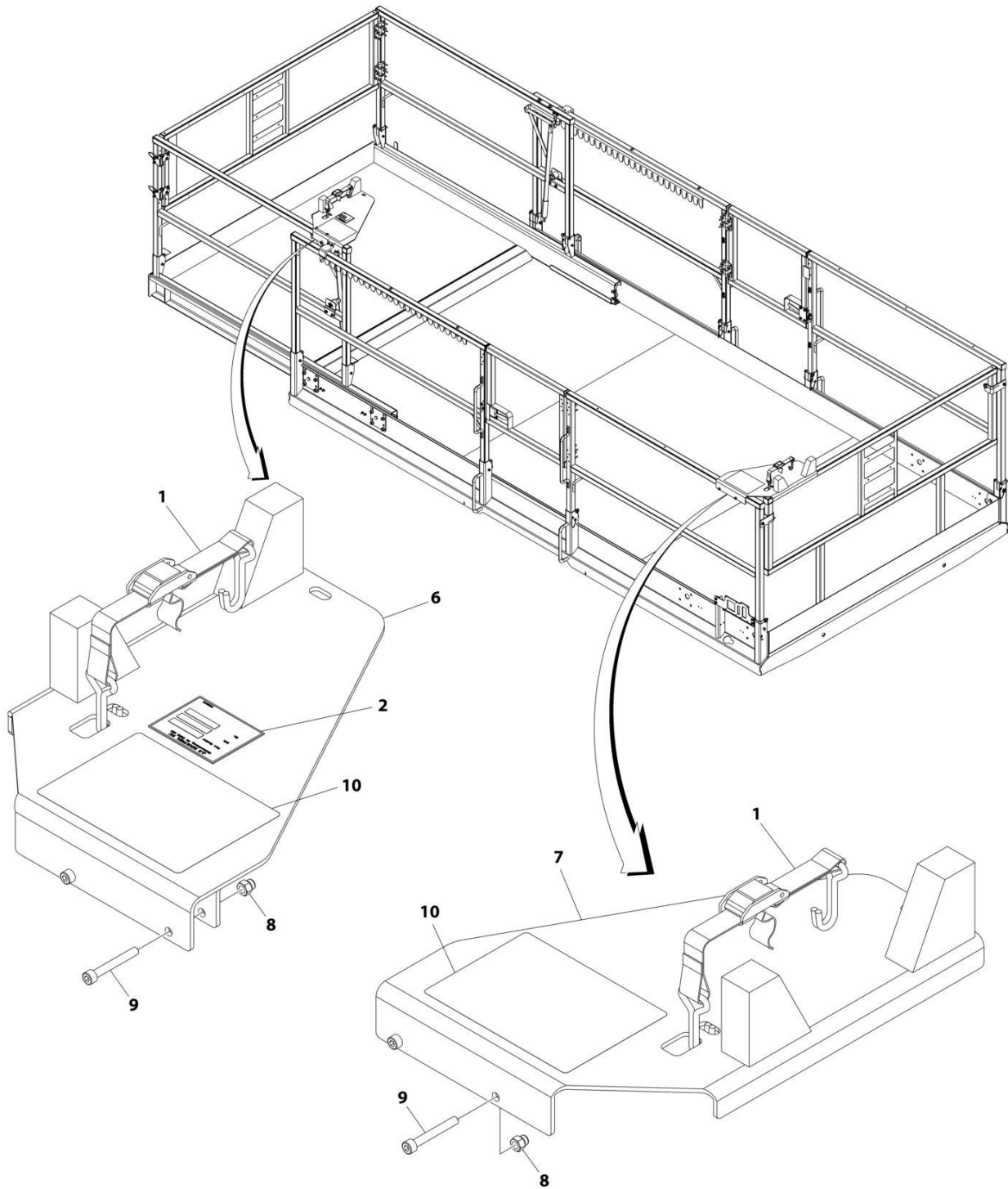
SECTION 5 - PLATFORM

FIGURE 5-13. PLATFORM MODULE INSTALLATION

| ITEM | PART NUMBER | QTY | DESCRIPTION | REV |
|------|-------------|-----|---|-----|
| | 1001177754 | Ref | PLATFORM MODULE INSTALLATION | F |
| 1 | 0100011 | AR | Compound, Locking (Not Shown) | |
| 2 | 0760618 | 4 | Bolt M6 x 50 | |
| 3 | 3290606 | 4 | Nut M6 | |
| 3 | 3290607 | 4 | Nut M6 | |
| 4 | 4240033 | 10 | Tie-Strap (Not Shown) | |
| 5 | 5240600 | 8 | Washer M6 | |
| 6 | 1001236162 | 1 | Platform Module to Console Box Harness (See Separate Breakdown in ELECTRICAL SECTION) | |
| 7 | 1001235098 | 1 | Module, Platform (Note: Re-calibration Required when Replaced) | |
| 8 | 4460905 | 8 | Plug, Terminal | |
| 9 | 1001116946 | 1 | Connector - 8 Position | |
| 10 | 1001237058 | 1 | Bracket | |
| 11 | 4240018 | AR | Tie-Strap | |
| 12 | 2700100 | 1 | Hook | |
| 13 | 3290405 | AR | Nut M4 | |
| 14 | 4010418 | AR | Bolt M4 x 50 | |
| 15 | 1001091102 | AR | Washer M4 | |

SECTION 5 - PLATFORM

FIGURE 5-14. PIPE RACK INSTALLATION



ART_1001185492

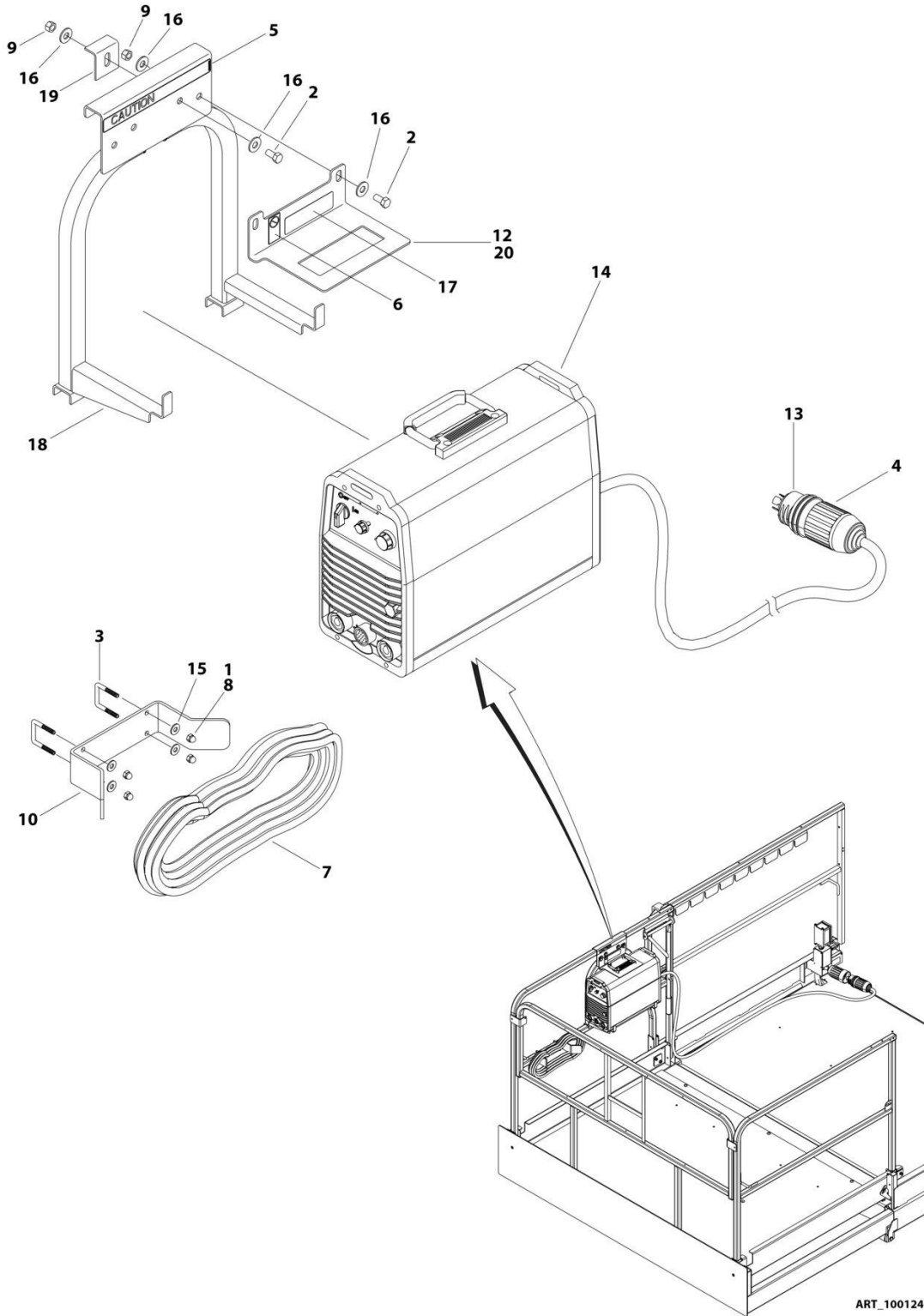
SECTION 5 - PLATFORM

FIGURE 5-14. PIPE RACK INSTALLATION

| ITEM | PART NUMBER | QTY | DESCRIPTION | REV |
|------|-------------|-----|--|-----|
| | 1001185492 | Ref | PIPE RACK INSTALLATION | B |
| 1 | 0480100 | 2 | Belt, Tie Down | |
| 2 | See Note | 1 | Nameplate - Serial Number (Note: Not Available for Purchase) | |
| 6 | 1001185503 | 1 | Support, Pipe Rack | |
| 7 | 1001185504 | 1 | Support, Pipe Rack | |
| 8 | 3290806 | 4 | Nut M8 | |
| 9 | 4031916 | 4 | Capscrew M8 x 60 | |
| 10 | 1001186127 | 2 | Decal - Pipe Rack Capacity | |

SECTION 5 - PLATFORM

FIGURE 5-15. SKYWELDER INSTALLATION (OPTIONAL) (ANSI SPECS)



ART_1001245845

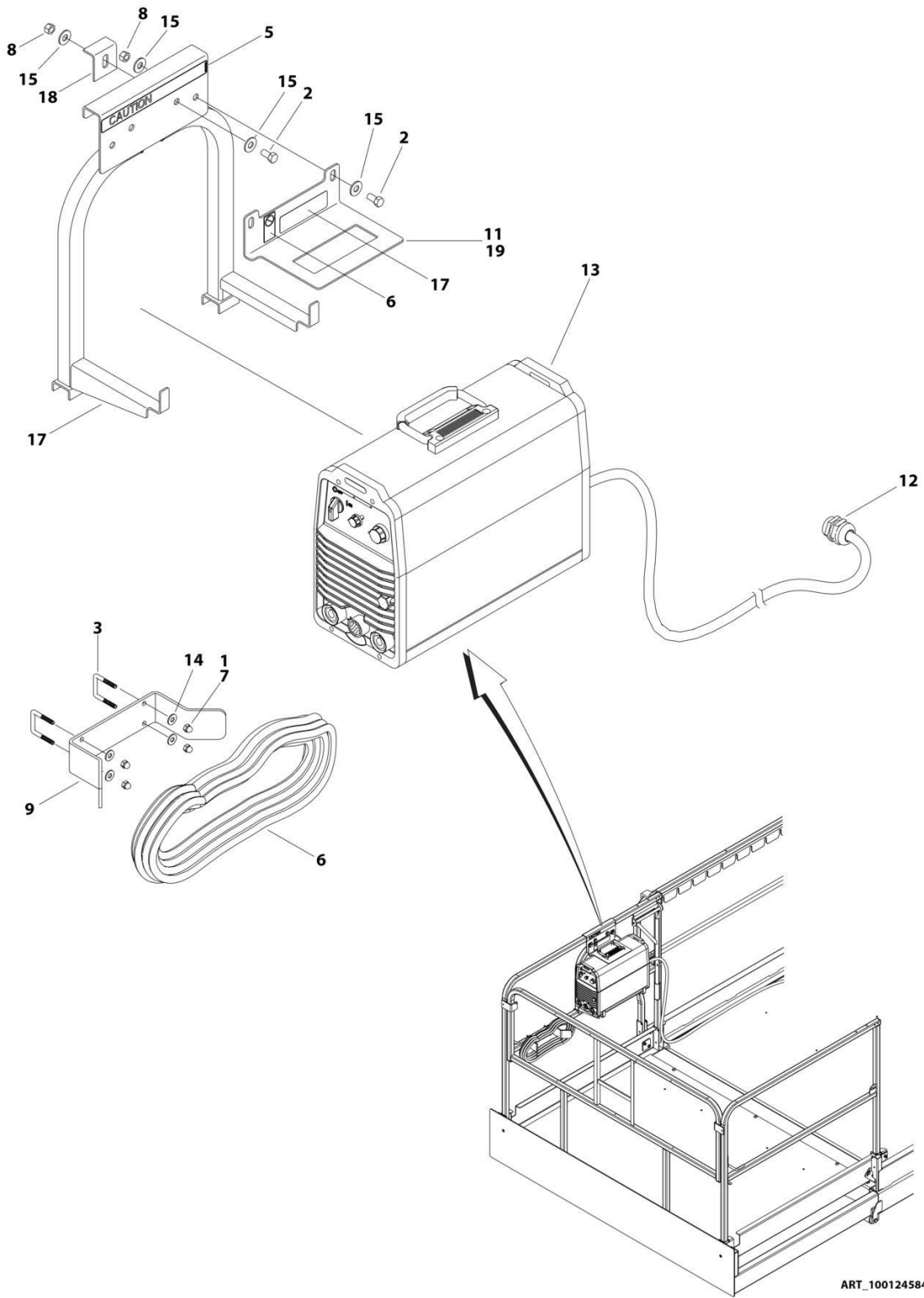
SECTION 5 - PLATFORM

FIGURE 5-15. SKYWELDER INSTALLATION (OPTIONAL) (ANSI SPECS)

| ITEM | PART NUMBER | QTY | DESCRIPTION | REV |
|------|-------------|-----|--|-----|
| | 1001245845 | Ref | SKYWELDER INSTALLATION | A |
| 1 | 0100011 | AR | Compound, Locking | |
| 2 | 0641606 | 4 | Bolt 3/8 x 3/4 | |
| 3 | 1320302 | 2 | Clamp | |
| 4 | 1671093 | 1 | Cover, Plug | |
| 5 | 1702868 | 1 | Decal - No Hands | |
| 6 | 1705305 | 1 | Decal - Weld Lead | |
| 7 | 2902217 | 1 | Weld Leads Kit | |
| 8 | 3300151 | 4 | Nut 1/4 | |
| 9 | 3311605 | 4 | Nut 3/8 | |
| 10 | 3573400 | 1 | Plate | |
| 11 | 4240099 | AR | Tie-Strap (Not Shown) | |
| 12 | 4420037 | AR | Tape | |
| 13 | 4460962 | 1 | Plug, Male Twistlock | |
| 14 | 4530028 | 1 | Welder Assembly (See Separate Breakdown in this Section) | |
| 15 | 4751400 | 4 | Washer 1/4 | |
| 16 | 4751600 | 8 | Washer 3/8 | |
| 17 | 1001228988 | 1 | Decal - Weight | |
| 18 | 1001245681 | 1 | Support | |
| 19 | 1001245996 | 2 | Bracket | |
| 20 | 1001246080 | 1 | Bracket | |

SECTION 5 - PLATFORM

FIGURE 5-16. SKYWELDER INSTALLATION (OPTIONAL) (CE SPECS)



ART_1001245846

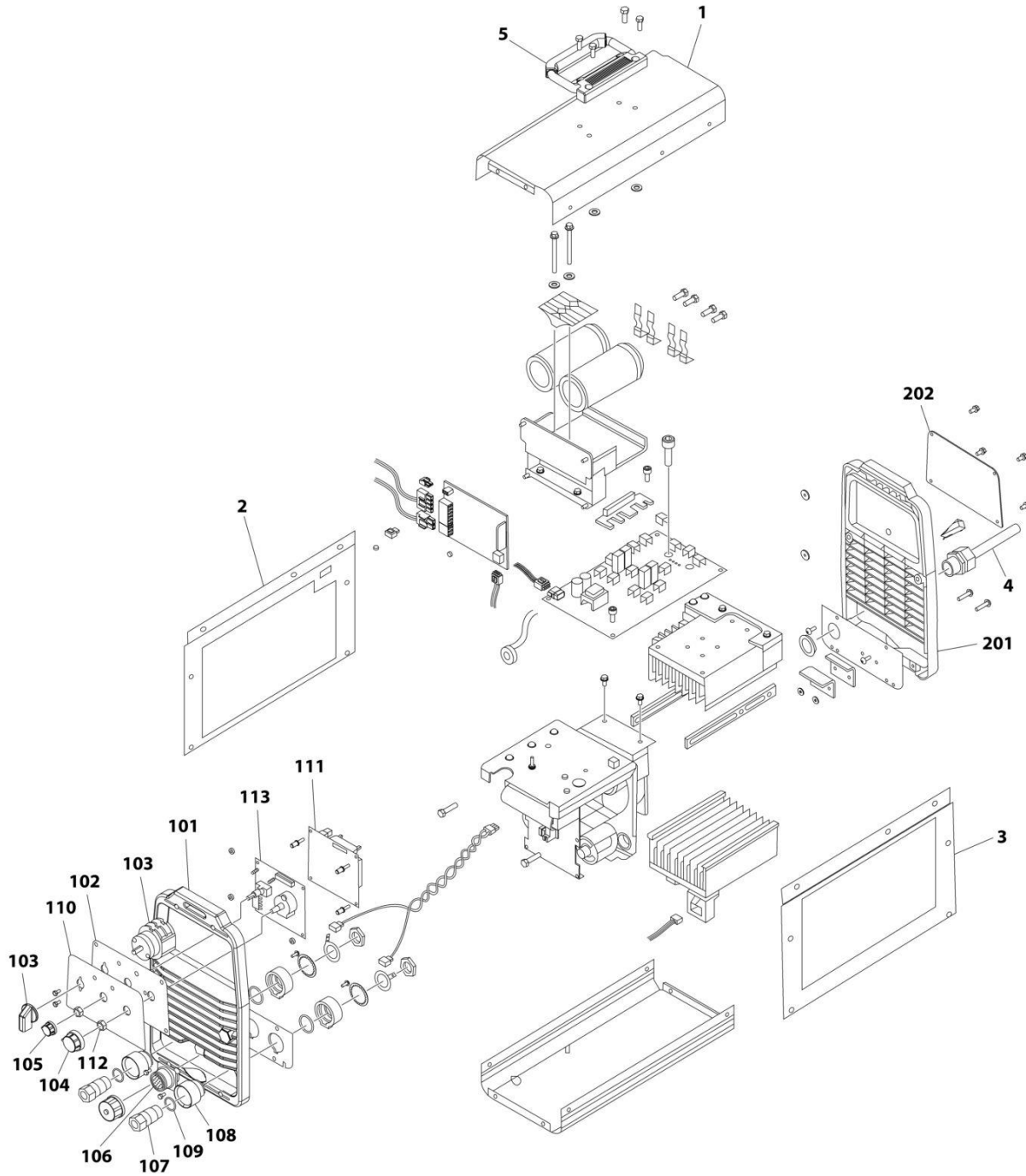
SECTION 5 - PLATFORM

FIGURE 5-16. SKYWELDER INSTALLATION (OPTIONAL) (CE SPECS)

| ITEM | PART NUMBER | QTY | DESCRIPTION | REV |
|------|-------------|-----|--|-----|
| | 1001245846 | Ref | SKYWELDER INSTALLATION | A |
| 1 | 0100011 | AR | Compound, Locking | |
| 2 | 0641606 | 4 | Bolt 3/8 x 3/4 | |
| 3 | 1320302 | 2 | Clamp | |
| 4 | 1702868 | 1 | Decal - No Hands | |
| 5 | 1705305 | 1 | Decal - Weld Lead | |
| 6 | 2902217 | 1 | Weld Leads Kit | |
| 7 | 3300151 | 4 | Nut 1/4 | |
| 8 | 3311605 | 4 | Nut 3/8 | |
| 9 | 3573400 | 1 | Plate | |
| 10 | 4240099 | AR | Tie-Strap (Not Shown) | |
| 11 | 4420037 | AR | Tape | |
| 12 | 4460426 | 1 | Connector, Strain Relief | |
| 13 | 4530028 | 1 | Welder Assembly (See Separate Breakdown in this Section) | |
| 14 | 4751400 | 4 | Washer 1/4 | |
| 15 | 4751600 | 8 | Washer 3/8 | |
| 16 | 1001228988 | 1 | Decal - Weight | |
| 17 | 1001245681 | 1 | Support | |
| 18 | 1001245996 | 2 | Bracket | |
| 19 | 1001246080 | 1 | Bracket | |

SECTION 5 - PLATFORM

FIGURE 5-17. WELDER ASSEMBLY



ART_4530028

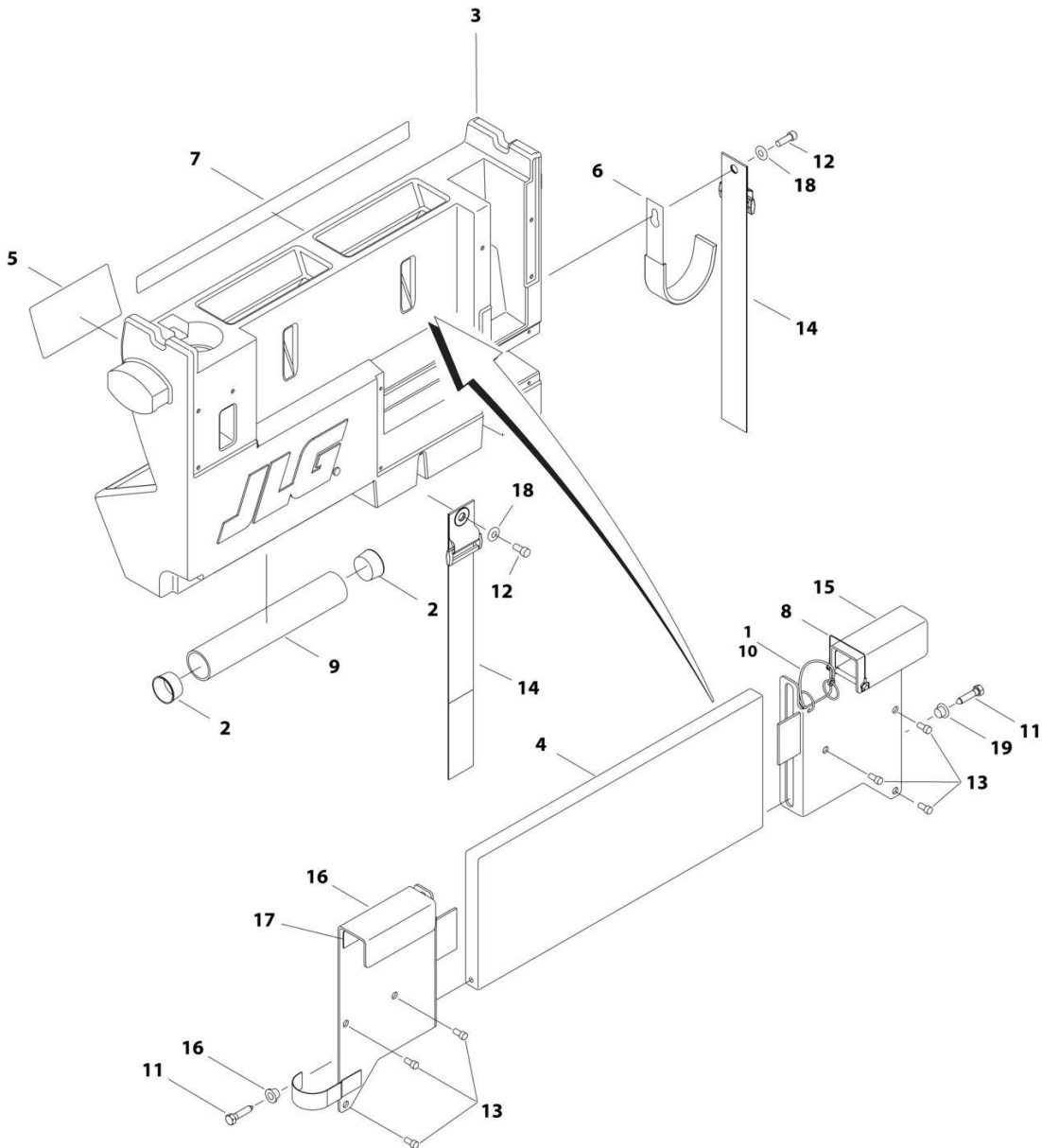
SECTION 5 - PLATFORM

FIGURE 5-17. WELDER ASSEMBLY

| ITEM | PART NUMBER | QTY | DESCRIPTION | REV |
|------|-------------|-----|--|-----|
| | 4530028 | Ref | WELDER ASSEMBLY | B |
| | | Ref | Note: For Other Components, contact your Miller Welder Dealer. | |
| 1 | 7027773 | 1 | Cover, Top | |
| 1 | 7027774 | 1 | Decal - Static Precautionary Warning | |
| 2 | See Note | NSS | Panel, LH Side (Note: Part of Item 1. Purchase Item 1) | |
| 3 | See Note | NSS | Panel, RH Side (Note: Part of Item 1. Purchase Item 1) | |
| 4 | 7024467 | 1 | Cable, Power | |
| 4 | 7027775 | 1 | Decal - Electrical Shock Warning (Not Shown) | |
| 5 | 7027776 | 1 | Handle, Carrying | |
| 101 | 7024462 | 1 | Panel, Front | |
| 102 | 7024463 | 1 | Panel, Console | |
| 103 | 7024469 | 1 | Switch with Lead | |
| 104 | 7024470 | 1 | Knob | |
| 105 | 7024471 | 1 | Knob | |
| 106 | 7024472 | 1 | Receptacle with Leads and Plugs | |
| 107 | 7024473 | 2 | Receptacle, Twistlock Female | |
| 108 | 7024474 | 2 | Insulator | |
| 109 | 7024475 | 2 | O-Ring | |
| 110 | 7027777 | 1 | Nameplate | |
| 111 | 7027779 | 1 | Circuit Card Assembly (Process Control) | |
| 112 | 7024478 | 2 | Nut | |
| 113 | 7027778 | 1 | Circuit Card Assembly (Operator Interface) | |
| 201 | 7024462 | 1 | Panel, Rear | |
| 202 | 7027780 | 1 | Panel, Cover | |

SECTION 5 - PLATFORM

FIGURE 5-18. WORKSTATION INSTALLATION (OPTIONAL)



ART_0274260_C

SECTION 5 - PLATFORM

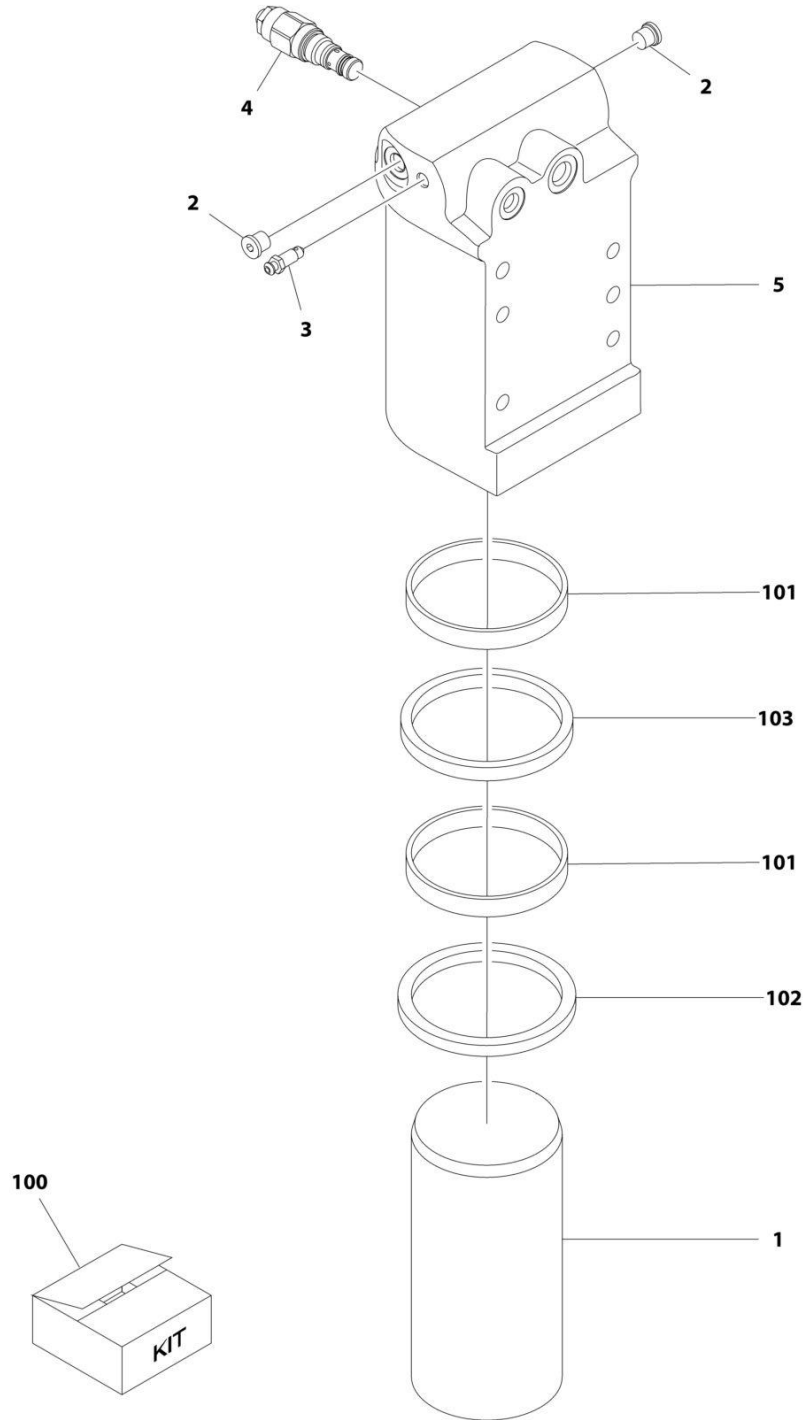
FIGURE 5-18. WORKSTATION INSTALLATION (OPTIONAL)

| ITEM | PART NUMBER | QTY | DESCRIPTION | REV |
|------|-------------|-----------|--|-----|
| | 0274260 | Ref | WORKSTATION INSTALLATION - REFERENCE CHART | C |
| | 1001246392 | Ref | WORKSTATION INSTALLATION (OPTIONAL) | B |
| 1 | 1060379 | 1 | Cable, Lanyard | |
| 2 | 1120555 | 2 | Cap, Manual Storage | |
| 3 | 1580023 | 1 | Container | |
| 4 | 1580024 | 1 | Tray | |
| 5 | 1705997 | 1 | Decal - Workstation | |
| 6 | 2700100 | 1 | Hook, Hanger | |
| 7 | 1001246395 | 1 | Decal - Workstation Kit | |
| 8 | 3422219 | 1 | Pin | |
| 9 | 3460334 | 1 | PVC Pipe | |
| 10 | 3760170 | 2 | Ring | |
| 11 | 3900355 | 2 | Screw 5/16 x 1-1/2 | |
| 12 | 3931412 | 2 | Bolt 1/4 x 3/4 | |
| 13 | 3931508 | 6 | Bolt 5/16 x 1/2 | |
| 14 | 4240003 | 2 | Strap | |
| 15 | 4340853 | 1 | Mount, RH Channel | |
| 16 | 4340854 | 1 | Mount, LH Channel | |
| 17 | 4420062 | 3 ft/0.9m | Tape | |
| 18 | 4711400 | 2 | Washer 1/4 | |
| 19 | 4740480 | 2 | Insert, Plastic | |

SECTION 6 - CYLINDER

SECTION 6 - CYLINDER

FIGURE 6-1. AXLE LOCKOUT CYLINDER ASSEMBLY



ART_1001163580

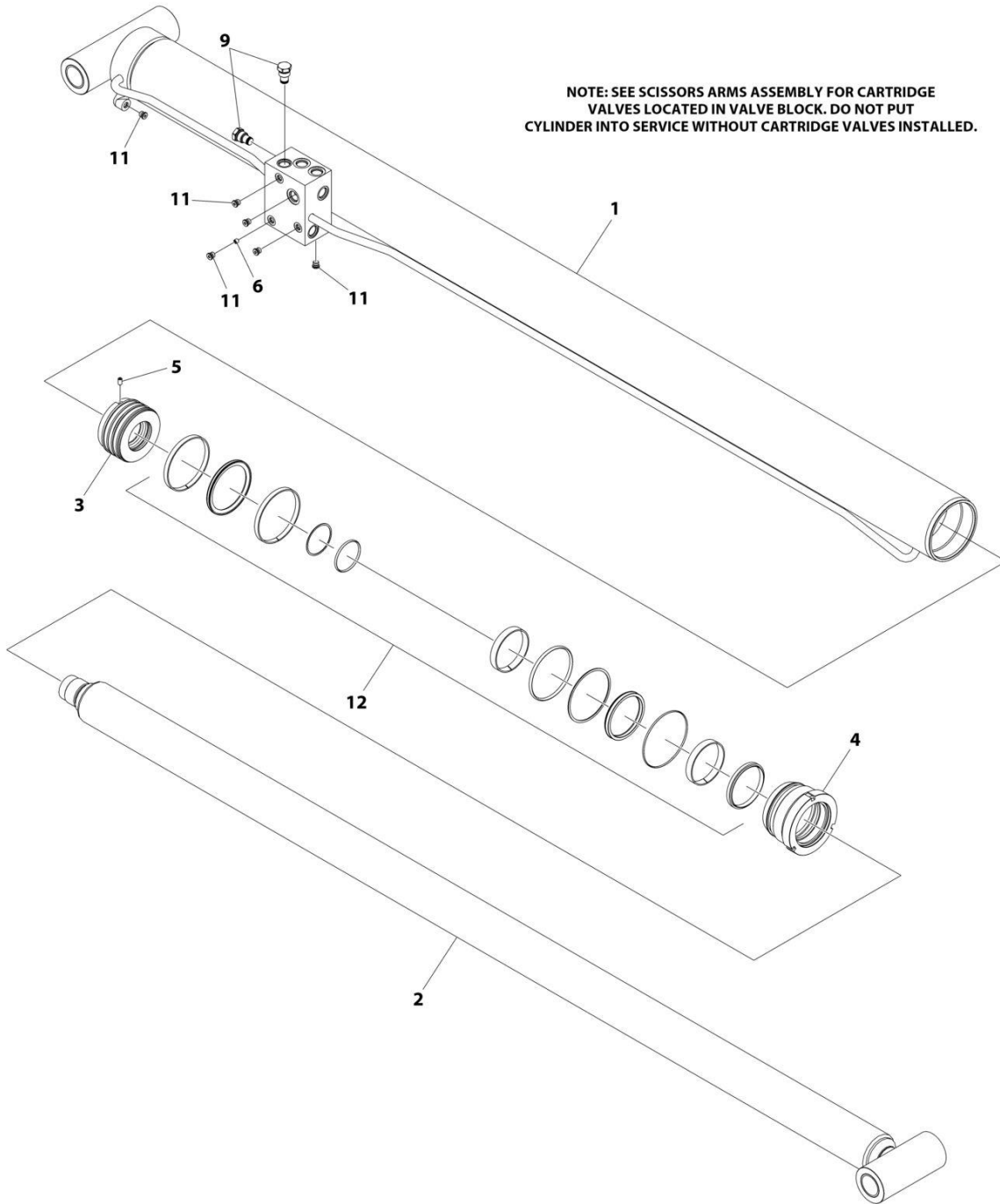
SECTION 6 - CYLINDER

FIGURE 6-1. AXLE LOCKOUT CYLINDER ASSEMBLY

| ITEM | PART NUMBER | QTY | DESCRIPTION | REV |
|------|-------------|-----|---|-----|
| | 1001163580 | Ref | AXLE LOCKOUT CYLINDER ASSEMBLY | 1 |
| | | Ref | Note: Original Cylinder May Have Been Replaced with Service Replacement. Identify PN Stamped on Cylinder Before Ordering Parts. | |
| 1 | 1684290 | 1 | Rod | |
| 2 | 2220883 | 2 | Plug #4 | |
| 3 | 4640858 | 1 | Valve, Bleeder | |
| 4 | 1001117372 | 1 | Cartridge, Valve | |
| 4 | 70002842 | 1 | Seal Kit - 1001117372 Valve | |
| 5 | 1001164817 | 1 | Barrel | |
| 100 | 2902266 | NLA | Seal Kit - 1001163590 Cylinder (Includes Items 101-103) | |
| 101 | See Note | NSS | Ring, Wear (Note: Use Item 100) | |
| 102 | See Note | NSS | Seal (Note: Use Item 100) | |
| 103 | See Note | NSS | Wiper (Note: Use Item 100) | |

SECTION 6 - CYLINDER

FIGURE 6-2. LOWER LIFT CYLINDER



NOTE: SEE SCISSORS ARMS ASSEMBLY FOR CARTRIDGE VALVES LOCATED IN VALVE BLOCK. DO NOT PUT CYLINDER INTO SERVICE WITHOUT CARTRIDGE VALVES INSTALLED.

ART_1001234703

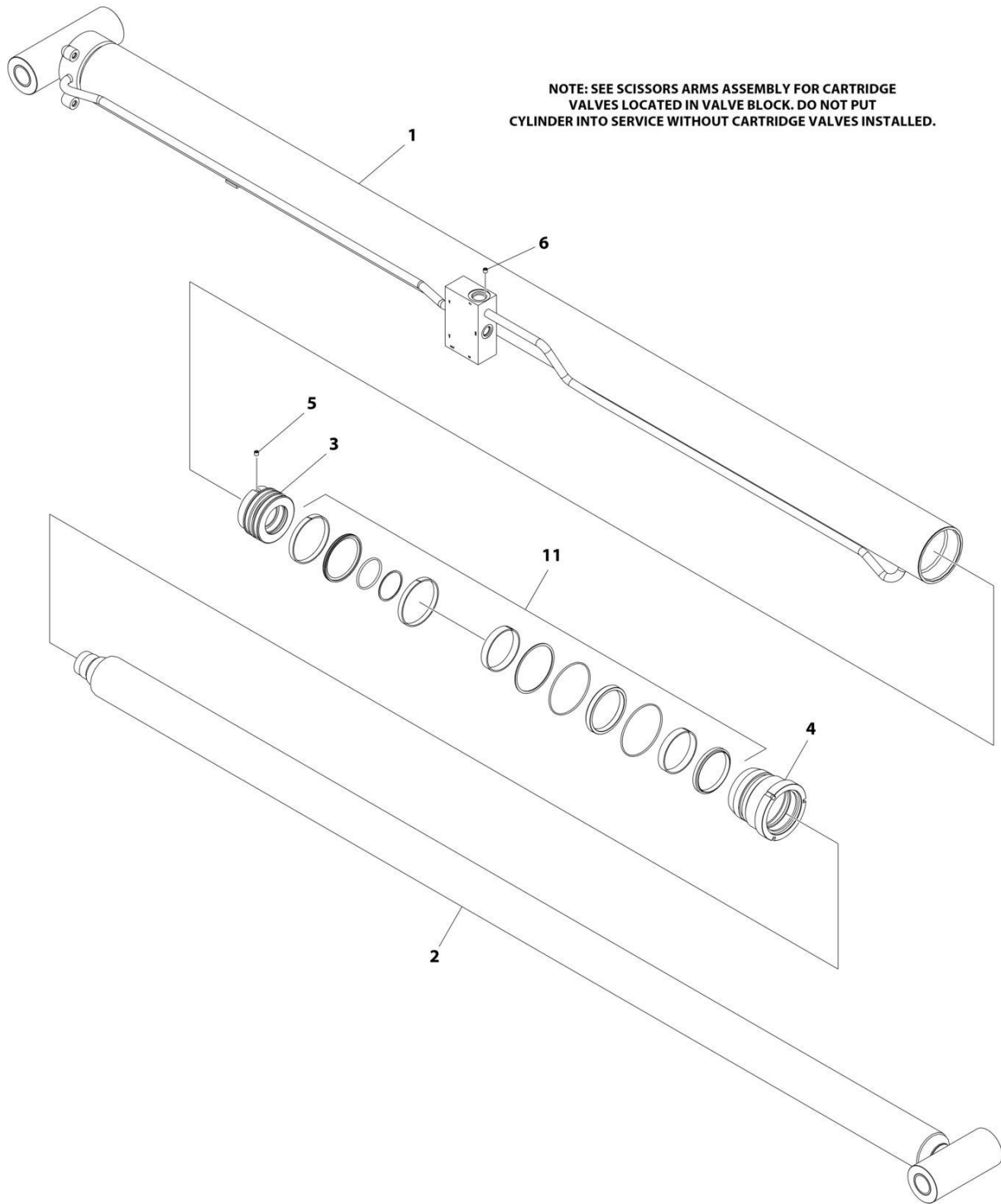
SECTION 6 - CYLINDER

FIGURE 6-2. LOWER LIFT CYLINDER

| ITEM | PART NUMBER | QTY | DESCRIPTION | REV |
|------|-------------|-----|---|-----|
| | 1001234703 | Ref | LOWER LIFT CYLINDER | E |
| | | Ref | Note: Original Cylinder May Have Been Replaced with Service Replacement. Identify PN Stamped on Cylinder Before Ordering Parts. | |
| 1 | See Note | NSS | Barrel (Note: Use p/n 1001234703) | |
| 2 | 70005383 | 1 | Rod | |
| 3 | 70005381 | 1 | Piston | |
| 4 | 70005382 | 1 | Head | |
| 5 | 70020438 | 1 | Screw | |
| 6 | 70006844 | 1 | Orifice | |
| 9 | 1001132208 | 2 | Valve, Check | |
| 9 | 7017496 | 2 | Seal Kit - 1001132208 Valve (1 per Cartridge) | |
| 11 | 2220883 | 6 | Plug | |
| 12 | 70005380 | 1 | Seal Kit - 1001234703 Cylinder | |

SECTION 6 - CYLINDER

FIGURE 6-3. UPPER LIFT CYLINDER



NOTE: SEE SCISSORS ARMS ASSEMBLY FOR CARTRIDGE VALVES LOCATED IN VALVE BLOCK. DO NOT PUT CYLINDER INTO SERVICE WITHOUT CARTRIDGE VALVES INSTALLED.

ART_1001225369

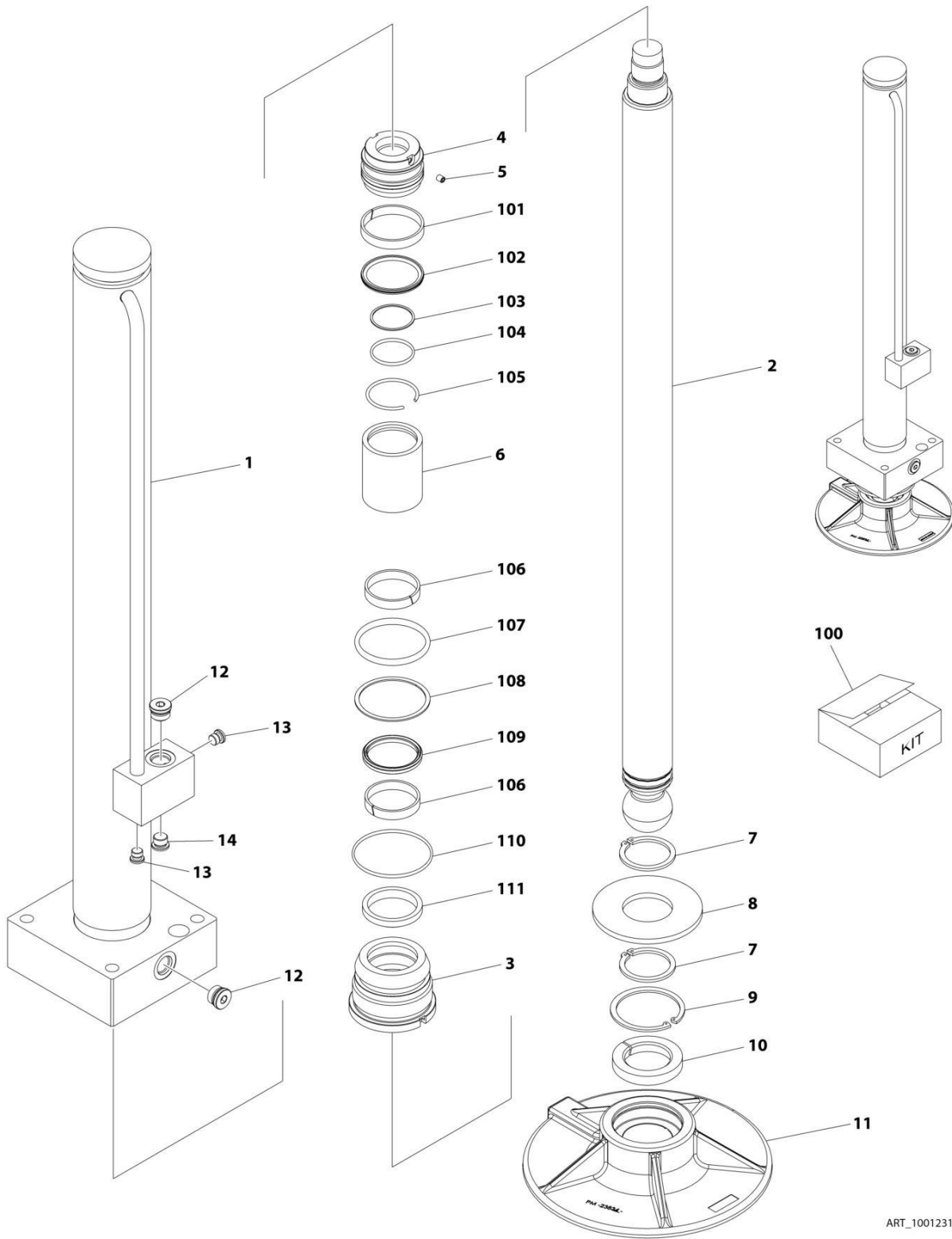
SECTION 6 - CYLINDER

FIGURE 6-3. UPPER LIFT CYLINDER

| ITEM | PART NUMBER | QTY | DESCRIPTION | REV |
|------|-------------|-----|---|-----|
| | 1001225369 | Ref | UPPER LIFT CYLINDER | B |
| | | Ref | Note: Original Cylinder May Have Been Replaced with Service Replacement. Identify PN Stamped on Cylinder Before Ordering Parts. | |
| 1 | See Note | NSS | Barrel (Note: Use p/n 1001225369) | |
| 2 | 70005378 | 1 | Rod | |
| 3 | 70005376 | 1 | Piston | |
| 4 | 70005377 | 1 | Head | |
| 5 | 70023915 | 1 | Screw | |
| 6 | 70006843 | 1 | Orifice | |
| 11 | 70005375 | 1 | Seal Kit - 1001225369 Cylinder | |

SECTION 6 - CYLINDER

FIGURE 6-4. LEVELING JACK CYLINDER ASSEMBLY



ART_1001231261

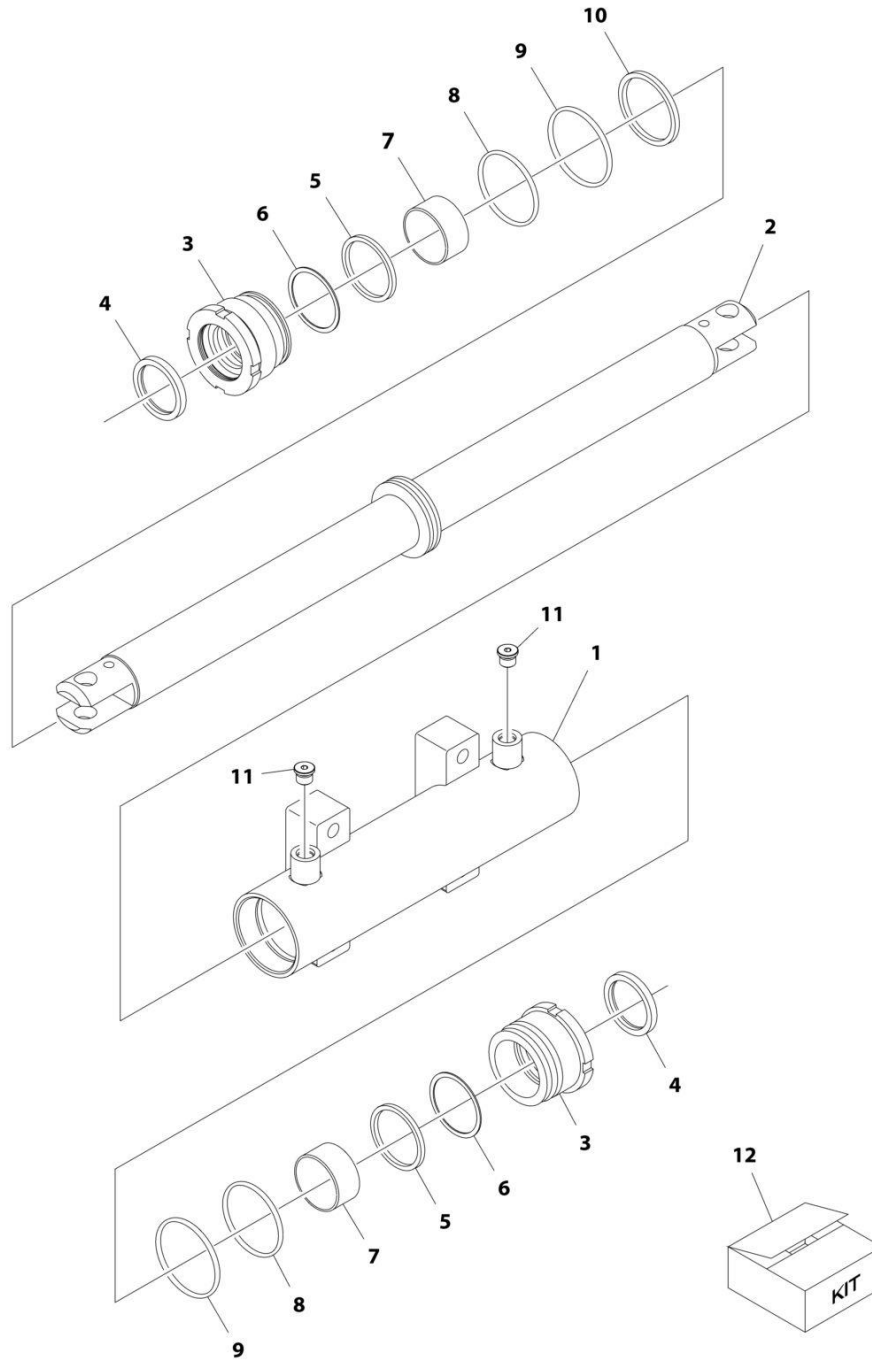
SECTION 6 - CYLINDER

FIGURE 6-4. LEVELING JACK CYLINDER ASSEMBLY

| ITEM | PART NUMBER | QTY | DESCRIPTION | REV |
|------|-------------|-----|---|-----|
| | 1001231261 | Ref | LEVELING JACK CYLINDER ASSEMBLY | B |
| | | Ref | Note: Original Cylinder May Have Been Replaced with Service Replacement. Identify PN Stamped on Cylinder Before Ordering Parts. | |
| 1 | See Note | NSS | Barrel (Note: Use p/n 1001231261) | |
| 2 | 70007045 | 1 | Rod | |
| 3 | 70026417 | 1 | Head | |
| 4 | 70007044 | 1 | Piston | |
| 5 | 70023915 | 1 | Screw | |
| 6 | 70007043 | 1 | Spacer | |
| 7 | 70007042 | 2 | Ring, Retaining | |
| 8 | 70007041 | 1 | Plate, Jack | |
| 9 | 70007040 | 1 | Ring, Retaining | |
| 10 | 70007039 | 1 | Half Shell | |
| 11 | 70007038 | 1 | Pad, Jack | |
| 12 | 2220886 | 2 | Plug | |
| 13 | 2220887 | 2 | Plug | |
| 14 | 2220885 | 1 | Plug | |
| 100 | 70007037 | 1 | Seal Kit - 1001231261 Cylinder (Includes Items 101-111) | |
| 101 | See Note | NSS | Ring, Wear (Note: Use Item 100) | |
| 102 | See Note | NSS | Seal (Note: Use Item 100) | |
| 103 | See Note | NSS | Ring, Back-up (Note: Use Item 100) | |
| 104 | See Note | NSS | O-Ring (Note: Use Item 100) | |
| 105 | See Note | NSS | Ring, Snap (Note: Use Item 100) | |
| 106 | See Note | NSS | Ring, Wear (Note: Use Item 100) | |
| 107 | See Note | NSS | O-Ring (Note: Use Item 100) | |
| 108 | See Note | NSS | Ring, Back-up (Note: Use Item 100) | |
| 109 | See Note | NSS | Seal (Note: Use Item 100) | |
| 110 | See Note | NSS | O-Ring (Note: Use Item 100) | |
| 111 | See Note | NSS | Wiper (Note: Use Item 100) | |

SECTION 6 - CYLINDER

FIGURE 6-5. STEER CYLINDER ASSEMBLY



ART_1001163178

SECTION 6 - CYLINDER

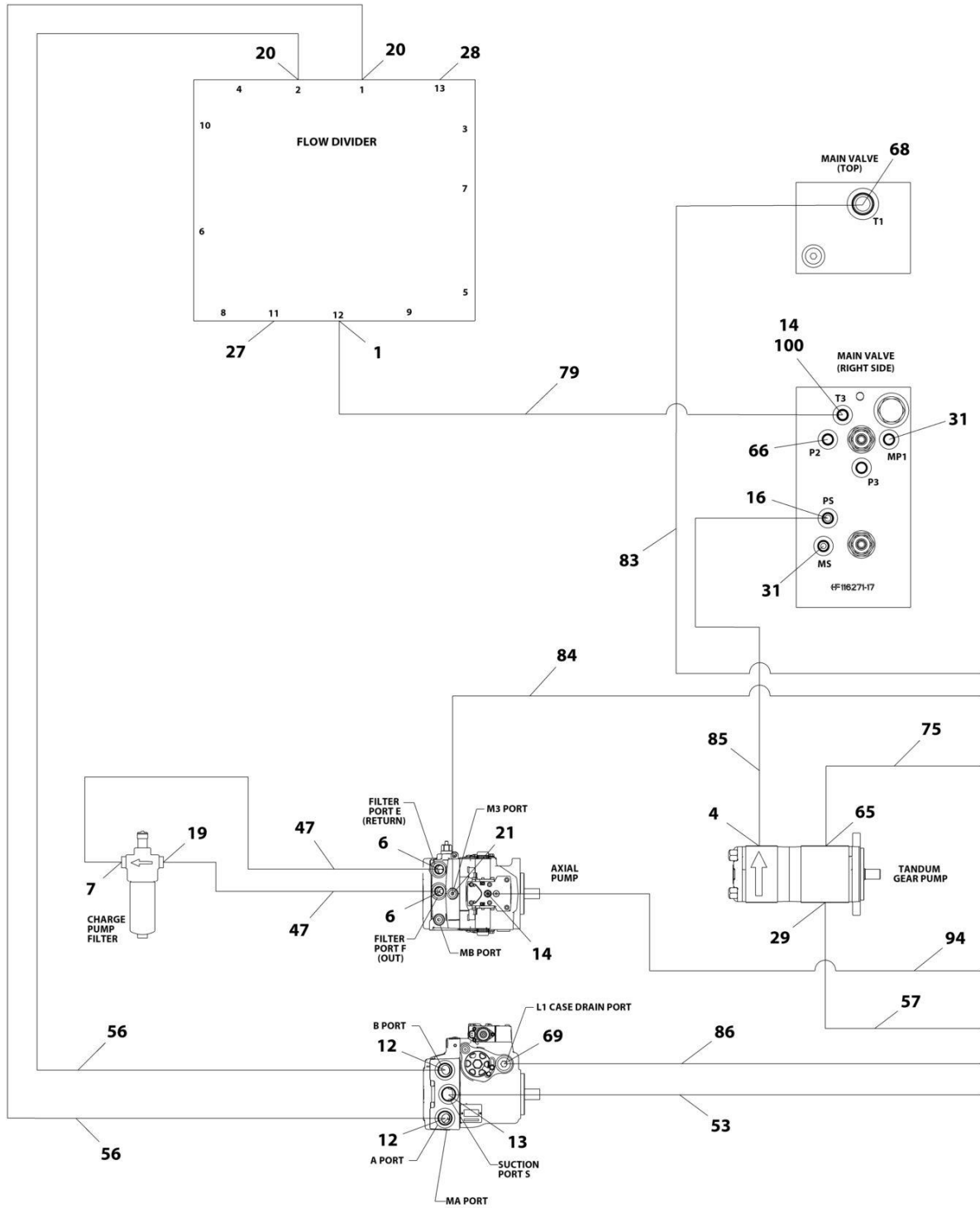
FIGURE 6-5. STEER CYLINDER ASSEMBLY

| ITEM | PART NUMBER | QTY | DESCRIPTION | REV |
|------|-------------|-----|---|-----|
| | 1001163178 | Ref | STEER CYLINDER ASSEMBLY | E |
| | | Ref | Note: Original Cylinder May Have Been Replaced with Service Replacement. Identify PN Stamped on Cylinder Before Ordering Parts. | |
| 1 | 70005150 | 1 | Barrel | |
| 2 | 70005151 | 1 | Rod | |
| 3 | 70005152 | 2 | Head | |
| 4 | See Note | NSS | Wiper (Note: Use Item 12) | |
| 5 | See Note | NSS | Seal, Rod (Note: Use Item 12) | |
| 6 | See Note | NSS | Ring, Back-up (Note: Use Item 12) | |
| 7 | 70005153 | 2 | Bearing, Dry | |
| 8 | See Note | NSS | O-Ring (Note: Use Item 12) | |
| 9 | See Note | NSS | O-Ring (Note: Use Item 12) | |
| 10 | See Note | NSS | Seal, Piston (Note: Use Item 12) | |
| 11 | See Note | 2 | Plug 9/16 (Note: Not Available for Purchase) | |
| 12 | 70005154 | 1 | Seal Kit - 1001163178 Cylinder (Includes Items 4-6 & 8-10) | |

SECTION 7 - HYDRAULIC

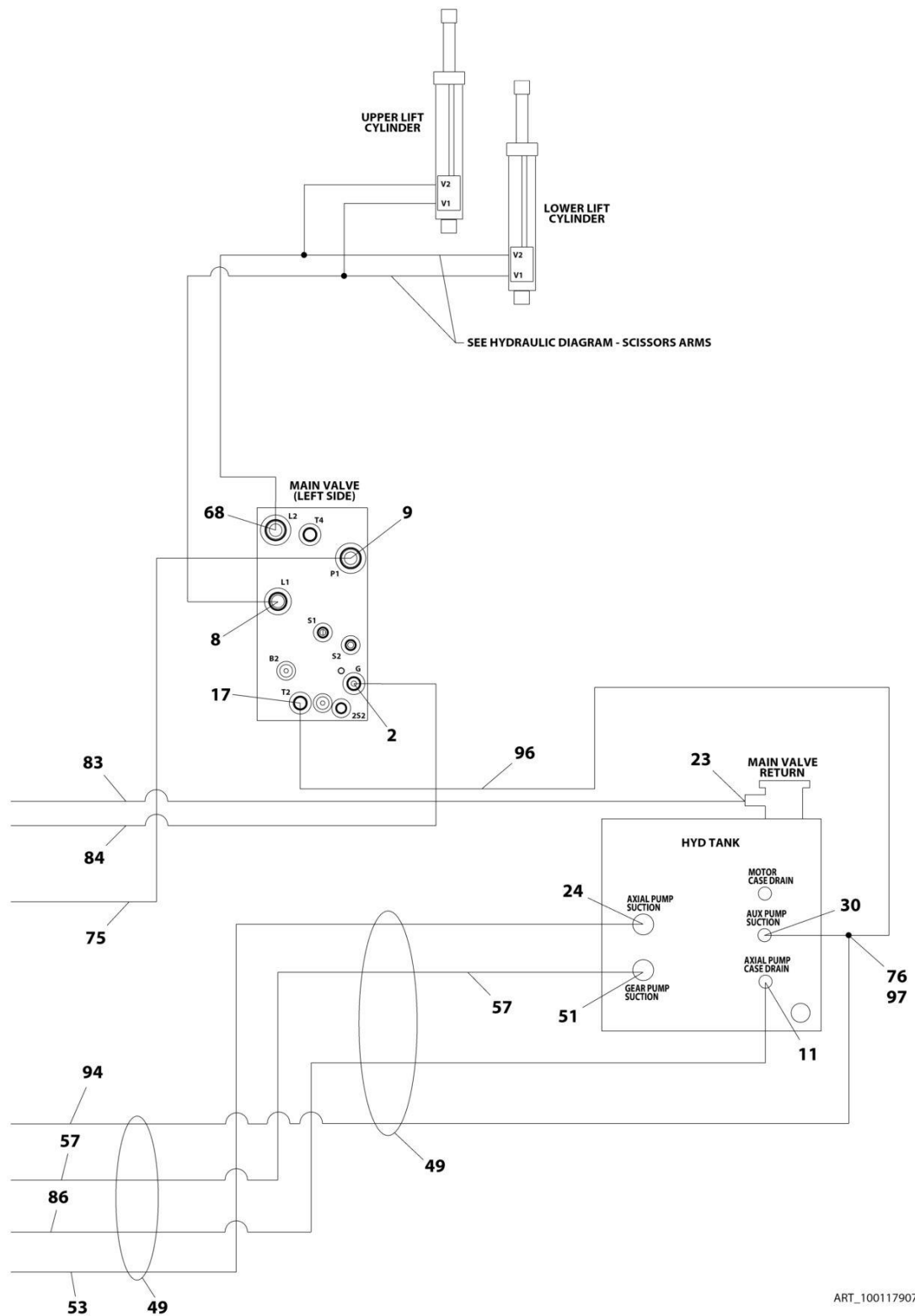
SECTION 7 - HYDRAULIC

FIGURE 7-1. HYDRAULIC DIAGRAM - FIXED AXLE



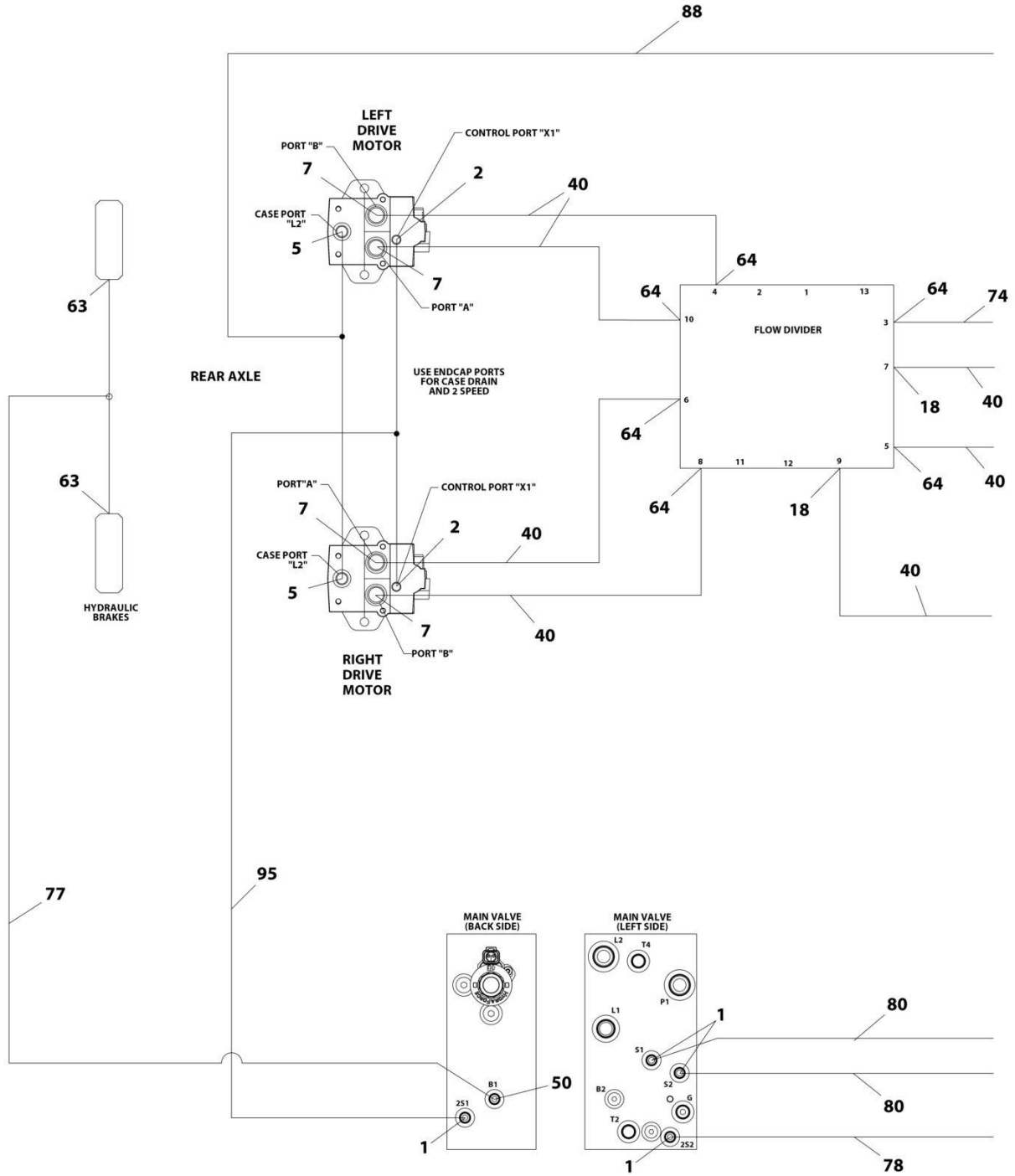
ART_1001179071_10F5

SECTION 7 - HYDRAULIC



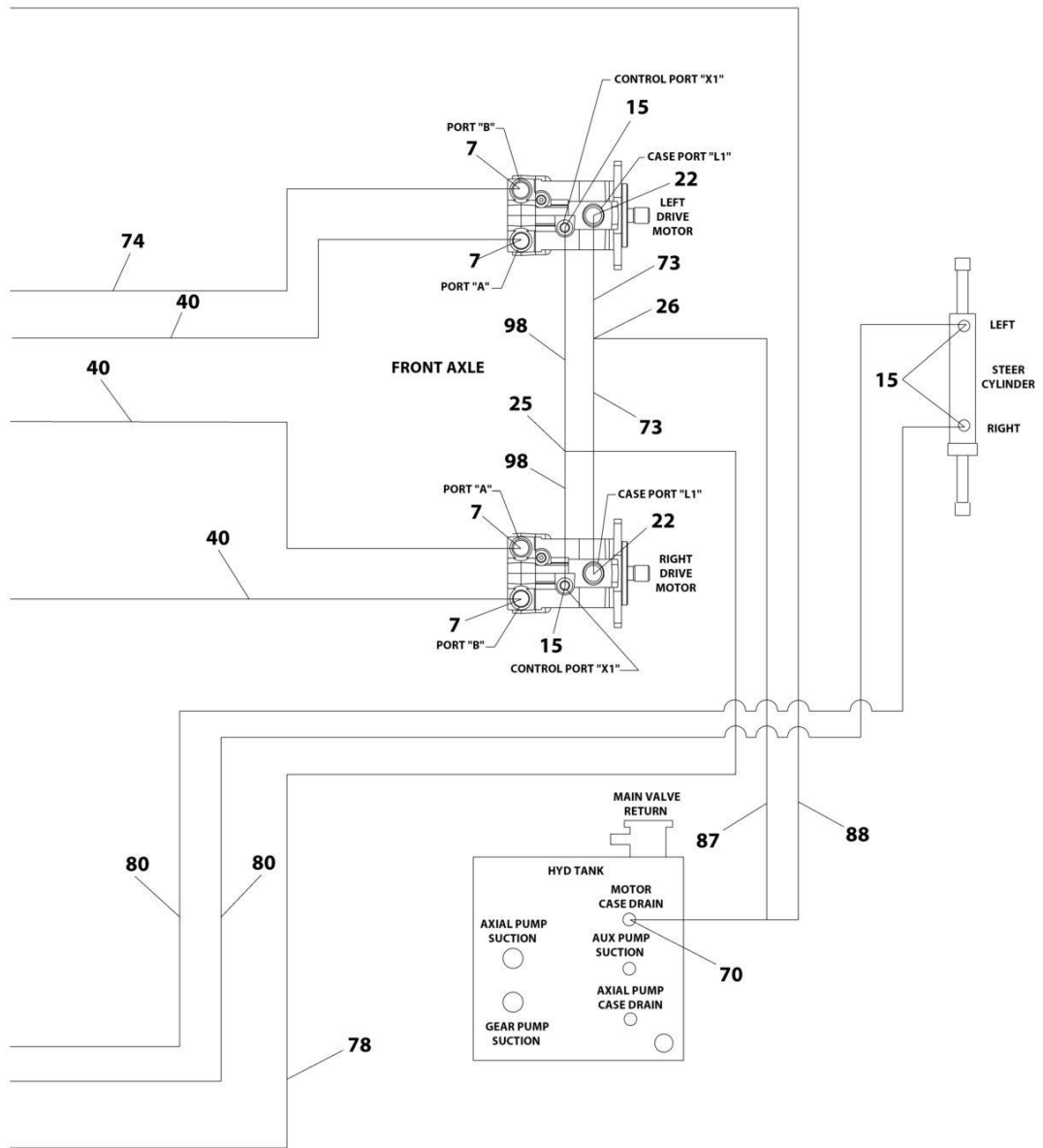
ART_1001179071_20F5

SECTION 7 - HYDRAULIC



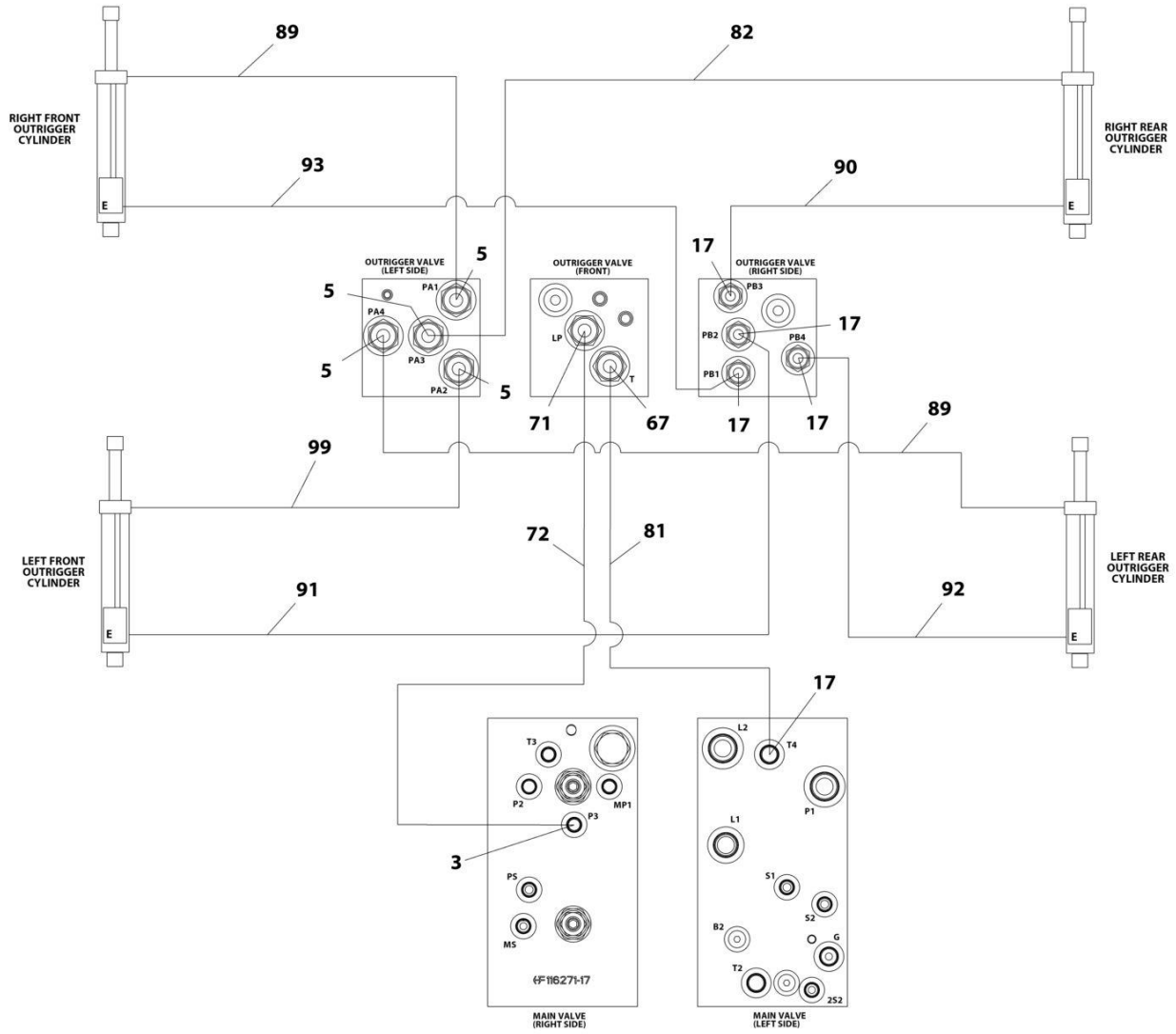
ART_1001179071_30F5

SECTION 7 - HYDRAULIC



ART_1001179071_40F5

SECTION 7 - HYDRAULIC



ART_1001179071_SOF5

SECTION 7 - HYDRAULIC

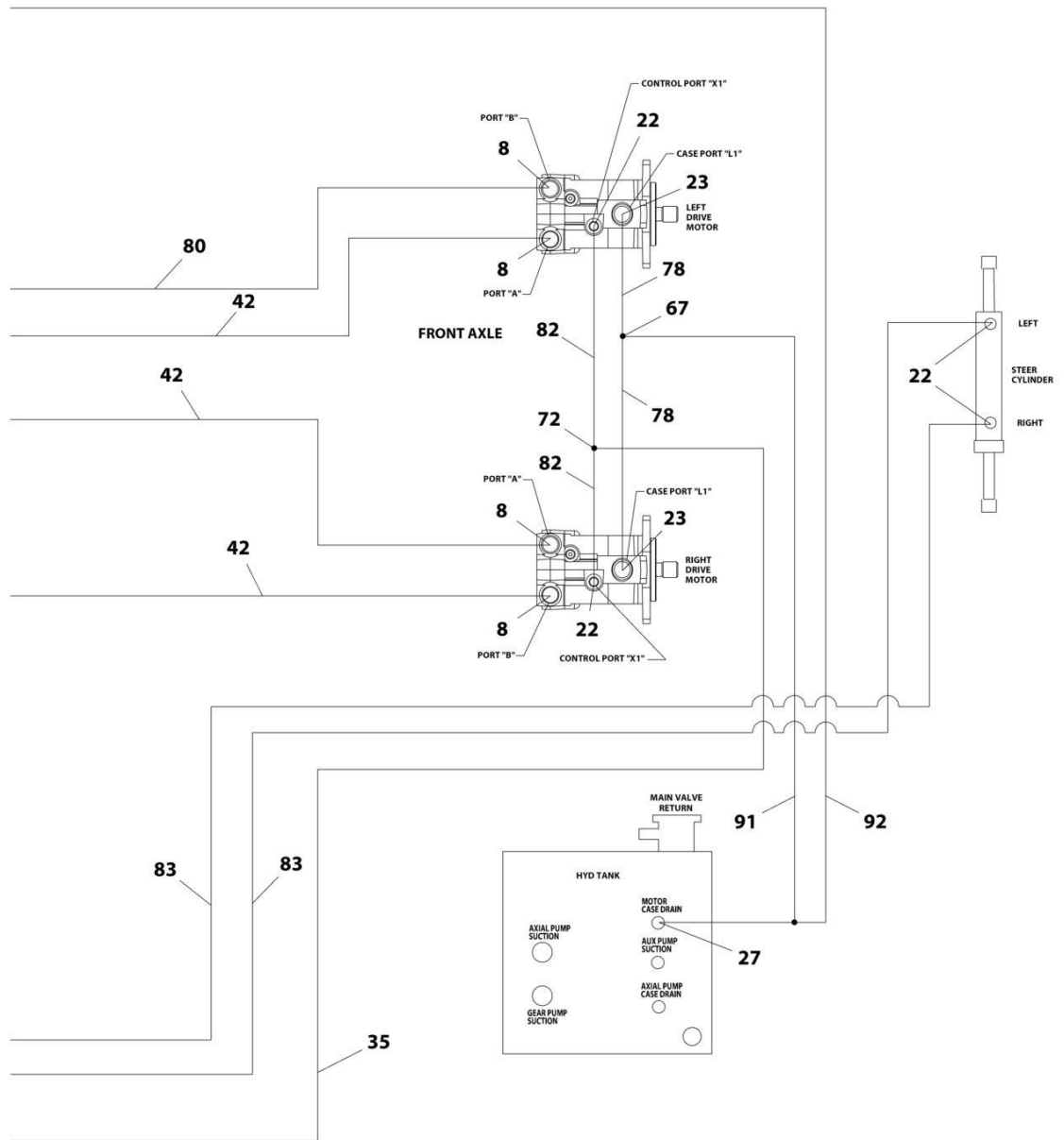
FIGURE 7-1. HYDRAULIC DIAGRAM - FIXED AXLE

| ITEM | PART NUMBER | QTY | DESCRIPTION | REV |
|------|-------------|-----|--------------------------------|-----|
| | 1001179071 | Ref | HYDRAULIC DIAGRAM - FIXED AXLE | H |
| 1 | 2220415 | 5 | Fitting, Straight JIC/ORB | |
| 2 | 2220582 | 3 | Fitting, Straight JIC/ORB | |
| 3 | 2220603 | 1 | Fitting, Straight JIC/ORB | |
| 4 | 2220497 | 1 | Fitting, Straight JIC/ORB | |
| 5 | 2220373 | 6 | Fitting, Straight JIC/ORB | |
| 6 | 2110810 | 2 | Fitting, Straight ORFS/ORB | |
| 7 | 2110812 | 9 | Fitting, Straight ORFS/ORB | |
| 8 | 2220852 | 1 | Fitting, Straight JIC/ORB | |
| 9 | 2111010 | 1 | Fitting, Straight ORFS/ORB | |
| 11 | 2220578 | 1 | Fitting, 90 JIC/ORB | |
| 12 | 2111216 | 2 | Fitting, Straight ORFS/ORB | |
| 13 | 2112016 | 1 | Fitting, Straight ORFS/ORB | |
| 14 | 2220466 | AR | Fitting, 90 JIC/ORB | |
| 15 | 2221040 | 4 | Fitting, 45 JIC/ORB | |
| 16 | 2220775 | 1 | Fitting, 90 JIC/ORB | |
| 17 | 2220371 | 6 | Fitting, Straight JIC/ORB | |
| 18 | 2110808 | 2 | Fitting, Straight ORFS/ORB | |
| 19 | 2130812 | 1 | Fitting, 90 ORFS/ORB | |
| 20 | 2131216 | 2 | Fitting, 90 ORFS/ORB | |
| 21 | 2220472 | 1 | Fitting, 90 JIC/ORB | |
| 22 | 2220500 | 2 | Fitting, 45 JIC/ORB | |
| 23 | 2220435 | 1 | Fitting, Straight JIC/ORB | |
| 24 | 2152020 | 1 | Fitting, 45 ORFS/ORB | |
| 25 | 2220504 | 1 | Fitting, Tee JIC/JIC/JIC | |
| 26 | 2220362 | 1 | Fitting, Tee FL/FL/FL | |
| 27 | 2220237 | 1 | Plug ORB | |
| 28 | 2220238 | 1 | Plug ORB | |
| 29 | 2220479 | 1 | Fitting, Straight JIC/ORB | |
| 30 | 2220577 | 1 | Fitting, Straight JIC/ORB | |
| 31 | 2221086 | 2 | Fitting, Test | |
| 40 | 2753791 | 7 | Hose | |
| 47 | 2754244 | 2 | Hose | |
| 49 | 4061032 | AR | Shield | |
| 50 | 2110404 | 1 | Fitting, Straight ORFS/ORB | |
| 51 | 8760351 | 1 | Fitting, 45 JIC/ORB | |
| 53 | 1001104581 | 1 | Hose | |
| 56 | 1001107924 | 2 | Hose | |
| 57 | 1001108128 | 1 | Hose | |
| 63 | 2130404 | 2 | Fitting, 90 ORFS/ORB | |
| 64 | 2130808 | 6 | Fitting, 90 ORFS/ORB | |
| 65 | 2131010 | 1 | Fitting, 90 ORFS/ORB | |
| 66 | 2220235 | 1 | Fitting | |
| 67 | 2220372 | 1 | Fitting, Straight JIC/ORB | |
| 68 | 2220408 | 2 | Fitting, Straight JIC/ORB | |
| 69 | 2220451 | 1 | Fitting, Straight JIC/ORB | |
| 70 | 2220602 | 1 | Fitting, Tee JIC/ORB/JIC | |
| 71 | 2220628 | 1 | Fitting, 90 JIC/ORB | |
| 72 | 2716703 | 1 | Hose | |
| 73 | 2716705 | 2 | Hose | |

SECTION 7 - HYDRAULIC

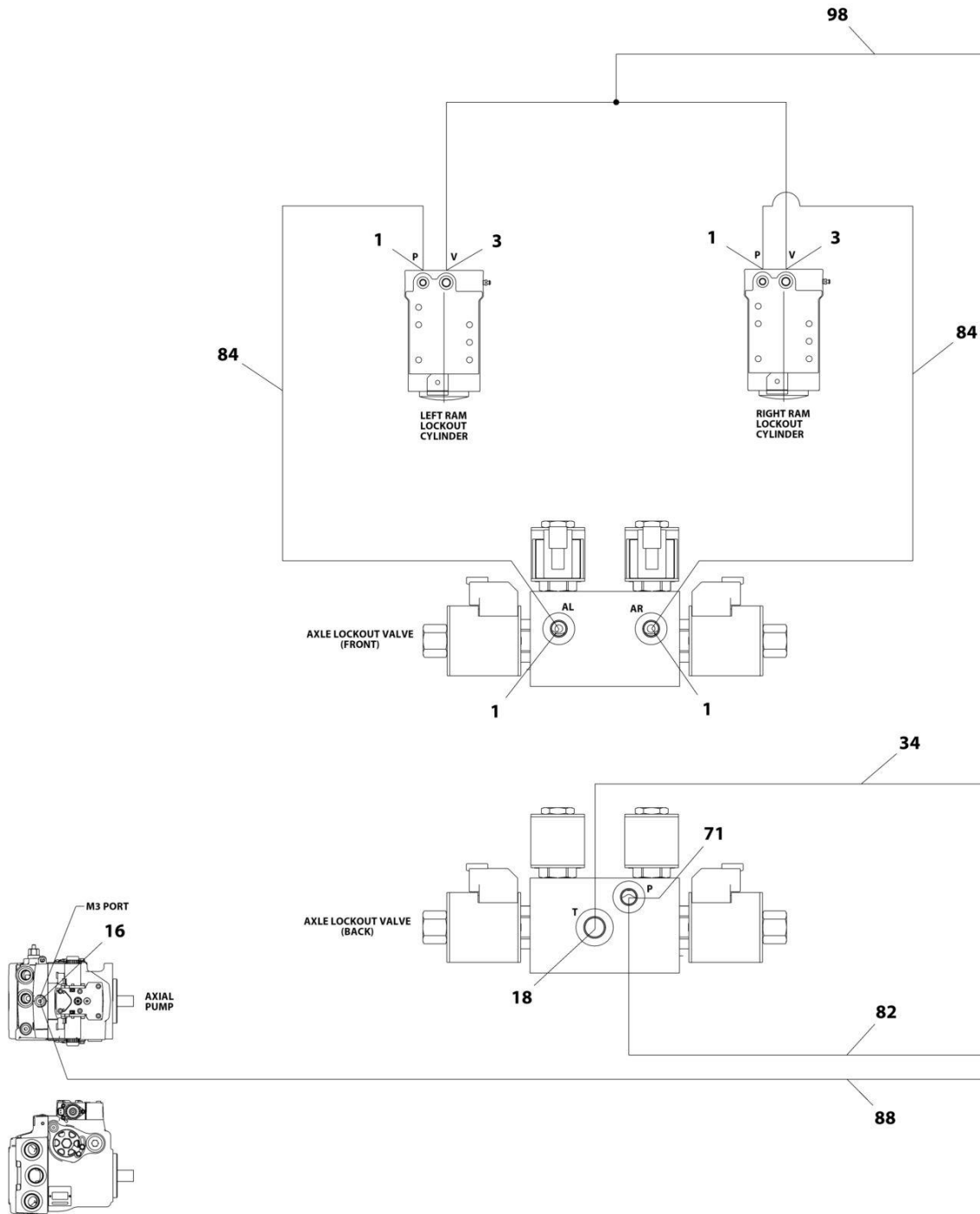
| ITEM | PART NUMBER | QTY | DESCRIPTION | REV |
|------|-------------|-----|--------------------------|-----|
| 74 | 2753970 | 1 | Hose | |
| 75 | 2753798 | 1 | Hose | |
| 76 | 8760268 | 1 | Fitting, 90 JIC/FSJIC | |
| 77 | 1001104589 | 1 | Hose | |
| 78 | 1001108477 | 1 | Hose | |
| 79 | 1001151351 | 1 | Hose | |
| 80 | 1001158199 | 2 | Hose | |
| 81 | 1001158246 | 1 | Hose | |
| 82 | 1001182051 | 1 | Hose | |
| 83 | 1001194378 | 1 | Hose | |
| 84 | 1001194379 | 1 | Hose | |
| 85 | 1001194380 | 1 | Hose | |
| 86 | 1001194381 | 1 | Hose | |
| 87 | 1001194382 | 1 | Hose | |
| 88 | 1001194383 | 1 | Hose | |
| 89 | 1001194384 | 2 | Hose | |
| 90 | 1001194385 | 1 | Hose | |
| 91 | 1001194386 | 1 | Hose | |
| 92 | 1001194387 | 1 | Hose | |
| 93 | 1001194388 | 1 | Hose | |
| 94 | 1001194390 | 1 | Hose | |
| 95 | 1001194391 | 1 | Hose | |
| 96 | 2752485 | 1 | Hose | |
| 97 | 2220635 | 1 | Fitting, Tee JIC/JIC/JIC | |
| 98 | 1001151354 | 2 | Hose | |
| 99 | 1001205920 | 1 | Hose | |
| 100 | 2220502 | AR | Fitting, 45 JIC/ORB | |

SECTION 7 - HYDRAULIC



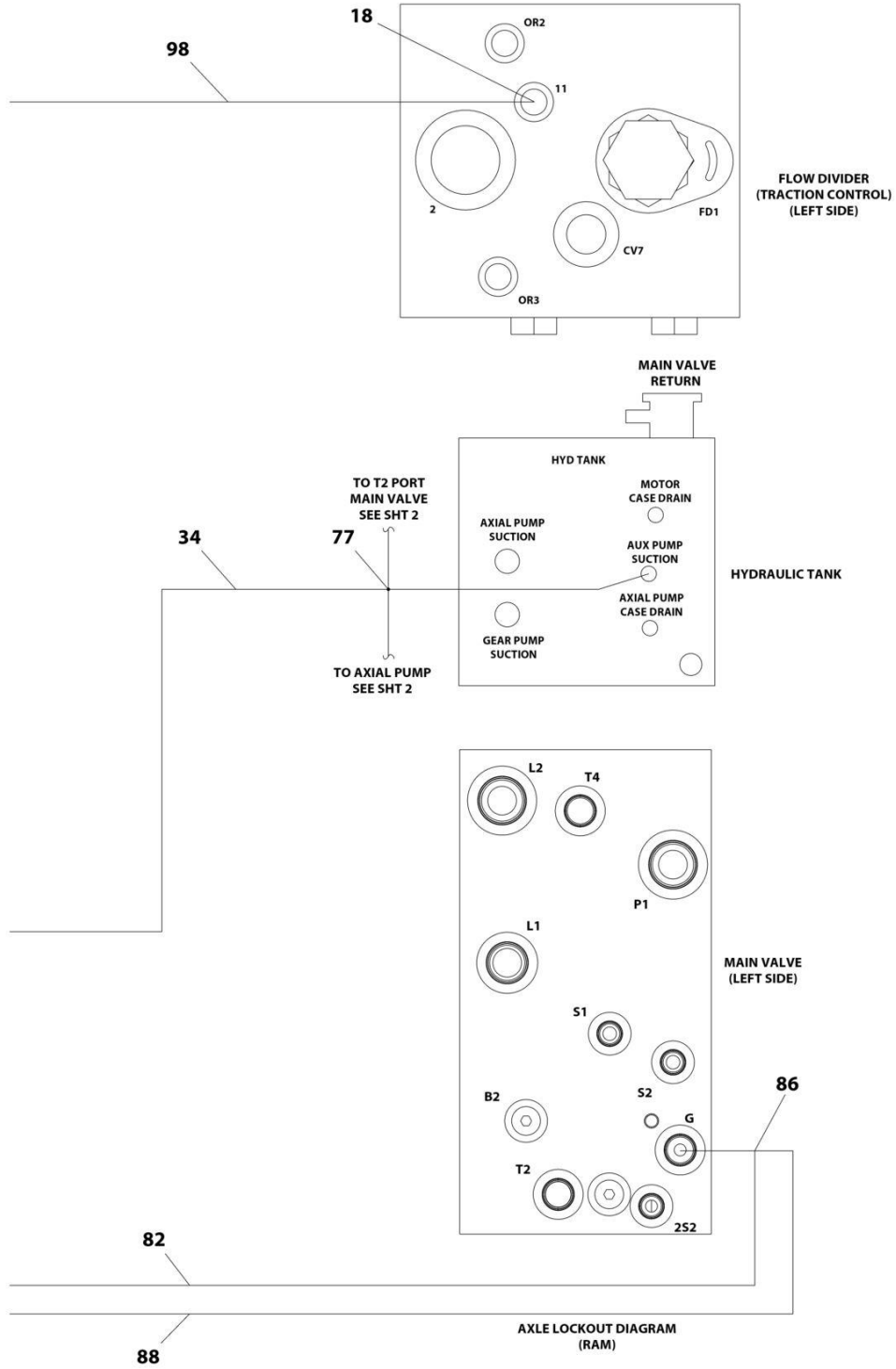
ART_1001177750_4OF7

SECTION 7 - HYDRAULIC



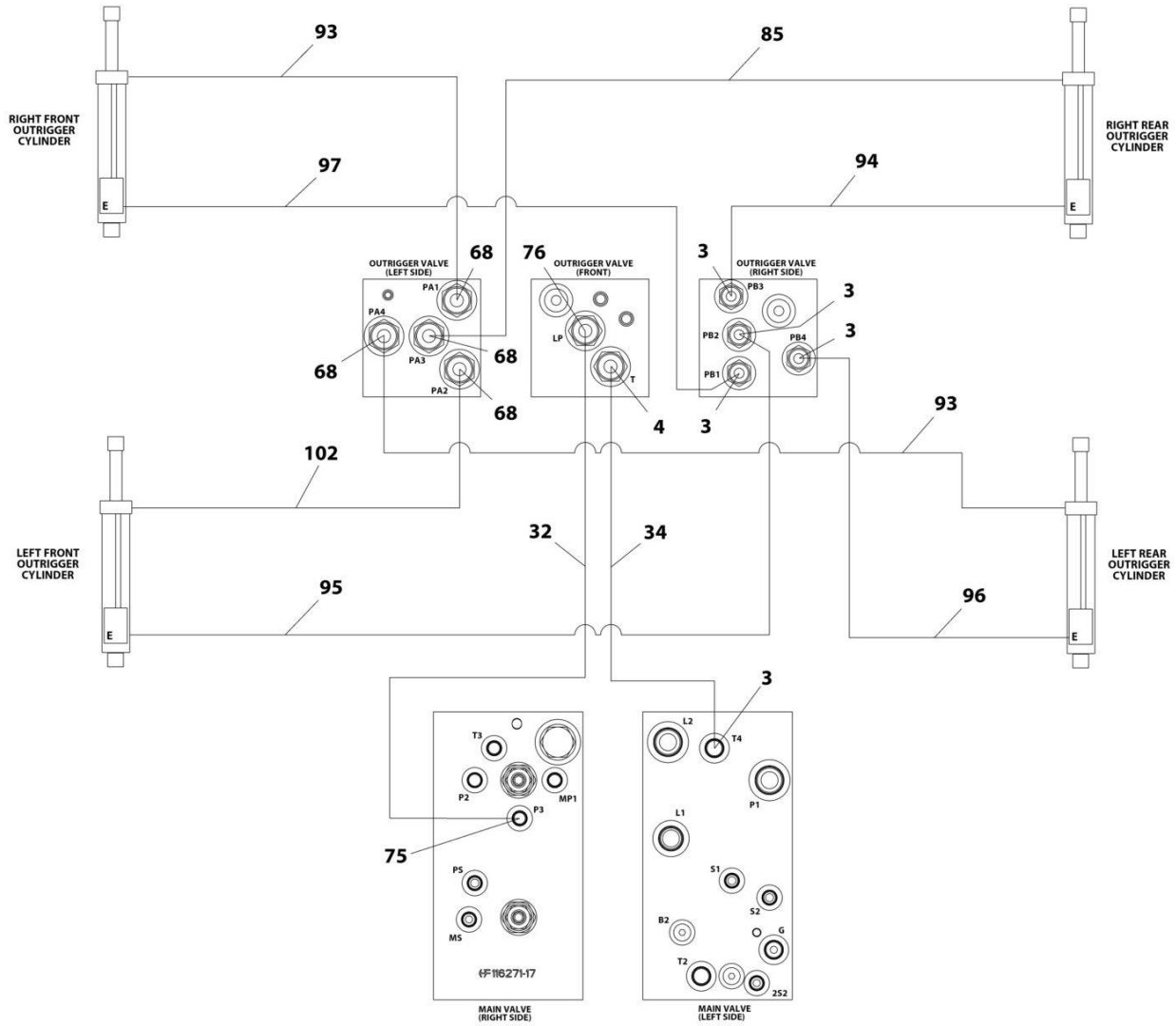
ART_100117750_50F7

SECTION 7 - HYDRAULIC



ART_1001177750_GOF7

SECTION 7 - HYDRAULIC



ART_1001177750_7OF7

SECTION 7 - HYDRAULIC

FIGURE 7-2. HYDRAULIC DIAGRAM - OSCILATING AXLE

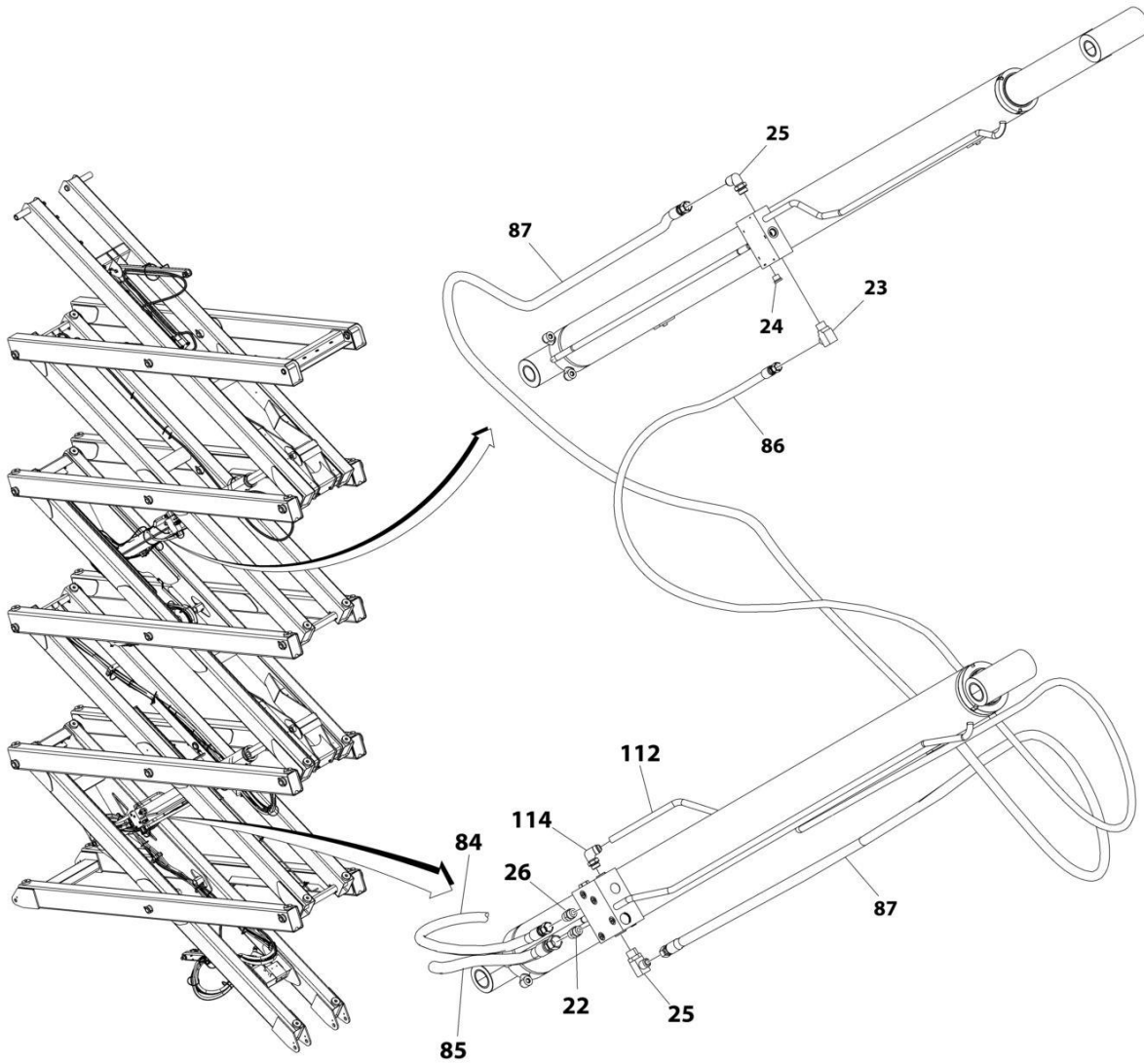
| ITEM | PART NUMBER | QTY | DESCRIPTION | REV |
|------|-------------|-----|--------------------------------------|-----|
| | 1001177750 | Ref | HYDRAULIC DIAGRAM - OSCILLATING AXLE | J |
| 1 | 2220415 | 9 | Fitting, Straight JIC/ORB | |
| 2 | 2220582 | 2 | Fitting, Straight JIC/ORB | |
| 3 | 2220371 | 8 | Fitting, Straight JIC/ORB | |
| 4 | 2220372 | 1 | Fitting, Straight JIC/ORB | |
| 5 | 2220497 | 1 | Fitting, Straight JIC/ORB | |
| 6 | 2110808 | 2 | Fitting, Straight ORFS/ORB | |
| 7 | 2110810 | 2 | Fitting, Straight ORFS/ORB | |
| 8 | 2110812 | 9 | Fitting, Straight ORFS/ORB | |
| 9 | 2220852 | 1 | Fitting, Straight JIC/ORB | |
| 10 | 2111010 | 1 | Fitting, Straight ORFS/ORB | |
| 12 | 2220451 | 1 | Fitting, Straight JIC/ORB | |
| 13 | 2111216 | 2 | Fitting, Straight ORFS/ORB | |
| 14 | 2112016 | 1 | Fitting, Straight ORFS/ORB | |
| 15 | 2130404 | 2 | Fitting, 90 ORFS/ORB | |
| 16 | 2220472 | 1 | Fitting, 90 JIC/ORB | |
| 17 | 2220775 | 1 | Fitting, 90 JIC/ORB | |
| 18 | 2220473 | 2 | Fitting, 90 JIC/ORB | |
| 19 | 2130808 | 6 | Fitting, 90 ORFS/ORB | |
| 20 | 2130812 | 1 | Fitting, 90 ORFS/ORB | |
| 21 | 2131216 | 2 | Fitting, 90 ORFS/ORB | |
| 22 | 2221040 | 4 | Fitting, 45 JIC/ORB | |
| 23 | 2220500 | 2 | Fitting, 45 JIC/ORB | |
| 24 | 2131010 | 1 | Fitting, 90 ORFS/ORB | |
| 25 | 2152020 | 1 | Fitting, 45 ORFS/ORB | |
| 26 | 2220235 | 1 | Fitting | |
| 27 | 2220602 | 1 | Fitting, Tee JIC/ORB/JIC | |
| 28 | 2220238 | 1 | Plug ORB | |
| 29 | 2220479 | 1 | Fitting, Straight JIC/ORB | |
| 31 | 2221086 | 2 | Fitting, Test | |
| 32 | 2716703 | 1 | Hose | |
| 33 | 2753798 | 1 | Hose | |
| 34 | 1001158246 | 2 | Hose | |
| 35 | 1001108477 | 1 | Hose | |
| 41 | 1001104589 | 1 | Hose | |
| 42 | 2753791 | 7 | Hose | |
| 49 | 2754244 | 2 | Hose | |
| 51 | 4061032 | AR | Shield | |
| 52 | 2110404 | 1 | Fitting, Straight ORFS/ORB | |
| 53 | 8760351 | 1 | Fitting, 45 ORFS/ORB | |
| 56 | 1001104581 | 1 | Hose | |
| 59 | 1001107924 | 2 | Hose | |
| 60 | 1001108128 | 1 | Hose | |
| 67 | 2220362 | 1 | Fitting, Tee FL/FL/FL | |
| 68 | 2220373 | 6 | Fitting, Straight JIC/ORB | |
| 69 | 2220408 | 2 | Fitting, Straight JIC/ORB | |
| 70 | 2220435 | 1 | Fitting, Straight JIC/ORB | |
| 71 | 2220466 | AR | Fitting, 90 JIC/ORB | |
| 72 | 2220504 | 1 | Fitting, Tee JIC/JIC/JIC | |
| 73 | 2220577 | 1 | Fitting, Straight JIC/ORB | |

SECTION 7 - HYDRAULIC

| ITEM | PART NUMBER | QTY | DESCRIPTION | REV |
|------|-------------|-----|---------------------------|-----|
| 74 | 2220578 | 1 | Fitting, 90 JIC/ORB | |
| 75 | 2220603 | 1 | Fitting, Straight JIC/ORB | |
| 76 | 2220628 | 1 | Fitting, 90 JIC/ORB | |
| 77 | 2220635 | 2 | Fitting, Tee JIC/JIC/JIC | |
| 78 | 2716705 | 2 | Hose | |
| 80 | 2753970 | 1 | Hose | |
| 81 | 1001151351 | 1 | Hose | |
| 82 | 1001151354 | 3 | Hose | |
| 83 | 1001158199 | 2 | Hose | |
| 84 | 1001173043 | 2 | Hose | |
| 85 | 1001182051 | 1 | Hose | |
| 86 | 1001193988 | 1 | Fitting, Tee JIC/ORB/JIC | |
| 87 | 1001194378 | 1 | Hose | |
| 88 | 1001194379 | 1 | Hose | |
| 89 | 1001194380 | 1 | Hose | |
| 90 | 1001194381 | 1 | Hose | |
| 91 | 1001194382 | 1 | Hose | |
| 92 | 1001194383 | 1 | Hose | |
| 93 | 1001194384 | 2 | Hose | |
| 94 | 1001194385 | 1 | Hose | |
| 95 | 1001194386 | 1 | Hose | |
| 96 | 1001194387 | 1 | Hose | |
| 97 | 1001194388 | 1 | Hose | |
| 98 | 1001194389 | 1 | Hose | |
| 99 | 1001194390 | 1 | Hose | |
| 100 | 1001194391 | 1 | Hose | |
| 101 | 2752485 | 1 | Hose | |
| 102 | 1001205920 | 1 | Hose | |
| 103 | 2220502 | AR | Fitting, 45 JIC/ORB | |

SECTION 7 - HYDRAULIC

FIGURE 7-3. HYDRAULIC DIAGRAM - SCISSOR ARMS



ART_1001217384_30F3

SECTION 7 - HYDRAULIC

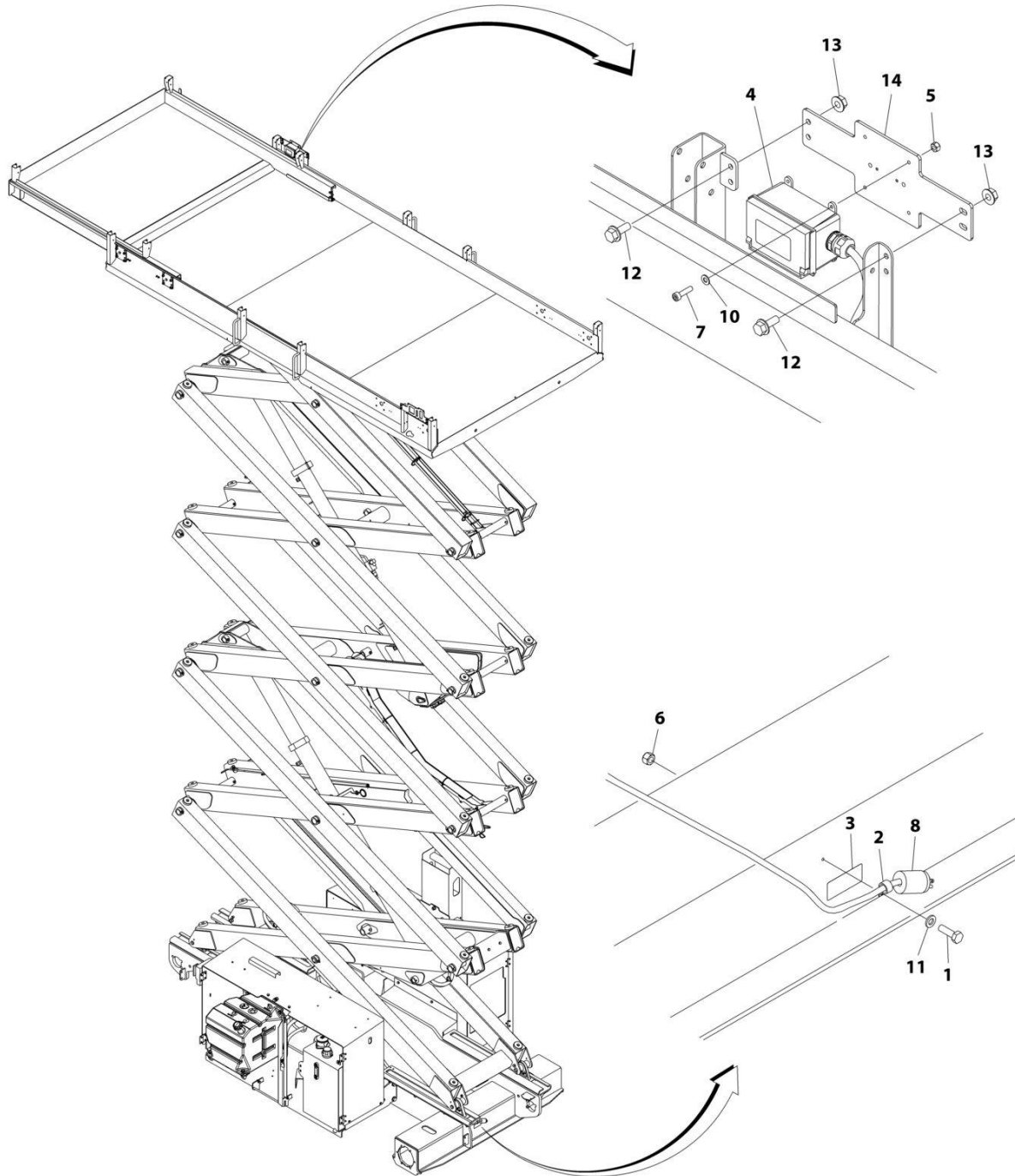
FIGURE 7-3. HYDRAULIC DIAGRAM - SCISSOR ARMS

| ITEM | PART NUMBER | QTY | DESCRIPTION | REV |
|------|-------------|-----|-----------------------------------|-----|
| | 1001217384 | Ref | SCISSOR ARMS ASSEMBLY - HYDRAULIC | G |
| 22 | 2220408 | 1 | Fitting, Straight JIC/ORB | |
| 23 | 2220671 | 1 | Fitting, 90 JIC/ORB | |
| 24 | 2220883 | 1 | Plug | |
| 25 | 2220906 | 2 | Fitting, 90 JIC/ORB | |
| 26 | 2220947 | 1 | Fitting, Straight JIC/ORB | |
| 84 | 1001193174 | 1 | Hose | |
| 85 | 1001193179 | 1 | Hose | |
| 86 | 1001236307 | 1 | Hose | |
| 87 | 1001236306 | 1 | Hose | |
| 112 | 1001237837 | 1 | Tube | |
| 114 | 2221036 | 1 | Fitting, 90 JIC/ORB | |

SECTION 8 - ELECTRICAL

SECTION 8 - ELECTRICAL

FIGURE 8-1. AC BOX AT PLATFORM INSTALLATION - 110V GFI (ANSI, ANSI EXPORT, CHINA, CSA AND JAPANESE SPECS)



ART_1001207511

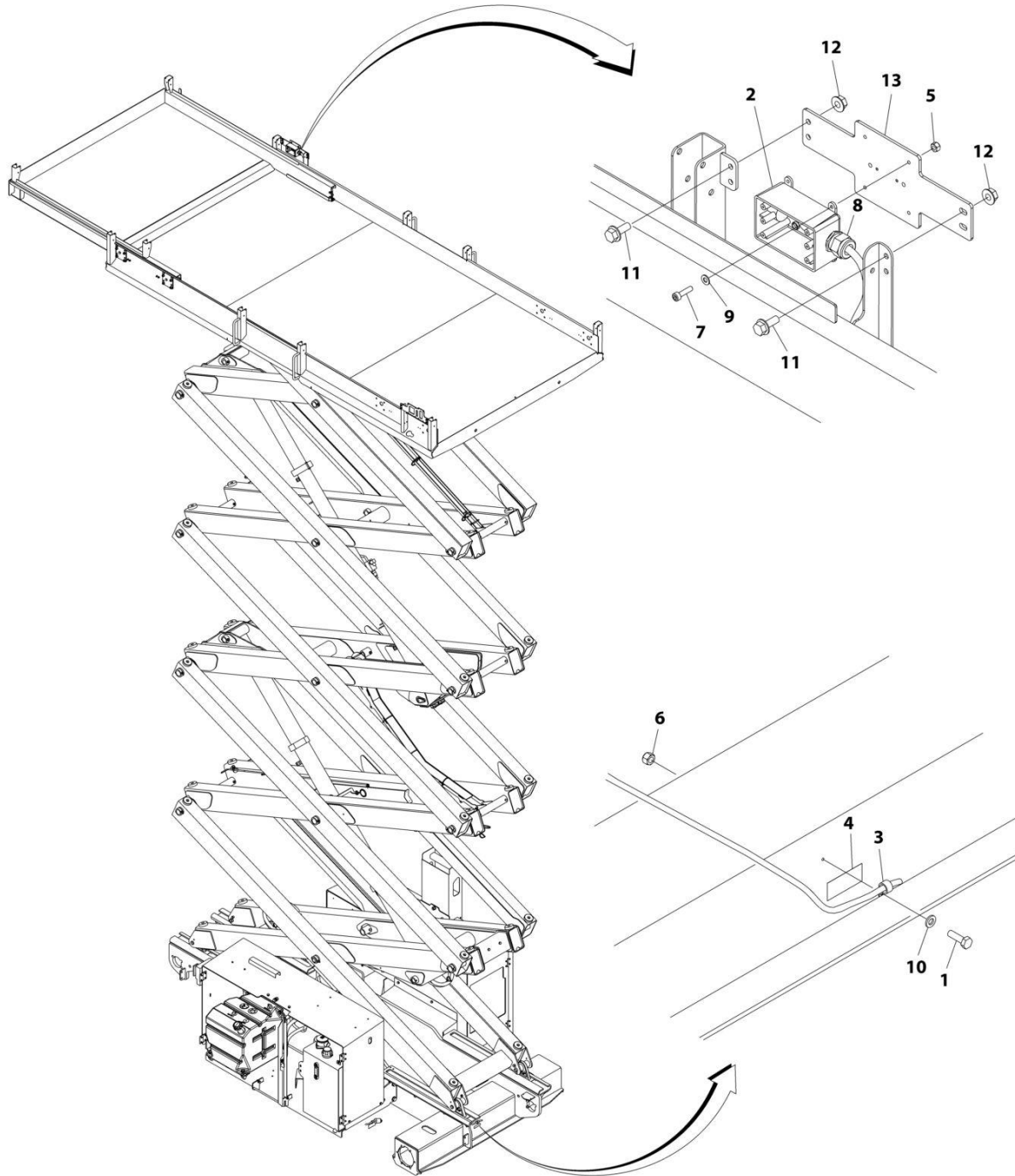
SECTION 8 - ELECTRICAL

FIGURE 8-1. AC BOX AT PLATFORM INSTALLATION - 110V GFI (ANSI, ANSI EXPORT, CHINA, CSA AND JAPANESE SPECS)

| ITEM | PART NUMBER | QTY | DESCRIPTION | REV |
|------|-------------|-----|---|-----|
| | 1001207511 | Ref | AC BOX AT PLATFORM INSTALLATION - 110V GFI | A |
| 1 | 0760610 | 1 | Bolt M6 x 20 | |
| 2 | 1320224 | 1 | Clamp | |
| 3 | 1703464 | 1 | Decal - AC Power | |
| 4 | 2902431 | 1 | Receptacle Box Kit (See Separate Breakdown in this Section) | |
| 5 | 3290405 | 4 | Nut M4 | |
| 6 | 3290605 | 1 | Nut M6 | |
| 7 | 4031507 | 4 | Bolt M4 x 16 | |
| 8 | 4460138 | 1 | Plug | |
| 9 | 4460315 | 3 | Terminal (Not Shown) | |
| 10 | 4811400 | 4 | Washer M4 | |
| 11 | 4811700 | 1 | Washer M6 | |
| 12 | 0780608 | 4 | Bolt M6 x 16 | |
| 13 | 5260600 | 4 | Nut M6 | |
| 14 | 1001207520 | 1 | Bracket | |

SECTION 8 - ELECTRICAL

FIGURE 8-2. BOX AT PLATFORM INSTALLATION - 220V (ANSI EXPORT, CSA, CHINA AND JAPANESE SPECS)



ART_1001207512

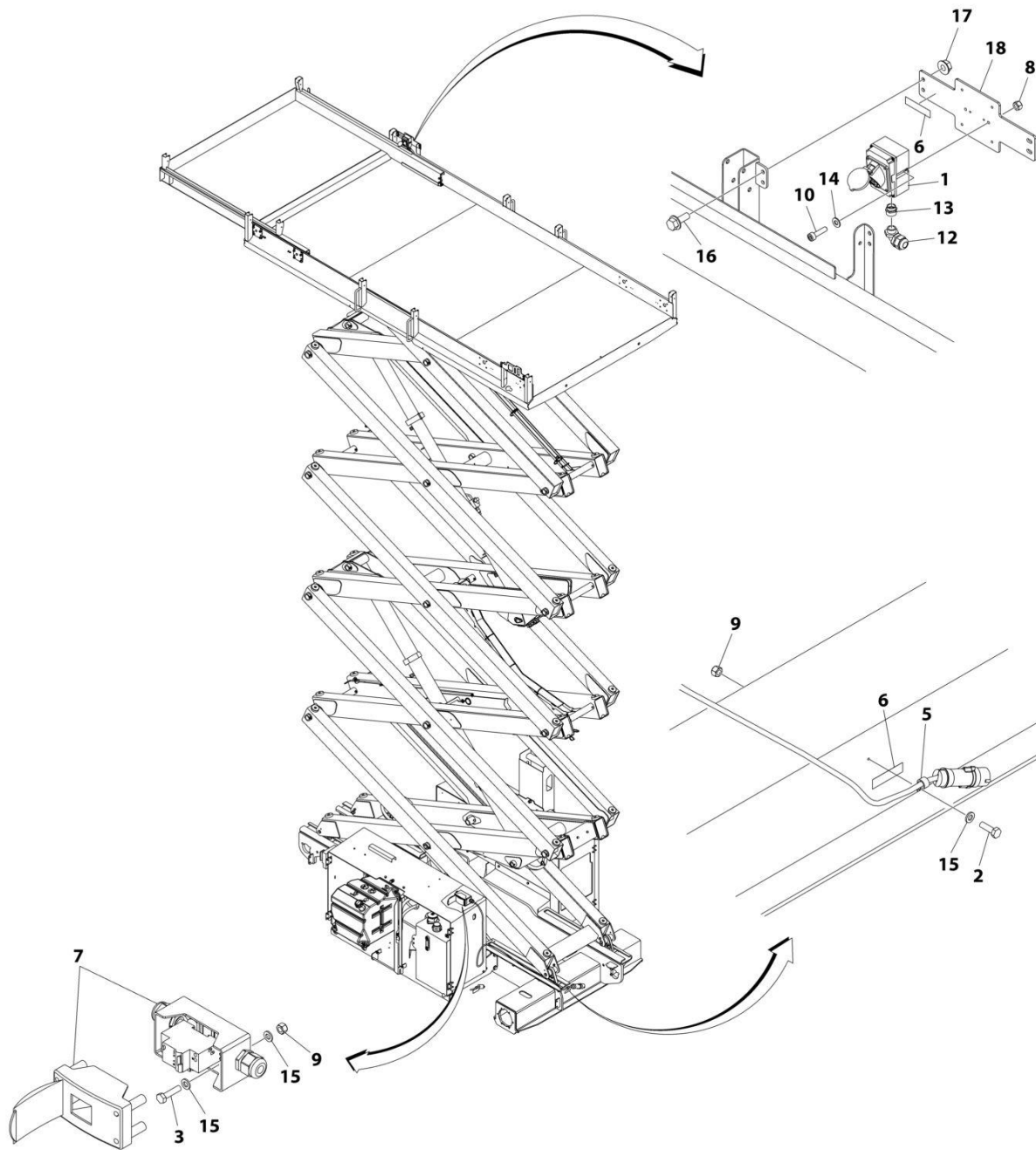
SECTION 8 - ELECTRICAL

FIGURE 8-2. BOX AT PLATFORM INSTALLATION - 220V (ANSI EXPORT, CSA, CHINA AND JAPANESE SPECS)

| ITEM | PART NUMBER | QTY | DESCRIPTION | REV |
|------|-------------|-----|--|-----|
| | 1001207512 | Ref | AC BOX AT PLATFORM INSTALLATION - 220V | A |
| 1 | 0760610 | 1 | Bolt M6 x 20 | |
| 2 | 0861731 | 1 | Box, Receptacle | |
| 3 | 1320224 | 1 | Clamp | |
| 4 | 3252507 | 1 | Decal - 220 Volt | |
| 5 | 3290405 | 4 | Nut M4 | |
| 6 | 3290605 | 1 | Nut M6 | |
| 7 | 4031507 | 4 | Bolt M4 x 16 | |
| 8 | 4460071 | 1 | Connector, Strain Relief | |
| 9 | 4811400 | 4 | Washer M4 | |
| 10 | 4811700 | 1 | Washer M6 | |
| 11 | 0780608 | 4 | Bolt M6 x 16 | |
| 12 | 5260600 | 4 | Nut M6 | |
| 13 | 1001207520 | 1 | Bracket | |

SECTION 8 - ELECTRICAL

FIGURE 8-3. AC BOX AT PLATFORM INSTALLATION - 110V IEC YELLOW (CE SPEC)



ART_1001207516_B

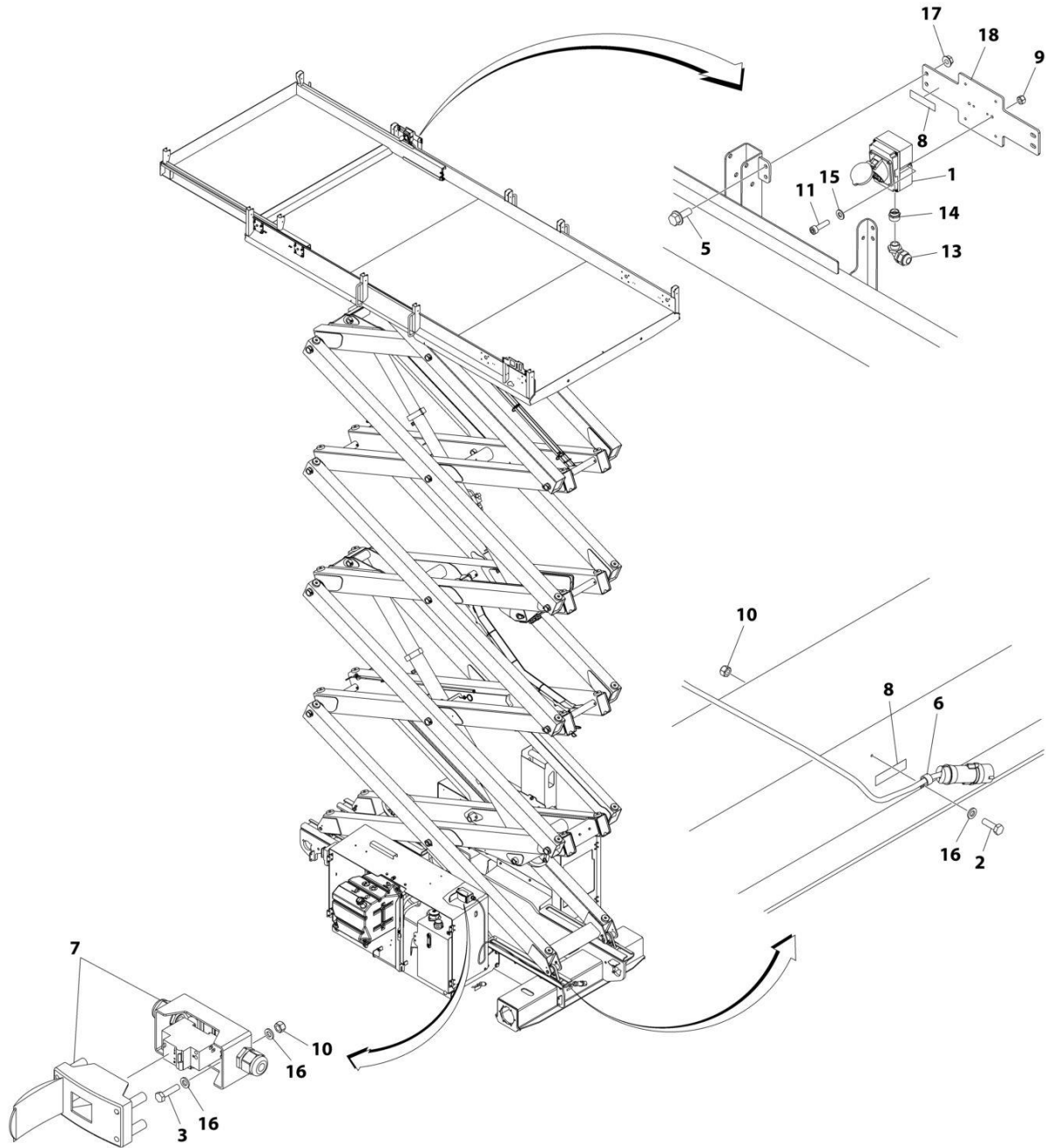
SECTION 8 - ELECTRICAL

FIGURE 8-3. AC BOX AT PLATFORM INSTALLATION - 110V IEC YELLOW (CE SPEC)

| ITEM | PART NUMBER | QTY | DESCRIPTION | REV |
|------|-------------|-----|---|-----|
| | 1001207516 | Ref | AC BOX AT PLATFORM INSTALLATION - 110V IEC YELLOW | B |
| 1 | 0275216 | 1 | Receptacle Box Kit (See Separate Breakdown in this Section) | |
| 2 | 0760610 | 1 | Bolt M6 x 20 | |
| 3 | 0760612 | 2 | Bolt M6 x 25 | |
| 5 | 1320224 | 1 | Clamp | |
| 6 | 1705325 | 2 | Decal - 110 Volt | |
| 7 | 1001096070 | 1 | Breaker Box Kit (See Separate Breakdown in this Section) | |
| 8 | 3290405 | 2 | Nut M4 | |
| 9 | 3290605 | 3 | Nut M6 | |
| 10 | 4031507 | 2 | Bolt M4 x 16 | |
| 12 | 4461257 | 1 | Connector, Strain Relief | |
| 13 | 4461258 | 1 | Connector, Adapter | |
| 14 | 4811400 | 2 | Washer M4 | |
| 15 | 4811700 | 5 | Washer M6 | |
| 16 | 0780608 | 4 | Bolt M6 x 16 | |
| 17 | 5260600 | 4 | Nut M6 | |
| 18 | 1001207520 | 1 | Bracket | |

SECTION 8 - ELECTRICAL

FIGURE 8-4. AC BOX AT PLATFORM INSTALLATION - 220V IEC BLUE (CE SPEC)



ART_1001209298_B

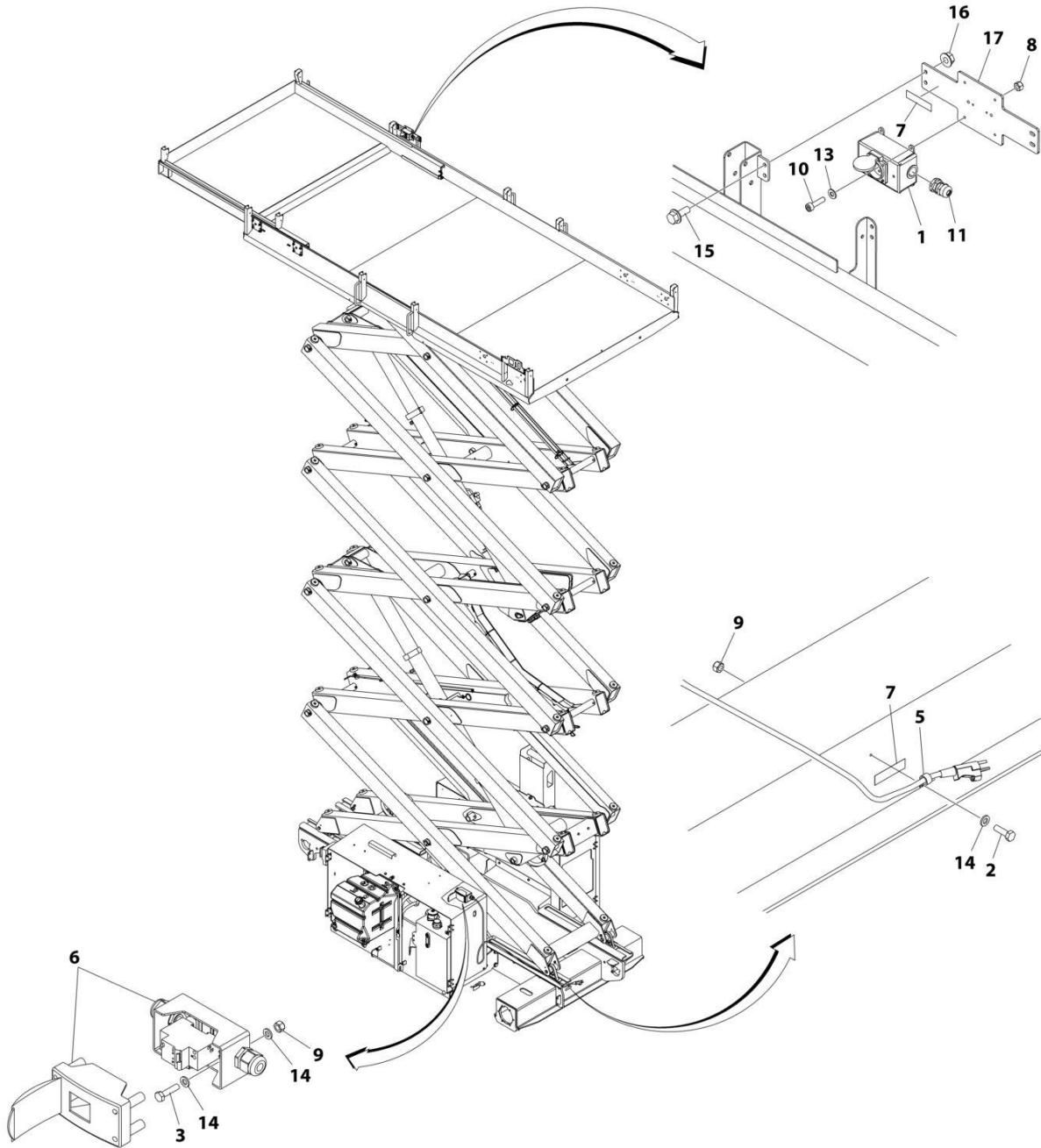
SECTION 8 - ELECTRICAL

FIGURE 8-4. AC BOX AT PLATFORM INSTALLATION - 220V IEC BLUE (CE SPEC)

| ITEM | PART NUMBER | QTY | DESCRIPTION | REV |
|------|-------------|-----|---|-----|
| | 1001209298 | Ref | AC BOX AT PLATFORM INSTALLATION - 220V IEC BLUE | B |
| 1 | 0275217 | 1 | Receptacle Box Kit (See Separate Breakdown in this Section) | |
| 2 | 0760610 | 1 | Bolt M6 x 20 | |
| 3 | 0760612 | 2 | Bolt M6 x 25 | |
| 5 | 0780608 | 4 | Bolt M6 x 16 | |
| 6 | 1320224 | 1 | Clamp | |
| 7 | 1001096070 | 1 | Breaker Box Kit (See Separate Breakdown in this Section) | |
| 8 | 3252507 | 2 | Decal - 220 Volt | |
| 9 | 3290405 | 2 | Nut M4 | |
| 10 | 3290605 | 3 | Nut M6 | |
| 11 | 4031507 | 2 | Bolt M4 x 16 | |
| 13 | 4461257 | 1 | Connector, Strain Relief | |
| 14 | 4461258 | 1 | Connector, Adapter | |
| 15 | 4811400 | 2 | Washer M4 | |
| 16 | 4811700 | 5 | Washer M6 | |
| 17 | 5260600 | 4 | Nut M6 | |
| 18 | 1001207520 | 1 | Bracket | |

SECTION 8 - ELECTRICAL

FIGURE 8-5. AC BOX AT PLATFORM INSTALLATION - 220V AFSINT107 (CE SPEC)



ART_1001207521_B

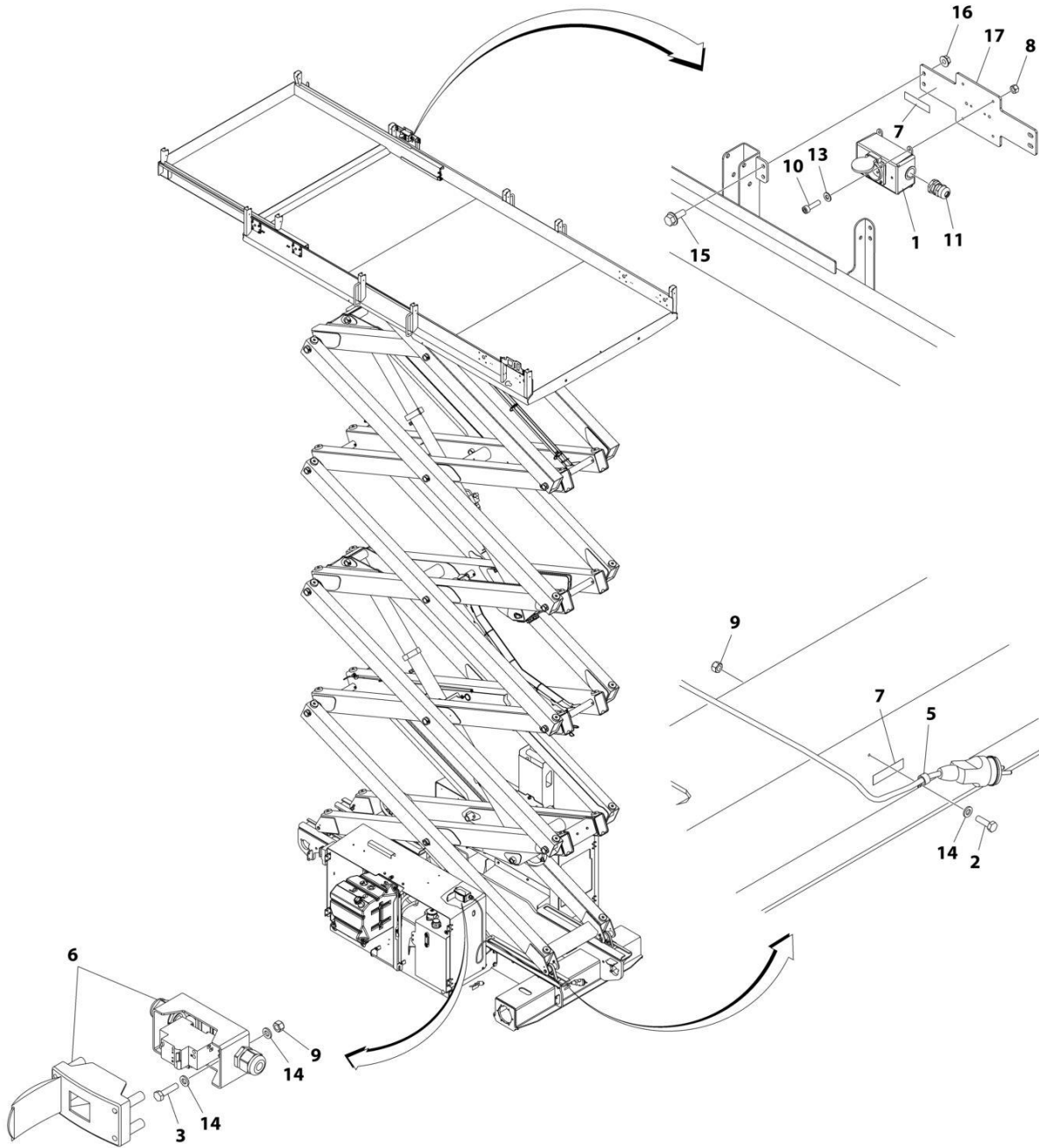
SECTION 8 - ELECTRICAL

FIGURE 8-5. AC BOX AT PLATFORM INSTALLATION - 220V AFSINT107 (CE SPEC)

| ITEM | PART NUMBER | QTY | DESCRIPTION | REV |
|------|-------------|-----|---|-----|
| | 1001207521 | Ref | AC BOX AT PLATFORM INSTALLATION - 220V AFSINT107 | B |
| 1 | 0275454 | 1 | Receptacle Box Kit (See Separate Breakdown in this Section) | |
| 2 | 0760610 | 1 | Bolt M6 x 20 | |
| 3 | 0760612 | 2 | Bolt M6 x 25 | |
| 5 | 1320224 | 1 | Clamp | |
| 6 | 1001096070 | 1 | Breaker Box Kit (See Separate Breakdown in this Section) | |
| 7 | 3252507 | 2 | Decal - 220 Volt | |
| 8 | 3290405 | 4 | Nut M4 | |
| 9 | 3290605 | 3 | Nut M6 | |
| 10 | 4031507 | 4 | Bolt M4 x 16 | |
| 11 | 4460968 | 1 | Connector, Strain Relief | |
| 13 | 4811400 | 4 | Washer M4 | |
| 14 | 4811700 | 5 | Washer M6 | |
| 15 | 0780608 | 4 | Bolt M6 x 16 | |
| 16 | 5260600 | 4 | Nut M6 | |
| 17 | 1001207520 | 1 | Bracket | |

SECTION 8 - ELECTRICAL

FIGURE 8-6. AC BOX AT PLATFORM INSTALLATION - 220V CEE7 POST GROUND WITH 2X4 BOX (CE SPEC)



ART_1001207514_C

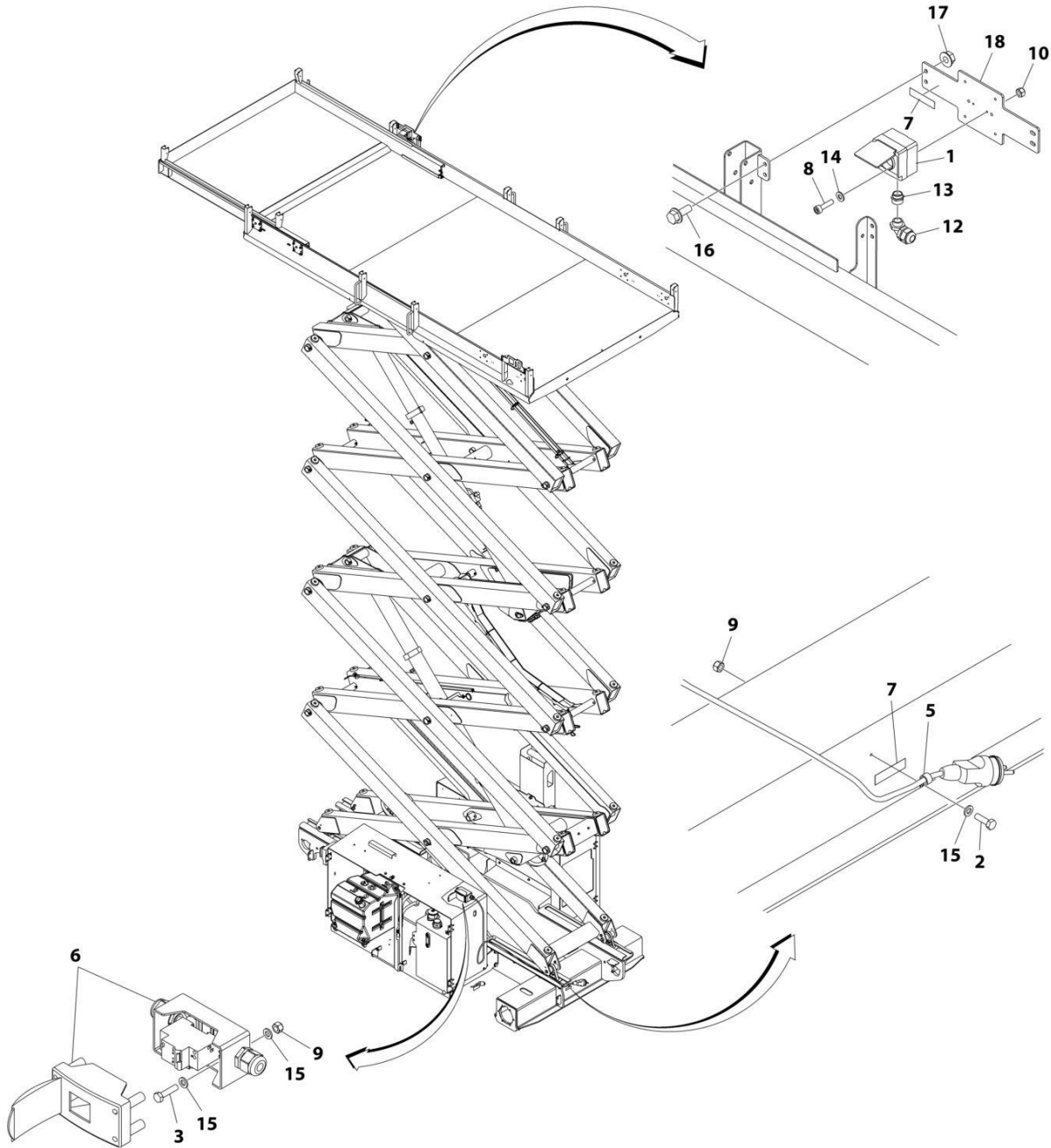
SECTION 8 - ELECTRICAL

**FIGURE 8-6. AC BOX AT PLATFORM INSTALLATION - 220V CEE7 POST GROUND WITH 2X4 BOX
(CE SPEC)**

| ITEM | PART NUMBER | QTY | DESCRIPTION | REV |
|------|-------------|-----|--|-----|
| | 1001207514 | Ref | AC BOX AT PLATFORM INSTALLATION - 220V CEE7 POST GROUND WITH 2X4 BOX | C |
| 1 | 0275452 | 1 | Receptacle Box Kit (See Separate Breakdown in this Section) | |
| 2 | 0760610 | 1 | Bolt M6 x 20 | |
| 3 | 0760612 | 2 | Bolt M6 x 25 | |
| 5 | 1320224 | 1 | Clamp | |
| 6 | 1001096070 | 1 | Breaker Box Kit (See Separate Breakdown in this Section) | |
| 7 | 3252507 | 2 | Decal - 220 Volt | |
| 8 | 3290405 | 4 | Nut M4 | |
| 9 | 3290605 | 3 | Nut M6 | |
| 10 | 4031507 | 4 | Bolt M4 x 16 | |
| 11 | 4460968 | 1 | Connector, Strain Relief | |
| 13 | 4811400 | 4 | Washer M4 | |
| 14 | 4811700 | 5 | Washer M6 | |
| 15 | 0780608 | 4 | Bolt M6 x 16 | |
| 16 | 5260600 | 4 | Nut M6 | |
| 17 | 1001207520 | 1 | Bracket | |

SECTION 8 - ELECTRICAL

FIGURE 8-7. AC BOX AT PLATFORM INSTALLATION - 220V CEE7 POST GROUND WITH 70X70 BOX
(CE SPEC)



ART_1001207518_C

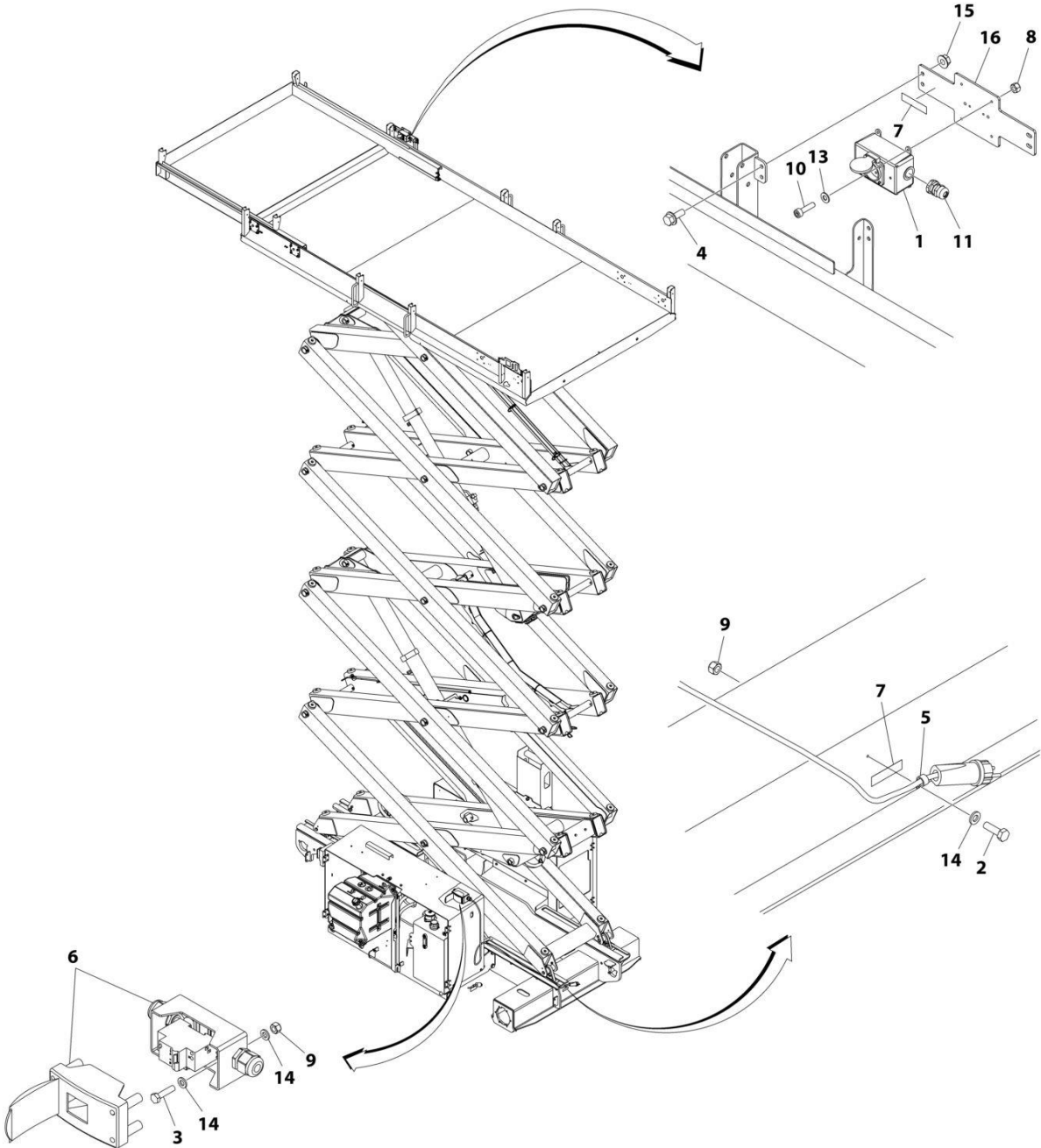
SECTION 8 - ELECTRICAL

**FIGURE 8-7. AC BOX AT PLATFORM INSTALLATION - 220V CEE7 POST GROUND WITH 70X70 BOX
(CE SPEC)**

| ITEM | PART NUMBER | QTY | DESCRIPTION | REV |
|------|-------------|-----|--|-----|
| | 1001207518 | Ref | AC BOX AT PLATFORM INSTALLATION - 220V CEE7 POST GROUND WITH 70X70 BOX | C |
| 1 | 0275218 | 1 | Receptacle Box Kit (See Separate Breakdown in this Section) | |
| 2 | 0760610 | 1 | Bolt M6 x 20 | |
| 3 | 0760612 | 2 | Bolt M6 x 25 | |
| 5 | 1320224 | 1 | Clamp | |
| 6 | 1001096070 | 1 | Breaker Box Kit (See Separate Breakdown in this Section) | |
| 7 | 3252507 | 2 | Decal - 220 Volt | |
| 8 | 3290405 | 2 | Nut M4 | |
| 9 | 3290605 | 3 | Nut M6 | |
| 10 | 4031507 | 2 | Bolt M4 x 16 | |
| 12 | 4461257 | 1 | Connector, Strain Relief | |
| 13 | 4461258 | 1 | Connector, Adapter | |
| 14 | 4811400 | 2 | Washer M4 | |
| 15 | 4811700 | 5 | Washer M6 | |
| 16 | 0780608 | 4 | Bolt M6 x 16 | |
| 17 | 5260600 | 4 | Nut M6 | |
| 18 | 1001207520 | 1 | Bracket | |

SECTION 8 - ELECTRICAL

FIGURE 8-8. AC BOX AT PLATFORM INSTALLATION - 220V CEE7 SIDE GROUND WITH 2X4 BOX (CE SPEC)



ART_1001207515_B

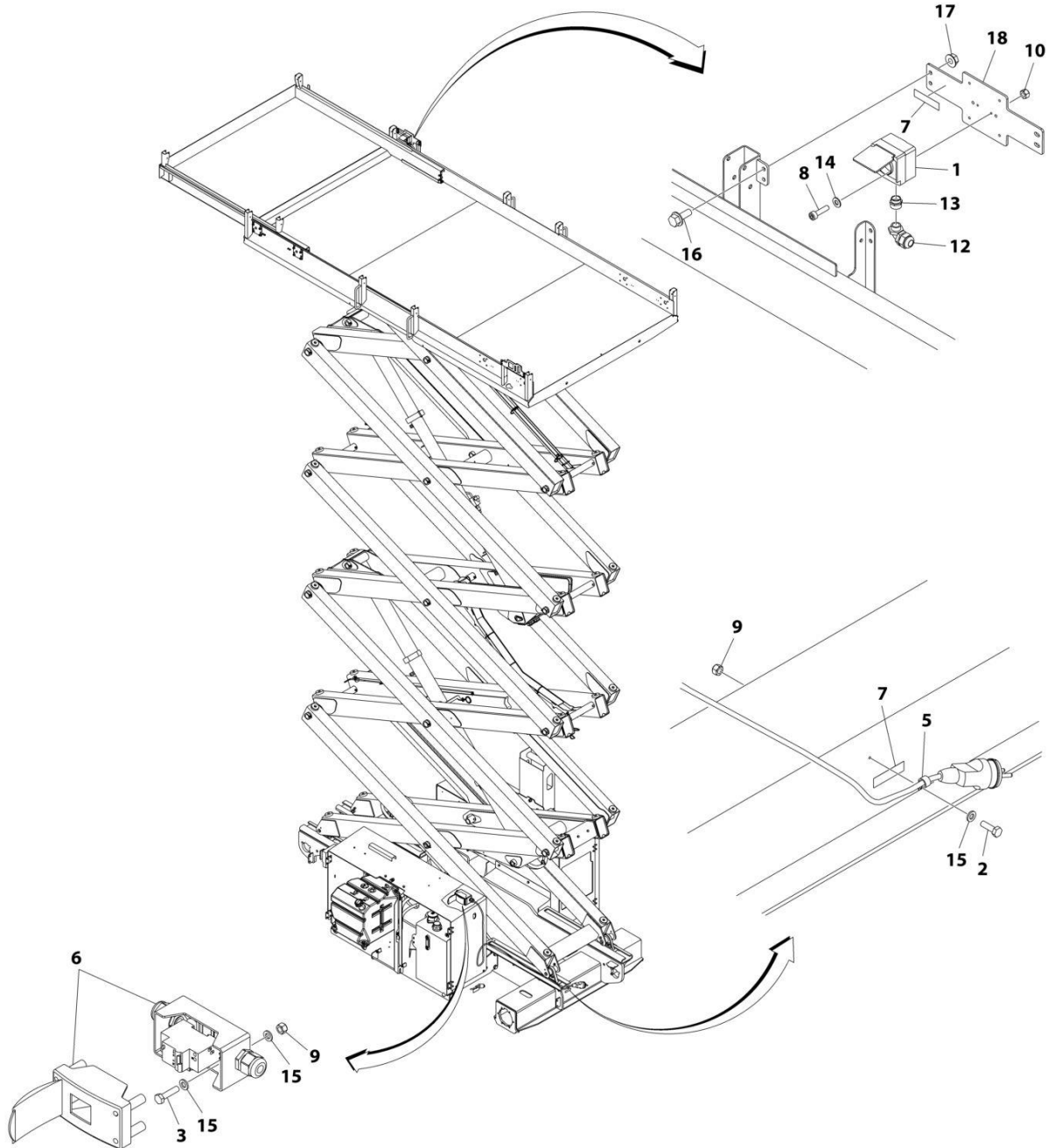
SECTION 8 - ELECTRICAL

**FIGURE 8-8. AC BOX AT PLATFORM INSTALLATION - 220V CEE7 SIDE GROUND WITH 2X4 BOX
(CE SPEC)**

| ITEM | PART NUMBER | QTY | DESCRIPTION | REV |
|------|-------------|-----|--|-----|
| | 1001207515 | Ref | AC BOX AT PLATFORM INSTALLATION - 220V CEE7 SIDE GROUND WITH 2X4 BOX | B |
| 1 | 0275453 | 1 | Receptacle Box Kit (See Separate Breakdown in this Section) | |
| 2 | 0760610 | 1 | Bolt M6 x 20 | |
| 3 | 0760612 | 2 | Bolt M6 x 25 | |
| 4 | 0780608 | 4 | Bolt M6 x 16 | |
| 5 | 1320224 | 1 | Clamp | |
| 6 | 1001096070 | 1 | Breaker Box Kit (See Separate Breakdown in this Section) | |
| 7 | 3252507 | 2 | Decal - 220 Volt | |
| 8 | 3290405 | 4 | Nut M4 | |
| 9 | 3290605 | 3 | Nut M6 | |
| 10 | 4031507 | 4 | Bolt M4 x 16 | |
| 11 | 4460968 | 1 | Connector, Strain Relief | |
| 13 | 4811400 | 4 | Washer M4 | |
| 14 | 4811700 | 5 | Washer M6 | |
| 15 | 5260600 | 4 | Nut M6 | |
| 16 | 1001207520 | 1 | Bracket | |

SECTION 8 - ELECTRICAL

FIGURE 8-9. AC BOX AT PLATFORM INSTALLATION - 220V CEE7 SIDE GROUND WITH 70X70 BOX (CE SPEC)



ART_1001207519_B

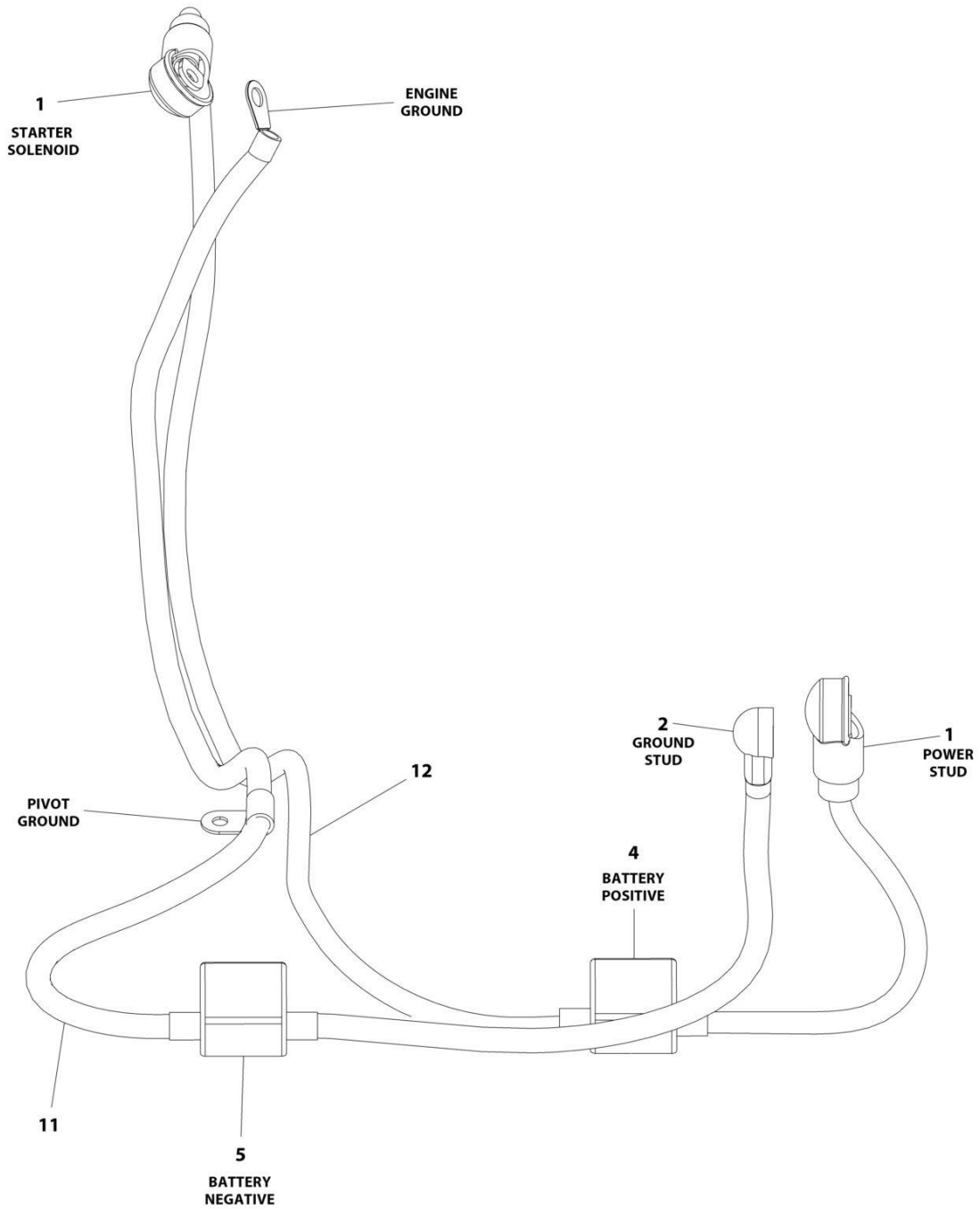
SECTION 8 - ELECTRICAL

**FIGURE 8-9. AC BOX AT PLATFORM INSTALLATION - 220V CEE7 SIDE GROUND WITH 70X70 BOX
(CE SPEC)**

| ITEM | PART NUMBER | QTY | DESCRIPTION | REV |
|------|-------------|-----|--|-----|
| | 1001207519 | Ref | AC BOX AT PLATFORM INSTALLATION - 220V CEE7 SIDE GROUND WITH 70X70 BOX | B |
| 1 | 0275219 | 1 | Receptacle Box Kit (See Separate Breakdown in this Section) | |
| 2 | 0760610 | 1 | Bolt M6 x 20 | |
| 3 | 0760612 | 2 | Bolt M6 x 25 | |
| 5 | 1320224 | 1 | Clamp | |
| 6 | 1001096070 | 1 | Breaker Box Kit (See Separate Breakdown in this Section) | |
| 7 | 3252507 | 2 | Decal - 220 Volt | |
| 8 | 3290405 | 2 | Nut M4 | |
| 9 | 3290605 | 3 | Nut M6 | |
| 10 | 4031507 | 2 | Bolt M4 x 16 | |
| 12 | 4461257 | 1 | Connector, Strain Relief | |
| 13 | 4461258 | 1 | Connector, Adapter | |
| 14 | 4811400 | 2 | Washer M4 | |
| 15 | 4811700 | 5 | Washer M6 | |
| 16 | 0780608 | 4 | Bolt M6 x 16 | |
| 17 | 5260600 | 4 | Nut M6 | |
| 18 | 1001207520 | 1 | Bracket | |

SECTION 8 - ELECTRICAL

FIGURE 8-10. BATTERY CABLE KIT - DIESEL ENGINES



ART_1001186428

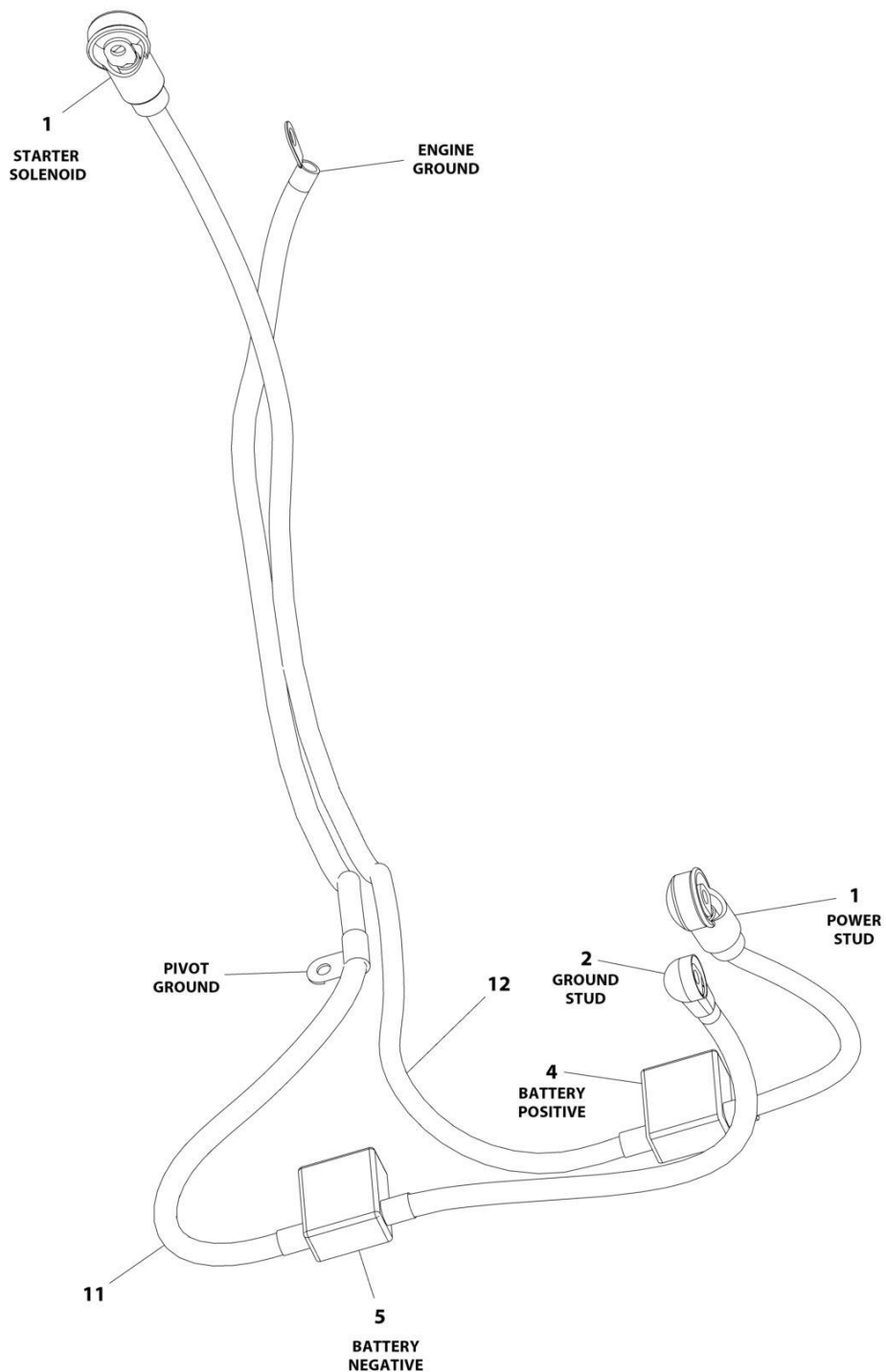
SECTION 8 - ELECTRICAL

FIGURE 8-10. BATTERY CABLE KIT - DIESEL ENGINES

| ITEM | PART NUMBER | QTY | DESCRIPTION | REV |
|------|-------------|-----|------------------------------------|-----|
| | 1001186428 | Ref | BATTERY CABLE KIT - DIESEL ENGINES | E |
| 1 | 0840052 | 2 | Boot | |
| 2 | 1001098765 | 1 | Boot | |
| 4 | 1001186483 | 1 | Boot | |
| 5 | 1001186484 | 1 | Boot | |
| 11 | 70009008 | 1 | Cable, Negative | |
| 12 | 70009009 | 1 | Cable, Positive | |

SECTION 8 - ELECTRICAL

FIGURE 8-11. BATTERY CABLE KIT - GASOLINE ENGINES



ART_1001186429

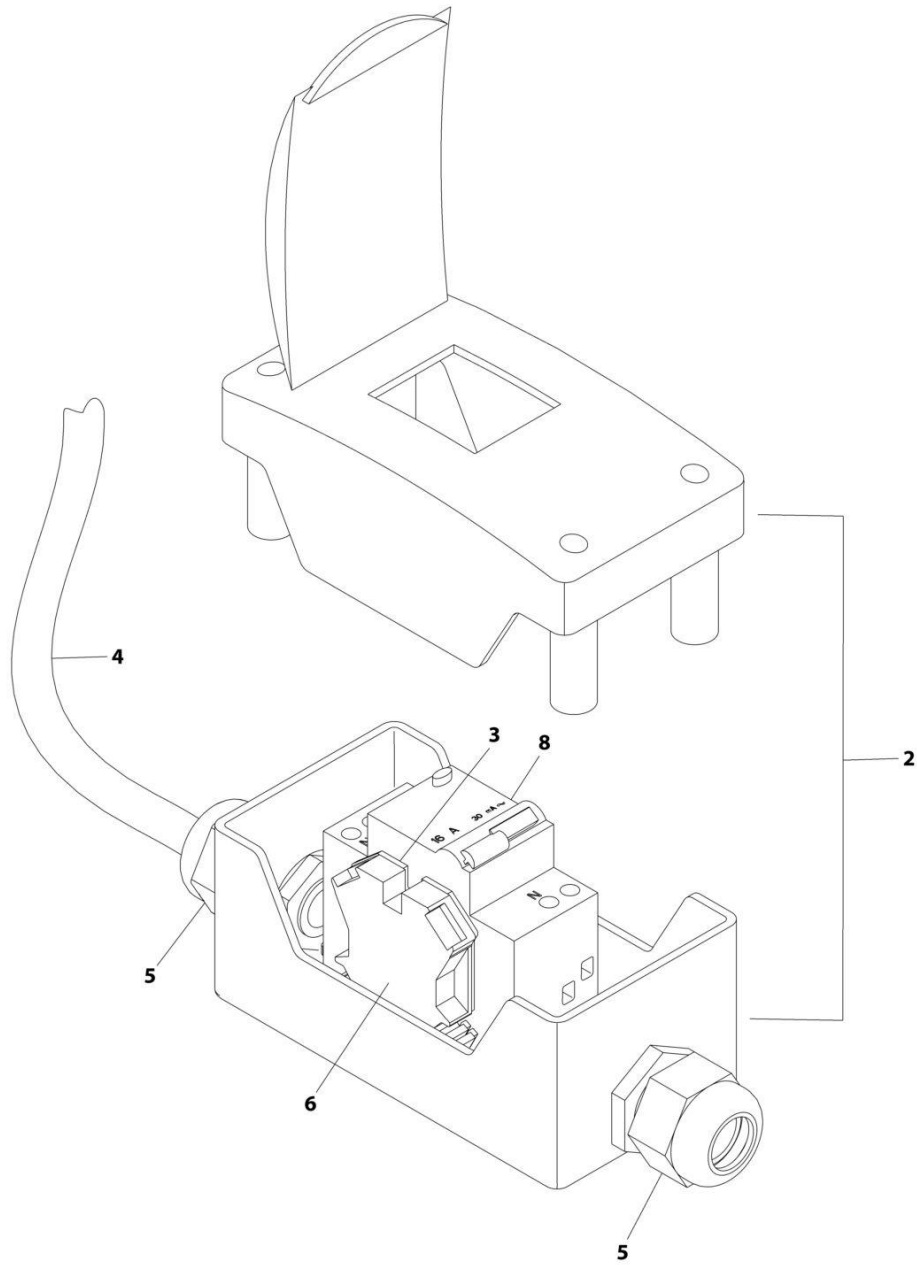
SECTION 8 - ELECTRICAL

FIGURE 8-11. BATTERY CABLE KIT - GASOLINE ENGINES

| ITEM | PART NUMBER | QTY | DESCRIPTION | REV |
|------|-------------|-----|--------------------------------------|-----|
| | 1001186429 | Ref | BATTERY CABLE KIT - GASOLINE ENGINES | C |
| 1 | 0840052 | 2 | Boot | |
| 2 | 1001098765 | 1 | Boot | |
| 4 | 1001186483 | 1 | Boot | |
| 5 | 1001186484 | 1 | Boot | |
| 11 | 70009010 | 1 | Cable, Negative | |
| 12 | 70009011 | 1 | Cable, Positive | |

SECTION 8 - ELECTRICAL

FIGURE 8-12. BREAKER BOX KIT - SINGLE DOUBLE POLE BREAKER



ART_1001096070_E

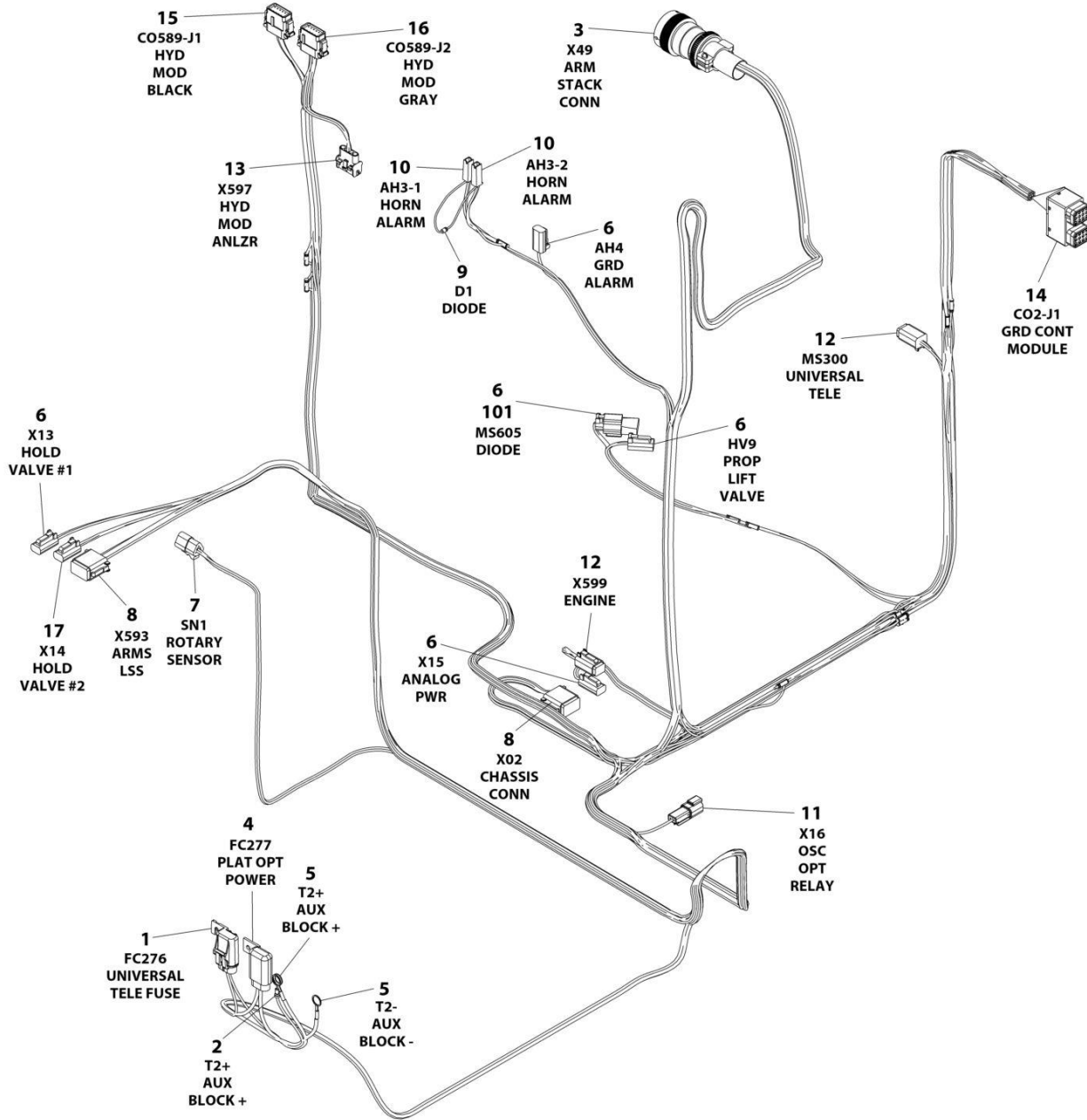
SECTION 8 - ELECTRICAL

FIGURE 8-12. BREAKER BOX KIT - SINGLE DOUBLE POLE BREAKER

| ITEM | PART NUMBER | QTY | DESCRIPTION | REV |
|------|-------------|----------------|-----------------------------|-----|
| | 1001096070 | Ref | BREAKER BOX KIT | E |
| 2 | 0861880 | 1 | Box | |
| 3 | 4460956 | 1 | Barrier, Terminal Block End | |
| 4 | 1060908 | 12 ft/ 3.6m | Cable, 12/3 | |
| 5 | 1001097150 | 2 | Connector, Strain Relief | |
| 6 | 4460957 | 1 | Block, Terminal | |
| 8 | 1001181045 | 1 | Breaker, 16Amp | |

SECTION 8 - ELECTRICAL

FIGURE 8-13. CHASSIS HARNESS



ART_1001236270_C

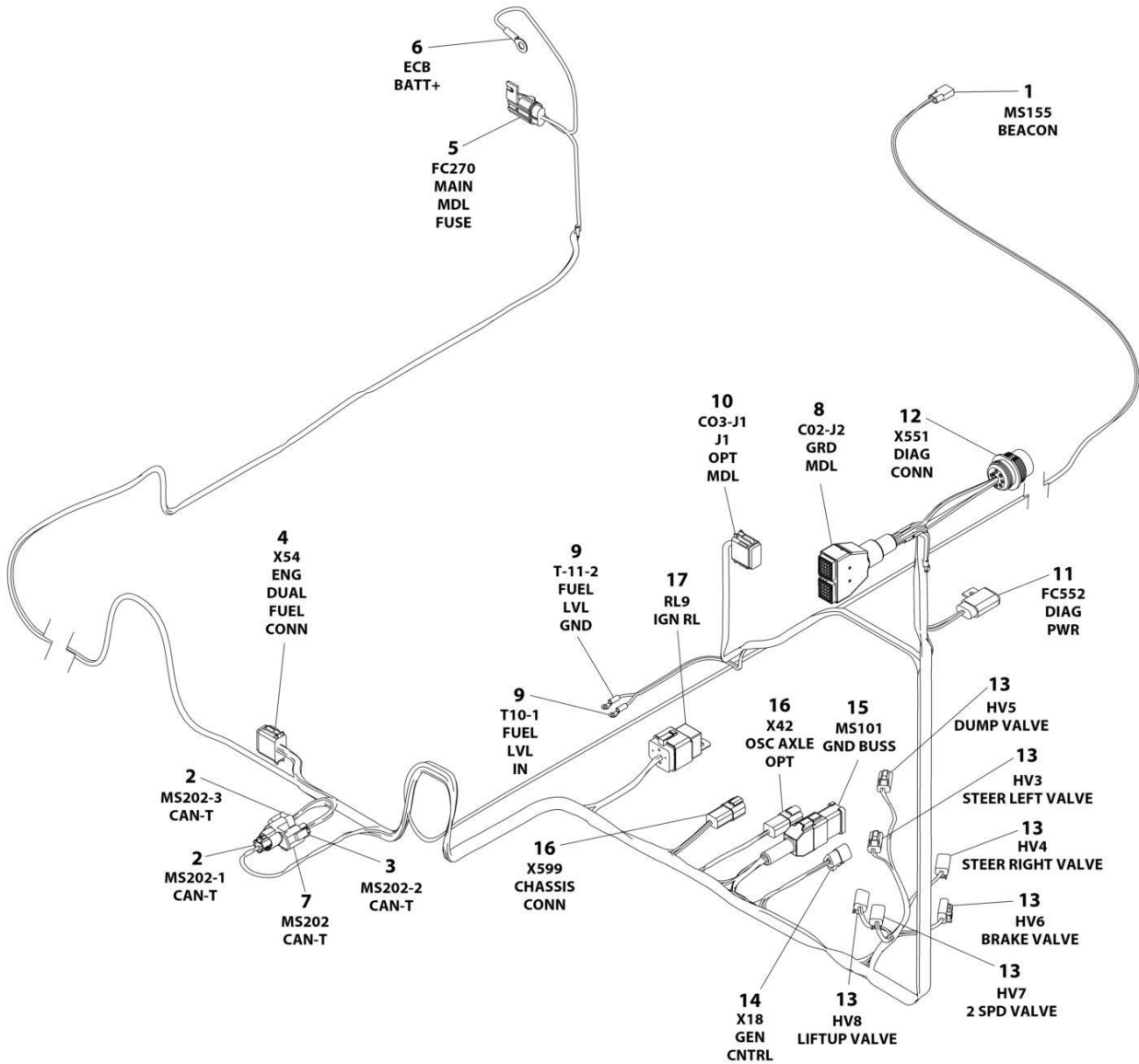
SECTION 8 - ELECTRICAL

FIGURE 8-13. CHASSIS HARNESS

| ITEM | PART NUMBER | QTY | DESCRIPTION | REV |
|------|-------------|-----|--|-----|
| | 1001236270 | Ref | CHASSIS HARNESS | C |
| 1 | 1001117078 | 1 | Fuseholder with 5 Amp Fuse | |
| 1 | See Note | NSS | Fuse - 5 Amp (Note: Purchase Locally) | |
| 1 | 1001116733 | 2 | Terminal | |
| 2 | 4460670 | 1 | Terminal, Ring | |
| 3 | 1001116926 | 1 | Connector - 24 Position | |
| 3 | 4460465 | 4 | Socket, Female | |
| 3 | 4460509 | 4 | Socket, Female | |
| 3 | 4460944 | 3 | Socket, Female | |
| 3 | 4460466 | 10 | Plug, Terminal | |
| 4 | 1001117023 | 1 | Fuseholder with 10 Amp Fuse | |
| 4 | See Note | NSS | Fuse - 10 Amp (Note: Purchase Locally) | |
| 4 | 1001116752 | 2 | Terminal | |
| 5 | 4460019 | 2 | Terminal, Ring | |
| 6 | 4460891 | 5 | Plug, Male - 2 Position | |
| 6 | 4460465 | 10 | Socket, Female | |
| 7 | 4460539 | 1 | Plug, Male - 3 Position | |
| 7 | 4460465 | 3 | Socket, Female | |
| 8 | 4460930 | 2 | Connector - 8 Position | |
| 8 | 4460465 | 13 | Socket, Female | |
| 8 | 4460466 | 3 | Plug, Terminal | |
| 9 | 3990010 | 1 | Diode | |
| 10 | 4460260 | 2 | Cover, Terminal | |
| 10 | 4460259 | 4 | Terminal | |
| 11 | 4460897 | 1 | Receptacle, Female - 2 Position | |
| 11 | 4460464 | 1 | Pin, Male | |
| 11 | 4460466 | 1 | Plug, Terminal | |
| 12 | 4460884 | 2 | Plug, Male - 4 Position | |
| 12 | 4460465 | 8 | Socket, Female | |
| 12 | 1001192401 | 1 | Cover, Dust | |
| 13 | 4460761 | 1 | Receptacle, Female - 4 Position | |
| 13 | 4460267 | 1 | Pin, Male | |
| 14 | 4460812 | 1 | Connector - 24 Position | |
| 14 | 4460465 | 14 | Socket, Female | |
| 14 | 4460942 | 2 | Socket, Female | |
| 14 | 4460944 | 3 | Socket, Female | |
| 14 | 4460466 | 5 | Plug, Terminal | |
| 14 | 0840056 | 1 | Boot | |
| 15 | 1001116808 | 1 | Connector - 12 Position | |
| 15 | 4460928 | 6 | Terminal | |
| 15 | 4460518 | 6 | Plug, Terminal | |
| 16 | 1001116774 | 1 | Connector - 12 Position | |
| 16 | 4460928 | 9 | Terminal | |
| 16 | 4460518 | 3 | Plug, Terminal | |
| 17 | 4460897 | 1 | Plug, Male - 2 Position | |
| 17 | 4460464 | 2 | Socket, Female | |
| 101 | 1001116816 | 1 | Connector, Diode | |

SECTION 8 - ELECTRICAL

FIGURE 8-14. DUAL FUEL HARNESS



ART_1001236380

SECTION 8 - ELECTRICAL

FIGURE 8-14. DUAL FUEL HARNESS

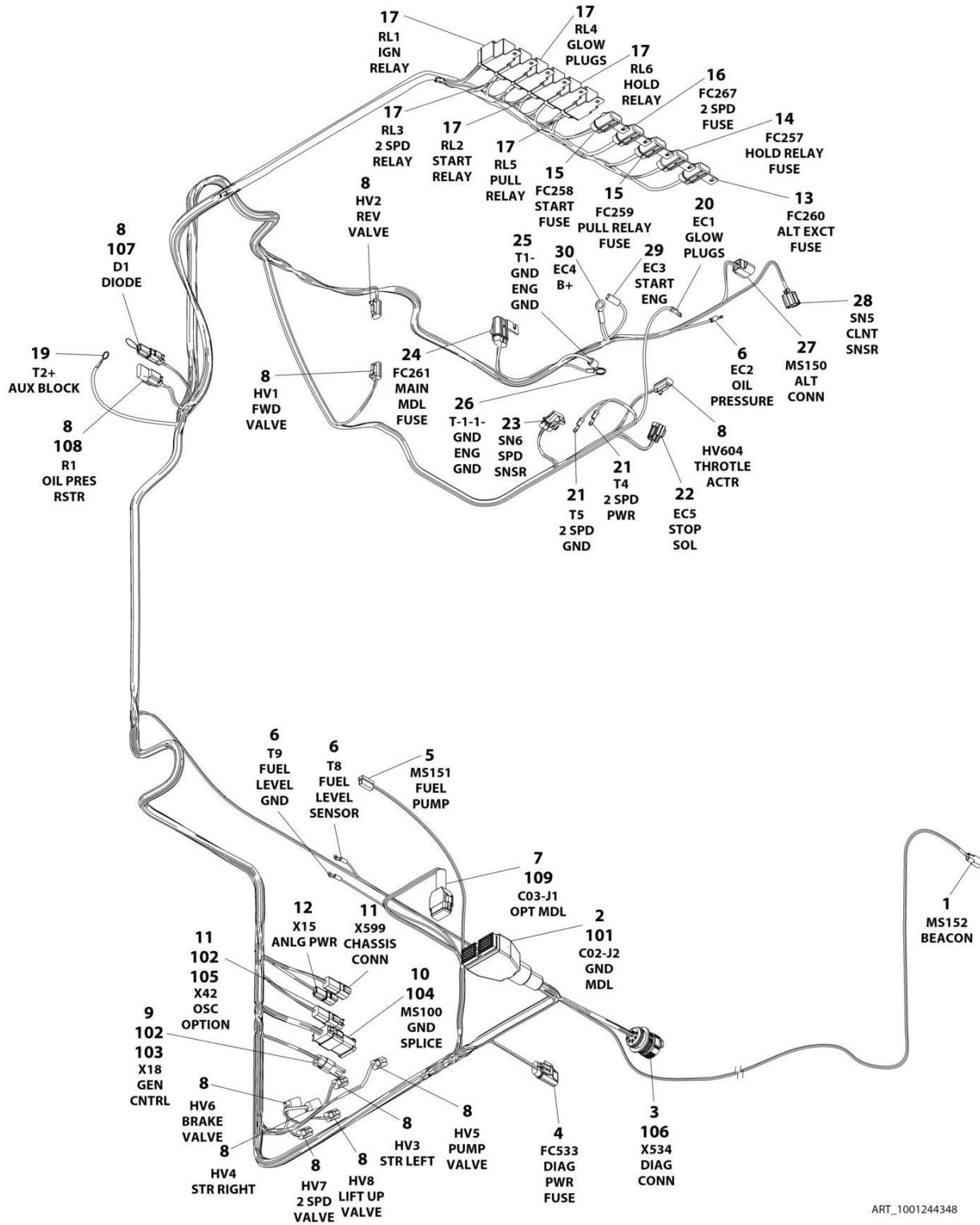
| ITEM | PART NUMBER | QTY | DESCRIPTION | REV |
|------|-------------|-----|--|-----|
| | 1001236380 | Ref | DUAL FUEL HARNESS | A |
| 1 | 4460424 | 1 | Plug, Male - 2 Position | |
| 1 | 4460268 | 2 | Socket, Female | |
| 2 | 1001116812 | 2 | Plug, Male - 3 Position | |
| 2 | 4460944 | 6 | Socket, Female | |
| 3 | 4460539 | 1 | Plug, Male - 3 Position | |
| 3 | 4460944 | 3 | Socket, Female | |
| 4 | 4460933 | 1 | Connector - 12 Position | |
| 4 | 4460465 | 8 | Socket, Female | |
| 4 | 4460944 | 3 | Socket, Female | |
| 4 | 4460942 | 1 | Socket, Female | |
| 5 | 1001117069 | 1 | Fuseholder with 20 Amp Fuse | |
| 5 | See Note | 1 | Fuse - 20 Amp (Note: Purchase Locally) | |
| 5 | 1001116752 | 2 | Terminal | |
| 6 | 8220045 | 1 | Terminal, Ring | |
| 7 | 4460945 | 1 | Receptacle - 3 Way | |
| 8 | 4460814 | 1 | Connector - 40 Position | |
| 8 | 4460466 | 15 | Plug, Terminal | |
| 8 | 4460944 | 3 | Socket, Female | |
| 8 | 4460465 | 22 | Socket, Female | |
| 8 | 0840057 | 1 | Boot | |
| 9 | 8220007 | 2 | Terminal, Ring | |
| 10 | 4460933 | 1 | Plug, Male - 12 Position | |
| 10 | 4460465 | 2 | Socket, Female | |
| 10 | 4460944 | 3 | Socket, Female | |
| 10 | 4460466 | 7 | Plug, Terminal | |
| 10 | 1001174455 | 1 | Boot | |
| 11 | 1001117023 | 1 | Fuseholder with 10 Amp Fuse | |
| 11 | See Note | 1 | Fuse - 10 Amp (Note: Purchase Locally) | |
| 11 | 1001116733 | 2 | Terminal | |
| 12 | 1001112612 | 1 | Connector - 9 Position | |
| 12 | 4460464 | 3 | Pin, Male | |
| 12 | 4460943 | 3 | Pin, Male | |
| 12 | 4460466 | 3 | Plug, Terminal | |
| 13 | 4460891 | 6 | Plug, Male | |
| 13 | 4460465 | 12 | Socket, Female | |
| 14 | 4460539 | 1 | Plug, Male - 3 Position | |
| 14 | 4460465 | 3 | Socket, Female | |
| 14 | 4460536 | 1 | Receptacle, Female - 3 Position | |
| 14 | 4460466 | 3 | Plug, Terminal | |
| 15 | 4460836 | 1 | Plug, Male - 12 Position | |
| 15 | 4460465 | 10 | Socket, Female | |
| 15 | 4460466 | 2 | Plug, Terminal | |
| 15 | 4460837 | 1 | Receptacle, Female - 12 Position | |
| 16 | 4460932 | 2 | Receptacle, Female - 4 Position | |
| 16 | 4460464 | 7 | Socket, Female | |
| 16 | 4460466 | 1 | Plug, Terminal | |
| 16 | 4460884 | 1 | Plug, Male - 4 Position | |
| 16 | 4460466 | 4 | Plug, Terminal | |
| 17 | 1001117025 | 1 | Relay and Receptacle | |

SECTION 8 - ELECTRICAL

| ITEM | PART NUMBER | QTY | DESCRIPTION | REV |
|------|-------------|-----|-------------|-----|
| 17 | 3740080 | 1 | Relay | |
| 17 | 1001116732 | 2 | Terminal | |
| 17 | 1001116734 | 2 | Terminal | |

SECTION 8 - ELECTRICAL

FIGURE 8-15. ENGINE HARNESS - KUBOTA DIESEL



SECTION 8 - ELECTRICAL

FIGURE 8-15. ENGINE HARNESS - KUBOTA DIESEL

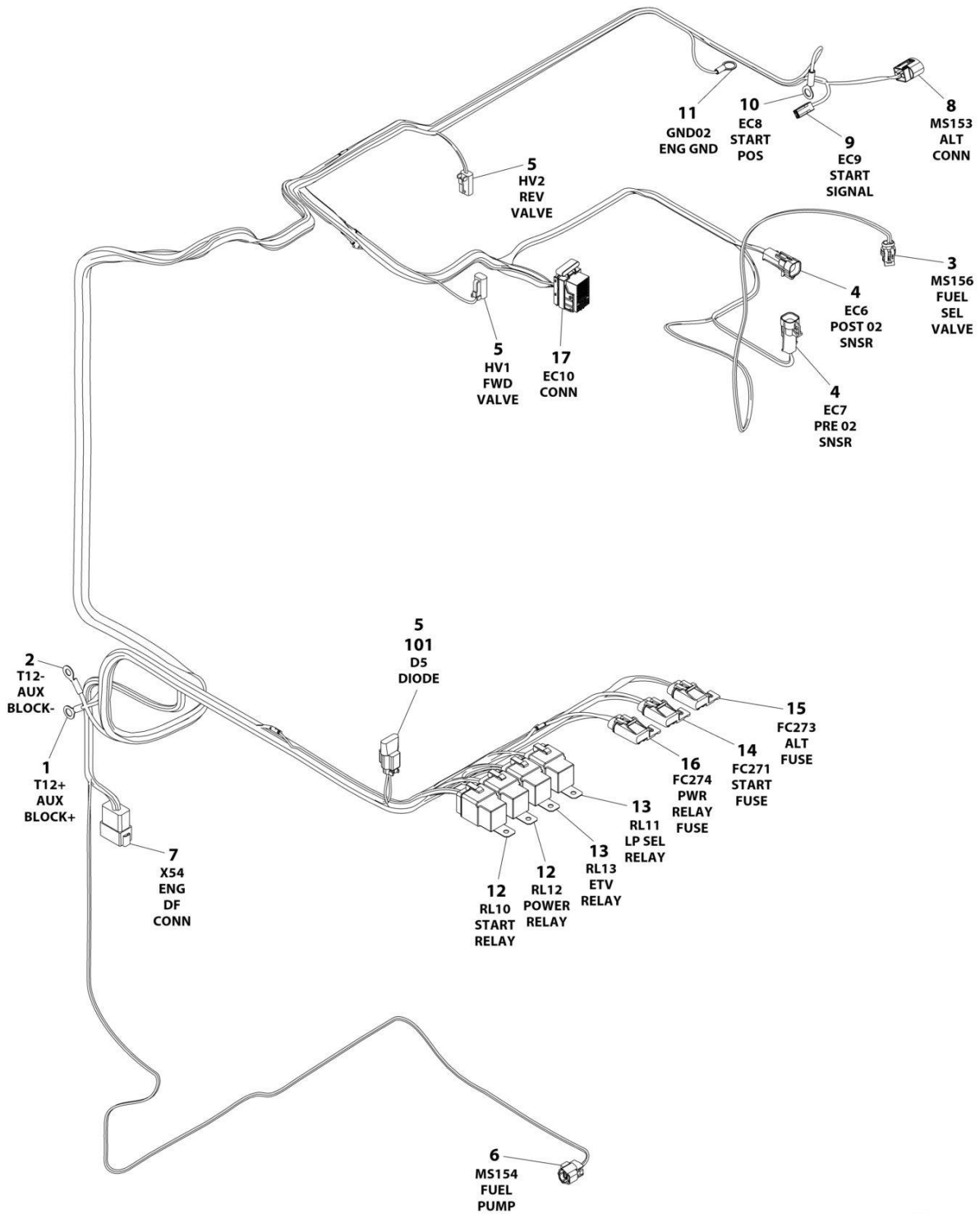
| ITEM | PART NUMBER | QTY | DESCRIPTION | REV |
|------|-------------|-----|--|-----|
| | 1001244348 | Ref | ENGINE HARNESS - KUBOTA DIESEL | D |
| 1 | 4460424 | 1 | Plug, Male - 2 Position | |
| 1 | 4460268 | 2 | Socket, Female | |
| 2 | 4460814 | 1 | Connector - 40 Position | |
| 2 | 4460465 | 28 | Socket, Female | |
| 2 | 4460942 | 1 | Socket, Female | |
| 2 | 4460944 | 3 | Socket, Female | |
| 2 | 4460466 | 8 | Plug, Terminal | |
| 3 | 1001112612 | 1 | Connector - 9 Position | |
| 3 | 4460464 | 3 | Pin, Male | |
| 3 | 4460943 | 3 | Pin, Male | |
| 3 | 4460466 | 3 | Plug, Terminal | |
| 4 | 1001117078 | 1 | Fuseholder with 5 Amp Fuse | |
| 4 | See Note | 1 | Fuse - 5 Amp (Note: Purchase Locally) | |
| 4 | 1001116733 | 2 | Terminal | |
| 5 | 1001118744 | 1 | Connector - 2 Position | |
| 5 | 1001118745 | 2 | Terminal | |
| 6 | 4460247 | 2 | Terminal, Ring | |
| 7 | 4460933 | 1 | Plug, Male - 12 Position | |
| 7 | 4460465 | 2 | Socket, Female | |
| 7 | 4460944 | 3 | Socket, Female | |
| 7 | 4460466 | 7 | Plug Terminal | |
| 8 | 4460891 | 11 | Plug, Male - 2 Position | |
| 8 | 4460465 | 22 | Socket, Female | |
| 9 | 4460539 | 1 | Plug, Male - 3 Position | |
| 9 | 4460465 | 3 | Socket, Female | |
| 10 | 4460836 | 1 | Plug, Male - 12 Position | |
| 10 | 4460465 | 12 | Socket, Female | |
| 11 | 4460932 | 2 | Receptacle, Female - 4 Position | |
| 11 | 4460464 | 7 | Pin, Male | |
| 11 | 4460466 | 1 | Plug, Terminal | |
| 12 | 4460897 | 1 | Receptacle, Female - 2 Position | |
| 12 | 4460464 | 2 | Pin, Male | |
| 13 | 1001117069 | 1 | Fuseholder with 20 Amp Fuse and Mounting Bracket | |
| 13 | See Note | 1 | Fuse - 20 Amp (Note: Purchase Locally) | |
| 13 | 1001116733 | 2 | Terminal | |
| 14 | 1001117077 | 1 | Fuseholder with 4 Amp Fuse and Mounting Bracket | |
| 14 | See Note | 1 | Fuse - 4 Amp (Note: Purchase Locally) | |
| 14 | 1001116733 | 1 | Terminal | |
| 14 | 1001116752 | 1 | Terminal | |
| 15 | 1001118938 | 2 | Fuseholder with 40 Amp Fuse and Mounting Bracket | |
| 15 | See Note | 2 | Fuse - 40 Amp (Note: Purchase Locally) | |
| 15 | 1001116752 | 4 | Terminal | |
| 16 | 1001117070 | 1 | Fuseholder with 30 Amp Fuse and Mounting Bracket | |
| 16 | See Note | 1 | Fuse - 30 Amp (Note: Purchase Locally) | |
| 16 | 1001116752 | 2 | Terminal | |
| 17 | 1001266832 | 6 | Relay with Connector | |
| 17 | 3740080 | 6 | Relay | |
| 17 | 1001116734 | 11 | Terminal | |
| 17 | 1001116732 | 12 | Terminal | |

SECTION 8 - ELECTRICAL

| ITEM | PART NUMBER | QTY | DESCRIPTION | REV |
|------|-------------|-----|---|-----|
| 17 | 1001116733 | 1 | Terminal | |
| 17 | 1001128128 | 1 | Plug, Terminal | |
| 19 | 4460019 | 2 | Terminal, Ring | |
| 20 | 4460142 | 1 | Terminal, Ring | |
| 21 | 4460042 | 2 | Terminal, Ring | |
| 22 | 1001223432 | 1 | Connector - 2 Position | |
| 22 | 1001223795 | 2 | Terminal | |
| 22 | 1001223796 | 2 | Seal, Terminal | |
| 23 | 1001117055 | 1 | Plug, Male - 3 Position | |
| 23 | 4460746 | 2 | Terminal | |
| 24 | 1001117069 | 1 | Fuseholder with 10 Amp Fuse and Mounting Bracket | |
| 24 | See Note | 1 | Fuse - 10 Amp (Note: Purchase Locally) | |
| 24 | 1001116752 | 2 | Terminal | |
| 25 | 8220029 | 1 | Terminal | |
| 26 | 8220111 | 1 | Terminal, Ring | |
| 27 | 1001125748 | 1 | Connector - 3 Position | |
| 27 | 1001125773 | 2 | Terminal | |
| 27 | 1001129773 | 1 | Terminal | |
| 27 | | Ref | Seal, Terminal | |
| 28 | 1001118657 | 1 | Connector - 2 Position | |
| 28 | 1001118658 | 2 | Terminal | |
| 29 | 1001118743 | 1 | Housing, Terminal | |
| 29 | 1001230488 | 1 | Terminal | |
| 30 | 8220164 | 1 | Terminal, Ring | |
| 101 | 0840057 | 1 | Boot | |
| 102 | 4460466 | 7 | Plug, Terminal | |
| 103 | 4460536 | 1 | Receptacle, Female - 3 Position | |
| 104 | 4460837 | 1 | Connector, Bussbar | |
| 105 | 4460884 | 1 | Plug, Male | |
| 106 | 1001106736 | 1 | Dust Cap | |
| 107 | 1001116816 | 3 | Receptacle, Female - 2 Position with Diode (at D1, D2 & D3) | |
| 108 | 1001195684 | 1 | Receptacle, Female - 2 Position with Resistor (at R1) | |
| 109 | 1001174455 | 1 | Boot | |

SECTION 8 - ELECTRICAL

FIGURE 8-16. ENGINE HARNESS - KUBOTA GASOLINE



ART_1001244349

SECTION 8 - ELECTRICAL

FIGURE 8-16. ENGINE HARNESS - KUBOTA GASOLINE

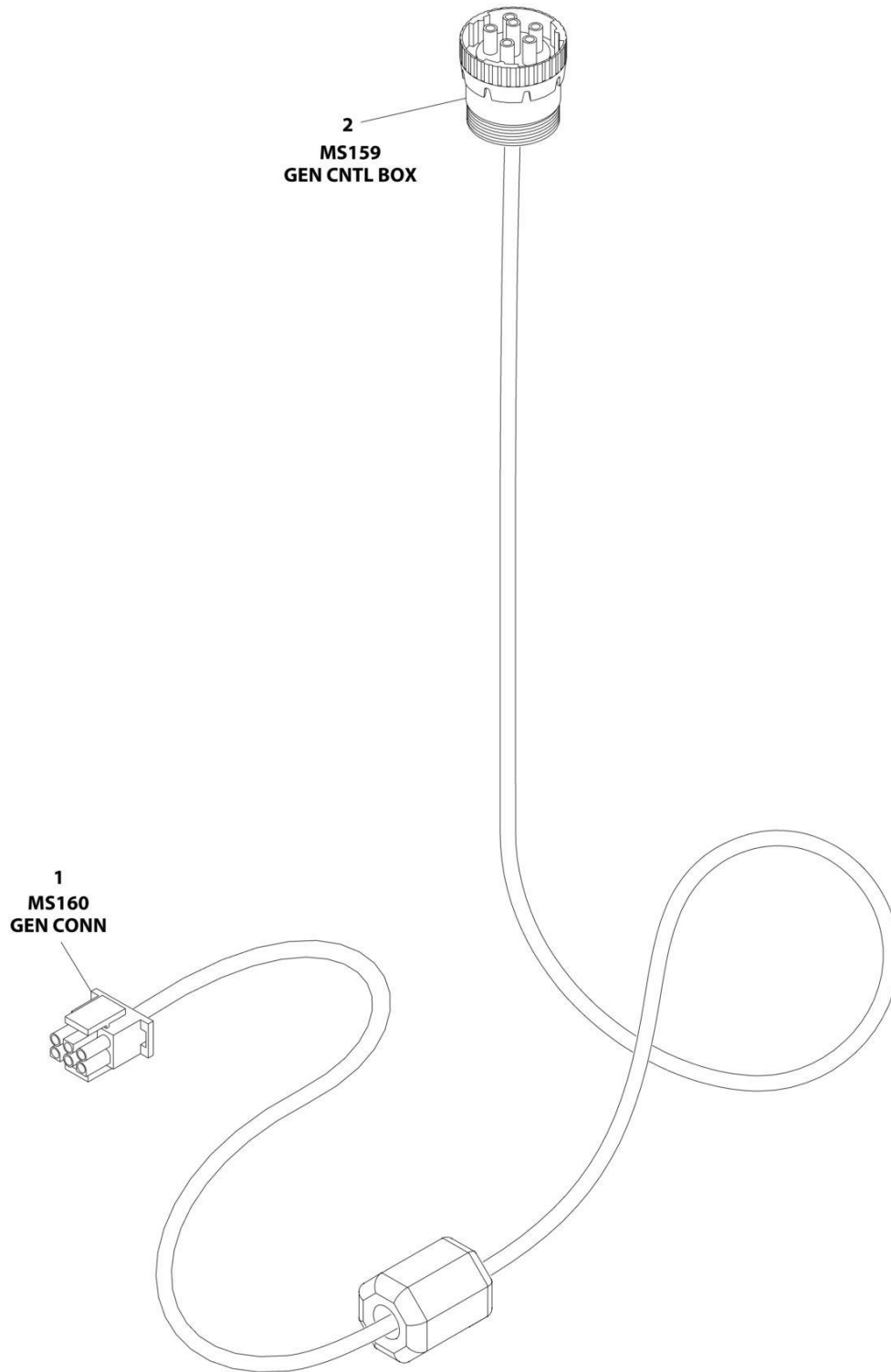
| ITEM | PART NUMBER | QTY | DESCRIPTION | REV |
|------|-------------|-----|--|-----|
| | 1001244349 | Ref | ENGINE HARNESS - KUBOTA GASOLINE | E |
| 1 | 8220164 | 1 | Terminal, Ring | |
| 2 | 8220045 | 1 | Terminal, Ring | |
| 3 | 4461118 | 1 | Plug, Male - 2 Position | |
| 3 | 1001107854 | 2 | Terminal | |
| 3 | 1001116763 | 2 | Seal | |
| 4 | 1001184722 | 2 | Receptacle, Female - 4 Position | |
| 4 | 1001116749 | 8 | Terminal | |
| 4 | 4460608 | 8 | Seal | |
| 5 | 4460891 | 3 | Plug, Male - 2 Position | |
| 5 | 4460465 | 6 | Socket, Female | |
| 6 | 1001184832 | 1 | Connector - 2 Position | |
| 6 | 1001118658 | 2 | Terminal | |
| 6 | 1001205250 | 2 | Seal | |
| 7 | 4460970 | 1 | Connector - 12 Position | |
| 7 | 4460464 | 8 | Pin, Male | |
| 7 | 4460943 | 3 | Pin, Male | |
| 7 | 4460941 | 1 | Pin, Male | |
| 8 | 1001125748 | 1 | Connector - 3 Position | |
| 8 | 1001125773 | 3 | Terminal | |
| 8 | 1001129772 | 2 | Seal | |
| 9 | 1001184768 | 1 | Housing, Terminal | |
| 9 | 1001184769 | 1 | Terminal | |
| 10 | 1001117110 | 1 | Terminal, Ring | |
| 11 | 8220111 | 1 | Terminal, Ring | |
| 12 | 1001265084 | 2 | Relay with Connector | |
| 12 | 3740080 | 2 | Relay | |
| 12 | 1001116752 | 4 | Terminal | |
| 12 | 1001116732 | 4 | Terminal | |
| 13 | 1001117025 | 2 | Relay with Connector | |
| 13 | 3740080 | 2 | Relay | |
| 13 | 1001116733 | 4 | Terminal | |
| 13 | 1001116732 | 4 | Terminal | |
| 14 | 1001118938 | 1 | Fuseholder with 40 Amp Fuse and Mounting Bracket | |
| 14 | See Note | 1 | Fuse - 40 Amp (Note: Purchase Locally) | |
| 14 | 1001116752 | 2 | Terminal | |
| 15 | 1001117078 | 1 | Fuseholder with 5 Amp Fuse and Mounting Bracket | |
| 15 | See Note | 1 | Fuse - 5 Amp (Note: Purchase Locally) | |
| 15 | 1001116732 | AR | Terminal | |
| 16 | 1001117070 | 1 | Fuseholder with 30 Amp Fuse and Mounting Bracket | |
| 16 | See Note | 1 | Fuse - 30 Amp (Note: Purchase Locally) | |
| 16 | 1001116752 | 2 | Terminal | |
| 17 | 1001184705 | 1 | Connector - 42 Position | |
| 17 | 1001187455 | 4 | Terminal | |
| 17 | 1001184718 | 4 | Terminal | |
| 17 | 1001166702 | 1 | Terminal | |
| 17 | 1001184716 | 10 | Terminal | |
| 17 | 1001184717 | 2 | Terminal | |
| 17 | 4461054 | 4 | Seal | |
| 17 | 1001167690 | 5 | Seal | |

SECTION 8 - ELECTRICAL

| ITEM | PART NUMBER | QTY | DESCRIPTION | REV |
|------|-------------|-----|-------------------------------|-----|
| 17 | 1001126393 | 12 | Seal | |
| 101 | 1001118616 | 1 | Receptacle, Female with Diode | |

SECTION 8 - ELECTRICAL

FIGURE 8-17. GENERATOR CONTROL HARNESS - 4000W GENERATOR (GENERATOR TO CONTROL BOX)



ART_1001236444

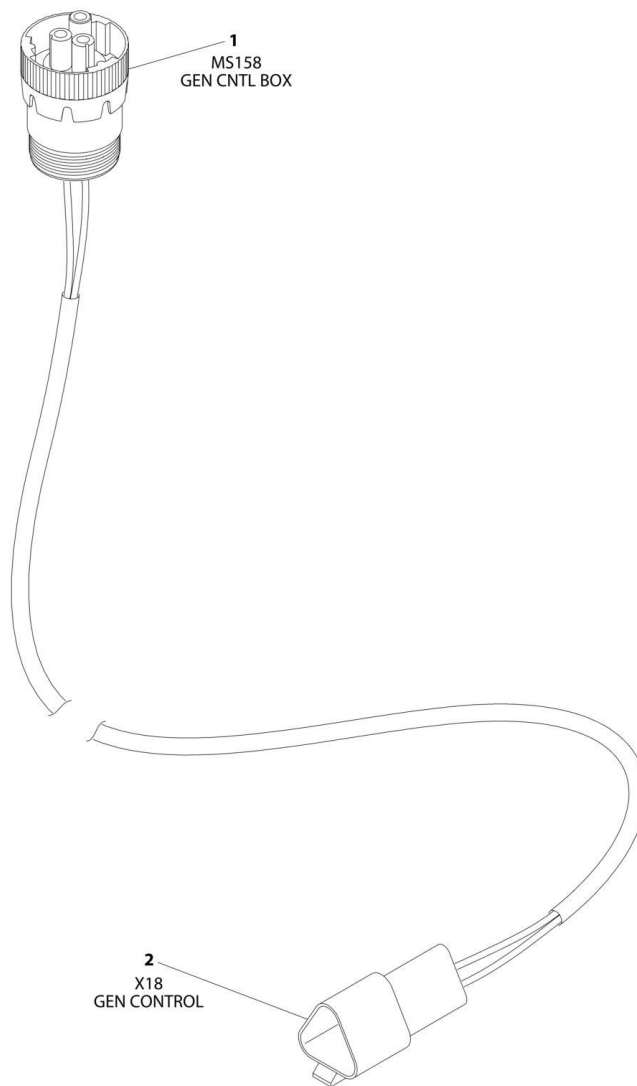
SECTION 8 - ELECTRICAL

FIGURE 8-17. GENERATOR CONTROL HARNESS - 4000W GENERATOR (GENERATOR TO CONTROL BOX)

| ITEM | PART NUMBER | QTY | DESCRIPTION | REV |
|------|-------------|-----|---|-----|
| | 1001236444 | Ref | GENERATOR CONTROL HARNESS - 4000W GENERATOR (GENERATOR TO CONTROL BOX) | A |
| 1 | 4460225 | 1 | Plug, Male - 6 Position | |
| 1 | 4460268 | 2 | Socket, Female | |
| 1 | 4460808 | 1 | Seal, Connector | |
| 1 | 4460807 | 1 | Seal, Terminal | |
| 2 | 77363233 | 1 | Connector - 6 Position | |
| 2 | 4460465 | 2 | Socket, Female | |
| 2 | 4460466 | 4 | Plug, Terminal | |

SECTION 8 - ELECTRICAL

FIGURE 8-18. GENERATOR CONTROL HARNESS - 4000W GENERATOR (CONTROL BOX TO GENERATOR CONTROL)



ART_1001186826

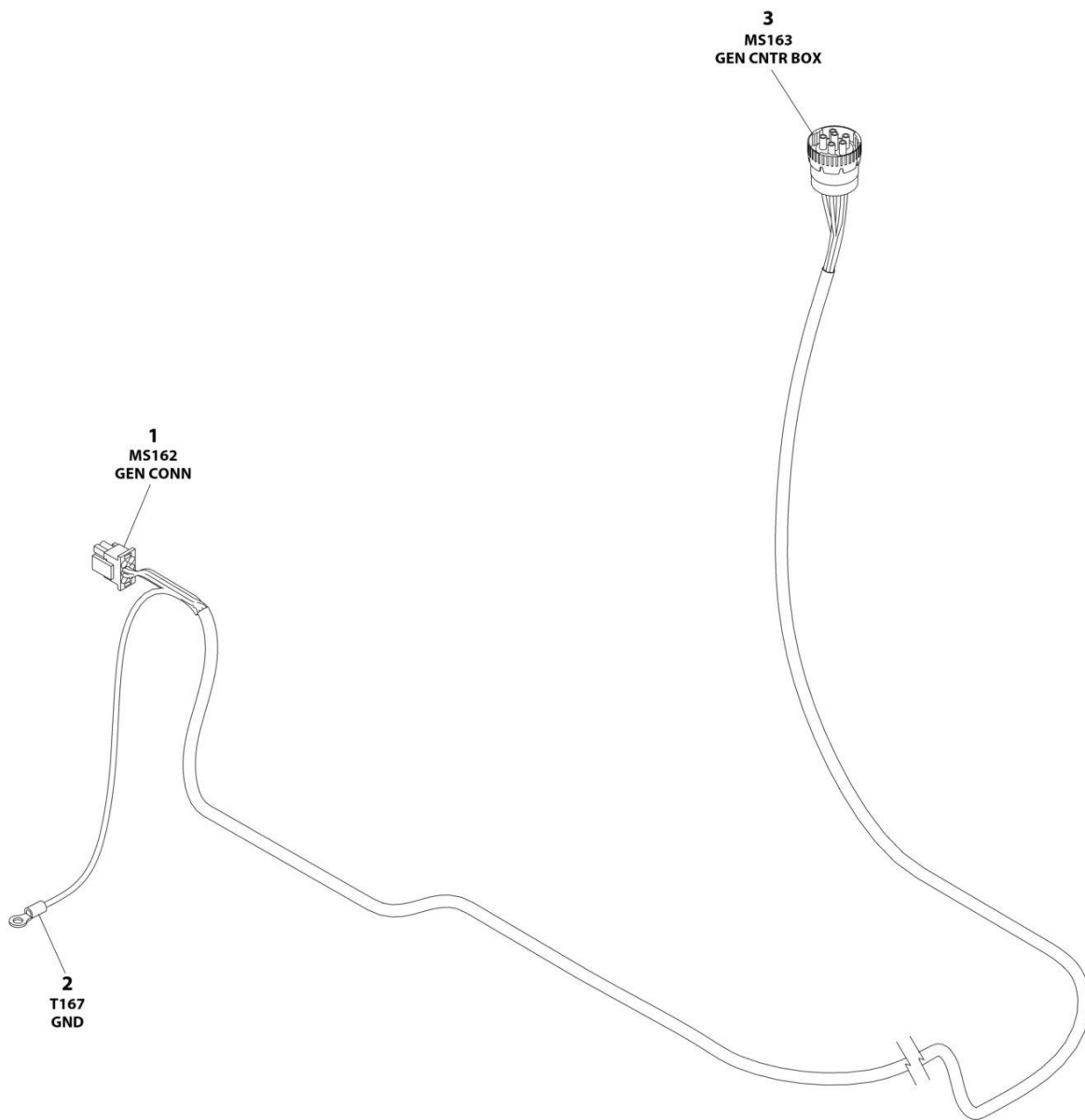
SECTION 8 - ELECTRICAL

FIGURE 8-18. GENERATOR CONTROL HARNESS - 4000W GENERATOR (CONTROL BOX TO GENERATOR CONTROL)

| ITEM | PART NUMBER | QTY | DESCRIPTION | REV |
|------|-------------|-----|---|-----|
| | 1001186826 | Ref | GENERATOR CONTROL HARNESS - 4000W GENERATOR (CONTROL BOX TO GENERATOR CONTROL) | C |
| 1 | 4460967 | 1 | Connector - 3 Position | |
| 1 | 4460465 | 2 | Socket, Female | |
| 1 | 4460466 | 1 | Plug, Terminal | |
| 2 | 4460536 | 1 | Receptacle, Female - 3 Position | |
| 2 | 4460464 | 2 | Pin, Male | |
| 2 | 4460466 | 1 | Plug, Terminal | |

SECTION 8 - ELECTRICAL

FIGURE 8-19. GENERATOR CONTROL HARNESS - 7500W GENERATOR (GENERATOR TO CONTROL BOX)



ART_1001236442

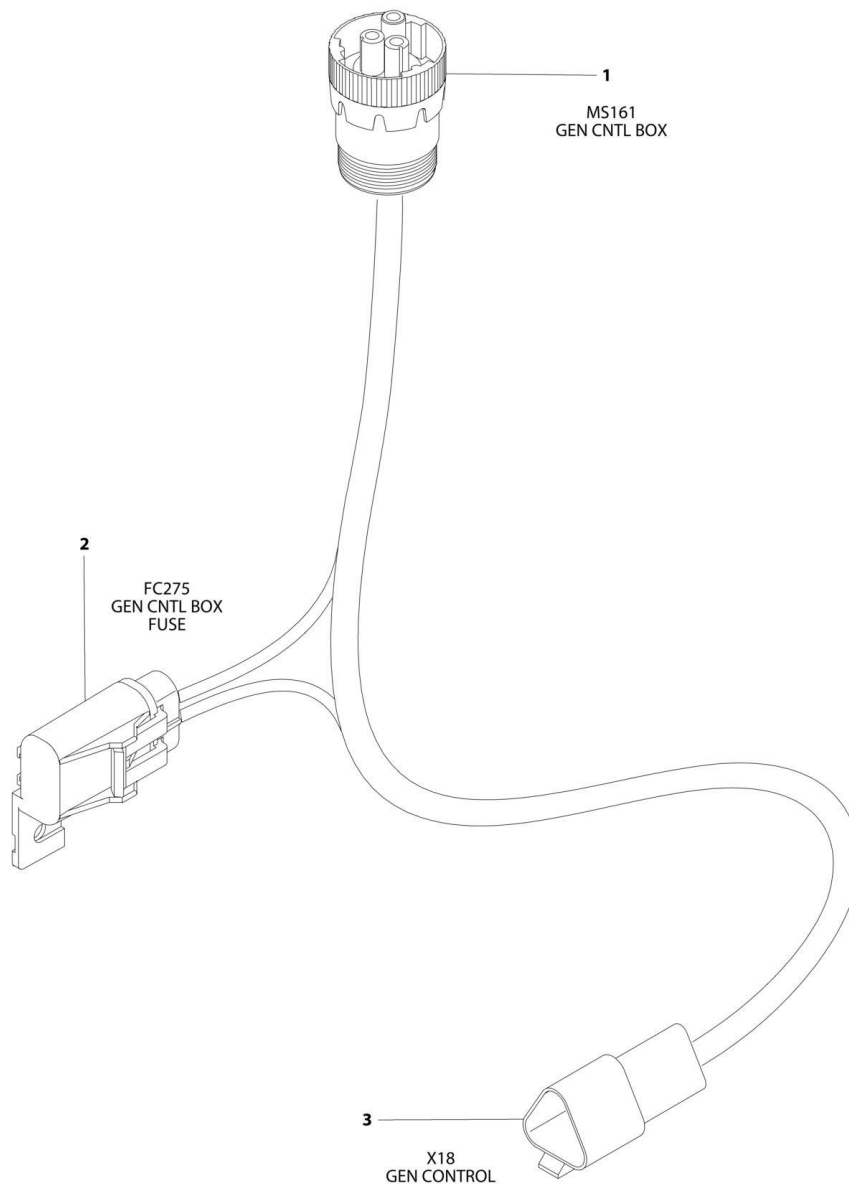
SECTION 8 - ELECTRICAL

FIGURE 8-19. GENERATOR CONTROL HARNESS - 7500W GENERATOR (GENERATOR TO CONTROL BOX)

| ITEM | PART NUMBER | QTY | DESCRIPTION | REV |
|------|-------------|-----|-----------------------------------|-----|
| | 1001236442 | Ref | GENERATOR CONTROL HARNESS - 7500W | A |
| 1 | 4460225 | 1 | Plug, Male - 6 Position | |
| 1 | 4460808 | 1 | Seal, Terminal | |
| 1 | 4460268 | 6 | Socket, Female | |
| 2 | 4460043 | 1 | Terminal, Ring | |
| 3 | 77363233 | 1 | Connector - 6 Position | |
| 3 | 4460465 | 6 | Socket, Female | |

SECTION 8 - ELECTRICAL

FIGURE 8-20. GENERATOR CONTROL HARNESS - 7500W GENERATOR (CONTROL BOX TO GENERATOR CONTROL)



ART_1001186822

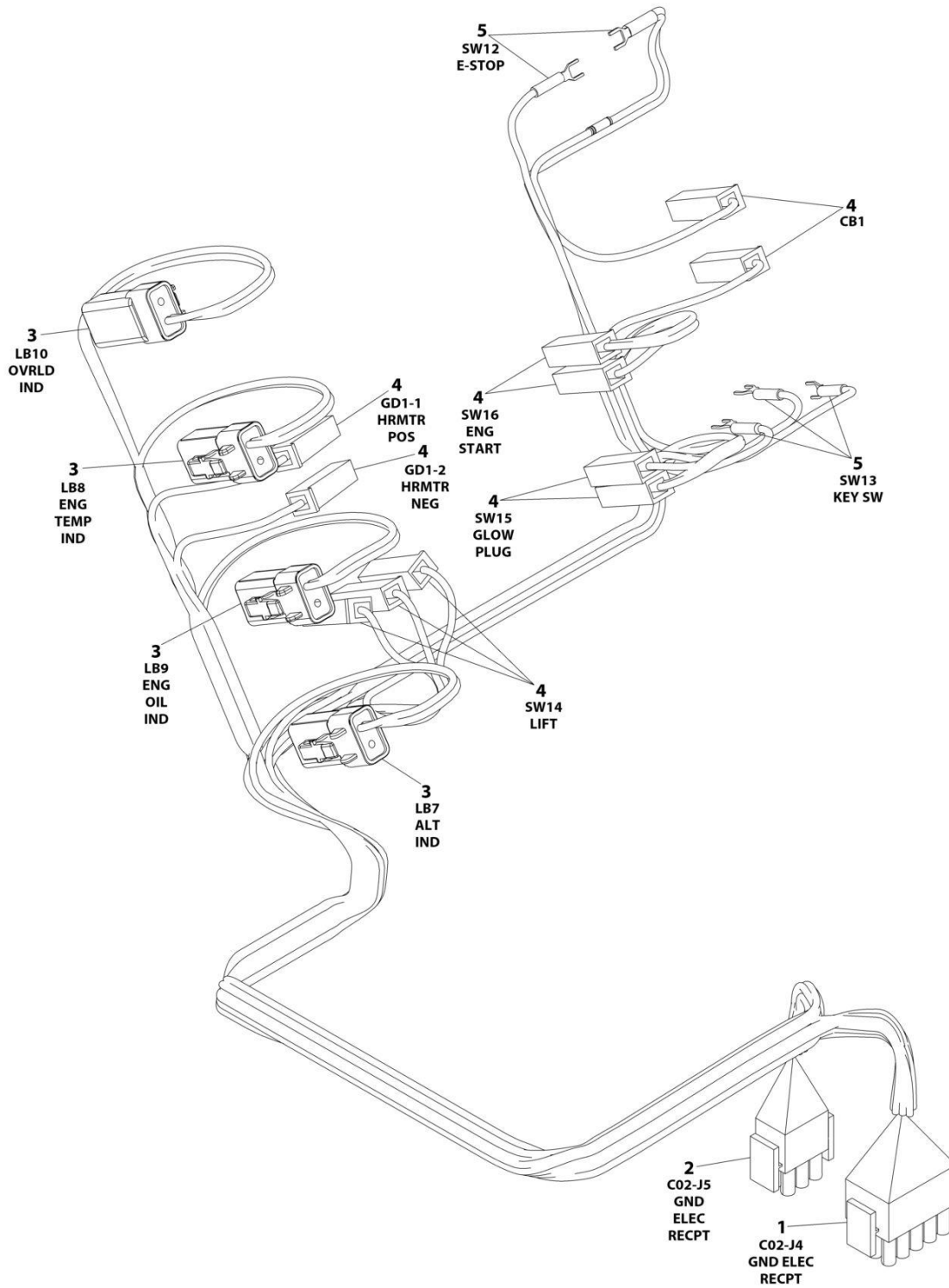
SECTION 8 - ELECTRICAL

FIGURE 8-20. GENERATOR CONTROL HARNESS - 7500W GENERATOR (CONTROL BOX TO GENERATOR CONTROL)

| ITEM | PART NUMBER | QTY | DESCRIPTION | REV |
|------|-------------|-----|---|-----|
| | 1001186822 | Ref | GENERATOR CONTROL HARNESS - 7500W GENERATOR (CONTROL BOX TO GENERATOR CONTROL) | D |
| 1 | 4460967 | 1 | Connector | |
| 1 | 4460465 | 3 | Socket, Female | |
| 2 | 1001117078 | 1 | Connector - 2 Position | |
| 2 | 1001116733 | 2 | Terminal, Female | |
| 3 | 4460536 | 1 | Receptacle, Female - 3 Position | |
| 3 | 4460464 | 3 | Pin, Male | |

SECTION 8 - ELECTRICAL

FIGURE 8-21. GROUND CONTROL BOX HARNESS - LOWER



ART_1001236153

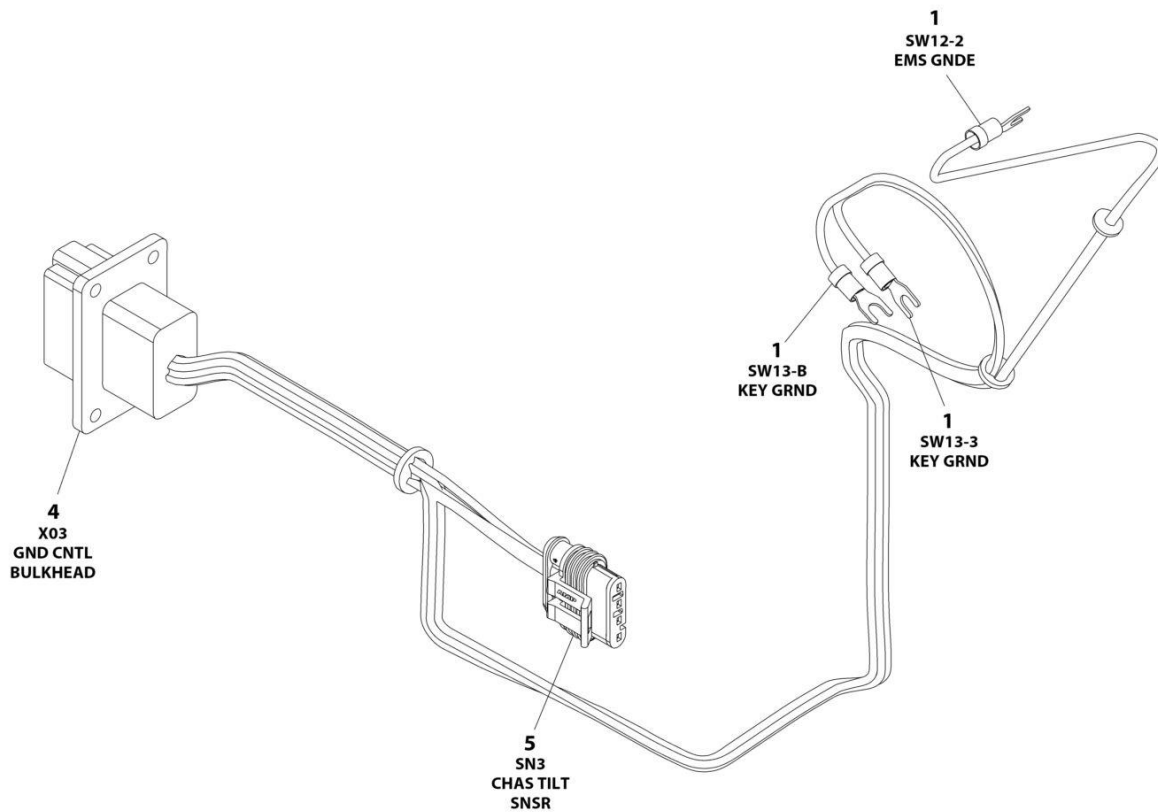
SECTION 8 - ELECTRICAL

FIGURE 8-21. GROUND CONTROL BOX HARNESS - LOWER

| ITEM | PART NUMBER | QTY | DESCRIPTION | REV |
|------|-------------|-----|------------------------------------|-----|
| | 1001236153 | Ref | GROUND CONTROL BOX HARNESS - LOWER | B |
| 1 | 4460434 | 1 | Connector - 15 Position | |
| 1 | 4460268 | 11 | Socket, Female | |
| 2 | 4460225 | 1 | Connector - 6 Position | |
| 2 | 4460268 | 6 | Socket, Female | |
| 3 | 1001126245 | 4 | Receptacle, Female - 2 Position | |
| 3 | 4460928 | 8 | Socket, Female | |
| 4 | 4460260 | 11 | Cover, Terminal | |
| 4 | 4460259 | 11 | Terminal | |
| 5 | 4460183 | 4 | Terminal, Fork | |
| 5 | 4460115 | 2 | Terminal, Fork | |

SECTION 8 - ELECTRICAL

FIGURE 8-22. GROUND CONTROL BOX HARNESS - UPPER



ART_1001227353

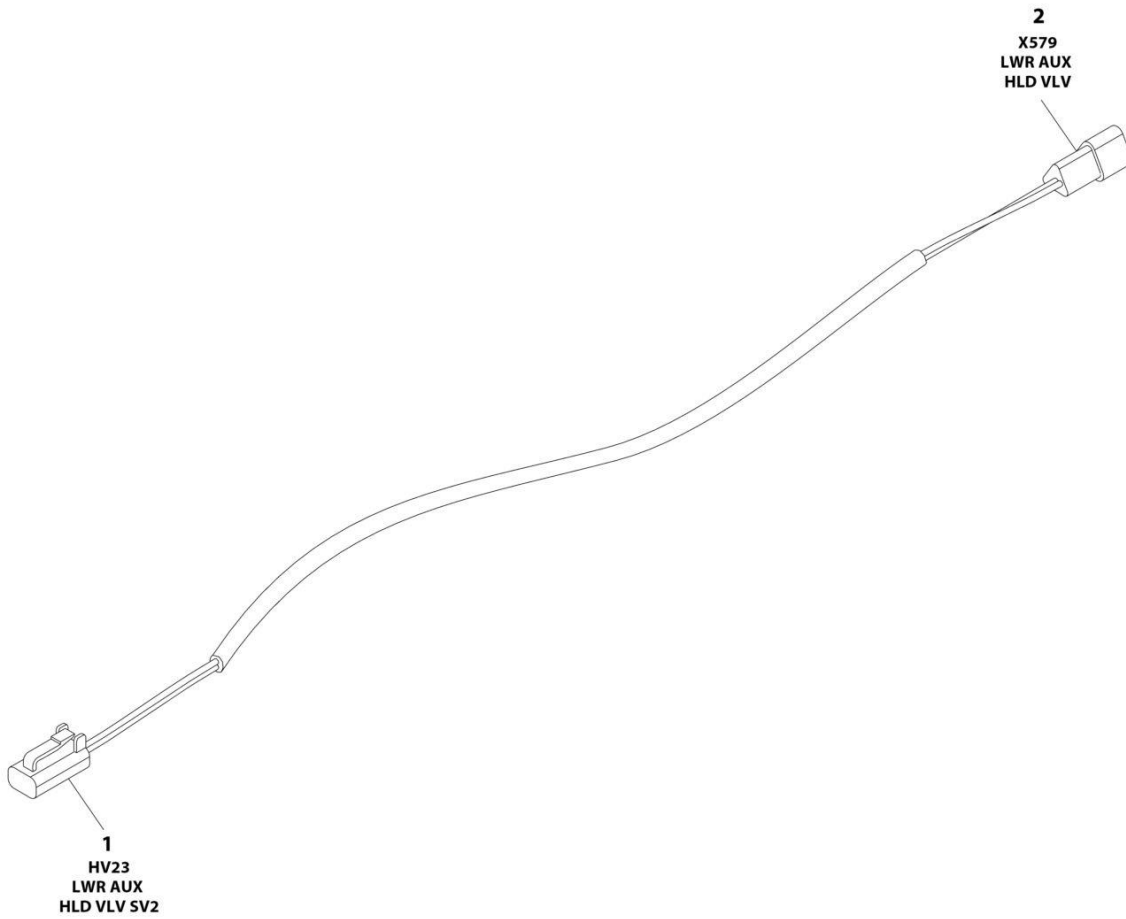
SECTION 8 - ELECTRICAL

FIGURE 8-22. GROUND CONTROL BOX HARNESS - UPPER

| ITEM | PART NUMBER | QTY | DESCRIPTION | REV |
|------|-------------|-----|------------------------------------|-----|
| | 1001227353 | Ref | GROUND CONTROL BOX HARNESS - UPPER | A |
| 1 | 4460183 | 3 | Terminal, Fork | |
| 4 | 4460939 | 1 | Connector - 12 Position | |
| 4 | 4460464 | 5 | Pin, Male | |
| 4 | 4460943 | 2 | Pin, Male | |
| 4 | 4460466 | 5 | Plug, Terminal | |
| 5 | 1001103012 | 1 | Plug, Male - 4 Position | |
| 5 | 1001107854 | 4 | Terminal | |
| 5 | 1001104498 | 4 | Seal | |

SECTION 8 - ELECTRICAL

FIGURE 8-23. GROUND TO LOWER AUXILIARY HOLDING VALVE HARNESS



ART_1001222343

SECTION 8 - ELECTRICAL

FIGURE 8-23. GROUND TO LOWER AUXILIARY HOLDING VALVE HARNESS

| ITEM | PART NUMBER | QTY | DESCRIPTION | REV |
|------|-------------|-----|---|-----|
| | 1001222343 | Ref | GROUND TO LOWER AUXILIARY HOLDING VALVE HARNESS | B |
| 1 | 4460891 | 1 | Plug, Male - 2 Position | |
| 1 | 4460465 | 2 | Socket, Female | |
| 2 | 4460536 | 1 | Receptacle, Female - 3 Position | |
| 2 | 4460464 | 2 | Pin, Male | |
| 2 | 4460466 | 1 | Plug, Terminal | |

SECTION 8 - ELECTRICAL

FIGURE 8-24. GROUND TO UPPER AUXILIARY HOLDING VALVE HARNESS



ART_1001222344

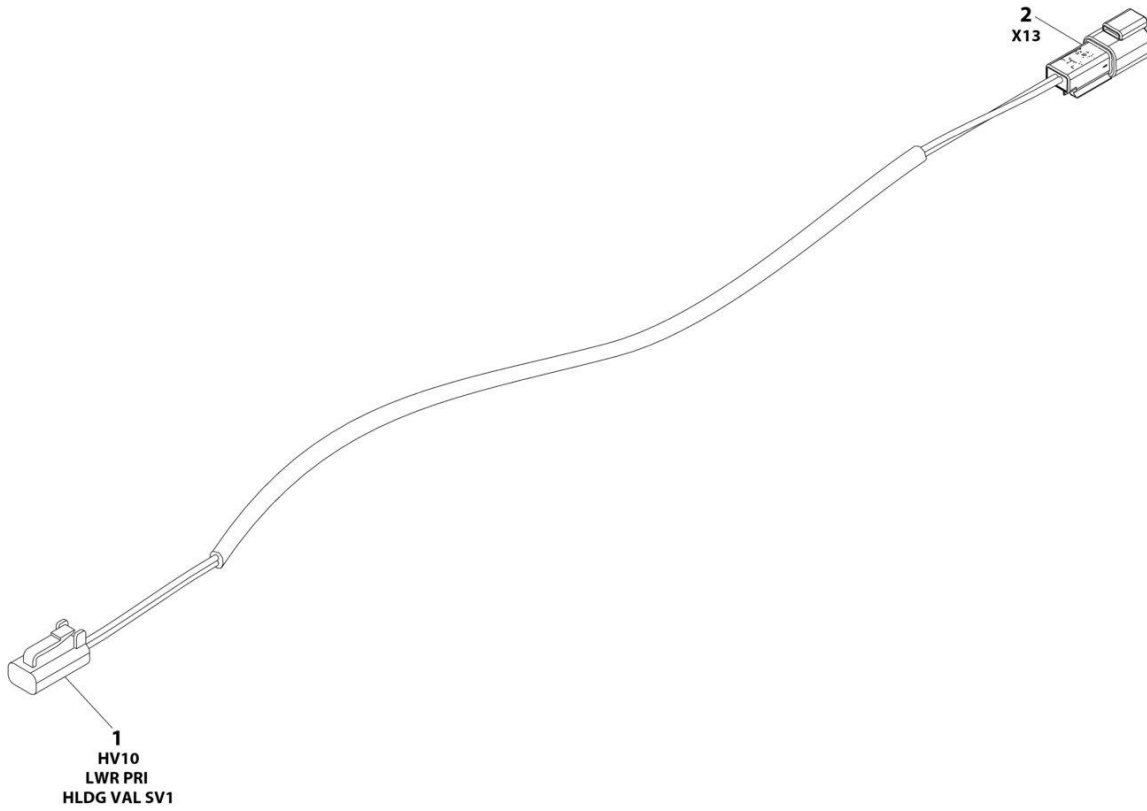
SECTION 8 - ELECTRICAL

FIGURE 8-24. GROUND TO UPPER AUXILIARY HOLDING VALVE HARNESS

| ITEM | PART NUMBER | QTY | DESCRIPTION | REV |
|------|-------------|-----|---|-----|
| | 1001222344 | Ref | GROUND TO UPPER AUXILIARY HOLDING VALVE HARNESS | B |
| 1 | 4460891 | 1 | Plug, Male - 2 Position | |
| 1 | 4460465 | 2 | Socket, Female | |
| 2 | 4460539 | 1 | Plug, Male - 3 Position | |
| 2 | 4460465 | 2 | Socket, Female | |
| 2 | 4460466 | 1 | Plug, Terminal | |

SECTION 8 - ELECTRICAL

FIGURE 8-25. GROUND TO LOWER LIFT CYLINDER HARNESS



ART_1001190522

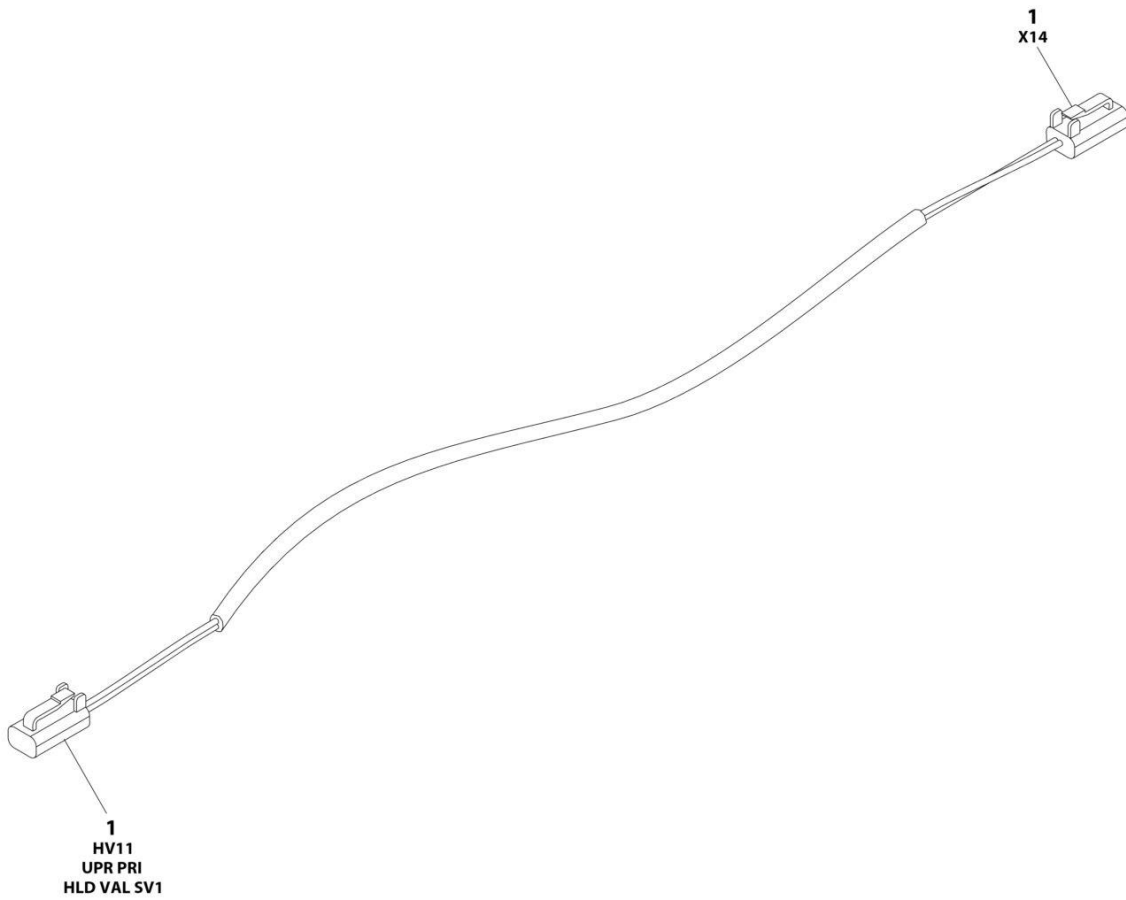
SECTION 8 - ELECTRICAL

FIGURE 8-25. GROUND TO LOWER LIFT CYLINDER HARNESS

| ITEM | PART NUMBER | QTY | DESCRIPTION | REV |
|------|-------------|-----|---------------------------------------|-----|
| | 1001190522 | Ref | GROUND TO LOWER LIFT CYLINDER HARNESS | C |
| 1 | 4460891 | 1 | Plug, Male - 2 Position | |
| 1 | 4460465 | 2 | Socket, Female | |
| 2 | 4460897 | 1 | Receptacle, Female - 2 Position | |
| 2 | 4460464 | 2 | Pin, Male | |

SECTION 8 - ELECTRICAL

FIGURE 8-26. GROUND TO UPPER LIFT CYLINDER HARNESS



ART_1001190524

SECTION 8 - ELECTRICAL

FIGURE 8-26. GROUND TO UPPER LIFT CYLINDER HARNESS

| ITEM | PART NUMBER | QTY | DESCRIPTION | REV |
|------|-------------|-----|---------------------------------------|-----|
| | 1001190524 | Ref | GROUND TO UPPER LIFT CYLINDER HARNESS | C |
| 1 | 4460891 | 2 | Plug, Male - 2 Position | |
| 1 | 4460465 | 4 | Socket, Female | |

SECTION 8 - ELECTRICAL

FIGURE 8-27. GROUND TO PLATFORM HARNESS



ART_1001236865

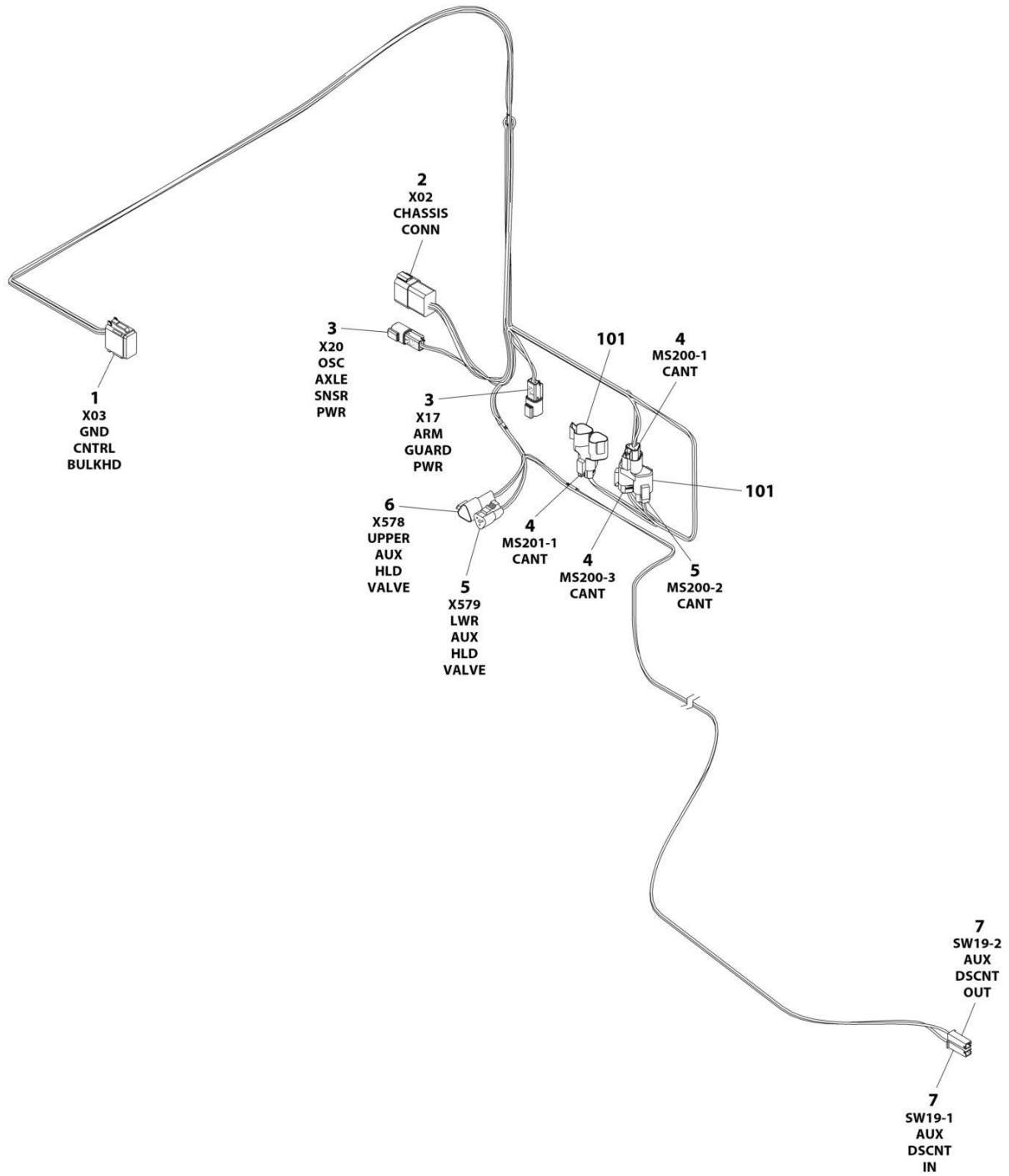
SECTION 8 - ELECTRICAL

FIGURE 8-27. GROUND TO PLATFORM HARNESS

| ITEM | PART NUMBER | QTY | DESCRIPTION | REV |
|------|-------------|-----|----------------------------|-----|
| | 1001236865 | Ref | GROUND TO PLATFORM HARNESS | A |
| 1 | 1001116926 | 1 | Connector - 21 Position | |
| 1 | 4460465 | 8 | Socket, Female | |
| 1 | 4460509 | 4 | Socket, Female | |
| 1 | 4460944 | 2 | Socket, Female | |
| 1 | 4460466 | 7 | Plug, Terminal | |
| 2 | 1001116930 | 1 | Connector - 21 Position | |
| 2 | 4460464 | 8 | Pin, Male | |
| 2 | 4460508 | 4 | Pin, Male | |
| 2 | 4460943 | 2 | Pin, Male | |
| 2 | 4460466 | 7 | Plug, Terminal | |

SECTION 8 - ELECTRICAL

FIGURE 8-28. HYDRAULIC COMPARTMENT HARNESS



ART_1001222025

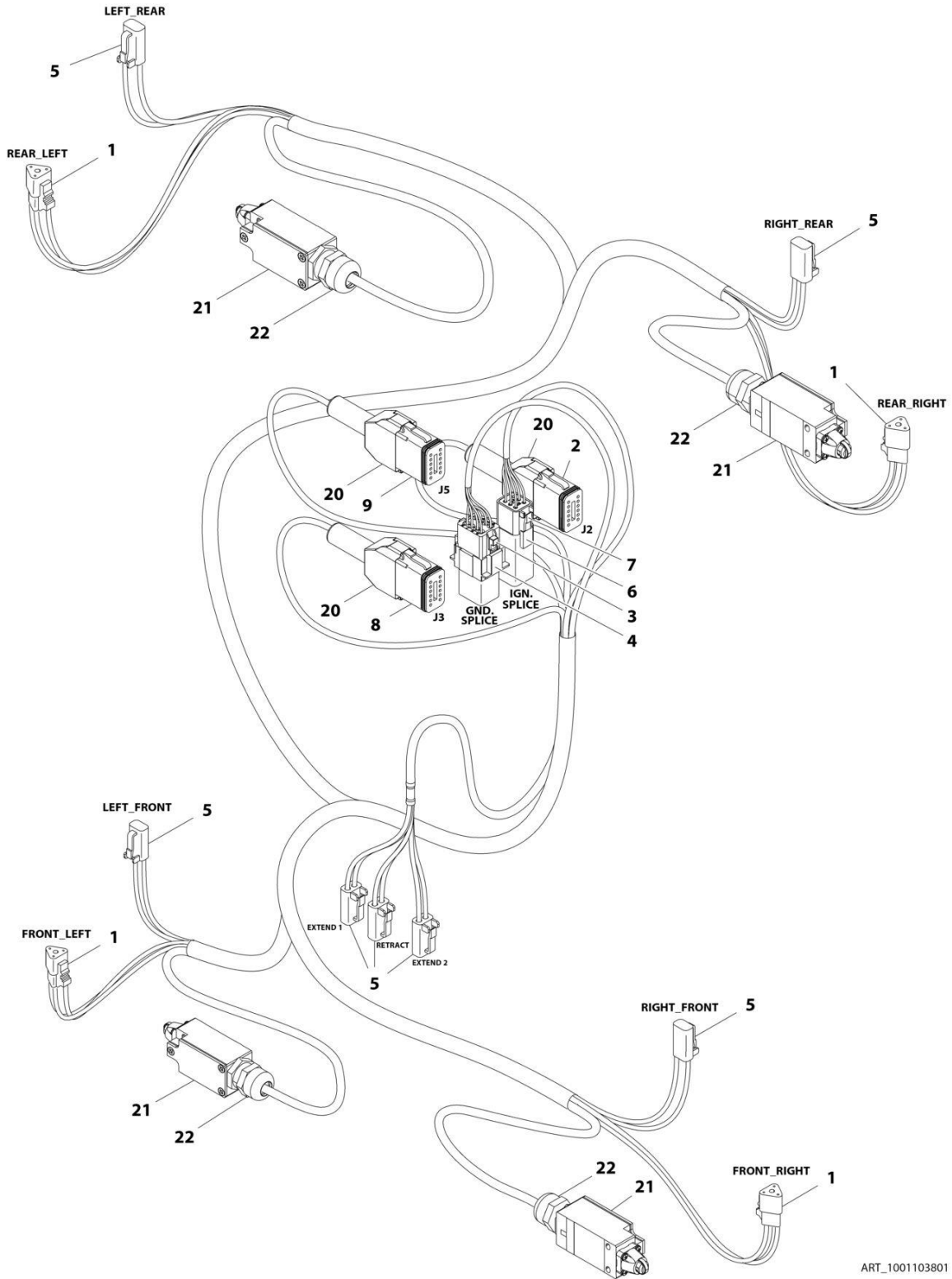
SECTION 8 - ELECTRICAL

FIGURE 8-28. HYDRAULIC COMPARTMENT HARNESS

| ITEM | PART NUMBER | QTY | DESCRIPTION | REV |
|------|-------------|-----|---------------------------------|-----|
| | 1001222025 | Ref | HYDRAULIC COMPARTMENT HARNESS | A |
| 1 | 4460933 | 1 | Plug, Male - 12 Position | |
| 1 | 4460465 | 4 | Socket, Female | |
| 1 | 4460944 | 2 | Socket, Female | |
| 1 | 4460466 | 6 | Plug, Terminal | |
| 2 | 4460931 | 1 | Receptacle, Female - 8 Position | |
| 2 | 4460464 | 3 | Pin, Male | |
| 2 | 4460943 | 3 | Pin, Male | |
| 2 | 4460466 | 2 | Plug, Terminal | |
| 3 | 4460897 | 2 | Receptacle, Female - 2 Position | |
| 3 | 4460464 | 4 | Pin, Male | |
| 4 | 1001116812 | 3 | Plug, Male - 3 Position | |
| 4 | 4460944 | 9 | Socket, Female | |
| 5 | 4460539 | 2 | Plug, Male - 3 Position | |
| 5 | 4460944 | 6 | Terminal | |
| 6 | 4460536 | 1 | Receptacle, Female - 3 Position | |
| 6 | 4460464 | 2 | Pin, Male | |
| 6 | 4460466 | 1 | Plug, Terminal | |
| 7 | 4460260 | 2 | Holder, Terminal | |
| 7 | 4460259 | 2 | Terminal | |
| 101 | 4460945 | 2 | Receptacle - 3 Way | |

SECTION 8 - ELECTRICAL

FIGURE 8-29. LEVELING JACK HARNESS



ART_1001103801

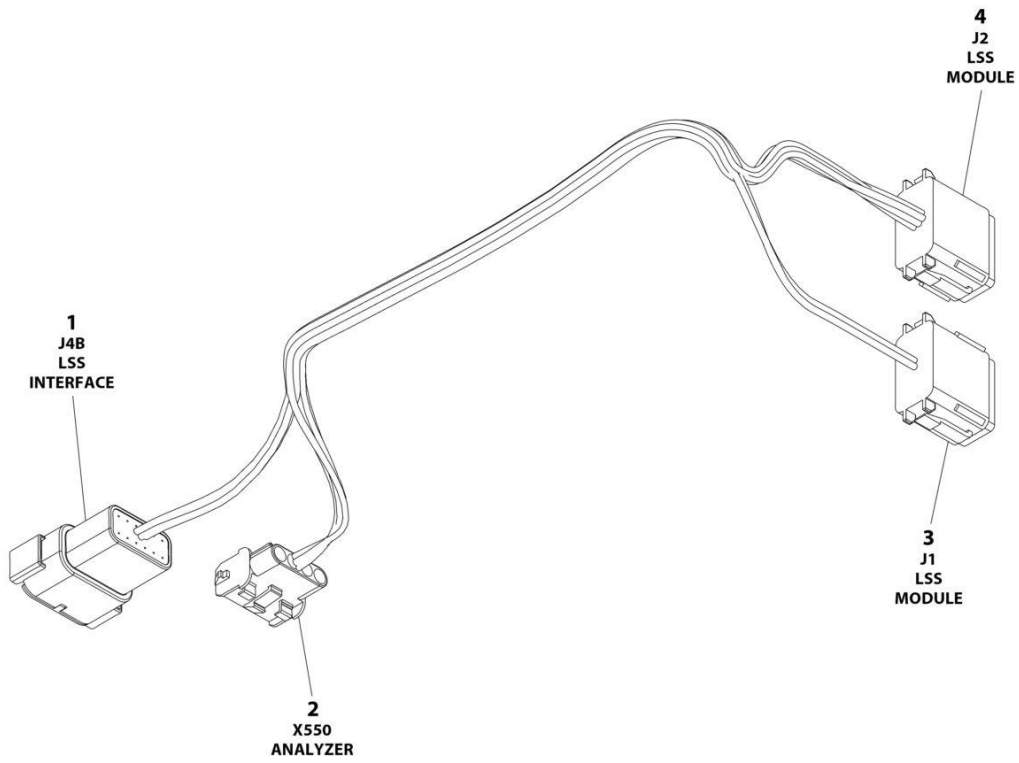
SECTION 8 - ELECTRICAL

FIGURE 8-29. LEVELING JACK HARNESS

| ITEM | PART NUMBER | QTY | DESCRIPTION | REV |
|------|-------------|-----|----------------------------------|-----|
| | 1001103801 | Ref | LEVELING JACK HARNESS | D |
| 1 | 4460539 | 4 | Connector - 3 Position | |
| 1 | 4460465 | 12 | Socket, Female | |
| 2 | 4460836 | 1 | Connector - 12 Position | |
| 2 | 4460465 | 7 | Socket, Female | |
| 2 | 4460466 | 5 | Plug | |
| 3 | 4460851 | 1 | Connector - 8 Position | |
| 3 | 4460465 | 8 | Socket, Female | |
| 4 | 4460852 | 1 | Connector, Buss Bar - 8 Position | |
| 5 | 4460891 | 7 | Connector - 2 Position | |
| 5 | 4460465 | 14 | Socket, Female | |
| 6 | 4460892 | 1 | Terminal, Buss Bar - 6 Position | |
| 7 | 4460894 | 1 | Connector - 6 Position | |
| 7 | 4460465 | 6 | Socket, Female | |
| 8 | 4460934 | 1 | Connector - 12 Position | |
| 8 | 4460465 | 12 | Socket, Female | |
| 9 | 4460935 | 1 | Connector - 12 Position | |
| 9 | 4460465 | 5 | Socket, Female | |
| 9 | 4460466 | 7 | Plug | |
| 20 | 0840055 | 3 | Boot | |
| 21 | 4360548 | 4 | Switch, Limit | |
| 22 | 4460968 | 4 | Connector, Strain Relief | |

SECTION 8 - ELECTRICAL

FIGURE 8-30. LSS HARNESS



ART_1001226830

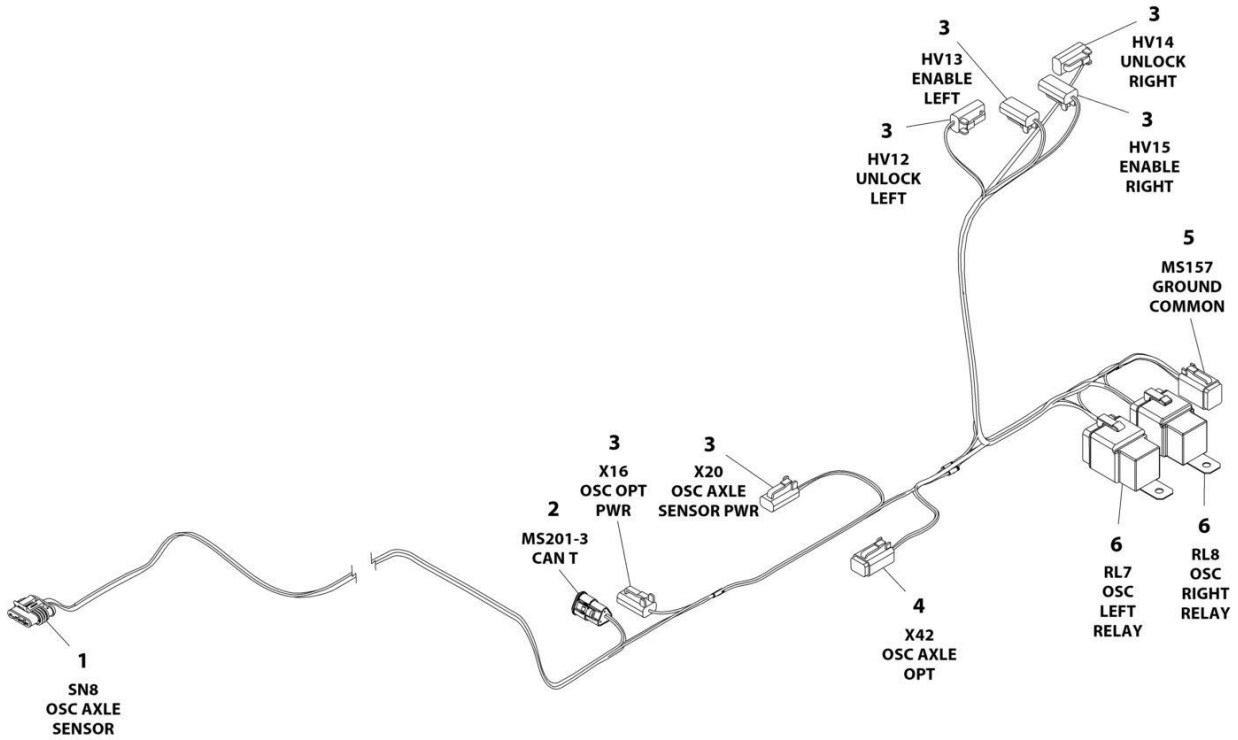
SECTION 8 - ELECTRICAL

FIGURE 8-30. LSS HARNESS

| ITEM | PART NUMBER | QTY | DESCRIPTION | REV |
|------|-------------|-----|---------------------------------|-----|
| | 1001226830 | Ref | LSS HARNESS | A |
| 1 | 1001132170 | 1 | Connector - 12 Position | |
| 1 | 4460929 | 2 | Pin, Male | |
| 1 | 4460917 | 2 | Pin, Male | |
| 1 | 4460518 | 8 | Plug, Terminal | |
| 2 | 4460761 | 1 | Receptacle, Female - 4 Position | |
| 2 | 4460294 | 4 | Pin, Male | |
| 3 | 4460933 | 1 | Connector - 12 Position | |
| 3 | 4460465 | 2 | Socket, Female | |
| 3 | 4460466 | 10 | Plug, Terminal | |
| 4 | 4460836 | 1 | Connector - 12 Position | |
| 4 | 4460465 | 5 | Socket, Female | |
| 4 | 4460944 | 2 | Socket, Female | |
| 4 | 4460466 | 5 | Plug, Terminal | |

SECTION 8 - ELECTRICAL

FIGURE 8-31. OSCILLATING AXLE HARNESS



ART_1001187601

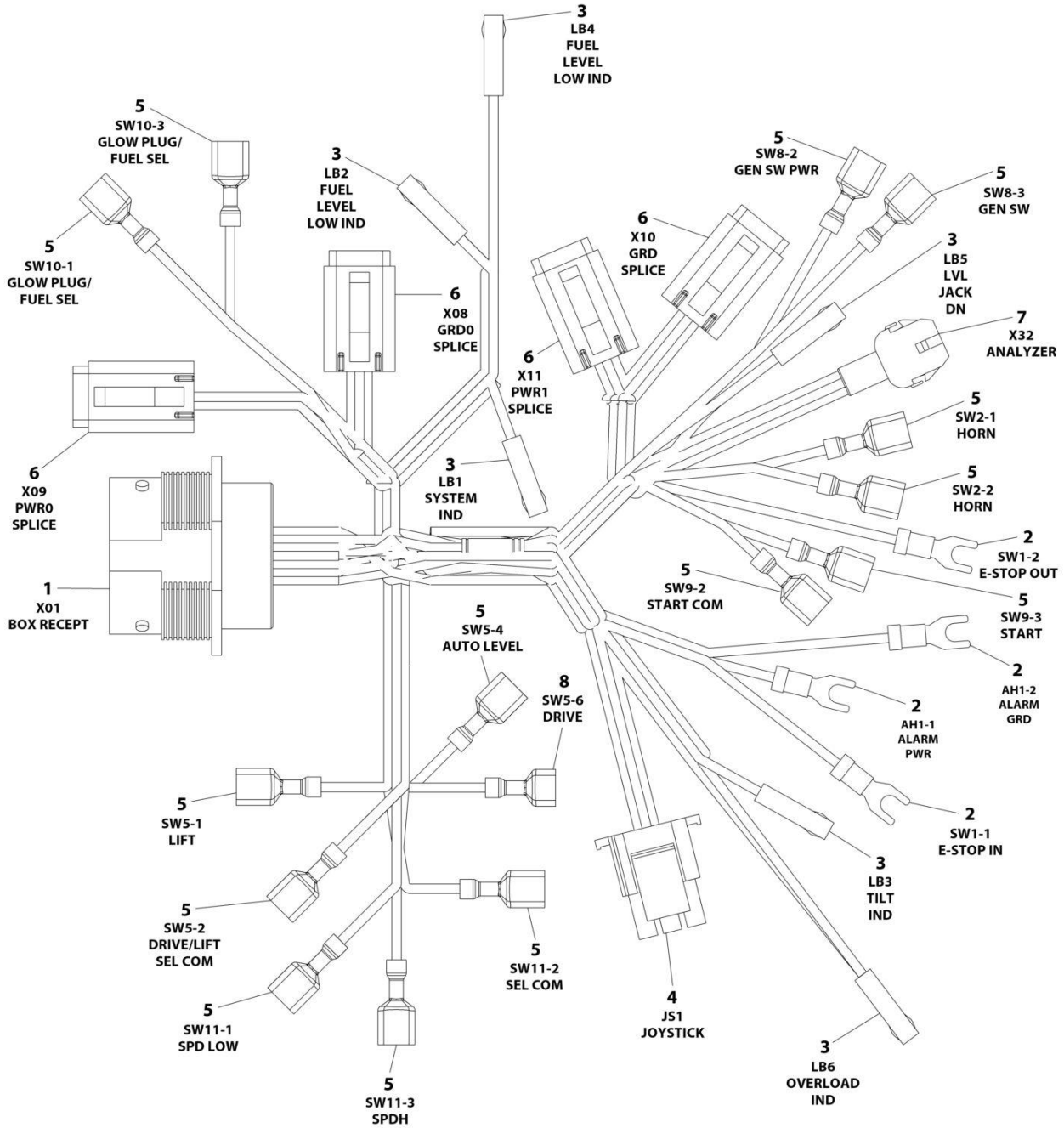
SECTION 8 - ELECTRICAL

FIGURE 8-31. OSCILLATING AXLE HARNESS

| ITEM | PART NUMBER | QTY | DESCRIPTION | REV |
|------|-------------|-----|--------------------------|-----|
| | 1001187601 | Ref | OSCILLATING AXLE HARNESS | C |
| 1 | 1001103012 | 1 | Connector - 4 Position | |
| 1 | 1001107854 | 4 | Socket, Female | |
| 1 | 1001104498 | 4 | Seal | |
| 2 | 1001116812 | 1 | Connector - 3 Position | |
| 2 | 4460944 | 3 | Socket, Female | |
| 3 | 4460891 | 6 | Connector - 2 Position | |
| 3 | 4460465 | 11 | Socket, Female | |
| 3 | 4460466 | 1 | Plug, Terminal | |
| 4 | 4460884 | 1 | Connector - 4 Position | |
| 4 | 4460465 | 3 | Socket, Female | |
| 4 | 4460466 | 1 | Plug, Terminal | |
| 5 | 4460894 | 1 | Connector - 6 Position | |
| 5 | 4460465 | 6 | Socket, Female | |
| 6 | 1001117025 | 2 | Connector, Relay | |
| 6 | 4460375 | 8 | Terminal | |

SECTION 8 - ELECTRICAL

FIGURE 8-32. PLATFORM CONTROL BOX HARNESS



ART_1001236230

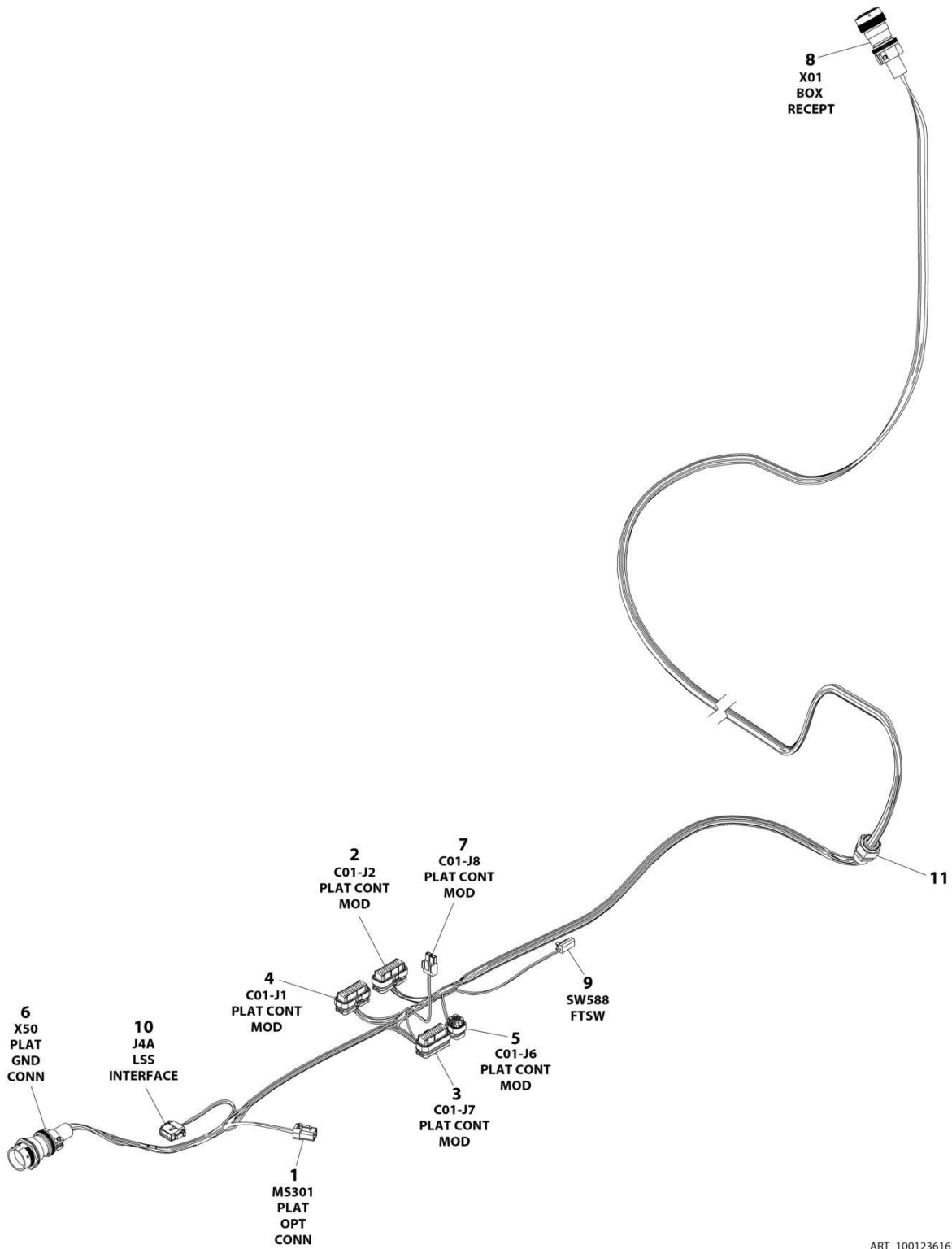
SECTION 8 - ELECTRICAL

FIGURE 8-32. PLATFORM CONTROL BOX HARNESS

| ITEM | PART NUMBER | QTY | DESCRIPTION | REV |
|------|-------------|-----|------------------------------|-----|
| | 1001236230 | Ref | PLATFORM CONSOLE BOX HARNESS | C |
| 1 | 1001116934 | 1 | Connector - 31 Position | |
| 1 | 4460464 | 31 | Pin, Male | |
| 2 | 4460183 | 4 | Terminal, Fork | |
| 3 | 1001190469 | 6 | Connector - 2 Position | |
| 3 | 1001190471 | 12 | Terminal | |
| 4 | 4460265 | 1 | Plug, Male - 9 Position | |
| 4 | 4460267 | 7 | Terminal | |
| 5 | 1001194421 | 13 | Terminal | |
| 6 | 4460894 | 4 | Plug, Male - 6 Position | |
| 6 | 4460465 | 20 | Socket, Female | |
| 6 | 4460466 | 4 | Plug, Terminal | |
| 6 | 4460892 | 4 | Bussbar | |
| 7 | 4460761 | 1 | Plug, Male - 4 Position | |
| 7 | 4460267 | 4 | Terminal | |
| 8 | 1001194221 | 1 | Terminal | |

SECTION 8 - ELECTRICAL

FIGURE 8-33. PLATFORM MODULE TO CONSOLE BOX HARNESS



ART_1001236162

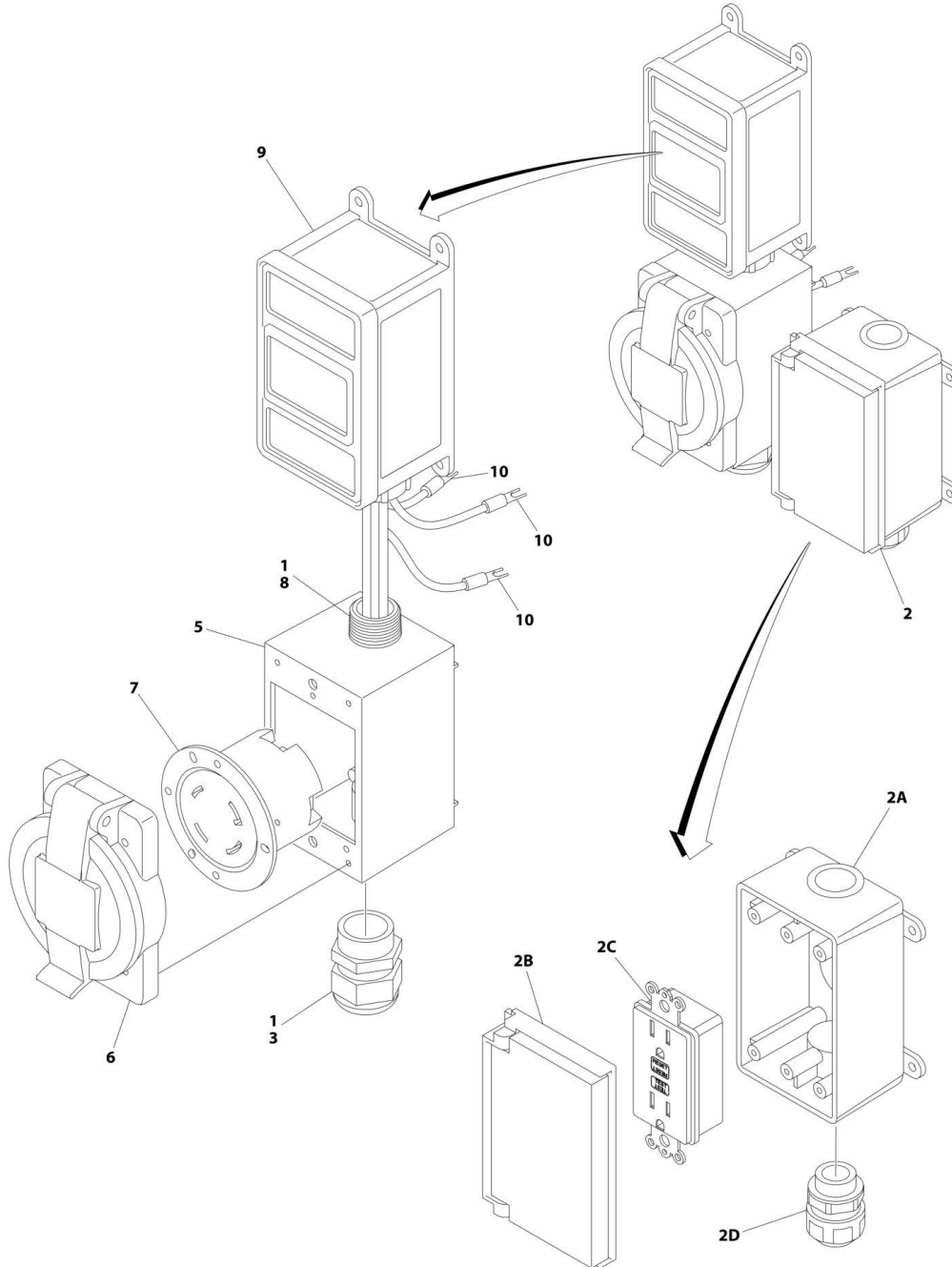
SECTION 8 - ELECTRICAL

FIGURE 8-33. PLATFORM MODULE TO CONSOLE BOX HARNESS

| ITEM | PART NUMBER | QTY | DESCRIPTION | REV |
|------|-------------|-----|--|-----|
| | 1001236162 | Ref | PLATFORM MODULE TO CONSOLE BOX HARNESS | C |
| 1 | 1001116810 | 1 | Plug, Male - 4 Position | |
| 1 | 4460509 | 2 | Socket, Female | |
| 1 | 4460466 | 6 | Plug, Terminal | |
| 1 | 1001116811 | 1 | Receptacle, Female - 4 Position | |
| 2 | 4460876 | 1 | Connector - 35 Position | |
| 2 | 4460905 | 20 | Plug, Terminal | |
| 2 | 4460871 | 15 | Socket, Female | |
| 3 | 4460873 | 1 | Connector - 35 Position | |
| 3 | 4460871 | 11 | Socket, Female | |
| 3 | 4460905 | 24 | Plug, Terminal | |
| 4 | 4460874 | 1 | Connector - 35 Position | |
| 4 | 4460871 | 12 | Socket, Female | |
| 4 | 4460905 | 23 | Plug, Terminal | |
| 5 | 1001113961 | 1 | Connector - 8 Position | |
| 5 | 4460871 | 2 | Socket, Female | |
| 5 | 4460905 | 6 | Plug, Terminal | |
| 6 | 1001116930 | 1 | Connector - 21 Position | |
| 6 | 4460464 | 4 | Pin, Male | |
| 6 | 4460508 | 4 | Pin, Male | |
| 6 | 4460943 | 3 | Pin, Male | |
| 6 | 4460466 | 10 | Plug, Terminal | |
| 7 | 4460879 | 1 | Connector - 2 Position | |
| 7 | 4461271 | 2 | Terminal | |
| 8 | 1001195123 | 1 | Connector - 31 Position | |
| 8 | 4460465 | 31 | Socket, Female | |
| 9 | 4460891 | 1 | Plug, Male - 2 Position | |
| 9 | 4460465 | 2 | Socket, Female | |
| 9 | 1001144295 | 1 | Receptacle, Female | |
| 10 | 1001116808 | 1 | Connector - 12 Position | |
| 10 | 4460518 | 8 | Plug, Terminal | |
| 10 | 4460928 | 2 | Socket, Female | |
| 10 | 4460918 | 2 | Terminal | |
| 11 | 4460051 | 1 | Connector, Strain Relief | |

SECTION 8 - ELECTRICAL

FIGURE 8-34. RECEPTACLE ASSEMBLY (MACHINES WITH GENERATORS) (ALL SPECS EXCEPT AUSTRALIAN AND CE SPEC)



ART_1001187092

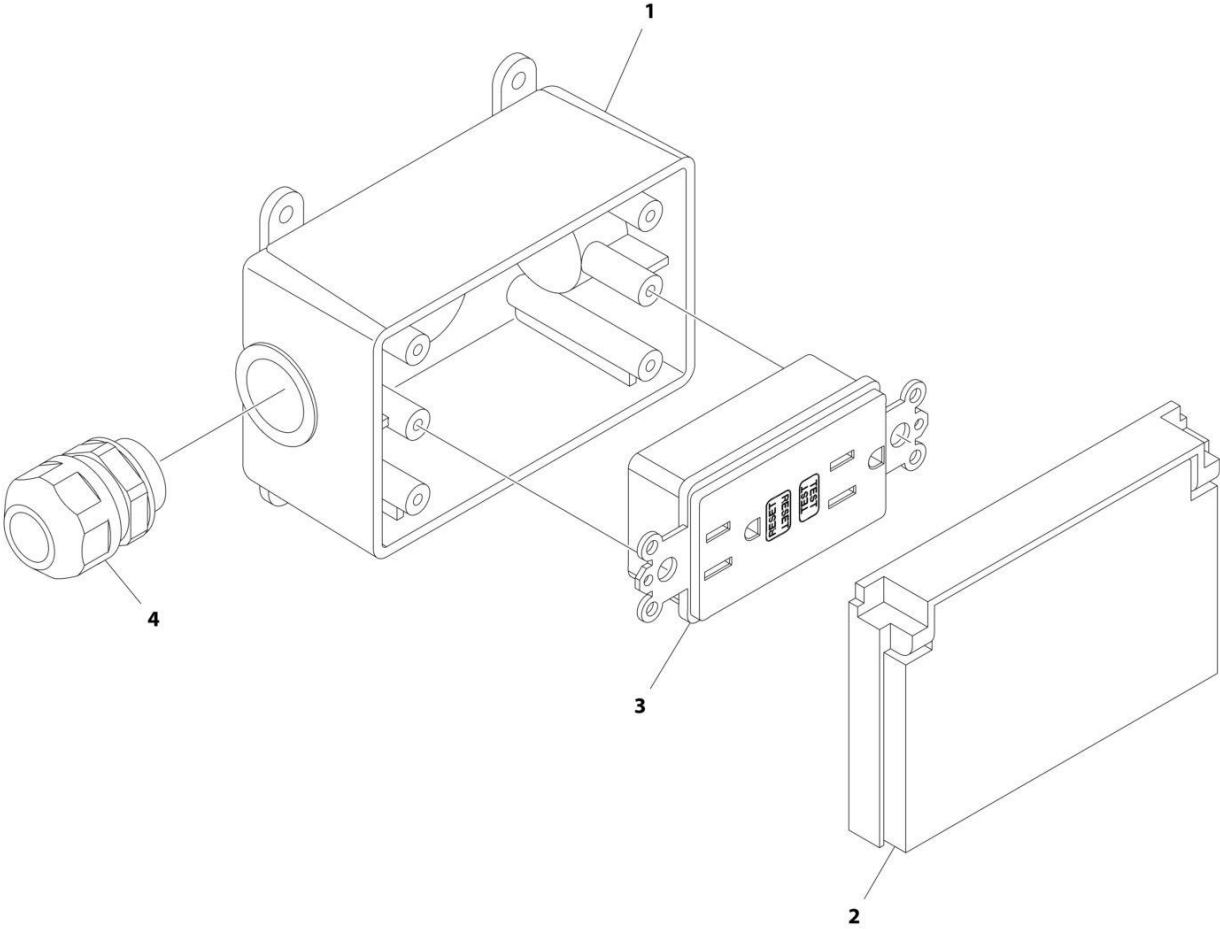
SECTION 8 - ELECTRICAL

FIGURE 8-34. RECEPTACLE ASSEMBLY (MACHINES WITH GENERATORS) (ALL SPECS EXCEPT AUSTRALIAN AND CE SPEC)

| ITEM | PART NUMBER | QTY | DESCRIPTION | REV |
|------|-------------|-----|------------------------------|-----|
| | 1001187092 | Ref | RECEPTACLE ASSEMBLY | D |
| 1 | 0100020 | AR | Sealant, Pipe | |
| 2 | 2902431 | 1 | Receptacle Box Kit | |
| 2A | 0861731 | 1 | Box | |
| 2B | 1671207 | 1 | Cover | |
| 2C | 4460346 | 1 | Receptacle | |
| 2D | 4460662 | 1 | Connector, Strain Relief | |
| 3 | 4460612 | 1 | Connector, Strain Relief | |
| 4 | 1001099670 | 2 | Terminal (Not Shown) | |
| 5 | 1001148675 | 1 | Box | |
| 6 | 1001148676 | 1 | Cover, Receptacle | |
| 7 | 1001148907 | 1 | Connector, Receptacle - 240V | |
| 8 | 1001159119 | 1 | Conduit | |
| 9 | 1001159118 | 1 | Breaker, GFCI 30A - 240V | |
| 10 | 4460315 | 3 | Terminal | |

SECTION 8 - ELECTRICAL

FIGURE 8-35. RECEPTACLE BOX KIT - 110V GFI



ART_2902431

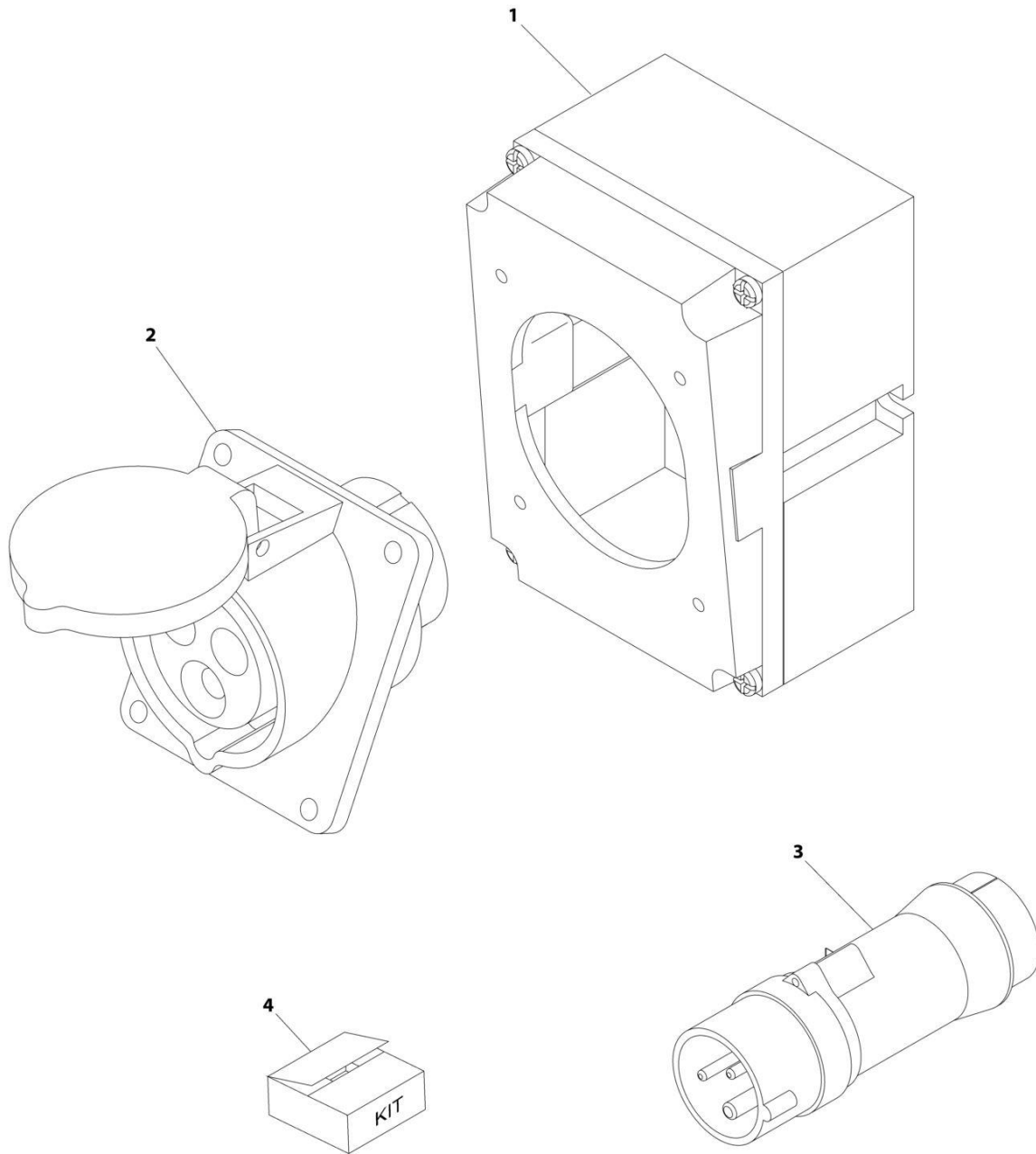
SECTION 8 - ELECTRICAL

FIGURE 8-35. RECEPTACLE BOX KIT - 110V GFI

| ITEM | PART NUMBER | QTY | DESCRIPTION | REV |
|------|-------------|-----|-------------------------------|-----|
| | 2902431 | Ref | RECEPTACLE BOX KIT - 110V GFI | D |
| 1 | 0861731 | 1 | Box, Receptacle | |
| 2 | 1671207 | 1 | Cover, Receptacle | |
| 3 | 4460346 | 1 | Receptacle | |
| 4 | 4460662 | 1 | Connector, Strain Relief | |

SECTION 8 - ELECTRICAL

FIGURE 8-36. RECEPTACLE BOX KIT - 110V IEC YELLOW



ART_0275216

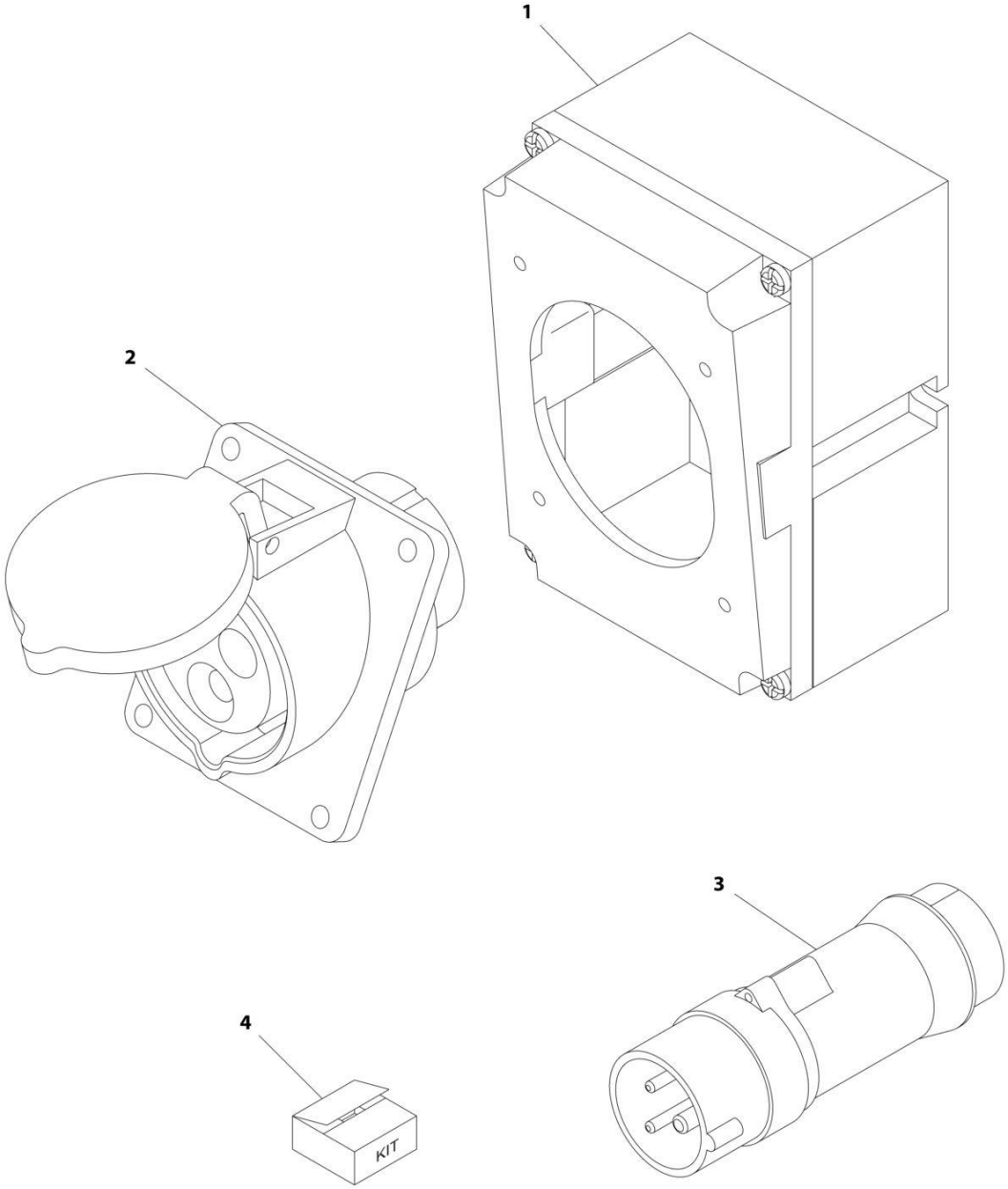
SECTION 8 - ELECTRICAL

FIGURE 8-36. RECEPTACLE BOX KIT - 110V IEC YELLOW

| ITEM | PART NUMBER | QTY | DESCRIPTION | REV |
|------|-------------|-----|--|-----|
| | 0275216 | Ref | RECEPTACLE BOX KIT - 110V IEC YELLOW | B |
| 1 | 0861781 | 1 | Box, Switch | |
| 2 | 4461198 | 1 | Receptacle | |
| 3 | 4461196 | 1 | Plug, Male | |
| 4 | 1001100341 | 1 | Plug and Socket Kit (Includes Items 1-3 and Female Plug p/n 4461197) | |

SECTION 8 - ELECTRICAL

FIGURE 8-37. RECEPTACLE BOX KIT - 220V IEC BLUE



ART_0275217

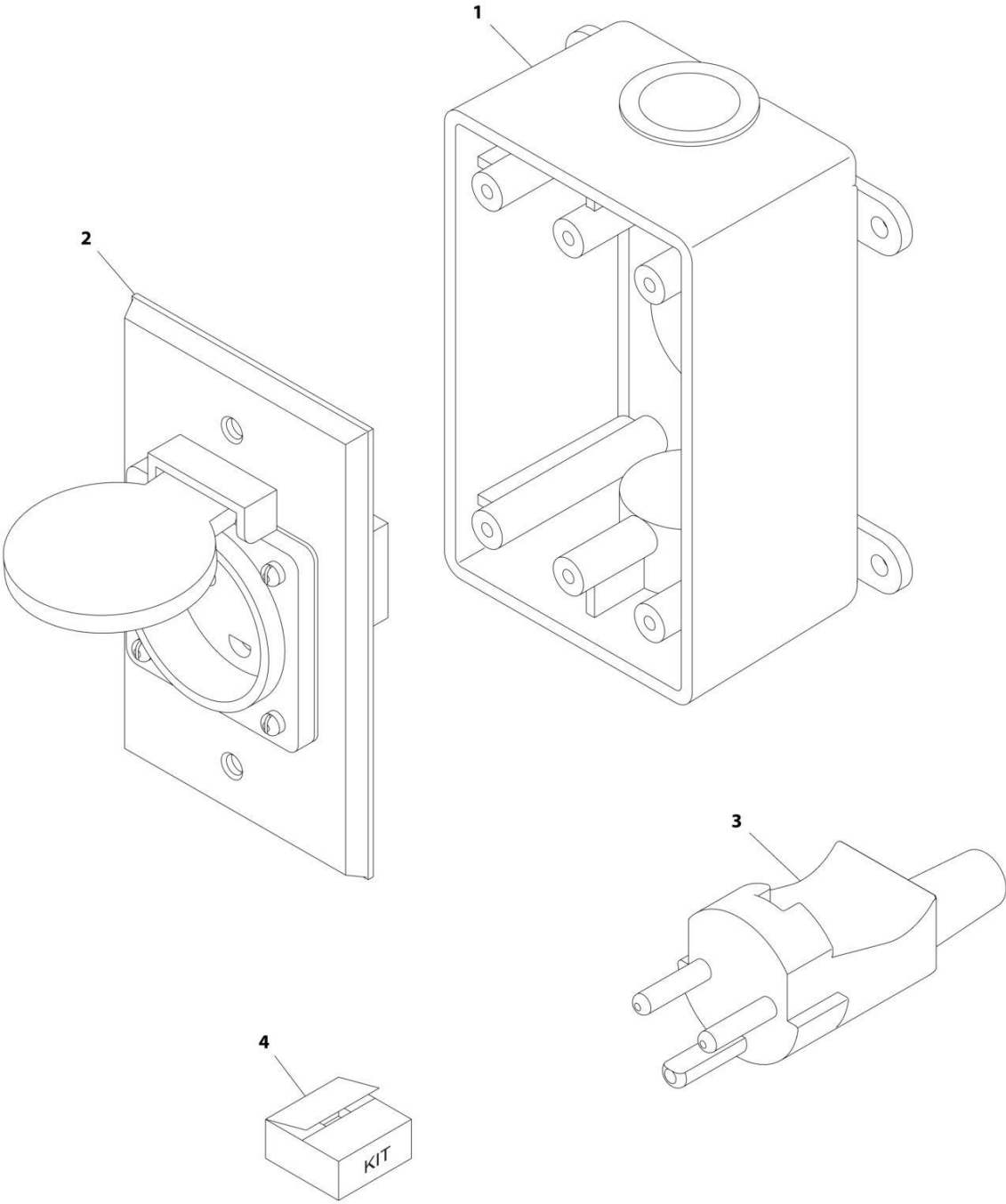
SECTION 8 - ELECTRICAL

FIGURE 8-37. RECEPTACLE BOX KIT - 220V IEC BLUE

| ITEM | PART NUMBER | QTY | DESCRIPTION | REV |
|------|-------------|-----|--|-----|
| | 0275217 | Ref | RECEPTACLE BOX KIT - 220V IEC BLUE | B |
| 1 | 0861781 | 1 | Box, Switch | |
| 2 | 4461201 | 1 | Receptacle | |
| 3 | 4461199 | 1 | Plug, Male | |
| 4 | 1001100342 | 1 | Plug and Socket Kit (Includes Items 1-3 and Female Plug p/n 4461200) | |

SECTION 8 - ELECTRICAL

FIGURE 8-38. RECEPTACLE BOX KIT - 220V AFSINT 107 (CE SPEC)



ART_0275454

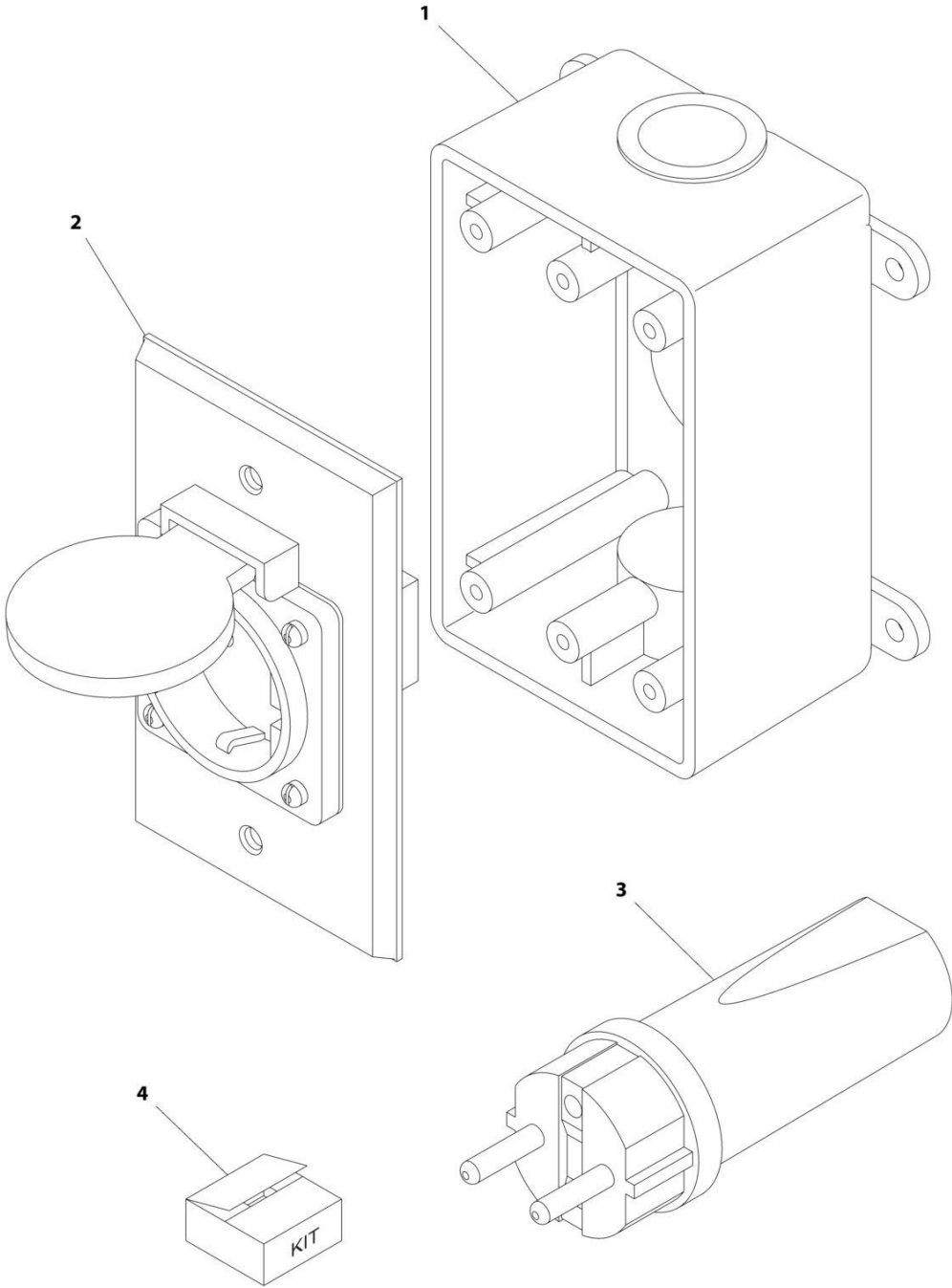
SECTION 8 - ELECTRICAL

FIGURE 8-38. RECEPTACLE BOX KIT - 220V AFSINT 107 (CE SPEC)

| ITEM | PART NUMBER | QTY | DESCRIPTION | REV |
|------|-------------|-----|--|-----|
| | 0275454 | Ref | RECEPTACLE BOX KIT - 220V AFSINT 107 | B |
| 1 | 0861731 | 1 | Box, Switch | |
| 2 | 4461246 | 1 | Receptacle | |
| 3 | 4461249 | 1 | Plug, Male | |
| 4 | 1001100346 | 1 | Plug and Socket Kit (Includes Items 1-3 and Female Plug p/n 4461250) | |

SECTION 8 - ELECTRICAL

FIGURE 8-39. RECEPTACLE BOX KIT - 220V CEE7 SIDE GROUND



ART_0275453

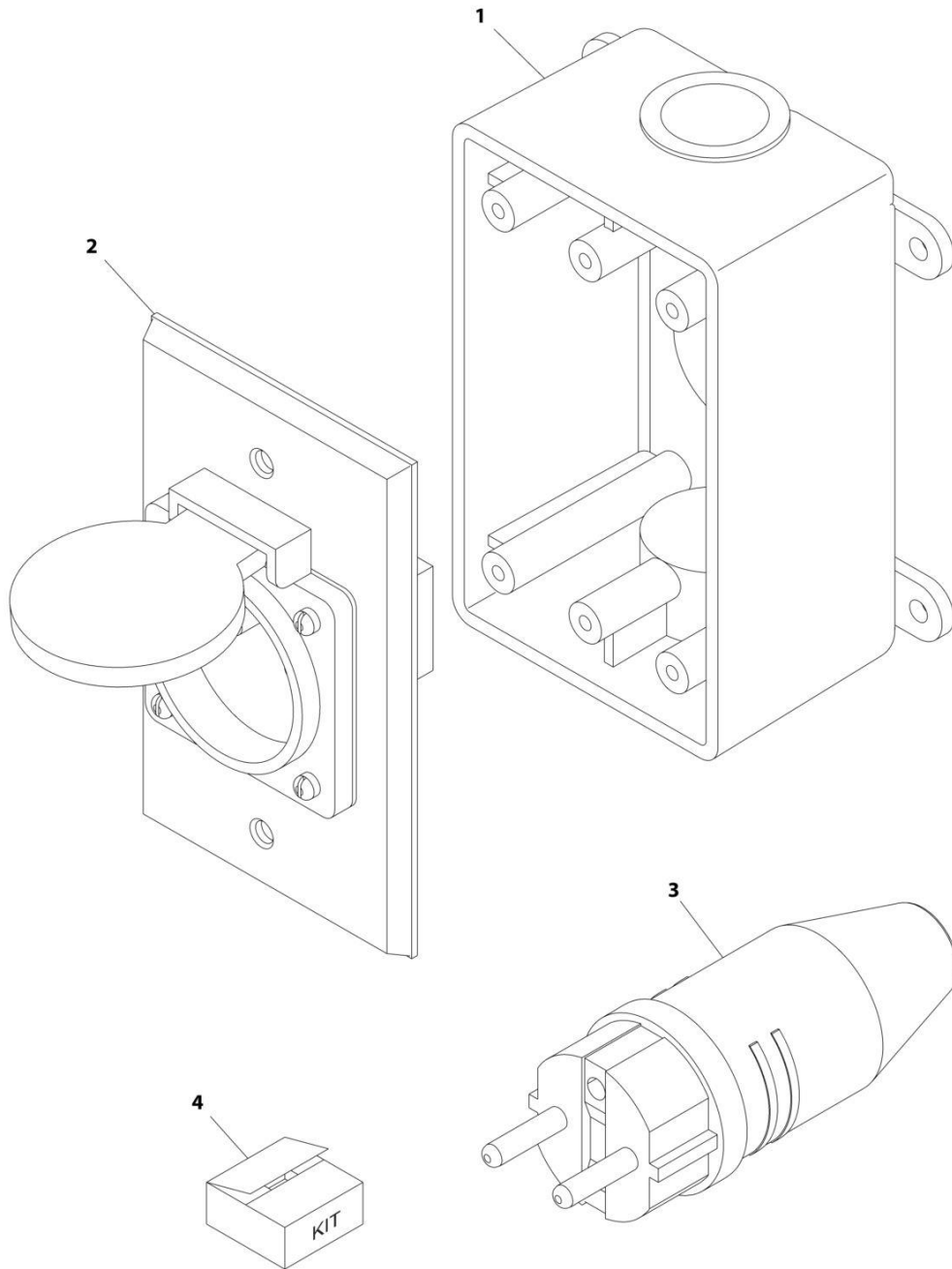
SECTION 8 - ELECTRICAL

FIGURE 8-39. RECEPTACLE BOX KIT - 220V CEE7 SIDE GROUND

| ITEM | PART NUMBER | QTY | DESCRIPTION | REV |
|------|-------------|-----|--|-----|
| | 0275453 | Ref | RECEPTACLE BOX KIT - 220V CEE7 SIDE GROUND | B |
| 1 | 0861731 | 1 | Box, Switch | |
| 2 | 4461245 | 1 | Receptacle | |
| 3 | 4461205 | 1 | Plug, Male | |
| 4 | 1001100347 | 1 | Plug and Socket Kit (Includes Items 1-3 and Female Plug p/n 4461206) | |

SECTION 8 - ELECTRICAL

FIGURE 8-40. RECEPTACLE BOX KIT - 220V CEE7 POST GROUND (CE SPEC)



ART_0275452-C

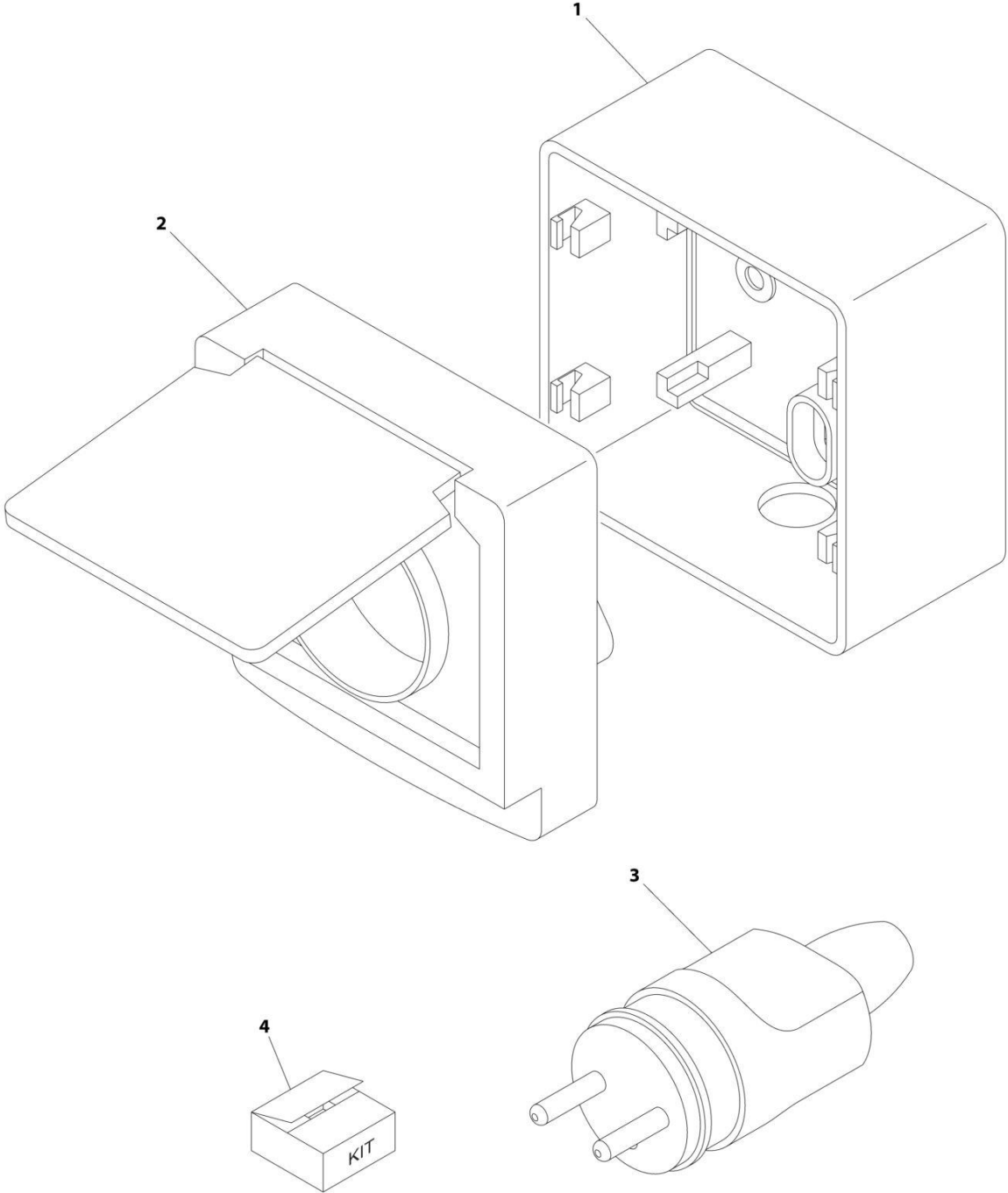
SECTION 8 - ELECTRICAL

FIGURE 8-40. RECEPTACLE BOX KIT - 220V CEE7 POST GROUND (CE SPEC)

| ITEM | PART NUMBER | QTY | DESCRIPTION | REV |
|------|-------------|-----|--|-----|
| | 0275452 | Ref | RECEPTACLE BOX KIT - 220V CEE7 POST GROUND 2IN X 4IN BOX | C |
| 1 | 0861731 | 1 | Box, Switch | |
| 2 | 4461244 | 1 | Receptacle | |
| 3 | 4461205 | 1 | Plug, Male | |
| 4 | 1001100345 | 1 | Plug and Socket Kit (Includes Items 1-3 and Female Plug p/n 4461203) | |

SECTION 8 - ELECTRICAL

FIGURE 8-41. RECEPTACLE BOX KIT - 220V CEE7 POST GROUND 70MM X 70MM BOX (CE SPEC)



ART_0275218

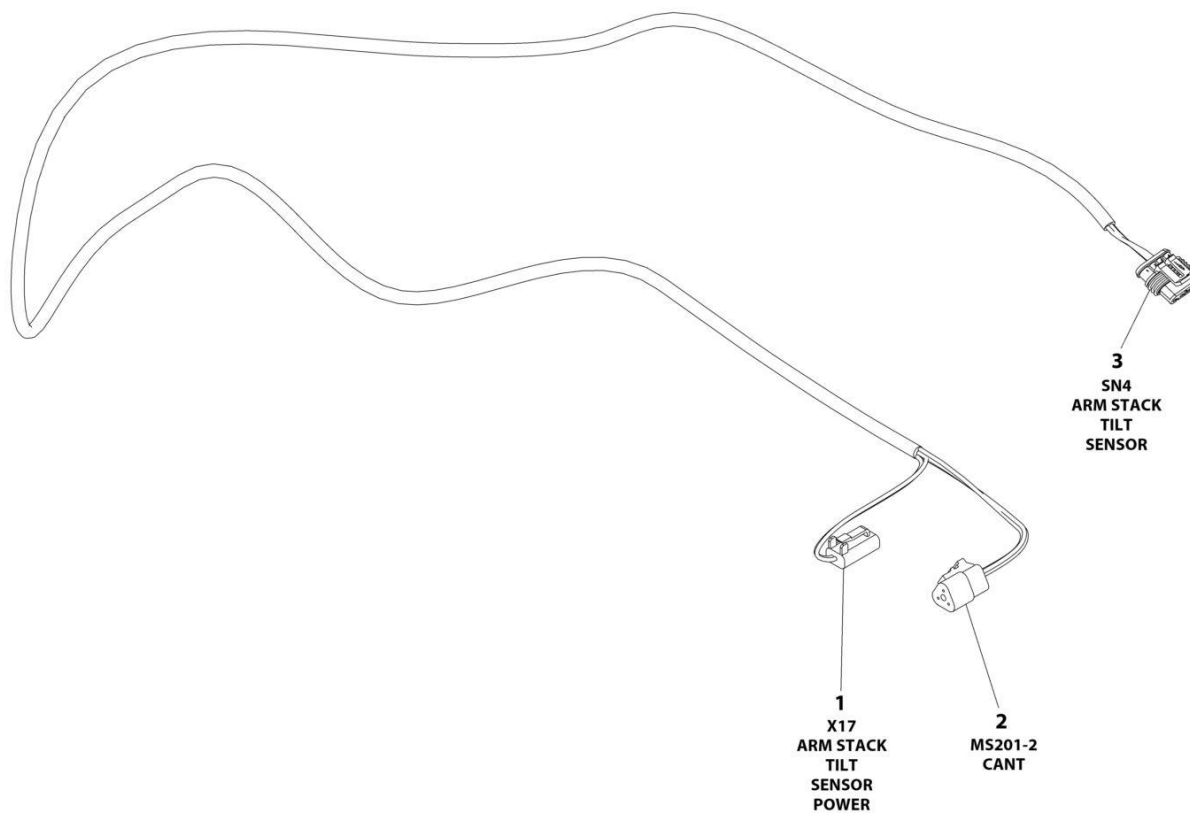
SECTION 8 - ELECTRICAL

FIGURE 8-41. RECEPTACLE BOX KIT - 220V CEE7 POST GROUND 70MM X 70MM BOX (CE SPEC)

| ITEM | PART NUMBER | QTY | DESCRIPTION | REV |
|------|-------------|-----|--|-----|
| | 0275218 | Ref | RECEPTACLE BOX KIT - 220V CEE7 POST GROUND 70X70 BOX | C |
| 1 | 1001141967 | 1 | Box, Switch | |
| 2 | 1001141968 | 1 | Receptacle | |
| 3 | 4461205 | 1 | Plug, Male | |
| 4 | 1001141971 | 1 | Plug and Socket Kit (Includes Items 1-3 and Female Plug p/n 4461206) | |

SECTION 8 - ELECTRICAL

FIGURE 8-42. SCISSORS ARMS GUARD HARNESS



ART_1001244347

SECTION 8 - ELECTRICAL

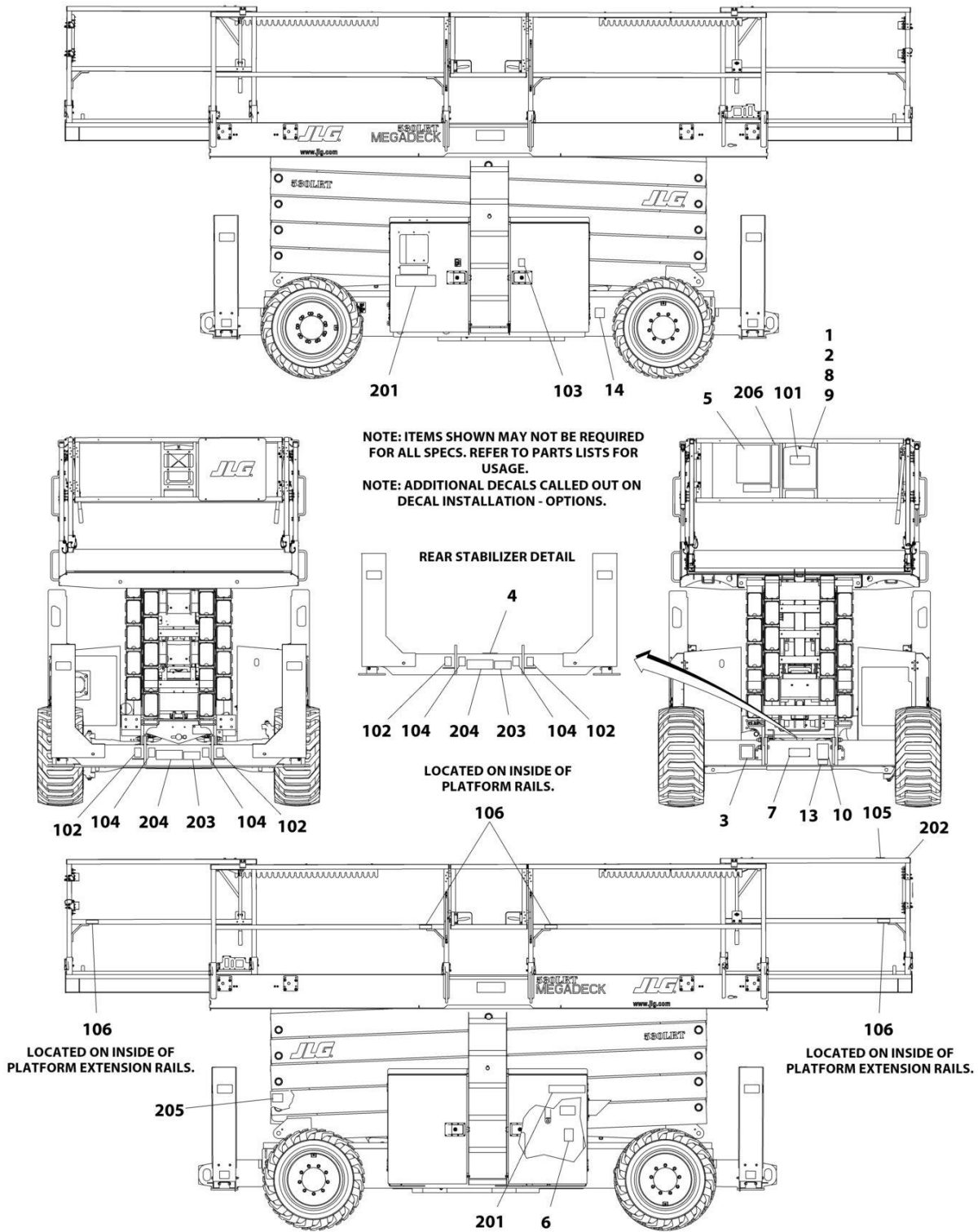
FIGURE 8-42. SCISSORS ARMS GUARD HARNESS

| ITEM | PART NUMBER | QTY | DESCRIPTION | REV |
|------|-------------|-----|-----------------------------|-----|
| | 1001244347 | Ref | SCISSORS ARMS GUARD HARNESS | B |
| 1 | 4460891 | 1 | Plug, Male - 2 Position | |
| 1 | 4460465 | 2 | Socket, Female | |
| 2 | 4460539 | 1 | Plug, Male - 3 Position | |
| 2 | 4460944 | 3 | Socket, Female | |
| 3 | 1001103012 | 1 | Connector - 4 Position | |
| 3 | 1001107854 | 4 | Socket, Female | |

SECTION 9 - DECALS

SECTION 9 - DECALS

FIGURE 9-1. DECAL INSTALLATION - ANSI AND ANSI EXPORT SPECS (ENGLISH)



ART_1001187668_D

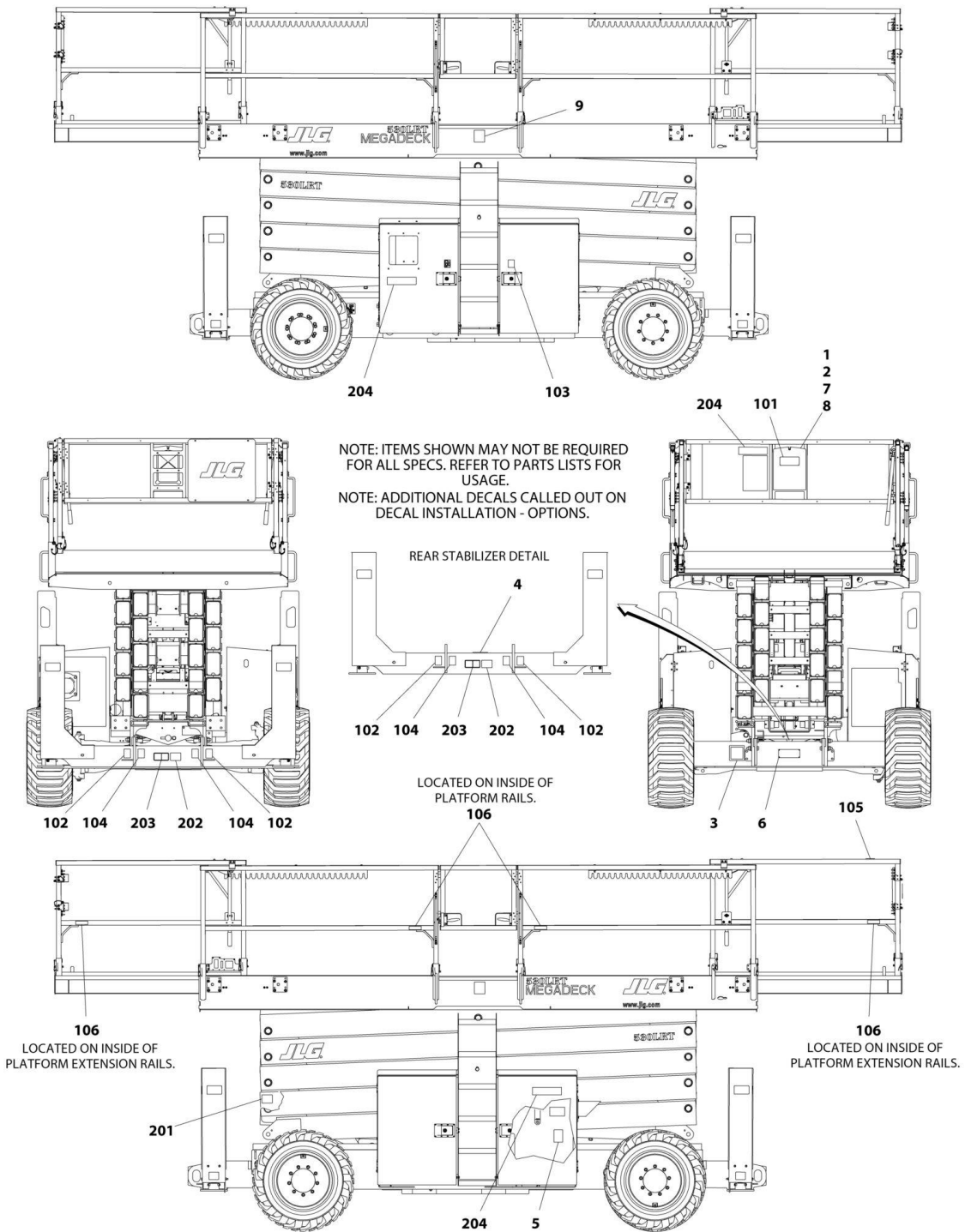
SECTION 9 - DECALS

FIGURE 9-1. DECAL INSTALLATION - ANSI AND ANSI EXPORT SPECS (ENGLISH)

| ITEM | PART NUMBER | QTY | DESCRIPTION | REV |
|------|-------------|-----|---|-----|
| | 1001187668 | Ref | DECAL INSTALLATION | D |
| | | Ref | Note: See DECAL INSTALLATION - OPTIONS for additional decals. | |
| 1 | 0760610 | 4 | Bolt, M6 X 20 | |
| 2 | 0860520 | 1 | Box, Manual Storage | |
| 3 | See Note | NSS | Decal - Bar Code (Note: Not Available for Purchase) | |
| 4 | 1703687 | 2 | Decal - Directional Arrow | |
| 5 | 1703816 | 1 | Decal - Danger/Warning | |
| 6 | 1704412 | 1 | Decal - Hydraulic Oil | |
| 7 | 2080057 | 4 | Fastener | |
| 8 | 3290605 | 4 | Nut, Lock M6 | |
| 9 | 4811700 | 8 | Washer, M6 | |
| 10 | 1001131270 | 1 | Decal - Patent | |
| 13 | 1001223453 | 1 | Decal - ICES | |
| 14 | 1001223055 | 1 | Decal - Yearly Inspection | |
| 101 | 1701509 | 1 | Decal - Manual | |
| 102 | 1703811 | 1 | Decal - Lifting Lug | |
| 103 | 1703812 | 1 | Decal - Hydraulic Oil | |
| 104 | 1703814 | 1 | Decal - Tie Down | |
| 105 | 1703819 | 1 | Decal - Directional Arrow | |
| 106 | 1704277 | 1 | Decal - Lanyard Attach | |
| 201 | 1703818 | 1 | Decal - Danger Electrocution/Warning Crushing | |
| 202 | 1703821 | 1 | Decal - Control Box Location | |
| 203 | 1703823 | 1 | Decal - Danger/Electrocution Hazard | |
| 204 | 1704432 | 1 | Decal - Warning Crushing | |
| 205 | 1705019 | 1 | Decal - Safety Prop | |
| 206 | 1001192853 | 1 | Decal - Legend | |

SECTION 9 - DECALS

FIGURE 9-2. DECAL INSTALLATION - AUSTRALIAN AND JAPANESE SPECS



ART_1001203770

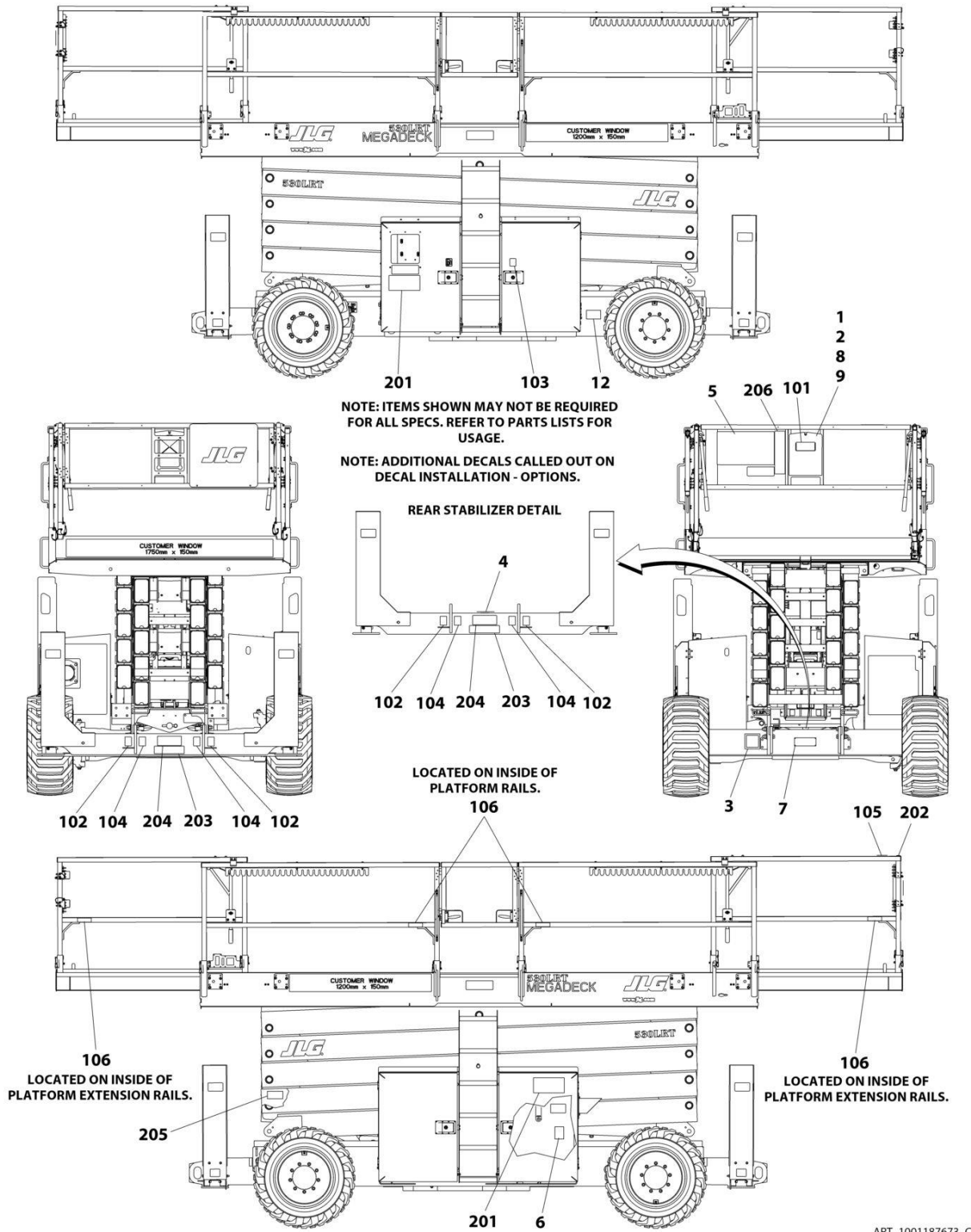
SECTION 9 - DECALS

FIGURE 9-2. DECAL INSTALLATION - AUSTRALIAN AND JAPANESE SPECS

| ITEM | PART NUMBER | QTY | DESCRIPTION | REV |
|------|-------------|-----|---|-----|
| | 1001203770 | Ref | DECAL INSTALLATION | D |
| | | Ref | Note: See DECAL INSTALLATION - OPTIONS for additional decals. | |
| 1 | 0760610 | 4 | Bolt, M6 X 20 | |
| 2 | 0860520 | 1 | Box, Manual Storage | |
| 3 | See Note | NSS | Decal - Bar Code (Note: Not Available for Purchase) | |
| 4 | 1703687 | 2 | Decal - Directional Arrow | |
| 5 | 1704412 | 1 | Decal - Hydraulic Oil | |
| 6 | 2080057 | 4 | Fastener | |
| 7 | 3290605 | 4 | Nut, Lock M6 | |
| 8 | 4811700 | 8 | Washer, M6 | |
| 9 | 1001191526 | 2 | Decal - Sound Power Level | |
| 101 | 1701509 | 1 | Decal - Manual | |
| 102 | 1703811 | 1 | Decal - Lifting Lug | |
| 103 | 1703812 | 1 | Decal - Hydraulic Oil | |
| 104 | 1703814 | 1 | Decal - Tie Down | |
| 105 | 1703819 | 1 | Decal - Directional Arrow | |
| 106 | 1704277 | 1 | Decal - Lanyard Attach | |
| 201 | 1705019 | 1 | Decal - Safety Prop | |
| 202 | 1705372 | 1 | Decal - Head Crushing | |
| 203 | 1705671 | 1 | Decal - Electrocution | |
| 204 | 1706338 | 1 | Decal - Electrocution/Crushing | |

SECTION 9 - DECALS

FIGURE 9-3. DECAL INSTALLATION - BRAZIL SPECS (SPANISH/PORTUGUESE)



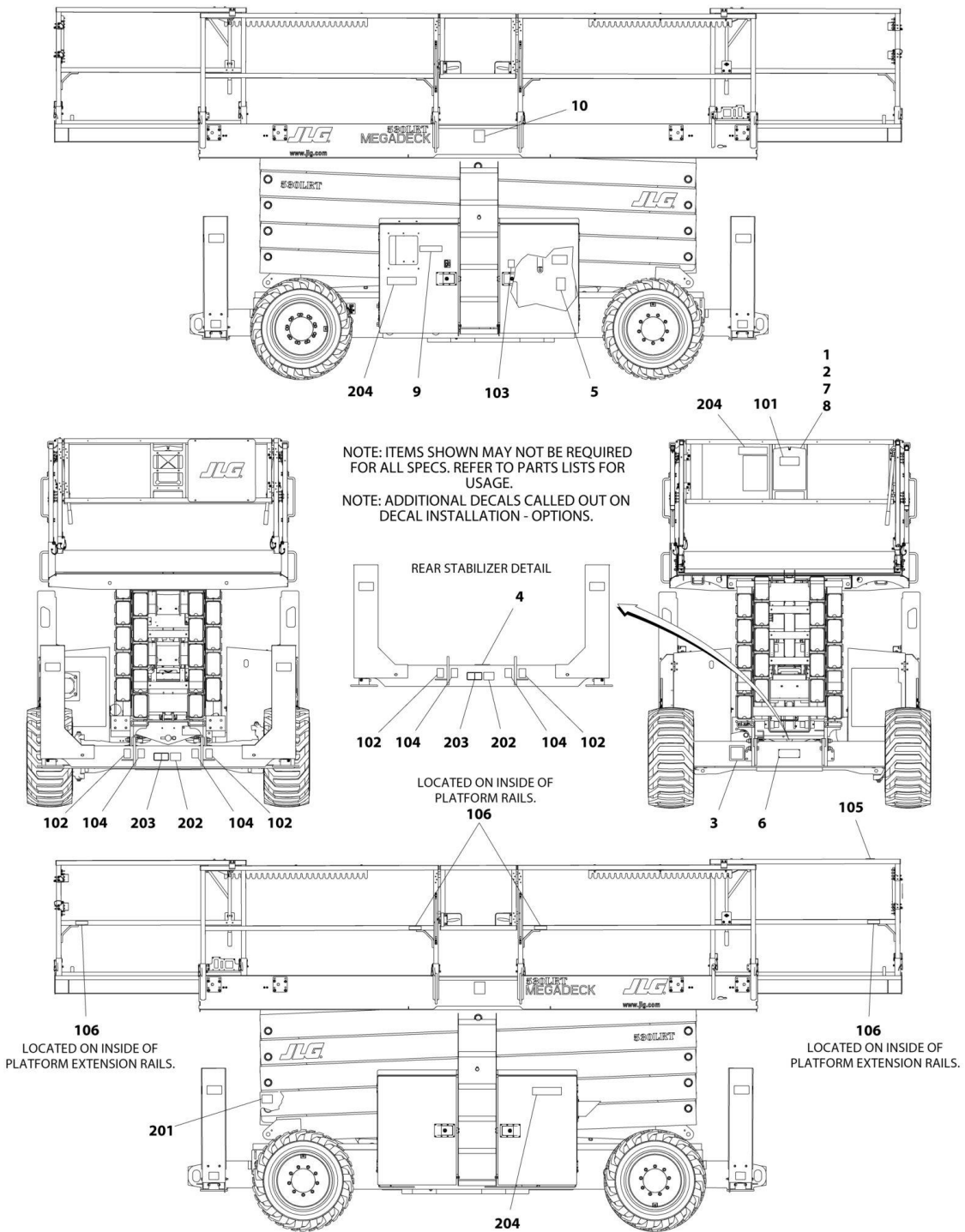
SECTION 9 - DECALS

FIGURE 9-3. DECAL INSTALLATION - BRAZIL SPECS (SPANISH/PORTUGUESE)

| ITEM | PART NUMBER | QTY | DESCRIPTION | REV |
|------|-------------|-----|---|-----|
| | 1001187673 | Ref | DECAL INSTALLATION | C |
| | | Ref | Note: See DECAL INSTALLATION - OPTIONS for additional decals. | |
| 1 | 0760610 | 4 | Bolt M6 x 20 | |
| 2 | 0860520 | 1 | Box, Manual Storage | |
| 3 | See Note | NSS | Decal - Bar Code (Note: Not Available for Purchase) | |
| 4 | 1703687 | 2 | Decal - Directional Arrow | |
| 5 | 1704699 | 1 | Decal - Danger/Warning | |
| 6 | 1704412 | 1 | Decal - Hydraulic Oil | |
| 7 | 2080057 | 4 | Fastener | |
| 8 | 3290605 | 4 | Nut M6 | |
| 9 | 4811700 | 8 | Washer M6 | |
| 12 | 1001224052 | 1 | Decal - Yearly Inspection | |
| 101 | 1701509 | 1 | Decal - Manual | |
| 102 | 1703811 | 1 | Decal - Lifting Lug | |
| 103 | 1703812 | 1 | Decal - Hydraulic Oil | |
| 104 | 1703814 | 1 | Decal - Tie Down | |
| 105 | 1703819 | 1 | Decal - Directional Arrow | |
| 106 | 1704277 | 1 | Decal - Lanyard Attach | |
| 201 | 1704701 | 1 | Decal - Danger Electrocution/Warning Crushing | |
| 202 | 1704702 | 1 | Decal - Control Box Location | |
| 203 | 1705043 | 1 | Decal - Danger/Electrocution Hazard | |
| 204 | 1705318 | 1 | Decal - Warning Crushing | |
| 205 | 1705019 | 1 | Decal - Safety Prop | |
| 206 | 1001203077 | 1 | Decal - Legend | |

SECTION 9 - DECALS

FIGURE 9-4. DECAL INSTALLATION - CE SPEC



ART_1001187670

SECTION 9 - DECALS

FIGURE 9-4. DECAL INSTALLATION - CE SPEC

| ITEM | PART NUMBER | QTY | DESCRIPTION | REV |
|------|-------------|-----|---|-----|
| | 1001187670 | Ref | DECAL INSTALLATION | F |
| | | Ref | Note: See DECAL INSTALLATION - OPTIONS for additional decals. | |
| 1 | 0760610 | 4 | Bolt, M6 X 20 | |
| 2 | 0860520 | 1 | Box, Manual Storage | |
| 3 | See Note | 1 | Decal - Bar Code (Note: Not Available for Purchase) | |
| 4 | 1703687 | 2 | Decal - Directional Arrow | |
| 5 | 1704412 | 1 | Decal - Hydraulic Oil | |
| 6 | 2080057 | 4 | Fastener | |
| 7 | 3290605 | 4 | Nut, Lock M6 | |
| 8 | 4811700 | 8 | Washer, M6 | |
| 9 | 1001197634 | 1 | Decal - MSSO Operation | |
| 10 | 80463053 | 2 | Decal - Sound Power Level | |
| 101 | 1701509 | 1 | Decal - Manual | |
| 102 | 1703811 | 1 | Decal - Lifting Lugs | |
| 103 | 1703812 | 1 | Decal - Hydraulic Oil | |
| 104 | 1703814 | 1 | Decal - Tie Down | |
| 105 | 1703819 | 1 | Decal - Directional Arrow | |
| 106 | 1704277 | 1 | Decal - Lanyard Attach | |
| 201 | 1705019 | 1 | Decal - Safety Prop | |
| 202 | 1705372 | 1 | Decal - Head Crushing | |
| 203 | 1705671 | 1 | Decal - Electrocution | |
| 204 | 1706338 | 1 | Decal - Electrocution/Crushing | |

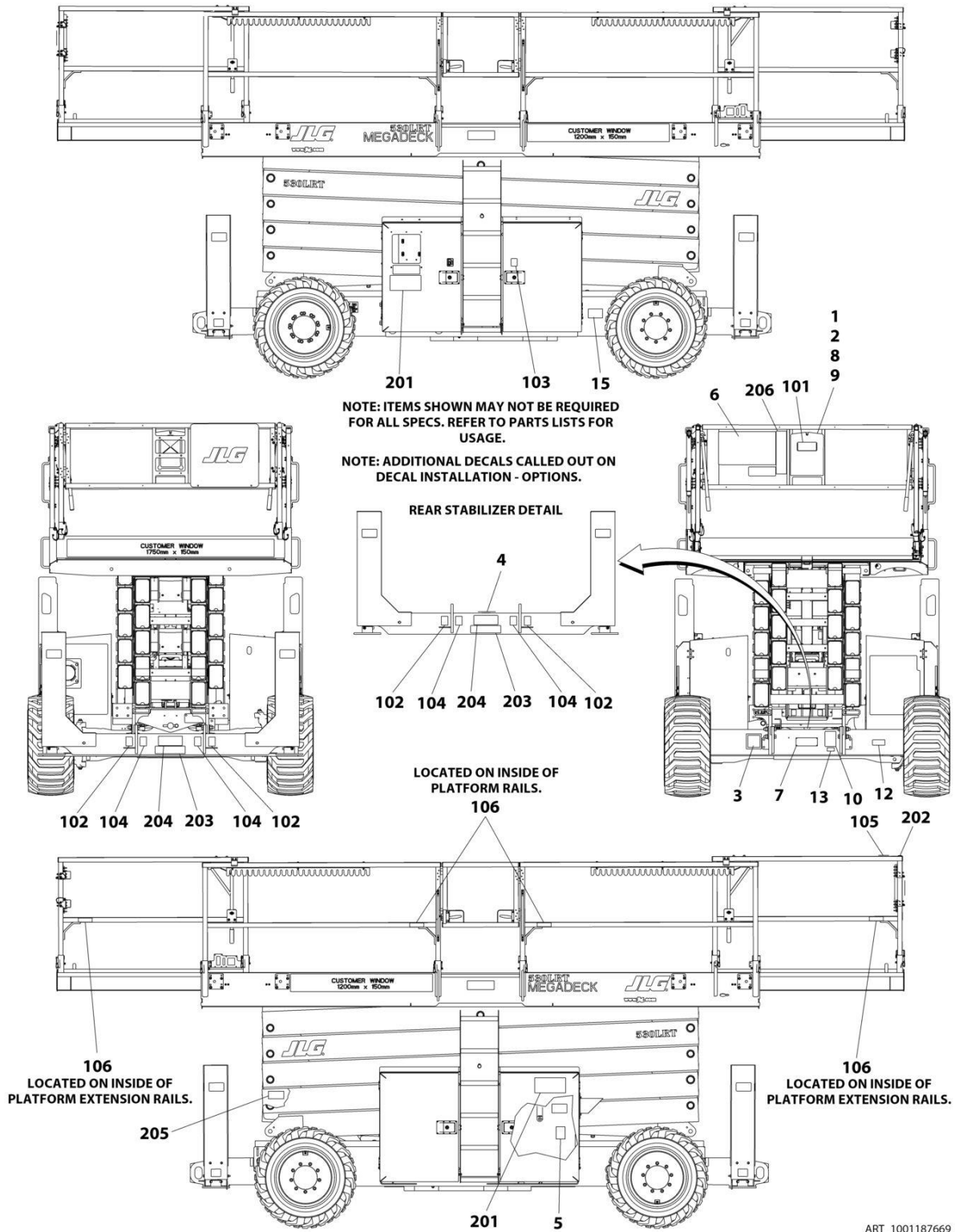
SECTION 9 - DECALS

FIGURE 9-5. DECAL INSTALLATION - CHINESE SPECS (ENGLISH/CHINESE)

| ITEM | PART NUMBER | QTY | DESCRIPTION | REV |
|------|-------------|-----|---|-----|
| | 1001187671 | Ref | DECAL INSTALLATION | C |
| | | Ref | Note: See DECAL INSTALLATION - OPTIONS for additional decals. | |
| 1 | 0760610 | 4 | Bolt M6 x 20 | |
| 2 | 0860520 | 1 | Box, Manual Storage | |
| 3 | See Note | NSS | Decal - Bar Code (Note: Not Available for Purchase) | |
| 4 | 1703687 | 2 | Decal - Directional Arrow | |
| 5 | 1705195 | 1 | Decal - Danger/Warning | |
| 6 | 1704412 | 1 | Decal - Hydraulic Oil | |
| 7 | 2080057 | 4 | Fastener | |
| 8 | 3290605 | 4 | Nut M6 | |
| 9 | 4811700 | 8 | Washer M6 | |
| 12 | 1001224050 | 1 | Decal - Yearly Inspection | |
| 101 | 1701509 | 1 | Decal - Manual | |
| 102 | 1703811 | 1 | Decal - Lifting Lug | |
| 103 | 1703812 | 1 | Decal - Hydraulic Oil | |
| 104 | 1703814 | 1 | Decal - Tie Down | |
| 105 | 1703819 | 1 | Decal - Directional Arrow | |
| 106 | 1704277 | 1 | Decal - Lanyard Attach | |
| 201 | 1705193 | 1 | Decal - Danger Electrocution/Warning Crushing | |
| 202 | 1705194 | 1 | Decal - Control Box Location | |
| 203 | 1705944 | 1 | Decal - Danger/Electrocution Hazard | |
| 204 | 1705943 | 1 | Decal - Warning Crushing | |
| 205 | 1705019 | 1 | Decal - Safety Prop | |
| 206 | 1001192853 | 1 | Decal - Legend | |

SECTION 9 - DECALS

FIGURE 9-6. DECAL INSTALLATION - CSA (ENGLISH/FRENCH)



ART_1001187669_D

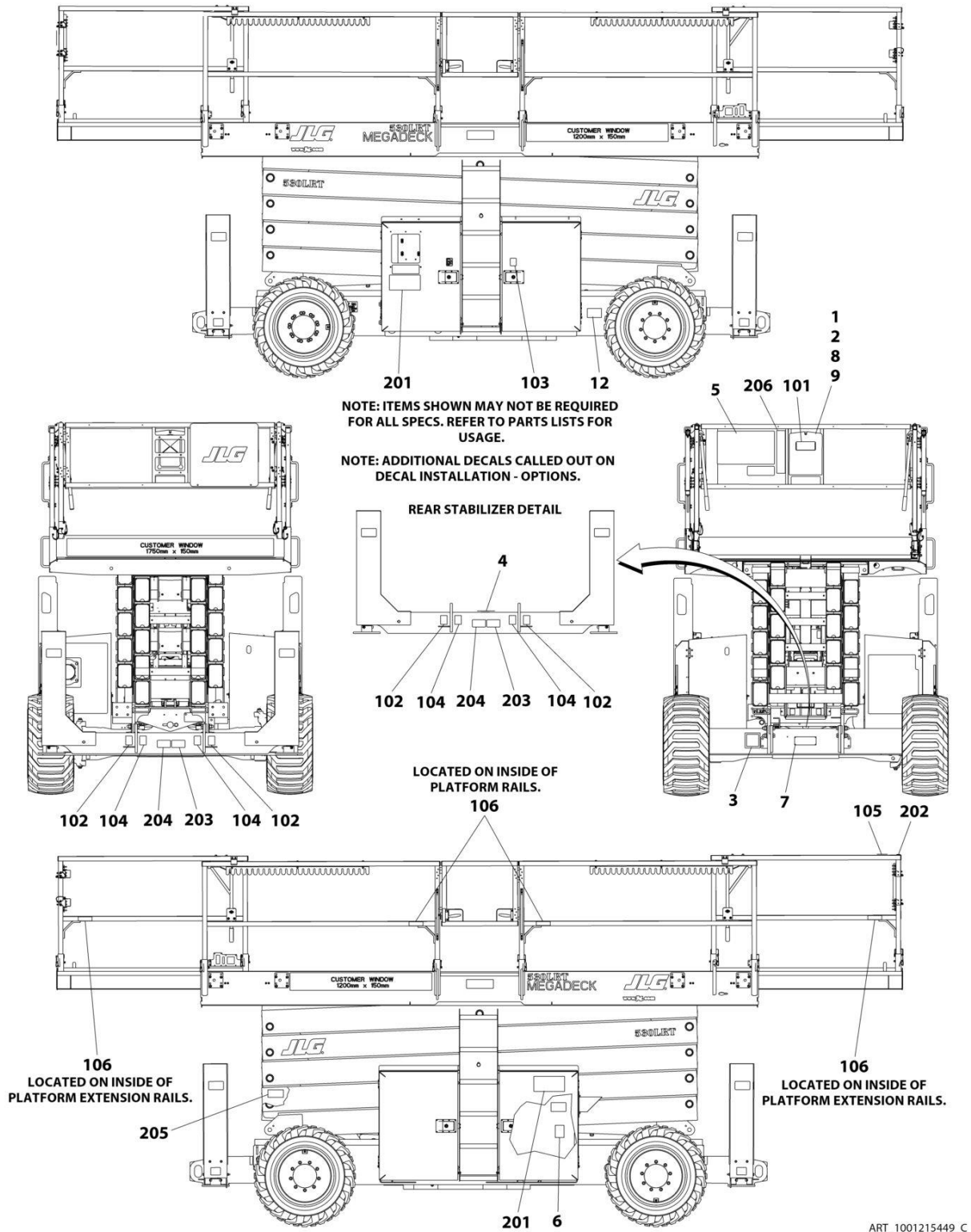
SECTION 9 - DECALS

FIGURE 9-6. DECAL INSTALLATION - CSA (ENGLISH/FRENCH)

| ITEM | PART NUMBER | QTY | DESCRIPTION | REV |
|------|-------------|-----|---|-----|
| | 1001187669 | Ref | DECAL INSTALLATION | D |
| | | Ref | Note: See DECAL INSTALLATION - OPTIONS for additional decals. | |
| 1 | 0760610 | 4 | Bolt M6 x 20 | |
| 2 | 0860520 | 1 | Box, Manual Storage | |
| 3 | See Note | NSS | Decal - Bar Code (Note: Not Available for Purchase) | |
| 4 | 1703687 | 2 | Decal - Directional Arrow | |
| 5 | 1704412 | 1 | Decal - Hydraulic Oil | |
| 6 | 1704684 | 1 | Decal - Danger/Warning | |
| 7 | 2080057 | 4 | Fastener | |
| 8 | 3290605 | 4 | Nut M6 | |
| 9 | 4811700 | 8 | Washer M6 | |
| 10 | 1001131270 | 1 | Decal - Patent | |
| 12 | 1705303 | 1 | Decal - CSA | |
| 13 | 1001223453 | 1 | Decal - ICES | |
| 15 | 1001223971 | 1 | Decal - Yearly Inspection | |
| 101 | 1701509 | 1 | Decal - Manual | |
| 102 | 1703811 | 1 | Decal - Lifting Lug | |
| 103 | 1703812 | 1 | Decal - Hydraulic Oil | |
| 104 | 1703814 | 1 | Decal - Tie Down | |
| 105 | 1703819 | 1 | Decal - Directional Arrow | |
| 106 | 1704277 | 1 | Decal - Lanyard Attach | |
| 201 | 1704686 | 1 | Decal - Danger Electrocution/Warning Crushing | |
| 202 | 1704687 | 1 | Decal - Control Box Location | |
| 203 | 1705040 | 1 | Decal - Danger/Electrocution Hazard | |
| 204 | 1705311 | 1 | Decal - Warning Crushing | |
| 205 | 1705019 | 1 | Decal - Safety Prop | |
| 206 | 1001203075 | 1 | Decal - Legend | |

SECTION 9 - DECALS

FIGURE 9-7. DECAL INSTALLATION - KOREAN SPECS (ENGLISH/KOREAN)



SECTION 9 - DECALS

FIGURE 9-7. DECAL INSTALLATION - KOREAN SPECS (ENGLISH/KOREAN)

| ITEM | PART NUMBER | QTY | DESCRIPTION | REV |
|------|-------------|-----|---|-----|
| | 1001215449 | Ref | DECAL INSTALLATION | C |
| | | Ref | Note: See DECAL INSTALLATION - OPTIONS for additional decals. | |
| 1 | 0760610 | 4 | Bolt, M6 X 20 | |
| 2 | 0860520 | 1 | Box, Manual Storage | |
| 3 | See Note | NSS | Decal - Bar Code (Note: Not Available for Purchase) | |
| 4 | 1703687 | 2 | Decal - Directional Arrow | |
| 5 | 1001162115 | 1 | Decal - Danger/Warning | |
| 6 | 1704412 | 1 | Decal - Hydraulic Oil | |
| 7 | 2080057 | 4 | Fastener | |
| 8 | 3290605 | 4 | Nut, Lock M6 | |
| 9 | 4811700 | 8 | Washer, M6 | |
| 12 | 1001224048 | 1 | Decal - Yearly Inspection | |
| 101 | 1701509 | 1 | Decal - Manual | |
| 102 | 1703811 | 1 | Decal - Lifting Lug | |
| 103 | 1703812 | 1 | Decal - Hydraulic Oil | |
| 104 | 1703814 | 1 | Decal - Tie Down | |
| 105 | 1703819 | 1 | Decal - Directional Arrow | |
| 106 | 1704277 | 1 | Decal - Lanyard Attach | |
| 201 | 1001162111 | 1 | Decal - Danger Electrocution/Warning Crushing | |
| 202 | 1001162112 | 1 | Decal - Control Box Location | |
| 203 | 1001162114 | 1 | Decal - Danger/Electrocution Hazard | |
| 204 | 1001162113 | 1 | Decal - Warning Crushing | |
| 205 | 1705019 | 1 | Decal - Safety Prop | |
| 206 | 1001162110 | 1 | Decal - Legend | |

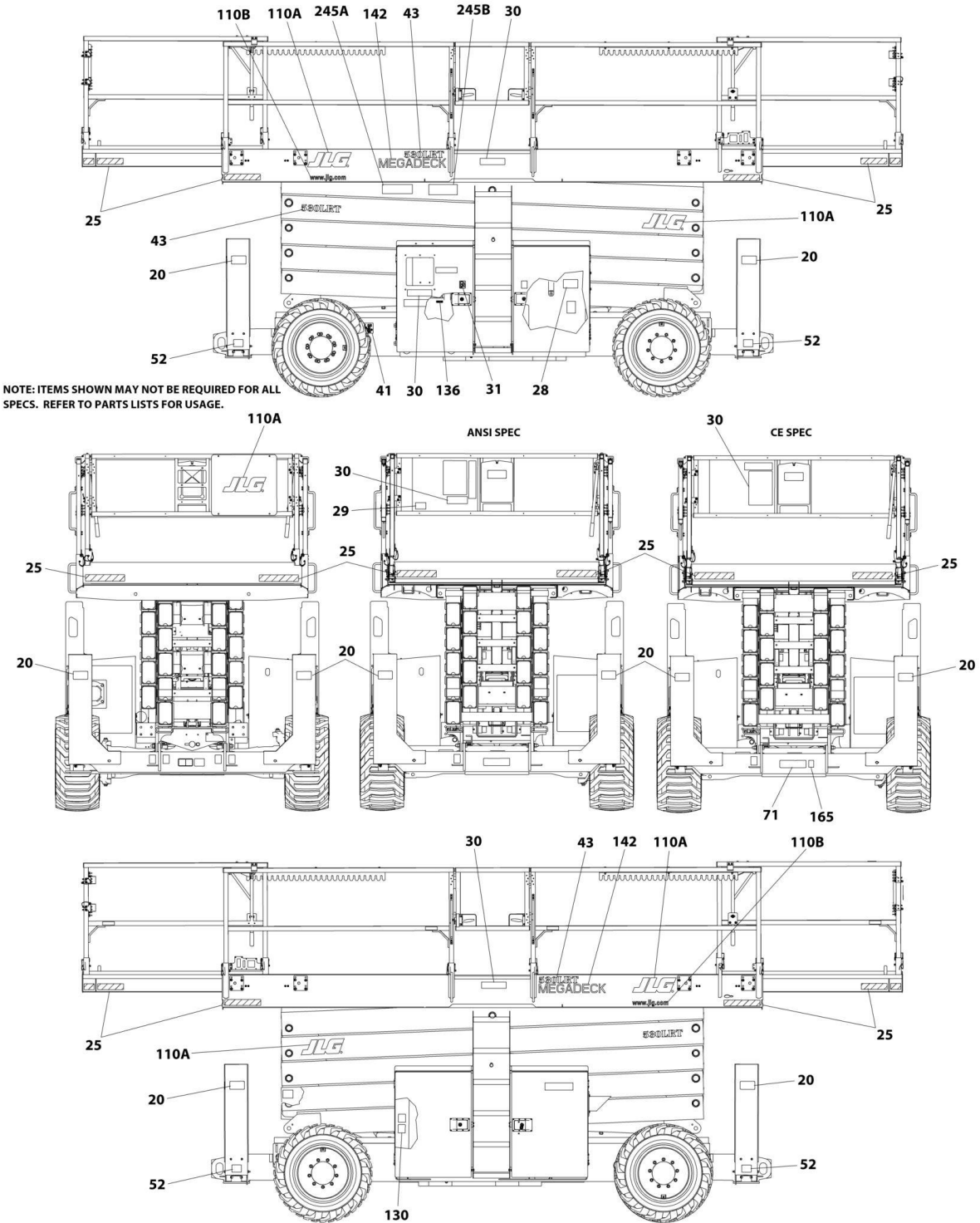
SECTION 9 - DECALS

FIGURE 9-8. DECAL INSTALLATION - LATIN AMERICAN SPECS (ENGLISH/SPANISH)

| ITEM | PART NUMBER | QTY | DESCRIPTION | REV |
|------|-------------|-----|---|-----|
| | 1001187672 | Ref | DECAL INSTALLATION | C |
| | | Ref | Note: See DECAL INSTALLATION - OPTIONS for additional decals. | |
| 1 | 0760610 | 4 | Bolt M6 x 20 | |
| 2 | 0860520 | 1 | Box, Manual Storage | |
| 3 | See Note | NSS | Decal - Bar Code (Note: Not Available for Purchase) | |
| 4 | 1703687 | 2 | Decal - Directional Arrow | |
| 5 | 1704691 | 1 | Decal - Danger/Warning | |
| 6 | 1704412 | 1 | Decal - Hydraulic Oil | |
| 7 | 2080057 | 4 | Fastener | |
| 8 | 3290605 | 4 | Nut M6 | |
| 9 | 4811700 | 8 | Washer M6 | |
| 12 | 1001224049 | 1 | Decal - Yearly Inspection | |
| 101 | 1701509 | 1 | Decal - Manual | |
| 102 | 1703811 | 1 | Decal - Lifting Lug | |
| 103 | 1703812 | 1 | Decal - Hydraulic Oil | |
| 104 | 1703814 | 1 | Decal - Tie Down | |
| 105 | 1703819 | 1 | Decal - Directional Arrow | |
| 106 | 1704277 | 1 | Decal - Lanyard Attach | |
| 201 | 1704693 | 1 | Decal - Danger Electrocution/Warning Crushing | |
| 202 | 1704694 | 1 | Decal - Control Box Location | |
| 203 | 1705041 | 1 | Decal - Danger/Electrocution Hazard | |
| 204 | 1705316 | 1 | Decal - Warning Crushing | |
| 205 | 1705019 | 1 | Decal - Safety Prop | |
| 206 | 1001203076 | 1 | Decal - Legend | |

SECTION 9 - DECALS

FIGURE 9-9. DECAL INSTALLATION - OPTIONS



ART_DECAL_OPTIONS

SECTION 9 - DECALS

FIGURE 9-9. DECAL INSTALLATION - OPTIONS

| ITEM | PART NUMBER | QTY | DESCRIPTION | REV |
|------|-------------|----------------|--|-----|
| | | Ref | DECAL INSTALLATION - REFERENCE CHART | |
| | 1001249143 | 1 | DECAL INSTALLATION - OPTIONS | C |
| 20 | 1701214 | 8 | Decal - Outrigger Warning (ANSI, ANSI Export, China and CSA Specs) (English) | |
| 20 | 1701785 | 8 | Decal - Outrigger Warning (Australian, CE and Japanese Specs) (English) | |
| 20 | 1704698 | 8 | Decal - Outrigger Warning (Brazilian Spec) (Spanish/Portuguese) | |
| 20 | 1704690 | 8 | Decal - Outrigger Warning (CSA Specs) (English/French) | |
| 20 | 1001215447 | 8 | Decal - Outrigger Warning (Korean Specs) (English/Korean) | |
| 20 | 1704697 | 8 | Decal - Outrigger Warning (Latin American Spec) (English/Spanish) | |
| 25 | 1001187701 | Ref | Decal - Warning Stripes Installation (Single Deck Extension) | A |
| 25 | 1001192381 | Ref | Decal - Warning Stripes Installation (Dual Deck Extension) | A |
| 25 | 4420051 | 10 ft/ 3.1m | Tape, Safety (Single Deck Extension) | |
| 25 | 4420051 | 12 ft/ 3.7m | Tape, Safety (Dual Deck Extension) | |
| 28 | 1702788 | 1 | Decal - Biodegradable Hydraulic Fluid (All Specs Except ANSI Export, China and Japanese Specs) | |
| 28 | 1704174 | 1 | Decal - Synthetic Biodegradable Hydraulic Fluid (All Specs Except ANSI Export, China and Japanese Specs) | |
| 28 | 1703479 | 1 | Decal - Biodegradable Hydraulic Fluid (German Specs) | |
| 28 | 1704175 | 1 | Decal - Synthetic Biodegradable Hydraulic Fluid (German Specs) | |
| 29 | 1001231801 | 1 | Decal - Warning Prop 65 (ANSI Specs) | |
| 30 | 1001269878 | 4 | Decal - Capacity 1500lbs/680kg (With Single Deck Extension) (All Specs Except Australian and CE Specs) | |
| 30 | 1001202974 | 1 | Decal - Capacity 680kg (With Single Deck Extension) (Australian and CE Specs) | |
| 30 | 1001269879 | 4 | Decal - Capacity 1500lbs/680kg (With Dual Deck Extension) (All Specs Except Australian and CE Specs) | |
| 30 | 1001191733 | 1 | Decal - Capacity 680kg (With Dual Deck Extension) (Australian and CE Specs) | |
| 31 | 1701505 | 1 | Decal - Fuel (Diesel) | |
| 31 | 1701542 | 1 | Decal - Fuel (Dual Fuel) | |
| 41 | 1700818 | 1 | Decal - LP Gas (ANSI, ANSI Export and CSA Specs) (English) | |
| 41 | 1702720 | 1 | Decal - LP Gas (ANSI Export Specs) (Spanish) | |
| 41 | 1704271 | 1 | Decal - LP Gas (CSA Spec) (English/French) | |
| 43 | 1001200543 | 4 | Decal - Model 530LRT | |
| 52 | 1001191735 | 4 | Decal - Max Tire load | |
| 71 | See Note | NSS | Nameplate - Manufacturer Serial Number (Note: Not Available for Purchase) | |
| 110 | 1001220567 | Ref | JLG Logo Decal Installation | A |
| 110A | 1702773 | 5 | Decal - JLG | |
| 110B | 1704885 | 2 | Decal - Website | |
| 130 | 1704972 | 1 | Decal - Warning Explosion/Fire (English) (ANSI and ANSI Export Specs) | |
| 130 | 1706098 | 1 | Decal - Warning Explosion/Fire (Pictogram) (Australian, CE and Japanese Spec) | |
| 130 | 1706059 | 1 | Decal - Warning Explosion/Fire (English/Portuguese) (Brazil Specs) | |
| 130 | 1706060 | 1 | Decal - Warning Explosion/Fire (English/Chinese) (China Specs) | |
| 130 | 1706064 | 1 | Decal - Warning Explosion/Fire (English/French) (CSA Specs) | |

SECTION 9 - DECALS

| ITEM | PART NUMBER | QTY | DESCRIPTION | REV |
|------|-------------|-----|--|-----|
| 130 | 1706063 | 1 | Decal - Warning Explosion/Fire (English/Spanish) (Latin American Specs) | |
| 136 | 1001125387 | 1 | Decal - Ultra Low Sulfur Fuel (ANSI, CSA and Japanese Specs) (Kubota T4F Only) | |
| 136 | 1001139654 | 1 | Decal - Ultra Low Sulfur Fuel (CE Specs) (ISO) | |
| 142 | 1001142595 | 2 | Decal - Megadeck | |
| 156 | 1001214029 | Ref | EAC Decal Installation (Russian/CIS Specs) | A |
| 156 | 1001173703 | 1 | Decal - EAC | |
| 245 | 1001229700 | Ref | Decal - ClearSky Telematics Installation | |
| 245A | 1001116208 | 1 | Decal - ClearSky | |
| 245B | 1001120989 | 1 | Decal - Radio Frequency Device | |

SECTION 10 - RECOMMENDED SERVICE PARTS STOCK

SECTION 10 - RECOMMENDED SERVICE PARTS STOCK

SECTION 10 - RECOMMENDED SERVICE PARTS STOCK

FIGURE 10-1. RECOMMENDED SERVICE PARTS STOCK

| ITEM | PART NUMBER | QTY | DESCRIPTION | REV |
|------|-------------|-----|---|-----|
| | | Ref | Note: The following list will service one machine (built to current production per date on the front cover) with emergency repair parts which can be installed in the field. Parts from the list should be replaced when inventory is depleted to keep service parts stock supplied. For further information, contact your JLG dealer or the JLG Industries Parts Department. | |
| | | Ref | STANDARD PARTS | |
| | 4360070 | 1 | Breaker, Circuit 15Amp | |
| | 70002113 | 1 | Breather, Hydraulic Tank | |
| | 70050516 | 1 | Coil | |
| | 70002963 | 1 | Coil | |
| | 70003789 | 1 | Coil | |
| | 70001965 | 1 | Coil | |
| | 70001967 | 1 | Coil | |
| | 70001977 | 1 | Coil | |
| | 70003788 | 1 | Coil | |
| | 70005788 | 1 | Coil | |
| | 1600402 | 1 | Controller Assembly (PVC 1910) | |
| | 1001247682 | 1 | Controller Assembly (PVC 2004) | |
| | 70010383 | 1 | Element, Charge Filter | |
| | 70001960 | 4 | Element, Return Filter | |
| | 2860030 | 1 | Key, Replacement | |
| | 3740080 | 1 | Relay | |
| | 4360475 | 1 | Switch, Emergency Stop | |
| | 4360387 | 1 | Switch, Push Button | |
| | 4360482 | 1 | Switch, Toggle | |
| | 4360483 | 1 | Switch, Toggle | |
| | 4360524 | 1 | Switch, Toggle | |
| | 1001236560 | 1 | Switch, Toggle | |
| | | Ref | VARIABLE PARTS | |
| | 1001181045 | 1 | Breaker, 30mA/16Amp (CE Spec Machines) | |
| | 1001159118 | 1 | Breaker, GFCI 30A - 240V (Machines with Receptacle Assembly) | |
| | 4360070 | 1 | Breaker, Circuit - 15Amp (Machines with Generator) | |
| | 7015004 | 12 | Element, Air Cleaner (Kubota Engines) | |
| | 70005296 | 1 | Element, Fuel/Water Separator | |
| | 2940074 | 1 | Latch | |
| | 1001182481 | 1 | Module, Control (Kubota Engines) | |
| | 1001234735 | 1 | Module, Ground Control | |
| | 1001235098 | 1 | Module, Platform Control | |
| | 1001187857 | 1 | Sensor, Dual Axis (Arm Guards) | |
| | 4360469 | 1 | Switch, Key | |
| | 4360548 | 1 | Switch, Limit (Leveling Jacks) | |
| | 4360500 | 1 | Switch, Rotary Angle Sensor | |
| | 4360482 | 1 | Switch, Toggle (Machines with Generator) | |
| | 1001234736 | 1 | Module, Control - Hydraulics | |
| | 1600387 | 1 | Module, Control - LSS | |

SECTION 11 - SPECIAL OPTIONS

SECTION 11 - SPECIAL OPTIONS

FIGURE 11-1. SPECIAL OPTIONS

| ITEM | PART NUMBER | QTY | DESCRIPTION | REV |
|------|-------------|-----|---|-----|
| | | Ref | Note: This list is to accommodate machines ordered with special equipment. Options may not be applicable to all models. For more specific parts information contact JLG Parts Department. | |
| | | Ref | MISCELLANEOUS SPECIAL OPTIONS | |
| | 1001181468 | Ref | Airline Installation | |
| | 1001215967 | Ref | Airline Add-on Kit | |
| | 1001234565 | Ref | Cable Routing Kit | |
| | | Ref | ClearSky Telematic Installation (Factory Installed) Options: | |
| | 1001236021 | Ref | ClearSky Canbus Connection (ANSI & CSA Specs) | |
| | 1001236869 | Ref | ClearSky Canbus Connection (ANSI Export & CE Specs) | |
| | 1001246528 | Ref | ClearSky Canbus Connection (Australian Spec) | |
| | 1001246529 | Ref | ClearSky Canbus Connection (Chinese Spec) | |
| | 1001229107 | Ref | ClearSky 3 Wire Connection (ANSI and CSA Specs) | |
| | 1001233237 | Ref | ClearSky 3 Wire Connection (ANSI Export and CE Specs) | |
| | | Ref | ClearSky Telematic Add-on Kit (Dealer Installed) Options: | |
| | 1001237254 | Ref | ClearSky Canbus Connection (ANSI & CSA Specs) | |
| | 1001247539 | Ref | ClearSky (Telematics) Installation - Canbus (Australian Specs) | |
| | 1001237255 | Ref | ClearSky Canbus Connection (ANSI Export & CE Specs) | |
| | 1001230504 | Ref | ClearSky 3 Wire Connection (ANSI and CSA Specs) | |
| | 1001234102 | Ref | ClearSky 3 Wire Connection (ANSI Export and CE Specs) | |
| | 1001243580 | Ref | ClearSky Telematics Access Control Kit (ANSI, ANSI Export, CE and CSA Specs) | |
| | 1001243185 | Ref | ClearSky Telematics Access Control Kit – Single Can (ANSI Specs) | |
| | 1001243186 | Ref | ClearSky Telematics Access Control Kit – Single Can (CE Specs) | |
| | 1001177763 | Ref | Cold Weather Package - 120V (Diesel Engine) | |
| | 1001215968 | Ref | Cold Weather Package Add-on Kit - 120V (Diesel Engine) | |
| | 1001206739 | Ref | Cold Weather Package - 120V (Gas Engine) | |
| | 1001188785 | Ref | Cold Weather Package - 240V (Diesel Engine) | |
| | 1001215969 | Ref | Cold Weather Package Add-on Kit - 240V (Diesel Engine) | |
| | 1001191737 | Ref | Container Shipment Preparation | |
| | | Ref | Decal Kits: | |
| | 1001194829 | Ref | Decal Kit - Country Spec (ANSI Spec) | |
| | 1001194831 | Ref | Decal Kit - Country Spec (Australian, CE and Japanese Specs) | |
| | 1001194834 | Ref | Decal Kit - Country Spec (Brazil Specs) | |
| | 1001214131 | Ref | Decal Kit - Country Spec (Chinese Specs) | |
| | 1001194830 | Ref | Decal Kit - Country Spec (CSA Specs) | |
| | 1001162116 | Ref | Decal Kit - Country Spec (Korean Specs) | |
| | 1001203076 | Ref | Decal Kit - Country Spec (Latin American Specs) | |
| | 1001193323 | Ref | Decal Kit - Master (Standard Decal) | |
| | 1001233631 | Ref | Door Bumpers Kit | |
| | 1001233818 | Ref | Door Retention Kit | |
| | | Ref | Electrical Connector Kits | |
| | 1001148902 | Ref | Electrical Connector Kit - Amp/Tyco Electrical Connectors | |
| | 1001148903 | Ref | Electrical Connector Kit - Deutsch DT Electrical Connectors | |
| | 1001148904 | Ref | Electrical Connector Kit - Deutsch HD Electrical Connectors | |
| | 1001148905 | Ref | Electrical Connector Kit - Packard Electrical Connectors | |
| | 1001148906 | Ref | Electrical Connector Kit - Various Electrical Connectors | |

SECTION 11 - SPECIAL OPTIONS

| ITEM | PART NUMBER | QTY | DESCRIPTION | REV |
|------|-------------|-----|--|-----|
| | 1001253708 | Ref | Fan and Pulley Guard Kit (Australian Specs) | |
| | 1001218620 | Ref | Fliter Kit (Diesel Engines) | |
| | 1001186539 | Ref | Fire Extinguisher Installation | |
| | 1001233321 | Ref | Footswitch Installation (Korean Specs Only) | |
| | 1001234575 | Ref | Footswitch Add-on Kit (Korean Specs Only) | |
| | 1001202749 | Ref | Fuel Cap Cover Installation (Black) (Note: Lock p/n 1001102157 must be Purchased Separately) | |
| | 1001191395 | Ref | Fuel Cap Cover Installation (Green) (Diesel Machines) (Note: Lock p/n 1001102157 must be Purchased Separately) | |
| | 1001191394 | Ref | Fuel Cap Cover Installation (Red) (Gas Machines) (Note: Lock p/n 1001102157 must be Purchased Separately) | |
| | 1001234904 | Ref | Fuselink Kit | |
| | | Ref | Generator Add-on Kit Options: | |
| | 1001215964 | Ref | Generator Kit - 4000W 50Hz (Diesel Engines) | |
| | 1001215962 | Ref | Generator Kit - 4000W 60Hz (Diesel Engines) | |
| | 1001215963 | Ref | Generator Kit - 4000W 60Hz (Gas Engines) | |
| | 1001215961 | Ref | Generator Kit - 7500W SkyPower 50Hz (Diesel Engines) | |
| | 1001215959 | Ref | Generator Kit - 7500W SkyPower 60Hz (Diesel Engines) | |
| | 1001215960 | Ref | Generator Kit - 7500W SkyPower 60Hz (Gas Engines) | |
| | 1001110509 | Ref | Ground Control Box Cover Installation | |
| | 1001187700 | Ref | Headlights and Taillights Installation | |
| | 1001215971 | Ref | Headlights and Taillights Add-on Kit | |
| | 1001238484 | Ref | Material Tray Kit – Single Deck Extension | |
| | 1001231858 | Ref | Material Tray Kit – Dual and Mega Deck Extension | |
| | 1001238487 | Ref | Large Material Rack (Single Extension) | |
| | 1001236785 | Ref | Large Material Rack (Dual Extension) | |
| | 1001236786 | Ref | Large Material Rack (Mega Deck) (ANSI Export, CE, Japanese, and Chinese Specs) | |
| | 1001199441 | Ref | Oil Cooler Installation | |
| | 1001215972 | Ref | Oil Cooler Add-on Kits | |
| | 1001258358 | Ref | Operator Access Control - Keypad | |
| | 1001234258 | Ref | Platform Bearing Spacers Kit | |
| | 1001241633 | Ref | Platform Console Box Cover Kit | |
| | 1001197983 | Ref | Platform Lanyard Attach Installation | |
| | 1001187699 | Ref | Platform Lights Installation - Flood Lights (Nite - Bright) | |
| | 1001215966 | Ref | Platform Lights Add-on Kit - Flood Lights | |
| | 1001187698 | Ref | Platform Lights Installation - Worklights | |
| | 1001215965 | Ref | Platform Lights Add-on Kit - Worklights | |
| | 1001215970 | Ref | Pipe Racks Add-on Kit | |
| | | Ref | Tools for Service | |
| | 7002821 | 1 | Crimper, Wire | |
| | 7002823 | 1 | Pin Extractor - Universal (For Electrical Connectors with Pins and Sockets) | |
| | 4460510 | 1 | Pin Extractor - 12-14 Gauge (For Removal of Pin/Sockets from Deutsch Connectors) | |
| | 4460467 | 1 | Pin Extractor - 16-18 Gauge (For Removal of Pin/Sockets from Deutsch Connectors) | |
| | 7016654 | 1 | Screwdriver, Magnetic | |
| | 7002822 | 1 | Screwdriver, Potentiometer | |
| | 7004275 | 1 | Seal Tool 1in (For Cylinders) | |
| | 7004276 | 1 | Seal Tool 1-1/2in (For Cylinders) | |
| | 7002828 | 1 | Stripper, Wire | |

PART NUMBER INDEX

SECTION 11 - SPECIAL OPTIONS

| | | | |
|--|---|--|--|
| 0100009.....63, 65 | 0700835 ... 207, 209, 211, 213 | 0761416 72, 76 | 1001106736.....298 |
| 0100011....13, 15, 17, 19, 39, 41, 47, 59, 61, 72, 76, 81, 85, 88, 91, 95, 98, 106, 109, 113, 116, 119, 122, 139, 143, 147, 151, 155, 159, 163, 176, 219, 223, 225 | 0700836 47 | 0761615 13, 15, 72, 76 | 1001107854.....301, 315, 333, 355 |
| 0100019.....19 | 0701012 15 | 0761617 81, 91, 106, 116 | 1001107924.....249, 259 |
| 010002082, 91, 107, 116, 339 | 0701014 13 | 0762019 53, 55 | 1001108128.....249, 259 |
| 0100048....143, 147, 151, 155, 159, 163 | 0701015 72, 76 | 0770812 67 | 1001108477.....250, 259 |
| 014000153, 55 | 0701019... 143, 147, 151, 155, 159, 163 | 0771014 47 | 1001108588.....176 |
| 0140030....207, 209, 211, 213 | 0701020 53, 55 | 0771015 176, 181, 183 | 1001110509.....381 |
| 0140032.....67 | 0701037 181, 183 | 0780608 ... 189, 191, 193, 267, 269, 271, 273, 275, 277, 279, 281, 283 | 1001112612.....293, 297 |
| 0181847....207, 209, 211, 213 | 0701039 39 | 0780810 ... 143, 147, 151, 155, 159, 163, 189, 191, 193 | 1001113961.....337 |
| 0270092.....29 | 0701047.81, 91, 106, 116 | 0780812 189, 191, 193 | 1001116208.....376 |
| 0270653.....31 | 0701215... 143, 147, 155, 159 | 0840052 285, 287 | 1001116732.....294, 297, 301 |
| 0274260.....229 | 0701217 ... 144, 148, 152, 156, 160, 164 | 0840055 329 | 1001116733.....291, 293, 297, 298, 301, 311 |
| 0275216.....271, 343 | 0701218 13 | 0840056 291 | 1001116734.....294, 297 |
| 0275217.....273, 345 | 0701219... 144, 148, 152, 156, 160, 164 | 0840057 293, 298 | 1001116749.....301 |
| 0275218.....279, 353 | 0701222 . 15, 88, 98, 112, 122 | 0860520 ... 359, 361, 363, 365, 367, 369, 371, 373 | 1001116752.....291, 293, 297, 298, 301 |
| 0275219.....283 | 0711025 176 | 0861538 159, 163 | 1001116763.....301 |
| 0275452.....277, 351 | 0711026 176 | 0861572 155 | 1001116774.....291 |
| 0275453.....281, 349 | 0711027 176 | 0861731 ... 269, 339, 341, 347, 349, 351 | 1001116808.....291, 337 |
| 0275454.....275, 347 | 0711221 17 | 0861781 343, 345 | 1001116810.....337 |
| 0340045.88, 98, 112, 122 | 0712026 39 | 0861880 289 | 1001116811.....337 |
| 0400075.81, 91, 106, 116 | 0731005 53, 55 | 0940049 72, 76 | 1001116812.....293, 327, 333 |
| 0440234.....181, 183 | 0741010.81, 91, 106, 116 | 0961948 17 | 1001116816.....291, 298 |
| 0440250.....176 | 0741607 ... 143, 147, 151, 155, 159, 163 | 0961950 13, 15 | 1001116926.....291, 325 |
| 0440334.....88, 98 | 0760415 176 | 0961986 88, 98, 112, 122 | 1001116930.....325, 337 |
| 0480100.....221 | 0760508 37 | 0962031 176 | 1001116934.....335 |
| 0561489.....181, 183 | 0760512 107, 116 | 0962036 176 | 1001116946.....219 |
| 0630564....189, 191, 193 | 0760606 ... 156, 160, 164, 207, 209, 211, 213 | 0962224 177 | 1001117023.....291, 293 |
| 0641408.....88, 98 | 0760607.88, 98, 112, 122 | 0962474 177 | 1001117025.....293, 301, 333 |
| 0641508.....39 | 0760608 . 59, 61, 88, 112, 122, 139 | 0962520 ... 143, 147, 151, 155, 159, 163 | 1001117055.....298 |
| 0641605.....91 | 0760610 ... 59, 61, 72, 76, 81, 91, 143, 147, 151, 155, 159, 163, 196, 200, 204, 267, 269, 271, 273, 275, 277, 279, 281, 283, 359, 361, 363, 365, 367, 369, 371, 373 | 1001091102 219 | 1001117069.....293, 297, 298 |
| 0641606.....223, 225 | 0760612 69, 271, 273, 275, 277, 279, 281, 283 | 1001093383 72 | 1001117070.....297, 301 |
| 0641610.....106, 116 | 0760614 106, 116 | 1001096070 271, 273, 275, 277, 279, 281, 283, 289 | 1001117077.....297 |
| 0641612.81, 91, 106, 116 | 0760618 219 | 1001096653 176 | 1001117078.....291, 297, 301, 311 |
| 0641814.85, 95, 109, 119 | 0760808 98, 112, 122 | 1001097150 289 | 1001117110.....301 |
| 0681810.....19 | 0760810 88, 98 | 1001098765 285, 287 | 1001117372.....233 |
| 0682014.....19 | 0760810001 59, 61 | 1001099623 181, 183 | 1001118280..89, 99, 112, 122 |
| 0700610....39, 53, 55, 88, 98, 112, 122 | 0760812 106 | 1001099670 339 | 1001118511.....13, 15 |
| 0700616.....15, 185 | 0760814 ... 53, 55, 81, 91, 196 | 1001100319 59, 61 | 1001118518.....13, 15 |
| 0700618.....181, 183 | 0760815 112 | 1001100341 343 | 1001118519.....13, 15 |
| 0700619....112, 122, 196, 200, 204 | 0761009 152, 164 | 1001100342 345 | 1001118538..88, 98, 112, 122 |
| 0700620.....88, 98 | 0761010.81, 91, 106, 116 | 1001100345 351 | 1001118539..88, 98, 112, 122 |
| 0700812.81, 91, 106, 116 | 0761011 17 | 1001100346 347 | 1001118580.....88, 98 |
| 070081488, 98, 109, 113, 119, 122, 176 | 0761012 72, 76, 176 | 1001100347 349 | 1001118582.....89, 99 |
| 0700815.....88, 98 | 0761014... 72, 76, 88, 98, 109, 119 | 1001100451 189, 191, 193 | 1001118616.....302 |
| 0700817.....81, 91, 176 | 0761015.88, 98, 112, 122 | 1001101331 .85, 95, 109, 119, 135 | 1001118657.....298 |
| 0700819.88, 98, 109, 119 | 0761016.88, 98, 112, 122 | 1001102433 61, 176 | 1001118658.....298, 301 |
| 0700820.....176 | 0761216 72, 76 | 1001102804 19 | 1001118665.....176 |
| 0700824.....176 | 0761227 41 | 1001102805 19, 27 | 1001118675...88, 98, 131 |
| 0700826.....176 | | 1001102823 53, 55, 57 | 1001118743.....298 |
| 0700827176 | | 1001103012 315, 333, 355 | 1001118744.....297 |
| 0700828176 | | 1001103761 41, 178 | 1001118745.....297 |
| 0700830.....176 | | 1001103801 39, 329 | 1001118746..88, 98, 112, 122 |
| 0700831176 | | 1001104498 315, 333 | 1001118878.....196, 200, 204 |
| | | 1001104581 249, 259 | 1001118881.....88, 98 |
| | | 1001104589 250, 259 | |

SECTION 11 - SPECIAL OPTIONS

| | | | |
|---|---|-----------------------------------|-----------------------------------|
| 1001118925 88, 98 | 1001157520..... 167, 169, 171 | 1001177757.....193 | 1001180994 196, 200, 204 |
| 1001118938 297, 301 | 1001157521..... 167, 171 | 1001177758.....196 | 1001181001 196 |
| 1001118972 ... 53, 55, 72, 76 | 1001157528..... 169 | 1001177759.....200 | 1001181003 196 |
| 1001119929 144, 156 | 1001158007..... 167, 169, 171 | 1001177760.....204 | 1001181045 289, 378 |
| 1001120989 376 | 1001158008..... 167, 169, 171 | 1001177763.....380 | 1001181116 72, 76 |
| 1001125248 . 89, 99, 109, 119 | 1001158199..... 250, 260 | 1001177767.....159 | 1001181140 155 |
| 1001125387 376 | 1001158246..... 250, 259 | 1001177770.....147 | 1001181141 163 |
| 1001125748 298, 301 | 1001159118..... 339, 378 | 1001177775.....61 | 1001181211 152, 164 |
| 1001125773 298, 301 | 1001159119..... 339 | 1001177785.....106 | 1001181216 151 |
| 1001126245 313 | 1001161497..... 112, 122 | 1001177786.....81 | 1001181217 143 |
| 1001126393 302 | 1001162110..... 371 | 1001178489.....47 | 1001181330 63, 65 |
| 1001128128 298 | 1001162111..... 371 | 1001178636.....112 | 1001181375 176 |
| 1001128888 88, 98 | 1001162112..... 371 | 1001178759.....181 | 1001181384 176 |
| 1001129255 107, 116 | 1001162113..... 371 | 1001178866.....39 | 1001181385 176 |
| 1001129256 107, 117 | 1001162114..... 371 | 1001179071249 | 1001181386 177 |
| 1001129772 301 | 1001162115..... 371 | 100117917133 | 1001181436 177 |
| 1001129773 298 | 1001162116..... 380 | 1001179172.....33 | 1001181468 380 |
| 1001130220 39 | 1001162995..... 13, 15 | 1001179173.....33 | 1001181476 177 |
| 1001130781 181, 183 | 1001163178..... 17, 241 | 100117917433, 35 | 1001181477 177 |
| 1001131270 359, 369 | 1001163405..... 17 | 100117917533 | 1001181479 177 |
| 1001131391 107, 117 | 1001163418..... 53 | 1001179200.....39 | 1001181481 177 |
| 1001132170 331 | 1001163580..... 15, 233 | 1001179256.....17 | 1001181482 177 |
| 1001132208 235 | 1001163715..... 17 | 1001179558..... 196, 200, 204 | 1001181485 177 |
| 1001132358 207, 209, 211, 213 | 1001163716..... 17 | 1001179559..... 196, 200, 204 | 1001181486 177 |
| 1001138566 144, 147, 151 | 1001164209..... 17 | 1001179639..... 196, 200, 204 | 1001181501 181, 183 |
| 1001139654 376 | 1001164817..... 233 | 1001179644..... 196, 200, 204 | 1001181554 53, 55 |
| 1001140346 147, 151 | 1001165035.. 81, 92, 112, 122 | 1001179658.....204 | 1001181622 207, 209 |
| 1001140347 143 | 1001165791..... 63, 65 | 1001179676..... 196, 200, 204 | 1001181623 207, 209 |
| 1001141967 353 | 1001166257..... 63, 65 | 1001179677 196, 200 | 1001181625 113, 122 |
| 1001141968 353 | 1001166702..... 301 | 1001179678..... 196, 200, 204 | 1001181626 211, 213 |
| 1001141971 353 | 1001166732..... 143, 148, 152, 155, 160, 164 | 1001179691 189, 191, 193 | 1001181627 211, 213 |
| 1001142595 376 | 1001167274..... 189, 191, 193 | 1001179693..... 189, 191 | 1001181649 . 89, 99, 112, 122 |
| 1001143645 176 | 1001167690..... 301 | 1001179694..... 196, 200, 204 | 1001181658 . 89, 99, 112, 122 |
| 1001143898 189, 191, 193 | 1001168018.. 88, 98, 112, 122 | 1001179695..... 196, 200, 204 | 1001181659 113, 123 |
| 1001144295 337 | 1001169054.. 88, 98, 113, 122 | 1001179696..... 193 | 1001181711 63, 65 |
| 1001146043 112, 122 | 1001169138.. 88, 98, 109, 112, 119, 122 | 1001179856..... 189, 191, 193 | 1001181739 113, 123 |
| 1001146588 107, 117 | 1001169967.. 88, 98, 112, 122 | 1001179911.....41 | 1001181829 113, 123, 133 |
| 1001147274 29, 31 | 1001170035.. 89, 99, 112, 122 | 1001179956.....35 | 1001182051 250, 260 |
| 1001148648 171 | 1001173043..... 260 | 1001179957.....35 | 1001182294 189, 191, 193 |
| 1001148675 339 | 1001173703..... 376 | 1001179958.....35 | 1001182481 .. 59, 61, 378 |
| 1001148676 339 | 1001174093..... 106, 117 | 1001179959.....35 | 1001182680 63, 65 |
| 1001148865 29 | 1001174455..... 293, 298 | 1001180307.....13 | 1001182681 63, 65 |
| 1001148866 29 | 1001174486..... 107, 117 | 1001180309.....13 | 1001182806 69 |
| 1001148869 31 | 1001175012..... 67 | 1001180315.....13 | 1001182971 39, 41 |
| 1001148870 31 | 1001175509..... 99, 122 | 1001180316.....13 | 1001182976 89, 99 |
| 1001148902 380 | 1001176469..... 59, 61 | 1001180620.. 89, 99, 113, 122 | 1001182977 89, 99 |
| 1001148903 380 | 1001176848..... 17 | 1001180981..... 189, 191, 193 | 1001182978 89, 99 |
| 1001148904 380 | 1001177745..... 13 | 1001180983..... 189, 191, 193 | 1001182979 89, 99 |
| 1001148905 380 | 1001177747..... 17 | 1001180986..... 196 | 1001182980 . 89, 99, 113, 123 |
| 1001148906 380 | 1001177749..... 15 | 1001180987 196, 200, 204 | 1001182981 . 89, 99, 113, 123 |
| 1001148907 339 | 1001177750..... 259 | 1001180988..... 196, 200, 204 | 1001182982 . 89, 99, 113, 123 |
| 1001148972 176 | 1001177751..... 53 | 1001180989..... 189, 191, 193 | 1001182983 . 89, 99, 113, 123 |
| 1001149581 189, 191, 193 | 1001177752..... 55 | 1001180990..... 189, 191, 193 | 1001182984 . 89, 99, 113, 123 |
| 1001149953 ... 29, 31, 33, 35 | 1001177754..... 219 | | 1001182985 89, 99 |
| 1001151080 143, 148, 152, 155, 160, 164 | 1001177755..... 191 | | 1001182987 89, 99 |
| 1001151351 250, 260 | 1001177756..... 189 | | 1001183328 39 |
| 1001151354 250, 260 | | | 1001183416 72, 76 |
| 1001152525 167, 171 | | | |

SECTION 11 - SPECIAL OPTIONS

| | | | |
|--|--|--|---|
| 1001183421..82, 91, 107, 117 | 1001187235 89, 112 | 1001194115 189, 191, 193 | 1001205343.....37 |
| 1001183424..89, 99, 113, 123 | 1001187455 301 | 1001194221 335 | 1001205831..... 189, 191, 193 |
| 1001183427 113, 123 | 1001187601 15, 333 | 1001194378 250, 260 | 1001205920..... 250, 260 |
| 1001183428 113, 123 | 1001187668 359 | 1001194379 250, 260 | 1001206625..... 178 |
| 1001183429 113, 123 | 1001187669 369 | 1001194380 250, 260 | 1001206739..... 380 |
| 1001183726 148, 160 | 1001187670 365 | 1001194381 250, 260 | 1001206896..... 55 |
| 1001183727 72, 76 | 1001187671 367 | 1001194382 250, 260 | 1001207285..... 144, 148, 152, 156, 160, 164 |
| 1001184019 177 | 1001187672 373 | 1001194383 250, 260 | 1001207511..... 267 |
| 1001184064 113, 123 | 1001187673 363 | 1001194384 250, 260 | 1001207512..... 269 |
| 1001184065..81, 91, 106, 117 | 1001187695 15 | 1001194385 250, 260 | 1001207514..... 277 |
| 1001184066..89, 99, 113, 123 | 1001187698 381 | 1001194386 250, 260 | 1001207515..... 281 |
| 1001184162 143, 148, 152, 156, 160, 164 | 1001187699 381 | 1001194387 250, 260 | 1001207516..... 271 |
| 1001184163 152, 164 | 1001187700 381 | 1001194388 250, 260 | 1001207518..... 279 |
| 1001184235 148, 160 | 1001187701 375 | 1001194389 260 | 1001207519..... 283 |
| 1001184653 106, 109 | 1001187703 141 | 1001194390 250, 260 | 1001207520..... 267, 269, 271, 273, 275, 277, 279, 281, 283 |
| 1001184654 109, 112 | 1001187857 185, 378 | 1001194391 250, 260 | 1001207521..... 275 |
| 1001184705 301 | 1001188000 177 | 1001194393 177 | 1001208339..... 144, 148, 156, 160 |
| 1001184716 301 | 1001188001 177 | 1001194421 335 | 1001208340..... 144, 148, 152, 156, 160, 164 |
| 1001184717 301 | 1001188345 177 | 1001194829 380 | 1001208874..81, 91, 106, 116 |
| 1001184718 301 | 1001188348 177 | 1001194830 380 | 1001209298..... 273 |
| 1001184722 301 | 1001188351 177 | 1001194831 380 | 1001209406..... 177 |
| 1001184730 63, 65 | 1001188785 380 | 1001194834 380 | 1001209407..... 177 |
| 1001184768 301 | 1001189773 63, 65 | 1001194836 .81, 91, 106, 117 | 1001210645..... 152, 164 |
| 1001184769 301 | 1001190002 63, 65 | 1001195123 337 | 1001210708..... 113, 123 |
| 1001184832 301 | 1001190270 207, 209, 211, 213 | 1001195137 197, 200, 204 | 1001211336..... 55 |
| 1001185125 59, 61 | 1001190368 17 | 1001195209 177 | 1001212223..... 155, 159, 163 |
| 1001185315 177 | 1001190469 335 | 1001195517 167 | 1001213847..... 113, 123 |
| 1001185492 221 | 1001190471 335 | 1001195600 .89, 99, 109, 119 | 1001214029..... 376 |
| 1001185503 221 | 1001190472 207, 209, 211, 213 | 1001195684 298 | 1001214131..... 380 |
| 1001185504 221 | 1001190473 207, 209, 211, 213 | 1001197395 177 | 1001215447..... 375 |
| 1001185585 107, 117 | 1001190474 207, 209, 211, 213 | 1001197396 177 | 1001215449..... 371 |
| 1001185704 177 | 1001190522 177, 321 | 1001197397 177 | 1001215959..... 381 |
| 1001185705 177 | 1001190524 177, 323 | 1001197398 177 | 1001215960..... 381 |
| 1001185706 177 | 1001190545 81, 91 | 1001197404 177 | 1001215961..... 381 |
| 1001186127 221 | 1001190609 .. 81, 91, 129 | 1001197405 177 | 1001215962..... 381 |
| 1001186235 177 | 1001191146 82, 91 | 1001197634 365 | 1001215963..... 381 |
| 1001186428 .. 81, 92, 285 | 1001191201 15 | 1001197983 381 | 1001215964..... 381 |
| 1001186429 106, 117, 287 | 1001191325 41 | 1001198325 196, 200, 204 | 1001215965..... 381 |
| 1001186467 15 | 1001191394 381 | 1001198726 .89, 99, 112, 123 | 1001215966..... 381 |
| 1001186483 285, 287 | 1001191395 381 | 1001199441 381 | 1001215967..... 380 |
| 1001186484 285, 287 | 1001191526 361 | 1001200543 375 | 1001215968..... 380 |
| 1001186539 381 | 1001191629 177 | 1001202520 177 | 1001215969..... 380 |
| 1001186551 177 | 1001191641 67 | 1001202532 144, 148, 156, 160 | 1001215970..... 381 |
| 1001186822 156, 160, 164, 311 | 1001191722 177 | 1001202536 144, 148, 156, 160 | 1001215971..... 381 |
| 1001186826 143, 148, 152, 307 | 1001191733 375 | 1001202749 381 | 1001215972..... 381 |
| 1001186828 148, 152, 167 | 1001191735 375 | 1001202759 152, 164 | 1001217108..... 39, 43 |
| 1001186833 109, 119 | 1001191737 380 | 1001202760 152, 164 | 1001217291..... 109, 119 |
| 1001186900 177 | 1001191832 112 | 1001202764 152, 164 | 1001217300..... 178 |
| 1001186919 148, 160 | 1001191838 177 | 1001202974 375 | 1001217381..... 178 |
| 1001187092 147, 152, 160, 164, 339 | 1001192381 375 | 1001203075 369 | 1001217382..... 178 |
| 1001187185 177 | 1001192382 196, 200, 204 | 1001203076 373, 380 | 1001217384..... 176, 181, 183, 263 |
| 1001187186 177 | 1001192401 291 | 1001203077 363 | 1001217888..... 178 |
| 1001187197 144, 156, 171 | 1001192853 359, 367 | 1001203770 361 | 1001218504..... 178 |
| 1001187228 160, 164, 169 | 1001193040 177 | 1001204140 72, 76 | 1001218620..... 381 |
| 1001187232 169 | 1001193174 263 | 1001204145 72 | 1001219108..... 69 |
| | 1001193179 263 | 1001204146 72 | 1001219775..... 141 |
| | 1001193296 177 | 1001204147 72 | 1001219826..... 141 |
| | 1001193323 380 | 1001205250 301 | 1001220567..... 375 |
| | 1001193336 53 | 1001205340 37 | |
| | 1001193386 177 | | |
| | 1001193988 260 | | |

SECTION 11 - SPECIAL OPTIONS

| | | | |
|--|---|---|--|
| 1001220613 139 | 1001234735... 63, 65, 378 | 1001245846 225 | 1701542 375 |
| 1001220614 139 | 1001234736... 59, 61, 378 | 1001245996 223, 225 | 1701785 375 |
| 1001220957 . 89, 99, 112, 123 | 1001234828 47, 49 | 1001246080 223, 225 | 1702720 375 |
| 1001220959 . 89, 99, 112, 123 | 1001234847 72, 76 | 1001246392 229 | 1702773 375 |
| 1001222025 .. 59, 61, 327 | 1001234904 381 | 1001246395 229 | 1702788 375 |
| 1001222343 178, 317 | 1001234950 89, 99 | 1001246528 380 | 1702868 223, 225 |
| 1001222344 178, 319 | 1001235098 219, 378 | 1001246529 380 | 1703162.88, 98, 113, 122 |
| 1001223055 359 | 1001235922 207, 209, 211, 213 | 1001247403..89, 99, 113, 123 | 1703464 267 |
| 1001223432 298 | 1001236021 380 | 1001247539 380 | 1703479 375 |
| 1001223453 359, 369 | 1001236153... 63, 65, 313 | 1001247682 209, 213, 217, 378 | 1703687 ... 359, 361, 363, 365, 367, 369, 371, 373 |
| 1001223795 298 | 1001236162 219, 337 | 1001249143 375 | 1703811 ... 359, 361, 363, 365, 367, 369, 371, 373 |
| 1001223796 298 | 1001236199 207, 209, 211, 213 | 1001253708 381 | 1703812 ... 359, 361, 363, 365, 367, 369, 371, 373 |
| 1001223971 369 | 1001236230 207, 209, 211, 213, 335 | 1001257454 76 | 1703814 ... 359, 361, 363, 365, 367, 369, 371, 373 |
| 1001224048 371 | 1001236264 207, 209 | 1001258358 381 | 1703816 359 |
| 1001224049 373 | 1001236265 211, 213 | 1001258390 76 | 1703818 359 |
| 1001224050 367 | 1001236270... 59, 61, 291 | 1001258391 76 | 1703819 ... 207, 209, 211, 213, 359, 361, 363, 365, 367, 369, 371, 373 |
| 1001224052 363 | 1001236270... 59, 61, 291 | 1001262941 107, 117 | 1703821 359 |
| 1001224493 112, 123, 125 | 1001236306 263 | 1001265084 301 | 1703823 359 |
| 1001225257 72, 76 | 1001236307 263 | 1001266832 297 | 1704174 375 |
| 1001225258 72, 76 | 1001236353 59, 63 | 1001269878 375 | 1704175 375 |
| 1001225369 177, 237 | 1001236380 61, 293 | 1001269879 375 | 1704271 375 |
| 1001225420 107, 117 | 1001236430 61, 65 | 1001274101 107, 117 | 1704277 ... 359, 361, 363, 365, 367, 369, 371, 373 |
| 1001225421 107, 117 | 1001236442 156, 160, 164, 309 | 1001274559..63, 65, 209, 213 | 1704412 ... 359, 361, 363, 365, 367, 369, 371, 373 |
| 1001226116 59, 61 | 1001236443 156, 160, 164 | 1001288395 107, 117 | 1704432 359 |
| 1001226221 72, 76 | 1001236444 143, 148, 152, 305 | 1001299769 107, 117 | 1704684 369 |
| 1001226420 109, 119 | 1001236445 144, 148, 152 | 1001300357 106, 117 | 1704686 369 |
| 1001226421 207, 209, 211, 213 | 1001236560 207, 209, 211, 213, 378 | 1060343 169 | 1704687 369 |
| 1001226830 181, 183, 331 | 1001236785 381 | 1060379 229 | 1704690 375 |
| 1001227285 89, 99 | 1001236786 381 | 1060494 167, 169 | 1704691 373 |
| 1001227353 .. 63, 65, 315 | 1001236786 381 | 1060708 167, 169 | 1704693 373 |
| 1001228988 223, 225 | 1001236865 177, 325 | 1060808 196, 200, 204 | 1704694 373 |
| 1001229107 380 | 1001236869 380 | 1060908 289 | 1704697 375 |
| 1001229700 376 | 1001237058 219 | 1061020 181, 183 | 1704698 375 |
| 1001229767 59 | 1001237254 380 | 1061021 181, 183 | 1704699 363 |
| 1001230488 298 | 1001237255 380 | 10702077...167, 169, 171 | 1704701 363 |
| 1001230504 380 | 1001237255 380 | 10702082...167, 169, 171 | 1704702 363 |
| 1001231195 53, 55 | 1001237515 183 | 1120555 229 | 1704885 375 |
| 1001231261 41, 239 | 1001237516 181 | 1309435 176 | 1704972 375 |
| 1001231712 91 | 1001237837 263 | 1320041 59 | 1705019... 359, 361, 363, 365, 367, 369, 371, 373 |
| 1001231715 116 | 1001237909 72, 76 | 1320061 106, 116 | 1705040 369 |
| 1001231716 117, 119 | 1001237910 72, 76 | 1320095 59, 61 | 1705041 373 |
| 1001231717 119, 122 | 1001238471 72, 76 | 1320220 106, 116 | 1705043 363 |
| 1001231784 185 | 1001238484 381 | 1320224...267, 269, 271, 273, 275, 277, 279, 281, 283 | 1705193 367 |
| 1001231801 375 | 1001238487 381 | 1320265.81, 91, 106, 116 | 1705194 367 |
| 1001231858 381 | 1001238770... 89, 99, 101 | 1320302 223, 225 | 1705195 367 |
| 1001233139 17 | 1001238775 85, 88 | 1321692 169 | 1705303 369 |
| 1001233237 380 | 1001238776 81, 85 | 1340069 112, 122 | 1705305 223, 225 |
| 1001233321 381 | 1001238777 95, 98 | 1580023 229 | 1705311 369 |
| 1001233544 72, 76 | 1001238778 91, 95 | 1580024 229 | 1705316 373 |
| 1001233549 72, 76 | 1001239200 85, 95 | 1600387 181, 183, 378 | 1705318 363 |
| 1001233554 72, 76 | 1001241633 381 | 1600402...207, 211, 215, 378 | 1705325 271 |
| 1001233576 72, 76 | 1001243185 380 | 1671092 169 | 1705372 361, 365 |
| 1001233631 380 | 1001243186 380 | 1671093 223 | 1705671 361, 365 |
| 1001233738 72, 76 | 1001243580 380 | 1671207 339, 341 | 1705943 367 |
| 1001233818 380 | 1001244347 185, 355 | 1684290 233 | 1705944 367 |
| 1001234069 59, 61 | 1001244348 59, 297 | 1700818 375 | 1705997 229 |
| 1001234102 380 | 1001244349 61, 301 | 1701214 375 | 1706059 375 |
| 1001234258 381 | 1001244865 181, 183 | 1701505 375 | 1706060 375 |
| 1001234348 72, 76 | 1001244937 143, 156 | 1701509...359, 361, 363, 365, 367, 369, 371, 373 | |
| 1001234565 380 | 1001244939 143, 156 | | |
| 1001234575 381 | 1001245681 223, 225 | | |
| 1001234703 177, 235 | 1001245845 223 | | |

SECTION 11 - SPECIAL OPTIONS

| | | | |
|---------------------------|---------------------------|---------------------------|----------------------------|
| 1706063.....376 | 2400044.81, 91, 106, 116 | 155, 159, 163, 176, | 3790152.85, 95, 109, 119 |
| 1706064.....375 | 2420172.....63, 65 | 189, 191, 193, 196, | 3820020.....196, 200, 204 |
| 1706098.....375 | 2560088....196, 200, 204 | 200, 204, 207, 209, | 3841143..17, 81, 91, 106, |
| 1706338.....361, 365 | 2560141...207, 209, 211, | 211, 213 | 116, 176, 181, 183 |
| 2080040.....196, 200, 204 | 213 | 3290806...196, 200, 204, | 3841258.....13, 15 |
| 2080057....359, 361, 363, | 2560171....197, 200, 204 | 221 | 3841564.....41 |
| 365, 367, 369, 371, 373 | 2560172....196, 200, 204 | 3291001...81, 88, 91, 98, | 3900300.....63, 65 |
| 2110404.....249, 259 | 2560176....196, 200, 204 | 106, 112, 116, 122 | 3900355.....229 |
| 2110808.....249, 259 | 2600216.....72, 76 | 3291005...39, 53, 55, 72, | 3931010.....200, 204 |
| 2110810.....249, 259 | 2600285....196, 200, 204 | 76, 88, 98, 109, 113, | 3931016....143, 147, 151, |
| 2110812.....249, 259 | 2700100.....219, 229 | 119, 122, 176, 181, | 155, 159, 163 |
| 2111010.....249, 259 | 2716703.....249, 259 | 183, 189, 191, 193, 196 | 3931412.....229 |
| 2111216.....249, 259 | 2716705.....249, 260 | 3291006....196, 200, 204 | 3931508.....229 |
| 2112016.....249, 259 | 2720058.....81, 92 | 3291201...72, 76, 88, 98, | 3940804....147, 151, 159, |
| 2130404.....249, 259 | 2720271.....81, 92 | 112, 122, 143, 147, | 163 |
| 2130808.....249, 259 | 2720611.....106, 116 | 151, 156, 159, 163 | 3960526.....19 |
| 2130812.....249, 259 | 2752485.....250, 260 | 3291205.....13 | 3980007.81, 91, 106, 116 |
| 2131010.....249, 259 | 2753791.....249, 259 | 3291407.....72, 76 | 3990010.....291 |
| 2131216.....249, 259 | 2753798.....250, 259 | 3291605...72, 76, 81, 91, | 4010403.....63, 65 |
| 2152020.....249, 259 | 2753970.....250, 260 | 106, 116 | 4010405.....63, 65 |
| 2180348.81, 91, 106, 116 | 2754244.....249, 259 | 3292005.....53, 55 | 4010408....147, 151, 159, |
| 2180387.....106, 116 | 2780267.....19, 23 | 3300106.....19 | 163 |
| 2180389.....106, 116 | 2780268.....19, 21 | 3300151.....223, 225 | 4010412.....63, 65 |
| 2180418.....106, 116 | 2860030.....63, 65, 378 | 3300396....167, 169, 171 | 4010418.....219 |
| 2180666.....81, 91 | 2900708.....15 | 3300408.81, 91, 106, 116 | 4031507.63, 65, 267, 269, |
| 2220235.....249, 259 | 2900756.....51 | 3300432.....200, 204 | 271, 273, 275, 277, |
| 2220237.....249 | 2902217.....223, 225 | 3311001....167, 169, 171 | 279, 281, 283 |
| 2220238.....249, 259 | 2902266.....233 | 3311005...143, 147, 151, | 4031509....207, 209, 211, |
| 2220290.....106, 116 | 2902431....267, 339, 341 | 155, 159, 163 | 213 |
| 2220313.....81, 91 | 2920146.....37 | 3311405.....88, 98 | 4031510.....39 |
| 2220362.....249, 259 | 2940074...196, 200, 204, | 3311501.....72, 76 | 4031607.....196 |
| 2220371.....41, 249, 259 | 378 | 3311502.....72, 76 | 4031608.....59, 61 |
| 2220372.....249, 259 | 2940127...196, 200, 204 | 3311605.81, 91, 106, 116, | 4031708.....59, 61 |
| 2220373.....41, 249, 259 | 3020039.....176 | 223, 225 | 4031711.....59, 61 |
| 2220408....249, 259, 263 | 3252507...269, 273, 275, | 3311801.....19 | 4031717....196, 200, 204 |
| 2220415.....249, 259 | 277, 279, 281, 283 | 3321402.....88, 98 | 4031908.....151, 163 |
| 2220435.....249, 259 | 3290401.....39 | 3331017.....176 | 4031916....196, 200, 204, |
| 2220451.....249, 259 | 3290405.63, 65, 147, 151, | 3331211.....41 | 221 |
| 2220466.....249, 259 | 159, 163, 176, 207, | 3332017.....39 | 4032014....144, 148, 152, |
| 2220472.....249, 259 | 209, 211, 213, 219, | 3421565....196, 200, 204 | 156, 160, 164 |
| 2220473.....259 | 267, 269, 271, 273, | 3422219.....229 | 4032016.....152, 164 |
| 2220479.....249, 259 | 275, 277, 279, 281, 283 | 3422592.....13, 15 | 4060802.63, 65, 143, 147, |
| 2220497.....249, 259 | 3290501.....59, 61 | 3422669.81, 91, 106, 116 | 151, 155, 159, 163, |
| 2220500.....249, 259 | 3290505...37, 59, 61, 72, | 3422938.....181, 183 | 207, 209, 211, 213 |
| 2220502.....250, 260 | 76, 107, 116, 196 | 3422943....176, 181, 183 | 4060803.....73, 77 |
| 2220504.....249, 259 | 3290601....15, 196, 200, | 3422961.....181, 183 | 4061032.....249, 259 |
| 2220577.....249, 259 | 204 | 3422963.....176 | 4070987.....63, 65 |
| 2220578.....249, 260 | 3290605...53, 55, 59, 61, | 3423304.....17 | 4160116.....41 |
| 2220582.....249, 259 | 69, 72, 76, 81, 88, 91, | 3430616....189, 191, 193 | 4240003.....229 |
| 2220602.....249, 259 | 98, 106, 112, 116, 122, | 3450304...176, 189, 191, | 4240017....143, 148, 151, |
| 2220603.....249, 260 | 143, 147, 151, 155, | 193 | 155, 160, 164 |
| 2220628.....249, 260 | 159, 163, 176, 181, | 3460334.....229 | 4240018..15, 59, 61, 176, |
| 2220635.....250, 260 | 183, 185, 196, 200, | 3520026.....63, 65 | 181, 183, 185, 219 |
| 2220671.....263 | 204, 207, 209, 211, | 3520028.....63, 65 | 4240033....181, 183, 219 |
| 2220775.....249, 259 | 213, 267, 269, 271, | 3520060.....72, 76 | 4240099.....223, 225 |
| 2220852.....249, 259 | 273, 275, 277, 279, | 3537609....196, 200, 204 | 4340853.....229 |
| 2220883..27, 41, 49, 233, | 281, 283, 359, 361, | 3573400.....223, 225 | 4340854.....229 |
| 235, 263 | 363, 365, 367, 369, | 3573440.....106, 116 | 4360070.63, 65, 167, 169, |
| 2220885.....49, 239 | 371, 373 | 3580317...144, 148, 152, | 171, 378 |
| 2220886.....27, 239 | 3290606...196, 200, 204, | 156, 160, 164 | 4360387....59, 61, 63, 65, |
| 2220887.....239 | 219 | 3580318...143, 147, 151, | 207, 209, 211, 213, 378 |
| 2220906.....263 | 3290607.....219 | 155, 159, 163 | 4360469.....63, 65, 378 |
| 2220947.....263 | 3290801....47, 106, 116 | 3740080...294, 297, 301, | 4360475.63, 65, 207, 209, |
| 2221036.....263 | 3290805...53, 55, 59, 67, | 378 | 211, 213, 378 |
| 2221040.....249, 259 | 81, 88, 91, 98, 106, | 3760170...196, 200, 204, | 4360482....143, 147, 151, |
| 2221086.....249, 259 | 109, 112, 116, 119, | 229 | 155, 159, 163, 211, |
| 2221176.....107, 116 | 122, 143, 147, 151, | 3760348.....41 | 213, 378 |

SECTION 11 - SPECIAL OPTIONS

| | | | |
|--|--|---|--|
| 4360483 ... 207, 209, 211, 213, 378 | 4460508 325, 337 | 4461054 301 | 4811902 ... 53, 55, 81, 91, 176, 196, 200, 204 |
| 4360500 176, 378 | 4460509 291, 325, 337 | 4461118 301 | 4812000 ... 39, 47, 72, 76, 81, 88, 91, 98, 107, 109, 112, 117, 119, 122, 147, 176, 189, 191, 193, 197, 200, 204 |
| 4360518 41 | 4460510 381 | 4461196 343 | 4812002 53, 55, 72, 76 |
| 4360524 63, 65, 378 | 4460518 291, 331, 337 | 4461198 343 | 4812100 41, 72, 76 |
| 4360525 ... 207, 209, 211, 213 | 4460536 ... 293, 298, 307, 311, 317, 327 | 4461199 345 | 4812200 72, 76 |
| 4360548 329, 378 | 4460539 ... 291, 293, 297, 319, 327, 329, 355 | 4461201 345 | 4812300 ... 72, 76, 82, 91, 107, 116 |
| 4400275 116 | 4460608 301 | 4461205 349, 351, 353 | 4812500 .88, 98, 109, 119 |
| 4400420 116 | 4460612 339 | 4461244 351 | 4831700 59, 61 |
| 4400498 126 | 4460662 339, 341 | 4461245 349 | 4831900 47 |
| 4420037 223, 225 | 4460670 291 | 4461246 347 | 4871700 156, 160, 164 |
| 4420051 ... 189, 191, 193, 375 | 4460746 298 | 4461249 347 | 4891600 85, 95, 109 |
| 4420062 73, 77, 189, 191, 193, 229 | 4460761 291, 331, 335 | 4461257 271, 273, 279, 283 | 4891800 . 19, 85, 95, 109, 119 |
| 4420076 ... 207, 209, 211, 213 | 4460807 ... 143, 147, 151, 305 | 4461258 271, 273, 279, 283 | 4892000 19 |
| 4460019 291, 298 | 4460808 ... 143, 147, 151, 305, 309 | 4461271 337 | 5240600 88, 98, 219 |
| 4460042 298 | 4460812 291 | 4520216 29 | 5241000 ... 13, 15, 81, 88, 91, 98, 106, 112, 116, 122, 143, 147, 151, 155, 159, 163 |
| 4460043 309 | 4460814 293, 297 | 4520240 31 | 5241200 ... 13, 15, 17, 88, 98, 112, 122, 144, 147, 151, 156, 159, 163 |
| 4460051 337 | 4460836 ... 293, 297, 329, 331 | 4530028 223, 225, 227 | 5242000 39, 53, 55 |
| 4460068 167, 169, 171 | 4460837 293, 298 | 4568295 181, 183 | 5251012 13, 15, 196 |
| 4460071 269 | 4460851 329 | 4640858 233 | 5260600 ... 189, 191, 193, 267, 269, 271, 273, 275, 277, 279, 281, 283 |
| 4460115 313 | 4460852 329 | 4641122 29, 31, 33, 35 | 5272011 ... 144, 148, 156, 160 |
| 4460138 267 | 4460871 337 | 4641303 47, 51 | 5272012 ... 144, 148, 152, 156, 160, 164 |
| 4460142 298 | 4460873 337 | 4711000 167, 169, 171 | 7000082 215, 217 |
| 4460183 313, 315, 335 | 4460874 337 | 4711400 81, 91, 106, 116, 229 | 7000084 215, 217 |
| 4460224 ... 143, 147, 151 | 4460876 337 | 4711500 39, 72, 76 | 70000683 215, 217 |
| 4460225 305, 309, 313 | 4460879 337 | 4711600 91, 106, 116 | 70000684 215, 217 |
| 4460234 63, 65, 181, 183 | 4460884 ... 291, 293, 298, 333 | 4711700 207, 209, 211, 213 | 70000685 215, 217 |
| 4460247 297 | 4460891 ... 291, 293, 297, 301, 317, 319, 321, 323, 329, 333, 337, 355 | 4740086 17 | 70000686 215, 217 |
| 4460259 291, 313, 327 | 4460892 329, 335 | 4740158 13, 15 | 70000797 27 |
| 4460260 291, 313, 327 | 4460894 329, 333, 335 | 4740455 176 | 70000863 .. 155, 159, 163 |
| 4460265 335 | 4460897 67, 69, 291, 297, 321, 327 | 4740480 229 | 70001100 .. 155, 159, 163 |
| 4460267 37, 291, 335 | 4460905 219, 337 | 4751000 53, 55, 143, 147, 151, 155, 159, 163, 200, 204 | 70001250 215, 217 |
| 4460268 ... 143, 147, 151, 293, 297, 305, 309, 313 | 4460917 331 | 4751400 223, 225 | 70001251 215, 217 |
| 4460294 331 | 4460918 337 | 4751600 223, 225 | 70001252 215, 217 |
| 4460315 267, 339 | 4460928 291, 313, 337 | 4761400 88, 98 | 70001253 215, 217 |
| 4460320 37 | 4460929 331 | 4811400 .. 39, 63, 65, 147, 151, 159, 163, 176, 267, 269, 271, 273, 275, 277, 279, 281, 283 | 70001349 21, 23 |
| 4460346 339, 341 | 4460930 291 | 4811600 59, 61, 63, 65, 107, 116 | 70001384 .. 155, 159, 163 |
| 4460375 333 | 4460931 327 | 4811602 197 | 70001932 27 |
| 4460424 293, 297 | 4460932 293, 297 | 4811700 15, 53, 55, 59, 61, 72, 76, 81, 88, 91, 98, 106, 112, 116, 122, 143, 147, 151, 155, 159, 163, 176, 181, 183, 196, 200, 204, 267, 269, 271, 273, 275, 277, 279, 281, 283, 359, 361, 363, 365, 367, 369, 371, 373 | 70001933 131 |
| 4460425 167, 169 | 4460933 ... 293, 297, 327, 331 | 4811702 39, 59, 61, 69, 72, 76, 139, 185, 196, 200, 204 | 70001958 136 |
| 4460426 ... 167, 169, 171, 225 | 4460934 329 | 4811900 39, 59, 61, 67, 81, 88, 91, 98, 106, 109, 112, 116, 119, 122, 143, 147, 151, 155, 159, 163, 189, 191, 193, 196, 200, 204, 207, 209, 211, 213 | 70001959 57 |
| 4460434 313 | 4460935 329 | | 70001960 57, 378 |
| 4460464 67, 69, 291, 293, 297, 301, 307, 311, 315, 317, 321, 325, 327, 335, 337 | 4460939 315 | | 70001965 41, 43, 178, 378 |
| 4460465 ... 291, 293, 297, 301, 305, 307, 309, 311, 317, 319, 321, 323, 325, 327, 329, 331, 333, 335, 337, 355 | 4460941 301 | | 70001966 . 143, 147, 151, 155, 159, 163 |
| 4460466 ... 291, 293, 297, 298, 305, 307, 315, 317, 319, 325, 327, 329, 331, 333, 335, 337 | 4460942 291, 293, 297 | | 70001967 49, 378 |
| 4460467 381 | 4460943 ... 293, 297, 301, 315, 325, 327, 337 | | 70001973 .. 155, 160, 164 |
| 4460470 ... 207, 209, 211, 213 | 4460944 ... 291, 293, 297, 325, 327, 331, 333, 355 | | 70001974 .. 155, 160, 164 |
| 4460471 ... 207, 209, 211, 213 | 4460945 293, 327 | | 70001977 49, 378 |
| 4460483 167, 169 | 4460956 289 | | 7000206 21, 23 |
| | 4460957 289 | | 70002112 57 |
| | 4460962 223 | | |
| | 4460963 169 | | |
| | 4460967 307, 311 | | |
| | 4460968 ... 275, 277, 281, 329 | | |
| | 4460970 301 | | |

SECTION 11 - SPECIAL OPTIONS

| | | | | | | | |
|---------------------------|----------|---------------|---------------------------------|---------------|---------------|---------------------------|----------|
| 70002113..... | 57, 378 | 7000232..... | 21, 23 | 70004536..... | 101 | 70005449..... | 49 |
| 70002132..... | 135, 136 | 70002320..... | 101 | 70004537..... | 101, 126 | 70005453..... | 131 |
| 70002133..... | 135 | 70002321..... | 101 | 70004538..... | 101, 125 | 70005454..... | 133 |
| 70002134..... | 135 | 70002322..... | 101 | 70004539..... | 101 | 70005455..... | 133 |
| 70002135..... | 135 | 70002323..... | 101 | 70004540..... | 101 | 70005724..... | 49 |
| 70002136..... | 135 | 70002326..... | 102, 126 | 70004544..... | 101 | 70005725..... | 49 |
| 70002137..... | 135 | 70002327..... | 102 | 70004557..... | 125 | 70005726..... | 125 |
| 70002138..... | 135 | 70002328..... | 102 | 70004558..... | 125 | 70005727..... | 125 |
| 70002139..... | 135 | 70002330..... | 102 | 70004580..... | 49 | 70005728..... | 125 |
| 70002140..... | 135 | 70002401..... | 176 | 70004676 .. | 143, 147, 151 | 70005729..... | 125 |
| 70002141..... | 135 | 70002419..... | 101 | 70004678 .. | 143, 147, 151 | 70005730..... | 125 |
| 70002142..... | 135 | 7000246..... | 21, 23 | 70004679 .. | 143, 147, 151 | 70005731..... | 125 |
| 70002143..... | 135 | 70002460 .. | 155, 159, 163 | 70004680 .. | 143, 147, 151 | 70005732..... | 125 |
| 70002144..... | 135 | 7000248..... | 21, 23 | 70004681..... | 143 | 70005733..... | 125 |
| 70002145..... | 135 | 7000253..... | 21, 23 | 70004682 .. | 143, 147, 151 | 70005734..... | 125 |
| 70002146..... | 135 | 7000257..... | 21, 23 | 70004683..... | 143 | 70005735..... | 125 |
| 70002147..... | 135 | 7000258..... | 21, 23 | 70004685..... | 147, 151 | 70005736..... | 125 |
| 70002148..... | 135 | 7000261..... | 21, 23 | 70004686..... | 143 | 70005737..... | 125 |
| 70002149..... | 135 | 7000262..... | 21, 23 | 70004687..... | 147, 151 | 70005738..... | 125 |
| 70002150..... | 135 | 7000263..... | 21, 23 | 70004794..... | 53, 55 | 70005739..... | 125 |
| 70002151..... | 135 | 70002768..... | 57 | 70004829..... | 102, 125 | 70005740..... | 125 |
| 70002152..... | 135 | 70002842..... | 233 | 70004831..... | 125 | 70005743..... | 125 |
| 70002153..... | 135 | 70002861..... | 109, 119 | 70004834..... | 125 | 70005744..... | 125 |
| 70002154..... | 135 | 70002901..... | 129 | 70004848..... | 125 | 70005745..... | 125 |
| 70002155..... | 135 | 70002963..... | 15, 378 | 70004851..... | 126 | 70005746..... | 126 |
| 70002156..... | 135 | 70003024..... | 49 | 70004853..... | 126 | 70005747..... | 126 |
| 70002157..... | 135 | 70003060..... | 101 | 70004854..... | 126 | 70005748..... | 126 |
| 70002158..... | 135 | 70003061..... | 101 | 70004883..... | 49 | 70005749..... | 126 |
| 70002159..... | 135 | 70003063..... | 102 | 70004912..... | 126 | 70005750..... | 126 |
| 70002160..... | 135 | 70003064..... | 102 | 70004913..... | 126 | 70005751..... | 126 |
| 70002161..... | 135 | 70003631 .. | 155, 159, 163 | 70005069..... | 49 | 70005752..... | 126 |
| 70002162..... | 135 | 70003650..... | 215 | 70005073..... | 49 | 70005753..... | 126 |
| 70002163..... | 135 | 70003708 .. | 143, 147, 151, 155, 159, 163 | 70005100..... | 49 | 70005754..... | 126 |
| 70002164..... | 135 | 70003709 .. | 143, 147, 151, 155, 159, 163 | 70005150..... | 241 | 70005755..... | 126 |
| 70002165..... | 135, 136 | 70003788..... | 176, 378 | 70005151..... | 241 | 70005756..... | 126 |
| 70002166..... | 135 | 70003789..... | 49, 378 | 70005152..... | 241 | 70005757..... | 126 |
| 70002167..... | 135 | 70003935..... | 51 | 70005153..... | 241 | 70005758..... | 126 |
| 70002168..... | 135 | 70003936..... | 51 | 70005154..... | 241 | 70005759..... | 126 |
| 70002169..... | 136 | 70003977..... | 15, 49 | 70005163..... | 15 | 70005760..... | 126 |
| 70002170..... | 136 | 70004069..... | 129 | 70005164..... | 15 | 70005761..... | 126 |
| 70002172..... | 136 | 70004070..... | 129 | 70005165..... | 49 | 70005762..... | 126 |
| 70002174..... | 136 | 70004092 .. | 143, 147, 151, 155, 159, 163 | 70005167..... | 49 | 70005763..... | 126 |
| 70002175..... | 136 | 70004094 .. | 155, 159, 163 | 70005220..... | 101 | 70005764..... | 126 |
| 70002176..... | 136 | 70004098 .. | 147, 151, 155, 159, 164 | 70005221..... | 101 | 70005765..... | 126 |
| 70002177..... | 136 | 70004099 .. | 143, 147, 151, 155, 159, 163 | 70005222..... | 101 | 70005766..... | 126 |
| 70002178..... | 136 | 70004294..... | 125 | 70005223..... | 101 | 70005767..... | 126 |
| 70002179..... | 136 | 70004295..... | 125 | 70005224..... | 101 | 70005768..... | 126 |
| 70002180..... | 136 | 70004296..... | 125 | 70005226..... | 102 | 70005769..... | 126 |
| 70002181..... | 136 | 70004306..... | 125 | 70005227..... | 102 | 70005788..... | 178, 378 |
| 70002182..... | 136 | 70004311..... | 101, 125 | 70005228..... | 101 | 70006093... 155, 159, 163 | |
| 70002185..... | 136 | 70004395..... | 101 | 70005229..... | 102, 126 | 70006094... 155, 159, 163 | |
| 70002186..... | 136 | 70004396..... | 101 | 70005293..... | 129 | 70006095... 155, 159, 163 | |
| 70002187..... | 136 | 70004397..... | 101 | 70005294..... | 129 | 70006096... 155, 159, 163 | |
| 70002188..... | 136 | 70004398..... | 101 | 70005295..... | 129 | 70006097... 155, 159, 164 | |
| 70002189..... | 136 | 70004399..... | 101 | 70005296..... | 129, 378 | 70006104..... | 178 |
| 70002190..... | 136 | 70004401..... | 126 | 70005297..... | 129 | 70006105..... | 178 |
| 70002191..... | 136 | 70004415..... | 102 | 70005327..... | 126 | 70006292..... | 43 |
| 70002192..... | 136 | 70004524..... | 101, 125 | 70005329..... | 125 | 70006552... 144, 147, 151 | |
| 70002229..... | 21, 23 | 70004525..... | 101, 125 | 70005375..... | 237 | 70006553... 144, 147, 151 | |
| 70002291... 155, 159, 163 | | 70004526..... | 101, 125 | 70005376..... | 237 | 70006661..... | 101, 125 |
| 70002297... 155, 159, 163 | | 70004530..... | 101 | 70005377..... | 237 | 70006662..... | 125 |
| 7000230..... | 21, 23 | 70004531..... | 101 | 70005378..... | 237 | 70006664..... | 102 |
| 70002315..... | 101 | | | 70005380..... | 235 | 70006665..... | 101 |
| 70002316..... | 101 | | | 70005381..... | 235 | 70006786..... | 49 |
| 70002317..... | 101 | | | 70005382..... | 235 | 70006843..... | 237 |
| 70002318..... | 101, 125 | | | 70005383..... | 235 | 70006844..... | 235 |
| 70002319..... | 101 | | | 70005448..... | 49 | 70007036..... | 49 |

SECTION 11 - SPECIAL OPTIONS

| | | | |
|---|---------------------------------------|---------------------------|-----------------------------------|
| 70007037 239 | 7017080 21, 23 | 7023148..... 102 | 7024715 21, 23 |
| 70007038 239 | 7017496 176, 235 | 7023149..... 102 | 7024716 21, 23 |
| 70007039 239 | 7017901 102 | 7023154..... 101 | 7024717 23 |
| 70007040 239 | 7017906 125 | 7023164..... 101 | 7024718 24 |
| 70007041 239 | 7017914 125 | 7023165..... 101 | 7024808 178 |
| 70007042 239 | 7017922 101 | 7023167..... 101 | 7024854 27 |
| 70007043 239 | 7017928 101 | 7023168..... 101 | 7024862 27 |
| 70007044 239 | 7017934 101, 125 | 7023170..... 102, 126 | 7024868 27 |
| 70007045 239 | 7017945 101 | 7023306..... 57 | 7024881 51 |
| 7000731 24 | 7017958 102 | 7023347..... 57 | 7025479 101 |
| 70007439 136 | 7017959 125 | 7023900..... 49 | 7026597 155, 159, 163 |
| 70007502 89, 99, 112, 123 | 7017963 102 | 7023907..... 27 | 7026626 155, 159, 163 |
| 70007506 217 | 7017980 125 | 7023910..... 27 | 7027365 215, 217 |
| 70009008 285 | 7017982 125 | 7023917..... 51 | 7027367 215, 217 |
| 70009009 285 | 7017983 125 | 7023929..... 85, 95 | 7027419 27 |
| 70009010 287 | 7017984 125 | 7023933..... 51 | 7027765 215, 217 |
| 70009011 287 | 7017986 125 | 7023936..... 49 | 7027766 215, 217 |
| 70010383 81, 91, 106, 116, 378 | 7017992 102, 125 | 7023964..... 136 | 7027773 227 |
| 7001998 21, 23 | 7017994 126 | 7024182..... 23, 24 | 7027774 227 |
| 70020438 235 | 7017995 125 | 7024189..... 24 | 7027775 227 |
| 70023915 237, 239 | 7020175 63, 65, 207, 209, 211, 213 | 7024190..... 24 | 7027776 227 |
| 70026417 239 | 7020176 63, 65, 207, 209, 211, 213 | 7024191..... 24 | 7027777 227 |
| 7002821 381 | 7021249 27 | 7024192..... 24 | 7027778 227 |
| 7002822 381 | 7021256 136 | 7024193..... 24 | 7027779 227 |
| 7002823 381 | 7021275 27, 135 | 7024194..... 24 | 7027780 227 |
| 7002828 381 | 7021276 27 | 7024196..... 24 | 7027799 155, 159, 163 |
| 7004275 381 | 7021277 27 | 7024197..... 24 | 77363233 305, 309 |
| 7004276 381 | 7021625 51 | 7024441 57 | 80463053 365 |
| 70050516 15, 378 | 7021639 51 | 7024446 57 | 80933216 178 |
| 7007207 135 | 7022301 135 | 7024462 227 | 8220007 293 |
| 7007415 136 | 7022302 27 | 7024463 227 | 8220022 169, 171 |
| 7007418 135 | 7022305 27 | 7024467 227 | 8220029 298 |
| 7007419 135 | 7022310 27 | 7024469 227 | 8220045 293, 301 |
| 7007437 27 | 7022311 27 | 7024470 227 | 8220111 298, 301 |
| 7007438 27 | 7022312 27 | 7024471 227 | 8220164 298, 301 |
| 7007439 27 | 7022314 27 | 7024472 227 | 8303511 .82, 91, 107, 116 |
| 7007446 27, 135 | 7022326 27 | 7024473 227 | 83191040 85, 95, 109, 119 |
| 7007601 21, 23 | 7022328 27 | 7024474 227 | 840500981, 91, 106, 112, 122 |
| 7007640 21, 23 | 7022340 136 | 7024475 227 | 8405101 .88, 98, 112, 122 |
| 7010429 21, 23 | 7022368 27 | 7024478 227 | 8405104 .88, 98, 112, 122 |
| 7012910 15 | 7022369 27 | 7024497 43, 178 | 8406302 151, 163 |
| 7012925 49 | 7022371 27 | 7024498 43 | 8410013 113, 122 |
| 7015004 89, 99, 112, 122, 378 | 7022390 15, 49, 178 | 7024500 43 | 85941016 88, 98, 112, 122 |
| 7015005 112, 122 | 7022397 51 | 7024502 41, 43, 178 | 8750014 81, 91 |
| 7016319 37 | 7022398 49 | 7024503 43 | 8760268 250 |
| 7016372 37 | 7022399 49, 51 | 7024504 43 | 8760351 249, 259 |
| 7016654 381 | 7023107 125 | 7024505 43 | 90021705 88, 98 |
| 7017059 21, 23 | 7023124 102 | 7024506 41, 43, 178 | |
| 7017067 21, 23 | 7023140 101 | 7024507 43 | |
| 7017070 21, 23 | 7023144 101 | 7024705 23 | |
| | 7023145 102 | 7024712 21, 23 | |
| | | 7024713 21, 23 | |
| | | 7024714 21, 23 | |



**Corporate Office
JLG Industries, Inc.
1 JLG Drive
McConnellsburg, PA 17233-9533 USA
☎ (717) 485-5161 (Corporate)
☎ (877) 554-5438 (Customer Support)
📠 (717) 485-6417**

**Visit our website for JLG Worldwide Locations.
www.jlg.com**



OSHKOSH™