



Illustrated Parts Manual

***Model
R3246***

**PVC
1910
2004**

**P/N
31215093**

September 15, 2020 - Rev C

ANSI

CE



AS/NZS



An Oshkosh Corporation Company

REVISION LOG

NOTES:

NOTE: Country of Assembly - The R Scissor Lifts are assembled by JLG Industries in the following countries: USA or China or Europe. Refer to the Serial Number Tag to identify the country of assembly. R Scissors assembled in USA will have a serial number prefix of 02 (i.e. 02XXXXXXXX), R Scissors manufactured in China will have a serial number prefix of B2 (i.e. B2XXXXXXXX), and R Scissors manufactured in Europe will have a serial number prefix of 12 (i.e. 12XXXXXXXX) or E2 (i.e. E2XXXXXXXX)

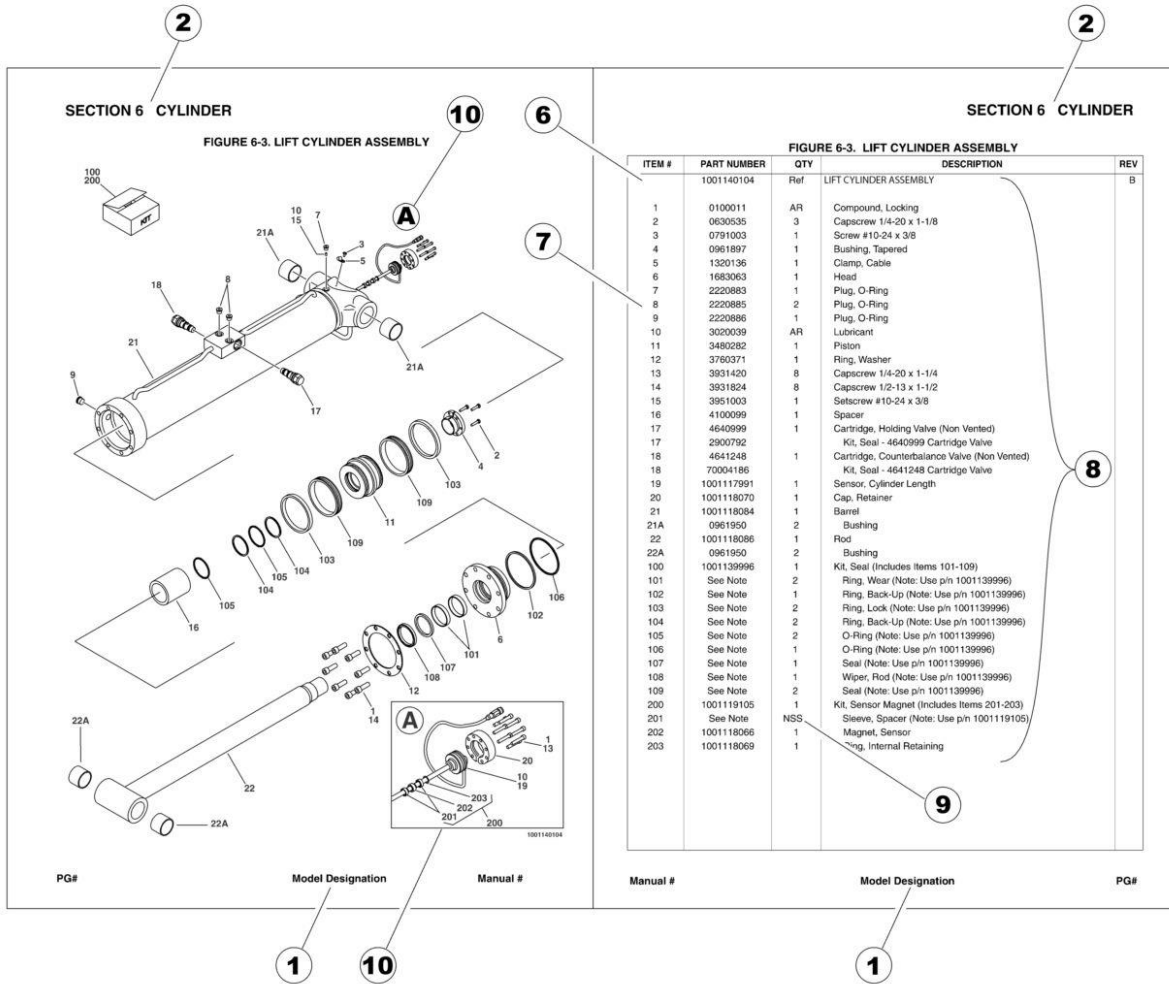
REVISION LOG:

November 1, 2019 - A - Original Issue of Manual (1001380000 Rev N &1001245768 Rev A)

March 15, 2020 - B - Revised Manual (1001380000 Rev O &1001245768 Rev A)

September 15, 2020 - C - Revised Manual (1001380000 Rev P &1001245768 Rev A)

GENERAL INFORMATION



1) MACHINE IDENTIFICATION

Machines are identified by model and in some cases a combination of models, serial number (SN) or regional standard (i.e ANSI, CE, CSA). Components may also be identified by SN or manufacturer. Common components that may be identified by these characteristics are engines and hydraulic components.

2) PARTS MANUAL ORGANIZATION

Product information in this manual is organized under section titles. Frame, Cylinder, Hydraulic and Electrical are a few examples. Each section is organized by figure and page number. The information within the Figure is then organized by item number, part number, description and corresponding illustration (s).

3) TABLE OF CONTENTS (NOT SHOWN)

A table of contents is found toward the beginning of the manual. Figure number, description and page number are provided for quick reference to the page containing the related information.

4) RECOMMENDED SPARE PARTS (NOT SHOWN)

The Recommended Spare Parts List, located near the end of the manual, reference most frequently used maintenance parts.

5) PART NUMBER INDEX (NOT SHOWN)

A numerical index listing all part numbers and the corresponding page number(s) appears at the back of the manual.

GENERAL INFORMATION

6) NON-SERVICED PARTS

In some instances, it is necessary to display non-serviced parts, assemblies or installations. In the case of assemblies and installations there will be a Ref in the Qty. column. In case of parts that are not available for service within assemblies or components, there will be a NSS (Not Sold Separately) or NLA (No Longer Available) listed in the Qty. column of the manual.

7) PARTS LIST ITEM NUMBERS

Numbers shown in the item# column correspond to numbers used in the associated illustration (s). Item numbers which are missing from the sequence in the parts list are not used on that page.

8) INDENTED PARTS DESCRIPTION

An indented part description is included in the item under which it is indented.

9) ABBREVIATION AND SYMBOLS

AC.....	Alternating Current	L.....	Liter
ADE.....	Advanced Design Electronics	LB(LBS).....	Pounds
AG.....	Agricultural	LCD.....	Liquid Crystal Display
ANSI.....	American National Standards Institute	LED.....	Light Emitting Diodes
AR.....	As Required	LH.....	Left Hand
ASSY.....	Assembly	LRC.....	Low Rated Countries
AUS.....	Australia	LSS.....	Load Sensing System
AUX.....	Auxiliary	M(m).....	Metric/Meter
AWG.....	American Wire Gauge	MM(mm).....	Milimeter
B/M.....	Bill of Material	mA.....	Miliamps
CAC.....	Charge Air Cooler	NLA.....	No Longer Available
CE.....	European Conformity	NPT.....	National Pipe Threads
CCW.....	Counter Clockwise	NSS.....	Not Sold Separately
CM.....	Centimeter	OD.....	Outside Diameter
CW.....	Clockwise	ORB.....	O-Ring Boss
CSA.....	Canadian Standards Association	ORFS.....	O-Ring Face Seal
CYL.....	Cylinder	OZ (oz).....	Ounces
DIA.....	Diameter	PG.....	Page
DC.....	Direct Current	PN.....	Part Number
DEF.....	Diesel Exhaust Fluid	QT(qt.).....	Quarts
EMS.....	Emergency Stop	QTY.....	Quantity
ENG.....	Engine	REF.....	Reference
FT(ft).....	Feet	REV.....	Revision Level
GA(Ga).....	Gauge	RH.....	Right Hand
HRC.....	High Rated Countries	SAE.....	Society of Automotive Engineers
HVAC.....	Heating, Ventilating, and Air Conditioning	SN.....	Serial Number
HYD.....	Hydraulic	SPEC(S).....	Specifications
Hz.....	Hertz	T/T.....	Turntable
ID.....	Inside Diameter	UGM.....	Universal Ground Module
IN.....	inches	V.....	Volts
ISO.....	International Organization for Standards	W.....	Watts
JIC.....	Joint Industry Council	#.....	Number
KG.....	Kilogram		

10) ILLUSTRATION REFERENCE LETTERS

When necessary, illustrations may contain reference letters that are intended to track information (i. e. hoses, harnesses) from one point to another or to track visual enlargement of components to show details that may be located in another area on the illustration.

Note: Due to continuous product improvements, JLG Industries, Inc. reserves the right to make specification changes without prior notification. Contact JLG Industries, Inc. for updated information.

TABLE OF CONTENTS

SECTION 1 - FRAME.....	11
FIGURE 1-1. STEER INSTALLATION.....	12
FIGURE 1-2. DRIVE/BRAKE INSTALLATION	14
FIGURE 1-3. DRIVE MOTOR ASSEMBLY	16
FIGURE 1-4. TIRE/WHEEL INSTALLATION.....	18
FIGURE 1-5. POTHOLE PROTECTION SYSTEM INSTALLATION	20
FIGURE 1-6. TILT SENSOR INSTALLATION	22
FIGURE 1-7. BATTERY CHARGER INSTALLATION - DELTA-Q WITHOUT COMMUNICATION PORT (LOCALLY SUPPLIED PLUG).....	24
FIGURE 1-8. BATTERY CHARGER INSTALLATION - DELTA-Q WITH COMMUNICATION PORT (LOCALLY SUPPLIED PLUG)	26
FIGURE 1-9. BATTERY CHARGER INSTALLATION - DELTA-Q WITHOUT COMMUNICATION PORT (110V PLUG).....	28
FIGURE 1-10. BATTERY CHARGER INSTALLATION - DELTA-Q WITH COMMUNICATION PORT (110V PLUG)	30
FIGURE 1-11. BATTERY CHARGER INSTALLATION - DELTA-Q WITHOUT COMMUNICATION PORT (AUSTRALIAN PLUG).....	32
FIGURE 1-12. BATTERY CHARGER INSTALLATION - DELTA-Q WITH COMMUNICATION PORT (AUSTRALIAN PLUG)	34
FIGURE 1-13. BATTERY CHARGER INSTALLATION - DELTA-Q WITHOUT COMMUNICATION PORT (KOREAN PLUG).....	36
FIGURE 1-14. BATTERY CHARGER INSTALLATION - DELTA-Q WITH COMMUNICATION PORT (KOREAN PLUG)	38
FIGURE 1-15. BATTERY CHARGER INSTALLATION - EAGLE PERFORMANCE (110V PLUG).....	40
FIGURE 1-16. BATTERY CHARGER INSTALLATION - GREEN POWER (LOCALLY SUPPLIED PLUG)	42
FIGURE 1-17. BATTERY CHARGER INSTALLATION - GREEN POWER (CHINA PLUG).....	44
FIGURE 1-18. STROBE LIGHT INSTALLATION - SINGLE (AMBER) (WITHOUT GUARD)	46
FIGURE 1-19. STROBE LIGHT INSTALLATION - DUAL (AMBER) (WITHOUT GUARD).....	48
FIGURE 1-20. STROBE LIGHT INSTALLATION - SINGLE (AMBER) (WITH GUARD).....	50
FIGURE 1-21. STROBE LIGHT INSTALLATION - DUAL (AMBER) (WITH GUARD)	52
FIGURE 1-22. ALARM INSTALLATION (AMBIENT/WHITE NOISE)	54
FIGURE 1-23. LADDER INSTALLATION	56
FIGURE 1-24. FRAME COVERS INSTALLATION	58
SECTION 2 - GROUND CONTROLS	61
FIGURE 2-1. HYDRAULIC COMPONENTS INSTALLATION	62
FIGURE 2-2. MAIN VALVE ASSEMBLY	64
FIGURE 2-3. ELECTRICAL COMPONENTS INSTALLATION (CHINA & MEXICO BUILT MACHINES).....	66
FIGURE 2-4. ELECTRICAL COMPONENTS INSTALLATION - #1 (EUROPEAN BUILT MACHINES)	68
FIGURE 2-5. ELECTRICAL COMPONENTS INSTALLATION - #2 (EUROPEAN BUILT MACHINES)	70
FIGURE 2-6. ACCESS CONTROL KEYPAD INSTALLATION.....	72
FIGURE 2-7. MOBILE CONTROL INSTALLATION.....	74
FIGURE 2-8. MDI INSTALLATION.....	76
FIGURE 2-9. BATTERIES INSTALLATION - STANDARD 6V-255AH	78
FIGURE 2-10. BATTERIES INSTALLATION - STANDARD 6V-220AH	80
FIGURE 2-11. BATTERIES INSTALLATION - AGM 6V-220AH.....	82
FIGURE 2-12. BATTERIES INSTALLATION - AGM EVCG 6V-220AH.....	84
FIGURE 2-13. BATTERIES INSTALLATION - 6V-220AH (TROJAN)	86
FIGURE 2-14. INVERTER INSTALLATION (OPTIONAL).....	88
FIGURE 2-15. DOORS INSTALLATION	90
SECTION 3 - SCISSORS ARMS	93

TABLE OF CONTENTS

FIGURE 3-1. SCISSORS ARMS INSTALLATION	94
FIGURE 3-2. ARMS GUARD INSTALLATION	98
SECTION 4 - PLATFORM	101
FIGURE 4-1. PLATFORM INSTALLATION	102
FIGURE 4-2. PLATFORM EXTENSION INSTALLATION	104
FIGURE 4-3. RAILS INSTALLATION (SIDE BY SIDE)	106
FIGURE 4-4. RAILS INSTALLATION (TUBE IN TUBE)	108
FIGURE 4-5. EXTENSION HANDLES INSTALLATION (OPTIONAL)	110
FIGURE 4-6. PLATFORM CONSOLE INSTALLATION (PVC1910)	112
FIGURE 4-7. PLATFORM CONSOLE INSTALLATION (PVC2004)	114
FIGURE 4-8. CONTROLLER ASSEMBLY	116
FIGURE 4-9. GATE LATCH INSTALLATION	118
FIGURE 4-10. PIPE RACKS INSTALLATION (SIDE BY SIDE RAILS) (OPTIONAL)	120
FIGURE 4-11. PIPE RACKS INSTALLATION (TUBE IN TUBE RAILS) (OPTIONAL)	122
FIGURE 4-12. OVERHEAD PROTECTION INSTALLATION (KOREAN SPECS)	124
SECTION 5 - CYLINDER	127
FIGURE 5-1. LIFT CYLINDER ASSEMBLY	128
FIGURE 5-2. STEER CYLINDER ASSEMBLY	130
SECTION 6 - HYDRAULIC	133
FIGURE 6-1. HYDRAULIC COMPONENTS INSTALLATION	134
SECTION 7 - ELECTRICAL	137
FIGURE 7-1. AC BOX AT PLATFORM INSTALLATION - 110V GFI (ALL SPECS EXCEPT AUSTRALIAN & CE SPECS)	138
FIGURE 7-2. AC BOX AT PLATFORM INSTALLATION - 110V IEC YELLOW (CE SPECS)	140
FIGURE 7-3. AC BOX AT PLATFORM INSTALLATION - 220V IEC BLUE (CE SPECS)	142
FIGURE 7-4. AC BOX AT PLATFORM INSTALLATION - 220V CEE7 POST GROUND (CE SPECS)	144
FIGURE 7-5. AC BOX AT PLATFORM INSTALLATION - 220V CEE7 SIDE GROUND (CE SPECS)	146
FIGURE 7-6. AC BOX AT PLATFORM INSTALLATION - 220V AFSINT 107 (CE SPECS)	148
FIGURE 7-7. AC BOX AT PLATFORM INSTALLATION - 220V CHINA PLUG (CHINA SPECS)	150
FIGURE 7-8. AC BOX AT PLATFORM INSTALLATION - 220V LOCALLY SUPPLIED COMPONENTS (ALL SPECS)	152
FIGURE 7-9. AC BOX AT PLATFORM INSTALLATION - 220V (AUSTRALIAN SPECS)	154
FIGURE 7-10. BREAKER BOX KIT WITH 1 DOUBLE BREAKER	156
FIGURE 7-11. BREAKER BOX KIT WITH 3 BREAKERS	158
FIGURE 7-12. CAN SPLICE HARNESS (CHARGER WITH COMMUNICATION PORT)	160
FIGURE 7-13. CHARGER HARNESS (CHARGER WITH COMMUNICATION PORT) (PVC 1910)	162
FIGURE 7-14. CHARGER HARNESS (CHARGER WITH COMMUNICATION PORT) (PVC 2004)	164
FIGURE 7-15. CHASSIS HARNESS	166
FIGURE 7-16. GROUND TO PLATFORM CABLE INSTALLATION - WITHOUT PLATFORM COIL CABLE (CHINA AND MEXICO BUILT MACHINES)	170
FIGURE 7-17. GROUND TO PLATFORM CABLE INSTALLATION - WITHOUT PLATFORM COIL CABLE & WITH FOOTSWITCH (CHINA BUILT MACHINES)	172
FIGURE 7-18. GROUND TO PLATFORM CABLE INSTALLATION - WITH PLATFORM COIL CABLE (CHINA AND MEXICO BUILT MACHINES)	174
FIGURE 7-19. GROUND TO PLATFORM CABLE INSTALLATION - WITH PLATFORM COIL CABLE & FOOTSWITCH (CHINA BUILT MACHINES)	176

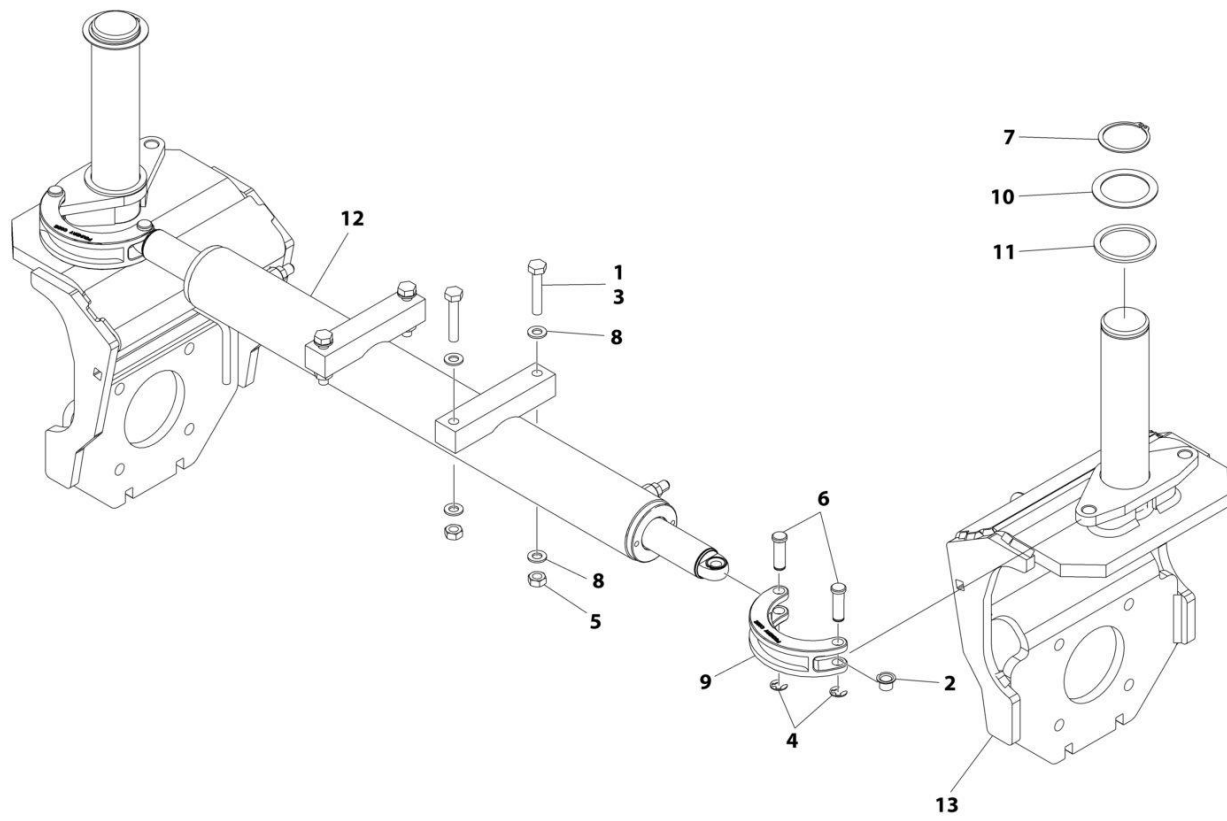
TABLE OF CONTENTS

FIGURE 7-20. GROUND TO PLATFORM CABLE INSTALLATION - PLATFORM STRAIGHT CABLE ONLY (EUROPEAN BUILT MACHINES)	178
FIGURE 7-21. GROUND TO PLATFORM CABLE INSTALLATION - PLATFORM COIL CABLE ONLY (EUROPEAN BUILT MACHINES)	180
FIGURE 7-22. GROUND TO PLATFORM CABLE INSTALLATION - SCISSORS ARMS CABLE ONLY (EUROPEAN BUILT MACHINES)	182
FIGURE 7-23. LIFT DOWN HARNESS	184
FIGURE 7-24. PLATFORM CONTROL BOX HARNESS	186
FIGURE 7-25. RECEPTACLE BOX KIT - 110V GFI.....	188
FIGURE 7-26. RECEPTACLE BOX KIT - 110V IEC YELLOW (CE SPEC).....	190
FIGURE 7-27. RECEPTACLE BOX KIT - 220V IEC BLUE (CE SPEC)	192
FIGURE 7-28. RECEPTACLE BOX KIT - 220V CEE7 POST GROUND (CE SPEC).....	194
FIGURE 7-29. RECEPTACLE BOX KIT - 220V CEE7 SIDE GROUND (CE SPEC).....	196
FIGURE 7-30. RECEPTACLE BOX KIT - 220V AFSINT 107 (CE SPEC).....	198
SECTION 8 - DECALS.....	201
FIGURE 8-1. DECAL INSTALLATION (ANSI SPECS).....	202
FIGURE 8-2. DECAL INSTALLATION (AUSTRALIAN SPECS).....	204
FIGURE 8-3. DECAL INSTALLATION (BRAZIL SPECS).....	206
FIGURE 8-4. DECAL INSTALLATION (CE SPECS)	208
FIGURE 8-5. DECAL INSTALLATION (CHINA SPECS)	210
FIGURE 8-6. DECAL INSTALLATION (CSA SPECS).....	212
FIGURE 8-7. DECAL INSTALLATION (KOREAN SPECS)	214
FIGURE 8-8. DECAL INSTALLATION (LATIN AMERICAN SPECS)	216
FIGURE 8-9. DECAL INSTALLATION - OPTIONS	218
SECTION 9 - RECOMMENDED SERVICE PARTS STOCK	221
FIGURE 9-1. RECOMMENDED SERVICE PARTS STOCK	222
SECTION 10 - SPECIAL OPTIONS.....	223
FIGURE 10-1. SPECIAL OPTIONS.....	224
PART NUMBER INDEX	227

SECTION 1 - FRAME

SECTION 1 - FRAME

FIGURE 1-1. STEER INSTALLATION



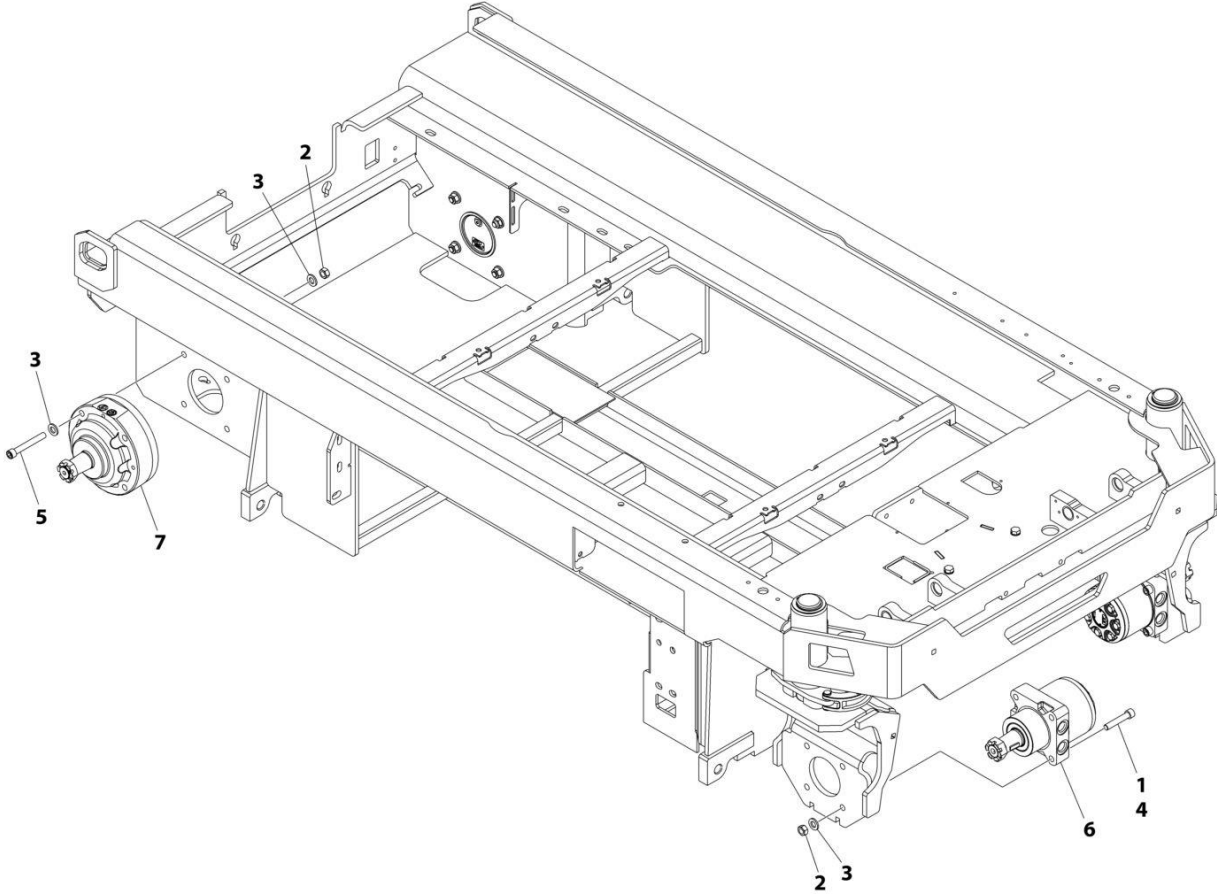
ART_1001234316

FIGURE 1-1. STEER INSTALLATION

ITEM	PART NUMBER	QTY	DESCRIPTION	REV
	1001234316	Ref	STEER INSTALLATION	B
1	0100011	AR	Compound, Locking	
2	0440259	2	Bearing	
3	0761019	4	Bolt M10 x 55	
4	1380153	4	E-Clip	
5	3291001	4	Nut M10	
6	3423037	4	Pin	
7	3760217	2	Ring, Retaining	
8	4812000	8	Washer M10	
9	4846757	2	Link	
10	1001197396	2	Washer	
11	1001205751	2	Washer	
12	1001233449	1	Steer Cylinder Assembly (See Separate Breakdown in Cylinder Section)	
13	1001234838	2	Spindle	

SECTION 1 - FRAME

FIGURE 1-2. DRIVE/BRAKE INSTALLATION



ART_1001234529

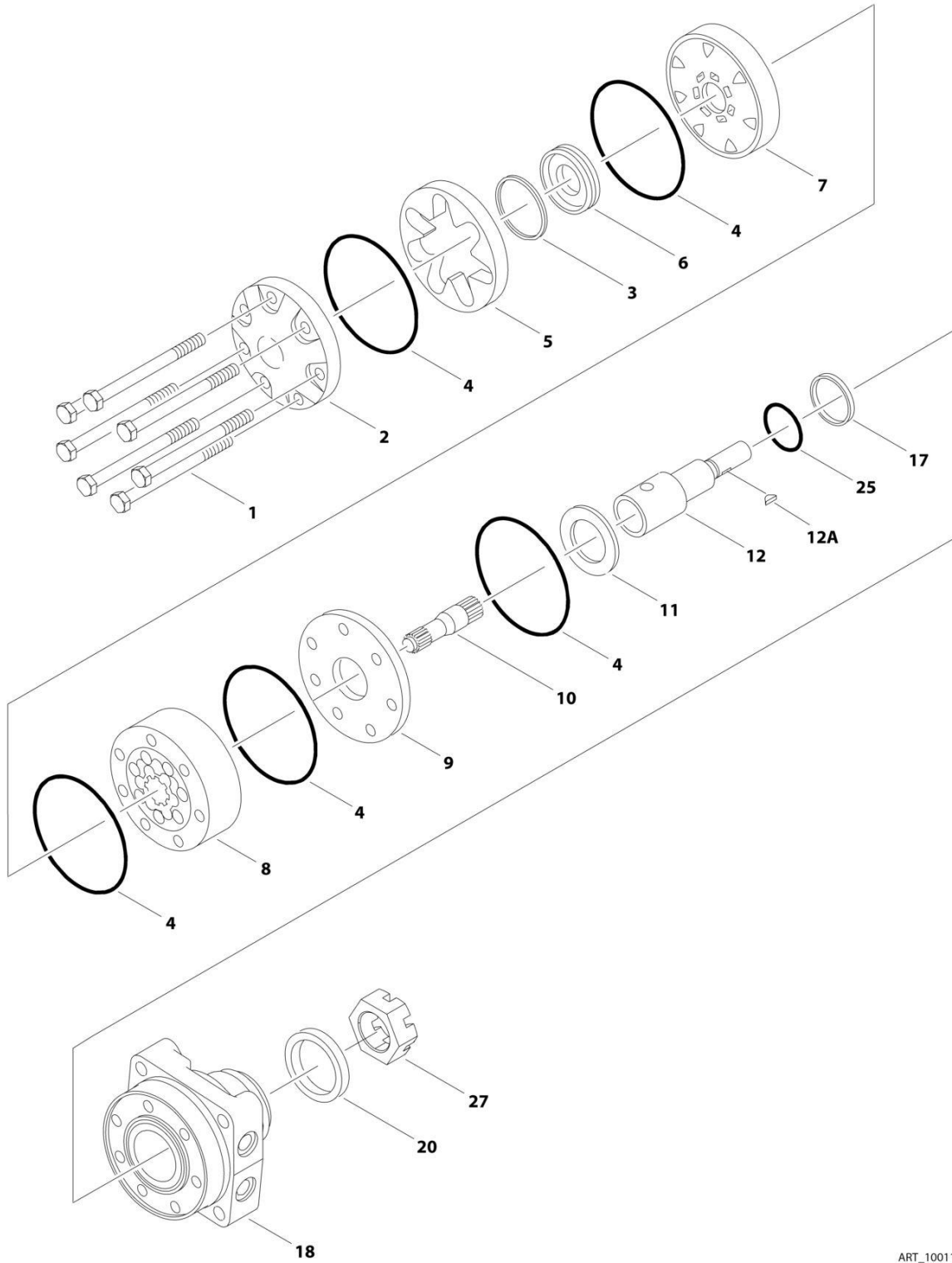
SECTION 1 - FRAME

FIGURE 1-2. DRIVE/BRAKE INSTALLATION

ITEM	PART NUMBER	QTY	DESCRIPTION	REV
	1001234529	Ref	DRIVE/BRAKE INSTALLATION	B
1	0100011	AR	Compound, Locking	
2	3331211	16	Nut M12	
3	5241200	24	Washer M12	
4	5272117	8	Capscrew M12 x 65	
5	5272122	8	Capscrew M12 x 90	
6	1001199937	2	Drive Motor Assembly (See Separate Breakdown in this Section)	
7	1001202773	2	Drive Brake Assembly (Note: No Internal Service Parts Available)	
7	70005918	1	Key, Shaft	
7	70005919	1	Nut 1-1/8	

SECTION 1 - FRAME

FIGURE 1-3. DRIVE MOTOR ASSEMBLY



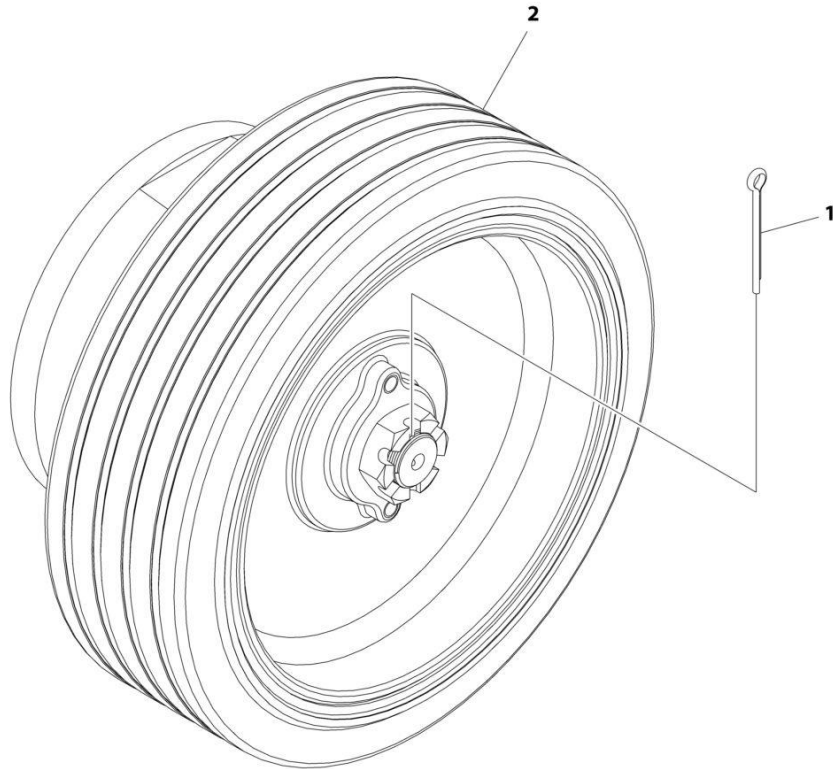
ART_1001199937

FIGURE 1-3. DRIVE MOTOR ASSEMBLY

ITEM	PART NUMBER	QTY	DESCRIPTION	REV
	1001199937	Ref	DRIVE MOTOR ASSEMBLY	D
1	70005806	7	Bolt	
2	7023328	1	Cover	
3	7023318	1	Seal, Commutator	
4	7023310	5	Ring, Seal	
5	7023315	1	Commutator (Includes Item 6)	
6	See Note	NSS	Ring, Commutator (Use p/n 7023315)	
7	70005812	1	Manifold	
8	70000278	1	Rotor Set	
9	7023311	1	Plate, Wear	
10	70005814	1	Link, Drive	
11	7023308	1	Bearing, Thrust	
12	70005813	1	Shaft	
12A	7023324	1	Key, Shaft	
17	70005809	1	Washer, Backup	
18	See Note	NSS	Housing Assembly (Use p/n 1001199937)	
20	7023319	1	Seal, Dirt and Water	
25	70005808	1	Ring, Backup	
27	70005807	1	Nut	

SECTION 1 - FRAME

FIGURE 1-4. TIRE/WHEEL INSTALLATION



ART_1001213928

FIGURE 1-4. TIRE/WHEEL INSTALLATION

ITEM	PART NUMBER	QTY	DESCRIPTION	REV
	1001213928	Ref	TIRE AND WHEEL INSTALLATION	A
		Ref	Note: Must Replace Tire and Wheel Assemblies in pairs per axle.	
1	3450508	4	Pin, Cotter 5/32 x 2	
2	1001212187	4	Tire and Wheel	

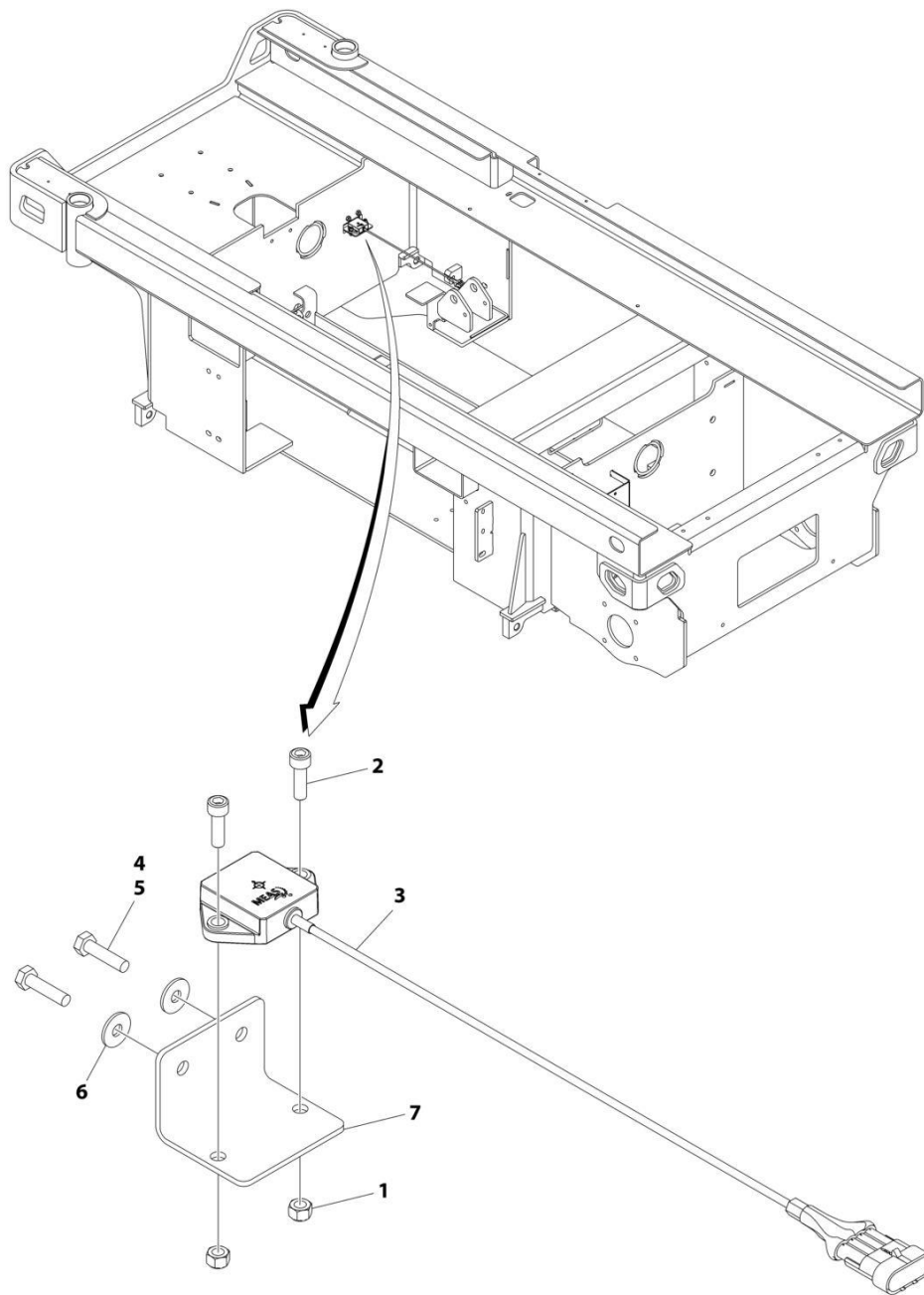
SECTION 1 - FRAME

FIGURE 1-5. POTHOLE PROTECTION SYSTEM INSTALLATION

ITEM	PART NUMBER	QTY	DESCRIPTION	REV
	1001380058	Ref	POTHOLE PROTECTION SYSTEM INSTALLATION	D
1	0100011	AR	Compound, Locking	
2	0700612	2	Bolt M6 x 25	
3	0700815	2	Bolt M8 x 35	
4	0700823	1	Bolt M8 x 75	
5	3290405	2	Nut M4	
6	3290801	1	Nut M8	
7	3290805	2	Nut M8	
8	3430636	1	Pin	
9	3431212	6	Pin	
10	3431218	4	Pin	
11	3450403	1	Pin, Cotter 1/8 x 3/4	
12	3450505	10	Pin, Cotter 5/32 x 1/2	
13	4031511	2	Capscrew M4 x 35	
14	4160202	1	Spring	
15	4240147	1	Strap, Anti-Static	
16	4740086	NLA	Washer (Use Item 39)	
17	4811702	2	Washer M6	
18	4811900	4	Washer M8	
19	4811902	2	Washer M8	
20	4812000	2	Washer M10	
21	4812500	10	Washer M20	
22	1001091102	2	Washer M4	
23	1001202987	1	Plate, Mounting	
24	1001214528	1	Actuator (Upper) (Cylindrical Shaft Machined at Top - as Shown)	
24	1001202988	1	Actuator (Upper) (Full Length Cylindrical Shaft - Not Shown)	
25	1001202999	4	Link	
26	1001203869	1	Bearing	
27	1001203870	6	Bearing	
28	1001203871	1	Switch, Limit	
29	1001203872	1	Washer	
30	1001213597	2	Plate, Pinion	
31	1001214526	1	Actuator (Lower)	
32	1001215953	1	Bearing	
33	1001218307	1	Plate, Sensor Mounting	
34	1001227855	1	Spring	
35	1001234797	1	Bar (LH)	
36	1001234798	1	Bar (RH)	
37	1001110302	1	Screw M12 x 35	
38	1001214534	1	Pad	
39	0440263	4	Bearing, Flange	

SECTION 1 - FRAME

FIGURE 1-6. TILT SENSOR INSTALLATION



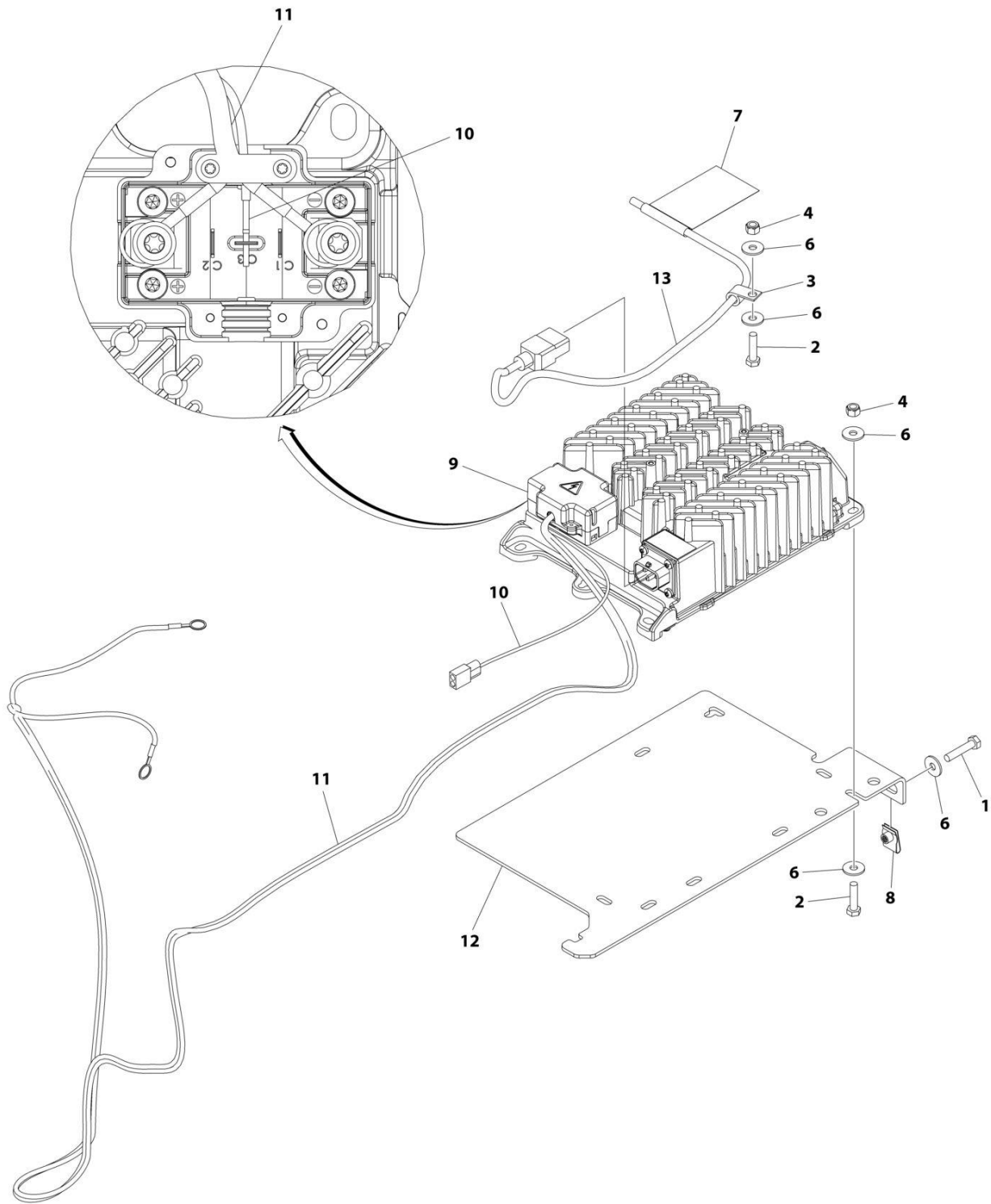
ART_1001214217

FIGURE 1-6. TILT SENSOR INSTALLATION

ITEM	PART NUMBER	QTY	DESCRIPTION	REV
	1001214217	Ref	TILT SENSOR INSTALLATION	D
1	3290601	2	Nut M6	
2	4031708	2	Capscrew M6 x 20	
3	1001186466	1	Sensor, Tilt	
4	0100011	AR	Compound, Locking	
5	0700612	2	Bolt M6 x 25	
6	4811702	2	Washer M6	
7	1001217059	1	Plate, Mounting	

SECTION 1 - FRAME

FIGURE 1-7. BATTERY CHARGER INSTALLATION - DELTA-Q WITHOUT COMMUNICATION PORT (LOCALLY SUPPLIED PLUG)



ART_1001235153

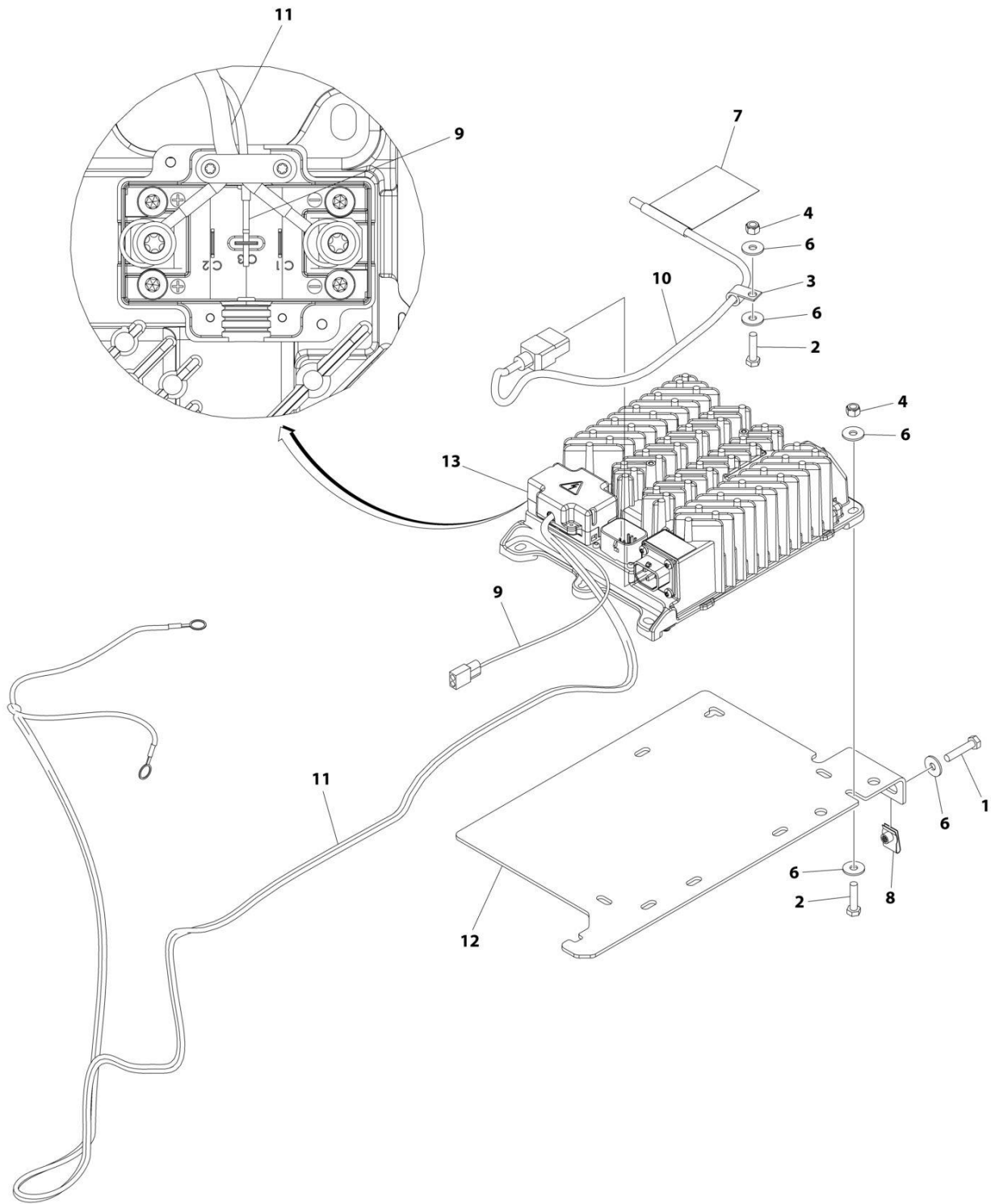
SECTION 1 - FRAME

**FIGURE 1-7. BATTERY CHARGER INSTALLATION - DELTA-Q WITHOUT COMMUNICATION PORT
(LOCALLY SUPPLIED PLUG)**

ITEM	PART NUMBER	QTY	DESCRIPTION	REV
	1001235153	Ref	BATTERY CHARGER INSTALLATION - DELTA-Q (LOCALLY SUPPLIED PLUG)	C
1	0700614	2	Bolt M6 x 30	
2	0760612	3	Bolt M6 x 25	
3	1321293	1	Clamp	
4	3290605	3	Nut M6	
5	4240017	AR	Tie-Strap (Not Shown)	
6	4811702	8	Washer M6	
7	1001102489	1	Decal - Charger	
8	1001130220	2	Nut, Tinnerman M6	
9	1001200561	1	Charger, Battery - Delta-Q	
10	1001207009	1	Charger Interlock Harness	
10	4460424	1	Receptacle, Female - 2 Position	
10	4460227	2	Pin, Male	
11	1001235105	1	Charger DC Connection Harness	
12	1001236139	1	Bracket	
13	1001207974	1	Cable, Charger AC Input	

SECTION 1 - FRAME

FIGURE 1-8. BATTERY CHARGER INSTALLATION - DELTA-Q WITH COMMUNICATION PORT (LOCALLY SUPPLIED PLUG)



ART_1001253654

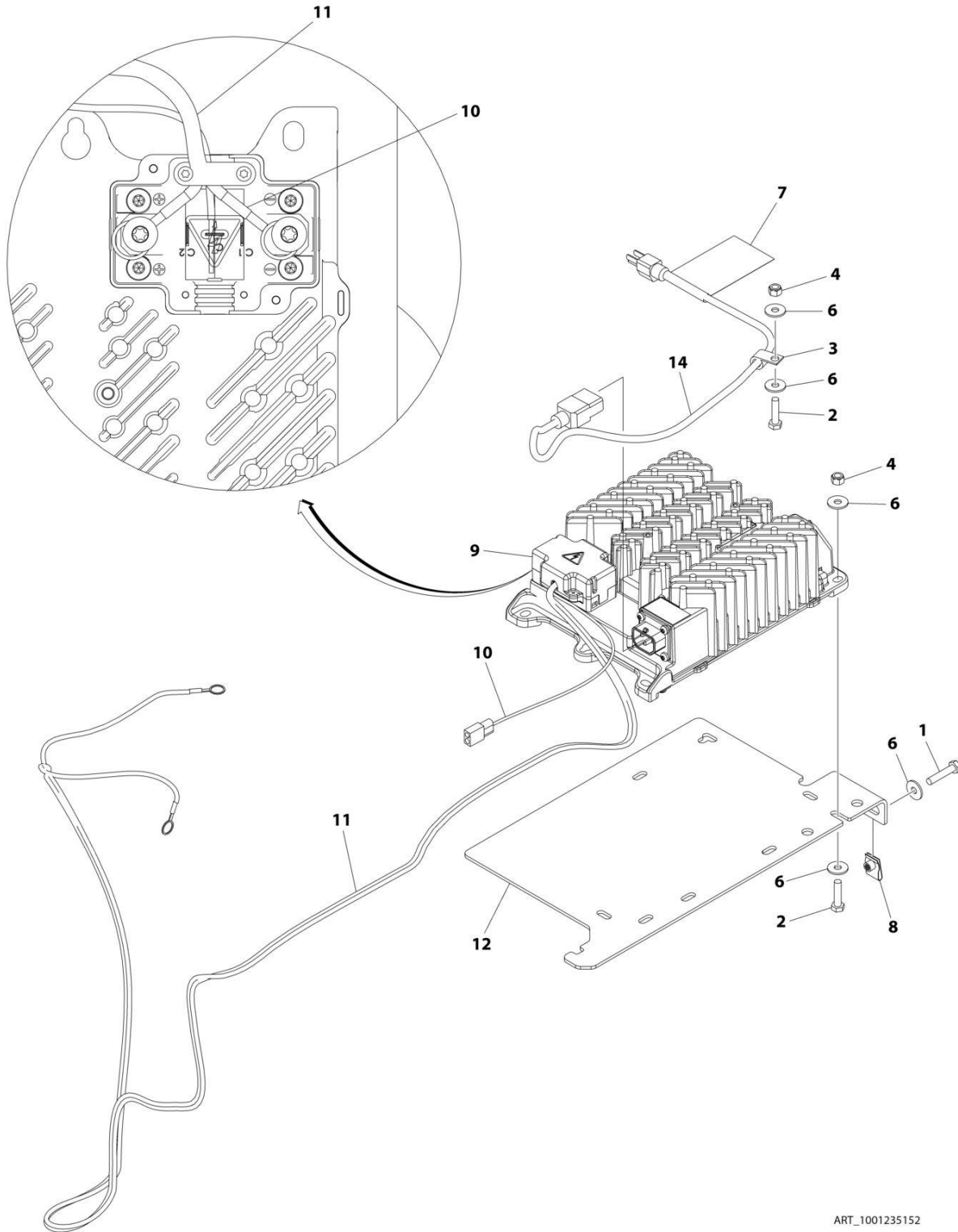
SECTION 1 - FRAME

**FIGURE 1-8. BATTERY CHARGER INSTALLATION - DELTA-Q WITH COMMUNICATION PORT
(LOCALLY SUPPLIED PLUG)**

ITEM	PART NUMBER	QTY	DESCRIPTION	REV
	1001253654	Ref	BATTERY CHARGER INSTALLATION - DELTA-Q (LOCALLY SUPPLIED PLUG)	A
1	0700614	2	Bolt M6 x 30	
2	0760612	3	Bolt M6 x 25	
3	1321293	1	Clamp	
4	3290605	3	Nut M6	
5	4240017	AR	Tie-Strap (Not Shown)	
6	4811702	8	Washer M6	
7	1001102489	1	Decal - Charger Label	
8	1001130220	2	Nut, Tinnerman M6	
9	1001207009	1	Charger Interlock Harness	
9	4460424	1	Receptacle, Female - 2 Position	
9	4460227	2	Pin, Male	
10	1001207974	1	Battery Charger to AC Connection Cable	
11	1001235105	1	Battery Charger to DC Connection Cable	
12	1001236139	1	Bracket	
13	1001253952	1	Charger, Battery - Delta-Q	
14	1001254027	1	Can Splice Harness (Not Shown - See Separate Breakdown in ELECTRICAL SECTION)	
15	1001254028	1	Charger To Battery Harness (Not Shown - See Separate Breakdown in ELECTRICAL SECTION)	

SECTION 1 - FRAME

FIGURE 1-9. BATTERY CHARGER INSTALLATION - DELTA-Q WITHOUT COMMUNICATION PORT (110V PLUG)



ART_1001235152

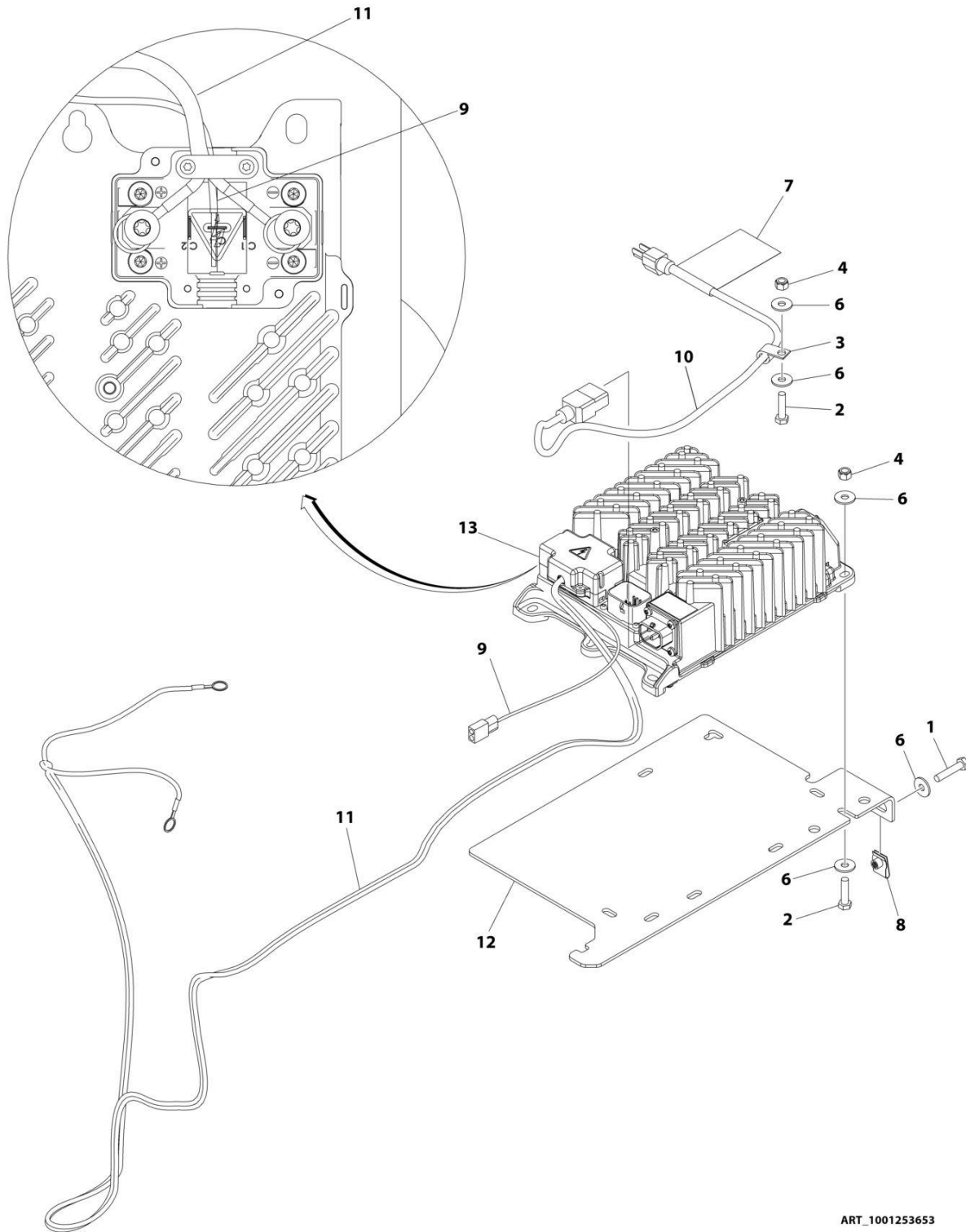
SECTION 1 - FRAME

**FIGURE 1-9. BATTERY CHARGER INSTALLATION - DELTA-Q WITHOUT COMMUNICATION PORT
(110V PLUG)**

ITEM	PART NUMBER	QTY	DESCRIPTION	REV
	1001235152	Ref	BATTERY CHARGER INSTALLATION - DELTA-Q (110V PLUG)	B
1	0700614	2	Bolt M6 x 30	
2	0760612	3	Bolt M6 x 25	
3	1321293	1	Clamp	
4	3290605	3	Nut M6	
5	4240017	AR	Tie-Strap (Not Shown)	
6	4811702	8	Washer M6	
7	1001102489	1	Decal - Charger	
8	1001130220	2	Nut Tinnerman, M6	
9	1001200561	1	Charger, Battery - Delta-Q	
10	1001207009	1	Charger Interlock Harness	
10	4460424	1	Receptacle, Female - 2 Position	
10	4460227	2	Pin, Male	
11	1001235105	1	Charger DC Connection Harness	
12	1001236139	1	Bracket	
14	1001207970	1	Charger AC Input Cable	

SECTION 1 - FRAME

FIGURE 1-10. BATTERY CHARGER INSTALLATION - DELTA-Q WITH COMMUNICATION PORT (110V PLUG)



ART_1001253653

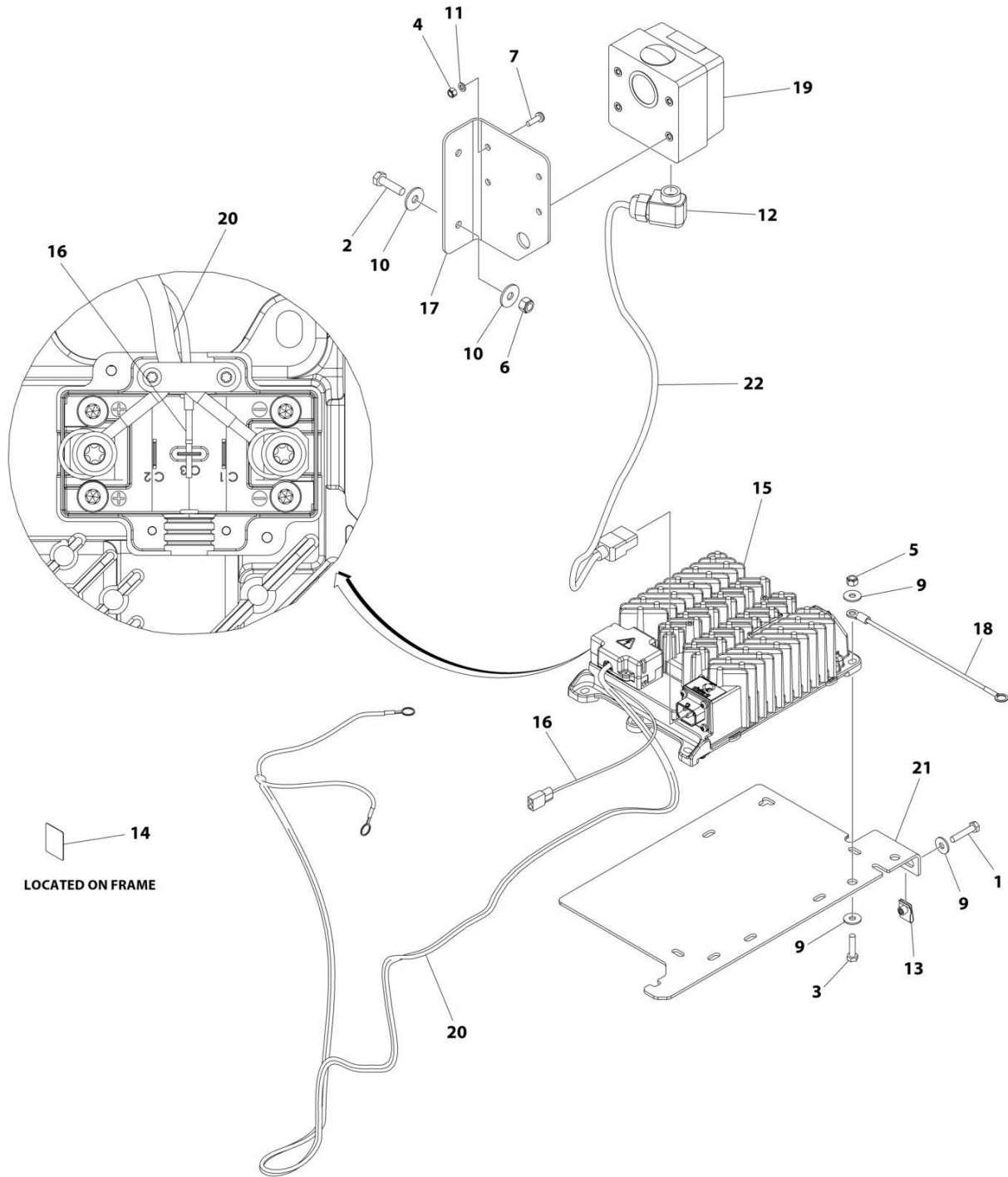
SECTION 1 - FRAME

FIGURE 1-10. BATTERY CHARGER INSTALLATION - DELTA-Q WITH COMMUNICATION PORT (110V PLUG)

ITEM	PART NUMBER	QTY	DESCRIPTION	REV
	1001253653	Ref	BATTERY CHARGER INSTALLATION - DELTA-Q (110V PLUG)	A
1	0700614	2	Bolt M6 x 30	
2	0760612	3	Bolt M6 x 25	
3	1321293	1	Clamp	
4	3290605	3	Nut M6	
5	4240017	AR	Tie-Strap (Not Shown)	
6	4811702	8	Washer M6	
7	1001102489	1	Decal - Charger Label	
8	1001130220	2	Nut, Tinnerman M6	
9	1001207009	1	Charger Interlock Harness	
9	4460424	1	Receptacle, Female - 2 Position	
9	4460227	2	Pin, Male	
10	1001207970	1	Battery Charger to AC Connection Cable	
11	1001235105	1	Battery Charger to DC Connection Cable	
12	1001236139	1	Bracket	
13	1001253952	1	Charger, Battery - Delta-Q	
14	1001254027	1	Can Splice Harness (Not Shown - See Separate Breakdown in ELECTRICAL SECTION)	
15	1001254028	1	Charger To Battery Harness (Not Shown - See Separate Breakdown in ELECTRICAL SECTION)	

SECTION 1 - FRAME

FIGURE 1-11. BATTERY CHARGER INSTALLATION - DELTA-Q WITHOUT COMMUNICATION PORT (AUSTRALIAN PLUG)



ART_1001243534_D

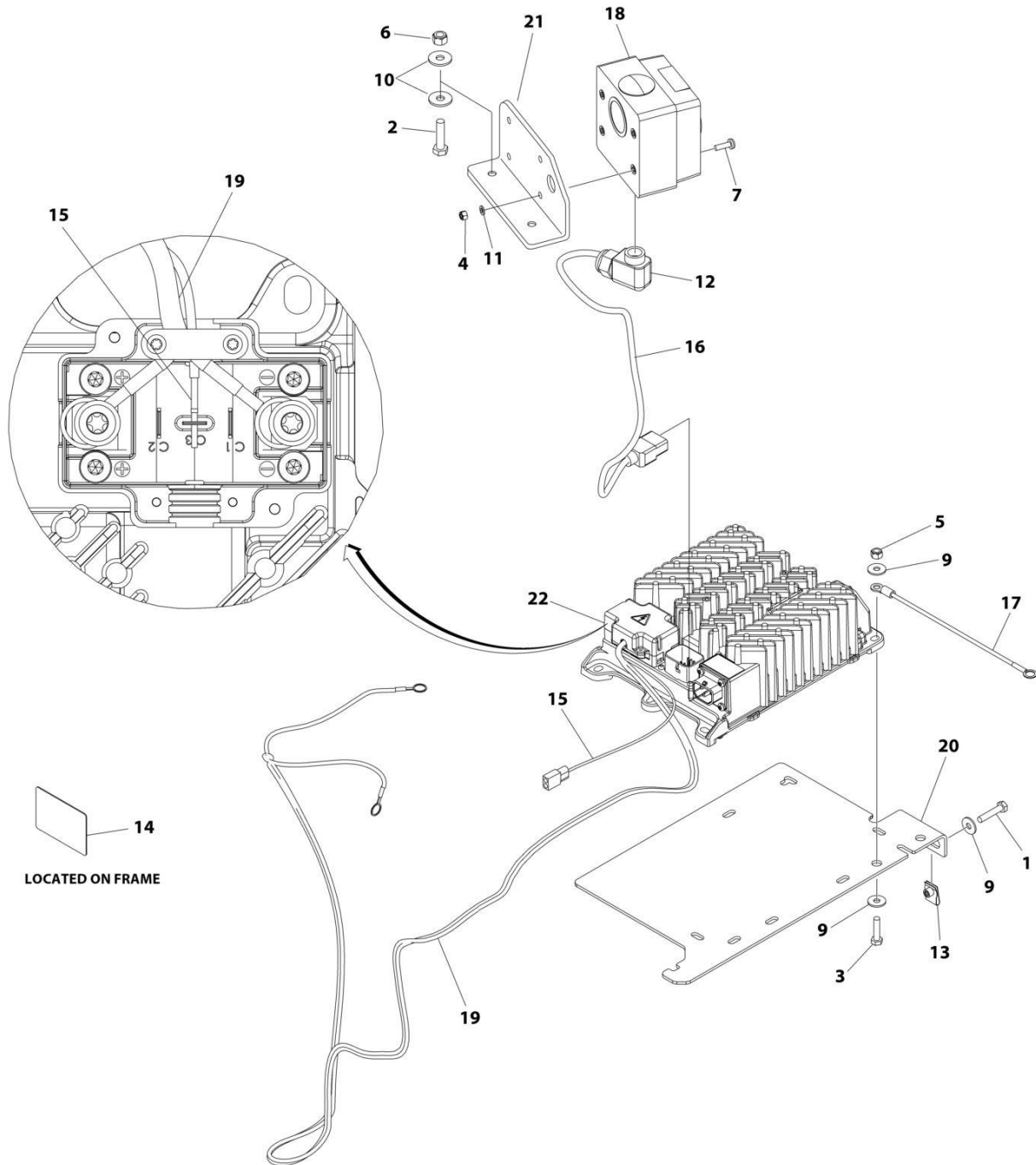
SECTION 1 - FRAME

**FIGURE 1-11. BATTERY CHARGER INSTALLATION - DELTA-Q WITHOUT COMMUNICATION PORT
(AUSTRALIAN PLUG)**

ITEM	PART NUMBER	QTY	DESCRIPTION	REV
	1001243534	Ref	BATTERY CHARGER INSTALLATION - DELTA-Q (AUSTRALIAN PLUG)	D
1	0700614	2	Bolt M6 x 30	
2	0700814	2	Bolt M8 x 30	
3	0760612	3	Bolt M6 x 25	
4	3290505	4	Nut M5	
5	3290605	3	Nut M6	
6	3290805	2	Nut M8	
7	3900381	4	Screw M5 x 16	
8	4240017	AR	Tie-Strap (Not Shown)	
9	4811702	8	Washer M6	
10	4811902	4	Washer M8	
11	4831600	4	Washer M5	
12	1001103471	1	Connector Strain Relief 90	
13	1001130220	2	Nut Tinnerman M6	
14	1001134280	1	Decal - Charger	
15	1001200561	1	Charger, Battery - Delta-Q	
16	1001207009	1	Charger Interlock Harness	
16	4460424	1	Receptacle, Female - 2 Position	
16	4460227	2	Pin, Male	
17	1001249890	1	Bracket	
18	1001227219	1	Ground Harness	
19	1001227267	1	Receptacle Australian - 230V	
20	1001235105	1	Charger DC Connection Harness	
21	1001236139	1	Bracket	
22	1001207974	1	Cable, Charger AC Input	

SECTION 1 - FRAME

FIGURE 1-12. BATTERY CHARGER INSTALLATION - DELTA-Q WITH COMMUNICATION PORT (AUSTRALIAN PLUG)



ART_1001253657

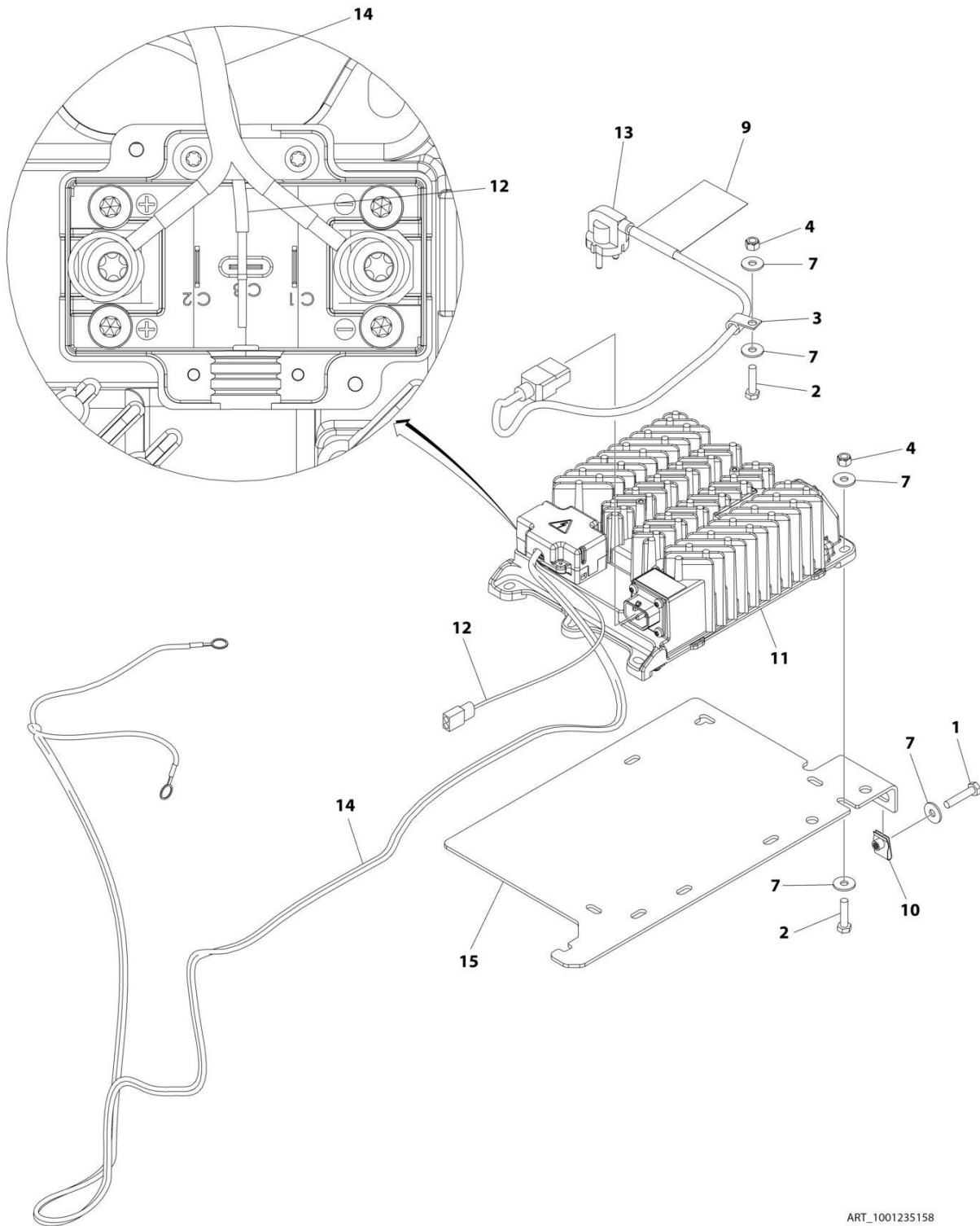
SECTION 1 - FRAME

**FIGURE 1-12. BATTERY CHARGER INSTALLATION - DELTA-Q WITH COMMUNICATION PORT
(AUSTRALIAN PLUG)**

ITEM	PART NUMBER	QTY	DESCRIPTION	REV
	1001253656	Ref	BATTERY CHARGER INSTALLATION - DELTA-Q (AUSTRALIAN PLUG)	A
1	0700614	2	Bolt M6 x 30	
2	0700814	2	Bolt M8 x 30	
3	0760612	3	Bolt M6 x 25	
4	3290505	4	Nut M5	
5	3290605	3	Nut M6	
6	3290805	2	Nut M8	
7	3900381	4	Screw M5 x 16	
8	4240017	AR	Tie-Strap (Not Shown)	
9	4811702	8	Washer M6	
10	4811902	4	Washer M8	
11	4831600	4	Washer M5	
12	1001103471	1	Connector Strain Relief 90	
13	1001130220	2	Nut Tinnerman M6	
14	1001134280	1	Decal - Charger	
15	1001207009	1	Charger Interlock Harness	
15	4460424	1	Receptacle, Female - 2 Position	
15	4460227	2	Pin, Male	
16	1001207974	1	Cable, Charger AC Input	
17	1001227219	1	Ground Harness	
18	1001227267	1	Receptacle Australian - 230V	
19	1001235105	1	Charger DC Connection Harness	
20	1001236139	1	Bracket	
21	1001244644	1	Bracket	
22	1001253952	1	Charger, Battery - Delta-Q	
23	1001254027	1	Can Splice Harness (Not Shown - See Separate Breakdown in ELECTRICAL SECTION)	
24	1001254028	1	Charger To Battery Harness (Not Shown - See Separate Breakdown in ELECTRICAL SECTION)	

SECTION 1 - FRAME

FIGURE 1-13. BATTERY CHARGER INSTALLATION - DELTA-Q WITHOUT COMMUNICATION PORT (KOREAN PLUG)



ART_1001235158

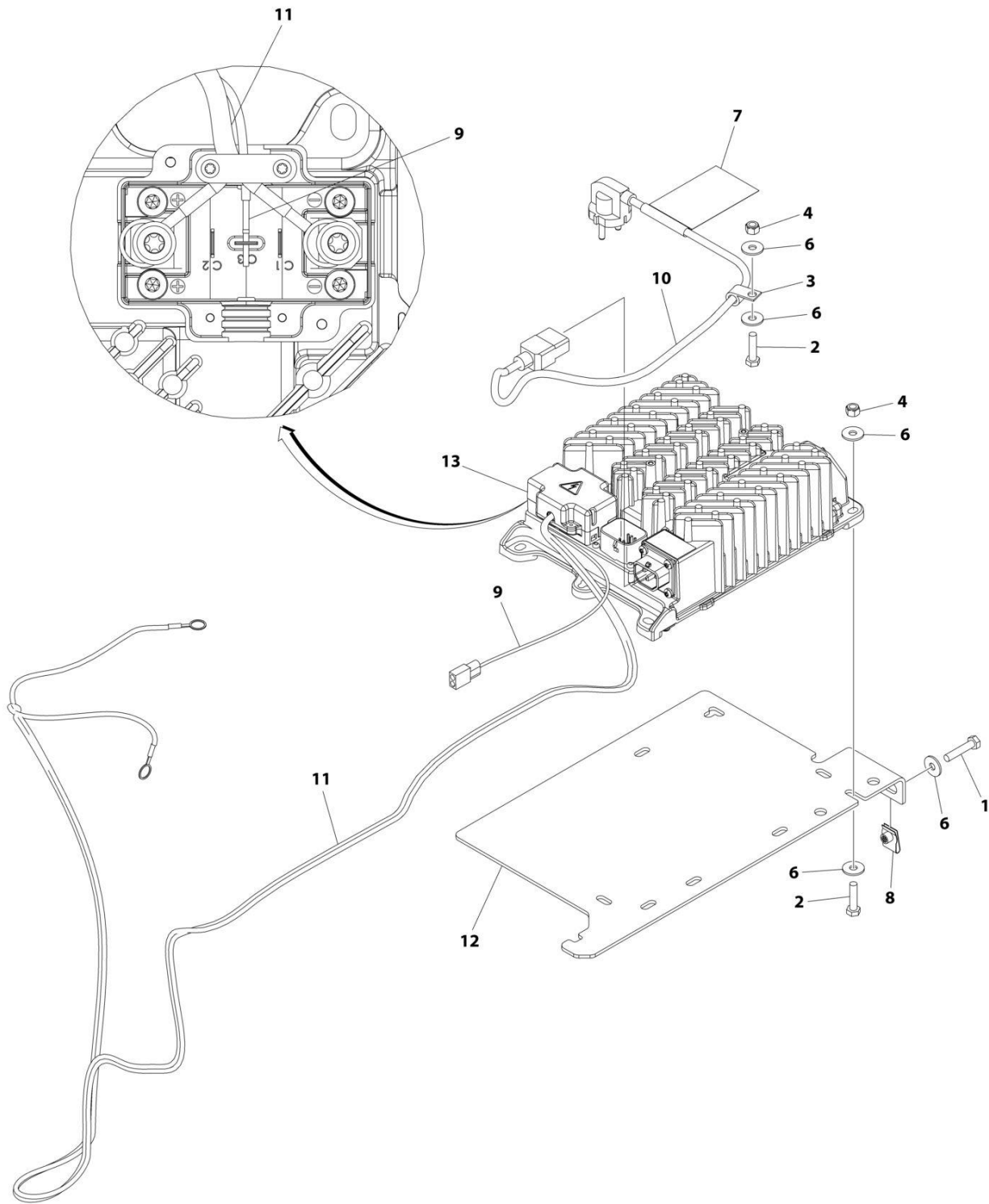
SECTION 1 - FRAME

**FIGURE 1-13. BATTERY CHARGER INSTALLATION - DELTA-Q WITHOUT COMMUNICATION PORT
(KOREAN PLUG)**

ITEM	PART NUMBER	QTY	DESCRIPTION	REV
	1001235158	Ref	BATTERY CHARGER INSTALLATION - DELTA-Q (KOREAN PLUG)	C
1	0700614	2	Bolt M6 x 30	
2	0760612	3	Bolt M6 x 25	
3	1321293	1	Clamp	
4	3290605	3	Nut M6	
6	4240017	AR	Tie-Strap (Not Shown)	
7	4811702	8	Washer M6	
9	1001102489	1	Decal - Charger	
10	1001130220	2	Nut, Tinnerman M6	
11	1001200561	1	Charger, Battery - Delta-Q	
12	1001207009	1	Charger Interlock Harness	
12	4460424	1	Receptacle, Female - 2 Position	
12	4460227	2	Pin, Male	
13	1001221949	1	Cable, Charger AC Input (With Korean Plug)	
14	1001235105	1	Charger DC Connection Harness	
15	1001236139	1	Bracket	

SECTION 1 - FRAME

FIGURE 1-14. BATTERY CHARGER INSTALLATION - DELTA-Q WITH COMMUNICATION PORT (KOREAN PLUG)



ART_1001253655

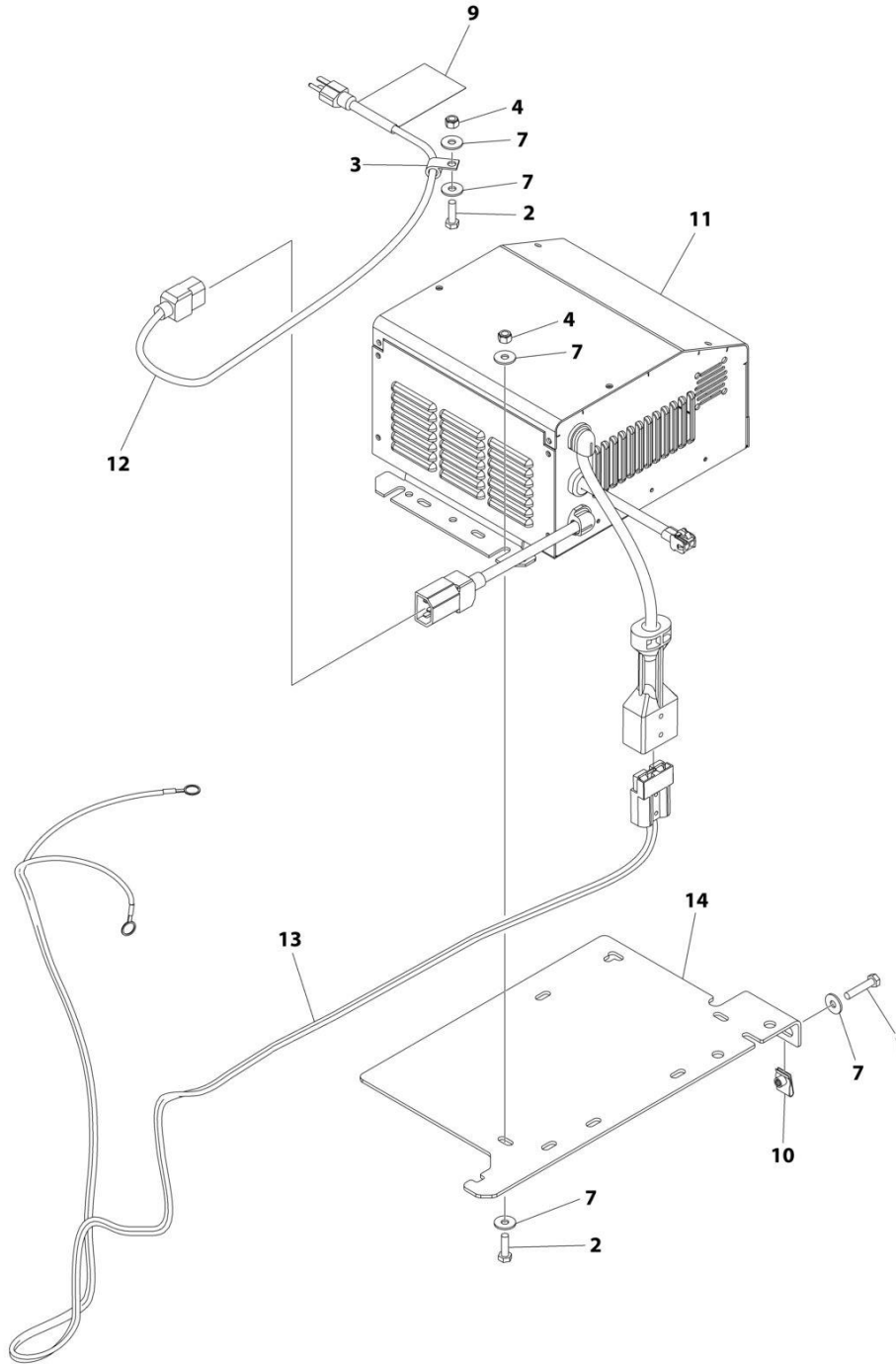
SECTION 1 - FRAME

**FIGURE 1-14. BATTERY CHARGER INSTALLATION - DELTA-Q WITH COMMUNICATION PORT
(KOREAN PLUG)**

ITEM	PART NUMBER	QTY	DESCRIPTION	REV
	1001253655	Ref	BATTERY CHARGER INSTALLATION - DELTA-Q (KOREAN PLUG)	A
1	0700614	2	Bolt M6 x 30	
2	0760612	3	Bolt M6 x 25	
3	1321293	1	Clamp	
4	3290605	3	Nut M6	
5	4240017	AR	Tie-Strap (Not Shown)	
6	4811702	8	Washer M6	
7	1001102489	1	Decal - Charger Label	
8	1001130220	2	Nut, Tinnerman M6	
9	1001207009	1	Charger Interlock Harness	
9	4460424	1	Receptacle, Female - 2 Position	
9	4460227	2	Pin, Male	
10	1001221949	1	Battery Charger to AC Connection Cable	
11	1001235105	1	Battery Charger to DC Connection Cable	
12	1001236139	1	Bracket	
13	1001253952	1	Charger, Battery - Delta-Q	
14	1001254027	1	Can Splice Harness (Not Shown - See Separate Breakdown in ELECTRICAL SECTION)	
15	1001254028	1	Charger to Battery Harness (Not Shown - See Separate Breakdown in ELECTRICAL SECTION)	

SECTION 1 - FRAME

FIGURE 1-15. BATTERY CHARGER INSTALLATION - EAGLE PERFORMANCE (110V PLUG)



ART_1001235157

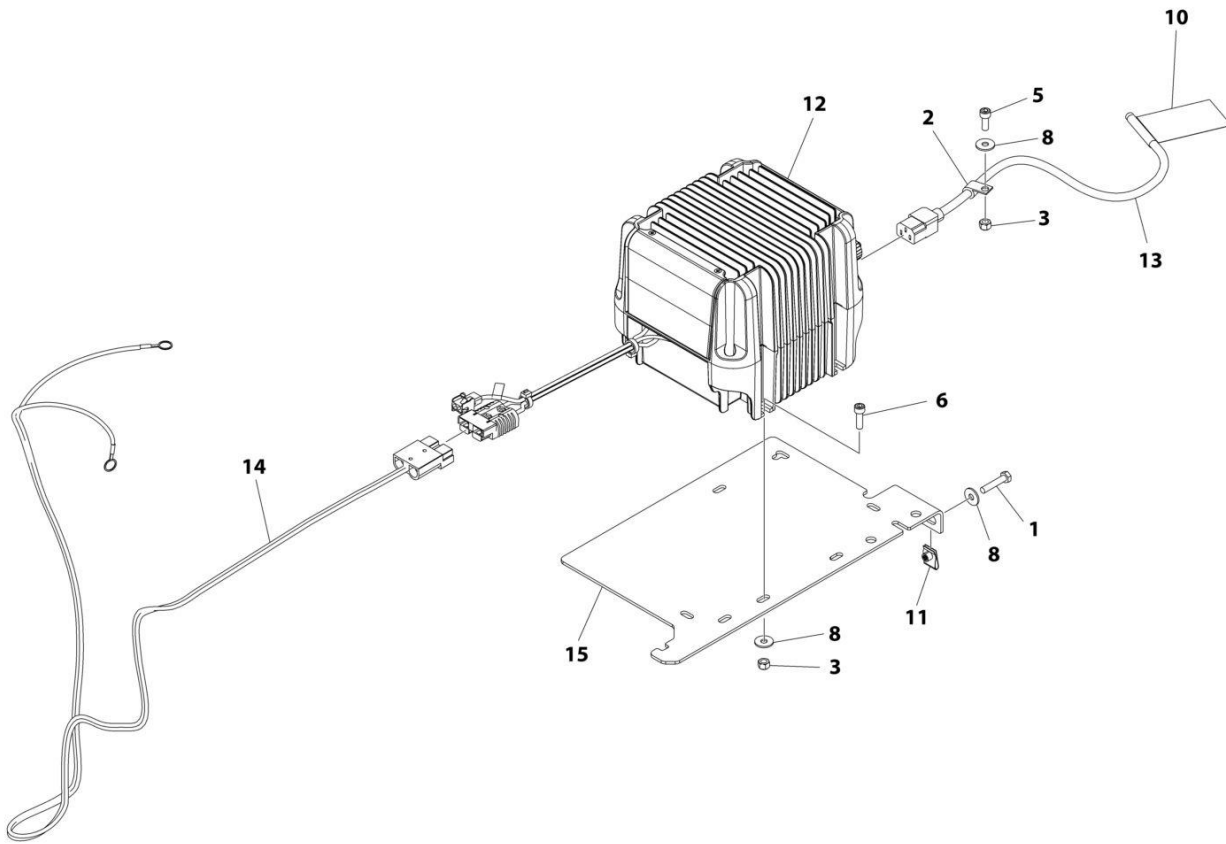
SECTION 1 - FRAME

FIGURE 1-15. BATTERY CHARGER INSTALLATION - EAGLE PERFORMANCE (110V PLUG)

ITEM	PART NUMBER	QTY	DESCRIPTION	REV
	1001235157	Ref	BATTERY CHARGER INSTALLATION - EAGLE PERFORMANCE (110V PLUG)	C
1	0700614	2	Bolt M6 x 30	
2	0760610	3	Bolt M6 x 20	
3	1321293	1	Clamp	
4	3290605	3	Nut M6	
6	4240017	AR	Tie-Strap (Not Shown)	
7	4811702	8	Washer M6	
9	1001102489	1	Decal - Charger	
10	1001130220	2	Nut, Tinnerman M6	
11	1001206995	1	Charger, Battery - Eagle Performance	
12	1001207970	1	Cable, Charger AC Input	
13	1001235946	1	Charger DC Connection Harness	
14	1001236139	1	Bracket	

SECTION 1 - FRAME

FIGURE 1-16. BATTERY CHARGER INSTALLATION - GREEN POWER (LOCALLY SUPPLIED PLUG)



ART_1001235156

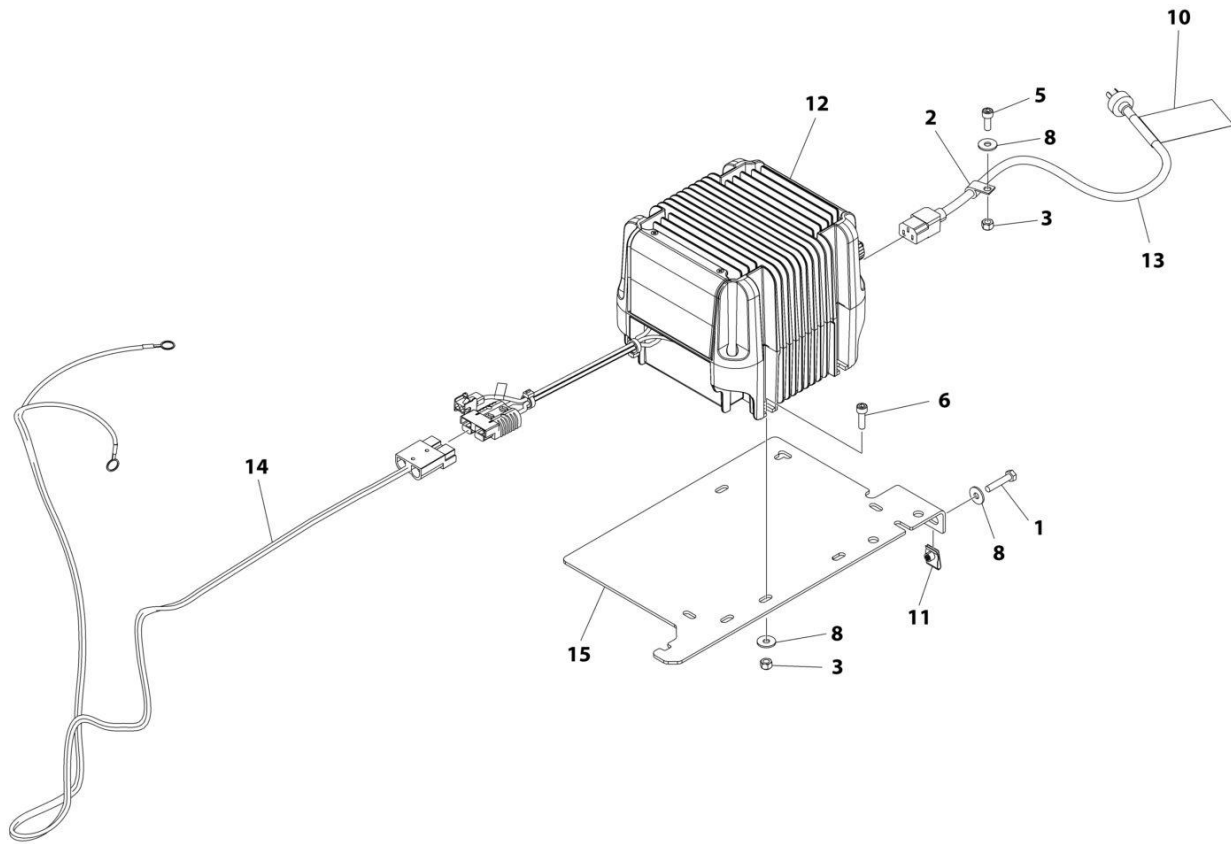
SECTION 1 - FRAME

FIGURE 1-16. BATTERY CHARGER INSTALLATION - GREEN POWER (LOCALLY SUPPLIED PLUG)

ITEM	PART NUMBER	QTY	DESCRIPTION	REV
	1001235156	Ref	BATTERY CHARGER INSTALLATION - GREEN POWER (LOCALLY SUPPLIED PLUG)	C
1	0700614	2	Bolt M6 x 30	
2	1321293	1	Clamp, Cable	
3	3290605	4	Nut M6	
5	4031707	1	Capscrew M6 x 16	
6	4031708	3	Capscrew M6 x 20	
7	4240017	AR	Tie-Strap (Not Shown)	
8	4811702	6	Washer M6	
10	1001102489	1	Decal - Charger	
11	1001130220	2	Nut, Tinnerman M6	
12	1001205598	1	Charger, Battery Green Power	
13	1001207974	1	Cable, Charger AC Input	
14	1001235946	1	Charger DC Connection Harness	
15	1001236139	1	Bracket	

SECTION 1 - FRAME

FIGURE 1-17. BATTERY CHARGER INSTALLATION - GREEN POWER (CHINA PLUG)



ART_1001235154

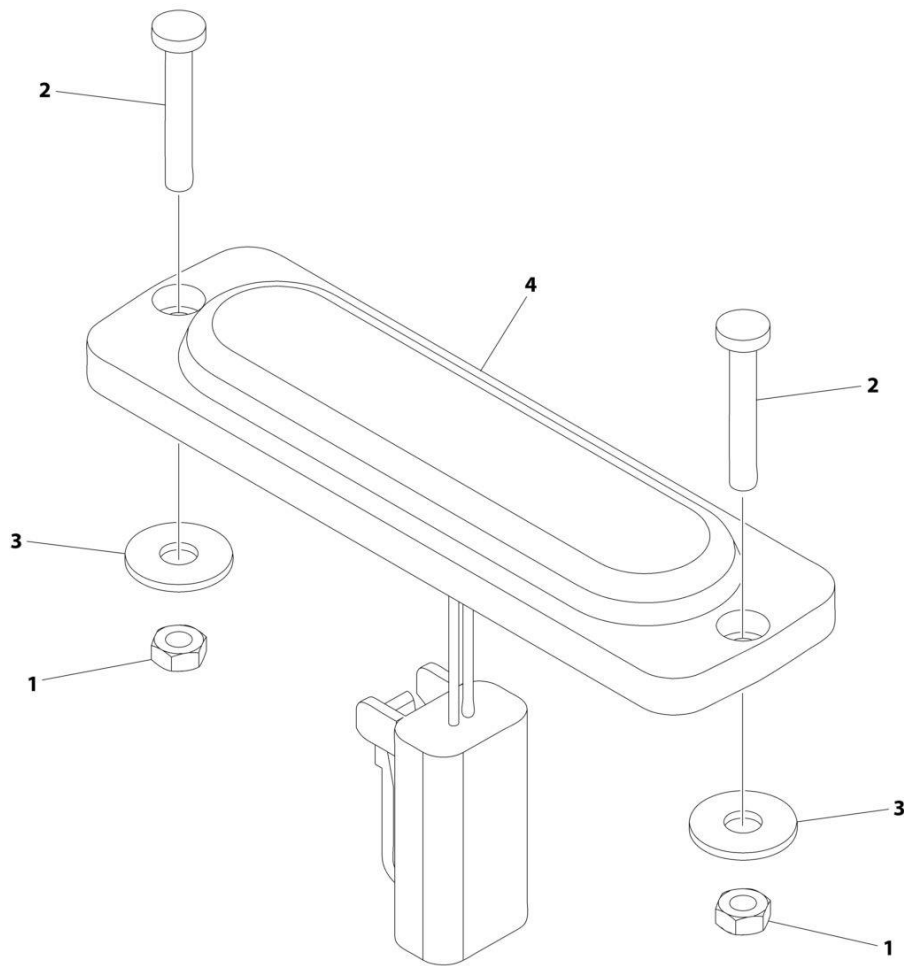
SECTION 1 - FRAME

FIGURE 1-17. BATTERY CHARGER INSTALLATION - GREEN POWER (CHINA PLUG)

ITEM	PART NUMBER	QTY	DESCRIPTION	REV
	1001235154	Ref	BATTERY CHARGER INSTALLATION - GREEN POWER (CHINA PLUG)	C
1	0700614	2	Bolt M6 x 30	
2	1321293	1	Clamp, Cable	
3	3290605	4	Nut, M6	
5	4031707	1	Capscrew M6 x 16	
6	4031708	3	Capscrew M6 x 20	
7	4240017	AR	Tie-Strap (Not Shown)	
8	4811702	6	Washer M6	
10	1001102489	1	Decal - Charger	
11	1001130220	2	Nut, Tinnerman M6	
12	1001205598	1	Charger, Battery Green Power	
13	1001207973	1	Cable, Charger AC Input	
14	1001235946	1	Charger DC Connection Harness	
15	1001236139	1	Bracket	

SECTION 1 - FRAME

FIGURE 1-18. STROBE LIGHT INSTALLATION - SINGLE (AMBER) (WITHOUT GUARD)



ART_1001242988

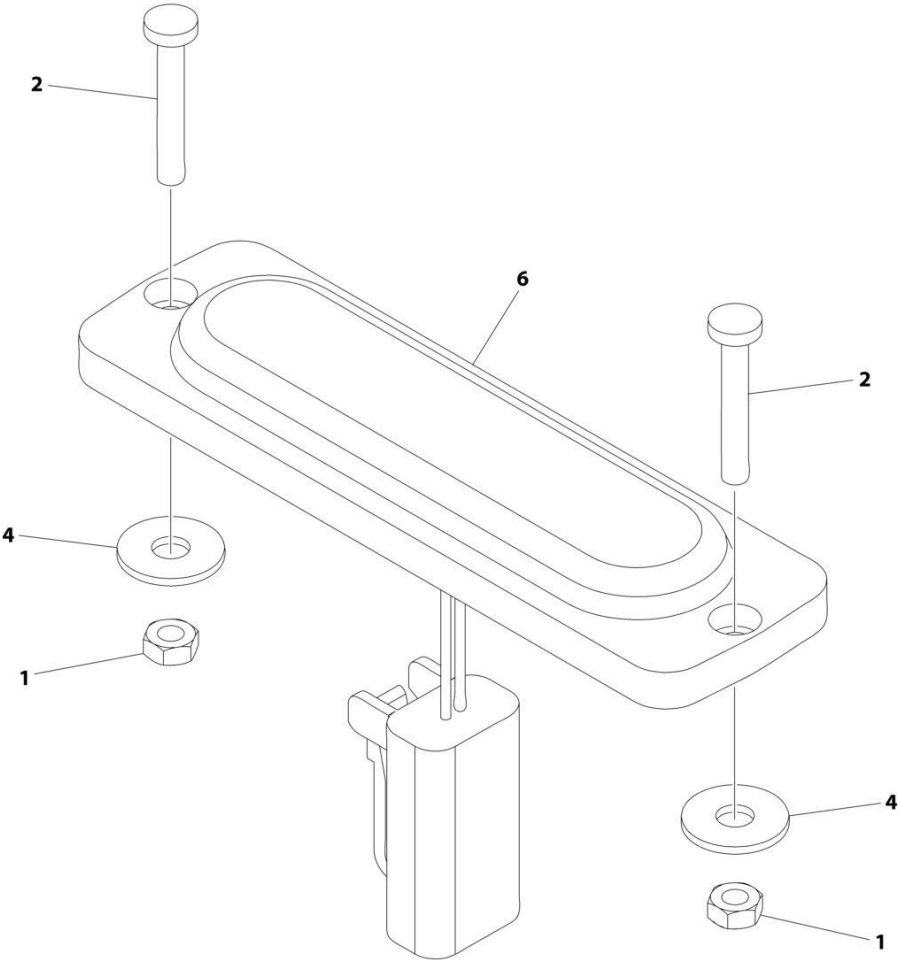
SECTION 1 - FRAME

FIGURE 1-18. STROBE LIGHT INSTALLATION - SINGLE (AMBER) (WITHOUT GUARD)

ITEM	PART NUMBER	QTY	DESCRIPTION	REV
	1001242988	Ref	STROBE LIGHT INSTALLATION - SINGLE (AMBER) (WITHOUT GUARD)	C
1	3290305	2	Nut M3	
2	4010310	2	Screw M3 x 20	
3	1001091102	2	Washer M4	
4	1001239224	1	Light, Strobe	
4	4460891	1	Plug, Male - 2 Position	
4	4460465	2	Socket, Female	

SECTION 1 - FRAME

FIGURE 1-19. STROBE LIGHT INSTALLATION - DUAL (AMBER) (WITHOUT GUARD)



ART_1001242989

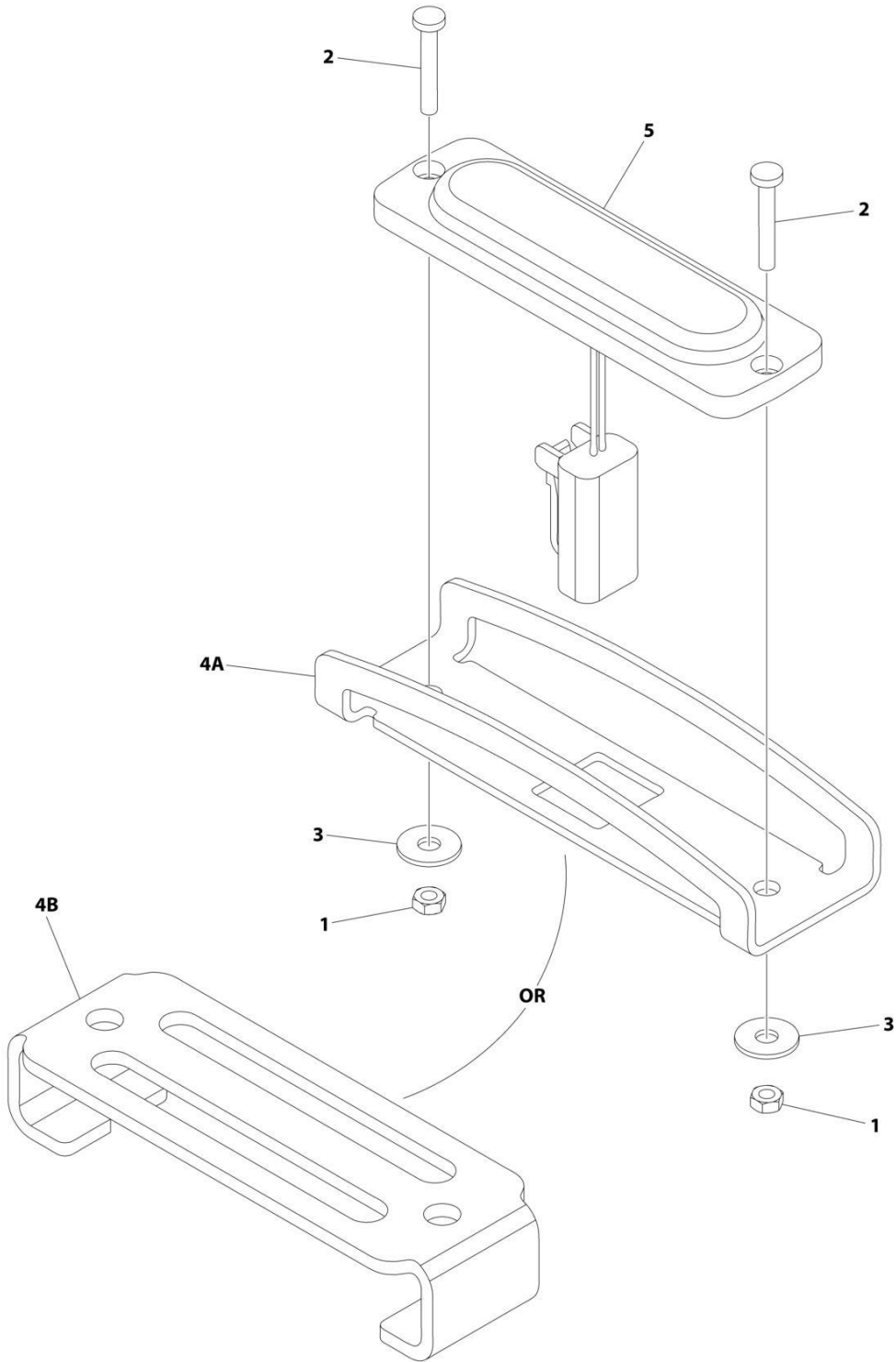
SECTION 1 - FRAME

FIGURE 1-19. STROBE LIGHT INSTALLATION - DUAL (AMBER) (WITHOUT GUARD)

ITEM	PART NUMBER	QTY	DESCRIPTION	REV
	1001242989	Ref	STROBE LIGHT INSTALLATION - DUAL (AMBER) (WITHOUT GUARD)	C
1	3290305	4	Nut M3	
2	4010310	4	Screw M3 x 20	
3	4240018	AR	Tie-Strap (Not Shown)	
4	1001091102	4	Washer M4	
5	1001215216	1	Strobe Light Jumper Harness (Not Shown)	
5	4460897	2	Receptacle, Female - 2 Position	
5	4460464	4	Pin, Male	
5	4460891	1	Plug, Male - 2 Position	
5	4460465	2	Socket, Female	
6	1001239224	2	Light, Strobe	
6	4460891	1	Plug, Male - 2 Position	
6	4460465	2	Socket, Female	

SECTION 1 - FRAME

FIGURE 1-20. STROBE LIGHT INSTALLATION - SINGLE (AMBER) (WITH GUARD)



ART_1001242697

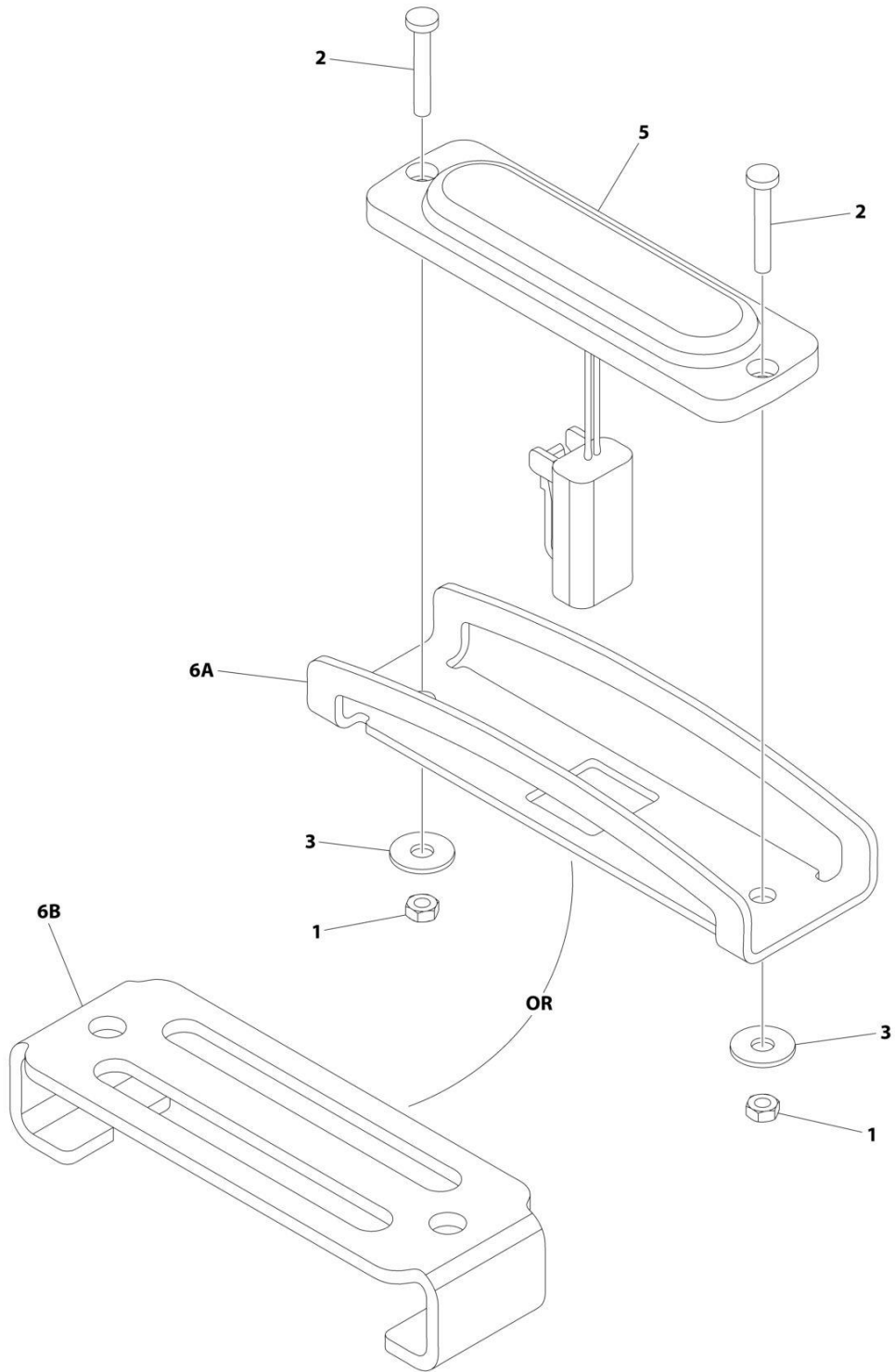
SECTION 1 - FRAME

FIGURE 1-20. STROBE LIGHT INSTALLATION - SINGLE (AMBER) (WITH GUARD)

ITEM	PART NUMBER	QTY	DESCRIPTION	REV
	1001242697	Ref	STROBE LIGHT INSTALLATION - SINGLE (AMBER) (WITH GUARD)	D
1	3290305	2	Nut M3	
2	4010310	2	Screw M3 x 20	
3	1001091102	2	Washer M4	
4A	1001242539	1	Guard	
4B	1001239661	1	Cover	
5	1001239224	1	Light, Strobe	
5	4460891	1	Plug, Male - 2 Position	
5	4460465	2	Socket, Female	

SECTION 1 - FRAME

FIGURE 1-21. STROBE LIGHT INSTALLATION - DUAL (AMBER) (WITH GUARD)



ART_1001242990

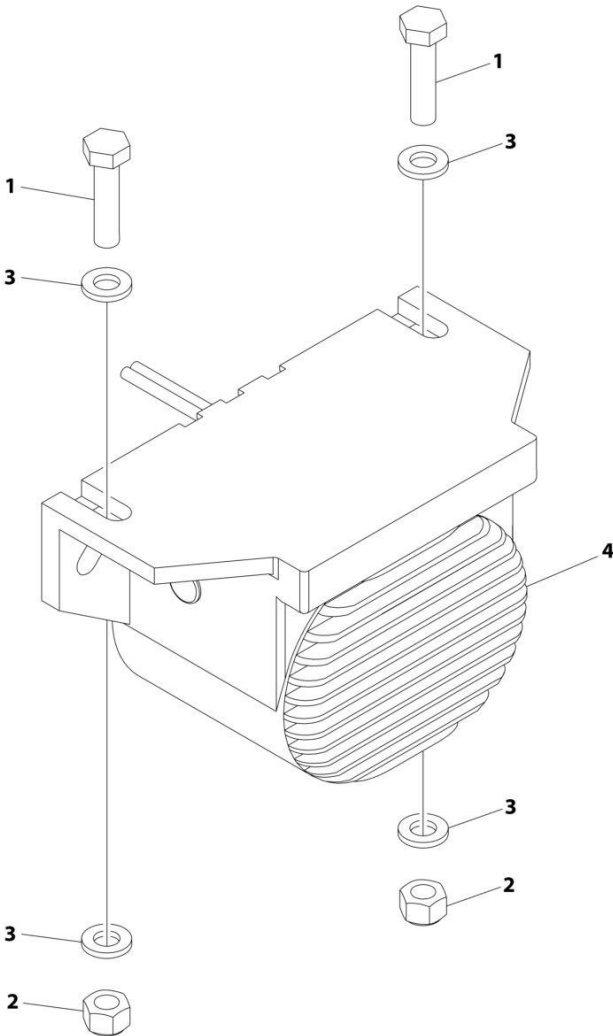
SECTION 1 - FRAME

FIGURE 1-21. STROBE LIGHT INSTALLATION - DUAL (AMBER) (WITH GUARD)

ITEM	PART NUMBER	QTY	DESCRIPTION	REV
	1001242990	Ref	STROBE LIGHT INSTALLATION - DUAL (AMBER) (WITH GUARD)	D
1	3290305	4	Nut M3	
2	4010310	4	Screw M3 x 20	
3	1001091102	4	Washer M4	
4	1001215216	1	Strobe Light Jumper Harness (Not Shown)	
4	4460897	2	Receptacle, Female - 2 Position	
4	4460464	4	Pin, Male	
4	4460891	1	Plug, Male - 2 Position	
4	4460465	2	Socket, Female	
5	1001239224	2	Light, Strobe	
5	4460891	1	Plug, Male - 2 Position	
5	4460465	2	Socket, Female	
6A	1001242539	2	Guard	
6B	1001239661	2	Cover	
7	4240018	AR	Tie-Strap (Not Shown)	

SECTION 1 - FRAME

FIGURE 1-22. ALARM INSTALLATION (AMBIENT/WHITE NOISE)



ART_1001204495

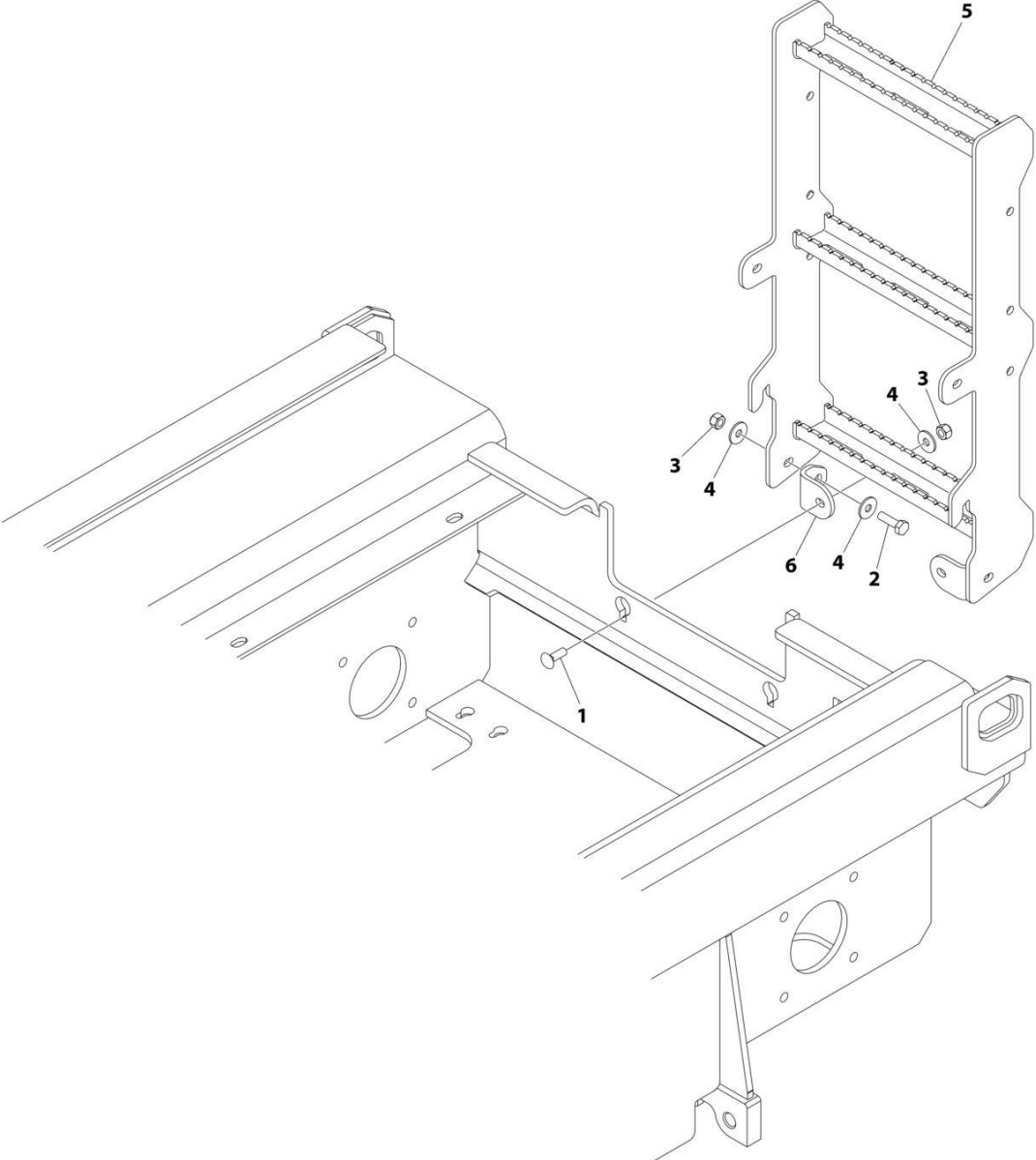
SECTION 1 - FRAME

FIGURE 1-22. ALARM INSTALLATION (AMBIENT/WHITE NOISE)

ITEM	PART NUMBER	QTY	DESCRIPTION	REV
	1001204495	Ref	ALARM INSTALLATION (AMBIENT/WHITE NOISE)	B
1	0760612	2	Bolt M6 x 25	
2	3290605	2	Nut M6	
3	4811700	4	Washer M6	
4	1001182806	1	Alarm	
4	4460897	1	Receptacle, Female - 2 Position	
4	4460464	2	Pin, Male	

SECTION 1 - FRAME

FIGURE 1-23. LADDER INSTALLATION



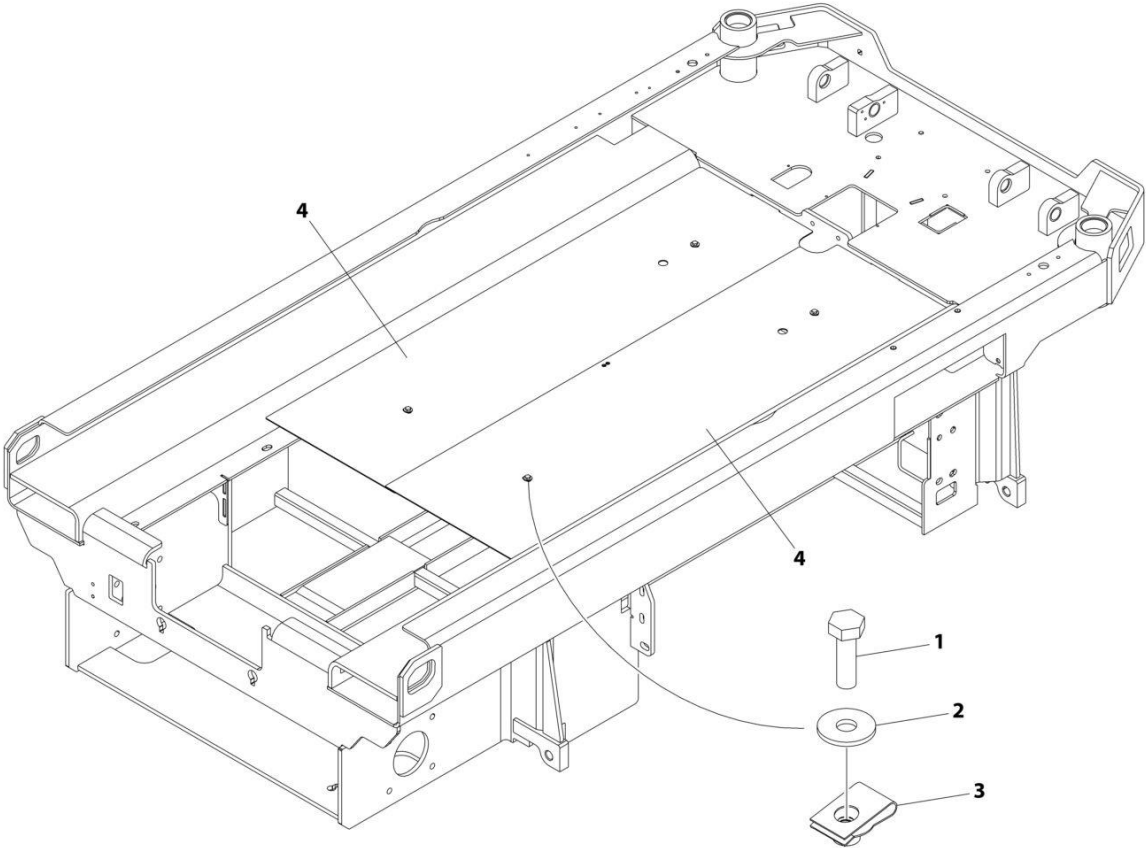
ART_1001234317

FIGURE 1-23. LADDER INSTALLATION

ITEM	PART NUMBER	QTY	DESCRIPTION	REV
	1001234317	Ref	LADDER INSTALLATION	A
1	0630613	2	Bolt M10 x 30	
2	0761015	2	Bolt M10 x 35	
3	3291005	4	Nut M10	
4	4812002	6	Washer M10	
5	1001234842	1	Ladder	
6	1001235955	2	Bracket	

SECTION 1 - FRAME

FIGURE 1-24. FRAME COVERS INSTALLATION



ART_1001236968

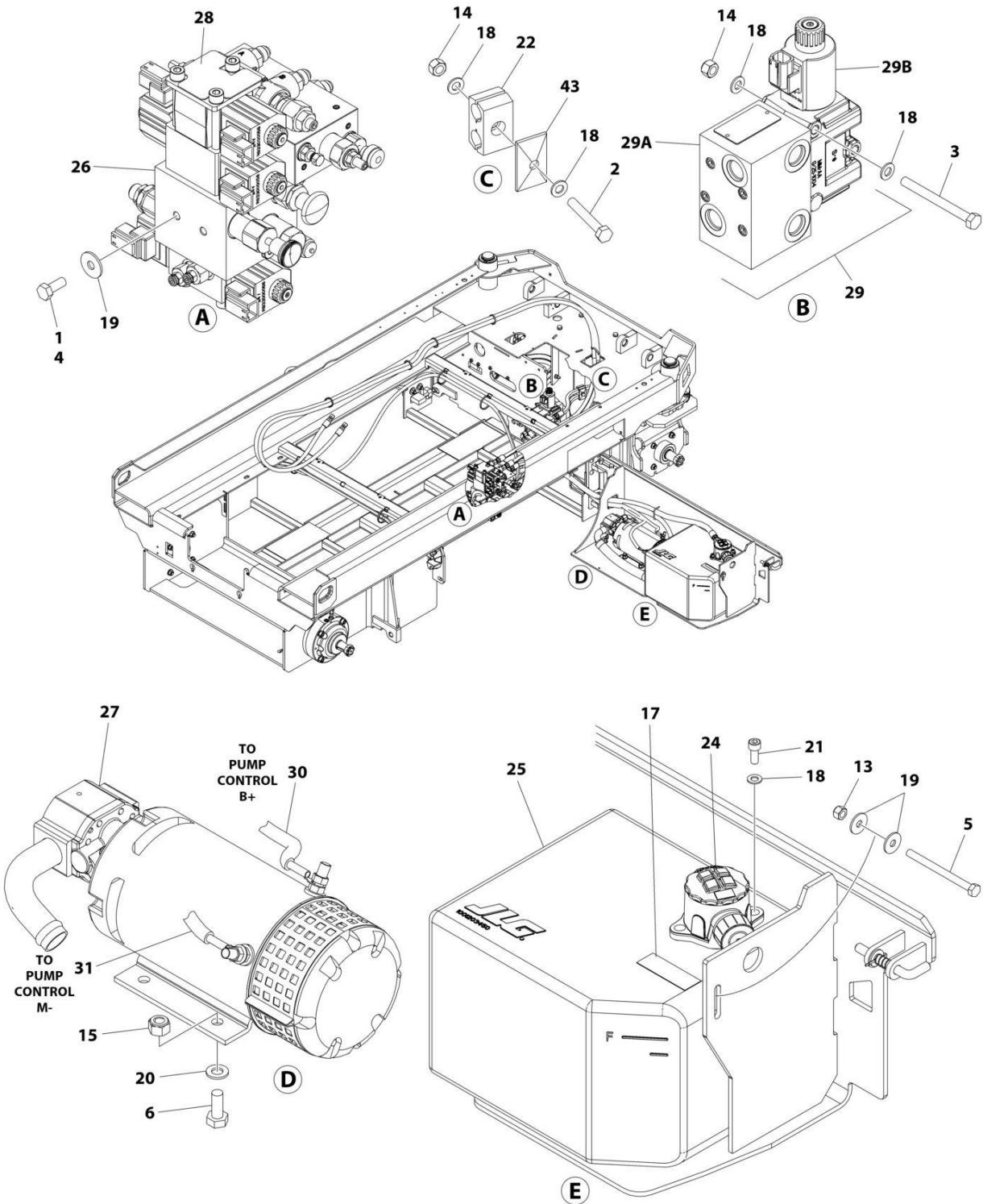
FIGURE 1-24. FRAME COVERS INSTALLATION

ITEM	PART NUMBER	QTY	DESCRIPTION	REV
	1001236968	Ref	FRAME COVERS INSTALLATION	A
1	0760610	4	Bolt M6 x 20	
2	4811702	4	Washer M6	
3	1001130220	4	Nut, Tinnerman M6	
4	1001236531	2	Cover	

SECTION 2 - GROUND CONTROLS

SECTION 2 - GROUND CONTROLS

FIGURE 2-1. HYDRAULIC COMPONENTS INSTALLATION



ART_1001380008_F_10F2

SECTION 2 - GROUND CONTROLS

FIGURE 2-1. HYDRAULIC COMPONENTS INSTALLATION

ITEM	PART NUMBER	QTY	DESCRIPTION	REV
	1001380008	Ref	HYDRAULIC COMPONENTS INSTALLATION	F
1	0100011	AR	Compound, Locking	
2	0700819	2	Bolt M8 x 55	
3	0700825	2	Bolt M8 x 85	
4	0760810	2	Bolt M8 x 20	
5	0760827	1	Bolt M8 x 100	
6	0761012	2	Bolt M8 x 25	
13	3290801	1	Nut M8	
14	3290805	4	Nut M8	
15	3291005	2	Nut M10	
16	4240017	AR	Tie-Strap (Not Shown)	
17	4420062	75 mm	Tape	
18	4811900	AR	Washer M8	
19	4811902	4	Washer M8	
20	4812000	2	Washer M10	
21	5271808	2	Capscrew M8 x 20	
22	8750014	2	Clamp	
24	1001202851	1	Filter, Hydraulic	
24	70005423	1	Filter Element Kit (Includes Element, Cap O-Ring and Bowl O-Ring)	
24	70007946	1	O-Ring, Bowl	
25	1001203450	1	Tank, Hydraulic	
26	1001248679	1	Main Valve Assembly (See Separate Breakdown in this Section)	
27	1001204719	1	Motor/Pump Assembly	
27	70005815	1	Replacement Motor	
27	70005817	1	Replacement Pump	
27	70005816	1	Seal and Mounting Kit (Includes Shaft Seal, Retaining Ring, Gasket and Pump Mounting Hardware)	
28	1001212294	1	Decal - Manifold	
29	1001215434	1	Traction Valve Assembly	
29	70006295	4	Screw	
29A	70004465	1	Valve, Flow Divider	
29A	70004164	1	Seal Kit - 70004465 Valve	
29B	70006296	1	Valve, Diverter	
29B	70006297	1	Coil	
29B	70006298	1	Seal, Interface	
29B	70006299	1	Coil Seal & Nut Kit	
30	1001234628	1	Cable, Pump (+)	
31	1001234629	1	Cable, Pump (-)	
43	1321752	2	Clamp	

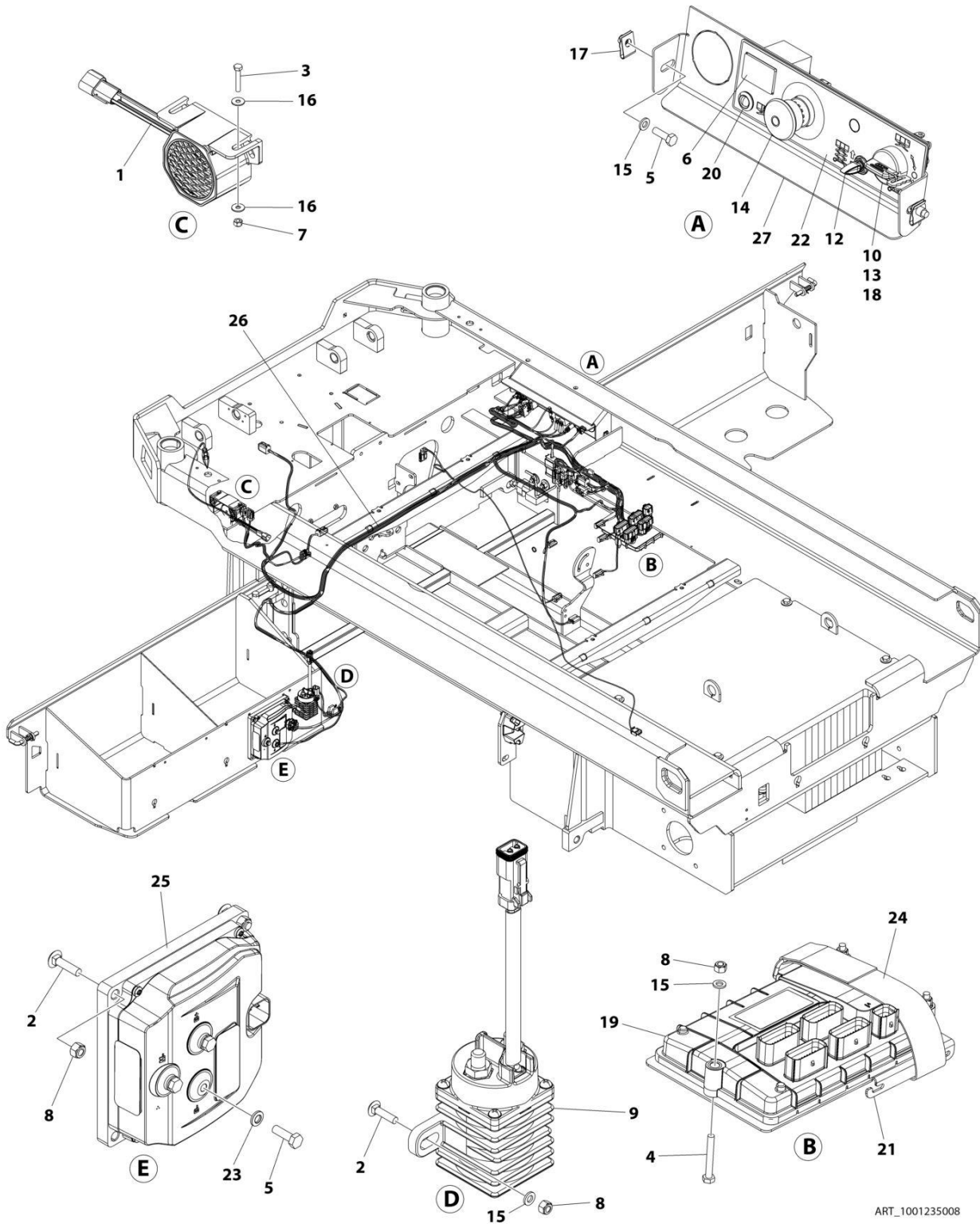
SECTION 2 - GROUND CONTROLS

FIGURE 2-2. MAIN VALVE ASSEMBLY

ITEM	PART NUMBER	QTY	DESCRIPTION	REV
	1001248679	Ref	MAIN VALVE ASSEMBLY	D
1	70007595	1	Valve Assembly (Includes Items 7-9)	
2	70005903	1	Valve Assembly - Lower Drive	
3	70007594	1	Valve Assembly - Lift	
4	70005911	1	Plate	
5	70005909	1	Valve, Cartridge	
6	70007593	1	Valve Assembly - Upperr Drive	
7	70005900	1	Valve, Cartridge	
8	70005898	1	Valve, Cartridge	
9	70005899	1	Valve, Cartridge	
10	70007598	1	Restrictor, Flow	
11	70007596	1	Cartridge, Valve	
12	70007597	1	Orifice	
13	70005893	5	Coil	
14	70021209	5	Coil Nut Kit	
15	70007599	1	Bolt Kit	
16	70007600	1	Bolt Kit	
17	70007601	1	Seal Kit	
18	70007602	1	Fitting Kit	
26	NPN	1	Valve Assembly - Steer	
27	70006301	2	Valve, Cartridge - Relief	
28	NPN	2	Valve, Solenoid Cartridge	

SECTION 2 - GROUND CONTROLS

FIGURE 2-3. ELECTRICAL COMPONENTS INSTALLATION (CHINA & MEXICO BUILT MACHINES)



ART_1001235008

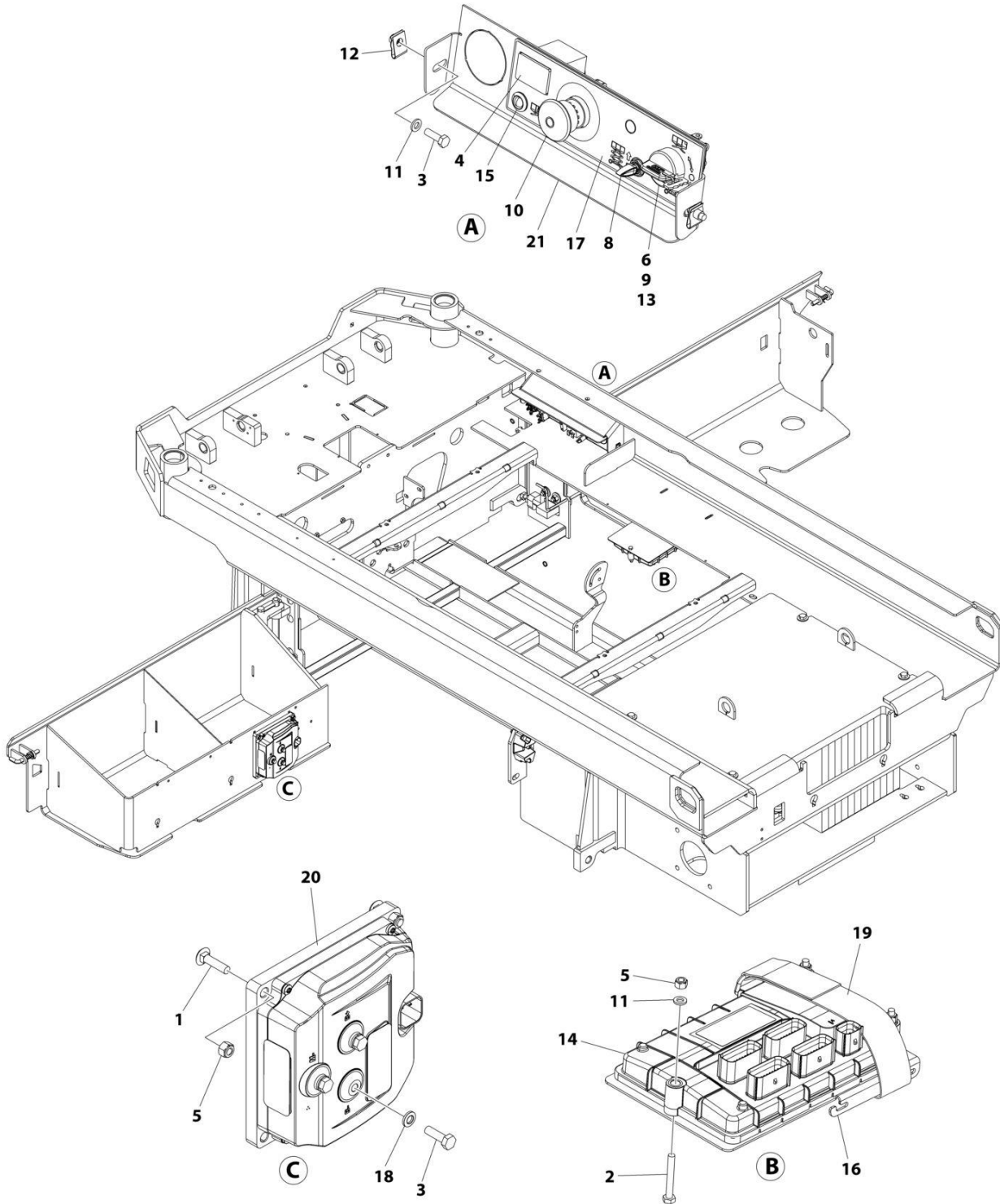
SECTION 2 - GROUND CONTROLS

FIGURE 2-3. ELECTRICAL COMPONENTS INSTALLATION (CHINA & MEXICO BUILT MACHINES)

ITEM	PART NUMBER	QTY	DESCRIPTION	REV
	1001235008	Ref	ELECTRICAL COMPONENTS INSTALLATION	C
1	0140043	1	Alarm	
2	0630587	4	Bolt M6 x 25	
3	0700412	2	Bolt M4 x 25	
4	0700617	3	Bolt M6 x 45	
5	0760610	5	Bolt M6 x 20	
6	2420172	1	Hourmeter	
7	3290405	2	Nut M4	
8	3290605	7	Nut M6	
9	3740150	1	Relay	
10	3910804	3	Screw #8 x 1/4	
11	4240017	AR	Tie-Strap (Not Shown)	
12	4360328	1	Switch, Toggle	
13	4360469	1	Switch, Key	
13	2860030	1 Set	Key, Replacement	
14	4360475	1	Switch, Emergency Stop (Metal)	
14	7020175	1	Cap	
14	7020176	1	Block, Contact	
14	1001274559	1	Switch, Emergency Stop (Plastic)	
15	4811700	7	Washer M6	
16	1001091102	4	Washer M4	
17	1001130220	2	Nut Tinnerman M6	
18	1001130590	1	Plate	
19	1001200629	1	Module, Control (Note: Recalibration Required when Replaced)	
20	1001200631	1	Light, Indicator (Red)	
21	1001207494	1	Bracket	
22	1001209682	1	Decal - Ground Control	
23	1001210966	3	Washer	
24	1001215762	1	Strap, Clinch	
25	1001216062	1	Module, Power (Note: Recalibration Required when Replaced)	
26	1001234479	1	Chassis Harness (See Separate Breakdown in ELECTRICAL SECTION)	
27	1001235559	1	Support	

SECTION 2 - GROUND CONTROLS

FIGURE 2-4. ELECTRICAL COMPONENTS INSTALLATION - #1 (EUROPEAN BUILT MACHINES)



ART_1001237887

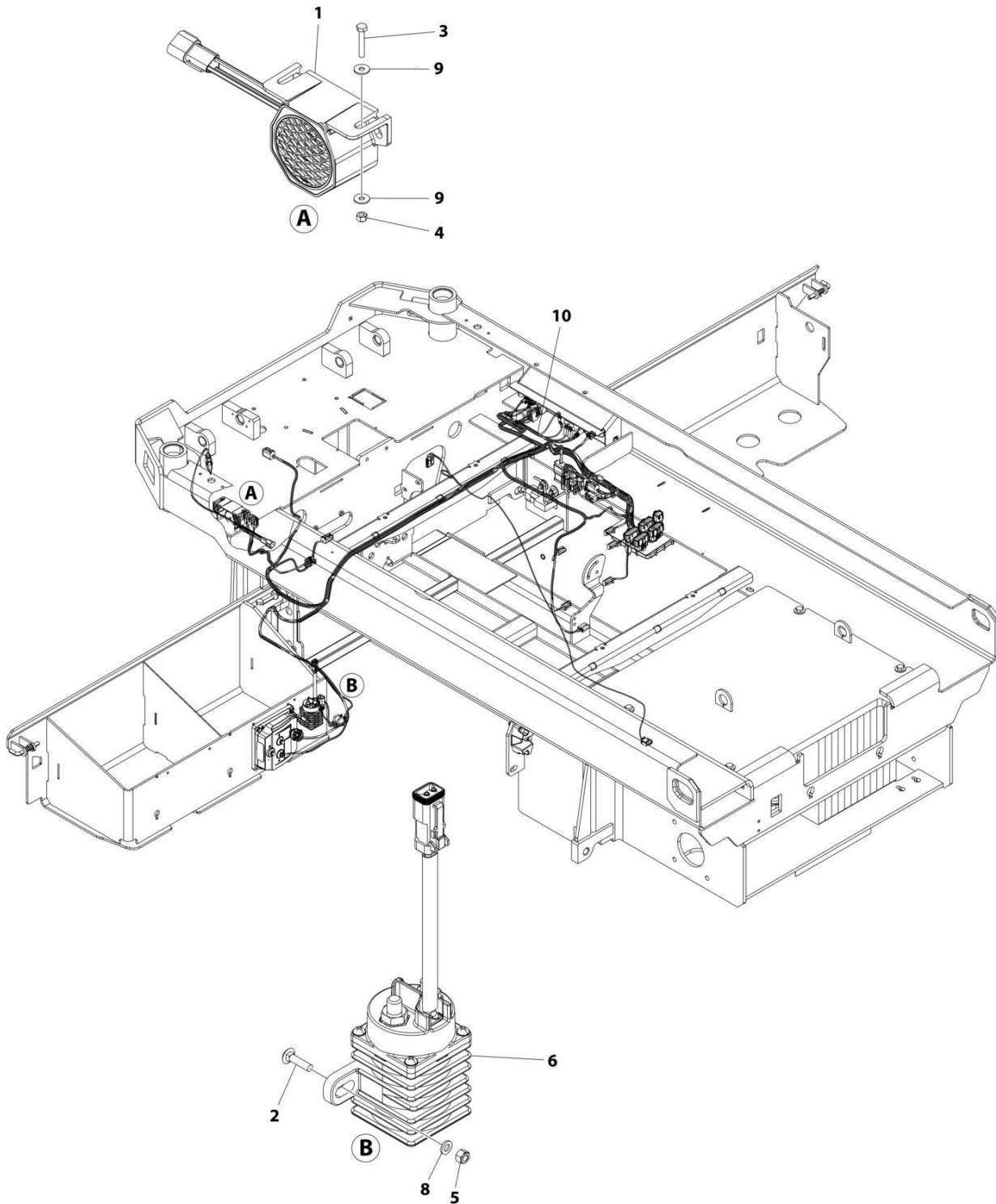
SECTION 2 - GROUND CONTROLS

FIGURE 2-4. ELECTRICAL COMPONENTS INSTALLATION - #1 (EUROPEAN BUILT MACHINES)

ITEM	PART NUMBER	QTY	DESCRIPTION	REV
	1001237887	Ref	ELECTRICAL COMPONENTS INSTALLATION	B
1	0630587	2	Bolt M6 x 25	
2	0700617	3	Bolt M6 x 45	
3	0760610	5	Bolt M6 x 20	
4	2420172	1	Hourmeter	
5	3290605	5	Nut M6	
6	3910804	3	Screw #8 x 1/4	
7	4240017	AR	Tie-Strap (Not Shown)	
8	4360328	1	Switch, Toggle	
9	4360469	1	Switch, Key	
9	2860030	1 Set	Key, Replacement	
10	4360475	1	Switch, Emergency Stop (Metal)	
10	7020175	1	Cap	
10	7020176	1	Block, Contact	
10	1001274559	1	Switch, Emergency Stop (Plastic)	
11	4811700	5	Washer M6	
12	1001130220	2	Nut Tinnerman M6	
13	1001130590	1	Plate	
14	1001200629	1	Module, Control (Note: Recalibration Required when Replaced)	
15	1001200631	1	Light, Indicator (Red)	
16	1001207494	1	Bracket	
17	1001209682	1	Decal - Ground Control	
18	1001210966	3	Washer	
19	1001215762	1	Strap, Clinch	
20	1001216062	1	Module, Power (Note: Recalibration Required when Replaced)	
21	1001235559	1	Support	

SECTION 2 - GROUND CONTROLS

FIGURE 2-5. ELECTRICAL COMPONENTS INSTALLATION - #2 (EUROPEAN BUILT MACHINES)



ART_1001239386

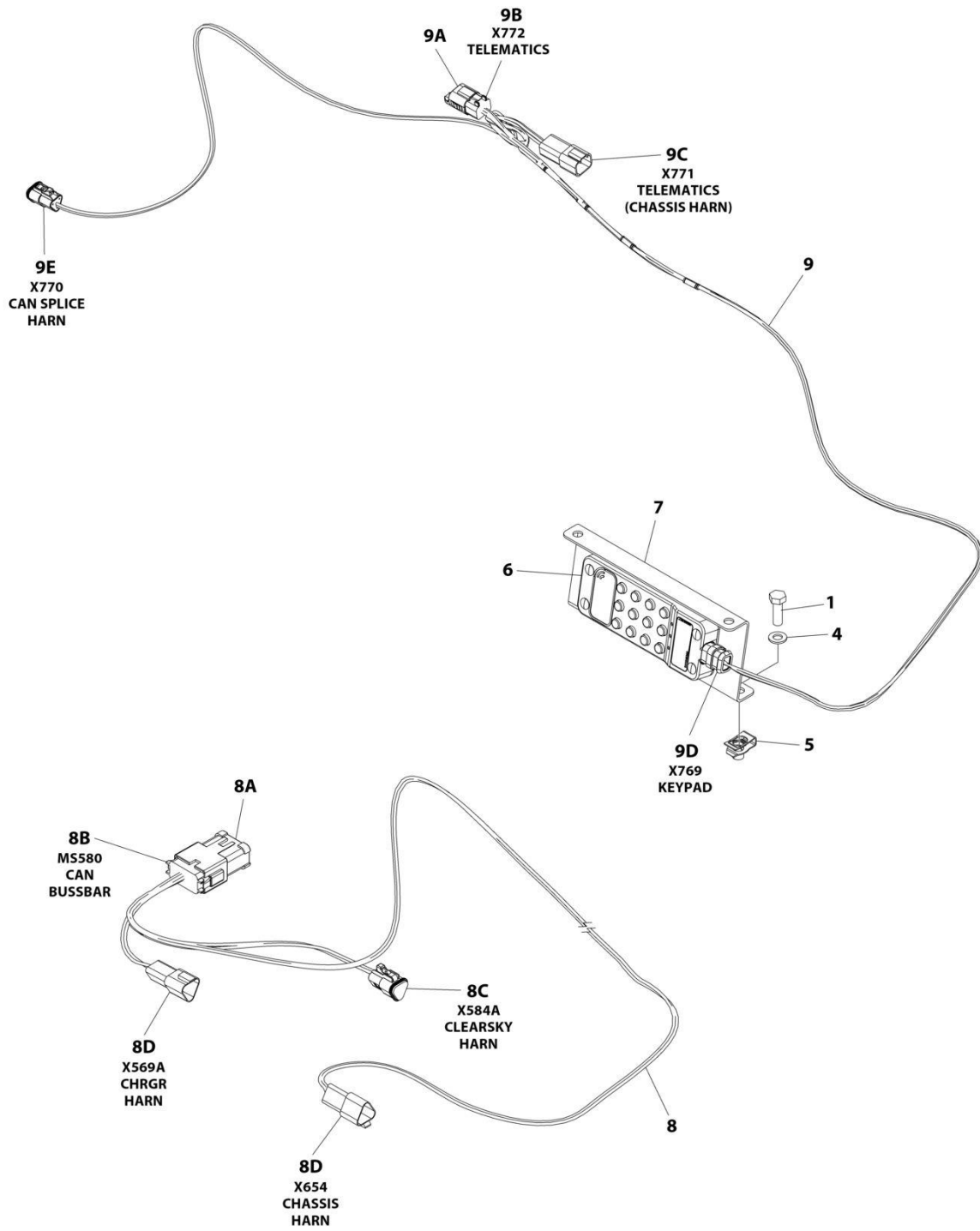
SECTION 2 - GROUND CONTROLS

FIGURE 2-5. ELECTRICAL COMPONENTS INSTALLATION - #2 (EUROPEAN BUILT MACHINES)

ITEM	PART NUMBER	QTY	DESCRIPTION	REV
	1001239386	Ref	ELECTRICAL COMPONENTS INSTALLATION	B
1	0140043	1	Alarm	
2	0630587	2	Bolt M6 x 25	
3	0700412	2	Bolt M4 x 25	
4	3290405	2	Nut M4	
5	3290605	2	Nut M6	
6	3740150	1	Relay	
7	4240017	AR	Tie-Strap (Not Shown)	
8	4811700	2	Washer M6	
9	1001091102	4	Washer M4	
10	1001283410	1	Chassis Harness with ClearSky (See Separate Breakdown in ELECTRICAL SECTION)	

SECTION 2 - GROUND CONTROLS

FIGURE 2-6. ACCESS CONTROL KEYPAD INSTALLATION



ART_1001258356

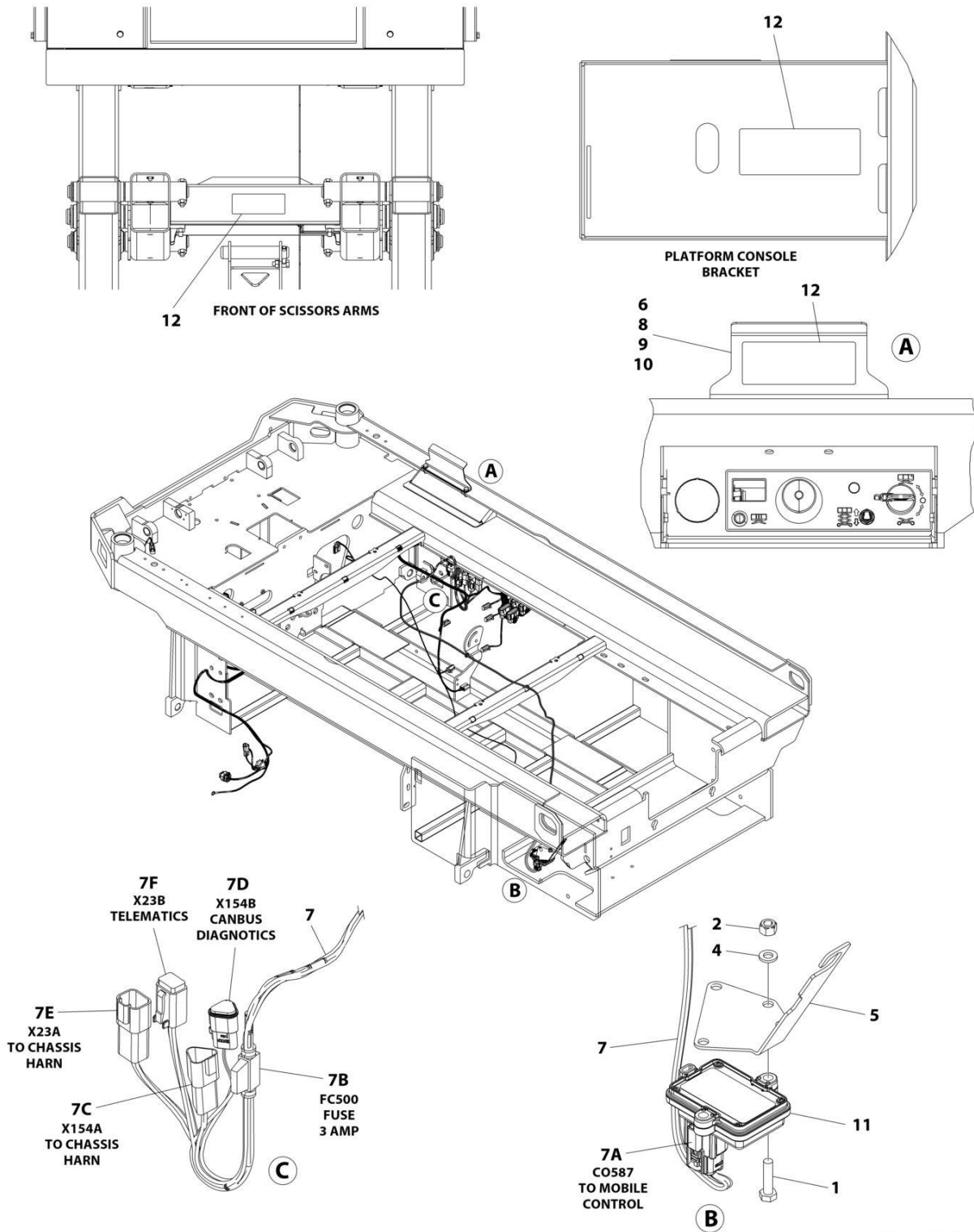
SECTION 2 - GROUND CONTROLS

FIGURE 2-6. ACCESS CONTROL KEYPAD INSTALLATION

ITEM	PART NUMBER	QTY	DESCRIPTION	REV
	1001258356	Ref	ACCESS CONTROL KEYPAD INSTALLATION	A
1	0760812	2	Bolt, M8 x 25	
2	1062255	AR	Tie-Strap (Not Shown)	
3	4240032	AR	Tie-Strap (Not Shown)	
4	4811900	2	Washer M8	
5	1001118274	2	Nut, Tinnerman	
6	1001238392	1	Keypad	
7	1001248773	1	Bracket	
8	1001254027	1	Access Control Keypad Can Splice Harness	
8A	1001125677	AR	Connector, Bus Bar - 12 Position	
8B	4460933	1	Plug, Male - 12 Position	
8B	4460944	6	Socket, Female	
8B	4460466	6	Plug, Terminal	
8C	1001118812	1	Plug, Male - 3 Position	
8C	4460944	2	Socket, Female	
8C	4460466	1	Plug, Terminal	
8D	1001144147	2	Receptacle, Female - 3 Position	
8D	4460943	4	Pin, Male	
8D	4460466	2	Plug, Terminal	
9	1001258691	1	Access Control Keypad Harness	
9A	1001192401	1	Dustcap	
9B	4460884	1	Plug, Male - 4 Position	
9B	4460465	4	Socket, Female	
9C	4460932	1	Receptacle, Female - 4 Position	
9C	4460464	4	Pin, Male	
9D	1001210079	1	Plug, Male - 4 Position	
9D	4460465	2	Socket, Female	
9D	4460944	2	Socket, Female	
9E	1001116812	1	Plug, Male - 3 Position	
9E	4460944	2	Socket, Female	
9E	4460466	1	Plug, Terminal	

SECTION 2 - GROUND CONTROLS

FIGURE 2-7. MOBILE CONTROL INSTALLATION



ART_1001245353

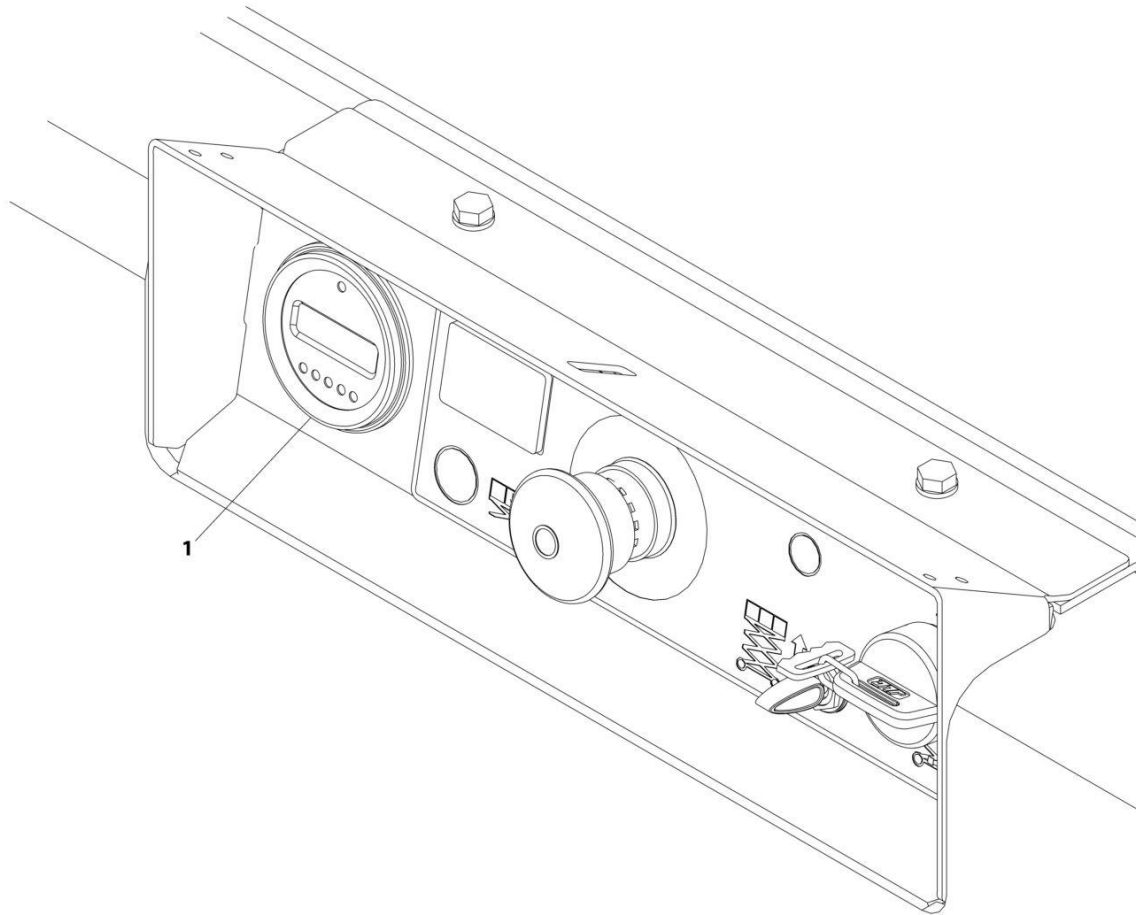
SECTION 2 - GROUND CONTROLS

FIGURE 2-7. MOBILE CONTROL INSTALLATION

ITEM	PART NUMBER	QTY	DESCRIPTION	REV
	1001245353	Ref	MOBILE CONTROL INSTALLATION	C
1	0700612	2	Bolt M6 x 25	
2	3290605	2	Nut M6	
3	4240017	AR	Tie-Strap (Not Shown)	
4	4811700	2	Washer M6	
5	1001244394	1	Bracket, Module	
6	1001244885	1	Plate, Decal	
7	1001245299	1	Mobile Control Harness	
7A	1001205409	1	Connector - 8 Position	
7A	1001162887	4	Terminal	
7A	1001163340	4	Plug, Terminal	
7B	2400060	1	Fuseholder with Cap	
7B	1001196635	1	Fuse 3 Amp	
7C	1001144147	1	Receptacle, Female - 3 Position	
7C	4460943	2	Pin, Male	
7C	4460466	1	Plug, Terminal	
7D	1001116812	1	Plug, Male - 3 Position	
7D	4460944	2	Socket, Female	
7D	4460466	1	Plug, Terminal	
7E	4460932	1	Receptacle, Female - 4 Position	
7E	4460464	4	Pin, Terminal	
7F	4460884	1	Pin, Male	
7F	4460465	4	Socket, Female	
8	0760810	2	Bolt M8 x 20	
9	4811900	2	Washer M8	
10	1001118274	2	Nut Tinnerman M8	
11	1001245293	1	Control, Mobile	
12	1001248768	3	Decal, Mobile Control	
13	3121792	1	Manual, Mobile Control (Not Shown)	

SECTION 2 - GROUND CONTROLS

FIGURE 2-8. MDI INSTALLATION



ART_1001207293

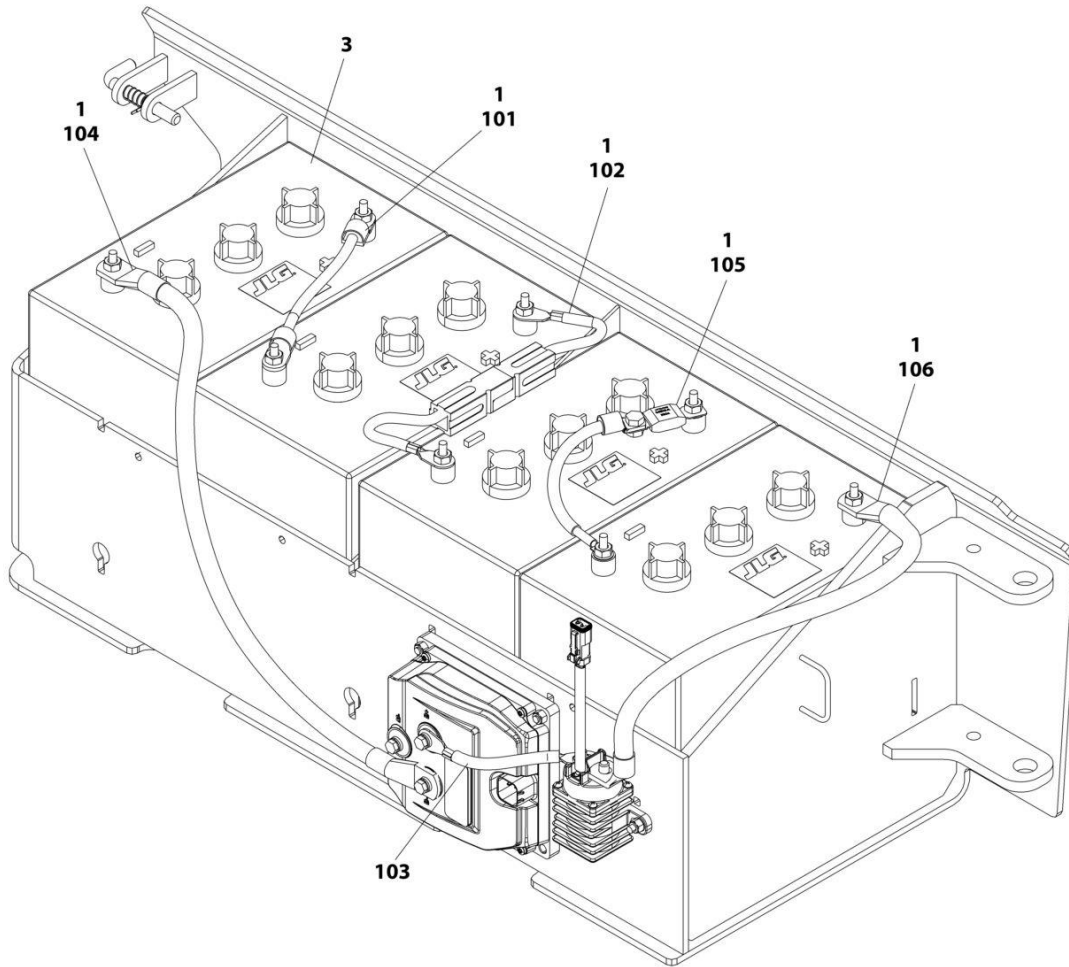
SECTION 2 - GROUND CONTROLS

FIGURE 2-8. MDI INSTALLATION

ITEM	PART NUMBER	QTY	DESCRIPTION	REV
1	1001207293 1001200632	Ref 1	MDI INSTALLATION Gauge, MDI	B

SECTION 2 - GROUND CONTROLS

FIGURE 2-9. BATTERIES INSTALLATION - STANDARD 6V-255AH



ART_1001235834

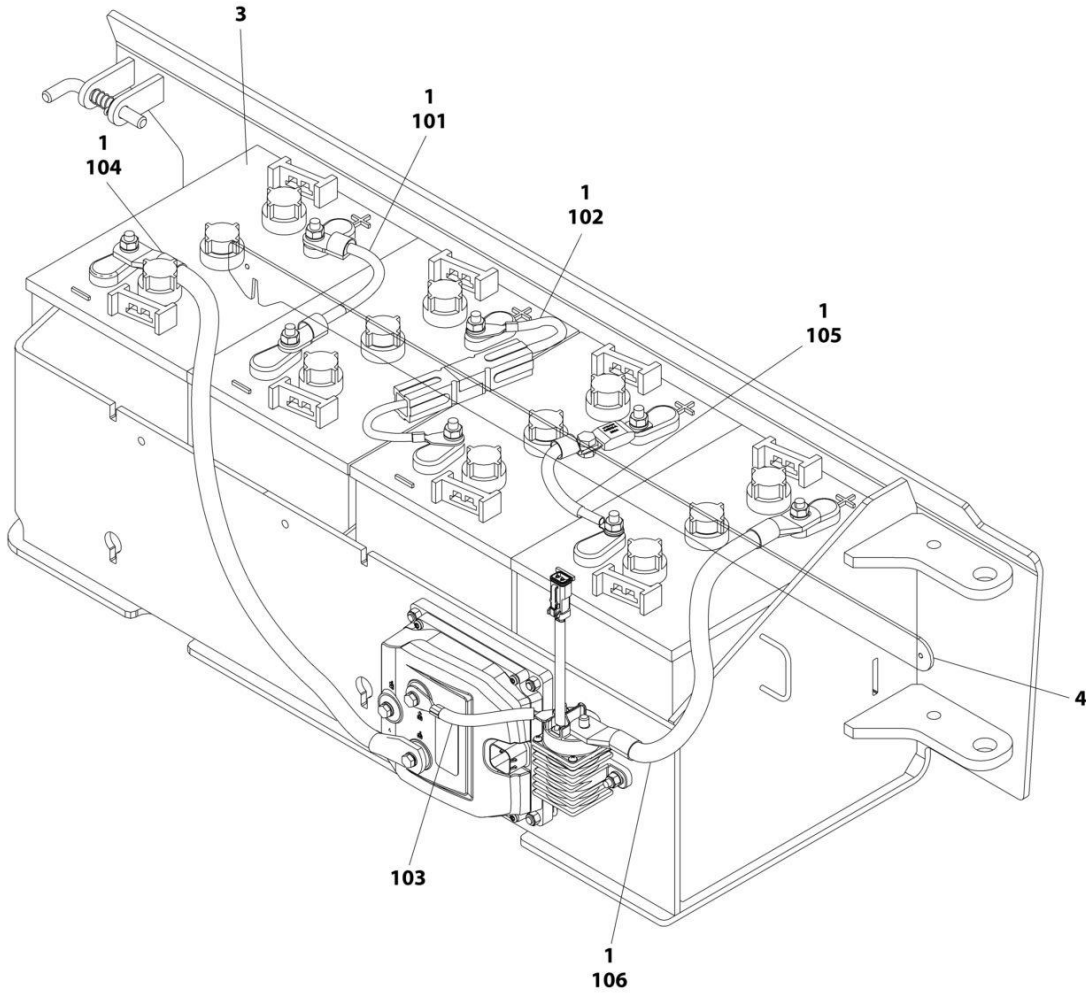
SECTION 2 - GROUND CONTROLS

FIGURE 2-9. BATTERIES INSTALLATION - STANDARD 6V-255AH

ITEM	PART NUMBER	QTY	DESCRIPTION	REV
	1001235834	Ref	BATTERIES INSTALLATION	A
1	0100051	AR	Grease, Terminal	
2	4240017	AR	Tie-Strap (Not Shown)	
3	1001235106	4	Battery	
100	1001228123	1	Battery Cable Kit (Not Shown)	
101	1060998	1	Cable, Positive to Negative	
102	4923328	1	Cable, Positive to Negative	
103	1001201708	1	Cable, Contactor to Pump Control B+	
104	1001201711	1	Cable, Battery Negative to Pump Control B-	
105	1001210401	1	Cable, Battery Fuse	
106	1001229110	1	Cable, Battery Positive to Contactor	

SECTION 2 - GROUND CONTROLS

FIGURE 2-10. BATTERIES INSTALLATION - STANDARD 6V-220AH



ART_1001236632

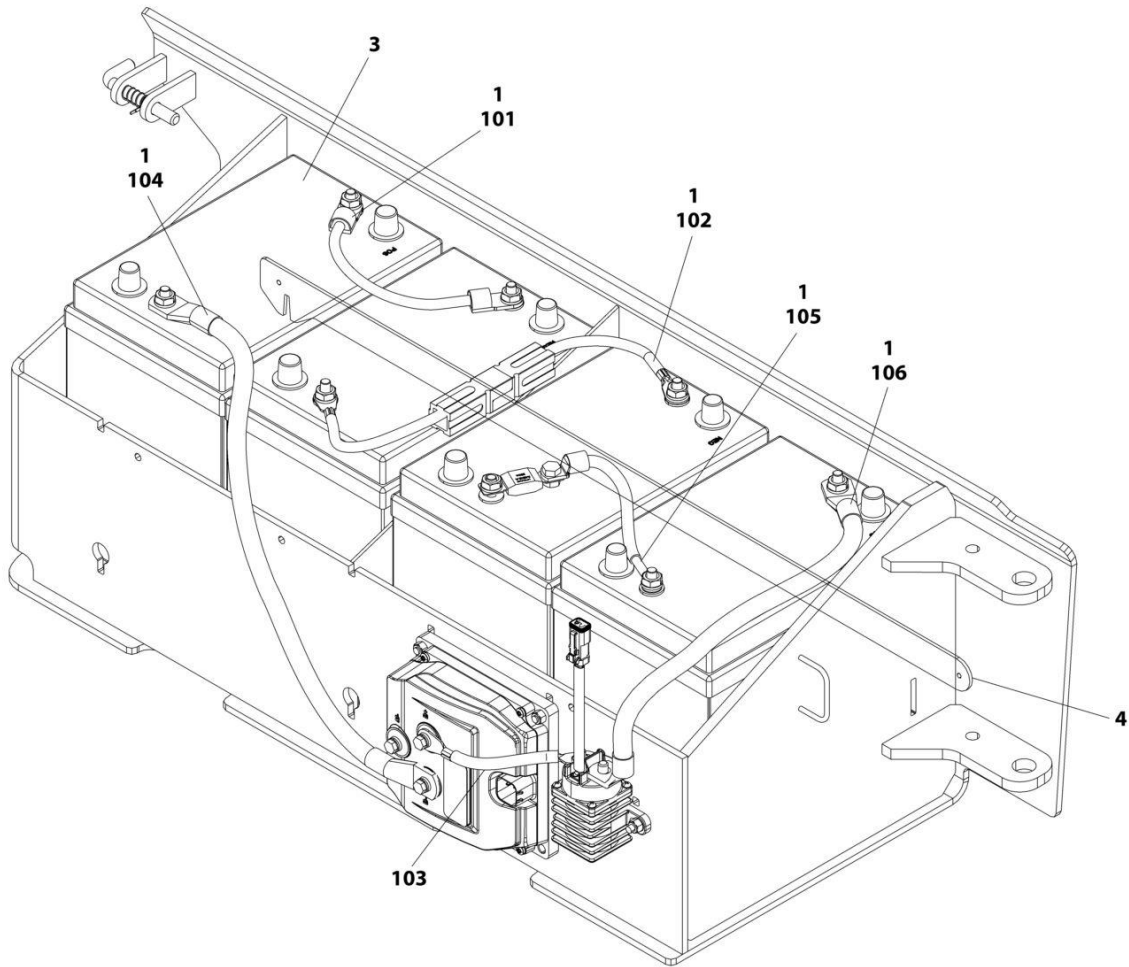
SECTION 2 - GROUND CONTROLS

FIGURE 2-10. BATTERIES INSTALLATION - STANDARD 6V-220AH

ITEM	PART NUMBER	QTY	DESCRIPTION	REV
	1001236632	Ref	BATTERIES INSTALLATION	B
1	0100051	AR	Grease, Terminal	
2	4240017	AR	Tie-Strap (Not Shown)	
3	1001216180	4	Battery	
4	1001239269	1	Bar	
100	1001228123	1	Battery Cable Kit (Not Shown)	
101	1060998	1	Cable, Positive to Negative	
102	4923328	1	Cable, Positive to Negative	
103	1001201708	1	Cable, Contactor to Pump Control B+	
104	1001201711	1	Cable, Battery Negative to Pump Control B-	
105	1001210401	1	Cable, Battery Fuse	
106	1001229110	1	Cable, Battery Positive to Contactor	

SECTION 2 - GROUND CONTROLS

FIGURE 2-11. BATTERIES INSTALLATION - AGM 6V-220AH



ART_1001237989

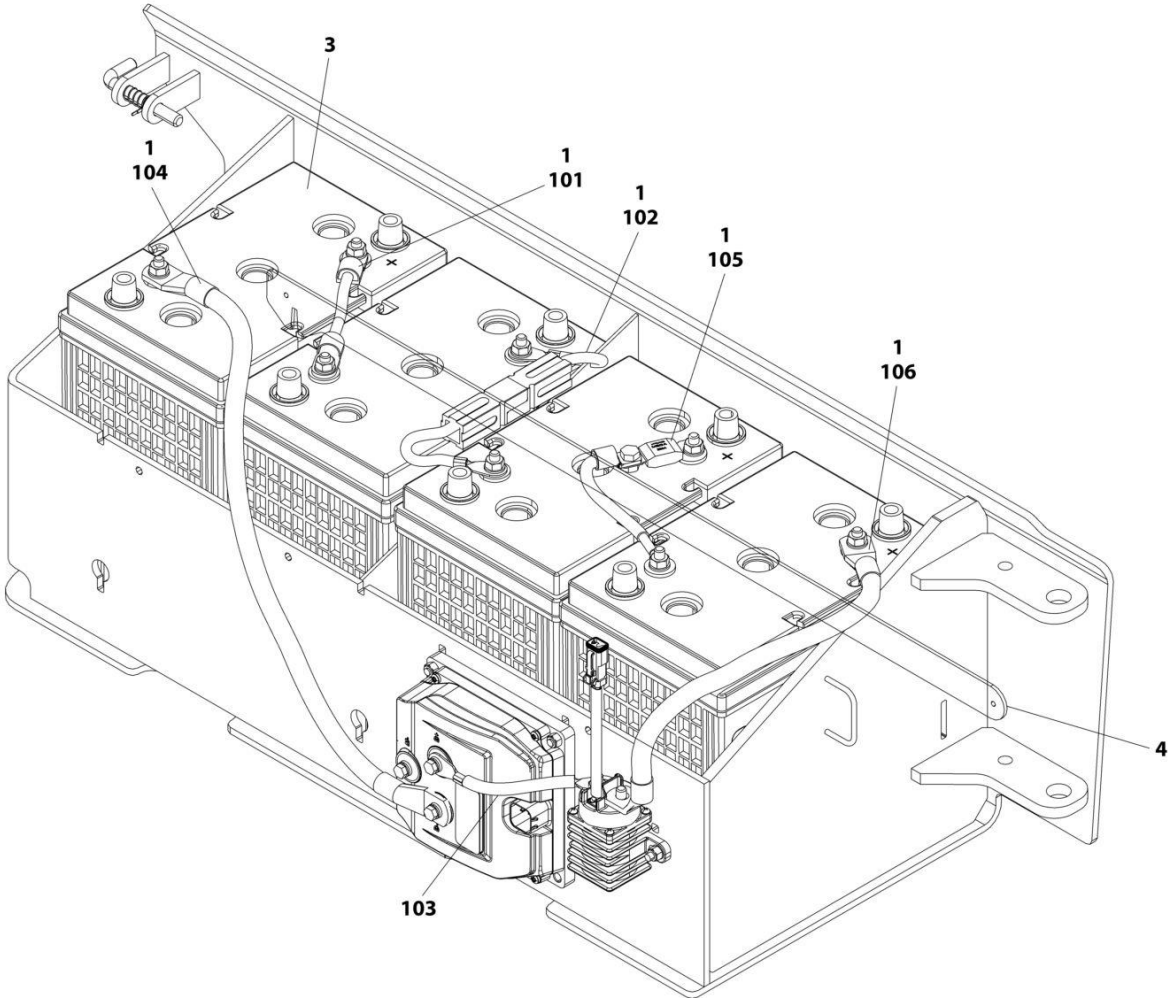
SECTION 2 - GROUND CONTROLS

FIGURE 2-11. BATTERIES INSTALLATION - AGM 6V-220AH

ITEM	PART NUMBER	QTY	DESCRIPTION	REV
	1001237989	Ref	BATTERIES INSTALLATION	B
1	0100051	AR	Grease, Terminal	
2	4240017	AR	Tie-Strap (Not Shown)	
3	1001112112	4	Battery	
4	1001239269	1	Bar	
100	1001228123	1	Battery Cable Kit (Not Shown)	
101	1060998	1	Cable, Positive to Negative	
102	4923328	1	Cable, Positive to Negative	
103	1001201708	1	Cable, Contactor to Pump Control B+	
104	1001201711	1	Cable, Battery Negative to Pump Control B-	
105	1001210401	1	Cable, Battery Fuse	
106	1001229110	1	Cable, Battery Positive to Contactor	

SECTION 2 - GROUND CONTROLS

FIGURE 2-12. BATTERIES INSTALLATION - AGM EVCG 6V-220AH



ART_1001237991

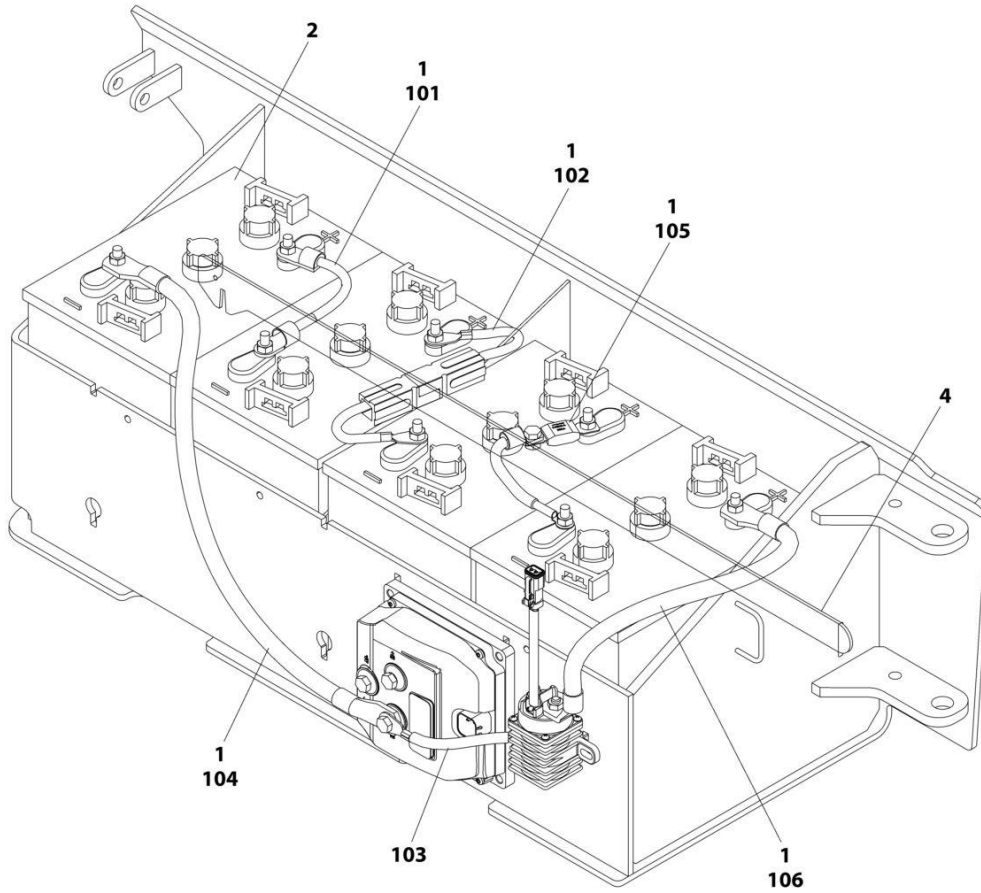
SECTION 2 - GROUND CONTROLS

FIGURE 2-12. BATTERIES INSTALLATION - AGM EVCG 6V-220AH

ITEM	PART NUMBER	QTY	DESCRIPTION	REV
	1001237991	Ref	BATTERIES INSTALLATION	B
1	0100051	AR	Grease, Terminal	
2	4240017	AR	Tie-Strap (Not Shown)	
3	1001214347	4	Battery	
4	1001239269	1	Bar	
100	1001228123	1	Battery Cable Kit (Not Shown)	
101	1060998	1	Cable, Positive to Negative	
102	4923328	1	Cable, Positive to Negative	
103	1001201708	1	Cable, Contactor to Pump Control B+	
104	1001201711	1	Cable, Battery Negative to Pump Control B-	
105	1001210401	1	Cable, Battery Fuse	
106	1001229110	1	Cable, Battery Positive to Contactor	

SECTION 2 - GROUND CONTROLS

FIGURE 2-13. BATTERIES INSTALLATION - 6V-220AH (TROJAN)



ART_1001249054

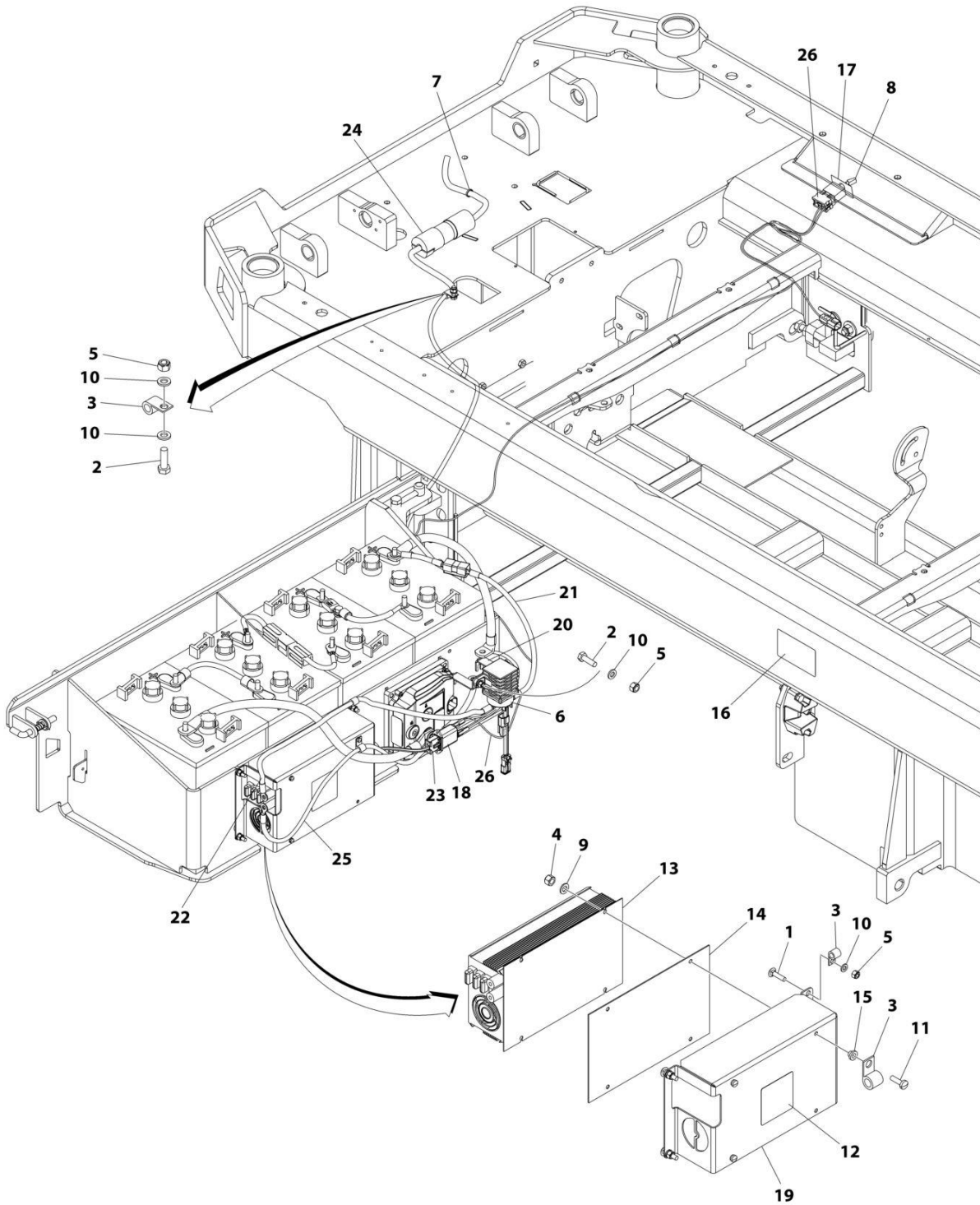
SECTION 2 - GROUND CONTROLS

FIGURE 2-13. BATTERIES INSTALLATION - 6V-220AH (TROJAN)

ITEM	PART NUMBER	QTY	DESCRIPTION	REV
	1001249054	Ref	BATTERIES INSTALLATION	B
1	0100051	AR	Grease, Terminal	
2	1001258498	4	Battery	
3	4240017	AR	Tie-Strap (Not Shown)	
4	1001239269	1	Bar	
100	1001228123	1	Battery Cable Kit (Not Shown)	
101	1060998	1	Cable, Positive to Negative	
102	4923328	1	Cable, Positive to Negative	
103	1001201708	1	Cable, Contactor to Pump Control B+	
104	1001201711	1	Cable, Battery Negative to Pump Control B-	
105	1001210401	1	Cable, Battery Fuse	
106	1001229110	1	Cable, Battery Positive to Contactor	

SECTION 2 - GROUND CONTROLS

FIGURE 2-14. INVERTER INSTALLATION (OPTIONAL)



ART_1001236132

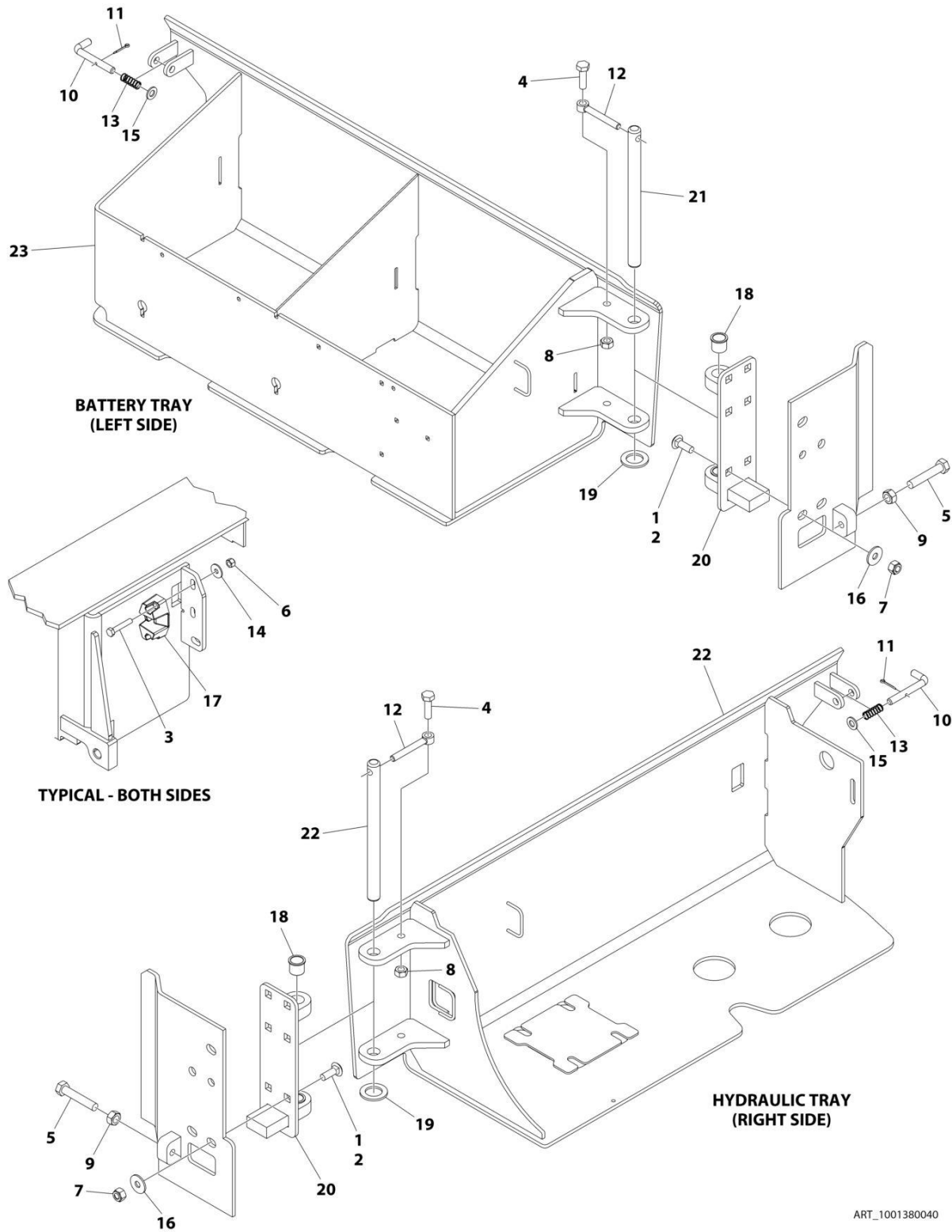
SECTION 2 - GROUND CONTROLS

FIGURE 2-14. INVERTER INSTALLATION (OPTIONAL)

ITEM	PART NUMBER	QTY	DESCRIPTION	REV
	1001236132	Ref	INVERTER INSTALLATION (OPTIONAL)	B
1	0630587	4	Bolt M6 x 25	
2	0760610	3	Bolt M6 x 20	
3	1321293	3	Clamp	
4	3290405	3	Nut M4	
5	3290605	7	Nut M6	
6	3740150	1	Relay	
7	4240017	AR	Tie-Strap	
8	4360336	1	Switch, Toggle	
9	4811400	3	Washer M4	
10	4811700	8	Washer M6	
11	1001101540	3	Screw M4 x 14	
12	1001125483	1	Decal - Pressure Wash	
13	1001136757	1	Inverter	
14	1001142173	1	Insulate	
15	1001142174	3	Washer 1/8	
16	1001143009	1	Decal - Inverter	
17	1001143010	1	Decal - On/Off Inverter	
18	1001157547	1	Filter, AC	
19	1001210440	1	Support	
20	1001210605	1	Support	
21	1001210878	1	Cable, Battery + to Inverter Contactor	
22	1001210879	1	Cable, Inverter Contactor to Inverter +	
23	1001210881	1	Cable, Inverter to AC Filter	
24	1001210882	1	Cable, AC Filter to AC Plug	
25	1001210967	1	Cable, Pump Control B- to Inverter	
26	1001235954	1	Inverter Harness	
26	4460897	2	Receptacle, Female - 2 Position	
26	4460464	3	Pin, Male	
26	4460466	1	Plug, Terminal	
26	4460418	1	Plug, Male - 6 Position	
26	4460419	2	Terminal	

SECTION 2 - GROUND CONTROLS

FIGURE 2-15. DOORS INSTALLATION



ART_1001380040

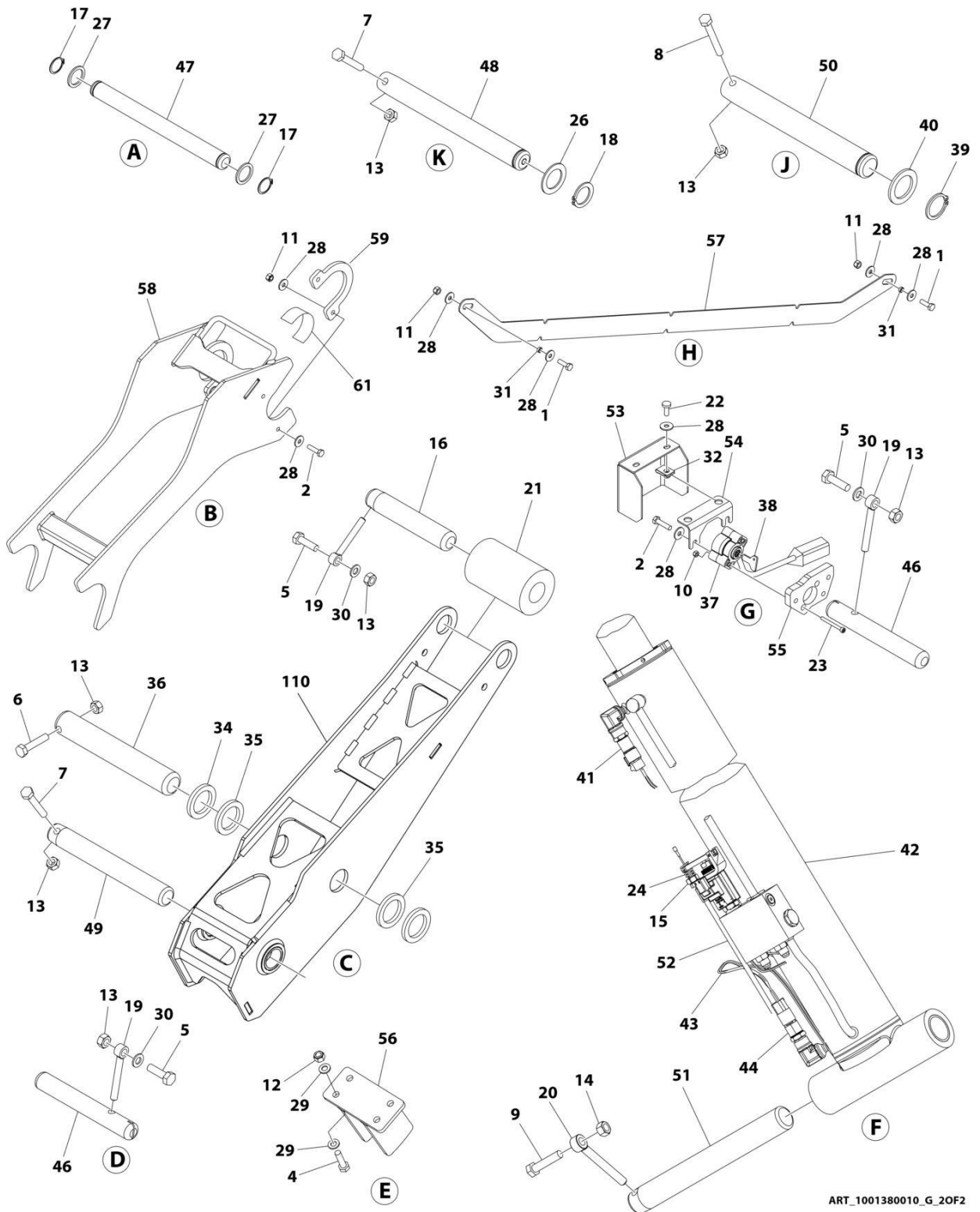
SECTION 2 - GROUND CONTROLS

FIGURE 2-15. DOORS INSTALLATION

ITEM	PART NUMBER	QTY	DESCRIPTION	REV
	1001380040	Ref	DOORS INSTALLATION	B
1	0100011	AR	Compound, Locking	
2	0630613	10	Bolt M10 x 30	
3	0700817	4	Bolt M8 x 45	
4	0701015	2	Bolt M10 x 35	
5	0761221	2	Bolt M12 x 65	
6	3290805	4	Nut M8	
7	3291005	10	Nut M10	
8	3291007	2	Nut M10	
9	3291201	2	Nut M12	
10	3423243	2	Pin	
11	3450303	2	Pin, Cotter 3/32 x 3/4	
12	3841143	2	Keeper, Pin	
13	4160214	2	Spring	
14	4811902	4	Washer M8	
15	4812000	AR	Washer M10	
16	4812002	10	Washer M10	
17	1001214810	2	Support	
18	1001218573	4	Bearing	
19	1001229792	2	Washer	
20	1001234858	2	Hinge	
21	1001234862	2	Pin	
22	1001380041	1	Tray, Hydraulic	
23	1001380042	1	Tray, Battery	

SECTION 3 - SCISSORS ARMS

SECTION 3 - SCISSORS ARMS



ART_1001380010_G_20F2

SECTION 3 - SCISSORS ARMS

FIGURE 3-1. SCISSORS ARMS INSTALLATION

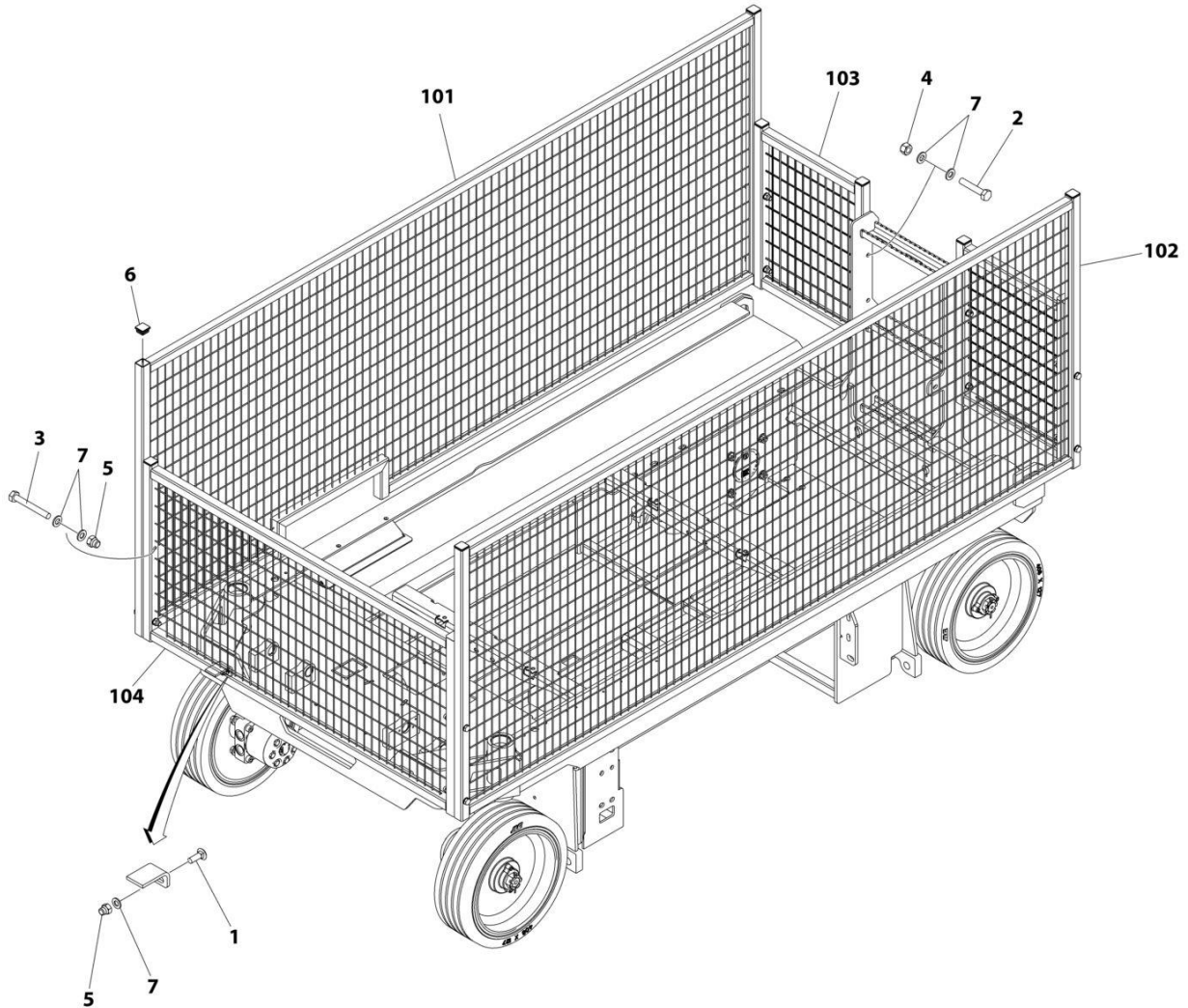
ITEM	PART NUMBER	QTY	DESCRIPTION	REV
	1001380010	Ref	SCISSORS ARMS INSTALLATION	G
1	0700610	6	Bolt M6 x 20	
2	0700612	7	Bolt M6 x 25	
4	0700814	4	Bolt M8 x 30	
5	0701015	3	Bolt M10 x 35	
6	0701018	1	Bolt M10 x 50	
7	0701021	19	Bolt M10 x 65	
8	0701024	4	Bolt M10 x 80	
9	0701219	1	Bolt M12 x 55	
10	3290405	2	Nut M4	
11	3290605	10	Nut M6	
12	3290805	4	Nut M8	
13	3291007	27	Nut M10	
14	3291207	1	Nut M12	
15	3321402	1	Nut 1/4	
16	3422998	1	Pin	
17	3760115	8	Ring, Retaining	
18	3760387	18	Ring, Retaining	
19	3841143	3	Keeper, Pin	
20	3841203	1	Keeper, Pin	
21	3860104	1	Roller	
22	4010608	2	Screw M6 x 16	
23	4031512	2	Capscrew M4 x 40	
24	4160078	1	Spring	
25	4240017	AR	Tie-Strap (Not Shown)	
26	4740438	18	Washer	
27	4740531	8	Washer	
28	4811702	25	Washer M6	
29	4811900	8	Washer M8	
30	4812000	3	Washer M10	
31	1001128888	6	Washer	
32	1001130220	2	Nut Tinnerman M6	
33	1001137675	32	Bumper	
34	1001139000	1	Plate	
35	1001139002	2	Pad	
36	1001139003	1	Pin	
37	1001146963	1	Sensor, Angle	
38	1001205345	1	Key (Steel)	
38	1001234204	1	Key (Aluminun)	
39	1001214689	4	Ring, Retaining	
40	1001217457	4	Washer	
41	1001225164	1	Sensor, Pressure Transducer	
42	1001244417	1	Lift Cylinder Assembly (See Separate Breakdown in CYLINDER Section)	
43	1001233795	1	Lift Down Harness (See Separate Breakdown in ELECTRICAL Section)	
44	1001235104	1	Sensor, Pressure Transducer	
45	1001247707	1	Block, Side	
46	1001236165	2	Pin	
47	1001236167	4	Pin	

SECTION 3 - SCISSORS ARMS

ITEM	PART NUMBER	QTY	DESCRIPTION	REV
48	1001236169	18	Pin	
49	1001236170	1	Pin	
50	1001236171	4	Pin	
51	1001236172	1	Pin	
52	1001236269	1	Cable, Manual Descent	
53	1001236486	1	Cover	
54	1001236487	1	Plate	
55	1001236488	1	Plate	
56	1001243348	1	Adapter	
57	1001237824	3	Plate	
58	1001238684	1	Arm, Prop	
59	1001239479	2	Plate	
61	4420062	15 in/ 37cm	Tape	
100	1001236348	1	Arm Kit	
101	1001241662	1	Arm - Inner 1	
101	0440264	4	Bearing (Not Shown)	
102	1001241663	1	Arm - Outer 1	
102	0440264	4	Bearing - 1 ID (Not Shown)	
102	0440265	4	Bearing - 1-1/4 ID (Not Shown)	
103	1001241664	1	Arm - Inner 2	
104	1001241665	1	Arm - Outer 2	
104	0440265	6	Bearing (Not Shown)	
105	1001241666	1	Arm - Inner 3	
106	1001241667	2	Arm - Outer 3 and Outer 4	
106	0440265	4	Bearing - 1-1/4 ID (Not Shown)	
106	0962272	4	Bearing - 1-1/2 ID (Not Shown)	
107	1001241668	1	Arm - Inner 4	
108	1001241669	1	Arm - Inner 5	
108	0440264	4	Bearing (Not Shown)	
109	1001241670	1	Arm - Outer 5	
109	0440264	4	Bearing - 1 ID (Not Shown)	
109	0440265	4	Bearing - 1-1/4 ID (Not Shown)	
110	1001241671	1	Kicker	
110	0440265	2	Bearing (Not Shown)	

SECTION 3 - SCISSORS ARMS

FIGURE 3-2. ARMS GUARD INSTALLATION



ART_1001380024

SECTION 3 - SCISSORS ARMS

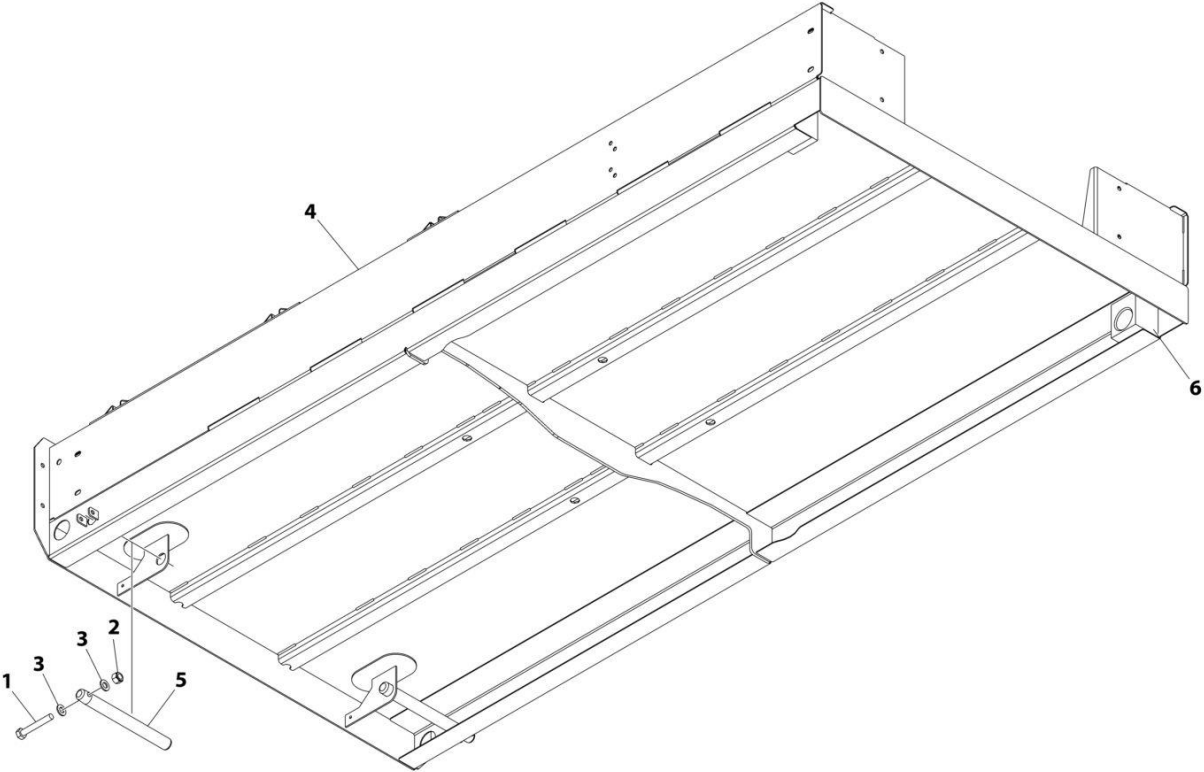
FIGURE 3-2. ARMS GUARD INSTALLATION

ITEM	PART NUMBER	QTY	DESCRIPTION	REV
	1001380024	Ref	ARM GUARD INSTALLATION	A
1	0630613	2	Bolt M10 x 30	
2	0701019	4	Bolt M10 x 55	
3	0701024	8	Bolt M10 x 80	
4	3291005	4	Nut M10	
5	3291006	10	Nut M10	
6	3520072	10	Plug	
7	4812000	26	Washer M10	
100	1001239943	1	Arm Guard Kit (Not Shown)	
101	1001239892	1	Guard, Arm (RH)	
102	1001239894	1	Guard, Arm (LH)	
103	1001239899	2	Guard, Arm (Rear)	
104	1001239904	1	Guard, Arm (Front)	

SECTION 4 - PLATFORM

SECTION 4 - PLATFORM

FIGURE 4-1. PLATFORM INSTALLATION



ART_1001234380_C

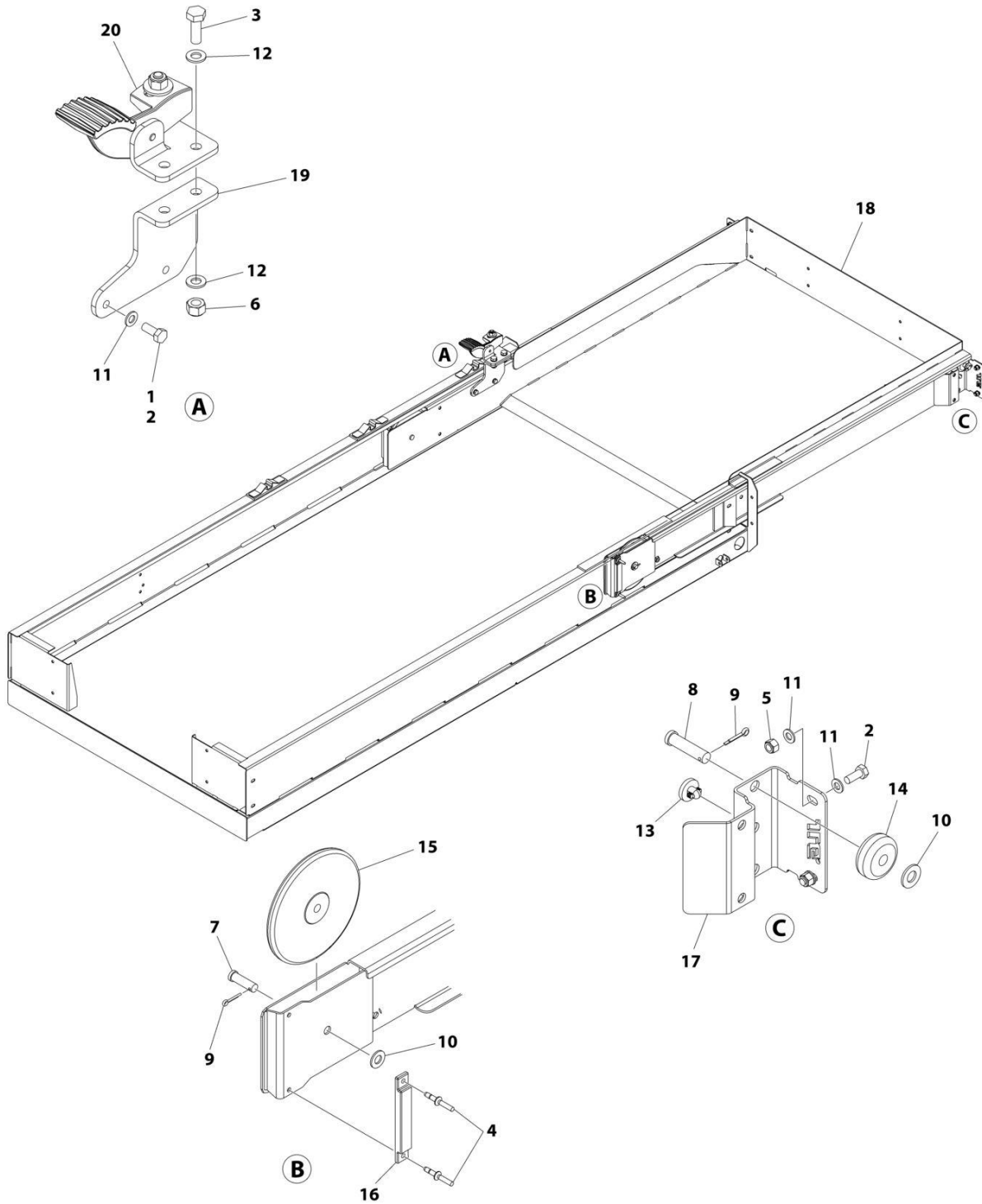
SECTION 4 - PLATFORM

FIGURE 4-1. PLATFORM INSTALLATION

ITEM	PART NUMBER	QTY	DESCRIPTION	REV
	1001234380	Ref	PLATFORM INSTALLATION	C
1	0700819	2	Bolt M8 x 55	
2	3290805	2	Nut M8	
3	4811900	4	Washer M8	
4	1001234336	1	Platform	
5	1001235590	2	Pin	
6	1001247706	2	Block, Slide	

SECTION 4 - PLATFORM

FIGURE 4-2. PLATFORM EXTENSION INSTALLATION



ART_1001234381

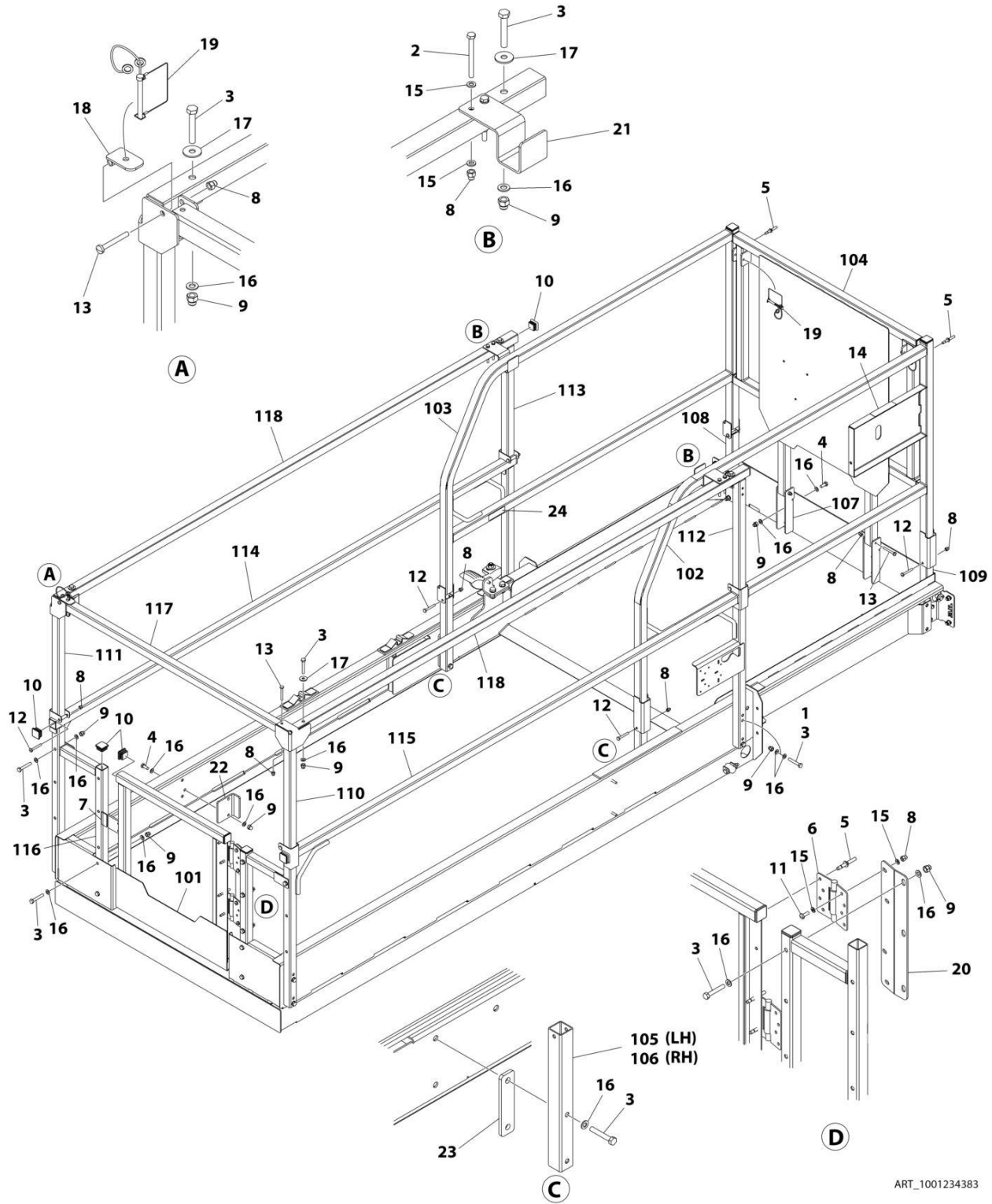
SECTION 4 - PLATFORM

FIGURE 4-2. PLATFORM EXTENSION INSTALLATION

ITEM	PART NUMBER	QTY	DESCRIPTION	REV
	1001234381	Ref	PLATFORM EXTENSION INSTALLATION	C
1	0100011	AR	Compound, Locking	
2	0760810	6	Bolt M8 x 20	
3	0761014	2	Bolt M10 x 30	
4	2080040	4	Fastener	
5	3290805	4	Nut M8	
6	3291005	2	Nut M10	
7	3430813	2	Pin	
8	3430816	2	Pin	
9	3450403	4	Pin, Cotter	
10	4711800	4	Washer 1/2	
11	4811900	10	Washer M8	
12	4812000	4	Washer M10	
13	1001137675	2	Bumper	
14	1001205422	2	Roller (Front)	
15	1001205430	2	Roller (Rear)	
16	1001208852	2	Pad	
17	1001210064	2	Support	
18	1001213470	1	Extension, Platform	
19	1001213838	1	Latch Assembly	
20	1001234407	1	Bracket	

SECTION 4 - PLATFORM

FIGURE 4-3. RAILS INSTALLATION (SIDE BY SIDE)



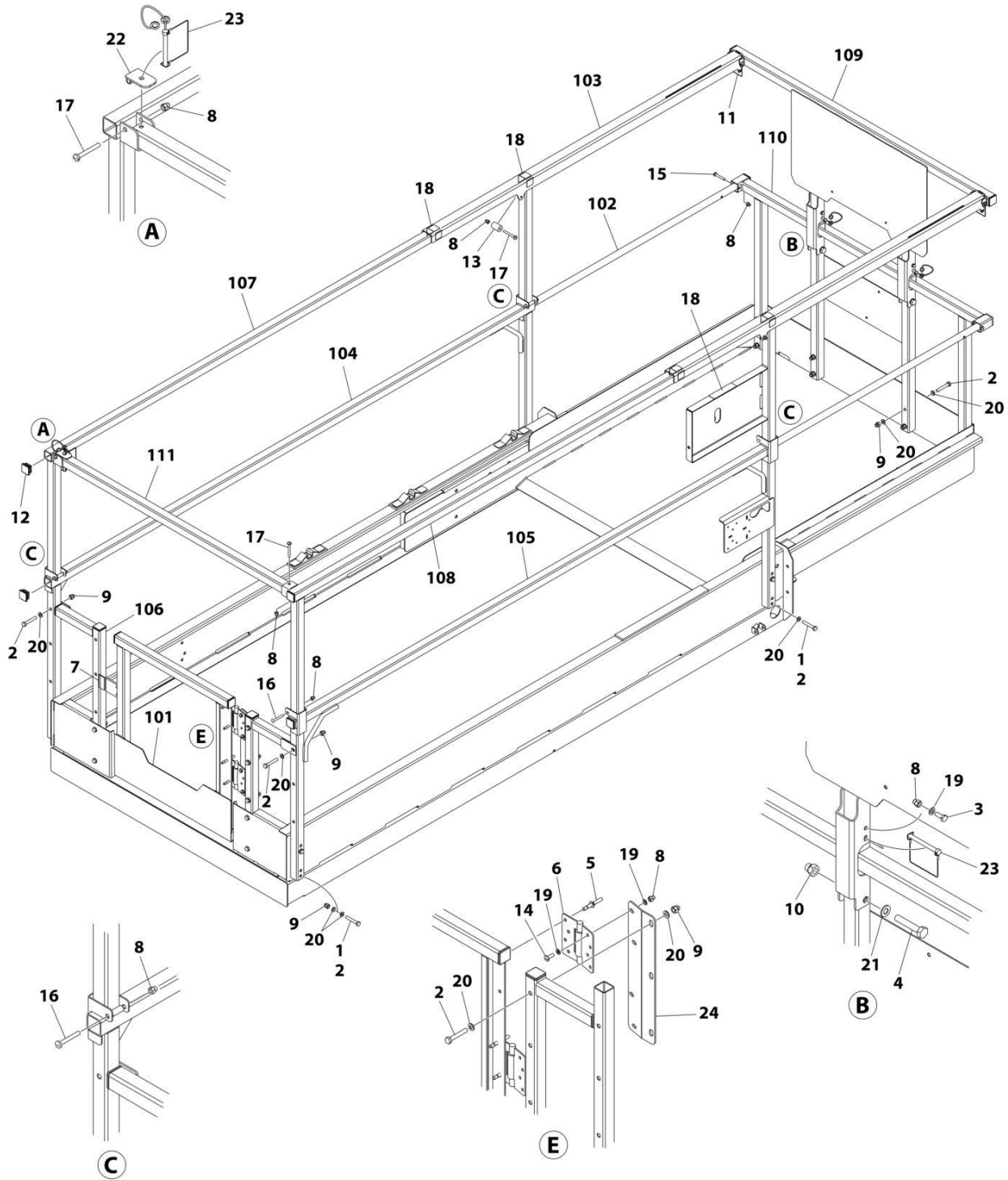
SECTION 4 - PLATFORM

FIGURE 4-3. RAILS INSTALLATION (SIDE BY SIDE)

ITEM	PART NUMBER	QTY	DESCRIPTION	REV
	1001234383	Ref	RAILS INSTALLATION (SIDE BY SIDE)	G
1	0100011	AR	Compound, Locking	
2	0700621	AR	Bolt M6 x 65	
2	0700618	AR	Bolt M6 x 50	
3	0700818	29	Bolt M8 x 50	
4	0760810	6	Bolt M8 x 20	
5	2080040	6	Fastener	
6	2600281	2	Hinge	
7	3080007	1	Magnet, Gate	
8	3290606	20	Nut M6	
9	3290806	31	Nut M8	
10	3520072	18	Plug	
11	4010608	4	Screw M6 x 16	
12	4010617	8	Screw M6 x 45	
13	4010618	4	Screw M6 x 50	
14	4420062	4 in/ 10cm	Tape	
15	4811700	16	Washer M6	
16	4811900	66	Washer M8	
17	4811902	4	Washer M8	
18	1001154378	1	Bracket	
19	1001187587	3	Pin, Snap with Lanyard	
20	1001210586	1	Support	
21	1001237911	2	Bracket	
22	1001232622	1	Bracket	
23	1001235287	2	Plate	
24	1704277	2	Decal - Lanyard Attach Graphic	
100	1001235960	1	Rail Kit (Not Shown)	
101	1001210302	1	Gate	
102	1001213915	1	Rail, Extension Side (RH)	
103	1001213916	1	Rail, Extension Side (LH)	
104	1001213931	1	Rail, Extension Front	
105	1001222861	1	Tube Rail (Lower LH)	
106	1001222869	1	Tube Rail (Lower RH)	
107	1001223053	2	Bracket	
108	1001223165	1	Tube, Extension (Lower LH)	
109	1001223166	1	Tube, Extension (Lower RH)	
110	1001229739	1	Rail Rear (Upper RH)	
111	1001229740	1	Rail Rear (Upper LH)	
112	1001229741	1	Rail Front (Upper RH)	
113	1001229742	1	Rail Front (Upper LH)	
114	1001234006	1	Rail Rear (Lower LH)	
115	1001234007	1	Rail Rear (Lower RH)	
116	1001234008	2	Rail, Gate Mount	
117	1001234268	1	Tube, Rear Top	
118	1001235286	2	Rail, Side Top	

SECTION 4 - PLATFORM

FIGURE 4-4. RAILS INSTALLATION (TUBE IN TUBE)



ART_1001234382

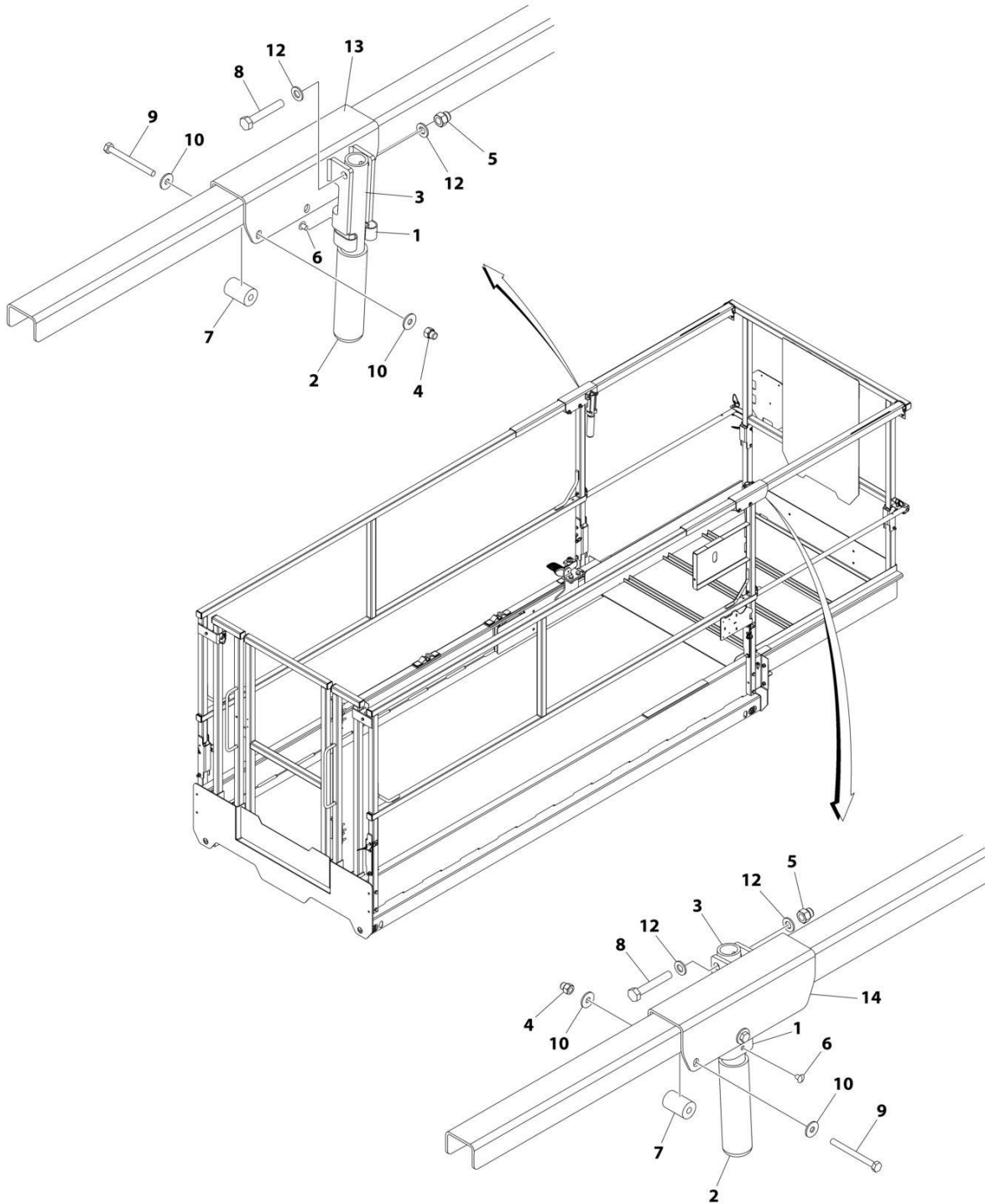
SECTION 4 - PLATFORM

FIGURE 4-4. RAILS INSTALLATION (TUBE IN TUBE)

ITEM	PART NUMBER	QTY	DESCRIPTION	REV
	1001234382	Ref	RAILS INSTALLATION (TUBE IN TUBE)	D
1	0100011	AR	Compound, Locking	
2	0700818	25	Bolt M8 x 50	
3	0760608	2	Bolt M6 x 16	
4	0761019	2	Bolt M10 x 55	
5	2080040	4	Fastener	
6	2600281	2	Hinge	
7	3080007	1	Magnet, Gate	
8	3290606	16	Nut M6	
9	3290806	21	Nut M8	
10	3291006	2	Nut M10	
11	3422219	2	Pin, Snap	
12	3520072	14	Plug	
13	3860111	2	Roller	
14	4010608	4	Screw M6 x 16	
15	4010616	2	Screw M6 x 40	
16	4010617	4	Screw M6 x 45	
17	4010618	4	Screw M6 x 50	
18	4420062	16 in/ 40cm	Tape	
19	4811700	10	Washer M6	
20	4811900	50	Washer M8	
21	4812000	2	Washer M10	
22	1001154378	1	Bracket	
23	1001187587	3	Pin, Snap with Lanyard	
24	1001210586	1	Support	
100	1001235959	1	Rail Kit (Not Shown)	
101	1001210302	1	Gate	
102	1001213415	2	Rod, Extension MID	
103	1001213416	2	Rail, Extension Top	
104	1001234006	1	Rail, Side MID (LH)	
105	1001234007	1	Rail, Side MID (RH)	
106	1001234008	2	Rail, Rear	
107	1001234141	1	Rail, Side Top (LH)	
108	1001234142	1	Rail, Side Top (RH)	
109	1001234266	1	Rail, Extension Top Front	
110	1001234267	1	Rail, Extension MID Front	
111	1001234268	1	Tube, Rear Top	

SECTION 4 - PLATFORM

FIGURE 4-5. EXTENSION HANDLES INSTALLATION (OPTIONAL)



ART_1001215446_E

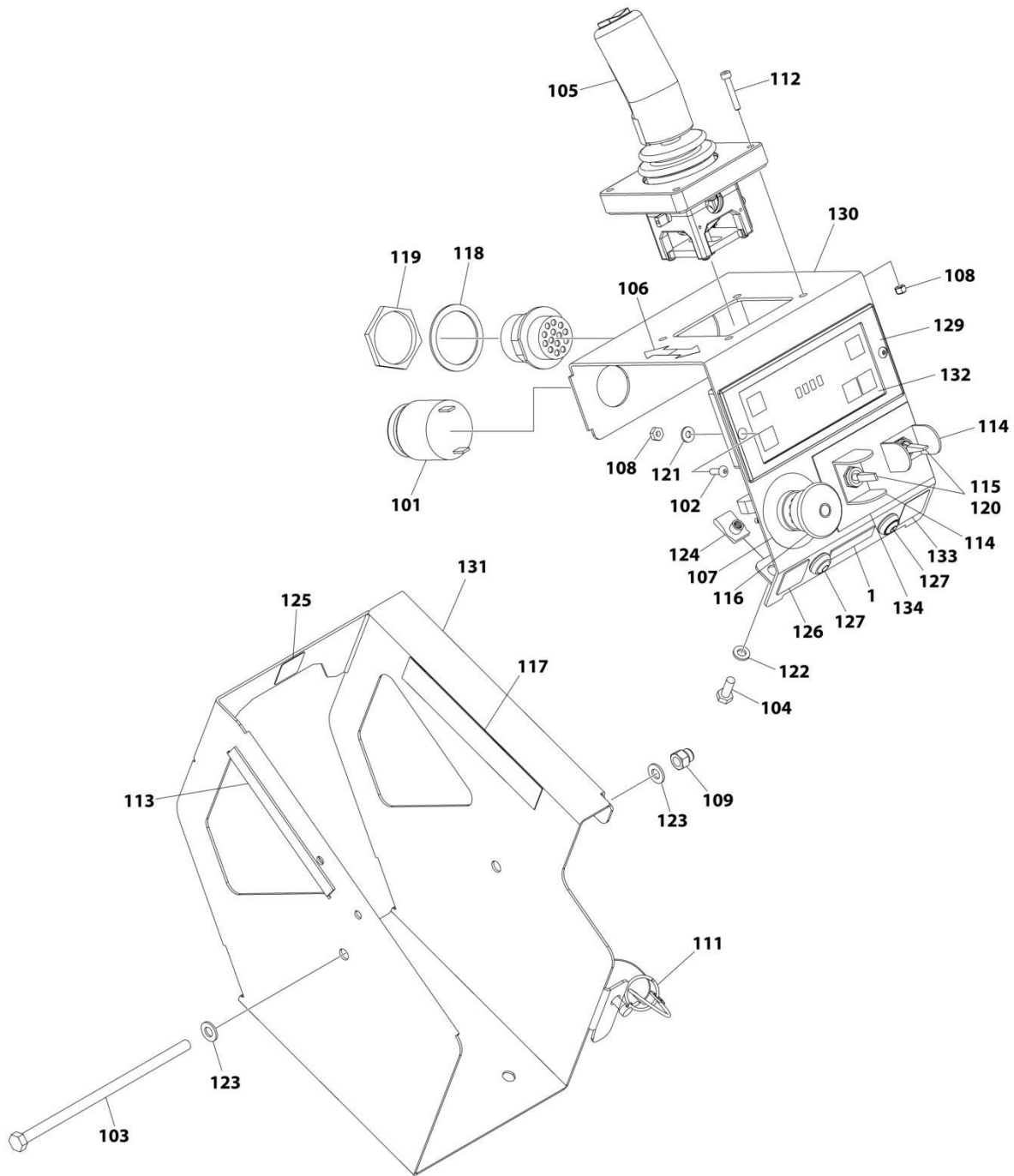
SECTION 4 - PLATFORM

FIGURE 4-5. EXTENSION HANDLES INSTALLATION (OPTIONAL)

ITEM	PART NUMBER	QTY	DESCRIPTION	REV
	1001215446	Ref	EXTENSION HANDLES INSTALLATION (OPTIONAL)	E
1	1380132	2	Clip	
2	2560088	2	Grip	
3	2560190	2	Handle	
4	3290606	2	Nut M6	
5	3290806	2	Nut M8	
6	3820019	2	Rivet	
7	3860111	2	Roller	
8	0700818	AR	Bolt M8 x 50	
9	0700621	AR	Bolt M6 x 65	
10	4811702	AR	Washer M6	
12	4811900	AR	Washer M8	
13	1001235560	1	Bracket (LH)	
14	1001235561	1	Bracket (RH)	

SECTION 4 - PLATFORM

FIGURE 4-6. PLATFORM CONSOLE INSTALLATION (PVC1910)



ART_1001214151

SECTION 4 - PLATFORM

FIGURE 4-6. PLATFORM CONSOLE INSTALLATION (PVC1910)

ITEM	PART NUMBER	QTY	DESCRIPTION	REV
	1001214151	Ref	PLATFORM CONSOLE INSTALLATION	E
1	1001258665	1	Decal - R3246/R4045	
2	1001214924	Ref	Platform Console Box Assembly	F
101	0140030	1	Alarm	
102	1001047064	2	Screw M4 x 15	
103	0700835	1	Bolt M8 x 180	
104	0760610	2	Bolt M6 x 20	
105	1600402	1	Controller Assembly (See Separate Breakdown in this Section)	
106	1703819	1	Decal - Arrow	
107	1704260	1	Decal - Emergency Stop	
108	3290405	6	Nut M4	
109	3290806	1	Nut M8	
111	3423278	1	Pin, Snap with Lanyard	
112	4031509	4	Capscrew M4 x 25	
113	4060803	6 in /14cm	Flex-Trim	
114	4060906	2	Guard, Switch	
115	4360345	2	Switch, Toggle	
116	4360475	1	Switch, Emergency Stop	
116	7020175	1	Cap	
116	7020176	1	Block, Contact	
117	4420062	12 in/ 30cm	Tape	
118	4460496	1	Washer, Terminal	
119	4460497	1	Nut, Terminal	
120	4711700	2	Washer 7/16	
121	4811400	2	Washer M4	
122	4811700	2	Washer M6	
123	4811900	2	Washer M8	
124	1001130220	2	Nut, Tinnerman M6	
125	1001132358	1	Decal - Steer	
126	1001132361	1	Decal - Horn	
128	1001200819	1	Platform Control Box Harness (Not Shown) (See Separate Breakdown in ELECTRICAL SECTION)	
130	1001209595	1	Plate, Box (Inside)	
131	1001209596	1	Plate, Box (Outside)	
133	1001213886	1	Decal - Indoor/Outdoor	
134	1001220893	1	Decal - Lift/Drive Function	

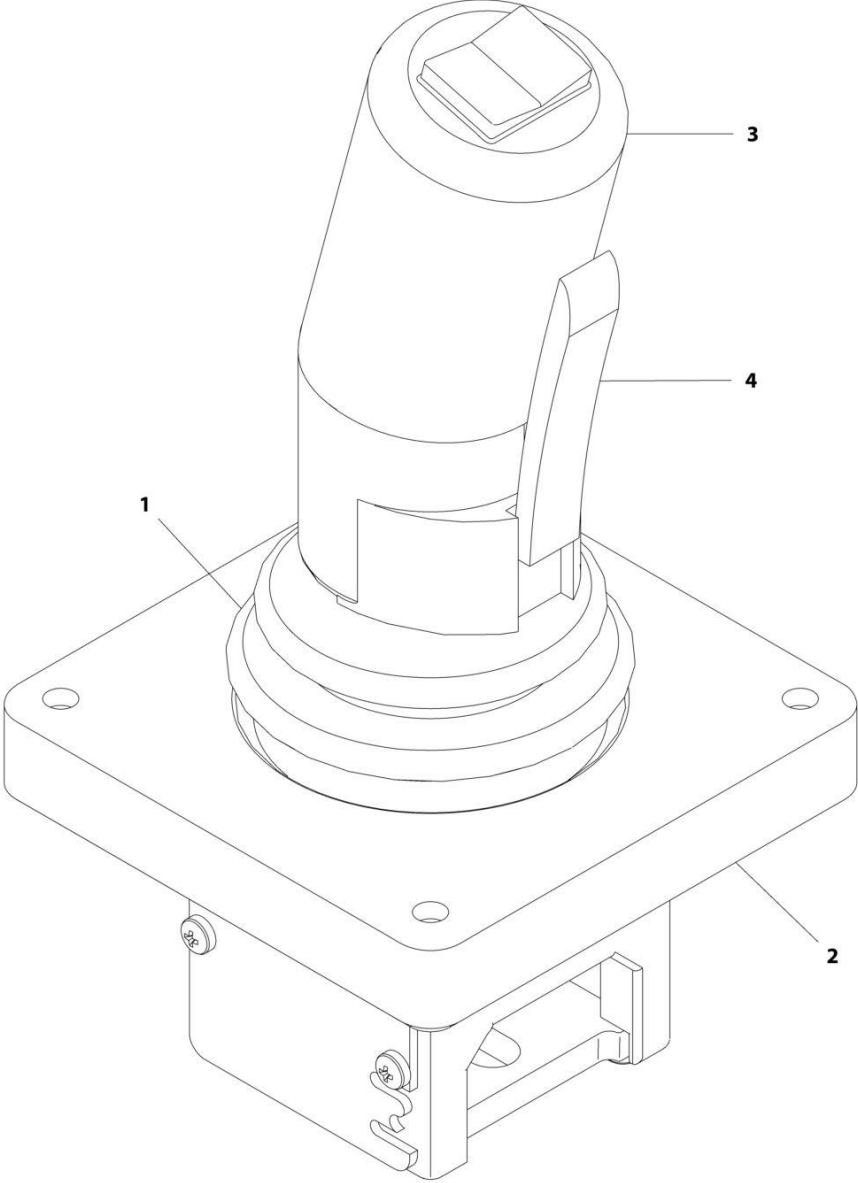
SECTION 4 - PLATFORM

FIGURE 4-7. PLATFORM CONSOLE INSTALLATION (PVC2004)

ITEM	PART NUMBER	QTY	DESCRIPTION	REV
	1001214151	Ref	PLATFORM CONSOLE INSTALLATION	E
1	1001258665	1	Decal - R3246/R4045	
2	1001214924	Ref	Platform Console Box Assembly	G
101	0140030	1	Alarm	
102	1001047064	2	Screw M4 x 15	
103	0700835	1	Bolt M8 x 180	
104	0760610	2	Bolt M6 x 20	
105	1600402	1	Controller Assembly (See Separate Breakdown in this Section)	
106	1703819	1	Decal - Arrow	
107	1704260	1	Decal - Emergency Stop	
108	3290405	6	Nut M4	
109	3290806	1	Nut M8	
111	3423278	1	Pin, Snap with Lanyard	
112	4031509	4	Capscrew M4 x 25	
113	4060803	6 in /14cm	Flex-Trim	
114	4060906	2	Guard, Switch	
115	1001258446	1	Switch, Toggle	
116	4360475	1	Switch, Emergency Stop	
116	7020175	1	Cap	
116	7020176	1	Block, Contact	
117	4420062	12 in/ 30cm	Tape	
118	4460496	1	Washer, Terminal	
119	4460497	1	Nut, Terminal	
120	4711700	2	Washer 7/16	
121	4811400	2	Washer M4	
122	4811700	2	Washer M6	
123	4811900	2	Washer M8	
124	1001130220	2	Nut, Tinnerman M6	
125	1001132358	1	Decal - Steer	
126	1001132361	1	Decal - Horn	
128	1001200819	1	Platform Control Box Harness (Not Shown) (See Separate Breakdown in ELECTRICAL SECTION)	
130	1001262655	1	Plate, Box (Inside)	
131	1001209596	1	Plate, Box (Outside)	
133	1001213886	1	Decal - Indoor/Outdoor	
134	1001220893	1	Decal - Lift/Drive Function	
135	1001262221	1	Plug	

SECTION 4 - PLATFORM

FIGURE 4-8. CONTROLLER ASSEMBLY



ART_1600402

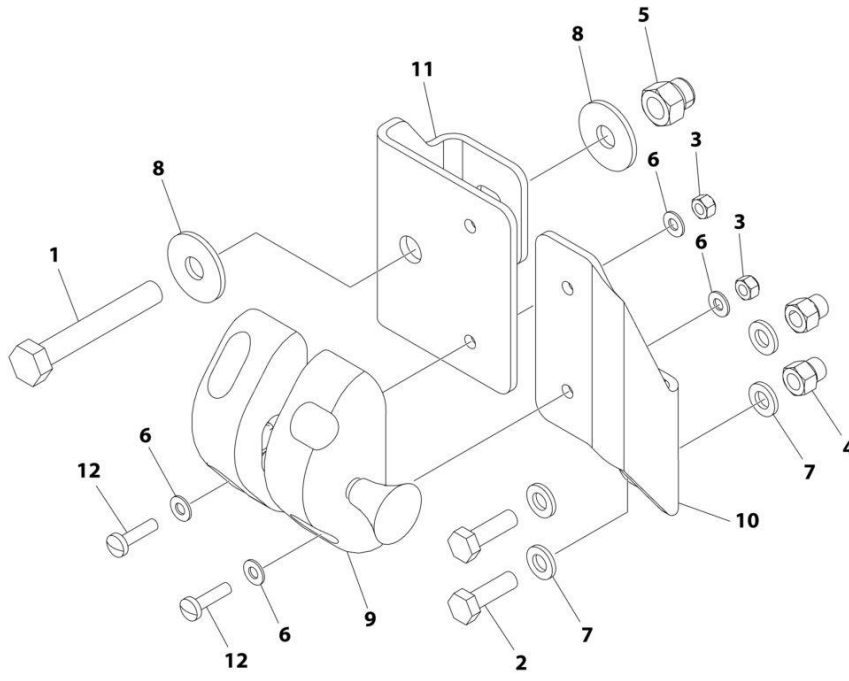
SECTION 4 - PLATFORM

FIGURE 4-8. CONTROLLER ASSEMBLY

ITEM	PART NUMBER	QTY	DESCRIPTION	REV
	1600402	Ref	DRIVE/STEER CONTROLLER ASSEMBLY	A
1	70001250	1	Boot, Panel	
2	70001252	1	Gasket, Mounting	
2	70001251	1	Bezel, Mounting	
3	70003650	1	Handle Repair Kit (Includes handle gasket, item#4 push button and item #4 lever installed in front handle half, back handle half, top actuator, boot and hardware.)	
3	70000084	1	Cap, Rubber	
3	70000082	1	Microswitch	
3	7027766	1	Ring, Retaining	
3	7027365	1	Actuator, Handle	
3	70001253	1	Gasket, Handle	
3	70000683	4	Washer, Neoprene	
3	70000685	2	Spacer, Plastic	
3	70000686	2	Screw (Top)	
3	70000684	2	Screw (Bottom)	
4	7027367	1	Switch, Push Button	
4	7027765	1	Lever, Enable	

SECTION 4 - PLATFORM

FIGURE 4-9. GATE LATCH INSTALLATION



ART_1001220995

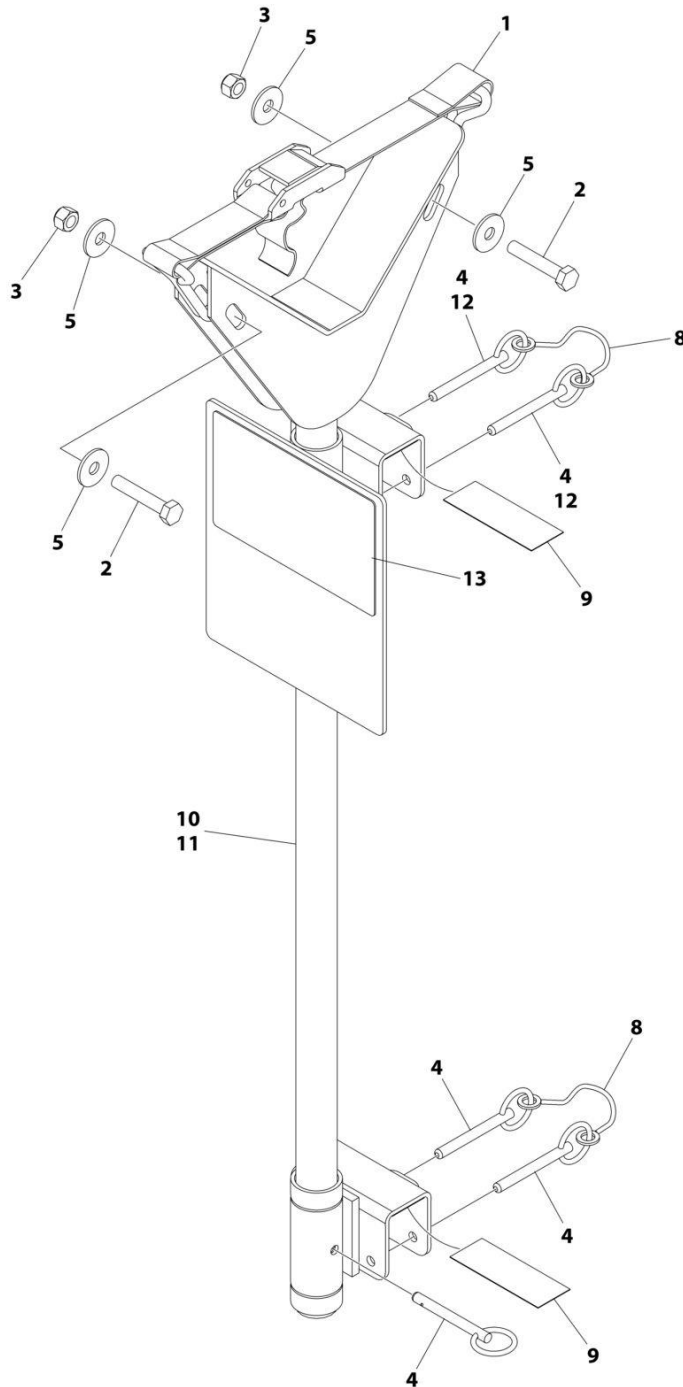
SECTION 4 - PLATFORM

FIGURE 4-9. GATE LATCH INSTALLATION

ITEM	PART NUMBER	QTY	DESCRIPTION	REV
	1001220995	Ref	GATE LATCH INSTALLATION	B
1	0700819	1	Bolt M8 x 55	
2	0760610	2	Bolt M6 x 20	
3	3290405	4	Nut M4	
4	3290606	2	Nut M6	
5	3290806	1	Nut M8	
6	4811400	8	Washer M4	
7	4811700	4	Washer M6	
8	4811902	2	Washer M8	
9	1001134821	1	Latch	
10	1001220409	1	Mount	
11	1001220410	1	Plate	
12	4010408	4	Screw M4 x 16	

SECTION 4 - PLATFORM

FIGURE 4-10. PIPE RACKS INSTALLATION (SIDE BY SIDE RAILS) (OPTIONAL)



ART_1001214229_B

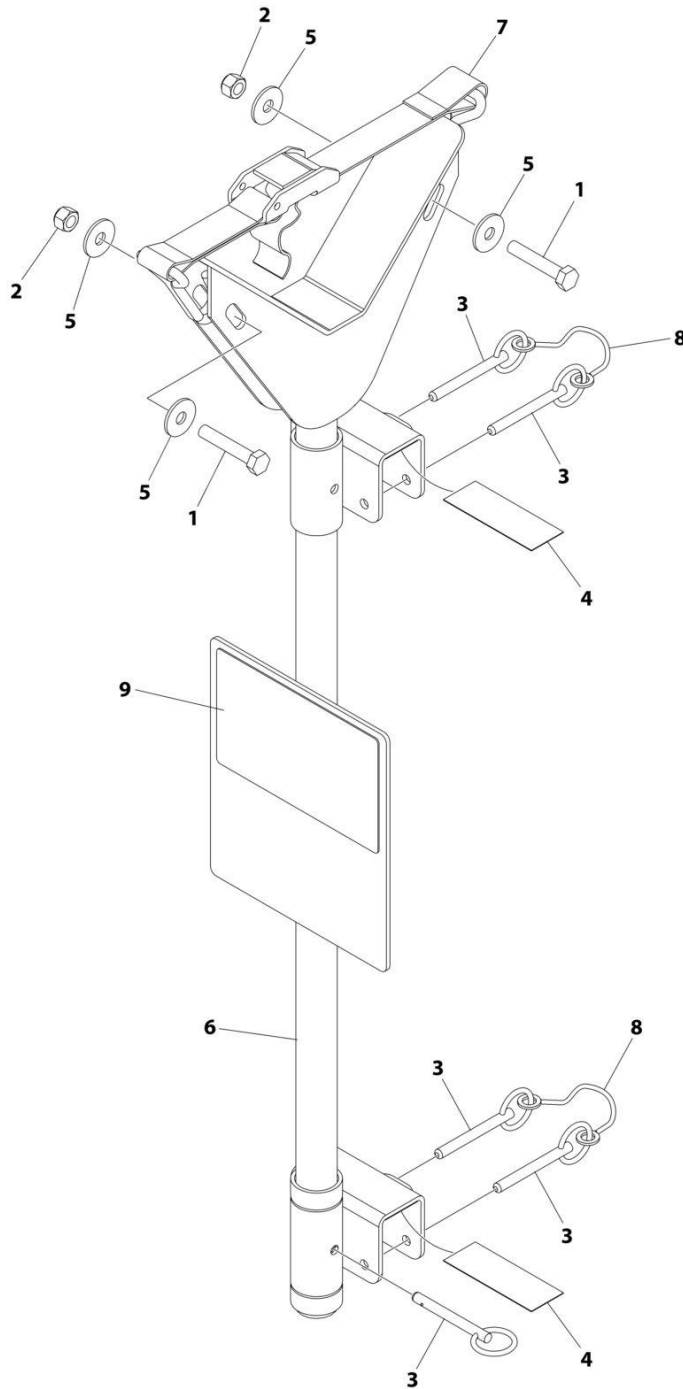
SECTION 4 - PLATFORM

FIGURE 4-10. PIPE RACKS INSTALLATION (SIDE BY SIDE RAILS) (OPTIONAL)

ITEM	PART NUMBER	QTY	DESCRIPTION	REV
	1001214229	Ref	PIPE RACKS INSTALLATION (SIDE BY SIDE RAILS) (OPTIONAL)	B
1	0480100	2	Strap	
2	0700817	4	Bolt M8 x 45	
3	3290805	4	Nut M8	
4	3422661	AR	Pin	
5	4811902	8	Washer M6	
8	1060379	4	Lanyard	
9	4420062	AR	Tape	
10	1001235498	1	Rack, Tube (Rear)	
11	1001235509	1	Rack, Tube (Front)	
12	1001235941	2	Pin	
13	1001236621	2	Decal - Pipe Rack Capacity	

SECTION 4 - PLATFORM

FIGURE 4-11. PIPE RACKS INSTALLATION (TUBE IN TUBE RAILS) (OPTIONAL)



ART_1001235849

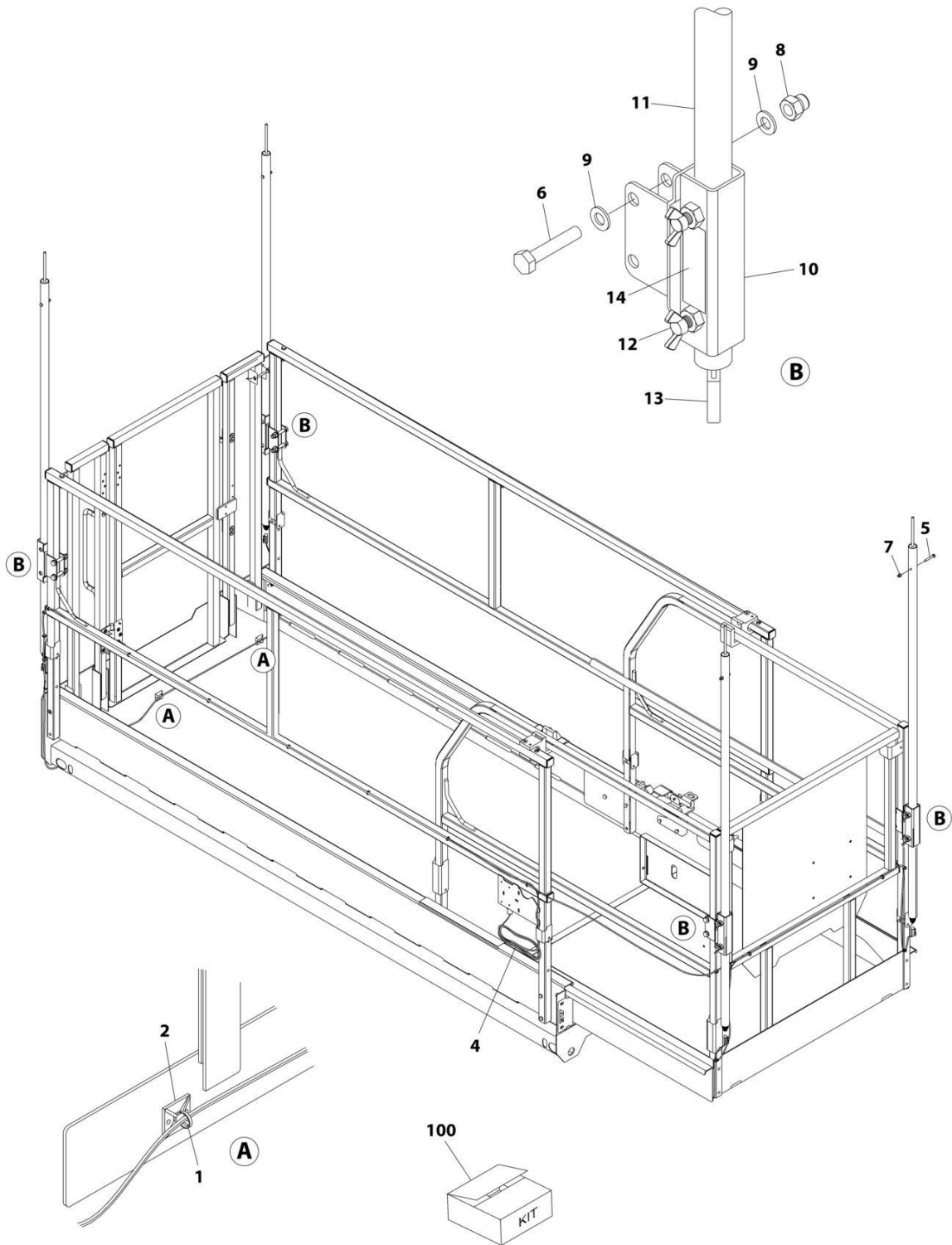
SECTION 4 - PLATFORM

FIGURE 4-11. PIPE RACKS INSTALLATION (TUBE IN TUBE RAILS) (OPTIONAL)

ITEM	PART NUMBER	QTY	DESCRIPTION	REV
	1001235849	Ref	PIPE RACKS INSTALLATION (OPTIONAL)	A
1	0700817	4	Bolt M8 x 45	
2	3290805	4	Nut M8	
3	3422661	10	Pin	
4	4420062	AR	Tape	
5	4811902	8	Washer M6	
6	1001235498	2	Rack, Tube	
7	0480100	2	Strap	
8	1060379	4	Lanyard	
9	1001236621	2	Decal - Tube Rack Capacity	

SECTION 4 - PLATFORM

FIGURE 4-12. OVERHEAD PROTECTION INSTALLATION (KOREAN SPECS)



ART_1001226901

SECTION 4 - PLATFORM

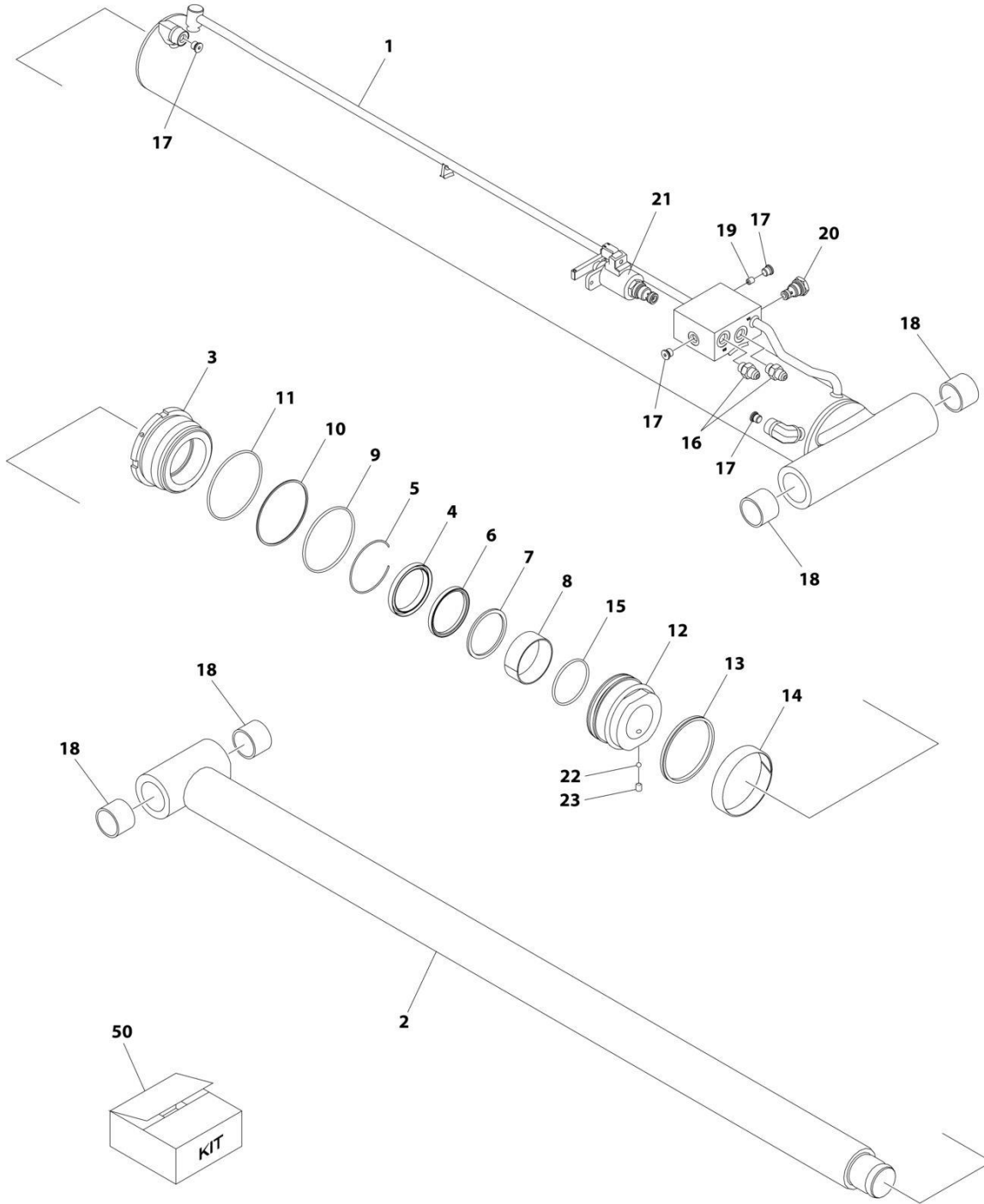
FIGURE 4-12. OVERHEAD PROTECTION INSTALLATION (KOREAN SPECS)

ITEM	PART NUMBER	QTY	DESCRIPTION	REV
	1001226901	Ref	OVERHEAD PROTECTION INSTALLATION (KOREAN SPECS)	A
1	4240017	AR	Tie-Strap	
2	4460234	2	Mount, Tie-Strap	
4	1001227728	1	Overhead Protection Harness	A
4	4460891	4	Plug, Male - 2 Position (X503-X506)	
4	4460465	8	Socket, Female	
4	4460536	1	Receptacle, Female - 3 Position (X507)	
4	4460464	2	Pin, Male	
4	4460466	1	Plug, Terminal	
5	0700616	4	Bolt M6 x 40	
6	0701019	8	Bolt M10 x 55	
7	3290606	4	Nut M6	
8	3291006	8	Nut M10	
9	4812000	16	Washer M10	
10	1001221275	4	Bracket	
11	1001221276	4	Tube	
12	1001222914	8	Thumb Screw	
13	1001226277	4	Switch, Overhead Protection	
14	1001228184	1	Decal - Overhaed Protection Weight	
100	1001221244	1	Overhead Protection Kit (Includes Items 5-14)	

SECTION 5 - CYLINDER

SECTION 5 - CYLINDER

FIGURE 5-1. LIFT CYLINDER ASSEMBLY



ART_1001244417

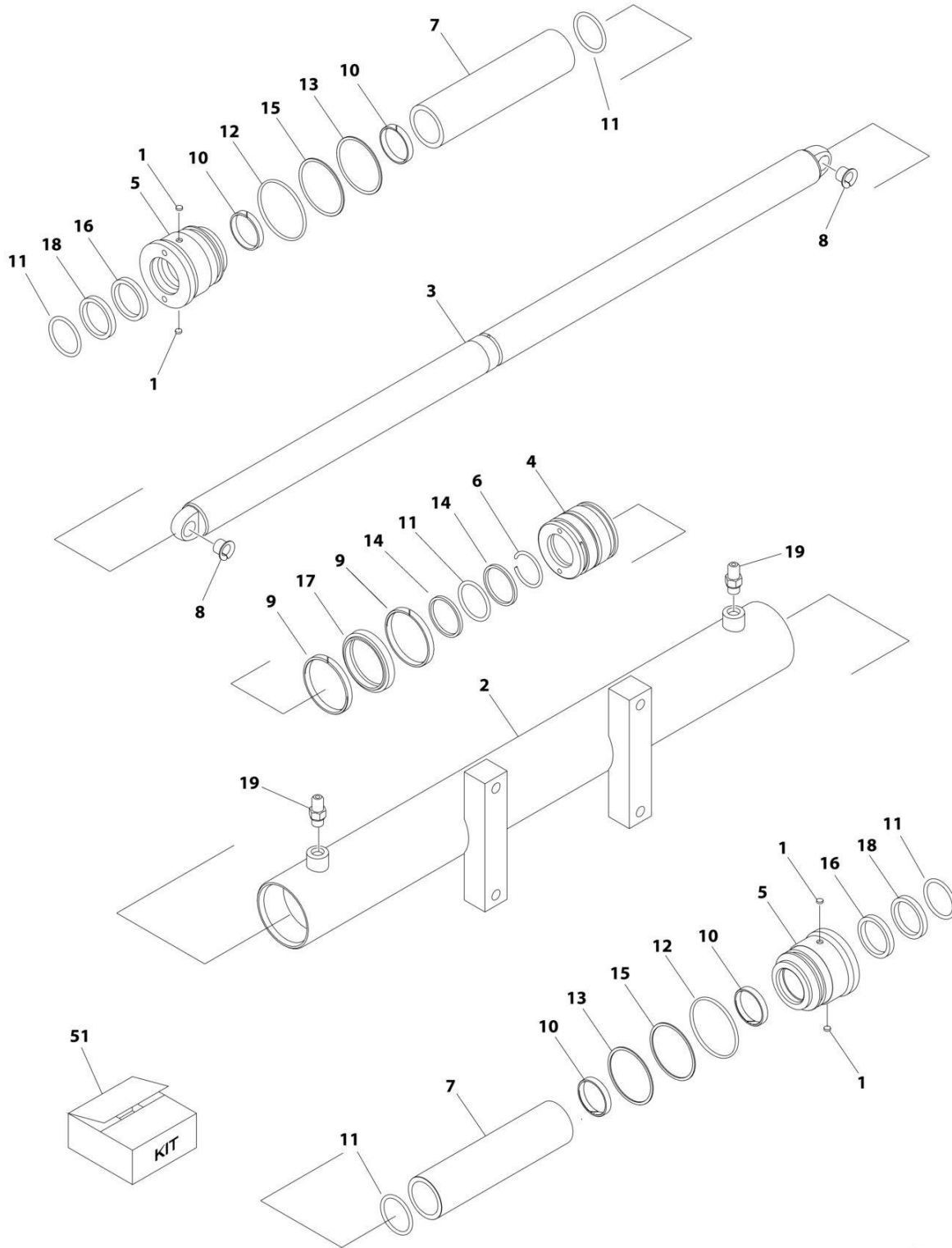
SECTION 5 - CYLINDER

FIGURE 5-1. LIFT CYLINDER ASSEMBLY

ITEM	PART NUMBER	QTY	DESCRIPTION	REV
	1001244417	Ref	LIFT CYLINDER ASSEMBLY	C
		Ref	Note: Original Cylinder May Have Been Replaced with Service Replacement. Identify PN Stamped on Cylinder Before Ordering Parts.	
1	See Note:	NSS	Barrel (Note: Purchase Complete Part)	
2	70007050	1	Rod	
3	70007051	1	Head	
4	See Note	NSS	Wiper (Note: Use Item 50)	
5	70050795	1	Ring, Retaining	
6	See Note	NSS	Seal, Rod (Note: Use Item 50)	
7	See Note	NSS	Ring, Back-up (Note: Use Item 50)	
8	70007052	1	Bearing	
9	See Note	NSS	O-Ring (Note: Use Item 50)	
10	See Note	NSS	Ring, Back-up (Note: Use Item 50)	
11	See Note	NSS	O-Ring (Note: Use Item 50)	
12	70007053	1	Piston	
13	See Note	NSS	Seal, Piston (Note: Use Item 50)	
14	See Note	NSS	Ring, Wear (Note: Use Item 50)	
15	See Note	NSS	O-Ring (Note: Use Item 50)	
16	70007054	2	Fitting	
17	2220883	4	Plug	
18	0961948	4	Bearing	
19	70007055	1	Orifice	
20	70004585	1	Cartridge, Valve	
21	70005236	1	Cartridge, Solenoid Valve	
22	70022564	1	Ball	
23	70023369	1	Setscrew	
50	70007056	1	Seal Kit - 1001244417 Cylinder (Includes Items 4, 6, 7, 9-11 & 13-15)	

SECTION 5 - CYLINDER

FIGURE 5-2. STEER CYLINDER ASSEMBLY



ART_1001233449

SECTION 5 - CYLINDER

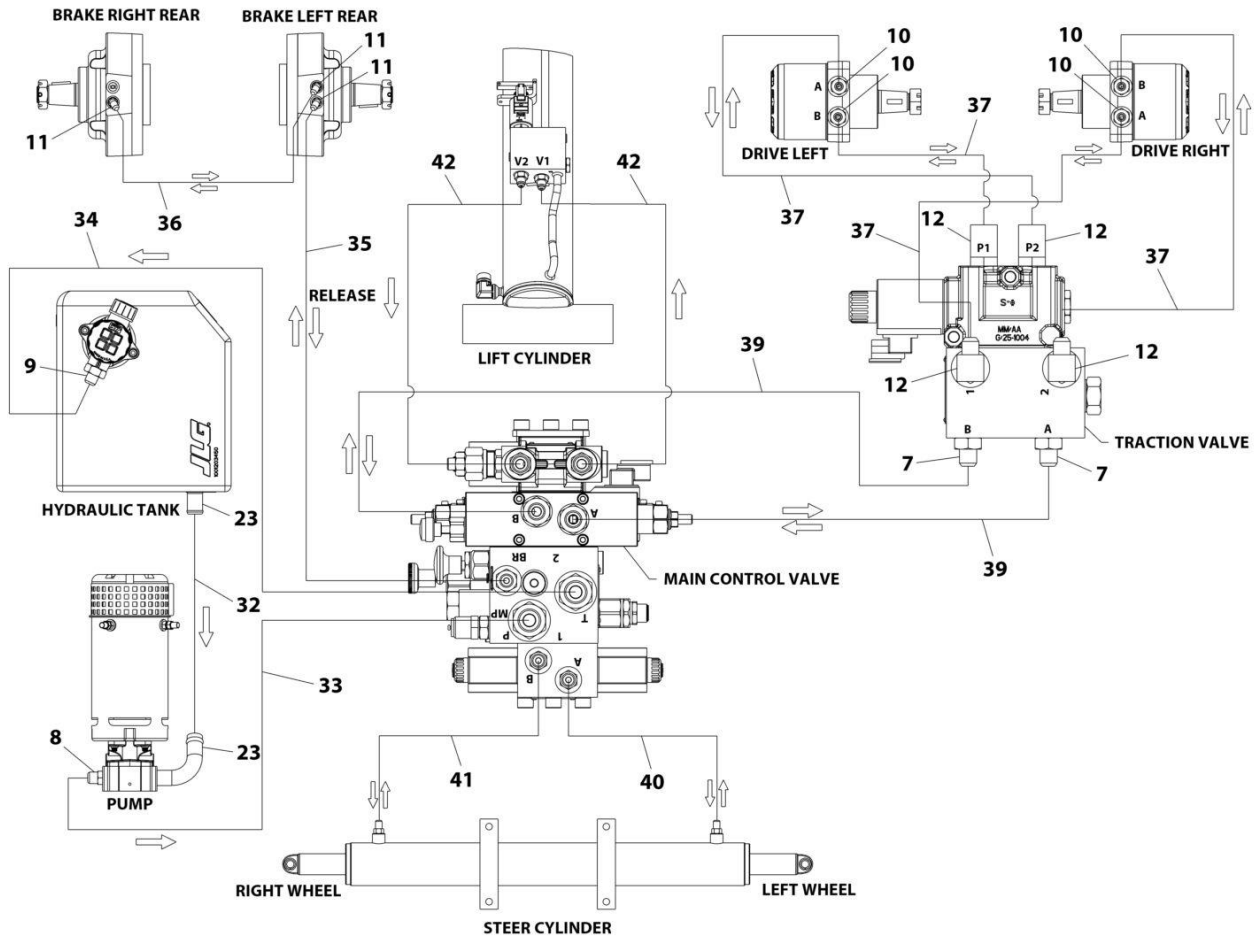
FIGURE 5-2. STEER CYLINDER ASSEMBLY

ITEM	PART NUMBER	QTY	DESCRIPTION	REV
	1001233449	Ref	STEER CYLINDER ASSEMBLY	C
		Ref	Note: Original Cylinder May Have Been Replaced with Service Replacement. Identify PN Stamped on Cylinder Before Ordering Parts.	
1	70003636	4	Lock	
2	See Note	NSS	Barrel (Note: Purchase Complete Assembly)	
3	70007074	1	Rod	
4	70007075	1	Piston	
5	70007076	2	Head	
6	70007077	1	Ring	
7	70007078	2	Spacer	
8	0440259	2	Bearing	
9	See Note	NSS	Ring, Wear (Note: Use Item 51)	
10	See Note	NSS	Ring, Wear (Note: Use Item 51)	
11	See Note	NSS	O-Ring (Note: Use Item 51)	
12	See Note	NSS	O-Ring (Note: Use Item 51)	
13	See Note	NSS	O-Ring (Note: Use Item 51)	
14	See Note	NSS	Ring, Back-Up (Note: Use Item 51)	
15	See Note	NSS	Ring, Back-Up (Note: Use Item 51)	
16	See Note	NSS	Seal (Note: Use Item 51)	
17	See Note	NSS	Seal, Stop (Not Shown) (Note: Use Item 51)	
18	See Note	NSS	Wiper (Note: Use Item 51)	
19	70007079	2	Fitting, Straight	
51	70007080	1	Seal Kit - 1001233449 Cylinder (Includes Items 9-18)	

SECTION 6 - HYDRAULIC

SECTION 6 - HYDRAULIC

FIGURE 6-1. HYDRAULIC COMPONENTS INSTALLATION



ART_1001380008_F_20F2

SECTION 6 - HYDRAULIC

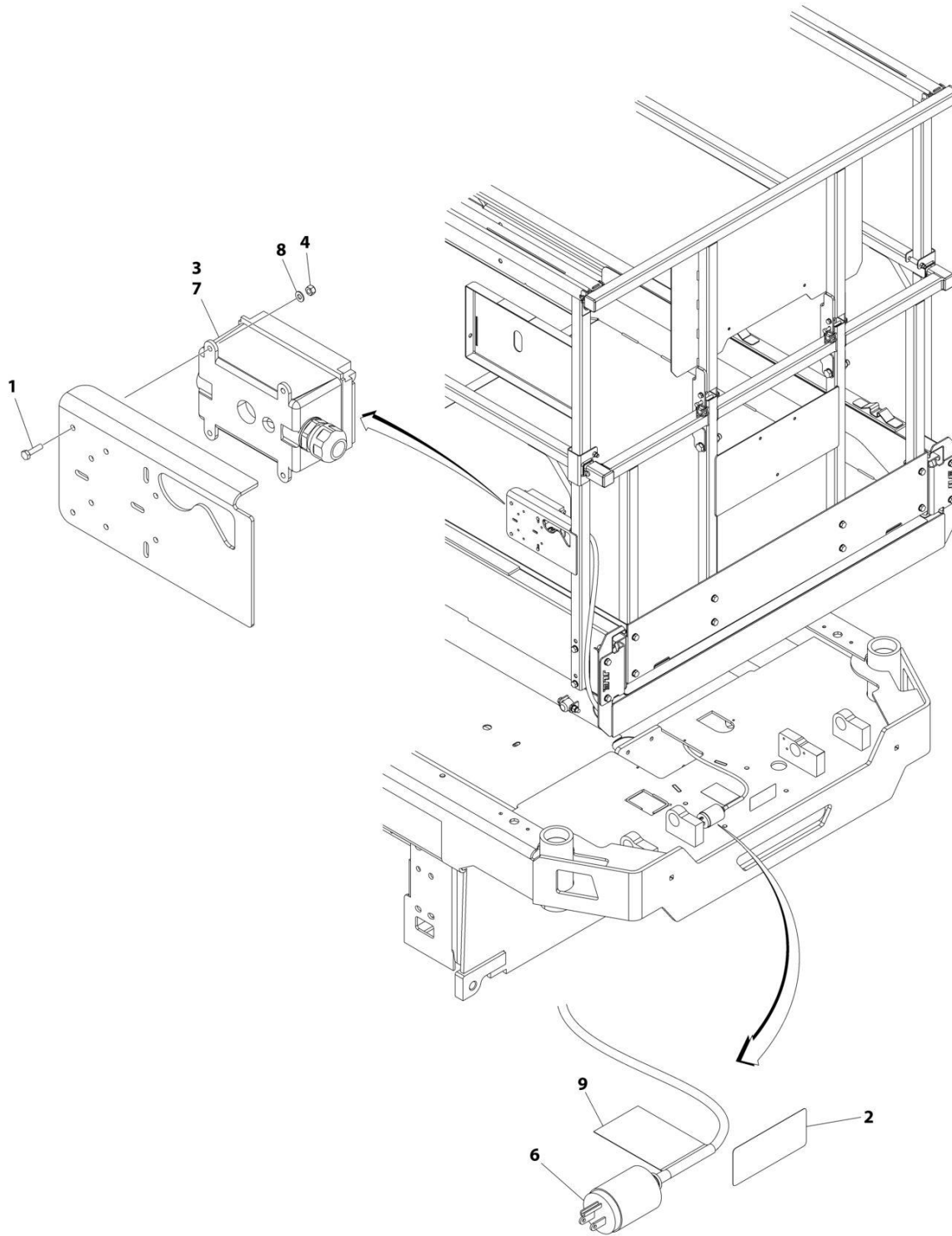
FIGURE 6-1. HYDRAULIC COMPONENTS INSTALLATION

ITEM	PART NUMBER	QTY	DESCRIPTION	REV
	1001380008	Ref	HYDRAULIC COMPONENTS INSTALLATION	F
7	2220372	2	Fitting, Straight - JIC/ORB	
8	2220373	1	Fitting, Straight - JIC/ORB	
9	2220375	1	Fitting, Straight - JIC/ORB	
10	2220497	4	Fitting, Straight - JIC/ORB	
11	2220502	3	Fitting, 45 JIC/ORB	
12	2220628	4	Fitting, 90 JIC/ORB	
23	1001143501	2	Clamp, T-Bolt Heavy Duty	
32	1001203835	1	Hose	
33	1001236800	1	Hose	
34	1001236801	1	Hose	
35	1001236802	1	Hose	
36	1001236803	1	Hose	
37	1001236804	4	Hose	
39	1001236806	2	Hose	
40	1001236807	1	Hose	
41	1001236808	1	Hose	
42	1001236809	2	Hose	

SECTION 7 - ELECTRICAL

SECTION 7 - ELECTRICAL

FIGURE 7-1. AC BOX AT PLATFORM INSTALLATION - 110V GFI (ALL SPECS EXCEPT AUSTRALIAN & CE SPECS)



ART_1001237400

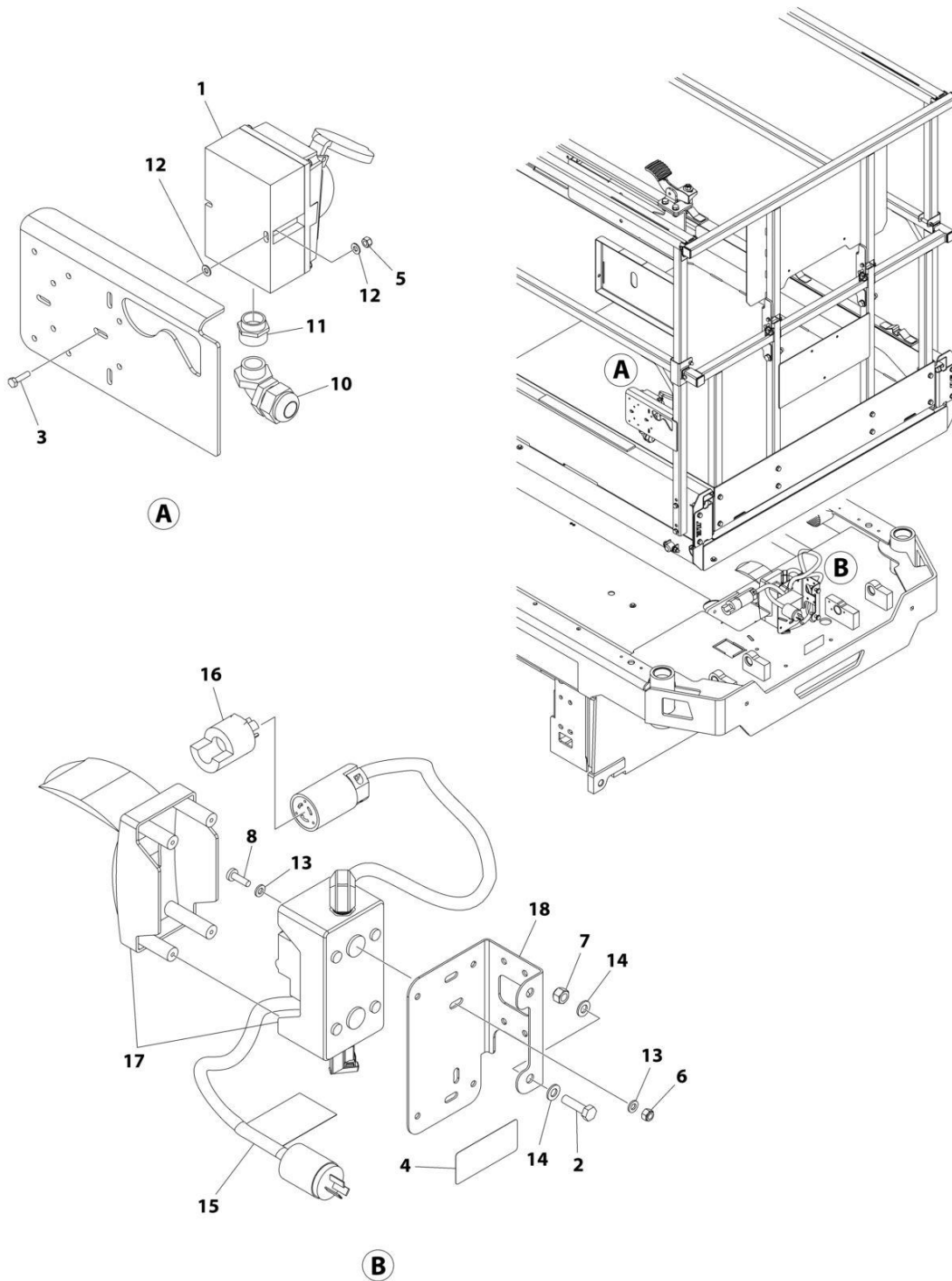
SECTION 7 - ELECTRICAL

FIGURE 7-1. AC BOX AT PLATFORM INSTALLATION - 110V GFI (ALL SPECS EXCEPT AUSTRALIAN & CE SPECS)

ITEM	PART NUMBER	QTY	DESCRIPTION	REV
	1001237400	Ref	AC BOX AT PLATFORM INSTALLATION - 110V GFI	C
1	0760408	4	Bolt M4 x 16	
2	1703464	1	Decal - AC Power	
3	2902431	1	Receptacle Box Kit (See Separate Breakdown in this Section)	
4	3290405	4	Nut M4	
5	4240017	AR	Tie-Strap (Not Shown)	
6	4460138	1	Plug, Male - AC	
7	4460315	1	Terminal	
8	4811400	4	Washer M4	
9	1001102258	1	Decal - AC Label	

SECTION 7 - ELECTRICAL

FIGURE 7-2. AC BOX AT PLATFORM INSTALLATION - 110V IEC YELLOW (CE SPECS)



ART_1001238133

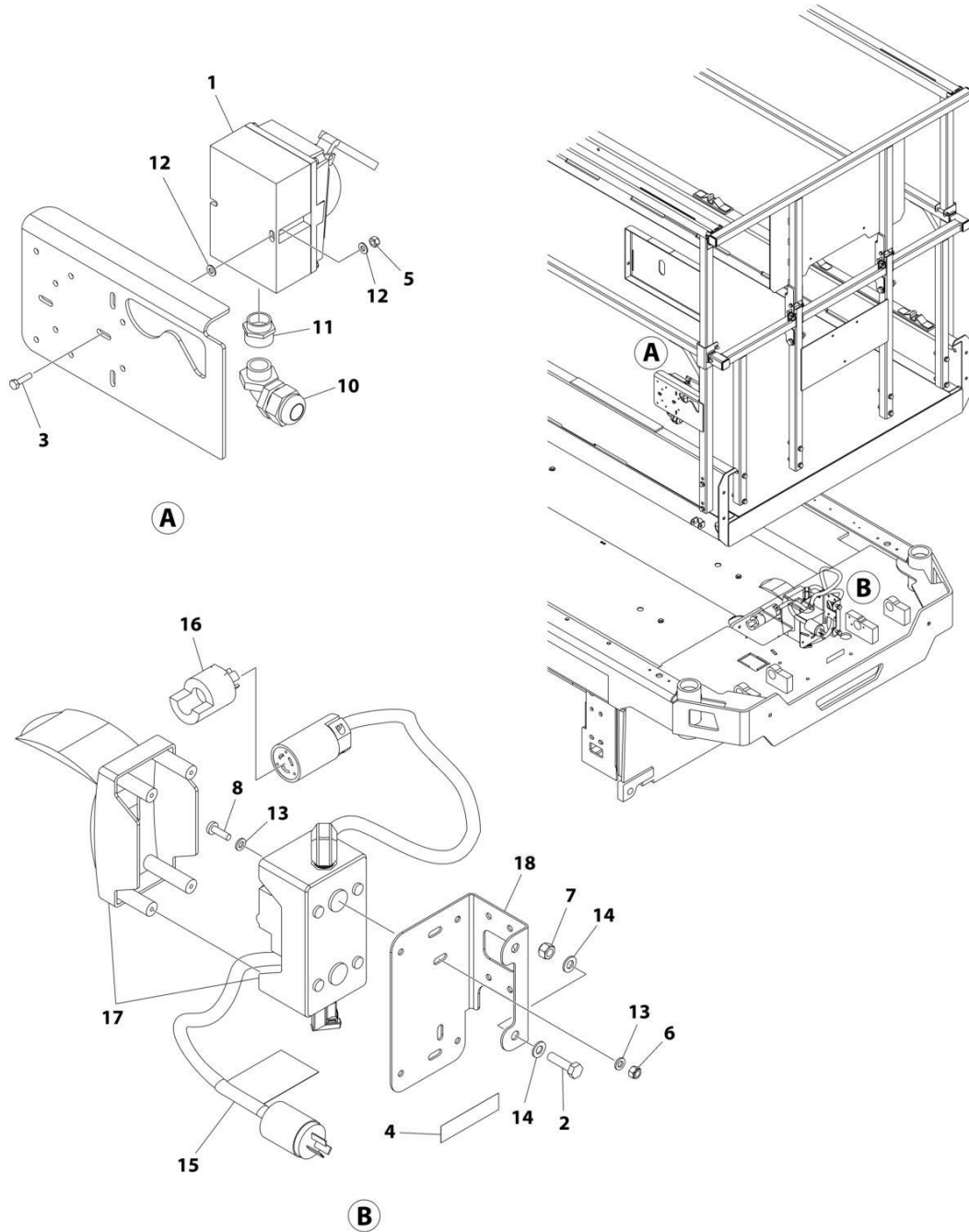
SECTION 7 - ELECTRICAL

FIGURE 7-2. AC BOX AT PLATFORM INSTALLATION - 110V IEC YELLOW (CE SPECS)

ITEM	PART NUMBER	QTY	DESCRIPTION	REV
	1001238133	Ref	AC BOX AT PLATFORM INSTALLATION - 110V IEC YELLOW	B
1	0275216	1	Receptacle Box Kit - 110V IEC Yellow (See Separate Breakdown in this Section)	
2	0700814	2	Bolt M8 x 30	
3	0760408	2	Bolt M4 x 16	
4	1703464	1	Decal - AC Power	
5	3290405	2	Nut M4	
6	3290605	2	Nut M6	
7	3290805	2	Nut M8	
8	4010610	2	Screw M6 x 20	
9	4240017	AR	Tie-Strap (Not Shown)	
10	4461257	1	Connector, Strain Relief	
11	4461258	1	Connector, Adapter	
12	4811400	4	Washer M4	
13	4811700	4	Washer M6	
14	4811900	4	Washer M8	
15	1001102258	1	Decal - AC Label	
16	1001120204	1	Plug, Male Twist	
17	1001209776	1	Breaker Box Kit (See Separate Breakdown in this Section)	
18	1001238198	1	Bracket	

SECTION 7 - ELECTRICAL

FIGURE 7-3. AC BOX AT PLATFORM INSTALLATION - 220V IEC BLUE (CE SPECS)



ART_1001238134

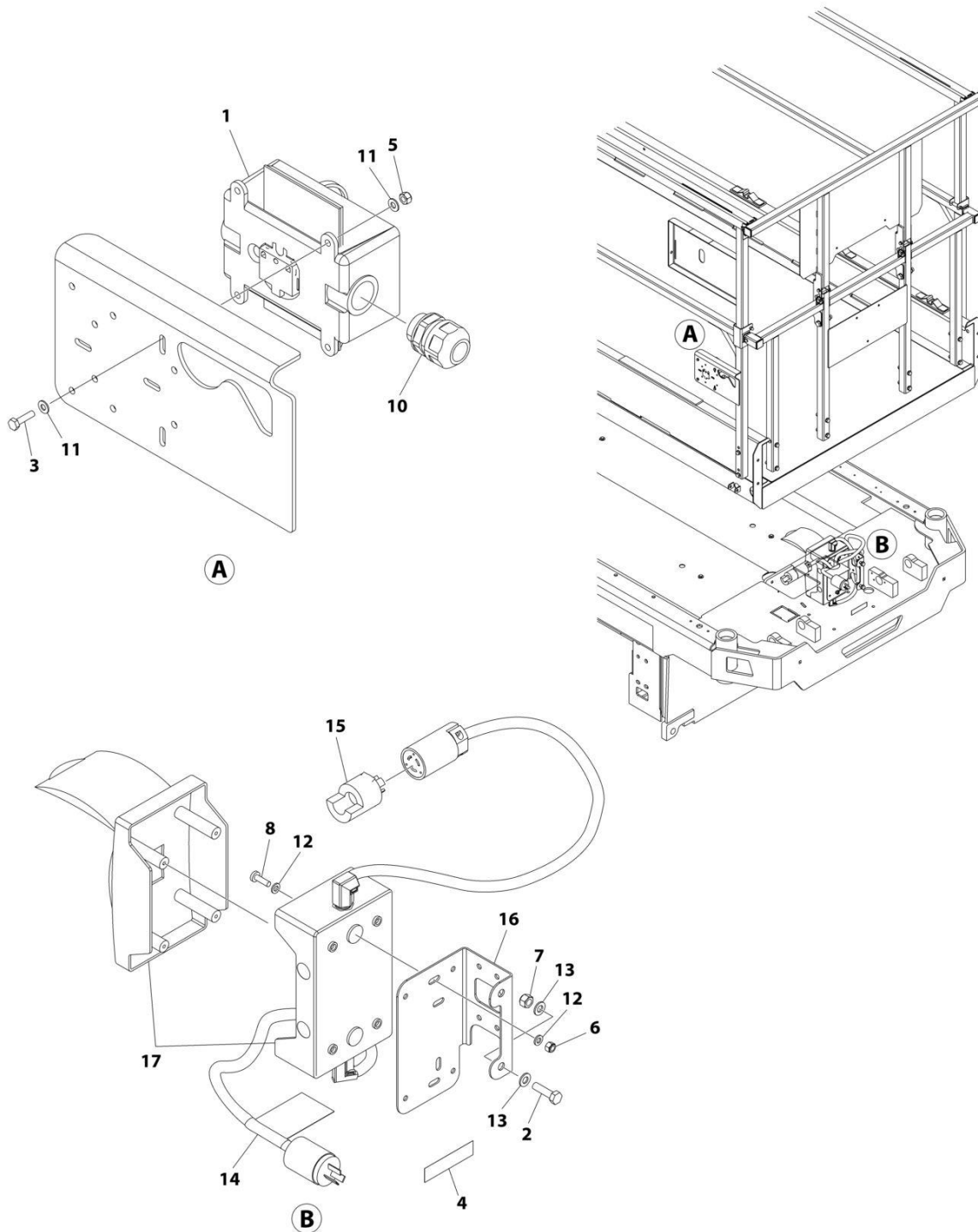
SECTION 7 - ELECTRICAL

FIGURE 7-3. AC BOX AT PLATFORM INSTALLATION - 220V IEC BLUE (CE SPECS)

ITEM	PART NUMBER	QTY	DESCRIPTION	REV
	1001238134	Ref	AC BOX AT PLATFORM INSTALLATION - 220V IEC BLUE	A
1	0275217	1	Receptacle Box Kit - 220V IEC Blue (See Separate Breakdown in this Section)	
2	0700814	2	Bolt M8 x 30	
3	0760408	2	Bolt M4 x 16	
4	3252507	1	Decal - AC Power	
5	3290405	2	Nut M4	
6	3290605	2	Nut M6	
7	3290805	2	Nut M8	
8	4010610	2	Screw M6 x 20	
9	4240017	AR	Tie-Strap (Not Shown)	
10	4461257	1	Connector, Strain Relief	
11	4461258	1	Connector, Adapter	
12	4811400	4	Washer M4	
13	4811700	4	Washer M6	
14	4811900	4	Washer M8	
15	1001102258	1	Decal - AC Label	
16	1001120204	1	Plug, Male Twist	
17	1001209776	1	Breaker Box Kit (See Separate Breakdown in this Section)	
18	1001238198	1	Bracket	

SECTION 7 - ELECTRICAL

FIGURE 7-4. AC BOX AT PLATFORM INSTALLATION - 220V CEE7 POST GROUND (CE SPECS)



ART_1001238130

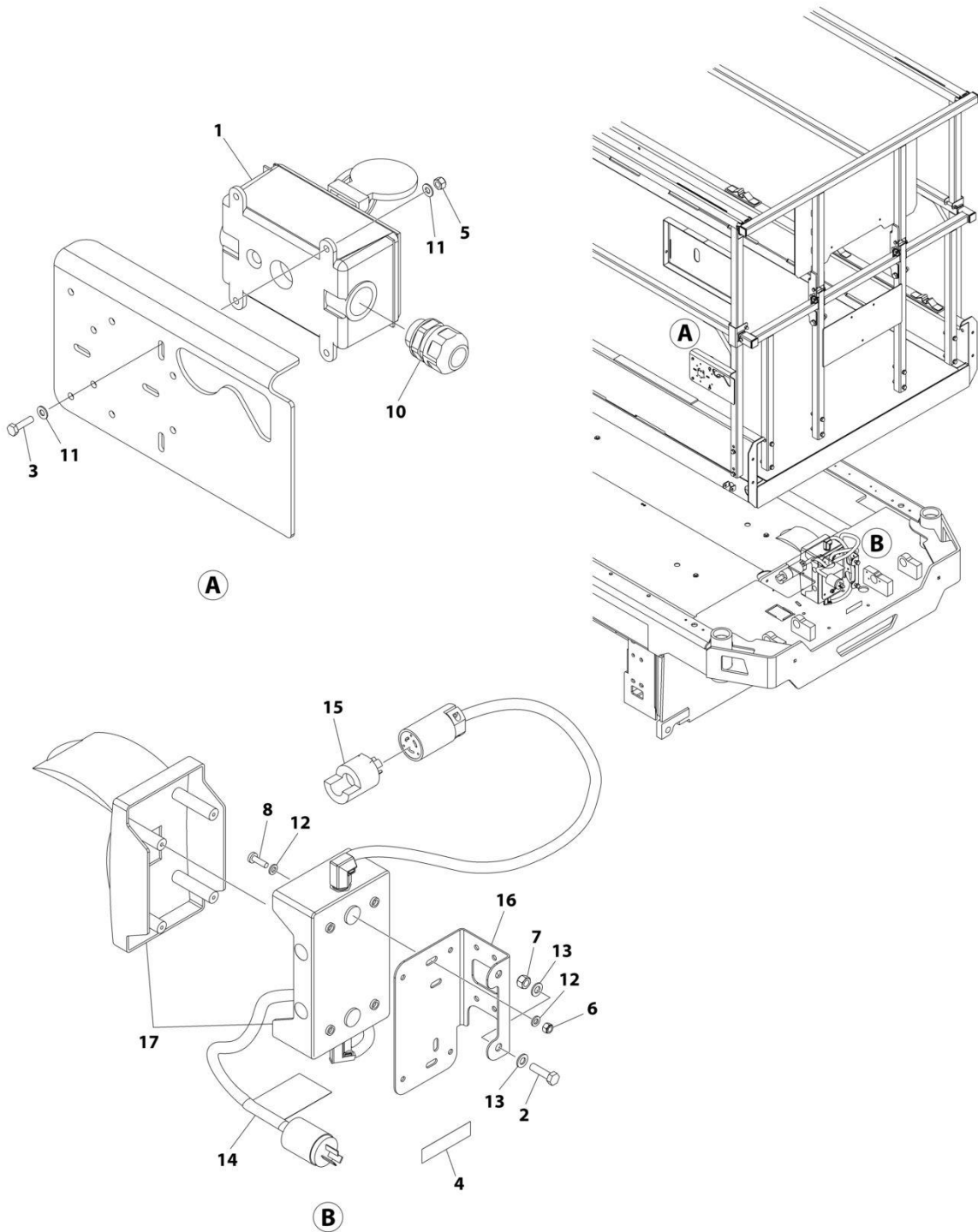
SECTION 7 - ELECTRICAL

FIGURE 7-4. AC BOX AT PLATFORM INSTALLATION - 220V CEE7 POST GROUND (CE SPECS)

ITEM	PART NUMBER	QTY	DESCRIPTION	REV
	1001238130	Ref	AC BOX AT PLATFORM INSTALLATION - 220V CEE7 POST GROUND	B
1	0275452	1	Receptacle Box Kit - 220V CEE7 Post Ground (See Separate Breakdown in this Section)	
2	0700814	2	Screw M8 x 30	
3	0760408	4	Bolt M4 x 16	
4	3252507	1	Decal - AC Power	
5	3290405	4	Nut M4	
6	3290605	2	Nut M6	
7	3290805	2	Nut M8	
8	4010610	2	Screw M6 x 20	
9	4240017	AR	Tie-Strap (Not Shown)	
10	4460662	1	Connector, Strain Relief	
11	4811400	8	Washer M4	
12	4811700	4	Washer M6	
13	4811900	4	Washer M8	
14	1001102258	1	Decal - AC Label	
15	1001120204	1	Plug, Male Twist	
16	1001238198	1	Bracket	
17	1001209482	1	Breaker Box Kit (See Separate Breakdown in this Section)	

SECTION 7 - ELECTRICAL

FIGURE 7-5. AC BOX AT PLATFORM INSTALLATION - 220V CEE7 SIDE GROUND (CE SPECS)



ART_1001238131

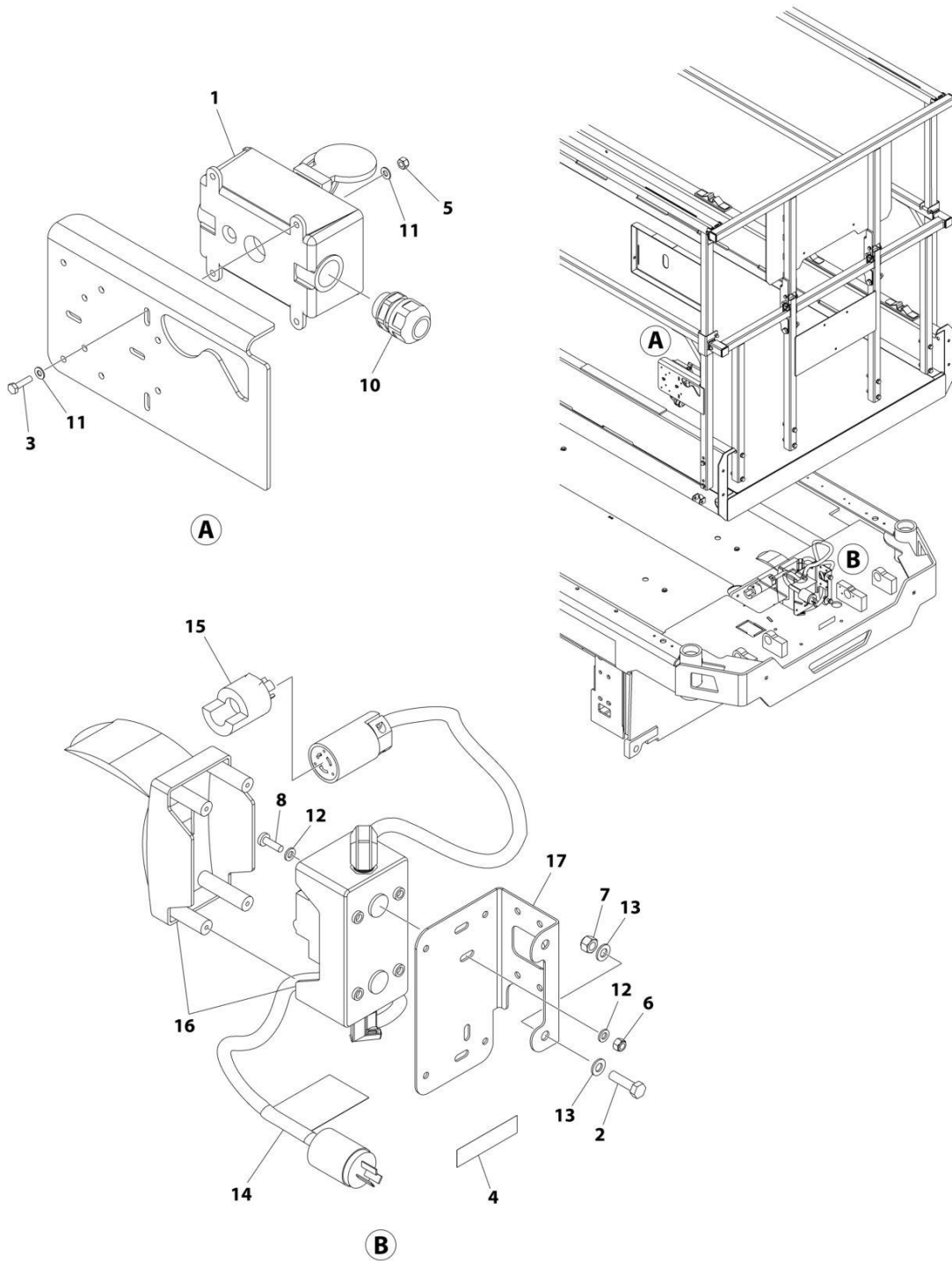
SECTION 7 - ELECTRICAL

FIGURE 7-5. AC BOX AT PLATFORM INSTALLATION - 220V CEE7 SIDE GROUND (CE SPECS)

ITEM	PART NUMBER	QTY	DESCRIPTION	REV
	1001238131	Ref	AC BOX AT PLATFORM INSTALLATION - 220V CEE7 SIDE GROUND	B
1	0275453	1	Receptacle Box Kit - 220V CEE7 Side Ground (See Separate Breakdown in this Section)	
2	0700814	2	Bolt M8 x 30	
3	0760408	4	Bolt M4 x 16	
4	3252507	1	Decal - AC Power	
5	3290405	4	Nut M4	
6	3290605	2	Nut M6	
7	3290805	2	Nut M8	
8	4010610	2	Screw M6 x 20	
9	4240017	AR	Tie-Strap (Not Shown)	
10	4460662	1	Connector, Strain Relief	
11	4811400	8	Washer M4	
12	4811700	4	Washer M6	
13	4811900	4	Washer M8	
14	1001102258	1	Decal - AC Label	
15	1001120204	1	Plug, Male Twist	
16	1001238198	1	Bracket	
17	1001209482	1	Breaker Box Kit (See Separate Breakdown in this Section)	

SECTION 7 - ELECTRICAL

FIGURE 7-6. AC BOX AT PLATFORM INSTALLATION - 220V AFSINT 107 (CE SPECS)



ART_1001238132

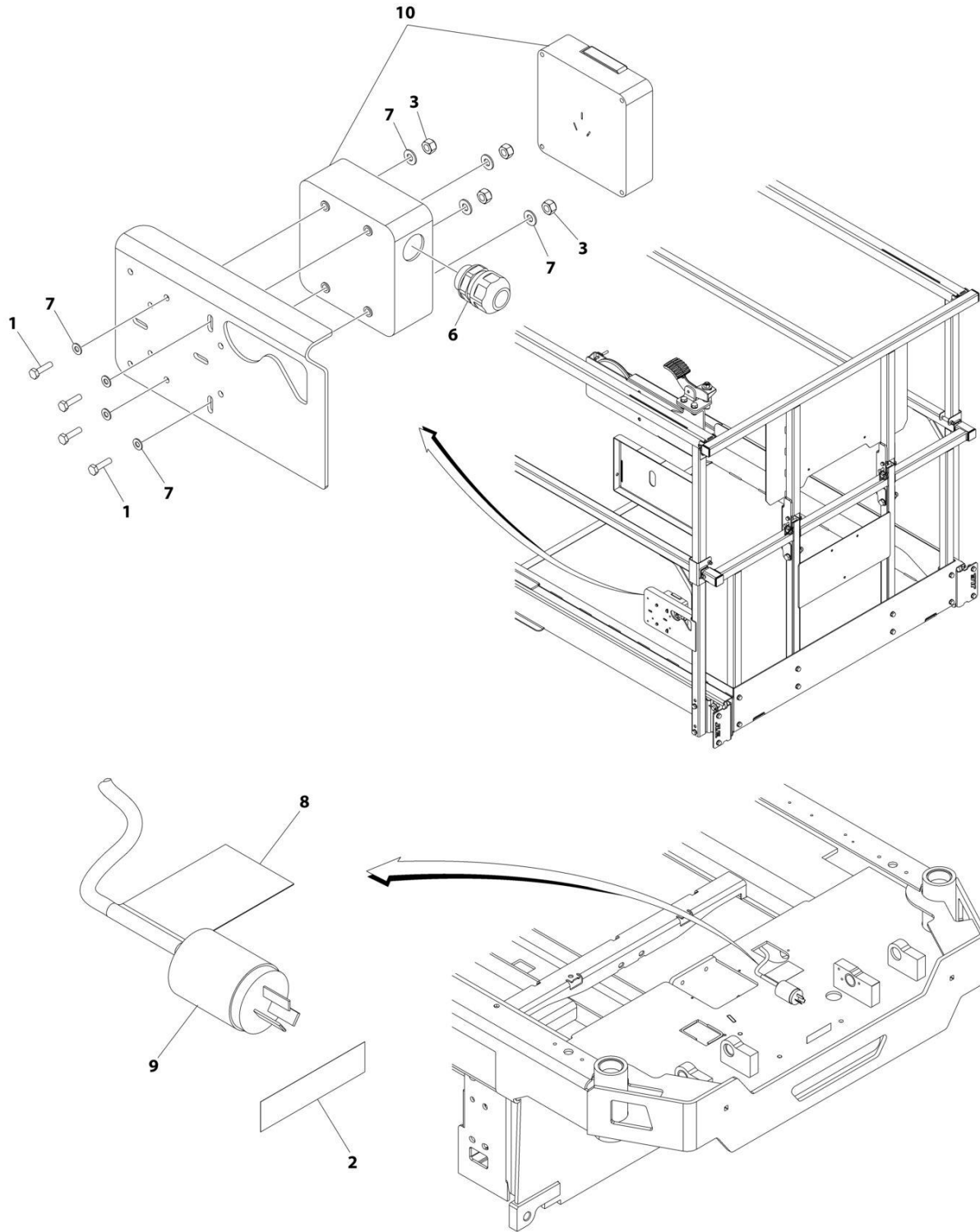
SECTION 7 - ELECTRICAL

FIGURE 7-6. AC BOX AT PLATFORM INSTALLATION - 220V AFSINT 107 (CE SPECS)

ITEM	PART NUMBER	QTY	DESCRIPTION	REV
	1001238132	Ref	AC BOX AT PLATFORM INSTALLATION - 220V AFSINT 107	B
1	0275454	1	Receptacle Box Kit - 220V AFSINT 107 (See Separate Breakdown in this Section)	
2	0700814	2	Bolt M8 x 30	
3	0760408	4	Bolt M4 x 16	
4	3252507	1	Decal - AC Power	
5	3290405	4	Nut M4	
6	3290605	2	Nut M6	
7	3290805	2	Nut M8	
8	4010610	2	Screw M6 x 20	
9	4240017	AR	Tie-Strap (Not Shown)	
10	4460662	1	Connector, Strain Relief	
11	4811400	8	Washer M4	
12	4811700	4	Washer M6	
13	4811900	4	Washer M8	
14	1001102258	1	Decal - AC Label	
15	1001120204	1	Plug, Male Twist	
16	1001209776	1	Breaker Box Kit (See Separate Breakdown in this Section)	
17	1001238198	1	Bracket	

SECTION 7 - ELECTRICAL

FIGURE 7-7. AC BOX AT PLATFORM INSTALLATION - 220V CHINA PLUG (CHINA SPECS)



ART_1001238135

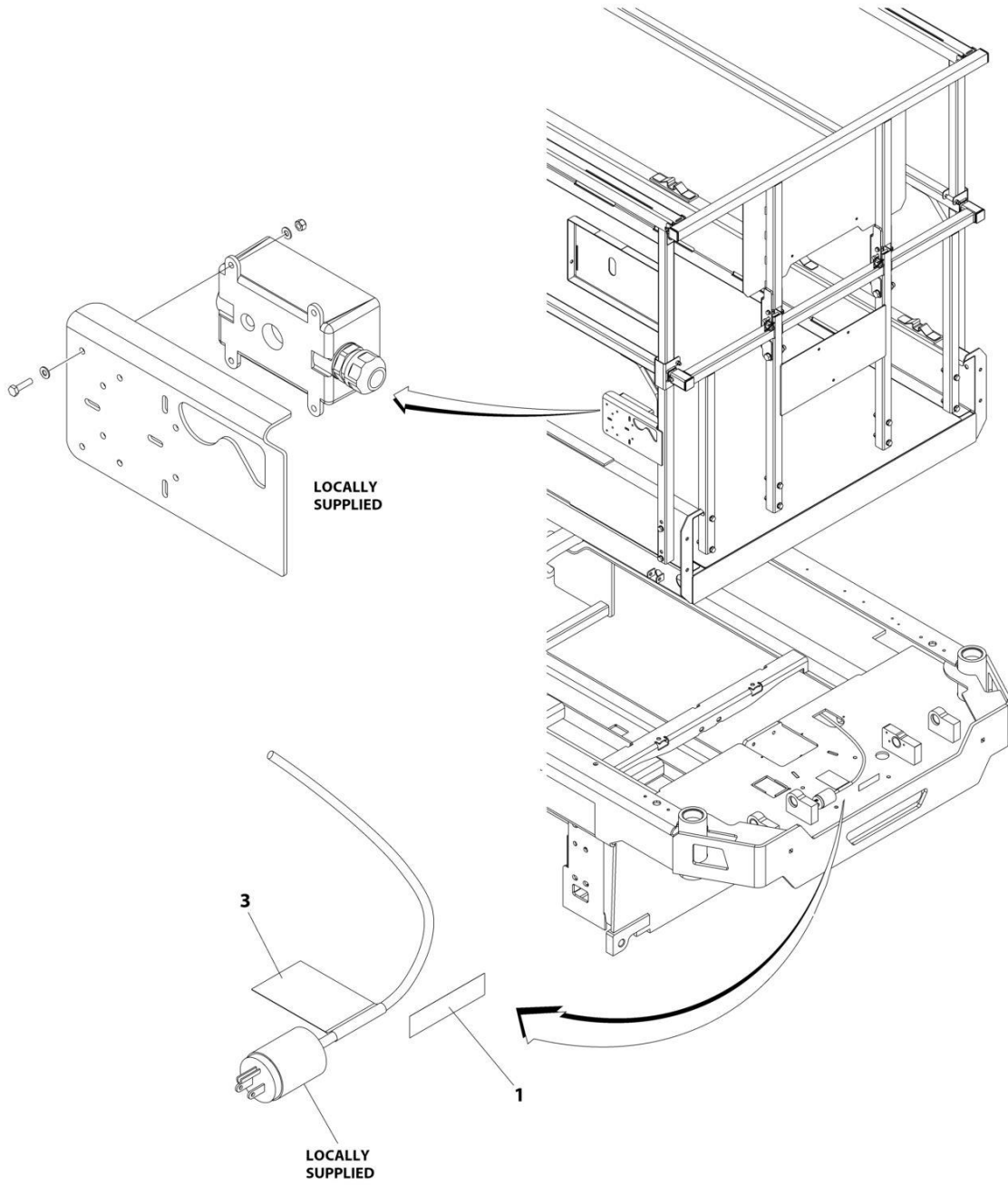
SECTION 7 - ELECTRICAL

FIGURE 7-7. AC BOX AT PLATFORM INSTALLATION - 220V CHINA PLUG (CHINA SPECS)

ITEM	PART NUMBER	QTY	DESCRIPTION	REV
	1001238135	Ref	AC BOX AT PLATFORM INSTALLATION - 220V CHINA PLUG (CHINA SPECS)	A
1	0760408	4	Bolt M4 x 16	
2	3252507	1	Decal - 220 Volt	
3	3290405	4	Nut M4	
4	4240017	AR	Tie-Strap (Not Shown)	
5	4460315	1	Terminal (Not Shown)	
6	4460968	1	Connector, Strain Relief	
7	4811400	8	Washer M4	
8	1001102258	1	Decal - AC Label	
9	1001187816	1	Plug	
10	1001188116	1	Box	

SECTION 7 - ELECTRICAL

FIGURE 7-8. AC BOX AT PLATFORM INSTALLATION - 220V LOCALLY SUPPLIED COMPONENTS (ALL SPECS)



ART_1001237401

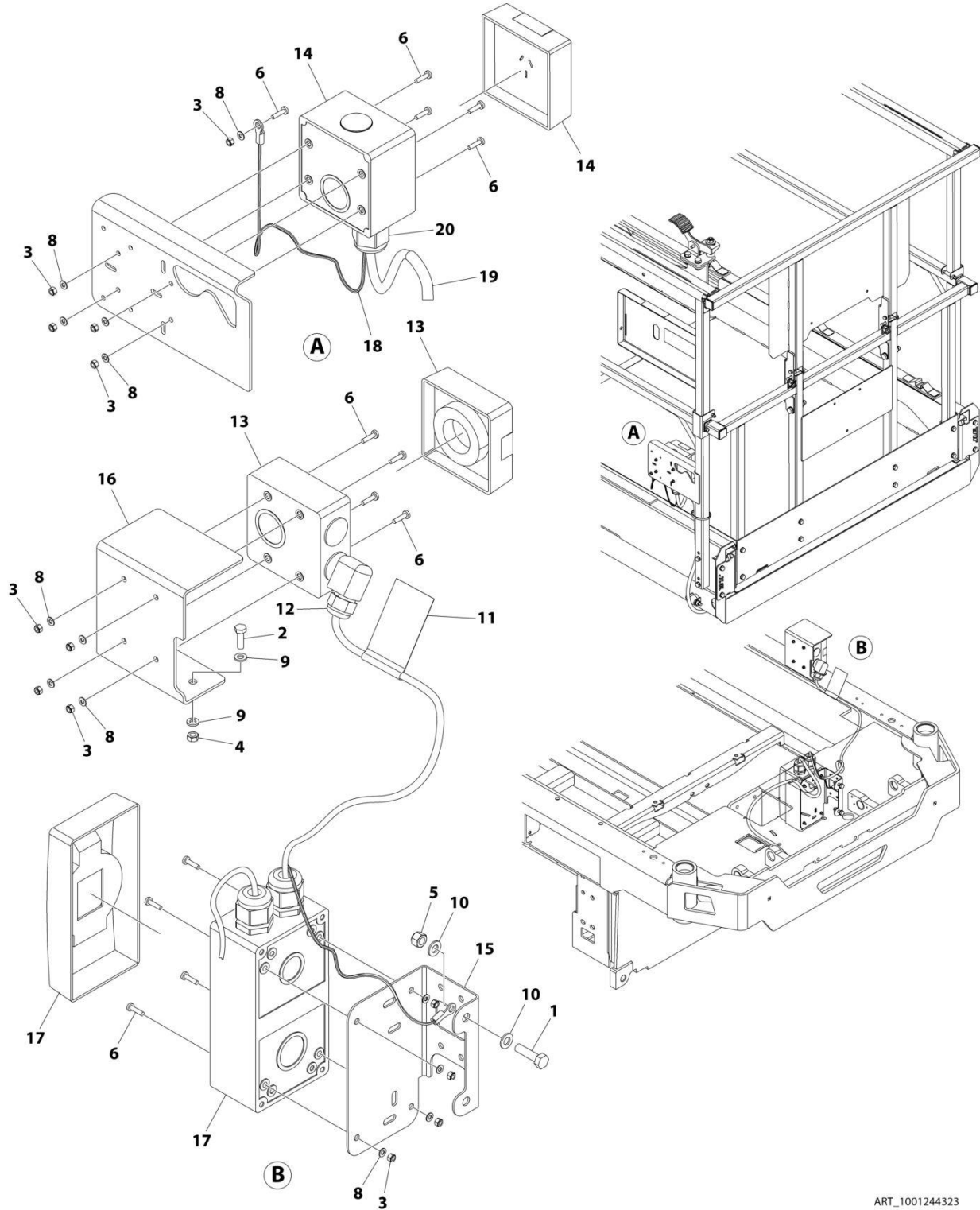
SECTION 7 - ELECTRICAL

**FIGURE 7-8. AC BOX AT PLATFORM INSTALLATION - 220V LOCALLY SUPPLIED COMPONENTS
(ALL SPECS)**

ITEM	PART NUMBER	QTY	DESCRIPTION	REV
	1001237401	Ref	AC BOX AT PLATFORM INSTALLATION - 220V LOCALLY SUPPLIED COMPONENTS (ALL SPECS)	C
1	3252507	1	Decal - 220 Volt	
2	4240017	AR	Tie-Strap (Not Shown)	
3	1001102258	1	Decal - AC Label	

SECTION 7 - ELECTRICAL

FIGURE 7-9. AC BOX AT PLATFORM INSTALLATION - 220V (AUSTRALIAN SPECS)



ART_1001244323

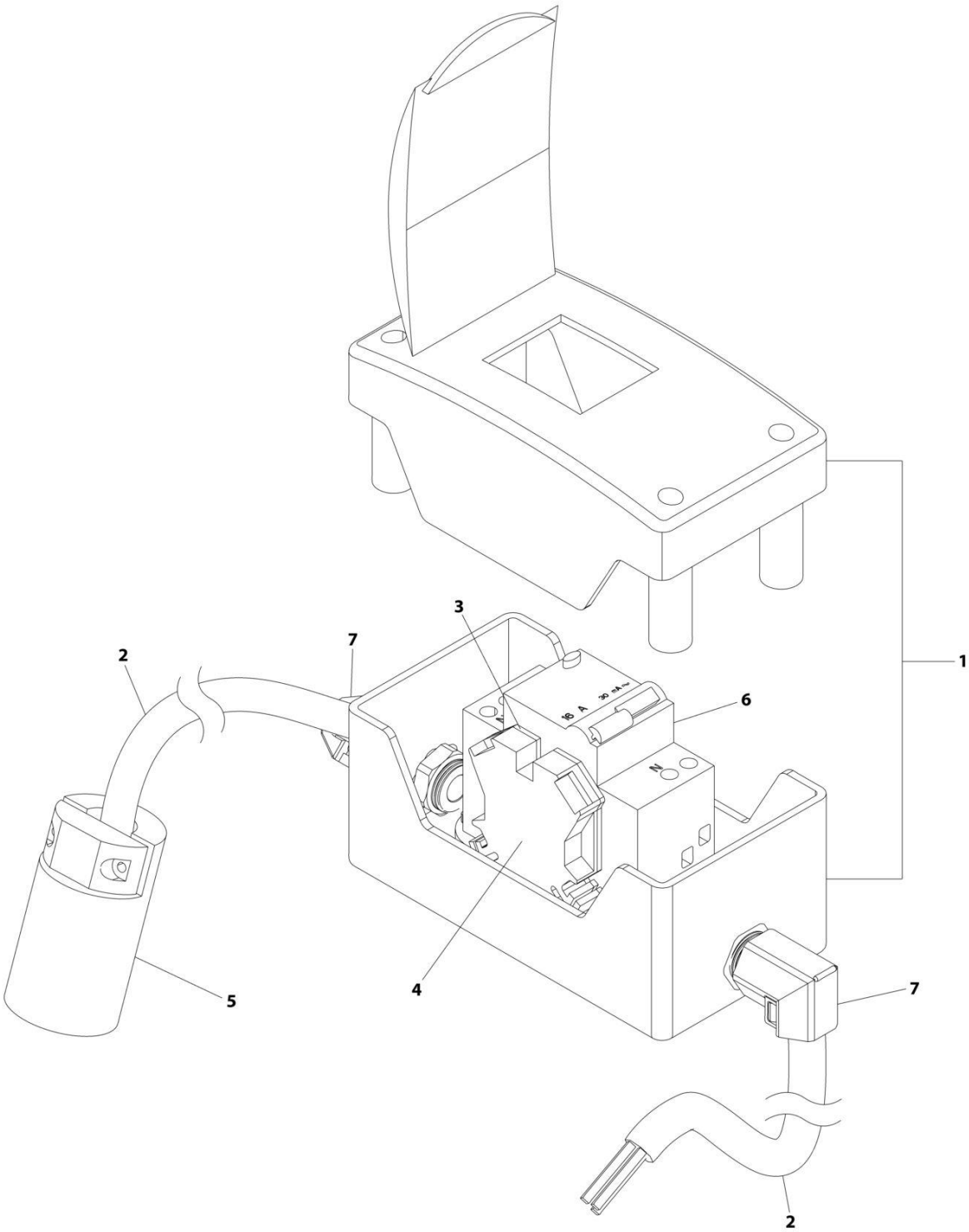
SECTION 7 - ELECTRICAL

FIGURE 7-9. AC BOX AT PLATFORM INSTALLATION - 220V (AUSTRALIAN SPECS)

ITEM	PART NUMBER	QTY	DESCRIPTION	REV
	1001244323	Ref	AC BOX AT PLATFORM INSTALLATION - 220V (AUSTRALIAN SPECS)	B
1	0700814	2	Bolt M8 x 30	
2	0760610	2	Bolt M6 x 20	
3	3290405	13	Nut M4	
4	3290601	2	Nut M6	
5	3290805	2	Nut M8	
6	4010408	13	Screw M4 x 16	
7	4240017	AR	Tie-Strap (Not Shown)	
8	4811400	13	Washer M4	
9	4811700	4	Washer M6	
10	4811900	4	Washer M8	
11	1001102258	1	Decal - AC Label	
12	1001103471	1	Connector Strain Relief 90	
13	1001227267	1	Receptacle Australian - 230V	
14	1001227268	1	Receptacle Australian - 230V	
15	1001238198	1	Bracket	
16	1001244900	1	Bracket	
17	1001245739	1	Box and Breaker Electrical Assembly (See Separate Breakdown in this Section)	
18	1001245744	1	Earth/Ground Link Harness	
19	1001245747	1	Conduit	
20	1001097150	1	Terminal	

SECTION 7 - ELECTRICAL

FIGURE 7-10. BREAKER BOX KIT WITH 1 DOUBLE BREAKER



ART_1001209776

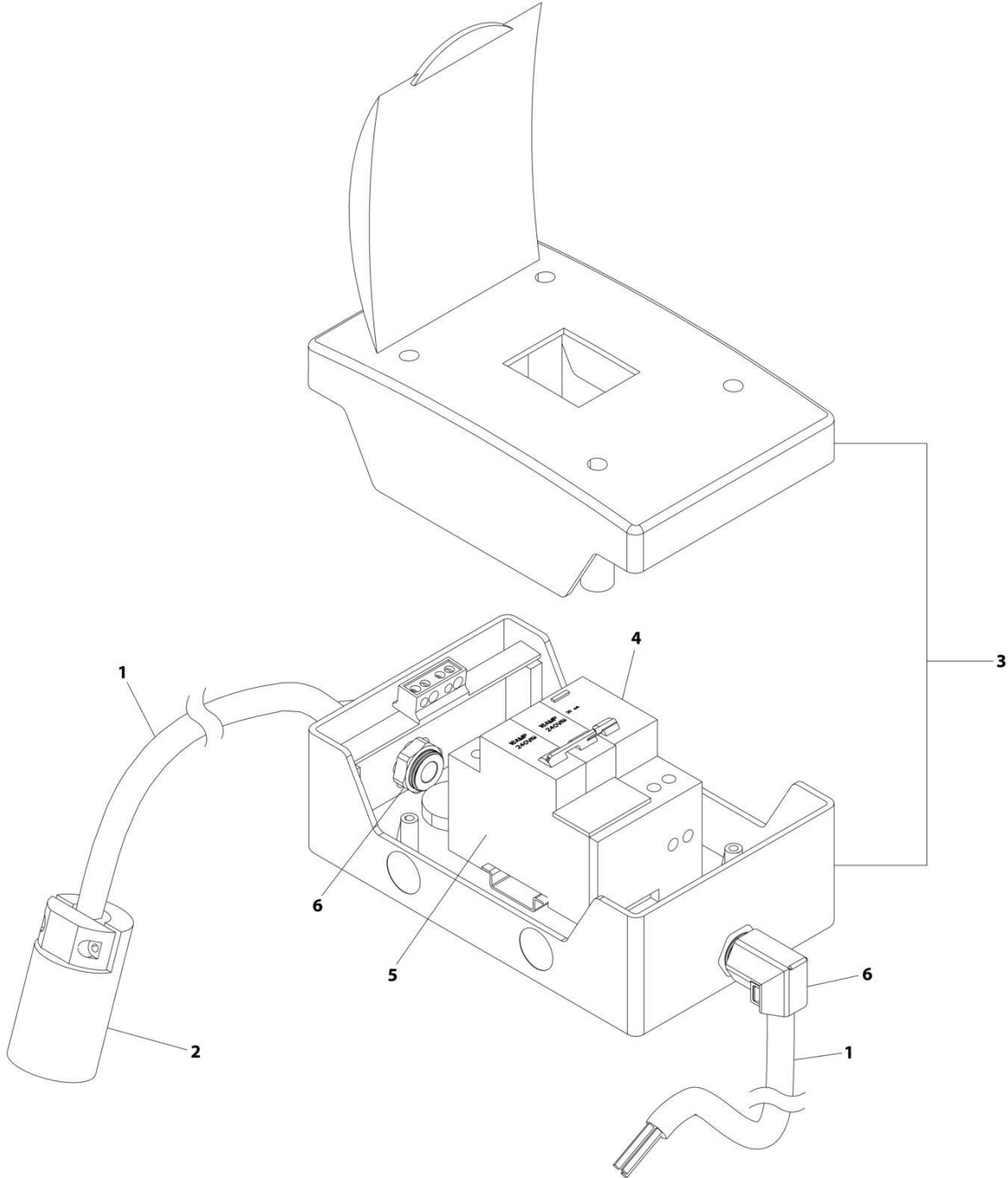
SECTION 7 - ELECTRICAL

FIGURE 7-10. BREAKER BOX KIT WITH 1 DOUBLE BREAKER

ITEM	PART NUMBER	QTY	DESCRIPTION	REV
	1001209776	Ref	BREAKER BOX KIT WITH 1 DOUBLE BREAKER	F
1	0861880	1	Box	
2	1060908	126 in /3.2m	Cable, 12/3	
3	4460956	1	Barrier, Terminal	
4	4460957	1	Block, Terminal	
5	1001120205	1	Connector, Female Twist	
6	1001181045	1	Breaker 30mAmp/16 Amp	
7	1001217164	2	Connector, Strain Relief 90	

SECTION 7 - ELECTRICAL

FIGURE 7-11. BREAKER BOX KIT WITH 3 BREAKERS



ART_1001209482

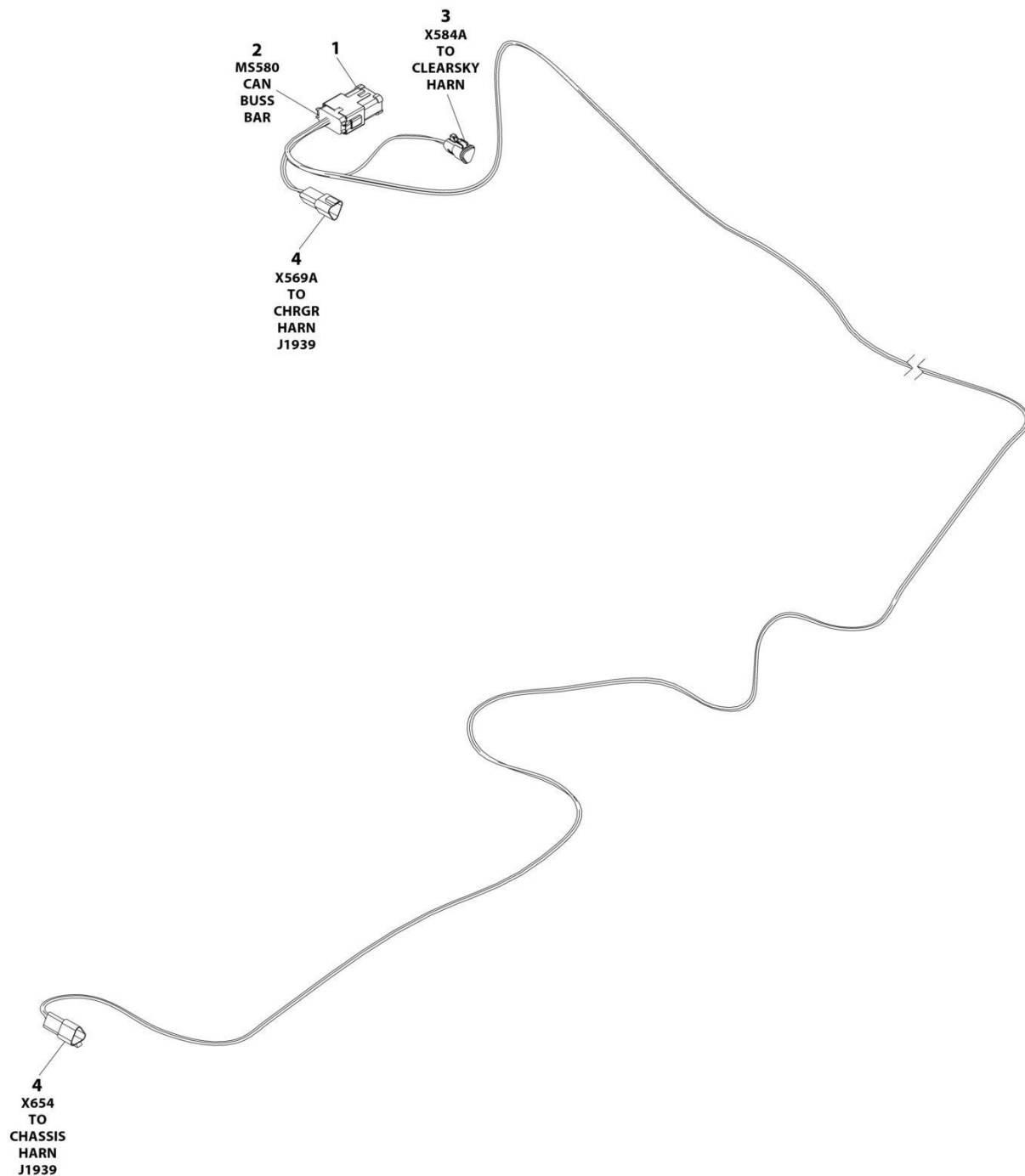
SECTION 7 - ELECTRICAL

FIGURE 7-11. BREAKER BOX KIT WITH 3 BREAKERS

ITEM	PART NUMBER	QTY	DESCRIPTION	REV
	1001209482	Ref	BREAKER BOX KIT WITH 3 BREAKERS	G
1	1060908	126 in /3.2m	Cable, 12/3	
2	1001120205	1	Connector, Female Twist	
3	1001152483	1	Box	
4	1001189171	1	Breaker, 30mAmp	
5	1001189172	1	Breaker 16 Amp, Double	
6	1001217164	2	Connector, Strain Relief 90	

SECTION 7 - ELECTRICAL

FIGURE 7-12. CAN SPLICE HARNESS (CHARGER WITH COMMUNICATION PORT)



ART_1001254027

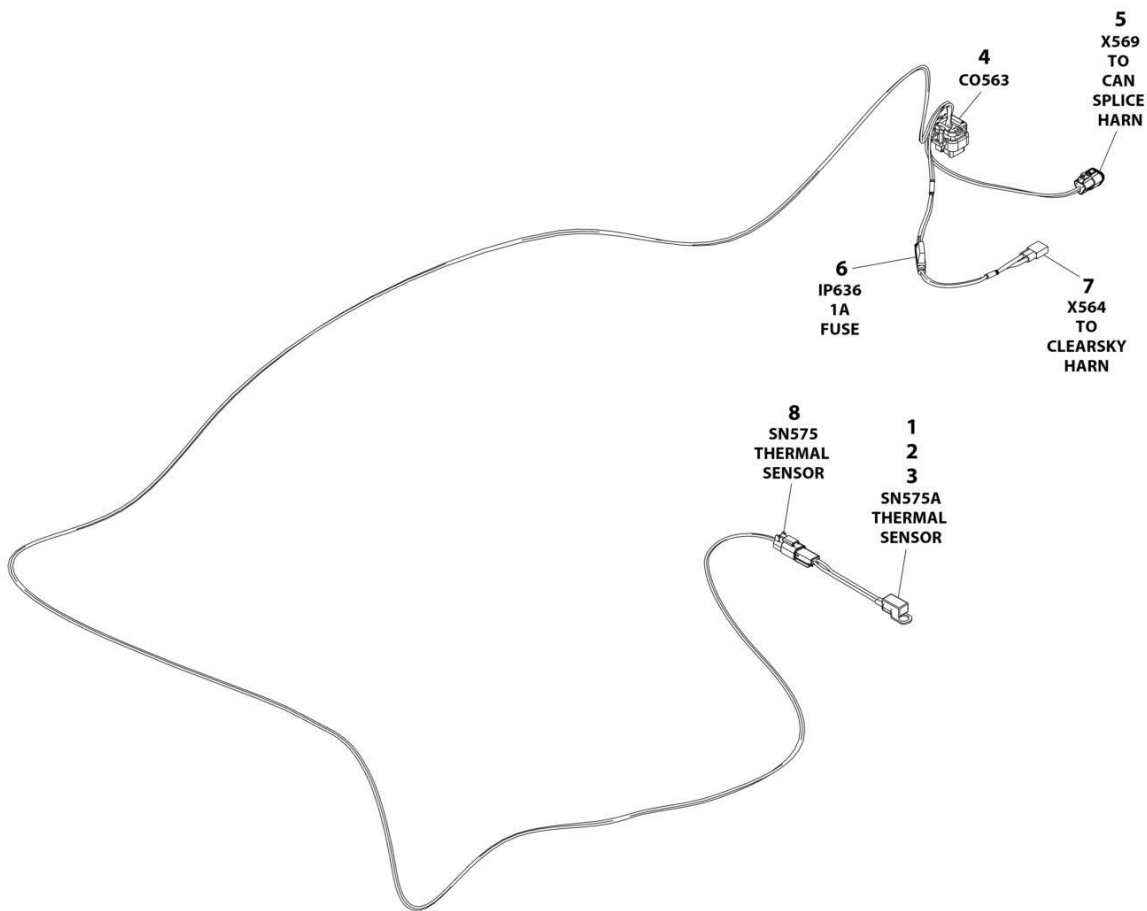
SECTION 7 - ELECTRICAL

FIGURE 7-12. CAN SPLICE HARNESS (CHARGER WITH COMMUNICATION PORT)

ITEM	PART NUMBER	QTY	DESCRIPTION	REV
	1001254027	Ref	CAN SPLICE HARNESS	A
1	1001125677	1	Connector, Bus Bar - 12 Position	
2	4460933	1	Plug, Male - 12 Position	
2	4460944	6	Socket, Female	
2	4460466	6	Plug, Terminal	
3	1001118812	1	Plug, Male - 3 Position	
3	4460944	2	Socket, Female	
3	4460466	1	Plug, Terminal	
4	1001144147	2	Receptacle, Female - 3 Position	
4	4460943	4	Pin, Male	
4	4460466	2	Plug, Terminal	

SECTION 7 - ELECTRICAL

FIGURE 7-13. CHARGER HARNESS (CHARGER WITH COMMUNICATION PORT) (PVC 1910)



ART_1001254028

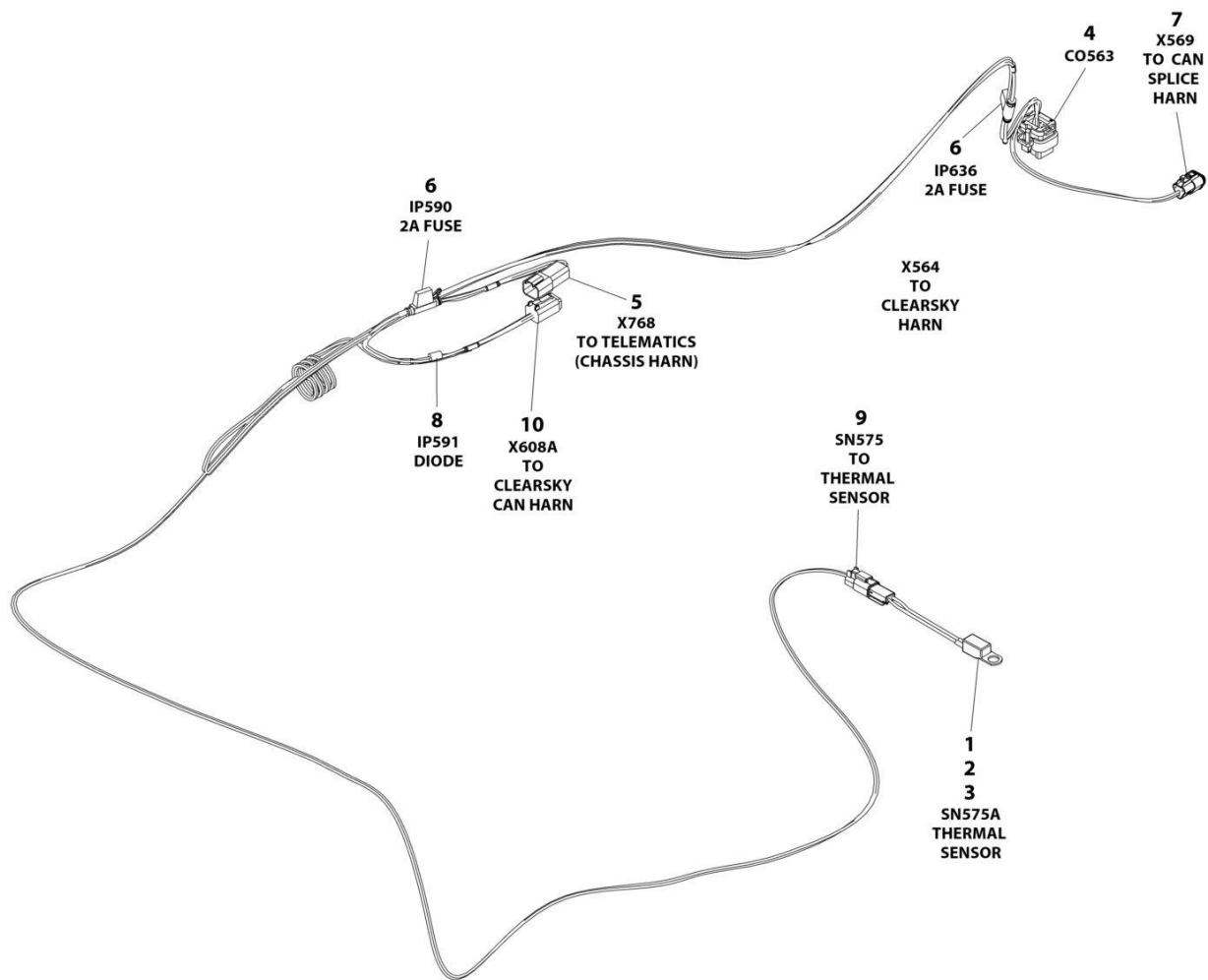
SECTION 7 - ELECTRICAL

FIGURE 7-13. CHARGER HARNESS (CHARGER WITH COMMUNICATION PORT) (PVC 1910)

ITEM	PART NUMBER	QTY	DESCRIPTION	REV
	1001254028	Ref	CHARGER HARNESS	A
1	4460464	2	Pin, Male	
2	4460897	1	Receptacle, Female - 2 Position	
3	1001102771	1	Sensor, Temperature	
4	4460872	1	Connector - 14 Position	
4	4460871	6	Terminal	
4	4460905	8	Plug, Terminal	
5	1001116812	1	Plug, Male - 3 Position	
5	4460944	2	Socket, Female	
5	4460466	1	Plug, Terminal	
6	2400060	1	Fuseholder With Cover	
6	1001228388	1	Fuse 1A	
7	4460424	1	Receptacle, Female - 2 Position	
7	4460227	2	Pin, Male	
8	4460891	1	Plug, Male - 2 Position	
8	4460465	2	Socket, Female	

SECTION 7 - ELECTRICAL

FIGURE 7-14. CHARGER HARNESS (CHARGER WITH COMMUNICATION PORT) (PVC 2004)



ART_1001254028_C

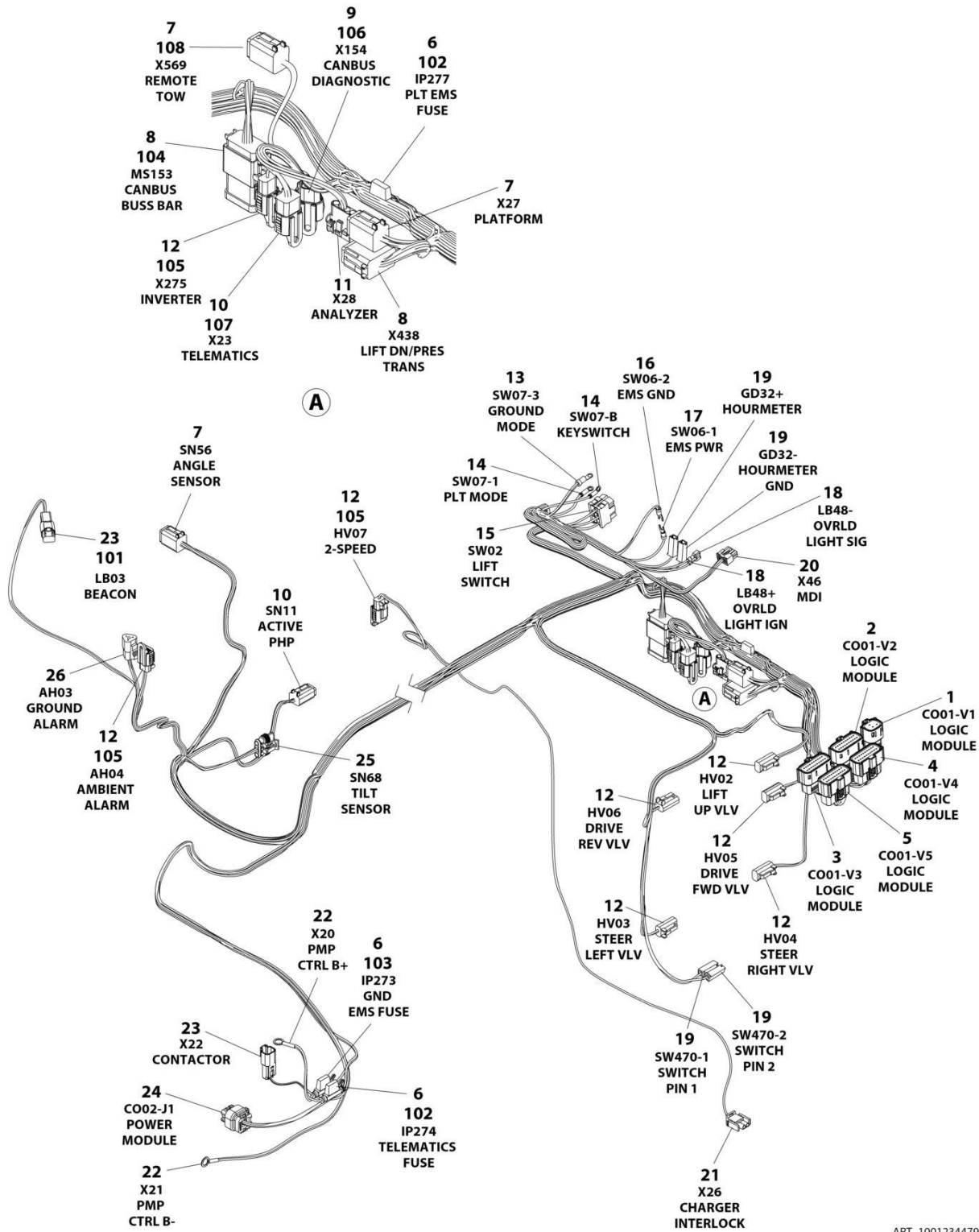
SECTION 7 - ELECTRICAL

FIGURE 7-14. CHARGER HARNESS (CHARGER WITH COMMUNICATION PORT) (PVC 2004)

ITEM	PART NUMBER	QTY	DESCRIPTION	REV
	1001254028	Ref	CHARGER HARNESS	C
1	4460464	2	Pin, Male	
2	4460897	1	Receptacle, Female - 2 Position	
3	1001102771	1	Sensor, Temperature	
4	4460872	1	Connector - 14 Position	
4	4460871	6	Terminal	
4	4460905	8	Plug, Terminal	
5	4460932	1	Receptacle, Female - 4 Position	
5	4460464	1	Pin, Male	
6	2400060	2	Fuseholder With Cover	
6	1001196634	2	Fuse 2A	
7	1001116812	1	Plug, Male - 3 Position	
7	4460944	2	Socket, Female	
7	4460466	1	Plug, Terminal	
8	3990001	1	Diode	
9	4460891	1	Plug, Male - 2 Position	
9	4460465	2	Socket, Female	
10	4460884	1	Plug, Male - 4 Position	
10	4460465	4	Socket, Female	

SECTION 7 - ELECTRICAL

FIGURE 7-15. CHASSIS HARNESS



ART_1001234479

SECTION 7 - ELECTRICAL

FIGURE 7-15. CHASSIS HARNESS

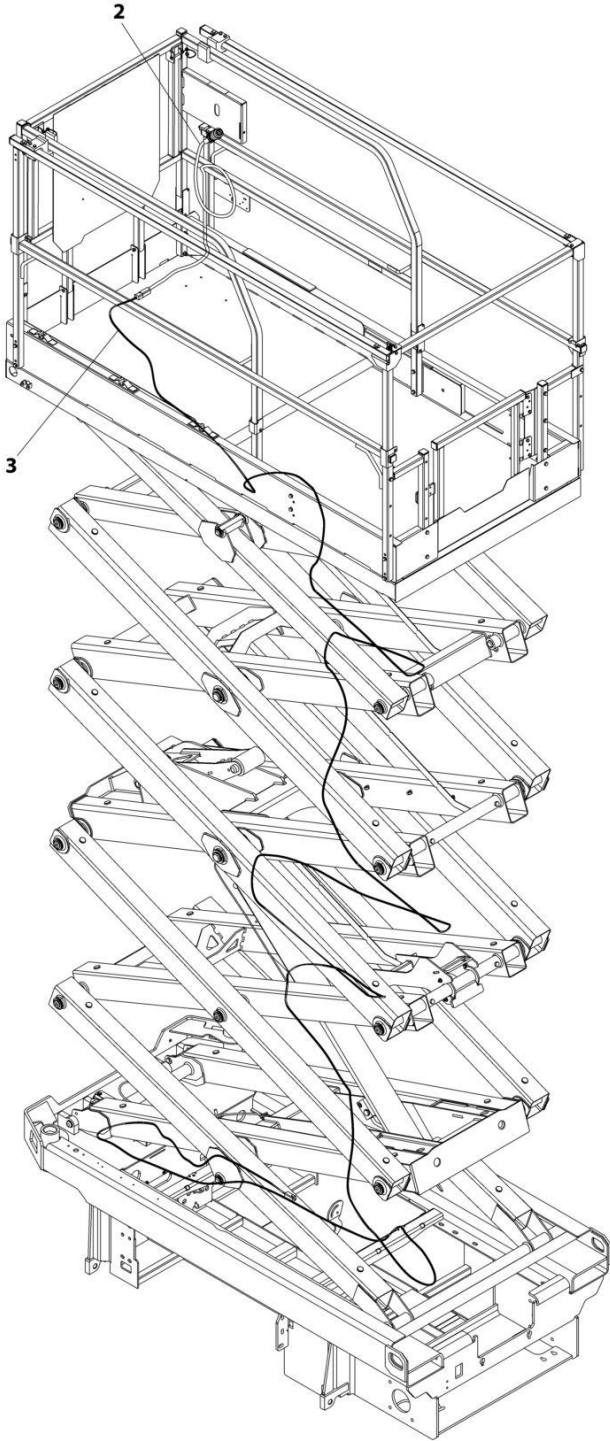
ITEM	PART NUMBER	QTY	DESCRIPTION	REV
	1001234479	Ref	CHASSIS HARNESS	D
1	1001205409	1	Connector - 8 Position	
1	1001162887	6	Terminal	
1	1001163340	2	Plug, Terminal	
2	1001205410	1	Connector - 20 Position	
2	1001162887	12	Terminal	
2	1001163340	8	Plug, Terminal	
3	1001162886	1	Connector - 20 Position	
3	1001162887	16	Terminal	
3	1001163340	4	Plug, Terminal	
4	1001205411	1	Connector - 20 Position	
4	1001162887	16	Terminal	
4	1001163340	4	Plug, Terminal	
5	1001205412	1	Connector - 20 Position	
5	1001162887	18	Terminal	
5	1001163340	2	Plug, Terminal	
6	2400060	3	Holder/Cover, Fuse	
7	4460894	3	Plug, Male - 6 Position	
7	4460465	14	Socket, Female	
7	4460944	2	Socket, Female	
7	4460466	2	Plug, Terminal	
8	4460933	2	Plug, Male - 12 Position	
8	4460465	22	Socket, Female	
8	4460466	2	Plug, Terminal	
9	1001116812	1	Receptacle, Female - 3 Position	
9	4060944	2	Socket, Female	
9	4460466	1	Plug, Terminal	
10	4460884	2	Plug, Male - 4 Position	
10	4460465	8	Socket, Female	
11	4460761	1	Plug, Male - 4 Position	
11	4460227	4	Socket, Female	
12	4460891	8	Plug, Male - 2 Position	
12	4460465	16	Socket, Female	
12	4460466	1	Plug, Terminal	
13	4460042	1	Terminal, Ring	
14	4460247	2	Terminal, Ring	
15	4460418	1	Connector - 6 Position	
15	1001159186	3	Terminal	
16	4460115	1	Terminal, Ring	
17	4460183	1	Terminal, Ring	
18	1001201885	2	Terminal	
19	4460260	4	Cover, Terminal	
16	4460259	4	Terminal	
20	1001151629	1	Plug, Male - 8 Position	
20	4461023	2	Terminal	
20	4460877	2	Terminal	
21	4460320	1	Plug, Male - 2 Position	
21	4460226	1	Socket, Female	
22	4460256	2	Terminal	
23	4460897	2	Receptacle, Female - 2 Position	

SECTION 7 - ELECTRICAL

ITEM	PART NUMBER	QTY	DESCRIPTION	REV
23	4460464	4	Pin, Male	
24	1001113961	1	Connector - 8 Position	
24	4460871	4	Socket, Female	
24	4460905	4	Plug, Terminal	
25	1001103012	1	Plug, Male - 4 Position	
25	1001196589	4	Terminal	
25	1001104498	4	Seal Terminal	
26	4460539	1	Plug, Male - 3 Position	
26	4460465	3	Socket, Female	
101	4460891	1	Plug, Male - 4 Position	
102	8229242	2	Fuse 5 Amp	
103	8229244	1	Fuse, 15 Amp	
104	1001125677	1	Connector, Bussbar	
105	1001144295	3	Cap - 2 Position	
106	1001144296	1	Cap - 3 Position	
107	1001192401	1	Cap, Dust	
108	1001213448	1	Connector, Dust Cap	

SECTION 7 - ELECTRICAL

**FIGURE 7-16. GROUND TO PLATFORM CABLE INSTALLATION - WITHOUT PLATFORM COIL CABLE
(CHINA AND MEXICO BUILT MACHINES)**



ART_1001234093

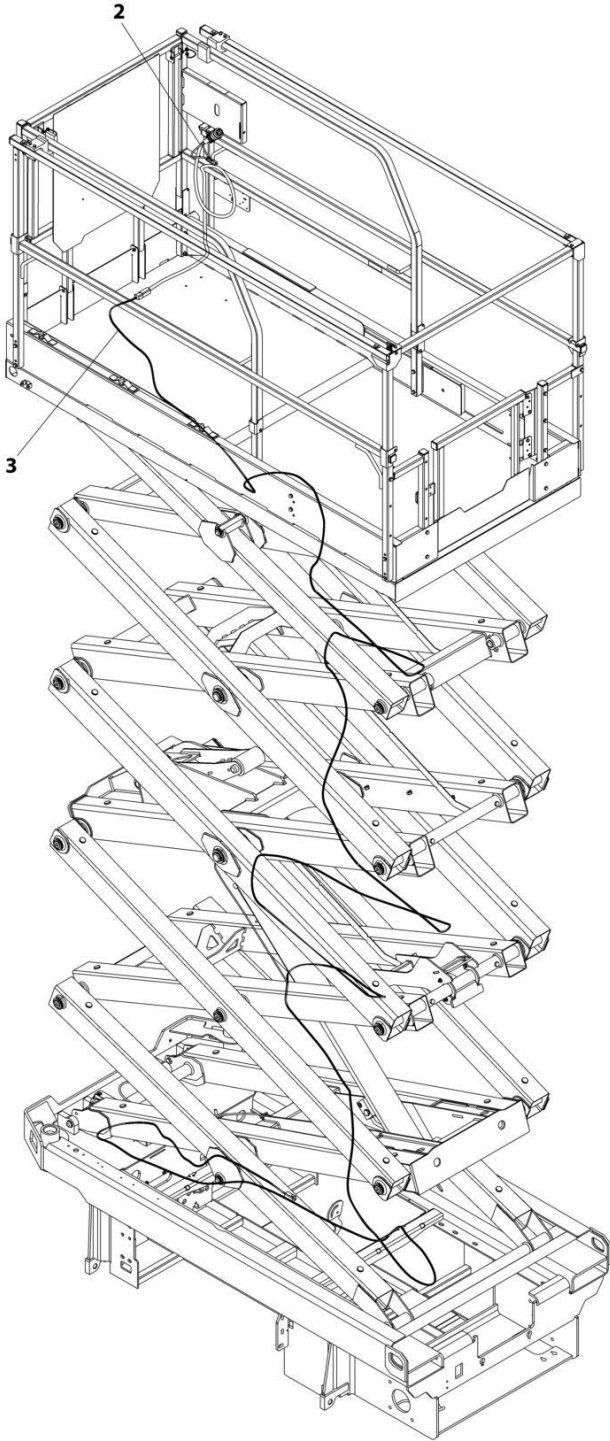
SECTION 7 - ELECTRICAL

**FIGURE 7-16. GROUND TO PLATFORM CABLE INSTALLATION - WITHOUT PLATFORM COIL CABLE
(CHINA AND MEXICO BUILT MACHINES)**

ITEM	PART NUMBER	QTY	DESCRIPTION	REV
	1001234093	Ref	GROUND TO PLATFORM CABLE INSTALLATION - WITHOUT PLATFORM COIL CABLE	A
1	4240017	AR	Tie-Strap (Not Shown)	
2	1001200812	1	Platform Harness	
2	4460899	1	Receptacle, Female - 6 Position (To Item 3)	
2	4460464	4	Pin, Male	
2	4460943	2	Pin, Male	
2	4460754	1	Connector - 14 Position (To Console Box)	
2	4460465	8	Socket, Female	
2	4460466	6	Plug, Terminal	
3	1001234631	1	Cable Assembly - Ground to Platform	
3	4460894	1	Plug, Male - 6 Position (To Platform Harness Item 2)	
3	4460465	4	Socket, Female	
3	4460944	2	Socket, Female	
3	4460899	1	Receptacle, Female - 6 Position (To Chassis Harness)	
3	4460464	4	Pin, Male	
3	4460943	2	Pin, Male	

SECTION 7 - ELECTRICAL

FIGURE 7-17. GROUND TO PLATFORM CABLE INSTALLATION - WITHOUT PLATFORM COIL CABLE & WITH FOOTSWITCH (CHINA BUILT MACHINES)



ART_1001234095

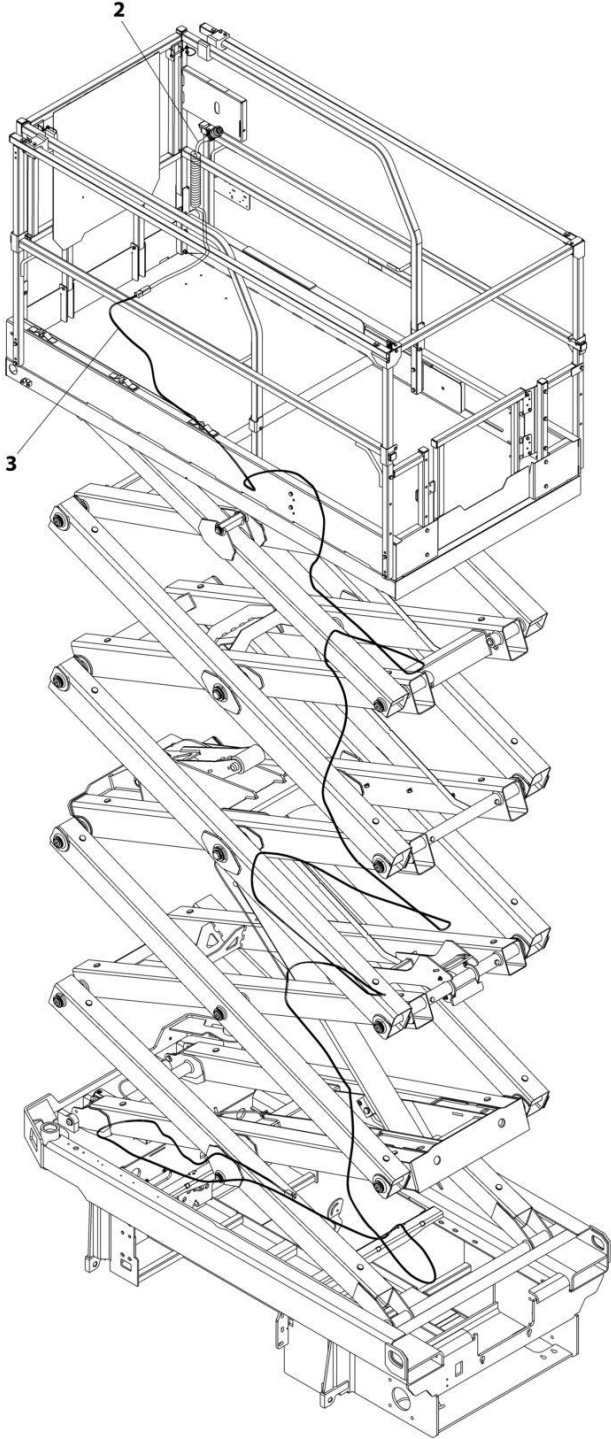
SECTION 7 - ELECTRICAL

**FIGURE 7-17. GROUND TO PLATFORM CABLE INSTALLATION - WITHOUT PLATFORM COIL CABLE
& WITH FOOTSWITCH (CHINA BUILT MACHINES)**

ITEM	PART NUMBER	QTY	DESCRIPTION	REV
	1001234095	Ref	GROUND TO PLATFORM CABLE INSTALLATION - WITHOUT PLATFORM COIL CABLE AND WITH FOOTSWITCH	A
1	4240017	AR	Tie-Strap (Not Shown)	
2	1001223263	1	Platform Harness	
2	4460899	1	Receptacle, Female - 6 Position (To Item 3)	
2	4460464	4	Pin, Male	
2	4460943	2	Pin, Male	
2	4460754	1	Connector - 14 Position (To Console Box)	
2	4460465	8	Socket, Female	
2	4460944	2	Socket, Female	
2	4460466	4	Plug, Terminal	
2	4460891	1	Plug, Male - 2 Position (To Footswitch)	
2	4460465	2	Socket, Female	
2	4460897	1	Receptacle, Female - 2 Position (Footswitch Jumper)	
2	4460464	2	Pin, Male	
2	4460539	1	Plug, Male - 3 Position (To Overhead Switches)	
2	4460465	2	Socket, Female	
2	4460466	1	Plug, Terminal	
3	1001234631	1	Cable Assembly - Ground to Platform	
3	4460894	1	Plug, Male - 6 Position (To Platform Harness Item 2)	
3	4460465	4	Socket, Female	
3	4460944	2	Socket, Female	
3	4460899	1	Receptacle, Female - 6 Position (To Chassis Harness)	
3	4460464	4	Pin, Male	
3	4460943	2	Pin, Male	

SECTION 7 - ELECTRICAL

FIGURE 7-18. GROUND TO PLATFORM CABLE INSTALLATION - WITH PLATFORM COIL CABLE (CHINA AND MEXICO BUILT MACHINES)



ART_1001234094

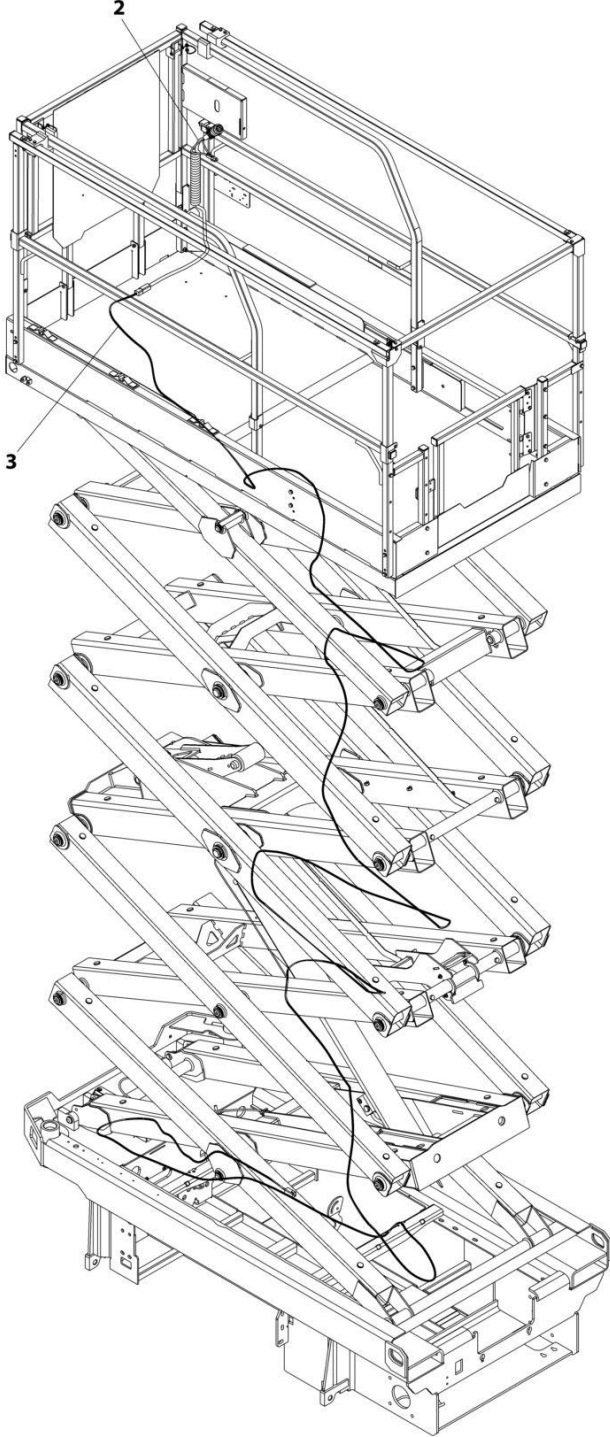
SECTION 7 - ELECTRICAL

**FIGURE 7-18. GROUND TO PLATFORM CABLE INSTALLATION - WITH PLATFORM COIL CABLE
(CHINA AND MEXICO BUILT MACHINES)**

ITEM	PART NUMBER	QTY	DESCRIPTION	REV
	1001234094	Ref	GROUND TO PLATFORM CABLE INSTALLATION - WITH PLATFORM COIL CABLE	A
1	4240017	AR	Tie-Strap (Not Shown)	
2	1001202184	1	Platform Harness	
2	4460899	1	Receptacle, Female - 6 Position (To Item 3)	
2	4460464	4	Pin, Male	
2	4460943	2	Pin, Male	
2	4460754	1	Connector - 14 Position (To Console Box)	
2	4460465	8	Socket, Female	
2	4460466	6	Plug, Terminal	
3	1001234631	1	Cable Assembly - Ground to Platform	
3	4460894	1	Plug, Male - 6 Position (To Platform Harness Item 2)	
3	4460465	4	Socket, Female	
3	4460944	2	Socket, Female	
3	4460899	1	Receptacle, Female - 6 Position (To Chassis Harness)	
3	4460464	4	Pin, Male	
3	4460943	2	Pin, Male	

SECTION 7 - ELECTRICAL

FIGURE 7-19. GROUND TO PLATFORM CABLE INSTALLATION - WITH PLATFORM COIL CABLE & FOOTSWITCH (CHINA BUILT MACHINES)



ART_1001234096

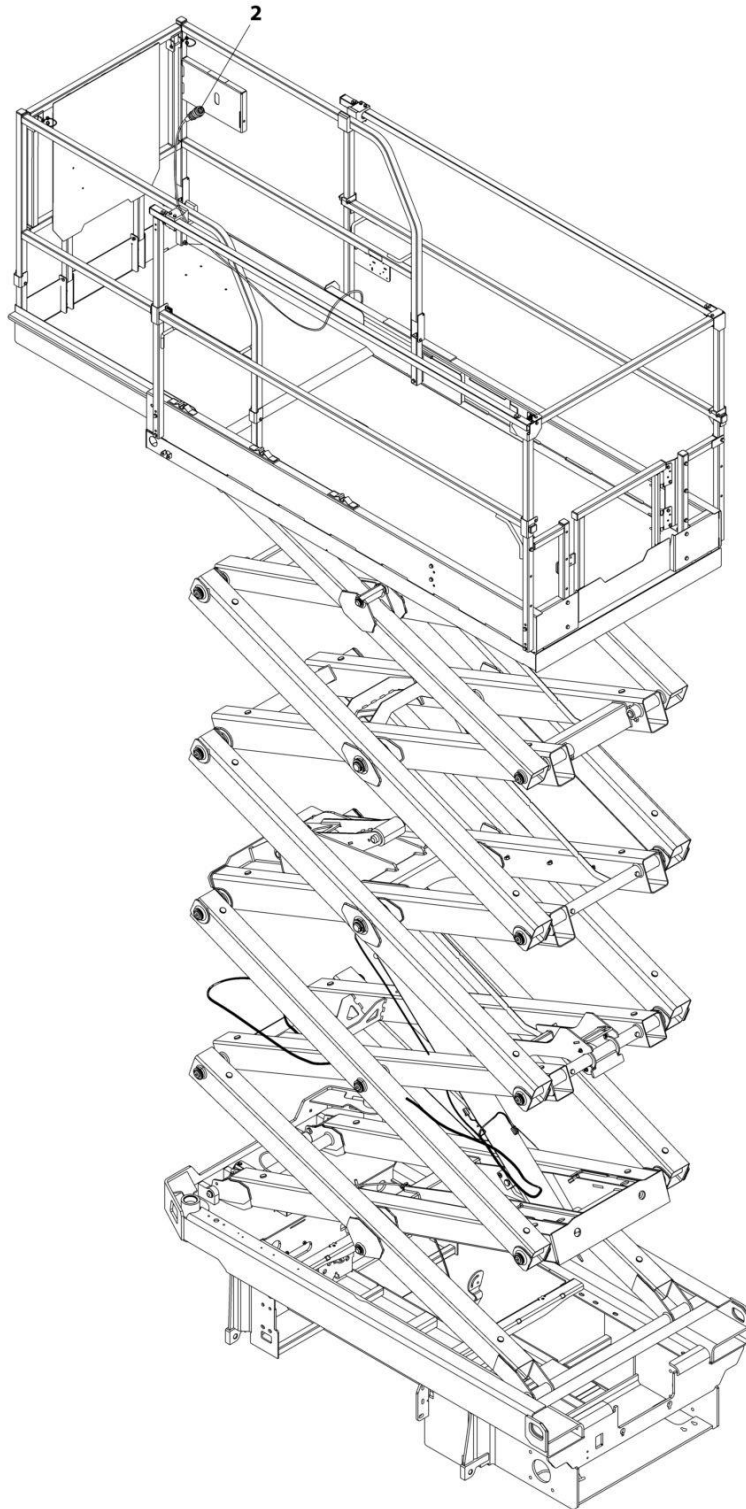
SECTION 7 - ELECTRICAL

FIGURE 7-19. GROUND TO PLATFORM CABLE INSTALLATION - WITH PLATFORM COIL CABLE & FOOTSWITCH (CHINA BUILT MACHINES)

ITEM	PART NUMBER	QTY	DESCRIPTION	REV
	1001234096	Ref	GROUND TO PLATFORM CABLE INSTALLATION - WITH PLATFORM COIL CABLE AND FOOTSWITCH	A
1	4240017	AR	Tie-Strap (Not Shown)	
2	1001223262	1	Platform Harness	
2	4460899	1	Receptacle, Female - 6 Position (To Item 3)	
2	4460464	4	Pin, Male	
2	4460943	2	Pin, Male	
2	4460754	1	Connector - 14 Position (To Console Box)	
2	4460465	8	Socket, Female	
2	4460944	2	Socket, Female	
2	4460466	4	Plug, Terminal	
2	4460891	1	Plug, Male - 2 Position (To Footswitch)	
2	4460465	2	Socket, Female	
2	4460897	1	Receptacle, Female - 2 Position (Footswitch Jumper)	
2	4460464	2	Pin, Male	
2	4460539	1	Plug, Male - 3 Position (To Overhead Switches)	
2	4460465	2	Socket, Female	
2	4460466	1	Plug, Terminal	
3	1001234631	1	Cable Assembly - Ground to Platform	
3	4460894	1	Plug, Male - 6 Position (To Platform Harness Item 2)	
3	4460465	4	Socket, Female	
3	4460944	2	Socket, Female	
3	4460899	1	Receptacle, Female - 6 Position (To Chassis Harness)	
3	4460464	4	Pin, Male	
3	4460943	2	Pin, Male	

SECTION 7 - ELECTRICAL

FIGURE 7-20. GROUND TO PLATFORM CABLE INSTALLATION - PLATFORM STRAIGHT CABLE ONLY (EUROPEAN BUILT MACHINES)



ART_1001223650

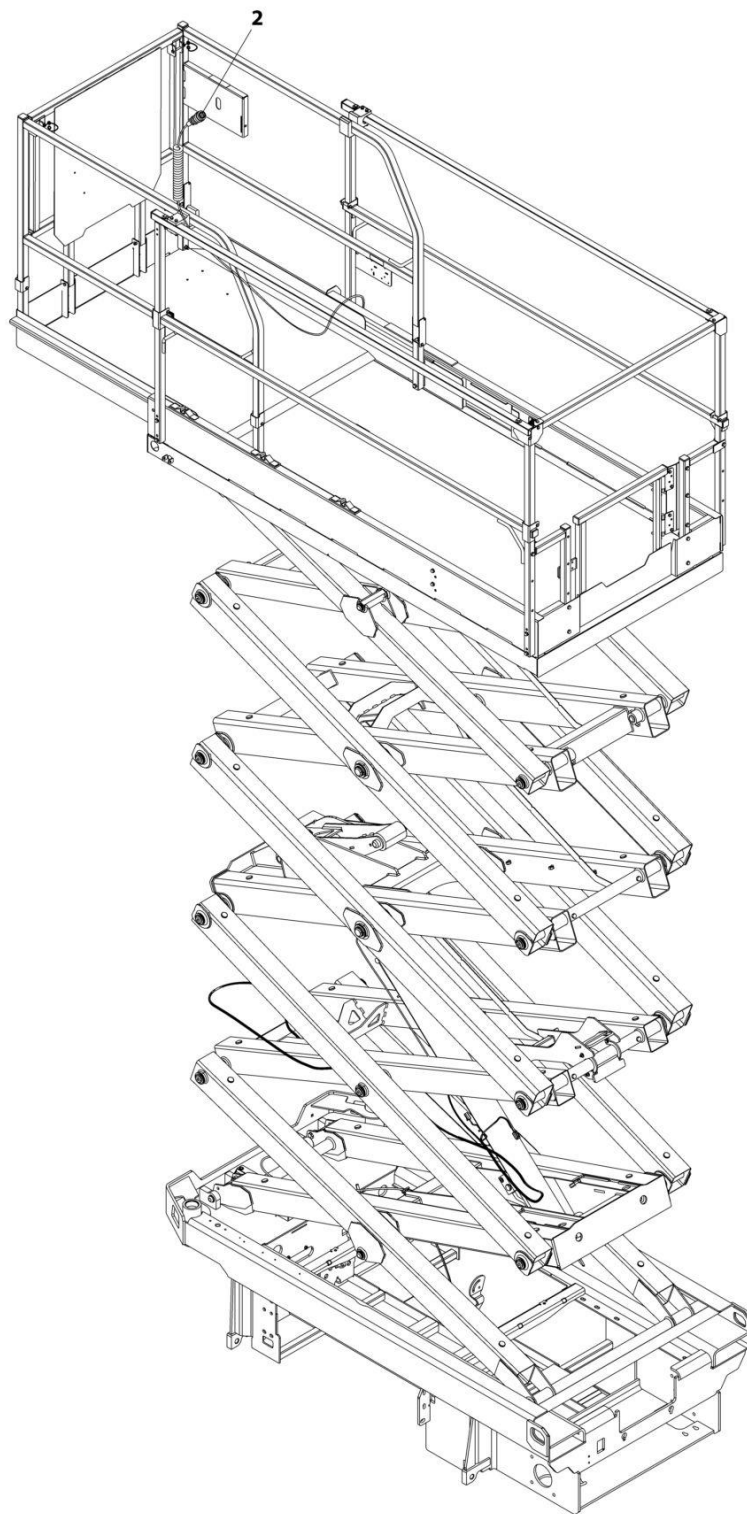
SECTION 7 - ELECTRICAL

FIGURE 7-20. GROUND TO PLATFORM CABLE INSTALLATION - PLATFORM STRAIGHT CABLE ONLY (EUROPEAN BUILT MACHINES)

ITEM	PART NUMBER	QTY	DESCRIPTION	REV
	1001223650	Ref	GROUND TO PLATFORM CABLE INSTALLATION	A
1	4240017	AR	Tie-Strap (Not Shown)	
2	1001200812	1	Platform Harness	
2	4460899	1	Receptacle, Female - 6 position (To Platform/AC Cable Connector)	
2	4460464	4	Pin, Male	
2	4460943	2	Pin, Male	
2	4460754	1	Connector - 14 Position (To Console Box)	
2	4460465	8	Socket, Female	
2	4460466	6	Plug, Terminal	

SECTION 7 - ELECTRICAL

FIGURE 7-21. GROUND TO PLATFORM CABLE INSTALLATION - PLATFORM COIL CABLE ONLY
(EUROPEAN BUILT MACHINES)



ART_1001223651

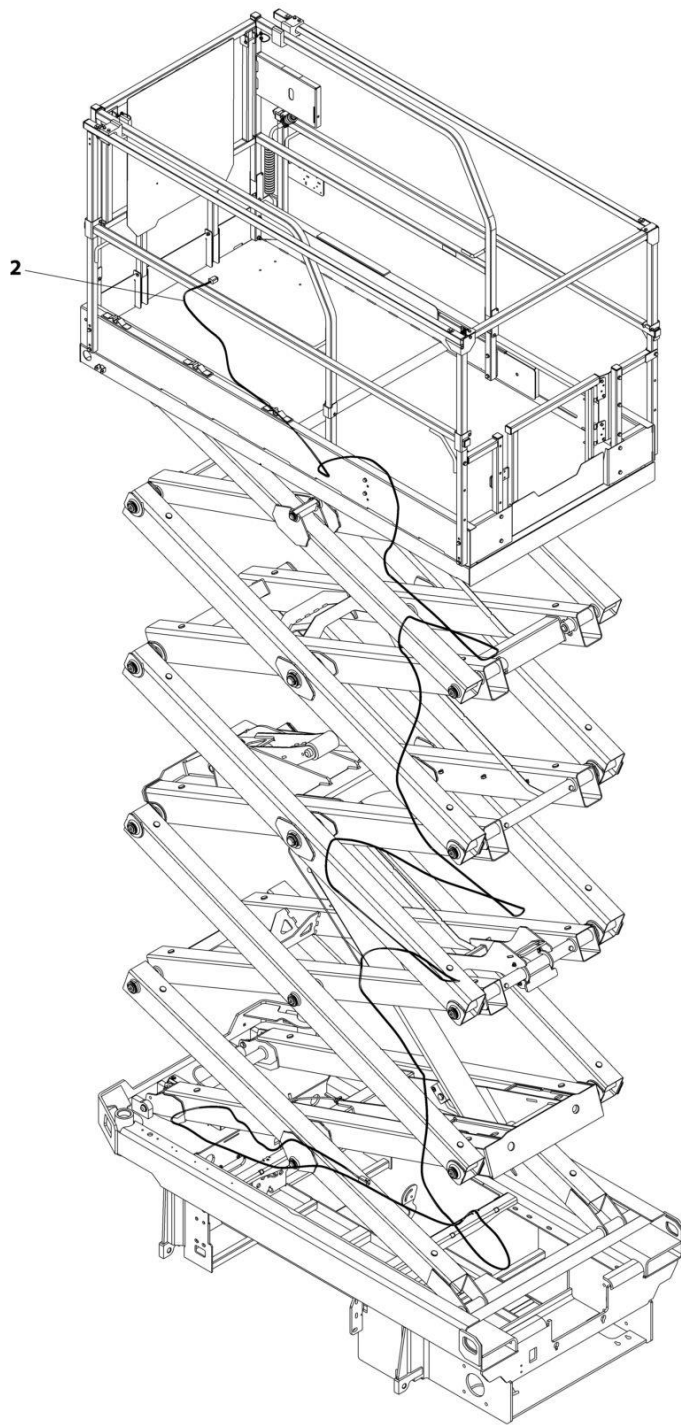
SECTION 7 - ELECTRICAL

**FIGURE 7-21. GROUND TO PLATFORM CABLE INSTALLATION - PLATFORM COIL CABLE ONLY
(EUROPEAN BUILT MACHINES)**

ITEM	PART NUMBER	QTY	DESCRIPTION	REV
	1001223651	Ref	GROUND TO PLATFORM CABLE INSTALLATION	A
1	4240017	AR	Tie-Strap (Not Shown)	
2	1001202184	1	Platform Harness	
2	4460899	1	Receptacle, Female - 6 position (To Platform/AC Cable Connector)	
2	4460464	4	Pin, Male	
2	4460943	2	Pin, Male	
2	4460754	1	Connector - 14 Position (To Console Box)	
2	4460465	8	Socket, Female	
2	4460466	6	Plug, Terminal	

SECTION 7 - ELECTRICAL

FIGURE 7-22. GROUND TO PLATFORM CABLE INSTALLATION - SCISSORS ARMS CABLE ONLY
(EUROPEAN BUILT MACHINES)



ART_1001239389

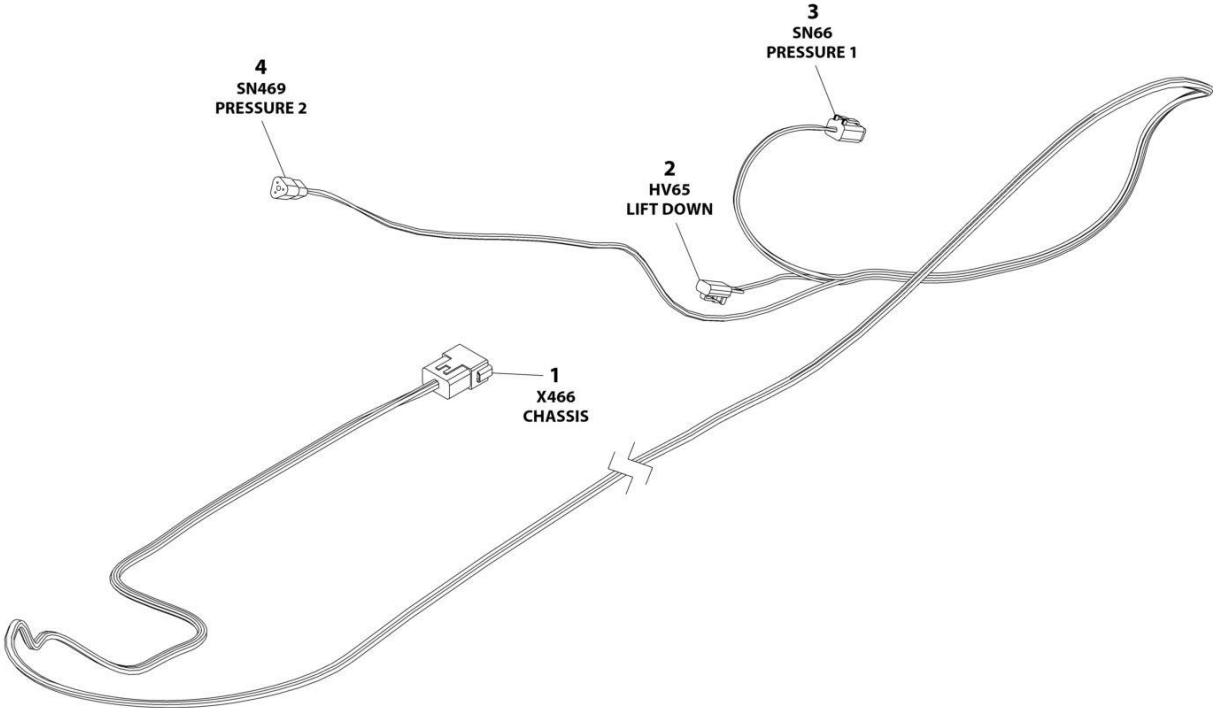
SECTION 7 - ELECTRICAL

**FIGURE 7-22. GROUND TO PLATFORM CABLE INSTALLATION - SCISSORS ARMS CABLE ONLY
(EUROPEAN BUILT MACHINES)**

ITEM	PART NUMBER	QTY	DESCRIPTION	REV
	1001239389	Ref	GROUND TO PLATFORM CABLE INSTALLATION	A
1	4240017	AR	Tie-Strap (Not Shown)	
2	1001234631	1	Cable Assembly - Ground to Platform	
2	4460894	1	Plug, Male - 6 Position (To Platform Harness Item 2)	
2	4460465	4	Socket, Female	
2	4460944	2	Socket, Female	
2	4460899	1	Receptacle, Female - 6 Position (To Chassis Harness)	
2	4460464	4	Pin, Male	
2	4460943	2	Pin, Male	

SECTION 7 - ELECTRICAL

FIGURE 7-23. LIFT DOWN HARNESS



ART_1001233795

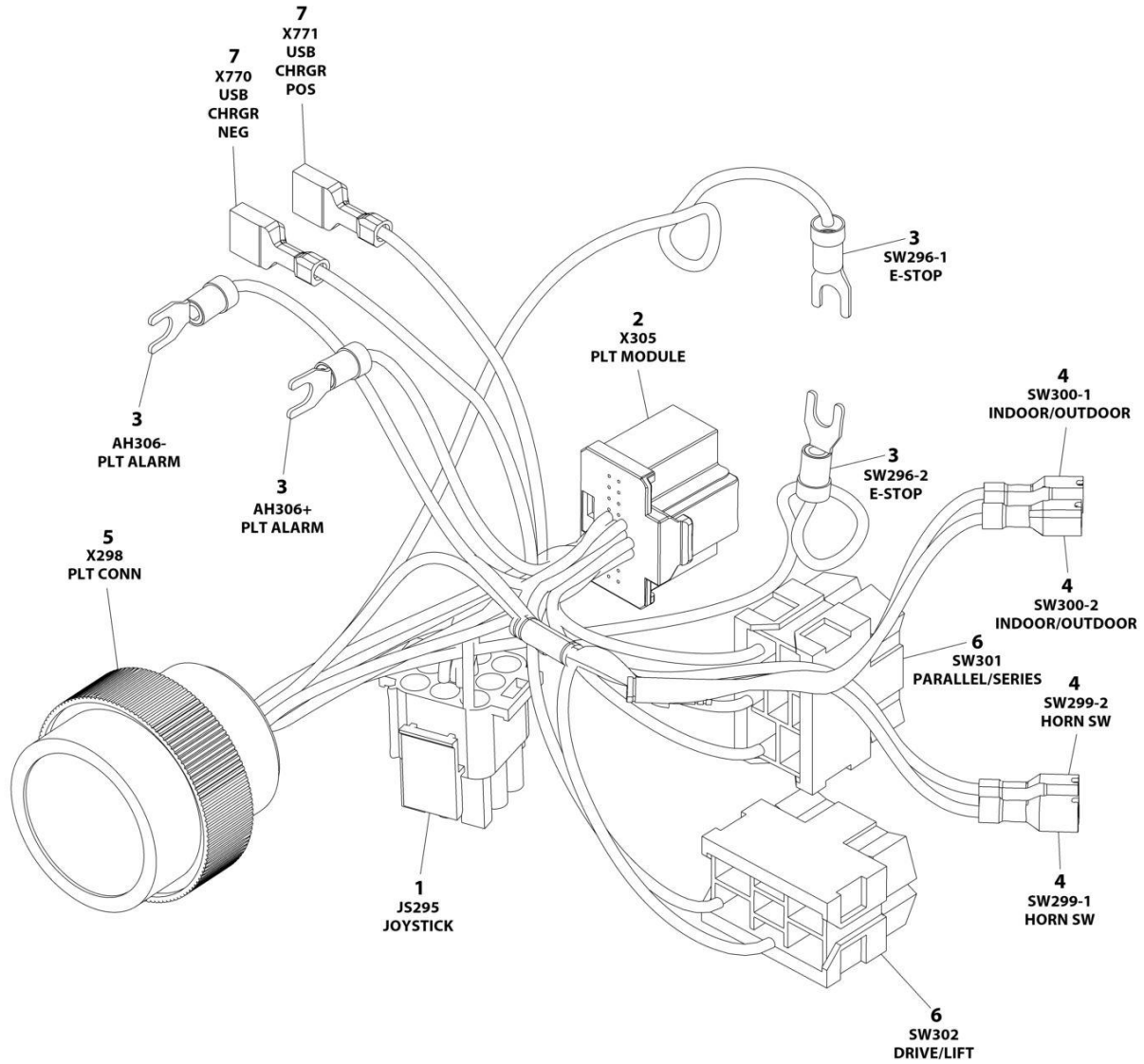
SECTION 7 - ELECTRICAL

FIGURE 7-23. LIFT DOWN HARNESS

ITEM	PART NUMBER	QTY	DESCRIPTION	REV
	1001233795	Ref	LIFT DOWN HARNESS	D
1	4460970	1	Receptacle, Female - 12 Position	
1	4460464	9	Pin, Male	
1	4460466	3	Plug, Terminal	
2	4460891	1	Plug, Male - 4 Position	
2	4460465	2	Socket, Female	
3	4460884	1	Plug, Male - 4 Position	
3	4460465	4	Socket, Female	
4	4460539	1	Plug, Male - 3 Position	
4	4460465	3	Socket, Female	

SECTION 7 - ELECTRICAL

FIGURE 7-24. PLATFORM CONTROL BOX HARNESS



ART_1001200819

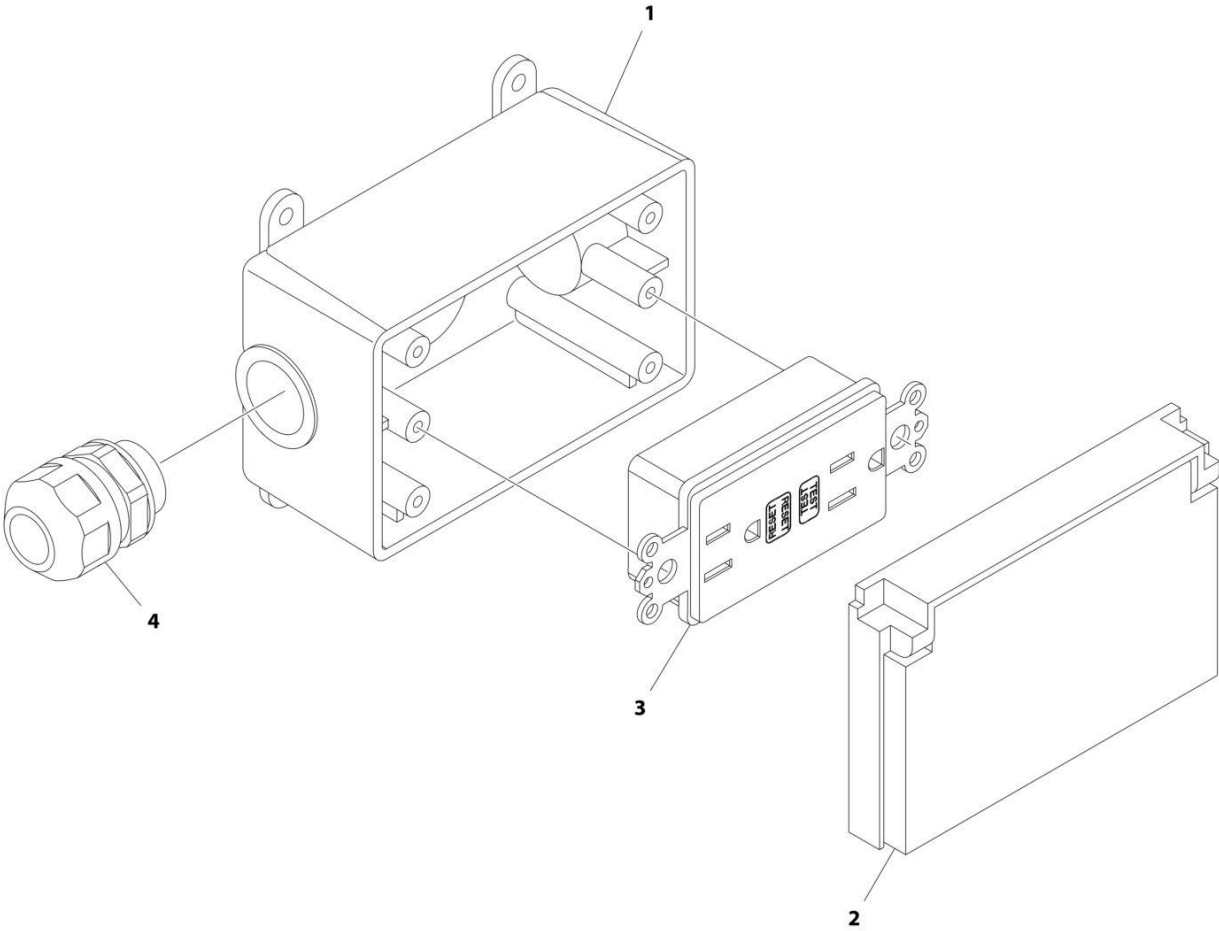
SECTION 7 - ELECTRICAL

FIGURE 7-24. PLATFORM CONTROL BOX HARNESS

ITEM	PART NUMBER	QTY	DESCRIPTION	REV
	1001200819	Ref	PLATFORM CONTROL BOX HARNESS	E
1	4460265	1	Plug, Male - 9 Position	
1	4460267	6	Pin, Male	
2	1001212036	1	Connector - 20 Position	
2	1001212035	16	Terminal	
3	4460183	4	Terminal, Fork	
4	1001201885	4	Terminal with Cover	
5	4461016	1	Connector - 14 Position	
5	4460464	8	Pin, Male	
5	4460466	6	Plug, Terminal	
6	4460418	2	Connector - 6 Position	
6	1001159186	5	Terminal	
7	1001194421	2	Terminal	

SECTION 7 - ELECTRICAL

FIGURE 7-25. RECEPTACLE BOX KIT - 110V GFI



ART_2902431

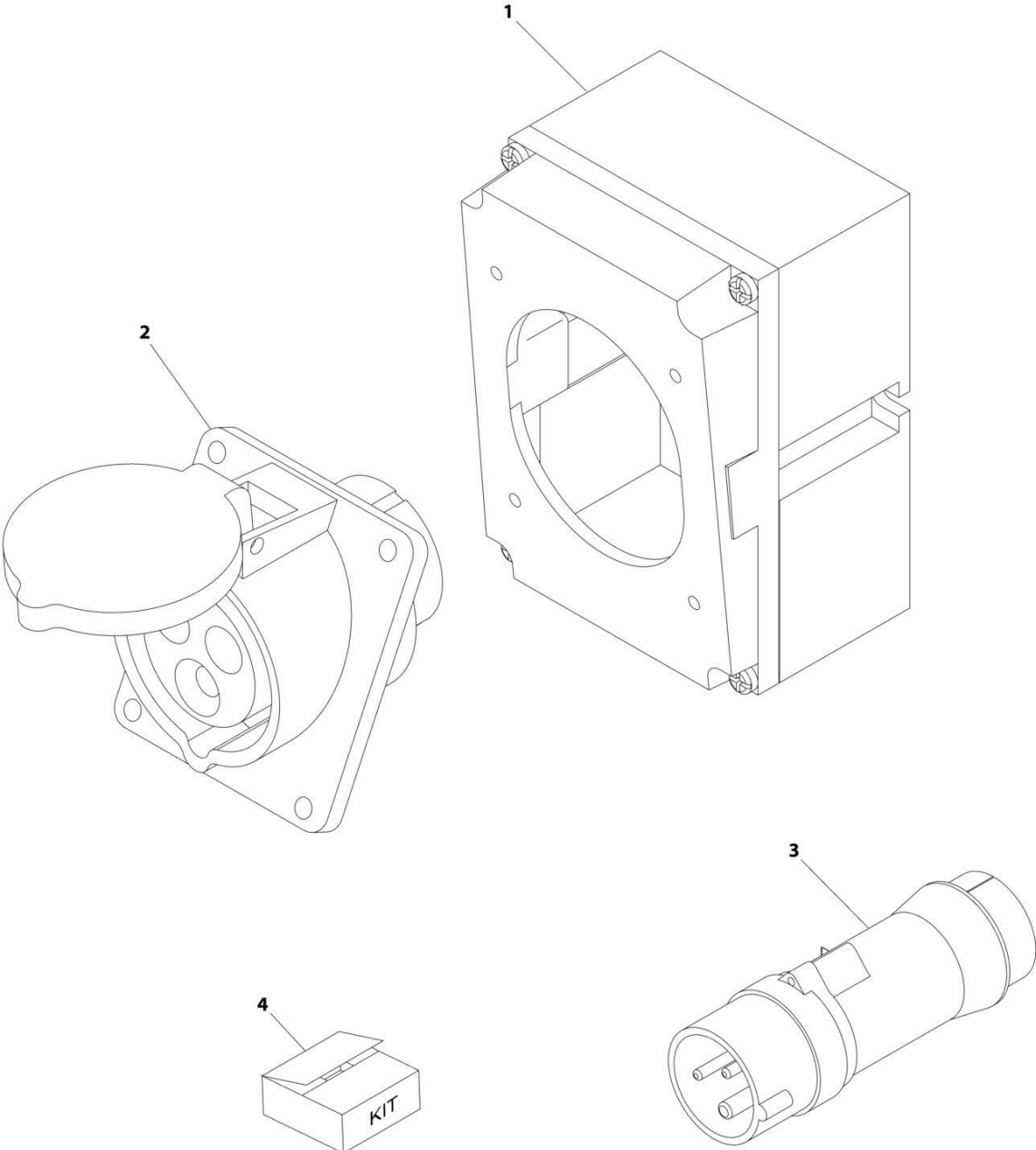
SECTION 7 - ELECTRICAL

FIGURE 7-25. RECEPTACLE BOX KIT - 110V GFI

ITEM	PART NUMBER	QTY	DESCRIPTION	REV
	2902431	Ref	RECEPTACLE BOX KIT - 110V GFI	D
1	0861731	1	Box, Receptacle	
2	1671207	1	Cover, Receptacle	
3	4460346	1	Receptacle	
4	4460662	1	Connector, Strain Relief	

SECTION 7 - ELECTRICAL

FIGURE 7-26. RECEPTACLE BOX KIT - 110V IEC YELLOW (CE SPEC)



ART_0275216

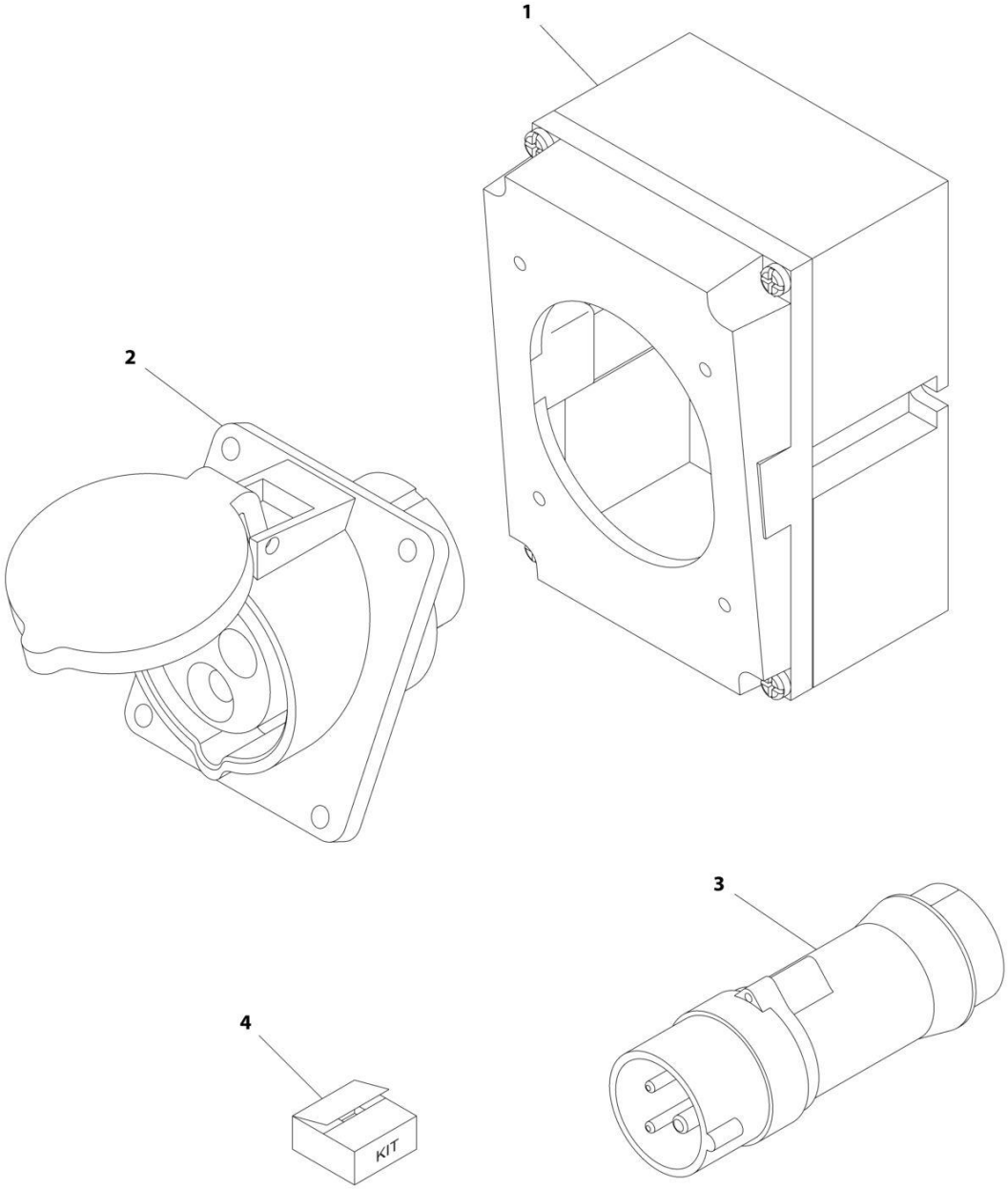
SECTION 7 - ELECTRICAL

FIGURE 7-26. RECEPTACLE BOX KIT - 110V IEC YELLOW (CE SPEC)

ITEM	PART NUMBER	QTY	DESCRIPTION	REV
	0275216	Ref	RECEPTACLE BOX KIT - 110V IEC YELLOW	B
1	0861781	1	Box, Switch	
2	4461198	1	Receptacle	
3	4461196	1	Plug, Male	
4	1001100341	1	Plug and Socket Kit (Includes Items 1-3 and Female Plug p/n 4461197)	

SECTION 7 - ELECTRICAL

FIGURE 7-27. RECEPTACLE BOX KIT - 220V IEC BLUE (CE SPEC)



ART_0275217

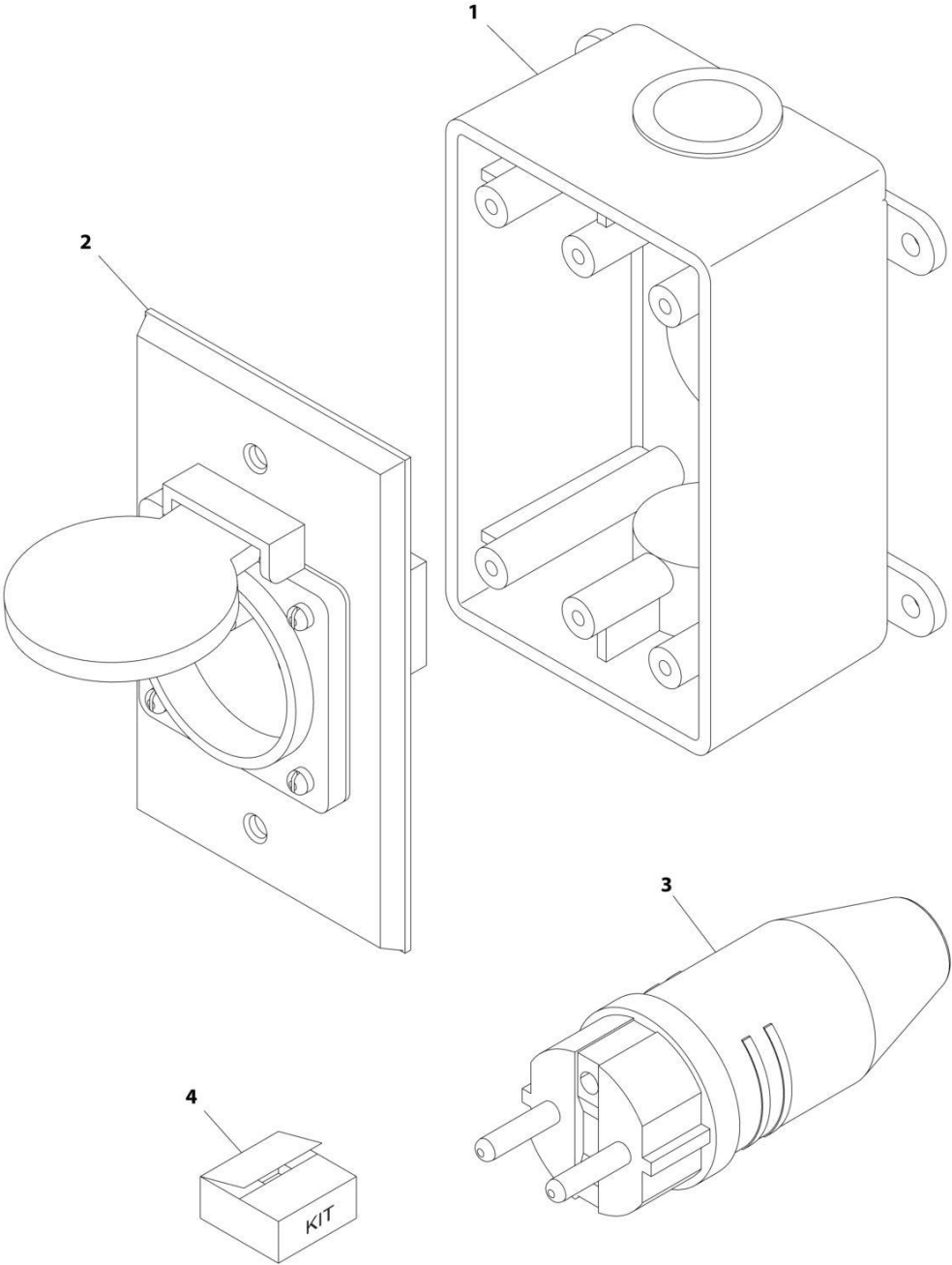
SECTION 7 - ELECTRICAL

FIGURE 7-27. RECEPTACLE BOX KIT - 220V IEC BLUE (CE SPEC)

ITEM	PART NUMBER	QTY	DESCRIPTION	REV
	0275217	Ref	RECEPTACLE BOX KIT - 220V IEC BLUE	B
1	0861781	1	Box, Switch	
2	4461201	1	Receptacle	
3	4461199	1	Plug, Male	
4	1001100342	1	Plug and Socket Kit (Includes Items 1-3 and Female Plug p/n 4461200)	

SECTION 7 - ELECTRICAL

FIGURE 7-28. RECEPTACLE BOX KIT - 220V CEE7 POST GROUND (CE SPEC)



ART_0275452-C

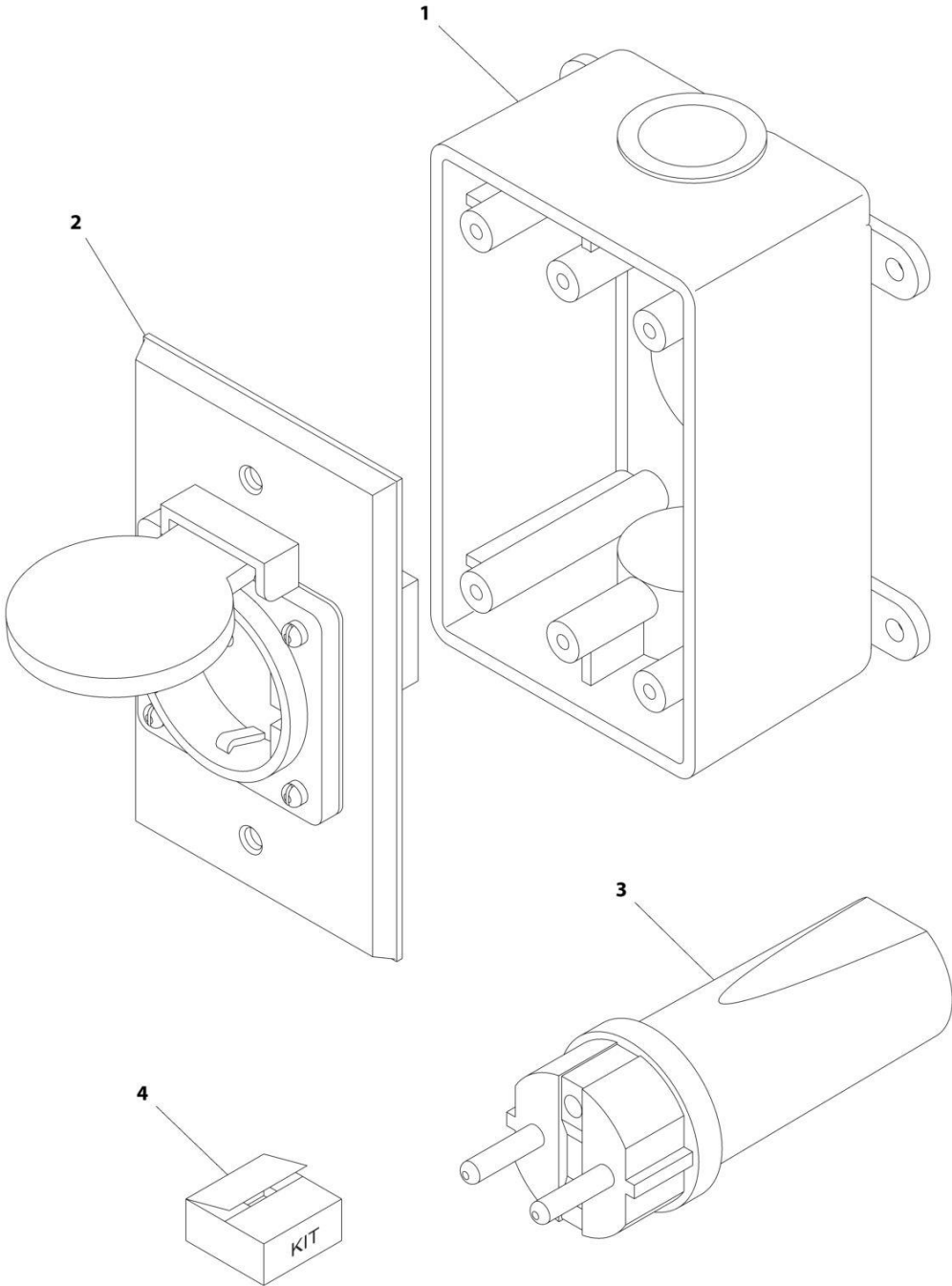
SECTION 7 - ELECTRICAL

FIGURE 7-28. RECEPTACLE BOX KIT - 220V CEE7 POST GROUND (CE SPEC)

ITEM	PART NUMBER	QTY	DESCRIPTION	REV
	0275452	Ref	RECEPTACLE BOX KIT - 220V CEE7 POST GROUND 2IN X 4IN BOX	C
1	0861731	1	Box, Switch	
2	4461244	1	Receptacle	
3	4461205	1	Plug, Male	
4	1001100345	1	Plug and Socket Kit (Includes Items 1-3 and Female Plug p/n 4461203)	

SECTION 7 - ELECTRICAL

FIGURE 7-29. RECEPTACLE BOX KIT - 220V CEE7 SIDE GROUND (CE SPEC)



ART_0275453

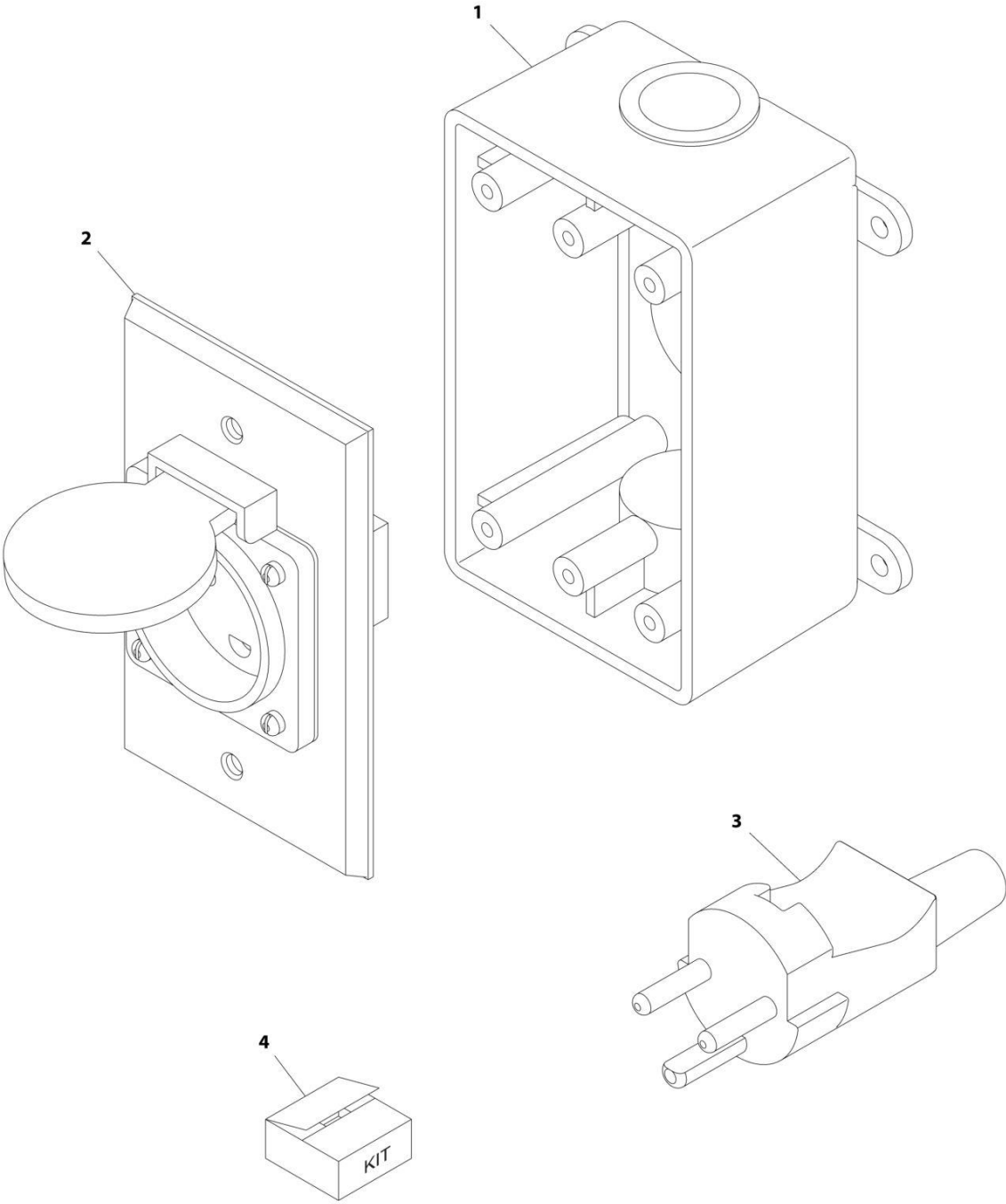
SECTION 7 - ELECTRICAL

FIGURE 7-29. RECEPTACLE BOX KIT - 220V CEE7 SIDE GROUND (CE SPEC)

ITEM	PART NUMBER	QTY	DESCRIPTION	REV
	0275453	Ref	RECEPTACLE BOX KIT - 220V CEE7 SIDE GROUND	B
1	0861731	1	Box, Switch	
2	4461245	1	Receptacle	
3	4461205	1	Plug, Male	
4	1001100347	1	Plug and Socket Kit (Includes Items 1-3 and Female Plug p/n 4461206)	

SECTION 7 - ELECTRICAL

FIGURE 7-30. RECEPTACLE BOX KIT - 220V AFSINT 107 (CE SPEC)



ART_0275454

SECTION 7 - ELECTRICAL

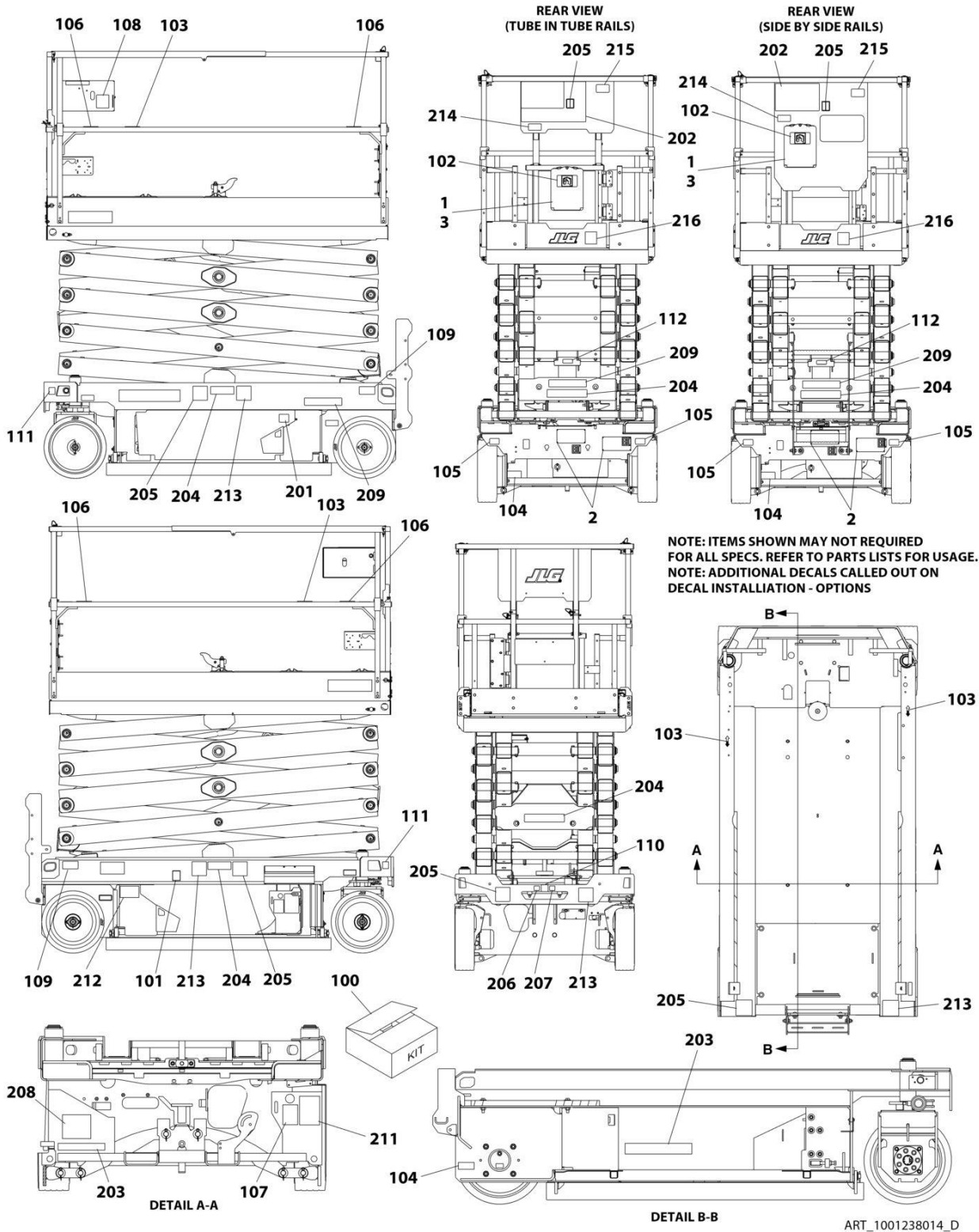
FIGURE 7-30. RECEPTACLE BOX KIT - 220V AFSINT 107 (CE SPEC)

ITEM	PART NUMBER	QTY	DESCRIPTION	REV
	0275454	Ref	RECEPTACLE BOX KIT - 220V AFSINT 107	B
1	0861731	1	Box, Switch	
2	4461246	1	Receptacle	
3	4461249	1	Plug, Male	
4	1001100346	1	Plug and Socket Kit (Includes Items 1-3 and Female Plug p/n 4461250)	

SECTION 8 - DECALS

SECTION 8 - DECALS

FIGURE 8-1. DECAL INSTALLATION (ANSI SPECS)



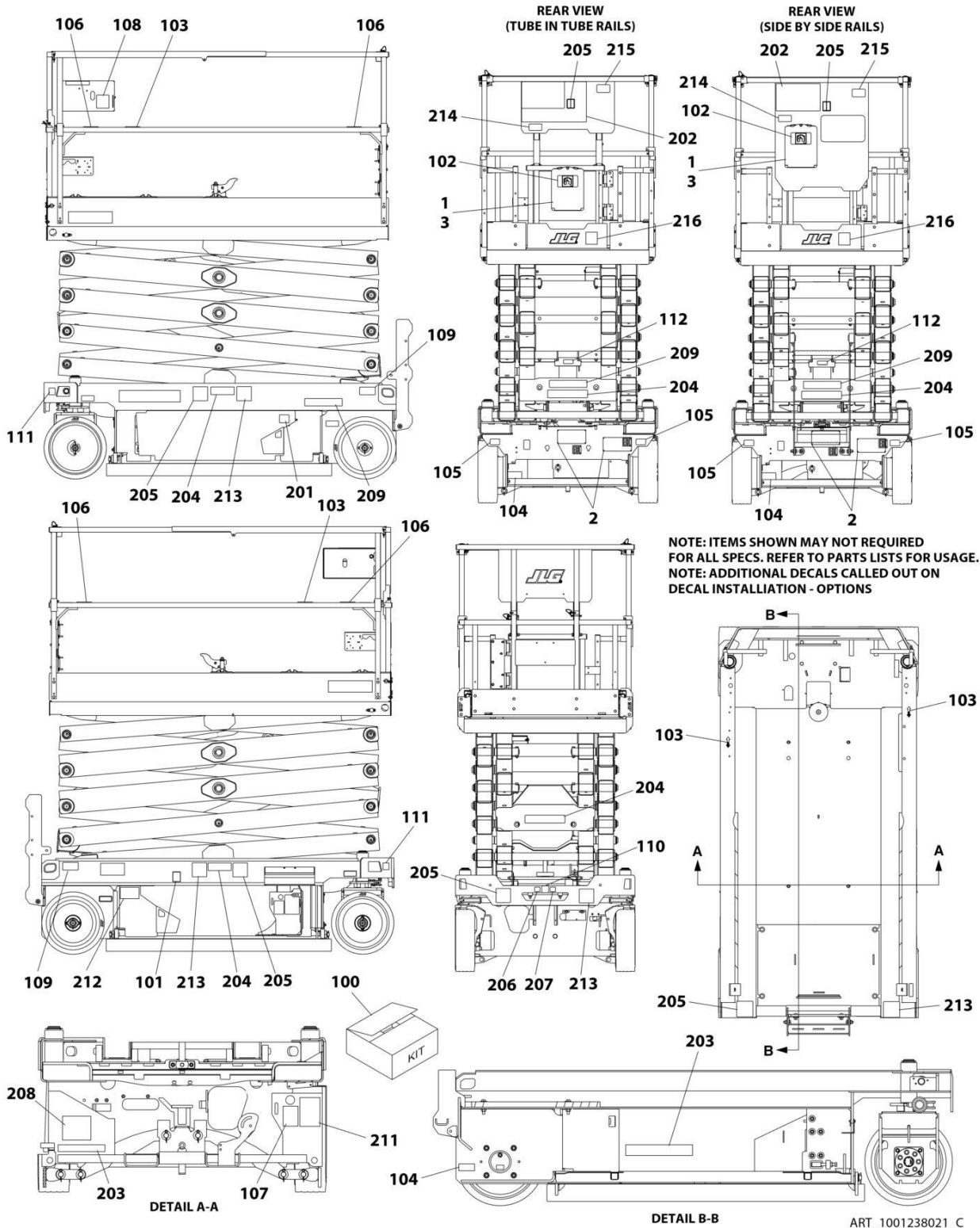
SECTION 8 - DECALS

FIGURE 8-1. DECAL INSTALLATION (ANSI SPECS)

ITEM	PART NUMBER	QTY	DESCRIPTION	REV
	1001238014	Ref	DECAL INSTALLATION (ENGLISH LANGUAGE)	D
	1001237749	Ref	DECAL REFERENCE CHART	H
1	2080040	3	Fastener	
2	2080057	4	Fastener	
3	8990147	1	Holder, Manual	
100	1001239270	1	Master Decal Kit	D
101	1701504	1	Decal - Hydraulic Oil	
102	1701640	1	Decal - Manual	
103	1703819	4	Decal - Direction Arrow	
104	1001248126	1	Decal - Manual Descent Instructions	
105	1704016	2	Decal - Fork Lift	
106	1704277	4	Decal - Lanyard Attach	
107	1704412	1	Decal - Hydraulic Oil	
108	1001132359	1	Decal - Control Box Locate	
109	1001162864	2	Decal - Lift Point/Tie Down	
110	1001212290	1	Decal - Tie Down	
111	1001212291	2	Decal - Lifting Lug	
112	1001237899	1	Decal - Arms Prop	
201	1702155	1	Decal - Battery Disconnect	
202	1703816	1	Decal - Danger/Warning	
203	1001146794	1	Decal - Battery/Charger Service	
204	1001211777	4	Decal - Crushing Hazard	
205	1001211779	4	Decal - Electrocution	
206	1001212292	1	Decal - No Lifting	
207	1001212293	1	Decal - No Forklift	
208	1001237538	1	Decal - Battery Spacer	
209	1703813	2	Decal - Warning Battery Ventilation	
211	1001131270	1	Decal - Patent	
212	1001223055	1	Decal - Yearly Inspection	
214	1001228370	1	Decal - ICES	
215	1001231801	1	Decal - Warning Prop 65	

SECTION 8 - DECALS

FIGURE 8-2. DECAL INSTALLATION (AUSTRALIAN SPECS)



SECTION 8 - DECALS

FIGURE 8-2. DECAL INSTALLATION (AUSTRALIAN SPECS)

ITEM	PART NUMBER	QTY	DESCRIPTION	REV
	1001238021	Ref	DECAL INSTALLATION (ENGLISH LANGUAGE)	C
	1001237749	Ref	DECAL REFERENCE CHART	H
1	2080040	3	Fasteners	
2	2080057	4	Fasteners	
3	8990147	1	Holder, Manual	
100	1001239270	1	Master Decal Kit	D
101	1701504	1	Decal - Hydraulic Oil	
102	1701640	1	Decal - Manual	
103	1703819	4	Decal - Direction Arrow	
104	1001248126	1	Decal - Manual Descent Instructions	
105	1704016	2	Decal - Fork Lift	
106	1704277	4	Decal - Lanyard Attach Graphic	
107	1704412	1	Decal - Hydraulic Oil	
108	1001132359	1	Decal - Control Box Locate	
109	1001162864	2	Decal - Lift Point/Tie Down	
110	1001212290	1	Decal - Tie Down	
111	1001212291	2	Decal - Lifting Lug	
112	1001237899	1	Decal - Arms Prop	
201	1702155	1	Decal - Battery Disconnect	
203	1001146794	1	Decal - Battery/Charger Service	
204	1705673	4	Decal - Crushing	
205	1705671	5	Decal - Electrocution	
206	1001212292	1	Decal - No Lifting	
207	1001212293	1	Decal - No Forklift	
208	1001237538	1	Decal - Battery Spacer	
209	1705670	2	Decal - Fire Hazard	

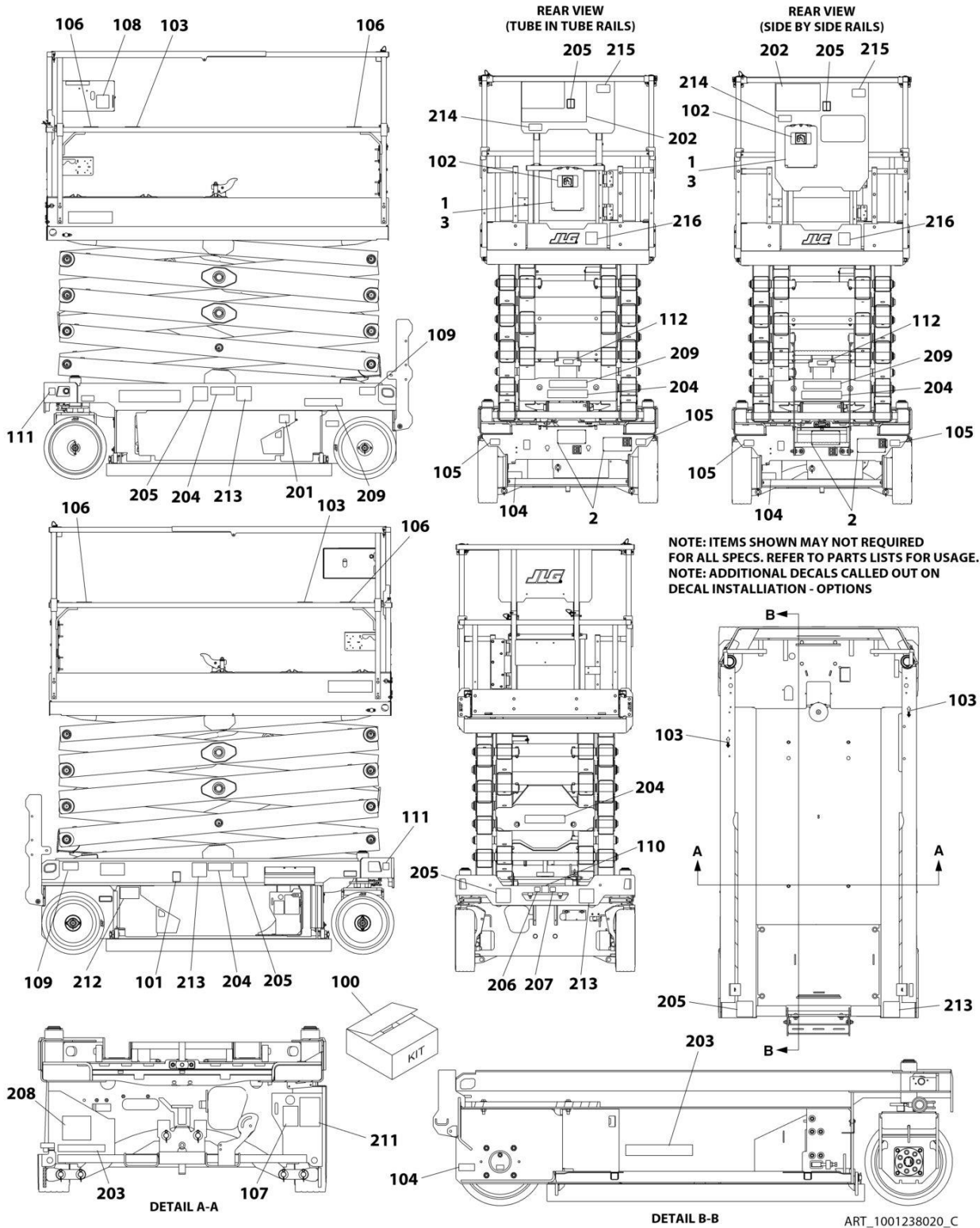
SECTION 8 - DECALS

FIGURE 8-3. DECAL INSTALLATION (BRAZIL SPECS)

ITEM	PART NUMBER	QTY	DESCRIPTION	REV
	1001238017	Ref	DECAL INSTALLATION (SPANISH/PORTUGUESE LANGUAGE)	C
	1001237749	Ref	DECAL REFERENCE CHART	H
1	2080040	3	Fastener	
2	2080057	4	Fastener	
3	8990147	1	Holder, Manual	
100	1001239270	1	Master Decal Kit	D
101	1701504	1	Decal - Hydraulic Oil	
102	1701640	1	Decal - Manual	
103	1703819	4	Decal - Direction Arrow	
104	1001248126	1	Decal - Manual Descent Instructions	
105	1704016	2	Decal - Fork Lift	
106	1704277	4	Decal - Lanyard Attach	
107	1704412	1	Decal - Hydraulic Oil	
108	1001132359	1	Decal - Control Box Locate	
109	1001162864	2	Decal - Lift Point/Tie Down	
110	1001212290	1	Decal - Tie Down	
111	1001212291	2	Decal - Lifting Lug	
112	1001237899	1	Decal - Arms Prop	
201	1702155	1	Decal - Battery Disconnect	
202	1704699	1	Decal - Danger/Warning	
203	1001146794	1	Decal - Battery/Charger Service	
204	1001216650	4	Decal - Crushing Hazard	
205	1001215748	4	Decal - Electrocution	
206	1001212292	1	Decal - No Lifting	
207	1001212293	1	Decal - No Forklift	
208	1001237538	1	Decal - Battery Spacer	
209	1704341	2	Decal - Warning Battery Ventilation	
212	1001224052	1	Decal - Yearly Inspection	
213	1001216648	4	Decal - Danger Electrocution	

SECTION 8 - DECALS

FIGURE 8-4. DECAL INSTALLATION (CE SPECS)



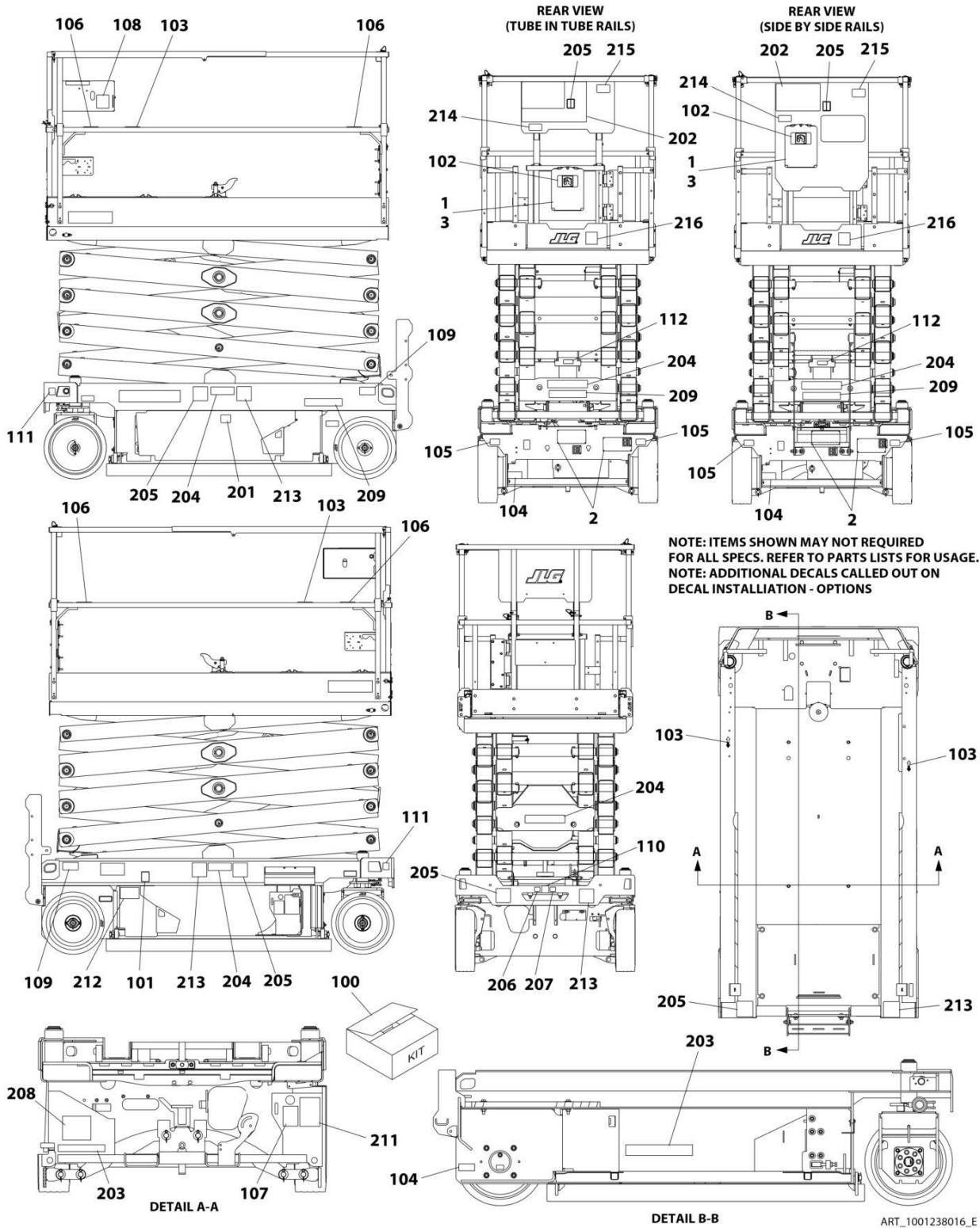
SECTION 8 - DECALS

FIGURE 8-4. DECAL INSTALLATION (CE SPECS)

ITEM	PART NUMBER	QTY	DESCRIPTION	REV
	1001238020	Ref	DECAL INSTALLATION (ENGLISH LANGUAGE)	C
	1001237749	Ref	DECAL REFERENCE CHART	H
1	2080040	3	Fastener	
2	2080057	4	Fastener	
3	8990147	1	Holder, Manual	
100	1001239270	1	Master Decal Kit	D
101	1701504	1	Decal - Hydraulic Oil	
102	1701640	1	Decal - Manual	
103	1703819	4	Decal - Direction Arrow	
104	1001248126	1	Decal - Manual Descent Instructions	
105	1704016	2	Decal - Fork Lift	
106	1704277	4	Decal - Lanyard Attach	
107	1704412	1	Decal - Hydraulic Oil	
108	1001132359	1	Decal - Control Box Locate	
109	1001162864	2	Decal - Lift Point/Tie Down	
110	1001212290	1	Decal - Tie Down	
111	1001212291	2	Decal - Lifting Lug	
112	1001237899	1	Decal - Arms Prop	
201	1702155	1	Decal - Battery Disconnect	
203	1001146795	1	Decal - Battery/Charger Service	
204	1705673	4	Decal - Crushing	
205	1705671	5	Decal - Electrocution	
206	1001212292	1	Decal - No Lifting	
207	1001212293	1	Decal - No Forklift	
208	1001237538	1	Decal - Battery Spacer	
209	1705670	2	Decal - Fire Hazard	

SECTION 8 - DECALS

FIGURE 8-5. DECAL INSTALLATION (CHINA SPECS)



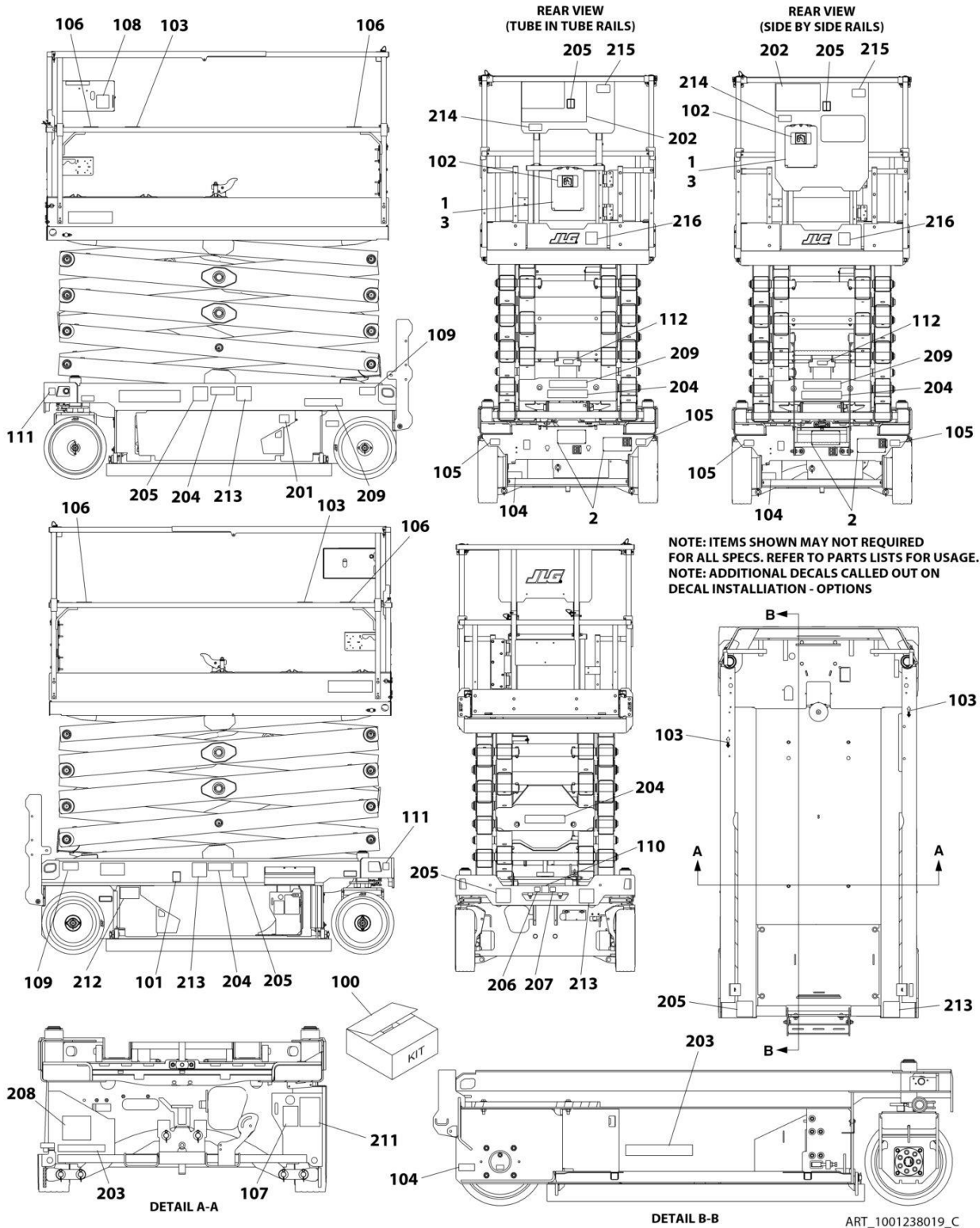
SECTION 8 - DECALS

FIGURE 8-5. DECAL INSTALLATION (CHINA SPECS)

ITEM	PART NUMBER	QTY	DESCRIPTION	REV
	1001238016	Ref	DECAL INSTALLATION (ENGLISH/CHINESE LANGUAGE)	E
	1001237749	Ref	DECAL REFERENCE CHART	H
1	2080040	3	Fastener	
2	2080057	4	Fastener	
3	8990147	1	Holder, Manual	
100	1001239270	1	Master Decal Kit	D
101	1701504	1	Decal - Hydraulic Oil	
102	1701640	1	Decal - Manual	
103	1703819	4	Decal - Direction Arrow	
104	1001248126	1	Decal - Manual Descent Instructions	
105	1704016	2	Decal - Fork Lift	
106	1704277	4	Decal - Lanyard Attach	
107	1704412	1	Decal - Hydraulic Oil	
108	1001132359	1	Decal - Control Box Locate	
109	1001162864	2	Decal - Lift Point/Tie Down	
110	1001212290	1	Decal - Tie Down	
111	1001212291	2	Decal - Lifting Lug	
112	1001237899	1	Decal - Arms Prop	
201	1702155	1	Decal - Battery Disconnect	
202	1705195	1	Decal - Danger/Warning	
203	1001146794	1	Decal - Battery/Charger Service	
204	1001215752	4	Decal - Crushing Hazard	
205	1001211779	4	Decal - Electrocution	
206	1001212292	1	Decal - No Lifting	
207	1001212293	1	Decal - No Forklift	
208	1001237538	1	Decal - Battery Spacer	
209	1704344	2	Decal - Warning Battery Ventilation	
212	1001224051	1	Decal - Yearly Inspection	
213	1001215747	4	Decal - Danger Electrocution	
216	1001244298	1	Decal - Wechat QR Code	

SECTION 8 - DECALS

FIGURE 8-6. DECAL INSTALLATION (CSA SPECS)



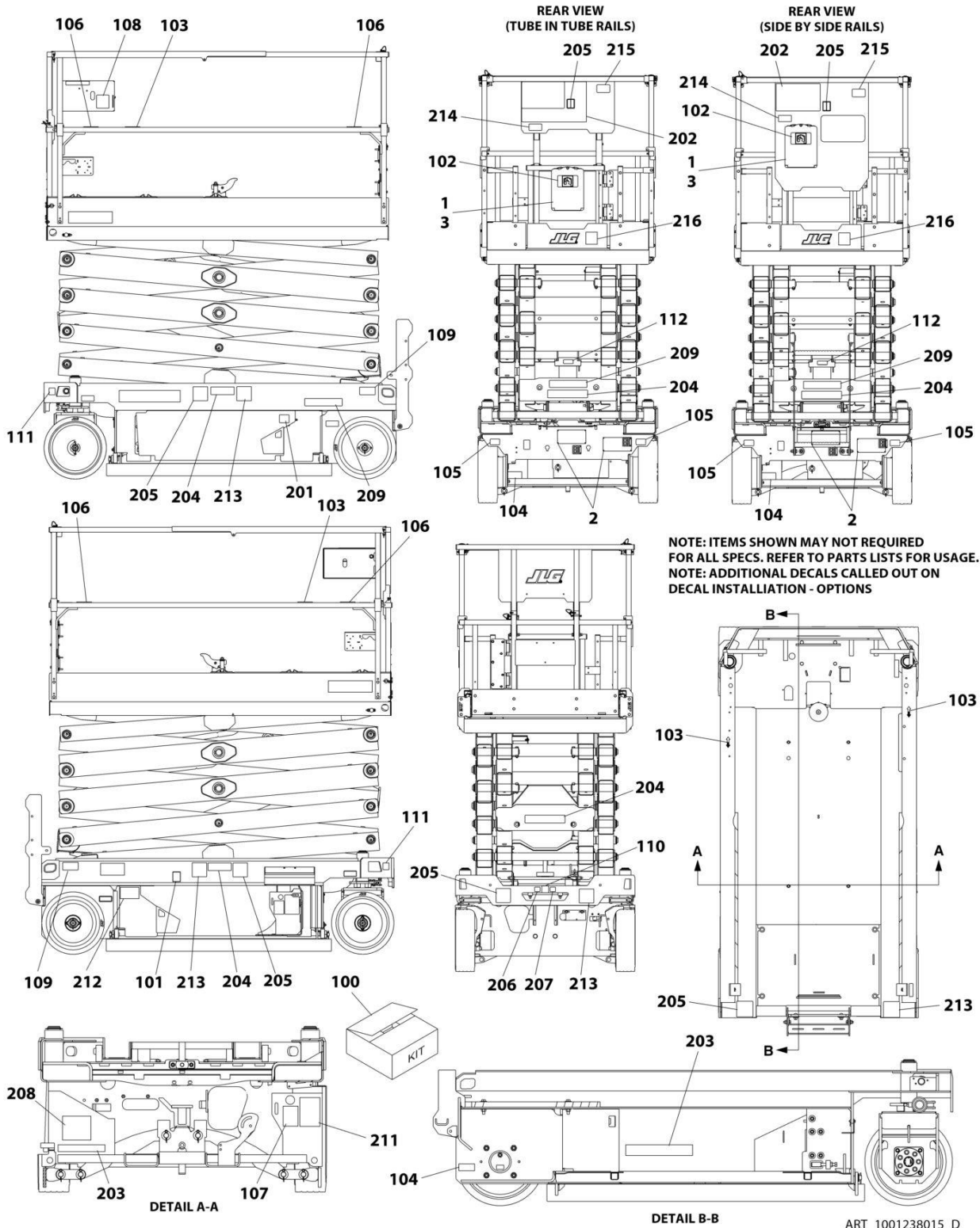
SECTION 8 - DECALS

FIGURE 8-6. DECAL INSTALLATION (CSA SPECS)

ITEM	PART NUMBER	QTY	DESCRIPTION	REV
	1001238019	Ref	DECAL INSTALLATION (ENGLISH/FRENCH LANGUAGE)	C
	1001237749	Ref	DECAL REFERENCE CHART	F
1	2080040	3	Fastener	
2	2080057	4	Fastener	
3	8990147	1	Holder, Manual	
100	1001239270	1	Master Decal Kit	D
101	1701504	1	Decal - Hydraulic Oil	
102	1701640	1	Decal - Manual	
103	1703819	4	Decal - Direction Arrow	
104	1001248126	1	Decal - Manual Descent Instructions	
105	1704016	2	Decal - Fork Lift	
106	1704277	4	Decal - Lanyard Attach	
107	1704412	1	Decal - Hydraulic Oil	
108	1001132359	1	Decal - Control Box Locate	
109	1001162864	2	Decal - Lift Point/Tie Down	
110	1001212290	1	Decal - Tie Down	
111	1001212291	2	Decal - Lifting Lug	
112	1001237899	1	Decal - Arms Prop	
201	1702155	1	Decal - Battery Disconnect	
202	1704684	1	Decal - Danger/Warning	
203	1001146794	1	Decal - Battery/Charger Service	
204	1705311	4	Decal - Crushing Hazard	
205	1001211779	4	Decal - Electrocution	
206	1001212292	1	Decal - No Lifting	
207	1001212293	1	Decal - No Forklift	
208	1001237538	2	Decal - Battery Spacer	
209	1704340	1	Decal - Warning Battery Ventilation	
211	1001131270	1	Decal - Patent	
212	1001223971	1	Decal - Yearly Inspection	
213	1001215749	4	Decal - Danger Electrocution	
214	1001228370	1	Decal - ICES	
215	1001231801	1	Decal - Warning Prop 65	

SECTION 8 - DECALS

FIGURE 8-7. DECAL INSTALLATION (KOREAN SPECS)



ART_1001238015_D

SECTION 8 - DECALS

FIGURE 8-7. DECAL INSTALLATION (KOREAN SPECS)

ITEM	PART NUMBER	QTY	DESCRIPTION	REV
	1001238015	Ref	DECAL INSTALLATION (ENGLISH/KOREAN LANGUAGES)	D
	1001237749	Ref	DECAL REFERENCE CHART	H
1	2080040	3	Fastener	
2	2080057	4	Fastener	
3	8990147	1	Holder, Manual	
100	1001239270	1	Master Decal Kit	D
101	1701504	1	Decal - Hydraulic Oil	
102	1701640	1	Decal - Manual	
103	1703819	4	Decal - Direction Arrow	
104	1001248126	1	Decal - Manual Descent Instructions	
105	1704016	2	Decal - Fork Lift	
106	1704277	4	Decal - Lanyard Attach	
107	1704412	1	Decal - Hydraulic Oil	
108	1001132359	1	Decal - Control Box Locate	
109	1001162864	2	Decal - Lift Point/Tie Down	
110	1001212290	1	Decal - Tie Down	
111	1001212291	2	Decal - Lifting Lug	
112	1001237899	1	Decal - Arms Prop	
201	1702155	1	Decal - Battery Disconnect	
202	1001162115	1	Decal - Danger/Warning	
203	1001146794	1	Decal - Battery/Charger Service	
204	1001215751	4	Decal - Crushing Hazard	
205	1001211779	4	Decal - Electrocution	
206	1001212292	1	Decal - No Lifting	
207	1001212293	1	Decal - No Forklift	
208	1001237538	1	Decal - Battery Spacer	
209	1707022	2	Decal - Warning Battery Ventilation	
212	1001224048	1	Decal - Yearly Inspection	
213	1001215750	4	Decal - Danger Electrocution	

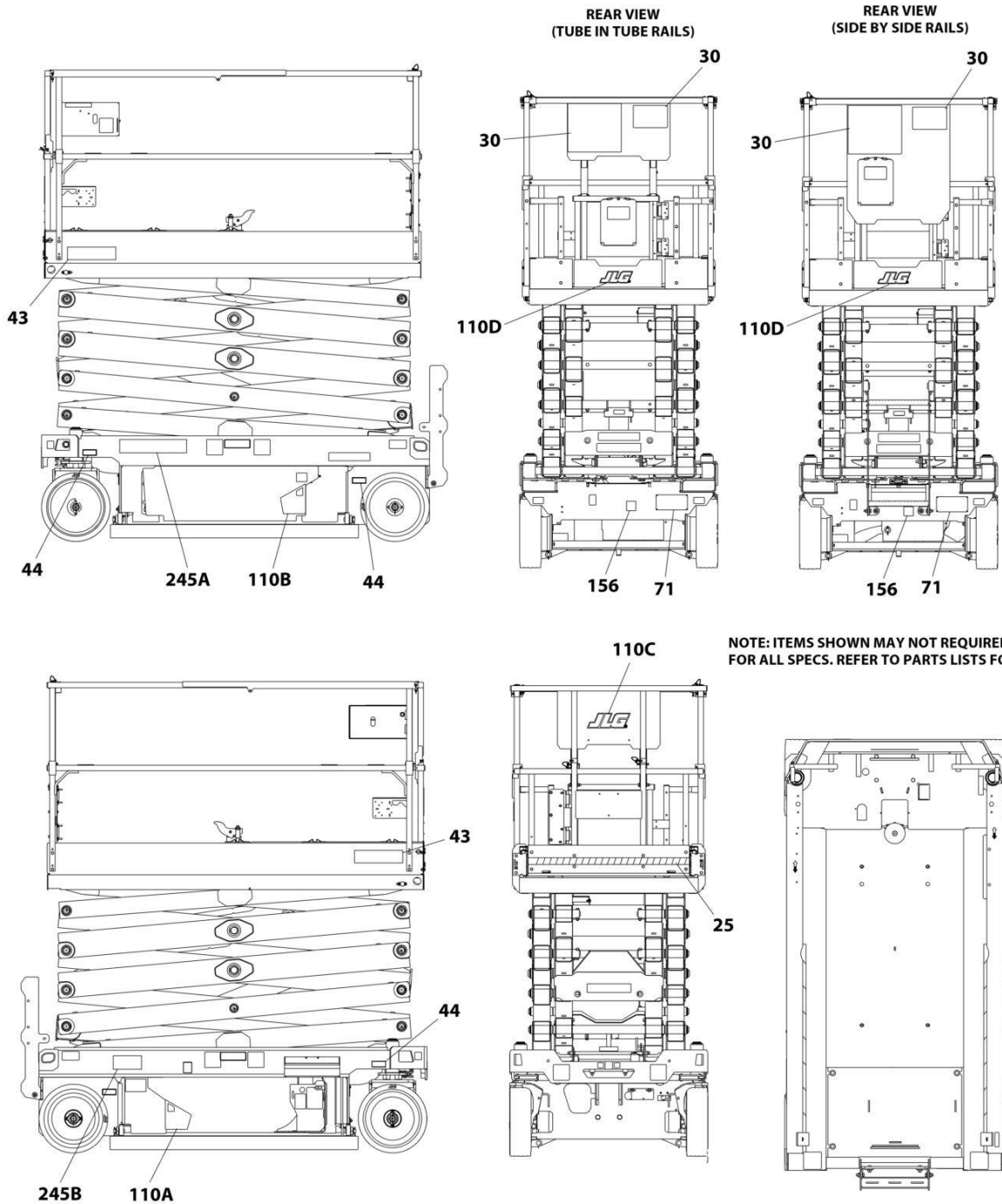
SECTION 8 - DECALS

FIGURE 8-8. DECAL INSTALLATION (LATIN AMERICAN SPECS)

ITEM	PART NUMBER	QTY	DESCRIPTION	REV
	1001238018	Ref	DECAL INSTALLATION (ENGLISH/SPANISH LANGUAGES)	C
	1001237749	Ref	DECAL REFERENCE CHART	F
1	2080040	3	Fastener	
2	2080057	4	Fastener	
3	8990147	1	Holder, Manual	
100	1001239270	1	Master Decal Kit	D
101	1701504	1	Decal - Hydraulic Oil	
102	1701640	1	Decal - Manual	
103	1703819	4	Decal - Direction Arrow	
104	1001248126	1	Decal - Manual Descent Instructions	
105	1704016	2	Decal - Fork Lift	
106	1704277	4	Decal - Lanyard Attach	
107	1704412	1	Decal - Hydraulic Oil	
108	1001132359	1	Decal - Control Box Locate	
109	1001162864	2	Decal - Lift Point/Tie Down	
110	1001212290	1	Decal - Tie Down	
111	1001212291	2	Decal - Lifting Lug	
112	1001237899	1	Decal - Arms Prop	
201	1702155	1	Decal - Battery Disconnect	
202	1704691	1	Decal - Danger/Warning	
203	1001146794	1	Decal - Battery/Charger Service	
204	1705316	4	Decal - Crushing Hazard	
205	1001211779	4	Decal - Electrocution	
206	1001212292	1	Decal - No Lifting	
207	1001212293	1	Decal - No Forklift	
208	1001237538	1	Decal - Battery Spacer	
209	1704339	2	Decal - Warning Battery Ventilation	
212	1001224049	1	Decal - Yearly Inspection	
213	1001215748	4	Decal - Danger Electrocution	

SECTION 8 - DECALS

FIGURE 8-9. DECAL INSTALLATION - OPTIONS



NOTE: ITEMS SHOWN MAY NOT REQUIRED FOR ALL SPECS. REFER TO PARTS LISTS FOR USAGE.

ART_DECAL OPTIONS

SECTION 8 - DECALS

FIGURE 8-9. DECAL INSTALLATION - OPTIONS

ITEM	PART NUMBER	QTY	DESCRIPTION	REV
		Ref	DECAL INSTALLATION - OPTIONS:	
25	1001217894	Ref	Corner Stripes Installation	B
25	4420051	62 in/ 156cm	Tape, Safety	
30		Ref	Decal- Capacity Options	
30	1001237115	1	Decal- Capacity (705 LB/ 320 KG)	
30	1001245409	1	Decal- Capacity (with Dual Languages)	
30	1001237115	1	Decal- Capacity (705 LB/ 320 KG)	
30	1001216865	1	Plate, Decal Mounting (Not Shown)	
30	1001249042	1	Decal- Capacity (705 LB/ 320 KG) (Australian Specs)	
43	1001257175	2	Decal- Model Designation - R3246	
44	1706312	4	Decal- Maximum Tire Load	
71	See Note	NSS	Decal- Manufacturing Serial Number (Note: Not Available for Purchase)	
110	1001255102	Ref	JLG Decal Installation	A
110A	1001255104	1	Decal- JLG	
110B	1001255105	1	Decal- JLG	
110C	1001256675	1	Decal- JLG	
110D	1001256676	1	Decal- JLG	
156	1001173703	1	Decal- EAC (Russian/CIS Specs)	
245	1001236984	Ref	ClearSky Decal Installation	B
245A	1001116208	1	Decal - ClearSky	
245B	1001120989	1	Decal - Radio Frequency	

SECTION 9 - RECOMMENDED SERVICE PARTS STOCK

SECTION 9 - RECOMMENDED SERVICE PARTS STOCK

SECTION 9 - RECOMMENDED SERVICE PARTS STOCK

FIGURE 9-1. RECOMMENDED SERVICE PARTS STOCK

ITEM	PART NUMBER	QTY	DESCRIPTION	REV
		Ref	Note: The following list will service one machine (built to current production per date on the front cover) with emergency repair parts which can be installed in the field. Parts from the list should be replaced when inventory is depleted to keep service parts stock supplied. For further information, contact your JLG dealer or the JLG Industries Parts Department.	
		Ref	STANDARD PARTS	
	70005423	6	Hydraulic Filter Service Kit	
	70006297	1	Coil	
	70005893	1	Coil	
	3740150	1	Relay	
	4360328	1	Switch, Toggle	
	4360469	1	Switch, Key	
	2860030	1	Key, Replacement	
	4360475	1	Switch, Mushroom	
	3080007	1	Magnet, Latch	
	1600402	1	Controller, Drive/Steer	
	4360345	1	Switch, Toggle	
	1001226749	1	Switch, Push Button	
	8229242	2	Fuse 5Amp	
	8229244	2	Fuse 15 Amp	
		Ref	VARIABLE PARTS	
	1001203871	1	Switch, Roller	
	1001186466	1	Sensor, Tilt	
	1001200629	1	Module, Control	
	1001216062	1	Module, Power	
	4360336	1	Switch, Toggle (Machines with Inverter)	
	1001225164	1	Sensor, Pressure Transducer	
	1001235104	1	Sensor, Pressure Transducer	
	1001228112	1	Module, Platform	
	1001181045	1	Breaker 30mAmp/16Amp (CE Specs Machines)	
	1001189171	1	Breaker 30mAmp (CE Specs Machines)	
	1001189172	1	Breaker 16Amp Double (CE Specs Machines)	

SECTION 10 - SPECIAL OPTIONS

SECTION 10 - SPECIAL OPTIONS

FIGURE 10-1. SPECIAL OPTIONS

ITEM	PART NUMBER	QTY	DESCRIPTION	REV
		Ref	Note: This list is to accommodate machines ordered with special equipment. Options may not be applicable to all models. For more specific parts information contact the JLG Parts Department.	
		Ref	SPECIAL OPTIONS	
	1001236903	Ref	Antivandalism Package (Factory Installed)	
	1001249639	Ref	Antivandalism Add-on Kit (Dealer Installed)	
		Ref	ClearSky Installation Options (Factory Installed):	
	1001229107	Ref	ClearSky Installation - 3-Wire (ANSI & CSA Specs)	
	1001233237	Ref	ClearSky Installation - 3-Wire (ANSI Export & CE Specs)	
	1001251146	Ref	ClearSky Installation - Canbus (ANSI, ANSI Export, Australian, CE & CSA Specs)	
		Ref	ClearSky Add-on Kit Options (Dealer Installed):	
	1001237256	Ref	ClearSky Add-on Kit - Canbus (ANSI, ANSI Export & CSA Specs) (Dealer Installed):	
	1001237257	Ref	ClearSky Add-on Kit - Canbus (ANSI Export & CE Specs) (Dealer Installed):	
	1001248502	Ref	ClearSky Add-on Kit - Canbus (Australian Specs) (Dealer Installed):	
	1001248689	Ref	ClearSky Add-on Kit - Access Control (Dealer Installed):	
	1001262959	Ref	Voltage Regulator Location Add-on Kit (Dealer Installed)	
		Ref	Decal Kit Options:	
	1001239270	Ref	Decal Kit - Master	
	1001234319	Ref	Drive Motor Covers installation	
		Ref	Electrical Connector Kits	
	1001148902	Ref	Amp/Tyco Electrical Connector Kit	
	1001148903	Ref	Deutsch DT Electrical Connector Kit	
	1001148904	Ref	Deutsch HD Electrical Connector Kit	
	1001148905	Ref	Packard Electrical Connector Kit	
	1001148906	Ref	Various Electrical Connector Kit	
	1001245768	Ref	European Subassembly Kit	A
	1001218728	Ref	Fire Extinguisher Installation	
	1001248843	Ref	Foot Latch Add-on Kit (Dealer Installed)	
	1001236547	Ref	Footswitch Installation (Japanese & Korean Specs Only)	
	1001220933	Ref	Height Restrictor Switch Installation	
	1001249638	Ref	Inverter Add-on Kit (Dealer Installed)	
	1001250532	Ref	Mobile Control Add-on Kit (Dealer Installed)	
	1001229076	Ref	Noise Reduction Add-on Kit (Dealer Installed)	
	1001229728	Ref	Overhead Protection Add-on Kit (Dealer Installed)	
	1001239115	Ref	Platform Control Box Cover Add-on Kit (Dealer Installed)	
	1001231309	Ref	Platform Extension Handles Add-on Kit (Dealer Installed)	
	1001262557	Ref	Platform Self Closing Gate Add-on Kit (Dealer Installed)	
	1001262558	Ref	Platform Self Closing Gate Add-on Kit (Dealer Installed)	
	1001234453	Ref	Remote Tow Installation	
	1001224583	Ref	Service Kits List	P
	1001301945	Ref	Rail (Spare) Service Kit	
	1001306722	Ref	Rail (Spare) Service Kit (S138)	
	1001254721	Ref	SkySense Level 1 Add-on Kit (Dealer Installed)	
	1001254542	Ref	SkySense Level 2 Add-on Kit (Dealer Installed)	
	1001255669	Ref	SkySense Level 1 Installation (Factory Installed)	
	1001255883	Ref	SkySense Level 2 Installation (Factory Installed)	

SECTION 10 - SPECIAL OPTIONS

ITEM	PART NUMBER	QTY	DESCRIPTION	REV
	1001249229	Ref	Strobe (Single) Light Add-on Kit (Dealer Installed)	
	1001249230	Ref	Strobe (Dual) Light Add-on Kit (Dealer Installed)	
	1001249326	Ref	Strobe (Dual) Light Add-on Kit (Dealer Installed)	
		Ref	Tools for Service	
	2901443	1	Analyzer Kit	
	1001232474	1	Benchtop Harness	
	8896941	1	Wire Stripper	
	7002821	1	Wire Crimper (To install wire ends to wires)	
	7002823	1	Pin/Socket Extractor - Universal (To Remove Pins/Sockets from Connectors)	
	4460467	1	Extractor - 16-18 Gauge (For Removal Pins/Sockets from Deutsch Connectors)	
	4460510	1	Extractor - 12-14 Gauge (For Removal of Pins/Sockets from Deutsch Connectors)	
	7002822	1	Screwdriver, Potentiometer (To Adjust Drive Controllers)	
	7016654	1	Screwdriver, Magnetic	
	7004275	1	Seal Installation Tool - 1in	
	7004276	1	Seal Installation Tool - 1-1/2in	
	7002826	1	Seal Installation Tool - 2in	

PART NUMBER INDEX

0100011....13, 15, 21, 23, 63, 91, 105, 107, 109	1001100342..... 193	1001162115 215	1001209482.....145, 147, 159
0100051....79, 81, 83, 85, 87	1001100345 195	1001162864 203, 205, 207, 209, 211, 213, 215, 217	1001209595..... 113
0140030.....113, 115	1001100346 199	1001162886 167	1001209596..... 113, 115
0140043.....67, 71	1001100347 197	1001162887 75, 167	1001209682.....67, 69
0275216.....141, 191	1001101540 89	1001163340 75, 167	1001209776..... 141, 143, 149, 157
0275217.....143, 193	1001102258 139, 141, 143, 145, 147, 149, 151, 153, 155	1001173703 219	1001210064.....105
0275452.....145, 195	1001102489 ... 25, 27, 29, 31, 37, 39, 41, 43, 45	1001181045 157, 222	1001210079.....73
0275453.....147, 197	1001102771 163, 165	1001182806 55	1001210302..... 107, 109
0275454.....149, 199	1001103012 168	1001186466 23, 222	1001210401...79, 81, 83, 85, 87
0440259.....13, 131	1001103471 .. 33, 35, 155	1001187587 107, 109	1001210440..... 89
0440263.....21	1001104498 168	1001187816 151	1001210586..... 107, 109
0440264.....97	1001110302 21	1001188116 151	1001210605..... 89
0440265.....97	1001112112 83	1001189171 159, 222	1001210605..... 89
0480100.....121, 123	1001113961 168	1001189172 159, 222	1001210878..... 89
063058767, 69, 71, 89	1001116208 219	1001192401 73, 168	1001210879..... 89
0630613.....57, 91, 99	1001116812 . 73, 75, 163, 165, 167	1001194421 187	1001210881..... 89
0700412.....67, 71	1001118274 73, 75	1001196589 168	1001210882..... 89
0700610.....96	1001118812 73, 161	1001196634 165	1001210882..... 89
0700612....21, 23, 75, 96	1001120204 141, 143, 145, 147, 149	1001196635 75	1001210966.....67, 69
0700614....25, 27, 29, 31, 33, 35, 37, 39, 41, 43, 45	1001120205 157, 159	1001197396 13	1001210967..... 89
0700616.....125	1001120989 219	1001199937 15, 17	1001210967..... 89
0700617.....67, 69	1001125483 89	1001200561 ...25, 29, 33, 37	1001210967..... 89
0700618.....107	1001125677 73, 161, 168	1001200629 .. 67, 69, 222	1001212035.....187
0700621.....107, 111	1001128888 96	1001200631 67, 69	1001212036.....187
0700814...33, 35, 96, 141, 143, 145, 147, 149, 155	1001130220 ... 25, 27, 29, 31, 33, 35, 37, 39, 41, 43, 45, 59, 67, 69, 96, 113, 115	1001200632 77	1001212187..... 19
0700815.....21	1001130590 67, 69	1001200812 171, 179	1001212290.....203, 205, 207, 209, 211, 213, 215, 217
0700817.....91, 121, 123	1001131270 203, 213	1001200819 113, 115, 187	1001212291.....203, 205, 207, 209, 211, 213, 215, 217
0700818.....107, 109, 111	1001132358 113, 115	1001201708 ...79, 81, 83, 85, 87	1001212292.....203, 205, 207, 209, 211, 213, 215, 217
0700819.....63, 103, 119	1001132359 203, 205, 207, 209, 211, 213, 215, 217	1001201711 ...79, 81, 83, 85, 87	1001212293.....203, 205, 207, 209, 211, 213, 215, 217
0700823.....21	1001132361 113, 115	1001201885 167, 187	1001212294.....63
0700825.....63	1001134280 33, 35	1001202184 175, 181	1001212294.....63
0700835.....113, 115	1001134821 119	1001202773 15	1001213415..... 109
0701015.....91, 96	1001136757 89	1001202851 63	1001213416..... 109
0701018.....96	1001137675 96, 105	1001202987 21	1001213416..... 109
0701019.....99, 125	1001139000 96	1001202988 21	1001213448.....168
0701021.....96	1001139002 96	1001203450 63	1001213470.....105
0701024.....96, 99	1001139003 96	1001203835 135	1001213597.....21
0701219.....96	1001142173 89	1001203869 21	1001213838.....105
0760408....139, 141, 143, 145, 147, 149, 151	1001142174 89	1001203870 21	1001213886..... 113, 115
0760608.....109	1001143009 89	1001203871 21, 222	1001213915.....107
0760610....41, 59, 67, 69, 89, 113, 115, 119, 155	1001143010 89	1001203872 21	1001213916.....107
0760612....25, 27, 29, 31, 33, 35, 37, 39, 55	1001143501 135	1001204495 55	1001213928..... 19
0760810.63, 75, 105, 107	1001144147 .. 73, 75, 161	1001204719 63	1001213931.....107
0760812.....73	1001144295 168	1001205345 96	1001213931.....107
0760827.....63	1001144296 168	1001205409 75, 167	1001214151..... 113, 115
0761012.....63	1001146794 203, 205, 207, 211, 213, 215, 217	1001205410 167	1001214217.....23
0761014.....105	1001146795 209	1001205411 167	1001214229.....121
0761015.....57	1001146963 96	1001205412 167	1001214347.....85
0761019.....13, 109	1001148902 224	1001205422 105	1001214526.....21
0761221.....91	1001148903 224	1001205430 105	1001214528.....21
0861731189, 195, 197, 199	1001148904 224	1001205598 43, 45	1001214534.....21
0861781.....191, 193	1001148905 224	1001205751 13	1001214689.....96
0861880.....157	1001148906 224	1001206995 41	1001214810.....91
0961948.....129	1001151629 167	1001207009 ...25, 27, 29, 31, 33, 35, 37, 39	1001214810.....91
0962272.....97	1001152483 159	1001207293 77	1001214924..... 113, 115
1001047064..... 113, 115	1001154378 107, 109	1001207494 67, 69	1001215216.....49, 53
1001091102....21, 47, 49, 51, 53, 67, 71	1001157547 89	100120797029, 31, 41	1001215434.....63
1001097150.....155	1001159186 167, 187	1001207973 45	1001215446.....111
1001100341.....191		1001207974 ...25, 27, 33, 35, 43	1001215747.....211
		1001208852 105	1001215748.....207, 217
			1001215749.....213
			1001215750.....215
			1001215751.....215

1001215752.....	211	1001232622.....	107	1001236139....	25, 27, 29,	1001239224 ...	47, 49, 51,
1001215762.....	67, 69	1001233237.....	224	31, 33, 35, 37,	39, 41,	53	
1001215953.....	21	1001233449.....	13, 131	43, 45		1001239269 ...	81, 83, 85,
1001216062 ..	67, 69, 222	1001233795.....	96, 185	1001236165.....	96	87	
1001216180.....	81	1001234006.....	107, 109	1001236167.....	96	1001239270	203, 205,
1001216648.....	207	1001234007.....	107, 109	1001236169.....	97	207, 209, 211,	213,
1001216650.....	207	1001234008.....	107, 109	1001236170.....	97	215, 217, 224	
1001216865.....	219	1001234093.....	171	1001236171.....	97	1001239386	71
1001217059.....	23	1001234094.....	175	1001236172.....	97	1001239389	183
1001217164.....	157, 159	1001234095.....	173	1001236269.....	97	1001239479	97
1001217457.....	96	1001234096.....	177	1001236348.....	97	1001239661	51, 53
1001217894.....	219	1001234141.....	109	1001236486.....	97	1001239892	99
1001218307.....	21	1001234142.....	109	1001236487.....	97	1001239894	99
1001218573.....	91	1001234204.....	96	1001236488.....	97	1001239899	99
1001218728.....	224	1001234266.....	109	1001236531.....	59	1001239904	99
1001220409.....	119	1001234267.....	109	1001236547.....	224	1001239943	99
1001220410.....	119	1001234268.....	107, 109	1001236621.....	121, 123	1001241662	97
1001220893.....	113, 115	1001234316.....	13	1001236632.....	81	1001241663	97
1001220933.....	224	1001234317.....	57	1001236800.....	135	1001241664	97
1001220995.....	119	1001234319.....	224	1001236801.....	135	1001241665	97
1001221244.....	125	1001234336.....	103	1001236802.....	135	1001241666	97
1001221275.....	125	1001234380.....	103	1001236803.....	135	1001241667	97
1001221276.....	125	1001234381.....	105	1001236804.....	135	1001241668	97
1001221949.....	37, 39	1001234382.....	109	1001236806.....	135	1001241669	97
1001222861.....	107	1001234383.....	107	1001236807.....	135	1001241670	97
1001222869.....	107	1001234407.....	105	1001236808.....	135	1001241671	97
1001222914.....	125	1001234453.....	224	1001236809.....	135	1001242539	51, 53
1001223053.....	107	1001234479.....	67, 167	1001236903.....	224	1001242697	51
1001223055.....	203	1001234529.....	15	1001236968.....	59	1001242988	47
1001223165.....	107	1001234628.....	63	1001236984.....	219	1001242989	49
1001223166.....	107	1001234629.....	63	1001237115.....	219	1001242990	53
1001223262.....	177	1001234631.....	171, 173,	1001237256.....	224	1001243348	97
1001223263.....	173	175, 177, 183		1001237257.....	224	1001243534	33
1001223650.....	179	1001234797.....	21	1001237400.....	139	1001244298	211
1001223651.....	181	1001234798.....	21	1001237401.....	153	1001244323	155
1001223971.....	213	1001234838.....	13	1001237538.....	203, 205,	1001244394	75
1001224048.....	215	1001234842.....	57	207, 209, 211,	213,	1001244417	96, 129
1001224049.....	217	1001234858.....	91	215, 217		1001244644	35
1001224051.....	211	1001234862.....	91	1001237749.....	203, 205,	1001244885	75
1001224052.....	207	1001235008.....	67	207, 209, 211,	213,	1001244900	155
1001224583.....	224	1001235104.....	96, 222	215, 217		1001245293	75
1001225164.....	96, 222	1001235105....	25, 27, 29,	1001237824.....	97	1001245299	75
1001226277.....	125	31, 33, 35, 37,	39	1001237887.....	69	1001245353	75
1001226749.....	222	1001235106.....	79	1001237899.....	203, 205,	1001245409	219
1001226901.....	125	1001235152.....	29	207, 209, 211,	213,	1001245739	155
1001227219.....	33, 35	1001235153.....	25	215, 217		1001245744	155
1001227267 ..	33, 35, 155	1001235154.....	45	1001237911.....	107	1001245747	155
1001227268.....	155	1001235156.....	43	1001237989.....	83	1001245768	224
1001227728.....	125	1001235157.....	41	1001237991.....	85	1001247706	103
1001227855.....	21	1001235158.....	37	1001238014.....	203	1001247707	96
1001228112.....	222	1001235286.....	107	1001238015.....	215	1001248126	203, 205,
1001228123 ...	79, 81, 83,	1001235287.....	107	1001238016.....	211	207, 209, 211,	213,
85, 87		1001235498.....	121, 123	1001238017.....	207	215, 217	
1001228184.....	125	1001235509.....	121	1001238018.....	217	1001248502	224
1001228370.....	203, 213	1001235559.....	67, 69	1001238019.....	213	1001248679	63, 65
1001228388.....	163	1001235560.....	111	1001238020.....	209	1001248689	224
1001229076.....	224	1001235561.....	111	1001238021.....	205	1001248768	75
1001229107.....	224	1001235590.....	103	1001238130.....	145	1001248773	73
1001229110 ...	79, 81, 83,	1001235834.....	79	1001238131.....	147	1001248843	224
85, 87		1001235849.....	123	1001238132.....	149	1001249042	219
1001229728.....	224	1001235941.....	121	1001238133.....	141	1001249054	87
1001229739.....	107	1001235946....	41, 43, 45	1001238134.....	143	1001249229	225
1001229740.....	107	1001235954.....	89	1001238135.....	151	1001249230	225
1001229741.....	107	1001235955.....	57	1001238198.....	141, 143,	1001249326	225
1001229742.....	107	1001235959.....	109	145, 147, 149,	155	1001249638	224
1001229792.....	91	1001235960.....	107	1001238392.....	73	1001249639	224
1001231309.....	224	1001236132.....	89	1001238684.....	97	1001249890	33
1001231801.....	203, 213			1001239115.....	224	1001250532	224
1001232474.....	225					1001251146	224

1001253653.....	31	1704277 ...	107, 203, 205,	3291006	99, 109, 125	4360475	67, 69, 113, 115,
1001253654.....	27	207, 209, 211, 213,		3291007	91, 96	222	
1001253655.....	39	215, 217		3291201	91	4420051.....	219
1001253656.....	35	1704339	217	3291207	96	4420062	63, 97, 107, 109,
1001253952....	27, 31, 35,	1704340	213	3321402	96	113, 115, 121, 123	
	39	1704341	207	3331211	15	4460042.....	167
1001254027....	27, 31, 35,	1704344	211	3422219	109	4460115.....	167
	39, 73, 161	1704412 ...	203, 205, 207,	3422661	121, 123	4460138.....	139
1001254028....	27, 31, 35,	209, 211, 213, 215, 217		3422998	96	4460183.....	167, 187
	39, 163, 165	1704684	213	3423037	13	4460226.....	167
1001254542.....	224	1704691	217	3423243	91	4460227....	25, 27, 29, 31,
1001254721.....	224	1704699	207	3423278	113, 115	33, 35, 37, 39, 163, 167	
1001255102.....	219	1705195	211	3430636	21	4460234.....	125
1001255104.....	219	1705311	213	3430813	105	4460247.....	167
1001255105.....	219	1705316	217	3430816	105	4460256.....	167
1001255669.....	224	1705670	205, 209	3431212	21	4460259.....	167
1001255883.....	224	1705671	205, 209	3431218	21	4460260.....	167
1001256675.....	219	1705673	205, 209	3450303	91	4460265.....	187
1001256676.....	219	1706312	219	3450403	21, 105	4460267.....	187
1001257175.....	219	1707022	215	3450505	21	4460315.....	139, 151
1001258356.....	73	2080040 ...	105, 107, 109,	3450508	19	4460320.....	167
1001258446.....	115	203, 205, 207, 209,		3520072	99, 107, 109	4460346.....	189
1001258498.....	87	211, 213, 215, 217		3740150 ..	67, 71, 89, 222	4460418.....	89, 167, 187
1001258665.....	113, 115	2080057 ...	203, 205, 207,	3760115	96	4460419.....	89
1001258691.....	73	209, 211, 213, 215, 217		3760217	13	4460424....	25, 27, 29, 31,
1001262221.....	115	2220372	135	3760387	96	33, 35, 37, 39, 163	
1001262557.....	224	2220373	135	3820019	111	4460464....	49, 53, 55, 73,
1001262558.....	224	2220375	135	3841143	91, 96	75, 89, 125, 163, 165,	
1001262655.....	115	2220497	135	3841203	96	168, 171, 173, 175,	
1001262959.....	224	2220502	135	3860104	96	177, 179, 181, 183,	
1001274559.....	67, 69	2220628	135	3860111	109, 111	185, 187	
1001283410.....	71	2220883	129	3900381	33, 35	4460465....	47, 49, 51, 53,
1001301945.....	224	2400060	75, 163, 165,	3910804	67, 69	73, 75, 125, 163, 165,	
1001306722.....	224	167		3990001	165	167, 168, 171, 173,	
1001380008.....	63, 135	2420172	67, 69	4010310	47, 49, 51, 53	175, 177, 179, 181,	
1001380010.....	96	2560088	111	4010408	119, 155	183, 185	
1001380024.....	99	2560190	111	4010608	96, 107, 109	4460466..	73, 75, 89, 125,
1001380040.....	91	2600281	107, 109	4010610 ...	141, 143, 145,	161, 163, 165, 167,	
1001380041.....	91	2860030	67, 69, 222	147, 149		171, 173, 175, 177,	
1001380042.....	91	2901443	225	4010616	109	179, 181, 185, 187	
1001380058.....	21	2902431	139, 189	4010617	107, 109	4460467.....	225
1060379.....	121, 123	3080007 ...	107, 109, 222	4010618	107, 109	4460496.....	113, 115
1060908.....	157, 159	3121792	75	4031509	113, 115	4460497.....	113, 115
1060998....	79, 81, 83, 85,	3252507 ...	143, 145, 147,	4031511	21	4460510.....	225
	87	149, 151, 153		4031512	96	4460536.....	125
1062255.....	73	3290305 ...	47, 49, 51, 53	4031707	43, 45	4460539....	168, 173, 177,
1321293....	25, 27, 29, 31,	3290405 ...	21, 67, 71, 89,	4031708	23, 43, 45	185	
	37, 39, 41, 43, 45, 89	96, 113, 115, 119, 139,		4060803	113, 115	4460662....	145, 147, 149,
1321752.....	63	141, 143, 145, 147,		4060906	113, 115	189	
1380132.....	111	149, 151, 155		4060944	167	4460754....	171, 173, 175,
1380153.....	13	3290505	33, 35	4160078	96	177, 179, 181	
1600402....	113, 115, 117,	3290601	23, 155	4160202	21	4460761.....	167
	222	3290605 ...	25, 27, 29, 31,	4160214	91	4460871....	163, 165, 168
1671207.....	189	33, 35, 37, 39, 41, 43,		4240017 ...	25, 27, 29, 31,	4460872.....	163, 165
1701504....	203, 205, 207,	45, 55, 67, 69, 71, 75,		33, 35, 37, 39, 41, 43,		4460877.....	167
	209, 211, 213, 215, 217	89, 96, 141, 143, 145,		45, 63, 67, 69, 71, 75,		4460884	73, 75, 165, 167,
1701640....	203, 205, 207,	147, 149		79, 81, 83, 85, 87, 89,		185	
	209, 211, 213, 215, 217	3290606 ...	107, 109, 111,	96, 125, 139, 141, 143,		4460891....	47, 49, 51, 53,
1702155....	203, 205, 207,	119, 125		145, 147, 149, 151,		125, 163, 165, 167,	
	209, 211, 213, 215, 217	3290801	21, 63	153, 155, 171, 173,		168, 173, 177, 185	
1703464.....	139, 141	3290805 ...	21, 33, 35, 63,	175, 177, 179, 181, 183		4460894....	167, 171, 173,
1703813.....	203	91, 96, 103, 105, 121,		4240018	49, 53	175, 177, 183	
1703816.....	203	123, 141, 143, 145,		4240032	73	4460897....	49, 53, 55, 89,
1703819....	113, 115, 203,	147, 149, 155		4240147	21	163, 165, 167, 173, 177	
	205, 207, 209, 211,	3290806 ...	107, 109, 111,	4360328	67, 69, 222	4460899....	171, 173, 175,
	213, 215, 217	113, 115, 119		4360336	89, 222	177, 179, 181, 183	
1704016....	203, 205, 207,	3291001	13	4360345	113, 222	4460905....	163, 165, 168
	209, 211, 213, 215, 217	3291005 ...	57, 63, 91, 99,	4360469	67, 69, 222	4460932.....	73, 75, 165
1704260.....	113, 115	105				4460933.....	73, 161, 167

446094373, 75, 161, 171, 173, 175, 177, 179, 181, 183	4811900 ... 21, 63, 73, 75, 96, 103, 105, 107, 109, 111, 113, 115, 141, 143, 145, 147, 149, 155	70005809.....17	70007596 65
446094473, 75, 161, 163, 165, 167, 171, 173, 175, 177, 183	4811902 ... 21, 33, 35, 63, 91, 107, 119, 121, 123	70005812.....17	70007597 65
4460956 157	4812000 ... 13, 21, 63, 91, 96, 99, 105, 109, 125	70005813.....17	70007598 65
4460957 157	4812002 57, 91	70005814.....17	70007599 65
4460968 151	4812500 21	70005815.....63	70007600 65
4460970 185	4831600 33, 35	70005816.....63	70007601 65
4461016 187	4846757 13	70005817.....63	70007602 65
4461023 167	4923328 ... 79, 81, 83, 85, 87	70005893.....65, 222	70007946 63
4461196 191	5241200 15	70005898.....65	70021209 65
4461198 191	5271808 63	70005899.....65	70022564 129
4461199 193	5272117 15	70005900.....65	70023369 129
4461201 193	5272122 15	70005903.....65	7002821 225
4461205 195, 197	70000082 117	70005909.....65	7002822 225
4461244 195	70000084 117	70005911.....65	7002823 225
4461245 197	70000078 17	70005918.....15	7002826 225
4461246 199	70000278 17	70005919.....15	7004275 225
4461249 199	70000683 117	70006295.....63	7004276 225
4461257 141, 143	70000684 117	70006296.....63	70050795 129
4461258 141, 143	70000685 117	70006297.....63, 222	7016654 225
4711700 113, 115	70000686 117	70006298.....63	7020175.67, 69, 113, 115
4711800 105	70001250 117	70006299.....63	7020176.67, 69, 113, 115
4740086 21	70001251 117	70006301.....65	7023308 17
4740438 96	70001252 117	70007050.....129	7023310 17
4740531 96	70001253 117	70007051.....129	7023311 17
4811400 89, 113, 115, 119, 139, 141, 143, 145, 147, 149, 151, 155	70003636 131	70007052.....129	7023315 17
4811700 ... 55, 67, 69, 71, 75, 89, 107, 109, 113, 115, 119, 141, 143, 145, 147, 149, 155	70003650 117	70007053.....129	7023318 17
4811702 ... 21, 23, 25, 27, 29, 31, 33, 35, 37, 39, 41, 43, 45, 59, 96, 111	70004164 63	70007054.....129	7023319 17
	70004465 63	70007055.....129	7023324 17
	70004585 129	70007056.....129	7023328 17
	70005236 129	70007074.....131	7027365 117
	70005423 63, 222	70007075.....131	7027367 117
	70005806 17	70007076.....131	7027765 117
	70005807 17	70007077.....131	7027766 117
	70005808 17	70007078.....131	8229242 168, 222
		70007079.....131	8229244 168, 222
		70007080.....131	8750014 63
		70007593.....65	8896941 225
		70007594.....65	8990147 ... 203, 205, 207, 209, 211, 213, 215, 217
		70007595.....65	



Corporate Office
JLG Industries, Inc.
1 JLG Drive
McConnellsburg, PA 17233-9533 USA
☎ **(717) 485-5161 (Corporate)**
☎ **(877) 554-5438 (Customer Support)**
📠 **(717) 485-6417**

Visit our website for JLG Worldwide Locations.
www.jlg.com



OSHKOSH™