



Illustrated Parts Manual

Model 260MRT

PVC
1910
2004

P/N
31215867

October 1, 2020 - Rev C

ANSI

CE



AS/NZS



An Oshkosh Corporation Company

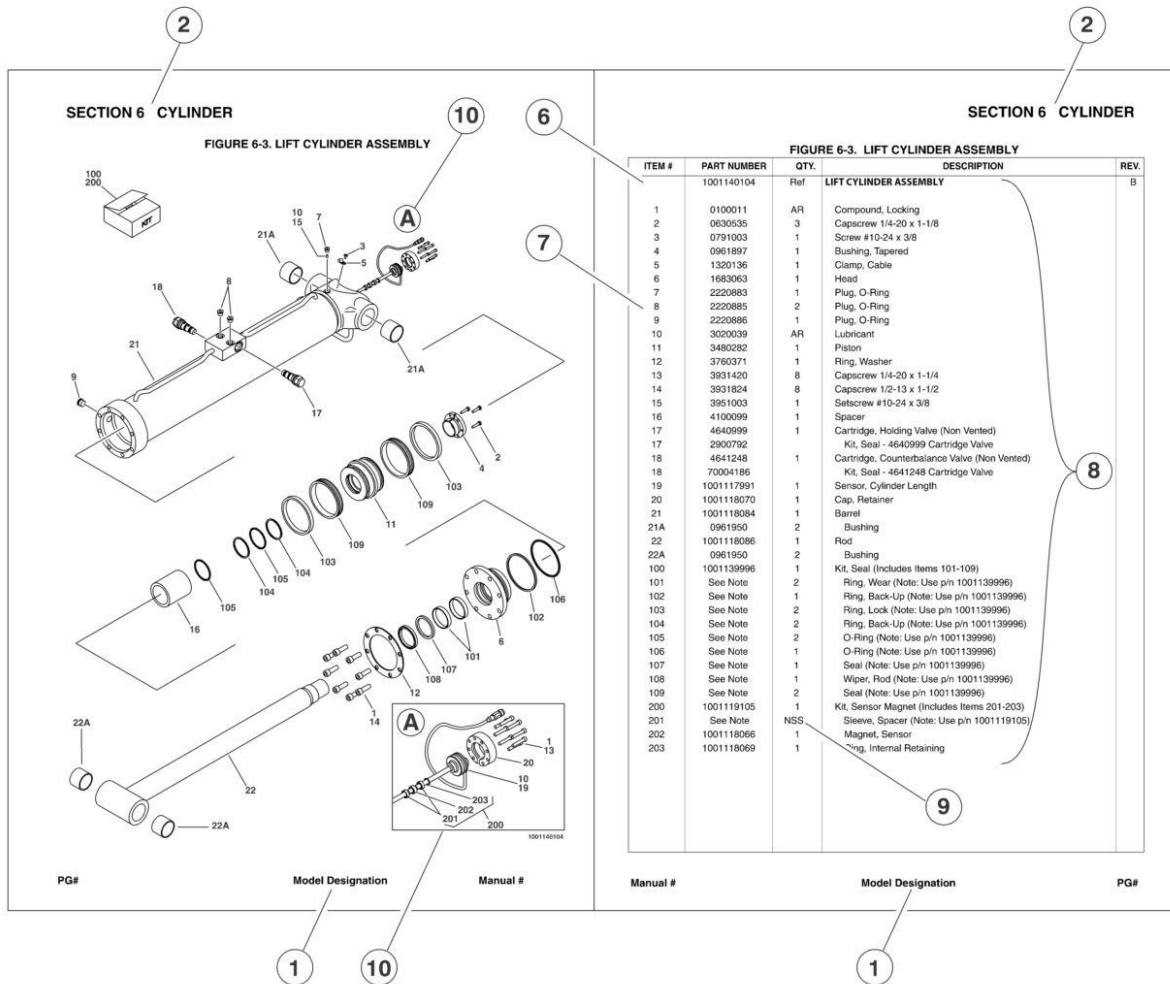
REVISION LOG

November 18, 2019 - A - Original Issue Of Manual

March 15, 2020 - B - Revised Manual (Edited to B/M 1001249141 Revision C)

October 1, 2020 - C - Revised Manual (Edited to B/M 1001249141 Revision E)

GENERAL INFORMATION



1) MACHINE IDENTIFICATION

Machines are identified by model and in some cases a combination of models, serial number (SN) or regional standard (i.e. ANSI, CE, CSA). Components may also be identified by SN or manufacturer. Common components that may be identified by these characteristics are engines and hydraulic components.

2) PARTS MANUAL ORGANIZATION

Product information in this manual is organized under section titles. Frame, Cylinder, Hydraulic and Electrical are a few examples. Each section is organized by figure and page number. The information within the Figure is then organized by item number, part number, description and corresponding illustration (s).

3) TABLE OF CONTENTS

A table of contents is found toward the beginning of the manual. Figure number, description and page number are provided for quick reference to the page containing the related information.

4) RECOMMENDED SPARE PARTS

The Recommended Spare Parts, located near the end of the manual, reference most frequently used maintenance parts.

5) PART NUMBER INDEX

A numerical index listing all part numbers and the corresponding page number(s) appears at the back of the manual.

GENERAL INFORMATION

6) NON-SERVICED PARTS

In some instances, it is necessary to display non-serviced parts, assemblies or installations. In the case of assemblies and installations there will be a Ref in the Qty column. In case of parts that are not available for service within assemblies or components, there will be a NSS (Not Sold Separately) or NLA (No Longer Available) listed in the Qty. column of the manual.

7) PARTS LIST ITEM NUMBERS

Numbers shown in the item# column correspond to numbers used in the associated illustration (s). Item numbers which are missing from the sequence in the parts list are not used on that page

8) INDENTED PARTS DESCRIPTION

An indented part description is included in the item under which it is indented.

9) ABBREVIATION AND SYMBOLS

AC.....	.. Alternating Current	LCD.....	Liquid Crystal Display
ADE.....	Advanced Design Electronics	LED.....	Light Emitting Diodes
ANSI.....	American National Standards Institute	LH.....	Left Hand
AR.....	..AsRequired	LSS.....	..Load SensingSystem
ASSY.....	Assembly	M(m).....	Metric/Meter
AUX.....	Auxiliary	MM (mm).....	Milimeter
AWG.....	..American WireGauge	mA.....	Miliamps
B/M.....	Bill of Material	NLA.....	No Longer Available
CE.....	..European Conformity	NPT.....	National PipeThreads
CCW.....	..Counter Clockwise	NSS.....	..Not Sold Separately
cm.....	Centimeter	OD.....	..Outside Diameter
CW.....	..Clockwise	ORB.....	O-Ring Boss
CSA.....	..Canadian StandardAssociation	ORFS.....	O-Ring Face Seal
CYL.....	Cylinder	OZ (oz).....	..Ounces
DIA.....	Diameter	PG.....	..Page
DC.....	Direct Current	P/N.....	..Part Number
EMS.....	Emergency Stop	qt.....	..Quarts
ENG.....	Engine	QTY.....	..Quantity
FT (ft).....	Feet	REF.....	..Reference
GA (Ga).....	Gauge	REV.....	..Revision Level
HYD.....	Hydraulic	RH.....	..Right Hand
Hz.....	Hertz	SAE.....	Society of Automotive Engineers
ID.....	Inside Diameter	SN.....	..Serial Number
in.....	inches	SPEC(S).....	..Specifications
ISO.....	International Organization for Standards	T/T.....	..Turntable
JIC.....	Joint Industry Council	UGM.....	..Universal Ground Module
KG.....	Kilogram	V.....	..Volts
L.....	Liter	W.....	..Watts
LB.....	Pounds	#.....	..Number

10) ILLUSTRATION REFERENCE LETTERS

When necessary, illustrations may contain reference letters that are intended to track information (i. e. hoses, harnesses) from one point to another or to track visual enlargement of components to show details that may be located in another area on the illustration.

Note: Due to continuous product improvements, JLG Industries, Inc. reserves the right to make specification changes without prior notification. Contact JLG Industries, Inc. for updated information.

TABLE OF CONTENTS

SECTION 1 - FRAME.....	11
FIGURE 1-1. STEERING AND DRIVE INSTALLATION - 4WD (2WS).....	12
FIGURE 1-2. MOTOR/BRAKE/HUB ASSEMBLY (REAR)	14
FIGURE 1-3. DRIVE MOTOR ASSEMBLY (FRONT).....	16
FIGURE 1-4. TIRE AND WHEEL INSTALLATION - 26 X 12 FOAM FILLED	18
FIGURE 1-5. TIRE AND WHEEL INSTALLATION - 26 X 12 FOAM FILLED NON-MARKING	20
FIGURE 1-6. STATIC STRAP INSTALLATION.....	22
FIGURE 1-7. ELEVATION SWITCH INSTALLATION (STANDARD)	24
FIGURE 1-8. ELEVATION SWITCH INSTALLATION (AUTO LEVEL LEVELING JACKS) (ALL MACHINES EXCEPT MACHINES WITH LEVEL AT 6 DEGREE SLOPE).....	26
FIGURE 1-9. ELEVATION SWITCH INSTALLATION (AUTO LEVEL LEVELING JACKS) (MACHINES WITH LEVEL AT 6 DEGREE SLOPE) (AUSTRALIAN SPECS)	28
FIGURE 1-10. HORN INSTALLATION	30
FIGURE 1-11. MOTION ALARM INSTALLATION	32
FIGURE 1-12. LADDER INSTALLATION (ALL MACHINES EXCEPT MACHINES WITH LEVEL AT 6 DEGREE SLOPE).....	34
FIGURE 1-13. LADDER INSTALLATION (MACHINES WITH LEVEL AT 6 DEGREE SLOPE) (AUSTRALIAN SPECS)	36
FIGURE 1-14. LP TANK BRACKETS INSTALLATION	38
FIGURE 1-15. LEVELING JACKS AUTO LEVEL INSTALLATION (ALL MACHINES EXCEPT MACHINES WITH LEVEL AT 6 DEGREE SLOPE)	40
FIGURE 1-16. LEVELING JACKS AUTO LEVEL INSTALLATION (MACHINES WITH LEVEL AT 6 DEGREE SLOPE) (AUSTRALIAN SPECS).....	42
FIGURE 1-17. LEVELING JACK ASSEMBLY (ALL MACHINES EXCEPT MACHINES WITH LEVEL AT 6 DEGREE SLOPE)....	44
FIGURE 1-18. LEVELING JACK ASSEMBLY (MACHINES WITH LEVEL AT 6 DEGREE SLOPE) (AUSTRALIAN SPECS)	46
FIGURE 1-19. LEVELING JACK CONTROL VALVE ASSEMBLY	48
SECTION 2 - GROUND CONTROLS	51
FIGURE 2-1. CONTROL VALVES AND TANK INSTALLATION (DIESEL MACHINES)	52
FIGURE 2-2. CONTROL VALVES AND TANK INSTALLATION (DUAL FUEL MACHINES)	54
FIGURE 2-3. MAIN VALVE ASSEMBLY	56
FIGURE 2-4. FLOW DIVIDER ASSEMBLY	58
FIGURE 2-5. HYDRAULIC OIL TANK ASSEMBLY.....	60
FIGURE 2-6. FUEL TANK ASSEMBLY	62
FIGURE 2-7. GROUND CONTROLS INSTALLATION (DIESEL MACHINES WITHOUT LEVELING JACKS) (ALL SPECS EXCEPT CE SPECS).....	64
FIGURE 2-8. GROUND CONTROLS INSTALLATION (DIESEL MACHINES WITHOUT LEVELING JACKS) (CE SPECS).....	66
FIGURE 2-9. GROUND CONTROLS INSTALLATION (DUAL FUEL MACHINES WITHOUT LEVELING JACKS) (ALL SPECS EXCEPT AUSTRALIAN AND CE SPECS).....	68
FIGURE 2-10. GROUND CONTROLS INSTALLATION (DIESEL MACHINES WITH LEVELING JACKS) (ALL SPECS EXCEPT CE SPECS)	70
FIGURE 2-11. GROUND CONTROLS INSTALLATION (DIESEL MACHINES WITH LEVELING JACKS) (CE SPECS)	72
FIGURE 2-12. GROUND CONTROLS INSTALLATION (DUAL FUEL MACHINES WITH LEVELING JACKS) (ALL SPECS EXCEPT AUSTRALIAN AND CE SPECS).....	74
FIGURE 2-13. GROUND CONTROL BOX ASSEMBLY (DIESEL MACHINES) (ALL SPECS EXCEPT CE SPECS).....	76
FIGURE 2-14. GROUND CONTROL BOX ASSEMBLY (DIESEL MACHINES) (CE SPECS)	78
FIGURE 2-15. GROUND CONTROL BOX ASSEMBLY (DUAL FUEL MACHINES) (ALL SPECS EXCEPT AUSTRALIAN AND CE SPECS)	80
FIGURE 2-16. BEACON LIGHT INSTALLATION.....	82
FIGURE 2-17. HOODS INSTALLATION	84
FIGURE 2-18. HOOD VENT INSTALLATION	86
SECTION 3 - ENGINE	89
FIGURE 3-1. KUBOTA ENGINE INSTALLATION (DUAL FUEL)	90
FIGURE 3-2. KUBOTA ENGINE POWERPLANT ASSEMBLY (DUAL FUEL)	92
FIGURE 3-3. KUBOTA ENGINE ASSEMBLY (DUAL FUEL)	94
FIGURE 3-4. ENGINE COMPONENTS - KUBOTA DUAL FUEL	96
FIGURE 3-5. KUBOTA ENGINE INSTALLATION (DIESEL)	98
FIGURE 3-6. KUBOTA ENGINE POWERPLANT ASSEMBLY (DIESEL)	100
FIGURE 3-7. KUBOTA ENGINE ASSEMBLY (DIESEL)	102
FIGURE 3-8. KUBOTA ENGINE THROTTLE INSTALLATION (DIESEL)	104
FIGURE 3-9. ENGINE COMPONENTS - KUBOTA DIESEL	106
FIGURE 3-10. VARIABLE DISPLACEMENT PUMP ASSEMBLY	110
FIGURE 3-11. GEAR PUMP ASSEMBLY	114
FIGURE 3-12. GENERATOR INSTALLATION.....	116

TABLE OF CONTENTS

SECTION 4 - SCISSORS ARMS	119
FIGURE 4-1. SCISSOR ARMS INSTALLATION (ALL MACHINES EXCEPT MACHINES WITH LEVEL AT 6 DEGREE SLOPE)	120
FIGURE 4-2. SCISSOR ARMS INSTALLATION (MACHINES WITH LEVEL AT 6 DEGREE SLOPE) (AUSTRALIAN SPECS) ..	124
FIGURE 4-3. ARM GUARDS INSTALLATION	128
FIGURE 4-4. ARM GUARDS ATTACH	130
SECTION 5 - PLATFORM	133
FIGURE 5-1. PLATFORM AND EXTENSION INSTALLATION - WITHOUT D-RINGS	134
FIGURE 5-2. PLATFORM AND EXTENSION INSTALLATION - WITH D-RINGS	138
FIGURE 5-3. HANDRAIL INSTALLATION (SWING GATE)	142
FIGURE 5-4. CONSOLE BOX ASSEMBLY - DIESEL MACHINES (WITHOUT AUTO LEVELING JACKS)	144
FIGURE 5-5. CONSOLE BOX ASSEMBLY - DIESEL MACHINES (WITH AUTO LEVELING JACKS)	146
FIGURE 5-6. CONSOLE BOX ASSEMBLY – DIESEL MACHINES (WITHOUT AUTO LEVELING JACKS AND WITH GENERATOR)	148
FIGURE 5-7. CONSOLE BOX ASSEMBLY – DIESEL MACHINES (WITH AUTO LEVELING JACKS AND GENERATOR)	150
FIGURE 5-8. CONSOLE BOX ASSEMBLY - DUAL FUEL MACHINES (WITHOUT AUTO LEVELING JACKS)	152
FIGURE 5-9. CONSOLE BOX ASSEMBLY - DUAL FUEL MACHINES (WITH AUTO LEVELING JACKS)	154
FIGURE 5-10. CONSOLE BOX ASSEMBLY - DUAL FUEL MACHINES (WITHOUT AUTO LEVELING JACKS AND WITH GENERATOR)	156
FIGURE 5-11. CONSOLE BOX ASSEMBLY - DUAL FUEL MACHINES (WITH AUTO LEVELING JACKS AND GENERATOR)	158
FIGURE 5-12. DRIVE/STEER CONTROLLER ASSEMBLY	160
FIGURE 5-13. PLATFORM RAIL PADDING/DECK BUMPERS INSTALLATION	162
SECTION 6 - CYLINDER	165
FIGURE 6-1. LEVELING JACKS CYLINDER ASSEMBLY (ALL MACHINES EXCEPT MACHINES WITH LEVEL AT 6 DEGREE SLOPE)	166
FIGURE 6-2. LEVELING JACK CYLINDER ASSEMBLY (MACHINES WITH LEVEL AT 6 DEGREE SLOPE) (AUSTRALIAN SPECS)	168
FIGURE 6-3. LIFT CYLINDER COMPONENTS ASSEMBLY	170
FIGURE 6-4. STEER CYLINDER ASSEMBLY	172
SECTION 7 - HYDRAULIC	175
FIGURE 7-1. DRIVE HYDRAULIC DIAGRAM (STANDARD)	176
FIGURE 7-2. DRIVE HYDRAULIC DIAGRAM (AUTO LEVEL LEVELING JACKS)	180
SECTION 8 - ELECTRICAL	183
FIGURE 8-1. AC BOX AT PLATFORM INSTALLATION - 110V (ALL SPECS EXCEPT AUSTRALIAN AND CE SPECS)	184
FIGURE 8-2. AC BOX AT PLATFORM INSTALLATION - 110V GFI (ALL SPECS EXCEPT AUSTRALIAN AND CE SPECS) ..	186
FIGURE 8-3. AC BOX AT PLATFORM INSTALLATION - 110V IEC YELLOW (CE SPECS)	188
FIGURE 8-4. AC BOX AT PLATFORM INSTALLATION - 220V	190
FIGURE 8-5. AC BOX AT PLATFORM INSTALLATION - 220V IEC BLUE (CE SPECS)	192
FIGURE 8-6. AC BOX AT PLATFORM INSTALLATION - 220V AFSINT 107 KEYED GROUND 2 X 4 BOX (CE SPECS)	194
FIGURE 8-7. AC BOX AT PLATFORM INSTALLATION - 220V CEE7 POST GROUND 2X4 BOX (CE SPECS)	196
FIGURE 8-8. AC BOX AT PLATFORM INSTALLATION - 220V CEE7 SIDE GROUND 2X4 BOX (CE SPECS)	198
FIGURE 8-9. AC CORD CABLE	200
FIGURE 8-10. ADAPTER - AUTO LEVEL HARNESS	202
FIGURE 8-11. BEACON LIGHT HARNESS	204
FIGURE 8-12. BREAKER BOX KIT - 110/220V 16AMP BREAKER	206
FIGURE 8-13. BREAKER BOX KIT WITH THREE BREAKERS	208
FIGURE 8-14. ELEVATION SWITCH HARNESS	210
FIGURE 8-15. ENGINE AND VALVE HARNESS	212
FIGURE 8-16. GENERATOR HARNESS	214
FIGURE 8-17. GROUND CONTROL BOX HARNESS (DUAL FUEL MACHINES)	216
FIGURE 8-18. GROUND CONTROL BOX HARNESS (DUAL FUEL MACHINES)	218
FIGURE 8-19. AUTO LEVELING JACK HARNESS	220
FIGURE 8-20. LOAD SENSE HARNESS	222
FIGURE 8-21. MODULE TO ANALYZER HARNESS	224
FIGURE 8-22. PLATFORM CABLE INSTALLATION	226
FIGURE 8-23. PLATFORM CABLE ASSEMBLY	228
FIGURE 8-24. PLATFORM CONTROL BOX HARNESS - DIESEL MACHINES (WITHOUT AUTO LEVELING JACKS)	230

TABLE OF CONTENTS

FIGURE 8-25. PLATFORM CONTROL BOX HARNESS - DIESEL MACHINES (WITH AUTO LEVELING JACKS)	232
FIGURE 8-26. PLATFORM CONTROL BOX HARNESS - DIESEL MACHINES (WITHOUT AUTO LEVELING JACKS AND WITH GENERATOR).....	234
FIGURE 8-27. PLATFORM CONTROL BOX HARNESS - DIESEL MACHINES (WITH AUTO LEVELING JACKS AND GENERATOR).....	236
FIGURE 8-28. PLATFORM CONTROL BOX HARNESS – DUAL FUEL MACHINES (WITHOUT AUTO LEVELING JACKS)....	238
FIGURE 8-29. PLATFORM CONTROL BOX HARNESS - DUAL FUEL MACHINES (WITH AUTO LEVELING JACKS)	240
FIGURE 8-30. PLATFORM CONTROL BOX HARNESS - DUAL FUEL MACHINES (WITHOUT AUTO LEVELING JACKS AND WITH GENERATOR).....	242
FIGURE 8-31. PLATFORM CONTROL BOX HARNESS - DUAL FUEL MACHINES (WITH AUTO LEVELING JACKS AND GENERATOR).....	244
FIGURE 8-32. RECEPTACLE BOX KIT - 110V IEC YELLOW (CE SPEC).....	246
FIGURE 8-33. RECEPTACLE BOX KIT - 220V IEC BLUE (CE SPEC)	248
FIGURE 8-34. RECEPTACLE BOX KIT - 220V CEE7 POST GROUND 2IN X 4IN (CE SPEC)	250
FIGURE 8-35. RECEPTACLE BOX KIT - 220V CEE7 SIDE GROUND 2IN X 4IN (CE SPEC)	252
FIGURE 8-36. RECEPTACLE BOX KIT - 220V AFSINT 107 (CE SPEC).....	254
SECTION 9 - DECALS.....	257
FIGURE 9-1. DECAL INSTALLATION - ANSI SPEC	258
FIGURE 9-2. DECAL INSTALLATION - BRAZIL SPECS (SPANISH/PORTUGUESE).....	260
FIGURE 9-3. DECAL INSTALLATION - CE SPEC.....	262
FIGURE 9-4. DECAL INSTALLATION - CSA (ENGLISH/FRENCH)	264
FIGURE 9-5. DECAL INSTALLATION - LATIN AMERICAN SPECS (ENGLISH/SPANISH).....	266
FIGURE 9-6. DECAL INSTALLATION - OPTIONS	268
SECTION 10 - RECOMMENDED SERVICE PARTS STOCK	271
FIGURE 10-1. MODEL 260MRT STANDARD PARTS	272
FIGURE 10-2. MODEL 260MRT VARIABLE PARTS	274
SECTION 11 - SPECIAL OPTIONS.....	275
FIGURE 11-1. SPECIAL OPTIONS.....	276
PART NUMBER INDEX	279

SECTION 1 - FRAME

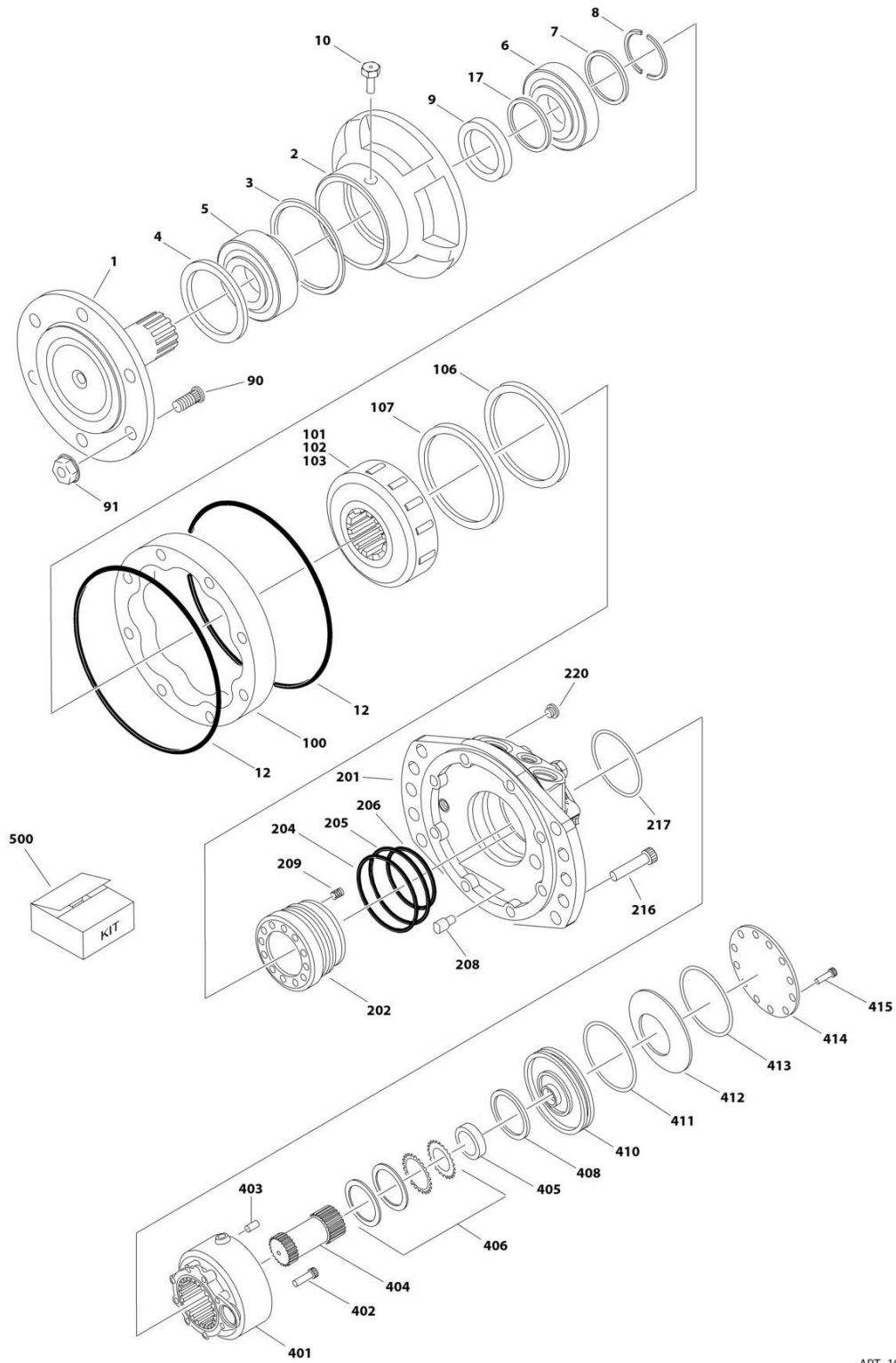
SECTION 1 - FRAME

FIGURE 1-1. STEERING AND DRIVE INSTALLATION - 4WD (2WS)

ITEM	PART NUMBER	QTY	DESCRIPTION	REV
	0259648	Ref	STEERING AND DRIVE INSTALLATION (4WD/2WS)	R
1	0100011	AR	Compound, Locking	
3	See Note	1	Thrustwasher (Note: Was p/n 0440237 - Use Bearing/Shim Kit p/n 1001155260 as Replacement. Kit includes Thrustwashers, Kingpin Bolts, Shims and Kingpin Bushings. Machines are already equipped with kit components and do not require axle modification per the kit instruction.)	
4	0641606	8	Bolt 3/8 x 3/4	
6	3431220	1	Pin	
7	0681810	24	Bolt 1/2 x 1-1/4 Grade 8	
9	1683957	1	Steer Cylinder Assembly (See Separate Breakdown in CYLINDER SECTION)	
10	1001228234	2	Motor/Brake/Hub Assembly (Rear) (See Separate Breakdown in this Section)	
11	1001228233	2	Motor/Hub Assembly (Front) (See Separate Breakdown in this Section)	
13	3450406	3	Pin, Cotter	
14	3322002	1	Nut, Jam (Right Hand Thread)	
15	3422803	4	Pin, King	
16	3841146	1	Rod, Tie Rod End	
17	3841468	1	Rod, Tie Rod	
18	1001100031	1	Spindle (Right Side)	
19	4891800	24	Washer 1/2	
20	3431032	1	Pin, Clevis	
21	3841469	1	Rod, Tie Rod	
22	4752000	2	Washer 5/8	
23	4712200	1	Washer 3/4	
24	3300409	1	Nut	
32	1001100032	1	Spindle (Left Side)	
33	4712000	2	Washer 5/8	
34	3431036	1	Pin, Clevis	
35	1001151395	AR	Shim 0.048	
36	1001151428	AR	Shim 0.036	
		Ref	FRAME WELDMENT	
101	0440228	1	Bearing (Steer Lug Pivot)	
102	See Note	1	Bearing (Kingpin Pivot) (Note: Was p/n 0962220 - Use Bearing /Shim Kit p/n 1001155260 as Replacement. Kit includes Thrustwashers, Kingpin Bolts, Shims and Kingpin Bushings.	
103	0962234	4	Bearing (Scissors Arms Pivot)	

SECTION 1 - FRAME

FIGURE 1-2. MOTOR/BRAKE/HUB ASSEMBLY (REAR)



ART_1001228234

SECTION 1 - FRAME

FIGURE 1-2. MOTOR/BRAKE/HUB ASSEMBLY (REAR)

ITEM	PART NUMBER	QTY	DESCRIPTION	REV
	1001228234	Ref	DRIVE MOTOR ASSEMBLY	A
1	70006744	1	Shaft	
2	See Note	1	Casting, Front (Note: Purchase Complete Motor)	
3	See Note	NSS	Seal, Face (Note: Use Item 500)	
4	70006745	1	Spacer	
5	70006746	1	Bearing, Front	
6	7022588	1	Bearing, Rear	
7	70006747	1	Washer	
8	7022589	1	Ring, Split	
9	See Note	NSS	Seal, Shaft (Note: Use Item 500)	
10	70006748	1	Plug, Zero-Leak	
12	See Note	NSS	Seal, Square (Note: Use Item 500)	
17	70006749	1	Retainer, Seal	
90	7023807	5	Stud, Wheel	
91	7023806	5	Lugnut	
100	70006750	1	CAM	
101	70006763	1	Block, Cylinder	
102	70006752	8	Piston	
103	70006753	8	Roller	
106	70006756	2	Circlip	
107	70006757	2	Ring, Retaining	
201	See Note	1	Housing, Rear (Note: Purchase Complete Motor)	
202	70006764	1	Ring, Distribution	
204	See Note	NSS	Seal, Nylon (Note: Use Item 500)	
205	See Note	NSS	Seal, Nylon (Note: Use Item 500)	
206	See Note	NSS	Seal, Nylon (Note: Use Item 500)	
208	70006759	1	Pin, Stop	
209	7023872	9	Spring	
216	70001091	6	Capscrew	
217	See Note	NSS	Seal, Square (Note: Use Item 500)	
220	70002759	1	Plug	
		Ref	BRAKE ASSEMBLY	
401	See Note	NSS	Housing, Brake (Note: Not Available - Purchase p/n 1001228234)	
402	70006766	4	Screw, Cap	
403	70006767	3	Pin, Dowel	
404	70006768	1	Shaft	
405	70006769	1	Bushing	
406	70006770	1	Pack, Brake	
406	7022596	14	Disc, Inner Brake	
406	7022595	16	Disc, Outer Brake	
406	7022593	1	Shim	
406	7022594	1	Shim	
408	See Note	NSS	Seal, Outer (Note: Use Item 500)	
410	70001095	1	Piston	
411	See Note	NSS	Seal, Square (Note: Use Item 500)	
412	70006771	1	Washer, Bellville	
413	See Note	NSS	Gasket (Note: Use Item 500)	
414	70006772	1	Cover, End	
415	70006773	12	Screw, Cap	
500	70006765	1	Seal Kit (Includes Items 3, 9, 12, 204-206, 217 408, 411 & 413)	

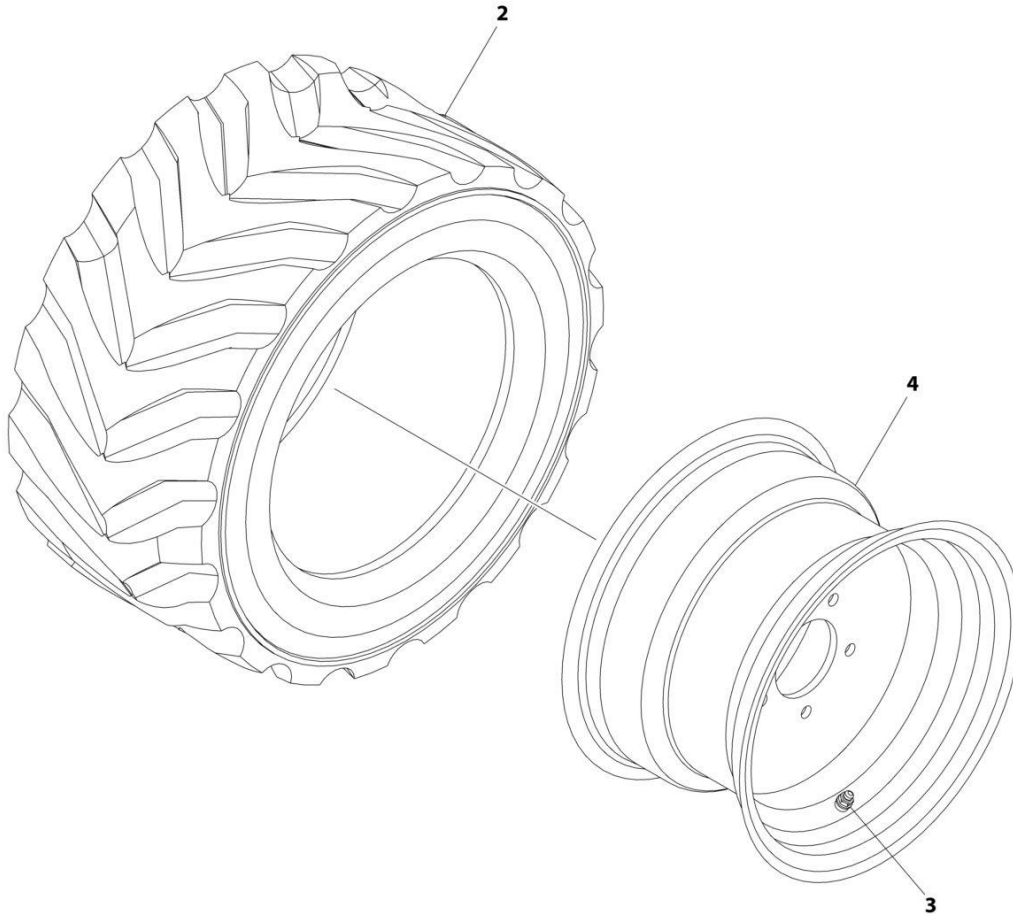
SECTION 1 - FRAME

FIGURE 1-3. DRIVE MOTOR ASSEMBLY (FRONT)

ITEM	PART NUMBER	QTY	DESCRIPTION	REV
	1001228233	Ref	DRIVE MOTOR ASSEMBLY	A
1	70006744	1	Shaft	
2	See Note	1	Casting, Front (Note: Purchase Complete Motor)	
3	See Note	NSS	Seal, Face (Note: Use Item 500)	
4	70006745	1	Spacer	
5	70006746	1	Bearing, Front	
6	7022588	1	Bearing, Rear	
7	70006747	1	Washer	
8	7022589	1	Ring, Split	
9	See Note	NSS	Seal, Shaft (Note: Use Item 500)	
10	70006748	1	Plug, Zero-Leak	
12	See Note	NSS	Seal, Square (Note: Use Item 500)	
17	70006749	1	Retainer, Seal	
90	7023807	5	Stud, Wheel	
91	7023806	5	Lugnut	
100	70006750	1	CAM	
101	70006763	1	Block, Cylinder	
102	70006752	8	Piston	
103	70006753	8	Roller	
106	70006756	2	Circlip	
107	70006757	2	Ring, Retaining	
201	See Note	1	Housing, Rear (Note: Purchase Complete Motor)	
202	70006764	1	Ring, Distribution	
204	See Note	NSS	Seal, Nylon (Note: Use Item 500)	
205	See Note	NSS	Seal, Nylon (Note: Use Item 500)	
206	See Note	NSS	Seal, Nylon (Note: Use Item 500)	
208	70006759	1	Pin, Stop	
209	7023872	9	Spring	
216	70001091	6	Capscrew	
217	See Note	NSS	Seal, Square (Note: Use Item 500)	
220	70002759	1	Plug	
391	See Note	NSS	Plate, Rear Cover	
392	70002264	4	Capscrew	
500	70006765	1	Seal Kit (Includes Items 3, 9, 12, 204-206 & 217)	

SECTION 1 - FRAME

FIGURE 1-4. TIRE AND WHEEL INSTALLATION - 26 X 12 FOAM FILLED



ART_0259781-C

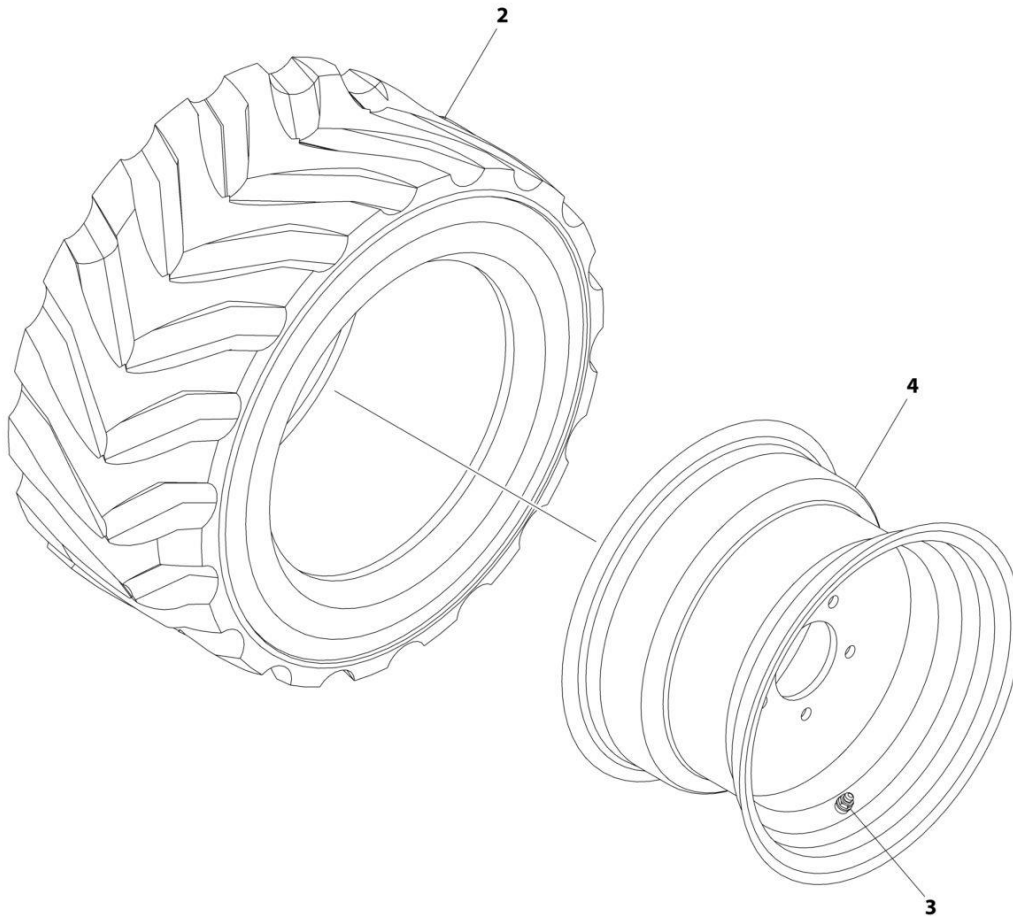
SECTION 1 - FRAME

FIGURE 1-4. TIRE AND WHEEL INSTALLATION - 26 X 12 FOAM FILLED

ITEM	PART NUMBER	QTY	DESCRIPTION	REV
	0259781	Ref	TIRE AND WHEEL INSTALLATION - 26 x 12.00 FOAM FILLED	C
		Ref	Tire and Wheel Assembly	
	0259977	2	Tire and Wheel Assembly 26 x 12.00 Foam Filled (Right Side)	J
	0259978	2	Tire and Wheel Assembly 26 x 12.00 Foam Filled (Left Side)	J
		Ref	Note: Assemblies may require ballast/foam filling to manufacturer's specifications prior to installing on a machine. Refer to Operation and Safety or Service and Maintenance Manuals. Purchase individual tire and/or rim only if able to foam fill tire and wheel assembly, otherwise, purchase complete assembly.	
2	4520233	4	Tire (26 x 12.00)	
3	4641122	4	Valve, Air	
4	4860207	4	Rim	

SECTION 1 - FRAME

FIGURE 1-5. TIRE AND WHEEL INSTALLATION - 26 X 12 FOAM FILLED NON-MARKING



ART_1001100370_10F2-C

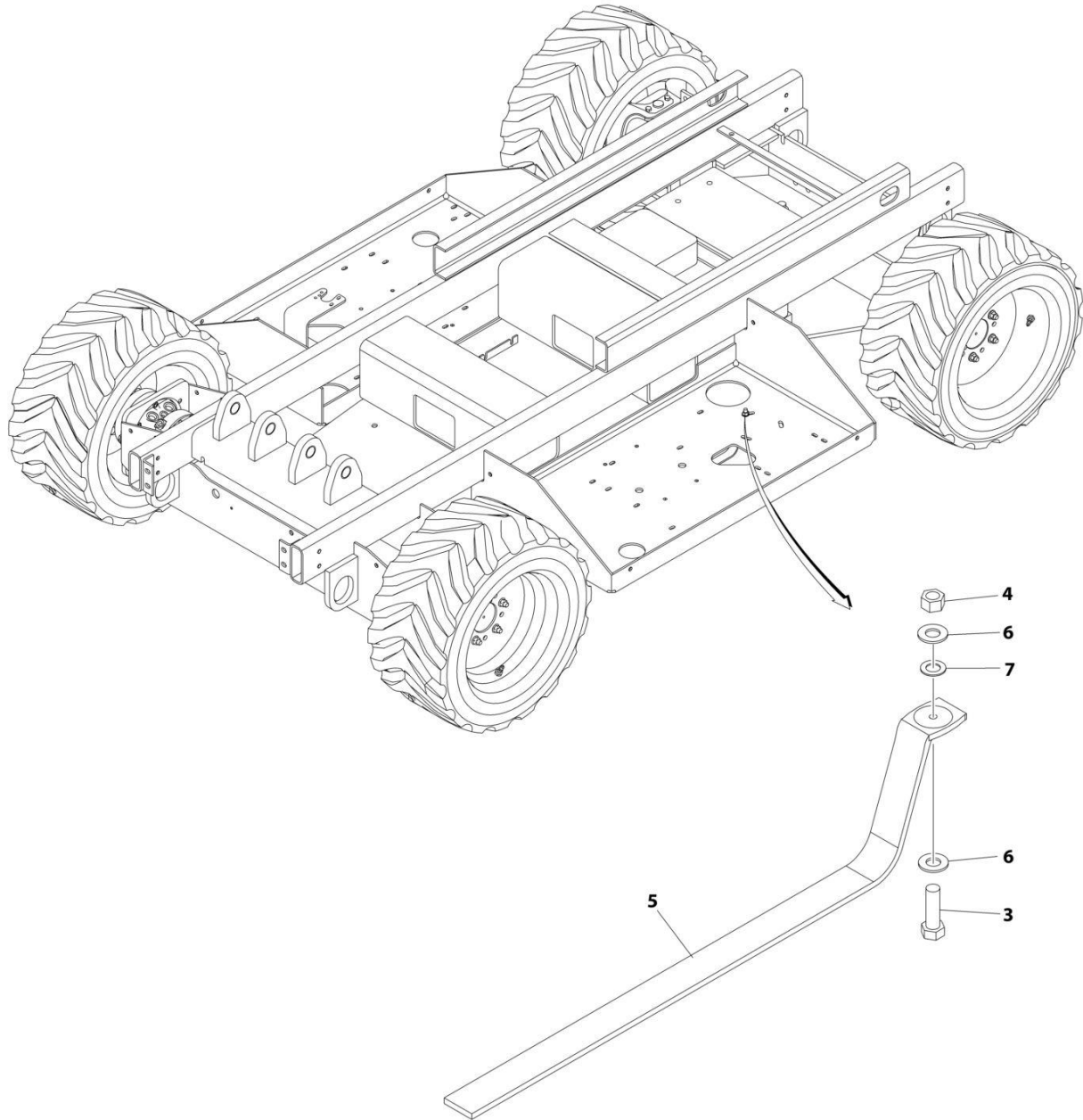
SECTION 1 - FRAME

FIGURE 1-5. TIRE AND WHEEL INSTALLATION - 26 X 12 FOAM FILLED NON-MARKING

ITEM	PART NUMBER	QTY	DESCRIPTION	REV
	1001100370	Ref	TIRE AND WHEEL INSTALLATION 26 x 12.00 FOAM FILLED NON-MARKING	C
	1001100372	2	Tire and Wheel Assembly - 26 x 12.00 Foam Filled Non-Marking (Right Side)	E
	1001100373	2	Tire and Wheel Assembly - 26 x 12.00 Foam Filled Non-Marking (Left Side)	E
		Ref	Note: Assemblies may require ballast/foam filling to manufacturer's specifications prior to installing on a machine. Refer to Operation and Safety or Service and Maintenance Manuals. Purchase individual tire and/or rim only if able to foam fill tire and wheel assembly, otherwise, purchase complete assembly.	
2	1001100371	4	Tire (26 x 12.00) Non Marking	
3	8786514	AR	Valve, Air	
4	4860207	4	Rim	

SECTION 1 - FRAME

FIGURE 1-6. STATIC STRAP INSTALLATION



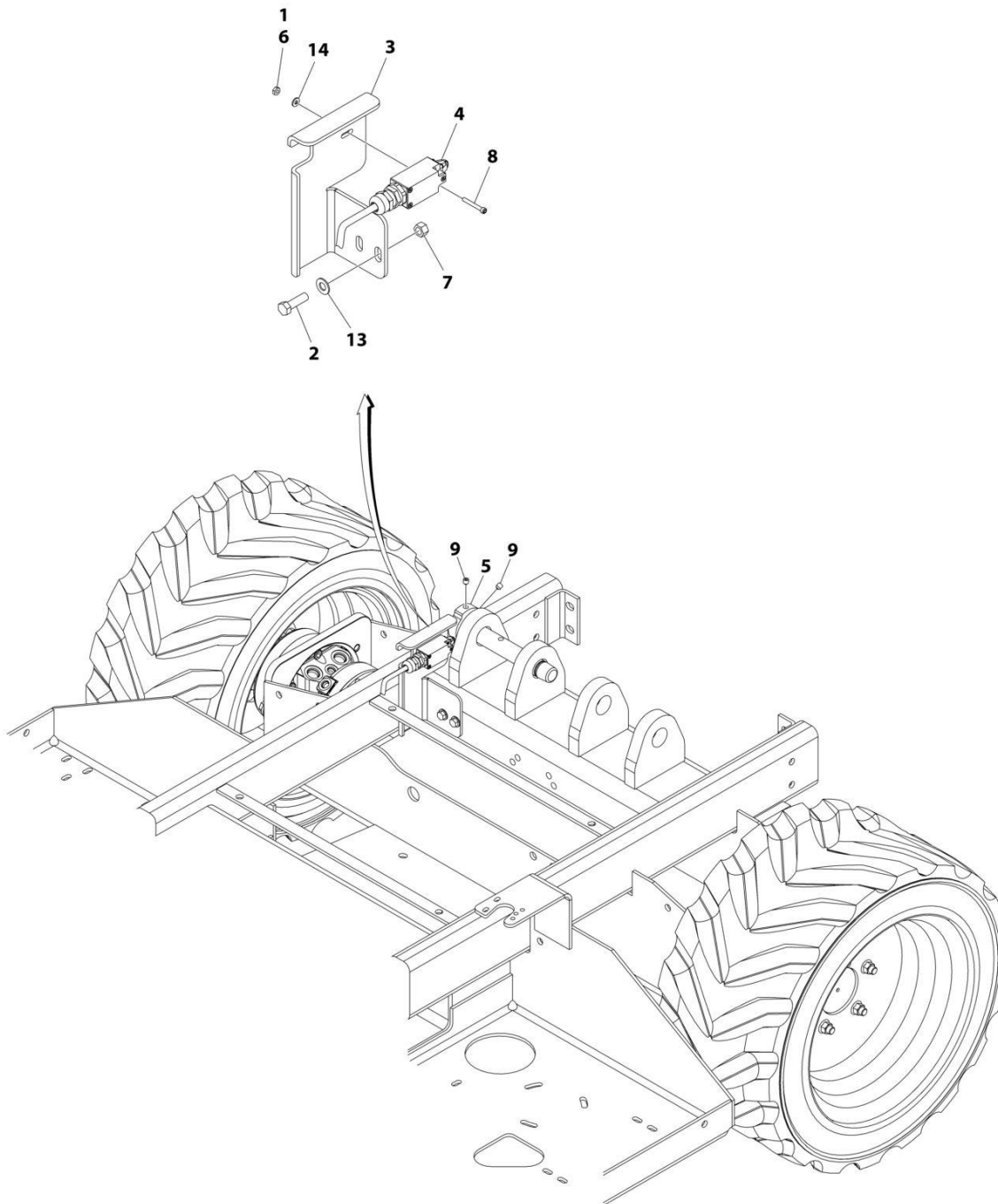
ART_1001100370_20F2-C

FIGURE 1-6. STATIC STRAP INSTALLATION

ITEM	PART NUMBER	QTY	DESCRIPTION	REV
	1001100370	Ref	STATIC STRAP INSTALLATION	C
3	0641610	1	Bolt 3/8 x 1-1/4	
4	3311605	1	Nut 3/8	
5	4240084	1	Strap, Anti-Static	
6	4711600	2	Washer 3/8	
7	4791600	1	Washer 3/8	

SECTION 1 - FRAME

FIGURE 1-7. ELEVATION SWITCH INSTALLATION (STANDARD)



ART_0259805-F

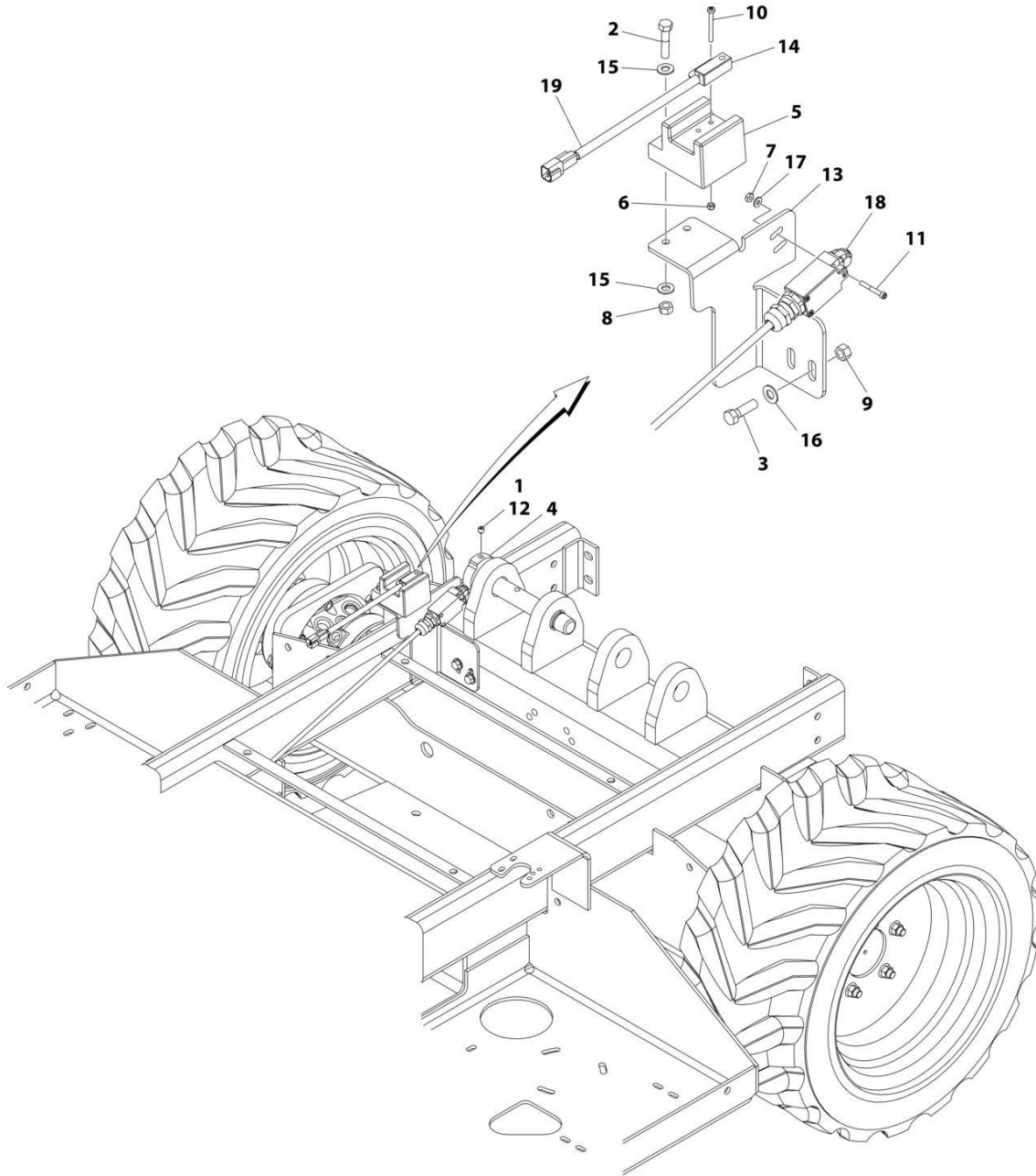
SECTION 1 - FRAME

FIGURE 1-7. ELEVATION SWITCH INSTALLATION (STANDARD)

ITEM	PART NUMBER	QTY	DESCRIPTION	REV
	0259805	Ref	ELEVATION SWITCH INSTALLATION	F
1	0100011	AR	Compound, Locking	
2	0641610	2	Bolt 3/8 x 1-1/4	
3	0902609	1	Bracket	
4	4922630	1	Harness, Elevation (See Separate Breakdown in ELECTRICAL SECTION)	
5	1100110	1	Cam	
6	3310801	2	Nut #8	
7	3311605	2	Nut 3/8	
8	3930820	2	Screw #8 x 1-1/4	
9	3951603	2	Setscrew 3/8 x 3/8	
13	4711600	2	Washer 3/8	
14	4750800	2	Washer #8	

SECTION 1 - FRAME

FIGURE 1-8. ELEVATION SWITCH INSTALLATION (AUTO LEVEL LEVELING JACKS) (ALL MACHINES EXCEPT MACHINES WITH LEVEL AT 6 DEGREE SLOPE)



ART_0274337-B

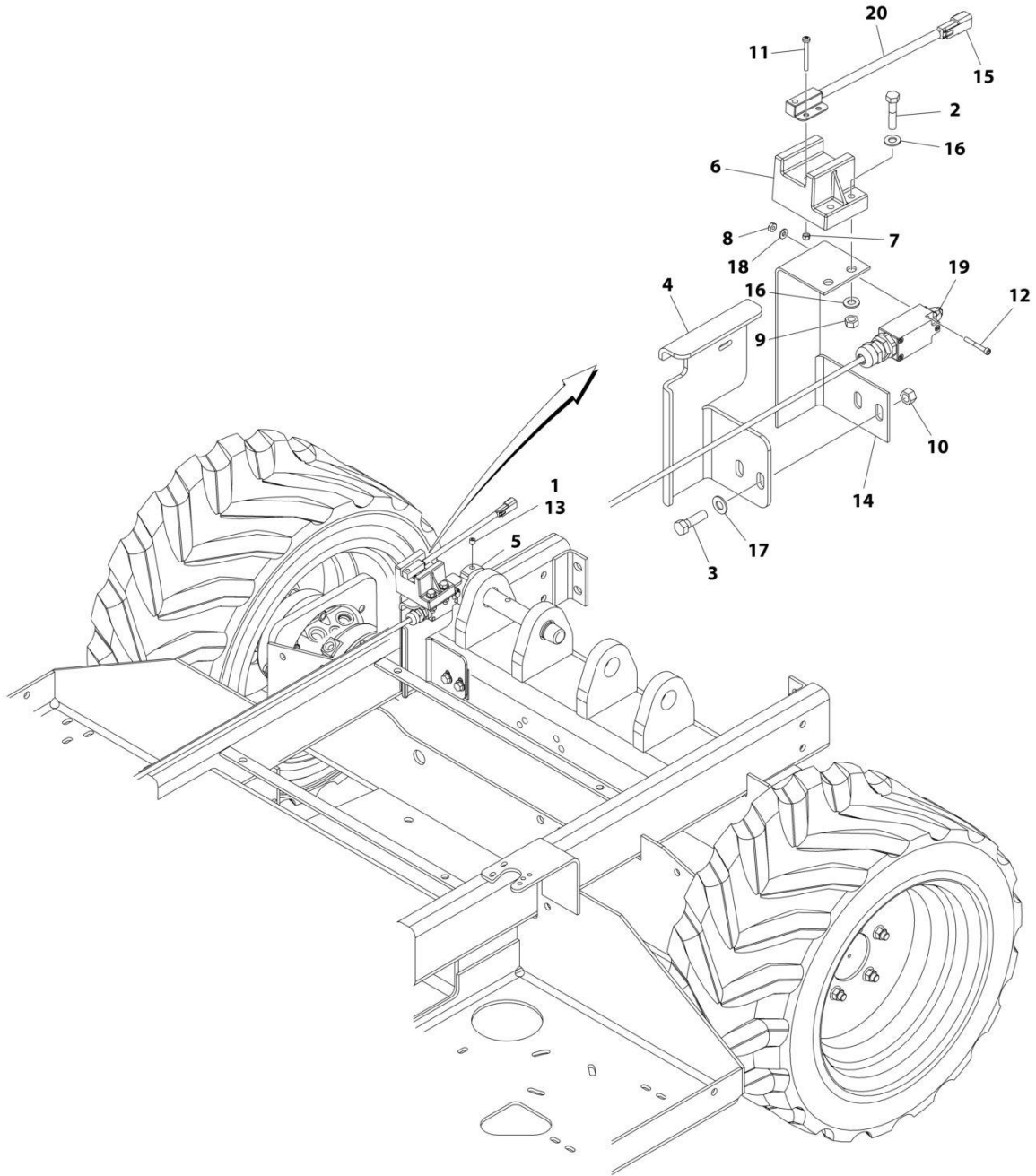
SECTION 1 - FRAME

FIGURE 1-8. ELEVATION SWITCH INSTALLATION (AUTO LEVEL LEVELING JACKS) (ALL MACHINES EXCEPT MACHINES WITH LEVEL AT 6 DEGREE SLOPE)

ITEM	PART NUMBER	QTY	DESCRIPTION	REV
	0274337	Ref	ELEVATION SWITCH INSTALLATION (AUTO LEVEL LEVELING JACKS)	B
1	0100011	AR	Compound, Locking	
2	0641512	2	Bolt 5/16 x 1-1/2	
3	0641610	2	Bolt 3/8 x 1-1/4	
4	1100110	1	Cam	
5	3200453	1	Mount, Proximity Switch	
6	3300474	2	Nut	
7	3310801	2	Nut #8	
8	3311505	2	Nut 5/16	
9	3311605	2	Nut 3/8	
10	3930334	2	Screw	
11	3930820	2	Screw, Machine #8 x 1-1/4	
12	3951603	2	Setscrew 3/8 x 3/8	
13	4341007	1	Mounting, Elevation Switch	
14	4360502	1	Switch, Proximity Sensor	
15	4711500	4	Washer 5/16	
16	4711600	2	Washer 3/8	
17	4750800	2	Washer #8	
18	4922630	1	Harness, Elevation (See Separate Breakdown in ELECTRICAL SECTION)	
19	4923137	1	Harness, Proximity Switch	
19	1060902	8 ft/2.4m	Cable, Electrical 18/2	
19	4460465	2	Socket, Female	
19	4460891	1	Plug, Male - 2 Position	

SECTION 1 - FRAME

FIGURE 1-9. ELEVATION SWITCH INSTALLATION (AUTO LEVEL LEVELING JACKS) (MACHINES WITH LEVEL AT 6 DEGREE SLOPE) (AUSTRALIAN SPECS)



ART_100118682-B

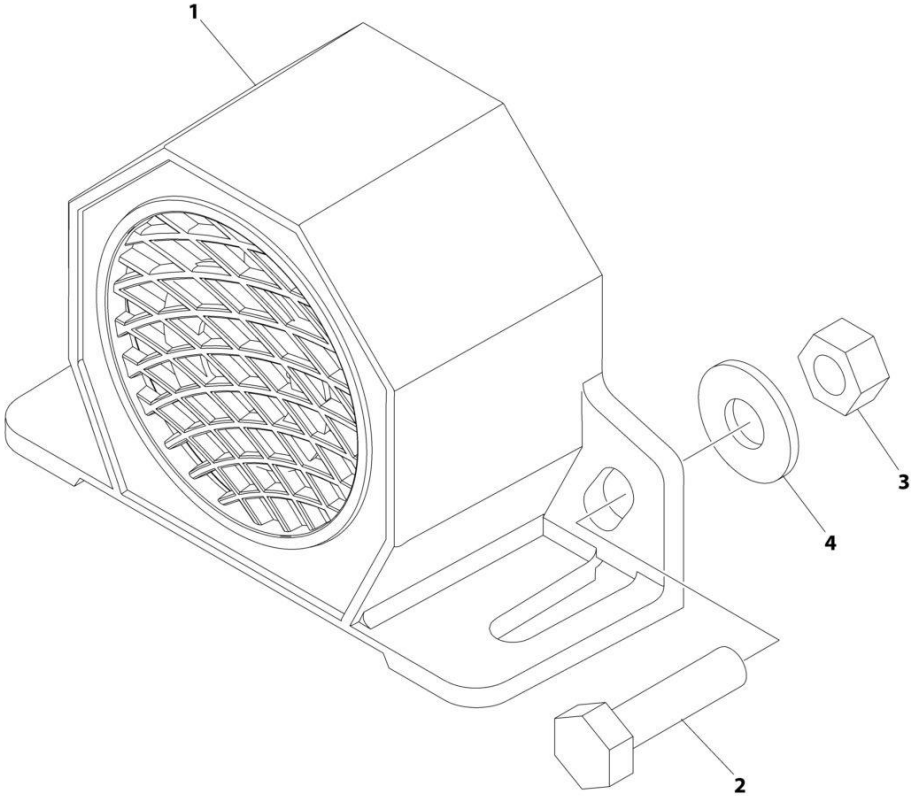
SECTION 1 - FRAME

FIGURE 1-9. ELEVATION SWITCH INSTALLATION (AUTO LEVEL LEVELING JACKS) (MACHINES WITH LEVEL AT 6 DEGREE SLOPE) (AUSTRALIAN SPECS)

ITEM	PART NUMBER	QTY	DESCRIPTION	REV
	1001118682	Ref	ELEVATION SWITCH INSTALLATION (AUTO LEVEL LEVELING JACKS)	B
1	0100011	AR	Compound, Locking	
2	0641512	2	Bolt 5/16 x 1-1/2	
3	0641610	2	Bolt 3/8 x 1-1/4	
4	0902609	1	Mounting, Elevation Switch	
5	1100110	1	Cam	
6	3200453	1	Mount, Proximity Switch	
7	3300474	2	Nut	
8	3310801	2	Nut #8	
9	3311505	2	Nut 5/16	
10	3311605	2	Nut 3/8	
11	3930334	2	Screw	
12	3930820	2	Screw #8 x 1-1/4	
13	3951603	2	Setscrew 3/8 x 3/8	
14	4340939	1	Mounting, Proximity Switch	
15	4360502	1	Switch, Proximity Sensor	
16	4711500	4	Washer 5/16	
17	4711600	2	Washer 3/8	
18	4750800	2	Washer #8	
19	4922630	1	Harness, Elevation (See Separate Breakdown in ELECTRICAL SECTION)	
20	4923137	1	Harness, Proximity Switch	
20	1060902	8 ft/ 2.4m	Cable, Electrical 18/2	
20	4460465	2	Socket, Female	
20	4460891	1	Plug, Male - 2 Position	

SECTION 1 - FRAME

FIGURE 1-10. HORN INSTALLATION



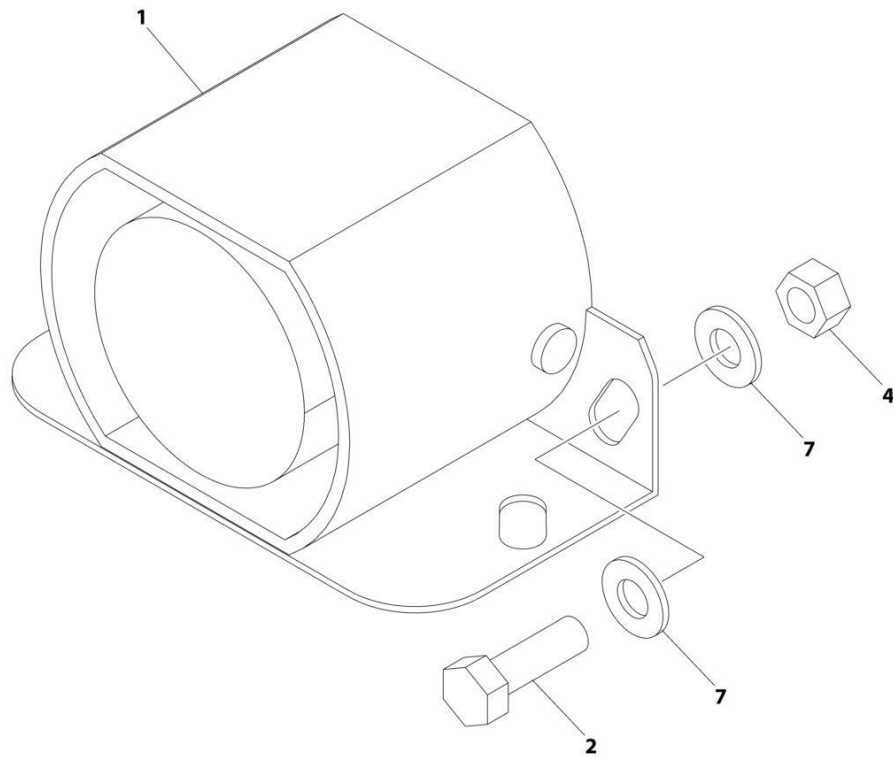
ART_0273136-B

FIGURE 1-10. HORN INSTALLATION

ITEM	PART NUMBER	QTY	DESCRIPTION	REV
	0273136	Ref	HORN ALARM INSTALLATION	B
1	0140044	1	Alarm	
2	0641408	2	Bolt 1/4 x 1	
3	3311405	2	Nut 1/4	
4	4711400	4	Washer 1/4	

SECTION 1 - FRAME

FIGURE 1-11. MOTION ALARM INSTALLATION



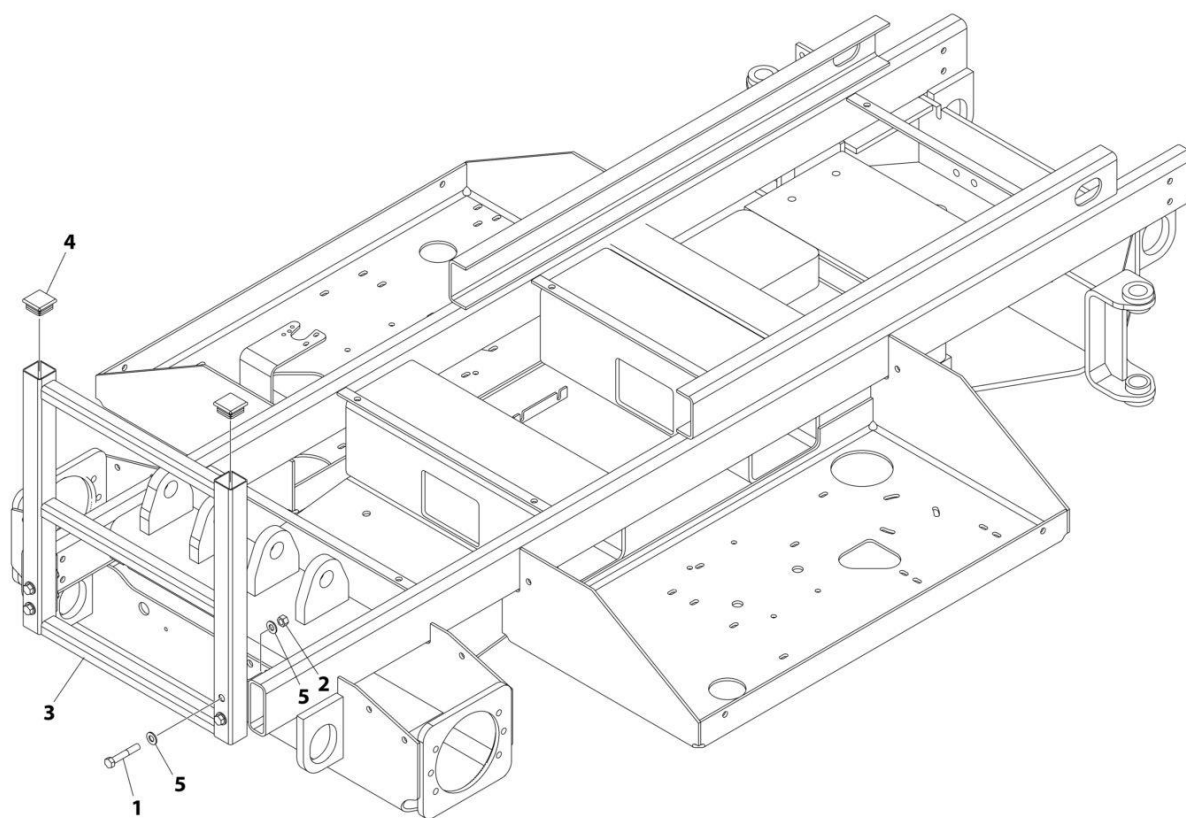
ART_0259817-D

FIGURE 1-11. MOTION ALARM INSTALLATION

ITEM	PART NUMBER	QTY	DESCRIPTION	REV
	0259817	Ref	MOTION ALARM INSTALLATION	D
1	0140044	1	Alarm	
2	0641408	2	Bolt 1/4 x 1	
4	3311405	2	Nut 1/4	
7	4711400	4	Washer 1/4	

SECTION 1 - FRAME

FIGURE 1-12. LADDER INSTALLATION (ALL MACHINES EXCEPT MACHINES WITH LEVEL AT 6 DEGREE SLOPE)



ART_0259654-F

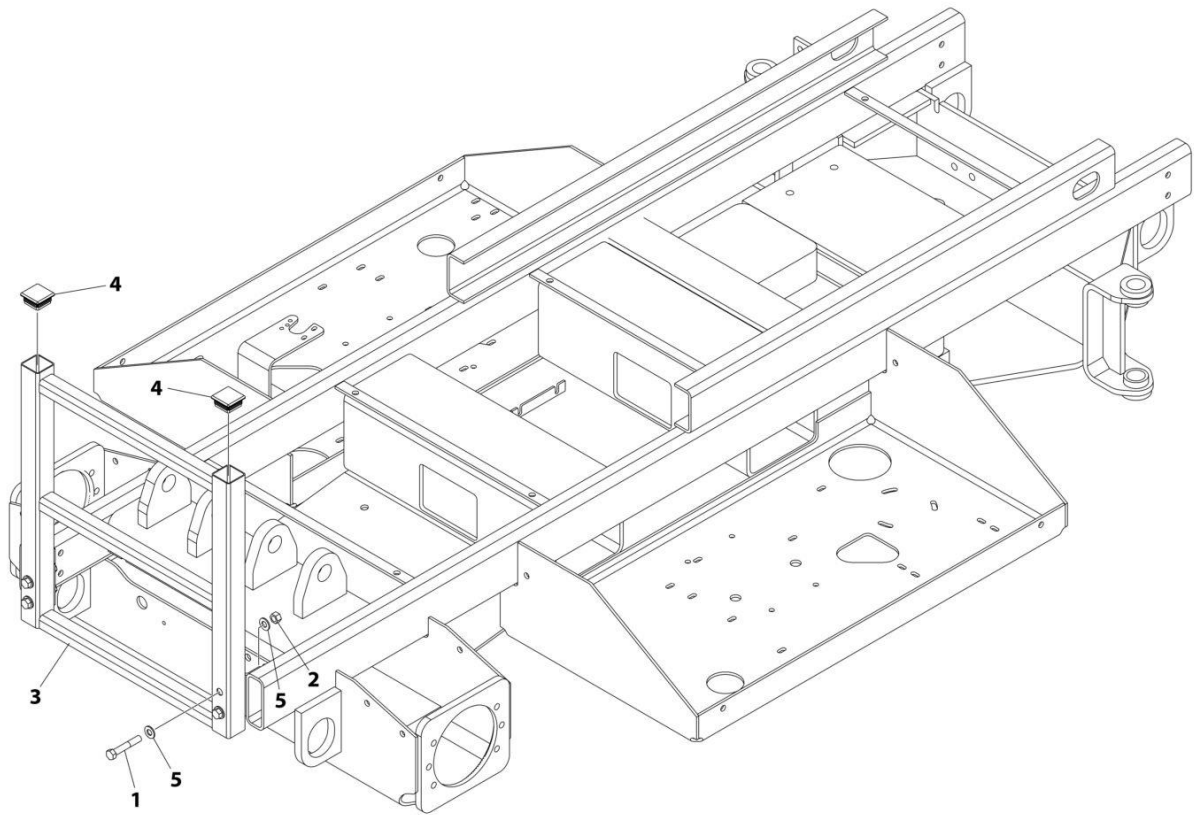
SECTION 1 - FRAME

FIGURE 1-12. LADDER INSTALLATION (ALL MACHINES EXCEPT MACHINES WITH LEVEL AT 6 DEGREE SLOPE)

ITEM	PART NUMBER	QTY	DESCRIPTION	REV
	0259654	Ref	LADDER INSTALLATION	F
1	0641824	4	Bolt 1/2 x 3	
2	3311805	4	Nut 1/2	
3	4846116	1	Ladder	
4	3520071	2	Plug	
5	4711800	8	Washer 1/2	

SECTION 1 - FRAME

FIGURE 1-13. LADDER INSTALLATION (MACHINES WITH LEVEL AT 6 DEGREE SLOPE)
(AUSTRALIAN SPECS)



ART_1001118677-C

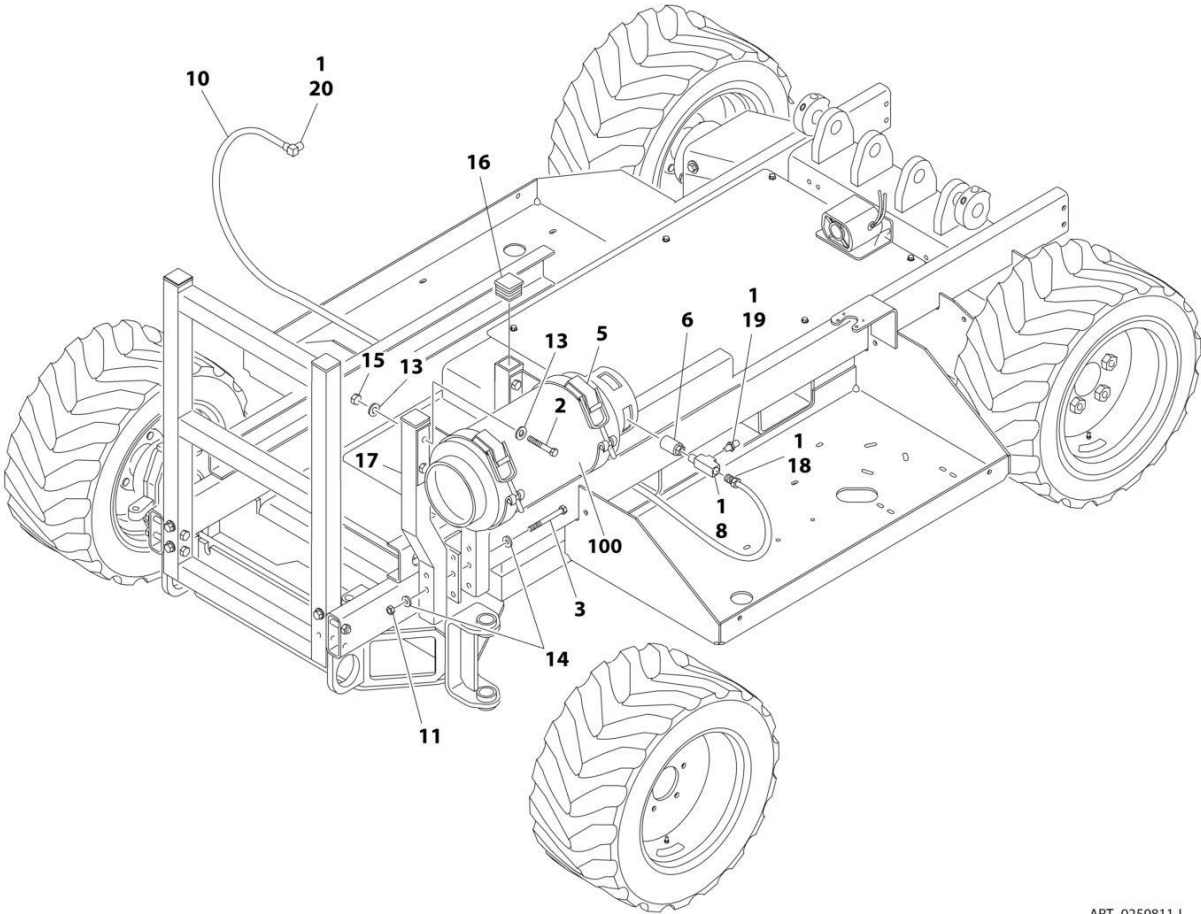
SECTION 1 - FRAME

**FIGURE 1-13. LADDER INSTALLATION (MACHINES WITH LEVEL AT 6 DEGREE SLOPE)
(AUSTRALIAN SPECS)**

ITEM	PART NUMBER	QTY	DESCRIPTION	REV
	1001118677	Ref	LADDER INSTALLATION	C
1	0641824	4	Bolt 1/2 x 3	
2	3311805	4	Nut 1/2	
3	2930001	1	Ladder	
4	3520071	2	Plug	
5	4711800	8	Washer 1/2	

SECTION 1 - FRAME

FIGURE 1-14. LP TANK BRACKETS INSTALLATION



ART_0259811-I

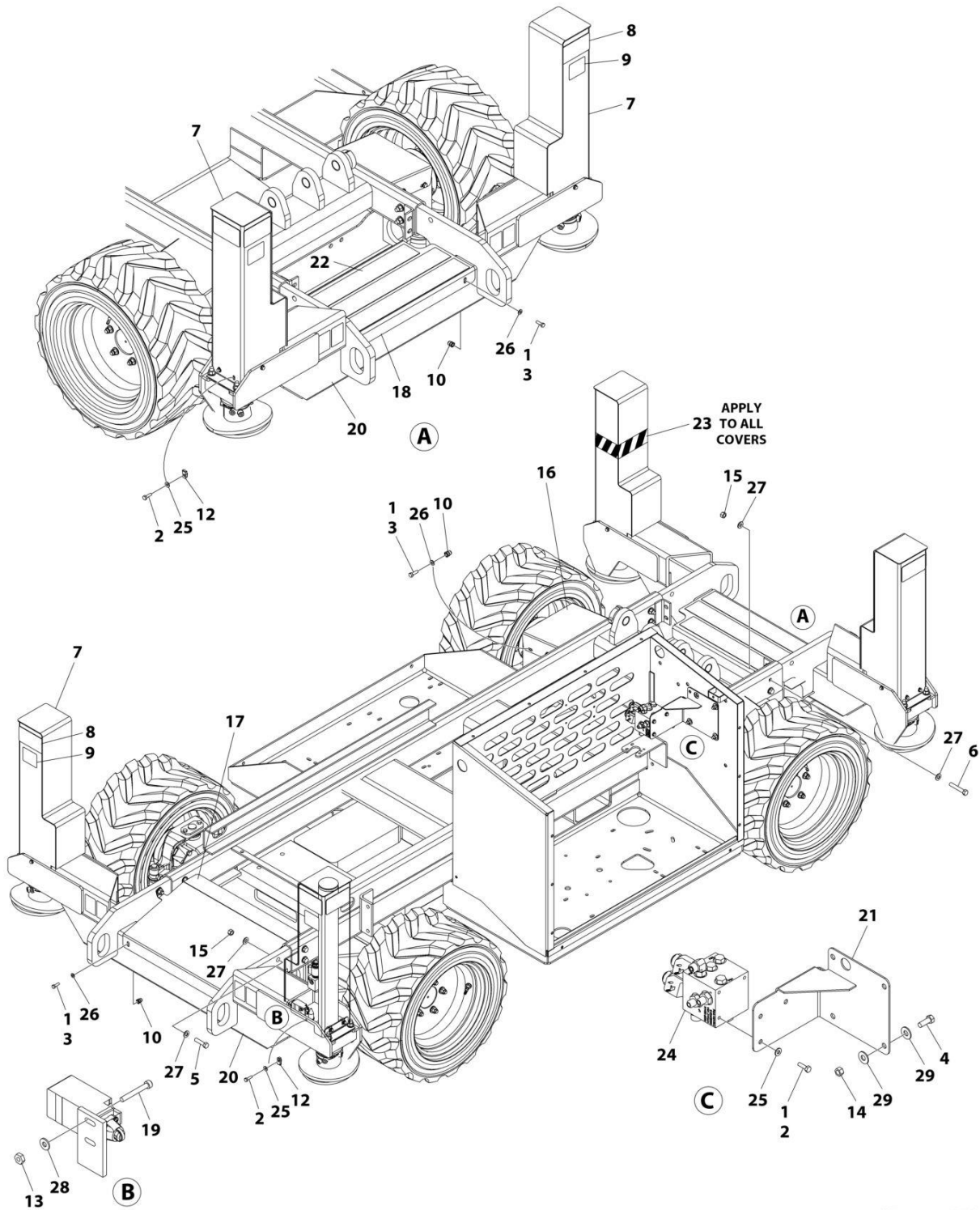
SECTION 1 - FRAME

FIGURE 1-14. LP TANK BRACKETS INSTALLATION

ITEM	PART NUMBER	QTY	DESCRIPTION	REV
	0259811	Ref	LP TANKS AND BRACKETS INSTALLATIONS	I
1	0100020	AR	Sealant	
2	0641622	4	Bolt 3/8 x 2-3/4	
3	0641844	2	Bolt 1/2 x 5-1/2	
5	1320220	1	Clamp	
6	2180387	1	Fitting, LP	
8	2180389	1	Fitting, Relief Valve-LP	
10	2720464	1	Hose, LP	
11	3311805	2	Nut 1/2	
12	2540023	1	Grommet (Not Shown)	
13	4751600	4	Washer 3/8	
14	4751800	AR	Washer 1/2	
15	3311605	4	Nut 3/8	
16	1001109533	2	Plug	
17	4568094	2	Tube, LP Tank Mount	
18	2220399	2	Fitting, Straight-JIC/NPTF	
19	2220290	1	Fitting, Tee	
20	2220773	1	Fitting, 90-JIC/NPTF	
		Ref	LP TANKS	
100	4400421	1	Bottle (Steel)	
100	4400281	1	Bottle (Aluminum)	

SECTION 1 - FRAME

FIGURE 1-15. LEVELING JACKS AUTO LEVEL INSTALLATION (ALL MACHINES EXCEPT MACHINES WITH LEVEL AT 6 DEGREE SLOPE)



ART_1001193378-A

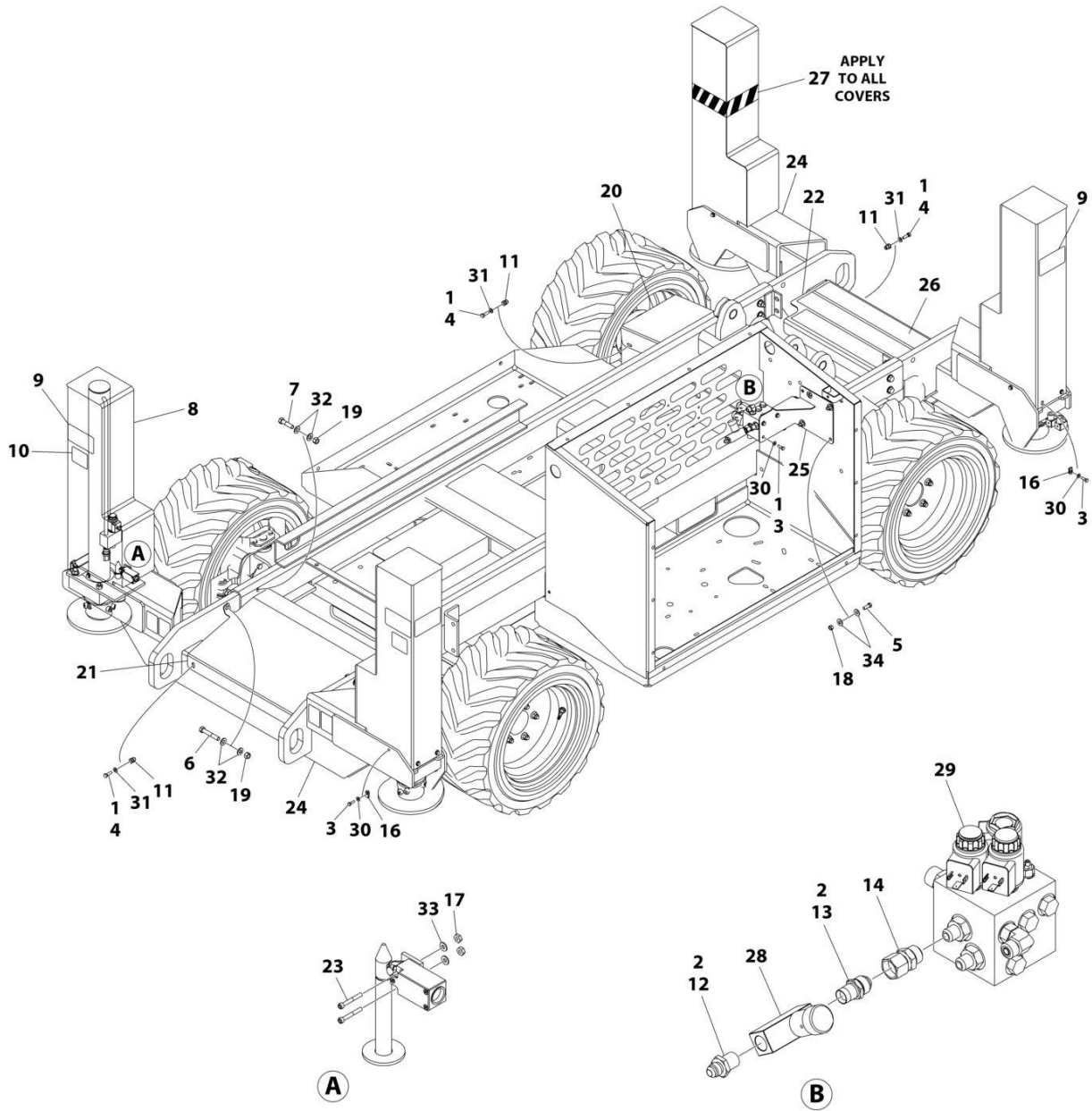
SECTION 1 - FRAME

FIGURE 1-15. LEVELING JACKS AUTO LEVEL INSTALLATION (ALL MACHINES EXCEPT MACHINES WITH LEVEL AT 6 DEGREE SLOPE)

ITEM	PART NUMBER	QTY	DESCRIPTION	REV
	1001193378	Ref	LEVELING JACKS AND FRAME COVERS INSTALLATION	A
1	0100011	AR	Compound, Locking	
2	0641407	19	Bolt 1/4 x 7/8	
3	0641508	12	Bolt 5/16 x 1	
4	0641608	3	Bolt 3/8 x 1	
5	0641816	2	Bolt 1/2 x 2	
6	0641824	8	Bolt 1/2 x 3	
7	1671195	4	Cover	
8	1701214	8	Decal - Legend	
9	1704786	4	Decal - Max Load	
10	2080053	12	Fastener 5/16	
11	2792686	1	Hydraulic Diagram-Leveling Jacks (Not Shown) (See Separate Breakdown in HYDRAULIC SECTION)	
12	3300454	16	Nut 1/4	
13	3310805	8	Nut #8	
14	3311605	3	Nut 3/8	
15	3311805	10	Nut 1/2	
16	3572324	2	Cover, Rear Axle	
17	3572384	1	Plate, Front Cover	
18	3572385	1	Plate, Rear Cover	
19	3930820	8	Bolt #8 x 1-1/4	
20	4210017	2	Leveling Jack Assembly (See Separate Breakdown in this Section)	
21	4340886	1	Mount, Valve	
22	4420039	5.5 ft /1.7m	Tape, Non-Skid	
23	4420051	8 ft /2.4m	Tape, Safety	
24	4641374	1	Leveling Jack Control Valve Assembly(See Separate Breakdown in this Section)	
25	4711400	19	Washer 1/4	
26	4711500	12	Washer 5/16	
27	4711800	20	Washer 1/2	
28	4750800	8	Washer #8	
29	4751600	6	Washer 3/8	
30	4922748	1	Leveling Jack Harness (Not Shown - See Separate Breakdown in ELECTRICAL SECTION)	

SECTION 1 - FRAME

FIGURE 1-16. LEVELING JACKS AUTO LEVEL INSTALLATION (MACHINES WITH LEVEL AT 6 DEGREE SLOPE) (AUSTRALIAN SPECS)



ART_1001193376

SECTION 1 - FRAME

FIGURE 1-16. LEVELING JACKS AUTO LEVEL INSTALLATION (MACHINES WITH LEVEL AT 6 DEGREE SLOPE) (AUSTRALIAN SPECS)

ITEM	PART NUMBER	QTY	DESCRIPTION	REV
	1001193376	Ref	LEVELING JACKS AUTO LEVELING INSTALLATION	A
1	0100011	AR	Compound, Locking	
2	0100020	AR	Sealant	
3	0641407	19	Bolt 1/4 x 7/8	
4	0641508	12	Bolt 5/16 x 1	
5	0641608	3	Bolt 3/8 x 1	
6	0641816	2	Bolt 1/2 x 2	
7	0641824	8	Bolt 1/2 x 3	
8	1671165	4	Cover	
9	1701214	8	Decal - Legend	
10	1704786	4	Decal - Maximum Load	
11	2080053	12	Fastener 5/16	
12	2220343	1	Fitting, Straight	
13	2220396	1	Fitting, Straight	
14	2220651	1	Fitting, Straight	
15	2792686	1	Hydraulic Diagram Leveling Jacks (Not Shown) (See Separate Breakdown in HYDRAULIC SECTION)	
16	3300454	16	Nut 1/4	
17	3310805	8	Nut #8	
18	3311605	3	Nut 3/8	
19	3311805	10	Nut 1/2	
20	3572324	2	Cover, Rear Axle	
21	3572384	1	Cover, Front	
22	3572385	1	Cover, Rear	
23	3930820	8	Capscrew #8 x 1-1/4	
24	4210011	2	Lvelling Jack Assembly (See Separate Breakdown in this Section)	
25	4340886	1	Mount, Valve	
26	4420039	5.5 ft /1.7m	Tape, Non-Skid	
27	4420051	8 ft /2.4m	Tape, Safety	
28	4640216	1	Valve, Color Flow	
29	4641374	1	Leveling Jack Control Valve Assembly (See Separate Breakdown in this Section)	
30	4711400	19	Washer 1/4	
31	4711500	12	Washer 5/16	
32	4711800	20	Washer 1/2	
33	4750800	8	Washer #8	
34	4751600	6	Washer 3/8	
35	4922748	1	Leveling Jack Harness (Not Shown - See Separate Breakdown in ELECTRICAL SECTION))	

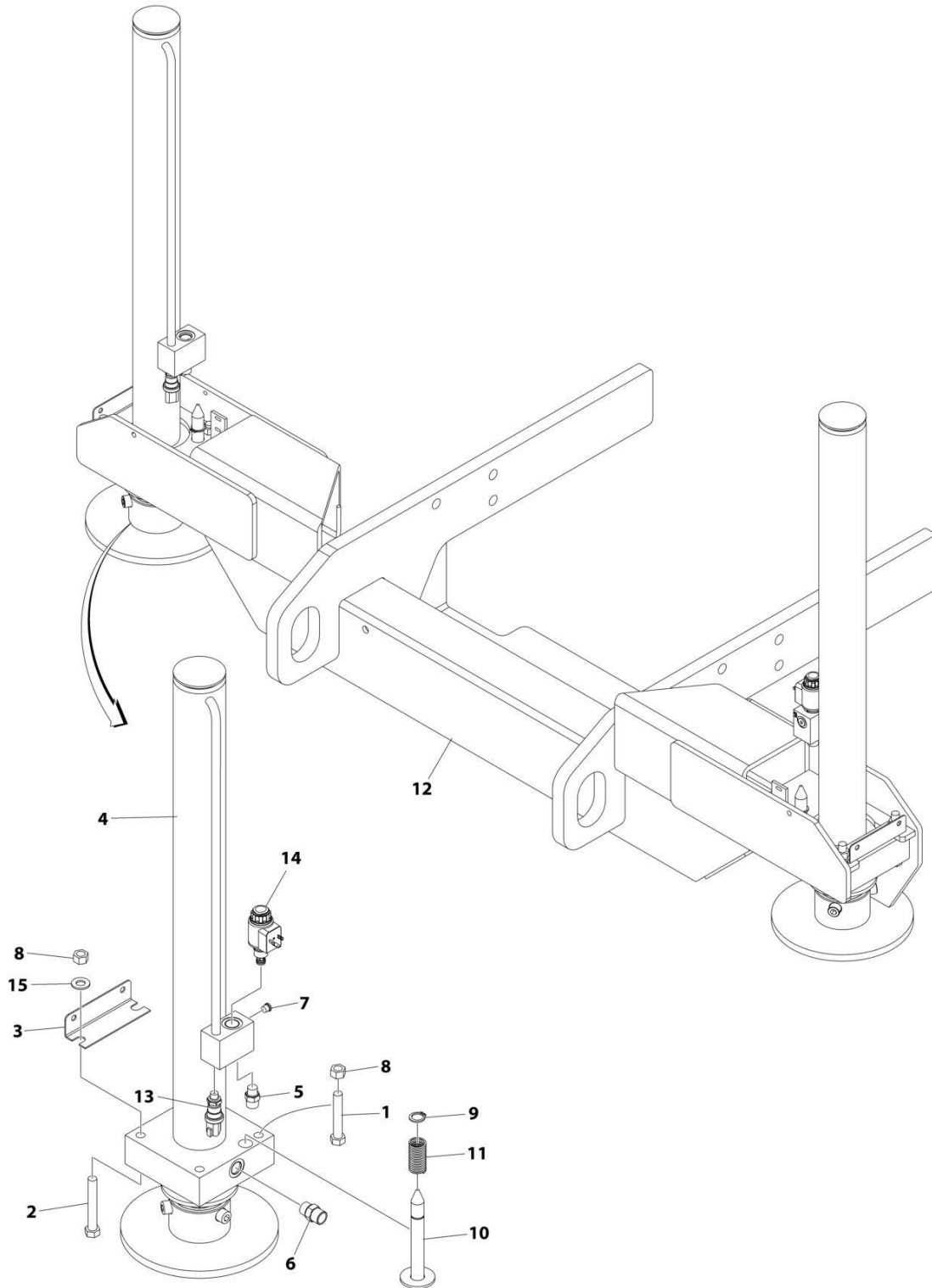
SECTION 1 - FRAME

FIGURE 1-17. LEVELING JACK ASSEMBLY (ALL MACHINES EXCEPT MACHINES WITH LEVEL AT 6 DEGREE SLOPE)

ITEM	PART NUMBER	QTY	DESCRIPTION	REV
	4210017	Ref	LEVELING JACK ASSEMBLY	E
1	0641824	1	Bolt 1/2 x 3	
2	0641828	1	Bolt 1/2 x 3-1/2	
3	0903165	4	Bracket, Jack Cover	
4	1684220	2	Jack Cylinder Assembly (See Separate Breakdown in CYLINDER SECTION)	
5	2110606	2	Fitting	
6	2110808	2	Fitting	
7	2220883	2	Fitting, Plug	
8	3311805	8	Nut 1/2	
9	3760348	2	Ring, Retaining	
10	3841564	2	Rod	
11	4160116	2	Spring	
12	4340885	1	Weldment, Leveling Jack	
13	4360518	2	Switch, Pressure Transducer	
14	4641238	2	Valve, Solenoid Directional	
14	7024497	1	Cartridge (1 Per Cartridge)	
14	7024501	1	Coil (1 Per Cartridge)	
14	7024502	1	Seal Kit - 4641238 Valve (1 Per Cartridge)	
14	7024506	1	Coil Nut, Kit - 4641238 Valve (1 Per Cartridge)	
15	4711800	4	Washer 1/2	

SECTION 1 - FRAME

FIGURE 1-18. LEVELING JACK ASSEMBLY (MACHINES WITH LEVEL AT 6 DEGREE SLOPE)
(AUSTRALIAN SPECS)



ART_4210011

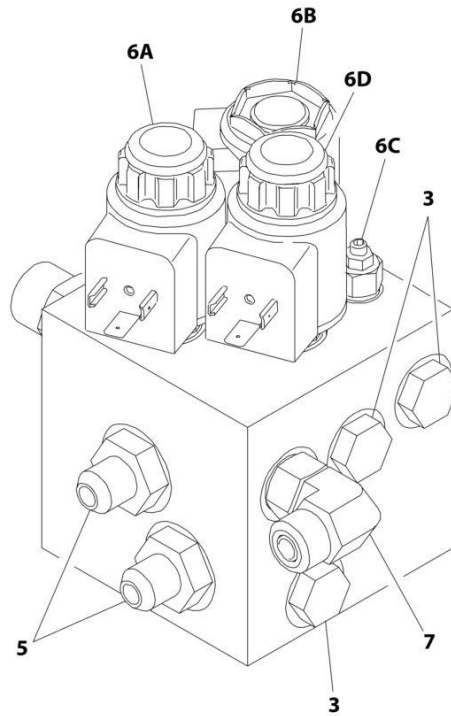
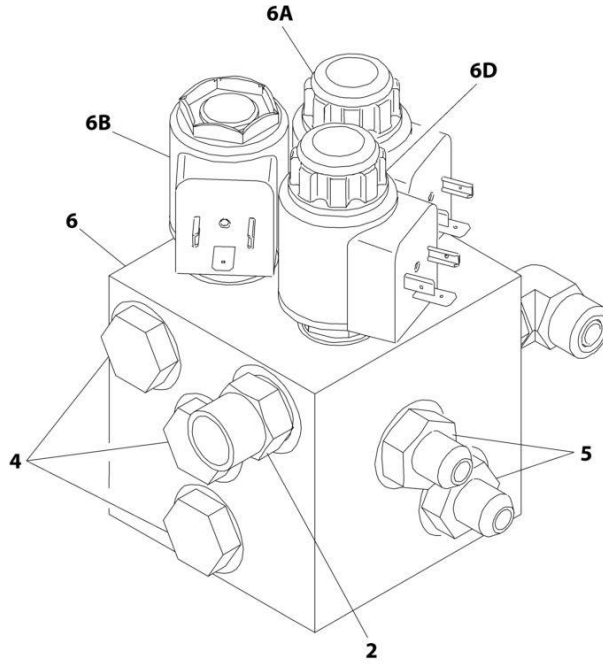
SECTION 1 - FRAME

**FIGURE 1-18. LEVELING JACK ASSEMBLY (MACHINES WITH LEVEL AT 6 DEGREE SLOPE)
(AUSTRALIAN SPECS)**

ITEM	PART NUMBER	QTY	DESCRIPTION	REV
	4210011	Ref	LEVELING JACK ASSEMBLY	E
1	0641824	1	Bolt 1/2 x 3	
2	0641828	1	Bolt 1/2 x 3-1/2	
3	0903054	4	Bracket, Jack Cover	
4	1684406	2	Jack Cylinder Assembly (See Separate Breakdown in CYLINDER SECTION)	
5	2110606	2	Fitting	
6	2110808	2	Fitting	
7	2220883	2	Fitting, Plug	
8	3311805	8	Nut 1/2	
9	3760348	2	Ring, Retaining	
10	3841564	2	Rod	
11	4160116	2	Spring	
12	4340885	1	Weldment, Leveling Jack	
13	4360518	2	Switch, Pressure Transducer	
14	4641238	2	Valve, Solenoid Directional	
14	7024497	1	Cartridge (1 Per Cartridge)	
14	7024501	1	Coil (1 Per Cartridge)	
14	7024502	1	Seal Kit - 4641238 Valve (1 Per Cartridge)	
14	7024506	1	Coil Nut, Kit - 4641238 Valve (1 Per Cartridge)	
15	4711800	4	Washer 1/2	

SECTION 1 - FRAME

FIGURE 1-19. LEVELING JACK CONTROL VALVE ASSEMBLY



ART_4641374-C

SECTION 1 - FRAME

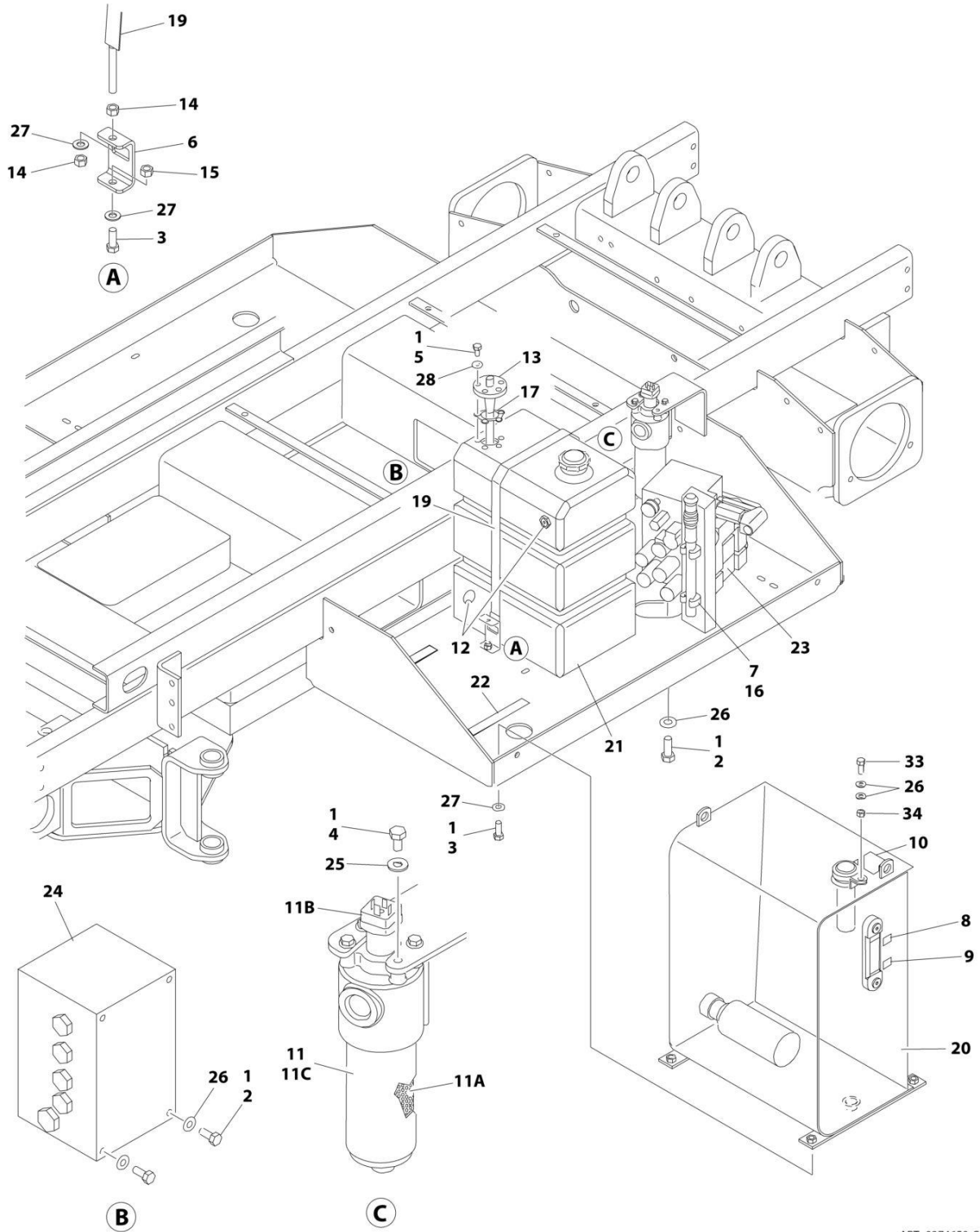
FIGURE 1-19. LEVELING JACK CONTROL VALVE ASSEMBLY

ITEM	PART NUMBER	QTY	DESCRIPTION	REV
	4641374	Ref	LEVELING JACK CONTROL VALVE ASSEMBLY	C
2	2110808	1	Fitting - Straight	
3	2220237	3	Plug	
4	2220238	3	Plug	
5	2220372	AR	Fitting - Straight	
6	4641240	1	Directional Valve Assembly	D
6A	7024497	1	Cartridge	
6A	7024501	1	Coil	
6A	7024506	1	Kit Nut	
6A	7024502	1	Seal Kit - 7024497 Cartridge	
6B	7024498	1	Cartridge	
6B	7024501	1	Coil	
6B	7024507	1	Kit Nut	
6B	7024503	1	Seal Kit - 7024498 Cartridge	
6C	7024499	1	Cartridge	
6C	7024504	1	Seal Kit - 7024499 Cartridge	
6D	7024500	1	Cartridge	
6D	7024501	1	Coil	
6D	7024506	1	Kit Nut	
6D	7024505	1	Seal Kit - 7024500 Cartridge	
7	2130606	1	Fitting, 90	

SECTION 2 - GROUND CONTROLS

SECTION 2 - GROUND CONTROLS

FIGURE 2-1. CONTROL VALVES AND TANK INSTALLATION (DIESEL MACHINES)



ART_0274650-C

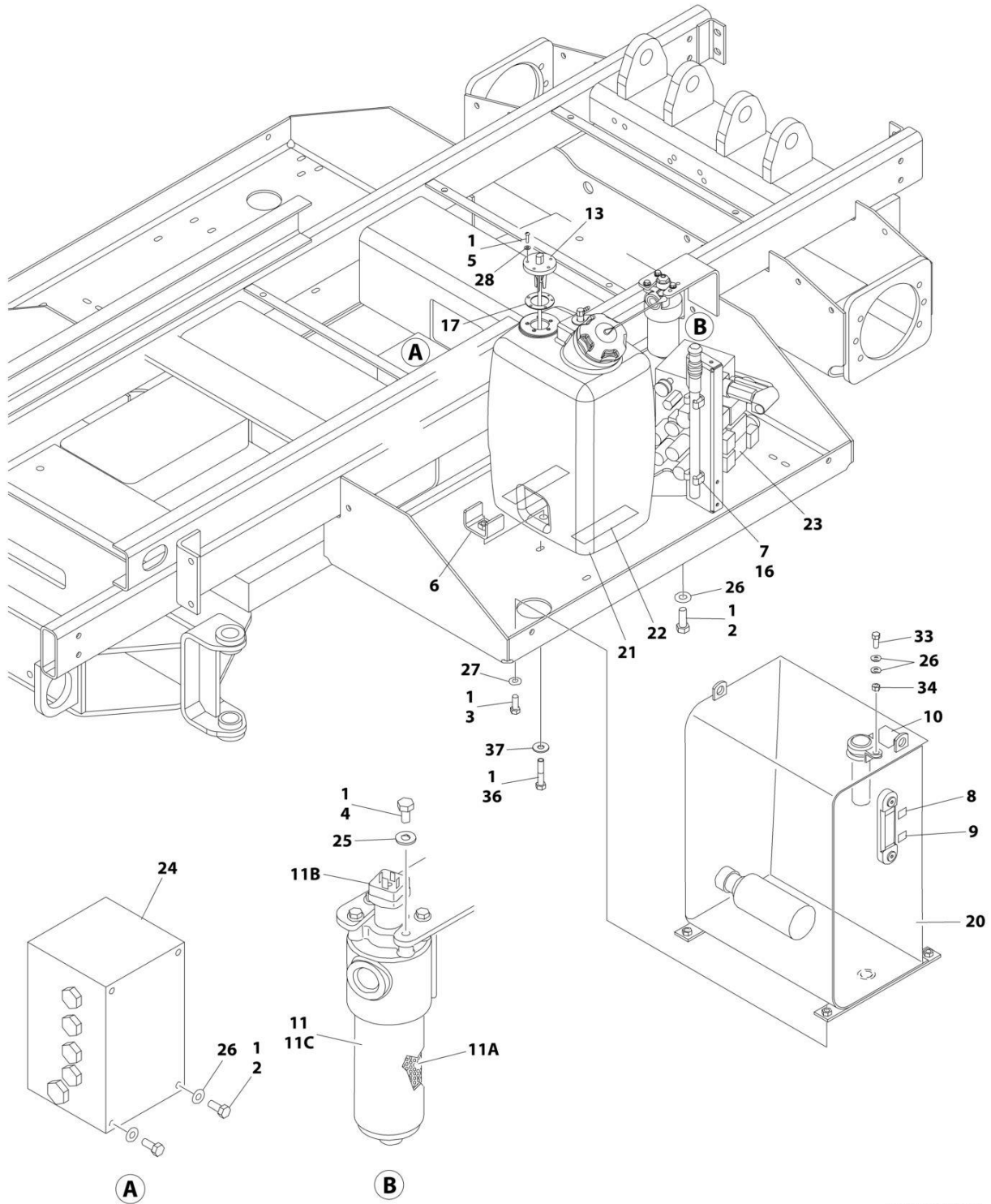
SECTION 2 - GROUND CONTROLS

FIGURE 2-1. CONTROL VALVES AND TANK INSTALLATION (DIESEL MACHINES)

ITEM	PART NUMBER	QTY	DESCRIPTION	REV
	0274650	Ref	VALVES AND TANK INSTALLATION	C
1	0100011	AR	Compound, Locking	
2	0641506	5	Bolt 5/16 x 3/4	
3	0641608	6	Bolt 3/8 x 1	
4	0651406	3	Bolt 1/4 x 3/4	
5	3900128	5	Screw #10 x 1	
6	0902592	2	Bracket, Tank Tie-Down	
7	1380136	2	Clip, Gripper	
8	1701502	1	Decal - Hydraulic Oil Level (High)	
9	1701503	1	Decal - Hydraulic Oil Level (Low)	
10	1703812	1	Decal - Hydraulic Oil	
11	2120209	1	Filter, Pressure	
11A	2120210	1	Element, Filter	
11B	7020020	1	Indicator	
11C	70000934	1	O-Ring, Filter Bowl (Not Shown)	
12	2200233	2	Plug, Drain	
13	2420190	1	Gauge, Fuel Level	
14	3311601	2	Nut 3/8	
15	3311605	2	Nut 3/8	
16	3820020	2	Rivet	
17	3960525	1	Gasket, Fuel Sensor	
19	4240141	1	Strap, Tank Mounting	
20	4400458	1	Tank, Hydraulic Oil (See Separate Breakdown in this Section)	
21	4400428	1	Tank, Fuel	
22	4420037	2 ft/ 0.6m	Tape, Insulation	
23	4641109	1	Main Valve Assembly (See Separate Breakdown in this Section)	
24	4641121	1	Flow Divider Valve Assembly (4WD) (See Separate Breakdown in this Section)	
25	4711400	3	Washer 1/4	
26	4711500	7	Washer 5/16	
27	4711600	7	Washer 3/8	
28	4751000	5	Washer #10	
29	4060808	8 ft/ 2.4m	Trim, Flexible (Not Shown)	
32	4060807	32 in/ 81cm	Trim, Flexible (Not Shown)	
33	0641508	1	Bolt 5/16 x 1	
34	3311505	1	Nut 5/16	
35	4240018	AR	Tie Strap (Not Shown)	

SECTION 2 - GROUND CONTROLS

FIGURE 2-2. CONTROL VALVES AND TANK INSTALLATION (DUAL FUEL MACHINES)



ART_1001118608-D

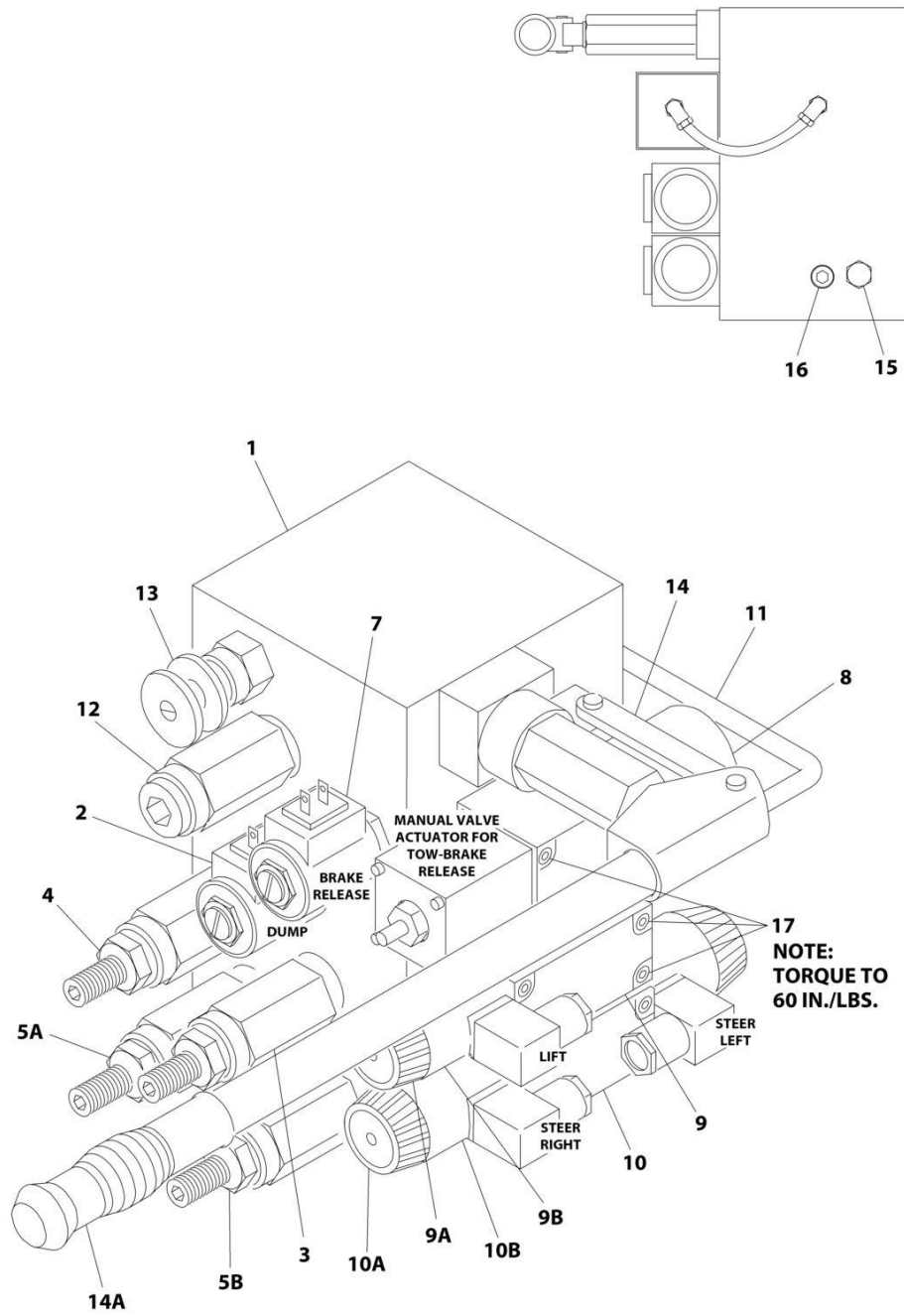
SECTION 2 - GROUND CONTROLS

FIGURE 2-2. CONTROL VALVES AND TANK INSTALLATION (DUAL FUEL MACHINES)

ITEM	PART NUMBER	QTY	DESCRIPTION	REV
	1001118608	Ref	VALVES AND TANKS INSTALLATION	D
1	0100011	AR	Compound, Locking	
2	0641506	5	Bolt 5/16 x 3/4	
3	0641608	4	Bolt 3/8 x 1	
4	0651406	3	Bolt 1/4 x 3/4	
5	3900128	5	Screw #10 x 1	
6	1001118133	2	Bracket, Tank Tie-Down	
7	1380136	2	Clip, Gripper	
8	1701502	1	Decal - Hydraulic Oil Level (High)	
9	1701503	1	Decal - Hydraulic Oil Level (Low)	
10	1703812	1	Decal - Hydraulic Oil	
11	2120209	1	Filter, Pressure	
11A	2120210	1	Element, Filter	
11B	7020020	1	Indicator	
11C	70000934	1	O-Ring, Filter Bowl (Not Shown)	
13	2420190	1	Gauge, Fuel Level	
16	3820020	2	Rivet	
17	3960525	1	Gasket, Fuel Sensor	
20	4400458	1	Tank, Hydraulic Oil (See Separate Breakdown in this Section)	
21	1001213127	1	Tank, Fuel (See Separate Breakdown in this Section)	
22	4420037	2 ft / 0.6m	Tape, Insulation	
23	4641109	1	Main Valve Assembly (See Separate Breakdown in this Section)	
24	4641121	1	Flow Divider Valve Assembly (4WD) (See Separate Breakdown in this Section)	
25	4711400	3	Washer 1/4	
26	4711500	7	Washer 5/16	
27	4711600	4	Washer 3/8	
28	4751000	5	Washer #10	
29	4060808	8 ft / 2.4m	Flex-Trim (Not Shown)	
32	4060807	32 in / 81cm	Flex-Trim (Not Shown)	
33	0641508	1	Bolt 5/16 x 1	
34	3311505	1	Nut 5/16	
35	4240018	AR	Tie Strap (Not Shown)	
36	0641820	2	Bolt 1/2 x 2-1/2	
37	4751600	2	Washer 1/2	

SECTION 2 - GROUND CONTROLS

FIGURE 2-3. MAIN VALVE ASSEMBLY



ART_4641109-I

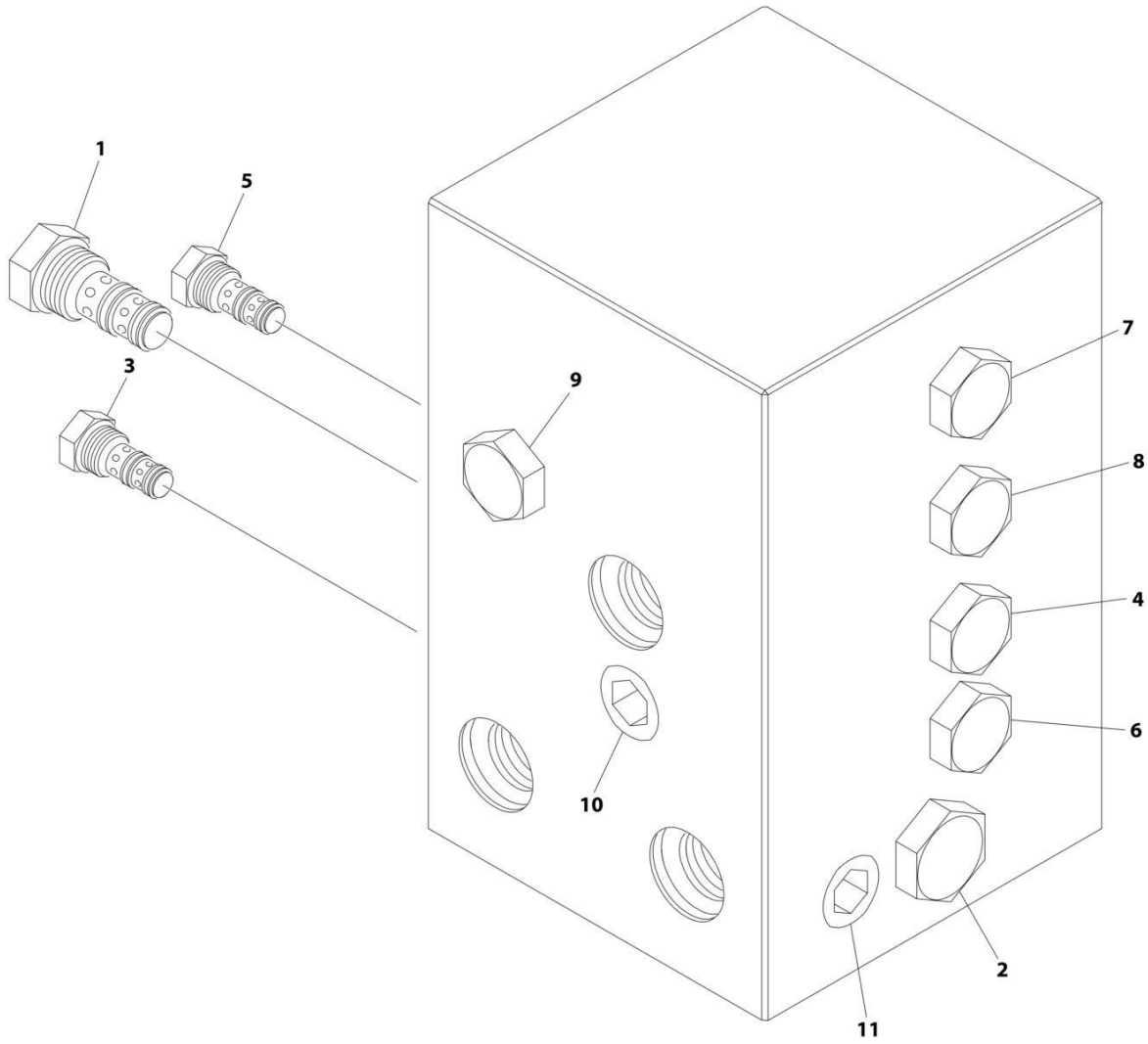
SECTION 2 - GROUND CONTROLS

FIGURE 2-3. MAIN VALVE ASSEMBLY

ITEM	PART NUMBER	QTY	DESCRIPTION	REV
	4641109	Ref	MAIN CONTROL VALVE ASSEMBLY	I
1	See Note	NSS	Manifold	
2	7017410	1	Cartridge Less Coil (Dump)	
2	7012967	1	Seal Kit - 7017410 Cartridge	
2	7012944	1	Coil	
3	7023971	1	Cartridge, Relief (Main) (Was p/n 7017418)	
3	7012953	1	Seal Kit - 7023971 Cartridge	
4	7023972	1	Cartridge, Relief (Lift)	
4	7012953	1	Seal Kit - 7023972 Cartridge	
5A	7023973	2	Cartridge, Relief (Steer)	
5A	7023975	2	Seal Kit - 7023973 Cartridge (1 Per Cartridge)	
5B	7023974	2	Cartridge, Relief (Steer)	
5B	7023975	2	Seal Kit - 7023974 Cartridge (1 Per Cartridge)	
6	7022527	1	Orifice 1/16in/2.0mm (Not Shown - Located on Back of Valve at Port L)	
7	7012941	1	Cartridge Less Coil (Brake Release)	
7	7010543	1	Seal Kit - 7012941 Cartridge	
7	7012944	1	Coil	
8	7024929	1	Valve Assembly	
8	7022531	1	Seal Kit	
9	7022529	1	Valve Assembly (Lift)	
9	7012773	1	Seal Kit	
9A	7021375	1	Nut	
9B	7021376	1	Coil	
10	7021365	1	Valve Assembly (Steer)	
10	7012773	2	Seal Kit	
10A	7021375	2	Nut	
10B	7021376	2	Coil	
11	7018903	1	Tube Assembly	
11	7018904	1	Fitting, Straight	
12	7023916	1	Cartridge, Check (Was p/n 7021628)	
12	7012998	1	Seal Kit - 7023916 Cartridge (Was p/n 7012967)	
13	7021629	1	Cartridge, Needle Valve	
13	7012953	1	Seal Kit - 7021629 Cartridge	
14	7023208	1	Valve Assembly (Brake Release)	
14	7023209	1	Seal Kit - 7023208 Cartridge	
14A	7023210	1	Handle	
15	7023976	1	Cartridge	
15	7012967	1	Seal Kit - 7023976 Cartridge	
16	7022523	1	Orifice	
17	7018942	12	Capscrew #10 x 2	

SECTION 2 - GROUND CONTROLS

FIGURE 2-4. FLOW DIVIDER ASSEMBLY



ART_4641121-B

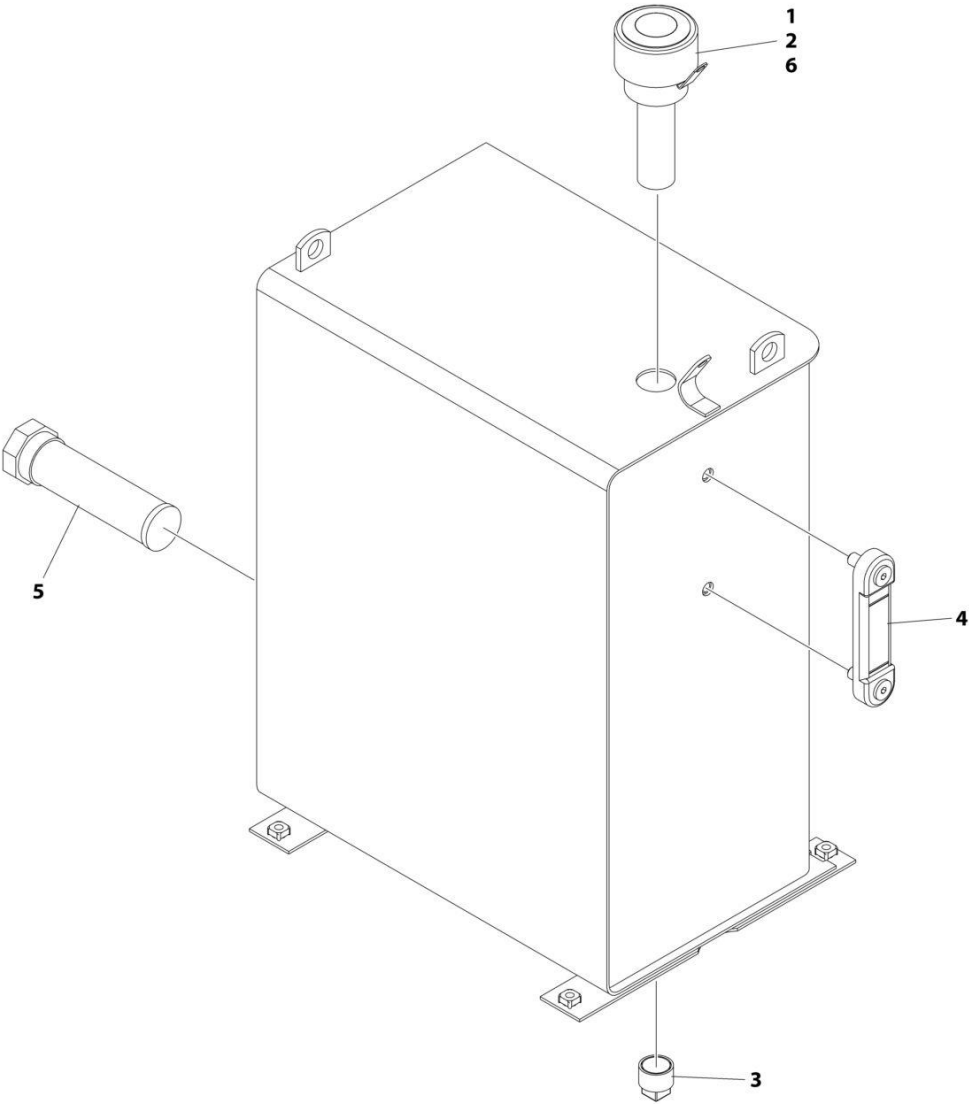
SECTION 2 - GROUND CONTROLS

FIGURE 2-4. FLOW DIVIDER ASSEMBLY

ITEM	PART NUMBER	QTY	DESCRIPTION	REV
	4641121	Ref	FLOW DIVIDER VALVE ASSEMBLY	B
1	7017425	1	Cartridge	
1	7017405	1	Seal Kit - 7017425 Cartridge	
2	7024873	1	Cartridge	
2	7012904	1	Seal Kit - 7024873 Cartridge	
3	7024873	1	Cartridge	
3	7012904	1	Seal Kit - 7024873 Cartridge	
4	7012975	1	Cartridge	
4	7012967	1	Seal Kit - 7012975 Cartridge	
5	7012975	1	Cartridge	
5	7012967	1	Seal Kit - 7012975 Cartridge	
6	7012975	1	Cartridge	
6	7012967	1	Seal Kit - 7012975 Cartridge	
7	7012975	1	Cartridge	
7	7012967	1	Seal Kit - 7012975 Cartridge	
8	7012975	1	Cartridge	
8	7012967	1	Seal Kit - 7012975 Cartridge	
9	7012975	1	Cartridge	
9	7012967	1	Seal Kit - 7012975 Cartridge	
10	7022523	1	Orifice (1.0mm)	
11	7022524	2	Orifice (0.5mm)	

SECTION 2 - GROUND CONTROLS

FIGURE 2-5. HYDRAULIC OIL TANK ASSEMBLY



ART_4400458

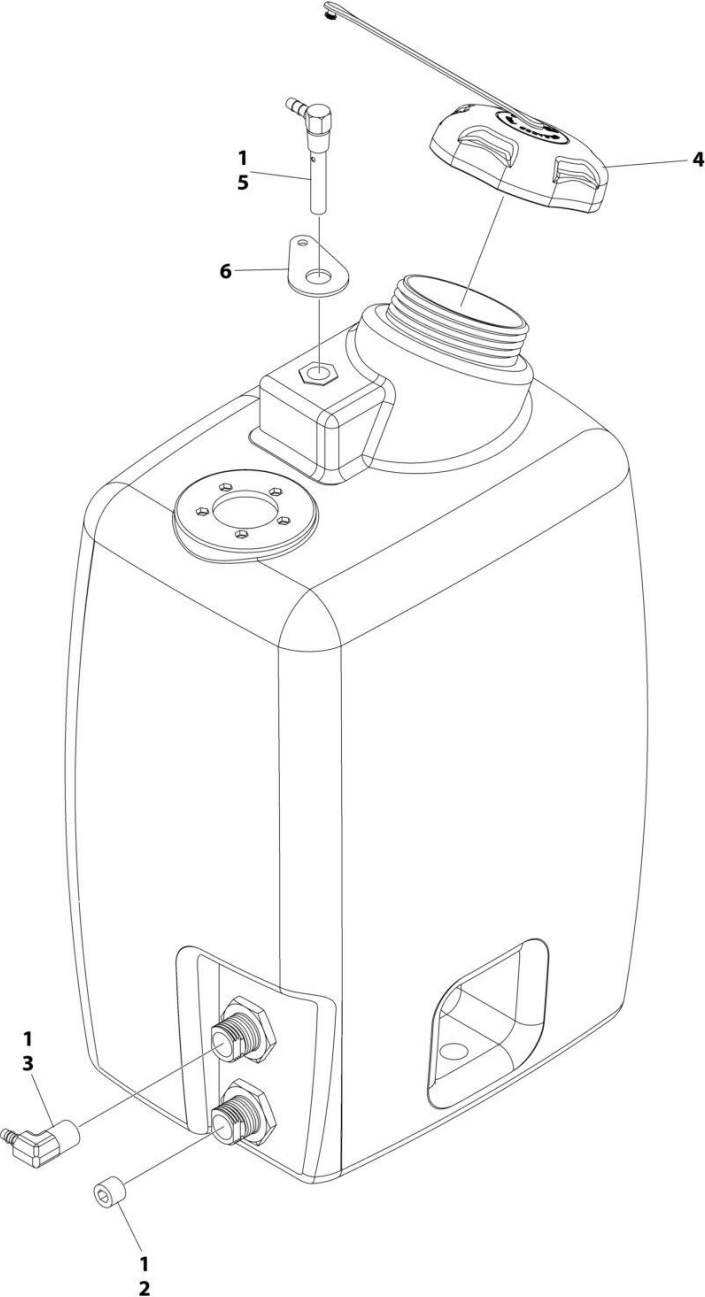
SECTION 2 - GROUND CONTROLS

FIGURE 2-5. HYDRAULIC OIL TANK ASSEMBLY

ITEM	PART NUMBER	QTY	DESCRIPTION	REV
	4400458	Ref	HYDRAULIC OIL TANK ASSEMBLY	I
1	7024445	1	Screen	
2	7026575	1	Cap	
3	7024446	1	Plug, Magnetic	
4	7024441	1	Gauge	
5	7026121	1	Strainer	
6	7024443	1	Neck, Fill	

SECTION 2 - GROUND CONTROLS

FIGURE 2-6. FUEL TANK ASSEMBLY



ART_1001213127

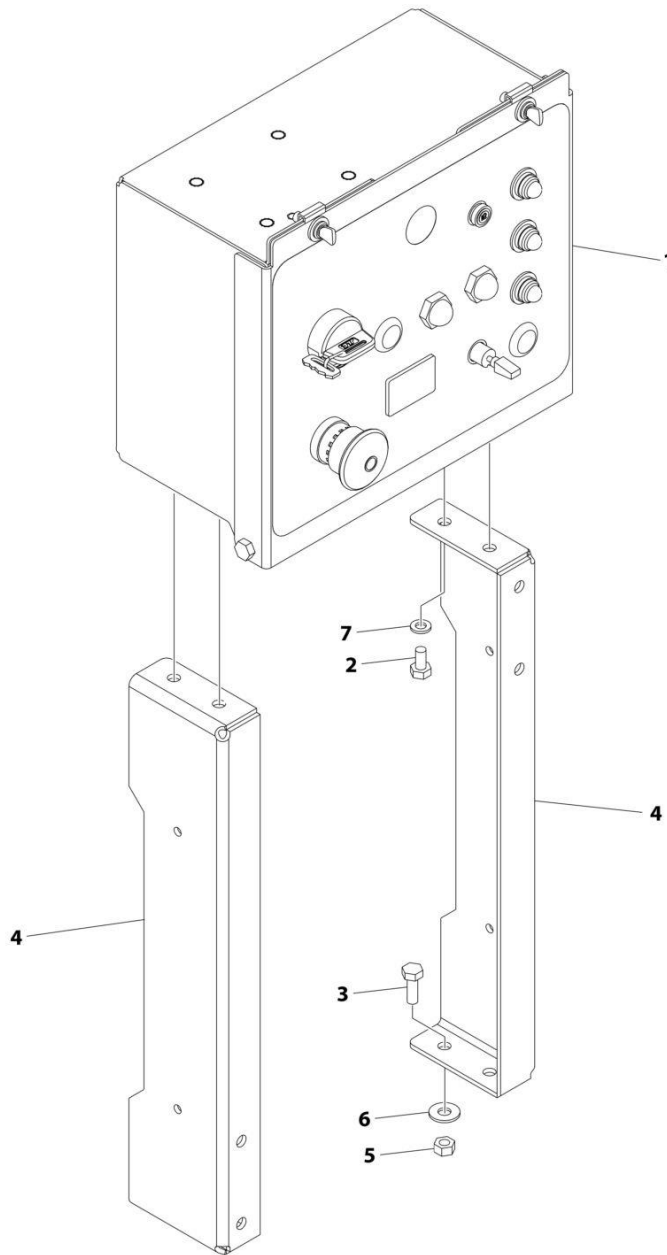
SECTION 2 - GROUND CONTROLS

FIGURE 2-6. FUEL TANK ASSEMBLY

ITEM	PART NUMBER	QTY	DESCRIPTION	REV
	1001213127	Ref	FUEL TANK ASSEMBLY	A
1	0100020	1	Sealant	
2	2200233	1	Drain Plug	
3	2221176	1	Fitting 90	
4	1001128799	1	Cap, Fuel	
5	1001129043	1	Valve, Fuel Vent	
6	1001130097	1	Lanyard	

SECTION 2 - GROUND CONTROLS

FIGURE 2-7. GROUND CONTROLS INSTALLATION (DIESEL MACHINES WITHOUT LEVELING JACKS) (ALL SPECS EXCEPT CE SPECS)



ART_0274655-C

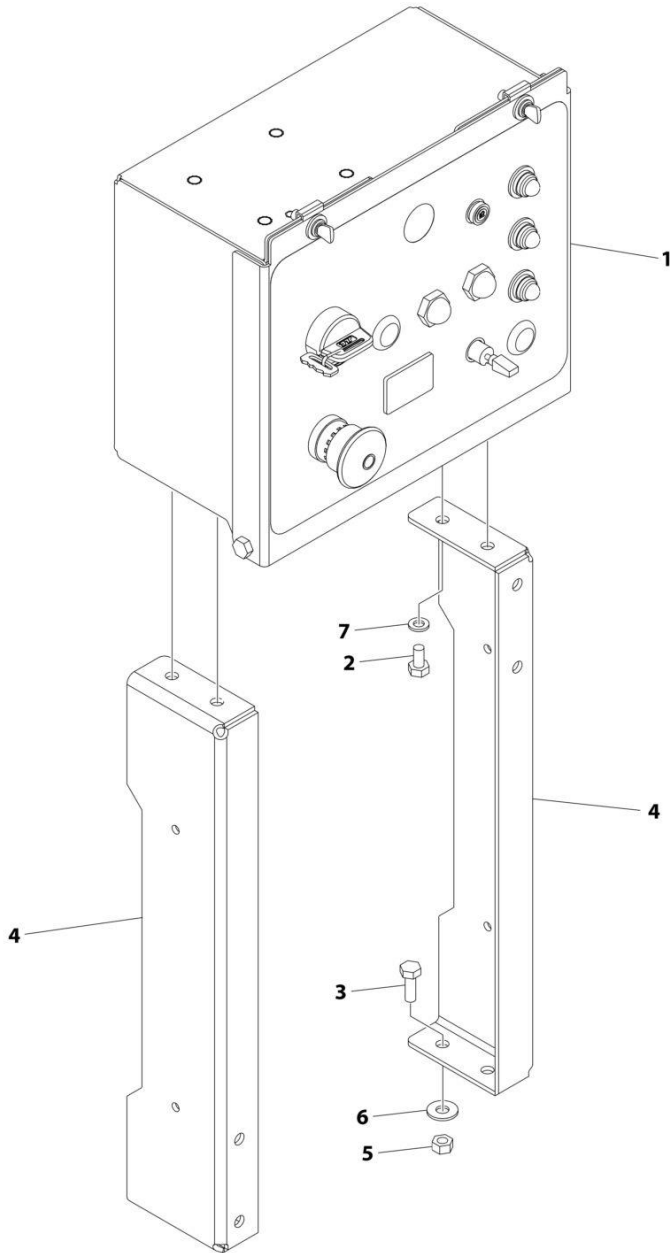
SECTION 2 - GROUND CONTROLS

FIGURE 2-7. GROUND CONTROLS INSTALLATION (DIESEL MACHINES WITHOUT LEVELING JACKS) (ALL SPECS EXCEPT CE SPECS)

ITEM	PART NUMBER	QTY	DESCRIPTION	REV
	0274655	Ref	GROUND CONTROLS INSTALLATION	C
1	1810013	1	Ground Control Box Assembly (See Separate Breakdown in this Section)	
2	0641404	4	Bolt 1/4 x 1/2	
3	0641406	4	Bolt 1/4 x 3/4	
4	0902595	2	Bracket	
5	3311405	4	Nut 1/4	
6	4751400	4	Washer 1/4	
7	4761400	4	Washer 1/4	
8	4923295	1	Ground Control Harness (Not Shown - See Separate Breakdown in ELECTRICAL SECTION)	

SECTION 2 - GROUND CONTROLS

FIGURE 2-8. GROUND CONTROLS INSTALLATION (DIESEL MACHINES WITHOUT LEVELING JACKS) (CE SPECS)



ART_0274653-C

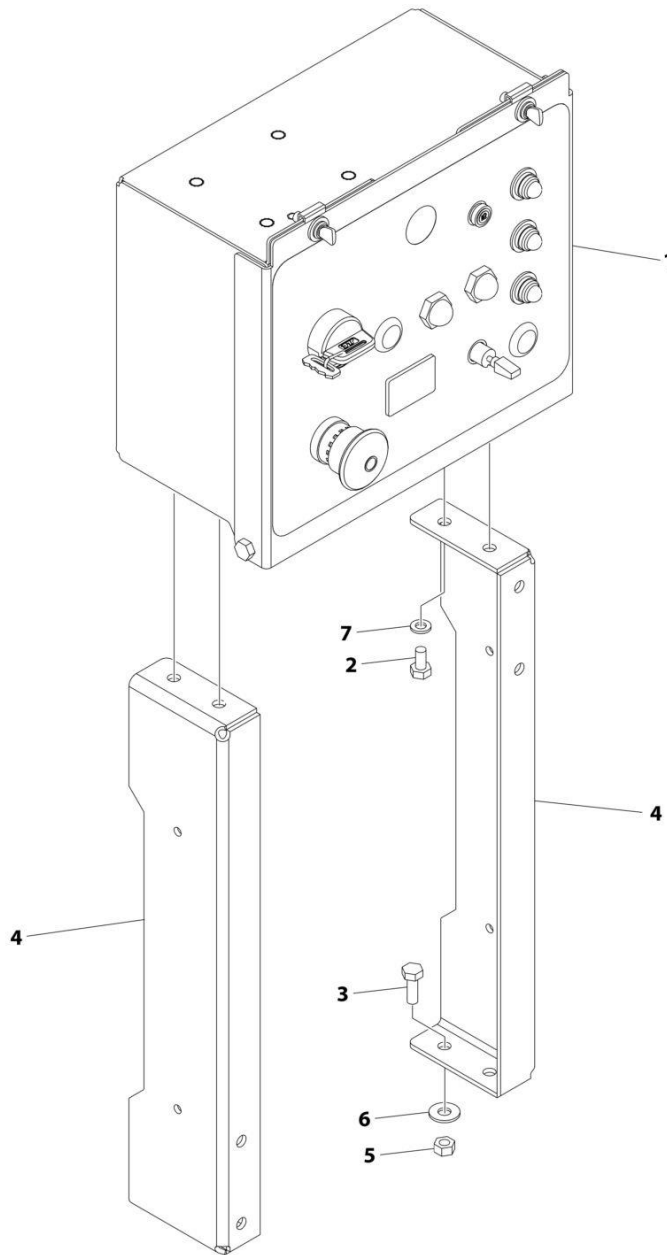
SECTION 2 - GROUND CONTROLS

FIGURE 2-8. GROUND CONTROLS INSTALLATION (DIESEL MACHINES WITHOUT LEVELING JACKS) (CE SPECS)

ITEM	PART NUMBER	QTY	DESCRIPTION	REV
	0274653	Ref	GROUND CONTROLS INSTALLATION	C
1	1810012	1	Ground Control Box Assembly (See Separate Breakdown in this Section)	
2	0641404	4	Bolt 1/4 x 1/2	
3	0641406	4	Bolt 1/4 x 3/4	
4	0902595	2	Bracket	
5	3311405	4	Nut 1/4	
6	4751400	4	Washer 1/4	
7	4761400	4	Washer 1/4	
8	4923295	1	Ground Control Harness (Not Shown - See Separate Breakdown in ELECTRICAL SECTION)	

SECTION 2 - GROUND CONTROLS

FIGURE 2-9. GROUND CONTROLS INSTALLATION (DUAL FUEL MACHINES WITHOUT LEVELING JACKS) (ALL SPECS EXCEPT AUSTRALIAN AND CE SPECS)



ART_0274657-D

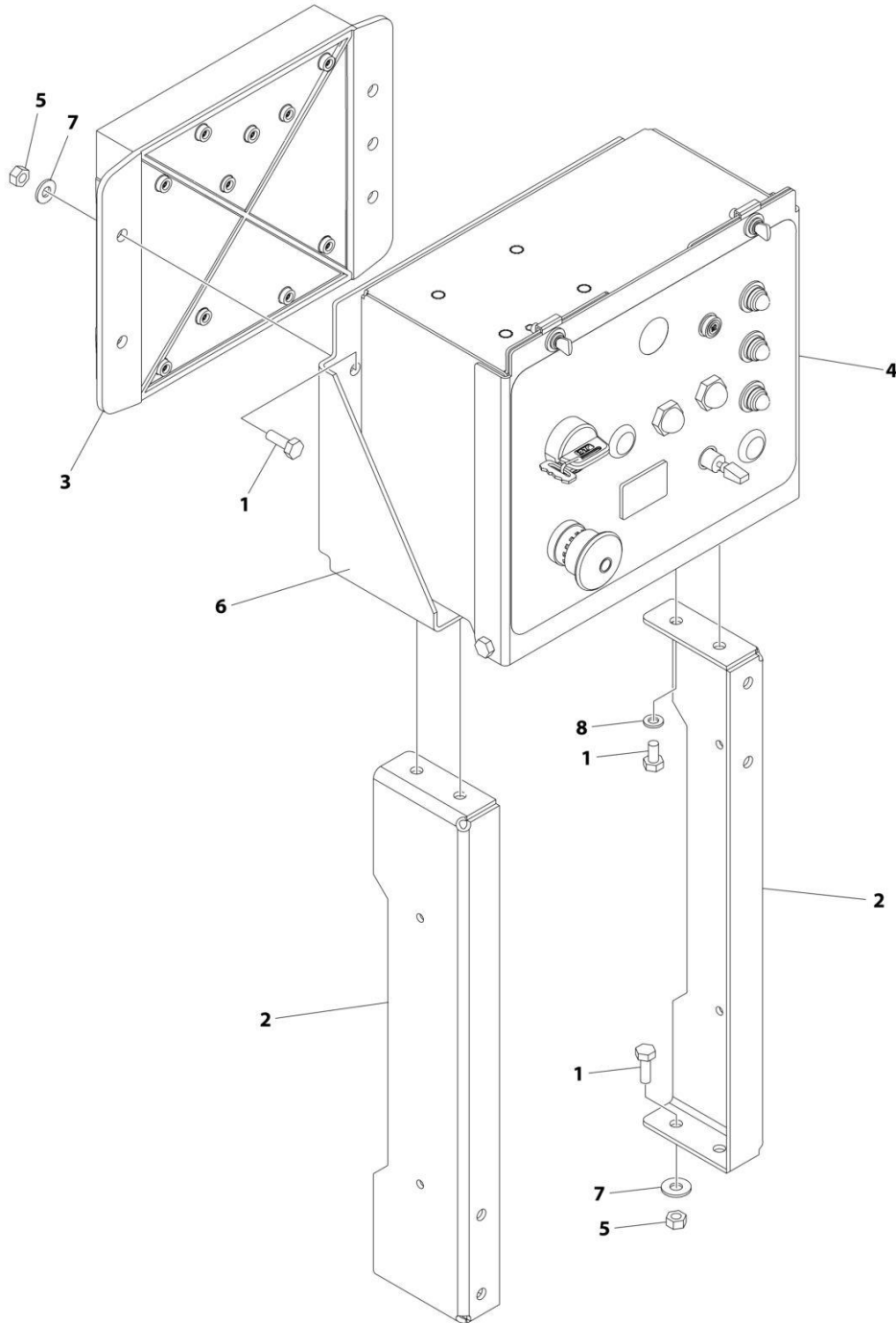
SECTION 2 - GROUND CONTROLS

FIGURE 2-9. GROUND CONTROLS INSTALLATION (DUAL FUEL MACHINES WITHOUT LEVELING JACKS) (ALL SPECS EXCEPT AUSTRALIAN AND CE SPECS)

ITEM	PART NUMBER	QTY	DESCRIPTION	REV
	0274657	Ref	GROUND CONTROLS INSTALLATION	D
1	1001112909	1	Ground Control Box Assembly (See Separate Breakdown in this Section)	
2	0641404	4	Bolt 1/4 x 1/2	
3	0641406	4	Bolt 1/4 x 3/4	
4	0902595	2	Bracket	
5	3311405	4	Nut 1/4	
6	4751400	4	Washer 1/4	
7	4761400	4	Washer 1/4	
8	4923295	1	Ground Control Harness (Not Shown - See Separate Breakdown in ELECTRICAL SECTION)	

SECTION 2 - GROUND CONTROLS

FIGURE 2-10. GROUND CONTROLS INSTALLATION (DIESEL MACHINES WITH LEVELING JACKS)
(ALL SPECS EXCEPT CE SPECS)



ART_0274654-D

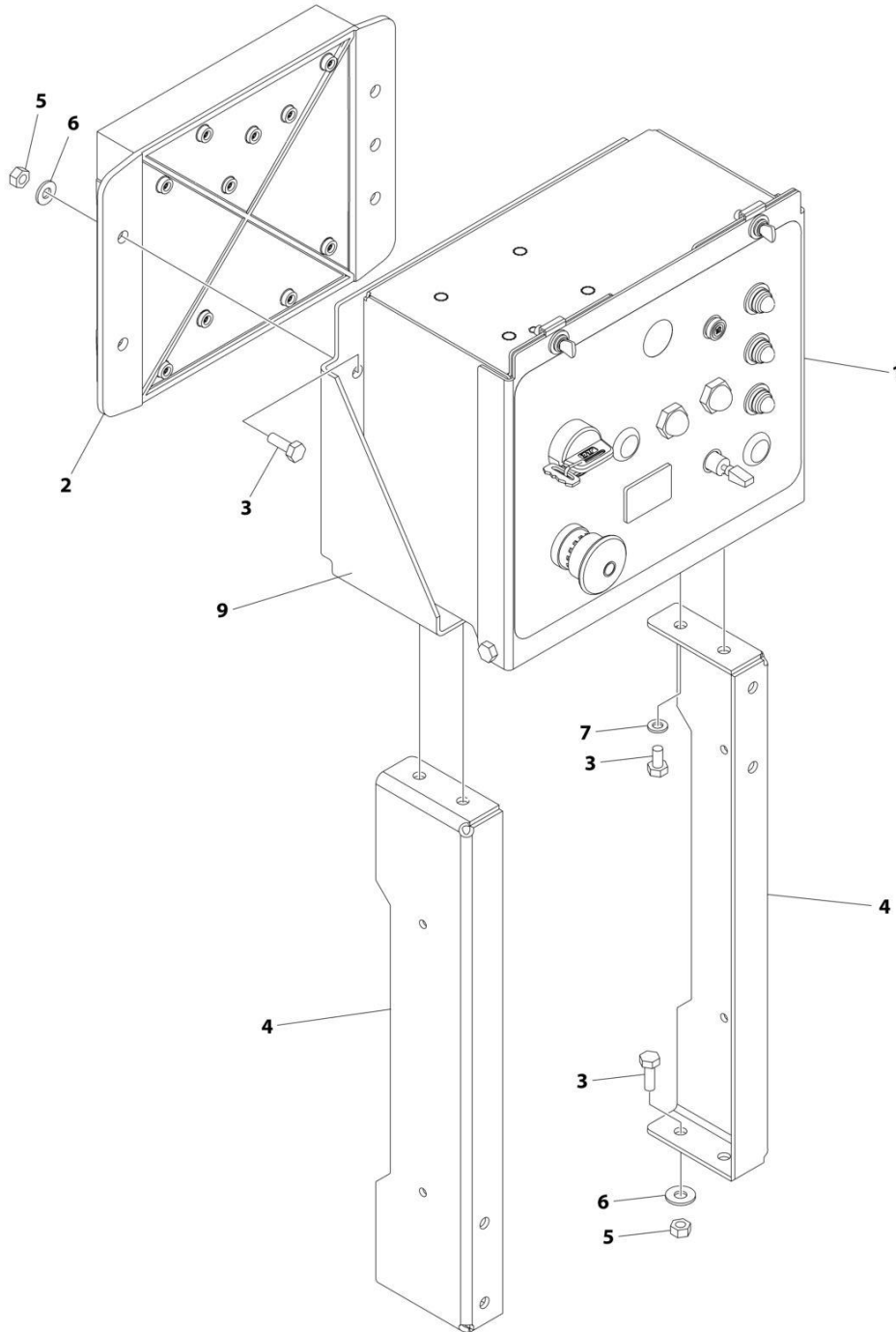
SECTION 2 - GROUND CONTROLS

**FIGURE 2-10. GROUND CONTROLS INSTALLATION (DIESEL MACHINES WITH LEVELING JACKS)
(ALL SPECS EXCEPT CE SPECS)**

ITEM	PART NUMBER	QTY	DESCRIPTION	REV
	0274654	Ref	GROUND CONTROLS INSTALLATION	D
1	0641406	12	Bolt 1/4 x 3/4	
2	0902595	2	Bracket	
3	1001182483	1	Controller, Module (Auto Leveling Jacks)	
4	1810013	1	Ground Control Box Assembly (See Separate Breakdown in this Section)	
5	3311405	8	Nut 1/4	
6	4340887	1	Mount, Module	
7	4711400	8	Washer 1/4	
8	4761400	4	Washer 1/4	
9	4923135	1	Analyzer, Harness (Not Shown)	
9	4460761	1	Receptacle, Female - 4 Position	
9	4460227	3	Pin, Male	
9	4460465	3	Socket, Female	
10	4923136	1	Leveling Jacks System Interconnection Harness (Not Shown - See Separate Breakdown in ELECTRICAL SECTION)	
11	4923295	1	Ground Control Harness (Not Shown - See Separate Breakdown in ELECTRICAL SECTION)	

SECTION 2 - GROUND CONTROLS

FIGURE 2-11. GROUND CONTROLS INSTALLATION (DIESEL MACHINES WITH LEVELING JACKS)
(CE SPECS)



ART_0274651-D

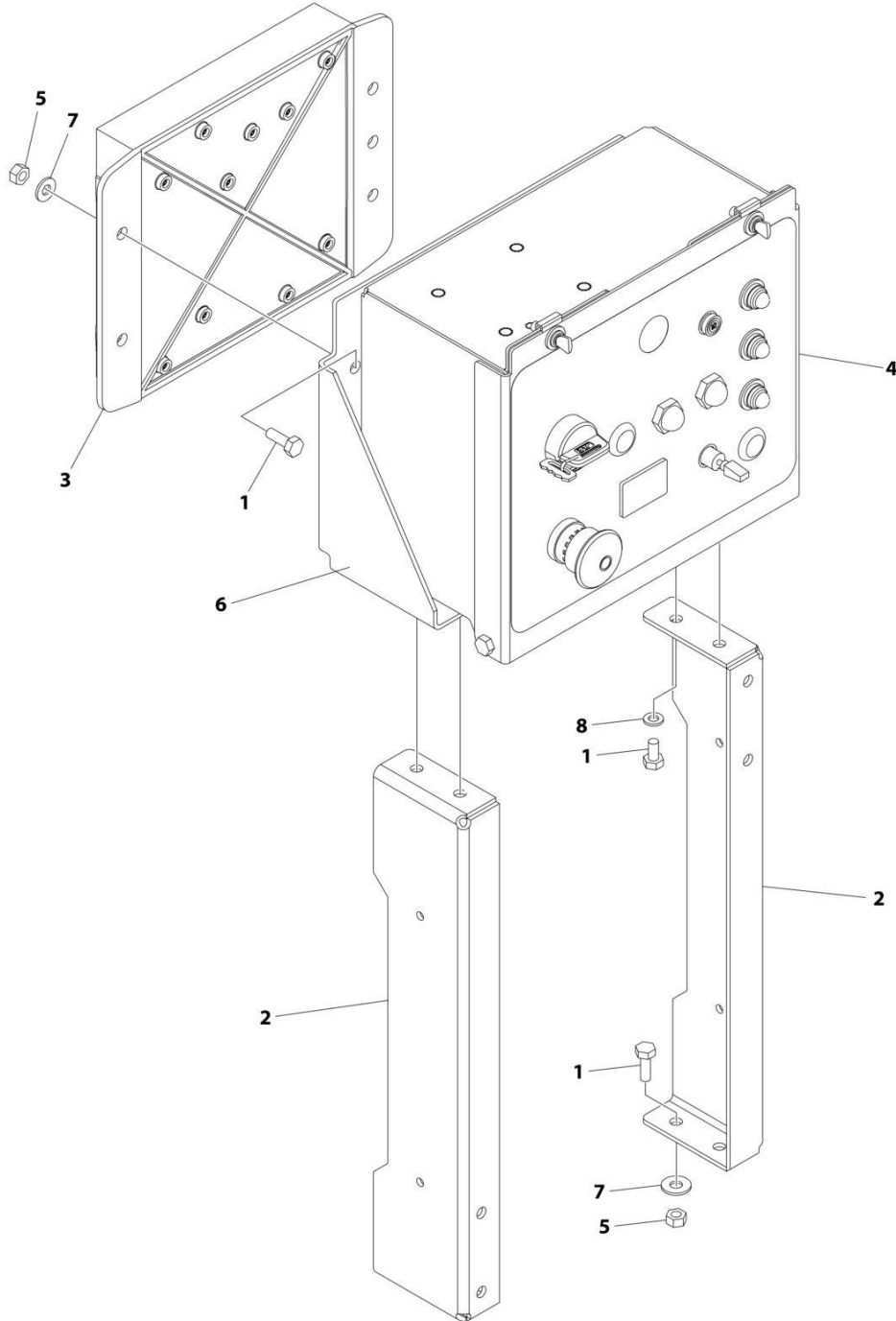
SECTION 2 - GROUND CONTROLS

**FIGURE 2-11. GROUND CONTROLS INSTALLATION (DIESEL MACHINES WITH LEVELING JACKS)
(CE SPECS)**

ITEM	PART NUMBER	QTY	DESCRIPTION	REV
	0274651	Ref	GROUND CONTROLS INSTALLATION	D
1	1810012	1	Ground Control Box Assembly (See Separate Breakdown in this Section)	
2	1001182483	1	Controller, Module (Auto Leveling Jacks)	
3	0641406	12	Bolt 1/4 x 3/4	
4	0902595	2	Bracket	
5	3311405	8	Nut 1/4	
6	4711400	8	Washer 1/4	
7	4761400	4	Washer 1/4	
8	4923295	1	Ground Control Harness (Not Shown - See Separate Breakdown in ELECTRICAL SECTION)	
9	4340887	1	Mount, Module	
10	4923135	1	Analyzer, Harness (Not Shown)	
10	4460761	1	Receptacle, Female - 4 Position	
10	4460227	3	Pin, Male	
10	4460465	3	Socket, Female	
11	4923136	1	Leveling Jacks System Interconnection Harness (Not Shown - See Separate Breakdown in ELECTRICAL SECTION)	

SECTION 2 - GROUND CONTROLS

FIGURE 2-12. GROUND CONTROLS INSTALLATION (DUAL FUEL MACHINES WITH LEVELING JACKS) (ALL SPECS EXCEPT AUSTRALIAN AND CE SPECS)



ART_0274656-D

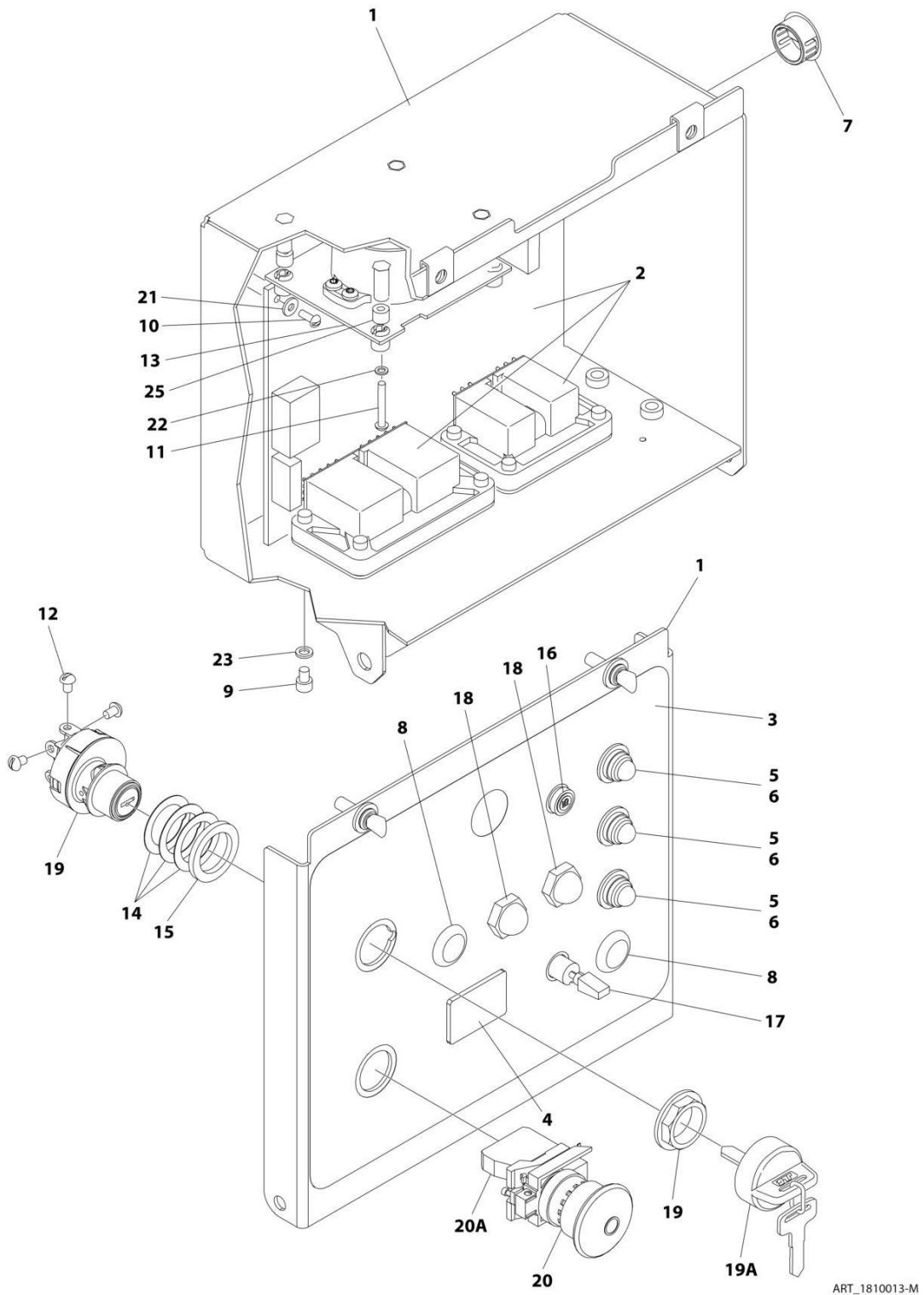
SECTION 2 - GROUND CONTROLS

FIGURE 2-12. GROUND CONTROLS INSTALLATION (DUAL FUEL MACHINES WITH LEVELING JACKS) (ALL SPECS EXCEPT AUSTRALIAN AND CE SPECS)

ITEM	PART NUMBER	QTY	DESCRIPTION	REV
	0274656	Ref	GROUND CONTROLS INSTALLATION	D
1	0641406	12	Bolt 1/4 x 3/4	
2	0902595	2	Bracket	
3	1001182483	1	Controller, Module (Auto Leveling Jacks)	
4	1001112909	1	Ground Control Box Assembly (See Separate Breakdown in this Section)	
5	3311405	8	Nut 1/4	
6	4340887	1	Mount, Module	
7	4711400	8	Washer 1/4	
8	4761400	4	Washer 1/4	
9	4923135	1	Analyzer, Harness (Not Shown)	
9	4460761	1	Receptacle, Female - 4 Position	
9	4460227	3	Pin, Male	
9	4460465	3	Socket, Female	
10	4923136	1	Leveling Jacks System Interconnection Harness (Not Shown - See Separate Breakdown in ELECTRICAL SECTION)	
11	4923295	1	Ground Control Harness (Not Shown - See Separate Breakdown in ELECTRICAL SECTION)	

SECTION 2 - GROUND CONTROLS

FIGURE 2-13. GROUND CONTROL BOX ASSEMBLY (DIESEL MACHINES) (ALL SPECS EXCEPT CE SPECS)



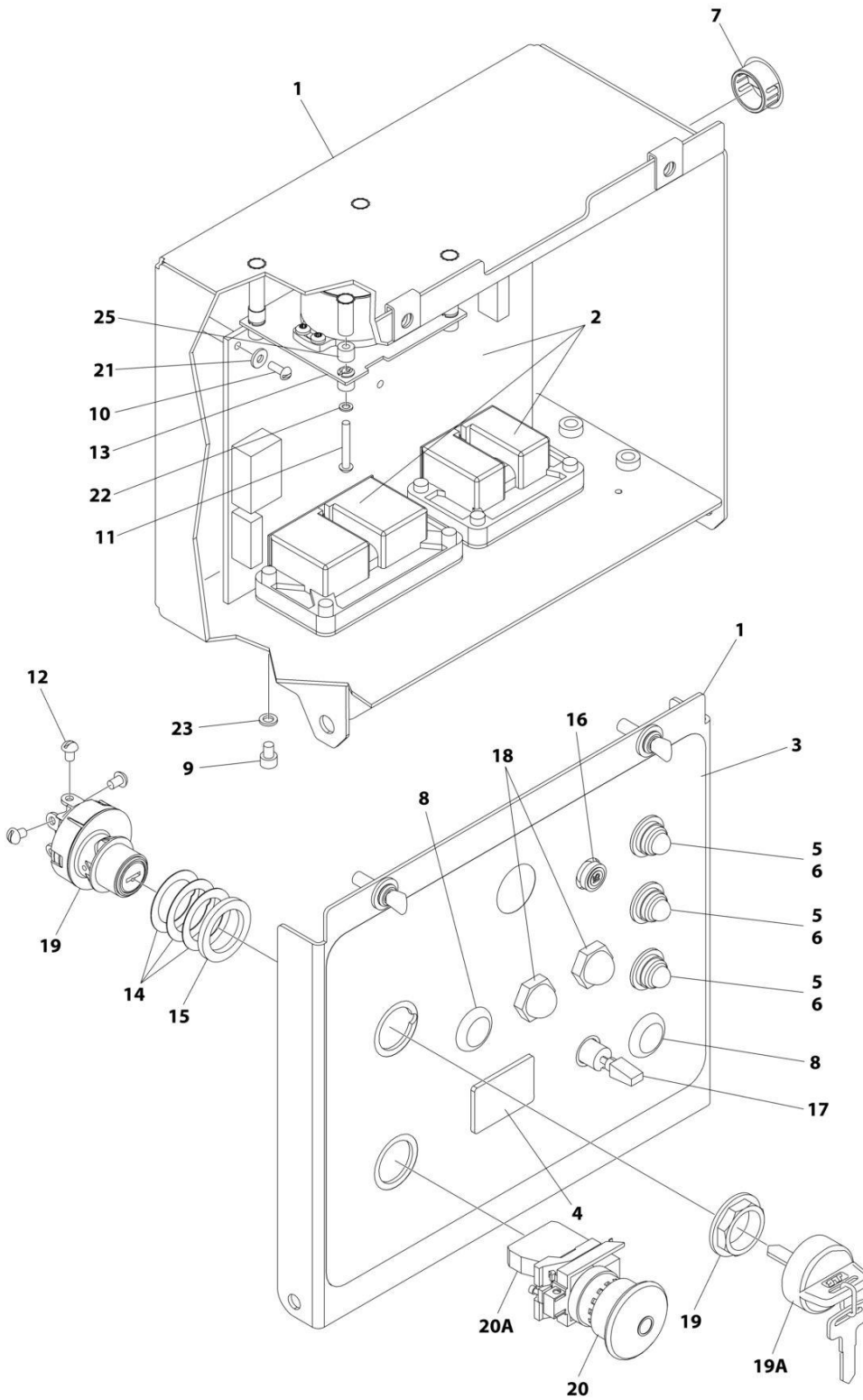
SECTION 2 - GROUND CONTROLS

FIGURE 2-13. GROUND CONTROL BOX ASSEMBLY (DIESEL MACHINES) (ALL SPECS EXCEPT CE SPECS)

ITEM	PART NUMBER	QTY	DESCRIPTION	REV
	1810013	Ref	GROUND CONTROL BOX ASSEMBLY	M
1	1001181085	1	Box, Ground Control	
2	1600382	1	Circuit Board	
3	1705729	1	Decal - Ground Control Box	
4	2420172	1	Gauge, Hour Meter	
5	2920026	3	Lamp, Holder	
6	2920029	3	Lamp, Bulb	
7	3520030	1	Plug	
8	3520193	2	Plug	
9	3900281	8	Capscrew	
10	3910606	3	Screw #6 x 3/8	
11	3910616	4	Bolt #6 x 1	
12	3910804	3	Screw #8 x 1/4	
13	1810140	1	Sensor	
14	4070987	3	Shim	
15	4070991	1	Shim	
16	4360070	1	Breaker, Circuit - 15Amp	
17	4360328	1	Switch, Toggle	
18	4360387	2	Switch, Push Button	
19	4360469	1	Switch, Key	
19A	2860030	2	Key, Replacement	
20	4360475	1	Switch, E-Stop	
20	7020175	1	Ring, Sealing	
20A	7020176	1	Block, Contact	
21	4750600	3	Washer #6	
22	4760600	4	Washer #6	
23	4761000	8	Washer #10	
24	4923293	1	Ground Control Box Harness (Not Shown - See Separate Breakdown in ELECTRICAL SECTION)	
25	1001102512	4	Spacer (Nylon)	

SECTION 2 - GROUND CONTROLS

FIGURE 2-14. GROUND CONTROL BOX ASSEMBLY (DIESEL MACHINES) (CE SPECS)



ART_1810012

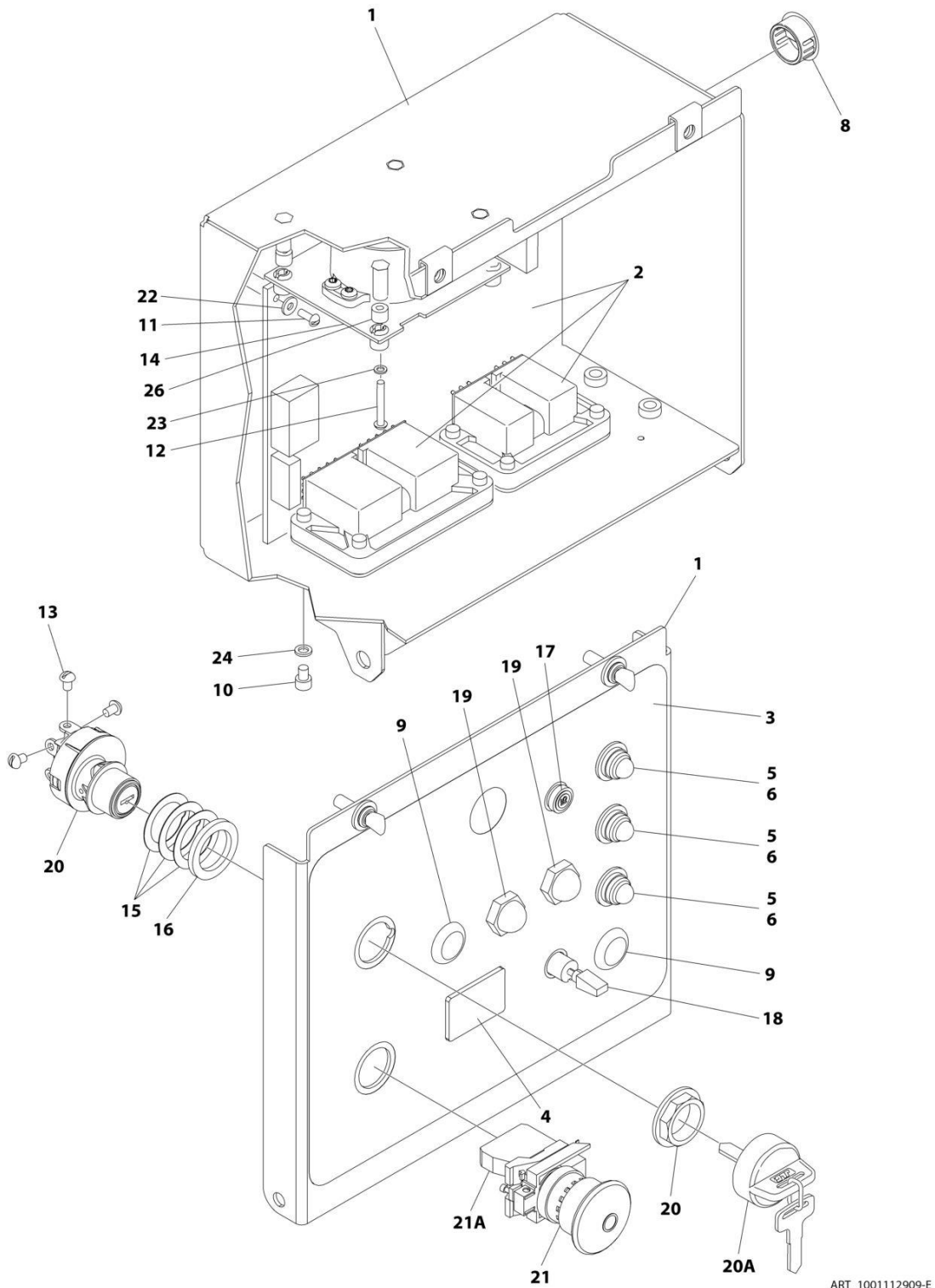
SECTION 2 - GROUND CONTROLS

FIGURE 2-14. GROUND CONTROL BOX ASSEMBLY (DIESEL MACHINES) (CE SPECS)

ITEM	PART NUMBER	QTY	DESCRIPTION	REV
	1810012	Ref	GROUND CONTROL BOX ASSEMBLY	N
1	1001181085	1	Box, Ground Control	
2	1600382	1	Circuit Board	
3	1705729	1	Decal - Ground Control Box	
4	2420172	1	Gauge, Hour Meter	
5	2920026	3	Lamp, Holder	
6	2920029	3	Lamp, Bulb	
7	3520030	1	Plug	
8	3520193	1	Plug	
9	3900281	8	Screw	
10	3910606	3	Screw #6 x 3/8	
11	3910616	4	Bolt #6 x 1	
12	3910804	3	Screw	
13	1810140	1	Sensor	
14	4070987	3	Shim	
15	4070991	1	Shim	
16	4360070	1	Breaker, Circuit - 15Amp	
17	4360328	1	Switch, Toggle	
18	4360387	2	Switch, Yellow Push Button	
19	4360469	1	Switch, Key	
19A	2860030	2	Key, Replacement	
20	4360475	1	Switch, E-Stop	
20	7020175	1	Ring, Sealing	
20A	7020176	1	Block, Contact	
21	4750600	3	Washer #6	
22	4760600	4	Washer #6	
23	4761000	8	Washer #10	
24	4923293	1	Ground Control Box Harness (Not Shown - See Separate Breakdown in ELECTRICAL SECTION)	
25	1001102512	4	Spacer (Nylon)	

SECTION 2 - GROUND CONTROLS

FIGURE 2-15. GROUND CONTROL BOX ASSEMBLY (DUAL FUEL MACHINES) (ALL SPECS EXCEPT AUSTRALIAN AND CE SPECS)



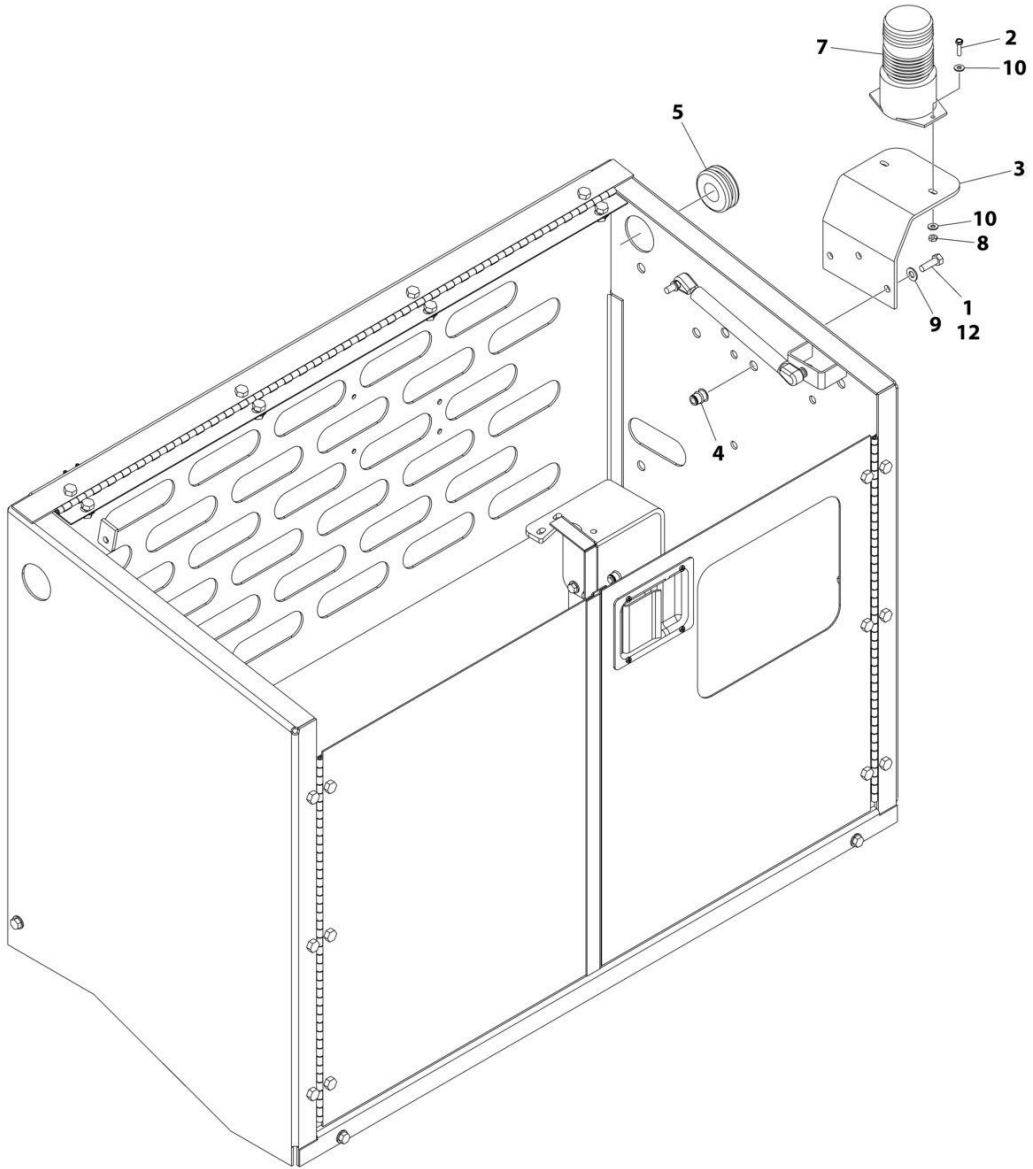
SECTION 2 - GROUND CONTROLS

FIGURE 2-15. GROUND CONTROL BOX ASSEMBLY (DUAL FUEL MACHINES) (ALL SPECS EXCEPT AUSTRALIAN AND CE SPECS)

ITEM	PART NUMBER	QTY	DESCRIPTION	REV
	1001112909	Ref	GROUND CONTROL BOX ASSEMBLY	E
1	1001181085	1	Box, Ground Control	
2	1600382	1	Circuit Board	
3	1705729	1	Decal - Ground Control Box	
4	2420172	1	Gauge, Hour Meter	
5	2920026	3	Lamp, Holder	
6	2920029	3	Lamp, Bulb	
8	3520030	1	Plug	
9	3520193	2	Plug	
10	3900281	8	Capscrew	
11	3910606	3	Screw #6 x 3/8	
12	3910616	4	Bolt #6 x 1	
13	3910804	3	Screw #8 x 1/4	
14	1810140	1	Sensor	
15	4070987	3	Shim	
16	4070991	1	Shim	
17	4360070	1	Breaker, Circuit - 15Amp	
18	4360328	1	Switch, Toggle	
19	4360387	2	Switch, Push Button	
20	4360469	1	Switch, Key	
20A	2860030	2	Key, Replacement	
21	4360475	1	Switch, E-Stop	
21	7020175	1	Ring, Sealing	
21A	7020176	1	Block, Contact	
22	4750600	3	Washer #6	
23	4760600	4	Washer #6	
24	4761000	8	Washer #10	
25	1001112908	1	Ground Control Box Harness (Not Shown - See Separate Breakdown in ELECTRICAL SECTION)	
26	1001102512	4	Spacer (Nylon)	

SECTION 2 - GROUND CONTROLS

FIGURE 2-16. BEACON LIGHT INSTALLATION



ART_0259815

SECTION 2 - GROUND CONTROLS

FIGURE 2-16. BEACON LIGHT INSTALLATION

ITEM	PART NUMBER	QTY	DESCRIPTION	REV
	0259815	Ref	BEACON LIGHT INSTALLATION	D
1	0641508	3	Bolt 5/16 x 1	
2	0721006	2	Bolt #10 x 3/4	
3	0902672	1	Bracket	
4	2080053	3	Fastener	
5	2540023	1	Grommet	
6	2820018	1	Shrink Tubing (Not Shown)	
7	2920146	1	Beacon Light Assembly	
7	7016319	1	Bulb	
7	7016372	1	Lens	
8	3311005	2	Nut #10	
9	4711500	3	Washer 5/16	
10	4751000	4	Washer #10	
11	4922439	1	Harness, Beacon Light (Not Shown - See Separate Breakdown in ELECTRICAL SECTION)	
12	0100011	AR	Compound, Locking	

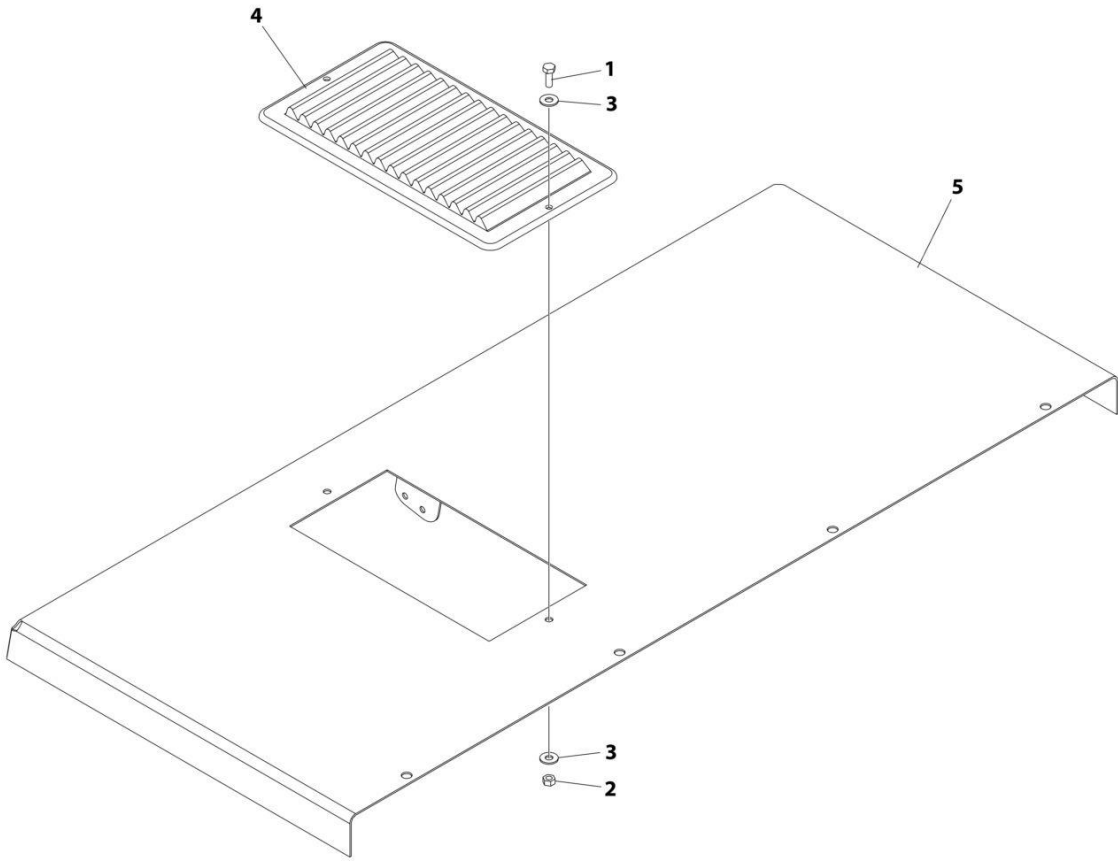
SECTION 2 - GROUND CONTROLS

FIGURE 2-17. HOODS INSTALLATION

ITEM	PART NUMBER	QTY	DESCRIPTION	REV
	1001135142	Ref	HOOD INSTALLATIONS	B
1	0100011	AR	Compound, Locking	
2	0641404	8	Bolt 1/4 x 1/2	
3	0641508	8	Bolt 5/16 x 1	
4	0641605	40	Bolt 3/8 x 5/8	
5	1780313	1	Door, Plate	
6	1780315	1	Door, Plate	
7	1780323	1	LID, Valve Side Hood	
8	2080053	8	Fastener	
9	2600264	2	Hinge, Door	
10	2600265	4	Hinge, Door	
11	2680493	1	Hood, Right Side	
12	2680494	1	Hood, Left Side	
13	2940126	2	Latch, Rotary Paddle	
14	3310801	8	Nut #8	
15	3311405	8	Nut 1/4	
16	3311501	6	Nut 5/16	
17	3311605	40	Nut 3/8	
18	3539690	1	Plate, Air Intake	
19	3571985	2	Plate, Door	
20	3572305	2	Plate, Striker Mount	
21	3900208	2	Screw 3/8 x 1	
22	3900289	8	Screw #8 x 1/2	
23	4160185	2	Gas Shock	
24	4711400	16	Washer 1/4	
25	4711500	12	Washer 5/16	
26	4711600	40	Washer 3/8	
27	4750800	8	Washer #8	
28	1001135084	Ref	Engine Side Lid Weldment (See Separate Breakdown in this Section)	
29	4420037	AR	Tape, Insulation	

SECTION 2 - GROUND CONTROLS

FIGURE 2-18. HOOD VENT INSTALLATION



ART_1001135084

SECTION 2 - GROUND CONTROLS

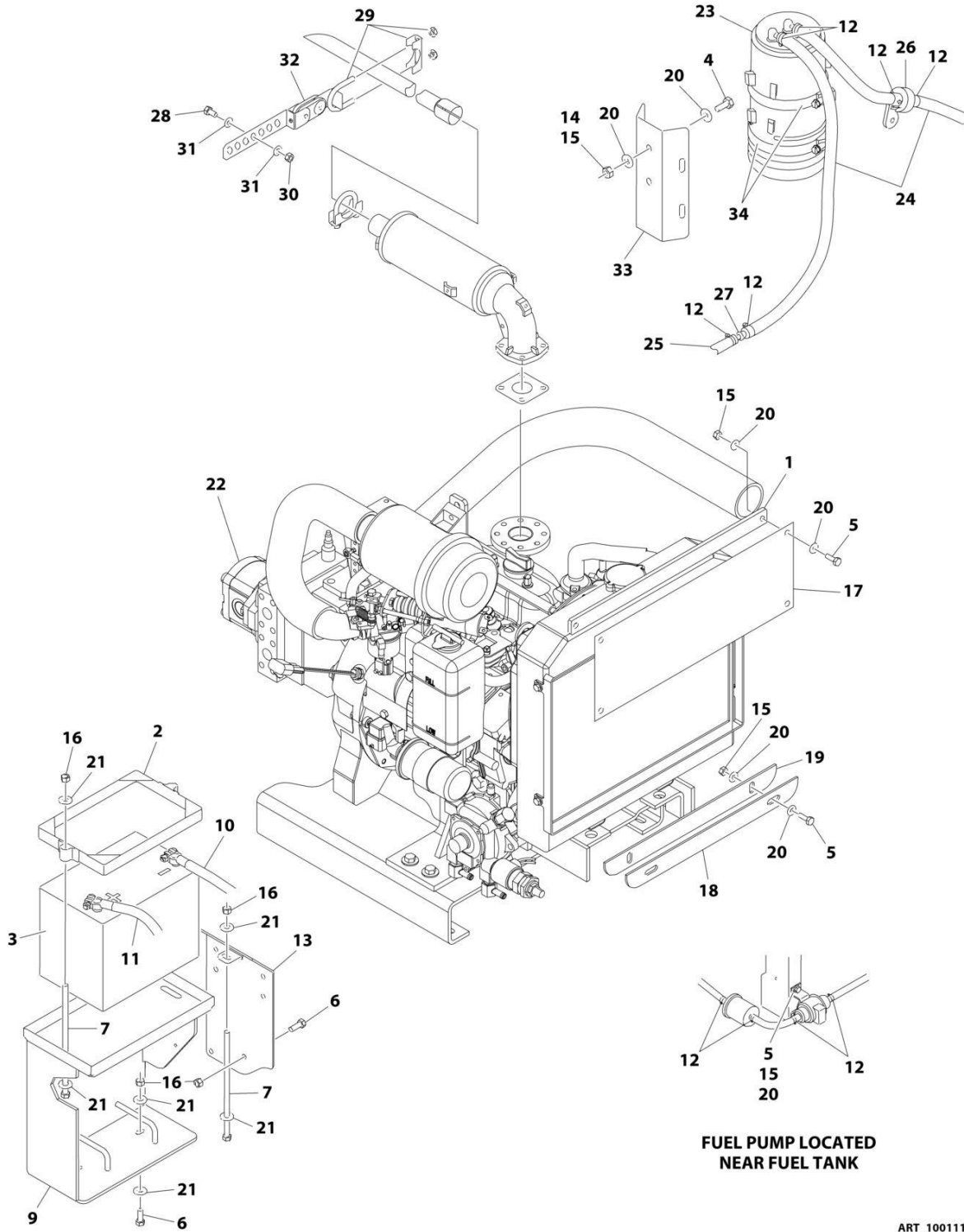
FIGURE 2-18. HOOD VENT INSTALLATION

ITEM	PART NUMBER	QTY	DESCRIPTION	REV
	1001135084	Ref	HOOD VENT INSTALLATION	B
1	0641406	2	Bolt 1/4 x 3/4	
2	3311405	2	Nut 1/4	
3	4751400	4	Washer 1/4	
4	1001094373	1	Ventilator	
5	1001134212	1	Door, Top	

SECTION 3 - ENGINE

SECTION 3 - ENGINE

FIGURE 3-1. KUBOTA ENGINE INSTALLATION (DUAL FUEL)



ART_1001118772-M

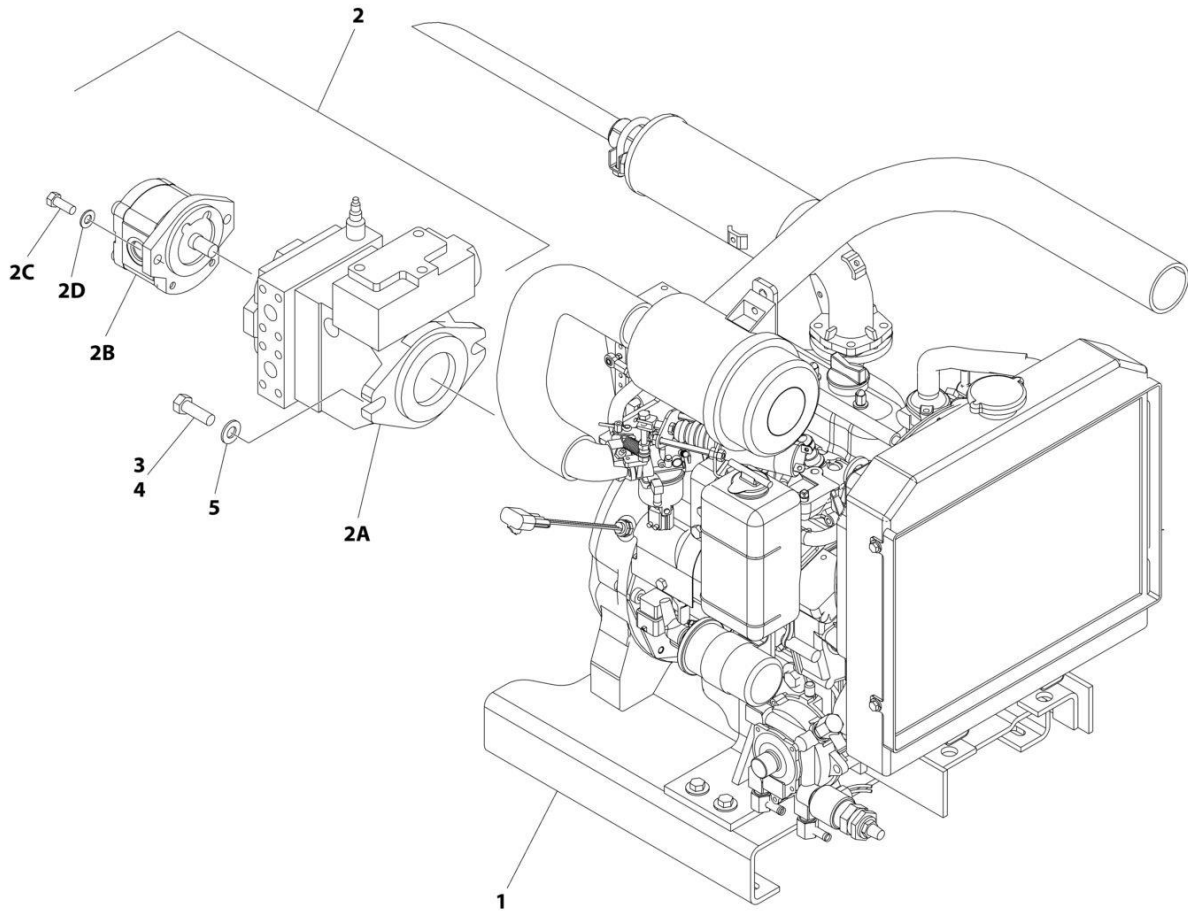
SECTION 3 - ENGINE

FIGURE 3-1. KUBOTA ENGINE INSTALLATION (DUAL FUEL)

ITEM	PART NUMBER	QTY	DESCRIPTION	REV
	1001118772	Ref	KUBOTA ENGINE INSTALLATION	M
1	0362931	1	Bar, Clamp	
2	0400002	1	Hold Down, Battery	
2	2910479	1	Clip Kit	
3	0400003	1	Battery, 12 Volt	
4	0641405	2	Bolt 1/4 x 5/8	
5	0641406	6	Bolt 1/4 x 3/4	
6	0641608	8	Bolt 3/8 x 1	
7	0641676	2	Bolt 3/8 x 9-1/2	
8	0840025	1	Boot, Cable (Not Shown - Located at Starter)	
9	0902597	1	Bracket, Battery Mount	
10	1060816	1	Cable, Battery (Negative)	
11	1060817	1	Cable, Battery (Positive)	
12	1320022	14	Clamp, Fuel Line	
13	1670970	1	Cover, Battery	
14	3311401	2	Nut 1/4	
15	3311405	8	Nut 1/4	
16	3311605	10	Nut 3/8	
17	4060992	1	Shield, Radiator	
18	4280315	1	Strip, Air Intake Cover (Outer)	
19	4280316	1	Strip, Air Intake Cover (Inner)	
20	4711400	18	Washer 1/4	
21	4751600	16	Flatwasher 3/8in Regular	
22	1001118771	1	Kubota Engine Sub-Assembly (Dual Fuel) (See Separate Breakdown in this Section)	
23	1001127172	1	Filter, Carbon Canister	
24	1001129255	4 ft/1.2m	Hose, Fuel Line	
25	1001129255	6 ft/1.8m	Hose, Fuel Line	
26	1001131324	1	Valve, Check	
27	1001131391	1	Coupling, 3/16 - 1/4	
28	0641505	2	Bolt 5/16 x 5/8	
29	1320274	1	Clamp, Muffler	
30	3311505	3	Nut 5/16	
31	4711500	4	Washer 5/16	
32	1001133497	1	Hanger, Exhaust Tailpipe	
33	1001142984	1	Bracket	
34	1320058	2	Clamp	
36	1001249252	1	Decal - EPA EVAP (Not Shown) (PVC 1910)	
36	1001262940	1	Decal - EPA EVAP (Not Shown) (PVC 2004)	

SECTION 3 - ENGINE

FIGURE 3-2. KUBOTA ENGINE POWERPLANT ASSEMBLY (DUAL FUEL)



ART_100118771-C

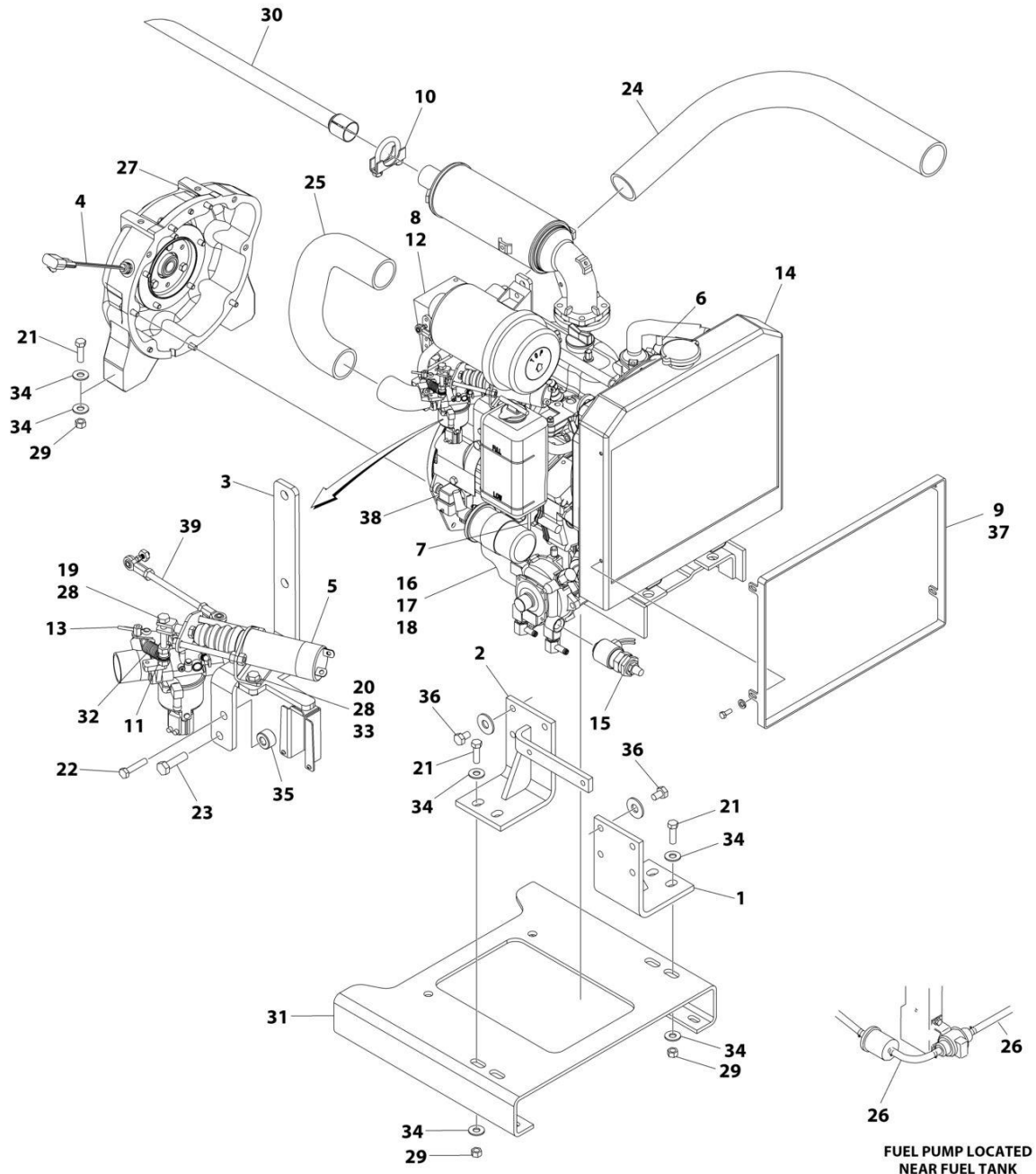
SECTION 3 - ENGINE

FIGURE 3-2. KUBOTA ENGINE POWERPLANT ASSEMBLY (DUAL FUEL)

ITEM	PART NUMBER	QTY	DESCRIPTION	REV
	1001118771	Ref	KUBOTA ENGINE POWERPLANT ASSEMBLY (DUAL FUEL)	C
1	1001118770	1	Engine Assembly - Kubota (See Separate Breakdown in this Section)	
2	3600415	1	Pump Assembly (Includes Items 2A & 2B)	
2A	3600414	1	Variable Displacement Pump Assembly (See Separate Breakdown in this Section)	
2B	3600369	1	Gear Pump Assembly (See Separate Breakdown in this Section)	
2C	0641608	2	Bolt 3/8 x 1	
2D	4711600	2	Washer 3/8	
3	0641812	2	Bolt 1/2 x 1-1/2	
4	0100011	AR	Compound, Locking	
5	4711800	2	Washer 1/2	

SECTION 3 - ENGINE

FIGURE 3-3. KUBOTA ENGINE ASSEMBLY (DUAL FUEL)



ART_1001118770-J

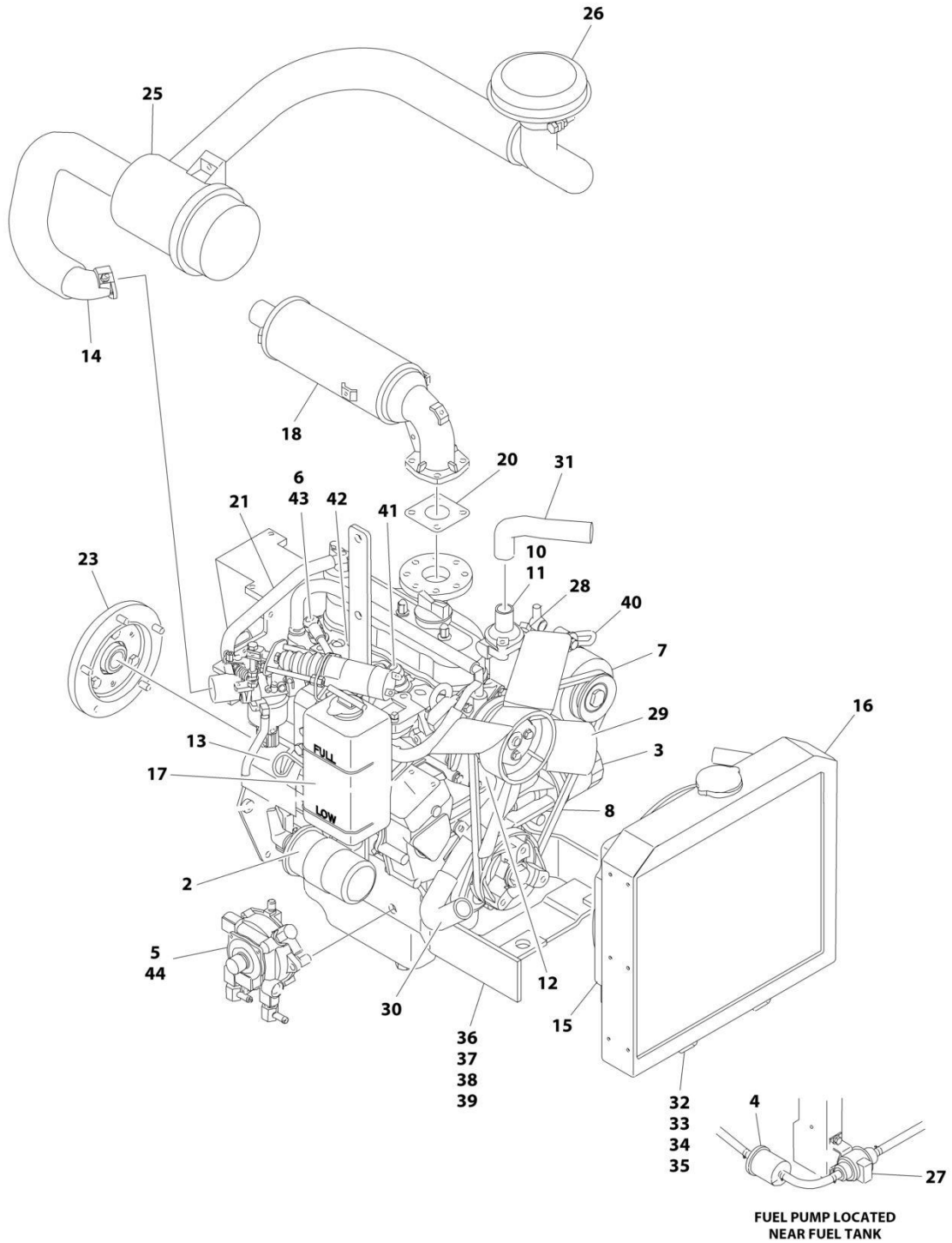
SECTION 3 - ENGINE

FIGURE 3-3. KUBOTA ENGINE ASSEMBLY (DUAL FUEL)

ITEM	PART NUMBER	QTY	DESCRIPTION	REV
	1001118770	Ref	KUBOTA ENGINE ASSEMBLY	J
1	1001122553	1	Bracket, Engine Mount	
2	1001122554	1	Bracket, Engine Mount	
3	1001107725	1	Bracket, Reserve Tank Mounting	
4	1001118580	1	Sensor, Speed	
5	3740151	1	Solenoid, Choke	
6	0840026	1	Boot, Terminal (Not Shown - Located at Alternator)	
7	1001121859	1	Bracket, Coil Mount	
8	1001121916	1	Bracket, Speed Controller	
9	0902623	1	Bracket, Radiator Seal	
10	1320274	1	Clamp, Muffler	
11	1440322	1	Collar	
12	1001121917	1	Controller, Speed	
13	3450403	1	Pin, Cotter 1/8 x 3/4	
14	1001118769	1	Kubota Engine Components (Dual Fuel) (See Separate Breakdown in this Section)	
15	2120077	1	Filter-Lock, LP Gas	
16	2400070	1	Fuse, 20 Amp	
17	2400060	1	Fuse Holder	
18	0100048	AR	Grease, Dielectric	
19	0641418	1	Bolt 1/4 x 2-1/4	
20	0641406	2	Bolt 1/4 x 3/4	
21	0641610	6	Bolt 3/8 x 1-1/4	
22	0700614	1	Bolt M6 x 30	
23	0700814	1	Bolt M8 x 30	
24	2720460	1	Hose, Air Intake	
25	2720461	1	Hose, Air Intake	
26	1001091587	9 ft/2.7m	Hose, Fuel Line	
27	1001121853	1	Housing, Flywheel	
28	3311405	4	Nut 1/4	
29	3311605	6	Nut 3/8	
30	3460319	1	Pipe, Exhaust	
31	3572164	1	Plate, Engine Mount	
32	4160097	1	Spring	
33	4711400	4	Washer 1/4	
34	4751600	12	Washer 3/8	
35	4740495	1	Washer	
36	0100011	AR	Compound, Locking	
37	3960389	4.6 ft /1.4m	Seal	
38	3740049	1	Relay (Not Shown)	
39	1001239806	1	Throttle Arm Assembly	

SECTION 3 - ENGINE

FIGURE 3-4. ENGINE COMPONENTS - KUBOTA DUAL FUEL



ART_1001118769-E

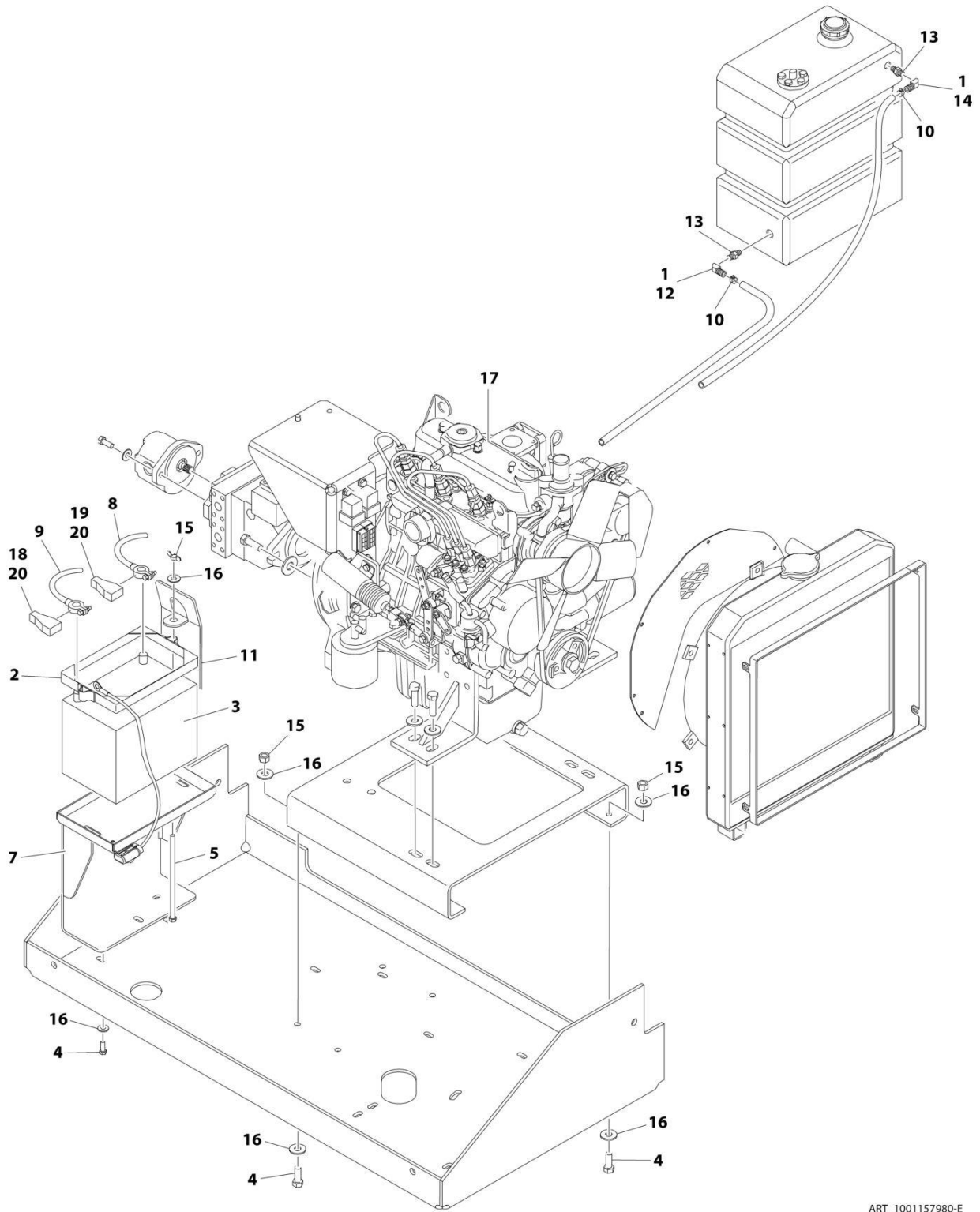
SECTION 3 - ENGINE

FIGURE 3-4. ENGINE COMPONENTS - KUBOTA DUAL FUEL

ITEM	PART NUMBER	QTY	DESCRIPTION	REV
	1001118769	Ref	ENGINE COMPONENTS	E
1	7017901	1	Switch, Oil (Not Shown)	
2	70007418	1	Coil	
3	7017980	1	Filter, Oil	
4	7017992	1	Filter, Fuel	
5	70004300	1	Vaporizer	
6	7017999	3	Spark plugs	
7	7023169	1	Alternator w/Regulator	
8	7026204	1	V-Belt	
9	7023111	1	Starter (Not Shown)	
10	7023113	1	Thermostat	
11	7023114	1	Gasket, Thermostat	
12	70002089	1	Pump, Water	
12	7026201	1	Gasket, Water Pump	
13	7017981	1	Dipstick	
14	7023198	1	Horn, Air Intake	
15	7023125	1	Shroud	
16	7023128	1	Radiator	
16	7017967	1	Cap, Radiator	
17	4400498	1	Tank, Reserve	
18	7023127	1	Muffler	
19	7017977	1	Element, Breather (Not Shown - Located on Valve Cover)	
20	7023124	1	Gasket, Exhaust	
21	70002195	1	Carburetor	
22	7023173	1	Sensor, Speed (Not Shown)	
23	See Note	NSS	Coupling, Pump (Note: Not available for purchase)	
24	7023174	1	Air Cleaner Assembly	
25	7023153	1	Element	
26	7017942	1	Cap, Air Intake	
27	7023190	1	Pump, Fuel Assembly	
28	7026211	1	Switch, Thermostat Assembly	
29	7023120	1	Fan	
30	70000627	1	Hose, Lower Radiator	
31	70000628	1	Hose, Upper Radiator	
32	70000620	2	Cushion, Lower	
33	70000621	2	Cushion, Upper	
34	70000622	4	Washer, Cup	
35	See Note	NSS	Bolt (Note: Not available for purchase)	
36	See Note	NSS	Pin, Snap (Note: Not available for purchase)	
37	70001381	1	Support, Radiator (Right)	
38	70001382	1	Support, Radiator (Left)	
39	70001383	1	Plate, Radiator Support Connector	
40	70001439	1	Alternator, Adjusting Strap	
41	7023101	1	Spark Plug Wire	
42	7023102	1	Spark Plug Wire	
43	7023103	1	Spark Plug Wire	
44	See Note	NSS	Mount, Engine/Vaporizer (Note: Not available for purchase)	

SECTION 3 - ENGINE

FIGURE 3-5. KUBOTA ENGINE INSTALLATION (DIESEL)



ART_1001157980-E

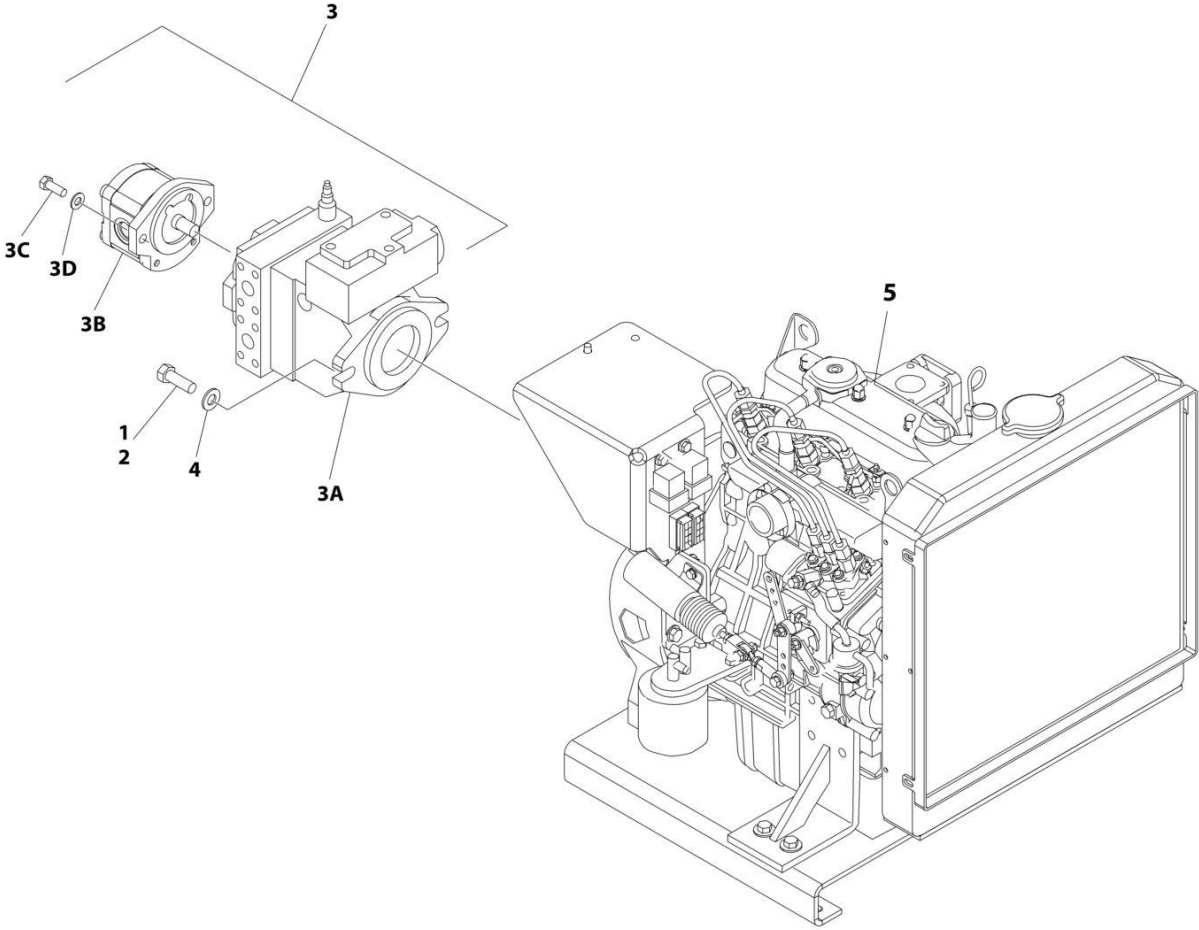
SECTION 3 - ENGINE

FIGURE 3-5. KUBOTA ENGINE INSTALLATION (DIESEL)

ITEM	PART NUMBER	QTY	DESCRIPTION	REV
	1001157980	Ref	KUBOTA ENGINE INSTALLATION (DIESEL)	E
1	0100020	AR	Sealant	
2	0400002	1	Hold Down, Battery	
2	2910479	1	Clip Kit	
3	0400003	1	Battery, 12 Volt	
4	0641608	8	Bolt 3/8 x 1	
5	0641676	2	Bolt 3/8 x 9-1/2	
6	0840025	1	Boot, Cable (Not Shown - Located at Starter)	
7	0902597	1	Bracket, Battery Mount	
8	1060816	1	Cable, Battery (Negative)	
9	1060817	1	Cable, Battery (Positive)	
10	1320022	4	Clamp, Fuel Line	
11	1670970	1	Cover, Battery	
12	2180467	1	Straight Fitting	
13	2220250	2	Fitting, Reducer	
14	2221047	1	Fitting, 90	
15	3311605	10	Nut 3/8	
16	4751600	16	Washer 3/8	
17	1001237407	1	Kubota Engine Sub-Assembly (Diesel) (See Seperate Breakdown in this Section)	
18	0840046	1	Boot, Terminal (+)	
19	0840047	1	Boot, Terminal (-)	
20	0100051	AR	Grease, Terminal	

SECTION 3 - ENGINE

FIGURE 3-6. KUBOTA ENGINE POWERPLANT ASSEMBLY (DIESEL)



ART_1001237407-B

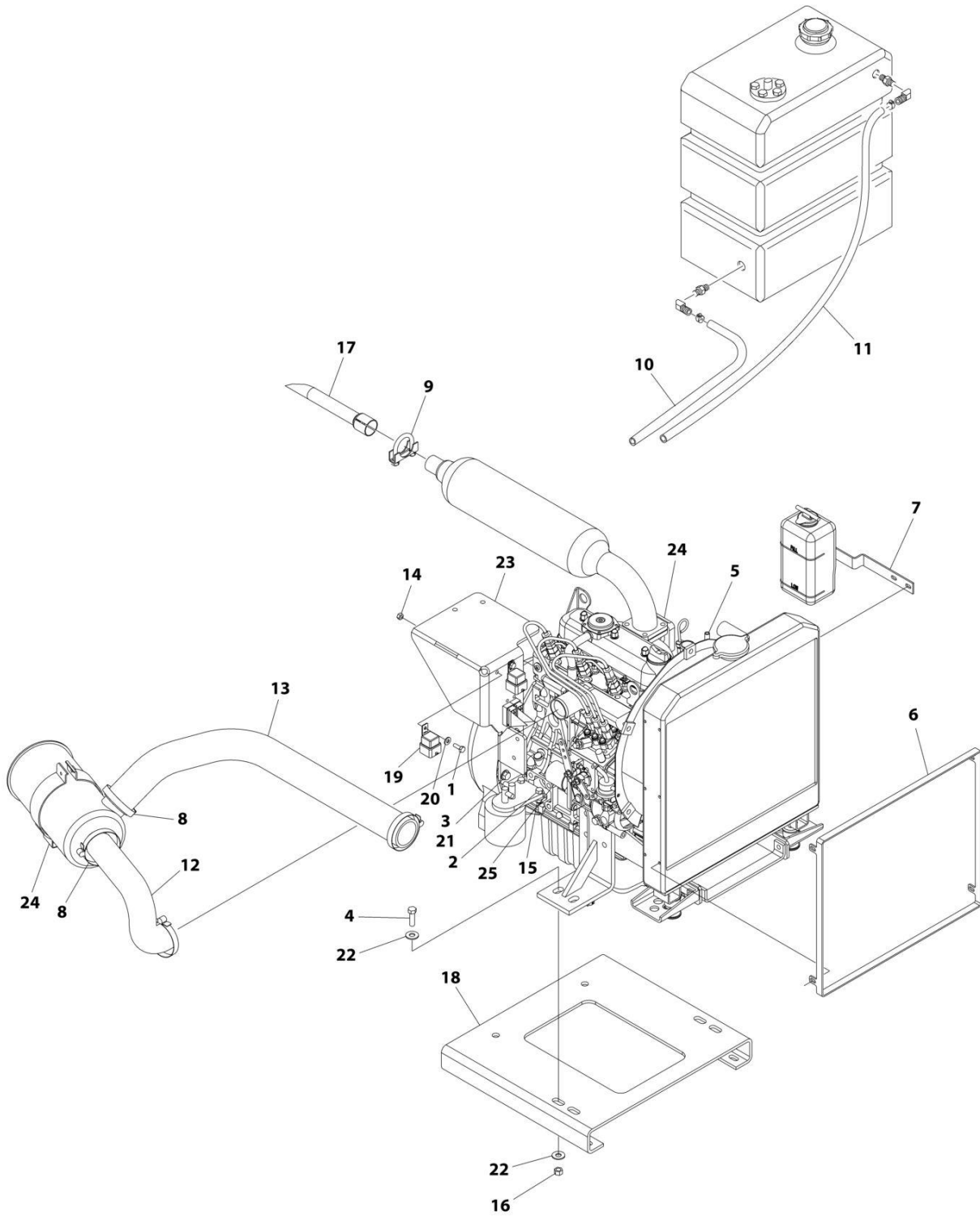
SECTION 3 - ENGINE

FIGURE 3-6. KUBOTA ENGINE POWERPLANT ASSEMBLY (DIESEL)

ITEM	PART NUMBER	QTY	DESCRIPTION	REV
	1001237407	Ref	KUBOTA ENGINE SUB-ASSEMBLY (DIESEL)	B
1	0100011	AR	Compound, Locking	
2	0641812	2	Bolt 1/2 x 1-1/2	
3	3600415	1	Pump Assembly (Includes Items 3A & 3B)	
3A	3600414	1	Variable Displacement Pump Assembly (See Separate Breakdown in this Section)	
3B	3600369	1	Gear Pump Assembly (See Separate Breakdown in this Section)	
3C	0641608	2	Bolt 3/8 x 1	
3D	4711600	2	Washer	
4	4711800	2	Flatwasher 1/2	
5	1001237406	1	Kubota Engine Assembly (Diesel) (See Separate Breakdown in this Section)	

SECTION 3 - ENGINE

FIGURE 3-7. KUBOTA ENGINE ASSEMBLY (DIESEL)



ART_1001237406-C

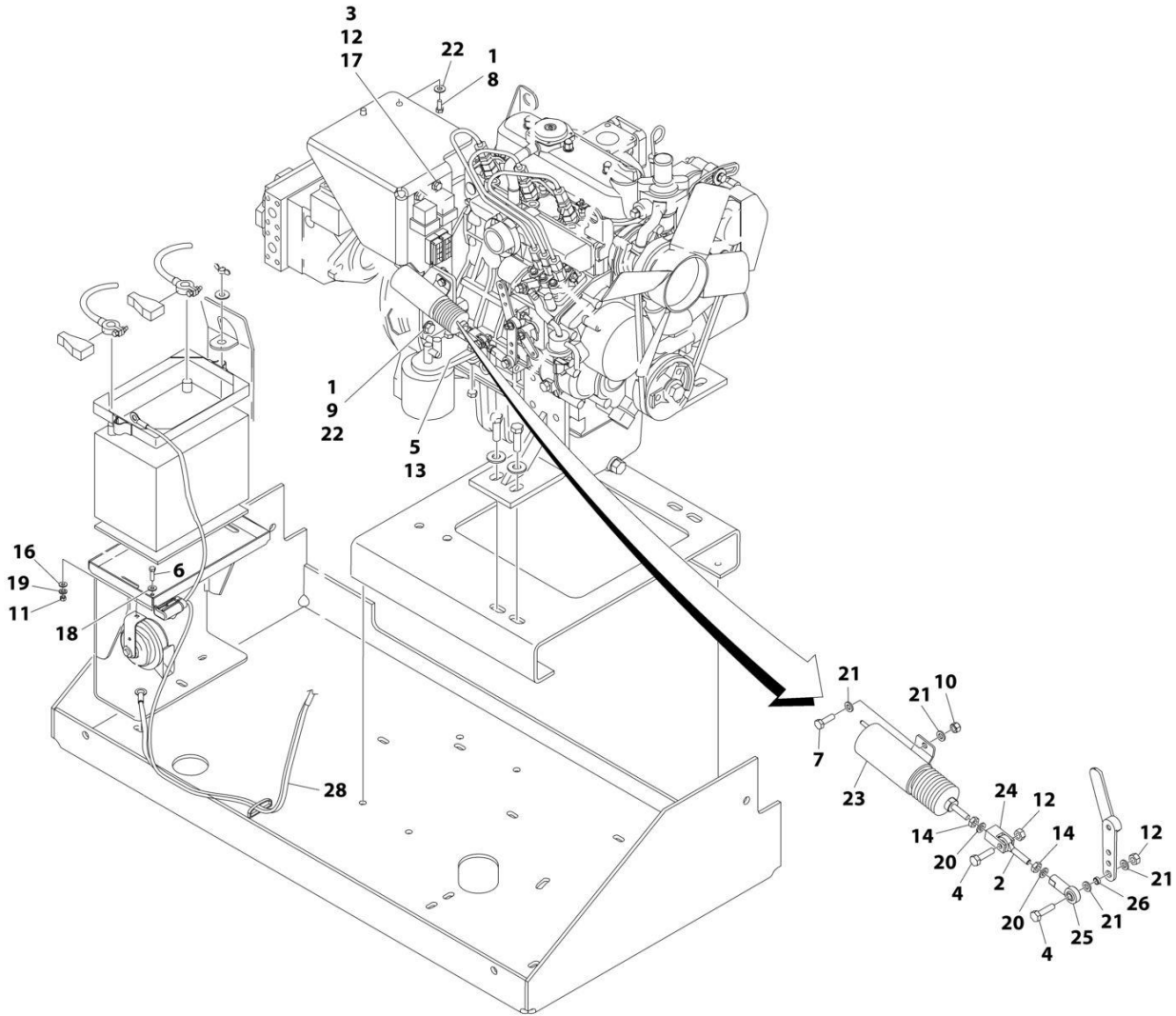
SECTION 3 - ENGINE

FIGURE 3-7. KUBOTA ENGINE ASSEMBLY (DIESEL)

ITEM	PART NUMBER	QTY	DESCRIPTION	REV
	1001237406	Ref	KUBOTA ENGINE ASSEMBLY (DIESEL)	C
1	0641406	2	Bolt 1/4 x 3/4	
2	0641508	2	Bolt 5/16 x 1	
3	0641608	2	Bolt 3/8 x 1	
4	0641610	6	Bolt 3/8 x 1-1/4	
5	0840026	1	Boot, Terminal (Not Shown - Located at Alternator)	
6	0902624	1	Bracket, Radiator Seal	
7	0902648	1	Mount, Reserve Tank	
8	1320016	4	Clamp	
9	1320274	1	Clamp, Muffler	
10	2720058	5.5 ft/ 1.7m	Hose	
11	2720271	7.5 ft/ 2.3m	Hose	
12	2720465	1	Hose, Air Intake	
13	2720466	1	Hose, Air Cleaner	
14	3311405	2	Nut 1/4	
15	3311505	2	Nut 5/16	
16	3311605	6	Nut 3/8	
17	3460320	1	Pipe, Exhaust	
18	3572430	1	Plate, Engine Mount	
19	3740049	2	Relay	
20	4711400	2	Washer 1/4	
21	4711600	2	Washer 3/8	
22	4751600	12	Washer 3/8	
23	1001152741	1	Bracket, Mounting	
24	1001237405	1	Kubota Engine Components (Diesel) (See Separate Breakdown in this Section)	
25	1001254361	1	Actuator, Stop Solenoid	

SECTION 3 - ENGINE

FIGURE 3-8. KUBOTA ENGINE THROTTLE INSTALLATION (DIESEL)



ART_1001181530-C

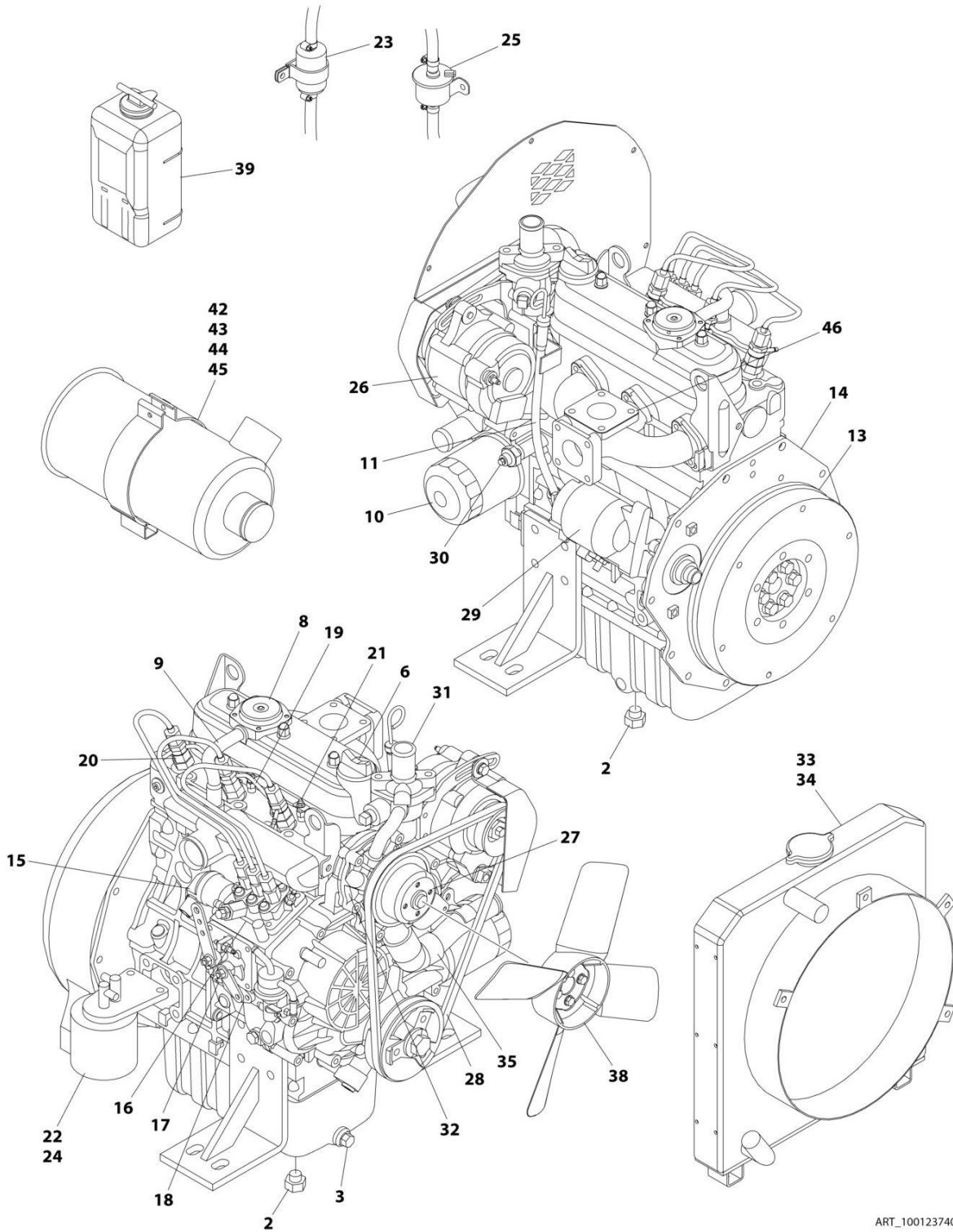
SECTION 3 - ENGINE

FIGURE 3-8. KUBOTA ENGINE THROTTLE INSTALLATION (DIESEL)

ITEM	PART NUMBER	QTY	DESCRIPTION	REV
	1001181530	Ref	ENGINE THROTTLE INSTALLATION	C
1	0100011	AR	Compound, Locking	
2	0440334	1	Bearing, Spherical Rod End	
3	0641406	2	Bolt 1/4 x 3/4	
4	0641408	2	Bolt 1/4 x 1	
5	0641508	2	Bolt 5/16 x 1	
6	0721005	1	Bolt #10 x 5/8	
7	0760610	2	Bolt M6 x 20	
8	0760808	2	Bolt M8 x 16	
9	0760814	2	Bolt M8 x 30	
10	3290605	2	Nut M6	
11	3311001	1	Nut #10	
12	3311405	4	Nut 1/4	
13	3311505	2	Nut 5/16	
14	3321402	2	Nut 1/4	
15	4240099	AR	Tie-Strap (Not Shown)	
16	4711000	1	Washer #10	
17	4711400	2	Washer 1/4	
18	4751000	1	Washer #10	
19	4761000	1	Washer #10	
20	4761400	2	Washer 1/4	
21	4811700	6	Washer M6	
22	4811900	4	Washer M8	
23	1001118582	1	Actuator, Kubota Throttle	
24	1001118881	1	Clevis, Throttle Linkage	
25	1001118925	1	Bearing, Spherical Rod End	
26	1001128888	1	Washer	
28	1001157598	1	Throttle Control Harness	
29	1001158085	1	Harness, Hi-Idle (Not Shown)	

SECTION 3 - ENGINE

FIGURE 3-9. ENGINE COMPONENTS - KUBOTA DIESEL



ART_1001237405

SECTION 3 - ENGINE

FIGURE 3-9. ENGINE COMPONENTS - KUBOTA DIESEL

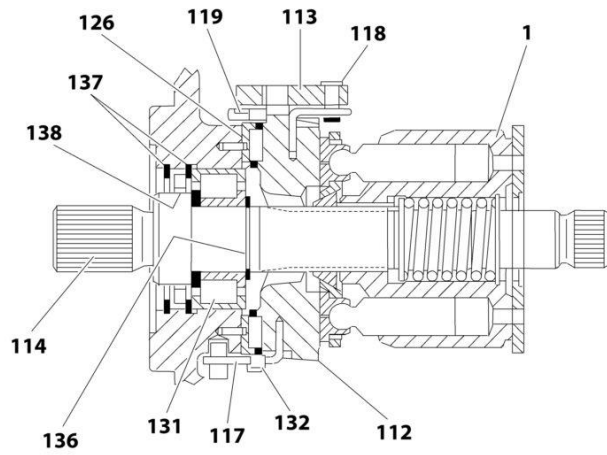
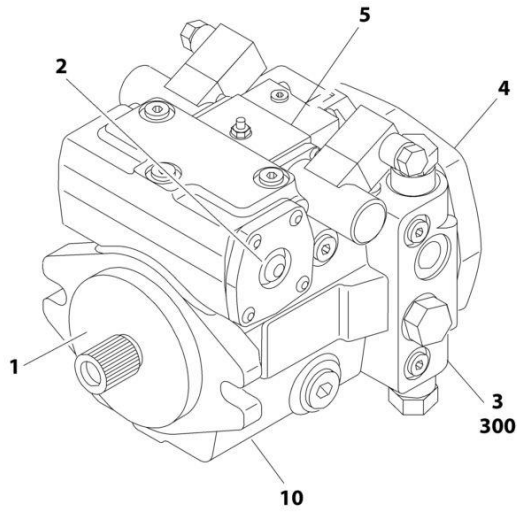
ITEM	PART NUMBER	QTY	DESCRIPTION	REV
	1001237405	Ref	ENGINE COMPONENTS - KUBOTA DIESEL	B
1	70004524	1	Drain (Not Shown)	
2	70002314	1	Plug, Drain	
2	70002315	1	Seal, Plug	
3	70004525	1	Plug, Drain	
3	70004526	1	Gasket	
4	70004523	1	Gasket, Cylinder Head (Not Shown)	
5	7023157	1	Seal, Front Main (Not Shown)	
6	70002318	1	Cap, Oil Fill	
6	70004311	1	O-Ring	
7	7023132	1	Gasket, Valve Cover (Not Shown)	
8	70003060	1	Valve, Breather	
8	70003061	1	Cover, Breather	
8	7017934	4	Screw	
9	70002316	1	Pipe, Water Return	
9	70002317	1	Tube, Breather	
9	70004530	1	Clamp, Hose	
9	70004531	1	Band, Pipe	
10	70004395	1	Filter, Oil	
11	7023160	1	Dipstick	
11	70003062	1	Tube, Dipstick	
12	7017928	1	Seal, Rear Main (Not Shown)	
13	70001140	1	Ring Gear	
14	70002419	1	Plate, Rear End	
15	7025479	1	Solenoid, Stop	
16	7023164	1	Pump, Injection	
16	70002319	1	Shim, Injection	
16	70002320	1	Shim, Injection	
16	70002321	1	Shim, Injection Pump	
16	70002322	1	Shim, Injection Pump	
16	70002323	1	Shim, Injection Pump	
16	7017945	1	Joint, Eye	
17	7023136	1	Spring, Governor	
17	70004396	1	Control, Speed	
17	70004397	1	Gasket	
18	7023165	1	Gasket	
19	70004536	1	Pipe, Over Flow	
19	70004537	1	Screw, Air Bleeder	
19	70004538	1	Seal	
19	70004539	1	Pipe, Over Flow	
20	70004399	3	Holder, Nozzle	
20	70004540	3	Nut	
20	7023167	3	Gasket	
20	7023168	3	Seal, Heat	
21	70004398	3	Glow Plug	
21	70004544	1	Cord, Glow Plug	
22	7017949	1	Fuel Filter Assembly (Includes - cover, fittings, plug, o-ring and filter element)	
22	7023199	1	Filter, Cover (Includes fittings)	
23	7017992	1	Filter, Inline	

SECTION 3 - ENGINE

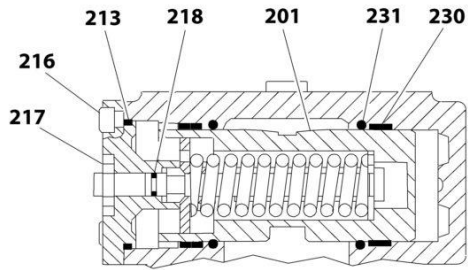
ITEM	PART NUMBER	QTY	DESCRIPTION	REV
24	7017950	1	Element, Fuel	
25	70002325	1	Fuel Pump Assembly - Electric	
26	7017955	1	Alternator	
27	7023140	1	Pulley, Fan	
28	7023141	1	V-Belt	
29	7023144	1	Starter	
30	7017901	1	Switch, Oil	
31	7026211	1	Sensor, Water Temperature	
31	70004547	1	Washer, Seal	
31	70004829	1	Pipe, Water Return	
31	7023145	1	Gasket, Water Flange	
31	7017958	1	Hose, Water Return	
31	7023170	1	Thermostat	
31	70002326	1	Gasket Thermostat	
32	70002327	1	Pump, Water	
32	70002328	1	Gasket, Water Pump	
33	70002274	1	Radiator Assembly	
33	70002329	1	Cap, Radiator	
34	70002275	1	Cover, Fan	
35	7017963	1	Pipe, Water	
35	70002330	1	Pipe, Water	
36	70002273	1	Hose, Radiator (Not Shown - Bottom)	
37	70002272	1	Hose, Radiator (Not Shown - Top)	
38	70001865	1	Fan	
39	4400498	1	Tank, Coolant Reserve	
40	7023149	1	Gasket, Inlet Manifold (Not Shown)	
41	7023148	1	Gasket, Exhaust Manifold (Not Shown)	
42	7017937	1	Air Cleaner Assembly	
43	7017938	1	Element, Breather	
44	7017942	1	Cap, Air Intake	
45	7026202	1	Band, Air Cleaner	
46	7023124	1	Gasket, Muffler	

SECTION 3 - ENGINE

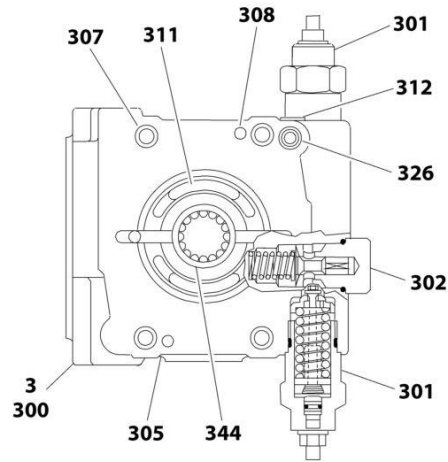
FIGURE 3-10. VARIABLE DISPLACEMENT PUMP ASSEMBLY



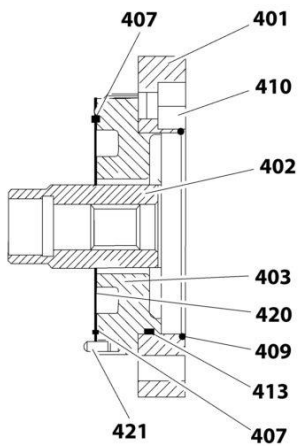
DETAIL OF ITEM 1



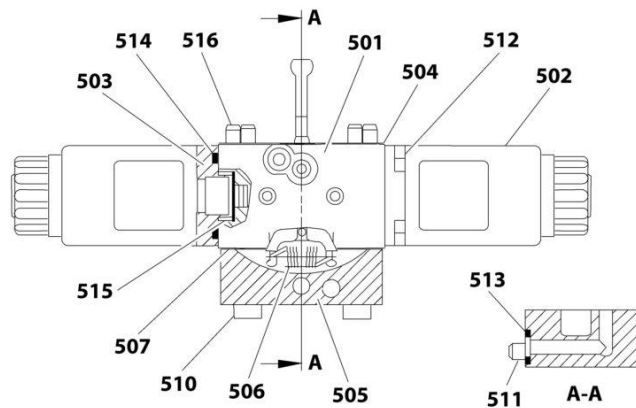
DETAIL OF ITEM 2



DETAIL OF ITEM 3



DETAIL OF ITEM 4



DETAIL OF ITEM 5

ART_3600414-C

SECTION 3 - ENGINE

FIGURE 3-10. VARIABLE DISPLACEMENT PUMP ASSEMBLY

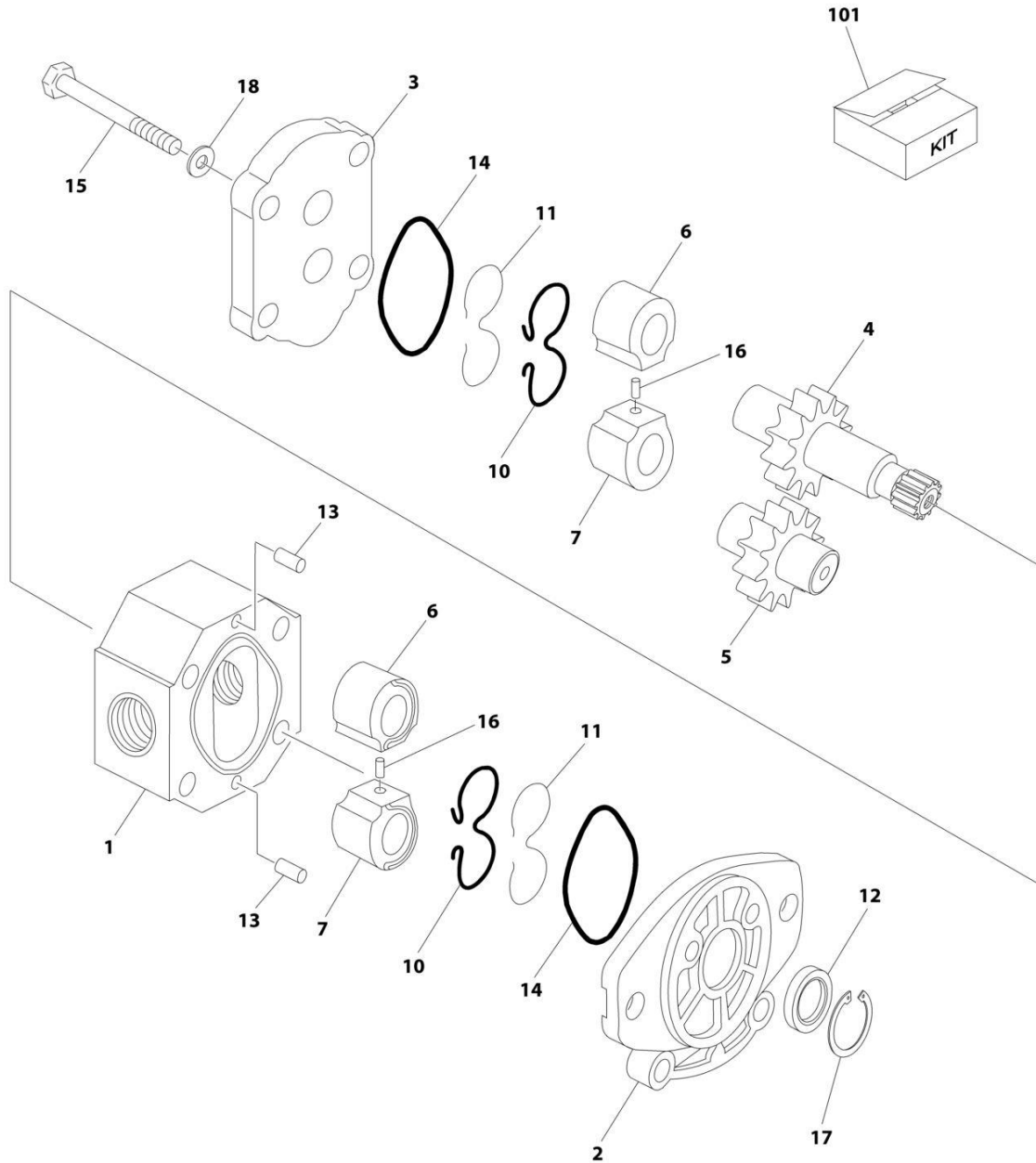
ITEM	PART NUMBER	QTY	DESCRIPTION	REV
	3600414	Ref	VARIABLE DISPLACEMENT PUMP ASSEMBLY	C
1	7024064	1	Rotary Group (See Items 101-138 for Breakdown)	
2	7024065	1	Control Assembly (See Items 201-231 for Breakdown)	
3	See Note	1	Valve Plate Assembly (Note: See Items 301-344 for Breakdown)	
4	See Note	1	Internal Pump Assembly (Note: See Items 401-421 for Breakdown)	
5	7024068	1	Module Assembly (See Items 501-516 for Breakdown)	
10	See Note	NSS	Housing (Note: Use p/n 3600414)	
13	80934596	1	Joint, Pin (Not Shown)	
14	See Note	NSS	Pin, Dowel (Not Shown) (Note: Purchase Locally)	
20	See Note	NSS	Screw, Locking (Not Shown) (Note: Purchase Locally)	
22	See Note	NSS	Screw, Locking (Not Shown) (Note: Purchase Locally)	
23	See Note	NSS	Screw, Locking (Not Shown) (Note: Purchase Locally)	
24	See Note	NSS	Screw, Locking (Not Shown) (Note: Purchase Locally)	
27	See Note	NSS	Pin, Breakoff (Not Shown) (Note: Purchase Locally)	
28	7018936	2	Orifice (Not Shown)	
31	7028877	2	Pin, Clamping (Not Shown)	
41	7024069	1	O-Ring (Not Shown)	
49	See Note	NSS	Plug (Not Shown) (Note: Purchase Locally)	
	7024064	Ref	ROTARY GROUP	
112	See Note	NSS	Swash Plate (Note: Purchase Assembly p/n 7024064)	
113	See Note	NSS	Ring, Slide (Note: Purchase Assembly p/n 7024064)	
114	7023887	1	Driveshaft	
117	See Note	NSS	Wire (Note: Purchase Assembly p/n 7024064)	
118	See Note	NSS	Joint, Pin (Note: Purchase Assembly p/n 7024064)	
119	See Note	NSS	Wire (Note: Purchase Assembly p/n 7024064)	
126	See Note	NSS	Liner, Bearing (Note: Purchase Assembly p/n 7024064)	
131	7023888	1	Bearing, Roller	
132	7023885	1 Set	Cradle Bearing Assembly	
136	See Note	1	Ring, Retaining (Note: Purchase Assembly p/n 7024064)	
137	70001968	2	Ring, Retaining	
138	7024070	1	Seal, Shaft Ring	
	7024065	Ref	CONTROL ASSEMBLY	
201	See Note	NSS	Piston, Positioning - Complete (Note: Purchase Assembly p/n 7024065) (Includes Items 213 & 218)	
213	7024071	1	O-Ring, Outer Seal	
216	See Note	4	Capscrew, Socket Head (Note: Purchase Locally)	
217	See Note	1	Nut, Hex (Note: Purchase Locally)	
218	7024072	1	O-Ring, Stem	
230	See Note	NSS	Ring, Guide (Purchase Assembly p/n 7024065)	
231	See Note	NSS	Ring, Glide (Purchase Assembly p/n 7024065)	
300		Ref	VALVE PLATE ASSEMBLY	
301	7024073	2	Cartridge, Relief Valve (Note: Sold as an Assembly Except O-Ring and Back-up Ring.)	
301	7024075	2	O-Ring (1 Per Assembly)	
301	7024076	2	Ring, Back-up (1 Per Assembly)	
302	7023881	1	Cartridge, Relief Valve (Note: Sold as an Assembly Except O-Ring.)	
302	7024077	1	O-Ring	
305	70003339	1	Plate, Port	
307	See Note	4	Capscrew (Note: Purchase Locally)	

SECTION 3 - ENGINE

ITEM	PART NUMBER	QTY	DESCRIPTION	REV
308	See Note	2	Pin, Dowel (Note: Purchase Locally)	
311	70003340	1	Pin, Breakoff	
312	See Note	1	Screw, Locking (Note: Purchase Locally)	
326	7024908	1	O-Ring	
335	See Note	2	Screw, Locking (Not Shown) (Note: Purchase Locally)	
344	See Note	NSS	Bearing, Roller (Note: Use p/n 3600414)	
		Ref	INTERNAL PUMP ASSEMBLY	
401	See Note	NSS	Plate, Sandwich (Note: Use p/n 3600414)	
402	7024004	1	Coupling, Shaft	
403	See Note	NSS	Seal, Ring (Note: Use p/n 3600414)	
407	See Note	NSS	Seal (Note: Use p/n 3600414)	
409	7024082	1	O-Ring	
410	See Note	4	Capscrew (Note: Purchase Locally)	
413	7024081	1	O-Ring	
420	7024005	1	Plate, Wear	
421	See Note	1	Pin, Dowel (Note: Purchase Locally)	
	7024068	Ref	MODULE ASSEMBLY	
501	7024084	1	Module, Control (Valve Block) Less Coils (Note: No Internal Replacement Parts Available. Sold as an Assembly Only.)	
502	7024083	2	Coil, Solenoid	
503	See Note	NSS	Adapter, Valve Block to Coil (Note: Purchase Assembly p/n 7024068)	
504	7024085	1	Gasket	
505	See Note	NSS	Cover (Note: Purchase Assembly p/n 7024068)	
506	See Note	NSS	Spring, Draw (Note: Purchase Assembly p/n 7024068)	
507	7024086	1	Gasket	
510	80934644	4	Capscrew	
511	See Note	1	Capscrew (Note: Purchase Assembly p/n 7024068)	
512	See Note	8	Capscrew (Note: Purchase Assembly p/n 7024068)	
513	7024087	1	O-Ring	
514	7024088	2	O-Ring	
515	7024089	2	Cup, Spring	
516	See Note	2	Pin, Dowel (Note: Purchase Assembly p/n 7024068)	

SECTION 3 - ENGINE

FIGURE 3-11. GEAR PUMP ASSEMBLY



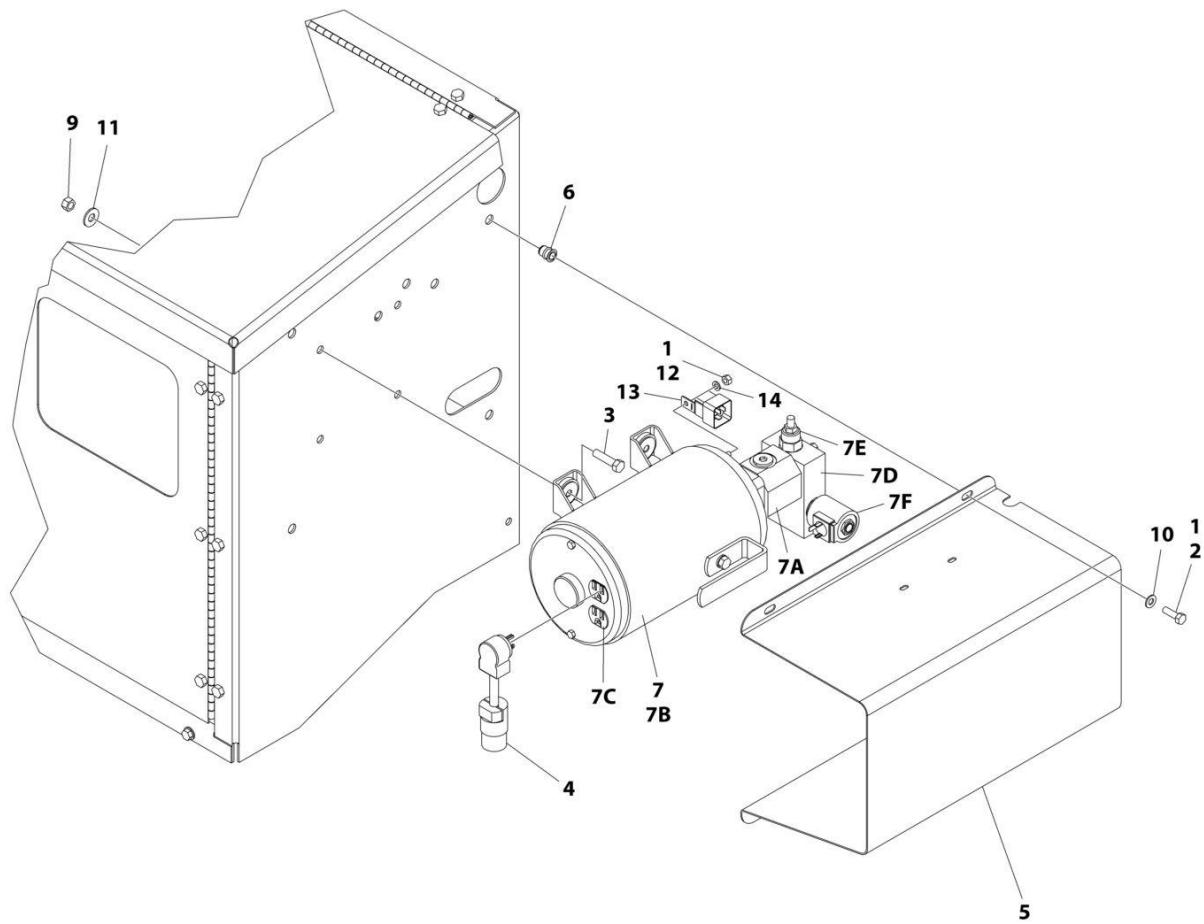
ART_3600369-C

FIGURE 3-11. GEAR PUMP ASSEMBLY

ITEM	PART NUMBER	QTY	DESCRIPTION	REV
	3600369	Ref	GEAR PUMP ASSEMBLY	C
1	See Note	NSS	Body (Note: Use p/n 3600369)	
2	See Note	NSS	Cover, Front (Note: Use p/n 3600369)	
3	See Note	NSS	Cover, Rear (Note: Use p/n 3600369)	
4	See Note	NSS	Gear, Drive (Note: Use p/n 3600369)	
5	See Note	NSS	Gear, Driven (Note: Use p/n 3600369)	
6	See Note	NSS	Bearing, Block (Note: Use p/n 3600369)	
7	See Note	NSS	Bearing, Block (Note: Use p/n 3600369)	
10	See Note	2	Seal, Loading (Note: Use Item 101)	
11	See Note	2	Seal, Anti Extrusion (Note: Use Item 101)	
12	See Note	1	Seal, Shaft (Note: Use Item 101)	
13	See Note	2	Pin, Dowel (Note: Purchase Locally)	
14	See Note	2	Ring, Square (Note: Use Item 101)	
15	See Note	4	Screw, Cap (Note: Purchase Locally)	
16	See Note	2	Pin, Dowel (Note: Purchase Locally)	
17	See Note	1	Ring, Retaining (Note: Purchase Locally)	
18	See Note	4	Lockwasher (Note: Purchase Locally)	
101	7024960	1	Seal Kit (Includes Items - 10, 11, 12 & 14)	

SECTION 3 - ENGINE

FIGURE 3-12. GENERATOR INSTALLATION



ART_0270350-B

SECTION 3 - ENGINE

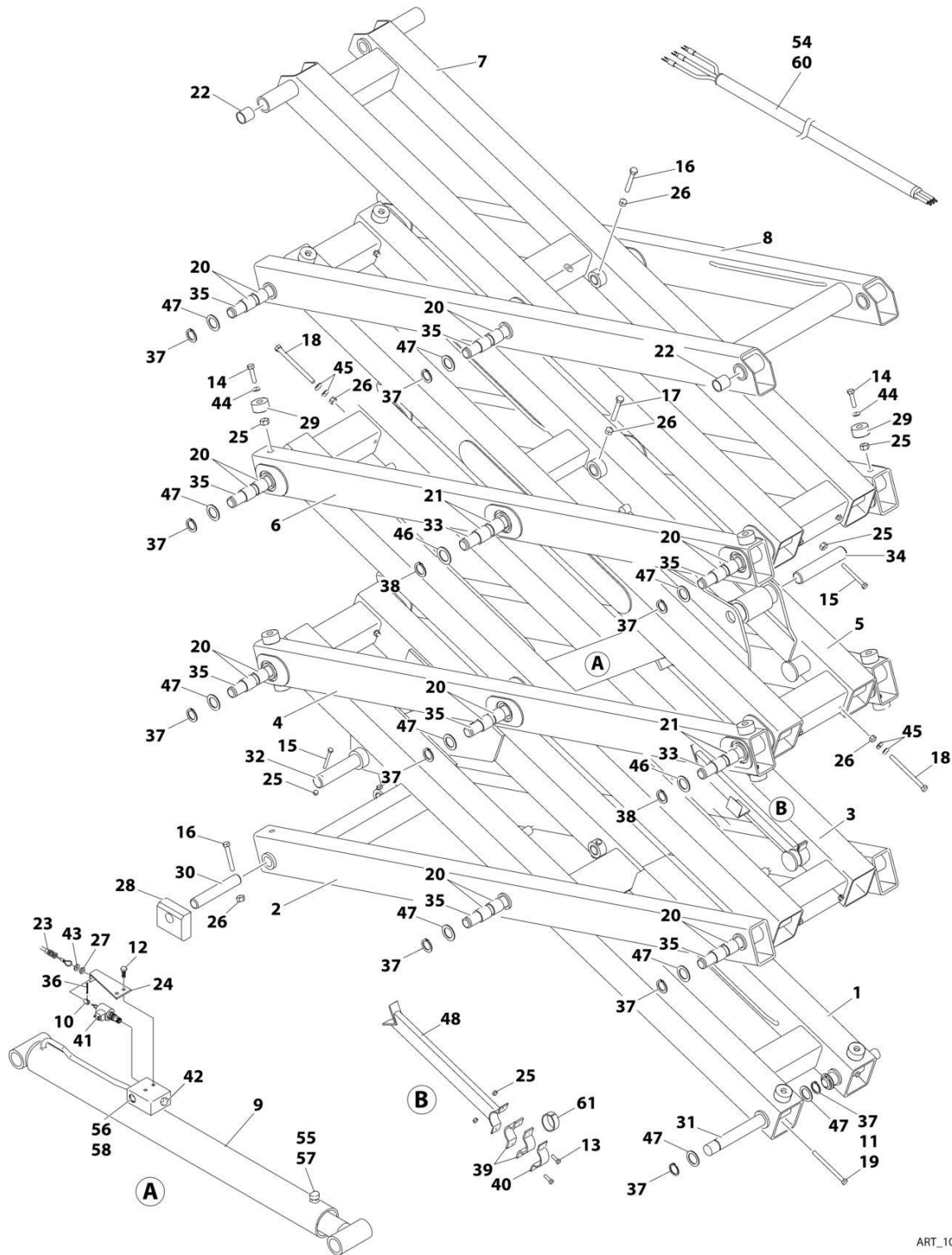
FIGURE 3-12. GENERATOR INSTALLATION

ITEM	PART NUMBER	QTY	DESCRIPTION	REV
	0270350	Ref	GENERATOR INSTALLATION	B
1	0100011	AR	Compound, Locking	
2	0641508	4	Bolt 5/16 x 1	
3	0641612	4	Bolt 3/8 x 1-1/2	
4	1060882	1	Cable, AC Cord (Not Shown - See Separate Breakdown in ELECTRICAL SECTION)	
4	4460779	1	Receptacle, Female	
4	4460858	1	Plug, Male 90	
5	1670974	1	Cover, Generator	
6	2080053	4	Fastener 5/16	
7	2460036	1	Generator Assembly	
7A	7023235	1	Motor, Replacement	
7A	See Note	NSS	Gasket and Seal Kit (Note: Use p/n 7023235)	
7A	7023238	1	Seal, Shaft	
7B	7023232	1	Generator, Replacement	
7B	See Note	NSS	Brush Kit - Bell End Assembly (Note: Use p/n 7023232)	
7B	7023233	1	Brush Kit - Motor End	
7B	7023236	1	Bearing	
7C	7023247	1	Receptacle	
7D	See Note	NSS	Valve Assembly (Note: Use p/n 2460036)	
7E	7023234	1	Cartridge, Valve	
7E	See Note	NSS	Seal Kit - 7023234 Valve (Note: Use p/n 7023234)	
7F	7010635	1	Cartridge, Solenoid (Less Coil)	
7F	2900708	1	Seal Kit - 7010635 Cartridge	
7F	7012943	1	Coil	
9	3311605	4	Nut 3/8	
10	4711500	4	Washer 5/16	
11	4751600	4	Washer 3/8	
12	3311401	1	Nut 1/4	
13	3740049	1	Relay	
14	4761400	1	Washer 1/4	
15	4922453	1	Generator Harness (Not Shown - See Separate Breakdown in ELECTRICAL SECTION)	

SECTION 4 - SCISSORS ARMS

SECTION 4 - SCISSORS ARMS

FIGURE 4-1. SCISSOR ARMS INSTALLATION (ALL MACHINES EXCEPT MACHINES WITH LEVEL AT 6 DEGREE SLOPE)



ART_1001110710-D

SECTION 4 - SCISSORS ARMS

FIGURE 4-1. SCISSOR ARMS INSTALLATION (ALL MACHINES EXCEPT MACHINES WITH LEVEL AT 6 DEGREE SLOPE)

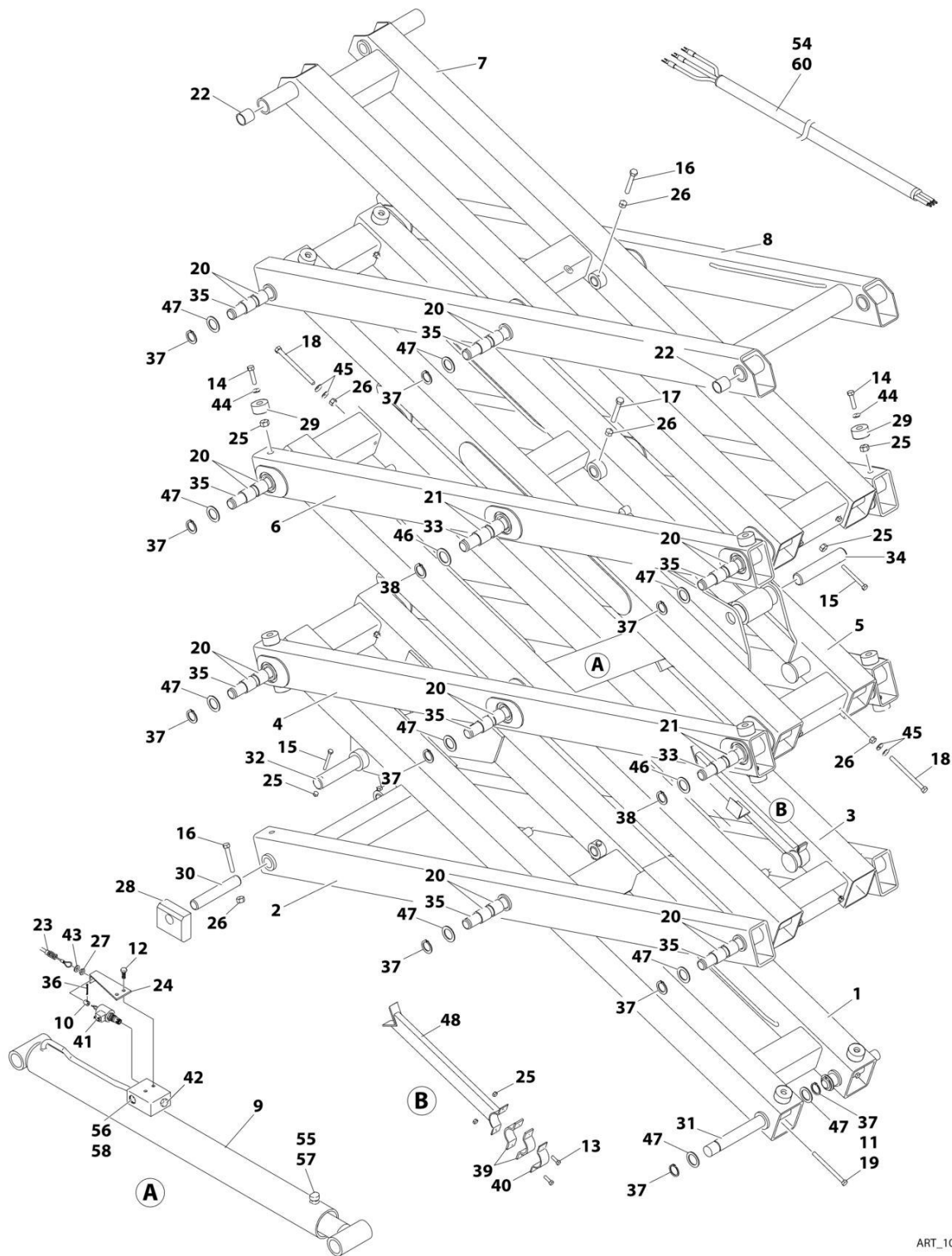
ITEM	PART NUMBER	QTY	DESCRIPTION	REV
	1001110710	Ref	SCISSOR ARMS INSTALLATION	D
1	0200699	1	Arm Weldment (1st Inboard)	
2	0200700	1	Arm Weldment (1st Outboard)	
3	0200701	1	Arm Weldment (2nd Inboard)	
4	0200680	2	Arm Weldment (2nd Outboard)	
5	0200702	1	Arm Weldment (3rd Inboard)	
6	0200682	2	Arm Weldment (3rd Outboard)	
7	0200728	1	Arm Weldment (4th Inboard)	
8	0200729	1	Arm Weldment (4th Outboard)	
9	1683887	1	Lift Cylinder Assembly (See Separate Breakdown in CYLINDER SECTION)	
10	0080228	1	Adaptor, Cable	
11	0100011	AR	Compound, Locking	
12	0641506	2	Bolt 5/16 x 3/4	
13	0641508	2	Bolt 5/16 x 1	
14	0641510	16	Bolt 5/16 x 1-1/4	
15	0681524	2	Bolt 5/16 x 3 (Grade 8)	
16	0641620	8	Bolt 3/8 x 2-1/2	
17	0641622	2	Bolt 3/8 x 2-3/4	
18	0641638	12	Bolt 3/8 x 4-3/4	
19	0681610	2	Bolt 3/8 x 1-1/4 (Grade 8)	
20	0962220	36	Bearing, Garmax	
21	0440241	8	Bearing, Polygon	
22	0440250	4	Bearing, Garmax	
23	1060818	1	Cable, Manual Descent	
24	0902421	1	Bracket, Cable Mounting	
25	3311505	20	Nut 5/16	
26	3311605	22	Nut 3/8	
27	3321402	2	Nut 1/4	
28	3340879	2	Pad, Slide Block	
29	3340866	16	Pad, Arm	
30	3422709	2	Pin, Bottom Slider	
31	3422838	2	Pin, Bottom Pivot	
32	3422714	1	Pin, Cylinder	
33	1001222834	4	Pin, Pivot	
34	3422815	1	Pin, Cylinder	
35	1001222835	16	Pin, Pivot	
36	3450405	1	Pin, Cotter	
37	3760387	AR	Ring, Snap	
38	3760419	4	Ring, Snap	
39	4240125	2	Strap, Nylon	
40	4240128	1	Strap, Safety Prop	
41	4641172	1	Valve, Solenoid	
41	7017445	1	Cartridge without Coil	
41	7012967	1	Seal Kit - 7017445 & 4641172 Cartridges	
41	7012943	1	Coil	
42	4641104	1	Valve, Restrictor/Check	
42	7012967	1	Seal Kit - 4641104 Cartridge	
43	4711400	2	Washer 1/4	

SECTION 4 - SCISSORS ARMS

ITEM	PART NUMBER	QTY	DESCRIPTION	REV
44	4711500	16	Washer 5/16	
45	4711600	24	Washer 3/8	
46	4740333	4	Washer	
47	4740438	16	Washer	
48	4846024	1	Prop, Safety	
49	2902259	1	Kit, Arm (Included Items 1- 8) (Not Shown)	
50	3020022	AR	Grease, White Lithium (Not Shown)	
51	4420037	AR	Tape, Insulation (Not Shown)	
52	4922428	1	Lift Down, Harness	
52	4460499	1	Connector, DIN	
52	4460465	2	Socket, Female	
53	1001110782	1	Arm Sub-Assembly Kit (Not Shown - Includes Items 9-18, 20-30, 32-49, 51, 52 & 54-61)	
54	4922713	3	Cable, Electrical - 12/3	
55	2220371	1	Fitting, Straight	
56	2220473	1	Fitting, 90	
57	2752622	1	Hose	
58	2753398	1	Hose	
59	0259803	Ref	Platform Cable Installation (Not Shown - See Separate Breakdown in ELECTRICAL SECTION)	
60	4922915	1	Harness, Load Sense (Not Shown - See Separate Breakdown in ELECTRICAL SECTION)	
61	1001211510	1	Ring, Spacer	

SECTION 4 - SCISSORS ARMS

FIGURE 4-2. SCISSOR ARMS INSTALLATION (MACHINES WITH LEVEL AT 6 DEGREE SLOPE)
(AUSTRALIAN SPECS)



ART_1001118680-C

SECTION 4 - SCISSORS ARMS

**FIGURE 4-2. SCISSOR ARMS INSTALLATION (MACHINES WITH LEVEL AT 6 DEGREE SLOPE)
(AUSTRALIAN SPECS)**

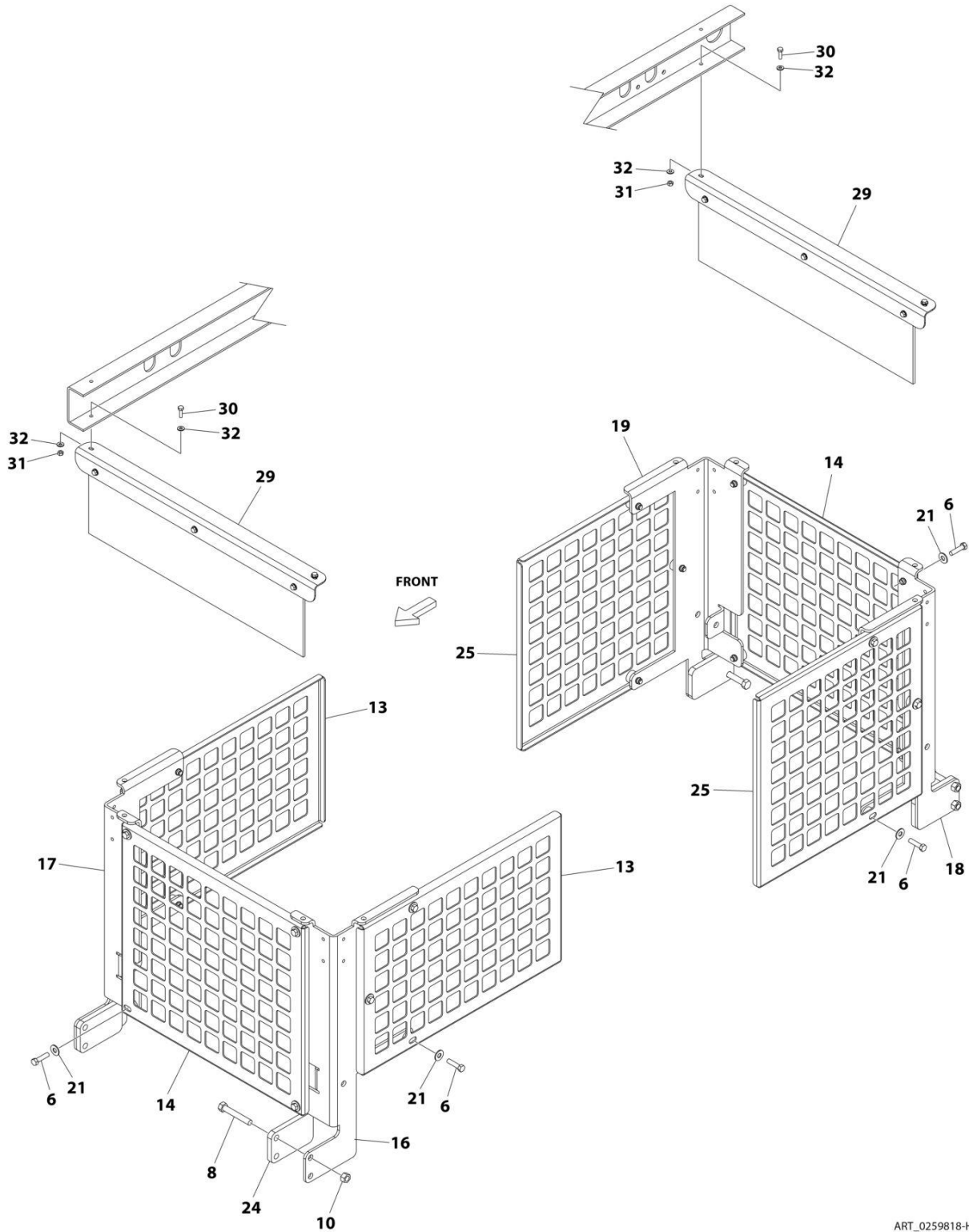
ITEM	PART NUMBER	QTY	DESCRIPTION	REV
	1001118680	Ref	SCISSOR ARMS INSTALLATION	C
1	0200699	1	Arm Weldment (1st Inboard)	
2	0200700	1	Arm Weldment (1st Outboard)	
3	0200701	1	Arm Weldment (2nd Inboard)	
4	0200680	2	Arm Weldment (2nd Outboard)	
5	0200702	1	Arm Weldment (3rd Inboard)	
6	0200682	2	Arm Weldment (3rd Outboard)	
7	0200728	1	Arm Weldment (4th Inboard)	
8	0200729	1	Arm Weldment (4th Outboard)	
9	1683887	1	Lift Cylinder Assembly (See Separate Breakdown in CYLINDER SECTION)	
10	0080228	1	Adapter, Cable	
11	0100011	AR	Compound, Locking	
12	0641506	2	Bolt 5/16 x 3/4	
13	0641508	2	Bolt 5/16 x 1	
14	0641510	16	Bolt 5/16 x 1-1/4	
15	0681524	2	Bolt 5/16 x 3 (GRADE 8)	
16	0641620	8	Bolt 3/8 x 2- 1/2	
17	0641622	2	Bolt 3/8 x 2- 3/4	
18	0641638	12	Bolt 3/8 x 4- 3/4	
19	0681610	2	Bolt 3/8 x 1-1/4	
20	0962220	36	Bearing, Garmax	
21	0440241	8	Bearing, Polygon	
22	0440250	4	Bearing	
23	1060818	1	Cable, Manual Descent	
24	0902421	1	Bracket, Cable Mounting	
25	3311505	20	Nut 5/16	
26	3311605	22	Nut 3/8	
27	3321402	2	Nut, 1/4	
28	3340879	2	Pad, Slide Block	
29	0940135	1	Pad, Arm	
30	3422709	2	Pin, Bottom Slider	
31	3422838	2	Pin, Bottom Pivot	
32	3422714	1	Pin, Cylinder	
33	1001222834	4	Pin, Pivot	
34	3422815	1	Pin, Cylinder	
35	1001222835	16	Pin, Pivot	
36	3450405	1	Pin, Cotter	
37	3760387	16	Ring, Snap	
38	3760419	4	Ring, Snap	
39	4240125	2	Strap, Nylon	
40	4240128	1	Strap, Safety Prop	
41	4641172	1	Valve, Solenoid	
41	7017445	1	Cartridge without Coil	
41	7012967	1	Seal Kit- 7017445 & 4641172 Cartridges	
41	7012943	1	Coil	
42	4641104	1	Valve, Restrictor/ Check	
42	7012967	1	Seal Kit- 4641104 Cartridge	
43	4711400	2	Washer 1/4	

SECTION 4 - SCISSORS ARMS

ITEM	PART NUMBER	QTY	DESCRIPTION	REV
44	4711500	16	Washer 5/16	
45	4711600	24	Washer 3/8	
46	4740333	4	Washer	
47	4740438	16	Washer	
48	4846024	1	Prop, Safety	
49	2902259	1	Kit, Arm Included Item 1 - 8) (Not Shown)	
50	3020022	AR	Grease, White Lithium (Not Shown)	
51	4420037	AR	Tape, Insulation (Not Shown)	
52	4922428	1	Lift Down Harness (Not Shown)	
52	4460499	1	Connector, DIN	
52	4460465	2	Socket, Female	
53	1001118681	1	Arm Sub-Assembly Kit (Not Shown - Includes Items 9-18, 20-27, 29, 30, 32-49, 51, 52 & 54-60)	
54	4922713	3	Cable, Electrical - 12/3	
55	2220371	1	Fitting, Straight	
56	2220473	1	Fitting, 90	
57	2752622	1	Hose	
58	2753398	1	Hose	
59	0259803	Ref	Platform Cable Installation (Not Shown - See Separate Breakdown in ELECTRICAL SECTION)	
60	4922915	1	LSS Harness (See Separate Breakdown in ELECTRICAL SECTION)	

SECTION 4 - SCISSORS ARMS

FIGURE 4-3. ARM GUARDS INSTALLATION



ART_0259818-H

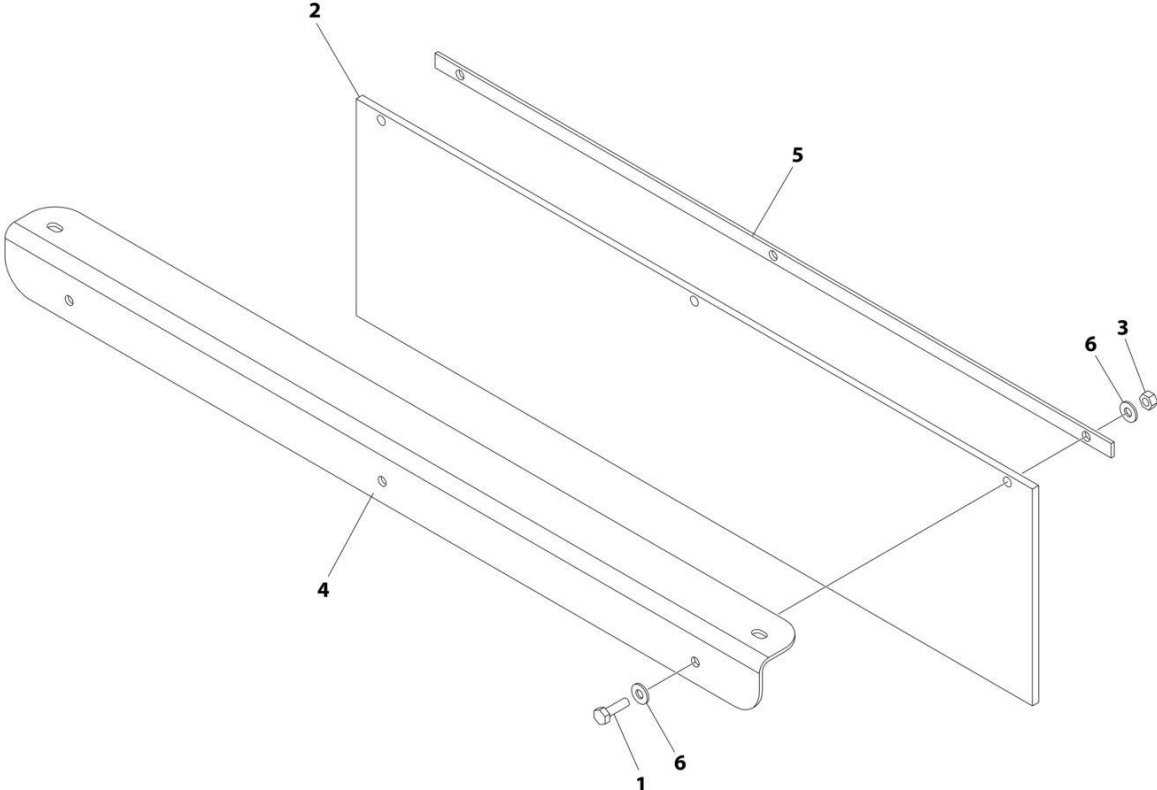
SECTION 4 - SCISSORS ARMS

FIGURE 4-3. ARM GUARDS INSTALLATION

ITEM	PART NUMBER	QTY	DESCRIPTION	REV
	0259818	Ref	ARM GUARD INSTALLATION	H
6	0641612	20	Bolt 3/8 x 1-1/2	
8	0641826	8	Bolt 1/2 x 3-1/4	
10	3311805	8	Nut 1/2	
13	4061016	2	Shield, Arm Guard (Side Front)	
14	4061018	2	Shield, Arm Guard (Front and Rear)	
16	4340719	1	Arm Guard Support Assembly (Left Front)	
16	0902676	1	Bracket	
16	2080056	5	Fastener 3/8	
17	4340720	1	Arm Guard Support Assembly (Right Front)	
17	0902677	1	Bracket	
17	2080056	5	Fastener 3/8	
18	4340721	1	Arm Guard Support Assembly (Left Rear)	
18	0902678	1	Bracket	
18	2080056	5	Fastener 3/8	
19	4340722	1	Arm Guard Support Assembly (Right Rear)	
19	0902679	1	Bracket	
19	2080056	5	Fastener 3/8	
21	4751600	20	Washer 3/8	
24	0561414	4	Block, Spacer	
25	4061017	2	Shield, Arm Guard (Side Rear)	
28	2902216	1	Arm Guard Kit (Includes Items 13, 14, 16-19, 25 & 29)	
29	0240059	2	Attach, Arm Guard (See Separate Breakdown in this Section)	
30	0641407	4	Bolt 1/4 x 7/8	
31	3311405	4	Nut 1/4	
32	4711400	8	Washer 1/4	

SECTION 4 - SCISSORS ARMS

FIGURE 4-4. ARM GUARDS ATTACH



ART_0240059

SECTION 4 - SCISSORS ARMS

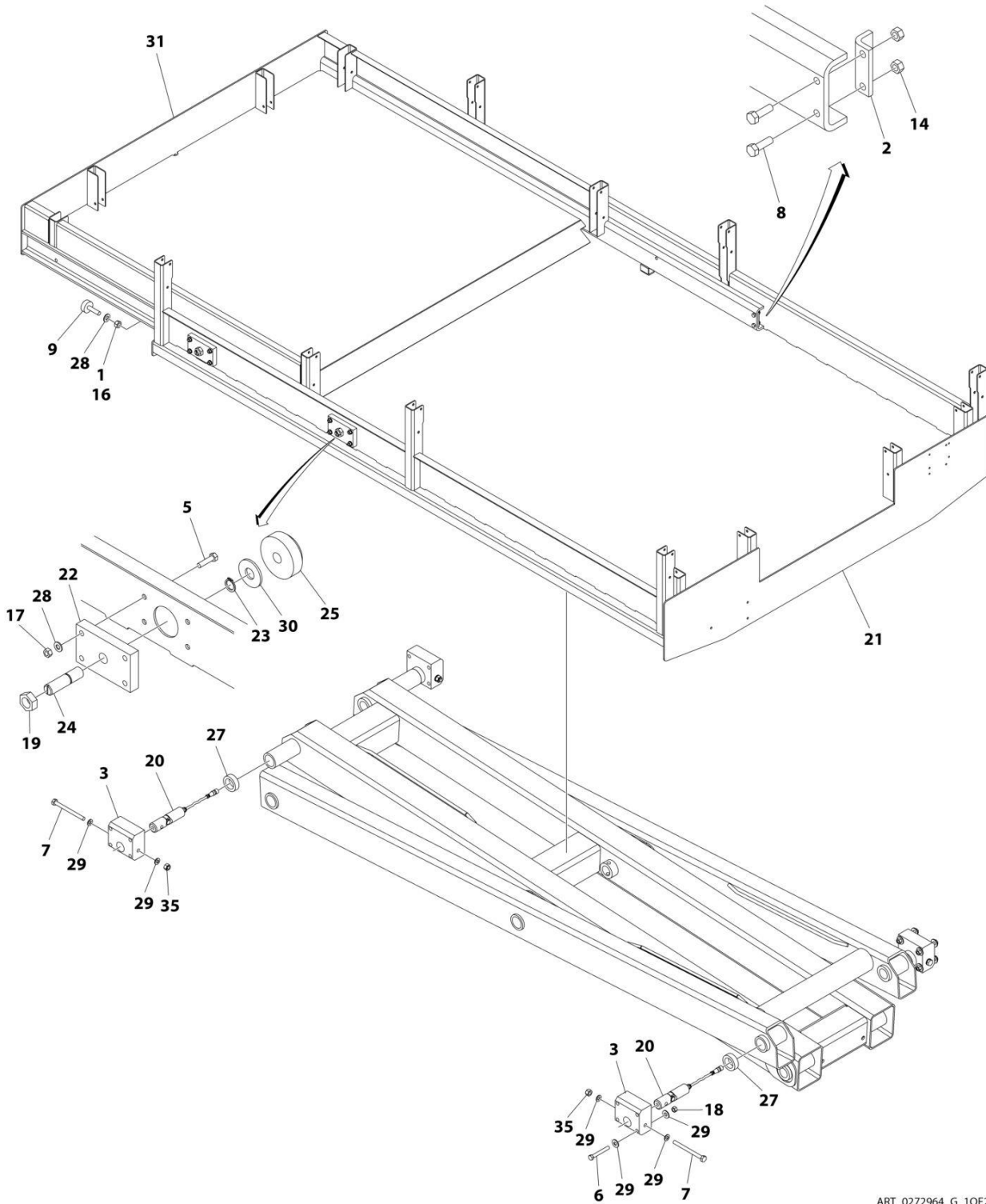
FIGURE 4-4. ARM GUARDS ATTACH

ITEM	PART NUMBER	QTY	DESCRIPTION	REV
	0240059	Ref	ARM GUARD ATTACH	C
1	0641407	3	Bolt 1/4 x 7/8	
2	3180015	1	Mould, Rubber Arm Guard	
3	3311405	3	Nut 1/4	
4	3574649	1	Plate, Support	
5	3574650	1	Bar, Backing	
6	4711400	6	Washer 1/4	

SECTION 5 - PLATFORM

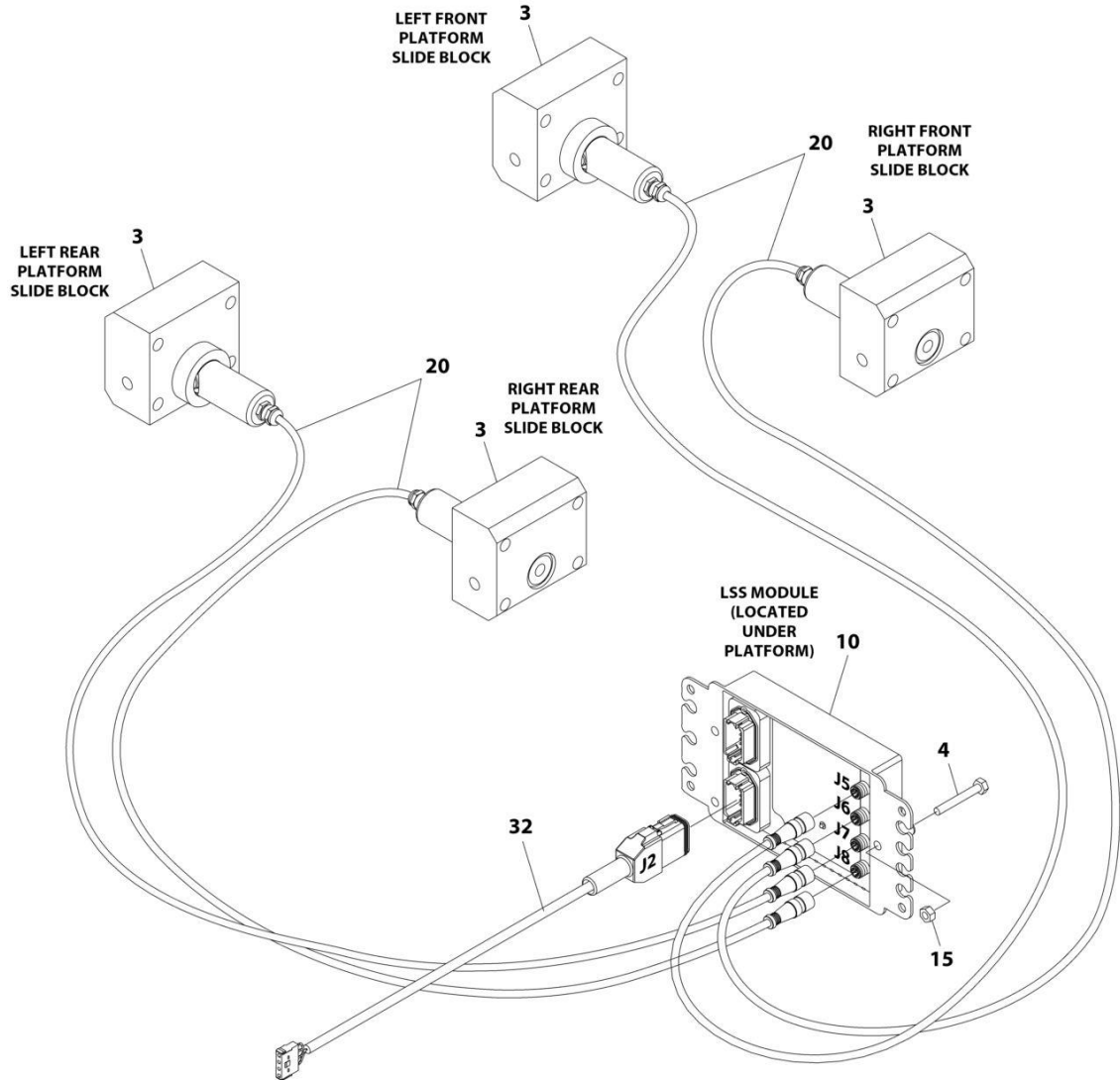
SECTION 5 - PLATFORM

FIGURE 5-1. PLATFORM AND EXTENSION INSTALLATION - WITHOUT D-RINGS



ART_0272964_G_10F2

SECTION 5 - PLATFORM



ART_0272964_G_20F2

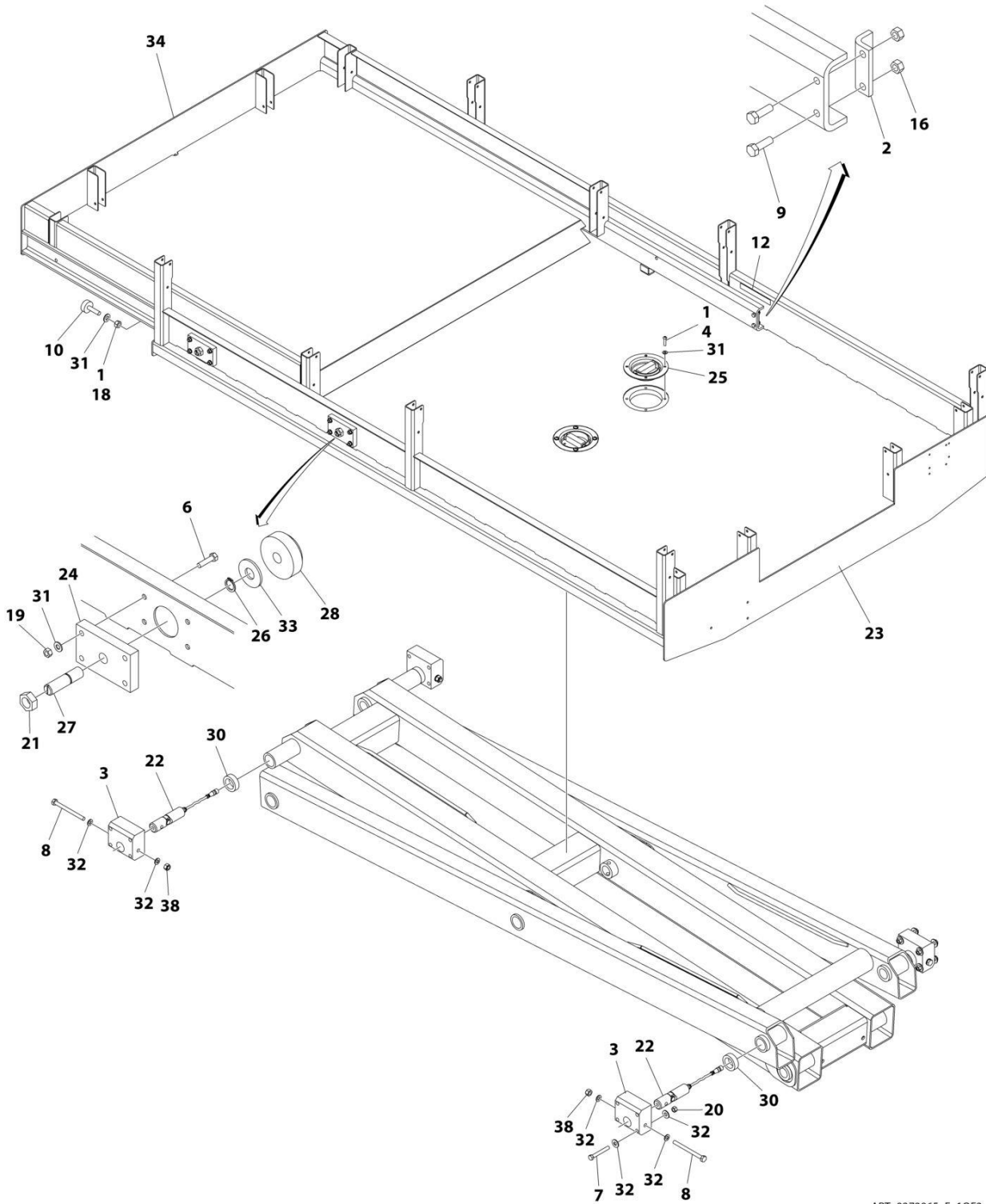
SECTION 5 - PLATFORM

FIGURE 5-1. PLATFORM AND EXTENSION INSTALLATION - WITHOUT D-RINGS

ITEM	PART NUMBER	QTY	DESCRIPTION	REV
	0272964	Ref	PLATFORM AND EXTENSION INSTALLATION	G
1	0100011	AR	Compound, Locking	
2	0182035	2	Angle, Extension Stop	
3	0561474	4	Block, Slide	
4	0641415	3	Bolt 1/4 x 1-7/8	
5	0641510	16	Bolt 5/16 x 1-1/4	
6	0641622	8	Bolt 3/8 x 2-3/4	
7	0701029	4	Bolt M10 x 120	
8	0681508	4	Bolt 5/16 x 1	
9	0940049	2	Stopper, Hood	
10	1600387	1	Module, LSS (Note: Re-calibration Required when Replaced)	
11	2902261	1	Rail Kit - Standard Deck (Includes Item 21)	
12	2920026	2	Light, Indicator (Not Shown - Located on Platform Console & Ground Control Box)	
13	2920029	2	Bulb, Light (Not Shown - Use with Item 12)	
14	3271505	4	Nut 5/16	
15	3311405	3	Nut 1/4	
16	3311501	2	Nut 5/16	
17	3311505	16	Nut 5/16	
18	3311605	8	Nut 3/8	
19	3322202	4	Jamnut (Right Hand)	
20	3422938	4	Pin, Load Management (Includes Harness)	
21	3510791	1	Platform	
22	3537619	4	Mount, Extension Roller	
23	3760348	4	Ring, Retaining	
24	3841233	4	Rod, Roller Mount	
25	3860059	4	Roller, Extension	
26	4240033	1	Tie-Strap (Not Shown)	
27	4568295	4	Spacer	
28	4711500	18	Washer 5/16	
29	4751600	24	Washer 3/8	
30	4752200	4	Washer 3/4	
31	4846143	1	Extension Weldment	
32	4922904	1	Module to Analyzer Harness (See Separate Breakdown in ELECTRICAL SECTION)	
35	3291005	4	Nut M10	

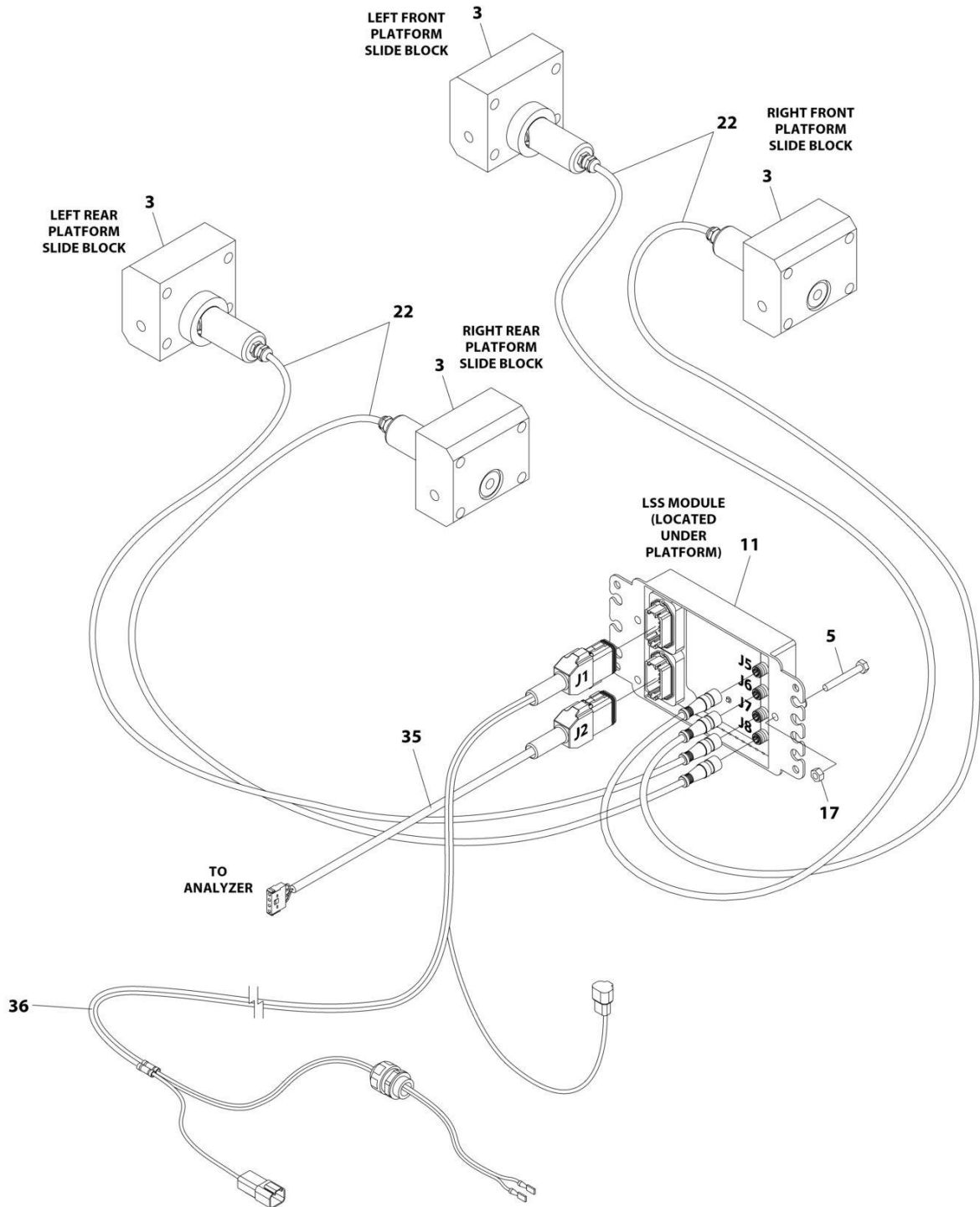
SECTION 5 - PLATFORM

FIGURE 5-2. PLATFORM AND EXTENSION INSTALLATION - WITH D-RINGS



ART_0272965_F_1OF2

SECTION 5 - PLATFORM



ART_0272965_F_20F2

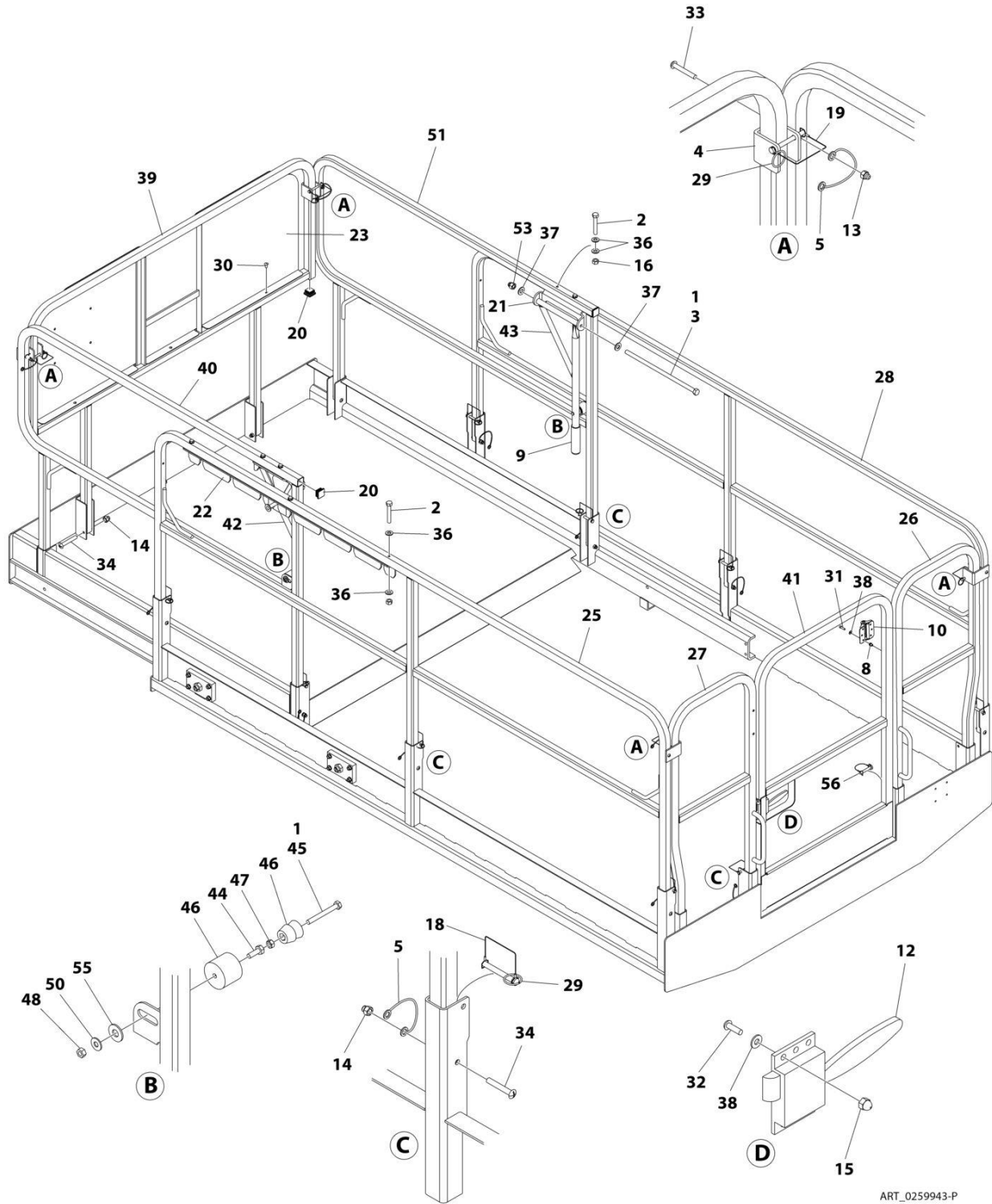
SECTION 5 - PLATFORM

FIGURE 5-2. PLATFORM AND EXTENSION INSTALLATION - WITH D-RINGS

ITEM	PART NUMBER	QTY	DESCRIPTION	REV
	0272965	Ref	PLATFORM AND EXTENSION INSTALLATIONS	F
1	0100011	AR	Compound, Locking	
2	0182035	2	Angle, Extension Stop	
3	0561474	4	Block, Slide	
4	0630476	8	Screw, Button Head	
5	0641415	3	Bolt 1/4 x 1-7/8	
6	0641510	16	Bolt 5/16 x 1-1/4	
7	0641622	8	Bolt 3/8 x 2-3/4	
8	0701029	4	Bolt M10 x 120	
9	0681508	4	Bolt 5/16 x 1 (Grade 8)	
10	0940049	2	Stopper, Hood	
11	1600387	1	Module, LSS (Note: Re-calibration Required when Replaced)	
12	1703175	2	Decal, Lanyard (Platform with D-Rings Only)	
13	2902262	1	Rail Kit - Standard Deck (Includes Item 21)	
14	2920026	2	Light, Indicator (Not Shown - Located on Platform Console & Ground Control Box)	
15	2920029	2	Bulb, Light (Not Shown - Use with Item 14)	
16	3271505	4	Nut 5/16 (Grade 8)	
17	3311405	3	Nut 1/4	
18	3311501	2	Nut 5/16	
19	3311505	16	Nut 5/16	
20	3311605	8	Nut 3/8	
21	3322202	4	Nut (Right Hand)	
22	3422938	4	Pin, Load Management (Includes Harness)	
23	3510797	1	Platform with D-Rings	
24	3537619	4	Mount, Extension Roller	
25	3760321	2	Ring, Swivel D-Ring (Platform with D-Rings Only)	
26	3760348	4	Ring, Retaining	
27	3841233	4	Rod, Roller Mount	
28	3860059	4	Roller, Extension	
29	4240033	AR	Tie-Strap (Not Shown)	
30	4568295	4	Spacer	
31	4711500	26	Washer 5/16	
32	4751600	24	Washer 3/8	
33	4752200	4	Washer 3/4	
34	4846143	1	Extension Weldment	
35	4922904	1	Module to Analyzer Harness (See Separate Breakdown in ELECTRICAL SECTION)	
36	4922915	1	Main Load Sensing Harness (See Separate Breakdown in ELECTRICAL SECTION)	
38	3291005	4	Nut M10	

SECTION 5 - PLATFORM

FIGURE 5-3. HANDRAIL INSTALLATION (SWING GATE)



ART_0259943-P

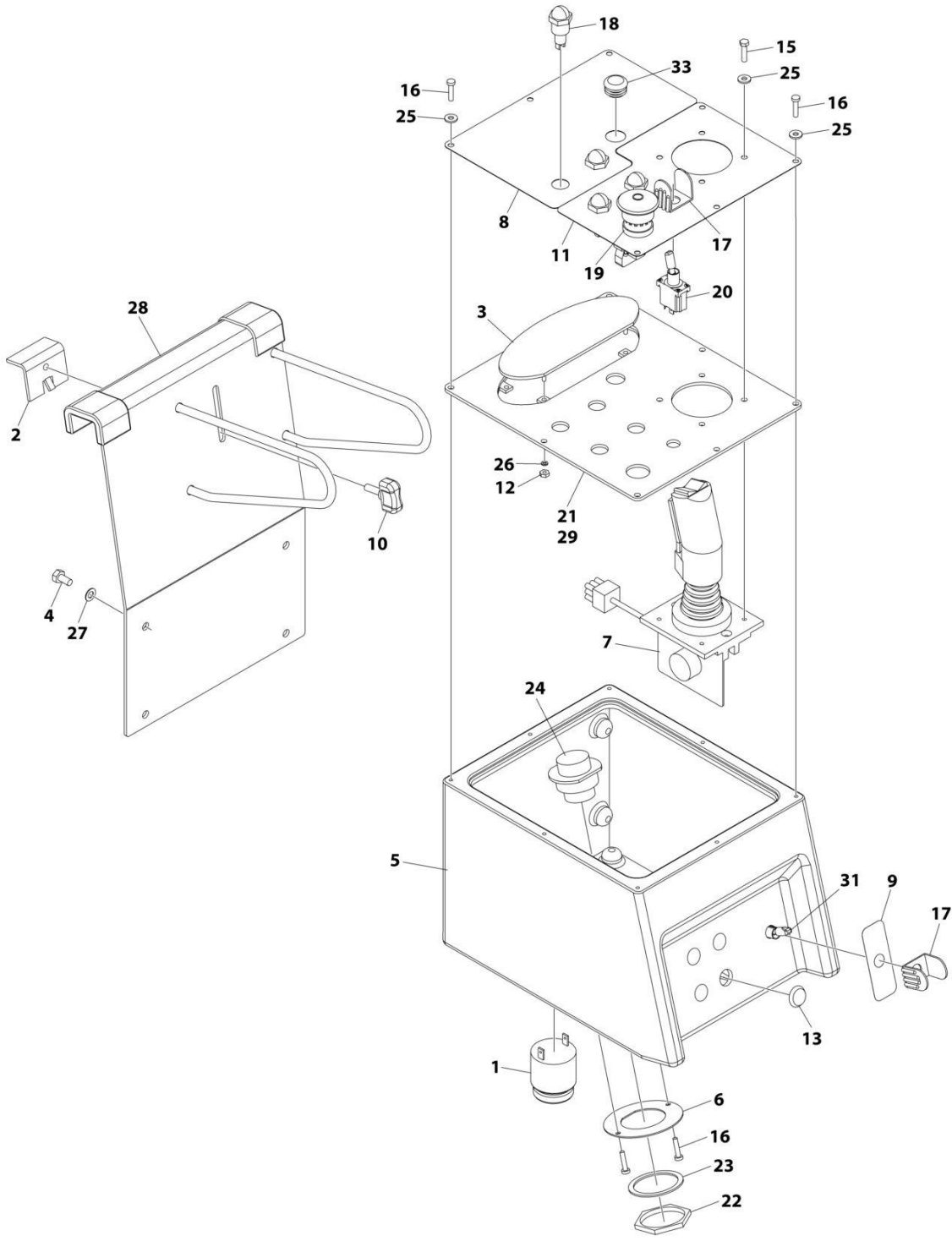
SECTION 5 - PLATFORM

FIGURE 5-3. HANDRAIL INSTALLATION (SWING GATE)

ITEM	PART NUMBER	QTY	DESCRIPTION	REV
	0259943	Ref	HANDRAIL INSTALLATION (SWING GATE)	P
1	0100011	AR	Compound, Locking	
2	0641516	7	Bolt 5/16 x 2	
3	0641676	2	Bolt 3/8 x 9-1/2	
4	0901870	4	Bracket	
5	1060808	9	Cable, Lanyard	
8	2080069	12	Fastener #10	
9	2560088	2	Handle	
10	2600253	2	Hinge	
12	2940074	1	Latch	
13	2080063	4	Fastener, Nylon Lock 1/4	
14	2080064	16	Fastener, Nylon Lock 3/8	
15	3300432	4	Nut, Acorn #10	
16	3311505	7	Nut 5/16	
18	3421565	4	Pin, Snapper	
19	3422219	4	Pin, Snapper	
20	3520072	4	Cap, Plug	
21	3537609	2	Plate, Pivot	
22	3571829	1	Plate, Latch	
23	3571862	1	Plate, Placard	
25	3641342	1	Rail Weldment (Left Side)	
26	3641344	1	Rail Weldment (Right Side Entry)	
27	3641345	1	Rail Weldment (Left Side Entry)	
28	3641351	1	Rail Weldment (Right Side)	
29	3760170	9	Ring, Split	
30	3820020	7	Rivet, Pop	
31	3900267	12	Screw	
32	3911010	4	Screw	
33	3911428	4	Screw 1/4 x 1-3/4	
34	3911532	16	Screw 5/16 x 2	
36	4711500	14	Washer 5/16	
37	4711600	4	Washer 3/8	
38	4751000	12	Washer #10	
39	4846120	1	Rail Weldment	
40	4846121	1	Rail Weldment (Left Side Extension)	
41	4846122	1	Gate, Self Closing	
42	4846181	1	Handle (Left Side)	
43	4846191	1	Handle (Right Hand)	
44	0641406	2	Bolt 1/4 x 3/4	
45	0700619	2	Screw	
46	2940127	2	Latch, Rubber	
47	3290601	2	Nut M6	
48	3311405	2	Nut 1/4	
50	4751400	2	Washer 1/4	
51	4846256	1	Rail Weldment (Right Side Extension)	
53	3300467	2	Nut, Acorn 3/8	
54	2902039	Ref	Handrail Kit - (Includes Items - 25, 26, 27, 28, 39, 40, 41 & 51)	
55	4751600	2	Washer 3/8	
56	1001097458	1	Pin, Snapper	

SECTION 5 - PLATFORM

FIGURE 5-4. CONSOLE BOX ASSEMBLY - DIESEL MACHINES (WITHOUT AUTO LEVELING JACKS)



ART_1810017-C

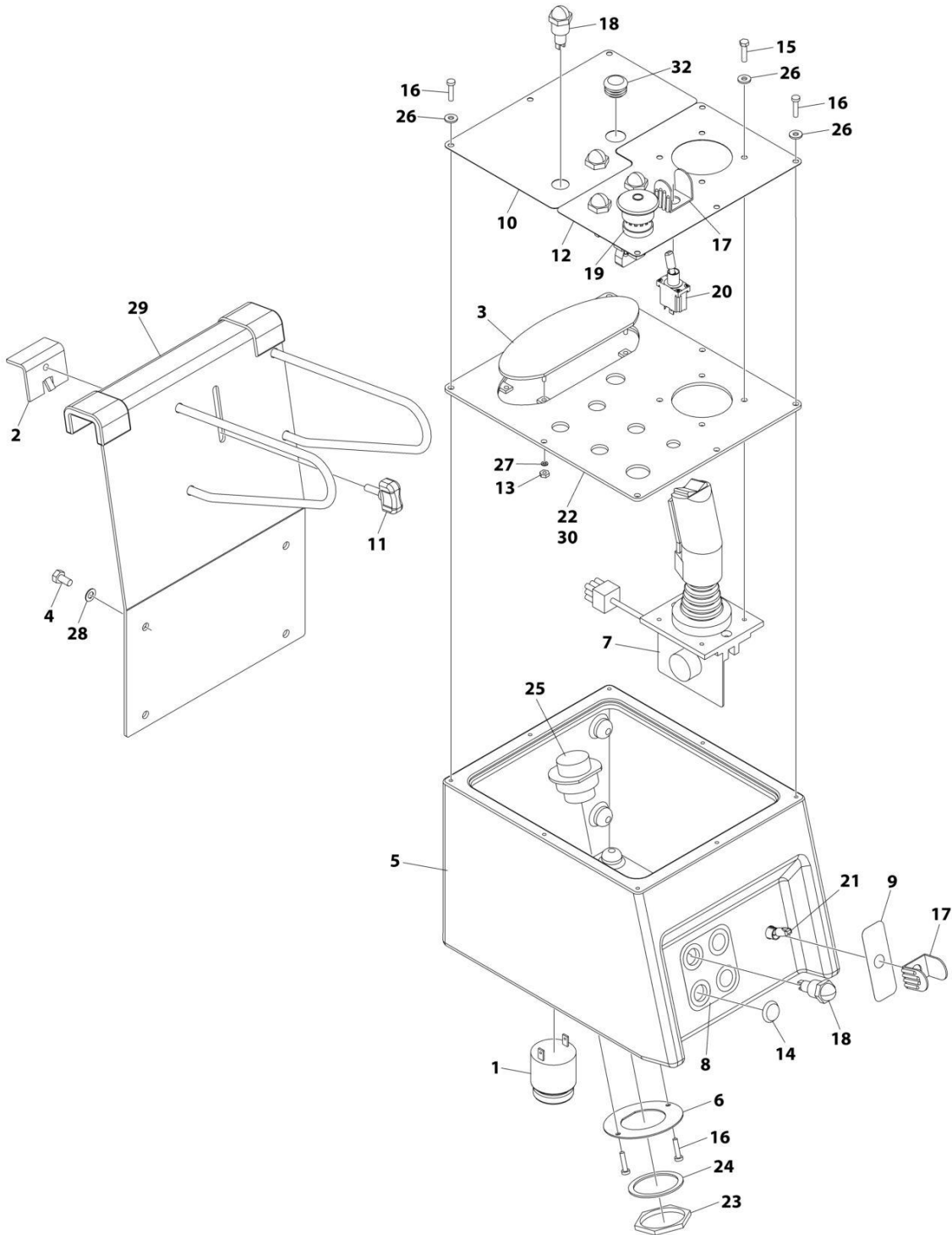
SECTION 5 - PLATFORM

FIGURE 5-4. CONSOLE BOX ASSEMBLY - DIESEL MACHINES (WITHOUT AUTO LEVELING JACKS)

ITEM	PART NUMBER	QTY	DESCRIPTION	REV
	1810017	Ref	CONSOLE BOX ASSEMBLY	C
1	0140011	1	Alarm	
2	0181847	1	Angle, Latch	
3	0610135	1	Board, P/C Display	
4	0641404	4	Bolt 1/4 x 1/2	
5	0861357	1	Box, Control	
6	0902499	1	Bracket	
7	1600403	1	Drive/Steer Controller Assembly (See Separate Breakdown in this Section)	
8	1705947	1	Decal - Platform Display	
9	1704589	1	Decal - Glow Plug	
10	2560141	1	Thumbscrew	
11	1705948	1	Decal - Platform Box	
12	3310601	4	Nut #6	
13	3520080	4	Plug	
15	3900178	4	Screw #10 x 1/2	
16	3900265	10	Screw #8 x 3/4	
17	4060802	2	Guard, Switch	
18	4360387	4	Switch, Push Button	
19	4360475	1	Switch, Emergency Stop	
19	7020175	1	Ring, Sealing	
19	7020176	1	Block, Contact	
20	4360482	1	Switch	
21	4420008	38 in/ 1m	Tape	
22	4460470	1	Nut, Terminal	
23	4460471	1	Washer, Terminal	
24	4460480	1	Connector, Terminal	
25	4740120	12	Washer	
26	4760600	4	Washer #6	
27	4791400	4	Washer 1/4	
28	4845938	1	Bracket	
29	4846249	1	LID	
30	4922391	1	Platform Console Box Harness (Not Shown - See Separate Breakdown in ELECTRICAL SECTION)	
31	4360483	1	Switch, Toggle	
33	3520193	1	Plug	

SECTION 5 - PLATFORM

FIGURE 5-5. CONSOLE BOX ASSEMBLY - DIESEL MACHINES (WITH AUTO LEVELING JACKS)



ART_1810001-C

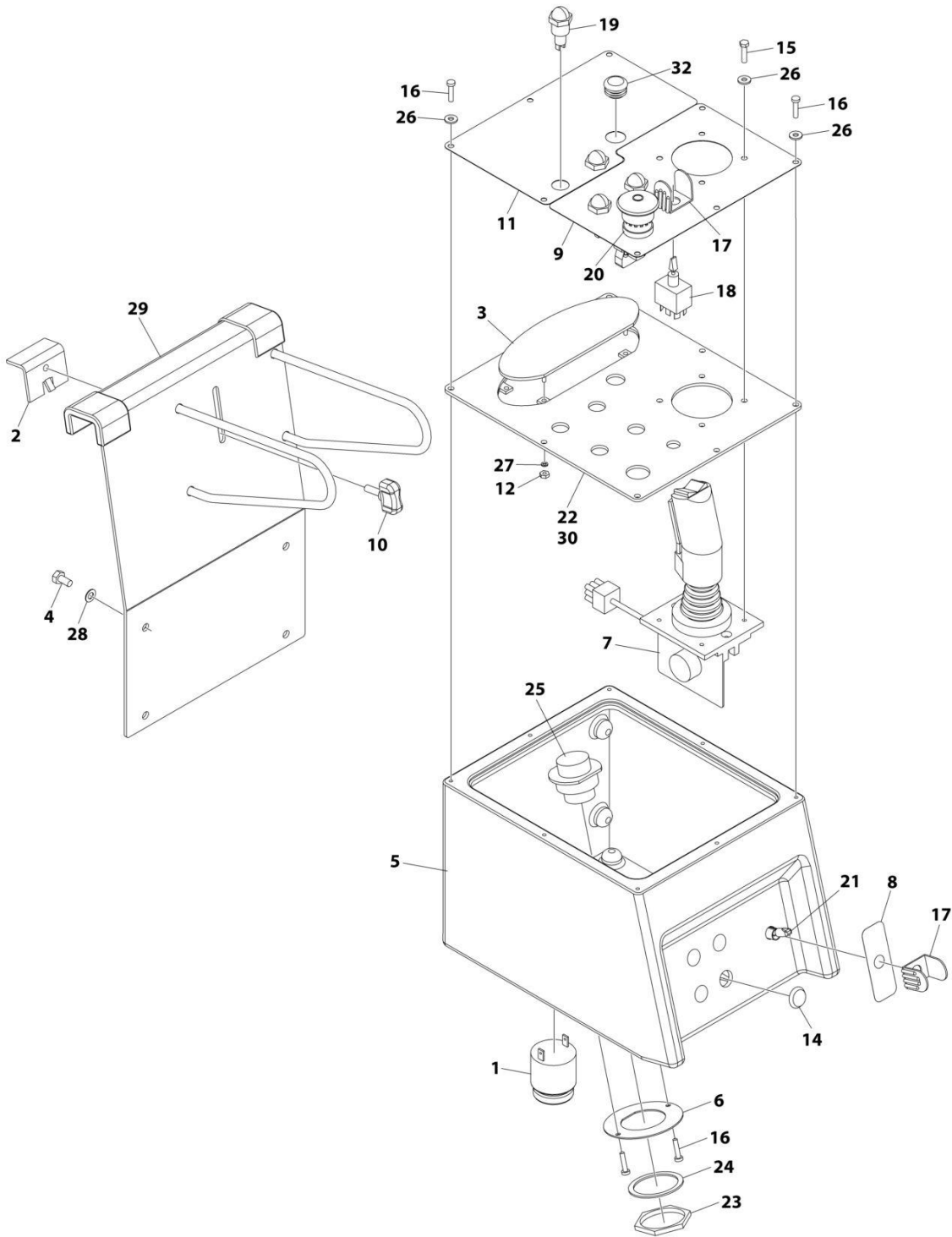
SECTION 5 - PLATFORM

FIGURE 5-5. CONSOLE BOX ASSEMBLY - DIESEL MACHINES (WITH AUTO LEVELING JACKS)

ITEM	PART NUMBER	QTY	DESCRIPTION	REV
	1810001	Ref	CONSOLE BOX ASSEMBLY	C
1	0140011	1	Alarm	
2	0181847	1	Angle, Latch	
3	0610135	1	Board, P/C Display	
4	0641404	4	Bolt 1/4 x 1/2	
5	0861357	1	Box, Control	
6	0902499	1	Bracket	
7	1600403	1	Drive/Steer Controller Assembly (See Separate Breakdown in this Section)	
8	1704574	1	Decal - Outrigger Select	
9	1704589	1	Decal - Glow Plug	
10	1705947	1	Decal - Platform Box	
11	2560141	1	Thumbscrew	
12	1705948	1	Nameplate - Platform Box	
13	3310601	4	Nut #6	
14	3520080	3	Plug	
15	3900178	4	Screw #10 x 1/2	
16	3900265	10	Screw #8 x 3/4	
17	4060802	2	Guard, Switch	
18	4360387	5	Switch, Push Button	
19	4360475	1	Switch, Emergency Stop	
19	7020175	1	Ring, Sealing	
19	7020176	1	Block, Contact	
20	4360482	1	Switch	
21	4360483	1	Switch, Toggle	
22	4420008	38 in/ 1m	Tape	
23	4460470	1	Nut, Terminal	
24	4460471	1	Washer, Terminal	
25	4460480	1	Connector, Terminal	
26	4740120	12	Washer	
27	4760600	4	Washer #6	
28	4791400	4	Washer 1/4	
29	4845938	1	Bracket	
30	4846249	1	LID	
31	4922437	1	Platform Console Box Harness (Not Shown - See Separate Breakdown in ELECTRICAL SECTION)	
32	3520193	1	Plug	

SECTION 5 - PLATFORM

FIGURE 5-6. CONSOLE BOX ASSEMBLY – DIESEL MACHINES (WITHOUT AUTO LEVELING JACKS AND WITH GENERATOR)



ART_1810021-D

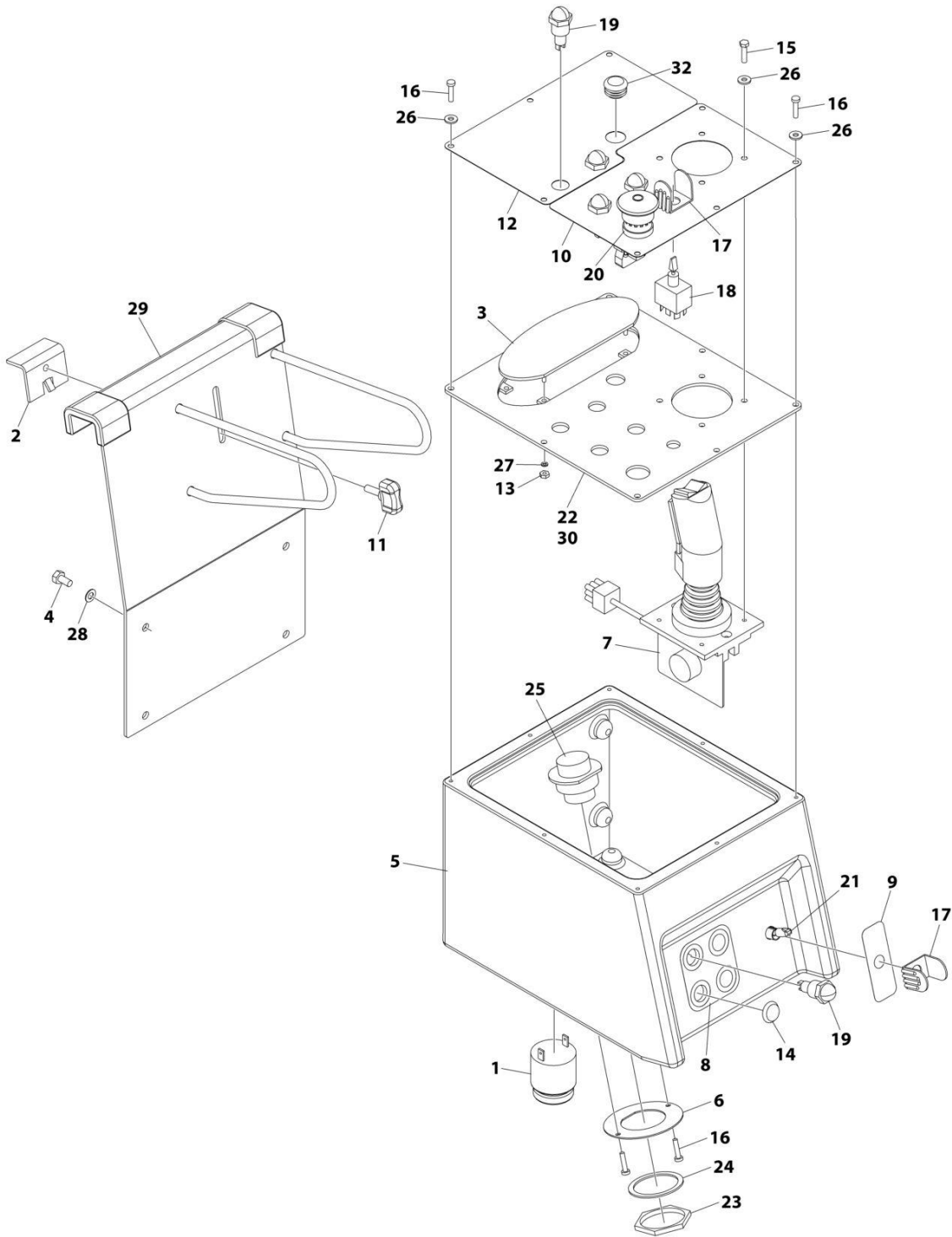
SECTION 5 - PLATFORM

FIGURE 5-6. CONSOLE BOX ASSEMBLY – DIESEL MACHINES (WITHOUT AUTO LEVELING JACKS AND WITH GENERATOR)

ITEM	PART NUMBER	QTY	DESCRIPTION	REV
	1810021	Ref	CONSOLE BOX ASSEMBLY	D
1	0140011	1	Alarm	
2	0181847	1	Angle, Latch	
3	0610135	1	Board, P/C Display	
4	0641404	4	Bolt 1/4 x 1/2	
5	0861357	1	Box, Control	
6	0902499	1	Bracket	
7	1600403	1	Drive/Steer Controller Assembly (See Separate Breakdown in this Section)	
8	1704589	1	Decal - Glow Plug	
9	1705976	1	Decal - Platform Box	
10	2560141	1	Thumbscrew	
11	1706130	1	Nameplate - Platform Box	
12	3310601	4	Nut #6	
14	3520080	4	Plug	
15	3900178	4	Screw #10 x 1/2	
16	3900265	10	Screw #8 x 3/4	
17	4060802	2	Guard, Switch	
18	4360331	1	Switch, Toggle	
19	4360387	4	Switch, Push Button	
20	4360475	1	Switch, Emergency Stop	
20	7020175	1	Ring, Sealing	
20	7020176	1	Block, Contact	
21	4360483	1	Switch, Toggle	
22	4420008	38 in/ 1m	Tape	
23	4460470	1	Nut, Terminal	
24	4460471	1	Washer, Terminal	
25	4460480	1	Connector, Terminal	
26	4740120	12	Washer	
27	4760600	4	Washer #6	
28	4791400	4	Washer 1/4	
29	4845938	1	Bracket	
30	4846249	1	LID	
31	4922447	1	Platform Console Box Harness (Not Shown - See Separate Breakdown in ELECTRICAL SECTION)	
32	3520193	1	Plug	

SECTION 5 - PLATFORM

FIGURE 5-7. CONSOLE BOX ASSEMBLY – DIESEL MACHINES (WITH AUTO LEVELING JACKS AND GENERATOR)



ART_1810022-C

SECTION 5 - PLATFORM

FIGURE 5-7. CONSOLE BOX ASSEMBLY – DIESEL MACHINES (WITH AUTO LEVELING JACKS AND GENERATOR)

ITEM	PART NUMBER	QTY	DESCRIPTION	REV
	1810022	Ref	CONSOLE BOX ASSEMBLY	C
1	0140011	1	Alarm	
2	0181847	1	Angle, Latch	
3	0610135	1	Board, P/C Display	
4	0641404	4	Bolt 1/4 x 1/2	
5	0861357	1	Box, Control	
6	0902499	1	Bracket	
7	1600403	1	Drive/Steer Controller Assembly (See Separate Breakdown in this Section)	
8	1704574	1	Decal - Outrigger Select	
9	1704589	1	Decal - Glow Plug	
10	1705976	1	Decal - Platform Box	
11	2560141	1	Thumbscrew	
12	1706130	1	Nameplate - Platform Box	
13	3310601	4	Nut #6	
14	3520080	3	Plug	
15	3900178	4	Screw #10 x 1/2	
16	3900265	10	Screw #8 x 3/4	
17	4060802	2	Guard, Switch	
18	4360331	1	Switch, Toggle	
19	4360387	5	Switch, Push Button	
20	4360475	1	Switch, Emergency Stop	
20	7020175	1	Ring, Sealing	
20	7020176	1	Block, Contact	
21	4360483	1	Switch, Toggle	
22	4420008	38 in/ 1m	Tape	
23	4460470	1	Nut, Terminal	
24	4460471	1	Washer, Terminal	
25	4460480	1	Connector, Terminal	
26	4740120	12	Washer	
27	4760600	4	Washer #6	
28	4791400	4	Washer 1/4	
29	4845938	1	Bracket	
30	4846249	1	LID	
31	4922446	1	Platform Console Box Harness (Not Shown - See Separate Breakdown in ELECTRICAL SECTION)	
32	3520193	1	Plug	

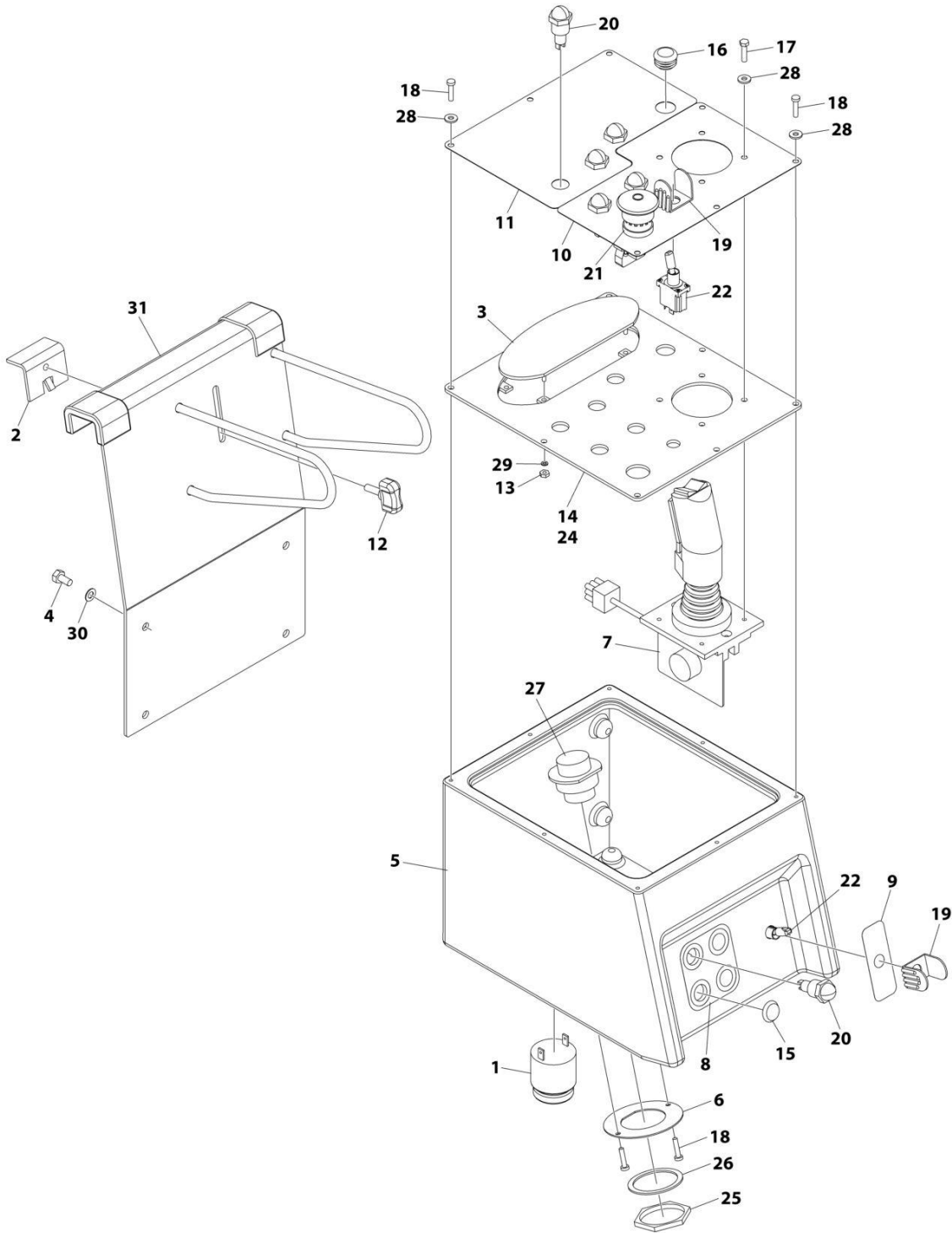
SECTION 5 - PLATFORM

FIGURE 5-8. CONSOLE BOX ASSEMBLY - DUAL FUEL MACHINES (WITHOUT AUTO LEVELING JACKS)

ITEM	PART NUMBER	QTY	DESCRIPTION	REV
	1810043	Ref	CONSOLE BOX ASSEMBLY	B
1	0140011	1	Alarm	
2	0181847	1	Angle, Latch	
3	0610135	1	Board, P/C Display	
4	0641404	4	Bolt 1/4 x 1/2	
5	0861357	1	Box, Control	
6	0902499	1	Bracket	
7	1600403	1	Drive/Steer Controller Assembly (See Separate Breakdown in this Section)	
8	1704588	1	Decal - Fuel Select	
9	1705948	1	Decal - Platform Display	
10	1706763	1	Nameplate - Platform Box	
11	2560141	1	Thumbscrew	
12	3310601	4	Nut #6	
13	3380660	1	Lid	
14	3520080	4	Plug	
15	3520193	1	Plug	
16	3900178	4	Screw #10 x 1/2	
17	3900265	10	Screw #8 x 3/4	
18	4060802	2	Guard, Switch	
19	4360387	5	Switch, Push Button	
20	4360475	1	Switch, Emergency Stop	
20	7020175	1	Ring, Sealing	
20	7020176	1	Block, Contact	
21	4360482	2	Switch	
23	4420008	38 in/ 1m	Tape	
24	4460470	1	Nut, Terminal	
25	4460471	1	Washer, Terminal	
26	4460480	1	Connector, Terminal	
27	4740120	12	Washer	
28	4760600	4	Washer #6	
29	4791400	4	Washer 1/4	
30	4845938	1	Bracket	
31	4923530	1	Platform Console Box Harness (Not Shown - See Separate Breakdown in ELECTRICAL SECTION)	

SECTION 5 - PLATFORM

FIGURE 5-9. CONSOLE BOX ASSEMBLY - DUAL FUEL MACHINES (WITH AUTO LEVELING JACKS)



ART_1810036-B

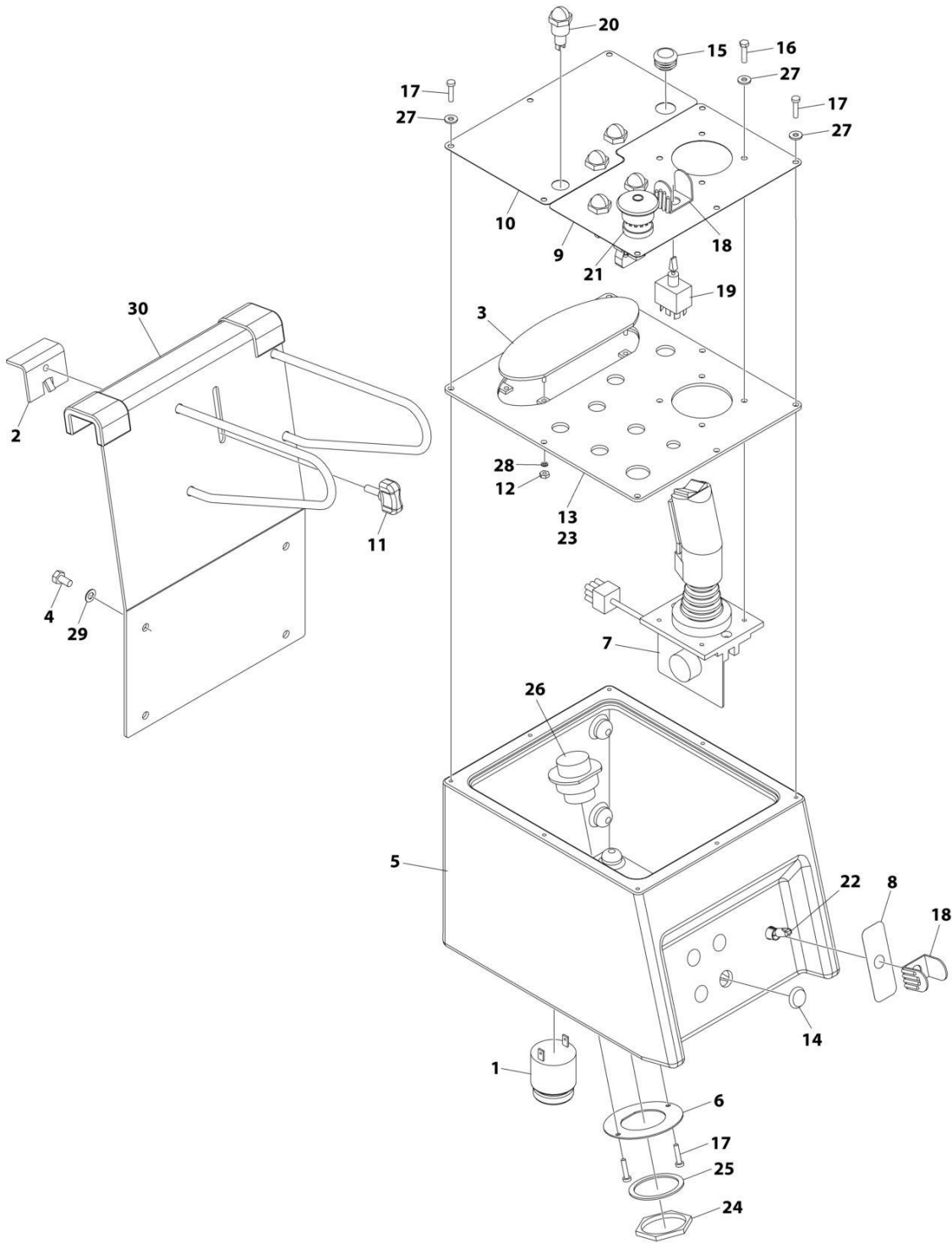
SECTION 5 - PLATFORM

FIGURE 5-9. CONSOLE BOX ASSEMBLY - DUAL FUEL MACHINES (WITH AUTO LEVELING JACKS)

ITEM	PART NUMBER	QTY	DESCRIPTION	REV
	1810036	Ref	CONSOLE BOX ASSEMBLY	B
1	0140011	1	Alarm	
2	0181847	1	Angle, Latch	
3	0610135	1	Board, P/C Display	
4	0641404	4	Bolt 1/4 x 1/2	
5	0861357	1	Box, Control	
6	0902499	1	Bracket	
7	1600403	1	Drive/Steer Controller Assembly (See Separate Breakdown in this Section)	
8	1704574	1	Decal - Outrigger Select	
9	1704588	1	Decal - Fuel Select	
10	1705948	1	Decal - Platform Display	
11	1706763	1	Nameplate - Platform Box	
12	2560141	1	Thumbscrew	
13	3310601	4	Nut #6	
14	3380660	1	LID	
15	3520080	3	Plug	
16	3520193	1	Plug	
17	3900178	4	Screw #10 x 1/2	
18	3900265	10	Screw #8 x 3/4	
19	4060802	2	Guard, Switch	
20	4360387	6	Switch, Push Button	
21	4360475	1	Switch, Emergency Stop	
21	7020175	1	Ring, Sealing	
21	7020176	1	Block, Contact	
22	4360482	2	Switch	
24	4420008	38 in/ 1m	Tape	
25	4460470	1	Nut, Terminal	
26	4460471	1	Washer, Terminal	
27	4460480	1	Connector, Terminal	
28	4740120	12	Washer	
29	4760600	4	Washer #6	
30	4791400	4	Washer 1/4	
31	4845938	1	Bracket	
32	4923531	1	Platform Console Box Harness (Not Shown - See Separate Breakdown in ELECTRICAL SECTION)	

SECTION 5 - PLATFORM

FIGURE 5-10. CONSOLE BOX ASSEMBLY - DUAL FUEL MACHINES (WITHOUT AUTO LEVELING JACKS AND WITH GENERATOR)



ART_1810047-C

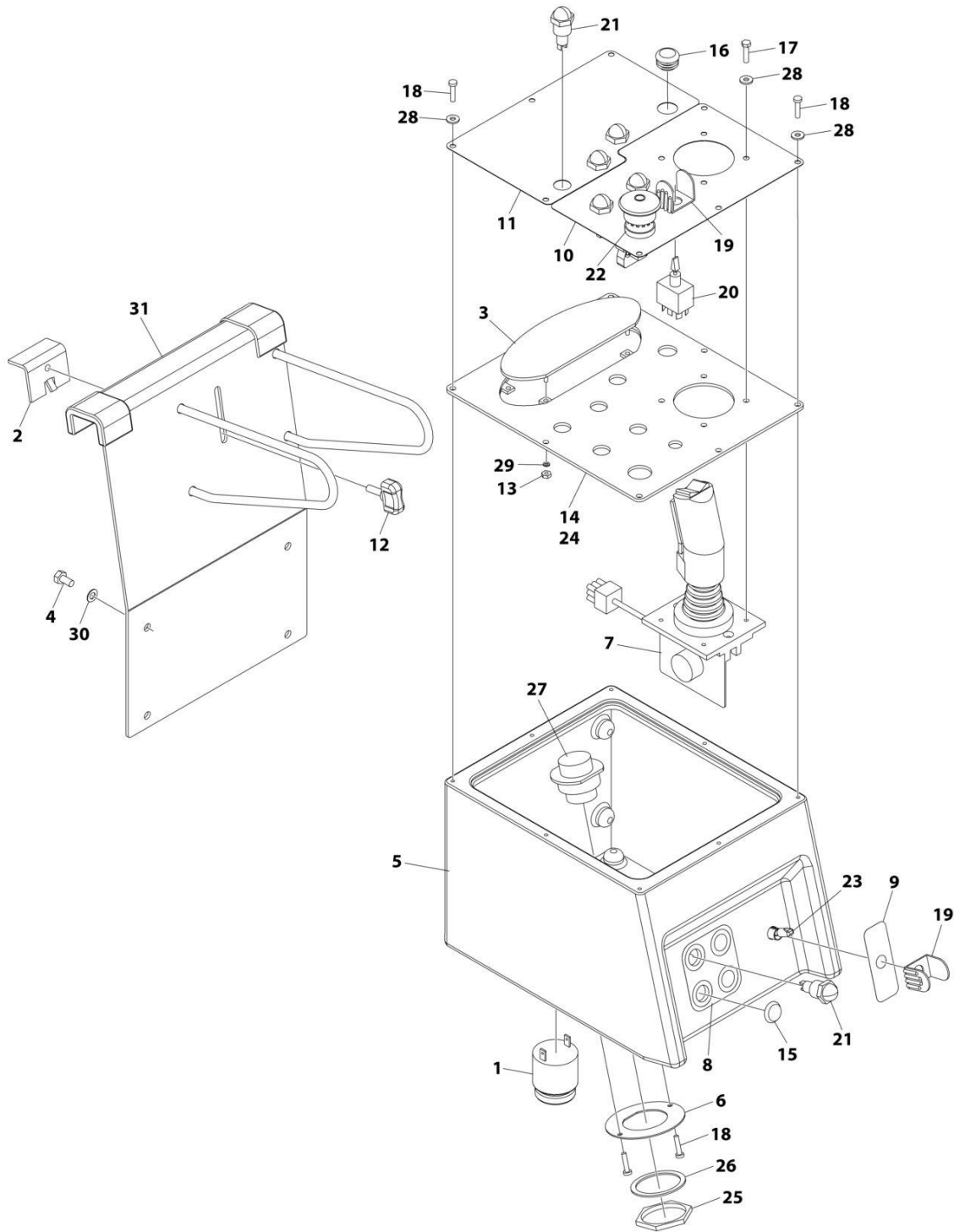
SECTION 5 - PLATFORM

FIGURE 5-10. CONSOLE BOX ASSEMBLY - DUAL FUEL MACHINES (WITHOUT AUTO LEVELING JACKS AND WITH GENERATOR)

ITEM	PART NUMBER	QTY	DESCRIPTION	REV
	1810047	Ref	CONSOLE BOX ASSEMBLY	C
1	0140011	1	Alarm	
2	0181847	1	Angle, Latch	
3	0610135	1	Board, P/C Display	
4	0641404	4	Bolt 1/4 x 1/2	
5	0861357	1	Box, Control	
6	0902499	1	Bracket	
7	1600403	1	Drive/Steer Controller Assembly (See Separate Breakdown in this Section)	
8	1704588	1	Decal - Fuel Select	
9	1705976	1	Decal - Platform Display	
10	1706762	1	Nameplate - Platform Box	
11	2560141	1	Thumbscrew	
12	3310601	4	Nut #6	
13	3380660	1	LID	
14	3520080	4	Plug	
15	3520193	1	Plug	
16	3900178	4	Screw #10 x 1/2	
17	3900265	10	Screw #8 x 3/4	
18	4060802	2	Guard, Switch	
19	4360331	1	Switch, Toggle	
20	4360387	5	Switch, Push Button	
21	4360475	1	Switch, Emergency Stop	
21	7020175	1	Ring, Sealing	
21	7020176	1	Block, Contact	
22	4360482	1	Switch	
23	4420008	38 in/ 1m	Tape	
24	4460470	1	Nut, Terminal	
25	4460471	1	Washer, Terminal	
26	4460480	1	Connector, Terminal	
27	4740120	12	Washer	
28	4760600	4	Washer #6	
29	4791400	4	Washer 1/4	
30	4845938	1	Bracket	
31	4923532	1	Platform Console Box Harness (Not Shown - See Separate Breakdown in ELECTRICAL SECTION)	

SECTION 5 - PLATFORM

FIGURE 5-11. CONSOLE BOX ASSEMBLY - DUAL FUEL MACHINES (WITH AUTO LEVELING JACKS AND GENERATOR)



ART_1810048-B

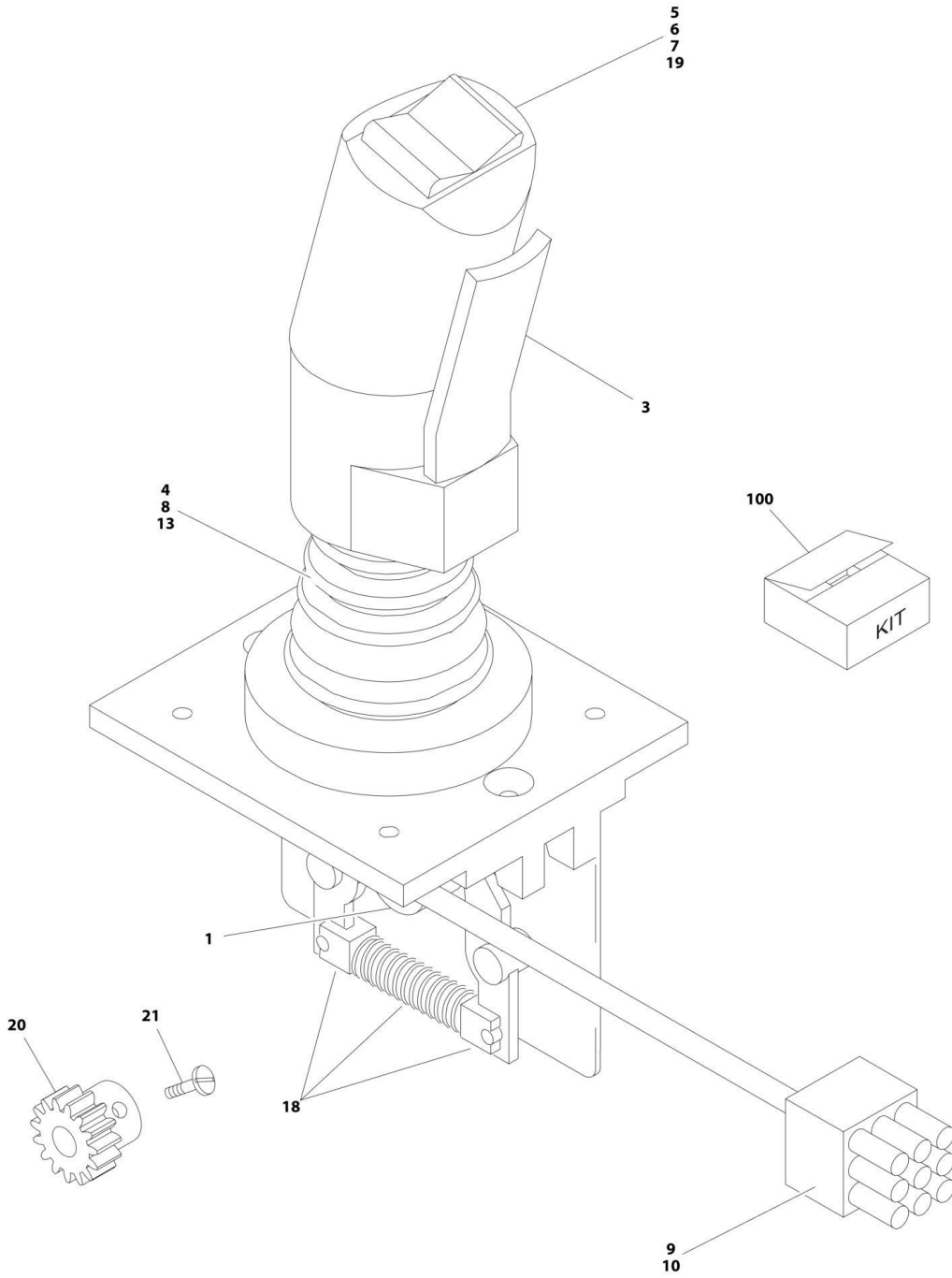
SECTION 5 - PLATFORM

FIGURE 5-11. CONSOLE BOX ASSEMBLY - DUAL FUEL MACHINES (WITH AUTO LEVELING JACKS AND GENERATOR)

ITEM	PART NUMBER	QTY	DESCRIPTION	REV
	1810048	Ref	CONSOLE BOX ASSEMBLY	B
1	0140011	1	Alarm	
2	0181847	1	Angle, Latch	
3	0610135	1	Board, P/C Display	
4	0641404	4	Bolt 1/4 x 1/2	
5	0861357	1	Box, Control	
6	0902499	1	Bracket	
7	1600403	1	Drive/Steer Controller Assembly (See Separate Breakdown in this Section)	
8	1704574	1	Decal - Outrigger Select	
9	1704588	1	Decal - Fuel Select	
10	1705976	1	Decal - Platform Display	
11	1706762	1	Nameplate - Platform Box	
12	2560141	1	Thumbscrew	
13	3310601	4	Nut #6	
14	3380660	1	LID	
15	3520080	3	Plug	
16	3520193	1	Plug	
17	3900178	4	Screw #10 x 1/2	
18	3900265	10	Screw #8 x 3/4	
19	4060802	2	Guard, Switch	
20	4360331	1	Switch, Toggle	
21	4360387	6	Switch, Push Button	
22	4360475	1	Switch, Emergency Stop	
22	7020175	1	Ring, Sealing	
22	7020176	1	Block, Contact	
23	4360482	2	Switch	
24	4420008	38 in/ 1m	Tape	
25	4460470	1	Nut, Terminal	
26	4460471	1	Washer, Terminal	
27	4460480	1	Connector, Terminal	
28	4740120	12	Washer	
29	4760600	4	Washer #6	
30	4791400	4	Washer 1/4	
31	4845938	1	Bracket	
32	4923533	1	Platform Console Box Harness (Not Shown - See Separate Breakdown in ELECTRICAL SECTION)	

SECTION 5 - PLATFORM

FIGURE 5-12. DRIVE/STEER CONTROLLER ASSEMBLY



ART_1600403_H

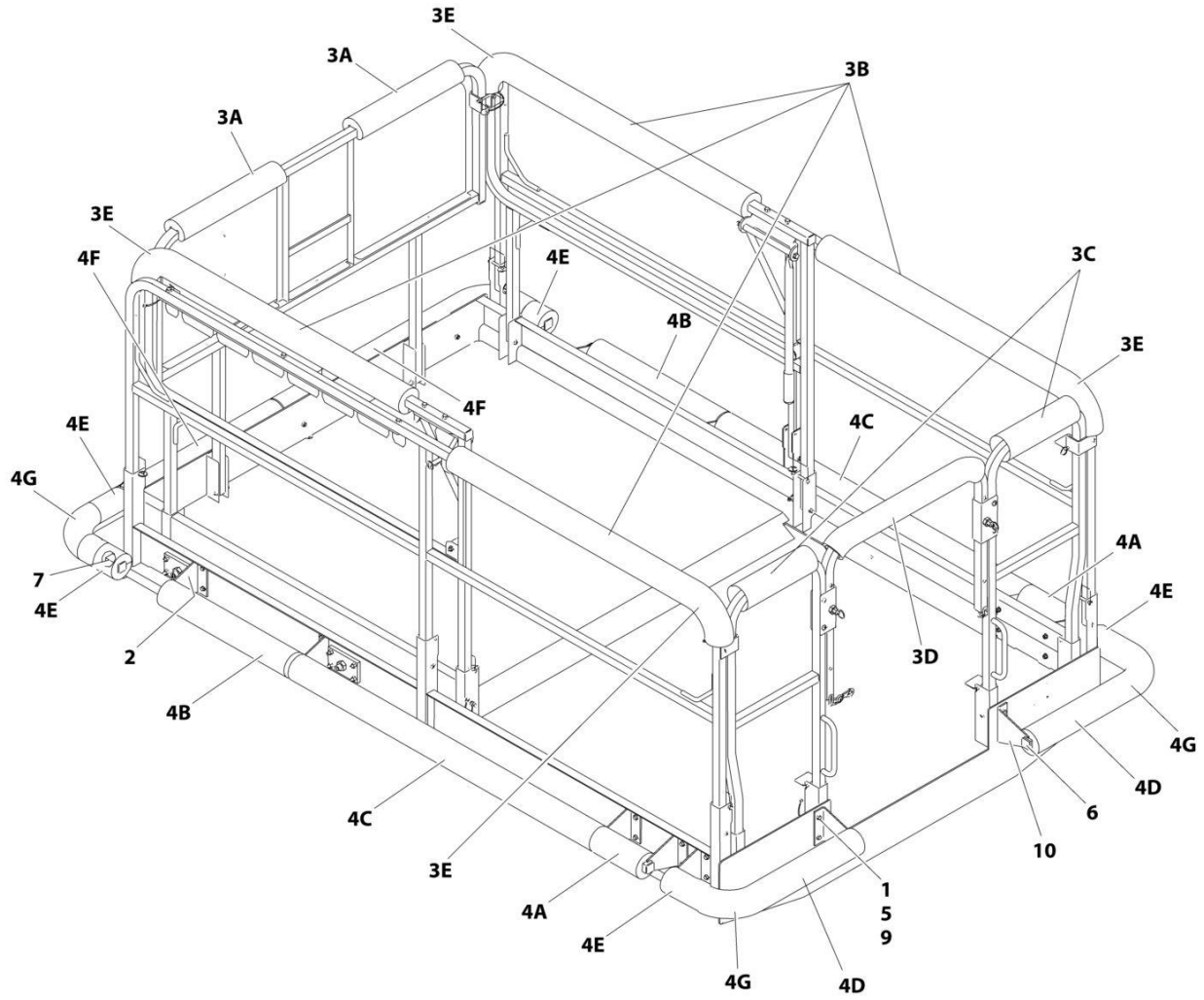
SECTION 5 - PLATFORM

FIGURE 5-12. DRIVE/STEER CONTROLLER ASSEMBLY

ITEM	PART NUMBER	QTY	DESCRIPTION	REV
	1600403	Ref	CONTROLLER ASSEMBLY	H
		Ref	Note: If your machine was equipped with a 1600403 J.R. Merritt controller when ordering a replacement controller you must order a 1600403 J.R. Merritt controller. You can not replace the 1600403 J.R. Merritt controller with the 1600308 P/Q controller.	
1	70000081	1	Potentiometer	
2	7027367	1	Switch, Push Button (Not Shown - Located Behind #3)	
3	7027765	1	Lever, Enabler	
4	7027766	1	Ring, Retaining	
5	70000082	1	Microswitch	
6	70000083	1	Coupler, Microswitch	
7	70000084	1	Cap, Rubber	
8	7027365	1	Actuator, Switch	
9	70000085	1	Boot, Rubber	
10	4460265	1	Plug, Male - 9 Pin	
11	4460226	8	Socket, Female	
12	70000685	AR	Washer, Plastic (Not Shown)	
13	70000684	AR	Screw, Handle (Not Shown)	
14	See Note	AR	Nut, Handle (Not Shown) (Note: Use p/n 1600403)	
15	70000683	AR	Washer, Neoprene (Not Shown)	
16	70000686	AR	Screw, Handle (Not Shown)	
17	4460266	1	Connector, Receptacle - 9 Pin (Not Shown - Part of Console Harness)	
18	4460267	8	Pin, Male (Not Shown - Part of Console Harness)	
19	70004194	1	Return Spring Kit	
	70003650	1	Handle Repair Kit (Includes handle gasket, push button, lever, front handle half, back handle half, top actuator, boot and hardware.	

SECTION 5 - PLATFORM

FIGURE 5-13. PLATFORM RAIL PADDING/DECK BUMPERS INSTALLATION



ART_0275049-D

SECTION 5 - PLATFORM

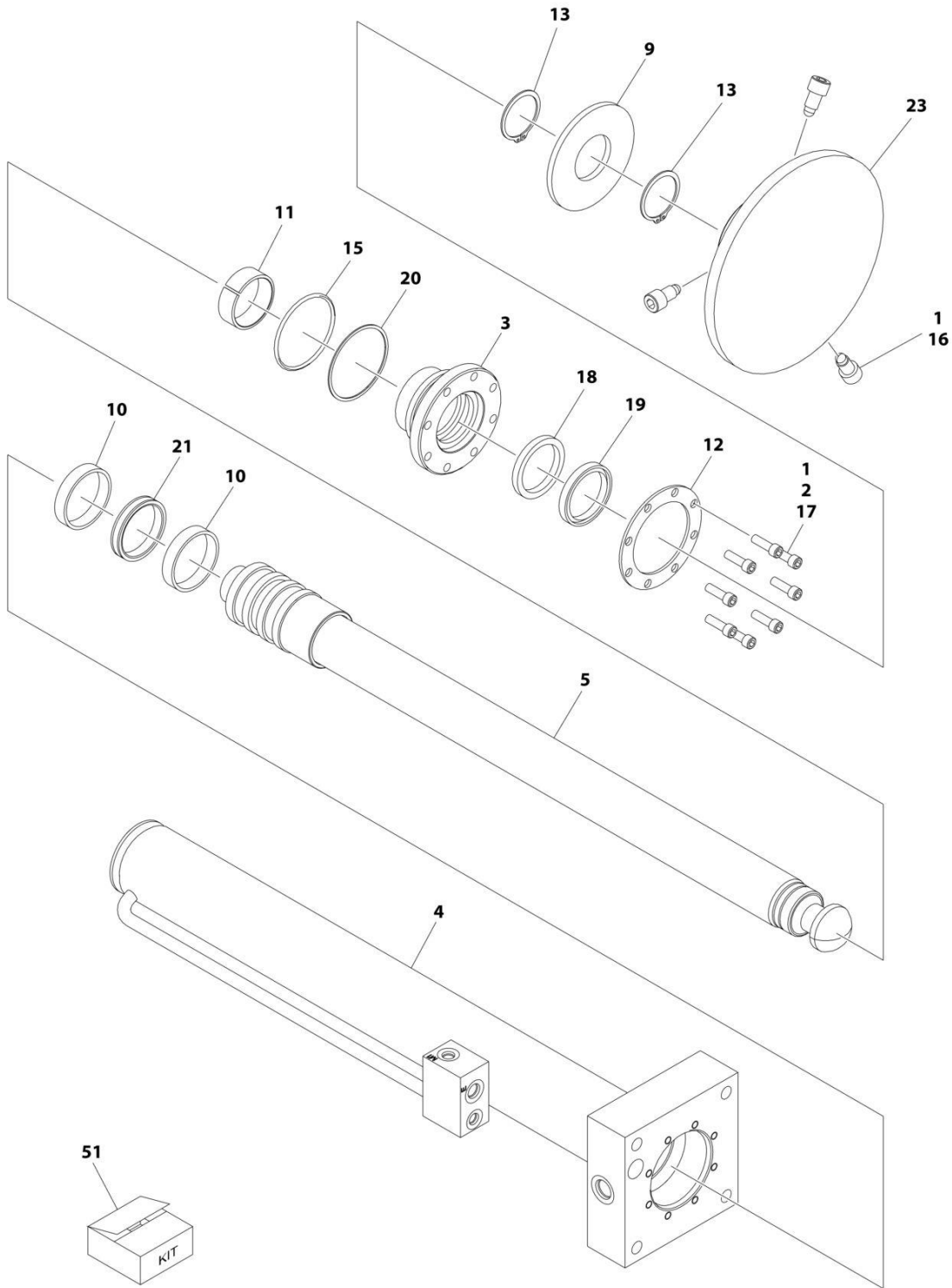
FIGURE 5-13. PLATFORM RAIL PADDING/DECK BUMPERS INSTALLATION

ITEM	PART NUMBER	QTY	DESCRIPTION	REV
	0275049	Ref	RAIL PADDING AND DECK BUMPERS INSTALLATION	D
1	0641406	30	Bolt 1/4 x 3/4	
2	0903421	2	Bumper, Deck Side	
3	0940178	1	Rail Bumper Pad Kit	C
3A	0940149	2	Bumper Pad (2 x 17.25in/44cm)	
3B	0940094	4	Bumper Pad (4 x 38in/96.5cm)	
3C	0940094	2	Bumper Pad (2 x 12in/30cm)	
3D	0940094	1	Bumper Pad (1 x 19in/48cm)	
3E	0940092	4	Bumper Pad Corner 90	
4	0940180	1	Deck Bumper Pad Kit	B
4A	0940094	2	Bumper Pad (7.810in/19.8cm)	
4B	0940094	2	Bumper Pad (21.688in/55.1cm)	
4C	0940094	2	Bumper Pad (51.5in/130.8cm)	
4D	0940094	2	Bumper Pad (14.5in/36.8cm)	
4E	0940094	6	Bumper Pad (3in/7.6cm)	
4F	0940094	2	Bumper Pad (26in/66cm)	
4G	0940092	4	Bumper Pad Corner 90	
5	3311405	30	Nut 1/4	
6	3520072	10	Plug	
7	4341135	1	Bumper, Extension	
9	4711400	60	Washer 1/4	
10	4846271	2	Bumper, Rear Deck Corner	
11	1001197017	AR	Tie-Strap (Not Shown)	

SECTION 6 - CYLINDER

SECTION 6 - CYLINDER

FIGURE 6-1. LEVELING JACKS CYLINDER ASSEMBLY (ALL MACHINES EXCEPT MACHINES WITH LEVEL AT 6 DEGREE SLOPE)



ART_1684220-F

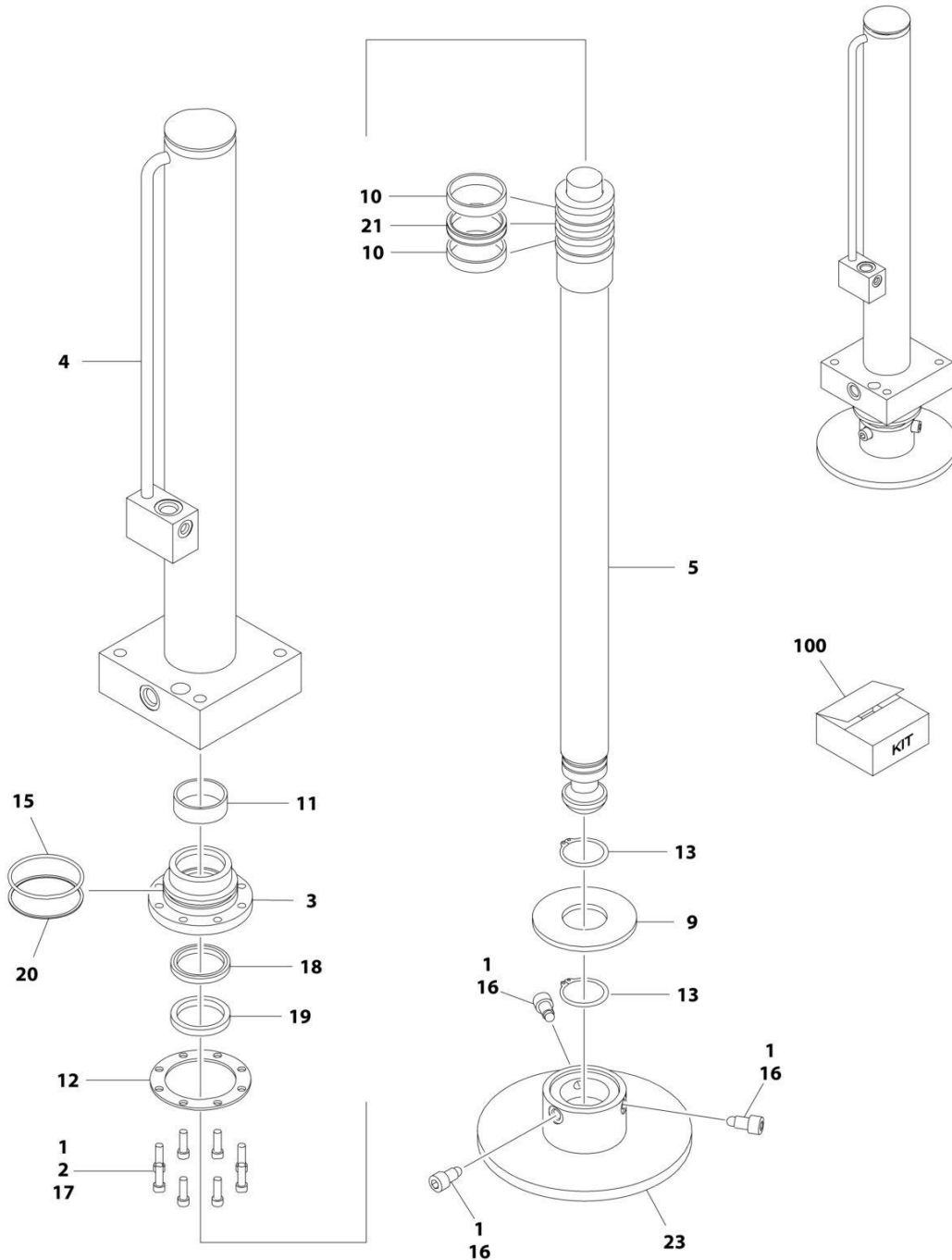
SECTION 6 - CYLINDER

**FIGURE 6-1. LEVELING JACKS CYLINDER ASSEMBLY (ALL MACHINES EXCEPT MACHINES WITH
LEVEL AT 6 DEGREE SLOPE)**

ITEM	PART NUMBER	QTY	DESCRIPTION	REV
	1684220	Ref	LEVELING JACK CYLINDER ASSEMBLY	F
1	0100011	AR	Compound, Locking	
2	0100038	AR	Primer, Locking	
3	1683054	1	Head	
4	1684221	1	Barrel	
5	1684223	1	Rod	
9	3573513	1	Plate	
10	See Note	NSS	Ring, Wear (Note: Use Item 51)	
11	See Note	NSS	Ring, Wear (Note: Use Item 51)	
12	3760368	1	Ring, Washer	
13	3760460	2	Ring, Retaining	
15	See Note	NSS	O-Ring (Note: Use Item 51)	
16	3900321	3	Screw 1/2 x 1	
17	3931516	8	Capscrew 5/16 x 1	
18	See Note	NSS	Polyseal (Note: Use Item 51)	
19	See Note	NSS	Seal, Wiper (Note: Use Item 51)	
20	See Note	NSS	Ring, Back-up (Note: Use Item 51)	
21	See Note	NSS	Seal (Note: Use Item 51)	
23	4846584	1	Pad, Jack	
51	2902182	1	Seal Kit- 1684220 Cylinders (Include Items 10,11,15,18-21)	

SECTION 6 - CYLINDER

FIGURE 6-2. LEVELING JACK CYLINDER ASSEMBLY (MACHINES WITH LEVEL AT 6 DEGREE SLOPE) (AUSTRALIAN SPECS)



ART_1684406-D

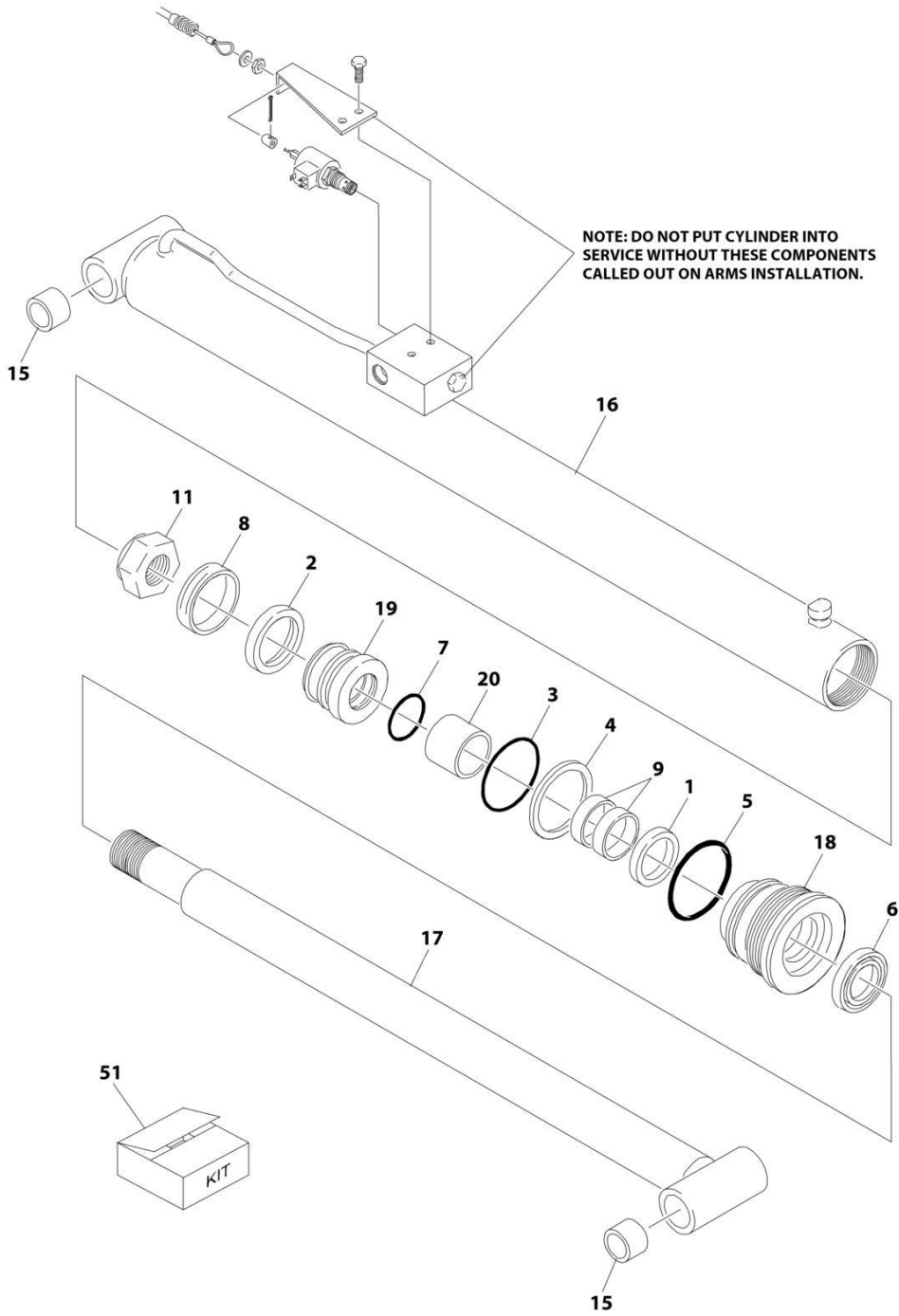
SECTION 6 - CYLINDER

FIGURE 6-2. LEVELING JACK CYLINDER ASSEMBLY (MACHINES WITH LEVEL AT 6 DEGREE SLOPE) (AUSTRALIAN SPECS)

ITEM	PART NUMBER	QTY	DESCRIPTION	REV
	1684406	Ref	LEVELING JACK CYLINDER ASSEMBLY	D
		Ref	Note: Original Cylinder May Have Been Replaced with Service Replacement. Identify PN Stamped on Cylinder Before Ordering Parts.	
1	0100011	AR	Compound, Locking	
2	0100038	AR	Primer, Locking	
3	1683054	1	Head	
4	0370018	1	Barrel	
5	3850013	1	Rod	
9	3573513	1	Plate, Jack	
10	See Note	NSS	Ring, Lock (Note: Use Item 100)	
11	See Note	NSS	Ring, Wear (Note: Use Item 100)	
12	3760368	1	Ring, Washer	
13	3760460	2	Ring, Retaining	
15	See Note	NSS	O-Ring (Note: Use Item 100)	
16	3900321	3	Screw 1/2 x 1-1/4	
17	3931516	8	Capscrew 5/16 x 1	
18	See Note	NSS	Seal (Note: Use Item 100)	
19	See Note	NSS	Wiper (Note: Use Item 100)	
20	See Note	NSS	Ring, Back-up (Note: Use Item 100)	
21	See Note	NSS	T-Seal (Note: Use Item 100)	
23	4846584	1	Pad, Jack	
100	2902182	1	Seal Kit - 1684406 Cylinder (Includes Items 10, 11, 15 & 18-21)	

SECTION 6 - CYLINDER

FIGURE 6-3. LIFT CYLINDER COMPONENTS ASSEMBLY



ART_1683887-C

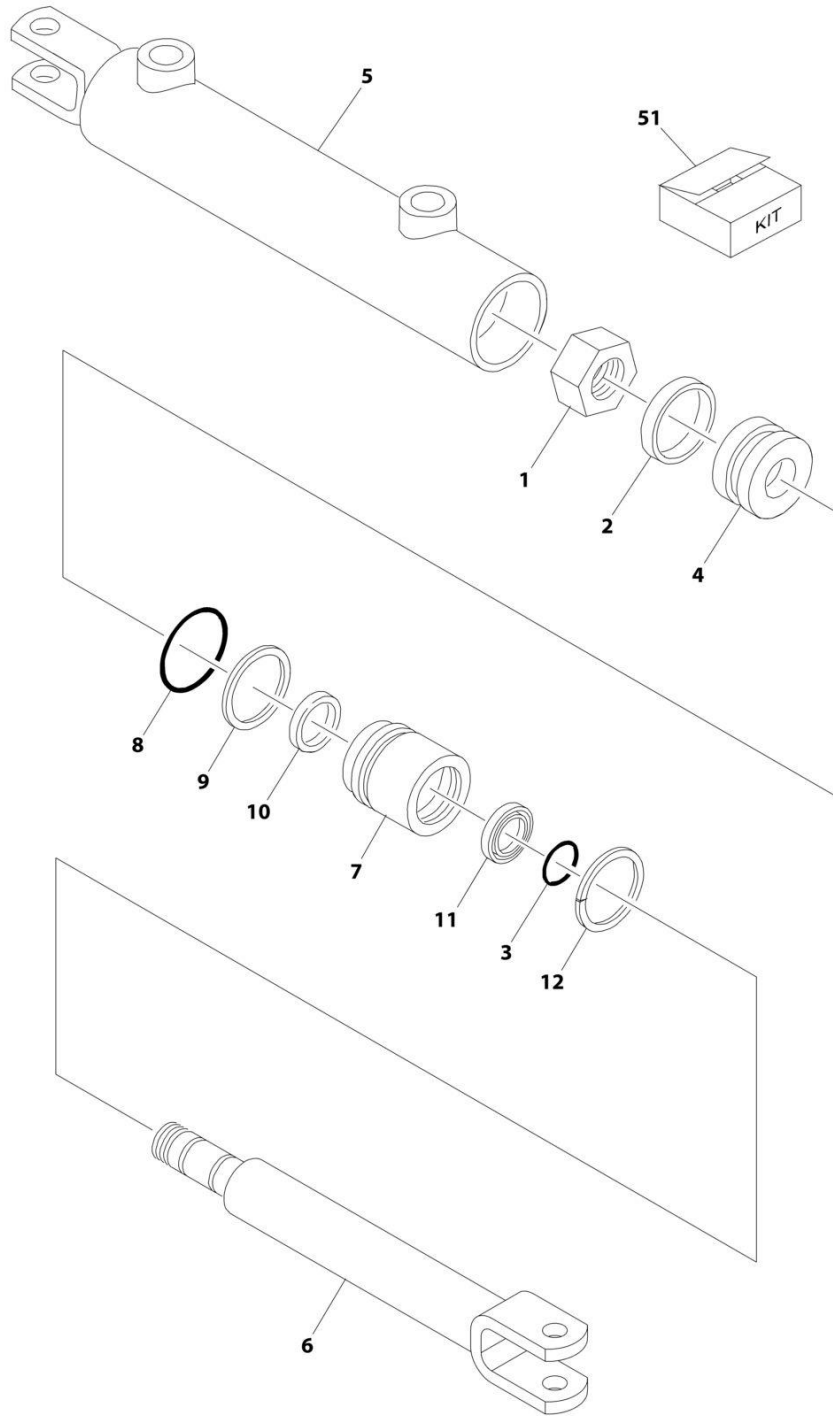
SECTION 6 - CYLINDER

FIGURE 6-3. LIFT CYLINDER COMPONENTS ASSEMBLY

ITEM	PART NUMBER	QTY	DESCRIPTION	REV
	1683887	Ref	LIFT CYLINDER ASSEMBLY	C
1	See Note	NSS	Seal (Note: Use Item 51)	
2	See Note	NSS	Seal (Note: Use Item 51)	
3	See Note	NSS	O-Ring (Note: Use Item 51)	
4	See Note	NSS	Back-Up (Note: Use Item 51)	
5	See Note	NSS	O-Ring (Note: Use Item 51)	
6	See Note	NSS	Wiper (Note: Use Item 51)	
7	See Note	NSS	O-Ring (Note: Use Item 51)	
8	See Note	NSS	Ring, Wear (Note: Use Item 51)	
9	See Note	NSS	Ring, Wear (Note: Use Item 51)	
11	7003226	1	Locknut	
15	0962012	4	Bushing	
16	7019882	1	Barrel	
17	7019881	1	Rod	
18	7017387	1	Head	
19	7019880	1	Piston	
20	7019879	1	Spacer	
51	7019878	1	Seal Kit (Includes Items 1 to 9)	

SECTION 6 - CYLINDER

FIGURE 6-4. STEER CYLINDER ASSEMBLY



ART_1683957-B

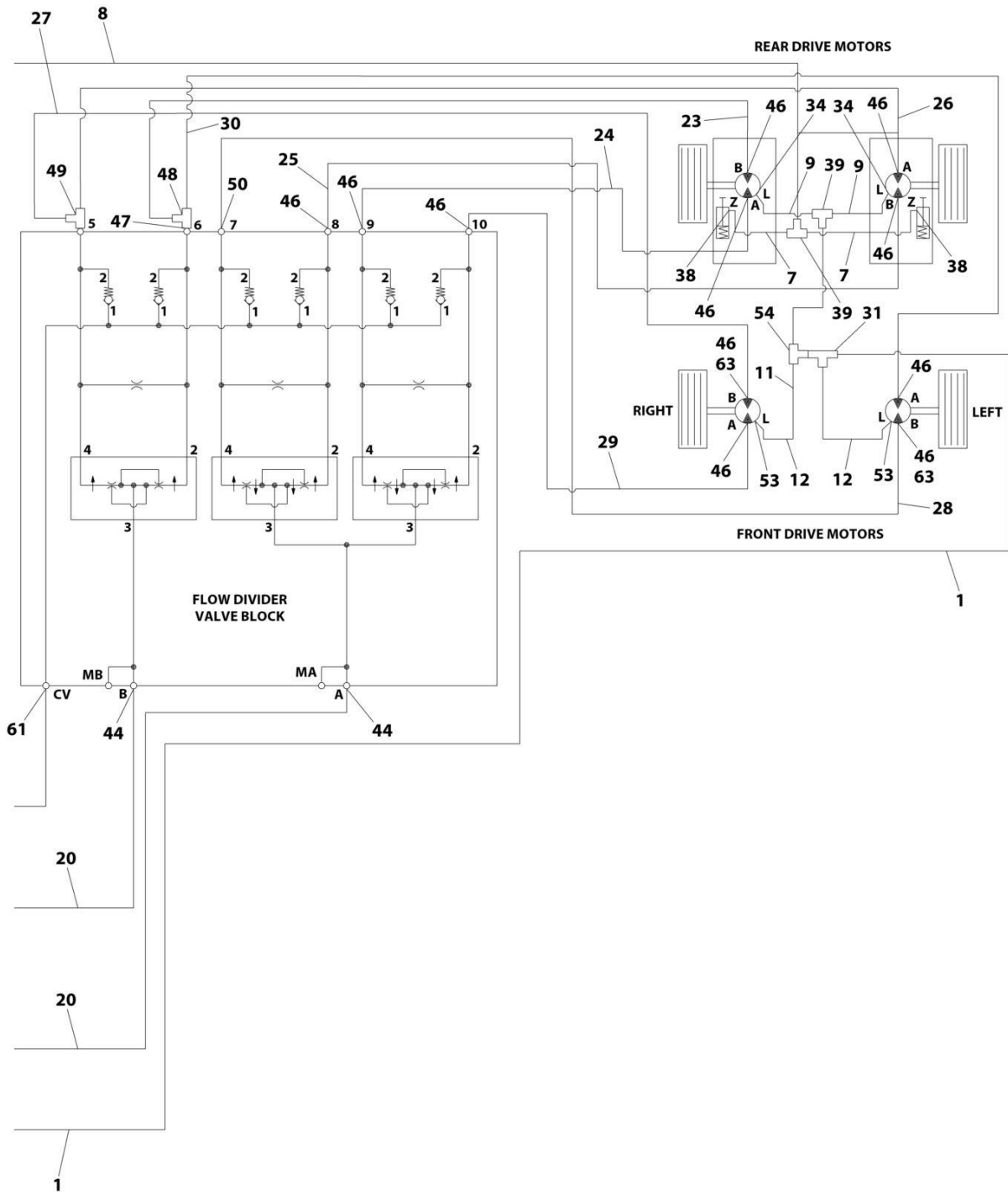
SECTION 6 - CYLINDER

FIGURE 6-4. STEER CYLINDER ASSEMBLY

ITEM	PART NUMBER	QTY	DESCRIPTION	REV
	1683957	Ref	STEER CYLINDER ASSEMBLY	B
1	7001626	1	Nut 7/8	
2	See Note	NSS	Seal (Note: Use Item 51)	
3	See Note	NSS	O-Ring (Note: Use Item 51)	
4	7017291	1	Piston	
5	7023005	1	Barrel	
6	7023006	1	Rod	
7	7017294	1	Guide	
8	See Note	NSS	O-Ring (Note: Use Item 51)	
9	See Note	NSS	Back-Up (Note: Use Item 51)	
10	See Note	NSS	Ring, Wear (Note: Use Item 51)	
11	See Note	NSS	Wiper (Note: Use Item 51)	
12	See Note	NSS	Ring, Retaining (Note: Use Item 51)	
51	7017290	1	Seal Kit (Includes Items 2, 3 & 8 to 12)	

SECTION 7 - HYDRAULIC

SECTION 7 - HYDRAULIC



ART_2792717_2OF2

SECTION 7 - HYDRAULIC

FIGURE 7-1. DRIVE HYDRAULIC DIAGRAM (STANDARD)

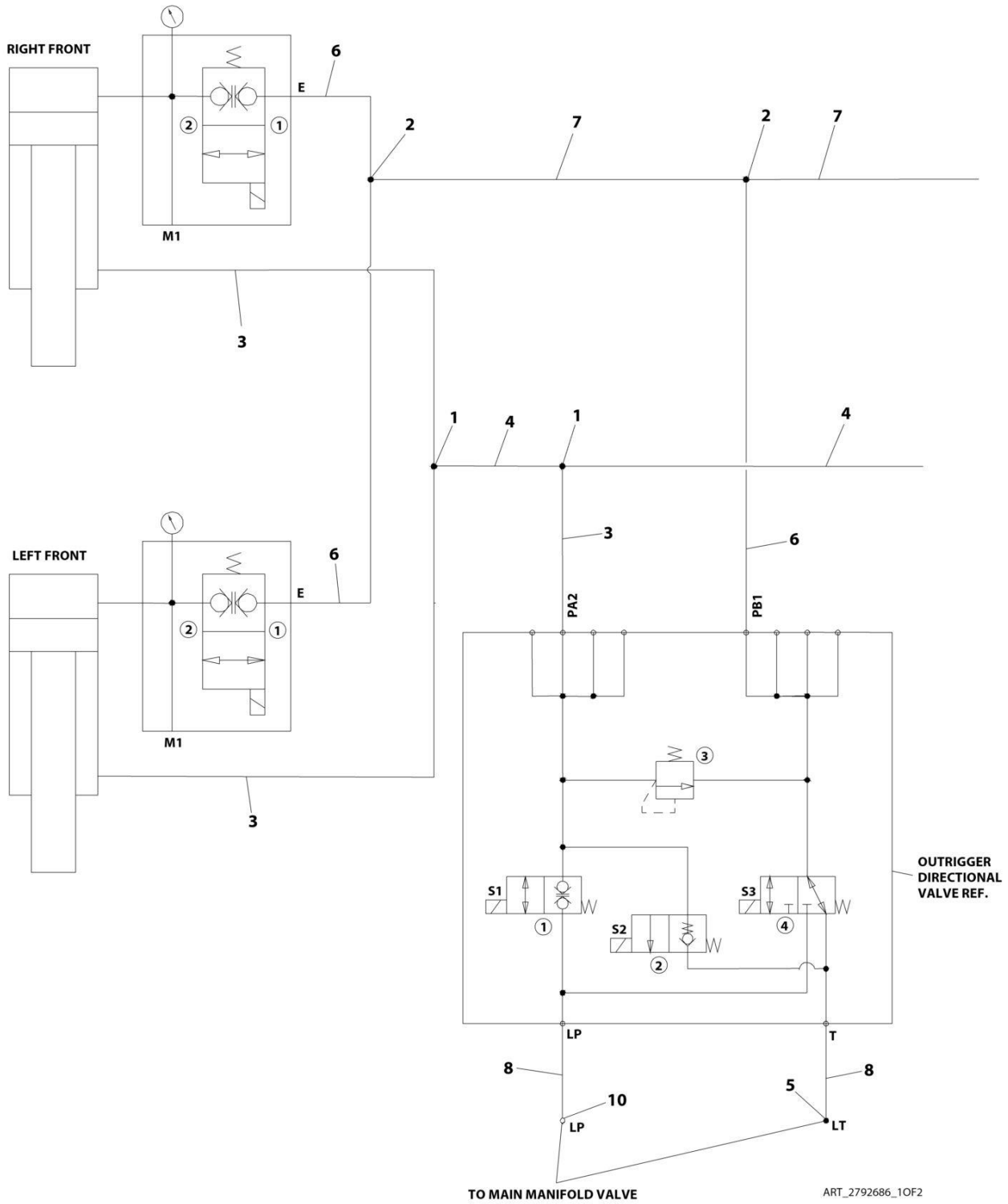
ITEM	PART NUMBER	QTY	DESCRIPTION	REV
	2792717	Ref	HYDRAULIC DIAGRAM	E
1	2752478	2	Hose	
2	2752613	2	Hose	
3	2753503	1	Hose	
4	2753504	1	Hose	
5	2753505	1	Hose	
7	2753388	2	Hose	
8	2752489	1	Hose	
9	2753389	2	Hose	
10	2752469	1	Hose	
11	2753394	1	Hose	
12	2753395	2	Hose	
15	2753397	1	Hose	
16	2752622	AR	Hose	
17	2753398	AR	Hose	
18	2753390	2	Hose	
20	2753392	2	Hose	
21	2753393	1	Hose	
22	2753375	1	Hose	
23	2753376	1	Hose	
24	2753377	1	Hose	
25	2753378	1	Hose	
26	2753379	1	Hose	
27	2753380	1	Hose	
28	2753381	1	Hose	
29	2753382	1	Hose	
30	1001093121	1	Hose	
31	2220490	1	Fitting, Tee FL/FL	
32	2230024	2	Fitting, Straight JIC/JIC	
33	2220603	1	Fitting, Straight JIC/ORB	
34	2220371	7	Fitting, Straight JIC/ORB	
35	2220372	1	Fitting, Straight JIC/ORB	
36	2220899	1	Fitting, Tee JIC/ORB/JIC	
38	2220473	2	Fitting, 90 JIC/ORB	
39	2220490	2	Fitting, Tee JIC/JIC/JIC	
40	2220622	1	Fitting, Reducer JIC/FSJIC	
41	2220472	2	Fitting, 90 JIC/ORB	
42	2220415	2	Fitting, Straight JIC/ORB	
43	2220578	2	Fitting, 90 JIC/ORB	
44	2220451	2	Fitting, Straight JIC/ORB	
45	2221025	1	Fitting, Straight JIC/ORB	
46	2220947	12	Fitting, Straight JIC/ORB	
47	2220906	1	Fitting, 90 JIC/ORB	
48	2220948	1	Fitting, Tee JIC/FSJIC/JIC	
49	2221049	1	Fitting, Tee JIC/ORB/JIC	
50	2221036	1	Fitting, 90 JIC/ORB	
51	2220738	1	Fitting, Tee JIC/ORB/JIC	
52	2220377	1	Fitting, Straight JIC/ORB	
53	2220998	2	Fitting, Straight JIC/ORB	
54	2220635	1	Fitting, Tee JIC/FSJIC/JIC	

SECTION 7 - HYDRAULIC

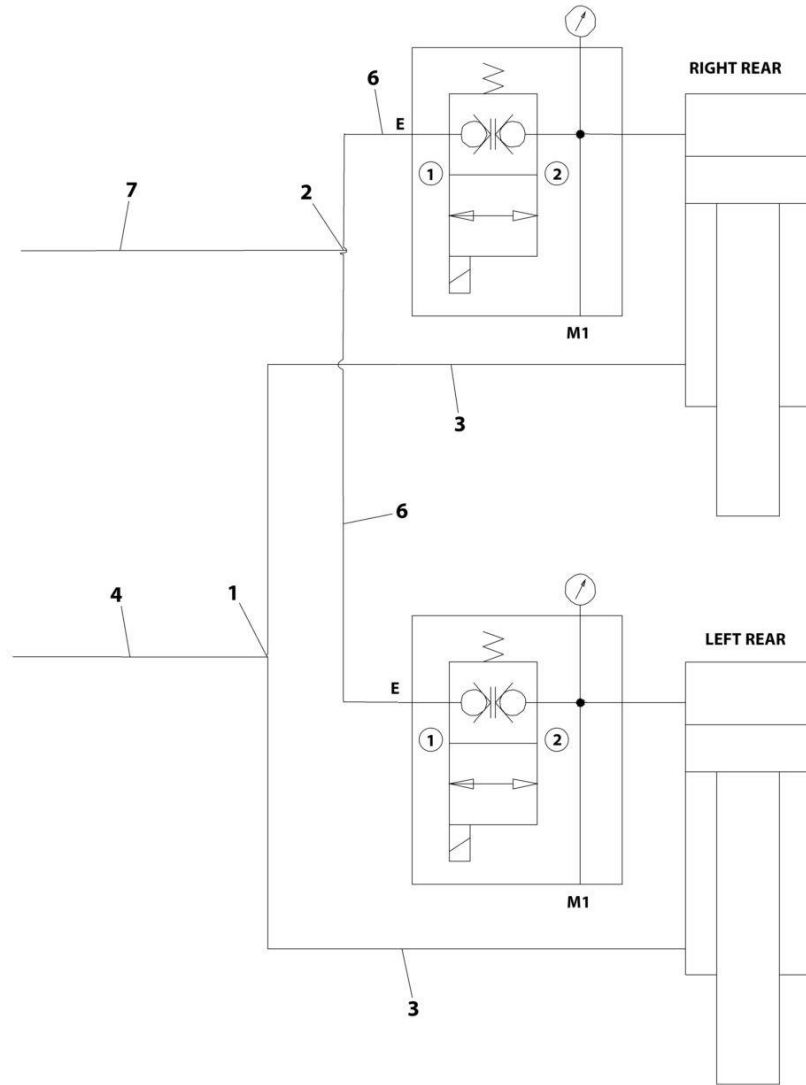
ITEM	PART NUMBER	QTY	DESCRIPTION	REV
55	2120172	1	Filter, In-Line	
56	2220501	1	Fitting, 45 JIC/ORB	
57	2220919	1	Fitting, Straight FSJIC/ORB	
59	2220600	1	Fitting, Straight JIC/ORB	
60	2221076	1	Fitting, Tee JIC/FSJIC/JIC	
61	2221075	1	Fitting, Straight JIC/ORB	
62	2220852	1	Fitting, Straight JIC/ORB	
63	0100075	AR	Loctite #545 (Not Shown)	
64	2220385	1	Fitting, Swivel JIC/FSJIC/JIC	
65	2220619	2	Fitting, Reducer JIC/FSJIC	
66	2220371	AR	Fitting, Straight JIC/ORB	
67	2220473	AR	Fitting, 90 JIC/ORB	
68	2221086	1	Fitting, Diagnostic Test Port Coupling	
69	2221042	2	Fitting, 90 JIC/ORB	

SECTION 7 - HYDRAULIC

FIGURE 7-2. DRIVE HYDRAULIC DIAGRAM (AUTO LEVEL LEVELING JACKS)



SECTION 7 - HYDRAULIC



ART_2792686_20F2

SECTION 7 - HYDRAULIC

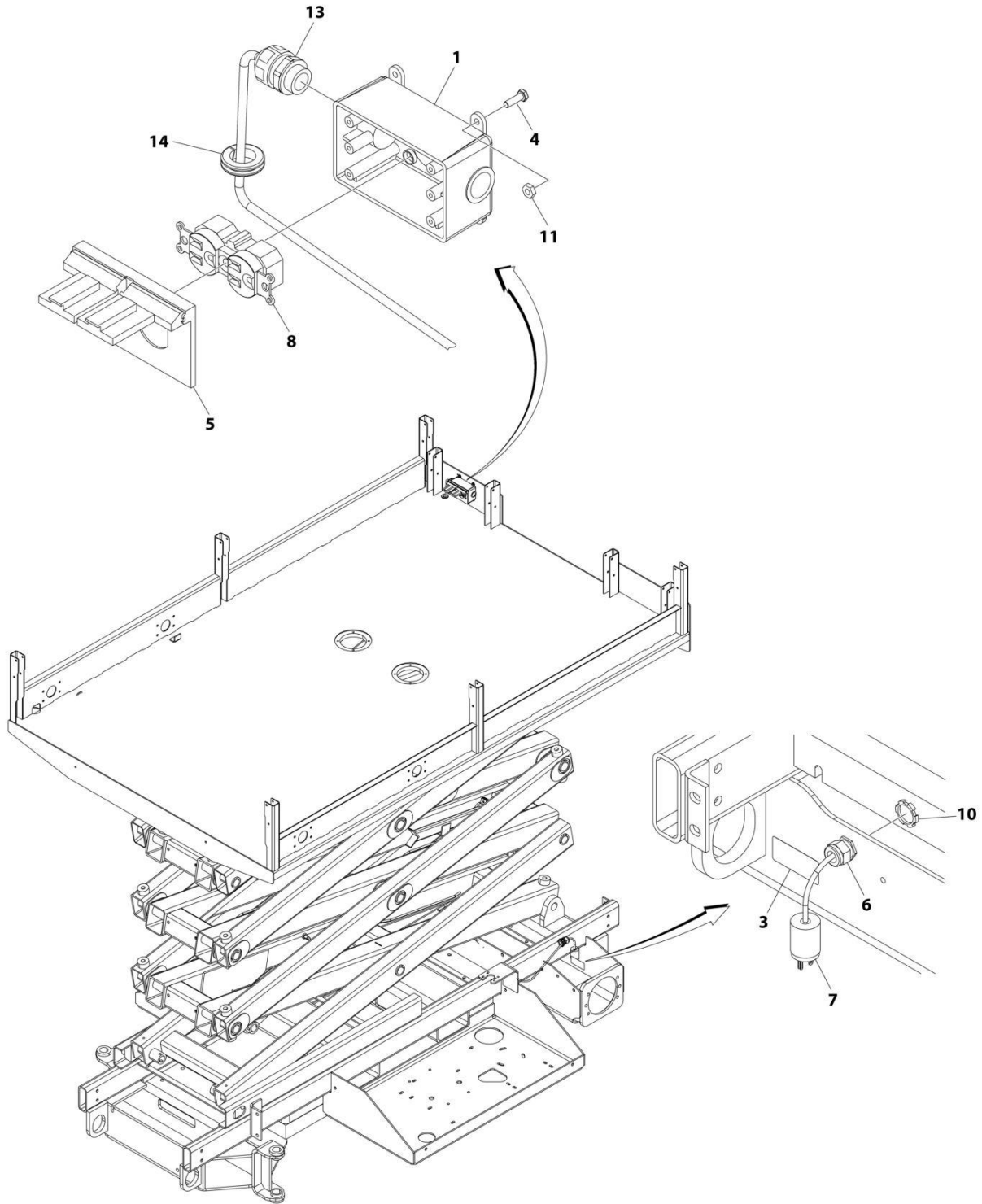
FIGURE 7-2. DRIVE HYDRAULIC DIAGRAM (AUTO LEVEL LEVELING JACKS)

ITEM	PART NUMBER	QTY	DESCRIPTION	REV
	2792686	Ref	HYDRAULIC DIAGRAM - AUTO LEVEL LEVELING JACKS	C
1	2170508	3	Fitting, Tee ORFS/ORFS/ORFS	
2	2170506	3	Fitting, Tee ORFS	
3	2716538	5	Hose	
4	2753579	2	Hose	
5	2220635	1	Fitting, Tee JIC/FSJIC/JIC	
6	2716960	5	Hose	
7	2717235	2	Hose	
8	2753068	AR	Hose	
10	2220371	Ref	Fitting, Straight JIC/ORB	

SECTION 8 - ELECTRICAL

SECTION 8 - ELECTRICAL

FIGURE 8-1. AC BOX AT PLATFORM INSTALLATION - 110V (ALL SPECS EXCEPT AUSTRALIAN AND CE SPECS)



ART_0259807

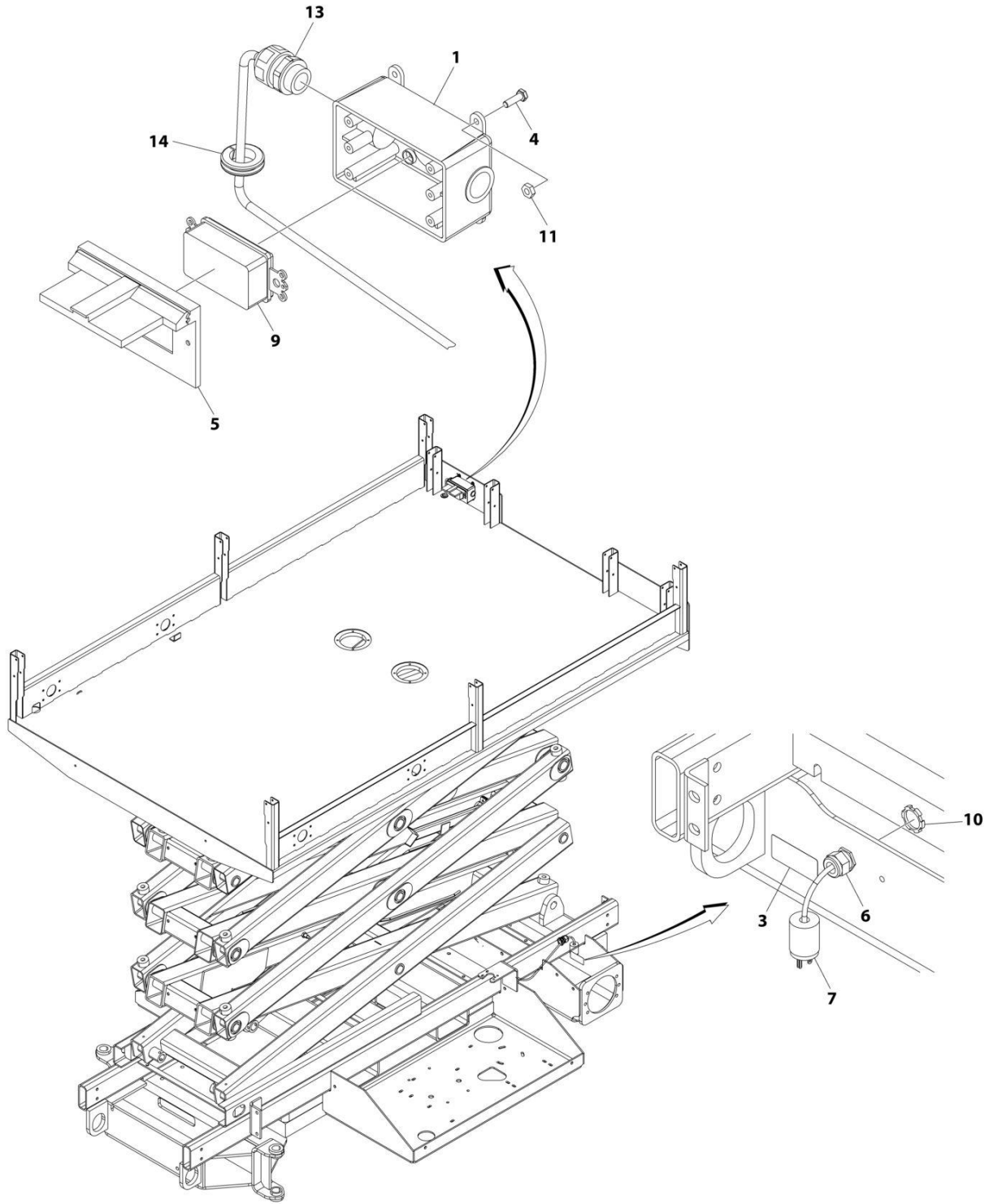
SECTION 8 - ELECTRICAL

FIGURE 8-1. AC BOX AT PLATFORM INSTALLATION - 110V (ALL SPECS EXCEPT AUSTRALIAN AND CE SPECS)

ITEM	PART NUMBER	QTY	DESCRIPTION	REV
	0259807	Ref	AC BOX AT PLATFORM INSTALLATION - 110V	J
1	0861731	1	Box, Receptacle	
3	1703464	1	Decal - AC Power	
4	0721005	4	Bolt #10 x 5/8	
5	4060092	1	Cover, Receptacle	
6	4460071	1	Connector, Strain Relief	
7	4460138	1	Plug, Male	
8	4460190	1	Receptacle	
10	3300048	1	Nut 3/4	
11	3311005	4	Nut #10	
13	4460662	1	Connector, Strain Relief	
14	1001216974	1	Grommet	

SECTION 8 - ELECTRICAL

FIGURE 8-2. AC BOX AT PLATFORM INSTALLATION - 110V GFI (ALL SPECS EXCEPT AUSTRALIAN AND CE SPECS)



ART_0259808

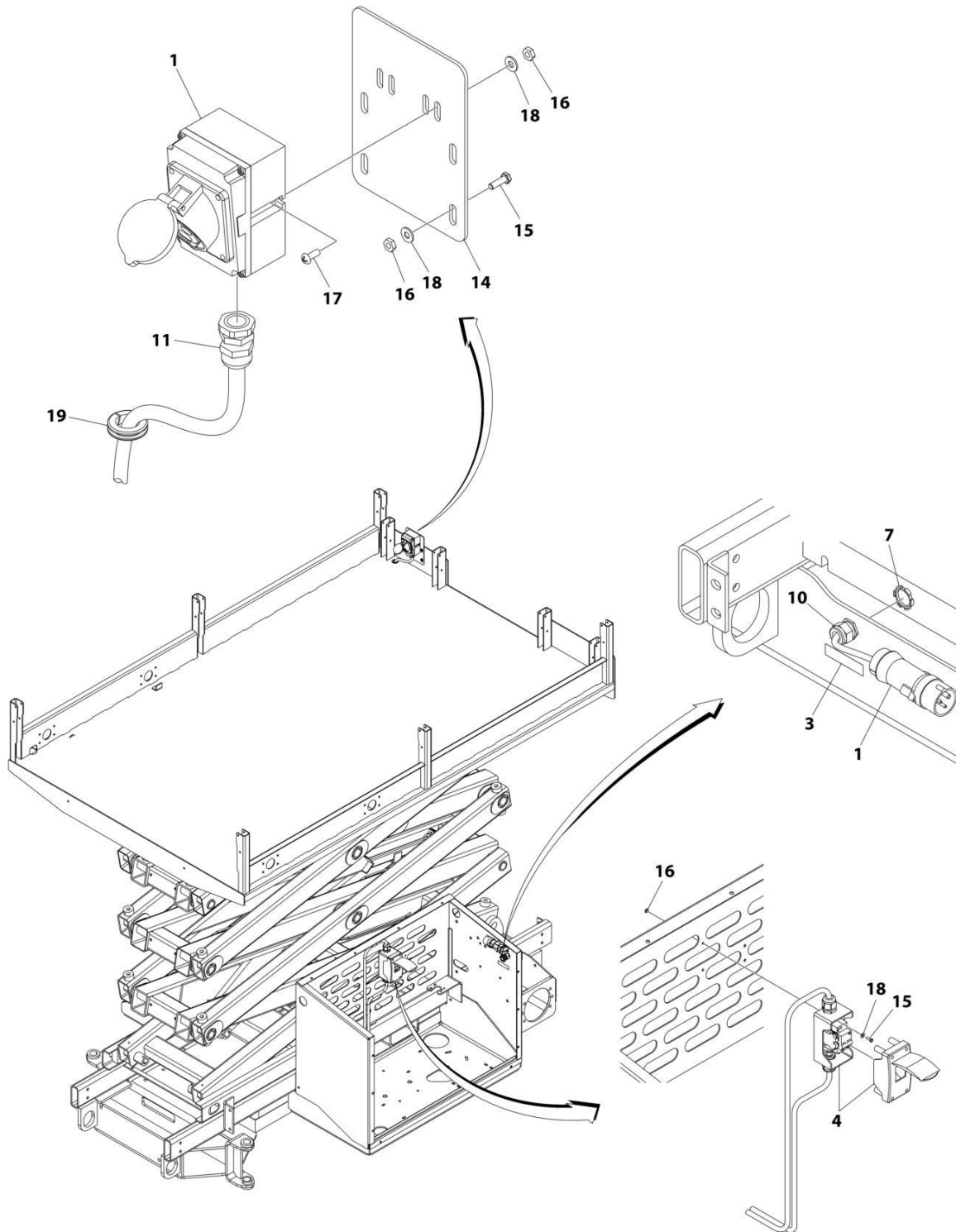
SECTION 8 - ELECTRICAL

FIGURE 8-2. AC BOX AT PLATFORM INSTALLATION - 110V GFI (ALL SPECS EXCEPT AUSTRALIAN AND CE SPECS)

ITEM	PART NUMBER	QTY	DESCRIPTION	REV
	0259808	Ref	AC BOX AT PLATFORM INSTALLATION - 110V GFI	J
1	0861731	1	Box, Receptacle	
3	1703464	1	Decal - AC Power	
4	0721005	4	Bolt #10 x 5/8	
5	4060700	1	Cover, Receptacle	
6	4460071	1	Connector, Strain Relief	
7	4460138	1	Plug, Male	
9	4460346	1	Receptacle	
10	3300048	1	Nut 3/4	
11	3311005	4	Nut #10	
13	4460662	1	Connector, Strain Relief	
14	1001216974	1	Grommet	

SECTION 8 - ELECTRICAL

FIGURE 8-3. AC BOX AT PLATFORM INSTALLATION - 110V IEC YELLOW (CE SPECS)



ART_1001093965

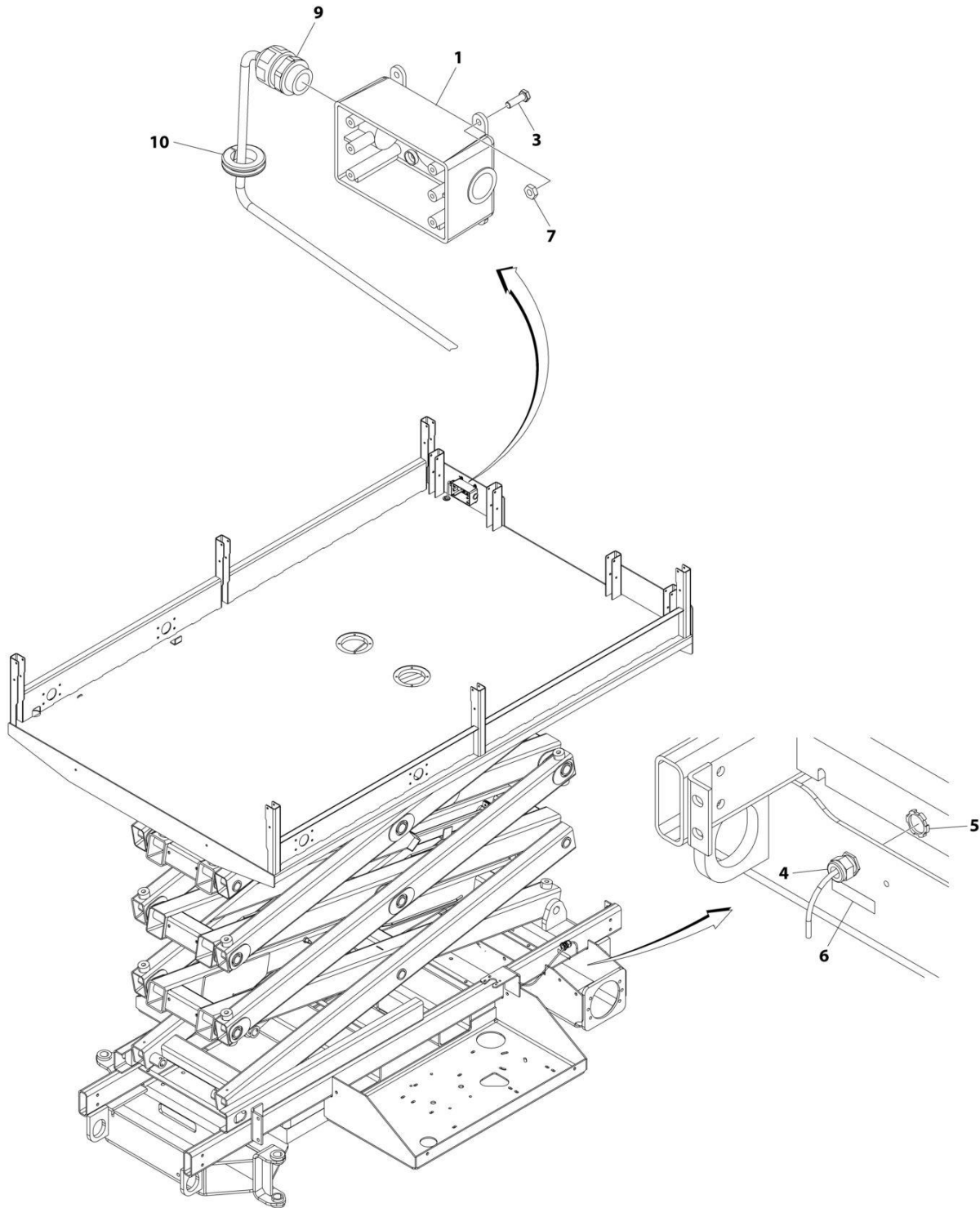
SECTION 8 - ELECTRICAL

FIGURE 8-3. AC BOX AT PLATFORM INSTALLATION - 110V IEC YELLOW (CE SPECS)

ITEM	PART NUMBER	QTY	DESCRIPTION	REV
	1001093965	Ref	AC BOX AT PLATFORM INSTALLATION - 110V IEC YELLOW	D
1	0275216	1	Receptacle Box Kit - 110V IEC Yellow (See Separate Breakdown in this Section)	
3	1705325	2	Decal - 110 Volt	
4	2902549	1	Breaker Box Kit (See Separate Breakdown in this Section)	
7	3300048	1	Nut 3/4	
10	4460071	1	Connector, Strain Relief	
11	4460968	1	Connector, Strain Relief	
14	1001093993	1	Bracket	
15	0721005	6	Bolt #10 x 5/8	
16	3311005	8	Nut #10	
17	3900205	2	Screw #10 x 5/8	
18	4711000	8	Washer #10	
19	1001216974	1	Grommet	

SECTION 8 - ELECTRICAL

FIGURE 8-4. AC BOX AT PLATFORM INSTALLATION - 220V



ART_0259809

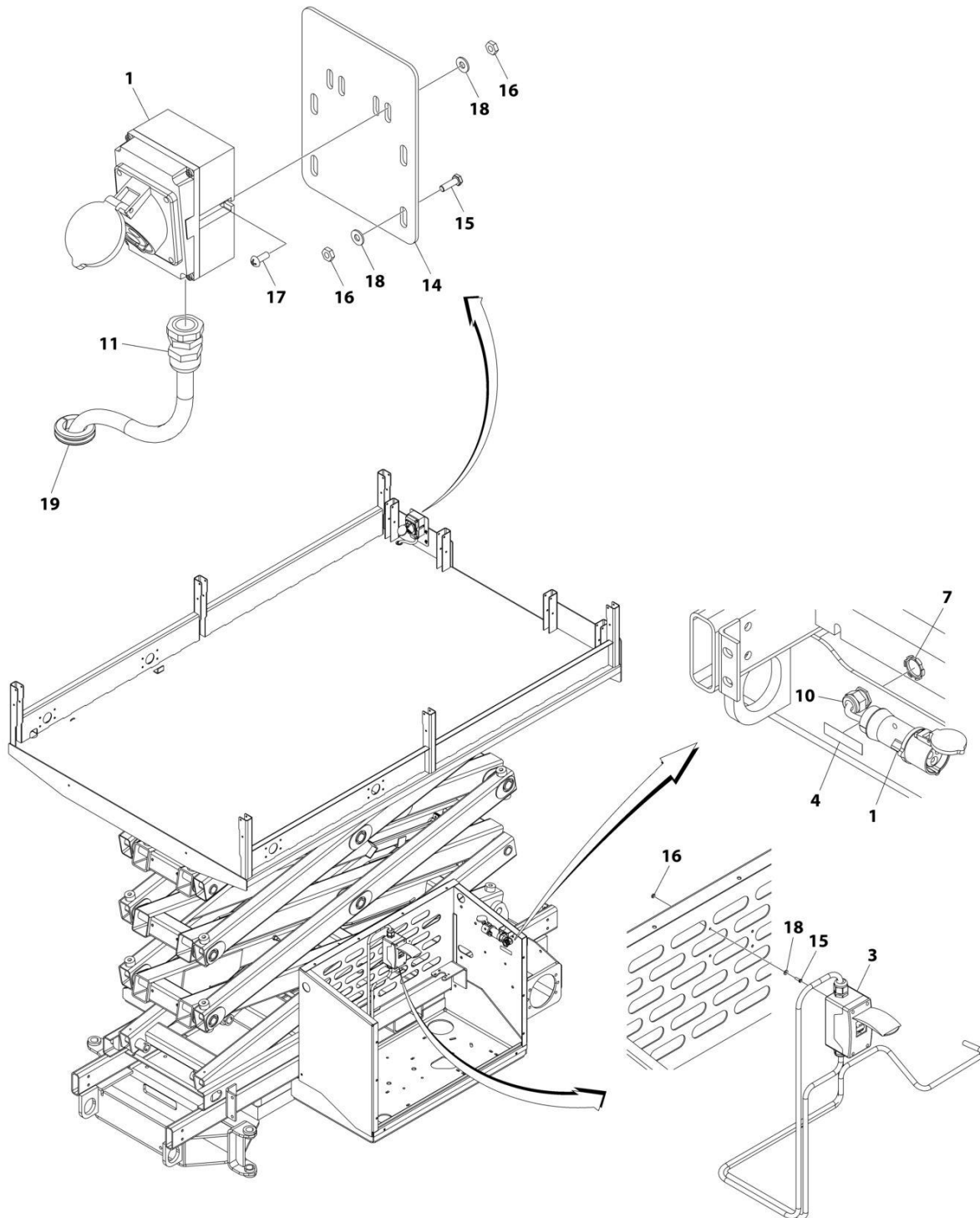
SECTION 8 - ELECTRICAL

FIGURE 8-4. AC BOX AT PLATFORM INSTALLATION - 220V

ITEM	PART NUMBER	QTY	DESCRIPTION	REV
	0259809	Ref	AC BOX AT PLATFORM INSTALLATION - 220V	K
1	0861731	1	Box, Receptacle	
3	0721005	4	Bolt #10 x 5/8	
4	4460071	1	Connector, Strain Relief	
5	3300048	1	Nut 3/4	
6	3252507	2	Decal - 220 Volt	
7	3311005	4	Nut #10	
9	4460662	1	Connector, Strain Relief	
10	1001216974	1	Grommet	

SECTION 8 - ELECTRICAL

FIGURE 8-5. AC BOX AT PLATFORM INSTALLATION - 220V IEC BLUE (CE SPECS)



ART_1001093966

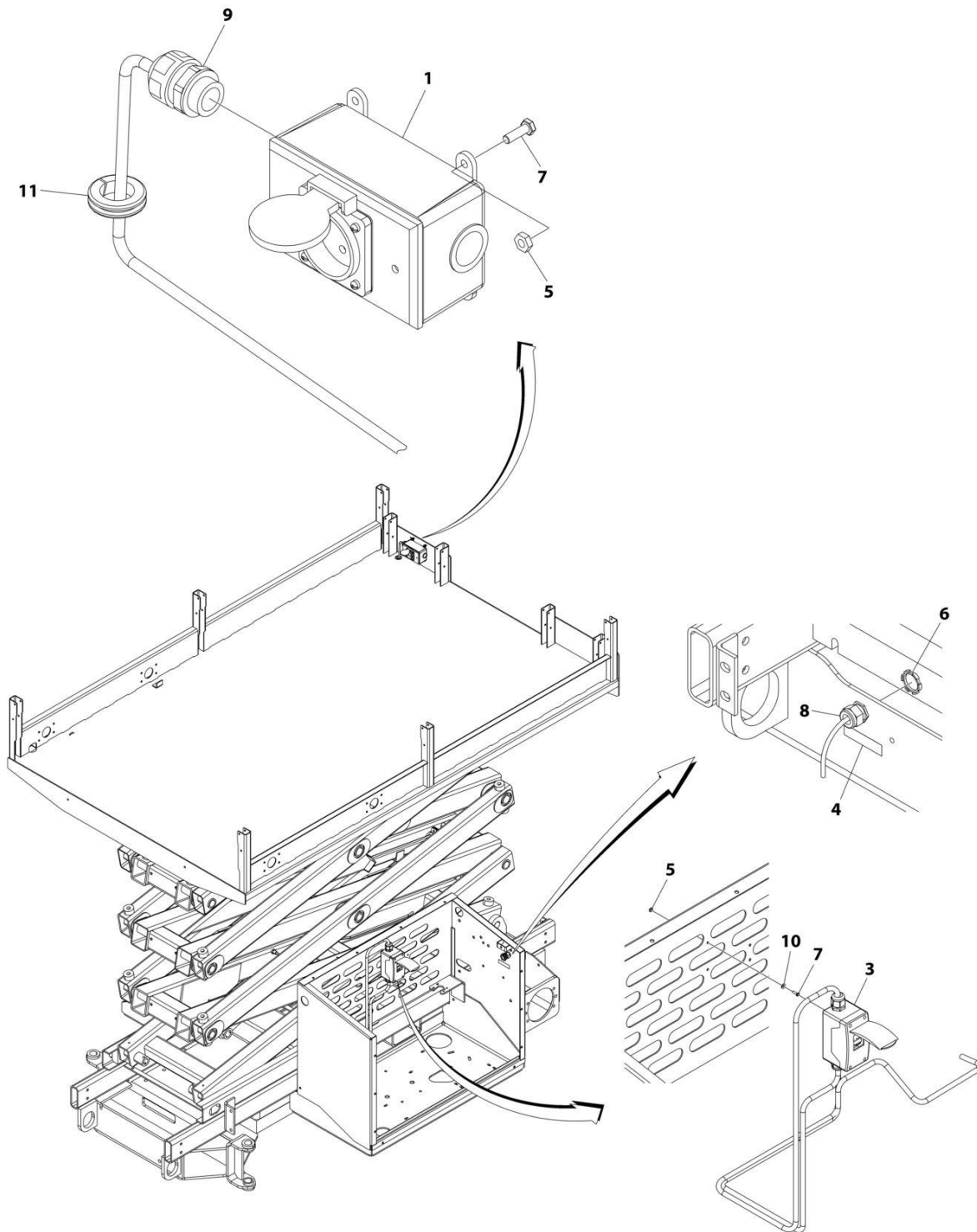
SECTION 8 - ELECTRICAL

FIGURE 8-5. AC BOX AT PLATFORM INSTALLATION - 220V IEC BLUE (CE SPECS)

ITEM	PART NUMBER	QTY	DESCRIPTION	REV
	1001093966	Ref	AC BOX AT PLATFORM INSTALLATION - 220V IEC BLUE	D
1	0275217	1	Receptacle Box Kit - 220V IEC Blue (See Separate Breakdown in this Section)	
3	2902549	1	Breaker Box Kit (See Separate Breakdown in this Section)	
4	3252507	1	Decal - 220 Volt	
7	3300048	1	Nut 3/4	
10	4460071	1	Connector, Strain Relief	
11	4460968	1	Connector, Strain Relief	
14	1001093993	1	Bracket	
15	0721005	6	Bolt #10 x 5/8	
16	3311005	8	Nut #10	
17	3900205	2	Screw #10 x 5/8	
18	4711000	8	Washer #10	
19	1001216974	1	Grommet	

SECTION 8 - ELECTRICAL

FIGURE 8-6. AC BOX AT PLATFORM INSTALLATION - 220V AFSINT 107 KEYED GROUND 2 X 4 BOX (CE SPECS)



ART_1001093939

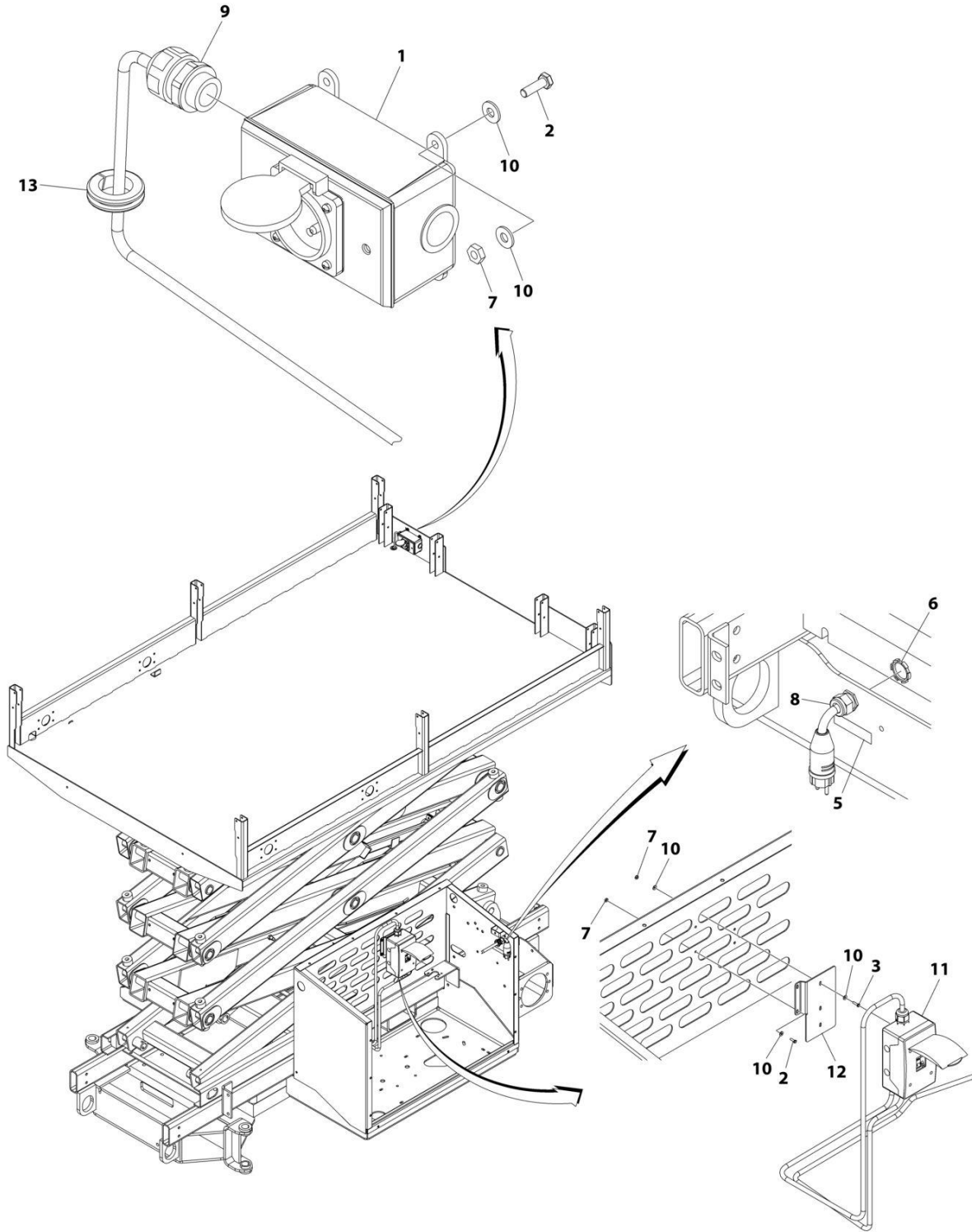
SECTION 8 - ELECTRICAL

**FIGURE 8-6. AC BOX AT PLATFORM INSTALLATION - 220V AFSINT 107 KEYED GROUND 2 X 4 BOX
(CE SPECS)**

ITEM	PART NUMBER	QTY	DESCRIPTION	REV
	1001093939	Ref	AC BOX AT PLATFORM INSTALLATION - 220V AFSINT 107 KEYED GROUND	D
1	0275454	1	Receptacle Box Kit - 220V AFSINT 107 (See Separate Breakdown in this Section)	
3	2902549	1	Breaker Box Kit (See Separate Breakdown in this Section)	
4	3252507	1	Decal - 220 Volt	
5	3311005	6	Nut #10	
6	3300048	1	Nut 3/4	
7	0721005	6	Bolt #10 x 5/8	
8	4460071	1	Connector, Strain Relief	
9	4460662	1	Connector, Strain Relief	
10	4711000	2	Washer #10	
11	1001216974	1	Grommet	

SECTION 8 - ELECTRICAL

FIGURE 8-7. AC BOX AT PLATFORM INSTALLATION - 220V CEE7 POST GROUND 2X4 BOX (CE SPECS)



ART_1001175963

SECTION 8 - ELECTRICAL

FIGURE 8-7. AC BOX AT PLATFORM INSTALLATION - 220V CEE7 POST GROUND 2X4 BOX (CE SPECS)

ITEM	PART NUMBER	QTY	DESCRIPTION	REV
	1001175963	Ref	AC BOX AT PLATFORM INSTALLATION - 220V CEE7 POST GROUND 2X4 BOX	B
1	0275452	1	Receptacle Box Kit - 220V CEE7 Post Ground 2X4 Box (See Separate Breakdown in this Section)	
2	0721005	6	Bolt #10 x 5/8	
3	0721006	2	Bolt #10 x 3/4	
5	3252507	1	Decal - 220 Volt	
6	3300048	1	Nut 3/4	
7	3311005	8	Nut #10	
8	4460071	1	Connector, Strain Relief	
9	4460662	1	Connector, Strain Relief 10 4711000	
10	4711000	14	Washer #10	
11	1001152485	1	Breaker Box Kit (See Separate Breakdown in this Section)	
12	1001162437	1	Bracket	
13	1001216974	1	Grommet	

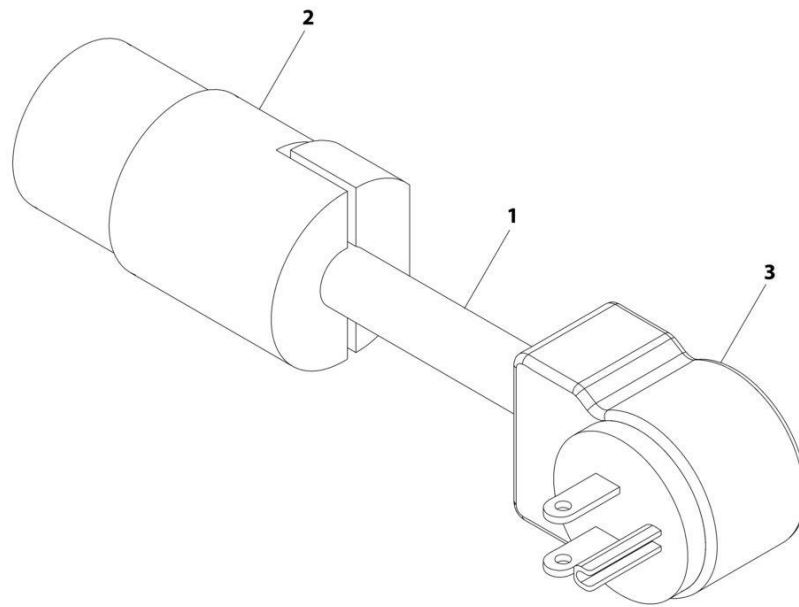
SECTION 8 - ELECTRICAL

FIGURE 8-8. AC BOX AT PLATFORM INSTALLATION - 220V CEE7 SIDE GROUND 2X4 BOX (CE SPECS)

ITEM	PART NUMBER	QTY	DESCRIPTION	REV
	1001162454	Ref	AC BOX AT PLATFORM INSTALLATION - 220V CEE7 SIDE GROUND 2X4 BOX	B
1	0275453	1	Receptacle Box Kit - 220V CEE7 Side Ground 2X4 Box (See Separate Breakdown in this Section)	
2	0721005	6	Bolt #10 x 5/8	
3	0721006	2	Bolt #10 x 3/4	
5	3252507	1	Decal - 220 Volt	
6	3300048	1	Nut 3/4	
7	3311005	8	Nut #10	
8	4460071	1	Connector, Strain Relief	
9	4460662	1	Connector, Strain Relief	
10	4711000	14	Washer #10	
11	1001152485	1	Breaker Box Kit (See Separate Breakdown in this Section)	
12	1001162437	1	Bracket	
13	1001216974	1	Grommet	

SECTION 8 - ELECTRICAL

FIGURE 8-9. AC CORD CABLE



ART_1060882

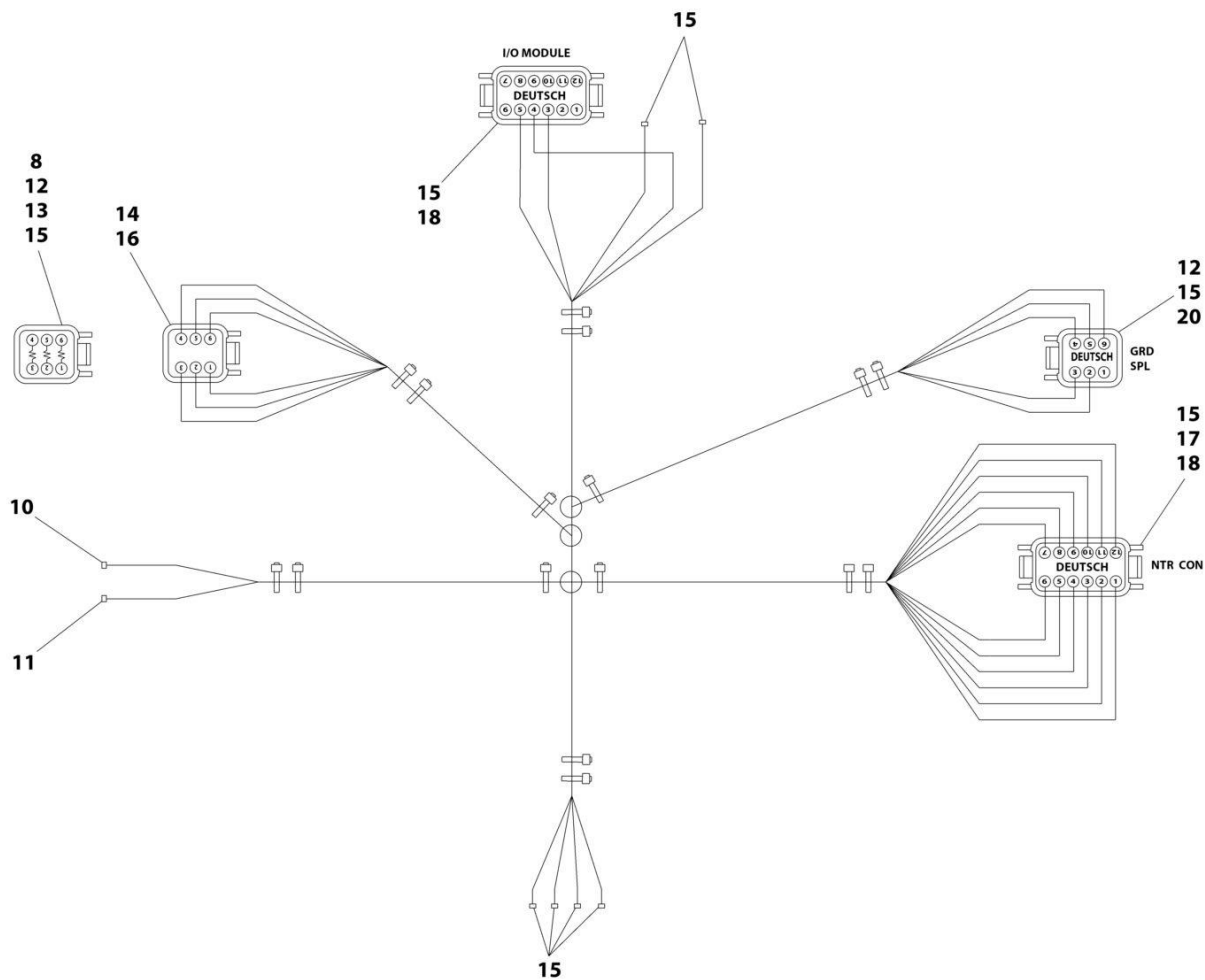
SECTION 8 - ELECTRICAL

FIGURE 8-9. AC CORD CABLE

ITEM	PART NUMBER	QTY	DESCRIPTION	REV
1	1060882	Ref	AC CORD CABLE	A
	1060308	10 ft /3.048m	Cable, Electrical - 12/3	
2	4460779	1	Receptacle, Female	
3	4460858	1	Plug, Male	

SECTION 8 - ELECTRICAL

FIGURE 8-10. ADAPTER - AUTO LEVEL HARNESS



ART_4923136-E

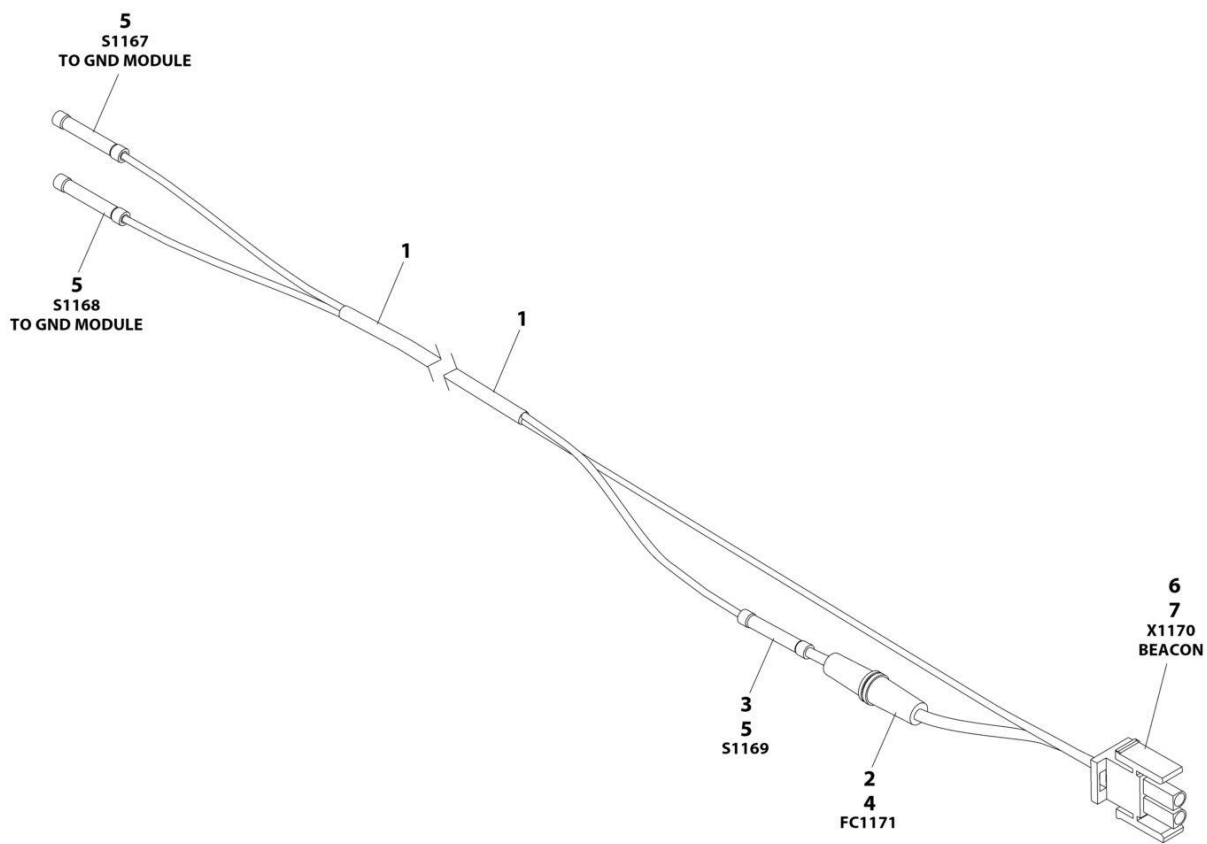
SECTION 8 - ELECTRICAL

FIGURE 8-10. ADAPTER - AUTO LEVEL HARNESS

ITEM	PART NUMBER	QTY	DESCRIPTION	REV
	4923136	Ref	JACK SYSTEM INTERCONNECT HARNESS	E
8	3730124	3	Resistor,300 Ohm	
10	4460185	1	Terminal	
11	4460206	1	Terminal	
12	4460894	2	Plug, Male - 6 Position	
13	2820118	0.5 ft /0.15m	Heat Shrink	
14	4460899	1	Receptacle, Female - 6 Position	
15	4460465	32	Socket, Female	
16	4460464	6	Pin, Male	
17	4460898	1	Bussbar - 12 Position	
18	4460933	2	Plug, Male - 12 Position	
20	4460892	1	Bussbar - 6 Position	

SECTION 8 - ELECTRICAL

FIGURE 8-11. BEACON LIGHT HARNESS



ART_4922439

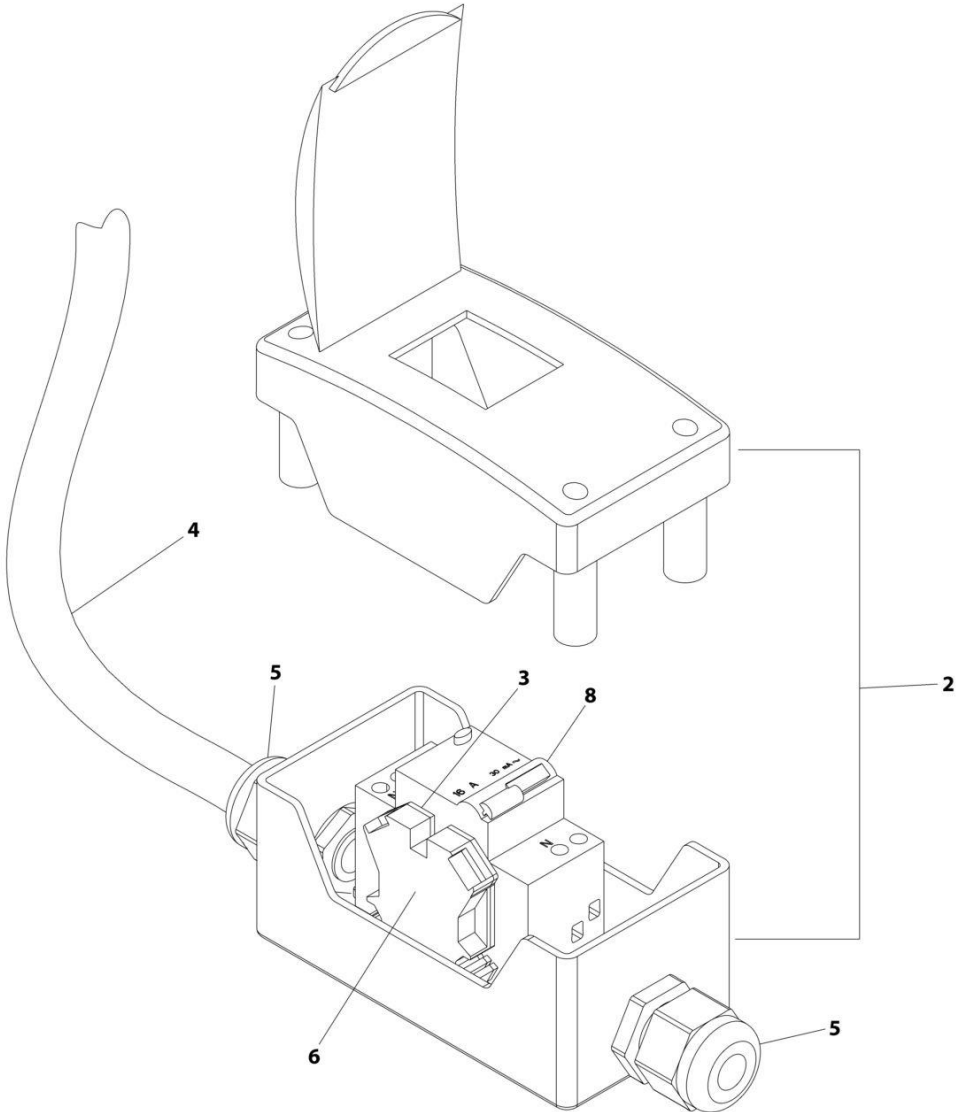
SECTION 8 - ELECTRICAL

FIGURE 8-11. BEACON LIGHT HARNESS

ITEM	PART NUMBER	QTY	DESCRIPTION	REV
	4922439	Ref	BEACON LIGHT HARNESS	C
2	2400056	1	Fuse - 5 Amp	
4	4460044	1	Fuseholder	
6	4460268	2	Socket, Female	
7	4460320	1	Plug, Male - 2 Position	

SECTION 8 - ELECTRICAL

FIGURE 8-12. BREAKER BOX KIT - 110/220V 16AMP BREAKER



ART_2902549_F

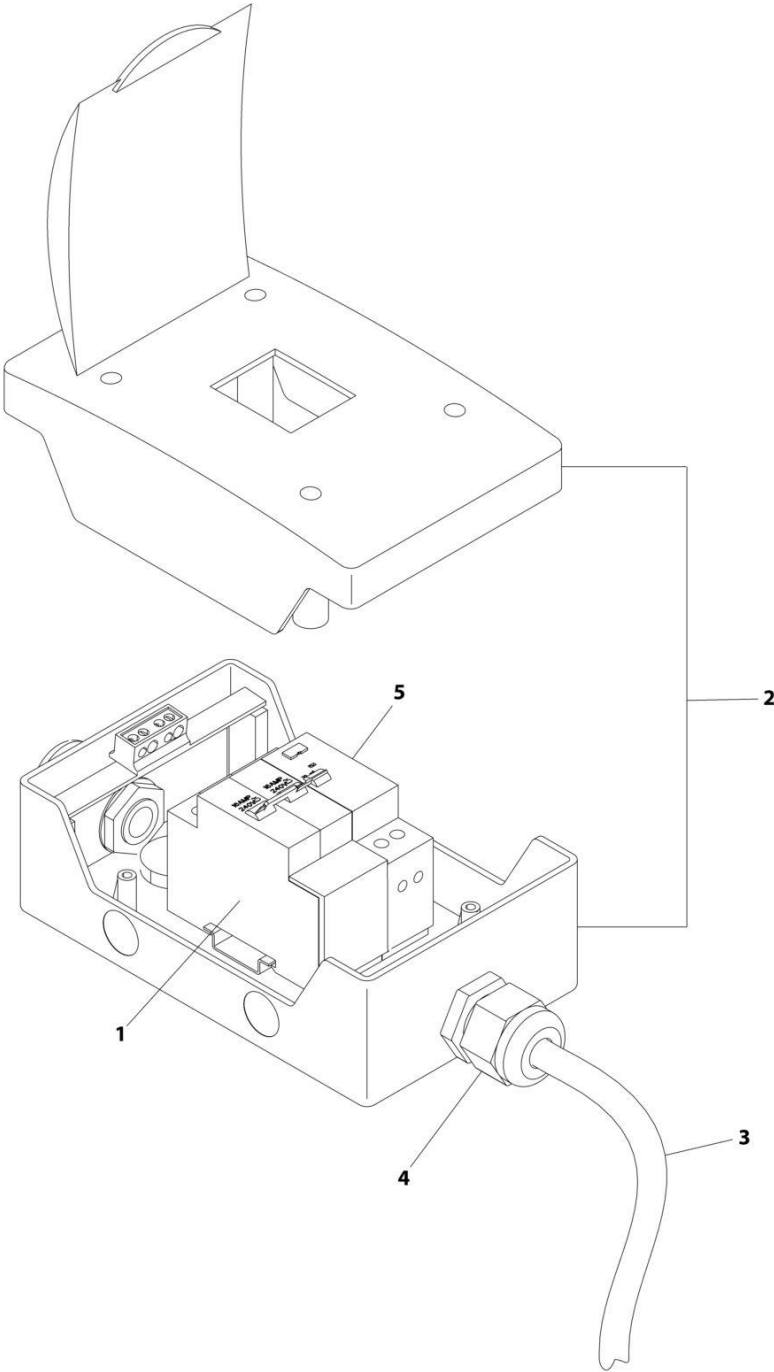
SECTION 8 - ELECTRICAL

FIGURE 8-12. BREAKER BOX KIT - 110/220V 16AMP BREAKER

ITEM	PART NUMBER	QTY	DESCRIPTION	REV
	2902549	Ref	BREAKER BOX KIT	F
2	0861880	1	Box	
3	4460956	1	Barrier, Terminal	
4	1060908	6 ft/1.8m	Cable, 12/3	
5	1001097150	2	Connector, Strain Relief	
6	4460957	1	Block, Terminal	
8	1001181045	1	Breaker, 16Amp	

SECTION 8 - ELECTRICAL

FIGURE 8-13. BREAKER BOX KIT WITH THREE BREAKERS



ART_1001152485-D

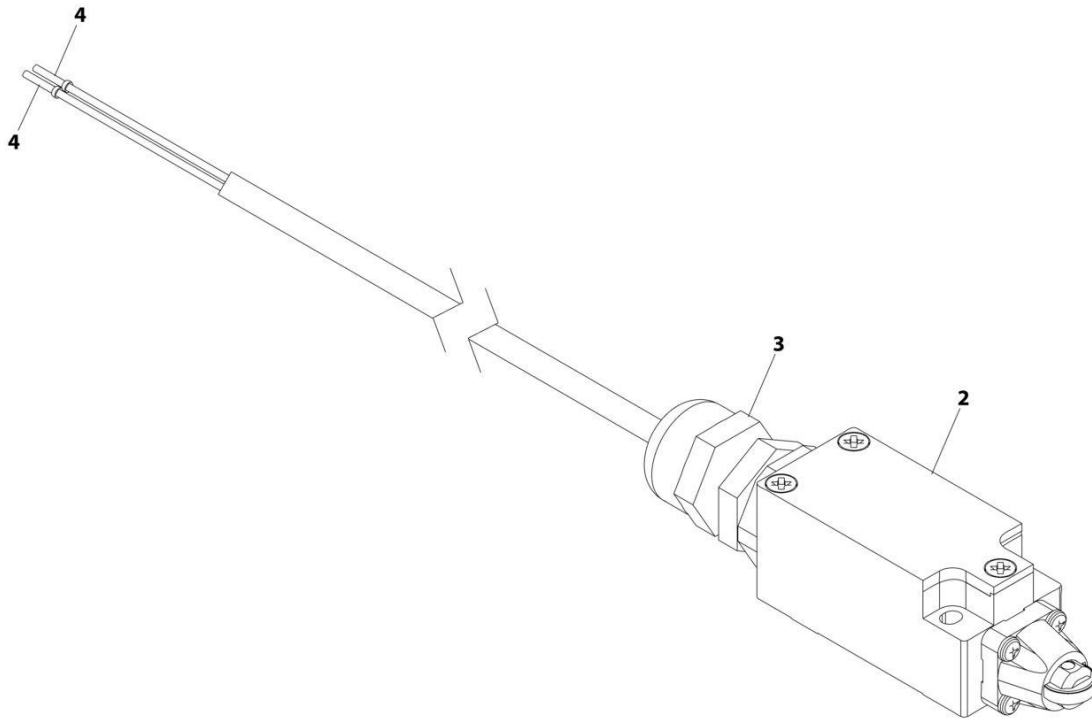
SECTION 8 - ELECTRICAL

FIGURE 8-13. BREAKER BOX KIT WITH THREE BREAKERS

ITEM	PART NUMBER	QTY	DESCRIPTION	REV
	1001152485	Ref	BREAKER BOX KIT WITH TWO BREAKERS	D
1	1001189172	1	Breaker 16Amp Double	
2	1001152483	1	Box	
3	1060908	6 ft/1.8m	Cable, 12/3	
4	1001097150	2	Connector, Strain Relief	
5	1001189171	1	Breaker, 30mA	

SECTION 8 - ELECTRICAL

FIGURE 8-14. ELEVATION SWITCH HARNESS



ART_4922630

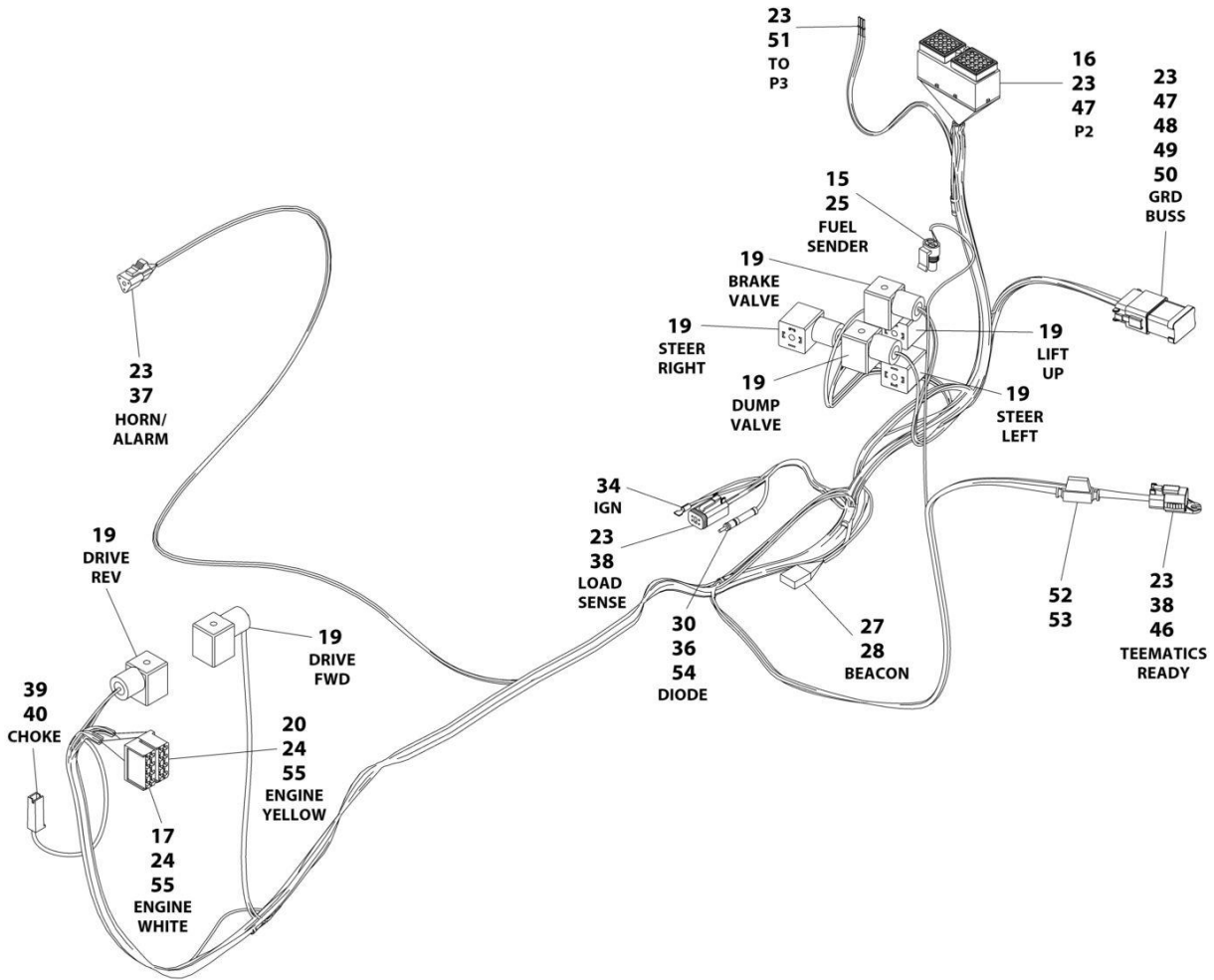
SECTION 8 - ELECTRICAL

FIGURE 8-14. ELEVATION SWITCH HARNESS

ITEM	PART NUMBER	QTY	DESCRIPTION	REV
	4922630	Ref	ELEVATION SWITCH HARNESS	B
2	4360548	1	Switch, Limit	
3	4460968	1	Connector, Strain Relief	
4	4460465	2	Socket, Female	

SECTION 8 - ELECTRICAL

FIGURE 8-15. ENGINE AND VALVE HARNESS



ART_4923295-F

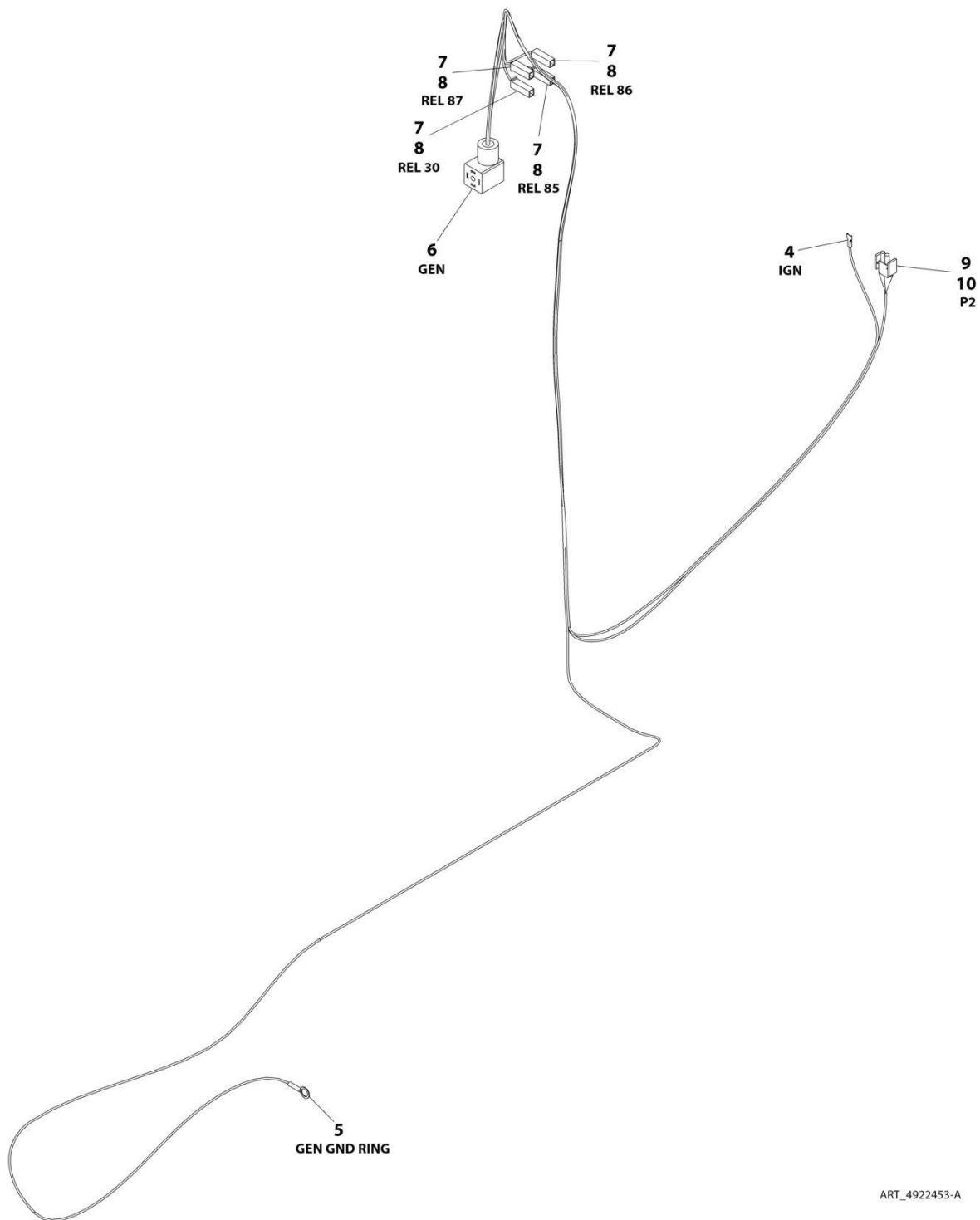
SECTION 8 - ELECTRICAL

FIGURE 8-15. ENGINE AND VALVE HARNESS

ITEM	PART NUMBER	QTY	DESCRIPTION	REV
	4923295	Ref	ENGINE AND VALVE HARNESS	F
15	4460834	1	Plug, Male - 2 Position	
16	4460814	1	Connector - 40 Position	
17	4460828	1	Connector - 8 Position (White)	
19	4460499	7	Connector, Din	
20	4460827	1	Connector - 8 Position (Yellow)	
23	4460465	45	Socket, Female	
24	4460829	11	Terminal	
25	4460842	2	Terminal	
26	4240032	AR	Tie-Strap (Not Shown)	
27	4460267	2	Pin, Male	
28	4460424	1	Receptacle, Female - 2 Position	
30	3990010	1	Diode, 6A 600V	
34	4460206	1	Terminal	
36	4460035	1	Terminal, Connector	
37	4460539	1	Plug, Male - 3 Position	
38	4460884	2	Plug, Male - 4 Position	
39	4460259	1	Terminal	
40	4460260	1	Terminal, Cover	
46	1001192401	1	Cap, Dust	
47	4460942	3	Socket, Female	
48	4460836	1	Plug, Male - 12 Position	
49	4460837	1	Connector, Bussbar	
50	4460466	1	Plug, Terminal	
51	4460464	1	Pin, Male	
52	2400060	1	Fuse, Holder W/Cover	
53	8229242	3	Fuse, 5 Amp	
55	4460886	2	Terminal	

SECTION 8 - ELECTRICAL

FIGURE 8-16. GENERATOR HARNESS



ART_4922453-A

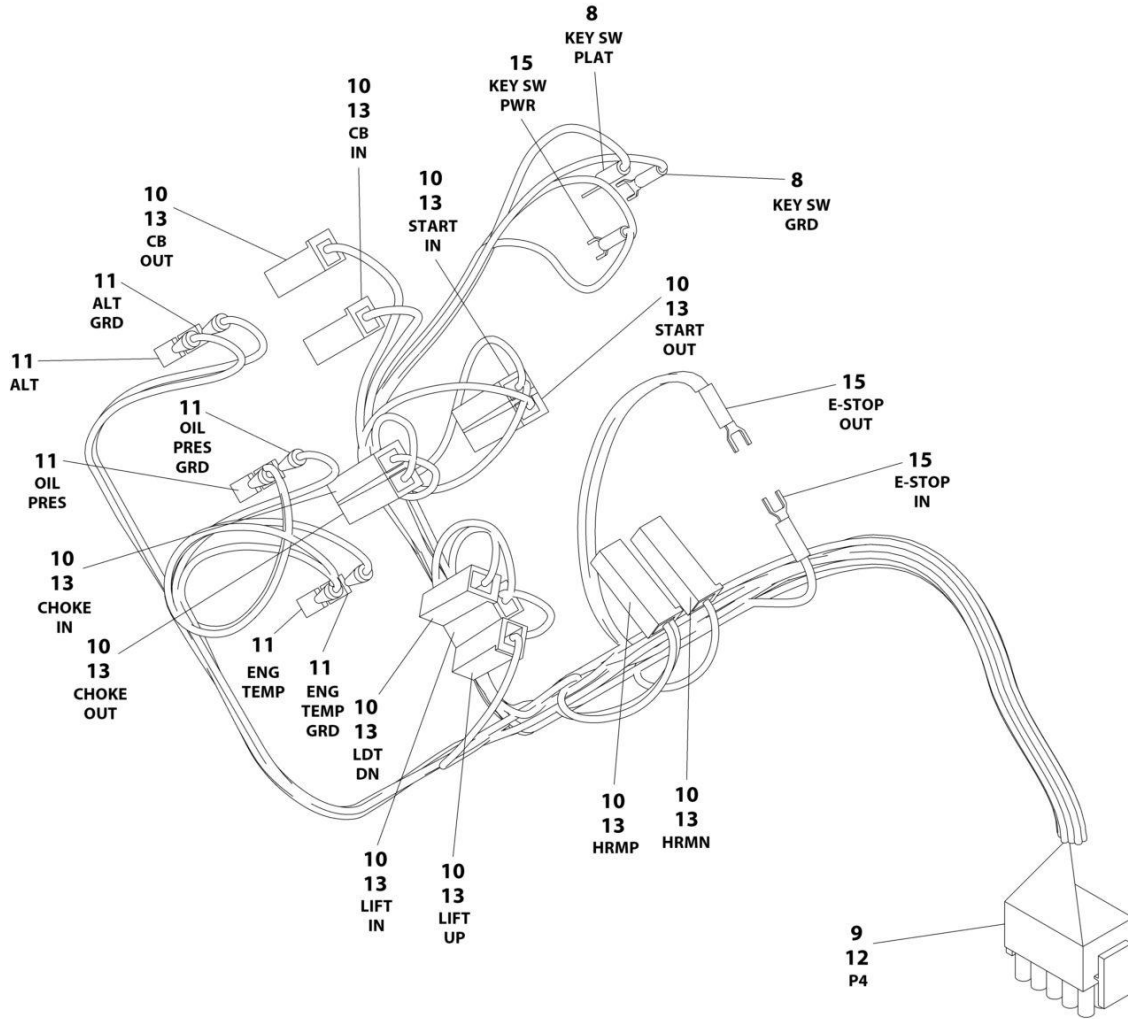
SECTION 8 - ELECTRICAL

FIGURE 8-16. GENERATOR HARNESS

ITEM	PART NUMBER	QTY	DESCRIPTION	REV
	4922453	Ref	GENERATOR HARNESS	A
4	4460185	1	Terminal	
5	4460256	1	Terminal, Ring	
6	4460449	1	Connector, Din	
7	4460259	4	Terminal	
8	4460260	4	Cover, Terminal	
9	4460320	1	Plug, Male - 2 Position	
10	4460268	1	Socket, Female	

SECTION 8 - ELECTRICAL

FIGURE 8-17. GROUND CONTROL BOX HARNESS (DUAL FUEL MACHINES)



ART_1001112908-A

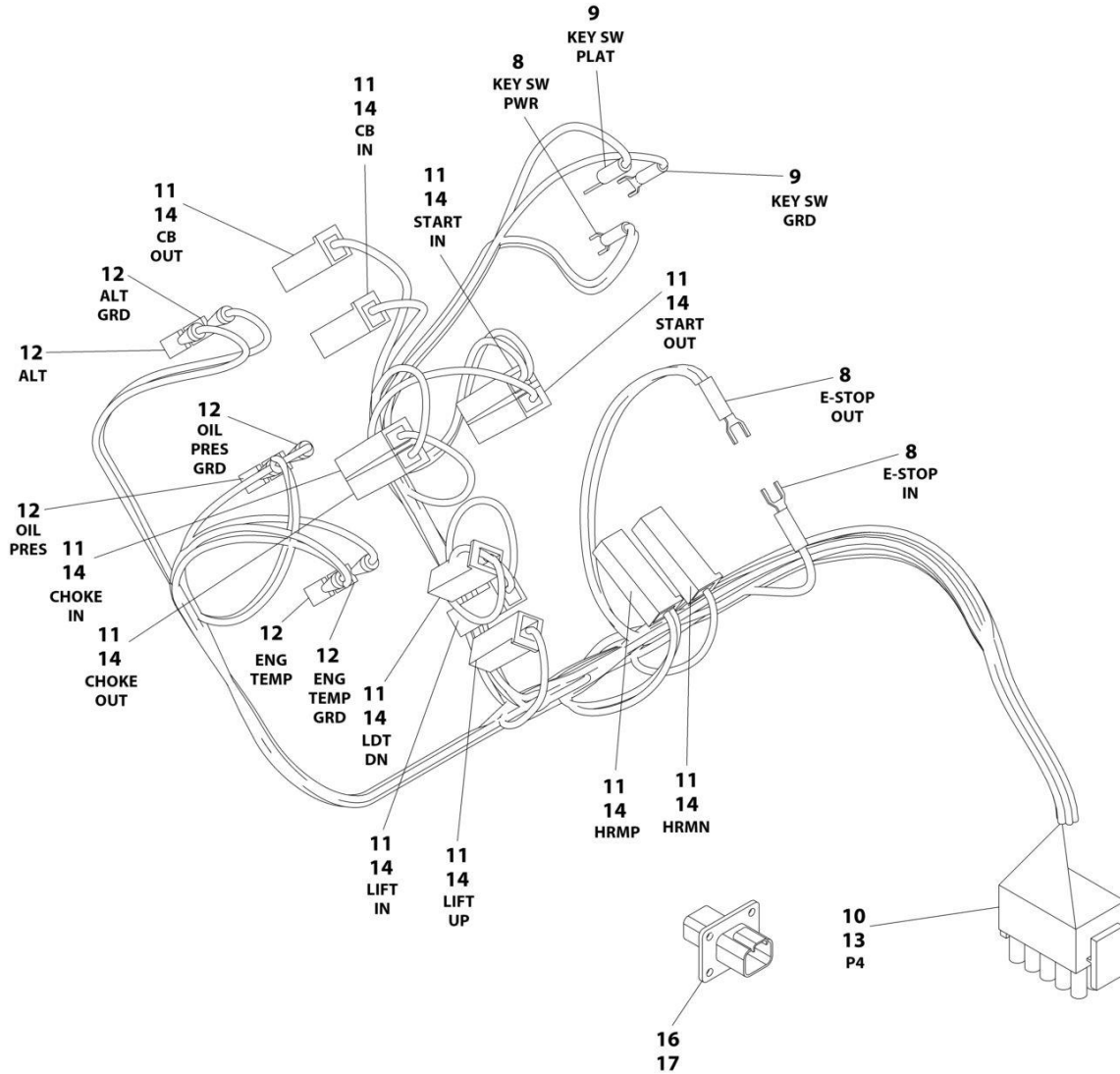
SECTION 8 - ELECTRICAL

FIGURE 8-17. GROUND CONTROL BOX HARNESS (DUAL FUEL MACHINES)

ITEM	PART NUMBER	QTY	DESCRIPTION	REV
	1001112908	Ref	GROUND CONTROL BOX HARNESS	A
8	4460183	2	Terminal, Fork	
9	4460434	1	Plug, Male - 15 Position	
10	4460260	11	Cover, Terminal	
11	4460016	6	Terminal	
12	4460268	13	Socket, Female	
13	4460259	11	Terminal	
14	4240032	AR	Tie-Strap (Not Shown)	
15	4460115	3	Terminal, Fork	

SECTION 8 - ELECTRICAL

FIGURE 8-18. GROUND CONTROL BOX HARNESS (DUAL FUEL MACHINES)



ART_4923293-A

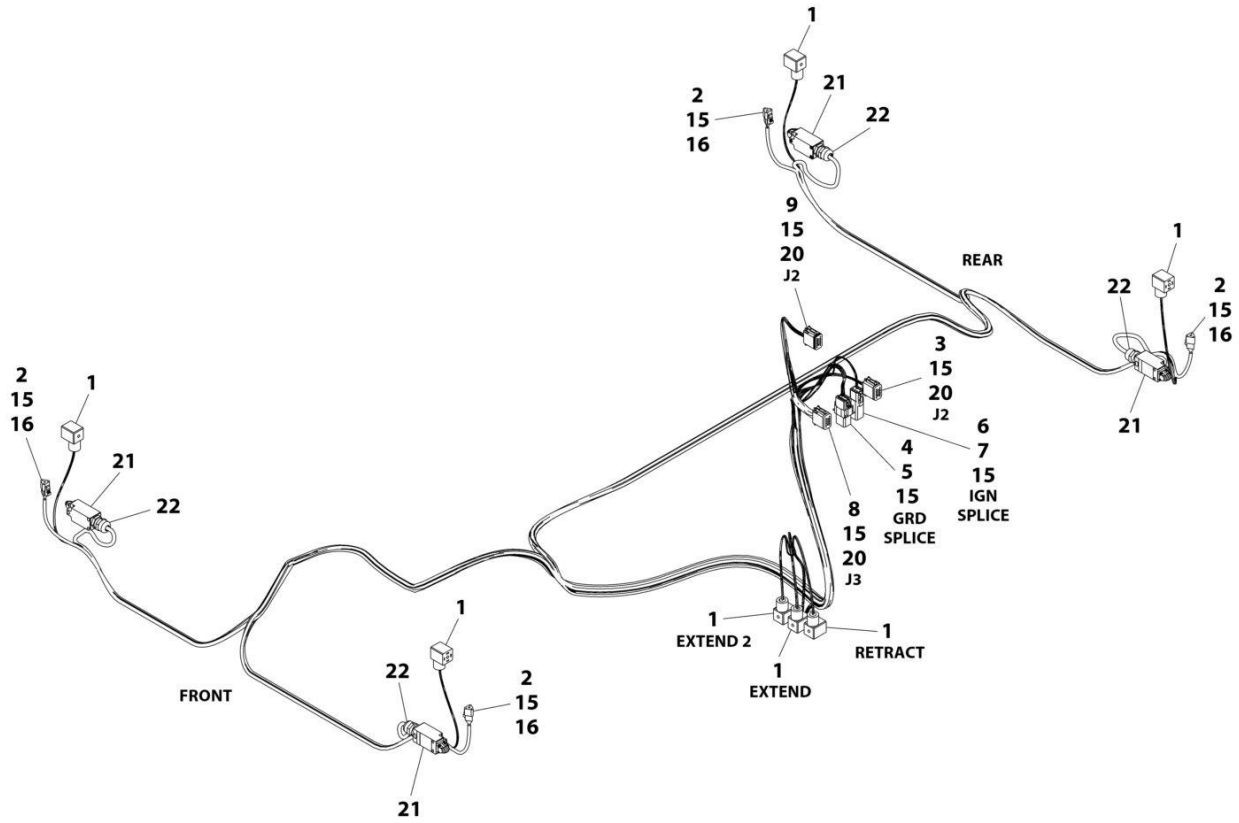
SECTION 8 - ELECTRICAL

FIGURE 8-18. GROUND CONTROL BOX HARNESS (DUAL FUEL MACHINES)

ITEM	PART NUMBER	QTY	DESCRIPTION	REV
	4923293	Ref	GROUND CONTROL BOX HARNESS	A
8	4460115	3	Terminal, Fork	
9	4460183	2	Terminal, Fork	
10	4460434	1	Plug, Male - 15 Position	
11	4460260	11	Cover, Terminal	
12	4460016	6	Terminal	
13	4460268	14	Socket, Female	
14	4460259	13	Terminal	
15	4240032	AR	Tie-Strap (Not Shown)	
16	4460464	4	Pin, Male	
17	4460885	1	Connector, Female - 4 pin	

SECTION 8 - ELECTRICAL

FIGURE 8-19. AUTO LEVELING JACK HARNESS



ART_4922748-E

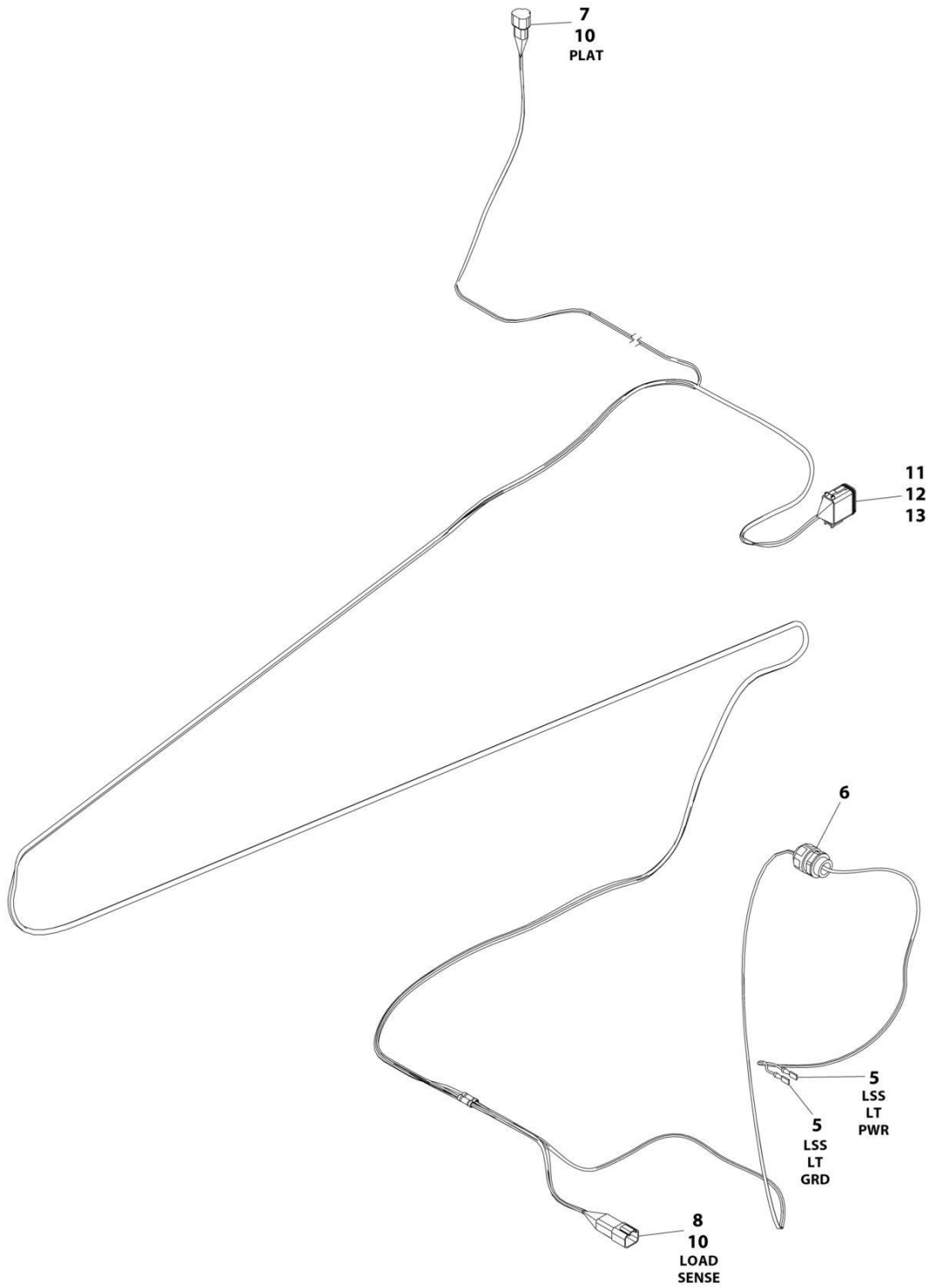
SECTION 8 - ELECTRICAL

FIGURE 8-19. AUTO LEVELING JACK HARNESS

ITEM	PART NUMBER	QTY	DESCRIPTION	REV
	4922748	Ref	AUTO LEVELING JACK HARNESS	E
1	4460499	7	Connector, DIN	
2	4460539	4	Connector - 3 Position	
3	4460836	1	Connector - 12 Position (Black)	
4	4460851	1	Connector - 8 Position	
5	4460852	1	Connector - 8 Position	
6	4460892	1	Connector - 6 Position Buss Bar	
7	4460894	1	Connector - 6 Position	
8	4460934	1	Connector - 12 Position (Green)	
9	4460935	1	Connector - 12 Position (Brown)	
15	4460465	50	Socket, Female	
16	4460466	13	Plug, Seal	
21	4360548	4	Switch, Limit	
22	4460968	4	Connector, Strain Relief	

SECTION 8 - ELECTRICAL

FIGURE 8-20. LOAD SENSE HARNESS



ART_4922915-A

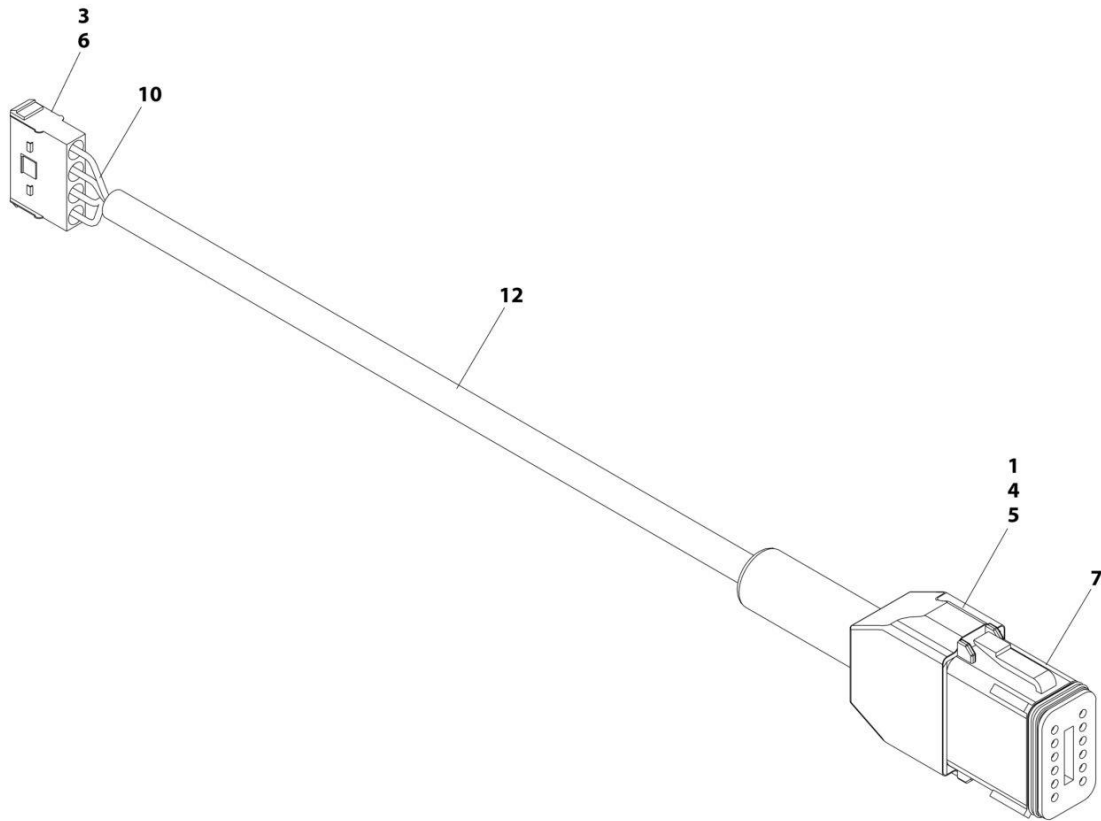
SECTION 8 - ELECTRICAL

FIGURE 8-20. LOAD SENSE HARNESS

ITEM	PART NUMBER	QTY	DESCRIPTION	REV
	4922915	Ref	LSS HARNESS	A
5	4460016	2	Terminal	
6	4460049	1	Connector, Strain Relief	
7	4460897	1	Receptacle, Female - 2 Position	
8	4460932	1	Receptacle, Female - 4 Position	
10	4460464	6	Pin, Male	
11	4460465	4	Socket, Female	
12	4460466	8	Plug, Terminal	
13	0840055	1	Boot	

SECTION 8 - ELECTRICAL

FIGURE 8-21. MODULE TO ANALYZER HARNESS



ART_4922904

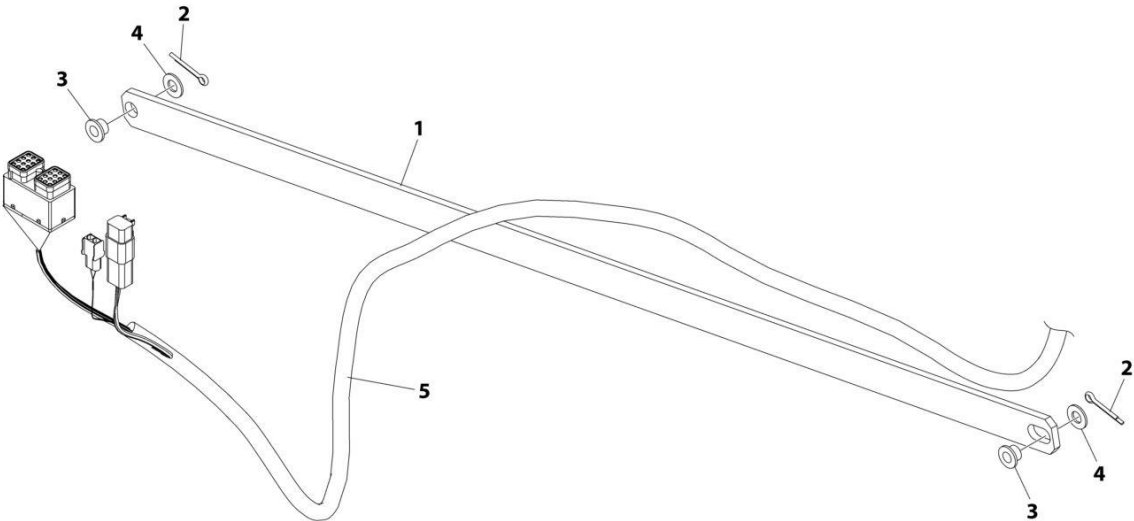
SECTION 8 - ELECTRICAL

FIGURE 8-21. MODULE TO ANALYZER HARNESS

ITEM	PART NUMBER	QTY	DESCRIPTION	REV
	4922904	Ref	MODULE TO ANALYZER HARNESS	E
1	0840055	1	Boot	
3	4460294	4	Pin, Male	
4	4460465	4	Socket, Female	
5	4460466	8	Seal, Plug	
6	4460761	1	Connector, Female - 4 Position	
7	4460836	1	Plug, Male - 12 Position	

SECTION 8 - ELECTRICAL

FIGURE 8-22. PLATFORM CABLE INSTALLATION



ART_0259803-C

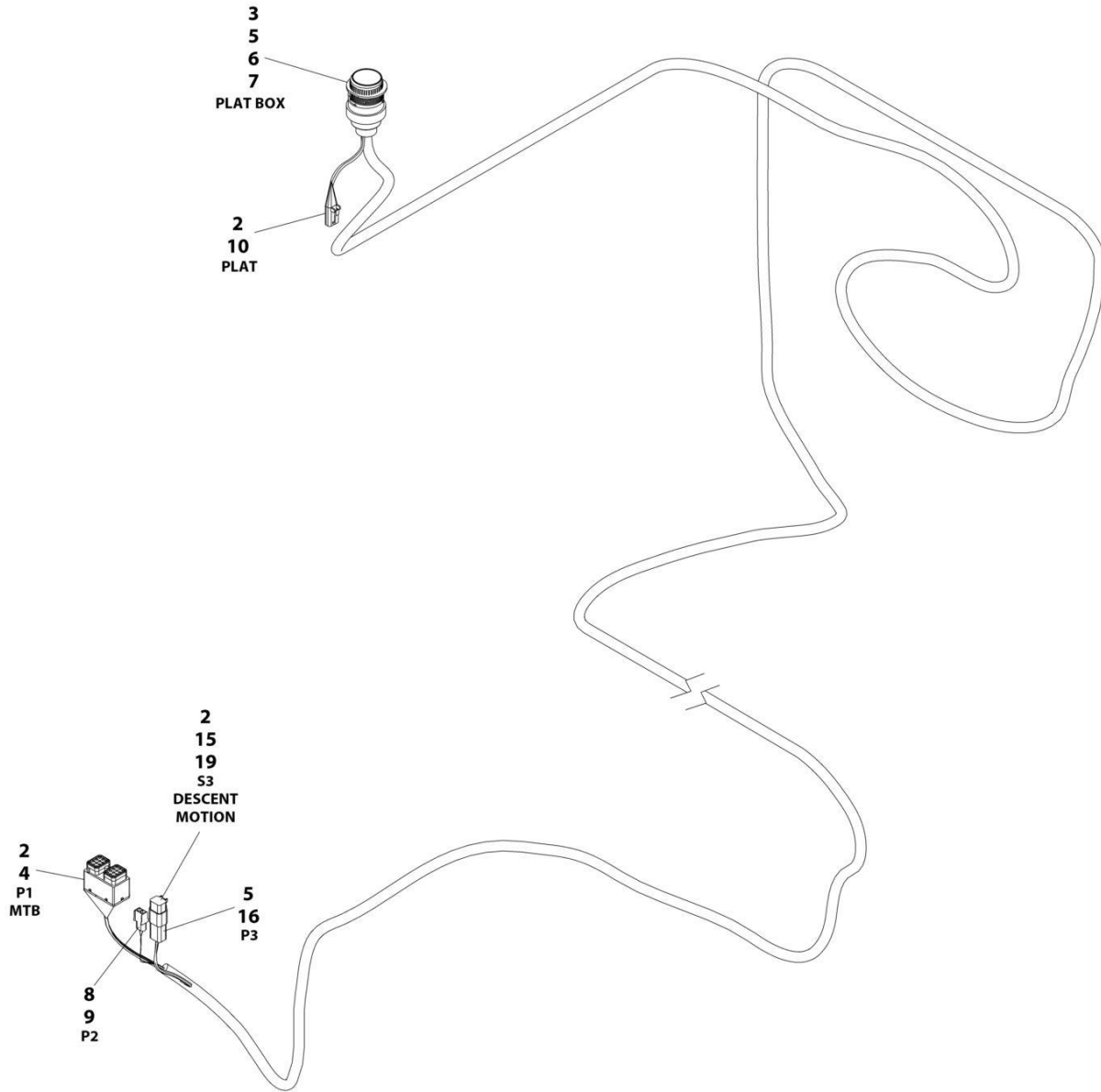
SECTION 8 - ELECTRICAL

FIGURE 8-22. PLATFORM CABLE INSTALLATION

ITEM	PART NUMBER	QTY	DESCRIPTION	REV
	0259803	Ref	GROUND TO PLATFORM HARNESS INSTALLATION	C
1	0362801	3	Bar, Cable	
2	3450404	6	Pin, Cotter	
3	4740480	6	Insert	
4	4711600	6	Washer 3/8	
5	4922379	1	Platform Cable Assembly (See Separate Breakdown in this Section)	

SECTION 8 - ELECTRICAL

FIGURE 8-23. PLATFORM CABLE ASSEMBLY



ART_4922379-F

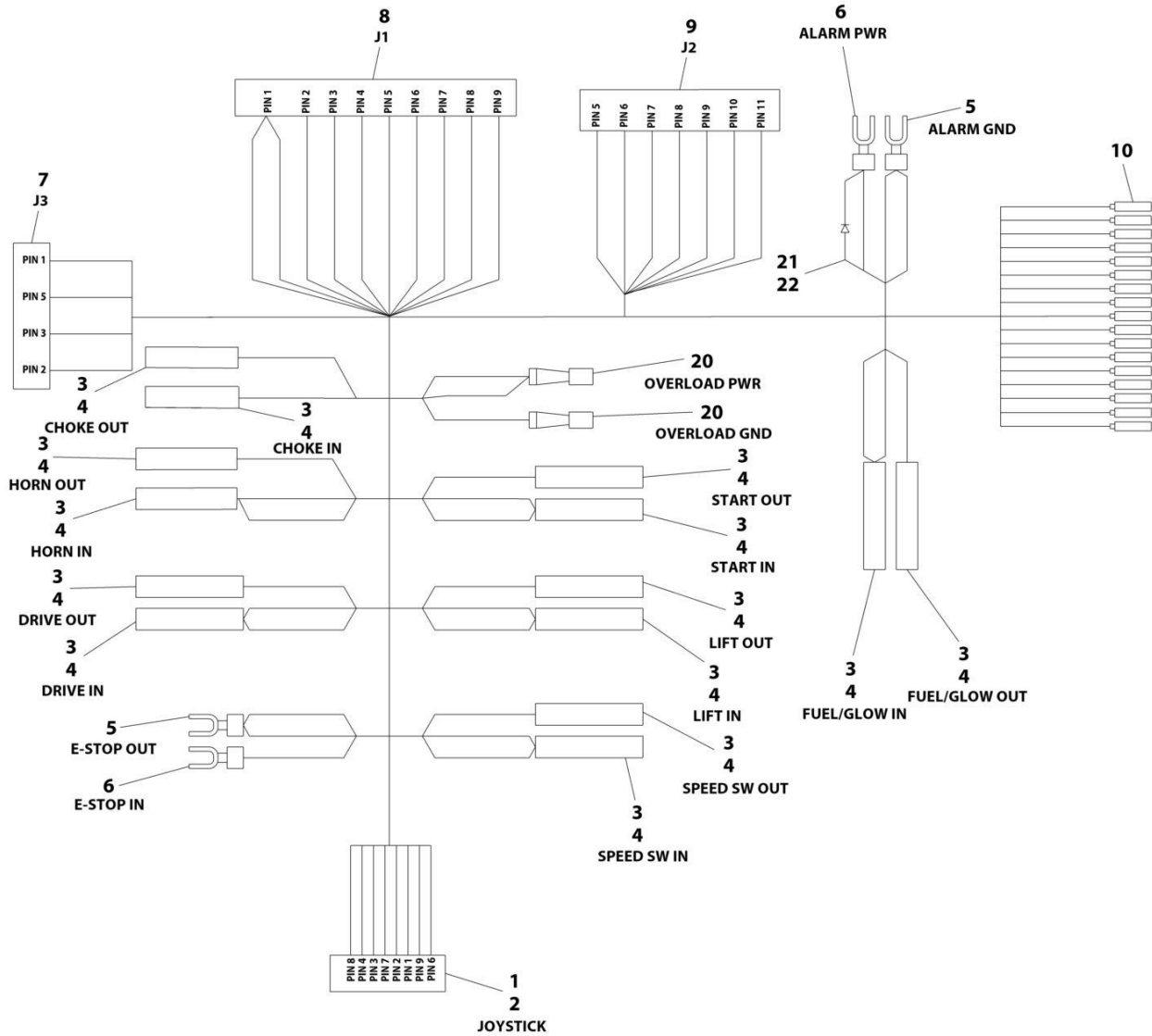
SECTION 8 - ELECTRICAL

FIGURE 8-23. PLATFORM CABLE ASSEMBLY

ITEM	PART NUMBER	QTY	DESCRIPTION	REV
	4922379	Ref	GROUND TO PLATFORM HARNESS	F
1	1060815	64.8 ft /19.8m	Cable, 18 Conductors	
2	4460465	22	Socket, Female	
3	4460481	1	Connector - 23 Position	
4	4460812	1	Connector - 23 Position	
5	4460464	24	Pin, Male	
6	4460468	1	Cap, Dust	
7	4460473	1	Clamp, Cable	
8	4460424	1	Receptacle, Female - 2 Position	
9	4460267	2	Pin, Male	
10	4460891	1	Plug, Male - 2 Position	
15	4460884	1	Plug, Male - 4 Position	
16	4460932	1	Receptacle, Female - 4 Position	
19	4460466	2	Plug, Terminal	

SECTION 8 - ELECTRICAL

FIGURE 8-24. PLATFORM CONTROL BOX HARNESS - DIESEL MACHINES (WITHOUT AUTO LEVELING JACKS)



ART_4922391-D

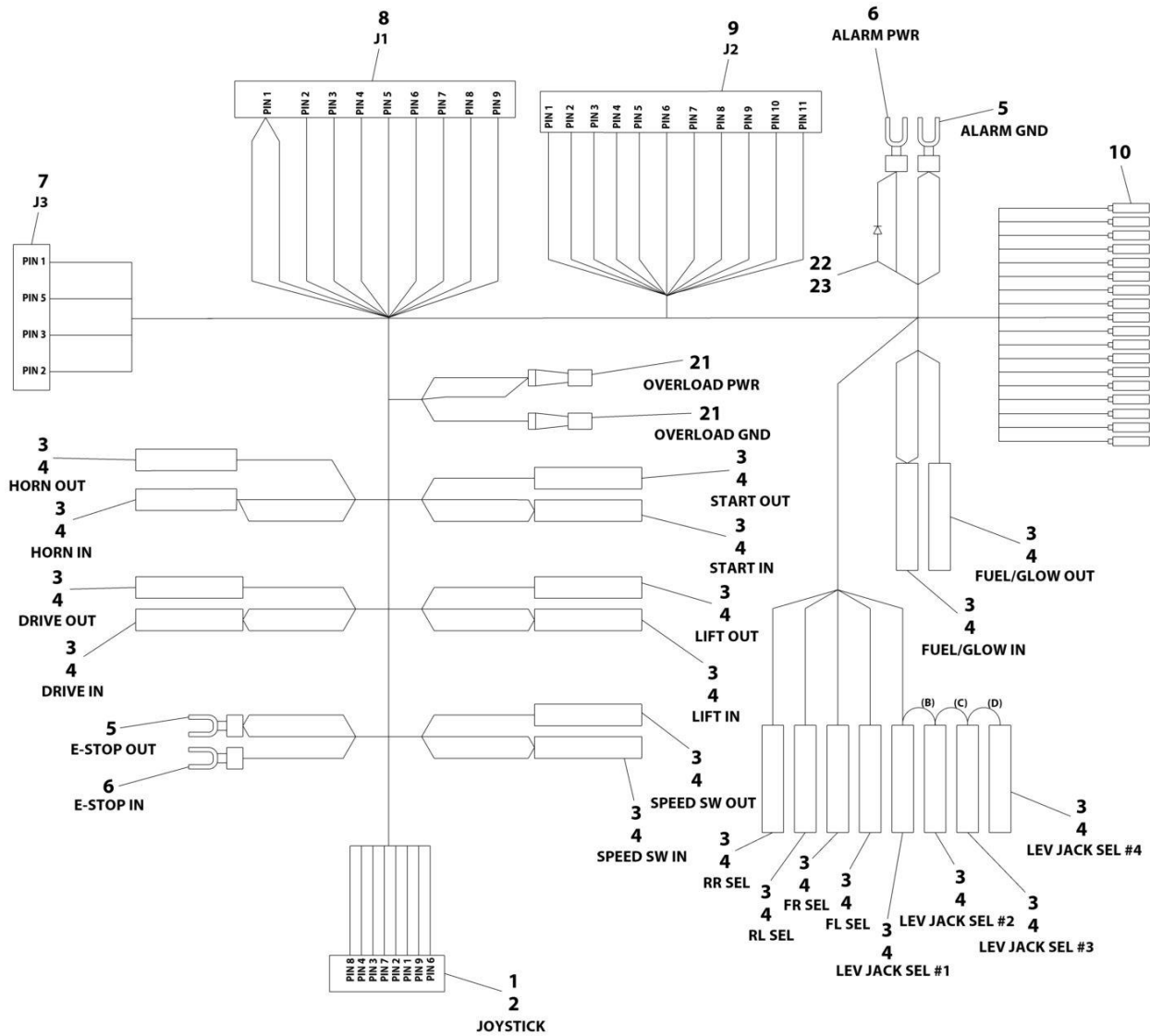
SECTION 8 - ELECTRICAL

FIGURE 8-24. PLATFORM CONTROL BOX HARNESS - DIESEL MACHINES (WITHOUT AUTO LEVELING JACKS)

ITEM	PART NUMBER	QTY	DESCRIPTION	REV
	4922391	Ref	CONSOLE BOX HARNESS	D
1	4460266	1	Connector Receptacle, Female - 9 Position	
2	4460267	8	Pin, Male	
3	4460259	12	Terminal	
4	4460260	12	Cover, Terminal	
5	4460115	2	Terminal, Fork	
6	4460183	2	Terminal, Fork	
7	4460817	1	Connector - 5 Position	
8	4460818	1	Connector - 10 Position	
9	4460819	1	Connector - 11 Position	
10	4460465	17	Socket, Female	
20	4460016	2	Terminal	
21	3990010	1	Diode	
22	4460035	1	Connector	

SECTION 8 - ELECTRICAL

FIGURE 8-25. PLATFORM CONTROL BOX HARNESS - DIESEL MACHINES (WITH AUTO LEVELING JACKS)



ART_4922437-D

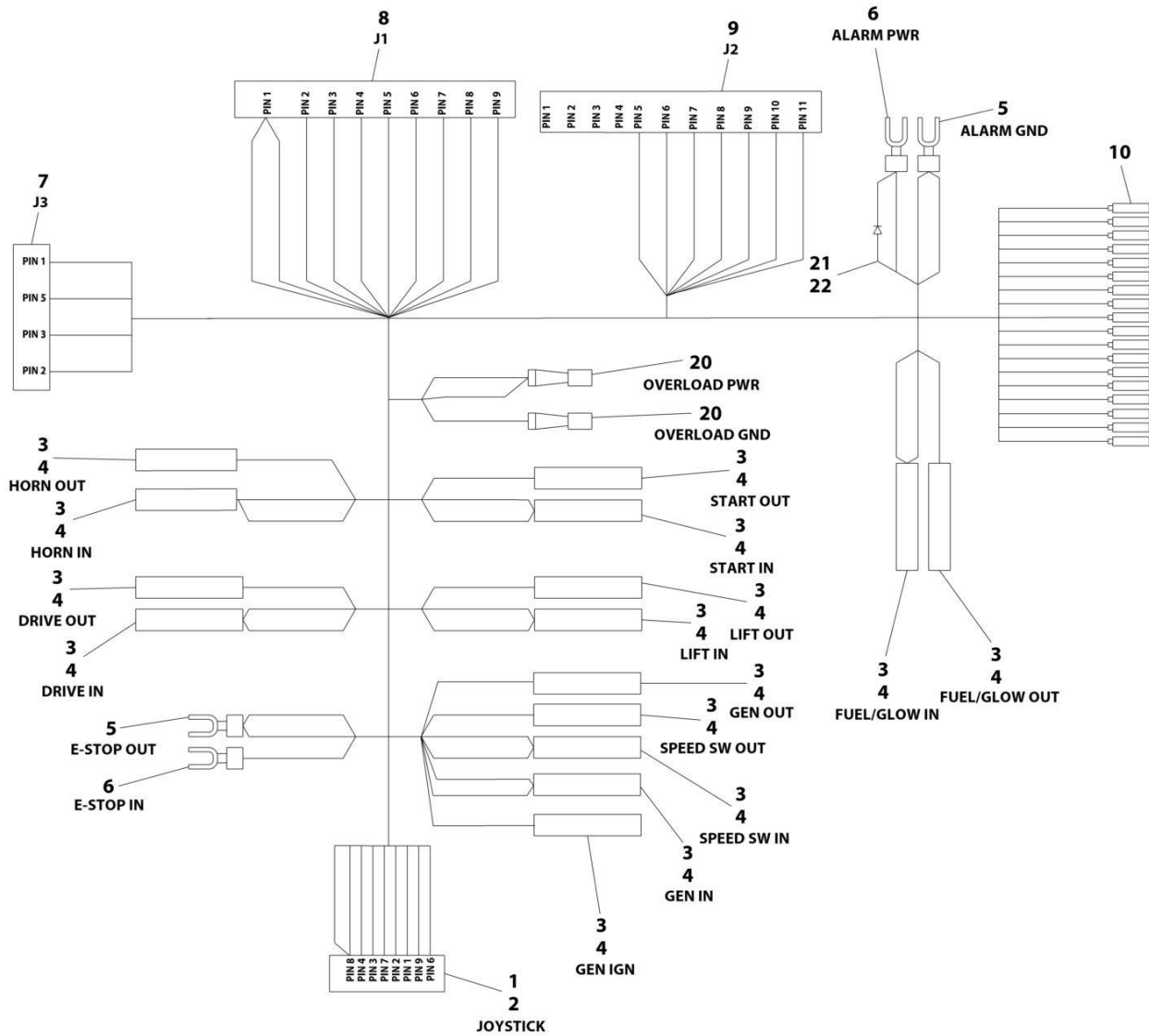
SECTION 8 - ELECTRICAL

FIGURE 8-25. PLATFORM CONTROL BOX HARNESS - DIESEL MACHINES (WITH AUTO LEVELING JACKS)

ITEM	PART NUMBER	QTY	DESCRIPTION	REV
	4922437	Ref	CONSOLE BOX HARNESS	D
1	4460266	1	Connector Receptacle, Female - 9 Position	
2	4460267	8	Pin, Male	
3	4460259	16	Terminal	
4	4460260	20	Cover, Terminal	
5	4460115	2	Terminal, Fork	
6	4460183	2	Terminal, Fork	
7	4460817	1	Connector - 5 Position	
8	4460818	1	Connector - 10 Position	
9	4460819	1	Connector - 11 Position	
10	4460465	18	Socket, Female	
21	4460016	2	Terminal	
22	3990010	1	Diode	
23	4460035	1	Connector	

SECTION 8 - ELECTRICAL

FIGURE 8-26. PLATFORM CONTROL BOX HARNESS - DIESEL MACHINES (WITHOUT AUTO LEVELING JACKS AND WITH GENERATOR)



ART_4922447-F

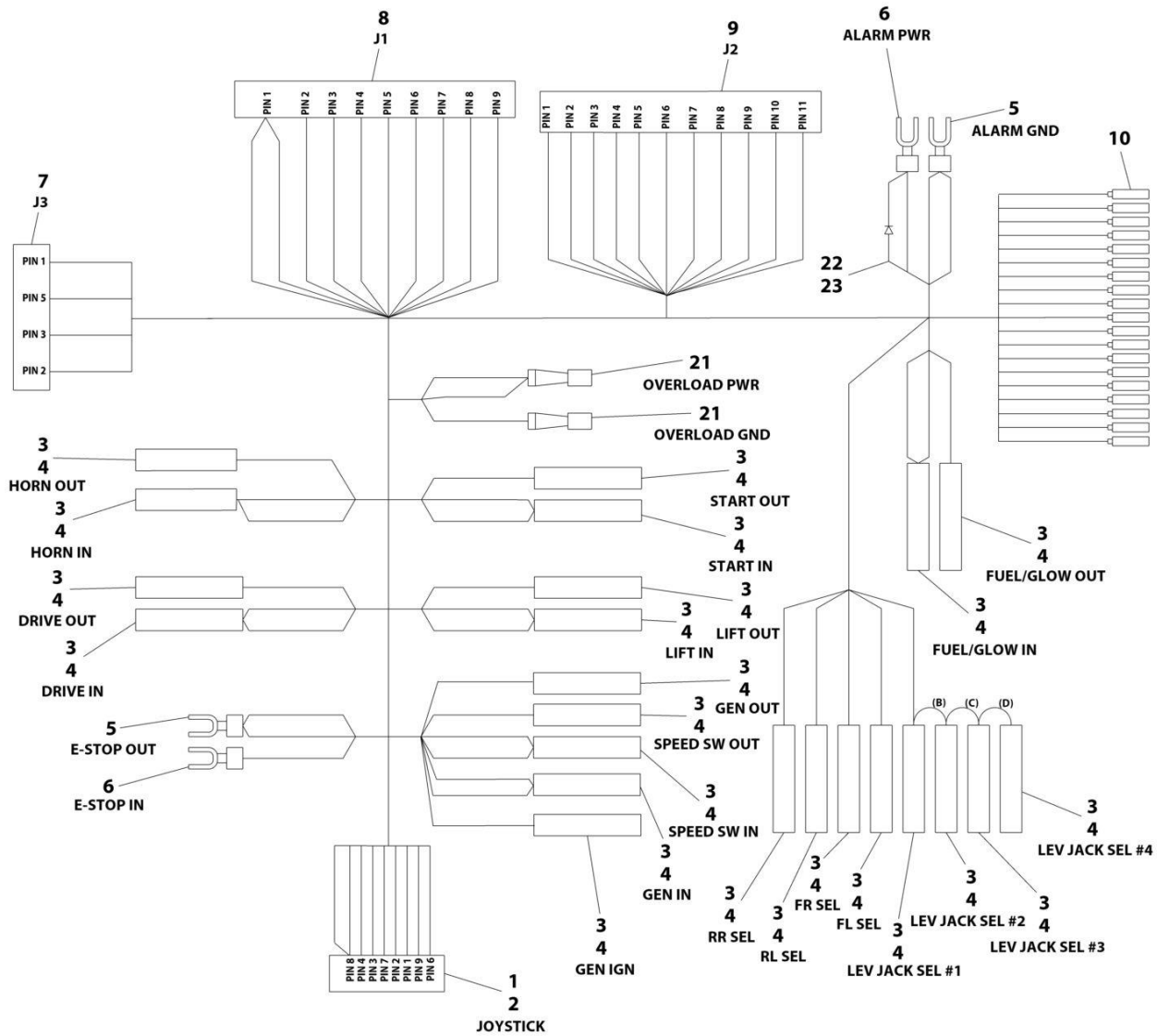
SECTION 8 - ELECTRICAL

FIGURE 8-26. PLATFORM CONTROL BOX HARNESS - DIESEL MACHINES (WITHOUT AUTO LEVELING JACKS AND WITH GENERATOR)

ITEM	PART NUMBER	QTY	DESCRIPTION	REV
	4922447	Ref	CONSOLE BOX HARNESS	F
1	4460266	1	Connector Receptacle, Female - 9 Position	
2	4460267	8	Pin, Male	
3	4460259	15	Terminal	
4	4460260	15	Cover, Terminal	
5	4460115	2	Terminal, Fork	
6	4460183	2	Terminal, Fork	
7	4460817	1	Connector - 5 Position	
8	4460818	1	Connector - 10 Position	
9	4460819	1	Connector - 11 Position	
10	4460465	18	Socket, Female	
20	4460016	2	Terminal	
21	3990010	1	Diode	
22	4460035	1	Connector	

SECTION 8 - ELECTRICAL

FIGURE 8-27. PLATFORM CONTROL BOX HARNESS - DIESEL MACHINES (WITH AUTO LEVELING JACKS AND GENERATOR)



ART_4922446-D

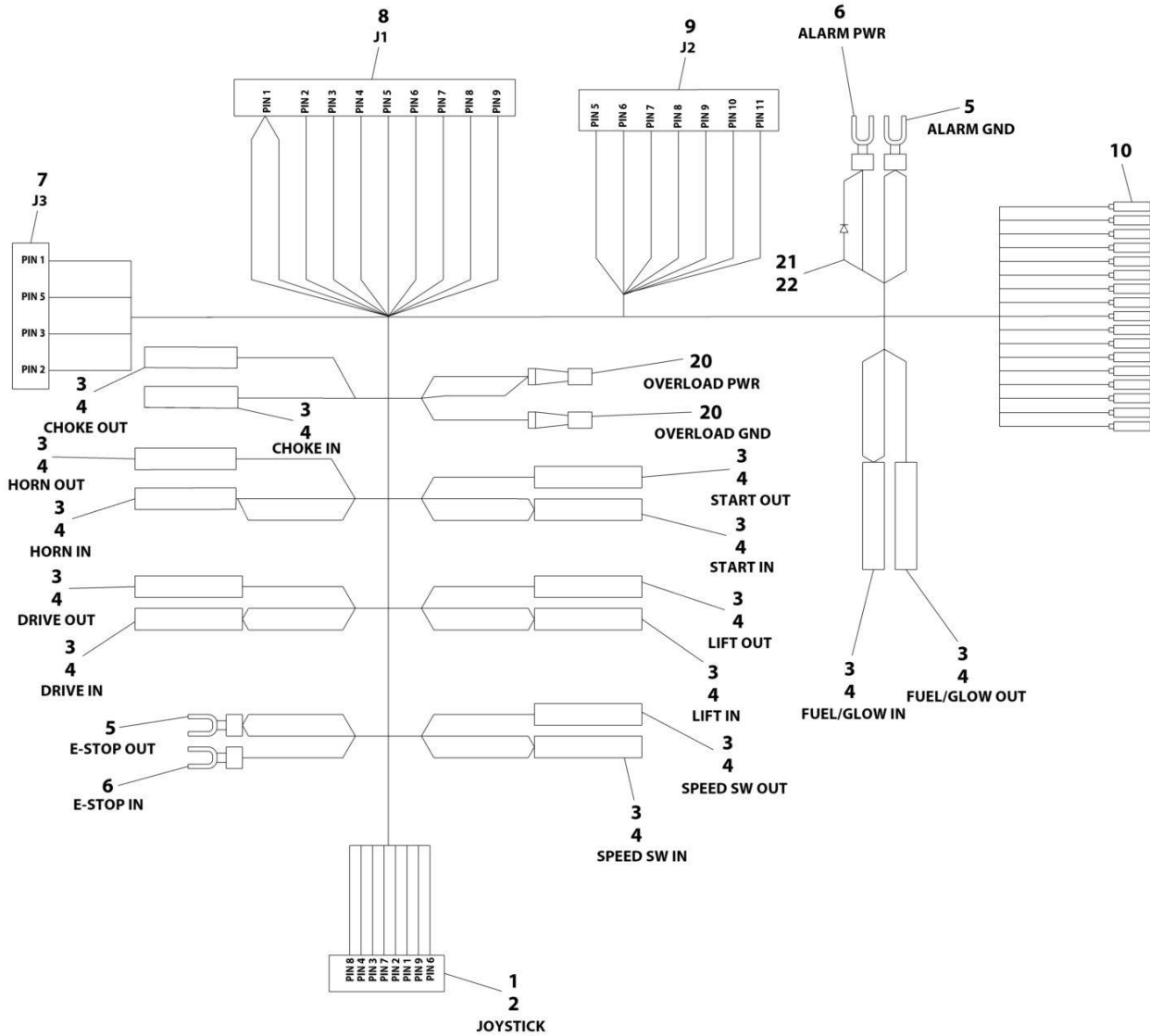
SECTION 8 - ELECTRICAL

FIGURE 8-27. PLATFORM CONTROL BOX HARNESS - DIESEL MACHINES (WITH AUTO LEVELING JACKS AND GENERATOR)

ITEM	PART NUMBER	QTY	DESCRIPTION	REV
	4922446	Ref	CONSOLE BOX HARNESS	D
1	4460266	1	Connector Receptacle, Female - 9 Position	
2	4460267	8	Pin, Male	
3	4460259	23	Terminal	
4	4460260	23	Cover, Terminal	
5	4460115	2	Terminal, Fork	
6	4460183	2	Terminal, Fork	
7	4460817	1	Connector - 5 Position	
8	4460818	1	Connector - 10 Position	
9	4460819	1	Connector - 11 Position	
10	4460465	19	Socket, Female	
21	4460016	2	Terminal	
22	3990010	1	Diode	
23	4460035	1	Connector	

SECTION 8 - ELECTRICAL

FIGURE 8-28. PLATFORM CONTROL BOX HARNESS – DUAL FUEL MACHINES (WITHOUT AUTO LEVELING JACKS)



ART_4923530-B

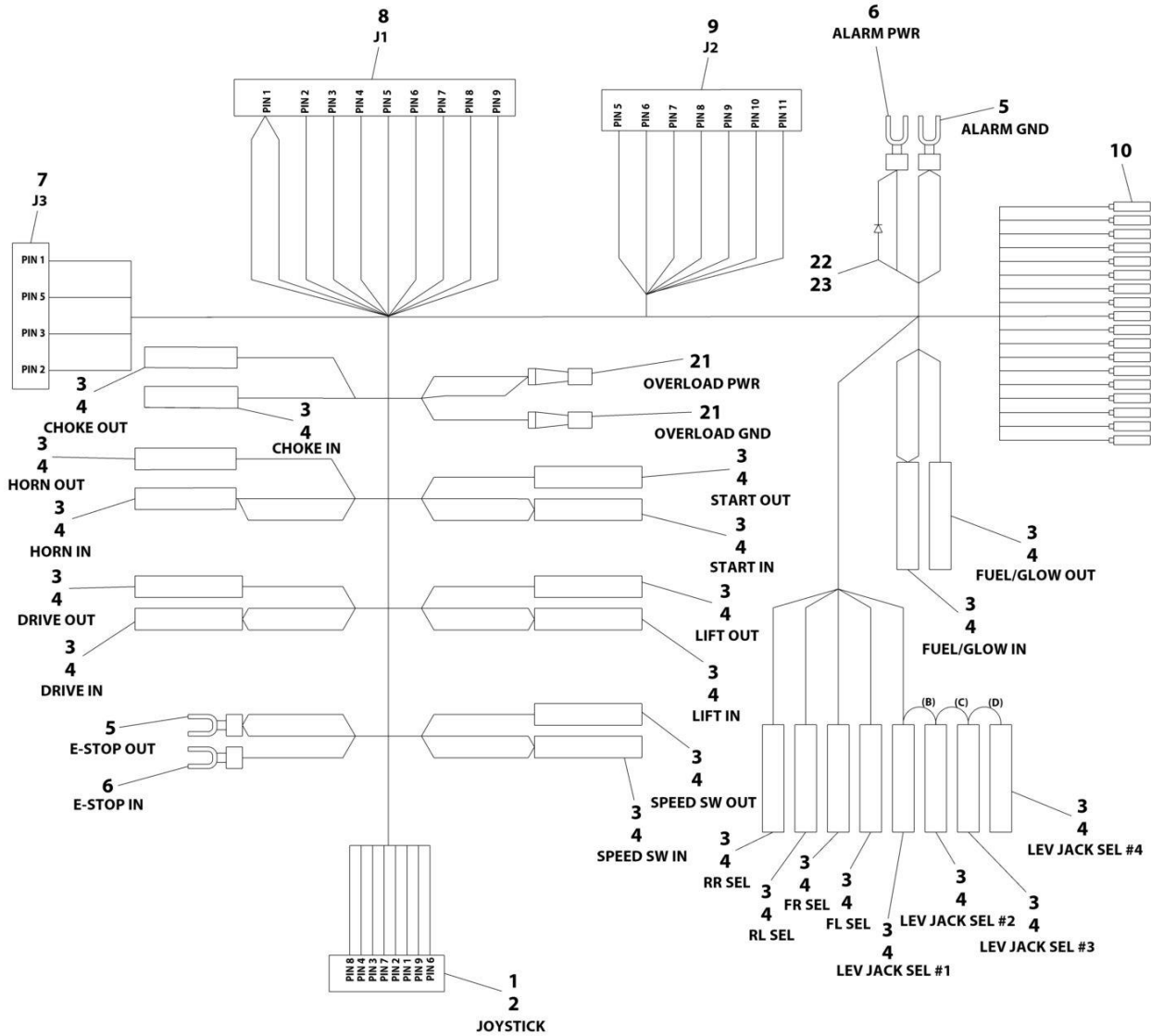
SECTION 8 - ELECTRICAL

FIGURE 8-28. PLATFORM CONTROL BOX HARNESS – DUAL FUEL MACHINES (WITHOUT AUTO LEVELING JACKS)

ITEM	PART NUMBER	QTY	DESCRIPTION	REV
	4923530	Ref	CONSOLE BOX HARNESS	B
1	4460266	1	Connector Receptacle, Female - 9 Position	
2	4460267	8	Pin, Male	
3	4460259	14	Terminal	
4	4460260	14	Cover, Terminal	
5	4460115	2	Terminal, Fork	
6	4460183	2	Terminal, Fork	
7	4460817	1	Connector - 5 Position	
8	4460818	1	Connector - 10 Position	
9	4460819	1	Connector - 11 Position	
10	4460465	17	Socket, Female	
20	4460016	2	Terminal	
21	3990010	1	Diode	
22	4460035	1	Connector	

SECTION 8 - ELECTRICAL

FIGURE 8-29. PLATFORM CONTROL BOX HARNESS - DUAL FUEL MACHINES (WITH AUTO LEVELING JACKS)



ART_4923531-B

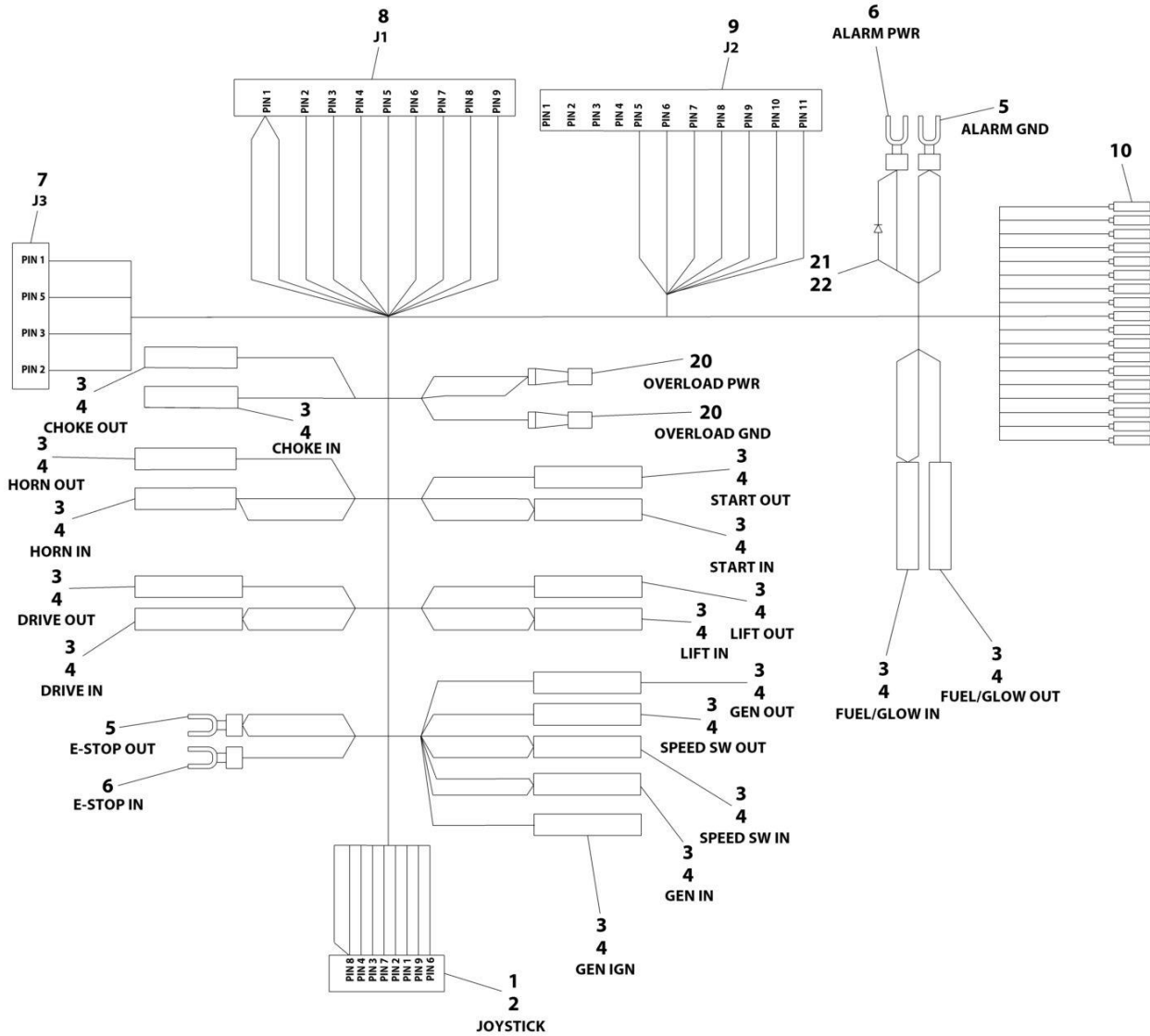
SECTION 8 - ELECTRICAL

FIGURE 8-29. PLATFORM CONTROL BOX HARNESS - DUAL FUEL MACHINES (WITH AUTO LEVELING JACKS)

ITEM	PART NUMBER	QTY	DESCRIPTION	REV
	4923531	Ref	CONSOLE BOX HARNESS	B
1	4460266	1	Connector Receptacle, Female - 9 Position	
2	4460267	8	Pin, Male	
3	4460259	21	Terminal	
4	4460260	21	Cover, Terminal	
5	4460115	2	Terminal, Fork	
6	4460183	2	Terminal, Fork	
7	4460817	1	Connector - 5 Position	
8	4460818	1	Connector - 10 Position	
9	4460819	1	Connector - 11 Position	
10	4460465	18	Socket, Female	
21	4460016	2	Terminal	
22	3990010	1	Diode	
23	4460035	1	Connector	

SECTION 8 - ELECTRICAL

FIGURE 8-30. PLATFORM CONTROL BOX HARNESS - DUAL FUEL MACHINES (WITHOUT AUTO LEVELING JACKS AND WITH GENERATOR)



ART_4923532-B

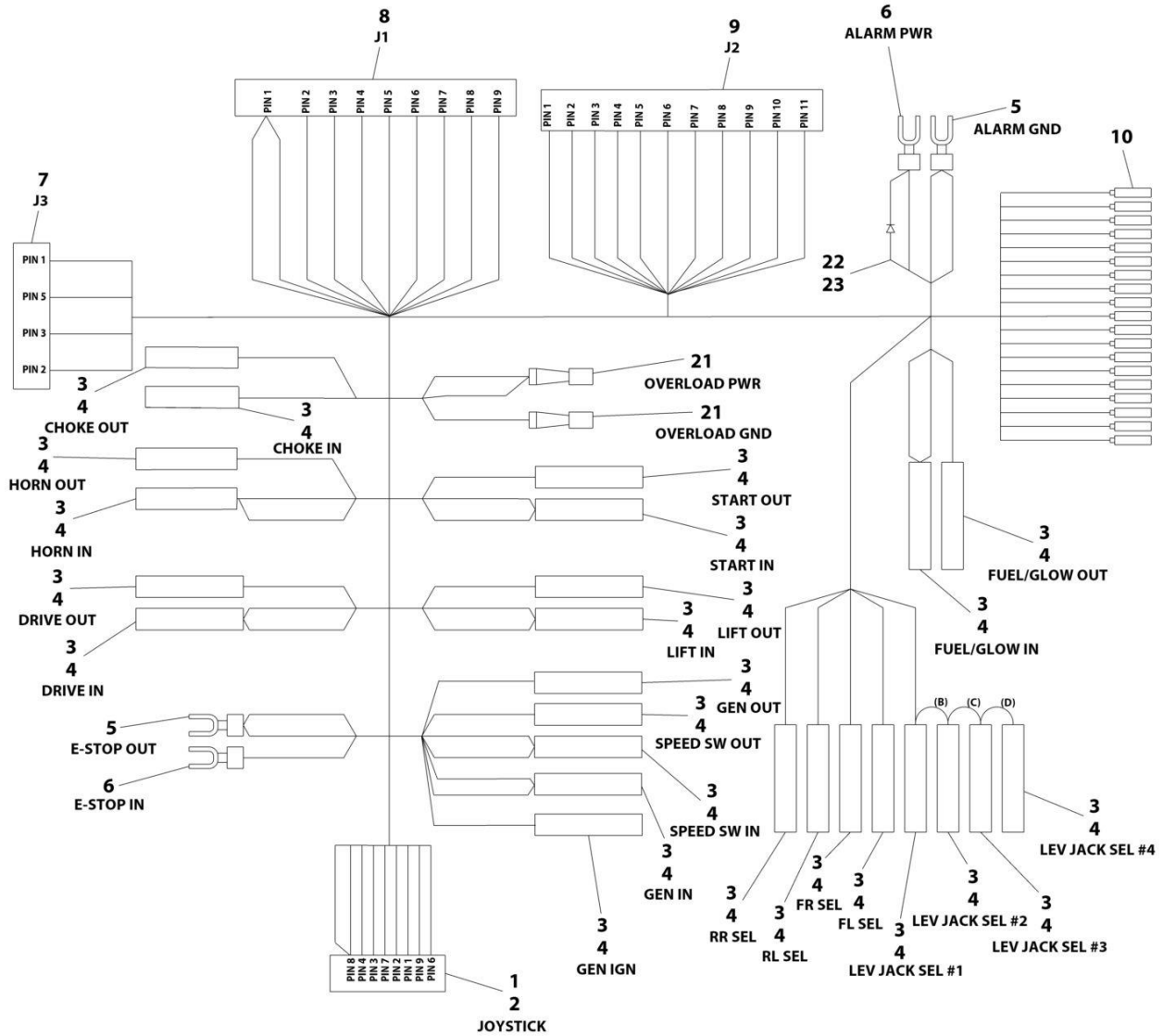
SECTION 8 - ELECTRICAL

FIGURE 8-30. PLATFORM CONTROL BOX HARNESS - DUAL FUEL MACHINES (WITHOUT AUTO LEVELING JACKS AND WITH GENERATOR)

ITEM	PART NUMBER	QTY	DESCRIPTION	REV
	4923532	Ref	CONSOLE BOX HARNESS	B
1	4460266	1	Connector Receptacle, Female - 9 Position	
2	4460267	8	Pin, Male	
3	4460259	17	Terminal	
4	4460260	17	Cover, Terminal	
5	4460115	2	Terminal, Fork	
6	4460183	2	Terminal, Fork	
7	4460817	1	Connector - 5 Position	
8	4460818	1	Connector - 10 Position	
9	4460819	1	Connector - 11 Position	
10	4460465	18	Socket, Female	
20	4460016	2	Terminal	
21	3990010	1	Diode	
22	4460035	1	Connector	

SECTION 8 - ELECTRICAL

FIGURE 8-31. PLATFORM CONTROL BOX HARNESS - DUAL FUEL MACHINES (WITH AUTO LEVELING JACKS AND GENERATOR)



ART_4923533-A

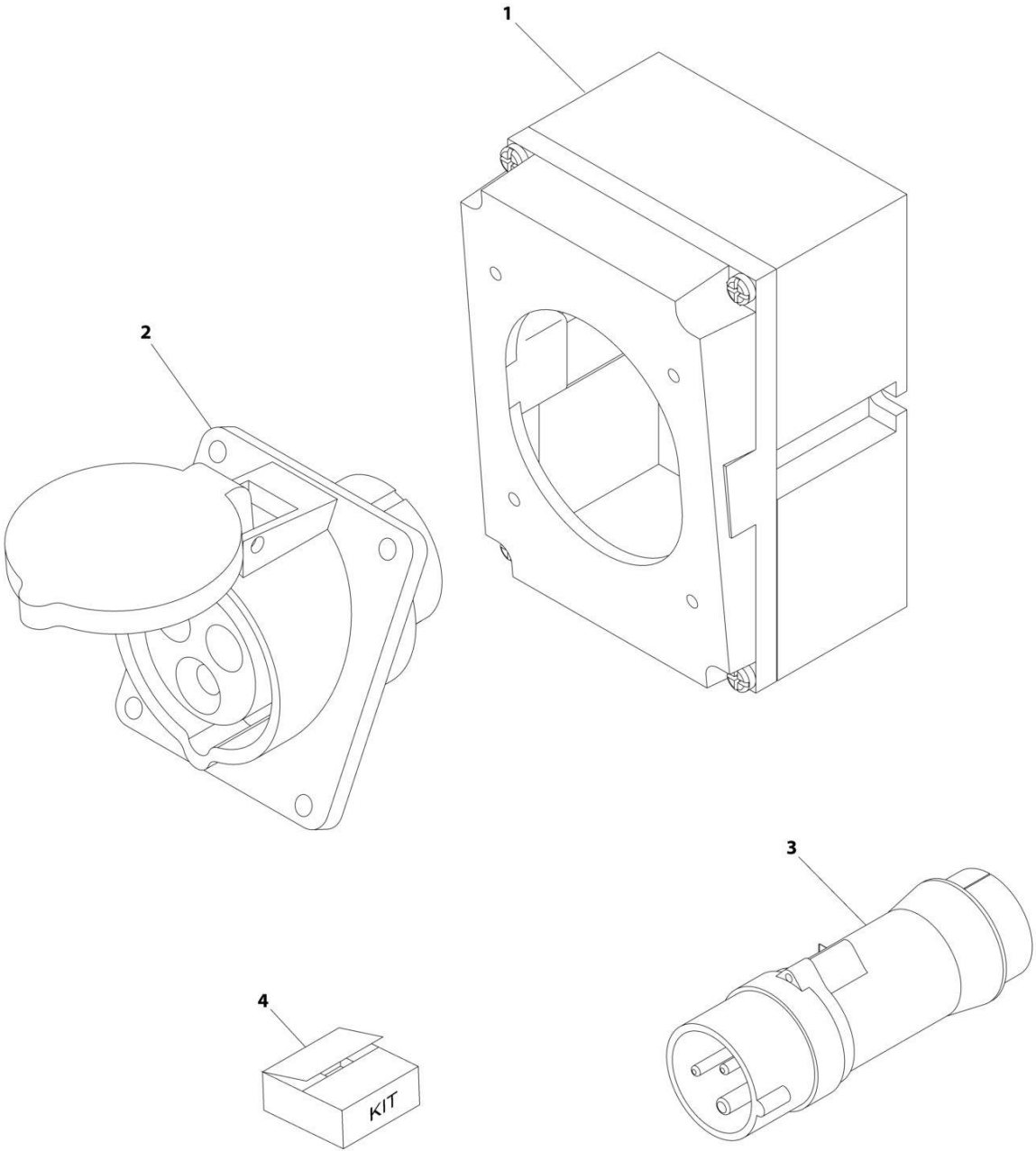
SECTION 8 - ELECTRICAL

FIGURE 8-31. PLATFORM CONTROL BOX HARNESS - DUAL FUEL MACHINES (WITH AUTO LEVELING JACKS AND GENERATOR)

ITEM	PART NUMBER	QTY	DESCRIPTION	REV
	4923533	Ref	CONSOLE BOX HARNESS	A
1	4460266	1	Connector Receptacle, Female - 9 Position	
2	4460267	8	Pin, Male	
3	4460259	25	Terminal	
4	4460260	25	Cover, Terminal	
5	4460115	2	Terminal, Fork	
6	4460183	2	Terminal, Fork	
7	4460817	1	Connector - 5 Position	
8	4460818	1	Connector - 10 Position	
9	4460819	1	Connector - 11 Position	
10	4460465	19	Socket, Female	
21	4460016	2	Terminal	
22	3990010	1	Diode	
23	4460035	1	Connector	

SECTION 8 - ELECTRICAL

FIGURE 8-32. RECEPTACLE BOX KIT - 110V IEC YELLOW (CE SPEC)



ART_0275216

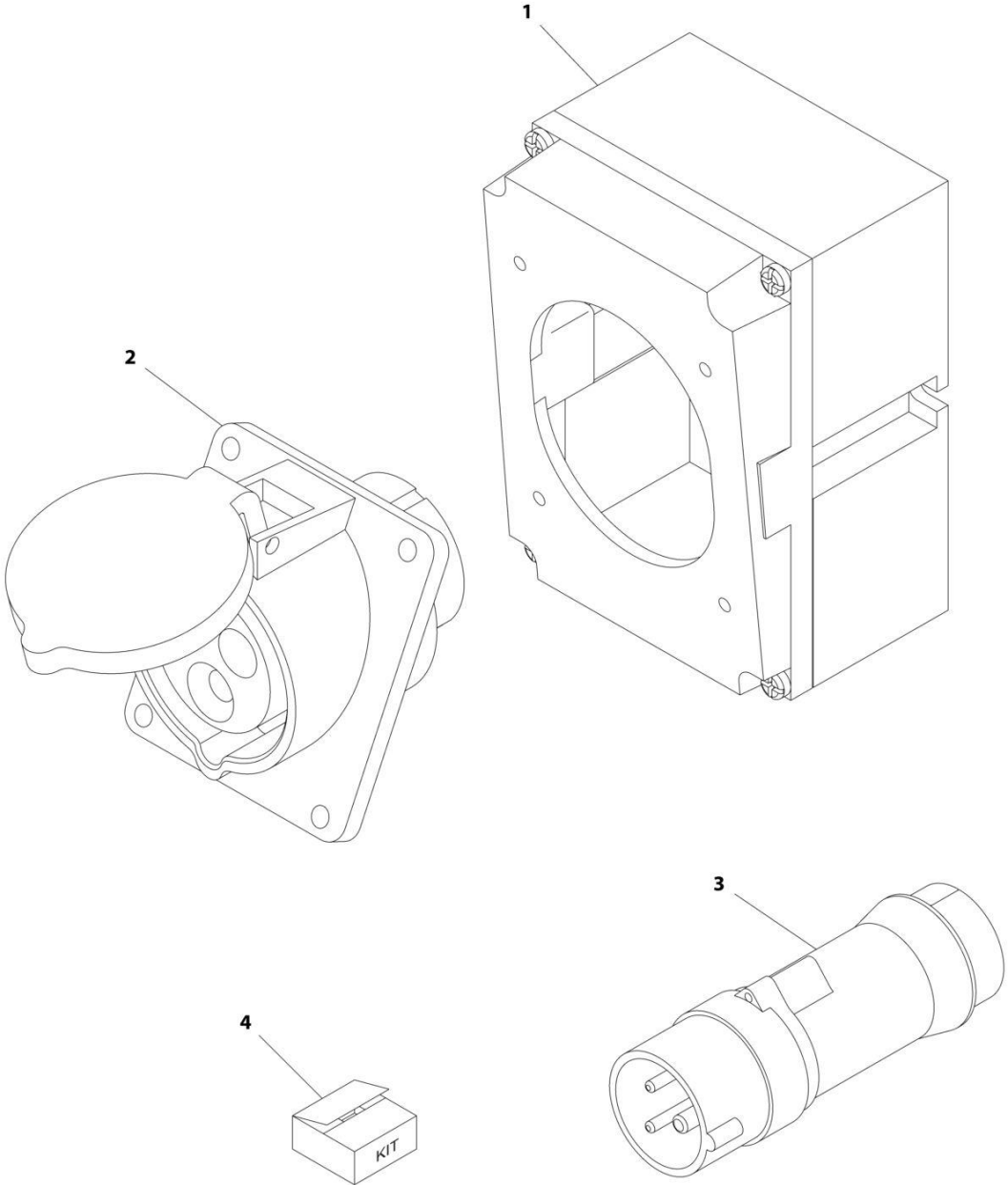
SECTION 8 - ELECTRICAL

FIGURE 8-32. RECEPTACLE BOX KIT - 110V IEC YELLOW (CE SPEC)

ITEM	PART NUMBER	QTY	DESCRIPTION	REV
	0275216	Ref	RECEPTACLE BOX KIT - 110V IEC YELLOW	B
1	0861781	1	Box, Switch	
2	4461198	1	Receptacle	
3	4461196	1	Plug, Male	
4	1001100341	1	Plug and Socket Kit (Includes Items 1-3 and Female Plug p/n 4461197)	

SECTION 8 - ELECTRICAL

FIGURE 8-33. RECEPTACLE BOX KIT - 220V IEC BLUE (CE SPEC)



ART_0275217

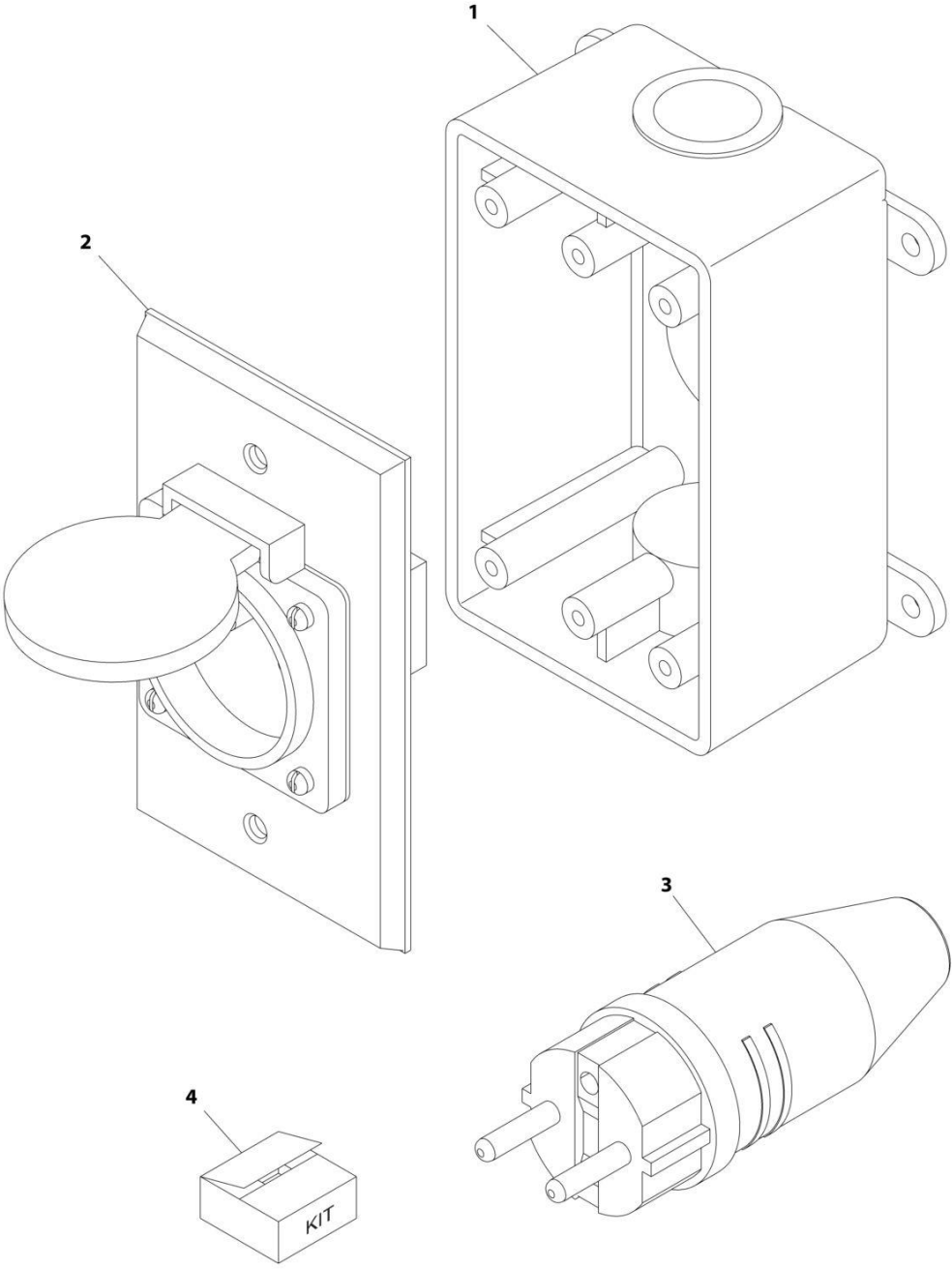
SECTION 8 - ELECTRICAL

FIGURE 8-33. RECEPTACLE BOX KIT - 220V IEC BLUE (CE SPEC)

ITEM	PART NUMBER	QTY	DESCRIPTION	REV
	0275217	Ref	RECEPTACLE BOX KIT - 220V IEC BLUE	B
1	0861781	1	Box, Switch	
2	4461201	1	Receptacle	
3	4461199	1	Plug, Male	
4	1001100342	1	Plug and Socket Kit (Includes Items 1-3 and Female Plug p/n 4461200)	

SECTION 8 - ELECTRICAL

FIGURE 8-34. RECEPTACLE BOX KIT - 220V CEE7 POST GROUND 2IN X 4IN (CE SPEC)



ART_0275452-C

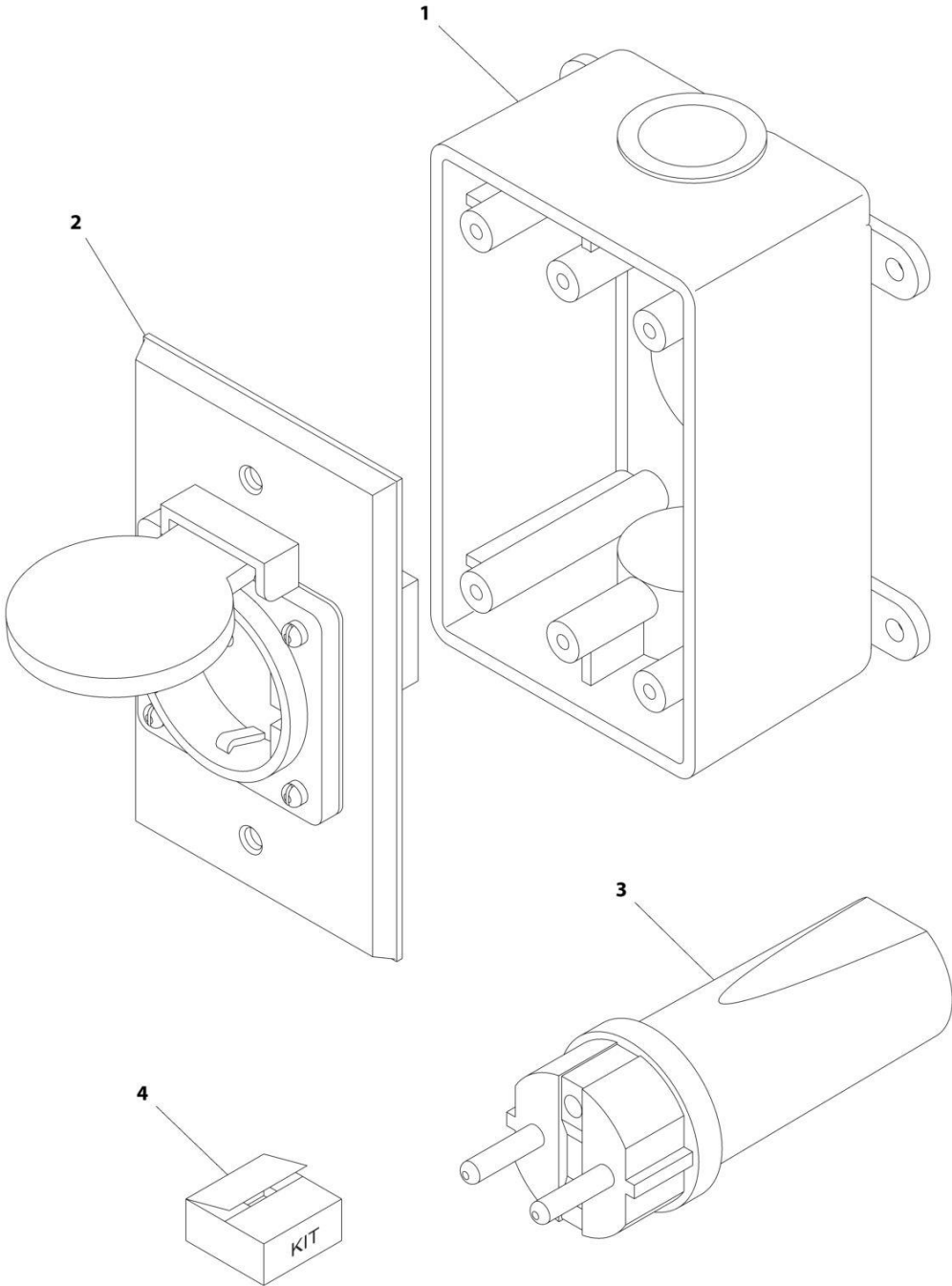
SECTION 8 - ELECTRICAL

FIGURE 8-34. RECEPTACLE BOX KIT - 220V CEE7 POST GROUND 2IN X 4IN (CE SPEC)

ITEM	PART NUMBER	QTY	DESCRIPTION	REV
	0275452	Ref	RECEPTACLE BOX KIT - 220V CEE7 POST GROUND 2IN X 4IN BOX	C
1	0861731	1	Box, Switch	
2	4461244	1	Receptacle	
3	4461205	1	Plug, Male	
4	1001100345	1	Plug and Socket Kit (Includes Items 1-3 and Female Plug p/n 4461203))	

SECTION 8 - ELECTRICAL

FIGURE 8-35. RECEPTACLE BOX KIT - 220V CEE7 SIDE GROUND 2IN X 4IN (CE SPEC)



ART_0275453

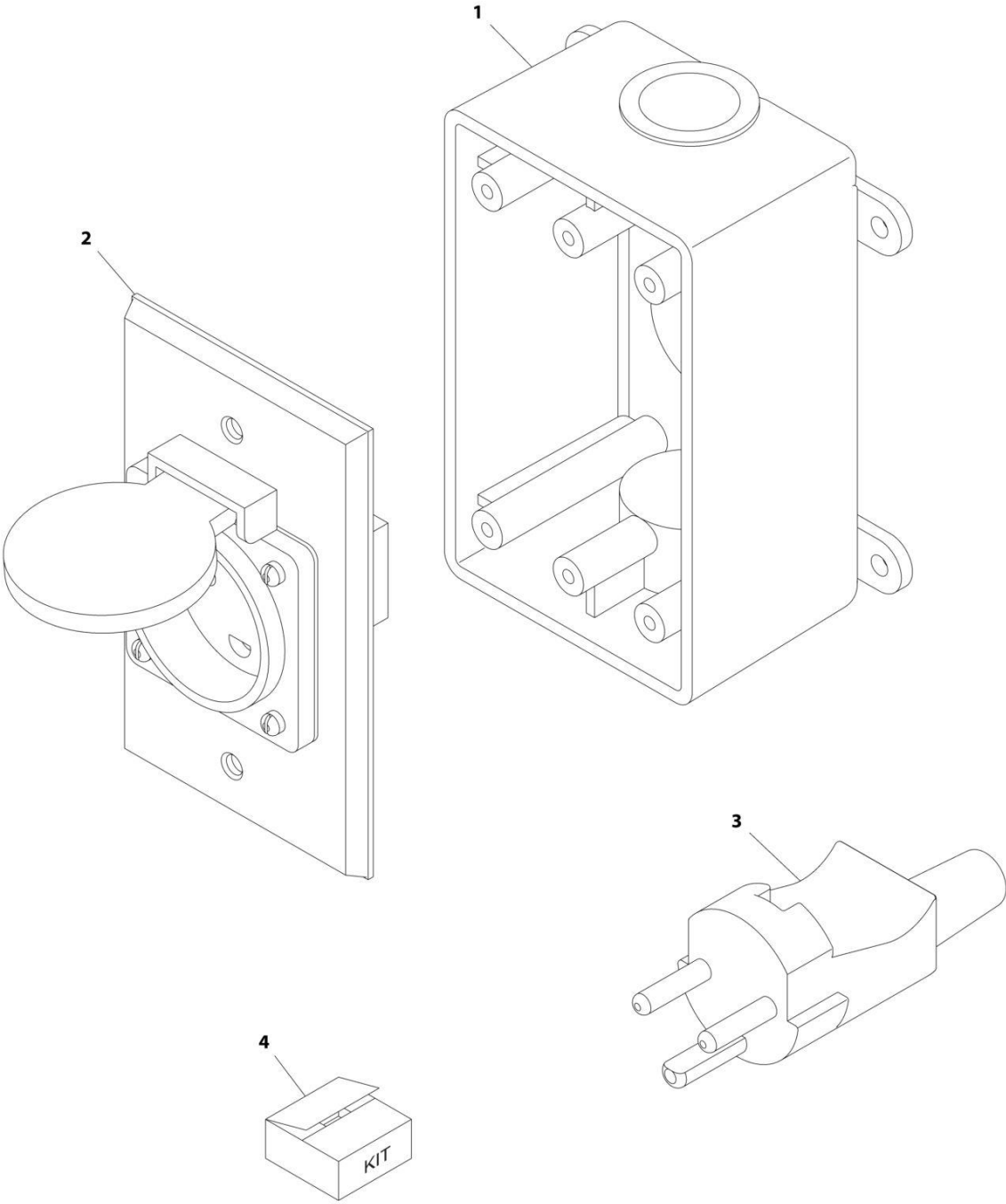
SECTION 8 - ELECTRICAL

FIGURE 8-35. RECEPTACLE BOX KIT - 220V CEE7 SIDE GROUND 2IN X 4IN (CE SPEC)

ITEM	PART NUMBER	QTY	DESCRIPTION	REV
	0275453	Ref	RECEPTACLE BOX KIT - 220V CEE7 SIDE GROUND	B
1	0861731	1	Box, Switch	
2	4461245	1	Receptacle	
3	4461205	1	Plug, Male	
4	1001100347	1	Plug and Socket Kit (Includes Items 1-3 and Female Plug p/n 4461206)	

SECTION 8 - ELECTRICAL

FIGURE 8-36. RECEPTACLE BOX KIT - 220V AFSINT 107 (CE SPEC)



ART_0275454

SECTION 8 - ELECTRICAL

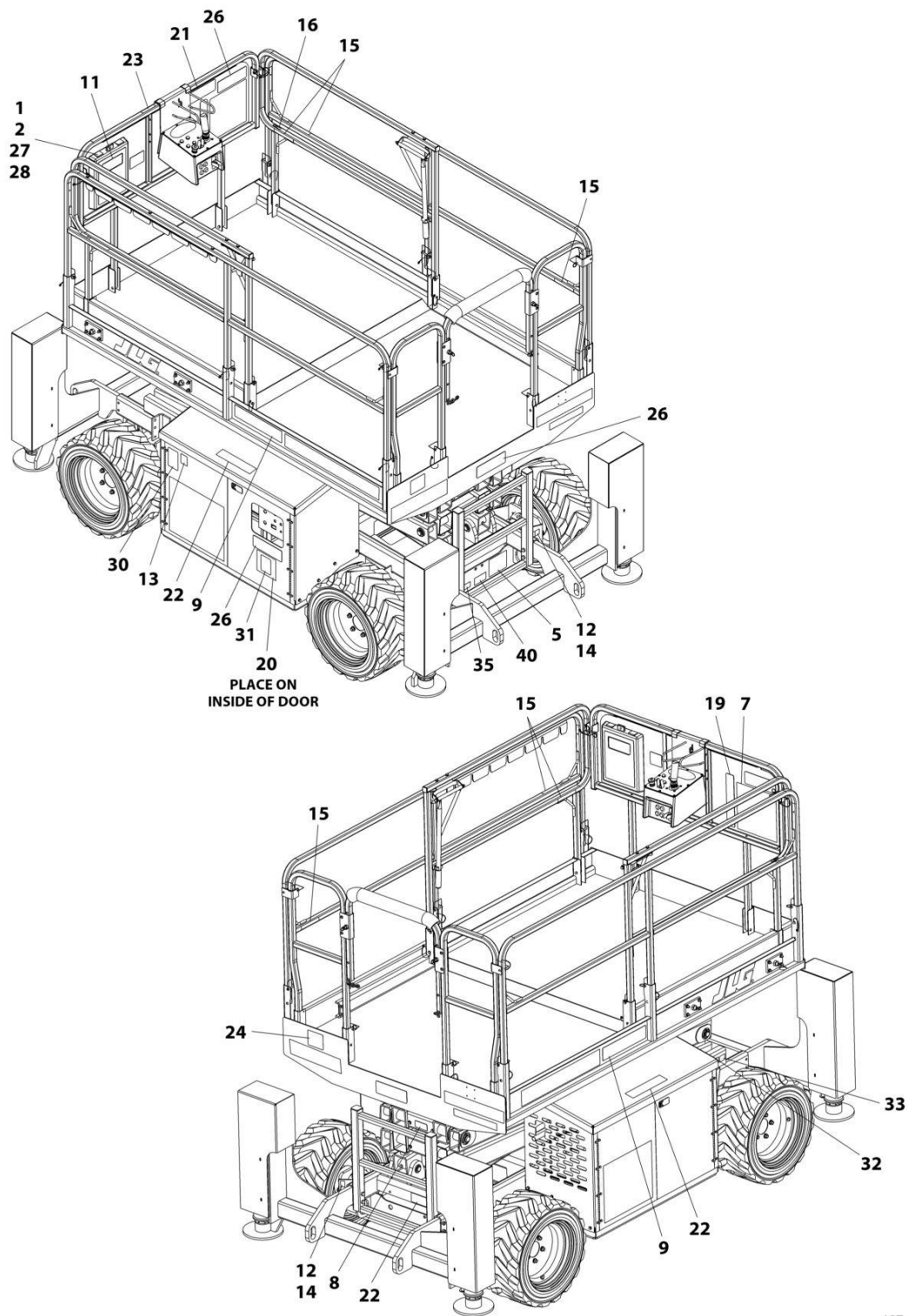
FIGURE 8-36. RECEPTACLE BOX KIT - 220V AFSINT 107 (CE SPEC)

ITEM	PART NUMBER	QTY	DESCRIPTION	REV
	0275454	Ref	RECEPTACLE BOX KIT - 220V AFSINT 107	B
1	0861731	1	Box, Switch	
2	4461246	1	Receptacle	
3	4461249	1	Plug, Male	
4	1001100346	1	Plug and Socket Kit (Includes Items 1-3 and Female Plug p/n 4461250)	

SECTION 9 - DECALS

SECTION 9 - DECALS

FIGURE 9-1. DECAL INSTALLATION - ANSI SPEC



ART_0259792

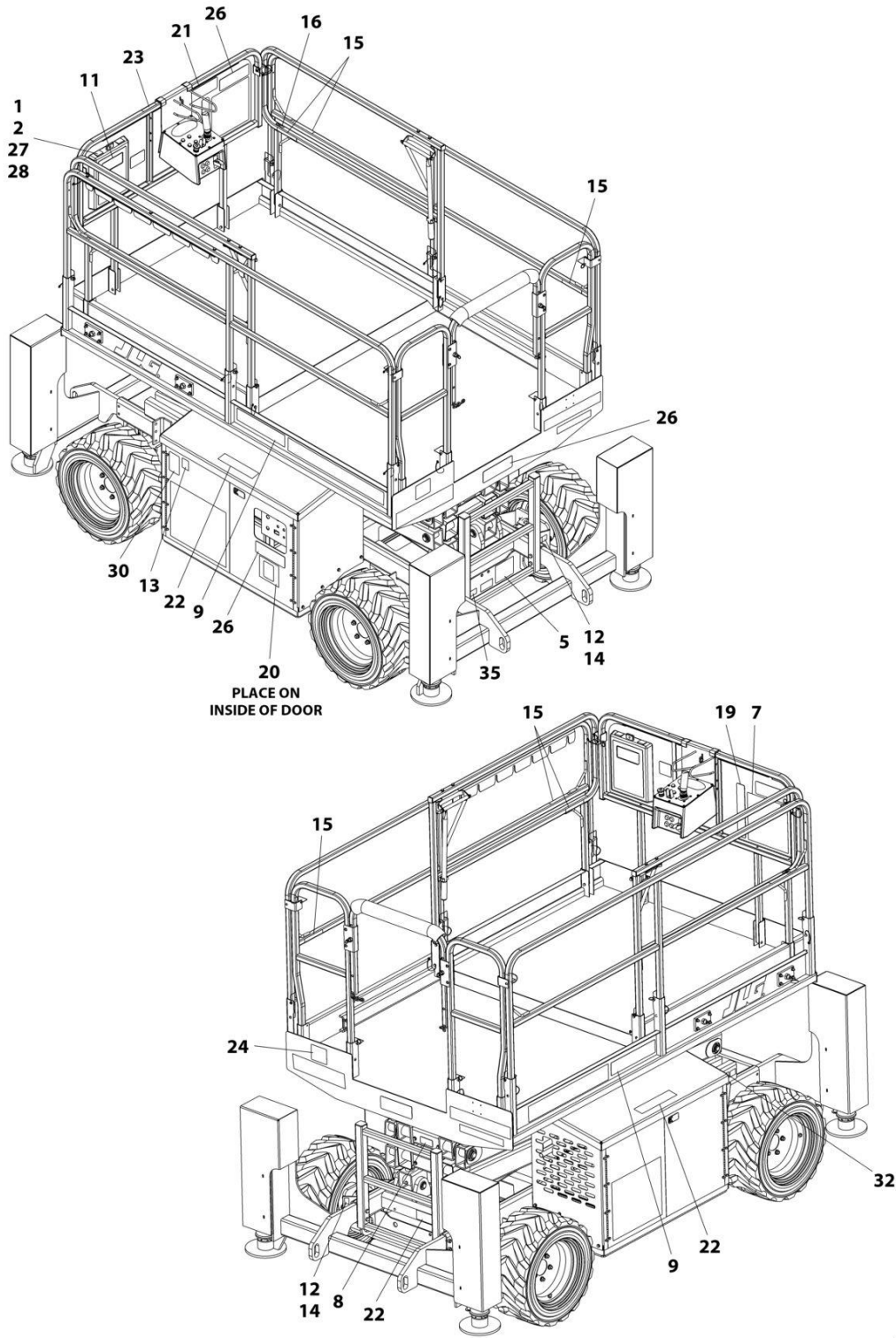
SECTION 9 - DECALS

FIGURE 9-1. DECAL INSTALLATION - ANSI SPEC

ITEM	PART NUMBER	QTY	DESCRIPTION	REV
	0259792	Ref	DECAL INSTALLATION	N
1	0641405	4	Bolt 1/4 x 5/8	
2	0860520	1	Box, Manual Storage	
5	See Note	NSS	Decal - Bar Code (Note: Not Available for Purchase)	
7	1703816	1	Decal - Danger/Warning	
8	1704138	2	Decal - Safety Prop	
9	1704529	2	Decal - 260MRT	
11	1701509	1	Decal - Manual Reference	
12	1703811	4	Decal - Lifting Lugs	
13	1703812	1	Decal - Hydraulic Oil	
14	1703814	4	Decal - Tie Down	
15	1704277	8	Decal - Attach Lanyard Here	
16	1703819	1	Decal - Directional Arrow	
19	1704480	1	Decal - Legend	
20	1704556	1	Decal - Towing/Winching/Tow Speed	
21	1703696	1	Decal - Gradeability	
22	1703818	4	Decal - Warning Crushing Hazard/Danger Electrocutation	
23	1703821	1	Decal - Control Box Location	
24	3251813	1	Decal - USA	
26	3252689	3	Nameplate - Capacity	
27	3311405	4	Nut 1/4	
28	4711400	8	Washer 1/4	
30	1704412	1	Decal - Hydraulic Oil	
31	1001131270	1	Decal - Patent	
32	2080057	4	Fastener, Amtak	
33	1705303	1	Decal - CSA Spec	
35	1001223055	1	Decal - Yearly Inspection	
40	1001223453	1	Decal - ICES (Canada Spec Only)	

SECTION 9 - DECALS

FIGURE 9-2. DECAL INSTALLATION - BRAZIL SPECS (SPANISH/PORTUGUESE)



ART_0259795

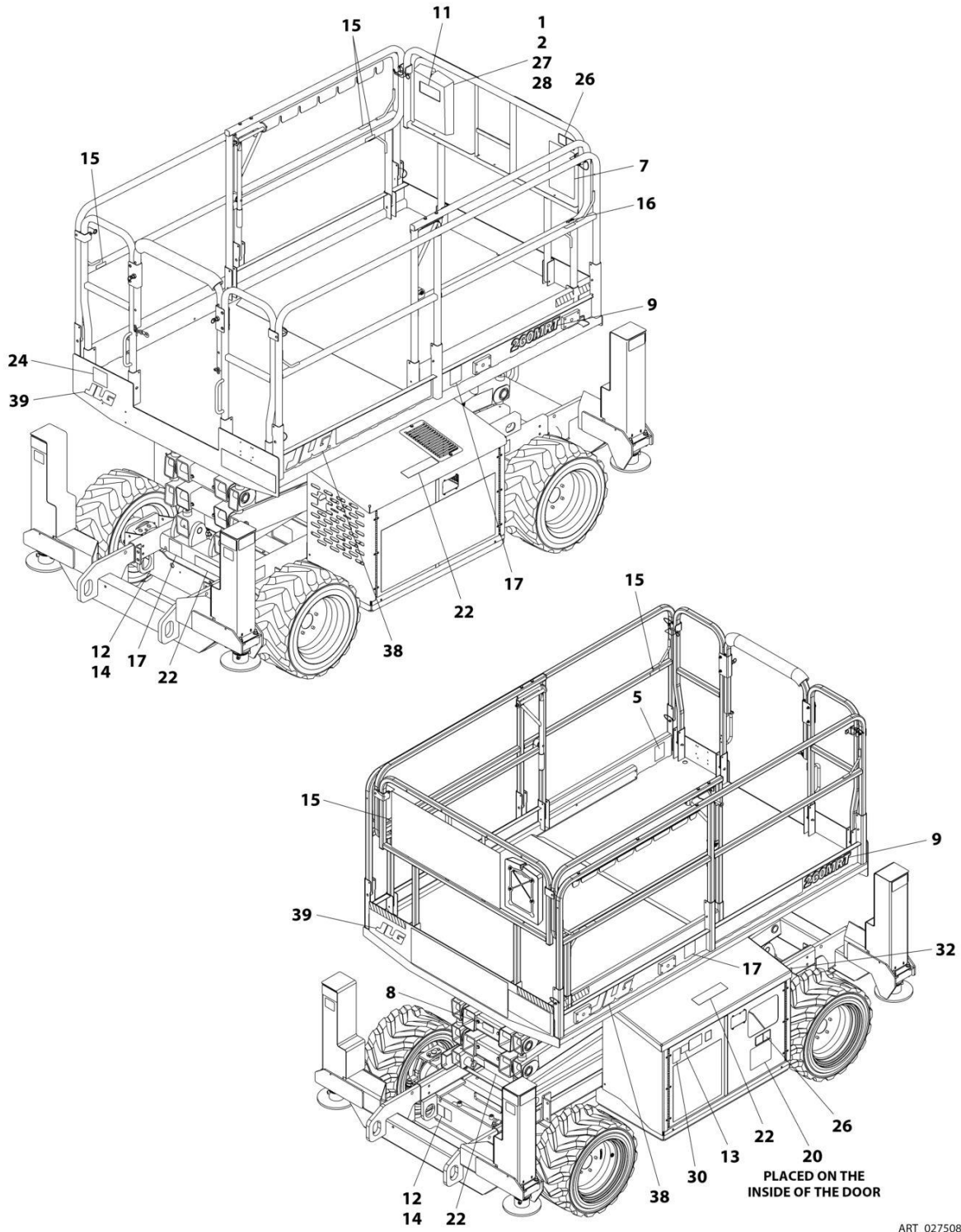
SECTION 9 - DECALS

FIGURE 9-2. DECAL INSTALLATION - BRAZIL SPECS (SPANISH/PORTUGUESE)

ITEM	PART NUMBER	QTY	DESCRIPTION	REV
	0259795	Ref	DECAL INSTALLATION	K
1	0641405	4	Bolt 1/4 x 5/8	
2	0860520	1	Box, Manual Storage	
5	See Note	NSS	Decal - Bar Code (Note: Not Available for Purchase)	
7	1704699	1	Decal - Danger/Warning	
8	1704138	2	Decal - Safety Prop	
9	1704529	2	Decal - 260MRT	
11	1701509	1	Decal - Manual Reference	
12	1703811	4	Decal - Lifting Lugs	
13	1703812	1	Decal - Hydraulic Oil	
14	1703814	4	Decal - Tie Down	
15	1704277	8	Decal - Attach Lanyard Here	
16	1703819	1	Decal - Directional Arrow	
19	1704700	1	Decal - Legend	
20	1704623	1	Decal - Towing/Winching/Tow Speed	
21	1704748	1	Decal - Gradeability	
22	1704701	4	Decal - Warning Crushing Hazard/Danger Electrocutation	
23	1704702	1	Decal - Control Box Location	
24	3251813	1	Decal - USA	
26	3252689	3	Nameplate - Capacity	
27	3311405	4	Nut 1/4	
28	4711400	8	Washer 1/4	
30	1704412	1	Decal - Hydraulic Oil	
32	2080057	4	Fastener, Amtak	
35	1001224052	1	Decal - Yearly Inspection	

SECTION 9 - DECALS

FIGURE 9-3. DECAL INSTALLATION - CE SPEC



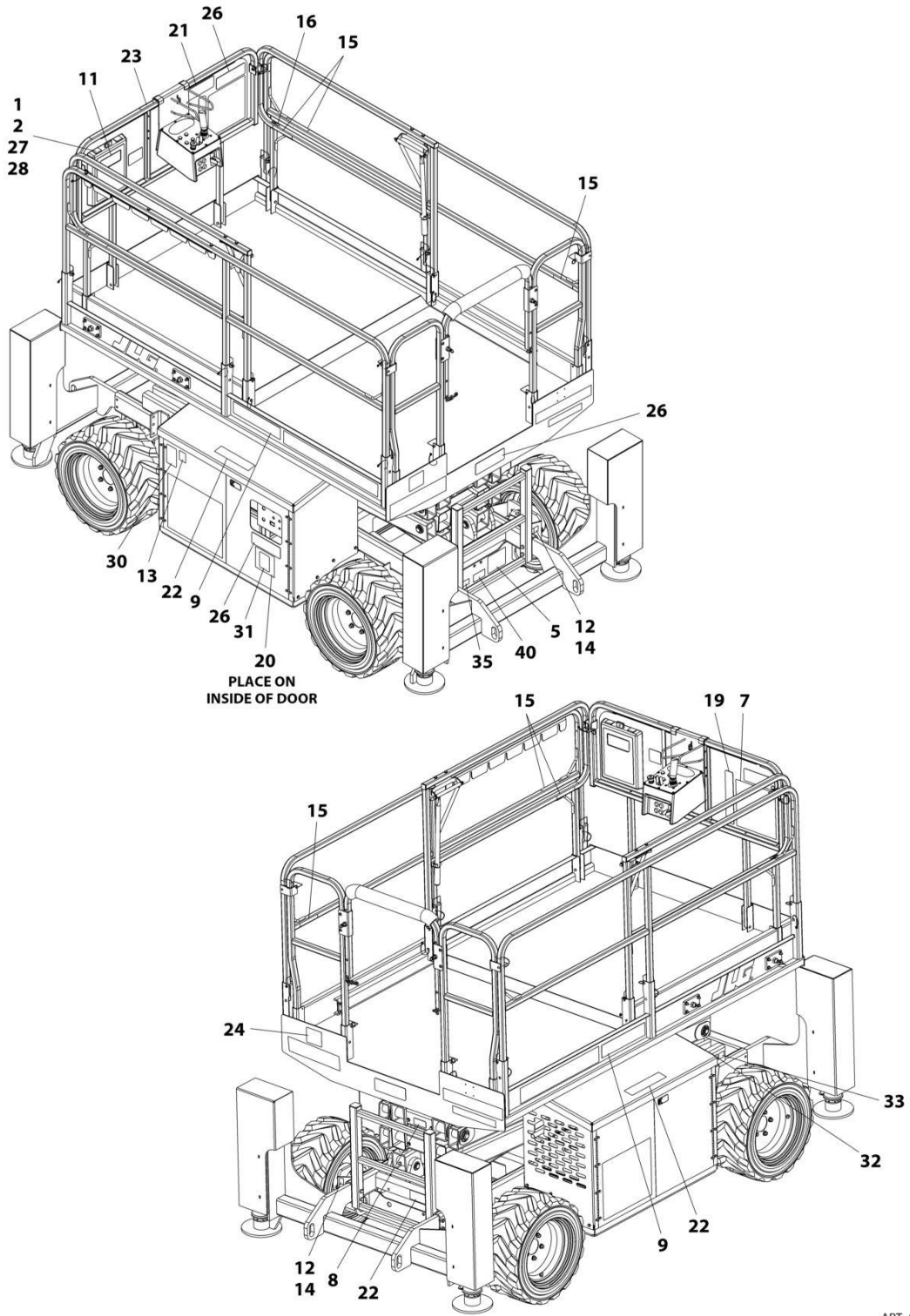
SECTION 9 - DECALS

FIGURE 9-3. DECAL INSTALLATION - CE SPEC

ITEM	PART NUMBER	QTY	DESCRIPTION	REV
	0275087	Ref	DECAL INSTALLATION	G
	1001218096	Ref	Decal Installation Reference Chart	B
1	0641405	4	Bolt 1/4 x 5/8	
2	0860520	1	Box, Manual Storage	
5	See Note	NSS	Decal - Bar Code (Note: Not Available for Purchase)	
7	1704548	1	Decal - Capacity	
8	1704138	2	Decal - Safety Prop	
9	1704529	2	Decal - 260MRT	
11	1701509	1	Decal - Manual Reference	
12	1703811	4	Decal - Lifting Lugs	
13	1703812	1	Decal - Hydraulic Oil	
14	1703814	4	Decal - Tie Down	
15	1704277	8	Decal - Attach Lanyard Here	
16	1703819	1	Decal - Directional Arrow	
17	1705084	3	Decal - Sound Power Level Decal	
20	1706332	1	Decal - Towing/Winching	
22	1706338	4	Decal - Electrocutation/Crushing	
24	3251813	1	Decal - USA	
26	1705671	AR	Decal - Electrocutation	
27	3311405	4	Nut 1/4	
28	4711400	8	Washer 1/4	
30	1704412	1	Decal - Hydraulic Oil	
32	2080057	4	Fastener, Amtak	
38	1702773	2	Decal - JLG (5in Height)	
39	1701435	2	Decal - JLG (3-1/2in Height)	

SECTION 9 - DECALS

FIGURE 9-4. DECAL INSTALLATION - CSA (ENGLISH/FRENCH)



ART_0272257

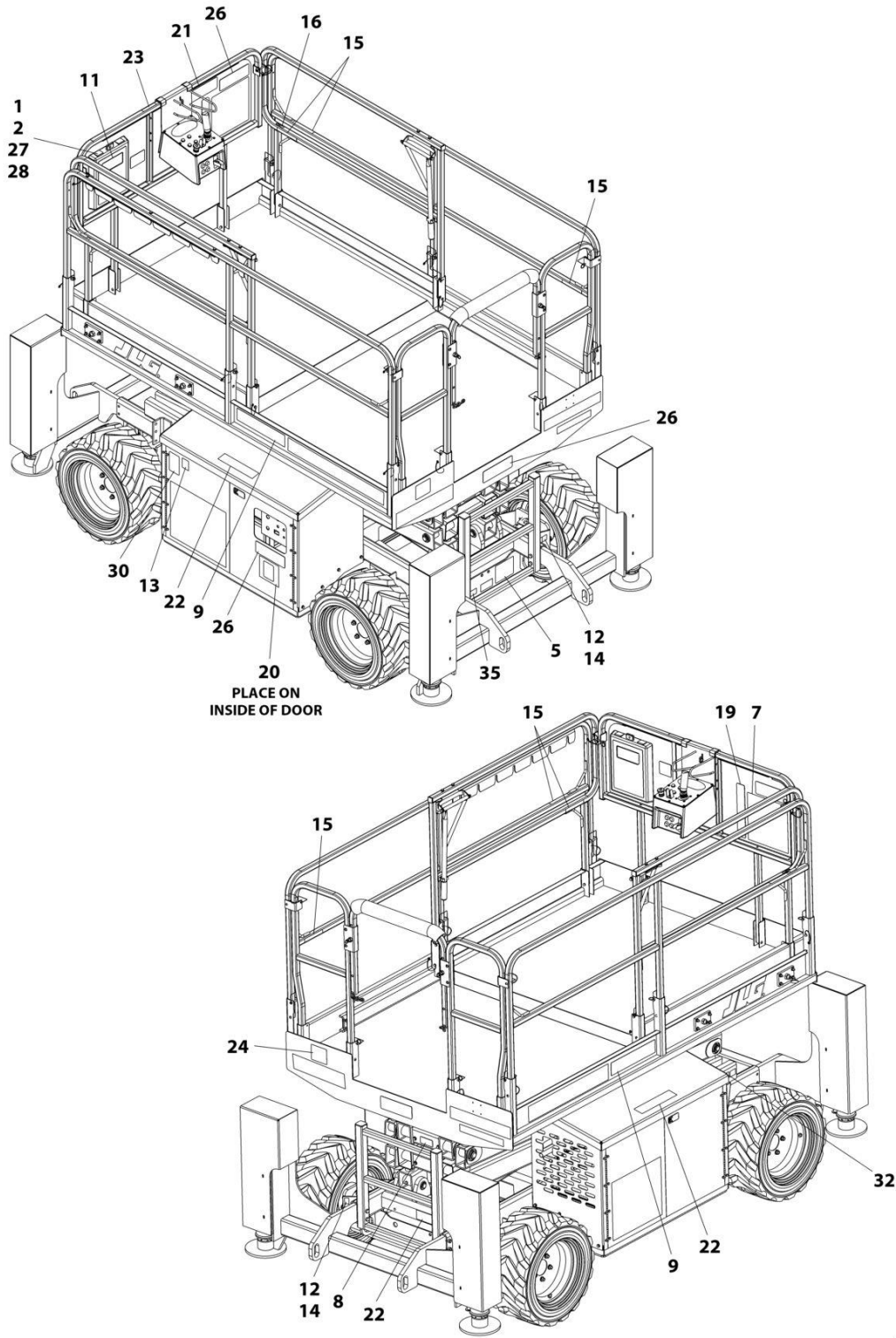
SECTION 9 - DECALS

FIGURE 9-4. DECAL INSTALLATION - CSA (ENGLISH/FRENCH)

ITEM	PART NUMBER	QTY	DESCRIPTION	REV
	0272257	Ref	DECAL INSTALLATION	H
1	0641405	4	Bolt 1/4 x 5/8	
2	0860520	1	Box, Manual Storage	
5	See Note	NSS	Decal - Bar Code (Note: Not Available for Purchase)	
7	1704684	1	Decal - Danger/Warning	
8	1704138	2	Decal - Safety Prop	
9	1704529	2	Decal - 260MRT	
11	1701509	1	Decal - Manual Reference	
12	1703811	4	Decal - Lifting Lugs	
13	1703812	1	Decal - Hydraulic Oil	
14	1703814	4	Decal - Tie Down	
15	1704277	8	Decal - Attach Lanyard Here	
16	1703819	1	Decal - Directional Arrow	
19	1704685	1	Decal - Legend	
20	1704688	1	Decal - Towing/Winching/Tow Speed	
21	1704597	1	Decal - Gradeability	
22	1704686	4	Decal - Warning Crushing Hazard/Danger Electrocution	
23	1704687	1	Decal - Control Box Location	
24	3251813	1	Decal - USA	
26	3252689	3	Nameplate - Capacity	
27	3311405	4	Nut 1/4	
28	4711400	8	Washer 1/4	
30	1704412	1	Decal - Hydraulic Oil	
32	2080057	4	Fastener, Amtak	
33	1705303	Ref	Decal - CSA Spec	
35	1001223971	1	Decal - Yearly Inspection	
40	1001223453	1	Decal - ICES (Canada Spec Only)	

SECTION 9 - DECALS

FIGURE 9-5. DECAL INSTALLATION - LATIN AMERICAN SPECS (ENGLISH/SPANISH)



ART_0259794

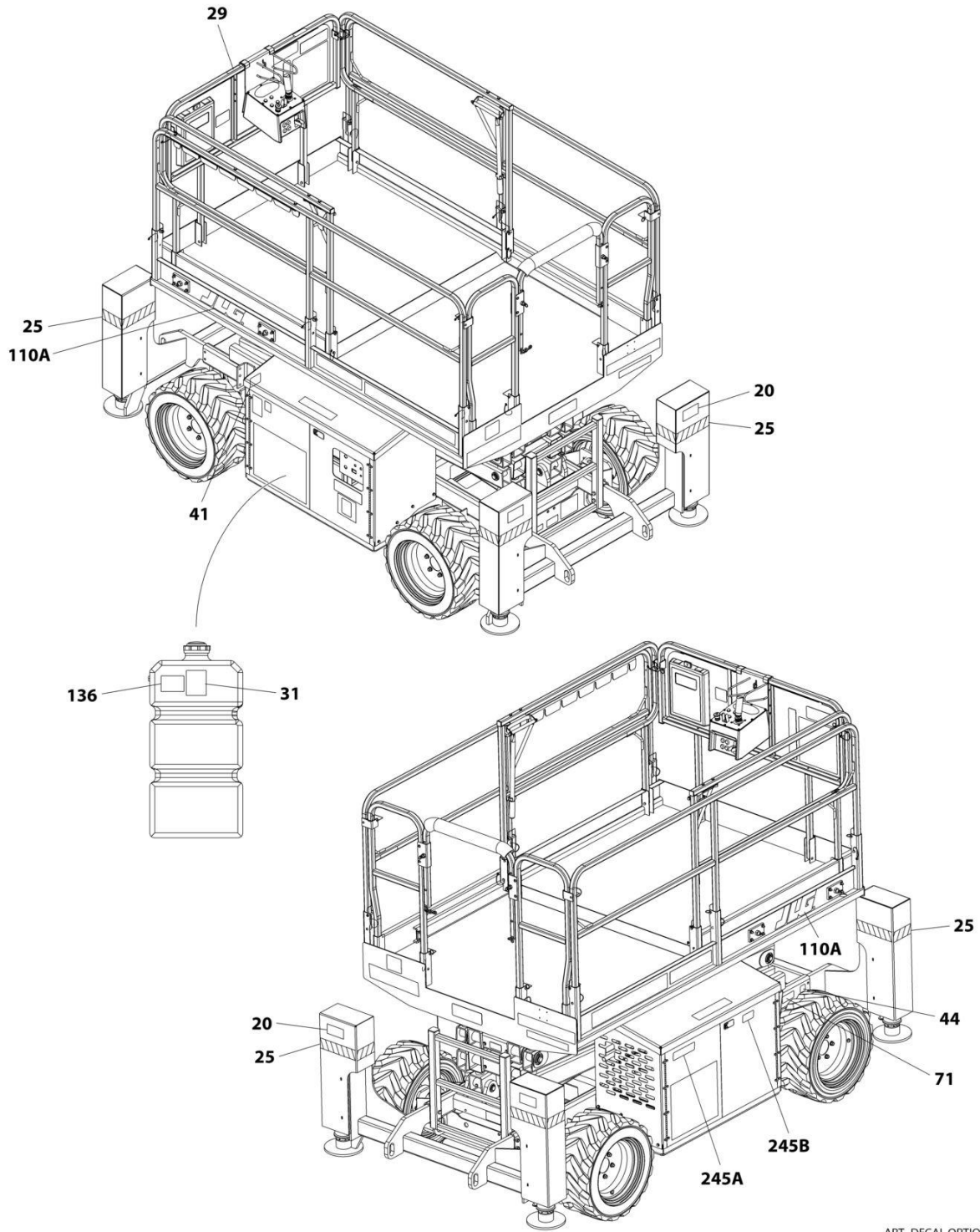
SECTION 9 - DECALS

FIGURE 9-5. DECAL INSTALLATION - LATIN AMERICAN SPECS (ENGLISH/SPANISH)

ITEM	PART NUMBER	QTY	DESCRIPTION	REV
	0259794	Ref	DECAL INSTALLATION	K
1	0641405	4	Bolt 1/4 x 5/8	
2	0860520	1	Box, Manual Storage	
5	See Note	NSS	Decal - Bar Code (Note: Not Available for Purchase)	
7	1704691	1	Decal - Danger/Warning	
8	1704138	2	Decal - Safety Prop	
9	1704529	2	Decal - 260MRT	
11	1701509	1	Decal - Manual Reference	
12	1703811	4	Decal - Lifting Lugs	
13	1703812	1	Decal - Hydraulic Oil	
14	1703814	4	Decal - Tie Down	
15	1704277	8	Decal - Attach Lanyard Here	
16	1703819	1	Decal - Directional Arrow	
19	1704692	1	Decal - Legend	
20	1704695	1	Decal - Towing/Winching/Tow Speed	
21	1704598	1	Decal - Gradeability	
22	1704693	4	Decal - Warning Crushing Hazard/Danger Electrocutation	
23	1704694	1	Decal - Control Box Location	
24	3251813	1	Decal - USA	
26	3252689	3	Nameplate - Capacity	
27	3311405	4	Nut 1/4	
28	4711400	8	Washer 1/4	
30	1704412	1	Decal - Hydraulic Oil	
32	2080057	4	Fastener, Amtak	
35	1001224049	1	Decal - Yearly Inspection	

SECTION 9 - DECALS

FIGURE 9-6. DECAL INSTALLATION - OPTIONS



ART_DECAL OPTIONS

SECTION 9 - DECALS

FIGURE 9-6. DECAL INSTALLATION - OPTIONS

ITEM	PART NUMBER	QTY	DESCRIPTION	REV
		Ref	DECAL INSTALLATION - REFERENCE CHART	
	1001249141	Ref	DECAL INSTALLATION - OPTIONS	C
20	1701214	8	Decal - Outrigger Warning (ANSI and ANSI Export Specs) (English)	
20	1701785	8	Decal - Outrigger Warning (Australian and CE Specs) (English)	
20	1704698	8	Decal - Outrigger Warning (Brazilian Spec) (Spanish/Portuguese)	
20	1704690	8	Decal - Outrigger Warning (CSA Specs) (English/French)	
20	1704697	8	Decal - Outrigger Warning (Latin American Spec) (English/Spanish)	
25	0251642	Ref	Decal - Warning Stripes Installation	
25	4420051	4 ft/ 1.22m	Tape, Safety	
29	1001231801	1	Decal - Warning Prop 65 (ANSI Specs)	
31	1701505	1	Decal - Fuel (Diesel)	
31	1701542	1	Decal - Fuel (Dual Fuel)	
41	1700818	1	Decal - LP Gas (ANSI, ANSI Export and CSA Specs) (English)	
41	1702720	1	Decal - LP Gas (ANSI Export Specs) (Spanish)	
41	1704271	1	Decal - LP Gas (CSA Spec) (English/French)	
44	1704559	4	Decal - Max Tire load	
71	See Note	NSS	Nameplate - Serial Number (Note: Not Available for Purchase)	
110	0270262	Ref	JLG Logo Decal Installation	
110A	1702773	3	Decal - JLG	
136	1001108923	1	Decal - Ultra Low Sulfur Fuel (ANSI and CSA Specs) (Kubota Diesel Only)	
136	1001139654	1	Decal - Ultra Low Sulfur Fuel (CE Specs) (ISO)	
156	1001214029	Ref	EAC Decal Installation (Russian/CIS Specs)	A
156	1001173703	1	Decal - EAC	
245	1001229698	Ref	Decal - ClearSky Telematics Installation	
245A	1001116208	1	Decal - ClearSky	
245B	1001120989	1	Decal - Radio Frequency Device	

SECTION 10 - RECOMMENDED SERVICE PARTS STOCK

SECTION 10 - RECOMMENDED SERVICE PARTS STOCK

SECTION 10 - RECOMMENDED SERVICE PARTS STOCK

FIGURE 10-1. MODEL 260MRT STANDARD PARTS

ITEM	PART NUMBER	QTY	DESCRIPTION	REV
	Note	Ref	Note: The following list will service one machine (built to current production per date on the front cover) with emergency repair parts which can be installed in the field. Parts from the list should be replaced when inventory is depleted to keep service parts stock supplied. For further information, contact your JLG dealer or the JLG Industries Parts Department.	
		Ref	STANDARD PARTS	
	2120210	4	Element	
	7012944	1	Coil	
	7021376	1	Coil	
	4360070	1	Breaker, Circuit 15Amp	
	4360328	1	Switch, Toggle	
	4360387	1	Switch, Yellow Push Button	
	2860030	1	Key, Replacement	
	4360475	1	Switch, E-Stop	
	1001102811	1	Switch Kit, Dual Axis	
	2940074	1	Latch	
	4360482	1	Switch, Toggle	
	4360483	1	Switch, Toggle	
	1600403	1	Drive/Steer Controller	
	3990010	2	Diode	
	2400056	2	Fuse - 5Amp	

SECTION 10 - RECOMMENDED SERVICE PARTS STOCK

FIGURE 10-2. MODEL 260MRT VARIABLE PARTS

ITEM	PART NUMBER	QTY	DESCRIPTION	REV
	Note	Ref	Note: The following list will service one machine (built to current production per date on the front cover) with emergency repair parts which can be installed in the field. Parts from the list should be replaced when inventory is depleted to keep service parts stock supplied. For further information, contact your JLG dealer or the JLG Industries Parts Department.	
		Ref	VARIABLE PARTS	
	4360548	1	Switch, Limit (Auto Leveling Jacks)	
	7024501	1	Coil (Auto Leveling Jacks)	
	3740049	1	Relay	
	7025479	1	Solenoid, Stop (Diesel)	
	70004395	12	Filter, Oil (Diesel)	
	7017901	1	Switch, Oil (Diesel)	
	7017950	4	Element, Fuel (Diesel)	
	7017938	4	Element, Breather (Diesel)	
	7017980	4	Filter, Oil (Dual Fuel)	
	7017992	4	Filter, Fuel (Dual Fuel)	
	4360469	1	Switch, Key	
	4360548	1	Switch, Limit	
	1001181045	1	Breaker 16Amp/30mAmp Combination (CE Spec with 2 Breaker Box)	
	1001189172	1	Breaker 16Amp (Box with 3 Breakers)	
	1001189171	1	Breaker 30mAmp (Box with 3 Breakers)	

SECTION 11 - SPECIAL OPTIONS

SECTION 11 - SPECIAL OPTIONS

FIGURE 11-1. SPECIAL OPTIONS

ITEM	PART NUMBER	QTY	DESCRIPTION	REV
	Note	Ref	Note: This list is to accommodate machines ordered with special equipment. Options may not be applicable to all models. For more specific parts information contact JLG Parts Department.	
		Ref	MISCELLANEOUS SPECIAL OPTIONS	
	0274537	Ref	Airline Installation	
	0272099	Ref	Cylinder Bellows Installation	
	1001236961	Ref	Belt and Fan Shield Add-On Kit (Kubota D1005 T4I Engines) (Australian Specs)	
		Ref	Factory Installed:	
	1001229107	Ref	ClearSky (Telematics) Installation (Factory Installed) - 3 Wire Connection (ANSI and CSA Specs)	
	1001233237	Ref	ClearSky (Telematics) Installation (Factory Installed) - 3 Wire Connection (ANSI Export and CE Specs)	
	1001112912	Ref	Cold Weather Start Kits (Not Available on Australian and CE Spec Machines)	
		Ref	Decal Installations	
	1702788	Ref	Decal - Biodegradable Oil (PVC 1910)	
		Ref	Decal Kit Options:	
	2901912	Ref	Master Kit	
	2901914	Ref	Multi-Color Kit (ANSI Specs)	
	2901926	Ref	Multi-Color Kit (Brazilian Spec)	
	2901938	Ref	Multi-Color Kit (CSA Spec)	
	2901939	Ref	Multi-Color Kit (Latin American Spec)	
		Ref	Electrical Connector Kits	
	1001148902	Ref	Amp/Tyco Electrical Connector Kit	
	1001148903	Ref	Deutsch DT Electrical Connector Kit	
	1001148904	Ref	Deutsch HD Electrical Connector Kit	
	1001148905	Ref	Packard Electrical Connector Kit	
	1001148906	Ref	Various Electrical Connectors Kit	
	0274423	Ref	Engine Block Heater Installation (Diesel Engine Machines)	
		Ref	Filter Kits:	
	1001111698	Ref	Combined Filter Kit (Hydraulic/Air and Fuel/Engine Oil)	
	1001111671	Ref	Hydraulic/Air Filter	
	1001111681	Ref	Fuel/Engine Oil Filter	
	0274849	Ref	Fire Extinguisher Installation	
	1001209659	Ref	Fuel Cap Cover (Lockable) (Black) (Dual Fuel Machines)	
	1001191395	Ref	Fuel Cap Cover (Lockable) (Green) (Diesel Machines)	
	1001205441	Ref	Fuel Cap Cover (Lockable) (Red) (Dual Fuel Machines)	
	1001202749	Ref	Fuel Cap Cover (Lockable) (Black) (Diesel Machines)	
	1001262560	Ref	Platform Self Closing Gate (Add-On) (Dealer Installed)	
	1001243599	Ref	Platform Work Lights Installation (Portable)	
	0100040	Ref	Sealant	
	2901881	Ref	Tie-Straps Kit	
		Ref	Tools for Service	
	7002818	Ref	Crimper (For Wire to Pin/Socket Connections)	
	7002823	Ref	Extractor (For Removal of Pin/Socket from Connectors)	
	4460467	Ref	Extractor, Pin (Blue 16-18 Gauge) (For Removal of Pin/Socket from Connectors)	
	4460510	Ref	Extractor, Pin (Yellow 12-14 Gauge) (For Removal of Pin/Socket from Connectors)	

SECTION 11 - SPECIAL OPTIONS

ITEM	PART NUMBER	QTY	DESCRIPTION	REV
	7004275	Ref	Seal Tool (For 1in Diameter Seals)	
	7004276	Ref	Seal Tool (For 1-1/2in Diameter Seals)	
	7002826	Ref	Seal Tool (For 2in Diameter Seals)	
	2900838	Ref	U.S. Standards Fastener (Hardware) Kit	
	7014676	Ref	U.S. Standards Tool Kit	
	7002820	Ref	Arbor Set	
	1001137005	Ref	Software USB Cable Kit	
	0259814	Ref	Work Lights Installation	

PART NUMBER INDEX

SECTION 11 - SPECIAL OPTIONS

0080228.....121, 125	0275087 263	0700614 95	1001100342.....249
0100011 12, 25, 27, 29, 41, 43, 53, 55, 83, 85, 93, 95, 101, 105, 117, 121, 125, 136, 140, 143, 167, 169	0275216 189, 247	0700619 143	1001100345.....251
0100020.....39, 43, 63, 99	0275217 193, 249	0700814 95	1001100346.....255
0100038.....167, 169	0275452 197, 251	0701029 136, 140	1001100347.....253
0100040.....276	0275453 199, 253	0721005 ... 105, 185, 187, 189, 191, 193, 195, 197, 199	1001100370.....21, 23
0100048.....95	0275454 195, 255	0721006 83, 197, 199	1001100371.....21
0100051.....99	0362801 227	0760610 105	1001100372.....21
0100075.....179	0362931 91	0760808 105	1001100373.....21
0140011 145, 147, 149, 151, 153, 155, 157, 159	0370018 169	0760814 105	1001102512.....77, 79, 81
0140044.....31, 33	0400002 91, 99	0840025 91, 99	1001102811.....272
0181847 145, 147, 149, 151, 153, 155, 157, 159	0400003 91, 99	0840026 95, 103	1001107725.....95
0182035.....136, 140	0440228 12	0840046 99	1001108923.....269
0200680.....121, 125	0440241 121, 125	0840047 99	1001109533.....39
0200682.....121, 125	0440250 121, 125	0840055 223, 225	1001110710.....121
0200699.....121, 125	0440334 105	0860520 ... 259, 261, 263, 265, 267	1001110782.....122
0200700.....121, 125	0561414 129	0861357 ... 145, 147, 149, 151, 153, 155, 157, 159	1001111671.....276
0200701.....121, 125	0561474 136, 140	0861731 ... 185, 187, 191, 251, 253, 255	1001111681.....276
0200702.....121, 125	0610135 ... 145, 147, 149, 151, 153, 155, 157, 159	0861781 247, 249	1001111698.....276
0200728.....121, 125	0630476 140	0861880 207	1001112908.....81, 217
0200729.....121, 125	0641404 ... 65, 67, 69, 85, 145, 147, 149, 151, 153, 155, 157, 159	0901870 143	1001112909.....69, 75, 81
0240059.....129, 131	0641405 91, 259, 261, 263, 265, 267	0902421 121, 125	1001112912.....276
0251642.....269	0641406 ... 65, 67, 69, 71, 73, 75, 87, 91, 95, 103, 105, 143, 163	0902499 ... 145, 147, 149, 151, 153, 155, 157, 159	1001116208.....269
0259648.....12	0641407 .41, 43, 129, 131	0902592 53	1001118133.....55
0259654.....35	0641408 31, 33, 105	0902595 ... 65, 67, 69, 71, 73, 75	1001118580.....95
0259781.....19	0641415 136, 140	0902597 91, 99	1001118582.....105
0259792.....259	0641418 95	0902609 25, 29	1001118608.....55
0259794.....267	0641505 91	0902623 95	1001118677.....37
0259795.....261	0641506 .53, 55, 121, 125	0902624 103	1001118680.....125
0259803.....122, 126, 227	0641508 ... 41, 43, 53, 55, 83, 85, 103, 105, 117, 121, 125	0902648 103	1001118681.....126
0259805.....25	0641510 ... 121, 125, 136, 140	0902672 83	1001118682.....29
0259807.....185	0641512 27, 29	0902676 129	1001118769.....95, 97
0259808.....187	0641516 143	0902677 129	1001118770.....93, 95
0259809.....191	0641605 85	0902678 129	1001118771.....91, 93
0259811.....39	0641606 12	0902679 129	1001118772.....91
0259814.....277	0641608 ... 41, 43, 53, 55, 91, 93, 99, 101, 103	0903054 47	1001118881.....105
0259815.....83	0641610 ... 23, 25, 27, 29, 95, 103	0903165 45	1001118882.....105
0259817.....129	0641612 117, 129	0903421 163	1001118925.....105
0259943.....143	0641620 121, 125	0940049 136, 140	1001120989.....269
0259977.....19	0641622 39, 121, 125, 136, 140	0940092 163	1001121853.....95
0259978.....19	0641638 121, 125	0940094 163	1001121859.....95
0270262.....269	0641676 91, 99, 143	0940135 125	1001121916.....95
0270350.....117	0641812 93, 101	0940149 163	1001121917.....95
0272099.....276	0641816 41, 43	0940178 163	1001122553.....95
0272257.....265	0641820 55	0940180 163	1001122554.....95
0272964.....136	0641824 ... 35, 37, 41, 43, 45, 47	0962012 171	1001127172.....91
0272965.....140	0641826 129	0962220 121, 125	1001128799.....63
0273136.....31	0641828 45, 47	0962234 12	1001128888.....105
0274337.....27	0641844 39	1001091587 95	1001129043.....63
0274423.....276	0651406 53, 55	1001093121 178	1001129255.....91
0274537.....276	0681508 136, 140	1001093939 195	1001130097.....63
0274650.....53	0681524 121, 125	1001093965 189	1001131270.....259
0274651.....73	0681610 121, 125	1001093966 193	1001131324.....91
0274653.....67	0681810 12	1001093993 189, 193	1001131391.....91
0274654.....71		1001094373 87	1001133497.....91
0274655.....65		1001097150 207, 209	1001134212.....87
0274656.....75		1001097458 143	1001135084.....85, 87
0274657.....69		1001100031 12	1001135142.....85
0274849.....276		1001100032 12	1001137005.....277
0275049.....163		1001100341 247	1001139654.....269
			1001142984.....91
			1001148902.....276
			1001148903.....276
			1001148904.....276
			1001148905.....276
			1001148906.....276
			1001151395.....12
			1001151428.....12

SECTION 11 - SPECIAL OPTIONS

1001152483 209	1320022 91, 99	1704589.... 145, 147, 149,	2130606 49
1001152485 197, 199,	1320058 91	151	2170506 182
209	1320220 39	1704597 265	2170508 182
1001152741 103	1320274 91, 95, 103	1704598 267	2180387 39
1001157598 105	1380136 53, 55	1704623 261	2180389 39
1001157980 99	1440322 95	1704684 265	2180467 99
1001158085 105	1600382 77, 79, 81	1704685 265	2200233 53, 63
1001162437 197, 199	1600387 136, 140	1704686 265	2220237 49
1001162454 199	1600403 ... 145, 147, 149,	1704687 265	2220238 49
1001173703 269	151, 153, 155, 157,	1704688 265	2220250 99
1001175963 197	159, 161, 272	1704690 269	2220290 39
1001181045 207, 274	1670970 91, 99	1704691 267	2220343 43
1001181085 77, 79, 81	1670974 117	1704692 267	2220371 ... 122, 126, 178,
1001181530 105	1671165 43	1704693 267	179, 182
1001182483 71, 73, 75	1671195 41	1704694 267	2220372 49, 178
1001189171 209, 274	1683054 167, 169	1704695 267	2220377 178
1001189172 209, 274	1683887 ... 121, 125, 171	1704697 269	2220385 179
1001191395 276	1683957 12, 173	1704698 269	2220396 43
1001192401 213	1684220 45, 167	1704699 261	2220399 39
1001193376 43	1684221 167	1704700 261	2220415 178
1001193378 41	1684223 167	1704701 261	2220451 178
1001197017 163	1684406 47, 169	1704702 261	2220472 178
1001202749 276	1700818 269	1704748 261	2220473 ... 122, 126, 178,
1001205441 276	1701214 41, 43, 269	1704786 41, 43	179
1001209659 276	1701435 263	1705084 263	2220490 178
1001211510 122	1701502 53, 55	1705303 259, 265	2220501 179
1001213127 55, 63	1701503 53, 55	1705325 189	2220578 178
1001214029 269	1701505 269	1705671 263	2220600 179
1001216974 185, 187,	1701509 ... 259, 261, 263,	1705729 77, 79, 81	2220603 178
189, 191, 193, 195,	265, 267	1705947 145, 147	2220619 179
197, 199	1701542 269	1705948 ... 145, 147, 153,	2220622 178
1001218096 263	1701785 269	155	2220635 178, 182
1001222834 121, 125	1702720 269	1705976 ... 149, 151, 157,	2220651 43
1001222835 121, 125	1702773 263, 269	159	2220738 178
1001223055 259	1702788 276	1706130 149, 151	2220773 39
1001223453 259, 265	1703175 140	1706332 263	2220852 179
1001223971 265	1703464 185, 187	1706338 263	2220883 45, 47
1001224049 267	1703696 259	1706762 157, 159	2220899 178
1001224052 261	1703811 ... 259, 261, 263,	1706763 153, 155	2220906 178
1001228233 12, 17	265, 267	1780313 85	2220919 179
1001228234 12, 15	1703812 53, 55, 259, 261,	1780315 85	2220947 178
1001229107 276	263, 265, 267	1780323 85	2220948 178
1001229698 269	1703814 ... 259, 261, 263,	1810001 147	2220998 178
1001231801 269	265, 267	1810012 67, 73, 79	2221025 178
1001233237 276	1703816 259	1810013 65, 71, 77	2221036 178
1001236961 276	1703818 259	1810017 145	2221042 179
1001237405 103, 107	1703819 ... 259, 261, 263,	1810021 149	2221047 99
1001237406 101, 103	265, 267	1810022 151	2221049 178
1001237407 99, 101	1703821 259	1810036 155	2221075 179
1001239806 95	1704138 ... 259, 261, 263,	1810043 153	2221076 179
1001243599 276	265, 267	1810047 157	2221086 179
1001249141 269	1704271 269	1810048 159	2221176 63
1001249252 91	1704277 ... 259, 261, 263,	1810140 77, 79, 81	2230024 178
1001254361 103	265, 267	2080053 ... 41, 43, 83, 85,	2400056 205, 272
1001262560 276	1704412 ... 259, 261, 263,	117	2400060 95, 213
1001262940 91	265, 267	2080056 129	2400070 95
1060308 201	1704480 259	2080057 ... 259, 261, 263,	2420172 77, 79, 81
1060808 143	1704529 ... 259, 261, 263,	265, 267	2420190 53, 55
1060815 229	265, 267	2080063 143	2460036 117
1060816 91, 99	1704548 263	2080064 143	2540023 39, 83
1060817 91, 99	1704556 259	2080069 143	2560088 143
1060818 121, 125	1704559 269	2110606 45, 47	2560141 ... 145, 147, 149,
1060882 117, 201	1704574 ... 147, 151, 155,	2110808 45, 47, 49	151, 153, 155, 157, 159
1060902 27, 29	159	2120077 95	2600253 143
1060908 207, 209	1704588 ... 153, 155, 157,	2120172 179	2600264 85
1100110 25, 27, 29	159	2120209 53, 55	2600265 85
1320016 103		2120210 53, 55, 272	2680493 85

SECTION 11 - SPECIAL OPTIONS

2680494.....85	2940126..... 85	3450404..... 227	3910606..... 77, 79, 81
2716538.....182	2940127..... 143	3450405..... 121, 125	3910616..... 77, 79, 81
2716960.....182	3020022..... 122, 126	3450406..... 12	3910804..... 77, 79, 81
2717235.....182	3180015..... 131	3460319..... 95	3911010.....143
2720058.....103	3200453..... 27, 29	3460320..... 103	3911428.....143
2720271.....103	3251813... 259, 261, 263, 265, 267	3510791..... 136	3911532.....143
2720460.....95	3252507... 191, 193, 195, 197, 199	3510797..... 140	3930334.....27, 29
2720461.....95	3252689... 259, 261, 265, 267	3520030..... 77, 79, 81	3930820...25, 27, 29, 41, 43
2720464.....39	3271505..... 136, 140	3520071..... 35, 37	3931516.....167, 169
2720465.....103	3290601..... 143	3520072..... 143, 163	3951603.....25, 27, 29
2720466.....103	3290605..... 105	3520080... 145, 147, 149, 151, 153, 155, 157, 159	3960389.....95
2752469.....178	3291005..... 136, 140	3520193 .77, 79, 81, 145, 147, 149, 151, 153, 155, 157, 159	3960525..... 53, 55
2752478.....178	3300048... 185, 187, 189, 191, 193, 195, 197, 199	3537609..... 143	3990010...213, 231, 233, 235, 237, 239, 241, 243, 245, 272
2752489.....178	3300409..... 12	3537619..... 136, 140	4060092.....185
2752613.....178	3300432..... 143	3539690..... 85	4060700.....187
2752622...122, 126, 178	3300454..... 41, 43	3571829..... 143	4060802...145, 147, 149, 151, 153, 155, 157, 159
2753068.....182	3300467..... 143	3571862..... 143	4060807.....53, 55
2753375.....178	3300474..... 27, 29	3571985..... 85	4060808.....53, 55
2753376.....178	3310601... 145, 147, 149, 151, 153, 155, 157, 159	3572164..... 95	4060992.....91
2753377.....178	3310801... 25, 27, 29, 85	3572305..... 85	4061016.....129
2753378.....178	3310805..... 41, 43	3572324..... 41, 43	4061017.....129
2753379.....178	3311001..... 105	3572384..... 41, 43	4061018.....129
2753380.....178	3311005..... 83, 185, 187, 189, 191, 193, 195, 197, 199	3572385..... 41, 43	4070987..... 77, 79, 81
2753381.....178	3311401..... 91, 117	3572430..... 103	4070991..... 77, 79, 81
2753382.....178	3311405... 31, 33, 65, 67, 69, 71, 73, 75, 85, 87, 91, 95, 103, 105, 129, 131, 136, 140, 143, 163, 259, 261, 263, 265, 267	3572430..... 103	4160097.....95
2753388.....178	3311501..... 85, 136, 140	3573513..... 167, 169	4160116.....45, 47
2753389.....178	3311505... 27, 29, 53, 55, 91, 103, 105, 121, 125, 136, 140, 143	3574649..... 131	4160185.....85
2753390.....178	3311601..... 53	3574650..... 131	4210011.....43, 47
2753392.....178	3311605... 23, 25, 27, 29, 39, 41, 43, 53, 85, 91, 95, 99, 103, 117, 121, 125, 136, 140	3600369..... 93, 101, 115	4210017.....41, 45
2753393.....178	3322002..... 12	3600414..... 93, 101, 111	4240018.....53, 55
2753394.....178	3322202..... 136, 140	3600415..... 93, 101	4240032...213, 217, 219
2753395.....178	3340866..... 121	3641342..... 143	4240033.....136, 140
2753397.....178	3340879..... 121, 125	3641344..... 143	4240084.....23
2753398...122, 126, 178	3380660... 153, 155, 157, 159	3641345..... 143	4240099.....105
2753399.....178	3421565..... 143	3641351..... 143	4240125.....121, 125
2753503.....178	3422219..... 143	3641351..... 143	4240128.....121, 125
2753504.....178	3422709..... 121, 125	3730124..... 203	4240141.....53
2753505.....178	3422714..... 121, 125	3740049... 95, 103, 117, 274	4280315.....91
2753579.....182	3422803..... 12	3740151..... 95	4280316.....91
2792686.....41, 43, 182	3422815..... 121, 125	3760170..... 143	4340719.....129
2792717.....178	3422838..... 121, 125	3760321..... 140	4340720.....129
2820018.....83	3422938..... 136, 140	3760348 45, 47, 136, 140	4340721.....129
2820118.....203	3431032..... 12	3760368..... 167, 169	4340722.....129
2860030...77, 79, 81, 272	3431036..... 12	3760387..... 121, 125	4340885.....45, 47
2900708.....117	3431220..... 12	3760419..... 121, 125	4340886.....41, 43
2900838.....277	3450403..... 95	3760460..... 167, 169	4340887.....71, 73, 75
2901881.....276		3820020..... 53, 55, 143	4340939.....29
2901912.....276		3841146..... 12	4341007.....27
2901914.....276		3841233..... 136, 140	4341135.....163
2901926.....276		3841468..... 12	4360070...77, 79, 81, 272
2901938.....276		3841469..... 12	4360328...77, 79, 81, 272
2901939.....276		3841564..... 45, 47	4360331...149, 151, 157, 159
2902039.....143		3850013..... 169	4360387..77, 79, 81, 145, 147, 149, 151, 153, 155, 157, 159, 272
2902182.....167, 169		3860059..... 136, 140	4360469...77, 79, 81, 274
2902216.....129		3900128..... 53, 55	4360475..77, 79, 81, 145, 147, 149, 151, 153, 155, 157, 159, 272
2902259.....122, 126		3900178... 145, 147, 149, 151, 153, 155, 157, 159	4360482...145, 147, 153, 155, 157, 159, 272
2902261.....136		3900205..... 189, 193	
2902262.....140		3900208..... 85	
2902549...189, 193, 195, 207		3900265... 145, 147, 149, 151, 153, 155, 157, 159	
2910479.....91, 99		3900267..... 143	
2920026..77, 79, 81, 136, 140		3900281..... 77, 79, 81	
2920029..77, 79, 81, 136, 140		3900289..... 85	
2920146.....83		3900321..... 167, 169	
2930001.....37			
2940074.....143, 272			

SECTION 11 - SPECIAL OPTIONS

4360483 ... 145, 147, 149, 151, 172	4460466 ... 213, 221, 223, 225, 229	4568295.....136, 140	4846249 ... 145, 147, 149, 151
4360502 27, 29	4460467 276	4640216.....43	4846256 143
4360518 45, 47	4460468 229	4641104.....121, 125	4846271 163
4360548 211, 221, 274	4460470 ... 145, 147, 149, 151, 153, 155, 157, 159	4641109.....53, 55, 57	4846584 167, 169
4400281 39	4460471 ... 145, 147, 149, 151, 153, 155, 157, 159	4641121.....53, 55, 59	4860207 19, 21
4400421 39	4460473 229	4641122.....19	4891800 12
4400428 53	4460480 ... 145, 147, 149, 151, 153, 155, 157, 159	4641172.....121, 125	4922379 227, 229
4400458 53, 55, 61	4460481 229	4641238.....45, 47	4922391 145, 231
4400498 97, 108	4460499 ... 122, 126, 213, 221	4641240.....49	4922428 122, 126
4420008... 145, 147, 149, 151, 153, 155, 157, 159	4460510 276	4641374.....41, 43, 49	4922437 147, 233
4420037 . 53, 55, 85, 122, 126	4460539 213, 221	4711000....105, 189, 193, 195, 197, 199	4922439 83, 205
4420039 41, 43	4460662 ... 185, 187, 191, 195, 197, 199	4711400....31, 33, 41, 43, 53, 55, 71, 73, 75, 85, 91, 95, 103, 105, 121, 125, 129, 131, 163, 259, 261, 263, 265, 267	4922446 151, 237
4420051 41, 43, 269	4460761 .. 71, 73, 75, 225	4711500....27, 29, 41, 43, 53, 55, 83, 85, 91, 117, 122, 126, 136, 140, 143	4922447 149, 235
4460016 ... 217, 219, 223, 231, 233, 235, 237, 239, 241, 243, 245	4460779 117, 201	4711600....23, 25, 27, 29, 53, 55, 85, 93, 101, 103, 122, 126, 143, 227	4922453 117, 215
4460035 ... 213, 231, 233, 235, 237, 239, 241, 243, 245	4460812 229	4711800....35, 37, 41, 43, 45, 47, 93, 101	4922630...25, 27, 29, 211
4460044 205	4460814 213	4712000.....12	4922713 122, 126
4460049 223	4460817 ... 231, 233, 235, 237, 239, 241, 243, 245	4712200.....12	4922748 41, 43, 221
4460071 ... 185, 187, 189, 191, 193, 195, 197, 199	4460818 ... 231, 233, 235, 237, 239, 241, 243, 245	4740120....145, 147, 149, 151, 153, 155, 157, 159	4922904 136, 140, 225
4460115 ... 217, 219, 231, 233, 235, 237, 239, 241, 243, 245	4460819 ... 231, 233, 235, 237, 239, 241, 243, 245	4740333.....122, 126	4922915 ... 122, 126, 140, 223
4460138 185, 187	4460827 213	4740438.....122, 126	4923135 71, 73, 75
4460183 ... 217, 219, 231, 233, 235, 237, 239, 241, 243, 245	4460828 213	4740480.....227	4923136...71, 73, 75, 203
4460185 203, 215	4460829 213	4740495.....95	4923137 27, 29
4460190 185	4460834 213	4750600.....77, 79, 81	4923293 77, 79, 219
4460206 203, 213	4460836 ... 213, 221, 225	4750800....25, 27, 29, 41, 43, 85	4923295... 65, 67, 69, 71, 73, 75, 213
4460226 161	4460837 213	4751000..53, 55, 83, 105, 143	4923530 153, 239
4460227 71, 73, 75	4460842 213	4751400....65, 67, 69, 87, 143	4923531 155, 241
4460256 215	4460851 221	4751600....39, 41, 43, 55, 91, 95, 99, 103, 117, 129, 136, 140, 143	4923532 157, 243
4460259... 213, 215, 217, 219, 231, 233, 235, 237, 239, 241, 243, 245	4460852 221	4751800.....39	4923533 159, 245
4460260 ... 213, 215, 217, 219, 231, 233, 235, 237, 239, 241, 243, 245	4460858 117, 201	4752000.....12	70000081 161
4460265 161	4460884 213, 229	4752200.....136, 140	70000082 161
4460266 ... 161, 231, 233, 235, 237, 239, 241, 243, 245	4460885 219	4760600..77, 79, 81, 145, 147, 149, 151, 153, 155, 157, 159	70000083 161
4460267 ... 161, 213, 229, 231, 233, 235, 237, 239, 241, 243, 245	4460886 213	4761000...77, 79, 81, 105	70000084 161
4460268 ... 205, 215, 217, 219	4460891 27, 29, 229	4761400....65, 67, 69, 71, 73, 75, 105, 117	70000085 161
4460294 225	4460892 203, 221	4791400....145, 147, 149, 151, 153, 155, 157, 159	70000620 97
4460320 205, 215	4460894 203, 221	4791600.....23	70000621 97
4460346 187	4460897 223	4811700.....105	70000622 97
4460424 213, 229	4460898 203	4811900.....105	70000627 97
4460434 217, 219	4460899 203	4845938....145, 147, 149, 151, 153, 155, 157, 159	70000628 97
4460449 215	4460932 223, 229	4846024 122, 126	70000683 161
4460464 ... 203, 213, 219, 223, 229	4460933 203	4846116.....35	70000684 161
4460465 ... 27, 29, 71, 73, 75, 122, 126, 203, 211, 213, 221, 223, 225, 229, 231, 233, 235, 237, 239, 241, 243, 245	4460934 221	4846120.....143	70000685 161
	4460935 221	4846121.....143	70000686 161
	4460942 213	4846122.....143	70000934 53, 55
	4460956 207	4846143.....136, 140	70001091 15, 17
	4460957 207	4846181.....143	70001095 15
	4460968 ... 189, 193, 211, 221	4846191.....143	70001140 107
	4461196 247		70001381 97
	4461198 247		70001382 97
	4461199 249		70001383 97
	4461201 249		70001439 97
	4461205 251, 253		70001865 108
	4461244 251		70001968 111
	4461245 253		70002089 97
	4461246 255		70002195 97
	4461249 255		70002264 17
	4520233 19		70002272 108
	4568094 39		70002273 108

SECTION 11 - SPECIAL OPTIONS

70002319.....	107	7001626.....	173	7021375.....	57	7023888.....	111
70002320.....	107	7002818.....	276	7021376.....	57, 272	7023916.....	57
70002321.....	107	7002820.....	277	7021629.....	57	7023971.....	57
70002322.....	107	7002823.....	276	7022523.....	57, 59	7023972.....	57
70002323.....	107	7002826.....	277	7022524.....	59	7023973.....	57
70002325.....	108	7003226.....	171	7022527.....	57	7023974.....	57
70002326.....	108	7004275.....	277	7022529.....	57	7023975.....	57
70002327.....	108	7004276.....	277	7022531.....	57	7023976.....	57
70002328.....	108	7010543.....	57	7022588.....	15, 17	7024004.....	112
70002329.....	108	7010635.....	117	7022589.....	15, 17	7024005.....	112
70002330.....	108	7012773.....	57	7022593.....	15	7024064.....	111
70002419.....	107	7012904.....	59	7022594.....	15	7024065.....	111
70002759.....	15, 17	7012941.....	57	7022595.....	15	7024068.....	111, 112
70003060.....	107	7012943.....	117, 121, 125	7022596.....	15	7024069.....	111
70003061.....	107	7012944.....	57, 272	7023005.....	173	7024070.....	111
70003062.....	107	7012953.....	57	7023006.....	173	7024071.....	111
70003339.....	111	7012967.....	57, 59, 121, 125	7023101.....	97	7024072.....	111
70003340.....	112	7012975.....	59	7023102.....	97	7024073.....	111
70003650.....	161	7012998.....	57	7023103.....	97	7024075.....	111
70004194.....	161	7014676.....	277	7023111.....	97	7024076.....	111
70004300.....	97	7016319.....	83	7023113.....	97	7024077.....	111
70004311.....	107	7016372.....	83	7023114.....	97	7024081.....	112
70004395.....	107, 274	7017290.....	173	7023120.....	97	7024082.....	112
70004396.....	107	7017291.....	173	7023124.....	97, 108	7024083.....	112
70004397.....	107	7017294.....	173	7023125.....	97	7024084.....	112
70004398.....	107	7017387.....	171	7023127.....	97	7024085.....	112
70004399.....	107	7017405.....	59	7023128.....	97	7024086.....	112
70004523.....	107	7017410.....	57	7023132.....	107	7024087.....	112
70004524.....	107	7017425.....	59	7023136.....	107	7024088.....	112
70004525.....	107	7017445.....	121, 125	7023140.....	108	7024089.....	112
70004526.....	107	7017901.....	97, 108, 274	7023141.....	108	7024441.....	61
70004530.....	107	7017928.....	107	7023144.....	108	7024443.....	61
70004531.....	107	7017934.....	107	7023145.....	108	7024445.....	61
70004536.....	107	7017937.....	108	7023148.....	108	7024446.....	61
70004537.....	107	7017938.....	108, 274	7023149.....	108	7024497.....	45, 47, 49
70004538.....	107	7017942.....	97, 108	7023153.....	97	7024498.....	49
70004539.....	107	7017945.....	107	7023157.....	107	7024499.....	49
70004540.....	107	7017949.....	107	7023160.....	107	7024500.....	49
70004544.....	107	7017950.....	108, 274	7023164.....	107	7024501.....	45, 47, 49, 274
70004547.....	108	7017955.....	108	7023165.....	107	7024502.....	45, 47, 49
70004829.....	108	7017958.....	108	7023167.....	107	7024503.....	49
70006744.....	15, 17	7017963.....	108	7023168.....	107	7024504.....	49
70006745.....	15, 17	7017967.....	97	7023169.....	97	7024505.....	49
70006746.....	15, 17	7017977.....	97	7023170.....	108	7024506.....	45, 47, 49
70006747.....	15, 17	7017980.....	97, 274	7023173.....	97	7024507.....	49
70006748.....	15, 17	7017981.....	97	7023174.....	97	7024873.....	59
70006749.....	15, 17	7017992.....	97, 107, 274	7023190.....	97	7024908.....	112
70006750.....	15, 17	7017999.....	97	7023198.....	97	7024929.....	57
70006752.....	15, 17	7018903.....	57	7023199.....	107	7024960.....	115
70006753.....	15, 17	7018904.....	57	7023208.....	57	7025479.....	107, 274
70006756.....	15, 17	7018936.....	111	7023209.....	57	7026121.....	61
70006757.....	15, 17	7018942.....	57	7023210.....	57	7026201.....	97
70006759.....	15, 17	7019878.....	171	7023232.....	117	7026202.....	108
70006763.....	15, 17	7019879.....	171	7023233.....	117	7026204.....	97
70006764.....	15, 17	7019880.....	171	7023234.....	117	7026211.....	97, 108
70006765.....	15, 17	7019881.....	171	7023235.....	117	7026575.....	61
70006766.....	15	7019882.....	171	7023236.....	117	7027365.....	161
70006767.....	15	7020020.....	53, 55	7023238.....	117	7027367.....	161
70006768.....	15	7020175.....	77, 79, 81, 145,	7023247.....	117	7027765.....	161
70006769.....	15	147, 149, 151, 153,		7023806.....	15, 17	7027766.....	161
70006770.....	15	155, 157, 159		7023807.....	15, 17	7028877.....	111
70006771.....	15	7020176.....	77, 79, 81, 145,	7023872.....	15, 17	80934596.....	111
70006772.....	15	147, 149, 151, 153,		7023881.....	111	80934644.....	112
70006773.....	15	155, 157, 159		7023885.....	111	8229242.....	213
70007418.....	97	7021365.....	57	7023887.....	111	8786514.....	21



An Oshkosh Corporation Company

Corporate Office
JLG Industries, Inc.
1 JLG Drive
McConnellsburg, PA 17233-9533 USA
☎ **(717) 485-5161 (Corporate)**
☎ **(877) 554-5438 (Customer Support)**
📠 **(717) 485-6417**

Visit our website for JLG Worldwide Locations.
www.jlg.com