



Illustrated Parts Manual

Model
RT2669
RT3369

PVC
2004

P/N
31215925
March 1, 2024 - Rev D

ANSI

CE



AS/NZS



An Oshkosh Corporation Company

REVISION LOG

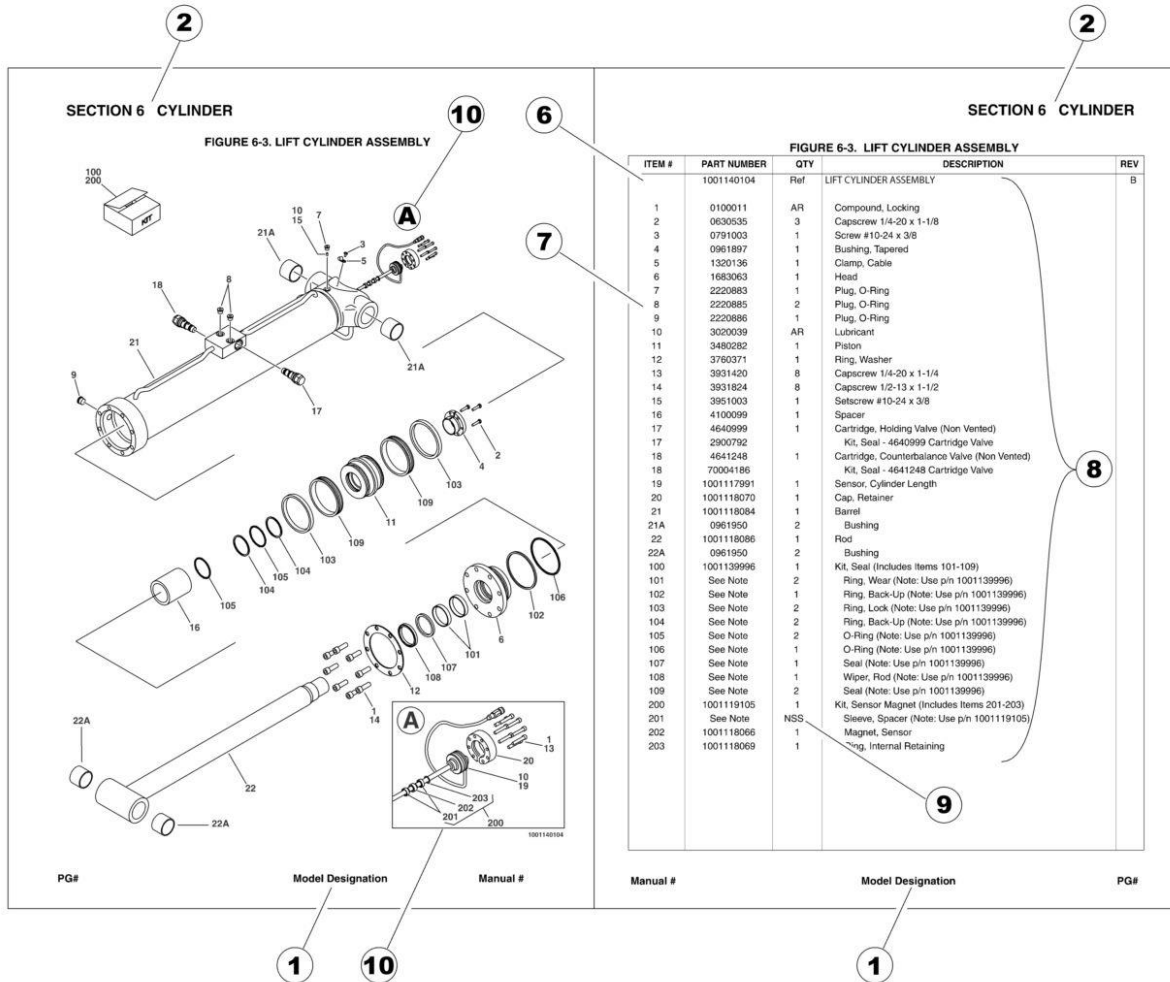
October 1, 2020 - A - Original Issue of Manual (Edited to 1001260260 Rev D & 1001260330 Rev D)

June 1, 2021 - B - Revised Manual (Edited to 1001260260 Rev F & 1001260330 Rev G)

February 1, 2022 - C - Revised Manual (Edited to 1001260260 Rev F & 1001260330 Rev G)

March 1, 2024 - D - Revised Manual (Edited to 1001260260 Rev F & 1001260330 Rev G)

GENERAL INFORMATION



1) MACHINE IDENTIFICATION

Machines are identified by model and in some cases a combination of models, serial number (SN) or regional standard (i.e ANSI, CE, CSA). Components may also be identified by SN or manufacturer. Common components that may be identified by these characteristics are engines and hydraulic components.

2) PARTS MANUAL ORGANIZATION

Product information in this manual is organized under section titles. Frame, Cylinder, Hydraulic and Electrical are a few examples. Each section is organized by figure and page number. The information within the Figure is then organized by item number, part number, description and corresponding illustration (s).

3) TABLE OF CONTENTS (NOT SHOWN)

A table of contents is found toward the beginning of the manual. Figure number, description and page number are provided for quick reference to the page containing the related information.

4) RECOMMENDED SPARE PARTS (NOT SHOWN)

The Recommended Spare Parts List, located near the end of the manual, reference most frequently used maintenance parts.

5) PART NUMBER INDEX (NOT SHOWN)

A numerical index listing all part numbers and the corresponding page number(s) appears at the back of the manual.

GENERAL INFORMATION

6) NON-SERVICED PARTS

In some instances, it is necessary to display non-serviced parts, assemblies or installations. In the case of assemblies and installations there will be a Ref in the Qty. column. In case of parts that are not available for service within assemblies or components, there will be a NSS (Not Sold Separately) or NLA (No Longer Available) listed in the Qty. column of the manual.

7) PARTS LIST ITEM NUMBERS

Numbers shown in the item# column correspond to numbers used in the associated illustration (s). Item numbers which are missing from the sequence in the parts list are not used on that page.

8) INDENTED PARTS DESCRIPTION

An indented part description is included in the item under which it is indented.

9) ABBREVIATION AND SYMBOLS

AC.....	Alternating Current	L.....	Liter
ADE.....	Advanced Design Electronics	LB(LBS).....	Pounds
AG.....	Agricultural	LCD.....	Liquid Crystal Display
ANSI.....	American National Standards Institute	LED.....	Light Emitting Diodes
AR.....	As Required	LH.....	Left Hand
ASSY.....	Assembly	LRC.....	Low Rated Countries
AUS.....	Australia	LSS.....	Load Sensing System
AUX.....	Auxiliary	M(m).....	Metric/Meter
AWG.....	American Wire Gauge	MM(mm).....	Milimeter
B/M.....	Bill of Material	mA.....	Miliamps
CAC.....	Charge Air Cooler	NLA.....	No Longer Available
CE.....	European Conformity	NPT.....	National Pipe Threads
CCW.....	Counter Clockwise	NSS.....	Not Sold Separately
CM.....	Centimeter	OD.....	Outside Diameter
CW.....	Clockwise	ORB.....	O-Ring Boss
CSA.....	Canadian Standards Association	ORFS.....	O-Ring Face Seal
CYL.....	Cylinder	OZ (oz).....	Ounces
DIA.....	Diameter	PG.....	Page
DC.....	Direct Current	PN.....	Part Number
DEF.....	Diesel Exhaust Fluid	QT(qt.).....	Quarts
EMS.....	Emergency Stop	QTY.....	Quantity
ENG.....	Engine	REF.....	Reference
FT(ft).....	Feet	REV.....	Revision Level
GA(Ga).....	Gauge	RH.....	Right Hand
HRC.....	High Rated Countries	SAE.....	Society of Automotive Engineers
HVAC.....	Heating, Ventilating, and Air Conditioning	SN.....	Serial Number
HYD.....	Hydraulic	SPEC(S).....	Specifications
Hz.....	Hertz	T/T.....	Turntable
ID.....	Inside Diameter	UGM.....	Universal Ground Module
IN.....	inches	V.....	Volts
ISO.....	International Organization for Standards	W.....	Watts
JIC.....	Joint Industry Council	#.....	Number
KG.....	Kilogram		

10) ILLUSTRATION REFERENCE LETTERS

When necessary, illustrations may contain reference letters that are intended to track information (i. e. hoses, harnesses) from one point to another or to track visual enlargement of components to show details that may be located in another area on the illustration.

Note: Due to continuous product improvements, JLG Industries, Inc. reserves the right to make specification changes without prior notification. Contact JLG Industries, Inc. for updated information.

TABLE OF CONTENTS

SECTION 1 - FRAME.....	11
FIGURE 1-1. AXLE INSTALLATION - SINGLE OSCILLATING (WITHOUT SENSORS).....	12
FIGURE 1-2. AXLE INSTALLATION - SINGLE OSCILLATING (WITH SENSORS).....	14
FIGURE 1-3. AXLE INSTALLATION - DUAL OSCILLATING.....	16
FIGURE 1-4. VALVE ASSEMBLY - DUAL AXLE.....	18
FIGURE 1-5. STEERING INSTALLATION.....	20
FIGURE 1-6. DRIVE INSTALLATION (2WD).....	22
FIGURE 1-7. DRIVE INSTALLATION (4WD).....	24
FIGURE 1-8. DRIVE MOTOR ASSEMBLY (2WD).....	26
FIGURE 1-9. DRIVE HUB AND BRAKE ASSEMBLY (2WD REAR).....	28
FIGURE 1-10. HUB/SPINDLE ASSEMBLY (2WD FRONT).....	32
FIGURE 1-11. VALVE ASSEMBLY - TRACTION (2WD).....	34
FIGURE 1-12. VALVE ASSEMBLY- TRACTION (4WD).....	36
FIGURE 1-13. DRIVE ASSEMBLY (4WD).....	38
FIGURE 1-14. DRIVE HUB AND BRAKE ASSEMBLY (4WD).....	40
FIGURE 1-15. FRAME COVERS INSTALLATION.....	42
FIGURE 1-16. LADDER INSTALLATION (RT2669).....	44
FIGURE 1-17. LADDER INSTALLATION (RT3369).....	46
FIGURE 1-18. LEVELING JACKS INSTALLATION - PARTIAL COVERS.....	48
FIGURE 1-19. LEVELING JACKS INSTALLATION - FULL COVERS.....	50
FIGURE 1-20. LEVELING JACKS VALVE ASSEMBLY.....	52
FIGURE 1-21. OIL COOLER INSTALLATION.....	54
FIGURE 1-22. TIRE AND WHEEL INSTALLATION - FOAM-FILLIED.....	56
FIGURE 1-23. TIRE AND WHEEL INSTALLATION - FOAM-FILLIED NON-MARKING.....	58
FIGURE 1-24. TIRE AND WHEEL INSTALLATION - FOAM-FILLIED TURF NON-MARKING.....	60
SECTION 2 - GROUND CONTROLS.....	63
FIGURE 2-1. HYDRAULIC COMPONENTS INSTALLATION - DIESEL.....	64
FIGURE 2-2. HYDRAULIC COMPONENTS INSTALLATION - DIESEL (SN M200042385 through M200042388).....	66
FIGURE 2-3. HYDRAULIC COMPONENTS INSTALLATION - DUAL FUEL.....	68
FIGURE 2-4. HYDRAULIC COMPONENTS INSTALLATION - DUAL FUEL (SN M200042385 through M200042388).....	70
FIGURE 2-5. VALVE ASSEMBLY - MAIN CONTROL.....	72
FIGURE 2-6. ELECTRICAL COMPONENTS INSTALLATION.....	74
FIGURE 2-7. GROUND CONTROL ASSEMBLY.....	76
FIGURE 2-8. ALARM INSTALLATION (HORN).....	78
FIGURE 2-9. ALARM INSTALLATION (WHITE NOISE).....	80
FIGURE 2-10. HOODS INSTALLATION.....	82
FIGURE 2-11. HYDRAULIC TANK ASSEMBLY.....	86
FIGURE 2-12. STROBE LIGHT INSTALLATION - SINGLE.....	88
FIGURE 2-13. STROBE LIGHT INSTALLATION - DUAL.....	90
FIGURE 2-14. NO BEACON (COVERS).....	92
SECTION 3 - ENGINE.....	95
FIGURE 3-1. ENGINE MOUNTING INSTALLATION.....	96
FIGURE 3-2. ENGINE AND PUMP ASSEMBLY - DIESEL.....	98

TABLE OF CONTENTS

FIGURE 3-3. PUMP ASSEMBLY - DIESEL	100
FIGURE 3-4. ENGINE COMPONENTS - DIESEL	102
FIGURE 3-5. COUPLING ASSEMBLY - ENGINE PUMP (DIESEL)	104
FIGURE 3-6. ENGINE FUEL LINES INSTALLATION - DIESEL	106
FIGURE 3-7. ENGINE ELECTRICAL INSTALLATION - DIESEL	108
FIGURE 3-8. ENGINE COOLING SYSTEM INSTALLATION - DIESEL	110
FIGURE 3-9. AIR INTAKE INSTALLATION - DIESEL	112
FIGURE 3-10. EXHAUST INSTALLATION - DIESEL	114
FIGURE 3-11. OIL FILTER INSTALLATION - REMOTE - DIESEL.....	116
FIGURE 3-12. ENGINE AND PUMP ASSEMBLY - DUAL FUEL.....	118
FIGURE 3-13. PUMP ASSEMBLY - DUAL FUEL	120
FIGURE 3-14. ENGINE COMPONENTS - DUAL FUEL	122
FIGURE 3-15. COUPLING ASSEMBLY - ENGINE PUMP (DUAL FUEL)	124
FIGURE 3-16. ENGINE FUEL LINES INSTALLATION - DUAL FUEL	126
FIGURE 3-17. ENGINE ELECTRICAL INSTALLATION - DUAL FUEL.....	128
FIGURE 3-18. ENGINE COOLING SYSTEM INSTALLATION - DUAL FUEL	130
FIGURE 3-19. AIR INTAKE INSTALLATION - DUAL FUEL	132
FIGURE 3-20. EXHAUST INSTALLATION - DUAL FUEL	134
FIGURE 3-21. OIL FILTER INSTALLATION - REMOTE - DUAL FUEL.....	136
FIGURE 3-22. GENERATOR INSTALLATION - 2500W/60HZ (DIESEL MACHINES)	138
FIGURE 3-23. GENERATOR INSTALLATION - 2500W/60HZ (DUAL FUEL MACHINES)	140
FIGURE 3-24. LP TANK BRACKETS INSTALLATION (SINGLE TANK)	142
FIGURE 3-25. LP TANK BRACKETS INSTALLATION (DUAL TANKS)	144
SECTION 4 - SCISSORS ARMS	147
FIGURE 4-1. ARMS INSTALLATION (RT2669).....	148
FIGURE 4-2. ARMS ASSEMBLY (RT2669).....	150
FIGURE 4-3. ARMS INSTALLATION (RT3369).....	154
FIGURE 4-4. ARMS ASSEMBLY (RT3369).....	156
FIGURE 4-5. CYLINDER & LIFT DOWN VALVE ASSEMBLY	160
SECTION 5 - PLATFORM	163
FIGURE 5-1. PLATFORM INSTALLATION.....	164
FIGURE 5-2. PLATFORM EXTENSION INSTALLATION (SINGLE).....	166
FIGURE 5-3. PLATFORM RAILS INSTALLATION (SINGLE EXTENSION)	168
FIGURE 5-4. PLATFORM CONTROL BOX INSTALLATION - SIDE MOUNT	172
FIGURE 5-5. PLATFORM CONTROL BOX INSTALLATION.....	174
FIGURE 5-6. CONTROLLER ASSEMBLY	176
SECTION 6 - CYLINDER.....	179
FIGURE 6-1. AXLE LOCKOUT CYLINDER ASSEMBLY	180
FIGURE 6-2. LEVELING JACK CYLINDER ASSEMBLY.....	182
FIGURE 6-3. LIFT CYLINDER ASSEMBLY	184
FIGURE 6-4. STEER CYLINDER ASSEMBLY	186
SECTION 7 - HYDRAULIC	189
FIGURE 7-1. HYDRAULIC DIAGRAM - AXLE (DUAL OSCILLATING)	190

TABLE OF CONTENTS

FIGURE 7-2. HYDRAULIC DIAGRAM - LEVELING JACKS	192
FIGURE 7-3. HYDRAULIC DIAGRAM - STANDARD (2WD)	194
FIGURE 7-4. HYDRAULIC DIAGRAM - STANDARD (4WD)	198
SECTION 8 - ELECTRICAL	203
FIGURE 8-1. ELECTRICAL LAYOUT.....	204
FIGURE 8-2. AC BOX AT PLATFORM INSTALLATION - 110V GFI (ALL SPECS EXCEPT AUSTRALIAN & CE SPECS).....	214
FIGURE 8-3. AC BOX AT PLATFORM INSTALLATION - 110V IEC YELLOW (CE SPECS)	216
FIGURE 8-4. AC BOX AT PLATFORM INSTALLATION - 220V IEC BLUE (CE SPECS).....	218
FIGURE 8-5. AC BOX AT PLATFORM INSTALLATION - 220V CEE7 POST GROUND (CE SPECS)	220
FIGURE 8-6. AC BOX AT PLATFORM INSTALLATION - 220V CEE7 SIDE GROUND (CE SPECS).....	222
FIGURE 8-7. AC BOX AT PLATFORM INSTALLATION - 220V AFSINT 107 (CE SPECS)	224
FIGURE 8-8. AC BOX AT PLATFORM INSTALLATION - 220V CUSTOMER SUPPLIED PLUG & RECEPTACLE (ALL SPECS EXCEPT AUSTRALIAN & CE SPECS)	226
FIGURE 8-9. AC BOX AT PLATFORM INSTALLATION - 220V CUSTOMER SUPPLIED COMPONENTS (ALL SPECS)	228
FIGURE 8-10. AXLE HARNESS - REAR OSCILLATING.....	230
FIGURE 8-11. BREAKER BOX KIT - 1 DOUBLE BREAKER (CE SPECS)	232
FIGURE 8-12. BREAKER BOX KIT - 1 DOUBLE & 1 SINGLE BREAKER (CE SPECS).....	234
FIGURE 8-13. CHASSIS HARNESS	236
FIGURE 8-14. ENGINE HARNESS - DIESEL	240
FIGURE 8-15. ENGINE HARNESS - DUAL FUEL	244
FIGURE 8-16. GENERATOR HARNESS	248
FIGURE 8-17. GROUND TO PLATFORM HARNESS (RT2669)	250
FIGURE 8-18. GROUND TO PLATFORM HARNESS (RT3369)	252
FIGURE 8-19. LEVELING JACK HARNESS	254
FIGURE 8-20. LIFT DOWN HARNESS	256
FIGURE 8-21. LSS HARNESS	258
FIGURE 8-22. OIL COOLER HARNESS	260
FIGURE 8-23. PLATFORM HARNESS	262
FIGURE 8-24. PLATFORM CABLE INSTALLATION – WITHOUT FOOTSWITCH.....	264
FIGURE 8-25. PLATFORM CABLE HARNESS – WITHOUT FOOTSWITCH.....	266
FIGURE 8-26. PLATFORM CABLE INSTALLATION – WITH FOOTSWITCH	268
FIGURE 8-27. PLATFORM CABLE HARNESS – WITH FOOTSWITCH	270
FIGURE 8-28. PLATFORM CONTROL BOX HARNESS	272
FIGURE 8-29. RECEPTACLE BOX KIT - 110V GFI.....	274
FIGURE 8-30. RECEPTACLE BOX KIT - 110V IEC YELLOW (CE SPECS)	276
FIGURE 8-31. RECEPTACLE BOX KIT - 220V IEC BLUE (CE SPECS).....	278
FIGURE 8-32. RECEPTACLE BOX KIT - 220V CEE7 POST GROUND (CE SPECS)	280
FIGURE 8-33. RECEPTACLE BOX KIT - 220V CEE7 SIDE GROUND (CE SPECS).....	282
FIGURE 8-34. RECEPTACLE BOX KIT - 220V AFSINT 107 (CE SPECS)	284
FIGURE 8-35. TILT SENSOR HARNESS	286
SECTION 9 - DECALS.....	289
FIGURE 9-1. DECAL INSTALLATION - ANSI SPECS (ENGLISH LANGUAGE)	290
FIGURE 9-2. DECAL INSTALLATION - AUSTRALIAN/CE SPECS (ENGLISH LANGUAGE)	292
FIGURE 9-3. DECAL INSTALLATION - BRAZIL SPECS (SPANISH/PORTUGUESE LANGUAGES).....	294

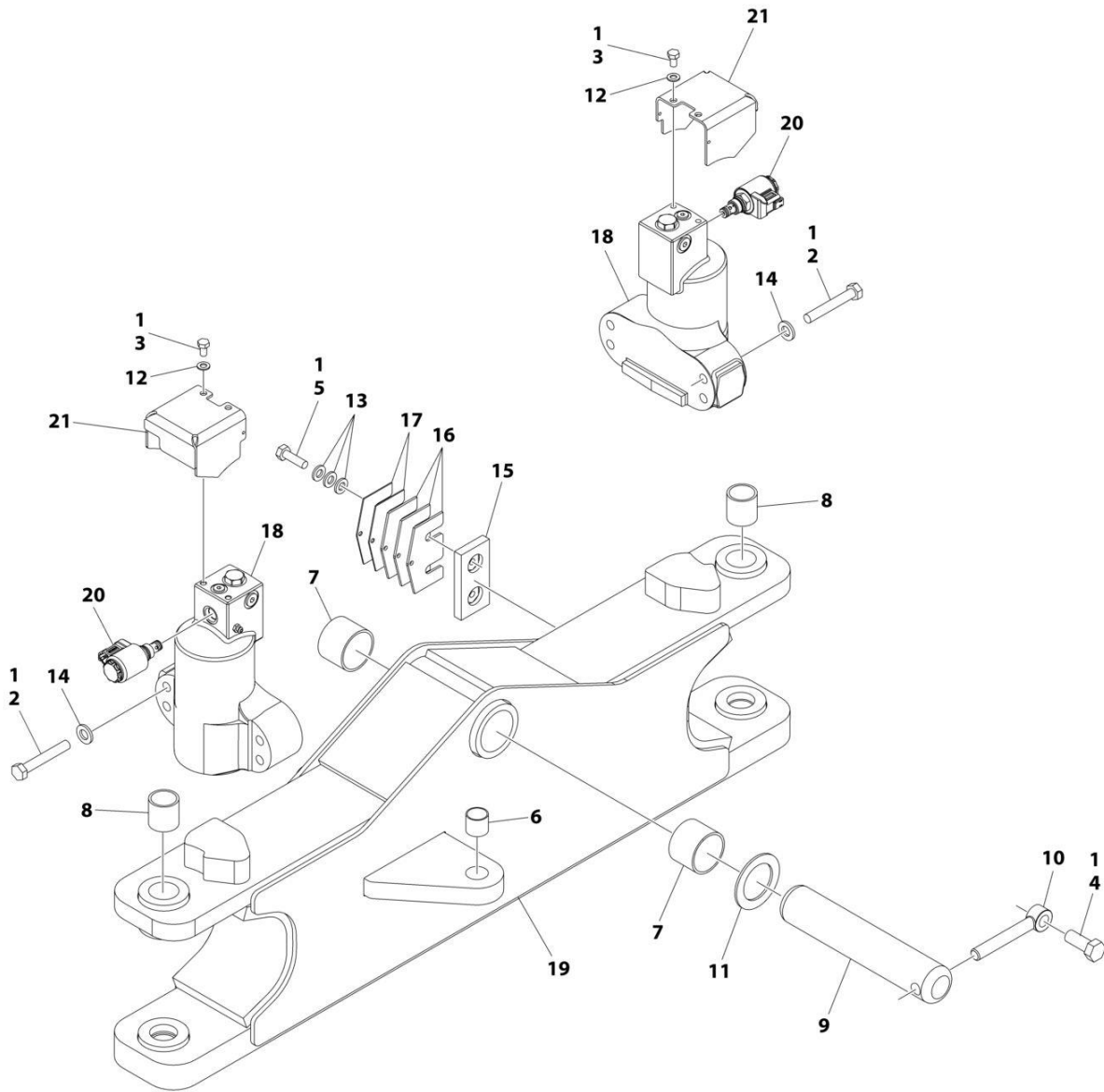
TABLE OF CONTENTS

FIGURE 9-4. DECAL INSTALLATION - CHINA SPECS (ENGLISH/CHINESE LANGUAGES).....	296
FIGURE 9-5. DECAL INSTALLATION - CSA SPECS (ENGLISH/FRENCH LANGUAGES)	298
FIGURE 9-6. DECAL INSTALLATION - KOREAN SPECS (ENGLISH/KOREAN LANGUAGES)	300
FIGURE 9-7. DECAL INSTALLATION - LATIN AMERICAN SPECS (ENGLISH/KSPANISH LANGUAGES).....	302
FIGURE 9-8. DECAL INSTALLATION - OPTIONS.....	304
SECTION 10 - RECOMMENDED SERVICE PARTS STOCK.....	307
FIGURE 10-1. RECOMMENDED SERVICE PARTS STOCK.....	308
SECTION 11 - SPECIAL OPTIONS/ACCESSORIES/KITS.....	309
FIGURE 11-1. SPECIAL OPTIONS/ACCESSORIES/KITS.....	310
PART NUMBER INDEX.....	311

SECTION 1 - FRAME

SECTION 1 - FRAME

FIGURE 1-1. AXLE INSTALLATION - SINGLE OSCILLATING (WITHOUT SENSORS)



ART_1001260485

SECTION 1 - FRAME

FIGURE 1-1. AXLE INSTALLATION - SINGLE OSCILLATING (WITHOUT SENSORS)

ITEM	PART NUMBER	QTY	DESCRIPTION	REV
	1001260485	Ref	AXLE INSTALLATION (WITHOUT SENSOR)	B
1	0100011	AR	Compound, Locking	
2	0711224	8	Bolt M12 x 80	
3	0760807	4	Bolt M8 x 14	
4	0761616	1	Bolt M16 x 40	
5	0771015	4	Bolt M10 x 35	
6	0961890	1	Bushing	
7	0961950	2	Bearing	
8	0962220	4	Bushing	
9	3422592	1	Pin	
10	3841258	1	Keeper, Rod	
11	4740229	1	Thrustwasher	
12	4811900	4	Washer M8	
13	5241000	AR	Washer M10	
14	5241200	8	Washer M12	
15	1001118511	2	Pad, Wear	
16	1001118518	AR	Shim 11Ga	
17	1001118519	AR	Shim 16Ga	
18	1001245046	2	Cylinder Assembly - Axle (See Separate Breakdown in CYLINDER Section)	
19	1001247019	1	Axle	
20	1001248196	2	Cartridge, Valve - Directional	
20	7024502	2	Seal Kit - 7001248196 Valve	
20	7027628	2	Coil	
20	70001365	2	Nut, Coil	
21	1001248834	2	Cover	

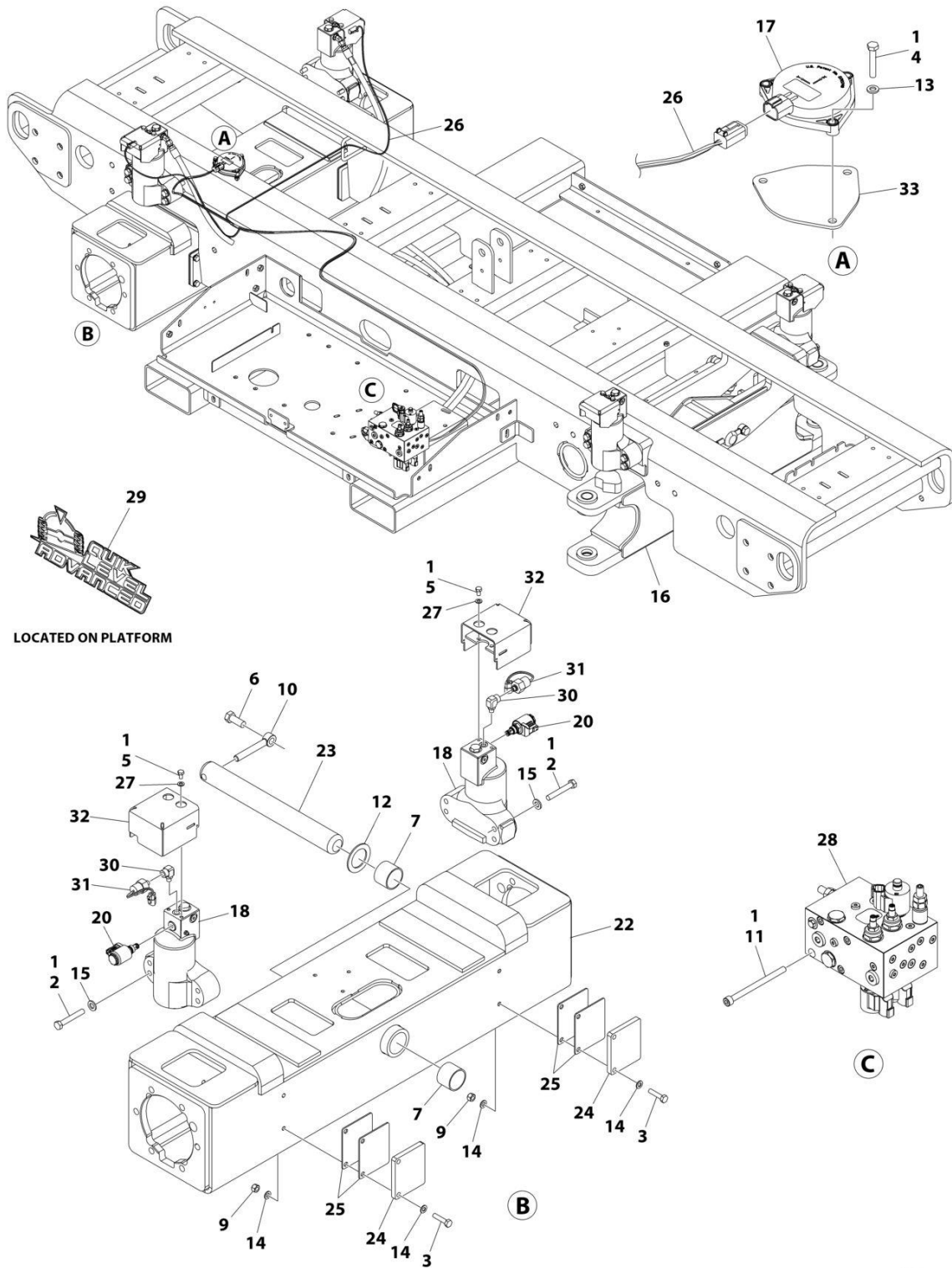
SECTION 1 - FRAME

FIGURE 1-2. AXLE INSTALLATION - SINGLE OSCILLATING (WITH SENSORS)

ITEM	PART NUMBER	QTY	DESCRIPTION	REV
	1001244391	Ref	AXLE INSTALLATION (WITH SENSOR)	D
1	0100011	AR	Compound, Locking	
2	0711224	8	Bolt M12 x 80	
3	0760614	3	Bolt M6 x 30	
3	4010615	3	Bolt M6 x 35	
4	0760807	4	Bolt M8 x 14	
5	0761616	1	Bolt M16 x 40	
6	0961890	1	Bushing	
7	0961950	2	Bearing	
8	0962220	4	Bushing	
10	3422592	1	Pin	
11	3841258	1	Keeper, Rod	
12	4740229	1	Thrustwasher	
13	4811700	3	Washer M6	
14	4811900	4	Washer M8	
15	5241200	8	Washer M12	
16	0771015	4	Bolt M10 x 35	
17	1001118511	2	Pad, Wear	
18	1001118518	AR	Shim 11Ga	
19	1001118519	AR	Shim 16Ga	
20	1001244934	1	Sensor, Tilt	
21	1001245046	2	Cylinder Assembly - Axle (See Separate Breakdown in CYLINDER Section)	
22	1001247019	1	Axle	
23	1001248196	2	Cartridge, Valve - Directional	
23	7024502	2	Seal Kit - 1001248196 Valve	
23	7027628	2	Coil	
23	70001365	2	Nut, Coil	
24	1001248834	2	Cover	
25	5241000	AR	Washer M10	
26	1001272777	1	Gasket	

SECTION 1 - FRAME

FIGURE 1-3. AXLE INSTALLATION - DUAL OSCILLATING



ART_1001247295

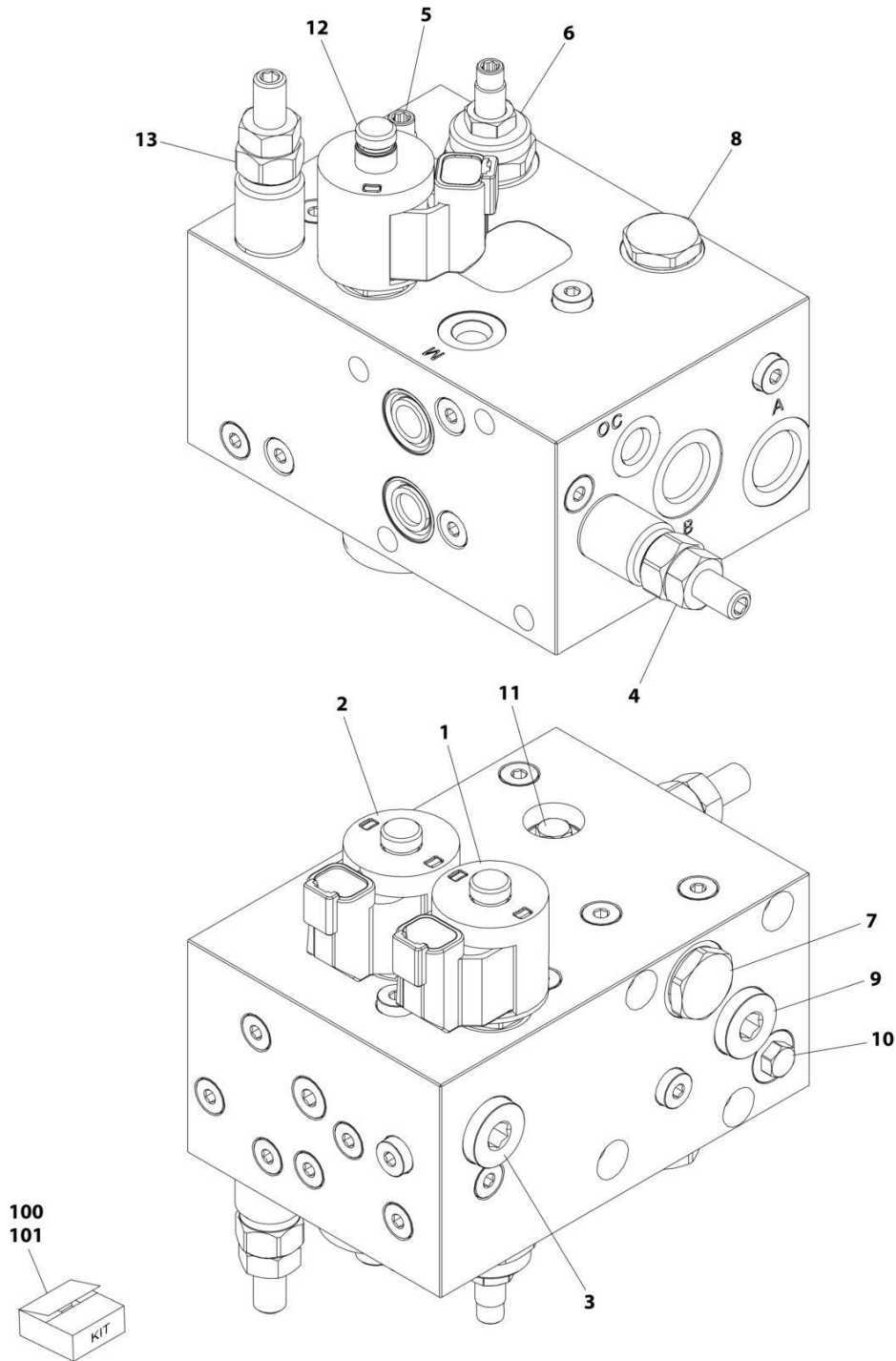
SECTION 1 - FRAME

FIGURE 1-3. AXLE INSTALLATION - DUAL OSCILLATING

ITEM	PART NUMBER	QTY	DESCRIPTION	REV
	1001247295	Ref	AXLE INSTALLATION - DUAL	G
1	0100011	AR	Compound, Locking	
2	0711224	8	Bolt M12 x 80	
3	0711017	4	Bolt M10 x 45	
4	4010615	3	Bolt M6 x 35	
5	0760807	4	Bolt M8 x 14	
6	0761616	1	Bolt M16 x 40	
7	0961950	2	Bearing	
9	3291005	4	Nut M10	
10	3841258	1	Keeper, Rod	
11	4031924	4	Capscrew M8 x 110	
12	4740229	1	Thrustwasher	
13	4811700	3	Washer M6	
14	4812000	8	Washer M10	
15	5241200	8	Washer M12	
16	1001244391	1	Axle Installation - Front (See Separate Breakdown in this Section)	
17	1001244934	1	Sensor, Tilt	
18	1001245046	2	Cylinder Assembly - Axle (See Separate Breakdown in CYLINDER Section)	
19	1001246104	Ref	Hydraulic Diagram - Axle (Not Shown - See Separate Breakdown in HYDRAULIC Section)	
20	1001248196	2	Cartridge, Valve - Directional	
20	7024502	2	Seal Kit - 1001248196 Valve	
20	7027628	2	Coil	
20	70001365	2	Nut, Coil	
22	1001250088	1	Axle (Rear)	
23	1001250089	1	Pin	
24	1001250090	2	Shim 0.5	
25	1001250091	AR	Shim 11Ga	
26	1001249282	1	Harness, Axle (Rear Oscillating) (See Separate Breakdown in ELECTRICAL Section)	
27	4811900	4	Washer M8	
28	1001247382	1	Valve Assembly (Dual Axles) (See Separate Breakdown in this Section)	
29	1001265585	2	Decal - Quick Level Access	
30	2221116	2	Fitting, 90 ORB	
31	1001256875	2	Switch, Pressure	
32	1001271580	2	Cover	
33	1001272777	1	Gasket	

SECTION 1 - FRAME

FIGURE 1-4. VALVE ASSEMBLY - DUAL AXLE



ART_1001247382

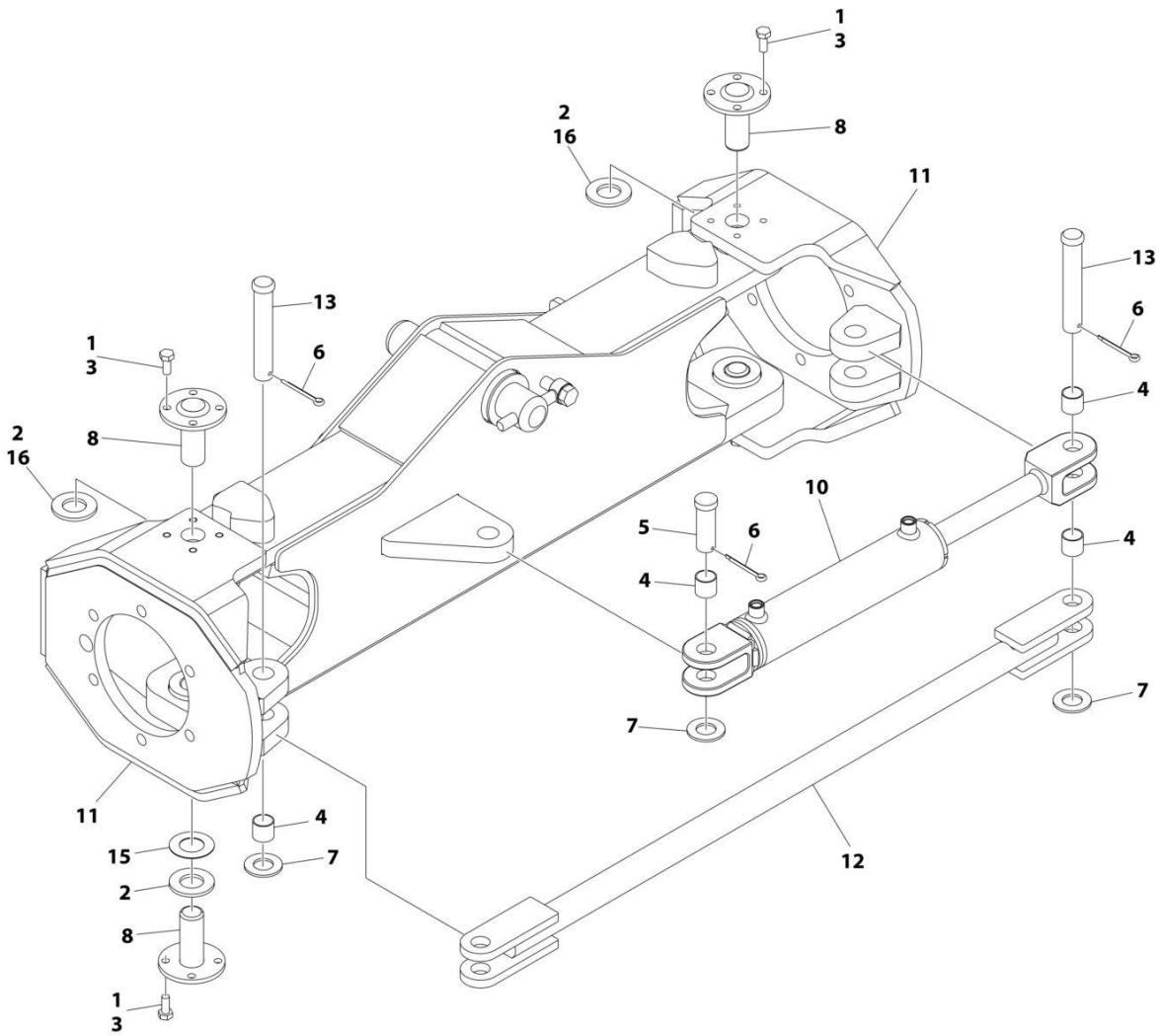
SECTION 1 - FRAME

FIGURE 1-4. VALVE ASSEMBLY - DUAL AXLE

ITEM	PART NUMBER	QTY	DESCRIPTION	REV
	1001247382	Ref	VALVE ASSEMBLY - DUAL AXLE	C
1	H000071	1	Cartridge, Solenoid Valve (Use Seal Kit 7012972)	
1	70002963	1	Coil	
2	H000071	1	Cartridge, Solenoid Valve (Use Seal Kit 7012972)	
2	70002963	1	Coil	
3	70007775	1	Cartridge, Shuttle Valve	
4	70007776	1	Cartridge, Relief Valve	
5	700077799	1	Cartridge, Flow Control Valve (Use Seal Kit 7010545)	
6	700077799	1	Cartridge, Flow Control Valve (Use Seal Kit 7010545)	
7	70030103	1	Cartridge, Check Valve	
8	70030103	1	Cartridge, Check Valve	
9	70007775	1	Cartridge, Shuttle Valve	
10	70007777	1	Cartridge, Check Valve	
11	70007777	1	Cartridge, Check Valve	
12	70007780	1	Cartridge, Solenoid Valve (Use Seal Kit 7012972)	
12	70002963	1	Coil	
13	70007778	1	Cartridge, Relief Valve	
100	7012972	1	Seal Kit (Use with Items 1, 2 & 12 Valves)	
101	7010545	1	Seal Kit (Use with Items 5 & 6 Valves)	

SECTION 1 - FRAME

FIGURE 1-5. STEERING INSTALLATION



ART_1001244392

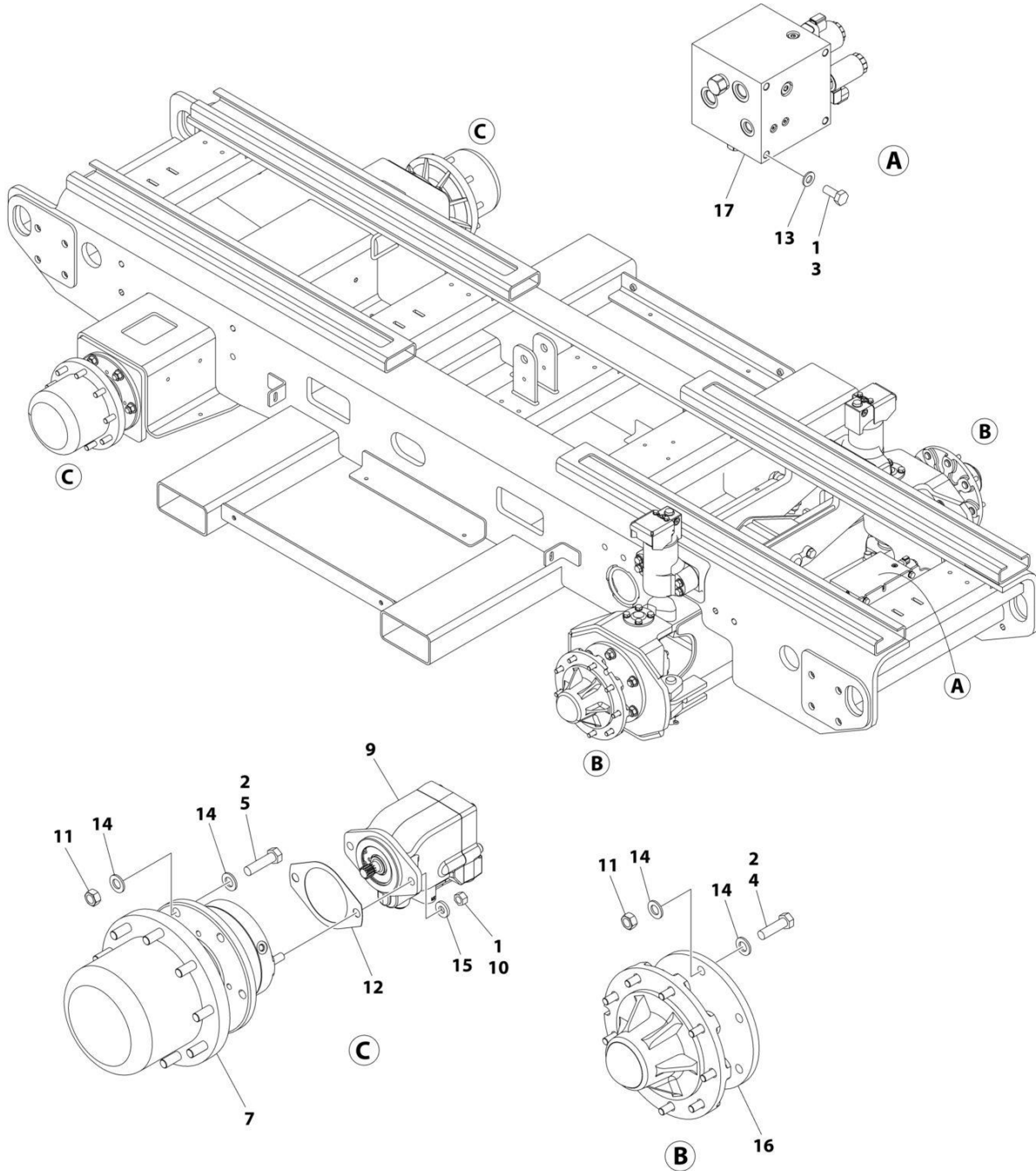
SECTION 1 - FRAME

FIGURE 1-5. STEERING INSTALLATION

ITEM	PART NUMBER	QTY	DESCRIPTION	REV
	1001244392	Ref	STEERING INSTALLATION	D
1	0100011	AR	Compound, Locking	
2	0440237	2	Thrustwasher (3/16 Thickness)	
3	0761012	16	Bolt M10 x 25	
4	0961890	4	Bushing	
5	3431622	1	Pin	
6	3450608	3	Pin, Cotter	
7	4712600	3	Washer 1	
8	1001139141	4	Kingpin	
10	1001246107	1	Cylinder Assembly - Steer (See Separate Breakdown in CYLINDER Section)	
11	1001249297	2	Spindle	
12	1001249323	1	Tie-Rod	
13	1001255526	2	Pin	
15	1001151395	2	Shim	
16	0440162	2	Thrustwasher (1/8 Thickness)	

SECTION 1 - FRAME

FIGURE 1-6. DRIVE INSTALLATION (2WD)



ART_1001248300

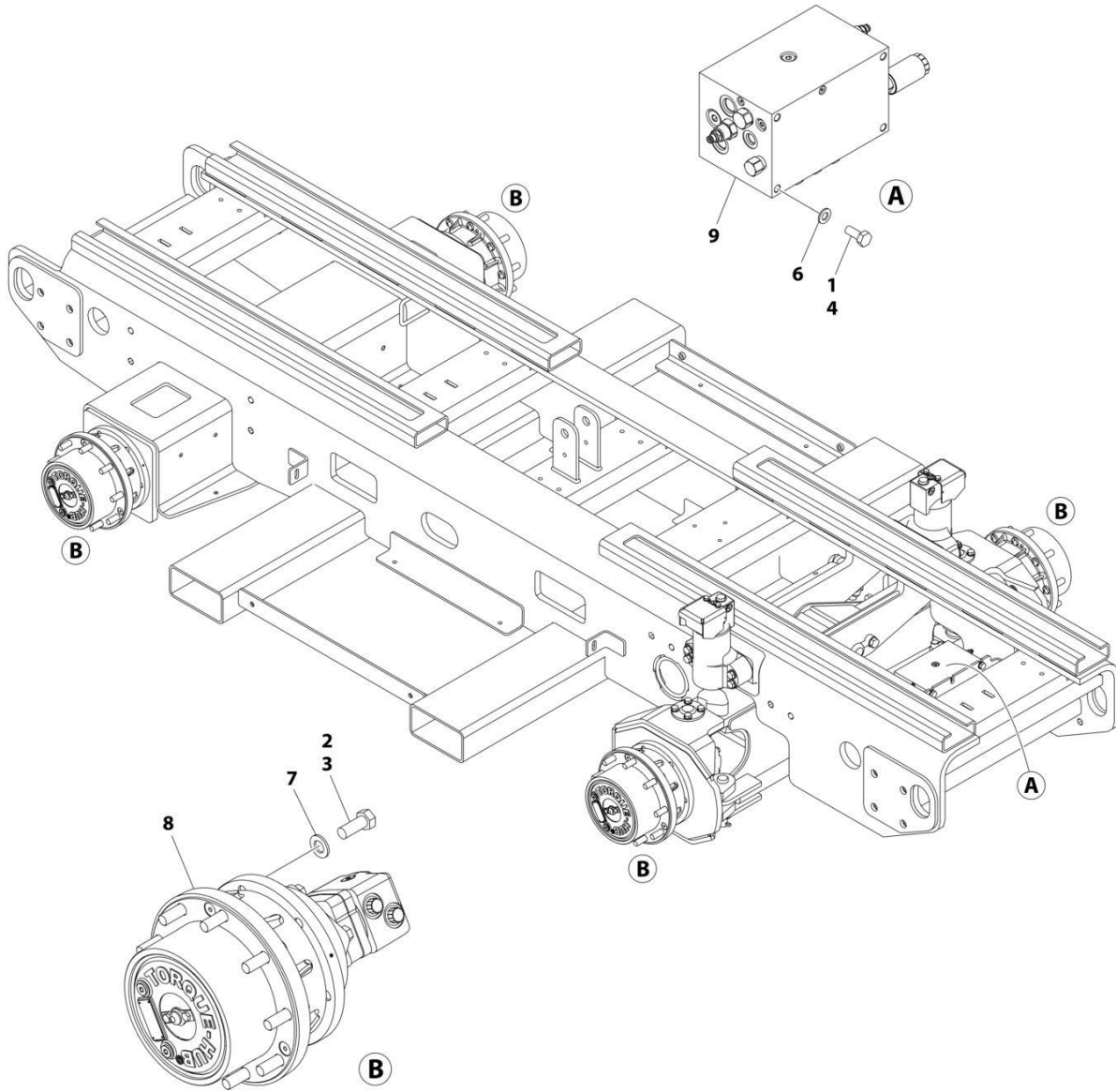
SECTION 1 - FRAME

FIGURE 1-6. DRIVE INSTALLATION (2WD)

ITEM	PART NUMBER	QTY	DESCRIPTION	REV
	1001248300	Ref	DRIVE INSTALLATION - 2WD	C
1	0100011	AR	Compound, Locking	
2	0100019	AR	Compound, Locking	
3	0771012	4	Bolt M10 x 25	
4	0771619	12	Bolt M16 x 55	
5	0771620	12	Bolt M16 x 60	
7	2780267	2	Drive Hub Assembly (See Separate Breakdown in this Section)	
9	3160348	2	Drive Motor Assembly (See Separate Breakdown in this Section)	
10	3311801	4	Nut 1/2	
11	3331611	24	Nut M16	
12	3960526	2	Gasket	
13	4812000	4	Washer M10	
14	5241600	48	Washer M16	
15	4891800	4	Washer 1/2	
16	1001214174	2	Hub Assembly - Front (See Separate Breakdown in this Section)	
17	1001246959	1	Valve Assembly - Drive Traction (See Separate Breakdown in this Section)	

SECTION 1 - FRAME

FIGURE 1-7. DRIVE INSTALLATION (4WD)



ART_1001244393

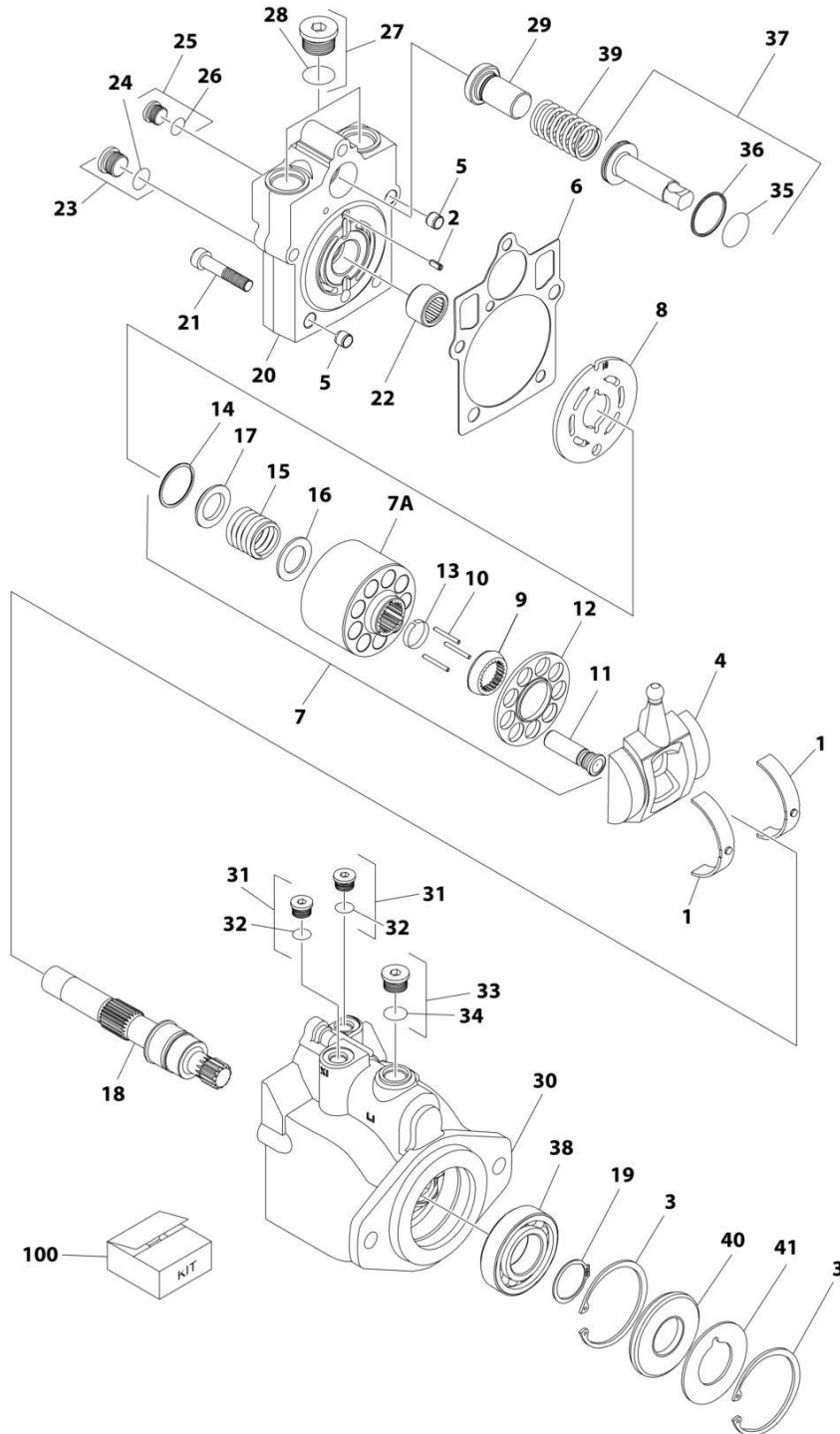
SECTION 1 - FRAME

FIGURE 1-7. DRIVE INSTALLATION (4WD)

ITEM	PART NUMBER	QTY	DESCRIPTION	REV
	1001244393	Ref	DRIVE INSTALLATION - 4WD	C
1	0100011	AR	Compound, Locking	
2	0100019	AR	Compound, Locking	
3	0711616	24	Bolt M16 x 40	
4	0771012	4	Bolt M10 x 25	
6	4812000	4	Washer M10	
7	5241600	24	Washer M16	
8	1001243266	1	Drive Assembly (See Separate Breakdown in this Section)	
9	1001244177	1	Valve Assembly - Drive Traction (See Separate Breakdown in this Section)	

SECTION 1 - FRAME

FIGURE 1-8. DRIVE MOTOR ASSEMBLY (2WD)



ART_3160348

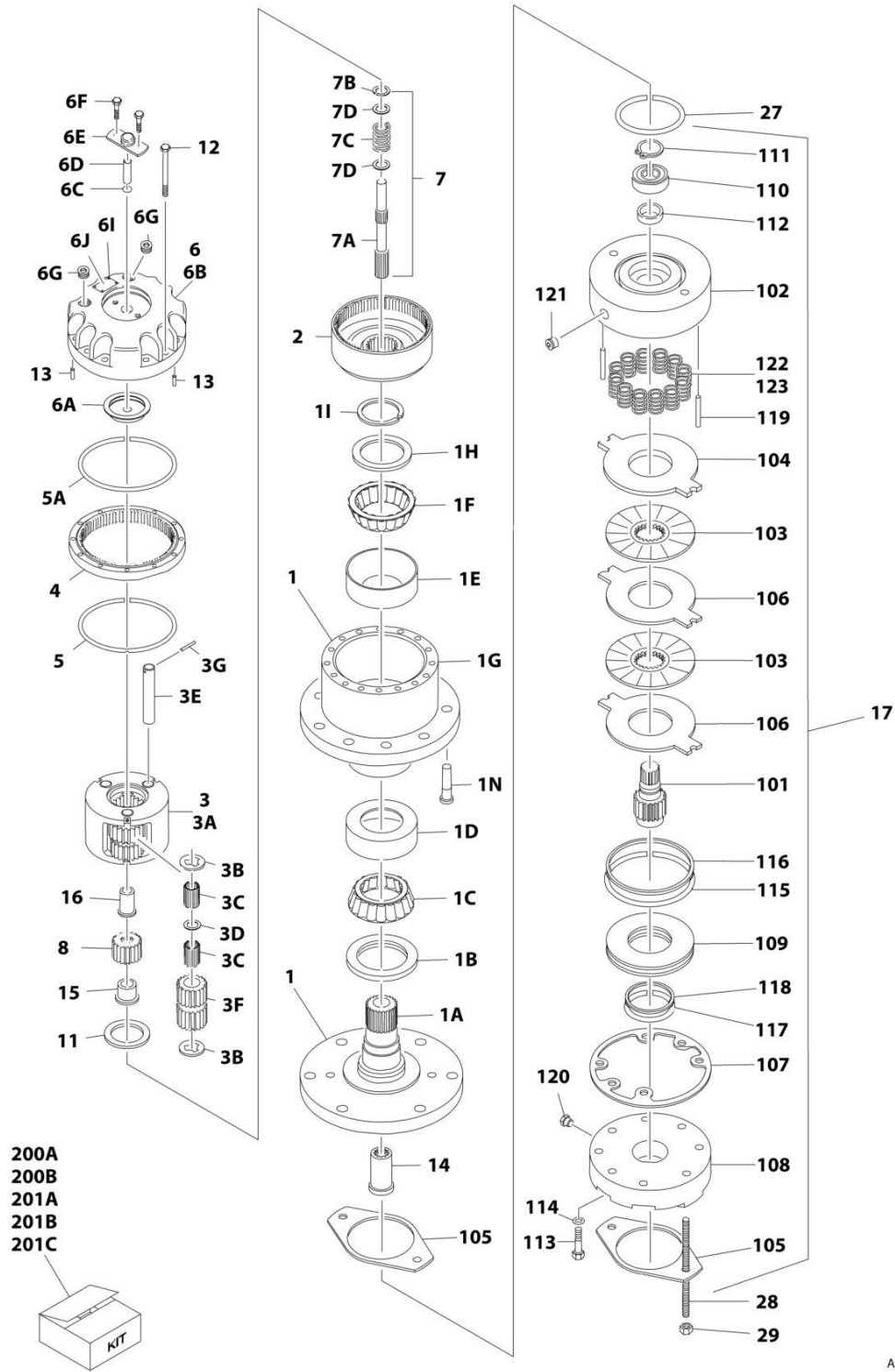
SECTION 1 - FRAME

FIGURE 1-8. DRIVE MOTOR ASSEMBLY (2WD)

ITEM	PART NUMBER	QTY	DESCRIPTION	REV
	3160348	Ref	DRIVE MOTOR ASSEMBLY	D
1	7022302	2	Bearing, Journal	
2	7007446	1	Pin	
3	7007438	2	Ring, Retaining	
4	7022305	1	Swash Plate	
5	See Note	2	Pin (Note: Not Available for Purchase)	
6	See Note	NSS	Gasket (Note: Use Item 100)	
7	7023907	1	Cylinder Block Kit (Includes Items 7A & 9-17)	
7A	See Note	NSS	Block, Cylinder (Note: Use Item 7)	
8	7023908	1	Plate, Valve	
9	7021277	1	Guide, Slipper Retainer	
10	7021275	3	Pin, Slipper Hold Down	
11	See Note	NSS	Piston Assembly (Note: Use Item 7)	
12	7022310	1	Retainer, Slipper	
13	7021276	1	Retainer, Hold Down Pin	
14	7022311	1	Ring, Retaining	
15	7022312	1	Spring	
16	7024868	1	Washer	
17	7022314	1	Retainer, Spring	
18	7023910	1	Shaft	
19	7007439	1	Ring, Retaining	
20	70000797	1	Cap, End - Axial	
21	7022368	5	Screw	
22	7021249	1	Bearing, Needle	
23	2220886	1	Plug (Includes Item 24)	
24	See Note	1	O-Ring (Note: Use Item 23 or 100)	
25	2220883	1	Plug (Includes Item 26)	
26	See Note	NSS	O-Ring (Note: Use Item 25 or 100)	
27	2220888	2	Plug (Includes Item 28)	
28	See Note	NSS	O-Ring (Note: Use Item 27 or 100)	
29	7022372	1	Seat, Spring	
30	See Note	NSS	Housing (Note: Not Available - Purchase Complete Assembly)	
31	2220883	2	Plug (Includes Item 32)	
32	See Note	NSS	O-Ring (Note: Use Item 31 or 100)	
33	2220886	1	Plug (Includes Item 34)	
34	See Note	NSS	O-Ring (Note: Use Item 33 or 100)	
35	See Note	NSS	O-Ring (Note: Use Item 100)	
36	See Note	NSS	Ring, Seal (Note: Use Item 100)	
37	7024854	1	Piston, Servo (Includes Items 35 & 36)	
38	7007437	1	Bearing	
39	7022326	1	Spring	
40	See Note	1	Seal, Lip (Note: Use Item 100)	
41	7022371	1	Washer, Support	
		Ref	KIT OPTIONS:	
100	7022328	1	Seal Kit (Includes Items 6, 24, 26, 28, 32, 34, 35, 36 & 40)	

SECTION 1 - FRAME

FIGURE 1-9. DRIVE HUB AND BRAKE ASSEMBLY (2WD REAR)



SECTION 1 - FRAME

FIGURE 1-9. DRIVE HUB AND BRAKE ASSEMBLY (2WD REAR)

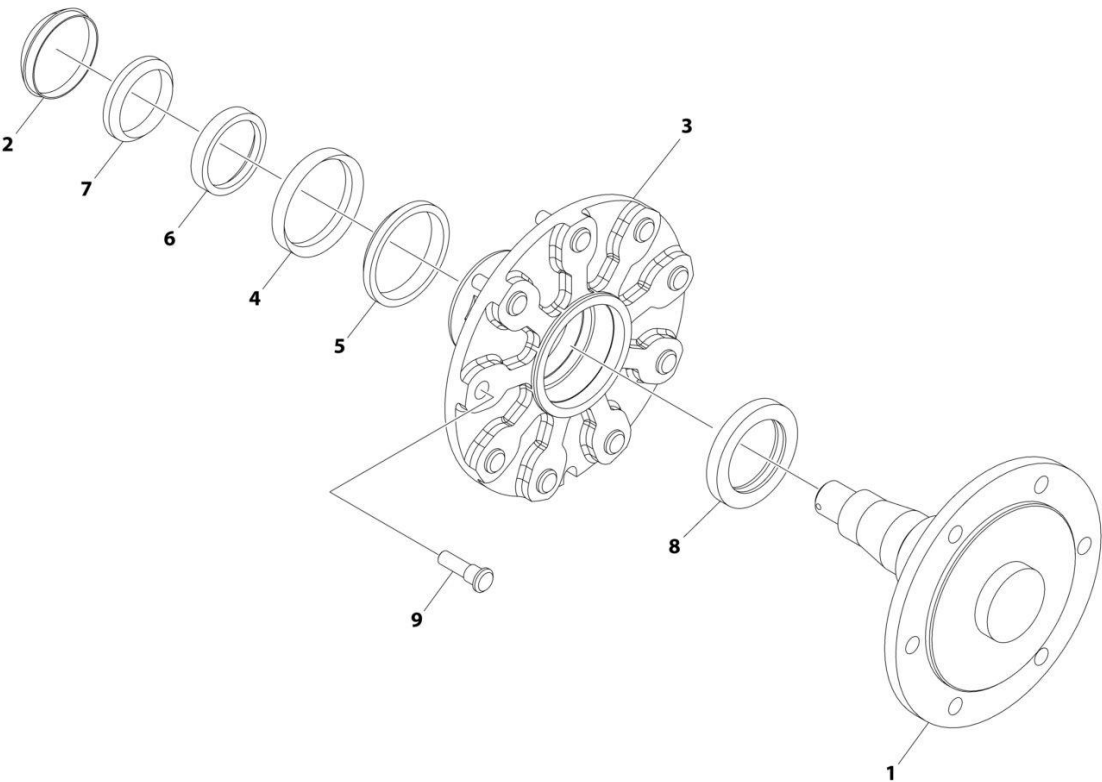
ITEM	PART NUMBER	QTY	DESCRIPTION	REV
	2780267	Ref	DRIVE HUB AND BRAKE ASSEMBLY - REAR	I
1	See Note	1	Spindle/Housing Assembly (Note: Purchase Individual Components)	
1A	7017059	1	Spindle	
1B	7001998	1	Seal	
1C	7010429	1	Cone, Bearing (Includes Item 1D)	
1D	7010429	1	Cup, Bearing (Includes Item 1C)	
1E	7000257	1	Cup, Bearing	
1F	7000258	1	Cone, Bearing	
1G	7007601	1	Housing/Ring Gear	
1H	7000232	1	Washer, Thrust	
1I	7000229	1	Ring, Retaining	
1N	7007640	9	Stud, Wheel	
2	7000246	1	Gear, Internal	
3	7024712	1	Carrier Assembly	
3A	See Note	1	Carrier (Note: Use Item 3)	
3B	See Note	6	Ring, Retaining (Note: Use Item 3)	
3C	See Note	AR	Bearing, Needle (Note: Use Item 3)	
3D	See Note	3	Washer, Thrust (Note: Use Item 3)	
3E	See Note	3	Shaft, Planet (Note: Use Item 3)	
3F	See Note	3	Gear, Planet (Note: Use Item 3)	
3G	See Note	3	Roll Pin (Note: Use Item 3)	
4	7000248	1	Ring Gear	
5	7000230	1	O-Ring	
5A	7017070	1	O-Ring	
6	70001349	1	Cover Assembly Kit	
6A	See Note	1	Spacer, Thrust (Note: Use Item 6)	
6B	See Note	1	Plate, Cover (Note: Use Item 6)	
6C	See Note	1	O-Ring (Note: Use Item 6)	
6D	See Note	1	Rod, Disconnect (Note: Use Item 6)	
6E	See Note	1	Cap, Disengage (Note: Use Item 6)	
6F	See Note	2	Bolt (Note: Use Item 6)	
6G	See Note	1	Plug, Pipe (Note: Use Item 6)	
6I	See Note	4	Rivet (Note: Not Available for Purchase)	
6J	See Note	1	Plate, ID (Note: Not Available for Purchase)	
7		Ref	Input Shaft Assembly	
7A	7024714	1	Shaft	
7B	7000261	1	Ring, Retaining	
7C	7000262	1	Spring	
7D	7000263	2	Spacer, Thrust	
8	7024713	1	Gear, Sun	
11	7000253	1	Washer, Thrust	
12	7017067	12	Bolt	
13	7017080	4	Pin, Dowel	
14	7000206	1	Coupling	
15	7024715	1	Spacer, Input	
16	7024716	1	Spacer, Input	
17	7024182	1	Brake Assembly (See Items 101-123 for Breakdown)	
27	7024705	1	O-Ring	
28	7024717	2	Rod, Threaded	

SECTION 1 - FRAME

ITEM	PART NUMBER	QTY	DESCRIPTION	REV
29	7024718	2	Nut 1/2in-13NC	
	7024182	Ref	BRAKE ASSEMBLY	
101	7024189	1	Shaft	
102	See Note	1	Housing (Note: Use Item 17)	
103	See Note	2	Plate, Friction (Note: Use Item 201B)	
104	See Note	1	Plate, Pressure (Note: Use Item 201B)	
105	7000731	2	Gasket	
106	See Note	2	Plate, Outer (Note: Use Item 201B)	
107	See Note	1	Gasket (Note: Use Item 200A, 201B or 201C)	
108	7024191	1	Cylinder	
109	7024192	1	Piston	
110	See Note	1	Bearing, Ball (Note: Use Item 201C)	
111	See Note	1	Ring, Retaining (Note: Use Item 201C)	
112	See Note	1	Seal, Shaft (Note: Use Item 201C)	
113	See Note	6	Capscrew (Note: Use Item 17)	
114	See Note	6	Lockwasher (Note: Use Item 17)	
115	See Note	1	O-Ring (Note: Use Item 200B)	
116	See Note	1	Ring, Back-up (Note: Use Item 200B)	
117	See Note	1	O-Ring (Note: Use Item 200B)	
118	See Note	1	Ring, Back-up (Note: Use Item 200B)	
119	7024190	2	Pin, Dowel	
120	See Note	1	Plug (Note: Use Item 17)	
121	See Note	2	Plug (Note: Use Item 17)	
122	See Note	12	Spring Kit (Natural) (Note: Use Item 201A)	
123	See Note	2	Spring Kit (Blue) (Note: Use Item 201A)	
		Ref	Kit Options	
200		Ref	Seal Kit Options:	
200A	See Note	1	Hub Seal Kit (Note: Purchase Individual Components)	
200B	7024194	1	Brake Seal Kit (Includes Items 105, 107 & 115-118)	
201		Ref	Repair Kit Options:	
201A	7024196	1	Brake Spring Kit (Includes 12 Natural Colored and 2 Blue Colored Springs Items 122 & 123)	
201B	7024193	1	Brake Friction Disc Kit (Includes Items 103, 104, 106 & 107)	
201C	7024197	1	Brake Bearing Kit (Includes Items 107 & 110-112)	

SECTION 1 - FRAME

FIGURE 1-10. HUB/SPINDLE ASSEMBLY (2WD FRONT)



ART_1001214174

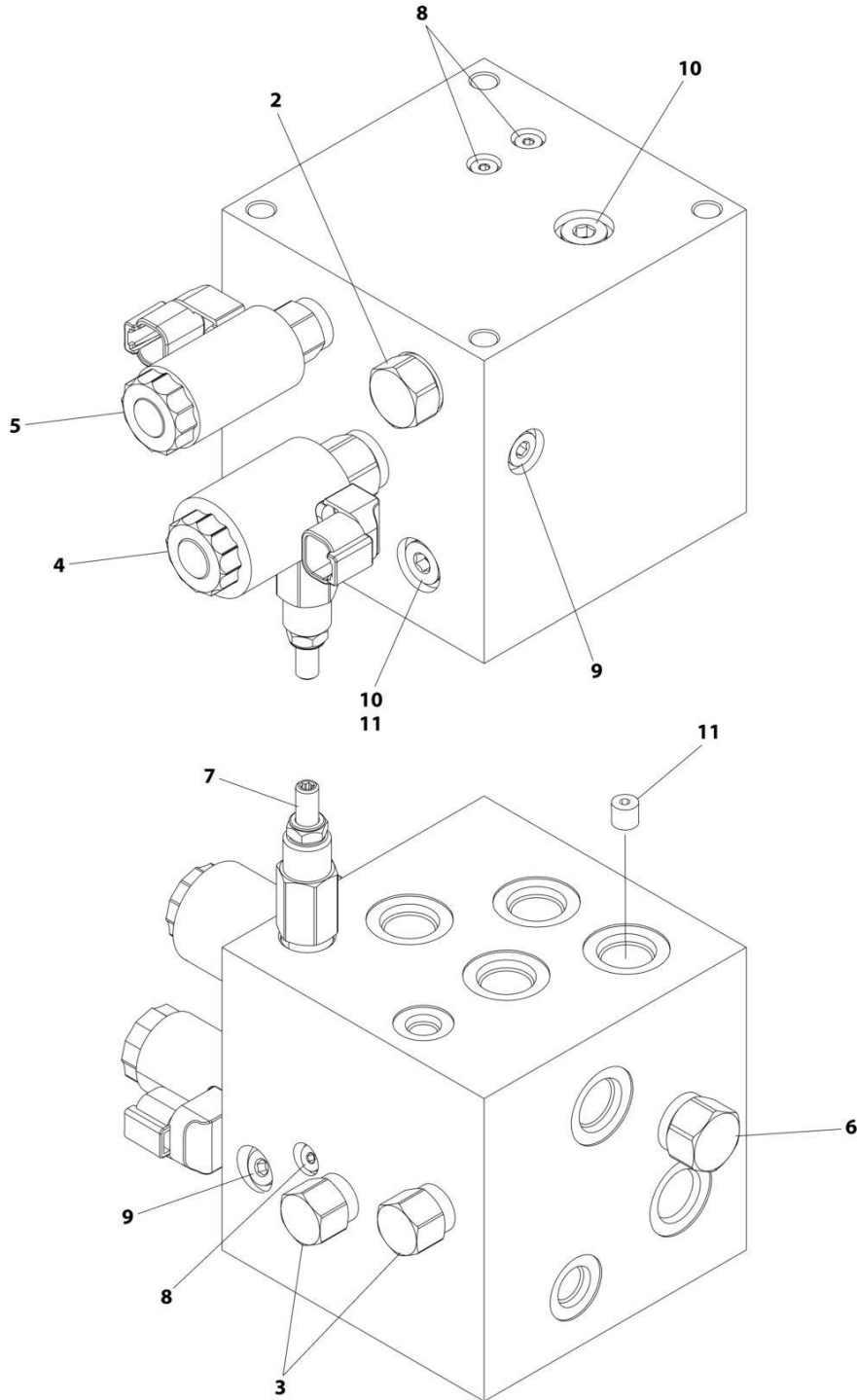
SECTION 1 - FRAME

FIGURE 1-10. HUB/SPINDLE ASSEMBLY (2WD FRONT)

ITEM	PART NUMBER	QTY	DESCRIPTION	REV
	1001214174	Ref	HUB - SPINDLE ASSEMBLY (2WD)	C
1	See Note	NSS	Spindle, Adapter (Note: Not Available for Purchase)	
2	7020033	1	Cap, Dust	
3	7020035	1	Hub, Casting	
4	7020036	1	Cup, Bearing	
5	7020037	1	Cone, Bearing	
6	7020038	1	Cup, Bearing	
7	7020039	1	Cone, Bearing	
8	7020040	1	Seal	
9	7020041	9	Stud	

SECTION 1 - FRAME

FIGURE 1-11. VALVE ASSEMBLY - TRACTION (2WD)



ART_1001246959

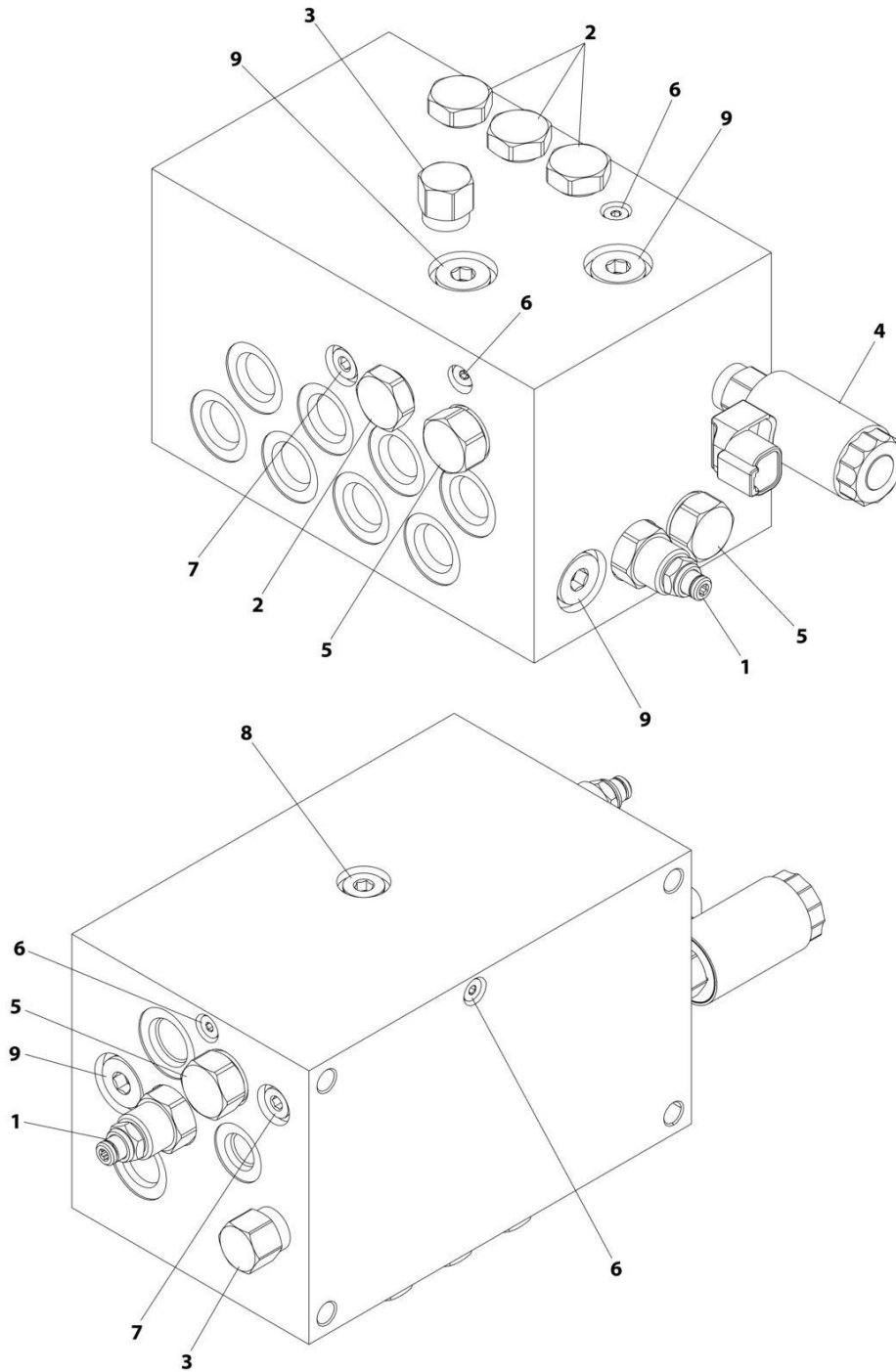
SECTION 1 - FRAME

FIGURE 1-11. VALVE ASSEMBLY - TRACTION (2WD)

ITEM	PART NUMBER	QTY	DESCRIPTION	REV
	1001246959	Ref	VALVE ASSEMBLY - TRACTION (2WD)	D
	See Note	1	Note: No Service Parts Available at Time of Printing.	
2		Ref	Cartridge, Shuttle Valve	
3		Ref	Cartridge, Check Valve	
4		Ref	Cartridge, Solenoid Valve	
5		Ref	Cartridge, Solenoid Valve	
6		Ref	Cartridge, Flow Control Valve	
7		Ref	Cartridge, Relief Valve	
8		Ref	Plug SAE 2	
9		Ref	Plug SAE 4	
10		Ref	Plug SAE 6	
11		Ref	Orifice 1/8	

SECTION 1 - FRAME

FIGURE 1-12. VALVE ASSEMBLY- TRACTION (4WD)



ART_1001244177

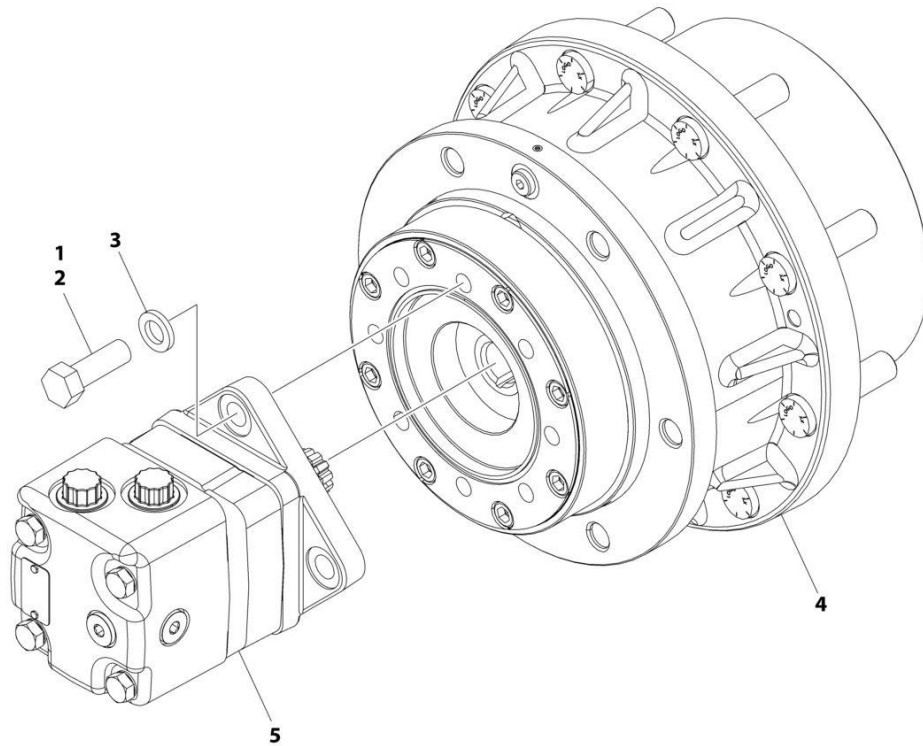
SECTION 1 - FRAME

FIGURE 1-12. VALVE ASSEMBLY- TRACTION (4WD)

ITEM	PART NUMBER	QTY	DESCRIPTION	REV
	1001244177	Ref	VALVE ASSEMBLY- TRACTION (4WD)	D
1	70008619	2	Cartridge, Valve	
1	70006099	2	Kit, Seal	
2	70008347	4	Cartridge, Check Valve	
2	70008348	4	Kit, Seal	
3	7026016	2	Cartridge, Valve	
3	7011346	2	Kit, Seal	
4	70008620	1	Cartridge, Solenoid Valve	
4	70008350	1	Kit, Seal	
4	70008352	1	Coil	
5	70008621	1	Cartridge, Valve	
5	2900770	1	Kit, Seal	
6	2220881	6	Plug, O-Ring	
7	2220883	2	Plug, O-Ring	
8	2220885	1	Plug, O-Ring	
9	2220886	4	Plug, O-Ring	

SECTION 1 - FRAME

FIGURE 1-13. DRIVE ASSEMBLY (4WD)



ART_1001243266

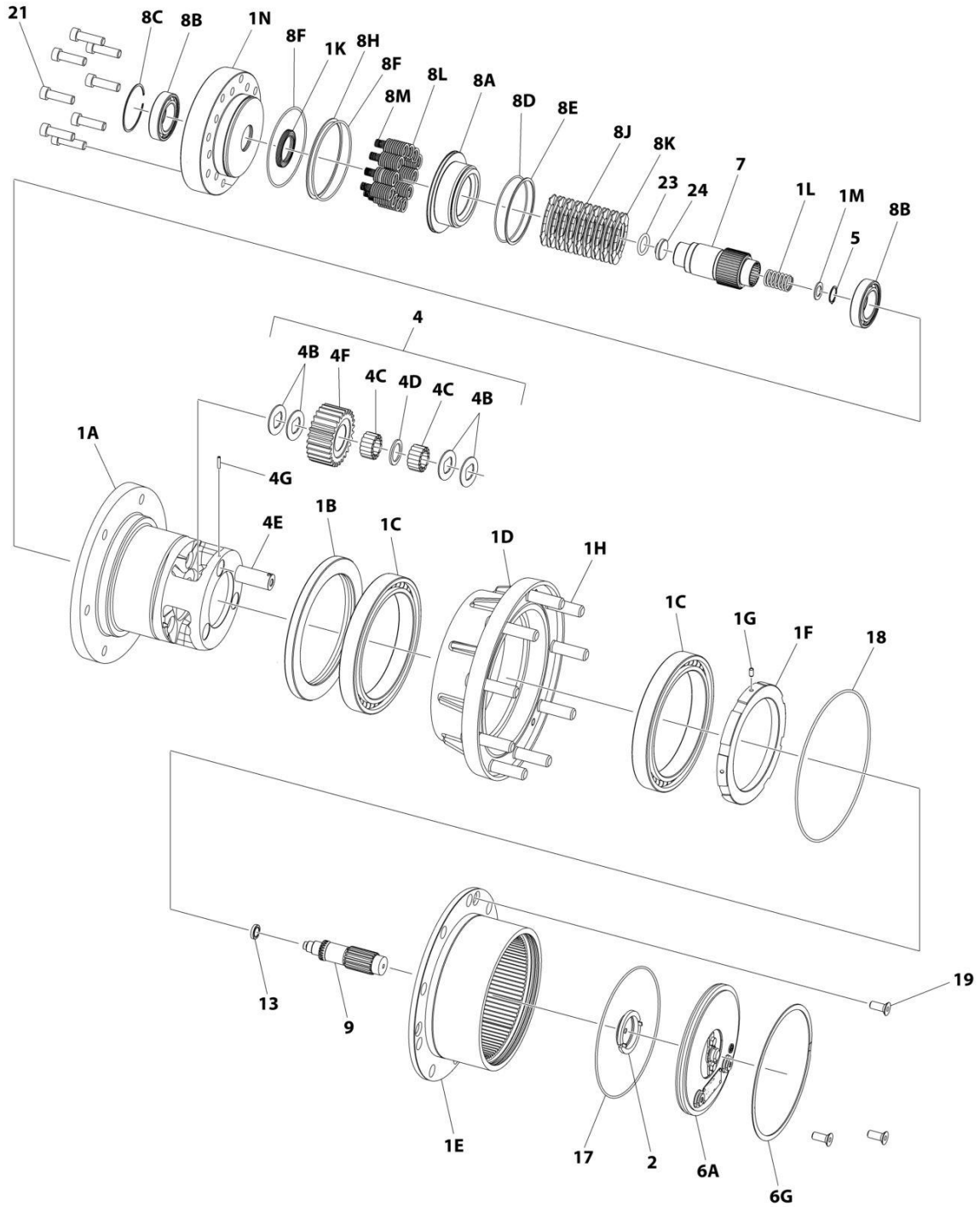
SECTION 1 - FRAME

FIGURE 1-13. DRIVE ASSEMBLY (4WD)

ITEM	PART NUMBER	QTY	DESCRIPTION	REV
	1001243266	Ref	DRIVE ASSEMBLY	E
1	1001095650	1	Adhesive	
2	0681812	4	Bolt 1/2 x 1-1/2	
3	4761800	4	Washer 1/2	
4	1001242816	1	Drive Hub Assembly (See Separate Breakdown in this Section)	
5	1001243268	1	Drive Motor Assembly (Includes O-Ring)	
5	70008114	1	O-Ring (Not Shown, Seals Between Drive Hub & Drive Motor)	

SECTION 1 - FRAME

FIGURE 1-14. DRIVE HUB AND BRAKE ASSEMBLY (4WD)



ART_1001242816

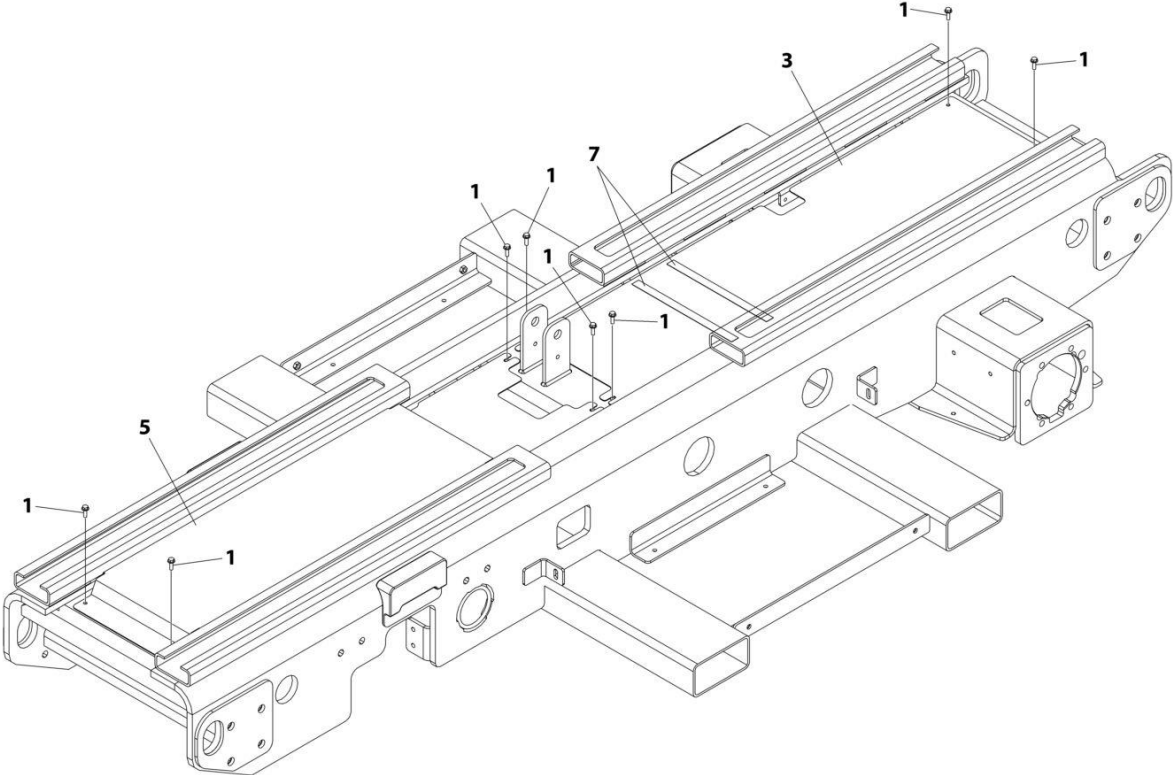
SECTION 1 - FRAME

FIGURE 1-14. DRIVE HUB AND BRAKE ASSEMBLY (4WD)

ITEM	PART NUMBER	QTY	DESCRIPTION	REV
	1001242816	Ref	DRIVE HUB ASSEMBLY	F
1A	SEE NOTE	NSS	Spindle (Not available for Purchase)	
1B	70001119	1	Seal	
1C	70002991	2	Bearing, Ball	
1D	SEE NOTE	NSS	Housing (Not available for Purchase)	
1E	70002989	1	Gear, Ring	
1F	70003000	1	Nut	
1G	70002996	2	Screw, Socket	
1H	7007640	9	Stud	
1K	70008155	1	Seal, Quad	
1L	70002992	1	Spring	
1M	70002999	1	Washer, Thrust	
1N	SEE NOTE	NSS	Adapter, Mounting (Not available for Purchase)	
2	7024741	1	Spacer, Thrust	
4	70008144	1	Planet Gear Assembly	
4B	SEE NOTE	NSS	Washer, Thrust (Not available for Purchase)	
4C	SEE NOTE	NSS	Bearing, Needle (Not available for Purchase)	
4D	SEE NOTE	NSS	Spacer, Thrust (Not available for Purchase)	
4F	SEE NOTE	NSS	Gear, Planet (Not available for Purchase)	
4E	7024726	3	Shaft, Planet	
4G	7001913	2	Pin, Roll	
5	70002995	1	Ring, Retaining	
6A	70001368	1	Cover Plate Assembly	
6G	7024738	1	Ring, Retaining	
7	70008148	1	Coupling	
8A	70002993	1	Brake, Piston	
8B	70002990	2	Bearing, Ball	
8C	70002994	1	Ring, Retaining	
8D	70004042	1	O-Ring	
8E	70008158	1	O-Ring, Back-up	
8F	70008156	2	O-Ring	
8H	70008157	1	O-Ring, Back-up	
8J	70002085	8	Brake, Rotor	
8K	70002085	9	Brake, Stator	
8L	70008152	12	Spring	
8M	70008153	12	Spring	
9	70008147	1	Shaft, Input	
12	70002998	1	Plug (Not Shown)	
13	70008151	1	Bearing, Ball	
17	7024134	1	O-Ring	
18	70002997	1	O-Ring	
19	7017022	3	Bolt	
21	70008154	8	Bolt	
22	7024108	2	Plug (Not Shown)	
23	70008150	1	O-Ring	
24	70008149	1	Space Input	

SECTION 1 - FRAME

FIGURE 1-15. FRAME COVERS INSTALLATION



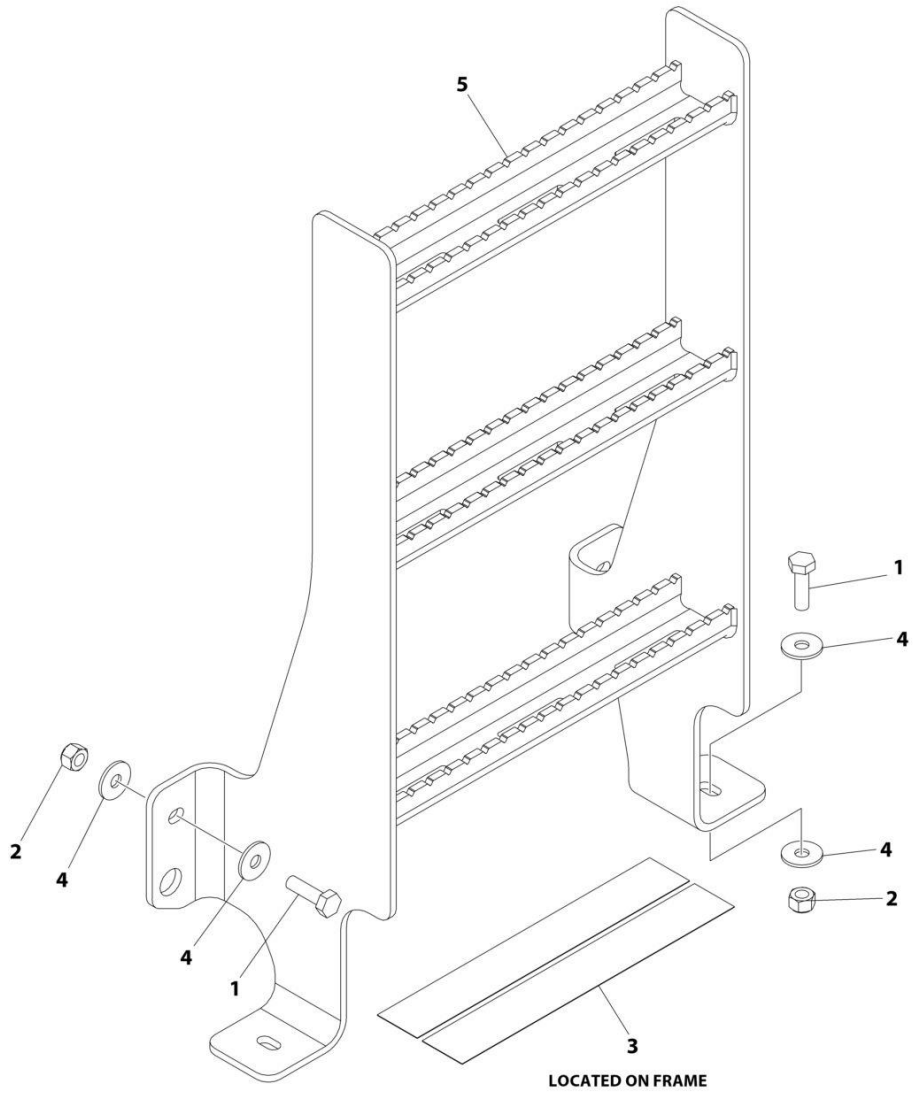
ART_1001245440

FIGURE 1-15. FRAME COVERS INSTALLATION

ITEM	PART NUMBER	QTY	DESCRIPTION	REV
	1001245440	Ref	FRAME COVERS INSTALLATION	D
1	5250812	8	Bolt M8 x 25	
3	1001245381	1	Cover (Rear)	
5	1001283427	1	Cover (Front)	
7	1001258188	2 ft	Tape, Foam	

SECTION 1 - FRAME

FIGURE 1-16. LADDER INSTALLATION (RT2669)



ART_1001246884

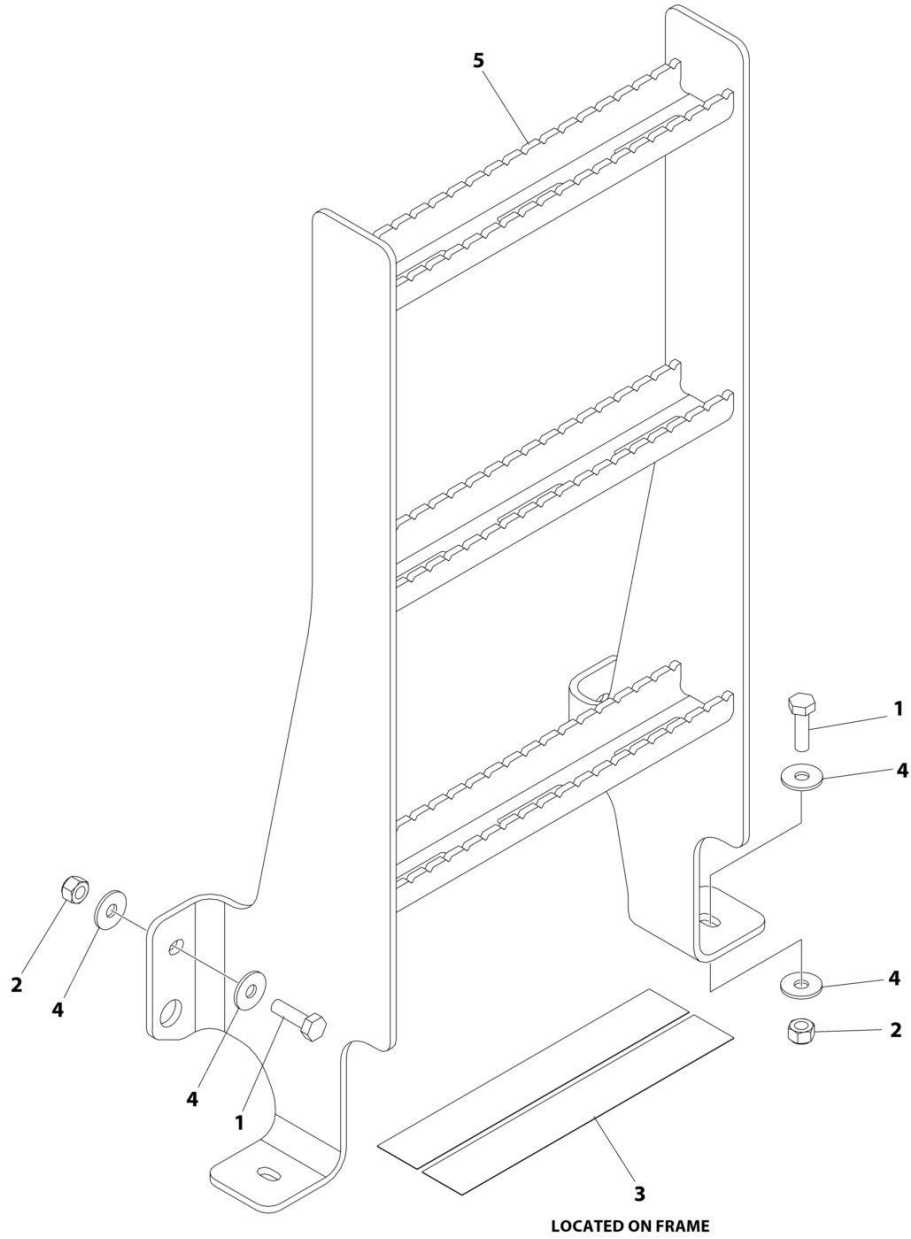
SECTION 1 - FRAME

FIGURE 1-16. LADDER INSTALLATION (RT2669)

ITEM	PART NUMBER	QTY	DESCRIPTION	REV
	1001246884	Ref	LADDER INSTALLATION	B
1	0761015	4	Bolt M10 x 35	
2	3291005	4	Nut M10	
3	4420070	2	Tape, Anti-Skid	
4	4812002	8	Washer M10	
5	1001247352	1	Ladder	

SECTION 1 - FRAME

FIGURE 1-17. LADDER INSTALLATION (RT3369)



ART_1001247425

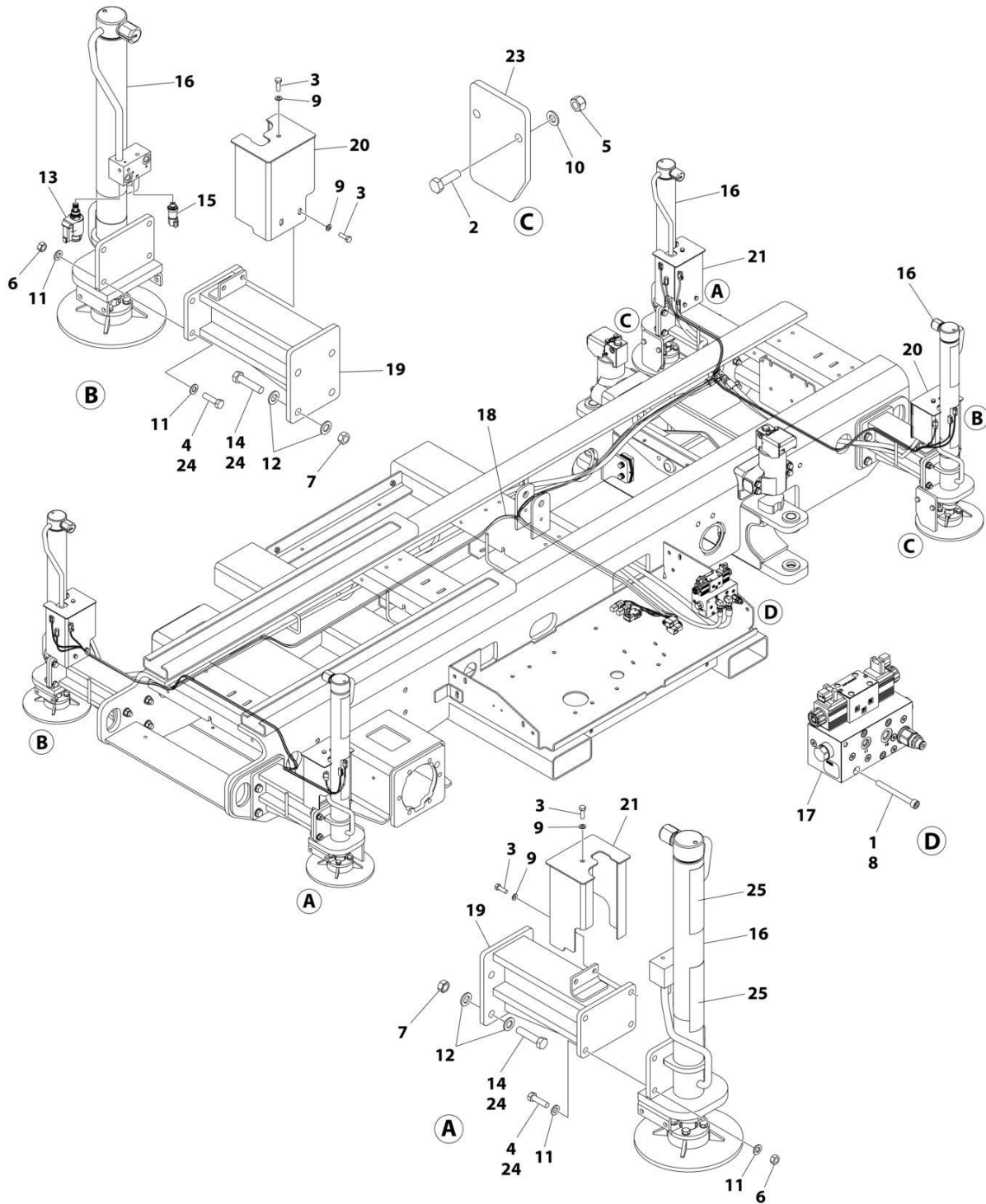
SECTION 1 - FRAME

FIGURE 1-17. LADDER INSTALLATION (RT3369)

ITEM	PART NUMBER	QTY	DESCRIPTION	REV
	1001247425	Ref	LADDER INSTALLATION	B
1	0761015	4	Bolt M10 x 35	
2	3291005	4	Nut M10	
3	4420070	2	Tape, Anti-Skid	
4	4812002	8	Washer M10	
5	1001247353	1	Ladder	

SECTION 1 - FRAME

FIGURE 1-18. LEVELING JACKS INSTALLATION - PARTIAL COVERS



ART_1001246885

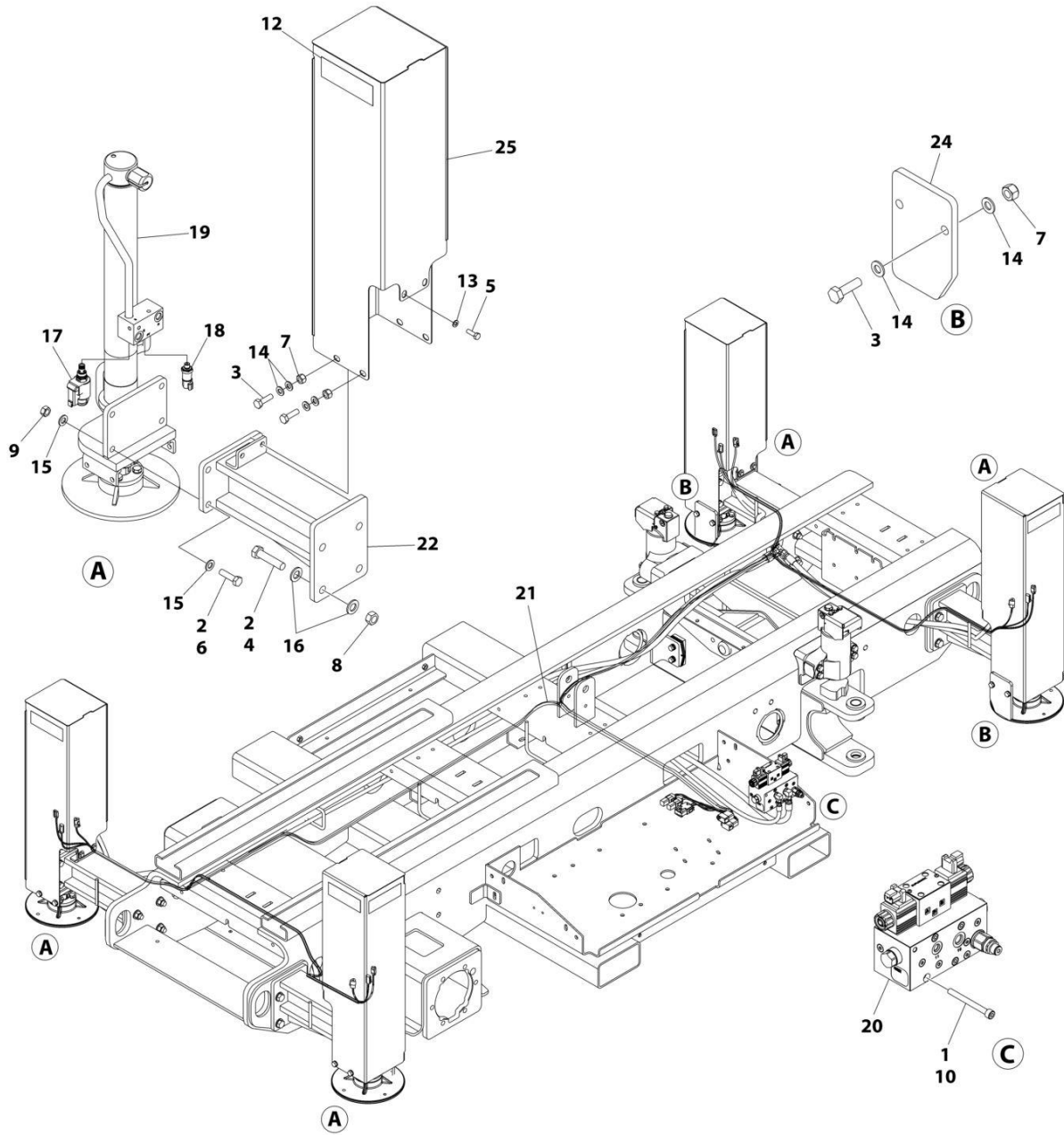
SECTION 1 - FRAME

FIGURE 1-18. LEVELING JACKS INSTALLATION - PARTIAL COVERS

ITEM	PART NUMBER	QTY	DESCRIPTION	REV
	1001246885	Ref	LEVELING JACKS INSTALLATION	D
1	0100011	AR	Compound, Locking	
2	0701015	8	Bolt M10 x 35	
3	0760812	12	Bolt M8 x 25	
4	0761217	16	Bolt M12 x 45	
5	3291005	8	Nut M10	
6	3331211	16	Nut M12	
7	3291601	16	Nut M16	
8	4031920	4	Capscrew M8 x 80	
9	4811900	12	Washer M8	
10	4812000	8	Washer M10	
11	4812100	32	Washer M12	
12	5241600	32	Washer M16	
13	1001103761	4	Cartridge, Valve	
13	7024497	1	Cartridge Less Coil	
13	7024502	1	Seal Kit	
13	70001965	1	Coil	
13	7024506	1	Nut, Coil	
14	0701622	16	Bolt M16 x 70	
15	1001227516	4	Sensor, Leveling Jacks Pressure	
16	1001243256	4	Cylinder Assembly - Leveling Jacks (See Separate Breakdown in CYLINDER Section)	
17	1001247380	1	Valve Assembly - Leveling Jacks (See Separate Breakdown in this Section)	
18	1001248863	1	Harness, Leveling Jack (See Separate Breakdown in ELECTRICAL Section)	
19	1001249407	4	Frame, Leveling Jack	
20	1001249914	2	Cover, Jack (Right)	
21	1001249915	2	Cover, Jack (Left)	
22	1001250342	1	Hydraulic Diagram - Leveling Jacks (Not Shown - See Separate Breakdown in HYDRAULIC Section)	
23	1001250353	4	Plate	
24	0100019	AR	Compound, Locking	
25	4420051	5 ft/144cm	Tape, Safety	
26	4240017	AR	Tie-Strap (Not Shown)	

SECTION 1 - FRAME

FIGURE 1-19. LEVELING JACKS INSTALLATION - FULL COVERS



ART_1001274495

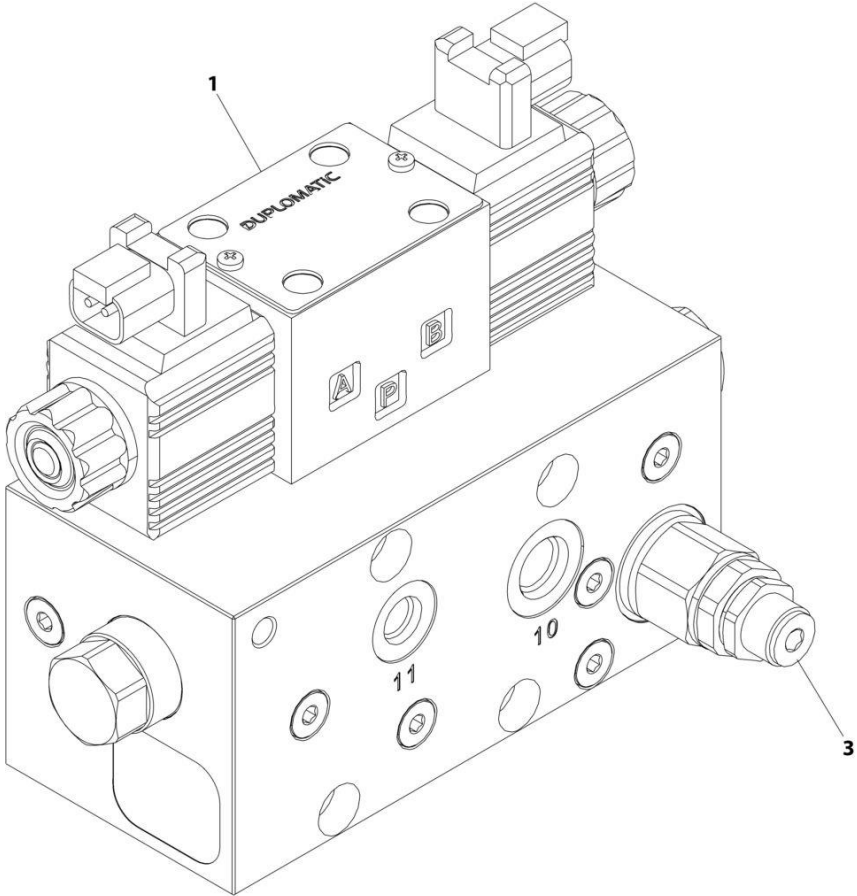
SECTION 1 - FRAME

FIGURE 1-19. LEVELING JACKS INSTALLATION - FULL COVERS

ITEM	PART NUMBER	QTY	DESCRIPTION	REV
	1001274495	Ref	LEVELING JACKS INSTALLATION	B
1	0100011	AR	Compound, Locking	
2	0100019	AR	Compound, Locking	
3	0701015	16	Bolt M10 x 35	
4	0701622	16	Bolt M16 x 70	
5	0760812	8	Bolt M8 x 25	
6	0761217	16	Bolt M12 x 45	
7	3291005	16	Nut M10	
8	3291601	16	Nut M16	
9	3331211	16	Nut M12	
10	4031920	4	Capscrew M8 x 80	
11	4240017	AR	Tie-Strap (Not Shown)	
12	4420051	4 ft/123cm	Tape, Safety	
13	4811902	8	Washer M8	
14	4812000	32	Washer M10	
15	4812100	32	Washer M12	
16	5241600	32	Washer M16	
17	1001103761	4	Cartridge, Valve	
17	7024497	1	Cartridge Less Coil	
17	7024502	1	Seal Kit	
17	70001965	1	Coil	
17	7024506	1	Nut, Coil	
18	1001227516	4	Sensor, Leveling Jacks Pressure	
19	1001243256	4	Cylinder Assembly - Leveling Jacks (See Separate Breakdown in CYLINDER Section)	
20	1001247380	1	Valve Assembly - Leveling Jacks (See Separate Breakdown in this Section)	
21	1001248863	1	Harness, Leveling Jack (See Separate Breakdown in ELECTRICAL Section)	
22	1001249407	4	Frame, Leveling Jack	
23	1001250342	1	Hydraulic Diagram - Leveling Jacks (Not Shown - See Separate Breakdown in HYDRAULIC Section)	
24	1001250353	4	Plate	
25	1001271360	4	Cover, Jack	

SECTION 1 - FRAME

FIGURE 1-20. LEVELING JACKS VALVE ASSEMBLY



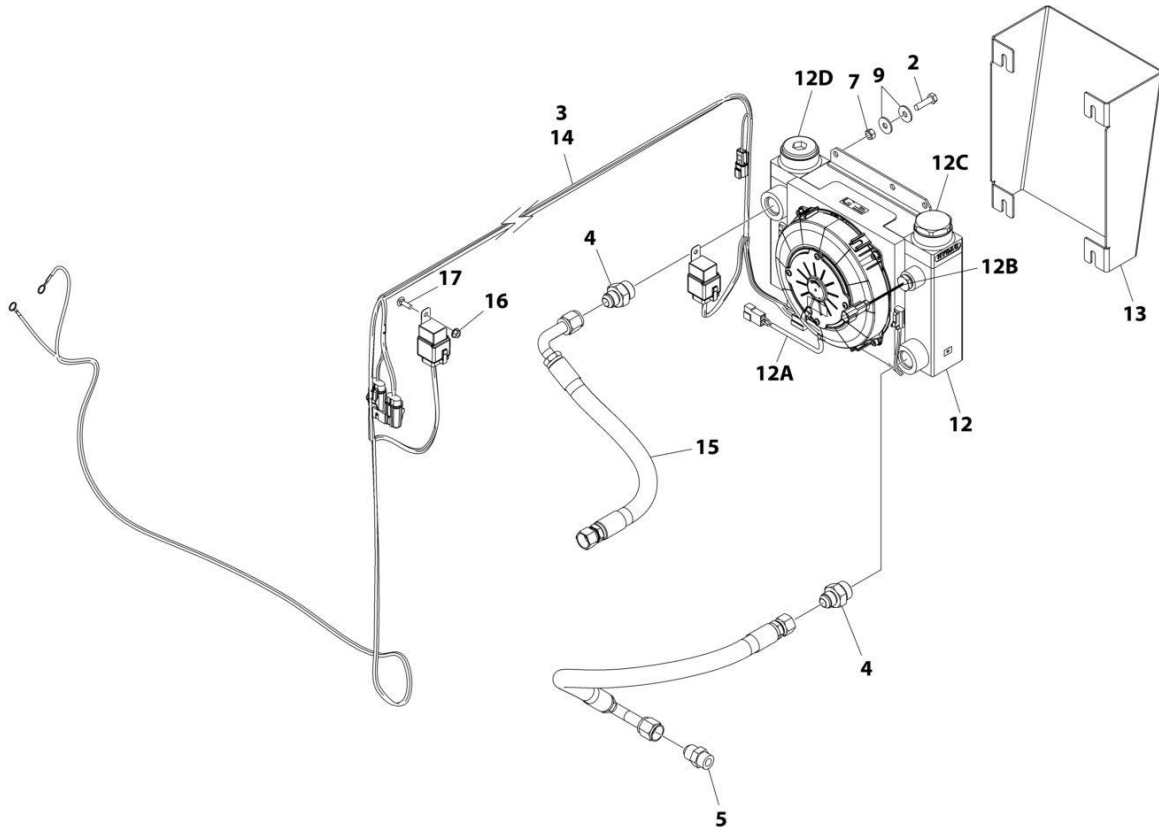
ART_1001247380

FIGURE 1-20. LEVELING JACKS VALVE ASSEMBLY

ITEM	PART NUMBER	QTY	DESCRIPTION	REV
	1001247380	Ref	LEVELING JACK VALVE ASSEMBLY	D
1	70007760	1	Valve, Directional	
3	70007761	1	Cartridge, Relief Valve	
4	70007762	1	Cartridge, Shuttle Valve (Not Shown)	

SECTION 1 - FRAME

FIGURE 1-21. OIL COOLER INSTALLATION



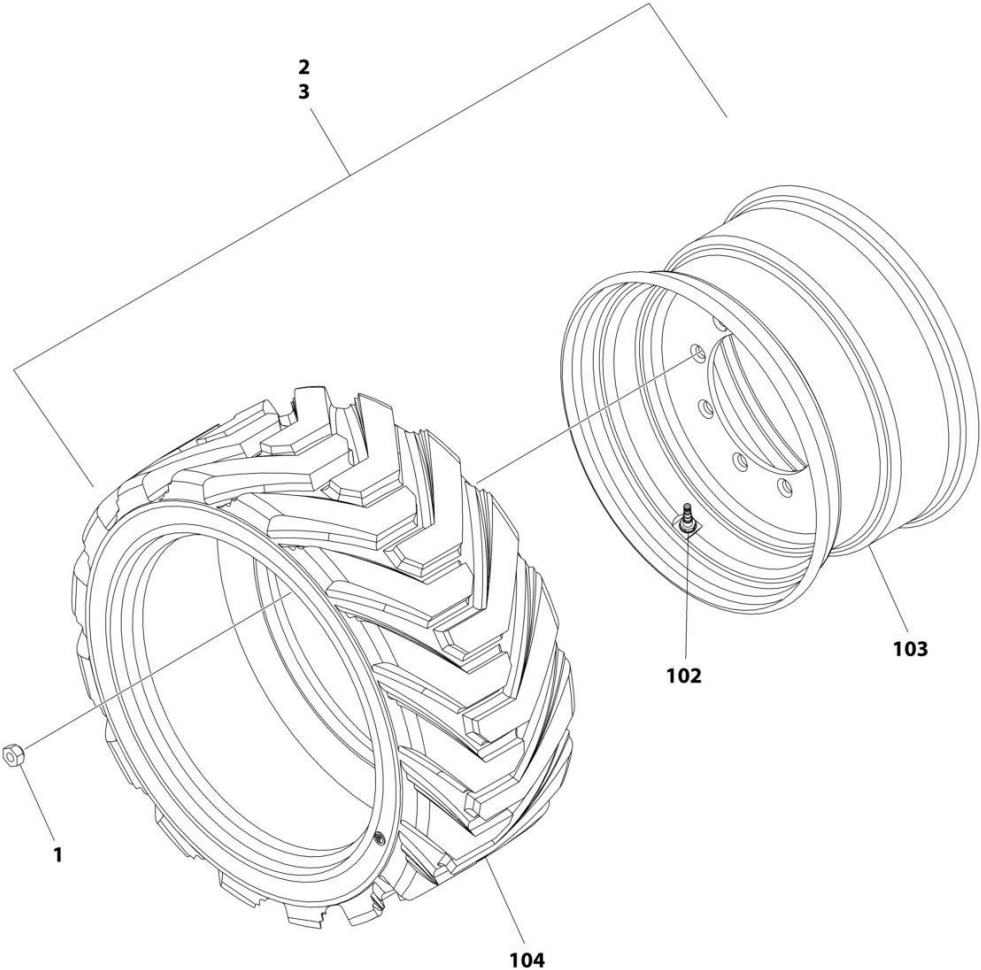
ART_1001246101

FIGURE 1-21. OIL COOLER INSTALLATION

ITEM	PART NUMBER	QTY	DESCRIPTION	REV
	1001246101	Ref	OIL COOLER INSTALLATION	D
2	0760814	4	Bolt M8 x 30	
3	1062255	AR	Tie Strap (Not Shown)	
4	2220865	2	Fitting Straight JIC/ORB	
5	2220947	1	Fitting Straight JIC/ORB	
7	3290807	4	Nut, Lock M8	
9	4811902	8	Washer M8	
12	1001225804	1	Cooler Assembly	
12A	70006577	1	Fan/Motor Assembly	
12A	4460994	1	Plug, Male - 2 Position (Fan/Motor)	
12A	4460993	2	Terminal (Fan/Motor)	
12B	70006576	1	Thermostat	
12B	4460891	1	Plug, Male - 2 Position (Thermostat)	
12B	4460465	2	Socket, Female (Thermostat)	
12C	70006578	1	Valve, Bypass	
12D	70006579	1	Plug	
13	1001248160	1	Bracket	
14	1001249802	1	Oil Cooler Harness (See Separate Breakdown in ELECTRICAL Section)	
15	1001254861	1	Hose	
16	5260600	1	Nut M6	
17	1001100451	1	Bolt M6 x 20	

SECTION 1 - FRAME

FIGURE 1-22. TIRE AND WHEEL INSTALLATION - FOAM-FILLED



ART_1001244775

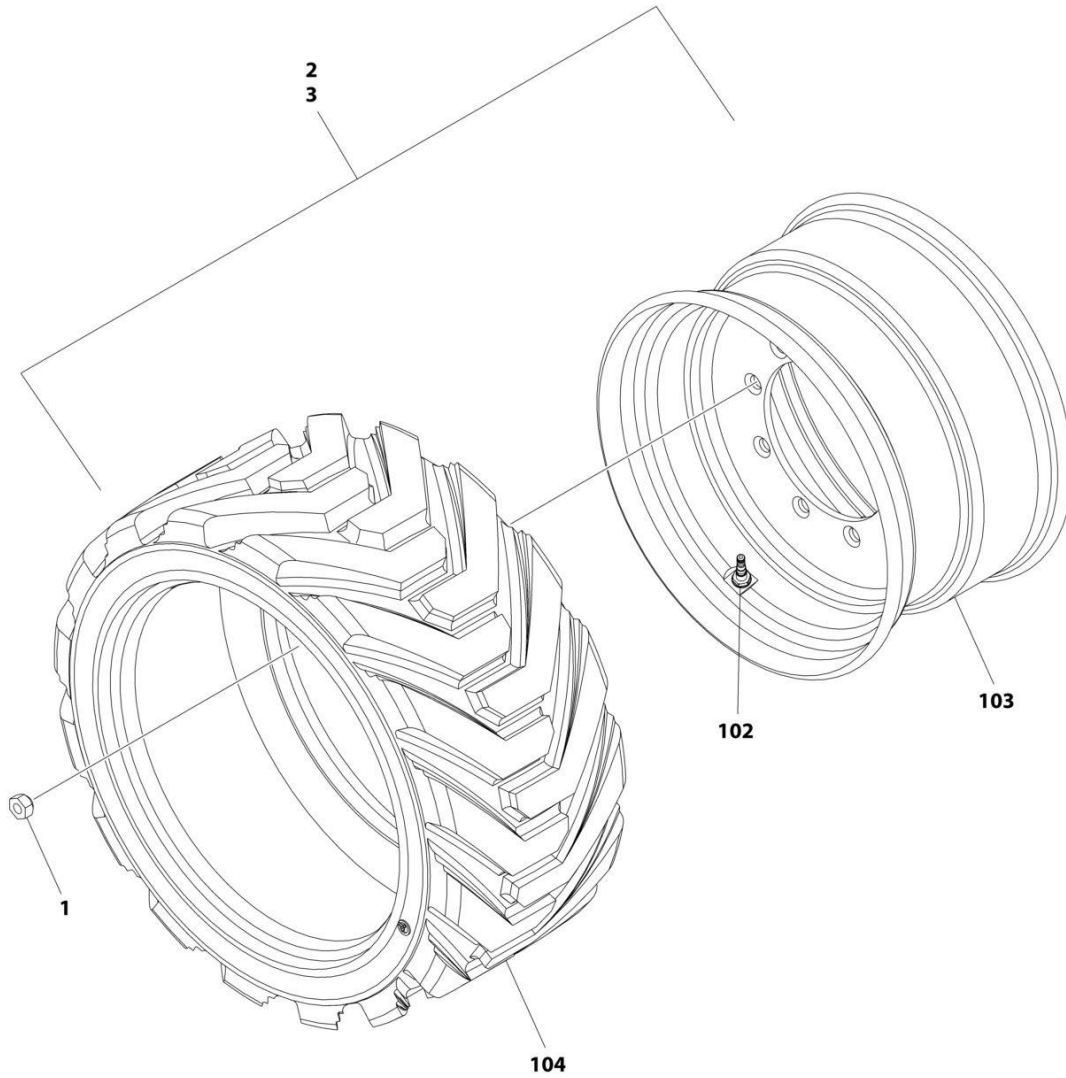
SECTION 1 - FRAME

FIGURE 1-22. TIRE AND WHEEL INSTALLATION - FOAM-FILLIED

ITEM	PART NUMBER	QTY	DESCRIPTION	REV
	1001244775	Ref Ref	TIRE AND WHEEL INSTALLATION - 26 X12D460 FOAM-FILLED Note: Assemblies may require ballast/foam filling to manufacturer's specification prior to installing on a machine. Refer to Operation and Safety or Service and Maintenance Manuals. Purchase individual tire and/or rim only if able to foam fill tire and wheel assembly, otherwise, purchase complete assembly.	A
1	3300106	36	Nut, Wheel	
2	1001249341	2	Tire and Wheel Assembly - Left Side	A
3	1001249342	2	Tire and Wheel Assembly - Right Side	A
102	4641122	1	Valve, Air	
103	1001249352	1	Rim, Wheel - 18 x 10	
104	1001249353	1	Tire, 26 x 12D460, Lug Tire	

SECTION 1 - FRAME

FIGURE 1-23. TIRE AND WHEEL INSTALLATION - FOAM-FILLIED NON-MARKING



ART_1001249340

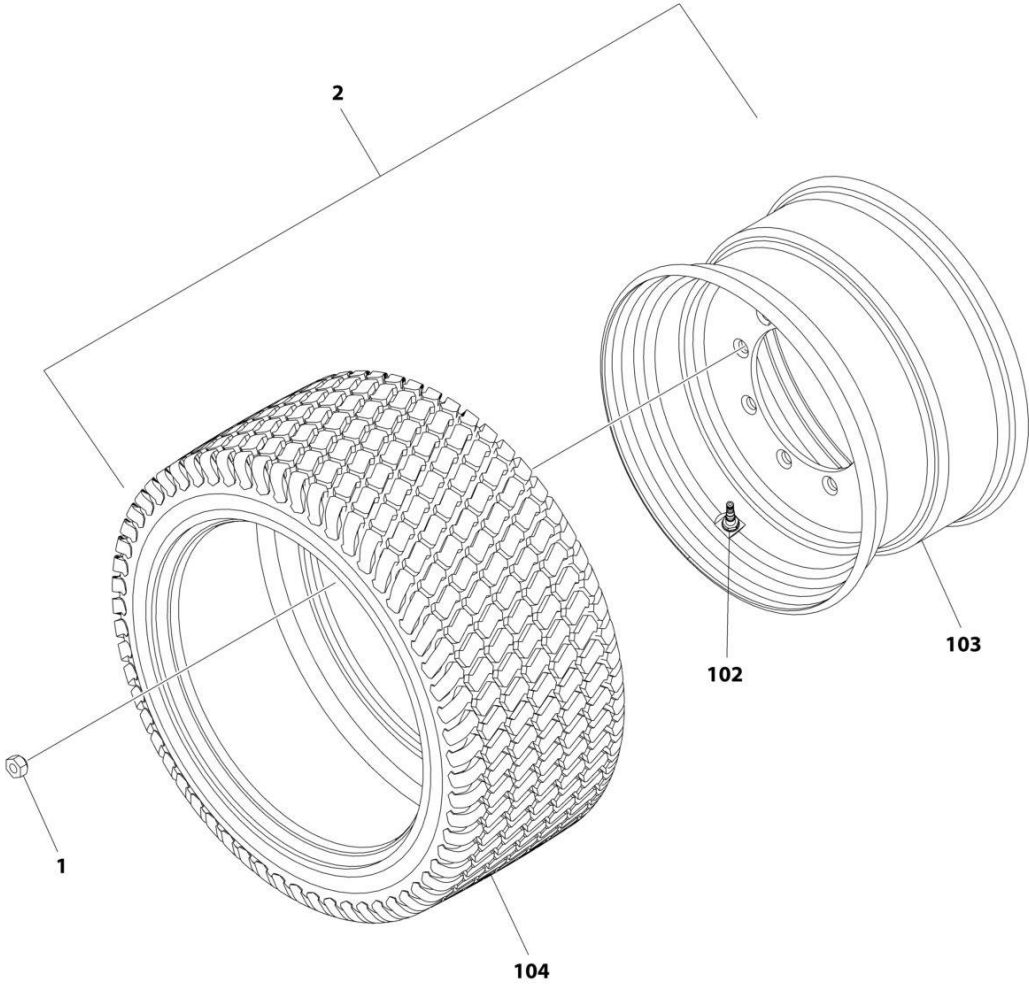
SECTION 1 - FRAME

FIGURE 1-23. TIRE AND WHEEL INSTALLATION - FOAM-FILLIED NON-MARKING

ITEM	PART NUMBER	QTY	DESCRIPTION	REV
	1001249340	Ref	TIRE AND WHEEL INSTALLATION - 26 X 12D460 FOAM-FILLED NON-MARKING	A
		Ref	Note: Assemblies may require ballast/foam filling to manufacturer's specification prior to installing on a machine. Refer to Operation and Safety or Service and Maintenance Manuals. Purchase individual tire and/or rim only if able to foam fill tire and wheel assembly, otherwise, purchase complete assembly.	
1	3300106	36	Nut, Wheel	
2	1001249343	2	Tire and Wheel Assembly - Left Side	A
3	1001249344	2	Tire and Wheel Assembly - Right Side	A
102	4641122	1	Valve, Air	
103	1001249352	1	Rim, Wheel - 18 x 10	
104	1001249354	1	Tire, 26 x 12D460, Lug Tire Non-Marking	

SECTION 1 - FRAME

FIGURE 1-24. TIRE AND WHEEL INSTALLATION - FOAM-FILLED TURF NON-MARKING



ART_1001259386

SECTION 1 - FRAME

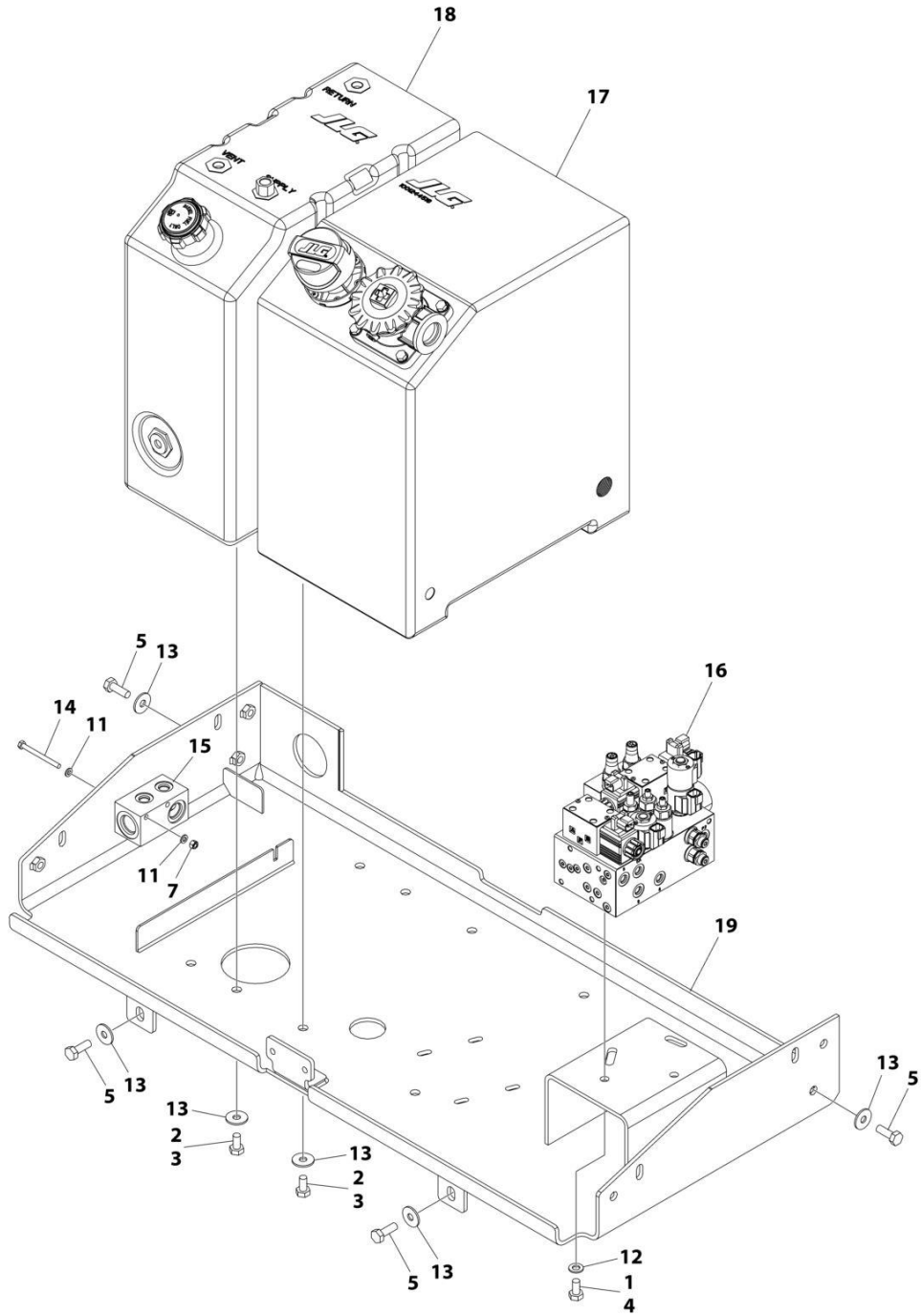
FIGURE 1-24. TIRE AND WHEEL INSTALLATION - FOAM-FILLIED TURF NON-MARKING

ITEM	PART NUMBER	QTY	DESCRIPTION	REV
	1001259386	Ref	TIRE AND WHEEL INSTALLATION - 26 X 12D460 FOAM-FILLED TURF	A
		Ref	Note: Assemblies may require ballast/foam filling to manufacturer's specification prior to installing on a machine. Refer to Operation and Safety or Service and Maintenance Manuals. Purchase individual tire and/or rim only if able to foam fill tire and wheel assembly, otherwise, purchase complete assembly.	
1	3300106	36	Nut, Wheel	
2	1001258287	4	Tire and Wheel Assembly	A
102	4641122	1	Valve, Air	
103	1001249352	1	Rim, Wheel - 18 x 10	
104	1001259202	1	Tire, 26 x 12D460 Turf	

SECTION 2 - GROUND CONTROLS

SECTION 2 - GROUND CONTROLS

FIGURE 2-1. HYDRAULIC COMPONENTS INSTALLATION - DIESEL



ART_1001246090

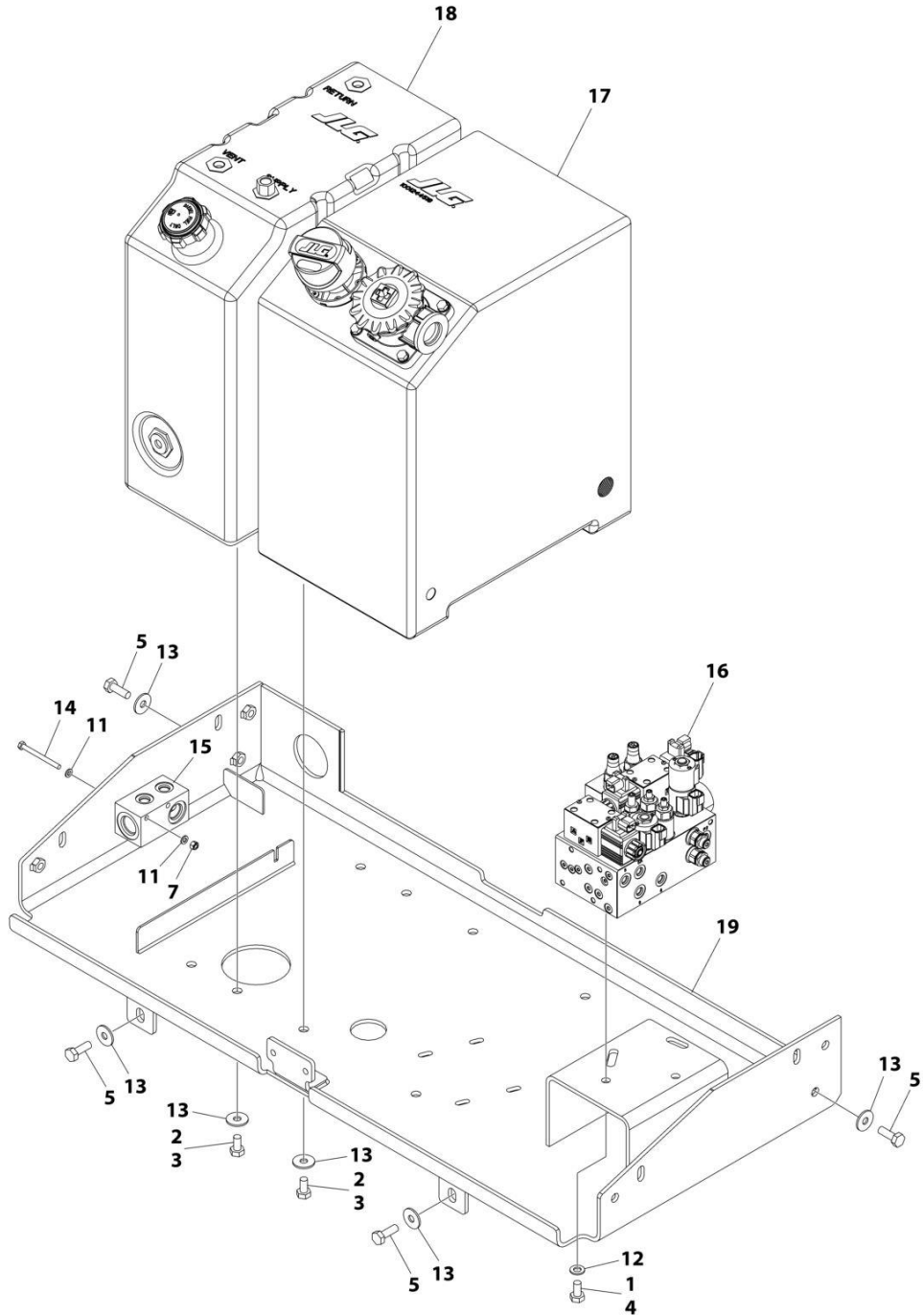
SECTION 2 - GROUND CONTROLS

FIGURE 2-1. HYDRAULIC COMPONENTS INSTALLATION - DIESEL

ITEM	PART NUMBER	QTY	DESCRIPTION	REV
	1001246090	Ref	HYDRAULIC COMPONENTS INSTALLATION	D
1	0100011	AR	Compound, Locking	
2	0100035	AR	Compound, Locking	
3	0761010	8	Bolt M10 x 20	
4	0771010	4	Bolt M10 x 20	
5	0771014	4	Bolt M10 x 30	
7	3290605	2	Nut M6	
11	4811700	4	Washer M6	
12	4812000	4	Washer M10	
13	4812002	12	Washer M10	
14	1001096653	2	Bolt M6 x 70	
15	1001183406	1	Valve, Manifold	
16	1001270103	1	Valve Assembly - Main Control (See Separate Breakdown in this Section)	
17	1001246555	1	Tank Assembly - Hydraulic (See Separate Breakdown in this Section)	
18	1001246856	1	Tank Assembly - Fuel	
18	1001193336	1	Cap, Fuel	
19	1001247630	1	Tray	

SECTION 2 - GROUND CONTROLS

FIGURE 2-2. HYDRAULIC COMPONENTS INSTALLATION - DIESEL (SN M200042385 through M200042388)



ART_1001246090

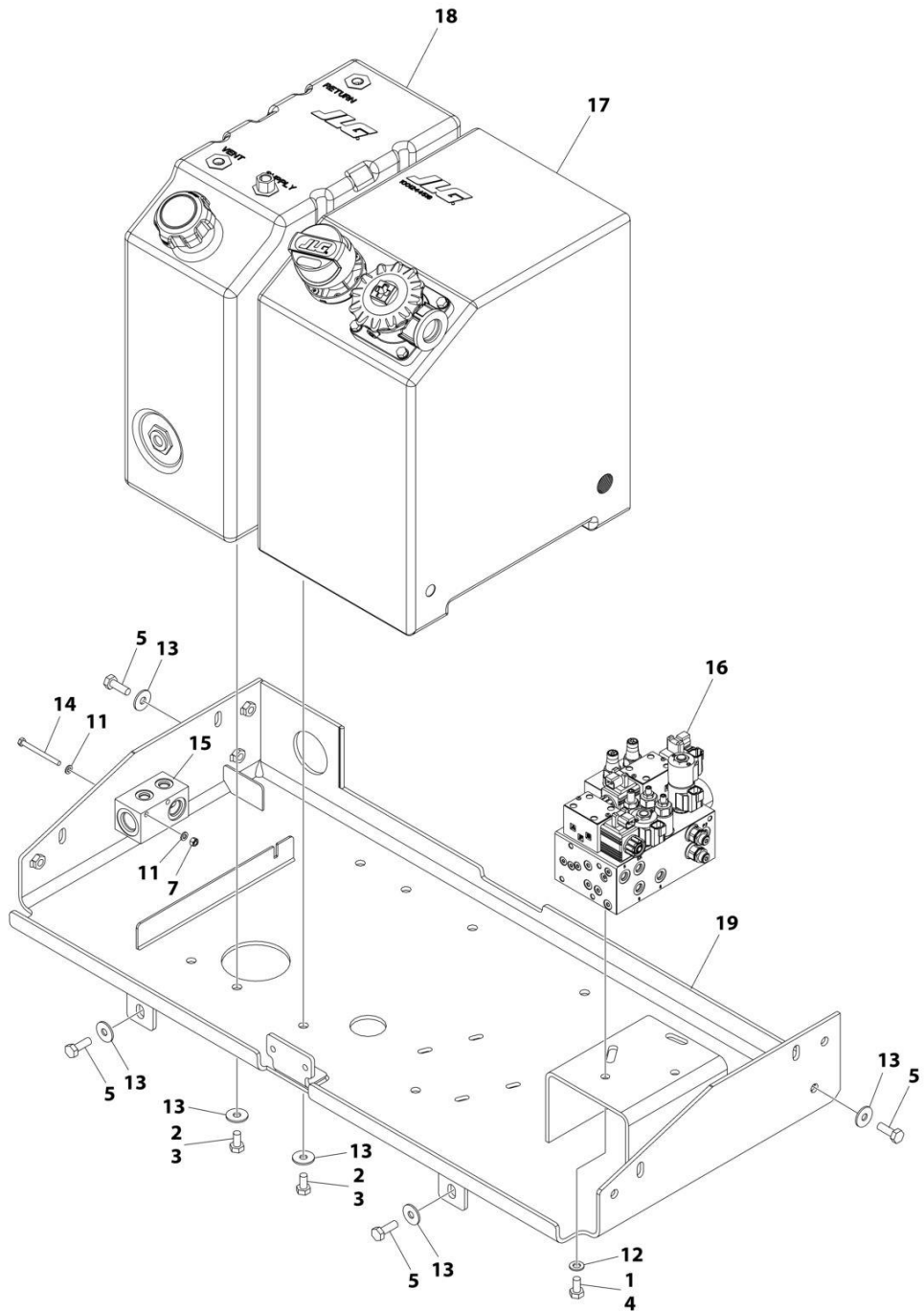
SECTION 2 - GROUND CONTROLS

FIGURE 2-2. HYDRAULIC COMPONENTS INSTALLATION - DIESEL (SN M200042385 through M200042388)

ITEM	PART NUMBER	QTY	DESCRIPTION	REV
	1001246090	Ref	HYDRAULIC COMPONENTS INSTALLATION	C
1	0100011	AR	Compound, Locking	
2	0100035	AR	Compound, Locking	
3	0761010	8	Bolt M10 x 20	
4	0771010	4	Bolt M10 x 20	
5	0771014	4	Bolt M10 x 30	
7	3290605	2	Nut M6	
11	4811700	4	Washer M6	
12	4812000	4	Washer M10	
13	4812002	12	Washer M10	
14	1001096653	2	Bolt M6 x 70	
15	1001183406	1	Valve, Manifold	
16	1001243267	NLA	Valve Assembly - Main Control (Note: All PN 1001243267 Valves Replaced with PN 1001270103 Valves - Separate Breakdown for PN 1001270103 for Replacement Parts)	
17	1001246555	1	Tank Assembly - Hydraulic (See Separate Breakdown in this Section)	
18	1001246856	1	Tank Assembly - Fuel	
18	1001193336	1	Cap, Fuel	
19	1001247630	1	Tray	

SECTION 2 - GROUND CONTROLS

FIGURE 2-3. HYDRAULIC COMPONENTS INSTALLATION - DUAL FUEL



ART_1001248349

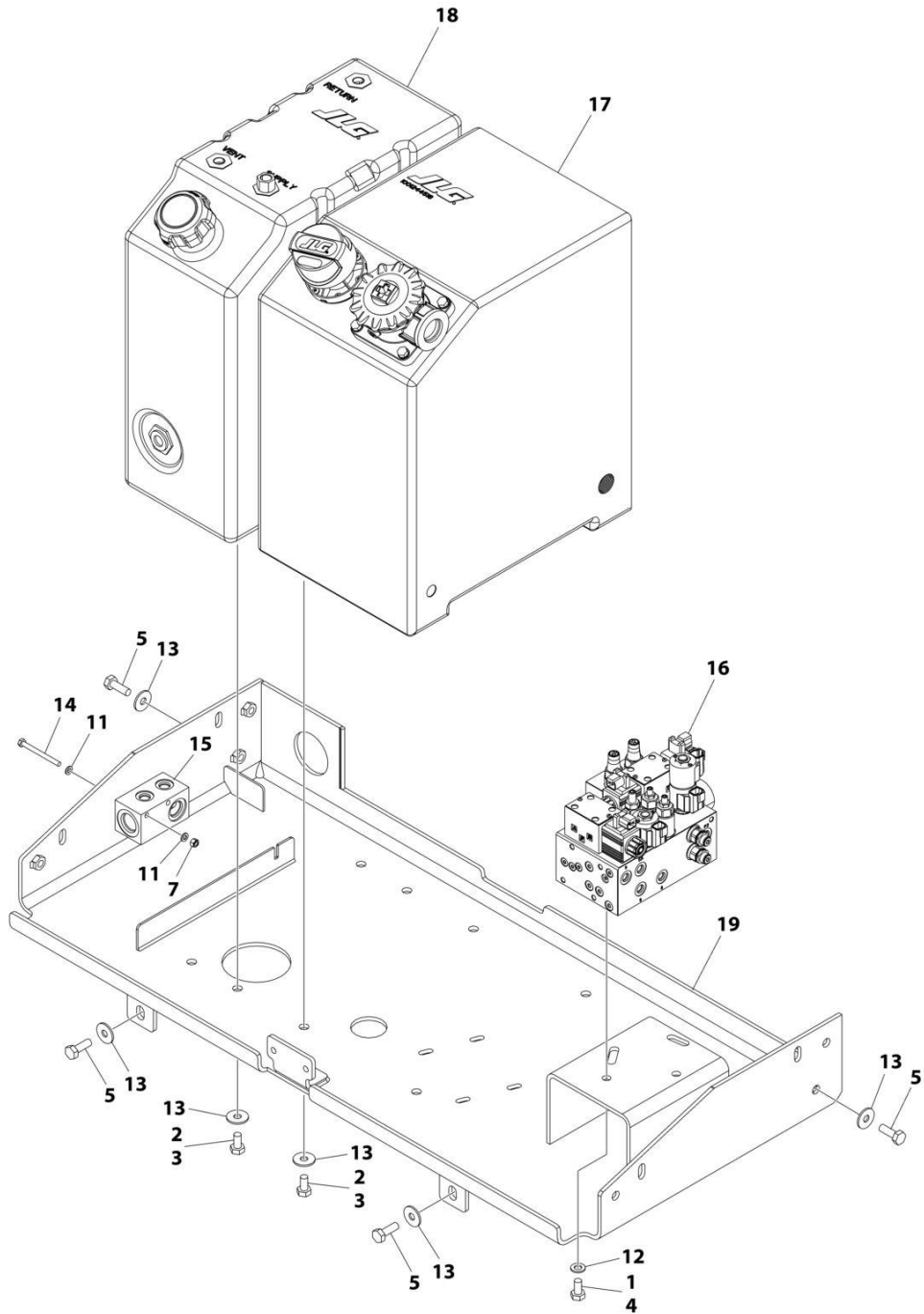
SECTION 2 - GROUND CONTROLS

FIGURE 2-3. HYDRAULIC COMPONENTS INSTALLATION - DUAL FUEL

ITEM	PART NUMBER	QTY	DESCRIPTION	REV
	1001248349	Ref	HYDRAULIC COMPONENTS INSTALLATION - DUAL FUEL	D
1	0100011	AR	Compound, Locking	
2	0100035	AR	Compound, Locking	
3	0761010	8	Bolt M10 x 20	
4	0771010	4	Bolt M10 x 20	
5	0771014	4	Bolt M10 x 30	
7	3290605	2	Nut M6	
11	4811700	4	Washer M6	
12	4812000	4	Washer M10	
13	4812002	12	Washer M10	
14	1001096653	2	Bolt M6 x 70	
15	1001183406	1	Valve, Manifold	
16	1001270103	1	Valve Assembly - Main Control (See Separate Breakdown in this Section)	
17	1001246555	1	Tank Assembly - Hydraulic (See Separate Breakdown in this Section)	
18	1001247021	1	Tank Assembly - Fuel	
18	1001207109	1	Cap, Fuel Tank	
19	1001247630	1	Tray	

SECTION 2 - GROUND CONTROLS

FIGURE 2-4. HYDRAULIC COMPONENTS INSTALLATION - DUAL FUEL (SN M200042385 through M200042388)



ART_1001248349

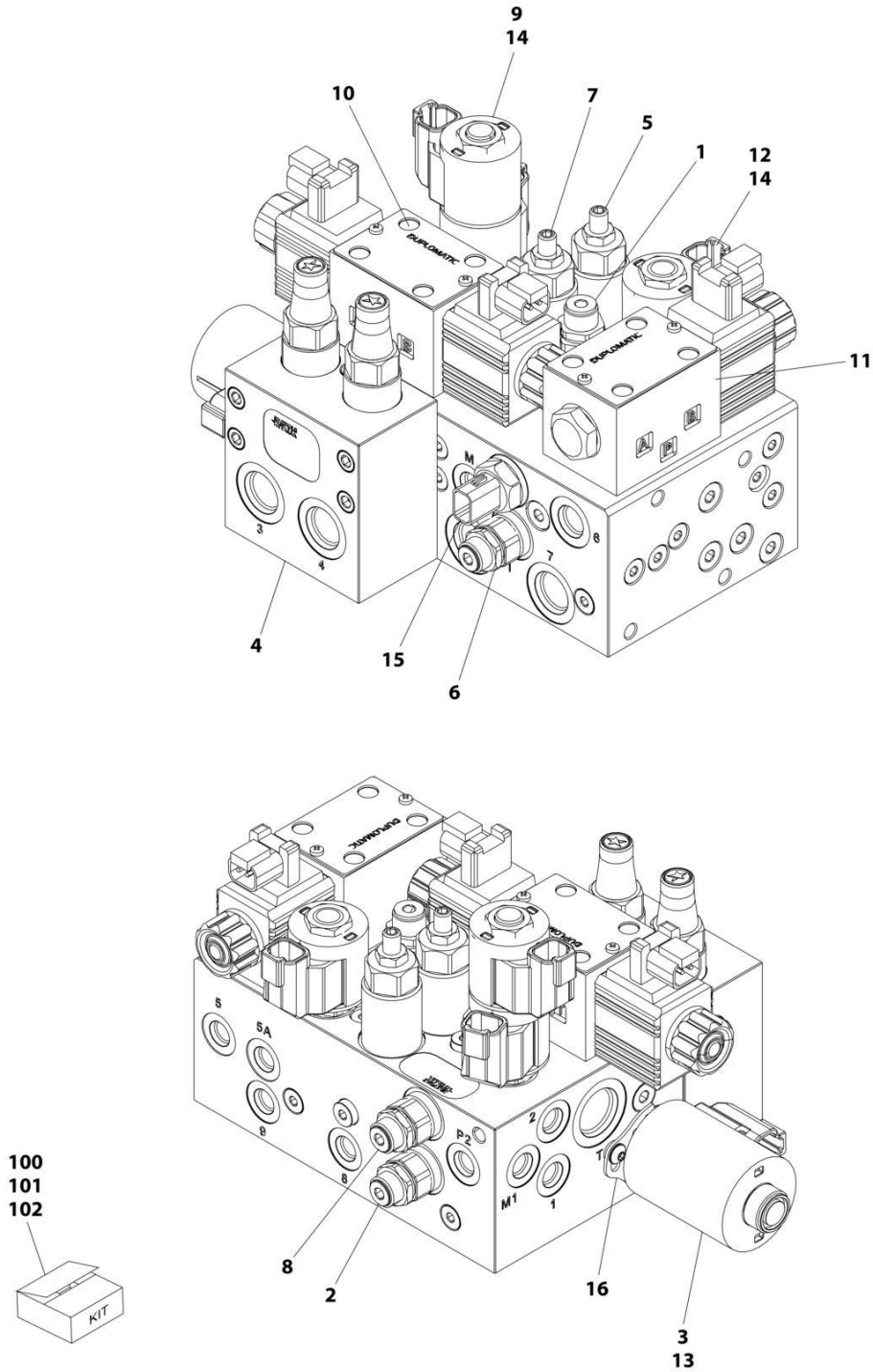
SECTION 2 - GROUND CONTROLS

FIGURE 2-4. HYDRAULIC COMPONENTS INSTALLATION - DUAL FUEL (SN M200042385 through M200042388)

ITEM	PART NUMBER	QTY	DESCRIPTION	REV
	1001248349	Ref	HYDRAULIC COMPONENTS INSTALLATION - DUAL FUEL	C
1	0100011	AR	Compound, Locking	
2	0100035	AR	Compound, Locking	
3	0761010	8	Bolt M10 x 20	
4	0771010	4	Bolt M10 x 20	
5	0771014	4	Bolt M10 x 30	
7	3290605	2	Nut M6	
11	4811700	4	Washer M6	
12	4812000	4	Washer M10	
13	4812002	12	Washer M10	
14	1001096653	2	Bolt M6 x 70	
15	1001183406	1	Valve, Manifold	
16	1001243267	NLA	Valve Assembly - Main Control (Note: All PN 1001243267 Valves Replaced with PN 1001270103 Valves - Separate Breakdown for PN 1001270103 for Replacement Parts)	
17	1001246555	1	Tank Assembly - Hydraulic (See Separate Breakdown in this Section)	
18	1001247021	1	Tank Assembly - Fuel	
18	1001207109	1	Cap, Fuel Tank	
19	1001247630	1	Tray	

SECTION 2 - GROUND CONTROLS

FIGURE 2-5. VALVE ASSEMBLY - MAIN CONTROL



ART_1001270103

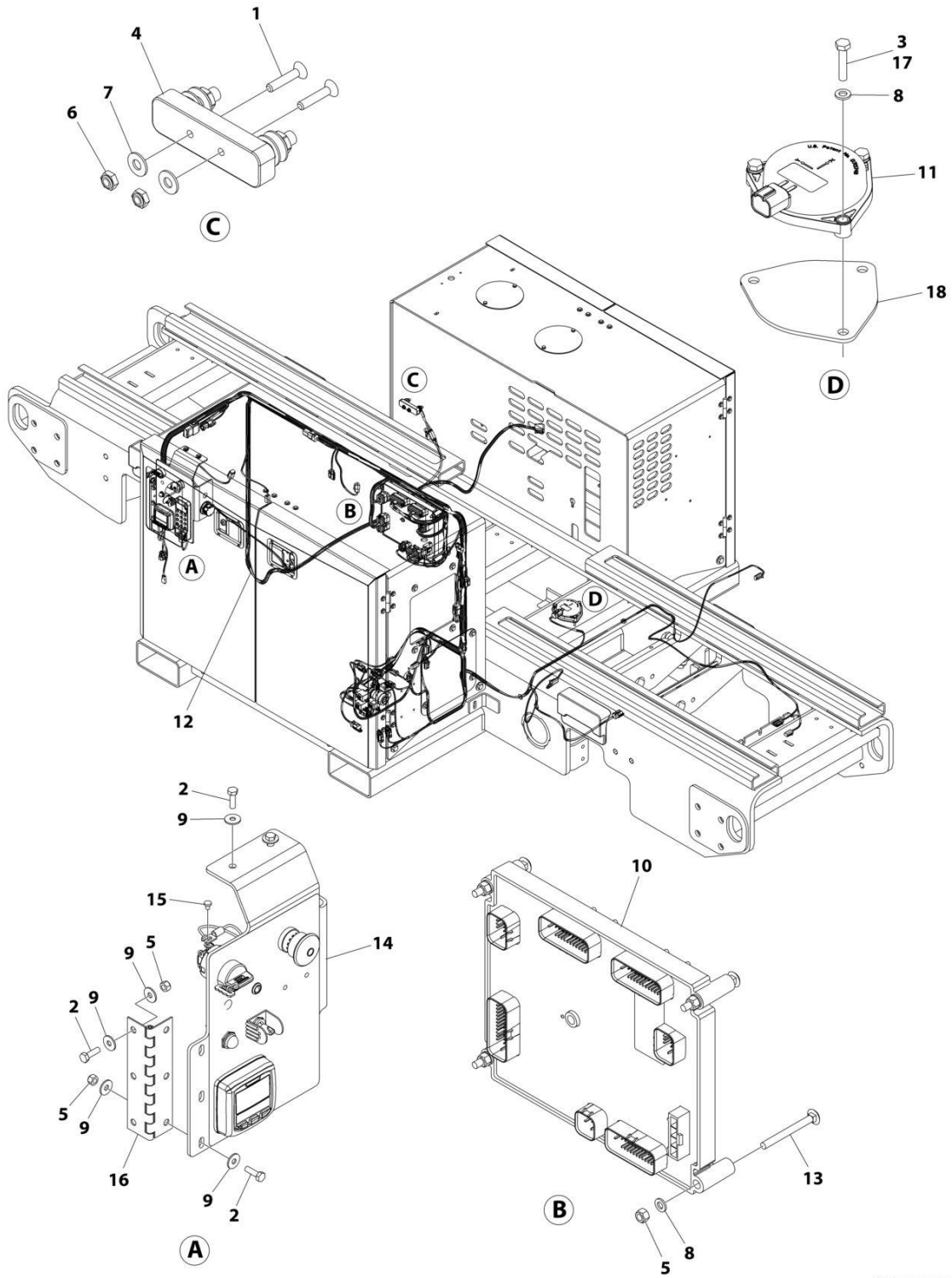
SECTION 2 - GROUND CONTROLS

FIGURE 2-5. VALVE ASSEMBLY - MAIN CONTROL

ITEM	PART NUMBER	QTY	DESCRIPTION	REV
	1001270103	Ref	VALVE ASSEMBLY - MAIN CONTROL	B
1	70007763	1	Cartridge, Relief Valve (Main)	
2	70007764	1	Cartridge, Relief Valve (Steer)	
3	70006786	1	Cartridge, Valve (Flow Control) (Use Seal Kit 7012925)	
4	70007765	1	Valve Assembly (Drive)	
5	70007766	1	Cartridge, Pressure Reducing Valve (Brake)	
6	70007767	1	Cartridge, Relief Valve (Lift)	
7	70007768	1	Cartridge, Valve Relief (Axle Charge)	
8	70007769	1	Cartridge, Relief Valve (Steer)	
9	70007772	1	Valve, Directional (Steer) (Use Seal Kit 7017402)	
10	70007770	1	Valve Assembly	
11	70007771	1	Valve Assembly	
12	7012941	1	Valve, Directional (Use Seal Kit 7010543)	
13	70003789	1	Coil	
14	70002386	2	Coil	
15	1001128478	1	Sensor, Temperature	
16	70007773	1	Lockdown Kit	
100	7012925	1	Seal Kit (Use with Items 3 Valve)	
101	7017402	1	Seal Kit (Use with Item 9 Valve)	
102	7010543	1	Seal Kit (Use with Item 12 Valve)	

SECTION 2 - GROUND CONTROLS

FIGURE 2-6. ELECTRICAL COMPONENTS INSTALLATION



ART_1001247074

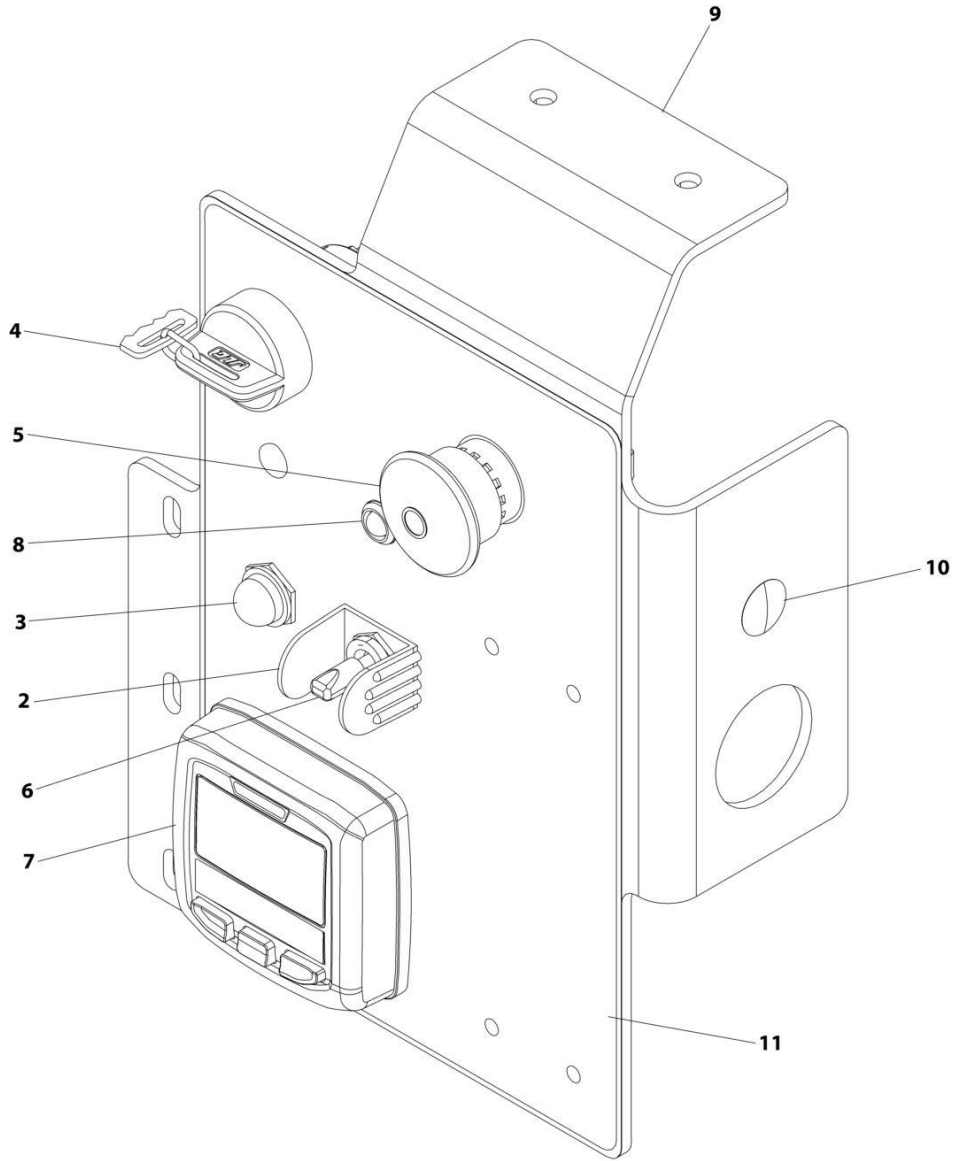
SECTION 2 - GROUND CONTROLS

FIGURE 2-6. ELECTRICAL COMPONENTS INSTALLATION

ITEM	PART NUMBER	QTY	DESCRIPTION	REV
	1001247074	Ref	ELECTRICAL COMPONENTS INSTALLATION	E
1	0741008	2	Capscrew 10 x 1	
2	0760610	8	Bolt M6 x 20	
3	0760614	3	Bolt M6 x 30	
3	4010615	3	Bolt M6 x 35	
4	2400044	1	Fuse, Mounting Block	
5	3290605	10	Nut M6	
6	3300408	2	Nut	
7	4751300	2	Washer 3/16	
8	4811700	7	Washer M6	
9	4811702	14	Washer M6	
10	1001244929	1	Module, Ground Control (Note: Re-calibration Required when Replaced)	
11	1001244934	1	Sensor, Tilt	
12	1001247472	1	Chassis Harness (See Separate Breakdown in ELECTRICAL Section)	
13	1001248039	4	Bolt M6 x 60	
14	1001251231	1	Ground Control Assembly (See Separate Breakdown in this Section)	
15	4010403	3	Screw M4 x 6	
16	1001110188	1	Hinge	
17	0100011	AR	Compound, Locking	
18	1001272777	1	Gasket	

SECTION 2 - GROUND CONTROLS

FIGURE 2-7. GROUND CONTROL ASSEMBLY



ART_1001251231

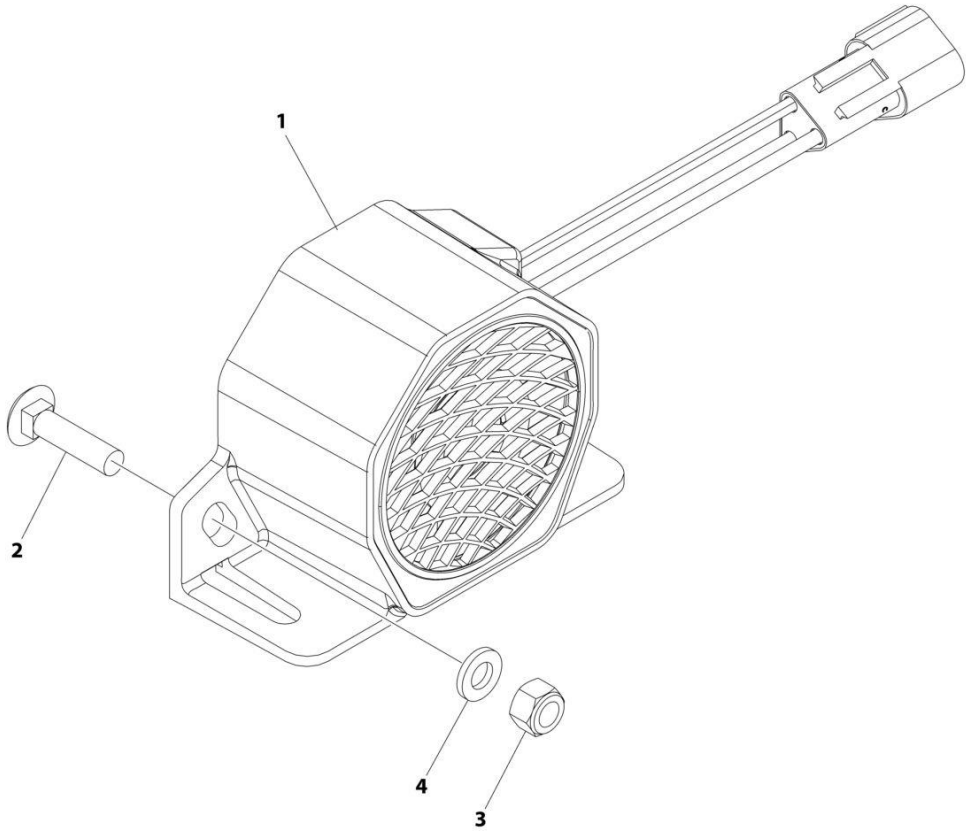
SECTION 2 - GROUND CONTROLS

FIGURE 2-7. GROUND CONTROL ASSEMBLY

ITEM	PART NUMBER	QTY	DESCRIPTION	REV
	1001251231	Ref	GROUND CONTROL ASSEMBLY	E
2	4060802	1	Guard, Switch	
3	4360387	1	Switch, Push Button	
4	4360469	1	Switch, Key	
4	2860030	1Set	Key, Replacement	
5	1001274559	1	Switch, Emergency Stop (Plastic)	
5	4360475	1	Switch, Emergency Stop (Metal)	
5	7020175	1	Cap	
5	7020176	1	Block, Contact	
6	4360524	1	Switch, Toggle	
7	1001171482	1	Gauge, Display	
8	1001182680	1	Light, LED	
9	1001257884	1	Bracket	
10	3520026	1	Plug	
11	1001258921	1	Decal - Ground Control	

SECTION 2 - GROUND CONTROLS

FIGURE 2-8. ALARM INSTALLATION (HORN)



ART_1001250678

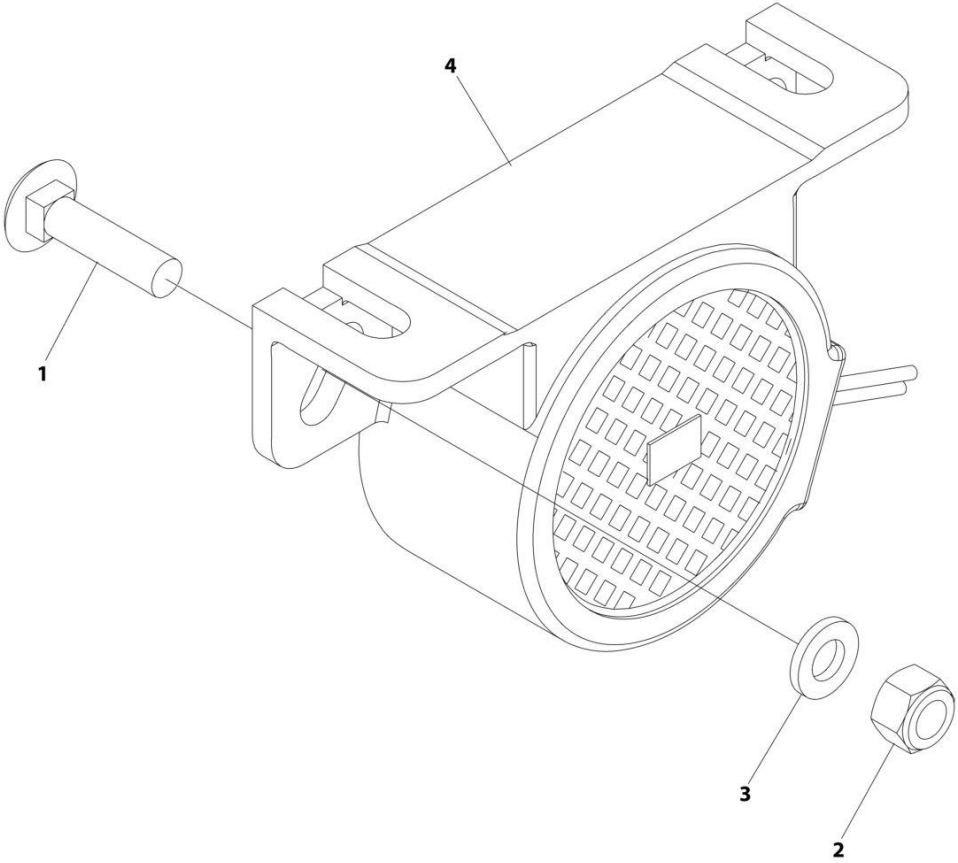
SECTION 2 - GROUND CONTROLS

FIGURE 2-8. ALARM INSTALLATION (HORN)

ITEM	PART NUMBER	QTY	DESCRIPTION	REV
	1001250678	Ref	ALARM INSTALLATION	C
1	0140043	1	Alarm	
2	0630587	2	Bolt M6 x 25	
3	3290605	2	Nut M6	
4	4811700	2	Washer M6	

SECTION 2 - GROUND CONTROLS

FIGURE 2-9. ALARM INSTALLATION (WHITE NOISE)



ART_1001249309

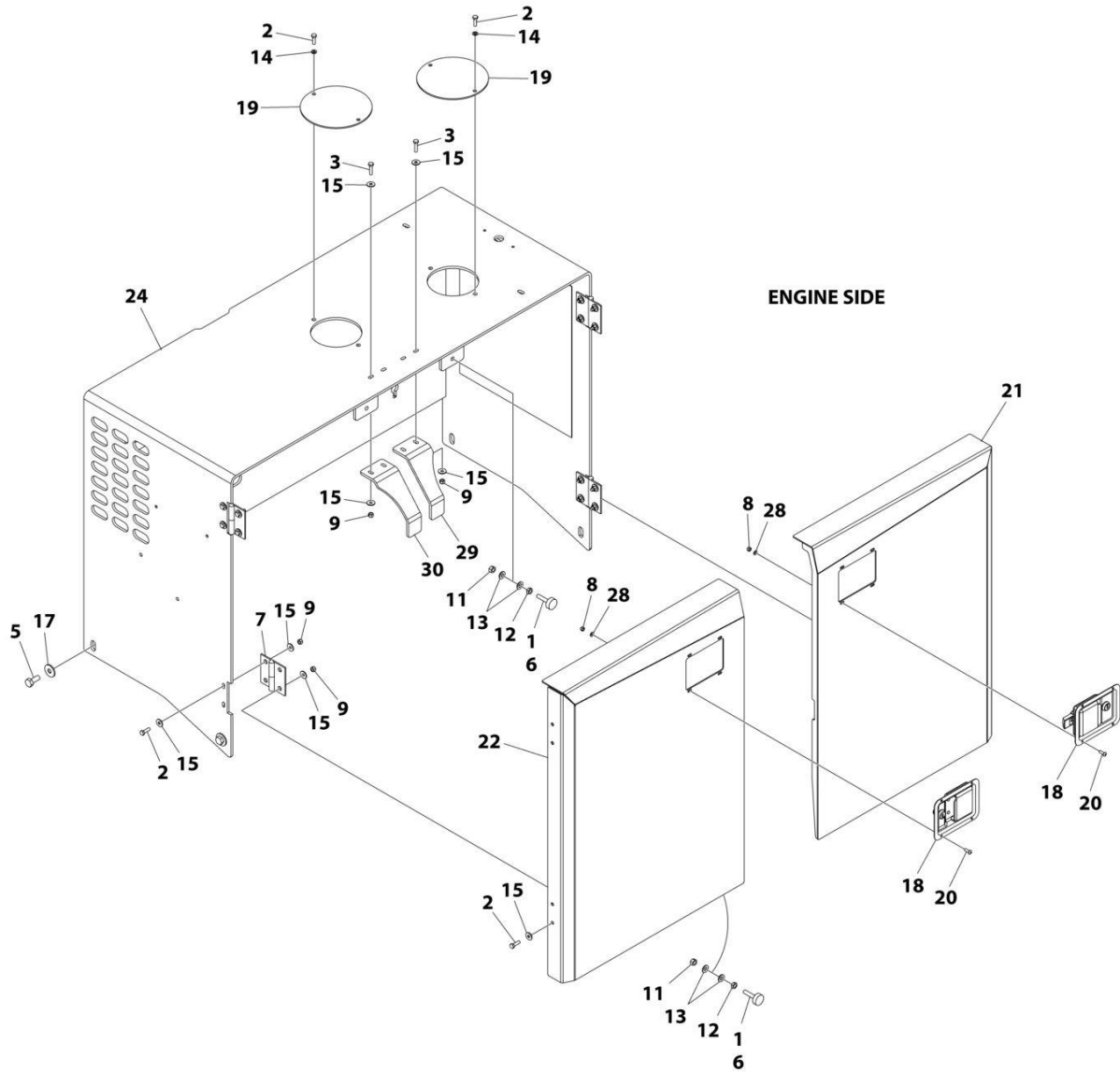
SECTION 2 - GROUND CONTROLS

FIGURE 2-9. ALARM INSTALLATION (WHITE NOISE)

ITEM	PART NUMBER	QTY	DESCRIPTION	REV
	1001249309	Ref	ALARM INSTALLATION	C
1	0630587	2	Bolt M6 x 25	
2	3290605	2	Nut M6	
3	4811700	2	Washer M6	
4	1001184682	1	Alarm	
4	4460897	1	Receptacle, Female - 2 Position	
4	4460464	2	Pin, Male	

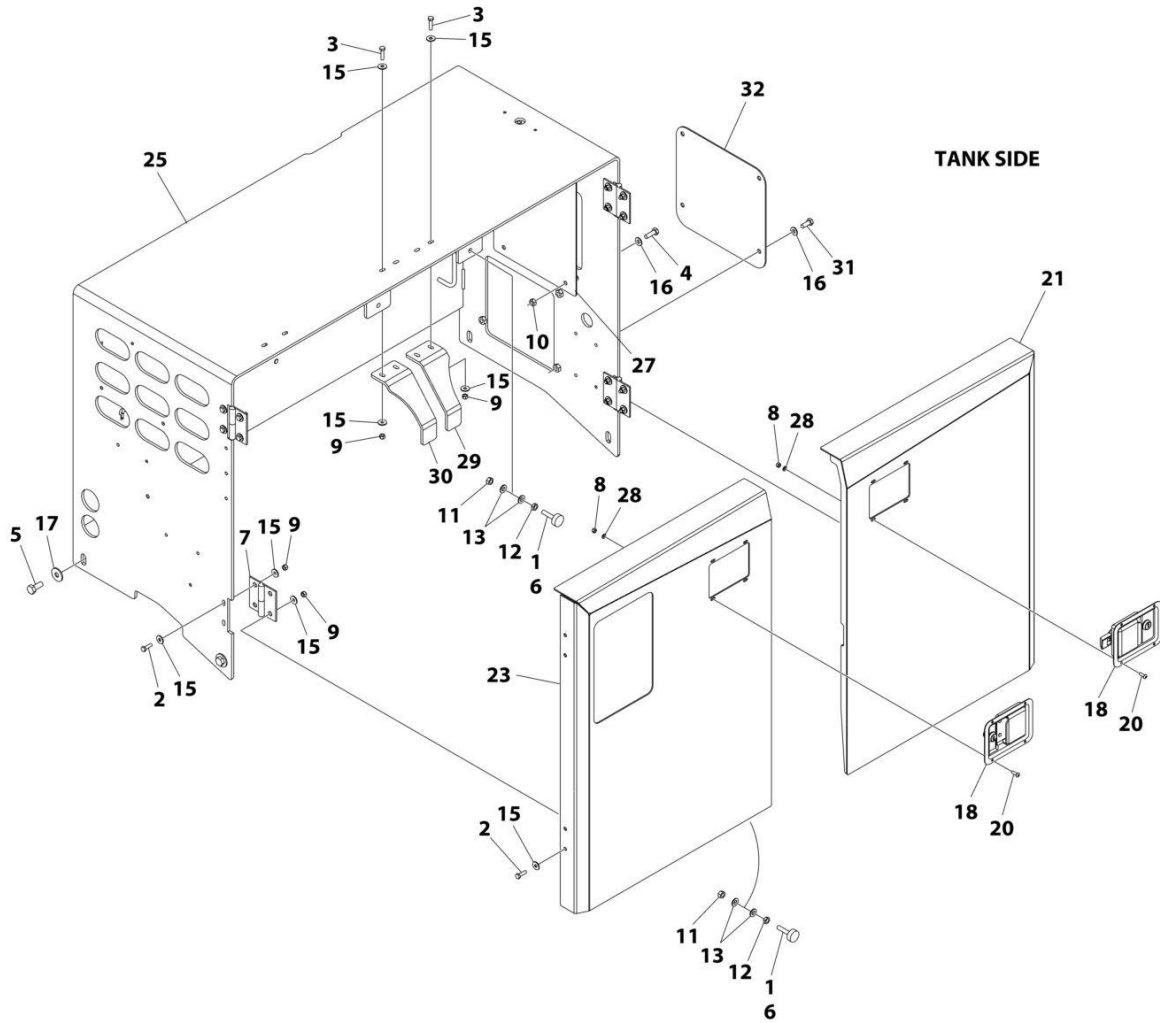
SECTION 2 - GROUND CONTROLS

FIGURE 2-10. HOODS INSTALLATION



ART_1001246883_10F2

SECTION 2 - GROUND CONTROLS



ART_1001246883_2OF2

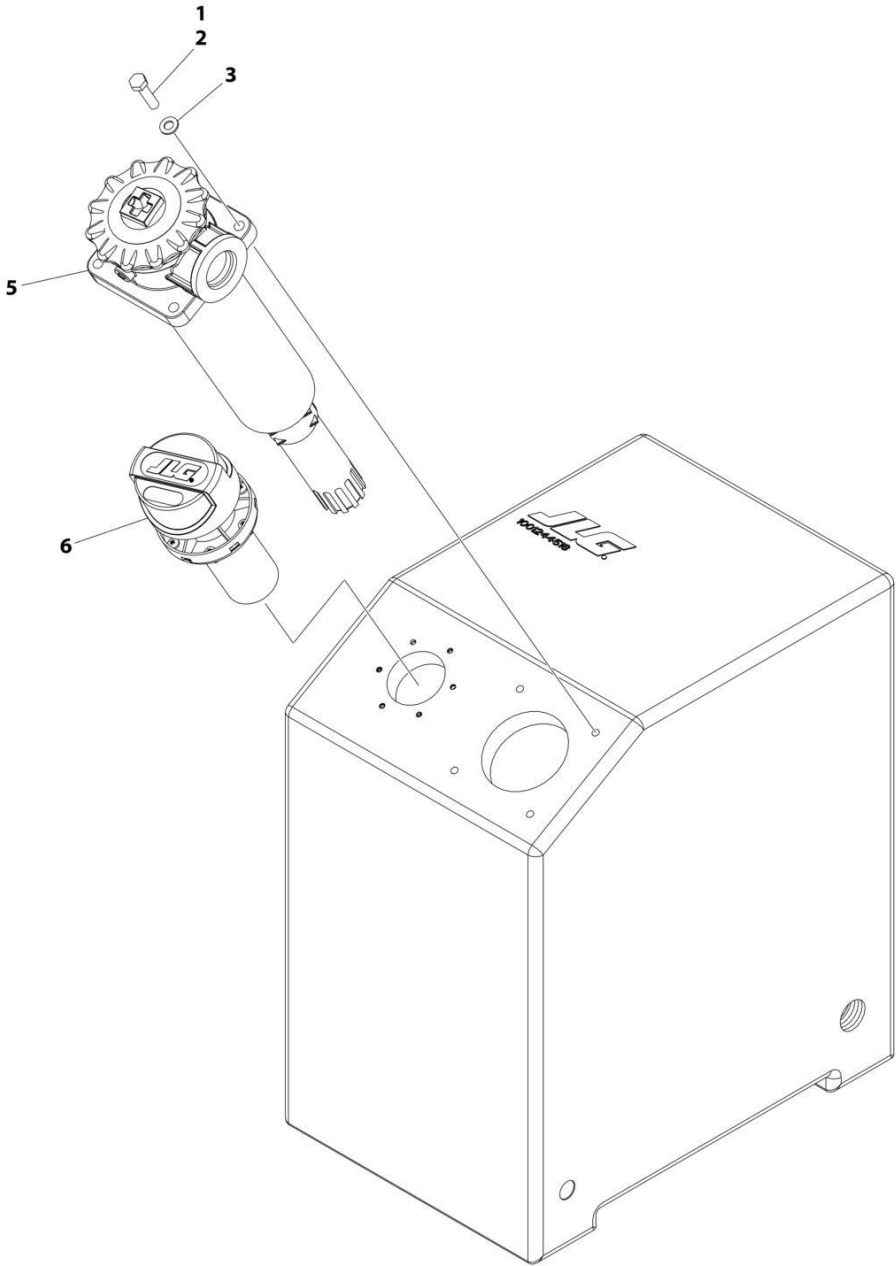
SECTION 2 - GROUND CONTROLS

FIGURE 2-10. HOODS INSTALLATION

ITEM	PART NUMBER	QTY	DESCRIPTION	REV
	1001246883	Ref	HOODS INSTALLATION	E
1	0100011	AR	Compound, Locking	
2	0760610	36	Bolt M6 x 20	
3	0760612	8	Bolt M6 x 25	
4	0770812	4	Bolt M8 x 25	
5	0761012	8	Bolt M10 x 25	
6	1001260334	8	Bumper	
7	2600216	8	Hinge	
8	3290505	16	Nut M5	
9	3290605	40	Nut M6	
10	3290801	4	Nut M8	
11	3311501	8	Nut 5/16	
12	3311502	8	Nut 5/16	
13	4711500	16	Washer 5/16	
14	4811700	4	Washer M6	
15	4811702	80	Washer M6	
16	4811902	12	Washer M8	
17	4812002	8	Washer M10	
18	1001257454	4	Latch, Lock	
19	1001226221	2	Plate, Filter Access	
20	1001234348	16	Screw M5 x 16 Grade 10.9	
21	1001247637	2	Door (Hydraulic Side RH/Engine Side RH)	
22	1001247638	1	Door (Engine Side LH)	
23	1001247639	1	Door (Hydraulic Side LH)	
24	1001247887	1	Shield (Engine Side)	
25	1001248043	1	Shield (Hydraulic Side)	
27	1001248162	1	Cover	
28	4811600	16	Washer M5	
29	1001257688	2	Bracket, Striker	
30	1001257689	2	Bracket, Striker	
31	0760810	4	Bolt M8 x 20	
32	1001263930	1	Cover	

SECTION 2 - GROUND CONTROLS

FIGURE 2-11. HYDRAULIC TANK ASSEMBLY



ART_1001246555

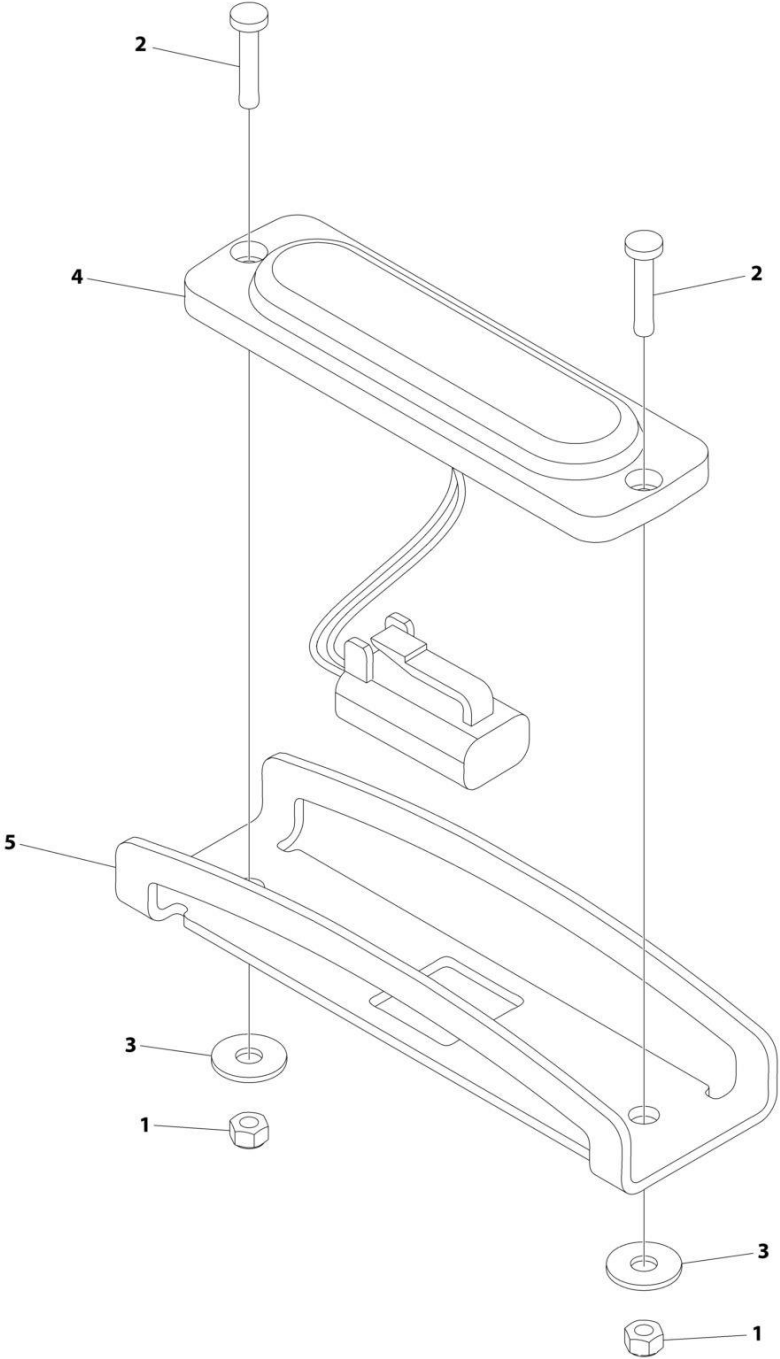
SECTION 2 - GROUND CONTROLS

FIGURE 2-11. HYDRAULIC TANK ASSEMBLY

ITEM	PART NUMBER	QTY	DESCRIPTION	REV
	1001246555	Ref	TANK ASSEMBLY	D
1	0100035	AR	Compound, Locking	
2	0760815	4	Bolt M8 x 35	
3	4811900	4	Washer M8	
5	1001246553	1	Filter, Hydraulic Tank	
5	70007035	1	Element, Filter	
6	1001248371	1	Filter, Filler/Breather	

SECTION 2 - GROUND CONTROLS

FIGURE 2-12. STROBE LIGHT INSTALLATION - SINGLE



ART_1001249306

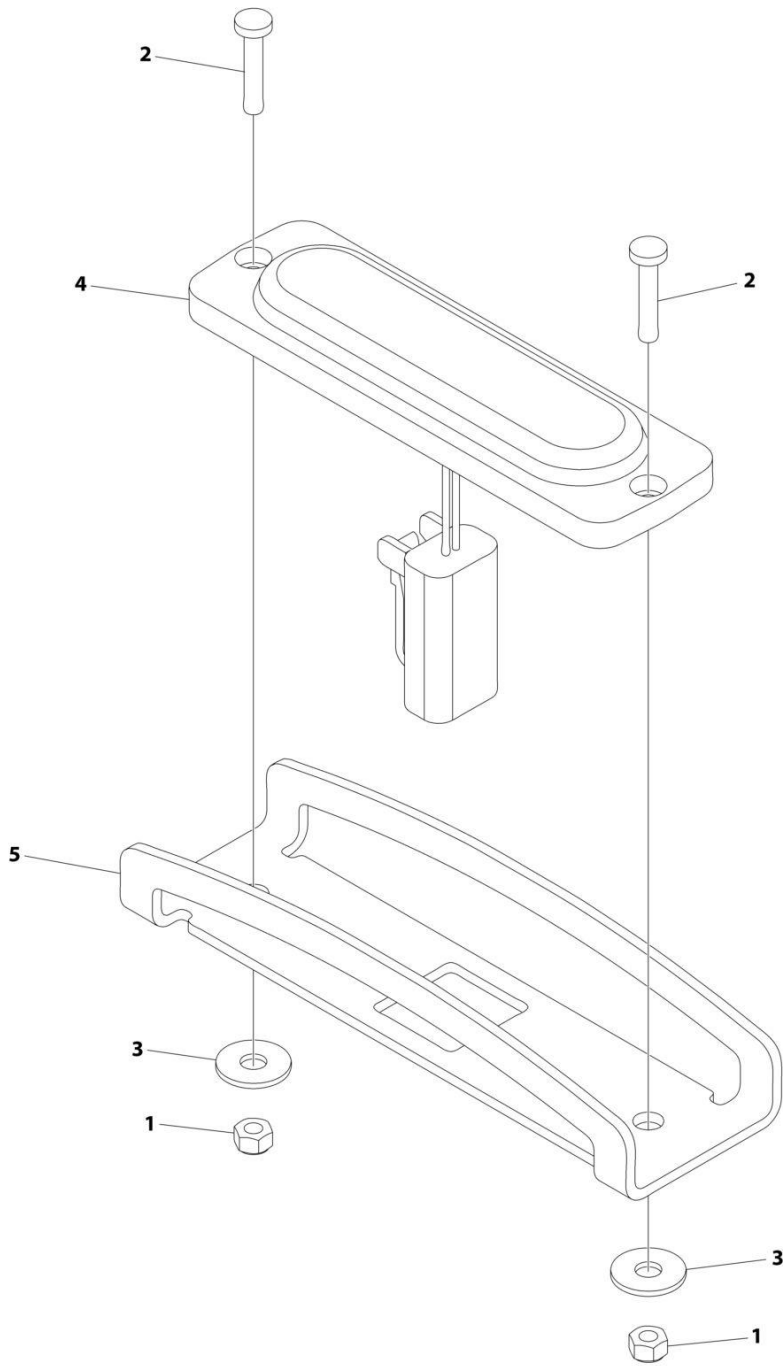
SECTION 2 - GROUND CONTROLS

FIGURE 2-12. STROBE LIGHT INSTALLATION - SINGLE

ITEM	PART NUMBER	QTY	DESCRIPTION	REV
	1001249306	Ref	STROBE LIGHT INSTALLATION - SINGLE	B
1	3290305	4	Nut M3	
2	4010308	4	Screw M3 x16	
3	1001091102	6	Washer M4	
4	1001239224	1	Lamp, Beacon	
4	4460891	1	Plug, Male - 2 Position	
4	4460465	2	Socket, Female	
5	1001242539	1	Guard	
6	1001263345	1	Cover, Hood (Not Shown - Located on Opposite Hood)	

SECTION 2 - GROUND CONTROLS

FIGURE 2-13. STROBE LIGHT INSTALLATION - DUAL



ART_1001249307

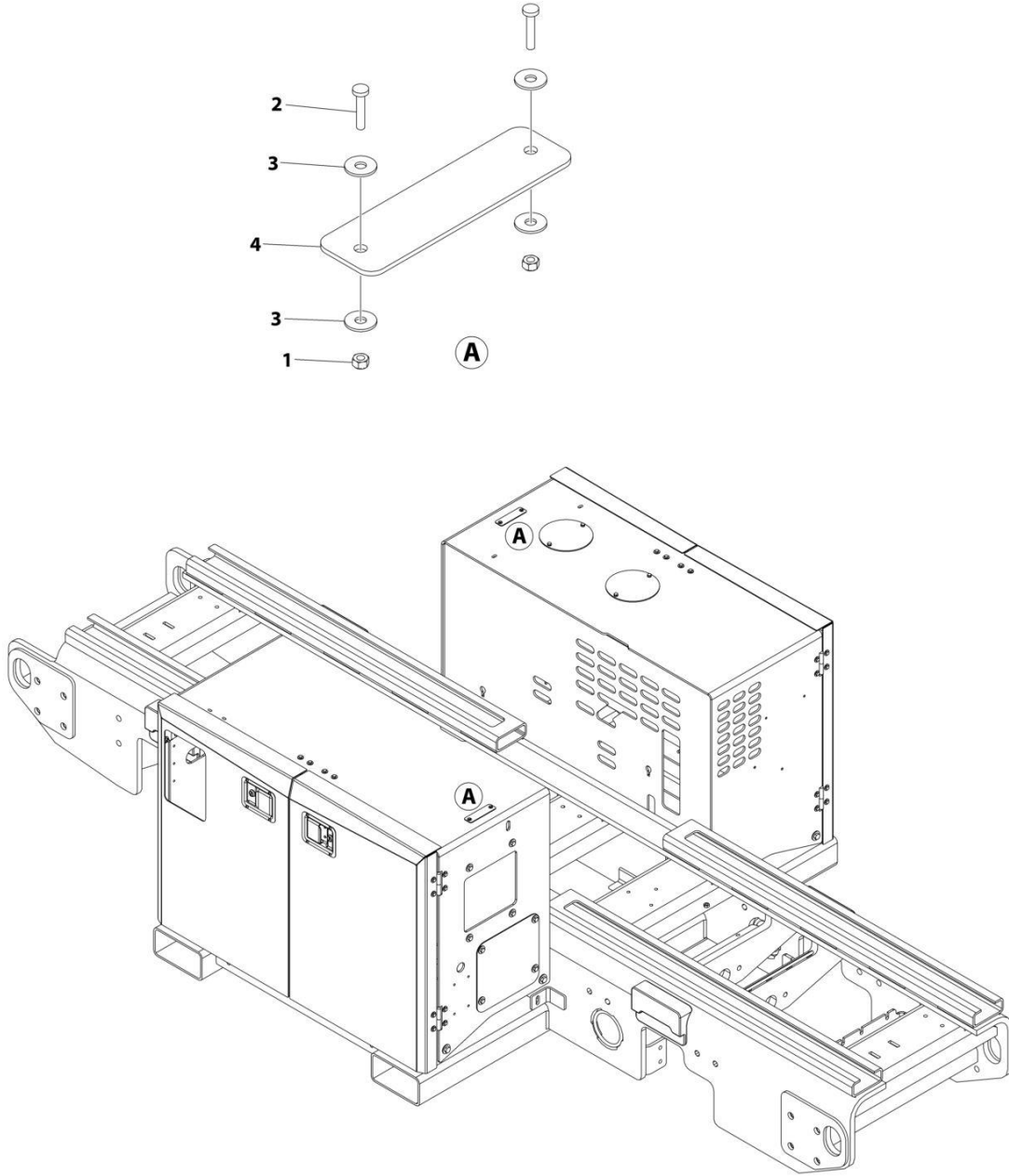
SECTION 2 - GROUND CONTROLS

FIGURE 2-13. STROBE LIGHT INSTALLATION - DUAL

ITEM	PART NUMBER	QTY	DESCRIPTION	REV
	1001249307	Ref	STROBE LIGHT INSTALLATION - DUAL	A
1	3290305	4	Nut M3	
2	4010308	4	Screw M3 x16	
3	1001091102	4	Washer M4	
4	1001239224	2	Lamp, Beacon	
4	4460891	1	Plug, Male - 2 Position	
4	4460465	2	Socket, Female	
5	1001242539	2	Guard	

SECTION 2 - GROUND CONTROLS

FIGURE 2-14. NO BEACON (COVERS)



ART_1001267649

SECTION 2 - GROUND CONTROLS

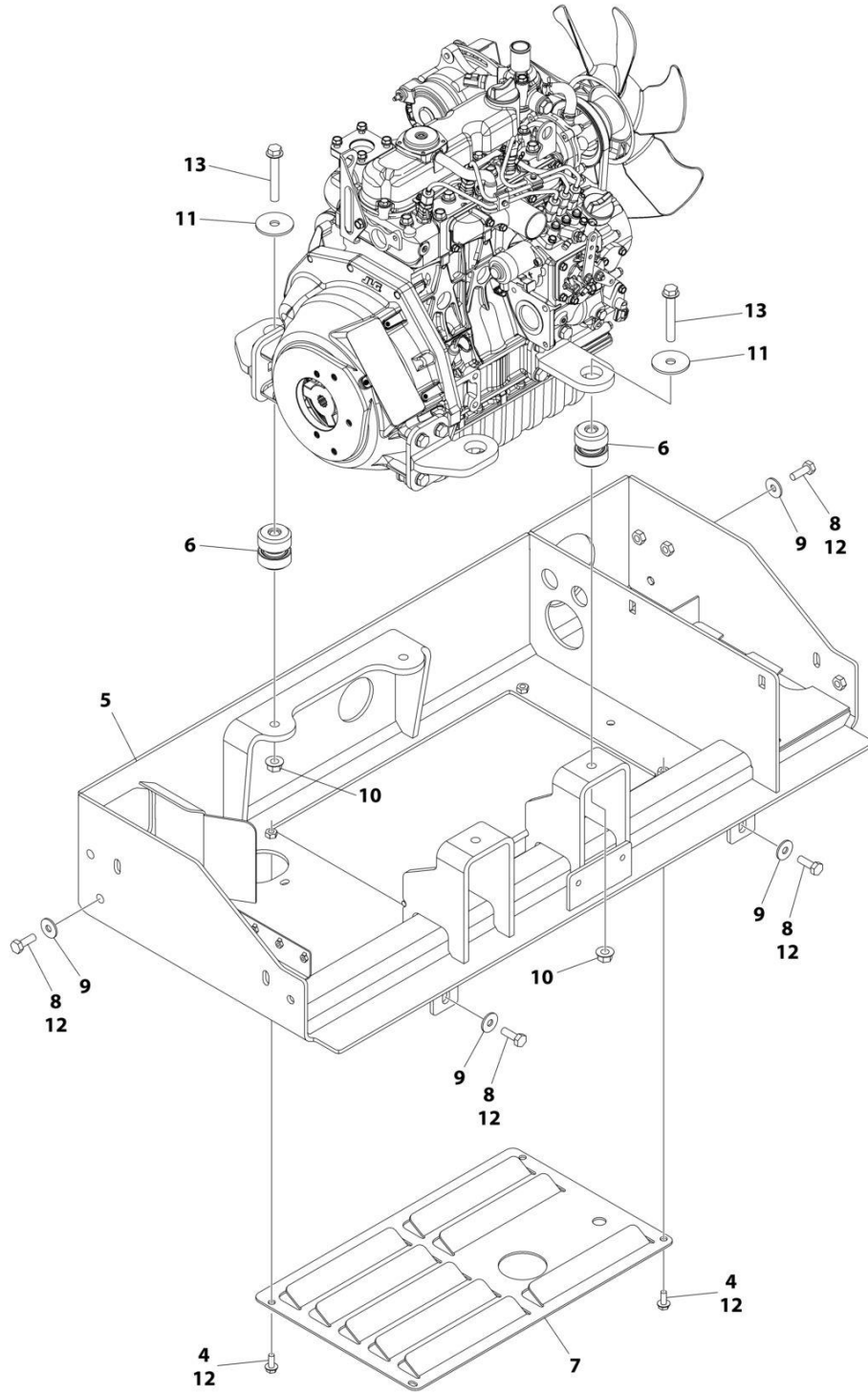
FIGURE 2-14. NO BEACON (COVERS)

ITEM	PART NUMBER	QTY	DESCRIPTION	REV
	1001267649	Ref	NO BEACON (COVERS)	A
1	3290305	4	Nut M3	
2	4010308	4	Screw M3 x16	
3	1001091102	8	Washer M4	
4	1001263345	2	Cover, Hood	

SECTION 3 - ENGINE

SECTION 3 - ENGINE

FIGURE 3-1. ENGINE MOUNTING INSTALLATION



ART_1001255873

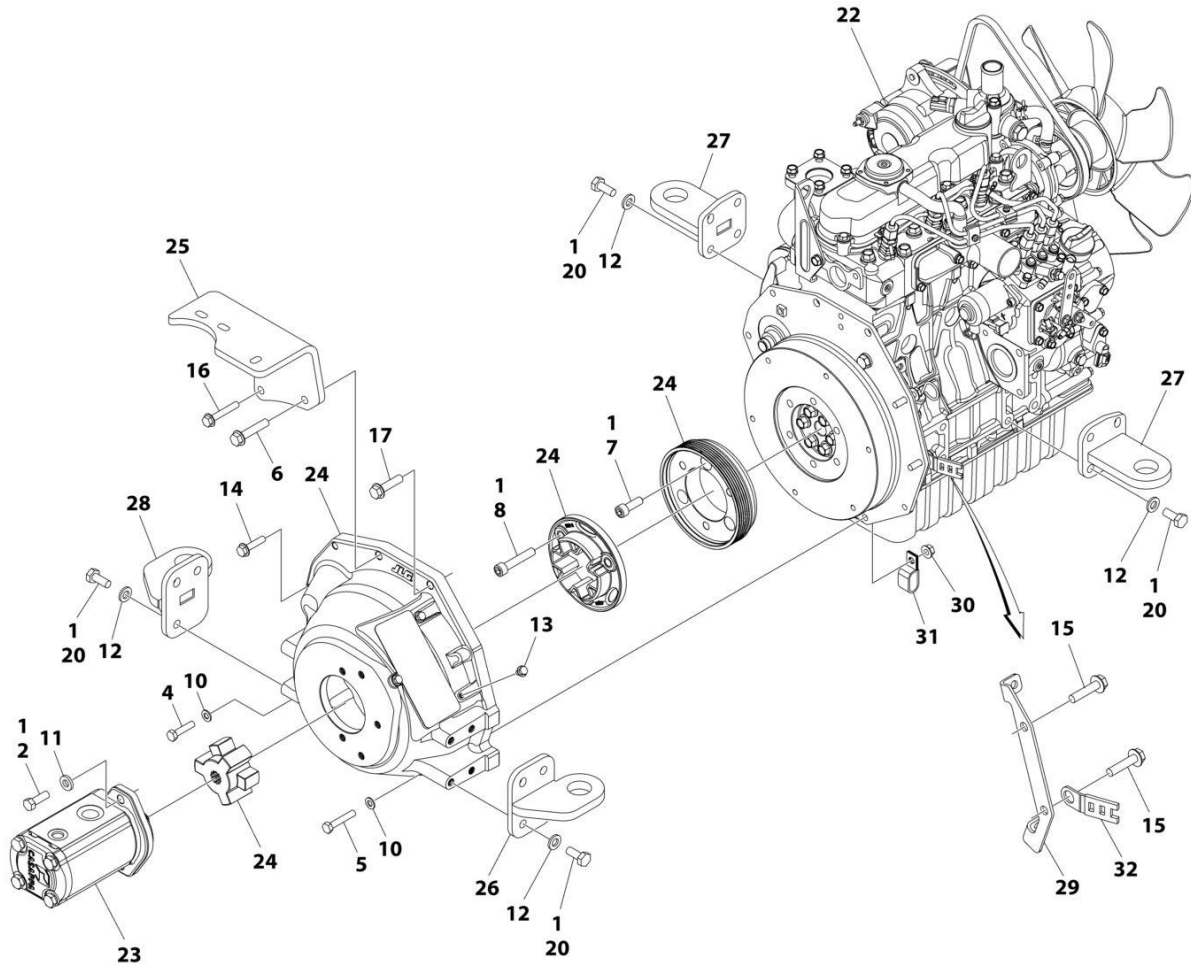
SECTION 3 - ENGINE

FIGURE 3-1. ENGINE MOUNTING INSTALLATION

ITEM	PART NUMBER	QTY	DESCRIPTION	REV
	1001255873	Ref	ENGINE INSTALLATION	C
4	5250810	4	Bolt M8 x 20	
5	1001247612	1	Tray	
6	1001250336	4	Mount, Motor	
7	1001250772	1	Cover	
8	0771014	4	Bolt M10 x 30	
9	4812002	4	Washer M10	
10	5261200	4	Nut M12	
11	1001168018	4	Washer	
12	0100011	AR	Compound, Locking	
13	5251224	4	Bolt M12 x 80	

SECTION 3 - ENGINE

FIGURE 3-2. ENGINE AND PUMP ASSEMBLY - DIESEL



ART_1001255872

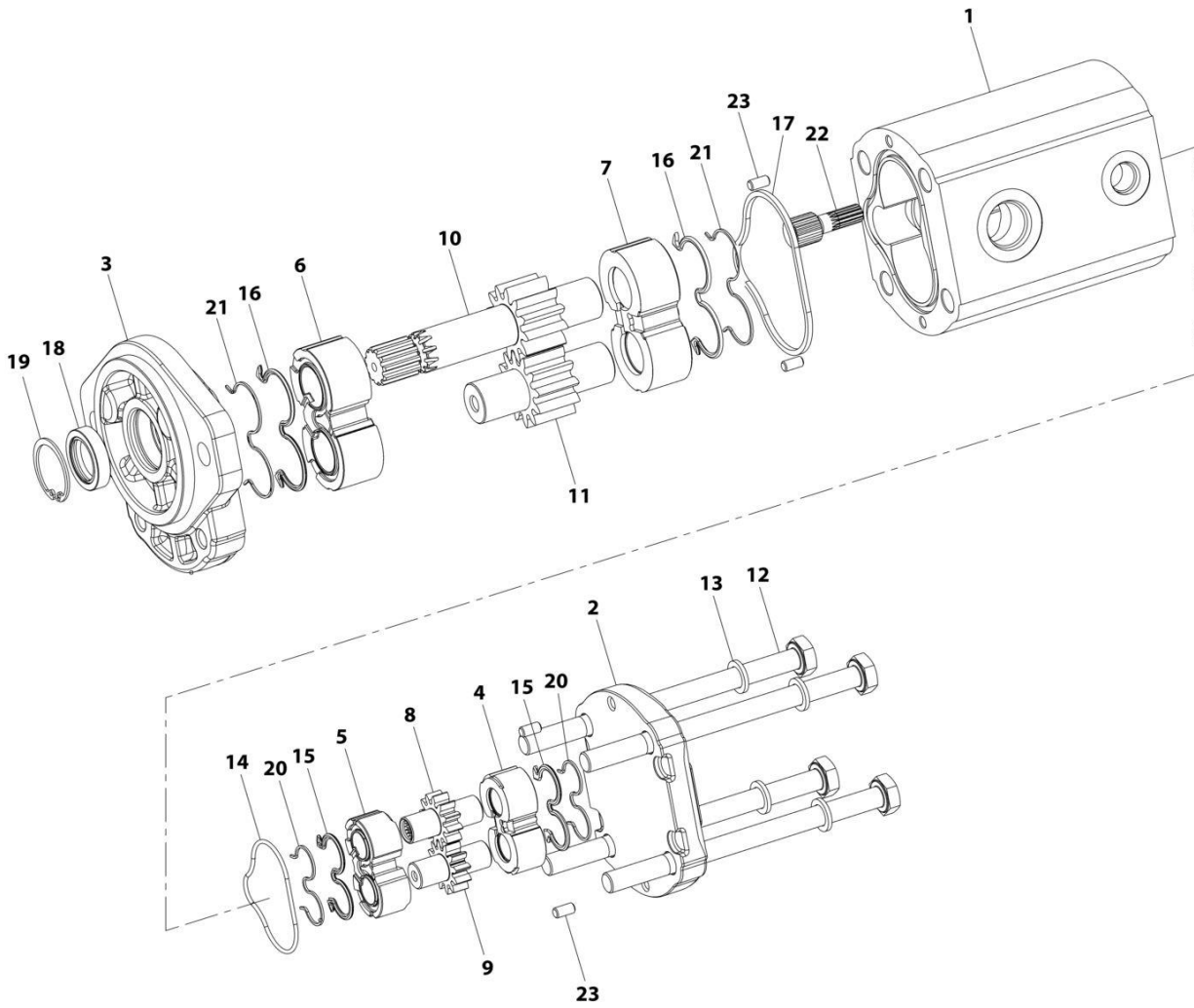
SECTION 3 - ENGINE

FIGURE 3-2. ENGINE AND PUMP ASSEMBLY - DIESEL

ITEM	PART NUMBER	QTY	DESCRIPTION	REV
	1001255872	Ref	ENGINE AND PUMP SUB-ASSEMBLY	B
1	0100011	AR	Compound Locking	
2	0681609	2	Bolt 3/8 x 1-1/8	
4	0760815	2	Bolt M8 x 35	
5	0760817	2	Bolt M8 x 45	
6	5251018000	1	Bolt M10 x 50	
7	4032010000	3	Capscrew M10 x 30	
8	4032015000	3	Capscrew M10 x 55 LG	
10	4811900	4	Washer M8	
11	4891600	2	Washer 3/8	
12	5241000	14	Washer M10	
13	5250605	3	Bolt M6 x 10	
14	5250815	1	Bolt M8 x 35	
15	5250816	2	Bolt M8 x 40	
16	5250818	1	Bolt M8 x 50	
17	5251016000	1	Bolt M8 x 40	
20	1001118746	14	Bolt M10 x 25	
22	1001243296	1	Engine Components - Kubota Diesel (See Separate Breakdown in this Section)	
23	1001244107	1	Pump Assembly (See Separate Breakdown in this Section)	
24	1001247584	1	Coupling, Assembly (See Separate Breakdown in this Section)	
25	1001248100	1	Bracket, Muffler	
26	1001252477	1	Bracket, Mounting	
27	1001252478	2	Bracket, Mounting	
28	1001253717	1	Bracket, Mounting	
29	1001256097	1	Bracket	
30	5260800	2	Nut M8	
31	1001026127	2	Clamp	
32	1001025750	1	Clip	

SECTION 3 - ENGINE

FIGURE 3-3. PUMP ASSEMBLY - DIESEL



ART_1001244107

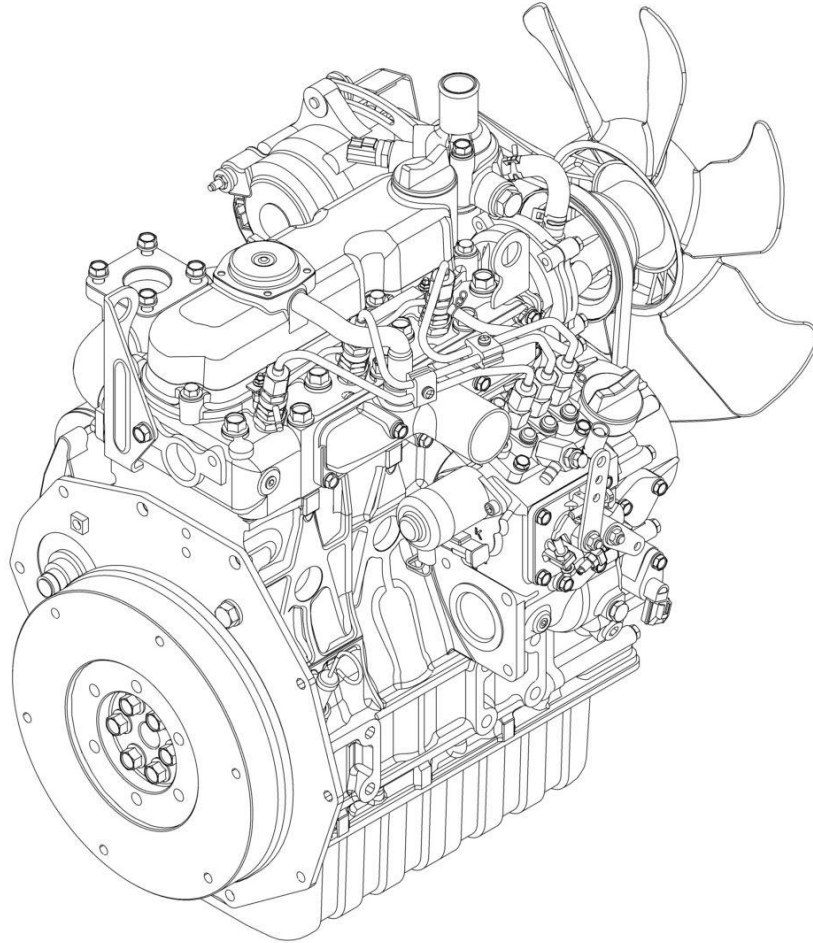
SECTION 3 - ENGINE

FIGURE 3-3. PUMP ASSEMBLY - DIESEL

ITEM	PART NUMBER	QTY	DESCRIPTION	REV
	1001244107	Ref	PUMP ASSEMBLY - DIESEL	E
1	See Note	NSS	Body (Note: Not Available for Purchase)	
2	See Note	NSS	Cover, Rear (Note: Not Available for Purchase)	
3	See Note	NSS	Cover, Front (Note: Not Available for Purchase)	
4	70007659	1	Plate, Thrust	
5	70007658	1	Plate, Thrust	
6	70007310	1	Plate, Thrust	
7	70007665	1	Plate, Thrust	
8	70007664	1	Gear, Drive	
9	70007663	1	Gear, Driven	
10	70007662	1	Shaft, Drive	
11	70007661	1	Gear, Driven	
12	70007660	4	Bolt M10 x 150	
13	70007314	4	Washer M10	
14	70007649	1	O-Ring	
15	70007648	2	Seal	
16	70007647	2	Seal	
17	70007646	1	Seal	
18	70007645	1	Seal, Shaft	
19	70007315	1	Circlip	
20	70007644	2	Seal, Antiextrusion	
21	70007643	2	Seal, Antiextrusion	
22	70007642	1	Hub	
23	70007316	4	Pin, Dowel	

SECTION 3 - ENGINE

FIGURE 3-4. ENGINE COMPONENTS - DIESEL



ART_1001243296

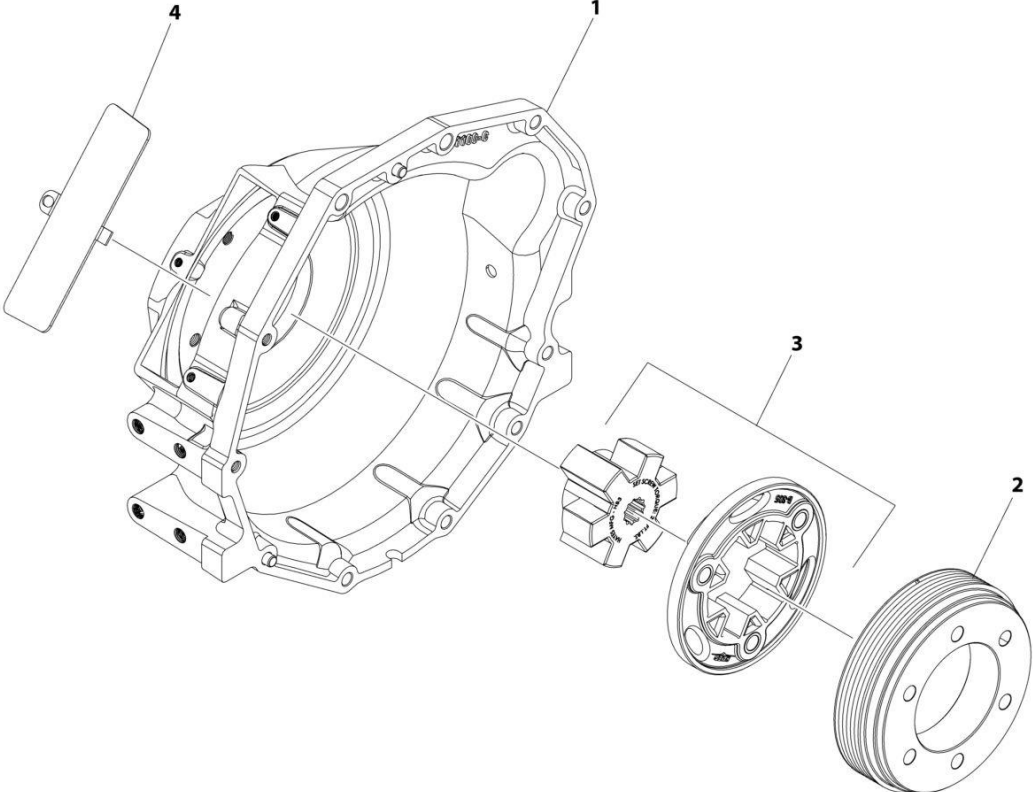
SECTION 3 - ENGINE

FIGURE 3-4. ENGINE COMPONENTS - DIESEL

ITEM	PART NUMBER	QTY	DESCRIPTION	REV
	1001243296	Ref	ENGINE COMPONENTS - DIESEL	C
	See Note	Ref	Note: No Other Service Parts Available at Time of Printing	
		Ref	Lubrication System Components	
	1001248057	1	Filter, Oil	
	1001248056	1	Head, Remote Oil Filter	
	70004524	1	Bleeder Assembly	
	7017922	1	Seal, Oil	
	70002318	1	Plug, Oil Filler	
	70004311	1	O-Ring, Oil Fill Cap	
	70006666	1	Sensor	
	70008394	1	Dipstick	
	7017901	1	Switch, Oil Pressure	
		Ref	Fuel System Components	
	1001254653	1	Pump, Electric Fuel	
	1001254650	1	Decal - Ether Caution	
	70002554	1	Ring, Gear	
	70002419	1	Housing, Coupling	
	70008395	1	Solenoid	
	7023164	1	Injection Pump Assembly	
	70004400	1	Gasket, Fuel Pump	
	7017955	1	Alternator	
	7023141	1	V-Belt	
	7023144	1	Starter	
		Ref	Electrical System Components	
	1001246587	1	Module, ECU	
	70004398	3	Plug, Glow	
		Ref	Cooling System Components	
	1001250636	1	Reservior, Overflow	
	1001254651	1	Decal - Coolant Caution	
	70002316	1	Pipe, Water Return	
	7023170	1	Thermostat	
	70002326	1	Gasket, Thermostat	
	70003064	1	Sensor, Water	
	70002327	1	Water Pump Assembly	
		Ref	Exhaust System Components	
	7023148	1	Gasket, Exhaust (Manifold to Pipe)	
	70005220	1	Gasket, Head	
	70003060	1	Vlave, Breather	
	70002317	1	Tube, Breather	
	7023149	1	Gasket, Manifold	
	7023124	1	Gasket, Muffler	

SECTION 3 - ENGINE

FIGURE 3-5. COUPLING ASSEMBLY - ENGINE PUMP (DIESEL)



ART_1001247584

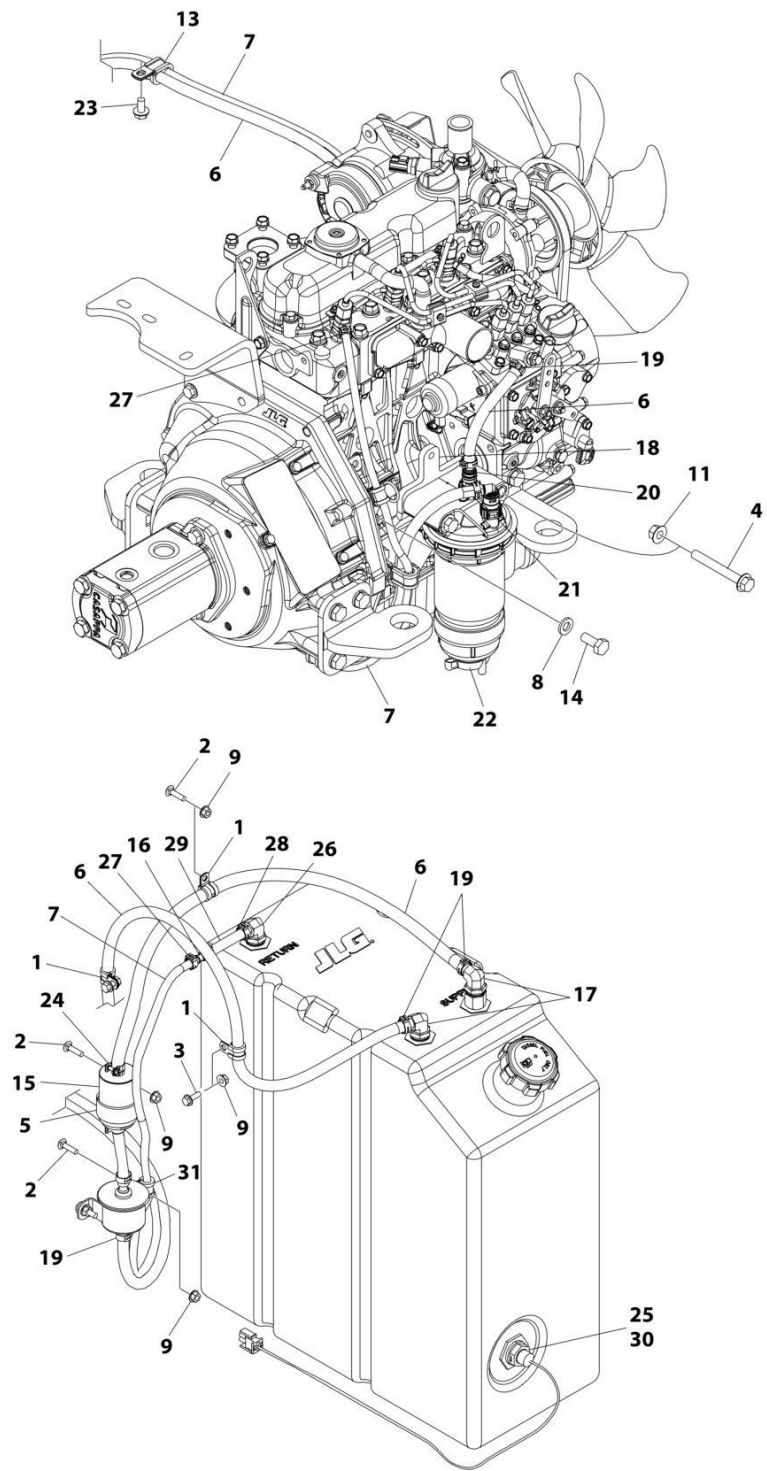
SECTION 3 - ENGINE

FIGURE 3-5. COUPLING ASSEMBLY - ENGINE PUMP (DIESEL)

ITEM	PART NUMBER	QTY	DESCRIPTION	REV
	1001247584	Ref	COUPLING ASSEMBLY - ENGINE PUMP	E
1	1001247454	1	Housing	
2	1001247581	1	Pulley	
3	1001247582	1	Coupling, Flexible	
4	1001247589	1	Cover	

SECTION 3 - ENGINE

FIGURE 3-6. ENGINE FUEL LINES INSTALLATION - DIESEL



ART_1001255874

SECTION 3 - ENGINE

FIGURE 3-6. ENGINE FUEL LINES INSTALLATION - DIESEL

ITEM	PART NUMBER	QTY	DESCRIPTION	REV
	1001255874	Ref	FUEL SYSTEM INSTALLATION - DIESEL	C
1	80630	3	Clamp	
2	0630587	4	Bolt M6 x 25	
3	0780608	2	Bolt M6 x 16	
4	0781024	2	Bolt M10 x 80	
5	1320265	1	Clamp	
6	2720058	14 ft/ 4.3m	Hose	
7	2720271	8.5 ft/ 2.6m	Hose	
8	5241000	3	Washer M10	
9	5260600	6	Nut M6	
11	5261000	2	Nut M10	
13	1001268776	2	Clamp	
14	1001118746	3	Bolt M10 x 25	
15	1001190545	1	Filter, Fuel	
16	1001131391	1	Coupling	
17	1001248861	2	Fitting, 90 Barb	
18	1001250450	1	Plate	
19	1001263657	7	Clamp	
20	1001256554	1	Coupling, Quick Disconnect	
21	1001256723	1	Coupling, Quick Disconnect	
22	1008675309	1	Fuel/Water Separator Assembly	
22	70007021	1	Element, Filter	
23	5250808	2	Bolt M8 x 16	
24	1001174486	2	Clamp	
25	1001182997	AR	Adhesive	
26	1001262943	1	Fitting, 90 Barb	
27	1001263658	2	Clamp	
28	1001263659	2	Clamp	
29	2720015	3 in/ 7.5cm	Hose	
30	4360436	1	Switch, Fuel Level	
31	1001269045	1	Clamp	

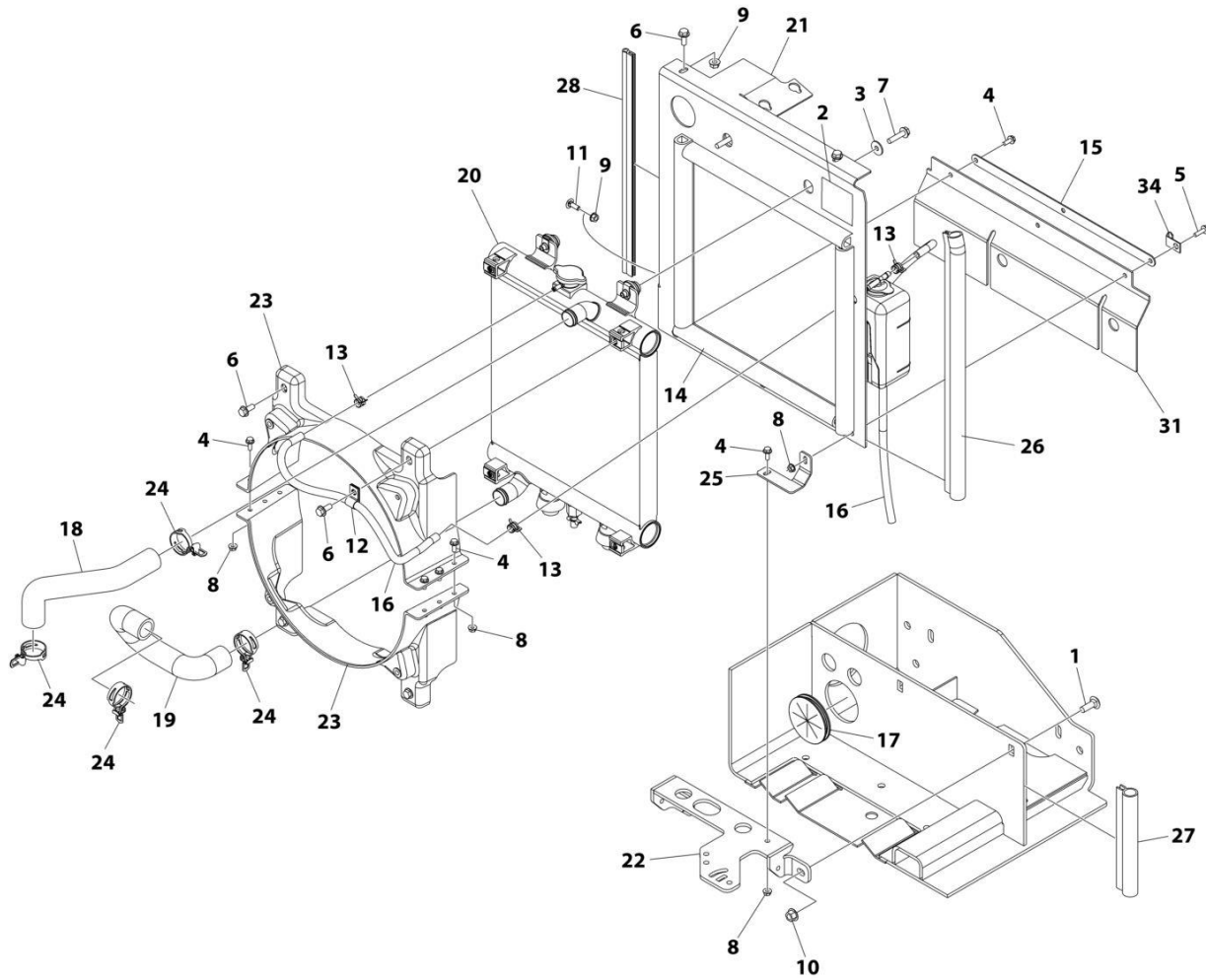
SECTION 3 - ENGINE

FIGURE 3-7. ENGINE ELECTRICAL INSTALLATION - DIESEL

ITEM	PART NUMBER	QTY	DESCRIPTION	REV
	1001255875	Ref	ENGINE ELECTRICAL INSTALLATION - DIESEL	D
1	0100051	AR	Grease, Terminal	
2	0400003	1	Battery	
4	0780618	2	Bolt M6 x 50	
5	1062255	AR	Tie-Strap (Not Shown)	
7	5250508	6	Bolt M5 x 16	
8	5260600	3	Nut M6	
9	5260800	2	Nut M8	
11	1001139219	1	Boot	
12	1001146588	3	Tie-Strap (Not Shown)	
13	1001179586	1	J-Bolt	
14	1001234069	1	Harness, Fusible Link	
15	1001248134	1	Harness, Engine (See Separate Breakdown in ELECTRICAL Section)	
16	1001248347	1	Battery, Cable Kit	
16A	0840052	1	Boot	
16B	1001186483	1	Boot, Battery Terminal	
17	1001254888	1	Bracket, Battery	
19	1001256312	1	Bolt M10 x 16	

SECTION 3 - ENGINE

FIGURE 3-8. ENGINE COOLING SYSTEM INSTALLATION - DIESEL



ART_1001255878

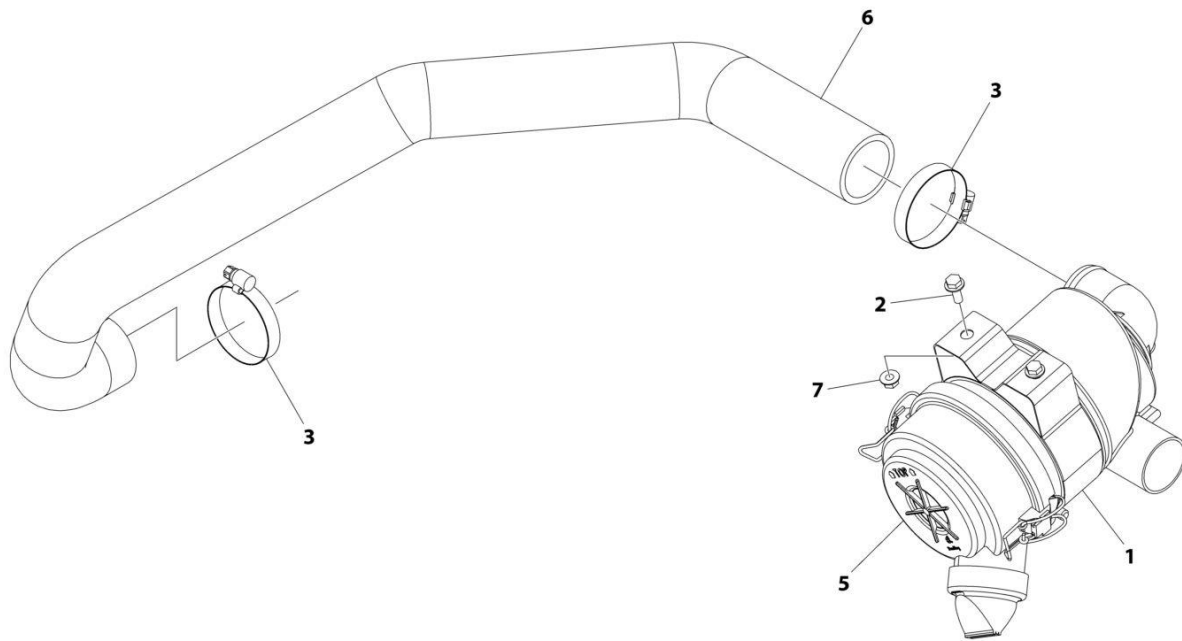
SECTION 3 - ENGINE

FIGURE 3-8. ENGINE COOLING SYSTEM INSTALLATION - DIESEL

ITEM	PART NUMBER	QTY	DESCRIPTION	REV
	1001255878	Ref	COOLING SYSTEM INSTALLATION	C
1	0630613	2	Bolt M10 x 30	
2	1703162	1	Decal - Fan Blade	
3	4811902	2	Washer M8	
4	5250608	9	Bolt M6 x 16	
5	5250611	1	Bolt M8 x 22	
6	5250810	6	Bolt M8 x 20	
7	5250815	2	Bolt M8 x 35	
8	5260600	8	Nut M6	
9	5260800	3	Nut M8	
10	5261000	2	Nut M10	
11	8310623	1	Bolt M8 x 25	
12	8406110	1	Clip	
13	1001213010	3	Clamp	
14	1001262646	5 ft/ 1.5m	Seal	
15	1001252596	1	Support	
16	1001263476	3.8 ft/ 1.1m	Hose	
17	1001218676	1	Grommet	
18	1001246746	1	Tube, Coolant	
19	1001266885	1	Tube, Coolant	
20	1001247267	1	Radiator	
21	1001262636	1	Plate, Radiator	
22	1001262630	1	Bracket	
23	1001254635	2	Shroud	
24	1001263438	4	Clamp	
25	1001255809	1	Bracket	
26	1001255843	21 in/ 53cm	Seal	
27	1001255848	8 in/ 20cm	Seal	
28	1001255851	18 in/ 45cm	Seal	
31	1001255857	1	Dam, Air	
34	1320223	1	J-Clip	

SECTION 3 - ENGINE

FIGURE 3-9. AIR INTAKE INSTALLATION - DIESEL



ART_1001255877

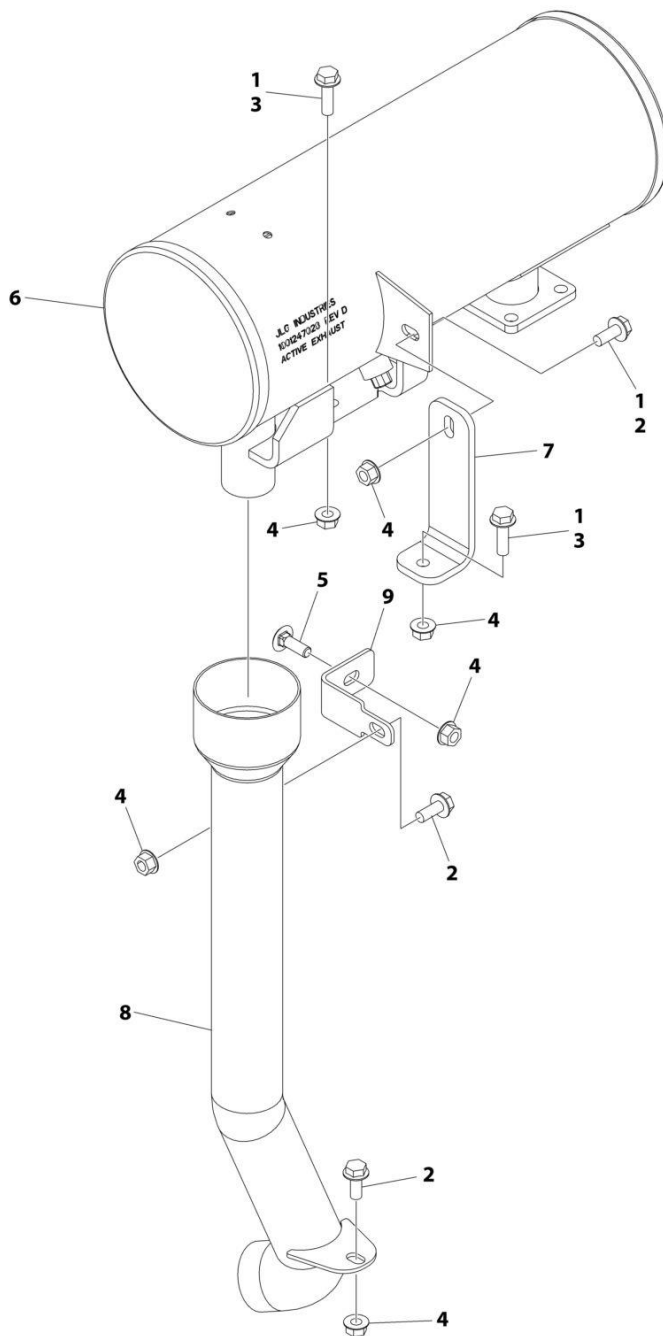
SECTION 3 - ENGINE

FIGURE 3-9. AIR INTAKE INSTALLATION - DIESEL

ITEM	PART NUMBER	QTY	DESCRIPTION	REV
	1001255877	Ref	AIR INTAKE INSTALLATION	C
1	0340045	1	Band, Air Cleaner	
2	5250608	2	Bolt M6 x 16	
3	1321682	2	Clamp	
5	1001247560	1	Air Cleaner Assembly	
5	7015004	1	Element, Air Filter	
6	1001248307	1	Tube, Air Intake	
7	5260600	2	Nut M6	

SECTION 3 - ENGINE

FIGURE 3-10. EXHAUST INSTALLATION - DIESEL



ART_1001255876

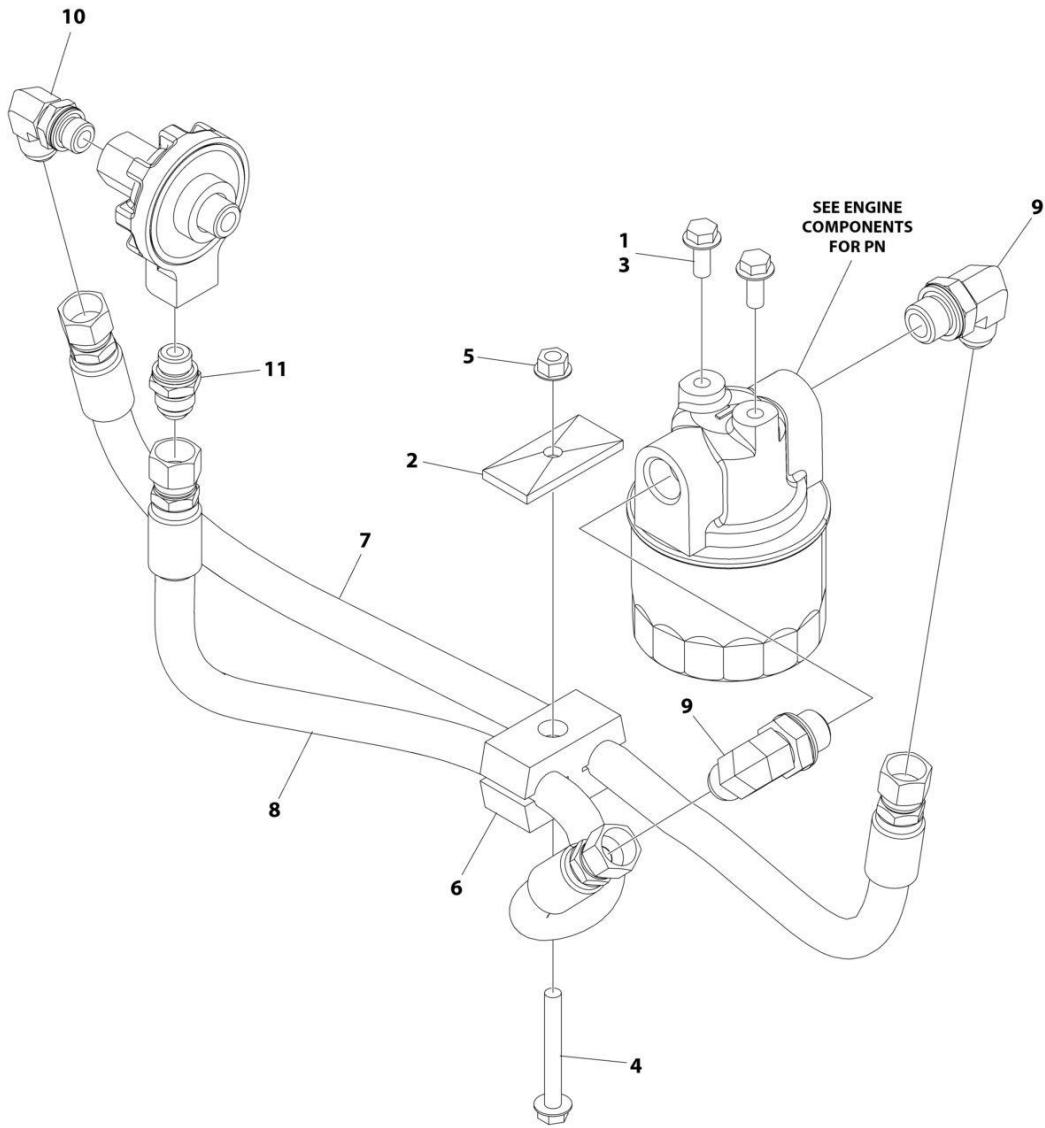
SECTION 3 - ENGINE

FIGURE 3-10. EXHAUST INSTALLATION - DIESEL

ITEM	PART NUMBER	QTY	DESCRIPTION	REV
	1001255876	Ref	EXHAUST SYSTEM INSTALLATION	C
1	0100011	AR	Compound, Locking	
2	5250810	3	Bolt M8 x 20	
3	5250813	3	Bolt M8 x 28	
4	5260800	7	Nut M8	
5	8310623	1	Bolt M8 x 25	
6	1001247028	1	Muffler	
7	1001248099	1	Bracket	
8	1001269872	1	Pipe, Exhaust	
9	1001250934	1	Bracket	

SECTION 3 - ENGINE

FIGURE 3-11. OIL FILTER INSTALLATION - REMOTE - DIESEL



ART_1001255936

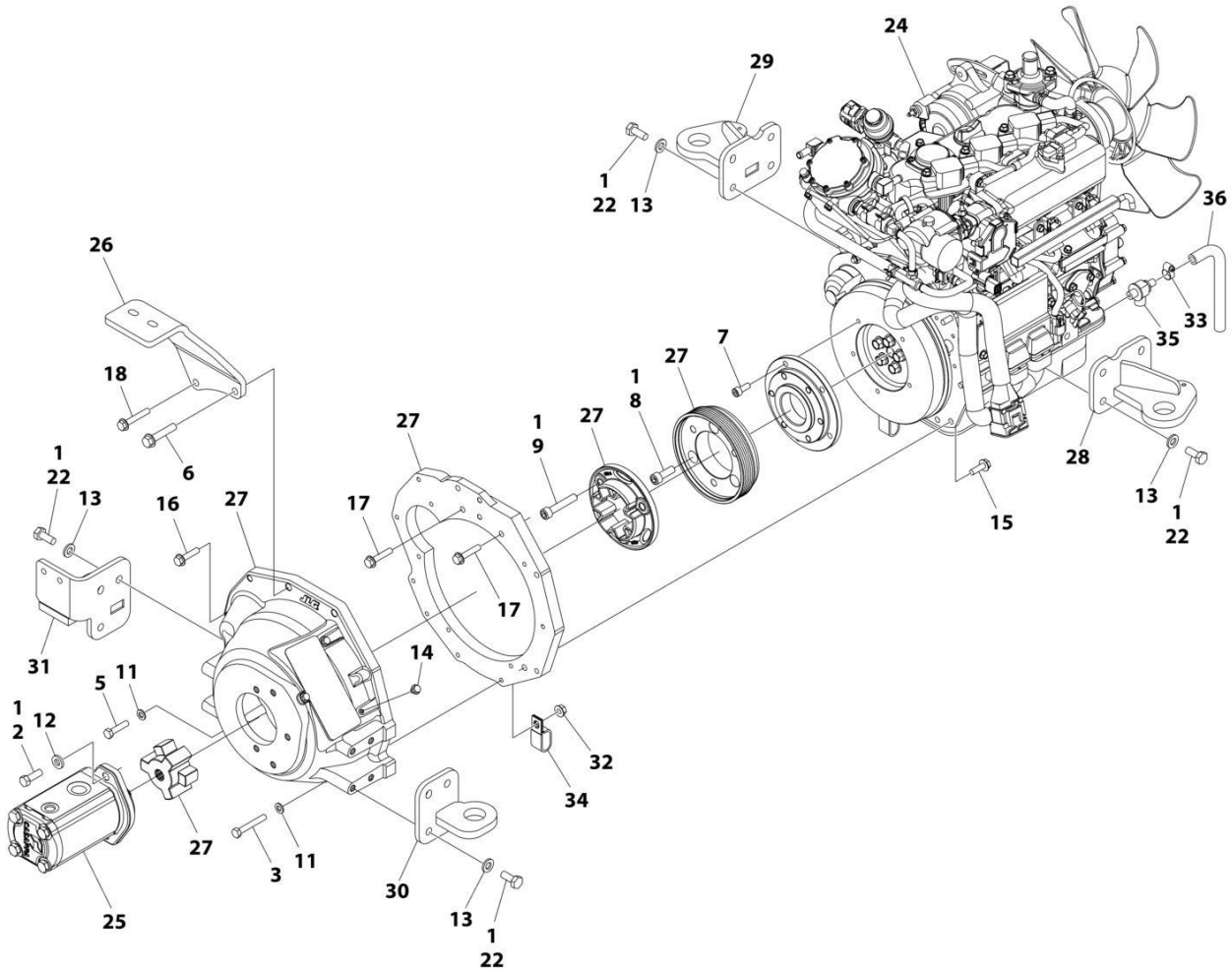
SECTION 3 - ENGINE

FIGURE 3-11. OIL FILTER INSTALLATION - REMOTE - DIESEL

ITEM	PART NUMBER	QTY	DESCRIPTION	REV
	1001255936	Ref	OIL FILTER INSTALLATION - REMOTE	A
	See Note	Ref	Note: For Engine Specific Components, See Engines Components.	
1	0100011	AR	Compund, Locking	
2	1309435	1	Plate, Clamp	
3	5250810	2	Bolt M8 x 20	
4	5250821	1	Bolt M8 x 65	
5	5260800	1	Nut M8	
6	8769139	1	Clamp	
7	1001248413	1	Hose	
8	1001248414	1	Hose	
9	1001250519	2	Fitting, 90 JIC/BSPP	
10	1001250521	1	Fitting, 90 JIC/ORB	
11	1001250525	1	Fitting, Straight JIC/ORB	

SECTION 3 - ENGINE

FIGURE 3-12. ENGINE AND PUMP ASSEMBLY - DUAL FUEL



ART_1001256031

SECTION 3 - ENGINE

FIGURE 3-12. ENGINE AND PUMP ASSEMBLY - DUAL FUEL

ITEM	PART NUMBER	QTY	DESCRIPTION	REV
	1001256031	Ref	ENGINE AND PUMP SUB-ASSEMBLY	B
1	0100011	AR	Compound Locking	
2	0681609	2	Bolt 3/8 x 1-1/8	
3	0710819	2	Bolt M8 x 55	
5	0760815	2	Bolt M8 x 35	
6	5251018000	1	Bolt M10 x 50	
7	4031908	5	Bolt M8 x 20	
8	4032010000	3	Capscrew M10 x 30	
9	4032015000	3	Capscrew M10 x 55 LG	
11	4811900	4	Washer M8	
12	4891600	2	Washer 3/8	
13	5241000	14	Washer M10	
14	5250605	3	Bolt M6 x 10	
15	5250812	4	Bolt M8 x 25	
16	5250815	1	Bolt M8 x 35	
17	5250816	2	Bolt M8 x 40	
18	5250818	1	Bolt M8 x 50	
22	1001118746	14	Bolt M10 x 25	
24	1001243300	1	Engine Components - Kubota Gas (See Separate Breakdown in this Section)	
25	1001244106	1	Pump Assembly (See Separate Breakdown in this Section)	
26	1001248047	1	Bracket, Muffler	
27	1001248048	1	Coupling, Assembly (See Separate Breakdown in this Section)	
28	1001251287	1	Bracket, Mounting	
29	1001251288	1	Bracket, Mounting	
30	1001252996	1	Bracket, Mounting	
31	1001254690	1	Bracket, Mounting	
32	5260800	2	Nut M8	
33	8405009	1	Clamp	
34	1001026127	2	Clamp	
35	1001161497	1	Valve, Oil Drain	
36	1001165035	8.5 in/ 21cm	Hose	

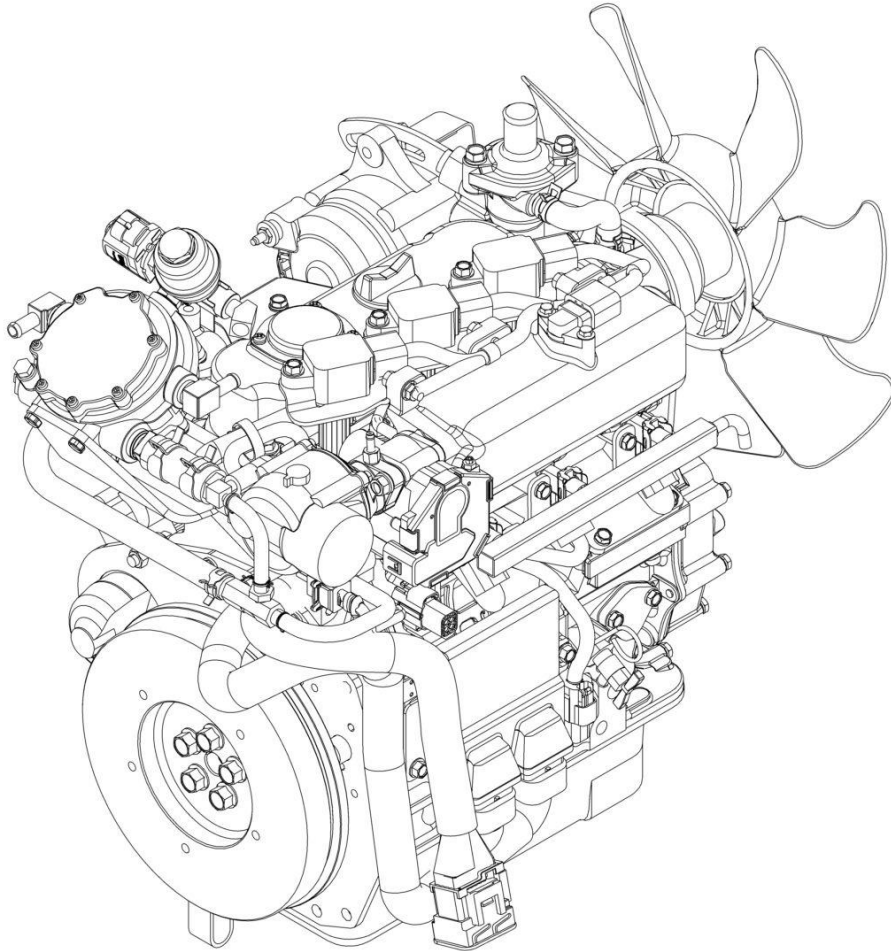
SECTION 3 - ENGINE

FIGURE 3-13. PUMP ASSEMBLY - DUAL FUEL

ITEM	PART NUMBER	QTY	DESCRIPTION	REV
	1001244106	Ref	PUMP ASSEMBLY - DUAL FUEL	F
1	See Note	NSS	Body (Note: Not Available for Purchase)	
2	See Note	NSS	Cover, Rear (Note: Not Available for Purchase)	
3	See Note	NSS	Cover, Front (Note: Not Available for Purchase)	
4	70007659	1	Plate, Thrust	
5	70007658	1	Plate, Thrust	
6	70007657	1	Plate, Thrust	
7	70007656	1	Plate, Thrust	
8	70007655	1	Gear, Drive	
9	70007654	1	Gear, Driven	
10	70007653	1	Shaft, Drive	
11	70007652	1	Gear, Driven	
12	70007651	4	Bolt M10 x 145	
13	70007650	4	Washer M10	
14	70007649	1	O-Ring	
15	70007648	2	Seal	
16	70007647	2	Seal	
17	70007646	1	Seal	
18	70007645	1	Seal, Shaft	
19	70007315	1	Circlip	
20	70007644	2	Seal, Antiextrusion	
21	70007643	2	Seal, Antiextrusion	
22	70007642	1	Hub	
23	70007316	4	Pin, Dowel	

SECTION 3 - ENGINE

FIGURE 3-14. ENGINE COMPONENTS - DUAL FUEL



ART_1001243300

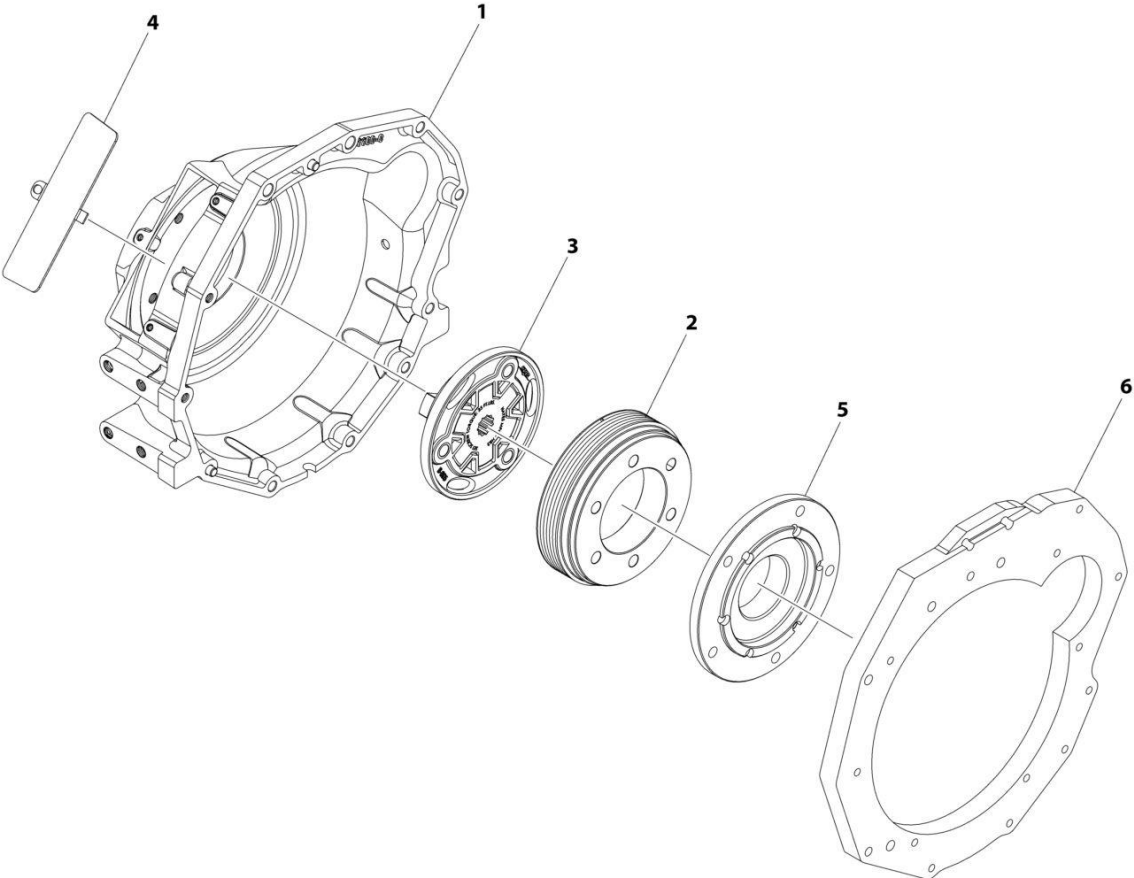
SECTION 3 - ENGINE

FIGURE 3-14. ENGINE COMPONENTS - DUAL FUEL

ITEM	PART NUMBER	QTY	DESCRIPTION	REV
	1001243300	Ref	ENGINE COMPONENTS - DUAL FUEL	C
	See Note	Ref	Note: No Other Service Parts Available at Time of Printing	
		Ref	Lubrication System Components	
	1001248057	1	Filter, Oil	
	1001248056	1	Head, Remote Oil Filter	
	1001255435	1	Adapter, Remote Oil Filter	
	70004524	1	Bleeder Assembly	
	70002318	1	Plug, Oil Filler	
	70004311	1	O-Ring, Oil Fill Cap	
	70005734	1	Dipstick	
	70004294	1	Pump, Oil	
		Ref	Fuel System Components	
	1001255529	1	Dual, Fuel Regulator - Complete	
	1001255416	1	Pump, Electric Fuel	
	1001131324	1	Valve, Fuel Check	
	1001255422	1	Filter/Strainer, Fuel	
	70005735	1	Gear, Ring	
	70005736	1	Rotor	
	7017955	1	Alternator	
	70008088	1	V-Belt	
		Ref	Electrical System Components	
	1001253824	1	Module, ECU	
	70005739	3	Plug, Spark	
	70005740	3	Coil, Ignition	
	70005744	1	Relay, Starter	
		Ref	Cooling System Components	
	1001250636	1	Reservoir, Overflow	
	1001254651	1	Decal - Coolant Caution	
	7023170	1	Thermostat	
	70002326	1	Gasket, Thermostat	
	70008089	1	Water Pump Assembly	
		Ref	Exhaust System Components	
	1001251490	1	Muffler	
	1001255447	1	Gasket, Exhaust (Manifold to Muffler)	
	1001255448	1	Gasket, Exhaust (Manifold to Pipe)	
	1001255341	1	Shield, Muffler	
	1001255342	1	Shield, Muffler - Cylindrical	
	1001255324	1	Sensor, Oxygen	
	70005728	1	Gasket, Head	
	70005733	1	Gasket, Valve Cover	
	70005743	1	Starter	
	1001255431	1	FTG-Pipe, Joint	
	1001264263	1	O-Ring, Kub Remote Oil Filter	
	1001264264	1	O-Ring, Kub Remote Oil Filter	
	1001264269	1	Sleeve, Collar Kub Oil Filter	

SECTION 3 - ENGINE

FIGURE 3-15. COUPLING ASSEMBLY - ENGINE PUMP (DUAL FUEL)



ART_1001248048

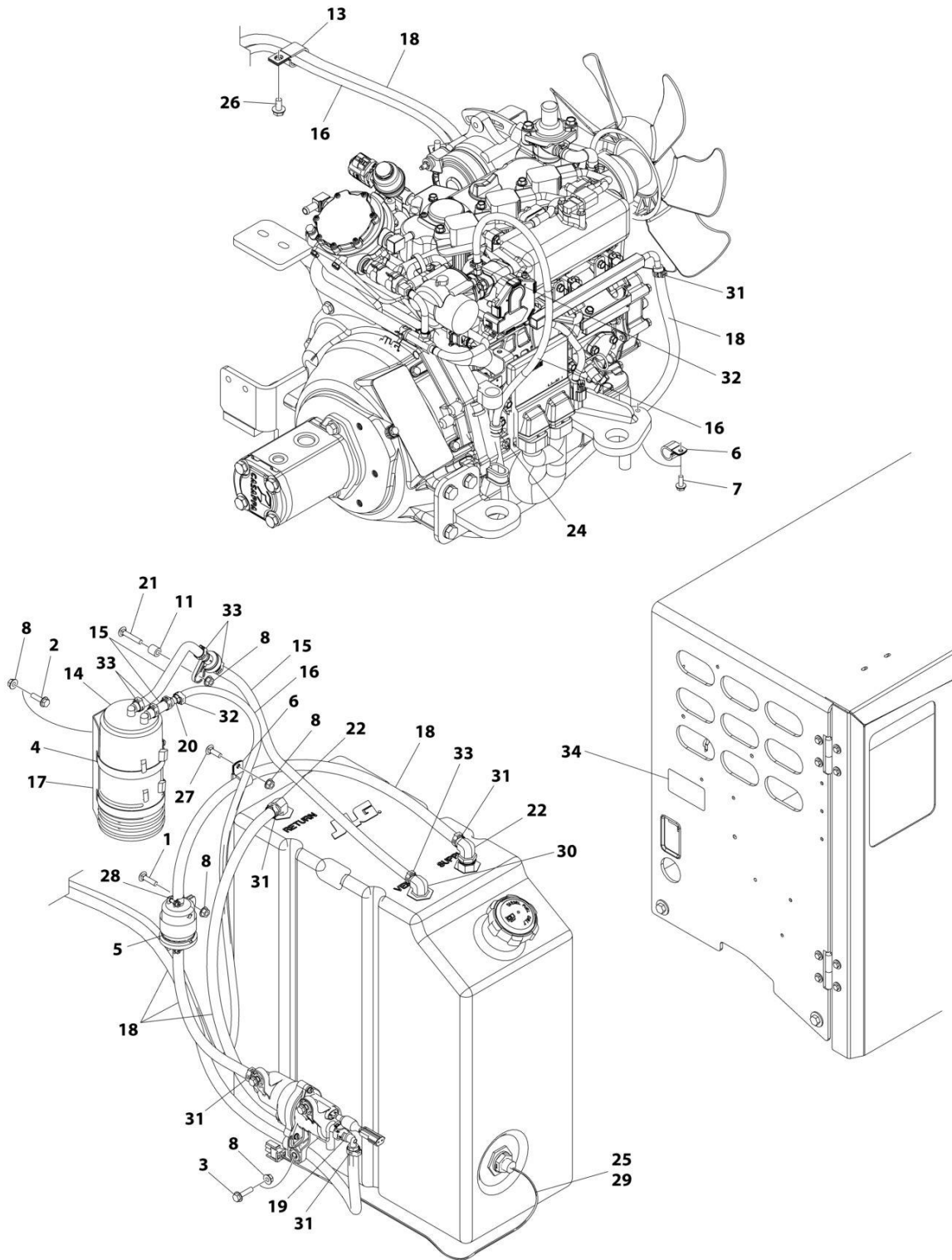
SECTION 3 - ENGINE

FIGURE 3-15. COUPLING ASSEMBLY - ENGINE PUMP (DUAL FUEL)

ITEM	PART NUMBER	QTY	DESCRIPTION	REV
	1001248048	Ref	COUPLING ASSEMBLY - ENGINE PUMP	F
1	1001247454	1	Housing	
2	1001247581	1	Pulley	
3	1001247582	1	Coupling, Flexible	
4	1001247589	1	Plate	
5	1001247600	1	Adapter	
6	1001247709	1	Plate, Adapter	

SECTION 3 - ENGINE

FIGURE 3-16. ENGINE FUEL LINES INSTALLATION - DUAL FUEL



ART_1001256033

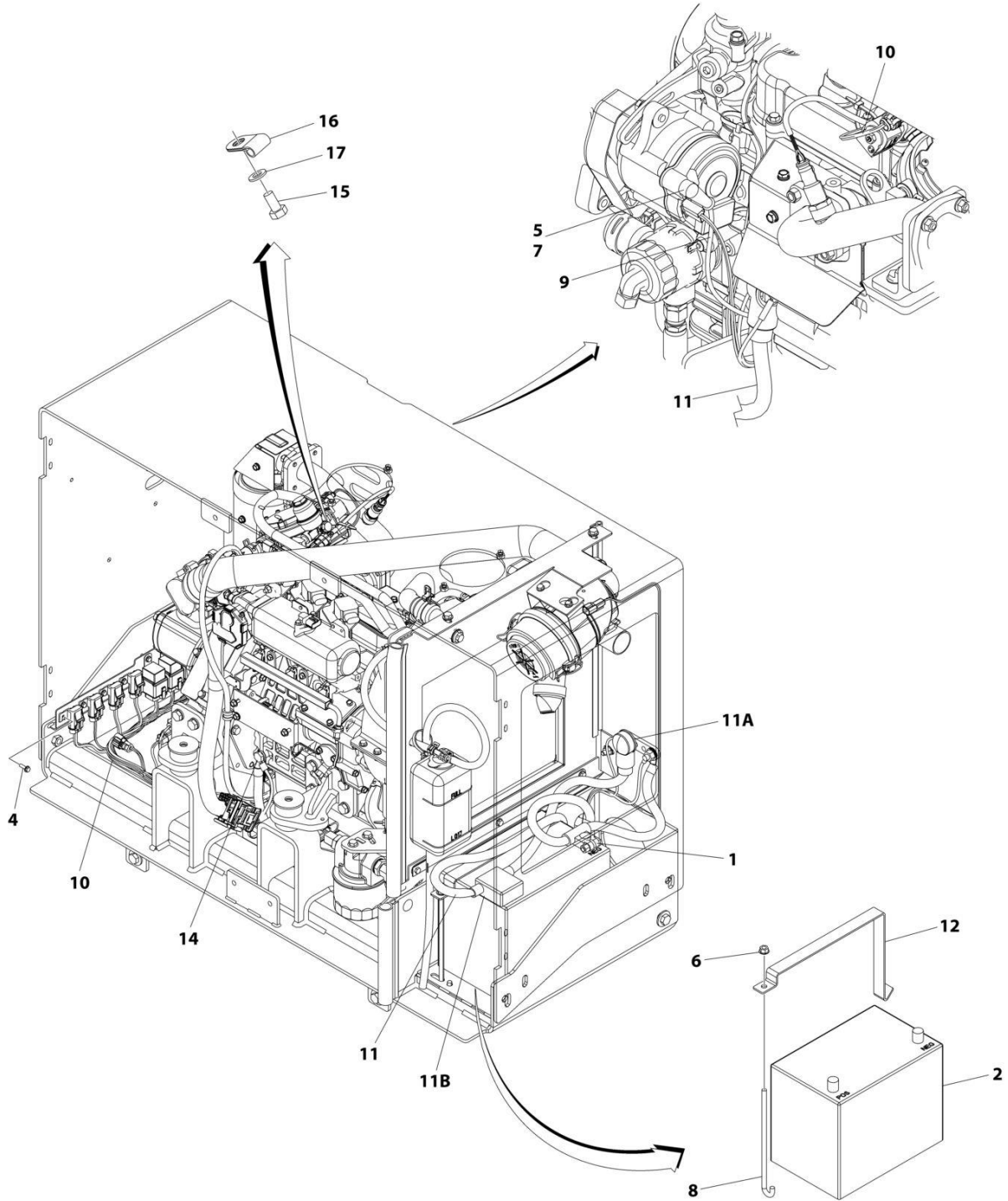
SECTION 3 - ENGINE

FIGURE 3-16. ENGINE FUEL LINES INSTALLATION - DUAL FUEL

ITEM	PART NUMBER	QTY	DESCRIPTION	REV
	1001256033	Ref	FUEL SYSTEM INSTALLATION - GAS	E
1	0630587	1	Bolt M6 x 25	
2	5250611	2	Bolt M6 x 22	
3	5250612	3	Bolt M6 x 25	
4	1320058	2	Clamp	
5	1320265	1	Clamp	
6	1321296	3	Clamp	
7	5250608	1	Bolt M6 x 16	
8	5260600	9	Nut M6	
11	8310441	1	Spacer	
13	1001026127	2	Clamp	
14	1001127172	1	Filter, Carbon Canister	
15	1001129255	23 in/ 59cm	Hose	
16	1001129256	10 ft/ 2.9m	Hose	
17	1001142984	1	Bracket, Carbon Canister	
18	1001156819	13.5 ft/ 4m	Hose	
18	1001300357	13.5 ft/ 4m	Hose	
19	1001248500	1	Coupling, Quick Disconnect	
20	1001131391	1	Coupling, Fuel Line	
21	1001248038	1	Bolt M6 x 35	
22	1001248861	2	Fitting, 90 Barb	
24	80630	1	Clamp	
25	4360436	1	Switch, Fuel Level	
26	5250808	2	Bolt M8 x 16	
27	1001100451	2	Bolt M8 x 20	
28	1001174486	2	Clamp	
29	1001182997	AR	Adhesive	
30	1001262943	1	Fitting, 90 Barb	
31	1001263657	6	Clamp	
32	1001263658	2	Clamp	
33	1001263659	6	Clamp	
34	1001288396	1	Decal, Emission Control (Not Shown)	
34	1001299770	1	Decal, Emission Control (Not Shown)	

SECTION 3 - ENGINE

FIGURE 3-17. ENGINE ELECTRICAL INSTALLATION - DUAL FUEL



ART_1001256034

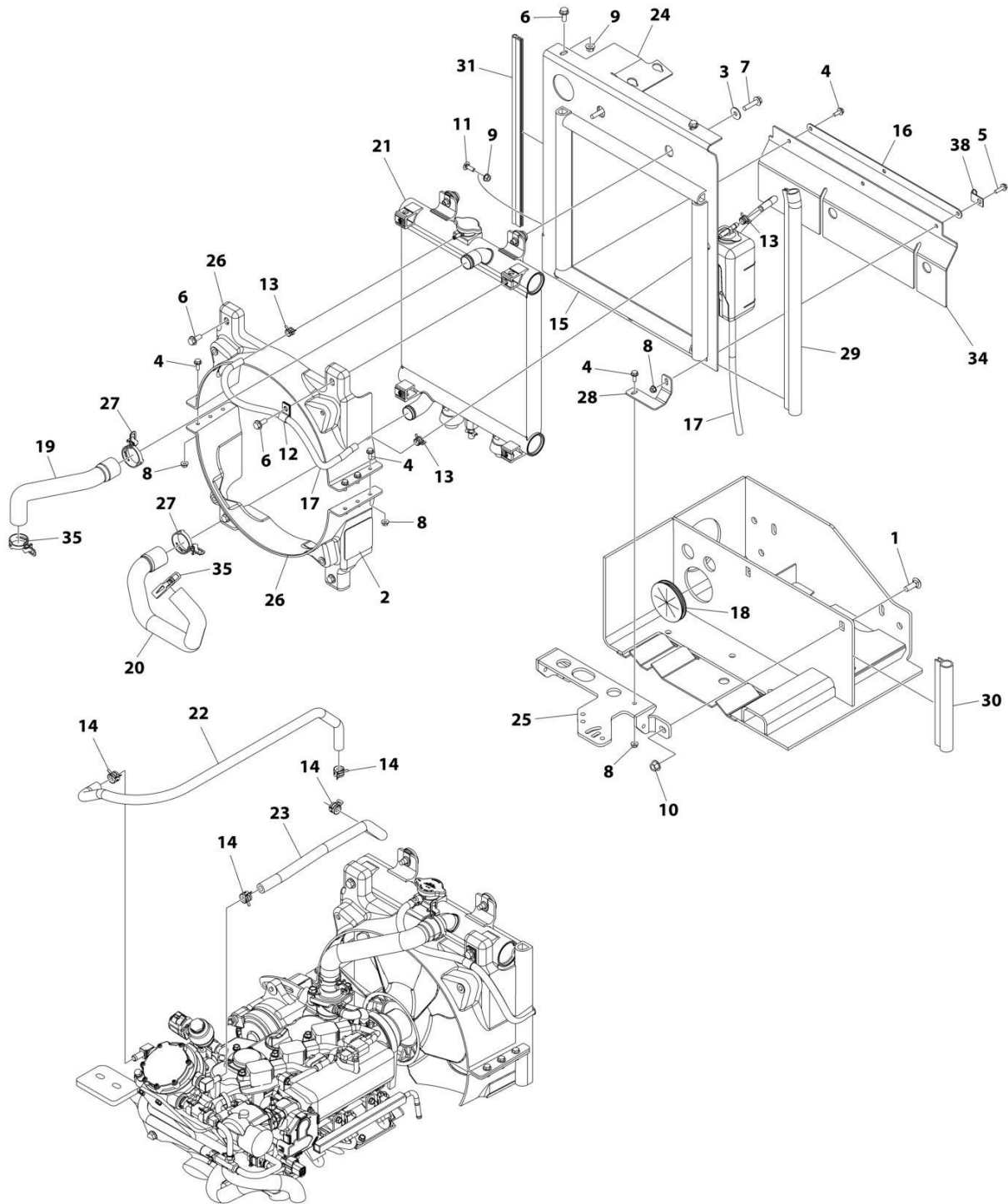
SECTION 3 - ENGINE

FIGURE 3-17. ENGINE ELECTRICAL INSTALLATION - DUAL FUEL

ITEM	PART NUMBER	QTY	DESCRIPTION	REV
	1001256034	Ref	ENGINE ELECTRICAL INSTALLATION - GAS	D
1	0100051	AR	Grease, Terminal	
2	0400003	1	Battery	
3	1062255	AR	Tie-Strap (Not Shown)	
4	5250508	9	Bolt M5 x 16	
5	5260600	1	Nut M6	
6	5260800	1	Nut M8	
7	1001139219	1	Boot	
8	1001179586	1	J-Bolt	
9	1001234069	1	Link, Fusible	
10	1001248289	1	Harness, Engine (See Separate Breakdown in ELECTRICAL Section)	
11	1001248347	1	Battery, Cable Kit	
12	1001254888	1	Bracket, Battery	
14	1001256312	1	Bolt M10 x 16	
15	0760505	1	Bolt M5 x 10	
16	1320244	1	Clamp	
17	4811600	1	Washer M5	
18	1001187781	1	Tie-Strap (Not Shown)	

SECTION 3 - ENGINE

FIGURE 3-18. ENGINE COOLING SYSTEM INSTALLATION - DUAL FUEL



ART_1001256029

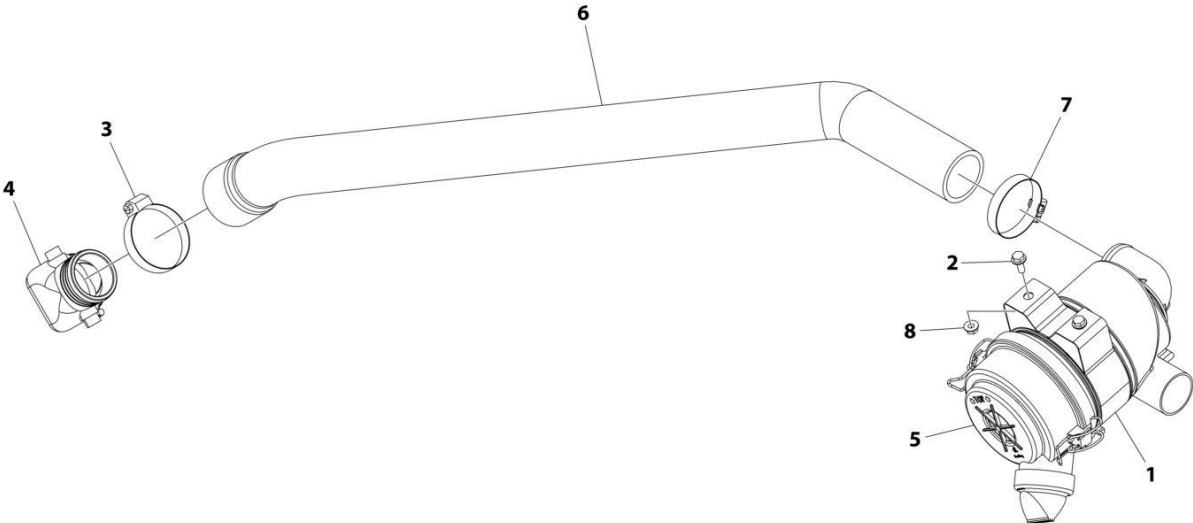
SECTION 3 - ENGINE

FIGURE 3-18. ENGINE COOLING SYSTEM INSTALLATION - DUAL FUEL

ITEM	PART NUMBER	QTY	DESCRIPTION	REV
	1001256029	Ref	COOLING SYSTEM INSTALLATION	C
1	0630613	2	Bolt M10 x 30	
2	1703162	1	Decal - Fan Blade	
3	4811902	2	Washer M8	
4	5250608	9	Bolt M6 x 16	
5	5250611	1	Bolt M6 x 22	
6	5250810	6	Bolt M6 x 20	
7	5250815	2	Bolt M6 x 35	
8	5260600	8	Nut M6	
9	5260800	3	Nut M8	
10	5261000	2	Nut M10	
11	8310623	1	Bolt M6 x 25	
12	8406110	1	Clip	
13	1001213010	3	Clamp	
14	1001152729	4	Clamp	
15	1001262646	5 ft/ 1.5m	Seal	
16	1001252596	1	Support	
17	1001263476	3.8 ft/ 1.1m	Hose	
18	1001218676	1	Grommet	
19	1001246778	1	Tube, Coolant	
20	1001246779	1	Tube, Coolant	
21	1001247267	1	Radiator	
22	1001249122	1	Tube, Coolant	
23	1001249123	1	Tube, Coolant	
24	1001262636	1	Plate, Radiator	
25	1001262630	1	Bracket	
26	1001254635	2	Shroud	
27	1001255606	2	Clamp	
28	1001255809	1	Bracket	
29	1001255843	21 in/ 53cm	Seal	
30	1001255848	8 in/ 20cm	Seal	
31	1001255851	18 in/ 45cm	Seal	
34	1001255857	1	Dam, Air	
35	1001256209	2	Clamp	
38	1320223	1	J-Clip	

SECTION 3 - ENGINE

FIGURE 3-19. AIR INTAKE INSTALLATION - DUAL FUEL



ART_1001256030

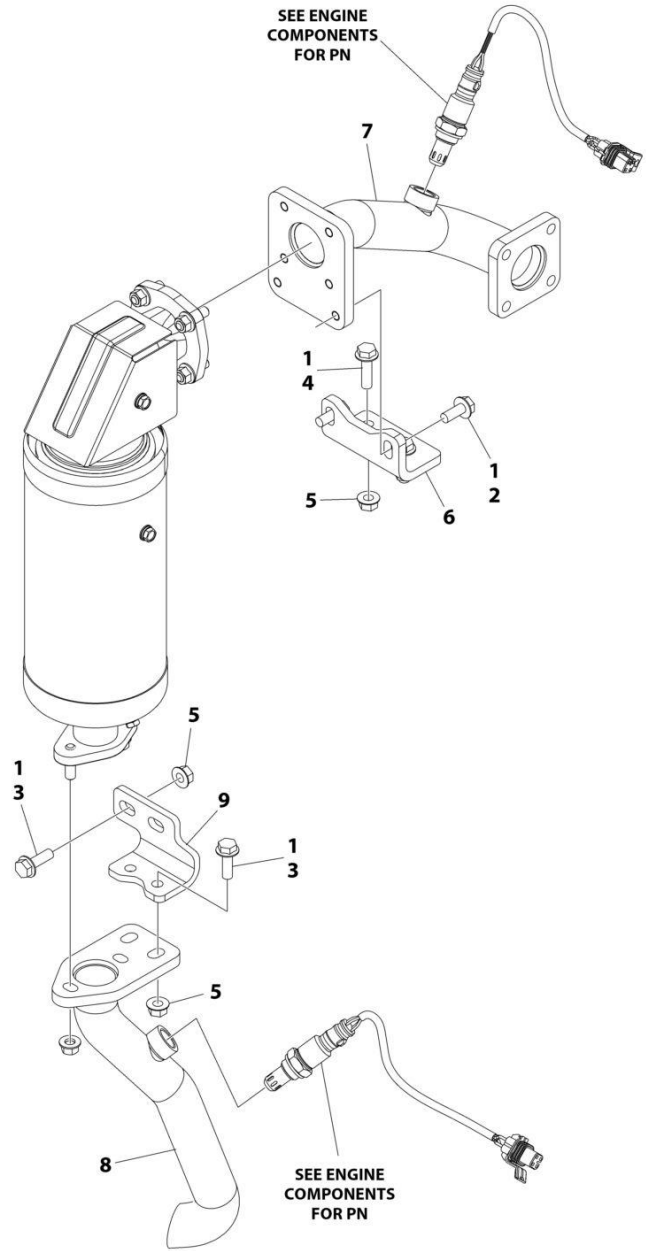
SECTION 3 - ENGINE

FIGURE 3-19. AIR INTAKE INSTALLATION - DUAL FUEL

ITEM	PART NUMBER	QTY	DESCRIPTION	REV
	1001256030	Ref	AIR INTAKE INSTALLATION	B
1	0340045	1	Band, Air Cleaner	
2	5250608	2	Bolt M6 x 16	
3	8405201	1	Clamp	
4	1001146043	1	Coupling	
5	1001247560	1	Air Cleaner Assembly	
5	7015004	1	Element, Air Cleaner	
6	1001248313	1	Tube, Air Intake	
7	1321682	1	Clamp	
8	5260600	2	Nut M6	

SECTION 3 - ENGINE

FIGURE 3-20. EXHAUST INSTALLATION - DUAL FUEL



ART_1001256035

SECTION 3 - ENGINE

FIGURE 3-20. EXHAUST INSTALLATION - DUAL FUEL

ITEM	PART NUMBER	QTY	DESCRIPTION	REV
	1001256035	Ref	EXHAUST SYSTEM INSTALLATION	C
1	0100011	AR	Compond, Locking	
2	5250810	2	Bolt M8 x 20	
3	5250812	4	Bolt M8 x 25	
4	5250814	2	Bolt M8 x 30	
5	5260800	6	Nut M8	
6	1001214556	1	Bracket	
7	1001247804	1	Pipe, Exhaust	
8	1001247810	1	Pipe, Exhaust	
9	1001254691	1	Bracket, Muffler Exhaust	

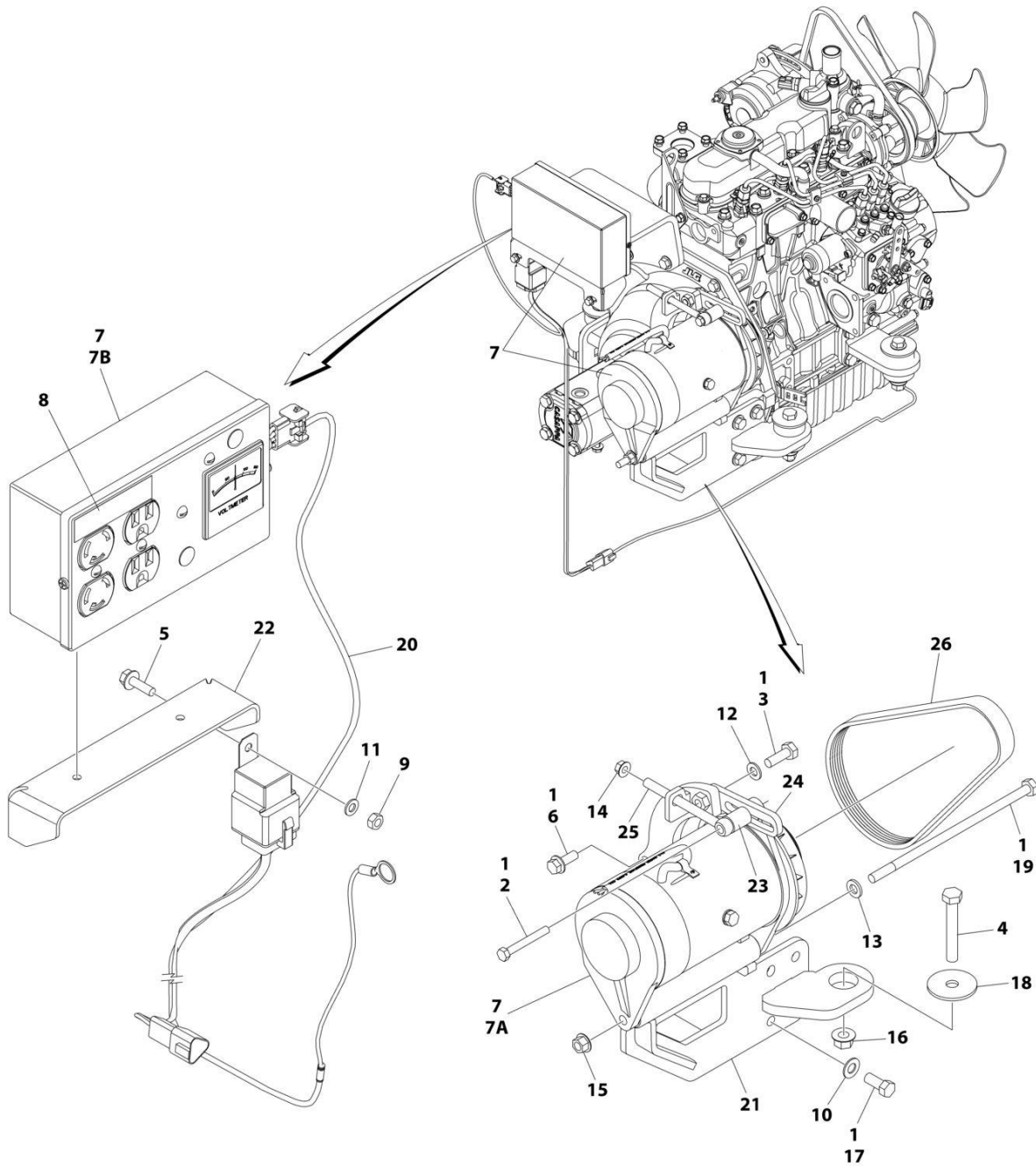
SECTION 3 - ENGINE

FIGURE 3-21. OIL FILTER INSTALLATION - REMOTE - DUAL FUEL

ITEM	PART NUMBER	QTY	DESCRIPTION	REV
	1001256032	Ref	OIL FILTER INSTALLATION - REMOTE	B
	See Note	Ref	Note: For Engine Specific Components, See Engines Components.	
1	0100011	AR	Compund, Locking	
2	1309435	1	Plate, Clamp	
3	5250810	2	Bolt M8 x 20	
4	5250821	1	Bolt M8 x 65	
5	5260800	1	Nut M8	
6	8769139	1	Clamp	
7	1001248413	1	Hose	
8	1001248414	1	Hose	
9	1001250519	2	Fitting, 90 JIC/BSPP	
10	1001250521	1	Fitting, 90 JIC/ORB	
11	1001250525	1	Fitting, Straight JIC/ORB	

SECTION 3 - ENGINE

FIGURE 3-22. GENERATOR INSTALLATION - 2500W/60HZ (DIESEL MACHINES)



ART_1001246134

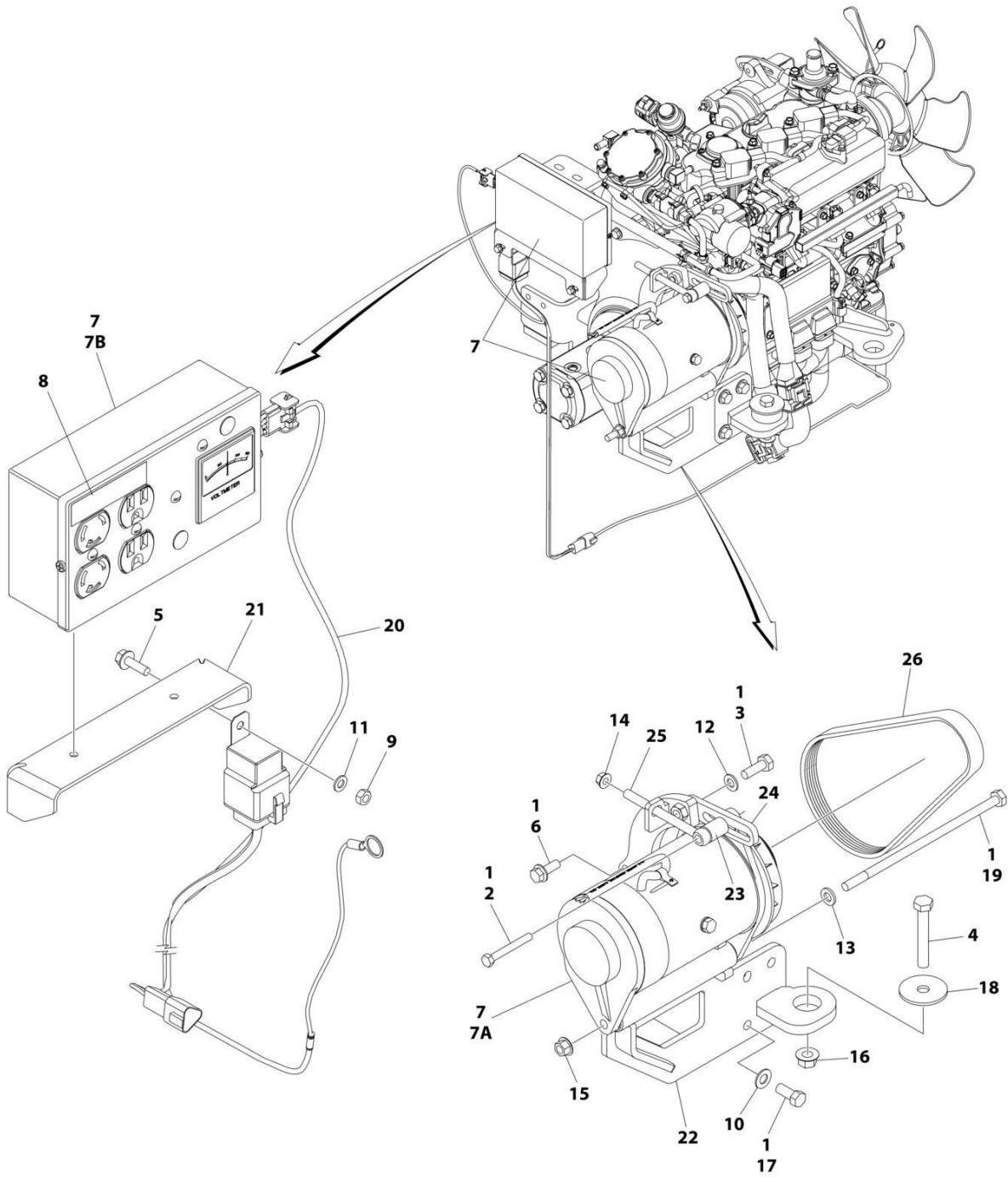
SECTION 3 - ENGINE

FIGURE 3-22. GENERATOR INSTALLATION - 2500W/60HZ (DIESEL MACHINES)

ITEM	PART NUMBER	QTY	DESCRIPTION	REV
	1001246134	Ref	GENERATOR INSTALLATION - 2500W / 60HZ	A
1	0100011	AR	Compound, Locking	
2	0681520	1	Bolt 5/16 x 2-1/2	
3	0701014	1	Bolt M10 x 30	
4	0711224	1	Bolt M10 x 80	
5	0780610	2	Bolt M6 x 20	
6	0811608	3	Screw 3/8 x 1	
7	2460051	1	Generator Assembly	
7A	7012558	1	Generator, Replacement	
7A	3580324	1	Pulley	
7A	7027887	1	Key	
7A	7020193	12 ft/ 3.7m	Cord	
7A	7026199	1	Armature	
7A	7020108	4	Brush	
7A	7020109	4	Holder, Brush	
7A	7012513	4	Cap, Brush Holder	
7A	7012514	1	Fan	
7A	7020110	1	Bell, End - Front	
7A	7020111	1	Bell, End - Rear	
7A	7020190	2	Bearing	
7B	7019680	1	Control Box Assembly	
7B	4360542	1	Breaker, Circuit	
7B	2420203	1	Voltmeter	
7B	4460190	1	Receptacle, Standard	
7B	4460027	1	Receptacle, Twist-lock	
7B	3520028	1	Plug	
7B	4460961	1	Connector, Harness	
7B	4460805	AR	Pin, Male	
8	3251243	1	Nameplate - 120V - 60HZ	
9	3290601	2	Nut M6	
10	4711700	3	Washer 7/16	
11	4811702	2	Washer M6	
12	4812000	1	Washer M10	
13	5241000	1	Washer M10	
14	5260800	1	Nut M8	
15	5261000	1	Nut M10	
16	5261200	1	Nut M12	
17	10700379	1	Bolt 7/16 x 1	
18	1001168018	1	Washer	
19	1001195137	1	Bolt M10 x 240	
20	1001249464	1	Harnesss, Generator (See Separate Breakdown in ELECTRICAL Section)	
21	1001253837	1	Bracket, Mounting	
22	1001253839	1	Bracket, Mounting	
23	1001256626	1	Spacer	
24	1001256681	1	Bracket, Adjustment	
25	1001256705	1	Eye Bolt M10	
26	1001256708	1	V-Belt	

SECTION 3 - ENGINE

FIGURE 3-23. GENERATOR INSTALLATION - 2500W/60HZ (DUAL FUEL MACHINES)



ART_1001256713

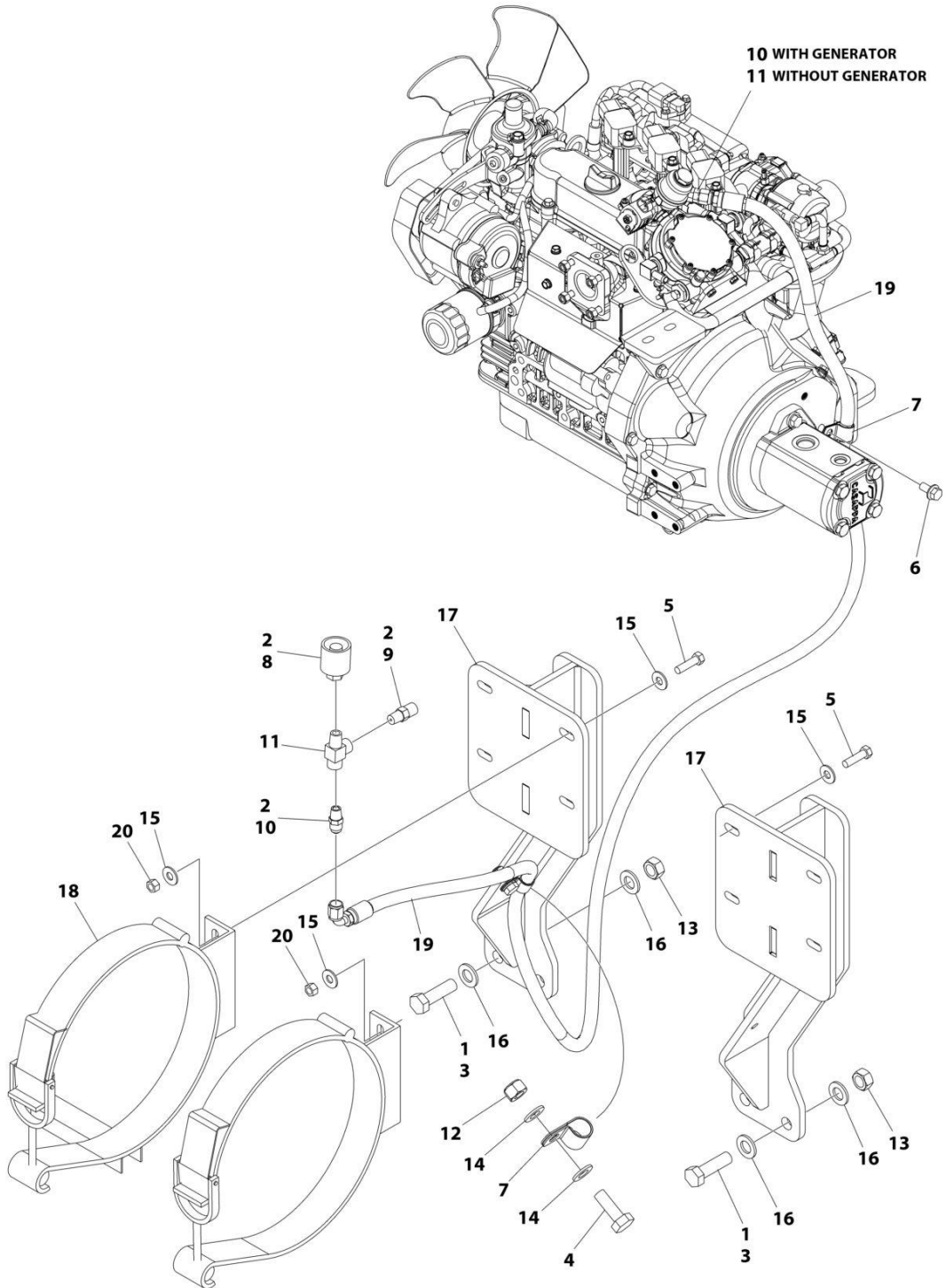
SECTION 3 - ENGINE

FIGURE 3-23. GENERATOR INSTALLATION - 2500W/60HZ (DUAL FUEL MACHINES)

ITEM	PART NUMBER	QTY	DESCRIPTION	REV
	1001256713	Ref	GENERATOR INSTALLATION - 2500W / 60HZ	A
1	0100011	AR	Compound, Locking	
2	0681520	1	Bolt 5/16 x 2-1/2	
3	0701014	1	Bolt M10 x 30	
4	0711224	1	Bolt M10 x 80	
5	0780610	2	Bolt M6 x 20	
6	0811608	3	Screw 3/8 x 1	
7	2460051	1	Generator Assembly	
7A	7012558	1	Generator, Replacement	
7A	3580324	1	Pulley	
7A	7027887	1	Key	
7A	7020193	12 ft/ 3.7m	Cord	
7A	7026199	1	Armature	
7A	7020108	4	Brush	
7A	7020109	4	Holder, Brush	
7A	7012513	4	Cap, Brush Holder	
7A	7012514	1	Fan	
7A	7020110	1	Bell, End - Front	
7A	7020111	1	Bell, End - Rear	
7A	7020190	2	Bearing	
7B	7019680	1	Control Box Assembly	
7B	4360542	1	Breaker, Circuit	
7B	2420203	1	Voltmeter	
7B	4460190	1	Receptacle, Standard	
7B	4460027	1	Receptacle, Twist-lock	
7B	3520028	1	Plug	
7B	4460961	1	Connector, Harness	
7B	4460805	AR	Pin, Male	
8	3251243	1	Nameplate - 120V - 60HZ	
9	3290601	2	Nut M6	
10	4711700	3	Washer 7/16	
11	4811702	2	Washer M6	
12	4812000	1	Washer M10	
13	5241000	1	Washer M10	
14	5260800	1	Nut M8	
15	5261000	1	Nut M10	
16	5261200	1	Nut M12	
17	10700379	3	Bolt 7/16 x 1	
18	1001168018	1	Washer	
19	1001195137	1	Bolt M10 x 240	
20	1001249464	1	Harnesss, Generator (See Separate Breakdown in ELECTRICAL Section)	
21	1001253839	1	Bracket, Mounting	
22	1001256597	1	Bracket, Mounting	
23	1001256626	1	Spacer	
24	1001256681	1	Bracket, Adjustment	
25	1001256705	1	Eye Bolt M10	
26	1001256708	1	V-Belt	

SECTION 3 - ENGINE

FIGURE 3-24. LP TANK BRACKETS INSTALLATION (SINGLE TANK)



ART_1001254550

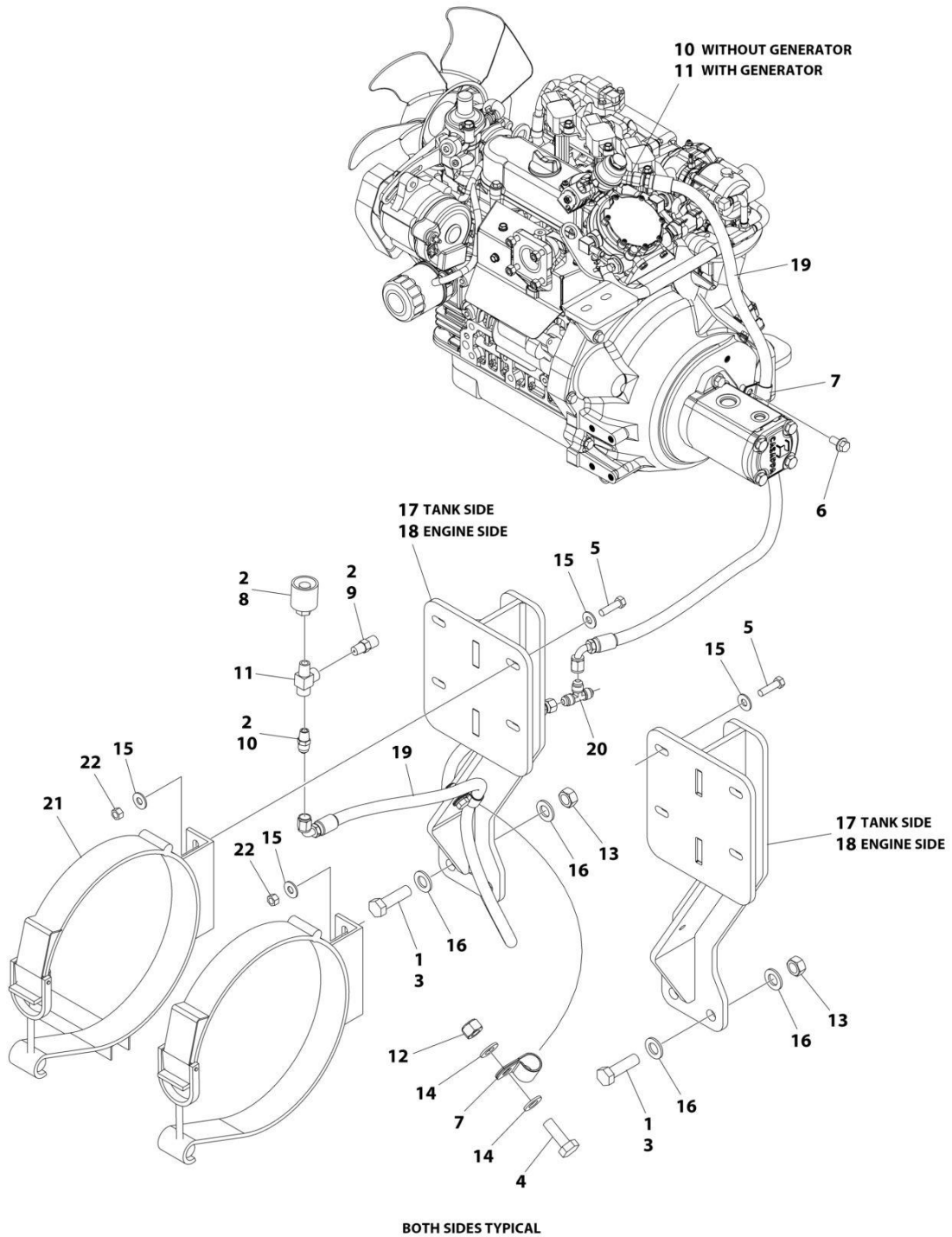
SECTION 3 - ENGINE

FIGURE 3-24. LP TANK BRACKETS INSTALLATION (SINGLE TANK)

ITEM	PART NUMBER	QTY	DESCRIPTION	REV
	1001254550	Ref	LP TANK BRACKETS INSTALLATION (SINGLE)	D
1	0100011	AR	Compound, Locking	
2	0100020	AR	Sealant	
3	0771619	4	Bolt M16 x 55	
4	0771014	1	Bolt M10 x 30	
5	0641611	4	Bolt 3/8 x 1-3/8	
6	0811606	1	Screw 3/8 x 3/4	
7	1320061	2	Clamp	
8	2180387	1	Fitting, Tank Connector	
9	2180389	1	Fitting, Relief Valve - LP	
10	2180418	2	Fitting	
11	2220290	1	Fitting, Tee	
12	3291005	1	Nut M10	
13	3331611	4	Nut M16	
14	4812000	2	Washer M10	
15	4751600	8	Washer 3/8	
16	5241600	8	Washer M16	
17	1001259024	2	Mount	
18	1320220	1	Clamp Kit - LP	
19	1001258006	1	Hose	
20	3311605	4	Nut 3/8	
100	4400281	1	Tank, LP (Not Shown)	

SECTION 3 - ENGINE

FIGURE 3-25. LP TANK BRACKETS INSTALLATION (DUAL TANKS)



ART_1001254551

SECTION 3 - ENGINE

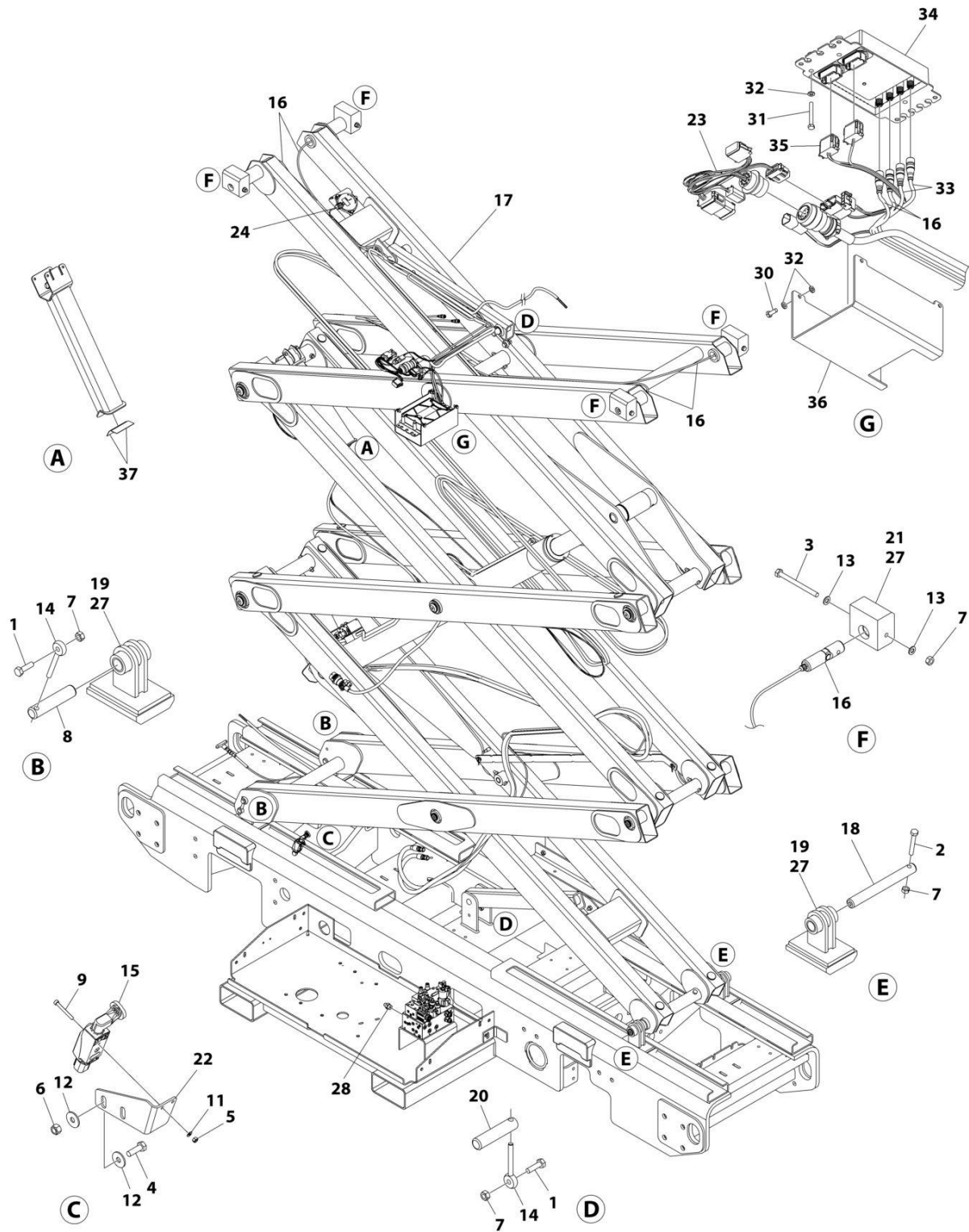
FIGURE 3-25. LP TANK BRACKETS INSTALLATION (DUAL TANKS)

ITEM	PART NUMBER	QTY	DESCRIPTION	REV
	1001254551	Ref	LP TANK BRACKETS INSTALLATION (DUAL)	E
1	0100011	AR	Compound, Locking	
2	0100020	AR	Sealant	
3	0771619	8	Bolt M16 x 55	
4	0771014	2	Bolt M10 x 30	
5	0641611	8	Bolt 3/8 x 1-3/8	
6	0811606	1	Screw 3/8 x 3/4	
7	1320061	3	Clamp	
8	2180387	2	Fitting, Tank Connector	
9	2180389	2	Fitting, Relief Valve - LP	
10	2180418	3	Fitting	
11	2220290	2	Fitting, Tee	
12	3291005	2	Nut M10	
13	3331611	8	Nut M16	
14	4812000	4	Washer M10	
15	4751600	16	Washer 3/8	
16	5241600	16	Washer M16	
17	1001259024	2	Mount	
18	1001259047	2	Mount	
19	1001258004	3	Hose	
20	1001258113	1	Fitting, Tee	
21	1320220	2	Clamp Kit - LP	
22	3311605	8	Nut 3/8	
100	4400281	2	Tank, LP (Not Shown)	

SECTION 4 - SCISSORS ARMS

SECTION 4 - SCISSORS ARMS

FIGURE 4-1. ARMS INSTALLATION (RT2669)



ART_1001248820

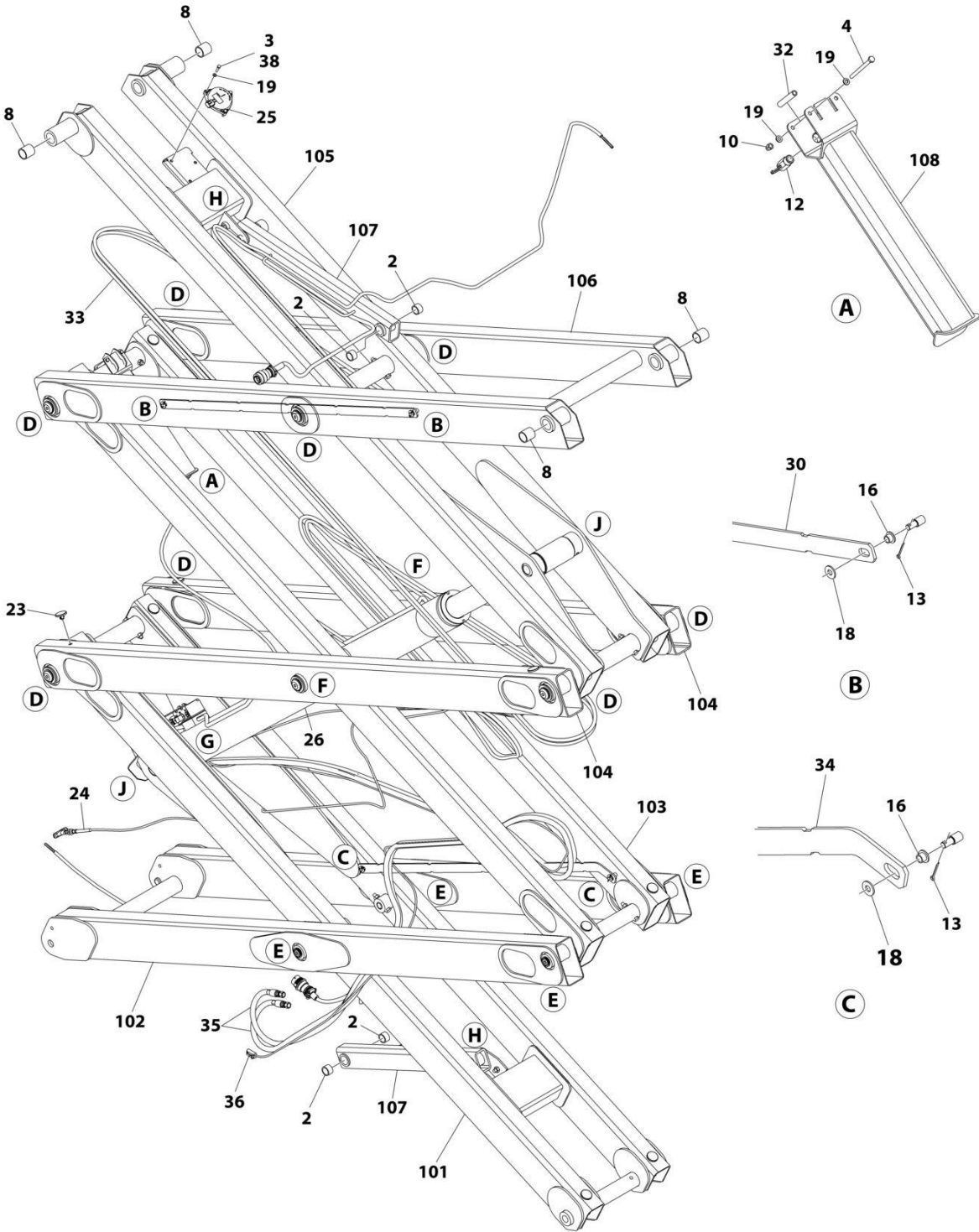
SECTION 4 - SCISSORS ARMS

FIGURE 4-1. ARMS INSTALLATION (RT2669)

ITEM	PART NUMBER	QTY	DESCRIPTION	REV
	1001248820	Ref	ARMS INSTALLATION	C
1	0701015	4	Bolt 10 x 35	
2	0701022	2	Bolt 10 x 70	
3	0701029	4	Bolt 10 x 120	
4	0760812	2	Bolt M8 x 25	
5	3290405	2	Nut M4	
6	3290805	2	Nut M8	
7	3291007	10	Nut M10	
8	3422943	2	Pin	
9	4031511	2	Capscrew M4 x 35	
11	4811400	2	Washer M4	
12	4811902	4	Washer M8	
13	4812000	8	Washer M10	
14	1001270098	4	Pin, Keeper	
15	1001145548	1	Switch, Limit	
16	3422938	4	Pin	
17	1001247367	1	Arm Assembly (See Separate Breakdown in this Section)	
18	1001247521	2	Pin	
19	1001247667	4	Support, Slider	
20	1001247669	2	Pin	
21	1001247671	4	Block, Slide	
22	1001257587	1	Bracket	
23	1001264939	1	Harness, Platform (See Separate Breakdown in ELECTRICAL Section)	
24	1001249091	1	Harness, Tilt Sensor (See Separate Breakdown in ELECTRICAL Section)	
27	3020022	AR	Lubricant	
28	2220372	1	Fitting, Straight JIC/ORB	
29	4240018	AR	Tie - Strap (Not Shown)	
30	0760608	4	Bolt M6 x 16	
31	0700618	3	Bolt M6 x 50	
32	4811700	11	Washer M6	
33	1061020	2	Cable, Extension (1.5 Meter)	
34	1600387	1	Module, Load Sense (Note: Recalibration Required When Replaced)	
35	1001226830	1	Harness Load Sense (See Separate Breakdown in ELECTRICAL Section)	
36	1001263662	1	Cover	
37	1001189762	2	Tape	

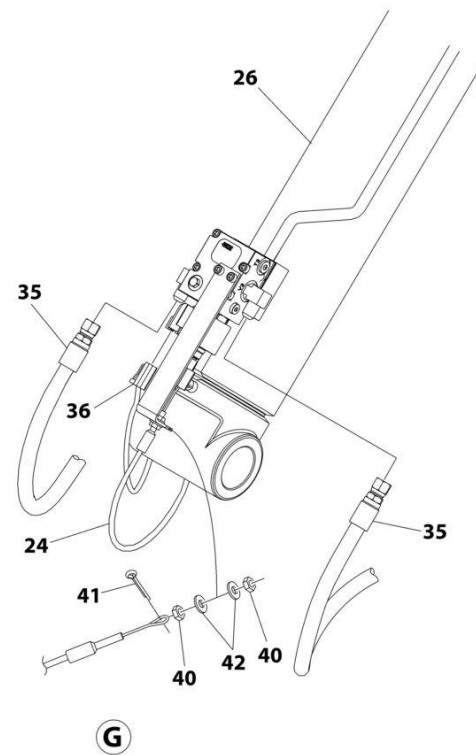
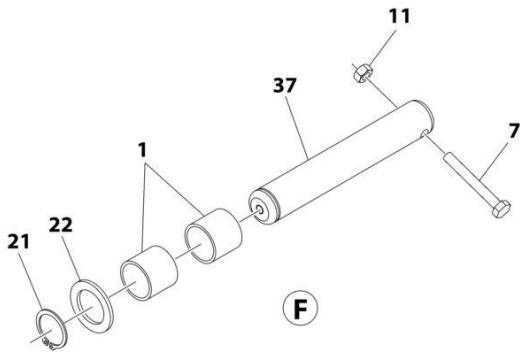
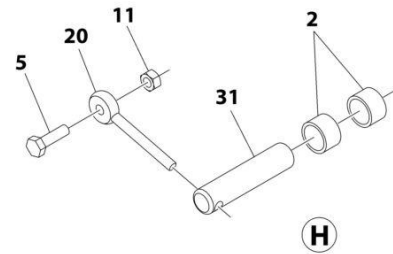
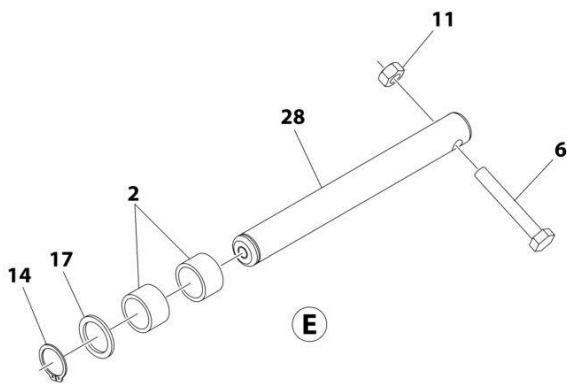
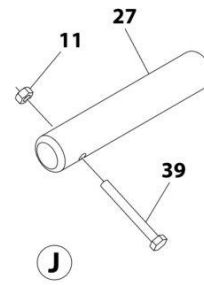
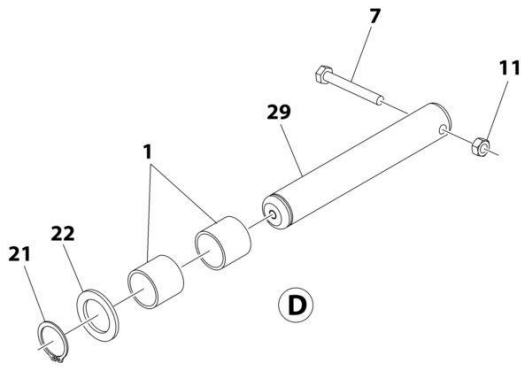
SECTION 4 - SCISSORS ARMS

FIGURE 4-2. ARMS ASSEMBLY (RT2669)



ART_1001247367_1OF2

SECTION 4 - SCISSORS ARMS



ART_1001247367_20F2

SECTION 4 - SCISSORS ARMS

FIGURE 4-2. ARMS ASSEMBLY (RT2669)

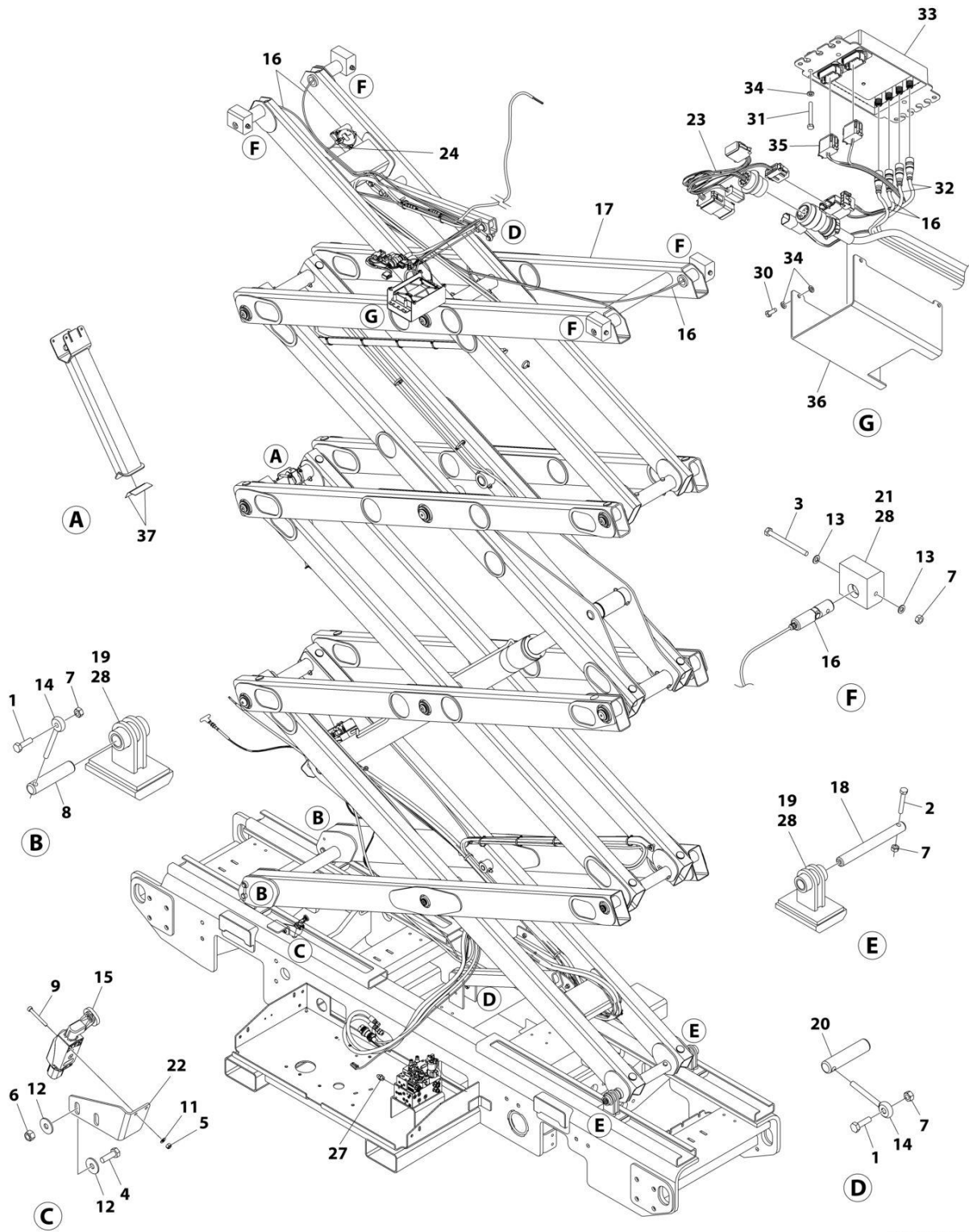
ITEM	PART NUMBER	QTY	DESCRIPTION	REV
	1001247367	Ref	ARMS ASSEMBLY	D
1	0440241	20	Bearing	
2	0440264	16	Bearing	
3	0700612	3	Bolt M6 x 25	
4	0700624	2	Bolt M6 x 80	
5	0701015	2	Bolt M10 x 35	
6	0701022	4	Bolt M10 x 70	
7	0701024	10	Bolt M10 x 80	
8	0962220	4	Bushing	
10	3290606	2	Nut M6	
11	3291007	18	Nut M10	
12	3423151	1	Pin	
13	3450304	4	Pin, Cotter 3/32 x 1	
14	3760509	4	Ring, Retaining	
15	4240018	AR	Tie - Strap (Not Shown)	
16	4740480	4	Washer (Plastic Insert)	
17	4740531	4	Washer	
18	4751500	4	Washer 5/16	
19	4811700	7	Washer M6	
20	1001270098	2	Pin, Keeper	
21	1001099560	10	Ring, Retaining	
22	1001217457	10	Washer	
23	1001228533	16	Bumper	
24	1001265848	1	Cable, Manual Descent	
25	1001244934	1	Sensor, Tilt	
26	1001245923	1	Cylinder Lift Down Valve Assembly (See Separate Breakdown in this Section)	
27	1001247522	2	Pin	
28	1001247523	4	Pin	
29	1001247524	8	Pin	
30	1001247668	1	Bar, Cable	
31	1001247669	2	Pin	
32	1001247670	2	Sleeve	
33	1001248279	1	Harness, Ground To Platform (See Separate Breakdown in ELECTRICAL Section)	
34	1001248865	1	Bar, Cable	
35	1001248890	2	Hose	
36	1001248895	1	Harness Lift Down (See Separate Breakdown in ELECTRICAL Section)	
37	1001249637	2	Pin	
38	0100011	AR	Compound, Locking	
39	0701026	2	Bolt M10 x 90	
40	3321402	2	Nut 1/4	
41	3450405	1	Pin, Cotter 1/8 x 1-1/4	
42	4711400	2	Washer 1/4	
100	1001247375	Ref	Arm Kit (Not Shown)	
101	1001247482	1	Arm, Inboard (Lower)	
102	1001247490	1	Arm, Outboard (Lower)	
103	1001247497	1	Arm, Inboard (Mid)	
104	1001247500	2	Arm, Outboard (Mid)	

SECTION 4 - SCISSORS ARMS

ITEM	PART NUMBER	QTY	DESCRIPTION	REV
105	1001247506	1	Arm, Inboard (Upper)	
105	1001247503	2	Bushing (Not Shown)	
106	1001258812	1	Arm, Outboard (Upper)	
107	1001247520	2	Link, Center	
108	1001247672	1	Prop, Arm	

SECTION 4 - SCISSORS ARMS

FIGURE 4-3. ARMS INSTALLATION (RT3369)



ART_1001248821

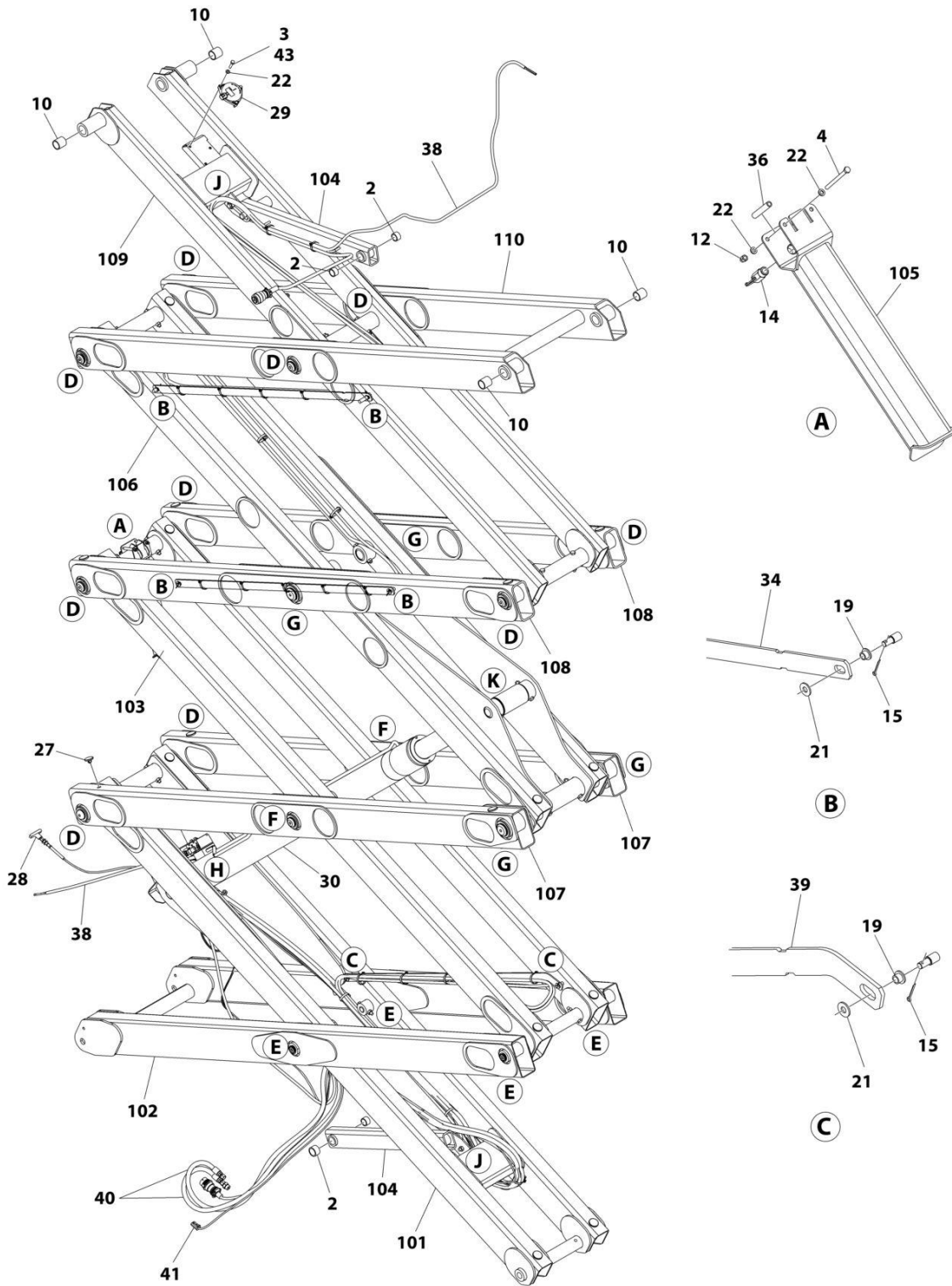
SECTION 4 - SCISSORS ARMS

FIGURE 4-3. ARMS INSTALLATION (RT3369)

ITEM	PART NUMBER	QTY	DESCRIPTION	REV
	1001248821	Ref	ARMS INSTALLATION	E
1	0701015	4	Bolt 10 x 35	
2	0701022	2	Bolt 10 x 70	
3	0701029	4	Bolt 10 x 120	
4	0760812	2	Bolt M8 x 25	
5	3290405	2	Nut M4	
6	3290805	2	Nut M8	
7	3291007	10	Nut M10	
8	3422943	2	Assembly, Load Sense Pin/Cable	
9	4031511	2	Capscrew M4 x 35	
11	4811400	2	Washer M4	
12	4811902	4	Washer M8	
13	4812000	8	Washer M10	
14	1001270098	4	Pin, Keeper	
15	1001145548	1	Switch, LSS Limit	
15	1001284972	1	Switch, LSS Limit	
16	3422938	4	Assembly, Load Sense Pin/Cable	
17	1001247368	1	Arm Assembly (See Separate Breakdown in this Section)	
18	1001247521	2	Pin	
19	1001247667	4	Support, Slider	
20	1001247669	2	Pin	
21	1001247671	4	Block, Slide	
22	1001257587	1	Bracket	
23	1001264939	1	Harness, Platform (See Separate Breakdown in ELECTRICAL Section)	
24	1001249091	1	Harness, Tilt Sensor (See Separate Breakdown in ELECTRICAL Section)	
27	2220372	1	Fitting, Straight JIC/ORB	
28	3020022	AR	Lubricant	
28	3020029	AR	Lubricant	
29	4240018	AR	Tie - Strap (Not Shown)	
30	0760608	4	Bolt M6 x 16	
31	0700618	3	Bolt M6 x 50	
32	1061020	2	Cable, Load Sense Extension	
33	1600387	1	Module, Load Sense (Note: Recalibration Required When Replaced)	
34	4811700	11	Washer M6	
35	1001226830	1	Harness Load Sense (See Separate Breakdown in ELECTRICAL Section)	
36	1001263662	1	Cover	
37	1001189762	2	Tape	

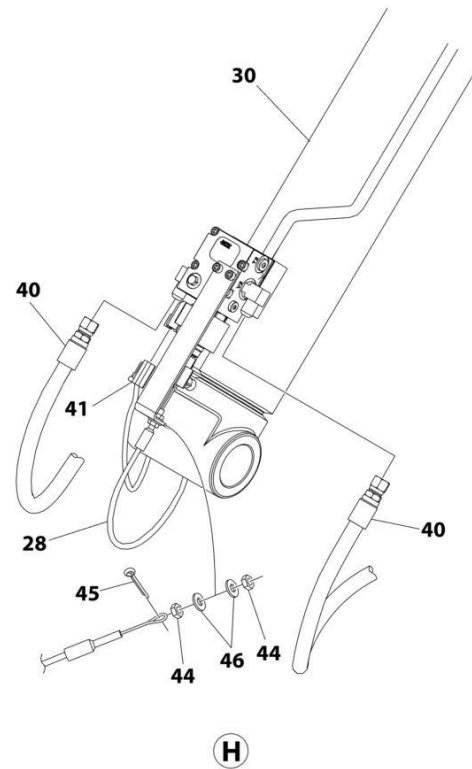
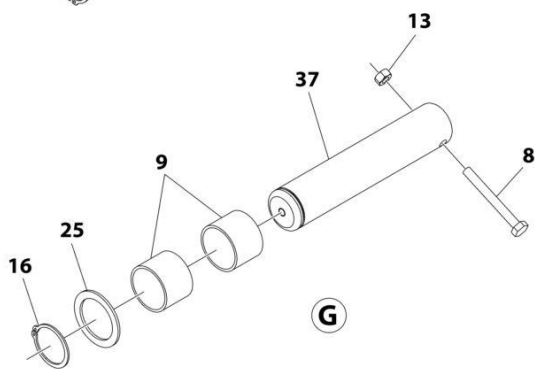
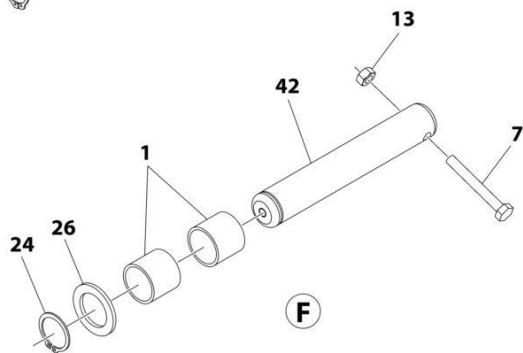
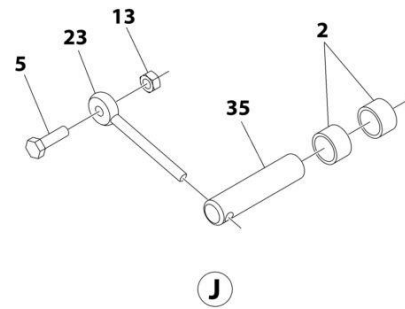
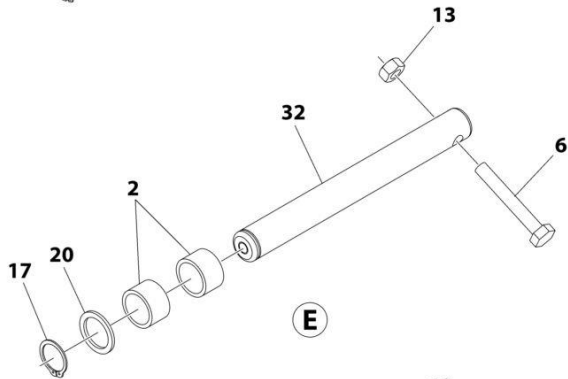
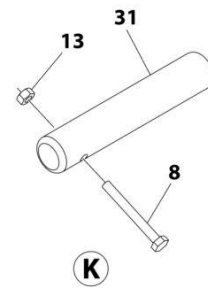
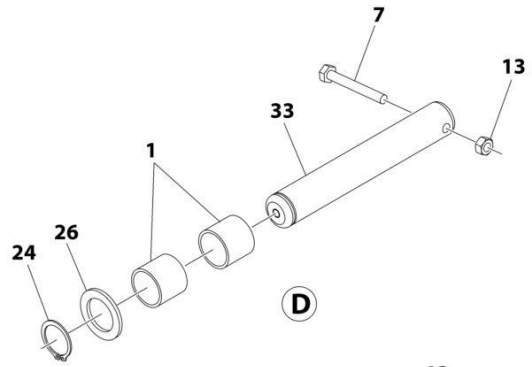
SECTION 4 - SCISSORS ARMS

FIGURE 4-4. ARMS ASSEMBLY (RT3369)



ART_1001247368_1OF2

SECTION 4 - SCISSORS ARMS



ART_1001247368_2OF2

SECTION 4 - SCISSORS ARMS

FIGURE 4-4. ARMS ASSEMBLY (RT3369)

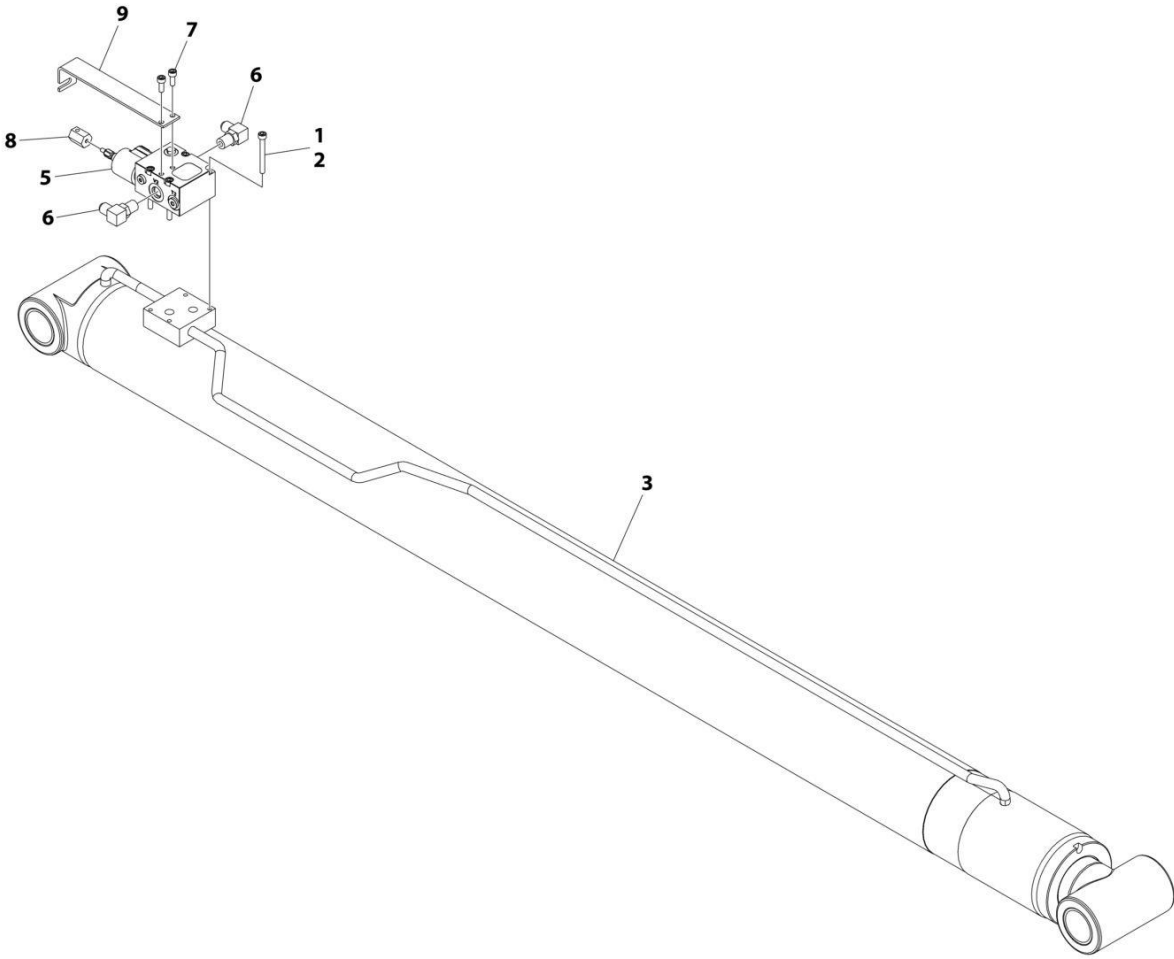
ITEM	PART NUMBER	QTY	DESCRIPTION	REV
	1001247368	Ref	ARMS ASSEMBLY	E
1	0440241	24	Bearing	
2	0440264	16	Bearing	
3	0700612	3	Bolt M6 x 25	
4	0700624	2	Bolt M6 x 80	
5	0701015	2	Bolt M10 x 35	
6	0701022	4	Bolt M10 x 70	
7	0701024	12	Bolt M10 x 80	
8	0701026	6	Bolt M10 x 90	
9	0961950	8	Bushing	
10	0962220	4	Bushing	
12	3290606	2	Nut M6	
13	3291007	24	Nut M10	
14	3423151	1	Pin	
15	3450304	6	Pin, Cotter 3/32 x 1	
16	3760493	4	Ring, Retaining	
17	3760509	4	Ring, Retaining	
18	4240018	AR	Tie - Strap (Not Shown)	
19	4740480	6	Washer (Plastic Insert)	
20	4740531	4	Washer	
21	4751500	6	Washer 5/16	
22	4811700	7	Washer M6	
23	1001270098	2	Pin, Keeper	
24	1001099560	12	Ring, Retaining	
25	1001197405	4	Washer	
26	1001217457	12	Washer	
27	1001228533	24	Bumper	
28	1001265848	1	Cable, Manual Descent	
29	1001244934	1	Sensor, Tilt	
30	1001245923	1	Cylinder Lift Down Valve Assembly (See Separate Breakdown in this Section)	
31	1001247522	2	Pin	
32	1001247523	4	Pin	
33	1001247524	10	Pin	
34	1001247668	2	Bar, Cable	
35	1001247669	2	Pin	
36	1001247670	2	Sleeve	
37	1001247835	4	Pin	
38	1001248280	1	Harness, Ground To Platform (See Separate Breakdown in ELECTRICAL Section)	
39	1001248865	1	Bar, Cable	
40	1001248890	2	Hose	
41	1001248895	1	Harness Lift Down (See Separate Breakdown in ELECTRICAL Section)	
42	1001249637	2	Pin	
43	0100011	AR	Compound, Locking	
44	3321402	2	Nut 1/4	
45	3450405	1	Pin, Cotter 1/8 x 1-1/4	
46	4711400	2	Washer 1/4	
100	1001247376	1	Arm Kit (Not Shown)	

SECTION 4 - SCISSORS ARMS

ITEM	PART NUMBER	QTY	DESCRIPTION	REV
101	1001247482	1	Arm, Inboard (Lower)	
102	1001247490	1	Arm, Outboard (Lower)	
103	1001247497	1	Arm, Inboard (Lower Mid)	
104	1001247520	2	Link, Center	
105	1001247672	1	Prop, Arm	
106	1001247816	1	Arm, Inboard (Upper Mid)	
107	1001247817	2	Arm, Outboard (Lower Mid)	
108	1001247819	2	Arm, Outboard (Upper Mid)	
109	1001247820	1	Arm, Inboard (Upper)	
110	1001258813	1	Arm, Outboard (Upper)	

SECTION 4 - SCISSORS ARMS

FIGURE 4-5. CYLINDER & LIFT DOWN VALVE ASSEMBLY



ART_1001245923

SECTION 4 - SCISSORS ARMS

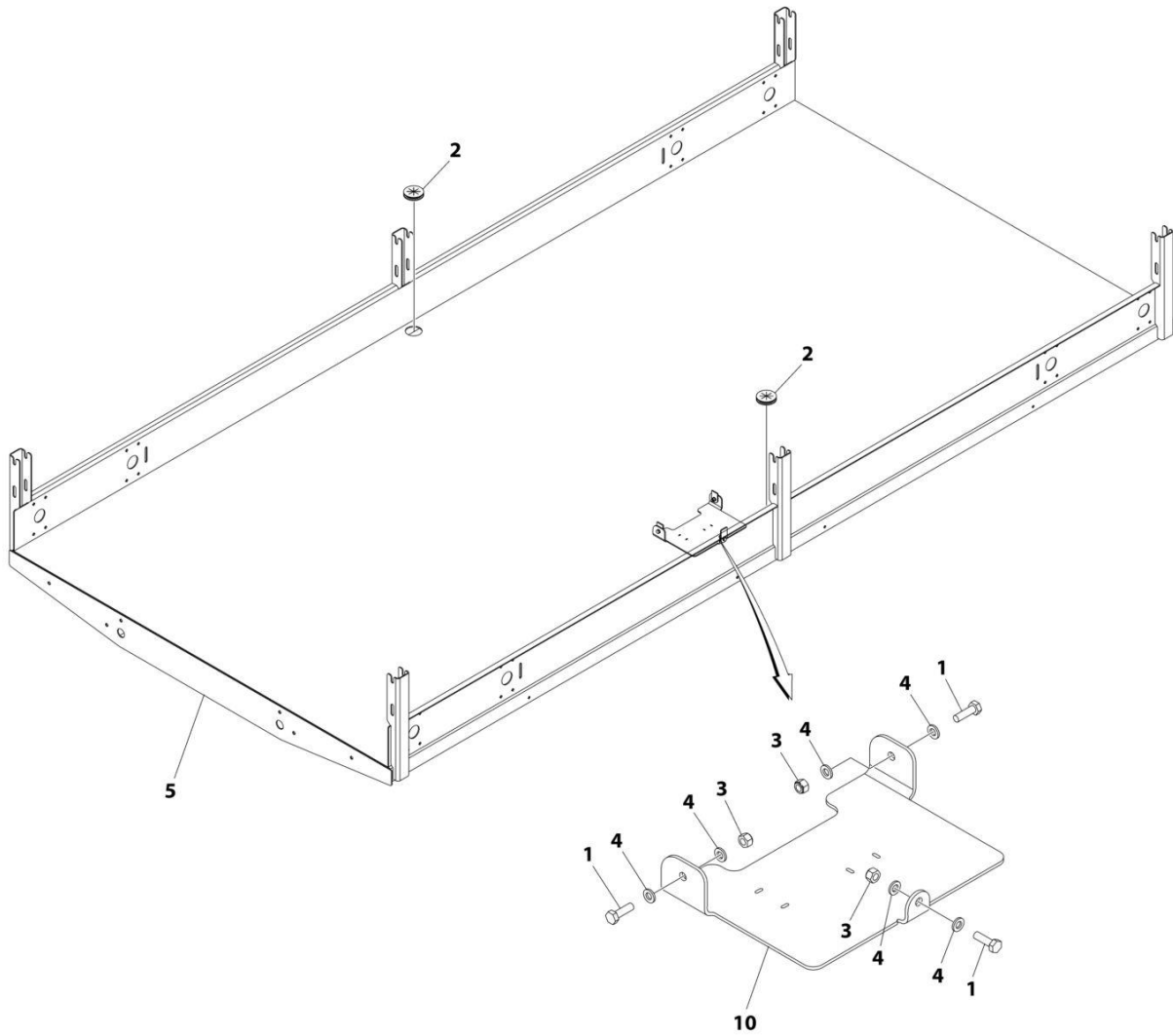
FIGURE 4-5. CYLINDER & LIFT DOWN VALVE ASSEMBLY

ITEM	PART NUMBER	QTY	DESCRIPTION	REV
	1001245923	Ref	CYLINDER AND LIFT DOWN VALVE ASSEMBLY	E
1	0100011	AR	Compound, Locking	
2	1001118878	4	Capscrew M6 x 55	
3	1001244210	1	Lift Cylinder Assembly (See Separate Breakdown in CYLINDER Section)	
5	1001244904	1	Valve, Lift Down (No Service Parts Available)	
5	70007448	2	O-Ring (Between Valve and Cylinder)	
5	70002386	1	Coil	
6	2220473	2	Fitting, 90 JIC/ORB	
7	4031707	2	Capscrew M6 x 16	
8	1001265744	1	Adapter	
9	1001265761	1	Bracket	

SECTION 5 - PLATFORM

SECTION 5 - PLATFORM

FIGURE 5-1. PLATFORM INSTALLATION



ART_1001244381

SECTION 5 - PLATFORM

FIGURE 5-1. PLATFORM INSTALLATION

ITEM	PART NUMBER	QTY	DESCRIPTION	REV
	1001244381	Ref	PLATFORM MOUNT INSTALLATION	B
1	0760610	3	Bolt M6 x 20	
2	2540045	2	Grommet	
3	3290605	3	Nut M6	
4	4811700	6	Washer M6	
5	1001245250	1	Platform	
10	1001251328	1	Cover	

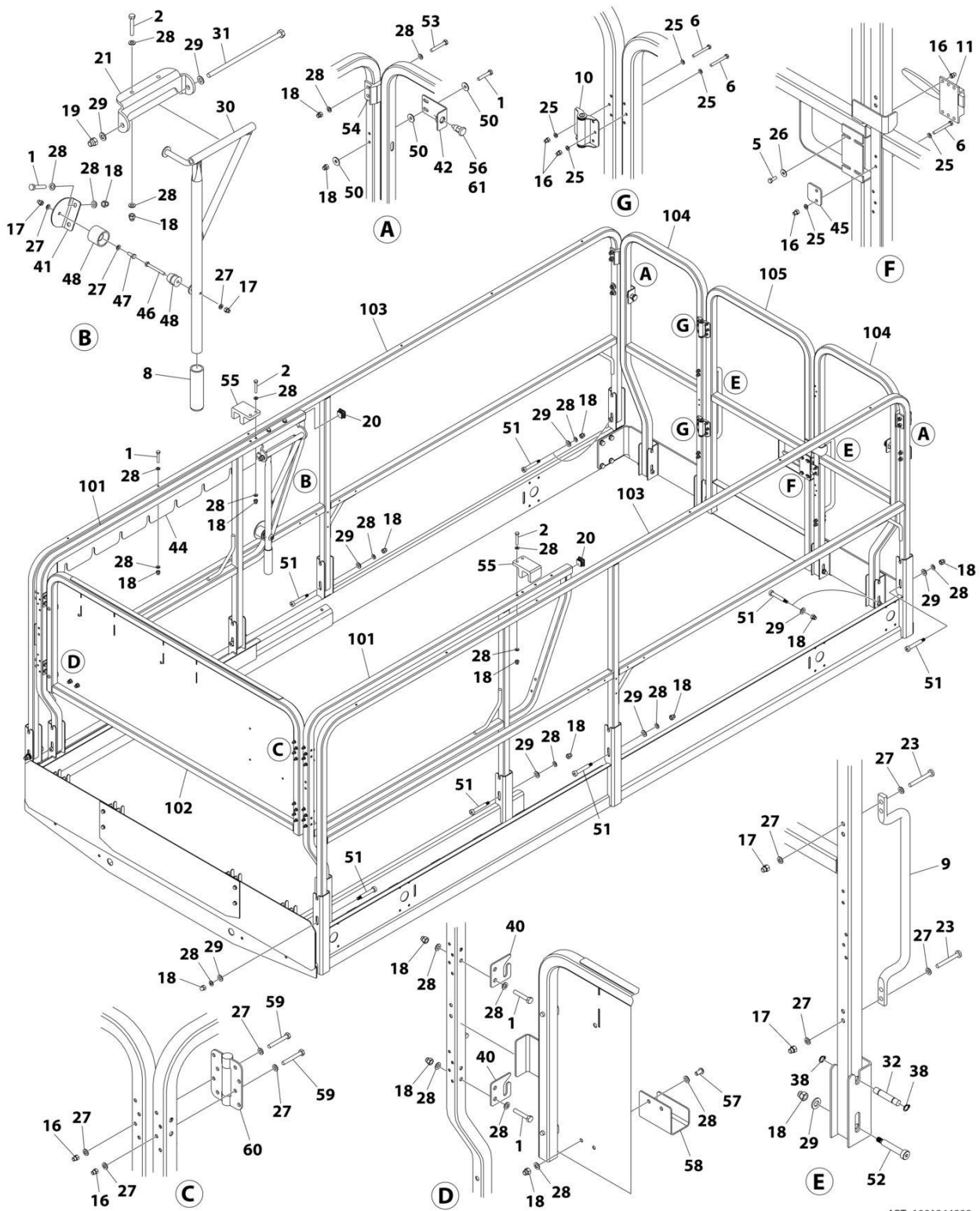
SECTION 5 - PLATFORM

FIGURE 5-2. PLATFORM EXTENSION INSTALLATION (SINGLE)

ITEM	PART NUMBER	QTY	DESCRIPTION	REV
	1001244382	Ref	PLATFORM WITH SINGLE EXTENSION INSTALLATION	F
2	0760808	4	Bolt M8 x 16	
3	0761008	2	Bolt M10 x 16	
4	3290806	4	Nut M8 x 1-1/4	
5	3291007	6	Nut M10 x 1-1/2	
6	4811900	16	Washer M8	
7	4812000	46	Washer M10	
8	1001261123	12	Screw M10 x 35	
9	3900394	4	Capscrew M10 x 1-1/2	
10	1001245479	1	Extension, Platform	
11	1001248933	4	Roller	
12	1001248990	2	Plate	
13	1001248991	1	Plate	
14	1001262640	4	Bracket	
15	1001250355	1	Plate	
16	1001250356	1	Plate	
17	1001250627	1	Plate	
18	1001250640	1	Plate	
19	0701012	14	Capscrew M10 x 25	
20	3291006	24	Nut M10	
21	3292002	4	Nut M20	
22	1001262639	4	Pin	
23	0760610	4	Bolt M6 x 20	
24	0760812	4	Bolt M6 x 25	
25	3290605	4	Nut M6	
26	3290805	4	Nut M8	
27	4811700	8	Washer M6	
28	1001265684	2	Brace, Extension leg Strap	
29	1001265821	2	Bracket, Extension Back Strap	
30	4420062	AR	Tape (Not Shown)	

SECTION 5 - PLATFORM

FIGURE 5-3. PLATFORM RAILS INSTALLATION (SINGLE EXTENSION)



ART_1001244888

SECTION 5 - PLATFORM

FIGURE 5-3. PLATFORM RAILS INSTALLATION (SINGLE EXTENSION)

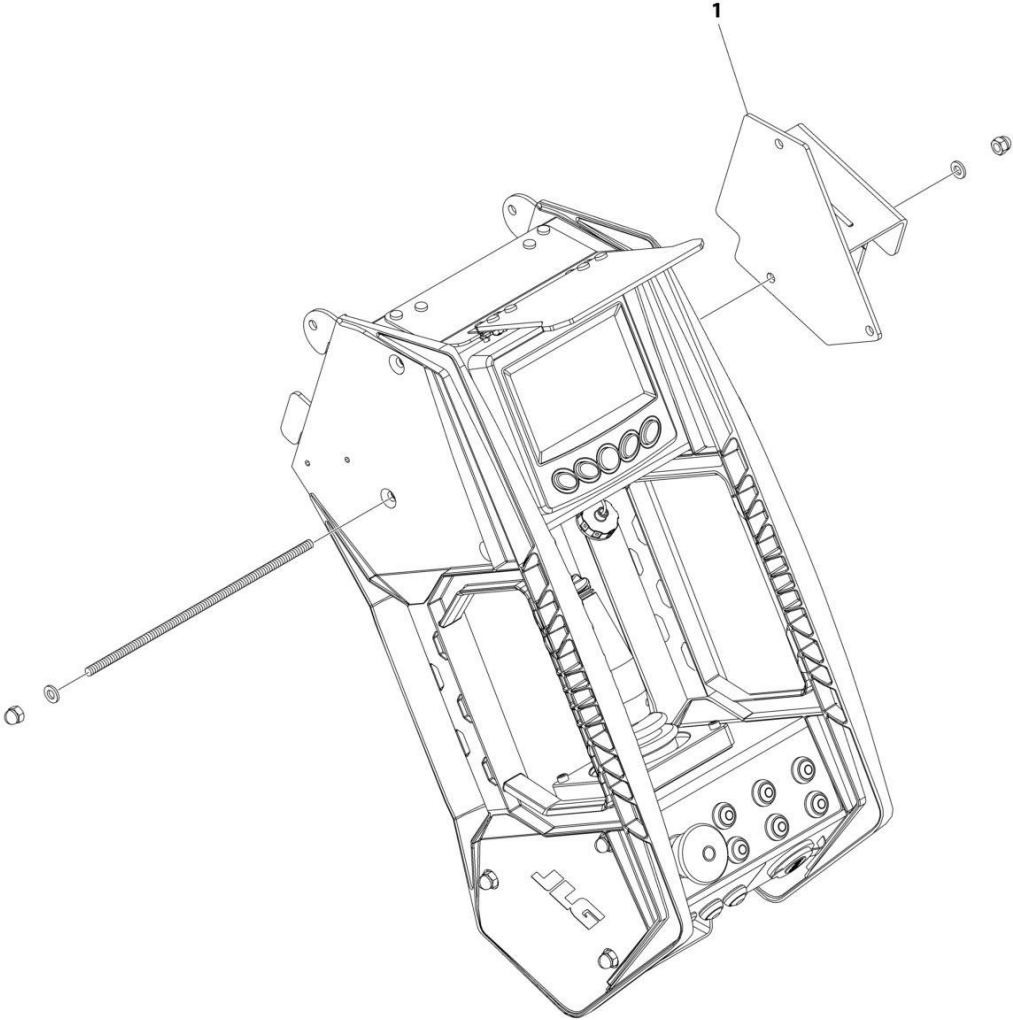
ITEM	PART NUMBER	QTY	DESCRIPTION	REV
	1001244888	Ref	RAIL INSTALLATION - PLATFORM WITH SINGLE EXTENSION	F
1	0700817	13	Bolt M8 x 45	
2	0700818	6	Bolt M8 x 50	
5	0760507	4	Bolt M8 x 14	
6	0700517	14	Bolt M5 x 45	
8	2560088	1	Grip, Handle	
9	2560176	2	Handle	
10	2600253	2	Hinge	
11	2940074	1	Latch	
16	3290506	34	Nut M5 x 3/4	
17	3290606	10	Nut M6 x 1	
18	3290806	39	Nut M8 x 1-1/4	
19	3291006	1	Nut M10	
20	3520072	2	Plug	
21	3537609	1	Plate, Pivot	
23	4010618	8	Screw M6 x 50	
25	4811600	40	Washer M5	
26	4811602	4	Washer M5	
27	4811700	51	Washer M6	
28	4811900	54	Washer M8	
29	4812000	16	Washer M10	
30	4846181	1	Handle (LH)	
31	1001195137	1	Bolt M10 x 240	
32	1001262495	2	Rod	
38	1001262454	4	Ring	
40	1001250829	2	Plate, Rotary Latch	
41	1001250830	1	Plate, Handle Latch	
42	1001258936	2	Plate, Rail	
44	1001294421	1	Plate, Extension	
45	1001253149	1	Plate, Gate Latch	
46	0700619	1	Bolt M6 x 55	
47	0760608	1	Bolt M6 x 16	
48	2940127	1	Latch	
50	4811902	12	Washer M8	
51	1001262399	12	Bolt M8 x 55	
52	1001262400	2	Bolt M8 x 50	
53	0700819	4	Bolt M8 x 55	
54	1001263628	2	Pad	
55	1001263629	2	Pad	
56	3422744	2	Pin, Plunger	
57	0630615	2	Bolt M8 x 16	
58	1001263269	1	Plate	
59	0700617	16	Bolt M6 x 45	
60	2600285	2	Hinge	
61	0100011	AR	Compound, Locking	
100	1001265846	1	Rail, Single Extension Kit	
101	1001248840	2	Rail, Extension Side	
102	1001248986	1	Rail, Extension Front	
103	1001249882	2	Rail, Platform Side	
104	1001249883	2	Rail, Platform Rear	

SECTION 5 - PLATFORM

ITEM	PART NUMBER	QTY	DESCRIPTION	REV
105	1001249884	1	Rail, Platform Gate	

SECTION 5 - PLATFORM

FIGURE 5-4. PLATFORM CONTROL BOX INSTALLATION - SIDE MOUNT



ART_1001265916

SECTION 5 - PLATFORM

FIGURE 5-4. PLATFORM CONTROL BOX INSTALLATION - SIDE MOUNT

ITEM	PART NUMBER	QTY	DESCRIPTION	REV
	1001265916	Ref	PLATFORM CONSOLE BOX INSTALLATION	B
1	1001265532	1	Bracket, Control Box Sidemount	
2	0100011	1	Compound, Locking (Not Shown - Use on Mounting Hardware)	

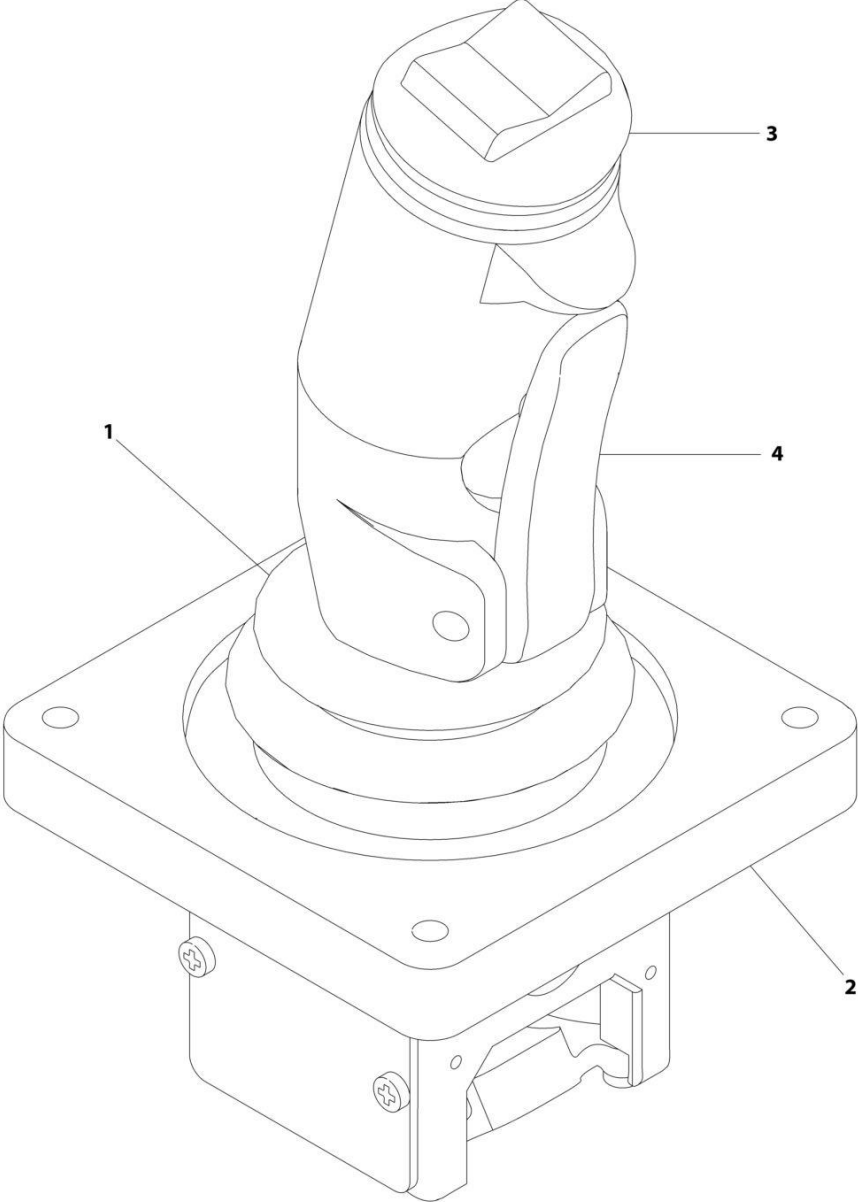
SECTION 5 - PLATFORM

FIGURE 5-5. PLATFORM CONTROL BOX INSTALLATION

ITEM	PART NUMBER	QTY	DESCRIPTION	REV
	1001247383	Ref	PLATFORM CONSOLE BOX INSTALLATION	H
1	0140030	1	Alarm	
2	3290405	12	Nut M4	
3	3290406	8	Nut M4	
4	3450303	1	Cotter Pin	
5	4010414	2	Bolt M4 x 30	
6	4031510	4	Bolt M4 x 30	
7	4160214	1	Spring, Door Latch	
8	1001274559	1	Switch, Emergency Stop (Plastic)	
8	4360475	1	Switch, Emergency Stop (Metal)	
8	7020175	1	Cap	
8	7020176	1	Block, Contact	
9	4811400	4	Washer M4	
10	1001108603	12	Nut M6 x 1	
11	1001176626	2	Cap	
12	1001226749	8	Switch	
13	1001244932	1	Control, Scissor Display	
14	1001246583	1	Housing, Lower Extrusion	
15	1001246584	1	Housing, Upper Extrusion	
16	1001246863	1	Cover, Lower Extrusion	
17	1001246864	1	Cover, Upper Extrusion	
18	1001246979	1	Shield, Display	
19	1001247313	1	Mount, Display Shield	
20	1001247443	1	Plate, Phone Holder	
21	1001247682	1	Controller Assembly (See Separate Breakdown in this Section)	
22	1001249049	1	Harness, Platform Control Box (See Separate Breakdown in this Section)	
23	1001249259	2	Panel, Control Box Side	
24	1001250682	1	Pin	
25	1001250692	1	Panel, Latch Cover	
27	1001253800	1	USB Port	
28	1001254119	2	Hinge	
29	4010405002	14	Bolt M4 x 10	
30	1001246823	1	USB Port	
31	1001257076	1	Decal, Platform Function	
32	1001257077	1	Decal, Platform Function	
33	4811700	12	Washer M6	
34	1001255461	6	Stud M6	
35	1001262098	1	Plate, Control Box Latch	
36	0100011	AR	Compound, Locking	
37	1703819	1	Decal - Direction Arrow	

SECTION 5 - PLATFORM

FIGURE 5-6. CONTROLLER ASSEMBLY



ART_1001247682

SECTION 5 - PLATFORM

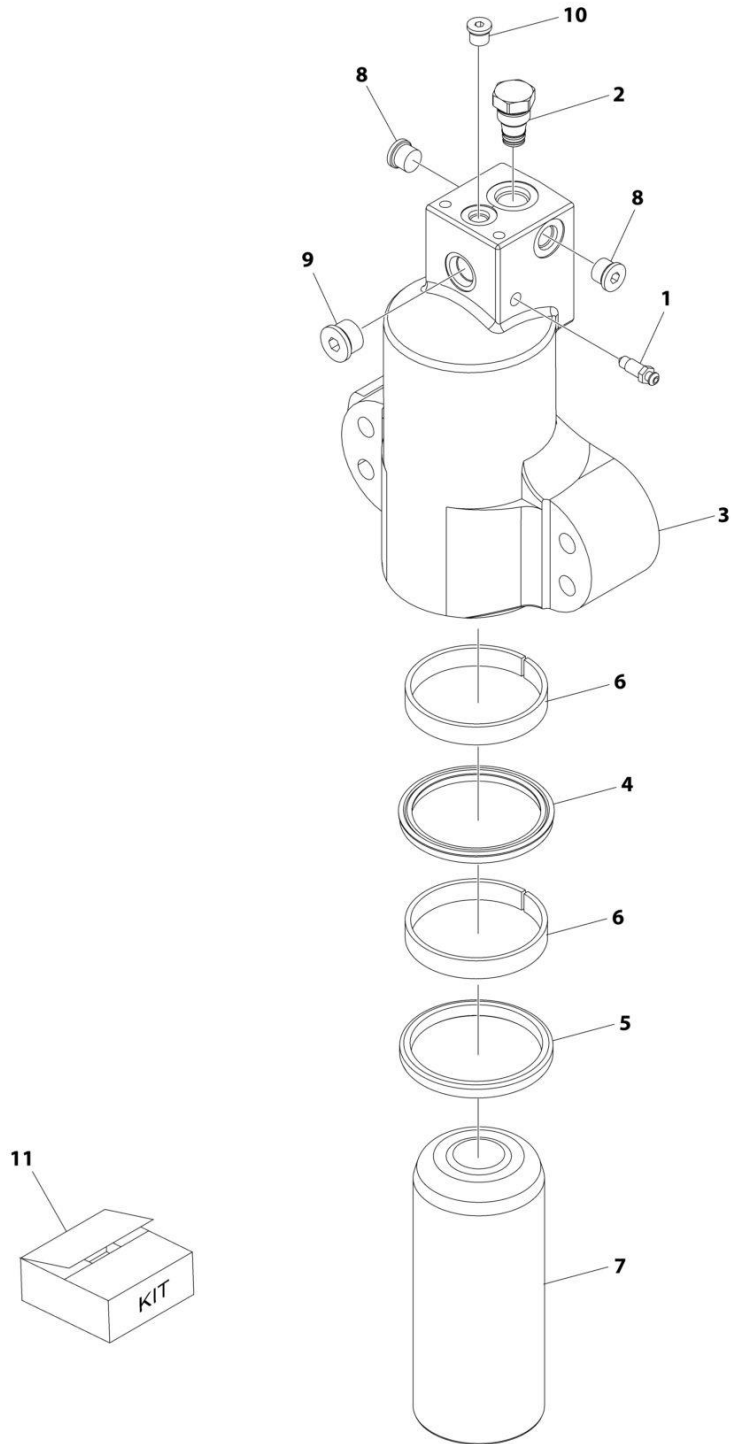
FIGURE 5-6. CONTROLLER ASSEMBLY

ITEM	PART NUMBER	QTY	DESCRIPTION	REV
	1001247682	Ref	DRIVE/STEER CONTROLLER ASSEMBLY (LCD)	B
1	70001250	1	Boot, Panel	
2	70001252	1	Gasket, Mounting	
2	70001251	1	Bezel, Mounting	
3	70007506	1	Handle Repair Kit (Includes handle gasket, item#4 push button and item #4 lever installed in front handle half, back handle half, top actuator, boot and hardware.)	
3	70000084	1	Cap, Rubber	
3	70000082	1	Microswitch	
3	7027766	1	Ring, Retaining	
3	7027365	1	Actuator, Handle	
3	70001253	1	Gasket, Handle	
3	70000683	4	Washer, Neoprene	
3	70000685	2	Spacer, Plastic	
3	70000686	2	Screw (Top)	
3	70000684	2	Screw (Bottom)	
4	7027367	1	Switch, Push Button	
4	7027765	1	Lever, Enable	

SECTION 6 - CYLINDER

SECTION 6 - CYLINDER

FIGURE 6-1. AXLE LOCKOUT CYLINDER ASSEMBLY



ART_1001245046

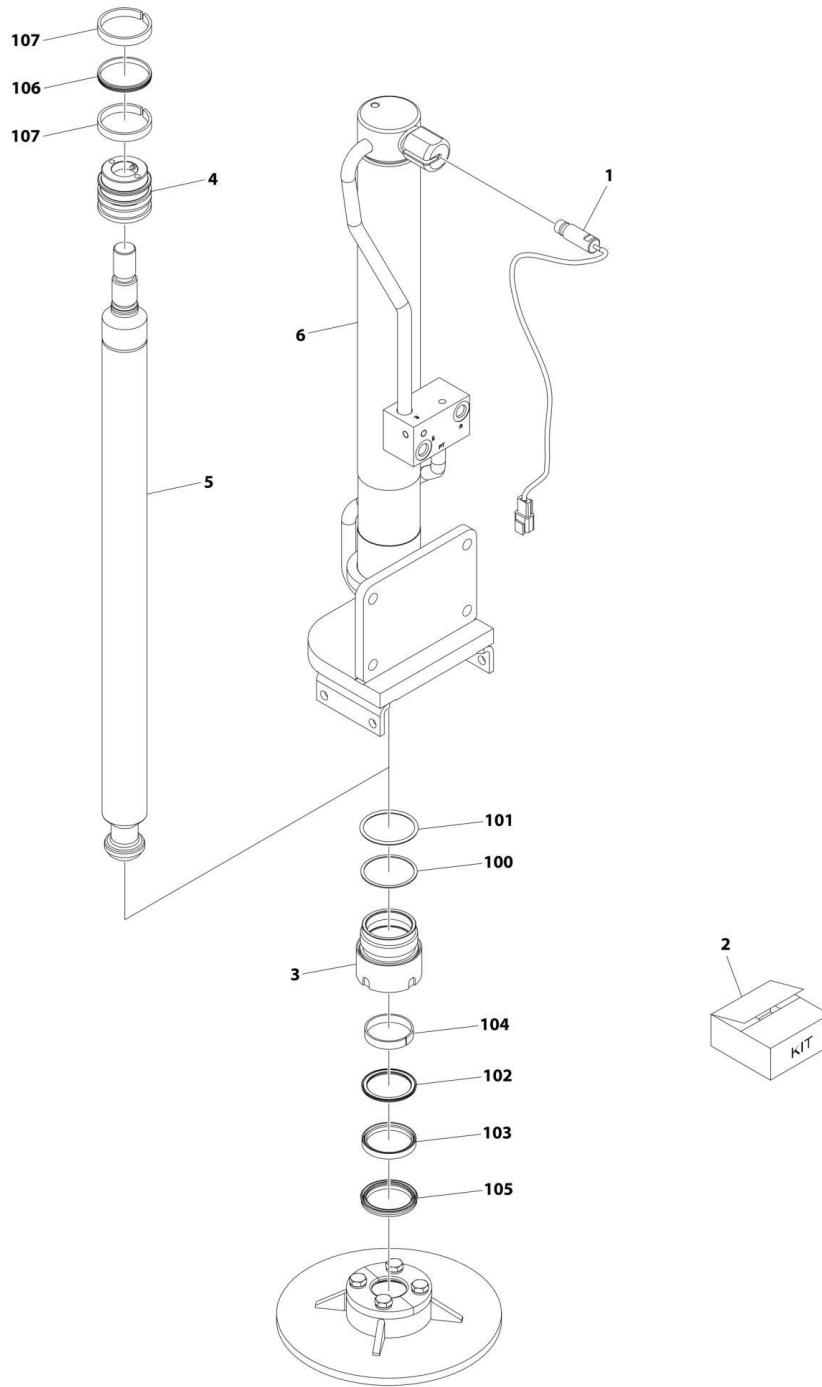
SECTION 6 - CYLINDER

FIGURE 6-1. AXLE LOCKOUT CYLINDER ASSEMBLY

ITEM	PART NUMBER	QTY	DESCRIPTION	REV
	1001245046	Ref	AXLE LOCKOUT CYLINDER ASSEMBLY	D
		Ref	Note: Original Cylinder May Have Been Replaced with Service Replacement. Identify PN Stamped on Cylinder Before Ordering Parts.	
1	4640858	1	Valve, Bleeder	
2	1001248671	1	Cartridge, Valve	
3	1001245653	1	Barrel	
4	See Note	NSS	Seal, Rod (Note: use p/n 70007678)	
5	See Note	NSS	Wiper (Note: use p/n 70007678)	
6	See Note	NSS	Ring, Wear (Note: use p/n 70007678)	
7	70007679	1	Rod	
8	2220885	2	Plug #6	
9	2220886	1	Plug #8	
10	2220883	1	Plug #4	
11	70007678	1	Kit, Seal (Includes Items 4-6)	

SECTION 6 - CYLINDER

FIGURE 6-2. LEVELING JACK CYLINDER ASSEMBLY



ART_1001243256

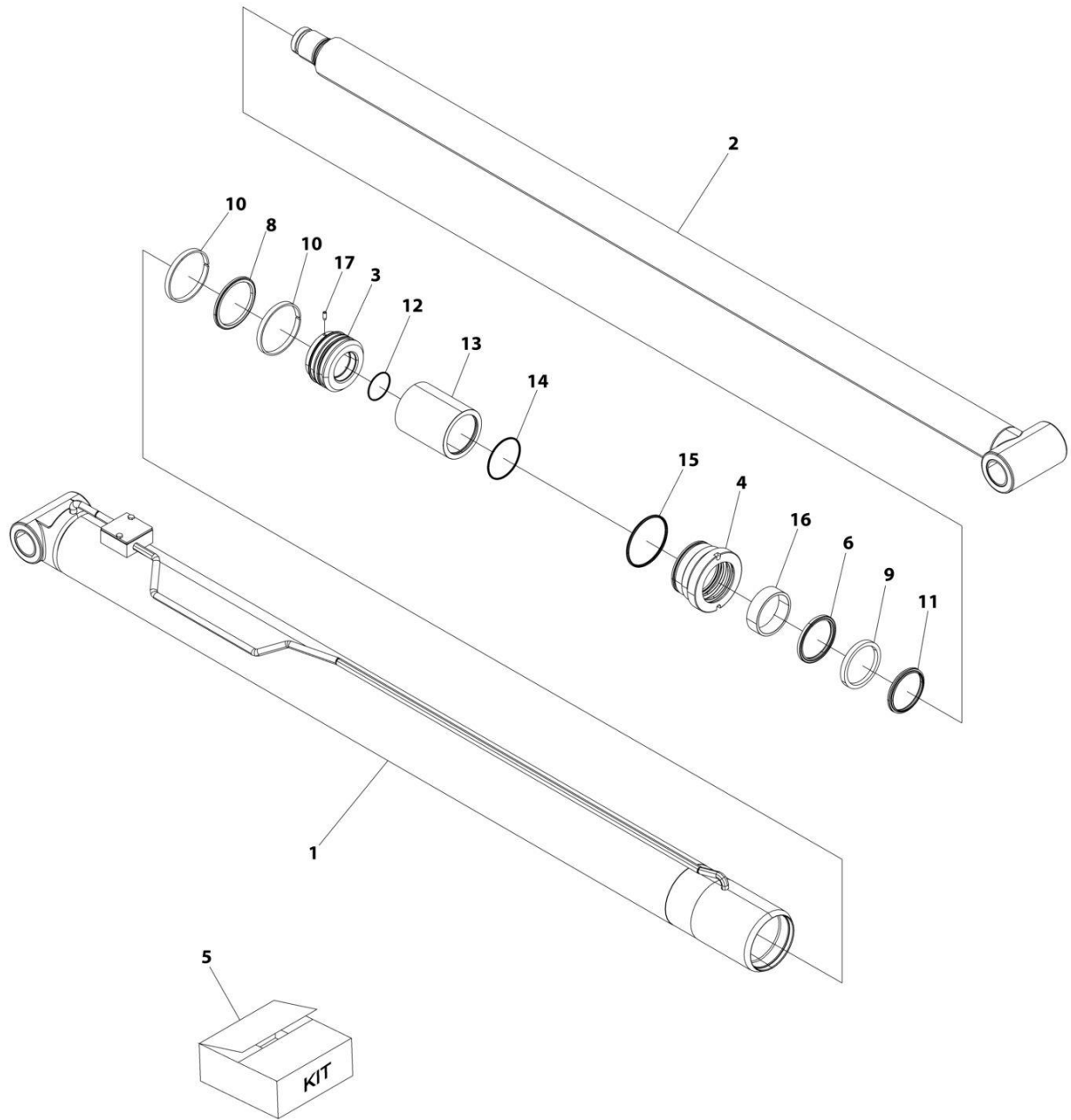
SECTION 6 - CYLINDER

FIGURE 6-2. LEVELING JACK CYLINDER ASSEMBLY

ITEM	PART NUMBER	QTY	DESCRIPTION	REV
	1001243256	Ref	LEVELING JACK CYLINDER ASSEMBLY	E
	See Note	Ref	Note: Original Cylinder May Have Been Replaced with Service Replacement. Identify PN Stamped on Cylinder Before Ordering Parts.	
1	1001246658	1	Sensor, Leveling Jacks Proximity	
2	70007709	1	Kit, Seal (Includes Items 100-107)	
3	70007710	1	Retainer	
4	70007711	1	Piston	
5	70007712	1	Rod	
6	See Note	1	Barrel (Note: Use PN 1001243256)	
100	See Note	NSS	Ring, Backup (Note: use p/n 70007709)	
101	See Note	NSS	O-Ring (Note: use p/n 70007709)	
102	See Note	NSS	Ring, Buffer (Note: use p/n 70007709)	
103	See Note	NSS	Seal, Rod (Note: use p/n 70007709)	
104	See Note	NSS	Ring, Wear (Note: use p/n 70007709)	
105	See Note	NSS	Wiper (Note: use p/n 70007709)	
106	See Note	NSS	Seal, Piston (Note: use p/n 70007709)	
107	See Note	NSS	Ring, Wear (Note: use p/n 70007709)	

SECTION 6 - CYLINDER

FIGURE 6-3. LIFT CYLINDER ASSEMBLY



ART_1001244210

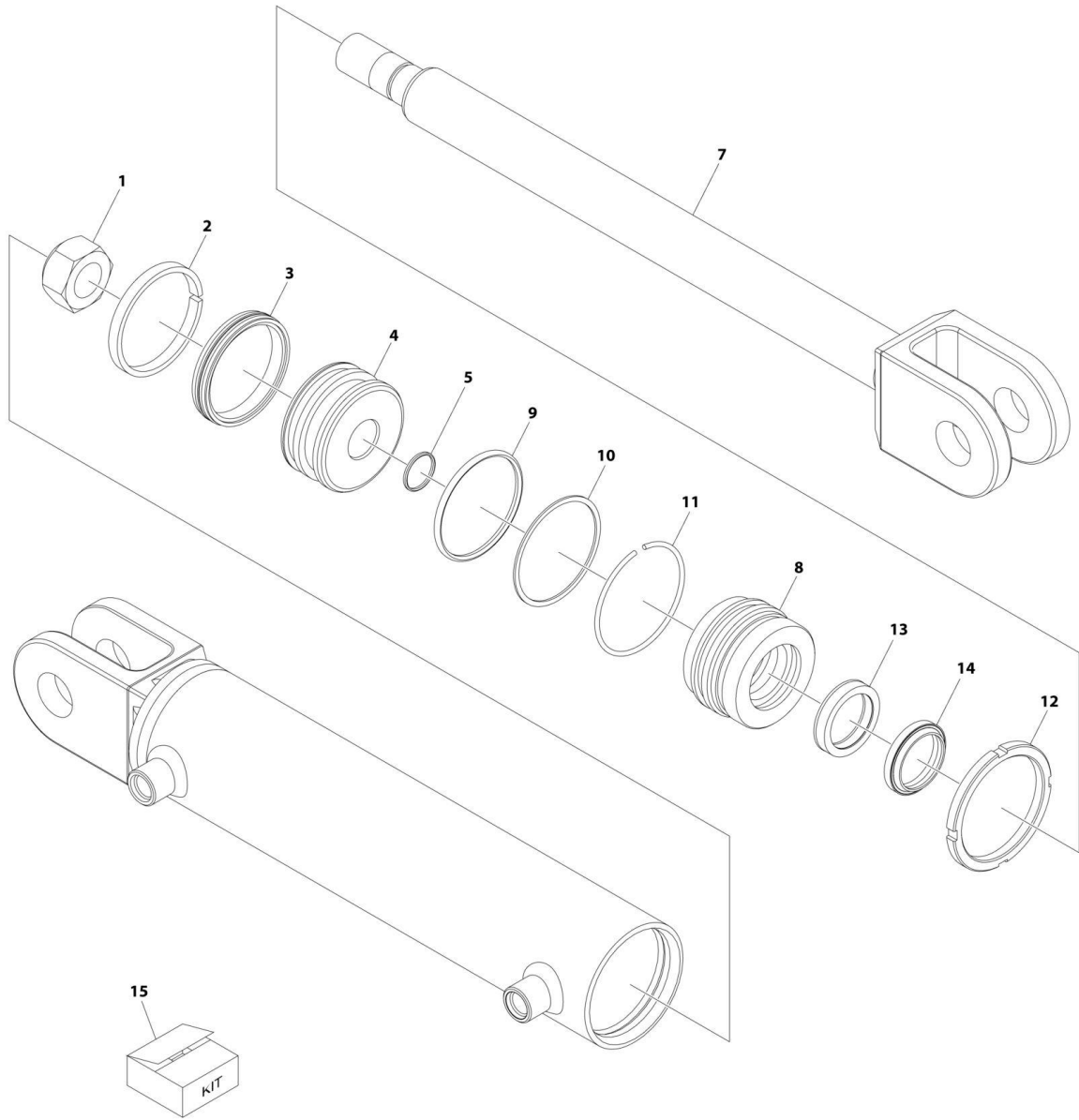
SECTION 6 - CYLINDER

FIGURE 6-3. LIFT CYLINDER ASSEMBLY

ITEM	PART NUMBER	QTY	DESCRIPTION	REV
	1001244210	Ref	LIFT CYLINDER ASSEMBLY	D
		Ref	Note: Original Cylinder May Have Been Replaced with Service Replacement. Identify PN Stamped on Cylinder Before Ordering Parts.	
1	See Note	1	Barrel (Note: Not Available for Purchase, Use p/n 1001244210)	
2	70007716	1	Rod	
3	70007715	1	Piston	
4	70007714	1	Retainer	
5	70007713	1	Kit, Seal (Includes Items 6-11)	
6	See Note	NSS	Ring, Buffer (Note: Use p/n 70007713)	
7	See Note	NSS	Seal, Head (Note: Not Shown, Use p/n 70007713)	
8	See Note	NSS	Seal, Piston (Note: Use p/n 70007713)	
9	See Note	NSS	Seal, Rod (Note: Use p/n 70007713)	
10	See Note	NSS	Ring, Wear (Note: Use p/n 70007713)	
11	See Note	NSS	Wiper (Note: Use p/n 70007713)	
12	See Note	1	O-Ring (Note: Use p/n 1001244210)	
13	See Note	1	Spacer (Note: Use p/n 1001244210)	
14	See Note	1	O-Ring (Note: Use p/n 1001244210)	
15	See Note	1	Ring, Back Up (Note: Use p/n 1001244210)	
16	See Note	1	Bushing (Note: Use p/n 1001244210)	
17	See Note	1	Screw, Set (Note: Use p/n 1001244210)	

SECTION 6 - CYLINDER

FIGURE 6-4. STEER CYLINDER ASSEMBLY



ART_1001246107

SECTION 6 - CYLINDER

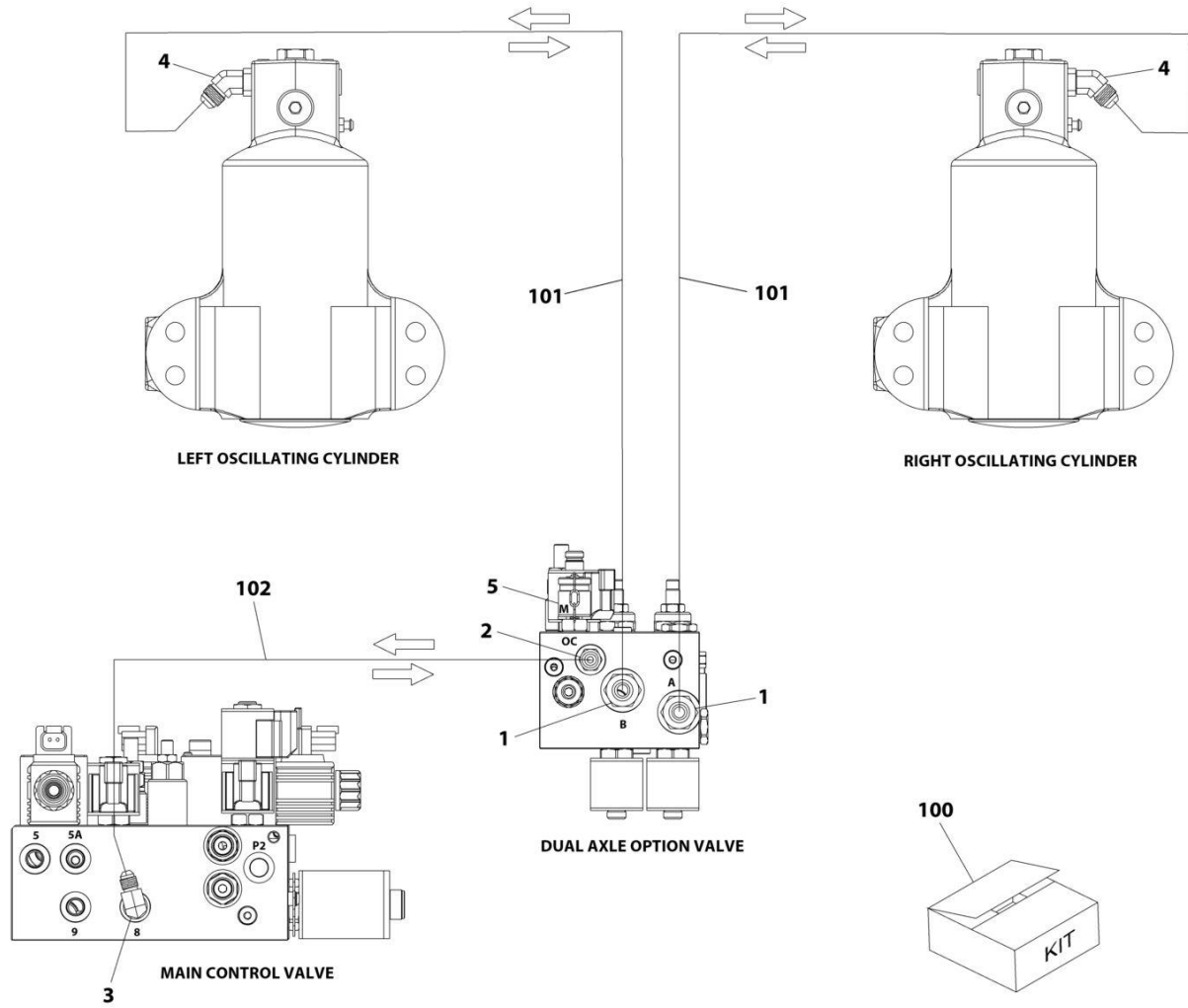
FIGURE 6-4. STEER CYLINDER ASSEMBLY

ITEM	PART NUMBER	QTY	DESCRIPTION	REV
	1001246107	Ref	STEER CYLINDER ASSEMBLY	B
		Ref	Note: Original Cylinder May Have Been Replaced with Service Replacement. Identify PN Stamped on Cylinder Before Ordering Parts.	
1	7001626	1	Nut	
2	See Note	NSS	Ring, Wear (Note: use p/n 70007610)	
3	See Note	NSS	Seal, Piston (Note: use p/n 70007610)	
4	70007607	1	Piston	
5	See Note	NSS	O-Ring (Note: use p/n 70007610)	
7	70007608	1	Rod	
8	70007609	1	Guide	
9	See Note	NSS	O-Ring (Note: use p/n 70007610)	
10	See Note	NSS	Ring, Backup (Note: use p/n 70007610)	
11	See Note	NSS	Ring, Retaining (Note: use p/n 70007610)	
12	7001630	1	Nut	
13	See Note	NSS	Ring (Note: use p/n 70007610)	
14	See Note	NSS	Ring, Wiper (Note: use p/n 70007610)	
15	70007610	1	Kit, Seal (Includes Items 2, 3, 5, 8-10, 12, & 13)	

SECTION 7 - HYDRAULIC

SECTION 7 - HYDRAULIC

FIGURE 7-1. HYDRAULIC DIAGRAM - AXLE (DUAL OSCILLATING)



ART_1001246104

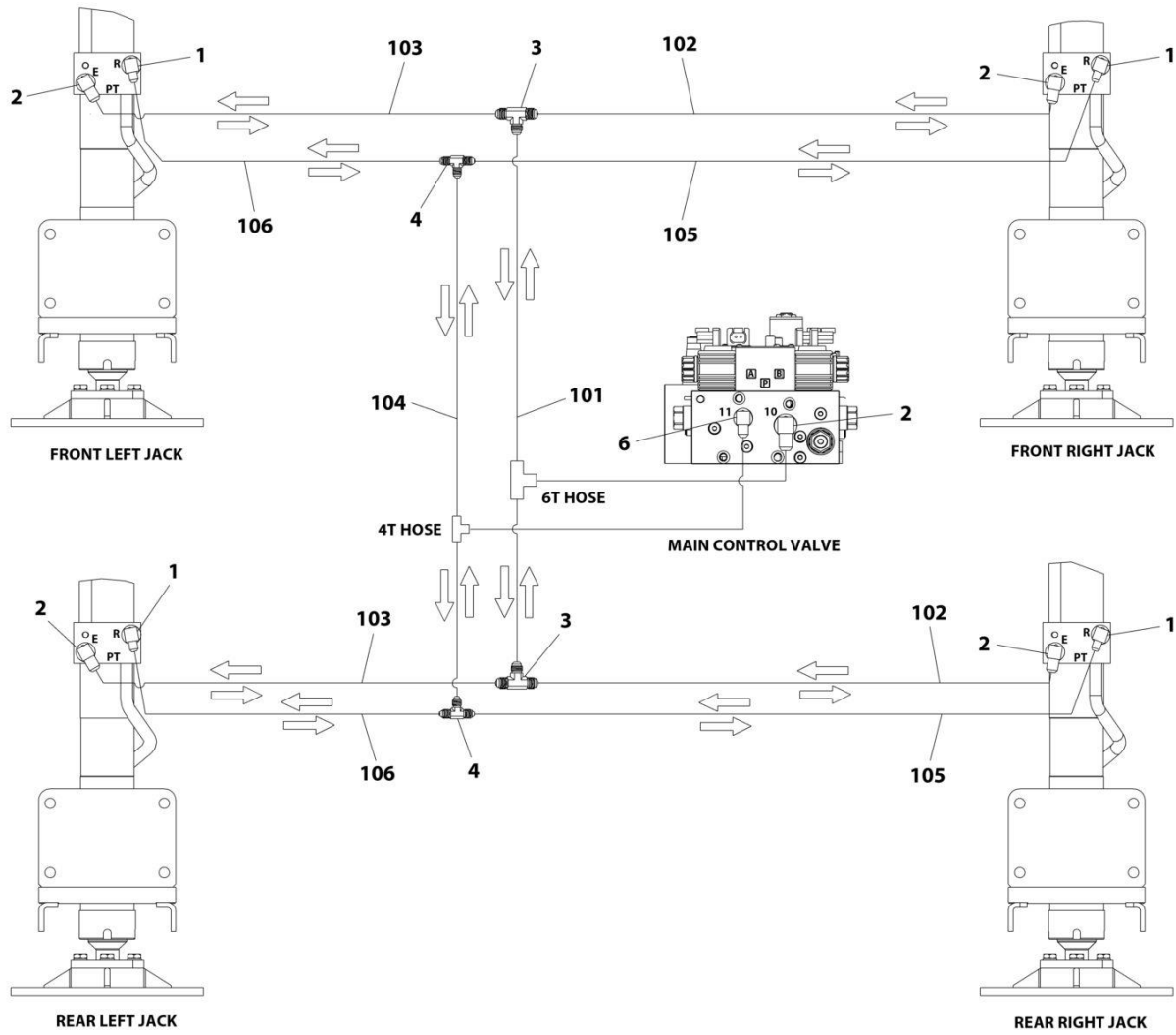
SECTION 7 - HYDRAULIC

FIGURE 7-1. HYDRAULIC DIAGRAM - AXLE (DUAL OSCILLATING)

ITEM	PART NUMBER	QTY	DESCRIPTION	REV
	1001246104	Ref	HYDRAULIC DIAGRAM - AXLE (DUAL OSCILLATING)	F
1	2220371	Ref	Fitting, Straight JIC/ORB	
2	2220415	1	Fitting, Straight JIC/ORB	
3	2220466	1	Fitting, 90 JIC/ORB	
4	2220501	2	Fitting, 45 JIC/ORB	
5	2221086	1	Fitting, Test	
100	1001260253	1	Kit, Hose (Includes Items 101 & 102)	
101	1001250418	2	Hose	
102	1001250419	1	Hose	

SECTION 7 - HYDRAULIC

FIGURE 7-2. HYDRAULIC DIAGRAM - LEVELING JACKS



ART_1001250342

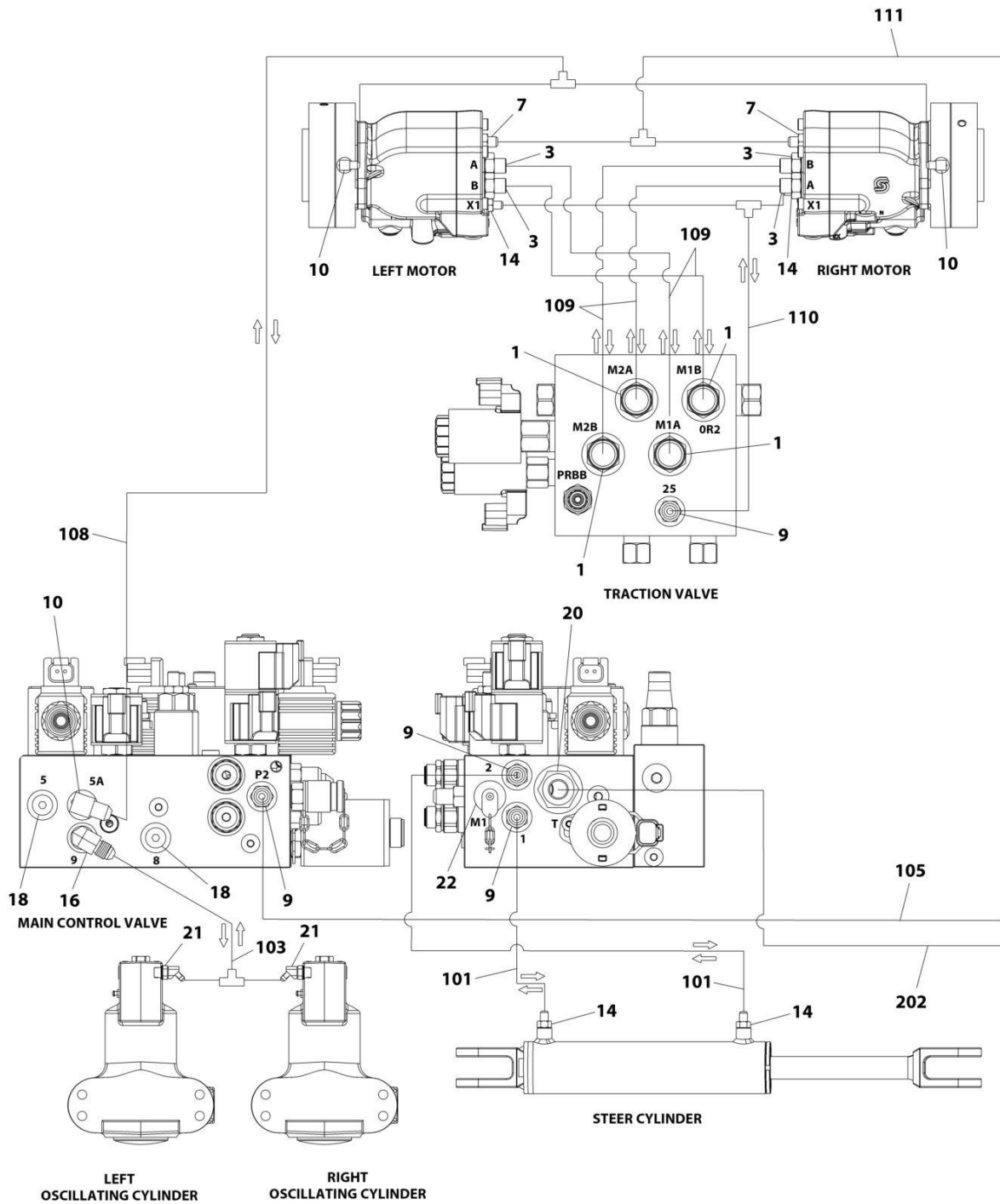
SECTION 7 - HYDRAULIC

FIGURE 7-2. HYDRAULIC DIAGRAM - LEVELING JACKS

ITEM	PART NUMBER	QTY	DESCRIPTION	REV
	1001250342	Ref	HYDRAULIC DIAGRAM - LEVELING JACKS	B
1	2220472	4	Fitting, 90 JIC/ORB	
2	2220473	5	Fitting, 90 JIC/ORB	
3	2220490	2	Fitting, Tee JIC/JIC/JIC	
4	2220504	2	Fitting, Tee JIC/JIC/JIC	
6	2220466	1	Fitting, 90 JIC/ORB	
100	1001260252	Ref	Hose Kit (Not Shown)	A
101	1001250307	1	Hose	
102	1001250308	2	Hose	
103	1001250309	2	Hose	
104	1001250310	1	Hose	
105	1001250311	2	Hose	
106	1001250312	2	Hose	

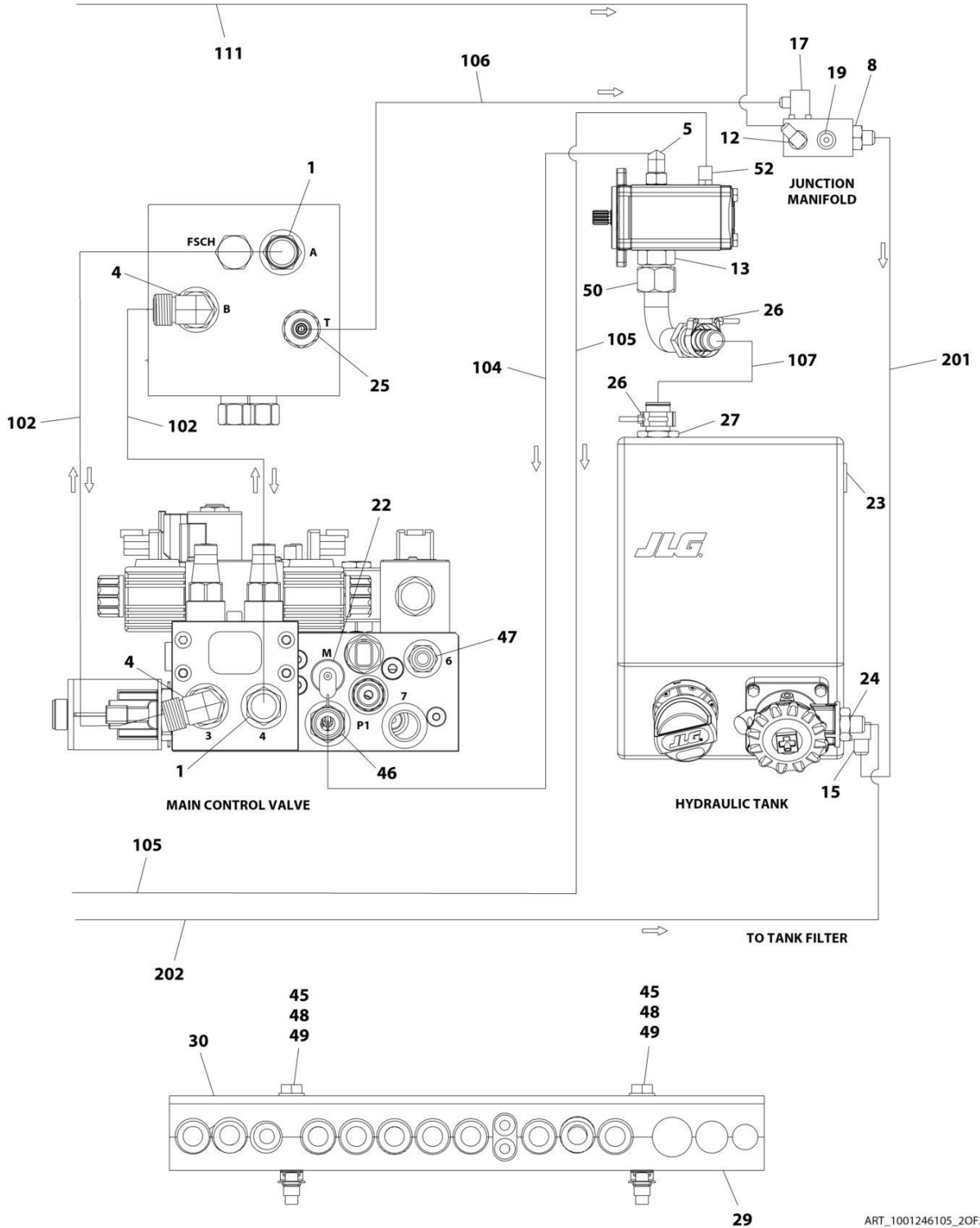
SECTION 7 - HYDRAULIC

FIGURE 7-3. HYDRAULIC DIAGRAM - STANDARD (2WD)



ART_1001246105_10F2

SECTION 7 - HYDRAULIC



ART_1001246105_2OF2

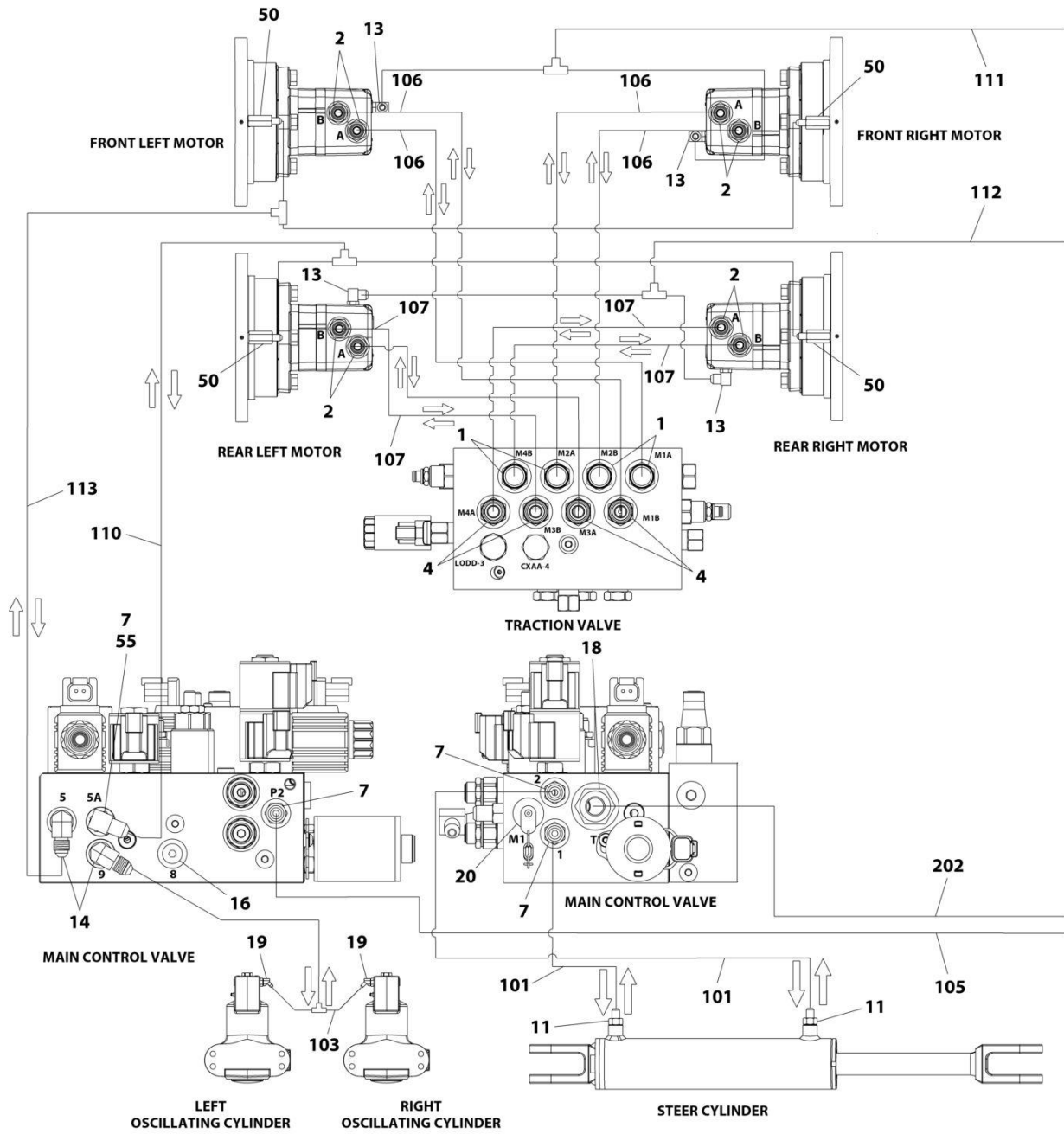
SECTION 7 - HYDRAULIC

FIGURE 7-3. HYDRAULIC DIAGRAM - STANDARD (2WD)

ITEM	PART NUMBER	QTY	DESCRIPTION	REV
	1001246105	Ref	HYDRAULIC DIAGRAM – STANDARD (2WD)	D
1	2110808	6	Fitting, Straight ORFS/ORB	
3	2110812	4	Fitting, Straight ORFS/ORB	
4	2130808	2	Fitting, 90 ORFS/ORB	
5	2130810	1	Fitting, 90 ORFS/ORB	
7	2220372	2	Fitting, Straight JIC/ORB	
8	2220375	1	Fitting, Straight JIC/ORB	
9	2220415	4	Fitting, Straight JIC/ORB	
10	2220466	3	Fitting, 90 JIC/ORB	
12	2220473	1	Fitting, 90 JIC/ORB	
13	2220479	1	Fitting, Straight JIC/ORB	
14	2220582	4	Fitting, Straight JIC/ORB	
15	2220596	1	Fitting, 90 JIC/ORB	
16	2220940	1	Fitting, Elbow	
17	2220828	1	Fitting, Straight JIC/ORB	
18	2220883	2	Plug	
19	2220885	1	Plug	
20	2220947	1	Fitting	
21	2221040	2	Fitting, 45 JIC/ORB	
22	2221086	2	Fitting, Test Port	
23	8770223	1	Fitting	
24	83451104	1	Fitting, Straight JIC/ORB	
25	2220998	1	Fitting, Straight JIC/ORB	
26	80633030	2	Clamp, Heavy Duty Band	
27	1001202910	1	Fitting	
29	1001247462	1	Clamp	
30	1001248339	1	Plate	
45	0700822	2	Bolt M8 x 70	
46	2170108	1	Connector	
47	2220371	1	Fitting, Straight JIC/ORB	
48	4811900	2	Washer M8	
49	1001118274	2	Nut	
50	1001205824	1	Fitting	
51	4240018	1	Tie-Strap	
52	2220472	1	Fitting, 90 JIC/ORB	
100	1001260250	1	Hose Kit (Not Shown)	B
101	1001248868	2	Hose	
102	1001248869	2	Hose	
103	1001248871	1	Hose	
104	1001248872	1	Hose	
105	1001248873	1	Hose	
106	1001249181	1	Hose	
107	1001249231	1	Hose	
108	1001249701	1	Hose	
109	1001250468	4	Hose	
110	1001254083	1	Hose	
111	1001254298	1	Hose	
200	1001260255	1	Hose Kit (Not Shown)	A
201	1001249178	1	Hose	
202	1001249850	1	Hose	

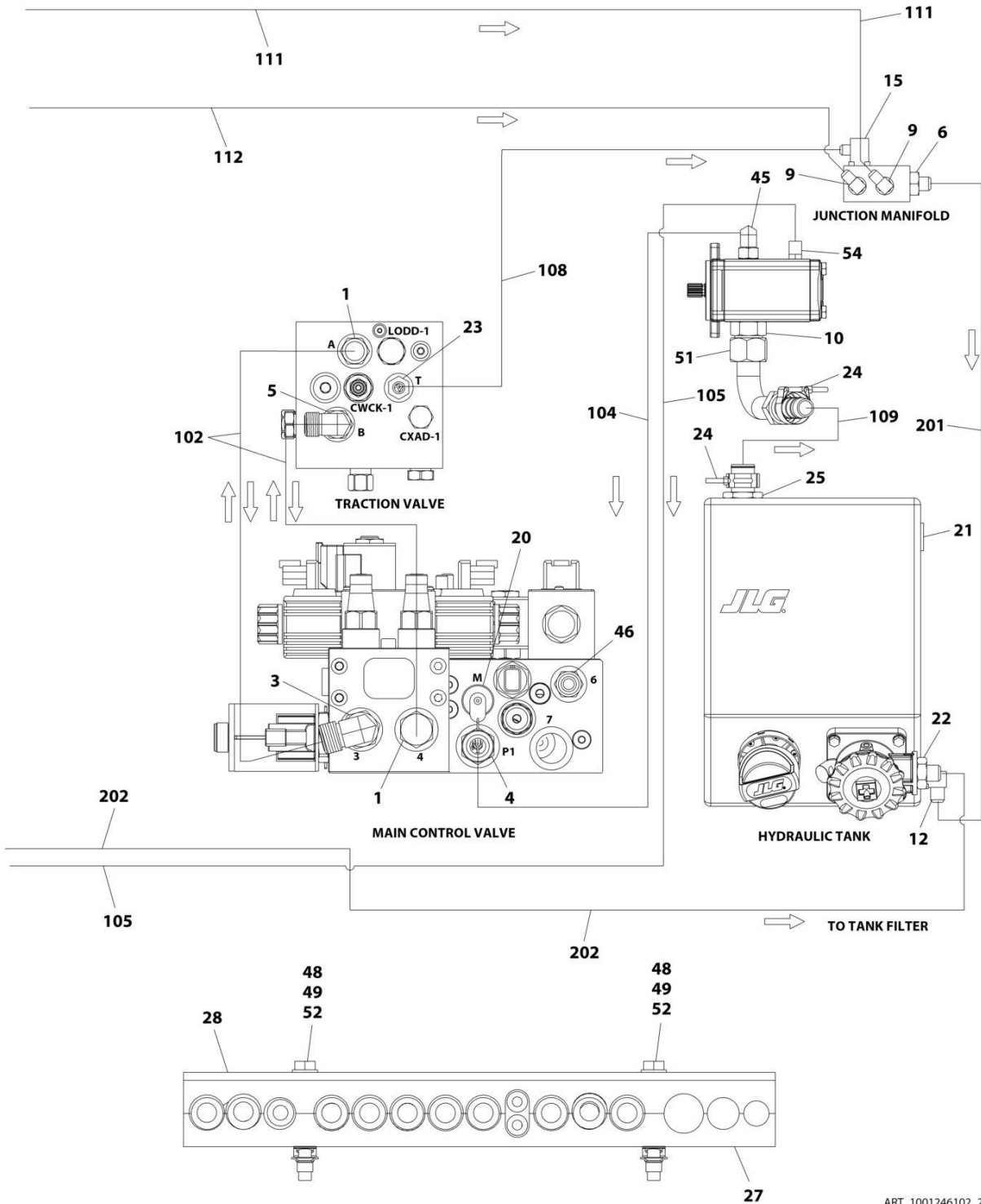
SECTION 7 - HYDRAULIC

FIGURE 7-4. HYDRAULIC DIAGRAM - STANDARD (4WD)



ART_1001246102_10F2

SECTION 7 - HYDRAULIC



ART_1001246102_20F2

SECTION 7 - HYDRAULIC

FIGURE 7-4. HYDRAULIC DIAGRAM - STANDARD (4WD)

ITEM	PART NUMBER	QTY	DESCRIPTION	REV
	1001246102	Ref	HYDRAULIC DIAGRAM – STANDARD (4WD)	E
1	2110808	6	Fitting, Straight ORFS/ORB	
2	2110810	8	Fitting, Straight ORFS/ORB	
3	2130808	1	Fitting, 90 ORFS/ORB	
4	2170108	5	Connector	
5	2170208	1	Fitting, 90 ORFS/ORB	
6	2220375	1	Fitting, Straight JIC/ORB	
7	2220415	4	Fitting, Straight JIC/ORB	
9	2220473	2	Fitting, 90 JIC/ORB	
10	2220479	1	Fitting, Straight JIC/ORB	
11	2220582	2	Fitting, Straight JIC/ORB	
12	2220596	1	Fitting, 90 JIC/ORB	
13	2220775	4	Fitting, 90 JIC/ORB	
14	2220940	2	Fitting, Elbow	
15	2220828	1	Fitting, 90 JIC/ORB	
16	2220883	1	Plug	
18	2220947	1	Fitting	
19	2221040	2	Fitting, 45 JIC/ORB	
20	2221086	2	Fitting, Test Port	
21	8770223	1	Fitting	
22	83451104	1	Fitting, Straight JIC/ORB	
23	2220998	1	Fitting, Straight JIC/ORB	
24	80633030	2	Clamp, Heavy Duty Band	
25	1001202910	1	Fitting	
27	1001247462	1	Clamp	
28	1001248339	1	Plate	
45	2130810	1	Fitting, 90 ORFS/ORB	
46	2220371	1	Fitting, Straight JIC/ORB	
48	4811900	2	Washer M8	
49	1001118274	2	Nut	
50	1001119630	4	Fitting	
51	1001205824	1	Fitting	
52	0700822	2	Bolt M8 x 70	
53	4240018	3	Tie-Strap	
54	2220472	1	Fitting, 90 JIC/ORB	
55	2220654	1	Fitting, 90 JIC/ORB	
100	1001260064	1	Hose Kit (Not Shown)	B
101	1001248868	2	Hose	
102	1001248869	2	Hose	
103	1001248871	1	Hose	
104	1001248872	1	Hose	
105	1001248873	1	Hose	
106	1001248874	4	Hose	
107	1001248876	4	Hose	
108	1001249181	1	Hose	
109	1001249231	1	Hose	
110	1001249701	1	Hose	
111	1001249703	1	Hose	
112	1001249704	1	Hose	
113	1001260540	1	Hose	

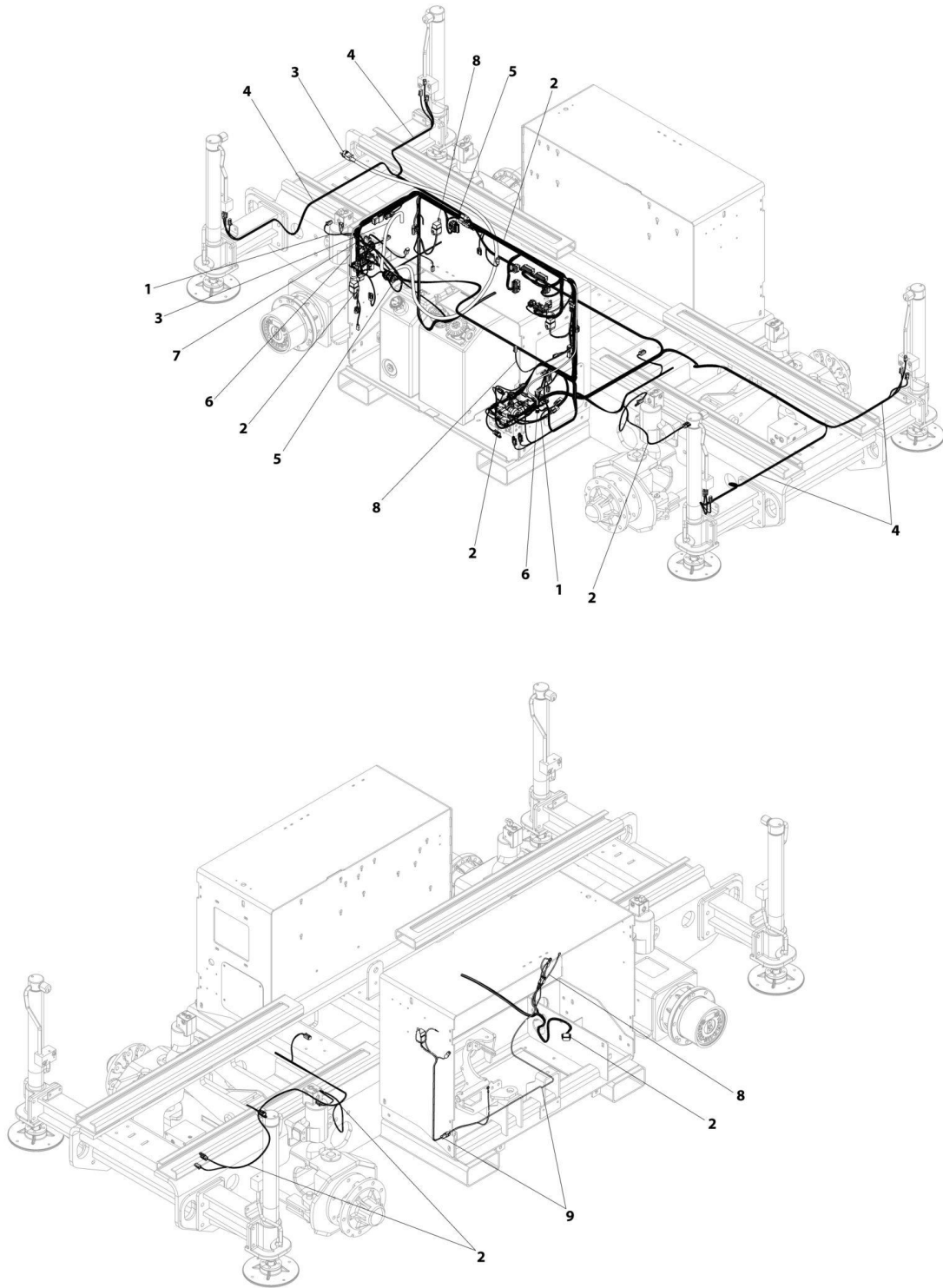
SECTION 7 - HYDRAULIC

ITEM	PART NUMBER	QTY	DESCRIPTION	REV
200	1001260255	1	Hose Kit (Not Shown)	A
201	1001249178	1	Hose	
202	1001249850	1	Hose	

SECTION 8 - ELECTRICAL

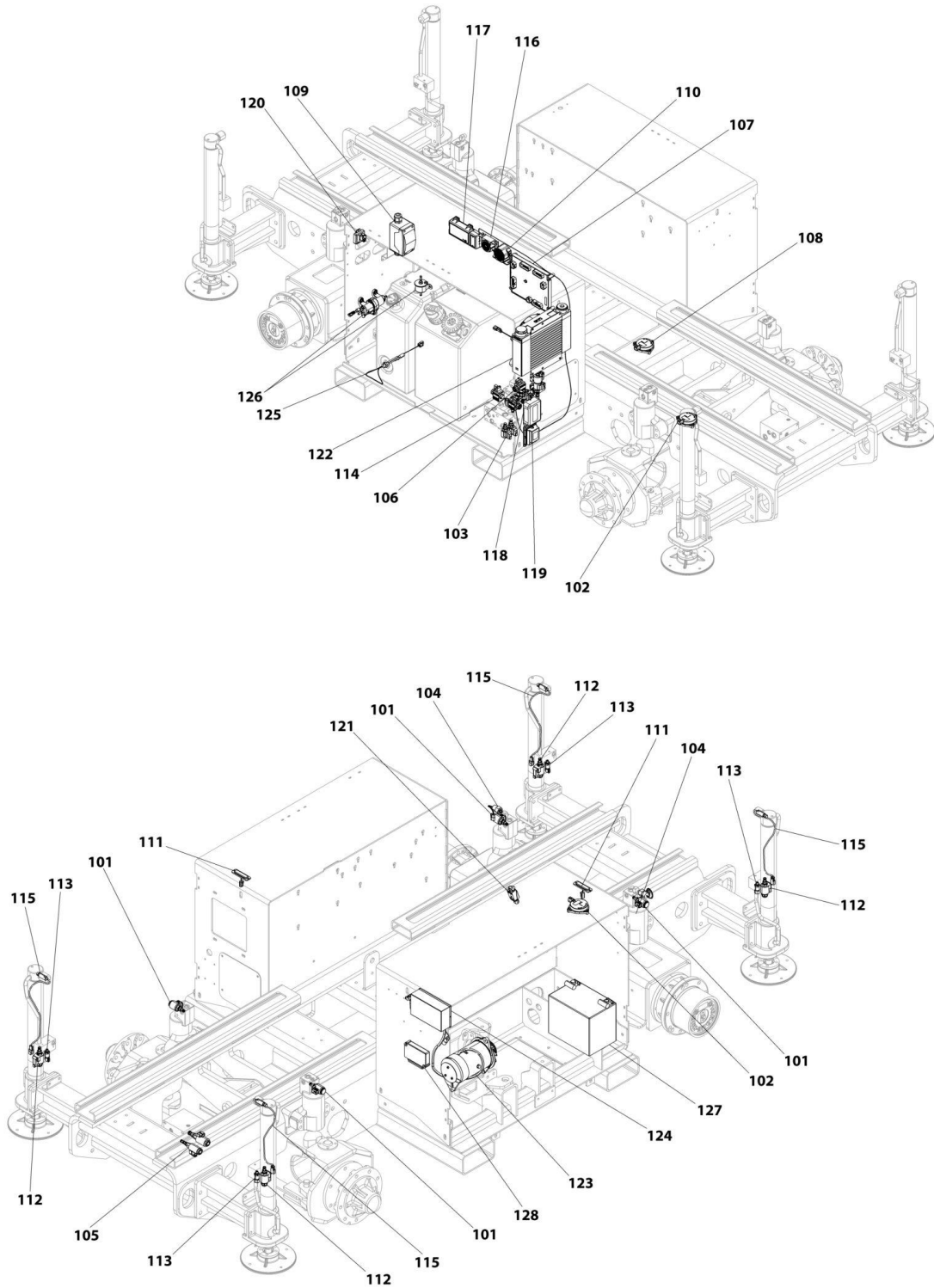
SECTION 8 - ELECTRICAL

FIGURE 8-1. ELECTRICAL LAYOUT



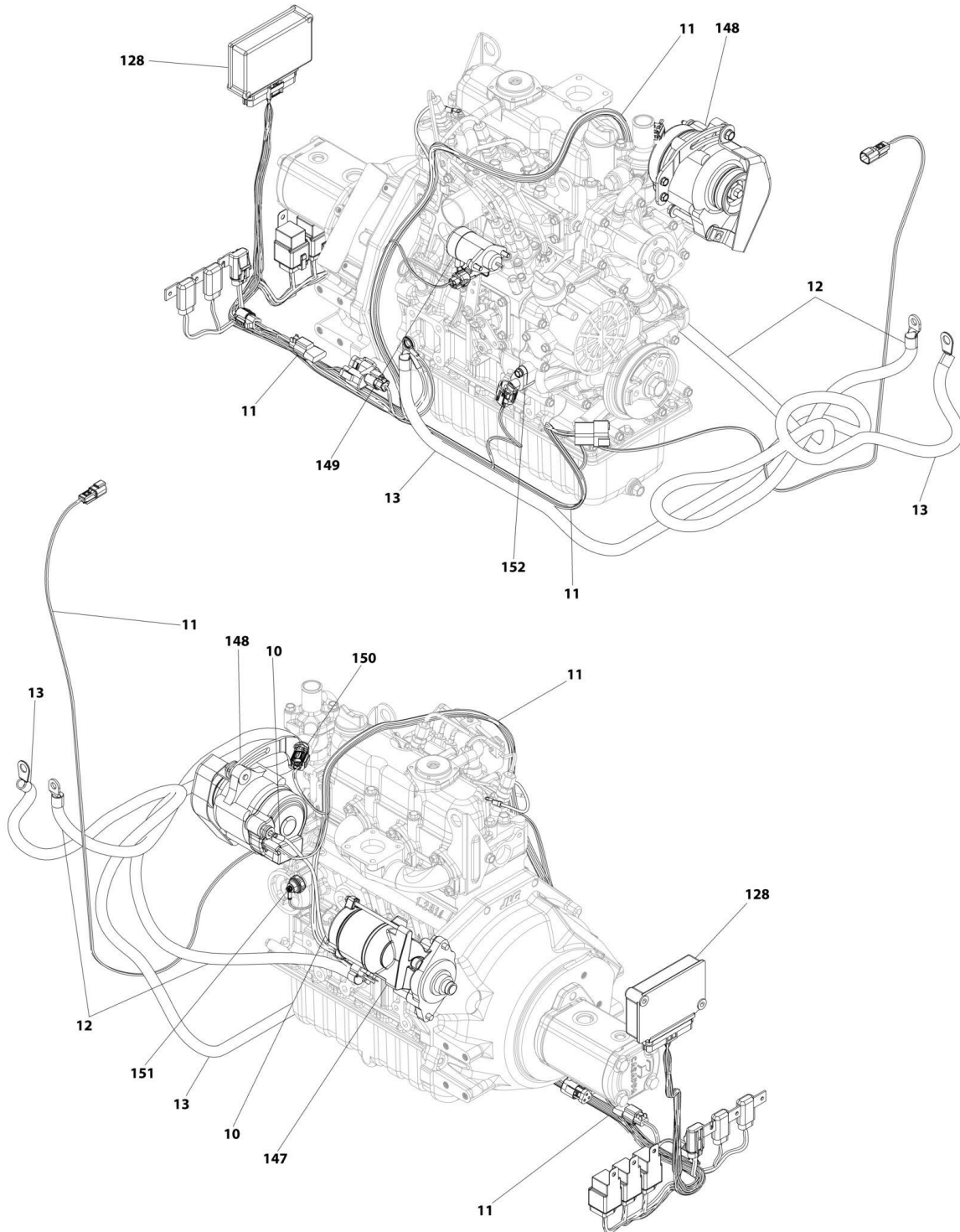
ART_RT3369-ELECTRICAL_FRAME-HARNESS

SECTION 8 - ELECTRICAL



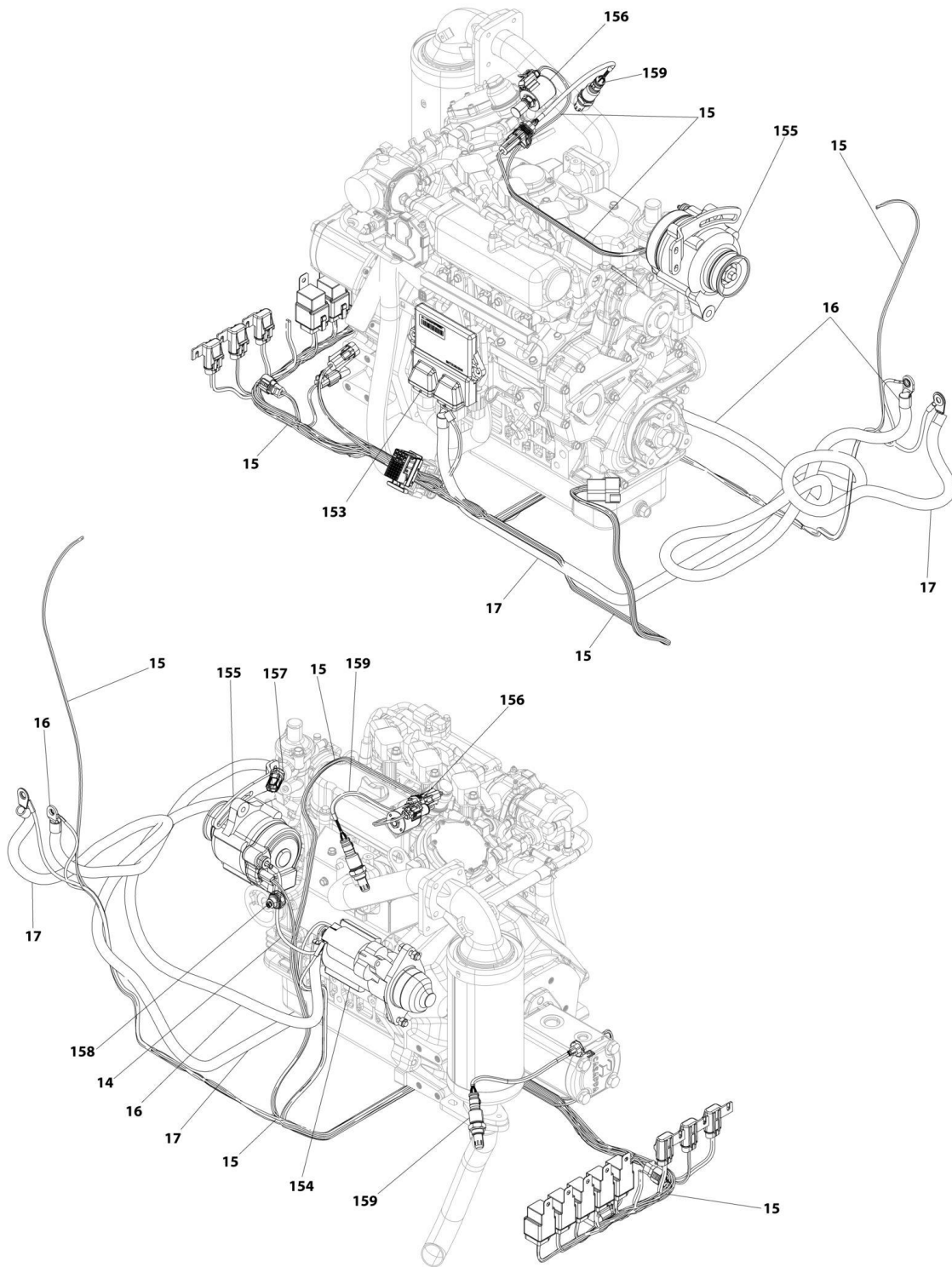
ART_RT3369-ELECTRICAL_FRAME-COMPONENT

SECTION 8 - ELECTRICAL



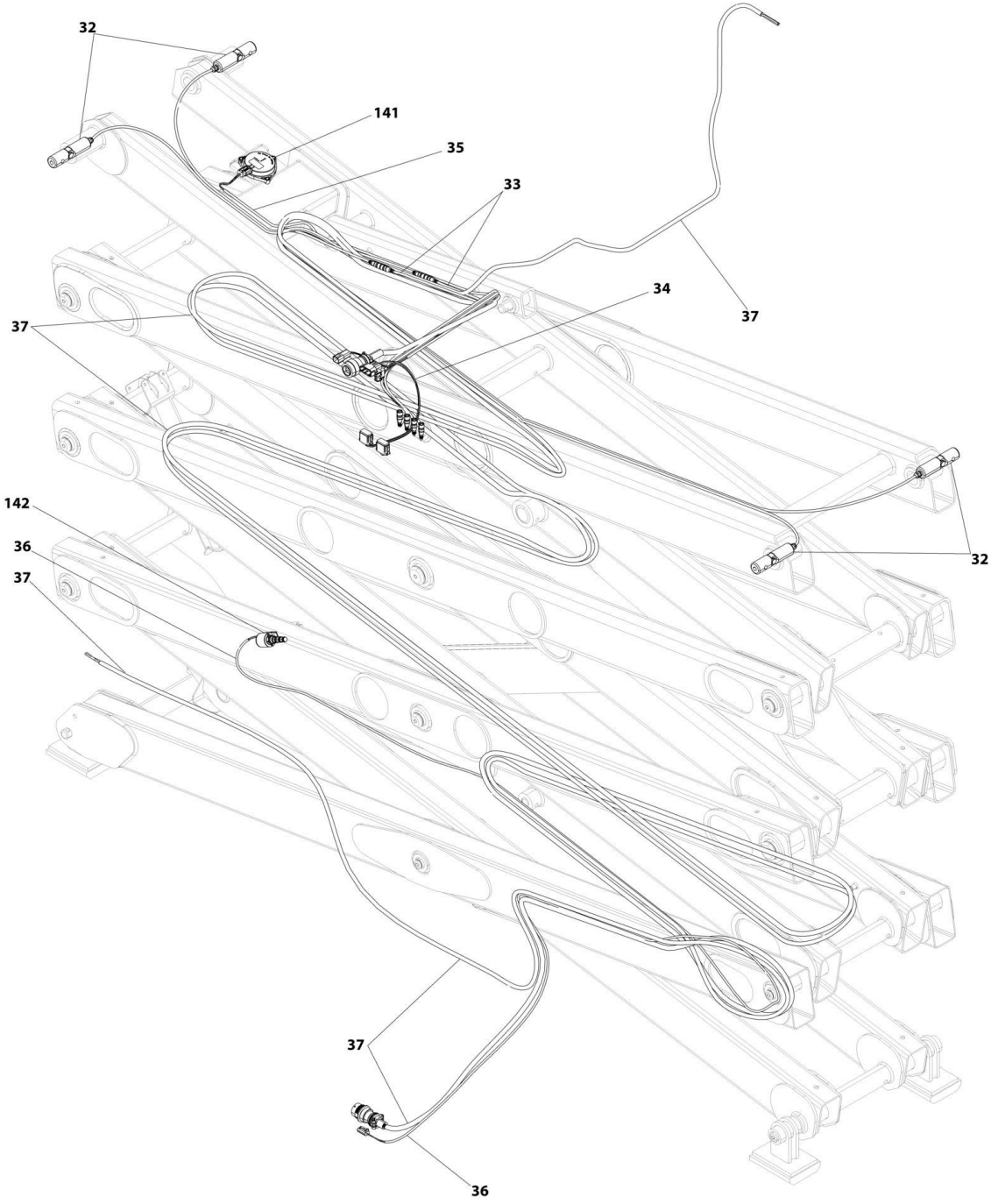
ART_RT3369-ELECTRICAL_ENGINE-KUBOTAT126D

SECTION 8 - ELECTRICAL



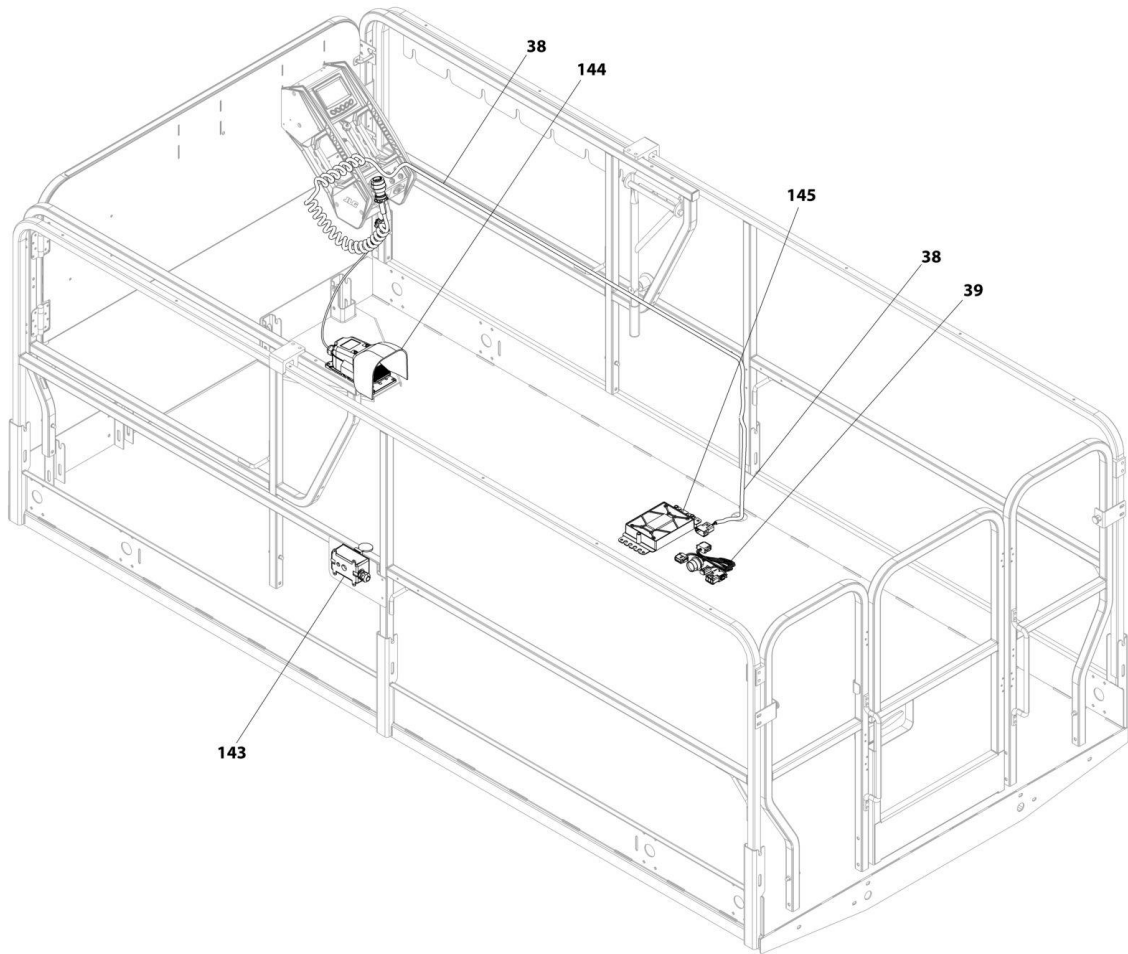
ART_RT3369-ELECTRICAL_ENGINE_KUBOTA096DF

SECTION 8 - ELECTRICAL



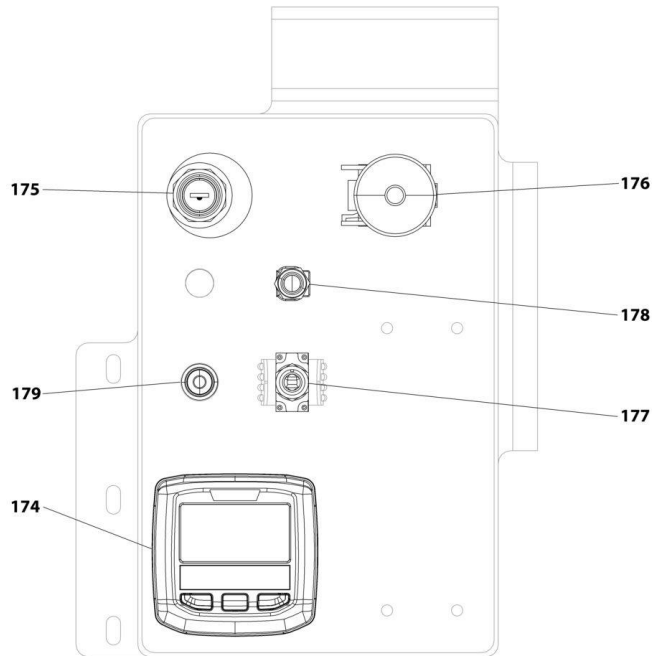
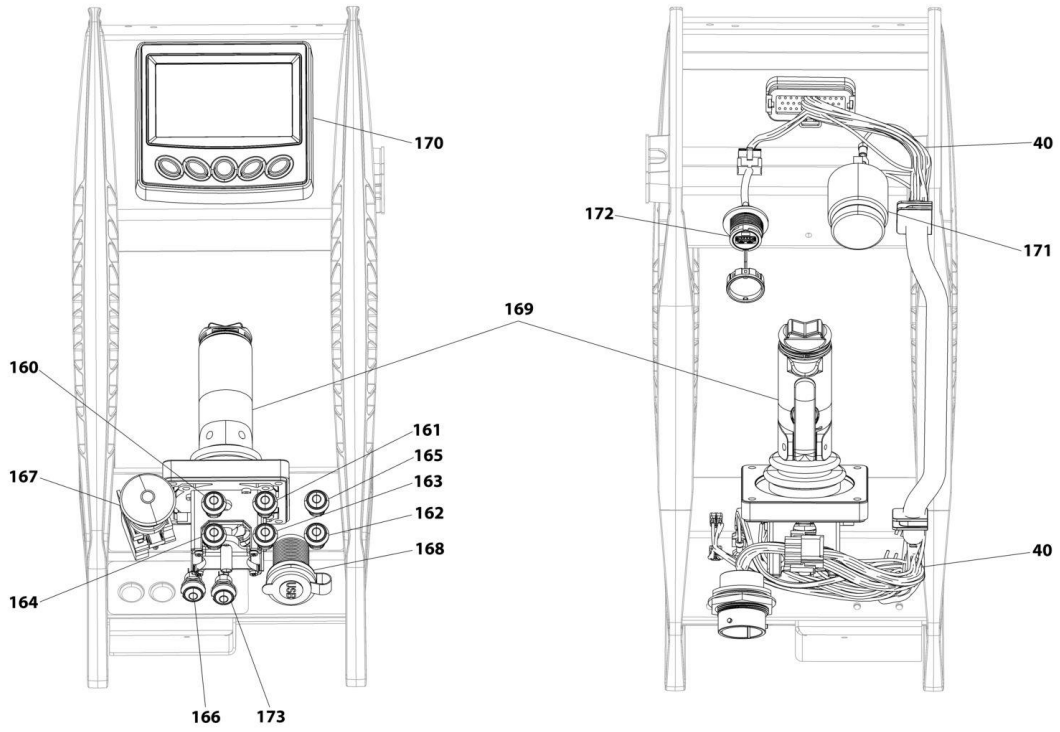
ART_ERT3369-ELECTRICAL_ARMS

SECTION 8 - ELECTRICAL



ART_ERT3369-ELECTRICAL_PLATFORM

SECTION 8 - ELECTRICAL



ART_RT3369-ELECTRICAL_CONTROLS

SECTION 8 - ELECTRICAL

FIGURE 8-1. ELECTRICAL LAYOUT

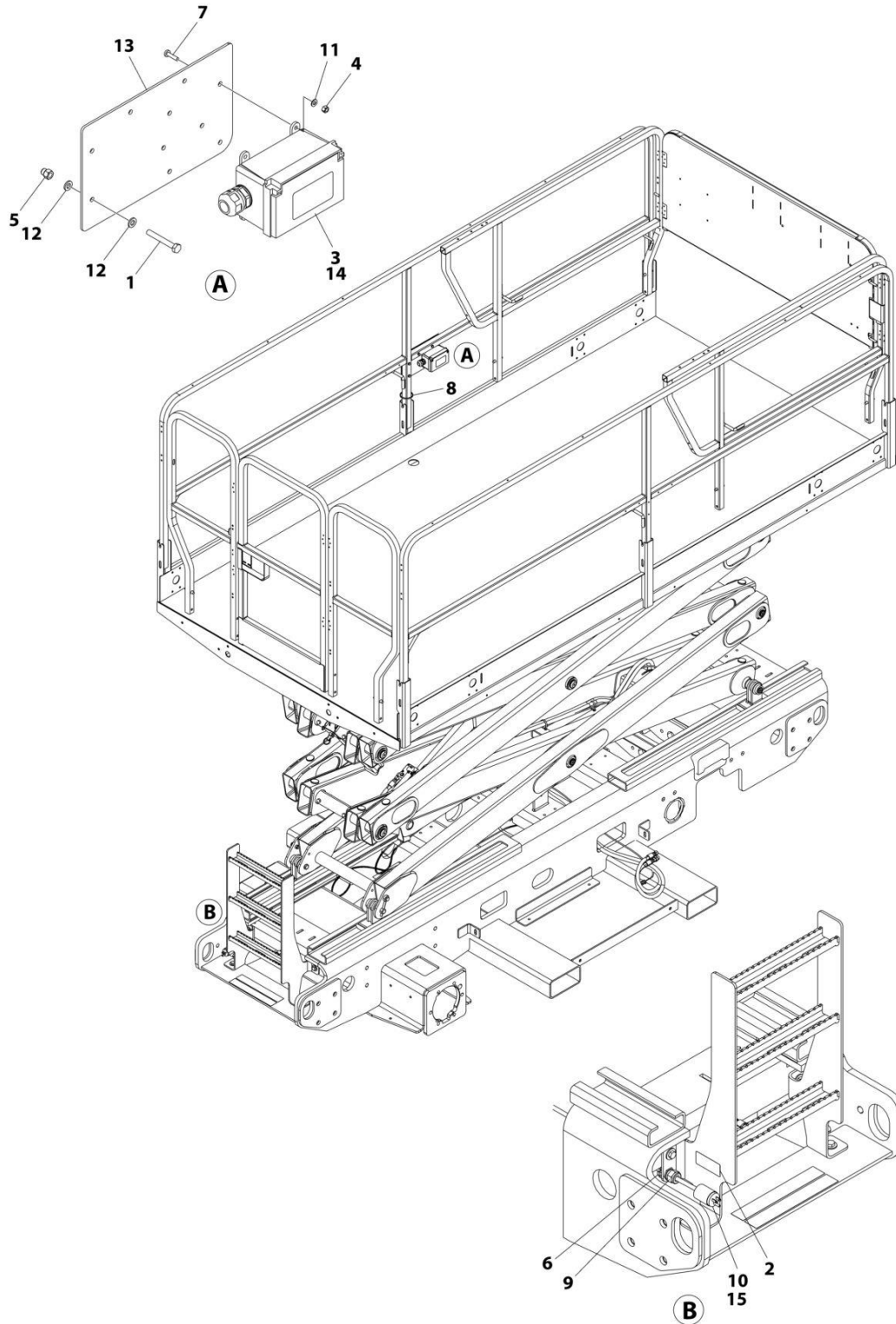
ITEM	PART NUMBER	QTY	DESCRIPTION	REV
		Ref	Note: This figure is for part identification only.	
		Ref	HARNESS LIST	
1		Ref	Harness, Rear Axle	
2		Ref	Harness, Chassis	
3		Ref	Cable, 12/3	
4		Ref	Harness, Leveling Jacks	
5		Ref	Harness, Clearsky	
6		Ref	Harness, Telematics	
7		Ref	Harness, Xirgo Jumper	
8		Ref	Harness, Hydraulic Oil Cooler	
9		Ref	Harness, Generator	
10		Ref	Harness, Fusible Link	
11		Ref	Harness, Engine	
12		Ref	Cable, Engine to Battery (+)	
13		Ref	Cable, Engine to Battery (-)	
14		Ref	Harness, Fusible Link	
15		Ref	Harness, Engine	
16		Ref	Cable, Engine to Battery (+)	
17		Ref	Cable, Engine to Battery (-)	
32		Ref	Assembly, Load Sense Pin/Cable	
33		Ref	Cable, Load Sense Extension	
34		Ref	Harness, Load Sense	
35		Ref	Harness, Tilt Sensor	
36		Ref	Harness, Lift Down	
37		Ref	Cable, AC Ground to Platform	
38		Ref	Harness, Platform Control Box	
39		Ref	Harness, Platform	
40		Ref	Harness, Platform Control Box	
		Ref	COMPONENT LIST	
101		Ref	Solenoid, Axle Lock	
102		Ref	Sensor, Tilt	
103		Ref	Solenoids, Dual Axle Valve	
104		Ref	Switch, Pressure	
105		Ref	Solenoids, Traction Valve	
106		Ref	Solenoids, Main Control Valve	
107		Ref	Module, Ground Control	
108		Ref	Sensor, Tilt	
109		Ref	AC Breaker Box	
110		Ref	Alarm	
111		Ref	Beacon	
112		Ref	Solenoid, Leveling Jack Cylinder	
113		Ref	Sensor, Leveling Jacks Pressure	
114		Ref	Solenoid, Leveling Jacks Valve	
115		Ref	Sensor, Leveling Jacks Proximity	
116		Ref	Alarm, White Noise	
117		Ref	Module, ClearSky Telematics CANBUS	
118		Ref	Antennae, ClearSky Telematics	
119		Ref	Module, ClearSky Telematics 3-Wire	
120		Ref	Voltage Regulator, ClearSky Telematics	
121		Ref	Switch, LSS Limit	

SECTION 8 - ELECTRICAL

ITEM	PART NUMBER	QTY	DESCRIPTION	REV
122		Ref	Hydraulic Oil Cooler	
123		Ref	Generator	
124		Ref	Box, Generator AC Receptacle	
125		Ref	Sensor, Fuel Level	
126		Ref	Fuel Pump	
127		Ref	Battery	
128		Ref	Module, Engine Control	
141		Ref	Sensor, Tilt	
142		Ref	Solenoid, Lift Down	
143		Ref	AC Receptacle	
144		Ref	Footswitch	
145		Ref	Module, Load Sense	
147		Ref	Starter	
148		Ref	Alternator	
149		Ref	Governor	
150		Ref	Sensor, Engine Coolant Temperature	
151		Ref	Sensor, Oil Pressure	
152		Ref	Sensor, Speed	
153		Ref	Module, Engine Control	
154		Ref	Starter	
155		Ref	Alternator	
156		Ref	LP Regulator	
157		Ref	Sensor, Engine Coolant Temperature	
158		Ref	Sensor, Oil Pressure	
159		Ref	Sensor, Oxygen	
160		Ref	Switch, Lift Select	
161		Ref	Switch, Drive Select	
162		Ref	Switch, Horn	
163		Ref	Switch, Speed Select	
164		Ref	Switch, Leveling Jacks	
165		Ref	Switch, Engine Start	
166		Ref	Switch, Fuel Select	
167		Ref	Switch, Emergency Stop	
168		Ref	USB Port	
169		Ref	Joystick	
170		Ref	Display, Platform	
171		Ref	Alarm	
172		Ref	USB Port	
173		Ref	Switch, Generator	
174		Ref	Display, Ground	
175		Ref	Switch, Key	
176		Ref	Switch, Emergency Stop	
177		Ref	Switch, Platform Lift/Lower	
178		Ref	Light, Load Sense Overload Indicator	
179		Ref	Switch, Engine Start	

SECTION 8 - ELECTRICAL

FIGURE 8-2. AC BOX AT PLATFORM INSTALLATION - 110V GFI (ALL SPECS EXCEPT AUSTRALIAN & CE SPECS)



ART_1001255001

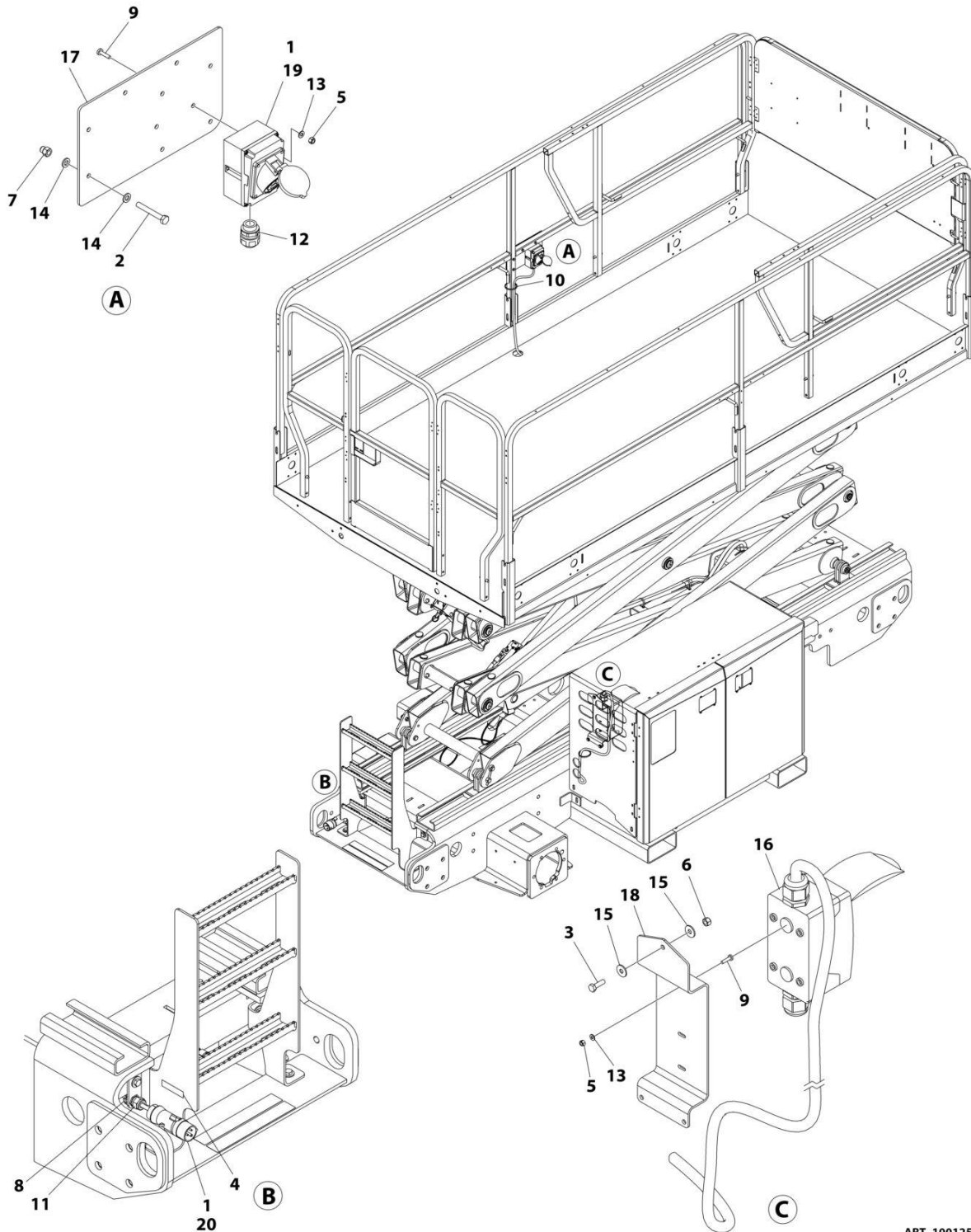
SECTION 8 - ELECTRICAL

FIGURE 8-2. AC BOX AT PLATFORM INSTALLATION - 110V GFI (ALL SPECS EXCEPT AUSTRALIAN & CE SPECS)

ITEM	PART NUMBER	QTY	DESCRIPTION	REV
	1001255001	Ref	AC BOX AT PLATFORM INSTALLATION - 110V	B
1	0700617	4	Bolt M6 x 45	
2	1703464	1	Decal - AC Power	
3	2902431	1	Receptacle Box Kit - 110V GFI (See Separate Breakdown in this Section)	
4	3290405	4	Nut M4	
5	3290606	4	Nut M6 x 1	
6	3300048	1	Nut 3/4	
7	4010408	4	Screw M4 x 16	
8	4240017	AR	Tie-Strap	
9	4460071	1	Connector	
10	4460138	1	Plug, Male	
11	4811400	4	Washer M4	
12	4811700	8	Washer M6	
13	1001254613	1	Plate, Platform Plug Mount	
14	4460315	3	Terminal, Spade	
15	1001212268	3	Terminal	

SECTION 8 - ELECTRICAL

FIGURE 8-3. AC BOX AT PLATFORM INSTALLATION - 110V IEC YELLOW (CE SPECS)



ART_1001255006

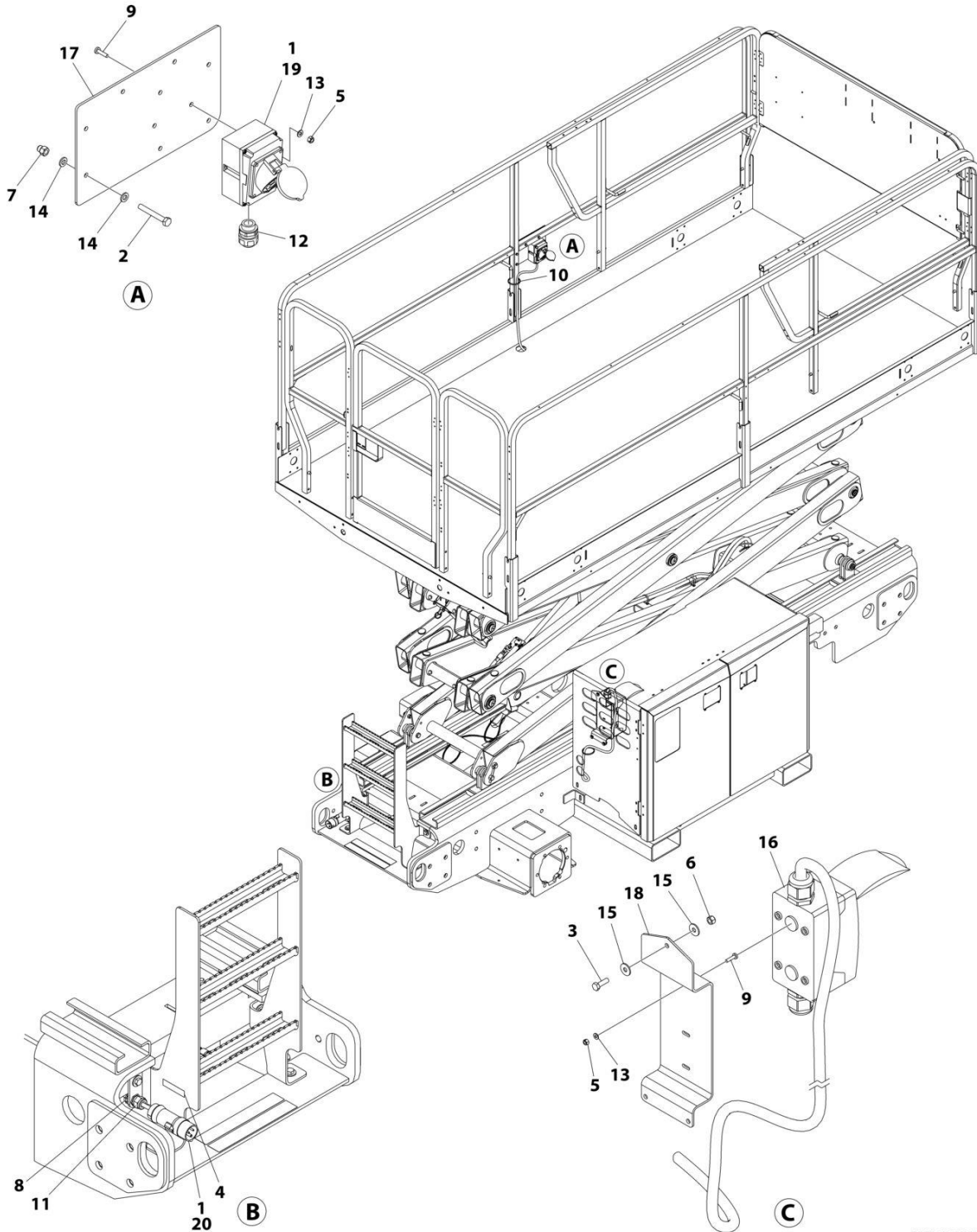
SECTION 8 - ELECTRICAL

FIGURE 8-3. AC BOX AT PLATFORM INSTALLATION - 110V IEC YELLOW (CE SPECS)

ITEM	PART NUMBER	QTY	DESCRIPTION	REV
	1001255006	Ref	AC BOX AT PLATFORM INSTALLATION - 110V IEC YELLOW	B
1	0275216	1	Receptacle Box Kit - 110V IEC Yellow (See Separate Breakdown in this Section)	
2	0700617	4	Bolt M6 x 45	
3	0760610	3	Bolt M6 x 20	
4	1705325	1	Decal - 110 Volt	
5	3290405	4	Nut M4	
6	3290605	3	Nut M6	
7	3290606	4	Nut M6 x 1	
8	3300048	1	Nut 3/4	
9	4010408	4	Screw M4 x 16	
10	4240017	AR	Tie-Strap	
11	4460071	1	Connector, Water Tight	
12	4460968	1	Connector, Strain Relief	
13	4811400	4	Washer M4	
14	4811700	8	Washer M6	
15	4811702	6	Washer M6	
16	1001096070	1	Breaker Box Kit (See Separate Breakdown in this Section)	
17	1001254613	1	Plate, Platform Plug Mount	
18	1001261118	1	Bracket, Electric Box Mount	
19	4460315	3	Terminal, Spade	
20	1001212268	3	Terminal	

SECTION 8 - ELECTRICAL

FIGURE 8-4. AC BOX AT PLATFORM INSTALLATION - 220V IEC BLUE (CE SPECS)



ART_1001255007

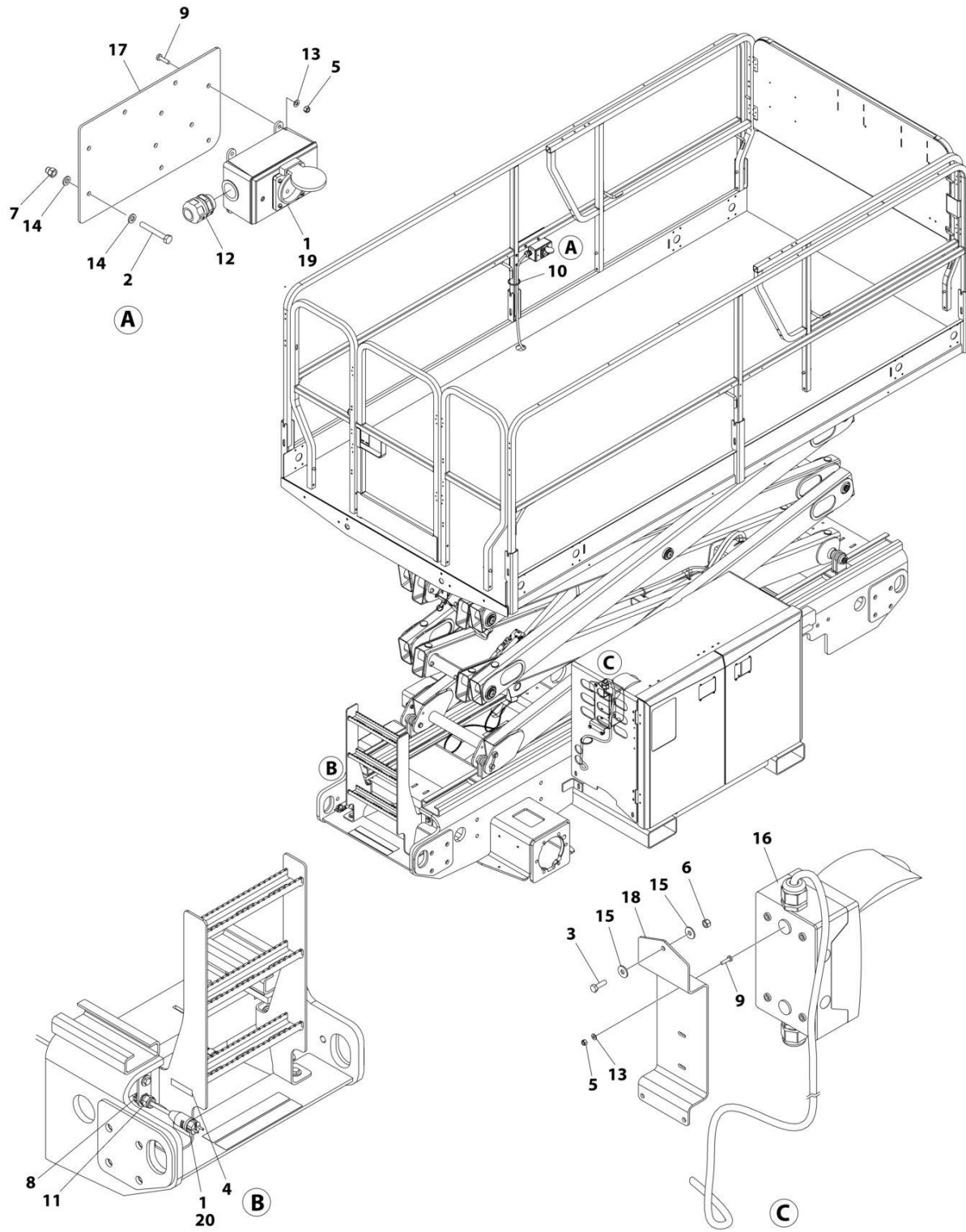
SECTION 8 - ELECTRICAL

FIGURE 8-4. AC BOX AT PLATFORM INSTALLATION - 220V IEC BLUE (CE SPECS)

ITEM	PART NUMBER	QTY	DESCRIPTION	REV
	1001255007	Ref	AC BOX AT PLATFORM INSTALLATION - 220V IEC BLUE	B
1	0275217	1	Receptacle Box Kit - 220V IEC Blue (See Separate Breakdown in this Section)	
2	0700617	4	Bolt M6 x 45	
3	0760610	3	Bolt M6 x 20	
4	3252507	1	Decal - 220 Volt	
5	3290405	4	Nut M4	
6	3290605	3	Nut M6	
7	3290606	4	Nut M6 x 1	
8	3300048	1	Nut 3/4	
9	4010408	4	Screw M4 x 16	
10	4240017	AR	Tie-Strap	
11	4460071	1	Connector, Water Tight	
12	4460968	1	Connector, Strain Relief	
13	4811400	4	Washer M4	
14	4811700	8	Washer M6	
15	4811702	6	Washer M6	
16	1001096070	1	Breaker Box Kit (See Separate Breakdown in this Section)	
17	1001254613	1	Plate, Platform Plug Mount	
18	1001261118	1	Bracket, Electric Box Mount	
19	4460315	3	Terminal, Spade	
20	1001212268	3	Terminal	

SECTION 8 - ELECTRICAL

FIGURE 8-5. AC BOX AT PLATFORM INSTALLATION - 220V CEE7 POST GROUND (CE SPECS)



ART_1001255004

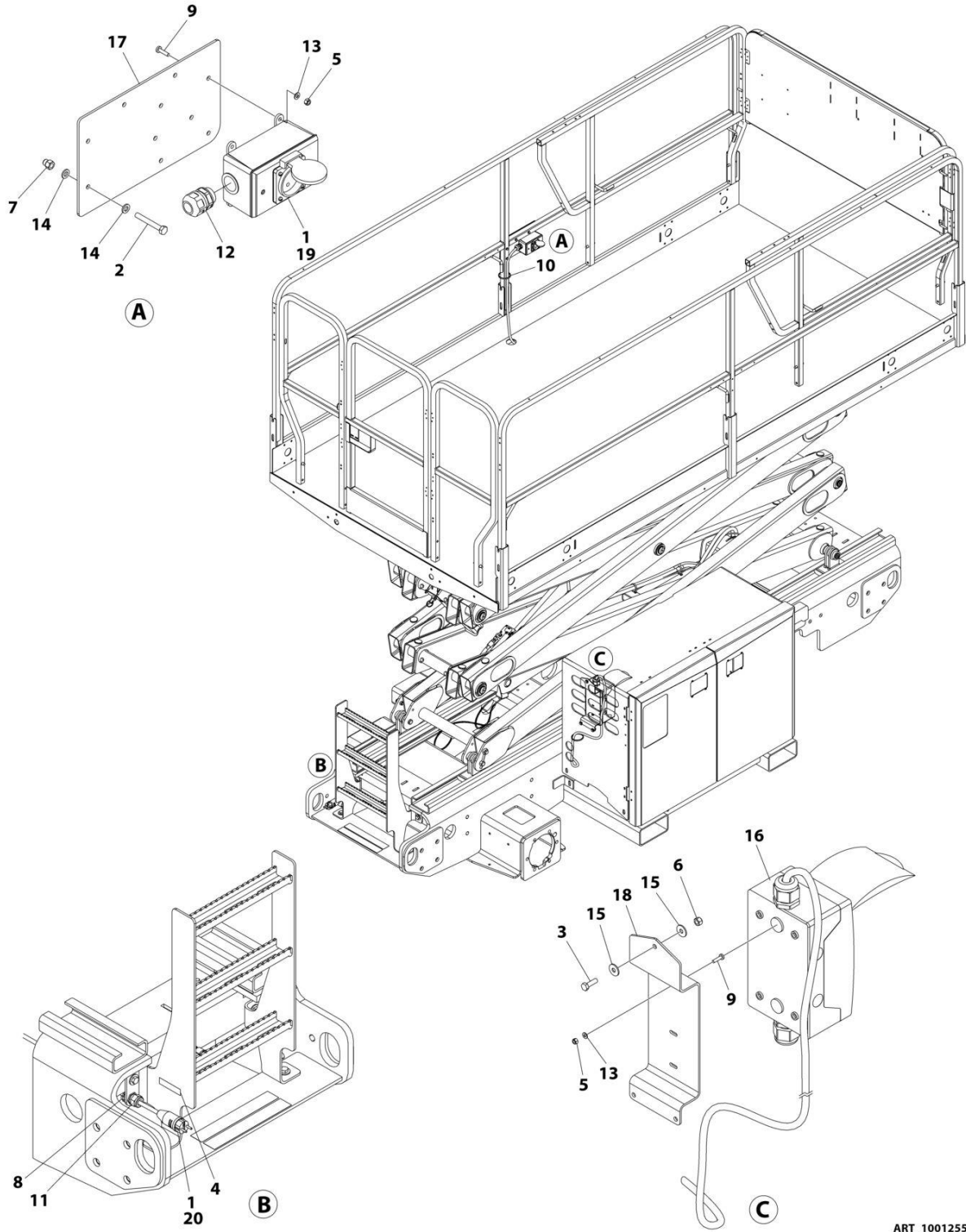
SECTION 8 - ELECTRICAL

FIGURE 8-5. AC BOX AT PLATFORM INSTALLATION - 220V CEE7 POST GROUND (CE SPECS)

ITEM	PART NUMBER	QTY	DESCRIPTION	REV
	1001255004	Ref	AC BOX AT PLATFORM INSTALLATION - 220V CEE7 POST GROUND	B
1	0275452	1	Receptacle Box Kit - 220V CEE7 Post Ground 2X4 Box (See Separate Breakdown in this Section)	
2	0700617	4	Bolt M6 x 45	
3	0760610	3	Bolt M6 x 20	
4	3252507	1	Decal - 220 Volt	
5	3290405	6	Nut M4	
6	3290605	3	Nut M6	
7	3290606	4	Nut M6 x 1	
8	3300048	1	Nut 3/4	
9	4010408	6	Screw M4 x 16	
10	4240017	AR	Tie-Strap	
11	4460071	1	Connector, Water Tight	
12	4460662	1	Connector, Strain Relief	
13	4811400	6	Washer M4	
14	4811700	8	Washer M6	
15	4811702	6	Washer M6	
16	1001152486	1	Electric Assembly, Box and Breaker (See Separate Breakdown in this Section)	
17	1001254613	1	Plate, Platform Plug Mount	
18	1001261118	1	Bracket, Electric Box Mount	
19	4460315	3	Terminal, Spade	
20	1001212268	3	Terminal	

SECTION 8 - ELECTRICAL

FIGURE 8-6. AC BOX AT PLATFORM INSTALLATION - 220V CEE7 SIDE GROUND (CE SPECS)



ART_1001255005

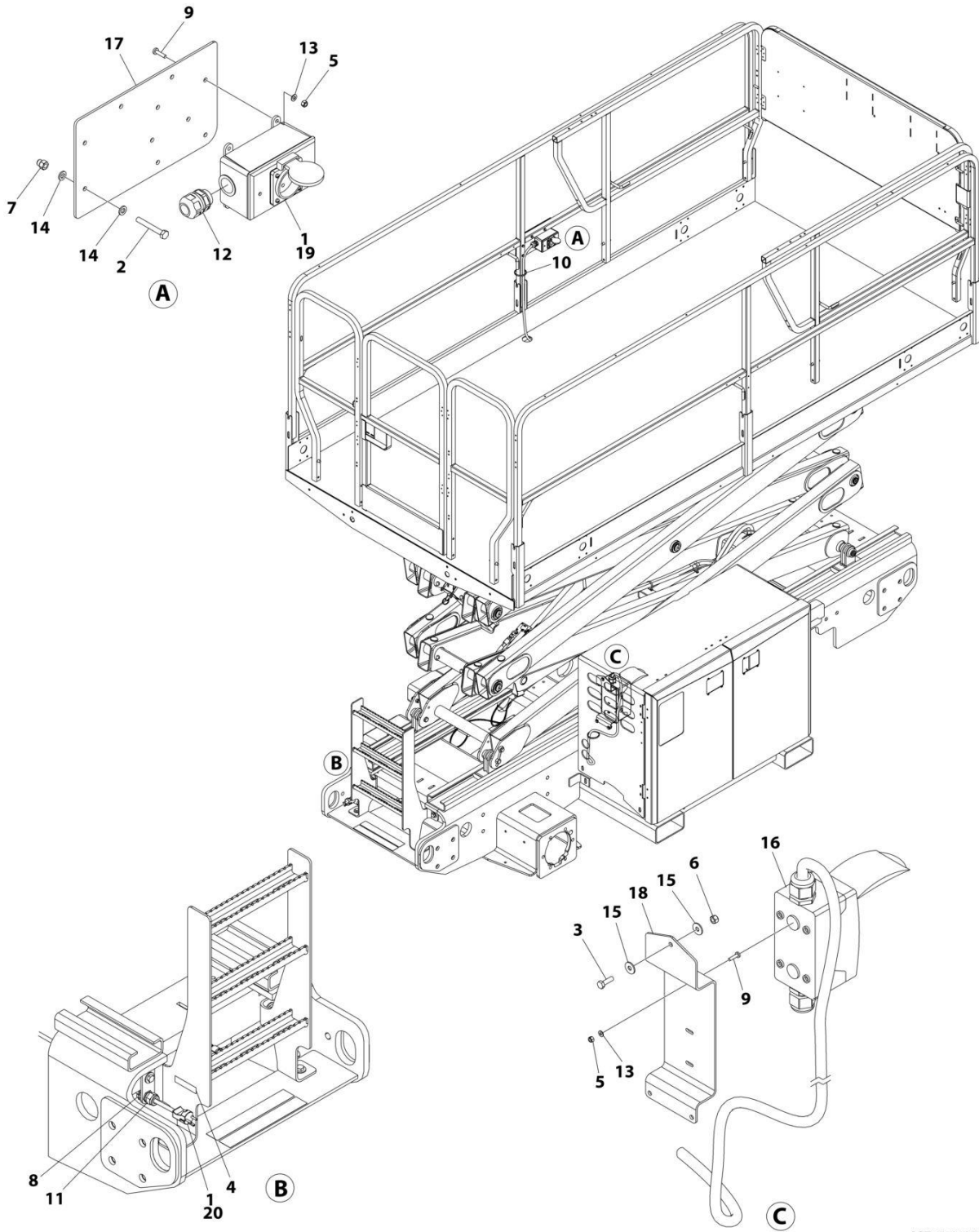
SECTION 8 - ELECTRICAL

FIGURE 8-6. AC BOX AT PLATFORM INSTALLATION - 220V CEE7 SIDE GROUND (CE SPECS)

ITEM	PART NUMBER	QTY	DESCRIPTION	REV
	1001255005	Ref	AC BOX AT PLATFORM INSTALLATION - 220V CEE7 SIDE GROUND	B
1	0275453	1	Receptacle Box Kit - 220V CEE7 Side Ground 2X4 Box (See Separate Breakdown in this Section)	
2	0700617	4	Bolt M6 x 45	
3	0760610	3	Bolt M6 x 20	
4	3252507	1	Decal - 220 Volt	
5	3290405	6	Nut M4	
6	3290605	3	Nut M6	
7	3290606	4	Nut M6 x 1	
8	3300048	1	Nut 3/4	
9	4010408	6	Screw M4 x 16	
10	4240017	AR	Tie-Strap	
11	4460071	1	Connector, Water Tight	
12	4460662	1	Connector, Strain Relief	
13	4811400	6	Washer M4	
14	4811700	8	Washer M6	
15	4811702	6	Washer M6	
16	1001152486	1	Electric Assembly, Box and Breaker (See Separate Breakdown in this Section)	
17	1001254613	1	Plate, Platform Plug Mount	
18	1001261118	1	Bracket, Electric Box Mount	
19	4460315	3	Terminal, Spade	
20	1001212268	3	Terminal	

SECTION 8 - ELECTRICAL

FIGURE 8-7. AC BOX AT PLATFORM INSTALLATION - 220V AFSINT 107 (CE SPECS)



ART_1001255008

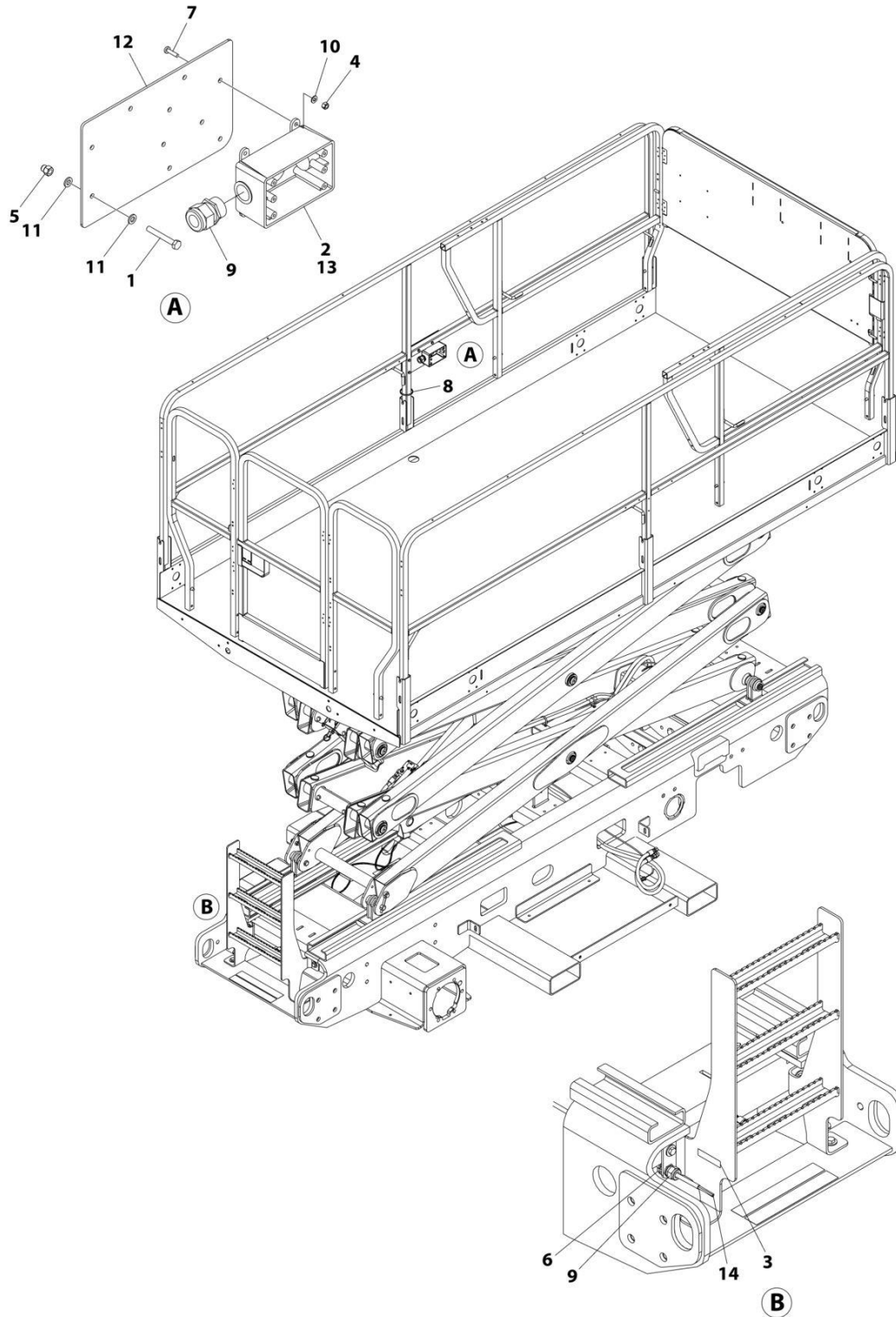
SECTION 8 - ELECTRICAL

FIGURE 8-7. AC BOX AT PLATFORM INSTALLATION - 220V AFSINT 107 (CE SPECS)

ITEM	PART NUMBER	QTY	DESCRIPTION	REV
	1001255008	Ref	AC BOX AT PLATFORM INSTALLATION - 220V AFSINT 107	B
1	0275454	1	Receptacle Box Kit - 220V AFSINT 107 (See Separate Breakdown in this Section)	
2	0700617	4	Bolt M6 x 45	
3	0760610	3	Bolt M6 x 20	
4	3252507	1	Decal - 220 Volt	
5	3290405	6	Nut M4	
6	3290605	3	Nut M6	
7	3290606	4	Nut M6 x 1	
8	3300048	1	Nut 3/4	
9	4010408	6	Screw M4 x 16	
10	4240017	AR	Tie-Strap	
11	4460071	1	Connector, Water Tight	
12	4460662	1	Connector, Strain Relief	
13	4811400	6	Washer M4	
14	4811700	8	Washer M6	
15	4811702	6	Washer M6	
16	1001096070	1	Breaker Box Kit (See Separate Breakdown in this Section)	
17	1001254613	1	Plate, Platform Plug Mount	
18	1001261118	1	Bracket, Electric Box Mount	
19	4460315	3	Terminal, Spade	
20	1001212268	3	Terminal	

SECTION 8 - ELECTRICAL

FIGURE 8-8. AC BOX AT PLATFORM INSTALLATION - 220V CUSTOMER SUPPLIED PLUG & RECEPTACLE (ALL SPECS EXCEPT AUSTRALIAN & CE SPECS)



ART_1001255002

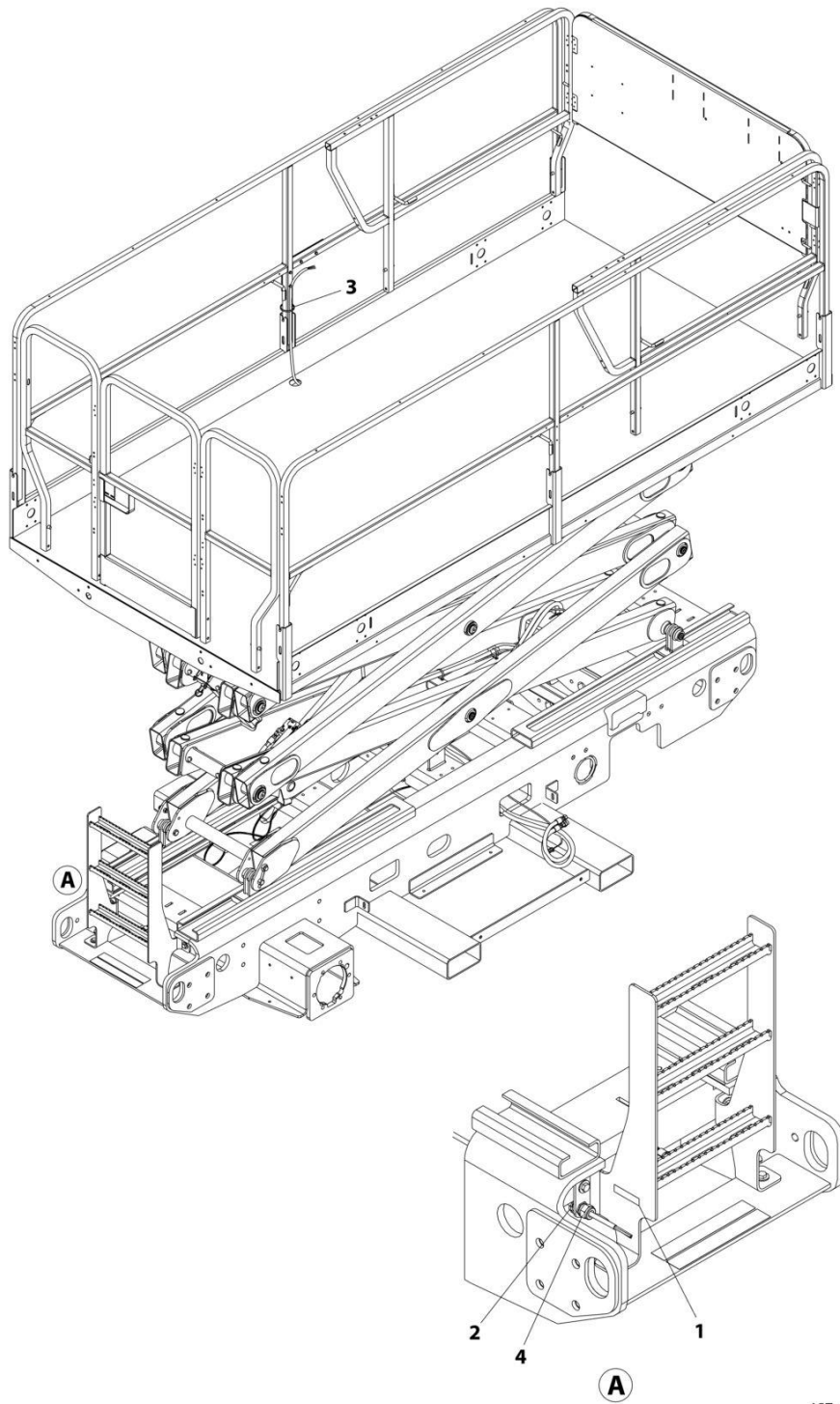
SECTION 8 - ELECTRICAL

FIGURE 8-8. AC BOX AT PLATFORM INSTALLATION - 220V CUSTOMER SUPPLIED PLUG & RECEPTACLE (ALL SPECS EXCEPT AUSTRALIAN & CE SPECS)

ITEM	PART NUMBER	QTY	DESCRIPTION	REV
	1001255002	Ref	AC BOX AT PLATFORM INSTALLATION - 220V RECEPTACLE	B
1	0700617	4	Bolt M6 x 45	
2	0861731	1	Box, Receptacle	
3	3252507	1	Decal - 220 Volt	
4	3290405	4	Nut M4	
5	3290606	4	Nut M6 x 1	
6	3300048	1	Nut 3/4	
7	4010408	4	Screw M4 x 16	
8	4240017	AR	Tie-Strap	
9	4460071	2	Connector, Water Tight	
10	4811400	4	Washer M4	
11	4811700	8	Washer M6	
12	1001254613	1	Plate, Platform Plug Mount	
13	4460315	3	Terminal, Spade	
14	1001212268	3	Terminal	

SECTION 8 - ELECTRICAL

FIGURE 8-9. AC BOX AT PLATFORM INSTALLATION - 220V CUSTOMER SUPPLIED COMPONENTS
(ALL SPECS)



ART_1001255003

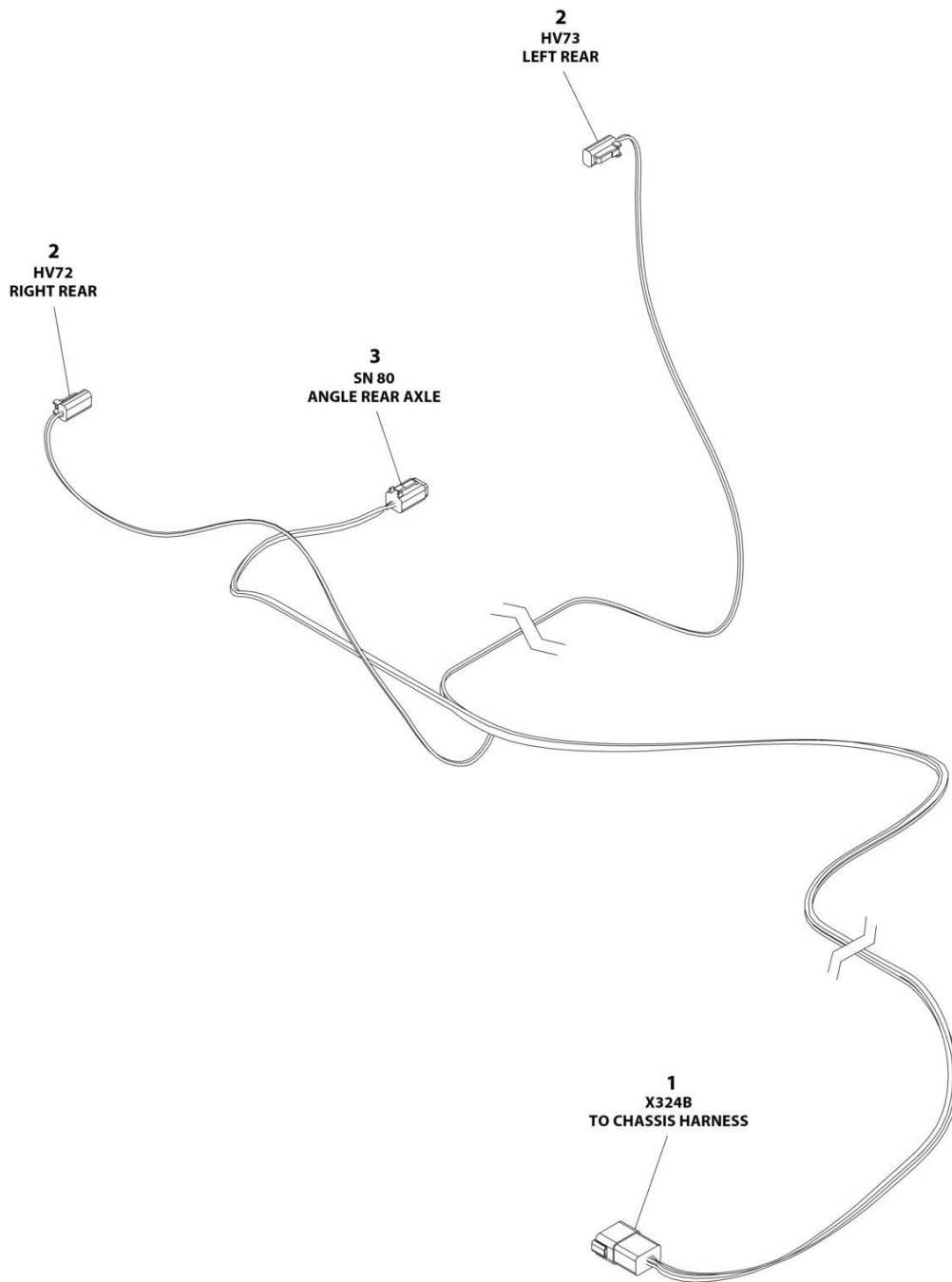
SECTION 8 - ELECTRICAL

**FIGURE 8-9. AC BOX AT PLATFORM INSTALLATION - 220V CUSTOMER SUPPLIED COMPONENTS
(ALL SPECS)**

ITEM	PART NUMBER	QTY	DESCRIPTION	REV
	1001255003	Ref	AC BOX AT PLATFORM INSTALLATION - 220V CUSTOMER SUPPLIED COMPONENTS	A
1	3252507	1	Decal - 220 Volt	
2	3300048	1	Nut 3/4	
3	4240017	AR	Tie-Strap	
4	4460071	1	Connector, Water Tight	

SECTION 8 - ELECTRICAL

FIGURE 8-10. AXLE HARNESS - REAR OSCILLATING



ART_1001249282

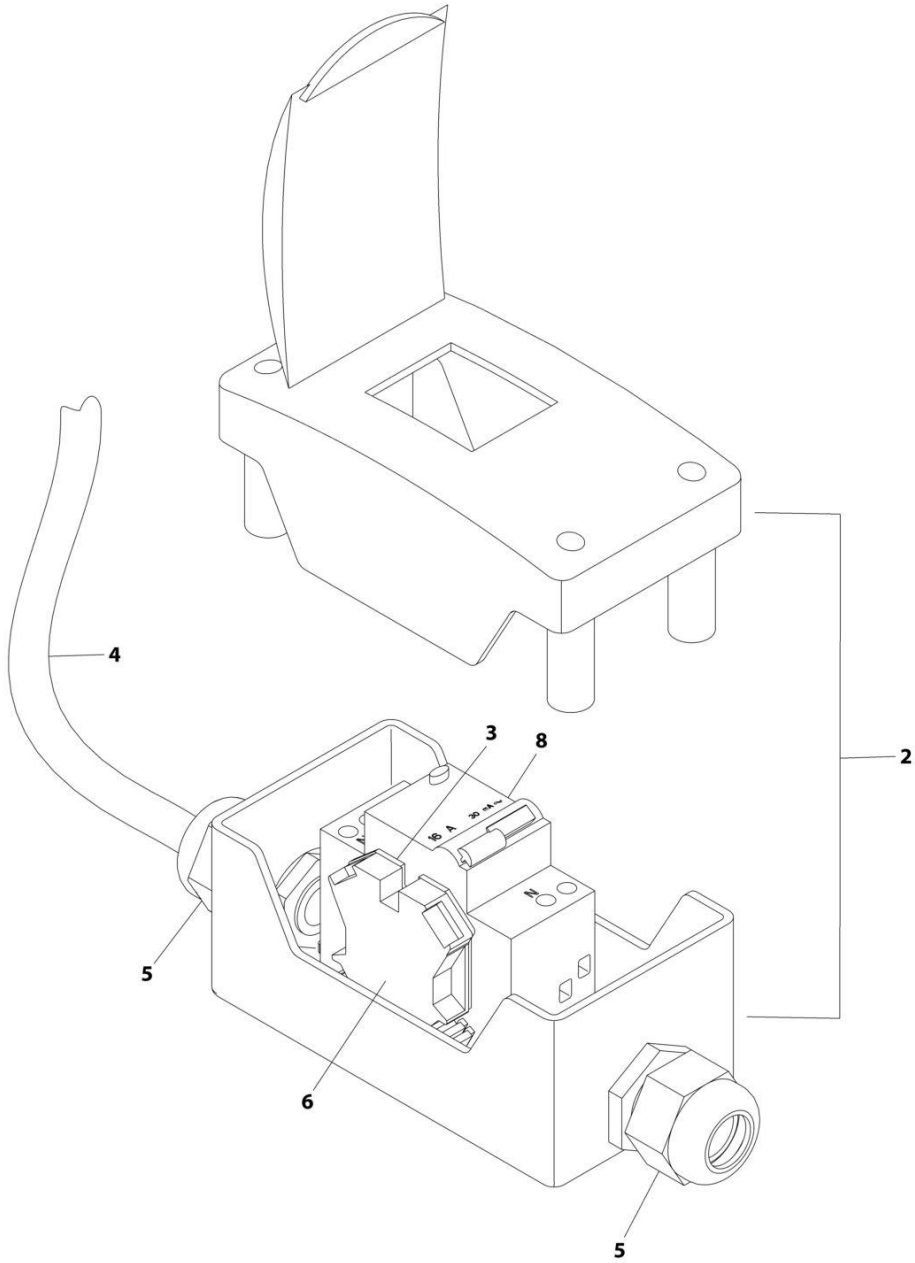
SECTION 8 - ELECTRICAL

FIGURE 8-10. AXLE HARNESS - REAR OSCILLATING

ITEM	PART NUMBER	QTY	DESCRIPTION	REV
	1001249282	Ref	AXLE HARNESS - REAR OSCILLATING	E
1	4460931	1	Receptacle, Female - 8 Position	
1	4460464	6	Pin, Male	
1	4460493	2	Pin, Male	
2	4460891	2	Plug, Male - 2 Position	
2	4460465	4	Socket, Female	
3	4460884	1	Plug, Male - 4 Position	
3	4460465	2	Socket, Female	
3	4460944	2	Socket, Female	

SECTION 8 - ELECTRICAL

FIGURE 8-11. BREAKER BOX KIT - 1 DOUBLE BREAKER (CE SPECS)



ART_1001096070_E

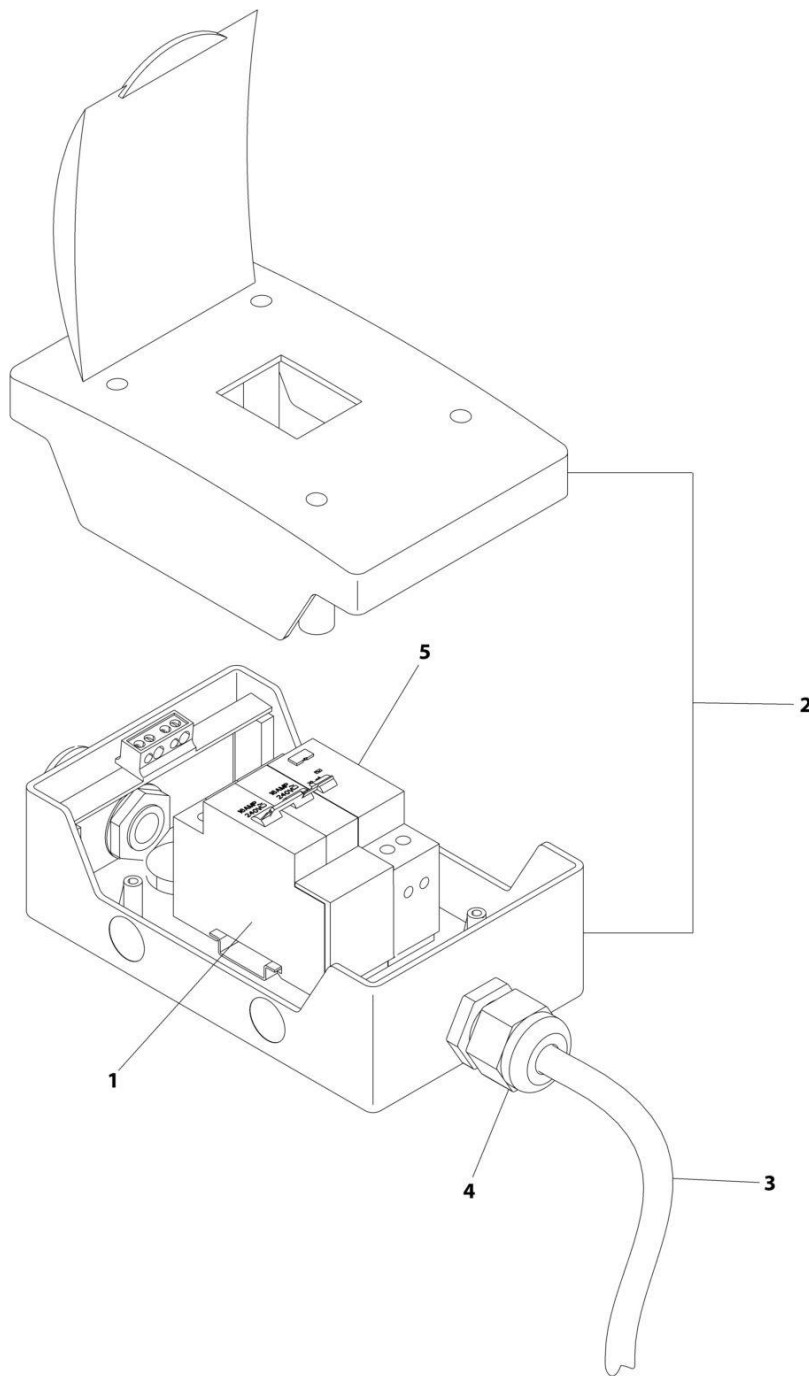
SECTION 8 - ELECTRICAL

FIGURE 8-11. BREAKER BOX KIT - 1 DOUBLE BREAKER (CE SPECS)

ITEM	PART NUMBER	QTY	DESCRIPTION	REV
	1001096070	Ref	BREAKER BOX KIT	E
2	0861880	1	Box	
3	4460956	1	Barrier, Terminal Block End	
4	1060908	12 ft/ 3.6m	Cable, 12/3	
5	1001097150	2	Connector, Strain Relief	
6	4460957	1	Block, Terminal	
8	1001181045	1	Breaker, 16Amp	

SECTION 8 - ELECTRICAL

FIGURE 8-12. BREAKER BOX KIT - 1 DOUBLE & 1 SINGLE BREAKER (CE SPECS)



ART_1001152486_C

SECTION 8 - ELECTRICAL

FIGURE 8-12. BREAKER BOX KIT - 1 DOUBLE & 1 SINGLE BREAKER (CE SPECS)

ITEM	PART NUMBER	QTY	DESCRIPTION	REV
	1001152486	Ref	BREAKER BOX KIT	C
1	1001189172	1	Breaker, 16 Amp (Double)	
2	1001152483	1	Box	
3	1060908	12 ft/ 3.66m	Cable, 12/3	
4	1001097150	1	Connector, Strain Relief	
5	1001189171	1	Breaker, 30mA	

SECTION 8 - ELECTRICAL

FIGURE 8-13. CHASSIS HARNESS

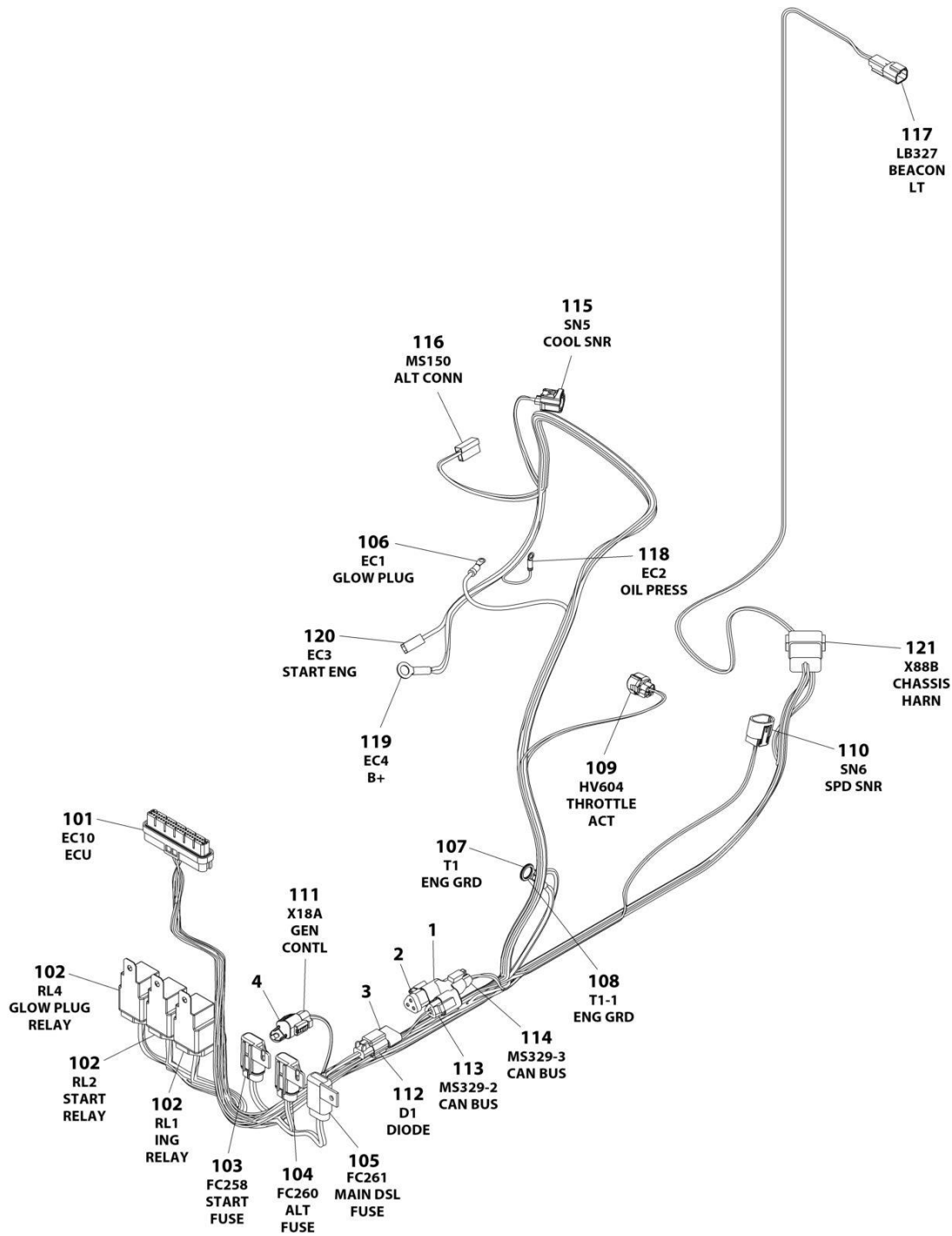
ITEM	PART NUMBER	QTY	DESCRIPTION	REV
	1001247472	Ref	CHASSIS HARNESS	H
1	1001249244	1	Bussbar - 12 Position	
2	4460892	2	Bussbar - 6 Position	
3	1001106736	1	Cap, Dust	
4	1001125677	2	Bussbar - 12 Position	
5	1001144295	9	Cap, Thermoplastic	
6	1001152266	1	Connector - 4 Position	
8	1001192401	4	Cap, Dust	
9	1001215898	2	Cap, Dust	
10	1001244462	1	Cap, Dust	
12	4461070	1	Connector - 3 Position	
13	1001125784	1	Washer	
14	1001125785	1	Nut	
101	4460897	2	Receptacle, Female - 2 Position	
101	4460464	4	Pin, Male	
102	4460891	20	Plug, Male - 2 Position	
102	4460465	40	Socket, Female	
103	4460930	1	Plug, Male - 8 Position	
103	4460465	6	Socket, Female	
103	4460944	2	Socket, Female	
104	4460754	1	Plug, Male - 14 Position	
104	4460465	10	Socket, Female	
104	4460944	2	Socket, Female	
104	4460466	2	Plug, Terminal	
105	4460933	3	Plug, Male - 12 Position	
105	4460465	12	Socket, Female	
105	4460944	22	Socket, Female	
105	4460466	2	Plug, Terminal	
106	4460933	3	Plug, Male - 12 Position	
106	4460465	32	Socket, Female	
106	4460466	4	Plug, Terminal	
107	4460894	3	Plug, Male - 6 Position	
107	4460465	22	Socket, Female	
107	4460466	2	Plug, Terminal	
108	4460761	1	Plug, Male - 4 Position	
108	4460227	4	Terminal	
109	4460884	7	Plug, Male - 4 Position	
109	4460465	12	Socket, Female	
109	4460944	16	Socket, Female	
110	1001116950	1	Plug, Male - 2 Position	
110	4460465	2	Socket, Female	
111	4460874	1	Connector - 35 Position	
111	4460871	14	Terminal	
111	4460905	21	Plug, Terminal	
112	4460872	1	Connector - 35 Position	
112	4460871	8	Terminal	
112	4460905	6	Plug, Terminal	
113	4460875	1	Connector - 35 Position	
113	4460871	27	Terminal	
113	4460905	8	Plug, Terminal	

SECTION 8 - ELECTRICAL

ITEM	PART NUMBER	QTY	DESCRIPTION	REV
114	4460878	1	Connector - 4 Position	
114	4461271	1	Terminal	
114	4460887	1	Terminal	
115	4460873	1	Connector - 35 Position	
115	4460871	29	Terminal	
115	4460905	6	Plug, Terminal	
116	4460876	1	Connector - 35 Position	
116	4460871	18	Terminal	
116	4460905	17	Plug, Terminal	
117	4460539	1	Plug, Male - 3 Position	
117	4460465	3	Socket, Female	
118	1001113961	1	Connector - 8 Position	
118	4460871	4	Terminal	
118	4460905	4	Plug, Terminal	
119	1001246859	1	Connector - 14 Position	
119	4460871	10	Terminal	
119	4460905	4	Plug, Terminal	
120	4460144	2	Terminal, Fork	
121	4460183	3	Terminal, Fork	
122	4461290	1	Connector - 2 Position	
122	4460928	2	Terminal	
123	4460260	2	Cover, Terminal	
123	4460259	2	Terminal	
124	4460418	1	Connector, Switch	
124	4460419	2	Terminal	
124	1001159186	2	Terminal	
125	1001184832	1	Connector - 2 Position	
125	1001118658	2	Terminal	
125	1001205250	2	Seal	
126	4461095	1	Plug, Male - 3 Position	
126	4460944	2	Socket, Female	
126	4460466	1	Plug, Terminal	
127	1001118282	1	Connector, Relay	
127	1001116734	2	Terminal	
127	1001116732	2	Terminal	
127	1001128128	1	Plug, Terminal	
128	1001249095	1	Connector - 9 Position	
128	4460464	3	Pin, Male	
128	4460943	2	Pin, Male	
128	4460466	4	Plug, Terminal	
129	4460424	1	Connector - 2 Position	
129	4460268	2	Terminal	
130	1001118744	1	Connector - 2 Position	
130	1001118745	2	Terminal	
131	8220164	1	Terminal, Ring	
132	2400066	2	Fuseholder with Cover	
132	8229242	1	Fuse 5Amp	
132	8229244	1	Fuse 15Amp	

SECTION 8 - ELECTRICAL

FIGURE 8-14. ENGINE HARNESS - DIESEL



ART_1001248134

SECTION 8 - ELECTRICAL

FIGURE 8-14. ENGINE HARNESS - DIESEL

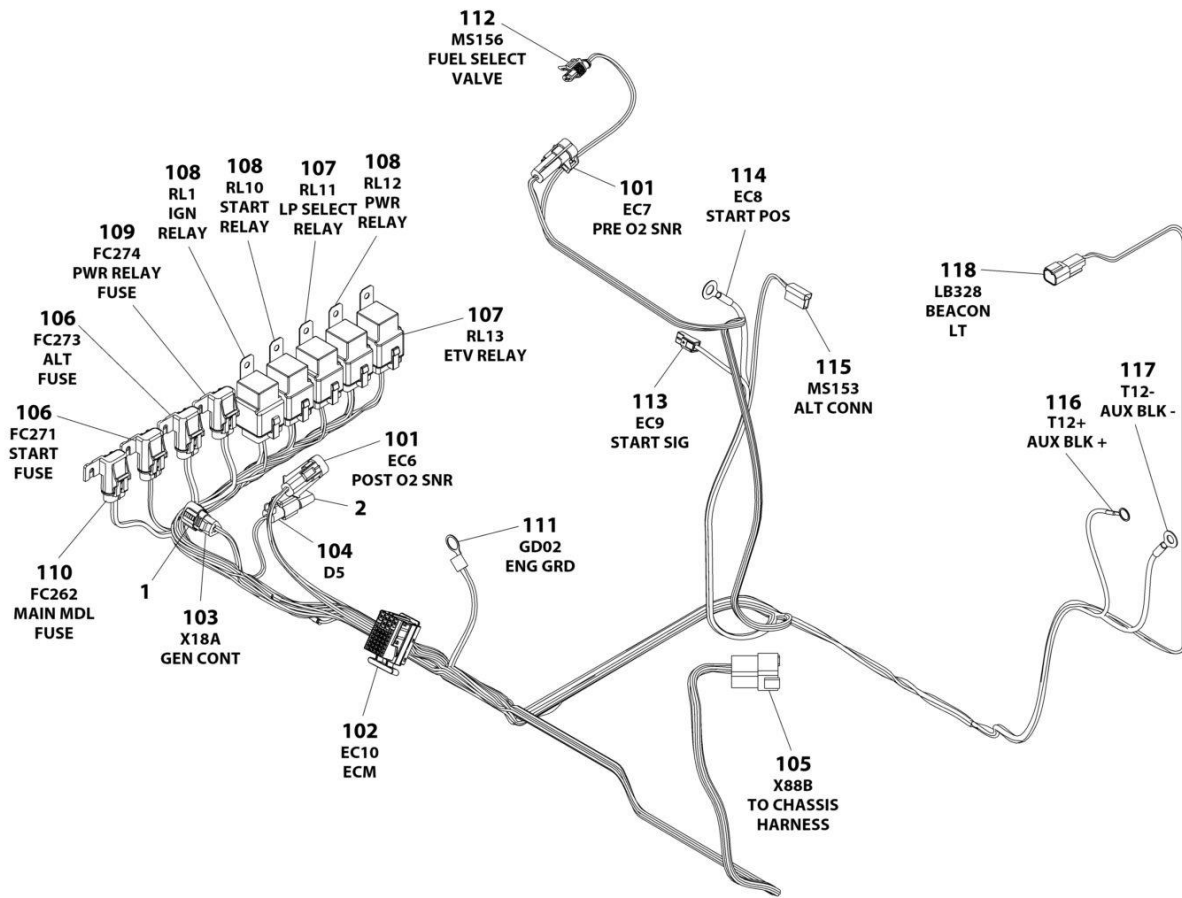
ITEM	PART NUMBER	QTY	DESCRIPTION	REV
	1001248134	Ref	ENGINE HARNESS - DIESEL	E
1	4460945	1	Connector - 3 Way	
2	1001116815	1	Connector - 3 Position Plug	
3	1001116816	1	Connector, Bussbar	
4	1001144296	1	Cap	
101	1001248222	1	Connector - 44 Position	
101	1001248223	21	Terminal	
101	1001248224	23	Plug, Terminal	
102	1001118282	3	Connector, Relay	
102	1001116734	6	Terminal	
102	1001116732	6	Terminal	
102	1001128128	3	Plug, Terminal	
103	1001118938	1	Fuseholder with 40Amp Fuse	
103	1001116752	2	Terminal	
104	1001117022	1	Fuseholder with 7.5Amp Fuse	
104	1001117069	1	Fuseholder with 20Amp Fuse	
104	1001116733	2	Terminal	
105	1001117023	1	Fuseholder with 10Amp Fuse	
105	1001116752	2	Terminal	
107	4460142	1	Terminal, Ring	
108	1001130900	1	Terminal, Ring	
109	8220111	1	Terminal, Ring	
109	1001248227	1	Receptacle, Female - 2 Position	
109	1001248228	2	Terminal	
109	1001248229	2	Seal	
110	1001223431	1	Receptacle, Female - 3 Position	
110	1001223794	3	Terminal	
110	1001223797	3	Seal	
111	4460539	1	Plug, Male - 3 Position	
111	4460465	3	Socket, Female	
112	4460891	1	Plug, Male - 2 Position	
112	4460942	2	Socket, Female	
113	4460539	1	Plug, Male - 3 Position	
113	4460944	2	Socket, Female	
113	4460466	1	Plug, Terminal	
114	1001116812	1	Plug, Male - 3 Position	
114	4460944	2	Socket, Female	
114	4460466	1	Plug, Terminal	
115	1001118657	1	Receptacle, Female - 3 Position	
115	1001118658	2	Terminal	
115	1001118659	2	Seal	
116	1001118744	1	Connector - 2 Position	
116	1001118745	2	Terminal	
117	4460897	1	Receptacle, Female - 2 Position	
117	4460464	2	Pin, Male	
118	4460247	1	Terminal, Ring	
119	8220164	1	Terminal, Ring	
120	1001118743	1	Connector	
120	1001230488	1	Terminal	
121	4460950	1	Receptacle, Female - 12 Position	

SECTION 8 - ELECTRICAL

ITEM	PART NUMBER	QTY	DESCRIPTION	REV
121	4460464	4	Pin, Male	
121	4460943	2	Pin, Male	
121	4460941	1	Pin, Male	
121	4460466	5	Plug, Terminal	

SECTION 8 - ELECTRICAL

FIGURE 8-15. ENGINE HARNESS - DUAL FUEL



ART_1001248289

SECTION 8 - ELECTRICAL

FIGURE 8-15. ENGINE HARNESS - DUAL FUEL

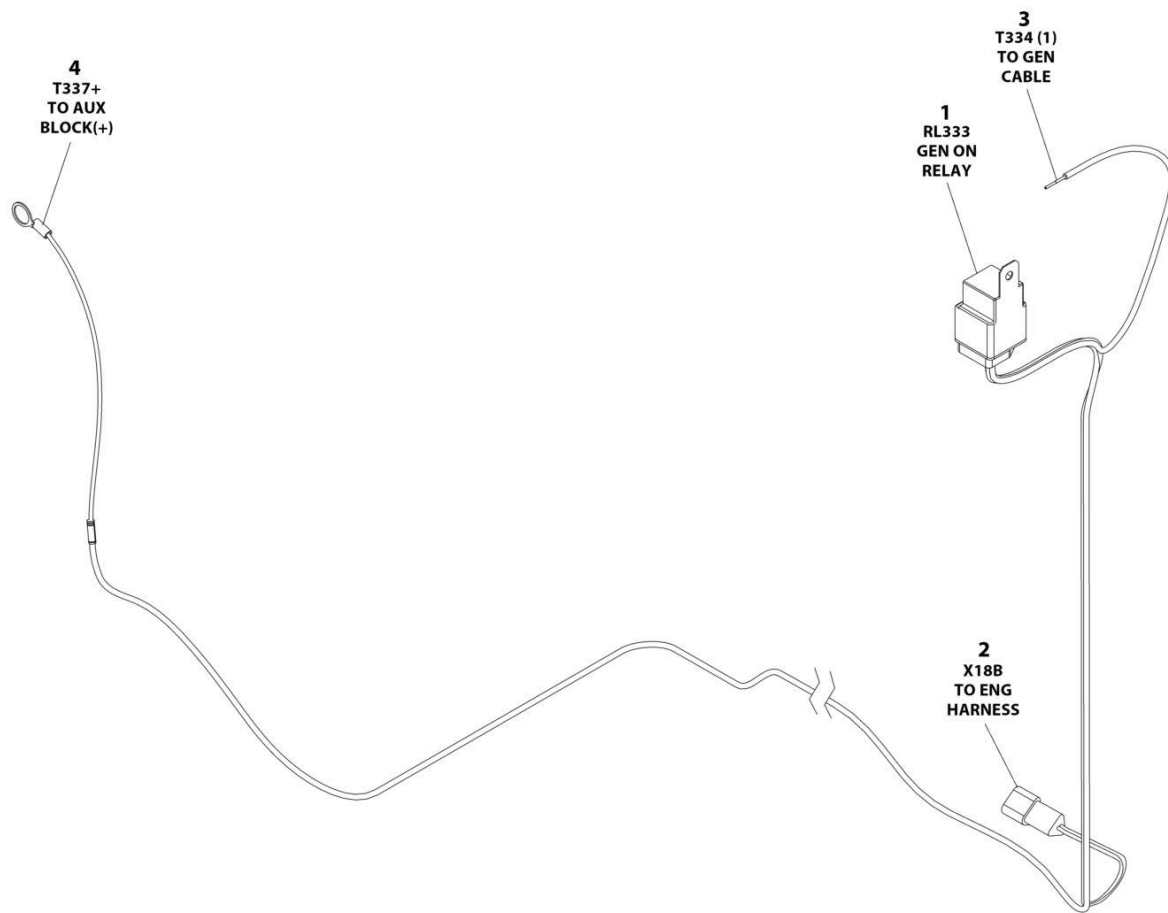
ITEM	PART NUMBER	QTY	DESCRIPTION	REV
	1001248289	Ref	ENGINE HARNESS - GAS	I
1	1001144296	1	Cap	
2	1001116816	1	Connector, Diode	
101	1001184722	2	Connector - 4 Position	
101	1001270481	8	Terminal (Gold)	
101	1001116749	8	Terminal (Tin)	
101	1001237778	4	Seal	
101	4460608	4	Seal	
102	1001184705	1	Connector - 42 Position	
102	1001187455	4	Terminal	
102	1001184718	5	Terminal	
102	1001184717	2	Terminal	
102	1001184716	10	Terminal	
102	1001126391	20	Plug, Terminal	
102	4461008	1	Plug, Terminal	
102	4461054	9	Seal	
102	1001126393	12	Seal	
103	4460539	1	Plug, Male - 3 Position	
103	4460465	3	Socket, Female	
104	4460891	1	Plug, Male - 2 Position	
104	4460942	2	Socket, Female	
105	4460950	1	Receptacle, Female - 12 Position	
105	4460464	4	Pin, Male	
105	4460943	2	Pin, Male	
105	4460941	1	Pin, Male	
105	4460466	1	Plug, Terminal	
106	1001118938	1	Fuseholder with 40Amp Fuse	
106	1001116752	2	Terminal (11-13 AWG)	
106	1001116732	2	Terminal (18-20 AWG)	
107	1001117025	2	Connector, Relay	
107	1001116733	2	Terminal	
107	1001116732	6	Terminal	
108	1001118282	3	Connector, Relay	
108	1001116734	6	Terminal	
108	1001116732	6	Terminal	
108	1001128128	3	Plug, Terminal	
109	1001117070	1	Fuseholder with 30Amp Fuse	
109	1001116752	2	Terminal	
110	1001117069	1	Fuseholder with 20Amp Fuse	
110	1001116752	2	Terminal	
111	8220029	1	Terminal, Ring	
112	4461118	1	Plug, Male - 2 Position	
112	1001107854	2	Terminal	
112	1001104498	1	Seal	
112	1001116763	1	Seal	
113	1001184768	1	Connector	
113	1001184769	1	Terminal	
114	1001117110	1	Terminal, Ring	
115	1001118744	1	Connector - 2 Position	
115	1001118745	2	Terminal	

SECTION 8 - ELECTRICAL

ITEM	PART NUMBER	QTY	DESCRIPTION	REV
116	4460019	1	Terminal, Ring	
117	8220045	1	Terminal, Ring	
118	4460897	1	Receptacle, Female - 2 Position	
118	4460464	2	Pin, Male	

SECTION 8 - ELECTRICAL

FIGURE 8-16. GENERATOR HARNESS



ART_1001249464

SECTION 8 - ELECTRICAL

FIGURE 8-16. GENERATOR HARNESS

ITEM	PART NUMBER	QTY	DESCRIPTION	REV
	1001249464	Ref	GENERATOR HARNESS	B
1	1001118282	1	Connector & Relay	
1	3740080	1	Relay	
1	1001116734	2	Terminal	
1	1001116732	2	Terminal	
1	1001128128	1	Plug, Terminal	
2	4460536	1	Receptacle, Female - 3 Position	
2	4460464	2	Pin, Male	
2	4460466	1	Plug, Terminal	
3	4460906	1	Terminal	
4	8220111	1	Terminal, Ring	

SECTION 8 - ELECTRICAL

FIGURE 8-17. GROUND TO PLATFORM HARNESS (RT2669)



ART_1001248279

SECTION 8 - ELECTRICAL

FIGURE 8-17. GROUND TO PLATFORM HARNESS (RT2669)

ITEM	PART NUMBER	QTY	DESCRIPTION	REV
	1001248279	Ref	GROUND TO PLATFORM HARNESS	D
1	4460754	1	Connector - 14 Position	
1	4460465	14	Socket, Female	
2	1001156541	1	Connector - 14 Position	
2	4460464	14	Pin, Male	

SECTION 8 - ELECTRICAL

FIGURE 8-18. GROUND TO PLATFORM HARNESS (RT3369)



ART_1001248280

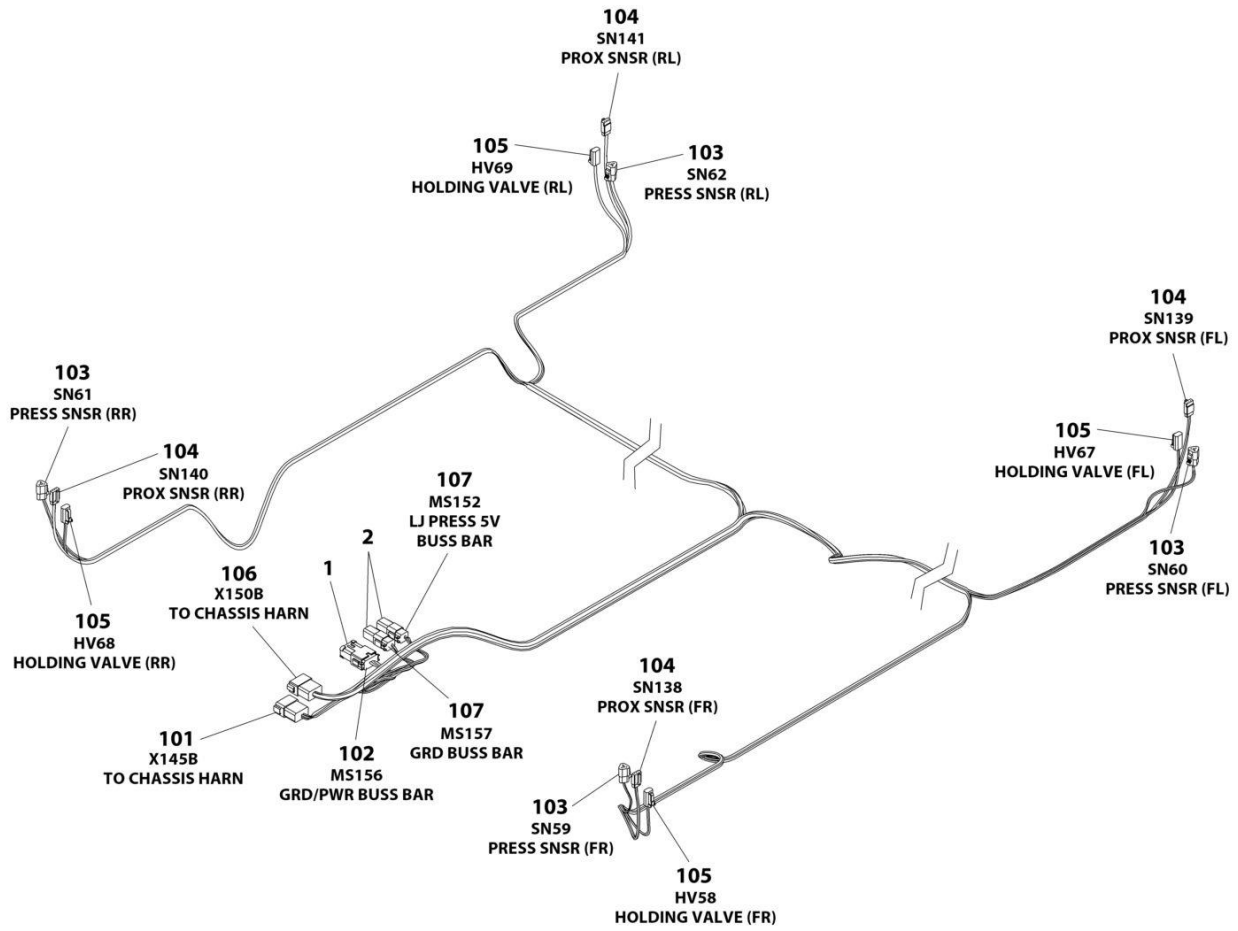
SECTION 8 - ELECTRICAL

FIGURE 8-18. GROUND TO PLATFORM HARNESS (RT3369)

ITEM	PART NUMBER	QTY	DESCRIPTION	REV
	1001248280	Ref	GROUND TO PLATFORM HARNESS	D
1	4460754	1	Connector - 14 Position	
1	4460465	14	Socket, Female	
2	1001156541	1	Connector - 14 Position	
2	4460464	14	Pin, Male	

SECTION 8 - ELECTRICAL

FIGURE 8-19. LEVELING JACK HARNESS



ART_1001248863

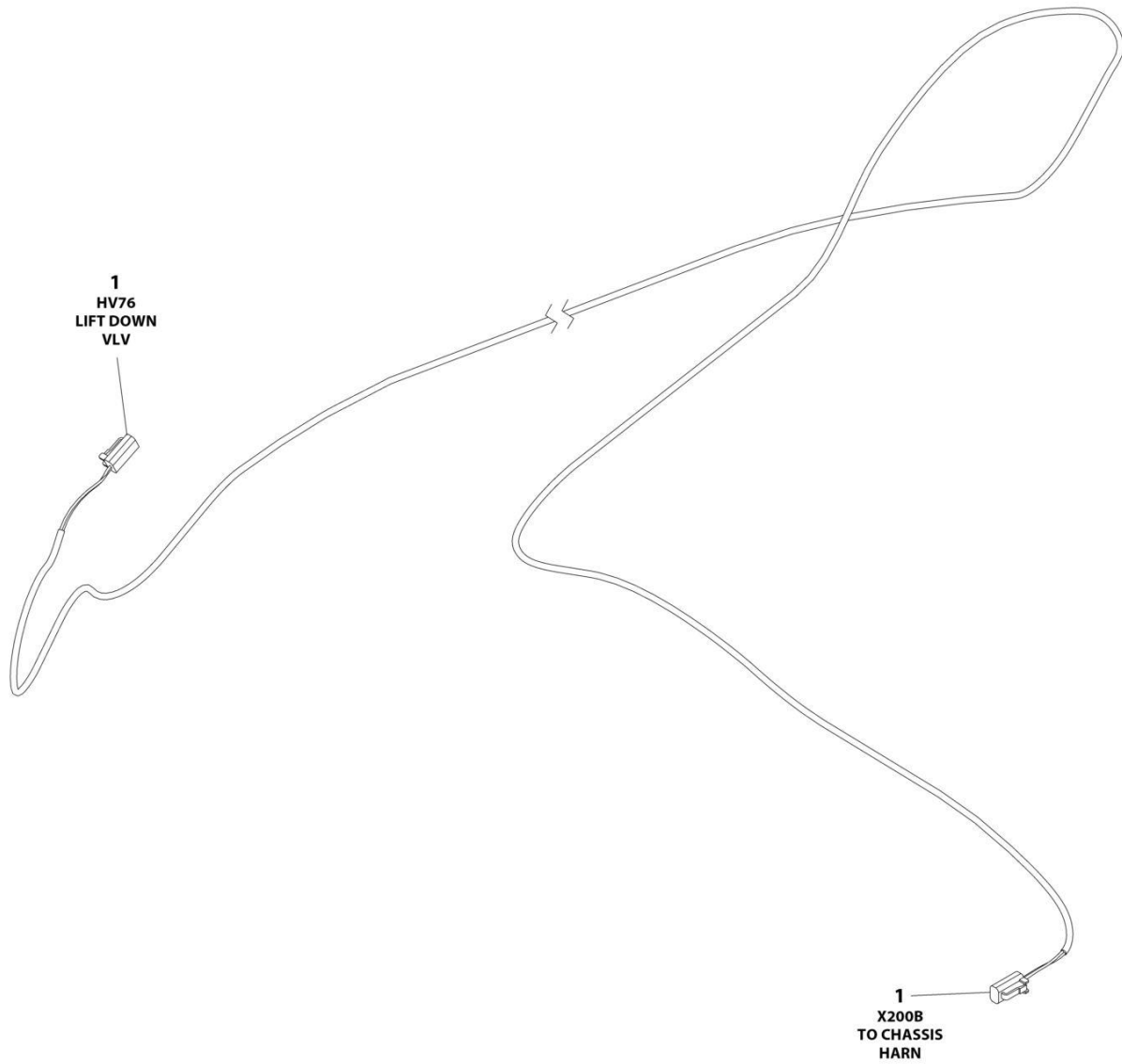
SECTION 8 - ELECTRICAL

FIGURE 8-19. LEVELING JACK HARNESS

ITEM	PART NUMBER	QTY	DESCRIPTION	REV
	1001248863	Ref	LEVELING JACK HARNESS	C
1	1001125677	1	Connector, 2 x 6 Bussbar (DT)	
2	4460892	2	Terminal, 6 Position Bussbar (DT)	
101	4460950	1	Receptacle, Female - 12 Position	
101	4460464	8	Pin, Male	
101	4460466	4	Plug, Terminal	
102	4460933	1	Plug, Male - 12 Position	
102	4460465	10	Socket, Female	
102	4460466	2	Plug, Terminal	
103	4460539	4	Plug, Male - 3 Position	
103	4460465	12	Socket, Female	
104	4460911	4	Connector - 3 Position	
104	1001116694	12	Terminal	
105	4460891	4	Plug, Male - 2 Position	
105	4460465	8	Socket, Female	
106	4460970	1	Receptacle - 12 Position	
106	4460464	12	Pin, Male	
107	4460894	2	Plug, Male - 6 Position	
107	4460465	10	Socket, Female	
107	4460466	2	Plug, Terminal	

SECTION 8 - ELECTRICAL

FIGURE 8-20. LIFT DOWN HARNESS



ART_1001248895

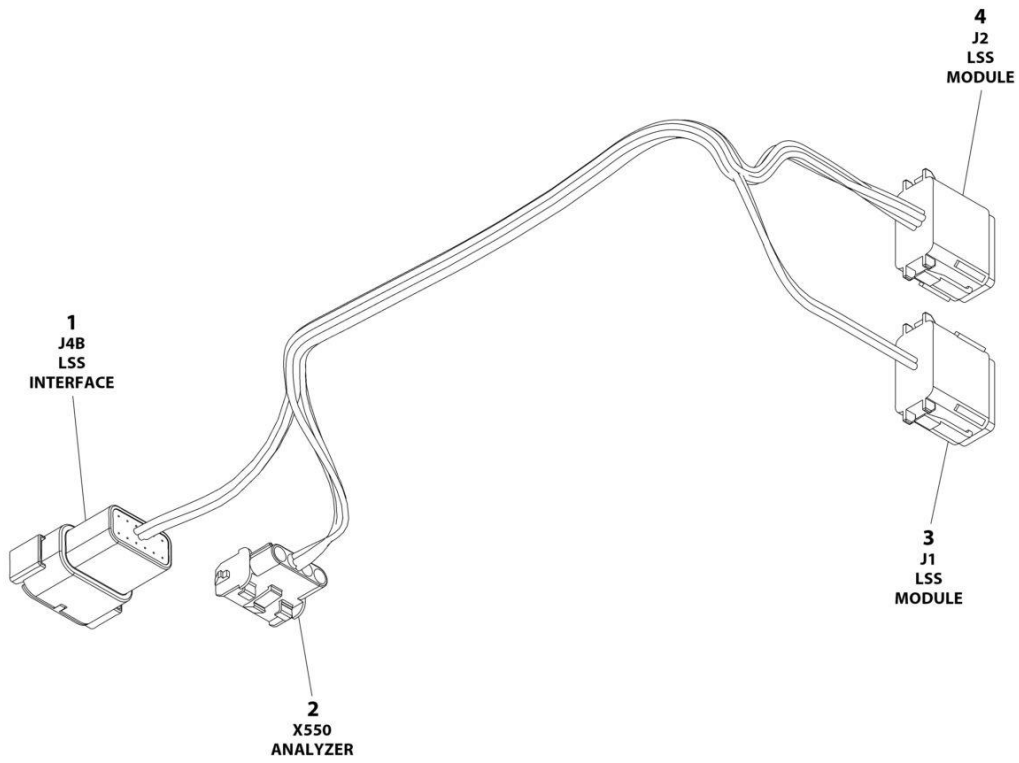
SECTION 8 - ELECTRICAL

FIGURE 8-20. LIFT DOWN HARNESS

ITEM	PART NUMBER	QTY	DESCRIPTION	REV
	1001248895	Ref	LIFT DOWN HARNESS	A
1	4460891	2	Plug, Male - 2 Position	
1	4460465	4	Socket, Female	

SECTION 8 - ELECTRICAL

FIGURE 8-21. LSS HARNESS



ART_1001226830

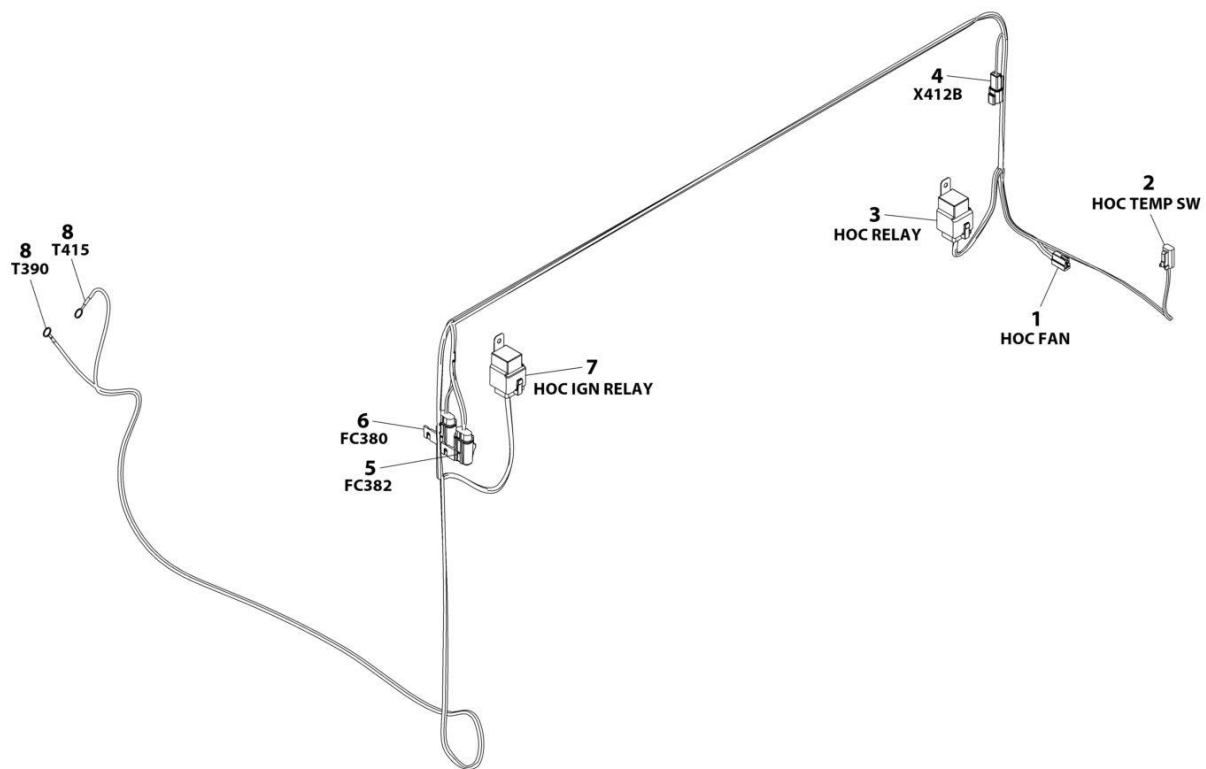
SECTION 8 - ELECTRICAL

FIGURE 8-21. LSS HARNESS

ITEM	PART NUMBER	QTY	DESCRIPTION	REV
	1001226830	Ref	LSS HARNESS	A
1	1001132170	1	Connector - 12 Position	
1	4460929	2	Pin, Male	
1	4460917	2	Pin, Male	
1	4460518	8	Plug, Terminal	
2	4460761	1	Receptacle, Female - 4 Position	
2	4460294	4	Pin, Male	
3	4460933	1	Connector - 12 Position	
3	4460465	2	Socket, Female	
3	4460466	10	Plug, Terminal	
4	4460836	1	Connector - 12 Position	
4	4460465	5	Socket, Female	
4	4460944	2	Socket, Female	
4	4460466	5	Plug, Terminal	

SECTION 8 - ELECTRICAL

FIGURE 8-22. OIL COOLER HARNESS



ART_1001249802

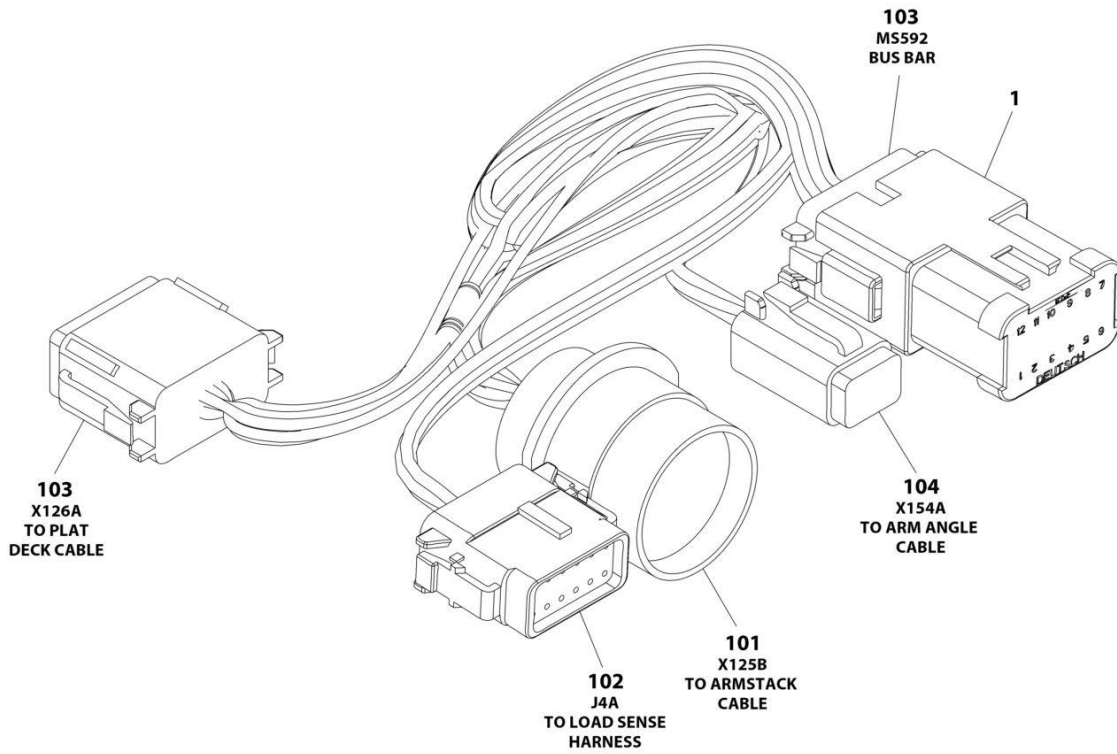
SECTION 8 - ELECTRICAL

FIGURE 8-22. OIL COOLER HARNESS

ITEM	PART NUMBER	QTY	DESCRIPTION	REV
	1001249802	Ref	OIL COOLER HARNESS	D
1	4460994	1	Connector	
1	1001116716	3	Socket, Female	
2	4460891	1	Connector	
2	4460465	2	Socket, Female	
3	1001118282	1	Connector	
3	1001116732	2	Socket, Female	
3	1001116734	2	Socket, Female	
3	1001128128	1	Plug	
4	4460897	1	Connector	
4	4460464	1	Pin, Male	
4	4460466	1	Plug	
5	1001119412	1	Connector	
5	1001116733	2	Socket, Female	
6	1001117024	1	Connector	
6	1001116734	2	Socket, Female	
7	1001118282	1	Connector	
7	1001116732	2	Socket, Female	
7	1001116734	2	Socket, Female	
7	1001128128	1	Plug	
8	4460019	2	Terminal, Ring	

SECTION 8 - ELECTRICAL

FIGURE 8-23. PLATFORM HARNESS



ART_1001264939

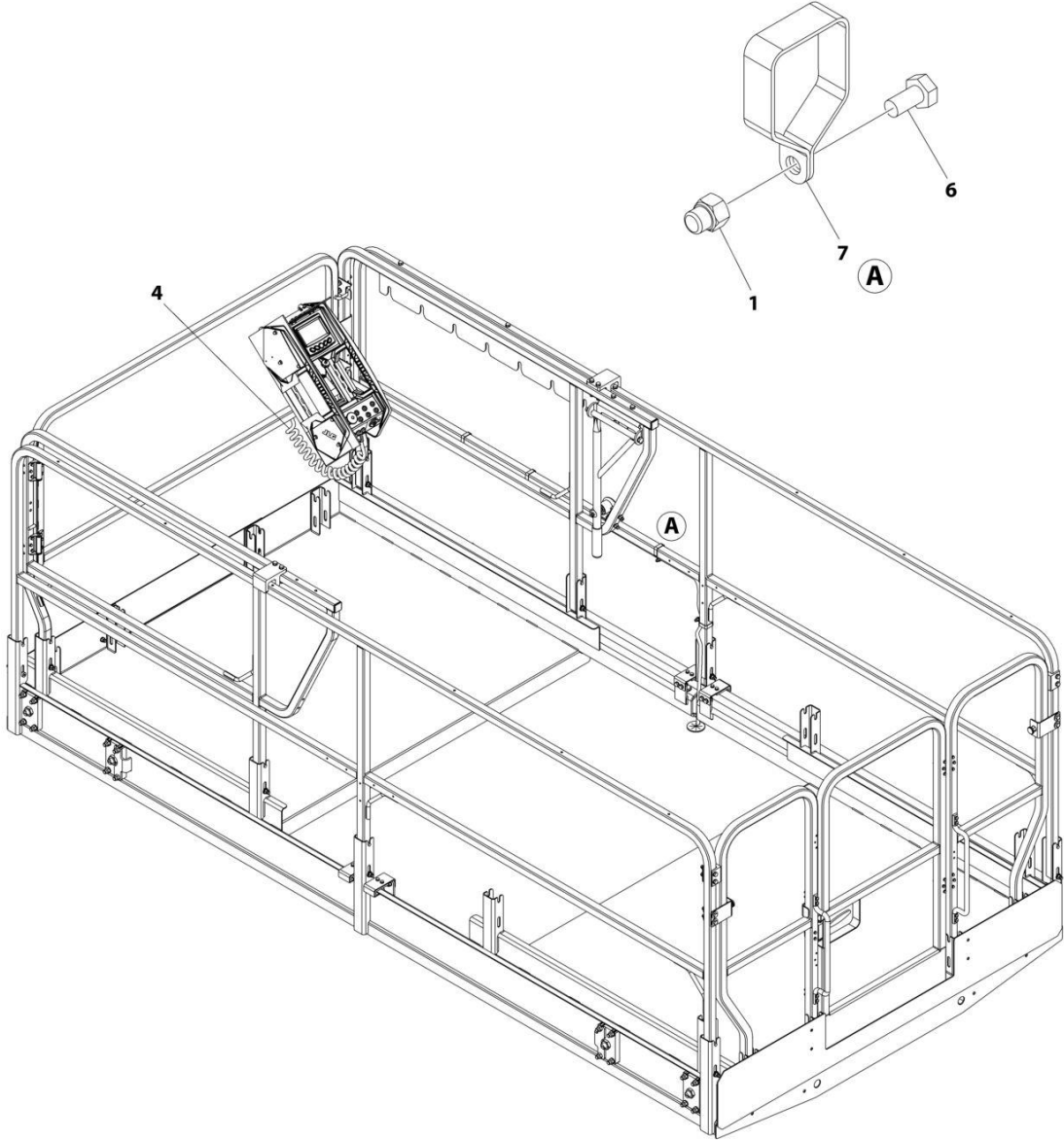
SECTION 8 - ELECTRICAL

FIGURE 8-23. PLATFORM HARNESS

ITEM	PART NUMBER	QTY	DESCRIPTION	REV
	1001264939	Ref	PLATFORM HARNESS	C
1	1001119020	1	Connector, Bussbar	
101	4460752	1	Connector - 14 Position	
101	4460464	8	Pin, Male	
101	4460943	2	Pin, Male	
101	4460466	4	Plug, Terminal	
102	1001116808	1	Connector - 12 Position	
102	4460928	2	Terminal	
102	4460918	2	Terminal	
102	4460518	8	Plug, Terminal	
103	4460933	2	Plug, Male - 12 Position	
103	4460465	21	Socket, Female	
103	4460466	3	Plug, Terminal	
104	4460884	1	Plug, Male - 4 Position	
104	4460465	4	Socket, Female	

SECTION 8 - ELECTRICAL

FIGURE 8-24. PLATFORM CABLE INSTALLATION – WITHOUT FOOTSWITCH



ART_1001254820

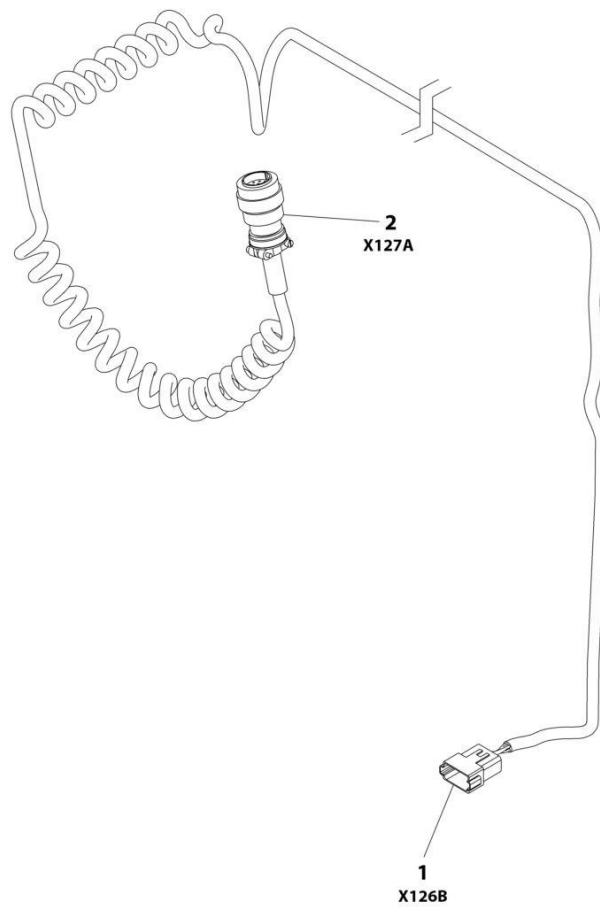
SECTION 8 - ELECTRICAL

FIGURE 8-24. PLATFORM CABLE INSTALLATION – WITHOUT FOOTSWITCH

ITEM	PART NUMBER	QTY	DESCRIPTION	REV
	1001254820	Ref	PLATFORM CABLE INSTALLATION – WITHOUT FOOTSWITCH	D
1	3290606	5	Nut M6 x 1	
4	1001249048	1	Cable, Platform Deck (See Separate Breakdown in this Section)	
6	0760606	5	Bolt M6 x 12	
7	1001220668	5	Clamp, Platform Cable Post	
8	4240018	1	Tie Strap (Not Shown)	

SECTION 8 - ELECTRICAL

FIGURE 8-25. PLATFORM CABLE HARNESS – WITHOUT FOOTSWITCH



ART_1001249048

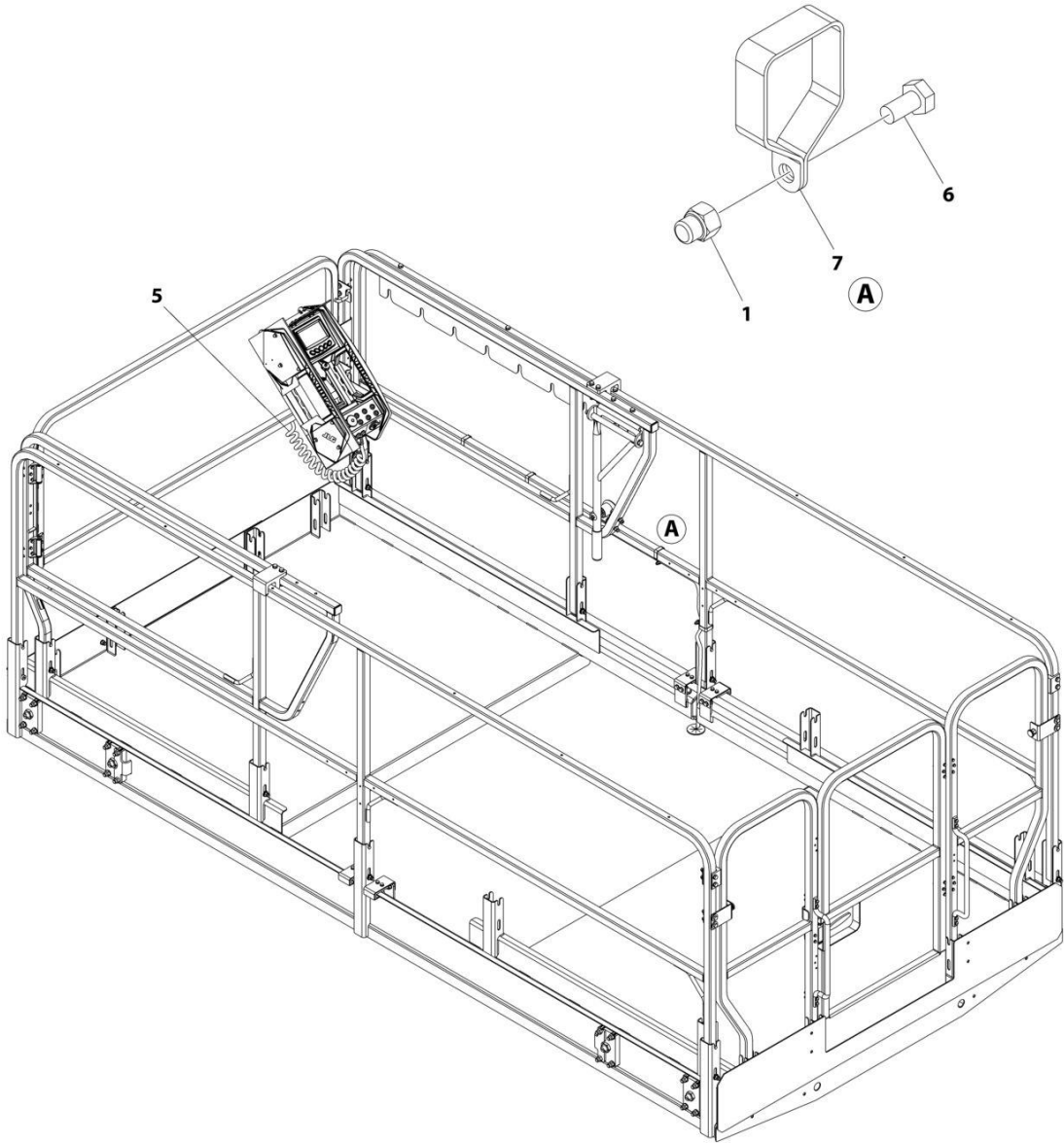
SECTION 8 - ELECTRICAL

FIGURE 8-25. PLATFORM CABLE HARNESS – WITHOUT FOOTSWITCH

ITEM	PART NUMBER	QTY	DESCRIPTION	REV
	1001249048	Ref	PLATFORM MODULE HARNESS – WITHOUT FOOTSWITCH	D
1	4460970	1	Plug, Male - 12 Position	
1	4460464	8	Pin, Male	
1	4460943	2	Pin, Male	
1	4460466	2	Plug, Terminal	
1	1001249190	1	Boot	
2	4460754	1	Receptacle, Female - 14 Position	
2	4460465	8	Socket, Femaile	
2	4460944	2	Socket, Femaile	
2	4460466	4	Plug, Terminal	

SECTION 8 - ELECTRICAL

FIGURE 8-26. PLATFORM CABLE INSTALLATION – WITH FOOTSWITCH



ART_1001258923

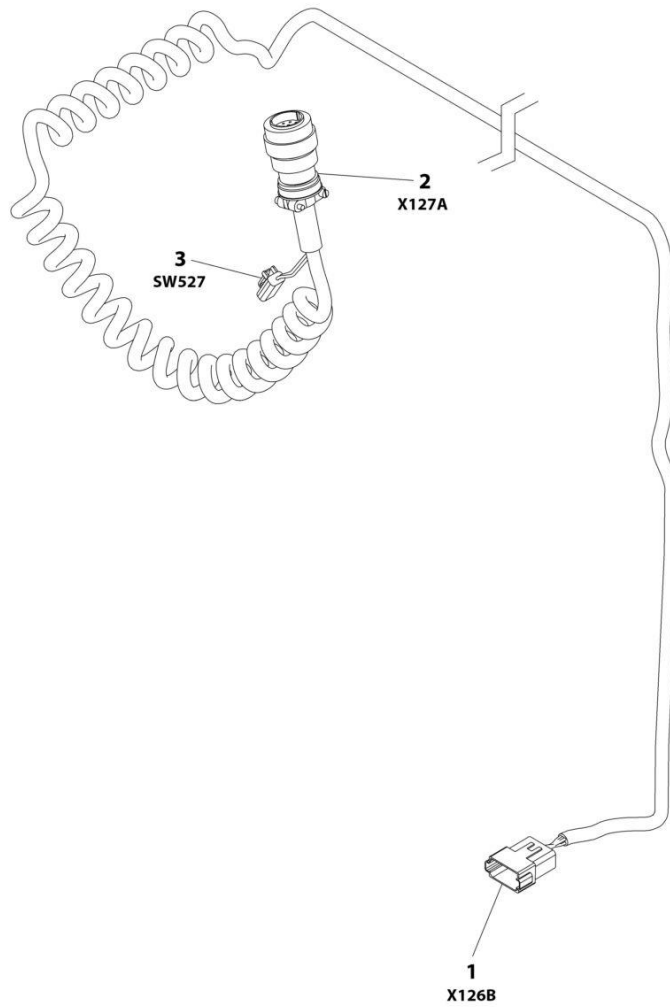
SECTION 8 - ELECTRICAL

FIGURE 8-26. PLATFORM CABLE INSTALLATION – WITH FOOTSWITCH

ITEM	PART NUMBER	QTY	DESCRIPTION	REV
	1001258923	Ref	PLATFORM CABLE INSTALLATION – WITH FOOTSWITCH	C
1	3290606	5	Nut M6 x 1	
5	1001258223	1	Harness, Platform Deck (See Separate Breakdown in this Section)	
6	0760606	5	Bolt M6 x 12	
7	1001220668	5	Clamp, Platform Cable Post	
8	4240018	1	Tie Strap (Not Shown)	

SECTION 8 - ELECTRICAL

FIGURE 8-27. PLATFORM CABLE HARNESS – WITH FOOTSWITCH



ART_1001258223

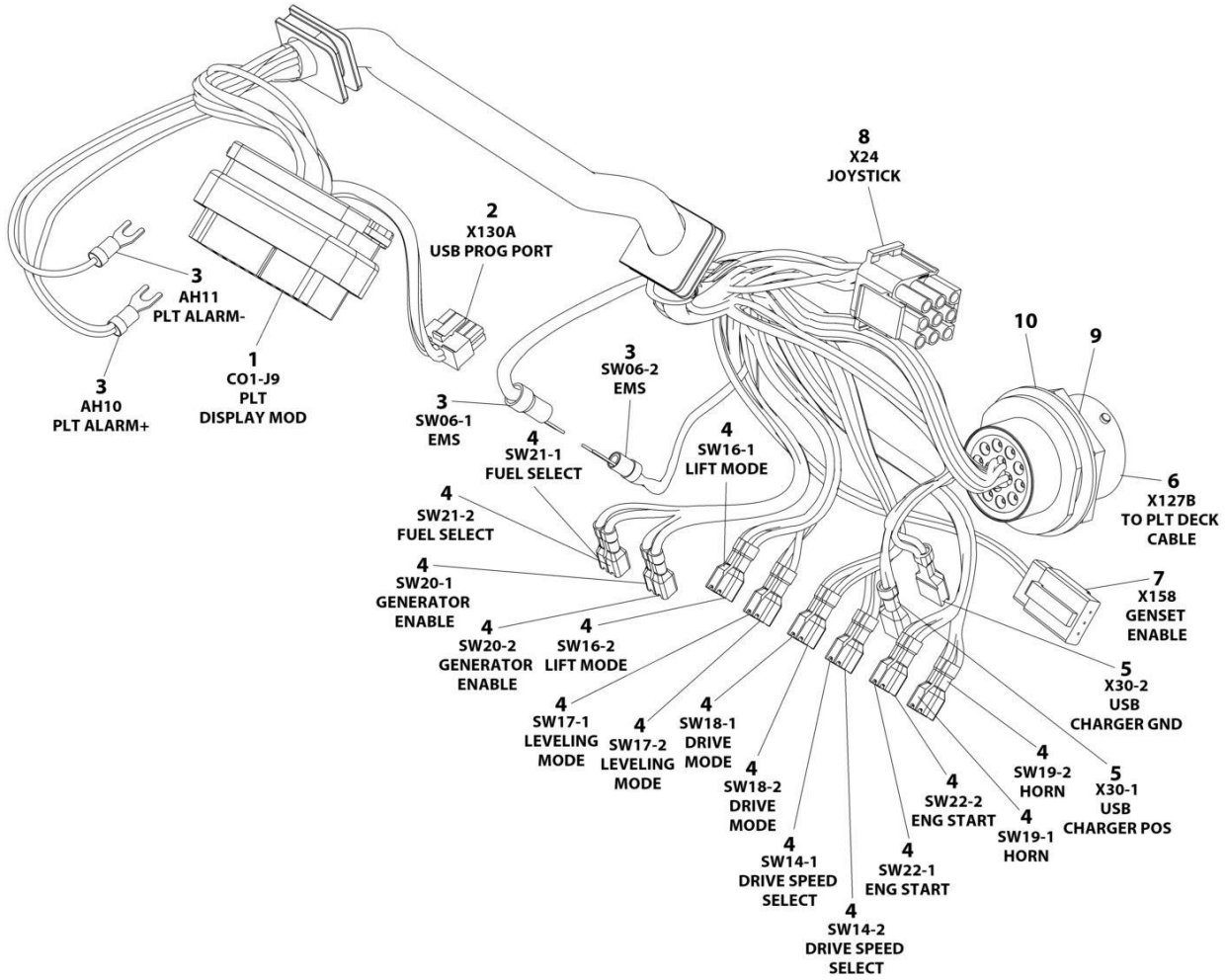
SECTION 8 - ELECTRICAL

FIGURE 8-27. PLATFORM CABLE HARNESS – WITH FOOTSWITCH

ITEM	PART NUMBER	QTY	DESCRIPTION	REV
	1001258223	Ref	PLATFORM MODULE HARNESS – WITH FOOTSWITCH	B
1	4460970	1	Plug, Male - 12 Position	
1	4460464	7	Pin, Male	
1	4460943	2	Pin, Male	
1	4460466	3	Plug, Terminal	
1	1001249190	1	Boot	
2	4460754	1	Receptacle, Female - 14 Position	
2	4460465	9	Socket, Female	
2	4460944	2	Socket, Female	
2	4460466	3	Plug, Terminal	
3	4460891	1	Plug, Male - 4 Position	
3	4460465	2	Socket, Female	

SECTION 8 - ELECTRICAL

FIGURE 8-28. PLATFORM CONTROL BOX HARNESS



ART_1001249049

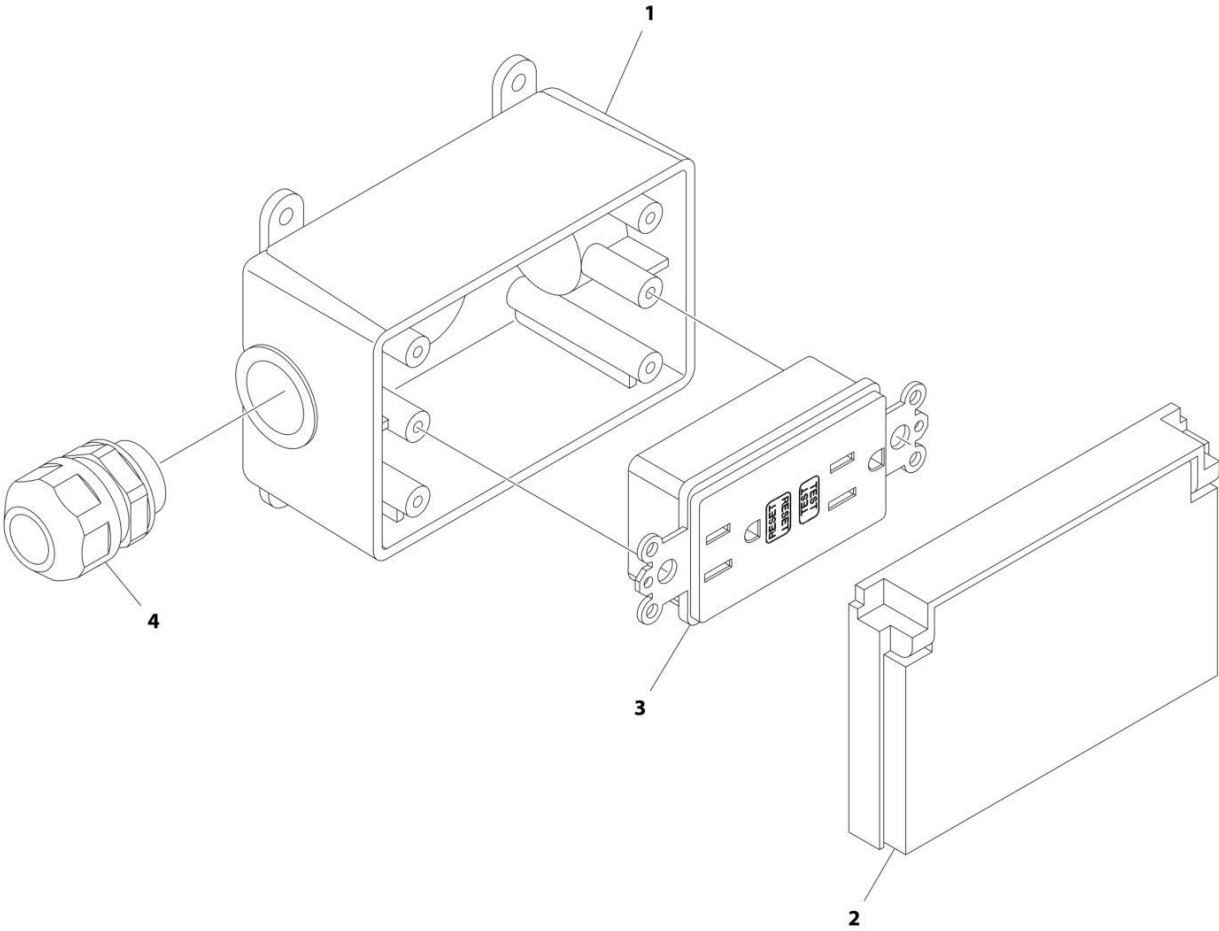
SECTION 8 - ELECTRICAL

FIGURE 8-28. PLATFORM CONTROL BOX HARNESS

ITEM	PART NUMBER	QTY	DESCRIPTION	REV
	1001249049	Ref	PLATFORM CONSOLE BOX HARNESS	G
1	4460873	1	Connector - 35 Position	
1	4460871	28	Pin, Male	
1	4460905	7	Plug, Terminal	
2	1001150735	1	Connector - 10 Position	
2	1001150889	5	Terminal	
3	4460183	4	Terminal, Fork	
4	1001201885	16	Receptacle, Female - 2 Position	
5	8220051	2	Terminal	
6	4461016	1	Connector - 14 Position	
6	4460464	11	Socket, Female	
6	4460466	1	Plug, Terminal	
6	4460943	2	Bussbar	
7	4460911	1	Plug, Male - 3 Position	
7	4460918	3	Terminal	
8	4460265	1	Plug, Male - 9 Position	
8	4460267	7	Terminal	
9	1001125784	1	Washer	
10	4460497	1	Terminal, Nut	

SECTION 8 - ELECTRICAL

FIGURE 8-29. RECEPTACLE BOX KIT - 110V GFI



ART_2902431

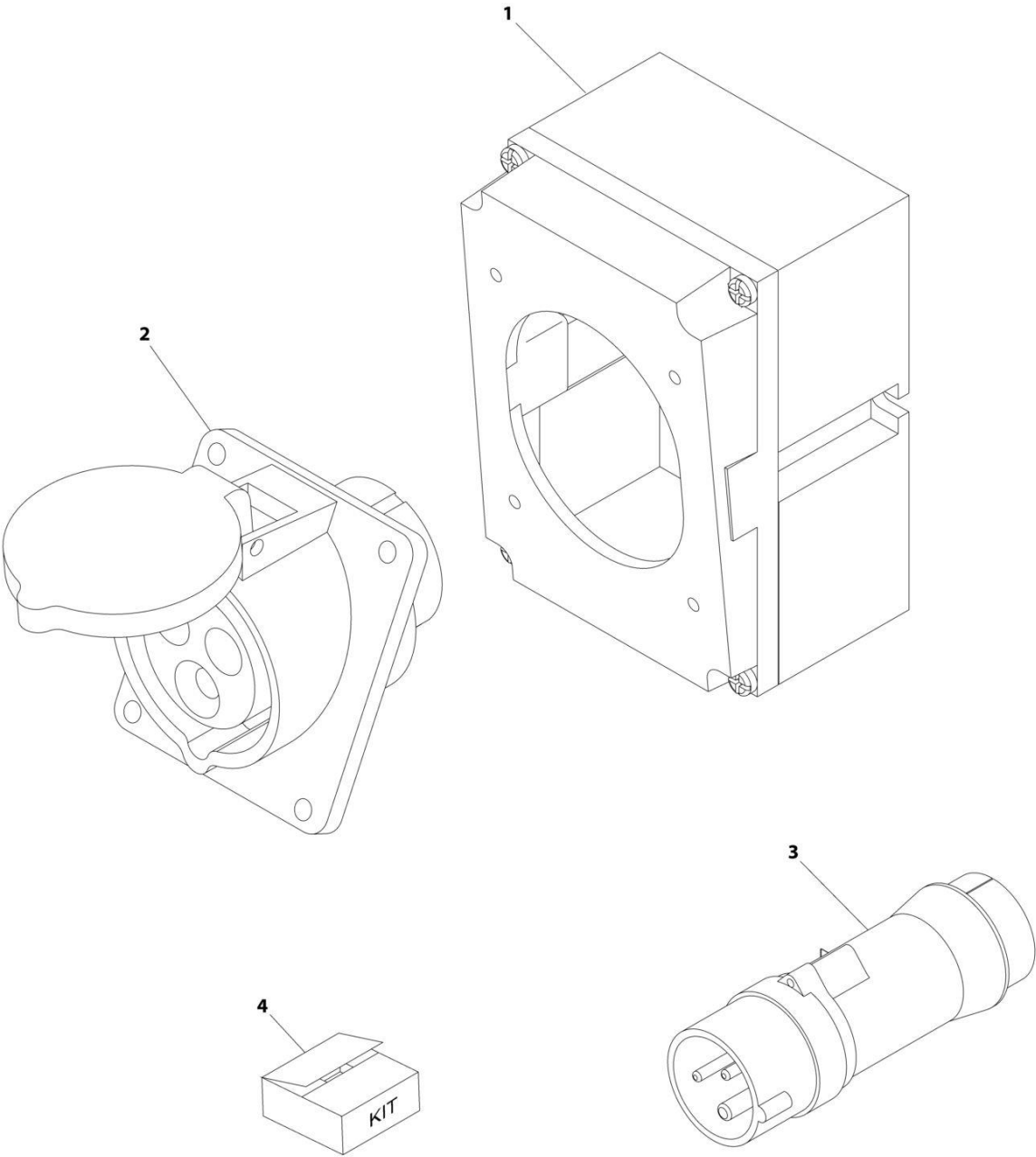
SECTION 8 - ELECTRICAL

FIGURE 8-29. RECEPTACLE BOX KIT - 110V GFI

ITEM	PART NUMBER	QTY	DESCRIPTION	REV
	2902431	Ref	RECEPTACLE BOX KIT - 110V GFI	D
1	0861731	1	Box, Receptacle	
2	1671207	1	Cover, Receptacle	
3	4460346	1	Receptacle	
4	4460662	1	Connector, Strain Relief	

SECTION 8 - ELECTRICAL

FIGURE 8-30. RECEPTACLE BOX KIT - 110V IEC YELLOW (CE SPECS)



ART_0275216

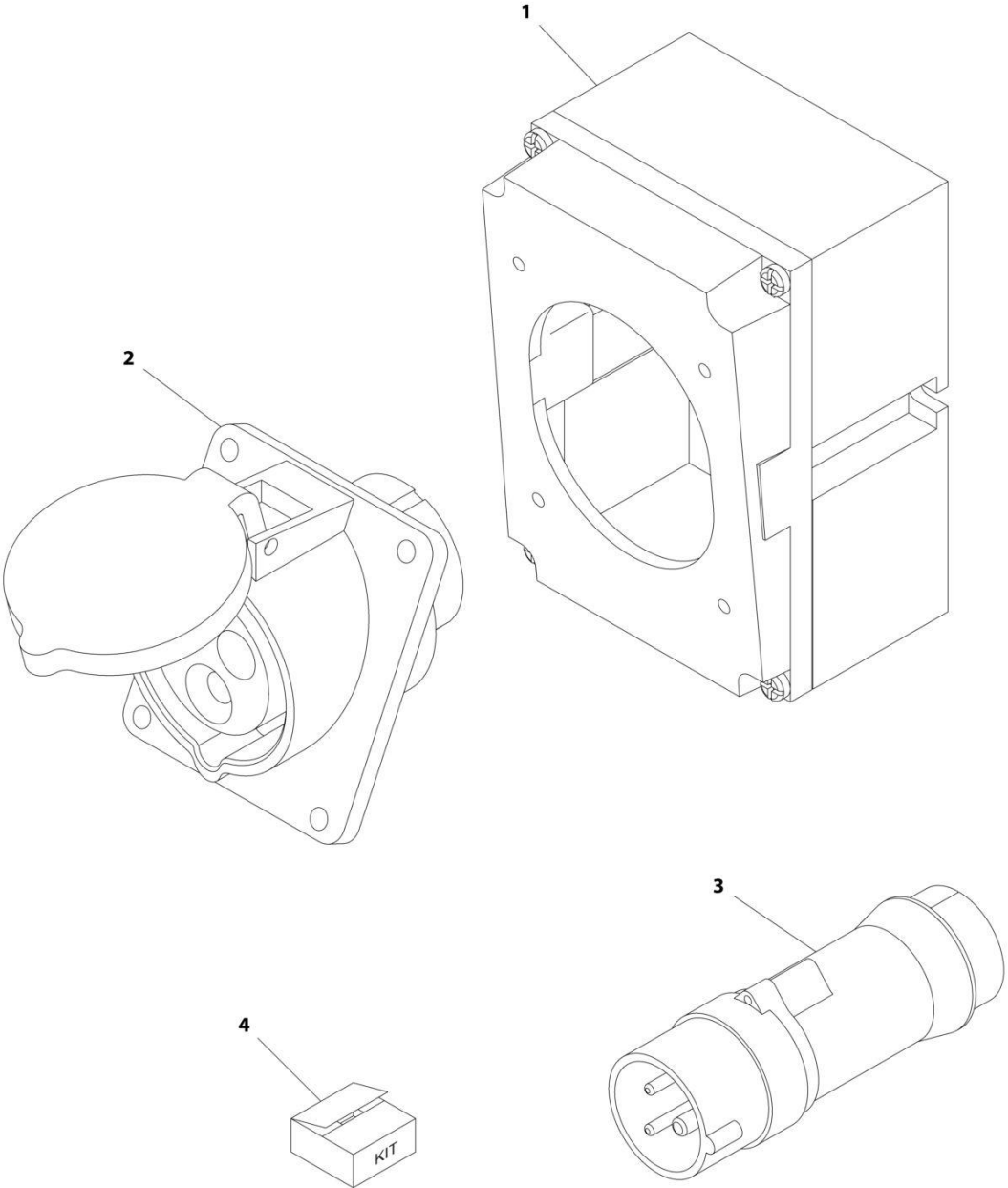
SECTION 8 - ELECTRICAL

FIGURE 8-30. RECEPTACLE BOX KIT - 110V IEC YELLOW (CE SPECS)

ITEM	PART NUMBER	QTY	DESCRIPTION	REV
	0275216	Ref	RECEPTACLE BOX KIT - 110V IEC YELLOW	B
1	0861781	1	Box, Switch	
2	4461198	1	Receptacle	
3	4461196	1	Plug, Male	
4	1001100341	1	Plug and Socket Kit (Includes Items 1-3 and Female Plug p/n 4461197)	

SECTION 8 - ELECTRICAL

FIGURE 8-31. RECEPTACLE BOX KIT - 220V IEC BLUE (CE SPECS)



ART_0275217

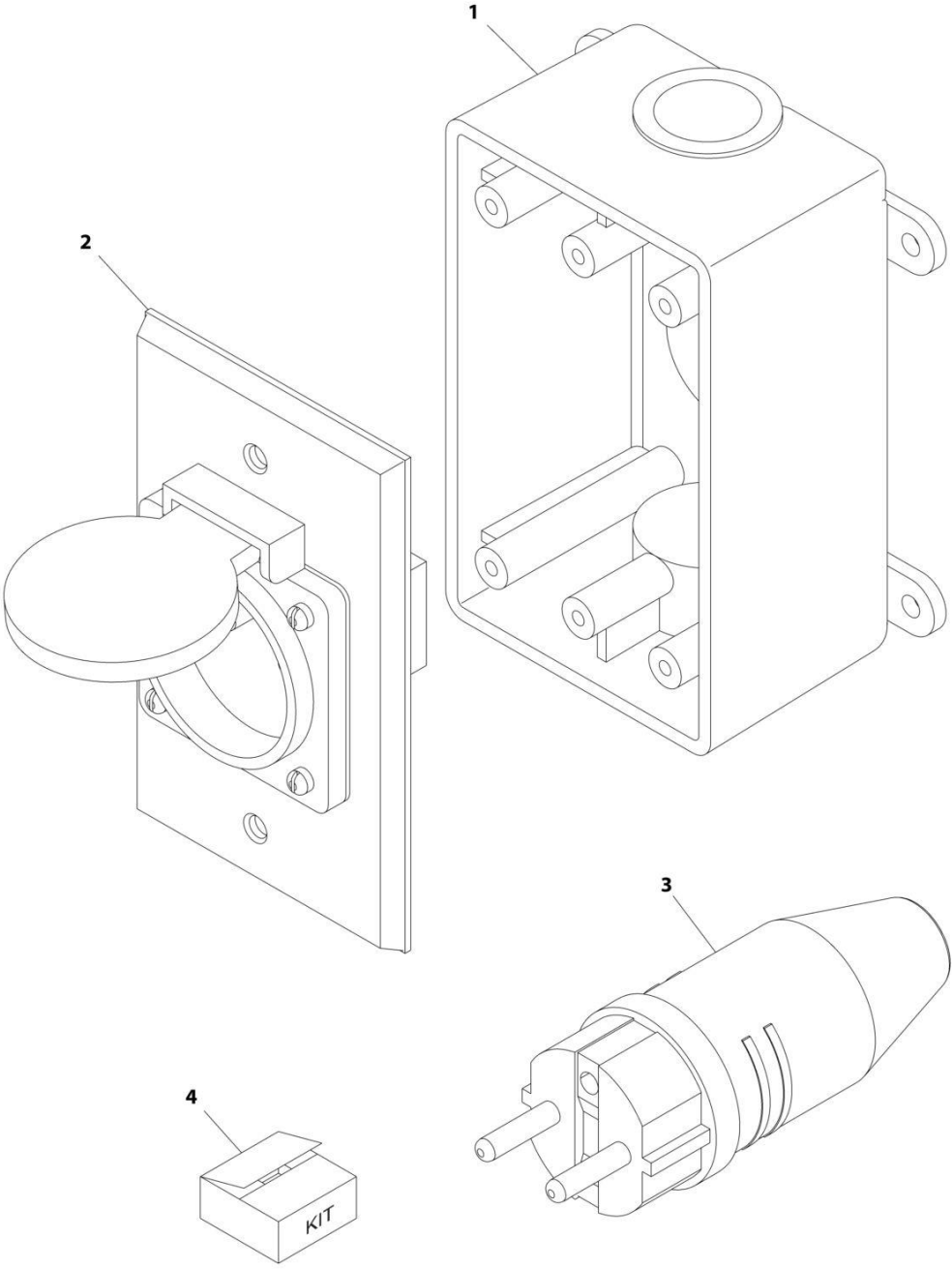
SECTION 8 - ELECTRICAL

FIGURE 8-31. RECEPTACLE BOX KIT - 220V IEC BLUE (CE SPECS)

ITEM	PART NUMBER	QTY	DESCRIPTION	REV
	0275217	Ref	RECEPTACLE BOX KIT - 220V IEC BLUE	B
1	0861781	1	Box, Switch	
2	4461201	1	Receptacle	
3	4461199	1	Plug, Male	
4	1001100342	1	Plug and Socket Kit (Includes Items 1-3 and Female Plug p/n 4461200)	

SECTION 8 - ELECTRICAL

FIGURE 8-32. RECEPTACLE BOX KIT - 220V CEE7 POST GROUND (CE SPECS)



ART_0275452-C

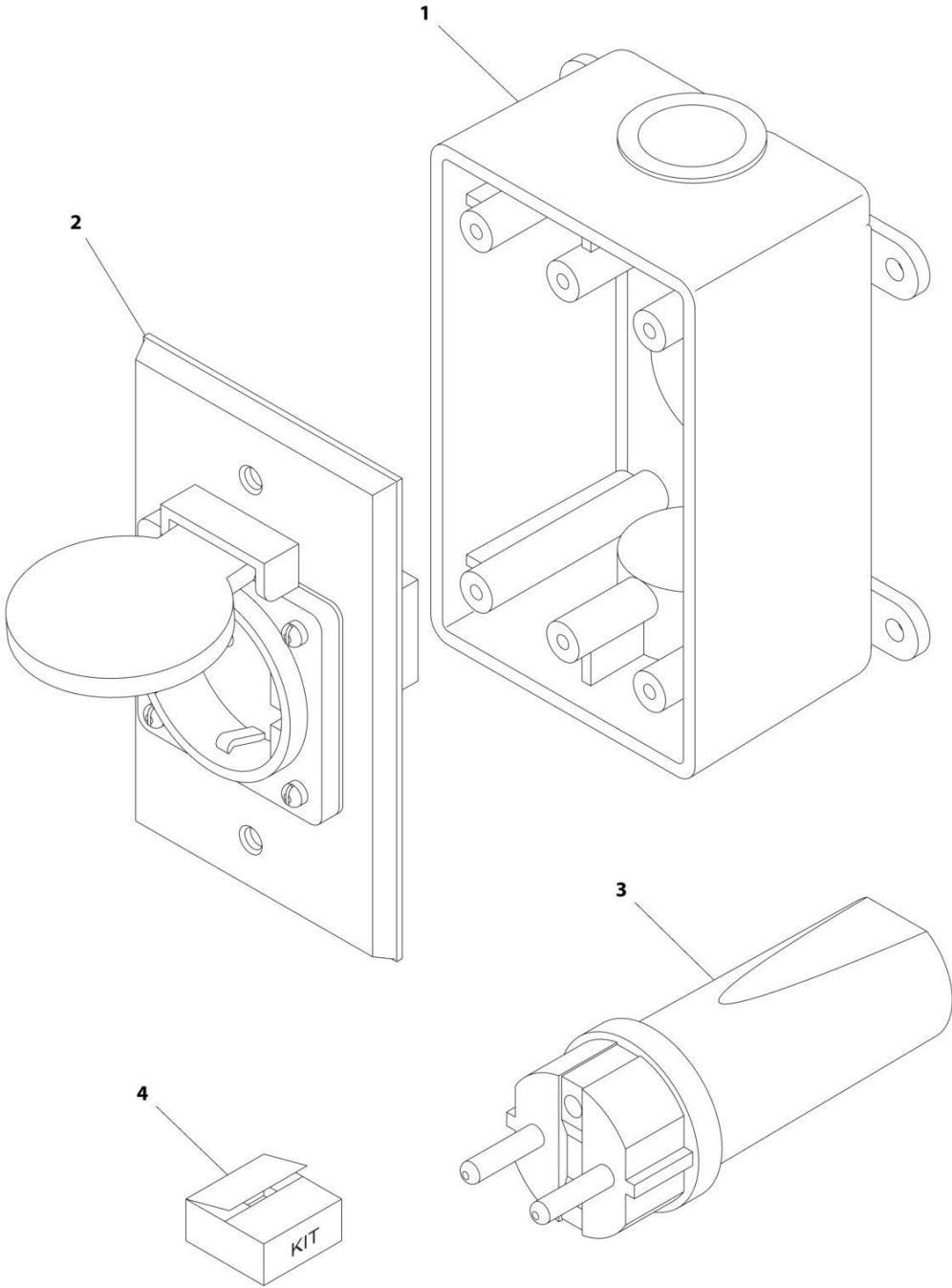
SECTION 8 - ELECTRICAL

FIGURE 8-32. RECEPTACLE BOX KIT - 220V CEE7 POST GROUND (CE SPECS)

ITEM	PART NUMBER	QTY	DESCRIPTION	REV
	0275452	Ref	RECEPTACLE BOX KIT - 220V CEE7 POST GROUND 2IN X 4IN BOX	C
1	0861731	1	Box, Switch	
2	4461244	1	Receptacle	
3	4461205	1	Plug, Male	
4	1001100345	1	Plug and Socket Kit (Includes Items 1-3 and Female Plug p/n 4461203)	

SECTION 8 - ELECTRICAL

FIGURE 8-33. RECEPTACLE BOX KIT - 220V CEE7 SIDE GROUND (CE SPECS)



ART_0275453

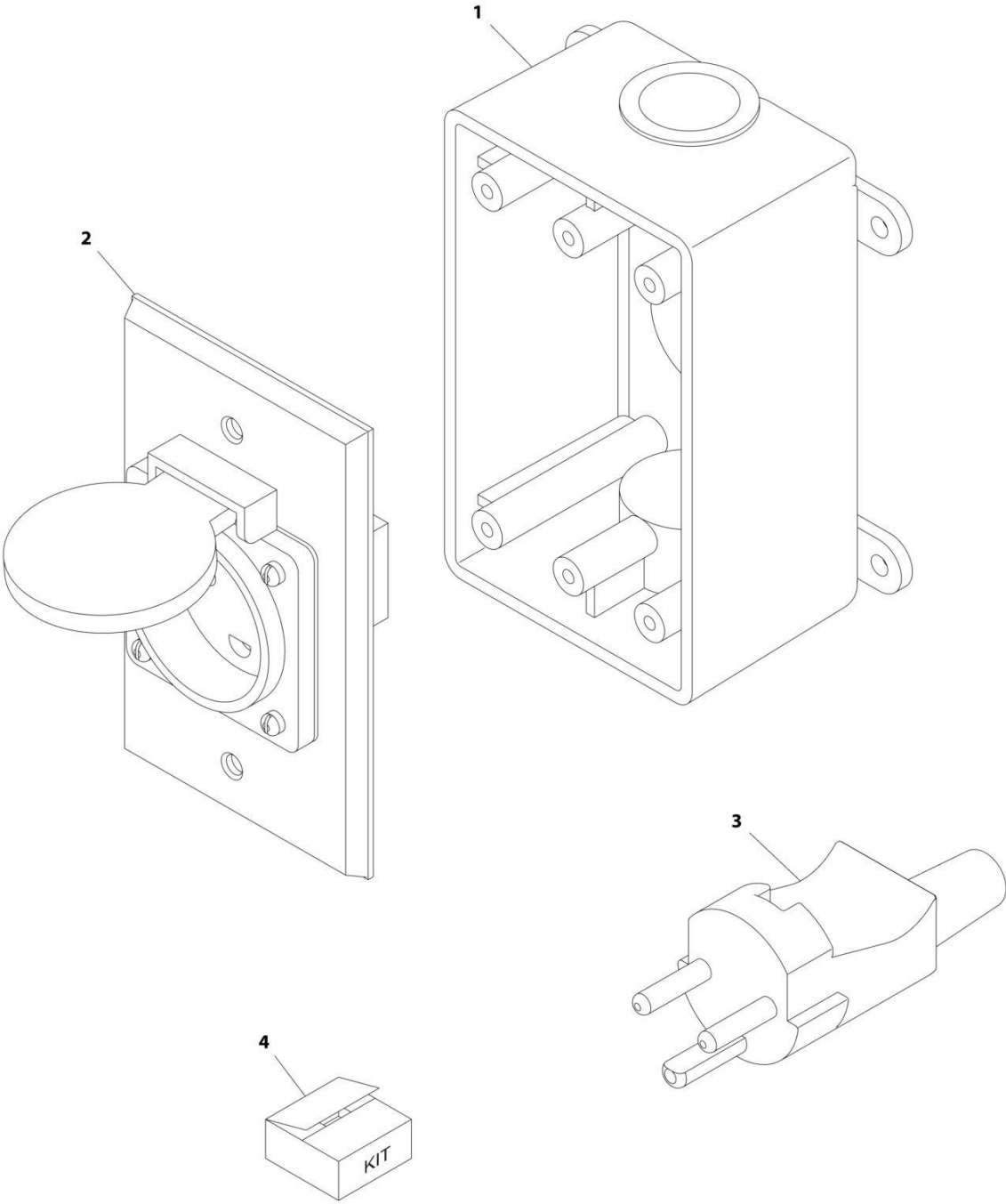
SECTION 8 - ELECTRICAL

FIGURE 8-33. RECEPTACLE BOX KIT - 220V CEE7 SIDE GROUND (CE SPECS)

ITEM	PART NUMBER	QTY	DESCRIPTION	REV
	0275453	Ref	RECEPTACLE BOX KIT - 220V CEE7 SIDE GROUND	B
1	0861731	1	Box, Switch	
2	4461245	1	Receptacle	
3	4461205	1	Plug, Male	
4	1001100347	1	Plug and Socket Kit (Includes Items 1-3 and Female Plug p/n 4461206)	

SECTION 8 - ELECTRICAL

FIGURE 8-34. RECEPTACLE BOX KIT - 220V AFSINT 107 (CE SPECS)



ART_0275454

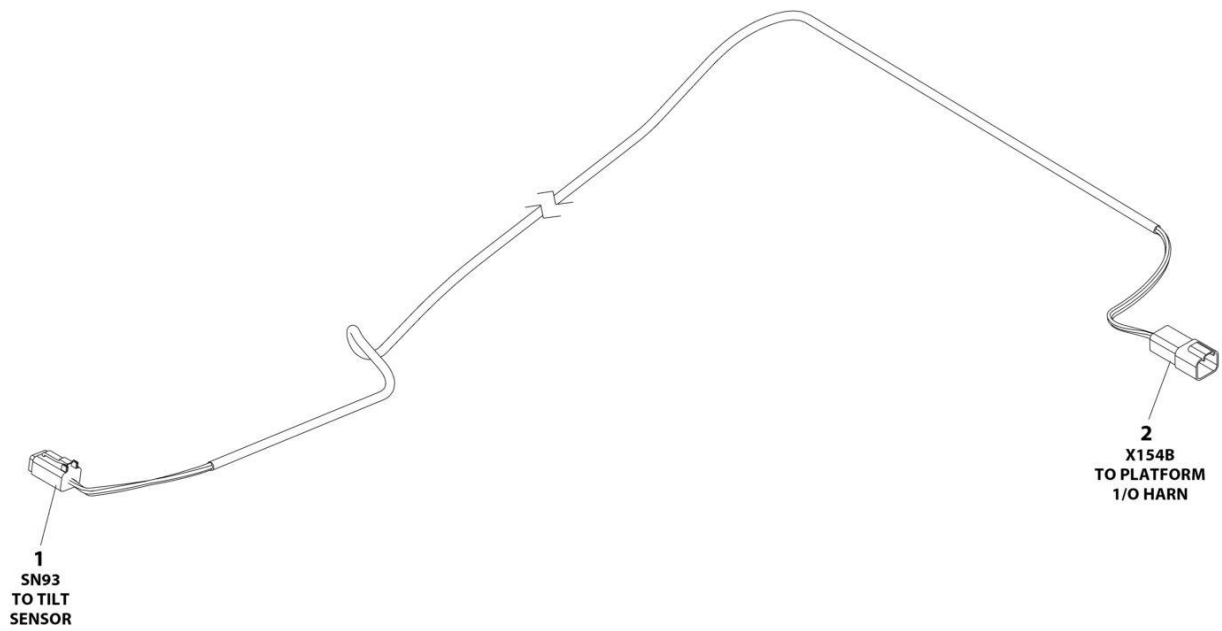
SECTION 8 - ELECTRICAL

FIGURE 8-34. RECEPTACLE BOX KIT - 220V AFSINT 107 (CE SPECS)

ITEM	PART NUMBER	QTY	DESCRIPTION	REV
	0275454	Ref	RECEPTACLE BOX KIT - 220V AFSINT 107	B
1	0861731	1	Box, Switch	
2	4461246	1	Receptacle	
3	4461249	1	Plug, Male	
4	1001100346	1	Plug and Socket Kit (Includes Items 1-3 and Female Plug p/n 4461250)	

SECTION 8 - ELECTRICAL

FIGURE 8-35. TILT SENSOR HARNESS



ART_1001249091

SECTION 8 - ELECTRICAL

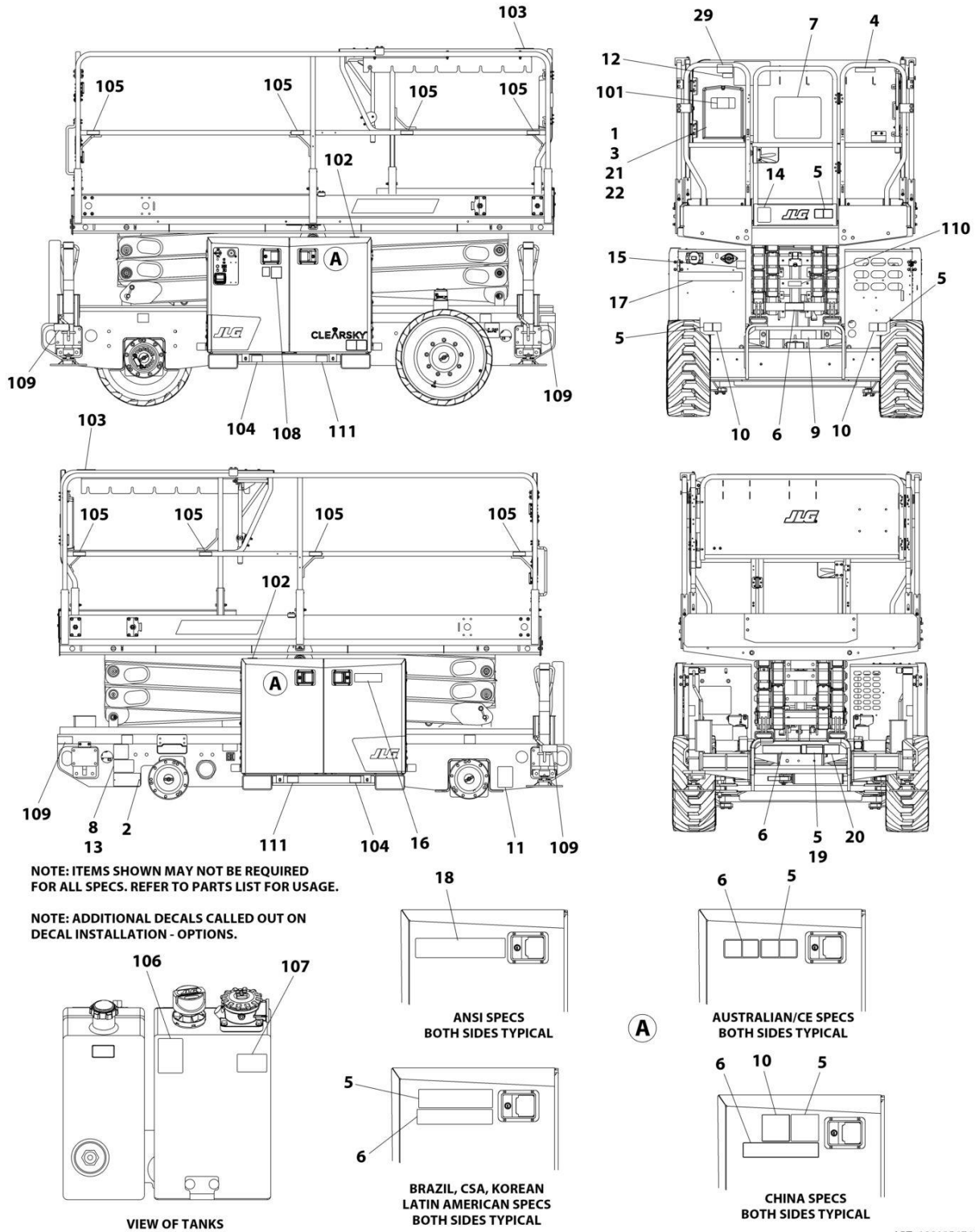
FIGURE 8-35. TILT SENSOR HARNESS

ITEM	PART NUMBER	QTY	DESCRIPTION	REV
	1001249091	Ref	TILT SENSOR HARNESS	C
1	4460884	1	Plug, Male - 4 Position	
1	4460944	4	Socket, Female	
2	4460932	1	Receptacle, Female - 4 Position	
2	4460464	4	Pin, Male	

SECTION 9 - DECALS

SECTION 9 - DECALS

FIGURE 9-1. DECAL INSTALLATION - ANSI SPECS (ENGLISH LANGUAGE)



ART_1001256764

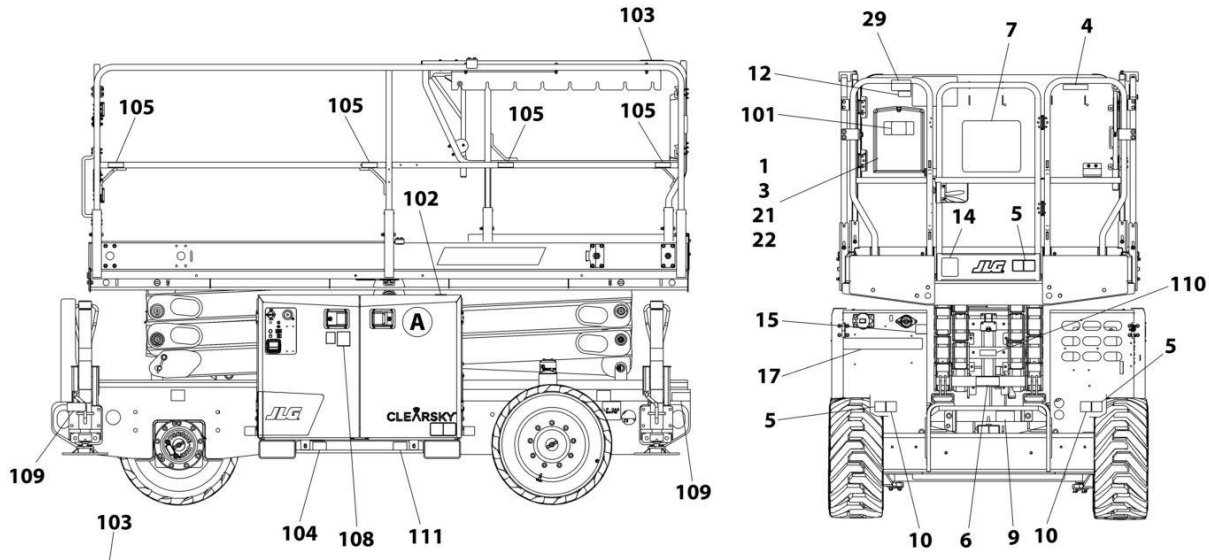
SECTION 9 - DECALS

FIGURE 9-1. DECAL INSTALLATION - ANSI SPECS (ENGLISH LANGUAGE)

ITEM	PART NUMBER	QTY	DESCRIPTION	REV
	1001256764	Ref	DECAL INSTALLATION	C
	1001256945	Ref	DECAL CHART DRAWING (RT2669)	G
	1001262071	Ref	DECAL CHART DRAWING (RT3369)	E
1	0760610	4	Bolt M6 x 20	
2	2080057	2	Fastener	
3	0860520	1	Box, Manual Storage	
4	1703821	1	Decal - Control Box Location	
5	1001211779	2	Decal - Electrocutation	
6	1001211777	2	Decal - Crushing Hazard	
7	1703816	1	Decal - Danger/Warning	
8	1001223055	1	Decal - Yearly Inspection	
9	1703822	1	Decal - Manual Descent Instruction	
11	1001131270	1	Decal - Patent	
12	1001223453	1	Decal - ICES	
18	1703818	2	Decal - Warning Crushing Hazard/Danger Electrocutation	
19	1705695	1	Decal - Danger Electrocutation	
21	3290605	4	Nut M6	
22	4811700	8	Washer M6	
100	1001256763	1	Decal Master Kit (Not Shown)	
101	1701640	1	Decal - Manual	
102	1703687	2	Decal - Direction Arrow	
103	1703819	2	Decal - Direction Arrow	
104	1001265579	2	Decal - Fork Lift	
105	1704277	8	Decal - Lanyard Attach	
106	1704412	1	Decal - Hydraulic Oil Chart	
107	70046028	1	Decal - Hydraulic Oil Level	
108	1001094708	1	Decal - Hydraulic Oil	
109	1001162864	4	Decal - Lift Point/Tie Down	
110	1001256865	1	Decal - Arm Prop	
111	1001265580	2	Decal - Fork Lift	

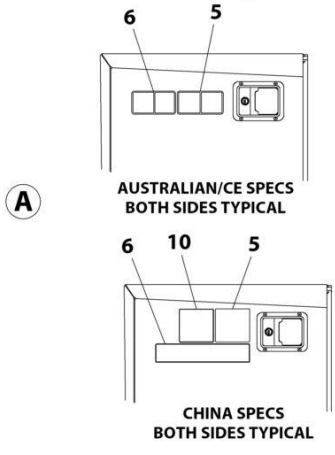
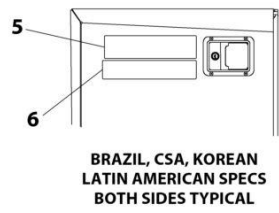
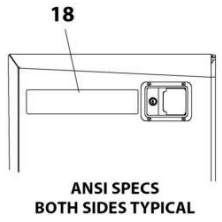
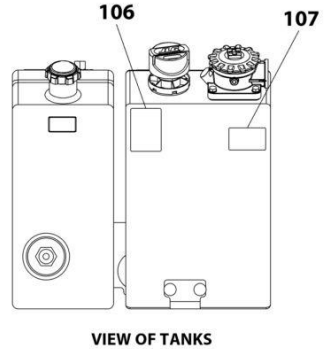
SECTION 9 - DECALS

FIGURE 9-2. DECAL INSTALLATION - AUSTRALIAN/CE SPECS (ENGLISH LANGUAGE)



NOTE: ITEMS SHOWN MAY NOT BE REQUIRED FOR ALL SPECS. REFER TO PARTS LIST FOR USAGE.

NOTE: ADDITIONAL DECALS CALLED OUT ON DECAL INSTALLATION - OPTIONS.



ART_1001256770

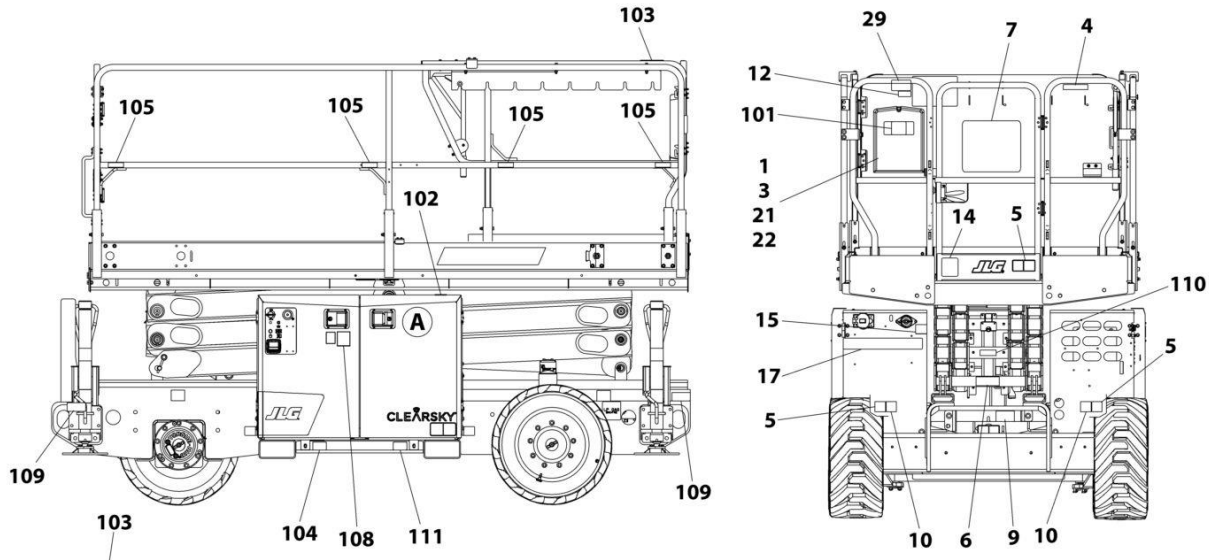
SECTION 9 - DECALS

FIGURE 9-2. DECAL INSTALLATION - AUSTRALIAN/CE SPECS (ENGLISH LANGUAGE)

ITEM	PART NUMBER	QTY	DESCRIPTION	REV
	1001256770	Ref	DECAL INSTALLATION	D
	1001256945	Ref	DECAL CHART DRAWING (RT2669)	G
	1001262071	Ref	DECAL CHART DRAWING (RT3369)	E
1	0760610	4	Bolt M6 x 20	
2	2080057	4	Fastener	
3	0860520	1	Box, Manual Storage	
5	1705671	6	Decal - Electrocution	
6	1705673	4	Decal - Crushing	
9	1703822	1	Decal - Manual Descent Instruction	
13	1705670	2	Decal - Fire Hazard	
14	1001292287	1	Decal - Sound	
21	3290605	4	Nut M6	
22	4811700	8	Washer M6	
100	1001256763	1	Decal Master Kit (Not Shown)	
101	1701640	1	Decal - Manual	
102	1703687	2	Decal - Direction Arrow	
103	1703819	2	Decal - Direction Arrow	
104	1001265579	2	Decal - Fork Lift	
105	1704277	8	Decal - Lanyard Attach	
106	1704412	1	Decal - Hydraulic Oil Chart	
107	70046028	1	Decal - Hydraulic Oil Level	
108	1001094708	1	Decal - Hydraulic Oil	
109	1001162864	4	Decal - Lift Point/Tie Down	
110	1001256865	1	Decal - Arm Prop	
111	1001265580	2	Decal - Fork Lift	

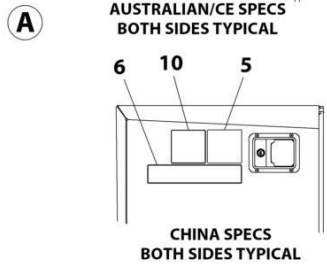
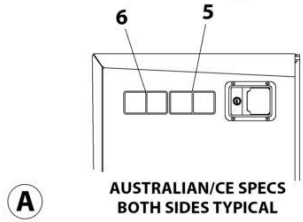
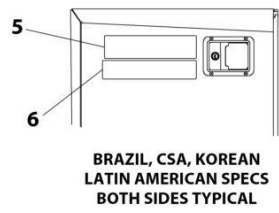
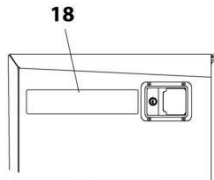
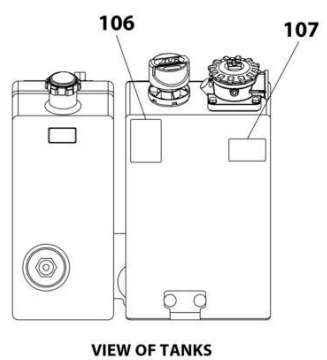
SECTION 9 - DECALS

FIGURE 9-3. DECAL INSTALLATION - BRAZIL SPECS (SPANISH/PORTUGUESE LANGUAGES)



NOTE: ITEMS SHOWN MAY NOT BE REQUIRED FOR ALL SPECS. REFER TO PARTS LIST FOR USAGE.

NOTE: ADDITIONAL DECALS CALLED OUT ON DECAL INSTALLATION - OPTIONS.



ART_1001256767

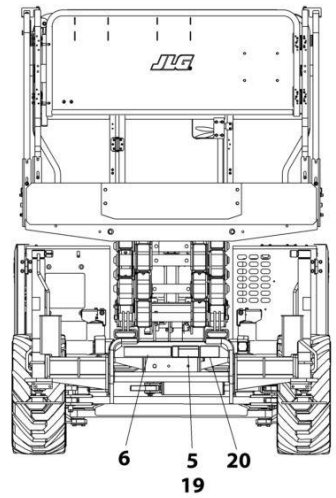
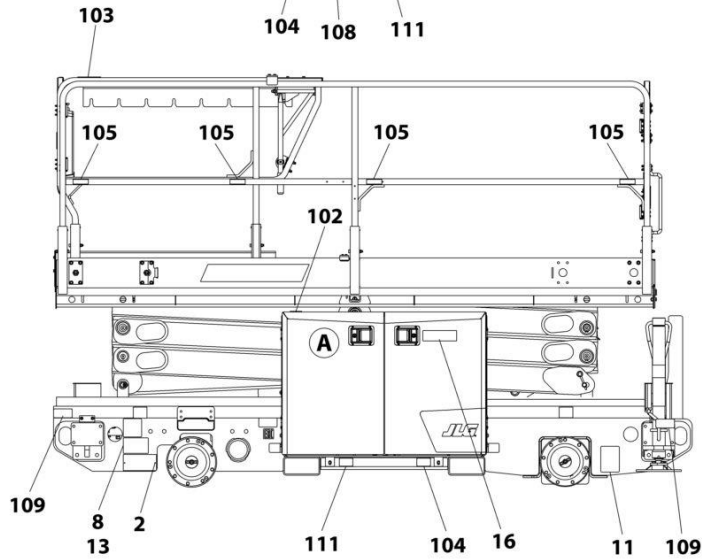
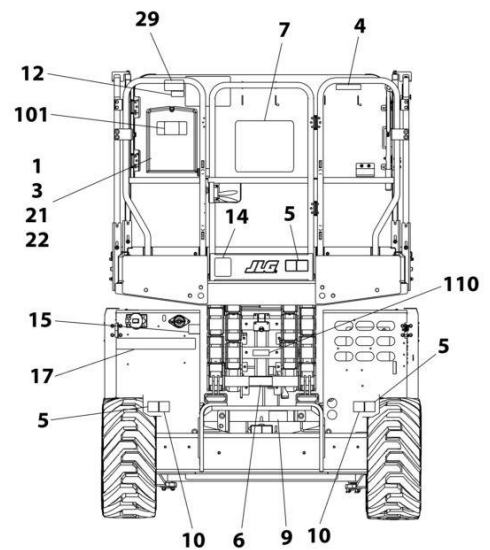
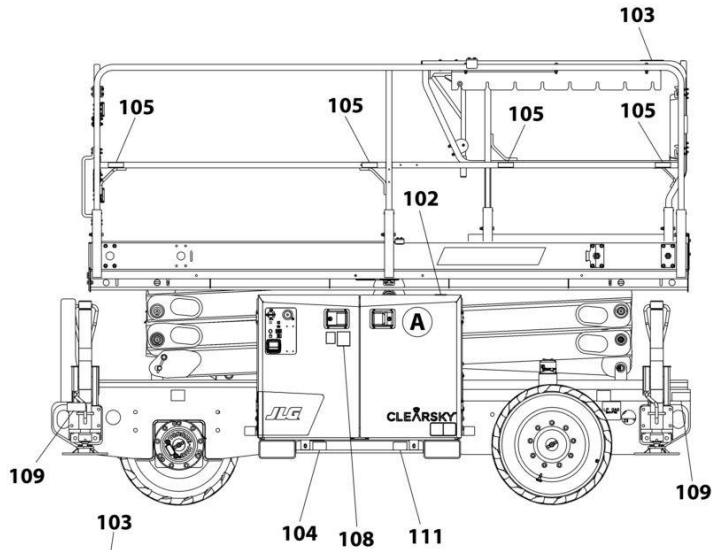
SECTION 9 - DECALS

FIGURE 9-3. DECAL INSTALLATION - BRAZIL SPECS (SPANISH/PORTUGUESE LANGUAGES)

ITEM	PART NUMBER	QTY	DESCRIPTION	REV
	1001256767	Ref	DECAL INSTALLATION	C
	1001256945	Ref	DECAL CHART DRAWING (RT2669)	G
	1001262071	Ref	DECAL CHART DRAWING (RT3369)	E
1	0760610	4	Bolt M6 x 20	
2	2080057	2	Fastener	
3	0860520	1	Box, Manual Storage	
4	1704702	1	Decal - Control Box Location	
5	1705043	5	Decal - Danger Electrical Hazard	
6	1001216650	4	Decal - Crushing	
7	1704699	1	Decal - Danger/Warning	
8	1001224052	1	Decal - Yearly Inspection	
9	1703822	1	Decal - Manual Descent Instruction	
21	3290605	4	Nut M6	
22	4811700	8	Washer M6	
100	1001256763	1	Decal Master Kit (Not Shown)	
101	1701640	1	Decal - Manual	
102	1703687	2	Decal - Direction Arrow	
103	1703819	2	Decal - Direction Arrow	
104	1001265579	2	Decal - Fork Lift	
105	1704277	8	Decal - Lanyard Attach	
106	1704412	1	Decal - Hydraulic Oil Chart	
107	70046028	1	Decal - Hydraulic Oil Level	
108	1001094708	1	Decal - Hydraulic Oil	
109	1001162864	4	Decal - Lift Point/Tie Down	
110	1001256865	1	Decal - Arm Prop	
111	1001265580	2	Decal - Fork Lift	

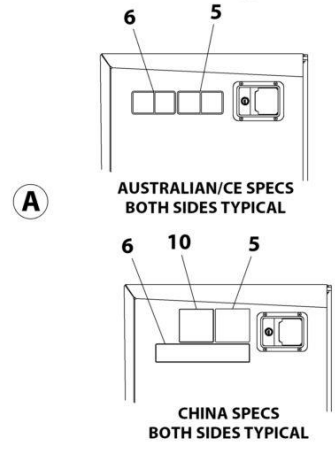
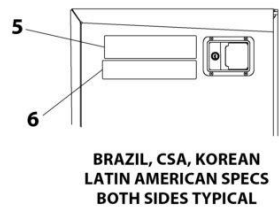
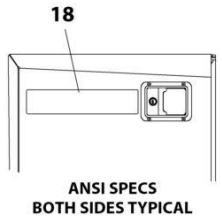
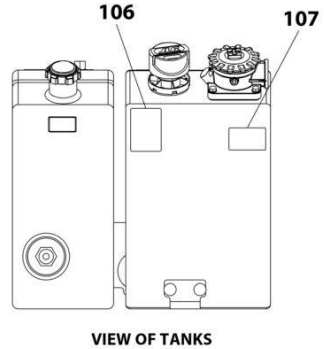
SECTION 9 - DECALS

FIGURE 9-4. DECAL INSTALLATION - CHINA SPECS (ENGLISH/CHINESE LANGUAGES)



NOTE: ITEMS SHOWN MAY NOT BE REQUIRED FOR ALL SPECS. REFER TO PARTS LIST FOR USAGE.

NOTE: ADDITIONAL DECALS CALLED OUT ON DECAL INSTALLATION - OPTIONS.



ART_1001256766

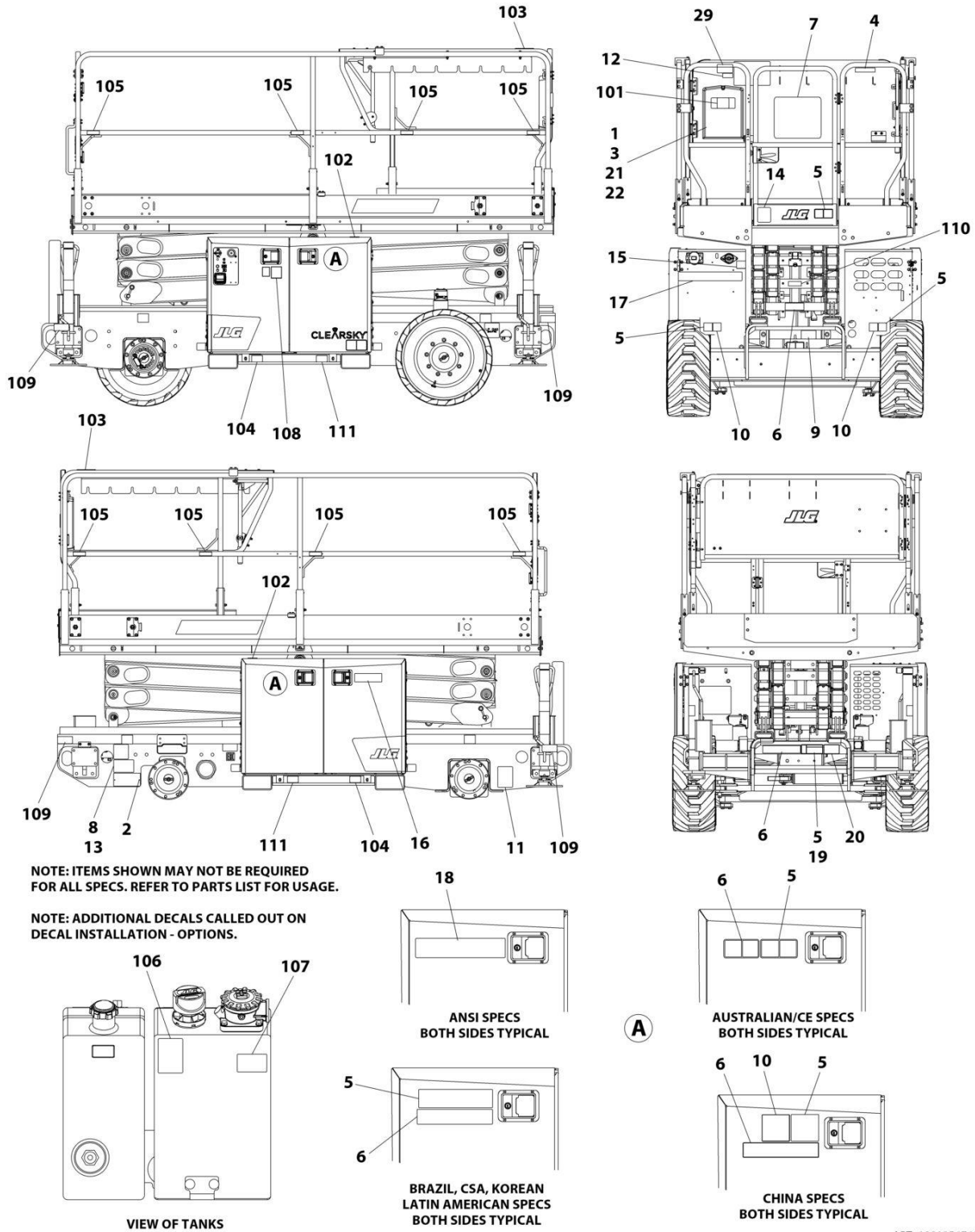
SECTION 9 - DECALS

FIGURE 9-4. DECAL INSTALLATION - CHINA SPECS (ENGLISH/CHINESE LANGUAGES)

ITEM	PART NUMBER	QTY	DESCRIPTION	REV
	1001256766	Ref	DECAL INSTALLATION	C
	1001256945	Ref	DECAL CHART DRAWING (RT2669)	G
	1001262071	Ref	DECAL CHART DRAWING (RT3369)	E
1	0760610	4	Bolt M6 x 20	
2	2080057	2	Fastener	
3	0860520	1	Box, Manual Storage	
4	1705194	1	Decal - Control Box Location	
5	1001211779	4	Decal - Electrocutation	
6	1001215752	4	Decal - Crushing	
7	1705195	1	Decal - Danger/Warning	
8	1001224051	1	Decal - Yearly Inspection	
9	1703822	1	Decal - Manual Descent Instruction	
10	1001215747	4	Decal - Electrocutation	
19	1705695	1	Decal - Danger Electrocutation	
20	1705944	1	Decal - Danger Electrocutation	
21	3290605	4	Nut M6	
22	4811700	8	Washer M6	
100	1001256763	1	Decal Master Kit (Not Shown)	
101	1701640	1	Decal - Manual	
102	1703687	2	Decal - Direction Arrow	
103	1703819	2	Decal - Direction Arrow	
104	1001265579	2	Decal - Fork Lift	
105	1704277	8	Decal - Lanyard Attach	
106	1704412	1	Decal - Hydraulic Oil Chart	
107	70046028	1	Decal - Hydraulic Oil Level	
108	1001094708	1	Decal - Hydraulic Oil	
109	1001162864	4	Decal - Lift Point/Tie Down	
110	1001256865	1	Decal - Arm Prop	
111	1001265580	2	Decal - Fork Lift	

SECTION 9 - DECALS

FIGURE 9-5. DECAL INSTALLATION - CSA SPECS (ENGLISH/FRENCH LANGUAGES)



ART_1001256769

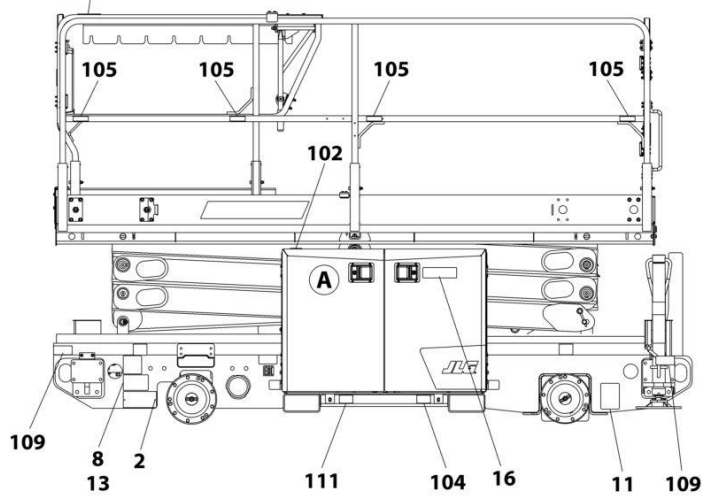
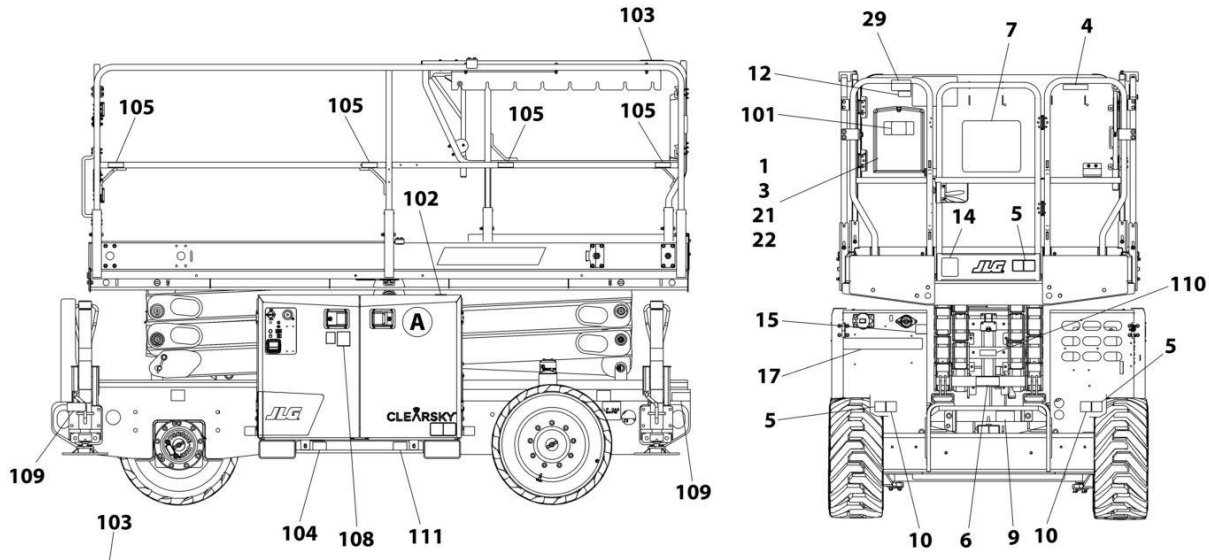
SECTION 9 - DECALS

FIGURE 9-5. DECAL INSTALLATION - CSA SPECS (ENGLISH/FRENCH LANGUAGES)

ITEM	PART NUMBER	QTY	DESCRIPTION	REV
	1001256769	Ref	DECAL INSTALLATION	C
	1001256945	Ref	DECAL CHART DRAWING (RT2669)	G
	1001262071	Ref	DECAL CHART DRAWING (RT3369)	E
1	0760610	4	Bolt M6 x 20	
2	2080057	2	Fastener	
3	0860520	1	Box, Manual Storage	
4	1704687	1	Decal - Control Box Location	
5	1705040	5	Decal - Danger Electrocutation	
6	1001215755	4	Decal - Crushing	
7	1704684	1	Decal - Danger/Warning	
8	1001223971	1	Decal - Yearly Inspection	
9	1703822	1	Decal - Manual Descent Instruction	
11	1001131270	1	Decal - Patent	
12	1001228370	1	Decal - ICES	
21	3290605	4	Nut M6	
22	4811700	8	Washer M6	
100	1001256763	1	Decal Master Kit (Not Shown)	
101	1701640	1	Decal - Manual	
102	1703687	2	Decal - Direction Arrow	
103	1703819	2	Decal - Direction Arrow	
104	1001265579	2	Decal - Fork Lift	
105	1704277	8	Decal - Lanyard Attach	
106	1704412	1	Decal - Hydraulic Oil Chart	
107	70046028	1	Decal - Hydraulic Oil Level	
108	1001094708	1	Decal - Hydraulic Oil	
109	1001162864	4	Decal - Lift Point/Tie Down	
110	1001256865	1	Decal - Arm Prop	
111	1001265580	2	Decal - Fork Lift	

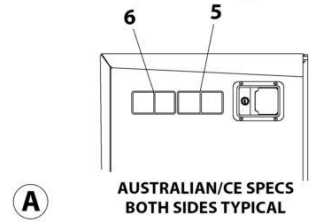
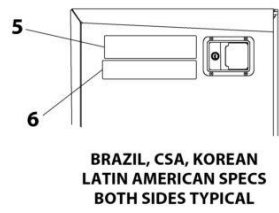
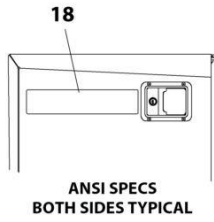
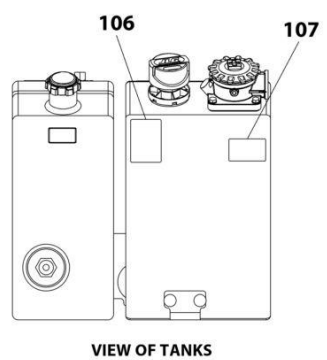
SECTION 9 - DECALS

FIGURE 9-6. DECAL INSTALLATION - KOREAN SPECS (ENGLISH/KOREAN LANGUAGES)

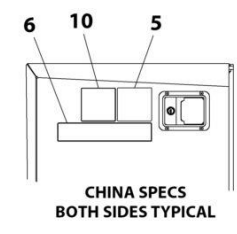


NOTE: ITEMS SHOWN MAY NOT BE REQUIRED FOR ALL SPECS. REFER TO PARTS LIST FOR USAGE.

NOTE: ADDITIONAL DECALS CALLED OUT ON DECAL INSTALLATION - OPTIONS.



(A)



ART_1001256765

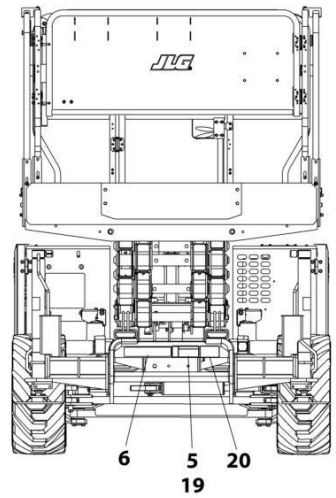
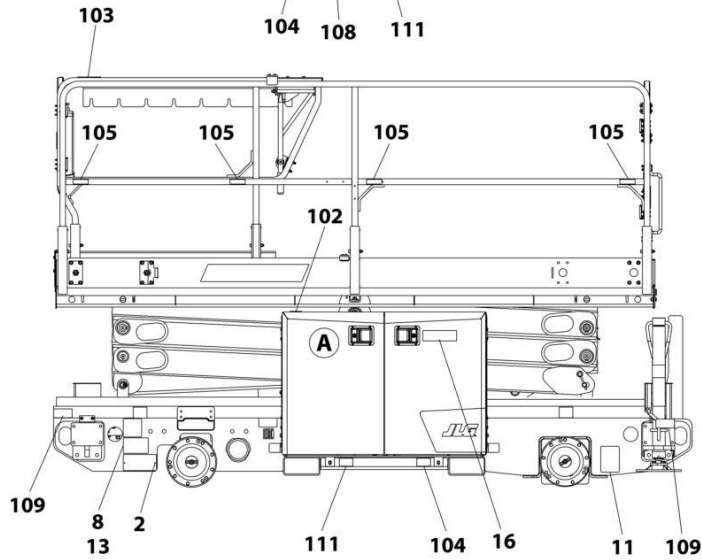
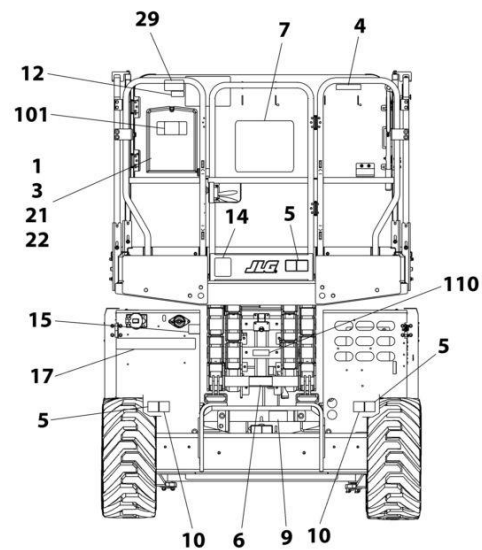
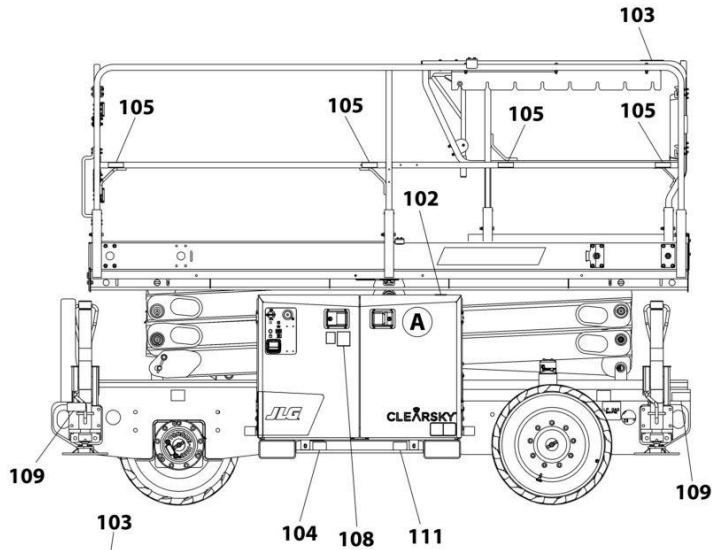
SECTION 9 - DECALS

FIGURE 9-6. DECAL INSTALLATION - KOREAN SPECS (ENGLISH/KOREAN LANGUAGES)

ITEM	PART NUMBER	QTY	DESCRIPTION	REV
	1001256765	Ref	DECAL INSTALLATION	C
	1001256945	Ref	DECAL CHART DRAWING (RT2669)	G
	1001262071	Ref	DECAL CHART DRAWING (RT3369)	E
1	0760610	4	Bolt M6 x 20	
2	2080057	2	Fastener	
3	0860520	1	Box, Manual Storage	
4	1001162112	1	Decal - Control Box Location	
5	1001162114	5	Decal - Danger Electrical Hazard	
6	1001215751	4	Decal - Crushing	
7	1001162115	1	Decal - Danger Warning	
8	1001224048	1	Decal - Yearly Inspection	
9	1703822	1	Decal - Manual Descent Instruction	
21	3290605	4	Nut M6	
22	4811700	8	Washer M6	
100	1001256763	1	Decal Master Kit (Not Shown)	
101	1701640	1	Decal - Manual	
102	1703687	2	Decal - Direction Arrow	
103	1703819	2	Decal - Direction Arrow	
104	1001265579	2	Decal - Fork Lift	
105	1704277	8	Decal - Lanyard Attach	
106	1704412	1	Decal - Hydraulic Oil Chart	
107	70046028	1	Decal - Hydraulic Oil Level	
108	1001094708	1	Decal - Hydraulic Oil	
109	1001162864	4	Decal - Lift Point/Tie Down	
110	1001256865	1	Decal - Arm Prop	
111	1001265580	2	Decal - Fork Lift	

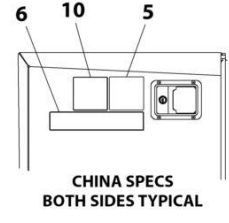
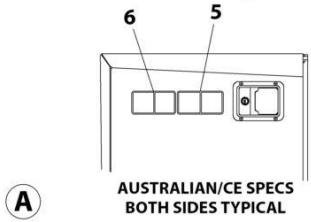
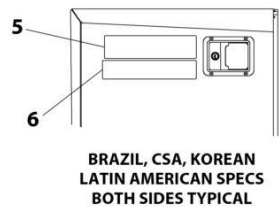
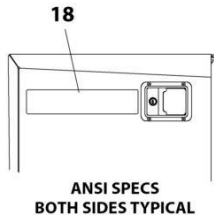
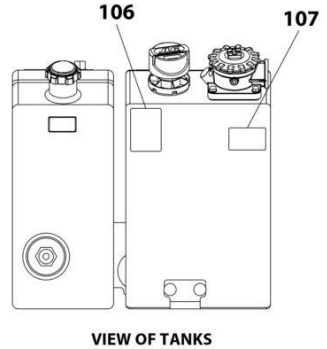
SECTION 9 - DECALS

FIGURE 9-7. DECAL INSTALLATION - LATIN AMERICAN SPECS (ENGLISH/KSPANISH LANGUAGES)



NOTE: ITEMS SHOWN MAY NOT BE REQUIRED FOR ALL SPECS. REFER TO PARTS LIST FOR USAGE.

NOTE: ADDITIONAL DECALS CALLED OUT ON DECAL INSTALLATION - OPTIONS.



ART_1001256768

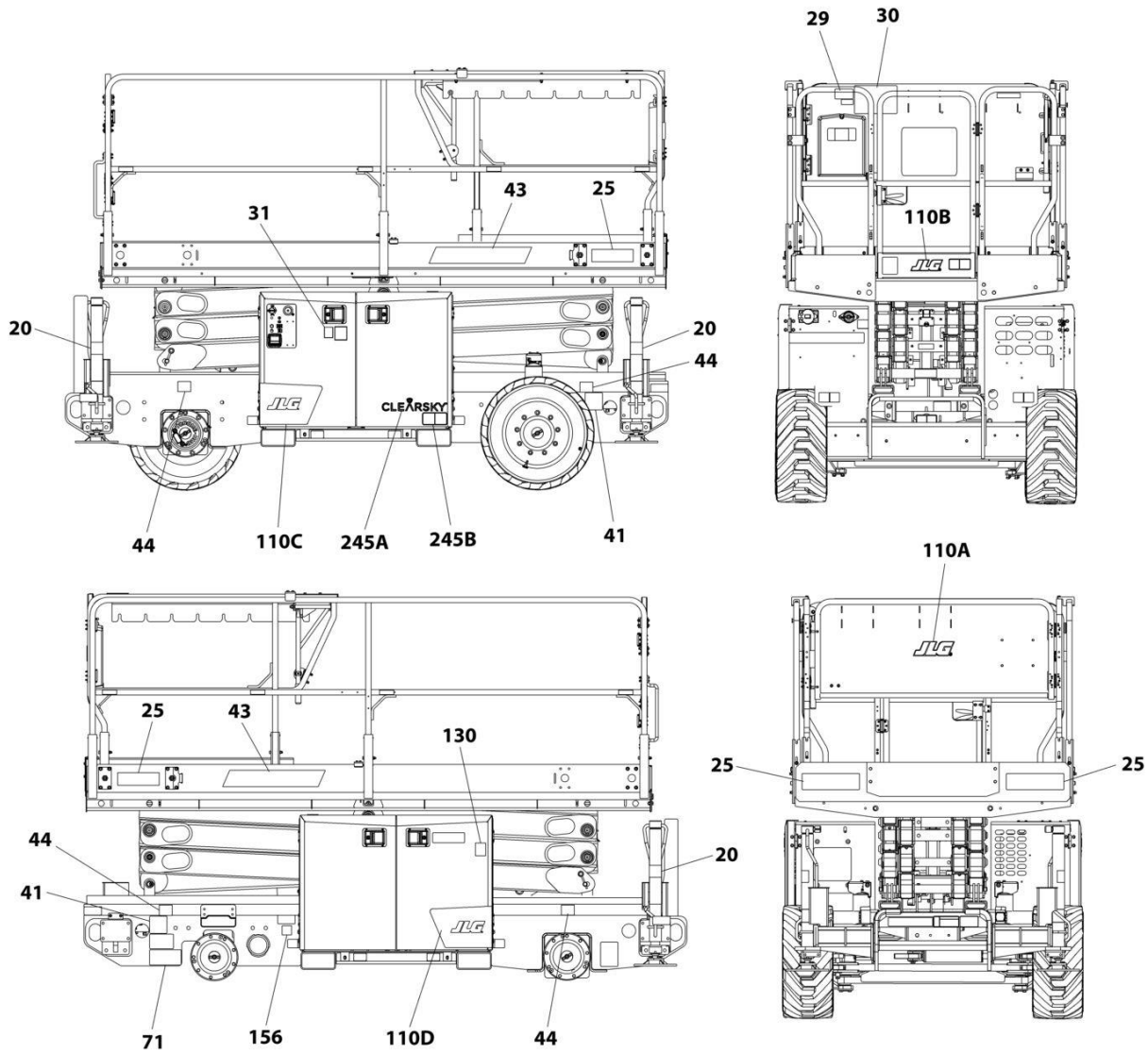
SECTION 9 - DECALS

FIGURE 9-7. DECAL INSTALLATION - LATIN AMERICAN SPECS (ENGLISH/KSPANISH LANGUAGES)

ITEM	PART NUMBER	QTY	DESCRIPTION	REV
	1001256768	Ref	DECAL INSTALLATION	C
	1001256945	Ref	DECAL CHART DRAWING (RT2669)	G
	1001262071	Ref	DECAL CHART DRAWING (RT3369)	E
1	0760610	4	Bolt M6 x 20	
2	2080057	2	Fastener	
3	0860520	1	Box, Manual Storage	
4	1704694	1	Decal - Control Box Location	
5	1705041	5	Decal - Danger Electrical Hazard	
6	1001215754	4	Decal - Crushing	
7	1704691	1	Decal - Danger/Warning	
8	1001224049	1	Decal - Yearly Inspection	
9	1703822	1	Decal - Manual Descent Instruction	
21	3290605	4	Nut M6	
22	4811700	8	Washer M6	
100	1001256763	1	Decal Master Kit (Not Shown)	
101	1701640	1	Decal - Manual	
102	1703687	2	Decal - Direction Arrow	
103	1703819	2	Decal - Direction Arrow	
104	1001265579	2	Decal - Fork Lift	
105	1704277	8	Decal - Lanyard Attach	
106	1704412	1	Decal - Hydraulic Oil Chart	
107	70046028	1	Decal - Hydraulic Oil Level	
108	1001094708	1	Decal - Hydraulic Oil	
109	1001162864	4	Decal - Lift Point/Tie Down	
110	1001256865	1	Decal - Arm Prop	
111	1001265580	2	Decal - Fork Lift	

SECTION 9 - DECALS

FIGURE 9-8. DECAL INSTALLATION - OPTIONS



NOTE: ITEMS SHOWN MAY NOT BE REQUIRED FOR ALL SPECS. REFER TO PARTS LIST FOR USAGE.

VIEW OF TANKS

ART_DECAL_OPTIONS

SECTION 9 - DECALS

FIGURE 9-8. DECAL INSTALLATION - OPTIONS

ITEM	PART NUMBER	QTY	DESCRIPTION	REV
		Ref	DECAL INSTALLATION - OPTIONS	
	1001256945	Ref	DECAL CHART DRAWING (RT2669)	D
	1001262071	Ref	DECAL CHART DRAWING (RT3369)	B
20		Ref	Decal - Leveling Jack Warning Options:	
20	1701214	4	Decal - Leveling Jack Warning (ANSI Specs)	
20	1701785	4	Decal - Leveling Jack Warning (Australian/CE Specs)	
20	1704698	4	Decal - Leveling Jack Warning (Brazil Specs)	
20	1704690	4	Decal - Leveling Jack Warning (CSA Specs)	
20	1001215447	4	Decal - Leveling Jack Warning (Korean Specs)	
20	1704697	4	Decal - Leveling Jack Warning (Latin American Specs)	
25	1001254363	Ref	Corner Stripes Installation	C
25	4420051	4 ft /1.2m	Tape, Safety	
29	1001231801	1	Decal - Warning Prop 65	
30	1001256793	1	Decal - Capacity (RT2669)	
30	1001256795	1	Decal - Capacity (RT3369)	
31	1701505	1	Decal - Fuel (Diesel)	
31	1701542	1	Decal - Fuel (Gas)	
41		Ref	Decal - LP Gas Options:	
41	1700818	2	Decal - LP Gas (English Language)	
41	1702720	2	Decal - LP Gas (English/French Language)	
41	1704271	2	Decal - LP Gas (Spanish Language)	
43	1001256779	2	Decal - Model (RT2669)	
43	1001256780	2	Decal - Model (RT3369)	
44	1001256791	4	Decal - Max Tire Load	
71	See Note	NSS	Decal - Manufacturers Serial Number (Note: Not Available for Purchase)	
110	1001263163	Ref	JLG Decals Installation	B
110A	1001256675	1	Decal - JLG	
110B	1001256676	1	Decal - JLG	
110C	1001265581	1	Decal - JLG	
110D	1001265582	1	Decal - JLG	
130		Ref	Decal - Warning Explosion/Fire Options:	
130	1704972	1	Decal - Warning Explosion/Fire (ANSI Specs)	
130	1706098	1	Decal - Warning Explosion/Fire (Australian/CE Specs)	
130	1706059	1	Decal - Warning Explosion/Fire (Brazil Specs)	
130	1706060	1	Decal - Warning Explosion/Fire (China Specs)	
130	1706064	1	Decal - Warning Explosion/Fire (CSA Specs)	
130	1706061	1	Decal - Warning Explosion/Fire (Korean Specs)	
130	1706063	1	Decal - Warning Explosion/Fire (Latin American Specs)	
136	1001125387	1	Decal - Ultra Low Sulfur Fuel (ANSI & CSA Specs)	
136	1001139654	1	Decal - Ultra Low Sulfur Fuel (CE Specs)	
156	1001214029	Ref	EAC Decal Installation (Russian/CIS Specs)	
156	1001173703	1	Decal - EAC (Russian/CIS Specs)	
245	1001236984	Ref	Clearsky Decals Installation	A
245A	1001116208	1	Decal - Clearsky	
245B	1001120989	1	Decal - Radio Frequency	
640	1001143852	1	Decal - Emissions Compliance (Diesel Machines) (Not Shown - Located near SN Nameplate) (ANSI Export, Australian, CE, China & Korean Specs)	

SECTION 10 - RECOMMENDED SERVICE PARTS STOCK

SECTION 10 - RECOMMENDED SERVICE PARTS STOCK

SECTION 10 - RECOMMENDED SERVICE PARTS STOCK

FIGURE 10-1. RECOMMENDED SERVICE PARTS STOCK

ITEM	PART NUMBER	QTY	DESCRIPTION	REV
		Ref	Note: The following list will service one machine (built to current production per date on the front cover) with emergency repair parts which can be installed in the field. Parts from the list should be replaced when inventory is depleted to keep service parts stock supplied. For further information, contact your JLG dealer or the JLG Industries Parts Department.	
	1001152479	1	Breaker, 16Amp Double (CE Specs Machines with AC Box at Platform)	
	1001181045	1	Breaker, 16Amp Double (CE Specs Machines with AC Box at Platform)	
	1001152482	1	Breaker, 30MaAmp (CE Specs Machines with AC Box at Platform)	
	70001965	1	Coil (Machines with Leveling Jacks)	
	1001247682	1	Controller, Joystick (Platform Control Box)	
	1001244932	1	Display, Platform Box	
		Ref	Engine - Kubota Diesel Engine	
	7015004	12	Filter, Air Cleaner	
	1001248057	12	Filter, Engine Oil	
	1001190545	12	Filter, Fuel	
	70007021	12	Filter, Fuel/Water	
	1001246587	1	Module, Engine ECU	
		Ref	Engine - Kubota Dual Fuel Engine	
	70007141	12	Filter, Air Cleaner	
	1001248057	12	Filter, Engine Oil	
	1001255422	12	Filter, Fuel	
	1001253824	1	Module, Engine ECU	
	1001248371	12	Filter, Filler/Breather (Hydraulic Tank)	
	70007035	12	Filter, Element (Hydraulic Tank)	
	8229242	2	Fuse 5Amp (Chassis Harness)	
	8229244	2	Fuse 15Amp (Chassis Harness)	
	2860030	1	Key, Replacement (Ground Control)	
	1600387	1	Module, Control (Arms Installations)	
	1001244929	1	Module, Ground Control	
	3740080	1	Relay (Generator Harness)	
	1001145548	1	Sensor, Limit (Arms Installations)	
	1001227516	1	Sensor, Pressure (Leveling Jacks)	
	1001128478	1	Sensor, Temperature (Main Control Valve)	
	1001244934	1	Sensor, Tilt (Single & Dual Oscillating Axles)	
	4360475	1	Switch, Emergency Stop (Ground & Platform Controls)	
	4360469	1	Switch, Key (Ground Controls)	
	4360387	1	Switch, Push Button (Ground Controls)	
	1001226749	1	Switch, Push Button (Platform Control Box)	
	4360524	1	Switch, Toggle (Ground Controls)	

SECTION 11 - SPECIAL OPTIONS/ACCESSORIES/KITS

SECTION 11 - SPECIAL OPTIONS/ACCESSORIES/KITS

SECTION 11 - SPECIAL OPTIONS/ACCESSORIES/KITS

FIGURE 11-1. SPECIAL OPTIONS/ACCESSORIES/KITS

ITEM	PART NUMBER	QTY	DESCRIPTION	REV
		Ref	Note: This list is to accommodate machines ordered with special equipment. Options may not be applicable to all models. For more specific parts information contact JLG Parts Department.	
		Ref	MISCELLANEOUS SPECIAL OPTIONS/ACCESSORIES/KITS	
		Ref	ClearSky (Telematics) Installation (Factory Installed) Options:	
	1001251506	Ref	ClearSky (Telematics) Installation - 3 Wire (Factory Installed) (ANSI and CSA Specs)	
	1001251522	Ref	ClearSky (Telematics) Installation - 3 Wire (Factory Installed) (ANSI Export, Korean and CE Specs)	
	1001249646	Ref	ClearSky (Telematics) Installation - Canbus (Factory Installed) (ANSI and CSA Specs)	
	1001249647	Ref	ClearSky (Telematics) Installation - Canbus (Factory Installed) (ANSI Export, Korean and CE Specs)	
	1001249648	Ref	ClearSky (Telematics) Installation - Canbus (Factory Installed) (Australian Specs)	
		Ref	Electrical Connector Kits	
	1001148902	Ref	Electrical Connector Kit - Amp/Tyco Electrical Connectors	
	1001148903	Ref	Electrical Connector Kit - Deutsch DT Electrical Connectors	
	1001148904	Ref	Electrical Connector Kit - Deutsch HD Electrical Connectors	
	1001148905	Ref	Electrical Connector Kit - Packard Electrical Connectors	
	1001148906	Ref	Electrical Connector Kit - Various Electrical Connectors	
	1001246132	Ref	Engine Sub-FAPL (Diesel)	
	1001246133	Ref	Engine Sub-FAPL (Dual Fuel)	
	1001249053	Ref	Fan Guard Installation	
	1001255164	Ref	Footswitch Installation (Korean Specs)	
	1001246101	Ref	Oil Cooler Installation	
	1001267646	Ref	Platform Divider (SkyShield - Social Distancing) Shield Installation (Factory Installed)	
	1001269100	Ref	Platform Divider (SkyShield - Social Distancing) Shield Add-on Kit (Dealer Installed)	
	1001266156	Ref	Service Kits & Tools	
		Ref	Tools for Service	
	7002821	Ref	Crimper, Wire	
	7002823	Ref	Pin Extractor - Universal (For Electrical Connectors with Pins and Sockets)	
	4460510	Ref	Pin Extractor - 12-14 Gauge (For Removal of Pin/Sockets from Deutsch Connectors)	
	4460467	Ref	Pin Extractor - 16-18 Gauge (For Removal of Pin/Sockets from Deutsch Connectors)	
	7016654	Ref	Screwdriver, Magnetic	
	7002822	Ref	Screwdriver, Potentiometer	
	7004275	Ref	Tools - Seal Tool 1in (For Cylinders)	
	7004276	Ref	Seal Tool 1-1/2in (For Cylinders)	
	7002828	Ref	Stripper, Wire	

SECTION 11 - SPECIAL OPTIONS/ACCESSORIES/KITS

PART NUMBER INDEX

SECTION 11 - SPECIAL OPTIONS/ACCESSORIES/KITS

0100011.....13, 15, 17, 21, 23, 25, 49, 51, 65, 67, 69, 71, 75, 84, 97, 99, 115, 117, 119, 135, 137, 139, 141, 143, 145, 152, 158, 161, 169, 173, 175	0760612..... 84 0760614..... 15, 75 0760807..... 13, 15, 17 0760808..... 167 0760810..... 84 0760812,49, 51, 149, 155, 167	1001116716 261 1001116732 238, 241, 245, 249, 261 1001116733 241, 245, 261 1001116734 238, 241, 245, 249, 261	1001145548..... 149, 155, 308 1001146043..... 133 1001146588..... 109 1001148902..... 310 1001148903..... 310 1001148904..... 310 1001148905..... 310 1001148906..... 310 1001150735..... 273 1001150889..... 273 1001151395..... 21 1001152266..... 237 1001152479..... 308 1001152482..... 308 1001152483..... 235 1001152486..... 221, 223, 235
0100019.....23, 25, 49, 51 0100020..... 143, 145 0100035.....65, 67, 69, 71, 87	0760814..... 55 0760815..... 87, 99, 119 0760817..... 99 0761008..... 167 0761010 65, 67, 69, 71 0761012..... 21, 84 0761015..... 45, 47 0761217..... 49, 51 0761616..... 13, 15, 17 0770812..... 84 0771010 65, 67, 69, 71 0771012..... 23, 25 0771014 ... 65, 67, 69, 71, 97, 143, 145	1001116749 245 1001116752 241, 245 1001116763 245 1001116808 263 1001116812 241 1001116815 241 1001116816 241, 245 1001116950 237 1001117022 241 1001117023 241 1001117024 261 1001117025 245 1001117069 241, 245 1001117070 245 1001117110 245 1001118274 196, 200 1001118282 238, 241, 245, 249, 261	1001152729..... 131 1001156541..... 251, 253 1001156819..... 127 1001159186..... 238 1001161497..... 119 1001162112..... 301 1001162114..... 301 1001162115..... 301 1001162864..... 291, 293, 295, 297, 299, 301, 303 1001165035..... 119 1001168018.97, 139, 141 1001171482..... 77 1001173703..... 305 1001174486..... 107, 127 1001176626..... 175 1001179586..... 109, 129 1001181045..... 233, 308 1001182680..... 77 1001182997..... 107, 127 1001183406..... 65, 67, 69, 71
0100051..... 109, 129 0140030..... 175 0140043..... 79 0275216..... 217, 277 0275217..... 219, 279 0275452..... 221, 281 0275453..... 223, 283 0275454..... 225, 285 0340045..... 113, 133 0400003..... 109, 129 0440162..... 21 0440237..... 21 0440241..... 152, 158 0440264..... 152, 158 0630587.79, 81, 107, 127 0630613..... 111, 131 0630615..... 169 0641611..... 143, 145 0681520..... 139, 141 0681609..... 99, 119 0681812..... 39 0700517..... 169 0700612..... 152, 158 0700617.... 169, 215, 217, 219, 221, 223, 225, 227 0700618..... 149, 155 0700619..... 169 0700624..... 152, 158 0700817..... 169 0700818..... 169 0700819..... 169 0700822..... 196, 200 0701012..... 167 0701014..... 139, 141 0701015,49, 51, 149, 152, 155, 158 0701022.... 149, 152, 155, 158 0701024..... 152, 158 0701026..... 152, 158 0701029..... 149, 155 0701622..... 49, 51 0710819..... 119 0711017..... 17 0711224.. 13, 15, 17, 139, 141 0711616..... 25 0741008..... 75 0760505..... 129 0760507..... 169 0760606..... 265, 269 0760608..... 149, 155, 169 0760610,75, 84, 165, 167, 217, 219, 221, 223, 225, 291, 293, 295, 297, 299, 301, 303	0780608..... 107 0780610..... 139, 141 0780618..... 109 0781024..... 107 0811606..... 143, 145 0811608..... 139, 141 0840052..... 109 0860520 ... 291, 293, 295, 297, 299, 301, 303 0861731 ... 227, 275, 281, 283, 285 0861781 277, 279 0861880 233 0961890..... 13, 15, 21 0961950 ... 13, 15, 17, 158 0962220 .13, 15, 152, 158 1001025750 99 1001026127 99, 119, 127 1001091102 89, 91, 93 1001094708 291, 293, 295, 297, 299, 301, 303 1001095650 39 1001096070 217, 219, 225, 233 1001096653 ... 65, 67, 69, 71 1001097150 233, 235 1001099560 152, 158 1001100341 277 1001100342 279 1001100345 281 1001100346 285 1001100347 283 1001100451 55, 127 1001103761 49, 51 1001104498 245 1001106736 237 1001107854 245 1001108603 175 1001110188 75 1001113961 238 1001116208 305 1001116694 255	1001118511 13, 15 1001118518 13, 15 1001118519 13, 15 1001118657 241 1001118658 238, 241 1001118659 241 1001118743 241 1001118744 238, 241, 245 1001118745 238, 241, 245 1001118746 99, 107, 119 1001118878 161 1001118938 241, 245 1001119020 263 1001119412 261 1001119630 200 1001120989 305 1001125387 305 1001125677 237, 255 1001125784 237, 273 1001125785 237 1001126391 245 1001126393 245 1001127172 127 1001128128 238, 241, 245, 249, 261 1001128478 73, 308 1001129255 127 1001129256 127 1001130900 241 1001131270 291, 299 1001131324 123 1001131391 107, 127 1001132170 259 1001139141 21 1001139219 109, 129 1001139654 305 1001142984 127 1001143852 305 1001144295 237 1001144296 241, 245	1001165035..... 119 1001168018.97, 139, 141 1001171482..... 77 1001173703..... 305 1001174486..... 107, 127 1001176626..... 175 1001179586..... 109, 129 1001181045..... 233, 308 1001182680..... 77 1001182997..... 107, 127 1001183406..... 65, 67, 69, 71 1001184682..... 81 1001184705..... 245 1001184716..... 245 1001184717..... 245 1001184718..... 245 1001184722..... 245 1001184768..... 245 1001184769..... 245 1001184832..... 238 1001186483..... 109 1001187455..... 245 1001187781..... 129 1001189171..... 235 1001189172..... 235 1001189762..... 149, 155 1001190545..... 107, 308 1001192401..... 237 1001193336..... 65, 67 1001195137..... 139, 141, 169 1001197405..... 158 1001201885..... 273 1001202910..... 196, 200 1001205250..... 238 1001205824..... 196, 200 1001207109..... 69, 71 1001211777..... 291

SECTION 11 - SPECIAL OPTIONS/ACCESSORIES/KITS

1001211779..... 291, 297	1001244934.... 15, 17, 75, 152, 158, 308	1001247520..... 153, 159	1001248500..... 127
1001212268..... 215, 217, 219, 221, 223, 225, 227	1001245046.... 13, 15, 17, 181	1001247521..... 149, 155	1001248671..... 181
1001213010..... 111, 131	1001245250..... 165	1001247522..... 152, 158	1001248820..... 149
1001214029..... 305	1001245381..... 43	1001247523..... 152, 158	1001248821..... 155
1001214174..... 23, 33	1001245440..... 43	1001247524..... 152, 158	1001248834..... 13, 15
1001214556..... 135	1001245479..... 167	1001247560..... 113, 133	1001248840..... 169
1001215447..... 305	1001245653..... 181	1001247581..... 105, 125	1001248861..... 107, 127
1001215747..... 297	1001245923..... 152, 158, 161	1001247582..... 105, 125	1001248863.. 49, 51, 255
1001215751..... 301	1001246090..... 65, 67	1001247584..... 99, 105	1001248865..... 152, 158
1001215752..... 297	1001246101..... 55, 310	1001247589..... 105, 125	1001248868..... 196, 200
1001215754..... 303	1001246102..... 200	1001247600..... 125	1001248869..... 196, 200
1001215755..... 299	1001246104..... 17, 191	1001247612..... 97	1001248871..... 196, 200
1001215898..... 237	1001246105..... 196	1001247630.... 65, 67, 69, 71	1001248872..... 196, 200
1001216650..... 295	1001246107..... 21, 187	1001247637..... 84	1001248873..... 196, 200
1001217457..... 152, 158	1001246132..... 310	1001247638..... 84	1001248874..... 200
1001218676..... 111, 131	1001246133..... 310	1001247639..... 84	1001248876..... 200
1001220668..... 265, 269	1001246134..... 139	1001247667..... 149, 155	1001248890..... 152, 158
1001223055..... 291	1001246553..... 87	1001247668..... 152, 158	1001248895..... 152, 158, 257
1001223431..... 241	1001246555... 65, 67, 69, 71, 87	1001247669..... 149, 152, 155, 158	1001248933..... 167
1001223453..... 291	1001246583..... 175	1001247670..... 152, 158	1001248986..... 169
1001223794..... 241	1001246584..... 175	1001247671..... 149, 155	1001248990..... 167
1001223797..... 241	1001246587..... 103, 308	1001247672..... 153, 159	1001248991..... 167
1001223971..... 299	1001246658..... 183	1001247682..... 175, 177, 308	1001249048..... 265, 267
1001224048..... 301	1001246746..... 111	1001247709..... 125	1001249049..... 175, 273
1001224049..... 303	1001246778..... 131	1001247804..... 135	1001249053..... 310
1001224051..... 297	1001246779..... 131	1001247810..... 135	1001249091..... 149, 155, 287
1001224052..... 295	1001246823..... 175	1001247816..... 159	1001249095..... 238
1001225804..... 55	1001246856..... 65, 67	1001247817..... 159	1001249122..... 131
1001226221..... 84	1001246859..... 238	1001247819..... 159	1001249123..... 131
1001226749..... 175, 308	1001246863..... 175	1001247820..... 159	1001249178..... 196, 201
1001226830..... 149, 155, 259	1001246864..... 175	1001247835..... 158	1001249181..... 196, 200
1001227516.. 49, 51, 308	1001246883..... 84	1001247887..... 84	1001249190..... 267, 271
1001228370..... 299	1001246884..... 45	1001248038..... 127	1001249231..... 196, 200
1001228533..... 152, 158	1001246885..... 49	1001248039..... 75	1001249244..... 237
1001230488..... 241	1001246959..... 23, 35	1001248043..... 84	1001249259..... 175
1001231801..... 305	1001246979..... 175	1001248047..... 119	1001249282..... 17, 231
1001234069..... 109, 129	1001247019..... 13, 15	1001248048..... 119, 125	1001249297..... 21
1001234348..... 84	1001247021..... 69, 71	1001248056..... 103, 123	1001249306..... 89
1001236984..... 305	1001247028..... 115	1001248057..... 103, 123, 308	1001249307..... 91
1001237778..... 245	1001247074..... 75	1001248099..... 115	1001249309..... 81
1001239224..... 89, 91	1001247267..... 111, 131	1001248100..... 99	1001249323..... 21
1001242539..... 89, 91	1001247295..... 17	1001248134..... 109, 241	1001249340..... 59
1001242816..... 39, 41	1001247313..... 175	1001248160..... 55	1001249342..... 57
1001243256.. 49, 51, 183	1001247352..... 45	1001248162..... 84	1001249343..... 59
1001243266..... 25, 39	1001247353..... 47	1001248196..... 13, 15, 17	1001249344..... 59
1001243267..... 67, 71	1001247367..... 149, 152	1001248222..... 241	1001249352.... 57, 59, 61
1001243268..... 39	1001247368..... 155, 158	1001248223..... 241	1001249353..... 57
1001243296..... 99, 103	1001247375..... 152	1001248224..... 241	1001249354..... 59
1001243300..... 119, 123	1001247376..... 158	1001248227..... 241	1001249407..... 49, 51
1001244106..... 119, 121	1001247380..... 49, 51, 53	1001248228..... 241	1001249464..... 139, 141, 249
1001244107..... 99, 101	1001247382..... 17, 19	1001248229..... 241	1001249637..... 152, 158
1001244177..... 25, 37	1001247383..... 175	1001248279..... 152, 251	1001249646..... 310
1001244210..... 161, 185	1001247425..... 47	1001248280..... 158, 253	1001249647..... 310
1001244381..... 165	1001247443..... 175	1001248289..... 129, 245	1001249648..... 310
1001244382..... 167	1001247454..... 105, 125	1001248300..... 23	1001249701..... 196, 200
1001244391..... 15, 17	1001247462..... 196, 200	1001248307..... 113	1001249703..... 200
1001244392..... 21	1001247472..... 75, 237	1001248313..... 133	1001249704..... 200
1001244393..... 25	1001247482..... 152, 159	1001248339..... 196, 200	1001249802..... 55, 261
1001244462..... 237	1001247490..... 152, 159	1001248347..... 109, 129	1001249850..... 196, 201
1001244775..... 57	1001247497..... 152, 159	1001248349..... 69, 71	1001249882..... 169
1001244888..... 169	1001247500..... 152	1001248371..... 87, 308	1001249883..... 169
1001244904..... 161	1001247503..... 153	1001248413..... 117, 137	1001249884..... 170
1001244929..... 75, 308	1001247506..... 153	1001248414..... 117, 137	1001249914..... 49
1001244932..... 175, 308			

SECTION 11 - SPECIAL OPTIONS/ACCESSORIES/KITS

1001249915.....49	1001255001..... 215	1001256793..... 305	1001264263..... 123
1001250088..... 17	1001255002..... 227	1001256795..... 305	1001264264..... 123
1001250089..... 17	1001255003..... 229	1001256865..... 291, 293,	1001264269..... 123
1001250090..... 17	1001255004..... 221	295, 297, 299, 301, 303	1001264939..... 149, 155,
1001250091..... 17	1001255005..... 223	1001256875..... 17	263
1001250307..... 193	1001255006..... 217	1001256945..... 291, 293,	1001265532..... 173
1001250308..... 193	1001255007..... 219	295, 297, 299, 301,	1001265579..... 291, 293,
1001250309..... 193	1001255008..... 225	303, 305	295, 297, 299, 301, 303
1001250310..... 193	1001255164..... 310	1001257076..... 175	1001265580..... 291, 293,
1001250311..... 193	1001255324..... 123	1001257077..... 175	295, 297, 299, 301, 303
1001250312..... 193	1001255341..... 123	1001257454..... 84	1001265581..... 305
1001250336..... 97	1001255342..... 123	1001257587..... 149, 155	1001265582..... 305
1001250342..... 49, 51, 193	1001255416..... 123	1001257688..... 84	1001265585..... 17
1001250353..... 49, 51	1001255422..... 123, 308	1001257689..... 84	1001265684..... 167
1001250355..... 167	1001255431..... 123	1001257884..... 77	1001265744..... 161
1001250356..... 167	1001255435..... 123	1001258004..... 145	1001265761..... 161
1001250418..... 191	1001255447..... 123	1001258006..... 143	1001265821..... 167
1001250419..... 191	1001255448..... 123	1001258113..... 145	1001265846..... 169
1001250450..... 107	1001255461..... 175	1001258188..... 43	1001265848..... 152, 158
1001250468..... 196	1001255526..... 21	1001258223..... 269, 271	1001265916..... 173
1001250519..... 117, 137	1001255529..... 123	1001258287..... 61	1001266156..... 310
1001250521..... 117, 137	1001255606..... 131	1001258812..... 153	1001266885..... 111
1001250525..... 117, 137	1001255809..... 111, 131	1001258813..... 159	1001267646..... 310
1001250627..... 167	1001255843..... 111, 131	1001258921..... 77	1001267649..... 93
1001250636..... 103, 123	1001255848..... 111, 131	1001258923..... 269	1001268776..... 107
1001250640..... 167	1001255851..... 111, 131	1001258936..... 169	1001269045..... 107
1001250678..... 79	1001255857..... 111, 131	1001259024..... 143, 145	1001269100..... 310
1001250682..... 175	1001255872..... 99	1001259047..... 145	1001269872..... 115
1001250692..... 175	1001255873..... 97	1001259202..... 61	1001270098..... 149, 152,
1001250772..... 97	1001255874..... 107	1001259386..... 61	155, 158
1001250829..... 169	1001255875..... 109	1001260064..... 200	1001270103..... 65, 69, 73
1001250830..... 169	1001255876..... 115	1001260250..... 196	1001270481..... 245
1001250934..... 115	1001255877..... 113	1001260252..... 193	1001271360..... 51
1001251231..... 75, 77	1001255878..... 111	1001260253..... 191	1001271580..... 17
1001251287..... 119	1001255936..... 117	1001260255..... 196, 201	1001272777..... 15, 17, 75
1001251288..... 119	1001256029..... 131	1001260334..... 84	1001274495..... 51
1001251328..... 165	1001256030..... 133	1001260485..... 13	1001274559..... 77, 175
1001251490..... 123	1001256031..... 119	1001260540..... 200	1001283427..... 43
1001251506..... 310	1001256032..... 137	1001261118..... 217, 219,	1001284972..... 155
1001251522..... 310	1001256033..... 127	221, 223, 225	1001288396..... 127
1001252477..... 99	1001256034..... 129	1001261123..... 167	1001292287..... 293
1001252478..... 99	1001256035..... 135	1001262071..... 291, 293,	1001294421..... 169
1001252596..... 111, 131	1001256097..... 99	295, 297, 299, 301,	1001299770..... 127
1001252996..... 119	1001256209..... 131	303, 305	1001300357..... 127
1001253149..... 169	1001256312..... 109, 129	1001262098..... 175	1008675309..... 107
1001253717..... 99	1001256554..... 107	1001262399..... 169	1060908..... 233, 235
1001253800..... 175	1001256597..... 141	1001262400..... 169	1061020..... 149, 155
1001253824..... 123, 308	1001256626..... 139, 141	1001262454..... 169	1062255..... 55, 109, 129
1001253837..... 139	1001256675..... 305	1001262495..... 169	10700379..... 139, 141
1001253839..... 139, 141	1001256676..... 305	1001262630..... 111, 131	1309435..... 117, 137
1001254083..... 196	1001256681..... 139, 141	1001262636..... 111, 131	1320058..... 127
1001254119..... 175	1001256705..... 139, 141	1001262639..... 167	1320061..... 143, 145
1001254298..... 196	1001256708..... 139, 141	1001262640..... 167	1320220..... 143, 145
1001254363..... 305	1001256713..... 141	1001262646..... 111, 131	1320223..... 111, 131
1001254550..... 143	1001256723..... 107	1001262943..... 107, 127	1320244..... 129
1001254551..... 145	1001256763..... 291, 293,	1001263163..... 305	1320265..... 107, 127
1001254613..... 215, 217,	295, 297, 299, 301, 303	1001263269..... 169	1321296..... 127
219, 221, 223, 225, 227	1001256764..... 291	1001263345..... 89, 93	1321682..... 113, 133
1001254635..... 111, 131	1001256765..... 301	1001263438..... 111	1600387..... 149, 155, 308
1001254650..... 103	1001256766..... 297	1001263476..... 111, 131	1671207..... 275
1001254651..... 103, 123	1001256767..... 295	1001263628..... 169	1700818..... 305
1001254653..... 103	1001256768..... 303	1001263629..... 169	1701214..... 305
1001254690..... 119	1001256769..... 299	1001263657..... 107, 127	1701505..... 305
1001254691..... 135	1001256770..... 293	1001263658..... 107, 127	1701542..... 305
1001254820..... 265	1001256779..... 305	1001263659..... 107, 127	1701640..... 291, 293, 295,
1001254861..... 55	1001256780..... 305	1001263662..... 149, 155	297, 299, 301, 303
1001254888..... 109, 129	1001256791..... 305	1001263930..... 84	1701785..... 305

SECTION 11 - SPECIAL OPTIONS/ACCESSORIES/KITS

1702720	305	2220501	191	3291006.....	167, 169	4420051	49, 51, 305
1703162	111, 131	2220504	193	3291007....	149, 152, 155, 158, 167	4420062	167
1703464	215	2220582	196, 200	3291601.....	49, 51	4420070	45, 47
1703687 ...	291, 293, 295, 297, 299, 301, 303	2220596	196, 200	3292002.....	167	4460019	246, 261
1703816	291	2220654	200	3300048...	215, 217, 219, 221, 223, 225, 227, 229	4460027	139, 141
1703818	291	2220775	200	3300106.....	57, 59, 61	4460071 ...	215, 217, 219, 221, 223, 225, 227, 229
1703819 ...	175, 291, 293, 295, 297, 299, 301, 303	2220828	196, 200	3300408.....	75	4460138	215
1703821	291	2220865	55	3311501.....	84	4460142	241
1703822 ...	291, 293, 295, 297, 299, 301, 303	2220881	37	3311502.....	84	4460144	238
1704271	305	2220883 27, 37, 181, 196, 200		3311605.....	143, 145	4460183	238, 273
1704277 ...	291, 293, 295, 297, 299, 301, 303	2220885	37, 181, 196	3311801.....	23	4460190	139, 141
1704412 ...	291, 293, 295, 297, 299, 301, 303	2220886	27, 37, 181	3321402.....	152, 158	4460227	237
1704684	299	2220888	27	3331211.....	49, 51	4460247	241
1704687	299	2220940	196, 200	3331611.....	23, 143, 145	4460259	238
1704690	305	2220947	55, 196, 200	3422592.....	13, 15	4460260	238
1704691	303	2220998	196, 200	3422744.....	169	4460265	273
1704694	303	2221040	196, 200	3422938.....	149, 155	4460267	273
1704697	305	2221086 ...	191, 196, 200	3422943.....	149, 155	4460268	238
1704698	305	2221116	17	3423151.....	152, 158	4460294	259
1704699	295	2400044	75	3423151.....	152, 158	4460315 ...	215, 217, 219, 221, 223, 225, 227
1704702	295	2400066	238	3431622.....	21	4460346	275
1704702	295	2420203	139, 141	3450303.....	175	4460418	238
1704972	305	2460051	139, 141	3450304.....	152, 158	4460419	238
1705040	299	2540045	165	3450405.....	152, 158	4460424	238
1705041	303	2560088	169	3450608.....	21	4460464	81, 231, 237, 238, 241, 242, 245, 246, 249, 251, 253, 255, 261, 263, 267, 271, 273, 287
1705043	295	2560176	169	3520026.....	77	4460465 .	55, 89, 91, 231, 237, 238, 241, 245, 251, 253, 255, 257, 259, 261, 263, 267, 271
1705194	297	2600216	84	3520028.....	139, 141	4460466 ...	237, 238, 241, 242, 245, 249, 255, 259, 261, 263, 267, 271, 273
1705195	297	2600253	169	3520072.....	169	4460467	310
1705325	217	2600285	169	3537609.....	169	4460493	231
1705670	293	2720015	107	3580324.....	139, 141	4460497	273
1705671	293	2720058	107	3740080.....	249, 308	4460510	310
1705673	293	2720271	107	3760493.....	158	4460518	259, 263
1705695	291, 297	2780267	23, 29	3760509.....	152, 158	4460536	249
1705944	297	2860030	77, 308	3841258.....	13, 15, 17	4460539 ...	238, 241, 245, 255
1706059	305	2900770	37	3900394.....	167	4460608	245
1706060	305	2902431	215, 275	3960526.....	23	4460662 ...	221, 223, 225, 275
1706061	305	2940074	169	4010308.....	89, 91, 93	4460752	263
1706063	305	2940127	169	4010403.....	75	4460754 ...	237, 251, 253, 267, 271
1706064	305	3020022	149, 155	4010405002.....	175	4460761	237, 259
1706098	305	3020029	155	4010408....	215, 217, 219, 221, 223, 225, 227	4460805	139, 141
2080057 ...	291, 293, 295, 297, 299, 301, 303	3160348	23, 27	4010414.....	175	4460836	259
2110808	196, 200	3251243	139, 141	4010615.....	15, 17, 75	4460871	237, 238, 273
2110810	200	3252507 ...	219, 221, 223, 225, 227, 229	4010618.....	169	4460872	237
2110812	196	3290305	89, 91, 93	4031510.....	175	4460873	238, 273
2130808	196, 200	3290405 ...	149, 155, 175, 215, 217, 219, 221, 223, 225, 227	4031511.....	149, 155	4460874	237
2130810	196, 200	3290406	175	4031707.....	161	4460875	237
2170108	196, 200	3290505	84	4031908.....	119	4460876	238
2170208	200	3290506	169	4031920.....	49, 51	4460878	238
2180387	143, 145	3290601	139, 141	4031924.....	17	4460884 ...	231, 237, 263, 287
2180389	143, 145	3290605 ...	65, 67, 69, 71, 75, 79, 81, 84, 165, 167, 217, 219, 221, 223, 225, 291, 293, 295, 297, 299, 301, 303	4032010000.....	99, 119	4460887	238
2180418	143, 145	3290605 ...	65, 67, 69, 71, 75, 79, 81, 84, 165, 167, 217, 219, 221, 223, 225, 291, 293, 295, 297, 299, 301, 303	4032015000.....	99, 119		
2220290	143, 145	3290606 ...	152, 158, 169, 215, 217, 219, 221, 223, 225, 227, 265, 269	4060802.....	77		
2220371 ...	191, 196, 200	3290801	84	4160214.....	175		
2220372	149, 155, 196	3290805 ...	149, 155, 167	4240017 49, 51, 215, 217, 219, 221, 223, 225, 227, 229			
2220375	196, 200	3290806	167, 169	4240018....	149, 152, 155, 158, 196, 200, 265, 269		
2220415	191, 196, 200	3290807	55	4360387.....	77, 308		
2220466	191, 193, 196	3291005 ...	17, 45, 47, 49, 51, 143, 145	4360436.....	107, 127		
2220472	193, 196, 200			4360469.....	77, 308		
2220473 ...	161, 193, 196, 200			4360475.....	77, 175, 308		
2220479	196, 200			4360524.....	77, 308		
2220490	193			4360542.....	139, 141		
				4400281.....	143, 145		

SECTION 11 - SPECIAL OPTIONS/ACCESSORIES/KITS

4460891.....55, 89, 91, 231, 237, 241, 245, 255, 257, 261, 271	4811600..... 84, 129, 169	7000079727	70006579.....55
4460892.....237, 255	4811602..... 169	7000111941	70006666.....103
4460894.....237, 255	4811700... 15, 17, 65, 67, 69, 71, 75, 79, 81, 84, 149, 152, 155, 158,	70001250 177	70006786.....73
4460897.....81, 237, 241, 246, 261	165, 167, 169, 175, 215, 217, 219, 221, 223, 225, 227, 291, 293, 295, 297, 299, 301, 303	70001251 177	70007021..... 107, 308
4460905.....237, 238, 273	481170275, 84, 139, 141, 217, 219, 221, 223, 225	70001252 177	70007035..... 87, 308
4460906.....249	4811900... 13, 15, 17, 49, 87, 99, 119, 167, 169, 196, 200	70001253 177	70007141.....308
4460911.....255, 273	4811902. 51, 55, 84, 111, 131, 149, 155, 169	70001349 29	7000731.....30
4460917.....259	4812000... 17, 23, 25, 49, 51, 65, 67, 69, 71, 139, 141, 143, 145, 149, 155, 167, 169	70001365 13, 15, 17	70007310.....101
4460918.....263, 273	4812002... 45, 47, 65, 67, 69, 71, 84, 97	70001368 41	70007314.....101
4460928.....238, 263	4812100 49, 51	70001965 49, 51, 308	70007315..... 101, 121
4460929.....259	4846181 169	7000206 29	70007316..... 101, 121
4460930.....237	4891600 99, 119	70002085 41	70007448.....161
4460931.....231	4891800 23	7000229 29	70007506.....177
4460932.....287	5241000. 13, 15, 99, 107, 119, 139, 141	7000230 29	70007607.....187
4460933.....237, 255, 259, 263	5241200 13, 15, 17	70002316 103	70007608.....187
4460941.....242, 245	5241600... 23, 25, 49, 51, 143, 145	70002317 103	70007609.....187
4460942.....241, 245	5250508 109, 129	70002318 103, 123	70007610.....187
4460943.....238, 242, 245, 263, 267, 271, 273	5250605 99, 119	7000232 29	70007642..... 101, 121
4460944.....231, 237, 238, 241, 259, 267, 271, 287	5250608... 111, 113, 127, 131, 133	70002326 103, 123	70007643..... 101, 121
4460945.....241	5250611 111, 127, 131	70002327 103	70007644..... 101, 121
4460950.....241, 245, 255	5250612 127	70002386 73, 161	70007645..... 101, 121
4460956.....233	5250808 107, 127	70002419 103	70007646..... 101, 121
4460957.....233	5250810 97, 111, 115, 117, 131, 135, 137	7000246 29	70007647..... 101, 121
4460961.....139, 141	5250812 43, 119, 135	7000248 29	70007648..... 101, 121
4460968.....217, 219	5250813 115	7000253 29	70007649..... 101, 121
4460970.....255, 267, 271	5250814 135	70002554 103	70007650.....121
4460993.....55	5250815 99, 111, 119, 131	7000257 29	70007651.....121
4460994.....55, 261	5250816 99, 119	7000258 29	70007652.....121
4461008.....245	5250818 99, 119	7000261 29	70007653.....121
4461016.....273	5250821 117, 137	7000262 29	70007654.....121
4461054.....245	5251016000 99	7000263 29	70007655.....121
4461070.....237	5251018000 99, 119	70002963 19	70007656.....121
4461095.....238	5251224 97	70002989 41	70007657.....121
4461118.....245	5260600 55, 107, 109, 111, 113, 127, 129, 131, 133	70002990 41	70007658..... 101, 121
4461196.....277	5260800 99, 109, 111, 115, 117, 119, 129, 131, 135, 137, 139, 141	70002991 41	70007659..... 101, 121
4461198.....277	5261000... 107, 111, 131, 139, 141	70002992 41	70007660.....101
4461199.....279	5261200 97, 139, 141	70002993 41	70007661.....101
4461201.....279	70000082 177	70002994 41	70007662.....101
4461205.....281, 283	70000084 177	70002995 41	70007663.....101
4461244.....281	70000683 177	70002996 41	70007664.....101
4461245.....283	70000684 177	70002997 41	70007665.....101
4461246.....285	70000685 177	70002998 41	70007678.....181
4461249.....285	70000686 177	70002999 41	70007679.....181
4461271.....238		70003000 41	70007709.....183
4461290.....238		70003060 103	70007710.....183
4640858.....181		70003064 103	70007711.....183
4641122.....57, 59, 61		70003789 73	70007712.....183
4711400.....152, 158		70004042 41	70007713.....185
4711500.....84		70004294 123	70007714.....185
4711700.....139, 141		70004311 103, 123	70007715.....185
4712600.....21		70004398 103	70007716.....185
4740229.....13, 15, 17		70004400 103	70007760.....53
4740480.....152, 158		70004524 103, 123	70007761.....53
4740531.....152, 158		70005220 103	70007762.....53
4751300.....75		70005728 123	70007763.....73
4751500.....152, 158		70005733 123	70007764.....73
4751600.....143, 145		70005734 123	70007765.....73
4761800.....39		70005735 123	70007766.....73
4811400.... 149, 155, 175, 215, 217, 219, 221, 223, 225, 227		70005736 123	70007767.....73
		70005739 123	70007768.....73
		70005740 123	70007769.....73
		70005743 123	70007770.....73
		70005744 123	70007771.....73
		70006099 37	70007772.....73
		70006576 55	70007773.....73
		70006577 55	70007775.....19
		70006578 55	70007776.....19

SECTION 11 - SPECIAL OPTIONS/ACCESSORIES/KITS

70007777	19	7007437	27	7020190.....	139, 141	7024705	29
70007778	19	7007438	27	7020193.....	139, 141	7024712	29
700077799	19	7007439	27	7021249.....	27	7024713	29
70007780	19	7007446	27	7021275.....	27	7024714	29
70008088	123	7007601	29	7021276.....	27	7024715	29
70008089	123	7007640	29, 41	7021277.....	27	7024716	29
70008114	39	7010429	29	7022302.....	27	7024717	29
70008144	41	7010543	73	7022305.....	27	7024718	30
70008147	41	7010545	19	7022310.....	27	7024726	41
70008148	41	7011346	37	7022311.....	27	7024738	41
70008149	41	7012513	139, 141	7022312.....	27	7024741	41
70008150	41	7012514	139, 141	7022314.....	27	7024854	27
70008151	41	7012558	139, 141	7022326.....	27	7024868	27
70008152	41	7012925	73	7022328.....	27	7026016	37
70008153	41	7012941	73	7022368.....	27	7026199.....	139, 141
70008154	41	7012972	19	7022371.....	27	7027365	177
70008155	41	7015004	113, 133, 308	7022372.....	27	7027367	177
70008156	41	7016654	310	7023124.....	103	7027628	13, 15, 17
70008157	41	7017022	41	7023141.....	103	7027765	177
70008158	41	7017059	29	7023144.....	103	7027766	177
70008347	37	7017067	29	7023148.....	103	7027887	139, 141
70008348	37	7017070	29	7023149.....	103	80630.....	107, 127
70008350	37	7017080	29	7023164.....	103	80633030.....	196, 200
70008352	37	7017402	73	7023170.....	103, 123	8220029	245
70008394	103	7017901	103	7023907.....	27	8220045	246
70008395	103	7017922	103	7023908.....	27	8220051	273
70008619	37	7017955	103, 123	7023910.....	27	8220111	241, 249
70008620	37	7019680	139, 141	7024108.....	41	8220164	238, 241
70008621	37	7020033	33	7024134.....	41	8229242	238, 308
7001626	187	7020035	33	7024182.....	29, 30	8229244	238, 308
7001630	187	7020036	33	7024189.....	30	8310441	127
7001913	41	7020037	33	7024190.....	30	8310623	111, 115, 131
7001998	29	7020038	33	7024191.....	30	83451104.....	196, 200
7002821	310	7020039	33	7024192.....	30	8405009	119
7002822	310	7020040	33	7024193.....	30	8405201	133
7002823	310	7020041	33	7024194.....	30	8406110.....	111, 131
7002828	310	7020108	139, 141	7024196.....	30	8769139.....	117, 137
70030103	19	7020109	139, 141	7024197.....	30	8770223	196, 200
7004275	310	7020110	139, 141	7024497.....	49, 51	H000071	19
7004276	310	7020111	139, 141	7024502....	13, 15, 17, 49, 51		
70046028 . 291, 293, 295, 297, 299, 301, 303		7020175	77, 175	7024506.....	49, 51		
		7020176	77, 175				



**Corporate Office
JLG Industries, Inc.
1 JLG Drive
McConnellsburg, PA 17233-9533 USA
☎ (717) 485-5161 (Corporate)
☎ (877) 554-5438 (Customer Support)
📠 (717) 485-6417**

**Visit our website for JLG Worldwide Locations.
www.jlg.com**



OSHKOSH™