



---

# Illustrated Parts Manual

***Model***  
***RT4069***  
***RT4769***

**PVC**  
**2004**

**P/N**  
**31215926**  
**June 15, 2021 - Rev C**

***ANSI***

**CE**



***AS/NZS***



An Oshkosh Corporation Company



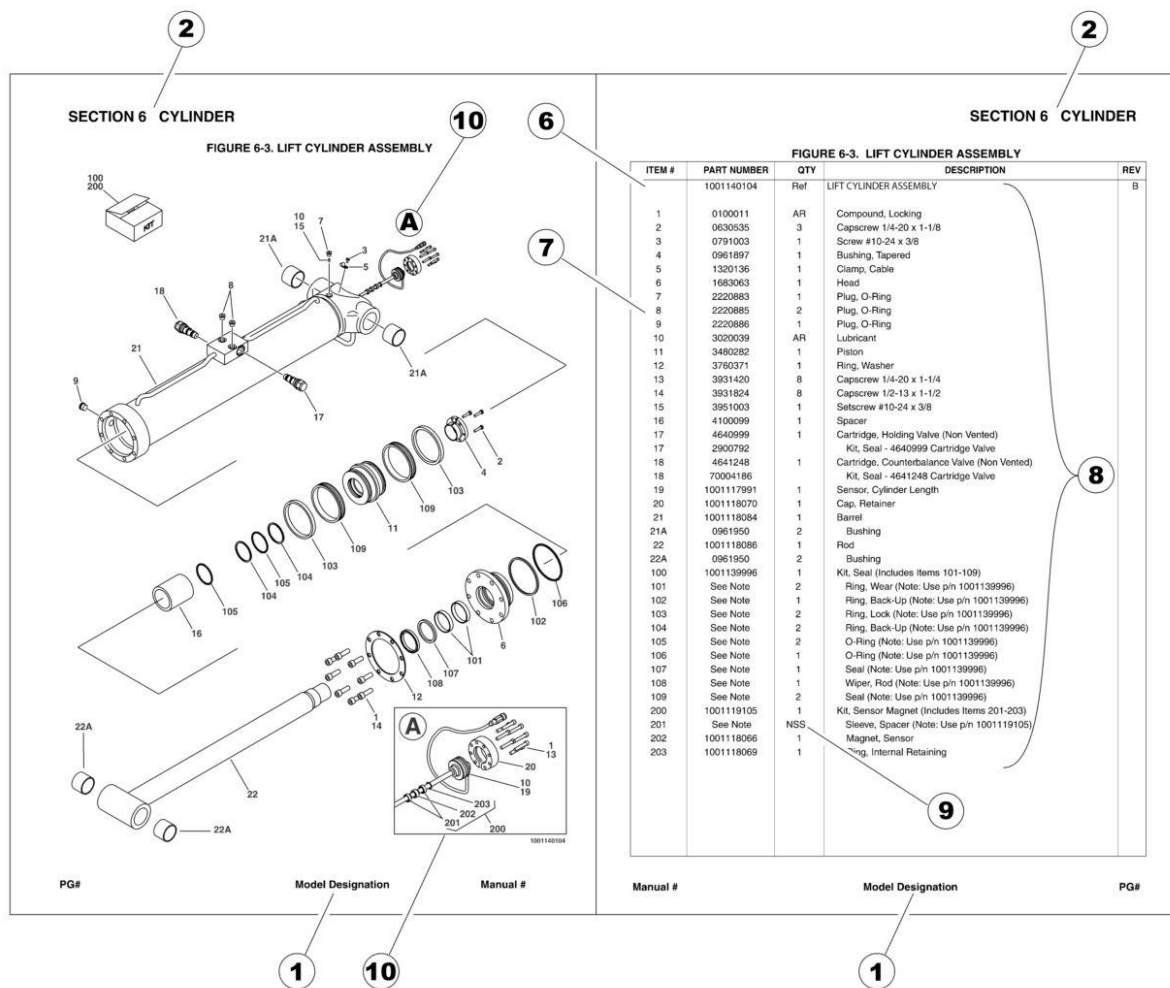
## **REVISION LOG**

**October 1, 2020 - A - Original Issue of Manual (Edited to B/M 1001260400 Rev B & 1001260470 Rev B)**

**March 1, 2021 - B - Revised Manual (Edited to B/M 1001260400 Rev C & 1001260470 rev D)**

**June 15, 2021 - C - Revised Manual (Edited to B/M 1001260400 Rev C & 1001260470 rev D)**

# GENERAL INFORMATION



## 1) MACHINE IDENTIFICATION

Machines are identified by model and in some cases a combination of models, serial number (SN) or regional standard (i.e ANSI, CE, CSA). Components may also be identified by SN or manufacturer. Common components that may be identified by these characteristics are engines and hydraulic components.

## 2) PARTS MANUAL ORGANIZATION

Product information in this manual is organized under section titles. Frame, Cylinder, Hydraulic and Electrical are a few examples. Each section is organized by figure and page number. The information within the Figure is then organized by item number, part number, description and corresponding illustration (s).

## 3) TABLE OF CONTENTS (NOT SHOWN)

A table of contents is found toward the beginning of the manual. Figure number, description and page number are provided for quick reference to the page containing the related information.

## 4) RECOMMENDED SPARE PARTS (NOT SHOWN)

The Recommended Spare Parts List, located near the end of the manual, reference most frequently used maintenance parts.

## 5) PART NUMBER INDEX (NOT SHOWN)

A numerical index listing all part numbers and the corresponding page number(s) appears at the back of the manual.

## GENERAL INFORMATION

### 6) NON-SERVICED PARTS

In some instances, it is necessary to display non-serviced parts, assemblies or installations. In the case of assemblies and installations there will be a Ref in the Qty. column. In case of parts that are not available for service within assemblies or components, there will be a NSS (Not Sold Separately) or NLA (No Longer Available) listed in the Qty. column of the manual.

### 7) PARTS LIST ITEM NUMBERS

Numbers shown in the item# column correspond to numbers used in the associated illustration (s). Item numbers which are missing from the sequence in the parts list are not used on that page.

### 8) INDENTED PARTS DESCRIPTION

An indented part description is included in the item under which it is indented.

### 9) ABBREVIATION AND SYMBOLS

AC.....	Alternating Current	L.....	Liter
ADE.....	Advanced Design Electronics	LB(LBS).....	Pounds
AG.....	Agricultural	LCD.....	Liquid Crystal Display
ANSI.....	American National Standards Institute	LED.....	Light Emitting Diodes
AR.....	As Required	LH.....	Left Hand
ASSY.....	Assembly	LRC.....	Low Rated Countries
AUS.....	Australia	LSS.....	Load Sensing System
AUX.....	Auxiliary	M(m).....	Metric/Meter
AWG.....	American Wire Gauge	MM(mm).....	Milimeter
B/M.....	Bill of Material	mA.....	Miliamps
CAC.....	Charge Air Cooler	NLA.....	No Longer Available
CE.....	European Conformity	NPT.....	National Pipe Threads
CCW.....	Counter Clockwise	NSS.....	Not Sold Separately
CM.....	Centimeter	OD.....	Outside Diameter
CW.....	Clockwise	ORB.....	O-Ring Boss
CSA.....	Canadian Standards Association	ORFS.....	O-Ring Face Seal
CYL.....	Cylinder	OZ (oz).....	Ounces
DIA.....	Diameter	PG.....	Page
DC.....	Direct Current	PN.....	Part Number
DEF.....	Diesel Exhaust Fluid	QT(qt.).....	Quarts
EMS.....	Emergency Stop	QTY.....	Quantity
ENG.....	Engine	REF.....	Reference
FT(ft).....	Feet	REV.....	Revision Level
GA(Ga).....	Gauge	RH.....	Right Hand
HRC.....	High Rated Countries	SAE.....	Society of Automotive Engineers
HVAC.....	Heating, Ventilating, and Air Conditioning	SN.....	Serial Number
HYD.....	Hydraulic	SPEC(S).....	Specifications
Hz.....	Hertz	T/T.....	Turntable
ID.....	Inside Diameter	UGM.....	Universal Ground Module
IN.....	inches	V.....	Volts
ISO.....	International Organization for Standards	W.....	Watts
JIC.....	Joint Industry Council	#.....	Number
KG.....	Kilogram		

### 10) ILLUSTRATION REFERENCE LETTERS

When necessary, illustrations may contain reference letters that are intended to track information (i. e. hoses, harnesses) from one point to another or to track visual enlargement of components to show details that may be located in another area on the illustration.

*Note: Due to continuous product improvements, JLG Industries, Inc. reserves the right to make specification changes without prior notification. Contact JLG Industries, Inc. for updated information.*



# TABLE OF CONTENTS

SECTION 1 - FRAME.....	11
FIGURE 1-1. AXLE INSTALLATION - SINGLE OSCILLATING (WITHOUT SENSORS).....	12
FIGURE 1-2. AXLE INSTALLATION - SINGLE OSCILLATING (WITH SENSORS).....	14
FIGURE 1-3. AXLE INSTALLATION - DUAL OSCILLATING.....	16
FIGURE 1-4. VALVE ASSEMBLY - DUAL AXLE.....	18
FIGURE 1-5. STEERING INSTALLATION.....	20
FIGURE 1-6. DRIVE INSTALLATION (2WD).....	22
FIGURE 1-7. DRIVE INSTALLATION (4WD).....	24
FIGURE 1-8. DRIVE MOTOR ASSEMBLY - REAR (2WD & 4WD).....	26
FIGURE 1-9. DRIVE HUB AND BRAKE ASSEMBLY (2WD REAR).....	28
FIGURE 1-10. HUB/SPINDLE ASSEMBLY (2WD FRONT).....	32
FIGURE 1-11. VALVE ASSEMBLY - TRACTION (2WD).....	34
FIGURE 1-12. VALVE ASSEMBLY - TRACTION (4WD).....	36
FIGURE 1-13. HUB/SPINDLE ASSEMBLY - FRONT (4WD).....	38
FIGURE 1-14. DRIVE HUB AND BRAKE ASSEMBLY (4WD).....	40
FIGURE 1-15. FRAME COVERS INSTALLATION - (RT4069).....	42
FIGURE 1-16. FRAME COVERS INSTALLATION (RT4769).....	44
FIGURE 1-17. LADDER INSTALLATION (RT4069).....	46
FIGURE 1-18. LADDER INSTALLATION (RT4769).....	48
FIGURE 1-19. LEVELING JACKS INSTALLATION - PARTIAL COVERS.....	50
FIGURE 1-20. LEVELING JACKS INSTALLATION - FULL COVERS.....	52
FIGURE 1-21. LEVELING JACKS VALVE ASSEMBLY.....	54
FIGURE 1-22. OIL COOLER INSTALLATION.....	56
FIGURE 1-23. TIRE AND WHEEL INSTALLATION - FOAM-FILLIED.....	58
FIGURE 1-24. TIRE AND WHEEL INSTALLATION - FOAM-FILLIED NON-MARKING.....	60
FIGURE 1-25. TIRE AND WHEEL INSTALLATION - FOAM-FILLIED TURF NON-MARKING.....	62
SECTION 2 - GROUND CONTROLS.....	65
FIGURE 2-1. HYDRAULIC COMPONENTS INSTALLATION - DIESEL.....	66
FIGURE 2-2. HYDRAULIC COMPONENTS INSTALLATION - DUAL FUEL.....	68
FIGURE 2-3. VALVE ASSEMBLY - MAIN CONTROL.....	70
FIGURE 2-4. RT4069 ELECTRICAL COMPONENTS INSTALLATION.....	72
FIGURE 2-5. RT4769 ELECTRICAL COMPONENTS INSTALLATION.....	74
FIGURE 2-6. GROUND CONTROL ASSEMBLY.....	76
FIGURE 2-7. ALARM INSTALLATION (HORN).....	78
FIGURE 2-8. ALARM INSTALLATION (WHITE NOISE).....	80
FIGURE 2-9. HOODS INSTALLATION.....	82
FIGURE 2-10. HYDRAULIC TANK ASSEMBLY.....	86
FIGURE 2-11. STROBE LIGHT INSTALLATION - SINGLE.....	88
FIGURE 2-12. STROBE LIGHT INSTALLATION - DUAL.....	90
FIGURE 2-13. NO BEACON (COVERS).....	92
SECTION 3 - ENGINE.....	95
FIGURE 3-1. ENGINE MOUNTING INSTALLATION.....	96
FIGURE 3-2. ENGINE AND PUMP ASSEMBLY - DIESEL.....	98

# TABLE OF CONTENTS

FIGURE 3-3. PUMP ASSEMBLY - DIESEL .....	100
FIGURE 3-4. ENGINE COMPONENTS - DIESEL .....	102
FIGURE 3-5. COUPLING ASSEMBLY - ENGINE PUMP (DIESEL) .....	104
FIGURE 3-6. ENGINE FUEL LINES INSTALLATION - DIESEL .....	106
FIGURE 3-7. ENGINE ELECTRICAL INSTALLATION - DIESEL .....	108
FIGURE 3-8. ENGINE COOLING SYSTEM INSTALLATION - DIESEL .....	110
FIGURE 3-9. AIR INTAKE INSTALLATION - DIESEL .....	112
FIGURE 3-10. EXHAUST INSTALLATION - DIESEL .....	114
FIGURE 3-11. OIL FILTER INSTALLATION - REMOTE - DIESEL.....	116
FIGURE 3-12. ENGINE AND PUMP ASSEMBLY - DUAL FUEL.....	118
FIGURE 3-13. PUMP ASSEMBLY - DUAL FUEL .....	120
FIGURE 3-14. ENGINE COMPONENTS - DUAL FUEL .....	122
FIGURE 3-15. COUPLING ASSEMBLY - ENGINE PUMP (DUAL FUEL) .....	124
FIGURE 3-16. ENGINE FUEL LINES INSTALLATION - DUAL FUEL .....	126
FIGURE 3-17. ENGINE ELECTRICAL INSTALLATION - DUAL FUEL.....	128
FIGURE 3-18. ENGINE COOLING SYSTEM INSTALLATION - DUAL FUEL .....	130
FIGURE 3-19. AIR INTAKE INSTALLATION - DUAL FUEL .....	132
FIGURE 3-20. EXHAUST INSTALLATION - DUAL FUEL .....	134
FIGURE 3-21. OIL FILTER INSTALLATION - REMOTE - DUAL FUEL.....	136
FIGURE 3-22. GENERATOR INSTALLATION - 2500W/60HZ (DIESEL MACHINES) .....	138
FIGURE 3-23. GENERATOR INSTALLATION - 2500W/60HZ (DUAL FUEL MACHINES) .....	140
FIGURE 3-24. LP TANK BRACKETS INSTALLATION (SINGLE TANK) .....	142
FIGURE 3-25. LP TANK BRACKETS INSTALLATION (DUAL TANKS) .....	144
SECTION 4 - SCISSORS ARMS .....	147
FIGURE 4-1. ARMS INSTALLATION (RT4069).....	148
FIGURE 4-2. ARMS ASSEMBLY (RT4069).....	150
FIGURE 4-3. CYLINDER AND LIFT DOWN VALVE ASSEMBLY (RT4069) .....	154
FIGURE 4-4. ARMS INSTALLATION (RT4769).....	156
FIGURE 4-5. ARMS ASSEMBLY (RT4769).....	158
FIGURE 4-6. CYLINDER AND LIFT DOWN VALVE ASSEMBLY - LOWER (RT4769) .....	162
FIGURE 4-7. CYLINDER AND LIFT DOWN VALVE ASSEMBLY - UPPER (RT4769).....	164
SECTION 5 - PLATFORM .....	167
FIGURE 5-1. PLATFORM INSTALLATION.....	168
FIGURE 5-2. PLATFORM EXTENSION INSTALLATION (SINGLE).....	170
FIGURE 5-3. PLATFORM RAILS INSTALLATION (SINGLE EXTENSION) .....	172
FIGURE 5-4. PLATFORM CONTROL BOX INSTALLATION - SIDE MOUNT .....	176
FIGURE 5-5. PLATFORM CONTROL BOX INSTALLATION.....	178
FIGURE 5-6. CONTROLLER ASSEMBLY .....	180
SECTION 6 - CYLINDER.....	183
FIGURE 6-1. AXLE LOCKOUT CYLINDER ASSEMBLY .....	184
FIGURE 6-2. LEVELING JACK CYLINDER ASSEMBLY.....	186
FIGURE 6-3. LIFT CYLINDER ASSEMBLY - LOWER.....	188
FIGURE 6-4. LIFT CYLINDER ASSEMBLY - UPPER (RT4769) .....	190



# TABLE OF CONTENTS

FIGURE 6-5. STEER CYLINDER ASSEMBLY.....	192
SECTION 7 - HYDRAULIC .....	195
FIGURE 7-1. HYDRAULIC DIAGRAM - AXLE (DUAL OSCILLATING).....	196
FIGURE 7-2. HYDRAULIC DIAGRAM - LEVELING JACKS .....	198
FIGURE 7-3. HYDRAULIC DIAGRAM - STANDARD (2WD) .....	200
FIGURE 7-4. HYDRAULIC DIAGRAM - STANDARD (4WD) .....	204
SECTION 8 - ELECTRICAL.....	209
FIGURE 8-1. ELECTRICAL LAYOUT.....	210
FIGURE 8-2. AC BOX AT PLATFORM INSTALLATION - 110V GFI (ALL SPECS EXCEPT AUSTRALIAN & CE SPECS).....	220
FIGURE 8-3. AC BOX AT PLATFORM INSTALLATION - 110V IEC YELLOW (CE SPECS) .....	222
FIGURE 8-4. AC BOX AT PLATFORM INSTALLATION - 220V IEC BLUE (CE SPECS).....	224
FIGURE 8-5. AC BOX AT PLATFORM INSTALLATION - 220V CEE7 POST GROUND (CE SPECS) .....	226
FIGURE 8-6. AC BOX AT PLATFORM INSTALLATION - 220V CEE7 SIDE GROUND (CE SPECS).....	228
FIGURE 8-7. AC BOX AT PLATFORM INSTALLATION - 220V AFSINT 107 (CE SPECS) .....	230
FIGURE 8-8. AC BOX AT PLATFORM INSTALLATION - 220V CUSTOMER SUPPLIED PLUG & RECEPTACLE (ALL SPECS EXCEPT AUSTRALIAN & CE SPECS) .....	232
FIGURE 8-9. AC BOX AT PLATFORM INSTALLATION - 220V CUSTOMER SUPPLIED COMPONENTS (ALL SPECS).....	234
FIGURE 8-10. AUXILIARY DESCENT HARNESS.....	236
FIGURE 8-11. AXLE HARNESS - REAR OSCILLATING.....	238
FIGURE 8-12. BREAKER BOX KIT - 1 DOUBLE BREAKER (CE SPECS) .....	240
FIGURE 8-13. BREAKER BOX KIT - 1 DOUBLE & 1 SINGLE BREAKER (CE SPECS).....	242
FIGURE 8-14. CHASSIS HARNESS.....	244
FIGURE 8-15. ENGINE HARNESS - DIESEL.....	248
FIGURE 8-16. ENGINE HARNESS - DUAL FUEL .....	252
FIGURE 8-17. GENERATOR HARNESS.....	256
FIGURE 8-18. GROUND TO PLATFORM HARNESS (RT4069) .....	258
FIGURE 8-19. GROUND TO PLATFORM HARNESS (RT4769) .....	260
FIGURE 8-20. LEVELING JACK HARNESS.....	262
FIGURE 8-21. LIFT DOWN HARNESS - LOWER.....	264
FIGURE 8-22. LIFT DOWN HARNESS - UPPER (RT4769) .....	266
FIGURE 8-23. LSS HARNESS.....	268
FIGURE 8-24. OIL COOLER HARNESS.....	270
FIGURE 8-25. PLATFORM HARNESS .....	272
FIGURE 8-26. PLATFORM CABLE INSTALLATION – WITHOUT FOOTSWITCH.....	274
FIGURE 8-27. PLATFORM CABLE HARNESS – WITHOUT FOOTSWITCH.....	276
FIGURE 8-28. PLATFORM CABLE INSTALLATION – WITH FOOTSWITCH .....	278
FIGURE 8-29. PLATFORM CABLE HARNESS – WITH FOOTSWITCH .....	280
FIGURE 8-30. PLATFORM CONTROL BOX HARNESS .....	282
FIGURE 8-31. RECEPTACLE BOX KIT - 110V GFI.....	284
FIGURE 8-32. RECEPTACLE BOX KIT - 110V IEC YELLOW (CE SPECS) .....	286
FIGURE 8-33. RECEPTACLE BOX KIT - 220V IEC BLUE (CE SPECS).....	288
FIGURE 8-34. RECEPTACLE BOX KIT - 220V CEE7 POST GROUND (CE SPECS) .....	290
FIGURE 8-35. RECEPTACLE BOX KIT - 220V CEE7 SIDE GROUND (CE SPECS).....	292
FIGURE 8-36. RECEPTACLE BOX KIT - 220V AFSINT 107 (CE SPECS) .....	294

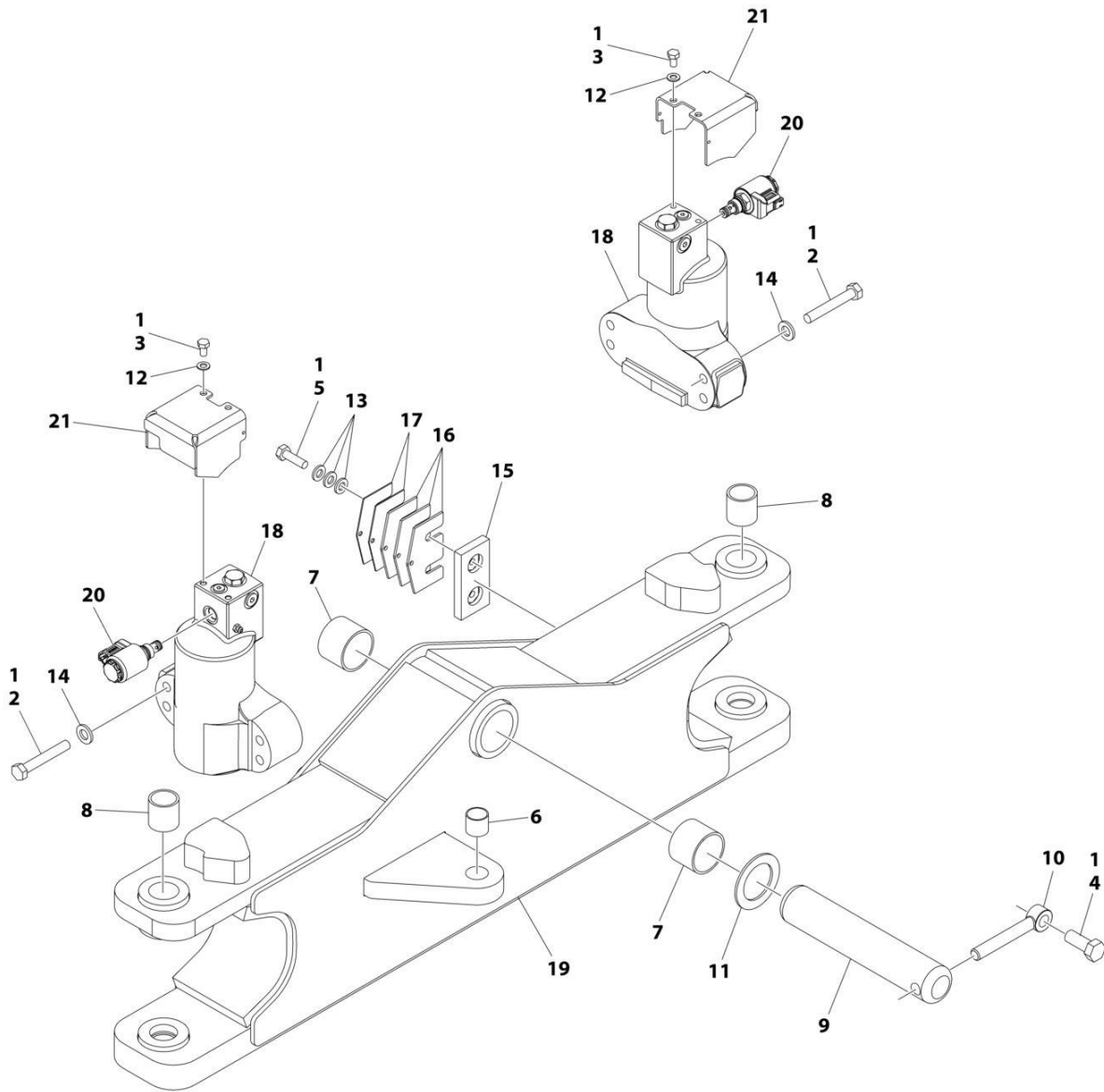
# TABLE OF CONTENTS

FIGURE 8-37. TILT SENSOR HARNESS.....	296
SECTION 9 - DECALS .....	299
FIGURE 9-1. DECAL INSTALLATION - ANSI SPECS (ENGLISH LANGUAGE) (RT4069).....	300
FIGURE 9-2. DECAL INSTALLATION - AUSTRALIAN/CE SPECS (ENGLISH LANGUAGE) (RT4069).....	302
FIGURE 9-3. DECAL INSTALLATION - BRAZIL SPECS (SPANISH/PORTUGUESE LANGUAGES) (RT4069).....	304
FIGURE 9-4. DECAL INSTALLATION - CHINA SPECS (ENGLISH/CHINESE LANGUAGES) (RT4069).....	306
FIGURE 9-5. DECAL INSTALLATION - CSA SPECS (ENGLISH/FRENCH LANGUAGES) (RT4069).....	308
FIGURE 9-6. DECAL INSTALLATION - KOREAN SPECS (ENGLISH/KOREAN LANGUAGES) (RT4069).....	310
FIGURE 9-7. DECAL INSTALLATION - LATIN AMERICAN SPECS (ENGLISH/KSPANISH LANGUAGES) (RT4069).....	312
FIGURE 9-8. DECAL INSTALLATION - ANSI SPECS (ENGLISH LANGUAGE) (RT4769).....	314
FIGURE 9-9. DECAL INSTALLATION - AUSTRALIAN/CE SPECS (ENGLISH LANGUAGE) (RT4769).....	316
FIGURE 9-10. DECAL INSTALLATION - BRAZIL SPECS (SPANISH/PORTUGUESE LANGUAGES) (RT4769).....	318
FIGURE 9-11. DECAL INSTALLATION - CHINA SPECS (ENGLISH/CHINESE LANGUAGES) (RT4769).....	320
FIGURE 9-12. DECAL INSTALLATION - CSA SPECS (ENGLISH/FRENCH LANGUAGES) (RT4769).....	322
FIGURE 9-13. DECAL INSTALLATION - KOREAN SPECS (ENGLISH/KOREAN LANGUAGES) (RT4769).....	324
FIGURE 9-14. DECAL INSTALLATION - LATIN AMERICAN SPECS (ENGLISH/KSPANISH LANGUAGES) (RT4769).....	326
FIGURE 9-15. DECAL INSTALLATION - OPTIONS.....	328
SECTION 10 - RECOMMENDED SERVICE PARTS STOCK.....	331
FIGURE 10-1. RECOMMENDED SERVICE PARTS STOCK.....	332
SECTION 11 - MISCELLANEOUS SPECIAL OPTIONS/ACCESSORIES/KITS .....	333
FIGURE 11-1. MISCELLANEOUS SPECIAL OPTIONS/ACCESSORIES/KITS .....	334
PART NUMBER INDEX.....	337

**SECTION 1 - FRAME**

# SECTION 1 - FRAME

## FIGURE 1-1. AXLE INSTALLATION - SINGLE OSCILLATING (WITHOUT SENSORS)



ART\_1001260485

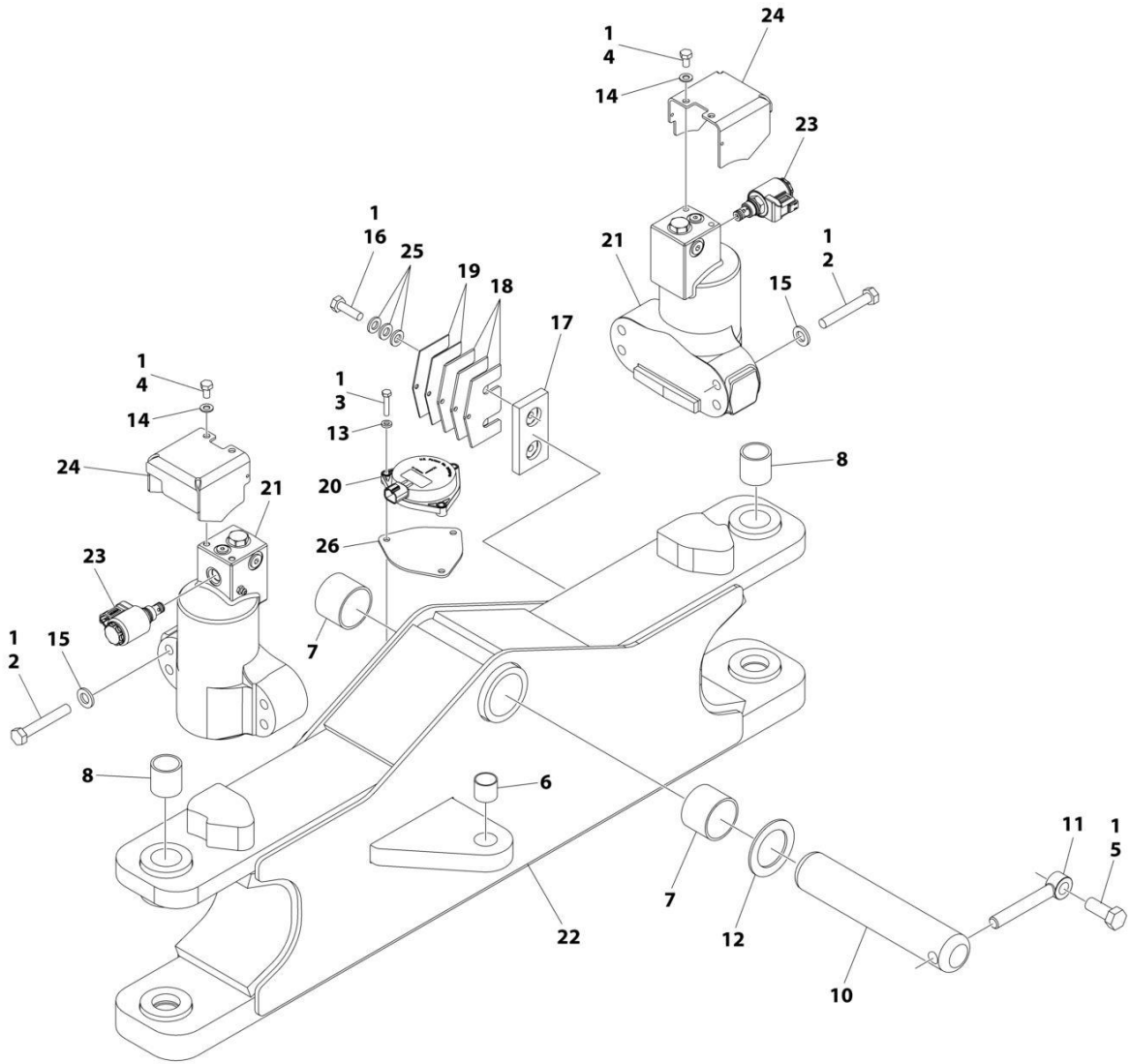
## SECTION 1 - FRAME

**FIGURE 1-1. AXLE INSTALLATION - SINGLE OSCILLATING (WITHOUT SENSORS)**

ITEM	PART NUMBER	QTY	DESCRIPTION	REV
	1001260485	Ref	AXLE INSTALLATION (WITHOUT SENSOR)	B
1	0100011	AR	Compound, Locking	
2	0711224	8	Bolt M12 x 80	
3	0760807	4	Bolt M8 x 14	
4	0761616	1	Bolt M16 x 40	
5	0771015	4	Bolt M10 x 35	
6	0961890	1	Bushing	
7	0961950	2	Bearing	
8	0962220	4	Bushing	
9	3422592	1	Pin	
10	3841258	1	Keeper, Rod	
11	4740229	1	Thrustwasher	
12	4811900	4	Washer M8	
13	5241000	AR	Washer M10	
14	5241200	8	Washer M12	
15	1001118511	2	Pad, Wear	
16	1001118518	AR	Shim 11Ga	
17	1001118519	AR	Shim 16Ga	
18	1001245046	2	Cylinder Assembly - Axle (See Separate Breakdown in CYLINDER Section)	
19	1001247019	1	Axle	
20	1001248196	2	Cartridge, Valve - Directional	
20	7024502	2	Seal Kit - 7001248196 Valve	
20	7027628	2	Coil	
20	70001365	2	Nut, Coil	
21	1001248834	2	Cover	

# SECTION 1 - FRAME

FIGURE 1-2. AXLE INSTALLATION - SINGLE OSCILLATING (WITH SENSORS)



ART\_1001244391

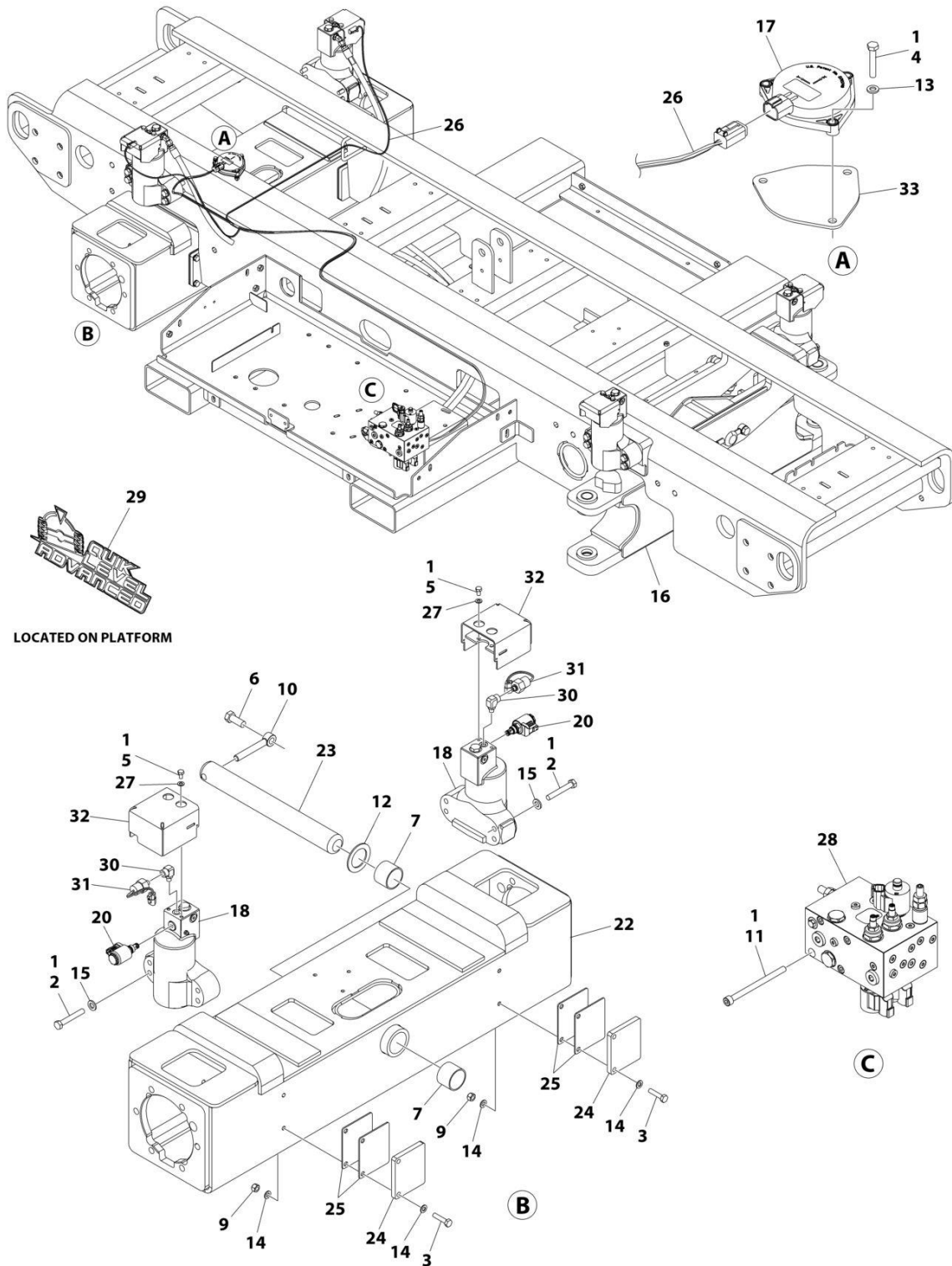
## SECTION 1 - FRAME

**FIGURE 1-2. AXLE INSTALLATION - SINGLE OSCILLATING (WITH SENSORS)**

ITEM	PART NUMBER	QTY	DESCRIPTION	REV
	1001244391	Ref	AXLE INSTALLATION (WITH SENSOR)	D
1	0100011	AR	Compound, Locking	
2	0711224	8	Bolt M12 x 80	
3	0760614	3	Bolt M6 x 30	
3	4010615	3	Bolt M6 x 35	
4	0760807	4	Bolt M8 x 14	
5	0761616	1	Bolt M16 x 40	
6	0961890	1	Bushing	
7	0961950	2	Bearing	
8	0962220	4	Bushing	
10	3422592	1	Pin	
11	3841258	1	Keeper, Rod	
12	4740229	1	Thrustwasher	
13	4811700	3	Washer M6	
14	4811900	4	Washer M8	
15	5241200	8	Washer M12	
16	0771015	4	Bolt M10 x 35	
17	1001118511	2	Pad, Wear	
18	1001118518	AR	Shim 11Ga	
19	1001118519	AR	Shim 16Ga	
20	1001244934	1	Sensor, Tilt	
21	1001245046	2	Cylinder Assembly - Axle (See Separate Breakdown in CYLINDER Section)	
22	1001247019	1	Axle	
23	1001248196	2	Cartridge, Valve - Directional	
23	7024502	2	Seal Kit - 1001248196 Valve	
23	7027628	2	Coil	
23	70001365	2	Nut, Coil	
24	1001248834	2	Cover	
25	5241000	AR	Washer M10	
26	1001272777	1	Gasket	

# SECTION 1 - FRAME

## FIGURE 1-3. AXLE INSTALLATION - DUAL OSCILLATING



ART\_1001247295



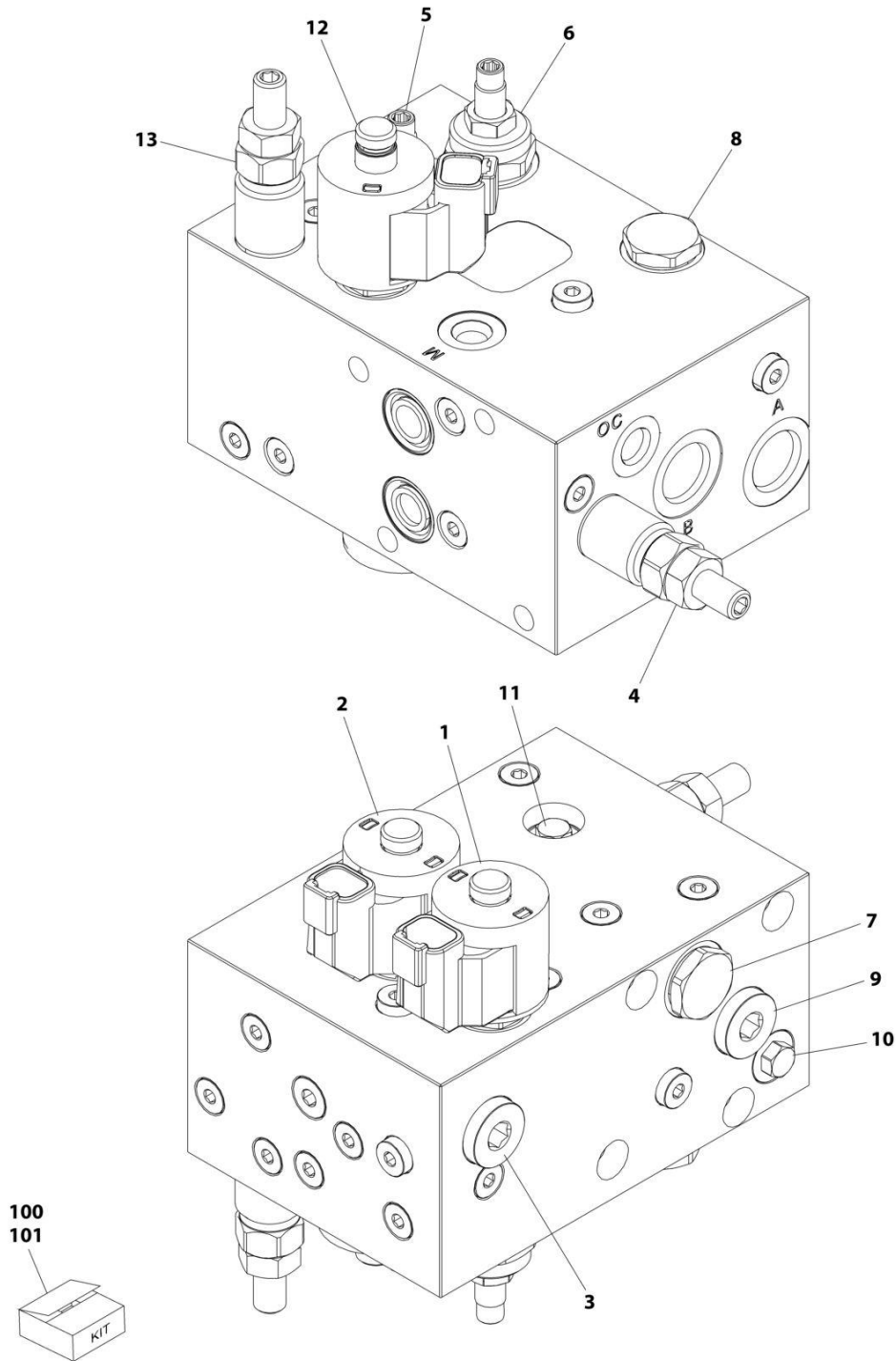
# SECTION 1 - FRAME

## FIGURE 1-3. AXLE INSTALLATION - DUAL OSCILLATING

ITEM	PART NUMBER	QTY	DESCRIPTION	REV
	1001247295	Ref	AXLE INSTALLATION - DUAL	G
1	0100011	AR	Compound, Locking	
2	0711224	8	Bolt M12 x 80	
3	0711017	4	Bolt M10 x 45	
4	4010615	3	Bolt M6 x 35	
5	0760807	4	Bolt M8 x 14	
6	0761616	1	Bolt M16 x 40	
7	0961950	2	Bearing	
9	3291005	4	Nut M10	
10	3841258	1	Keeper, Rod	
11	4031924	4	Capscrew M8 x 110	
12	4740229	1	Thrustwasher	
13	4811700	3	Washer M6	
14	4812000	8	Washer M10	
15	5241200	8	Washer M12	
16	1001244391	1	Axle Installation - Front (See Separate Breakdown in this Section)	
17	1001244934	1	Sensor, Tilt	
18	1001245046	2	Cylinder Assembly - Axle (See Separate Breakdown in CYLINDER Section)	
19	1001246104	Ref	Hydraulic Diagram - Axle (Not Shown - See Separate Breakdown in HYDRAULIC Section)	
20	1001248196	2	Cartridge, Valve - Directional	
20	7024502	2	Seal Kit - 1001248196 Valve	
20	7027628	2	Coil	
20	70001365	2	Nut, Coil	
22	1001250088	1	Axle (Rear)	
23	1001250089	1	Pin	
24	1001250090	2	Shim 0.5	
25	1001250091	AR	Shim 11Ga	
26	1001249282	1	Harness, Axle (Rear Oscillating) (See Separate Breakdown in ELECTRICAL Section)	
27	4811900	4	Washer M8	
28	1001247382	1	Valve Assembly (Dual Axles) (See Separate Breakdown in this Section)	
29	1001265585	2	Decal - Quick Level Access	
30	2221116	2	Fitting, 90 ORB	
31	1001256875	2	Switch, Pressure	
32	1001271580	2	Cover	
33	1001272777	1	Gasket	

# SECTION 1 - FRAME

## FIGURE 1-4. VALVE ASSEMBLY - DUAL AXLE



ART\_1001247382

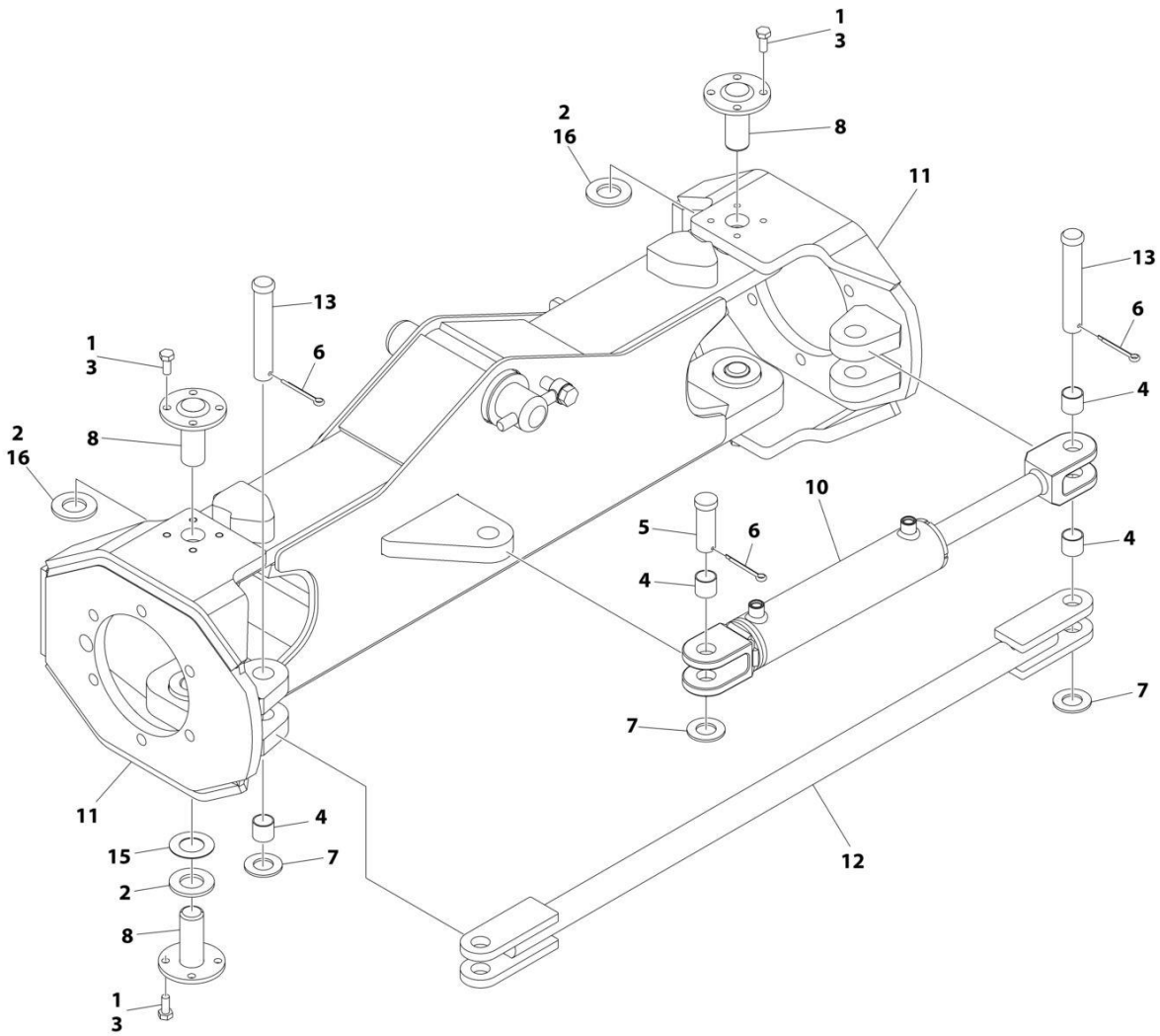
## SECTION 1 - FRAME

**FIGURE 1-4. VALVE ASSEMBLY - DUAL AXLE**

ITEM	PART NUMBER	QTY	DESCRIPTION	REV
	1001247382	Ref	VALVE ASSEMBLY - DUAL AXLE	C
1	H000071	1	Cartridge, Solenoid Valve (Use Seal Kit 7012972)	
1	70002963	1	Coil	
2	H000071	1	Cartridge, Solenoid Valve (Use Seal Kit 7012972)	
2	70002963	1	Coil	
3	70007775	1	Cartridge, Shuttle Valve	
4	70007776	1	Cartridge, Relief Valve	
5	700077799	1	Cartridge, Flow Control Valve (Use Seal Kit 7010545)	
6	700077799	1	Cartridge, Flow Control Valve (Use Seal Kit 7010545)	
7	70030103	1	Cartridge, Check Valve	
8	70030103	1	Cartridge, Check Valve	
9	70007775	1	Cartridge, Shuttle Valve	
10	70007777	1	Cartridge, Check Valve	
11	70007777	1	Cartridge, Check Valve	
12	70007780	1	Cartridge, Solenoid Valve (Use Seal Kit 7012972)	
12	70002963	1	Coil	
13	70007778	1	Cartridge, Relief Valve	
100	7012972	1	Seal Kit (Use with Items 1, 2 & 12 Valves)	
101	7010545	1	Seal Kit (Use with Items 5 & 6 Valves)	

# SECTION 1 - FRAME

## FIGURE 1-5. STEERING INSTALLATION



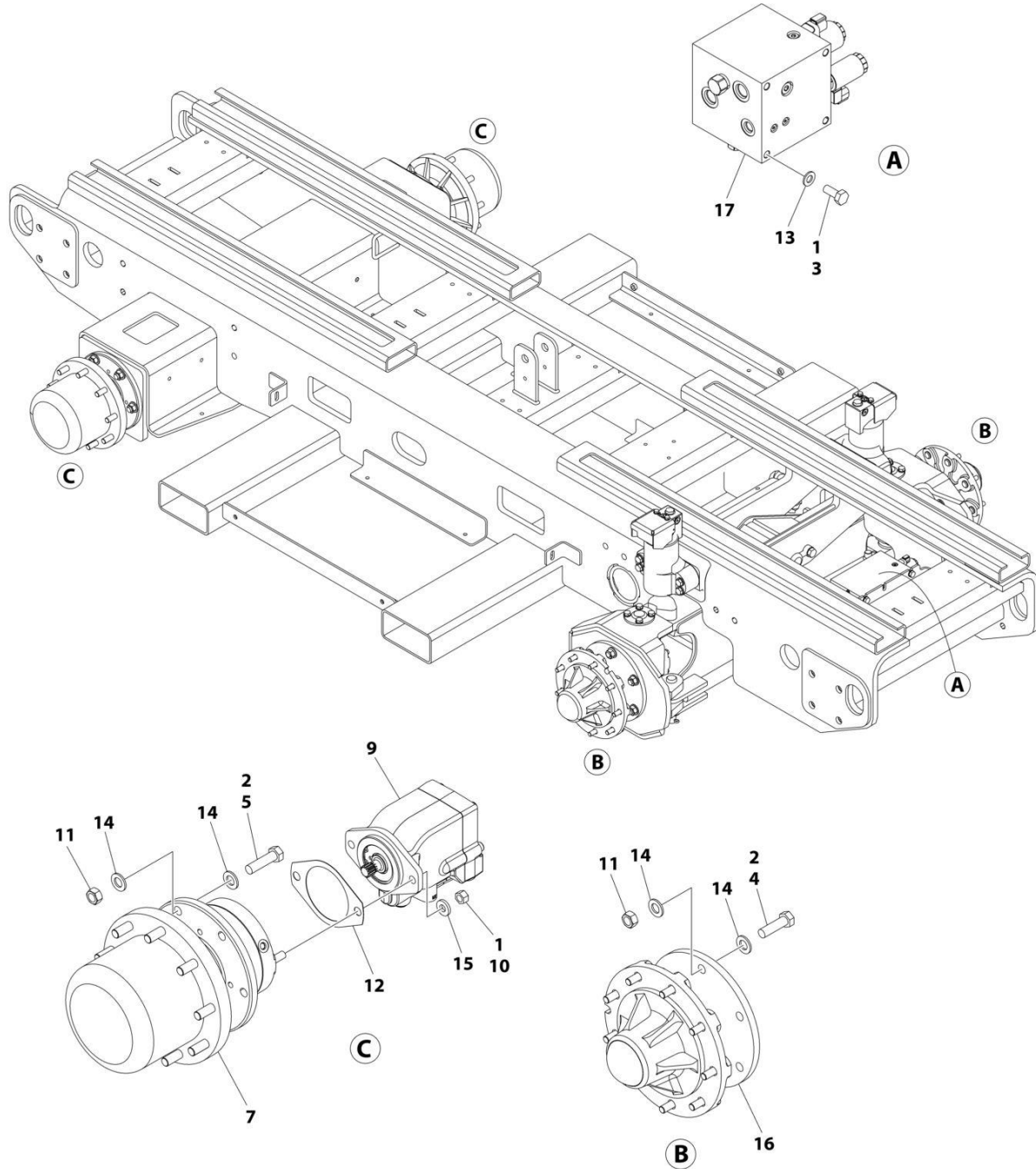
ART\_1001244392

FIGURE 1-5. STEERING INSTALLATION

ITEM	PART NUMBER	QTY	DESCRIPTION	REV
	1001244392	Ref	STEERING INSTALLATION	D
1	0100011	AR	Compound, Locking	
2	0440237	2	Thrustwasher (3/16 Thickness)	
3	0761012	16	Bolt M10 x 25	
4	0961890	4	Bushing	
5	3431622	1	Pin	
6	3450608	3	Pin, Cotter	
7	4712600	3	Washer 1	
8	1001139141	4	Kingpin	
10	1001246107	1	Cylinder Assembly - Steer (See Separate Breakdown in CYLINDER Section)	
11	1001249297	2	Spindle	
12	1001249323	1	Tie-Rod	
13	1001255526	2	Pin	
15	1001151395	2	Shim	
16	0440162	2	Thrustwasher (1/8 Thickness)	

# SECTION 1 - FRAME

## FIGURE 1-6. DRIVE INSTALLATION (2WD)



ART\_1001248300

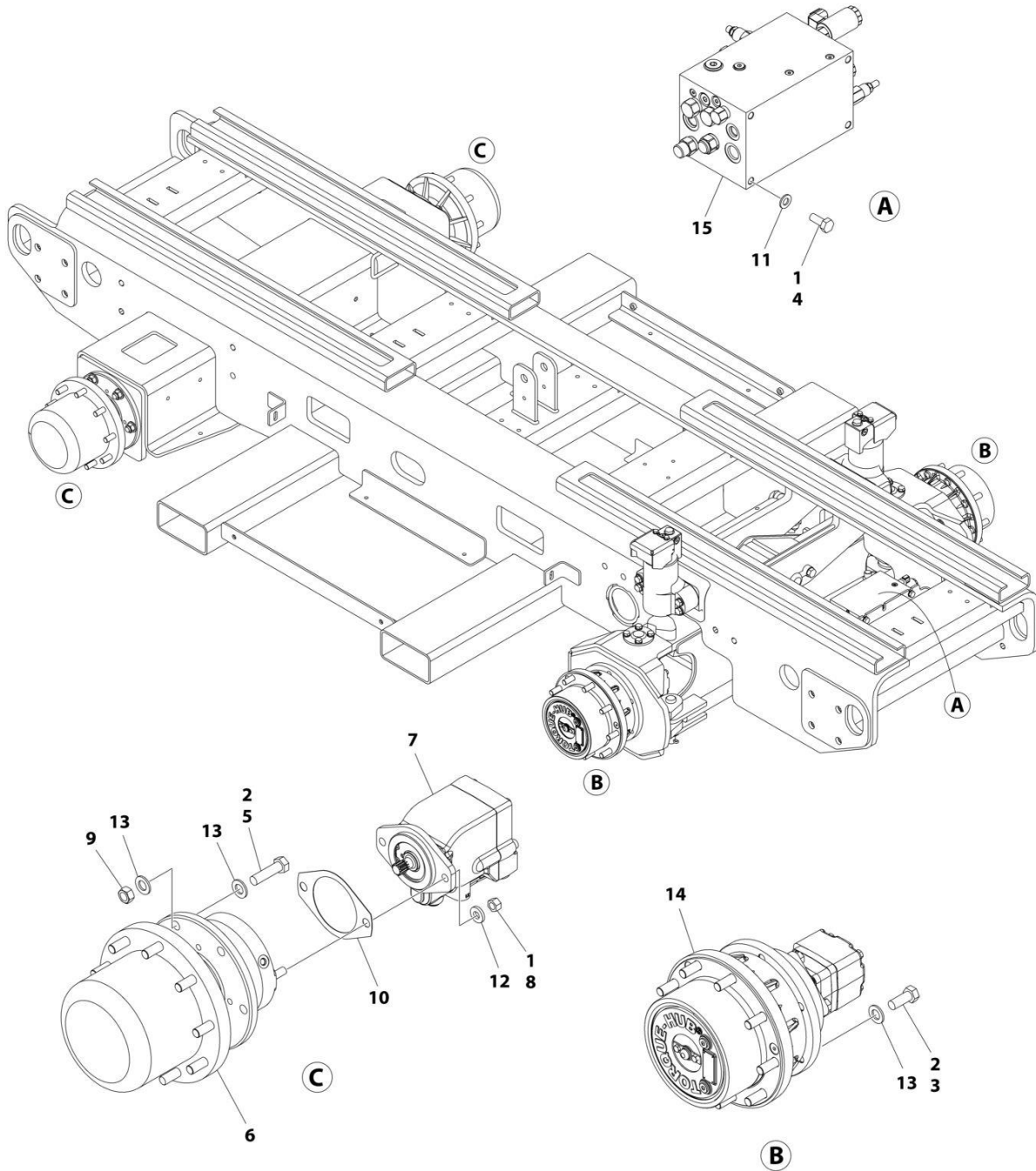
## SECTION 1 - FRAME

**FIGURE 1-6. DRIVE INSTALLATION (2WD)**

ITEM	PART NUMBER	QTY	DESCRIPTION	REV
	1001248300	Ref	DRIVE INSTALLATION - 2WD	C
1	0100011	AR	Compound, Locking	
2	0100019	AR	Compound, Locking	
3	0771012	4	Bolt M10 x 25	
4	0771619	12	Bolt M16 x 55	
5	0771620	12	Bolt M16 x 60	
7	2780267	2	Drive Hub Assembly (See Separate Breakdown in this Section)	
9	3160348	2	Drive Motor Assembly (See Separate Breakdown in this Section)	
10	3311801	4	Nut 1/2	
11	3331611	24	Nut M16	
12	3960526	2	Gasket	
13	4812000	4	Washer M10	
14	5241600	48	Washer M16	
15	4891800	4	Washer 1/2	
16	1001214174	2	Hub Assembly - Front (See Separate Breakdown in this Section)	
17	1001246959	1	Valve Assembly - Drive Traction (See Separate Breakdown in this Section)	

# SECTION 1 - FRAME

## FIGURE 1-7. DRIVE INSTALLATION (4WD)



ART\_1001248851



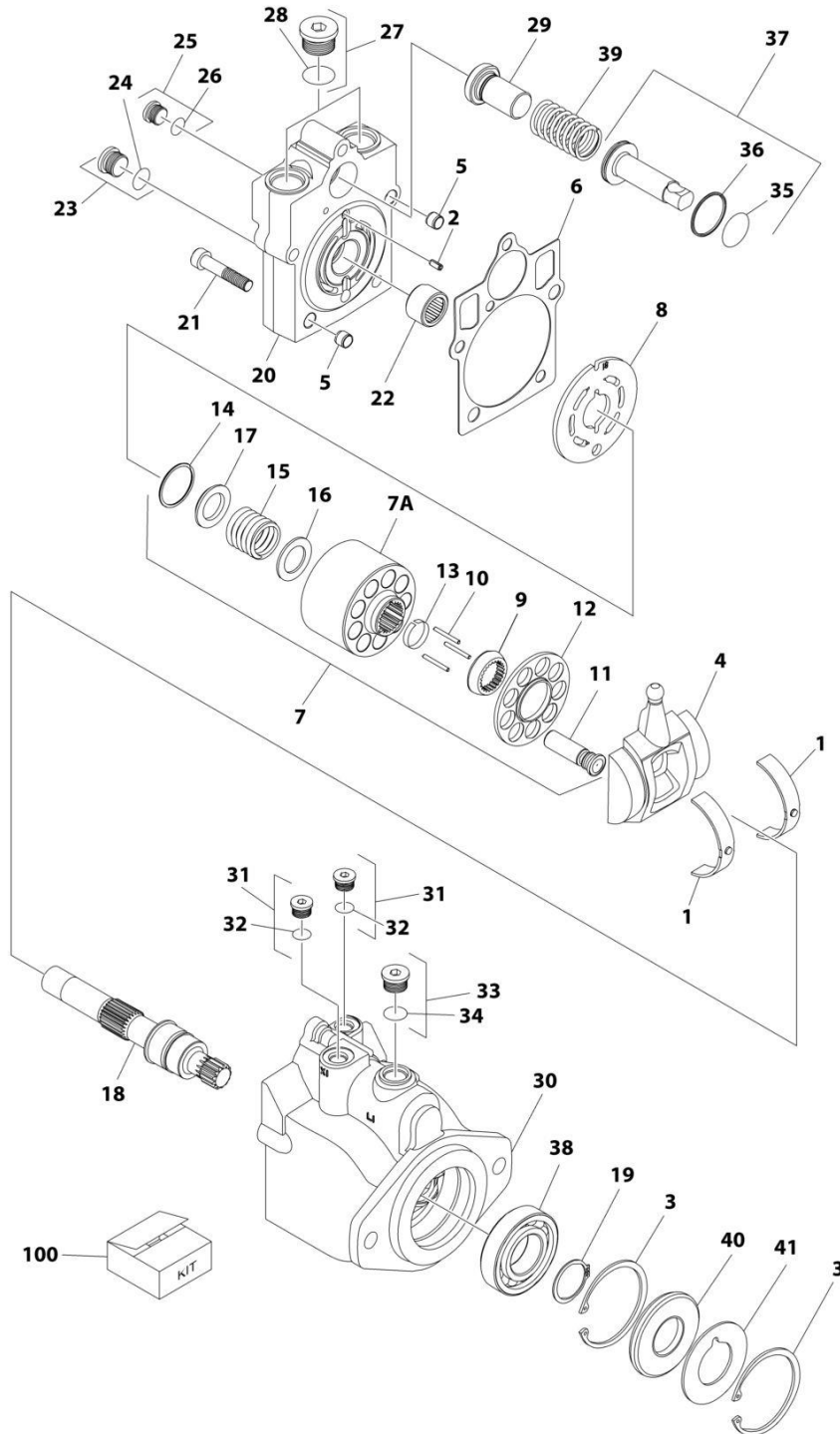
## SECTION 1 - FRAME

**FIGURE 1-7. DRIVE INSTALLATION (4WD)**

ITEM	PART NUMBER	QTY	DESCRIPTION	REV
	1001248851	Ref	DRIVE INSTALLATION - 4WD	B
1	0100011	AR	Compound, Locking	
2	0100019	AR	Compound, Locking	
3	0711616	12	Bolt M16 x 40	
4	0771012	4	Bolt M10 x 25	
5	0771620	12	Bolt M16 x 60	
6	2780267	2	Drive Hub Assembly (See Separate Breakdown in this Section)	
7	3160348	2	Drive Motor Assembly - Rear (See Separate Breakdown in this Section)	
8	3311801	4	Nut 1/2	
9	3331611	12	Nut M16	
10	3960526	2	Gasket	
11	4812000	4	Washer M10	
12	4891800	4	Washer 1/2	
13	5241600	36	Washer M16	
14	1001243266	2	Hub Assembly - Front (See Separate Breakdown in this Section)	
15	1001250888	1	Valve Assembly - Drive Traction (See Separate Breakdown in this Section)	

# SECTION 1 - FRAME

## FIGURE 1-8. DRIVE MOTOR ASSEMBLY - REAR (2WD & 4WD)



ART\_3160348

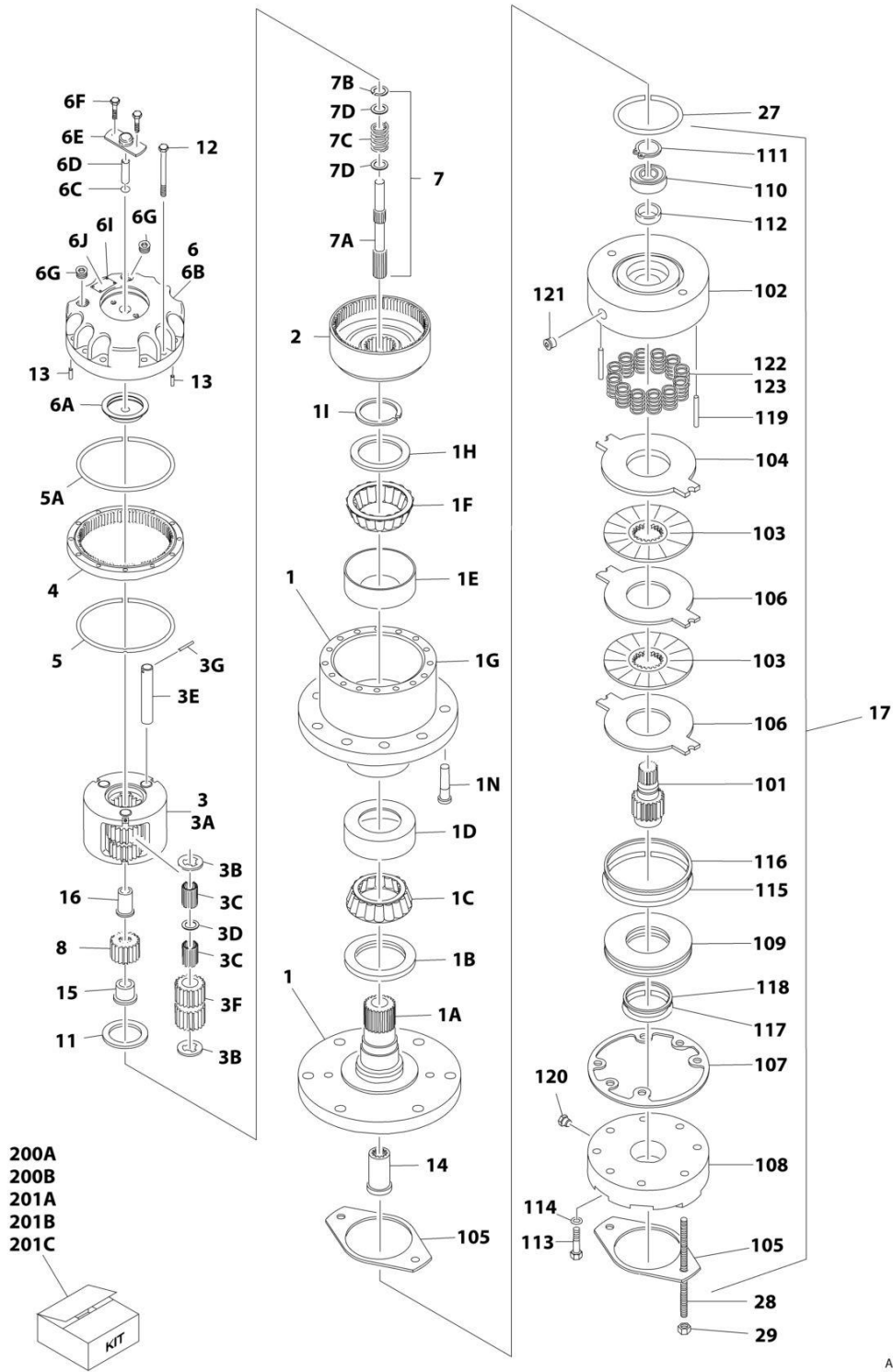
# SECTION 1 - FRAME

**FIGURE 1-8. DRIVE MOTOR ASSEMBLY - REAR (2WD & 4WD)**

ITEM	PART NUMBER	QTY	DESCRIPTION	REV
	3160348	Ref	DRIVE MOTOR ASSEMBLY	D
1	7022302	2	Bearing, Journal	
2	7007446	1	Pin	
3	7007438	2	Ring, Retaining	
4	7022305	1	Swash Plate	
5	See Note	2	Pin (Note: Not Available for Purchase)	
6	See Note	NSS	Gasket (Note: Use Item 100)	
7	7023907	1	Cylinder Block Kit (Includes Items 7A & 9-17)	
7A	See Note	NSS	Block, Cylinder (Note: Use Item 7)	
8	7023908	1	Plate, Valve	
9	7021277	1	Guide, Slipper Retainer	
10	7021275	3	Pin, Slipper Hold Down	
11	See Note	NSS	Piston Assembly (Note: Use Item 7)	
12	7022310	1	Retainer, Slipper	
13	7021276	1	Retainer, Hold Down Pin	
14	7022311	1	Ring, Retaining	
15	7022312	1	Spring	
16	7024868	1	Washer	
17	7022314	1	Retainer, Spring	
18	7023910	1	Shaft	
19	7007439	1	Ring, Retaining	
20	70000797	1	Cap, End - Axial	
21	7022368	5	Screw	
22	7021249	1	Bearing, Needle	
23	2220886	1	Plug (Includes Item 24)	
24	See Note	1	O-Ring (Note: Use Item 23 or 100)	
25	2220883	1	Plug (Includes Item 26)	
26	See Note	NSS	O-Ring (Note: Use Item 25 or 100)	
27	2220888	2	Plug (Includes Item 28)	
28	See Note	NSS	O-Ring (Note: Use Item 27 or 100)	
29	7022372	1	Seat, Spring	
30	See Note	NSS	Housing (Note: Not Available - Purchase Complete Assembly)	
31	2220883	2	Plug (Includes Item 32)	
32	See Note	NSS	O-Ring (Note: Use Item 31 or 100)	
33	2220886	1	Plug (Includes Item 34)	
34	See Note	NSS	O-Ring (Note: Use Item 33 or 100)	
35	See Note	NSS	O-Ring (Note: Use Item 100)	
36	See Note	NSS	Ring, Seal (Note: Use Item 100)	
37	7024854	1	Piston, Servo (Includes Items 35 & 36)	
38	7007437	1	Bearing	
39	7022326	1	Spring	
40	See Note	1	Seal, Lip (Note: Use Item 100)	
41	7022371	1	Washer, Support	
		Ref	KIT OPTIONS:	
100	7022328	1	Seal Kit (Includes Items 6, 24, 26, 28, 32, 34, 35, 36 & 40)	

# SECTION 1 - FRAME

## FIGURE 1-9. DRIVE HUB AND BRAKE ASSEMBLY (2WD REAR)



ART\_2780267

# SECTION 1 - FRAME

## FIGURE 1-9. DRIVE HUB AND BRAKE ASSEMBLY (2WD REAR)

ITEM	PART NUMBER	QTY	DESCRIPTION	REV
	2780267	Ref	DRIVE HUB AND BRAKE ASSEMBLY - REAR	1
1	See Note	1	Spindle/Housing Assembly (Note: Purchase Individual Components)	
1A	7017059	1	Spindle	
1B	7001998	1	Seal	
1C	7010429	1	Cone, Bearing (Includes Item 1D)	
1D	7010429	1	Cup, Bearing (Includes Item 1C)	
1E	7000257	1	Cup, Bearing	
1F	7000258	1	Cone, Bearing	
1G	7007601	1	Housing/Ring Gear	
1H	7000232	1	Washer, Thrust	
1I	7000229	1	Ring, Retaining	
1N	7007640	9	Stud, Wheel	
2	7000246	1	Gear, Internal	
3	7024712	1	Carrier Assembly	
3A	See Note	1	Carrier (Note: Use Item 3)	
3B	See Note	6	Ring, Retaining (Note: Use Item 3)	
3C	See Note	AR	Bearing, Needle (Note: Use Item 3)	
3D	See Note	3	Washer, Thrust (Note: Use Item 3)	
3E	See Note	3	Shaft, Planet (Note: Use Item 3)	
3F	See Note	3	Gear, Planet (Note: Use Item 3)	
3G	See Note	3	Roll Pin (Note: Use Item 3)	
4	7000248	1	Ring Gear	
5	7000230	1	O-Ring	
5A	7017070	1	O-Ring	
6	70001349	1	Cover Assembly Kit	
6A	See Note	1	Spacer, Thrust (Note: Use Item 6)	
6B	See Note	1	Plate, Cover (Note: Use Item 6)	
6C	See Note	1	O-Ring (Note: Use Item 6)	
6D	See Note	1	Rod, Disconnect (Note: Use Item 6)	
6E	See Note	1	Cap, Disengage (Note: Use Item 6)	
6F	See Note	2	Bolt (Note: Use Item 6)	
6G	See Note	1	Plug, Pipe (Note: Use Item 6)	
6I	See Note	4	Rivet (Note: Not Available for Purchase)	
6J	See Note	1	Plate, ID (Note: Not Available for Purchase)	
7		Ref	Input Shaft Assembly	
7A	7024714	1	Shaft	
7B	7000261	1	Ring, Retaining	
7C	7000262	1	Spring	
7D	7000263	2	Spacer, Thrust	
8	7024713	1	Gear, Sun	
11	7000253	1	Washer, Thrust	
12	7017067	12	Bolt	
13	7017080	4	Pin, Dowel	
14	7000206	1	Coupling	
15	7024715	1	Spacer, Input	
16	7024716	1	Spacer, Input	
17	7024182	1	Brake Assembly (See Items 101-123 for Breakdown)	
27	7024705	1	O-Ring	
28	7024717	2	Rod, Threaded	

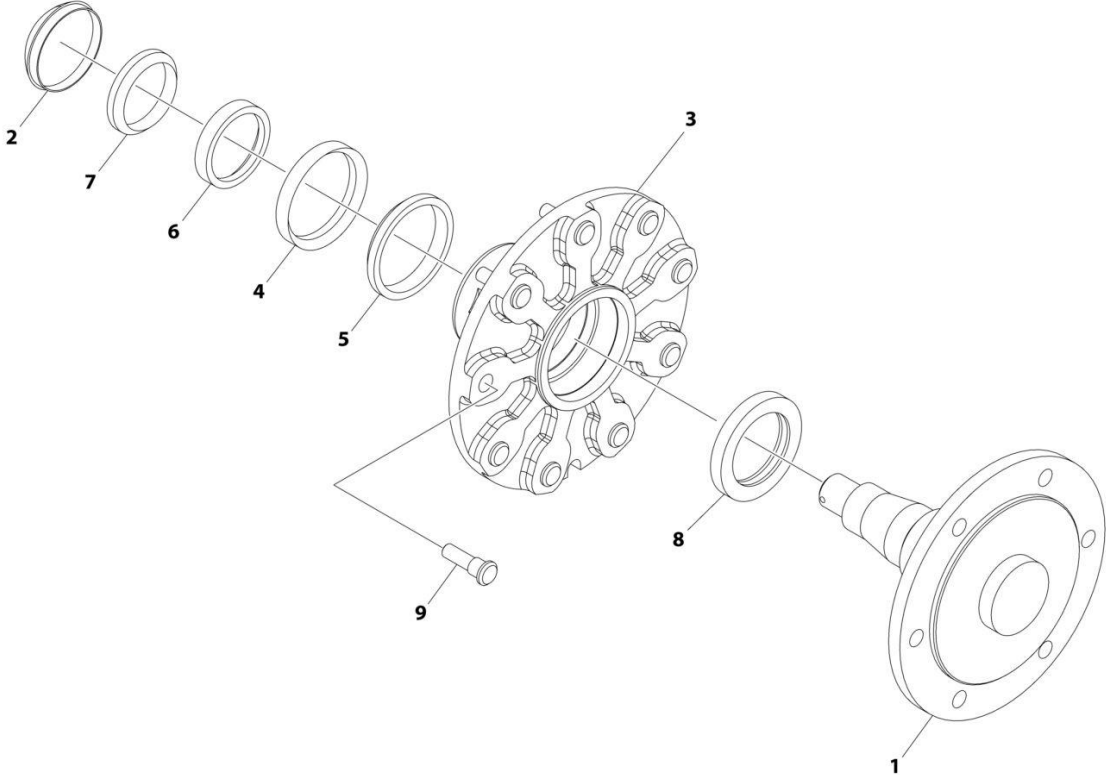
## SECTION 1 - FRAME

ITEM	PART NUMBER	QTY	DESCRIPTION	REV
29	7024718	2	Nut 1/2in-13NC	
	7024182	Ref	BRAKE ASSEMBLY	
101	7024189	1	Shaft	
102	See Note	1	Housing (Note: Use Item 17)	
103	See Note	2	Plate, Friction (Note: Use Item 201B)	
104	See Note	1	Plate, Pressure (Note: Use Item 201B)	
105	7000731	2	Gasket	
106	See Note	2	Plate, Outer (Note: Use Item 201B)	
107	See Note	1	Gasket (Note: Use Item 200A, 201B or 201C)	
108	7024191	1	Cylinder	
109	7024192	1	Piston	
110	See Note	1	Bearing, Ball (Note: Use Item 201C)	
111	See Note	1	Ring, Retaining (Note: Use Item 201C)	
112	See Note	1	Seal, Shaft (Note: Use Item 201C)	
113	See Note	6	Capscrew (Note: Use Item 17)	
114	See Note	6	Lockwasher (Note: Use Item 17)	
115	See Note	1	O-Ring (Note: Use Item 200B)	
116	See Note	1	Ring, Back-up (Note: Use Item 200B)	
117	See Note	1	O-Ring (Note: Use Item 200B)	
118	See Note	1	Ring, Back-up (Note: Use Item 200B)	
119	7024190	2	Pin, Dowel	
120	See Note	1	Plug (Note: Use Item 17)	
121	See Note	2	Plug (Note: Use Item 17)	
122	See Note	12	Spring Kit (Natural) (Note: Use Item 201A)	
123	See Note	2	Spring Kit (Blue) (Note: Use Item 201A)	
		Ref	Kit Options	
200		Ref	Seal Kit Options:	
200A	See Note	1	Hub Seal Kit (Note: Purchase Individual Components)	
200B	7024194	1	Brake Seal Kit (Includes Items 105, 107 & 115-118)	
201		Ref	Repair Kit Options:	
201A	7024196	1	Brake Spring Kit (Includes 12 Natural Colored and 2 Blue Colored Springs Items 122 & 123)	
201B	7024193	1	Brake Friction Disc Kit (Includes Items 103, 104, 106 & 107)	
201C	7024197	1	Brake Bearing Kit (Includes Items 107 & 110-112)	



**SECTION 1 - FRAME**

**FIGURE 1-10. HUB/SPINDLE ASSEMBLY (2WD FRONT)**



ART\_1001214174



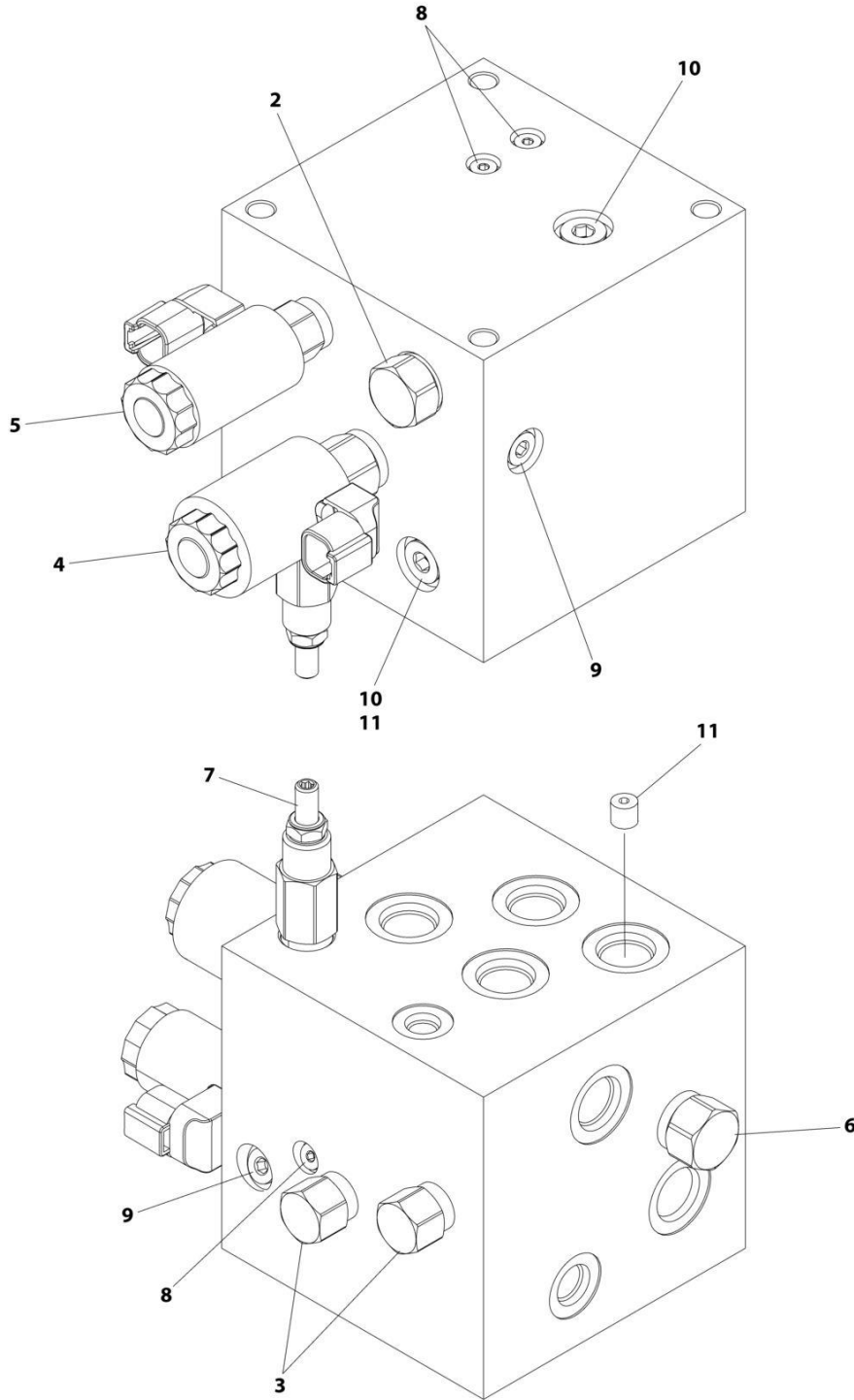
## SECTION 1 - FRAME

### FIGURE 1-10. HUB/SPINDLE ASSEMBLY (2WD FRONT)

ITEM	PART NUMBER	QTY	DESCRIPTION	REV
	1001214174	Ref	HUB - SPINDLE ASSEMBLY (2WD)	C
1	See Note	NSS	Spindle, Adapter (Note: Not Available for Purchase)	
2	7020033	1	Cap, Dust	
3	7020035	1	Hub, Casting	
4	7020036	1	Cup, Bearing	
5	7020037	1	Cone, Bearing	
6	7020038	1	Cup, Bearing	
7	7020039	1	Cone, Bearing	
8	7020040	1	Seal	
9	7020041	9	Stud	

# SECTION 1 - FRAME

## FIGURE 1-11. VALVE ASSEMBLY - TRACTION (2WD)



ART\_1001246959

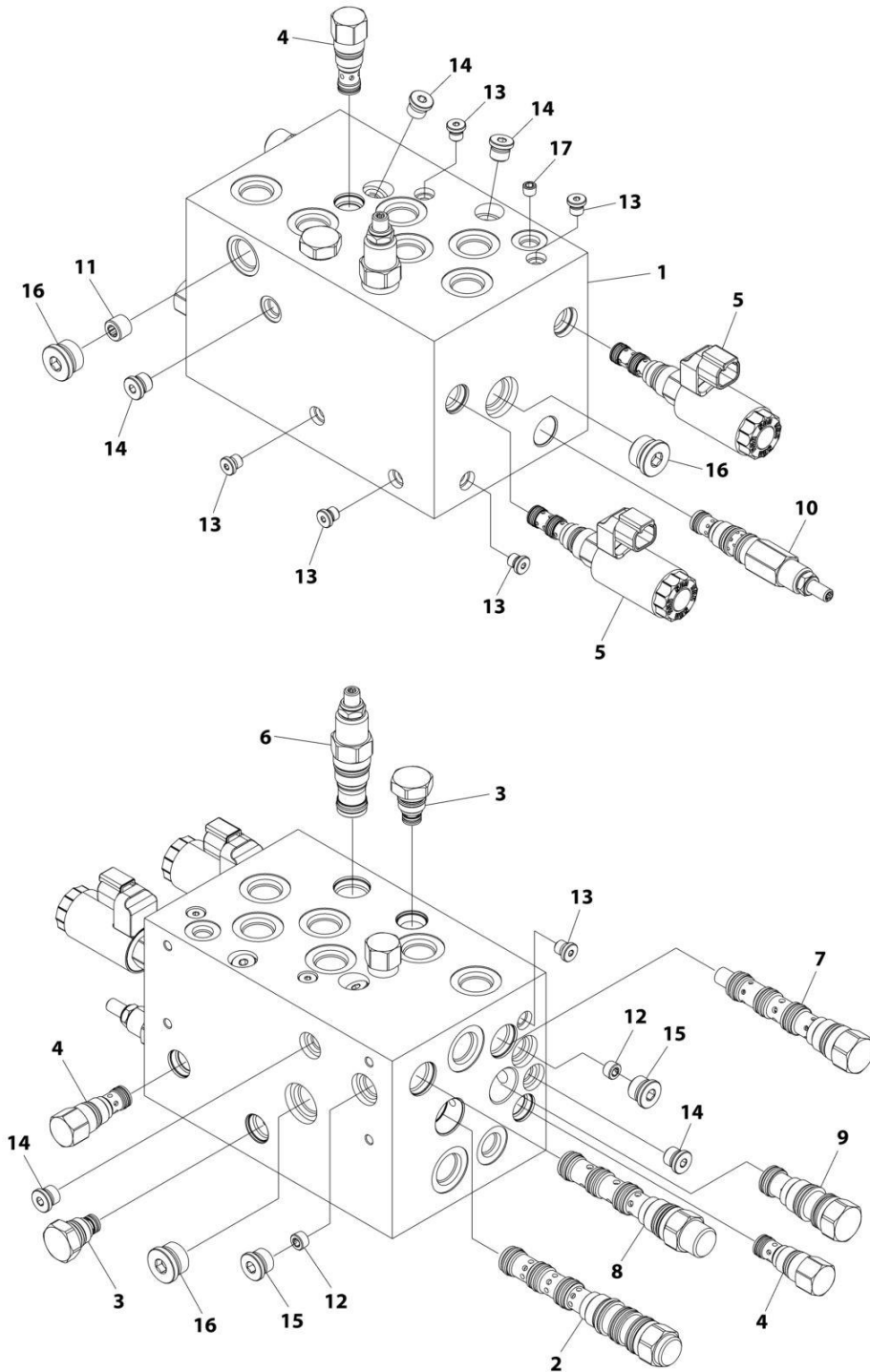
**SECTION 1 - FRAME**

**FIGURE 1-11. VALVE ASSEMBLY - TRACTION (2WD)**

ITEM	PART NUMBER	QTY	DESCRIPTION	REV
	1001246959	Ref	VALVE ASSEMBLY - TRACTION (2WD)	D
	See Note	1	Note: No Service Parts Available at Time of Printing.	
2		Ref	Cartridge, Shuttle Valve	
3		Ref	Cartridge, Check Valve	
4		Ref	Cartridge, Solenoid Valve	
5		Ref	Cartridge, Solenoid Valve	
6		Ref	Cartridge, Flow Control Valve	
7		Ref	Cartridge, Relief Valve	
8		Ref	Plug SAE 2	
9		Ref	Plug SAE 4	
10		Ref	Plug SAE 6	
11		Ref	Orifice 1/8	

# SECTION 1 - FRAME

## FIGURE 1-12. VALVE ASSEMBLY - TRACTION (4WD)



ART\_1001250888

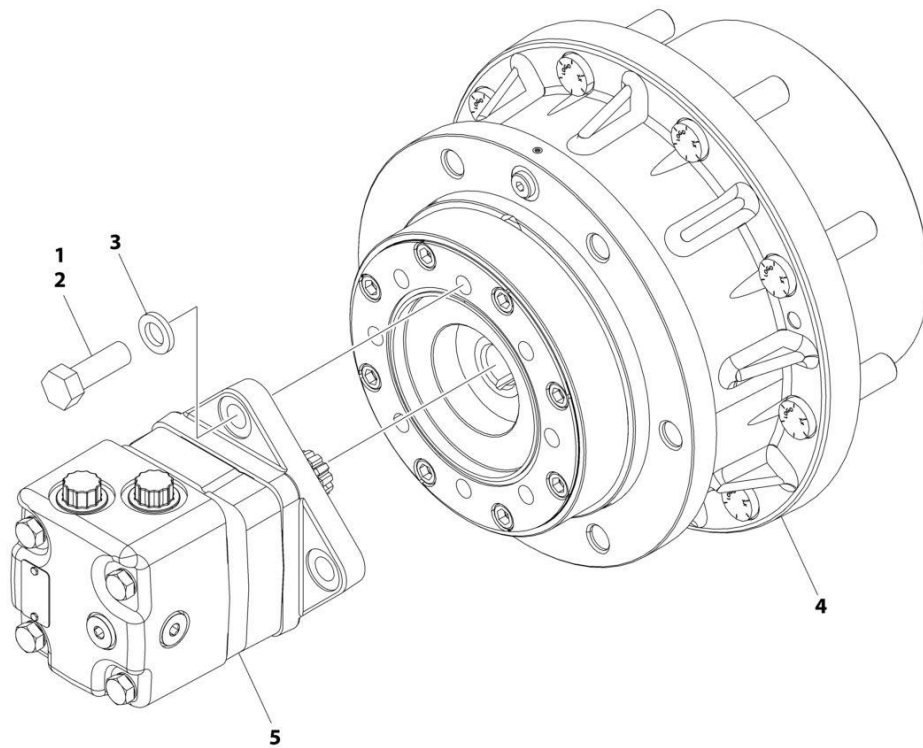
## SECTION 1 - FRAME

**FIGURE 1-12. VALVE ASSEMBLY - TRACTION (4WD)**

ITEM	PART NUMBER	QTY	DESCRIPTION	REV
	1001250888	Ref	VALVE ASSEMBLY - TRACTION (4WD)	C
1	See Note	1	Body, Valve (Note: Not Available for Purchase)	
2	70008346	1	Valve, Directional	
3	70008347	2	Cartridge, Check Valve	
3	70008348	2	Seal Kit - 70008347 Check Valve	
4	7026016	3	Cartridge, Check Valve	
4	7011346	3	Seal Kit - 7026016 Check Valve	
5	70008349	2	Cartridge, Solenoid Valve	
5	70008350	2	Seal Kit - 70008349 Solenoid Valve	
5	70008351	2	Nut, Coil	
5	70008352	2	Coil	
6	70008353	1	Cartridge, Flow Control Valve	
6	7011311	1	Seal Kit - 70008353 Flow Control Valve	
7	7023810	1	Divider/Combiner, Flow	
8	70008354	1	Cartridge, Modulating Valve	
8	7011344	1	Seal Kit - 70008354 Modulating Valve	
9	8036246	1	Valve, Logic	
10	70008355	1	Cartridge, Pressure Reducing Valve	
10	7026004	1	Seal Kit - 70008355 Pressure Reducing Valve	
11	70008356	1	Plug, 1/4 Orifice	
12	70008357	2	Plug, 1/8 Orifice	
13	2220881	6	Plug, #2	
14	2220883	5	Plug, #4	
15	2220885	2	Plug, #6	
16	2220886	3	Plug, #8	
17	70005599	1	Plug, 1/16 Orifice	

# SECTION 1 - FRAME

## FIGURE 1-13. HUB/SPINDLE ASSEMBLY - FRONT (4WD)



ART\_1001243266

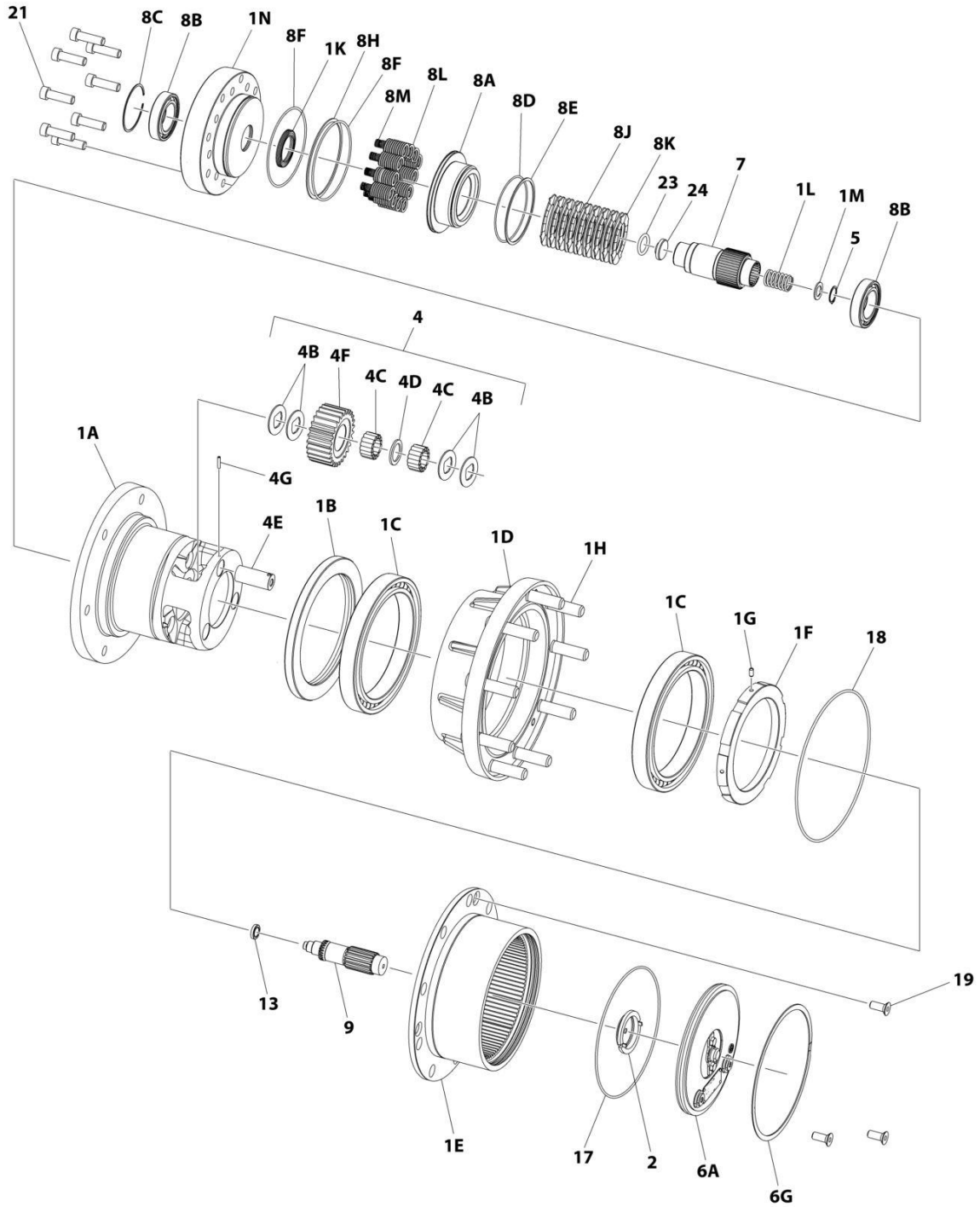
## SECTION 1 - FRAME

### FIGURE 1-13. HUB/SPINDLE ASSEMBLY - FRONT (4WD)

ITEM	PART NUMBER	QTY	DESCRIPTION	REV
	1001243266	Ref	DRIVE ASSEMBLY	E
1	1001095650	1	Adhesive	
2	0681812	4	Bolt 1/2 x 1-1/2	
3	4761800	4	Washer 1/2	
4	1001242816	1	Drive Hub Assembly (See Separate Breakdown in this Section)	
5	1001243268	1	Drive Motor Assembly (Includes O-Ring)	
5	70008114	1	O-Ring (Not Shown, Seals Between Drive Hub & Drive Motor)	

# SECTION 1 - FRAME

## FIGURE 1-14. DRIVE HUB AND BRAKE ASSEMBLY (4WD)



ART\_1001242816



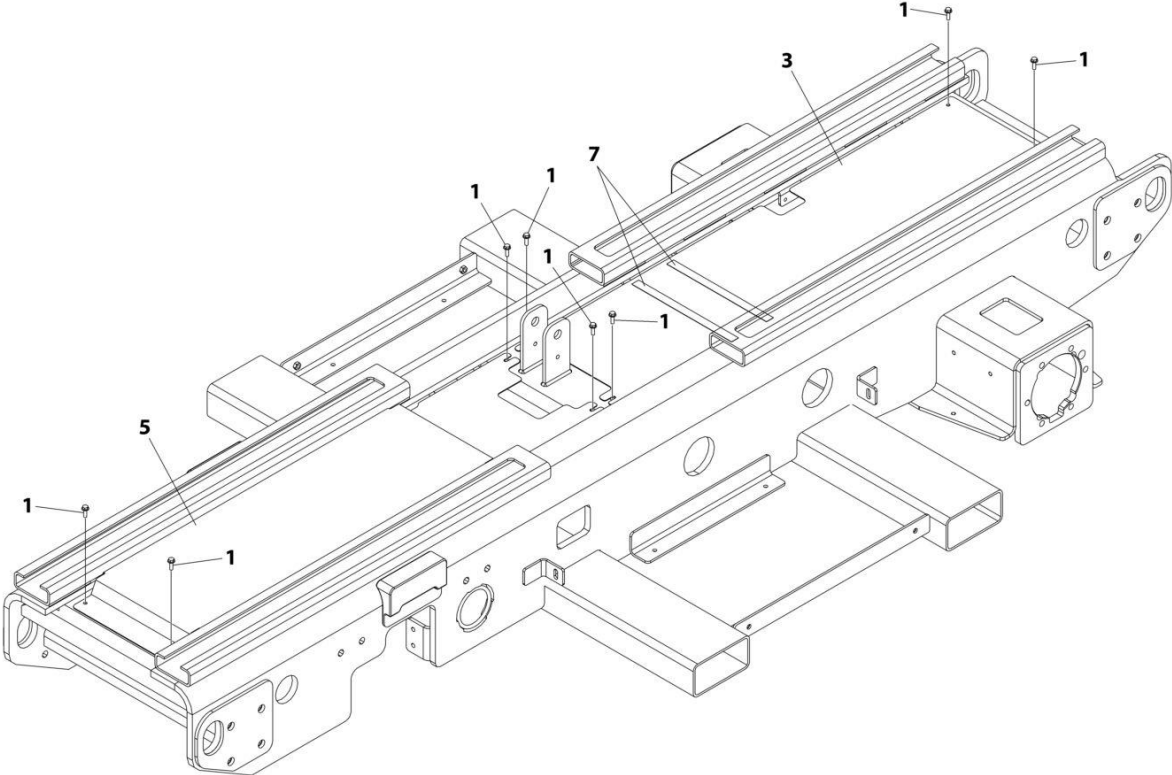
## SECTION 1 - FRAME

### FIGURE 1-14. DRIVE HUB AND BRAKE ASSEMBLY (4WD)

ITEM	PART NUMBER	QTY	DESCRIPTION	REV
	1001242816	Ref	DRIVE HUB ASSEMBLY	F
1A	SEE NOTE	NSS	Spindle (Not available for Purchase)	
1B	70001119	1	Seal	
1C	70002991	2	Bearing, Ball	
1D	SEE NOTE	NSS	Housing (Not available for Purchase)	
1E	70002989	1	Gear, Ring	
1F	70003000	1	Nut	
1G	70002996	2	Screw, Socket	
1H	7007640	9	Stud	
1K	70008155	1	Seal, Quad	
1L	70002992	1	Spring	
1M	70002999	1	Washer, Thrust	
1N	SEE NOTE	NSS	Adapter, Mounting (Not available for Purchase)	
2	7024741	1	Spacer, Thrust	
4	70008144	1	Planet Gear Assembly	
4B	SEE NOTE	NSS	Washer, Thrust (Not available for Purchase)	
4C	SEE NOTE	NSS	Bearing, Needle (Not available for Purchase)	
4D	SEE NOTE	NSS	Spacer, Thrust (Not available for Purchase)	
4F	SEE NOTE	NSS	Gear, Planet (Not available for Purchase)	
4E	7024726	3	Shaft, Planet	
4G	7001913	2	Pin, Roll	
5	70002995	1	Ring, Retaining	
6A	70001368	1	Cover Plate Assembly	
6G	7024738	1	Ring, Retaining	
7	70008148	1	Coupling	
8A	70002993	1	Brake, Piston	
8B	70002990	2	Bearing, Ball	
8C	70002994	1	Ring, Retaining	
8D	70004042	1	O-Ring	
8E	70008158	1	O-Ring, Back-up	
8F	70008156	2	O-Ring	
8H	70008157	1	O-Ring, Back-up	
8J	70002085	8	Brake, Rotor	
8K	70002085	9	Brake, Stator	
8L	70008152	12	Spring	
8M	70008153	12	Spring	
9	70008147	1	Shaft, Input	
12	70002998	1	Plug (Not Shown)	
13	70008151	1	Bearing, Ball	
17	7024134	1	O-Ring	
18	70002997	1	O-Ring	
19	7017022	3	Bolt	
21	70008154	8	Bolt	
22	7024108	2	Plug (Not Shown)	
23	70008150	1	O-Ring	
24	70008149	1	Space Input	

**SECTION 1 - FRAME**

**FIGURE 1-15. FRAME COVERS INSTALLATION - (RT4069)**



ART\_1001245440

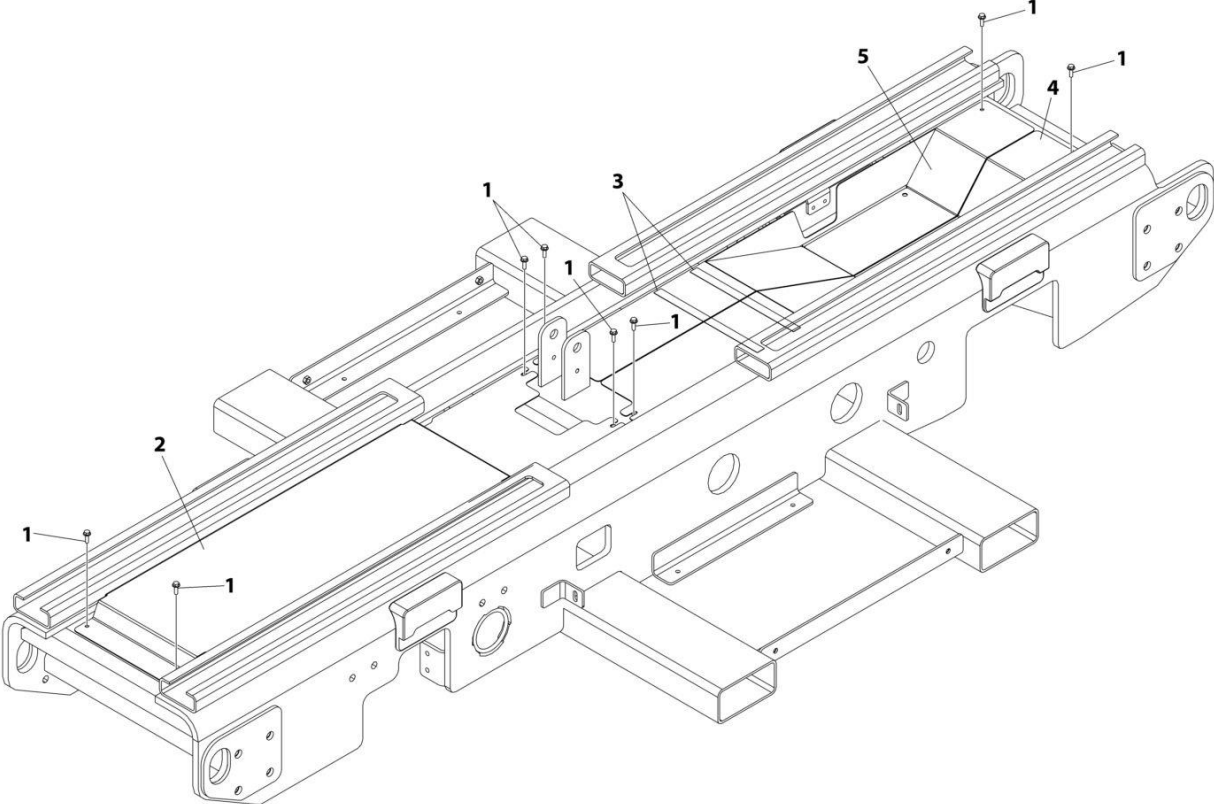
## SECTION 1 - FRAME

**FIGURE 1-15. FRAME COVERS INSTALLATION - (RT4069)**

ITEM	PART NUMBER	QTY	DESCRIPTION	REV
	1001245440	Ref	FRAME COVERS INSTALLATION	D
1	5250812	8	Bolt M8 x 25	
3	1001245381	1	Cover (Rear)	
5	1001283427	1	Cover (Front)	
7	1001258188	2 ft	Tape, Foam	

**SECTION 1 - FRAME**

**FIGURE 1-16. FRAME COVERS INSTALLATION (RT4769)**



ART\_1001262140

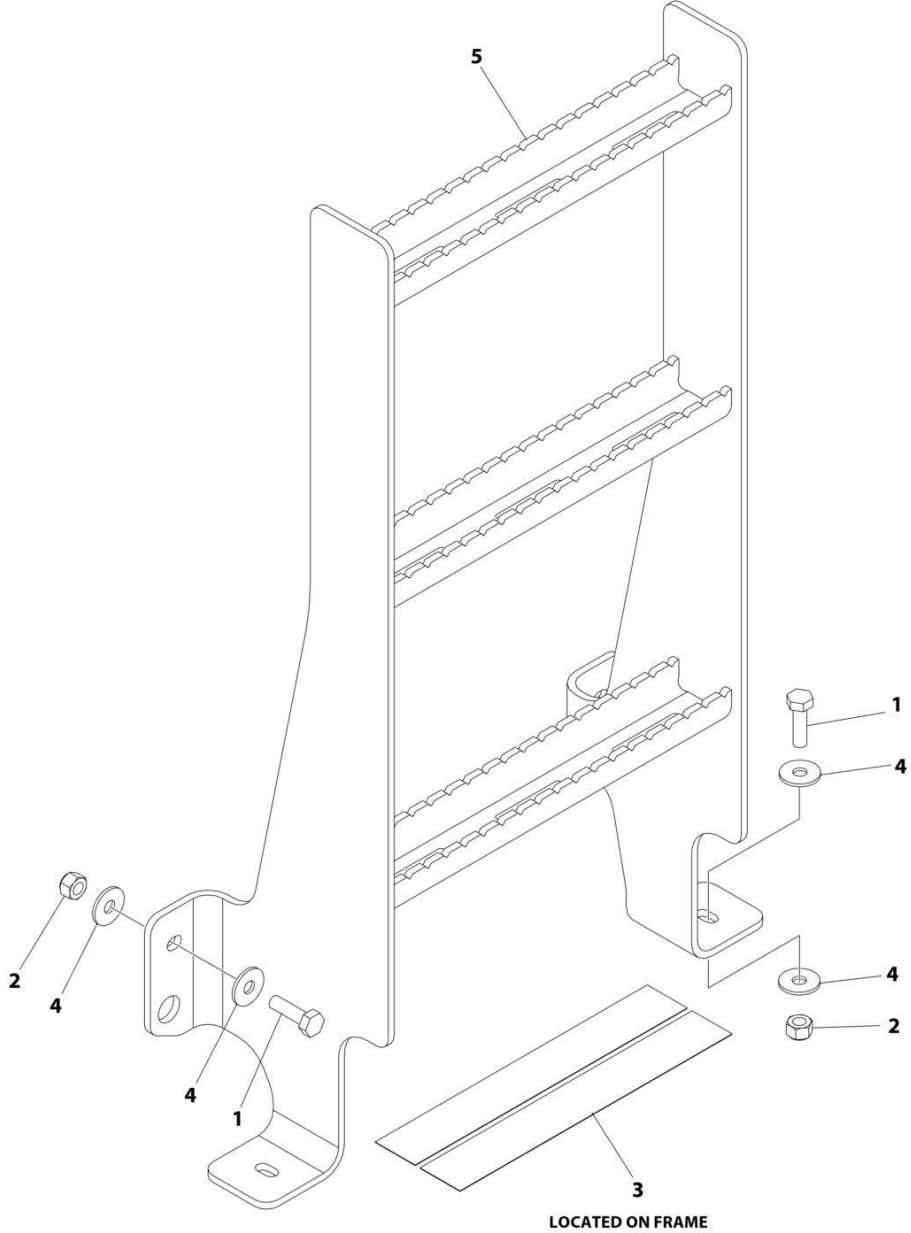
**SECTION 1 - FRAME**

**FIGURE 1-16. FRAME COVERS INSTALLATION (RT4769)**

<b>ITEM</b>	<b>PART NUMBER</b>	<b>QTY</b>	<b>DESCRIPTION</b>	<b>REV</b>
	1001262140	Ref	FRAME COVERS INSTALLATION	B
1	5250812	8	Bolt M8 x 25	
2	1001283427	1	Cover (Front)	
3	1001258188	2 ft	Tape, Foam	
4	1001262994	1	Plate, Cover	
5	1001263081	1	Plate, Cover	

**SECTION 1 - FRAME**

**FIGURE 1-17. LADDER INSTALLATION (RT4069)**



ART\_1001247425

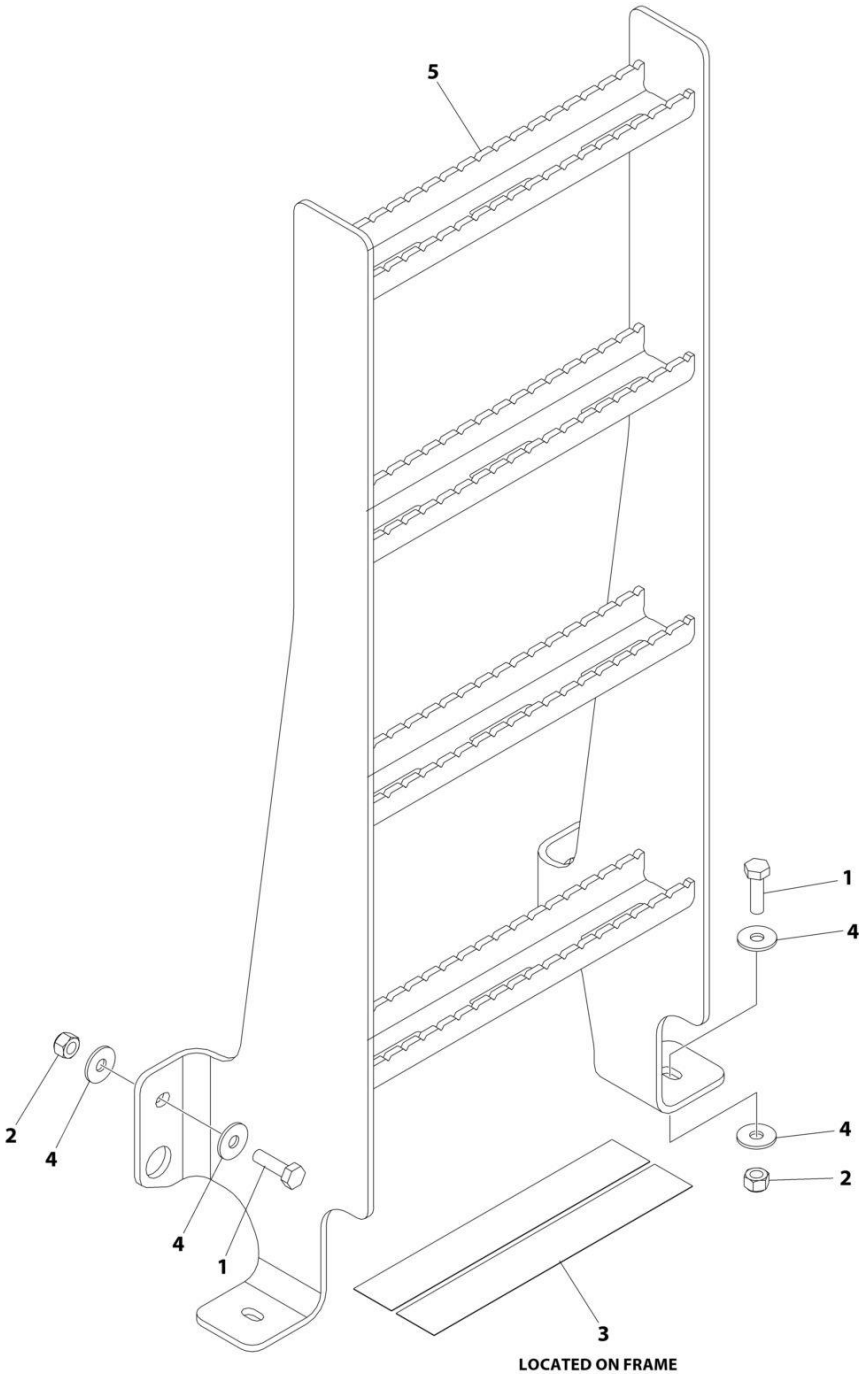
**SECTION 1 - FRAME**

**FIGURE 1-17. LADDER INSTALLATION (RT4069)**

<b>ITEM</b>	<b>PART NUMBER</b>	<b>QTY</b>	<b>DESCRIPTION</b>	<b>REV</b>
	1001247425	Ref	LADDER INSTALLATION	B
1	0761015	4	Bolt M10 x 35	
2	3291005	4	Nut M10	
3	4420070	2	Tape, Anti-Skid	
4	4812002	8	Washer M10	
5	1001247353	1	Ladder	

**SECTION 1 - FRAME**

**FIGURE 1-18. LADDER INSTALLATION (RT4769)**



ART\_1001256562



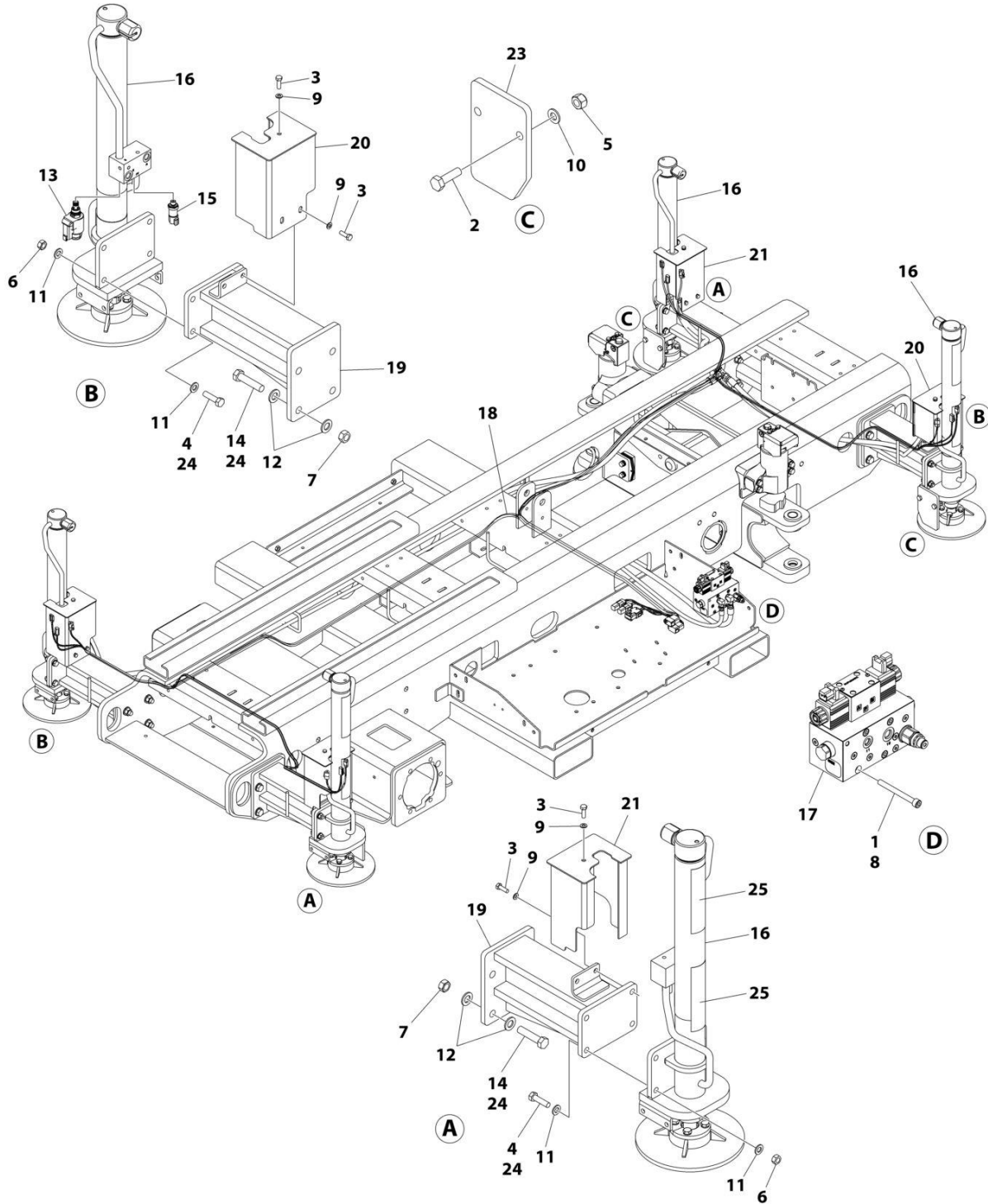
## SECTION 1 - FRAME

**FIGURE 1-18. LADDER INSTALLATION (RT4769)**

ITEM	PART NUMBER	QTY	DESCRIPTION	REV
	1001256562	Ref	LADDER INSTALLATION	A
1	0761015	4	Bolt M10 x 35	
2	3291005	4	Nut M10	
3	4420070	2	Tape, Anti-Skid	
4	4812002	8	Washer M10	
5	1001256561	1	Ladder	

# SECTION 1 - FRAME

## FIGURE 1-19. LEVELING JACKS INSTALLATION - PARTIAL COVERS



ART\_1001246885

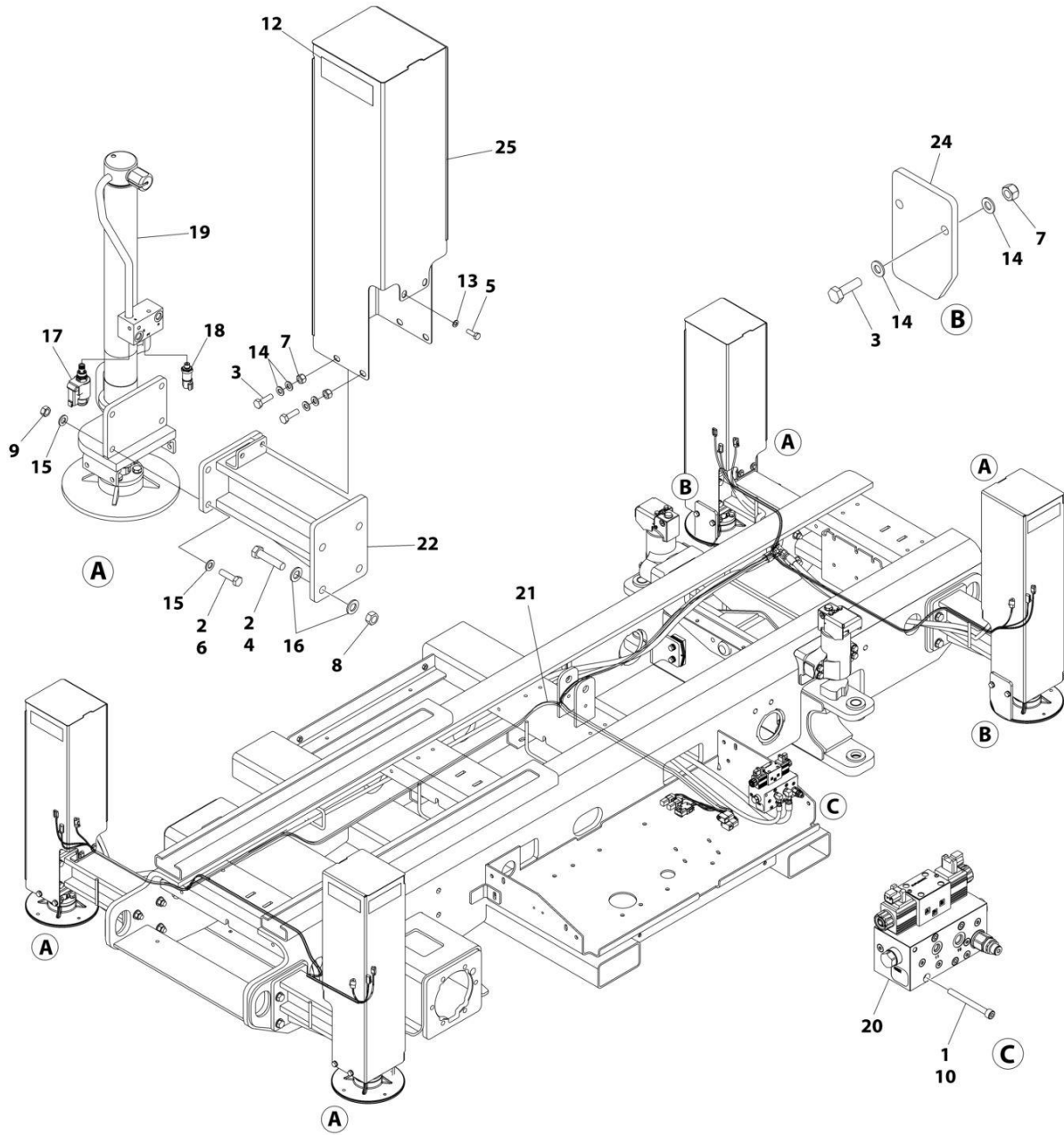
## SECTION 1 - FRAME

**FIGURE 1-19. LEVELING JACKS INSTALLATION - PARTIAL COVERS**

ITEM	PART NUMBER	QTY	DESCRIPTION	REV
	1001246885	Ref	LEVELING JACKS INSTALLATION	D
1	0100011	AR	Compound, Locking	
2	0701015	8	Bolt M10 x 35	
3	0760812	12	Bolt M8 x 25	
4	0761217	16	Bolt M12 x 45	
5	3291005	8	Nut M10	
6	3331211	16	Nut M12	
7	3291601	16	Nut M16	
8	4031920	4	Capscrew M8 x 80	
9	4811900	12	Washer M8	
10	4812000	8	Washer M10	
11	4812100	32	Washer M12	
12	5241600	32	Washer M16	
13	1001103761	4	Cartridge, Valve	
13	7024497	1	Cartridge Less Coil	
13	7024502	1	Seal Kit	
13	70001965	1	Coil	
13	7024506	1	Nut, Coil	
14	0701622	16	Bolt M16 x 70	
15	1001227516	4	Sensor, Leveling Jacks Pressure	
16	1001243256	4	Cylinder Assembly - Leveling Jacks (See Separate Breakdown in CYLINDER Section)	
17	1001247380	1	Valve Assembly - Leveling Jacks (See Separate Breakdown in this Section)	
18	1001248863	1	Harness, Leveling Jack (See Separate Breakdown in ELECTRICAL Section)	
19	1001249407	4	Frame, Leveling Jack	
20	1001249914	2	Cover, Jack (Right)	
21	1001249915	2	Cover, Jack (Left)	
22	1001250342	1	Hydraulic Diagram - Leveling Jacks (Not Shown - See Separate Breakdown in HYDRAULIC Section)	
23	1001250353	4	Plate	
24	0100019	AR	Compound, Locking	
25	4420051	5 ft/144cm	Tape, Safety	
26	4240017	AR	Tie-Strap (Not Shown)	

# SECTION 1 - FRAME

## FIGURE 1-20. LEVELING JACKS INSTALLATION - FULL COVERS



ART\_1001274495

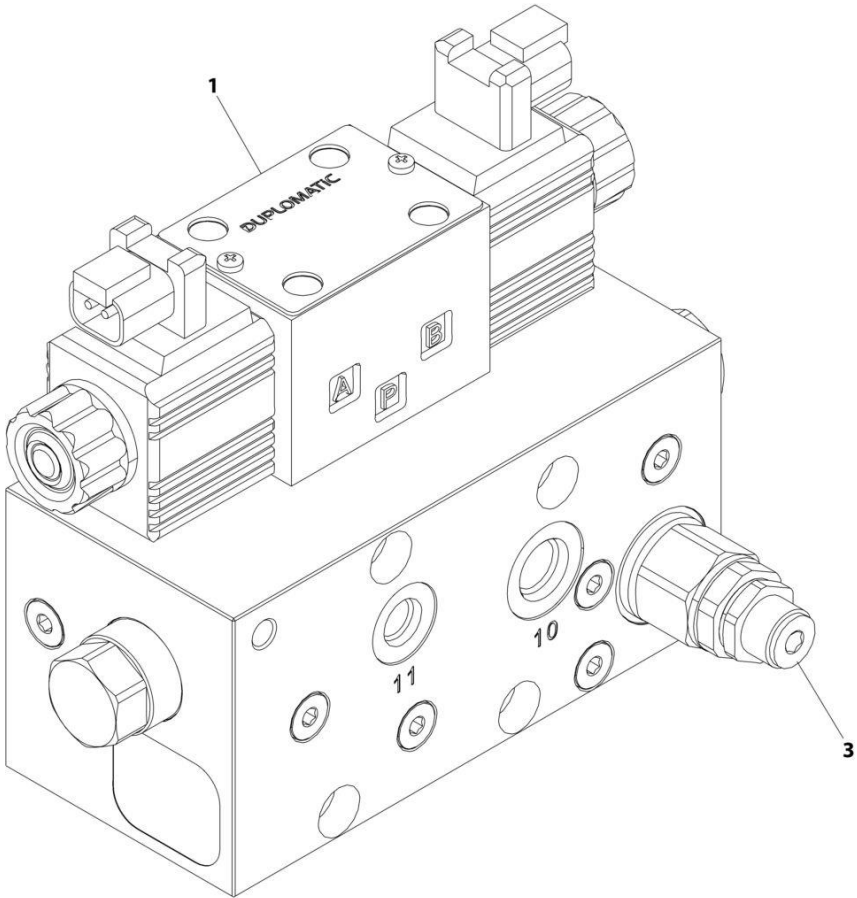
## SECTION 1 - FRAME

**FIGURE 1-20. LEVELING JACKS INSTALLATION - FULL COVERS**

ITEM	PART NUMBER	QTY	DESCRIPTION	REV
	1001274495	Ref	LEVELING JACKS INSTALLATION	B
1	0100011	AR	Compound, Locking	
2	0100019	AR	Compound, Locking	
3	0701015	16	Bolt M10 x 35	
4	0701622	16	Bolt M16 x 70	
5	0760812	8	Bolt M8 x 25	
6	0761217	16	Bolt M12 x 45	
7	3291005	16	Nut M10	
8	3291601	16	Nut M16	
9	3331211	16	Nut M12	
10	4031920	4	Capscrew M8 x 80	
11	4240017	AR	Tie-Strap (Not Shown)	
12	4420051	4 ft/123cm	Tape, Safety	
13	4811902	8	Washer M8	
14	4812000	32	Washer M10	
15	4812100	32	Washer M12	
16	5241600	32	Washer M16	
17	1001103761	4	Cartridge, Valve	
17	7024497	1	Cartridge Less Coil	
17	7024502	1	Seal Kit	
17	70001965	1	Coil	
17	7024506	1	Nut, Coil	
18	1001227516	4	Sensor, Leveling Jacks Pressure	
19	1001243256	4	Cylinder Assembly - Leveling Jacks (See Separate Breakdown in CYLINDER Section)	
20	1001247380	1	Valve Assembly - Leveling Jacks (See Separate Breakdown in this Section)	
21	1001248863	1	Harness, Leveling Jack (See Separate Breakdown in ELECTRICAL Section)	
22	1001249407	4	Frame, Leveling Jack	
23	1001250342	1	Hydraulic Diagram - Leveling Jacks (Not Shown - See Separate Breakdown in HYDRAULIC Section)	
24	1001250353	4	Plate	
25	1001271360	4	Cover, Jack	

**SECTION 1 - FRAME**

**FIGURE 1-21. LEVELING JACKS VALVE ASSEMBLY**



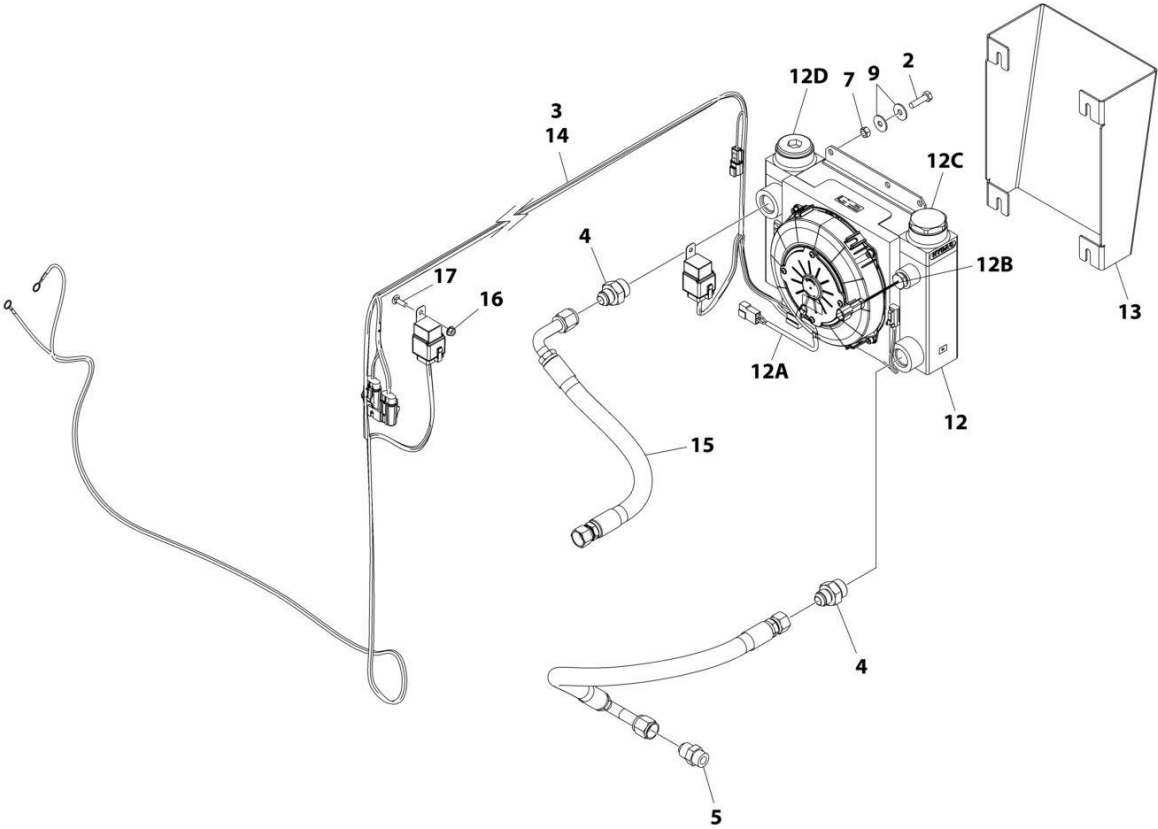
ART\_1001247380

**FIGURE 1-21. LEVELING JACKS VALVE ASSEMBLY**

ITEM	PART NUMBER	QTY	DESCRIPTION	REV
	1001247380	Ref	LEVELING JACK VALVE ASSEMBLY	D
1	70007760	1	Valve, Directional	
3	70007761	1	Cartridge, Relief Valve	
4	70007762	1	Cartridge, Shuttle Valve (Not Shown)	

**SECTION 1 - FRAME**

**FIGURE 1-22. OIL COOLER INSTALLATION**



ART\_1001246101



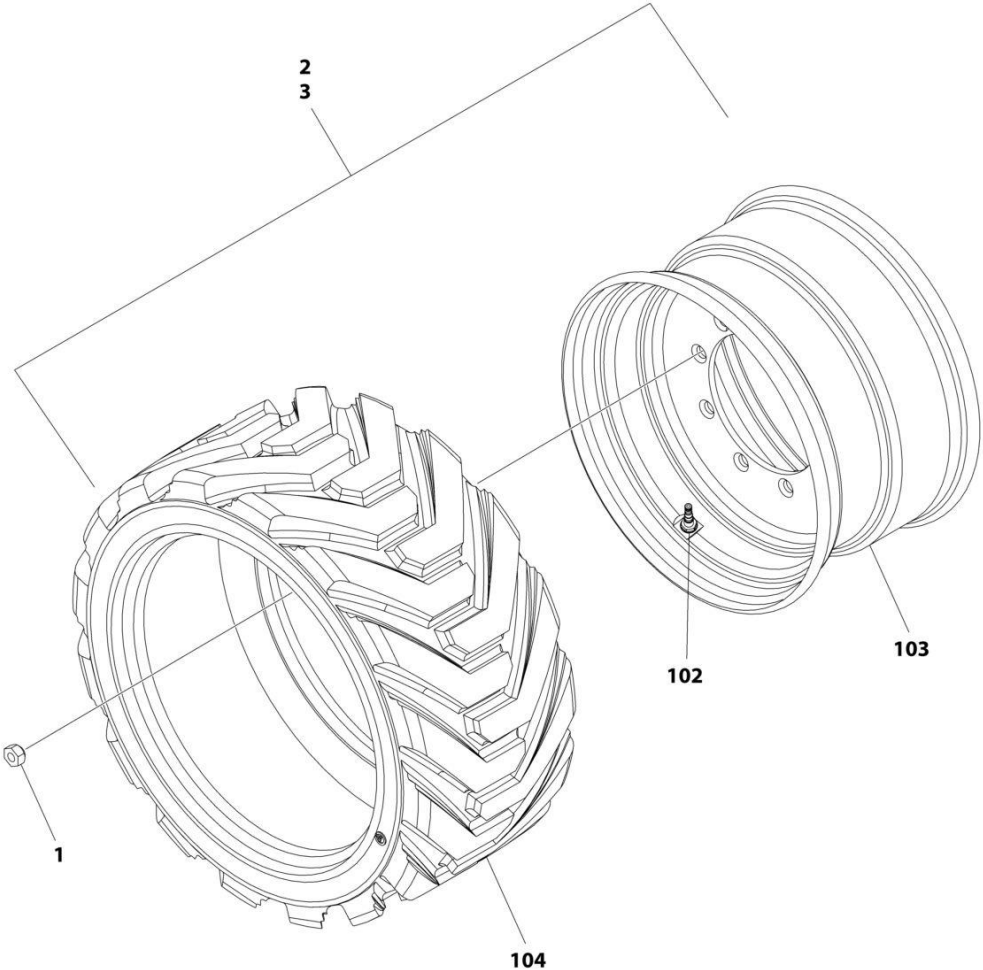
## SECTION 1 - FRAME

**FIGURE 1-22. OIL COOLER INSTALLATION**

ITEM	PART NUMBER	QTY	DESCRIPTION	REV
	1001246101	Ref	OIL COOLER INSTALLATION	D
2	0760814	4	Bolt M8 x 30	
3	1062255	AR	Tie Strap (Not Shown)	
4	2220865	2	Fitting Straight JIC/ORB	
5	2220947	1	Fitting Straight JIC/ORB	
7	3290807	4	Nut, Lock M8	
9	4811902	8	Washer M8	
12	1001225804	1	Cooler Assembly	
12A	70006577	1	Fan/Motor Assembly	
12A	4460994	1	Plug, Male - 2 Position (Fan/Motor)	
12A	4460993	2	Terminal (Fan/Motor)	
12B	70006576	1	Thermostat	
12B	4460891	1	Plug, Male - 2 Position (Thermostat)	
12B	4460465	2	Socket, Female (Thermostat)	
12C	70006578	1	Valve, Bypass	
12D	70006579	1	Plug	
13	1001248160	1	Bracket	
14	1001249802	1	Oil Cooler Harness (See Separate Breakdown in ELECTRICAL Section)	
15	1001254861	1	Hose	
16	5260600	1	Nut M6	
17	1001100451	1	Bolt M6 x 20	

**SECTION 1 - FRAME**

**FIGURE 1-23. TIRE AND WHEEL INSTALLATION - FOAM-FILLED**



ART\_1001244775

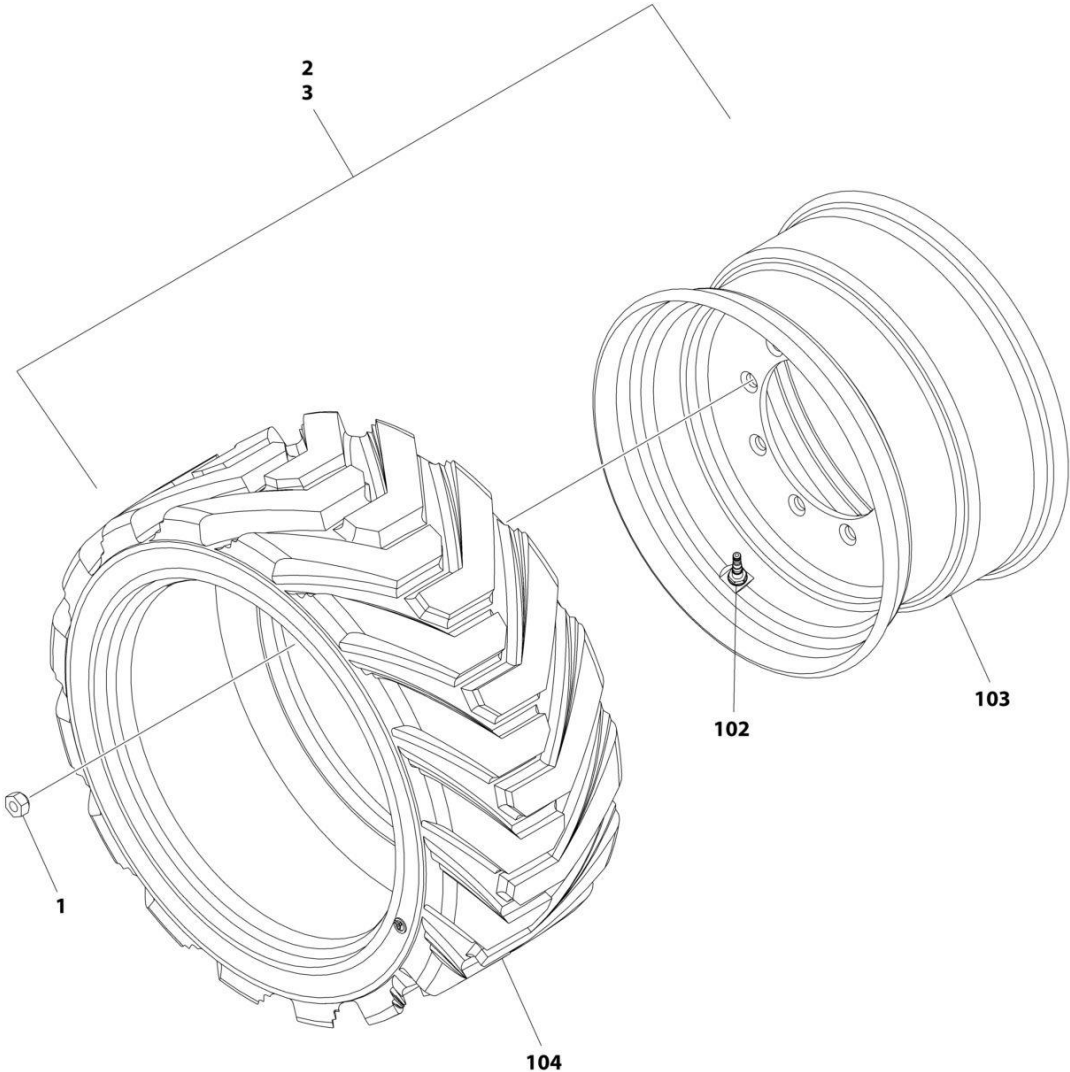
## SECTION 1 - FRAME

**FIGURE 1-23. TIRE AND WHEEL INSTALLATION - FOAM-FILLIED**

ITEM	PART NUMBER	QTY	DESCRIPTION	REV
	1001244775	Ref Ref	TIRE AND WHEEL INSTALLATION - 26 X12D460 FOAM-FILLED  Note: Assemblies may require ballast/foam filling to manufacturer's specification prior to installing on a machine. Refer to Operation and Safety or Service and Maintenance Manuals. Purchase individual tire and/or rim only if able to foam fill tire and wheel assembly, otherwise, purchase complete assembly.	A
1	3300106	36	Nut, Wheel	
2	1001249341	2	Tire and Wheel Assembly - Left Side	A
3	1001249342	2	Tire and Wheel Assembly - Right Side	A
102	4641122	1	Valve, Air	
103	1001249352	1	Rim, Wheel - 18 x 10	
104	1001249353	1	Tire, 26 x 12D460, Lug Tire	

**SECTION 1 - FRAME**

**FIGURE 1-24. TIRE AND WHEEL INSTALLATION - FOAM-FILLIED NON-MARKING**



ART\_1001249340

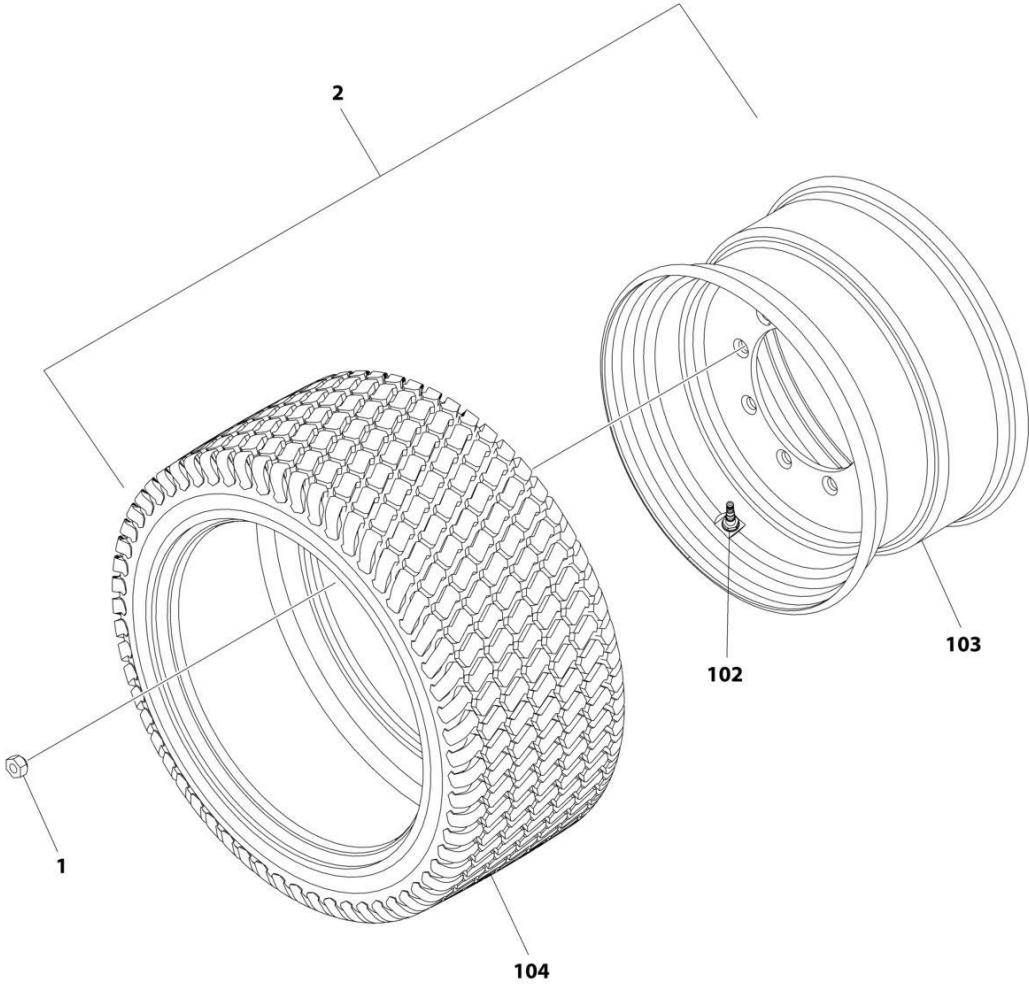
## SECTION 1 - FRAME

**FIGURE 1-24. TIRE AND WHEEL INSTALLATION - FOAM-FILLIED NON-MARKING**

ITEM	PART NUMBER	QTY	DESCRIPTION	REV
	1001249340	Ref	TIRE AND WHEEL INSTALLATION - 26 X 12D460 FOAM-FILLED NON-MARKING	A
		Ref	Note: Assemblies may require ballast/foam filling to manufacturer's specification prior to installing on a machine. Refer to Operation and Safety or Service and Maintenance Manuals. Purchase individual tire and/or rim only if able to foam fill tire and wheel assembly, otherwise, purchase complete assembly.	
1	3300106	36	Nut, Wheel	
2	1001249343	2	Tire and Wheel Assembly - Left Side	A
3	1001249344	2	Tire and Wheel Assembly - Right Side	A
102	4641122	1	Valve, Air	
103	1001249352	1	Rim, Wheel - 18 x 10	
104	1001249354	1	Tire, 26 x 12D460, Lug Tire Non-Marking	

**SECTION 1 - FRAME**

**FIGURE 1-25. TIRE AND WHEEL INSTALLATION - FOAM-FILLED TURF NON-MARKING**



ART\_1001259386

**SECTION 1 - FRAME**

**FIGURE 1-25. TIRE AND WHEEL INSTALLATION - FOAM-FILLIED TURF NON-MARKING**

ITEM	PART NUMBER	QTY	DESCRIPTION	REV
	1001259386	Ref	TIRE AND WHEEL INSTALLATION - 26 X 12D460 FOAM-FILLED TURF	A
		Ref	Note: Assemblies may require ballast/foam filling to manufacturer's specification prior to installing on a machine. Refer to Operation and Safety or Service and Maintenance Manuals. Purchase individual tire and/or rim only if able to foam fill tire and wheel assembly, otherwise, purchase complete assembly.	
1	3300106	36	Nut, Wheel	
2	1001258287	4	Tire and Wheel Assembly	A
102	4641122	1	Valve, Air	
103	1001249352	1	Rim, Wheel - 18 x 10	
104	1001259202	1	Tire, 26 x 12D460 Turf	

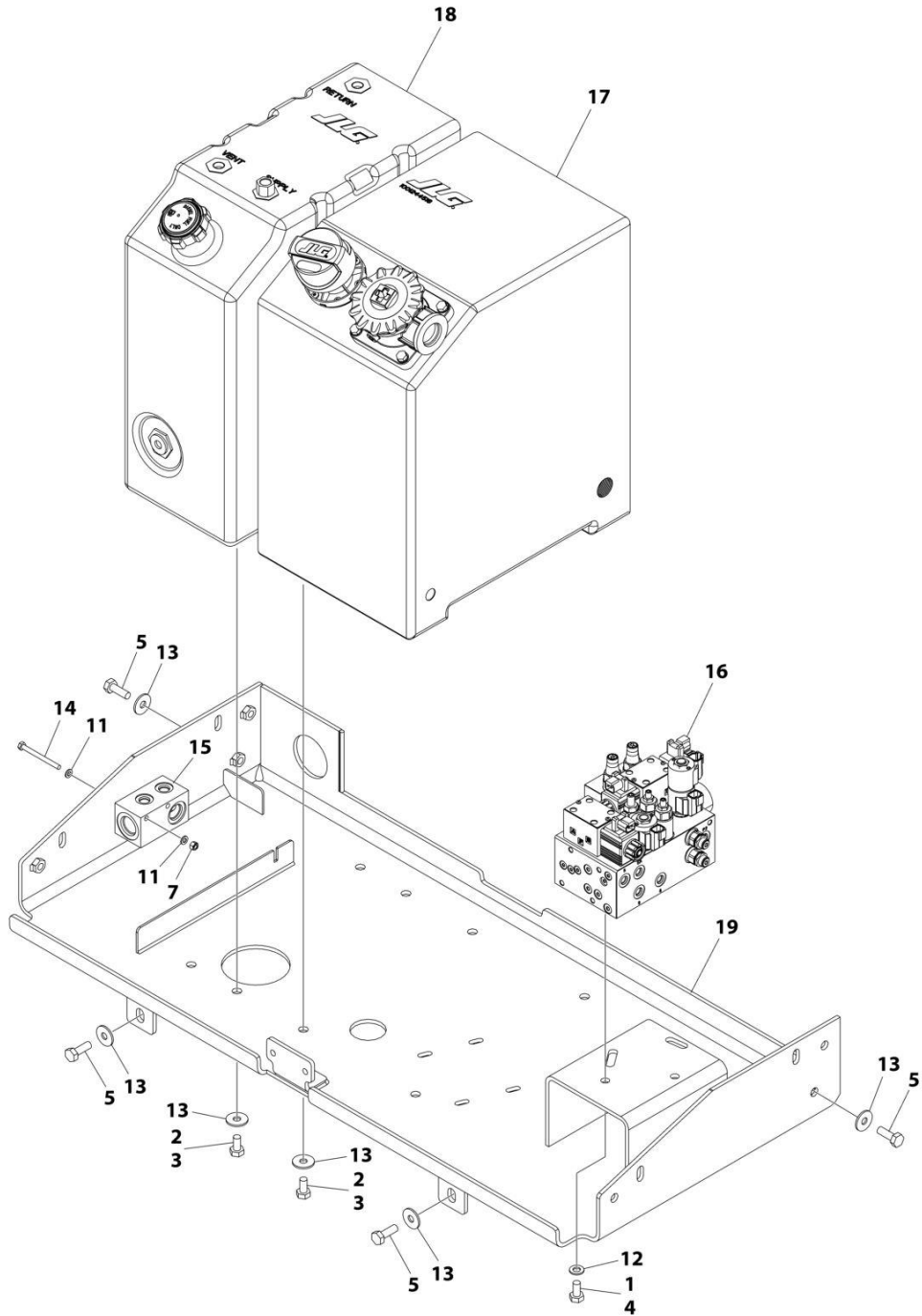




**SECTION 2 - GROUND CONTROLS**

# SECTION 2 - GROUND CONTROLS

## FIGURE 2-1. HYDRAULIC COMPONENTS INSTALLATION - DIESEL



ART\_1001246090

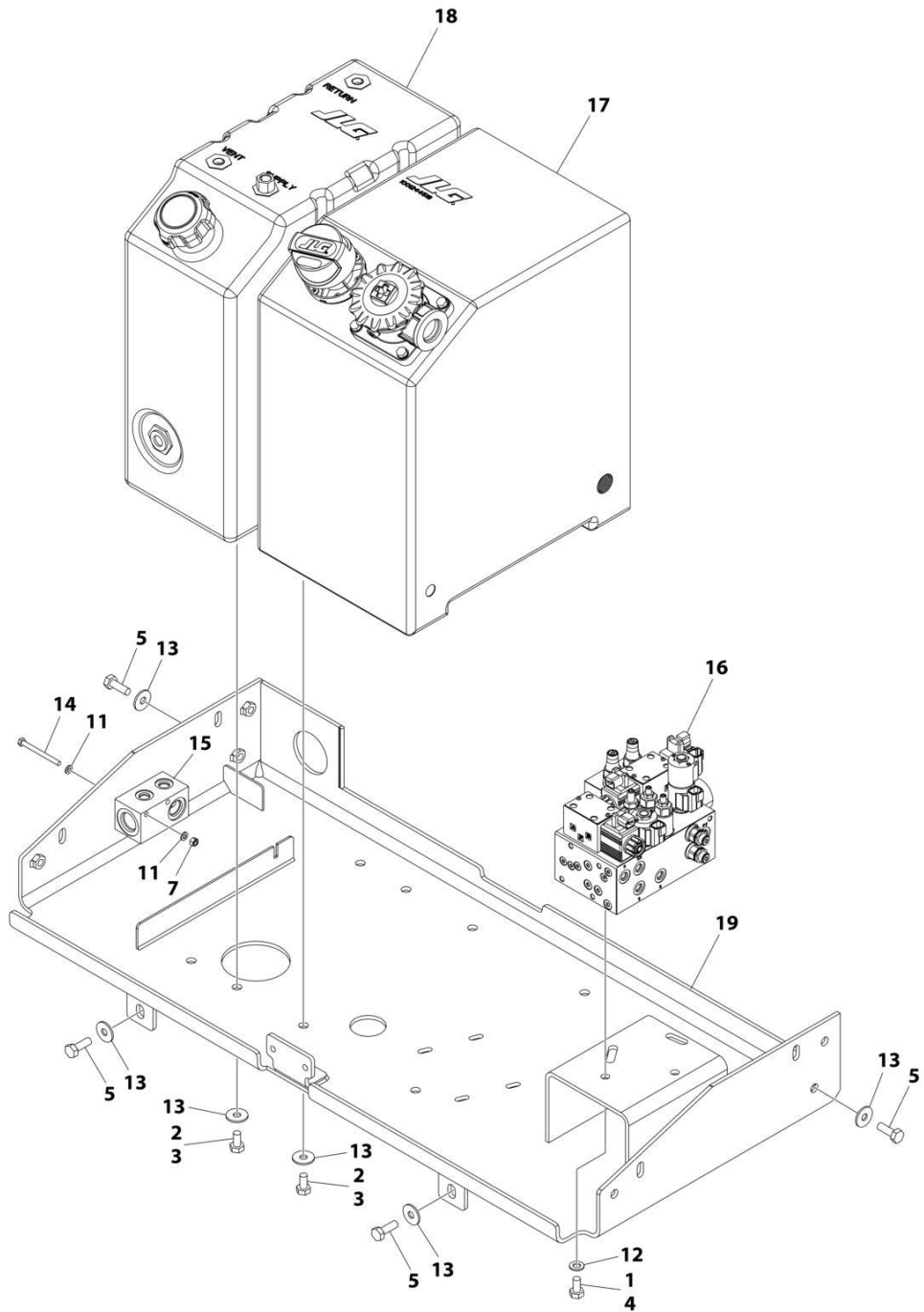
## SECTION 2 - GROUND CONTROLS

**FIGURE 2-1. HYDRAULIC COMPONENTS INSTALLATION - DIESEL**

ITEM	PART NUMBER	QTY	DESCRIPTION	REV
	1001246090	Ref	HYDRAULIC COMPONENTS INSTALLATION	D
1	0100011	AR	Compound, Locking	
2	0100035	AR	Compound, Locking	
3	0761010	8	Bolt M10 x 20	
4	0771010	4	Bolt M10 x 20	
5	0771014	4	Bolt M10 x 30	
7	3290605	2	Nut M6	
11	4811700	4	Washer M6	
12	4812000	4	Washer M10	
13	4812002	12	Washer M10	
14	1001096653	2	Bolt M6 x 70	
15	1001183406	1	Valve, Manifold	
16	1001270103	1	Valve Assembly - Main Control (See Separate Breakdown in this Section)	
17	1001246555	1	Tank Assembly - Hydraulic (See Separate Breakdown in this Section)	
18	1001246856	1	Tank Assembly - Fuel	
18	1001193336	1	Cap, Fuel	
19	1001247630	1	Tray	

# SECTION 2 - GROUND CONTROLS

## FIGURE 2-2. HYDRAULIC COMPONENTS INSTALLATION - DUAL FUEL



ART\_1001248349

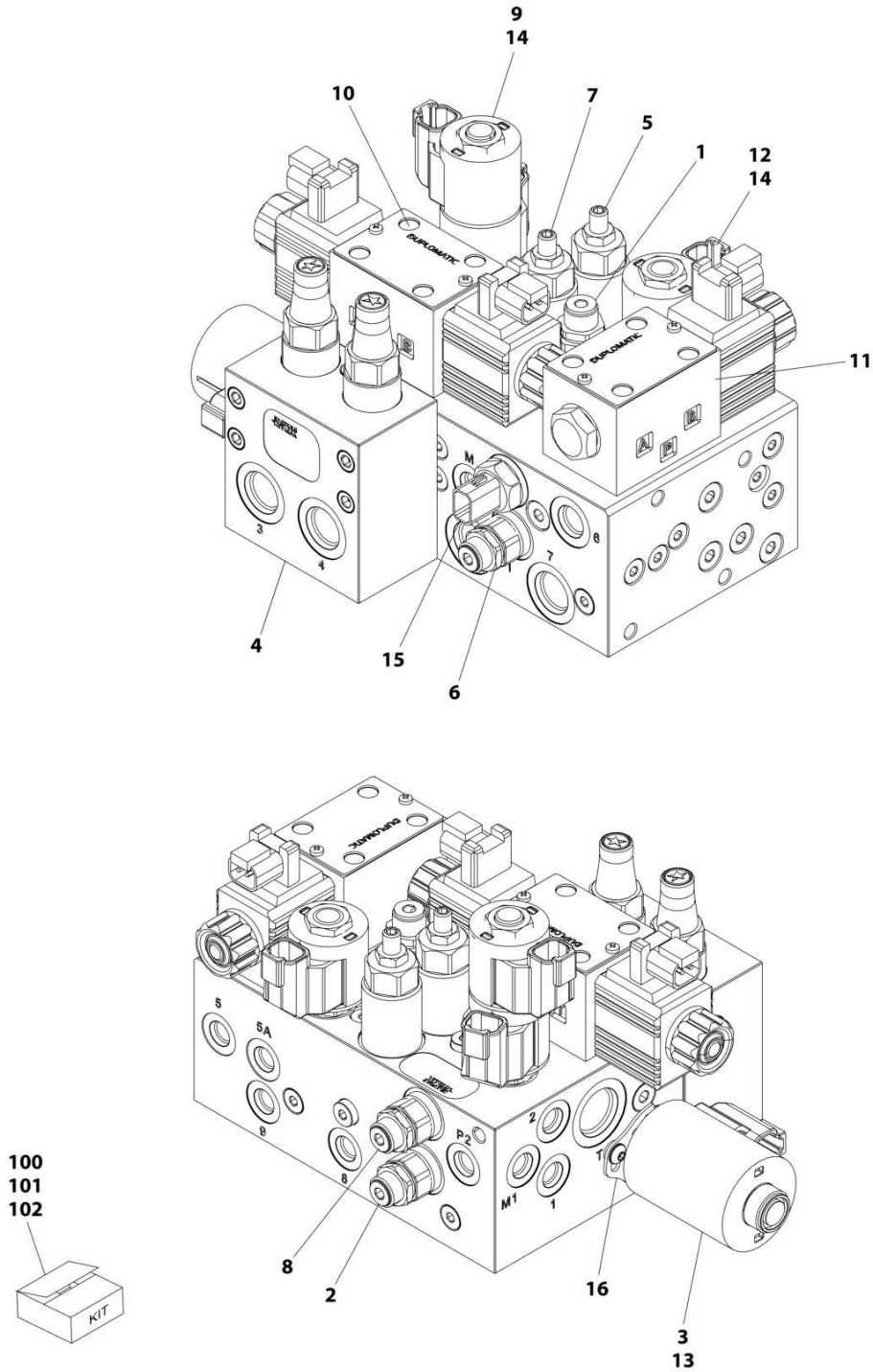
## SECTION 2 - GROUND CONTROLS

**FIGURE 2-2. HYDRAULIC COMPONENTS INSTALLATION - DUAL FUEL**

ITEM	PART NUMBER	QTY	DESCRIPTION	REV
	1001248349	Ref	HYDRAULIC COMPONENTS INSTALLATION - DUAL FUEL	D
1	0100011	AR	Compound, Locking	
2	0100035	AR	Compound, Locking	
3	0761010	8	Bolt M10 x 20	
4	0771010	4	Bolt M10 x 20	
5	0771014	4	Bolt M10 x 30	
7	3290605	2	Nut M6	
11	4811700	4	Washer M6	
12	4812000	4	Washer M10	
13	4812002	12	Washer M10	
14	1001096653	2	Bolt M6 x 70	
15	1001183406	1	Valve, Manifold	
16	1001270103	1	Valve Assembly - Main Control (See Separate Breakdown in this Section)	
17	1001246555	1	Tank Assembly - Hydraulic (See Separate Breakdown in this Section)	
18	1001247021	1	Tank Assembly - Fuel	
18	1001207109	1	Cap, Fuel Tank	
19	1001247630	1	Tray	

# SECTION 2 - GROUND CONTROLS

## FIGURE 2-3. VALVE ASSEMBLY - MAIN CONTROL



ART\_1001270103

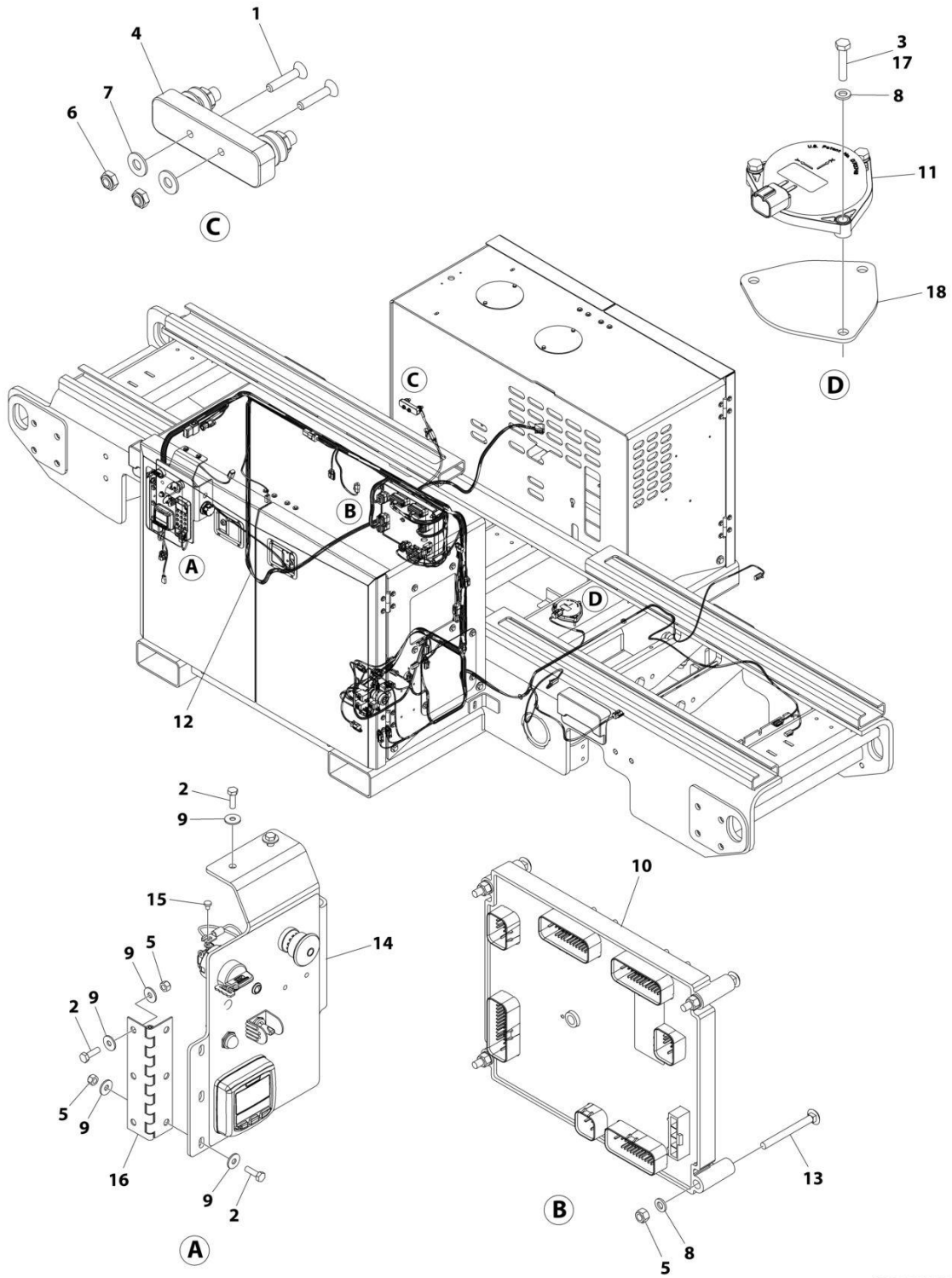
## SECTION 2 - GROUND CONTROLS

**FIGURE 2-3. VALVE ASSEMBLY - MAIN CONTROL**

ITEM	PART NUMBER	QTY	DESCRIPTION	REV
	1001270103	Ref	VALVE ASSEMBLY - MAIN CONTROL	B
1	70007763	1	Cartridge, Relief Valve (Main)	
2	70007764	1	Cartridge, Relief Valve (Steer)	
3	70006786	1	Cartridge, Valve (Flow Control) (Use Seal Kit 7012925)	
4	70007765	1	Valve Assembly (Drive)	
5	70007766	1	Cartridge, Pressure Reducing Valve (Brake)	
6	70007767	1	Cartridge, Relief Valve (Lift)	
7	70007768	1	Cartridge, Valve Relief (Axle Charge)	
8	70007769	1	Cartridge, Relief Valve (Steer)	
9	70007772	1	Valve, Directional (Steer) (Use Seal Kit 7017402)	
10	70007770	1	Valve Assembly	
11	70007771	1	Valve Assembly	
12	7012941	1	Valve, Directional (Use Seal Kit 7010543)	
13	70003789	1	Coil	
14	70002386	2	Coil	
15	1001128478	1	Sensor, Temperature	
16	70007773	1	Lockdown Kit	
100	7012925	1	Seal Kit (Use with Items 3 Valve)	
101	7017402	1	Seal Kit (Use with Item 9 Valve)	
102	7010543	1	Seal Kit (Use with Item 12 Valve)	

# SECTION 2 - GROUND CONTROLS

## FIGURE 2-4. RT4069 ELECTRICAL COMPONENTS INSTALLATION



ART\_1001247074



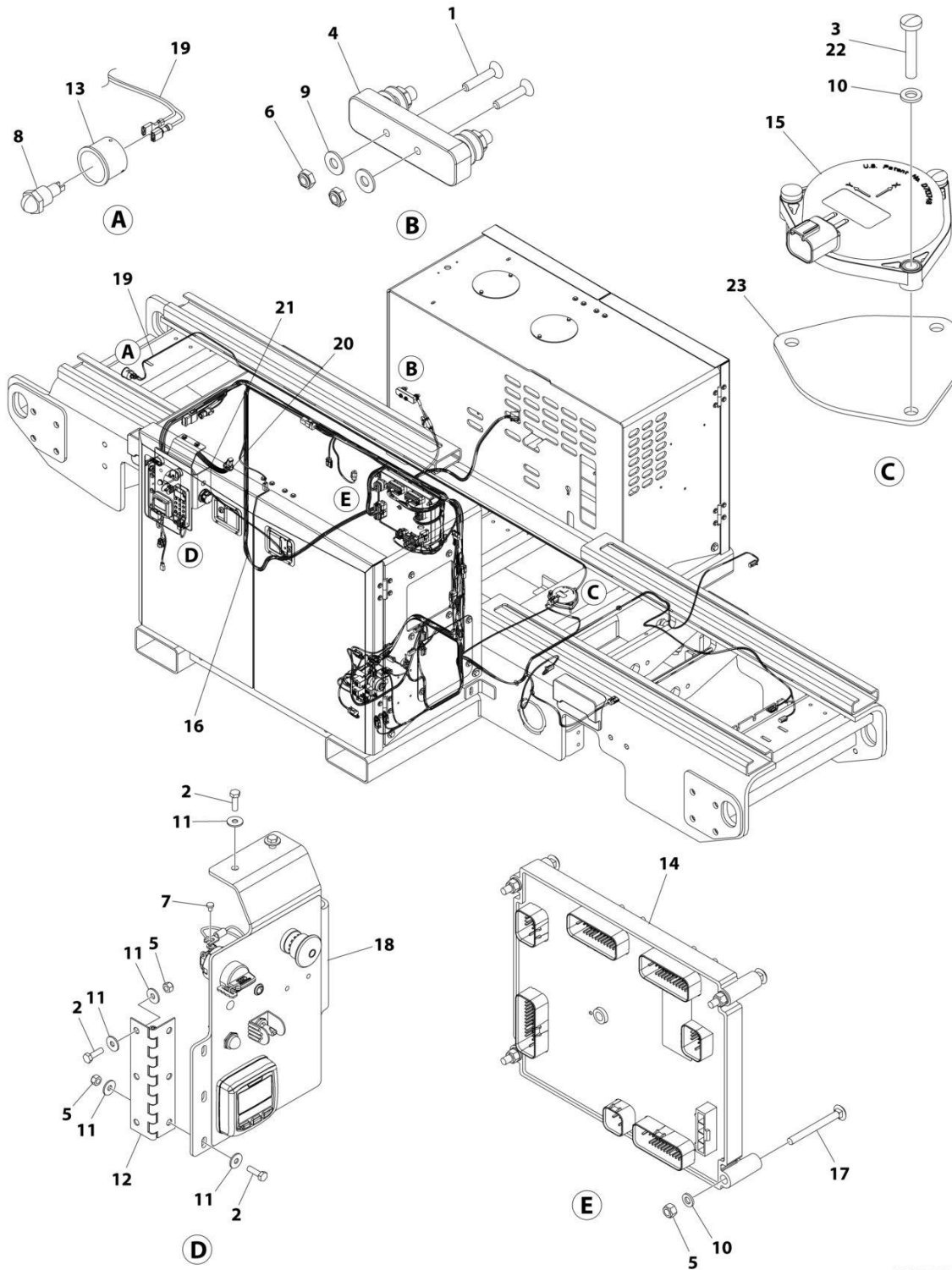
## SECTION 2 - GROUND CONTROLS

**FIGURE 2-4. RT4069 ELECTRICAL COMPONENTS INSTALLATION**

ITEM	PART NUMBER	QTY	DESCRIPTION	REV
	1001247074	Ref	ELECTRICAL COMPONENTS INSTALLATION	E
1	0741008	2	Capscrew 10 x 1	
2	0760610	8	Bolt M6 x 20	
3	0760614	3	Bolt M6 x 30	
3	4010615	3	Bolt M6 x 35	
4	2400044	1	Fuse, Mounting Block	
5	3290605	10	Nut M6	
6	3300408	2	Nut	
7	4751300	2	Washer 3/16	
8	4811700	7	Washer M6	
9	4811702	14	Washer M6	
10	1001244929	1	Module, Ground Control (Note: Re-calibration Required when Replaced)	
11	1001244934	1	Sensor, Tilt	
12	1001247472	1	Chassis Harness (See Separate Breakdown in ELECTRICAL Section)	
13	1001248039	4	Bolt M6 x 60	
14	1001251231	1	Ground Control Assembly (See Separate Breakdown in this Section)	
15	4010403	3	Screw M4 x 6	
16	1001110188	1	Hinge	
17	0100011	AR	Compound, Locking	
18	1001272777	1	Gasket	

# SECTION 2 - GROUND CONTROLS

## FIGURE 2-5. RT4769 ELECTRICAL COMPONENTS INSTALLATION



ART\_1001263928

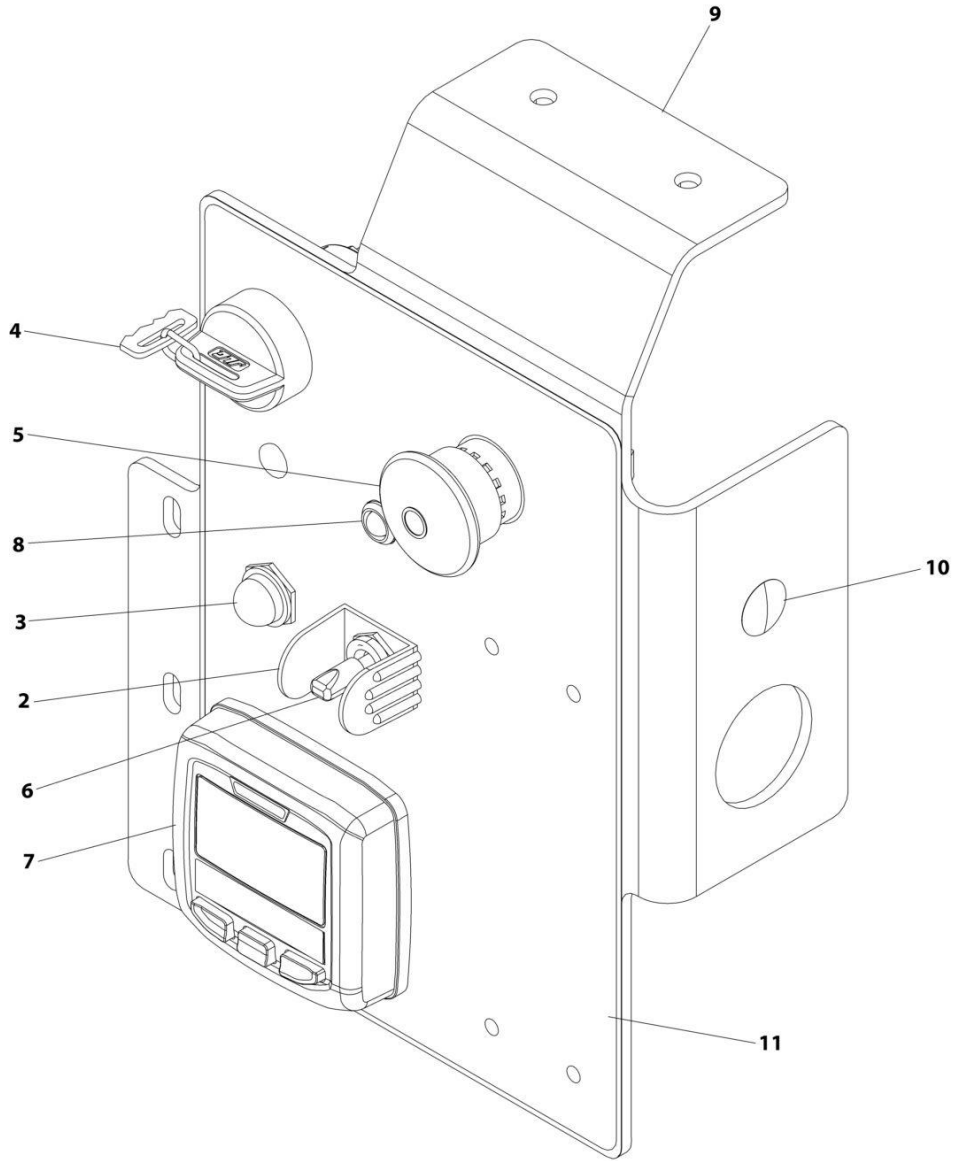
## SECTION 2 - GROUND CONTROLS

**FIGURE 2-5. RT4769 ELECTRICAL COMPONENTS INSTALLATION**

ITEM	PART NUMBER	QTY	DESCRIPTION	REV
	1001263928	Ref	ELECTRICAL COMPONENTS INSTALLATION	E
1	0741008	2	Capscrew 10 x 1	
2	0760610	8	Bolt M6 x 20	
3	4010615	3	Screw, M6 X 35	
4	2400044	1	Fuse, Mounting Block	
5	3290605	10	Nut M6	
6	3300408	2	Nut	
7	4010403	3	Screw M4 x 6	
8	4360387	1	Switch, Push Button	
9	4751300	2	Washer 3/16	
10	4811700	7	Washer M6	
11	4811702	14	Washer M6	
12	1001110188	1	Hinge	
13	1001176469	1	Shroud, Switch	
14	1001244929	1	Module, Ground Control (Note: Re-calibration Required when Replaced)	
15	1001244934	1	Sensor, Tilt	
	1001247472	1	Chassis Harness (See Separate Breakdown in ELECTRICAL Section)	
17	1001248039	4	Bolt M6 x 60	
18	1001251231	1	Ground Control Assembly (See Separate Breakdown in this Section)	
19	1001263449	1	Harness, Auxiliary Descent (See Separate Breakdown in ELECTRICAL Section)	
20	4240017	AR	Tie-Strap	
21	1001265053	1	Conduit, Nylon Slit Tubing	
22	0100011	AR	Compound, Locking	
23	1001272777	1	Gasket, Angle Sensor	

# SECTION 2 - GROUND CONTROLS

## FIGURE 2-6. GROUND CONTROL ASSEMBLY



ART\_1001251231

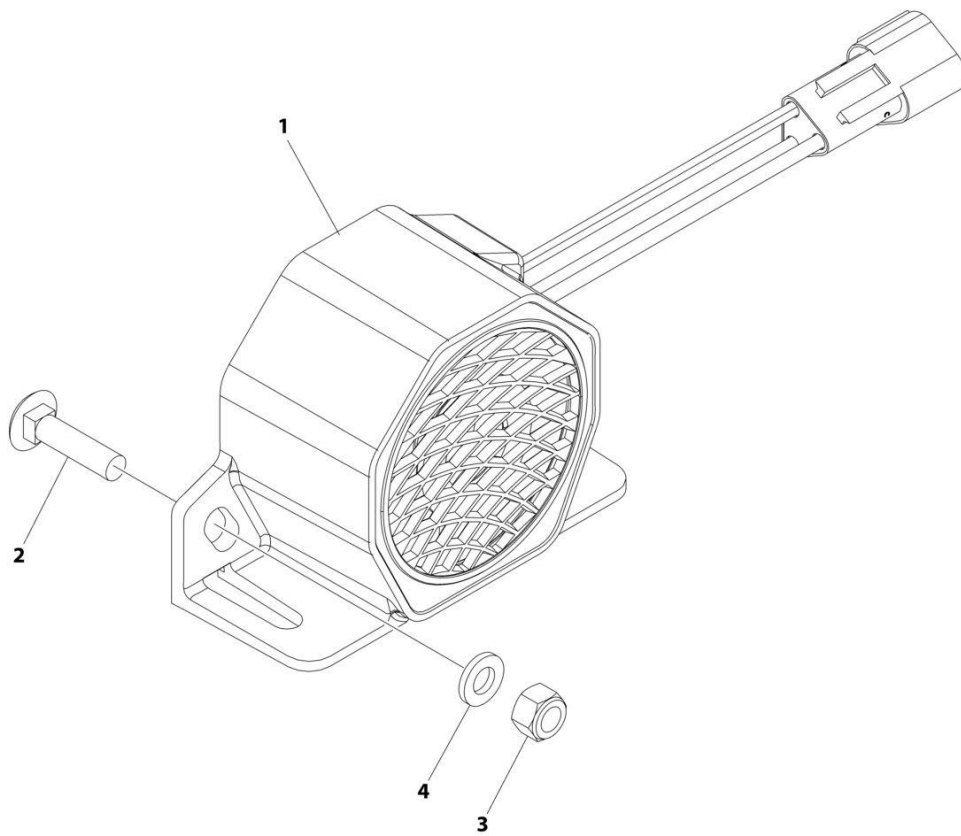
## SECTION 2 - GROUND CONTROLS

**FIGURE 2-6. GROUND CONTROL ASSEMBLY**

ITEM	PART NUMBER	QTY	DESCRIPTION	REV
	1001251231	Ref	GROUND CONTROL ASSEMBLY	E
2	4060802	1	Guard, Switch	
3	4360387	1	Switch, Push Button	
4	4360469	1	Switch, Key	
4	2860030	1Set	Key, Replacement	
5	1001274559	1	Switch, Emergency Stop (Plastic)	
5	4360475	1	Switch, Emergency Stop (Metal)	
5	7020175	1	Cap	
5	7020176	1	Block, Contact	
6	4360524	1	Switch, Toggle	
7	1001171482	1	Gauge, Display	
8	1001182680	1	Light, LED	
9	1001257884	1	Bracket	
10	3520026	1	Plug	
11	1001258921	1	Decal - Ground Control	

## SECTION 2 - GROUND CONTROLS

FIGURE 2-7. ALARM INSTALLATION (HORN)



ART\_1001250678

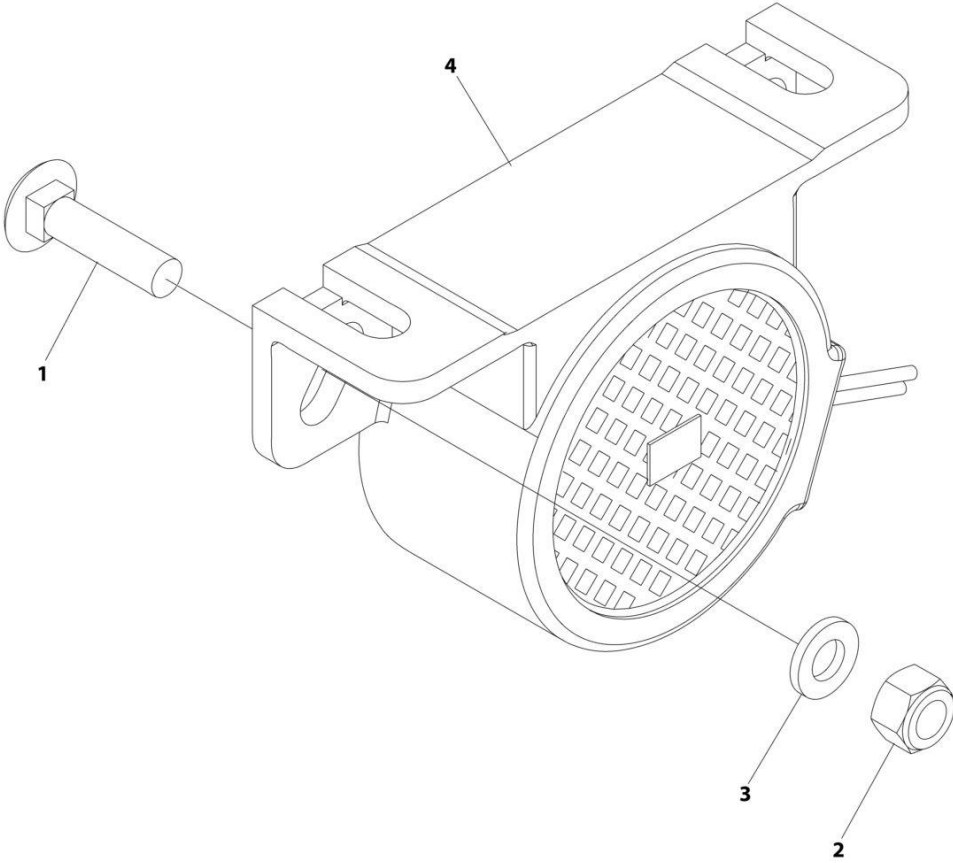
## SECTION 2 - GROUND CONTROLS

**FIGURE 2-7. ALARM INSTALLATION (HORN)**

ITEM	PART NUMBER	QTY	DESCRIPTION	REV
	1001250678	Ref	ALARM INSTALLATION	C
1	0140043	1	Alarm	
2	0630587	2	Bolt M6 x 25	
3	3290605	2	Nut M6	
4	4811700	2	Washer M6	

# SECTION 2 - GROUND CONTROLS

FIGURE 2-8. ALARM INSTALLATION (WHITE NOISE)



ART\_1001249309



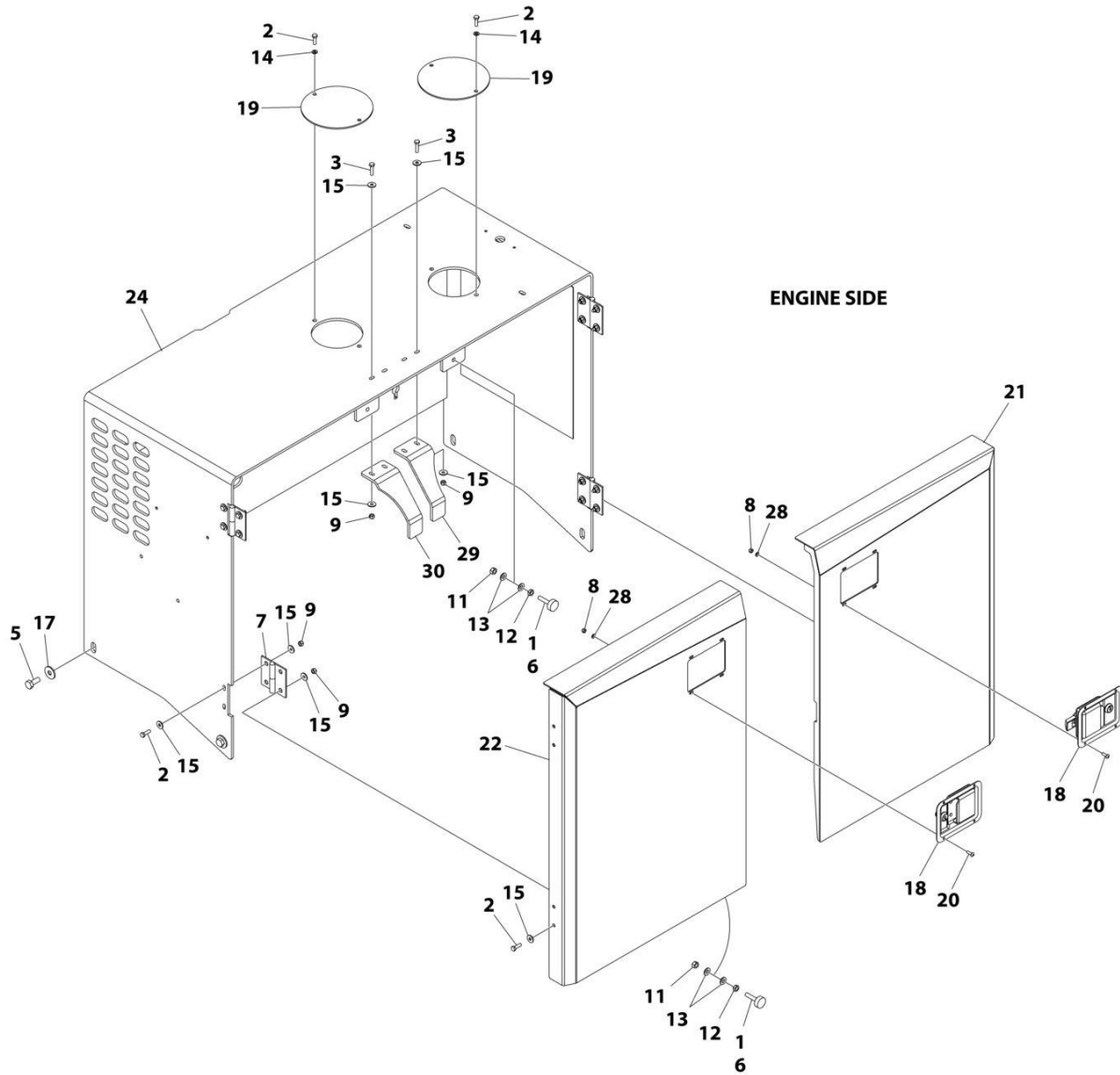
## SECTION 2 - GROUND CONTROLS

FIGURE 2-8. ALARM INSTALLATION (WHITE NOISE)

ITEM	PART NUMBER	QTY	DESCRIPTION	REV
	1001249309	Ref	ALARM INSTALLATION	C
1	0630587	2	Bolt M6 x 25	
2	3290605	2	Nut M6	
3	4811700	2	Washer M6	
4	1001184682	1	Alarm	
4	4460897	1	Receptacle, Female - 2 Position	
4	4460464	2	Pin, Male	

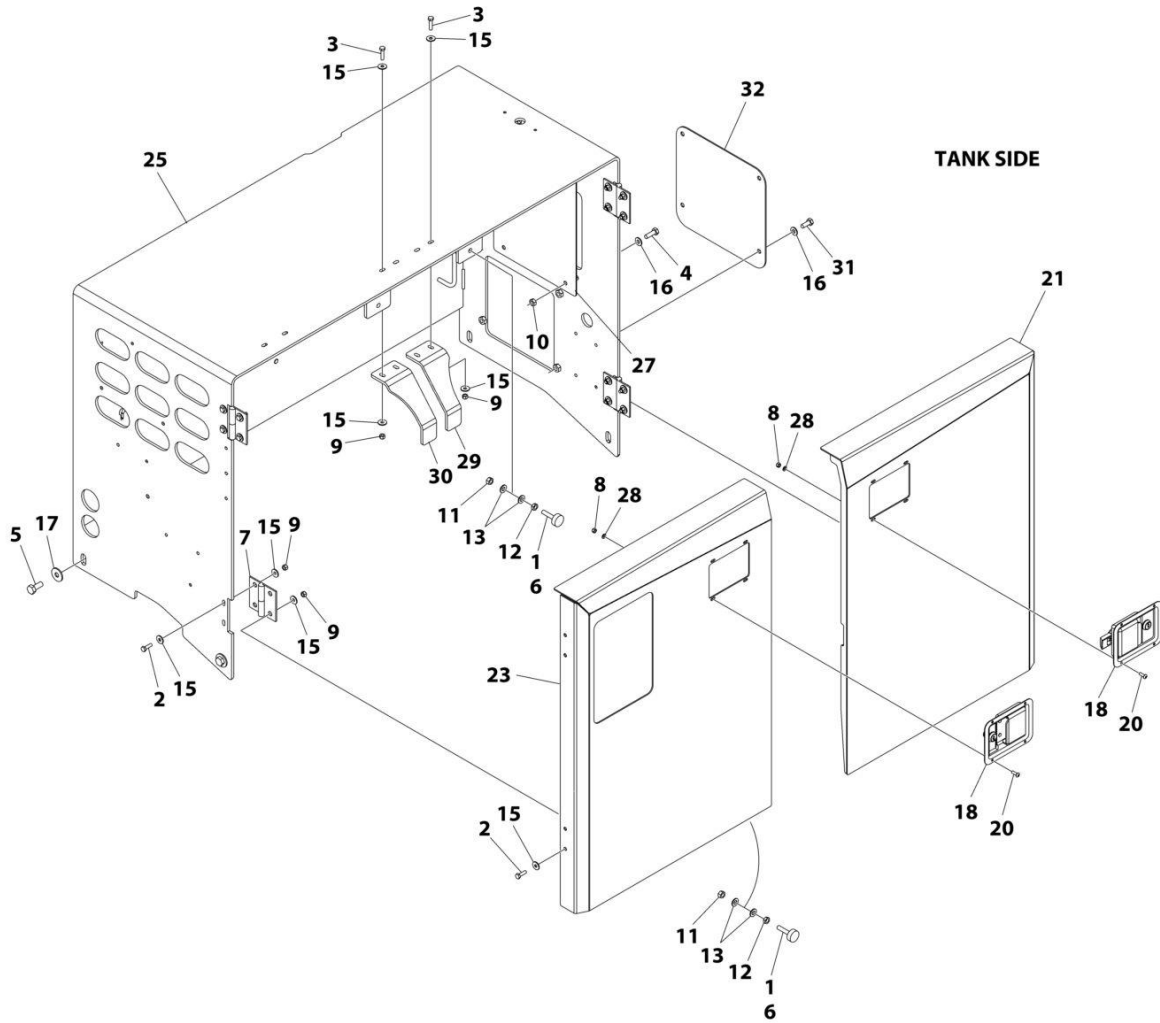
# SECTION 2 - GROUND CONTROLS

## FIGURE 2-9. HOODS INSTALLATION



ART\_1001246883\_10F2

# SECTION 2 - GROUND CONTROLS



ART\_1001246883\_2OF2

## SECTION 2 - GROUND CONTROLS

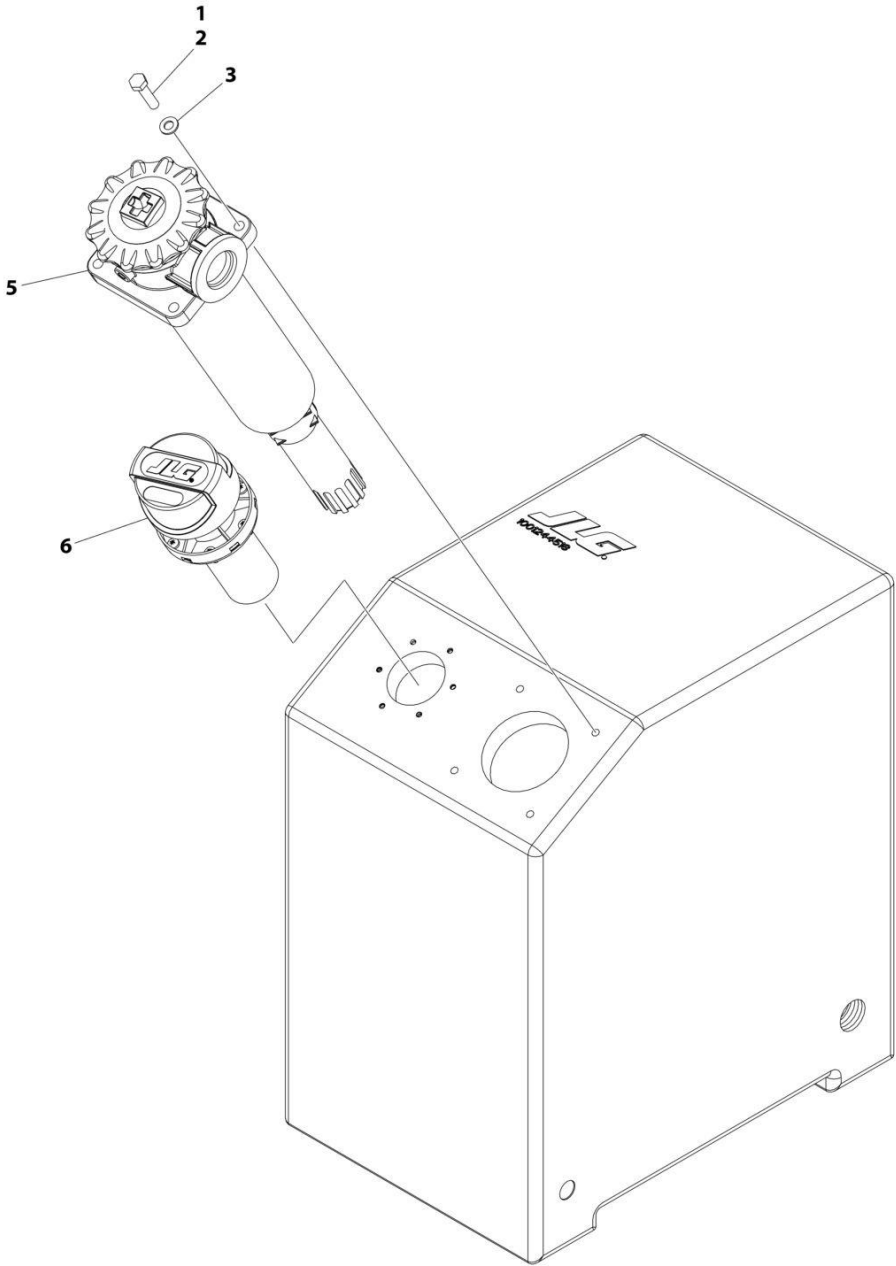
**FIGURE 2-9. HOODS INSTALLATION**

ITEM	PART NUMBER	QTY	DESCRIPTION	REV
	1001246883	Ref	HOODS INSTALLATION	E
1	0100011	AR	Compound, Locking	
2	0760610	36	Bolt M6 x 20	
3	0760612	8	Bolt M6 x 25	
4	0770812	4	Bolt M8 x 25	
5	0761012	8	Bolt M10 x 25	
6	1001260334	8	Bumper	
7	2600216	8	Hinge	
8	3290505	16	Nut M5	
9	3290605	40	Nut M6	
10	3290801	4	Nut M8	
11	3311501	8	Nut 5/16	
12	3311502	8	Nut 5/16	
13	4711500	16	Washer 5/16	
14	4811700	4	Washer M6	
15	4811702	80	Washer M6	
16	4811902	12	Washer M8	
17	4812002	8	Washer M10	
18	1001257454	4	Latch, Lock	
19	1001226221	2	Plate, Filter Access	
20	1001234348	16	Screw M5 x 16 Grade 10.9	
21	1001247637	2	Door (Hydraulic Side RH/Engine Side RH)	
22	1001247638	1	Door (Engine Side LH)	
23	1001247639	1	Door (Hydraulic Side LH)	
24	1001247887	1	Shield (Engine Side)	
25	1001248043	1	Shield (Hydraulic Side)	
27	1001248162	1	Cover	
28	4811600	16	Washer M5	
29	1001257688	2	Bracket, Striker	
30	1001257689	2	Bracket, Striker	
31	0760810	4	Bolt M8 x 20	
32	1001263930	1	Cover	



# SECTION 2 - GROUND CONTROLS

FIGURE 2-10. HYDRAULIC TANK ASSEMBLY



ART\_1001246555

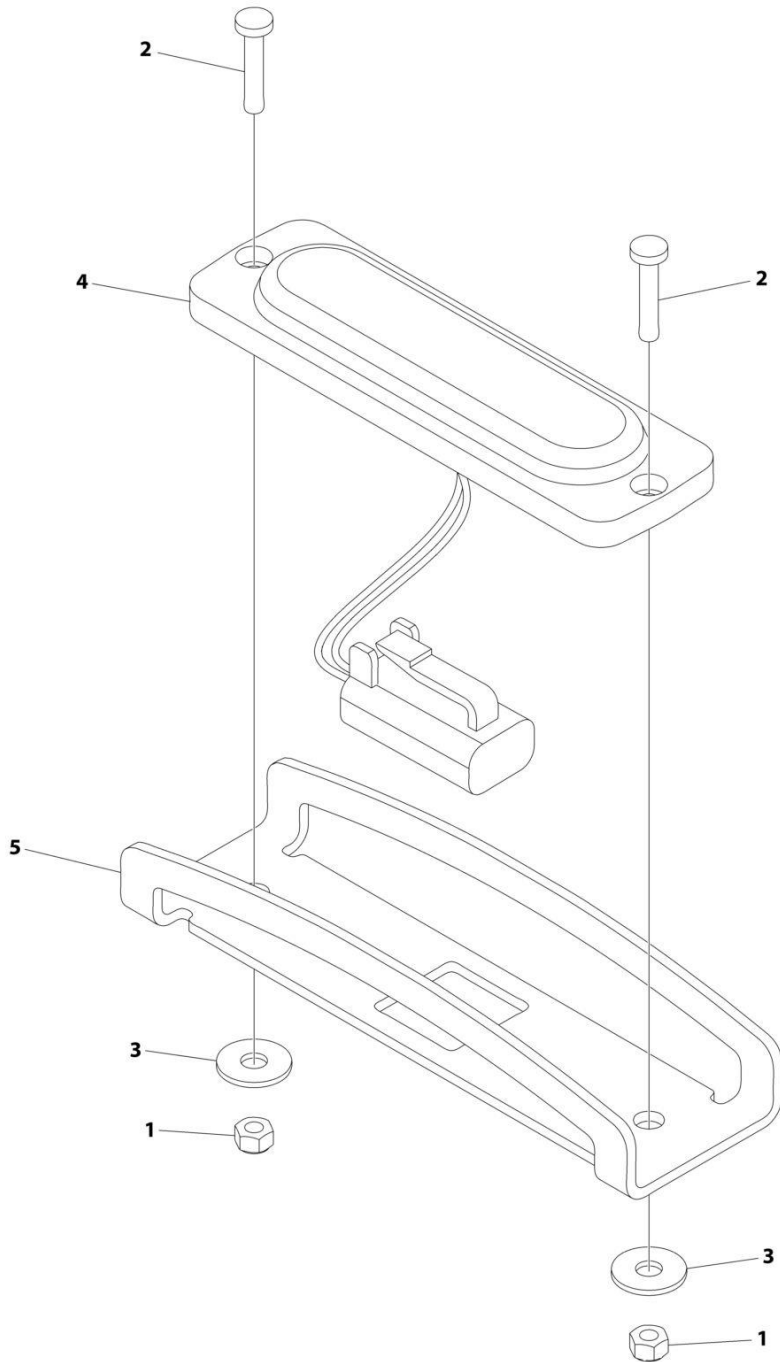
## SECTION 2 - GROUND CONTROLS

### FIGURE 2-10. HYDRAULIC TANK ASSEMBLY

ITEM	PART NUMBER	QTY	DESCRIPTION	REV
	1001246555	Ref	TANK ASSEMBLY	D
1	0100035	AR	Compound, Locking	
2	0760815	4	Bolt M8 x 35	
3	4811900	4	Washer M8	
5	1001246553	1	Filter, Hydraulic Tank	
5	70007035	1	Element, Filter	
6	1001248371	1	Filter, Filler/Breather	

## SECTION 2 - GROUND CONTROLS

FIGURE 2-11. STROBE LIGHT INSTALLATION - SINGLE



ART\_1001249306



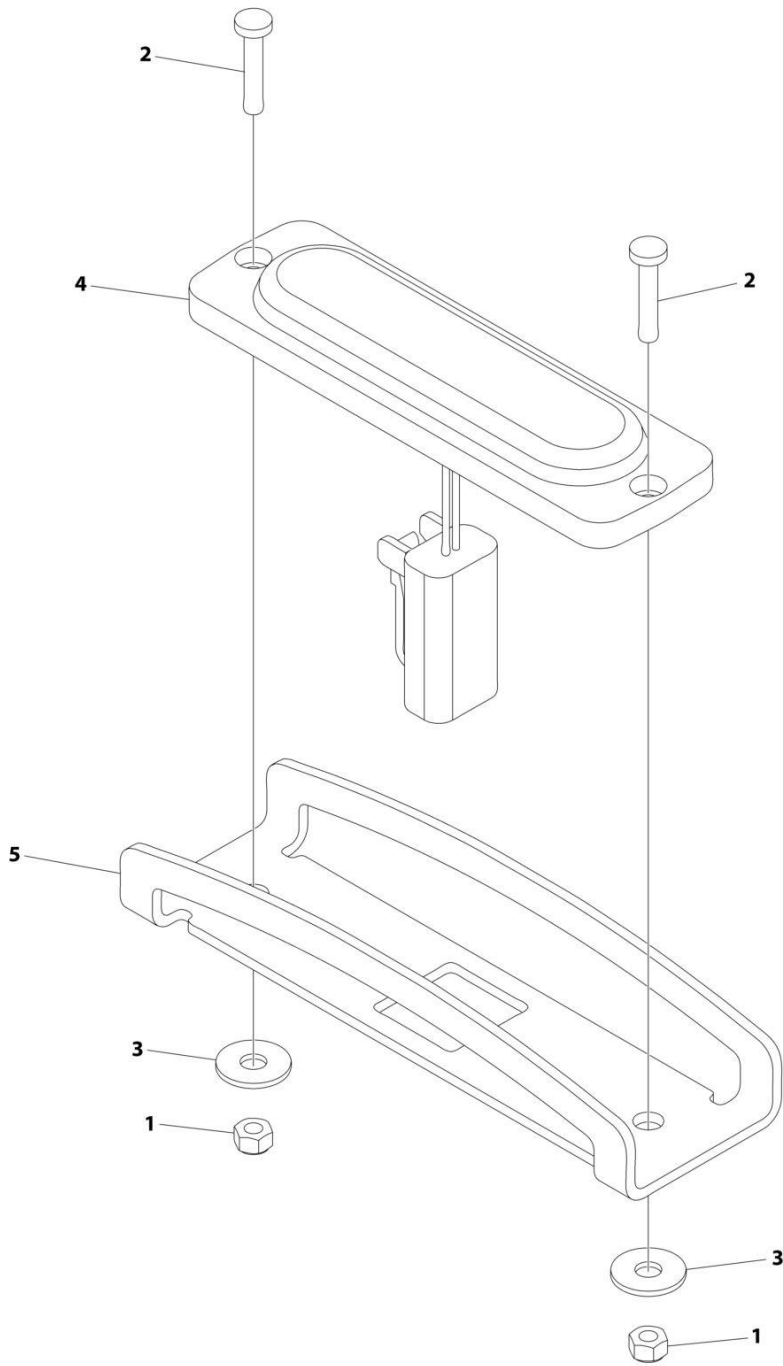
## SECTION 2 - GROUND CONTROLS

### FIGURE 2-11. STROBE LIGHT INSTALLATION - SINGLE

ITEM	PART NUMBER	QTY	DESCRIPTION	REV
	1001249306	Ref	STROBE LIGHT INSTALLATION - SINGLE	B
1	3290305	4	Nut M3	
2	4010308	4	Screw M3 x16	
3	1001091102	6	Washer M4	
4	1001239224	1	Lamp, Beacon	
4	4460891	1	Plug, Male - 2 Position	
4	4460465	2	Socket, Female	
5	1001242539	1	Guard	
6	1001263345	1	Cover, Hood (Not Shown - Located on Opposite Hood)	

# SECTION 2 - GROUND CONTROLS

## FIGURE 2-12. STROBE LIGHT INSTALLATION - DUAL



ART\_1001249307

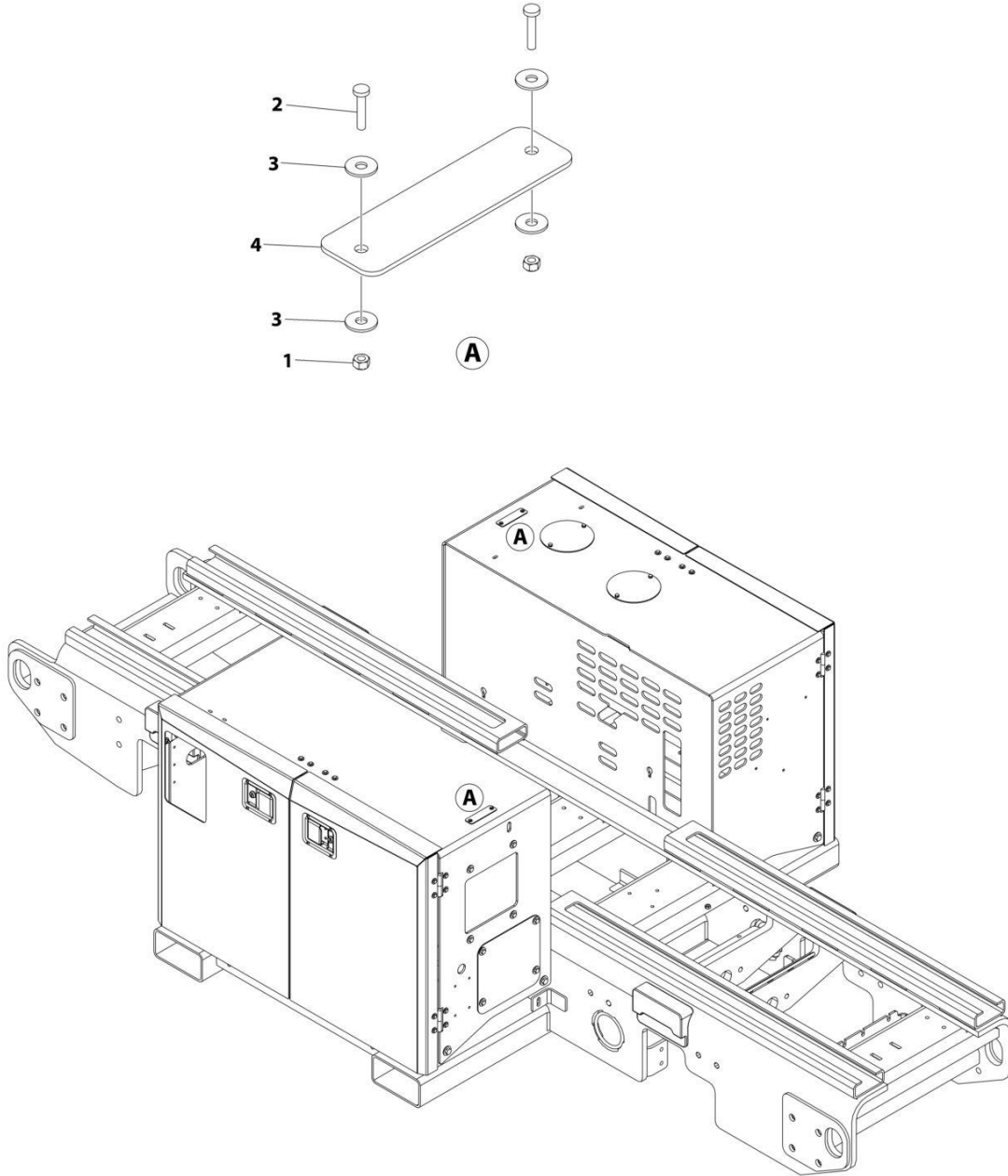
## SECTION 2 - GROUND CONTROLS

### FIGURE 2-12. STROBE LIGHT INSTALLATION - DUAL

ITEM	PART NUMBER	QTY	DESCRIPTION	REV
	1001249307	Ref	STROBE LIGHT INSTALLATION - DUAL	A
1	3290305	4	Nut M3	
2	4010308	4	Screw M3 x16	
3	1001091102	4	Washer M4	
4	1001239224	2	Lamp, Beacon	
4	4460891	1	Plug, Male - 2 Position	
4	4460465	2	Socket, Female	
5	1001242539	2	Guard	

# SECTION 2 - GROUND CONTROLS

## FIGURE 2-13. NO BEACON (COVERS)



ART\_1001267649

## SECTION 2 - GROUND CONTROLS

**FIGURE 2-13. NO BEACON (COVERS)**

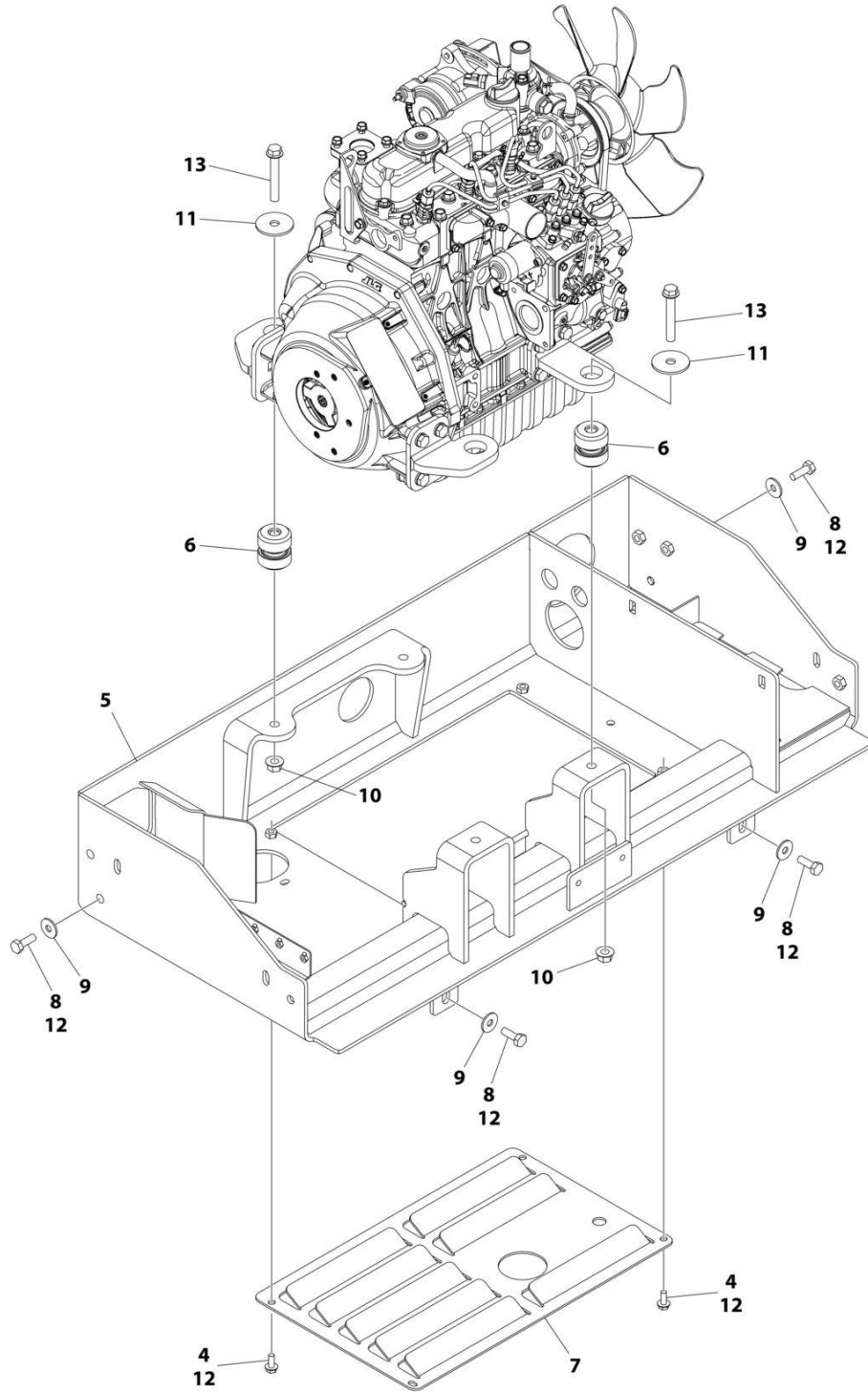
ITEM	PART NUMBER	QTY	DESCRIPTION	REV
	1001267649	Ref	NO BEACON (COVERS)	A
1	3290305	4	Nut M3	
2	4010308	4	Screw M3 x16	
3	1001091102	8	Washer M4	
4	1001263345	2	Cover, Hood	



**SECTION 3 - ENGINE**

# SECTION 3 - ENGINE

## FIGURE 3-1. ENGINE MOUNTING INSTALLATION



ART\_1001255873



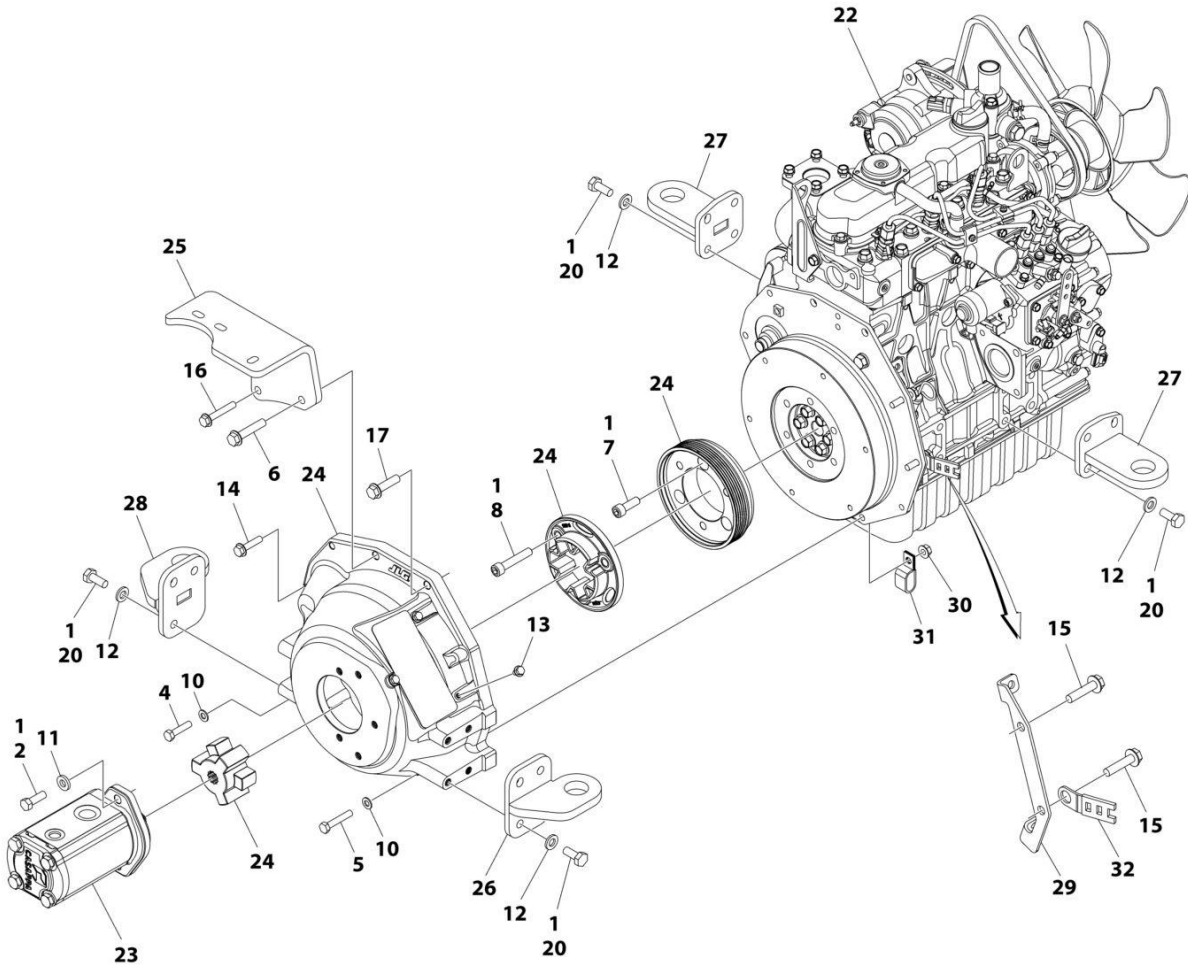
## SECTION 3 - ENGINE

### FIGURE 3-1. ENGINE MOUNTING INSTALLATION

ITEM	PART NUMBER	QTY	DESCRIPTION	REV
	1001255873	Ref	ENGINE INSTALLATION	C
4	5250810	4	Bolt M8 x 20	
5	1001247612	1	Tray	
6	1001250336	4	Mount, Motor	
7	1001250772	1	Cover	
8	0771014	4	Bolt M10 x 30	
9	4812002	4	Washer M10	
10	5261200	4	Nut M12	
11	1001168018	4	Washer	
12	0100011	AR	Compound, Locking	
13	5251224	4	Bolt M12 x 80	

# SECTION 3 - ENGINE

## FIGURE 3-2. ENGINE AND PUMP ASSEMBLY - DIESEL



ART\_1001255872

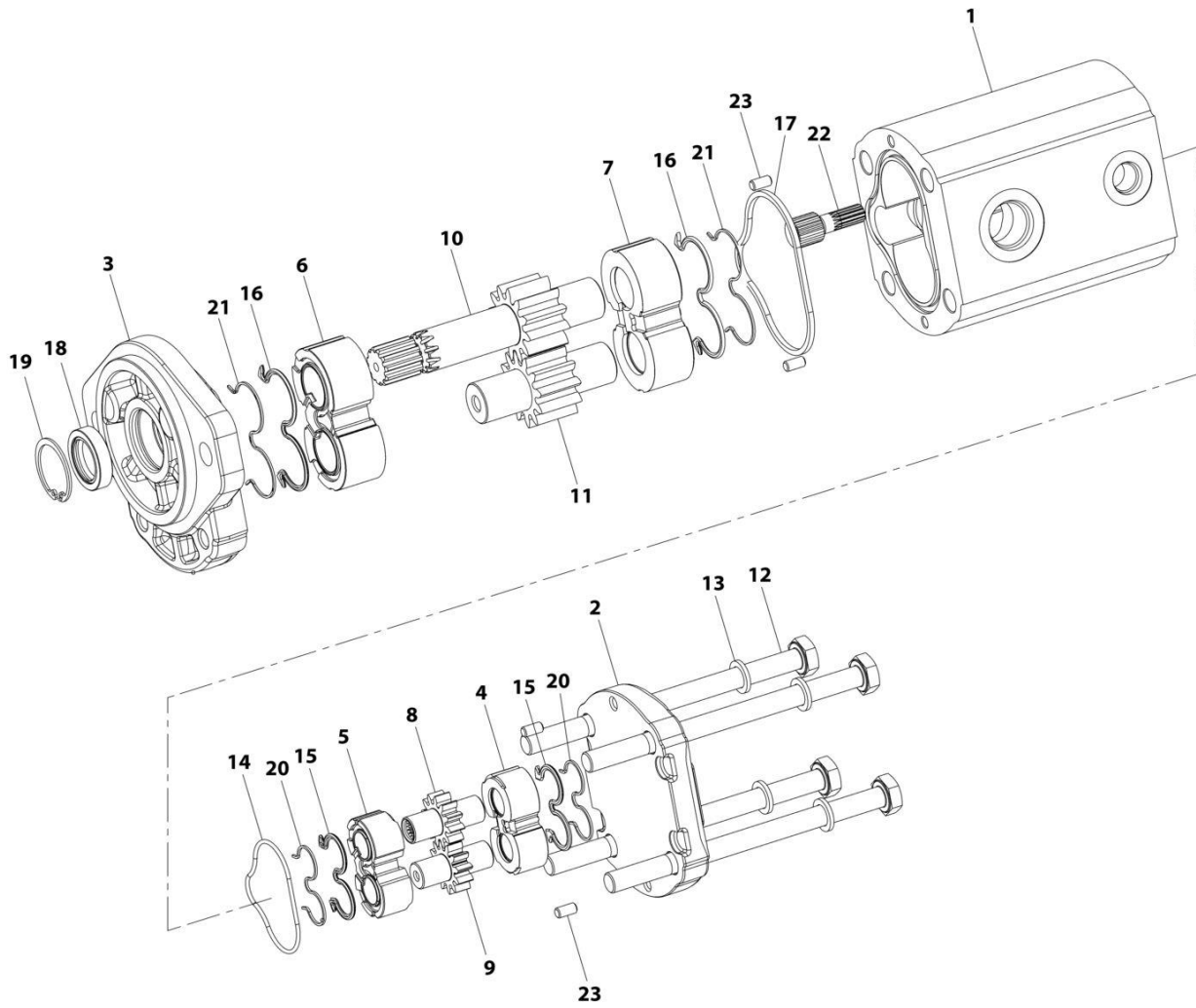
## SECTION 3 - ENGINE

**FIGURE 3-2. ENGINE AND PUMP ASSEMBLY - DIESEL**

ITEM	PART NUMBER	QTY	DESCRIPTION	REV
	1001255872	Ref	ENGINE AND PUMP SUB-ASSEMBLY	B
1	0100011	AR	Compound Locking	
2	0681609	2	Bolt 3/8 x 1-1/8	
4	0760815	2	Bolt M8 x 35	
5	0760817	2	Bolt M8 x 45	
6	5251018000	1	Bolt M10 x 50	
7	4032010000	3	Capscrew M10 x 30	
8	4032015000	3	Capscrew M10 x 55 LG	
10	4811900	4	Washer M8	
11	4891600	2	Washer 3/8	
12	5241000	14	Washer M10	
13	5250605	3	Bolt M6 x 10	
14	5250815	1	Bolt M8 x 35	
15	5250816	2	Bolt M8 x 40	
16	5250818	1	Bolt M8 x 50	
17	5251016000	1	Bolt M8 x 40	
20	1001118746	14	Bolt M10 x 25	
22	1001243296	1	Engine Components - Kubota Diesel (See Separate Breakdown in this Section)	
23	1001244107	1	Pump Assembly (See Separate Breakdown in this Section)	
24	1001247584	1	Coupling, Assembly (See Separate Breakdown in this Section)	
25	1001248100	1	Bracket, Muffler	
26	1001252477	1	Bracket, Mounting	
27	1001252478	2	Bracket, Mounting	
28	1001253717	1	Bracket, Mounting	
29	1001256097	1	Bracket	
30	5260800	2	Nut M8	
31	1001026127	2	Clamp	
32	1001025750	1	Clip	

# SECTION 3 - ENGINE

## FIGURE 3-3. PUMP ASSEMBLY - DIESEL



ART\_1001244107

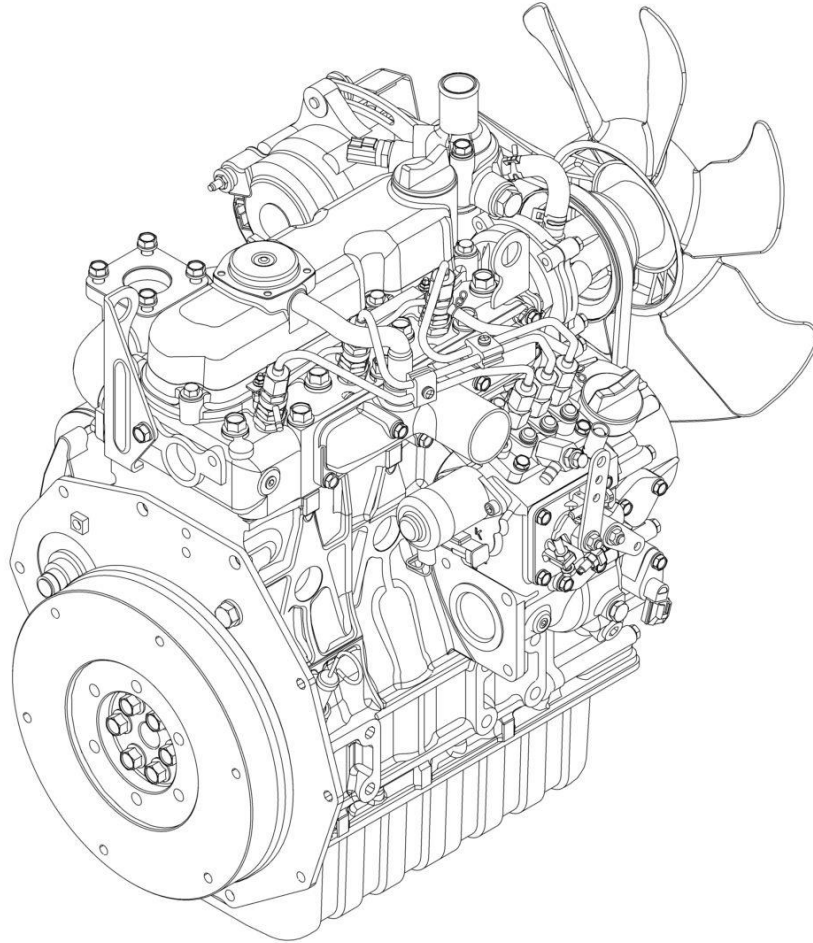
## SECTION 3 - ENGINE

### FIGURE 3-3. PUMP ASSEMBLY - DIESEL

ITEM	PART NUMBER	QTY	DESCRIPTION	REV
	1001244107	Ref	PUMP ASSEMBLY - DIESEL	E
1	See Note	NSS	Body (Note: Not Available for Purchase)	
2	See Note	NSS	Cover, Rear (Note: Not Available for Purchase)	
3	See Note	NSS	Cover, Front (Note: Not Available for Purchase)	
4	70007659	1	Plate, Thrust	
5	70007658	1	Plate, Thrust	
6	70007310	1	Plate, Thrust	
7	70007665	1	Plate, Thrust	
8	70007664	1	Gear, Drive	
9	70007663	1	Gear, Driven	
10	70007662	1	Shaft, Drive	
11	70007661	1	Gear, Driven	
12	70007660	4	Bolt M10 x 150	
13	70007314	4	Washer M10	
14	70007649	1	O-Ring	
15	70007648	2	Seal	
16	70007647	2	Seal	
17	70007646	1	Seal	
18	70007645	1	Seal, Shaft	
19	70007315	1	Circlip	
20	70007644	2	Seal, Antiextrusion	
21	70007643	2	Seal, Antiextrusion	
22	70007642	1	Hub	
23	70007316	4	Pin, Dowel	

## SECTION 3 - ENGINE

FIGURE 3-4. ENGINE COMPONENTS - DIESEL



ART\_1001243296

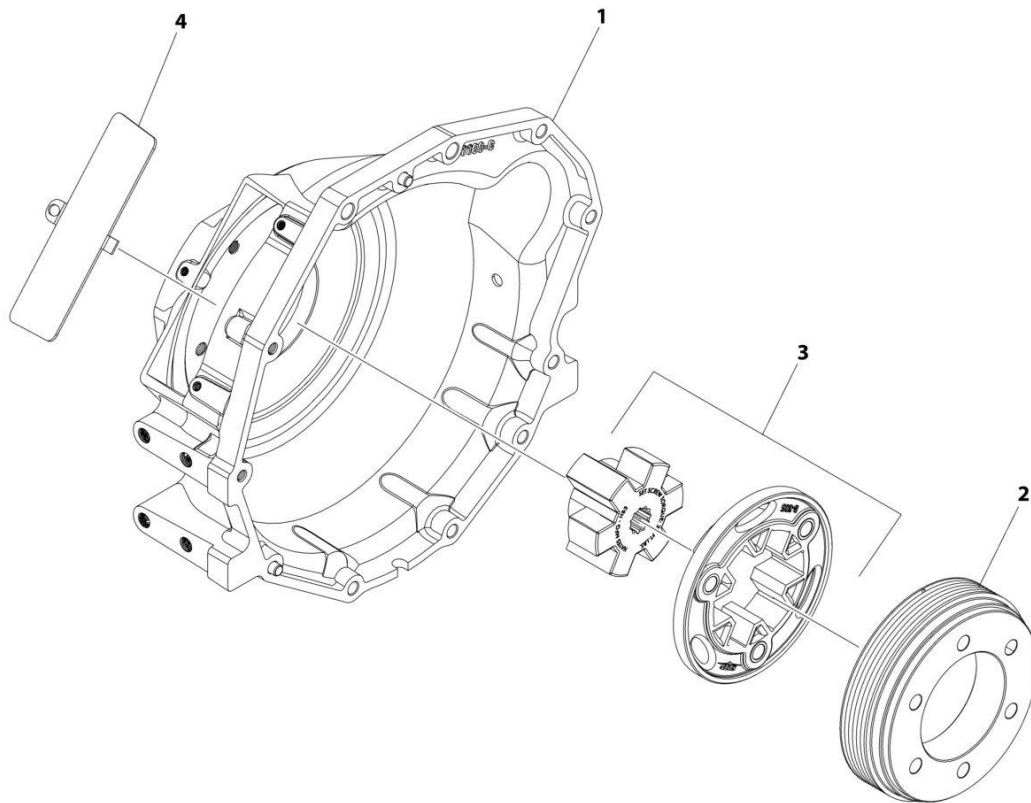
## SECTION 3 - ENGINE

### FIGURE 3-4. ENGINE COMPONENTS - DIESEL

ITEM	PART NUMBER	QTY	DESCRIPTION	REV
	1001243296	Ref	ENGINE COMPONENTS - DIESEL	C
	See Note	Ref	Note: No Other Service Parts Available at Time of Printing	
		Ref	Lubrication System Components	
	1001248057	1	Filter, Oil	
	1001248056	1	Head, Remote Oil Filter	
	70004524	1	Bleeder Assembly	
	7017922	1	Seal, Oil	
	70002318	1	Plug, Oil Filler	
	70004311	1	O-Ring, Oil Fill Cap	
	70006666	1	Sensor	
	70008394	1	Dipstick	
	7017901	1	Switch, Oil Pressure	
		Ref	Fuel System Components	
	1001254653	1	Pump, Electric Fuel	
	1001254650	1	Decal - Ether Caution	
	70002554	1	Ring, Gear	
	70002419	1	Housing, Coupling	
	70008395	1	Solenoid	
	7023164	1	Injection Pump Assembly	
	70004400	1	Gasket, Fuel Pump	
	7017955	1	Alternator	
	7023141	1	V-Belt	
	7023144	1	Starter	
		Ref	Electrical System Components	
	1001246587	1	Module, ECU	
	70004398	3	Plug, Glow	
		Ref	Cooling System Components	
	1001250636	1	Reservior, Overflow	
	1001254651	1	Decal - Coolant Caution	
	70002316	1	Pipe, Water Return	
	7023170	1	Thermostat	
	70002326	1	Gasket, Thermostat	
	70003064	1	Sensor, Water	
	70002327	1	Water Pump Assembly	
		Ref	Exhaust System Components	
	7023148	1	Gasket, Exhaust (Manifold to Pipe)	
	70005220	1	Gasket, Head	
	70003060	1	Valve, Breather	
	70002317	1	Tube, Breather	
	7023149	1	Gasket, Manifold	
	7023124	1	Gasket, Muffler	

# SECTION 3 - ENGINE

## FIGURE 3-5. COUPLING ASSEMBLY - ENGINE PUMP (DIESEL)



ART\_1001247584



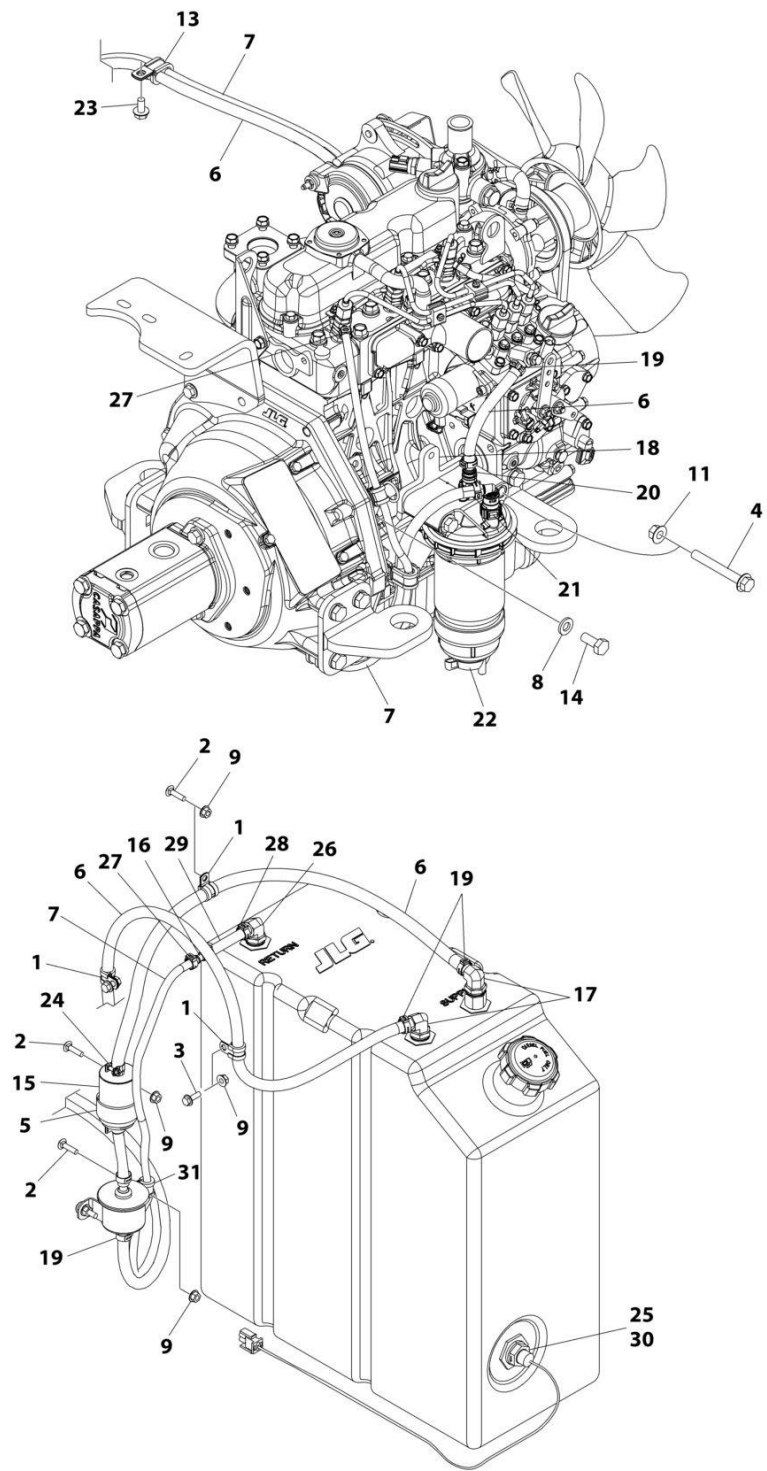
## SECTION 3 - ENGINE

### FIGURE 3-5. COUPLING ASSEMBLY - ENGINE PUMP (DIESEL)

ITEM	PART NUMBER	QTY	DESCRIPTION	REV
	1001247584	Ref	COUPLING ASSEMBLY - ENGINE PUMP	E
1	1001247454	1	Housing	
2	1001247581	1	Pulley	
3	1001247582	1	Coupling, Flexible	
4	1001247589	1	Cover	

# SECTION 3 - ENGINE

## FIGURE 3-6. ENGINE FUEL LINES INSTALLATION - DIESEL



ART\_1001255874

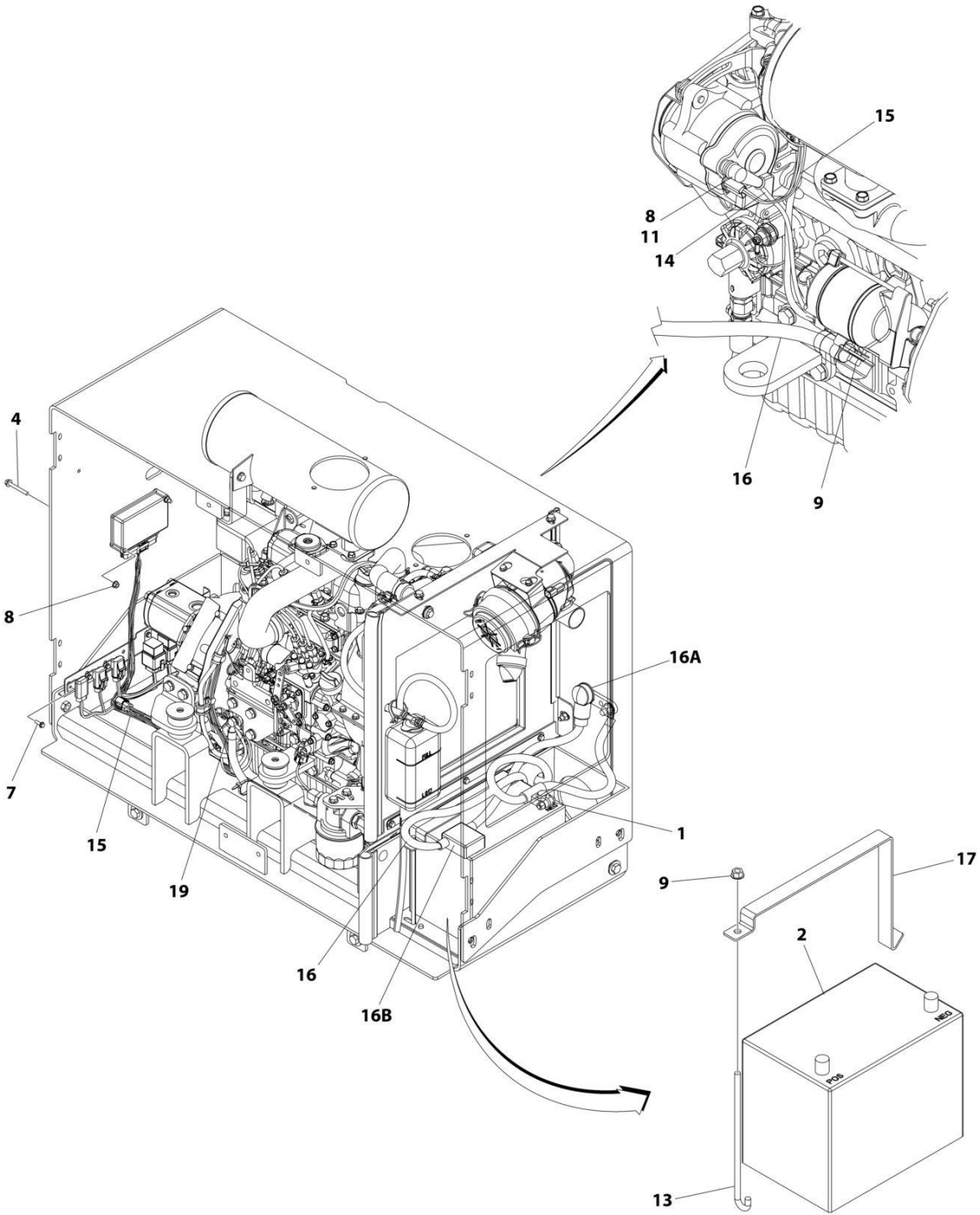
## SECTION 3 - ENGINE

**FIGURE 3-6. ENGINE FUEL LINES INSTALLATION - DIESEL**

ITEM	PART NUMBER	QTY	DESCRIPTION	REV
	1001255874	Ref	FUEL SYSTEM INSTALLATION - DIESEL	C
1	80630	3	Clamp	
2	0630587	4	Bolt M6 x 25	
3	0780608	2	Bolt M6 x 16	
4	0781024	2	Bolt M10 x 80	
5	1320265	1	Clamp	
6	2720058	14 ft/ 4.3m	Hose	
7	2720271	8.5 ft/ 2.6m	Hose	
8	5241000	3	Washer M10	
9	5260600	6	Nut M6	
11	5261000	2	Nut M10	
13	1001268776	2	Clamp	
14	1001118746	3	Bolt M10 x 25	
15	1001190545	1	Filter, Fuel	
16	1001131391	1	Coupling	
17	1001248861	2	Fitting, 90 Barb	
18	1001250450	1	Plate	
19	1001263657	7	Clamp	
20	1001256554	1	Coupling, Quick Disconnect	
21	1001256723	1	Coupling, Quick Disconnect	
22	1008675309	1	Fuel/Water Separator Assembly	
22	70007021	1	Element, Filter	
23	5250808	2	Bolt M8 x 16	
24	1001174486	2	Clamp	
25	1001182997	AR	Adhesive	
26	1001262943	1	Fitting, 90 Barb	
27	1001263658	2	Clamp	
28	1001263659	2	Clamp	
29	2720015	3 in/ 7.5cm	Hose	
30	4360436	1	Switch, Fuel Level	
31	1001269045	1	Clamp	

# SECTION 3 - ENGINE

## FIGURE 3-7. ENGINE ELECTRICAL INSTALLATION - DIESEL



ART\_1001255875

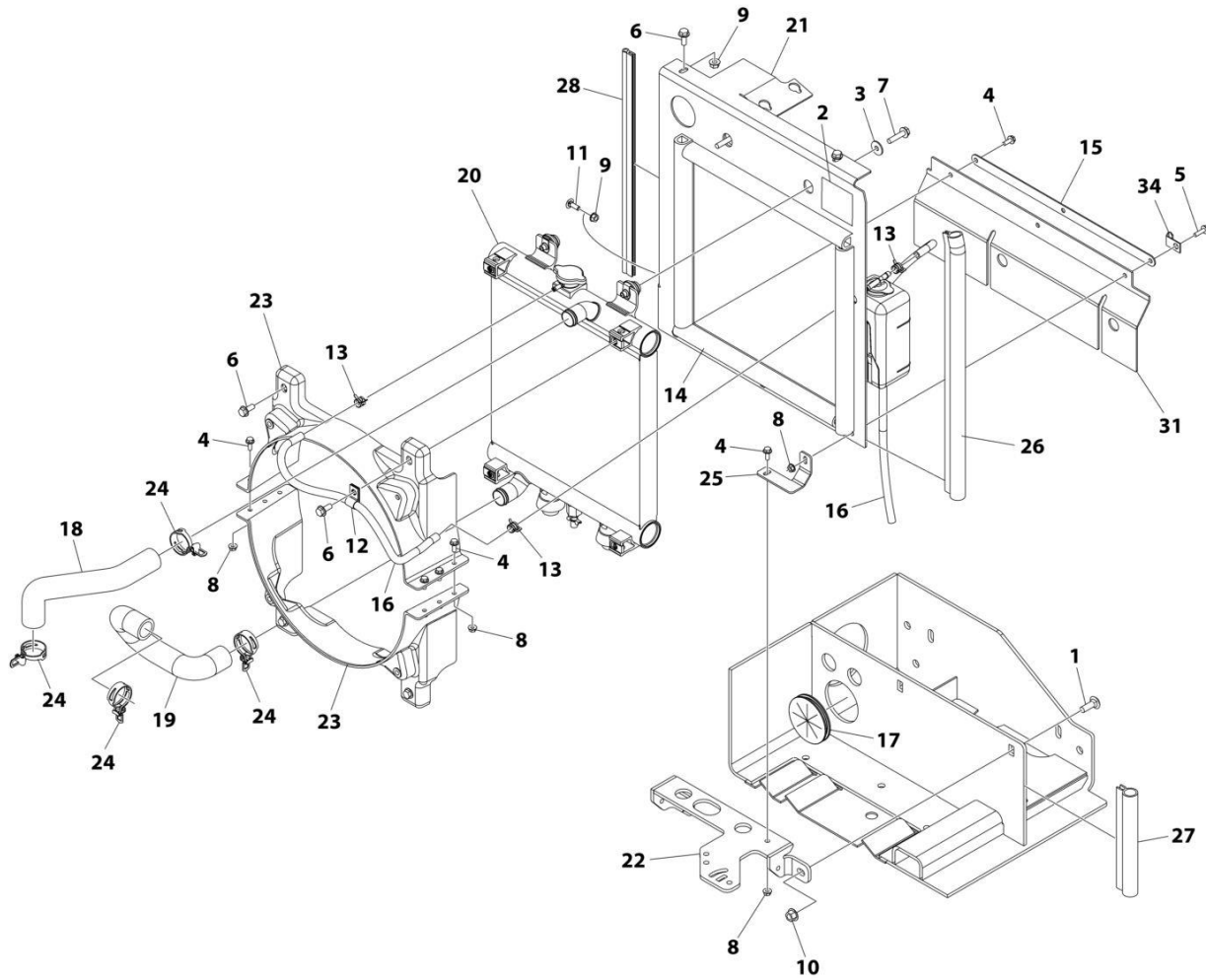
## SECTION 3 - ENGINE

**FIGURE 3-7. ENGINE ELECTRICAL INSTALLATION - DIESEL**

ITEM	PART NUMBER	QTY	DESCRIPTION	REV
	1001255875	Ref	ENGINE ELECTRICAL INSTALLATION - DIESEL	D
1	0100051	AR	Grease, Terminal	
2	0400003	1	Battery	
4	0780618	2	Bolt M6 x 50	
5	1062255	AR	Tie-Strap (Not Shown)	
7	5250508	6	Bolt M5 x 16	
8	5260600	3	Nut M6	
9	5260800	2	Nut M8	
11	1001139219	1	Boot	
12	1001146588	3	Tie-Strap (Not Shown)	
13	1001179586	1	J-Bolt	
14	1001234069	1	Harness, Fusible Link	
15	1001248134	1	Harness, Engine (See Separate Breakdown in ELECTRICAL Section)	
16	1001248347	1	Battery, Cable Kit	
16A	0840052	1	Boot	
16B	1001186483	1	Boot, Battery Terminal	
17	1001254888	1	Bracket, Battery	
19	1001256312	1	Bolt M10 x 16	

# SECTION 3 - ENGINE

## FIGURE 3-8. ENGINE COOLING SYSTEM INSTALLATION - DIESEL



ART\_1001255878

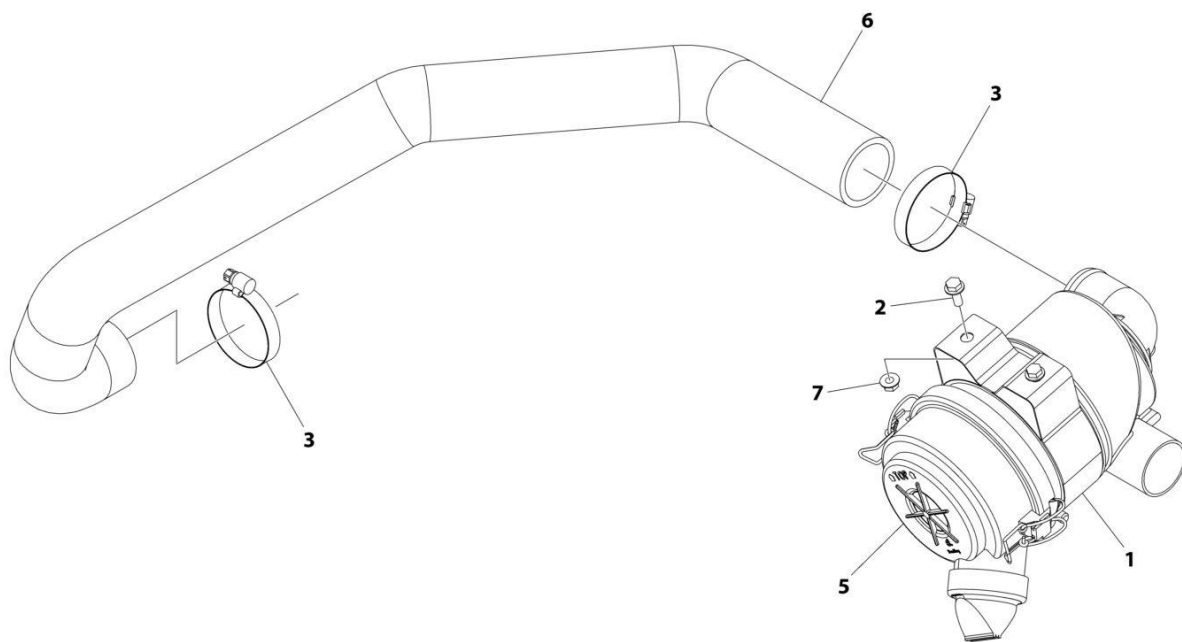
## SECTION 3 - ENGINE

**FIGURE 3-8. ENGINE COOLING SYSTEM INSTALLATION - DIESEL**

ITEM	PART NUMBER	QTY	DESCRIPTION	REV
	1001255878	Ref	COOLING SYSTEM INSTALLATION	C
1	0630613	2	Bolt M10 x 30	
2	1703162	1	Decal - Fan Blade	
3	4811902	2	Washer M8	
4	5250608	9	Bolt M6 x 16	
5	5250611	1	Bolt M8 x 22	
6	5250810	6	Bolt M8 x 20	
7	5250815	2	Bolt M8 x 35	
8	5260600	8	Nut M6	
9	5260800	3	Nut M8	
10	5261000	2	Nut M10	
11	8310623	1	Bolt M8 x 25	
12	8406110	1	Clip	
13	1001213010	3	Clamp	
14	1001262646	5 ft/ 1.5m	Seal	
15	1001252596	1	Support	
16	1001263476	3.8 ft/ 1.1m	Hose	
17	1001218676	1	Grommet	
18	1001246746	1	Tube, Coolant	
19	1001266885	1	Tube, Coolant	
20	1001247267	1	Radiator	
21	1001262636	1	Plate, Radiator	
22	1001262630	1	Bracket	
23	1001254635	2	Shroud	
24	1001263438	4	Clamp	
25	1001255809	1	Bracket	
26	1001255843	21 in/ 53cm	Seal	
27	1001255848	8 in/ 20cm	Seal	
28	1001255851	18 in/ 45cm	Seal	
31	1001255857	1	Dam, Air	
34	1320223	1	J-Clip	

# SECTION 3 - ENGINE

## FIGURE 3-9. AIR INTAKE INSTALLATION - DIESEL



ART\_1001255877



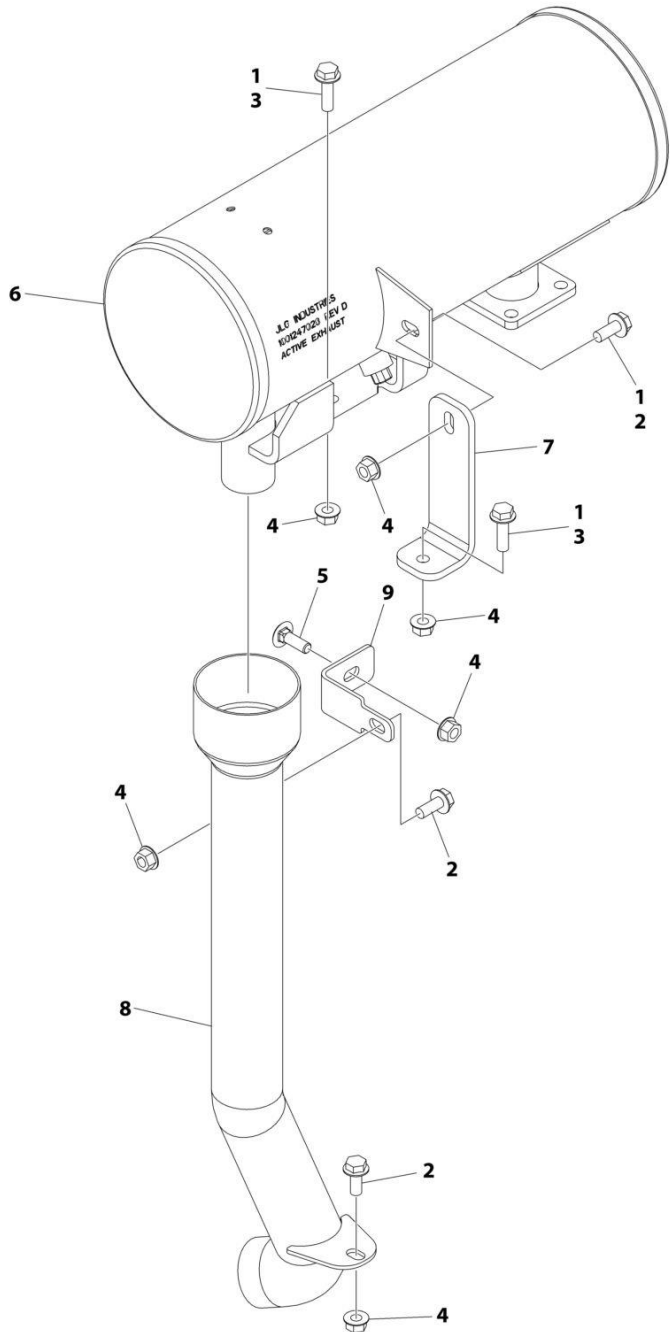
## SECTION 3 - ENGINE

### FIGURE 3-9. AIR INTAKE INSTALLATION - DIESEL

ITEM	PART NUMBER	QTY	DESCRIPTION	REV
	1001255877	Ref	AIR INTAKE INSTALLATION	C
1	0340045	1	Band, Air Cleaner	
2	5250608	2	Bolt M6 x 16	
3	1321682	2	Clamp	
5	1001247560	1	Air Cleaner Assembly	
5	7015004	1	Element, Air Filter	
6	1001248307	1	Tube, Air Intake	
7	5260600	2	Nut M6	

# SECTION 3 - ENGINE

## FIGURE 3-10. EXHAUST INSTALLATION - DIESEL



ART\_1001255876

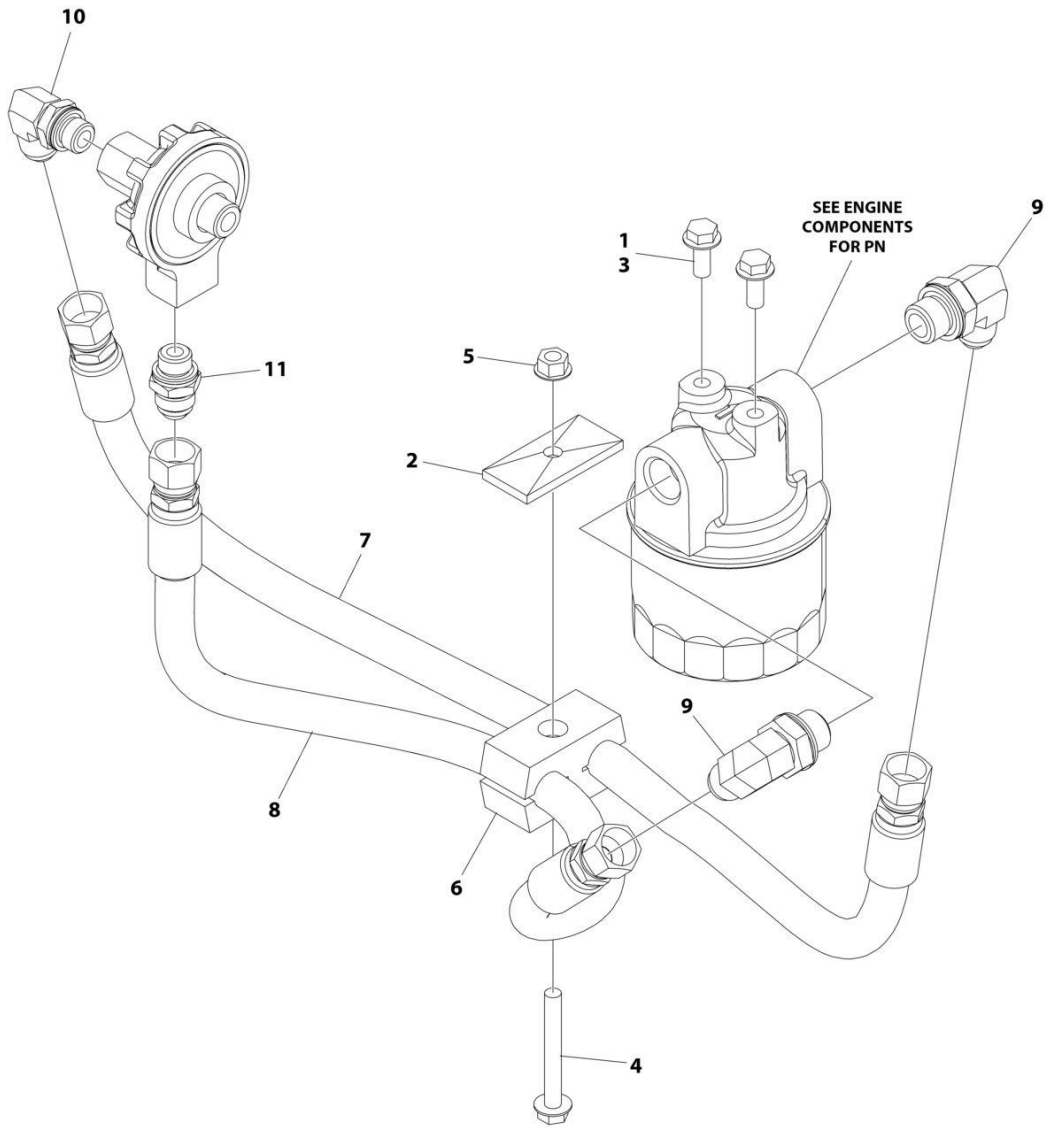
## SECTION 3 - ENGINE

### FIGURE 3-10. EXHAUST INSTALLATION - DIESEL

ITEM	PART NUMBER	QTY	DESCRIPTION	REV
	1001255876	Ref	EXHAUST SYSTEM INSTALLATION	C
1	0100011	AR	Compound, Locking	
2	5250810	3	Bolt M8 x 20	
3	5250813	3	Bolt M8 x 28	
4	5260800	7	Nut M8	
5	8310623	1	Bolt M8 x 25	
6	1001247028	1	Muffler	
7	1001248099	1	Bracket	
8	1001269872	1	Pipe, Exhaust	
9	1001250934	1	Bracket	

# SECTION 3 - ENGINE

## FIGURE 3-11. OIL FILTER INSTALLATION - REMOTE - DIESEL



ART\_1001255936

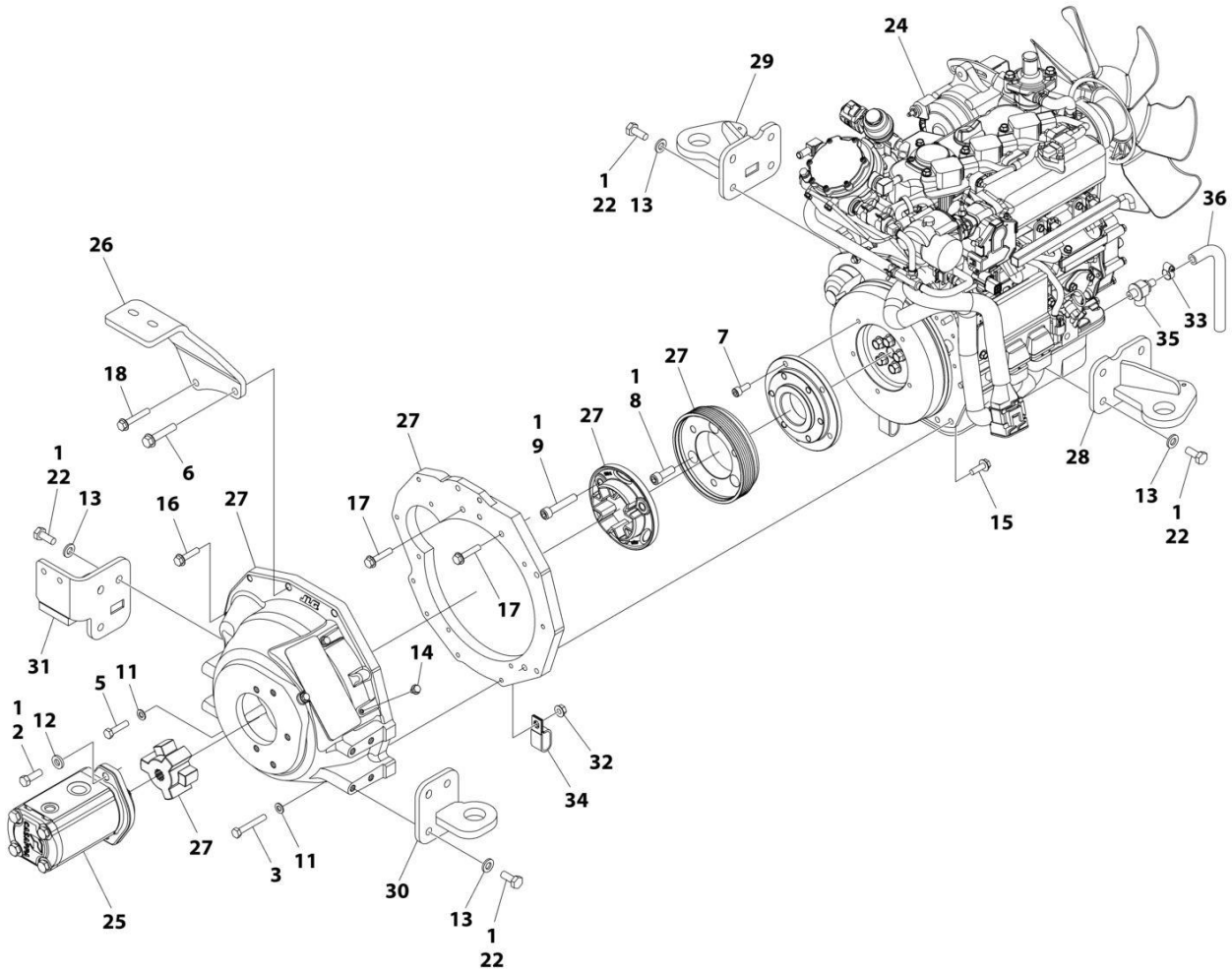
## SECTION 3 - ENGINE

**FIGURE 3-11. OIL FILTER INSTALLATION - REMOTE - DIESEL**

ITEM	PART NUMBER	QTY	DESCRIPTION	REV
	1001255936	Ref	OIL FILTER INSTALLATION - REMOTE	A
	See Note	Ref	Note: For Engine Specific Components, See Engines Components.	
1	0100011	AR	Compund, Locking	
2	1309435	1	Plate, Clamp	
3	5250810	2	Bolt M8 x 20	
4	5250821	1	Bolt M8 x 65	
5	5260800	1	Nut M8	
6	8769139	1	Clamp	
7	1001248413	1	Hose	
8	1001248414	1	Hose	
9	1001250519	2	Fitting, 90 JIC/BSPP	
10	1001250521	1	Fitting, 90 JIC/ORB	
11	1001250525	1	Fitting, Straight JIC/ORB	

# SECTION 3 - ENGINE

## FIGURE 3-12. ENGINE AND PUMP ASSEMBLY - DUAL FUEL



ART\_1001256031

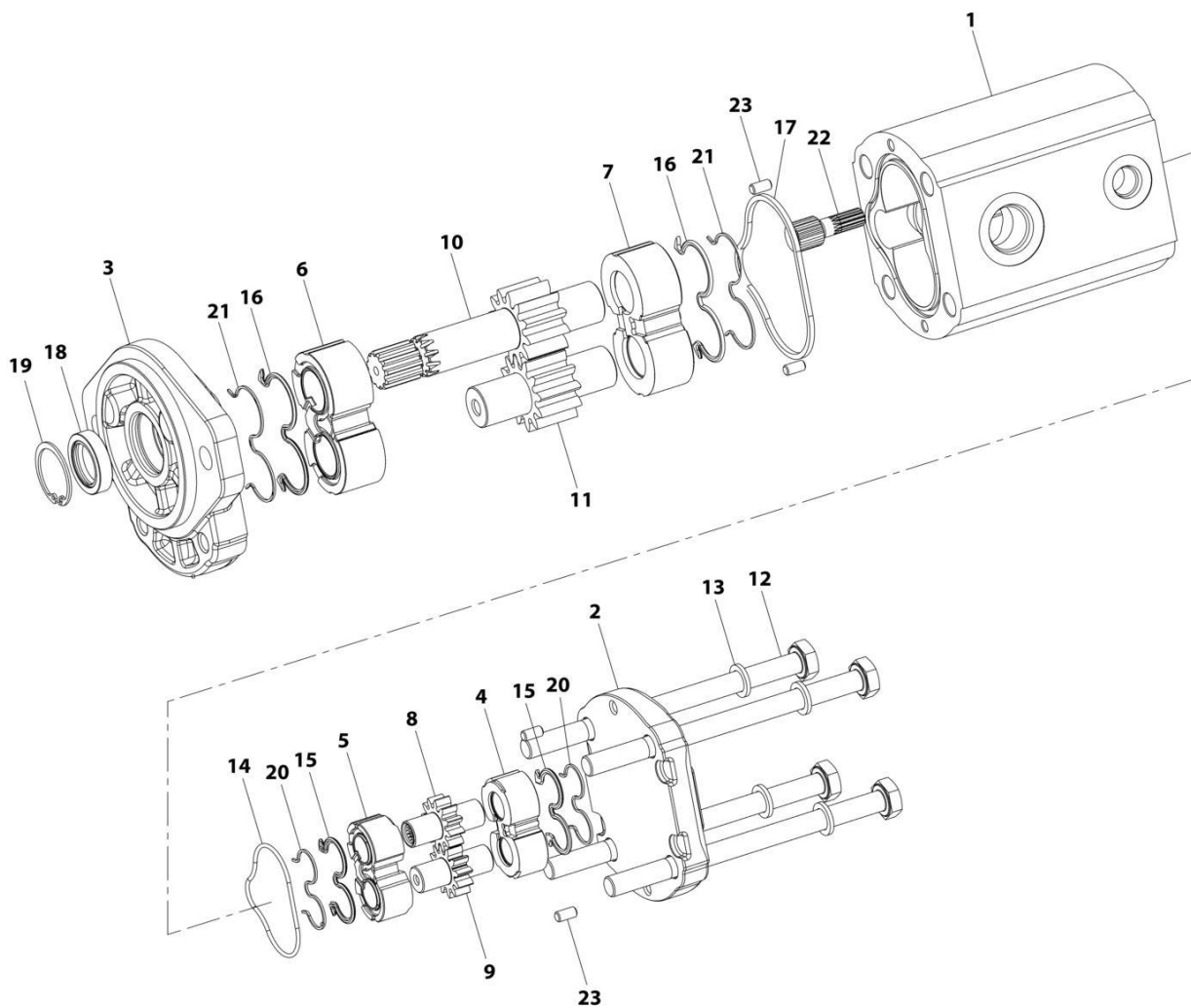
## SECTION 3 - ENGINE

**FIGURE 3-12. ENGINE AND PUMP ASSEMBLY - DUAL FUEL**

ITEM	PART NUMBER	QTY	DESCRIPTION	REV
	1001256031	Ref	ENGINE AND PUMP SUB-ASSEMBLY	B
1	0100011	AR	Compound Locking	
2	0681609	2	Bolt 3/8 x 1-1/8	
3	0710819	2	Bolt M8 x 55	
5	0760815	2	Bolt M8 x 35	
6	5251018000	1	Bolt M10 x 50	
7	4031908	5	Bolt M8 x 20	
8	4032010000	3	Capscrew M10 x 30	
9	4032015000	3	Capscrew M10 x 55 LG	
11	4811900	4	Washer M8	
12	4891600	2	Washer 3/8	
13	5241000	14	Washer M10	
14	5250605	3	Bolt M6 x 10	
15	5250812	4	Bolt M8 x 25	
16	5250815	1	Bolt M8 x 35	
17	5250816	2	Bolt M8 x 40	
18	5250818	1	Bolt M8 x 50	
22	1001118746	14	Bolt M10 x 25	
24	1001243300	1	Engine Components - Kubota Gas (See Separate Breakdown in this Section)	
25	1001244106	1	Pump Assembly (See Separate Breakdown in this Section)	
26	1001248047	1	Bracket, Muffler	
27	1001248048	1	Coupling, Assembly (See Separate Breakdown in this Section)	
28	1001251287	1	Bracket, Mounting	
29	1001251288	1	Bracket, Mounting	
30	1001252996	1	Bracket, Mounting	
31	1001254690	1	Bracket, Mounting	
32	5260800	2	Nut M8	
33	8405009	1	Clamp	
34	1001026127	2	Clamp	
35	1001161497	1	Valve, Oil Drain	
36	1001165035	8.5 in/ 21cm	Hose	

# SECTION 3 - ENGINE

## FIGURE 3-13. PUMP ASSEMBLY - DUAL FUEL



ART\_1001244106



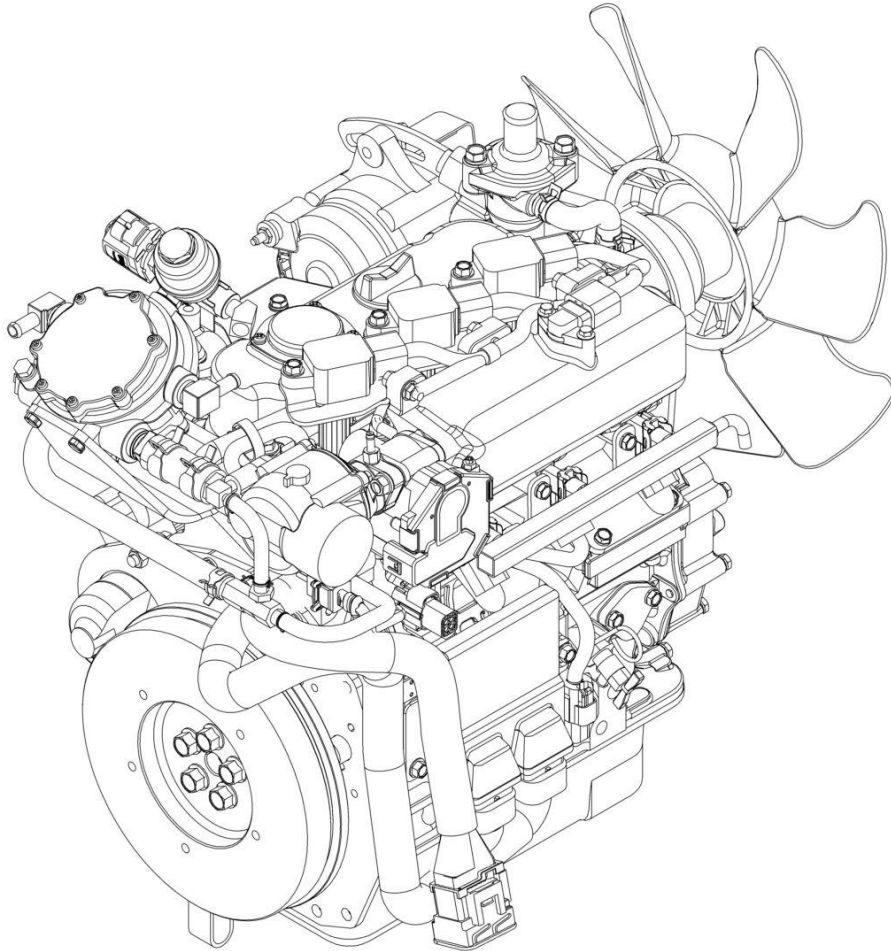
## SECTION 3 - ENGINE

**FIGURE 3-13. PUMP ASSEMBLY - DUAL FUEL**

ITEM	PART NUMBER	QTY	DESCRIPTION	REV
	1001244106	Ref	PUMP ASSEMBLY - DUAL FUEL	F
1	See Note	NSS	Body (Note: Not Available for Purchase)	
2	See Note	NSS	Cover, Rear (Note: Not Available for Purchase)	
3	See Note	NSS	Cover, Front (Note: Not Available for Purchase)	
4	70007659	1	Plate, Thrust	
5	70007658	1	Plate, Thrust	
6	70007657	1	Plate, Thrust	
7	70007656	1	Plate, Thrust	
8	70007655	1	Gear, Drive	
9	70007654	1	Gear, Driven	
10	70007653	1	Shaft, Drive	
11	70007652	1	Gear, Driven	
12	70007651	4	Bolt M10 x 145	
13	70007650	4	Washer M10	
14	70007649	1	O-Ring	
15	70007648	2	Seal	
16	70007647	2	Seal	
17	70007646	1	Seal	
18	70007645	1	Seal, Shaft	
19	70007315	1	Circlip	
20	70007644	2	Seal, Antiextrusion	
21	70007643	2	Seal, Antiextrusion	
22	70007642	1	Hub	
23	70007316	4	Pin, Dowel	

## SECTION 3 - ENGINE

FIGURE 3-14. ENGINE COMPONENTS - DUAL FUEL



ART\_1001243300

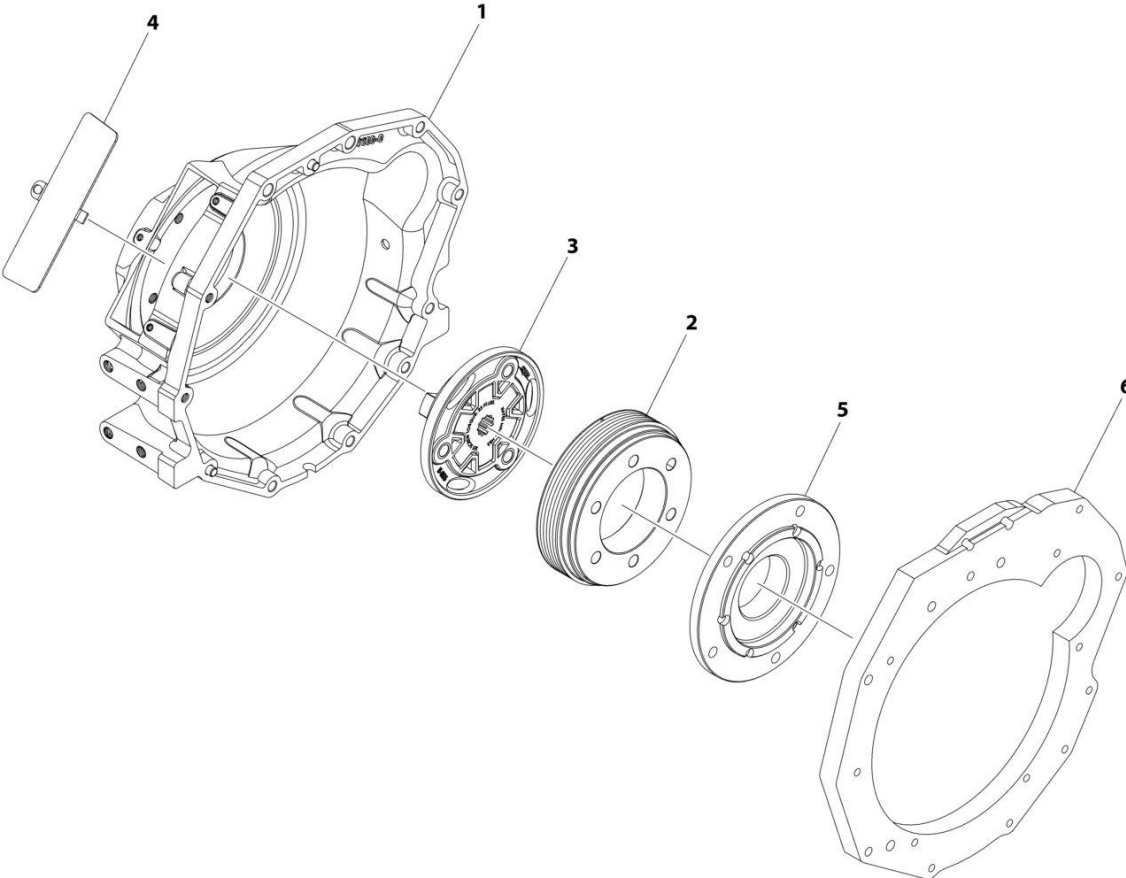
## SECTION 3 - ENGINE

**FIGURE 3-14. ENGINE COMPONENTS - DUAL FUEL**

ITEM	PART NUMBER	QTY	DESCRIPTION	REV
	1001243300	Ref	ENGINE COMPONENTS - DUAL FUEL	C
	See Note	Ref	Note: No Other Service Parts Available at Time of Printing	
		Ref	Lubrication System Components	
	1001248057	1	Filter, Oil	
	1001248056	1	Head, Remote Oil Filter	
	1001255435	1	Adapter, Remote Oil Filter	
	70004524	1	Bleeder Assembly	
	70002318	1	Plug, Oil Filler	
	70004311	1	O-Ring, Oil Fill Cap	
	70005734	1	Dipstick	
	70004294	1	Pump, Oil	
		Ref	Fuel System Components	
	1001255529	1	Dual, Fuel Regulator - Complete	
	1001255416	1	Pump, Electric Fuel	
	1001131324	1	Valve, Fuel Check	
	1001255422	1	Filter/Strainer, Fuel	
	70005735	1	Gear, Ring	
	70005736	1	Rotor	
	7017955	1	Alternator	
	70008088	1	V-Belt	
		Ref	Electrical System Components	
	1001253824	1	Module, ECU	
	70005739	3	Plug, Spark	
	70005740	3	Coil, Ignition	
	70005744	1	Relay, Starter	
		Ref	Cooling System Components	
	1001250636	1	Reservoir, Overflow	
	1001254651	1	Decal - Coolant Caution	
	7023170	1	Thermostat	
	70002326	1	Gasket, Thermostat	
	70008089	1	Water Pump Assembly	
		Ref	Exhaust System Components	
	1001251490	1	Muffler	
	1001255447	1	Gasket, Exhaust (Manifold to Muffler)	
	1001255448	1	Gasket, Exhaust (Manifold to Pipe)	
	1001255341	1	Shield, Muffler	
	1001255342	1	Shield, Muffler - Cylindrical	
	1001255324	1	Sensor, Oxygen	
	70005728	1	Gasket, Head	
	70005733	1	Gasket, Valve Cover	
	70005743	1	Starter	
	1001255431	1	FTG-Pipe, Joint	
	1001264263	1	O-Ring, Kub Remote Oil Filter	
	1001264264	1	O-Ring, Kub Remote Oil Filter	
	1001264269	1	Sleeve, Collar Kub Oil Filter	

**SECTION 3 - ENGINE**

**FIGURE 3-15. COUPLING ASSEMBLY - ENGINE PUMP (DUAL FUEL)**



ART\_1001248048

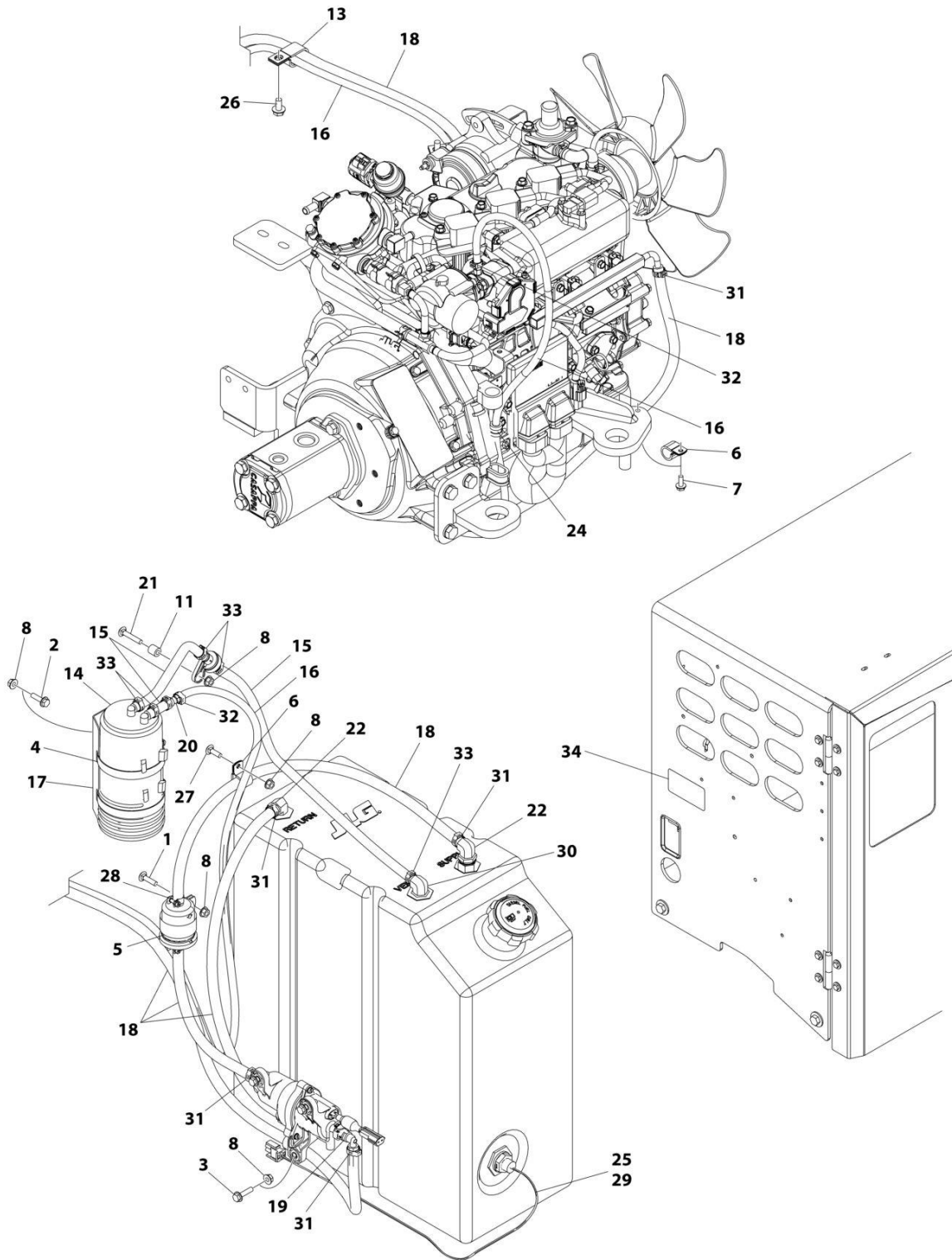
## SECTION 3 - ENGINE

### FIGURE 3-15. COUPLING ASSEMBLY - ENGINE PUMP (DUAL FUEL)

ITEM	PART NUMBER	QTY	DESCRIPTION	REV
	1001248048	Ref	COUPLING ASSEMBLY - ENGINE PUMP	F
1	1001247454	1	Housing	
2	1001247581	1	Pulley	
3	1001247582	1	Coupling, Flexible	
4	1001247589	1	Plate	
5	1001247600	1	Adapter	
6	1001247709	1	Plate, Adapter	

# SECTION 3 - ENGINE

## FIGURE 3-16. ENGINE FUEL LINES INSTALLATION - DUAL FUEL



ART\_1001256033

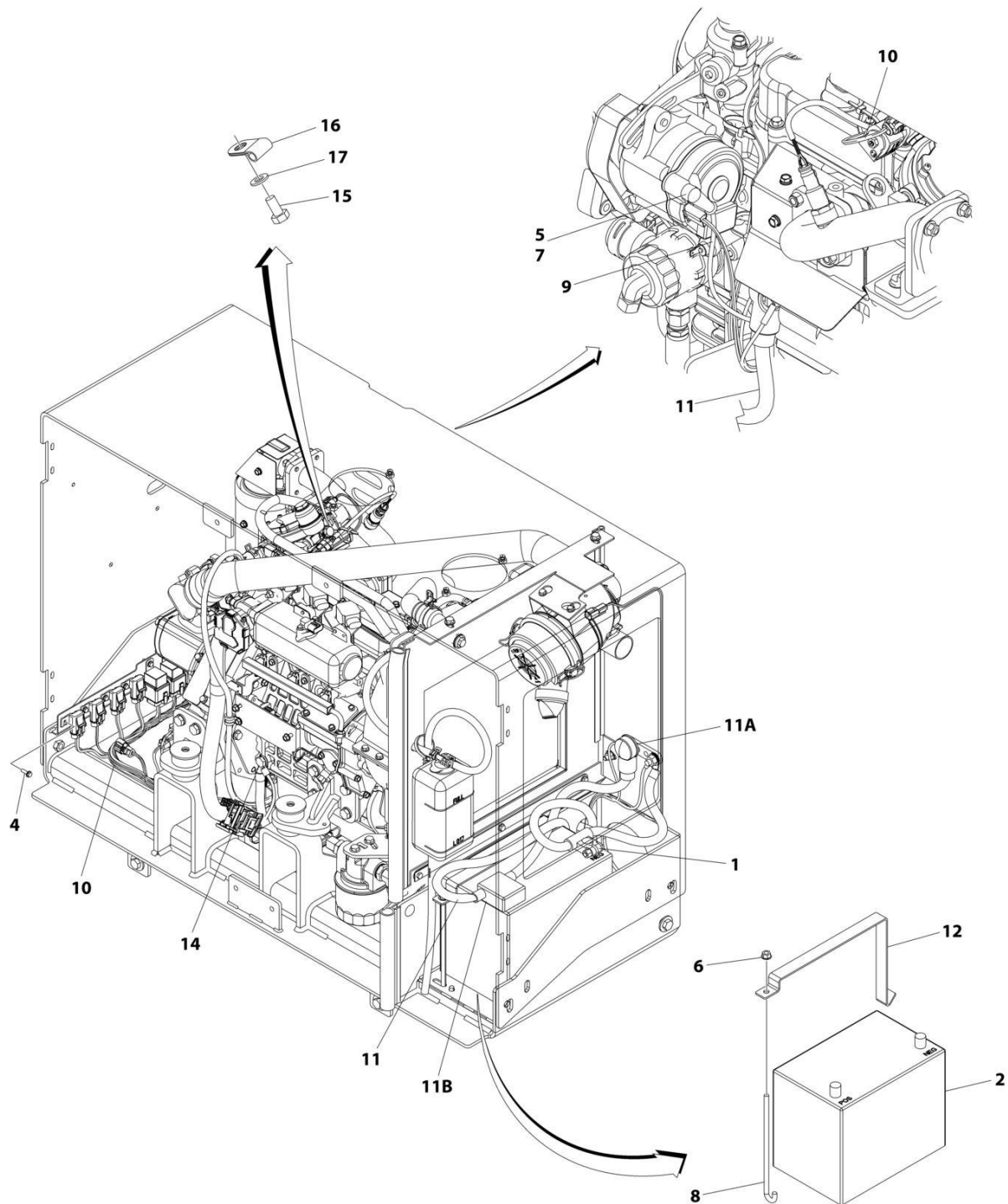
## SECTION 3 - ENGINE

**FIGURE 3-16. ENGINE FUEL LINES INSTALLATION - DUAL FUEL**

ITEM	PART NUMBER	QTY	DESCRIPTION	REV
	1001256033	Ref	FUEL SYSTEM INSTALLATION - GAS	E
1	0630587	1	Bolt M6 x 25	
2	5250611	2	Bolt M6 x 22	
3	5250612	3	Bolt M6 x 25	
4	1320058	2	Clamp	
5	1320265	1	Clamp	
6	1321296	3	Clamp	
7	5250608	1	Bolt M6 x 16	
8	5260600	9	Nut M6	
11	8310441	1	Spacer	
13	1001026127	2	Clamp	
14	1001127172	1	Filter, Carbon Canister	
15	1001129255	23 in/ 59cm	Hose	
16	1001129256	10 ft/ 2.9m	Hose	
17	1001142984	1	Bracket, Carbon Canister	
18	1001156819	13.5 ft/ 4m	Hose	
18	1001300357	13.5 ft/ 4m	Hose	
19	1001248500	1	Coupling, Quick Disconnect	
20	1001131391	1	Coupling, Fuel Line	
21	1001248038	1	Bolt M6 x 35	
22	1001248861	2	Fitting, 90 Barb	
24	80630	1	Clamp	
25	4360436	1	Switch, Fuel Level	
26	5250808	2	Bolt M8 x 16	
27	1001100451	2	Bolt M8 x 20	
28	1001174486	2	Clamp	
29	1001182997	AR	Adhesive	
30	1001262943	1	Fitting, 90 Barb	
31	1001263657	6	Clamp	
32	1001263658	2	Clamp	
33	1001263659	6	Clamp	
34	1001288396	1	Decal, Emission Control (Not Shown)	
34	1001299770	1	Decal, Emission Control (Not Shown)	

# SECTION 3 - ENGINE

## FIGURE 3-17. ENGINE ELECTRICAL INSTALLATION - DUAL FUEL



ART\_1001256034



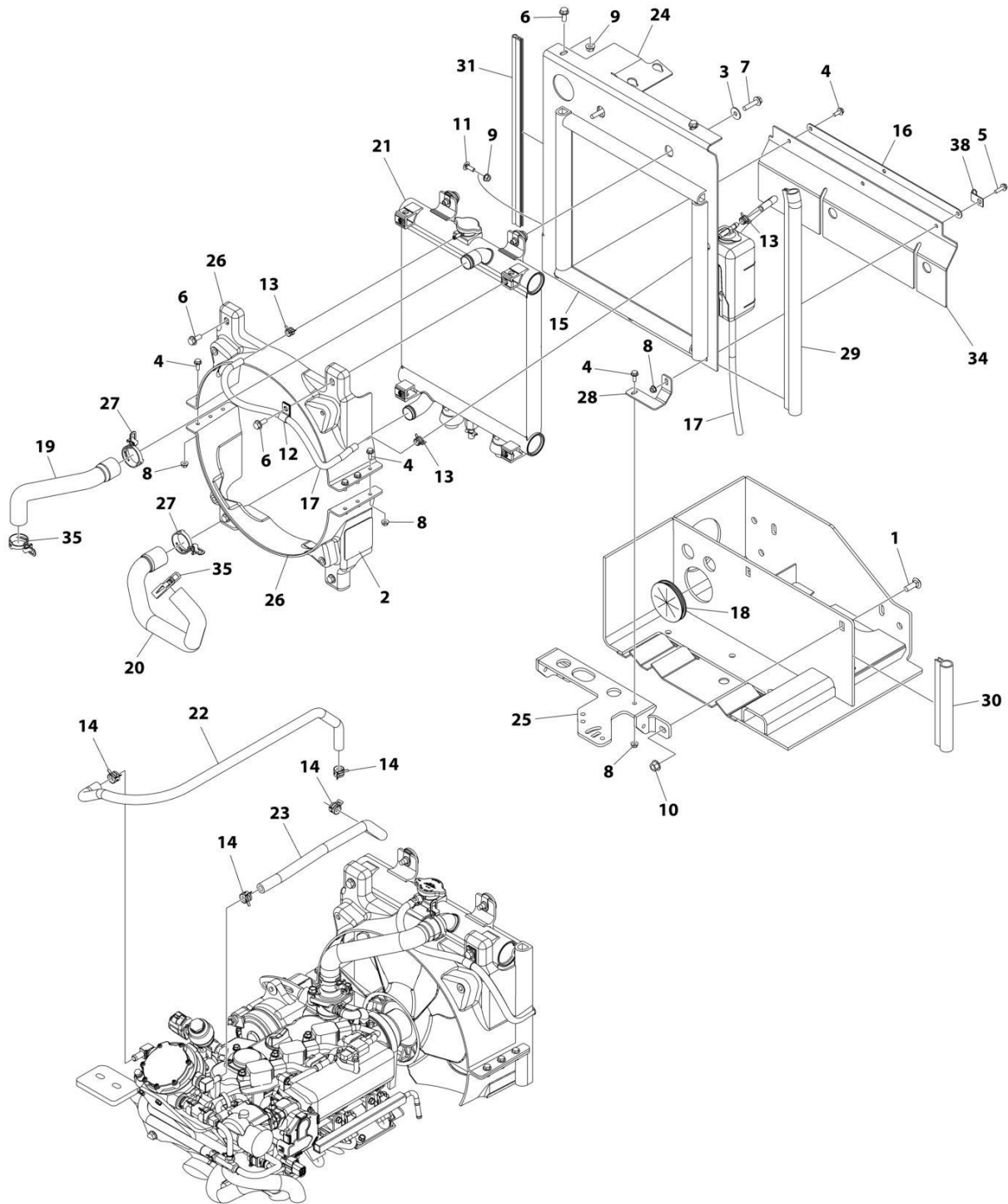
## SECTION 3 - ENGINE

**FIGURE 3-17. ENGINE ELECTRICAL INSTALLATION - DUAL FUEL**

ITEM	PART NUMBER	QTY	DESCRIPTION	REV
	1001256034	Ref	ENGINE ELECTRICAL INSTALLATION - GAS	D
1	0100051	AR	Grease, Terminal	
2	0400003	1	Battery	
3	1062255	AR	Tie-Strap (Not Shown)	
4	5250508	9	Bolt M5 x 16	
5	5260600	1	Nut M6	
6	5260800	1	Nut M8	
7	1001139219	1	Boot	
8	1001179586	1	J-Bolt	
9	1001234069	1	Link, Fusible	
10	1001248289	1	Harness, Engine (See Separate Breakdown in ELECTRICAL Section)	
11	1001248347	1	Battery, Cable Kit	
12	1001254888	1	Bracket, Battery	
14	1001256312	1	Bolt M10 x 16	
15	0760505	1	Bolt M5 x 10	
16	1320244	1	Clamp	
17	4811600	1	Washer M5	
18	1001187781	1	Tie-Strap (Not Shown)	

# SECTION 3 - ENGINE

## FIGURE 3-18. ENGINE COOLING SYSTEM INSTALLATION - DUAL FUEL



ART\_1001256029

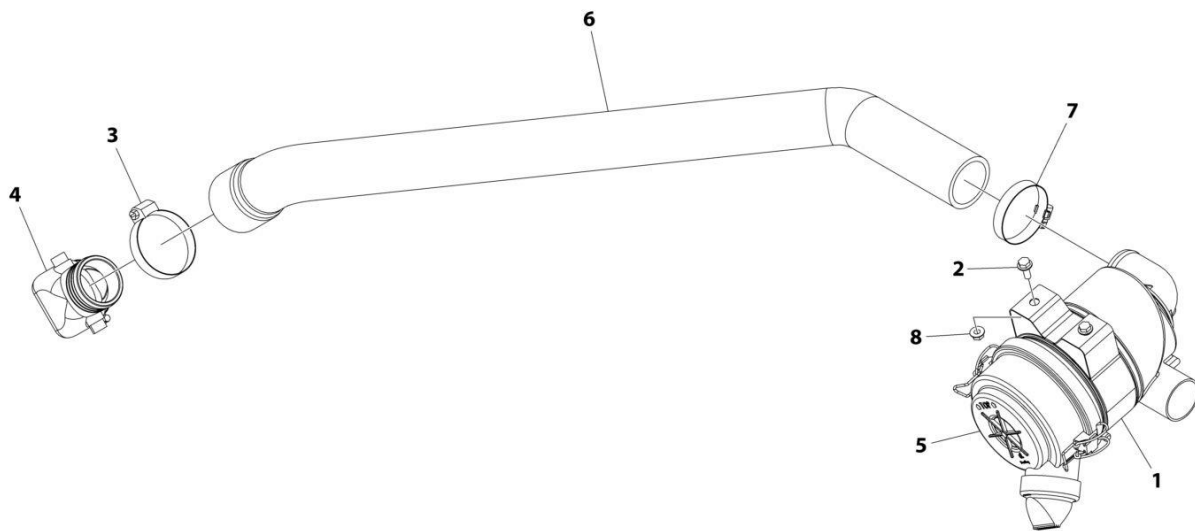
## SECTION 3 - ENGINE

**FIGURE 3-18. ENGINE COOLING SYSTEM INSTALLATION - DUAL FUEL**

ITEM	PART NUMBER	QTY	DESCRIPTION	REV
	1001256029	Ref	COOLING SYSTEM INSTALLATION	C
1	0630613	2	Bolt M10 x 30	
2	1703162	1	Decal - Fan Blade	
3	4811902	2	Washer M8	
4	5250608	9	Bolt M6 x 16	
5	5250611	1	Bolt M6 x 22	
6	5250810	6	Bolt M6 x 20	
7	5250815	2	Bolt M6 x 35	
8	5260600	8	Nut M6	
9	5260800	3	Nut M8	
10	5261000	2	Nut M10	
11	8310623	1	Bolt M6 x 25	
12	8406110	1	Clip	
13	1001213010	3	Clamp	
14	1001152729	4	Clamp	
15	1001262646	5 ft/ 1.5m	Seal	
16	1001252596	1	Support	
17	1001263476	3.8 ft/ 1.1m	Hose	
18	1001218676	1	Grommet	
19	1001246778	1	Tube, Coolant	
20	1001246779	1	Tube, Coolant	
21	1001247267	1	Radiator	
22	1001249122	1	Tube, Coolant	
23	1001249123	1	Tube, Coolant	
24	1001262636	1	Plate, Radiator	
25	1001262630	1	Bracket	
26	1001254635	2	Shroud	
27	1001255606	2	Clamp	
28	1001255809	1	Bracket	
29	1001255843	21 in/ 53cm	Seal	
30	1001255848	8 in/ 20cm	Seal	
31	1001255851	18 in/ 45cm	Seal	
34	1001255857	1	Dam, Air	
35	1001256209	2	Clamp	
38	1320223	1	J-Clip	

# SECTION 3 - ENGINE

## FIGURE 3-19. AIR INTAKE INSTALLATION - DUAL FUEL



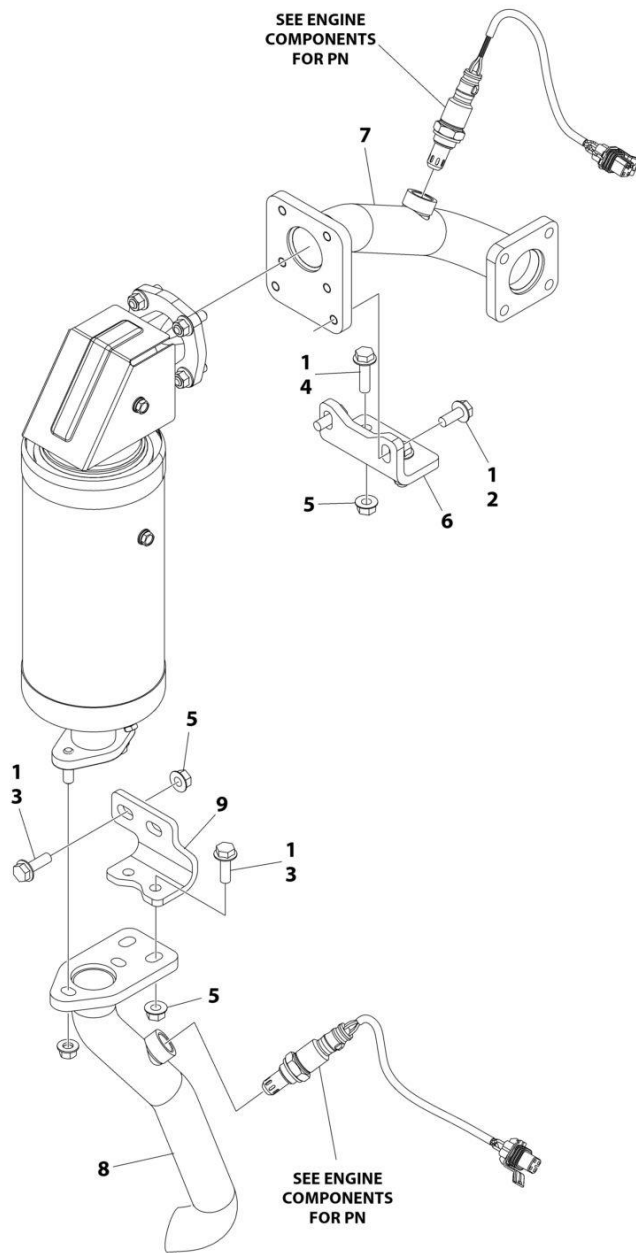
ART\_1001256030

**SECTION 3 - ENGINE****FIGURE 3-19. AIR INTAKE INSTALLATION - DUAL FUEL**

<b>ITEM</b>	<b>PART NUMBER</b>	<b>QTY</b>	<b>DESCRIPTION</b>	<b>REV</b>
	1001256030	Ref	AIR INTAKE INSTALLATION	B
1	0340045	1	Band, Air Cleaner	
2	5250608	2	Bolt M6 x 16	
3	8405201	1	Clamp	
4	1001146043	1	Coupling	
5	1001247560	1	Air Cleaner Assembly	
5	7015004	1	Element, Air Cleaner	
6	1001248313	1	Tube, Air Intake	
7	1321682	1	Clamp	
8	5260600	2	Nut M6	

# SECTION 3 - ENGINE

## FIGURE 3-20. EXHAUST INSTALLATION - DUAL FUEL



ART\_1001256035

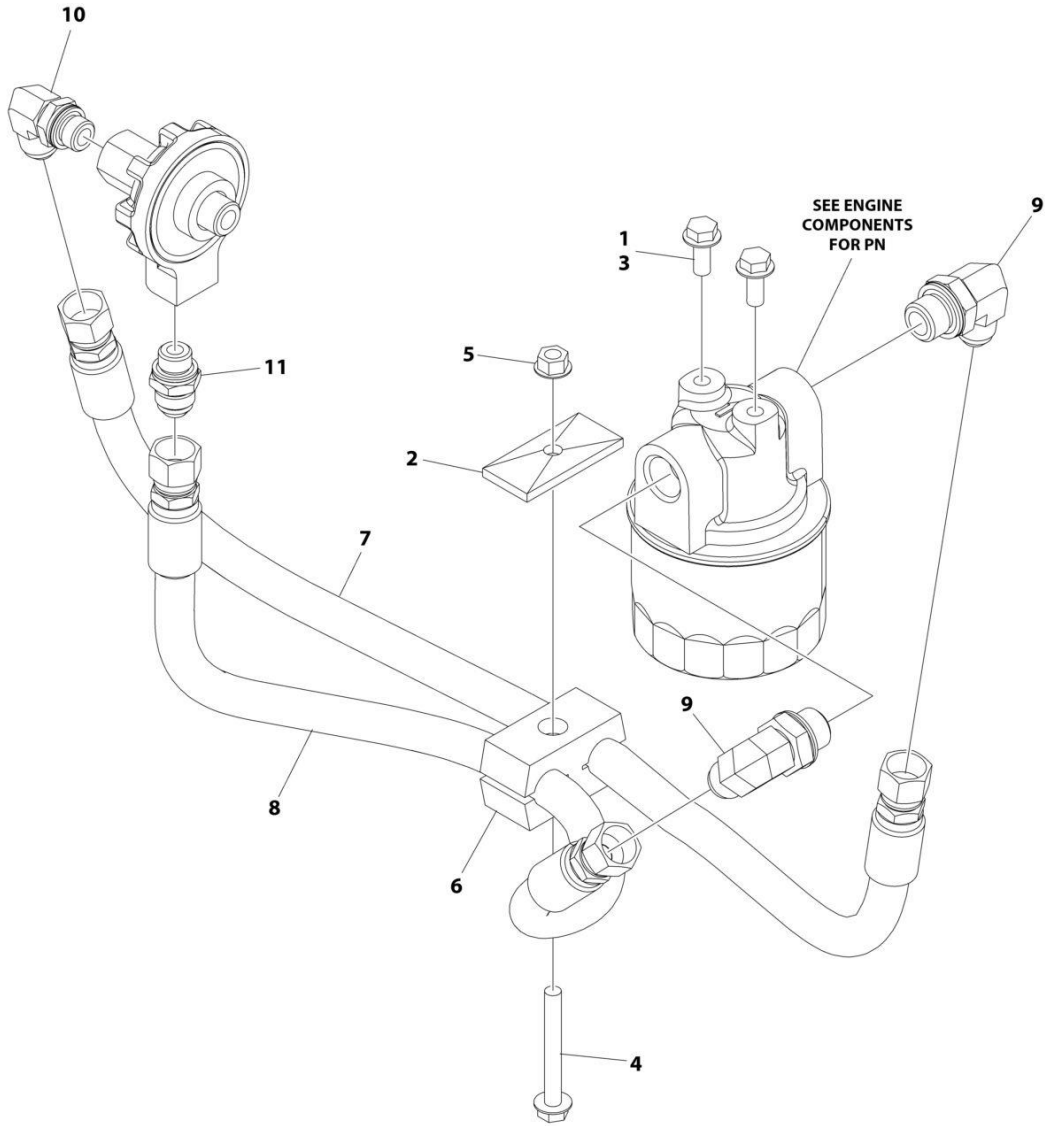
## SECTION 3 - ENGINE

### FIGURE 3-20. EXHAUST INSTALLATION - DUAL FUEL

ITEM	PART NUMBER	QTY	DESCRIPTION	REV
	1001256035	Ref	EXHAUST SYSTEM INSTALLATION	C
1	0100011	AR	Compond, Locking	
2	5250810	2	Bolt M8 x 20	
3	5250812	4	Bolt M8 x 25	
4	5250814	2	Bolt M8 x 30	
5	5260800	6	Nut M8	
6	1001214556	1	Bracket	
7	1001247804	1	Pipe, Exhaust	
8	1001247810	1	Pipe, Exhaust	
9	1001254691	1	Bracket, Muffler Exhaust	

# SECTION 3 - ENGINE

## FIGURE 3-21. OIL FILTER INSTALLATION - REMOTE - DUAL FUEL



ART\_1001256032



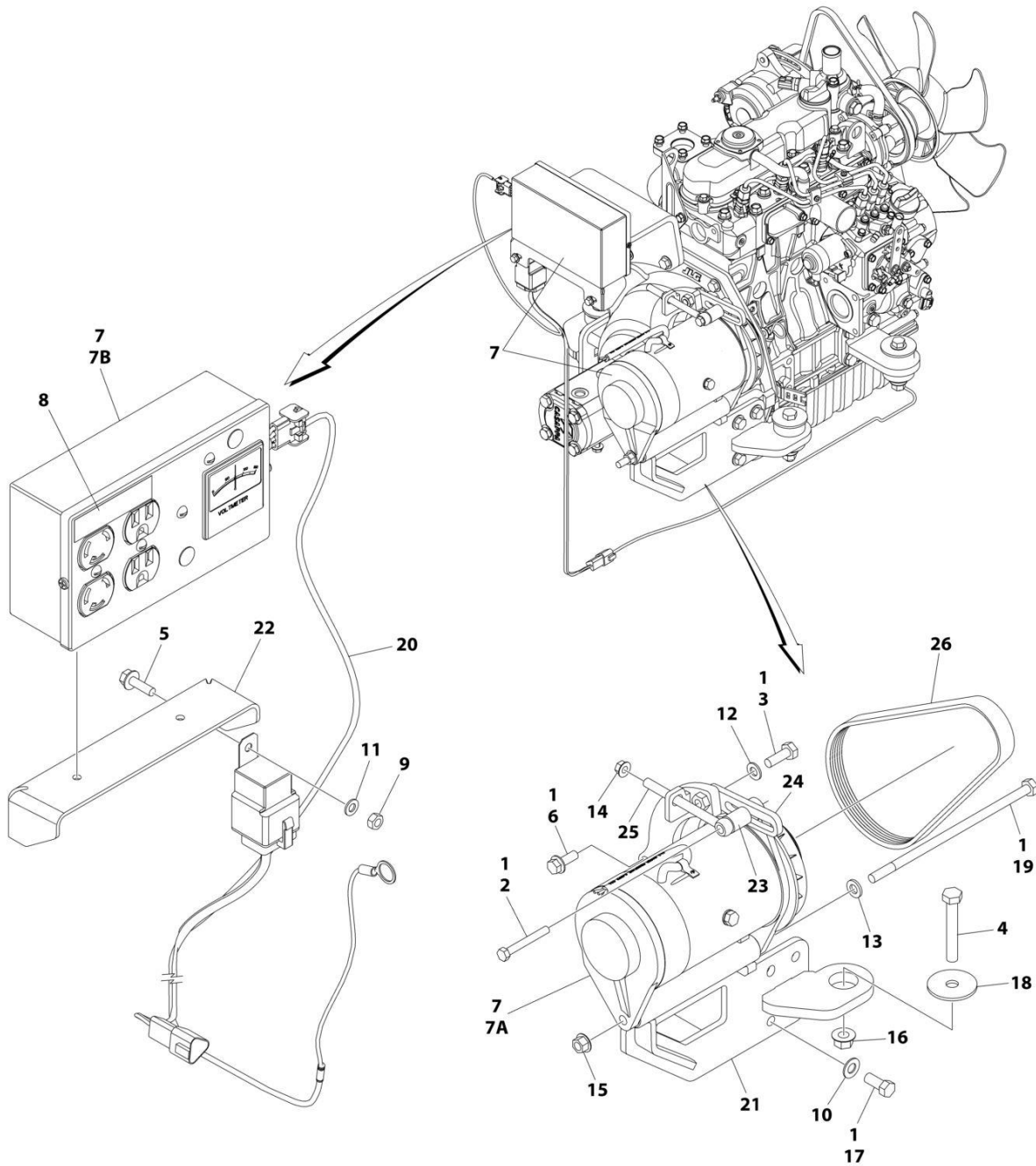
## SECTION 3 - ENGINE

**FIGURE 3-21. OIL FILTER INSTALLATION - REMOTE - DUAL FUEL**

ITEM	PART NUMBER	QTY	DESCRIPTION	REV
	1001256032	Ref	OIL FILTER INSTALLATION - REMOTE	B
	See Note	Ref	Note: For Engine Specific Components, See Engines Components.	
1	0100011	AR	Compund, Locking	
2	1309435	1	Plate, Clamp	
3	5250810	2	Bolt M8 x 20	
4	5250821	1	Bolt M8 x 65	
5	5260800	1	Nut M8	
6	8769139	1	Clamp	
7	1001248413	1	Hose	
8	1001248414	1	Hose	
9	1001250519	2	Fitting, 90 JIC/BSPP	
10	1001250521	1	Fitting, 90 JIC/ORB	
11	1001250525	1	Fitting, Straight JIC/ORB	

# SECTION 3 - ENGINE

## FIGURE 3-22. GENERATOR INSTALLATION - 2500W/60HZ (DIESEL MACHINES)



ART\_1001246134

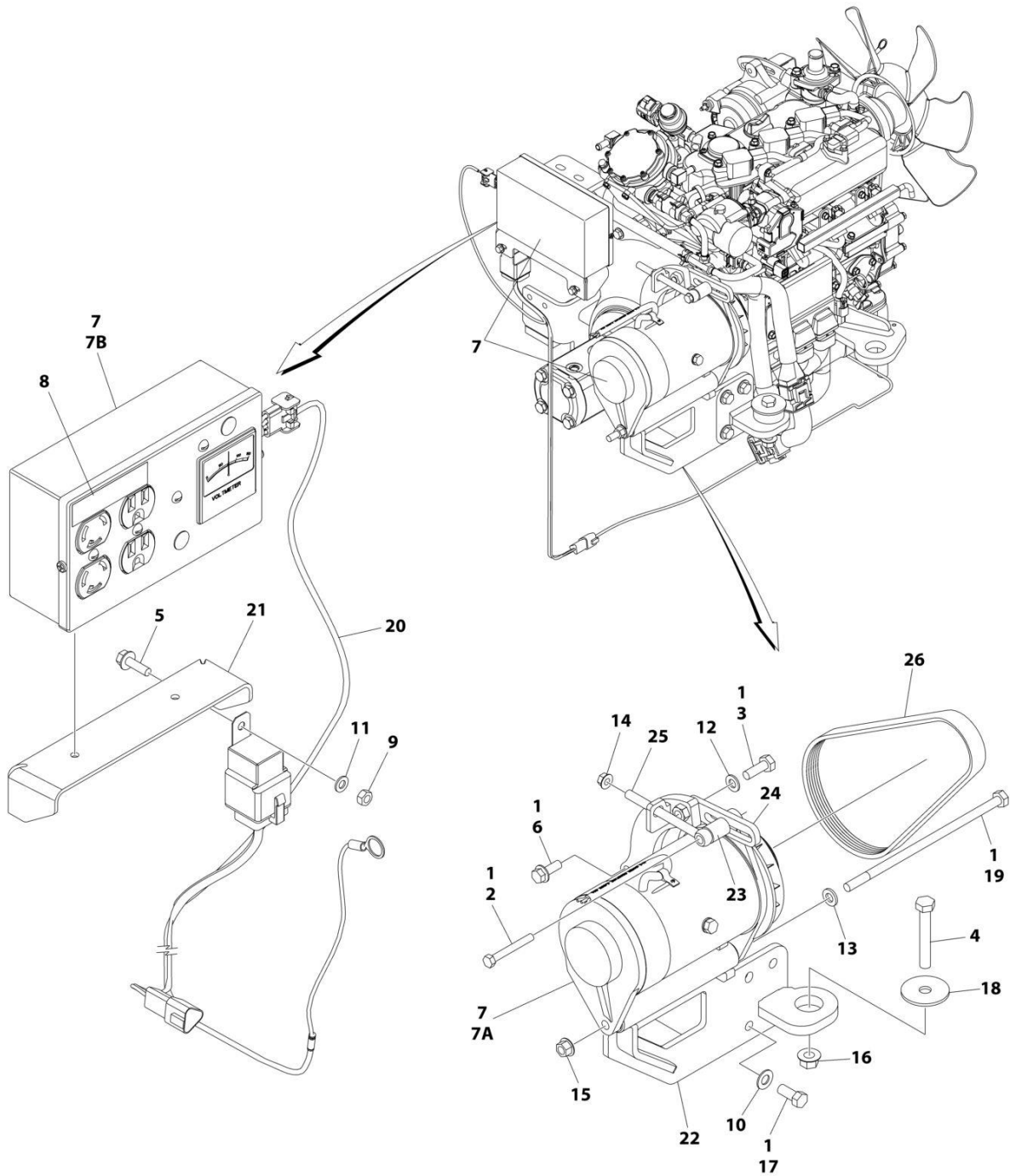
## SECTION 3 - ENGINE

**FIGURE 3-22. GENERATOR INSTALLATION - 2500W/60HZ (DIESEL MACHINES)**

ITEM	PART NUMBER	QTY	DESCRIPTION	REV
	1001246134	Ref	GENERATOR INSTALLATION - 2500W / 60HZ	A
1	0100011	AR	Compound, Locking	
2	0681520	1	Bolt 5/16 x 2-1/2	
3	0701014	1	Bolt M10 x 30	
4	0711224	1	Bolt M10 x 80	
5	0780610	2	Bolt M6 x 20	
6	0811608	3	Screw 3/8 x 1	
7	2460051	1	Generator Assembly	
7A	7012558	1	Generator, Replacement	
7A	3580324	1	Pulley	
7A	7027887	1	Key	
7A	7020193	12 ft/ 3.7m	Cord	
7A	7026199	1	Armature	
7A	7020108	4	Brush	
7A	7020109	4	Holder, Brush	
7A	7012513	4	Cap, Brush Holder	
7A	7012514	1	Fan	
7A	7020110	1	Bell, End - Front	
7A	7020111	1	Bell, End - Rear	
7A	7020190	2	Bearing	
7B	7019680	1	Control Box Assembly	
7B	4360542	1	Breaker, Circuit	
7B	2420203	1	Voltmeter	
7B	4460190	1	Receptacle, Standard	
7B	4460027	1	Receptacle, Twist-lock	
7B	3520028	1	Plug	
7B	4460961	1	Connector, Harness	
7B	4460805	AR	Pin, Male	
8	3251243	1	Nameplate - 120V - 60HZ	
9	3290601	2	Nut M6	
10	4711700	3	Washer 7/16	
11	4811702	2	Washer M6	
12	4812000	1	Washer M10	
13	5241000	1	Washer M10	
14	5260800	1	Nut M8	
15	5261000	1	Nut M10	
16	5261200	1	Nut M12	
17	10700379	1	Bolt 7/16 x 1	
18	1001168018	1	Washer	
19	1001195137	1	Bolt M10 x 240	
20	1001249464	1	Harnesss, Generator (See Separate Breakdown in ELECTRICAL Section)	
21	1001253837	1	Bracket, Mounting	
22	1001253839	1	Bracket, Mounting	
23	1001256626	1	Spacer	
24	1001256681	1	Bracket, Adjustment	
25	1001256705	1	Eye Bolt M10	
26	1001256708	1	V-Belt	

# SECTION 3 - ENGINE

## FIGURE 3-23. GENERATOR INSTALLATION - 2500W/60HZ (DUAL FUEL MACHINES)



ART\_1001256713

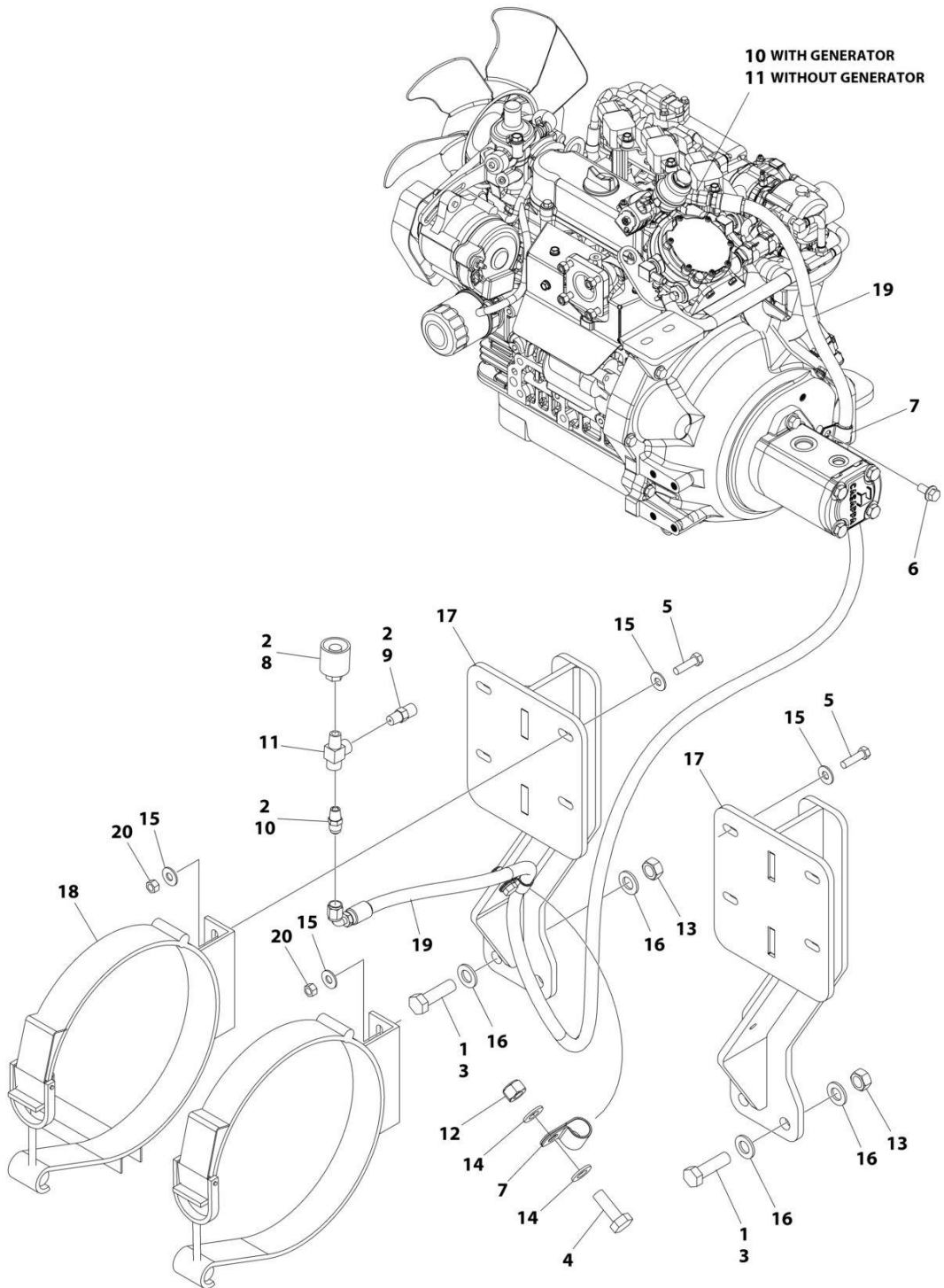
## SECTION 3 - ENGINE

**FIGURE 3-23. GENERATOR INSTALLATION - 2500W/60HZ (DUAL FUEL MACHINES)**

ITEM	PART NUMBER	QTY	DESCRIPTION	REV
	1001256713	Ref	GENERATOR INSTALLATION - 2500W / 60HZ	A
1	0100011	AR	Compound, Locking	
2	0681520	1	Bolt 5/16 x 2-1/2	
3	0701014	1	Bolt M10 x 30	
4	0711224	1	Bolt M10 x 80	
5	0780610	2	Bolt M6 x 20	
6	0811608	3	Screw 3/8 x 1	
7	2460051	1	Generator Assembly	
7A	7012558	1	Generator, Replacement	
7A	3580324	1	Pulley	
7A	7027887	1	Key	
7A	7020193	12 ft/ 3.7m	Cord	
7A	7026199	1	Armature	
7A	7020108	4	Brush	
7A	7020109	4	Holder, Brush	
7A	7012513	4	Cap, Brush Holder	
7A	7012514	1	Fan	
7A	7020110	1	Bell, End - Front	
7A	7020111	1	Bell, End - Rear	
7A	7020190	2	Bearing	
7B	7019680	1	Control Box Assembly	
7B	4360542	1	Breaker, Circuit	
7B	2420203	1	Voltmeter	
7B	4460190	1	Receptacle, Standard	
7B	4460027	1	Receptacle, Twist-lock	
7B	3520028	1	Plug	
7B	4460961	1	Connector, Harness	
7B	4460805	AR	Pin, Male	
8	3251243	1	Nameplate - 120V - 60HZ	
9	3290601	2	Nut M6	
10	4711700	3	Washer 7/16	
11	4811702	2	Washer M6	
12	4812000	1	Washer M10	
13	5241000	1	Washer M10	
14	5260800	1	Nut M8	
15	5261000	1	Nut M10	
16	5261200	1	Nut M12	
17	10700379	3	Bolt 7/16 x 1	
18	1001168018	1	Washer	
19	1001195137	1	Bolt M10 x 240	
20	1001249464	1	Harnesss, Generator (See Separate Breakdown in ELECTRICAL Section)	
21	1001253839	1	Bracket, Mounting	
22	1001256597	1	Bracket, Mounting	
23	1001256626	1	Spacer	
24	1001256681	1	Bracket, Adjustment	
25	1001256705	1	Eye Bolt M10	
26	1001256708	1	V-Belt	

# SECTION 3 - ENGINE

## FIGURE 3-24. LP TANK BRACKETS INSTALLATION (SINGLE TANK)



ART\_1001254550

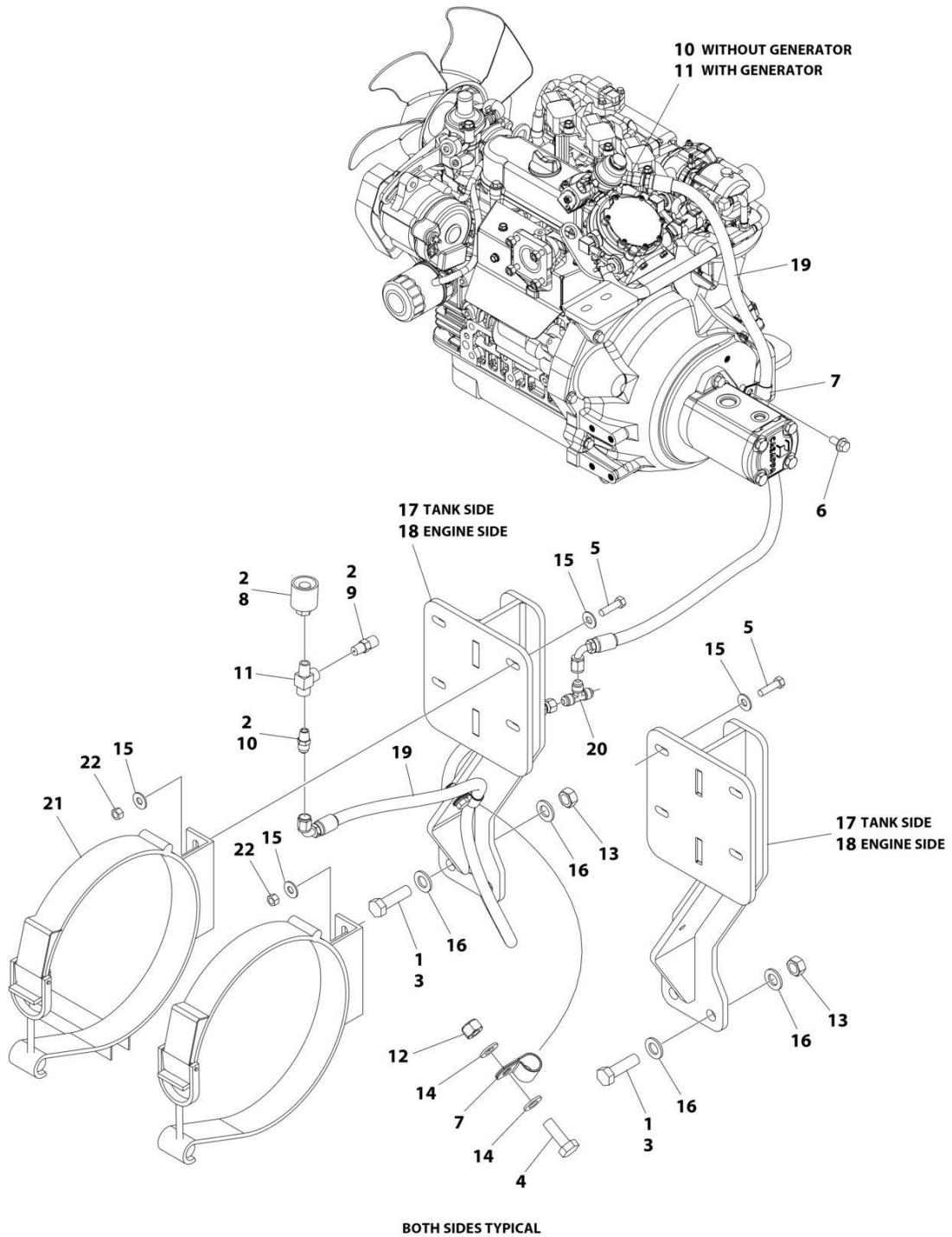
## SECTION 3 - ENGINE

**FIGURE 3-24. LP TANK BRACKETS INSTALLATION (SINGLE TANK)**

ITEM	PART NUMBER	QTY	DESCRIPTION	REV
	1001254550	Ref	LP TANK BRACKETS INSTALLATION (SINGLE)	D
1	0100011	AR	Compound, Locking	
2	0100020	AR	Sealant	
3	0771619	4	Bolt M16 x 55	
4	0771014	1	Bolt M10 x 30	
5	0641611	4	Bolt 3/8 x 1-3/8	
6	0811606	1	Screw 3/8 x 3/4	
7	1320061	2	Clamp	
8	2180387	1	Fitting, Tank Connector	
9	2180389	1	Fitting, Relief Valve - LP	
10	2180418	2	Fitting	
11	2220290	1	Fitting, Tee	
12	3291005	1	Nut M10	
13	3331611	4	Nut M16	
14	4812000	2	Washer M10	
15	4751600	8	Washer 3/8	
16	5241600	8	Washer M16	
17	1001259024	2	Mount	
18	1320220	1	Clamp Kit - LP	
19	1001258006	1	Hose	
20	3311605	4	Nut 3/8	
100	4400281	1	Tank, LP (Not Shown)	

# SECTION 3 - ENGINE

## FIGURE 3-25. LP TANK BRACKETS INSTALLATION (DUAL TANKS)



ART\_1001254551



## SECTION 3 - ENGINE

**FIGURE 3-25. LP TANK BRACKETS INSTALLATION (DUAL TANKS)**

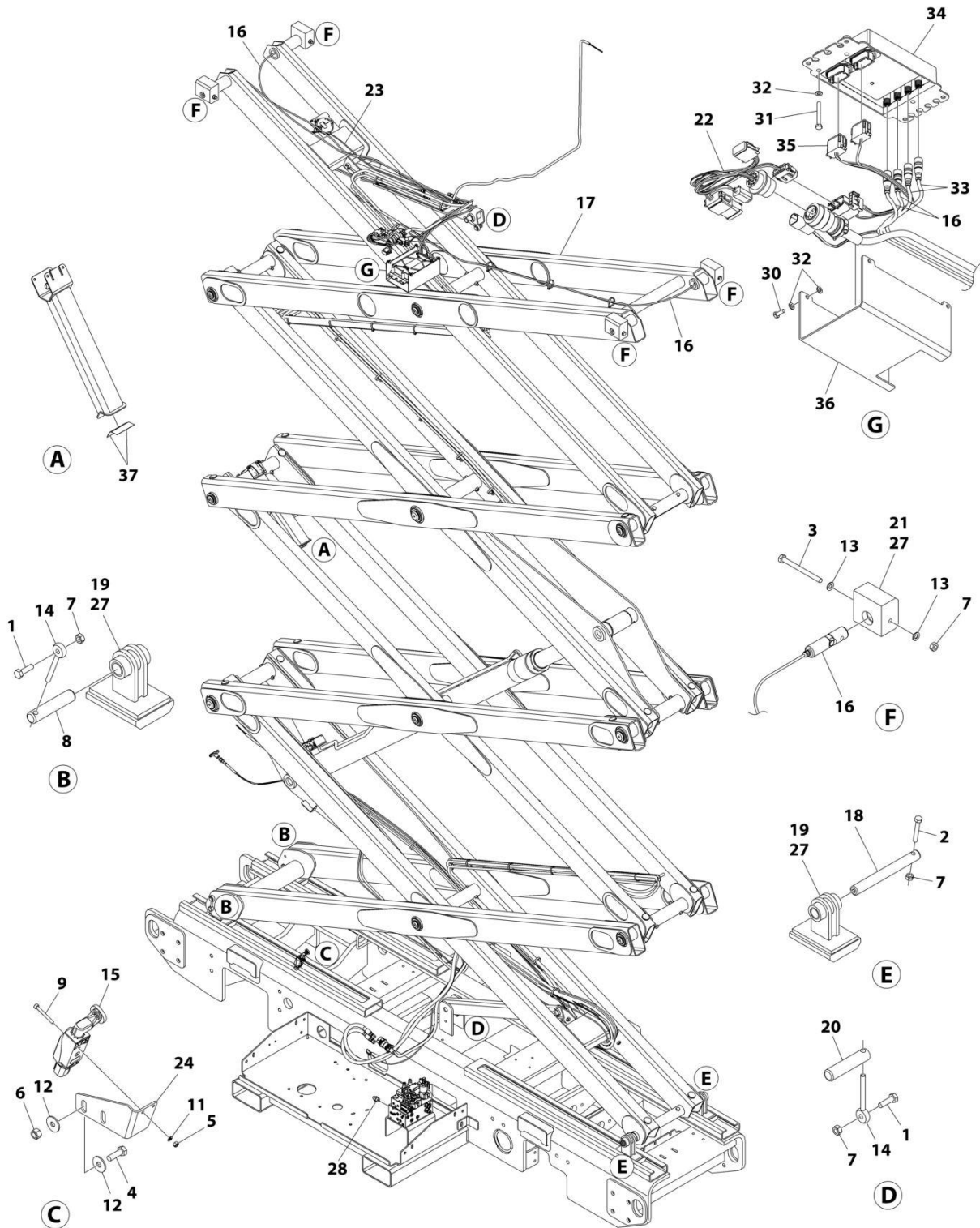
ITEM	PART NUMBER	QTY	DESCRIPTION	REV
	1001254551	Ref	LP TANK BRACKETS INSTALLATION (DUAL)	E
1	0100011	AR	Compound, Locking	
2	0100020	AR	Sealant	
3	0771619	8	Bolt M16 x 55	
4	0771014	2	Bolt M10 x 30	
5	0641611	8	Bolt 3/8 x 1-3/8	
6	0811606	1	Screw 3/8 x 3/4	
7	1320061	3	Clamp	
8	2180387	2	Fitting, Tank Connector	
9	2180389	2	Fitting, Relief Valve - LP	
10	2180418	3	Fitting	
11	2220290	2	Fitting, Tee	
12	3291005	2	Nut M10	
13	3331611	8	Nut M16	
14	4812000	4	Washer M10	
15	4751600	16	Washer 3/8	
16	5241600	16	Washer M16	
17	1001259024	2	Mount	
18	1001259047	2	Mount	
19	1001258004	3	Hose	
20	1001258113	1	Fitting, Tee	
21	1320220	2	Clamp Kit - LP	
22	3311605	8	Nut 3/8	
100	4400281	2	Tank, LP (Not Shown)	



**SECTION 4 - SCISSORS ARMS**

# SECTION 4 - SCISSORS ARMS

## FIGURE 4-1. ARMS INSTALLATION (RT4069)



ART\_1001248822

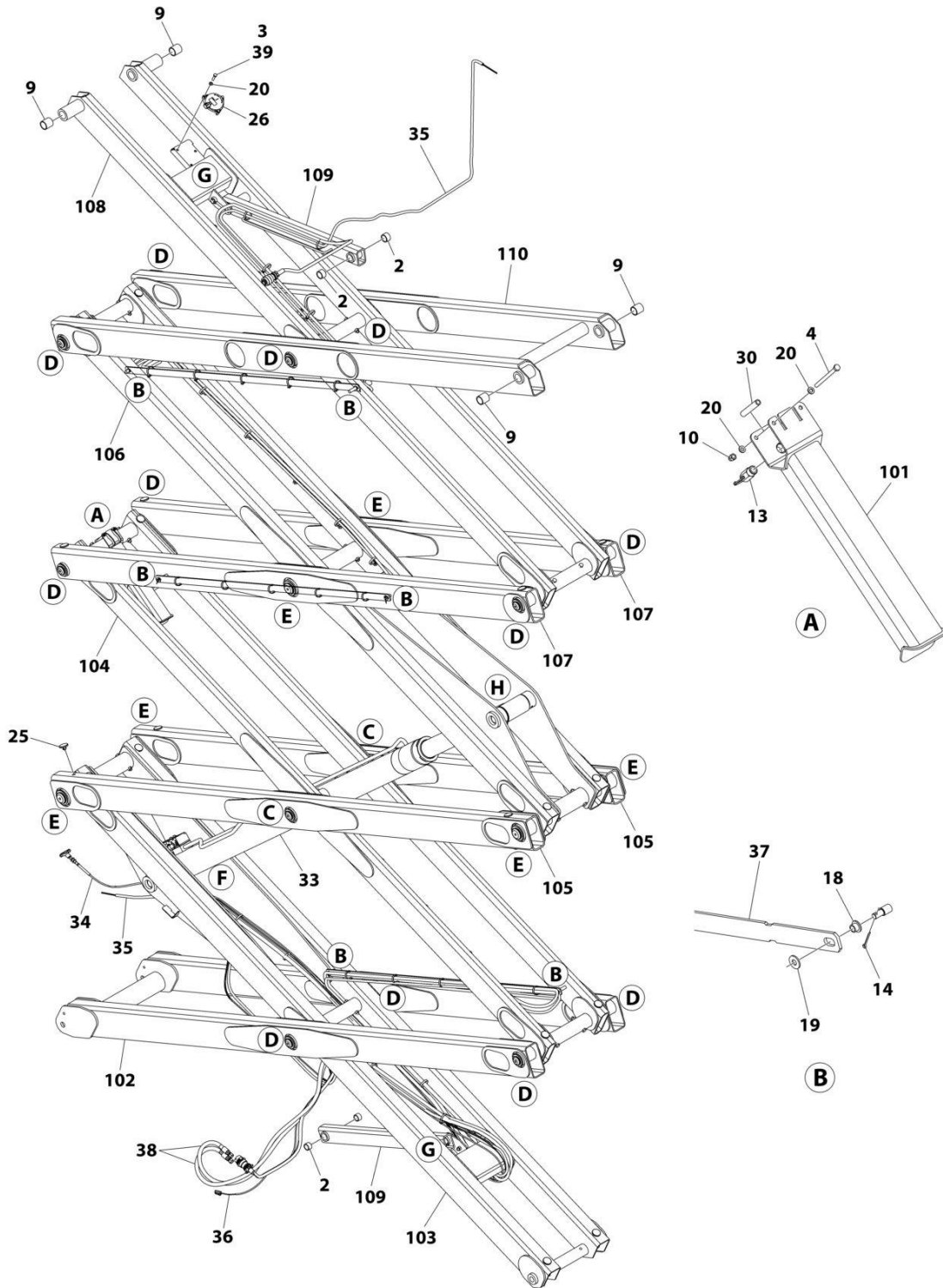
## SECTION 4 - SCISSORS ARMS

**FIGURE 4-1. ARMS INSTALLATION (RT4069)**

ITEM	PART NUMBER	QTY	DESCRIPTION	REV
	1001248822	Ref	ARMS INSTALLATION	E
1	0701015	4	Bolt 10 x 35	
2	0701022	2	Bolt 10 x 70	
3	0701029	4	Bolt 10 x 120	
4	0760812	2	Bolt M8 x 25	
5	3290405	2	Nut M4	
6	3290805	2	Nut M8	
7	3291007	10	Nut M10	
8	3422943	2	Pin	
9	4031511	2	Capscrew M4 x 35	
11	4811400	2	Washer M4	
12	4811902	4	Washer M8	
13	4812000	8	Washer M10	
14	1001270098	4	Pin, Keeper	
15	1001145548	1	Switch, Limit	
15	1001284972	1	Switch, Limit	
16	3422938	4	Pin	
17	1001247369	1	Arm Assembly (See Separate Breakdown in this Section)	
18	1001247521	2	Pin	
19	1001247667	4	Support, Slider	
20	1001247669	2	Pin	
21	1001247671	4	Block, Slide	
22	1001264939	1	Harness, Platform (See Separate Breakdown in ELECTRICAL Section)	
23	1001249091	1	Harness, Tilt Sensor (See Separate Breakdown in ELECTRICAL Section)	
24	1001257587	1	Bracket	
27	3020029	AR	Lubricant	
28	2220372	1	Fitting, Straight JIC/ORB	
29	4240018	AR	Tie - Strap (Not Shown)	
30	0760608	4	Bolt M6 x 16	
31	0700618	3	Bolt M6 x 50	
32	4811700	11	Washer M6	
33	1061020	2	Cable, Extension (1.5 Meter)	
34	1600387	1	Module, Load Sense (Note: Recalibration Required When Replaced)	
35	1001226830	1	Harness Load Sense (See Separate Breakdown in ELECTRICAL Section)	
36	1001263662	1	Cover	
37	1001189762	2	Tape	

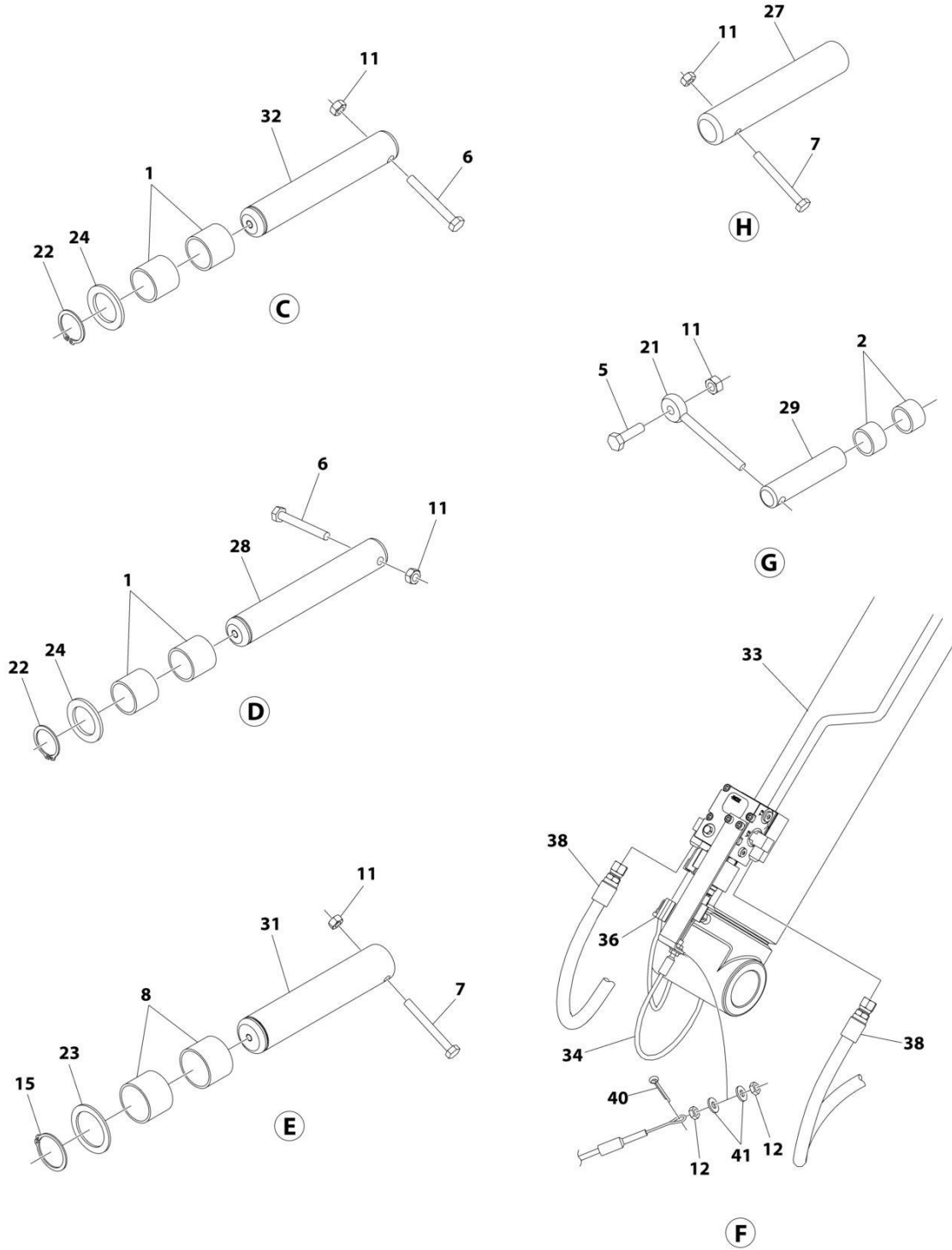
# SECTION 4 - SCISSORS ARMS

## FIGURE 4-2. ARMS ASSEMBLY (RT4069)



ART\_1001247369\_1OF2

# SECTION 4 - SCISSORS ARMS



ART\_1001247369\_2OF2

## SECTION 4 - SCISSORS ARMS

FIGURE 4-2. ARMS ASSEMBLY (RT4069)

ITEM	PART NUMBER	QTY	DESCRIPTION	REV
	1001247369	Ref	ARMS ASSEMBLY	D
1	0440241	28	Bearing	
2	0440264	8	Bearing	
3	0700612	3	Bolt M6 x 25	
4	0700624	2	Bolt M6 x 80	
5	0701015	2	Bolt M10 x 35	
6	0701024	14	Bolt M10 x 80	
7	0701026	8	Bolt M10 x 90	
8	0961950	12	Bushing	
9	0962220	4	Bushing	
10	3290606	2	Nut M6	
11	3291007	24	Nut M10	
12	3321402	2	Nut 1/4	
13	3423151	1	Pin	
14	3450304	6	Pin, Cotter 3/32 x 1	
15	3760493	6	Ring, Retaining	
17	4240018	AR	Tie - Strap (Not Shown)	
18	4740480	6	Washer (Plastic Insert)	
19	4751500	6	Washer 5/16	
20	4811700	7	Washer M6	
21	1001270098	2	Pin, Keeper	
22	1001099560	14	Ring, Retaining	
23	1001197405	6	Washer	
24	1001217457	14	Washer	
25	1001228533	24	Bumper	
26	1001244934	1	Sensor, Tilt	
27	1001247522	2	Pin	
28	1001247524	12	Pin	
29	1001247669	2	Pin	
30	1001247670	2	Sleeve	
31	1001247835	6	Pin	
32	1001249637	2	Pin	
33	1001256128	1	Cylinder Lift Down Valve Assembly (See Separate Breakdown in this Section)	
34	1001265848	1	Cable, Manual Descent	
35	1001259135	1	Harness, Ground To Platform (See Separate Breakdown in ELECTRICAL Section)	
36	1001259139	1	Harness Lift Down (See Separate Breakdown in ELECTRICAL Section)	
37	1001259497	3	Bar, Cable	
38	1001260897	2	Hose	
39	0100011	AR	Compound, Locking	
40	3450405	1	Pin, Cotter 1/8 x 1-1/4	
41	4711400	2	Washer 1/4	
100	1001247377	1	Arm Kit (Not Shown)	C
101	1001247672	1	Prop, Arm	
102	1001256889	1	Arm, Outboard (Lower)	
103	1001257752	1	Arm, Inboard (Lower)	
104	1001257754	1	Arm, Inboard (Lower Mid)	
105	1001257755	2	Arm, Outboard (Lower Mid)	

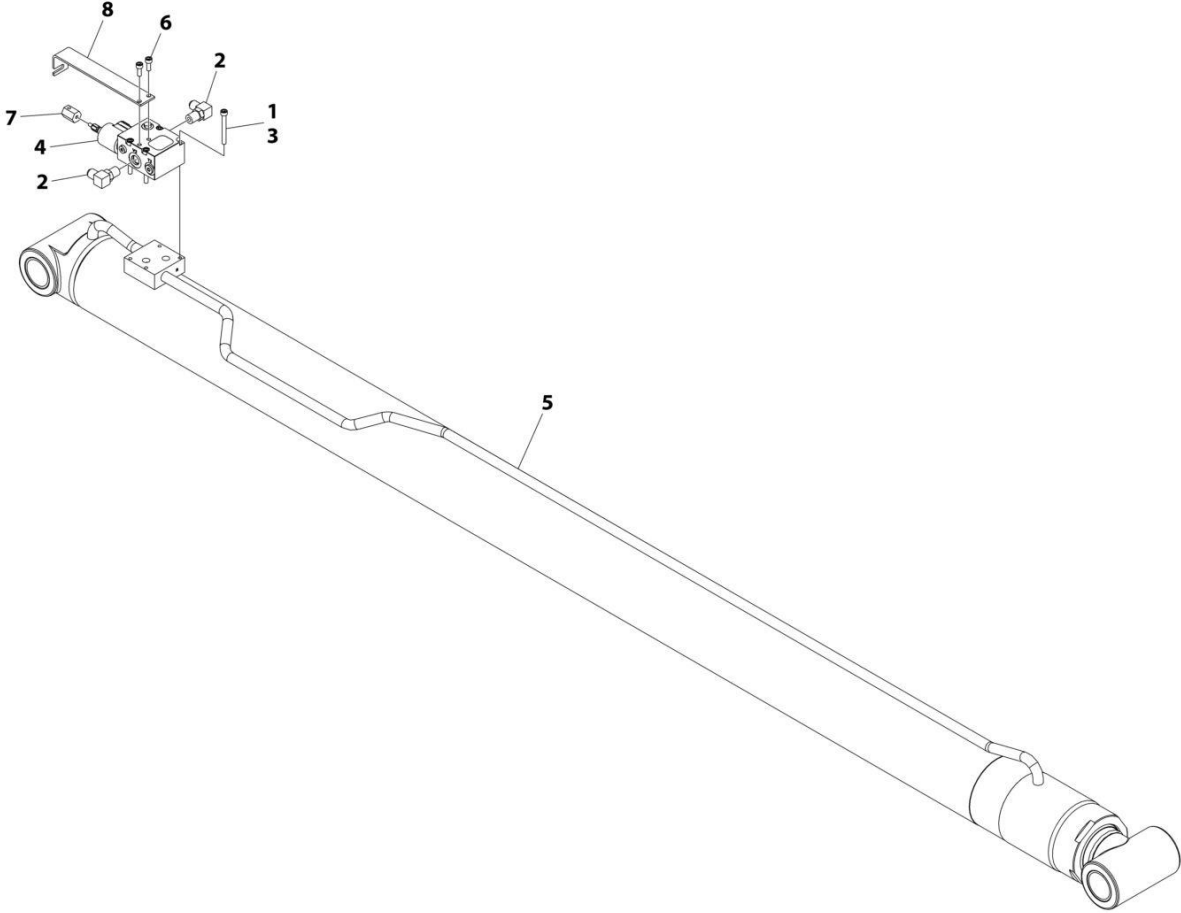


## SECTION 4 - SCISSORS ARMS

ITEM	PART NUMBER	QTY	DESCRIPTION	REV
106	1001257756	1	Arm, Inboard (Upper Mid)	
107	1001257757	2	Arm, Outboard (Upper Mid)	
108	1001257758	1	Arm, Inboard (Upper)	
109	1001257760	2	Tube, Arm Center Link	
110	1001258814	1	Arm, Outboard (Upper)	

# SECTION 4 - SCISSORS ARMS

FIGURE 4-3. CYLINDER AND LIFT DOWN VALVE ASSEMBLY (RT4069)



ART\_1001256128

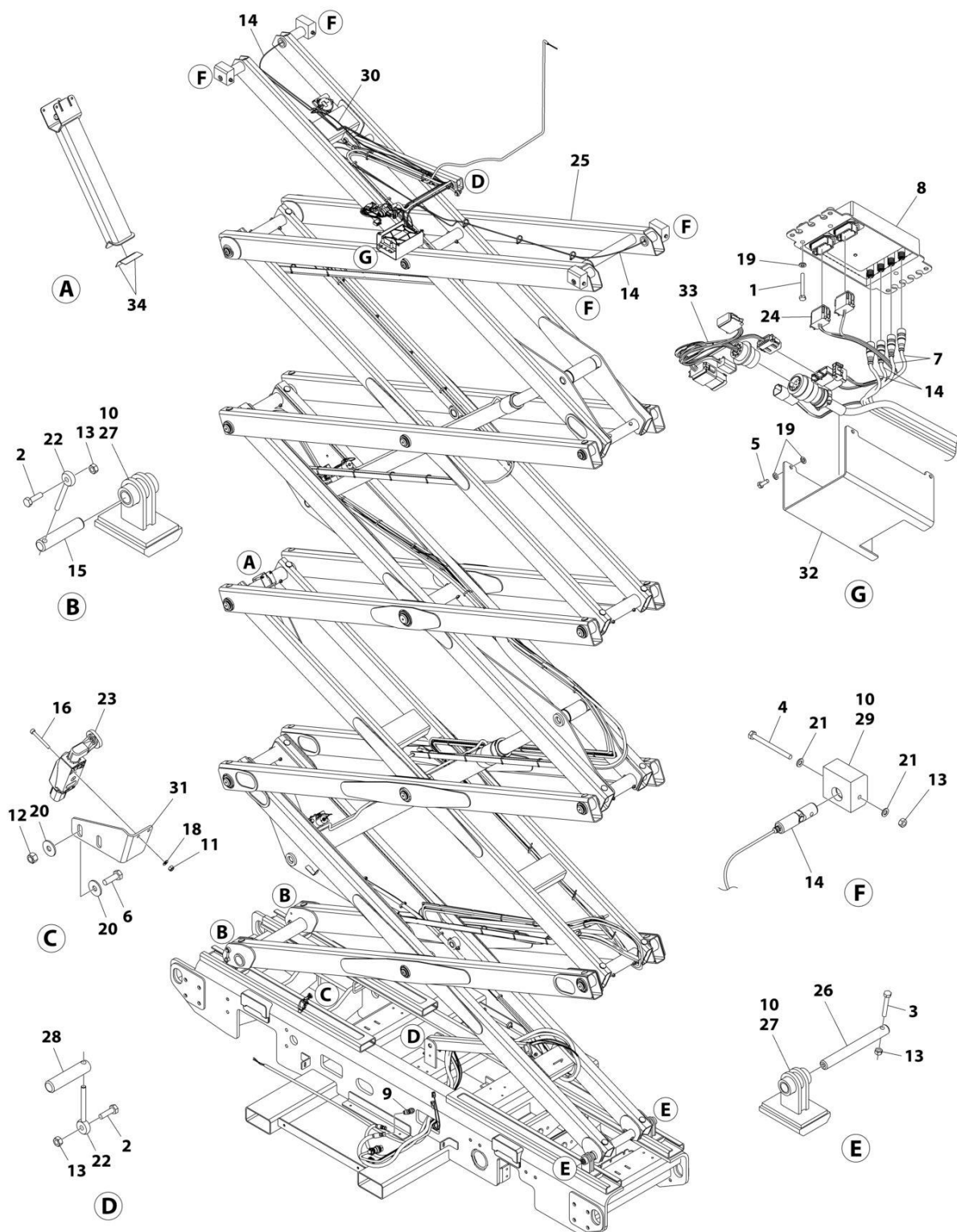
## SECTION 4 - SCISSORS ARMS

**FIGURE 4-3. CYLINDER AND LIFT DOWN VALVE ASSEMBLY (RT4069)**

ITEM	PART NUMBER	QTY	DESCRIPTION	REV
	1001256128	Ref	CYLINDER AND LIFT DOWN VALVE ASSEMBLY	C
1	0100011	AR	Compound, Locking	
2	2220473	2	Fitting, 90 JIC/ORB	
3	1001118878	4	Capscrew M6 x 55	
4	1001244904	1	Valve, Lift Down (No Service Parts Available)	
5	1001255394	1	Lift Cylinder Assembly (See Separate Breakdown in CYLINDER Section)	
6	4031707	2	Capscrew M6 x 16	
7	1001265744	1	Adapter	
8	1001265761	1	Bracket	

# SECTION 4 - SCISSORS ARMS

## FIGURE 4-4. ARMS INSTALLATION (RT4769)



ART\_1001248823

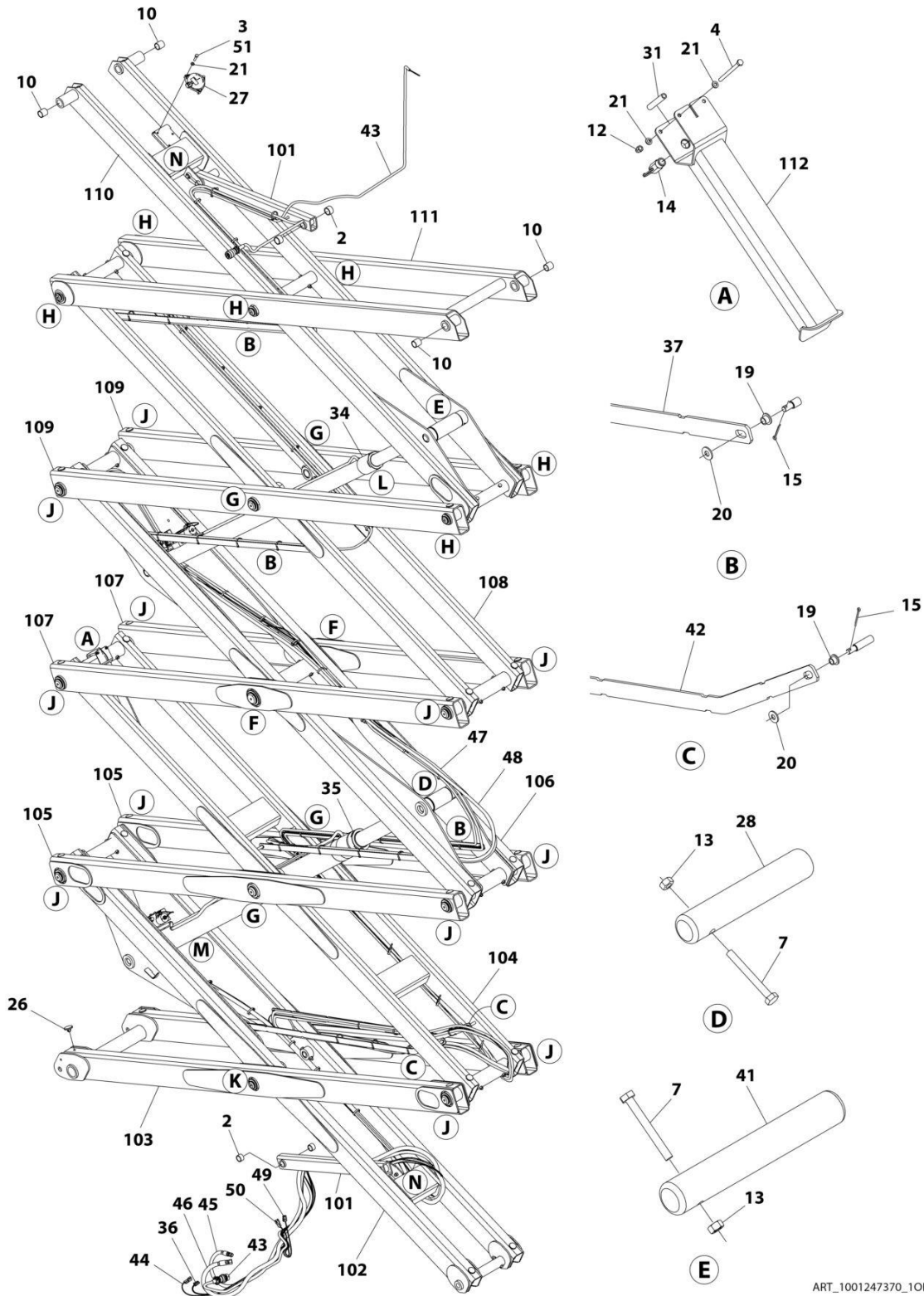
## SECTION 4 - SCISSORS ARMS

**FIGURE 4-4. ARMS INSTALLATION (RT4769)**

ITEM	PART NUMBER	QTY	DESCRIPTION	REV
	1001248823	Ref	ARMS INSTALLATION	D
1	0700618	3	Bolt M6 x 50	
2	0701015	4	Bolt 10 x 35	
3	0701022	2	Bolt 10 x 70	
4	0701029	4	Bolt 10 x 120	
5	0760608	4	Bolt M6 x 16	
6	0760812	2	Bolt M8 x 25	
7	1061020	2	Cable, Extension (1.5 Meter)	
8	1600387	1	Module, Load Sense (Note: Recalibration Required When Replaced)	
9	2220500	1	Fitting, 45 JIC/ORB	
10	3020029	AR	Lubricant	
11	3290405	2	Nut M4	
12	3290805	2	Nut M8	
13	3291007	10	Nut M10	
14	3422938	4	Pin	
15	3422943	2	Pin	
16	4031511	2	Capscrew M4 x 35	
17	4240018	AR	Tie - Strap (Not Shown)	
18	4811400	2	Washer M4	
19	4811700	11	Washer M6	
20	4811902	4	Washer M8	
21	4812000	8	Washer M10	
22	1001270098	4	Pin, Keeper	
23	1001145548	1	Switch, Limit	
23	1001284972	1	Switch, Limit	
24	1001226830	1	Harness Load Sense (See Separate Breakdown in ELECTRICAL Section)	
25	1001247370	1	Arm Assembly (See Separate Breakdown in this Section)	
26	1001247521	2	Pin	
27	1001247667	4	Support, Slider	
28	1001247669	2	Pin	
29	1001247671	4	Block, Slide	
30	1001249091	1	Harness, Tilt Sensor (See Separate Breakdown in ELECTRICAL Section)	
31	1001257587	1	Bracket	
32	1001263662	1	Cover	
33	1001264939	1	Harness, Platform (See Separate Breakdown in ELECTRICAL Section)	
34	1001189762	2	Tape	

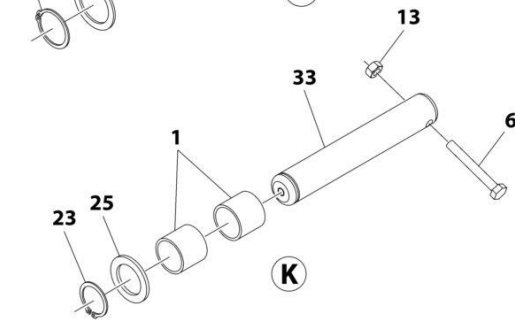
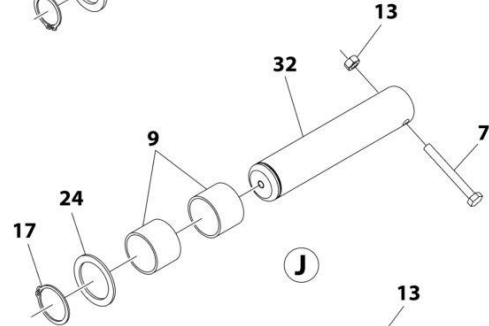
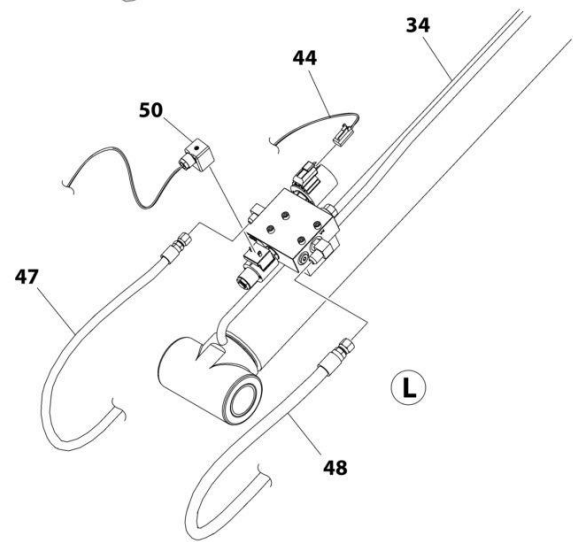
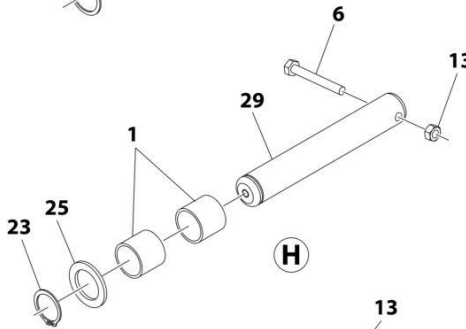
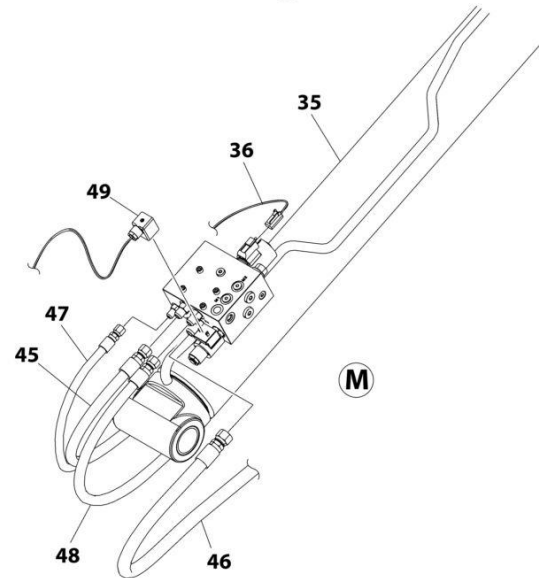
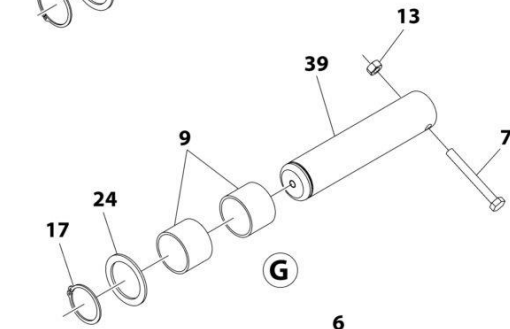
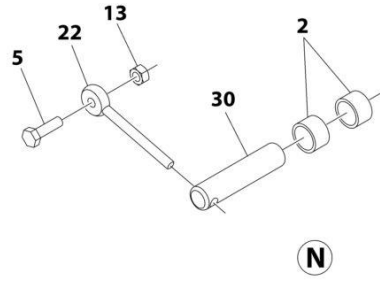
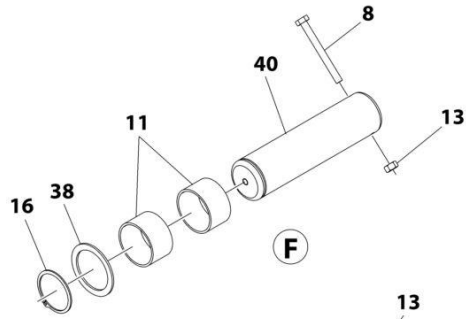
# SECTION 4 - SCISSORS ARMS

FIGURE 4-5. ARMS ASSEMBLY (RT4769)



ART\_1001247370\_10F2

# SECTION 4 - SCISSORS ARMS



ART\_1001247370\_2OF2

## SECTION 4 - SCISSORS ARMS

FIGURE 4-5. ARMS ASSEMBLY (RT4769)

ITEM	PART NUMBER	QTY	DESCRIPTION	REV
	1001247370	Ref	ARMS ASSEMBLY	D
1	0440241	16	Bearing	
2	0440264	8	Bearing	
3	0700612	3	Bolt M6 x 25	
4	0700626	2	Bolt M6 x 90	
5	0701015	2	Bolt M10 x 35	
6	0701024	8	Bolt M10 x 80	
7	0701026	20	Bolt M10 x 90	
8	0701027	2	Bolt M10 x 100	
8	0701028	2	Bolt M10 x 110	
9	0961950	32	Bushing	
10	0962220	4	Bushing	
11	0962406	4	Bushing	
12	3290606	2	Nut M6	
13	3291007	32	Nut M10	
14	3423151	1	Pin	
15	3450304	12	Pin, Cotter 3/32 x 1	
16	1001260406	2	Ring, Retaining	
17	3760493	16	Ring, Retaining	
18	4240018	AR	Tie - Strap (Not Shown)	
19	4740480	12	Washer (Plastic Insert)	
20	4751500	12	Washer 5/16	
21	4811700	7	Washer M6	
22	1001270098	2	Pin, Keeper	
23	1001099560	8	Ring, Retaining	
24	1001197405	16	Washer	
25	1001217457	8	Washer	
26	1001228533	32	Bumper	
27	1001244934	1	Sensor, Tilt	
28	1001247522	3	Pin	
29	1001247524	6	Pin	
30	1001247669	2	Pin	
31	1001247670	2	Sleeve	
32	1001247835	12	Pin	
33	1001249637	2	Pin	
34	1001256460	1	Cylinder Lift Down Valve Assembly - Upper (See Separate Breakdown in this Section)	
35	1001256461	1	Cylinder Lift Down Valve Assembly - Lower (See Separate Breakdown in this Section)	
36	1001259139	1	Harness, Lift Down - Lower (See Separate Breakdown in ELECTRICAL Section)	
37	1001259497	4	Bar, Cable	
38	1001260352	2	Washer	
39	1001260527	4	Pin	
40	1001260528	2	Pin	
41	1001260529	1	Pin	
42	1001261270	2	Bar, Cable	
43	1001262141	1	Harness, Ground To Platform (See Separate Breakdown in ELECTRICAL Section)	
44	1001262142	1	Harness, Lift Down - Upper (See Separate Breakdown in ELECTRICAL Section)	

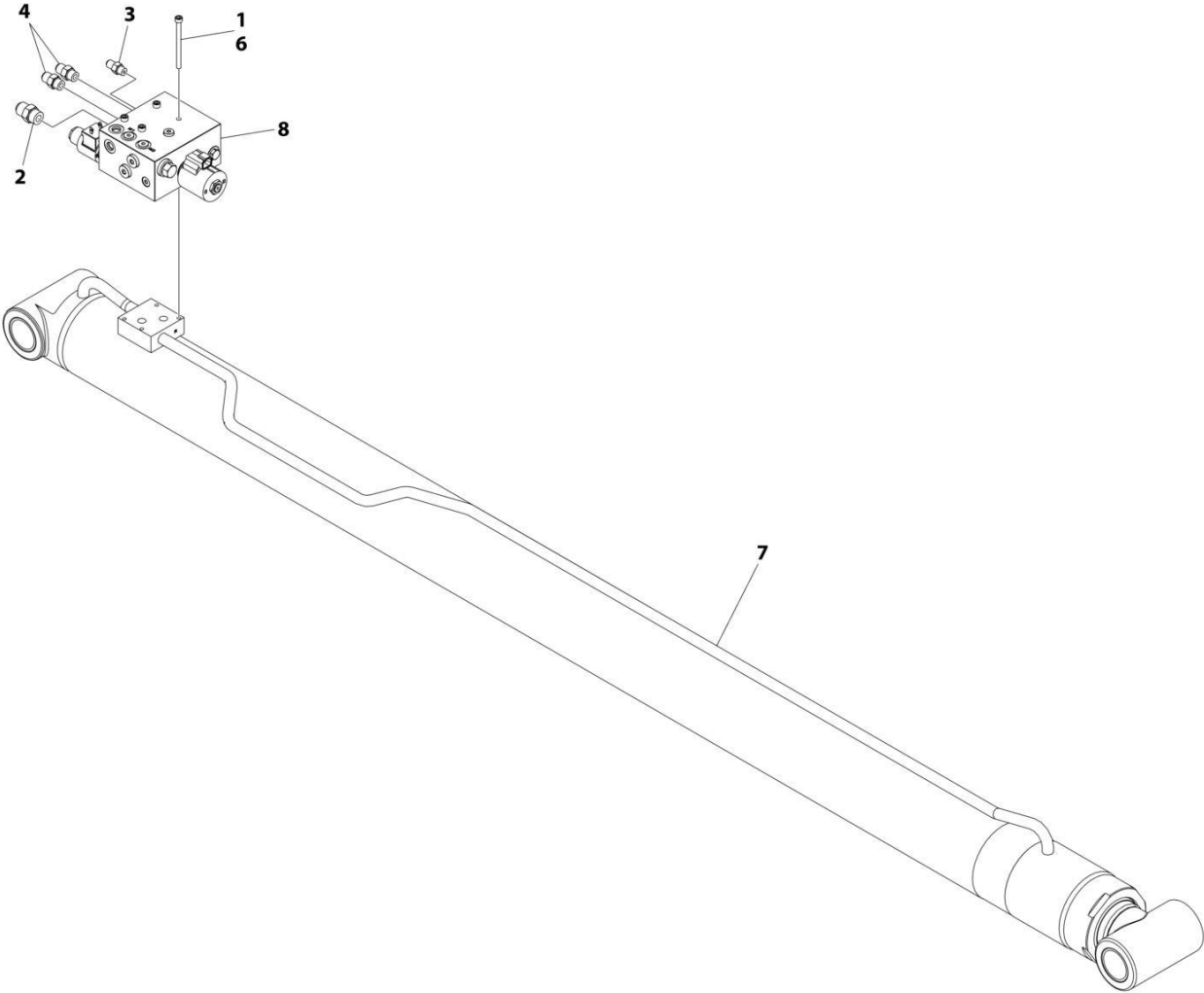


## SECTION 4 - SCISSORS ARMS

ITEM	PART NUMBER	QTY	DESCRIPTION	REV
45	1001262179	1	Hose	
46	1001262197	1	Hose	
47	1001262198	1	Hose	
48	1001262199	1	Hose	
49	1001262404	1	Cable, Lower Aux Valve	
50	1001262407	1	Cable, Upper Aux Valve	
51	0100011	AR	Compound, Locking	
100	1001247378	1	Arm Kit (Not Shown)	
101	1001257760	2	Tube, Arm Center Link	
102	1001259529	1	Arm, Inboard (Lower)	
103	1001259530	1	Arm, Outboard (Lower)	
104	1001259531	1	Arm, Inboard (Lower Mid)	
105	1001259532	2	Arm, Outboard (Lower Mid)	
106	1001259533	1	Arm, Inboard (Mid)	
107	1001259534	2	Arm, Outboard (Mid)	
108	1001259535	1	Arm, Inboard (Upper Mid)	
109	1001259536	2	Arm, Outboard (Upper Mid)	
110	1001259537	1	Arm, Inboard (Upper)	
111	1001259538	1	Arm, Outboard (Upper)	
112	1001261273	1	Prop, Arm	

**SECTION 4 - SCISSORS ARMS**

**FIGURE 4-6. CYLINDER AND LIFT DOWN VALVE ASSEMBLY - LOWER (RT4769)**



ART\_1001256461

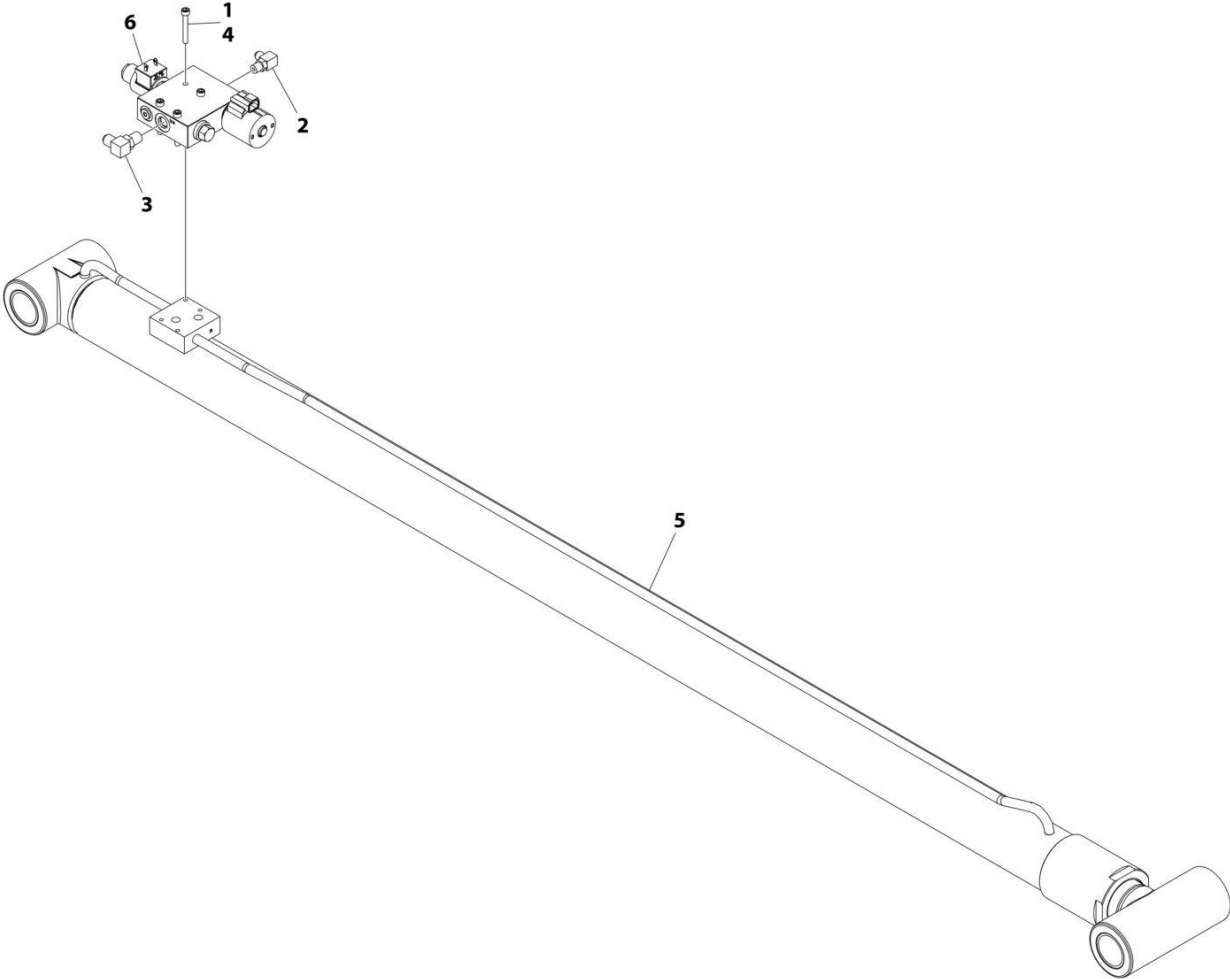
## SECTION 4 - SCISSORS ARMS

**FIGURE 4-6. CYLINDER AND LIFT DOWN VALVE ASSEMBLY - LOWER (RT4769)**

ITEM	PART NUMBER	QTY	DESCRIPTION	REV
	1001256461	Ref	CYLINDER AND LIFT DOWN VALVE ASSEMBLY	C
1	0100011	AR	Compound, Locking	
2	2220373	1	Fitting, Straight JIC/ORB	
3	2220415	1	Fitting, Straight JIC/ORB	
4	2220371	2	Fitting, Straight JIC/ORB	
6	4031720	4	Bolt M6 x 80	
7	1001255394	1	Lift Cylinder Assembly (See Separate Breakdown in CYLINDER Section)	
8	1001256341	1	Valve, Lift Down (No Service Parts Available)	

**SECTION 4 - SCISSORS ARMS**

**FIGURE 4-7. CYLINDER AND LIFT DOWN VALVE ASSEMBLY - UPPER (RT4769)**



ART\_1001256460

## SECTION 4 - SCISSORS ARMS

**FIGURE 4-7. CYLINDER AND LIFT DOWN VALVE ASSEMBLY - UPPER (RT4769)**

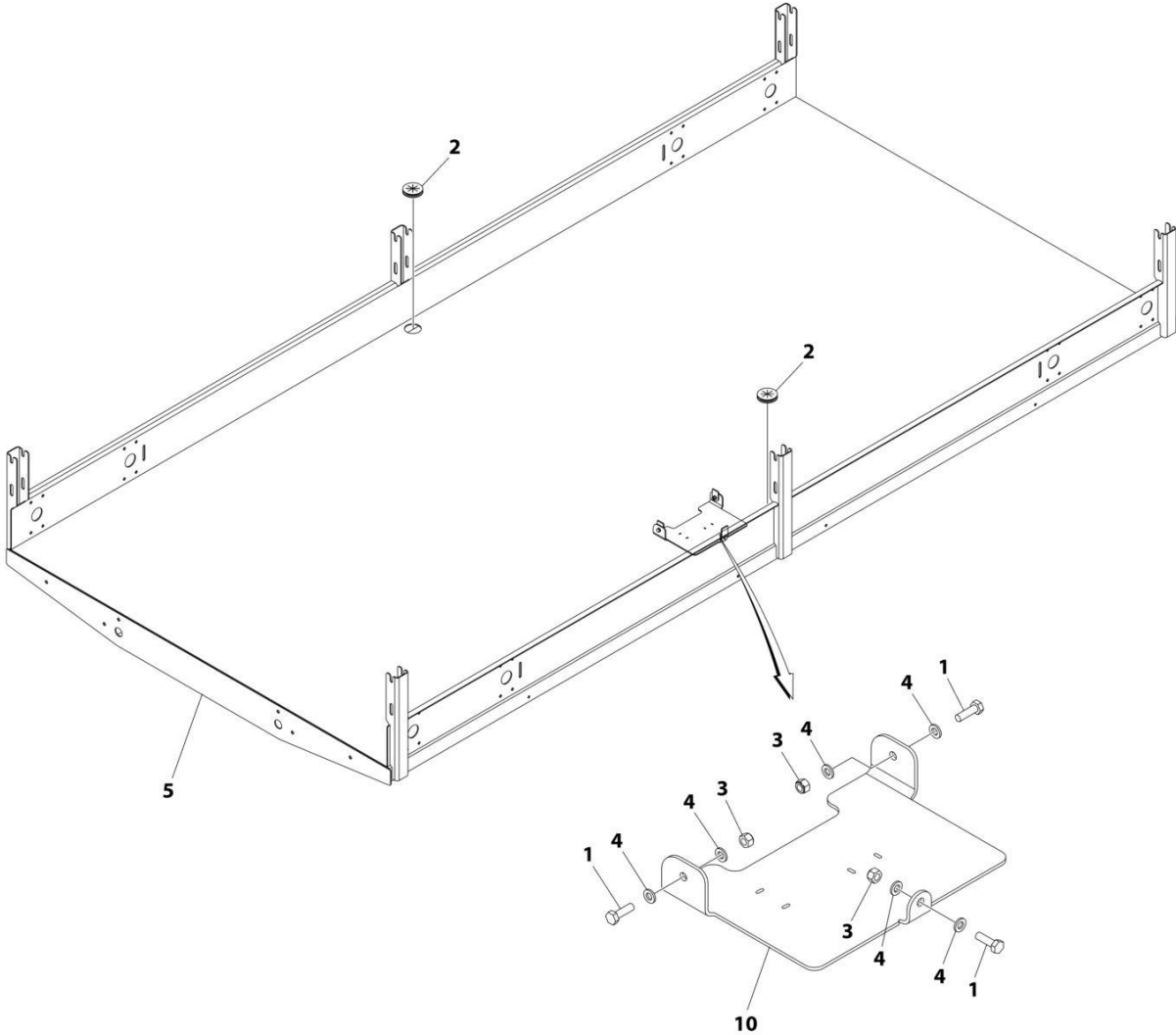
ITEM	PART NUMBER	QTY	DESCRIPTION	REV
	1001256460	Ref	CYLINDER AND LIFT DOWN VALVE ASSEMBLY	B
1	0100011	AR	Compound, Locking	
2	2220466	1	Fitting, 90 JIC/ORB	
3	2220473	1	Fitting, 90 JIC/ORB	
4	4031713	4	Bolt M6 x 45	
5	1001255902	1	Lift Cylinder Assembly (See Separate Breakdown in CYLINDER Section)	
6	1001256397	1	Valve, Lift Down (No Service Parts Available)	



**SECTION 5 - PLATFORM**

**SECTION 5 - PLATFORM**

**FIGURE 5-1. PLATFORM INSTALLATION**



ART\_1001244381



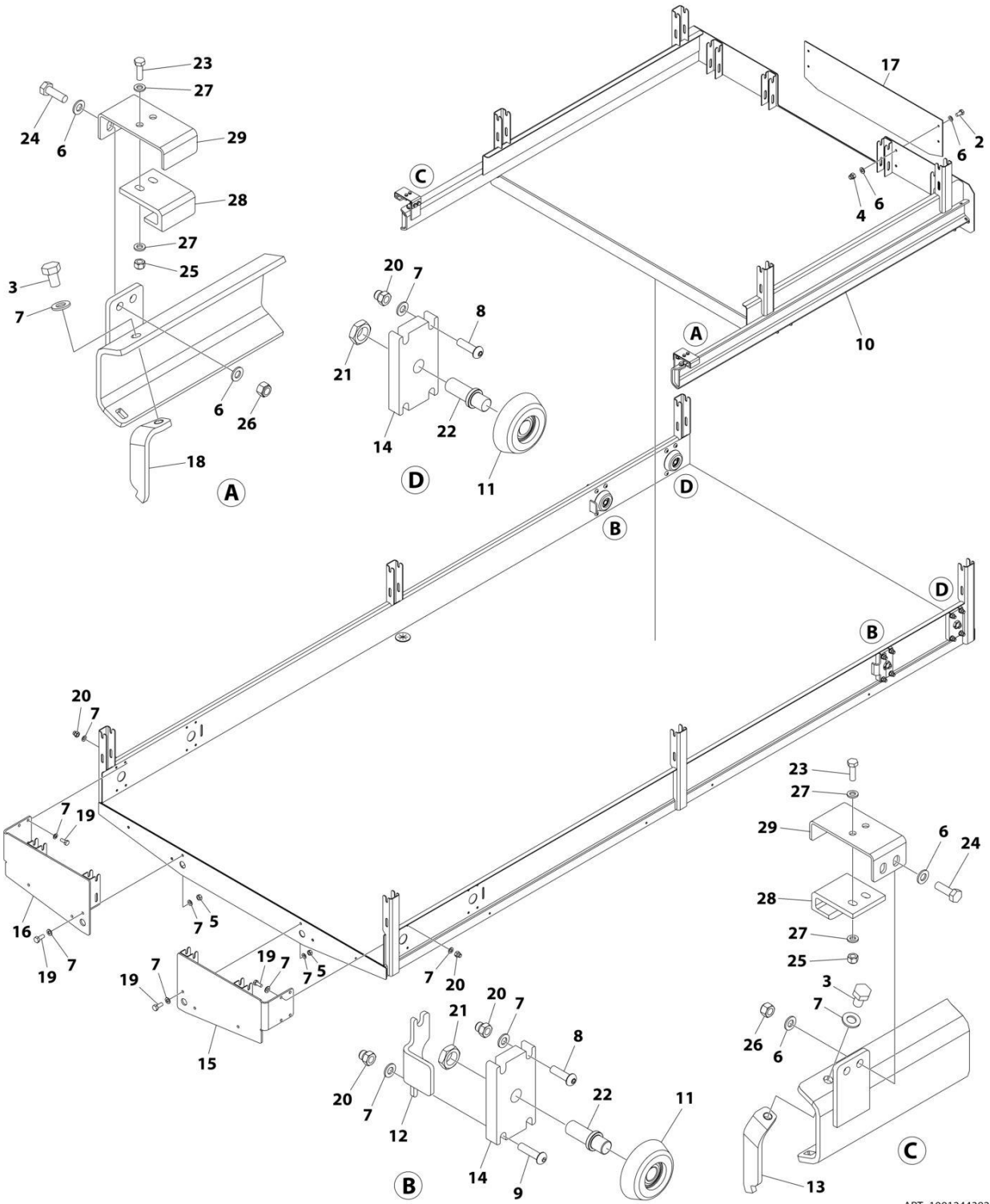
## SECTION 5 - PLATFORM

### FIGURE 5-1. PLATFORM INSTALLATION

ITEM	PART NUMBER	QTY	DESCRIPTION	REV
	1001244381	Ref	PLATFORM MOUNT INSTALLATION	B
1	0760610	3	Bolt M6 x 20	
2	2540045	2	Grommet	
3	3290605	3	Nut M6	
4	4811700	6	Washer M6	
5	1001245250	1	Platform	
10	1001251328	1	Cover	

# SECTION 5 - PLATFORM

## FIGURE 5-2. PLATFORM EXTENSION INSTALLATION (SINGLE)



ART\_1001244382

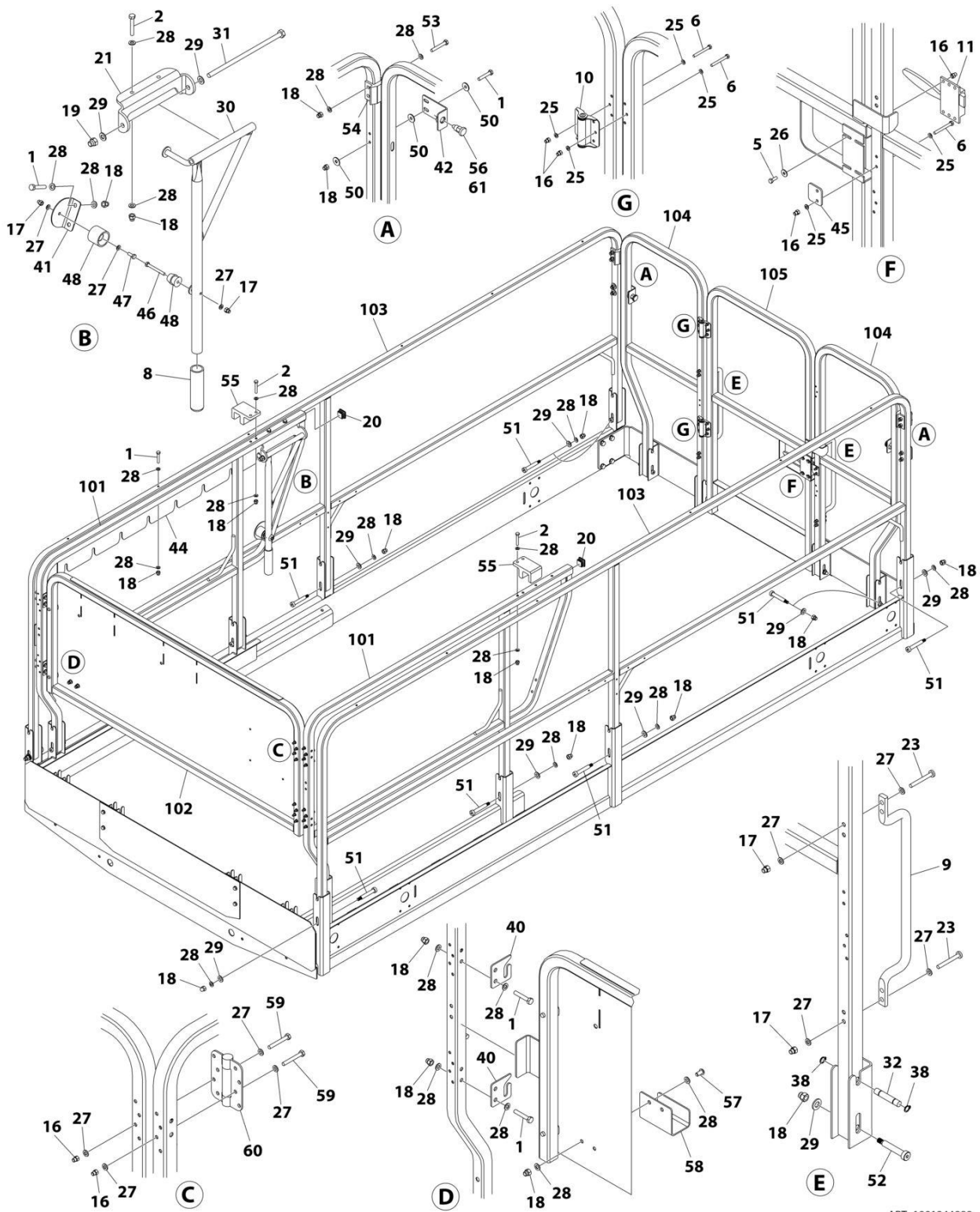
## SECTION 5 - PLATFORM

**FIGURE 5-2. PLATFORM EXTENSION INSTALLATION (SINGLE)**

ITEM	PART NUMBER	QTY	DESCRIPTION	REV
	1001244382	Ref	PLATFORM WITH SINGLE EXTENSION INSTALLATION	F
2	0760808	4	Bolt M8 x 16	
3	0761008	2	Bolt M10 x 16	
4	3290806	4	Nut M8 x 1-1/4	
5	3291007	6	Nut M10 x 1-1/2	
6	4811900	16	Washer M8	
7	4812000	46	Washer M10	
8	1001261123	12	Screw M10 x 35	
9	3900394	4	Capscrew M10 x 1-1/2	
10	1001245479	1	Extension, Platform	
11	1001248933	4	Roller	
12	1001248990	2	Plate	
13	1001248991	1	Plate	
14	1001262640	4	Bracket	
15	1001250355	1	Plate	
16	1001250356	1	Plate	
17	1001250627	1	Plate	
18	1001250640	1	Plate	
19	0701012	14	Capscrew M10 x 25	
20	3291006	24	Nut M10	
21	3292002	4	Nut M20	
22	1001262639	4	Pin	
23	0760610	4	Bolt M6 x 20	
24	0760812	4	Bolt M6 x 25	
25	3290605	4	Nut M6	
26	3290805	4	Nut M8	
27	4811700	8	Washer M6	
28	1001265684	2	Brace, Extension leg Strap	
29	1001265821	2	Bracket, Extension Back Strap	
30	4420062	AR	Tape (Not Shown)	

# SECTION 5 - PLATFORM

## FIGURE 5-3. PLATFORM RAILS INSTALLATION (SINGLE EXTENSION)



ART\_1001244888

## SECTION 5 - PLATFORM

**FIGURE 5-3. PLATFORM RAILS INSTALLATION (SINGLE EXTENSION)**

ITEM	PART NUMBER	QTY	DESCRIPTION	REV
	1001244888	Ref	RAIL INSTALLATION - PLATFORM WITH SINGLE EXTENSION	F
1	0700817	13	Bolt M8 x 45	
2	0700818	6	Bolt M8 x 50	
5	0760507	4	Bolt M8 x 14	
6	0700517	14	Bolt M5 x 45	
8	2560088	1	Grip, Handle	
9	2560176	2	Handle	
10	2600253	2	Hinge	
11	2940074	1	Latch	
16	3290506	34	Nut M5 x 3/4	
17	3290606	10	Nut M6 x 1	
18	3290806	39	Nut M8 x 1-1/4	
19	3291006	1	Nut M10	
20	3520072	2	Plug	
21	3537609	1	Plate, Pivot	
23	4010618	8	Screw M6 x 50	
25	4811600	40	Washer M5	
26	4811602	4	Washer M5	
27	4811700	51	Washer M6	
28	4811900	54	Washer M8	
29	4812000	16	Washer M10	
30	4846181	1	Handle (LH)	
31	1001195137	1	Bolt M10 x 240	
32	1001262495	2	Rod	
38	1001262454	4	Ring	
40	1001250829	2	Plate, Rotary Latch	
41	1001250830	1	Plate, Handle Latch	
42	1001258936	2	Plate, Rail	
44	1001294421	1	Plate, Extension	
45	1001253149	1	Plate, Gate Latch	
46	0700619	1	Bolt M6 x 55	
47	0760608	1	Bolt M6 x 16	
48	2940127	1	Latch	
50	4811902	12	Washer M8	
51	1001262399	12	Bolt M8 x 55	
52	1001262400	2	Bolt M8 x 50	
53	0700819	4	Bolt M8 x 55	
54	1001263628	2	Pad	
55	1001263629	2	Pad	
56	3422744	2	Pin, Plunger	
57	0630615	2	Bolt M8 x 16	
58	1001263269	1	Plate	
59	0700617	16	Bolt M6 x 45	
60	2600285	2	Hinge	
61	0100011	AR	Compound, Locking	
100	1001265846	1	Rail, Single Extension Kit	
101	1001248840	2	Rail, Extension Side	
102	1001248986	1	Rail, Extension Front	
103	1001249882	2	Rail, Platform Side	
104	1001249883	2	Rail, Platform Rear	

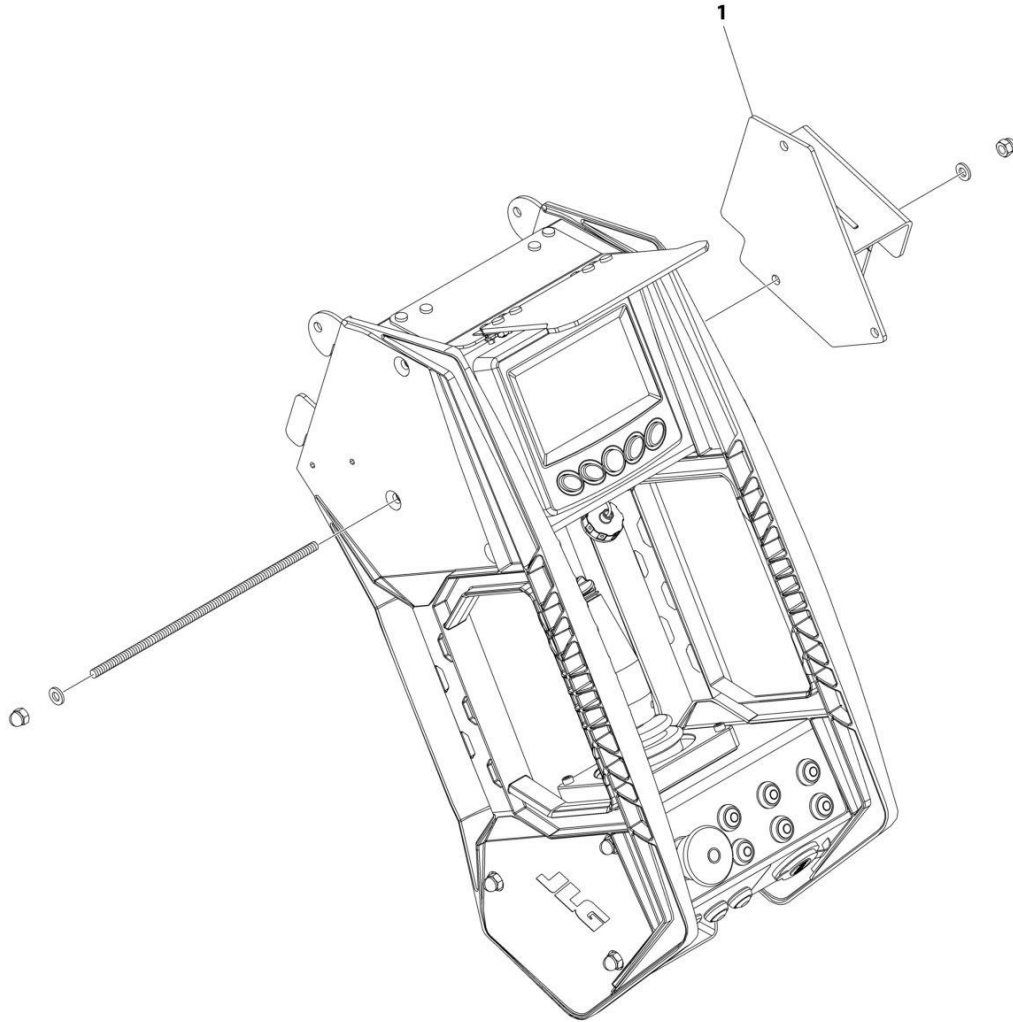
## SECTION 5 - PLATFORM

ITEM	PART NUMBER	QTY	DESCRIPTION	REV
105	1001249884	1	Rail, Platform Gate	



# SECTION 5 - PLATFORM

## FIGURE 5-4. PLATFORM CONTROL BOX INSTALLATION - SIDE MOUNT



ART\_1001265916



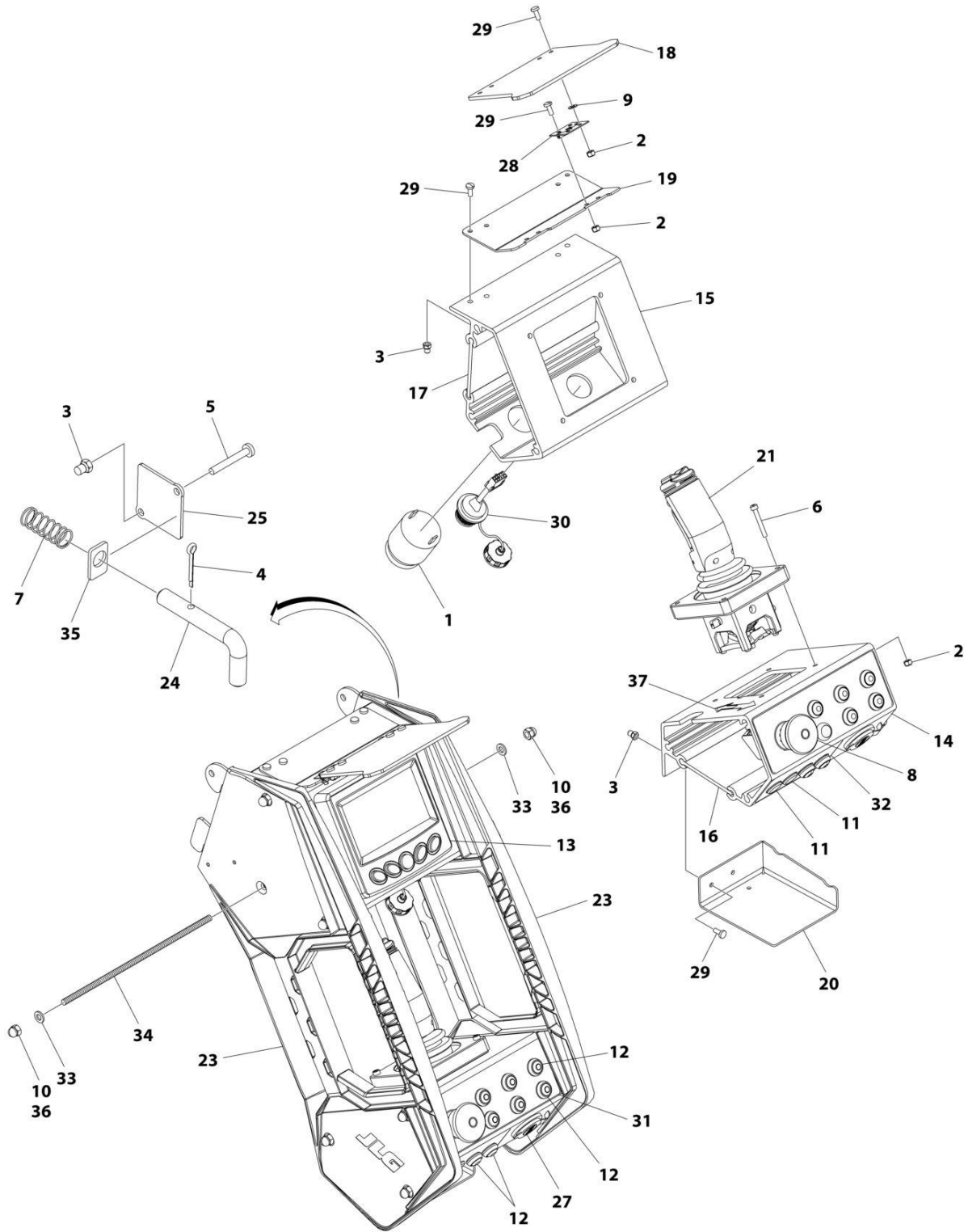
## SECTION 5 - PLATFORM

**FIGURE 5-4. PLATFORM CONTROL BOX INSTALLATION - SIDE MOUNT**

ITEM	PART NUMBER	QTY	DESCRIPTION	REV
	1001265916	Ref	PLATFORM CONSOLE BOX INSTALLATION	B
1	1001265532	1	Bracket, Control Box Sidemount	
2	0100011	1	Compound, Locking (Not Shown - Use on Mounting Hardware)	

# SECTION 5 - PLATFORM

## FIGURE 5-5. PLATFORM CONTROL BOX INSTALLATION



ART\_1001247383

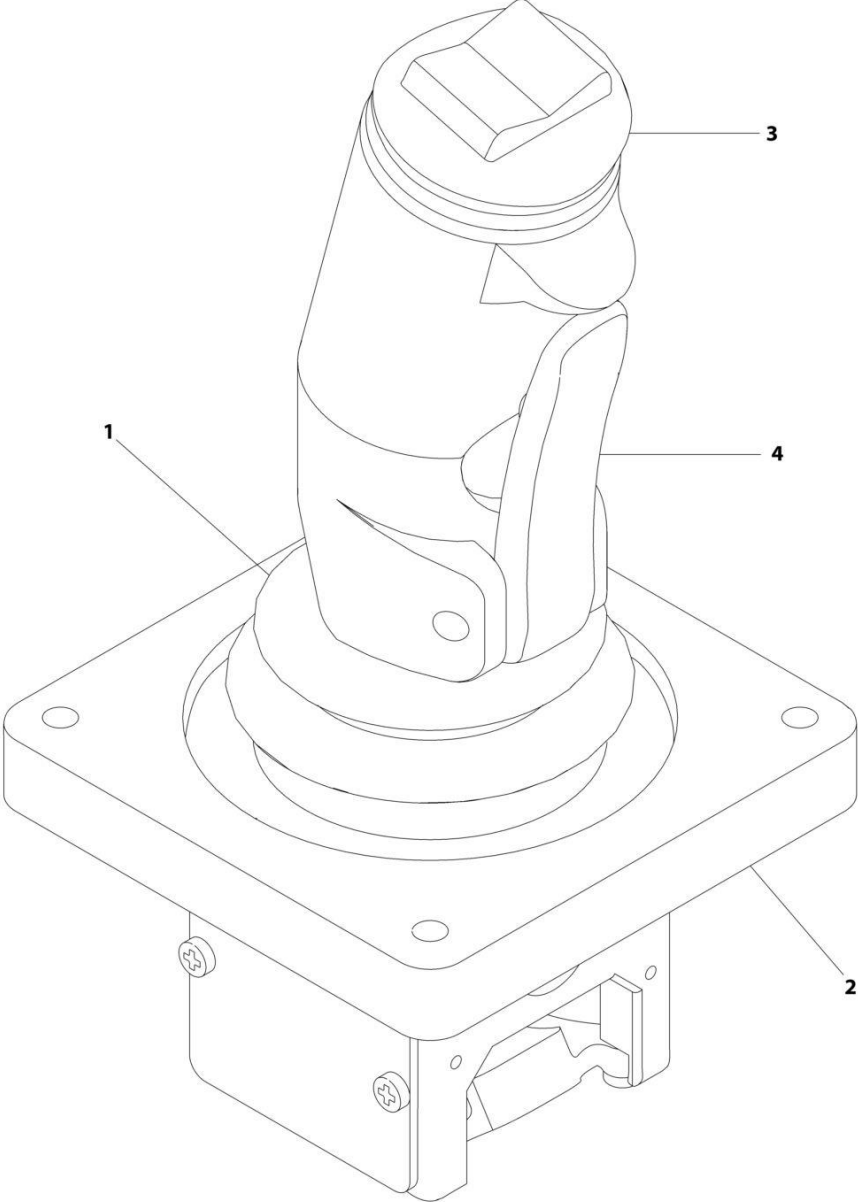
## SECTION 5 - PLATFORM

**FIGURE 5-5. PLATFORM CONTROL BOX INSTALLATION**

ITEM	PART NUMBER	QTY	DESCRIPTION	REV
	1001247383	Ref	PLATFORM CONSOLE BOX INSTALLATION	H
1	0140030	1	Alarm	
2	3290405	12	Nut M4	
3	3290406	8	Nut M4	
4	3450303	1	Cotter Pin	
5	4010414	2	Bolt M4 x 30	
6	4031510	4	Bolt M4 x 30	
7	4160214	1	Spring, Door Latch	
8	1001274559	1	Switch, Emergency Stop (Plastic)	
8	4360475	1	Switch, Emergency Stop (Metal)	
8	7020175	1	Cap	
8	7020176	1	Block, Contact	
9	4811400	4	Washer M4	
10	1001108603	12	Nut M6 x 1	
11	1001176626	2	Cap	
12	1001226749	8	Switch	
13	1001244932	1	Control, Scissor Display	
14	1001246583	1	Housing, Lower Extrusion	
15	1001246584	1	Housing, Upper Extrusion	
16	1001246863	1	Cover, Lower Extrusion	
17	1001246864	1	Cover, Upper Extrusion	
18	1001246979	1	Shield, Display	
19	1001247313	1	Mount, Display Shield	
20	1001247443	1	Plate, Phone Holder	
21	1001247682	1	Controller Assembly (See Separate Breakdown in this Section)	
22	1001249049	1	Harness, Platform Control Box (See Separate Breakdown in this Section)	
23	1001249259	2	Panel, Control Box Side	
24	1001250682	1	Pin	
25	1001250692	1	Panel, Latch Cover	
27	1001253800	1	USB Port	
28	1001254119	2	Hinge	
29	4010405002	14	Bolt M4 x 10	
30	1001246823	1	USB Port	
31	1001257076	1	Decal, Platform Function	
32	1001257077	1	Decal, Platform Function	
33	4811700	12	Washer M6	
34	1001255461	6	Stud M6	
35	1001262098	1	Plate, Control Box Latch	
36	0100011	AR	Compound, Locking	
37	1703819	1	Decal - Direction Arrow	

**SECTION 5 - PLATFORM**

**FIGURE 5-6. CONTROLLER ASSEMBLY**



ART\_1001247682

## SECTION 5 - PLATFORM

### FIGURE 5-6. CONTROLLER ASSEMBLY

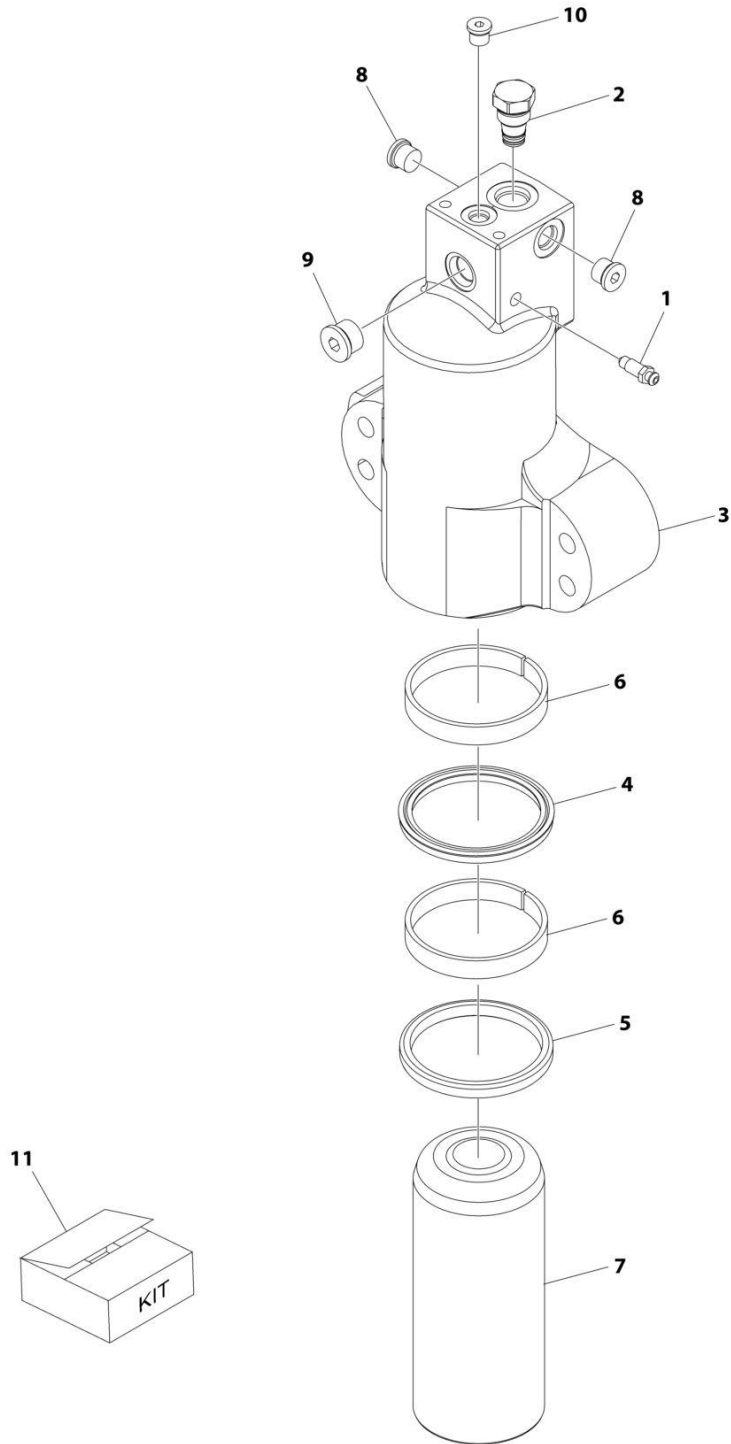
ITEM	PART NUMBER	QTY	DESCRIPTION	REV
	1001247682	Ref	DRIVE/STEER CONTROLLER ASSEMBLY (LCD)	B
1	70001250	1	Boot, Panel	
2	70001252	1	Gasket, Mounting	
2	70001251	1	Bezel, Mounting	
3	70007506	1	Handle Repair Kit (Includes handle gasket, item#4 push button and item #4 lever installed in front handle half, back handle half, top actuator, boot and hardware.)	
3	70000084	1	Cap, Rubber	
3	70000082	1	Microswitch	
3	7027766	1	Ring, Retaining	
3	7027365	1	Actuator, Handle	
3	70001253	1	Gasket, Handle	
3	70000683	4	Washer, Neoprene	
3	70000685	2	Spacer, Plastic	
3	70000686	2	Screw (Top)	
3	70000684	2	Screw (Bottom)	
4	7027367	1	Switch, Push Button	
4	7027765	1	Lever, Enable	



**SECTION 6 - CYLINDER**

# SECTION 6 - CYLINDER

## FIGURE 6-1. AXLE LOCKOUT CYLINDER ASSEMBLY



ART\_1001245046



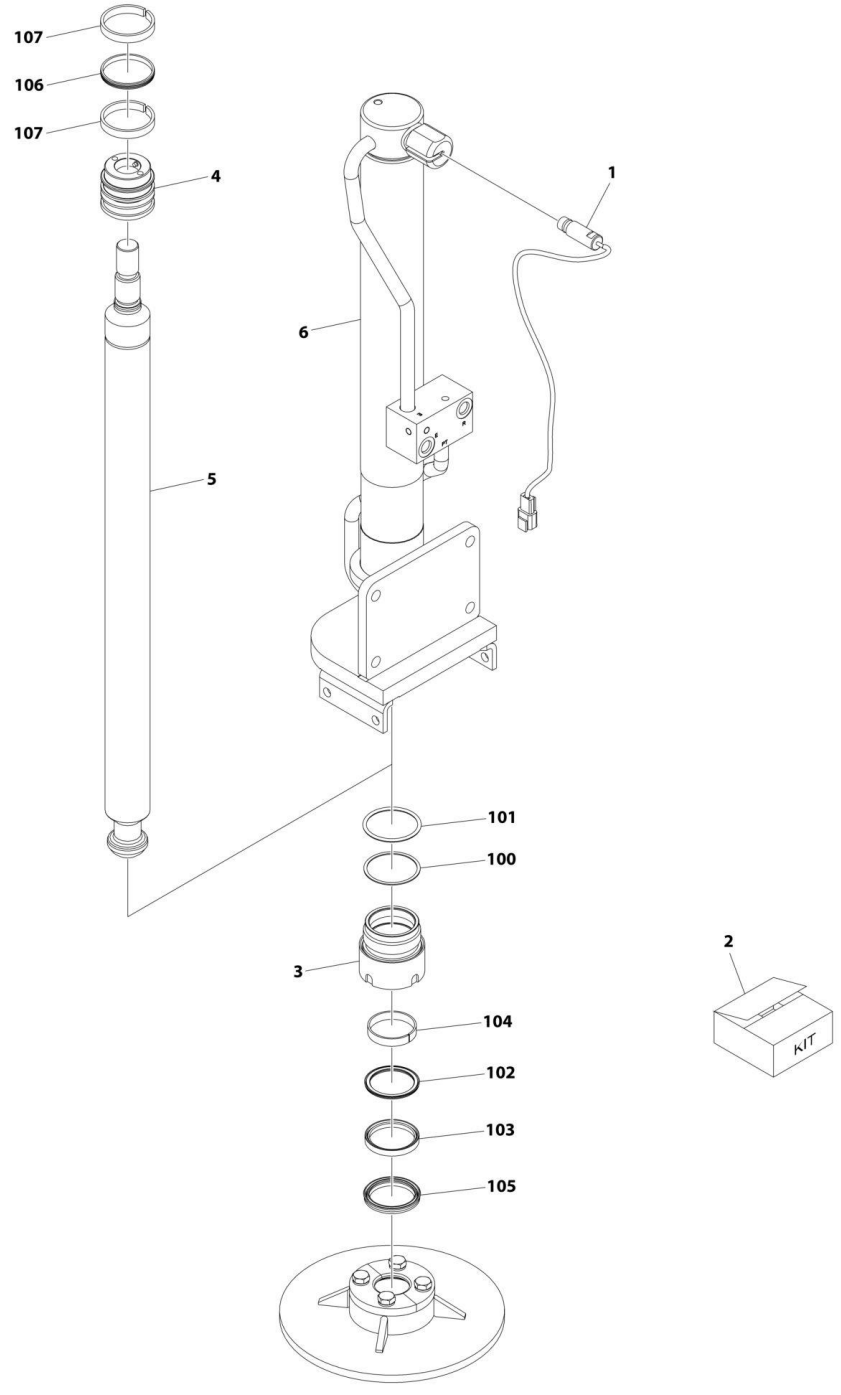
## SECTION 6 - CYLINDER

**FIGURE 6-1. AXLE LOCKOUT CYLINDER ASSEMBLY**

ITEM	PART NUMBER	QTY	DESCRIPTION	REV
	1001245046	Ref	AXLE LOCKOUT CYLINDER ASSEMBLY	D
		Ref	<b>Note: Original Cylinder May Have Been Replaced with Service Replacement. Identify PN Stamped on Cylinder Before Ordering Parts.</b>	
1	4640858	1	Valve, Bleeder	
2	1001248671	1	Cartridge, Valve	
3	1001245653	1	Barrel	
4	See Note	NSS	Seal, Rod (Note: use p/n 70007678)	
5	See Note	NSS	Wiper (Note: use p/n 70007678)	
6	See Note	NSS	Ring, Wear (Note: use p/n 70007678)	
7	70007679	1	Rod	
8	2220885	2	Plug #6	
9	2220886	1	Plug #8	
10	2220883	1	Plug #4	
11	70007678	1	Kit, Seal (Includes Items 4-6)	

# SECTION 6 - CYLINDER

## FIGURE 6-2. LEVELING JACK CYLINDER ASSEMBLY



ART\_1001243256

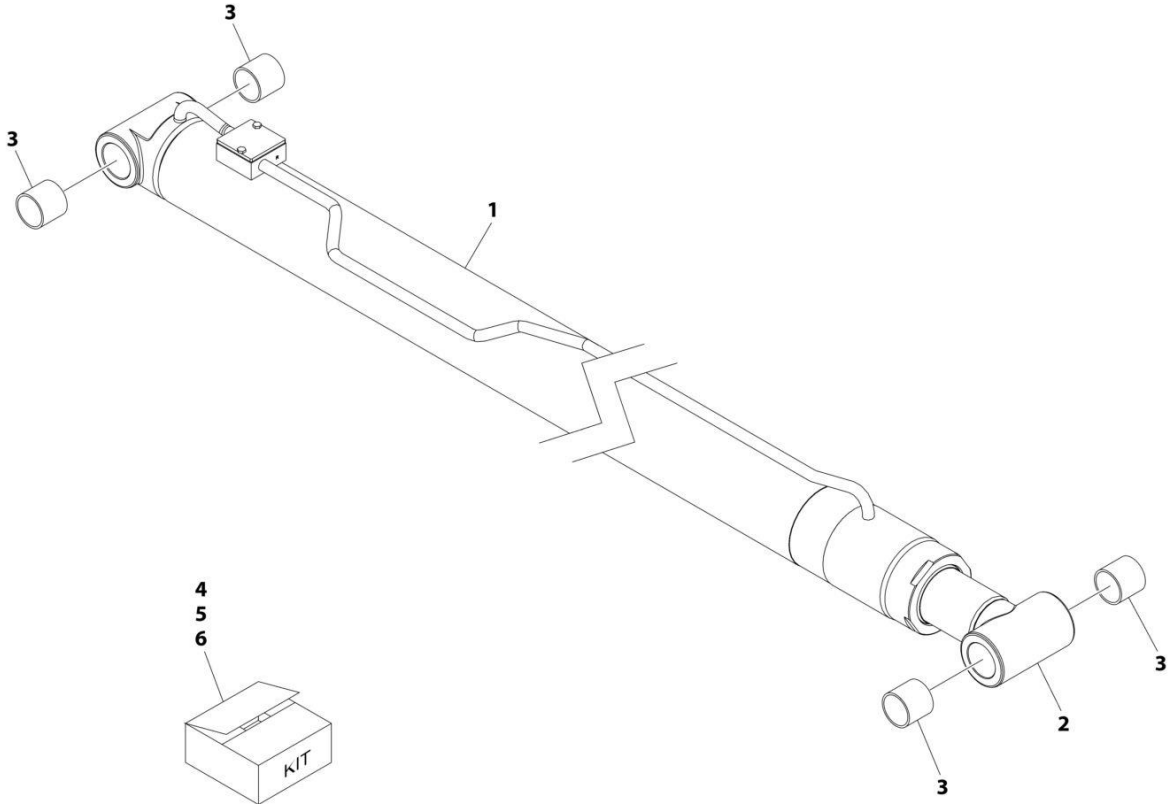
## SECTION 6 - CYLINDER

**FIGURE 6-2. LEVELING JACK CYLINDER ASSEMBLY**

ITEM	PART NUMBER	QTY	DESCRIPTION	REV
	1001243256	Ref	LEVELING JACK CYLINDER ASSEMBLY	E
	See Note	Ref	Note: Original Cylinder May Have Been Replaced with Service Replacement. Identify PN Stamped on Cylinder Before Ordering Parts.	
1	1001246658	1	Sensor, Leveling Jacks Proximity	
2	70007709	1	Kit, Seal (Includes Items 100-107)	
3	70007710	1	Retainer	
4	70007711	1	Piston	
5	70007712	1	Rod	
6	See Note	1	Barrel (Note: Use PN 1001243256)	
100	See Note	NSS	Ring, Backup (Note: use p/n 70007709)	
101	See Note	NSS	O-Ring (Note: use p/n 70007709)	
102	See Note	NSS	Ring, Buffer (Note: use p/n 70007709)	
103	See Note	NSS	Seal, Rod (Note: use p/n 70007709)	
104	See Note	NSS	Ring, Wear (Note: use p/n 70007709)	
105	See Note	NSS	Wiper (Note: use p/n 70007709)	
106	See Note	NSS	Seal, Piston (Note: use p/n 70007709)	
107	See Note	NSS	Ring, Wear (Note: use p/n 70007709)	

**SECTION 6 - CYLINDER**

**FIGURE 6-3. LIFT CYLINDER ASSEMBLY - LOWER**



ART\_1001255394

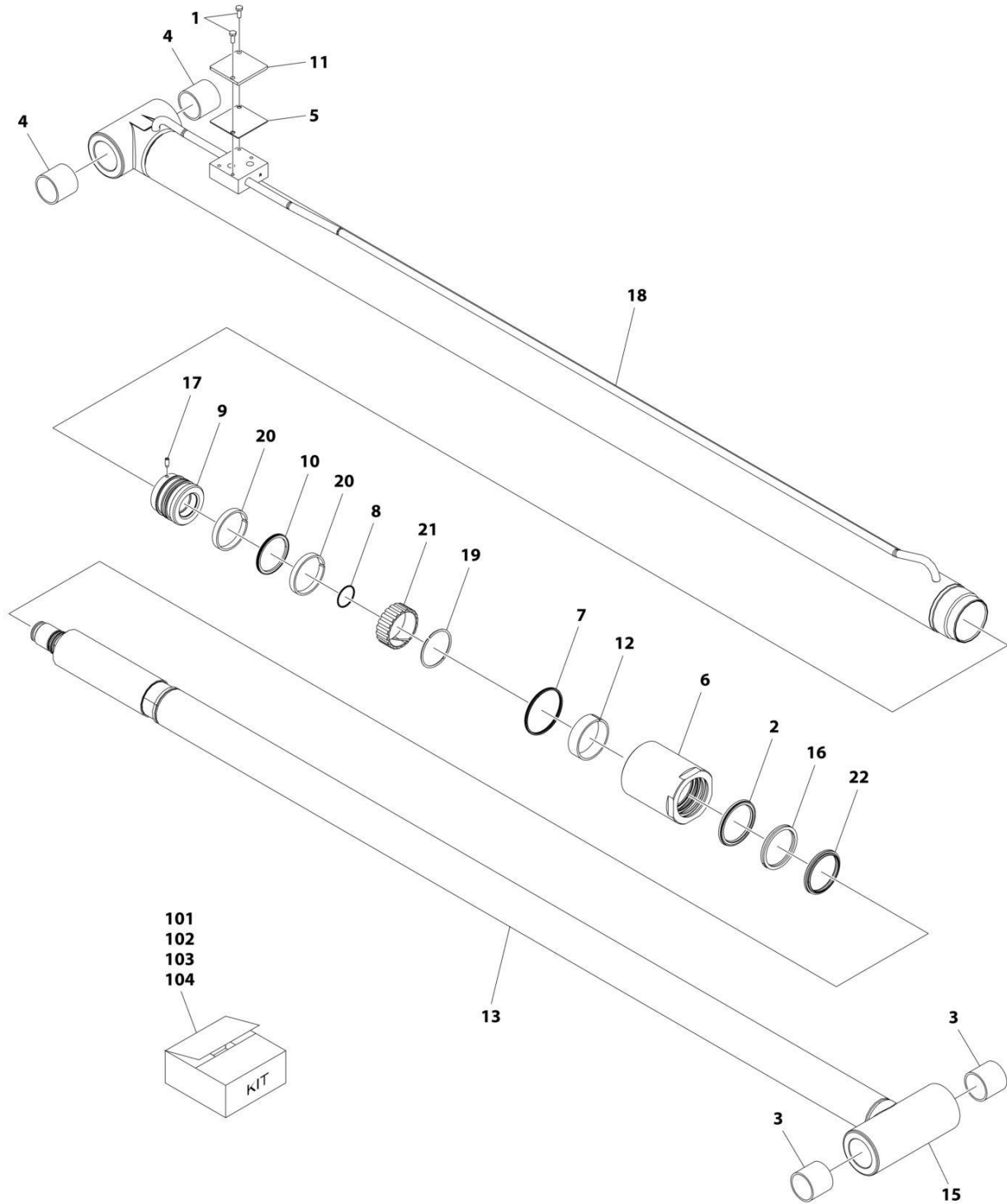
## SECTION 6 - CYLINDER

**FIGURE 6-3. LIFT CYLINDER ASSEMBLY - LOWER**

ITEM	PART NUMBER	QTY	DESCRIPTION	REV
	1001255394	Ref	CYLINDER ASSEMBLY - LIFT Note: Original Cylinder May Have Been Replaced with Service Replacement. Identify PN Stamped on Cylinder Before Ordering Parts.	D
		Ref		
1	Note	NSS	Barrel (Note: Use PN 1001255394)	
2	70007949	1	Rod Kit (Includes Rod & Rod End)	
3	70007950	4	Bushing	
4	70007715	1	Piston Kit (Includes Piston, Piston Seal, Wear Ring & Setscrew)	
5	70007948	1	Head/Retainer Kit (Includes Head, Head Seal, Buffer Ring, Piston Seal, Retainer, Wear Ring & Wiper),	
6	70007947	1	Seal Kit (Includes Buffer Ring, Head Seal, Piston Seals, Wear Rings & Wiper)	

# SECTION 6 - CYLINDER

## FIGURE 6-4. LIFT CYLINDER ASSEMBLY - UPPER (RT4769)



ART\_1001255902

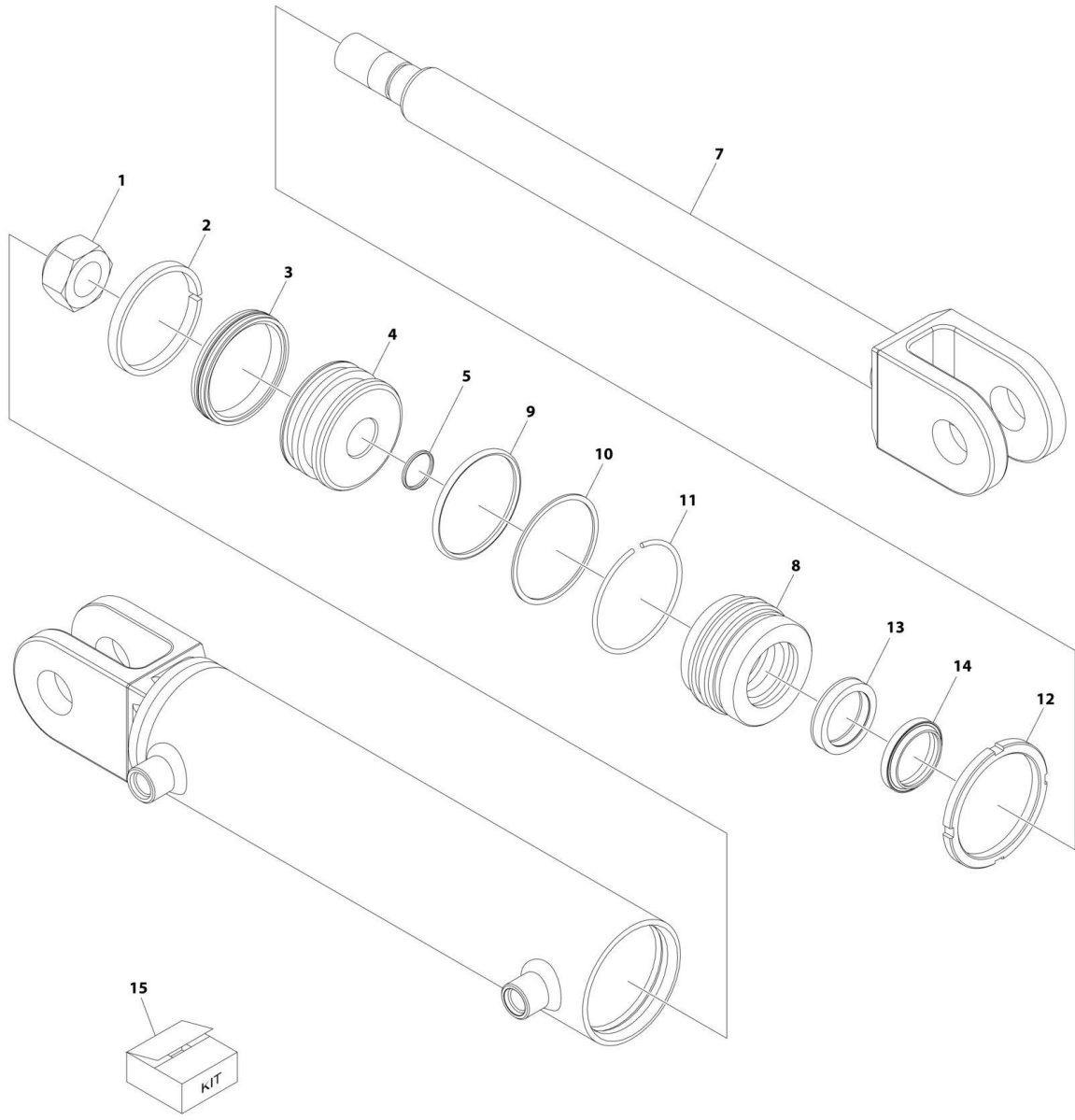
## SECTION 6 - CYLINDER

**FIGURE 6-4. LIFT CYLINDER ASSEMBLY - UPPER (RT4769)**

ITEM	PART NUMBER	QTY	DESCRIPTION	REV
	1001255902	Ref	CYLINDER ASSEMBLY - LIFT	D
		Ref	Note: Original Cylinder May Have Been Replaced with Service Replacement. Identify PN Stamped on Cylinder Before Ordering Parts.	
1	See Note	NSS	Bolt (Note: Purchase Locally)	
2	See Note	NSS	Ring, Buffer (Note: Use Kit PN 70008568 or 70008569)	
3	70007950	2	Bushing	
4	70008572	2	Bushing	
5	See Note	NSS	Gasket (Note: Purchase Complete Assembly)	
6	See Note	NSS	Head (Note: Purchase Complete Assembly)	
7	See Note	NSS	Seal, Head (Note: Use Kit PN 70008568 or 70008569)	
8	See Note	NSS	O-Ring (Note: Use Kit PN 70008568)	
9	See Note	NSS	Piston (Note: Use Kit PN 70008570)	
10	See Note	NSS	Seal, Piston (Note: Use Kit PN 70008568 or 70008570)	
11	See Note	NSS	Plate (Note: Purchase Complete Assembly)	
12	See Note	NSS	Retainer (Note: Use Kit PN 70008569)	
13	See Note	NSS	Rod (Note: Use Kit PN 70008571)	
14	See Note	NSS	Bushing, Rod (Not Shown) (Note: Use Kit PN 70008568 or 70008569)	
15	See Note	NSS	End, Rod (Note: Use Kit PN 70008571)	
16	See Note	NSS	Seal, Rod (Note: Use Kit PN 70008568 or 70008569)	
17	See Note	NSS	Setscrew (Note: Use Kit PN 70008570)	
18	See Note	NSS	Barrel (Note: Purchase Complete Assembly)	
19	See Note	NSS	Ring, Stop (Note: Use Kit PN 70008571)	
20	See Note	NSS	Ring, Wear (Note: Use Kit PN 70008568 or 70008570)	
21	See Note	NSS	Ring, Wear (Note: Use Kit PN 70008568)	
22	See Note	NSS	Wiper (Note: Use Kit PN 70008568 or 70008569)	
101	70008568	1	Kit, Service (Includes Items 2,7,10,14,16,20,21,22)	
102	70008569	1	Kit, Retainer (Includes Items 2,7,12,14,16,22)	
103	70008570	1	Kit, Piston (Includes Items 9,10,17,20)	
104	70008571	1	Kit, Rod (Includes Items 13,15,19)	

# SECTION 6 - CYLINDER

## FIGURE 6-5. STEER CYLINDER ASSEMBLY



ART\_1001246107



## SECTION 6 - CYLINDER

**FIGURE 6-5. STEER CYLINDER ASSEMBLY**

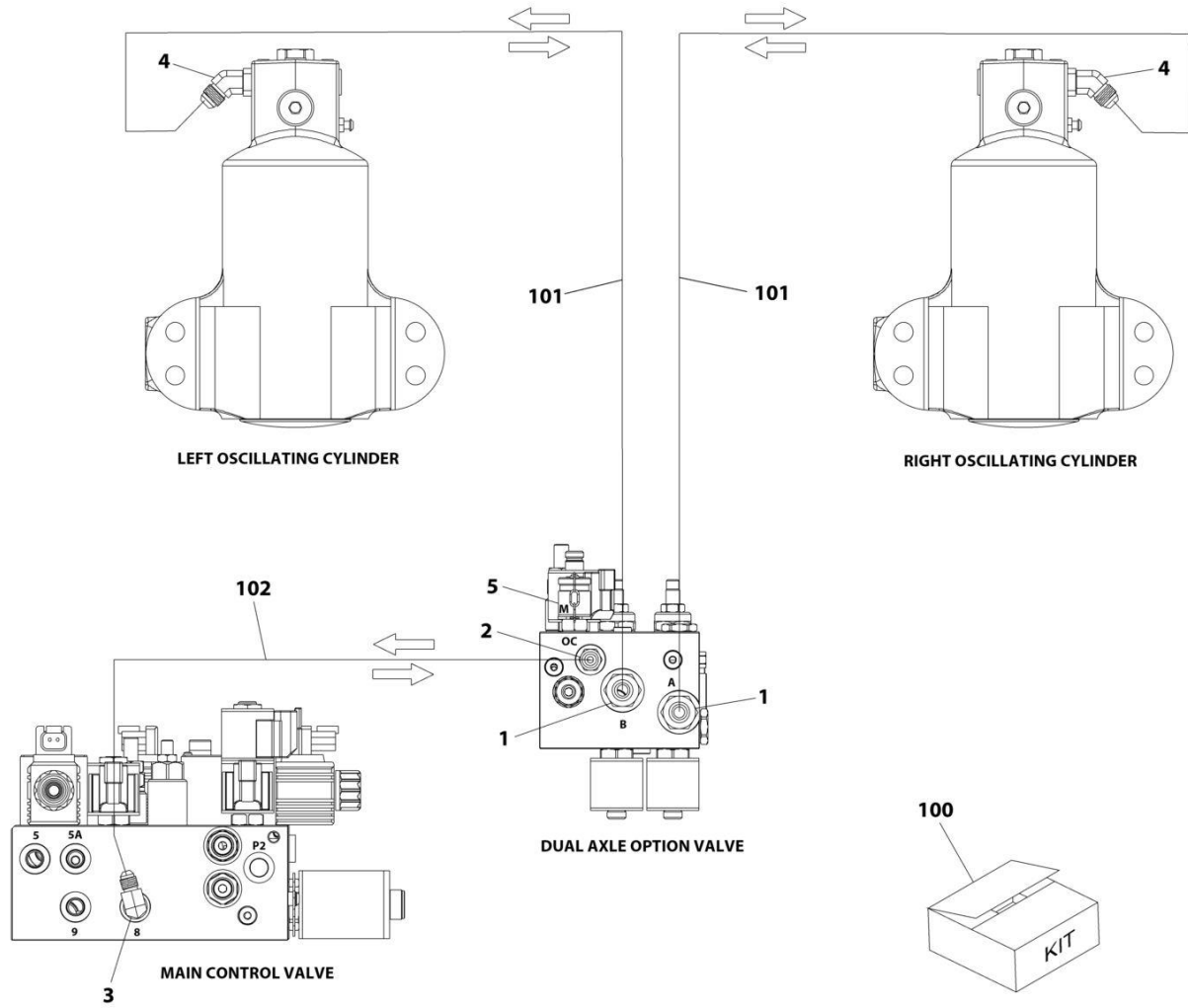
ITEM	PART NUMBER	QTY	DESCRIPTION	REV
	1001246107	Ref	STEER CYLINDER ASSEMBLY	B
		Ref	<b>Note: Original Cylinder May Have Been Replaced with Service Replacement. Identify PN Stamped on Cylinder Before Ordering Parts.</b>	
1	7001626	1	Nut	
2	See Note	NSS	Ring, Wear (Note: use p/n 70007610)	
3	See Note	NSS	Seal, Piston (Note: use p/n 70007610)	
4	70007607	1	Piston	
5	See Note	NSS	O-Ring (Note: use p/n 70007610)	
7	70007608	1	Rod	
8	70007609	1	Guide	
9	See Note	NSS	O-Ring (Note: use p/n 70007610)	
10	See Note	NSS	Ring, Backup (Note: use p/n 70007610)	
11	See Note	NSS	Ring, Retaining (Note: use p/n 70007610)	
12	7001630	1	Nut	
13	See Note	NSS	Ring (Note: use p/n 70007610)	
14	See Note	NSS	Ring, Wiper (Note: use p/n 70007610)	
15	70007610	1	Kit, Seal (Includes Items 2, 3, 5, 8-10, 12, & 13)	



**SECTION 7 - HYDRAULIC**

# SECTION 7 - HYDRAULIC

## FIGURE 7-1. HYDRAULIC DIAGRAM - AXLE (DUAL OSCILLATING)



ART\_1001246104

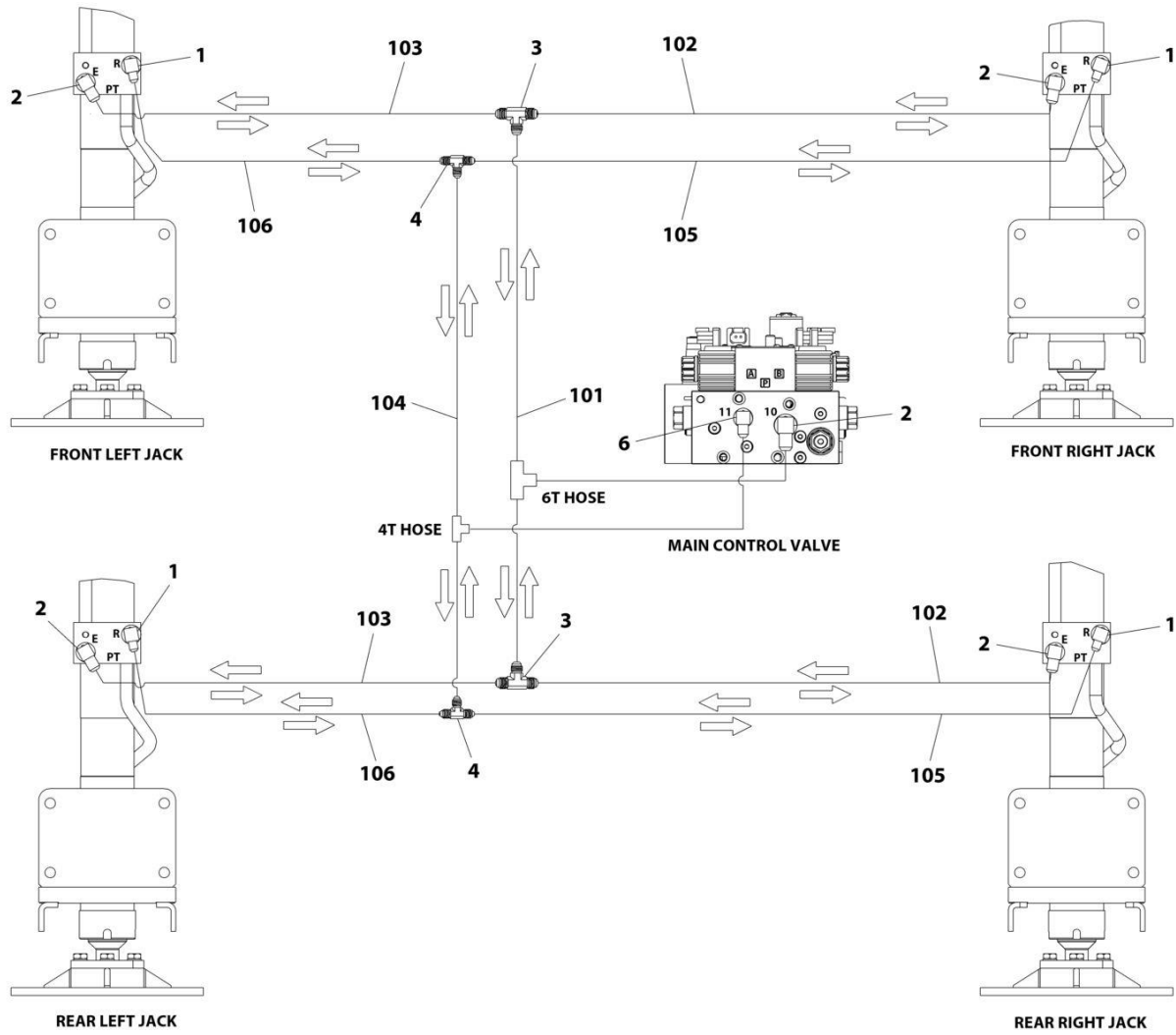
## SECTION 7 - HYDRAULIC

**FIGURE 7-1. HYDRAULIC DIAGRAM - AXLE (DUAL OSCILLATING)**

ITEM	PART NUMBER	QTY	DESCRIPTION	REV
	1001246104	Ref	HYDRAULIC DIAGRAM - AXLE (DUAL OSCILLATING)	F
1	2220371	Ref	Fitting, Straight JIC/ORB	
2	2220415	1	Fitting, Straight JIC/ORB	
3	2220466	1	Fitting, 90 JIC/ORB	
4	2220501	2	Fitting, 45 JIC/ORB	
5	2221086	1	Fitting, Test	
100	1001260253	1	Kit, Hose (Includes Items 101 & 102)	
101	1001250418	2	Hose	
102	1001250419	1	Hose	

# SECTION 7 - HYDRAULIC

## FIGURE 7-2. HYDRAULIC DIAGRAM - LEVELING JACKS



ART\_1001250342

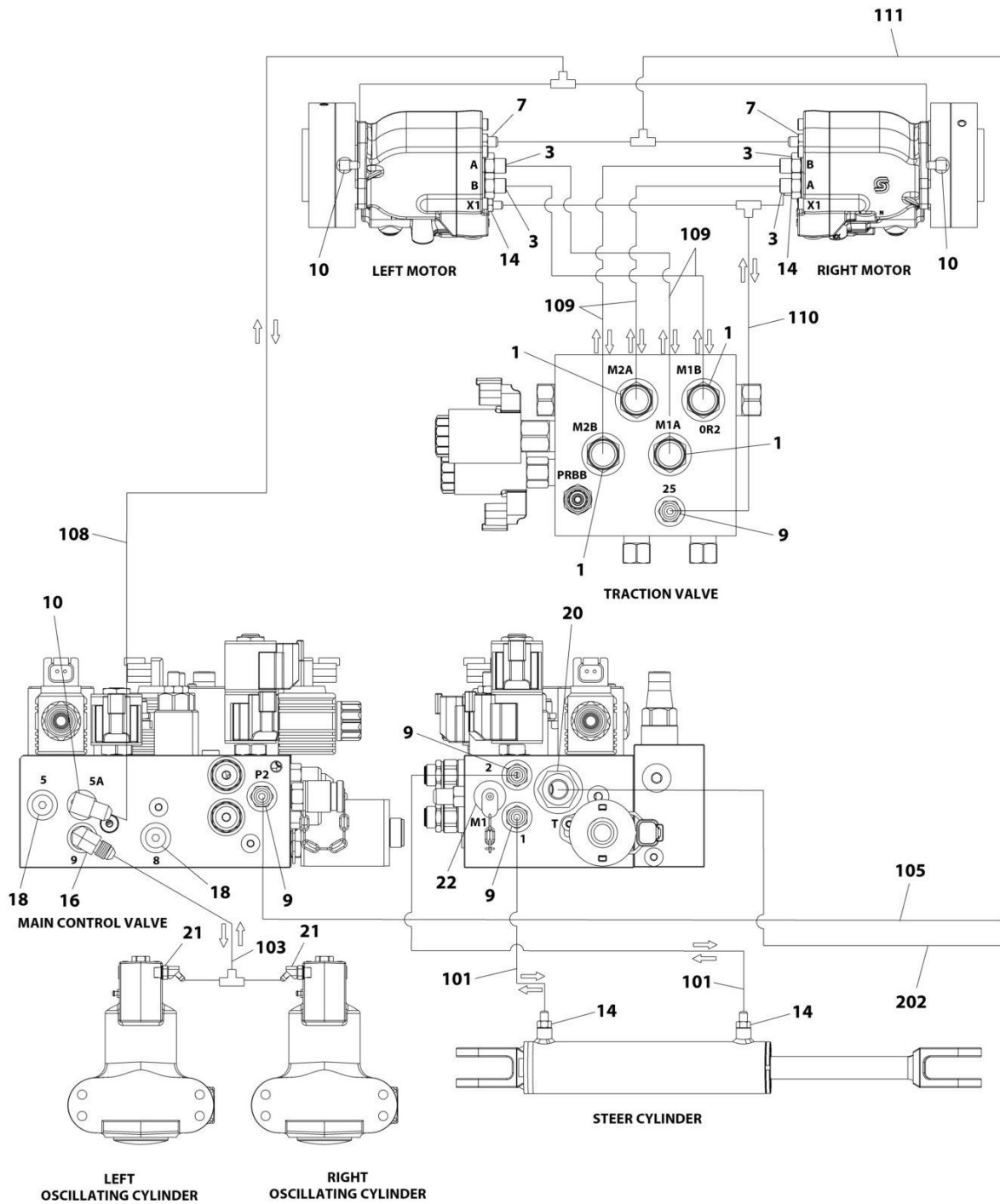
## SECTION 7 - HYDRAULIC

**FIGURE 7-2. HYDRAULIC DIAGRAM - LEVELING JACKS**

ITEM	PART NUMBER	QTY	DESCRIPTION	REV
	1001250342	Ref	HYDRAULIC DIAGRAM - LEVELING JACKS	B
1	2220472	4	Fitting, 90 JIC/ORB	
2	2220473	5	Fitting, 90 JIC/ORB	
3	2220490	2	Fitting, Tee JIC/JIC/JIC	
4	2220504	2	Fitting, Tee JIC/JIC/JIC	
6	2220466	1	Fitting, 90 JIC/ORB	
100	1001260252	Ref	Hose Kit (Not Shown)	A
101	1001250307	1	Hose	
102	1001250308	2	Hose	
103	1001250309	2	Hose	
104	1001250310	1	Hose	
105	1001250311	2	Hose	
106	1001250312	2	Hose	

# SECTION 7 - HYDRAULIC

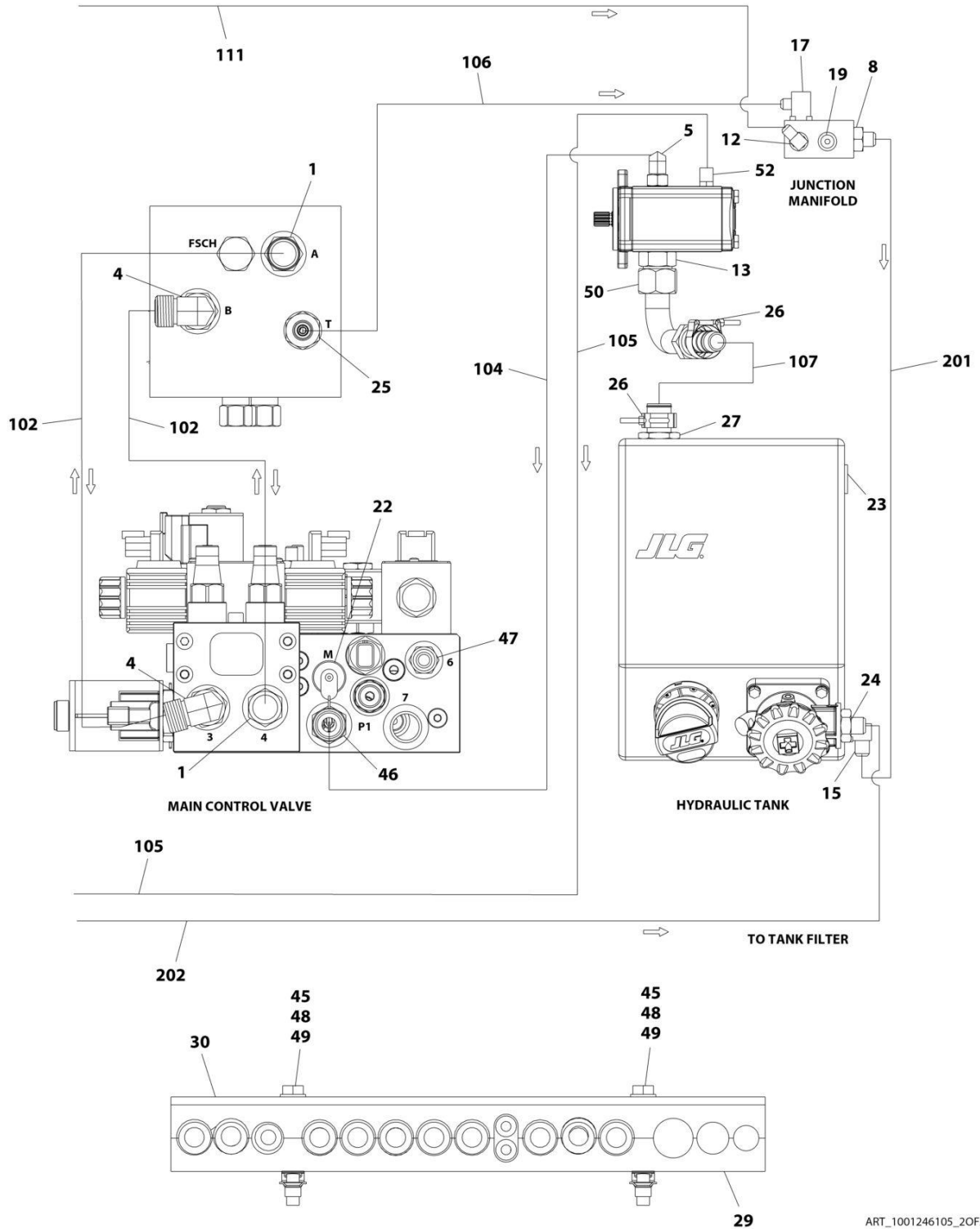
## FIGURE 7-3. HYDRAULIC DIAGRAM - STANDARD (2WD)



ART\_1001246105\_10F2



# SECTION 7 - HYDRAULIC



ART\_1001246105\_2OF2

# SECTION 7 - HYDRAULIC

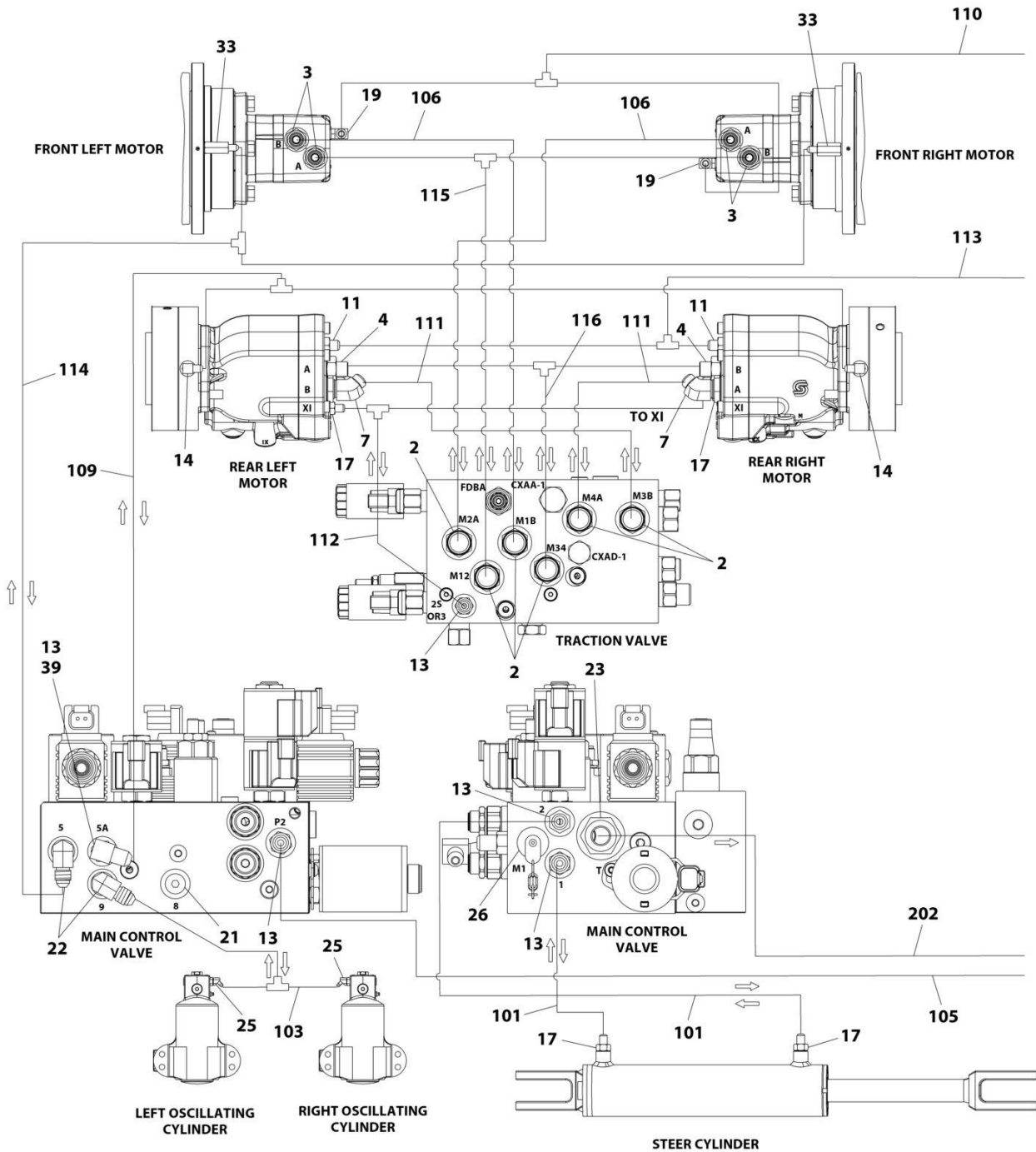
## FIGURE 7-3. HYDRAULIC DIAGRAM - STANDARD (2WD)

ITEM	PART NUMBER	QTY	DESCRIPTION	REV
	1001246105	Ref	HYDRAULIC DIAGRAM – STANDARD (2WD)	D
1	2110808	6	Fitting, Straight ORFS/ORB	
3	2110812	4	Fitting, Straight ORFS/ORB	
4	2130808	2	Fitting, 90 ORFS/ORB	
5	2130810	1	Fitting, 90 ORFS/ORB	
7	2220372	2	Fitting, Straight JIC/ORB	
8	2220375	1	Fitting, Straight JIC/ORB	
9	2220415	4	Fitting, Straight JIC/ORB	
10	2220466	3	Fitting, 90 JIC/ORB	
12	2220473	1	Fitting, 90 JIC/ORB	
13	2220479	1	Fitting, Straight JIC/ORB	
14	2220582	4	Fitting, Straight JIC/ORB	
15	2220596	1	Fitting, 90 JIC/ORB	
16	2220940	1	Fitting, Elbow	
17	2220828	1	Fitting, Straight JIC/ORB	
18	2220883	2	Plug	
19	2220885	1	Plug	
20	2220947	1	Fitting	
21	2221040	2	Fitting, 45 JIC/ORB	
22	2221086	2	Fitting, Test Port	
23	8770223	1	Fitting	
24	83451104	1	Fitting, Straight JIC/ORB	
25	2220998	1	Fitting, Straight JIC/ORB	
26	80633030	2	Clamp, Heavy Duty Band	
27	1001202910	1	Fitting	
29	1001247462	1	Clamp	
30	1001248339	1	Plate	
45	0700822	2	Bolt M8 x 70	
46	2170108	1	Connector	
47	2220371	1	Fitting, Straight JIC/ORB	
48	4811900	2	Washer M8	
49	1001118274	2	Nut	
50	1001205824	1	Fitting	
51	4240018	1	Tie-Strap	
52	2220472	1	Fitting, 90 JIC/ORB	
100	1001260250	1	Hose Kit (Not Shown)	B
101	1001248868	2	Hose	
102	1001248869	2	Hose	
103	1001248871	1	Hose	
104	1001248872	1	Hose	
105	1001248873	1	Hose	
106	1001249181	1	Hose	
107	1001249231	1	Hose	
108	1001249701	1	Hose	
109	1001250468	4	Hose	
110	1001254083	1	Hose	
111	1001254298	1	Hose	
200	1001260255	1	Hose Kit (Not Shown)	A
201	1001249178	1	Hose	
202	1001249850	1	Hose	



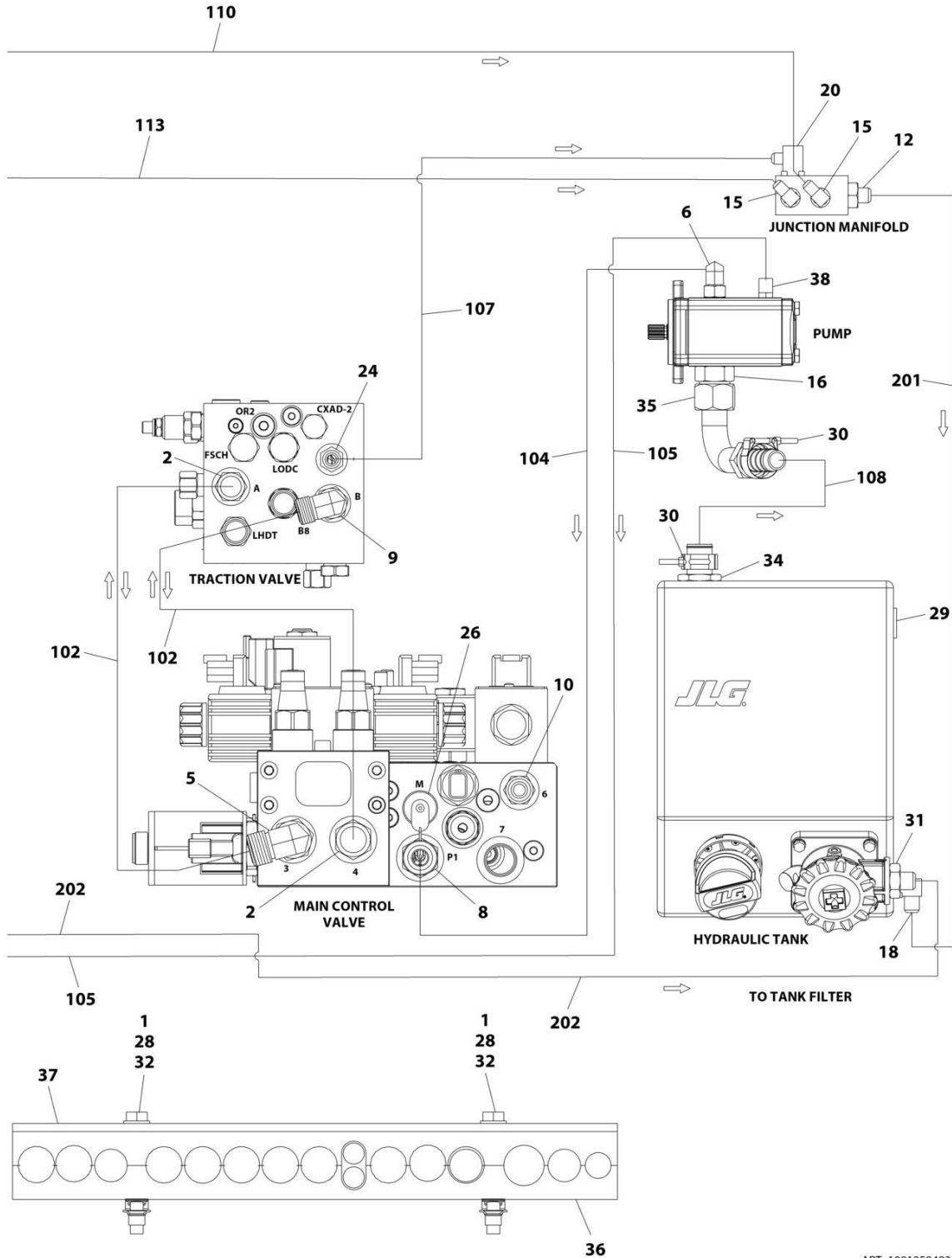
# SECTION 7 - HYDRAULIC

## FIGURE 7-4. HYDRAULIC DIAGRAM - STANDARD (4WD)



ART\_1001258493\_10F2

# SECTION 7 - HYDRAULIC



ART\_1001258493\_20F2

# SECTION 7 - HYDRAULIC

## FIGURE 7-4. HYDRAULIC DIAGRAM - STANDARD (4WD)

ITEM	PART NUMBER	QTY	DESCRIPTION	REV
	1001258493	Ref	HYDRAULIC DIAGRAM - STANDARD (4WD)	C
1	0700822	2	Bolt M8 x 70	
2	2110808	8	Fitting, Straight ORFS/ORB	
3	2110810	4	Fitting, Straight ORFS/ORB	
4	2110812	2	Fitting, Straight ORFS/ORB	
5	2130808	1	Fitting, 90 ORFS/ORB	
6	2130810	1	Fitting, 90 ORFS/ORB	
7	2150812	2	Elbow	
8	2170108	1	Connector	
9	2170208	1	Fitting, 90 ORFS/ORB	
10	2220371	1	Fitting, Straight JIC/ORB	
11	2220372	2	Fitting, Straight JIC/ORB	
12	2220375	1	Fitting, Straight JIC/ORB	
13	2220415	5	Fitting, Straight JIC/ORB	
14	2220466	2	Fitting, 90 JIC/ORB	
15	2220473	2	Fitting, 90 JIC/ORB	
16	2220479	1	Fitting, Straight JIC/ORB	
17	2220582	4	Fitting, Straight JIC/ORB	
18	2220596	1	Fitting, 90 JIC/ORB	
19	2220775	2	Fitting, 90 JIC/ORB	
20	2220828	1	Fitting, Straight JIC/ORB	
21	2220883	1	Plug	
22	2220940	2	Fitting, Elbow	
23	2220947	1	Fitting	
24	2220998	1	Fitting, Straight JIC/ORB	
25	2221040	2	Fitting, 45 JIC/ORB	
26	2221086	2	Fitting, Test Port	
27	4240018	3	Tie-Strap	
28	4811900	2	Washer M8	
29	8770223	1	Fitting	
30	80633030	2	Clamp, Heavy Duty Band	
31	83451104	1	Fitting, Straight JIC/ORB	
32	1001118274	2	Nut	
33	1001119630	2	Fitting, Straight JIC/MPP	
34	1001202910	1	Fitting	
35	1001205824	1	Fitting	
36	1001247462	1	Clamp	
37	1001248339	1	Plate	
38	2220472	1	Fitting, 90 JIC/ORB	
39	2220654	1	Fitting, 90 JIC/FSJIC	
100	1001263162	1	Hose Kit (Not Shown)	B
101	1001248868	2	Hose	
102	1001248869	2	Hose	
103	1001248871	1	Hose	
104	1001248872	1	Hose	
105	1001248873	1	Hose	
106	1001248874	2	Hose	
107	1001249181	1	Hose	
108	1001249231	1	Hose	
109	1001249701	1	Hose	

## SECTION 7 - HYDRAULIC

ITEM	PART NUMBER	QTY	DESCRIPTION	REV
110	1001249703	1	Hose	
111	1001250468	2	Hose	
112	1001254083	1	Hose	
113	1001254298	1	Hose	
114	1001260540	1	Hose	
115	1001263303	1	Hose	
116	1001263304	1	Hose	
200	1001260255	1	Hose Kit (Not Shown)	A
201	1001249178	1	Hose	
202	1001249850	1	Hose	

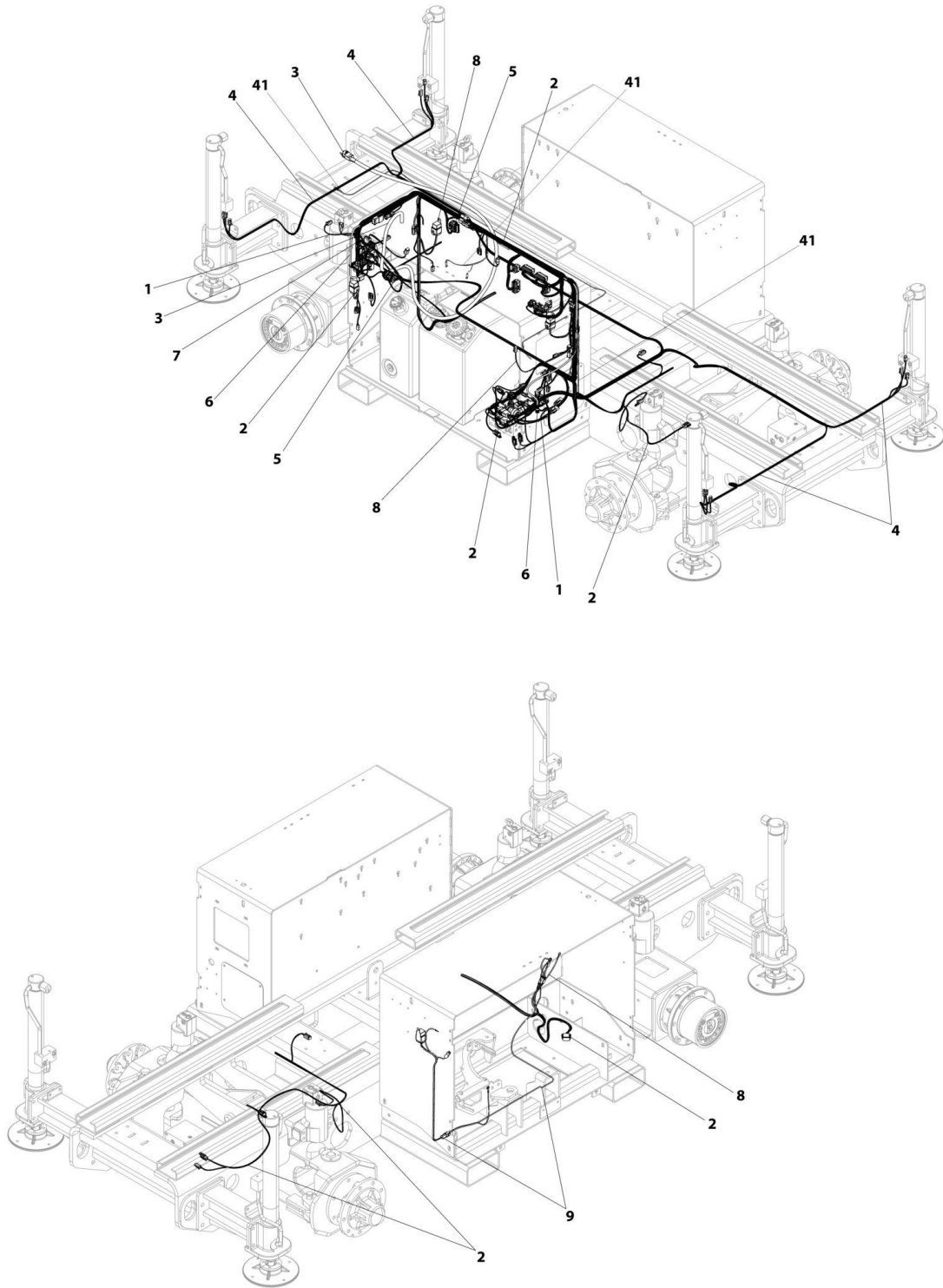




**SECTION 8 - ELECTRICAL**

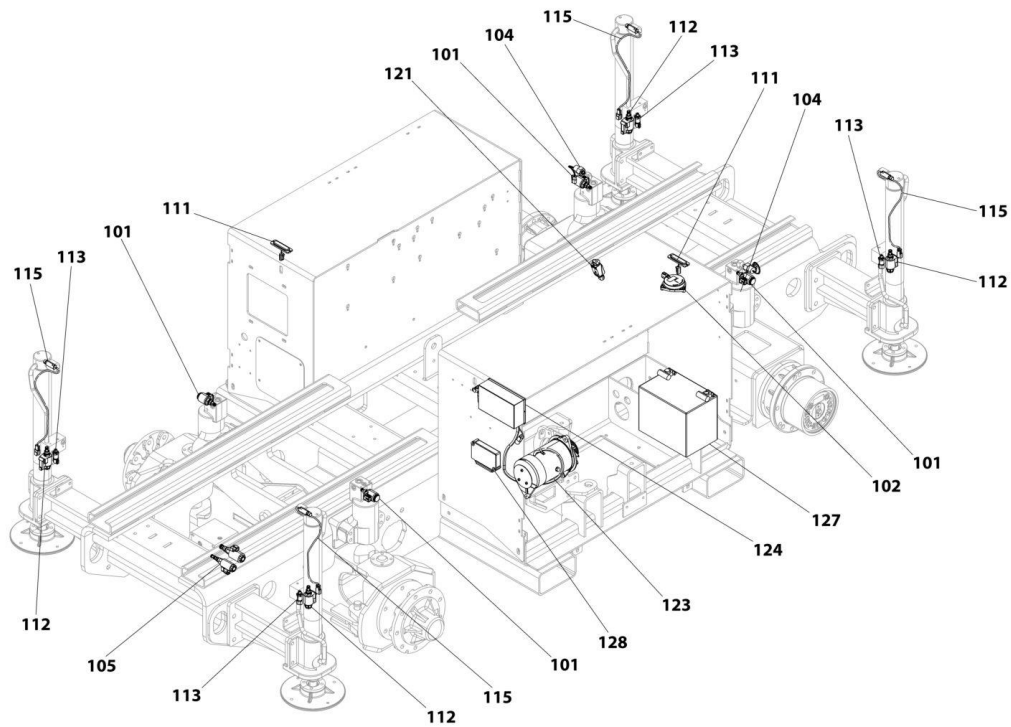
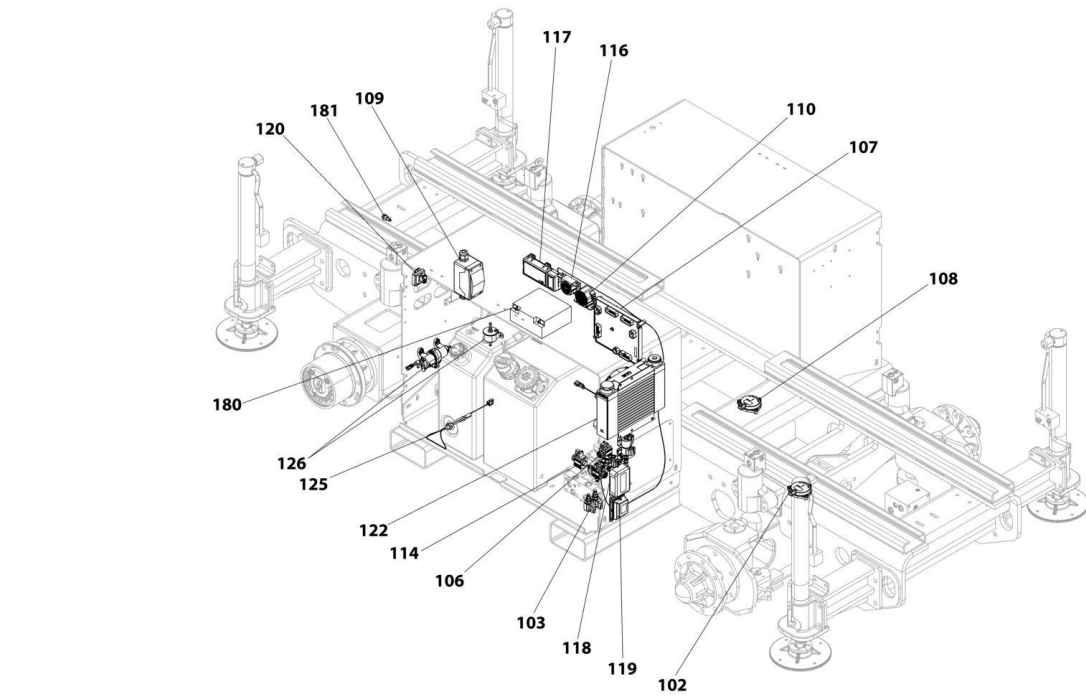
# SECTION 8 - ELECTRICAL

## FIGURE 8-1. ELECTRICAL LAYOUT



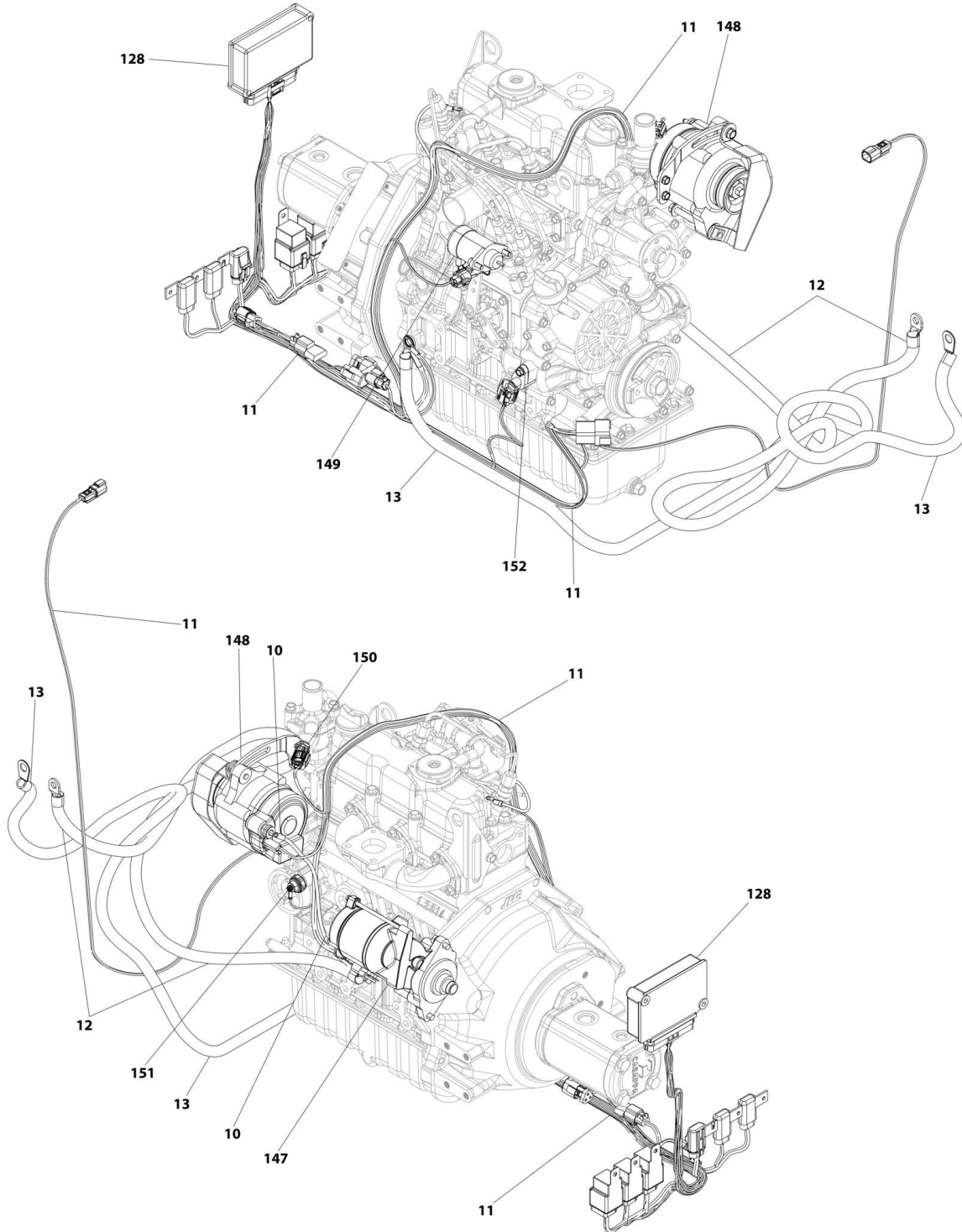
ART\_RT4769-ELECTRICAL\_FRAME-HARNESS

# SECTION 8 - ELECTRICAL



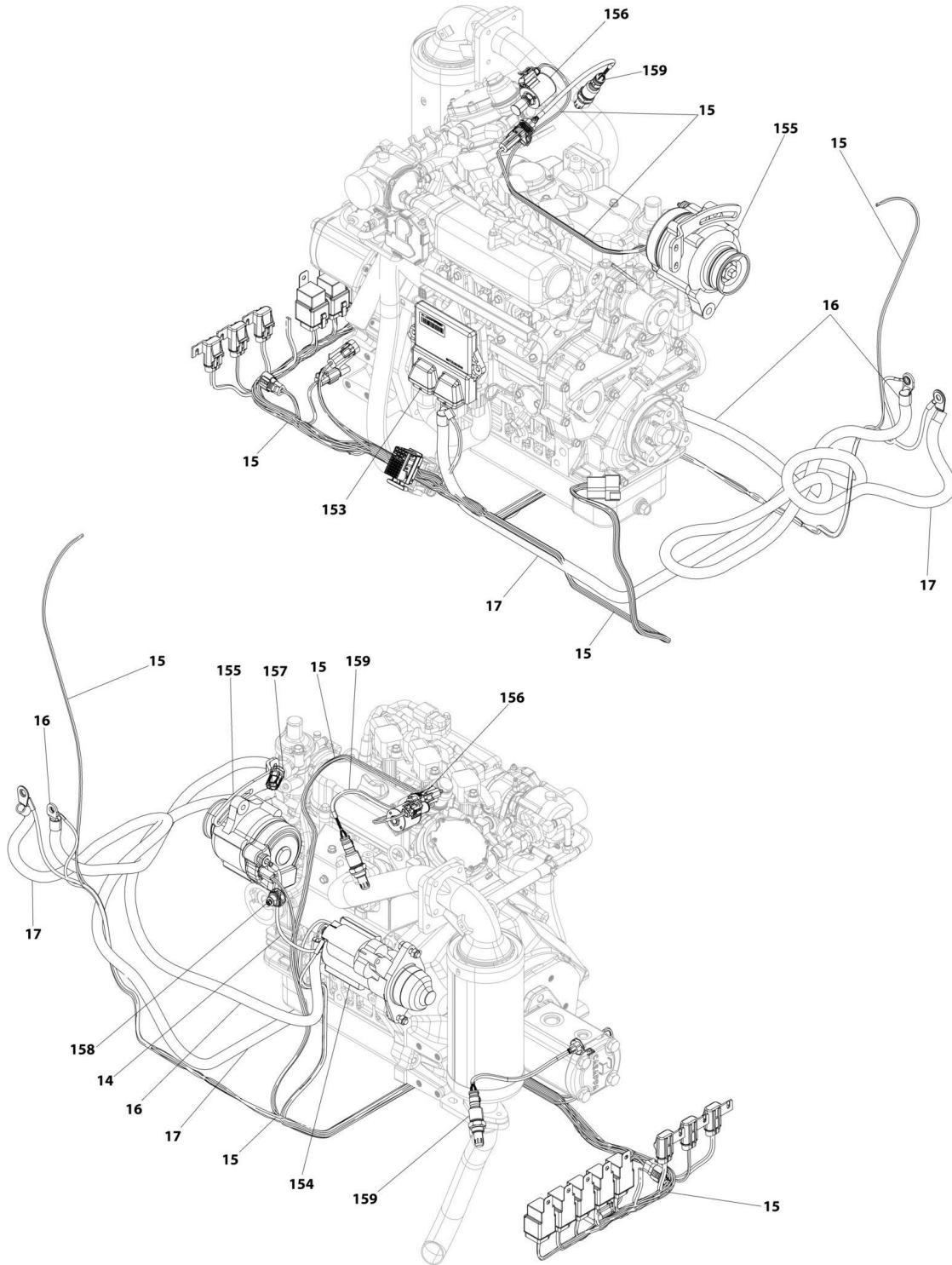
ART\_RT4769-ELECTRICAL\_FRAME-COMPONENT

# SECTION 8 - ELECTRICAL



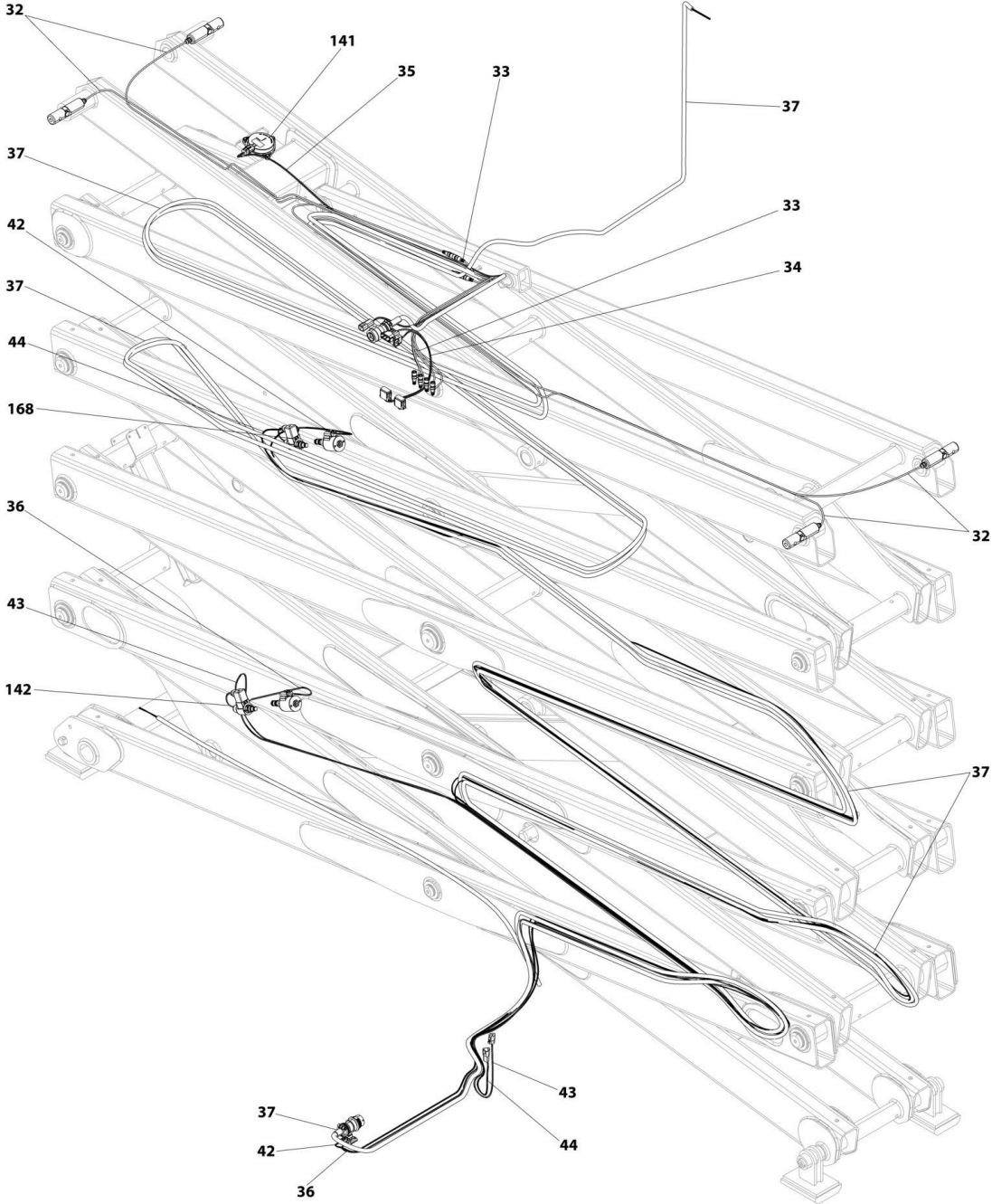
ART\_RT3369-ELECTRICAL\_ENGINE-KUBOTAT126D

# SECTION 8 - ELECTRICAL



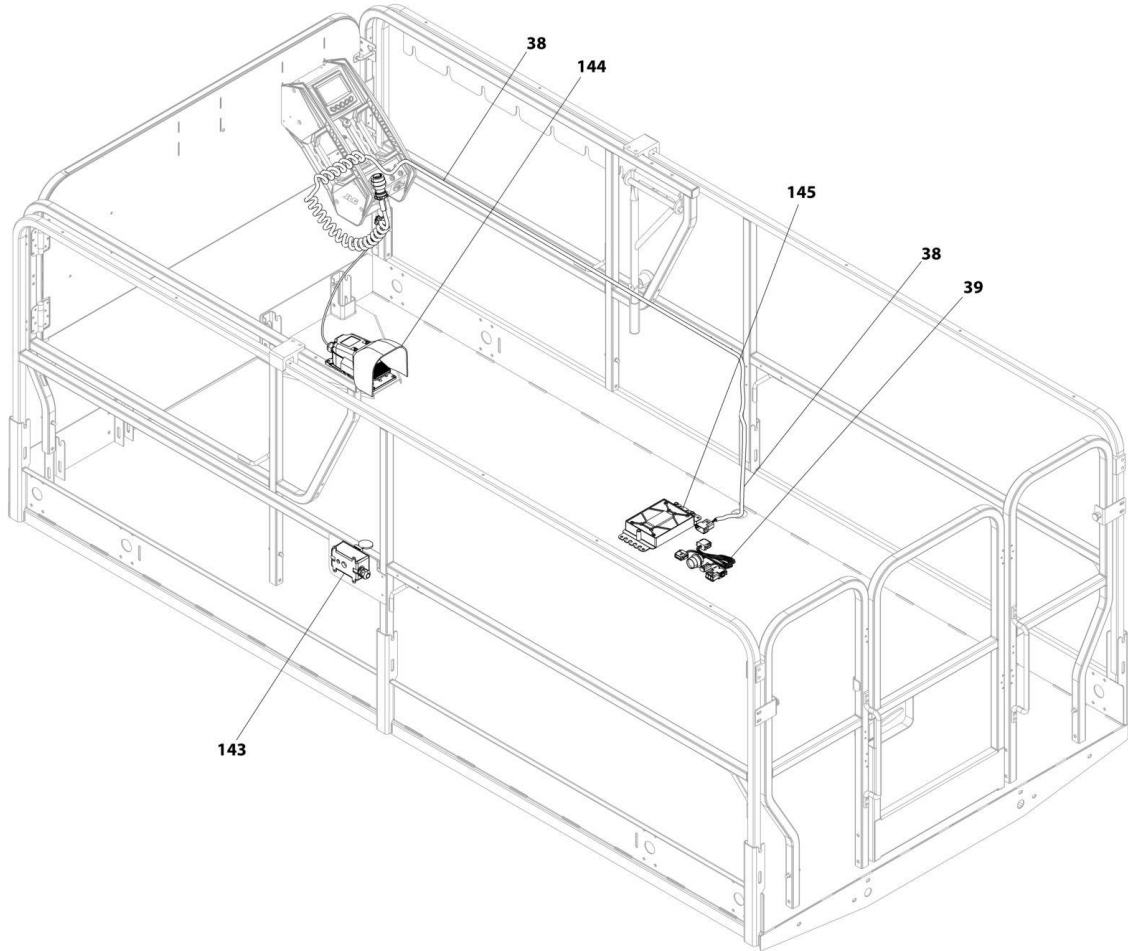
ART\_RT3369-ELECTRICAL\_ENGINE\_KUBOTA096DF

# SECTION 8 - ELECTRICAL



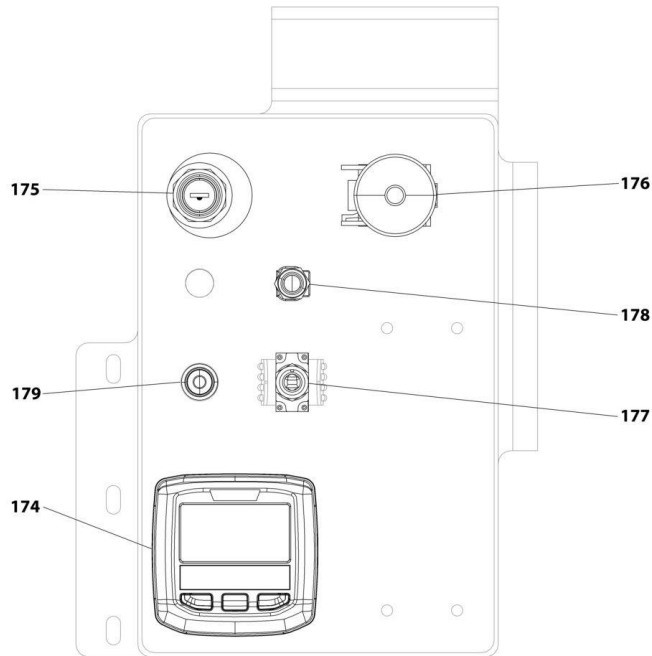
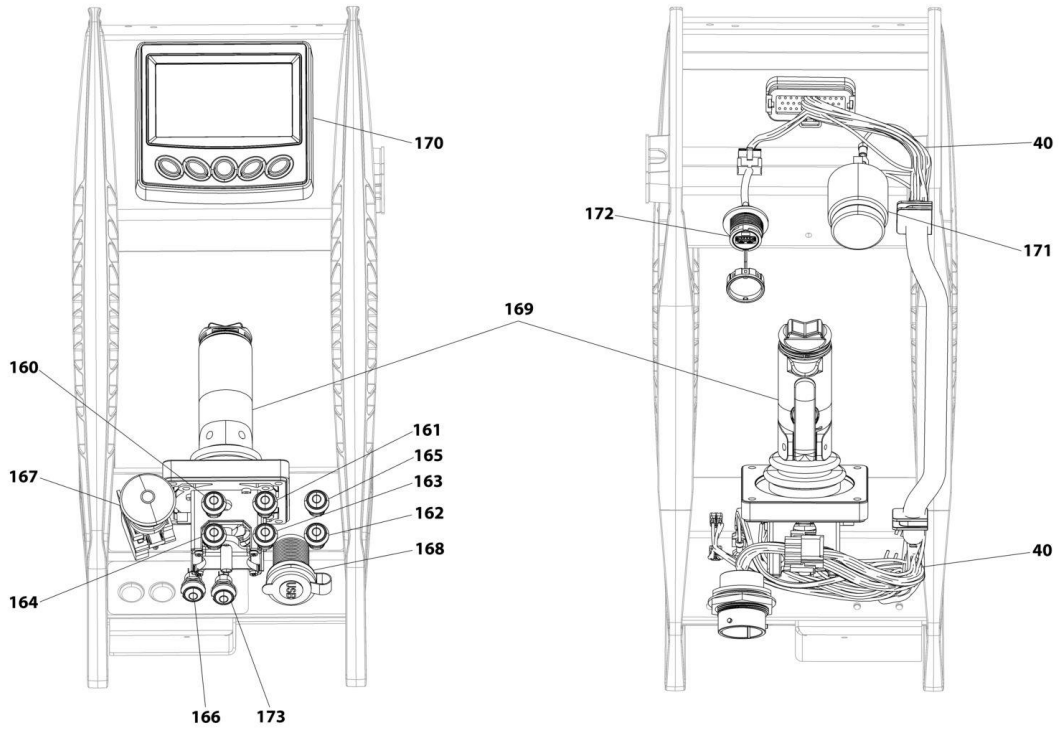
ART\_ERT4769-ELECTRICAL\_ARMS

# SECTION 8 - ELECTRICAL



ART\_ERT3369-ELECTRICAL\_PLATFORM

# SECTION 8 - ELECTRICAL



ART\_RT4769-ELECTRICAL\_CONTROLS



## SECTION 8 - ELECTRICAL

### FIGURE 8-1. ELECTRICAL LAYOUT

ITEM	PART NUMBER	QTY	DESCRIPTION	REV
		Ref	Note: This figure is for part identification only.	
		Ref	HARNESS LIST	
1		Ref	Harness, Rear Axle	
2		Ref	Harness, Chassis	
3		Ref	Cable, 12/3	
4		Ref	Harness, Leveling Jacks	
5		Ref	Harness, Clearsky	
6		Ref	Harness, Telematics	
7		Ref	Harness, Xirgo Jumper	
8		Ref	Harness, Hydraulic Oil Cooler	
9		Ref	Harness, Generator	
10		Ref	Harness, Fusible Link	
11		Ref	Harness, Engine	
12		Ref	Cable, Engine to Battery (+)	
13		Ref	Cable, Engine to Battery (-)	
14		Ref	Harness, Fusible Link	
15		Ref	Harness, Engine	
16		Ref	Cable, Engine to Battery (+)	
32		Ref	Assembly, Load Sense Pin/Cable	
33		Ref	Cable, Load Sense Extension	
34		Ref	Harness, Load Sense	
35		Ref	Harness, Tilt Sensor	
36		Ref	Harness, Lower Lift Down	
37		Ref	Cable, AC Ground to Platform	
38		Ref	Harness, Platform Control Box	
39		Ref	Harness, Platform	
40		Ref	Harness, Platform Control Box	
41		Ref	Harness, Auxiliary Descent	
42		Ref	Harness, Upper Lift Down	
43		Ref	Harness, Lower Auxiliary Descent	
44		Ref	Harness, Upper Auxiliary Descent	
		Ref	COMPONENT LIST	
101		Ref	Solenoid, Axle Lock	
102		Ref	Sensor, Tilt	
103		Ref	Solenoids, Dual Axle Valve	
104		Ref	Switch, Pressure	
105		Ref	Solenoids, Traction Valve	
106		Ref	Solenoids, Main Control Valve	
107		Ref	Module, Ground Control	
108		Ref	Sensor, Tilt	
109		Ref	AC Breaker Box	
110		Ref	Alarm	
111		Ref	Beacon	
112		Ref	Solenoid, Leveling Jack Cylinder	
113		Ref	Sensor, Leveling Jacks Pressure	
114		Ref	Solenoid, Leveling Jacks Valve	
115		Ref	Sensor, Leveling Jacks Proximity	
116		Ref	Alarm, White Noise	
117		Ref	Module, ClearSky Telematics CANBUS	
118		Ref	Antennae, ClearSky Telematics	

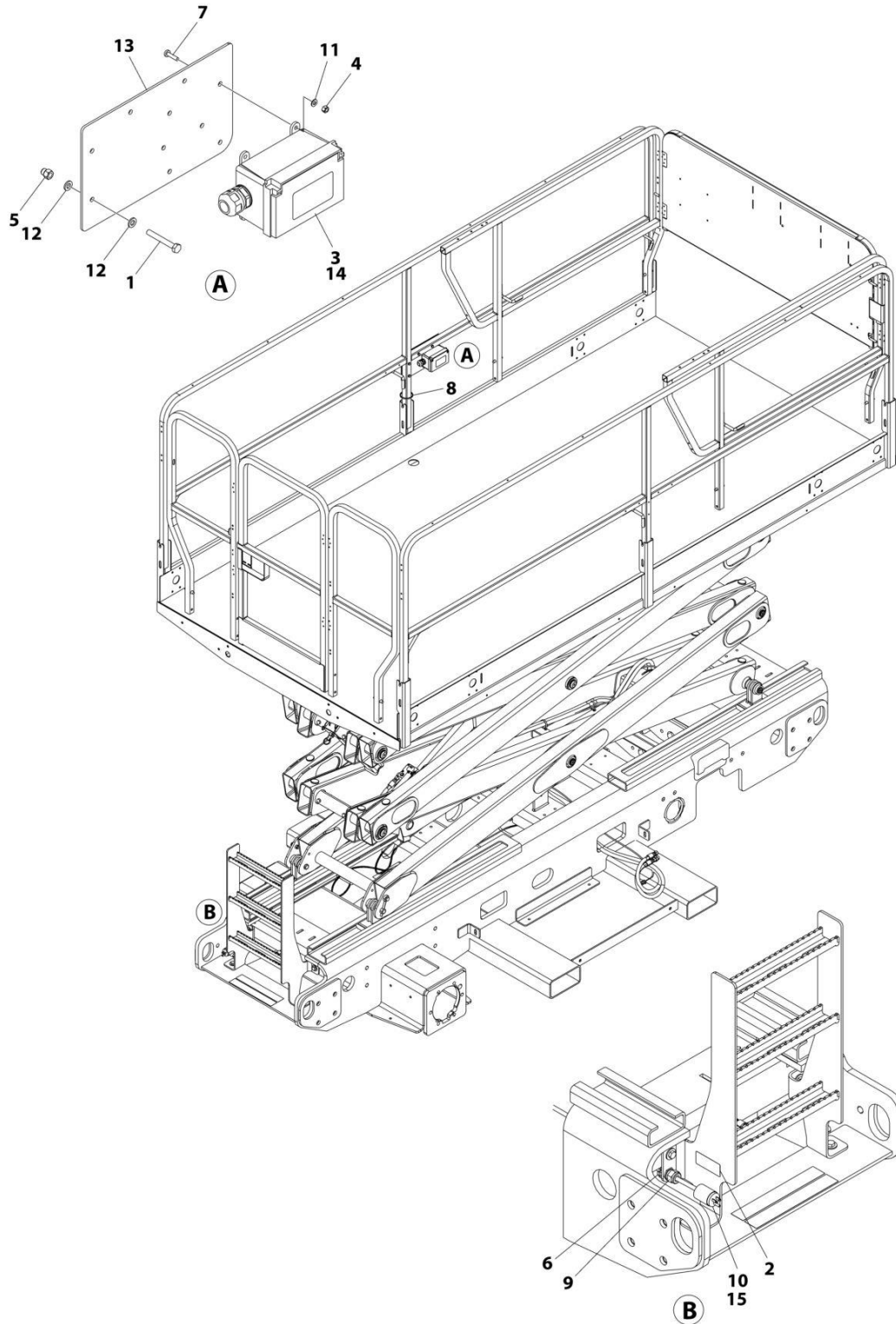
## SECTION 8 - ELECTRICAL

ITEM	PART NUMBER	QTY	DESCRIPTION	REV
119		Ref	Module, ClearSky Telematics 3-Wire	
120		Ref	Voltage Regulator, ClearSky Telematics	
121		Ref	Switch, LSS Limit	
122		Ref	Hydraulic Oil Cooler	
123		Ref	Generator	
124		Ref	Box, Generator AC Receptacle	
125		Ref	Sensor, Fuel Level	
126		Ref	Fuel Pump	
127		Ref	Battery	
128		Ref	Module, Engine Control	
141		Ref	Sensor, Tilt	
142		Ref	Solenoid, Lower Lift Down	
143		Ref	AC Receptacle	
144		Ref	Footswitch	
145		Ref	Module, Load Sense	
147		Ref	Starter	
148		Ref	Alternator	
149		Ref	Governor	
150		Ref	Engine Coolant Temperature Sensor	
151		Ref	Sensor, Oil Pressure	
152		Ref	Sensor, Speed	
153		Ref	Module, Engine Control	
154		Ref	Starter	
155		Ref	Alternator	
156		Ref	LP Regulator	
157		Ref	Engine Coolant Temperature Sensor	
158		Ref	Sensor, Oil Pressure	
159		Ref	Sensor, Oxygen	
160		Ref	Switch, Lift Select	
161		Ref	Switch, Drive Select	
162		Ref	Switch, Horn	
163		Ref	Switch, Speed Select	
164		Ref	Switch, Leveling Jacks	
165		Ref	Switch, Engine Start	
166		Ref	Switch, Fuel Select	
167		Ref	Switch, Emergency Stop	
168		Ref	USB Port	
169		Ref	Joystick	
170		Ref	Display, Platform	
171		Ref	Alarm	
172		Ref	USB Port	
173		Ref	Switch, Generator	
174		Ref	Display, Ground	
175		Ref	Switch, Key	
176		Ref	Switch, Emergency Stop	
177		Ref	Switch, Platform Lift/Lower	
178		Ref	Light, Load Sense Overload Indicator	
179		Ref	Switch, Engine Start	
180		Ref	Battery	
181		Ref	Switch, Auxiliary Descent	
182		Ref	Solenoids, Upper Lift Down	



# SECTION 8 - ELECTRICAL

FIGURE 8-2. AC BOX AT PLATFORM INSTALLATION - 110V GFI (ALL SPECS EXCEPT AUSTRALIAN & CE SPECS)



ART\_1001255001

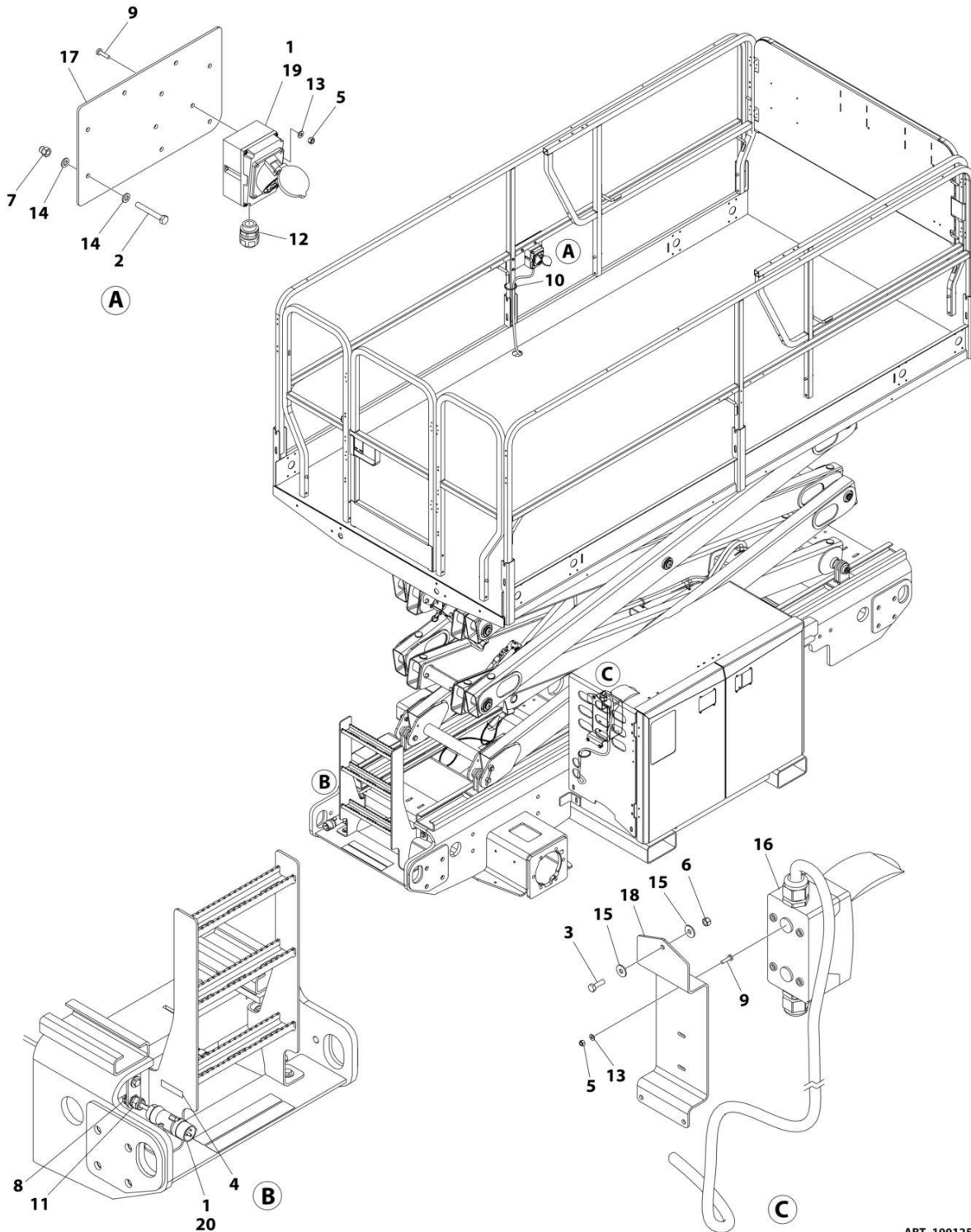
## SECTION 8 - ELECTRICAL

**FIGURE 8-2. AC BOX AT PLATFORM INSTALLATION - 110V GFI (ALL SPECS EXCEPT AUSTRALIAN & CE SPECS)**

ITEM	PART NUMBER	QTY	DESCRIPTION	REV
	1001255001	Ref	AC BOX AT PLATFORM INSTALLATION - 110V	B
1	0700617	4	Bolt M6 x 45	
2	1703464	1	Decal - AC Power	
3	2902431	1	Receptacle Box Kit - 110V GFI (See Separate Breakdown in this Section)	
4	3290405	4	Nut M4	
5	3290606	4	Nut M6 x 1	
6	3300048	1	Nut 3/4	
7	4010408	4	Screw M4 x 16	
8	4240017	AR	Tie-Strap	
9	4460071	1	Connector	
10	4460138	1	Plug, Male	
11	4811400	4	Washer M4	
12	4811700	8	Washer M6	
13	1001254613	1	Plate, Platform Plug Mount	
14	4460315	3	Terminal, Spade	
15	1001212268	3	Terminal	

# SECTION 8 - ELECTRICAL

## FIGURE 8-3. AC BOX AT PLATFORM INSTALLATION - 110V IEC YELLOW (CE SPECS)



ART\_1001255006

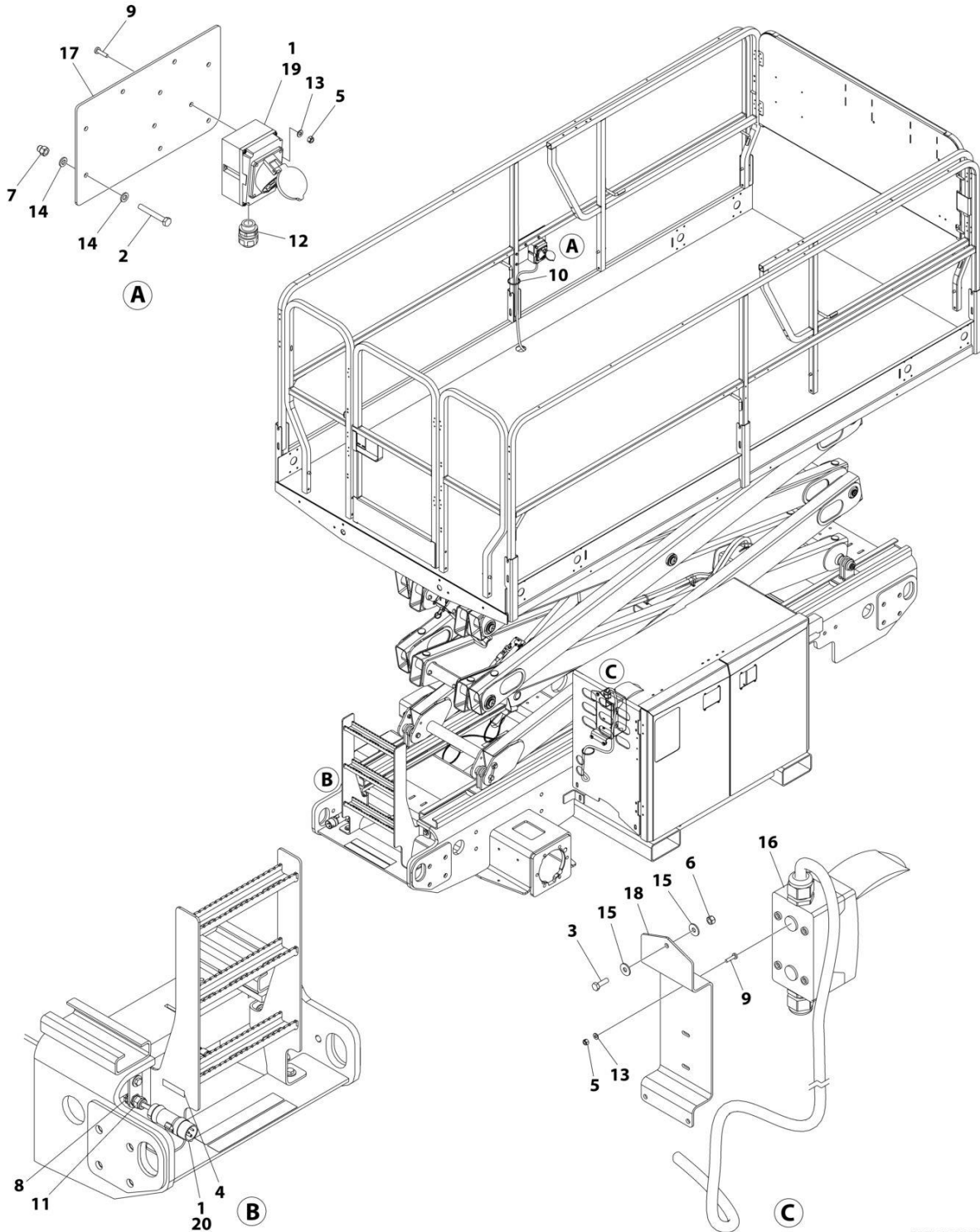
## SECTION 8 - ELECTRICAL

**FIGURE 8-3. AC BOX AT PLATFORM INSTALLATION - 110V IEC YELLOW (CE SPECS)**

ITEM	PART NUMBER	QTY	DESCRIPTION	REV
	1001255006	Ref	AC BOX AT PLATFORM INSTALLATION - 110V IEC YELLOW	B
1	0275216	1	Receptacle Box Kit - 110V IEC Yellow (See Separate Breakdown in this Section)	
2	0700617	4	Bolt M6 x 45	
3	0760610	3	Bolt M6 x 20	
4	1705325	1	Decal - 110 Volt	
5	3290405	4	Nut M4	
6	3290605	3	Nut M6	
7	3290606	4	Nut M6 x 1	
8	3300048	1	Nut 3/4	
9	4010408	4	Screw M4 x 16	
10	4240017	AR	Tie-Strap	
11	4460071	1	Connector, Water Tight	
12	4460968	1	Connector, Strain Relief	
13	4811400	4	Washer M4	
14	4811700	8	Washer M6	
15	4811702	6	Washer M6	
16	1001096070	1	Breaker Box Kit (See Separate Breakdown in this Section)	
17	1001254613	1	Plate, Platform Plug Mount	
18	1001261118	1	Bracket, Electric Box Mount	
19	4460315	3	Terminal, Spade	
20	1001212268	3	Terminal	

# SECTION 8 - ELECTRICAL

## FIGURE 8-4. AC BOX AT PLATFORM INSTALLATION - 220V IEC BLUE (CE SPECS)



ART\_1001255007



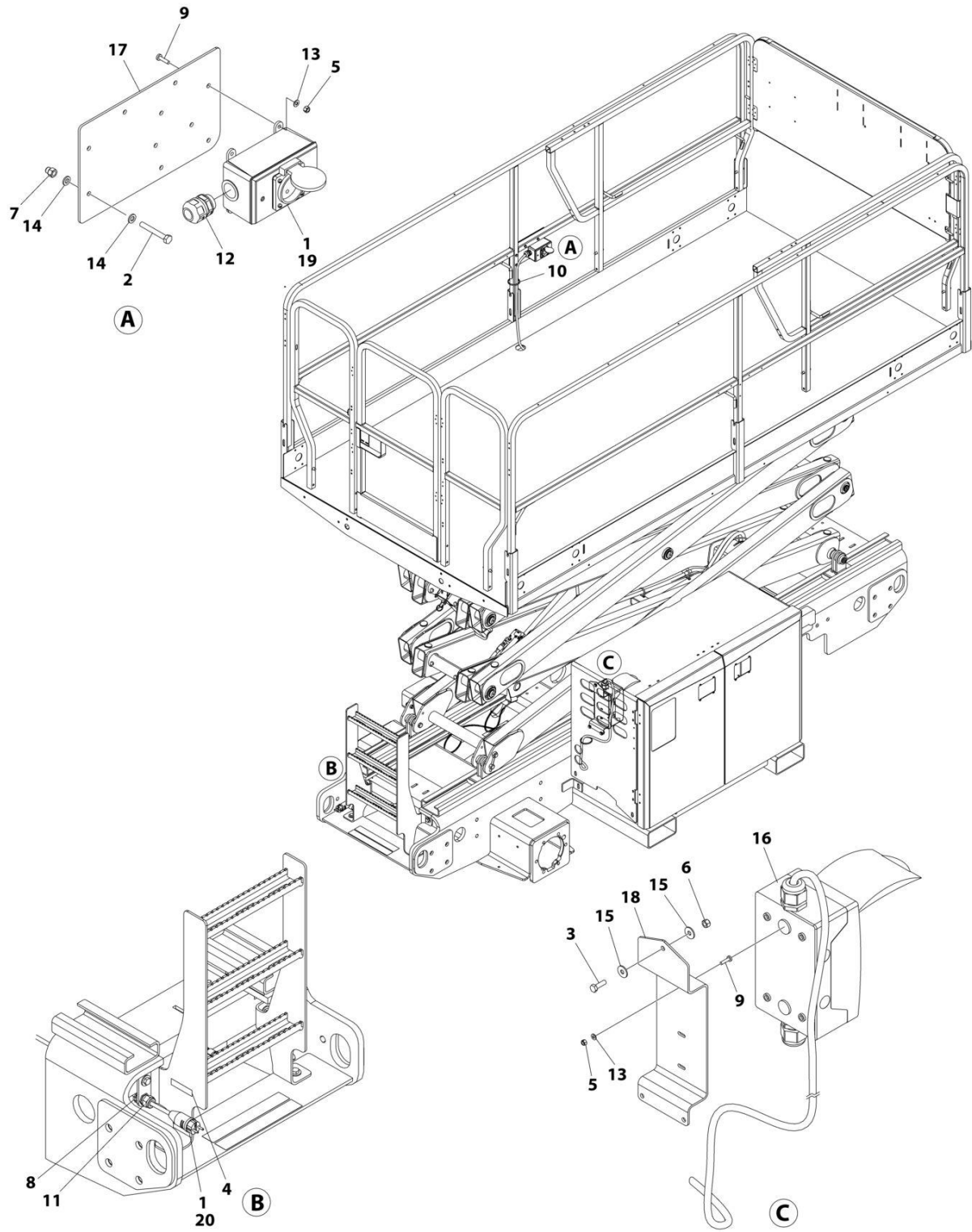
## SECTION 8 - ELECTRICAL

**FIGURE 8-4. AC BOX AT PLATFORM INSTALLATION - 220V IEC BLUE (CE SPECS)**

ITEM	PART NUMBER	QTY	DESCRIPTION	REV
	1001255007	Ref	AC BOX AT PLATFORM INSTALLATION - 220V IEC BLUE	B
1	0275217	1	Receptacle Box Kit - 220V IEC Blue (See Separate Breakdown in this Section)	
2	0700617	4	Bolt M6 x 45	
3	0760610	3	Bolt M6 x 20	
4	3252507	1	Decal - 220 Volt	
5	3290405	4	Nut M4	
6	3290605	3	Nut M6	
7	3290606	4	Nut M6 x 1	
8	3300048	1	Nut 3/4	
9	4010408	4	Screw M4 x 16	
10	4240017	AR	Tie-Strap	
11	4460071	1	Connector, Water Tight	
12	4460968	1	Connector, Strain Relief	
13	4811400	4	Washer M4	
14	4811700	8	Washer M6	
15	4811702	6	Washer M6	
16	1001096070	1	Breaker Box Kit (See Separate Breakdown in this Section)	
17	1001254613	1	Plate, Platform Plug Mount	
18	1001261118	1	Bracket, Electric Box Mount	
19	4460315	3	Terminal, Spade	
20	1001212268	3	Terminal	

# SECTION 8 - ELECTRICAL

FIGURE 8-5. AC BOX AT PLATFORM INSTALLATION - 220V CEE7 POST GROUND (CE SPECS)



ART\_1001255004

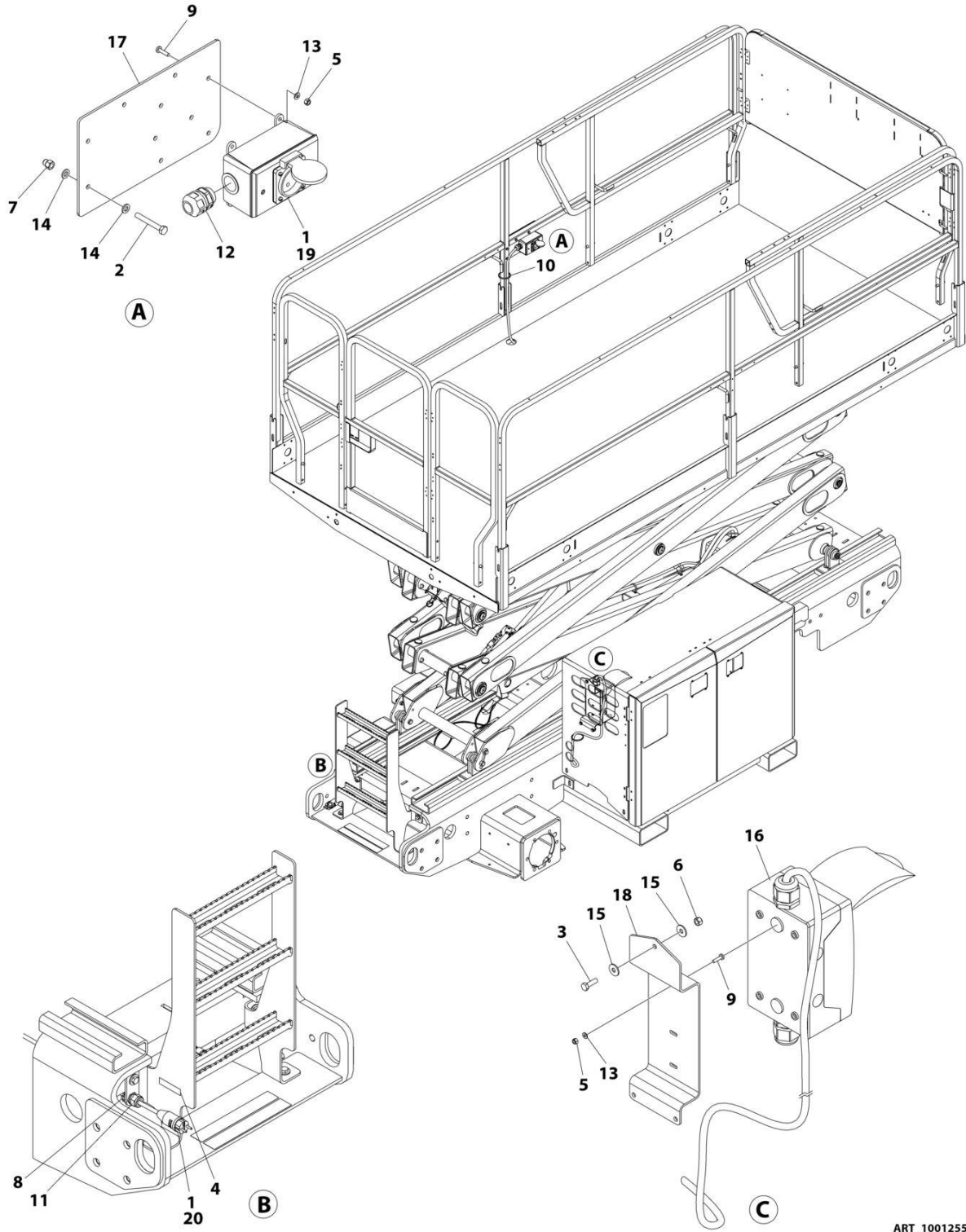
## SECTION 8 - ELECTRICAL

**FIGURE 8-5. AC BOX AT PLATFORM INSTALLATION - 220V CEE7 POST GROUND (CE SPECS)**

ITEM	PART NUMBER	QTY	DESCRIPTION	REV
	1001255004	Ref	AC BOX AT PLATFORM INSTALLATION - 220V CEE7 POST GROUND	B
1	0275452	1	Receptacle Box Kit - 220V CEE7 Post Ground 2X4 Box (See Separate Breakdown in this Section)	
2	0700617	4	Bolt M6 x 45	
3	0760610	3	Bolt M6 x 20	
4	3252507	1	Decal - 220 Volt	
5	3290405	6	Nut M4	
6	3290605	3	Nut M6	
7	3290606	4	Nut M6 x 1	
8	3300048	1	Nut 3/4	
9	4010408	6	Screw M4 x 16	
10	4240017	AR	Tie-Strap	
11	4460071	1	Connector, Water Tight	
12	4460662	1	Connector, Strain Relief	
13	4811400	6	Washer M4	
14	4811700	8	Washer M6	
15	4811702	6	Washer M6	
16	1001152486	1	Electric Assembly, Box and Breaker (See Separate Breakdown in this Section)	
17	1001254613	1	Plate, Platform Plug Mount	
18	1001261118	1	Bracket, Electric Box Mount	
19	4460315	3	Terminal, Spade	
20	1001212268	3	Terminal	

# SECTION 8 - ELECTRICAL

FIGURE 8-6. AC BOX AT PLATFORM INSTALLATION - 220V CEE7 SIDE GROUND (CE SPECS)



ART\_1001255005

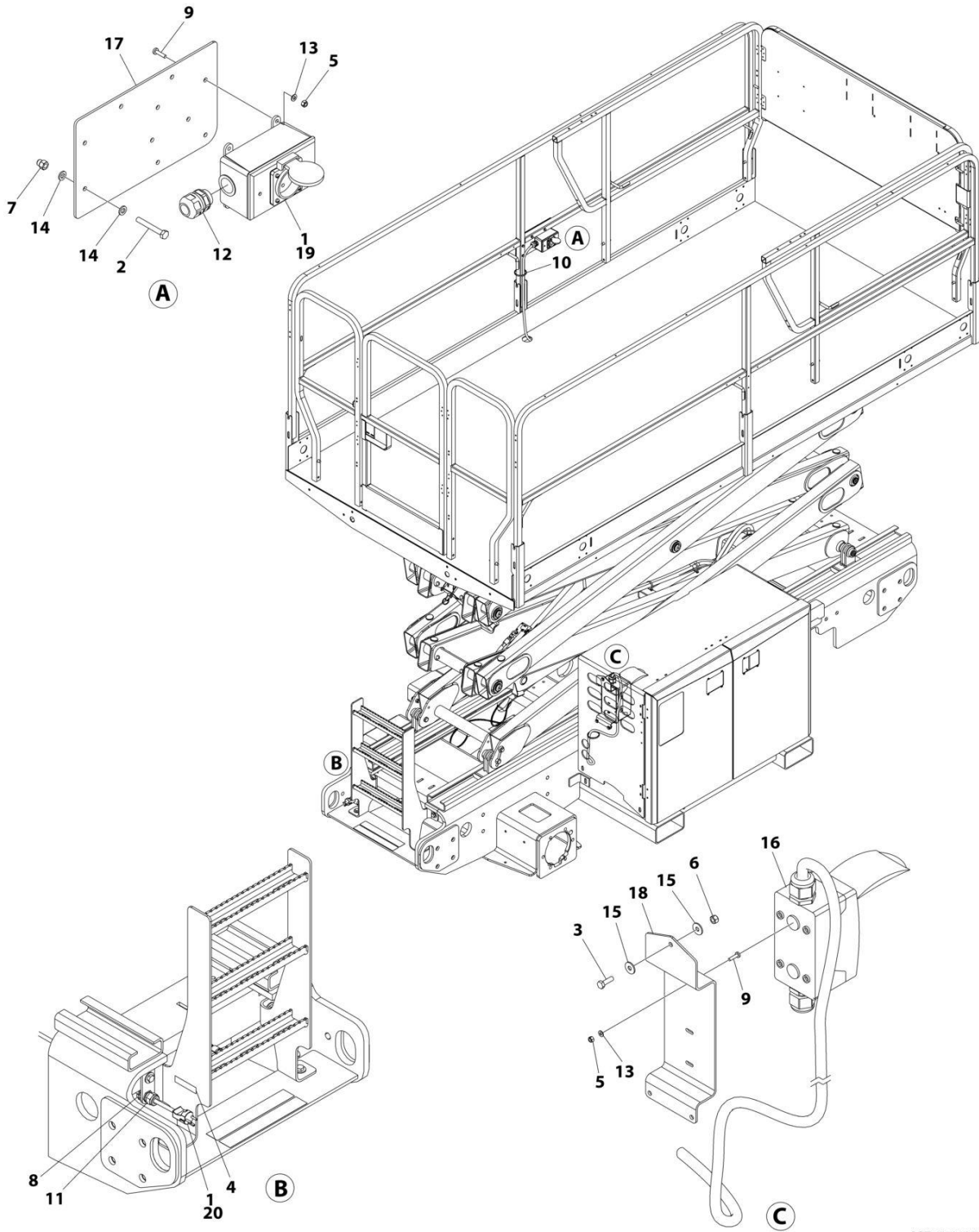
## SECTION 8 - ELECTRICAL

**FIGURE 8-6. AC BOX AT PLATFORM INSTALLATION - 220V CEE7 SIDE GROUND (CE SPECS)**

ITEM	PART NUMBER	QTY	DESCRIPTION	REV
	1001255005	Ref	AC BOX AT PLATFORM INSTALLATION - 220V CEE7 SIDE GROUND	B
1	0275453	1	Receptacle Box Kit - 220V CEE7 Side Ground 2X4 Box (See Separate Breakdown in this Section)	
2	0700617	4	Bolt M6 x 45	
3	0760610	3	Bolt M6 x 20	
4	3252507	1	Decal - 220 Volt	
5	3290405	6	Nut M4	
6	3290605	3	Nut M6	
7	3290606	4	Nut M6 x 1	
8	3300048	1	Nut 3/4	
9	4010408	6	Screw M4 x 16	
10	4240017	AR	Tie-Strap	
11	4460071	1	Connector, Water Tight	
12	4460662	1	Connector, Strain Relief	
13	4811400	6	Washer M4	
14	4811700	8	Washer M6	
15	4811702	6	Washer M6	
16	1001152486	1	Electric Assembly, Box and Breaker (See Separate Breakdown in this Section)	
17	1001254613	1	Plate, Platform Plug Mount	
18	1001261118	1	Bracket, Electric Box Mount	
19	4460315	3	Terminal, Spade	
20	1001212268	3	Terminal	

# SECTION 8 - ELECTRICAL

## FIGURE 8-7. AC BOX AT PLATFORM INSTALLATION - 220V AFSINT 107 (CE SPECS)



ART\_1001255008

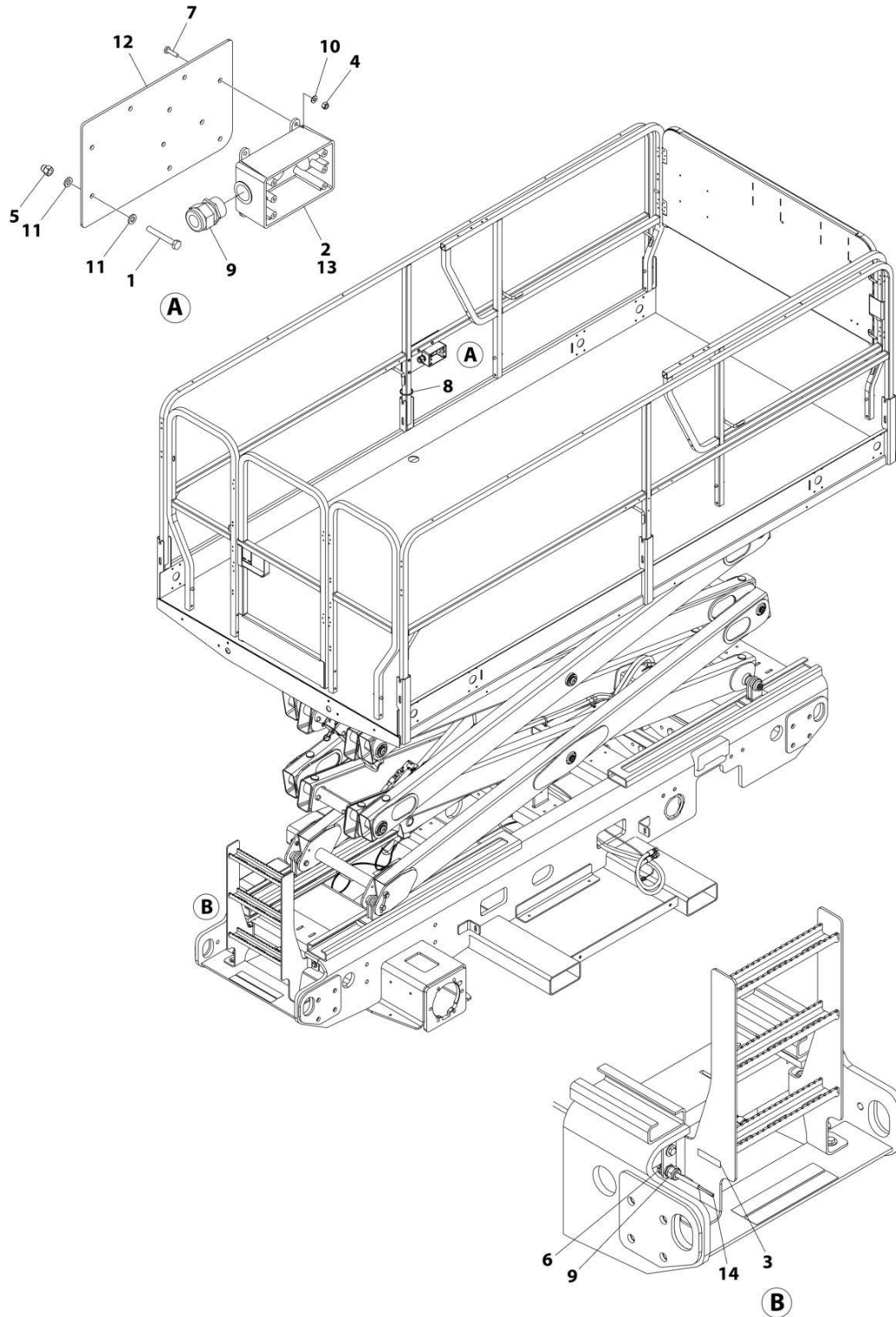
## SECTION 8 - ELECTRICAL

**FIGURE 8-7. AC BOX AT PLATFORM INSTALLATION - 220V AFSINT 107 (CE SPECS)**

ITEM	PART NUMBER	QTY	DESCRIPTION	REV
	1001255008	Ref	AC BOX AT PLATFORM INSTALLATION - 220V AFSINT 107	B
1	0275454	1	Receptacle Box Kit - 220V AFSINT 107 (See Separate Breakdown in this Section)	
2	0700617	4	Bolt M6 x 45	
3	0760610	3	Bolt M6 x 20	
4	3252507	1	Decal - 220 Volt	
5	3290405	6	Nut M4	
6	3290605	3	Nut M6	
7	3290606	4	Nut M6 x 1	
8	3300048	1	Nut 3/4	
9	4010408	6	Screw M4 x 16	
10	4240017	AR	Tie-Strap	
11	4460071	1	Connector, Water Tight	
12	4460662	1	Connector, Strain Relief	
13	4811400	6	Washer M4	
14	4811700	8	Washer M6	
15	4811702	6	Washer M6	
16	1001096070	1	Breaker Box Kit (See Separate Breakdown in this Section)	
17	1001254613	1	Plate, Platform Plug Mount	
18	1001261118	1	Bracket, Electric Box Mount	
19	4460315	3	Terminal, Spade	
20	1001212268	3	Terminal	

# SECTION 8 - ELECTRICAL

FIGURE 8-8. AC BOX AT PLATFORM INSTALLATION - 220V CUSTOMER SUPPLIED PLUG & RECEPTACLE (ALL SPECS EXCEPT AUSTRALIAN & CE SPECS)



ART\_1001255002



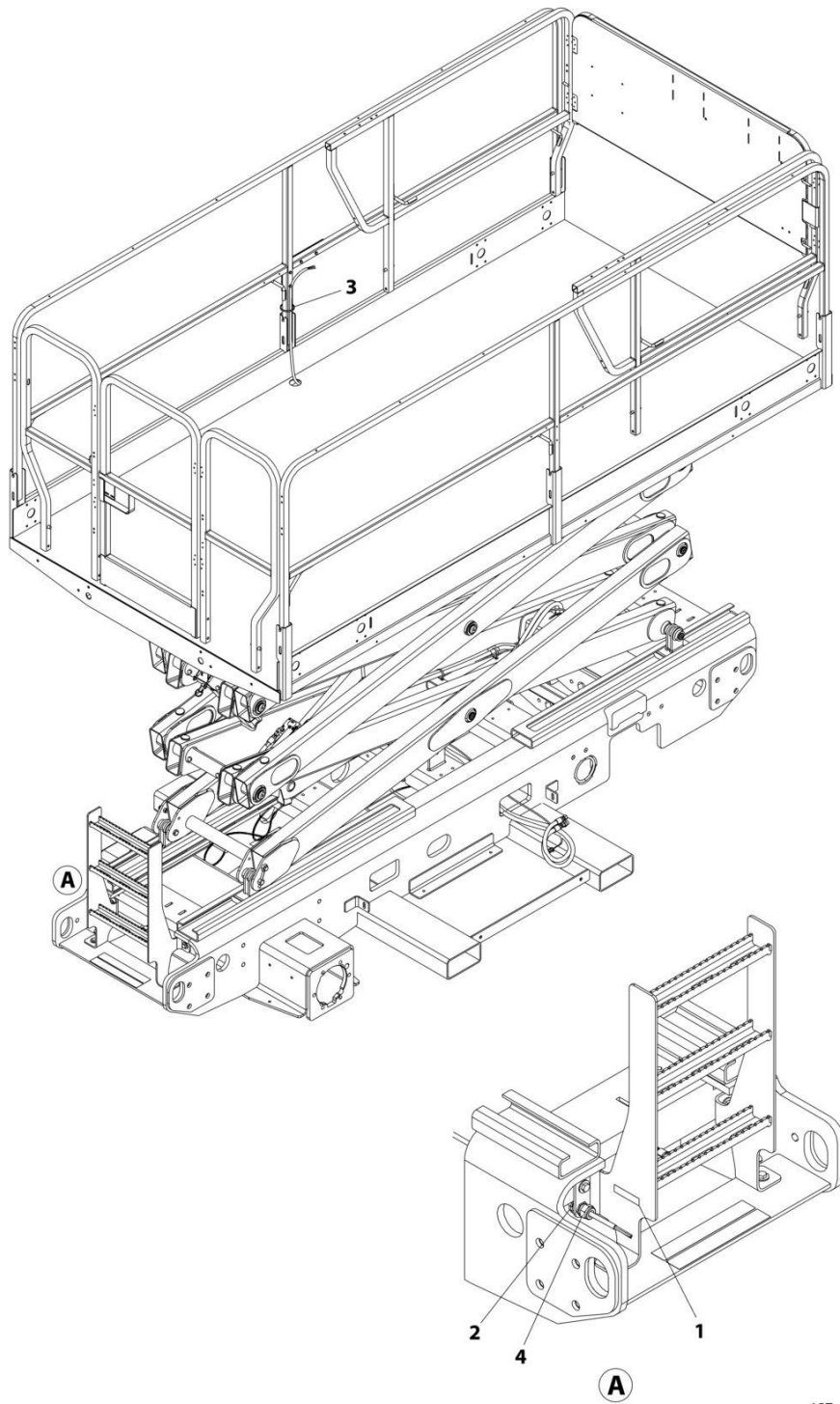
## SECTION 8 - ELECTRICAL

**FIGURE 8-8. AC BOX AT PLATFORM INSTALLATION - 220V CUSTOMER SUPPLIED PLUG & RECEPTACLE (ALL SPECS EXCEPT AUSTRALIAN & CE SPECS)**

ITEM	PART NUMBER	QTY	DESCRIPTION	REV
	1001255002	Ref	AC BOX AT PLATFORM INSTALLATION - 220V RECEPTACLE	B
1	0700617	4	Bolt M6 x 45	
2	0861731	1	Box, Receptacle	
3	3252507	1	Decal - 220 Volt	
4	3290405	4	Nut M4	
5	3290606	4	Nut M6 x 1	
6	3300048	1	Nut 3/4	
7	4010408	4	Screw M4 x 16	
8	4240017	AR	Tie-Strap	
9	4460071	2	Connector, Water Tight	
10	4811400	4	Washer M4	
11	4811700	8	Washer M6	
12	1001254613	1	Plate, Platform Plug Mount	
13	4460315	3	Terminal, Spade	
14	1001212268	3	Terminal	

# SECTION 8 - ELECTRICAL

FIGURE 8-9. AC BOX AT PLATFORM INSTALLATION - 220V CUSTOMER SUPPLIED COMPONENTS  
(ALL SPECS)



ART\_1001255003

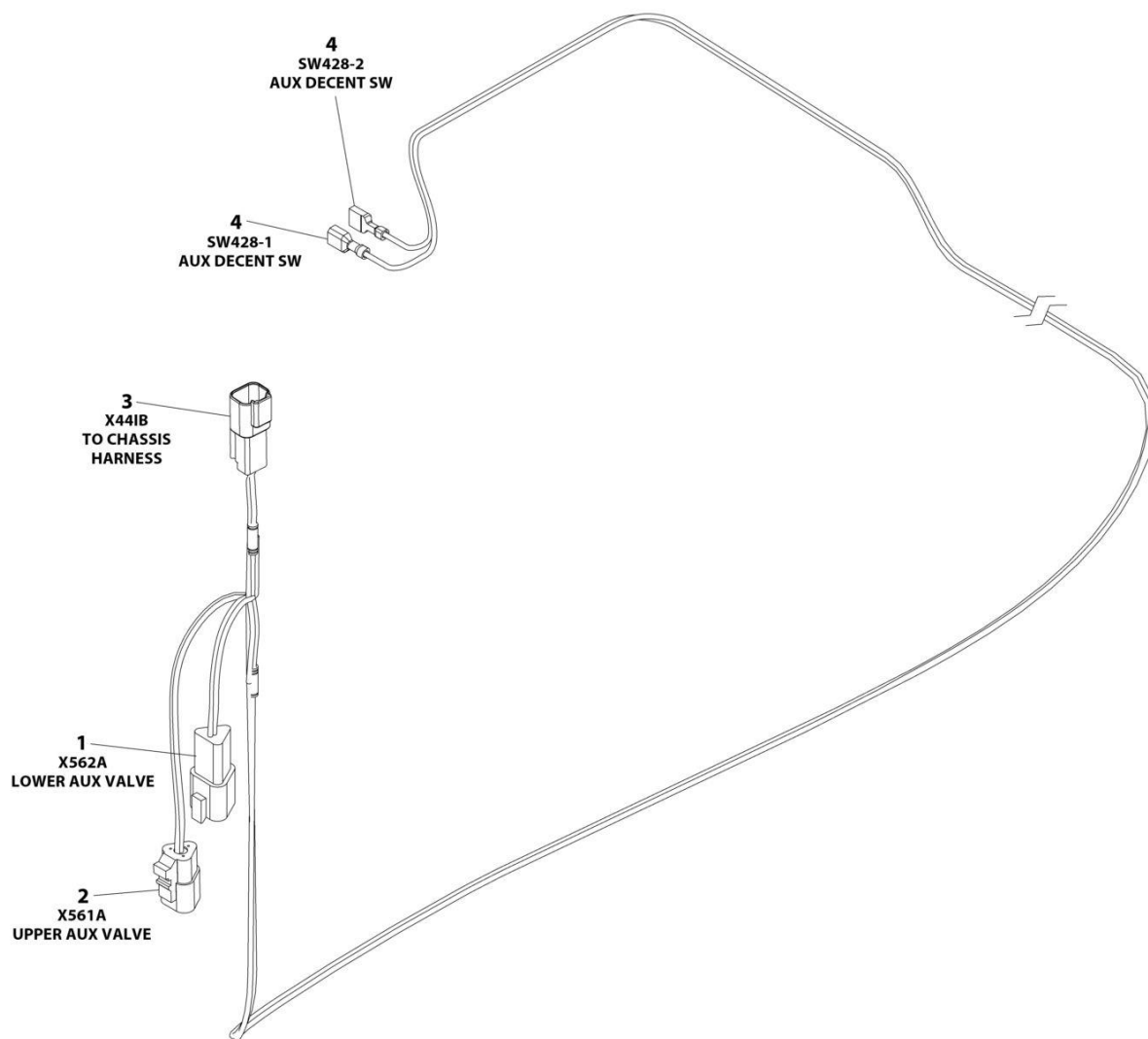
## SECTION 8 - ELECTRICAL

**FIGURE 8-9. AC BOX AT PLATFORM INSTALLATION - 220V CUSTOMER SUPPLIED COMPONENTS  
(ALL SPECS)**

ITEM	PART NUMBER	QTY	DESCRIPTION	REV
	1001255003	Ref	AC BOX AT PLATFORM INSTALLATION - 220V CUSTOMER SUPPLIED COMPONENTS	A
1	3252507	1	Decal - 220 Volt	
2	3300048	1	Nut 3/4	
3	4240017	AR	Tie-Strap	
4	4460071	1	Connector, Water Tight	

# SECTION 8 - ELECTRICAL

## FIGURE 8-10. AUXILIARY DESCENT HARNESS



ART\_1001263499

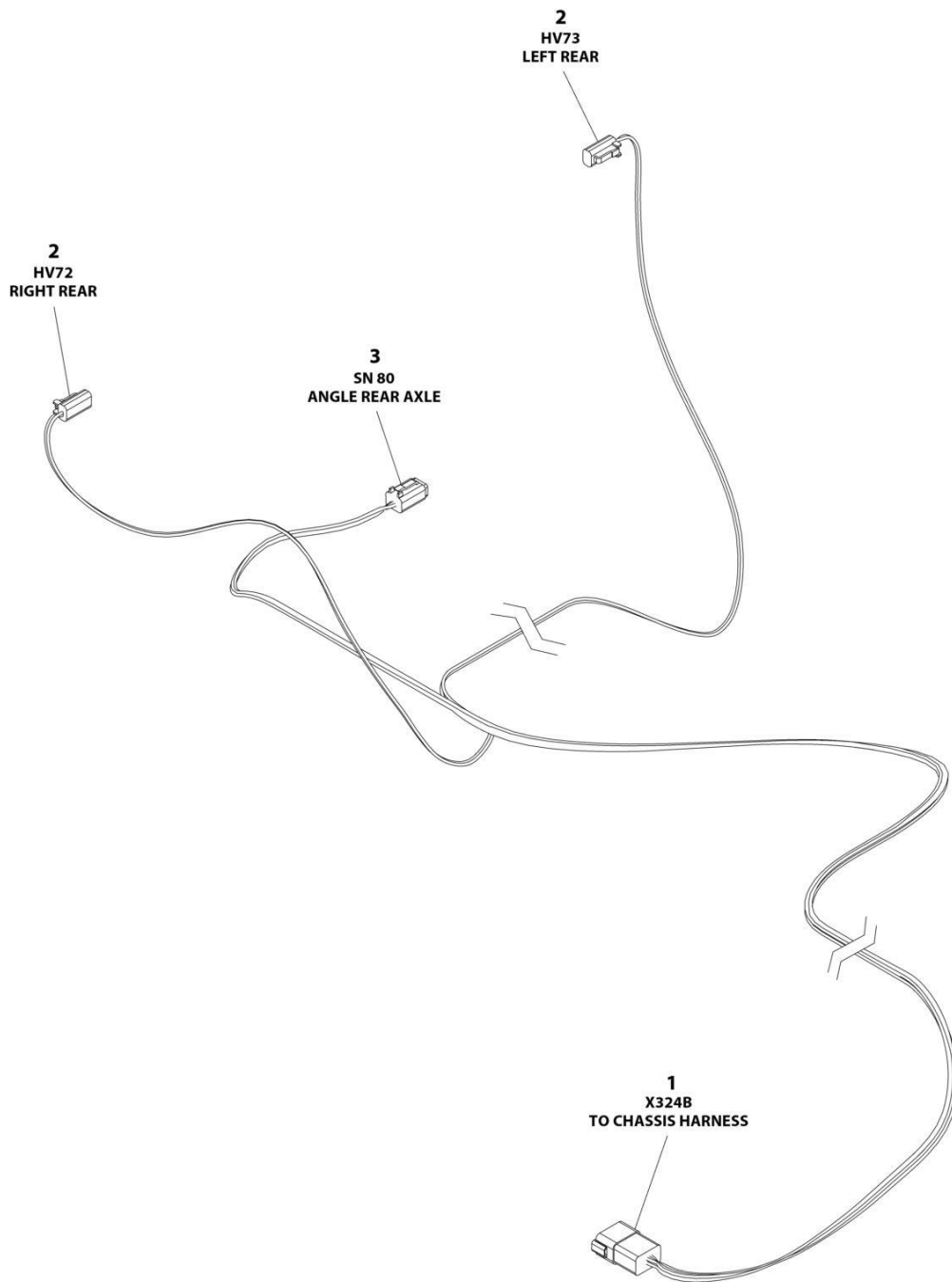
## SECTION 8 - ELECTRICAL

### FIGURE 8-10. AUXILIARY DESCENT HARNESS

ITEM	PART NUMBER	QTY	DESCRIPTION	REV
	1001263449	Ref	AUXILIARY DESCENT HARNESS	A
1	4460536	1	Receptacle, Female - 3 Position	
1	4460464	2	Pin, Male	
1	4460466	1	Plug, Terminal	
2	4460539	1	Plug, Male - 3 Position	
2	4460465	2	Socekt, Female	
2	4460466	1	Plug, Terminal	
3	4460897	1	Receptacle, Female - 2 Position	
3	4460464	2	Pin, Male	
4	1001194421	2	Terminal	

# SECTION 8 - ELECTRICAL

## FIGURE 8-11. AXLE HARNESS - REAR OSCILLATING



ART\_1001249282

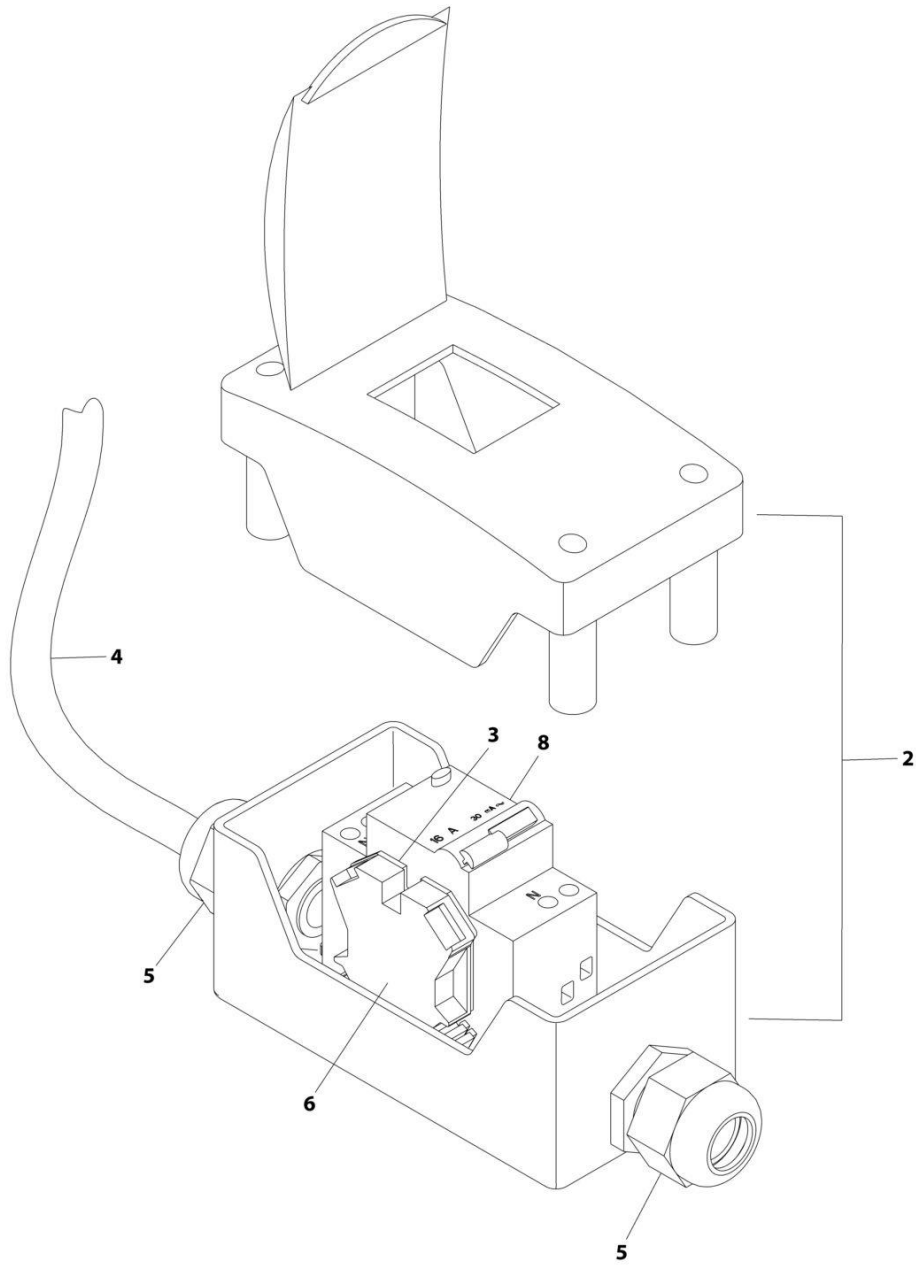
## SECTION 8 - ELECTRICAL

### FIGURE 8-11. AXLE HARNESS - REAR OSCILLATING

ITEM	PART NUMBER	QTY	DESCRIPTION	REV
	1001249282	Ref	AXLE HARNESS - REAR OSCILLATING	E
1	4460931	1	Receptacle, Female - 8 Position	
1	4460464	6	Pin, Male	
1	4460493	2	Pin, Male	
2	4460891	2	Plug, Male - 2 Position	
2	4460465	4	Socket, Female	
3	4460884	1	Plug, Male - 4 Position	
3	4460465	2	Socket, Female	
3	4460944	2	Socket, Female	

# SECTION 8 - ELECTRICAL

FIGURE 8-12. BREAKER BOX KIT - 1 DOUBLE BREAKER (CE SPECS)



ART\_1001096070\_E



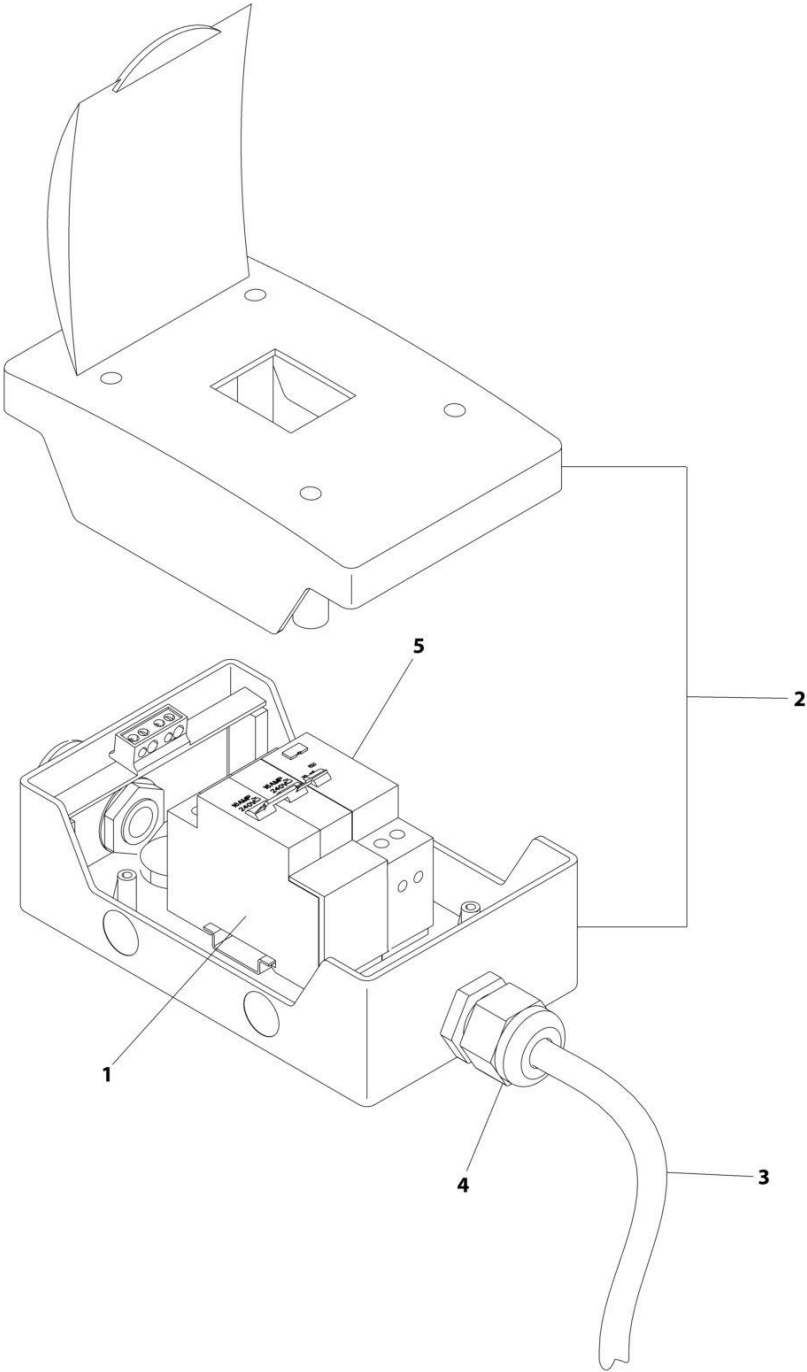
## SECTION 8 - ELECTRICAL

**FIGURE 8-12. BREAKER BOX KIT - 1 DOUBLE BREAKER (CE SPECS)**

ITEM	PART NUMBER	QTY	DESCRIPTION	REV
	1001096070	Ref	BREAKER BOX KIT	E
2	0861880	1	Box	
3	4460956	1	Barrier, Terminal Block End	
4	1060908	12 ft/ 3.6m	Cable, 12/3	
5	1001097150	2	Connector, Strain Relief	
6	4460957	1	Block, Terminal	
8	1001181045	1	Breaker, 16Amp	

**SECTION 8 - ELECTRICAL**

**FIGURE 8-13. BREAKER BOX KIT - 1 DOUBLE & 1 SINGLE BREAKER (CE SPECS)**



ART\_1001152486\_C

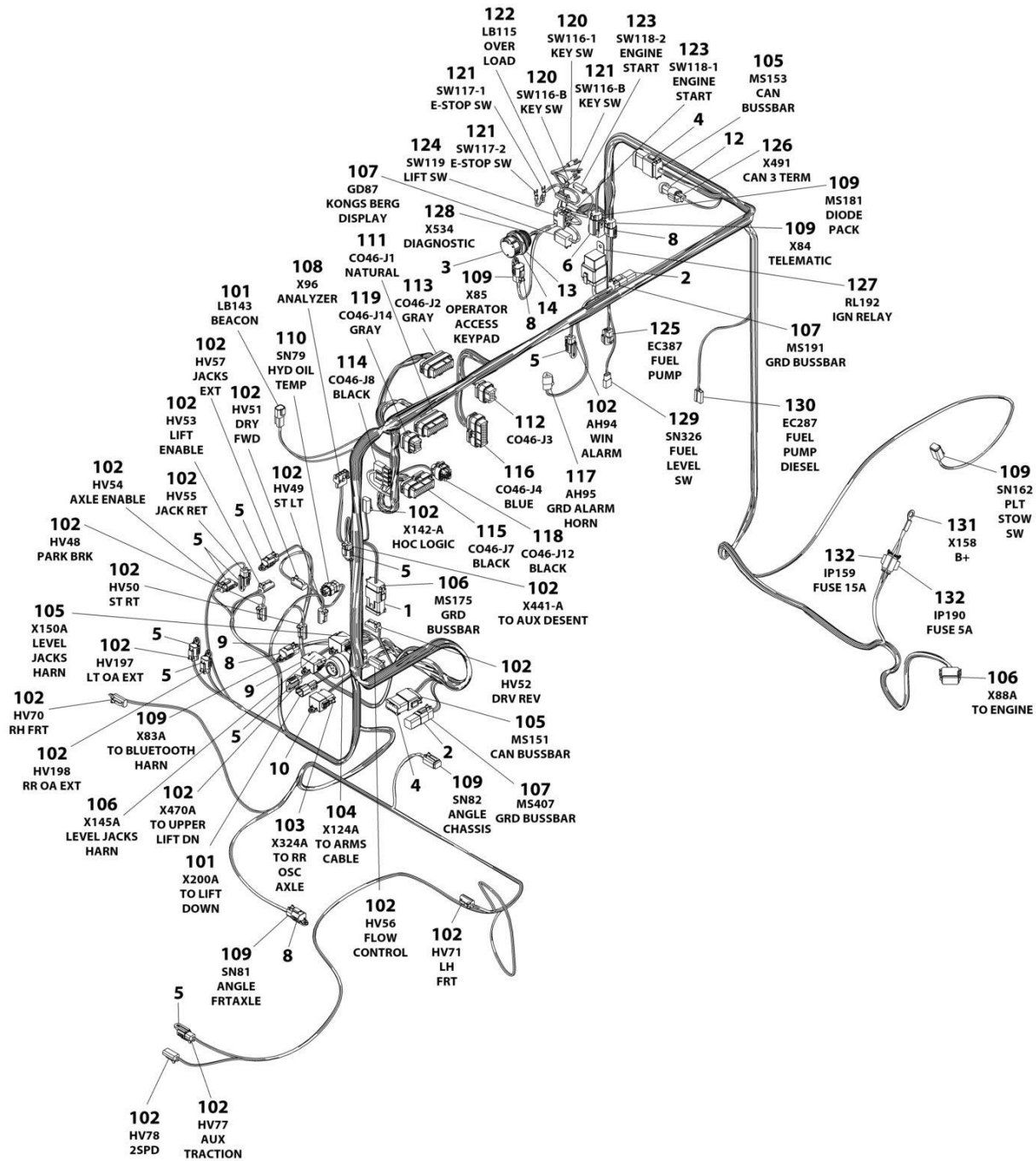
## SECTION 8 - ELECTRICAL

**FIGURE 8-13. BREAKER BOX KIT - 1 DOUBLE & 1 SINGLE BREAKER (CE SPECS)**

ITEM	PART NUMBER	QTY	DESCRIPTION	REV
	1001152486	Ref	BREAKER BOX KIT	C
1	1001189172	1	Breaker, 16 Amp (Double)	
2	1001152483	1	Box	
3	1060908	12 ft/ 3.66m	Cable, 12/3	
4	1001097150	1	Connector, Strain Relief	
5	1001189171	1	Breaker, 30mA	

# SECTION 8 - ELECTRICAL

## FIGURE 8-14. CHASSIS HARNESS



ART\_1001247472

## SECTION 8 - ELECTRICAL

### FIGURE 8-14. CHASSIS HARNESS

ITEM	PART NUMBER	QTY	DESCRIPTION	REV
	1001247472	Ref	CHASSIS HARNESS	H
1	1001249244	1	Bussbar - 12 Position	
2	4460892	2	Bussbar - 6 Position	
3	1001106736	1	Cap, Dust	
4	1001125677	2	Bussbar - 12 Position	
5	1001144295	9	Cap, Thermoplastic	
6	1001152266	1	Connector - 4 Position	
8	1001192401	4	Cap, Dust	
9	1001215898	2	Cap, Dust	
10	1001244462	1	Cap, Dust	
12	4461070	1	Connector - 3 Position	
13	1001125784	1	Washer	
14	1001125785	1	Nut	
101	4460897	2	Receptacle, Female - 2 Position	
101	4460464	4	Pin, Male	
102	4460891	20	Plug, Male - 2 Position	
102	4460465	40	Socket, Female	
103	4460930	1	Plug, Male - 8 Position	
103	4460465	6	Socket, Female	
103	4460944	2	Socket, Female	
104	4460754	1	Plug, Male - 14 Position	
104	4460465	10	Socket, Female	
104	4460944	2	Socket, Female	
104	4460466	2	Plug, Terminal	
105	4460933	3	Plug, Male - 12 Position	
105	4460465	12	Socket, Female	
105	4460944	22	Socket, Female	
105	4460466	2	Plug, Terminal	
106	4460933	3	Plug, Male - 12 Position	
106	4460465	32	Socket, Female	
106	4460466	4	Plug, Terminal	
107	4460894	3	Plug, Male - 6 Position	
107	4460465	22	Socket, Female	
107	4460466	2	Plug, Terminal	
108	4460761	1	Plug, Male - 4 Position	
108	4460227	4	Terminal	
109	4460884	7	Plug, Male - 4 Position	
109	4460465	12	Socket, Female	
109	4460944	16	Socket, Female	
110	1001116950	1	Plug, Male - 2 Position	
110	4460465	2	Socket, Female	
111	4460874	1	Connector - 35 Position	
111	4460871	14	Terminal	
111	4460905	21	Plug, Terminal	
112	4460872	1	Connector - 35 Position	
112	4460871	8	Terminal	
112	4460905	6	Plug, Terminal	
113	4460875	1	Connector - 35 Position	
113	4460871	27	Terminal	
113	4460905	8	Plug, Terminal	

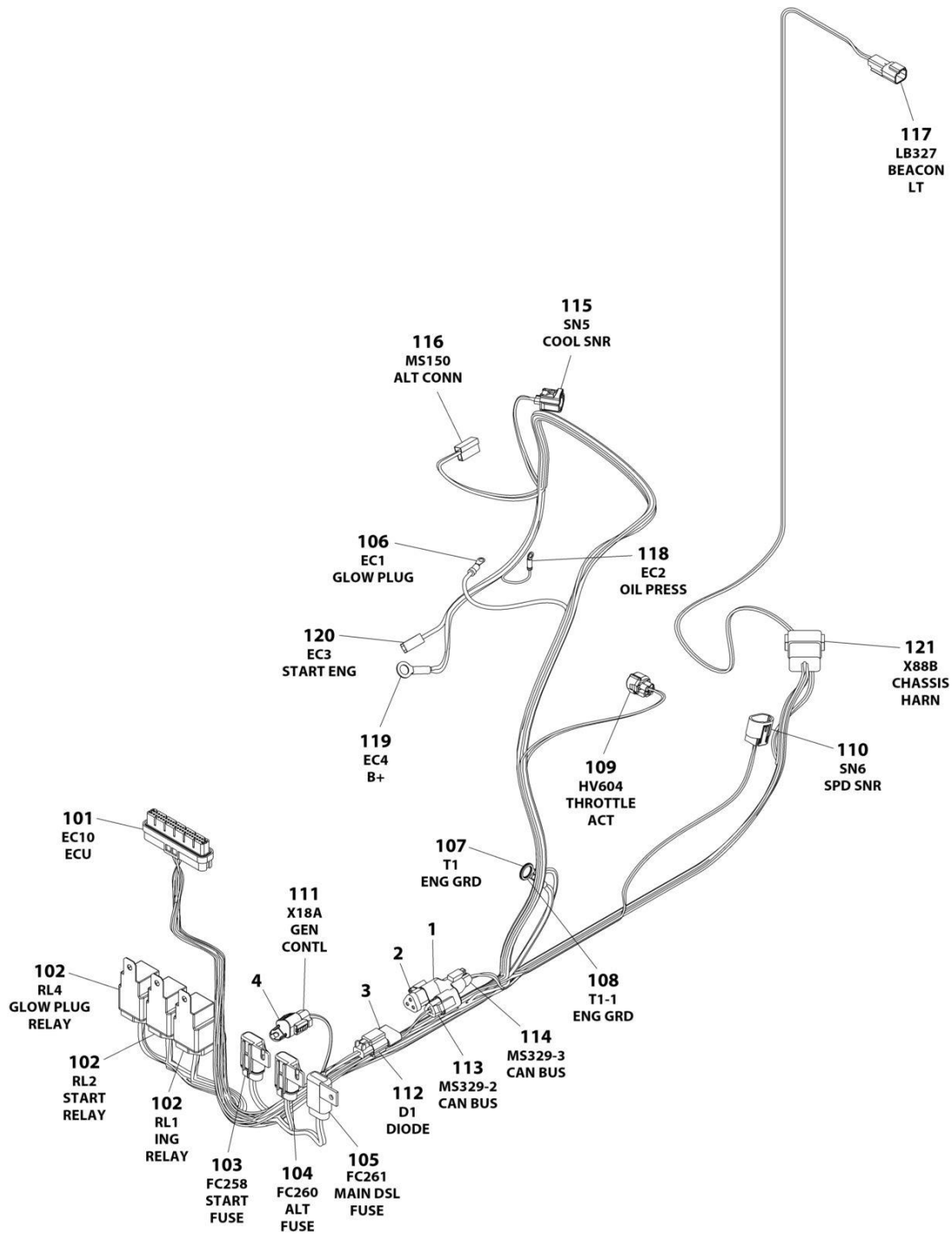
## SECTION 8 - ELECTRICAL

ITEM	PART NUMBER	QTY	DESCRIPTION	REV
114	4460878	1	Connector - 4 Position	
114	4461271	1	Terminal	
114	4460887	1	Terminal	
115	4460873	1	Connector - 35 Position	
115	4460871	29	Terminal	
115	4460905	6	Plug, Terminal	
116	4460876	1	Connector - 35 Position	
116	4460871	18	Terminal	
116	4460905	17	Plug, Terminal	
117	4460539	1	Plug, Male - 3 Position	
117	4460465	3	Socket, Female	
118	1001113961	1	Connector - 8 Position	
118	4460871	4	Terminal	
118	4460905	4	Plug, Terminal	
119	1001246859	1	Connector - 14 Position	
119	4460871	10	Terminal	
119	4460905	4	Plug, Terminal	
120	4460144	2	Terminal, Fork	
121	4460183	3	Terminal, Fork	
122	4461290	1	Connector - 2 Position	
122	4460928	2	Terminal	
123	4460260	2	Cover, Terminal	
123	4460259	2	Terminal	
124	4460418	1	Connector, Switch	
124	4460419	2	Terminal	
124	1001159186	2	Terminal	
125	1001184832	1	Connector - 2 Position	
125	1001118658	2	Terminal	
125	1001205250	2	Seal	
126	4461095	1	Plug, Male - 3 Position	
126	4460944	2	Socket, Female	
126	4460466	1	Plug, Terminal	
127	1001118282	1	Connector, Relay	
127	1001116734	2	Terminal	
127	1001116732	2	Terminal	
127	1001128128	1	Plug, Terminal	
128	1001249095	1	Connector - 9 Position	
128	4460464	3	Pin, Male	
128	4460943	2	Pin, Male	
128	4460466	4	Plug, Terminal	
129	4460424	1	Connector - 2 Position	
129	4460268	2	Terminal	
130	1001118744	1	Connector - 2 Position	
130	1001118745	2	Terminal	
131	8220164	1	Terminal, Ring	
132	2400066	2	Fuseholder with Cover	
132	8229242	1	Fuse 5Amp	
132	8229244	1	Fuse 15Amp	



# SECTION 8 - ELECTRICAL

## FIGURE 8-15. ENGINE HARNESS - DIESEL



ART\_1001248134



## SECTION 8 - ELECTRICAL

### FIGURE 8-15. ENGINE HARNESS - DIESEL

ITEM	PART NUMBER	QTY	DESCRIPTION	REV
	1001248134	Ref	ENGINE HARNESS - DIESEL	E
1	4460945	1	Connector - 3 Way	
2	1001116815	1	Connector - 3 Position Plug	
3	1001116816	1	Connector, Bussbar	
4	1001144296	1	Cap	
101	1001248222	1	Connector - 44 Position	
101	1001248223	21	Terminal	
101	1001248224	23	Plug, Terminal	
102	1001118282	3	Connector, Relay	
102	1001116734	6	Terminal	
102	1001116732	6	Terminal	
102	1001128128	3	Plug, Terminal	
103	1001118938	1	Fuseholder with 40Amp Fuse	
103	1001116752	2	Terminal	
104	1001117022	1	Fuseholder with 7.5Amp Fuse	
104	1001117069	1	Fuseholder with 20Amp Fuse	
104	1001116733	2	Terminal	
105	1001117023	1	Fuseholder with 10Amp Fuse	
105	1001116752	2	Terminal	
107	4460142	1	Terminal, Ring	
108	1001130900	1	Terminal, Ring	
109	8220111	1	Terminal, Ring	
109	1001248227	1	Receptacle, Female - 2 Position	
109	1001248228	2	Terminal	
109	1001248229	2	Seal	
110	1001223431	1	Receptacle, Female - 3 Position	
110	1001223794	3	Terminal	
110	1001223797	3	Seal	
111	4460539	1	Plug, Male - 3 Position	
111	4460465	3	Socket, Female	
112	4460891	1	Plug, Male - 2 Position	
112	4460942	2	Socket, Female	
113	4460539	1	Plug, Male - 3 Position	
113	4460944	2	Socket, Female	
113	4460466	1	Plug, Terminal	
114	1001116812	1	Plug, Male - 3 Position	
114	4460944	2	Socket, Female	
114	4460466	1	Plug, Terminal	
115	1001118657	1	Receptacle, Female - 3 Position	
115	1001118658	2	Terminal	
115	1001118659	2	Seal	
116	1001118744	1	Connector - 2 Position	
116	1001118745	2	Terminal	
117	4460897	1	Receptacle, Female - 2 Position	
117	4460464	2	Pin, Male	
118	4460247	1	Terminal, Ring	
119	8220164	1	Terminal, Ring	
120	1001118743	1	Connector	
120	1001230488	1	Terminal	
121	4460950	1	Receptacle, Female - 12 Position	

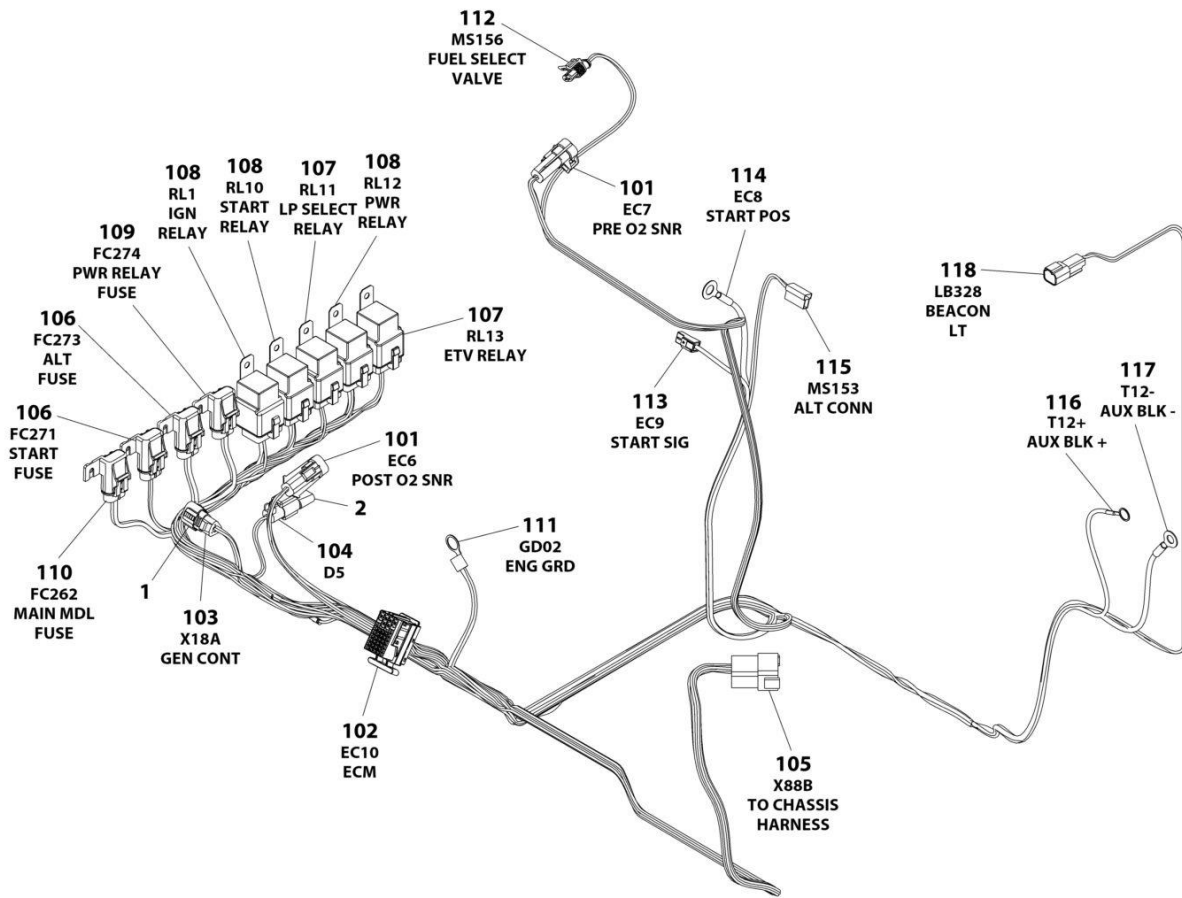
## SECTION 8 - ELECTRICAL

ITEM	PART NUMBER	QTY	DESCRIPTION	REV
121	4460464	4	Pin, Male	
121	4460943	2	Pin, Male	
121	4460941	1	Pin, Male	
121	4460466	5	Plug, Terminal	



# SECTION 8 - ELECTRICAL

## FIGURE 8-16. ENGINE HARNESS - DUAL FUEL



ART\_1001248289

## SECTION 8 - ELECTRICAL

### FIGURE 8-16. ENGINE HARNESS - DUAL FUEL

ITEM	PART NUMBER	QTY	DESCRIPTION	REV
	1001248289	Ref	ENGINE HARNESS - GAS	I
1	1001144296	1	Cap	
2	1001116816	1	Connector, Diode	
101	1001184722	2	Connector - 4 Position	
101	1001270481	8	Terminal (Gold)	
101	1001116749	8	Terminal (Tin)	
101	1001237778	4	Seal	
101	4460608	4	Seal	
102	1001184705	1	Connector - 42 Position	
102	1001187455	4	Terminal	
102	1001184718	5	Terminal	
102	1001184717	2	Terminal	
102	1001184716	10	Terminal	
102	1001126391	20	Plug, Terminal	
102	4461008	1	Plug, Terminal	
102	4461054	9	Seal	
102	1001126393	12	Seal	
103	4460539	1	Plug, Male - 3 Position	
103	4460465	3	Socket, Female	
104	4460891	1	Plug, Male - 2 Position	
104	4460942	2	Socket, Female	
105	4460950	1	Receptacle, Female - 12 Position	
105	4460464	4	Pin, Male	
105	4460943	2	Pin, Male	
105	4460941	1	Pin, Male	
105	4460466	1	Plug, Terminal	
106	1001118938	1	Fuseholder with 40Amp Fuse	
106	1001116752	2	Terminal (11-13 AWG)	
106	1001116732	2	Terminal (18-20 AWG)	
107	1001117025	2	Connector, Relay	
107	1001116733	2	Terminal	
107	1001116732	6	Terminal	
108	1001118282	3	Connector, Relay	
108	1001116734	6	Terminal	
108	1001116732	6	Terminal	
108	1001128128	3	Plug, Terminal	
109	1001117070	1	Fuseholder with 30Amp Fuse	
109	1001116752	2	Terminal	
110	1001117069	1	Fuseholder with 20Amp Fuse	
110	1001116752	2	Terminal	
111	8220029	1	Terminal, Ring	
112	4461118	1	Plug, Male - 2 Position	
112	1001107854	2	Terminal	
112	1001104498	1	Seal	
112	1001116763	1	Seal	
113	1001184768	1	Connector	
113	1001184769	1	Terminal	
114	1001117110	1	Terminal, Ring	
115	1001118744	1	Connector - 2 Position	
115	1001118745	2	Terminal	

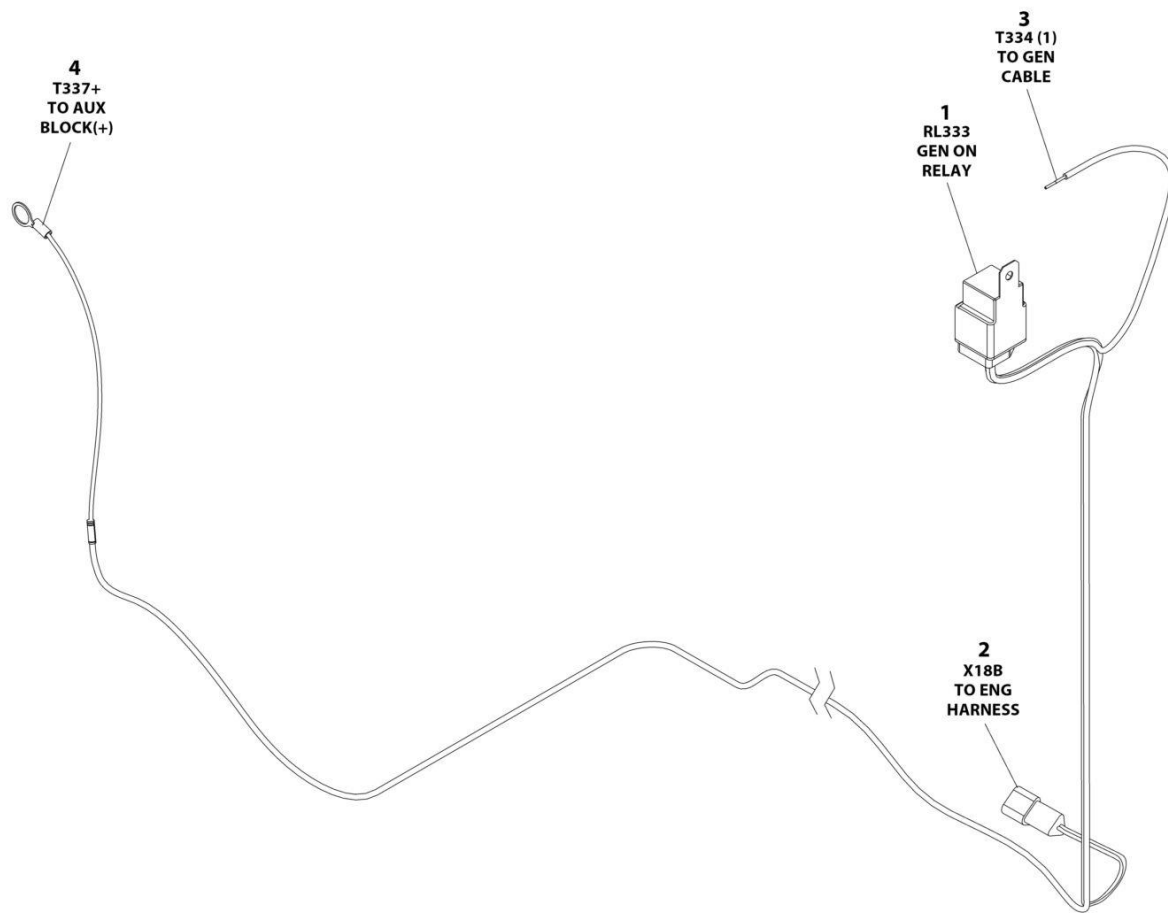
## SECTION 8 - ELECTRICAL

ITEM	PART NUMBER	QTY	DESCRIPTION	REV
116	4460019	1	Terminal, Ring	
117	8220045	1	Terminal, Ring	
118	4460897	1	Receptacle, Female - 2 Position	
118	4460464	2	Pin, Male	



# SECTION 8 - ELECTRICAL

## FIGURE 8-17. GENERATOR HARNESS



ART\_1001249464



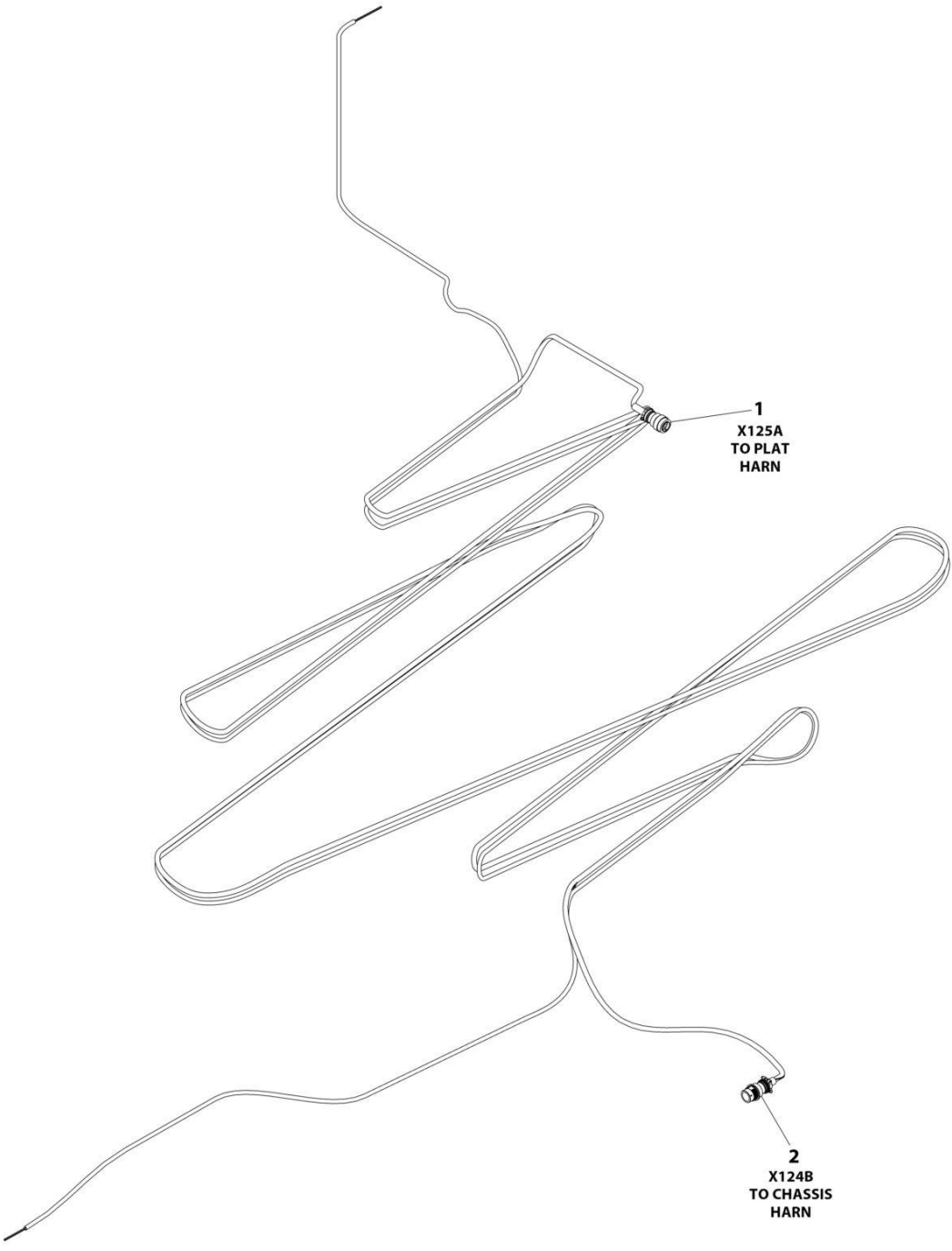
## SECTION 8 - ELECTRICAL

### FIGURE 8-17. GENERATOR HARNESS

ITEM	PART NUMBER	QTY	DESCRIPTION	REV
	1001249464	Ref	GENERATOR HARNESS	B
1	1001118282	1	Connector & Relay	
1	3740080	1	Relay	
1	1001116734	2	Terminal	
1	1001116732	2	Terminal	
1	1001128128	1	Plug, Terminal	
2	4460536	1	Receptacle, Female - 3 Position	
2	4460464	2	Pin, Male	
2	4460466	1	Plug, Terminal	
3	4460906	1	Terminal	
4	8220111	1	Terminal, Ring	

**SECTION 8 - ELECTRICAL**

**FIGURE 8-18. GROUND TO PLATFORM HARNESS (RT4069)**



ART\_1001259135

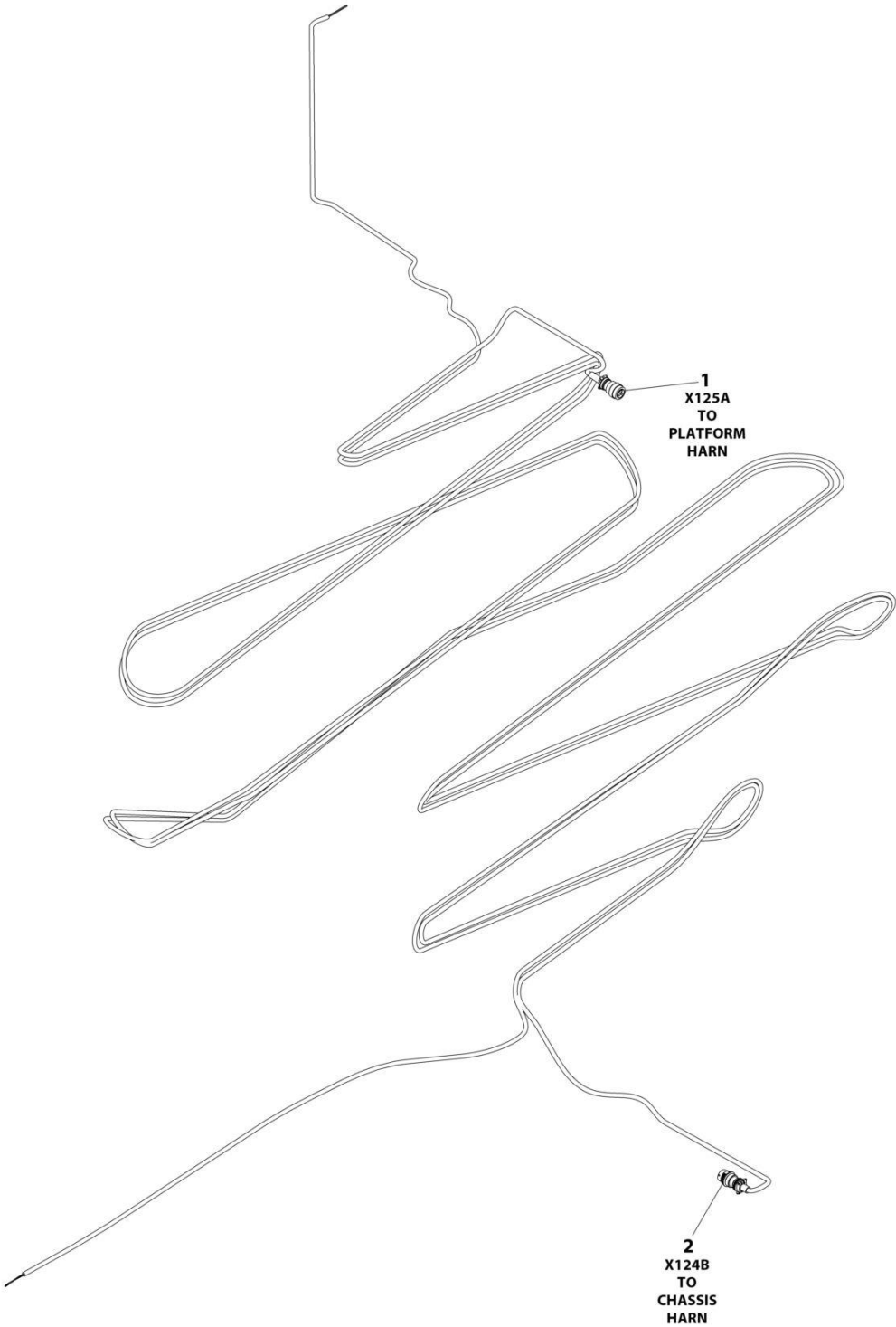
## SECTION 8 - ELECTRICAL

**FIGURE 8-18. GROUND TO PLATFORM HARNESS (RT4069)**

ITEM	PART NUMBER	QTY	DESCRIPTION	REV
	1001259135	Ref	GROUND TO PLATFORM HARNESS	B
1	4460754	1	Connector - 14 Position	
1	4460465	12	Socket, Female	
1	4460944	2	Terminal	
2	1001156541	1	Connector - 14 Position	
2	4460464	12	Pin, Male	
2	4460943	2	Terminal	

**SECTION 8 - ELECTRICAL**

**FIGURE 8-19. GROUND TO PLATFORM HARNESS (RT4769)**



ART\_1001262141

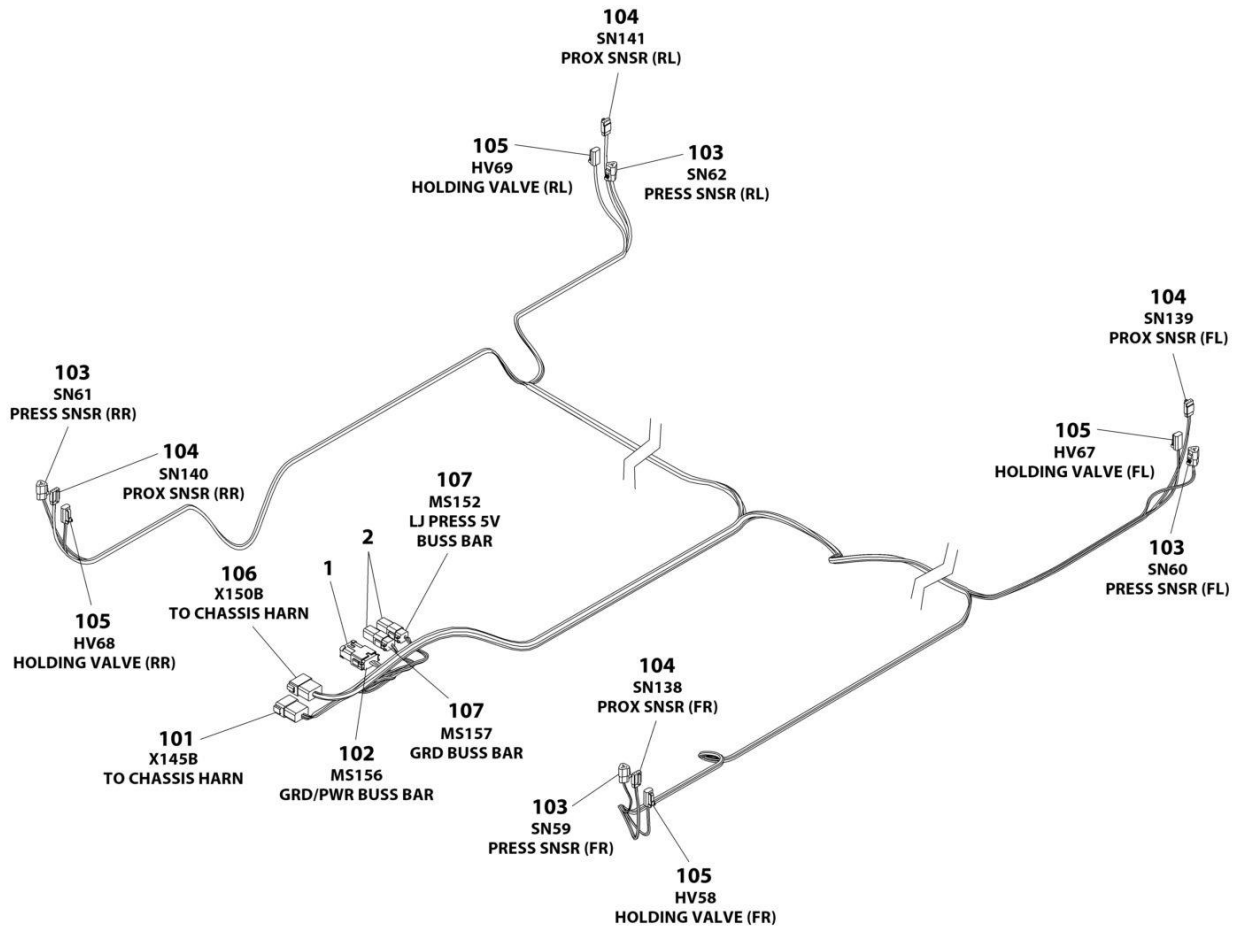
## SECTION 8 - ELECTRICAL

### FIGURE 8-19. GROUND TO PLATFORM HARNESS (RT4769)

ITEM	PART NUMBER	QTY	DESCRIPTION	REV
	1001262141	Ref	GROUND TO PLATFORM HARNESS	B
1	4460754	1	Connector - 14 Position	
1	4460465	12	Socket, Female	
1	4460944	2	Terminal	
2	1001156541	1	Connector - 14 Position	
2	4460464	12	Pin, Male	
2	4460943	2	Terminal	

# SECTION 8 - ELECTRICAL

## FIGURE 8-20. LEVELING JACK HARNESS



ART\_1001248863

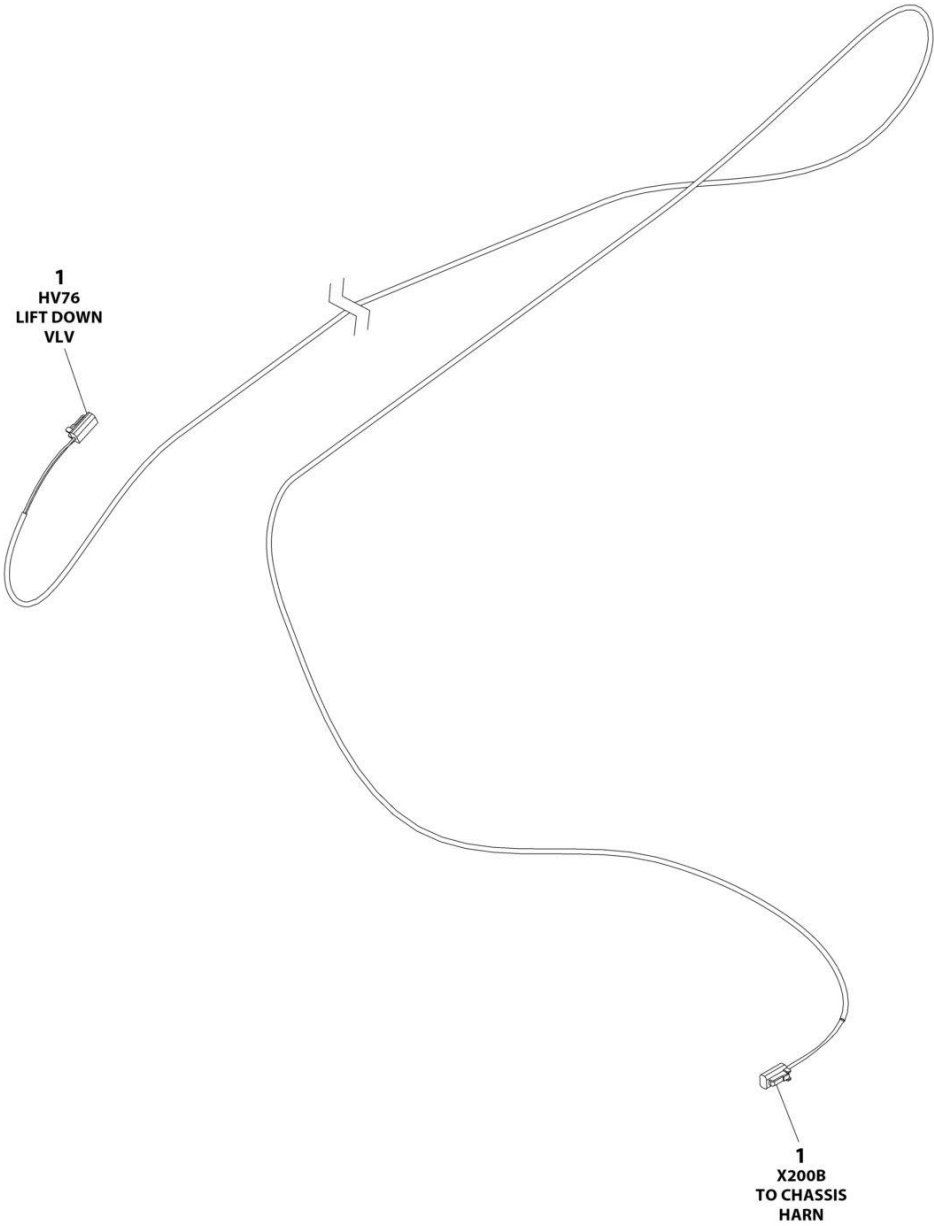
## SECTION 8 - ELECTRICAL

### FIGURE 8-20. LEVELING JACK HARNESS

ITEM	PART NUMBER	QTY	DESCRIPTION	REV
	1001248863	Ref	LEVELING JACK HARNESS	C
1	1001125677	1	Connector, 2 x 6 Bussbar (DT)	
2	4460892	2	Terminal, 6 Position Bussbar (DT)	
101	4460950	1	Receptacle, Female - 12 Position	
101	4460464	8	Pin, Male	
101	4460466	4	Plug, Terminal	
102	4460933	1	Plug, Male - 12 Position	
102	4460465	10	Socket, Female	
102	4460466	2	Plug, Terminal	
103	4460539	4	Plug, Male - 3 Position	
103	4460465	12	Socket, Female	
104	4460911	4	Connector - 3 Position	
104	1001116694	12	Terminal	
105	4460891	4	Plug, Male - 2 Position	
105	4460465	8	Socket, Female	
106	4460970	1	Receptacle - 12 Position	
106	4460464	12	Pin, Male	
107	4460894	2	Plug, Male - 6 Position	
107	4460465	10	Socket, Female	
107	4460466	2	Plug, Terminal	

**SECTION 8 - ELECTRICAL**

**FIGURE 8-21. LIFT DOWN HARNESS - LOWER**



ART\_1001259139



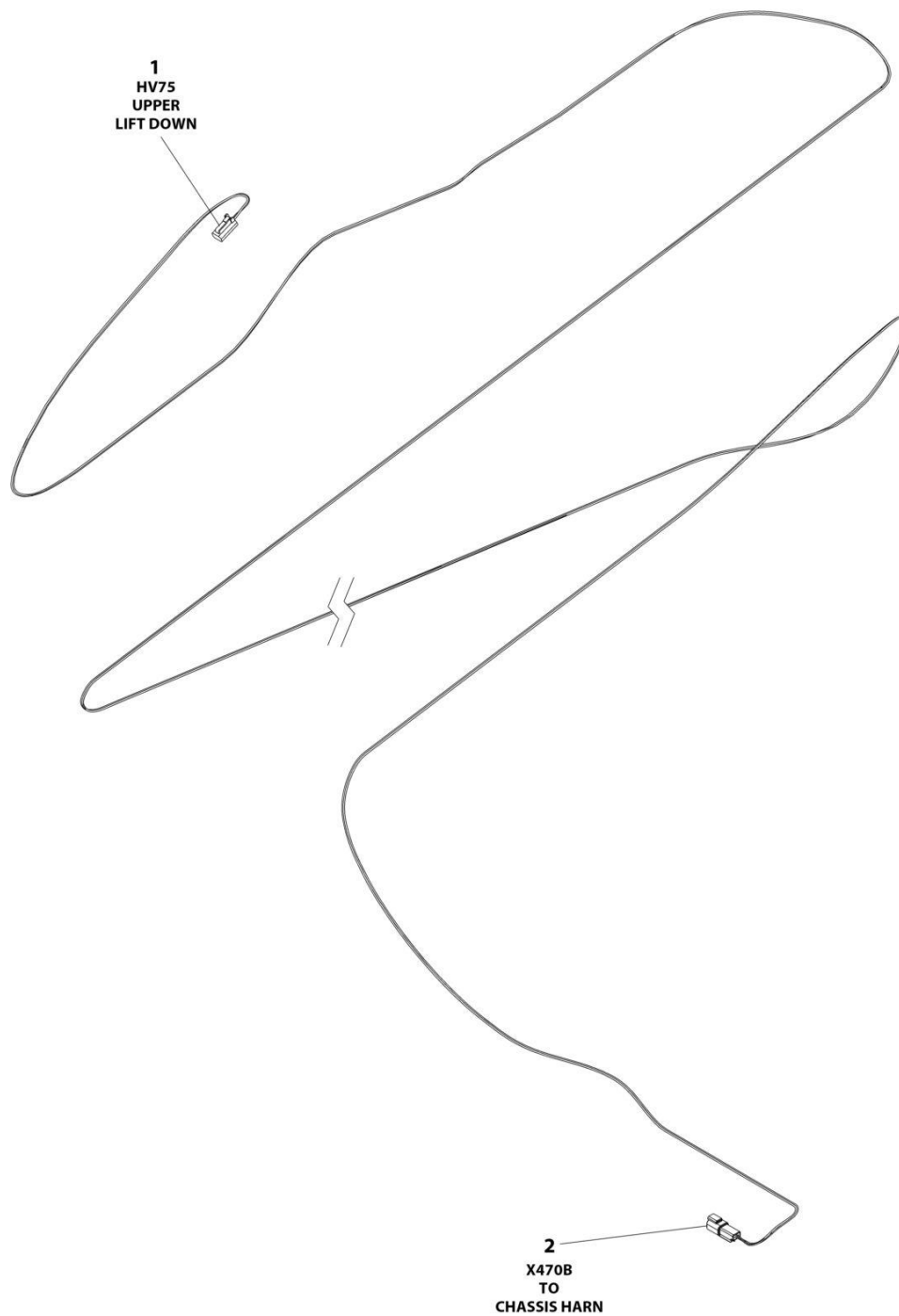
## SECTION 8 - ELECTRICAL

### FIGURE 8-21. LIFT DOWN HARNESS - LOWER

ITEM	PART NUMBER	QTY	DESCRIPTION	REV
	1001259139	Ref	LIFT DOWN HARNESS	B
1	4460891	2	Connector - 2 Position	
1	4460465	4	Socket, Female	

# SECTION 8 - ELECTRICAL

## FIGURE 8-22. LIFT DOWN HARNESS - UPPER (RT4769)



ART\_1001262142

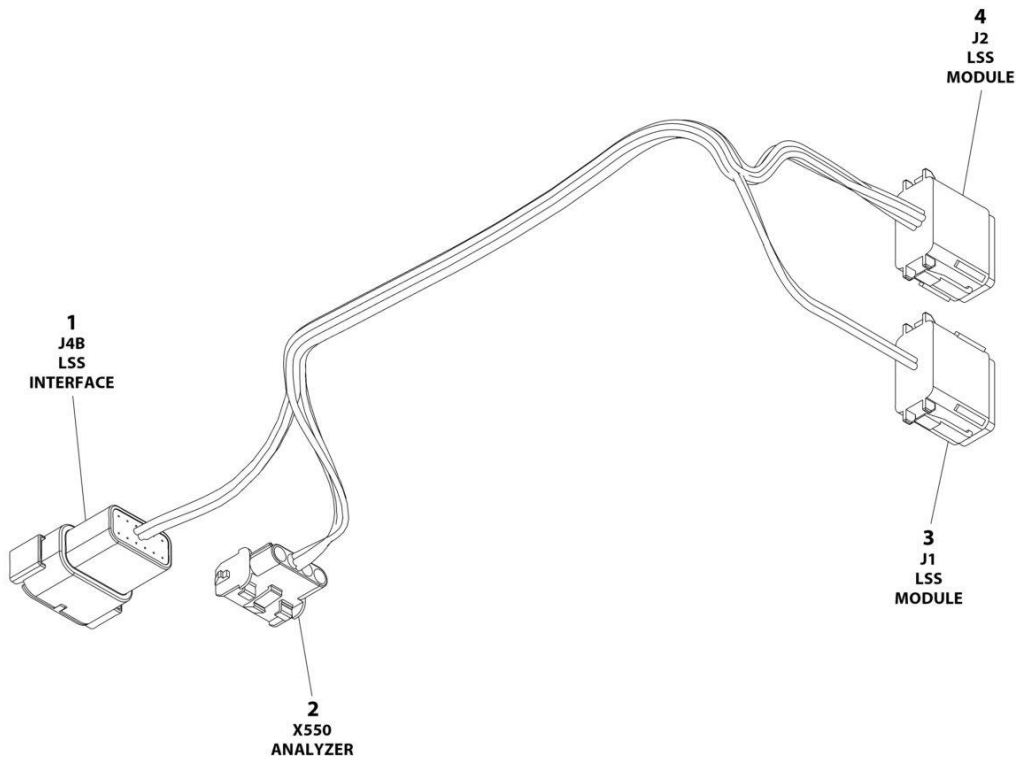
## SECTION 8 - ELECTRICAL

**FIGURE 8-22. LIFT DOWN HARNESS - UPPER (RT4769)**

ITEM	PART NUMBER	QTY	DESCRIPTION	REV
	1001262142	Ref	LIFT DOWN HARNESS	A
1	4460891	1	Connector - 2 Position	
1	4460465	2	Socket, Female	
2	4460897	1	Receptacle, Female- 2 Position	
2	4460464	2	Pin, Male	

# SECTION 8 - ELECTRICAL

## FIGURE 8-23. LSS HARNESS



ART\_1001226830

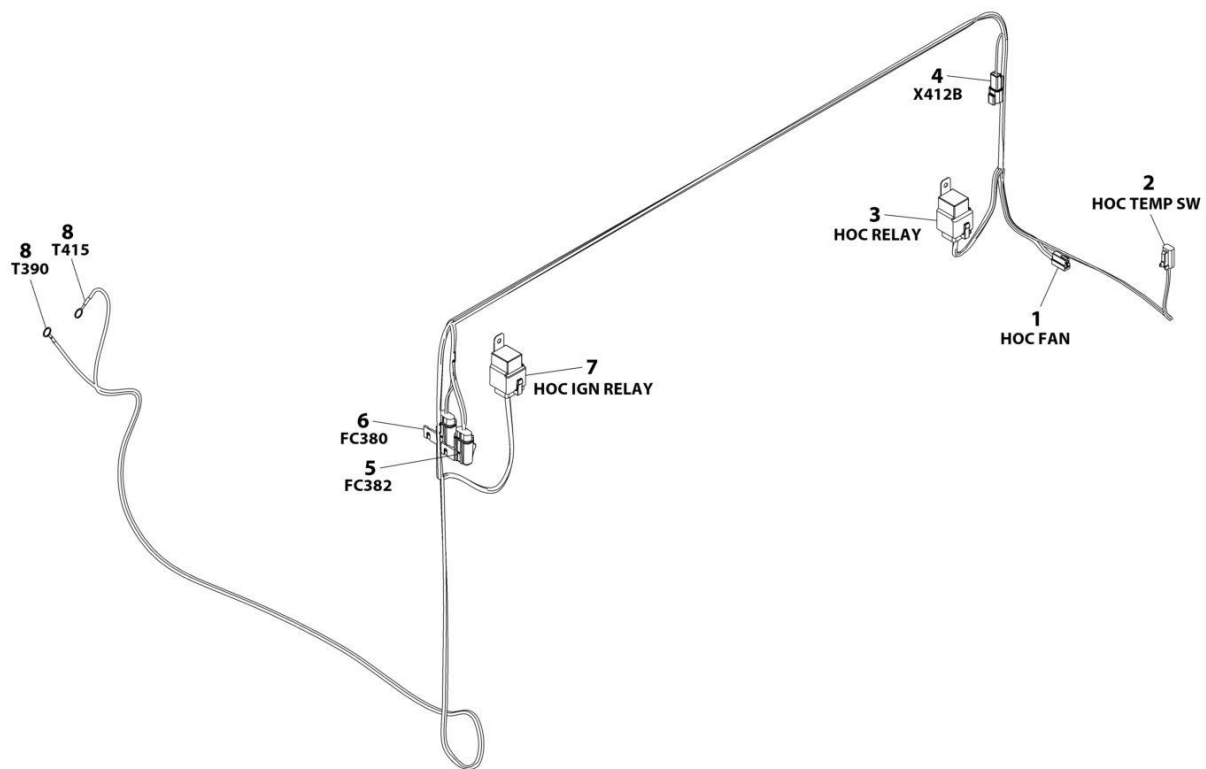
## SECTION 8 - ELECTRICAL

**FIGURE 8-23. LSS HARNESS**

ITEM	PART NUMBER	QTY	DESCRIPTION	REV
	1001226830	Ref	LSS HARNESS	A
1	1001132170	1	Connector - 12 Position	
1	4460929	2	Pin, Male	
1	4460917	2	Pin, Male	
1	4460518	8	Plug, Terminal	
2	4460761	1	Receptacle, Female - 4 Position	
2	4460294	4	Pin, Male	
3	4460933	1	Connector - 12 Position	
3	4460465	2	Socket, Female	
3	4460466	10	Plug, Terminal	
4	4460836	1	Connector - 12 Position	
4	4460465	5	Socket, Female	
4	4460944	2	Socket, Female	
4	4460466	5	Plug, Terminal	

# SECTION 8 - ELECTRICAL

## FIGURE 8-24. OIL COOLER HARNESS



ART\_1001249802

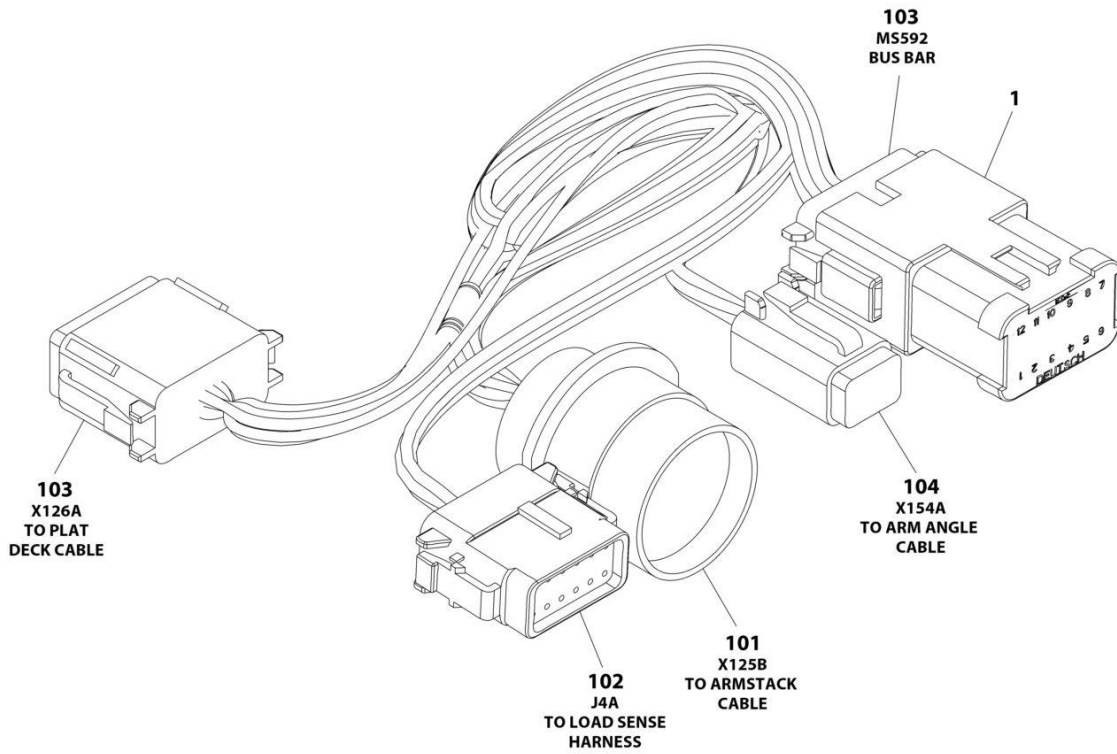
## SECTION 8 - ELECTRICAL

### FIGURE 8-24. OIL COOLER HARNESS

ITEM	PART NUMBER	QTY	DESCRIPTION	REV
	1001249802	Ref	OIL COOLER HARNESS	D
1	4460994	1	Connector	
1	1001116716	3	Socket, Female	
2	4460891	1	Connector	
2	4460465	2	Socket, Female	
3	1001118282	1	Connector	
3	1001116732	2	Socket, Female	
3	1001116734	2	Socket, Female	
3	1001128128	1	Plug	
4	4460897	1	Connector	
4	4460464	1	Pin, Male	
4	4460466	1	Plug	
5	1001119412	1	Connector	
5	1001116733	2	Socket, Female	
6	1001117024	1	Connector	
6	1001116734	2	Socket, Female	
7	1001118282	1	Connector	
7	1001116732	2	Socket, Female	
7	1001116734	2	Socket, Female	
7	1001128128	1	Plug	
8	4460019	2	Terminal, Ring	

# SECTION 8 - ELECTRICAL

## FIGURE 8-25. PLATFORM HARNESS



ART\_1001264939



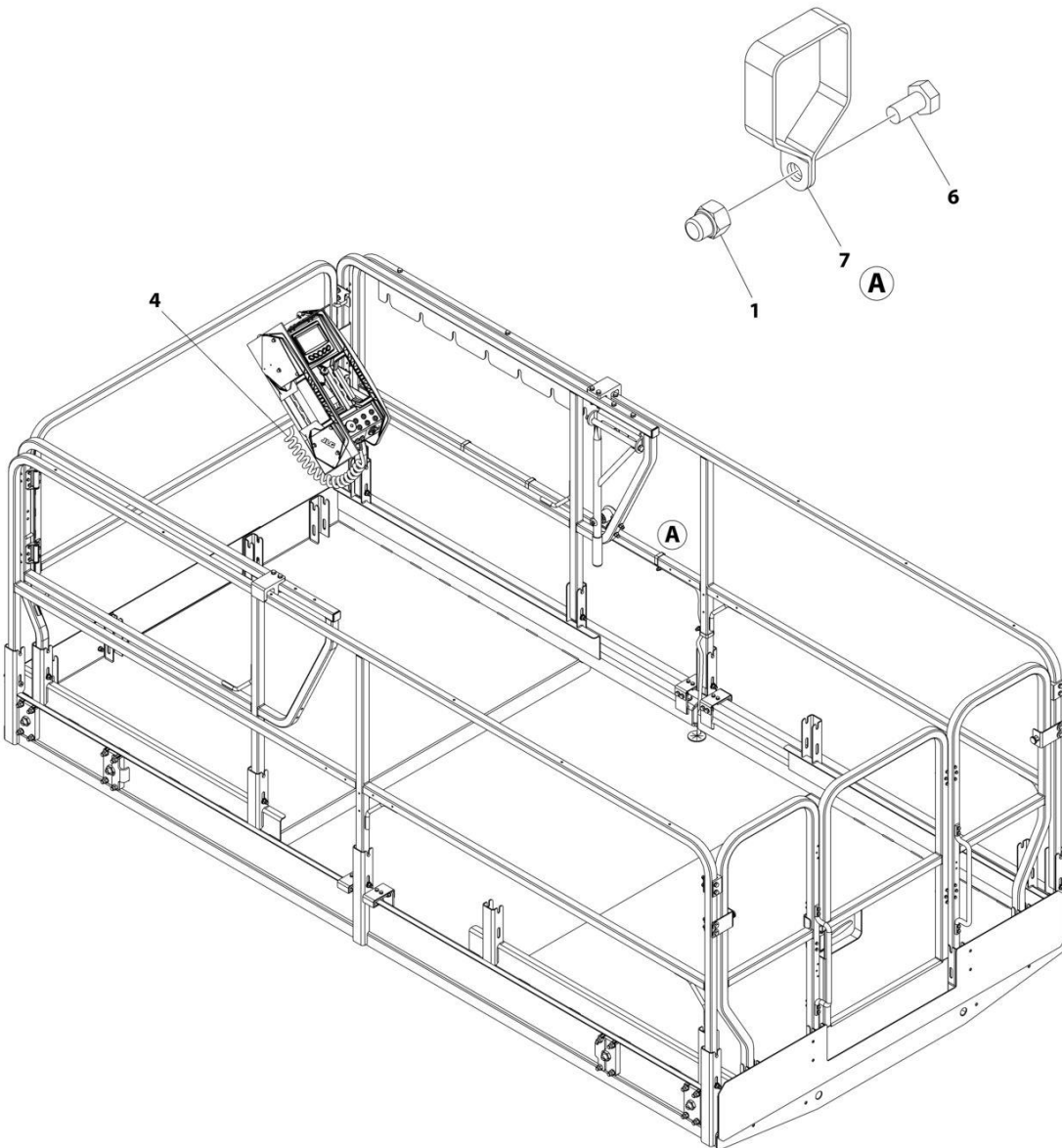
## SECTION 8 - ELECTRICAL

### FIGURE 8-25. PLATFORM HARNESS

ITEM	PART NUMBER	QTY	DESCRIPTION	REV
	1001264939	Ref	PLATFORM HARNESS	C
1	1001119020	1	Connector, Bussbar	
101	4460752	1	Connector - 14 Position	
101	4460464	8	Pin, Male	
101	4460943	2	Pin, Male	
101	4460466	4	Plug, Terminal	
102	1001116808	1	Connector - 12 Position	
102	4460928	2	Terminal	
102	4460918	2	Terminal	
102	4460518	8	Plug, Terminal	
103	4460933	2	Plug, Male - 12 Position	
103	4460465	21	Socket, Female	
103	4460466	3	Plug, Terminal	
104	4460884	1	Plug, Male - 4 Position	
104	4460465	4	Socket, Female	

# SECTION 8 - ELECTRICAL

## FIGURE 8-26. PLATFORM CABLE INSTALLATION – WITHOUT FOOTSWITCH



ART\_1001254820

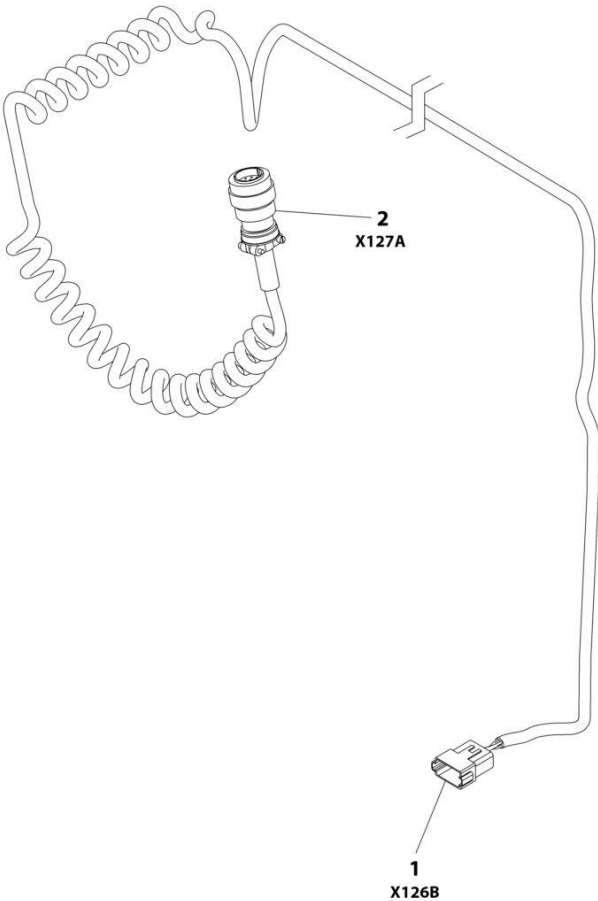
## SECTION 8 - ELECTRICAL

**FIGURE 8-26. PLATFORM CABLE INSTALLATION – WITHOUT FOOTSWITCH**

ITEM	PART NUMBER	QTY	DESCRIPTION	REV
	1001254820	Ref	PLATFORM CABLE INSTALLATION – WITHOUT FOOTSWITCH	D
1	3290606	5	Nut M6 x 1	
4	1001249048	1	Cable, Platform Deck (See Separate Breakdown in this Section)	
6	0760606	5	Bolt M6 x 12	
7	1001220668	5	Clamp, Platform Cable Post	
8	4240018	1	Tie Strap (Not Shown)	

**SECTION 8 - ELECTRICAL**

**FIGURE 8-27. PLATFORM CABLE HARNESS – WITHOUT FOOTSWITCH**



ART\_1001249048

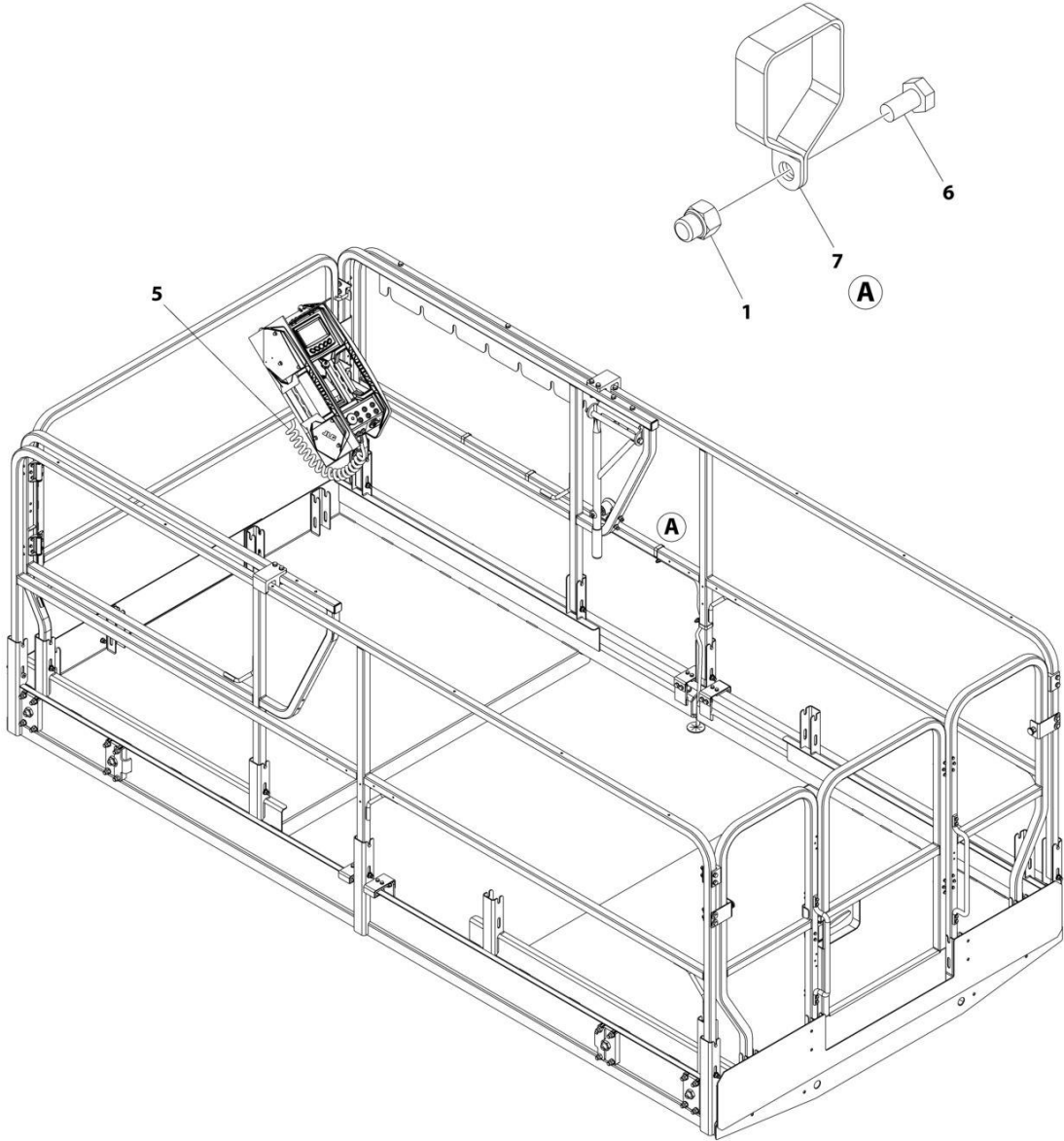
## SECTION 8 - ELECTRICAL

**FIGURE 8-27. PLATFORM CABLE HARNESS – WITHOUT FOOTSWITCH**

ITEM	PART NUMBER	QTY	DESCRIPTION	REV
	1001249048	Ref	PLATFORM MODULE HARNESS – WITHOUT FOOTSWITCH	D
1	4460970	1	Plug, Male - 12 Position	
1	4460464	8	Pin, Male	
1	4460943	2	Pin, Male	
1	4460466	2	Plug, Terminal	
1	1001249190	1	Boot	
2	4460754	1	Receptacle, Female - 14 Position	
2	4460465	8	Socket, Femaile	
2	4460944	2	Socket, Femaile	
2	4460466	4	Plug, Terminal	

**SECTION 8 - ELECTRICAL**

**FIGURE 8-28. PLATFORM CABLE INSTALLATION – WITH FOOTSWITCH**



ART\_1001258923

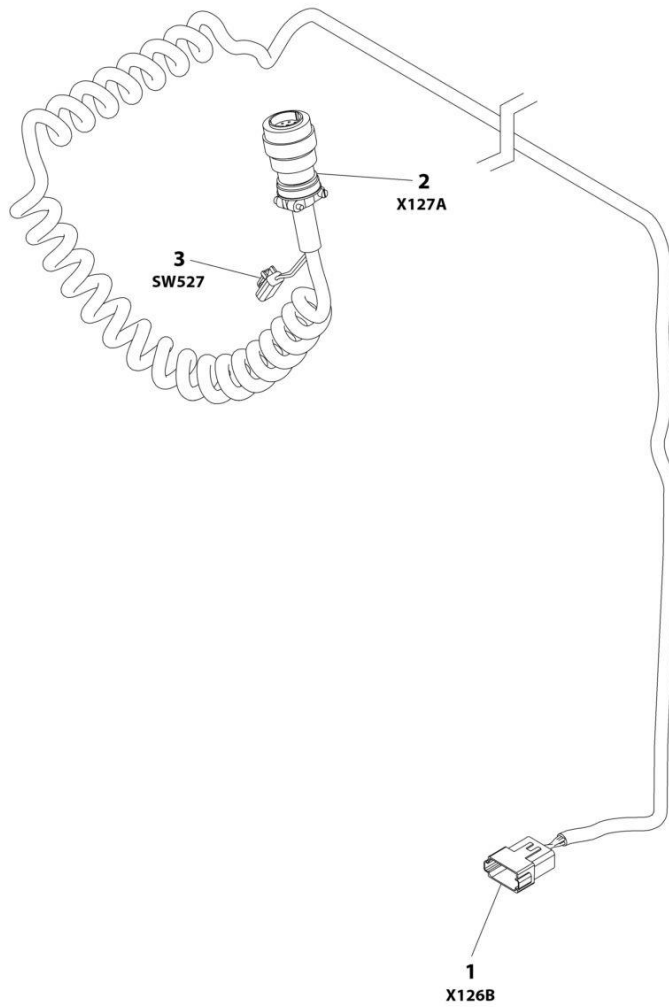
## SECTION 8 - ELECTRICAL

**FIGURE 8-28. PLATFORM CABLE INSTALLATION – WITH FOOTSWITCH**

ITEM	PART NUMBER	QTY	DESCRIPTION	REV
	1001258923	Ref	PLATFORM CABLE INSTALLATION – WITH FOOTSWITCH	C
1	3290606	5	Nut M6 x 1	
5	1001258223	1	Harness, Platform Deck (See Separate Breakdown in this Section)	
6	0760606	5	Bolt M6 x 12	
7	1001220668	5	Clamp, Platform Cable Post	
8	4240018	1	Tie Strap (Not Shown)	

# SECTION 8 - ELECTRICAL

## FIGURE 8-29. PLATFORM CABLE HARNESS – WITH FOOTSWITCH



ART\_1001258223



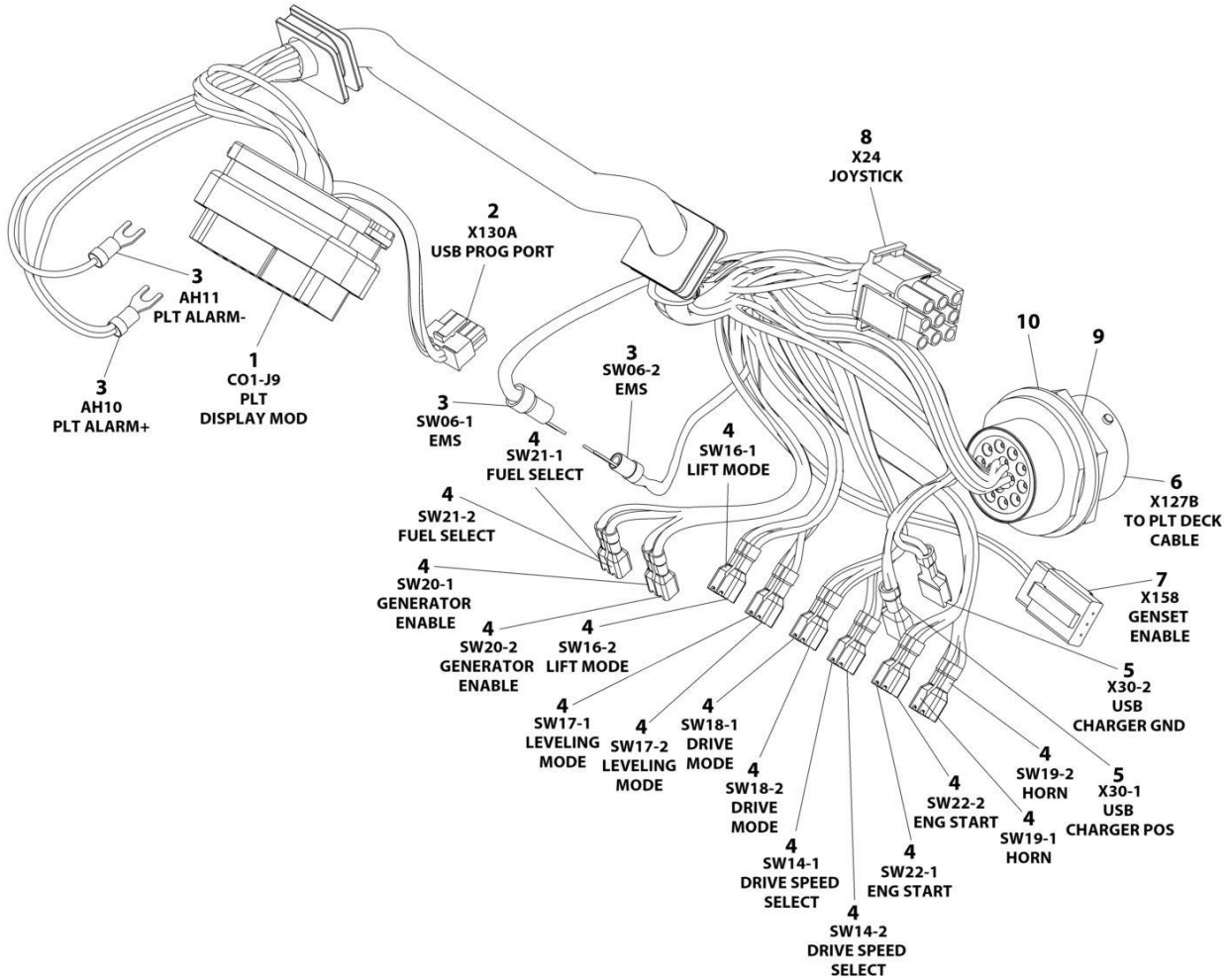
## SECTION 8 - ELECTRICAL

### FIGURE 8-29. PLATFORM CABLE HARNESS – WITH FOOTSWITCH

ITEM	PART NUMBER	QTY	DESCRIPTION	REV
	1001258223	Ref	PLATFORM MODULE HARNESS – WITH FOOTSWITCH	B
1	4460970	1	Plug, Male - 12 Position	
1	4460464	7	Pin, Male	
1	4460943	2	Pin, Male	
1	4460466	3	Plug, Terminal	
1	1001249190	1	Boot	
2	4460754	1	Receptacle, Female - 14 Position	
2	4460465	9	Socket, Female	
2	4460944	2	Socket, Female	
2	4460466	3	Plug, Terminal	
3	4460891	1	Plug, Male - 4 Position	
3	4460465	2	Socket, Female	

# SECTION 8 - ELECTRICAL

## FIGURE 8-30. PLATFORM CONTROL BOX HARNESS



ART\_1001249049

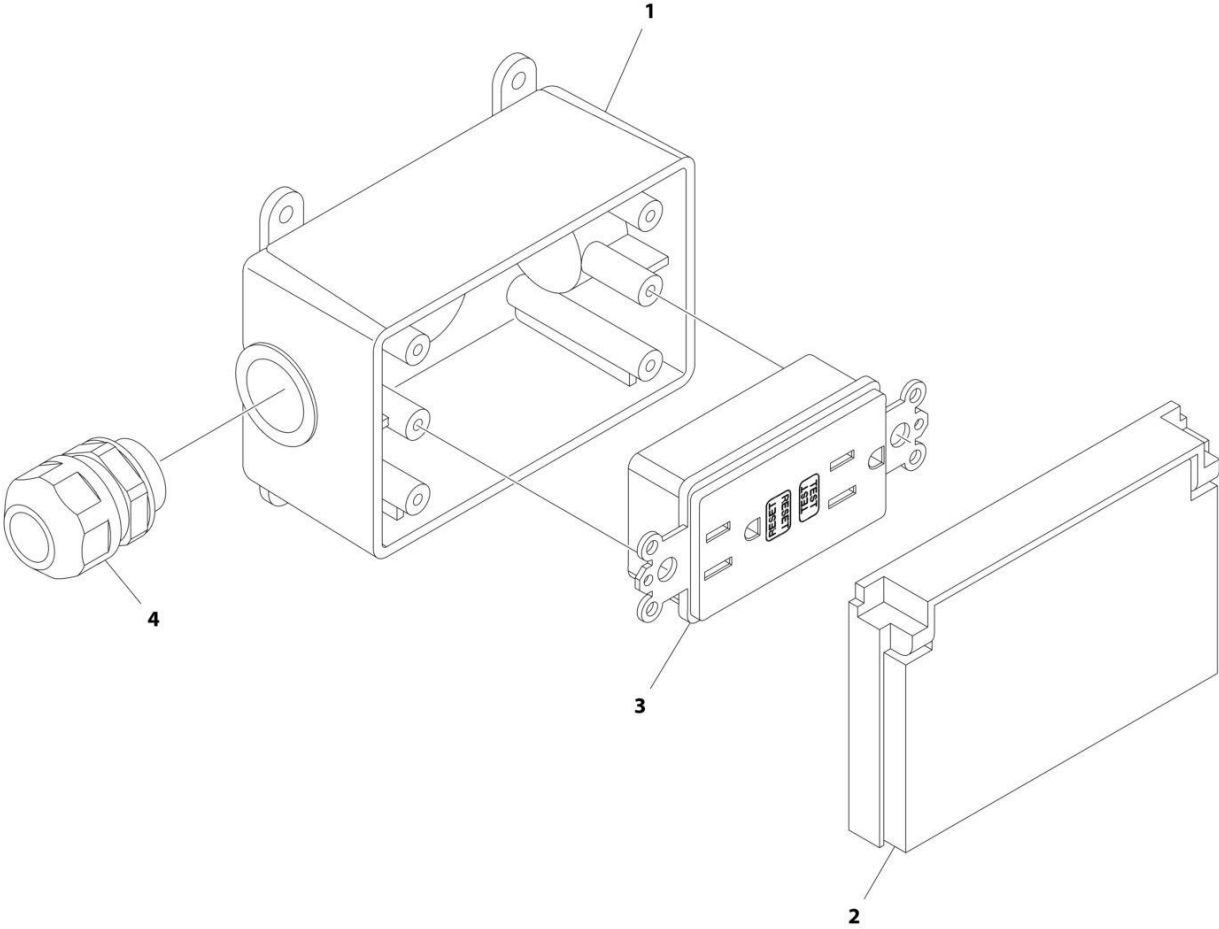
## SECTION 8 - ELECTRICAL

**FIGURE 8-30. PLATFORM CONTROL BOX HARNESS**

ITEM	PART NUMBER	QTY	DESCRIPTION	REV
	1001249049	Ref	PLATFORM CONSOLE BOX HARNESS	G
1	4460873	1	Connector - 35 Position	
1	4460871	28	Pin, Male	
1	4460905	7	Plug, Terminal	
2	1001150735	1	Connector - 10 Position	
2	1001150889	5	Terminal	
3	4460183	4	Terminal, Fork	
4	1001201885	16	Receptacle, Female - 2 Position	
5	8220051	2	Terminal	
6	4461016	1	Connector - 14 Position	
6	4460464	11	Socket, Female	
6	4460466	1	Plug, Terminal	
6	4460943	2	Bussbar	
7	4460911	1	Plug, Male - 3 Position	
7	4460918	3	Terminal	
8	4460265	1	Plug, Male - 9 Position	
8	4460267	7	Terminal	
9	1001125784	1	Washer	
10	4460497	1	Terminal, Nut	

**SECTION 8 - ELECTRICAL**

**FIGURE 8-31. RECEPTACLE BOX KIT - 110V GFI**



ART\_2902431

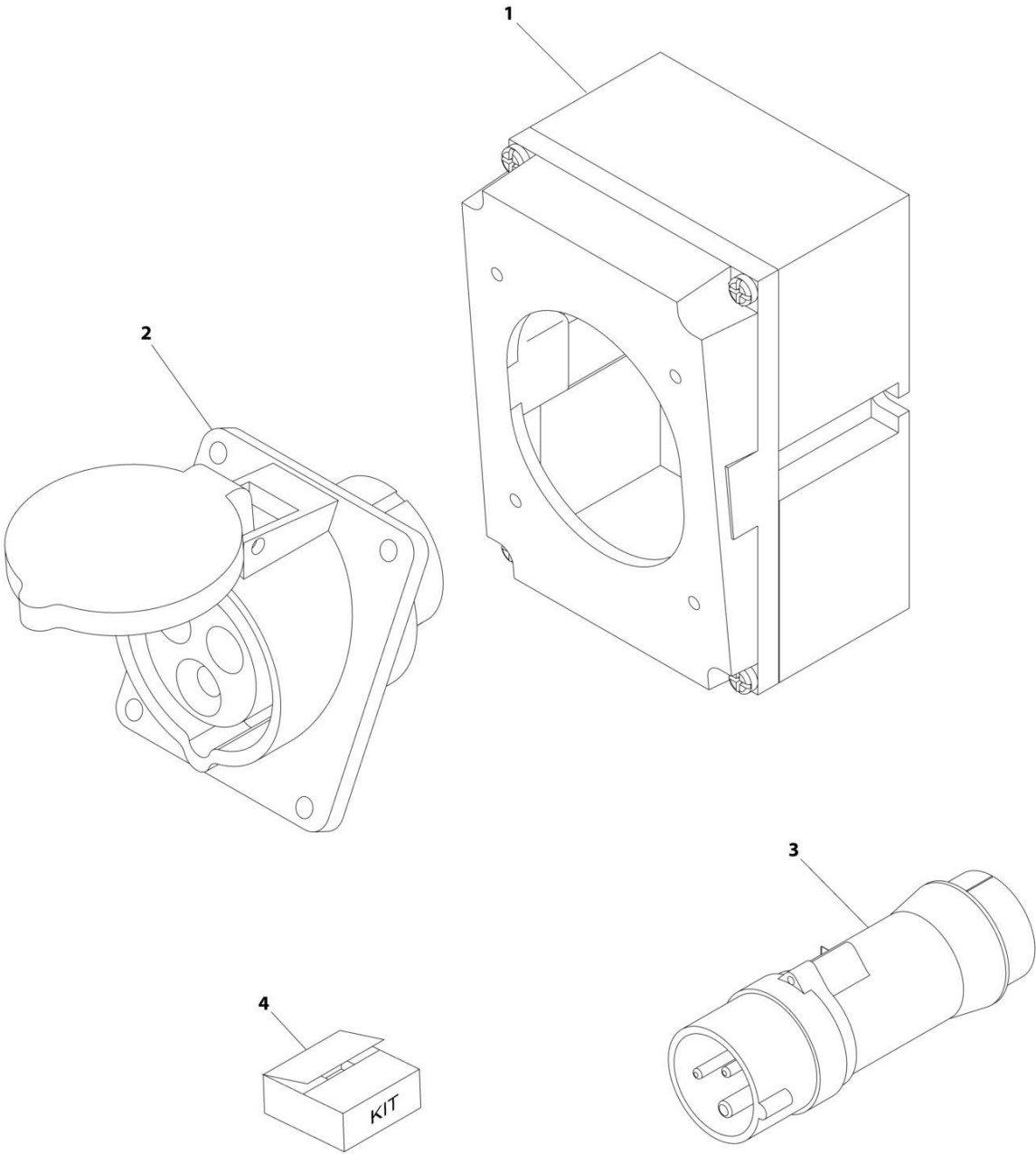
## SECTION 8 - ELECTRICAL

### FIGURE 8-31. RECEPTACLE BOX KIT - 110V GFI

ITEM	PART NUMBER	QTY	DESCRIPTION	REV
	2902431	Ref	RECEPTACLE BOX KIT - 110V GFI	D
1	0861731	1	Box, Receptacle	
2	1671207	1	Cover, Receptacle	
3	4460346	1	Receptacle	
4	4460662	1	Connector, Strain Relief	

**SECTION 8 - ELECTRICAL**

**FIGURE 8-32. RECEPTACLE BOX KIT - 110V IEC YELLOW (CE SPECS)**



ART\_0275216

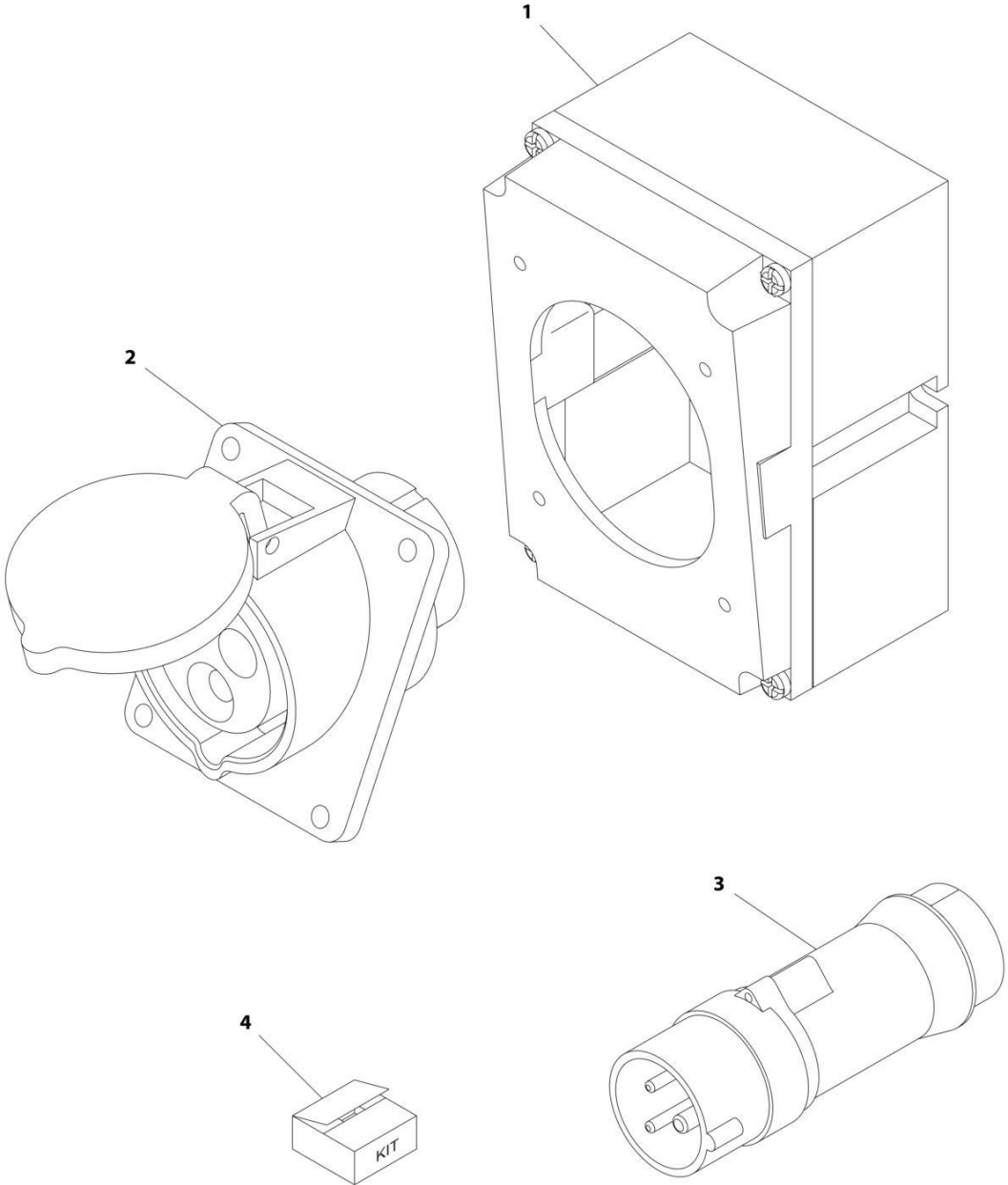
## SECTION 8 - ELECTRICAL

**FIGURE 8-32. RECEPTACLE BOX KIT - 110V IEC YELLOW (CE SPECS)**

ITEM	PART NUMBER	QTY	DESCRIPTION	REV
	0275216	Ref	RECEPTACLE BOX KIT - 110V IEC YELLOW	B
1	0861781	1	Box, Switch	
2	4461198	1	Receptacle	
3	4461196	1	Plug, Male	
4	1001100341	1	Plug and Socket Kit (Includes Items 1-3 and Female Plug p/n 4461197)	

**SECTION 8 - ELECTRICAL**

**FIGURE 8-33. RECEPTACLE BOX KIT - 220V IEC BLUE (CE SPECS)**



ART\_0275217



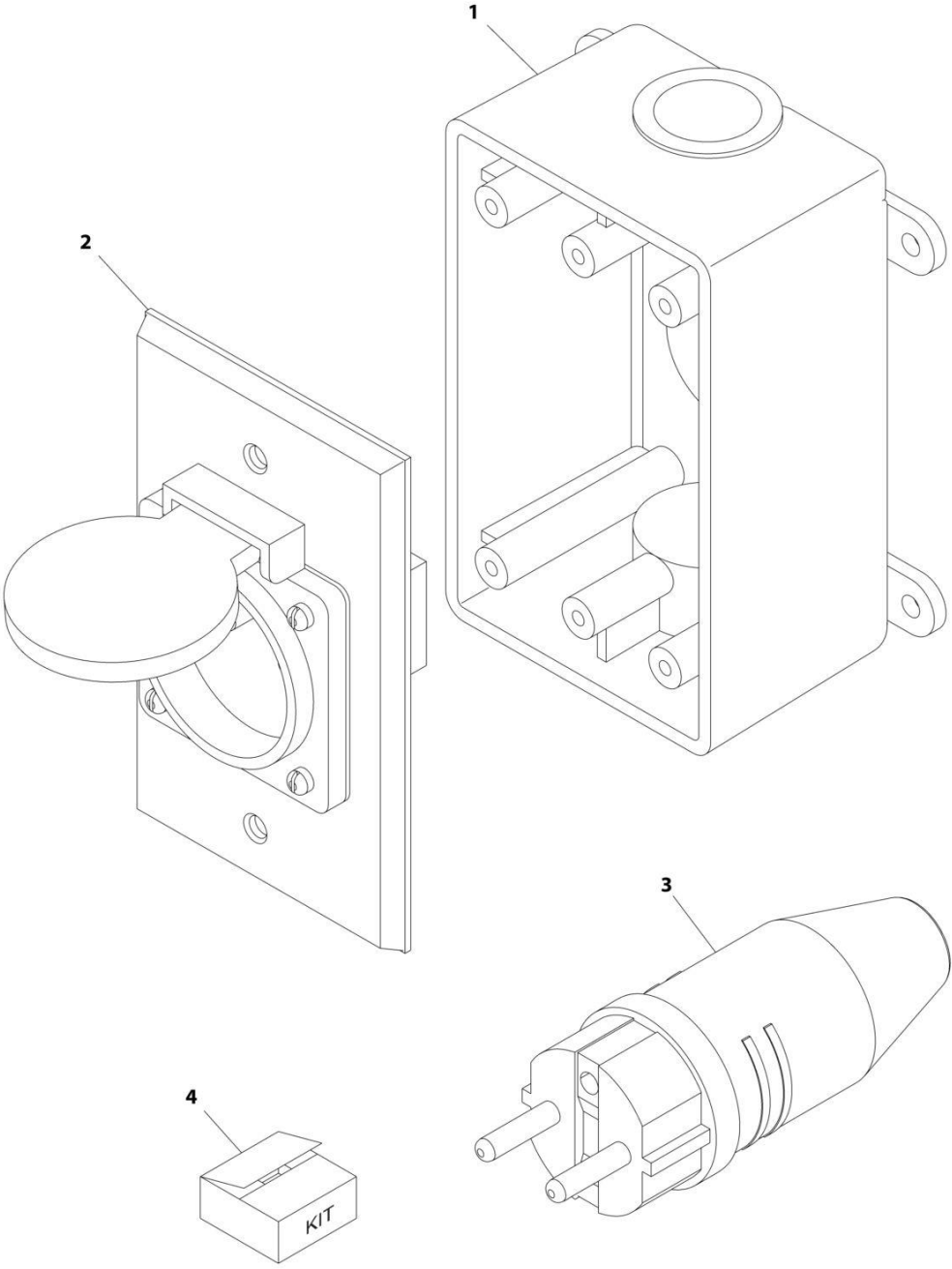
## SECTION 8 - ELECTRICAL

**FIGURE 8-33. RECEPTACLE BOX KIT - 220V IEC BLUE (CE SPECS)**

ITEM	PART NUMBER	QTY	DESCRIPTION	REV
	0275217	Ref	RECEPTACLE BOX KIT - 220V IEC BLUE	B
1	0861781	1	Box, Switch	
2	4461201	1	Receptacle	
3	4461199	1	Plug, Male	
4	1001100342	1	Plug and Socket Kit (Includes Items 1-3 and Female Plug p/n 4461200)	

**SECTION 8 - ELECTRICAL**

**FIGURE 8-34. RECEPTACLE BOX KIT - 220V CEE7 POST GROUND (CE SPECS)**



ART\_0275452-C

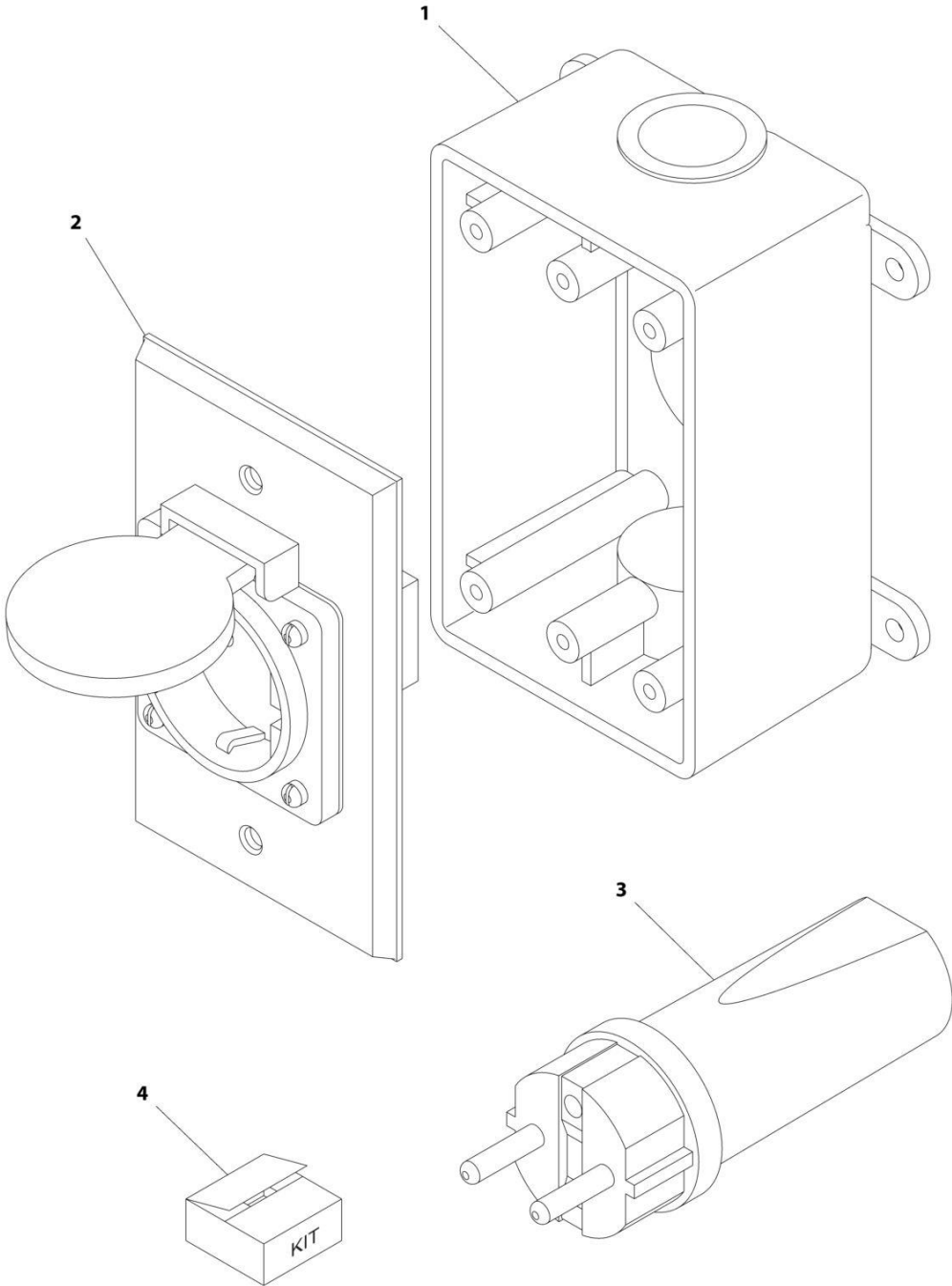
## SECTION 8 - ELECTRICAL

**FIGURE 8-34. RECEPTACLE BOX KIT - 220V CEE7 POST GROUND (CE SPECS)**

ITEM	PART NUMBER	QTY	DESCRIPTION	REV
	0275452	Ref	RECEPTACLE BOX KIT - 220V CEE7 POST GROUND 2IN X 4IN BOX	C
1	0861731	1	Box, Switch	
2	4461244	1	Receptacle	
3	4461205	1	Plug, Male	
4	1001100345	1	Plug and Socket Kit (Includes Items 1-3 and Female Plug p/n 4461203)	

**SECTION 8 - ELECTRICAL**

**FIGURE 8-35. RECEPTACLE BOX KIT - 220V CEE7 SIDE GROUND (CE SPECS)**



ART\_0275453

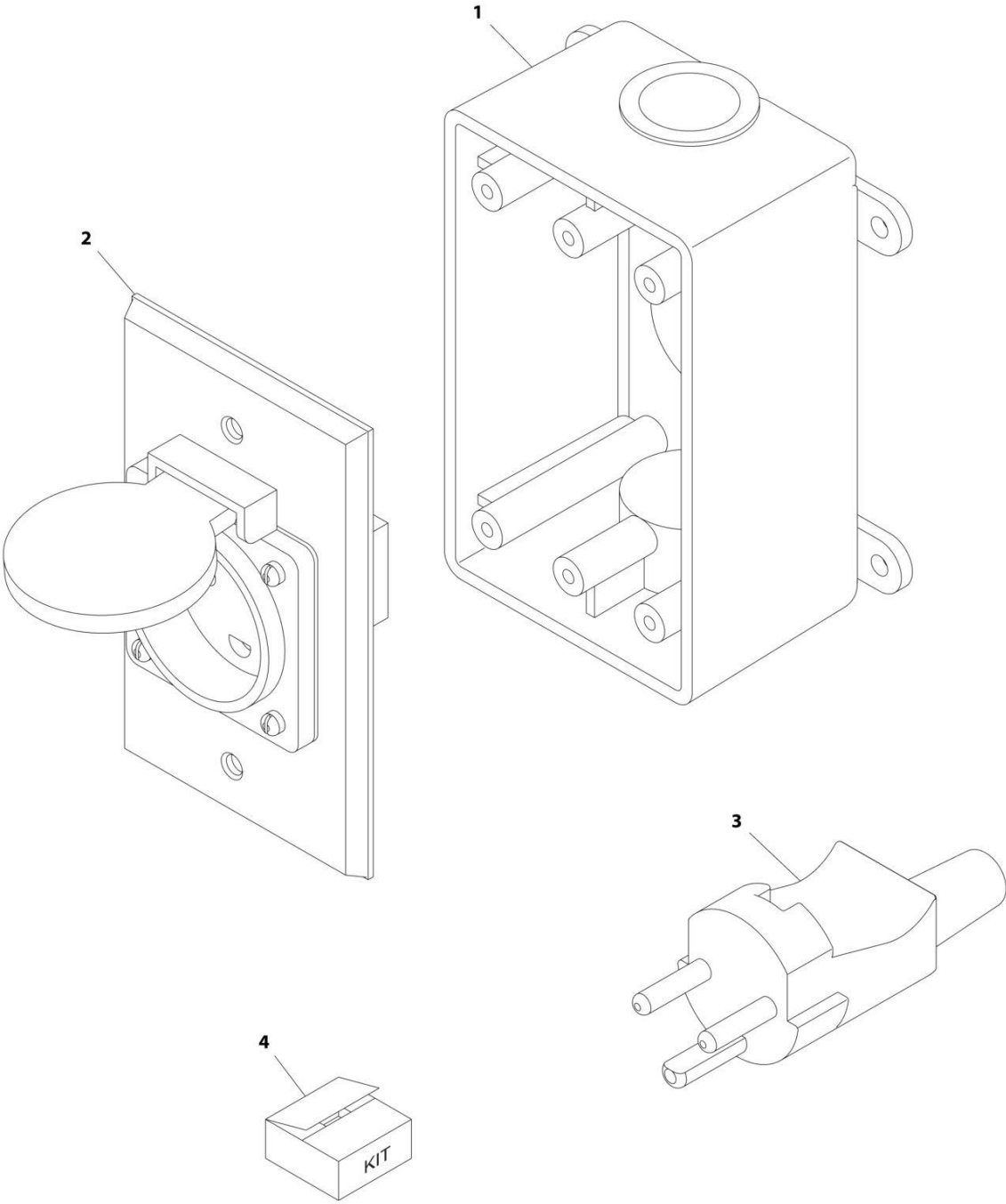
## SECTION 8 - ELECTRICAL

**FIGURE 8-35. RECEPTACLE BOX KIT - 220V CEE7 SIDE GROUND (CE SPECS)**

ITEM	PART NUMBER	QTY	DESCRIPTION	REV
	0275453	Ref	RECEPTACLE BOX KIT - 220V CEE7 SIDE GROUND	B
1	0861731	1	Box, Switch	
2	4461245	1	Receptacle	
3	4461205	1	Plug, Male	
4	1001100347	1	Plug and Socket Kit (Includes Items 1-3 and Female Plug p/n 4461206)	

**SECTION 8 - ELECTRICAL**

**FIGURE 8-36. RECEPTACLE BOX KIT - 220V AFSINT 107 (CE SPECS)**



ART\_0275454

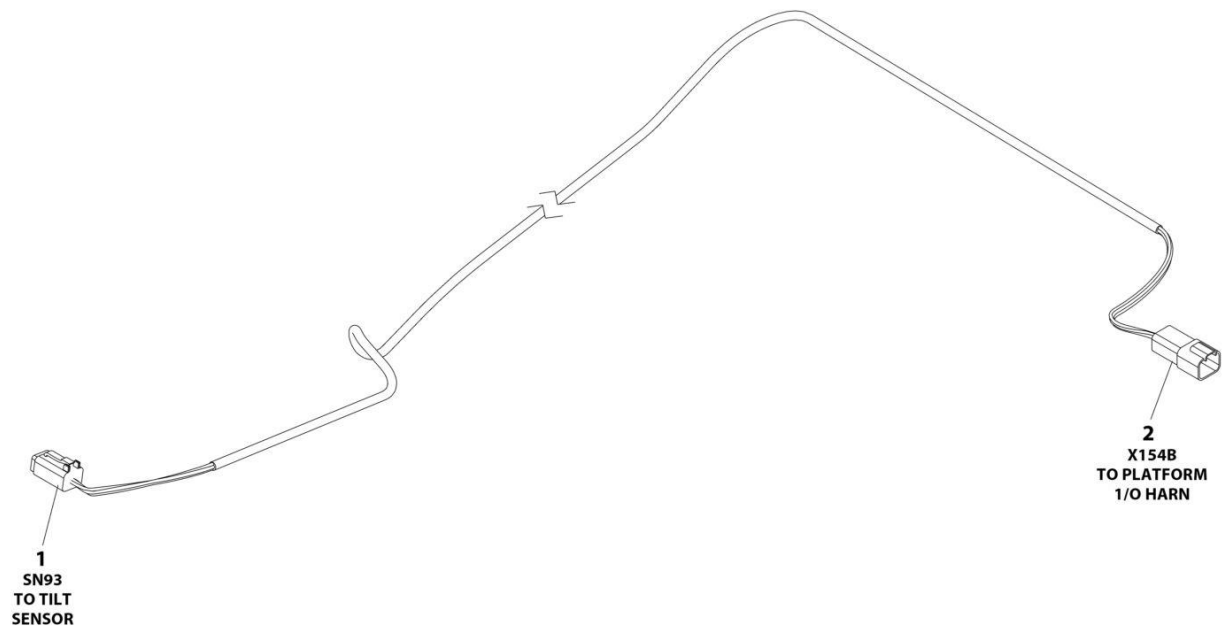
## SECTION 8 - ELECTRICAL

**FIGURE 8-36. RECEPTACLE BOX KIT - 220V AFSINT 107 (CE SPECS)**

ITEM	PART NUMBER	QTY	DESCRIPTION	REV
	0275454	Ref	RECEPTACLE BOX KIT - 220V AFSINT 107	B
1	0861731	1	Box, Switch	
2	4461246	1	Receptacle	
3	4461249	1	Plug, Male	
4	1001100346	1	Plug and Socket Kit (Includes Items 1-3 and Female Plug p/n 4461250)	

# SECTION 8 - ELECTRICAL

## FIGURE 8-37. TILT SENSOR HARNESS



ART\_1001249091



## SECTION 8 - ELECTRICAL

### FIGURE 8-37. TILT SENSOR HARNESS

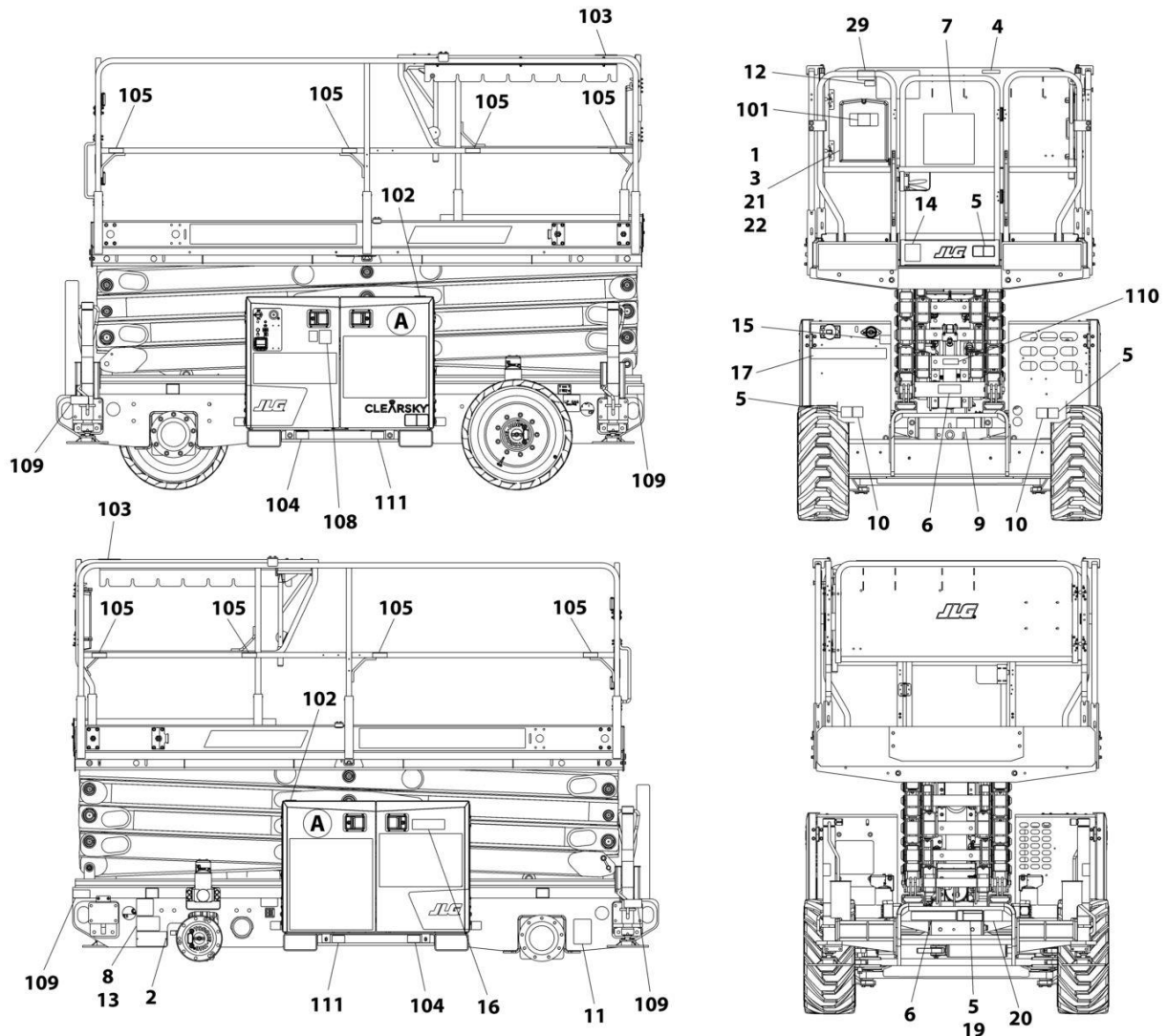
ITEM	PART NUMBER	QTY	DESCRIPTION	REV
	1001249091	Ref	TILT SENSOR HARNESS	C
1	4460884	1	Plug, Male - 4 Position	
1	4460944	4	Socket, Female	
2	4460932	1	Receptacle, Female - 4 Position	
2	4460464	4	Pin, Male	



**SECTION 9 - DECALS**

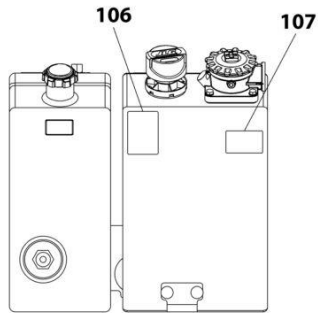
# SECTION 9 - DECALS

FIGURE 9-1. DECAL INSTALLATION - ANSI SPECS (ENGLISH LANGUAGE) (RT4069)

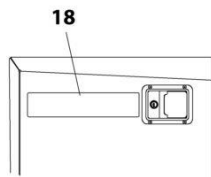


NOTE: ITEMS SHOWN MAY NOT BE REQUIRED FOR ALL SPECS. REFER TO PARTS LIST FOR USAGE.

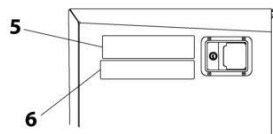
NOTE: ADDITIONAL DECALS CALLED OUT ON DECAL INSTALLATION - OPTIONS.



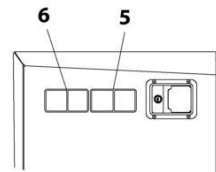
VIEW OF TANKS



ANSI SPECS  
BOTH SIDES TYPICAL

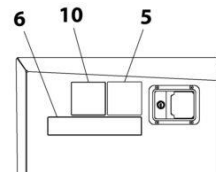


ENG/KOREAN/SPA/  
POR/FRE SPECS  
BOTH SIDES TYPICAL



AUSTRALIAN/CE SPECS  
BOTH SIDES TYPICAL

A



ENG/CHINA SPECS  
BOTH SIDES TYPICAL

ART\_1001256764

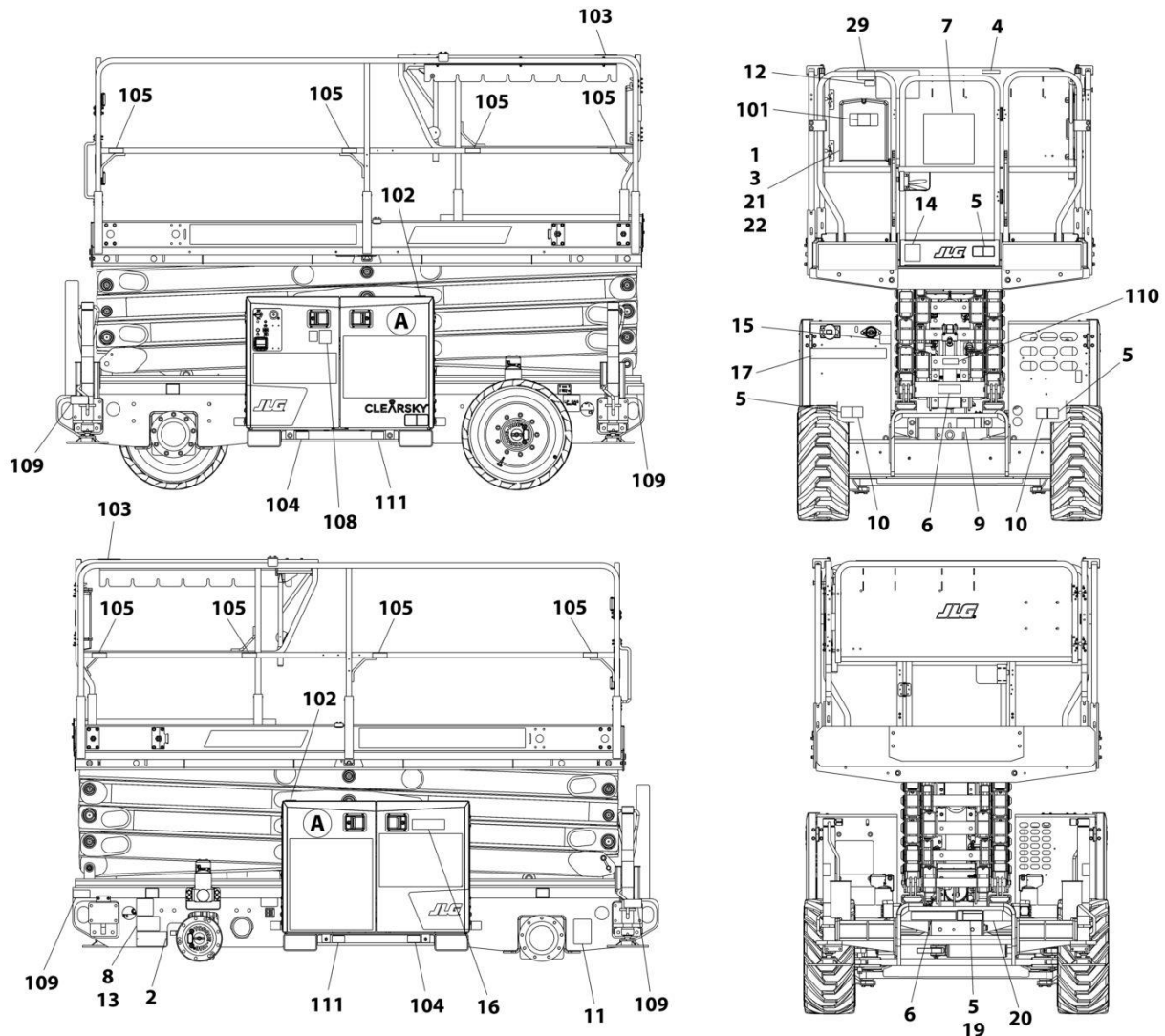
## SECTION 9 - DECALS

**FIGURE 9-1. DECAL INSTALLATION - ANSI SPECS (ENGLISH LANGUAGE) (RT4069)**

ITEM	PART NUMBER	QTY	DESCRIPTION	REV
	1001256764	Ref	DECAL INSTALLATION	C
	1001264346	Ref	DECAL CHART DRAWING	E
1	0760610	4	Bolt M6 x 20	
2	2080057	2	Fastener	
3	0860520	1	Box, Manual Storage	
4	1703821	1	Decal - Control Box Location	
5	1001211779	2	Decal - Electrocutation	
6	1001211777	2	Decal - Crushing Hazard	
7	1703816	1	Decal - Danger/Warning	
8	1001223055	1	Decal - Yearly Inspection	
9	1703822	1	Decal - Manual Descent Instruction	
11	1001131270	1	Decal - Patent	
12	1001223453	1	Decal - ICES	
18	1703818	2	Decal - Warning Crushing Hazard/Danger Electrocutation	
19	1705695	1	Decal - Danger Electrocutation	
21	3290605	4	Nut M6	
22	4811700	8	Washer M6	
100	1001256763	1	Decal Master Kit (Not Shown)	
101	1701640	1	Decal - Manual	
102	1703687	2	Decal - Direction Arrow	
103	1703819	2	Decal - Direction Arrow	
104	1001265579	2	Decal - Fork Lift	
105	1704277	8	Decal - Lanyard Attach	
106	1704412	1	Decal - Hydraulic Oil Chart	
107	70046028	1	Decal - Hydraulic Oil Level	
108	1001094708	1	Decal - Hydraulic Oil	
109	1001162864	4	Decal - Lift Point/Tie Down	
110	1001256865	1	Decal - Arm Prop	
111	1001265580	2	Decal - Fork Lift	

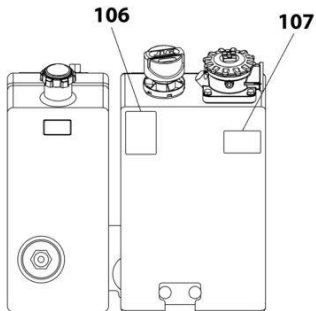
# SECTION 9 - DECALS

FIGURE 9-2. DECAL INSTALLATION - AUSTRALIAN/CE SPECS (ENGLISH LANGUAGE) (RT4069)

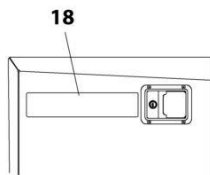


NOTE: ITEMS SHOWN MAY NOT BE REQUIRED FOR ALL SPECS. REFER TO PARTS LIST FOR USAGE.

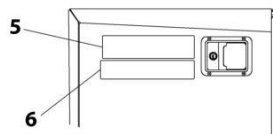
NOTE: ADDITIONAL DECALS CALLED OUT ON DECAL INSTALLATION - OPTIONS.



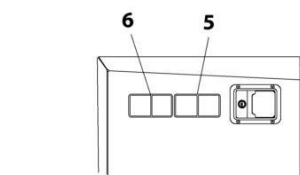
VIEW OF TANKS



ANSI SPECS  
BOTH SIDES TYPICAL

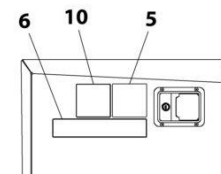


ENG/KOREAN/SPA/  
POR/FRE SPECS  
BOTH SIDES TYPICAL



**A**

AUSTRALIAN/CE SPECS  
BOTH SIDES TYPICAL



ENG/CHINA SPECS  
BOTH SIDES TYPICAL

ART\_1001256770

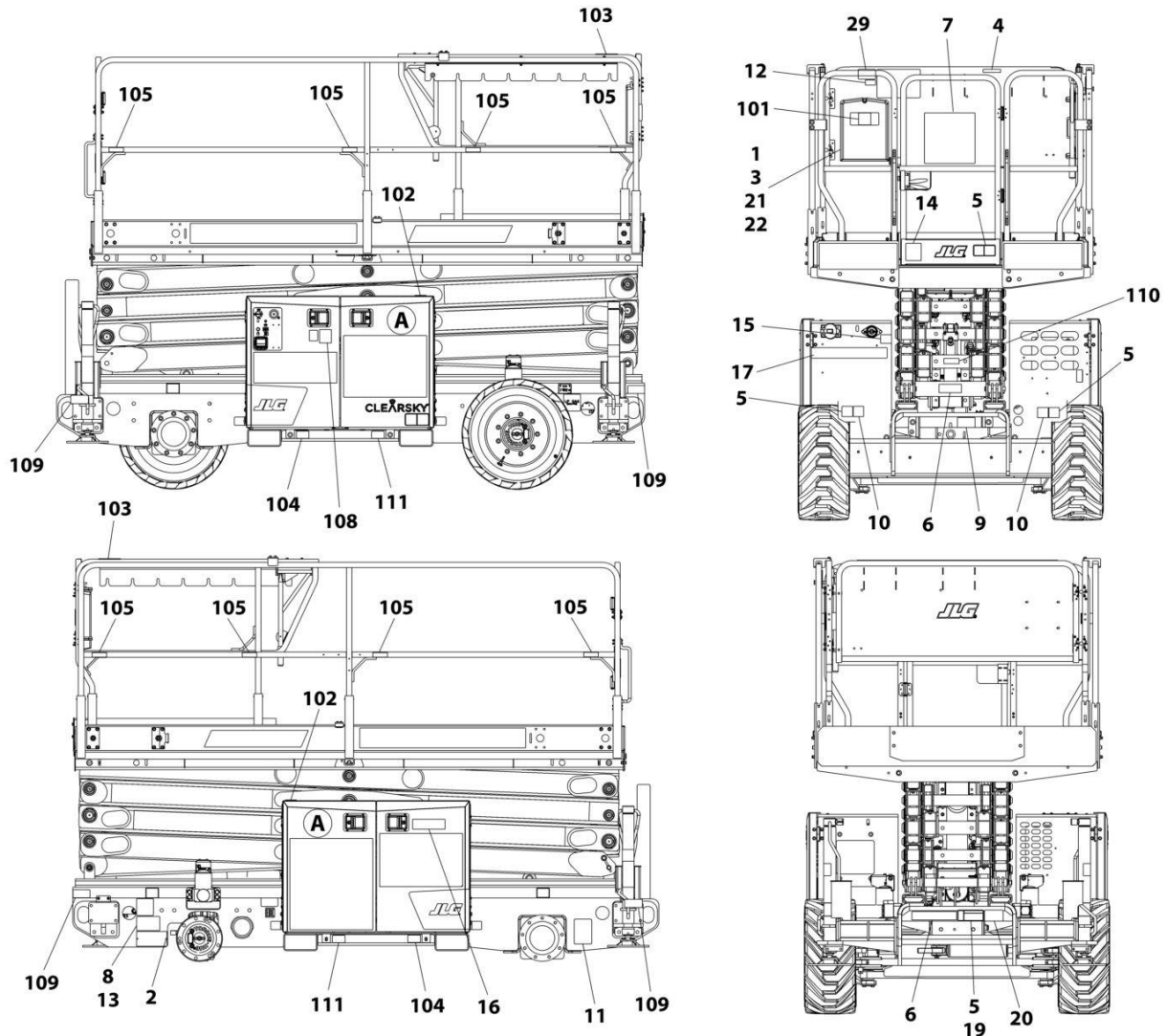
## SECTION 9 - DECALS

**FIGURE 9-2. DECAL INSTALLATION - AUSTRALIAN/CE SPECS (ENGLISH LANGUAGE) (RT4069)**

ITEM	PART NUMBER	QTY	DESCRIPTION	REV
	1001256770	Ref	DECAL INSTALLATION	D
	1001264346	Ref	DECAL CHART DRAWING	E
1	0760610	4	Bolt M6 x 20	
2	2080057	4	Fastener	
3	0860520	1	Box, Manual Storage	
5	1705671	6	Decal - Electrocutation	
6	1705673	4	Decal - Crushing	
9	1703822	1	Decal - Manual Descent Instruction	
13	1705670	2	Decal - Fire Hazard	
14	1001292287	1	Decal - Sound	
21	3290605	4	Nut M6	
22	4811700	8	Washer M6	
100	1001256763	1	Decal Master Kit (Not Shown)	
101	1701640	1	Decal - Manual	
102	1703687	2	Decal - Direction Arrow	
103	1703819	2	Decal - Direction Arrow	
104	1001265579	2	Decal - Fork Lift	
105	1704277	8	Decal - Lanyard Attach	
106	1704412	1	Decal - Hydraulic Oil Chart	
107	70046028	1	Decal - Hydraulic Oil Level	
108	1001094708	1	Decal - Hydraulic Oil	
109	1001162864	4	Decal - Lift Point/Tie Down	
110	1001256865	1	Decal - Arm Prop	
111	1001265580	2	Decal - Fork Lift	

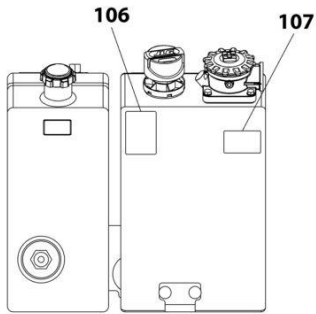
# SECTION 9 - DECALS

## FIGURE 9-3. DECAL INSTALLATION - BRAZIL SPECS (SPANISH/PORTUGUESE LANGUAGES) (RT4069)

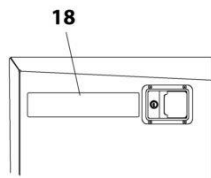


NOTE: ITEMS SHOWN MAY NOT BE REQUIRED FOR ALL SPECS. REFER TO PARTS LIST FOR USAGE.

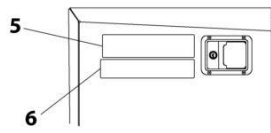
NOTE: ADDITIONAL DECALS CALLED OUT ON DECAL INSTALLATION - OPTIONS.



VIEW OF TANKS

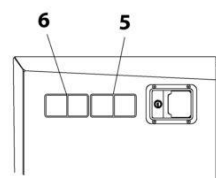


ANSI SPECS  
BOTH SIDES TYPICAL

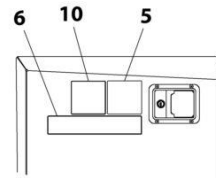


ENG/KOREAN/SPA/  
POR/FRE SPECS  
BOTH SIDES TYPICAL

**A**



AUSTRALIAN/CE SPECS  
BOTH SIDES TYPICAL



ENG/CHINA SPECS  
BOTH SIDES TYPICAL

ART\_1001256767



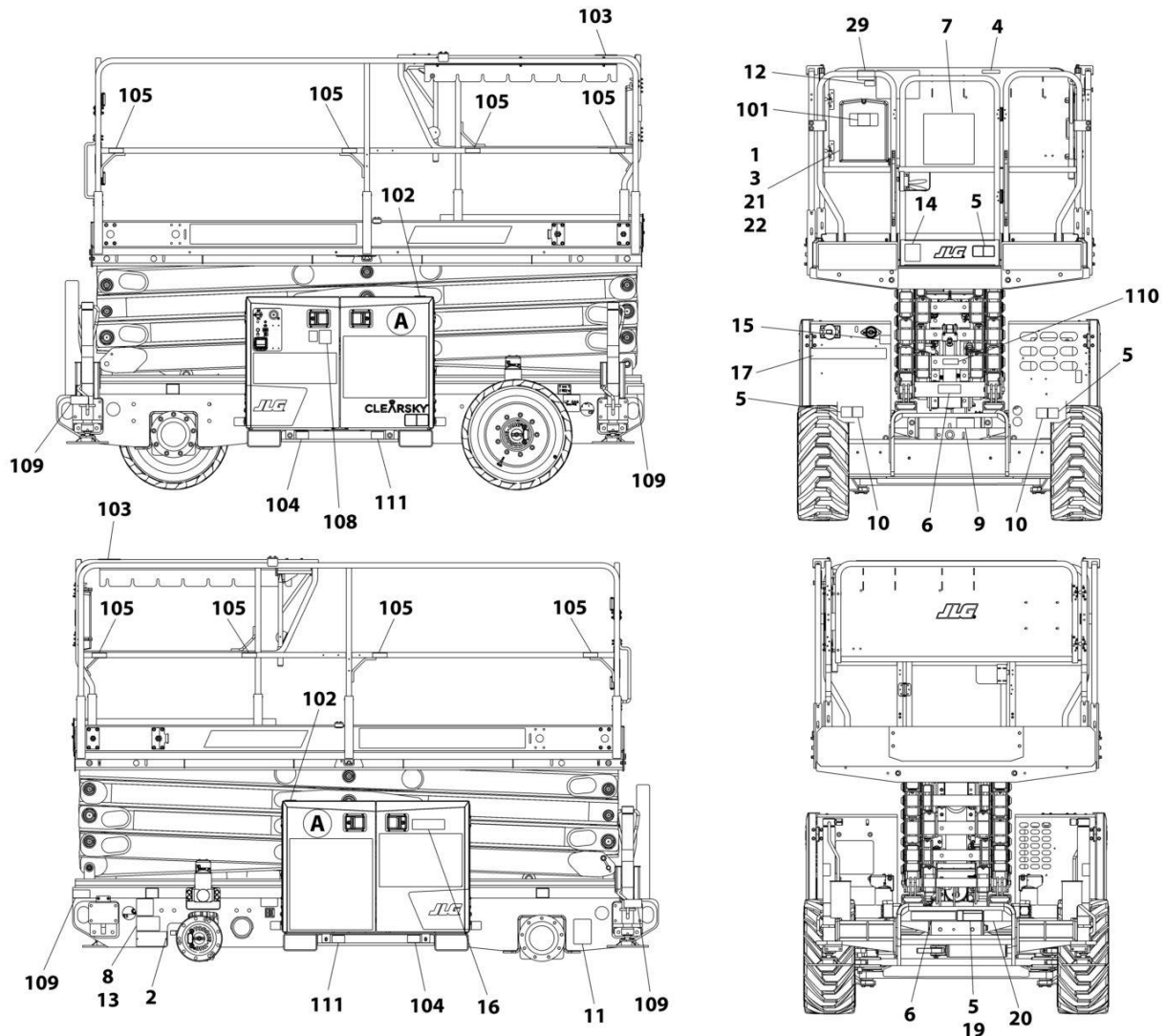
## SECTION 9 - DECALS

**FIGURE 9-3. DECAL INSTALLATION - BRAZIL SPECS (SPANISH/PORTUGUESE LANGUAGES)  
(RT4069)**

ITEM	PART NUMBER	QTY	DESCRIPTION	REV
	1001256767	Ref	DECAL INSTALLATION	C
	1001264346	Ref	DECAL CHART DRAWING	F
1	0760610	4	Bolt M6 x 20	
2	2080057	2	Fastener	
3	0860520	1	Box, Manual Storage	
4	1704702	1	Decal - Control Box Location	
5	1705043	5	Decal - Danger Electrical Hazard	
6	1001216650	4	Decal - Crushing	
7	1704699	1	Decal - Danger/Warning	
8	1001224052	1	Decal - Yearly Inspection	
9	1703822	1	Decal - Manual Descent Instruction	
21	3290605	4	Nut M6	
22	4811700	8	Washer M6	
100	1001256763	1	Decal Master Kit (Not Shown)	
101	1701640	1	Decal - Manual	
102	1703687	2	Decal - Direction Arrow	
103	1703819	2	Decal - Direction Arrow	
104	1001265579	2	Decal - Fork Lift	
105	1704277	8	Decal - Lanyard Attach	
106	1704412	1	Decal - Hydraulic Oil Chart	
107	70046028	1	Decal - Hydraulic Oil Level	
108	1001094708	1	Decal - Hydraulic Oil	
109	1001162864	4	Decal - Lift Point/Tie Down	
110	1001256865	1	Decal - Arm Prop	
111	1001265580	2	Decal - Fork Lift	

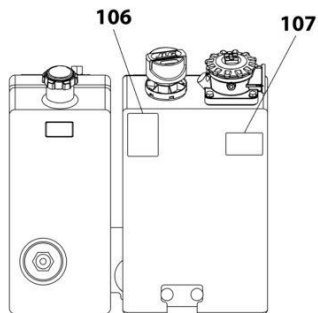
# SECTION 9 - DECALS

FIGURE 9-4. DECAL INSTALLATION - CHINA SPECS (ENGLISH/CHINESE LANGUAGES) (RT4069)

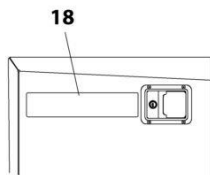


NOTE: ITEMS SHOWN MAY NOT BE REQUIRED FOR ALL SPECS. REFER TO PARTS LIST FOR USAGE.

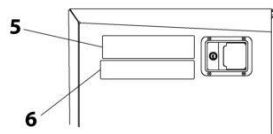
NOTE: ADDITIONAL DECALS CALLED OUT ON DECAL INSTALLATION - OPTIONS.



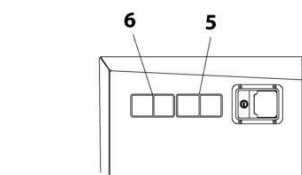
VIEW OF TANKS



ANSI SPECS  
BOTH SIDES TYPICAL

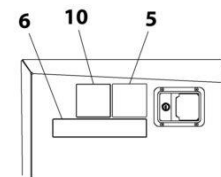


ENG/KOREAN/SPA/  
POR/FRE SPECS  
BOTH SIDES TYPICAL



AUSTRALIAN/CE SPECS  
BOTH SIDES TYPICAL

(A)



ENG/CHINA SPECS  
BOTH SIDES TYPICAL

ART\_1001256766

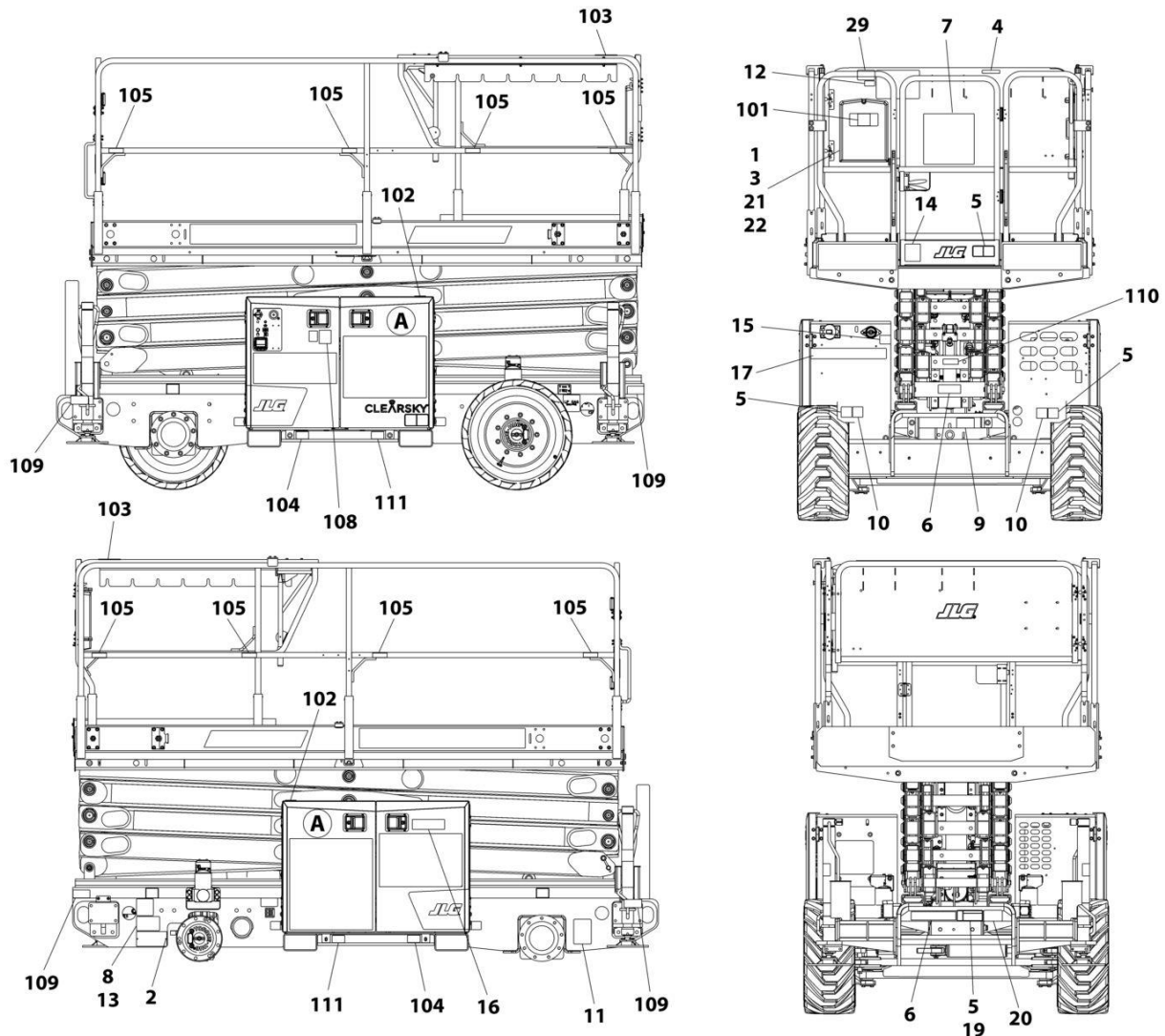
## SECTION 9 - DECALS

**FIGURE 9-4. DECAL INSTALLATION - CHINA SPECS (ENGLISH/CHINESE LANGUAGES) (RT4069)**

ITEM	PART NUMBER	QTY	DESCRIPTION	REV
	1001256766	Ref	DECAL INSTALLATION	C
	1001264346	Ref	DECAL CHART DRAWING	E
1	0760610	4	Bolt M6 x 20	
2	2080057	2	Fastener	
3	0860520	1	Box, Manual Storage	
4	1705194	1	Decal - Control Box Location	
5	1001211779	4	Decal - Electrocution	
6	1001215752	4	Decal - Crushing	
7	1705195	1	Decal - Danger/Warning	
8	1001224051	1	Decal - Yearly Inspection	
9	1703822	1	Decal - Manual Descent Instruction	
10	1001215747	4	Decal - Electrocution	
19	1705695	1	Decal - Danger Electrocution	
20	1705944	1	Decal - Danger Electrocution	
21	3290605	4	Nut M6	
22	4811700	8	Washer M6	
100	1001256763	1	Decal Master Kit (Not Shown)	
101	1701640	1	Decal - Manual	
102	1703687	2	Decal - Direction Arrow	
103	1703819	2	Decal - Direction Arrow	
104	1001265579	2	Decal - Fork Lift	
105	1704277	8	Decal - Lanyard Attach	
106	1704412	1	Decal - Hydraulic Oil Chart	
107	70046028	1	Decal - Hydraulic Oil Level	
108	1001094708	1	Decal - Hydraulic Oil	
109	1001162864	4	Decal - Lift Point/Tie Down	
110	1001256865	1	Decal - Arm Prop	
111	1001265580	2	Decal - Fork Lift	

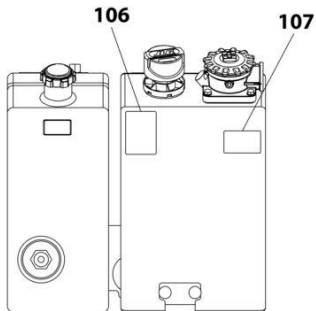
# SECTION 9 - DECALS

FIGURE 9-5. DECAL INSTALLATION - CSA SPECS (ENGLISH/FRENCH LANGUAGES) (RT4069)

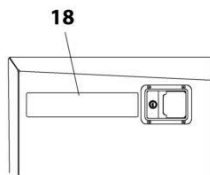


NOTE: ITEMS SHOWN MAY NOT BE REQUIRED FOR ALL SPECS. REFER TO PARTS LIST FOR USAGE.

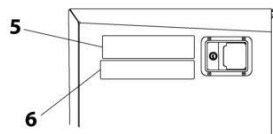
NOTE: ADDITIONAL DECALS CALLED OUT ON DECAL INSTALLATION - OPTIONS.



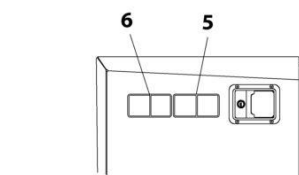
VIEW OF TANKS



ANSI SPECS  
BOTH SIDES TYPICAL

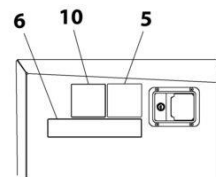


ENG/KOREAN/SPA/  
POR/FRE SPECS  
BOTH SIDES TYPICAL



AUSTRALIAN/CE SPECS  
BOTH SIDES TYPICAL

A



ENG/CHINA SPECS  
BOTH SIDES TYPICAL

ART\_1001256769

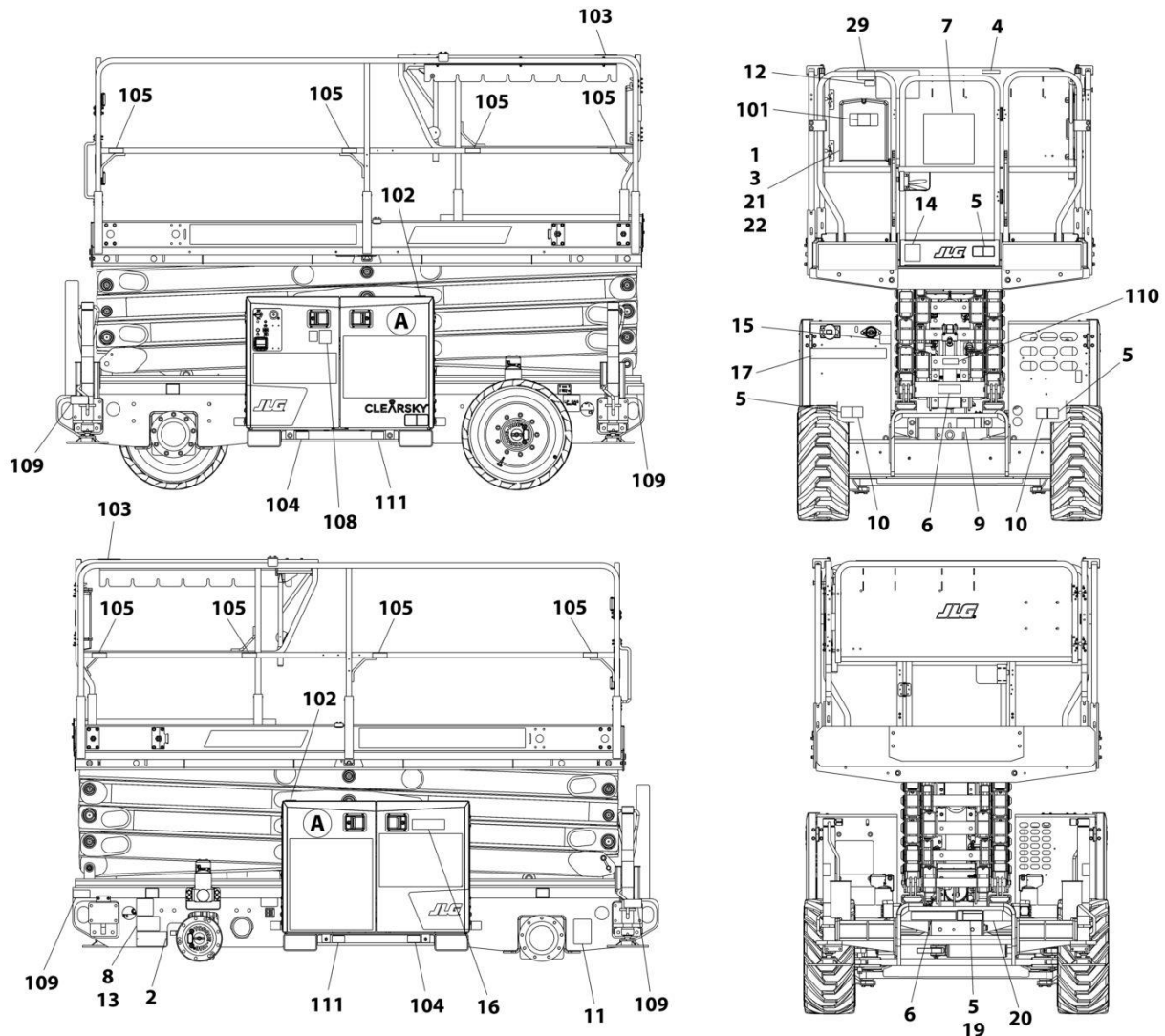
## SECTION 9 - DECALS

**FIGURE 9-5. DECAL INSTALLATION - CSA SPECS (ENGLISH/FRENCH LANGUAGES) (RT4069)**

ITEM	PART NUMBER	QTY	DESCRIPTION	REV
	1001256769	Ref	DECAL INSTALLATION	C
	1001264346	Ref	DECAL CHART DRAWING	E
1	0760610	4	Bolt M6 x 20	
2	2080057	2	Fastener	
3	0860520	1	Box, Manual Storage	
4	1704687	1	Decal - Control Box Location	
5	1705040	5	Decal - Danger Electrocutation	
6	1001215755	4	Decal - Crushing	
7	1704684	1	Decal - Danger/Warning	
8	1001223971	1	Decal - Yearly Inspection	
9	1703822	1	Decal - Manual Descent Instruction	
11	1001131270	1	Decal - Patent	
12	1001228370	1	Decal - ICES	
21	3290605	4	Nut M6	
22	4811700	8	Washer M6	
100	1001256763	1	Decal Master Kit (Not Shown)	
101	1701640	1	Decal - Manual	
102	1703687	2	Decal - Direction Arrow	
103	1703819	2	Decal - Direction Arrow	
104	1001265579	2	Decal - Fork Lift	
105	1704277	8	Decal - Lanyard Attach	
106	1704412	1	Decal - Hydraulic Oil Chart	
107	70046028	1	Decal - Hydraulic Oil Level	
108	1001094708	1	Decal - Hydraulic Oil	
109	1001162864	4	Decal - Lift Point/Tie Down	
110	1001256865	1	Decal - Arm Prop	
111	1001265580	2	Decal - Fork Lift	

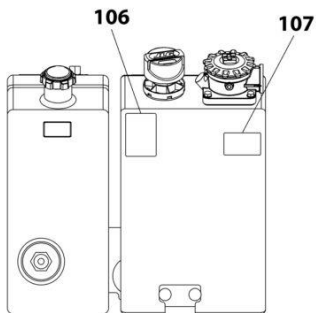
# SECTION 9 - DECALS

FIGURE 9-6. DECAL INSTALLATION - KOREAN SPECS (ENGLISH/KOREAN LANGUAGES) (RT4069)

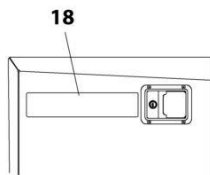


NOTE: ITEMS SHOWN MAY NOT BE REQUIRED FOR ALL SPECS. REFER TO PARTS LIST FOR USAGE.

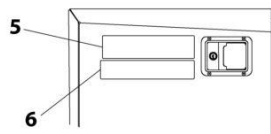
NOTE: ADDITIONAL DECALS CALLED OUT ON DECAL INSTALLATION - OPTIONS.



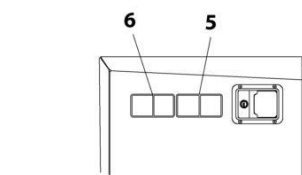
VIEW OF TANKS



ANSI SPECS  
BOTH SIDES TYPICAL

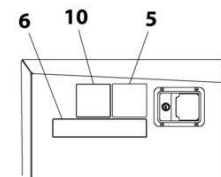


ENG/KOREAN/SPA/  
POR/FRE SPECS  
BOTH SIDES TYPICAL



AUSTRALIAN/CE SPECS  
BOTH SIDES TYPICAL

(A)



ENG/CHINA SPECS  
BOTH SIDES TYPICAL

ART\_1001256765

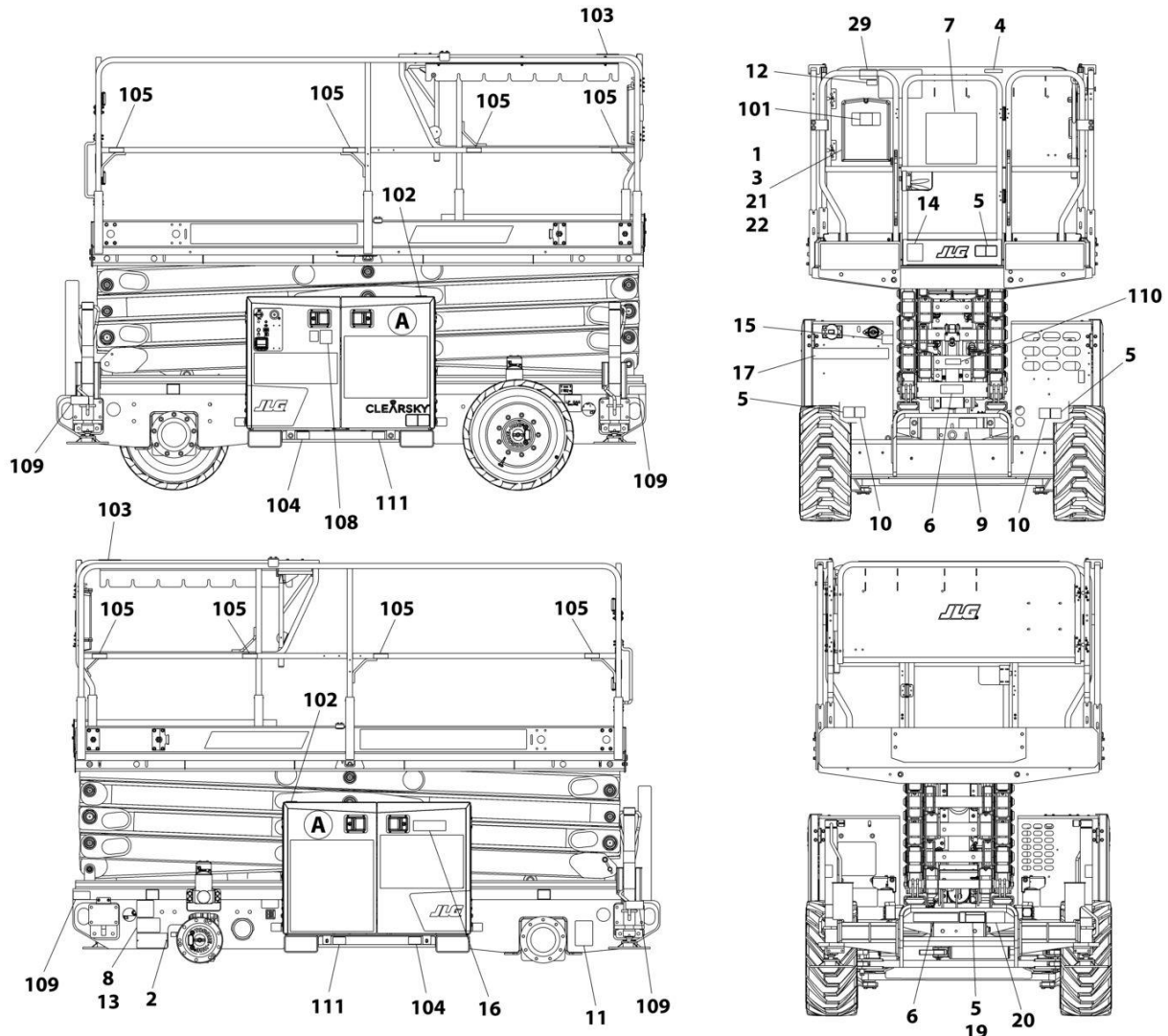
## SECTION 9 - DECALS

**FIGURE 9-6. DECAL INSTALLATION - KOREAN SPECS (ENGLISH/KOREAN LANGUAGES) (RT4069)**

ITEM	PART NUMBER	QTY	DESCRIPTION	REV
	1001256765	Ref	DECAL INSTALLATION	C
	1001264346	Ref	DECAL CHART DRAWING	E
1	0760610	4	Bolt M6 x 20	
2	2080057	2	Fastener	
3	0860520	1	Box, Manual Storage	
4	1001162112	1	Decal - Control Box Location	
5	1001162114	5	Decal - Danger Electrical Hazard	
6	1001215751	4	Decal - Crushing	
7	1001162115	1	Decal - Danger Warning	
8	1001224048	1	Decal - Yearly Inspection	
9	1703822	1	Decal - Manual Descent Instruction	
21	3290605	4	Nut M6	
22	4811700	8	Washer M6	
100	1001256763	1	Decal Master Kit (Not Shown)	
101	1701640	1	Decal - Manual	
102	1703687	2	Decal - Direction Arrow	
103	1703819	2	Decal - Direction Arrow	
104	1001265579	2	Decal - Fork Lift	
105	1704277	8	Decal - Lanyard Attach	
106	1704412	1	Decal - Hydraulic Oil Chart	
107	70046028	1	Decal - Hydraulic Oil Level	
108	1001094708	1	Decal - Hydraulic Oil	
109	1001162864	4	Decal - Lift Point/Tie Down	
110	1001256865	1	Decal - Arm Prop	
111	1001265580	2	Decal - Fork Lift	

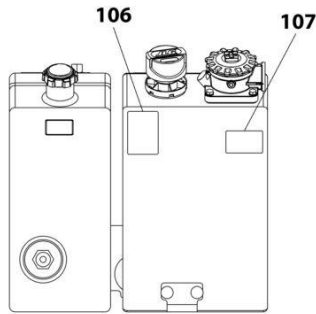
# SECTION 9 - DECALS

## FIGURE 9-7. DECAL INSTALLATION - LATIN AMERICAN SPECS (ENGLISH/KSPANISH LANGUAGES) (RT4069)

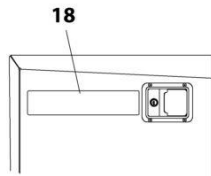


NOTE: ITEMS SHOWN MAY NOT BE REQUIRED FOR ALL SPECS. REFER TO PARTS LIST FOR USAGE.

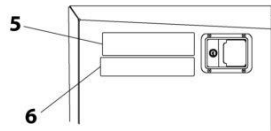
NOTE: ADDITIONAL DECALS CALLED OUT ON DECAL INSTALLATION - OPTIONS.



VIEW OF TANKS

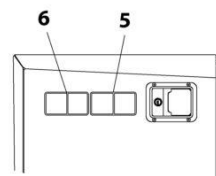


ANSI SPECS  
BOTH SIDES TYPICAL

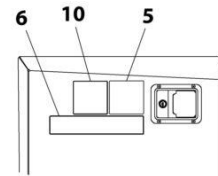


ENG/KOREAN/SPA/  
POR/FRE SPECS  
BOTH SIDES TYPICAL

**A**



AUSTRALIAN/CE SPECS  
BOTH SIDES TYPICAL



ENG/CHINA SPECS  
BOTH SIDES TYPICAL

ART\_1001256768



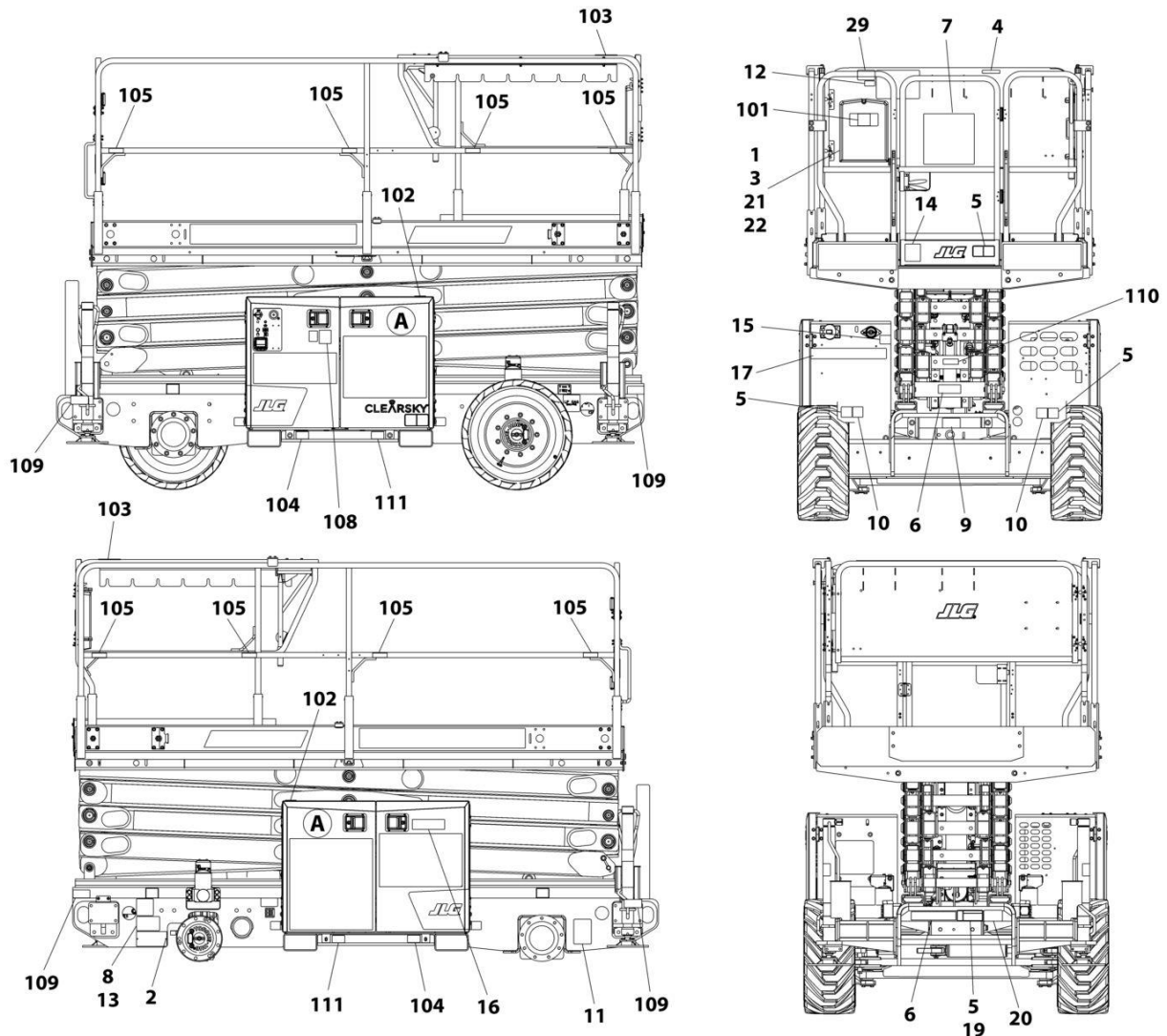
## SECTION 9 - DECALS

**FIGURE 9-7. DECAL INSTALLATION - LATIN AMERICAN SPECS (ENGLISH/KSPANISH LANGUAGES)  
(RT4069)**

ITEM	PART NUMBER	QTY	DESCRIPTION	REV
	1001256768	Ref	DECAL INSTALLATION	C
	1001264346	Ref	DECAL CHART DRAWING	E
1	0760610	4	Bolt M6 x 20	
2	2080057	2	Fastener	
3	0860520	1	Box, Manual Storage	
4	1704694	1	Decal - Control Box Location	
5	1705041	5	Decal - Danger Electrical Hazard	
6	1001215754	4	Decal - Crushing	
7	1704691	1	Decal - Danger/Warning	
8	1001224049	1	Decal - Yearly Inspection	
9	1703822	1	Decal - Manual Descent Instruction	
21	3290605	4	Nut M6	
22	4811700	8	Washer M6	
100	1001256763	1	Decal Master Kit (Not Shown)	
101	1701640	1	Decal - Manual	
102	1703687	2	Decal - Direction Arrow	
103	1703819	2	Decal - Direction Arrow	
104	1001265579	2	Decal - Fork Lift	
105	1704277	8	Decal - Lanyard Attach	
106	1704412	1	Decal - Hydraulic Oil Chart	
107	70046028	1	Decal - Hydraulic Oil Level	
108	1001094708	1	Decal - Hydraulic Oil	
109	1001162864	4	Decal - Lift Point/Tie Down	
110	1001256865	1	Decal - Arm Prop	
111	1001265580	2	Decal - Fork Lift	

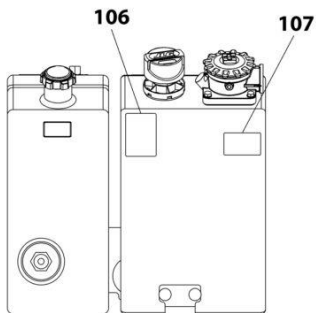
# SECTION 9 - DECALS

FIGURE 9-8. DECAL INSTALLATION - ANSI SPECS (ENGLISH LANGUAGE) (RT4769)

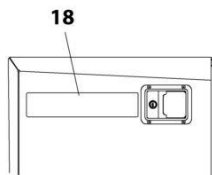


NOTE: ITEMS SHOWN MAY NOT BE REQUIRED FOR ALL SPECS. REFER TO PARTS LIST FOR USAGE.

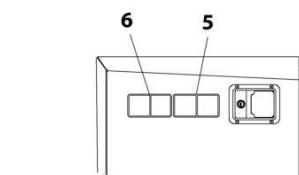
NOTE: ADDITIONAL DECALS CALLED OUT ON DECAL INSTALLATION - OPTIONS.



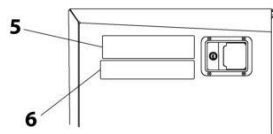
VIEW OF TANKS



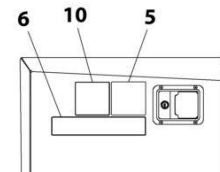
ANSI SPECS  
BOTH SIDES TYPICAL



AUSTRALIAN/CE SPECS  
BOTH SIDES TYPICAL



ENG/KOREAN/SPA/  
POR/FRE SPECS  
BOTH SIDES TYPICAL



ENG/CHINA SPECS  
BOTH SIDES TYPICAL

ART\_1001264956

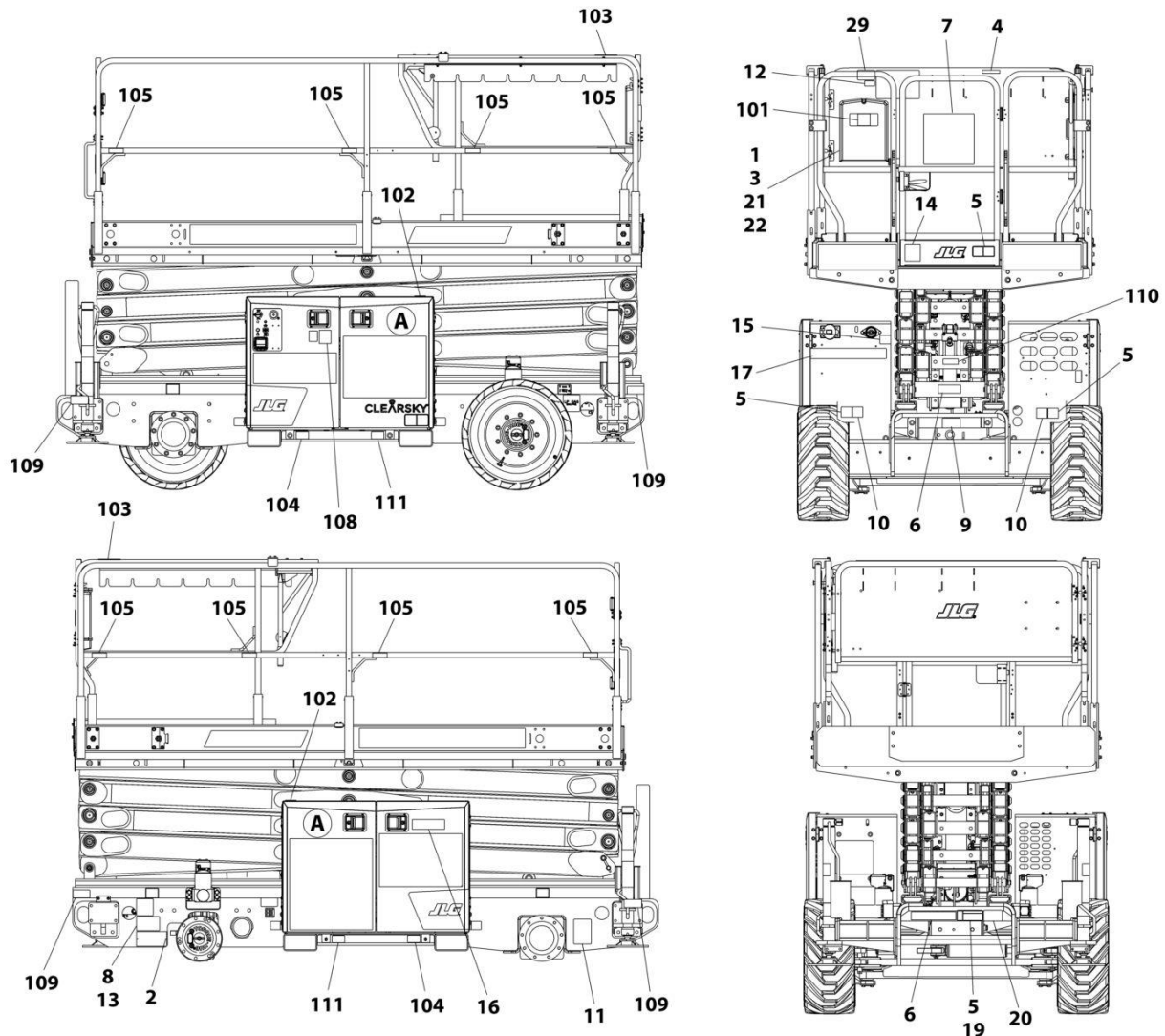
## SECTION 9 - DECALS

**FIGURE 9-8. DECAL INSTALLATION - ANSI SPECS (ENGLISH LANGUAGE) (RT4769)**

ITEM	PART NUMBER	QTY	DESCRIPTION	REV
	1001264956	Ref	DECAL INSTALLATION	B
	1001264973	Ref	DECAL CHART DRAWING	C
1	0760610	4	Bolt M6 x 20	
2	2080057	2	Fastener	
3	0860520	1	Box, Manual Storage	
4	1703821	1	Decal - Control Box Location	
5	1001211779	2	Decal - Electrocutation	
6	1001211777	2	Decal - Crushing Hazard	
7	1703816	1	Decal - Danger/Warning	
8	1001223055	1	Decal - Yearly Inspection	
9	1001226116	1	Decal - Manual Descent Instruction	
11	1001131270	1	Decal - Patent	
12	1001223453	1	Decal - ICES	
18	1703818	2	Decal - Warning Crushing Hazard/Danger Electrocutation	
19	1705695	1	Decal - Danger Electrocutation	
21	3290605	4	Nut M6	
22	4811700	8	Washer M6	
100	1001256763	1	Decal Master Kit (Not Shown)	
101	1701640	1	Decal - Manual	
102	1703687	2	Decal - Direction Arrow	
103	1703819	2	Decal - Direction Arrow	
104	1001265579	2	Decal - Fork Lift	
105	1704277	8	Decal - Lanyard Attach	
106	1704412	1	Decal - Hydraulic Oil Chart	
107	70046028	1	Decal - Hydraulic Oil Level	
108	1001094708	1	Decal - Hydraulic Oil	
109	1001162864	4	Decal - Lift Point/Tie Down	
110	1001256865	1	Decal - Arm Prop	
111	1001265580	2	Decal - Fork Lift	

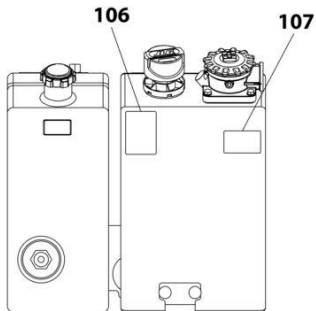
# SECTION 9 - DECALS

FIGURE 9-9. DECAL INSTALLATION - AUSTRALIAN/CE SPECS (ENGLISH LANGUAGE) (RT4769)

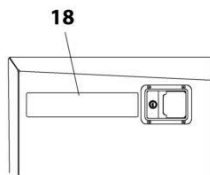


NOTE: ITEMS SHOWN MAY NOT BE REQUIRED FOR ALL SPECS. REFER TO PARTS LIST FOR USAGE.

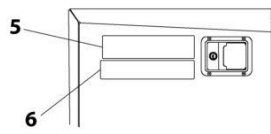
NOTE: ADDITIONAL DECALS CALLED OUT ON DECAL INSTALLATION - OPTIONS.



VIEW OF TANKS



ANSI SPECS  
BOTH SIDES TYPICAL

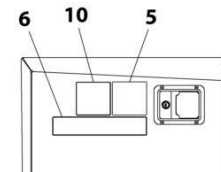


ENG/KOREAN/SPA/  
POR/FRE SPECS  
BOTH SIDES TYPICAL



AUSTRALIAN/CE SPECS  
BOTH SIDES TYPICAL

(A)



ENG/CHINA SPECS  
BOTH SIDES TYPICAL

ART\_1001264963

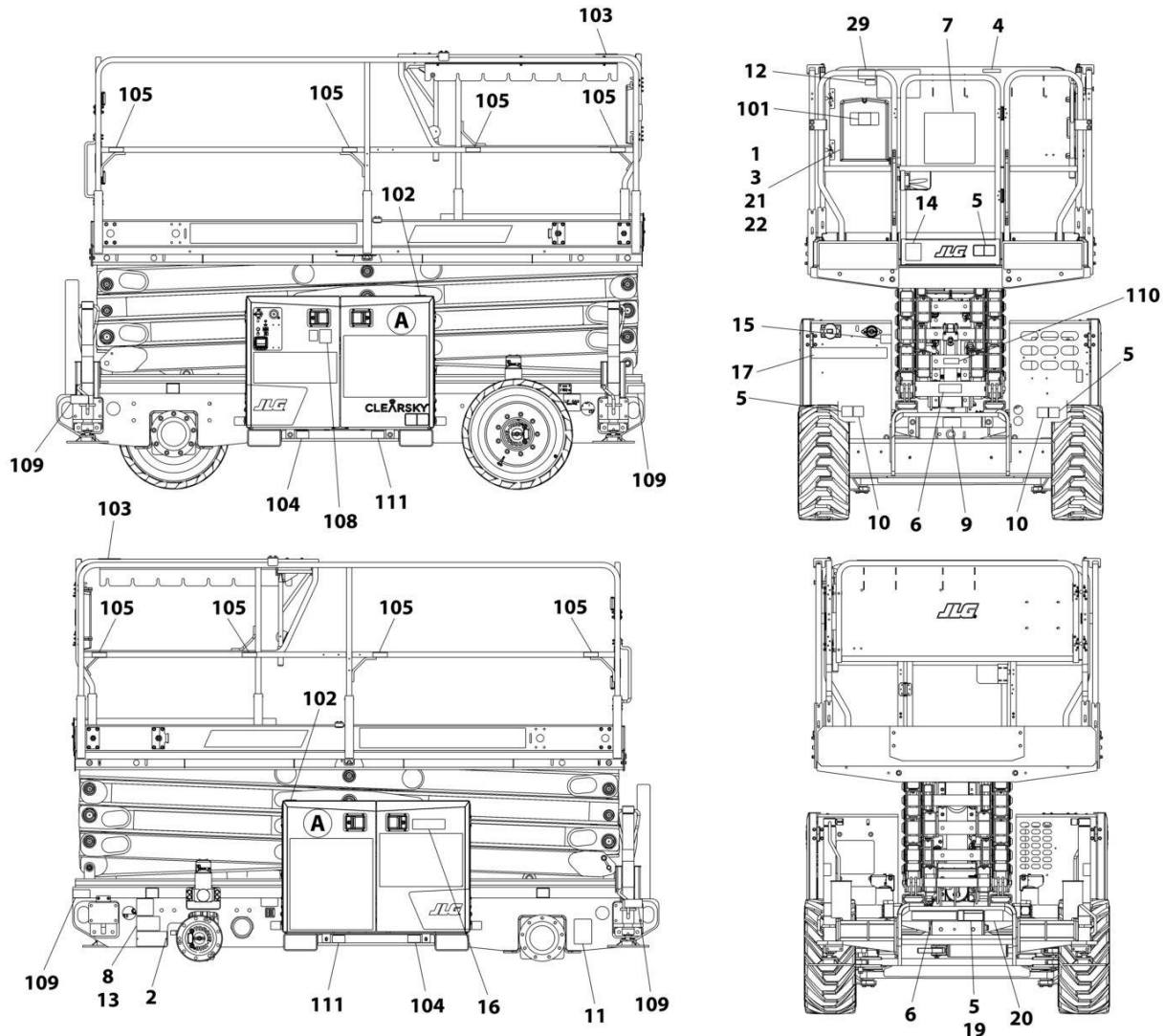
## SECTION 9 - DECALS

**FIGURE 9-9. DECAL INSTALLATION - AUSTRALIAN/CE SPECS (ENGLISH LANGUAGE) (RT4769)**

ITEM	PART NUMBER	QTY	DESCRIPTION	REV
	1001264963	Ref	DECAL INSTALLATION	B
	1001264973	Ref	DECAL CHART DRAWING	C
1	0760610	4	Bolt M6 x 20	
2	2080057	4	Fastener	
3	0860520	1	Box, Manual Storage	
5	1705671	6	Decal - Electrocutation	
6	1705673	4	Decal - Crushing	
9	1001226116	1	Decal - Manual Descent Instruction	
13	1705670	2	Decal - Fire Hazard	
14	80463053	1	Decal - Sound	
21	3290605	4	Nut M6	
22	4811700	8	Washer M6	
100	1001256763	1	Decal Master Kit (Not Shown)	
101	1701640	1	Decal - Manual	
102	1703687	2	Decal - Direction Arrow	
103	1703819	2	Decal - Direction Arrow	
104	1001265579	2	Decal - Fork Lift	
105	1704277	8	Decal - Lanyard Attach	
106	1704412	1	Decal - Hydraulic Oil Chart	
107	70046028	1	Decal - Hydraulic Oil Level	
108	1001094708	1	Decal - Hydraulic Oil	
109	1001162864	4	Decal - Lift Point/Tie Down	
110	1001256865	1	Decal - Arm Prop	
111	1001265580	2	Decal - Fork Lift	

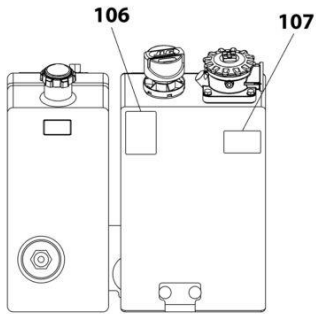
# SECTION 9 - DECALS

## FIGURE 9-10. DECAL INSTALLATION - BRAZIL SPECS (SPANISH/PORTUGUESE LANGUAGES) (RT4769)

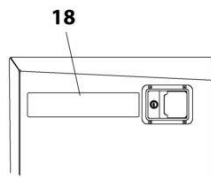


NOTE: ITEMS SHOWN MAY NOT BE REQUIRED FOR ALL SPECS. REFER TO PARTS LIST FOR USAGE.

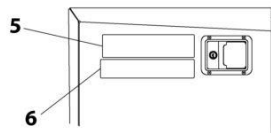
NOTE: ADDITIONAL DECALS CALLED OUT ON DECAL INSTALLATION - OPTIONS.



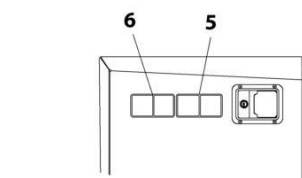
VIEW OF TANKS



ANSI SPECS  
BOTH SIDES TYPICAL

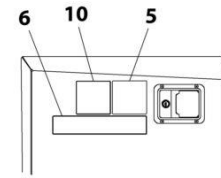


ENG/KOREAN/SPA/  
POR/FRE SPECS  
BOTH SIDES TYPICAL



AUSTRALIAN/CE SPECS  
BOTH SIDES TYPICAL

A



ENG/CHINA SPECS  
BOTH SIDES TYPICAL

ART\_1001264959

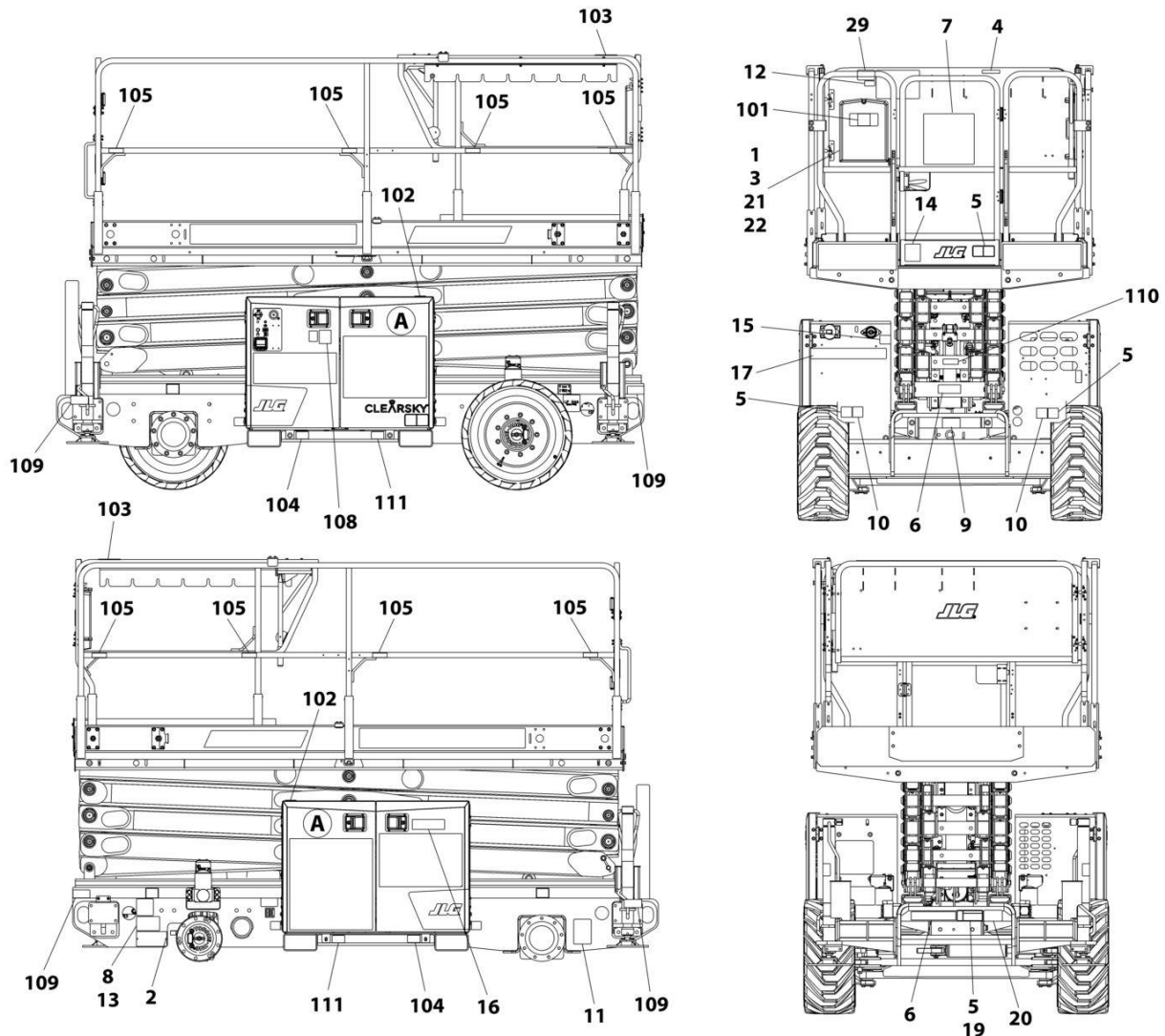
## SECTION 9 - DECALS

**FIGURE 9-10. DECAL INSTALLATION - BRAZIL SPECS (SPANISH/PORTUGUESE LANGUAGES)  
(RT4769)**

ITEM	PART NUMBER	QTY	DESCRIPTION	REV
	1001264959	Ref	DECAL INSTALLATION	B
	1001264973	Ref	DECAL CHART DRAWING	C
1	0760610	4	Bolt M6 x 20	
2	2080057	2	Fastener	
3	0860520	1	Box, Manual Storage	
4	1704702	1	Decal - Control Box Location	
5	1705043	5	Decal - Danger Electrical Hazard	
6	1001216650	4	Decal - Crushing	
7	1704699	1	Decal - Danger/Warning	
8	1001224052	1	Decal - Yearly Inspection	
9	1001226116	1	Decal - Manual Descent Instruction	
21	3290605	4	Nut M6	
22	4811700	8	Washer M6	
100	1001256763	1	Decal Master Kit (Not Shown)	
101	1701640	1	Decal - Manual	
102	1703687	2	Decal - Direction Arrow	
103	1703819	2	Decal - Direction Arrow	
104	1001265579	2	Decal - Fork Lift	
105	1704277	8	Decal - Lanyard Attach	
106	1704412	1	Decal - Hydraulic Oil Chart	
107	70046028	1	Decal - Hydraulic Oil Level	
108	1001094708	1	Decal - Hydraulic Oil	
109	1001162864	4	Decal - Lift Point/Tie Down	
110	1001256865	1	Decal - Arm Prop	
111	1001265580	2	Decal - Fork Lift	

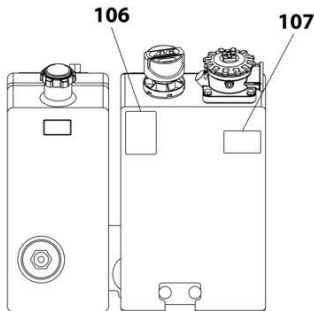
# SECTION 9 - DECALS

FIGURE 9-11. DECAL INSTALLATION - CHINA SPECS (ENGLISH/CHINESE LANGUAGES) (RT4769)

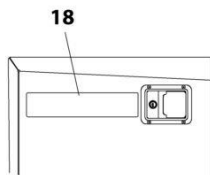


NOTE: ITEMS SHOWN MAY NOT BE REQUIRED FOR ALL SPECS. REFER TO PARTS LIST FOR USAGE.

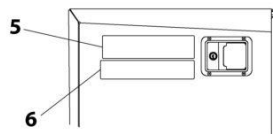
NOTE: ADDITIONAL DECALS CALLED OUT ON DECAL INSTALLATION - OPTIONS.



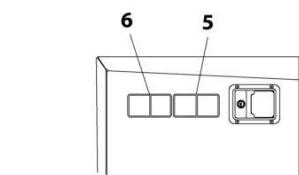
VIEW OF TANKS



ANSI SPECS  
BOTH SIDES TYPICAL

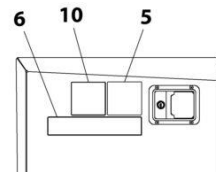


ENG/KOREAN/SPA/  
POR/FRE SPECS  
BOTH SIDES TYPICAL



AUSTRALIAN/CE SPECS  
BOTH SIDES TYPICAL

(A)



ENG/CHINA SPECS  
BOTH SIDES TYPICAL

ART\_1001264958



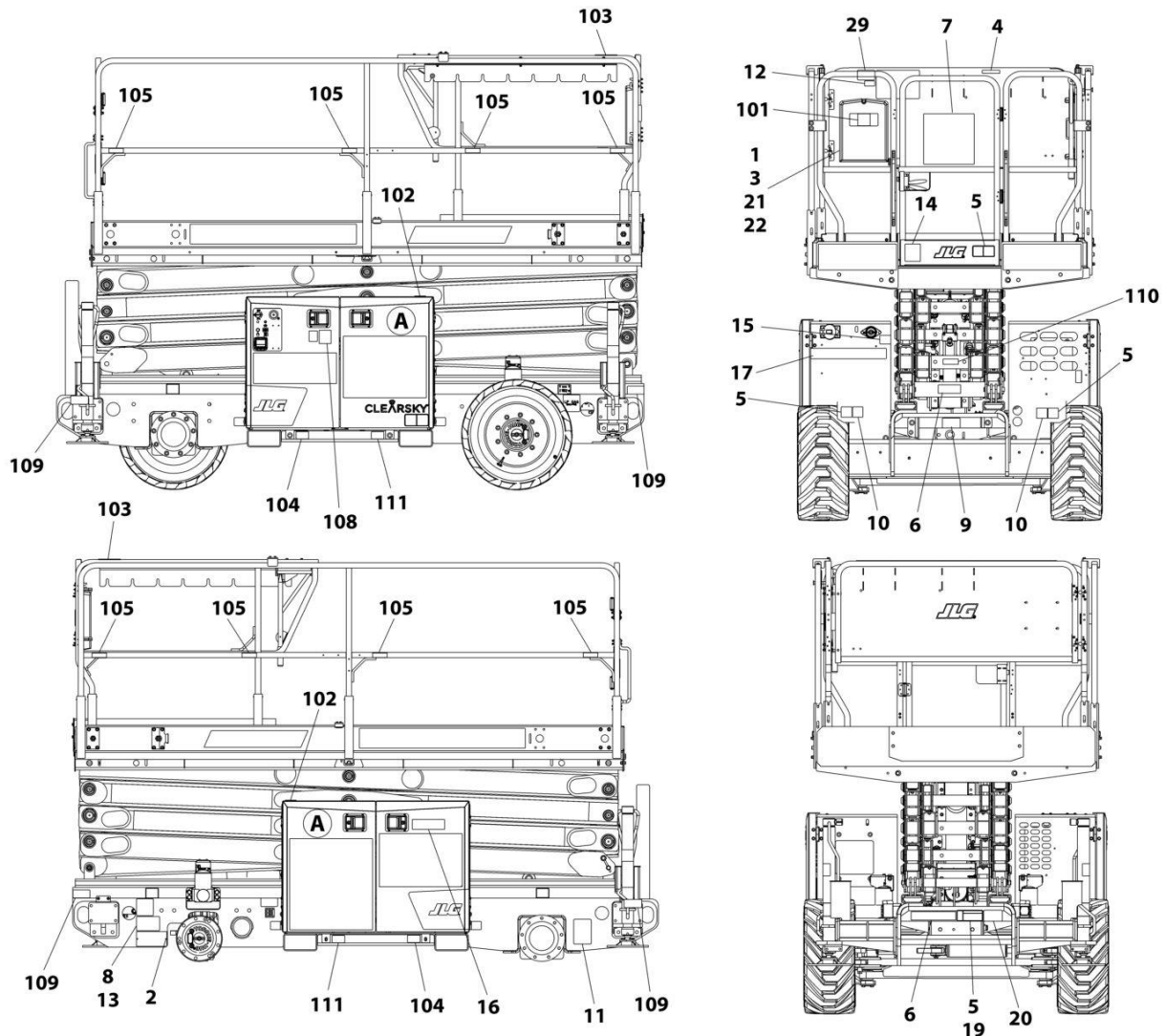
## SECTION 9 - DECALS

**FIGURE 9-11. DECAL INSTALLATION - CHINA SPECS (ENGLISH/CHINESE LANGUAGES) (RT4769)**

ITEM	PART NUMBER	QTY	DESCRIPTION	REV
	1001264958	Ref	DECAL INSTALLATION	B
	1001264973	Ref	DECAL CHART DRAWING	C
1	0760610	4	Bolt M6 x 20	
2	2080057	2	Fastener	
3	0860520	1	Box, Manual Storage	
4	1705194	1	Decal - Control Box Location	
5	1001211779	4	Decal - Electrocution	
6	1001215752	4	Decal - Crushing	
7	1705195	1	Decal - Danger/Warning	
8	1001224051	1	Decal - Yearly Inspection	
9	1001226116	1	Decal - Manual Descent Instruction	
10	1001215747	4	Decal - Electrocution	
19	1705695	1	Decal - Danger Electrocution	
20	1705944	1	Decal - Danger Electrocution	
21	3290605	4	Nut M6	
22	4811700	8	Washer M6	
100	1001256763	1	Decal Master Kit (Not Shown)	
101	1701640	1	Decal - Manual	
102	1703687	2	Decal - Direction Arrow	
103	1703819	2	Decal - Direction Arrow	
104	1001265579	2	Decal - Fork Lift	
105	1704277	8	Decal - Lanyard Attach	
106	1704412	1	Decal - Hydraulic Oil Chart	
107	70046028	1	Decal - Hydraulic Oil Level	
108	1001094708	1	Decal - Hydraulic Oil	
109	1001162864	4	Decal - Lift Point/Tie Down	
110	1001256865	1	Decal - Arm Prop	
111	1001265580	2	Decal - Fork Lift	

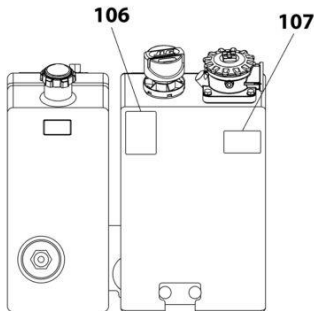
# SECTION 9 - DECALS

FIGURE 9-12. DECAL INSTALLATION - CSA SPECS (ENGLISH/FRENCH LANGUAGES) (RT4769)

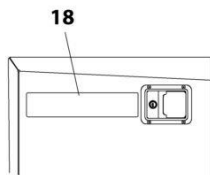


NOTE: ITEMS SHOWN MAY NOT BE REQUIRED FOR ALL SPECS. REFER TO PARTS LIST FOR USAGE.

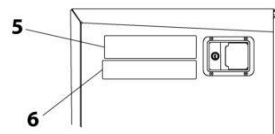
NOTE: ADDITIONAL DECALS CALLED OUT ON DECAL INSTALLATION - OPTIONS.



VIEW OF TANKS

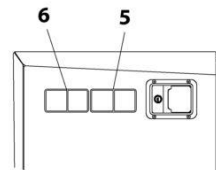


ANSI SPECS  
BOTH SIDES TYPICAL

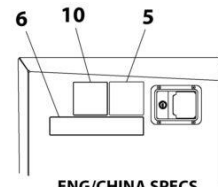


ENG/KOREAN/SPA/  
POR/FRE SPECS  
BOTH SIDES TYPICAL

**A**



AUSTRALIAN/CE SPECS  
BOTH SIDES TYPICAL



ENG/CHINA SPECS  
BOTH SIDES TYPICAL

ART\_1001264961

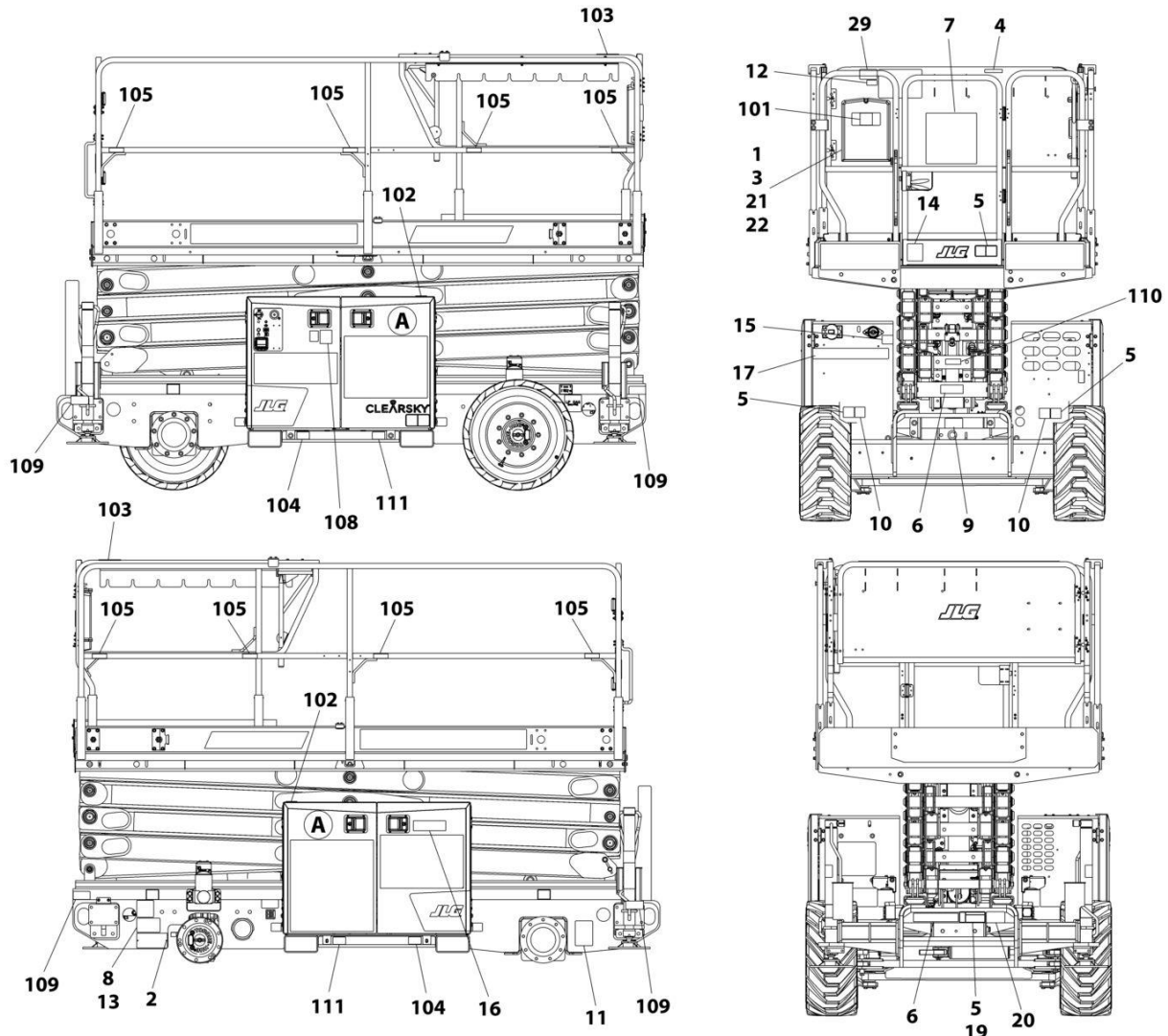
## SECTION 9 - DECALS

**FIGURE 9-12. DECAL INSTALLATION - CSA SPECS (ENGLISH/FRENCH LANGUAGES) (RT4769)**

ITEM	PART NUMBER	QTY	DESCRIPTION	REV
	1001264961	Ref	DECAL INSTALLATION	B
	1001264973	Ref	DECAL CHART DRAWING	C
1	0760610	4	Bolt M6 x 20	
2	2080057	2	Fastener	
3	0860520	1	Box, Manual Storage	
4	1704687	1	Decal - Control Box Location	
5	1705040	5	Decal - Danger Electrocution	
6	1001215755	4	Decal - Crushing	
7	1704684	1	Decal - Danger/Warning	
8	1001223971	1	Decal - Yearly Inspection	
9	1001226116	1	Decal - Manual Descent Instruction	
11	1001131270	1	Decal - Patent	
12	1001228370	1	Decal - ICES	
21	3290605	4	Nut M6	
22	4811700	8	Washer M6	
100	1001256763	1	Decal Master Kit (Not Shown)	
101	1701640	1	Decal - Manual	
102	1703687	2	Decal - Direction Arrow	
103	1703819	2	Decal - Direction Arrow	
104	1001265579	2	Decal - Fork Lift	
105	1704277	8	Decal - Lanyard Attach	
106	1704412	1	Decal - Hydraulic Oil Chart	
107	70046028	1	Decal - Hydraulic Oil Level	
108	1001094708	1	Decal - Hydraulic Oil	
109	1001162864	4	Decal - Lift Point/Tie Down	
110	1001256865	1	Decal - Arm Prop	
111	1001265580	2	Decal - Fork Lift	

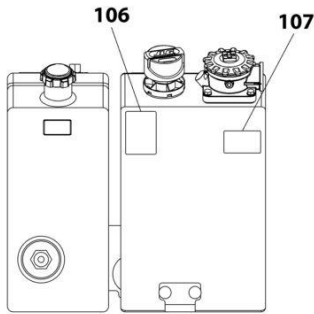
# SECTION 9 - DECALS

## FIGURE 9-13. DECAL INSTALLATION - KOREAN SPECS (ENGLISH/KOREAN LANGUAGES) (RT4769)

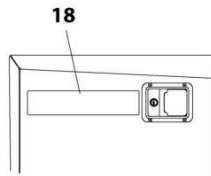


NOTE: ITEMS SHOWN MAY NOT BE REQUIRED FOR ALL SPECS. REFER TO PARTS LIST FOR USAGE.

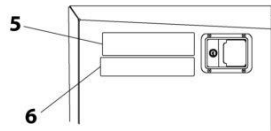
NOTE: ADDITIONAL DECALS CALLED OUT ON DECAL INSTALLATION - OPTIONS.



VIEW OF TANKS

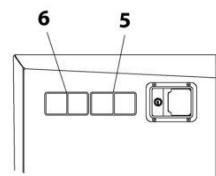


ANSI SPECS  
BOTH SIDES TYPICAL

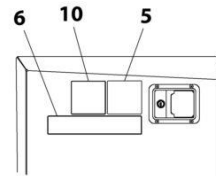


ENG/KOREAN/SPA/  
POR/FRE SPECS  
BOTH SIDES TYPICAL

**A**



AUSTRALIAN/CE SPECS  
BOTH SIDES TYPICAL



ENG/CHINA SPECS  
BOTH SIDES TYPICAL

ART\_1001264957

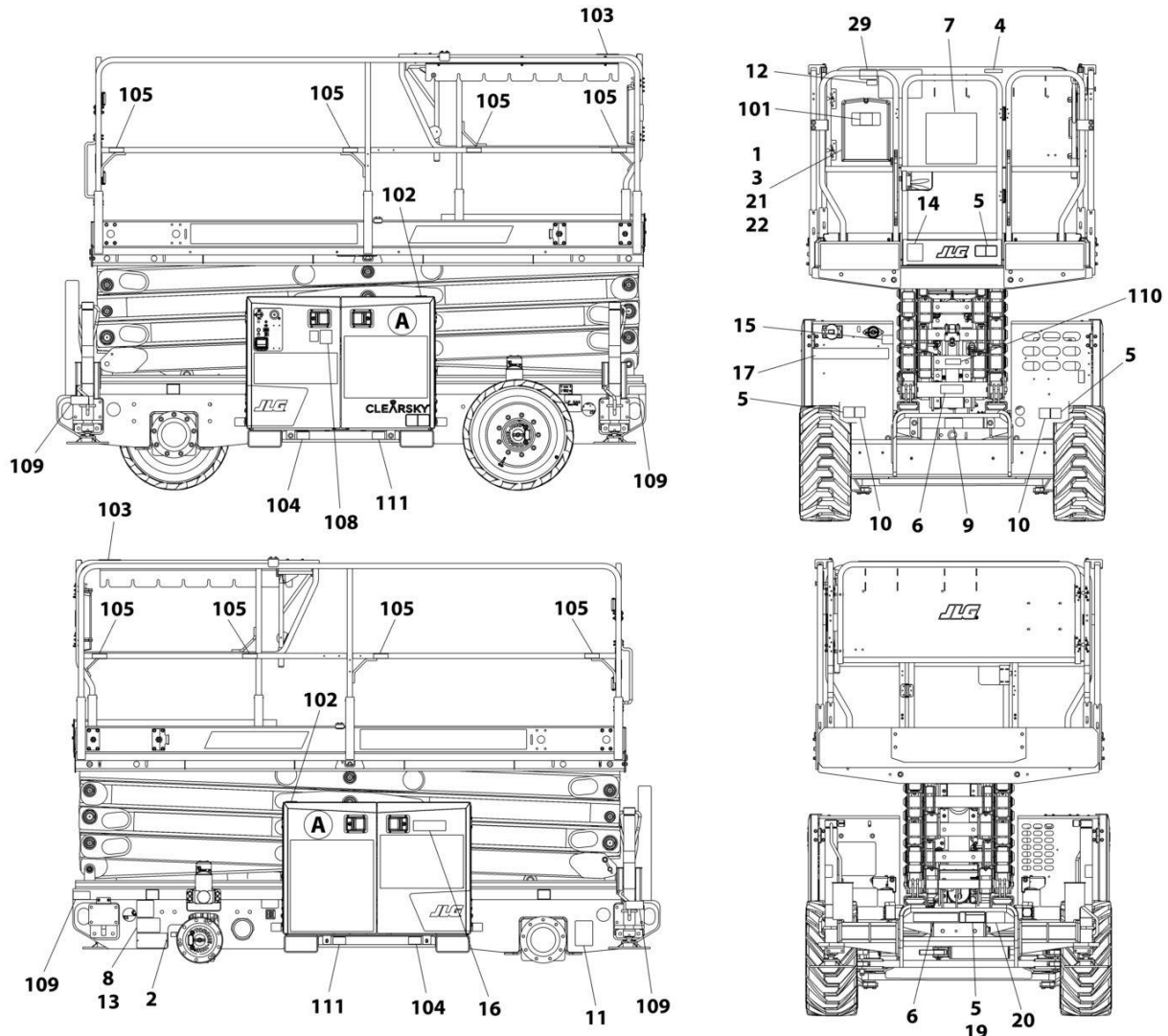
## SECTION 9 - DECALS

**FIGURE 9-13. DECAL INSTALLATION - KOREAN SPECS (ENGLISH/KOREAN LANGUAGES)  
(RT4769)**

ITEM	PART NUMBER	QTY	DESCRIPTION	REV
	1001264957	Ref	DECAL INSTALLATION	B
	1001264973	Ref	DECAL CHART DRAWING	C
1	0760610	4	Bolt M6 x 20	
2	2080057	2	Fastener	
3	0860520	1	Box, Manual Storage	
4	1001162112	1	Decal - Control Box Location	
5	1001162114	5	Decal - Danger Electrical Hazard	
6	1001215751	4	Decal - Crushing	
7	1001162115	1	Decal - Danger Warning	
8	1001224048	1	Decal - Yearly Inspection	
9	1001226116	1	Decal - Manual Descent Instruction	
21	3290605	4	Nut M6	
22	4811700	8	Washer M6	
100	1001256763	1	Decal Master Kit (Not Shown)	
101	1701640	1	Decal - Manual	
102	1703687	2	Decal - Direction Arrow	
103	1703819	2	Decal - Direction Arrow	
104	1001265579	2	Decal - Fork Lift	
105	1704277	8	Decal - Lanyard Attach	
106	1704412	1	Decal - Hydraulic Oil Chart	
107	70046028	1	Decal - Hydraulic Oil Level	
108	1001094708	1	Decal - Hydraulic Oil	
109	1001162864	4	Decal - Lift Point/Tie Down	
110	1001256865	1	Decal - Arm Prop	
111	1001265580	2	Decal - Fork Lift	

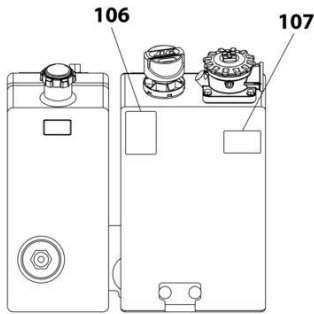
# SECTION 9 - DECALS

## FIGURE 9-14. DECAL INSTALLATION - LATIN AMERICAN SPECS (ENGLISH/KSPANISH LANGUAGES) (RT4769)

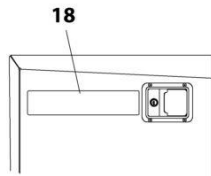


NOTE: ITEMS SHOWN MAY NOT BE REQUIRED FOR ALL SPECS. REFER TO PARTS LIST FOR USAGE.

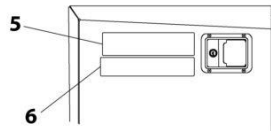
NOTE: ADDITIONAL DECALS CALLED OUT ON DECAL INSTALLATION - OPTIONS.



VIEW OF TANKS

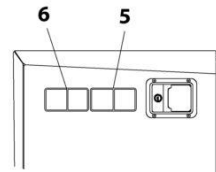


ANSI SPECS  
BOTH SIDES TYPICAL

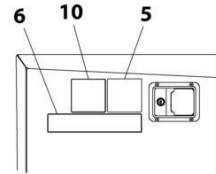


ENG/KOREAN/SPA/  
POR/FRE SPECS  
BOTH SIDES TYPICAL

**A**



AUSTRALIAN/CE SPECS  
BOTH SIDES TYPICAL



ENG/CHINA SPECS  
BOTH SIDES TYPICAL

ART\_1001264960

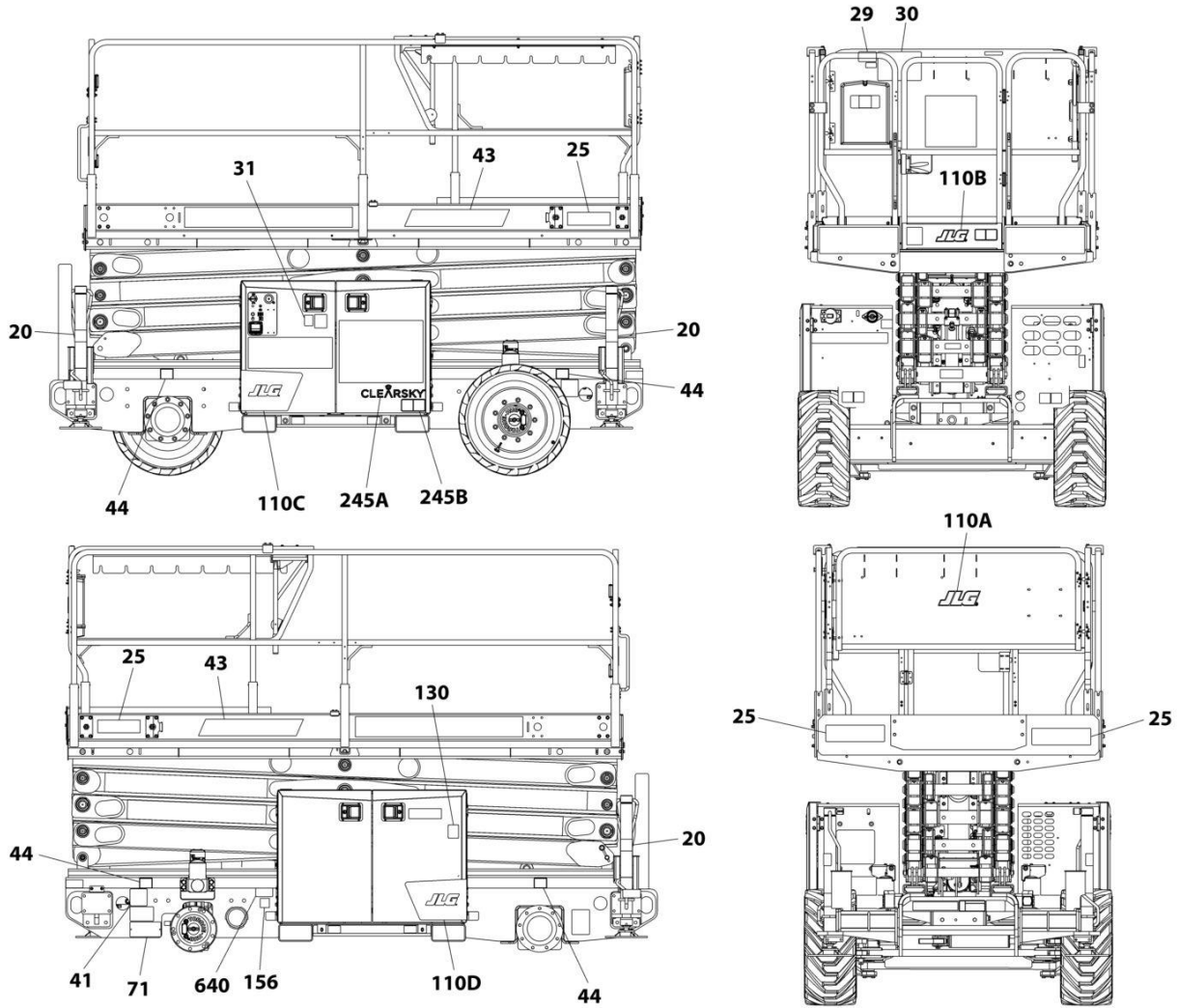
## SECTION 9 - DECALS

**FIGURE 9-14. DECAL INSTALLATION - LATIN AMERICAN SPECS (ENGLISH/KSPANISH LANGUAGES) (RT4769)**

ITEM	PART NUMBER	QTY	DESCRIPTION	REV
	1001264960	Ref	DECAL INSTALLATION	B
	1001264973	Ref	DECAL CHART DRAWING	C
1	0760610	4	Bolt M6 x 20	
2	2080057	2	Fastener	
3	0860520	1	Box, Manual Storage	
4	1704694	1	Decal - Control Box Location	
5	1705041	5	Decal - Danger Electrical Hazard	
6	1001215754	4	Decal - Crushing	
7	1704691	1	Decal - Danger/Warning	
8	1001224049	1	Decal - Yearly Inspection	
9	1001226116	1	Decal - Manual Descent Instruction	
21	3290605	4	Nut M6	
22	4811700	8	Washer M6	
100	1001256763	1	Decal Master Kit (Not Shown)	
101	1701640	1	Decal - Manual	
102	1703687	2	Decal - Direction Arrow	
103	1703819	2	Decal - Direction Arrow	
104	1001265579	2	Decal - Fork Lift	
105	1704277	8	Decal - Lanyard Attach	
106	1704412	1	Decal - Hydraulic Oil Chart	
107	70046028	1	Decal - Hydraulic Oil Level	
108	1001094708	1	Decal - Hydraulic Oil	
109	1001162864	4	Decal - Lift Point/Tie Down	
110	1001256865	1	Decal - Arm Prop	
111	1001265580	2	Decal - Fork Lift	

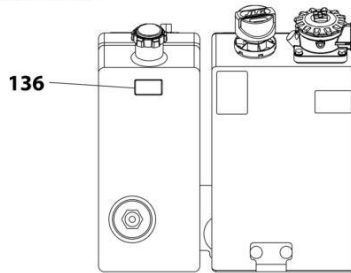
# SECTION 9 - DECALS

## FIGURE 9-15. DECAL INSTALLATION - OPTIONS



NOTE: ITEMS SHOWN MAY NOT BE REQUIRED FOR ALL SPECS. REFER TO PARTS LIST FOR USAGE.

NOTE: RT4069 SHOWN. RT4769 DECAL LOCATIONS TYPICAL.



VIEW OF TANKS

ART\_DECAL\_OPTIONS



## SECTION 9 - DECALS

**FIGURE 9-15. DECAL INSTALLATION - OPTIONS**

ITEM	PART NUMBER	QTY	DESCRIPTION	REV
		Ref	DECAL INSTALLATION - OPTIONS	
	1001264346	Ref	DECAL CHART DRAWING (RT4069)	A
	1001264973	Ref	DECAL CHART DRAWING (RT4769)	A
20		Ref	Decal - Leveling Jack Warning Options:	
20	1701214	4	Decal - Leveling Jack Warning (ANSI Specs)	
20	1701785	4	Decal - Leveling Jack Warning (Australian/CE Specs)	
20	1704698	4	Decal - Leveling Jack Warning (Brazil Specs)	
20	1704690	4	Decal - Leveling Jack Warning (CSA Specs)	
20	1001215447	4	Decal - Leveling Jack Warning (Korean Specs)	
20	1704697	4	Decal - Leveling Jack Warning (Latin American Specs)	
25	1001254363	Ref	Corner Stripes Installation	C
25	4420051	4 ft /1.2m	Tape, Safety	
29	1001231801	1	Decal - Warning Prop 65	
30	1001256799	1	Decal - Capacity	
31	1701505	1	Decal - Fuel (Diesel)	
31	1701542	1	Decal - Fuel (Gas)	
41		Ref	Decal - LP Gas Options:	
41	1700818	2	Decal - LP Gas (English Language)	
41	1702720	2	Decal - LP Gas (English/French Language)	
41	1704271	2	Decal - LP Gas (Spanish Language)	
43	1001256781	2	Decal - Model (RT4069)	
43	1001256782	2	Decal - Model (RT4769)	
44	1001256792	4	Decal - Max Tire Load (RT4069)	
44	1001262398	4	Decal - Max Tire Load (RT4769)	
71	See Note	NSS	Decal - Manufacturers Serial Number (Note: Not Available for Purchase)	
110	1001263163	Ref	JLG Decals Installation	B
110A	1001256675	1	Decal - JLG	
110B	1001256676	1	Decal - JLG	
110C	1001265581	1	Decal - JLG	
110D	1001265582	1	Decal - JLG	
130		Ref	Decal - Warning Explosion/Fire Options:	
130	1704972	1	Decal - Warning Explosion/Fire (ANSI Specs)	
130	1706098	1	Decal - Warning Explosion/Fire (Australian/CE Specs)	
130	1706059	1	Decal - Warning Explosion/Fire (Brazil Specs)	
130	1706060	1	Decal - Warning Explosion/Fire (China Specs)	
130	1706064	1	Decal - Warning Explosion/Fire (CSA Specs)	
130	1706061	1	Decal - Warning Explosion/Fire (Korean Specs)	
130	1706063	1	Decal - Warning Explosion/Fire (Latin American Specs)	
136	1001125387	1	Decal - Ultra Low Sulfur Fuel (ANSI & CSA Specs)	
136	1001139654	1	Decal - Ultra Low Sulfur Fuel (CE Specs)	
156	1001214029	Ref	EAC Decal Installation (Russian/CIS Specs)	
156	1001173703	1	Decal - EAC (Russian/CIS Specs)	
245	1001236984	Ref	Clearsky Decals Installation	A
245A	1001116208	1	Decal - Clearsky	
245B	1001120989	1	Decal - Radio Frequency	
640	1001143852	1	Decal - Emissions Compliance (Diesel Machines) (Not Shown - Located near SN Nameplate) (ANSI Export, Australian, CE, China & Korean Specs)	



**SECTION 10 - RECOMMENDED SERVICE PARTS STOCK**

**SECTION 10 - RECOMMENDED SERVICE PARTS STOCK**

## SECTION 10 - RECOMMENDED SERVICE PARTS STOCK

FIGURE 10-1. RECOMMENDED SERVICE PARTS STOCK

ITEM	PART NUMBER	QTY	DESCRIPTION	REV
		Ref	Note: The following list will service one machine (built to current production per date on the front cover) with emergency repair parts which can be installed in the field. Parts from the list should be replaced when inventory is depleted to keep service parts stock supplied. For further information, contact your JLG dealer or the JLG Industries Parts Department.	
	4360542	1	Breaker, Circuit (Generator Installation)	
	1001181045	1	Breaker, 16Amp (Breaker Box Kit) (1 Double Breaker - CE)	
	1001152479	1	Breaker, 16 Amp (Double) (1 Double & 1 Single Breaker Box)	
	1001152482	1	Breaker, 30mA (Breaker Box Kit) (1 Double & 1 Single Breaker - CE)	
	70001965	1	Coil (Leveling Jacks Installation)	
	1001244932	1	Control, Scissor Display (Platform Control Box)	
	1001247682	1	Controller, Drive/Steer Assembly (Platform Control Box)	
		Ref	Engine (Diesel)	
	7015004	12	Filter, Air	
	1001190545	12	Filter, Fuel	
	1001248057	12	Filter, Oil	
	70007021	12	Filter, Water/Fuel Separator	
	1001246587	1	Module, ECU	
		Ref	Engine (Dual Fuel)	
	70007141	12	Filter, Air	
	1001127172	12	Filter, Carbon Canister	
	1001255422	12	Filter, Fuel Strainer	
	1001248057	12	Filter, Oil	
	1001253824	1	Module, ECU	
	1001248371	12	Filter, Filler/Breather (Hydraulic Tank)	
	70007035	12	Filter, Hydraulic (Hydraulic Tank)	
	8229242	2	Fuse 5A (Chassis Harness)	
	8229244	2	Fuse 15A (Chassis Harness)	
	2860030	1	Key, Replacement	
	2940074	1	Latch, Platform	
	1001244929	1	Module, Ground Control (Note: Re-calibration Required when Replaced) (Electrical Components Installation)	
	1600387	1	Module, Load Sense (Note: Re-calibration Required when Replaced) (Arms Installation)	
	3740080	1	Relay, 12V 20/40A	
	1001227516	1	Sensor, Pressure (Leveling Jacks)	
	1001246658	1	Sensor, Proximity (Leveling Jack Cylinder)	
	1001128478	1	Sensor, Temperature (Main Control Valve)	
	1001244934	1	Sensor, Tilt (Axle Installation, Arms Assembly, & Electrical Components)	
	4360475	1	Switch, Emergency Stop (Ground Control & Platform Control Box)	
	4360469	1	Switch, Key (Ground Control Assembly)	
	4360387	1	Switch, Push Button (Ground Control Assembly)	
	1001226749	1	Switch, Pushbutton (Platform Control Box)	
	4360524	1	Switch, Toggle (Ground Control Assembly)	

**SECTION 11 - MISCELLANEOUS SPECIAL OPTIONS/ACCESSORIES/KITS**

**SECTION 11 - MISCELLANEOUS SPECIAL  
OPTIONS/ACCESSORIES/KITS**

# SECTION 11 - MISCELLANEOUS SPECIAL OPTIONS/ACCESSORIES/KITS

FIGURE 11-1. MISCELLANEOUS SPECIAL OPTIONS/ACCESSORIES/KITS

ITEM	PART NUMBER	QTY	DESCRIPTION	REV
		Ref	Note: This list is to accommodate machines ordered with special equipment. Options may not be applicable to all models. For more specific parts information contact JLG Parts Department.	
		Ref	MISCELLANEOUS SPECIAL OPTIONS	
		Ref	ClearSky (Telematics) Installation (Factory Installed) Options:	
	1001274431	Ref	Beacon Kit - Dual Beacon	
	1001274430	Ref	Beacon Kit - Single Beacon & Single to Dual Beacon	
	1001251506	Ref	ClearSky (Telematics) Installation - 3 Wire (Factory Installed) (ANSI and CSA Specs)	
	1001251522	Ref	ClearSky (Telematics) Installation - 3 Wire (Factory Installed) (ANSI Export, Korean and CE Specs)	
	1001249646	Ref	ClearSky (Telematics) Installation - Canbus (Factory Installed) (ANSI and CSA Specs)	
	1001249647	Ref	ClearSky (Telematics) Installation - Canbus (Factory Installed) (ANSI Export, Korean and CE Specs)	
	1001249648	Ref	ClearSky (Telematics) Installation - Canbus (Factory Installed) (Australian Specs)	
	1001274175	Ref	Decal Kit - Machine (RT4069)	
	1001274176	Ref	Decal Kit - Machine (RT4769)	
		Ref	Electrical Connector Kits	
	1001148902	Ref	Electrical Connector Kit - Amp/Tyco Electrical Connectors	
	1001148903	Ref	Electrical Connector Kit - Deutsch DT Electrical Connectors	
	1001148904	Ref	Electrical Connector Kit - Deutsch HD Electrical Connectors	
	1001148905	Ref	Electrical Connector Kit - Packard Electrical Connectors	
	1001148906	Ref	Electrical Connector Kit - Various Electrical Connectors	
	1001246132	Ref	Engine Sub-FAPL (Diesel)	
	1001246133	Ref	Engine Sub-FAPL (Dual Fuel)	
	1001249053	Ref	Fan Guard Installation	
	1001274354	Ref	Filter Kit - Diesel Machines	
	1001274353	Ref	Filter Kit - Dual Fuel Machines	
	1001252988	Ref	Fire Extinguisher Kit	
	1001255164	Ref	Footswitch Installation (Korean Specs)	
	1001267646	Ref	Platform Divider (SkyShield - Social Distancing) Shield Installation (Factory Installed)	
	1001269100	Ref	Platform Divider (SkyShield - Social Distancing) Shield Add-on Kit (Dealer Installed)	
	1001253723	Ref	Platform Worklights Installation	
	1001274348	Ref	Platform Worklights Kit (RT4069)	
	1001274350	Ref	Platform Worklights Kit (RT4769)	
	1001255478	Ref	Rail Padding Kit	
	1001266156	Ref	Service Kits & Tools	A
		Ref	Tools for Service	
	2901443	Ref	Analyzer Kit	
	1001249695	Ref	Analyzer and Cable Kit	
	1001249941	Ref	Analyzer and Cable Kit (Battery Powered)	
	1001137005	Ref	Cable Kit, Software	
	7002821	Ref	Crimper, Wire	
	7002823	Ref	Pin Extractor - Universal (For Electrical Connectors with Pins and Sockets)	
	4460510	Ref	Pin Extractor - 12-14 Gauge (For Removal of Pin/Sockets from Deutsch Connectors)	

## SECTION 11 - MISCELLANEOUS SPECIAL OPTIONS/ACCESSORIES/KITS

ITEM	PART NUMBER	QTY	DESCRIPTION	REV
	4460467	Ref	Pin Extractor - 16-18 Gauge (For Removal of Pin/Sockets from Deutsch Connectors)	
	7016654	Ref	Screwdriver, Magnetic	
	7002822	Ref	Screwdriver, Potentiometer	
	7004275	Ref	Seal Tool 1in (For Cylinders)	
	7004276	Ref	Seal Tool 1-1/2in (For Cylinders)	
	7002828	Ref	Stripper, Wire	
	1001274432	Ref	White Noise Alarm	





**SECTION 11 - MISCELLANEOUS SPECIAL OPTIONS/ACCESSORIES/KITS**

**PART NUMBER INDEX**

## SECTION 11 - MISCELLANEOUS SPECIAL OPTIONS/ACCESSORIES/KITS

0100011.....13, 15, 17, 21, 23, 25, 51, 53, 67, 69, 73, 75, 84, 97, 99, 115, 117, 119, 135, 137, 139, 141, 143, 145, 152, 155, 161, 163, 165, 173, 177, 179	305, 307, 309, 311, 313, 315, 317, 319, 321, 323, 325, 327	1001104498 ..... 253	1001131391..... 107, 127
0100019.....23, 25, 51, 53	0760612 ..... 84	1001106736 ..... 245	1001132170..... 269
0100020.....143, 145	0760614 ..... 15, 73	1001107854 ..... 253	1001137005..... 334
0100035.....67, 69, 87	0760807 ..... 13, 15, 17	1001108603 ..... 179	1001139141..... 21
0100051.....109, 129	0760808 ..... 171	1001110188 ..... 73, 75	1001139219..... 109, 129
0140030.....179	0760810 ..... 84	1001113961 ..... 246	1001139654..... 329
0140043.....79	076081251, 53, 149, 157, 171	1001116208 ..... 329	1001142984..... 127
0275216.....223, 287	0760814 ..... 57	1001116694 ..... 263	1001143852..... 329
0275217.....225, 289	0760815 ..... 87, 99, 119	1001116716 ..... 271	1001144295..... 245
0275452.....227, 291	0760817 ..... 99	1001116732 ..... 246, 249, 253, 257, 271	1001144296..... 249, 253
0275453.....229, 293	0761008 ..... 171	1001116733 ..... 249, 253, 271	1001145548..... 149, 157
0275454.....231, 295	0761010 ..... 67, 69	1001116734 ..... 246, 249, 253, 257, 271	1001146043..... 133
0340045.....113, 133	0761012 ..... 21, 84	1001116752 ..... 249, 253	1001146588..... 109
0400003.....109, 129	0761015 ..... 47, 49	1001116763 ..... 253	1001148902..... 334
0440162.....21	0761217 ..... 51, 53	1001116808 ..... 273	1001148903..... 334
0440237.....21	0761616 ..... 13, 15, 17	1001116812 ..... 249	1001148904..... 334
0440241.....152, 160	0770812 ..... 84	1001116815 ..... 249	1001148905..... 334
0440264.....152, 160	0771010 ..... 67, 69	1001116816 ..... 249, 253	1001148906..... 334
0630587.79, 81, 107, 127	0771012 ..... 23, 25	1001116950 ..... 245	1001150735..... 283
0630613.....111, 131	0771014. 67, 69, 97, 143, 145	1001117022 ..... 249	1001150889..... 283
0630615.....173	0771015 ..... 13, 15	1001117023 ..... 249	1001151395..... 21
0641611.....143, 145	0771619 ..... 23, 143, 145	1001117024 ..... 271	1001152266..... 245
0681520.....139, 141	0771620 ..... 23, 25	1001117025 ..... 253	1001152479..... 332
0681609.....99, 119	0780608 ..... 107	1001117069 ..... 249, 253	1001152482..... 332
0681812.....39	0780610 ..... 139, 141	1001117070 ..... 253	1001152483..... 243
0700517.....173	0780618 ..... 109	1001117110 ..... 253	1001152486..... 227, 229, 243
0700612.....152, 160	0781024 ..... 107	1001118274 ..... 202, 206	1001152729..... 131
0700617.....173, 221, 223, 225, 227, 229, 231, 233	0811606 ..... 143, 145	1001118282 ..... 246, 249, 253, 257, 271	1001156541..... 259, 261
0700618.....149, 157	0811608 ..... 139, 141	1001118511 ..... 13, 15	1001156819..... 127
0700619.....173	0840052 ..... 109	1001118518 ..... 13, 15	1001159186..... 246
0700624.....152	0860520... 301, 303, 305, 307, 309, 311, 313, 315, 317, 319, 321, 323, 325, 327	1001118519 ..... 13, 15	1001161497..... 119
0700626.....160	0861731 ... 233, 285, 291, 293, 295	1001118657 ..... 249	1001162112..... 311, 325
0700817.....173	0861781 ..... 287, 289	1001118658 ..... 246, 249	1001162114..... 311, 325
0700818.....173	0861880 ..... 241	1001118659 ..... 249	1001162115..... 311, 325
0700819.....173	0961890 ..... 13, 15, 21	1001118743 ..... 249	1001162864..... 301, 303, 305, 307, 309, 311, 313, 315, 317, 319, 321, 323, 325, 327
0700822.....202, 206	0961950. 13, 15, 17, 152, 160	1001118744 ..... 246, 249, 253	1001165035..... 119
0701012.....171	0962220.13, 15, 152, 160	1001118745 ..... 246, 249, 253	1001168018.97, 139, 141
0701014.....139, 141	0962406 ..... 160	1001118746 99, 107, 119	1001171482..... 77
070101551, 53, 149, 152, 157, 160	1001025750 ..... 99	1001118878 ..... 155	1001173703..... 329
0701022.....149, 157	1001026127 99, 119, 127	1001118938 ..... 249, 253	1001174486..... 107, 127
0701024.....152, 160	1001091102 .... 89, 91, 93	1001119020 ..... 273	1001176469..... 75
0701026.....152, 160	1001094708 .... 301, 303, 305, 307, 309, 311, 313, 315, 317, 319, 321, 323, 325, 327	1001119412 ..... 271	1001176626..... 179
0701027.....160	1001095650 ..... 39	1001119630 ..... 206	1001179586..... 109, 129
0701028.....160	1001096070 .... 223, 225, 231, 241	1001120989 ..... 329	1001181045..... 241, 332
0701029.....149, 157	1001096653 ..... 67, 69	1001125387 ..... 329	1001182680..... 77
0701622.....51, 53	1001097150 ..... 241, 243	1001125677 ..... 245, 263	1001182997..... 107, 127
0710819.....119	1001099560 ..... 152, 160	1001125784 ..... 245, 283	1001183406..... 67, 69
0711017.....17	1001100341 ..... 287	1001125785 ..... 245	1001184682..... 81
0711224..13, 15, 17, 139, 141	1001100342 ..... 289	1001126391 ..... 253	1001184705..... 253
0711616.....25	1001100345 ..... 291	1001126393 ..... 253	1001184716..... 253
0741008.....73, 75	1001100346 ..... 295	1001127172 ..... 127, 332	1001184717..... 253
0760505.....129	1001100347 ..... 293	1001128128 ..... 246, 249, 253, 257, 271	1001184718..... 253
0760507.....173	1001100451 ..... 57, 127	1001128478 ..... 71, 332	1001184722..... 253
0760606.....275, 279	1001103761 ..... 51, 53	1001129255 ..... 127	1001184768..... 253
0760608.....149, 157, 173		1001129256 ..... 127	1001184769..... 253
0760610..73, 75, 84, 169, 171, 223, 225, 227, 229, 231, 301, 303,		1001130900 ..... 249	1001184832..... 246
		1001131270 ..... 301, 309, 315, 323	1001186483..... 109
		1001131324 ..... 123	1001187455..... 253
			1001187781..... 129
			1001189171..... 243
			1001189172..... 243
			1001189762..... 149, 157
			1001190545..... 107, 332

## SECTION 11 - MISCELLANEOUS SPECIAL OPTIONS/ACCESSORIES/KITS

1001192401 ..... 245	1001244381..... 169	1001247524..... 152, 160	1001248872 ..... 202, 206
1001193336 ..... 67	1001244382..... 171	1001247560..... 113, 133	1001248873 ..... 202, 206
1001194421 ..... 237	1001244391..... 15, 17	1001247581..... 105, 125	1001248874 ..... 206
1001195137 ..... 139, 141, 173	1001244392..... 21	1001247582..... 105, 125	1001248933 ..... 171
1001197405 ..... 152, 160	1001244462..... 245	1001247584..... 99, 105	1001248986 ..... 173
1001201885 ..... 283	1001244775..... 59	1001247589..... 105, 125	1001248990 ..... 171
1001202910 ..... 202, 206	1001244888..... 173	1001247600..... 125	1001248991 ..... 171
1001205250 ..... 246	1001244904..... 155	1001247612..... 97	1001249048 ..... 275, 277
1001205824 ..... 202, 206	1001244929... 73, 75, 332	1001247630..... 67, 69	1001249049 ..... 179, 283
1001207109 ..... 69	1001244932..... 179, 332	1001247637..... 84	1001249053 ..... 334
1001211777 ..... 301, 315	1001244934... 15, 17, 73, 75, 152, 160, 332	1001247638..... 84	1001249091 ..... 149, 157, 297
1001211779 ..... 301, 307, 315, 321	1001245046.... 13, 15, 17, 185	1001247639..... 84	1001249095 ..... 246
1001212268 ..... 221, 223, 225, 227, 229, 231, 233	1001245250..... 169	1001247667..... 149, 157	1001249122 ..... 131
1001213010 ..... 111, 131	1001245381..... 43	1001247669..... 149, 152, 157, 160	1001249123 ..... 131
1001214029 ..... 329	1001245440..... 43	1001247670..... 152, 160	1001249178 ..... 202, 207
1001214174 ..... 23, 33	1001245440..... 43	1001247671..... 149, 157	1001249181 ..... 202, 206
1001214556 ..... 135	1001245479..... 171	1001247672..... 152	1001249190 ..... 277, 281
1001215447 ..... 329	1001245653..... 185	1001247682..... 179, 181, 332	1001249231 ..... 202, 206
1001215747 ..... 307, 321	1001246090..... 67	1001247709..... 125	1001249244 ..... 245
1001215751 ..... 311, 325	1001246101..... 57	1001247804..... 135	1001249259 ..... 179
1001215752 ..... 307, 321	1001246104..... 17, 197	1001247810..... 135	1001249282 ..... 17, 239
1001215754 ..... 313, 327	1001246105..... 202	1001247810..... 135	1001249297 ..... 21
1001215755 ..... 309, 323	1001246107..... 21, 193	1001247835..... 152, 160	1001249306 ..... 89
1001215898 ..... 245	1001246132..... 334	1001247887..... 84	1001249307 ..... 91
1001216650 ..... 305, 319	1001246133..... 334	1001248038..... 127	1001249309 ..... 81
1001217457 ..... 152, 160	1001246134..... 139	1001248039..... 73, 75	1001249323 ..... 21
1001218676 ..... 111, 131	1001246553..... 87	1001248043..... 84	1001249340 ..... 61
1001220668 ..... 275, 279	1001246555.... 67, 69, 87	1001248047..... 119	1001249341 ..... 59
1001223055 ..... 301, 315	1001246583..... 179	1001248048..... 119, 125	1001249342 ..... 59
1001223431 ..... 249	1001246584..... 179	1001248056..... 103, 123	1001249343 ..... 61
1001223453 ..... 301, 315	1001246587..... 103, 332	1001248057..... 103, 123, 332	1001249344 ..... 61
1001223794 ..... 249	1001246658..... 187, 332	1001248099..... 115	1001249352 ... 59, 61, 63
1001223797 ..... 249	1001246746..... 111	1001248100..... 99	1001249353 ..... 59
1001223971 ..... 309, 323	1001246778..... 131	1001248134..... 109, 249	1001249354 ..... 61
1001224048 ..... 311, 325	1001246779..... 131	1001248160..... 57	1001249407 ..... 51, 53
1001224049 ..... 313, 327	1001246823..... 179	1001248162..... 84	1001249464 ..... 139, 141, 257
1001224051 ..... 307, 321	1001246856..... 67	1001248196..... 13, 15, 17	1001249637 ..... 152, 160
1001224052 ..... 305, 319	1001246859..... 246	1001248222..... 249	1001249646 ..... 334
1001225804 ..... 57	1001246863..... 179	1001248223..... 249	1001249647 ..... 334
1001226116 ..... 315, 317, 319, 321, 323, 325, 327	1001246864..... 179	1001248224..... 249	1001249648 ..... 334
1001226221 ..... 84	1001246883..... 84	1001248227..... 249	1001249695 ..... 334
1001226749 ..... 179, 332	1001246885..... 51	1001248228..... 249	1001249701 ..... 202, 206
1001226830 ..... 149, 157, 269	1001246959..... 23, 35	1001248229..... 249	1001249703 ..... 207
1001227516 .. 51, 53, 332	1001246979..... 179	1001248289..... 129, 253	1001249802 ..... 57, 271
1001228370 ..... 309, 323	1001247019..... 13, 15	1001248300..... 23	1001249850 ..... 202, 207
1001228533 ..... 152, 160	1001247021..... 69	1001248307..... 113	1001249882 ..... 173
1001230488 ..... 249	1001247028..... 115	1001248313..... 133	1001249883 ..... 173
1001231801 ..... 329	1001247074..... 73	1001248339..... 202, 206	1001249884 ..... 174
1001234069 ..... 109, 129	1001247267..... 111, 131	1001248347..... 109, 129	1001249914 ..... 51
1001234348 ..... 84	1001247295..... 17	1001248349..... 69	1001249915 ..... 51
1001236984 ..... 329	1001247313..... 179	1001248371..... 87, 332	1001249941 ..... 334
1001237778 ..... 253	1001247353..... 47	1001248413..... 117, 137	1001250088 ..... 17
1001239224 ..... 89, 91	1001247369..... 149, 152	1001248414..... 117, 137	1001250089 ..... 17
1001242539 ..... 89, 91	1001247370..... 157, 160	1001248500..... 127	1001250090 ..... 17
1001242816 ..... 39, 41	1001247377..... 152	1001248671..... 185	1001250091 ..... 17
1001243256 .. 51, 53, 187	1001247378..... 161	1001248822..... 149	1001250307 ..... 199
1001243266 ..... 25, 39	1001247380.... 51, 53, 55	1001248823..... 157	1001250308 ..... 199
1001243268 ..... 39	1001247382..... 17, 19	1001248834..... 13, 15	1001250309 ..... 199
1001243296 ..... 99, 103	1001247383..... 179	1001248840..... 173	1001250310 ..... 199
1001243300 ..... 119, 123	1001247425..... 47	1001248851..... 25	1001250311 ..... 199
1001244106 ..... 119, 121	1001247443..... 179	1001248861..... 107, 127	1001250312 ..... 199
1001244107 ..... 99, 101	1001247454..... 105, 125	1001248863... 51, 53, 263	1001250336 ..... 97
	1001247462..... 202, 206	1001248868..... 202, 206	1001250342 .. 51, 53, 199
	1001247472... 73, 75, 245	1001248869..... 202, 206	1001250353 ..... 51, 53
	1001247521..... 149, 157	1001248871 ..... 202, 206	1001250355 ..... 171
	1001247522..... 152, 160		

## SECTION 11 - MISCELLANEOUS SPECIAL OPTIONS/ACCESSORIES/KITS

1001250356..... 171	1001255394 ..... 155, 163, 189	1001256792 ..... 329	1001261270..... 160
1001250418..... 197	1001255416..... 123	1001256799 ..... 329	1001261273..... 161
1001250419..... 197	1001255422 ..... 123, 332	1001256865 ..... 301, 303, 305, 307, 309, 311, 313, 315, 317, 319, 321, 323, 325, 327	1001262098..... 179
1001250450..... 107	1001255431 ..... 123	1001256875 ..... 17	1001262140..... 45
1001250468..... 202, 207	1001255435 ..... 123	1001256889 ..... 152	1001262141..... 160, 261
1001250519..... 117, 137	1001255447 ..... 123	1001257076 ..... 179	1001262142..... 160, 267
1001250521..... 117, 137	1001255448 ..... 123	1001257077 ..... 179	1001262179..... 161
1001250525..... 117, 137	1001255461 ..... 179	1001257454 ..... 84	1001262197..... 161
1001250627..... 171	1001255478 ..... 334	1001257587 ..... 149, 157	1001262198..... 161
1001250636..... 103, 123	1001255526 ..... 21	1001257688 ..... 84	1001262199..... 161
1001250640..... 171	1001255529 ..... 123	1001257689 ..... 84	1001262398..... 329
1001250678..... 79	1001255606 ..... 131	1001257752 ..... 152	1001262399..... 173
1001250682..... 179	1001255809 ..... 111, 131	1001257754 ..... 152	1001262400..... 173
1001250692..... 179	1001255843 ..... 111, 131	1001257755 ..... 152	1001262404..... 161
1001250772..... 97	1001255848 ..... 111, 131	1001257756 ..... 153	1001262407..... 161
1001250829..... 173	1001255851 ..... 111, 131	1001257757 ..... 153	1001262454..... 173
1001250830..... 173	1001255857 ..... 111, 131	1001257758 ..... 153	1001262495..... 173
1001250888..... 25, 37	1001255872 ..... 99	1001257760 ..... 153, 161	1001262630..... 111, 131
1001250934..... 115	1001255873 ..... 97	1001257884 ..... 77	1001262636..... 111, 131
1001251231..... 73, 75, 77	1001255874 ..... 107	1001258004 ..... 145	1001262639..... 171
1001251287..... 119	1001255875 ..... 109	1001258006 ..... 143	1001262640..... 171
1001251288..... 119	1001255876 ..... 115	1001258113 ..... 145	1001262646..... 111, 131
1001251328..... 169	1001255877 ..... 113	1001258188 ..... 43, 45	1001262943..... 107, 127
1001251490..... 123	1001255878 ..... 111	1001258223 ..... 279, 281	1001262994..... 45
1001251506..... 334	1001255902 ..... 165, 191	1001258287 ..... 63	1001263081..... 45
1001251522..... 334	1001255936 ..... 117	1001258493 ..... 206	1001263162..... 206
1001252477..... 99	1001256029 ..... 131	1001258814 ..... 153	1001263163..... 329
1001252478..... 99	1001256030 ..... 133	1001258921 ..... 77	1001263269..... 173
1001252596..... 111, 131	1001256031 ..... 119	1001258923 ..... 279	1001263303..... 207
1001252988..... 334	1001256032 ..... 137	1001258936 ..... 173	1001263304..... 207
1001252996..... 119	1001256033 ..... 127	1001259024 ..... 143, 145	1001263345..... 89, 93
1001253149..... 173	1001256034 ..... 129	1001259047 ..... 145	1001263438..... 111
1001253717..... 99	1001256035 ..... 135	1001259135 ..... 152, 259	1001263449..... 75, 237
1001253723..... 334	1001256097 ..... 99	1001259139 ..... 152, 160, 265	1001263476..... 111, 131
1001253800..... 179	1001256128 ..... 152, 155	1001259202 ..... 63	1001263628..... 173
1001253824..... 123, 332	1001256209 ..... 131	1001259386 ..... 63	1001263629..... 173
1001253837..... 139	1001256312 ..... 109, 129	1001259497 ..... 152, 160	1001263657..... 107, 127
1001253839..... 139, 141	1001256341 ..... 163	1001259529 ..... 161	1001263658..... 107, 127
1001254083..... 202, 207	1001256397 ..... 165	1001259530 ..... 161	1001263659..... 107, 127
1001254119..... 179	1001256460 ..... 160, 165	1001259531 ..... 161	1001263662..... 149, 157
1001254298..... 202, 207	1001256461 ..... 160, 163	1001259532 ..... 161	1001263928..... 75
1001254363..... 329	1001256554 ..... 107	1001259533 ..... 161	1001263930..... 84
1001254550..... 143	1001256561 ..... 49	1001259534 ..... 161	1001264263..... 123
1001254551..... 145	1001256562 ..... 49	1001259535 ..... 161	1001264264..... 123
1001254613..... 221, 223, 225, 227, 229, 231, 233	1001256597 ..... 141	1001259536 ..... 161	1001264269..... 123
1001254635..... 111, 131	1001256626 ..... 139, 141	1001259537 ..... 161	1001264346..... 301, 303, 305, 307, 309, 311, 313, 329
1001254650..... 103	1001256675 ..... 329	1001259538 ..... 161	1001264939..... 149, 157, 273
1001254651..... 103, 123	1001256676 ..... 329	1001260250 ..... 202	1001264956..... 315
1001254653..... 103	1001256681 ..... 139, 141	1001260252 ..... 199	1001264957..... 325
1001254690..... 119	1001256705 ..... 139, 141	1001260253 ..... 197	1001264958..... 321
1001254691..... 135	1001256708 ..... 139, 141	1001260255 ..... 202, 207	1001264959..... 319
1001254820..... 275	1001256713 ..... 141	1001260334 ..... 84	1001264960..... 327
1001254861..... 57	1001256723 ..... 107	1001260352 ..... 160	1001264961..... 323
1001254888..... 109, 129	1001256763 ..... 301, 303, 305, 307, 309, 311, 313, 315, 317, 319, 321, 323, 325, 327	1001260406 ..... 160	1001264963..... 317
1001255001..... 221	1001256764 ..... 301	1001260485 ..... 13	1001264973..... 315, 317, 319, 321, 323, 325, 327, 329
1001255002..... 233	1001256765 ..... 311	1001260527 ..... 160	1001265053..... 75
1001255003..... 235	1001256766 ..... 307	1001260528 ..... 160	1001265532..... 177
1001255004..... 227	1001256767 ..... 305	1001260529 ..... 160	1001265579..... 301, 303, 305, 307, 309, 311, 313, 315, 317, 319, 321, 323, 325, 327
1001255005..... 229	1001256768 ..... 313	1001260540 ..... 207	
1001255006..... 223	1001256769 ..... 309	1001260897 ..... 152	
1001255007..... 225	1001256770 ..... 303	1001261118 ..... 223, 225, 227, 229, 231	
1001255008..... 231	1001256781 ..... 329	1001261123 ..... 171	
1001255164..... 334	1001256782 ..... 329		
1001255324..... 123			
1001255341..... 123			
1001255342..... 123			

## SECTION 11 - MISCELLANEOUS SPECIAL OPTIONS/ACCESSORIES/KITS

1001265580 ..... 301, 303, 305, 307, 309, 311, 313, 315, 317, 319, 321, 323, 325, 327	1701542 ..... 329	2130810 ..... 202, 206	3290305 ..... 89, 91, 93
1001265581 ..... 329	1701640 ... 301, 303, 305, 307, 309, 311, 313, 315, 317, 319, 321, 323, 325, 327	2150812 ..... 206	3290405 ... 149, 157, 179, 221, 223, 225, 227, 229, 231, 233
1001265582 ..... 329	1701785 ..... 329	2170108 ..... 202, 206	3290406 ..... 179
1001265585 ..... 17	1702720 ..... 329	2180387 ..... 143, 145	3290505 ..... 84
1001265684 ..... 171	1703162 ..... 111, 131	2180389 ..... 143, 145	3290506 ..... 173
1001265744 ..... 155	1703464 ..... 221	2180418 ..... 143, 145	3290601 ..... 139, 141
1001265761 ..... 155	1703687 ... 301, 303, 305, 307, 309, 311, 313, 315, 317, 319, 321, 323, 325, 327	2220290 ..... 143, 145	3290605 ... 67, 69, 73, 75, 79, 81, 84, 169, 171, 223, 225, 227, 229, 231, 301, 303, 305, 307, 309, 311, 313, 315, 317, 319, 321, 323, 325, 327
1001265821 ..... 171	1703816 ..... 301, 315	2220371 .... 163, 197, 202, 206	3290606 ... 152, 160, 173, 221, 223, 225, 227, 229, 231, 233, 275, 279
1001265846 ..... 173	1703818 ..... 301, 315	2220372 .... 149, 202, 206	3290801 ..... 84
1001265848 ..... 152	1703819 ... 179, 301, 303, 305, 307, 309, 311, 313, 315, 317, 319, 321, 323, 325, 327	2220373 ..... 163	3290805 .... 149, 157, 171
1001265916 ..... 177	1703821 ..... 301, 315	2220375 ..... 202, 206	3290806 ..... 171, 173
1001266156 ..... 334	1703822 ... 301, 303, 305, 307, 309, 311, 313	2220415 .... 163, 197, 202, 206	3290807 ..... 57
1001266885 ..... 111	1704271 ..... 329	2220415 .... 163, 197, 202, 206	3291005 ... 17, 47, 49, 51, 53, 143, 145
1001267646 ..... 334	1704277 ... 301, 303, 305, 307, 309, 311, 313, 315, 317, 319, 321, 323, 325, 327	2220466 .... 165, 197, 199, 202, 206	3291006 ..... 171, 173
1001267649 ..... 93	1704412 ... 301, 303, 305, 307, 309, 311, 313, 315, 317, 319, 321, 323, 325, 327	2220472 .... 199, 202, 206	3291007 ... 149, 152, 157, 160, 171
1001268776 ..... 107	1704684 ..... 309, 323	2220473 .... 155, 165, 199, 202, 206	3291601 ..... 51, 53
1001269045 ..... 107	1704687 ..... 309, 323	2220479 ..... 202, 206	3292002 ..... 171
1001269100 ..... 334	1704690 ..... 329	2220490 ..... 199	3300048 ... 221, 223, 225, 227, 229, 231, 233, 235
1001269872 ..... 115	1704691 ..... 313, 327	2220500 ..... 157	3300106 ..... 59, 61, 63
1001270098 .... 149, 152, 157, 160	1704694 ..... 313, 327	2220501 ..... 197	3300408 ..... 73, 75
1001270103 .... 67, 69, 71	1704697 ..... 329	2220504 ..... 199	3311501 ..... 84
1001270481 ..... 253	1704698 ..... 329	2220582 ..... 202, 206	3311502 ..... 84
1001271360 ..... 53	1704699 ..... 305, 319	2220596 ..... 202, 206	3311605 ..... 143, 145
1001271580 ..... 17	1704702 ..... 305, 319	2220654 ..... 206	3311801 ..... 23, 25
1001272777 ... 15, 17, 73, 75	1704972 ..... 329	2220775 ..... 206	3321402 ..... 152
1001274175 ..... 334	1705040 ..... 309, 323	2220828 ..... 202, 206	3331211 ..... 51, 53
1001274176 ..... 334	1705041 ..... 313, 327	2220865 ..... 57	3331611 .23, 25, 143, 145
1001274348 ..... 334	1705043 ..... 305, 319	2220881 ..... 37	3422592 ..... 13, 15
1001274350 ..... 334	1705194 ..... 307, 321	2220882 27, 37, 185, 202, 206	3422744 ..... 173
1001274353 ..... 334	1705195 ..... 307, 321	2220885 ..... 37, 185, 202	3422938 ..... 149, 157
1001274354 ..... 334	1705325 ..... 223	2220886 ..... 27, 37, 185	3422943 ..... 149, 157
1001274430 ..... 334	1705670 ..... 303, 317	2220888 ..... 27	3423151 ..... 152, 160
1001274431 ..... 334	1705671 ..... 303, 317	2220940 ..... 202, 206	3431622 ..... 21
1001274432 ..... 335	1705673 ..... 303, 317	2220947 ..... 57, 202, 206	3450303 ..... 179
1001274495 ..... 53	1705695 ... 301, 307, 315, 321	2220998 ..... 202, 206	3450304 ..... 152, 160
1001274559 ..... 77, 179	1705944 ..... 307, 321	2221040 ..... 202, 206	3450405 ..... 152
1001283427 ..... 43, 45	1706059 ..... 329	2221086 .... 197, 202, 206	3450608 ..... 21
1001284972 ..... 149, 157	1706060 ..... 329	2221116 ..... 17	3520026 ..... 77
1001288396 ..... 127	1706061 ..... 329	2400044 ..... 73, 75	3520028 ..... 139, 141
1001292287 ..... 303	1706063 ..... 329	2400066 ..... 246	3520072 ..... 173
1001294421 ..... 173	1706064 ..... 329	2420203 ..... 139, 141	3537609 ..... 173
1001299770 ..... 127	1706098 ..... 329	2460051 ..... 139, 141	3580324 ..... 139, 141
1001300357 ..... 127	2080057 ... 301, 303, 305, 307, 309, 311, 313, 315, 317, 319, 321, 323, 325, 327	2540045 ..... 169	3740080 ..... 257, 332
1008675309 ..... 107	2110808 ..... 202, 206	2560088 ..... 173	3760493 ..... 152, 160
1060908 ..... 241, 243	2110810 ..... 206	2600216 ..... 84	3841258 ..... 13, 15, 17
1061020 ..... 149, 157	2110812 ..... 202, 206	2600253 ..... 173	3900394 ..... 171
1062255 ..... 57, 109, 129	2130808 ..... 202, 206	2600285 ..... 173	3960526 ..... 23, 25
10700379 ..... 139, 141	2170108 ..... 202, 206	2720015 ..... 107	4010308 ..... 89, 91, 93
1309435 ..... 117, 137	2180387 ..... 143, 145	2720058 ..... 107	4010403 ..... 73, 75
1320058 ..... 127	2180418 ..... 143, 145	2720271 ..... 107	4010405002 ..... 179
1320061 ..... 143, 145	2220290 ..... 143, 145	2780267 ..... 23, 25, 29	4010408 ... 221, 223, 225, 227, 229, 231, 233
1320220 ..... 143, 145	2220371 .... 163, 197, 202, 206	2860030 ..... 77, 332	4010414 ..... 179
1320223 ..... 111, 131	2220372 .... 149, 202, 206	2901443 ..... 334	4010615 .... 15, 17, 73, 75
1320244 ..... 129	2220373 ..... 163	2902431 ..... 221, 285	
1320265 ..... 107, 127	2220375 ..... 202, 206	2940074 ..... 173, 332	
1321296 ..... 127	2220415 .... 163, 197, 202, 206	2940127 ..... 173	
1321682 ..... 113, 133	2220466 .... 165, 197, 199, 202, 206	3020029 ..... 149, 157	
1600387 .... 149, 157, 332	2220472 .... 199, 202, 206	3160348 ..... 23, 25, 27	
1671207 ..... 285	2220473 .... 155, 165, 199, 202, 206	3251243 ..... 139, 141	
1700818 ..... 329	2220479 ..... 202, 206	3252507 .... 225, 227, 229, 231, 233, 235	
1701214 ..... 329	2220490 ..... 199		
1701505 ..... 329	2220500 ..... 157		

## SECTION 11 - MISCELLANEOUS SPECIAL OPTIONS/ACCESSORIES/KITS

4010618.....	173	4460497.....	283	4461196.....	287	5250810.....	97, 111, 115, 117, 131, 135, 137
4031510.....	179	4460510.....	334	4461198.....	287	5250812.43, 45,	119, 135
4031511.....	149, 157	4460518.....	269, 273	4461199.....	289	5250813.....	115
4031707.....	155	4460536.....	237, 257	4461201.....	289	5250814.....	135
4031713.....	165	4460539... 237, 246, 249, 253, 263		4461205.....	291, 293	5250815.....	99, 111, 119, 131
4031720.....	163	4460608.....	253	4461244.....	291	5250816.....	99, 119
4031908.....	119	4460662... 227, 229, 231, 285		4461246.....	295	5250818.....	99, 119
4031920.....	51, 53	4460752.....	273	4461249.....	295	5250821.....	117, 137
4031924.....	17	4460754... 245, 259, 261, 277, 281		4461271.....	246	5251016000.....	99
4032010000.....	99, 119	4460761.....	245, 269	4461290.....	246	5251018000.....	99, 119
4032015000.....	99, 119	4460805.....	139, 141	4640858.....	185	5251224.....	97
4060802.....	77	4460836.....	269	4641122.....	59, 61, 63	5260600.....	57, 107, 109, 111, 113, 127, 129, 131, 133
4160214.....	179	4460871... 245, 246, 283		4711400.....	152	5260800.....	99, 109, 111, 115, 117, 119, 129, 131, 135, 137, 139, 141
4240017..51, 53, 75, 221, 223, 225, 227, 229, 231, 233, 235		4460872.....	245	4711500.....	84	5261000.... 107, 111, 131, 139, 141	
4240018.... 149, 152, 157, 160, 202, 206, 275, 279		4460873.....	246, 283	4711700.....	139, 141	5261200.....	97, 139, 141
4360387.....	75, 77, 332	4460874.....	245	4712600.....	21	70000082.....	181
4360436.....	107, 127	4460875.....	245	4740229.....	13, 15, 17	70000084.....	181
4360469.....	77, 332	4460876.....	246	4740480.....	152, 160	70000683.....	181
4360475.....	77, 179, 332	4460875.....	245	4751300.....	73, 75	70000684.....	181
4360524.....	77, 332	4460876.....	246	4751500.....	152, 160	70000685.....	181
4360542.....	139, 141, 332	4460878.....	246	4751600.....	143, 145	70000686.....	181
4400281.....	143, 145	4460884... 239, 245, 273, 297		4761800.....	39	70000797.....	27
4420051.....	51, 53, 329	4460887.....	246	4811400... 149, 157, 179, 221, 223, 225, 227, 229, 231, 233		70001119.....	41
4420062.....	171	4460891 . 57, 89, 91, 239, 245, 249, 253, 263, 265, 267, 271, 281		4811600.....	84, 129, 173	70001250.....	181
4420070.....	47, 49	4460892.....	245, 263	4811602.....	173	70001251.....	181
4460019.....	254, 271	4460894.....	245, 263	4811700... 15, 17, 67, 69, 73, 75, 79, 81, 84, 149, 152, 157, 160, 169, 171, 173, 179, 221, 223, 225, 227, 229, 231, 233, 301, 303, 305, 307, 309, 311, 313, 315, 317, 319, 321, 323, 325, 327		70001252.....	181
4460027.....	139, 141	4460897.... 81, 237, 245, 249, 254, 267, 271		4811702 . 73, 75, 84, 139, 141, 223, 225, 227, 229, 231		70001253.....	181
4460071.... 221, 223, 225, 227, 229, 231, 233, 235		4460905... 245, 246, 283		4811900... 13, 15, 17, 51, 87, 99, 119, 171, 173, 202, 206		70001349.....	29
4460138.....	221	4460906.....	257	4811902 . 53, 57, 84, 111, 131, 149, 157, 173		70001365.....	13, 15, 17
4460142.....	249	4460911.....	263, 283	4812000... 17, 23, 25, 51, 53, 67, 69, 139, 141, 143, 145, 149, 157, 171, 173		70001368.....	41
4460144.....	246	4460917.....	269	4812002... 47, 49, 67, 69, 84, 97		70001965.....	51, 53, 332
4460183.....	246, 283	4460918.....	273, 283	4812100.....	51, 53	7000206.....	29
4460190.....	139, 141	4460928.....	246, 273	4846181.....	173	70002085.....	41
4460227.....	245	4460929.....	269	4891600.....	99, 119	7000229.....	29
4460247.....	249	4460930.....	245	4891800.....	23, 25	7000230.....	29
4460259.....	246	4460931.....	239	5241000 . 13, 15, 99, 107, 119, 139, 141		70002316.....	103
4460260.....	246	4460932.....	297	5241200.....	13, 15, 17	70002317.....	103
4460265.....	283	4460933... 245, 263, 269, 273		5241600... 23, 25, 51, 53, 143, 145		70002318.....	103, 123
4460267.....	283	4460941.....	250, 253	5250508.....	109, 129	7000232.....	29
4460268.....	246	4460942.....	249, 253	5250605.....	99, 119	70002326.....	103, 123
4460294.....	269	4460943... 246, 250, 253, 259, 261, 273, 277, 281, 283		5250608... 111, 113, 127, 131, 133		70002327.....	103
4460315.... 221, 223, 225, 227, 229, 231, 233		4460944... 239, 245, 246, 249, 259, 261, 269, 277, 281, 297		5250611.... 111, 127, 131		70002386.....	71
4460346.....	285	4460945.....	249	5250612.....	127	70002419.....	103
4460418.....	246	4460950... 249, 253, 263		5250808.....	107, 127	7000246.....	29
4460419.....	246	4460956.....	241			7000248.....	29
4460424.....	246	4460957.....	241			7000253.....	29
4460464..... 81, 237, 239, 245, 246, 249, 250, 253, 254, 257, 259, 261, 263, 267, 271, 273, 277, 281, 283, 297		4460961.....	139, 141			70002554.....	103
4460465... 57, 89, 91, 237, 239, 245, 246, 249, 253, 259, 261, 263, 265, 267, 269, 271, 273, 277, 281		4460968.....	223, 225			7000257.....	29
4460466.... 237, 245, 246, 249, 250, 253, 257, 263, 269, 271, 273, 277, 281, 283		4460970... 263, 277, 281				7000258.....	29
4460467.....	335	4460993.....	57			7000261.....	29
4460493.....	239	4460994.....	57, 271			7000262.....	29
		4461008.....	253			7000263.....	29
		4461016.....	283			70002963.....	19
		4461054.....	253			70002989.....	41
		4461070.....	245			70002990.....	41
		4461095.....	246			70002991.....	41
		4461118.....	253			70002992.....	41
						70002993.....	41
						70002994.....	41
						70002995.....	41

## SECTION 11 - MISCELLANEOUS SPECIAL OPTIONS/ACCESSORIES/KITS

70002996	41	70007665	101	7001626	193	7022310	27
70002997	41	70007678	185	7001630	193	7022311	27
70002998	41	70007679	185	7001913	41	7022312	27
70002999	41	70007709	187	7001998	29	7022314	27
70003000	41	70007710	187	7002821	334	7022326	27
70003060	103	70007711	187	7002822	335	7022328	27
70003064	103	70007712	187	7002823	334	7022368	27
70003789	71	70007715	189	7002828	335	7022371	27
70004042	41	70007760	55	70030103	19	7022372	27
70004294	123	70007761	55	7004275	335	7023124	103
70004311	103, 123	70007762	55	7004276	335	7023141	103
70004398	103	70007763	71	70046028	301, 303, 305, 307, 309, 311, 313, 315, 317, 319, 321, 323, 325, 327	7023144	103
70004400	103	70007764	71	7007437	27	7023148	103
70004524	103, 123	70007765	71	7007438	27	7023149	103
70005220	103	70007766	71	7007439	27	7023164	103
70005599	37	70007767	71	7007446	27	7023170	103, 123
70005728	123	70007768	71	7007601	29	7023810	37
70005733	123	70007769	71	7007640	29, 41	7023907	27
70005734	123	70007770	71	7010429	29	7023908	27
70005735	123	70007771	71	7010543	71	7023910	27
70005736	123	70007772	71	7010545	19	7024108	41
70005739	123	70007773	71	7011311	37	7024134	41
70005740	123	70007775	19	7011344	37	7024182	29, 30
70005743	123	70007776	19	7011346	37	7024189	30
70005744	123	70007777	19	7012513	139, 141	7024190	30
70006576	57	70007778	19	7012514	139, 141	7024191	30
70006577	57	70007779	19	7012558	139, 141	7024192	30
70006578	57	70007780	19	7012925	71	7024193	30
70006579	57	70007947	189	7012941	71	7024194	30
70006666	103	70007948	189	7012972	19	7024196	30
70006786	71	70007949	189	7015004	113, 133, 332	7024197	30
70007021	107, 332	70007950	189, 191	7016654	335	7024497	51, 53
70007035	87, 332	70008088	123	7017022	41	7024502	13, 15, 17, 51, 53
70007141	332	70008089	123	7017029	29	7024506	51, 53
7000731	30	70008114	39	7017059	29	7024705	29
70007310	101	70008144	41	7017067	29	7024712	29
70007314	101	70008147	41	7017070	29	7024713	29
70007315	101, 121	70008148	41	7017080	29	7024714	29
70007316	101, 121	70008149	41	7017402	71	7024715	29
70007506	181	70008150	41	7017901	103	7024716	29
70007607	193	70008151	41	7017922	103	7024717	29
70007608	193	70008152	41	7017955	103, 123	7024718	30
70007609	193	70008153	41	7019680	139, 141	7024726	41
70007610	193	70008154	41	7020033	33	7024738	41
70007642	101, 121	70008155	41	7020035	33	7024741	41
70007643	101, 121	70008156	41	7020036	33	7024854	27
70007644	101, 121	70008157	41	7020037	33	7024868	27
70007645	101, 121	70008158	41	7020038	33	7026004	37
70007646	101, 121	70008346	37	7020039	33	7026016	37
70007647	101, 121	70008347	37	7020040	33	7026199	139, 141
70007648	101, 121	70008348	37	7020041	33	7027365	181
70007649	101, 121	70008349	37	7020108	139, 141	7027367	181
70007650	121	70008350	37	7020109	139, 141	7027628	13, 15, 17
70007651	121	70008351	37	7020110	139, 141	7027765	181
70007652	121	70008352	37	7020111	139, 141	7027766	181
70007653	121	70008353	37	7020175	77, 179	7027887	139, 141
70007654	121	70008354	37	7020176	77, 179	8036246	37
70007655	121	70008355	37	7020190	139, 141	80463053	317
70007656	121	70008356	37	7020193	139, 141	80630	107, 127
70007657	121	70008357	37	7021249	27	80633030	202, 206
70007658	101, 121	70008394	103	7021275	27	8220029	253
70007659	101, 121	70008395	103	7021276	27	8220045	254
70007660	101	70008568	191	7021277	27	8220051	283
70007661	101	70008569	191	7022302	27	8220111	249, 257
70007662	101	70008570	191	7022305	27	8220164	246, 249
70007663	101	70008571	191			8229242	246, 332
70007664	101	70008572	191				

## SECTION 11 - MISCELLANEOUS SPECIAL OPTIONS/ACCESSORIES/KITS

8229244.....	246, 332	83451104.....	202, 206	8406110.....	111, 131	H000071.....	19
8310441.....	127	8405009.....	119	8769139.....	117, 137		
8310623.....	111, 115, 131	8405201.....	133	8770223.....	202, 206		







**Corporate Office  
JLG Industries, Inc.  
1 JLG Drive  
McConnellsburg, PA 17233-9533 USA**  
☎ (717) 485-5161 (Corporate)  
☎ (877) 554-5438 (Customer Support)  
📠 (717) 485-6417

**Visit our website for JLG Worldwide Locations.  
[www.jlg.com](http://www.jlg.com)**



**OSHKOSH™**