



---

# Illustrated Parts Manual

*Model*  
**ERT2669**  
**ERT3369**

PVC  
2004

P/N  
31215927

June 1, 2021 - Rev B

**ANSI**

**CE**



**AS/NZS**



An Oshkosh Corporation Company

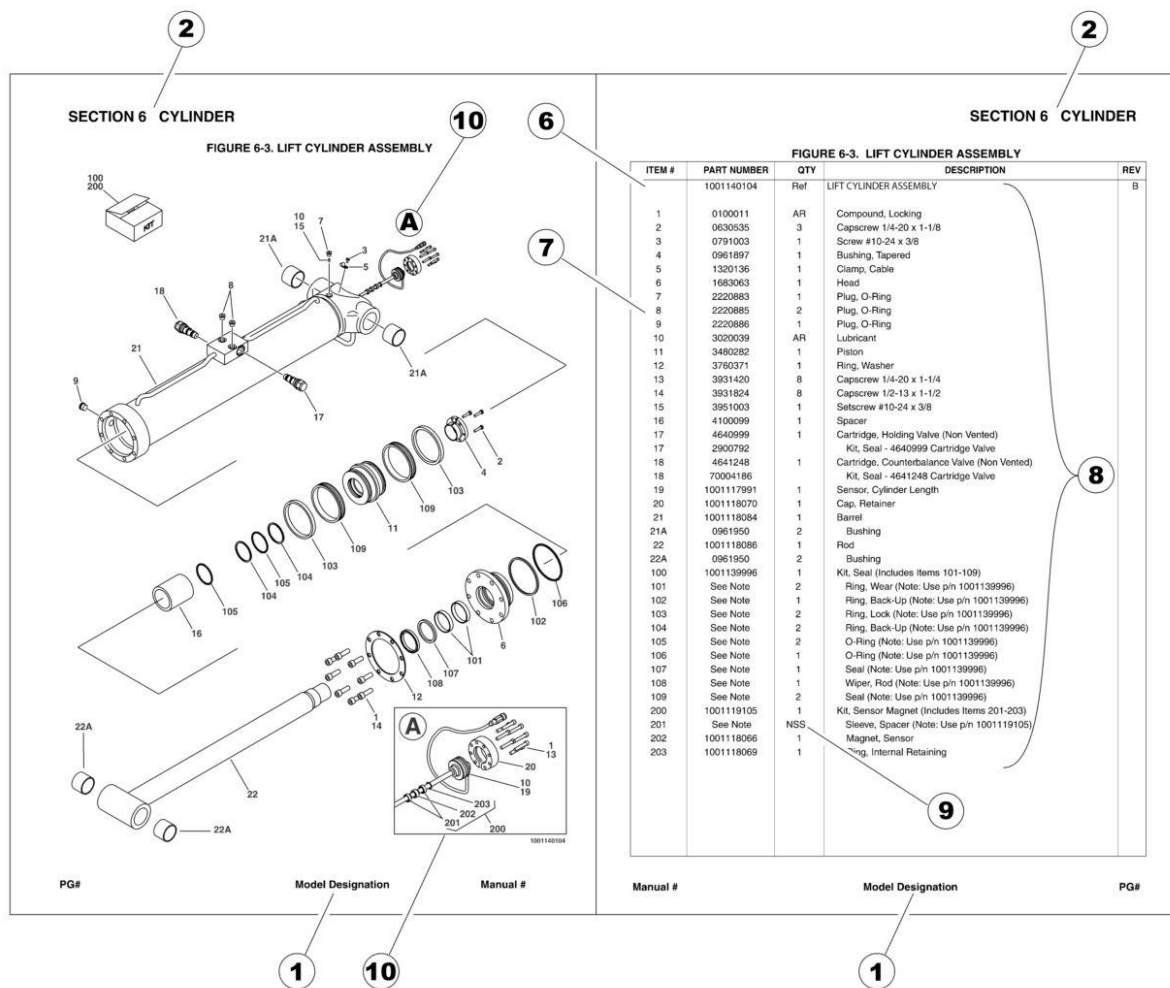


## **REVISION LOG**

October 15, 2020 - A - Original Issue of Manual (Edited to B/M 1001263260 Rev F & 1001263330 Rev F)

June 1, 2021 - B - Revised Manual (Edited to B/M 1001263260 Rev H & 1001263330 Rev H)

# GENERAL INFORMATION



## 1) MACHINE IDENTIFICATION

Machines are identified by model and in some cases a combination of models, serial number (SN) or regional standard (i.e ANSI, CE, CSA). Components may also be identified by SN or manufacturer. Common components that may be identified by these characteristics are engines and hydraulic components.

## 2) PARTS MANUAL ORGANIZATION

Product information in this manual is organized under section titles. Frame, Cylinder, Hydraulic and Electrical are a few examples. Each section is organized by figure and page number. The information within the Figure is then organized by item number, part number, description and corresponding illustration (s).

## 3) TABLE OF CONTENTS (NOT SHOWN)

A table of contents is found toward the beginning of the manual. Figure number, description and page number are provided for quick reference to the page containing the related information.

## 4) RECOMMENDED SPARE PARTS (NOT SHOWN)

The Recommended Spare Parts List, located near the end of the manual, reference most frequently used maintenance parts.

## 5) PART NUMBER INDEX (NOT SHOWN)

A numerical index listing all part numbers and the corresponding page number(s) appears at the back of the manual.

## GENERAL INFORMATION

### 6) NON-SERVICED PARTS

In some instances, it is necessary to display non-serviced parts, assemblies or installations. In the case of assemblies and installations there will be a Ref in the Qty. column. In case of parts that are not available for service within assemblies or components, there will be a NSS (Not Sold Separately) or NLA (No Longer Available) listed in the Qty. column of the manual.

### 7) PARTS LIST ITEM NUMBERS

Numbers shown in the item# column correspond to numbers used in the associated illustration (s). Item numbers which are missing from the sequence in the parts list are not used on that page.

### 8) INDENTED PARTS DESCRIPTION

An indented part description is included in the item under which it is indented.

### 9) ABBREVIATION AND SYMBOLS

AC.....	Alternating Current	L.....	Liter
ADE.....	Advanced Design Electronics	LB(LBS).....	Pounds
AG.....	Agricultural	LCD.....	Liquid Crystal Display
ANSI.....	American National Standards Institute	LED.....	Light Emitting Diodes
AR.....	As Required	LH.....	Left Hand
ASSY.....	Assembly	LRC.....	Low Rated Countries
AUS.....	Australia	LSS.....	Load Sensing System
AUX.....	Auxiliary	M(m).....	Metric/Meter
AWG.....	American Wire Gauge	MM(mm).....	Milimeter
B/M.....	Bill of Material	mA.....	Miliamps
CAC.....	Charge Air Cooler	NLA.....	No Longer Available
CE.....	European Conformity	NPT.....	National Pipe Threads
CCW.....	Counter Clockwise	NSS.....	Not Sold Separately
CM.....	Centimeter	OD.....	Outside Diameter
CW.....	Clockwise	ORB.....	O-Ring Boss
CSA.....	Canadian Standards Association	ORFS.....	O-Ring Face Seal
CYL.....	Cylinder	OZ (oz).....	Ounces
DIA.....	Diameter	PG.....	Page
DC.....	Direct Current	PN.....	Part Number
DEF.....	Diesel Exhaust Fluid	QT(qt.).....	Quarts
EMS.....	Emergency Stop	QTY.....	Quantity
ENG.....	Engine	REF.....	Reference
FT(ft).....	Feet	REV.....	Revision Level
GA(Ga).....	Gauge	RH.....	Right Hand
HRC.....	High Rated Countries	SAE.....	Society of Automotive Engineers
HVAC.....	Heating, Ventilating, and Air Conditioning	SN.....	Serial Number
HYD.....	Hydraulic	SPEC(S).....	Specifications
Hz.....	Hertz	T/T.....	Turntable
ID.....	Inside Diameter	UGM.....	Universal Ground Module
IN.....	inches	V.....	Volts
ISO.....	International Organization for Standards	W.....	Watts
JIC.....	Joint Industry Council	#.....	Number
KG.....	Kilogram		

### 10) ILLUSTRATION REFERENCE LETTERS

When necessary, illustrations may contain reference letters that are intended to track information (i. e. hoses, harnesses) from one point to another or to track visual enlargement of components to show details that may be located in another area on the illustration.

*Note: Due to continuous product improvements, JLG Industries, Inc. reserves the right to make specification changes without prior notification. Contact JLG Industries, Inc. for updated information.*



# TABLE OF CONTENTS

SECTION 1 - FRAME.....	11
FIGURE 1-1. AXLE INSTALLATION - SINGLE OSCILLATING (WITHOUT SENSORS).....	12
FIGURE 1-2. AXLE INSTALLATION - SINGLE OSCILLATING (WITH SENSORS).....	14
FIGURE 1-3. STEERING INSTALLATION – ELECTRIC (2WS) .....	16
FIGURE 1-4. DRIVE INSTALLATION - ELECTRIC (2WD) .....	18
FIGURE 1-5. DRIVE MOTOR ASSEMBLY .....	22
FIGURE 1-6. DRIVE HUB ASSEMBLY .....	24
FIGURE 1-7. HUB/SPINDLE ASSEMBLY (2WD FRONT) .....	28
FIGURE 1-8. BATTERY INSTALLATION – 225AH BATTERIES .....	30
FIGURE 1-9. BATTERY INSTALLATION – 310AH BATTERIES .....	32
FIGURE 1-10. FRAME COVERS INSTALLATION.....	34
FIGURE 1-11. LADDER INSTALLATION (ERT2669).....	36
FIGURE 1-12. LADDER INSTALLATION (ERT3369).....	38
FIGURE 1-13. LEVELING JACKS INSTALLATION - PARTIAL COVERS .....	40
FIGURE 1-14. LEVELING JACKS INSTALLATION - FULL COVERS.....	42
FIGURE 1-15. LEVELING JACKS VALVE ASSEMBLY .....	44
FIGURE 1-16. TIRE AND WHEEL INSTALLATION - FOAM-FILLIED .....	46
FIGURE 1-17. TIRE AND WHEEL INSTALLATION - FOAM-FILLIED NON-MARKING.....	48
FIGURE 1-18. TIRE AND WHEEL INSTALLATION - FOAM-FILLIED TURF NON-MARKING .....	50
SECTION 2 - GROUND CONTROLS .....	53
FIGURE 2-1. HYDRAULIC COMPONENTS INSTALLATION .....	54
FIGURE 2-2. VALVE ASSEMBLY - MAIN CONTROL.....	56
FIGURE 2-3. BATTERY CHARGER INSTALLATION (110V PLUG).....	58
FIGURE 2-4. BATTERY CHARGER INSTALLATION (AUSTRALIAN PLUG).....	60
FIGURE 2-5. BATTERY CHARGER INSTALLATION (CHINA PLUG) .....	62
FIGURE 2-6. BATTERY CHARGER INSTALLATION (KOREAN PLUG).....	64
FIGURE 2-7. BATTERY CHARGER INSTALLATION (NO PLUG).....	66
FIGURE 2-8. GROUND CONTROL PANEL INSTALLATION .....	68
FIGURE 2-9. GROUND CONTROL ASSEMBLY .....	70
FIGURE 2-10. ALARM INSTALLATION (HORN) .....	72
FIGURE 2-11. ALARM INSTALLATION (WHITE NOISE) .....	74
FIGURE 2-12. HOODS INSTALLATION .....	76
FIGURE 2-13. HOODS INSTALLATION - KUBOTA ENGINE (GENSET).....	80
FIGURE 2-14. STROBE LIGHT INSTALLATION - SINGLE .....	82
FIGURE 2-15. STROBE LIGHT INSTALLATION - DUAL.....	84
FIGURE 2-16. NO BEACON (COVERS) .....	86
FIGURE 2-17. HYDRAULIC TANK ASSEMBLY.....	88
SECTION 3 - ENGINE .....	91
FIGURE 3-1. ENGINE MOUNTING INSTALLATION (GENSET) .....	92
FIGURE 3-2. KUBOTA ENGINE INSTALLATION (GENSET) .....	94
FIGURE 3-3. KUBOTA ENGINE COMPONENTS (STAGE V) .....	96
FIGURE 3-4. ENGINE FUEL LINES INSTALLATION (GENSET) .....	100
FIGURE 3-5. ENGINE ELECTRICAL INSTALLATION (GENSET).....	102

# TABLE OF CONTENTS

FIGURE 3-6. EXHAUST INSTALLATION (GENSET) .....	104
SECTION 4 - SCISSORS ARMS .....	107
FIGURE 4-1. ARMS INSTALLATION (ERT2669) .....	108
FIGURE 4-2. ARMS ASSEMBLY (ERT2669) .....	110
FIGURE 4-3. ARMS INSTALLATION (ERT3369) .....	114
FIGURE 4-4. ARMS ASSEMBLY (ERT3369) .....	116
FIGURE 4-5. CYLINDER & LIFT DOWN VALVE ASSEMBLY .....	120
SECTION 5 - PLATFORM .....	123
FIGURE 5-1. PLATFORM INSTALLATION .....	124
FIGURE 5-2. PLATFORM EXTENSION INSTALLATION (SINGLE) .....	126
FIGURE 5-3. PLATFORM RAILS INSTALLATION (SINGLE EXTENSION) .....	128
FIGURE 5-4. PLATFORM CONTROL BOX INSTALLATION - SIDE MOUNT .....	132
FIGURE 5-5. PLATFORM CONTROL BOX INSTALLATION .....	134
FIGURE 5-6. CONTROLLER ASSEMBLY .....	136
SECTION 6 - CYLINDER .....	139
FIGURE 6-1. AXLE LOCKOUT CYLINDER ASSEMBLY .....	140
FIGURE 6-2. LEVELING JACK CYLINDER ASSEMBLY .....	142
FIGURE 6-3. LIFT CYLINDER ASSEMBLY .....	144
FIGURE 6-4. STEER CYLINDER ASSEMBLY .....	146
SECTION 7 - HYDRAULIC .....	149
FIGURE 7-1. HYDRAULIC DIAGRAM - LEVELING JACKS .....	150
FIGURE 7-2. HYDRAULIC DIAGRAM - STANDARD .....	152
SECTION 8 - ELECTRICAL .....	155
FIGURE 8-1. ELECTRICAL LAYOUT .....	156
FIGURE 8-2. AC BOX AT PLATFORM INSTALLATION - 110V GFI (ALL SPECS EXCEPT AUSTRALIAN & CE SPECS) .....	166
FIGURE 8-3. AC BOX AT PLATFORM INSTALLATION - 110V IEC YELLOW (CE SPECS) .....	168
FIGURE 8-4. AC BOX AT PLATFORM INSTALLATION - 220V IEC BLUE (CE SPECS) .....	170
FIGURE 8-5. AC BOX AT PLATFORM INSTALLATION - 220V CEE7 POST GROUND (CE SPECS) .....	172
FIGURE 8-6. AC BOX AT PLATFORM INSTALLATION - 220V CEE7 SIDE GROUND (CE SPECS) .....	174
FIGURE 8-7. AC BOX AT PLATFORM INSTALLATION - 220V AFSINT 107 (CE SPECS) .....	176
FIGURE 8-8. AC BOX AT PLATFORM INSTALLATION - 220V CUSTOMER SUPPLIED PLUG & RECEPTACLE (ALL SPECS EXCEPT AUSTRALIAN & CE SPECS) .....	178
FIGURE 8-9. AC BOX AT PLATFORM INSTALLATION - 220V CUSTOMER SUPPLIED COMPONENTS (ALL SPECS) .....	180
FIGURE 8-10. BREAKER BOX KIT - 1 DOUBLE BREAKER (CE SPECS) .....	182
FIGURE 8-11. BREAKER BOX KIT - 1 DOUBLE & 1 SINGLE BREAKER (CE SPECS) .....	184
FIGURE 8-12. CHARGER CORD PLUG INSTALLATION - 110V - IEC YELLOW (CE SPEC) .....	186
FIGURE 8-13. CHARGER CORD PLUG INSTALLATION - 220V - IEC BLUE (CE SPEC) .....	188
FIGURE 8-14. CHARGER CORD PLUG INSTALLATION - 220V - CEE7 POST GROUND (CE SPEC) .....	190
FIGURE 8-15. CHARGER CORD PLUG INSTALLATION - 220V - CEE7 SIDE GROUND (CE SPEC) .....	192
FIGURE 8-16. CHARGER CORD PLUG INSTALLATION - 220V - AFSINT 107 KEYED GROUND (CE SPEC) .....	194
FIGURE 8-17. CHASSIS HARNESS .....	196
FIGURE 8-18. GROUND TO PLATFORM HARNESS (ERT2669) .....	200



# TABLE OF CONTENTS

FIGURE 8-19. GROUND TO PLATFORM HARNESS (ERT3369).....	202
FIGURE 8-20. LEVELING JACK HARNESS .....	204
FIGURE 8-21. LIFT DOWN HARNESS .....	206
FIGURE 8-22. LSS HARNESS .....	208
FIGURE 8-23. MECHRON GENSET HARNESS.....	210
FIGURE 8-24. PLATFORM HARNESS .....	212
FIGURE 8-25. PLATFORM CABLE INSTALLATION – WITHOUT FOOTSWITCH.....	214
FIGURE 8-26. PLATFORM CABLE HARNESS – WITHOUT FOOTSWITCH.....	216
FIGURE 8-27. PLATFORM CABLE INSTALLATION – WITH FOOTSWITCH .....	218
FIGURE 8-28. PLATFORM CABLE HARNESS – WITH FOOTSWITCH .....	220
FIGURE 8-29. PLATFORM CONTROL BOX HARNESS .....	222
FIGURE 8-30. RECEPTACLE BOX KIT - 110V GFI.....	224
FIGURE 8-31. RECEPTACLE BOX KIT - 110V IEC YELLOW (CE SPECS) .....	226
FIGURE 8-32. RECEPTACLE BOX KIT - 220V IEC BLUE (CE SPECS).....	228
FIGURE 8-33. RECEPTACLE BOX KIT - 220V CEE7 POST GROUND (CE SPECS) .....	230
FIGURE 8-34. RECEPTACLE BOX KIT - 220V CEE7 SIDE GROUND (CE SPECS).....	232
FIGURE 8-35. RECEPTACLE BOX KIT - 220V AFSINT 107 (CE SPECS) .....	234
FIGURE 8-36. TRACTION HARNESS .....	236
FIGURE 8-37. TILT SENSOR HARNESS .....	240
SECTION 9 - DECALS.....	243
FIGURE 9-1. DECAL INSTALLATION - ANSI SPECS (ENGLISH LANGUAGE) .....	244
FIGURE 9-2. DECAL INSTALLATION - AUSTRALIAN/CE SPECS (ENGLISH LANGUAGE) .....	246
FIGURE 9-3. DECAL INSTALLATION - BRAZIL SPECS (SPANISH/PORTUGUESE LANGUAGES).....	248
FIGURE 9-4. DECAL INSTALLATION - CE SPECS .....	250
FIGURE 9-5. DECAL INSTALLATION - CHINA SPECS (ENGLISH/CHINESE LANGUAGES) .....	252
FIGURE 9-6. DECAL INSTALLATION - CSA SPECS (ENGLISH/FRENCH LANGUAGES).....	254
FIGURE 9-7. DECAL INSTALLATION - KOREAN SPECS (ENGLISH/KOREAN LANGUAGES).....	256
FIGURE 9-8. DECAL INSTALLATION - LATIN AMERICAN SPECS (ENGLISH/SPANISH LANGUAGES) .....	258
FIGURE 9-9. DECAL INSTALLATION - OPTIONS .....	260
SECTION 10 - RECOMMENDED SERVICE PARTS STOCK .....	263
FIGURE 10-1. RECOMMENDED SERVICE PARTS STOCK .....	264
SECTION 11 - SPECIAL OPTIONS/ACCESSORIES/KITS .....	265
FIGURE 11-1. SPECIAL OPTIONS/ACCESSORIES/KITS .....	266
PART NUMBER INDEX .....	267



**SECTION 1 - FRAME**



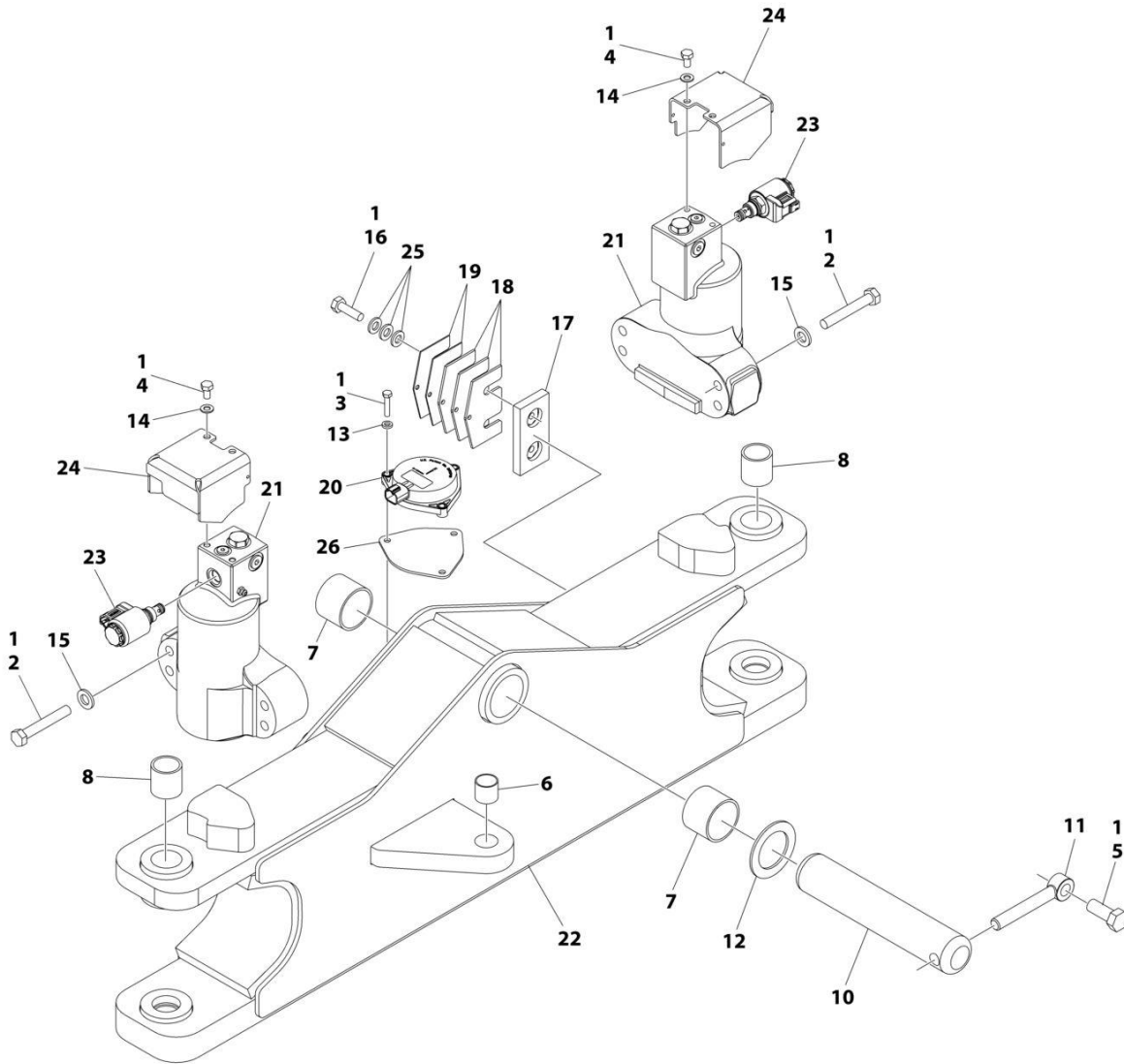
## SECTION 1 - FRAME

**FIGURE 1-1. AXLE INSTALLATION - SINGLE OSCILLATING (WITHOUT SENSORS)**

ITEM	PART NUMBER	QTY	DESCRIPTION	REV
	1001260485	Ref	AXLE INSTALLATION (WITHOUT SENSOR)	B
1	0100011	AR	Compound, Locking	
2	0711224	8	Bolt M12 x 80	
3	0760807	4	Bolt M8 x 14	
4	0761616	1	Bolt M16 x 40	
5	0771015	4	Bolt M10 x 35	
6	0961890	1	Bushing	
7	0961950	2	Bearing	
8	0962220	4	Bushing	
9	3422592	1	Pin	
10	3841258	1	Keeper, Rod	
11	4740229	1	Thrustwasher	
12	4811900	4	Washer M8	
13	5241000	AR	Washer M10	
14	5241200	8	Washer M12	
15	1001118511	2	Pad, Wear	
16	1001118518	AR	Shim 11Ga	
17	1001118519	AR	Shim 16Ga	
18	1001245046	2	Cylinder Assembly - Axle (See Separate Breakdown in CYLINDER Section)	
19	1001247019	1	Axle	
20	1001248196	2	Cartridge, Valve - Directional	
20	7024502	2	Seal Kit - 7001248196 Valve	
20	7027628	2	Coil	
20	70001365	2	Nut, Coil	
21	1001248834	2	Cover	

# SECTION 1 - FRAME

## FIGURE 1-2. AXLE INSTALLATION - SINGLE OSCILLATING (WITH SENSORS)



ART\_1001244391

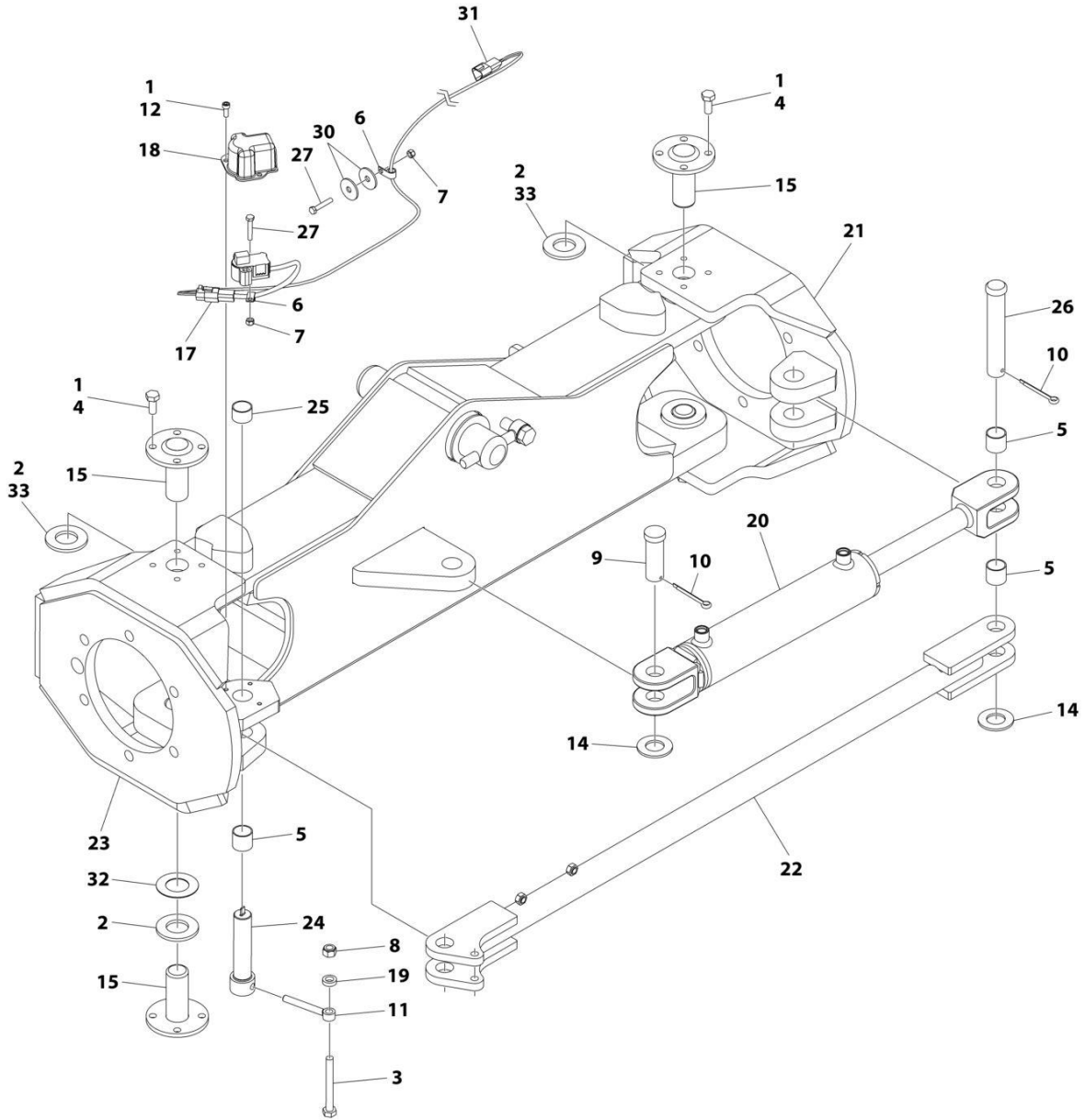
## SECTION 1 - FRAME

**FIGURE 1-2. AXLE INSTALLATION - SINGLE OSCILLATING (WITH SENSORS)**

ITEM	PART NUMBER	QTY	DESCRIPTION	REV
	1001244391	Ref	AXLE INSTALLATION (WITH SENSOR)	D
1	0100011	AR	Compound, Locking	
2	0711224	8	Bolt M12 x 80	
3	0760614	3	Bolt M6 x 30	
3	4010615	3	Bolt M6 x 35	
4	0760807	4	Bolt M8 x 14	
5	0761616	1	Bolt M16 x 40	
6	0961890	1	Bushing	
7	0961950	2	Bearing	
8	0962220	4	Bushing	
10	3422592	1	Pin	
11	3841258	1	Keeper, Rod	
12	4740229	1	Thrustwasher	
13	4811700	3	Washer M6	
14	4811900	4	Washer M8	
15	5241200	8	Washer M12	
16	0771015	4	Bolt M10 x 35	
17	1001118511	2	Pad, Wear	
18	1001118518	AR	Shim 11Ga	
19	1001118519	AR	Shim 16Ga	
20	1001244934	1	Sensor, Tilt	
21	1001245046	2	Cylinder Assembly - Axle (See Separate Breakdown in CYLINDER Section)	
22	1001247019	1	Axle	
23	1001248196	2	Cartridge, Valve - Directional	
23	7024502	2	Seal Kit - 1001248196 Valve	
23	7027628	2	Coil	
23	70001365	2	Nut, Coil	
24	1001248834	2	Cover	
25	5241000	AR	Washer M10	
26	1001272777	1	Gasket	

# SECTION 1 - FRAME

## FIGURE 1-3. STEERING INSTALLATION – ELECTRIC (2WS)



ART\_1001250520



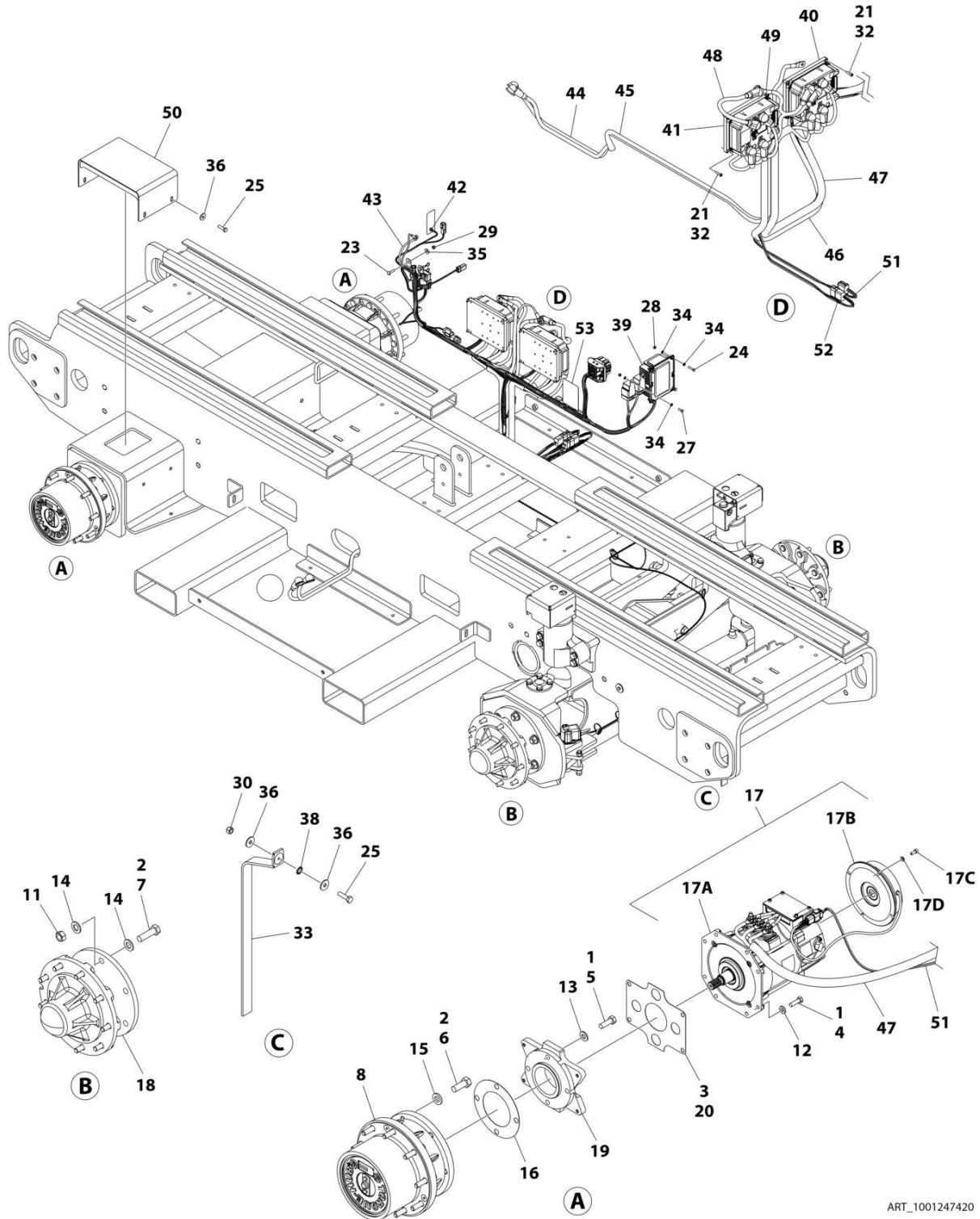
## SECTION 1 - FRAME

**FIGURE 1-3. STEERING INSTALLATION – ELECTRIC (2WS)**

ITEM	PART NUMBER	QTY	DESCRIPTION	REV
	1001250520	Ref	STEERING INSTALLATION - ELECTRIC	D
1	0100011	AR	Compound, Locking	
2	0440237	2	Thrustwasher (3/16 Thickness)	
3	0701026	1	Bolt M10 x 90	
4	0761012	16	Bolt M10 x 25	
5	0961890	3	Bushing	
6	1320043	2	Clamp	
7	3290605	2	Nut M6	
8	3291005	1	Nut M10	
9	3431622	1	Pin	
10	3450608	2	Pin, Cotter	
11	3841143	1	Keeper	
12	4031707	2	Bolt M6 x 16	
14	4712600	2	Washer 1	
15	1001139141	4	Kingpin	
17	1001161117	1	Sensor, Steer Angle	
18	1001169423	1	Cover	
19	1001245459	1	Sleeve, Spacer	
20	1001246107	1	Cylinder Assembly - Steer (See Separate Breakdown in CYLINDER Section)	
21	1001249297	1	Spindle	
22	1001250637	1	Tie-Rod	
23	1001251725	1	Spindle	
24	1001251727	1	Pin	
25	1001253868	1	Bearing	
26	1001255526	1	Pin	
27	0760615	2	Bolt M6 x 35	
28	4240017	AR	Tie-Strap (Not Shown)	
30	1001195089	2	Washer	
31	1001255064	1	Harness, Steer Angle Sensor	
32	1001151395	2	Shim	
33	0440162	1	Thrustwasher (1/8 Thickness)	

# SECTION 1 - FRAME

## FIGURE 1-4. DRIVE INSTALLATION - ELECTRIC (2WD)



ART\_1001247420

# SECTION 1 - FRAME

## FIGURE 1-4. DRIVE INSTALLATION - ELECTRIC (2WD)

ITEM	PART NUMBER	QTY	DESCRIPTION	REV
	1001247420	Ref	DRIVE INSTALLATION - 2WD	H
1	0100011	AR	Compound, Locking	
2	0100019	AR	Compound, Locking	
3	0100020	AR	Sealant	
4	0641610	8	Bolt 3/8 x 1-1/4	
5	0641812	8	Bolt 1/2 x 1-1/2	
6	0682013	12	Bolt 5/8 x 1-5/8	
7	0771619	12	Bolt M16 x 55	
8	2780282	2	Hub Assembly - Front (See Separate Breakdown in this Section)	
11	3331611	12	Nut M16	
12	4891600	8	Washer 3/8	
13	4711800	8	Washer 1/2	
14	5241600	24	Washer M16	
15	4892000	12	Washer 5/8	
16	1001182960	2	Seal	
17	1001184854	2	Drive Motor/Brake Assembly	G
17A	1001182550	2	Drive Motor Assembly (See Separate Breakdown in this Section)	
17B	1001184852	2	Drive Brake Assembly	
17B	70005415	2	O-Ring Between Brake and Motor (Not Shown)	
17C	4031707	8	Capscrew M6 x 16	
17D	1001109892	8	Washer M6	
18	1001214174	2	Hub Spindle Assembly - Front (See Separate Breakdown in this Section)	
19	1001219722	2	Plate	
20	1001220271	2	Seal	
21	0100035	AR	Compound, Locking	
23	0630587	2	Bolt M6 x 25	
24	0700512	4	Bolt M5 x 25	
25	0700814	9	Bolt M8 x 30	
27	0760508	2	Bolt M5 x 16	
28	3290505	6	Nut M5	
29	3290605	2	Nut M6	
30	3290805	1	Nut M8	
32	4031608	8	Bolt M5 x 20	
33	4240084	1	Strap, Anti-Static	
34	4811600	12	Washer M5	
35	4811702	2	Washer M6	
36	4811902	10	Washer M8	
38	4872000	1	Washer M10	
39	1001174447	1	Converter	
40	1001248064	1	Module, Drive/Pump	
41	1001248066	1	Module, Drive	
42	1001250886	1	Housing	
43	1001255057	1	Harness, Traction (See Separate Breakdown in ELECTRICAL Section)	
44	1001255058	1	Cable, Generator to Pump (+)	
45	1001255059	1	Cable, Generator to Pump (-)	
46	1001255060	1	Cable, Left Drive/Brake Motor Power	
47	1001255061	1	Cable, Right Drive/Brake Motor Power	
48	1001255062	1	Cable, Drive Module (-)	

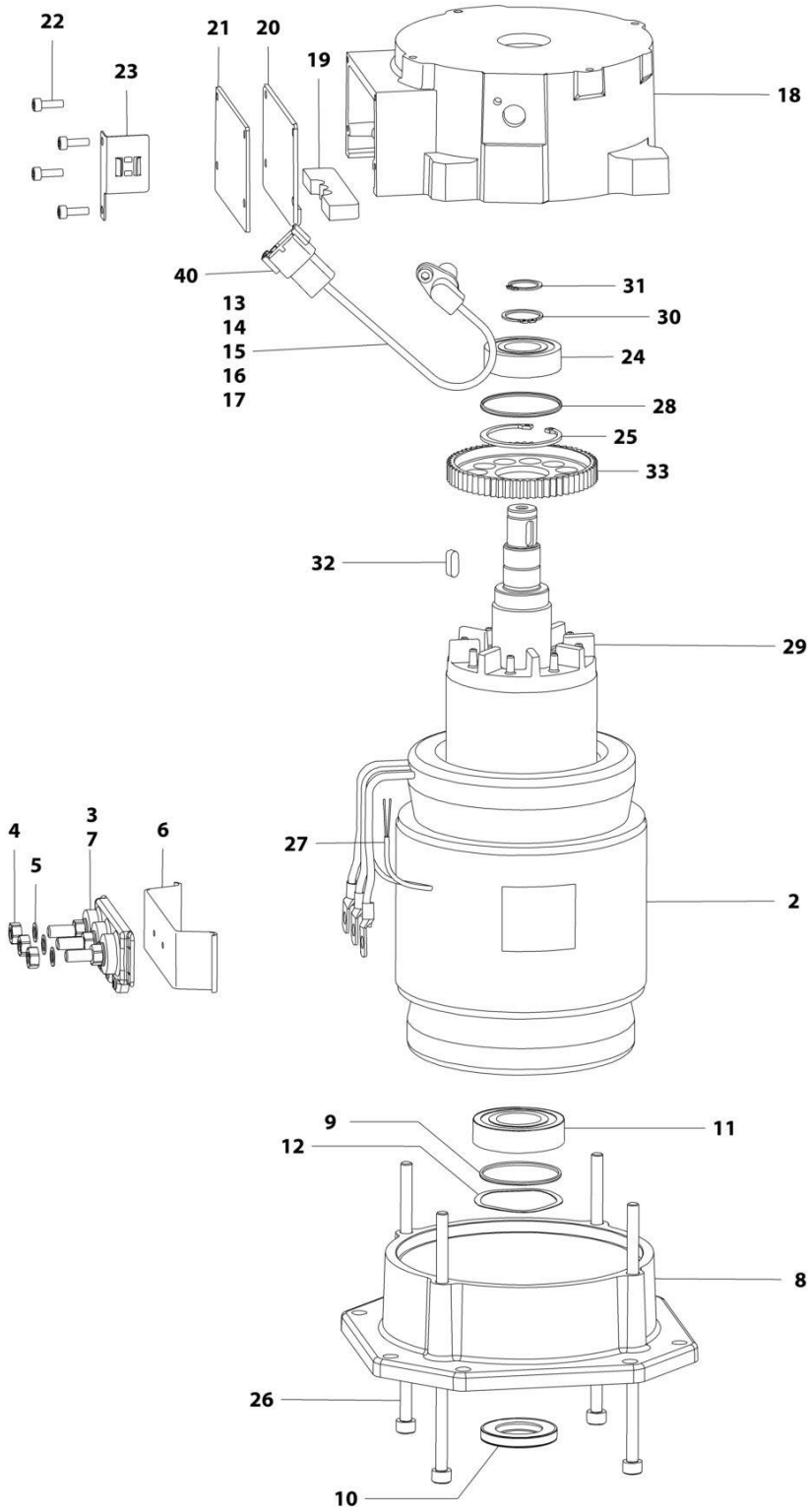
## SECTION 1 - FRAME

ITEM	PART NUMBER	QTY	DESCRIPTION	REV
49	1001255063	1	Cable, Drive/Pump Module (-)	
50	1001255610	2	Shield	
51	1001256186	1	Harness, Right Drive/Brake Motor	
52	1001256187	1	Harness, Left Drive/Brake Motor	
53	1001260781	1	Decal – Fuse Box	



# SECTION 1 - FRAME

## FIGURE 1-5. DRIVE MOTOR ASSEMBLY



ART\_1001182550

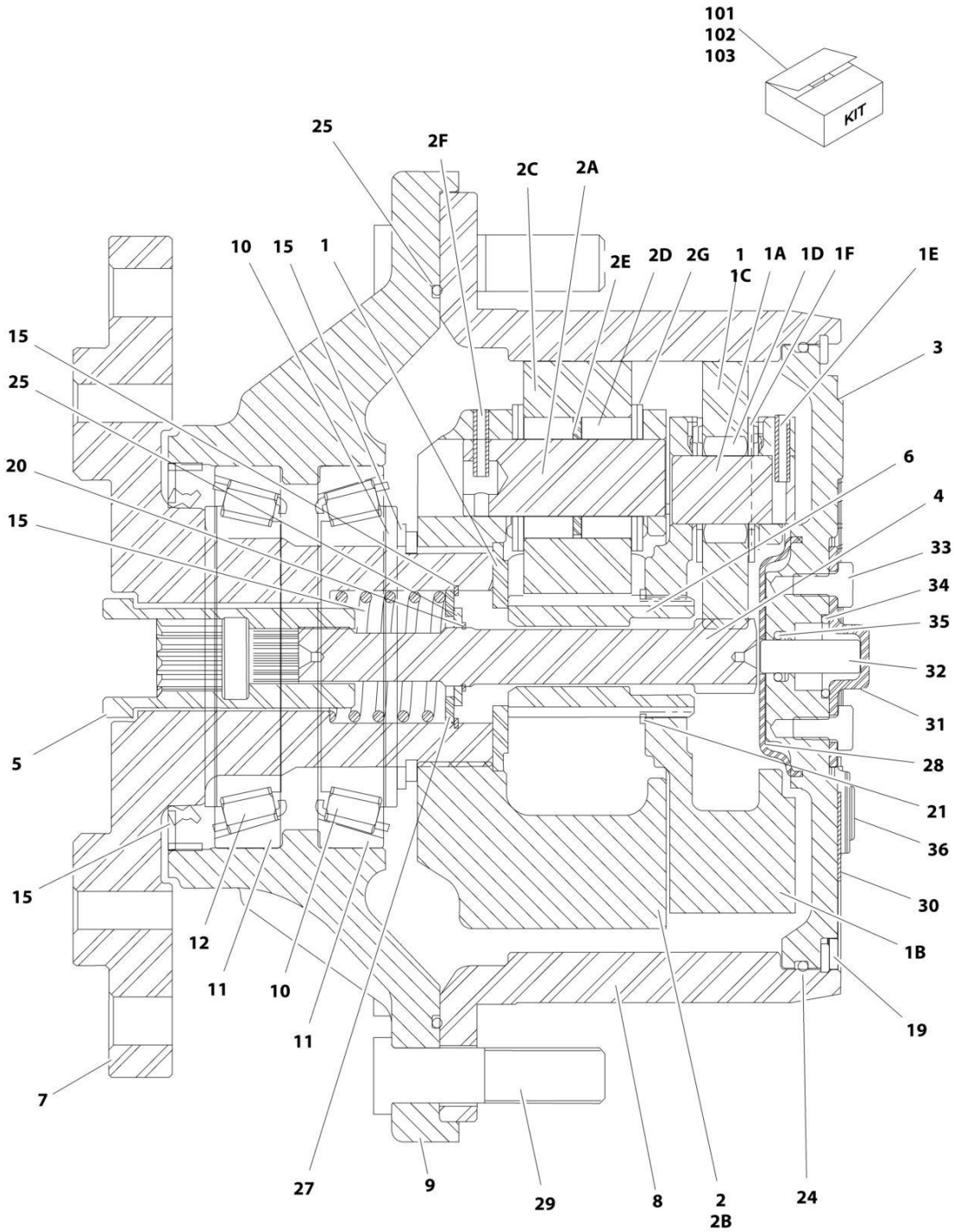
# SECTION 1 - FRAME

## FIGURE 1-5. DRIVE MOTOR ASSEMBLY

ITEM	PART NUMBER	QTY	DESCRIPTION	REV
	1001182550	Ref	DRIVE MOTOR ASSEMBLY	F
2	70005385	1	Stator	
3	70005386	1	Board, Terminal	
4	70005387	3	Nut M8	
5	70005388	3	Washer M8	
6	70005389	1	Base, Terminal	
7	70005390	2	Screw M5 x 14	
8	70005391	1	Plate, Drive End	
9	70004811	1	O-Ring	
10	70005392	1	Seal, Shaft	
11	70004809	1	Bearing	
12	70005393	1	Washer, Wavy	
13	70005394	1	Sensor (Includes Items 14-17)	
14	70005395	1	Screw M8 x 16	
15	70005396	1	Wedge	
16	70005397	1	Connector	
17	4460516	4	Pin, Male	
18	70005398	1	Shield, End	
19	70005399	1	Seal	
20	70005400	1	Seal	
21	70005401	1	Cover	
22	70005402	4	Screw M5 x 16	
23	70005403	1	Plate, Retaining	
24	70005404	1	Bearing	
25	70005405	1	Clip, Retainer	
26	70005406	4	Screw M8 x 180	
27	70005407	1	Temperature, Sensor	
28	70005408	1	O-Ring	
29	70005409	1	Rotor	
30	70004820	1	Clip, Retainer	
31	70005410	1	Clip, Retainer	
32	70005411	1	Key	
33	70005412	1	Gear	
40	1001190577	1	Connector - 8 Position	
40	4460516	8	Pin	

# SECTION 1 - FRAME

## FIGURE 1-6. DRIVE HUB ASSEMBLY



ART\_2780282



# SECTION 1 - FRAME

## FIGURE 1-6. DRIVE HUB ASSEMBLY

ITEM	PART NUMBER	QTY	DESCRIPTION	REV
	2780282	Ref	DRIVE HUB ASSEMBLY	D
1	70001366	1	Carrier Sub Assembly	
1A	See Note	NSS	Shaft, Planet (Note: Use Item 1)	
1B	See Note	NSS	Carrier (Note: Use Item 1)	
1C	See Note	NSS	Gear, Planet (Note: Use Item 1)	
1D	See Note	NSS	Bearing, Needle (Note: Use Item 1)	
1E	See Note	NSS	Rollpin (Note: Use Item 1)	
1F	See Note	NSS	Thrustwasher (Note: Use Item 1)	
2	70001367	1	Carrier, Input	
2A	See Note	NSS	Shaft, Planet (Note: Use Item 2)	
2B	See Note	NSS	Carrier (Note: Use Item 2)	
2C	See Note	NSS	Gear, Planet (Note: Use Item 2)	
2D	See Note	NSS	Bearing, Needle (Note: Use Item 2)	
2E	See Note	NSS	Spacer, Thrust (Note: Use Item 2)	
2F	See Note	NSS	Rollpin (Note: Use Item 2)	
2G	See Note	NSS	Thrustwasher (Note: Use Item 2)	
2H	See Note	NSS	Thrustwasher (Note: Use Item 2)	
3	See Note	NSS	Cover (Note: Use Item 103)	
4	70001369	1	Shaft, Input	
5	70001370	1	Coupling	
6	70001371	1	Shaft, Sun Gear	
7	70001372	1	Spindle	
8	70001373	1	Gear, Ring	
9	See Note	NSS	Housing (Note: Not Available - Purchase Complete Assembly)	
10	See Note	NSS	Cone, Bearing (Note: Use Item 101)	
11	See Note	NSS	Cup, Bearing (Note: Use Item 101)	
12	See Note	NSS	Cone, Bearing (Note: Use Item 101)	
13	7017009	1	Thrustwasher	
15	See Note	NSS	Seal, Lip (Note: Use Item 102)	
16	70001374	1	Spring	
17	70001375	1	Ring, Retaining (Internal)	
18	See Note	NSS	Ring, Retaining (Note: Use Item 102)	
19	7024738	1	Ring, Retaining (Note: Use Item 102)	
20	70001376	1	Ring, Retaining (External)	
21	70001377	1	Ring, Retaining (External)	
22	7000281	4	Screw (Not Shown - ID Plate Screws)	
23	7017022	3	Screw (Not Shown - Located on Front of Hub)	
24	See Note	NSS	O-Ring (Note: Use Item 102)	
25	See Note	NSS	O-Ring (Note: Use Item 102)	
26	70001378	1	Spacer, Thrust	
27	70001379	1	Thrustwasher	
28	7024741	1	Spacer, Thrust	
29	7007640	9	Stud, Wheel	
30	See Note	NSS	Flange, Plate (Note: Use Item 103)	
31	See Note	NSS	Cap, Disengage (Note: Use Item 103)	
32	See Note	NSS	Pin, Dowel (Note: Use Item 103)	
33	See Note	NSS	Bolt (Note: Use Item 103)	
34	See Note	NSS	O-Ring (Note: Use Item 103)	
35	See Note	NSS	O-Ring (Note: Use Item 103)	
36	See Note	NSS	O-Ring (Note: Use Item 103)	

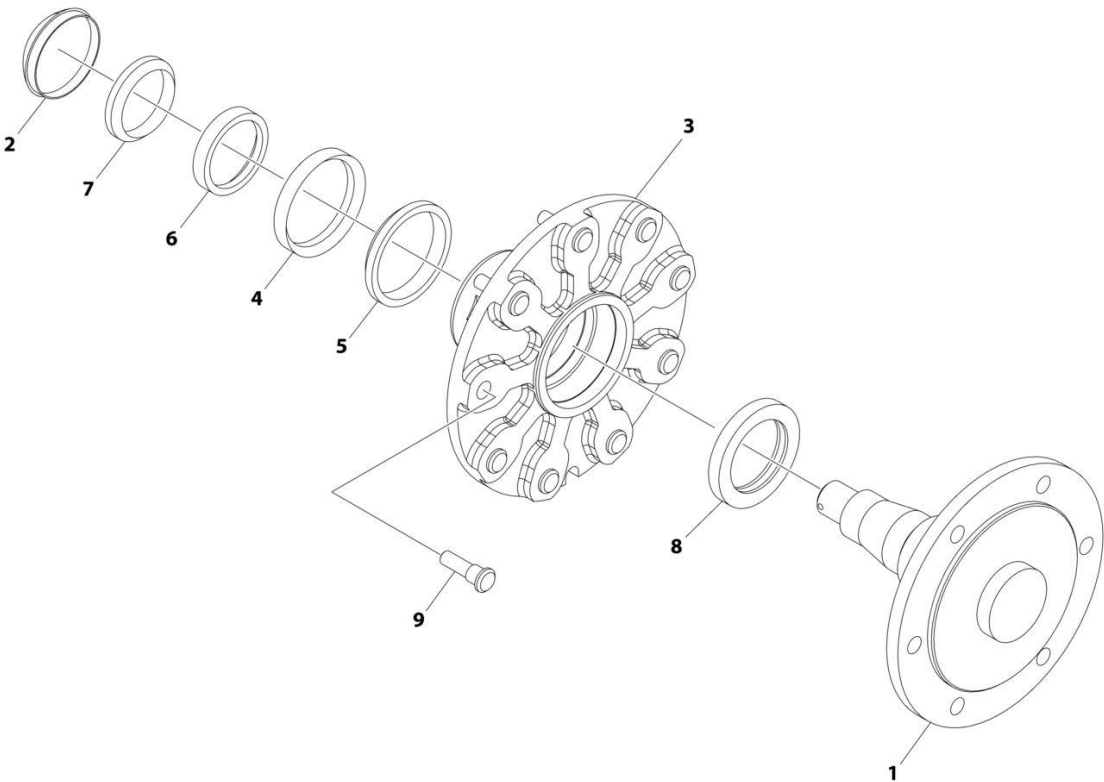
## SECTION 1 - FRAME

ITEM	PART NUMBER	QTY	DESCRIPTION	REV
101	7017007	1	Planet Gear Bearing Kit (Includes Items 10-12)	
102	70001380	1	Planet Gear Seal Kit (Includes Items 15, 18, 24 & 25)	
103	70001368	1	Cover/Cap/Disengage Kit (Includes Items 3 & 30-36)	



**SECTION 1 - FRAME**

**FIGURE 1-7. HUB/SPINDLE ASSEMBLY (2WD FRONT)**



ART\_1001214174

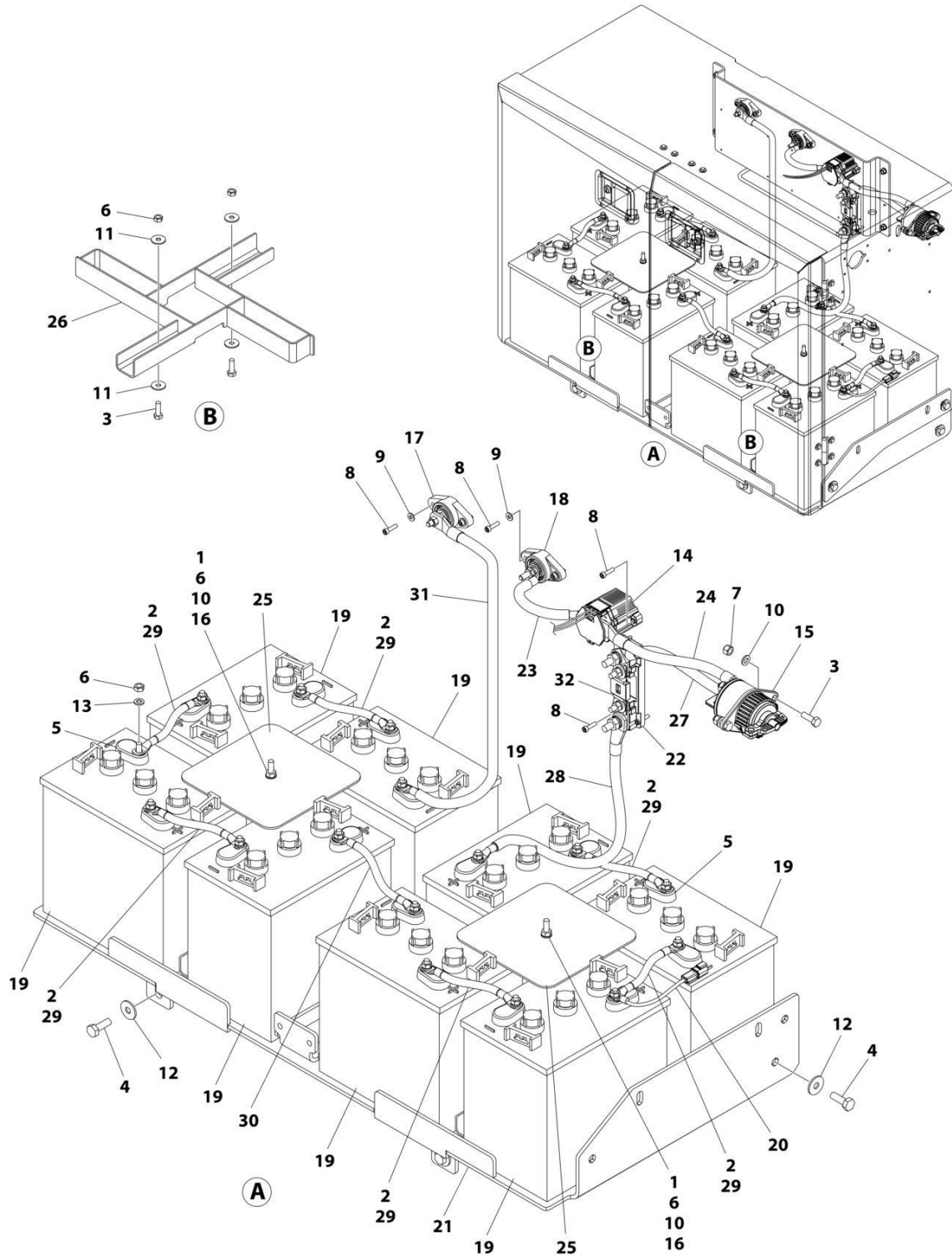
## SECTION 1 - FRAME

### FIGURE 1-7. HUB/SPINDLE ASSEMBLY (2WD FRONT)

ITEM	PART NUMBER	QTY	DESCRIPTION	REV
	1001214174	Ref	HUB - SPINDLE ASSEMBLY (2WD)	C
1	See Note	NSS	Spindle, Adapter (Note: Not Available for Purchase)	
2	7020033	1	Cap, Dust	
3	7020035	1	Hub, Casting	
4	7020036	1	Cup, Bearing	
5	7020037	1	Cone, Bearing	
6	7020038	1	Cup, Bearing	
7	7020039	1	Cone, Bearing	
8	7020040	1	Seal	
9	7020041	9	Stud	

# SECTION 1 - FRAME

## FIGURE 1-8. BATTERY INSTALLATION – 225AH BATTERIES



ART\_1001254822

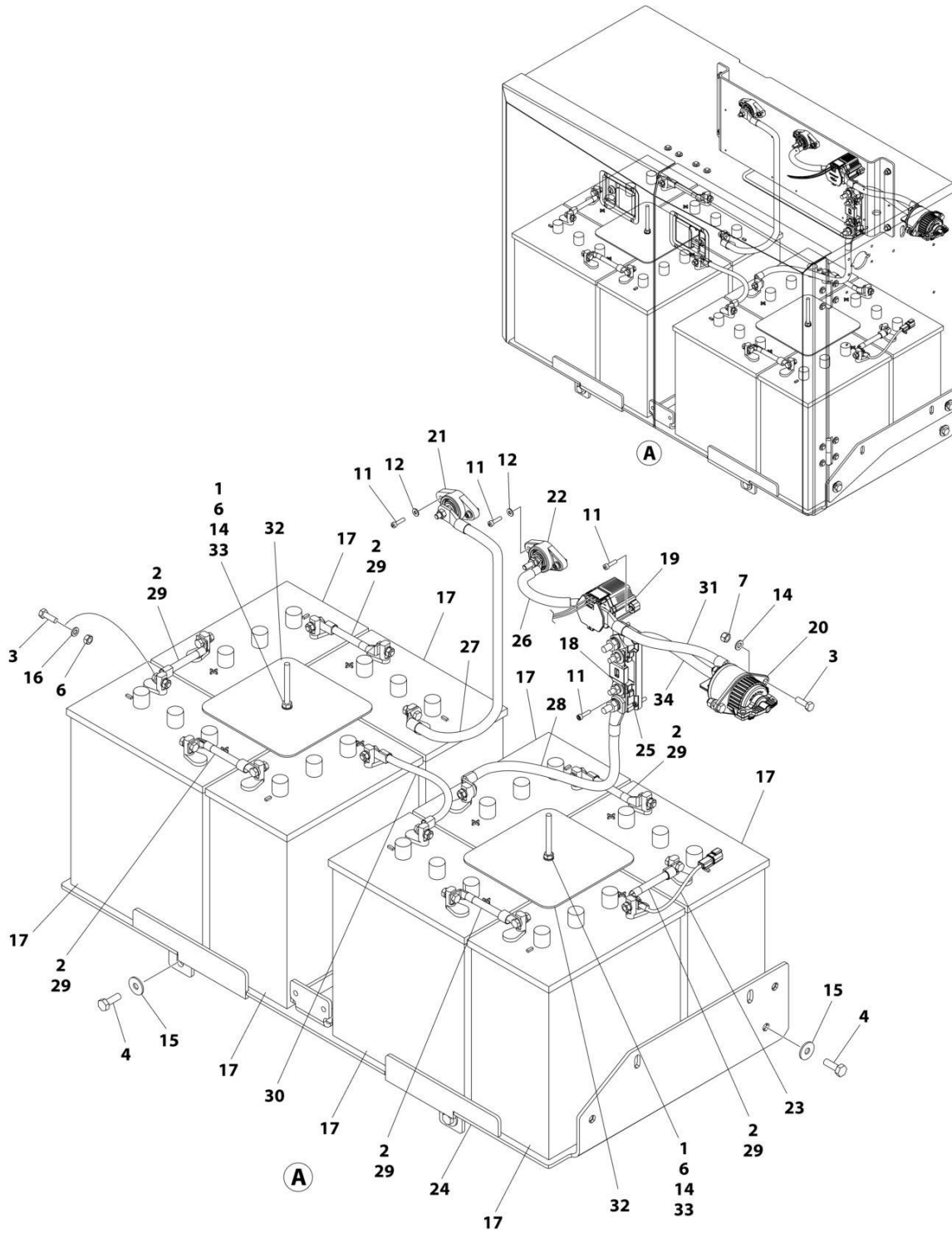
## SECTION 1 - FRAME

**FIGURE 1-8. BATTERY INSTALLATION – 225AH BATTERIES**

ITEM	PART NUMBER	QTY	DESCRIPTION	REV
	1001254822	Ref	BATTERY INSTALLATION	C
1	0100011	AR	Compound, Locking	
2	0100051	AR	Grease, Terminal	
3	0760812	6	Bolt M8 x 25	
4	0771014	4	Bolt M10 x 30	
5	0840060	16	Boot	
6	3290801	22	Nut M8	
7	3290805	2	Nut M8	
8	4031608	10	Bolt M5 x 20	
9	4711000	4	Washer #10	
10	4811900	4	Washer M8	
11	4811902	8	Washer M8	
12	4812002	4	Washer M10	
13	4831900	16	Washer M8	
14	1001272006	1	Relay, 48V	
15	1001170483	1	Switch, Battery Disconnect	
16	1001181961	2	Bolt	
17	1001186860	1	Stud, Power Distribution	
18	1001212359	1	Stud, Power Distribution	
19	1001216180	8	Battery (6V – 220Amp)	
20	1001225131	1	Harness, Temperature Sensor	
20	4460464	2	Terminal	
20	4460897	1	Connector – 2 Position	
20	1001102771	1	Sensor, Temperature	
21	1001247608	1	Tray	
22	1001254835	1	Fuse, Holder	
23	1001255640	1	Cable, Relay to Power Stud	
24	1001255645	1	Cable, Battery Disconnect to Relay	
25	1001256014	2	Plate	
26	1001256016	2	Bracket	
27	1001256453	1	Cable, Battery Disconnect to Fuse	
28	1001259462	1	Cable, Battery to Fuse	
29	1001259463	6	Cable, Battery Jumper	
30	1001259464	1	Cable, Battery Jumper	
31	1001259465	1	Cable, Battery to Power Stud	
32	1001260530	1	Fuse, 355 AMP	

# SECTION 1 - FRAME

## FIGURE 1-9. BATTERY INSTALLATION – 310AH BATTERIES



ART\_1001246886



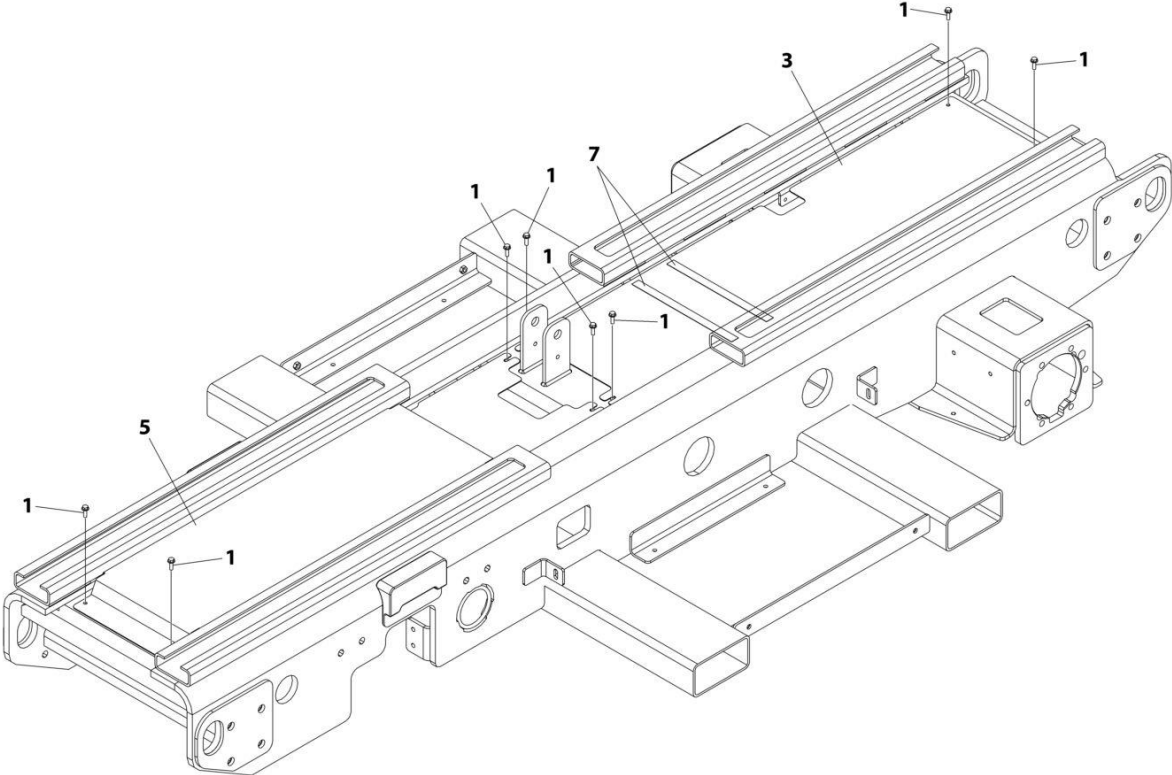
## SECTION 1 - FRAME

**FIGURE 1-9. BATTERY INSTALLATION – 310AH BATTERIES**

ITEM	PART NUMBER	QTY	DESCRIPTION	REV
	1001246886	Ref	BATTERY INSTALLATION	D
1	0100011	AR	Compound, Locking	
2	0100051	AR	Grease, Terminal	
3	0760812	18	Bolt M8 x 25	
4	0771014	4	Bolt M10 x 30	
6	3290801	18	Nut M8	
7	3290805	2	Nut M8	
11	4031608	10	Bolt M5 x 20	
12	4711000	4	Washer #10	
14	4811900	4	Washer M8	
15	4812002	4	Washer M10	
16	4831900	16	Washer M8	
17	1001105091	8	Battery (6V)	
18	1001260530	1	Fuse, 355 AMP	
19	1001272006	1	Relay, 48V	
20	1001170483	1	Switch, Battery Disconnect	
21	1001186860	1	Stud, Power Distribution	
22	1001212359	1	Stud, Power Distribution	
23	1001225131	1	Harness, Temperature Sensor	
23	4460464	2	Terminal	
23	4460897	1	Connector – 2 Position	
23	1001102771	1	Sensor, Temperature	
24	1001247608	1	Tray	
25	1001254835	1	Fuse, Holder	
26	1001255640	1	Cable, Battery	
27	1001255641	1	Cable, Battery	
28	1001255642	1	Cable, Battery	
29	1001255643	6	Cable, Battery	
30	1001255644	1	Cable, Battery	
31	1001255645	1	Cable, Disconnect	
32	1001256014	2	Plate	
33	1001256021	2	Bolt	
34	1001256453	1	Cable, Disconnect	

**SECTION 1 - FRAME**

**FIGURE 1-10. FRAME COVERS INSTALLATION**



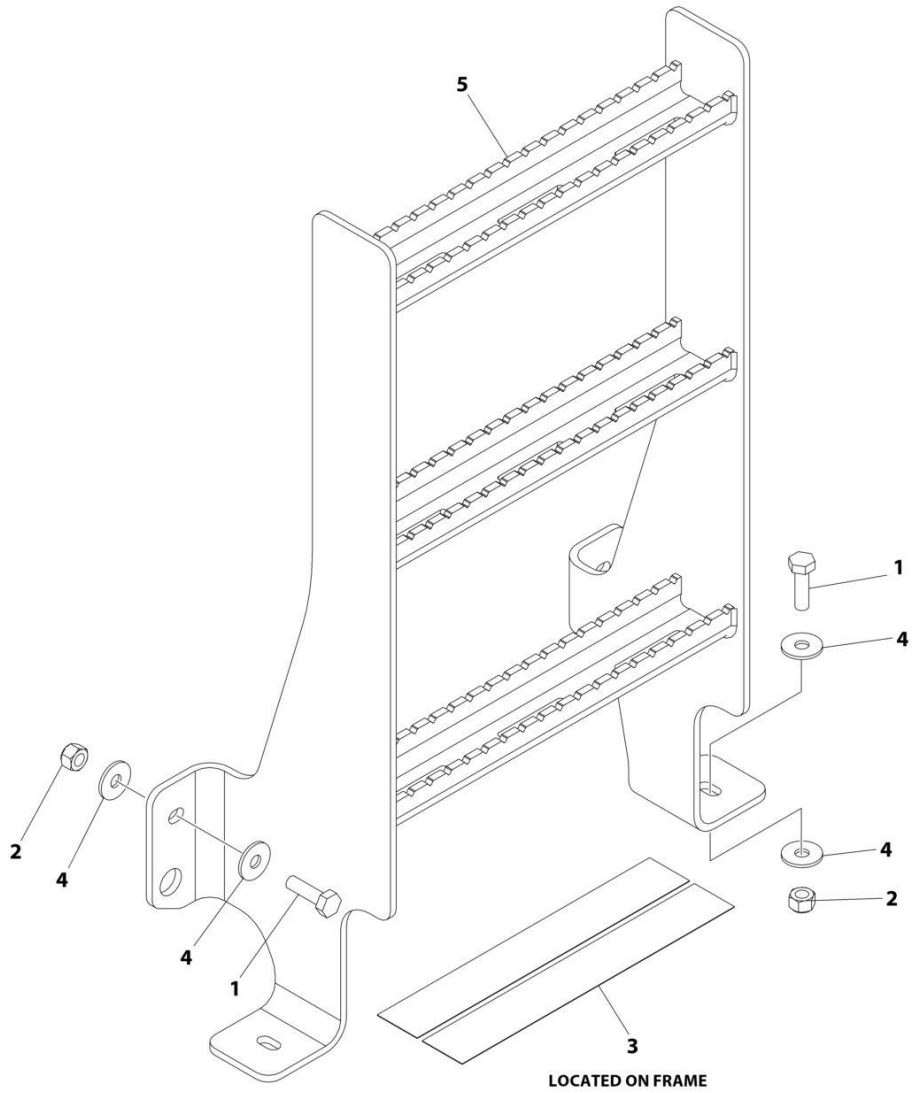
ART\_1001245440

**FIGURE 1-10. FRAME COVERS INSTALLATION**

<b>ITEM</b>	<b>PART NUMBER</b>	<b>QTY</b>	<b>DESCRIPTION</b>	<b>REV</b>
	1001245440	Ref	FRAME COVERS INSTALLATION	D
1	5250812	8	Bolt M8 x 25	
3	1001245381	1	Cover (Rear)	
5	1001283427	1	Cover (Front)	
7	1001258188	2 ft	Tape, Foam	

# SECTION 1 - FRAME

## FIGURE 1-11. LADDER INSTALLATION (ERT2669)



ART\_1001246884

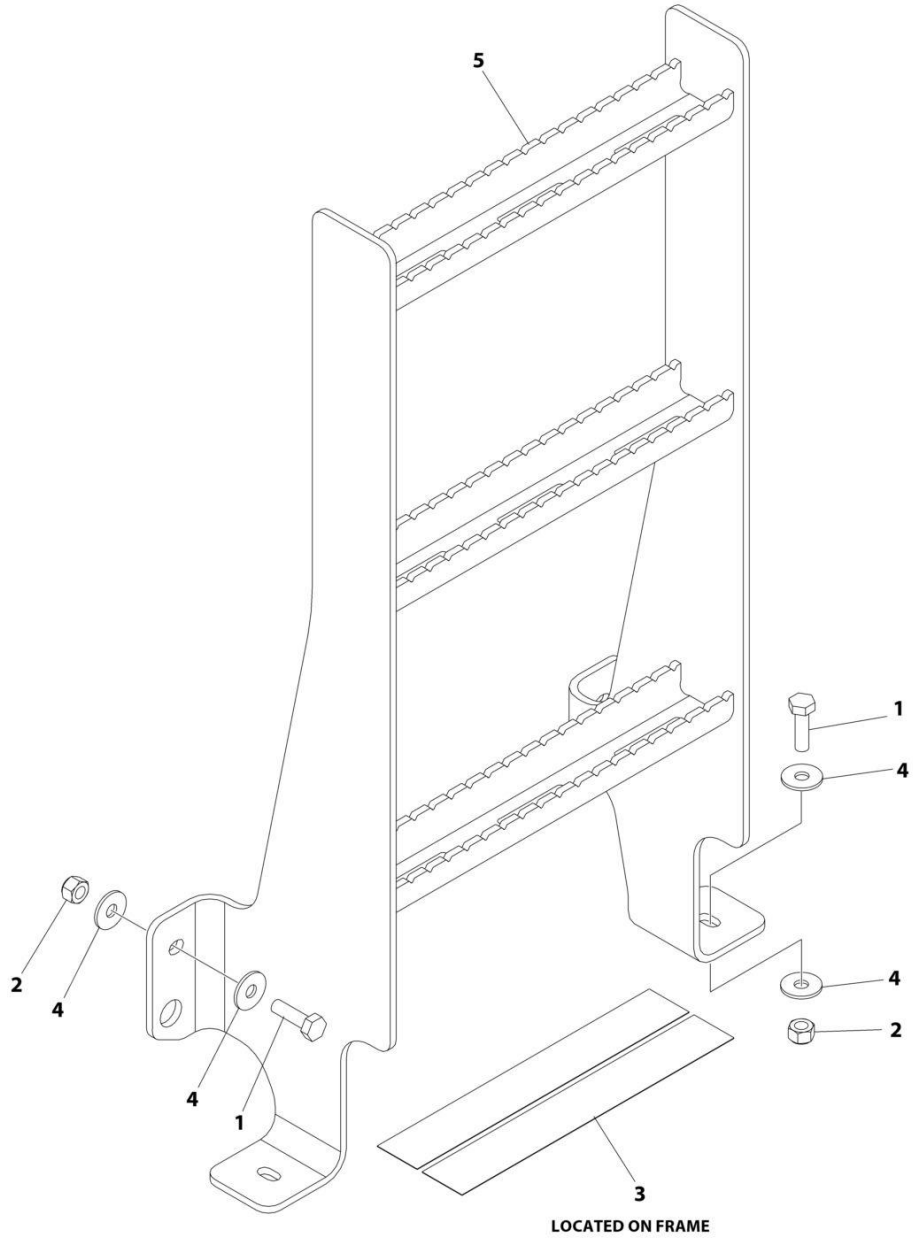
**SECTION 1 - FRAME**

**FIGURE 1-11. LADDER INSTALLATION (ERT2669)**

<b>ITEM</b>	<b>PART NUMBER</b>	<b>QTY</b>	<b>DESCRIPTION</b>	<b>REV</b>
	1001246884	Ref	LADDER INSTALLATION	B
1	0761015	4	Bolt M10 x 35	
2	3291005	4	Nut M10	
3	4420070	2	Tape, Anti-Skid	
4	4812002	8	Washer M10	
5	1001247352	1	Ladder	

# SECTION 1 - FRAME

## FIGURE 1-12. LADDER INSTALLATION (ERT3369)



ART\_1001247425

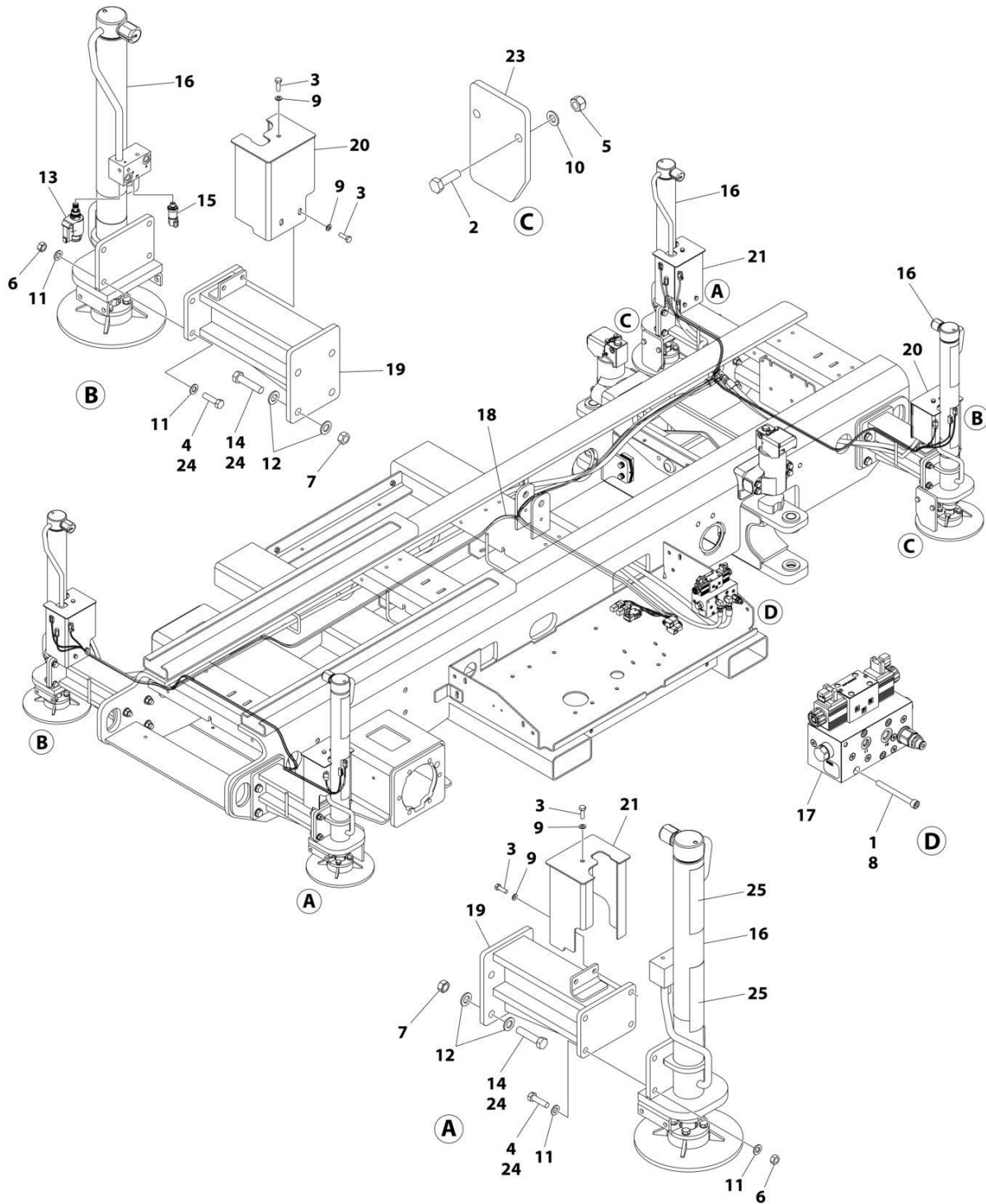
## SECTION 1 - FRAME

**FIGURE 1-12. LADDER INSTALLATION (ERT3369)**

ITEM	PART NUMBER	QTY	DESCRIPTION	REV
	1001247425	Ref	LADDER INSTALLATION	B
1	0761015	4	Bolt M10 x 35	
2	3291005	4	Nut M10	
3	4420070	2	Tape, Anti-Skid	
4	4812002	8	Washer M10	
5	1001247353	1	Ladder	

# SECTION 1 - FRAME

## FIGURE 1-13. LEVELING JACKS INSTALLATION - PARTIAL COVERS



ART\_1001246885



# SECTION 1 - FRAME

**FIGURE 1-13. LEVELING JACKS INSTALLATION - PARTIAL COVERS**

ITEM	PART NUMBER	QTY	DESCRIPTION	REV
	1001246885	Ref	LEVELING JACKS INSTALLATION	D
1	0100011	AR	Compound, Locking	
2	0701015	8	Bolt M10 x 35	
3	0760812	12	Bolt M8 x 25	
4	0761217	16	Bolt M12 x 45	
5	3291005	8	Nut M10	
6	3331211	16	Nut M12	
7	3291601	16	Nut M16	
8	4031920	4	Capscrew M8 x 80	
9	4811900	12	Washer M8	
10	4812000	8	Washer M10	
11	4812100	32	Washer M12	
12	5241600	32	Washer M16	
13	1001103761	4	Cartridge, Valve	
13	7024497	1	Cartridge Less Coil	
13	7024502	1	Seal Kit	
13	70001965	1	Coil	
13	7024506	1	Nut, Coil	
14	0701622	16	Bolt M16 x 70	
15	1001227516	4	Sensor, Leveling Jacks Pressure	
16	1001243256	4	Cylinder Assembly - Leveling Jacks (See Separate Breakdown in CYLINDER Section)	
17	1001247380	1	Valve Assembly - Leveling Jacks (See Separate Breakdown in this Section)	
18	1001248863	1	Harness, Leveling Jack (See Separate Breakdown in ELECTRICAL Section)	
19	1001249407	4	Frame, Leveling Jack	
20	1001249914	2	Cover, Jack (Right)	
21	1001249915	2	Cover, Jack (Left)	
22	1001250342	1	Hydraulic Diagram - Leveling Jacks (Not Shown - See Separate Breakdown in HYDRAULIC Section)	
23	1001250353	4	Plate	
24	0100019	AR	Compound, Locking	
25	4420051	5 ft/144cm	Tape, Safety	
26	4240017	AR	Tie-Strap (Not Shown)	



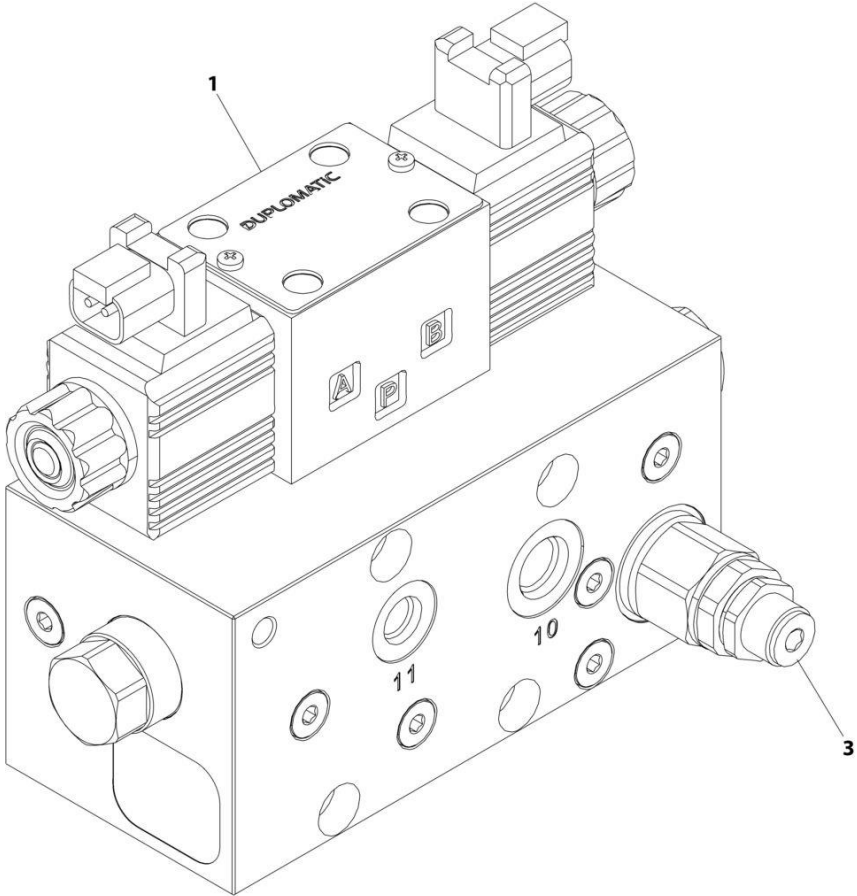
# SECTION 1 - FRAME

**FIGURE 1-14. LEVELING JACKS INSTALLATION - FULL COVERS**

ITEM	PART NUMBER	QTY	DESCRIPTION	REV
	1001274495	Ref	LEVELING JACKS INSTALLATION	B
1	0100011	AR	Compound, Locking	
2	0100019	AR	Compound, Locking	
3	0701015	16	Bolt M10 x 35	
4	0701622	16	Bolt M16 x 70	
5	0760812	8	Bolt M8 x 25	
6	0761217	16	Bolt M12 x 45	
7	3291005	16	Nut M10	
8	3291601	16	Nut M16	
9	3331211	16	Nut M12	
10	4031920	4	Capscrew M8 x 80	
11	4240017	AR	Tie-Strap (Not Shown)	
12	4420051	4 ft/123cm	Tape, Safety	
13	4811902	8	Washer M8	
14	4812000	32	Washer M10	
15	4812100	32	Washer M12	
16	5241600	32	Washer M16	
17	1001103761	4	Cartridge, Valve	
17	7024497	1	Cartridge Less Coil	
17	7024502	1	Seal Kit	
17	70001965	1	Coil	
17	7024506	1	Nut, Coil	
18	1001227516	4	Sensor, Leveling Jacks Pressure	
19	1001243256	4	Cylinder Assembly - Leveling Jacks (See Separate Breakdown in CYLINDER Section)	
20	1001247380	1	Valve Assembly - Leveling Jacks (See Separate Breakdown in this Section)	
21	1001248863	1	Harness, Leveling Jack (See Separate Breakdown in ELECTRICAL Section)	
22	1001249407	4	Frame, Leveling Jack	
23	1001250342	1	Hydraulic Diagram - Leveling Jacks (Not Shown - See Separate Breakdown in HYDRAULIC Section)	
24	1001250353	4	Plate	
25	1001271360	4	Cover, Jack	

**SECTION 1 - FRAME**

**FIGURE 1-15. LEVELING JACKS VALVE ASSEMBLY**



ART\_1001247380

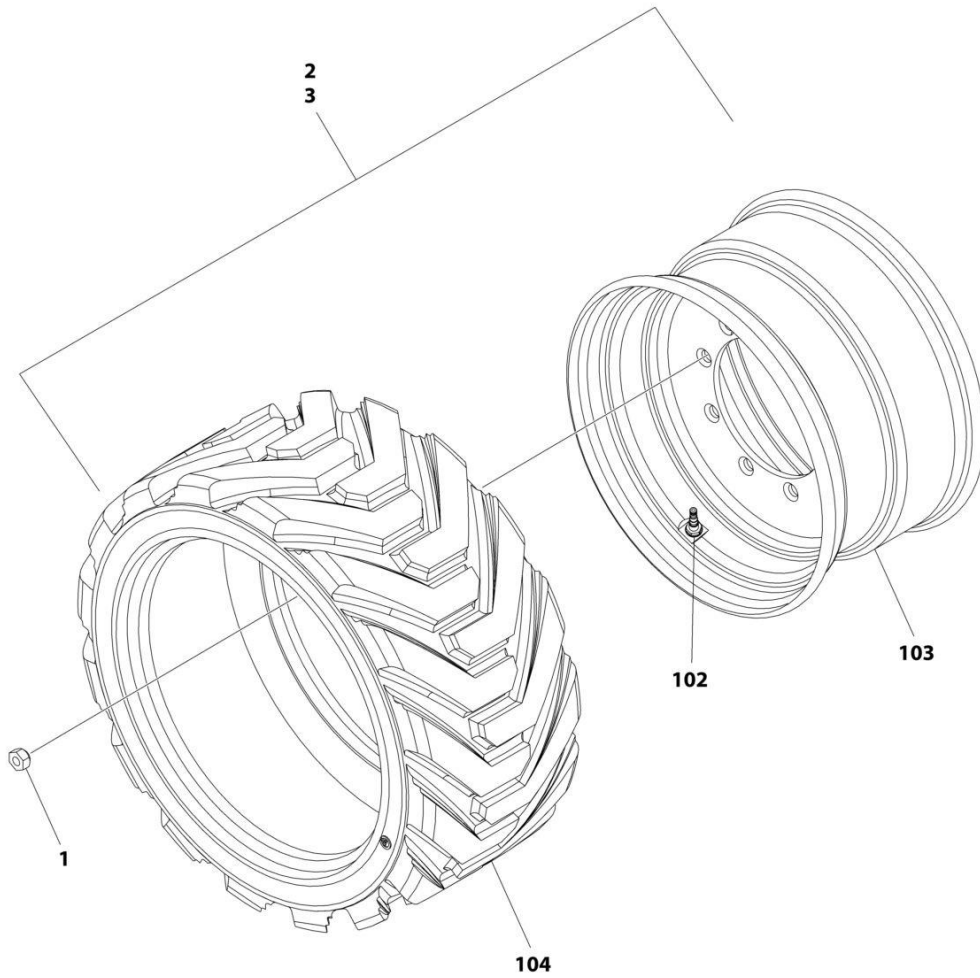
# SECTION 1 - FRAME

## FIGURE 1-15. LEVELING JACKS VALVE ASSEMBLY

ITEM	PART NUMBER	QTY	DESCRIPTION	REV
	1001247380	Ref	LEVELING JACK VALVE ASSEMBLY	D
1	70007760	1	Valve, Directional	
3	70007761	1	Cartridge, Relief Valve	
4	70007762	1	Cartridge, Shuttle Valve (Not Shown)	

# SECTION 1 - FRAME

## FIGURE 1-16. TIRE AND WHEEL INSTALLATION - FOAM-FILLED



ART\_1001244775

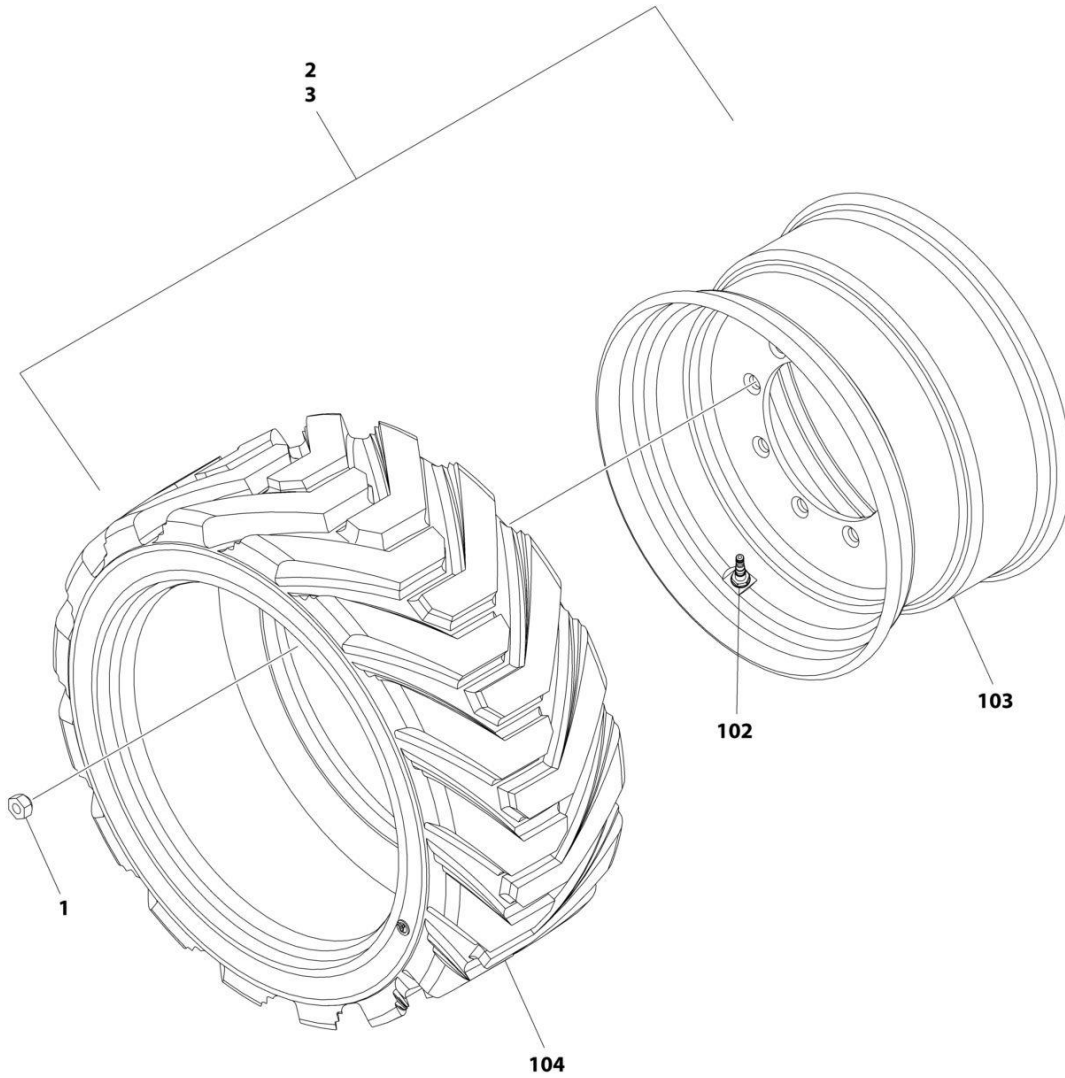
## SECTION 1 - FRAME

**FIGURE 1-16. TIRE AND WHEEL INSTALLATION - FOAM-FILLIED**

ITEM	PART NUMBER	QTY	DESCRIPTION	REV
	1001244775	Ref Ref	TIRE AND WHEEL INSTALLATION - 26 X12D460 FOAM-FILLED  Note: Assemblies may require ballast/foam filling to manufacturer's specification prior to installing on a machine. Refer to Operation and Safety or Service and Maintenance Manuals. Purchase individual tire and/or rim only if able to foam fill tire and wheel assembly, otherwise, purchase complete assembly.	A
1	3300106	36	Nut, Wheel	
2	1001249341	2	Tire and Wheel Assembly - Left Side	A
3	1001249342	2	Tire and Wheel Assembly - Right Side	A
102	4641122	1	Valve, Air	
103	1001249352	1	Rim, Wheel - 18 x 10	
104	1001249353	1	Tire, 26 x 12D460, Lug Tire	

# SECTION 1 - FRAME

FIGURE 1-17. TIRE AND WHEEL INSTALLATION - FOAM-FILLIED NON-MARKING



ART\_1001249340



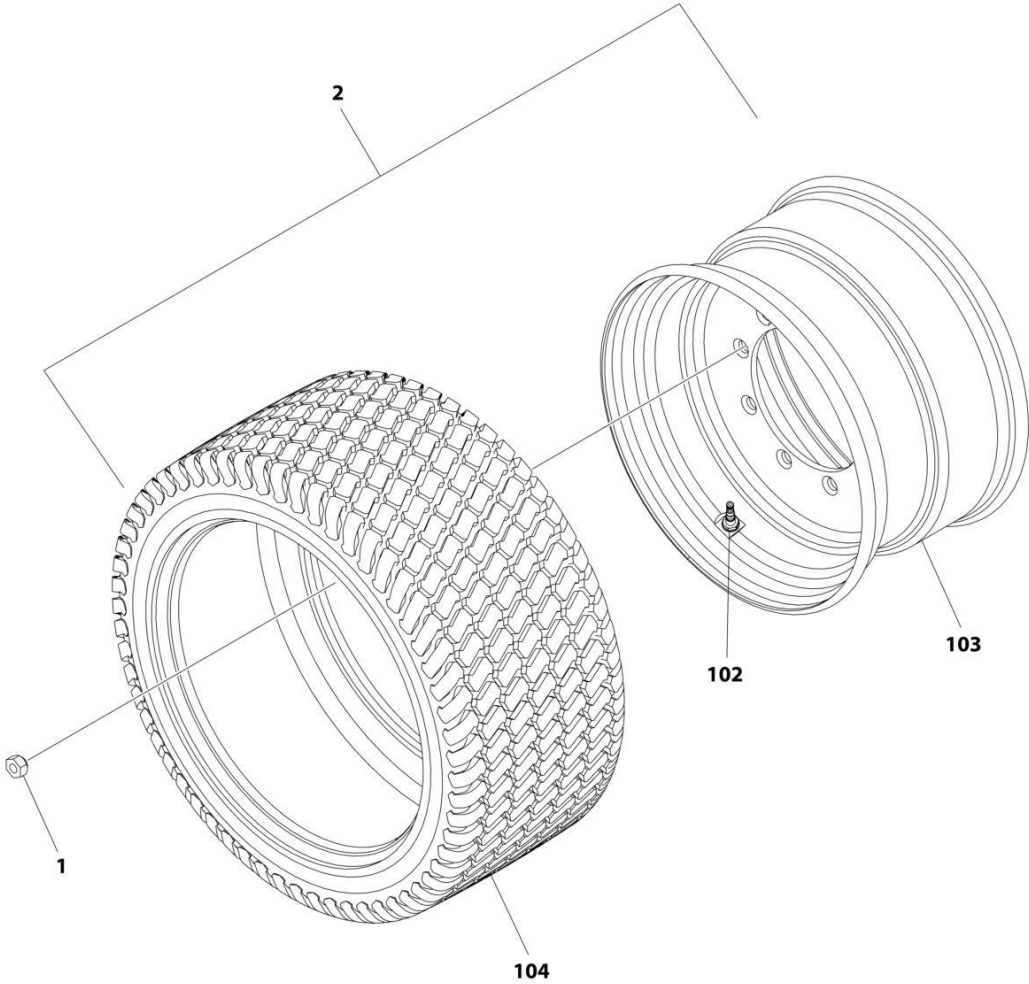
## SECTION 1 - FRAME

**FIGURE 1-17. TIRE AND WHEEL INSTALLATION - FOAM-FILLIED NON-MARKING**

ITEM	PART NUMBER	QTY	DESCRIPTION	REV
	1001249340	Ref	TIRE AND WHEEL INSTALLATION - 26 X 12D460 FOAM-FILLED NON-MARKING	A
		Ref	Note: Assemblies may require ballast/foam filling to manufacturer's specification prior to installing on a machine. Refer to Operation and Safety or Service and Maintenance Manuals. Purchase individual tire and/or rim only if able to foam fill tire and wheel assembly, otherwise, purchase complete assembly.	
1	3300106	36	Nut, Wheel	
2	1001249343	2	Tire and Wheel Assembly - Left Side	A
3	1001249344	2	Tire and Wheel Assembly - Right Side	A
102	4641122	1	Valve, Air	
103	1001249352	1	Rim, Wheel - 18 x 10	
104	1001249354	1	Tire, 26 x 12D460, Lug Tire Non-Marking	

**SECTION 1 - FRAME**

**FIGURE 1-18. TIRE AND WHEEL INSTALLATION - FOAM-FILLED TURF NON-MARKING**



ART\_1001259386

## SECTION 1 - FRAME

**FIGURE 1-18. TIRE AND WHEEL INSTALLATION - FOAM-FILLIED TURF NON-MARKING**

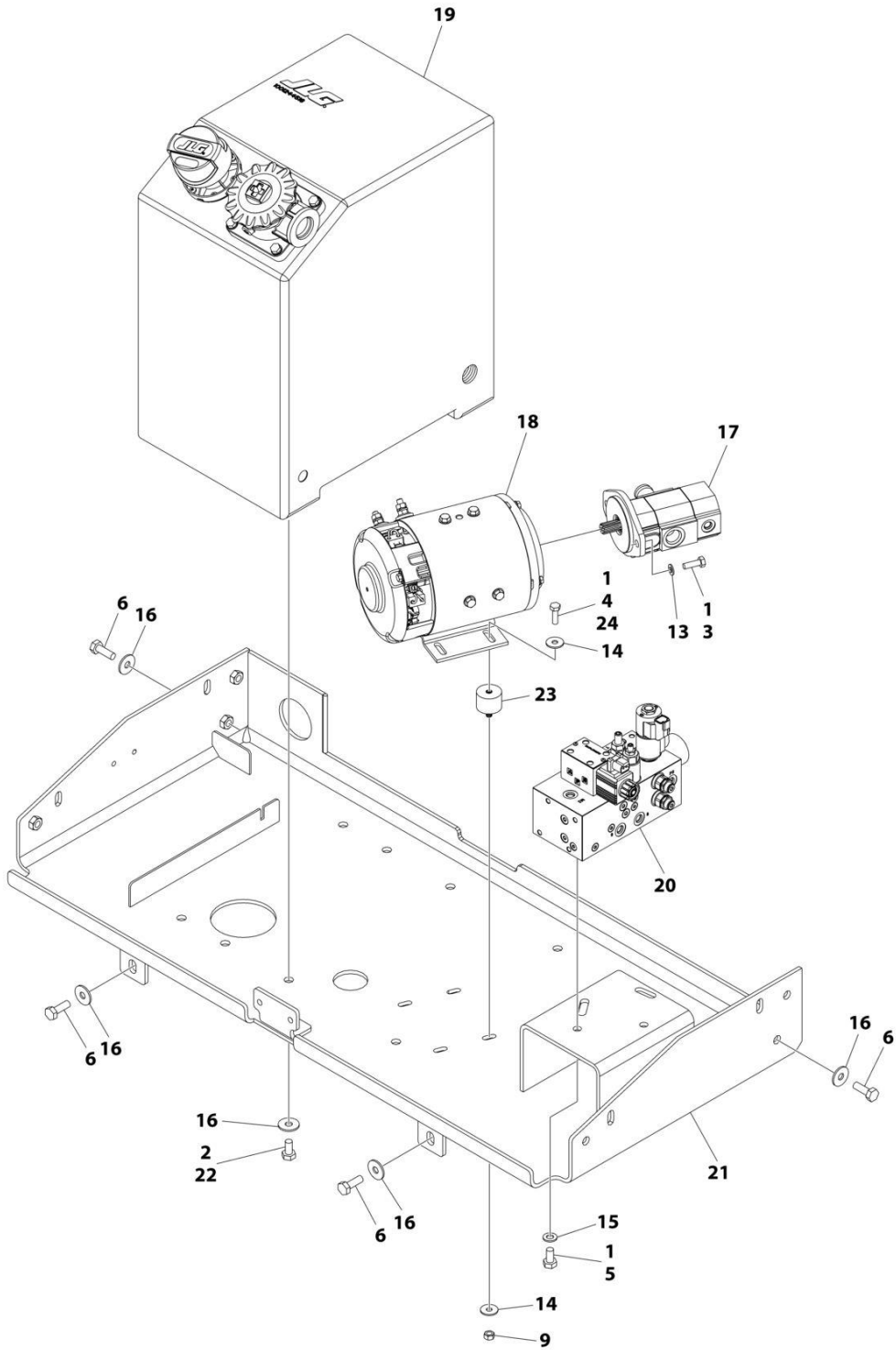
ITEM	PART NUMBER	QTY	DESCRIPTION	REV
	1001259386	Ref	TIRE AND WHEEL INSTALLATION - 26 X 12D460 FOAM-FILLED TURF	A
		Ref	Note: Assemblies may require ballast/foam filling to manufacturer's specification prior to installing on a machine. Refer to Operation and Safety or Service and Maintenance Manuals. Purchase individual tire and/or rim only if able to foam fill tire and wheel assembly, otherwise, purchase complete assembly.	
1	3300106	36	Nut, Wheel	
2	1001258287	4	Tire and Wheel Assembly	A
102	4641122	1	Valve, Air	
103	1001249352	1	Rim, Wheel - 18 x 10	
104	1001259202	1	Tire, 26 x 12D460 Turf	



**SECTION 2 - GROUND CONTROLS**

# SECTION 2 - GROUND CONTROLS

## FIGURE 2-1. HYDRAULIC COMPONENTS INSTALLATION



ART\_1001246091

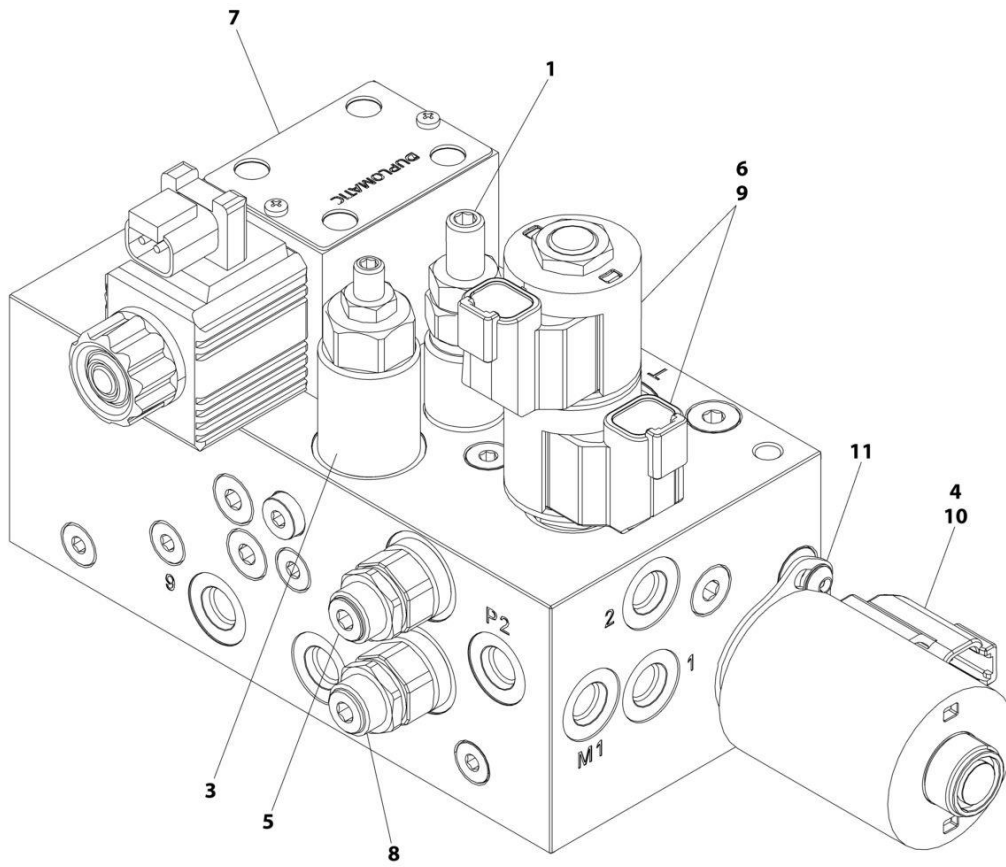
## SECTION 2 - GROUND CONTROLS

**FIGURE 2-1. HYDRAULIC COMPONENTS INSTALLATION**

ITEM	PART NUMBER	QTY	DESCRIPTION	REV
	1001246091	Ref	HYDRAULIC COMPONENTS INSTALLATION	F
1	0100011	AR	Compound, Locking	
2	0100035	AR	Compound, Locking	
3	0760812	2	Bolt M8 x 25	
4	0770812	4	Bolt M8 x 25	
5	0771010	4	Bolt M10 x 20	
6	0771014	4	Bolt M10 x 30	
9	3290801	4	Nut M8	
13	4811900	2	Washer M8	
14	4811902	8	Washer M8	
15	4812000	4	Washer M10	
16	4812002	8	Washer M10	
17	1001246382	1	Pump	
18	1001246383	1	Generator	
19	1001246555	1	Tank Assembly - Hydraulic (See Separate Breakdown in this Section)	
20	1001247381	1	Valve, Electric (See Separate Breakdown in this Section)	
21	1001247630	1	Tray	
22	0761010	4	Bolt M10 x 20	
23	1001273525	4	Isolator (41.3mm/1-5/8inch)	
23	1001287360	4	Isolator (47.8mm/1-7/8inch)	
24	0760806	4	Bolt M8 x 12	

# SECTION 2 - GROUND CONTROLS

## FIGURE 2-2. VALVE ASSEMBLY - MAIN CONTROL



ART\_1001247381



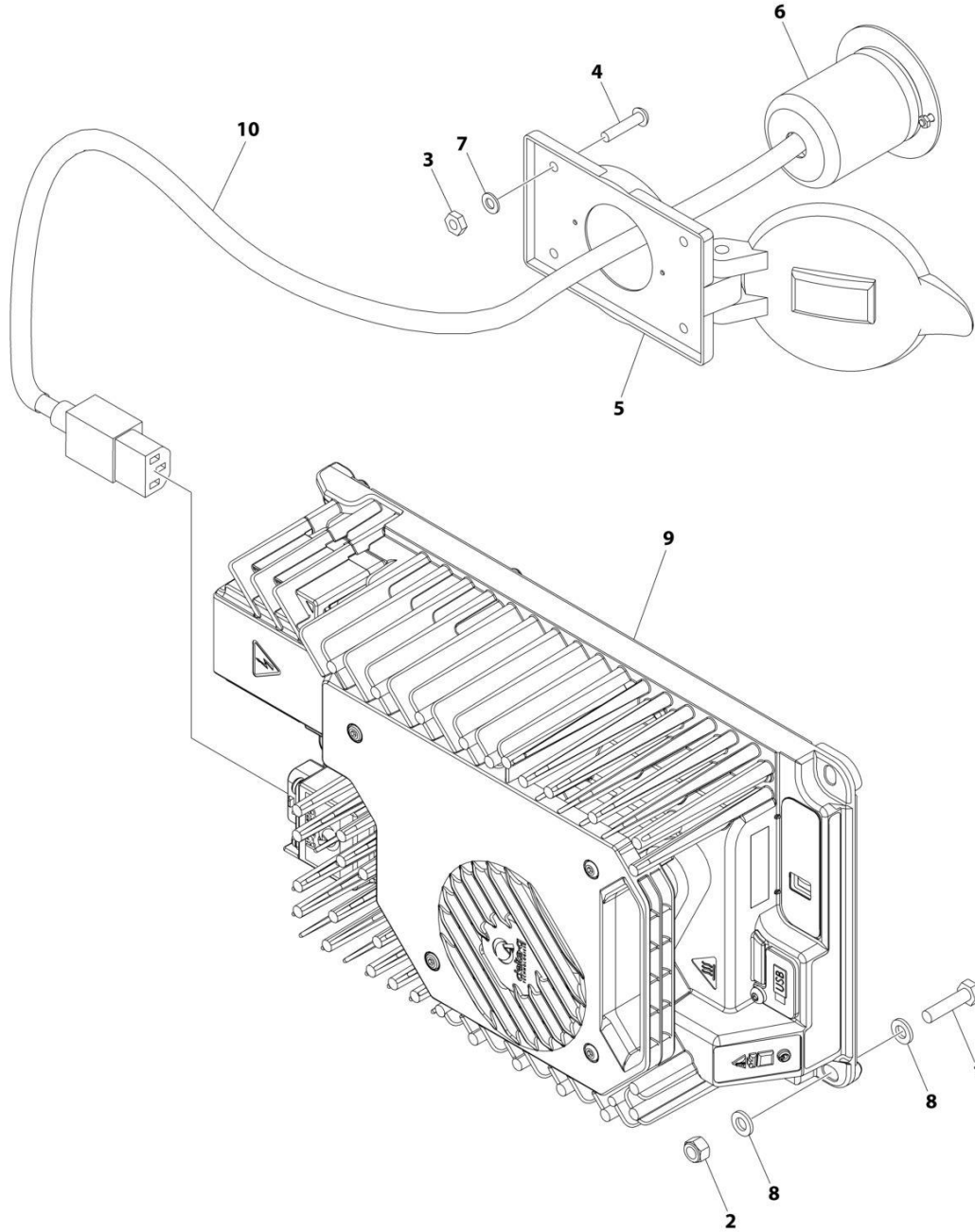
## SECTION 2 - GROUND CONTROLS

**FIGURE 2-2. VALVE ASSEMBLY - MAIN CONTROL**

ITEM	PART NUMBER	QTY	DESCRIPTION	REV
	1001247381	Ref	VALVE ASSEMBLY - MAIN CONTROL	D
1	70007774	1	Cartridge, Relief Valve (Main)	
3	70007768	1	Cartridge, Pressure Reducing/Relieving Valve (Axle Charge)	
4	70006786	1	Cartridge, Valve (Flow Control)	
4	7012925	1	Seal Kit - 70006786 Valve	
5	70007769	1	Cartridge, Relief Valve (Steer)	
6	70007772	1	Valve, Directional (Steer)	
6	7017402	1	Seal Kit - 70007772 Valve	
7	70007771	1	Valve, Directional (Lift Enable)	
8	70007764	1	Cartridge, Relief Valve (Steer)	
9	70002386	2	Coil	
10	70003789	1	Coil	
11	70007773	1	Lockdown Kit	

## SECTION 2 - GROUND CONTROLS

FIGURE 2-3. BATTERY CHARGER INSTALLATION (110V PLUG)



ART\_1001251440

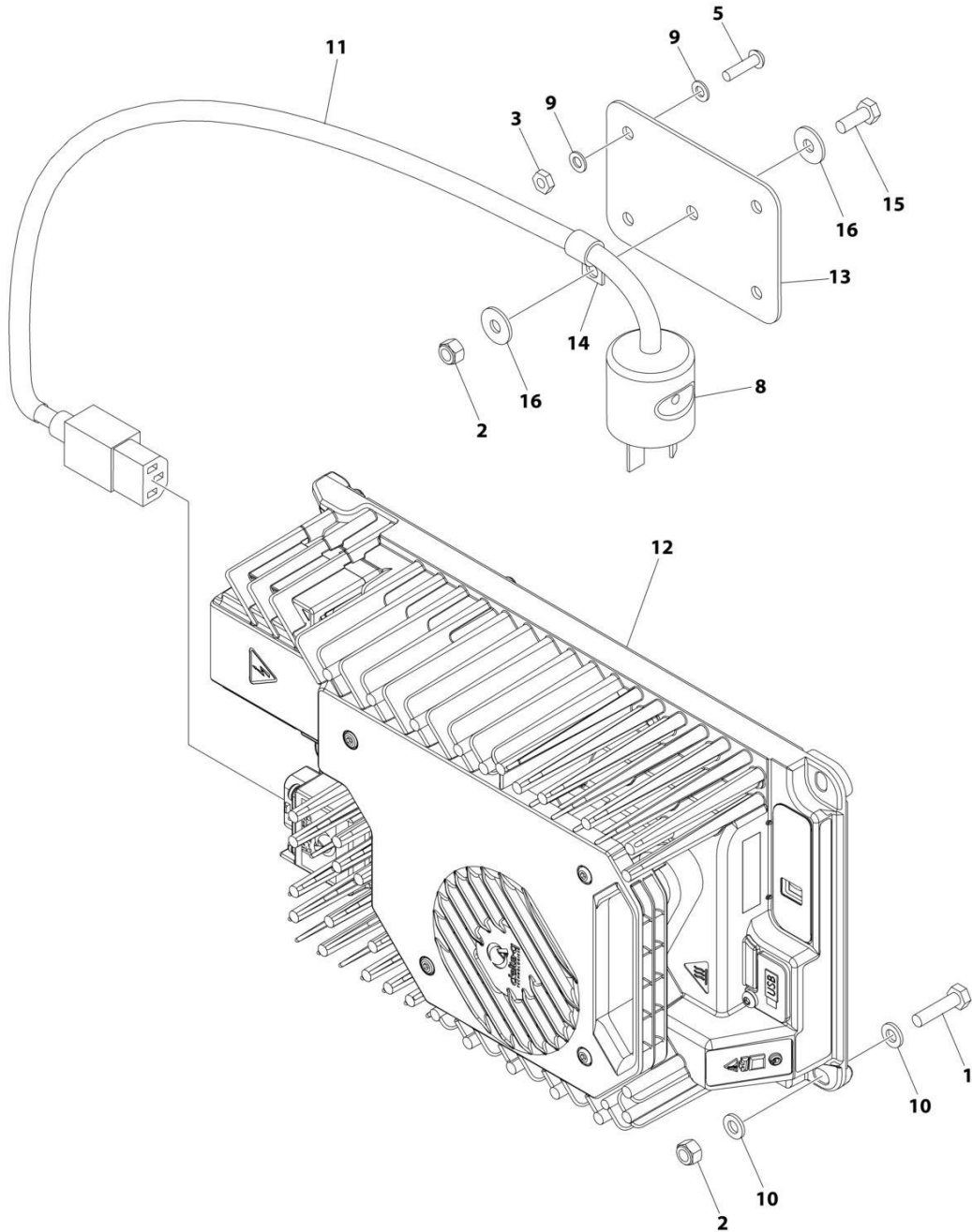
## SECTION 2 - GROUND CONTROLS

### FIGURE 2-3. BATTERY CHARGER INSTALLATION (110V PLUG)

ITEM	PART NUMBER	QTY	DESCRIPTION	REV
	1001251440	Ref	BATTERY CHARGER INSTALLATION	C
1	0700612	4	Bolt M6 x 25	
2	3290605	4	Nut M6	
3	3311005	4	Nut #10	
4	3911014	4	Screw #10 x 7/8	
5	4460802	1	Cover, Terminal	
6	4460803	1	Terminal, Plug	
7	4811600	4	Washer M5	
8	4811700	8	Washer M6	
9	1001265677	1	Charger Assembly	
10	1001263824	1	Cable, Charger to Receptacle	

## SECTION 2 - GROUND CONTROLS

FIGURE 2-4. BATTERY CHARGER INSTALLATION (AUSTRALIAN PLUG)



ART\_1001254883

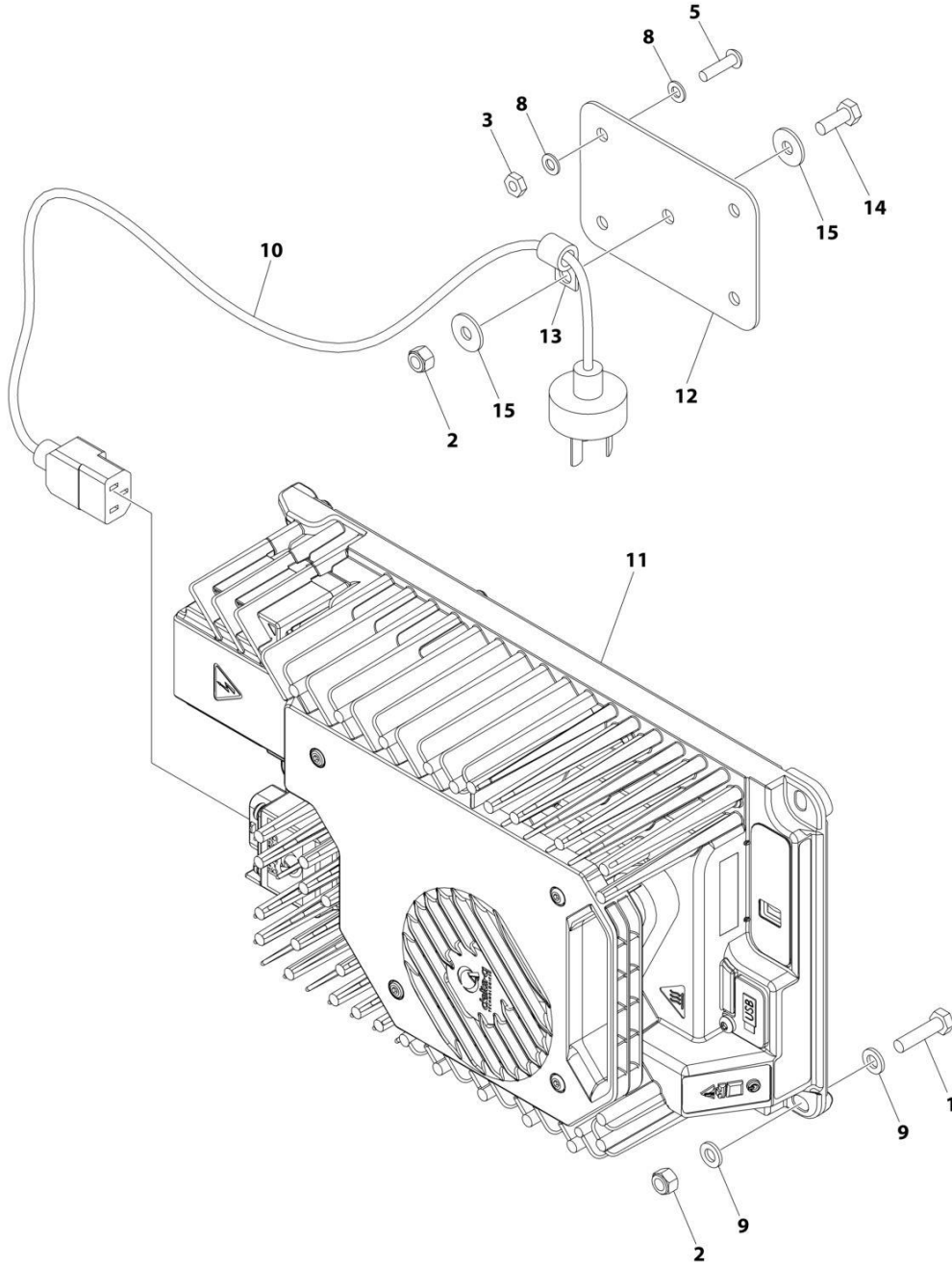
## SECTION 2 - GROUND CONTROLS

**FIGURE 2-4. BATTERY CHARGER INSTALLATION (AUSTRALIAN PLUG)**

ITEM	PART NUMBER	QTY	DESCRIPTION	REV
	1001254883	Ref	BATTERY CHARGER INSTALLATION	B
1	0700612	4	Bolt M6 x 25	
2	3290605	5	Nut M6	
3	3311005	4	Nut #10	
5	3911012	4	Screw #10 x 3/4	
8	4460805	1	Plug	
9	4811600	8	Washer M5	
10	4811700	8	Washer M6	
11	1001263824	1	Cable, AC	
12	1001265677	1	Charger Assembly	
13	1001266001	1	Cover	
14	1321293	1	Clamp	
15	0760608	1	Bolt M6 x 16	
16	4811702	2	Washer M6	

# SECTION 2 - GROUND CONTROLS

## FIGURE 2-5. BATTERY CHARGER INSTALLATION (CHINA PLUG)



ART\_1001254880

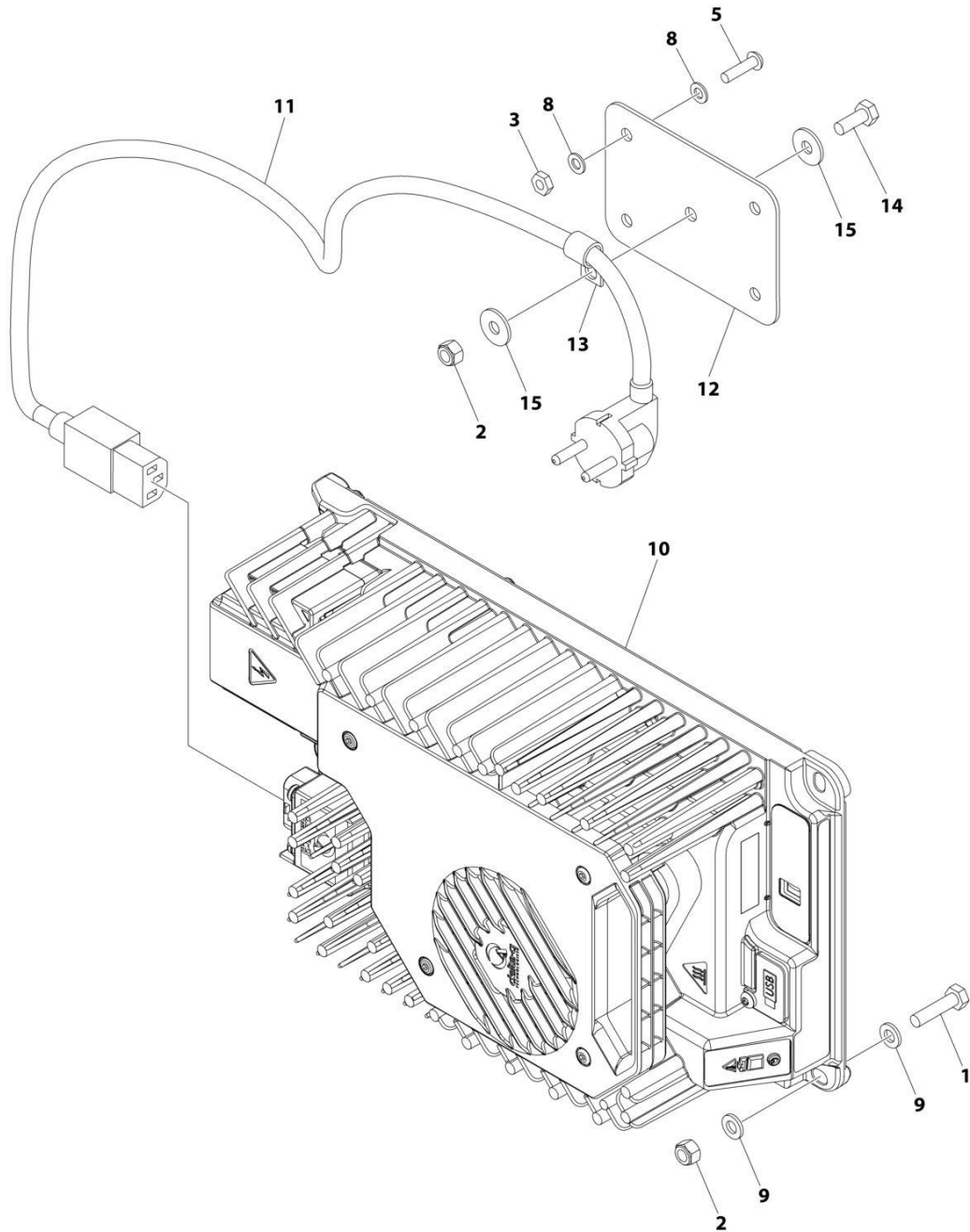
## SECTION 2 - GROUND CONTROLS

### FIGURE 2-5. BATTERY CHARGER INSTALLATION (CHINA PLUG)

ITEM	PART NUMBER	QTY	DESCRIPTION	REV
	1001254880	Ref	BATTERY CHARGER INSTALLATION	B
1	0700612	4	Bolt M6 x 25	
2	3290605	5	Nut M6	
3	3311005	4	Nut #10	
5	3911012	4	Screw #10 x 3/4	
8	4811600	8	Washer M5	
9	4811700	8	Washer M6	
10	1001207973	1	Cable, AC	
11	1001265677	1	Charger Assembly	
12	1001266001	1	Cover	
13	1321293	1	Clamp	
14	0760608	1	Bolt M6 x 16	
15	4811702	2	Washer M6	

## SECTION 2 - GROUND CONTROLS

FIGURE 2-6. BATTERY CHARGER INSTALLATION (KOREAN PLUG)



ART\_1001254882



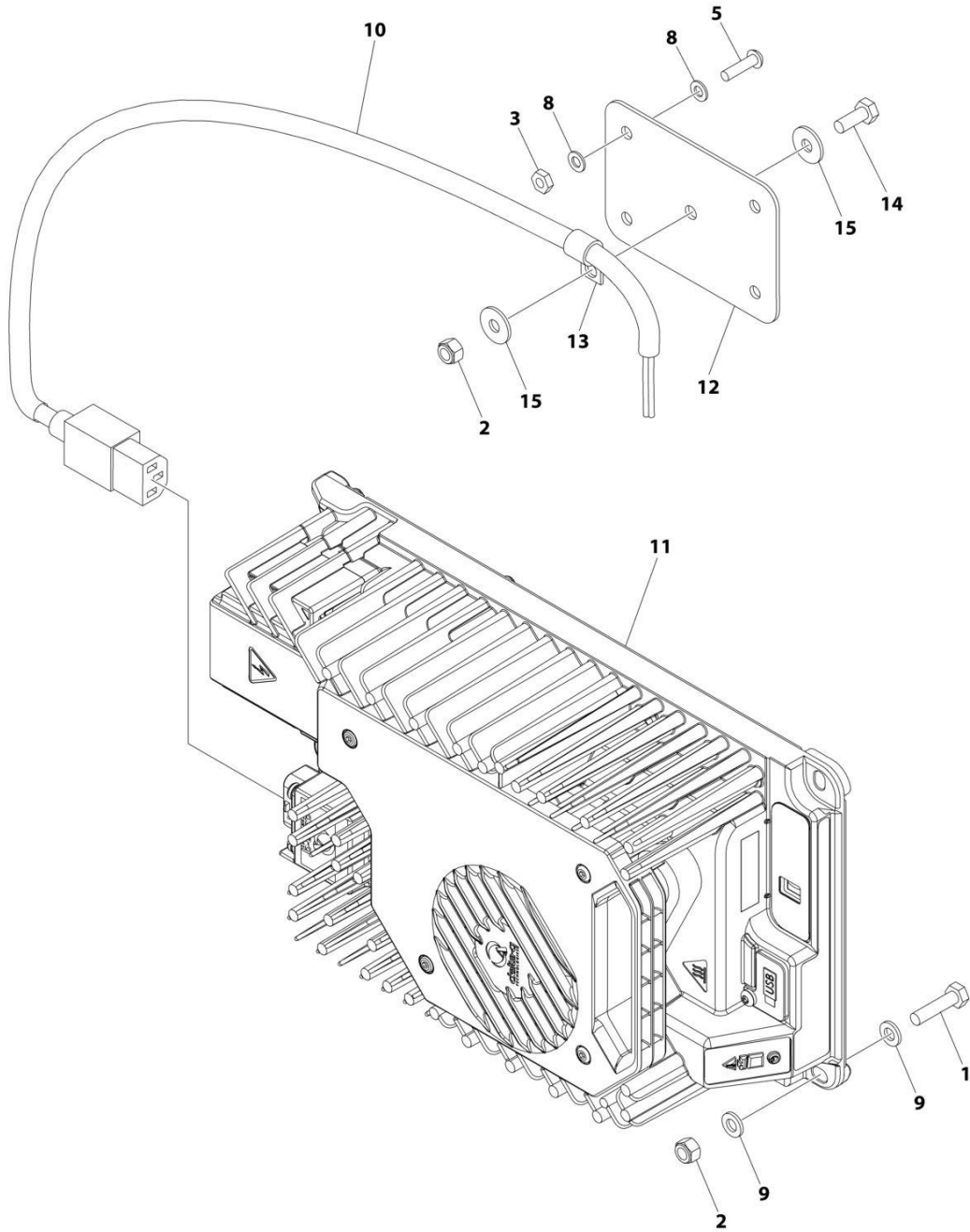
## SECTION 2 - GROUND CONTROLS

**FIGURE 2-6. BATTERY CHARGER INSTALLATION (KOREAN PLUG)**

ITEM	PART NUMBER	QTY	DESCRIPTION	REV
	1001254882	Ref	BATTERY CHARGER INSTALLATION	B
1	0700612	4	Bolt M6 x 25	
2	3290605	5	Nut M6	
3	3311005	4	Nut #10	
5	3911012	4	Screw #10 x 3/4	
8	4811600	8	Washer M5	
9	4811700	8	Washer M6	
10	1001265677	1	Charger Assembly	
11	1001265678	1	Cable, AC	
12	1001266001	1	Cover	
13	1321293	1	Clamp	
14	0760608	1	Bolt M6 x 16	
15	4811702	2	Washer M6	

# SECTION 2 - GROUND CONTROLS

## FIGURE 2-7. BATTERY CHARGER INSTALLATION (NO PLUG)



ART\_1001254881

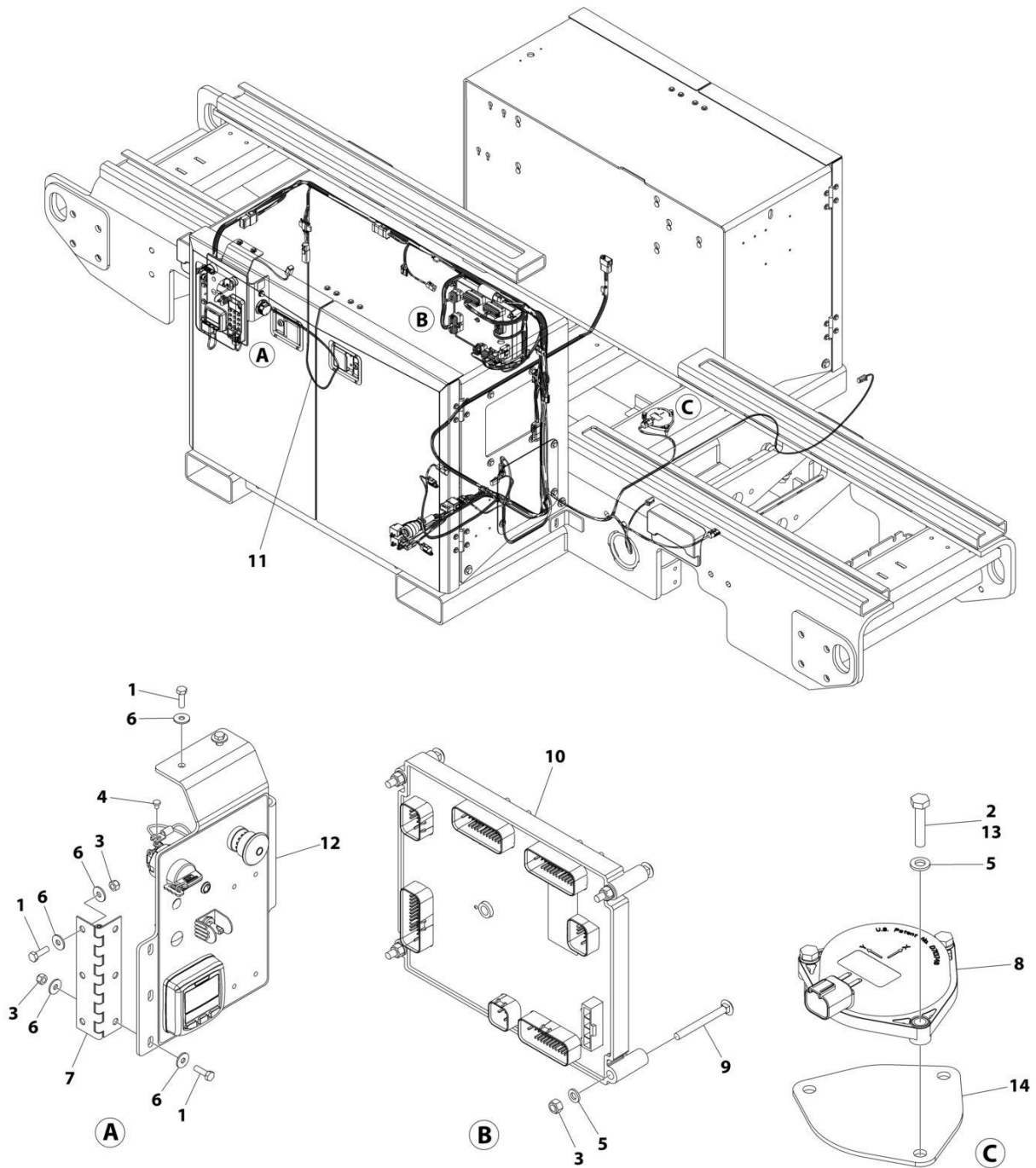
## SECTION 2 - GROUND CONTROLS

### FIGURE 2-7. BATTERY CHARGER INSTALLATION (NO PLUG)

ITEM	PART NUMBER	QTY	DESCRIPTION	REV
	1001254881	Ref	BATTERY CHARGER INSTALLATION	B
1	0700612	4	Bolt M6 x 25	
2	3290605	5	Nut M6	
3	3311005	4	Nut #10	
5	3911012	4	Screw #10 x 3/4	
8	4811600	8	Washer M5	
9	4811700	8	Washer M6	
10	1001263824	1	Cable, AC	
11	1001265677	1	Charger Assembly	
12	1001266001	1	Cover	
13	1321293	1	Clamp	
14	0760608	1	Bolt M6 x 16	
15	4811702	2	Washer M6	

# SECTION 2 - GROUND CONTROLS

## FIGURE 2-8. GROUND CONTROL PANEL INSTALLATION



ART\_1001254548

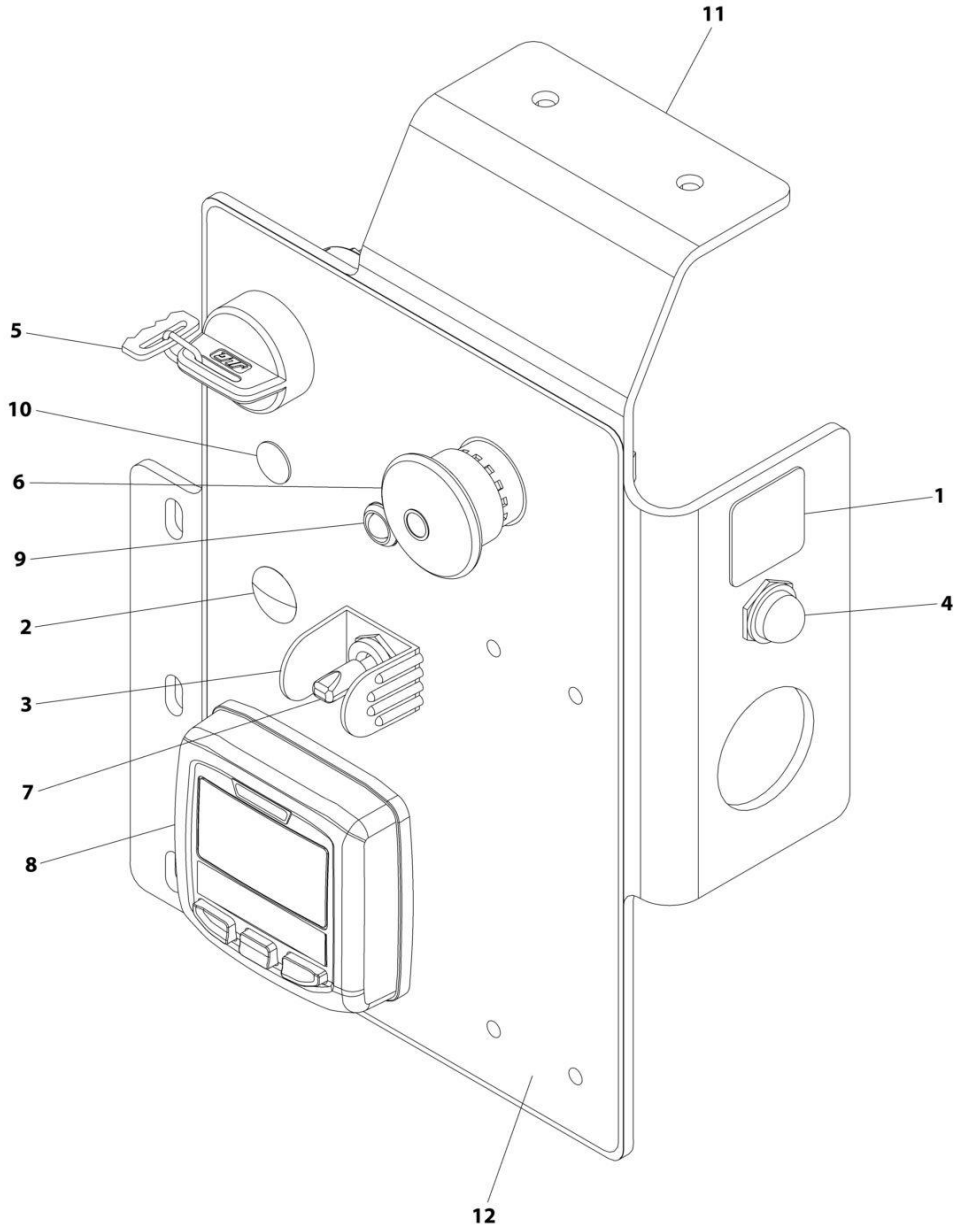
## SECTION 2 - GROUND CONTROLS

**FIGURE 2-8. GROUND CONTROL PANEL INSTALLATION**

ITEM	PART NUMBER	QTY	DESCRIPTION	REV
	1001254548	Ref	GROUND CONTROL PANEL INSTALLATION	C
1	0760610	8	Bolt M6 x 20	
2	0760614	3	Bolt M6 x 30	
2	4010615	3	Bolt M6 x 35	
3	3290605	10	Nut M6	
4	4010403	3	Screw M4 x 6	
5	4811700	7	Washer M6	
6	4811702	14	Washer M6	
7	1001110188	1	Hinge	
8	1001244934	1	Sensor, Tilt	
9	1001248039	4	Bolt M6 x 60	
10	1001249777	1	Module, Ground Control (Note: Re-calibration Required when Replaced)	
11	1001254403	1	Chassis Harness (See Separate Breakdown in ELECTRICAL Section)	
12	1001257885	1	Ground Control Assembly (See Separate Breakdown in this Section)	
13	0100011	AR	Compound, Locking	
14	1001272777	1	Gasket	

# SECTION 2 - GROUND CONTROLS

## FIGURE 2-9. GROUND CONTROL ASSEMBLY



ART\_1001257885

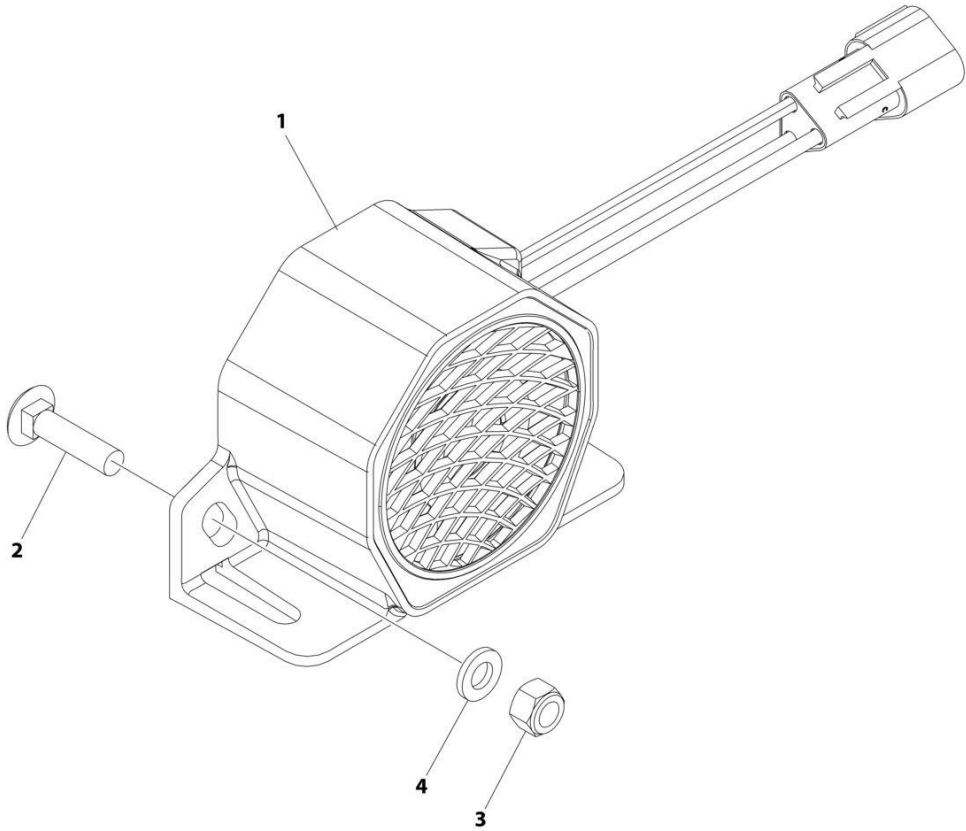
## SECTION 2 - GROUND CONTROLS

**FIGURE 2-9. GROUND CONTROL ASSEMBLY**

ITEM	PART NUMBER	QTY	DESCRIPTION	REV
	1001257885	Ref	GROUND CONTROL ASSEMBLY	D
1	1706679	1	Decal - Brake Release	
2	3520026	1	Plug	
3	4060802	1	Guard, Switch	
4	4360387	1	Switch, Push Button	
5	4360469	1	Switch, Key	
5	2860030	1Set	Key, Replacement	
6	1001274559	1	Switch, Emergency Stop (Plastic)	
6	4360475	1	Switch, Emergency Stop (Metal)	
6	7020175	1	Cap	
6	7020176	1	Block, Contact	
7	4360524	1	Switch, Toggle	
8	1001171482	1	Gauge, Display	
9	1001182680	1	Light, LED	
10	1001226421	1	Plug	
11	1001257884	1	Bracket	
11	1001258920	1	Decal - Ground Control	

**SECTION 2 - GROUND CONTROLS**

**FIGURE 2-10. ALARM INSTALLATION (HORN)**



ART\_1001250678



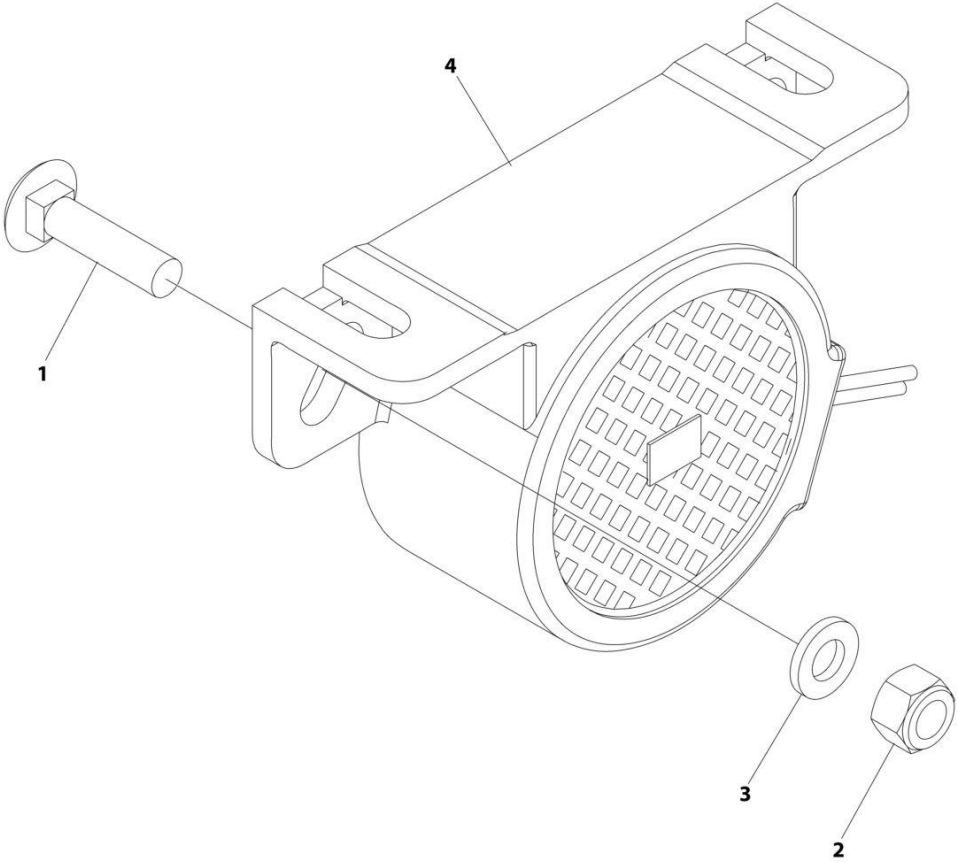
## SECTION 2 - GROUND CONTROLS

FIGURE 2-10. ALARM INSTALLATION (HORN)

ITEM	PART NUMBER	QTY	DESCRIPTION	REV
	1001250678	Ref	ALARM INSTALLATION	C
1	0140043	1	Alarm	
2	0630587	2	Bolt M6 x 25	
3	3290605	2	Nut M6	
4	4811700	2	Washer M6	

**SECTION 2 - GROUND CONTROLS**

**FIGURE 2-11. ALARM INSTALLATION (WHITE NOISE)**



ART\_1001249309

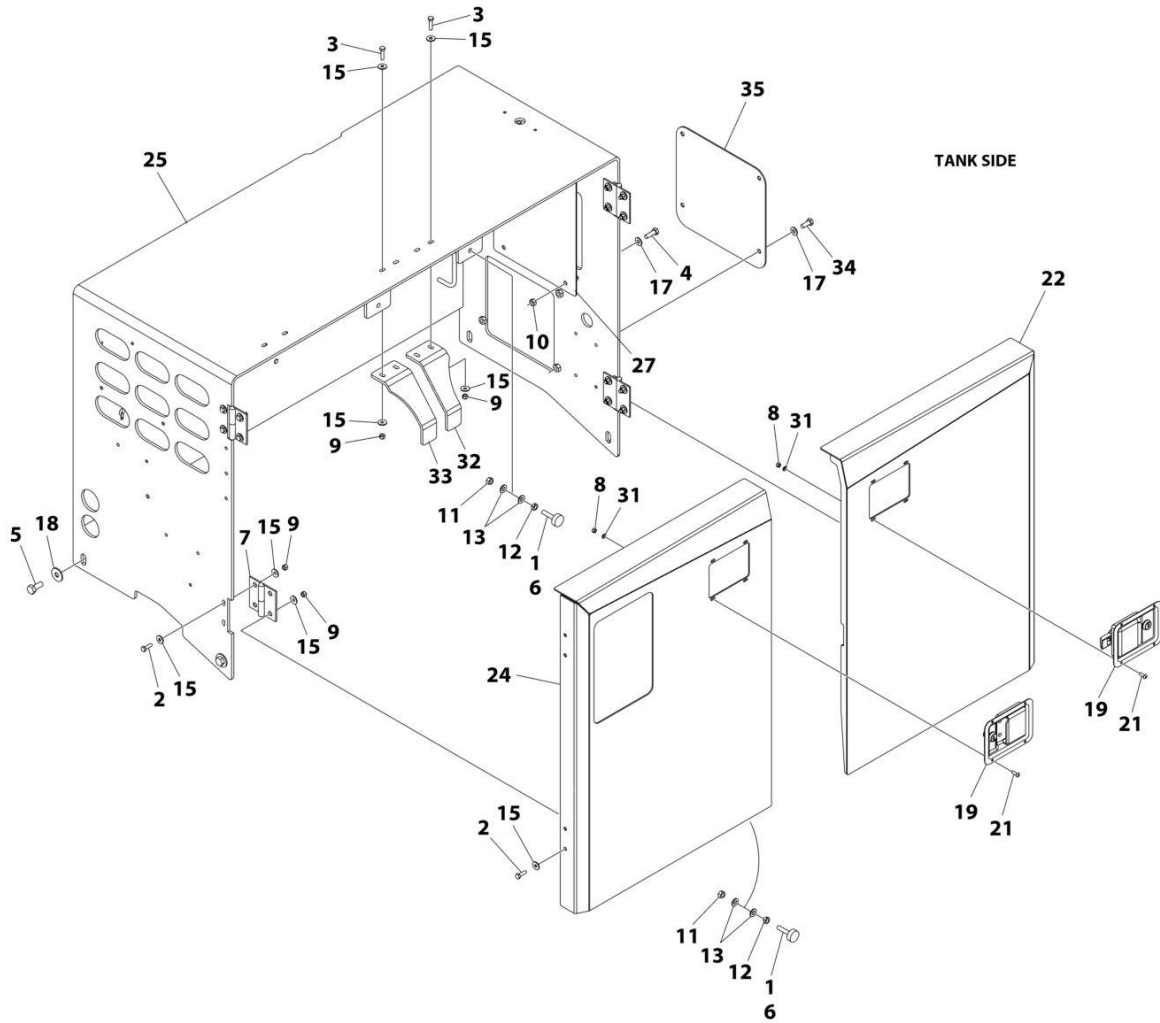
## SECTION 2 - GROUND CONTROLS

FIGURE 2-11. ALARM INSTALLATION (WHITE NOISE)

ITEM	PART NUMBER	QTY	DESCRIPTION	REV
	1001249309	Ref	ALARM INSTALLATION	C
1	0630587	2	Bolt M6 x 25	
2	3290605	2	Nut M6	
3	4811700	2	Washer M6	
4	1001184682	1	Alarm	
4	4460897	1	Receptacle, Female - 2 Position	
4	4460464	2	Pin, Male	



# SECTION 2 - GROUND CONTROLS



ART\_1001254827\_20F2

## SECTION 2 - GROUND CONTROLS

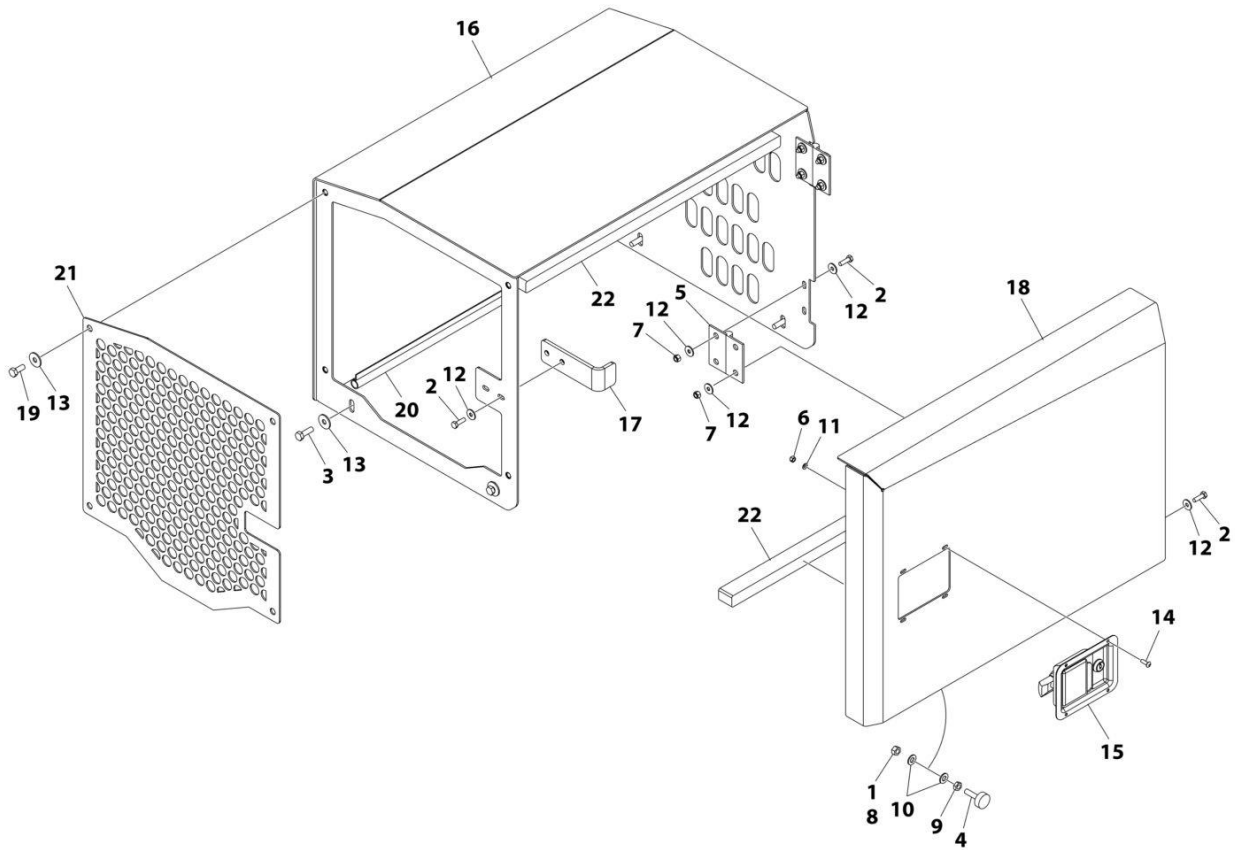
FIGURE 2-12. HOODS INSTALLATION

ITEM	PART NUMBER	QTY	DESCRIPTION	REV
	1001254827	Ref	HOODS INSTALLATION	E
1	0100011	AR	Compound, Locking	
2	0760610	32	Bolt M6 x 20	
3	0760612	8	Bolt M6 x 25	
4	0770812	4	Bolt M8 x 25	
5	0761012	8	Bolt M10 x 25	
6	1001260334	8	Bumper	
7	2600216	8	Hinge	
8	3290505	16	Nut M5	
9	3290605	40	Nut M6	
10	3290801	10	Nut M8	
11	3311501	8	Nut 5/16	
12	3311502	8	Nut 5/16	
13	4711500	16	Washer 5/16	
15	4811702	80	Washer M6	
16	4811900	6	Washer M8	
17	4811902	12	Washer M8	
18	4812002	8	Washer M10	
19	1001257454	4	Latch, Lock	
20	1001218448	6	Bolt	
21	1001234348	16	Screw M5 x 16 Grade 10.9	
22	1001247637	2	Door (Hydraulic Side RH/Engine Side RH)	
23	1001247638	1	Door (Engine Side LH)	
24	1001247639	1	Door (Hydraulic Side LH)	
25	1001248043	1	Shield (Hydraulic Side)	
27	1001248162	1	Cover	
28	1001255815	1	Cover, Battery	
29	1001256372	1	Bracket	
30	1001256373	1	Bracket	
31	4811600	16	Washer M5	
32	1001257688	2	Bracket, Striker	
33	1001257689	2	Bracket, Striker	
34	0760810	4	Bolt M8 x 20	
35	1001263930	1	Cover	



# SECTION 2 - GROUND CONTROLS

## FIGURE 2-13. HOODS INSTALLATION - KUBOTA ENGINE (GENSET)



ART\_1001259033



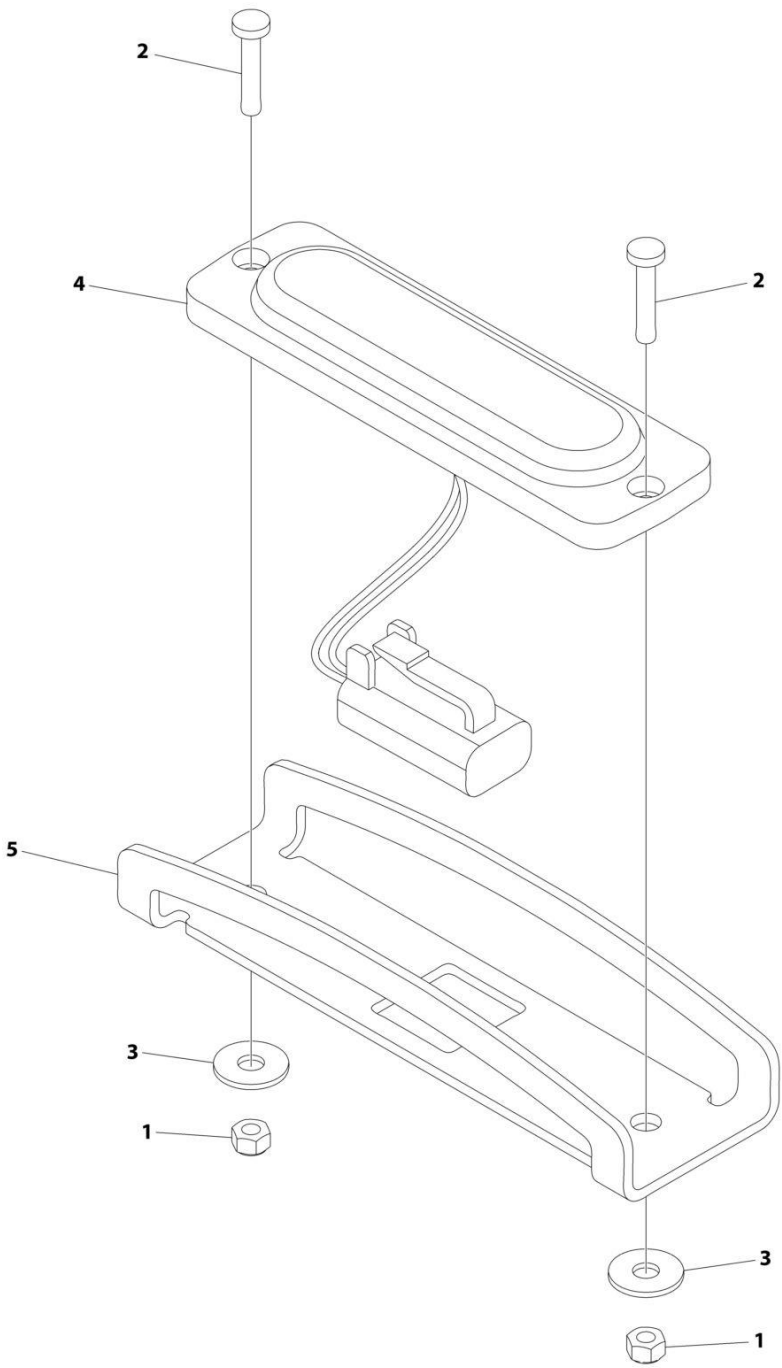
## SECTION 2 - GROUND CONTROLS

**FIGURE 2-13. HOODS INSTALLATION - KUBOTA ENGINE (GENSET)**

ITEM	PART NUMBER	QTY	DESCRIPTION	REV
	1001259033	Ref	HOODS INSTALLATION	C
1	0100011	AR	Compound, Locking	
2	0760610	10	Bolt M6 x 20	
3	0770812	4	Bolt M8 x 25	
4	0940049	1	Stopper	
5	2600216	2	Hinge	
6	3290505	4	Nut M5	
7	3290605	8	Nut M6	
8	3311501	1	Nut 5/16	
9	3311502	1	Nut 5/16	
10	4711500	2	Washer 5/16	
11	4811600	4	Washer M5	
12	4811702	18	Washer M6	
13	4811902	8	Washer M8	
14	1001234348	4	Screw M5 x 16 Grade 10.9	
15	1001257454	1	Latch, Lock	
16	1001290343	1	Panel	
17	1001258870	1	Bracket	
18	1001290351	1	Door	
19	0760810	4	Bolt M8 x 20	
20	3960389	1.8 ft /0.57m	Seal	
21	1001290310	1	Plate	
22	1001291027	2	Seal	

# SECTION 2 - GROUND CONTROLS

## FIGURE 2-14. STROBE LIGHT INSTALLATION - SINGLE



ART\_1001249306

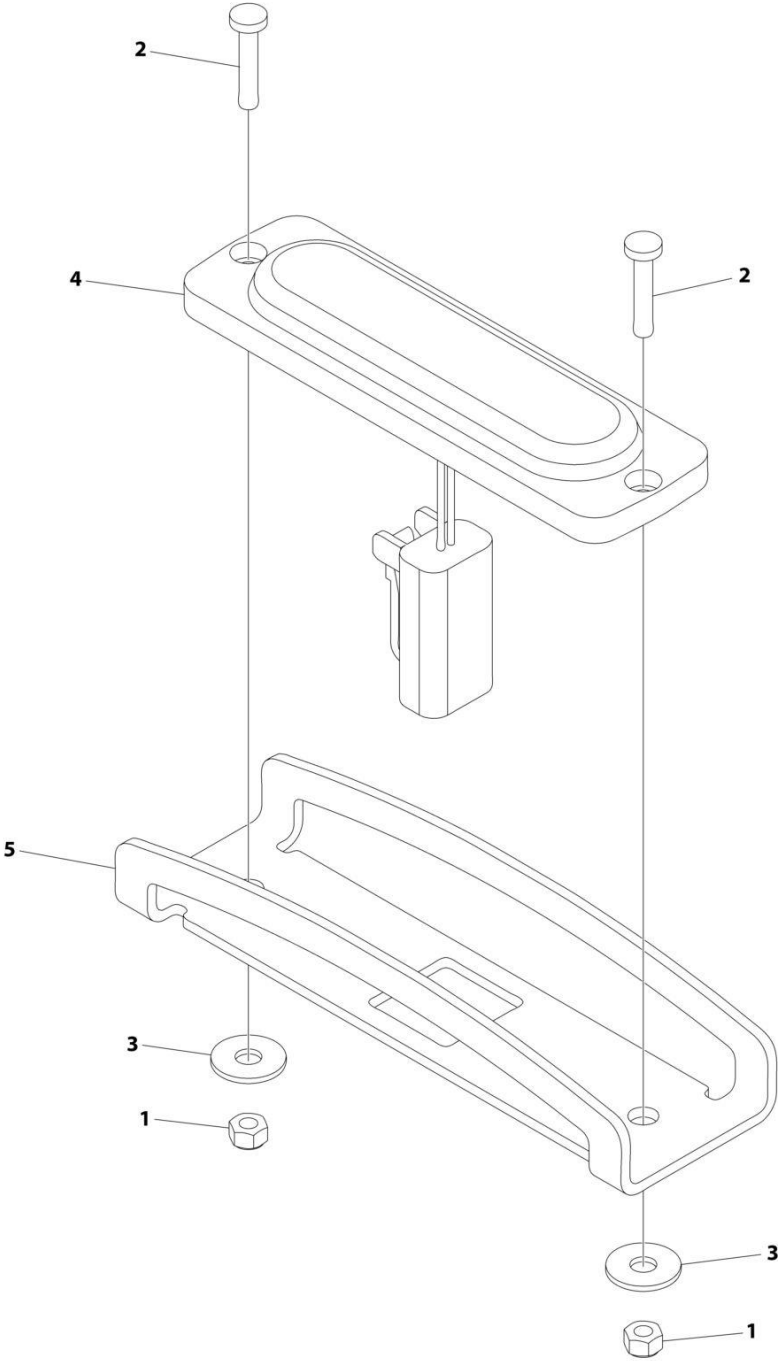
## SECTION 2 - GROUND CONTROLS

### FIGURE 2-14. STROBE LIGHT INSTALLATION - SINGLE

ITEM	PART NUMBER	QTY	DESCRIPTION	REV
	1001249306	Ref	STROBE LIGHT INSTALLATION - SINGLE	B
1	3290305	4	Nut M3	
2	4010308	4	Screw M3 x16	
3	1001091102	6	Washer M4	
4	1001239224	1	Lamp, Beacon	
4	4460891	1	Plug, Male - 2 Position	
4	4460465	2	Socket, Female	
5	1001242539	1	Guard	
6	1001263345	1	Cover, Hood (Not Shown - Located on Opposite Hood)	

# SECTION 2 - GROUND CONTROLS

FIGURE 2-15. STROBE LIGHT INSTALLATION - DUAL



ART\_1001249307

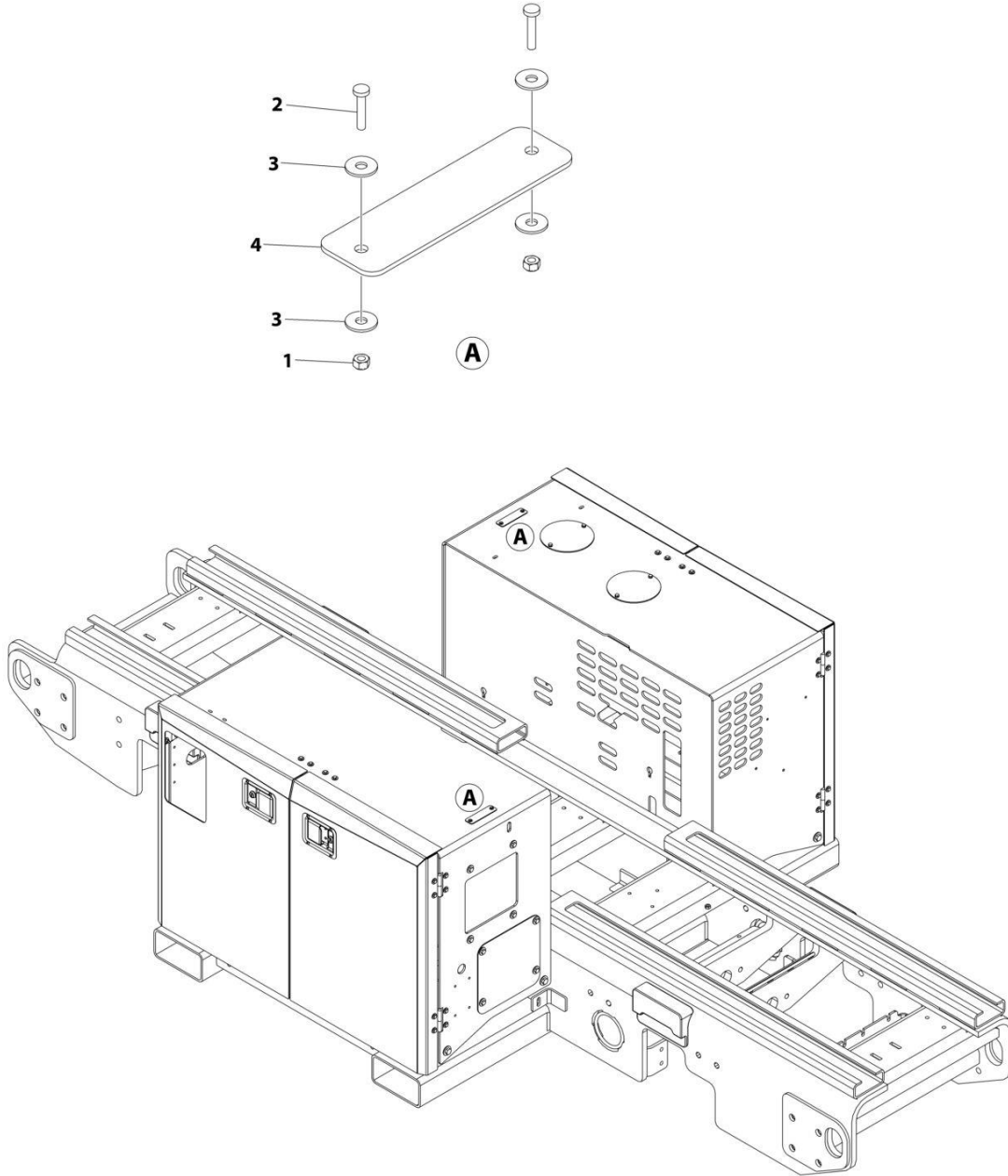
## SECTION 2 - GROUND CONTROLS

### FIGURE 2-15. STROBE LIGHT INSTALLATION - DUAL

ITEM	PART NUMBER	QTY	DESCRIPTION	REV
	1001249307	Ref	STROBE LIGHT INSTALLATION - DUAL	A
1	3290305	4	Nut M3	
2	4010308	4	Screw M3 x16	
3	1001091102	4	Washer M4	
4	1001239224	2	Lamp, Beacon	
4	4460891	1	Plug, Male - 2 Position	
4	4460465	2	Socket, Female	
5	1001242539	2	Guard	

# SECTION 2 - GROUND CONTROLS

## FIGURE 2-16. NO BEACON (COVERS)



ART\_1001267649

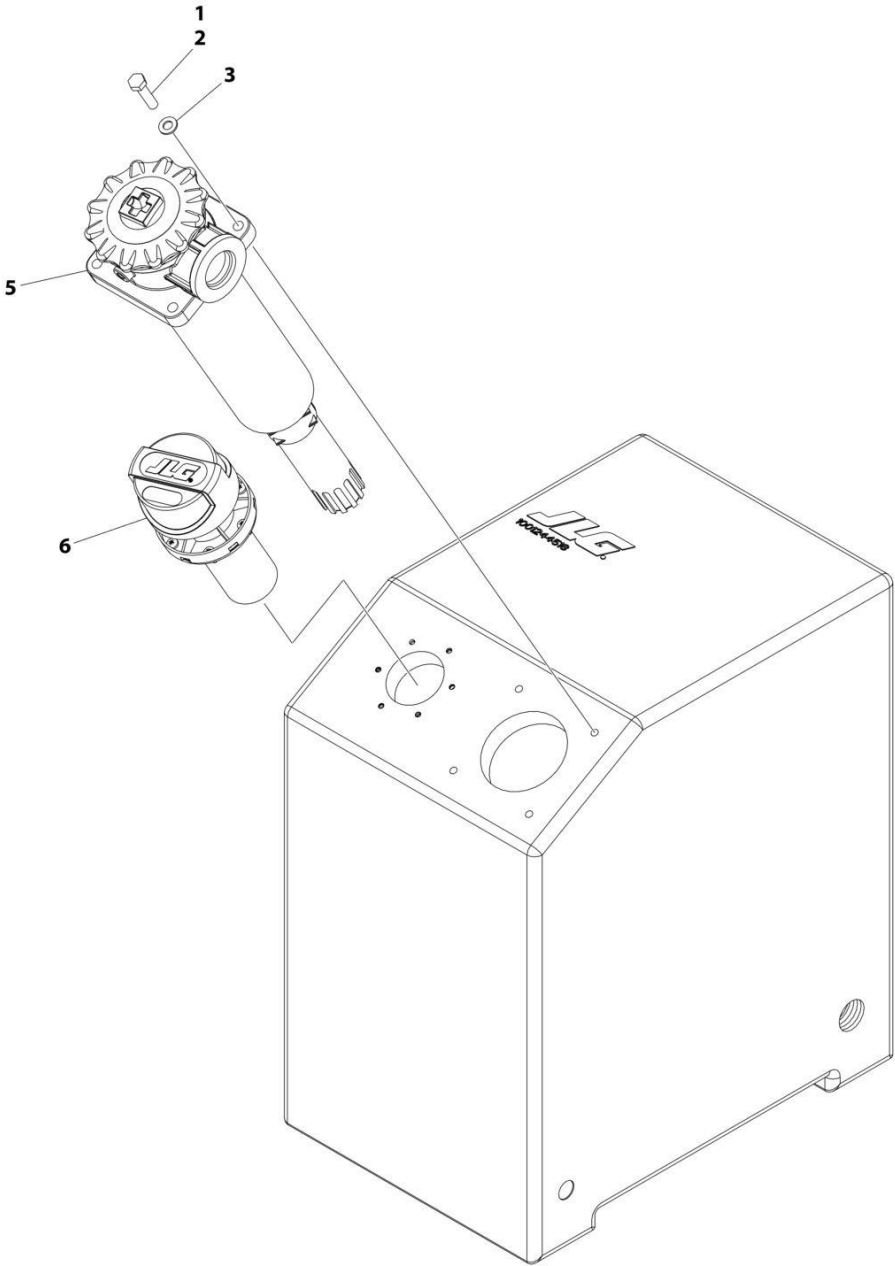
## SECTION 2 - GROUND CONTROLS

**FIGURE 2-16. NO BEACON (COVERS)**

ITEM	PART NUMBER	QTY	DESCRIPTION	REV
	1001267649	Ref	NO BEACON (COVERS)	A
1	3290305	4	Nut M3	
2	4010308	4	Screw M3 x16	
3	1001091102	8	Washer M4	
4	1001263345	2	Cover, Hood	

# SECTION 2 - GROUND CONTROLS

FIGURE 2-17. HYDRAULIC TANK ASSEMBLY



ART\_1001246555



## SECTION 2 - GROUND CONTROLS

### FIGURE 2-17. HYDRAULIC TANK ASSEMBLY

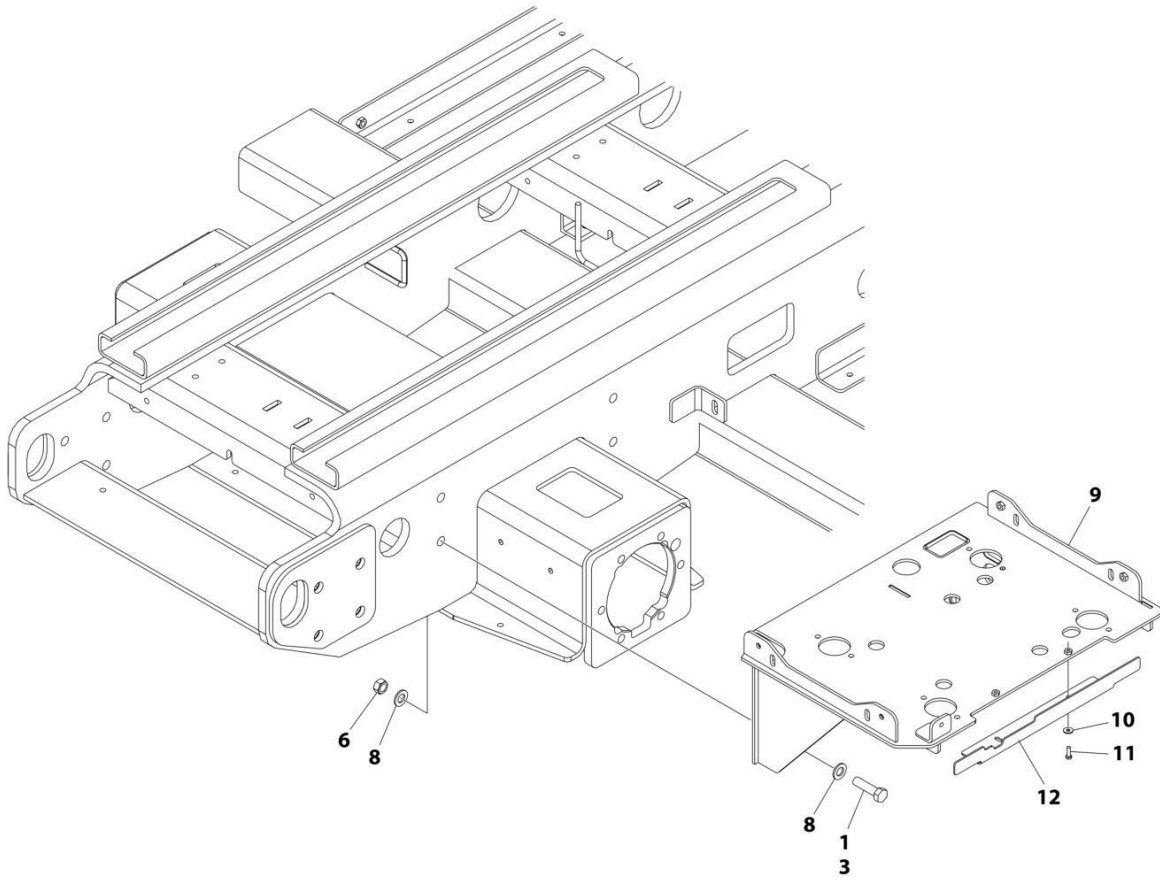
ITEM	PART NUMBER	QTY	DESCRIPTION	REV
	1001246555	Ref	TANK ASSEMBLY	D
1	0100035	AR	Compound, Locking	
2	0760815	4	Bolt M8 x 35	
3	4811900	4	Washer M8	
5	1001246553	1	Filter, Hydraulic Tank	
5	70007035	1	Element, Filter	
6	1001248371	1	Filter, Filler/Breather	



**SECTION 3 - ENGINE**

# SECTION 3 - ENGINE

## FIGURE 3-1. ENGINE MOUNTING INSTALLATION (GENSET)



ART\_1001259032

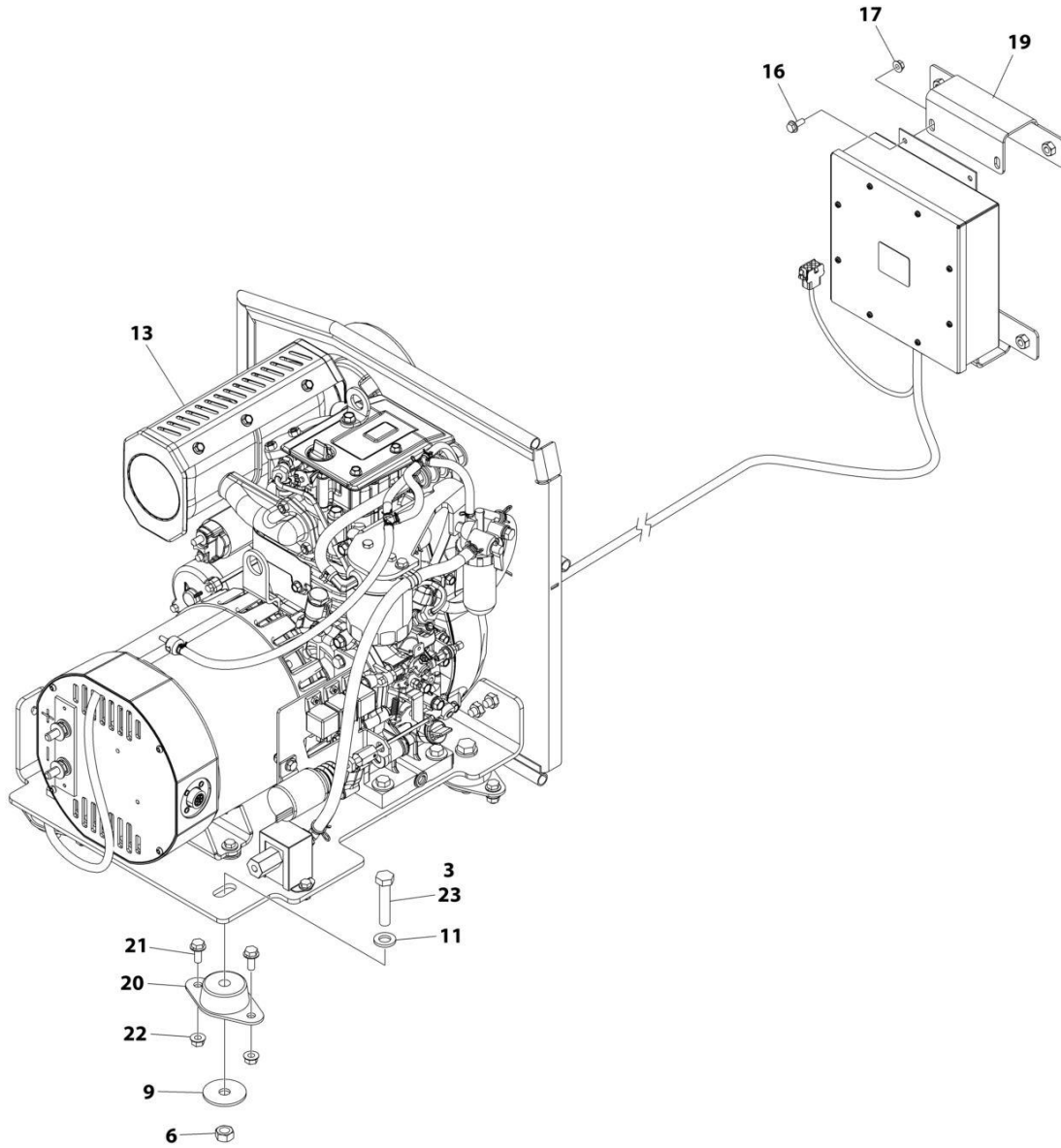
## SECTION 3 - ENGINE

### FIGURE 3-1. ENGINE MOUNTING INSTALLATION (GENSET)

ITEM	PART NUMBER	QTY	DESCRIPTION	REV
	1001259032	Ref	ENGINE INSTALLATION	C
1	0100011	AR	Compound, Locking	
3	0761620	4	Bolt M16 x 60	
6	3331611	4	Nut M16	
8	5241600	8	Washer M16	
9	1001290338	1	Bracket	
10	4811702	2	Washer M6	
11	0760610	2	Bolt M6 x 20	
12	1001290309	1	Bracket	

# SECTION 3 - ENGINE

## FIGURE 3-2. KUBOTA ENGINE INSTALLATION (GENSET)



ART\_1001259030

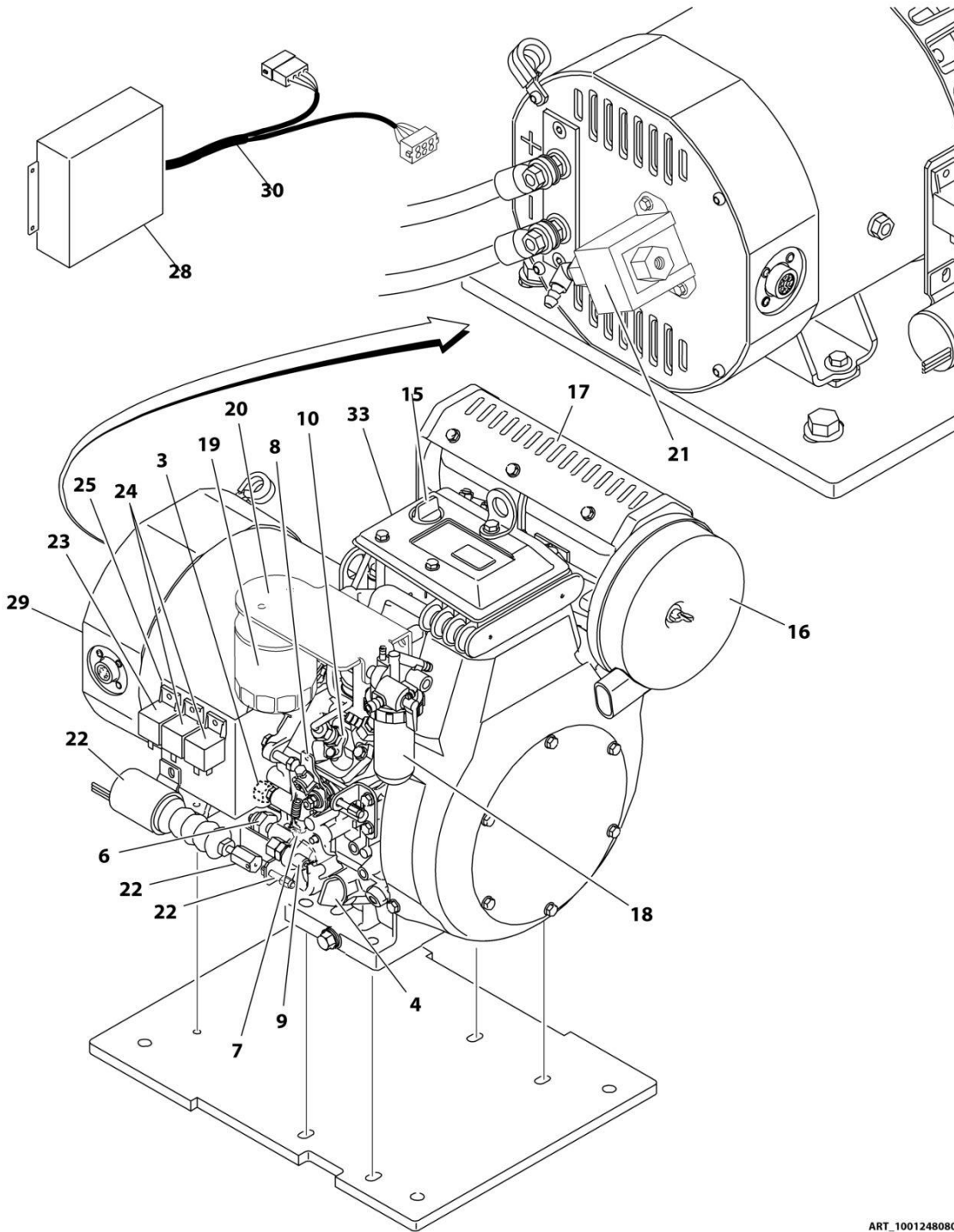
## SECTION 3 - ENGINE

### FIGURE 3-2. KUBOTA ENGINE INSTALLATION (GENSET)

ITEM	PART NUMBER	QTY	DESCRIPTION	REV
	1001259030	Ref	ENGINE INSTALLATION	D
3	0711220	4	Bolt M12 x 60	
6	3331211	4	Nut M12	
9	4740274	4	Washer	
11	5241200	4	Washer M12	
13	1001278112	1	Kubota Engine (See Separate Breakdown in this Section)	
16	5250608	4	Bolt 6 x 16	
17	5260600	4	Nut M6	
19	1001260677	2	Bracket	
20	3200425	4	Mount, Motor	
21	5250810	8	Bolt 8 x 20	
22	5260800	8	Nut M8	
23	0100011	AR	Compound, Locking	

# SECTION 3 - ENGINE

## FIGURE 3-3. KUBOTA ENGINE COMPONENTS (STAGE V)



ART\_1001248080



## SECTION 3 - ENGINE

**FIGURE 3-3. KUBOTA ENGINE COMPONENTS (STAGE V)**

ITEM	PART NUMBER	QTY	DESCRIPTION	REV
	1001248080	Ref	KUBOTA MOTOR/GENERATOR COMPONENTS	A
1	70000290	1	Glow Plug (Not Shown)	
1	70000291	1	Harness, Glow Plug (Not Shown)	
2	70000292	1	Screen, Oil Sump (Includes O-Ring) (Not Shown)	
3	70000293	1	Cap, Oil Filler (Includes O-Ring)	
4	70000294	1	Dipstick	
5	70000295	1	Pump, Oil Rotor (Not Shown - Located beside Item 6)	
5	70000296	1	O-Ring Oil Rotor Pump (Not Shown)	
6	70000297	1	Switch, Oil	
7	70000298	1	Lever, Governor	
7	70000299	1	Pin, Governor Lever	
7	70000300	1	Spring, Governor Lever	
8	70000301	1	Spring, Idling	
8	70000304	1	Lever, Spring Control	
8	70000305	1	Spring, Stop (Speed Control Lever)	
9	70000302	1	Valve, Fuel Limit	
9	70000303	1	Gasket, Fuel Limit	
10	70000306	1	Pump, Injection	
10	70000307	1	Kit, Pump Adjustment Shim	
11	70000308	1	Flywheel/Ring Gear Assembly (Not Shown - Located Behind Front Cover)	
11	70000309	1	Ring Gear (Not Shown)	
11	70001121	1	Stator, Engine (Not Shown - Located Behind Flywheel) (Includes Coil & Grommet)	
12	70003557	1	Regulator, Voltage (Not Shown - Located on Opposite Side of Engine)	
13	70000310	1	Starter (Not Shown - Located on Opposite of Engine)	
14	70000311	1	Solenoid, Starter (Not Shown - Located on Opposite Side of Engine)	
15	70002244	1	Cap, Oil Filler (Includes O-Ring)	
16	70000312	1	Air Filter Assembly	
16	70000313	1	Element, Air Cleaner	
16	70000314	1	Gasket, Air Cleaner	
17	70000315	1	Muffler Assembly	
17	70000316	1	Gasket, Muffler	
18	70000317	1	Inline Fuel Check Valve Assembly	
18	70000967	1	Fuel Filter Assembly	
18	70000318	1	Element, Fuel Filter	
19	70000319	1	Element, Oil Filter	
19	70001144	1	Head, Oil Filter Head (Note: Does Not Include Element)	
20	70002544	1	Bracket, Oil Filter Mount	
21	70000320	1	Pump, Fuel	
22	70000321	1	Solenoid, Fuel	
22	70003618	1	Adapter, Solenoid	
22	70003619	1	Screw	
23	70000322	1	Relay	
24	70000323	2	Relay	
25	70002083	1	Bracket, Solenoid/Relay	
26	70000324	1	Sensor, Speed (Not Shown - Located Inside Front Cover)	
26	70004265	1	Bracket, Speed Sensor (Not Show - Located Inside Front Cover)	

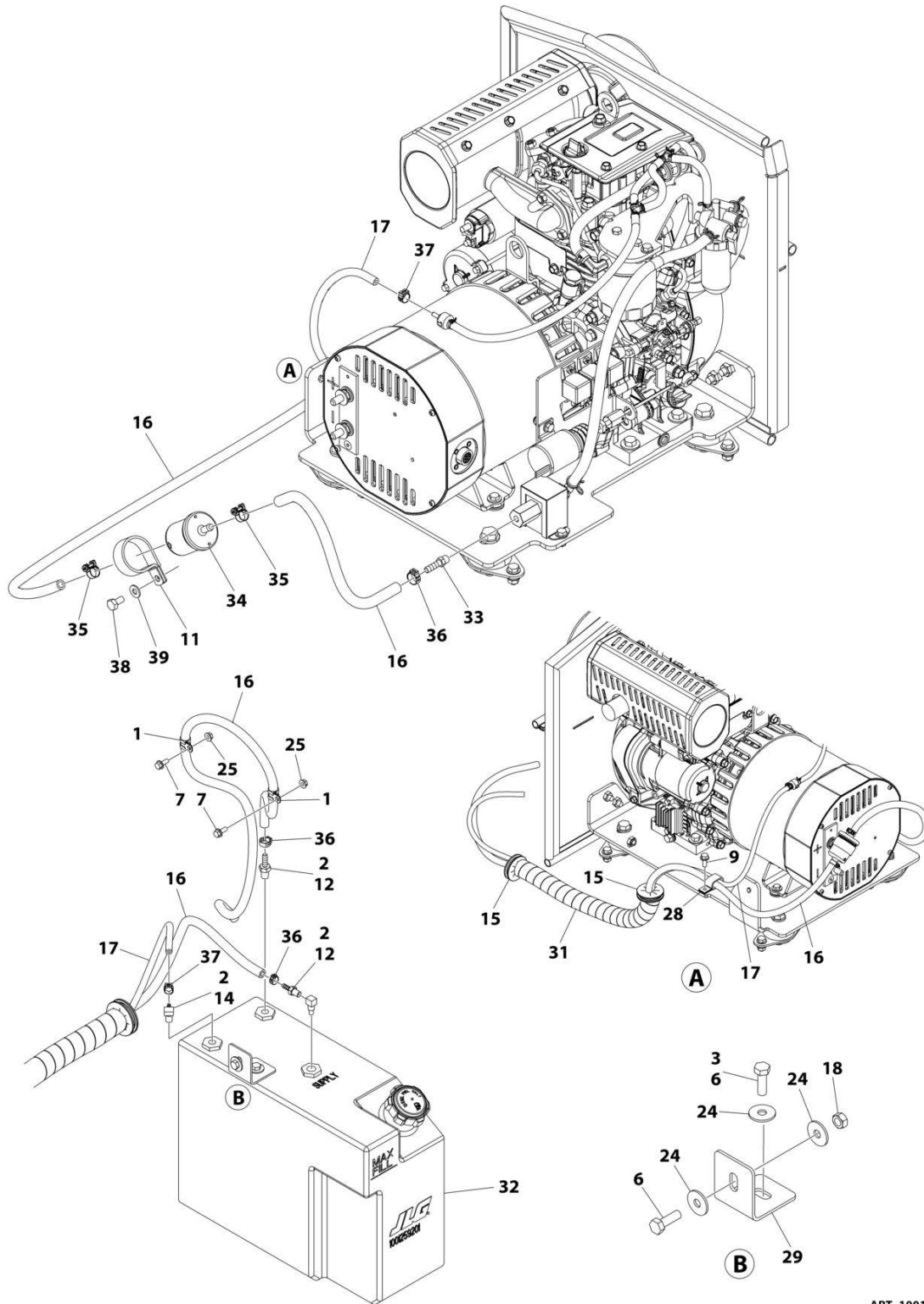
## SECTION 3 - ENGINE

ITEM	PART NUMBER	QTY	DESCRIPTION	REV
27	70000325	1	Sensor, Oil Temperature (Not Shown - Located on Opposite Side of Engine Base)	
28	70000326	1	Module, Engine Control	
29	70000327	1	Alternator	
29	70000382	1	Stator, Alternator	
29	70004394	1	Lead, Field Terminal Block Diode	
30	70000328	1	Harness, Generator	
31	70000329	1	Fuse 15Amp (Not Shown)	
32	70000330	1	Fuse 20Amp (Not Shown)	
33	70002543	1	Engine, Kubota (without Generator)	
34	70000289	1	Regulator, Voltage (Not Shown - Located on Opposite Side of Engine)	



# SECTION 3 - ENGINE

## FIGURE 3-4. ENGINE FUEL LINES INSTALLATION (GENSET)



ART\_1001259031

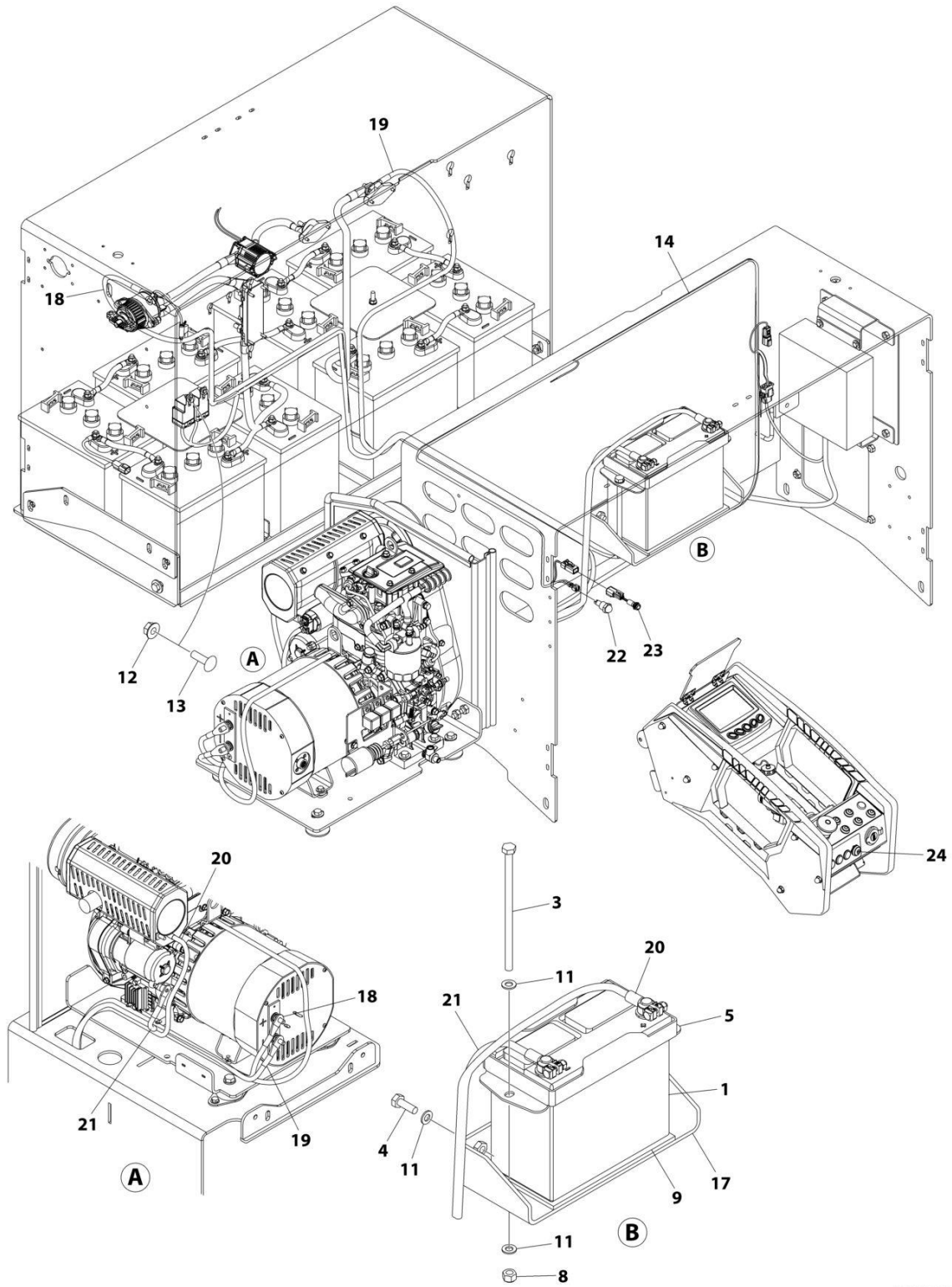
## SECTION 3 - ENGINE

**FIGURE 3-4. ENGINE FUEL LINES INSTALLATION (GENSET)**

ITEM	PART NUMBER	QTY	DESCRIPTION	REV
	1001259031	Ref	FUEL LINES INSTALLATION	D
1	80630	2	Clamp	
2	0100020	AR	Sealant	
3	0100035	AR	Compound, Locking	
6	0700812	2	Bolt M8 x 25	
7	0780608	2	Bolt M6 x 16	
9	0780810	1	Bolt M8 x 20	
11	1320265	1	Clamp	
12	2180348	2	Fitting, Barb	
14	2221047	1	Fitting, 90 Barb	
15	2540045	2	Grommet	
16	2720058	11 ft/ 3.35m	Hose	
17	2720271	4.5 ft/ 1.34m	Hose	
18	3290801	1	Nut M8	
24	4811902	3	Washer M8	
25	5260600	2	Nut M6	
28	1001026127	1	Clamp	
29	1001258837	1	Bracket	
31	1001259240	1	Shield	
32	1001262074	1	Tank Assembly	
32	1001259201	1	Tank	
32	1001193336	1	Cap, Fuel (Non-Vented)	
33	2220794	1	Fitting, Straight Barb	
34	1001255422	1	Filter/Strainer, Fuel	
35	1001174486	2	Clamp	
36	1001263657	3	Clamp	
37	1001263658	2	Clamp	
38	0641404	1	Bolt 1/4 x 1/2	
39	4711400	1	Washer 1/4	

# SECTION 3 - ENGINE

## FIGURE 3-5. ENGINE ELECTRICAL INSTALLATION (GENSET)



ART\_1001259034

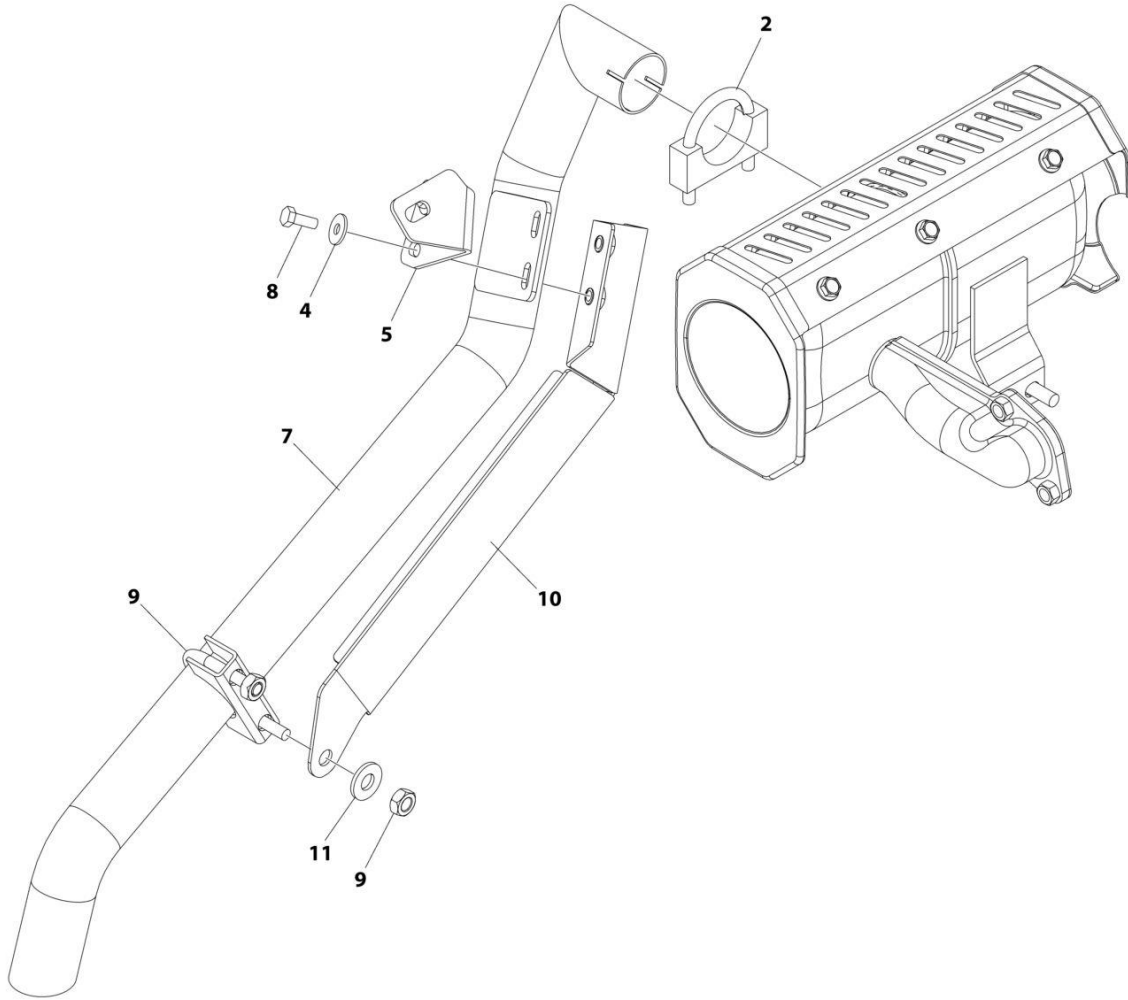
## SECTION 3 - ENGINE

**FIGURE 3-5. ENGINE ELECTRICAL INSTALLATION (GENSET)**

ITEM	PART NUMBER	QTY	DESCRIPTION	REV
	1001259034	Ref	ENGINE ELECTRICAL INSTALLATION - DIESEL	D
1	0400201	1	Battery	
3	0701037	2	Bolt M10 x 200	
4	0771014	2	Bolt M10 x 30	
5	0902659	1	Bracket, Battery	
8	3291005	2	Nut M10	
9	3980035	1	Seat, Battery	
11	4812000	6	Washer M10	
12	5260600	2	Nut M6	
13	1001100451	2	Bolt M6 x 20	
14	1001255067	1	Harness, Mechtron Genset (See Separate Breakdown in ELECTRICAL Section)	
17	1001260678	1	Bracket	
18	1001260903	1	Cable - Generator Positive	
19	1001260904	1	Cable - Generator Negative	
20	1001260952	1	Cable - Battery Positive	
21	1001260953	1	Cable - Battery Negative	
22	4360387	1	Switch, Push Button	
23	1001182680	1	Light, LED	
24	1001250684	1	Switch, Push Button (Platform Control Box)	
25	4240018	1	Tie-Strap (Not Shown)	

# SECTION 3 - ENGINE

## FIGURE 3-6. EXHAUST INSTALLATION (GENSET)



ART\_1001259035



## SECTION 3 - ENGINE

### FIGURE 3-6. EXHAUST INSTALLATION (GENSET)

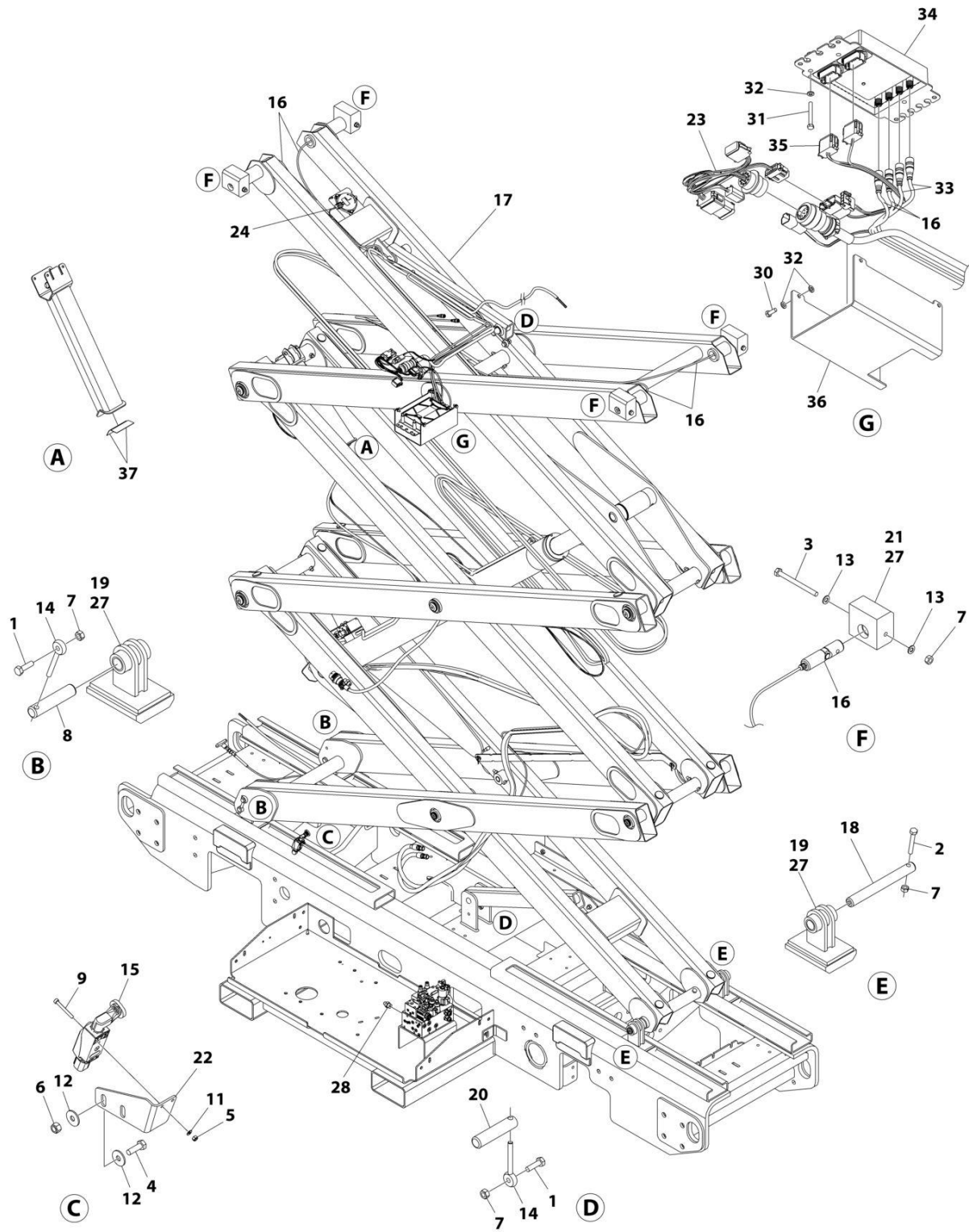
ITEM	PART NUMBER	QTY	DESCRIPTION	REV
	1001259035	Ref	EXHAUST INSTALLATION	D
2	1320135	1	Clamp	
4	4811702	2	Washer M6	
5	1001277750	1	Beacket	
7	1001290347	1	Pipe	
8	0760610	2	Bolt M6 x 20	
9	1320274	1	Clamp	
10	1001290345	1	Shield	
11	4811902	1	Washer M8	



**SECTION 4 - SCISSORS ARMS**

# SECTION 4 - SCISSORS ARMS

## FIGURE 4-1. ARMS INSTALLATION (ERT2669)



ART\_1001248820

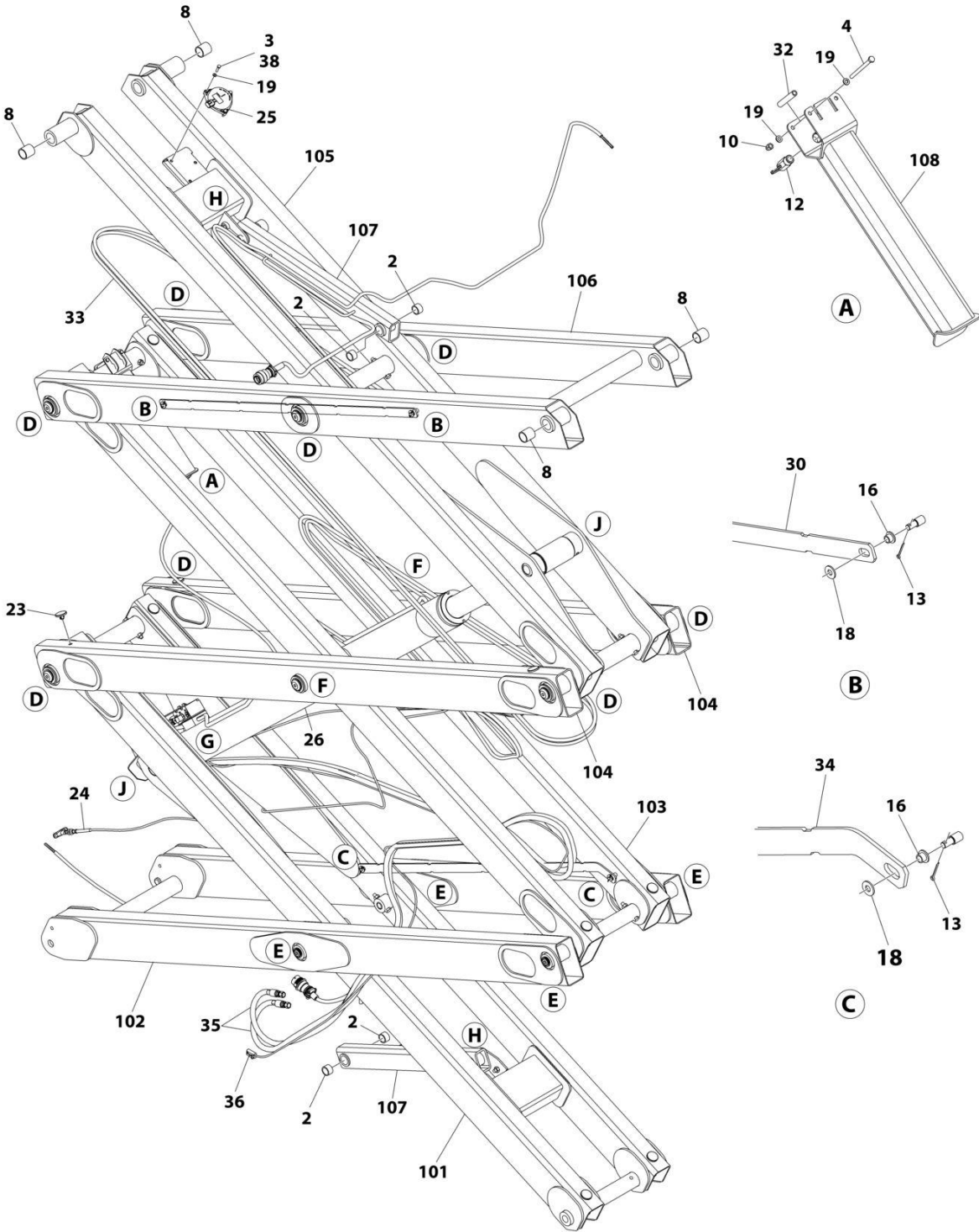
## SECTION 4 - SCISSORS ARMS

**FIGURE 4-1. ARMS INSTALLATION (ERT2669)**

ITEM	PART NUMBER	QTY	DESCRIPTION	REV
	1001248820	Ref	ARMS INSTALLATION	C
1	0701015	4	Bolt 10 x 35	
2	0701022	2	Bolt 10 x 70	
3	0701029	4	Bolt 10 x 120	
4	0760812	2	Bolt M8 x 25	
5	3290405	2	Nut M4	
6	3290805	2	Nut M8	
7	3291007	10	Nut M10	
8	3422943	2	Pin	
9	4031511	2	Capscrew M4 x 35	
11	4811400	2	Washer M4	
12	4811902	4	Washer M8	
13	4812000	8	Washer M10	
14	1001270098	4	Pin, Keeper	
15	1001145548	1	Switch, Limit	
16	3422938	4	Pin	
17	1001247367	1	Arm Assembly (See Separate Breakdown in this Section)	
18	1001247521	2	Pin	
19	1001247667	4	Support, Slider	
20	1001247669	2	Pin	
21	1001247671	4	Block, Slide	
22	1001257587	1	Bracket	
23	1001264939	1	Harness, Platform (See Separate Breakdown in ELECTRICAL Section)	
24	1001249091	1	Harness, Tilt Sensor (See Separate Breakdown in ELECTRICAL Section)	
27	3020022	AR	Lubricant	
28	2220372	1	Fitting, Straight JIC/ORB	
29	4240018	AR	Tie - Strap (Not Shown)	
30	0760608	4	Bolt M6 x 16	
31	0700618	3	Bolt M6 x 50	
32	4811700	11	Washer M6	
33	1061020	2	Cable, Extension (1.5 Meter)	
34	1600387	1	Module, Load Sense (Note: Recalibration Required When Replaced)	
35	1001226830	1	Harness Load Sense (See Separate Breakdown in ELECTRICAL Section)	
36	1001263662	1	Cover	
37	1001189762	2	Tape	

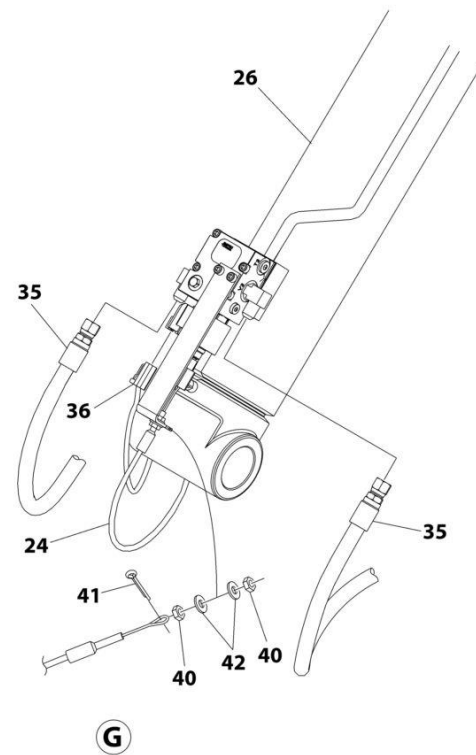
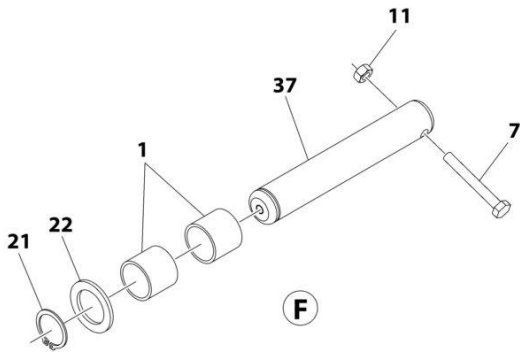
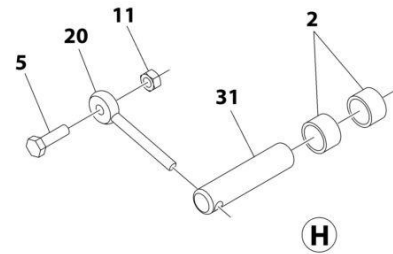
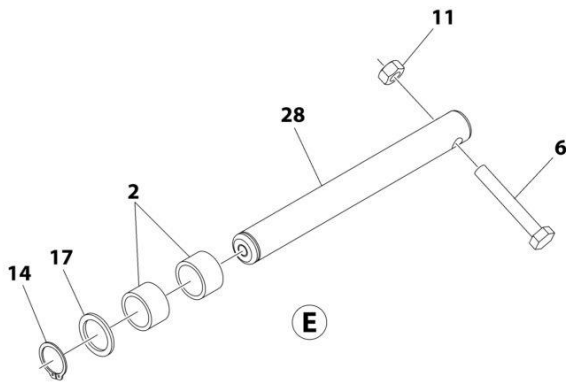
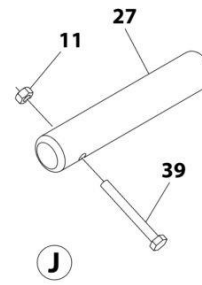
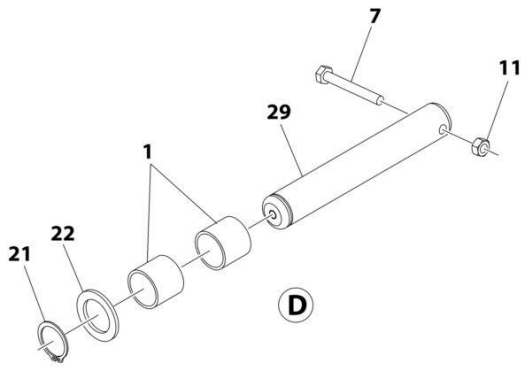
# SECTION 4 - SCISSORS ARMS

## FIGURE 4-2. ARMS ASSEMBLY (ERT2669)



ART\_1001247367\_1OF2

# SECTION 4 - SCISSORS ARMS



ART\_1001247367\_20F2

# SECTION 4 - SCISSORS ARMS

FIGURE 4-2. ARMS ASSEMBLY (ERT2669)

ITEM	PART NUMBER	QTY	DESCRIPTION	REV
	1001247367	Ref	ARMS ASSEMBLY	D
1	0440241	20	Bearing	
2	0440264	16	Bearing	
3	0700612	3	Bolt M6 x 25	
4	0700624	2	Bolt M6 x 80	
5	0701015	2	Bolt M10 x 35	
6	0701022	4	Bolt M10 x 70	
7	0701024	10	Bolt M10 x 80	
8	0962220	4	Bushing	
10	3290606	2	Nut M6	
11	3291007	18	Nut M10	
12	3423151	1	Pin	
13	3450304	4	Pin, Cotter 3/32 x 1	
14	3760509	4	Ring, Retaining	
15	4240018	AR	Tie - Strap (Not Shown)	
16	4740480	4	Washer (Plastic Insert)	
17	4740531	4	Washer	
18	4751500	4	Washer 5/16	
19	4811700	7	Washer M6	
20	1001270098	2	Pin, Keeper	
21	1001099560	10	Ring, Retaining	
22	1001217457	10	Washer	
23	1001228533	16	Bumper	
24	1001265848	1	Cable, Manual Descent	
25	1001244934	1	Sensor, Tilt	
26	1001245923	1	Cylinder Lift Down Valve Assembly (See Separate Breakdown in this Section)	
27	1001247522	2	Pin	
28	1001247523	4	Pin	
29	1001247524	8	Pin	
30	1001247668	1	Bar, Cable	
31	1001247669	2	Pin	
32	1001247670	2	Sleeve	
33	1001248279	1	Harness, Ground To Platform (See Separate Breakdown in ELECTRICAL Section)	
34	1001248865	1	Bar, Cable	
35	1001248890	2	Hose	
36	1001248895	1	Harness Lift Down (See Separate Breakdown in ELECTRICAL Section)	
37	1001249637	2	Pin	
38	0100011	AR	Compound, Locking	
39	0701026	2	Bolt M10 x 90	
40	3321402	2	Nut 1/4	
41	3450405	1	Pin, Cotter 1/8 x 1-1/4	
42	4711400	2	Washer 1/4	
100	1001247375	Ref	Arm Kit (Not Shown)	
101	1001247482	1	Arm, Inboard (Lower)	
102	1001247490	1	Arm, Outboard (Lower)	
103	1001247497	1	Arm, Inboard (Mid)	
104	1001247500	2	Arm, Outboard (Mid)	

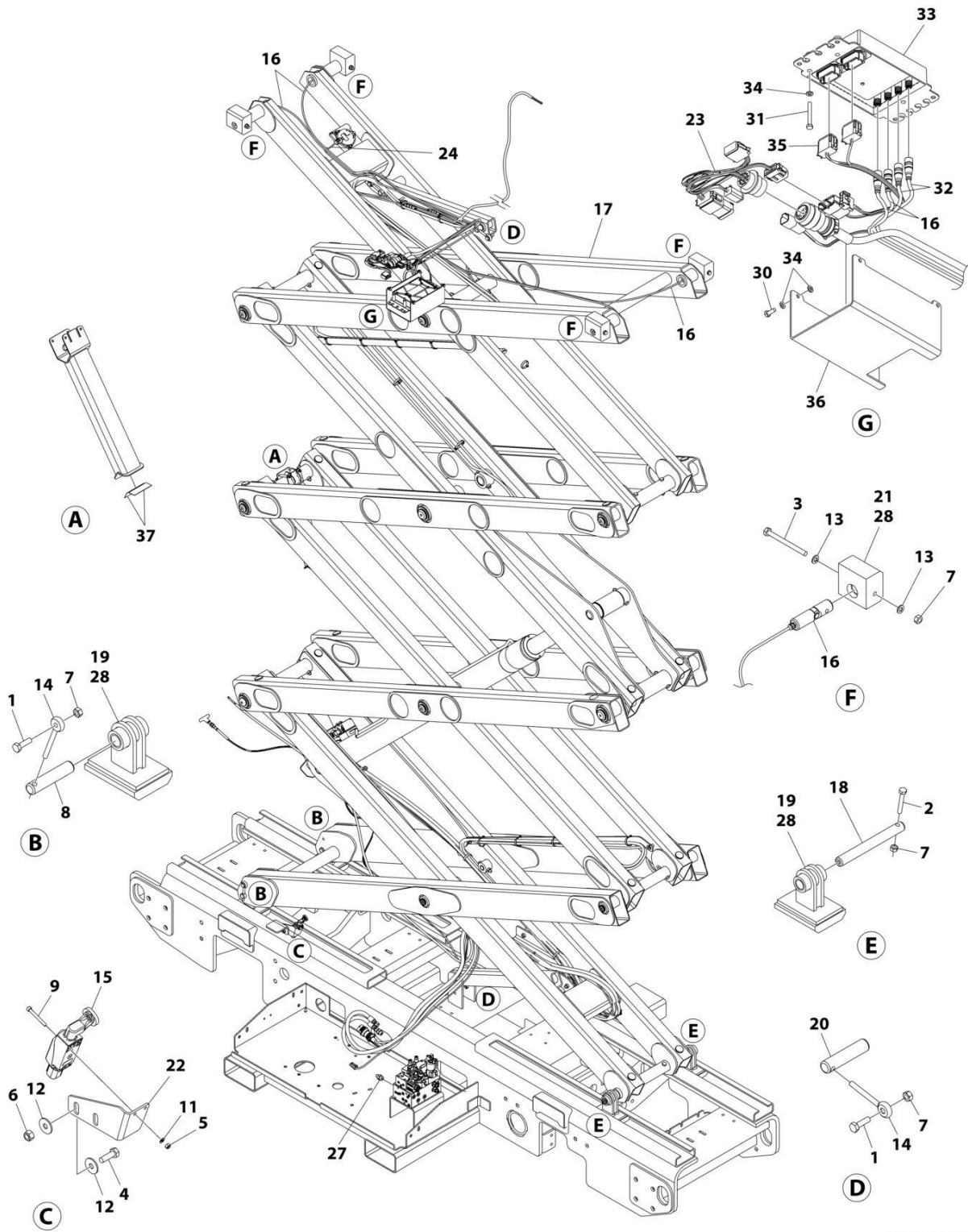


## SECTION 4 - SCISSORS ARMS

ITEM	PART NUMBER	QTY	DESCRIPTION	REV
105	1001247506	1	Arm, Inboard (Upper)	
105	1001247503	2	Bushing (Not Shown)	
106	1001258812	1	Arm, Outboard (Upper)	
107	1001247520	2	Link, Center	
108	1001247672	1	Prop, Arm	

# SECTION 4 - SCISSORS ARMS

## FIGURE 4-3. ARMS INSTALLATION (ERT3369)



ART\_1001248821

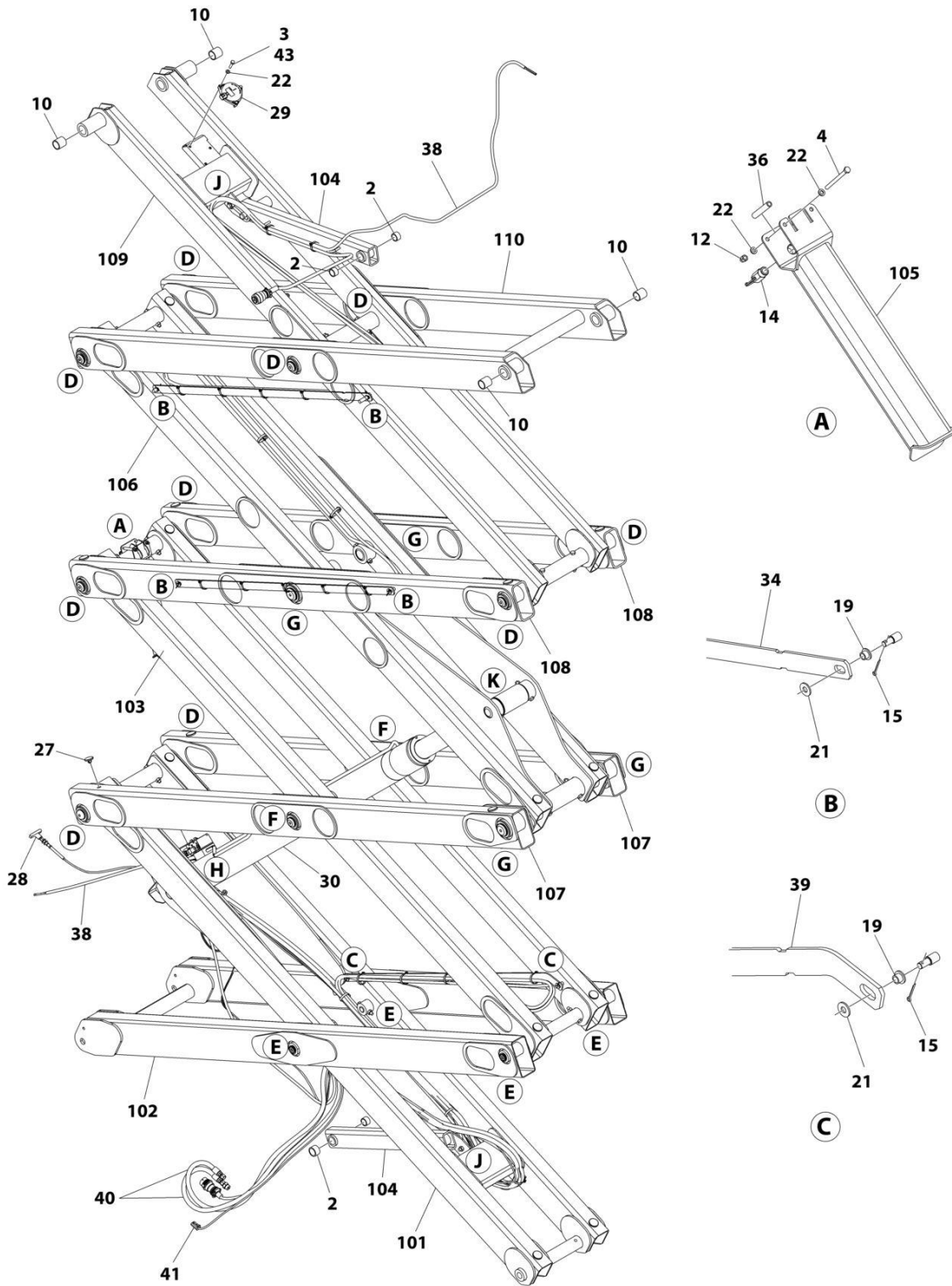
## SECTION 4 - SCISSORS ARMS

**FIGURE 4-3. ARMS INSTALLATION (ERT3369)**

ITEM	PART NUMBER	QTY	DESCRIPTION	REV
	1001248821	Ref	ARMS INSTALLATION	E
1	0701015	4	Bolt 10 x 35	
2	0701022	2	Bolt 10 x 70	
3	0701029	4	Bolt 10 x 120	
4	0760812	2	Bolt M8 x 25	
5	3290405	2	Nut M4	
6	3290805	2	Nut M8	
7	3291007	10	Nut M10	
8	3422943	2	Assembly, Load Sense Pin/Cable	
9	4031511	2	Capscrew M4 x 35	
11	4811400	2	Washer M4	
12	4811902	4	Washer M8	
13	4812000	8	Washer M10	
14	1001270098	4	Pin, Keeper	
15	1001145548	1	Switch, LSS Limit	
15	1001284972	1	Switch, LSS Limit	
16	3422938	4	Assembly, Load Sense Pin/Cable	
17	1001247368	1	Arm Assembly (See Separate Breakdown in this Section)	
18	1001247521	2	Pin	
19	1001247667	4	Support, Slider	
20	1001247669	2	Pin	
21	1001247671	4	Block, Slide	
22	1001257587	1	Bracket	
23	1001264939	1	Harness, Platform (See Separate Breakdown in ELECTRICAL Section)	
24	1001249091	1	Harness, Tilt Sensor (See Separate Breakdown in ELECTRICAL Section)	
27	2220372	1	Fitting, Straight JIC/ORB	
28	3020022	AR	Lubricant	
28	3020029	AR	Lubricant	
29	4240018	AR	Tie - Strap (Not Shown)	
30	0760608	4	Bolt M6 x 16	
31	0700618	3	Bolt M6 x 50	
32	1061020	2	Cable, Load Sense Extension	
33	1600387	1	Module, Load Sense (Note: Recalibration Required When Replaced)	
34	4811700	11	Washer M6	
35	1001226830	1	Harness Load Sense (See Separate Breakdown in ELECTRICAL Section)	
36	1001263662	1	Cover	
37	1001189762	2	Tape	

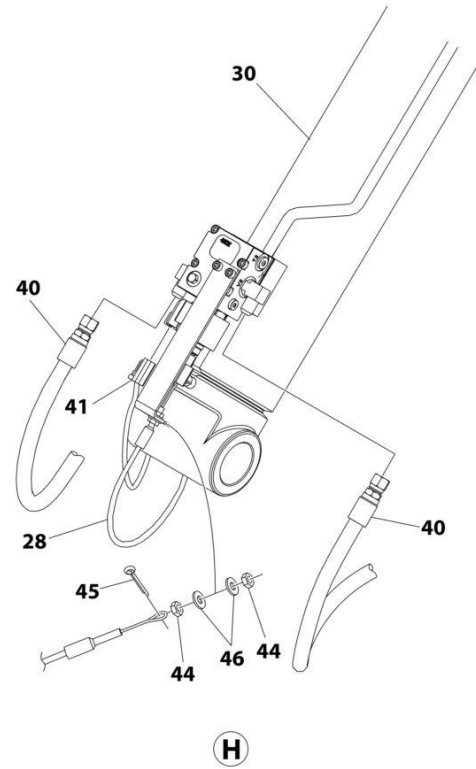
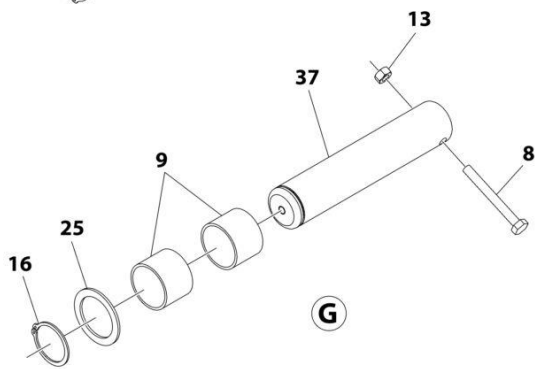
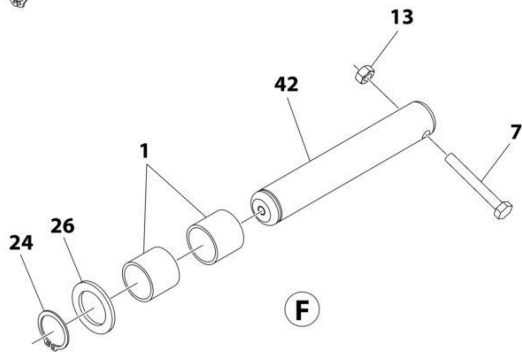
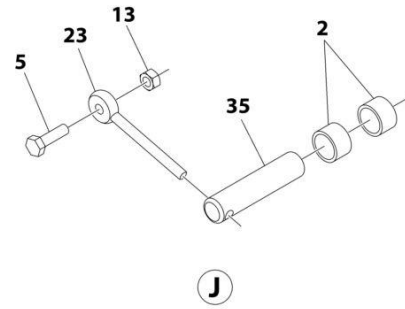
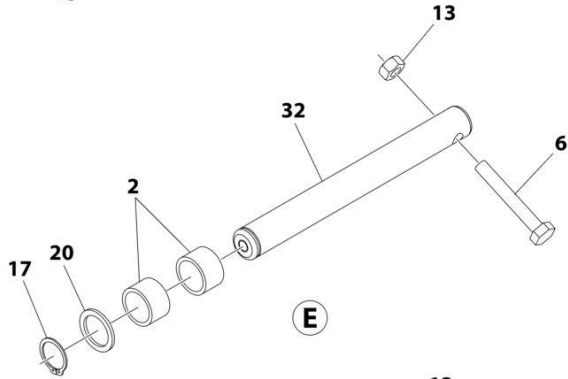
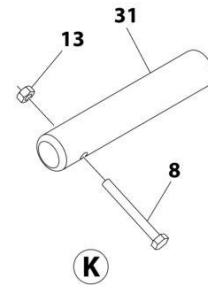
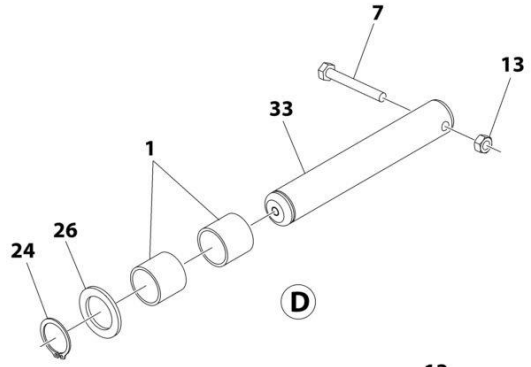
# SECTION 4 - SCISSORS ARMS

## FIGURE 4-4. ARMS ASSEMBLY (ERT3369)



ART\_1001247368\_1OF2

# SECTION 4 - SCISSORS ARMS



ART\_1001247368\_20F2

# SECTION 4 - SCISSORS ARMS

FIGURE 4-4. ARMS ASSEMBLY (ERT3369)

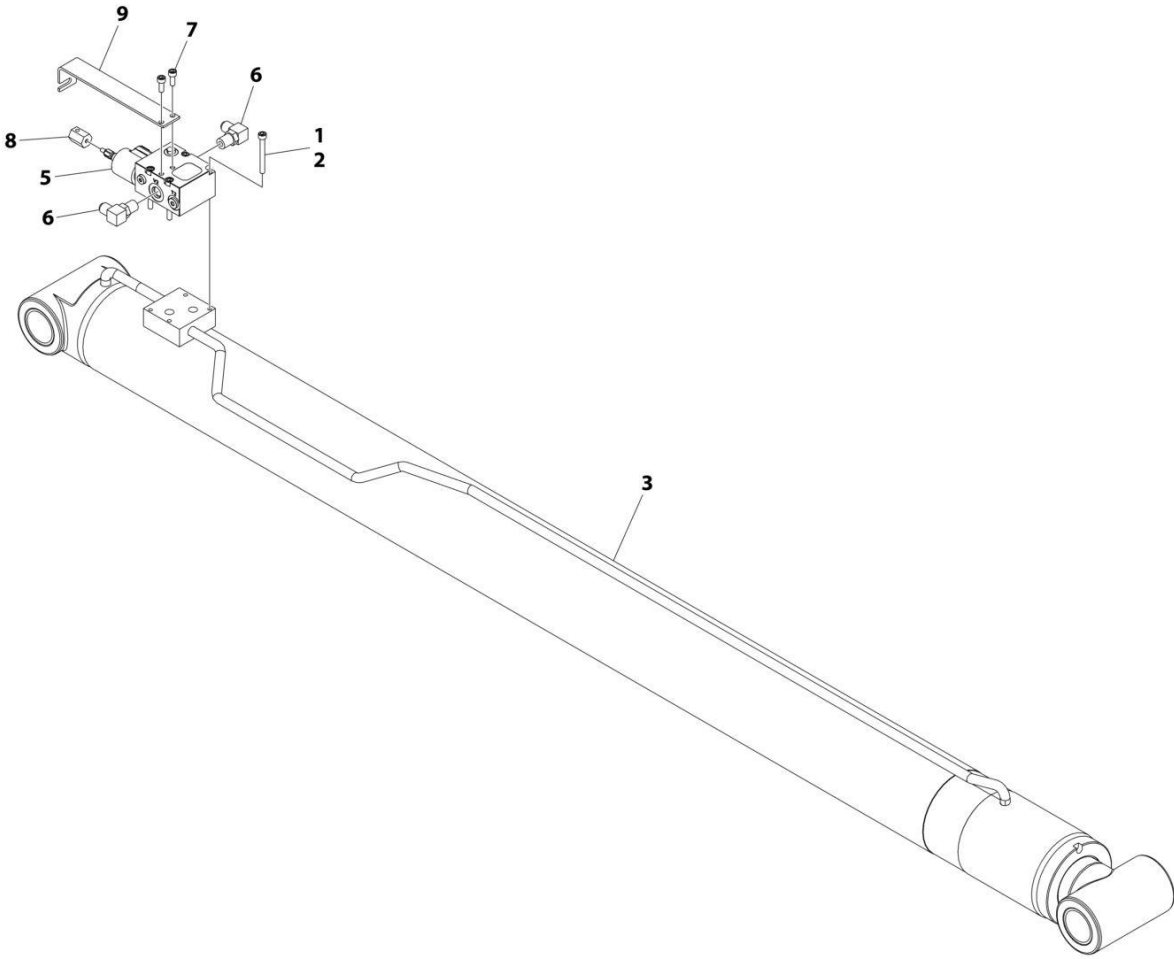
ITEM	PART NUMBER	QTY	DESCRIPTION	REV
	1001247368	Ref	ARMS ASSEMBLY	E
1	0440241	24	Bearing	
2	0440264	16	Bearing	
3	0700612	3	Bolt M6 x 25	
4	0700624	2	Bolt M6 x 80	
5	0701015	2	Bolt M10 x 35	
6	0701022	4	Bolt M10 x 70	
7	0701024	12	Bolt M10 x 80	
8	0701026	6	Bolt M10 x 90	
9	0961950	8	Bushing	
10	0962220	4	Bushing	
12	3290606	2	Nut M6	
13	3291007	24	Nut M10	
14	3423151	1	Pin	
15	3450304	6	Pin, Cotter 3/32 x 1	
16	3760493	4	Ring, Retaining	
17	3760509	4	Ring, Retaining	
18	4240018	AR	Tie - Strap (Not Shown)	
19	4740480	6	Washer (Plastic Insert)	
20	4740531	4	Washer	
21	4751500	6	Washer 5/16	
22	4811700	7	Washer M6	
23	1001270098	2	Pin, Keeper	
24	1001099560	12	Ring, Retaining	
25	1001197405	4	Washer	
26	1001217457	12	Washer	
27	1001228533	24	Bumper	
28	1001265848	1	Cable, Manual Descent	
29	1001244934	1	Sensor, Tilt	
30	1001245923	1	Cylinder Lift Down Valve Assembly (See Separate Breakdown in this Section)	
31	1001247522	2	Pin	
32	1001247523	4	Pin	
33	1001247524	10	Pin	
34	1001247668	2	Bar, Cable	
35	1001247669	2	Pin	
36	1001247670	2	Sleeve	
37	1001247835	4	Pin	
38	1001248280	1	Harness, Ground To Platform (See Separate Breakdown in ELECTRICAL Section)	
39	1001248865	1	Bar, Cable	
40	1001248890	2	Hose	
41	1001248895	1	Harness Lift Down (See Separate Breakdown in ELECTRICAL Section)	
42	1001249637	2	Pin	
43	0100011	AR	Compound, Locking	
44	3321402	2	Nut 1/4	
45	3450405	1	Pin, Cotter 1/8 x 1-1/4	
46	4711400	2	Washer 1/4	
100	1001247376	1	Arm Kit (Not Shown)	

## SECTION 4 - SCISSORS ARMS

ITEM	PART NUMBER	QTY	DESCRIPTION	REV
101	1001247482	1	Arm, Inboard (Lower)	
102	1001247490	1	Arm, Outboard (Lower)	
103	1001247497	1	Arm, Inboard (Lower Mid)	
104	1001247520	2	Link, Center	
105	1001247672	1	Prop, Arm	
106	1001247816	1	Arm, Inboard (Upper Mid)	
107	1001247817	2	Arm, Outboard (Lower Mid)	
108	1001247819	2	Arm, Outboard (Upper Mid)	
109	1001247820	1	Arm, Inboard (Upper)	
110	1001258813	1	Arm, Outboard (Upper)	

# SECTION 4 - SCISSORS ARMS

## FIGURE 4-5. CYLINDER & LIFT DOWN VALVE ASSEMBLY



ART\_1001245923



## SECTION 4 - SCISSORS ARMS

**FIGURE 4-5. CYLINDER & LIFT DOWN VALVE ASSEMBLY**

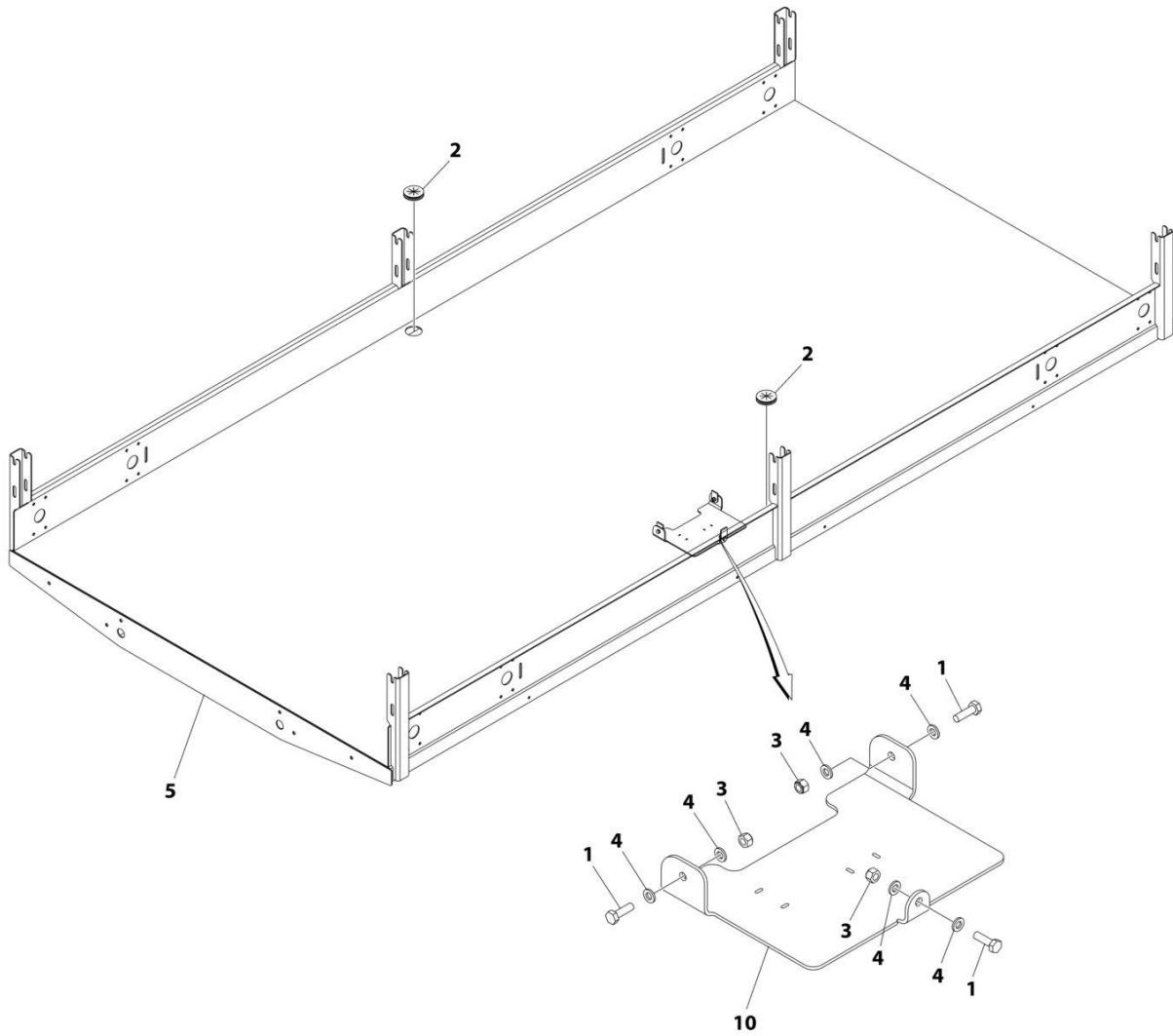
ITEM	PART NUMBER	QTY	DESCRIPTION	REV
	1001245923	Ref	CYLINDER AND LIFT DOWN VALVE ASSEMBLY	E
1	0100011	AR	Compound, Locking	
2	1001118878	4	Capscrew M6 x 55	
3	1001244210	1	Lift Cylinder Assembly (See Separate Breakdown in CYLINDER Section)	
5	1001244904	1	Valve, Lift Down (No Service Parts Available)	
5	70007448	2	O-Ring (Between Valve and Cylinder)	
5	70002386	1	Coil	
6	2220473	2	Fitting, 90 JIC/ORB	
7	4031707	2	Capscrew M6 x 16	
8	1001265744	1	Adapter	
9	1001265761	1	Bracket	



**SECTION 5 - PLATFORM**

# SECTION 5 - PLATFORM

## FIGURE 5-1. PLATFORM INSTALLATION



ART\_1001244381

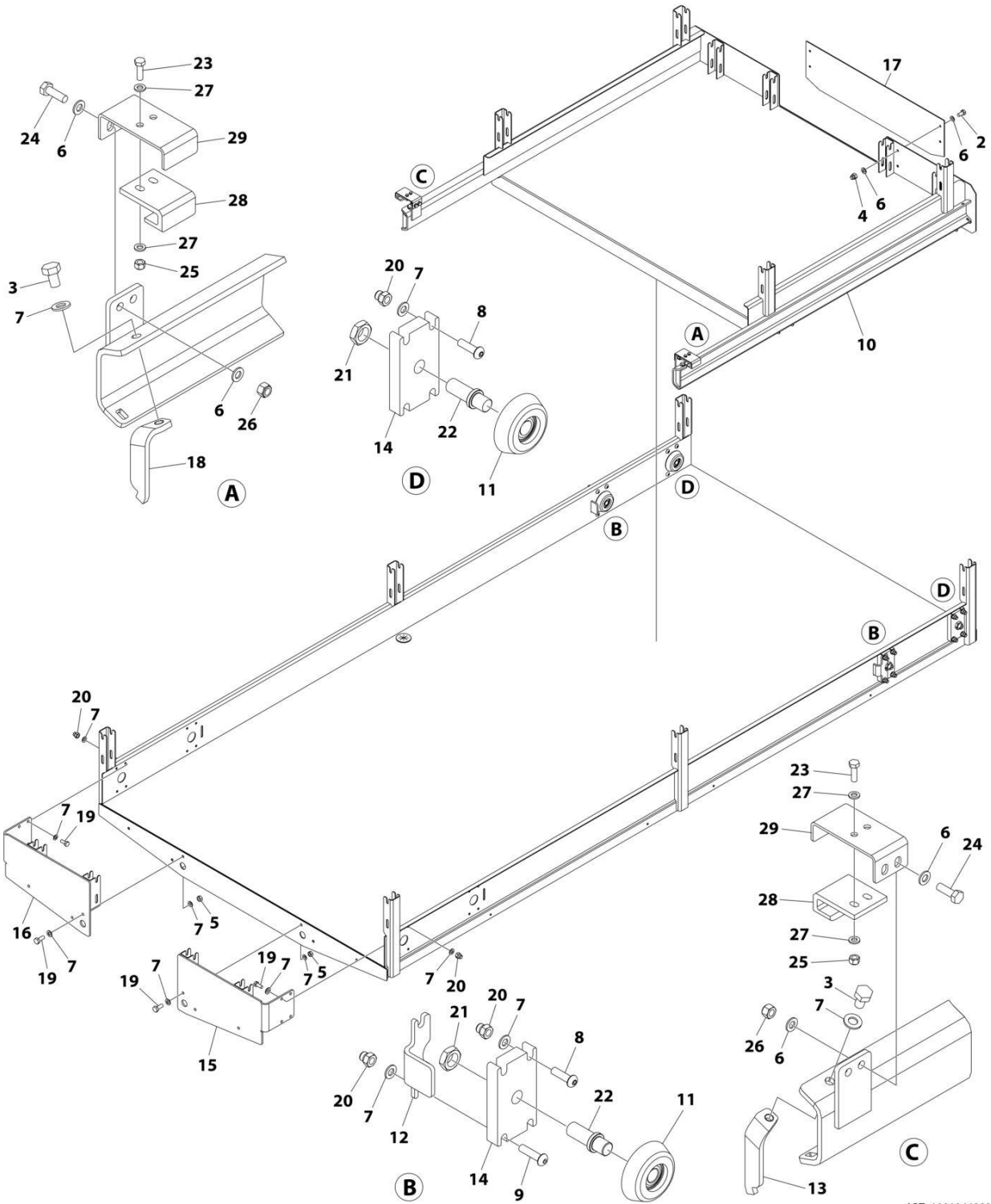
## SECTION 5 - PLATFORM

### FIGURE 5-1. PLATFORM INSTALLATION

ITEM	PART NUMBER	QTY	DESCRIPTION	REV
	1001244381	Ref	PLATFORM MOUNT INSTALLATION	B
1	0760610	3	Bolt M6 x 20	
2	2540045	2	Grommet	
3	3290605	3	Nut M6	
4	4811700	6	Washer M6	
5	1001245250	1	Platform	
10	1001251328	1	Cover	

# SECTION 5 - PLATFORM

## FIGURE 5-2. PLATFORM EXTENSION INSTALLATION (SINGLE)



ART\_1001244382

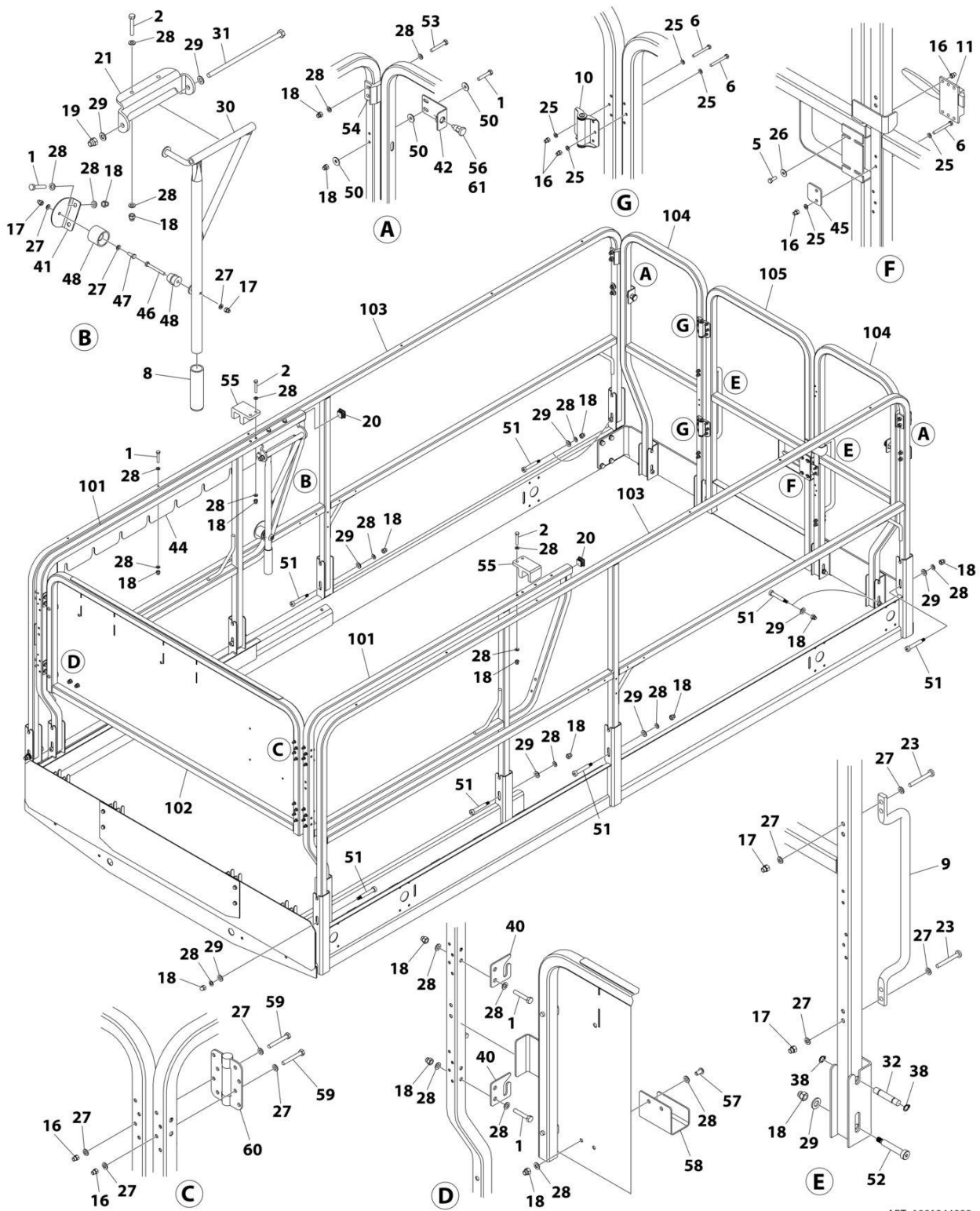
## SECTION 5 - PLATFORM

**FIGURE 5-2. PLATFORM EXTENSION INSTALLATION (SINGLE)**

ITEM	PART NUMBER	QTY	DESCRIPTION	REV
	1001244382	Ref	PLATFORM WITH SINGLE EXTENSION INSTALLATION	F
2	0760808	4	Bolt M8 x 16	
3	0761008	2	Bolt M10 x 16	
4	3290806	4	Nut M8 x 1-1/4	
5	3291007	6	Nut M10 x 1-1/2	
6	4811900	16	Washer M8	
7	4812000	46	Washer M10	
8	1001261123	12	Screw M10 x 35	
9	3900394	4	Capscrew M10 x 1-1/2	
10	1001245479	1	Extension, Platform	
11	1001248933	4	Roller	
12	1001248990	2	Plate	
13	1001248991	1	Plate	
14	1001262640	4	Bracket	
15	1001250355	1	Plate	
16	1001250356	1	Plate	
17	1001250627	1	Plate	
18	1001250640	1	Plate	
19	0701012	14	Capscrew M10 x 25	
20	3291006	24	Nut M10	
21	3292002	4	Nut M20	
22	1001262639	4	Pin	
23	0760610	4	Bolt M6 x 20	
24	0760812	4	Bolt M6 x 25	
25	3290605	4	Nut M6	
26	3290805	4	Nut M8	
27	4811700	8	Washer M6	
28	1001265684	2	Brace, Extension leg Strap	
29	1001265821	2	Bracket, Extension Back Strap	
30	4420062	AR	Tape (Not Shown)	

# SECTION 5 - PLATFORM

## FIGURE 5-3. PLATFORM RAILS INSTALLATION (SINGLE EXTENSION)



ART\_1001244888



## SECTION 5 - PLATFORM

**FIGURE 5-3. PLATFORM RAILS INSTALLATION (SINGLE EXTENSION)**

ITEM	PART NUMBER	QTY	DESCRIPTION	REV
	1001244888	Ref	RAIL INSTALLATION - PLATFORM WITH SINGLE EXTENSION	F
1	0700817	13	Bolt M8 x 45	
2	0700818	6	Bolt M8 x 50	
5	0760507	4	Bolt M8 x 14	
6	0700517	14	Bolt M5 x 45	
8	2560088	1	Grip, Handle	
9	2560176	2	Handle	
10	2600253	2	Hinge	
11	2940074	1	Latch	
16	3290506	34	Nut M5 x 3/4	
17	3290606	10	Nut M6 x 1	
18	3290806	39	Nut M8 x 1-1/4	
19	3291006	1	Nut M10	
20	3520072	2	Plug	
21	3537609	1	Plate, Pivot	
23	4010618	8	Screw M6 x 50	
25	4811600	40	Washer M5	
26	4811602	4	Washer M5	
27	4811700	51	Washer M6	
28	4811900	54	Washer M8	
29	4812000	16	Washer M10	
30	4846181	1	Handle (LH)	
31	1001195137	1	Bolt M10 x 240	
32	1001262495	2	Rod	
38	1001262454	4	Ring	
40	1001250829	2	Plate, Rotary Latch	
41	1001250830	1	Plate, Handle Latch	
42	1001258936	2	Plate, Rail	
44	1001294421	1	Plate, Extension	
45	1001253149	1	Plate, Gate Latch	
46	0700619	1	Bolt M6 x 55	
47	0760608	1	Bolt M6 x 16	
48	2940127	1	Latch	
50	4811902	12	Washer M8	
51	1001262399	12	Bolt M8 x 55	
52	1001262400	2	Bolt M8 x 50	
53	0700819	4	Bolt M8 x 55	
54	1001263628	2	Pad	
55	1001263629	2	Pad	
56	3422744	2	Pin, Plunger	
57	0630615	2	Bolt M8 x 16	
58	1001263269	1	Plate	
59	0700617	16	Bolt M6 x 45	
60	2600285	2	Hinge	
61	0100011	AR	Compound, Locking	
100	1001265846	1	Rail, Single Extension Kit	
101	1001248840	2	Rail, Extension Side	
102	1001248986	1	Rail, Extension Front	
103	1001249882	2	Rail, Platform Side	
104	1001249883	2	Rail, Platform Rear	

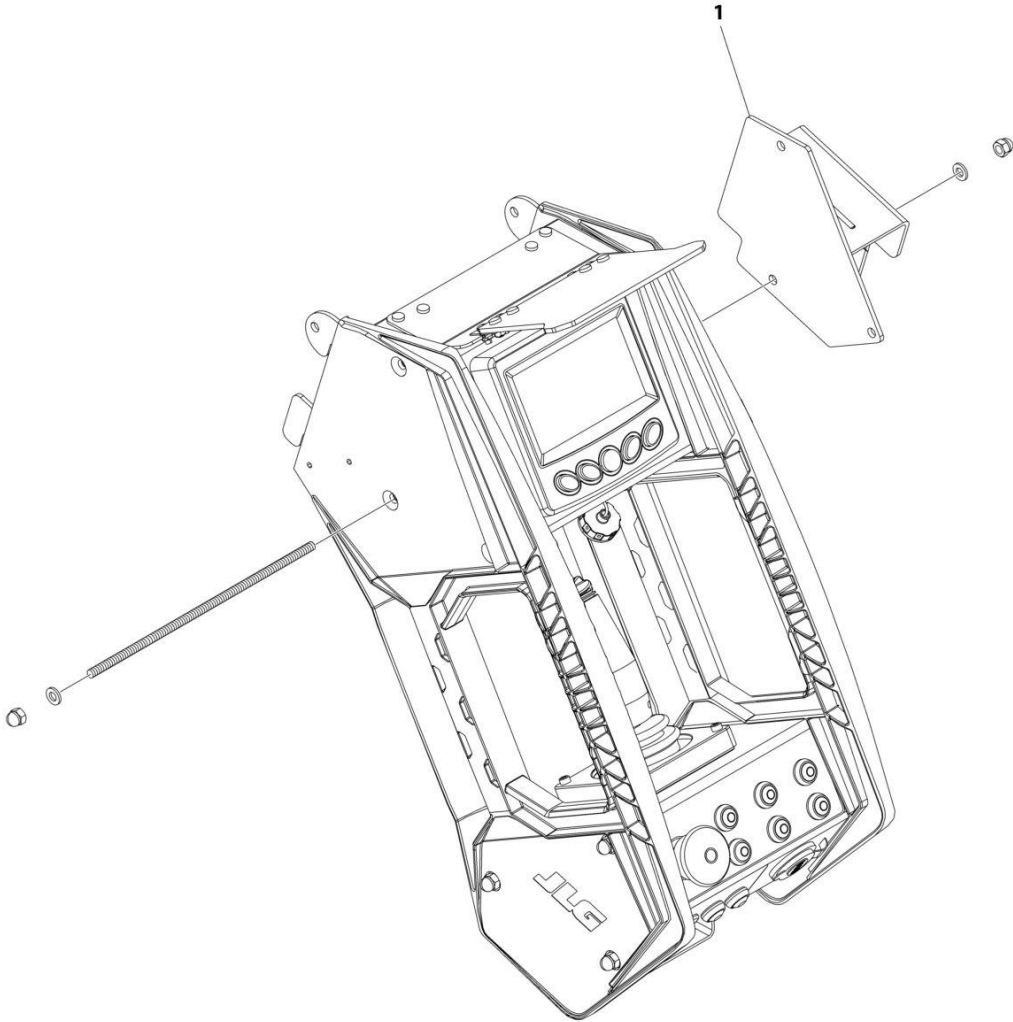
## SECTION 5 - PLATFORM

ITEM	PART NUMBER	QTY	DESCRIPTION	REV
105	1001249884	1	Rail, Platform Gate	



**SECTION 5 - PLATFORM**

**FIGURE 5-4. PLATFORM CONTROL BOX INSTALLATION - SIDE MOUNT**



ART\_1001265916

## SECTION 5 - PLATFORM

**FIGURE 5-4. PLATFORM CONTROL BOX INSTALLATION - SIDE MOUNT**

ITEM	PART NUMBER	QTY	DESCRIPTION	REV
	1001265916	Ref	PLATFORM CONSOLE BOX INSTALLATION	B
1	1001265532	1	Bracket, Control Box Sidemount	
2	0100011	1	Compound, Locking (Not Shown - Use on Mounting Hardware)	



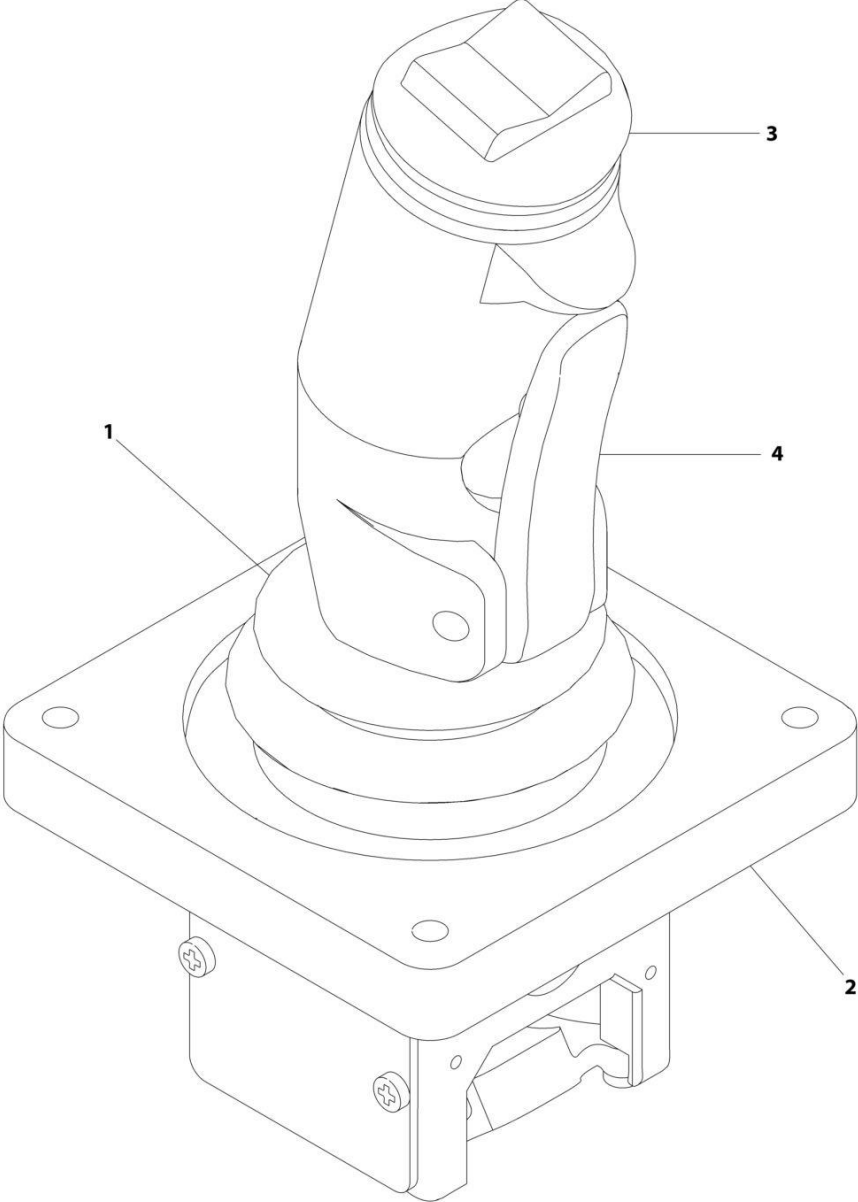
## SECTION 5 - PLATFORM

**FIGURE 5-5. PLATFORM CONTROL BOX INSTALLATION**

ITEM	PART NUMBER	QTY	DESCRIPTION	REV
	1001248176	Ref	PLATFORM CONSOLE BOX INSTALLATION	D
1	0140030	1	Alarm	
2	3290405	12	Nut M4	
3	3290406	8	Nut M4	
4	3450303	1	Cotter Pin	
5	4010414	2	Bolt M4 x 30	
6	4031510	4	Bolt M4 x 30	
7	4160214	1	Spring, Door Latch	
8	4360475	1	Switch, Emergency Stop	
8	7020175	1	Cap	
8	7020176	1	Block, Contact	
9	4811400	4	Washer M4	
10	1001108603	12	Nut M6 x 1	
11	1001176626	4	Cap	
12	1001226749	5	Switch	
13	1001244932	1	Control, Scissor Display	
14	1001246583	1	Housing, Lower Extrusion	
15	1001246584	1	Housing, Upper Extrusion	
16	1001246823	1	USB Port	
17	1001246863	1	Cover, Lower Extrusion	
18	1001246864	1	Cover, Upper Extrusion	
19	1001246979	1	Shield, Display	
20	1001247313	1	Mount, Display Shield	
21	1001247443	1	Plate, Phone Holder	
22	1001247682	1	Controller Assembly (See Separate Breakdown in this Section)	
23	1001249049	1	Harness, Platform Control Box (Not Shown - See Separate Breakdown in ELECTRICAL Section)	
24	1001249259	2	Panel, Control Box Side	
25	1001250682	1	Pin	
26	1001250684	1	Switch, Push Button	
27	1001250692	1	Panel, Latch Cover	
29	1001253800	1	USB Port	
30	1001254119	2	Hinge	
31	1001257078	1	Decal - Platform Function	
32	1001257079	1	Decal - Platform Function	
33	4010405002	14	Bolt M4 x 10	
34	1001255461	6	Stud M6	
35	4811700	12	Washer M6	
36	1001262098	1	Plate, Control Box Latch	
37	0100011	AR	Compound, Locking	

**SECTION 5 - PLATFORM**

**FIGURE 5-6. CONTROLLER ASSEMBLY**



ART\_1001247682



## SECTION 5 - PLATFORM

### FIGURE 5-6. CONTROLLER ASSEMBLY

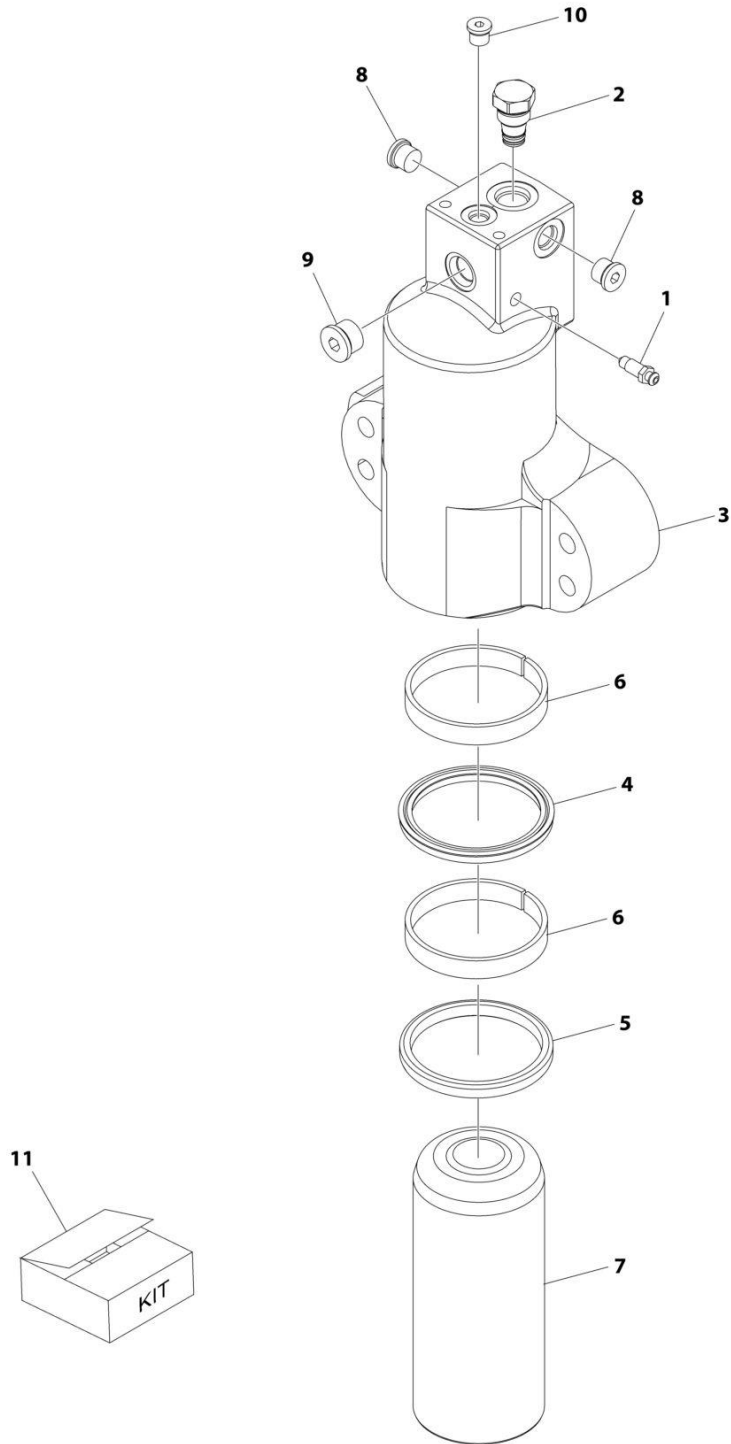
ITEM	PART NUMBER	QTY	DESCRIPTION	REV
	1001247682	Ref	DRIVE/STEER CONTROLLER ASSEMBLY (LCD)	B
1	70001250	1	Boot, Panel	
2	70001252	1	Gasket, Mounting	
2	70001251	1	Bezel, Mounting	
3	70007506	1	Handle Repair Kit (Includes handle gasket, item#4 push button and item #4 lever installed in front handle half, back handle half, top actuator, boot and hardware.)	
3	70000084	1	Cap, Rubber	
3	70000082	1	Microswitch	
3	7027766	1	Ring, Retaining	
3	7027365	1	Actuator, Handle	
3	70001253	1	Gasket, Handle	
3	70000683	4	Washer, Neoprene	
3	70000685	2	Spacer, Plastic	
3	70000686	2	Screw (Top)	
3	70000684	2	Screw (Bottom)	
4	7027367	1	Switch, Push Button	
4	7027765	1	Lever, Enable	



**SECTION 6 - CYLINDER**

# SECTION 6 - CYLINDER

## FIGURE 6-1. AXLE LOCKOUT CYLINDER ASSEMBLY



ART\_1001245046

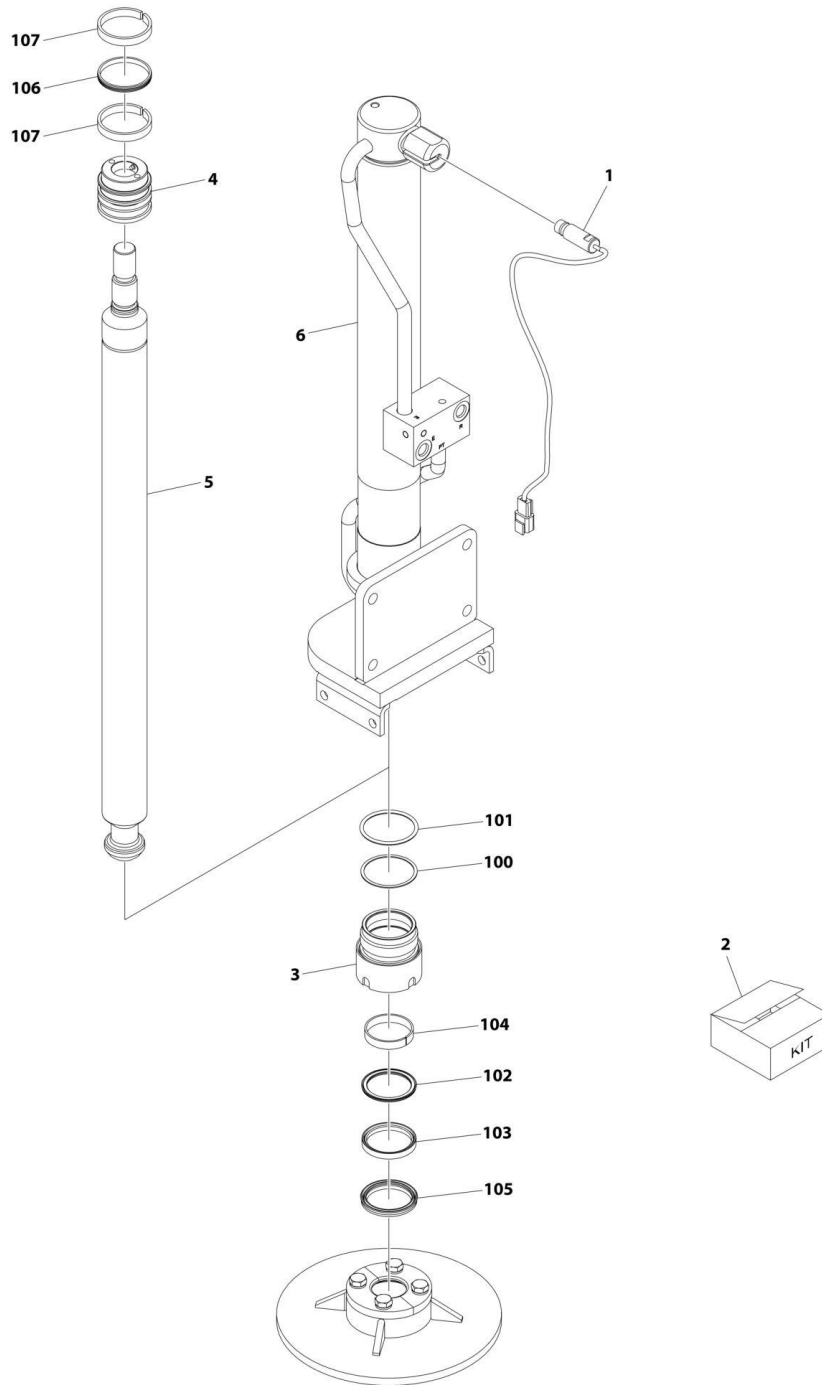
## SECTION 6 - CYLINDER

**FIGURE 6-1. AXLE LOCKOUT CYLINDER ASSEMBLY**

ITEM	PART NUMBER	QTY	DESCRIPTION	REV
	1001245046	Ref	AXLE LOCKOUT CYLINDER ASSEMBLY	D
		Ref	<b>Note: Original Cylinder May Have Been Replaced with Service Replacement. Identify PN Stamped on Cylinder Before Ordering Parts.</b>	
1	4640858	1	Valve, Bleeder	
2	1001248671	1	Cartridge, Valve	
3	1001245653	1	Barrel	
4	See Note	NSS	Seal, Rod (Note: use p/n 70007678)	
5	See Note	NSS	Wiper (Note: use p/n 70007678)	
6	See Note	NSS	Ring, Wear (Note: use p/n 70007678)	
7	70007679	1	Rod	
8	2220885	2	Plug #6	
9	2220886	1	Plug #8	
10	2220883	1	Plug #4	
11	70007678	1	Kit, Seal (Includes Items 4-6)	

# SECTION 6 - CYLINDER

## FIGURE 6-2. LEVELING JACK CYLINDER ASSEMBLY



ART\_1001243256

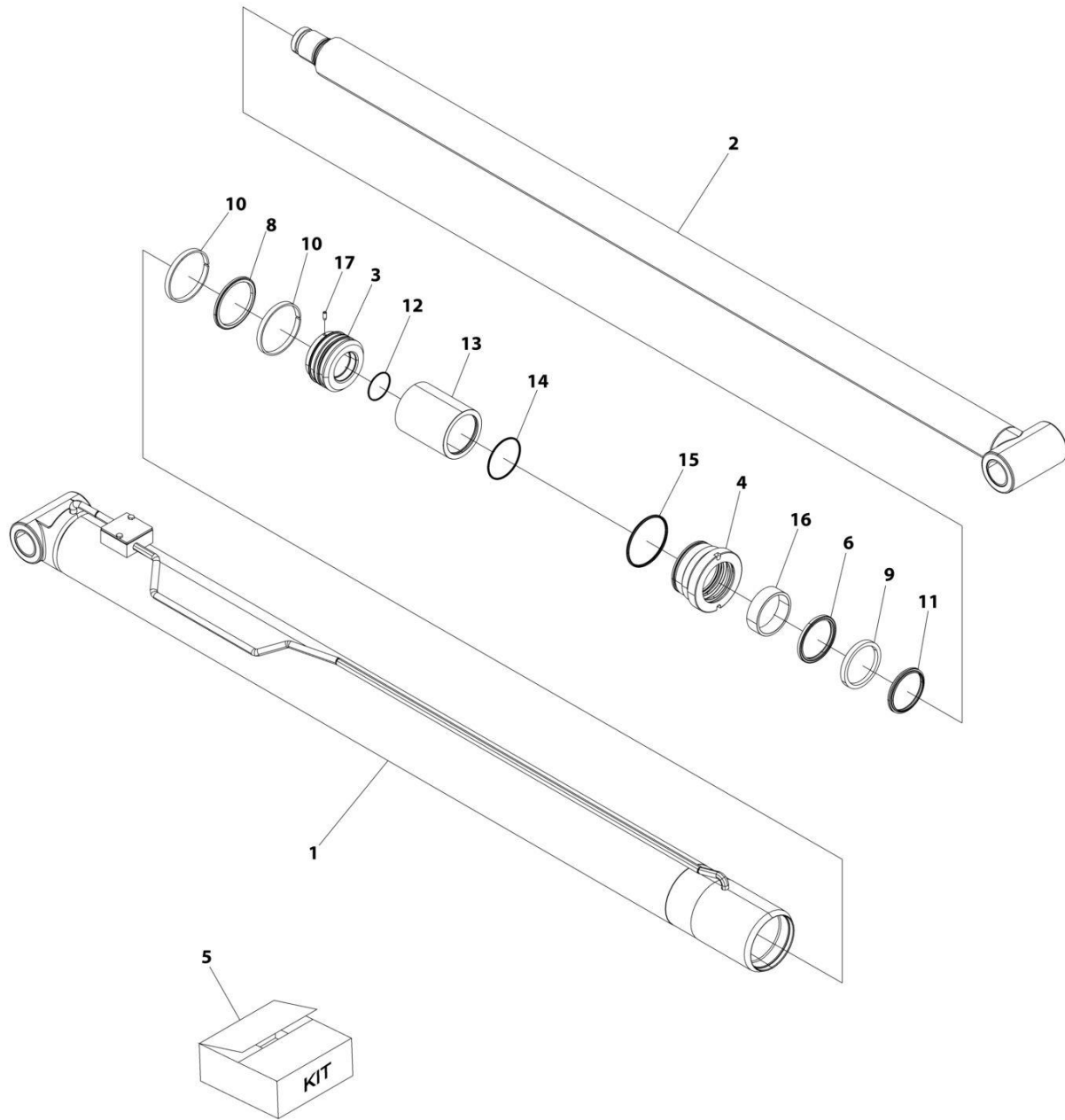
## SECTION 6 - CYLINDER

**FIGURE 6-2. LEVELING JACK CYLINDER ASSEMBLY**

ITEM	PART NUMBER	QTY	DESCRIPTION	REV
	1001243256	Ref	LEVELING JACK CYLINDER ASSEMBLY	E
	See Note	Ref	Note: Original Cylinder May Have Been Replaced with Service Replacement. Identify PN Stamped on Cylinder Before Ordering Parts.	
1	1001246658	1	Sensor, Leveling Jacks Proximity	
2	70007709	1	Kit, Seal (Includes Items 100-107)	
3	70007710	1	Retainer	
4	70007711	1	Piston	
5	70007712	1	Rod	
6	See Note	1	Barrel (Note: Use PN 1001243256)	
100	See Note	NSS	Ring, Backup (Note: use p/n 70007709)	
101	See Note	NSS	O-Ring (Note: use p/n 70007709)	
102	See Note	NSS	Ring, Buffer (Note: use p/n 70007709)	
103	See Note	NSS	Seal, Rod (Note: use p/n 70007709)	
104	See Note	NSS	Ring, Wear (Note: use p/n 70007709)	
105	See Note	NSS	Wiper (Note: use p/n 70007709)	
106	See Note	NSS	Seal, Piston (Note: use p/n 70007709)	
107	See Note	NSS	Ring, Wear (Note: use p/n 70007709)	

# SECTION 6 - CYLINDER

## FIGURE 6-3. LIFT CYLINDER ASSEMBLY



ART\_1001244210



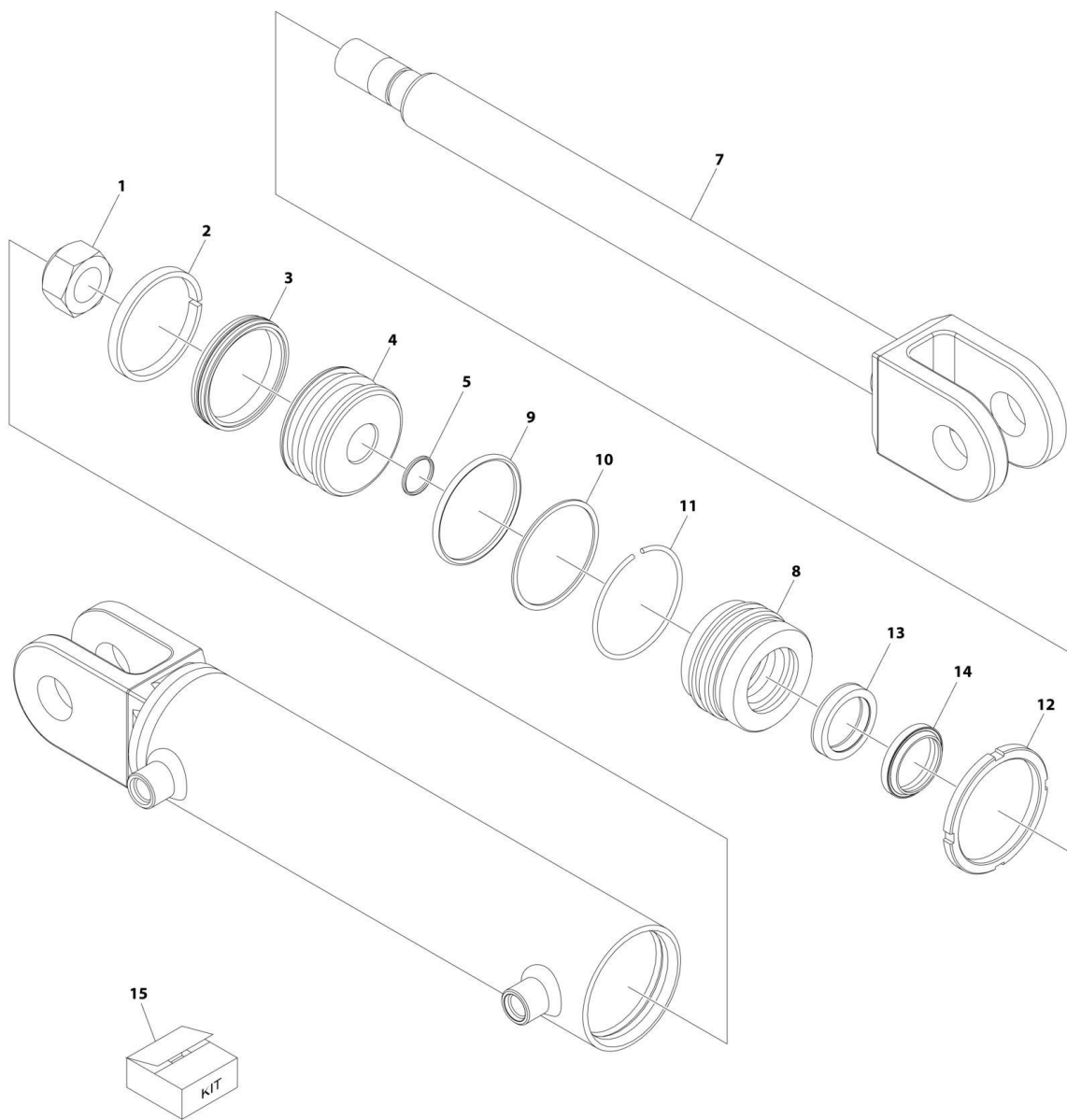
## SECTION 6 - CYLINDER

### FIGURE 6-3. LIFT CYLINDER ASSEMBLY

ITEM	PART NUMBER	QTY	DESCRIPTION	REV
	1001244210	Ref	LIFT CYLINDER ASSEMBLY	D
		Ref	<b>Note: Original Cylinder May Have Been Replaced with Service Replacement. Identify PN Stamped on Cylinder Before Ordering Parts.</b>	
1	See Note	1	Barrel (Note: Not Available for Purchase, Use p/n 1001244210)	
2	70007716	1	Rod	
3	70007715	1	Piston	
4	70007714	1	Retainer	
5	70007713	1	Kit, Seal (Includes Items 6-11)	
6	See Note	NSS	Ring, Buffer (Note: Use p/n 70007713)	
7	See Note	NSS	Seal, Head (Note: Not Shown, Use p/n 70007713)	
8	See Note	NSS	Seal, Piston (Note: Use p/n 70007713)	
9	See Note	NSS	Seal, Rod (Note: Use p/n 70007713)	
10	See Note	NSS	Ring, Wear (Note: Use p/n 70007713)	
11	See Note	NSS	Wiper (Note: Use p/n 70007713)	
12	See Note	1	O-Ring (Note: Use p/n 1001244210)	
13	See Note	1	Spacer (Note: Use p/n 1001244210)	
14	See Note	1	O-Ring (Note: Use p/n 1001244210)	
15	See Note	1	Ring, Back Up (Note: Use p/n 1001244210)	
16	See Note	1	Bushing (Note: Use p/n 1001244210)	
17	See Note	1	Screw, Set (Note: Use p/n 1001244210)	

# SECTION 6 - CYLINDER

## FIGURE 6-4. STEER CYLINDER ASSEMBLY



ART\_1001246107

## SECTION 6 - CYLINDER

**FIGURE 6-4. STEER CYLINDER ASSEMBLY**

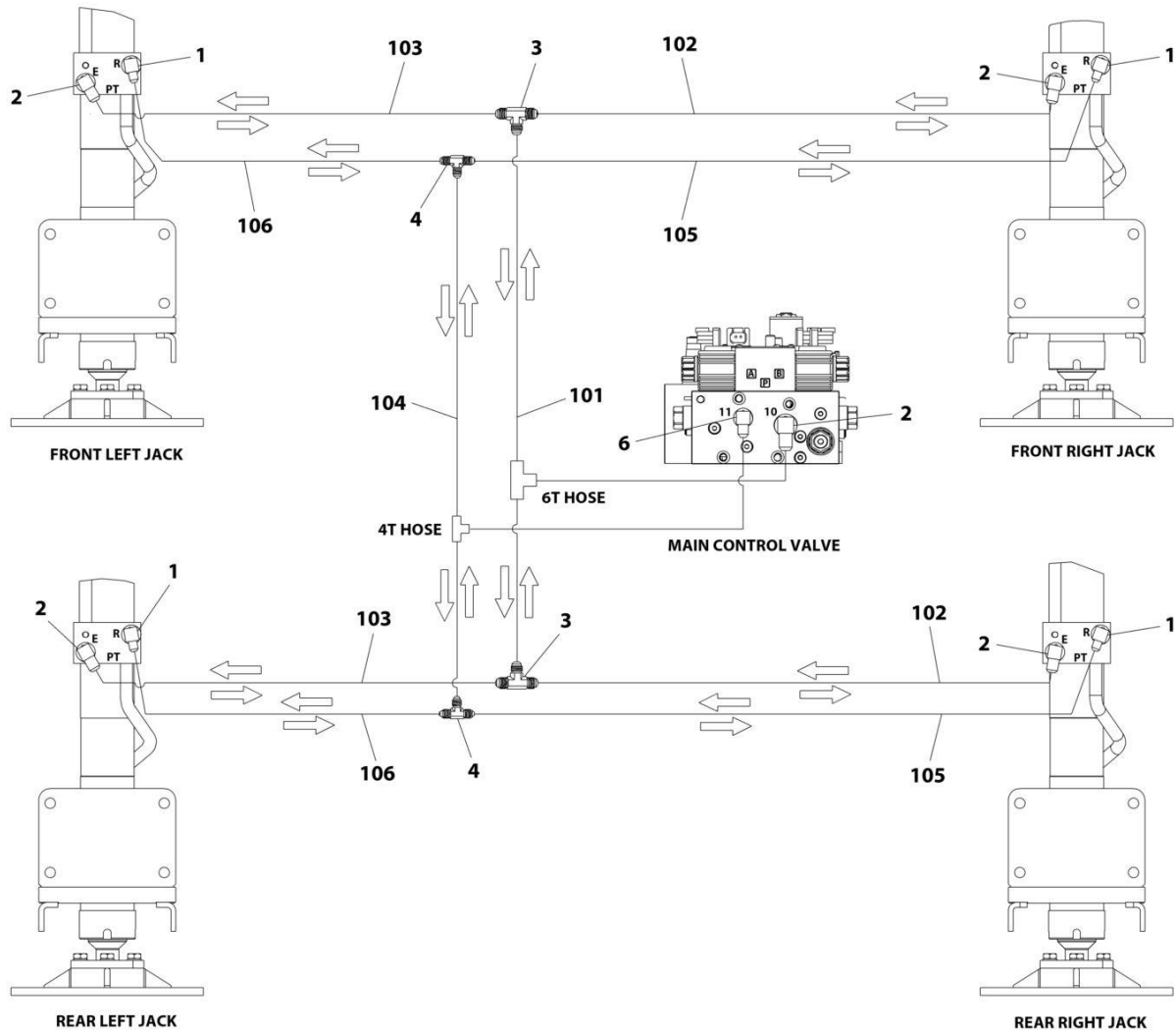
ITEM	PART NUMBER	QTY	DESCRIPTION	REV
	1001246107	Ref	STEER CYLINDER ASSEMBLY	B
		Ref	<b>Note: Original Cylinder May Have Been Replaced with Service Replacement. Identify PN Stamped on Cylinder Before Ordering Parts.</b>	
1	7001626	1	Nut	
2	See Note	NSS	Ring, Wear (Note: use p/n 70007610)	
3	See Note	NSS	Seal, Piston (Note: use p/n 70007610)	
4	70007607	1	Piston	
5	See Note	NSS	O-Ring (Note: use p/n 70007610)	
7	70007608	1	Rod	
8	70007609	1	Guide	
9	See Note	NSS	O-Ring (Note: use p/n 70007610)	
10	See Note	NSS	Ring, Backup (Note: use p/n 70007610)	
11	See Note	NSS	Ring, Retaining (Note: use p/n 70007610)	
12	7001630	1	Nut	
13	See Note	NSS	Ring (Note: use p/n 70007610)	
14	See Note	NSS	Ring, Wiper (Note: use p/n 70007610)	
15	70007610	1	Kit, Seal (Includes Items 2, 3, 5, 8-10, 12, & 13)	



**SECTION 7 - HYDRAULIC**

# SECTION 7 - HYDRAULIC

## FIGURE 7-1. HYDRAULIC DIAGRAM - LEVELING JACKS



ART\_1001250342

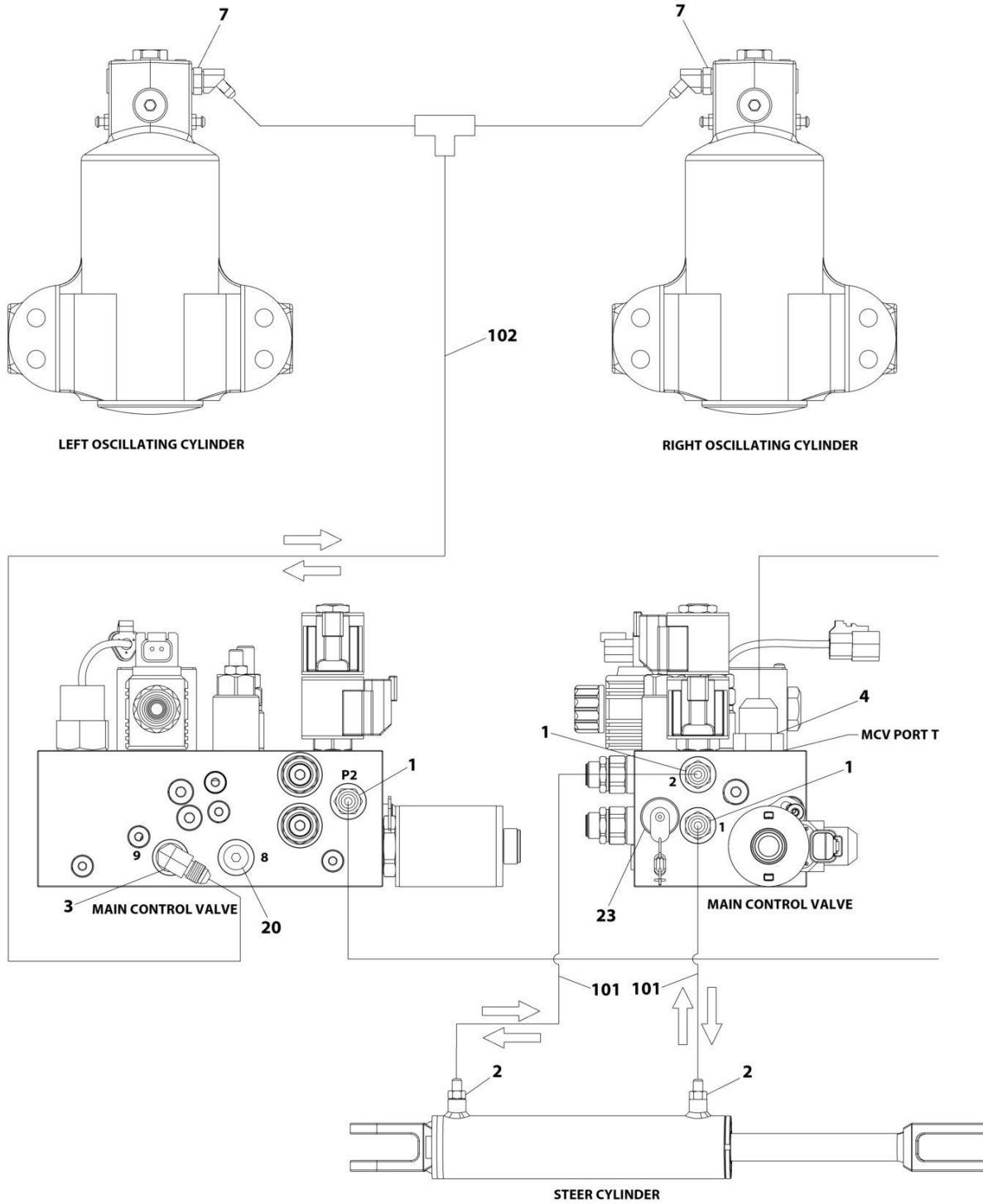
## SECTION 7 - HYDRAULIC

**FIGURE 7-1. HYDRAULIC DIAGRAM - LEVELING JACKS**

ITEM	PART NUMBER	QTY	DESCRIPTION	REV
	1001250342	Ref	HYDRAULIC DIAGRAM - LEVELING JACKS	B
1	2220472	4	Fitting, 90 JIC/ORB	
2	2220473	5	Fitting, 90 JIC/ORB	
3	2220490	2	Fitting, Tee JIC/JIC/JIC	
4	2220504	2	Fitting, Tee JIC/JIC/JIC	
6	2220466	1	Fitting, 90 JIC/ORB	
100	1001260252	Ref	Hose Kit (Not Shown)	A
101	1001250307	1	Hose	
102	1001250308	2	Hose	
103	1001250309	2	Hose	
104	1001250310	1	Hose	
105	1001250311	2	Hose	
106	1001250312	2	Hose	

# SECTION 7 - HYDRAULIC

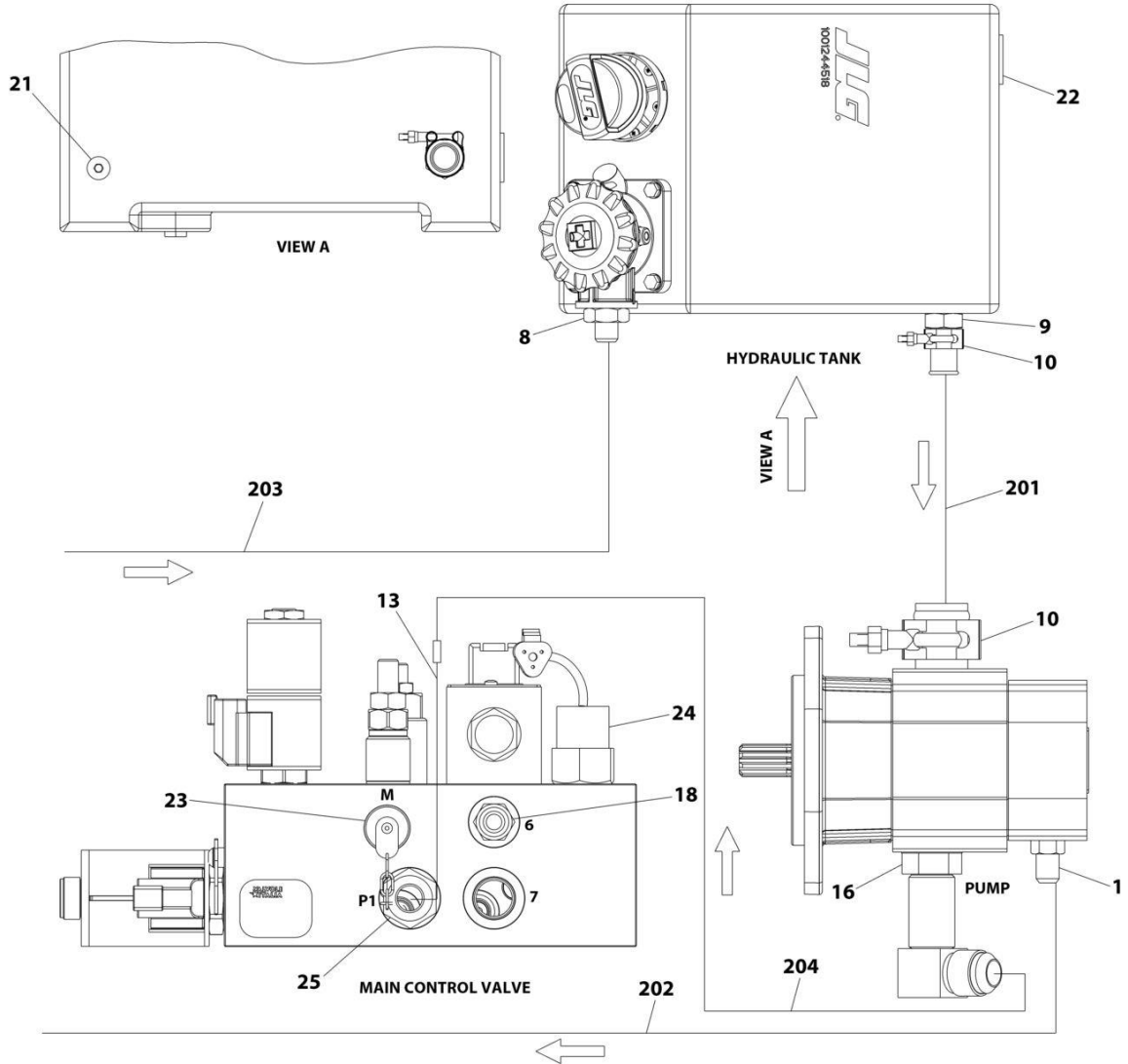
## FIGURE 7-2. HYDRAULIC DIAGRAM - STANDARD



ART\_1001246103\_10F2



# SECTION 7 - HYDRAULIC



ART\_1001246103\_20F2

## SECTION 7 - HYDRAULIC

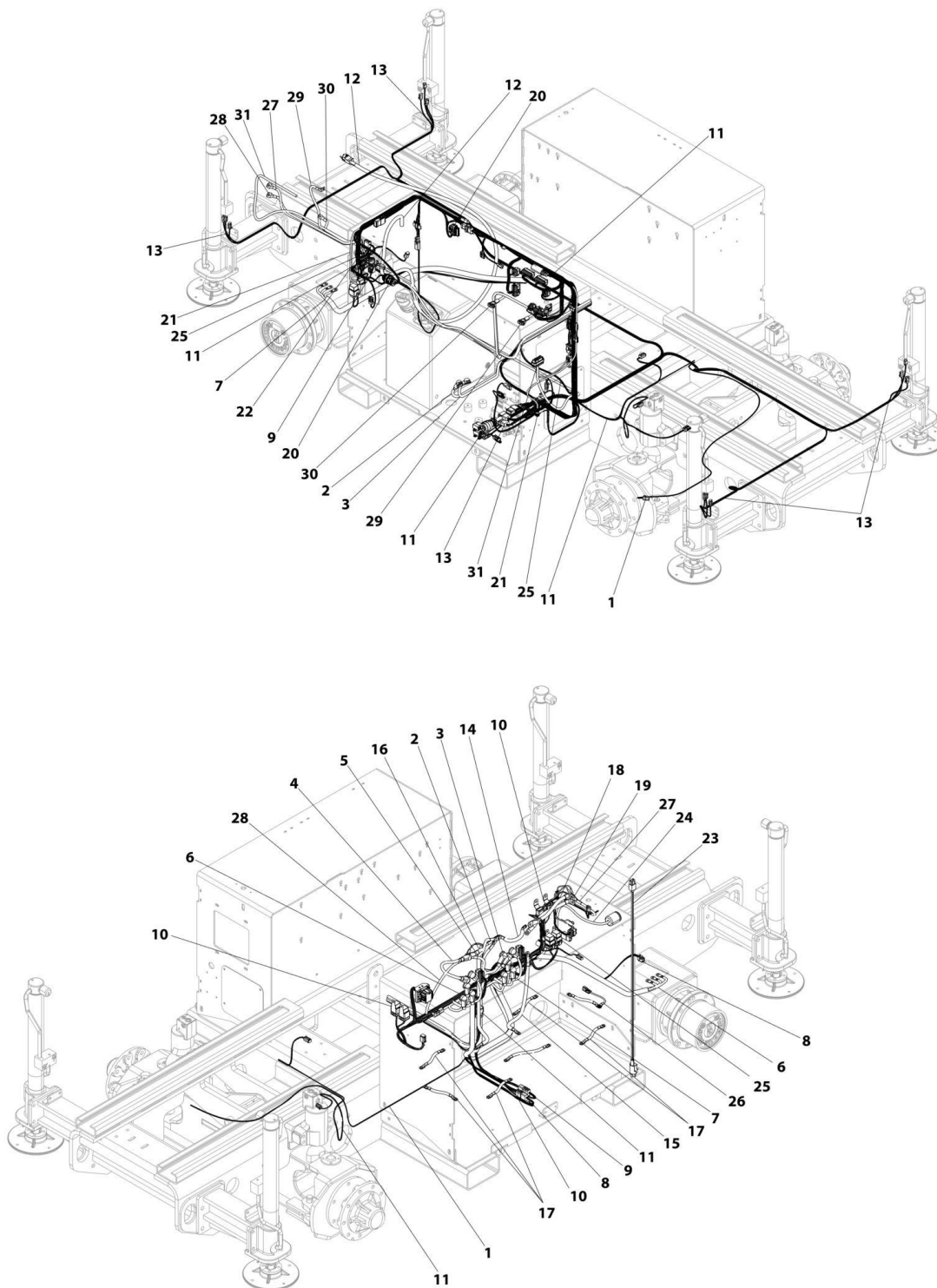
FIGURE 7-2. HYDRAULIC DIAGRAM - STANDARD

ITEM	PART NUMBER	QTY	DESCRIPTION	REV
	1001246103	Ref	HYDRAULIC DIAGRAM – STANDARD	E
1	2220415	4	Fitting, Straight JIC/ORB	
2	2220582	2	Fitting, Straight JIC/ORB	
3	2220940	1	Fitting, 90 JIC/ORB	
4	2220947	1	Fitting	
7	2221040	2	Fitting, 45 JIC/ORB	
8	83451104	1	Fitting, Straight JIC/ORB	
9	1001127389	1	Fitting, Straight ORB/Barb	
10	1001143501	2	Clamp	
13	1001249610	1	Tube	
16	2221069	1	Fitting, 90 JIC/ORB	
18	2220371	1	Fitting, Straight JIC/ORB	
20	2220883	1	Plug	
21	2220886	1	Plug	
22	2220891	1	Plug	
23	2221086	2	Fitting, Test Port	
24	1001256875	1	Switch, Pressure	
25	2220852	1	Fitting, Straight JIC/ORB	
100	1001260251	1	Hose Kit (Not Shown)	A
101	1001248868	2	Hose	
102	1001248871	1	Hose	
200	1001260254	1	Hose Kit (Not Shown) (Includes Items 201-204)	C
201	1001250716	1	Hose	
202	1001250773	1	Hose	
203	1001250968	1	Hose	
204	1001273640	1	Hose	

**SECTION 8 - ELECTRICAL**

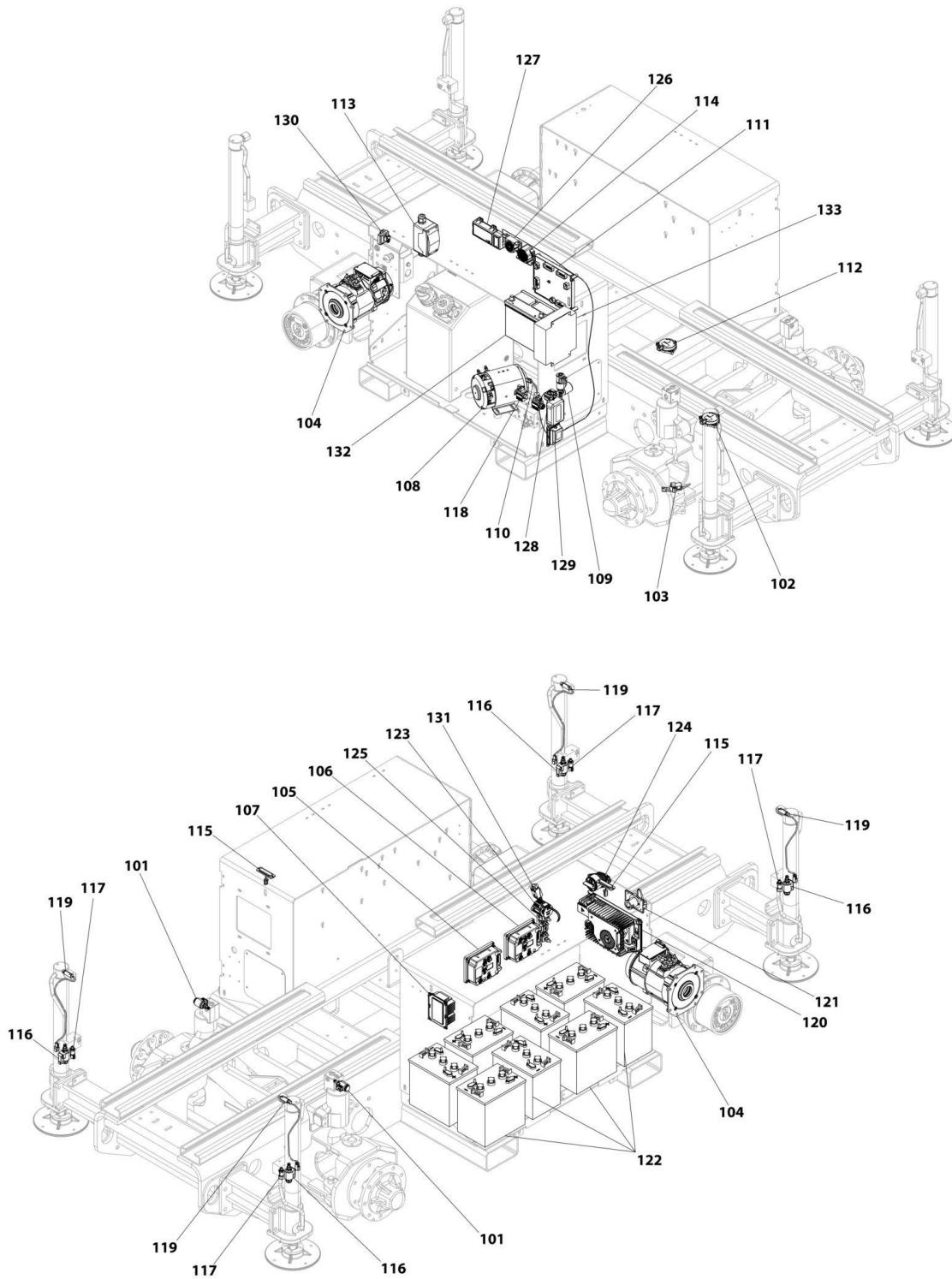
# SECTION 8 - ELECTRICAL

## FIGURE 8-1. ELECTRICAL LAYOUT



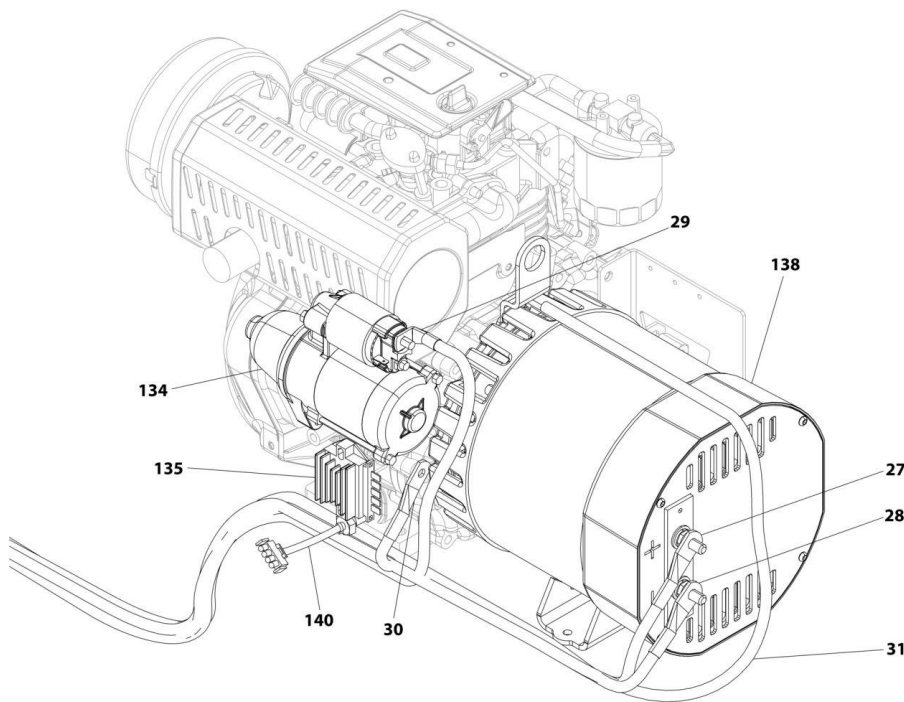
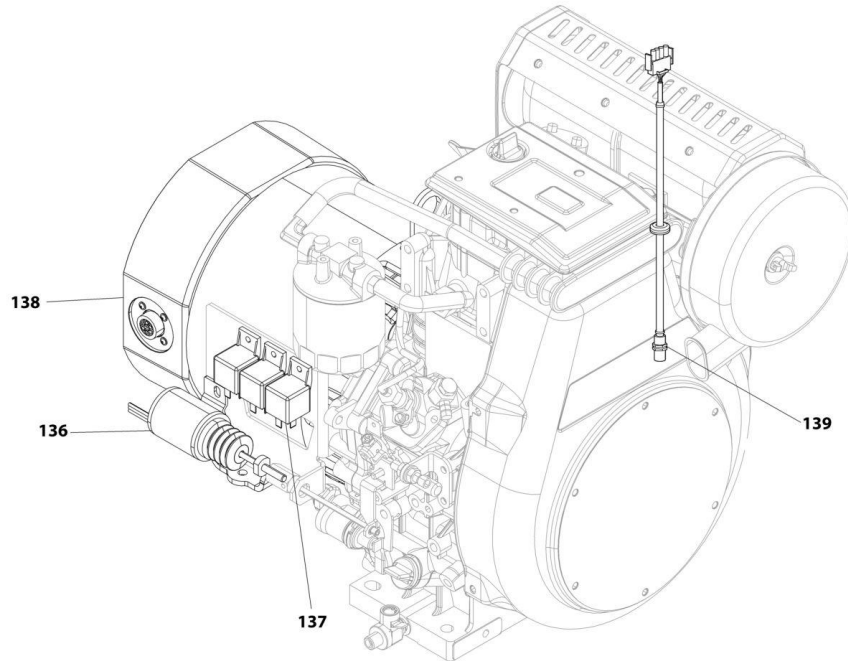
ART\_ERT3369-ELECTRICAL\_FRAME-HARNES

# SECTION 8 - ELECTRICAL



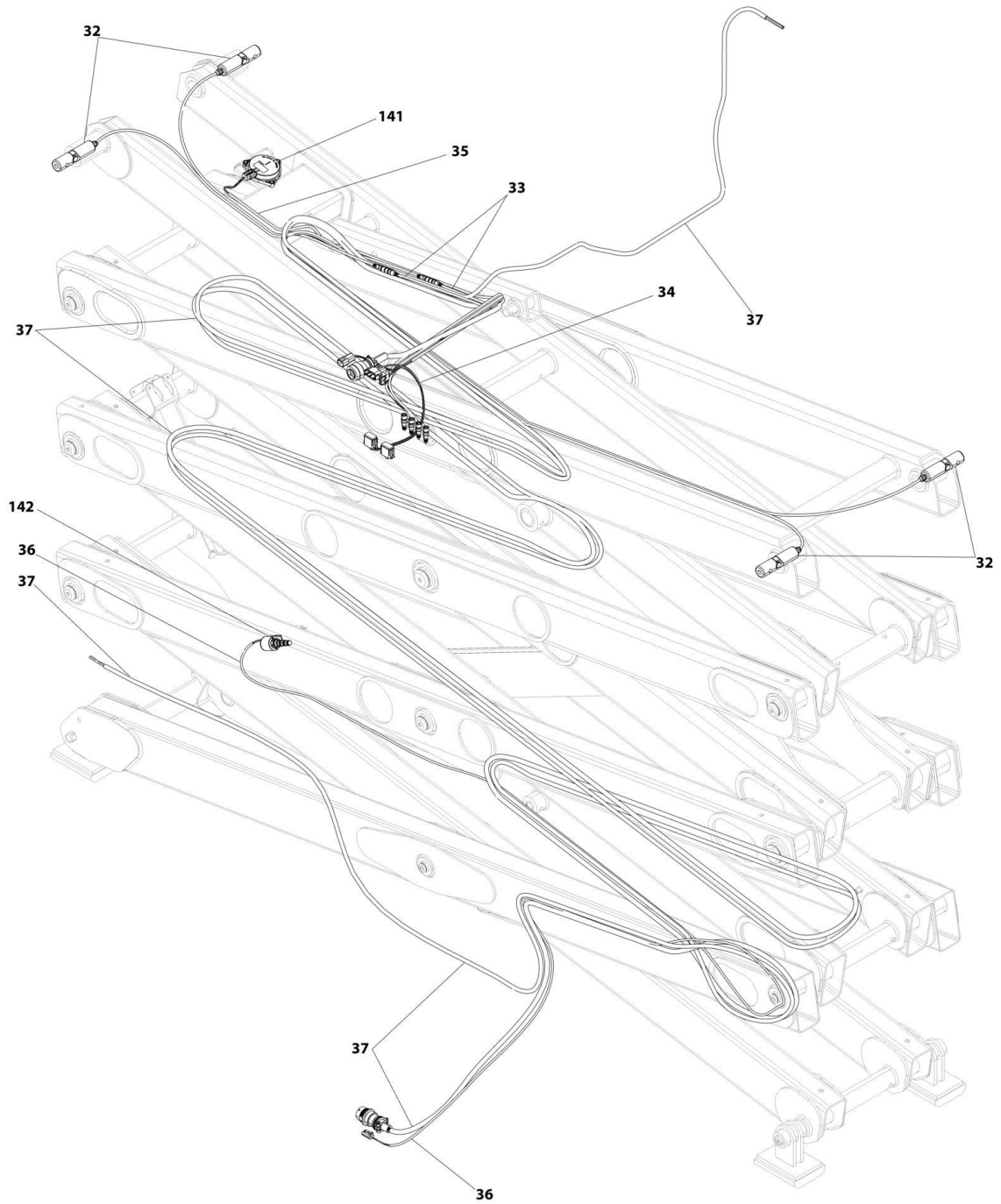
ART\_ERT3369-ELECTRICAL\_FRAME-COMPONENT

# SECTION 8 - ELECTRICAL



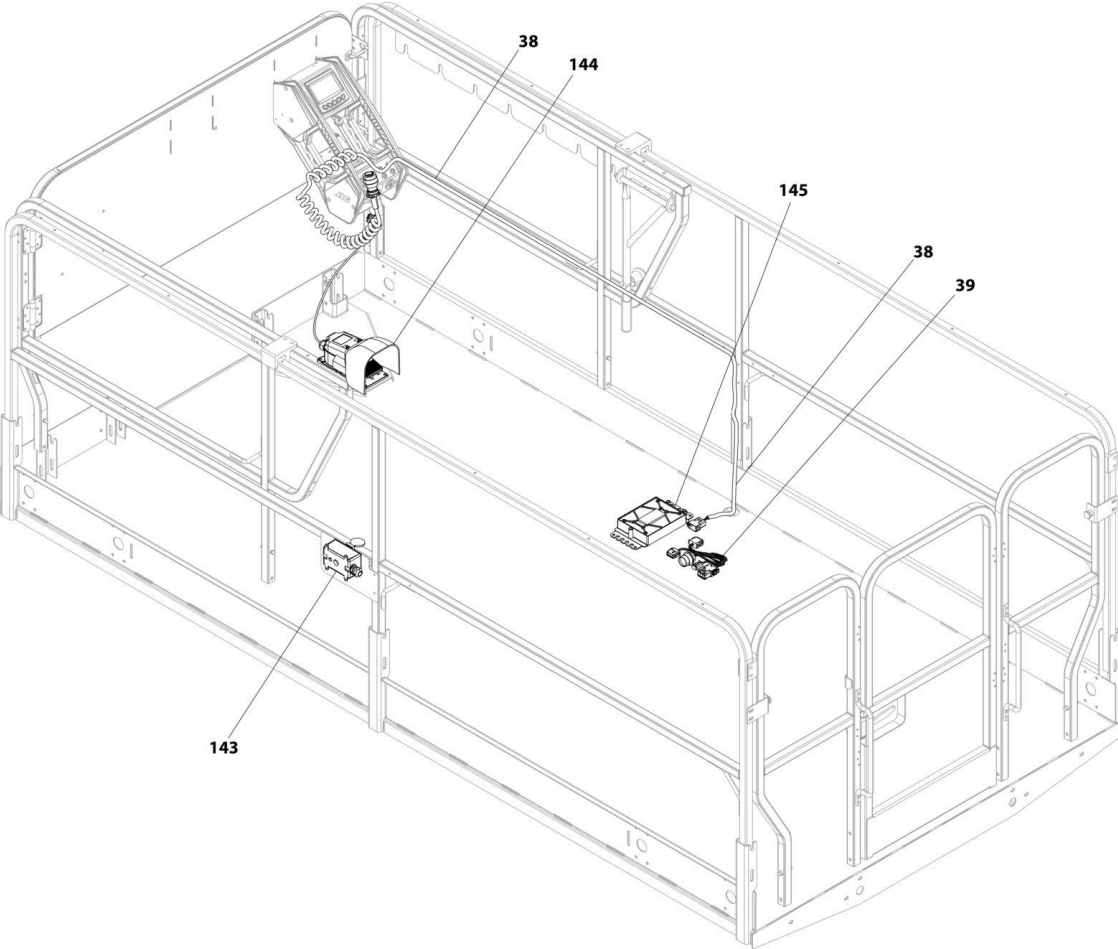
ART\_ERT3369-ELECTRICAL\_ENGINE-KUBOTAT4F

# SECTION 8 - ELECTRICAL



ART\_ERT3369-ELECTRICAL\_ARMS

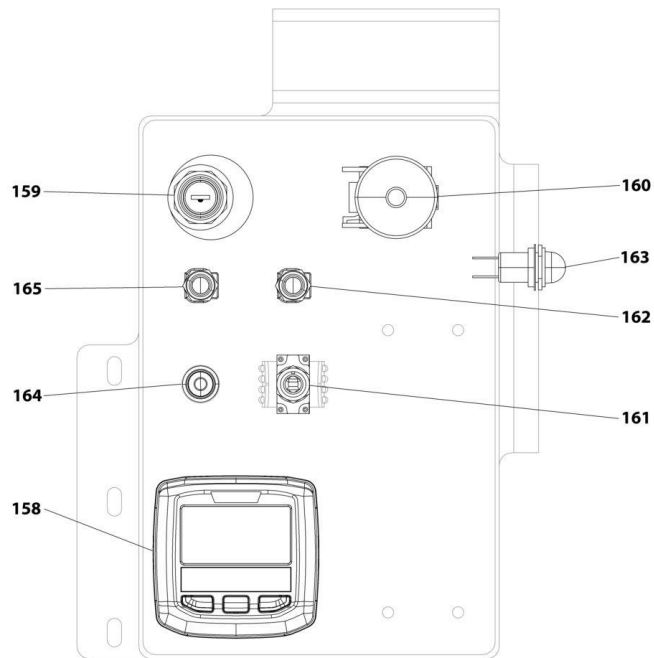
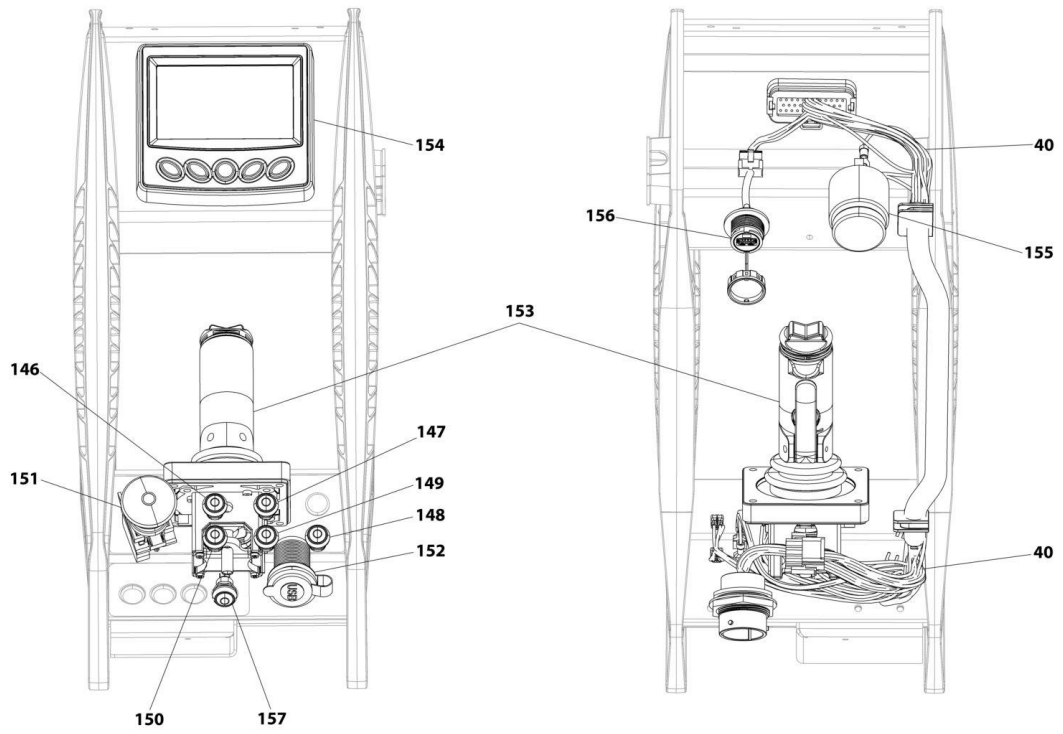
**SECTION 8 - ELECTRICAL**



ART\_ERT3369-ELECTRICAL\_PLATFORM



# SECTION 8 - ELECTRICAL



ART\_ERT3369-ELECTRICAL\_CONTROLS

# SECTION 8 - ELECTRICAL

## FIGURE 8-1. ELECTRICAL LAYOUT

ITEM	PART NUMBER	QTY	DESCRIPTION	REV
		Ref	Note: This figure is for part identification only.	
		Ref	HARNESS LIST	
1		Ref	Harness, Steer Angle Sensor	
2		Ref	Cable, Generator to Pump (+)	
3		Ref	Cable, Generator to Pump (-)	
4		Ref	Cable, Drive Module (-)	
5		Ref	Cable, Drive/Pump Module (-)	
6		Ref	Cable, Left Drive/Brake Motor Power	
7		Ref	Cable, Right Drive/Brake Motor Power	
8		Ref	Harness, Left Drive/Brake Motor	
9		Ref	Harness, Right Drive/Brake Motor	
10		Ref	Harness, Traction	
11		Ref	Harness, Chassis	
12		Ref	Cable, 12/3	
13		Ref	Harness, Leveling Jacks	
14		Ref	Cable, Relay to Power Stud	
15		Ref	Cable, Battery to Fuse	
16		Ref	Cable, Battery to Power Stud	
17		Ref	Cable, Battery Jumper	
18		Ref	Cable, Battery Disconnect to Relay	
19		Ref	Cable, Battery Disconnect to Fuse	
20		Ref	Harness, Clearsky	
21		Ref	Harness, Telematics	
22		Ref	Harness, Xirgo Jumper	
23		Ref	Charger Cable with Plug	
24		Ref	Cable, Charger to Receptacle	
25		Ref	Harness, Genset	
26		Ref	Harness, Temperature Sensor	
27		Ref	Cable, Engine (+) to Battery Disconnect	
28		Ref	Cable, Engine (-) to Power Stud	
29		Ref	Cable, Engine to Battery (+)	
30		Ref	Cable, Engine to Battery (-)	
31		Ref	Harness, Generator	
32		Ref	Assembly, Load Sense Pin/Cable	
33		Ref	Cable, Load Sense Extension	
34		Ref	Harness, Load Sense	
35		Ref	Harness, Tilt Sensor	
36		Ref	Harness, Lift Down	
37		Ref	Cable, AC Ground to Platform	
38		Ref	Harness, Platform Control Box	
39		Ref	Harness, Platform	
40		Ref	Harness, Platform Control Box	
		Ref	COMPONENT LIST	
101		Ref	Solenoid, Axle Lock	
102		Ref	Sensor, Tilt	
103		Ref	Sensor, Steer Angle	
104		Ref	Assembly, Drive Motor/Brake	
105		Ref	Module, Drive	
106		Ref	Module, Drive/Pump	
107		Ref	Converter	

## SECTION 8 - ELECTRICAL

ITEM	PART NUMBER	QTY	DESCRIPTION	REV
108		Ref	Generator	
109		Ref	Solenoids, Main Control Valve	
110		Ref	Switch, Pressure	
111		Ref	Module, Ground Control	
112		Ref	Sensor, Tilt	
113		Ref	AC Breaker Box	
114		Ref	Alarm	
115		Ref	Beacon	
116		Ref	Solenoid, Leveling Jack Cylinder	
117		Ref	Sensor, Leveling Jacks Pressure	
118		Ref	Solenoid, Leveling Jacks Valve	
119		Ref	Sensor, Leveling Jacks Proximity	
120		Ref	Charger	
121		Ref	AC Receptacle	
122		Ref	Battery	
123		Ref	Relay	
124		Ref	Switch, Battery Disconnect	
125		Ref	Assembly, Fuse/Holder	
126		Ref	Alarm, White Noise	
127		Ref	Module, ClearSky Telematics CANBUS	
128		Ref	Antennae, ClearSky Telematics	
129		Ref	Module, ClearSky Telematics 3-Wire	
130		Ref	Voltage Regulator, ClearSky Telematics	
131		Ref	Switch, LSS Limit	
132		Ref	Battery	
133		Ref	Module, Engine Control	
134		Ref	Starter	
135		Ref	Regulator, Voltage	
136		Ref	Solenoid, Fuel	
137		Ref	Relay	
138		Ref	Alternator	
139		Ref	Sensor, Speed	
140		Ref	Sensor, Oil Temperature	
141		Ref	Sensor, Tilt	
142		Ref	Solenoid, Lift Down	
143		Ref	AC Receptacle	
144		Ref	Footswitch	
145		Ref	Module, Load Sense	
146		Ref	Switch, Lift Select	
147		Ref	Switch, Drive Select	
148		Ref	Switch, Horn	
149		Ref	Switch, Speed Select	
150		Ref	Switch, Leveling Jacks	
151		Ref	Switch, Emergency Stop	
152		Ref	USB Port	
153		Ref	Joystick	
154		Ref	Display, Platform	
155		Ref	Alarm	
156		Ref	USB Port	
157		Ref	Switch, Genset Enable	
158		Ref	Display, Ground	

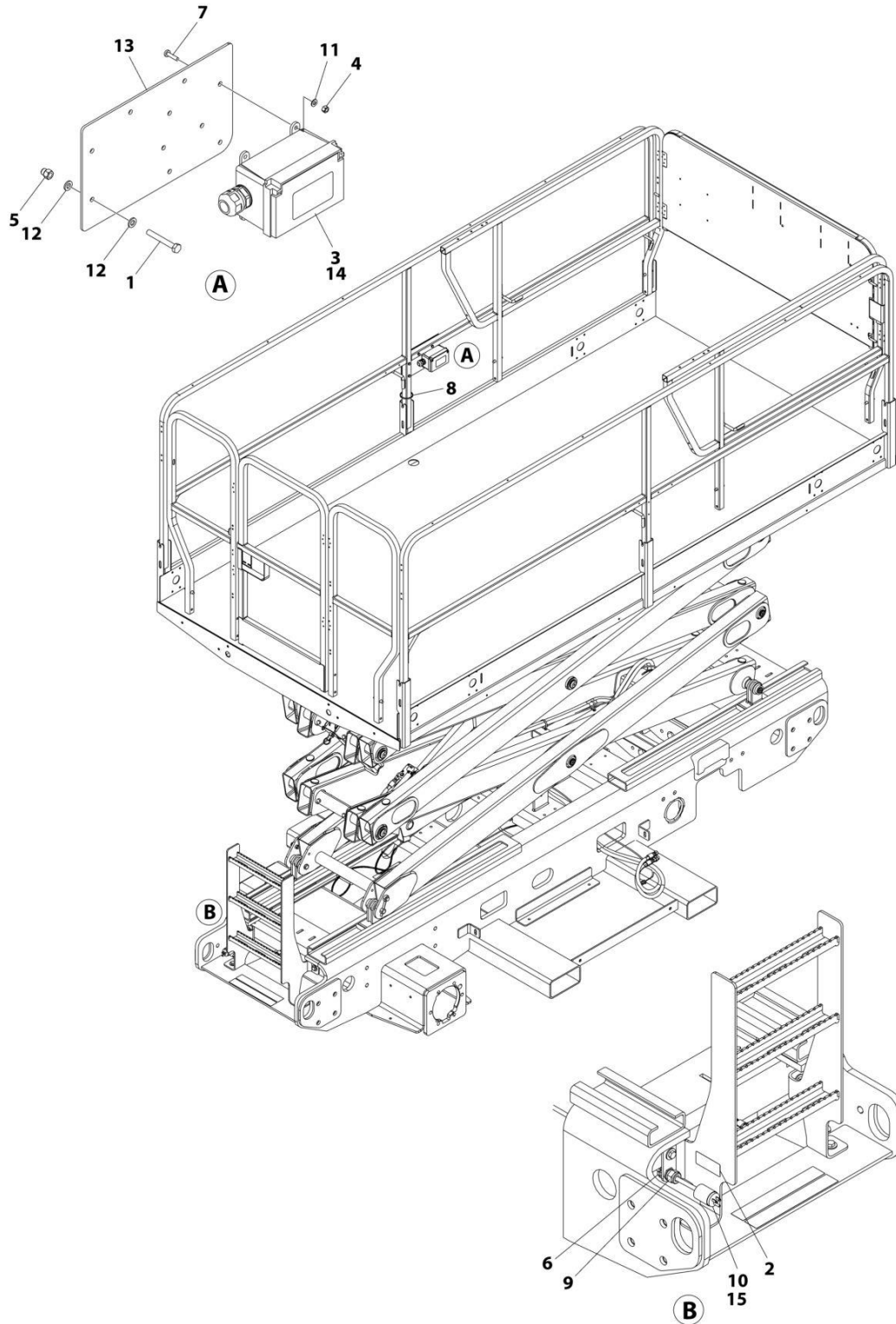
## SECTION 8 - ELECTRICAL

ITEM	PART NUMBER	QTY	DESCRIPTION	REV
159		Ref	Switch, Key	
160		Ref	Switch, Emergency Stop	
161		Ref	Switch, Platform Lift/Lower	
162		Ref	Light, Load Sense Overload Indicator	
163		Ref	Switch, Brake Release	
164		Ref	Switch, Genset Start	
165		Ref	Light, Genset Indicator	



# SECTION 8 - ELECTRICAL

FIGURE 8-2. AC BOX AT PLATFORM INSTALLATION - 110V GFI (ALL SPECS EXCEPT AUSTRALIAN & CE SPECS)



ART\_1001255001

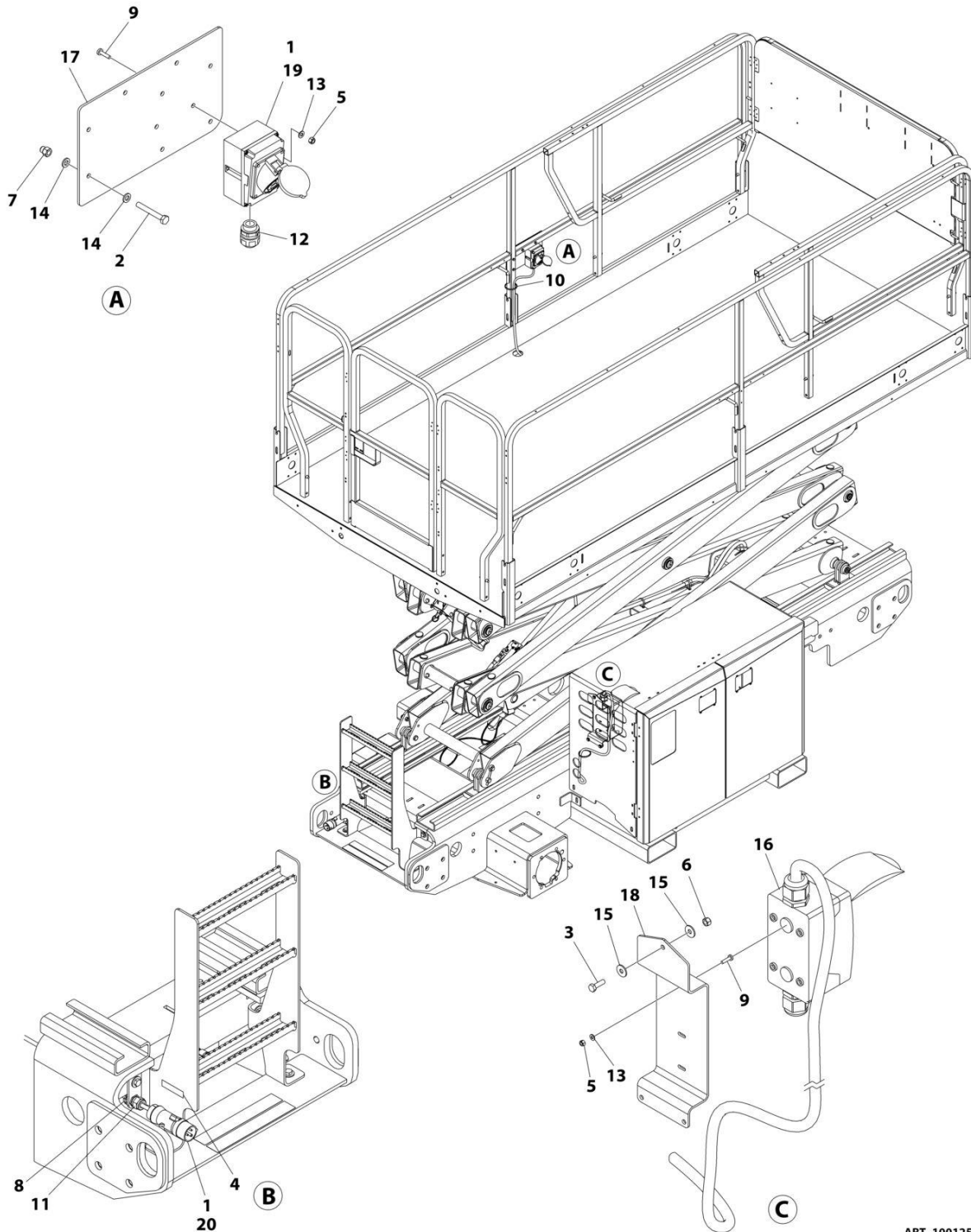
## SECTION 8 - ELECTRICAL

**FIGURE 8-2. AC BOX AT PLATFORM INSTALLATION - 110V GFI (ALL SPECS EXCEPT AUSTRALIAN & CE SPECS)**

ITEM	PART NUMBER	QTY	DESCRIPTION	REV
	1001255001	Ref	AC BOX AT PLATFORM INSTALLATION - 110V	B
1	0700617	4	Bolt M6 x 45	
2	1703464	1	Decal - AC Power	
3	2902431	1	Receptacle Box Kit - 110V GFI (See Separate Breakdown in this Section)	
4	3290405	4	Nut M4	
5	3290606	4	Nut M6 x 1	
6	3300048	1	Nut 3/4	
7	4010408	4	Screw M4 x 16	
8	4240017	AR	Tie-Strap	
9	4460071	1	Connector	
10	4460138	1	Plug, Male	
11	4811400	4	Washer M4	
12	4811700	8	Washer M6	
13	1001254613	1	Plate, Platform Plug Mount	
14	4460315	3	Terminal, Spade	
15	1001212268	3	Terminal	

# SECTION 8 - ELECTRICAL

## FIGURE 8-3. AC BOX AT PLATFORM INSTALLATION - 110V IEC YELLOW (CE SPECS)



ART\_1001255006



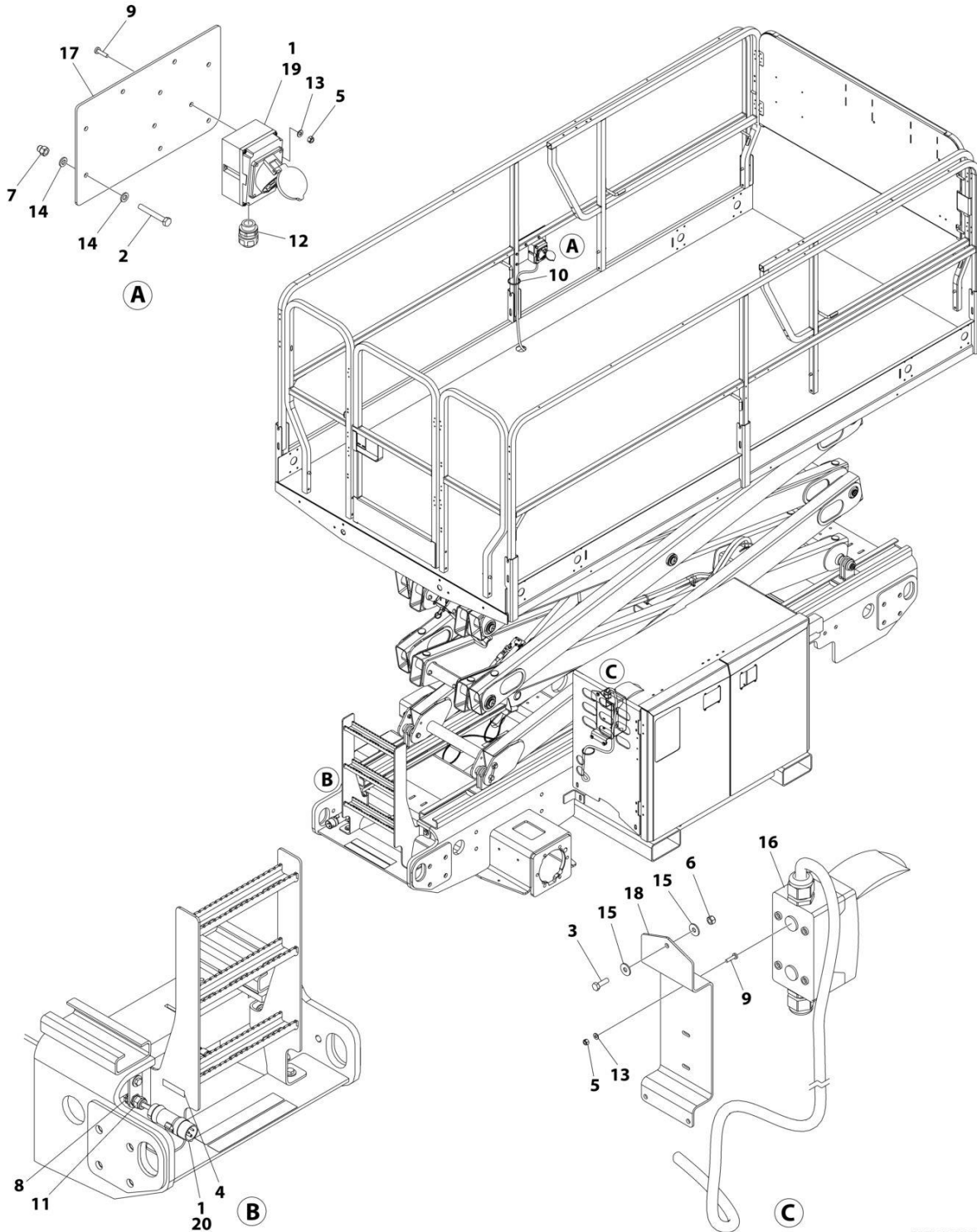
## SECTION 8 - ELECTRICAL

**FIGURE 8-3. AC BOX AT PLATFORM INSTALLATION - 110V IEC YELLOW (CE SPECS)**

ITEM	PART NUMBER	QTY	DESCRIPTION	REV
	1001255006	Ref	AC BOX AT PLATFORM INSTALLATION - 110V IEC YELLOW	B
1	0275216	1	Receptacle Box Kit - 110V IEC Yellow (See Separate Breakdown in this Section)	
2	0700617	4	Bolt M6 x 45	
3	0760610	3	Bolt M6 x 20	
4	1705325	1	Decal - 110 Volt	
5	3290405	4	Nut M4	
6	3290605	3	Nut M6	
7	3290606	4	Nut M6 x 1	
8	3300048	1	Nut 3/4	
9	4010408	4	Screw M4 x 16	
10	4240017	AR	Tie-Strap	
11	4460071	1	Connector, Water Tight	
12	4460968	1	Connector, Strain Relief	
13	4811400	4	Washer M4	
14	4811700	8	Washer M6	
15	4811702	6	Washer M6	
16	1001096070	1	Breaker Box Kit (See Separate Breakdown in this Section)	
17	1001254613	1	Plate, Platform Plug Mount	
18	1001261118	1	Bracket, Electric Box Mount	
19	4460315	3	Terminal, Spade	
20	1001212268	3	Terminal	

# SECTION 8 - ELECTRICAL

## FIGURE 8-4. AC BOX AT PLATFORM INSTALLATION - 220V IEC BLUE (CE SPECS)



ART\_1001255007

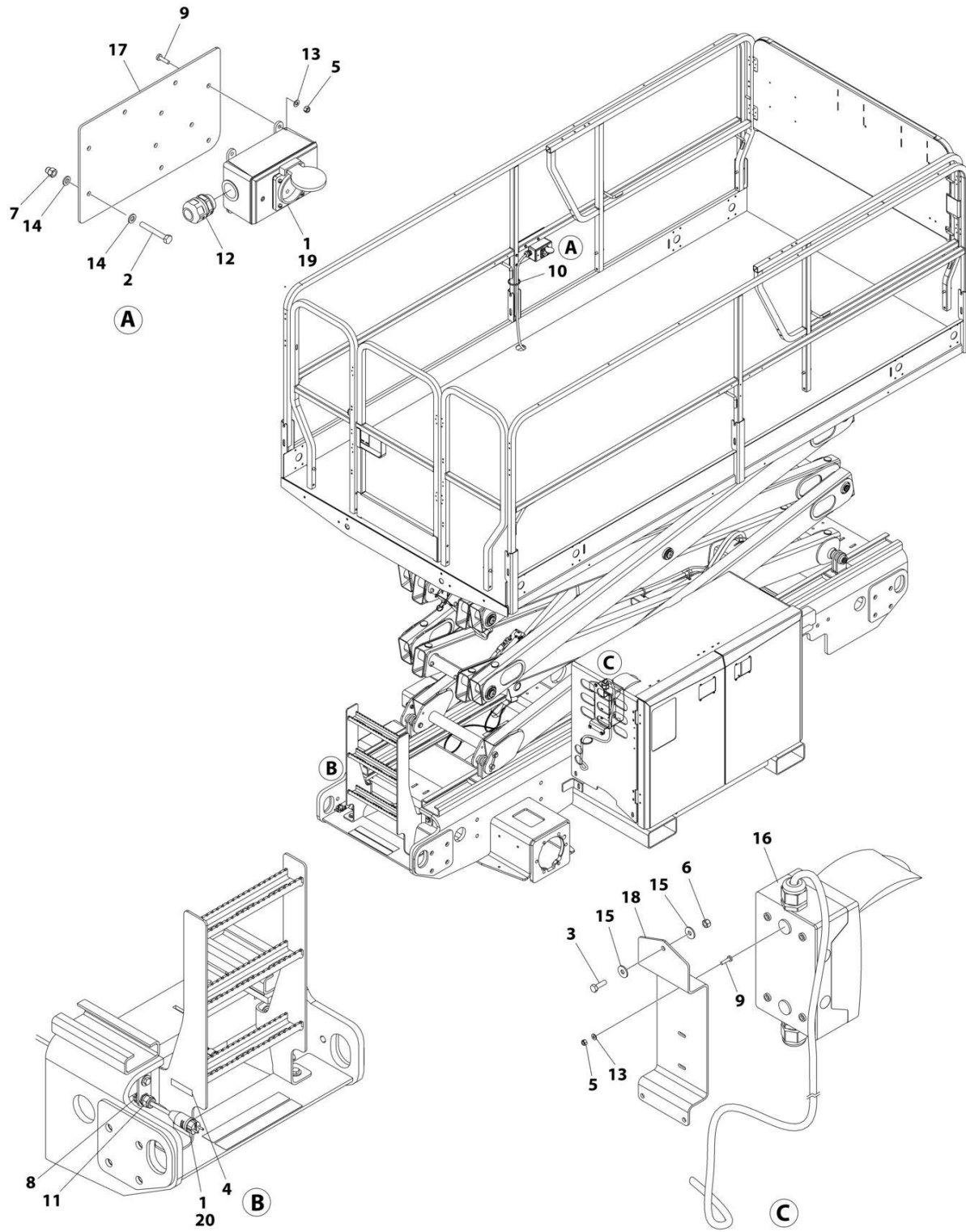
## SECTION 8 - ELECTRICAL

**FIGURE 8-4. AC BOX AT PLATFORM INSTALLATION - 220V IEC BLUE (CE SPECS)**

ITEM	PART NUMBER	QTY	DESCRIPTION	REV
	1001255007	Ref	AC BOX AT PLATFORM INSTALLATION - 220V IEC BLUE	B
1	0275217	1	Receptacle Box Kit - 220V IEC Blue (See Separate Breakdown in this Section)	
2	0700617	4	Bolt M6 x 45	
3	0760610	3	Bolt M6 x 20	
4	3252507	1	Decal - 220 Volt	
5	3290405	4	Nut M4	
6	3290605	3	Nut M6	
7	3290606	4	Nut M6 x 1	
8	3300048	1	Nut 3/4	
9	4010408	4	Screw M4 x 16	
10	4240017	AR	Tie-Strap	
11	4460071	1	Connector, Water Tight	
12	4460968	1	Connector, Strain Relief	
13	4811400	4	Washer M4	
14	4811700	8	Washer M6	
15	4811702	6	Washer M6	
16	1001096070	1	Breaker Box Kit (See Separate Breakdown in this Section)	
17	1001254613	1	Plate, Platform Plug Mount	
18	1001261118	1	Bracket, Electric Box Mount	
19	4460315	3	Terminal, Spade	
20	1001212268	3	Terminal	

# SECTION 8 - ELECTRICAL

FIGURE 8-5. AC BOX AT PLATFORM INSTALLATION - 220V CEE7 POST GROUND (CE SPECS)



ART\_1001255004

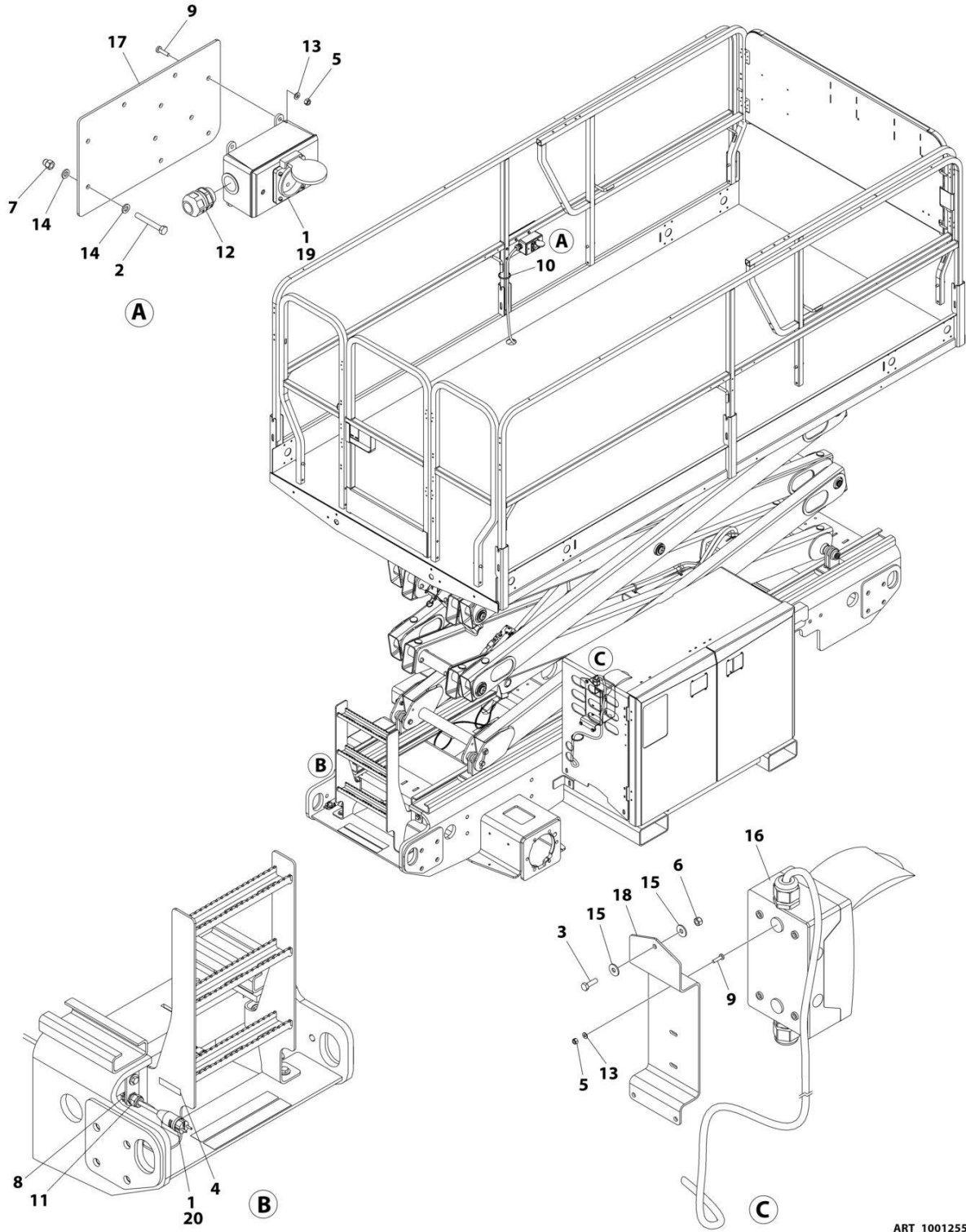
## SECTION 8 - ELECTRICAL

**FIGURE 8-5. AC BOX AT PLATFORM INSTALLATION - 220V CEE7 POST GROUND (CE SPECS)**

ITEM	PART NUMBER	QTY	DESCRIPTION	REV
	1001255004	Ref	AC BOX AT PLATFORM INSTALLATION - 220V CEE7 POST GROUND	B
1	0275452	1	Receptacle Box Kit - 220V CEE7 Post Ground 2X4 Box (See Separate Breakdown in this Section)	
2	0700617	4	Bolt M6 x 45	
3	0760610	3	Bolt M6 x 20	
4	3252507	1	Decal - 220 Volt	
5	3290405	6	Nut M4	
6	3290605	3	Nut M6	
7	3290606	4	Nut M6 x 1	
8	3300048	1	Nut 3/4	
9	4010408	6	Screw M4 x 16	
10	4240017	AR	Tie-Strap	
11	4460071	1	Connector, Water Tight	
12	4460662	1	Connector, Strain Relief	
13	4811400	6	Washer M4	
14	4811700	8	Washer M6	
15	4811702	6	Washer M6	
16	1001152486	1	Electric Assembly, Box and Breaker (See Separate Breakdown in this Section)	
17	1001254613	1	Plate, Platform Plug Mount	
18	1001261118	1	Bracket, Electric Box Mount	
19	4460315	3	Terminal, Spade	
20	1001212268	3	Terminal	

# SECTION 8 - ELECTRICAL

FIGURE 8-6. AC BOX AT PLATFORM INSTALLATION - 220V CEE7 SIDE GROUND (CE SPECS)



ART\_1001255005

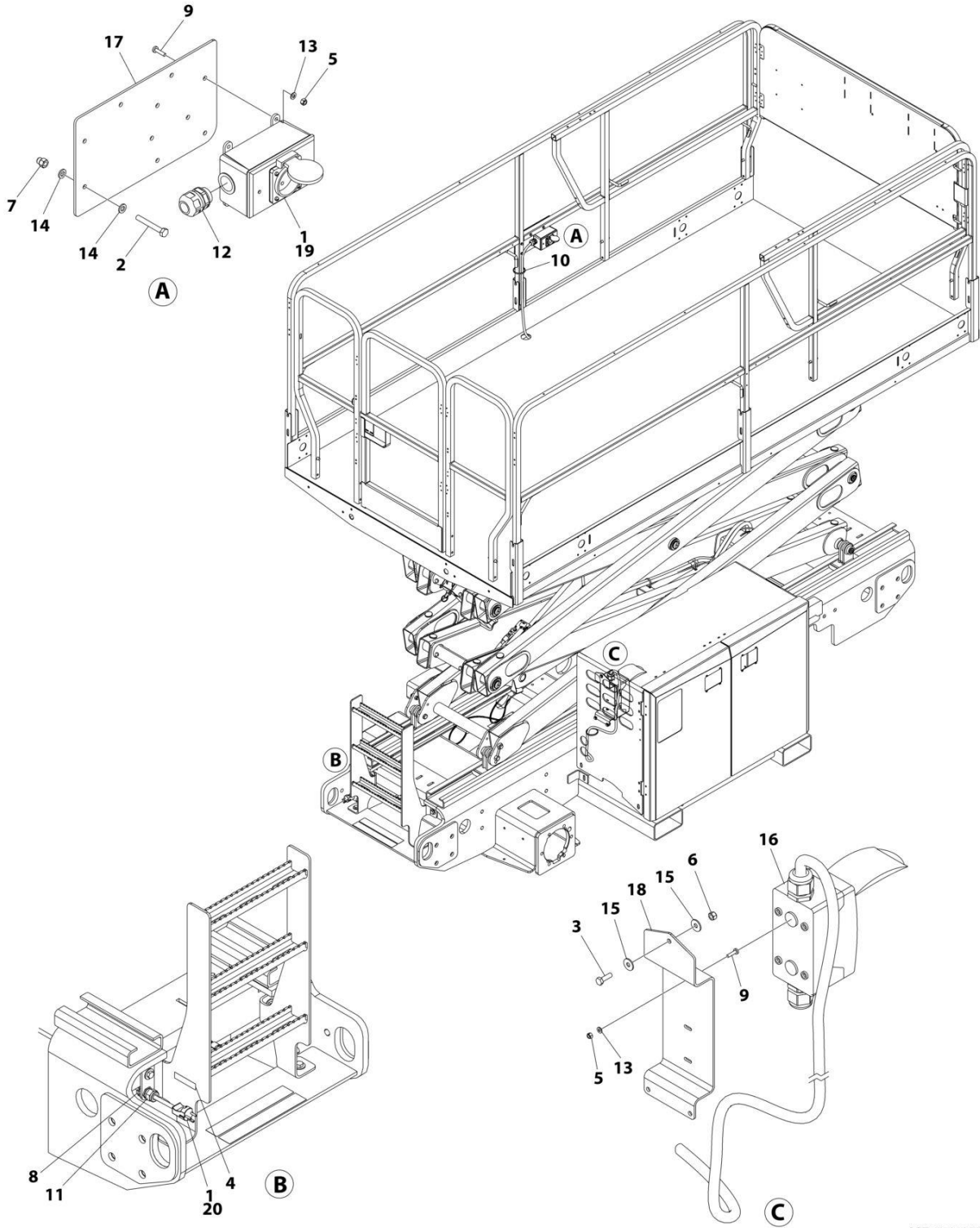
## SECTION 8 - ELECTRICAL

**FIGURE 8-6. AC BOX AT PLATFORM INSTALLATION - 220V CEE7 SIDE GROUND (CE SPECS)**

ITEM	PART NUMBER	QTY	DESCRIPTION	REV
	1001255005	Ref	AC BOX AT PLATFORM INSTALLATION - 220V CEE7 SIDE GROUND	B
1	0275453	1	Receptacle Box Kit - 220V CEE7 Side Ground 2X4 Box (See Separate Breakdown in this Section)	
2	0700617	4	Bolt M6 x 45	
3	0760610	3	Bolt M6 x 20	
4	3252507	1	Decal - 220 Volt	
5	3290405	6	Nut M4	
6	3290605	3	Nut M6	
7	3290606	4	Nut M6 x 1	
8	3300048	1	Nut 3/4	
9	4010408	6	Screw M4 x 16	
10	4240017	AR	Tie-Strap	
11	4460071	1	Connector, Water Tight	
12	4460662	1	Connector, Strain Relief	
13	4811400	6	Washer M4	
14	4811700	8	Washer M6	
15	4811702	6	Washer M6	
16	1001152486	1	Electric Assembly, Box and Breaker (See Separate Breakdown in this Section)	
17	1001254613	1	Plate, Platform Plug Mount	
18	1001261118	1	Bracket, Electric Box Mount	
19	4460315	3	Terminal, Spade	
20	1001212268	3	Terminal	

# SECTION 8 - ELECTRICAL

FIGURE 8-7. AC BOX AT PLATFORM INSTALLATION - 220V AFSINT 107 (CE SPECS)



ART\_1001255008



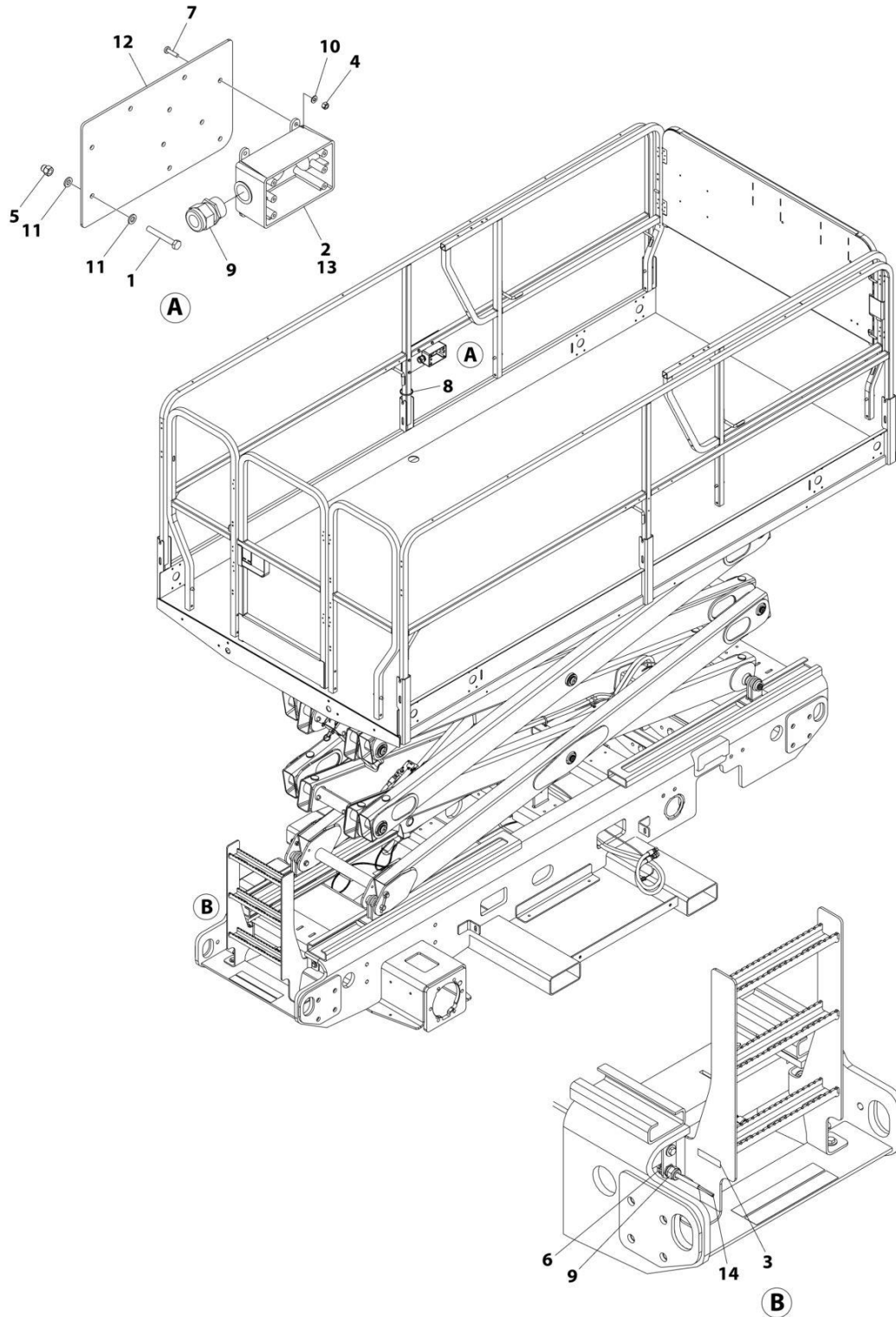
## SECTION 8 - ELECTRICAL

**FIGURE 8-7. AC BOX AT PLATFORM INSTALLATION - 220V AFSINT 107 (CE SPECS)**

ITEM	PART NUMBER	QTY	DESCRIPTION	REV
	1001255008	Ref	AC BOX AT PLATFORM INSTALLATION - 220V AFSINT 107	B
1	0275454	1	Receptacle Box Kit - 220V AFSINT 107 (See Separate Breakdown in this Section)	
2	0700617	4	Bolt M6 x 45	
3	0760610	3	Bolt M6 x 20	
4	3252507	1	Decal - 220 Volt	
5	3290405	6	Nut M4	
6	3290605	3	Nut M6	
7	3290606	4	Nut M6 x 1	
8	3300048	1	Nut 3/4	
9	4010408	6	Screw M4 x 16	
10	4240017	AR	Tie-Strap	
11	4460071	1	Connector, Water Tight	
12	4460662	1	Connector, Strain Relief	
13	4811400	6	Washer M4	
14	4811700	8	Washer M6	
15	4811702	6	Washer M6	
16	1001096070	1	Breaker Box Kit (See Separate Breakdown in this Section)	
17	1001254613	1	Plate, Platform Plug Mount	
18	1001261118	1	Bracket, Electric Box Mount	
19	4460315	3	Terminal, Spade	
20	1001212268	3	Terminal	

# SECTION 8 - ELECTRICAL

FIGURE 8-8. AC BOX AT PLATFORM INSTALLATION - 220V CUSTOMER SUPPLIED PLUG & RECEPTACLE (ALL SPECS EXCEPT AUSTRALIAN & CE SPECS)



ART\_1001255002

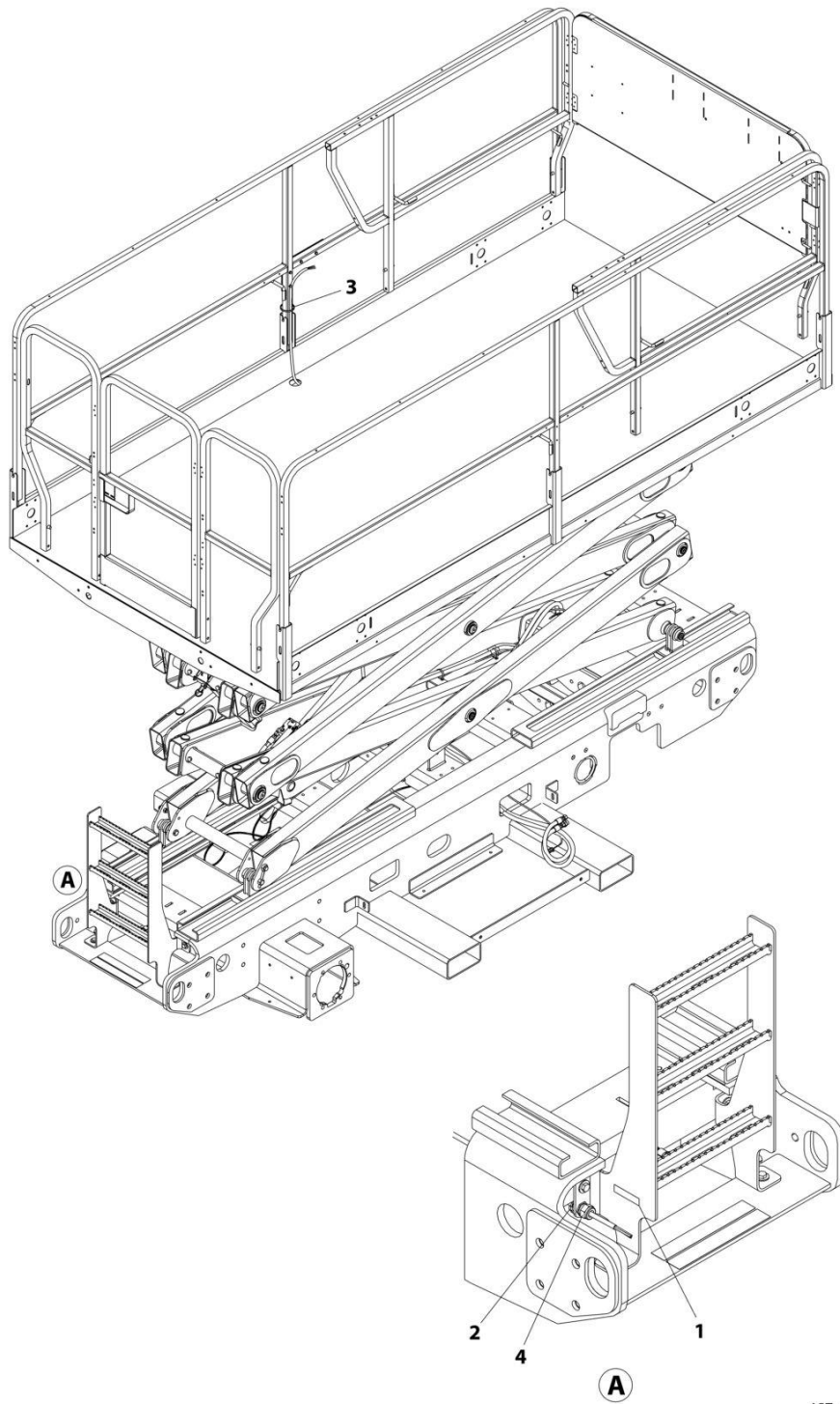
## SECTION 8 - ELECTRICAL

**FIGURE 8-8. AC BOX AT PLATFORM INSTALLATION - 220V CUSTOMER SUPPLIED PLUG & RECEPTACLE (ALL SPECS EXCEPT AUSTRALIAN & CE SPECS)**

ITEM	PART NUMBER	QTY	DESCRIPTION	REV
	1001255002	Ref	AC BOX AT PLATFORM INSTALLATION - 220V RECEPTACLE	B
1	0700617	4	Bolt M6 x 45	
2	0861731	1	Box, Receptacle	
3	3252507	1	Decal - 220 Volt	
4	3290405	4	Nut M4	
5	3290606	4	Nut M6 x 1	
6	3300048	1	Nut 3/4	
7	4010408	4	Screw M4 x 16	
8	4240017	AR	Tie-Strap	
9	4460071	2	Connector, Water Tight	
10	4811400	4	Washer M4	
11	4811700	8	Washer M6	
12	1001254613	1	Plate, Platform Plug Mount	
13	4460315	3	Terminal, Spade	
14	1001212268	3	Terminal	

# SECTION 8 - ELECTRICAL

FIGURE 8-9. AC BOX AT PLATFORM INSTALLATION - 220V CUSTOMER SUPPLIED COMPONENTS  
(ALL SPECS)



ART\_1001255003

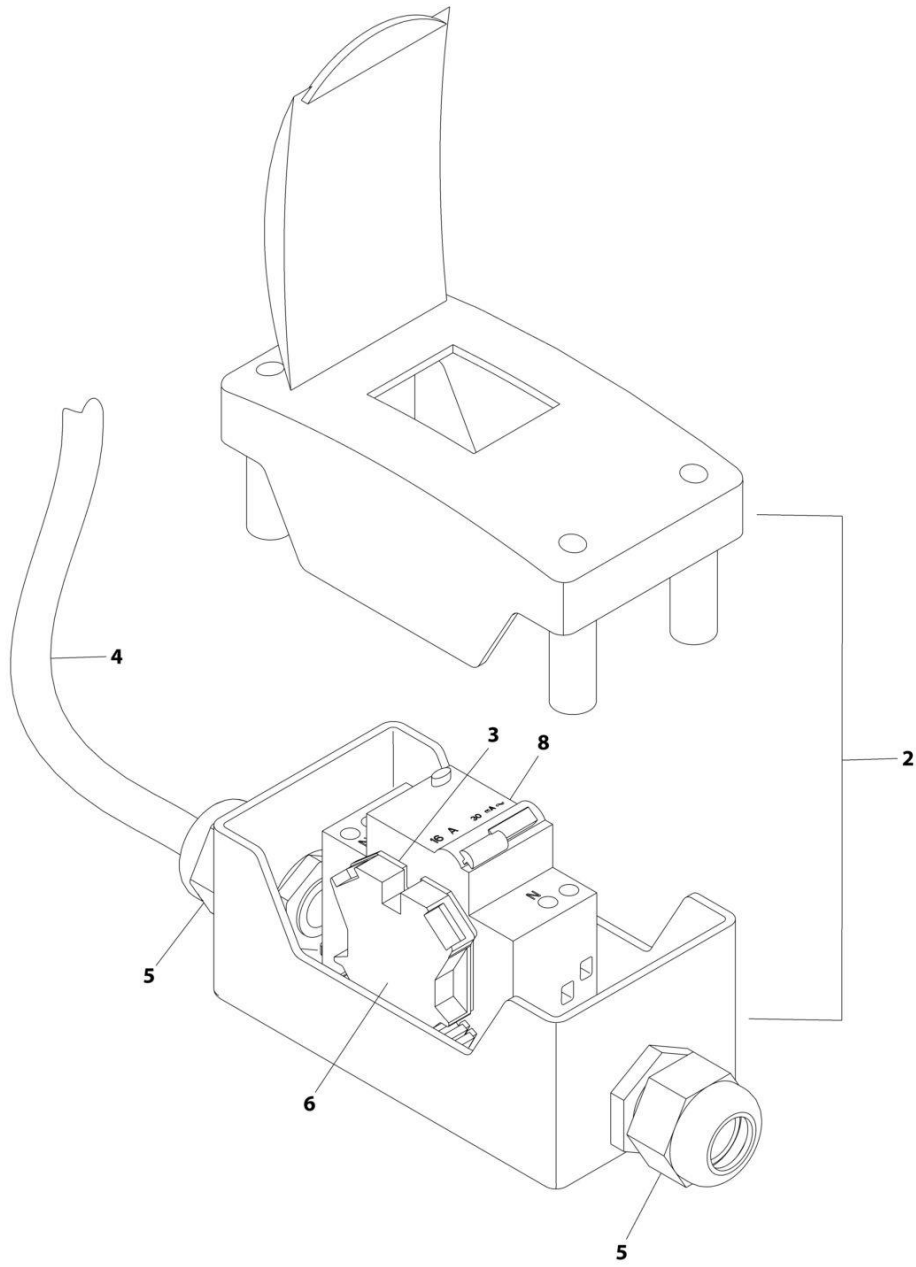
## SECTION 8 - ELECTRICAL

**FIGURE 8-9. AC BOX AT PLATFORM INSTALLATION - 220V CUSTOMER SUPPLIED COMPONENTS  
(ALL SPECS)**

ITEM	PART NUMBER	QTY	DESCRIPTION	REV
	1001255003	Ref	AC BOX AT PLATFORM INSTALLATION - 220V CUSTOMER SUPPLIED COMPONENTS	A
1	3252507	1	Decal - 220 Volt	
2	3300048	1	Nut 3/4	
3	4240017	AR	Tie-Strap	
4	4460071	1	Connector, Water Tight	

# SECTION 8 - ELECTRICAL

FIGURE 8-10. BREAKER BOX KIT - 1 DOUBLE BREAKER (CE SPECS)



ART\_1001096070\_E

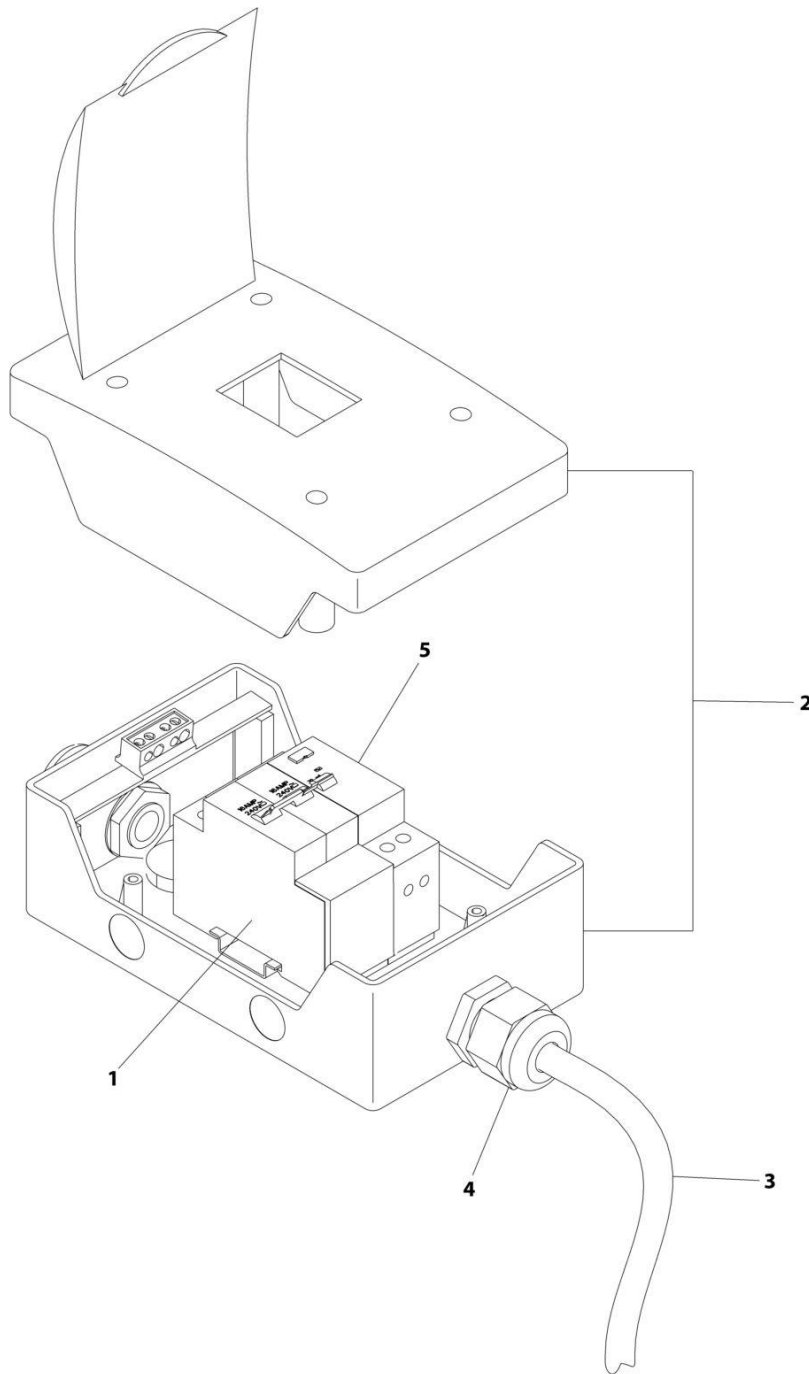
## SECTION 8 - ELECTRICAL

**FIGURE 8-10. BREAKER BOX KIT - 1 DOUBLE BREAKER (CE SPECS)**

ITEM	PART NUMBER	QTY	DESCRIPTION	REV
	1001096070	Ref	BREAKER BOX KIT	E
2	0861880	1	Box	
3	4460956	1	Barrier, Terminal Block End	
4	1060908	12 ft/ 3.6m	Cable, 12/3	
5	1001097150	2	Connector, Strain Relief	
6	4460957	1	Block, Terminal	
8	1001181045	1	Breaker, 16Amp	

# SECTION 8 - ELECTRICAL

FIGURE 8-11. BREAKER BOX KIT - 1 DOUBLE & 1 SINGLE BREAKER (CE SPECS)



ART\_1001152486\_C



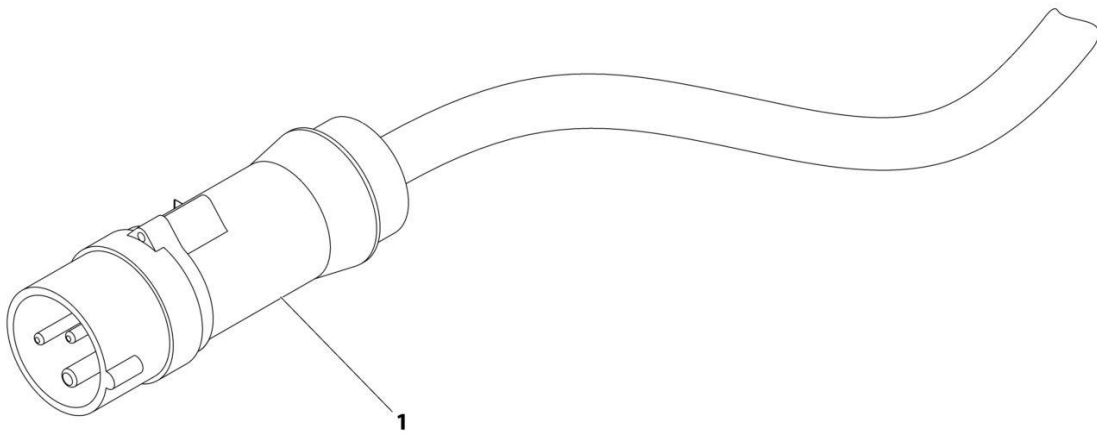
## SECTION 8 - ELECTRICAL

**FIGURE 8-11. BREAKER BOX KIT - 1 DOUBLE & 1 SINGLE BREAKER (CE SPECS)**

ITEM	PART NUMBER	QTY	DESCRIPTION	REV
	1001152486	Ref	BREAKER BOX KIT	C
1	1001189172	1	Breaker, 16 Amp (Double)	
2	1001152483	1	Box	
3	1060908	12 ft/ 3.66m	Cable, 12/3	
4	1001097150	1	Connector, Strain Relief	
5	1001189171	1	Breaker, 30mA	

## SECTION 8 - ELECTRICAL

FIGURE 8-12. CHARGER CORD PLUG INSTALLATION - 110V - IEC YELLOW (CE SPEC)



ART\_0275666

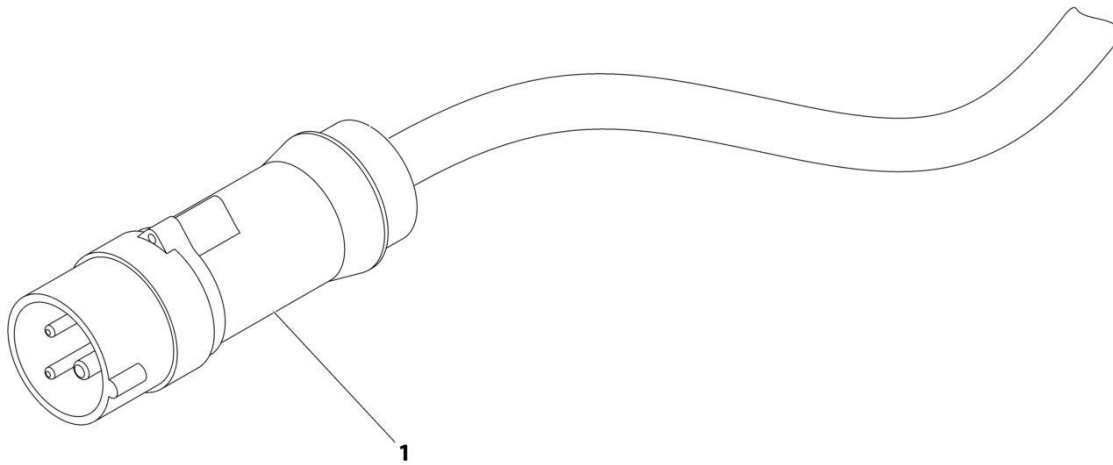
## SECTION 8 - ELECTRICAL

**FIGURE 8-12. CHARGER CORD PLUG INSTALLATION - 110V - IEC YELLOW (CE SPEC)**

ITEM	PART NUMBER	QTY	DESCRIPTION	REV
	0275666	Ref	CHARGER CORD PLUG INSTALLATION - 110V IEC YELLOW	B
1	4461196	1	PLUG Plug	

## SECTION 8 - ELECTRICAL

FIGURE 8-13. CHARGER CORD PLUG INSTALLATION - 220V - IEC BLUE (CE SPEC)



ART\_0275667

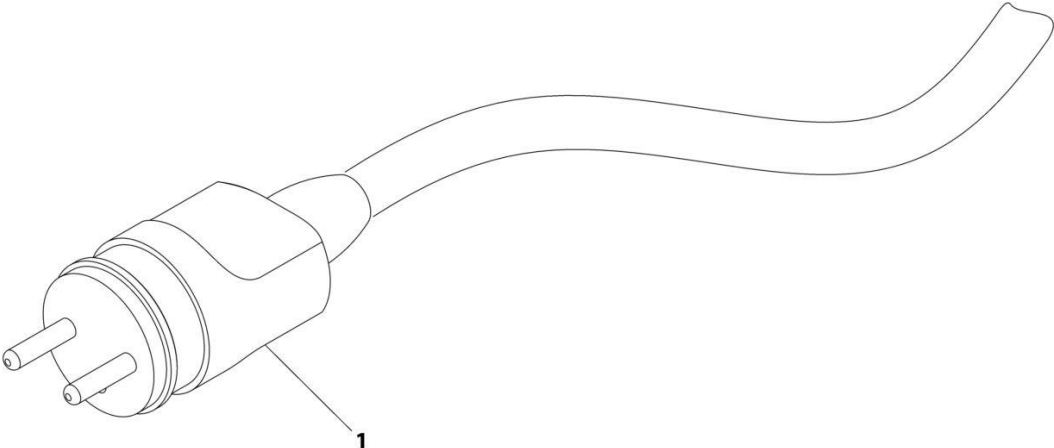
## SECTION 8 - ELECTRICAL

**FIGURE 8-13. CHARGER CORD PLUG INSTALLATION - 220V - IEC BLUE (CE SPEC)**

ITEM	PART NUMBER	QTY	DESCRIPTION	REV
1	0275667 4461199	Ref 1	CHARGER CORD PLUG INSTALLATION - 220V IEC BLUE PLUG Plug	B

**SECTION 8 - ELECTRICAL**

**FIGURE 8-14. CHARGER CORD PLUG INSTALLATION - 220V - CEE7 POST GROUND (CE SPEC)**



ART\_0275663-C

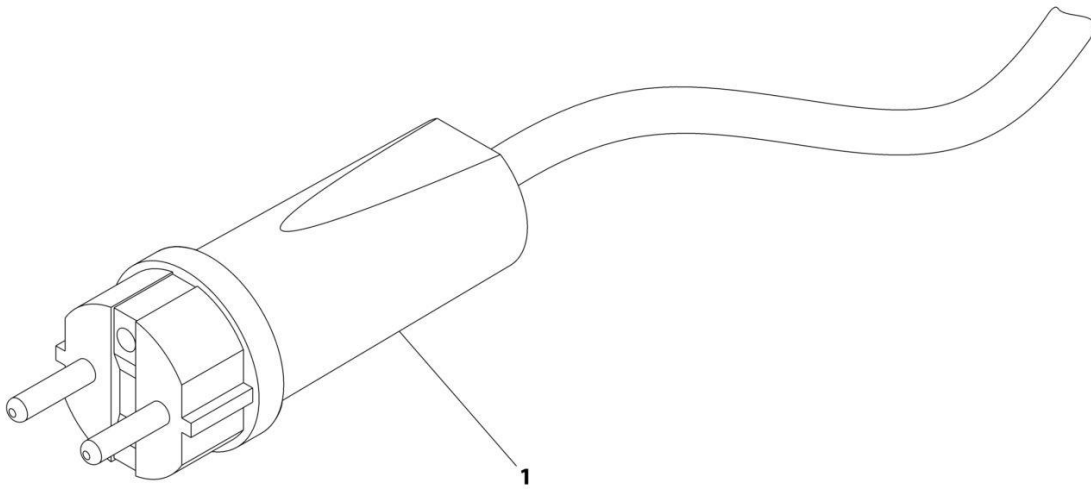
## SECTION 8 - ELECTRICAL

**FIGURE 8-14. CHARGER CORD PLUG INSTALLATION - 220V - CEE7 POST GROUND (CE SPEC)**

ITEM	PART NUMBER	QTY	DESCRIPTION	REV
1	0275663 4461205	Ref 1	CHARGER CORD PLUG INSTALLATION - 220V POST GROUND Plug	C

## SECTION 8 - ELECTRICAL

FIGURE 8-15. CHARGER CORD PLUG INSTALLATION - 220V - CEE7 SIDE GROUND (CE SPEC)



ART\_0275664



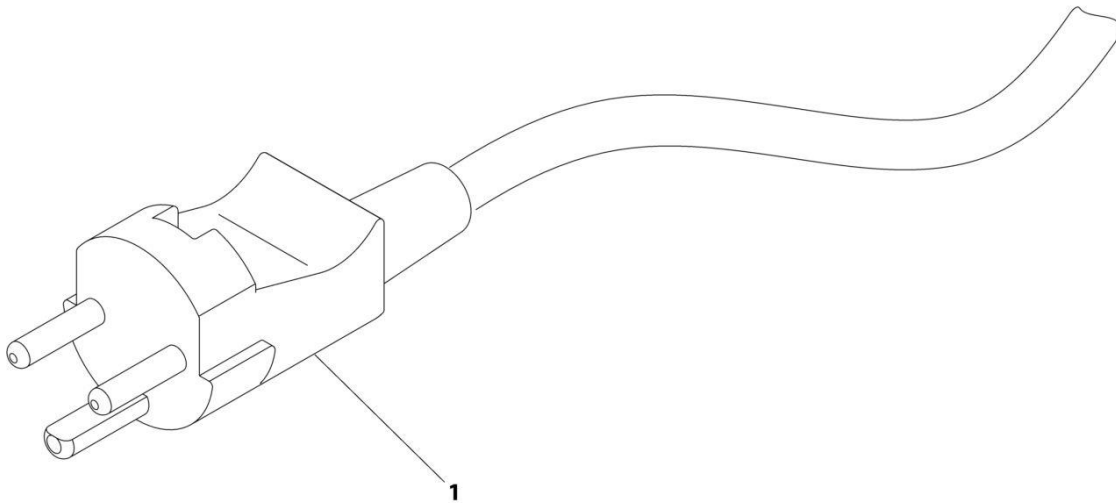
## SECTION 8 - ELECTRICAL

**FIGURE 8-15. CHARGER CORD PLUG INSTALLATION - 220V - CEE7 SIDE GROUND (CE SPEC)**

ITEM	PART NUMBER	QTY	DESCRIPTION	REV
	0275664	Ref	CHARGER CORD PLUG INSTALLATION - 220V CEE7 SIDE GROUND	A
1	4461205	1	Plug	

## SECTION 8 - ELECTRICAL

FIGURE 8-16. CHARGER CORD PLUG INSTALLATION - 220V - AFSINT 107 KEYED GROUND (CE SPEC)



ART\_0275665

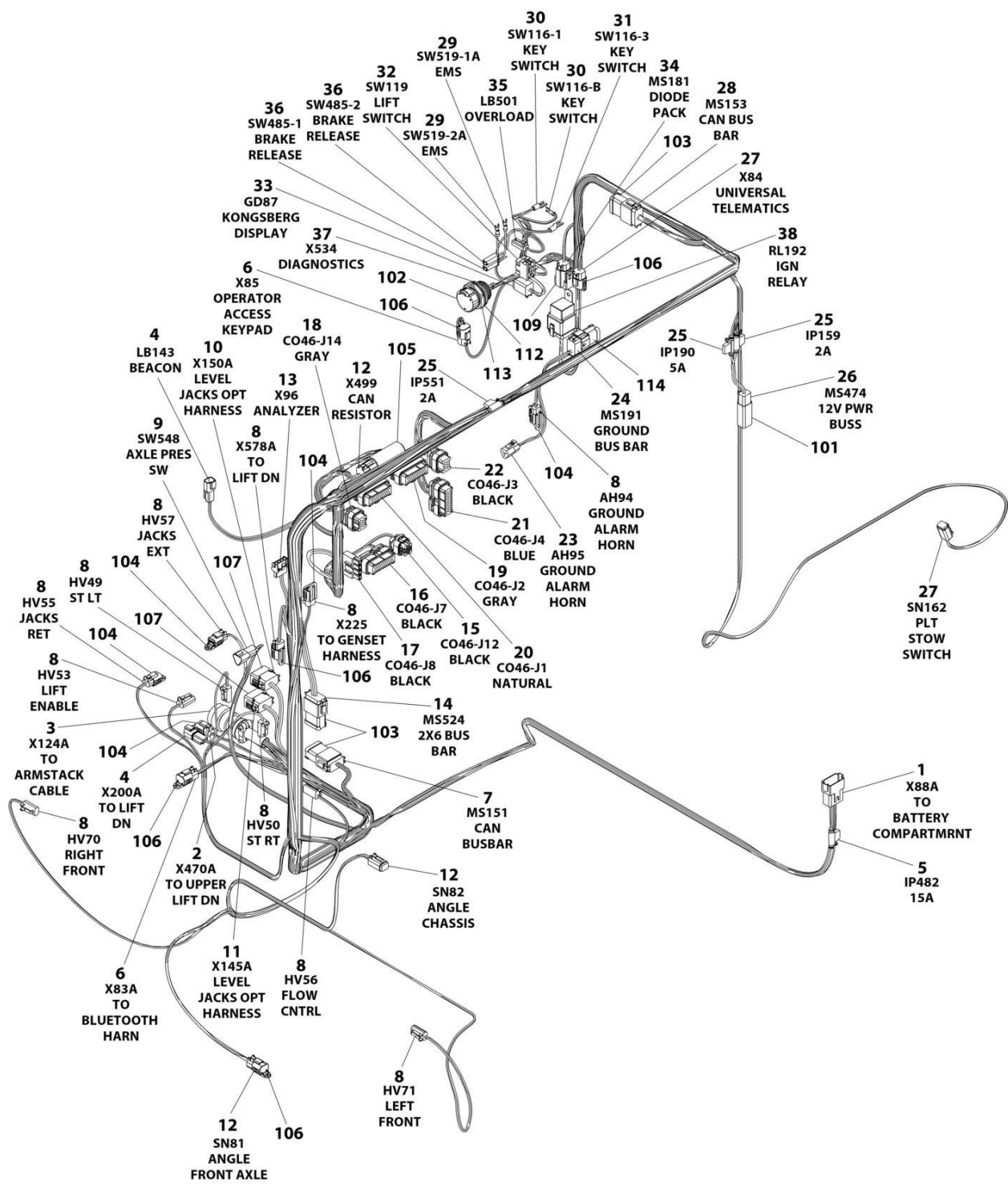
## SECTION 8 - ELECTRICAL

**FIGURE 8-16. CHARGER CORD PLUG INSTALLATION - 220V - AFSINT 107 KEYED GROUND (CE SPEC)**

ITEM	PART NUMBER	QTY	DESCRIPTION	REV
	0275665	Ref	CHARGER CORD PLUG INSTALLATION - 220V AFSINT 107 KEYED GROUND	B
1	4461249	1	Plug	

# SECTION 8 - ELECTRICAL

## FIGURE 8-17. CHASSIS HARNESS



ART\_1001254403

## SECTION 8 - ELECTRICAL

### FIGURE 8-17. CHASSIS HARNESS

ITEM	PART NUMBER	QTY	DESCRIPTION	REV
	1001254403	Ref	CHASSIS HARNESS	G
1	4460970	1	Receptacle - 12 Position	
1	4460464	4	Pin, Male	
1	4460943	4	Pin, Male	
1	1001157891	2	Pin, Male	
1	4460466	2	Plug, Terminal	
2	4460891	1	Plug, Male - 2 Position	
2	4460465	2	Socket, Female	
3	4460754	1	Plug, Male - 14 Position	
3	4460465	12	Socket, Female	
3	4460944	2	Socket, Female	
4	4460897	2	Receptacle, Female - 2 Position	
4	4460464	4	Pin, Male	
5	2400066	2	Fuseholder with Cover	
6	4460884	2	Plug, Male - 4 Position	
6	4460465	4	Socket, Female	
6	4460944	4	Socket, Female	
7	4460933	1	Plug, Male - 12 Position	
7	4460944	8	Socket, Female	
7	4460466	4	Plug, Terminal	
8	4460891	11	Plug, Male - 2 Position	
8	4460465	22	Socket, Female	
9	4460536	1	Receptacle, Female - 3 Position	
9	4460464	3	Pin, Male	
10	4460933	1	Plug, Male - 12 Position	
10	4460465	12	Socket, Female	
11	4460836	1	Connector - 12 Position	
11	4460465	8	Socket, Female	
11	4460466	4	Plug, Terminal	
12	4460884	3	Plug, Male - 4 Position	
12	4460944	12	Socket, Female	
13	4460761	1	Plug, Male - 4 Position	
13	4460227	4	Terminal	
14	4460933	1	Plug, Male - 12 Position	
14	4460465	10	Socket, Female	
14	4460466	2	Plug, Terminal	
15	1001113961	1	Connector - 8 Position	
15	4460871	2	Terminal	
15	4460905	6	Plug, Terminal	
16	4460873	1	Connector - 35 Position	
16	4460871	30	Terminal	
16	4460905	5	Plug, Terminal	
17	4460878	1	Connector - 4 Position	
17	4460887	2	Terminal	
18	1001246859	1	Connector - 14 Position	
18	4460871	7	Terminal	
18	4460905	7	Plug, Terminal	
19	4460875	1	Connector - 35 Position	
19	4460871	18	Terminal	
19	4460905	17	Plug, Terminal	

## SECTION 8 - ELECTRICAL

ITEM	PART NUMBER	QTY	DESCRIPTION	REV
20	4460874	1	Connector - 35 Position	
20	4460871	9	Terminal	
20	4460905	26	Plug, Terminal	
21	4460876	1	Connector - 35 Position	
21	4460871	18	Terminal	
21	4460905	17	Plug, Terminal	
22	4460872	1	Connector - 14 Position	
22	4460871	6	Terminal	
22	4460905	8	Plug, Terminal	
23	4460539	1	Plug, Male - 3 Position	
23	4460465	3	Socket, Female	
24	4460930	1	Plug, Male - 8 Position	
24	4460465	5	Socket, Female	
24	4460466	3	Plug, Terminal	
25	1001170764	3	Fuseholder with 20Amp Fuse	
26	4460884	1	Plug, Male - 4 Position	
26	4460942	2	Socket, Female	
26	4460465	1	Socket, Female	
26	4460466	1	Plug, Terminal	
27	4460884	2	Plug, Male - 4 Position	
27	4460465	8	Socket, Female	
28	4460933	1	Plug, Male - 12 Position	
28	4460465	12	Socket, Female	
29	4460183	2	Terminal, Fork	
30	4460144	2	Terminal, Fork	
31	4460806	1	Terminal, Fork	
32	4460418	1	Connector, Switch	
32	1001159186	3	Terminal	
33	4460894	1	Plug, Male - 6 Position	
33	4460465	2	Socket, Female	
33	4460944	2	Socket, Female	
33	4460466	2	Plug, Terminal	
34	4460884	1	Plug, Male - 4 Position	
34	4460465	3	Socket, Female	
34	4460466	1	Plug, Terminal	
35	1001126245	1	Connector - 2 Position	
35	4460928	2	Terminal	
36	4460260	2	Cover, Terminal	
36	4460259	2	Terminal	
37	1001112612	1	Connector - 9 Position	
37	4460464	3	Pin, Male	
37	4460943	2	Pin, Male	
37	4460466	4	Plug, Terminal	
38	1001117025	1	Connector, Relay	
38	1001116733	2	Terminal	
38	1001116732	2	Terminal	
38	1001128128	1	Plug, Terminal	
101	4460893	1	Buss Bar - 4 Position	
102	1001106736	1	Cap, Dust	
103	1001125677	3	Bussbar - 12 Position	
104	1001144295	5	Cap, Thermoplastic	

## SECTION 8 - ELECTRICAL

ITEM	PART NUMBER	QTY	DESCRIPTION	REV
105	1001186231	1	Resistor Assembly	
106	1001192401	5	Cap, Dust	
107	1001215898	2	Cap, Dust	
109	1001152266	1	Connector - 4 Position	
112	1001125784	1	Washer	
113	1001125785	1	Nut	
114	4460984	1	Receptacle, Female - 8 Position	

# SECTION 8 - ELECTRICAL

## FIGURE 8-18. GROUND TO PLATFORM HARNESS (ERT2669)



ART\_1001248279



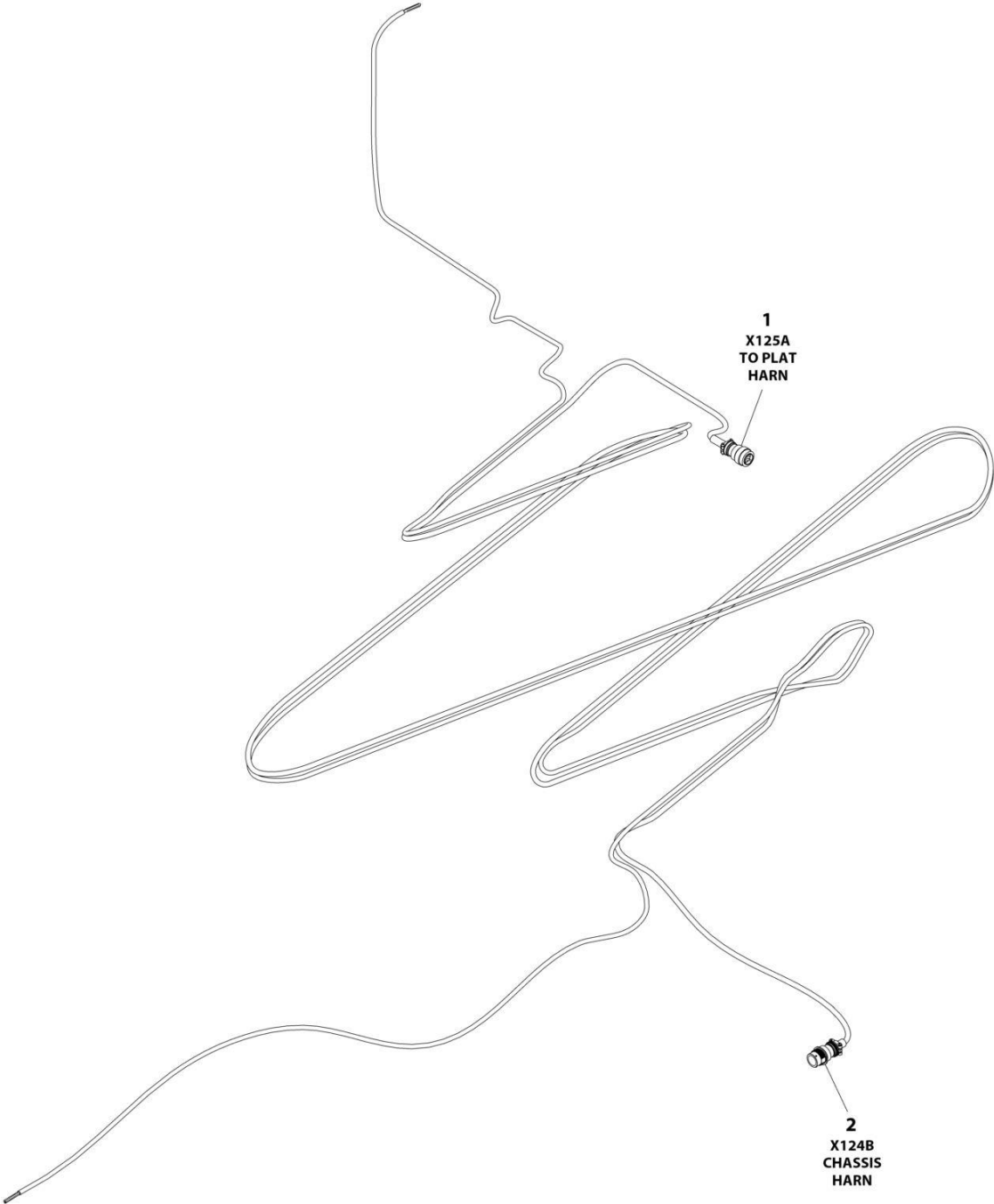
## SECTION 8 - ELECTRICAL

**FIGURE 8-18. GROUND TO PLATFORM HARNESS (ERT2669)**

ITEM	PART NUMBER	QTY	DESCRIPTION	REV
	1001248279	Ref	GROUND TO PLATFORM HARNESS	D
1	4460754	1	Connector - 14 Position	
1	4460465	14	Socket, Female	
2	1001156541	1	Connector - 14 Position	
2	4460464	14	Pin, Male	

**SECTION 8 - ELECTRICAL**

**FIGURE 8-19. GROUND TO PLATFORM HARNESS (ERT3369)**



ART\_1001248280

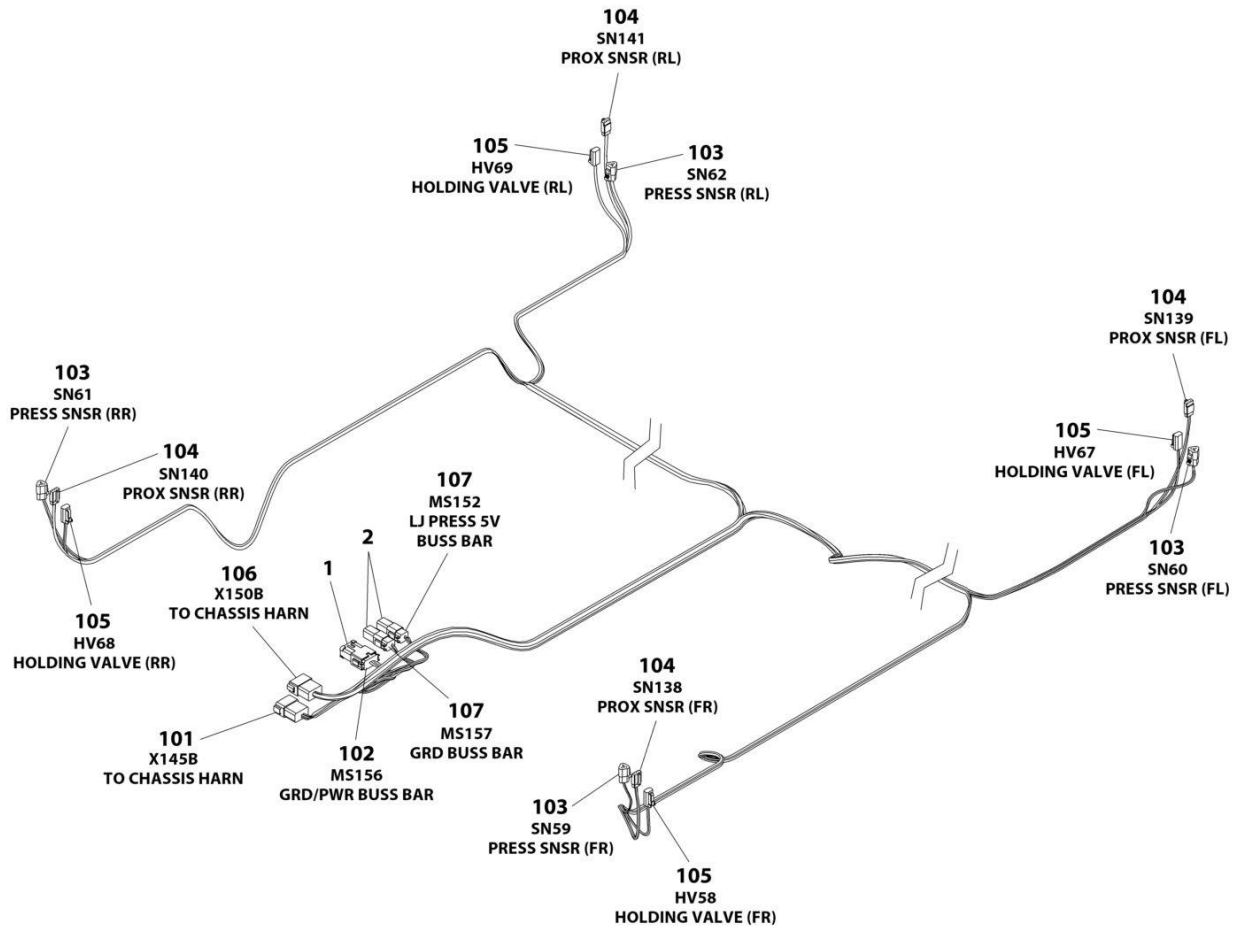
## SECTION 8 - ELECTRICAL

**FIGURE 8-19. GROUND TO PLATFORM HARNESS (ERT3369)**

ITEM	PART NUMBER	QTY	DESCRIPTION	REV
	1001248280	Ref	GROUND TO PLATFORM HARNESS	D
1	4460754	1	Connector - 14 Position	
1	4460465	14	Socket, Female	
2	1001156541	1	Connector - 14 Position	
2	4460464	14	Pin, Male	

# SECTION 8 - ELECTRICAL

## FIGURE 8-20. LEVELING JACK HARNESS



ART\_1001248863

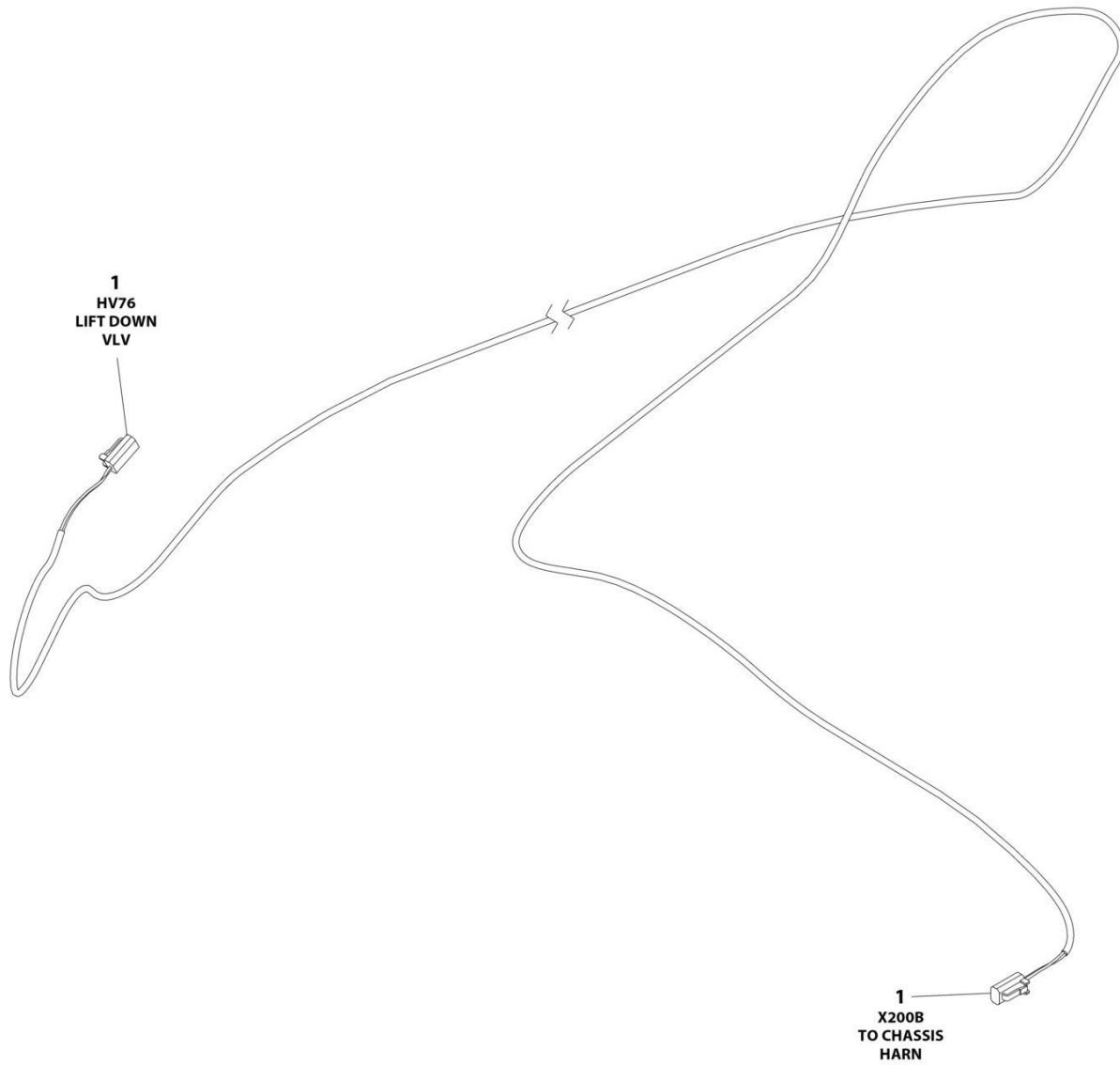
## SECTION 8 - ELECTRICAL

### FIGURE 8-20. LEVELING JACK HARNESS

ITEM	PART NUMBER	QTY	DESCRIPTION	REV
	1001248863	Ref	LEVELING JACK HARNESS	C
1	1001125677	1	Connector, 2 x 6 Bussbar (DT)	
2	4460892	2	Terminal, 6 Position Bussbar (DT)	
101	4460950	1	Receptacle, Female - 12 Position	
101	4460464	8	Pin, Male	
101	4460466	4	Plug, Terminal	
102	4460933	1	Plug, Male - 12 Position	
102	4460465	10	Socket, Female	
102	4460466	2	Plug, Terminal	
103	4460539	4	Plug, Male - 3 Position	
103	4460465	12	Socket, Female	
104	4460911	4	Connector - 3 Position	
104	1001116694	12	Terminal	
105	4460891	4	Plug, Male - 2 Position	
105	4460465	8	Socket, Female	
106	4460970	1	Receptacle - 12 Position	
106	4460464	12	Pin, Male	
107	4460894	2	Plug, Male - 6 Position	
107	4460465	10	Socket, Female	
107	4460466	2	Plug, Terminal	

# SECTION 8 - ELECTRICAL

## FIGURE 8-21. LIFT DOWN HARNESS



ART\_1001248895

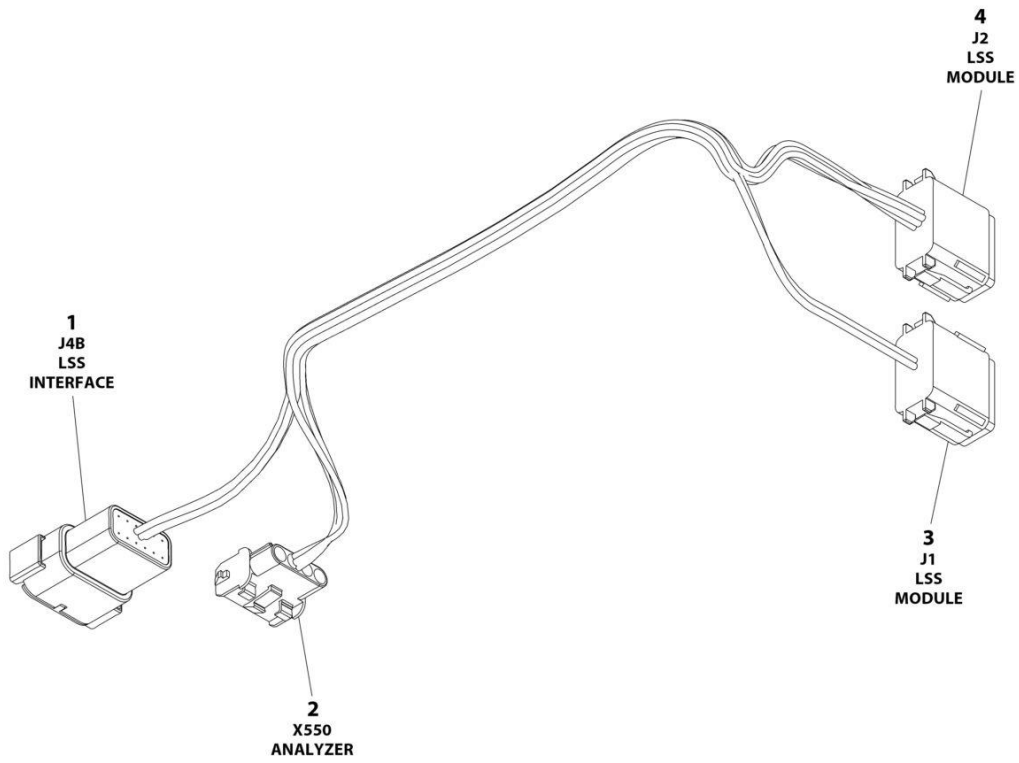
## SECTION 8 - ELECTRICAL

### FIGURE 8-21. LIFT DOWN HARNESS

ITEM	PART NUMBER	QTY	DESCRIPTION	REV
	1001248895	Ref	LIFT DOWN HARNESS	A
1	4460891	2	Plug, Male - 2 Position	
1	4460465	4	Socket, Female	

# SECTION 8 - ELECTRICAL

## FIGURE 8-22. LSS HARNESS



ART\_1001226830



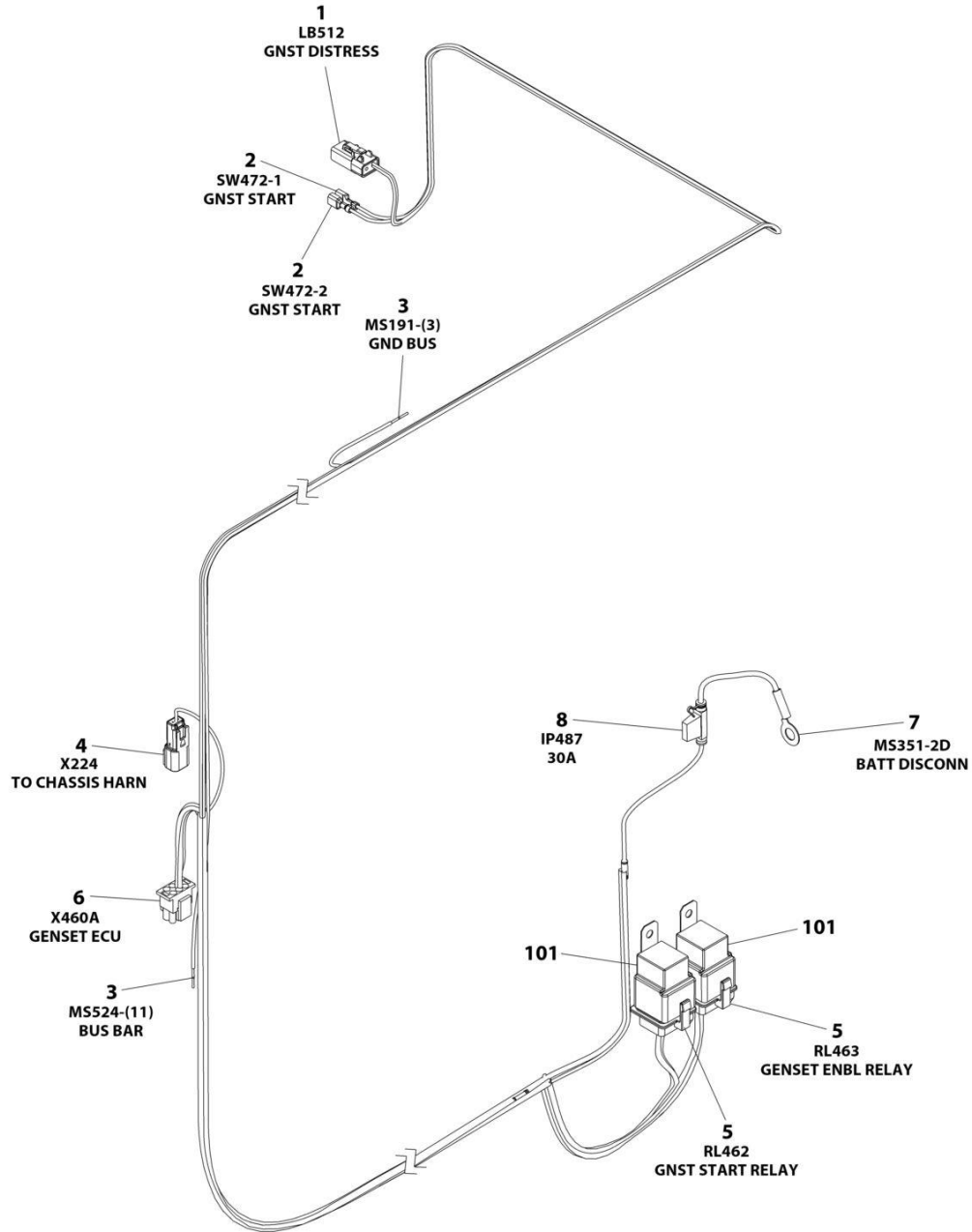
## SECTION 8 - ELECTRICAL

### FIGURE 8-22. LSS HARNESS

ITEM	PART NUMBER	QTY	DESCRIPTION	REV
	1001226830	Ref	LSS HARNESS	A
1	1001132170	1	Connector - 12 Position	
1	4460929	2	Pin, Male	
1	4460917	2	Pin, Male	
1	4460518	8	Plug, Terminal	
2	4460761	1	Receptacle, Female - 4 Position	
2	4460294	4	Pin, Male	
3	4460933	1	Connector - 12 Position	
3	4460465	2	Socket, Female	
3	4460466	10	Plug, Terminal	
4	4460836	1	Connector - 12 Position	
4	4460465	5	Socket, Female	
4	4460944	2	Socket, Female	
4	4460466	5	Plug, Terminal	

# SECTION 8 - ELECTRICAL

## FIGURE 8-23. MECHRON GENSET HARNESS



ART\_1001255067

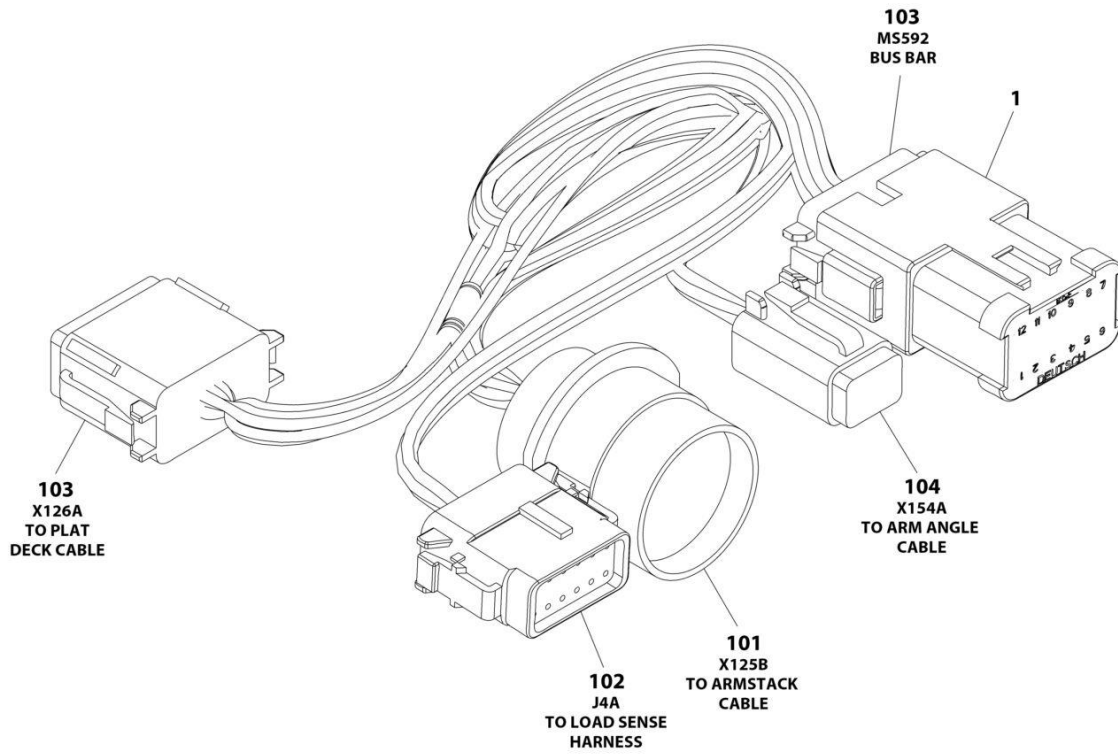
## SECTION 8 - ELECTRICAL

### FIGURE 8-23. MECHRON GENSET HARNESS

ITEM	PART NUMBER	QTY	DESCRIPTION	REV
	1001255067	Ref	MECHRON GENSET HARNESS	B
1	1001126245	1	Connector - 2 Position	
1	4460928	2	Terminal	
2	1001194421	2	Terminal, Female	
3	4460465	2	Socket, Female	
4	4460897	1	Receptacle, Female - 2 Position	
4	4460464	1	Pin, Male	
4	4460466	1	Plug, Terminal	
5	4460374	2	Connector	
5	1001116734	4	Terminal	
5	1001116732	4	Terminal	
5	1001128128	2	Plug, Terminal	
6	4460225	1	Connector - 6 Position	
6	4460705	2	Pin, Male	
6	1001118378	3	Pin, Male	
7	1001117110	1	Terminal, Ring	
8	1001170763	1	Fuseholder with 30Amp Fuse	
8	1001170762	1	Fuse 30Amp	
101	1001171295	2	Relay	

# SECTION 8 - ELECTRICAL

## FIGURE 8-24. PLATFORM HARNESS



ART\_1001264939

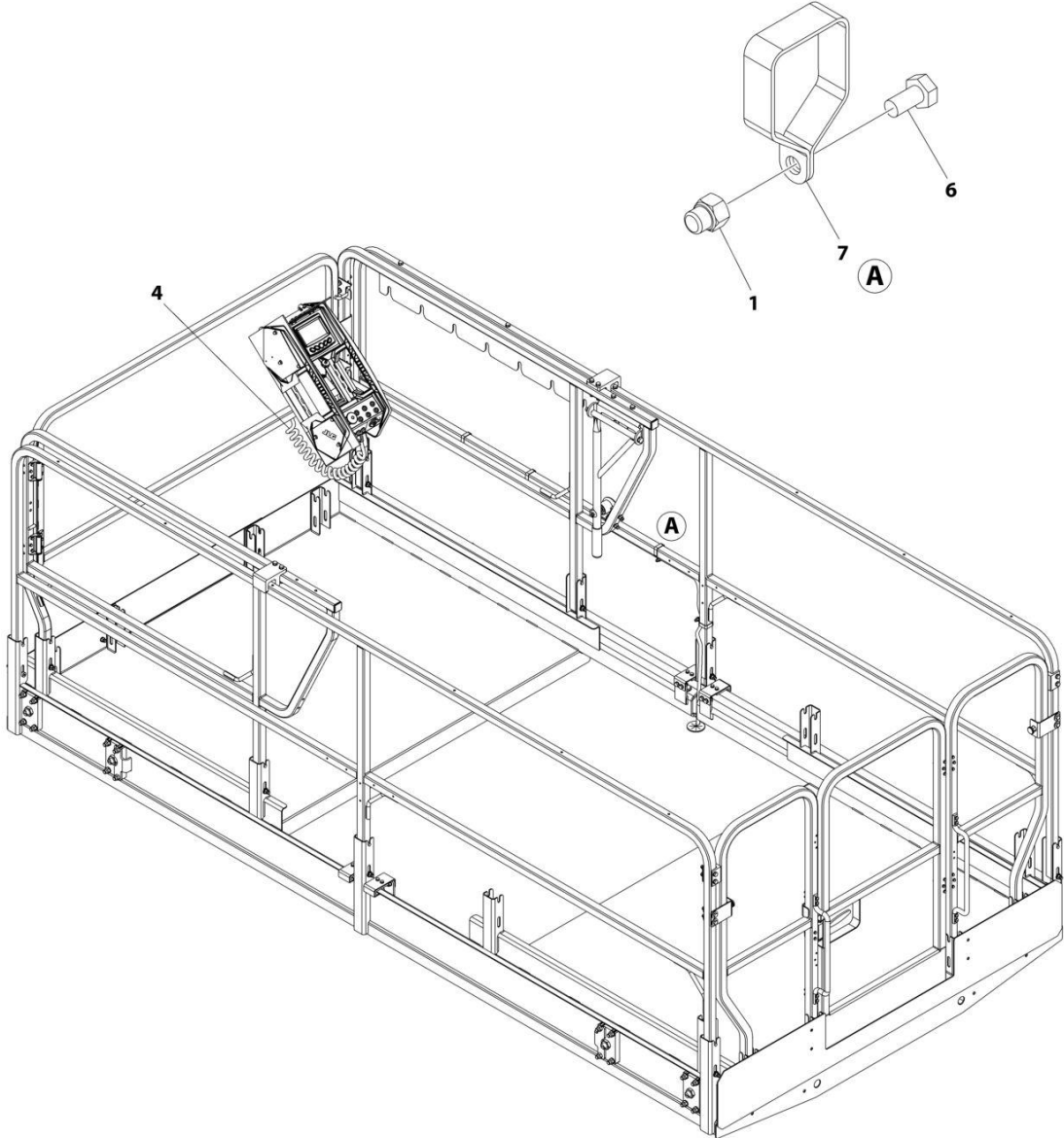
## SECTION 8 - ELECTRICAL

### FIGURE 8-24. PLATFORM HARNESS

ITEM	PART NUMBER	QTY	DESCRIPTION	REV
	1001264939	Ref	PLATFORM HARNESS	C
1	1001119020	1	Connector, Bussbar	
101	4460752	1	Connector - 14 Position	
101	4460464	8	Pin, Male	
101	4460943	2	Pin, Male	
101	4460466	4	Plug, Terminal	
102	1001116808	1	Connector - 12 Position	
102	4460928	2	Terminal	
102	4460918	2	Terminal	
102	4460518	8	Plug, Terminal	
103	4460933	2	Plug, Male - 12 Position	
103	4460465	21	Socket, Female	
103	4460466	3	Plug, Terminal	
104	4460884	1	Plug, Male - 4 Position	
104	4460465	4	Socket, Female	

**SECTION 8 - ELECTRICAL**

**FIGURE 8-25. PLATFORM CABLE INSTALLATION – WITHOUT FOOTSWITCH**



ART\_1001254820

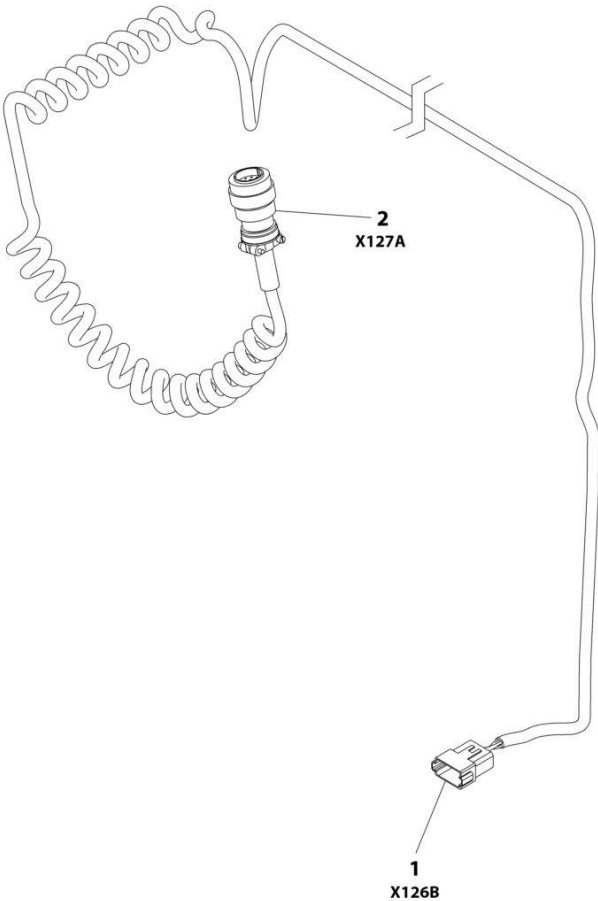
## SECTION 8 - ELECTRICAL

**FIGURE 8-25. PLATFORM CABLE INSTALLATION – WITHOUT FOOTSWITCH**

ITEM	PART NUMBER	QTY	DESCRIPTION	REV
	1001254820	Ref	PLATFORM CABLE INSTALLATION – WITHOUT FOOTSWITCH	D
1	3290606	5	Nut M6 x 1	
4	1001249048	1	Cable, Platform Deck (See Separate Breakdown in this Section)	
6	0760606	5	Bolt M6 x 12	
7	1001220668	5	Clamp, Platform Cable Post	
8	4240018	1	Tie Strap (Not Shown)	

**SECTION 8 - ELECTRICAL**

**FIGURE 8-26. PLATFORM CABLE HARNESS – WITHOUT FOOTSWITCH**



ART\_1001249048



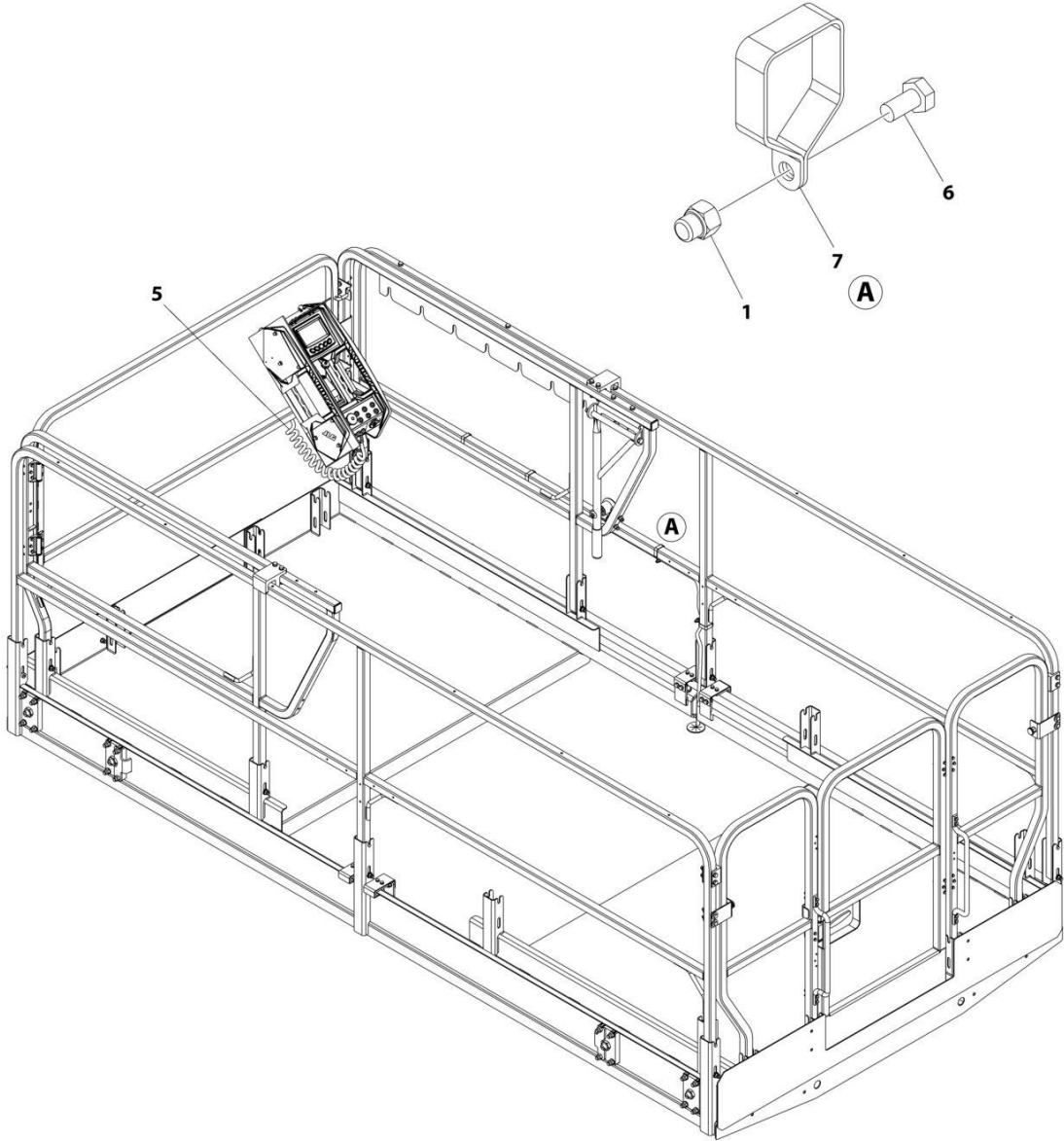
## SECTION 8 - ELECTRICAL

**FIGURE 8-26. PLATFORM CABLE HARNESS – WITHOUT FOOTSWITCH**

ITEM	PART NUMBER	QTY	DESCRIPTION	REV
	1001249048	Ref	PLATFORM MODULE HARNESS – WITHOUT FOOTSWITCH	D
1	4460970	1	Plug, Male - 12 Position	
1	4460464	8	Pin, Male	
1	4460943	2	Pin, Male	
1	4460466	2	Plug, Terminal	
1	1001249190	1	Boot	
2	4460754	1	Receptacle, Female - 14 Position	
2	4460465	8	Socket, Femaile	
2	4460944	2	Socket, Femaile	
2	4460466	4	Plug, Terminal	

**SECTION 8 - ELECTRICAL**

**FIGURE 8-27. PLATFORM CABLE INSTALLATION – WITH FOOTSWITCH**



ART\_1001258923

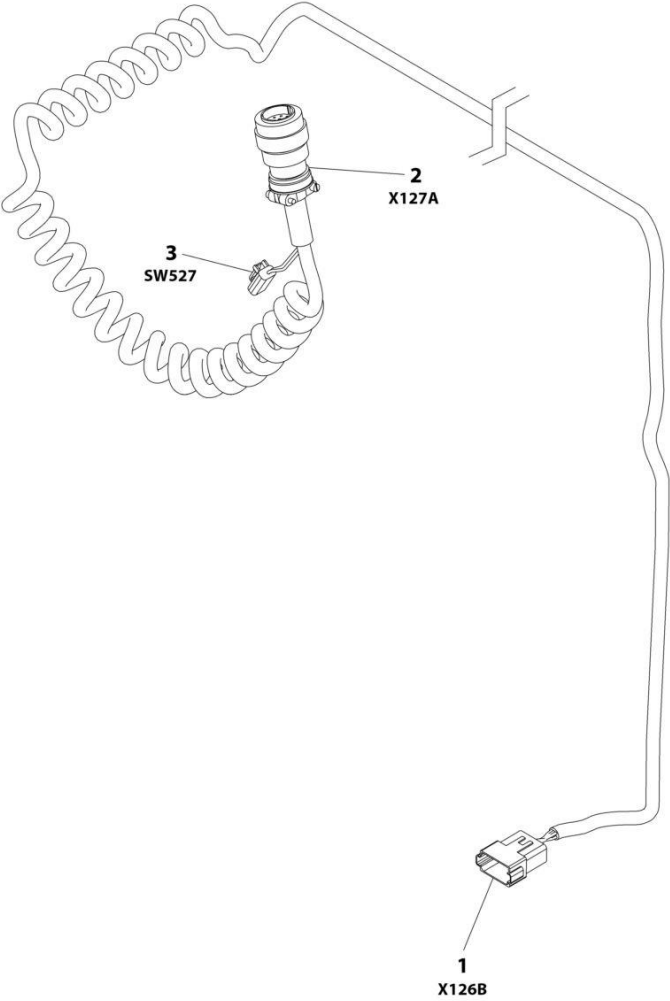
## SECTION 8 - ELECTRICAL

**FIGURE 8-27. PLATFORM CABLE INSTALLATION – WITH FOOTSWITCH**

ITEM	PART NUMBER	QTY	DESCRIPTION	REV
	1001258923	Ref	PLATFORM CABLE INSTALLATION – WITH FOOTSWITCH	C
1	3290606	5	Nut M6 x 1	
5	1001258223	1	Harness, Platform Deck (See Separate Breakdown in this Section)	
6	0760606	5	Bolt M6 x 12	
7	1001220668	5	Clamp, Platform Cable Post	
8	4240018	1	Tie Strap (Not Shown)	

**SECTION 8 - ELECTRICAL**

**FIGURE 8-28. PLATFORM CABLE HARNESS – WITH FOOTSWITCH**



ART\_1001258223

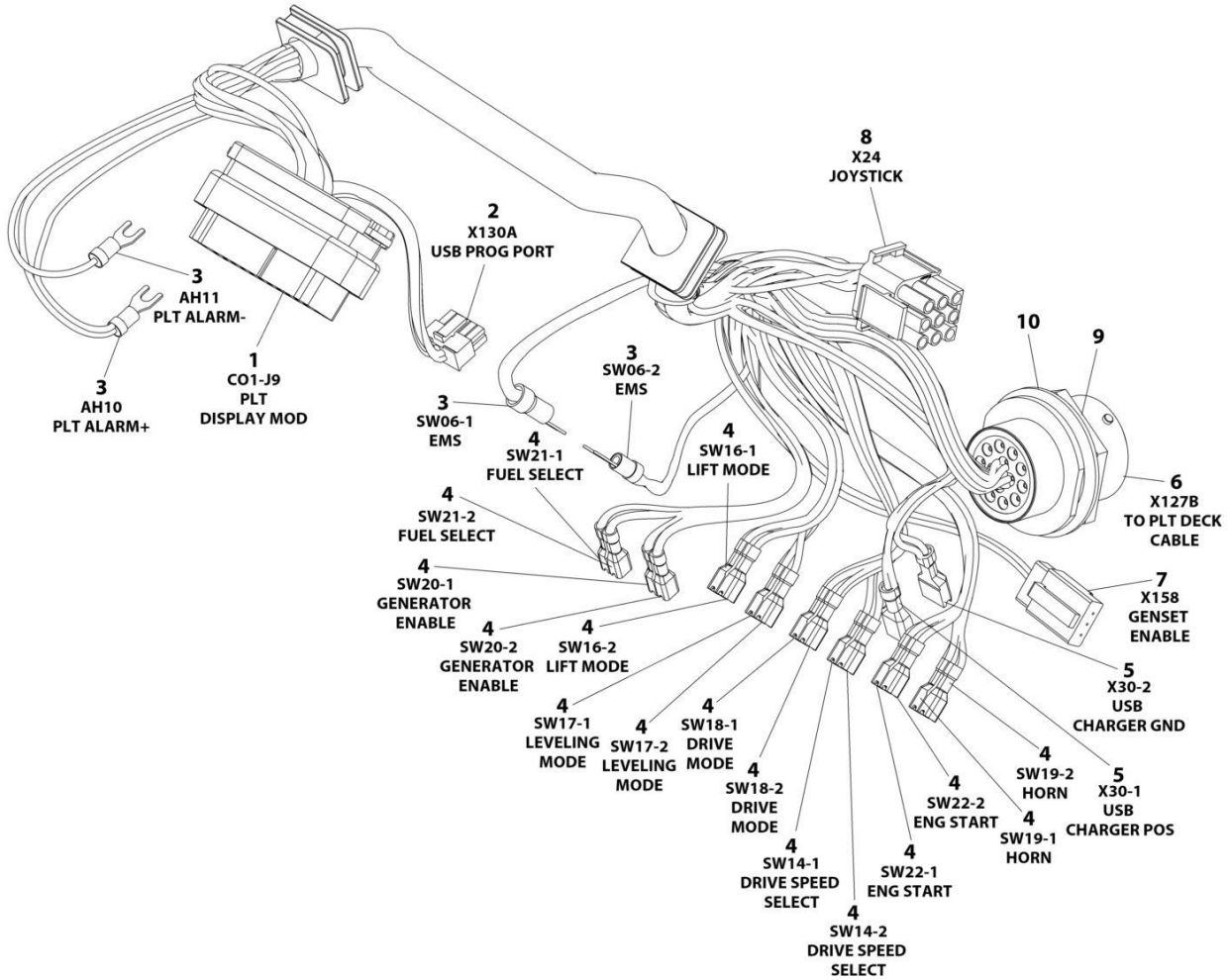
## SECTION 8 - ELECTRICAL

**FIGURE 8-28. PLATFORM CABLE HARNESS – WITH FOOTSWITCH**

ITEM	PART NUMBER	QTY	DESCRIPTION	REV
	1001258223	Ref	PLATFORM MODULE HARNESS – WITH FOOTSWITCH	B
1	4460970	1	Plug, Male - 12 Position	
1	4460464	7	Pin, Male	
1	4460943	2	Pin, Male	
1	4460466	3	Plug, Terminal	
1	1001249190	1	Boot	
2	4460754	1	Receptacle, Female - 14 Position	
2	4460465	9	Socket, Female	
2	4460944	2	Socket, Female	
2	4460466	3	Plug, Terminal	
3	4460891	1	Plug, Male - 4 Position	
3	4460465	2	Socket, Female	

# SECTION 8 - ELECTRICAL

## FIGURE 8-29. PLATFORM CONTROL BOX HARNESS



ART\_1001249049

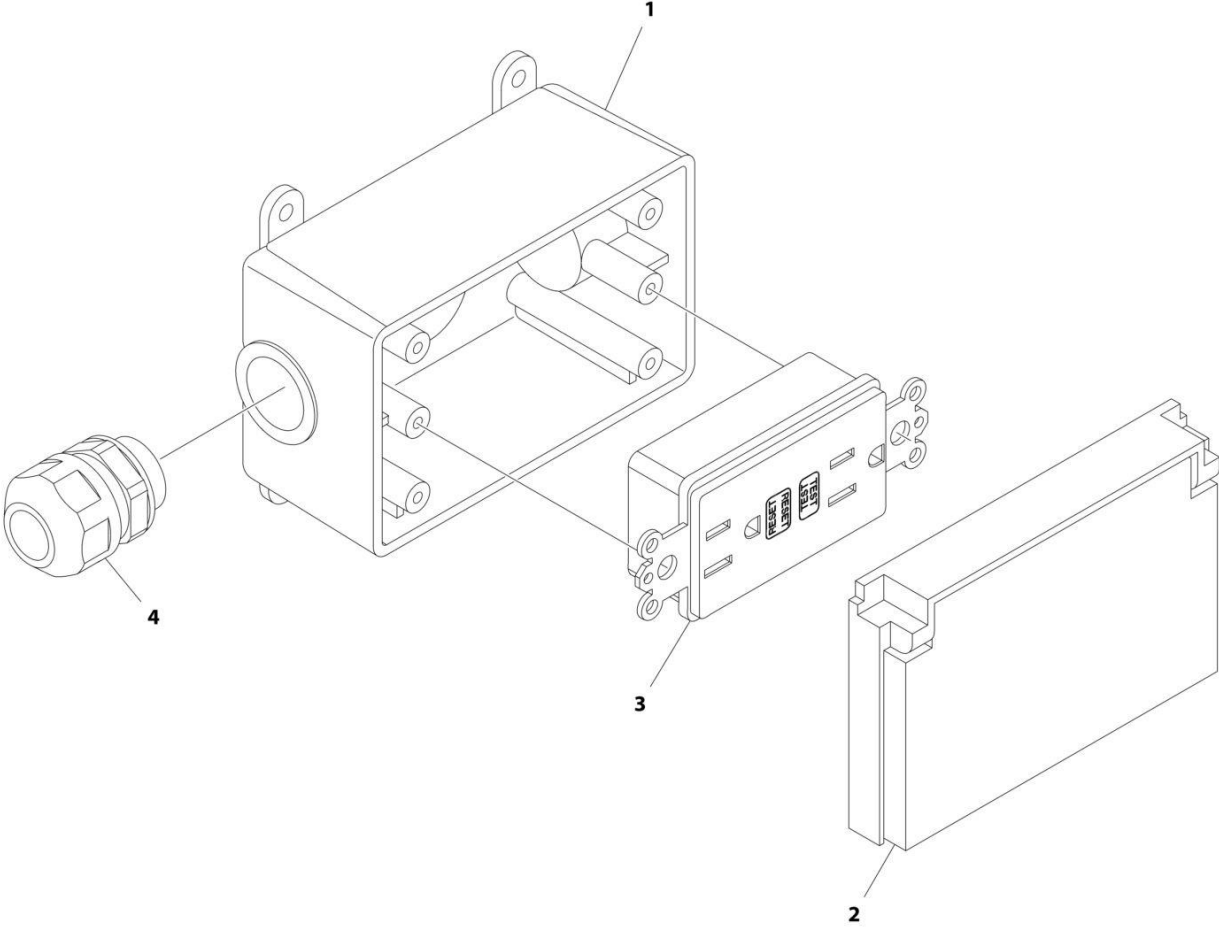
## SECTION 8 - ELECTRICAL

### FIGURE 8-29. PLATFORM CONTROL BOX HARNESS

ITEM	PART NUMBER	QTY	DESCRIPTION	REV
	1001249049	Ref	PLATFORM CONSOLE BOX HARNESS	G
1	4460873	1	Connector - 35 Position	
1	4460871	28	Pin, Male	
1	4460905	7	Plug, Terminal	
2	1001150735	1	Connector - 10 Position	
2	1001150889	5	Terminal	
3	4460183	4	Terminal, Fork	
4	1001201885	16	Receptacle, Female - 2 Position	
5	8220051	2	Terminal	
6	4461016	1	Connector - 14 Position	
6	4460464	11	Socket, Female	
6	4460466	1	Plug, Terminal	
6	4460943	2	Bussbar	
7	4460911	1	Plug, Male - 3 Position	
7	4460918	3	Terminal	
8	4460265	1	Plug, Male - 9 Position	
8	4460267	7	Terminal	
9	1001125784	1	Washer	
10	4460497	1	Terminal, Nut	

**SECTION 8 - ELECTRICAL**

**FIGURE 8-30. RECEPTACLE BOX KIT - 110V GFI**



ART\_2902431



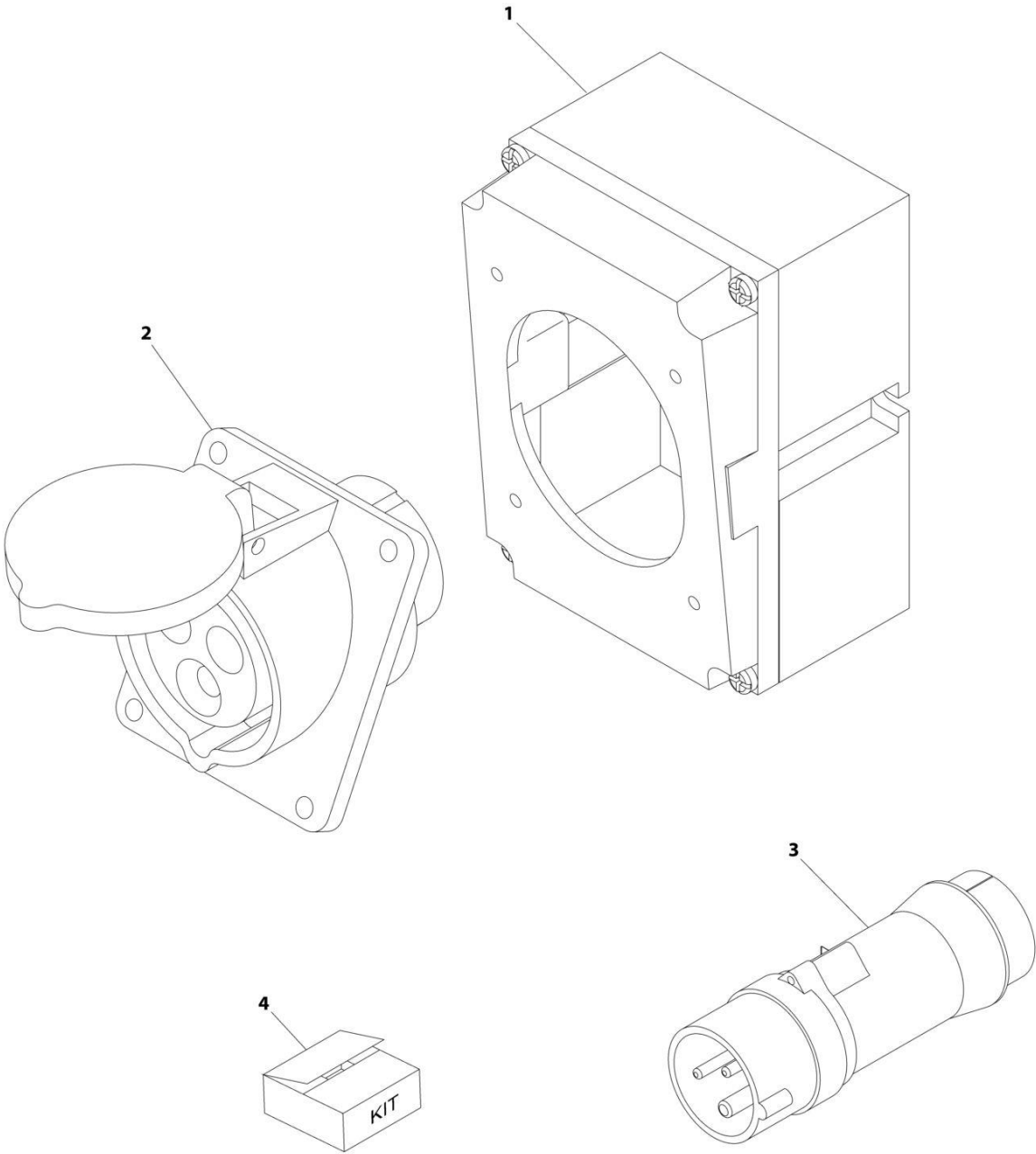
## SECTION 8 - ELECTRICAL

### FIGURE 8-30. RECEPTACLE BOX KIT - 110V GFI

ITEM	PART NUMBER	QTY	DESCRIPTION	REV
	2902431	Ref	RECEPTACLE BOX KIT - 110V GFI	D
1	0861731	1	Box, Receptacle	
2	1671207	1	Cover, Receptacle	
3	4460346	1	Receptacle	
4	4460662	1	Connector, Strain Relief	

**SECTION 8 - ELECTRICAL**

**FIGURE 8-31. RECEPTACLE BOX KIT - 110V IEC YELLOW (CE SPECS)**



ART\_0275216

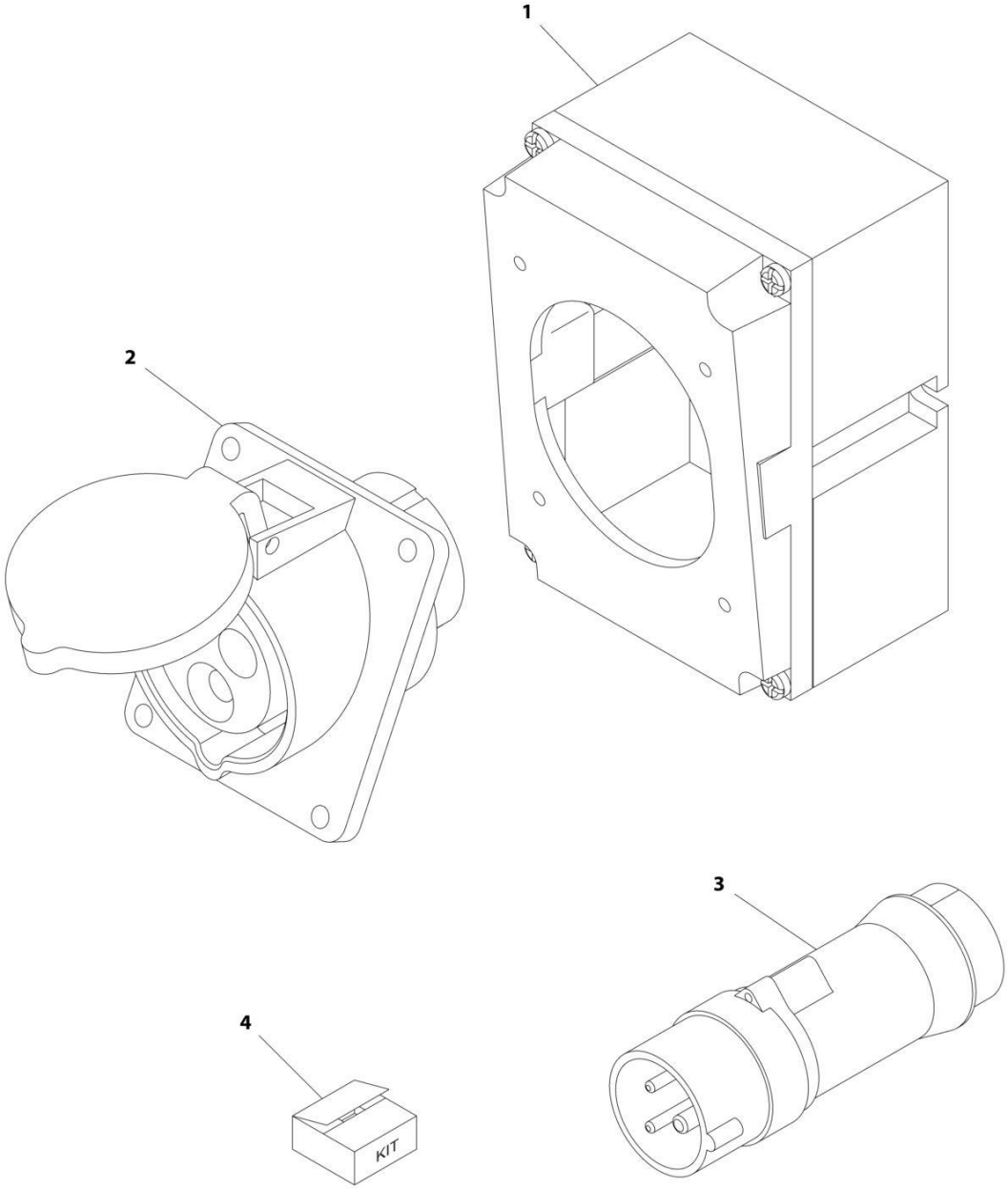
## SECTION 8 - ELECTRICAL

**FIGURE 8-31. RECEPTACLE BOX KIT - 110V IEC YELLOW (CE SPECS)**

ITEM	PART NUMBER	QTY	DESCRIPTION	REV
	0275216	Ref	RECEPTACLE BOX KIT - 110V IEC YELLOW	B
1	0861781	1	Box, Switch	
2	4461198	1	Receptacle	
3	4461196	1	Plug, Male	
4	1001100341	1	Plug and Socket Kit (Includes Items 1-3 and Female Plug p/n 4461197)	

**SECTION 8 - ELECTRICAL**

**FIGURE 8-32. RECEPTACLE BOX KIT - 220V IEC BLUE (CE SPECS)**



ART\_0275217

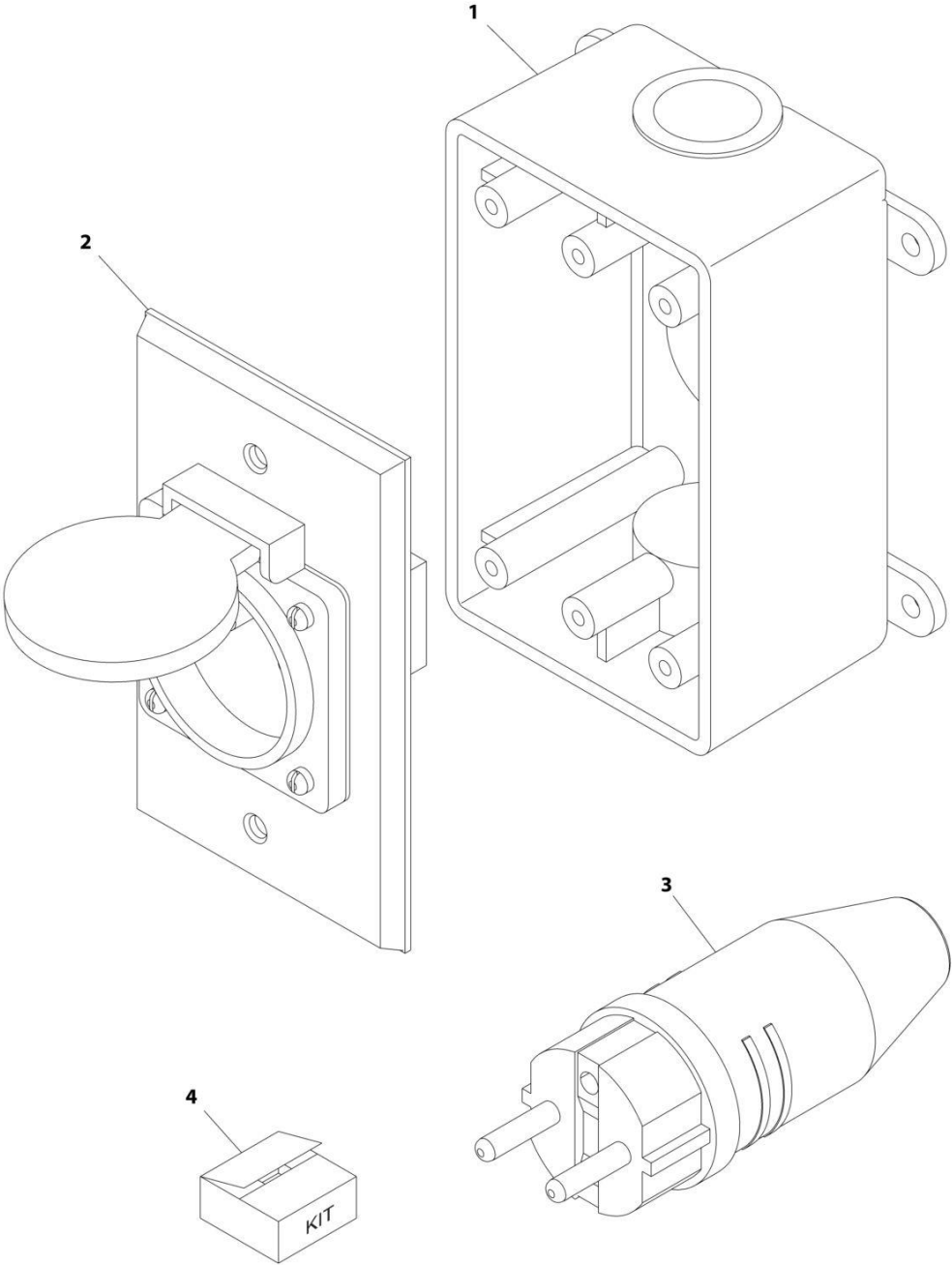
## SECTION 8 - ELECTRICAL

**FIGURE 8-32. RECEPTACLE BOX KIT - 220V IEC BLUE (CE SPECS)**

ITEM	PART NUMBER	QTY	DESCRIPTION	REV
	0275217	Ref	RECEPTACLE BOX KIT - 220V IEC BLUE	B
1	0861781	1	Box, Switch	
2	4461201	1	Receptacle	
3	4461199	1	Plug, Male	
4	1001100342	1	Plug and Socket Kit (Includes Items 1-3 and Female Plug p/n 4461200)	

**SECTION 8 - ELECTRICAL**

**FIGURE 8-33. RECEPTACLE BOX KIT - 220V CEE7 POST GROUND (CE SPECS)**



ART\_0275452-C

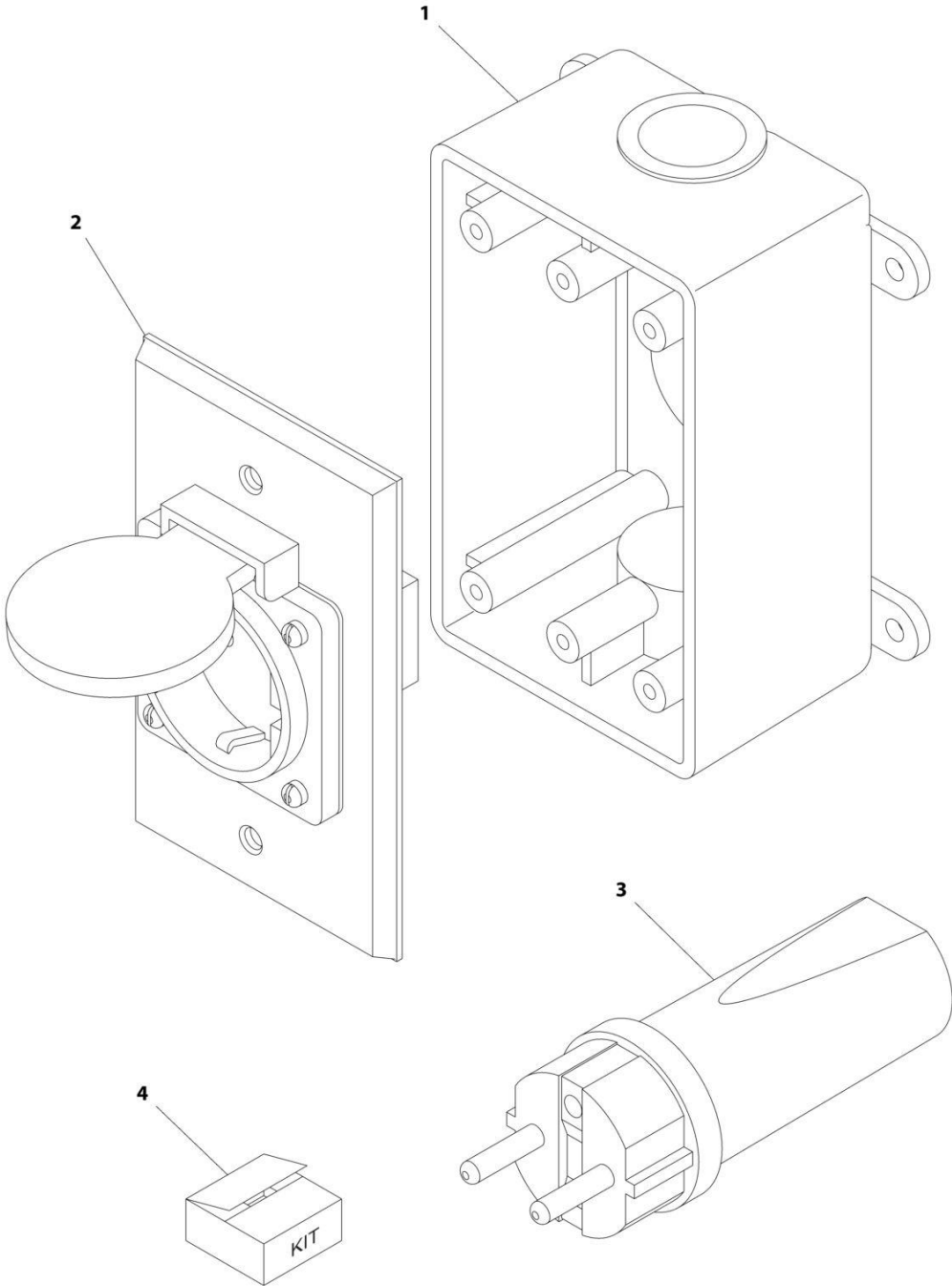
## SECTION 8 - ELECTRICAL

**FIGURE 8-33. RECEPTACLE BOX KIT - 220V CEE7 POST GROUND (CE SPECS)**

ITEM	PART NUMBER	QTY	DESCRIPTION	REV
	0275452	Ref	RECEPTACLE BOX KIT - 220V CEE7 POST GROUND 2IN X 4IN BOX	C
1	0861731	1	Box, Switch	
2	4461244	1	Receptacle	
3	4461205	1	Plug, Male	
4	1001100345	1	Plug and Socket Kit (Includes Items 1-3 and Female Plug p/n 4461203)	

**SECTION 8 - ELECTRICAL**

**FIGURE 8-34. RECEPTACLE BOX KIT - 220V CEE7 SIDE GROUND (CE SPECS)**



ART\_0275453



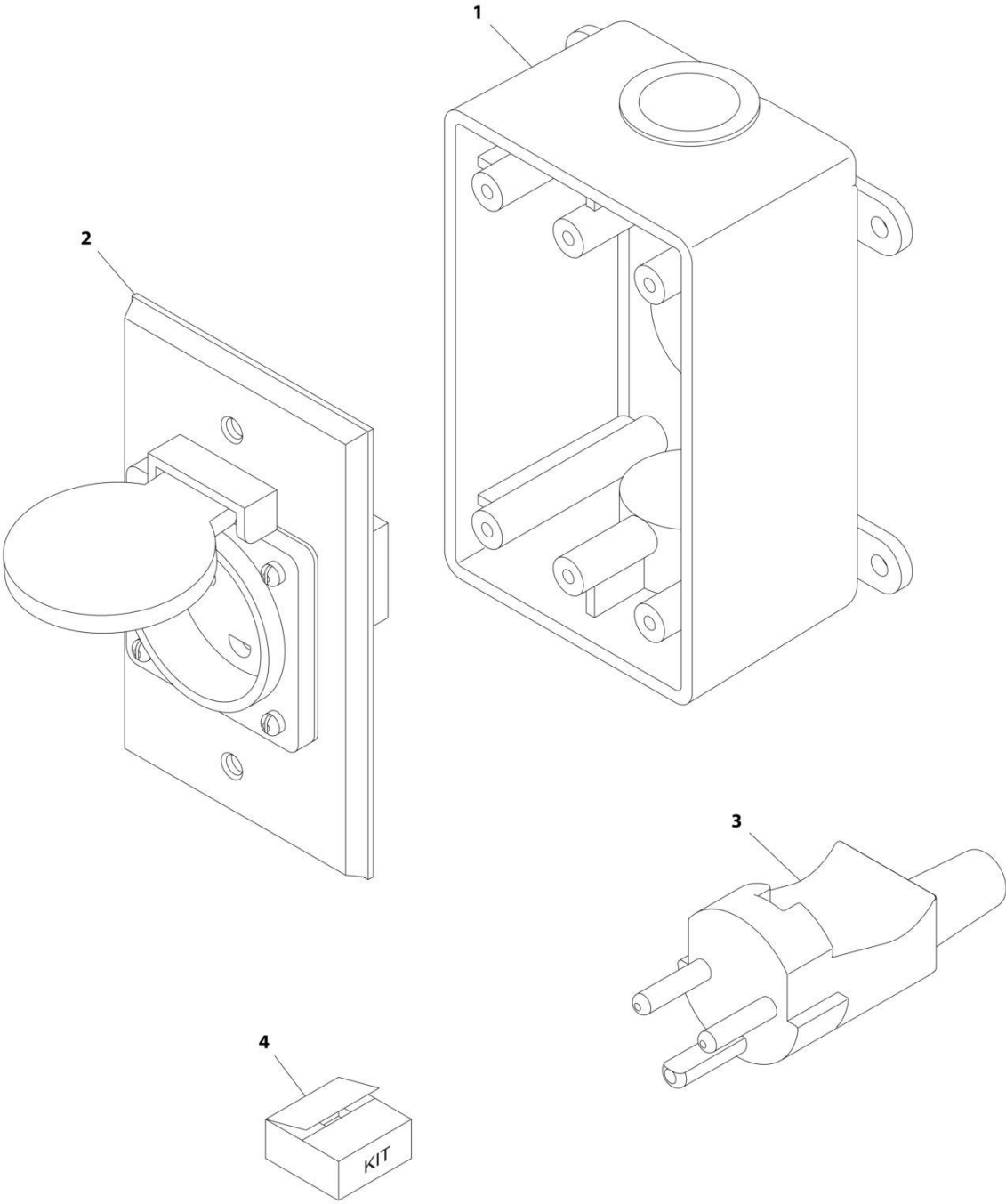
## SECTION 8 - ELECTRICAL

**FIGURE 8-34. RECEPTACLE BOX KIT - 220V CEE7 SIDE GROUND (CE SPECS)**

ITEM	PART NUMBER	QTY	DESCRIPTION	REV
	0275453	Ref	RECEPTACLE BOX KIT - 220V CEE7 SIDE GROUND	B
1	0861731	1	Box, Switch	
2	4461245	1	Receptacle	
3	4461205	1	Plug, Male	
4	1001100347	1	Plug and Socket Kit (Includes Items 1-3 and Female Plug p/n 4461206)	

**SECTION 8 - ELECTRICAL**

**FIGURE 8-35. RECEPTACLE BOX KIT - 220V AFSINT 107 (CE SPECS)**



ART\_0275454

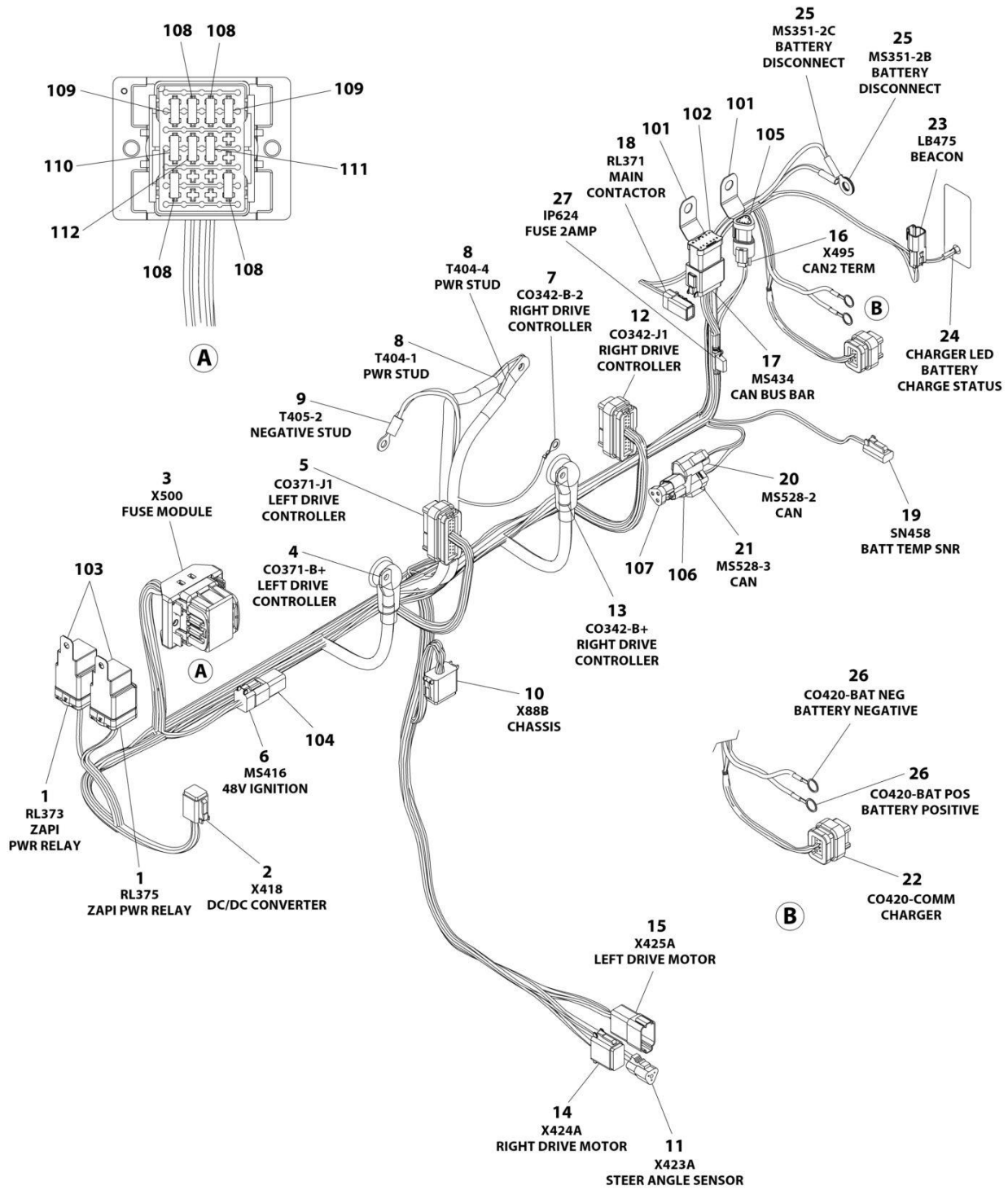
## SECTION 8 - ELECTRICAL

**FIGURE 8-35. RECEPTACLE BOX KIT - 220V AFSINT 107 (CE SPECS)**

ITEM	PART NUMBER	QTY	DESCRIPTION	REV
	0275454	Ref	RECEPTACLE BOX KIT - 220V AFSINT 107	B
1	0861731	1	Box, Switch	
2	4461246	1	Receptacle	
3	4461249	1	Plug, Male	
4	1001100346	1	Plug and Socket Kit (Includes Items 1-3 and Female Plug p/n 4461250)	

# SECTION 8 - ELECTRICAL

## FIGURE 8-36. TRACTION HARNESS



ART\_1001255057

## SECTION 8 - ELECTRICAL

### FIGURE 8-36. TRACTION HARNESS

ITEM	PART NUMBER	QTY	DESCRIPTION	REV
	1001255057	Ref	TRACTION HARNESS	H
1	1001231398	2	Connector - 5 Position	
1	1001231400	4	Terminal	
1	1001231399	4	Terminal	
1	1001231406	2	Plug, Terminal	
1	1001231403	4	Seal, Terminal	
1	1001231404	4	Seal, Terminal	
2	4460894	1	Connector - 6 Position	
2	4460942	4	Socket, Female	
2	4460465	2	Socket, Female	
3	1001254035	1	Fuse Box Assembly	
3	1001166543	16	Terminal	
3	1001256109	2	Terminal	
3	4461008	6	Plug, Terminal	
3	4461054	12	Seal, Terminal	
3	1001126353	4	Seal, Terminal	
3	1001256116	2	Seal, Plug	
4	1001139524	1	Terminal, Ring	
5	4460873	1	Connector - 35 Position	
5	4460871	12	Terminal	
5	4460905	23	Plug, Terminal	
6	4460894	1	Plug, Male - 6 Position	
6	4460465	2	Socket, Female	
6	4460942	2	Socket, Female	
6	4460466	2	Plug, Terminal	
7	1001207173	1	Terminal, Ring	
8	1001117115	2	Terminal, Ring	
9	1001117107	1	Terminal, Ring	
10	4460933	1	Plug, Male - 12 Position	
10	4460465	4	Socket, Female	
10	4460944	4	Socket, Female	
10	1001157890	2	Socket, Female	
10	4460466	2	Plug, Terminal	
11	4460539	1	Plug, Male - 3 Position	
11	4460465	3	Socket, Female	
12	4460873	1	Connector - 35 Position	
12	4460871	15	Terminal	
12	4460905	20	Plug, Terminal	
13	1001139524	1	Terminal, Ring	
14	4460930	1	Plug, Male - 8 Position	
14	4460465	8	Socket, Female	
15	4460931	1	Receptacle, Female - 8 Position	
15	4460464	8	Pin, Male	
16	4461095	1	Plug, Male - 3 Position	
16	4460944	2	Socket, Female	
16	4460466	1	Plug, Terminal	
17	4460933	1	Plug, Male - 12 Position	
17	4460465	8	Socket, Female	
17	4460466	4	Plug, Terminal	
18	1001126245	1	Connector - 2 Position	

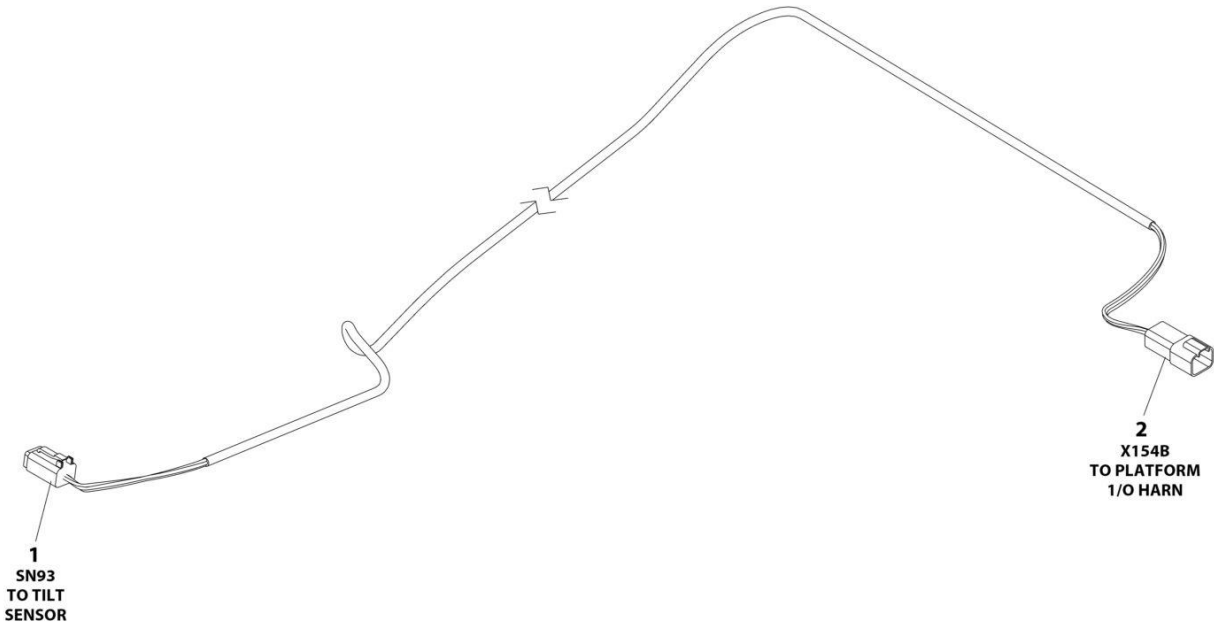
## SECTION 8 - ELECTRICAL

ITEM	PART NUMBER	QTY	DESCRIPTION	REV
18	1001126008	1	Terminal	
19	4460891	1	Plug, Male - 2 Position	
19	4460465	2	Socket, Female	
20	4460539	1	Plug, Male - 3 Position	
20	4460944	2	Socket, Female	
20	4460466	1	Plug, Terminal	
21	1001116812	1	Plug, Male - 3 Position	
21	4460944	2	Socket, Female	
21	4460466	1	Plug, Terminal	
22	4460872	1	Connector - 14 Position	
22	4460871	6	Terminal	
22	4460905	8	Plug, Terminal	
23	4460897	1	Receptacle, Female - 2 Position	
23	4460464	2	Pin, Male	
24	1001250937	1	Cable, LED Indicator	
24	1001250886	1	Housing	
24	1001270272	1	Decal - Charge Indicator LED	
25	1001117110	2	Terminal, Ring	
26	4460019	2	Terminal, Ring	
27	1001170764	1	Fuse Holder	
27	1001196634	1	Fuse 2Amp	
101	1001120328	2	Mount	
102	1001125677	1	Bussbar - 12 Position	
103	1001171295	2	Relay	
104	4460892	1	Bussbar - 6 Position	
105	4461070	1	Connector - 3 Position	
106	4460945	1	Connector - 3 Way	
107	1001116815	1	Connector - 3 Position Plug	
108	1001170760	4	Fuse 10 Amp	
109	1001186489	2	Fuse 2 Amp	
110	1001253891	1	Fuse 7.5 Amp	
111	1001170761	1	Fuse 20 Amp	
112	1001170762	1	Fuse 30 Amp	



**SECTION 8 - ELECTRICAL**

**FIGURE 8-37. TILT SENSOR HARNESS**



ART\_1001249091



## SECTION 8 - ELECTRICAL

### FIGURE 8-37. TILT SENSOR HARNESS

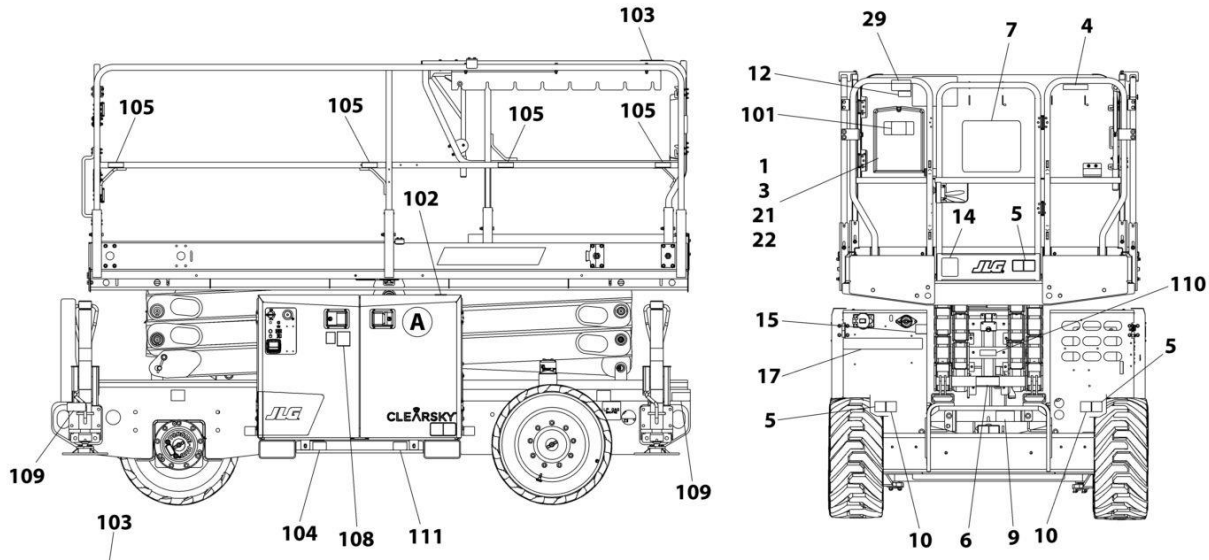
ITEM	PART NUMBER	QTY	DESCRIPTION	REV
	1001249091	Ref	TILT SENSOR HARNESS	C
1	4460884	1	Plug, Male - 4 Position	
1	4460944	4	Socket, Female	
2	4460932	1	Receptacle, Female - 4 Position	
2	4460464	4	Pin, Male	



**SECTION 9 - DECALS**

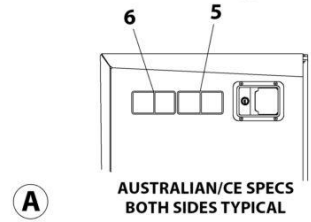
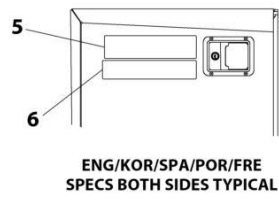
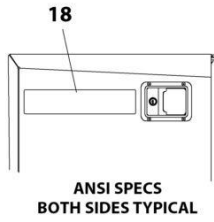
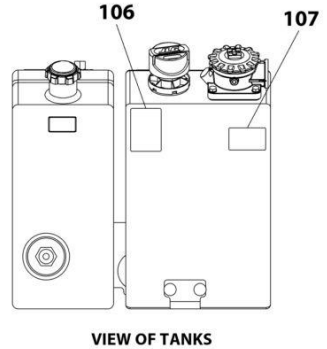
# SECTION 9 - DECALS

## FIGURE 9-1. DECAL INSTALLATION - ANSI SPECS (ENGLISH LANGUAGE)

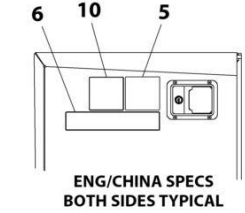


NOTE: ITEMS SHOWN MAY NOT BE REQUIRED FOR ALL SPECS. REFER TO PARTS LIST FOR USAGE.

NOTE: ADDITIONAL DECALS CALLED OUT ON DECAL INSTALLATION - OPTIONS.



(A)



ART\_1001256771

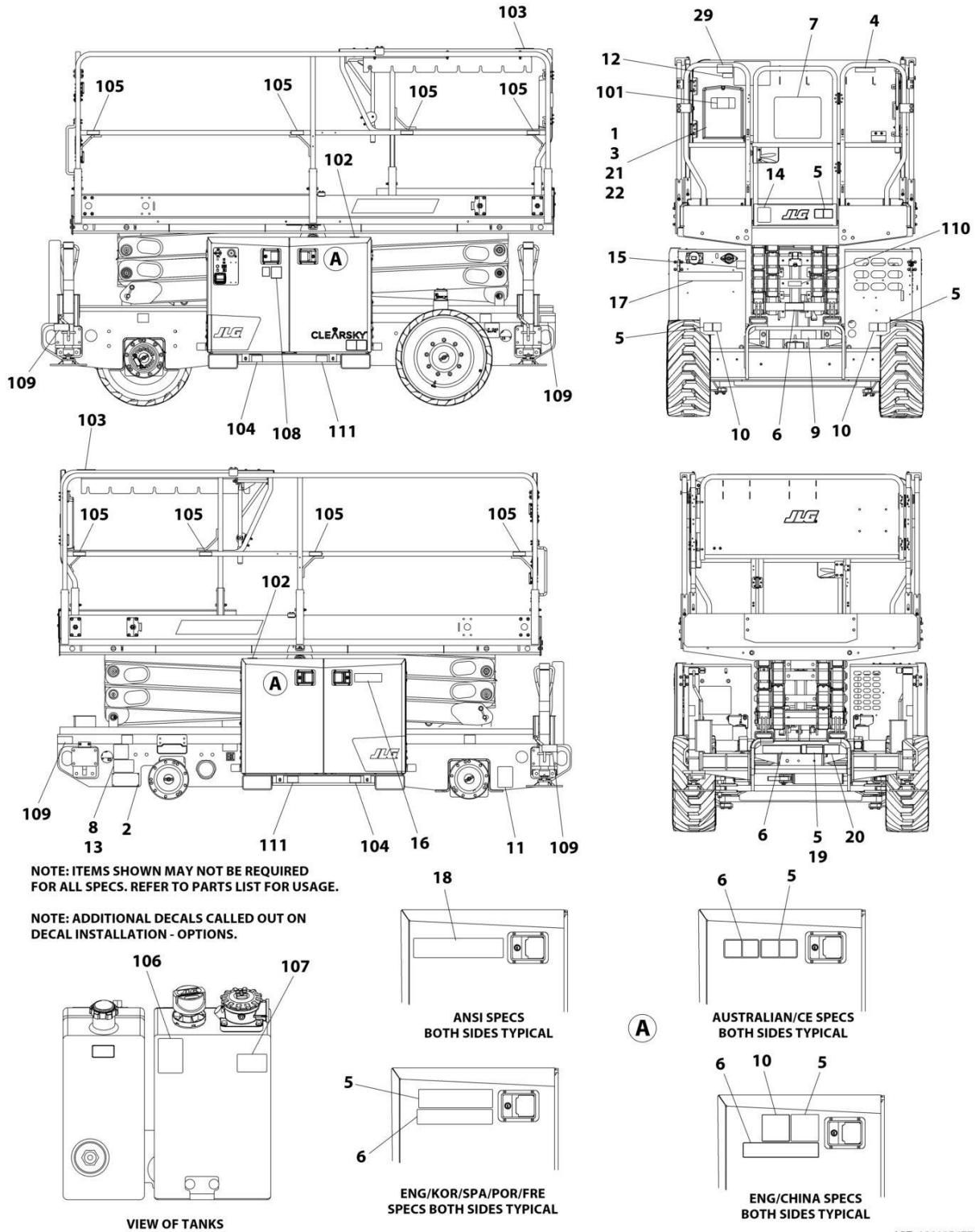
## SECTION 9 - DECALS

**FIGURE 9-1. DECAL INSTALLATION - ANSI SPECS (ENGLISH LANGUAGE)**

ITEM	PART NUMBER	QTY	DESCRIPTION	REV
	1001256771	Ref	DECAL INSTALLATION	C
	1001256945	Ref	DECAL CHART DRAWING (ERT2669)	G
	1001262071	Ref	DECAL CHART DRAWING (ERT3369)	E
1	0760610	4	Bolt M6 x 20	
2	2080057	2	Fastener	
3	0860520	1	Box, Manual Storage	
4	1703821	1	Decal - Control Box Location	
5	1001211779	2	Decal - Electrocutation	
6	1001211777	2	Decal - Crushing Hazard	
7	1703816	1	Decal - Danger/Warning	
8	1001223055	1	Decal - Yearly Inspection	
9	1703822	1	Decal - Manual Descent Instruction	
11	1001131270	1	Decal - Patent	
12	1001223453	1	Decal - ICES	
15	1702155	1	Decal - Battery Disconnect	
16	1703813	1	Decal - Warning Battery Ventilation	
17	1001146794	1	Decal - Battery/Charger Service	
18	1703818	2	Decal - Warning Crushing Hazard/Danger Electrocutation	
19	1705695	1	Decal - Danger Electrocutation	
21	3290605	4	Nut M6	
22	4811700	8	Washer M6	
100	1001256763	1	Decal Master Kit (Not Shown)	
101	1701640	1	Decal - Manual	
102	1703687	2	Decal - Direction Arrow	
103	1703819	2	Decal - Direction Arrow	
104	1001265579	2	Decal - Fork Lift	
105	1704277	8	Decal - Lanyard Attach	
106	1704412	1	Decal - Hydraulic Oil Chart	
107	70046028	1	Decal - Hydraulic Oil Level	
108	1001094708	1	Decal - Hydraulic Oil	
109	1001162864	4	Decal - Lift Point/Tie Down	
110	1001256865	1	Decal - Arm Prop	
111	1001265580	2	Decal - Fork Lift	

# SECTION 9 - DECALS

## FIGURE 9-2. DECAL INSTALLATION - AUSTRALIAN/CE SPECS (ENGLISH LANGUAGE)



ART\_1001256778

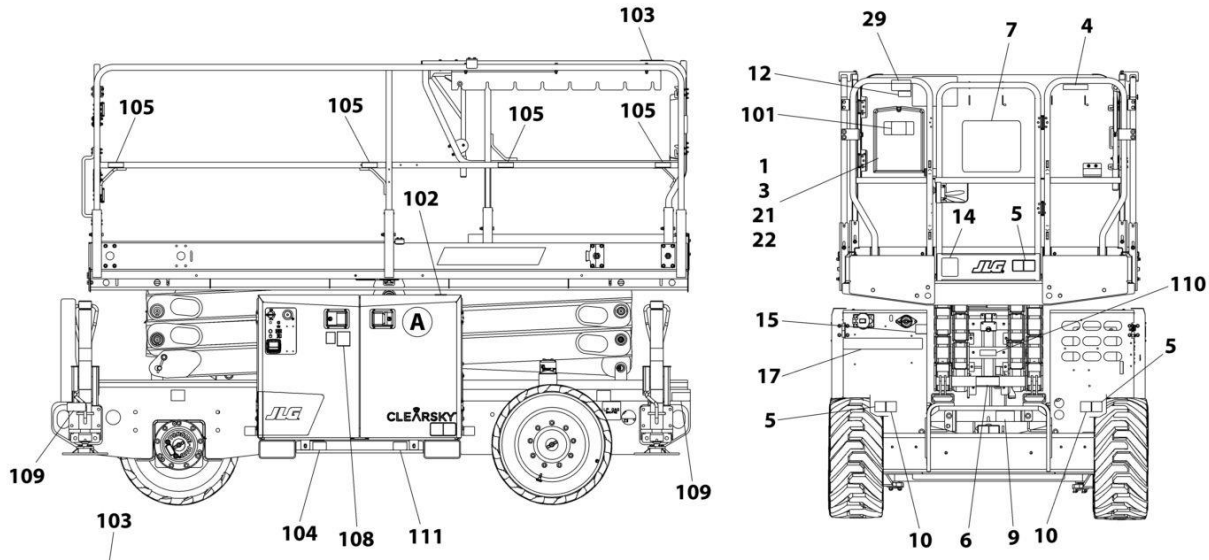
## SECTION 9 - DECALS

**FIGURE 9-2. DECAL INSTALLATION - AUSTRALIAN/CE SPECS (ENGLISH LANGUAGE)**

ITEM	PART NUMBER	QTY	DESCRIPTION	REV
	1001256778	Ref	DECAL INSTALLATION	C
	1001256945	Ref	DECAL CHART DRAWING (ERT2669)	G
	1001262071	Ref	DECAL CHART DRAWING (ERT3369)	E
1	0760610	4	Bolt M6 x 20	
2	2080057	4	Fastener	
3	0860520	1	Box, Manual Storage	
5	1705671	6	Decal - Electrocution	
6	1705673	4	Decal - Crushing	
9	1703822	1	Decal - Manual Descent Instruction	
13	1705670	2	Decal - Fire Hazard	
15	1702155	1	Decal - Battery Disconnect	
17	1001146794	1	Decal - Battery/Charger Service	
21	3290605	4	Nut M6	
22	4811700	8	Washer M6	
100	1001256763	1	Decal Master Kit (Not Shown)	
101	1701640	1	Decal - Manual	
102	1703687	2	Decal - Direction Arrow	
103	1703819	2	Decal - Direction Arrow	
104	1001265579	2	Decal - Fork Lift	
105	1704277	8	Decal - Lanyard Attach	
106	1704412	1	Decal - Hydraulic Oil Chart	
107	70046028	1	Decal - Hydraulic Oil Level	
108	1001094708	1	Decal - Hydraulic Oil	
109	1001162864	4	Decal - Lift Point/Tie Down	
110	1001256865	1	Decal - Arm Prop	
111	1001265580	2	Decal - Fork Lift	

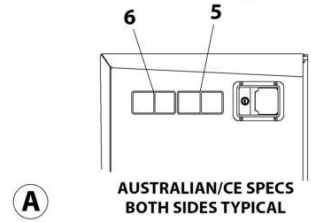
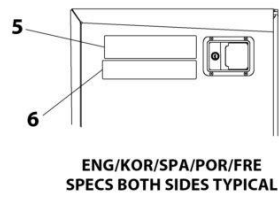
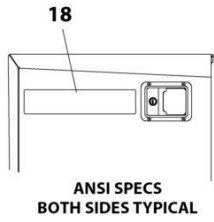
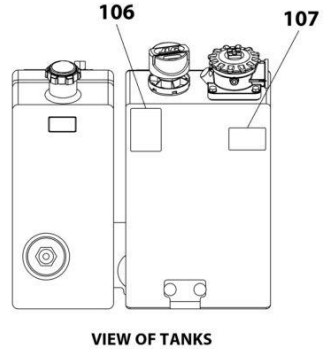
# SECTION 9 - DECALS

## FIGURE 9-3. DECAL INSTALLATION - BRAZIL SPECS (SPANISH/PORTUGUESE LANGUAGES)

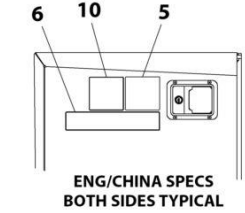


NOTE: ITEMS SHOWN MAY NOT BE REQUIRED FOR ALL SPECS. REFER TO PARTS LIST FOR USAGE.

NOTE: ADDITIONAL DECALS CALLED OUT ON DECAL INSTALLATION - OPTIONS.



(A)



ART\_1001256774



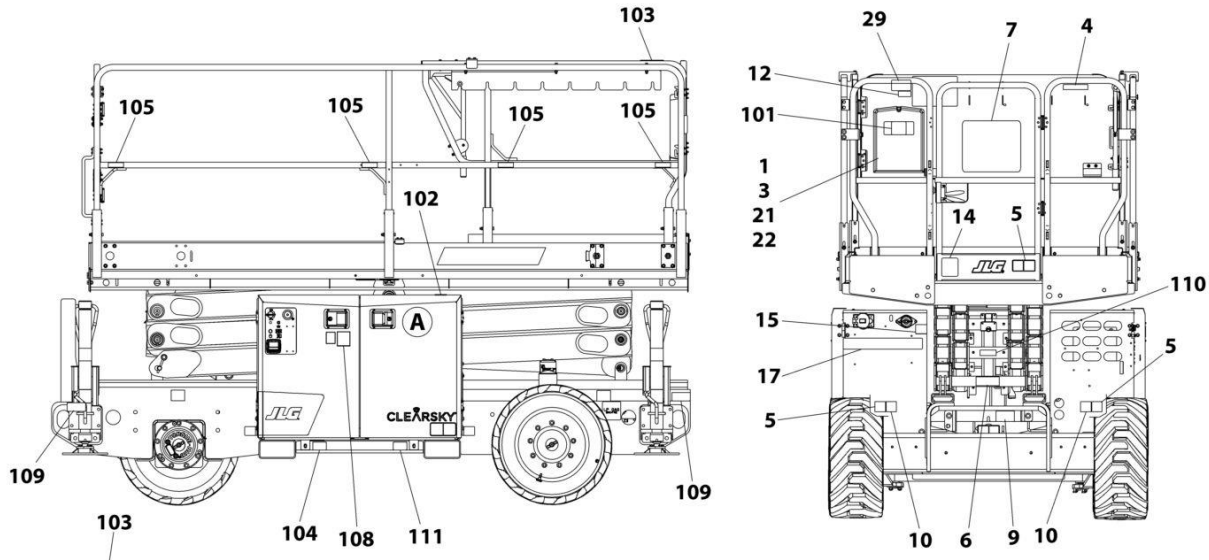
## SECTION 9 - DECALS

**FIGURE 9-3. DECAL INSTALLATION - BRAZIL SPECS (SPANISH/PORTUGUESE LANGUAGES)**

ITEM	PART NUMBER	QTY	DESCRIPTION	REV
	1001256774	Ref	DECAL INSTALLATION	C
	1001256945	Ref	DECAL CHART DRAWING (ERT2669)	G
	1001262071	Ref	DECAL CHART DRAWING (ERT3369)	E
1	0760610	4	Bolt M6 x 20	
2	2080057	2	Fastener	
3	0860520	1	Box, Manual Storage	
4	1704702	1	Decal - Control Box Location	
5	1705043	5	Decal - Danger Electrical Hazard	
6	1001216650	4	Decal - Crushing	
7	1704699	1	Decal - Danger/Warning	
8	1001224052	1	Decal - Yearly Inspection	
9	1703822	1	Decal - Manual Descent Instruction	
15	1702155	1	Decal - Battery Disconnect	
16	1704341	1	Decal - Warning Battery Ventilation	
17	1001146794	1	Decal - Battery/Charger Service	
21	3290605	4	Nut M6	
22	4811700	8	Washer M6	
100	1001256763	1	Decal Master Kit (Not Shown)	
101	1701640	1	Decal - Manual	
102	1703687	2	Decal - Direction Arrow	
103	1703819	2	Decal - Direction Arrow	
104	1001265579	2	Decal - Fork Lift	
105	1704277	8	Decal - Lanyard Attach	
106	1704412	1	Decal - Hydraulic Oil Chart	
107	70046028	1	Decal - Hydraulic Oil Level	
108	1001094708	1	Decal - Hydraulic Oil	
109	1001162864	4	Decal - Lift Point/Tie Down	
110	1001256865	1	Decal - Arm Prop	
111	1001265580	2	Decal - Fork Lift	

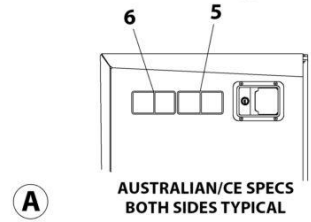
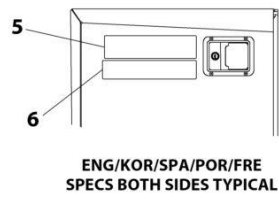
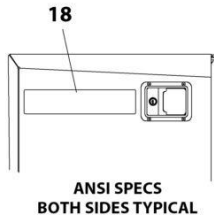
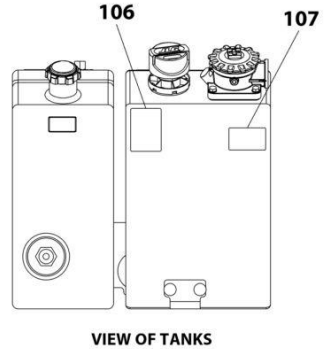
# SECTION 9 - DECALS

## FIGURE 9-4. DECAL INSTALLATION - CE SPECS

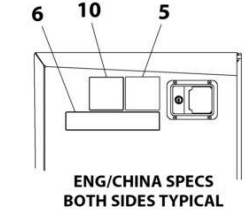


NOTE: ITEMS SHOWN MAY NOT BE REQUIRED FOR ALL SPECS. REFER TO PARTS LIST FOR USAGE.

NOTE: ADDITIONAL DECALS CALLED OUT ON DECAL INSTALLATION - OPTIONS.



(A)



ART\_1001256777

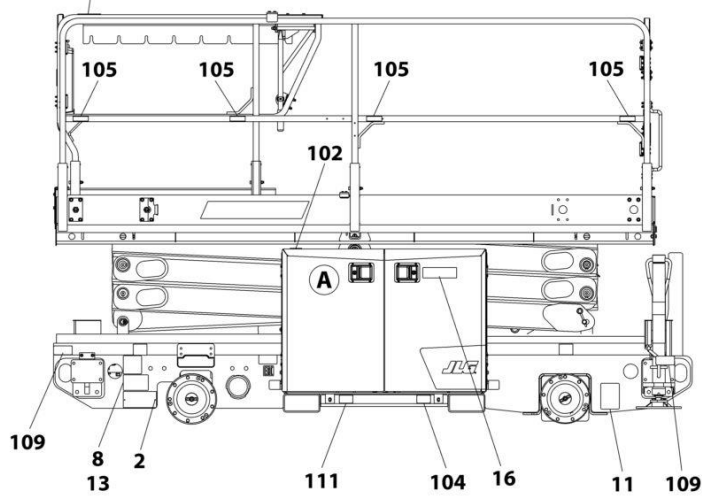
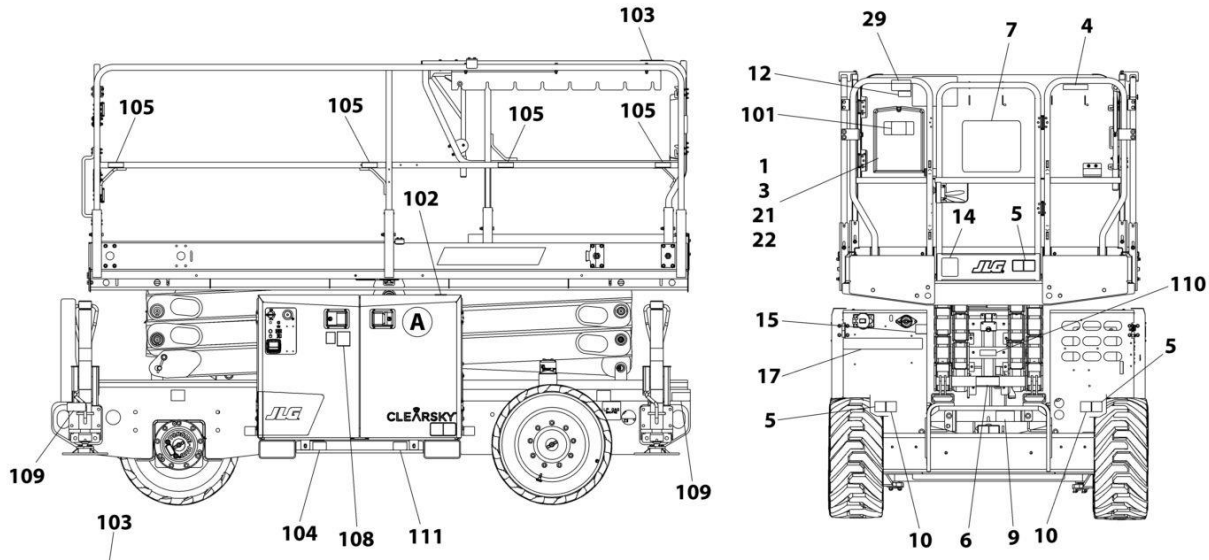
## SECTION 9 - DECALS

**FIGURE 9-4. DECAL INSTALLATION - CE SPECS**

ITEM	PART NUMBER	QTY	DESCRIPTION	REV
	1001256777	Ref	DECAL INSTALLATION	C
	1001256945	Ref	DECAL CHART DRAWING (ERT2669)	G
	1001262071	Ref	DECAL CHART DRAWING (ERT3369)	E
1	0760610	4	Bolt M6 x 20	
2	2080057	2	Fastener	
3	0860520	1	Box, Manual Storage	
5	1705671	6	Decal - Electrocution	
6	1705673	4	Decal - Crushing	
9	1703822	1	Decal - Manual Descent Instruction	
13	1705670	2	Decal - Fire Hazard	
15	1702155	1	Decal - Battery Disconnect	
17	1001146795	1	Decal - Battery/Charger Service	
21	3290605	4	Nut M6	
22	4811700	8	Washer M6	
100	1001256763	1	Decal Master Kit (Not Shown)	
101	1701640	1	Decal - Manual	
102	1703687	2	Decal - Direction Arrow	
103	1703819	2	Decal - Direction Arrow	
104	1001265579	2	Decal - Fork Lift	
105	1704277	8	Decal - Lanyard Attach	
106	1704412	1	Decal - Hydraulic Oil Chart	
107	70046028	1	Decal - Hydraulic Oil Level	
108	1001094708	1	Decal - Hydraulic Oil	
109	1001162864	4	Decal - Lift Point/Tie Down	
110	1001256865	1	Decal - Arm Prop	
111	1001265580	2	Decal - Fork Lift	

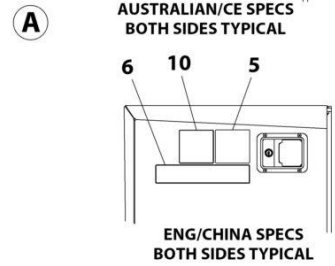
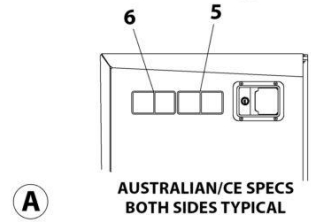
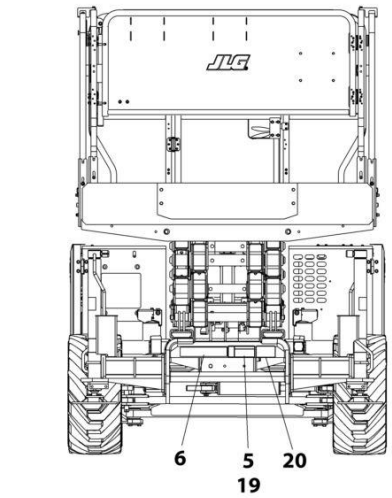
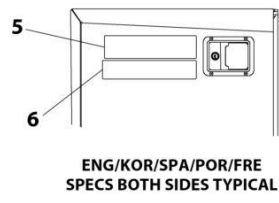
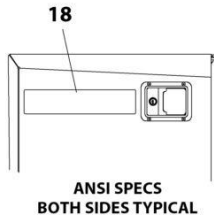
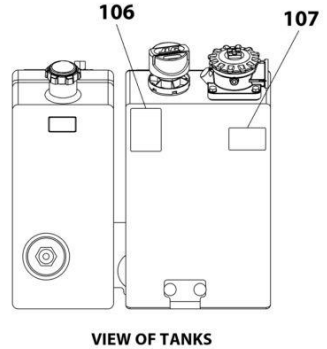
# SECTION 9 - DECALS

## FIGURE 9-5. DECAL INSTALLATION - CHINA SPECS (ENGLISH/CHINESE LANGUAGES)



NOTE: ITEMS SHOWN MAY NOT BE REQUIRED FOR ALL SPECS. REFER TO PARTS LIST FOR USAGE.

NOTE: ADDITIONAL DECALS CALLED OUT ON DECAL INSTALLATION - OPTIONS.



ART\_1001256773

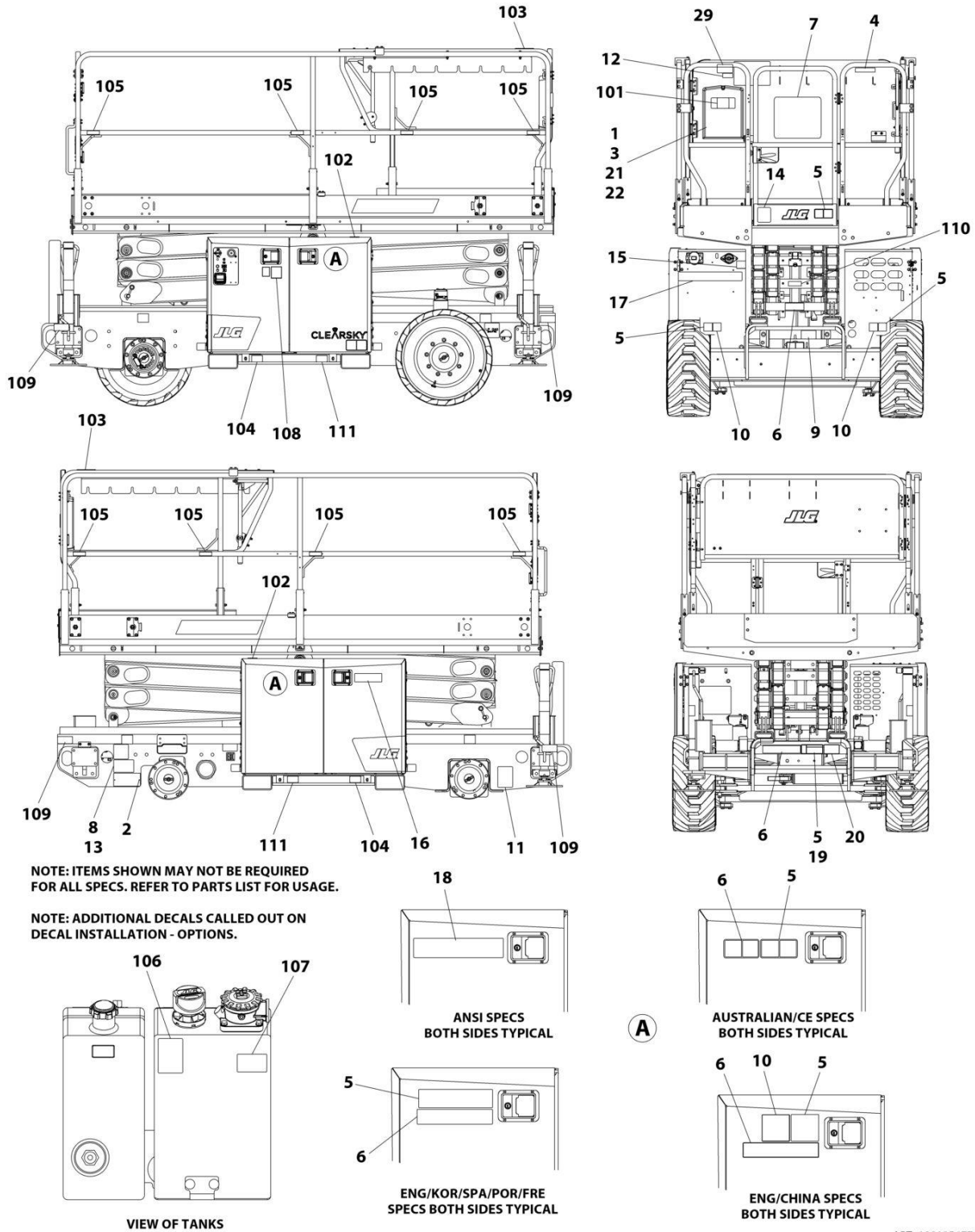
## SECTION 9 - DECALS

**FIGURE 9-5. DECAL INSTALLATION - CHINA SPECS (ENGLISH/CHINESE LANGUAGES)**

ITEM	PART NUMBER	QTY	DESCRIPTION	REV
	1001256773	Ref	DECAL INSTALLATION	C
	1001256945	Ref	DECAL CHART DRAWING (ERT2669)	G
	1001262071	Ref	DECAL CHART DRAWING (ERT3369)	E
1	0760610	4	Bolt M6 x 20	
2	2080057	2	Fastener	
3	0860520	1	Box, Manual Storage	
4	1705194	1	Decal - Control Box Location	
5	1001211779	4	Decal - Electrocutation	
6	1001215752	4	Decal - Crushing	
7	1705195	1	Decal - Danger/Warning	
8	1001224051	1	Decal - Yearly Inspection	
9	1703822	1	Decal - Manual Descent Instruction	
10	1001215747	4	Decal - Electrocutation	
15	1702155	1	Decal - Battery Disconnect	
16	1704344	1	Decal - Warning Battery Ventilation	
17	1001146794	1	Decal - Battery/Charger Service	
19	1705695	1	Decal - Danger Electrocutation	
20	1705944	1	Decal - Danger Electrocutation	
21	3290605	4	Nut M6	
22	4811700	8	Washer M6	
100	1001256763	1	Decal Master Kit (Not Shown)	
101	1701640	1	Decal - Manual	
102	1703687	2	Decal - Direction Arrow	
103	1703819	2	Decal - Direction Arrow	
104	1001265579	2	Decal - Fork Lift	
105	1704277	8	Decal - Lanyard Attach	
106	1704412	1	Decal - Hydraulic Oil Chart	
107	70046028	1	Decal - Hydraulic Oil Level	
108	1001094708	1	Decal - Hydraulic Oil	
109	1001162864	4	Decal - Lift Point/Tie Down	
110	1001256865	1	Decal - Arm Prop	
111	1001265580	2	Decal - Fork Lift	

# SECTION 9 - DECALS

FIGURE 9-6. DECAL INSTALLATION - CSA SPECS (ENGLISH/FRENCH LANGUAGES)



ART\_1001256776

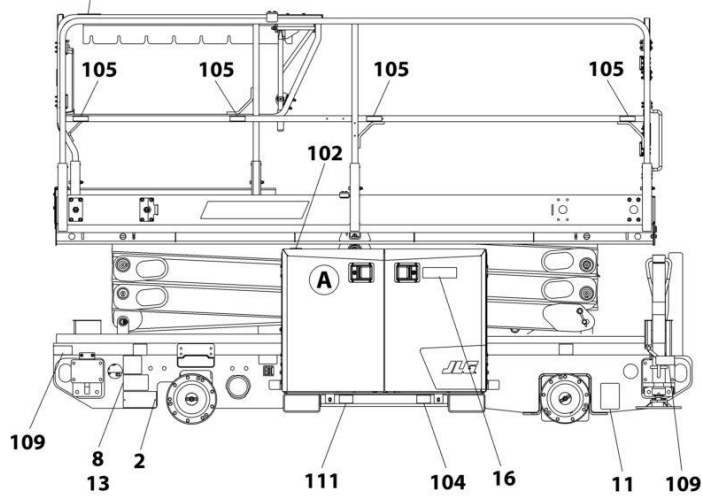
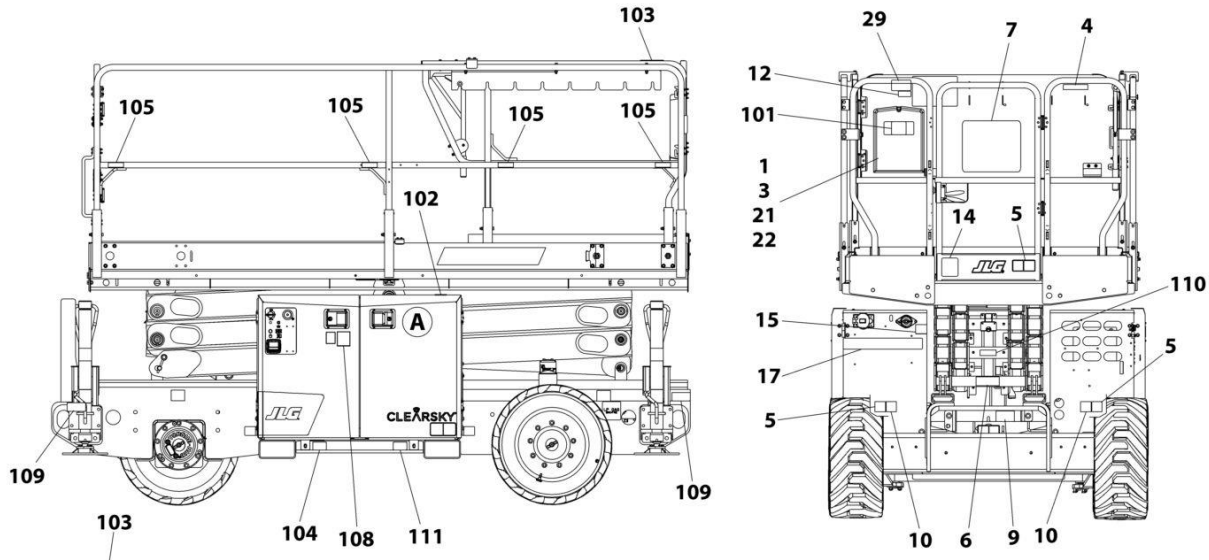
## SECTION 9 - DECALS

**FIGURE 9-6. DECAL INSTALLATION - CSA SPECS (ENGLISH/FRENCH LANGUAGES)**

ITEM	PART NUMBER	QTY	DESCRIPTION	REV
	1001256776	Ref	DECAL INSTALLATION	C
	1001256945	Ref	DECAL CHART DRAWING (ERT2669)	G
	1001262071	Ref	DECAL CHART DRAWING (ERT3369)	E
1	0760610	4	Bolt M6 x 20	
2	2080057	2	Fastener	
3	0860520	1	Box, Manual Storage	
4	1704687	1	Decal - Control Box Location	
5	1705040	5	Decal - Danger Electrocutation	
6	1001215755	4	Decal - Crushing	
7	1704684	1	Decal - Danger/Warning	
8	1001223971	1	Decal - Yearly Inspection	
9	1703822	1	Decal - Manual Descent Instruction	
11	1001131270	1	Decal - Patent	
12	1001228370	1	Decal - ICES	
15	1702155	1	Decal - Battery Disconnect	
16	1704340	1	Decal - Warning Battery Ventilation	
17	1001146794	1	Decal - Battery/Charger Service	
21	3290605	4	Nut M6	
22	4811700	8	Washer M6	
100	1001256763	1	Decal Master Kit (Not Shown)	
101	1701640	1	Decal - Manual	
102	1703687	2	Decal - Direction Arrow	
103	1703819	2	Decal - Direction Arrow	
104	1001265579	2	Decal - Fork Lift	
105	1704277	8	Decal - Lanyard Attach	
106	1704412	1	Decal - Hydraulic Oil Chart	
107	70046028	1	Decal - Hydraulic Oil Level	
108	1001094708	1	Decal - Hydraulic Oil	
109	1001162864	4	Decal - Lift Point/Tie Down	
110	1001256865	1	Decal - Arm Prop	
111	1001265580	2	Decal - Fork Lift	

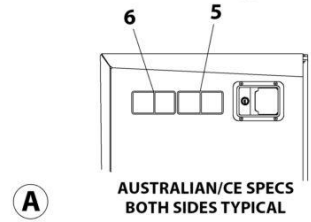
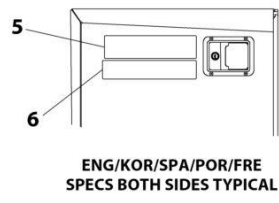
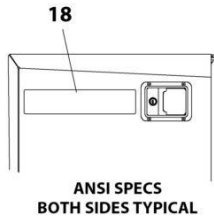
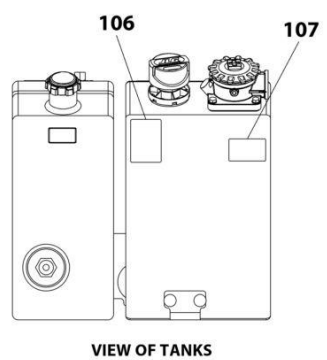
# SECTION 9 - DECALS

FIGURE 9-7. DECAL INSTALLATION - KOREAN SPECS (ENGLISH/KOREAN LANGUAGES)

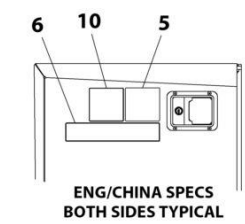


NOTE: ITEMS SHOWN MAY NOT BE REQUIRED FOR ALL SPECS. REFER TO PARTS LIST FOR USAGE.

NOTE: ADDITIONAL DECALS CALLED OUT ON DECAL INSTALLATION - OPTIONS.



(A)



ART\_1001256772



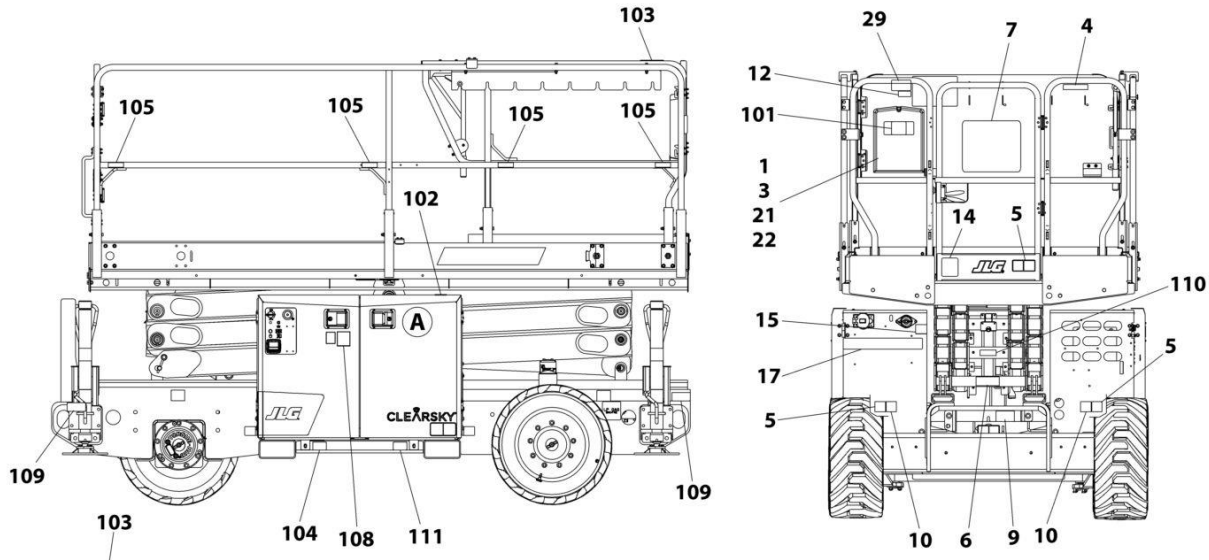
## SECTION 9 - DECALS

**FIGURE 9-7. DECAL INSTALLATION - KOREAN SPECS (ENGLISH/KOREAN LANGUAGES)**

ITEM	PART NUMBER	QTY	DESCRIPTION	REV
	1001256772	Ref	DECAL INSTALLATION	C
	1001256945	Ref	DECAL CHART DRAWING (ERT2669)	G
	1001262071	Ref	DECAL CHART DRAWING (ERT3369)	E
1	0760610	4	Bolt M6 x 20	
2	2080057	2	Fastener	
3	0860520	1	Box, Manual Storage	
4	1001162112	1	Decal - Control Box Location	
5	1001162114	5	Decal - Danger Electrical Hazard	
6	1001215751	4	Decal - Crushing	
7	1001162115	1	Decal - Danger Warning	
8	1001224048	1	Decal - Yearly Inspection	
9	1703822	1	Decal - Manual Descent Instruction	
15	1702155	1	Decal - Battery Disconnect	
16	1707022	1	Decal - Warning Battery Ventilation	
17	1001146794	1	Decal - Battery/Charger Service	
21	3290605	4	Nut M6	
22	4811700	8	Washer M6	
100	1001256763	1	Decal Master Kit (Not Shown)	
101	1701640	1	Decal - Manual	
102	1703687	2	Decal - Direction Arrow	
103	1703819	2	Decal - Direction Arrow	
104	1001265579	2	Decal - Fork Lift	
105	1704277	8	Decal - Lanyard Attach	
106	1704412	1	Decal - Hydraulic Oil Chart	
107	70046028	1	Decal - Hydraulic Oil Level	
108	1001094708	1	Decal - Hydraulic Oil	
109	1001162864	4	Decal - Lift Point/Tie Down	
110	1001256865	1	Decal - Arm Prop	
111	1001265580	2	Decal - Fork Lift	

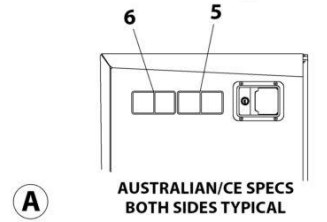
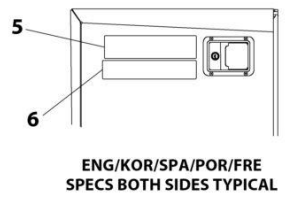
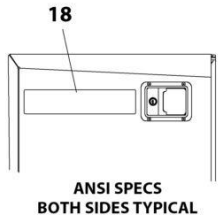
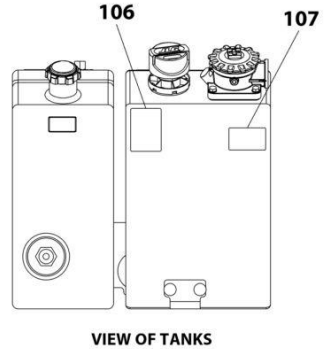
# SECTION 9 - DECALS

FIGURE 9-8. DECAL INSTALLATION - LATIN AMERICAN SPECS (ENGLISH/SPANISH LANGUAGES)

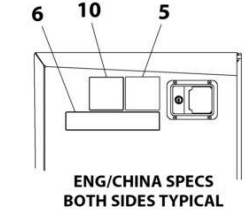


NOTE: ITEMS SHOWN MAY NOT BE REQUIRED FOR ALL SPECS. REFER TO PARTS LIST FOR USAGE.

NOTE: ADDITIONAL DECALS CALLED OUT ON DECAL INSTALLATION - OPTIONS.



(A)



ART\_1001256775

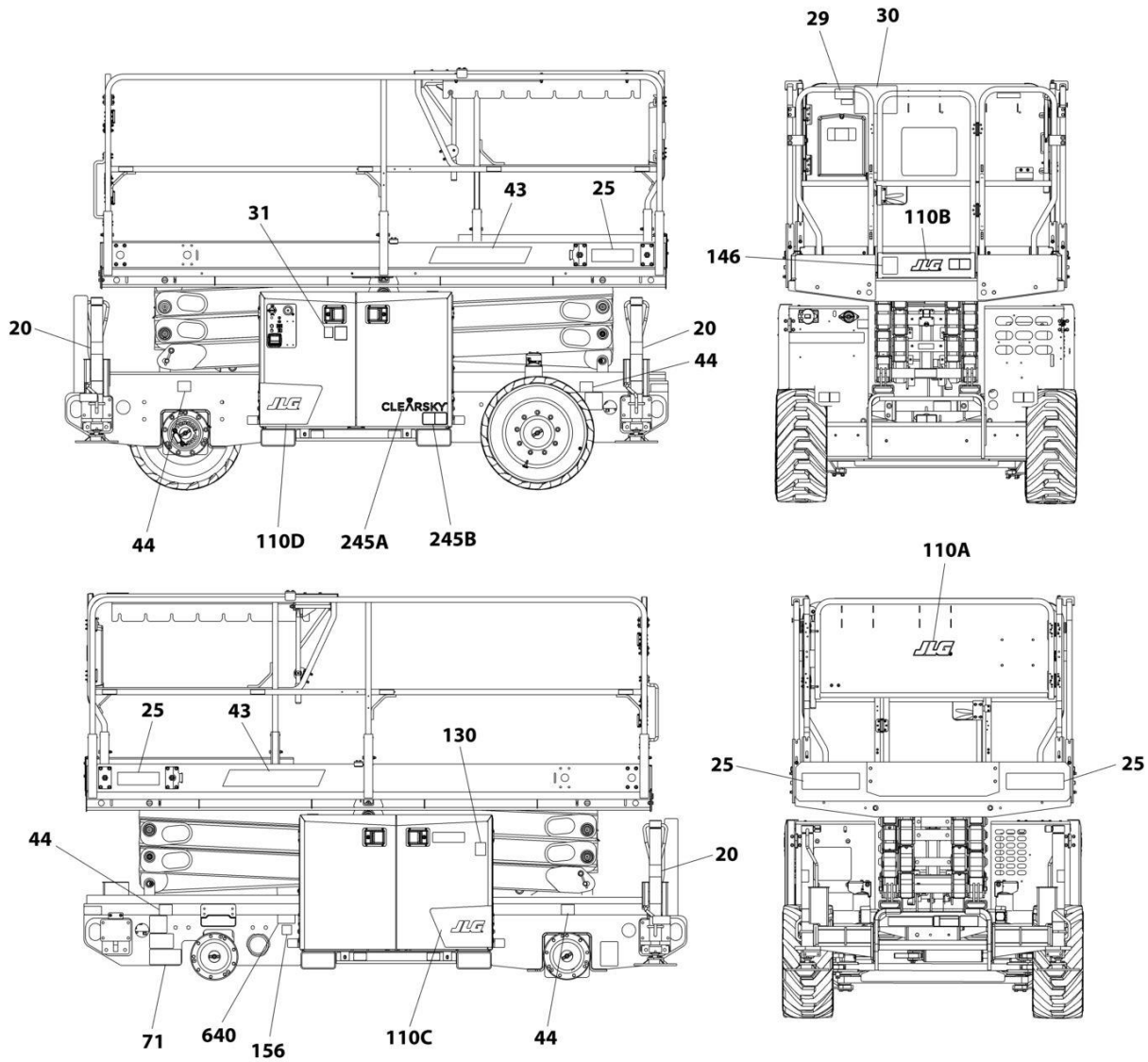
## SECTION 9 - DECALS

**FIGURE 9-8. DECAL INSTALLATION - LATIN AMERICAN SPECS (ENGLISH/SPANISH LANGUAGES)**

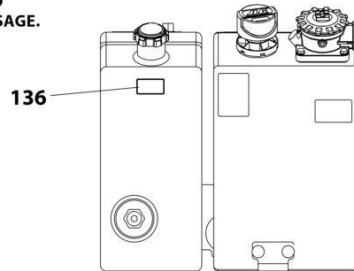
ITEM	PART NUMBER	QTY	DESCRIPTION	REV
	1001256775	Ref	DECAL INSTALLATION	C
	1001256945	Ref	DECAL CHART DRAWING (ERT2669)	G
	1001262071	Ref	DECAL CHART DRAWING (ERT3369)	E
1	0760610	4	Bolt M6 x 20	
2	2080057	2	Fastener	
3	0860520	1	Box, Manual Storage	
4	1704694	1	Decal - Control Box Location	
5	1705041	5	Decal - Danger Electrical Hazard	
6	1001215754	4	Decal - Crushing	
7	1704691	1	Decal - Danger/Warning	
8	1001224049	1	Decal - Yearly Inspection	
9	1703822	1	Decal - Manual Descent Instruction	
15	1702155	1	Decal - Battery Disconnect	
16	1704339	1	Decal - Warning Battery Ventilation	
17	1001146794	1	Decal - Battery/Charger Service	
21	3290605	4	Nut M6	
22	4811700	8	Washer M6	
100	1001256763	1	Decal Master Kit (Not Shown)	
101	1701640	1	Decal - Manual	
102	1703687	2	Decal - Direction Arrow	
103	1703819	2	Decal - Direction Arrow	
104	1001265579	2	Decal - Fork Lift	
105	1704277	8	Decal - Lanyard Attach	
106	1704412	1	Decal - Hydraulic Oil Chart	
107	70046028	1	Decal - Hydraulic Oil Level	
108	1001094708	1	Decal - Hydraulic Oil	
109	1001162864	4	Decal - Lift Point/Tie Down	
110	1001256865	1	Decal - Arm Prop	
111	1001265580	2	Decal - Fork Lift	

# SECTION 9 - DECALS

## FIGURE 9-9. DECAL INSTALLATION - OPTIONS



NOTE: ITEMS SHOWN MAY NOT BE REQUIRED FOR ALL SPECS. REFER TO PARTS LIST FOR USAGE.



VIEW OF TANKS

ART\_DECAL\_OPTIONS

## SECTION 9 - DECALS

**FIGURE 9-9. DECAL INSTALLATION - OPTIONS**

ITEM	PART NUMBER	QTY	DESCRIPTION	REV
		Ref	DECAL INSTALLATION - OPTIONS	
	1001256945	Ref	DECAL CHART DRAWING (ERT2669)	D
	1001262071	Ref	DECAL CHART DRAWING (ERT3369)	B
20		Ref	Decal - Leveling Jack Warning Options:	
20	1701214	4	Decal - Leveling Jack Warning (ANSI Specs)	
20	1701785	4	Decal - Leveling Jack Warning (Australian/CE Specs)	
20	1704698	4	Decal - Leveling Jack Warning (Brazil Specs)	
20	1704690	4	Decal - Leveling Jack Warning (CSA Specs)	
20	1001215447	4	Decal - Leveling Jack Warning (Korean Specs)	
20	1704697	4	Decal - Leveling Jack Warning (Latin American Specs)	
25	1001254363	Ref	Corner Stripes Installation	C
25	4420051	4 ft /1.2m	Tape, Safety	
29	1001231801	1	Decal - Warning Prop 65	
30	1001256793	1	Decal - Capacity (ERT2669)	
30	1001256795	1	Decal - Capacity (ERT3369)	
31	1701505	1	Decal - Fuel (Diesel)	
43	1001256783	2	Decal - Model (ERT2669)	
43	1001256784	2	Decal - Model (ERT3369)	
44	1001256791	4	Decal - Max Tire Load	
71	See Note	NSS	Decal - Manufacturers Serial Number (Note: Not Available for Purchase)	
110	1001265593	Ref	JLG Decals Installation	A
110A	1001256675	1	Decal - JLG	
110B	1001256676	1	Decal - JLG	
110C	1001265583	1	Decal – JLG (LH Door)	
110D	1001265584	1	Decal – JLG (RH Door)	
130		Ref	Decal - Warning Explosion/Fire Options:	
130	1704972	1	Decal - Warning Explosion/Fire (ANSI Specs)	
130	1706098	1	Decal - Warning Explosion/Fire (Australian/CE Specs)	
130	1706059	1	Decal - Warning Explosion/Fire (Brazil Specs)	
130	1706060	1	Decal - Warning Explosion/Fire (China Specs)	
130	1706064	1	Decal - Warning Explosion/Fire (CSA Specs)	
130	1706061	1	Decal - Warning Explosion/Fire (Korean Specs)	
130	1706063	1	Decal - Warning Explosion/Fire (Latin American Specs)	
136	1001125387	1	Decal - Ultra Low Sulfur Fuel (ANSI & CSA Specs)	
136	1001139654	1	Decal - Ultra Low Sulfur Fuel (CE Specs)	
146	1705084	1	Decal - Sound Power Level	
156	1001214029	Ref	EAC Decal Installation (Russian/CIS Specs)	
156	1001173703	1	Decal - EAC (Russian/CIS Specs)	
245	1001236984	Ref	Clearsky Decals Installation	A
245A	1001116208	1	Decal - Clearsky	
245B	1001120989	1	Decal - Radio Frequency	
640	1001143852	1	Decal - Emissions Compliance (Diesel Machines) (Not Shown - Located near SN Nameplate) (ANSI Export, Australian, CE, China & Korean Specs)	



## **SECTION 10 - RECOMMENDED SERVICE PARTS STOCK**

## **SECTION 10 - RECOMMENDED SERVICE PARTS STOCK**

## SECTION 10 - RECOMMENDED SERVICE PARTS STOCK

FIGURE 10-1. RECOMMENDED SERVICE PARTS STOCK

ITEM	PART NUMBER	QTY	DESCRIPTION	REV
		Ref	Note: The following list will service one machine (built to current production per date on the front cover) with emergency repair parts which can be installed in the field. Parts from the list should be replaced when inventory is depleted to keep service parts stock supplied. For further information, contact your JLG dealer or the JLG Industries Parts Department.	
	1001181045	1	Breaker, 16Amp Double (CE Specs Machines with AC Box at Platform)	
	1001152479	1	Breaker, 16Amp Double (CE Specs Machines with AC Box at Platform)	
	1001152482	1	Breaker, 30MaAmp (CE Specs Machines with AC Box at Platform)	
	1001247682	1	Controller, Joystick (Platform Control Box)	
	1001244932	1	Display, Platform Box	
		Ref	Engine - Kubota	
	70000313	12	Filter, Air Cleaner	
	70000318	12	Filter, Fuel	
	70000319	12	Filter, Oil	
	70007035	12	Filter, Element (Hydraulic Tank)	
	1001248371	12	Filter, Filler/Breather (Hydraulic Tank)	
	1001186489	2	Fuse 2Amp (Traction Harness)	
	1001253891	2	Fuse 7.5Amp (Traction Harness)	
	1001170760	2	Fuse 10Amp (Traction Harness)	
	1001170761	2	Fuse 20Amp (Traction Harness)	
	1001170762	2	Fuse 30Amp (Mechron Genset & Traction Harness)	
	1001260530	2	Fuse 355Amp (Battery Installations)	
	2860030	1	Key, Replacement (Ground Control)	
	1600387	1	Module, Control (Arms Installations)	
	1001248066	1	Module, Drive	
	1001248064	1	Module, Drive/Pump (Drive Installation)	
	1001249777	1	Module, Ground Control	
	1001170367	1	Relay (225AH Battery Installation)	
	1001272006	1	Relay (310AH Battery Installation)	
	1001171295	1	Relay (Mechron Genset & Traction Harness)	
	1001145548	1	Sensor, Limit (Arms Installations)	
	1001246658	1	Sensor, Piston (Leveling Jacks)	
	1001227516	1	Sensor, Pressure Transducer (Leveling Jacks)	
	1001161117	1	Sensor, Rotary Angle (Electric Steering)	
	1001102771	1	Sensor, Temperature (Battery Installations)	
	1001244934	1	Sensor, Tilt (Axle Installation with Sensor & Ground Control)	
	4360475	1	Switch, Emergency Stop (Ground & Platform Control)	
	4360469	1	Switch, Key (Ground Control)	
	1001250684	1	Switch, Push Button (Platform Control Box)	
	4360387	1	Switch, Push Button (Ground Control)	
	1001226749	1	Switch, Push Button (Platform Control Box)	
	4360524	1	Switch, Toggle (Ground Control)	



**SECTION 11 - SPECIAL OPTIONS/ACCESSORIES/KITS**

**SECTION 11 - SPECIAL OPTIONS/ACCESSORIES/KITS**

## SECTION 11 - SPECIAL OPTIONS/ACCESSORIES/KITS

FIGURE 11-1. SPECIAL OPTIONS/ACCESSORIES/KITS

ITEM	PART NUMBER	QTY	DESCRIPTION	REV
		Ref	Note: This list is to accommodate machines ordered with special equipment. Options may not be applicable to all models. For more specific parts information contact JLG Parts Department.	
		Ref	MISCELLANEOUS SPECIAL OPTIONS/ACCESSORIES/KITS	
	1001263596	Ref	CleanGuard Installation	
		Ref	ClearSky (Telematics) Installation (Factory Installed) Options:	
	1001251506	Ref	ClearSky (Telematics) Installation - 3 Wire (Factory Installed) (ANSI and CSA Specs)	
	1001251522	Ref	ClearSky (Telematics) Installation - 3 Wire (Factory Installed) (ANSI Export, Korean and CE Specs)	
	1001249646	Ref	ClearSky (Telematics) Installation - Canbus (Factory Installed) (ANSI and CSA Specs)	
	1001249647	Ref	ClearSky (Telematics) Installation - Canbus (Factory Installed) (ANSI Export, Korean and CE Specs)	
	1001249648	Ref	ClearSky (Telematics) Installation - Canbus (Factory Installed) (Australian Specs)	
		Ref	Electrical Connector Kits	
	1001148902	Ref	Electrical Connector Kit - Amp/Tyco Electrical Connectors	
	1001148903	Ref	Electrical Connector Kit - Deutsch DT Electrical Connectors	
	1001148904	Ref	Electrical Connector Kit - Deutsch HD Electrical Connectors	
	1001148905	Ref	Electrical Connector Kit - Packard Electrical Connectors	
	1001148906	Ref	Electrical Connector Kit - Various Electrical Connectors	
	1001255164	Ref	Footswitch Installation (Korean Specs)	
	1120485	Ref	Fuel, Cap (Protectoseal)	
	1001254826	Ref	Mechron Genset Installation	
	1001266156	Ref	Service Kits & Tools	
		Ref	Tools for Service	
	7002821	Ref	Crimper, Wire	
	7002823	Ref	Pin Extractor - Universal (For Electrical Connectors with Pins and Sockets)	
	4460510	Ref	Pin Extractor - 12-14 Gauge (For Removal of Pin/Sockets from Deutsch Connectors)	
	4460467	Ref	Pin Extractor - 16-18 Gauge (For Removal of Pin/Sockets from Deutsch Connectors)	
	7016654	Ref	Screwdriver, Magnetic	
	7002822	Ref	Screwdriver, Potentiometer	
	7004275	Ref	Tools - Seal Tool 1in (For Cylinders)	
	7004276	Ref	Seal Tool 1-1/2in (For Cylinders)	
	7002828	Ref	Stripper, Wire	

# SECTION 11 - SPECIAL OPTIONS/ACCESSORIES/KITS

## PART NUMBER INDEX

## SECTION 11 - SPECIAL OPTIONS/ACCESSORIES/KITS

0100011.....13, 15, 17, 19, 31, 33, 41, 43, 55, 69, 78, 81, 93, 95, 112, 118, 121, 129, 133, 135	0760612..... 78	1001116815 ..... 238	1001170761.....238, 264
0100019..... 19, 41, 43	0760614..... 15, 69	1001117025 ..... 198	1001170762.....211, 238, 264
0100020..... 19, 101	0760615..... 17	1001117107 ..... 237	1001170763.....211
0100035... 19, 55, 89, 101	0760806..... 55	1001117110 ..... 211, 238	1001170764..... 198, 238
0100051..... 31, 33	0760807..... 13, 15	1001117115 ..... 237	1001171295.....211, 238, 264
0140030..... 135	0760808..... 127	1001118378 ..... 211	1001171482..... 71
0140043..... 73	0760810..... 78, 81	1001118511 ..... 13, 15	1001173703..... 261
0275216..... 169, 227	0760812 ... 31, 33, 41, 43, 55, 109, 115, 127	1001118518 ..... 13, 15	1001174447..... 19
0275217..... 171, 229	0760815..... 89	1001118519 ..... 13, 15	1001174486..... 101
0275452..... 173, 231	0761008..... 127	1001118878 ..... 121	1001176626..... 135
0275453..... 175, 233	0761010..... 55	1001119020 ..... 213	1001181045..... 183, 264
0275454..... 177, 235	0761012..... 17, 78	1001120328 ..... 238	1001181961..... 31
0275663..... 191	0761015..... 37, 39	1001120989 ..... 261	1001182550..... 19, 23
0275664..... 193	0761016..... 41, 43	1001125387 ..... 261	1001182680..... 71, 103
0275665..... 195	0761616..... 13, 15	1001125677 .... 198, 205, 238	1001182960..... 19
0275666..... 187	0761620..... 93	1001125784 ..... 199, 223	1001184682..... 75
0275667..... 189	0770812..... 55, 78, 81	1001125785 ..... 199	1001184852..... 19
0400201..... 103	0771010..... 55	1001126008 ..... 238	1001184854..... 19
0440162..... 17	0771014 ... 31, 33, 55, 103	1001126245 .... 198, 211, 237	1001186231..... 199
0440237..... 17	0771015..... 13, 15	1001126353 ..... 237	1001186489..... 238, 264
0440241..... 112, 118	0771619..... 19	1001127389 ..... 154	1001186860..... 31, 33
0440264..... 112, 118	0780608..... 101	1001128128 ..... 198, 211	1001189171..... 185
0630587..... 19, 73, 75	0780810..... 101	1001131270 ..... 245, 255	1001189172..... 185
0630615..... 129	0840060..... 31	1001132170 ..... 209	1001189762..... 109, 115
0641404..... 101	0860520 ... 245, 247, 249, 251, 253, 255, 257, 259	1001139141 ..... 17	1001190577..... 23
0641610..... 19	0861731 ... 179, 225, 231, 233, 235	1001139524 ..... 237	1001192401..... 199
0641812..... 19	0861781 ..... 227, 229	1001139654 ..... 261	1001193336..... 101
0682013..... 19	0861880 ..... 183	1001143501 ..... 154	1001194421..... 211
0700512..... 19	0902659 ..... 103	1001143852 ..... 261	1001195089..... 17
0700517..... 129	0940049 ..... 81	1001144295 ..... 198	1001195137..... 129
0700612.... 59, 61, 63, 65, 67, 112, 118	0961890 ..... 13, 15, 17	1001145548 .... 109, 115, 264	1001196634..... 238
0700617.... 129, 167, 169, 171, 173, 175, 177, 179	0961950 ..... 13, 15, 118	1001146794 .... 245, 247, 249, 253, 255, 257, 259	1001197405..... 118
0700618..... 109, 115	0962220 .13, 15, 112, 118	1001146795 ..... 251	1001201885..... 223
0700619..... 129	1001026127 ..... 101	1001146795 ..... 251	1001207173..... 237
0700624..... 112, 118	1001091102 ... 83, 85, 87	1001148902 ..... 266	1001207973..... 63
0700812..... 101	1001094708 .... 245, 247, 249, 251, 253, 255, 257, 259	1001148903 ..... 266	1001211777..... 245
0700814..... 19	1001096070 .... 169, 171, 177, 183	1001148904 ..... 266	1001211779..... 245, 253
0700817..... 129	1001097150 ..... 183, 185	1001148905 ..... 266	1001212268..... 167, 169, 171, 173, 175, 177, 179
0700818..... 129	1001099560 ..... 112, 118	1001148906 ..... 266	1001212359..... 31, 33
0700819..... 129	1001100341 ..... 227	1001150735 ..... 223	1001214029..... 261
0701012..... 127	1001100342 ..... 229	1001150889 ..... 223	1001214174..... 19, 29
0701015 41, 43, 109, 112, 115, 118	1001100345 ..... 231	1001151395 ..... 17	1001215447..... 261
0701022.... 109, 112, 115, 118	1001100346 ..... 235	1001152266 ..... 199	1001215447..... 253
0701024..... 112, 118	1001100347 ..... 233	1001152479 ..... 264	1001215751..... 257
0701026..... 17, 112, 118	1001100451 ..... 103	1001152482 ..... 264	1001215752..... 253
0701029..... 109, 115	1001102771 .. 31, 33, 264	1001152483 ..... 185	1001215754..... 259
0701037..... 103	1001103761 ..... 41, 43	1001152486 .... 173, 175, 185	1001215755..... 255
0701622..... 41, 43	1001105091 ..... 33	1001156541 ..... 201, 203	1001215898..... 199
0711220..... 95	1001106736 ..... 198	1001157890 ..... 237	1001216180..... 31
0711224..... 13, 15	1001108603 ..... 135	1001157891 ..... 197	1001216650..... 249
0760507..... 129	1001109892 ..... 19	1001159186 ..... 198	1001217457..... 112, 118
0760508..... 19	1001110188 ..... 69	1001161117 ..... 17, 264	1001218448..... 78
0760606..... 215, 219	1001112612 ..... 198	1001162112 ..... 257	1001219722..... 19
0760608.... 61, 63, 65, 67, 109, 115, 129	1001113961 ..... 197	1001162114 ..... 257	1001220271..... 19
0760610.... 69, 78, 81, 93, 105, 125, 127, 169, 171, 173, 175, 177, 245, 247, 249, 251, 253, 255, 257, 259	1001116208 ..... 261	1001162115 ..... 257	1001220668..... 215, 219
	1001116694 ..... 205	1001162864 .... 245, 247, 249, 251, 253, 255, 257, 259	1001223055..... 245
	1001116732 ..... 198, 211	1001166543 ..... 237	1001223453..... 245
	1001116733 ..... 198	1001169423 ..... 17	1001223971..... 255
	1001116734 ..... 211	1001170367 ..... 264	1001224048..... 257
	1001116808 ..... 213	1001170483 ..... 31, 33	1001224049..... 259
	1001116812 ..... 238	1001170760 ..... 238, 264	1001224051..... 253
			1001224052..... 249
			1001225131..... 31, 33
			1001226421..... 71

## SECTION 11 - SPECIAL OPTIONS/ACCESSORIES/KITS

1001226749 ..... 135, 264	1001247443..... 135	1001249309.....75	1001254827 ..... 78
1001226830 ..... 109, 115, 209	1001247482..... 112, 119	1001249340.....49	1001254835 ..... 31, 33
1001227516 .. 41, 43, 264	1001247490..... 112, 119	1001249341.....47	1001254880 ..... 63
1001228370 ..... 255	1001247497..... 112, 119	1001249342.....47	1001254881 ..... 67
1001228533 ..... 112, 118	1001247500..... 112	1001249343.....49	1001254882 ..... 65
1001231398 ..... 237	1001247503..... 113	1001249344.....49	1001254883 ..... 61
1001231399 ..... 237	1001247506..... 113	1001249352.....47, 49, 51	1001255001 ..... 167
1001231400 ..... 237	1001247520..... 113, 119	1001249353.....47	1001255002 ..... 179
1001231403 ..... 237	1001247521..... 109, 115	1001249354.....49	1001255003 ..... 181
1001231404 ..... 237	1001247522..... 112, 118	1001249407.....41, 43	1001255004 ..... 173
1001231406 ..... 237	1001247523..... 112, 118	1001249610.....154	1001255005 ..... 175
1001231801 ..... 261	1001247524..... 112, 118	1001249637..... 112, 118	1001255006 ..... 169
1001234348 ..... 78, 81	1001247608..... 31, 33	1001249646.....266	1001255007 ..... 171
1001236984 ..... 261	1001247630..... 55	1001249647.....266	1001255008 ..... 177
1001239224 ..... 83, 85	1001247637..... 78	1001249648.....266	1001255057 ..... 19, 237
1001242539 ..... 83, 85	1001247638..... 78	1001249777 .....69, 264	1001255058 ..... 19
1001243256 .. 41, 43, 143	1001247639..... 78	1001249882.....129	1001255059 ..... 19
1001244210 ..... 121, 145	1001247667..... 109, 115	1001249883.....129	1001255060 ..... 19
1001244381 ..... 125	1001247668..... 112, 118	1001249884.....130	1001255061 ..... 19
1001244382 ..... 127	1001247669..... 109, 112, 115, 118	1001249914.....41	1001255062 ..... 19
1001244391 ..... 15	1001247670..... 112, 118	1001249915.....41	1001255063 ..... 20
1001244775 ..... 47	1001247671..... 109, 115	1001250307.....151	1001255064 ..... 17
1001244888 ..... 129	1001247672..... 113, 119	1001250308.....151	1001255067 ..... 103, 211
1001244904 ..... 121	1001247672..... 113, 119	1001250309.....151	1001255164 ..... 266
1001244932 ..... 135, 264	1001247682..... 135, 137, 264	1001250310.....151	1001255422 ..... 101
1001244934 .. 15, 69, 112, 118, 264	1001247816..... 119	1001250311.....151	1001255461 ..... 135
1001245046 .. 13, 15, 141	1001247817..... 119	1001250312.....151	1001255526 ..... 17
1001245250 ..... 125	1001247819..... 119	1001250342...41, 43, 151	1001255610 ..... 20
1001245381 ..... 35	1001247820..... 119	1001250353.....41, 43	1001255640 ..... 31, 33
1001245440 ..... 35	1001247820..... 119	1001250355.....127	1001255641 ..... 33
1001245459 ..... 17	1001247835..... 118	1001250356.....127	1001255642 ..... 33
1001245479 ..... 127	1001248039..... 69	1001250520.....17	1001255643 ..... 33
1001245653 ..... 141	1001248043..... 78	1001250627.....127	1001255644 ..... 33
1001245923 ..... 112, 118, 121	1001248064..... 19, 264	1001250637.....17	1001255645 ..... 31, 33
1001246091 ..... 55	1001248066..... 19, 264	1001250640.....127	1001255815 ..... 78
1001246103 ..... 154	1001248080..... 97	1001250678.....73	1001256014 ..... 31, 33
1001246107 ..... 17, 147	1001248162..... 78	1001250682.....135	1001256016 ..... 31
1001246382 ..... 55	1001248176..... 135	1001250684..... 103, 135, 264	1001256021 ..... 33
1001246383 ..... 55	1001248196..... 13, 15	1001250692.....135	1001256109 ..... 237
1001246553 ..... 89	1001248279..... 112, 201	1001250716.....154	1001256116 ..... 237
1001246555 ..... 55, 89	1001248280..... 118, 203	1001250773.....154	1001256186 ..... 20
1001246583 ..... 135	1001248371..... 89, 264	1001250829.....129	1001256187 ..... 20
1001246584 ..... 135	1001248671..... 141	1001250830.....129	1001256372 ..... 78
1001246658 ..... 143, 264	1001248820..... 109	1001250886..... 19, 238	1001256373 ..... 78
1001246823 ..... 135	1001248821..... 115	1001250937.....238	1001256453 ..... 31, 33
1001246859 ..... 197	1001248834..... 13, 15	1001250968.....154	1001256675 ..... 261
1001246863 ..... 135	1001248840..... 129	1001251328.....125	1001256676 ..... 261
1001246864 ..... 135	1001248863... 41, 43, 205	1001251440.....59	1001256763 ..... 245, 247, 249, 251, 253, 255, 257, 259
1001246884 ..... 37	1001248865..... 112, 118	1001251506.....266	1001256771 ..... 245
1001246885 ..... 41	1001248868..... 154	1001251522.....266	1001256772 ..... 257
1001246886 ..... 33	1001248871..... 154	1001251725.....17	1001256773 ..... 253
1001246979 ..... 135	1001248890..... 112, 118	1001251727.....17	1001256774 ..... 249
1001247019 ..... 13, 15	1001248895..... 112, 118, 207	1001253149.....129	1001256775 ..... 259
1001247313 ..... 135	1001248933..... 127	1001253800.....135	1001256776 ..... 255
1001247352 ..... 37	1001248986..... 129	1001253868.....17	1001256777 ..... 251
1001247353 ..... 39	1001248990..... 127	1001253891 ..... 238, 264	1001256778 ..... 247
1001247367 ..... 109, 112	1001248991..... 127	1001254035.....237	1001256779 ..... 261
1001247368 ..... 115, 118	1001249048..... 215, 217	1001254119..... 135	1001256783 ..... 261
1001247375 ..... 112	1001249049..... 135, 223	1001254363.....261	1001256784 ..... 261
1001247376 ..... 118	1001249091..... 109, 115, 241	1001254403.....69, 197	1001256791 ..... 261
1001247380 ..... 41, 43, 45	1001249190..... 217, 221	1001254548.....69	1001256793 ..... 261
1001247381 ..... 55, 57	1001249259..... 135	1001254613..... 167, 169, 171, 173, 175, 177, 179	1001256795 ..... 261
1001247420 ..... 19	1001249297..... 17	1001254820.....215	1001256865 ..... 245, 247, 249, 251, 253, 255, 257, 259
1001247425 ..... 39	1001249306..... 83	1001254822.....31	1001256875 ..... 154
	1001249307..... 85	1001254826.....266	

## SECTION 11 - SPECIAL OPTIONS/ACCESSORIES/KITS

1001256945.....245, 247, 249, 251, 253, 255, 257, 259, 261	1001263657 ..... 101	1701640 ... 245, 247, 249, 251, 253, 255, 257, 259	2220852.....154
1001257078.....135	1001263658 ..... 101	1701785 ..... 261	2220883.....141, 154
1001257079.....135	1001263662 ..... 109, 115	1702155 ... 245, 247, 249, 251, 253, 255, 257, 259	2220885.....141
1001257454.....78, 81	1001263824 .... 59, 61, 67	1703464 ..... 167	2220886.....141, 154
1001257587.....109, 115	1001263930 ..... 78	1703687 ... 245, 247, 249, 251, 253, 255, 257, 259	2220891.....154
1001257688.....78	1001264939 .... 109, 115, 213	1703813 ..... 245	2220940.....154
1001257689.....78	1001265532 ..... 133	1703816 ..... 245	2220947.....154
1001257884.....71	1001265579 .... 245, 247, 249, 251, 253, 255, 257, 259	1703818 ..... 245	2221040.....154
1001257885.....69, 71	1001265580 .... 245, 247, 249, 251, 253, 255, 257, 259	1703819 ... 245, 247, 249, 251, 253, 255, 257, 259	2221047.....101
1001258188.....35	1001265583 ..... 261	1703821 ..... 245	2221069.....154
1001258223.....219, 221	1001265584 ..... 261	1703822 ... 245, 247, 249, 251, 253, 255, 257, 259	2221086.....154
1001258287.....51	1001265593 ..... 261	1704277 ... 245, 247, 249, 251, 253, 255, 257, 259	2400066.....197
1001258812 ..... 113	1001265677 ... 59, 61, 63, 65, 67	1704339 ..... 259	2540045.....101, 125
1001258813 ..... 119	1001265678 ..... 65	1704340 ..... 255	2560088.....129
1001258837 ..... 101	1001265684 ..... 127	1704341 ..... 249	2560176.....129
1001258870.....81	1001265744 ..... 121	1704344 ..... 253	2600216.....78, 81
1001258920.....71	1001265761 ..... 121	1704412 ... 245, 247, 249, 251, 253, 255, 257, 259	2600253.....129
1001258923.....219	1001265821 ..... 127	1704684 ..... 255	2600285.....129
1001258936.....129	1001265846 ..... 129	1704687 ..... 255	2720058.....101
1001259030.....95	1001265848 ..... 112, 118	1704690 ..... 261	2720271.....101
1001259031 ..... 101	1001265916 ..... 133	1704691 ..... 259	2780282.....19, 25
1001259032.....93	1001266001 ... 61, 63, 65, 67	1704694 ..... 259	2860030.....71, 264
1001259033.....81	1001266156 ..... 266	1704697 ..... 261	2902431.....167, 225
1001259034.....103	1001267649 ..... 87	1704698 ..... 261	2940074.....129
1001259035.....105	1001270098 .... 109, 112, 115, 118	1704699 ..... 249	2940127.....129
1001259201 ..... 101	1001270272 ..... 238	1704702 ..... 249	3020022.....109, 115
1001259202.....51	1001271360 ..... 43	1704972 ..... 261	3020029.....115
1001259240.....101	1001272006 .. 31, 33, 264	1705040 ..... 255	3200425.....95
1001259386.....51	1001272777 ..... 15, 69	1705041 ..... 259	3252507.... 171, 173, 175, 177, 179, 181
1001259462.....31	1001273525 ..... 55	1705043 ..... 249	3290305.....83, 85, 87
1001259463.....31	1001273640 ..... 154	1705084 ..... 261	3290405.... 109, 115, 135, 167, 169, 171, 173, 175, 177, 179
1001259464.....31	1001274495 ..... 43	1705194 ..... 253	3290406.....135
1001259465.....31	1001274559 ..... 71	1705195 ..... 253	3290505.....19, 78, 81
1001260251 ..... 154	1001277750 ..... 105	1705325 ..... 169	3290506.....129
1001260252 ..... 151	1001278112 ..... 95	1705670 ..... 247, 251	3290605.... 17, 19, 59, 61, 63, 65, 67, 69, 73, 75, 78, 81, 125, 127, 169, 171, 173, 175, 177, 245, 247, 249, 251, 253, 255, 257, 259
1001260254 ..... 154	1001278342 ..... 35	1705671 ..... 247, 251	3290606.... 112, 118, 129, 167, 169, 171, 173, 175, 177, 179, 215, 219
1001260334.....78	1001284972 ..... 115	1705673 ..... 247, 251	3290801.... 31, 33, 55, 78, 101
1001260485.....13	1001284972 ..... 115	1705695 ..... 245, 253	3290805.. 19, 31, 33, 109, 115, 127
1001260530 ... 31, 33, 264	1001287360 ..... 55	1705944 ..... 253	3290806.....127, 129
1001260677 ..... 95	1001290309 ..... 93	1706059 ..... 261	3291005.... 17, 37, 39, 41, 43, 103
1001260678 ..... 103	1001290310 ..... 81	1706060 ..... 261	3291006.....127, 129
1001260781 ..... 20	1001290338 ..... 93	1706061 ..... 261	3291007.... 109, 112, 115, 118, 127
1001260781 ..... 20	1001290343 ..... 81	1706063 ..... 261	3291601.....41, 43
1001260903 ..... 103	1001290345 ..... 105	1706064 ..... 261	3292002.....127
1001260904 ..... 103	1001290347 ..... 105	1706098 ..... 261	3300048.... 167, 169, 171, 173, 175, 177, 179, 181
1001260952 ..... 103	1001290351 ..... 81	1706679 ..... 71	3300106.....47, 49, 51
1001260953 ..... 103	1001291027 ..... 81	1707022 ..... 257	3311005.... 59, 61, 63, 65, 67
1001261118.....169, 171, 173, 175, 177	1001294421 ..... 129	2080057 ... 245, 247, 249, 251, 253, 255, 257, 259	3311501.....78, 81
1001261123 ..... 127	1060908 ..... 183, 185	2180348 ..... 101	3311502.....78, 81
1001262071 ..... 245, 247, 249, 251, 253, 255, 257, 259, 261	1061020 ..... 109, 115	2220371 ..... 154	3321402.....112, 118
1001262074 ..... 101	1120485 ..... 266	2220372 ..... 109, 115	3331211.....41, 43, 95
1001262098 ..... 135	1320043 ..... 17	2220415 ..... 154	
1001262399 ..... 129	1320135 ..... 105	2220466 ..... 151	
1001262400 ..... 129	1320265 ..... 101	2220472 ..... 151	
1001262454 ..... 129	1320274 ..... 105	2220473 ..... 121, 151	
1001262495 ..... 129	1321293 .... 61, 63, 65, 67	2220490 ..... 151	
1001262639 ..... 127	1600387 .... 109, 115, 264	2220504 ..... 151	
1001262640 ..... 127	1671207 ..... 225	2220582 ..... 154	
1001263269 ..... 129	1701214 ..... 261	2220794 ..... 101	
1001263345.....83, 87	1701505 ..... 261		
1001263596 ..... 266			
1001263628 ..... 129			
1001263629 ..... 129			

## SECTION 11 - SPECIAL OPTIONS/ACCESSORIES/KITS

3331611 .....	19, 93	4460374 .....	211	4460944 .....	197, 198, 209,	4891600 .....	19
3422592 .....	13, 15	4460418 .....	198	217, 221, 237, 238, 241		4892000 .....	19
3422744 .....	129	4460464 .....	31, 33, 75, 197,	4460945 .....	238	5241000 .....	13, 15
3422938 .....	109, 115	198, 201, 203, 205,		4460950 .....	205	5241200 .....	13, 15, 95
3422943 .....	109, 115	211, 213, 217, 221,		4460956 .....	183	5241600 .....	19, 41, 43, 93
3423151 .....	112, 118	223, 237, 238, 241		4460957 .....	183	5250608 .....	95
3431622 .....	17	4460465 83, 85, 197, 198,		4460968 .....	169, 171	5250810 .....	95
3450303 .....	135	201, 203, 205, 207,		4460970 .....	197, 205, 217,	5250812 .....	35
3450304 .....	112, 118	209, 211, 213, 217,		221		5260600 .....	95, 101, 103
3450405 .....	112, 118	221, 237, 238		4460984 .....	199	5260800 .....	95
3450608 .....	17	4460466 ... 197, 198, 205,		4461008 .....	237	70000082 .....	137
3520026 .....	71	209, 211, 213, 217,		4461016 .....	223	70000084 .....	137
3520072 .....	129	221, 223, 237, 238		4461054 .....	237	70000289 .....	98
3537609 .....	129	4460467 .....	266	4461070 .....	238	70000290 .....	97
3760493 .....	118	4460497 .....	223	4461095 .....	237	70000291 .....	97
3760509 .....	112, 118	4460510 .....	266	4461196 .....	187, 227	70000292 .....	97
3841143 .....	17	4460516 .....	23	4461198 .....	227	70000293 .....	97
3841258 .....	13, 15	4460518 .....	209, 213	4461199 .....	189, 229	70000294 .....	97
3900394 .....	127	4460536 .....	197	4461201 .....	229	70000295 .....	97
3911012 ...	61, 63, 65, 67	4460539 ... 198, 205, 237,		4461205 .....	191, 193, 231,	70000296 .....	97
3911014 .....	59	238		233		70000297 .....	97
3960389 .....	81	4460662 ... 173, 175, 177,		4461244 .....	231	70000298 .....	97
3980035 .....	103	225		4461245 .....	233	70000299 .....	97
4010308 .....	83, 85, 87	4460705 .....	211	4461246 .....	235	70000300 .....	97
4010403 .....	69	4460752 .....	213	4461249 .....	195, 235	70000301 .....	97
4010405002 .....	135	4460754 ... 197, 201, 203,		4640858 .....	141	70000302 .....	97
4010408 ...	167, 169, 171,	217, 221		4641122 .....	47, 49, 51	70000303 .....	97
173, 175, 177, 179		4460761 .....	197, 209	4711000 .....	31, 33	70000304 .....	97
4010414 .....	135	4460802 .....	59	4711400 .....	101, 112, 118	70000305 .....	97
4010615 .....	15, 69	4460803 .....	59	4711500 .....	78, 81	70000306 .....	97
4010618 .....	129	4460805 .....	61	4711800 .....	19	70000307 .....	97
4031510 .....	135	4460806 .....	198	4712600 .....	17	70000308 .....	97
4031511 .....	109, 115	4460836 .....	197, 209	4740229 .....	13, 15	70000309 .....	97
4031608 .....	19, 31, 33	4460871 ... 197, 198, 223,		4740274 .....	95	70000310 .....	97
4031707 .....	17, 19, 121	237, 238		4740480 .....	112, 118	70000311 .....	97
4031920 .....	41, 43	4460872 .....	198, 238	4740531 .....	112, 118	70000312 .....	97
4060802 .....	71	4460873 ... 197, 223, 237		4751500 .....	112, 118	70000313 .....	97, 264
4160214 .....	135	4460874 .....	198	4811400 .....	109, 115, 135,	70000314 .....	97
4240017 ...	17, 41, 43, 167,	4460875 .....	197	167, 169, 171, 173,		70000315 .....	97
169, 171, 173, 175,		4460876 .....	198	175, 177, 179		70000316 .....	97
177, 179, 181		4460878 .....	197	4811600 .....	19, 59, 61, 63,	70000317 .....	97
4240018 ...	103, 109, 112,	4460884 ... 197, 198, 213,		65, 67, 78, 81, 129		70000318 .....	97, 264
115, 118, 215, 219		241		4811602 .....	129	70000319 .....	97, 264
4240084 .....	19	4460887 .....	197	4811700 .....	15, 59, 61, 63,	70000320 .....	97
4360387 .....	71, 103, 264	4460891 83, 85, 197, 205,		65, 67, 69, 73, 75, 109,		70000321 .....	97
4360469 .....	71, 264	207, 221, 238		112, 115, 118, 125,		70000322 .....	97
4360475 .....	71, 135, 264	4460892 .....	205, 238	127, 129, 135, 167,		70000323 .....	97
4360524 .....	71, 264	4460893 .....	198	169, 171, 173, 175,		70000324 .....	97
4420051 .....	41, 43, 261	4460894 ... 198, 205, 237		177, 179, 245, 247,		70000325 .....	98
4420062 .....	127	4460897 . 31, 33, 75, 197,		249, 251, 253, 255,		70000326 .....	98
4420070 .....	37, 39	211, 238		257, 259		70000327 .....	98
4460019 .....	238	4460905 ... 197, 198, 223,		4811702 .....	19, 61, 63, 65,	70000328 .....	98
4460071 ...	167, 169, 171,	237, 238		67, 69, 78, 81, 93, 105,		70000329 .....	98
173, 175, 177, 179, 181		4460911 .....	205, 223	169, 171, 173, 175, 177		70000330 .....	98
4460138 .....	167	4460917 .....	209	4811900 .....	13, 15, 31, 33,	70000382 .....	98
4460144 .....	198	4460918 .....	213, 223	41, 55, 78, 89, 127, 129		70000683 .....	137
4460183 .....	198, 223	4460928 ... 198, 211, 213		4811902 .....	19, 31, 43, 55,	70000684 .....	137
4460225 .....	211	4460929 .....	209	78, 81, 101, 105, 109,		70000685 .....	137
4460227 .....	197	4460930 .....	198, 237	115, 129		70000686 .....	137
4460259 .....	198	4460931 .....	237	4812000 .....	41, 43, 55, 103,	70000967 .....	97
4460260 .....	198	4460932 .....	241	109, 115, 127, 129		70001121 .....	97
4460265 .....	223	4460933 ... 197, 198, 205,		4812002 .....	31, 33, 37, 39,	70001144 .....	97
4460267 .....	223	209, 213, 237		55, 78		70001250 .....	137
4460294 .....	209	4460942 .....	198, 237	4812100 .....	41, 43	70001251 .....	137
4460315 ...	167, 169, 171,	4460943 ... 197, 198, 213,		4831900 .....	31, 33	70001252 .....	137
173, 175, 177, 179		217, 221, 223		4846181 .....	129	70001253 .....	137
4460346 .....	225			4872000 .....	19	70001365 .....	13, 15

## SECTION 11 - SPECIAL OPTIONS/ACCESSORIES/KITS

70001366.....	25	70005386.....	23	70007607.....	147	70046028..	245, 247, 249, 251, 253, 255, 257, 259
70001367.....	25	70005387.....	23	70007608.....	147	7007640.....	25
70001368.....	26	70005388.....	23	70007609.....	147	7012925.....	57
70001369.....	25	70005389.....	23	70007610.....	147	7016654.....	266
70001370.....	25	70005390.....	23	70007678.....	141	7017007.....	26
70001371.....	25	70005391.....	23	70007679.....	141	7017009.....	25
70001372.....	25	70005392.....	23	70007709.....	143	7017022.....	25
70001373.....	25	70005393.....	23	70007710.....	143	7017402.....	57
70001374.....	25	70005394.....	23	70007711.....	143	7020033.....	29
70001375.....	25	70005395.....	23	70007712.....	143	7020035.....	29
70001376.....	25	70005396.....	23	70007713.....	145	7020036.....	29
70001377.....	25	70005397.....	23	70007714.....	145	7020037.....	29
70001378.....	25	70005398.....	23	70007715.....	145	7020037.....	29
70001379.....	25	70005399.....	23	70007716.....	145	7020038.....	29
70001380.....	26	70005400.....	23	70007760.....	45	7020039.....	29
70001965.....	41, 43	70005401.....	23	70007761.....	45	7020040.....	29
70002083.....	97	70005402.....	23	70007762.....	45	7020041.....	29
70002244.....	97	70005403.....	23	70007764.....	57	7020175.....	71, 135
70002386.....	57, 121	70005404.....	23	70007768.....	57	7020176.....	71, 135
70002543.....	98	70005405.....	23	70007769.....	57	7024497.....	41, 43
70002544.....	97	70005406.....	23	70007771.....	57	7024502.....	13, 15, 41, 43
7000281.....	25	70005407.....	23	70007772.....	57	7024506.....	41, 43
70003557.....	97	70005408.....	23	70007773.....	57	7024738.....	25
70003618.....	97	70005409.....	23	70007774.....	57	7024741.....	25
70003619.....	97	70005410.....	23	7001626.....	147	7027365.....	137
70003789.....	57	70005411.....	23	7001630.....	147	7027367.....	137
70004265.....	97	70005412.....	23	7002821.....	266	7027628.....	13, 15
70004394.....	98	70005415.....	19	7002822.....	266	7027765.....	137
70004809.....	23	70006786.....	57	7002823.....	266	7027766.....	137
70004811.....	23	70007035.....	89, 264	7002828.....	266	80630.....	101
70004820.....	23	70007448.....	121	7004275.....	266	8220051.....	223
70005385.....	23	70007506.....	137	7004276.....	266	83451104.....	154







**Corporate Office  
JLG Industries, Inc.  
1 JLG Drive  
McConnellsburg, PA 17233-9533 USA  
☎ (717) 485-5161 (Corporate)  
☎ (877) 554-5438 (Customer Support)  
📠 (717) 485-6417**

**Visit our website for JLG Worldwide Locations.  
[www.jlg.com](http://www.jlg.com)**



**OSHKOSH™**