



Illustrated Parts Manual

Model
ERT4069
ERT4769

PVC
2004

P/N
31215928

June 1, 2021 - Rev C

ANSI

CE



AS/NZS



An Oshkosh Corporation Company

REVISION LOG

October 15, 2020 - Original Issue of Manual (Edited to B/M 1001263400 Revision B & 1001263470 Revision B)

March 1, 2021 - B - Revised Manual (Edited to B/M 1001263400 Revision C & 1001263470 Revision D)

June 1, 2021 - C - Revised Manual (Edited to B/M 1001263400 Revision C & 1001263470 Revision D)

GENERAL INFORMATION



1) MACHINE IDENTIFICATION

Machines are identified by model and in some cases a combination of models, serial number (SN) or regional standard (i.e ANSI, CE, CSA). Components may also be identified by SN or manufacturer. Common components that may be identified by these characteristics are engines and hydraulic components.

2) PARTS MANUAL ORGANIZATION

Product information in this manual is organized under section titles. Frame, Cylinder, Hydraulic and Electrical are a few examples. Each section is organized by figure and page number. The information within the Figure is then organized by item number, part number, description and corresponding illustration (s).

3) TABLE OF CONTENTS (NOT SHOWN)

A table of contents is found toward the beginning of the manual. Figure number, description and page number are provided for quick reference to the page containing the related information.

4) RECOMMENDED SPARE PARTS (NOT SHOWN)

The Recommended Spare Parts List, located near the end of the manual, reference most frequently used maintenance parts.

5) PART NUMBER INDEX (NOT SHOWN)

A numerical index listing all part numbers and the corresponding page number(s) appears at the back of the manual.

GENERAL INFORMATION

6) NON-SERVICED PARTS

In some instances, it is necessary to display non-serviced parts, assemblies or installations. In the case of assemblies and installations there will be a Ref in the Qty. column. In case of parts that are not available for service within assemblies or components, there will be a NSS (Not Sold Separately) or NLA (No Longer Available) listed in the Qty. column of the manual.

7) PARTS LIST ITEM NUMBERS

Numbers shown in the item# column correspond to numbers used in the associated illustration (s). Item numbers which are missing from the sequence in the parts list are not used on that page.

8) INDENTED PARTS DESCRIPTION

An indented part description is included in the item under which it is indented.

9) ABBREVIATION AND SYMBOLS

AC.....	Alternating Current	L.....	Liter
ADE.....	Advanced Design Electronics	LB(LBS).....	Pounds
AG.....	Agricultural	LCD.....	Liquid Crystal Display
ANSI.....	American National Standards Institute	LED.....	Light Emitting Diodes
AR.....	As Required	LH.....	Left Hand
ASSY.....	Assembly	LRC.....	Low Rated Countries
AUS.....	Australia	LSS.....	Load Sensing System
AUX.....	Auxiliary	M(m).....	Metric/Meter
AWG.....	American Wire Gauge	MM(mm).....	Milimeter
B/M.....	Bill of Material	mA.....	Miliamps
CAC.....	Charge Air Cooler	NLA.....	No Longer Available
CE.....	European Conformity	NPT.....	National Pipe Threads
CCW.....	Counter Clockwise	NSS.....	Not Sold Separately
CM.....	Centimeter	OD.....	Outside Diameter
CW.....	Clockwise	ORB.....	O-Ring Boss
CSA.....	Canadian Standards Association	ORFS.....	O-Ring Face Seal
CYL.....	Cylinder	OZ (oz).....	Ounces
DIA.....	Diameter	PG.....	Page
DC.....	Direct Current	PN.....	Part Number
DEF.....	Diesel Exhaust Fluid	QT(qt.).....	Quarts
EMS.....	Emergency Stop	QTY.....	Quantity
ENG.....	Engine	REF.....	Reference
FT(ft).....	Feet	REV.....	Revision Level
GA(Ga).....	Gauge	RH.....	Right Hand
HRC.....	High Rated Countries	SAE.....	Society of Automotive Engineers
HVAC.....	Heating, Ventilating, and Air Conditioning	SN.....	Serial Number
HYD.....	Hydraulic	SPEC(S).....	Specifications
Hz.....	Hertz	T/T.....	Turntable
ID.....	Inside Diameter	UGM.....	Universal Ground Module
IN.....	inches	V.....	Volts
ISO.....	International Organization for Standards	W.....	Watts
JIC.....	Joint Industry Council	#.....	Number
KG.....	Kilogram		

10) ILLUSTRATION REFERENCE LETTERS

When necessary, illustrations may contain reference letters that are intended to track information (i. e. hoses, harnesses) from one point to another or to track visual enlargement of components to show details that may be located in another area on the illustration.

Note: Due to continuous product improvements, JLG Industries, Inc. reserves the right to make specification changes without prior notification. Contact JLG Industries, Inc. for updated information.

TABLE OF CONTENTS

SECTION 1 - FRAME.....	11
FIGURE 1-1. AXLE INSTALLATION - SINGLE OSCILLATING (WITHOUT SENSORS).....	12
FIGURE 1-2. AXLE INSTALLATION - SINGLE OSCILLATING (WITH SENSORS).....	14
FIGURE 1-3. STEERING INSTALLATION - ELECTRIC (2WS).....	16
FIGURE 1-4. DRIVE INSTALLATION - ELECTRIC (2WD).....	18
FIGURE 1-5. DRIVE HUB ASSEMBLY.....	22
FIGURE 1-6. DRIVE MOTOR ASSEMBLY.....	26
FIGURE 1-7. HUB/SPINDLE ASSEMBLY (2WD FRONT).....	28
FIGURE 1-8. TIRE AND WHEEL INSTALLATION - FOAM-FILLIED.....	30
FIGURE 1-9. TIRE AND WHEEL INSTALLATION - FOAM-FILLIED NON-MARKING.....	32
FIGURE 1-10. TIRE AND WHEEL INSTALLATION - FOAM-FILLIED TURF NON-MARKING.....	34
FIGURE 1-11. BATTERY INSTALLATION - 310AH BATTERIES.....	36
FIGURE 1-12. BATTERY INSTALLATION - 375AH BATTERIES.....	38
FIGURE 1-13. LEVELING JACKS INSTALLATION - PARTIAL COVERS.....	40
FIGURE 1-14. LEVELING JACKS INSTALLATION - FULL COVERS.....	42
FIGURE 1-15. LEVELING JACK VALVE ASSEMBLY.....	44
FIGURE 1-16. CLEANGUARD INSTALLATION.....	46
FIGURE 1-17. LADDER INSTALLATION (ERT4069).....	48
FIGURE 1-18. LADDER INSTALLATION (ERT4769).....	50
FIGURE 1-19. FRAME COVERS INSTALLATION (ERT4069).....	52
FIGURE 1-20. FRAME COVERS INSTALLATION (ERT4769).....	54
SECTION 2 - GROUND CONTROLS.....	57
FIGURE 2-1. HYDRAULIC COMPONENTS INSTALLATION.....	58
FIGURE 2-2. VALVE ASSEMBLY - MAIN CONTROL.....	60
FIGURE 2-3. HYDRAULIC TANK ASSEMBLY.....	62
FIGURE 2-4. GROUND CONTROL PANEL INSTALLATION (ERT4069).....	64
FIGURE 2-5. GROUND CONTROL PANEL INSTALLATION (ERT4769).....	66
FIGURE 2-6. GROUND CONTROL ASSEMBLY.....	68
FIGURE 2-7. BATTERY CHARGER INSTALLATION (NO PLUG).....	70
FIGURE 2-8. BATTERY CHARGER INSTALLATION (110V PLUG).....	72
FIGURE 2-9. BATTERY CHARGER INSTALLATION (AUSTRALIAN PLUG).....	74
FIGURE 2-10. BATTERY CHARGER INSTALLATION (CHINA PLUG).....	76
FIGURE 2-11. BATTERY CHARGER INSTALLATION (KOREAN PLUG).....	78
FIGURE 2-12. ALARM INSTALLATION (HORN).....	80
FIGURE 2-13. ALARM INSTALLATION (WHITE NOISE).....	82
FIGURE 2-14. STROBE LIGHT INSTALLATION - SINGLE.....	84
FIGURE 2-15. STROBE LIGHT INSTALLATION - DUAL.....	86
FIGURE 2-16. NO BEACON (COVERS).....	88
FIGURE 2-17. HOODS INSTALLATION.....	90
SECTION 3 - ENGINE.....	93
FIGURE 3-1. ENGINE MOUNTING INSTALLATION (GENSET).....	94
FIGURE 3-2. KUBOTA ENGINE INSTALLATION (GENSET).....	96
FIGURE 3-3. KUBOTA ENGINE COMPONENTS (STAGE V).....	98

TABLE OF CONTENTS

FIGURE 3-4. ENGINE FUEL LINES INSTALLATION (GENSET).....	102
FIGURE 3-5. ENGINE HOOD AND DOOR INSTALLATION (GENSET)	104
FIGURE 3-6. ENGINE ELECTRICAL INSTALLATION (GENSET)	106
FIGURE 3-7. EXHAUST INSTALLATION (GENSET)	108
SECTION 4 - SCISSORS ARMS	111
FIGURE 4-1. ARMS INSTALLATION (ERT4069)	112
FIGURE 4-2. ARMS ASSEMBLY (ERT4069)	114
FIGURE 4-3. CYLINDER AND LIFT DOWN VALVE ASSEMBLY (ERT4069).....	118
FIGURE 4-4. ARMS INSTALLATION (ERT4769)	120
FIGURE 4-5. ARMS ASSEMBLY (ERT4769)	122
FIGURE 4-6. CYLINDER AND LIFT DOWN VALVE ASSEMBLY (ERT4769).....	126
FIGURE 4-7. CYLINDER AND LIFT DOWN VALVE ASSEMBLY (ERT4769).....	128
SECTION 5 - PLATFORM.....	131
FIGURE 5-1. PLATFORM INSTALLATION.....	132
FIGURE 5-2. PLATFORM EXTENSION INSTALLATION (SINGLE).....	134
FIGURE 5-3. PLATFORM RAILS INSTALLATION (SINGLE EXTENSION)	136
FIGURE 5-4. PLATFORM CONTROL BOX INSTALLATION - SIDE MOUNT	140
FIGURE 5-5. PLATFORM CONTROL BOX INSTALLATION.....	142
FIGURE 5-6. CONTROLLER ASSEMBLY	144
SECTION 6 - CYLINDER.....	147
FIGURE 6-1. AXLE LOCKOUT CYLINDER ASSEMBLY.....	148
FIGURE 6-2. LEVELING JACK CYLINDER ASSEMBLY.....	150
FIGURE 6-3. ERT4069 & ERT4769 LIFT CYLINDER ASSEMBLY - LOWER	152
FIGURE 6-4. ERT4769 LIFT CYLINDER ASSEMBLY - UPPER	154
FIGURE 6-5. STEER CYLINDER ASSEMBLY	156
SECTION 7 - HYDRAULIC	159
FIGURE 7-1. HYDRAULIC DIAGRAM - LEVELING JACKS	160
FIGURE 7-2. HYDRAULIC DIAGRAM - STANDARD	162
SECTION 8 - ELECTRICAL.....	165
FIGURE 8-1. ELECTRICAL LAYOUT	166
FIGURE 8-2. AC BOX AT PLATFORM INSTALLATION - 110V GFI (ALL SPECS EXCEPT AUSTRALIAN & CE SPECS)	176
FIGURE 8-3. AC BOX AT PLATFORM INSTALLATION - 110V IEC YELLOW (CE SPECS).....	178
FIGURE 8-4. AC BOX AT PLATFORM INSTALLATION - 220V IEC BLUE (CE SPECS)	180
FIGURE 8-5. AC BOX AT PLATFORM INSTALLATION - 220V CEE7 POST GROUND (CE SPECS).....	182
FIGURE 8-6. AC BOX AT PLATFORM INSTALLATION - 220V CEE7 SIDE GROUND (CE SPECS)	184
FIGURE 8-7. AC BOX AT PLATFORM INSTALLATION - 220V AFSINT 107 (CE SPECS).....	186
FIGURE 8-8. AC BOX AT PLATFORM INSTALLATION - 220V CUSTOMER SUPPLIED PLUG & RECEPTACLE (ALL SPECS EXCEPT AUSTRALIAN & CE SPECS).....	188
FIGURE 8-9. AC BOX AT PLATFORM INSTALLATION - 220V CUSTOMER SUPPLIED COMPONENTS (ALL SPECS).....	190
FIGURE 8-10. BREAKER BOX KIT - 1 DOUBLE BREAKER	192
FIGURE 8-11. BREAKER BOX KIT - 1 DOUBLE & 1 SINGLE BREAKER	194
FIGURE 8-12. CHARGER CORD PLUG INSTALLATION - 110V - IEC YELLOW (CE SPEC)	196

TABLE OF CONTENTS

FIGURE 8-13. CHARGER CORD PLUG INSTALLATION - 220V - IEC BLUE (CE SPEC)	198
FIGURE 8-14. CHARGER CORD PLUG INSTALLATION - 220V - CEE7 POST GROUND (CE SPEC).....	200
FIGURE 8-15. CHARGER CORD PLUG INSTALLATION - 220V - CEE7 SIDE GROUND (CE SPEC)	202
FIGURE 8-16. CHARGER CORD PLUG INSTALLATION - 220V - AFSINT 107 KEYED GROUND (CE SPEC)	204
FIGURE 8-17. CHASSIS HARNESS	206
FIGURE 8-18. GROUND TO PLATFORM HARNESS (ERT4069).....	210
FIGURE 8-19. GROUND TO PLATFORM HARNESS (ERT4769).....	212
FIGURE 8-20. LEVELING JACK HARNESS	214
FIGURE 8-21. LIFT DOWN HARNESS - LOWER.....	216
FIGURE 8-22. LIFT DOWN HARNESS - UPPER (ERT4769).....	218
FIGURE 8-23. LSS HARNESS.....	220
FIGURE 8-24. MECHRON GENSET HARNESS.....	222
FIGURE 8-25. PLATFORM HARNESS	224
FIGURE 8-26. PLATFORM CABLE INSTALLATION – WITHOUT FOOTSWITCH.....	226
FIGURE 8-27. PLATFORM CABLE HARNESS – WITHOUT FOOTSWITCH.....	228
FIGURE 8-28. PLATFORM CABLE INSTALLATION – WITH FOOTSWITCH	230
FIGURE 8-29. PLATFORM CABLE HARNESS – WITH FOOTSWITCH	232
FIGURE 8-30. PLATFORM CONTROL BOX HARNESS	234
FIGURE 8-31. RECEPTACLE BOX KIT - 110V GFI.....	236
FIGURE 8-32. RECEPTACLE BOX KIT - 110V IEC YELLOW.....	238
FIGURE 8-33. RECEPTACLE BOX KIT - 220V IEC BLUE	240
FIGURE 8-34. RECEPTACLE BOX KIT - 220V POST GROUND	242
FIGURE 8-35. RECEPTACLE BOX KIT - 220V SIDE GROUND	244
FIGURE 8-36. RECEPTACLE BOX KIT - 220V KEYED GROUND	246
FIGURE 8-37. TILT SENSOR HARNESS	248
FIGURE 8-38. TRACTION HARNESS	250
SECTION 9 - DECALS.....	253
FIGURE 9-1. DECAL INSTALLATION - ANSI SPECS (ENGLISH LANGUAGE) (ERT4069).....	254
FIGURE 9-2. DECAL INSTALLATION - AUSTRALIAN/CE SPECS (ENGLISH LANGUAGE) (ERT4069).....	256
FIGURE 9-3. DECAL INSTALLATION - BRAZIL SPECS (SPANISH/PORTUGUESE LANGUAGES) (ERT4069)	258
FIGURE 9-4. DECAL INSTALLATION - CE SPECS (ERT4069).....	260
FIGURE 9-5. DECAL INSTALLATION - CHINA SPECS (ENGLISH/CHINESE LANGUAGES) (ERT4069).....	262
FIGURE 9-6. DECAL INSTALLATION - CSA SPECS (ENGLISH/FRENCH LANGUAGES) (ERT4069)	264
FIGURE 9-7. DECAL INSTALLATION - KOREAN SPECS (ENGLISH/KOREAN LANGUAGES) (ERT4069)	266
FIGURE 9-8. DECAL INSTALLATION - LATIN AMERICAN SPECS (ENGLISH/SPANISH LANGUAGES) (ERT4069).....	268
FIGURE 9-9. DECAL INSTALLATION - ANSI SPECS (ENGLISH LANGUAGE) (ERT4769).....	270
FIGURE 9-10. DECAL INSTALLATION - AUSTRALIAN/CE SPECS (ENGLISH LANGUAGE) (ERT4769).....	272
FIGURE 9-11. DECAL INSTALLATION - BRAZIL SPECS (SPANISH/PORTUGUESE LANGUAGES) (ERT4769).....	274
FIGURE 9-12. DECAL INSTALLATION - CE SPECS (ERT4769).....	276
FIGURE 9-13. DECAL INSTALLATION - CHINA SPECS (ENGLISH/CHINESE LANGUAGES) (ERT4769).....	278
FIGURE 9-14. DECAL INSTALLATION - CSA SPECS (ENGLISH/FRENCH LANGUAGES) (ERT4769)	280
FIGURE 9-15. DECAL INSTALLATION - KOREAN SPECS (ENGLISH/KOREAN LANGUAGES) (ERT4769)	282
FIGURE 9-16. DECAL INSTALLATION - LATIN AMERICAN SPECS (ENGLISH/SPANISH LANGUAGES) (ERT4769).....	284
FIGURE 9-17. DECAL INSTALLATION - OPTIONS	286

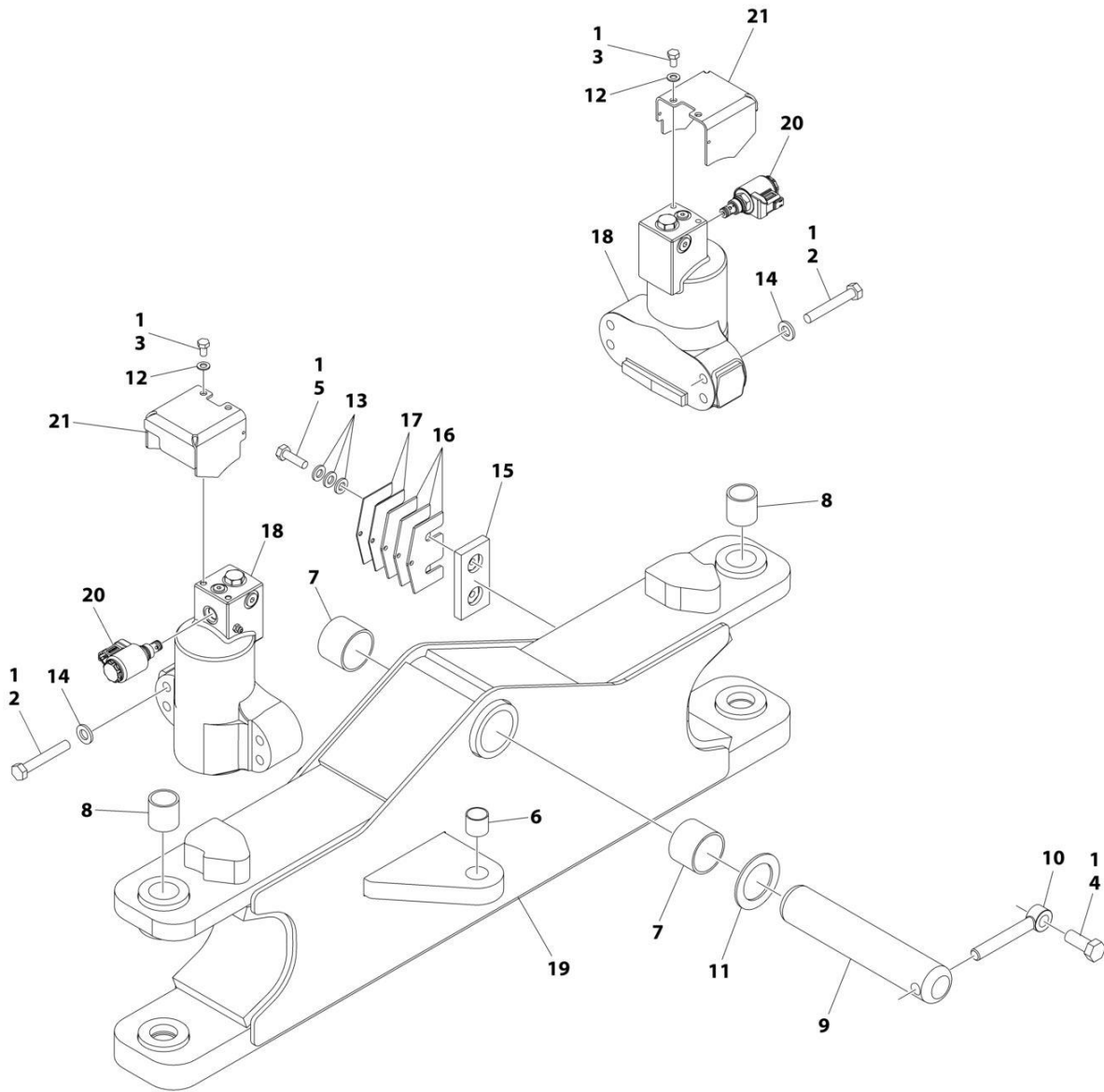
TABLE OF CONTENTS

SECTION 10 - RECOMMENDED SERVICE PARTS STOCK.....	289
FIGURE 10-1. RECOMMENDED SERVICE PARTS STOCK.....	290
SECTION 11 - SPECIAL OPTIONS/ACCESSORIES/KITS.....	293
FIGURE 11-1. SPECIAL OPTIONS/ACCESSORIES/KITS.....	294
PART NUMBER INDEX.....	295

SECTION 1 - FRAME

SECTION 1 - FRAME

FIGURE 1-1. AXLE INSTALLATION - SINGLE OSCILLATING (WITHOUT SENSORS)



ART_1001260485

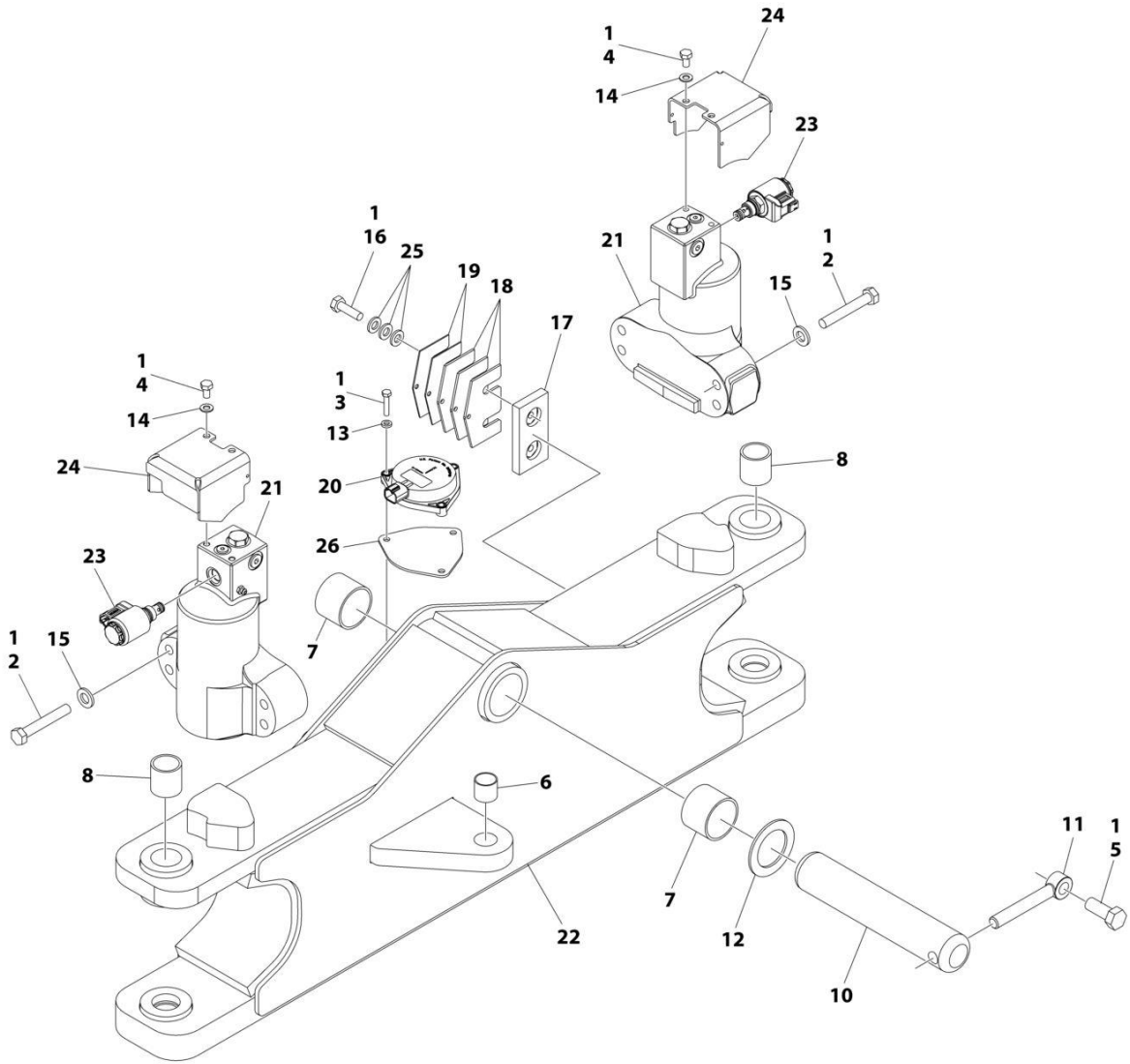
SECTION 1 - FRAME

FIGURE 1-1. AXLE INSTALLATION - SINGLE OSCILLATING (WITHOUT SENSORS)

ITEM	PART NUMBER	QTY	DESCRIPTION	REV
	1001260485	Ref	AXLE INSTALLATION (WITHOUT SENSOR)	B
1	0100011	AR	Compound, Locking	
2	0711224	8	Bolt M12 x 80	
3	0760807	4	Bolt M8 x 14	
4	0761616	1	Bolt M16 x 40	
5	0771015	4	Bolt M10 x 35	
6	0961890	1	Bushing	
7	0961950	2	Bearing	
8	0962220	4	Bushing	
9	3422592	1	Pin	
10	3841258	1	Keeper, Rod	
11	4740229	1	Thrustwasher	
12	4811900	4	Washer M8	
13	5241000	AR	Washer M10	
14	5241200	8	Washer M12	
15	1001118511	2	Pad, Wear	
16	1001118518	AR	Shim 11Ga	
17	1001118519	AR	Shim 16Ga	
18	1001245046	2	Cylinder Assembly - Axle (See Separate Breakdown in CYLINDER Section)	
19	1001247019	1	Axle	
20	1001248196	2	Cartridge, Valve - Directional	
20	7024502	2	Seal Kit - 7001248196 Valve	
20	7027628	2	Coil	
20	70001365	2	Nut, Coil	
21	1001248834	2	Cover	

SECTION 1 - FRAME

FIGURE 1-2. AXLE INSTALLATION - SINGLE OSCILLATING (WITH SENSORS)



ART_1001244391

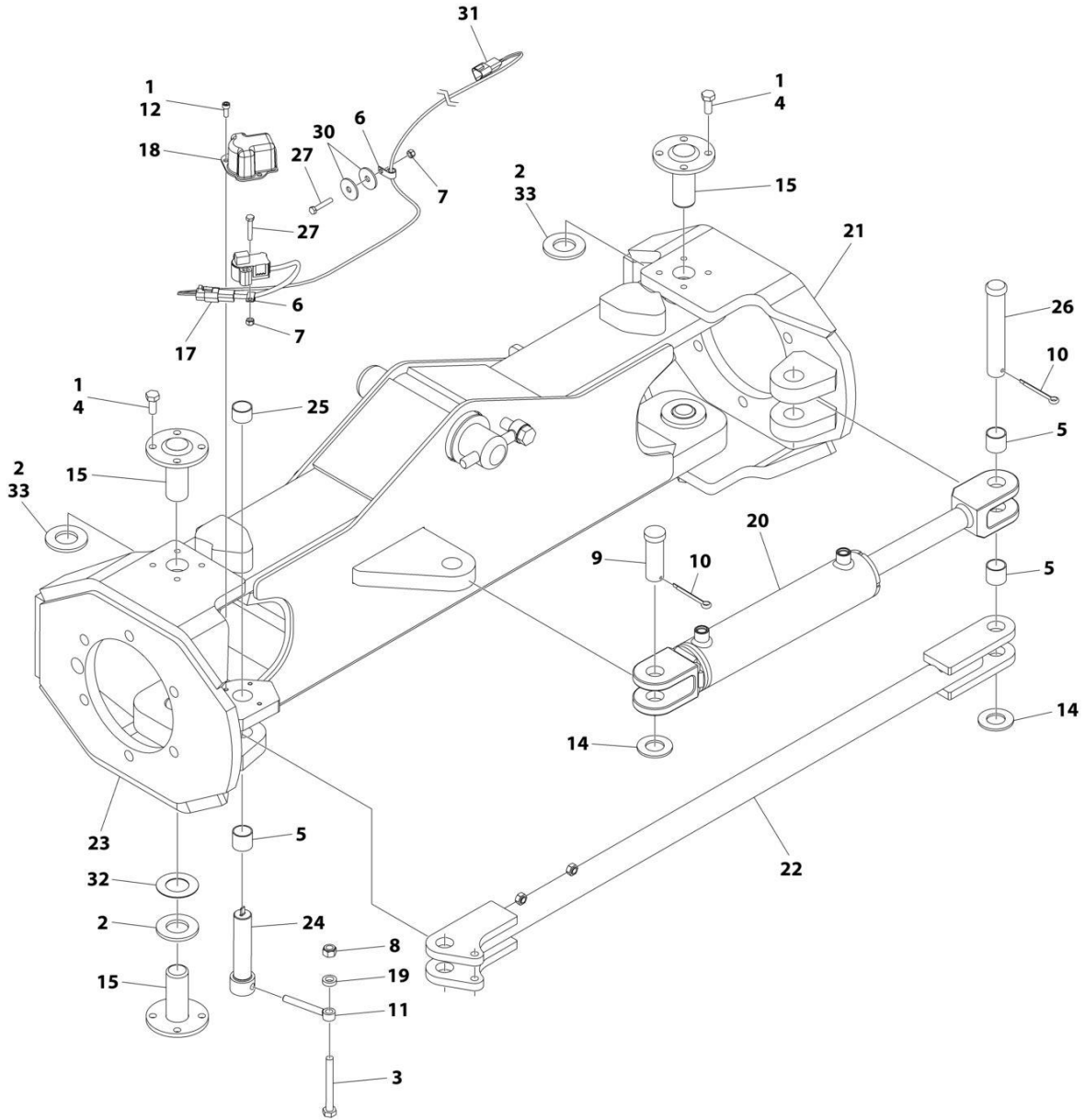
SECTION 1 - FRAME

FIGURE 1-2. AXLE INSTALLATION - SINGLE OSCILLATING (WITH SENSORS)

ITEM	PART NUMBER	QTY	DESCRIPTION	REV
	1001244391	Ref	AXLE INSTALLATION (WITH SENSOR)	D
1	0100011	AR	Compound, Locking	
2	0711224	8	Bolt M12 x 80	
3	0760614	3	Bolt M6 x 30	
3	4010615	3	Bolt M6 x 35	
4	0760807	4	Bolt M8 x 14	
5	0761616	1	Bolt M16 x 40	
6	0961890	1	Bushing	
7	0961950	2	Bearing	
8	0962220	4	Bushing	
10	3422592	1	Pin	
11	3841258	1	Keeper, Rod	
12	4740229	1	Thrustwasher	
13	4811700	3	Washer M6	
14	4811900	4	Washer M8	
15	5241200	8	Washer M12	
16	0771015	4	Bolt M10 x 35	
17	1001118511	2	Pad, Wear	
18	1001118518	AR	Shim 11Ga	
19	1001118519	AR	Shim 16Ga	
20	1001244934	1	Sensor, Tilt	
21	1001245046	2	Cylinder Assembly - Axle (See Separate Breakdown in CYLINDER Section)	
22	1001247019	1	Axle	
23	1001248196	2	Cartridge, Valve - Directional	
23	7024502	2	Seal Kit - 1001248196 Valve	
23	7027628	2	Coil	
23	70001365	2	Nut, Coil	
24	1001248834	2	Cover	
25	5241000	AR	Washer M10	
26	1001272777	1	Gasket	

SECTION 1 - FRAME

FIGURE 1-3. STEERING INSTALLATION - ELECTRIC (2WS)



ART_1001250520

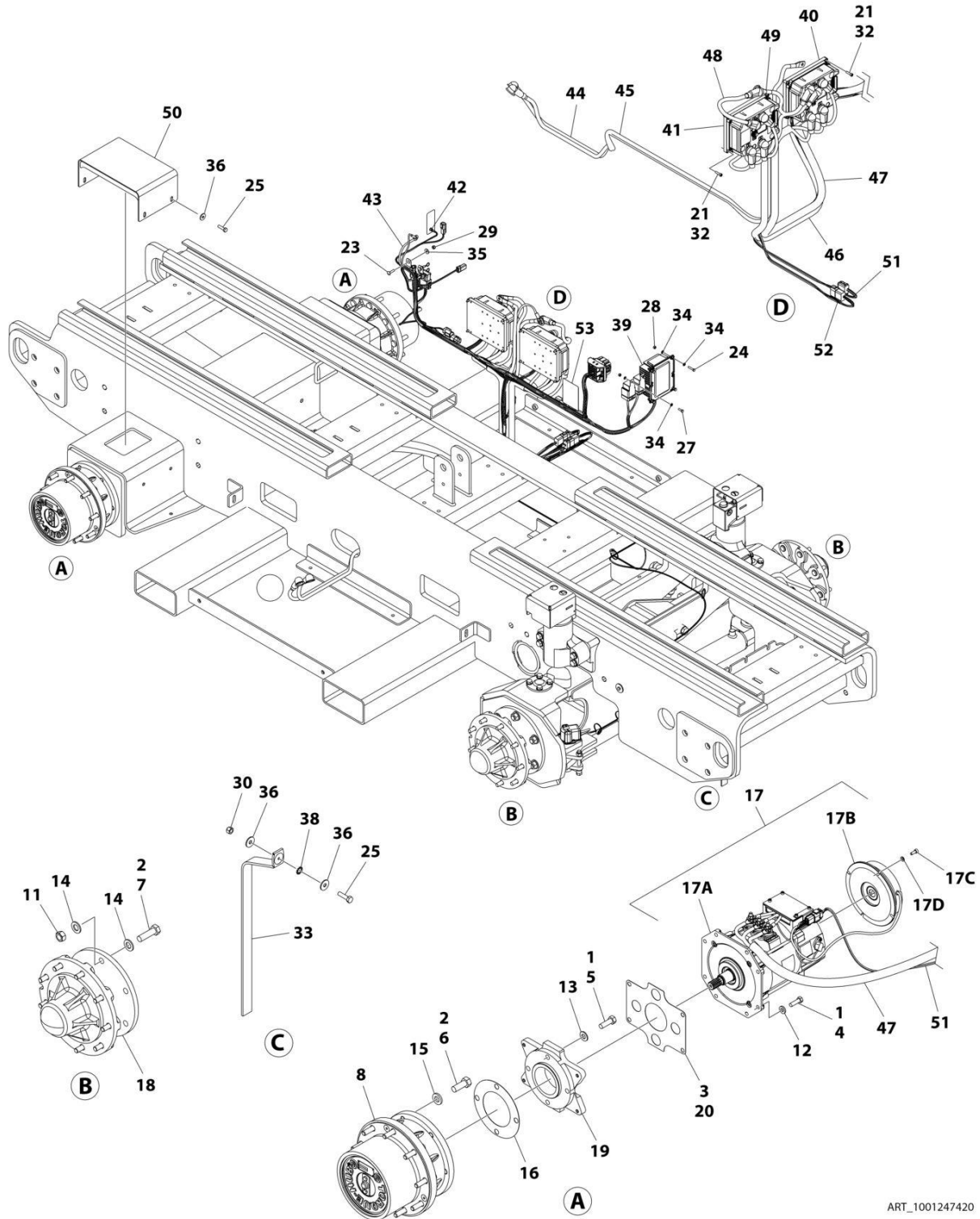
SECTION 1 - FRAME

FIGURE 1-3. STEERING INSTALLATION - ELECTRIC (2WS)

ITEM	PART NUMBER	QTY	DESCRIPTION	REV
	1001250520	Ref	STEERING INSTALLATION - ELECTRIC	D
1	0100011	AR	Compound, Locking	
2	0440237	2	Thrustwasher (3/16 Thickness)	
3	0701026	1	Bolt M10 x 90	
4	0761012	16	Bolt M10 x 25	
5	0961890	3	Bushing	
6	1320043	2	Clamp	
7	3290605	2	Nut M6	
8	3291005	1	Nut M10	
9	3431622	1	Pin	
10	3450608	2	Pin, Cotter	
11	3841143	1	Keeper	
12	4031707	2	Bolt M6 x 16	
14	4712600	2	Washer 1	
15	1001139141	4	Kingpin	
17	1001161117	1	Sensor, Steer Angle	
18	1001169423	1	Cover	
19	1001245459	1	Sleeve, Spacer	
20	1001246107	1	Cylinder Assembly - Steer (See Separate Breakdown in CYLINDER Section)	
21	1001249297	1	Spindle	
22	1001250637	1	Tie-Rod	
23	1001251725	1	Spindle	
24	1001251727	1	Pin	
25	1001253868	1	Bearing	
26	1001255526	1	Pin	
27	0760615	2	Bolt M6 x 35	
28	4240017	AR	Tie-Strap (Not Shown)	
30	1001195089	2	Washer	
31	1001255064	1	Harness, Steer Angle Sensor	
32	1001151395	2	Shim	
33	0440162	1	Thrustwasher (1/8 Thickness)	

SECTION 1 - FRAME

FIGURE 1-4. DRIVE INSTALLATION - ELECTRIC (2WD)



ART_1001247420

SECTION 1 - FRAME

FIGURE 1-4. DRIVE INSTALLATION - ELECTRIC (2WD)

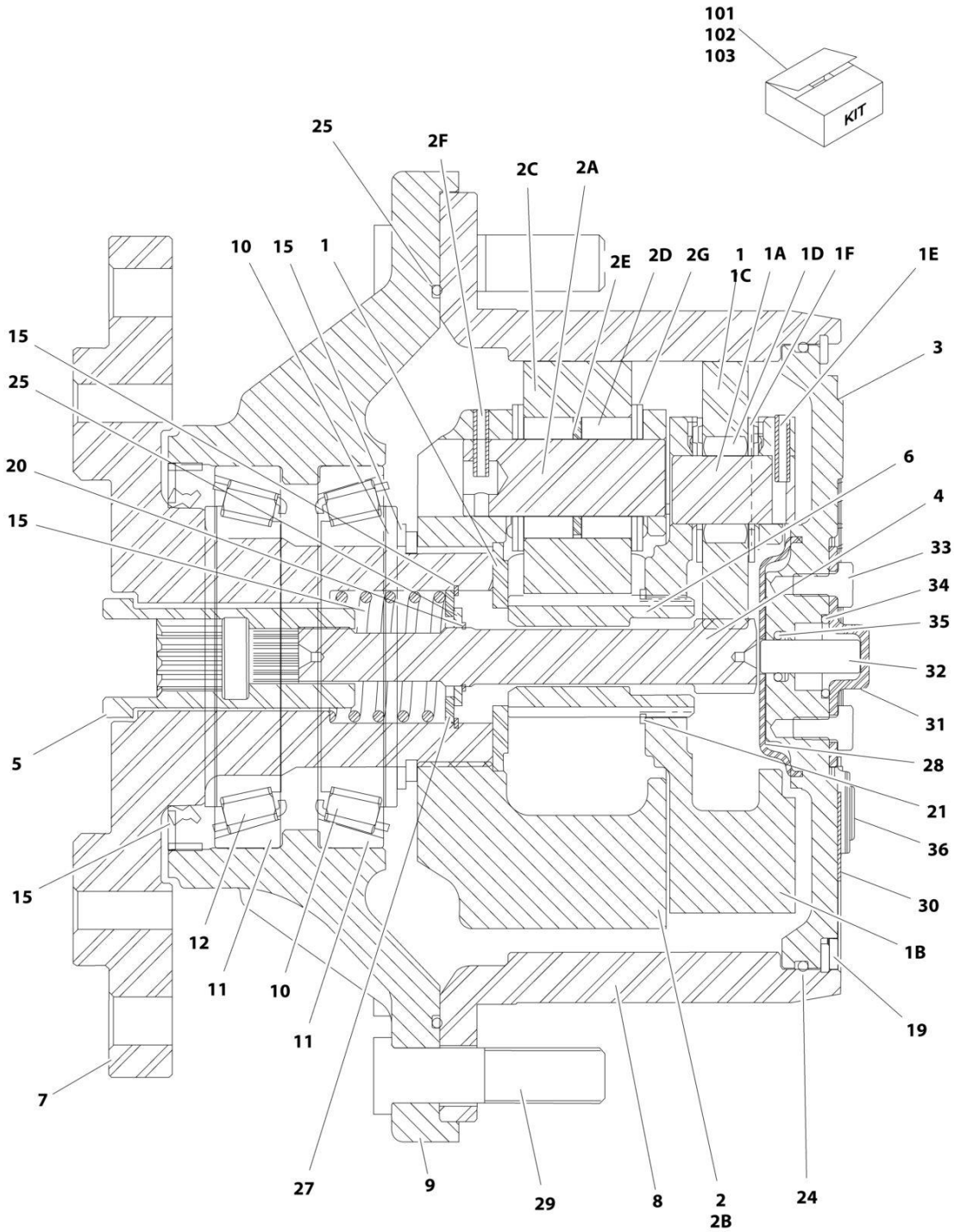
ITEM	PART NUMBER	QTY	DESCRIPTION	REV
	1001247420	Ref	DRIVE INSTALLATION - 2WD	H
1	0100011	AR	Compound, Locking	
2	0100019	AR	Compound, Locking	
3	0100020	AR	Sealant	
4	0641610	8	Bolt 3/8 x 1-1/4	
5	0641812	8	Bolt 1/2 x 1-1/2	
6	0682013	12	Bolt 5/8 x 1-5/8	
7	0771619	12	Bolt M16 x 55	
8	2780282	2	Hub Assembly - Front (See Separate Breakdown in this Section)	
11	3331611	12	Nut M16	
12	4891600	8	Washer 3/8	
13	4711800	8	Washer 1/2	
14	5241600	24	Washer M16	
15	4892000	12	Washer 5/8	
16	1001182960	2	Seal	
17	1001184854	2	Drive Motor/Brake Assembly	G
17A	1001182550	2	Drive Motor Assembly (See Separate Breakdown in this Section)	
17B	1001184852	2	Drive Brake Assembly	
17B	70005415	2	O-Ring Between Brake and Motor (Not Shown)	
17C	4031707	8	Capscrew M6 x 16	
17D	1001109892	8	Washer M6	
18	1001214174	2	Hub Spindle Assembly - Front (See Separate Breakdown in this Section)	
19	1001219722	2	Plate	
20	1001220271	2	Seal	
21	0100035	AR	Compound, Locking	
23	0630587	2	Bolt M6 x 25	
24	0700512	4	Bolt M5 x 25	
25	0700814	9	Bolt M8 x 30	
27	0760508	2	Bolt M5 x 16	
28	3290505	6	Nut M5	
29	3290605	2	Nut M6	
30	3290805	1	Nut M8	
32	4031608	8	Bolt M5 x 20	
33	4240084	1	Strap, Anti-Static	
34	4811600	12	Washer M5	
35	4811702	2	Washer M6	
36	4811902	10	Washer M8	
38	4872000	1	Washer M10	
39	1001174447	1	Converter	
40	1001248064	1	Module, Drive/Pump	
41	1001248066	1	Module, Drive	
42	1001250886	1	Housing	
43	1001255057	1	Harness, Traction (See Separate Breakdown in ELECTRICAL Section)	
44	1001255058	1	Cable, Generator to Pump (+)	
45	1001255059	1	Cable, Generator to Pump (-)	
46	1001255060	1	Cable, Left Drive/Brake Motor Power	
47	1001255061	1	Cable, Right Drive/Brake Motor Power	
48	1001255062	1	Cable, Drive Module (-)	

SECTION 1 - FRAME

ITEM	PART NUMBER	QTY	DESCRIPTION	REV
49	1001255063	1	Cable, Drive/Pump Module (-)	
50	1001255610	2	Shield	
51	1001256186	1	Harness, Right Drive/Brake Motor	
52	1001256187	1	Harness, Left Drive/Brake Motor	
53	1001260781	1	Decal – Fuse Box	

SECTION 1 - FRAME

FIGURE 1-5. DRIVE HUB ASSEMBLY



ART_2780282

SECTION 1 - FRAME

FIGURE 1-5. DRIVE HUB ASSEMBLY

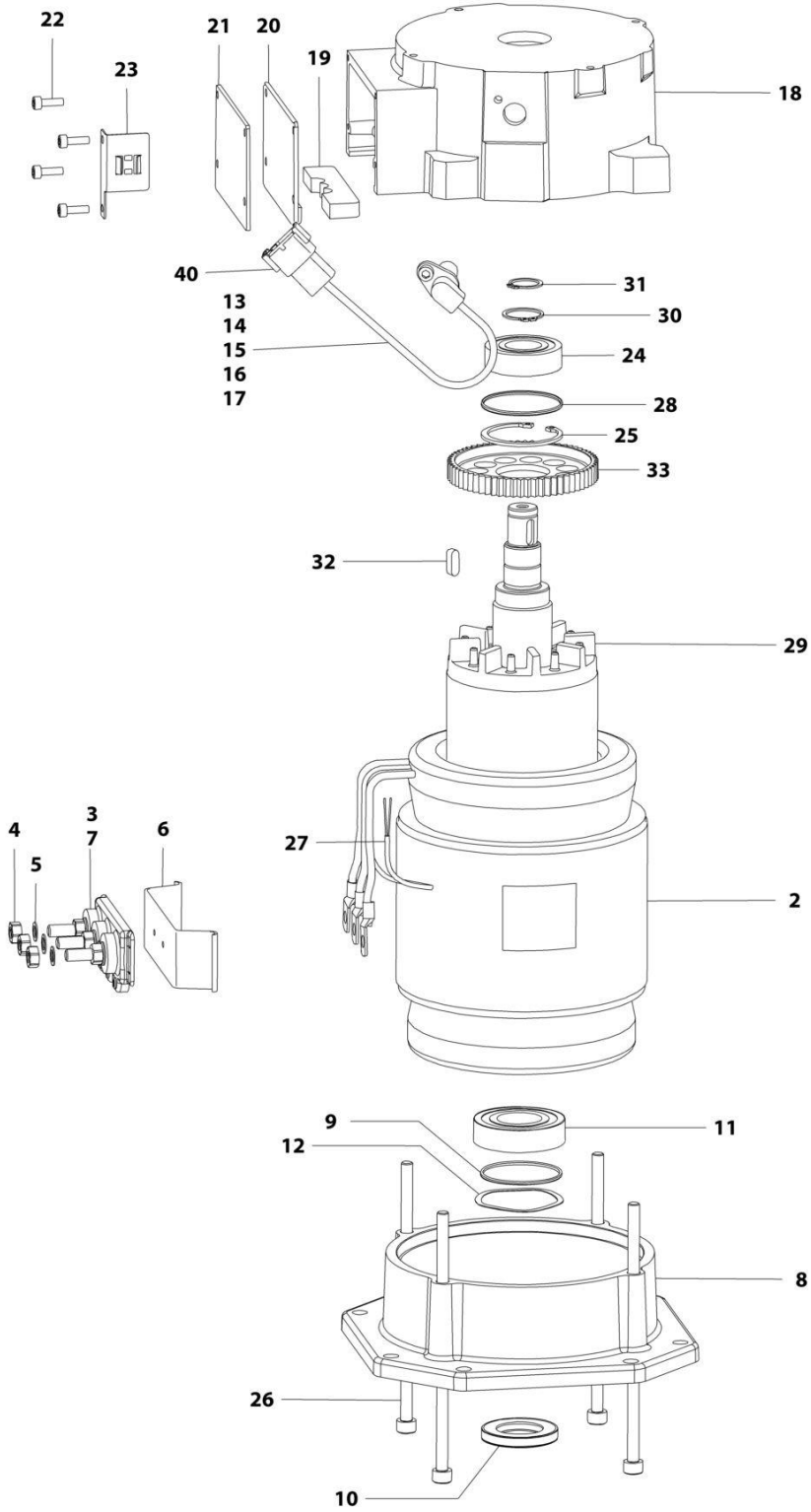
ITEM	PART NUMBER	QTY	DESCRIPTION	REV
	2780282	Ref	DRIVE HUB ASSEMBLY	D
1	70001366	1	Carrier Sub Assembly	
1A	See Note	NSS	Shaft, Planet (Note: Use Item 1)	
1B	See Note	NSS	Carrier (Note: Use Item 1)	
1C	See Note	NSS	Gear, Planet (Note: Use Item 1)	
1D	See Note	NSS	Bearing, Needle (Note: Use Item 1)	
1E	See Note	NSS	Rollpin (Note: Use Item 1)	
1F	See Note	NSS	Thrustwasher (Note: Use Item 1)	
2	70001367	1	Carrier, Input	
2A	See Note	NSS	Shaft, Planet (Note: Use Item 2)	
2B	See Note	NSS	Carrier (Note: Use Item 2)	
2C	See Note	NSS	Gear, Planet (Note: Use Item 2)	
2D	See Note	NSS	Bearing, Needle (Note: Use Item 2)	
2E	See Note	NSS	Spacer, Thrust (Note: Use Item 2)	
2F	See Note	NSS	Rollpin (Note: Use Item 2)	
2G	See Note	NSS	Thrustwasher (Note: Use Item 2)	
2H	See Note	NSS	Thrustwasher (Note: Use Item 2)	
3	See Note	NSS	Cover (Note: Use Item 103)	
4	70001369	1	Shaft, Input	
5	70001370	1	Coupling	
6	70001371	1	Shaft, Sun Gear	
7	70001372	1	Spindle	
8	70001373	1	Gear, Ring	
9	See Note	NSS	Housing (Note: Not Available - Purchase Complete Assembly)	
10	See Note	NSS	Cone, Bearing (Note: Use Item 101)	
11	See Note	NSS	Cup, Bearing (Note: Use Item 101)	
12	See Note	NSS	Cone, Bearing (Note: Use Item 101)	
13	7017009	1	Thrustwasher	
15	See Note	NSS	Seal, Lip (Note: Use Item 102)	
16	70001374	1	Spring	
17	70001375	1	Ring, Retaining (Internal)	
18	See Note	NSS	Ring, Retaining (Note: Use Item 102)	
19	7024738	1	Ring, Retaining (Note: Use Item 102)	
20	70001376	1	Ring, Retaining (External)	
21	70001377	1	Ring, Retaining (External)	
22	7000281	4	Screw (Not Shown - ID Plate Screws)	
23	7017022	3	Screw (Not Shown - Located on Front of Hub)	
24	See Note	NSS	O-Ring (Note: Use Item 102)	
25	See Note	NSS	O-Ring (Note: Use Item 102)	
26	70001378	1	Spacer, Thrust	
27	70001379	1	Thrustwasher	
28	7024741	1	Spacer, Thrust	
29	7007640	9	Stud, Wheel	
30	See Note	NSS	Flange, Plate (Note: Use Item 103)	
31	See Note	NSS	Cap, Disengage (Note: Use Item 103)	
32	See Note	NSS	Pin, Dowel (Note: Use Item 103)	
33	See Note	NSS	Bolt (Note: Use Item 103)	
34	See Note	NSS	O-Ring (Note: Use Item 103)	
35	See Note	NSS	O-Ring (Note: Use Item 103)	
36	See Note	NSS	O-Ring (Note: Use Item 103)	

SECTION 1 - FRAME

ITEM	PART NUMBER	QTY	DESCRIPTION	REV
101	7017007	1	Planet Gear Bearing Kit (Includes Items 10-12)	
102	70001380	1	Planet Gear Seal Kit (Includes Items 15, 18, 24 & 25)	
103	70001368	1	Cover/Cap/Disengage Kit (Includes Items 3 & 30-36)	

SECTION 1 - FRAME

FIGURE 1-6. DRIVE MOTOR ASSEMBLY



ART_1001182550

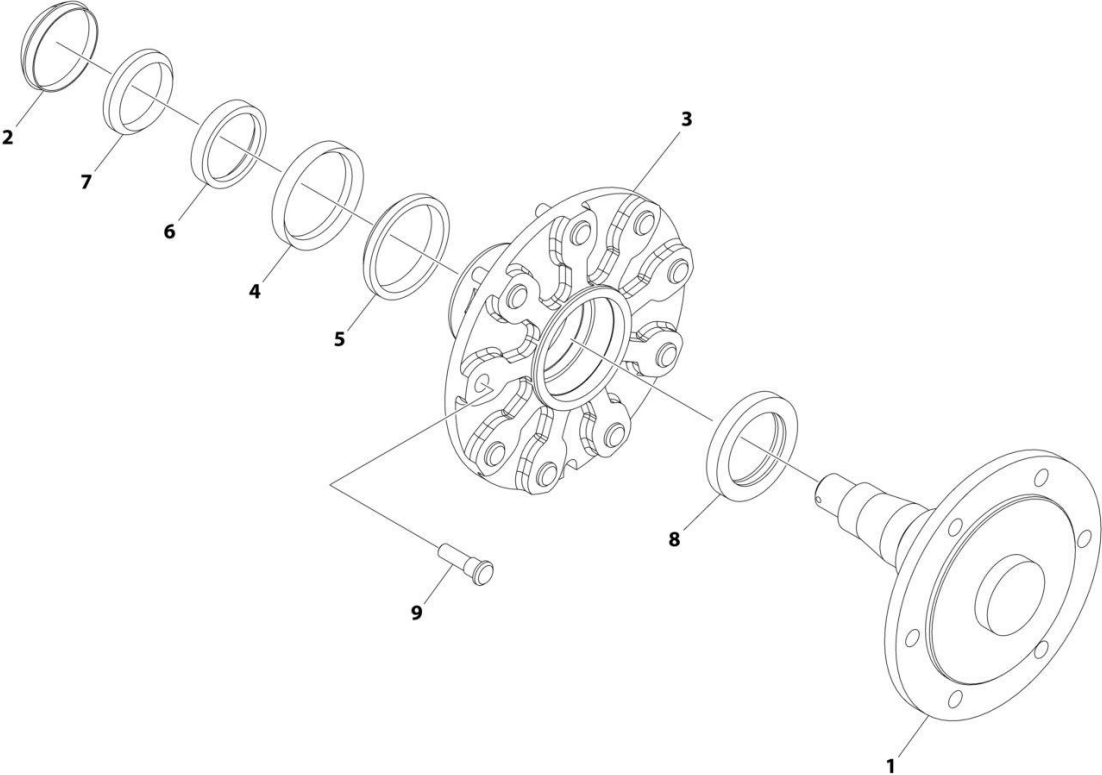
SECTION 1 - FRAME

FIGURE 1-6. DRIVE MOTOR ASSEMBLY

ITEM	PART NUMBER	QTY	DESCRIPTION	REV
	1001182550	Ref	DRIVE MOTOR ASSEMBLY	F
2	70005385	1	Stator	
3	70005386	1	Board, Terminal	
4	70005387	3	Nut M8	
5	70005388	3	Washer M8	
6	70005389	1	Base, Terminal	
7	70005390	2	Screw M5 x 14	
8	70005391	1	Plate, Drive End	
9	70004811	1	O-Ring	
10	70005392	1	Seal, Shaft	
11	70004809	1	Bearing	
12	70005393	1	Washer, Wavy	
13	70005394	1	Sensor (Includes Items 14-17)	
14	70005395	1	Screw M8 x 16	
15	70005396	1	Wedge	
16	70005397	1	Connector	
17	4460516	4	Pin, Male	
18	70005398	1	Shield, End	
19	70005399	1	Seal	
20	70005400	1	Seal	
21	70005401	1	Cover	
22	70005402	4	Screw M5 x 16	
23	70005403	1	Plate, Retaining	
24	70005404	1	Bearing	
25	70005405	1	Clip, Retainer	
26	70005406	4	Screw M8 x 180	
27	70005407	1	Temperature, Sensor	
28	70005408	1	O-Ring	
29	70005409	1	Rotor	
30	70004820	1	Clip, Retainer	
31	70005410	1	Clip, Retainer	
32	70005411	1	Key	
33	70005412	1	Gear	
40	1001190577	1	Connector - 8 Position	
40	4460516	8	Pin	

SECTION 1 - FRAME

FIGURE 1-7. HUB/SPINDLE ASSEMBLY (2WD FRONT)



ART_1001214174

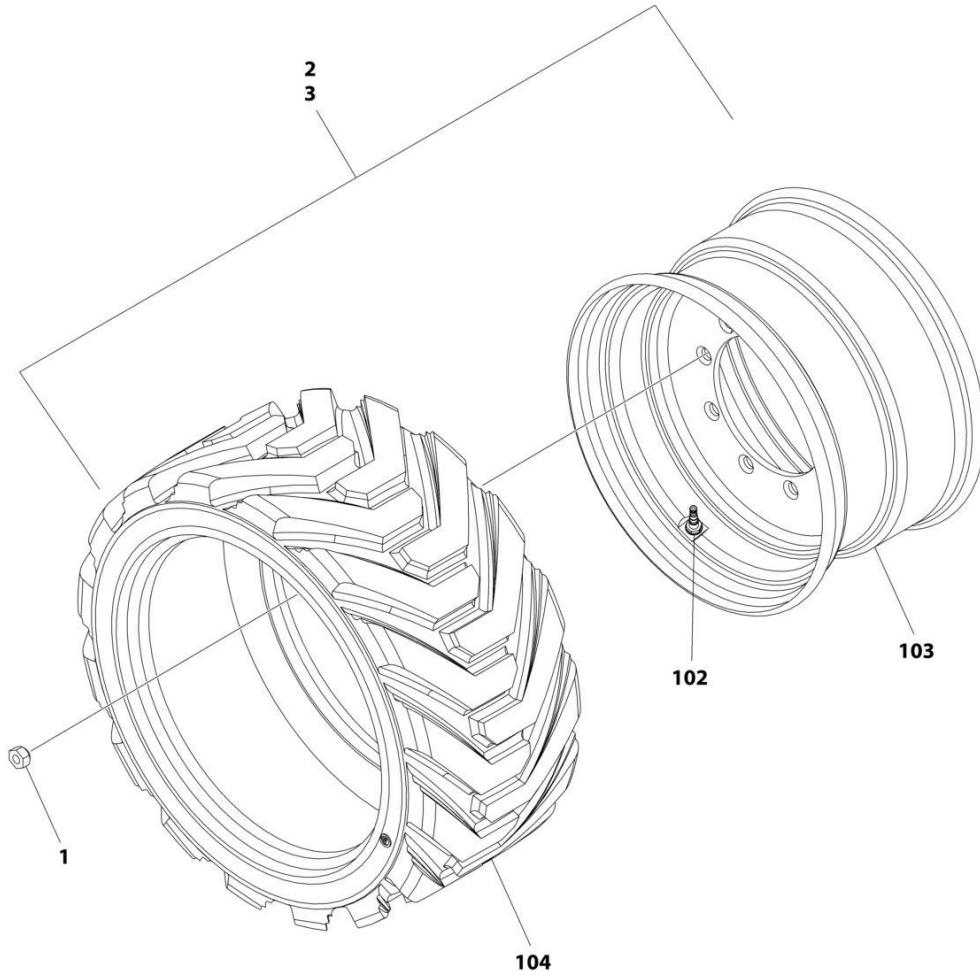
SECTION 1 - FRAME

FIGURE 1-7. HUB/SPINDLE ASSEMBLY (2WD FRONT)

ITEM	PART NUMBER	QTY	DESCRIPTION	REV
	1001214174	Ref	HUB - SPINDLE ASSEMBLY (2WD)	C
1	See Note	NSS	Spindle, Adapter (Note: Not Available for Purchase)	
2	7020033	1	Cap, Dust	
3	7020035	1	Hub, Casting	
4	7020036	1	Cup, Bearing	
5	7020037	1	Cone, Bearing	
6	7020038	1	Cup, Bearing	
7	7020039	1	Cone, Bearing	
8	7020040	1	Seal	
9	7020041	9	Stud	

SECTION 1 - FRAME

FIGURE 1-8. TIRE AND WHEEL INSTALLATION - FOAM-FILLIED



ART_1001244775

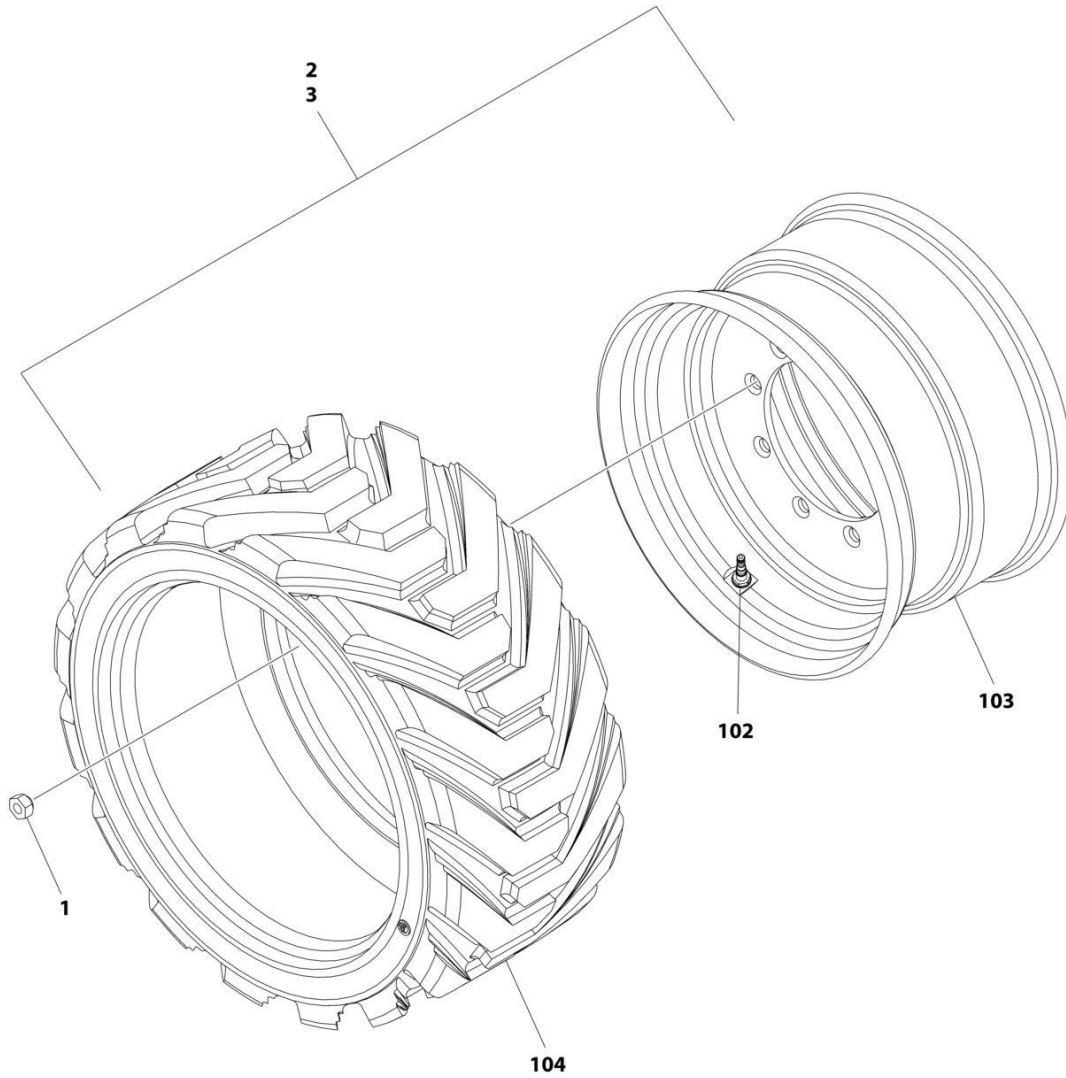
SECTION 1 - FRAME

FIGURE 1-8. TIRE AND WHEEL INSTALLATION - FOAM-FILLIED

ITEM	PART NUMBER	QTY	DESCRIPTION	REV
	1001244775	Ref	TIRE AND WHEEL INSTALLATION - 26 X12D460 FOAM-FILLED	A
		Ref	Note: Assemblies may require ballast/foam filling to manufacturer's specification prior to installing on a machine. Refer to Operation and Safety or Service and Maintenance Manuals. Purchase individual tire and/or rim only if able to foam fill tire and wheel assembly, otherwise, purchase complete assembly.	
1	3300106	36	Nut, Wheel	
2	1001249341	2	Tire and Wheel Assembly - Left Side	A
3	1001249342	2	Tire and Wheel Assembly - Right Side	A
102	4641122	1	Valve, Air	
103	1001249352	1	Rim, Wheel - 18 x 10	
104	1001249353	1	Tire, 26 x 12D460, Lug Tire	

SECTION 1 - FRAME

FIGURE 1-9. TIRE AND WHEEL INSTALLATION - FOAM-FILLIED NON-MARKING



ART_1001249340

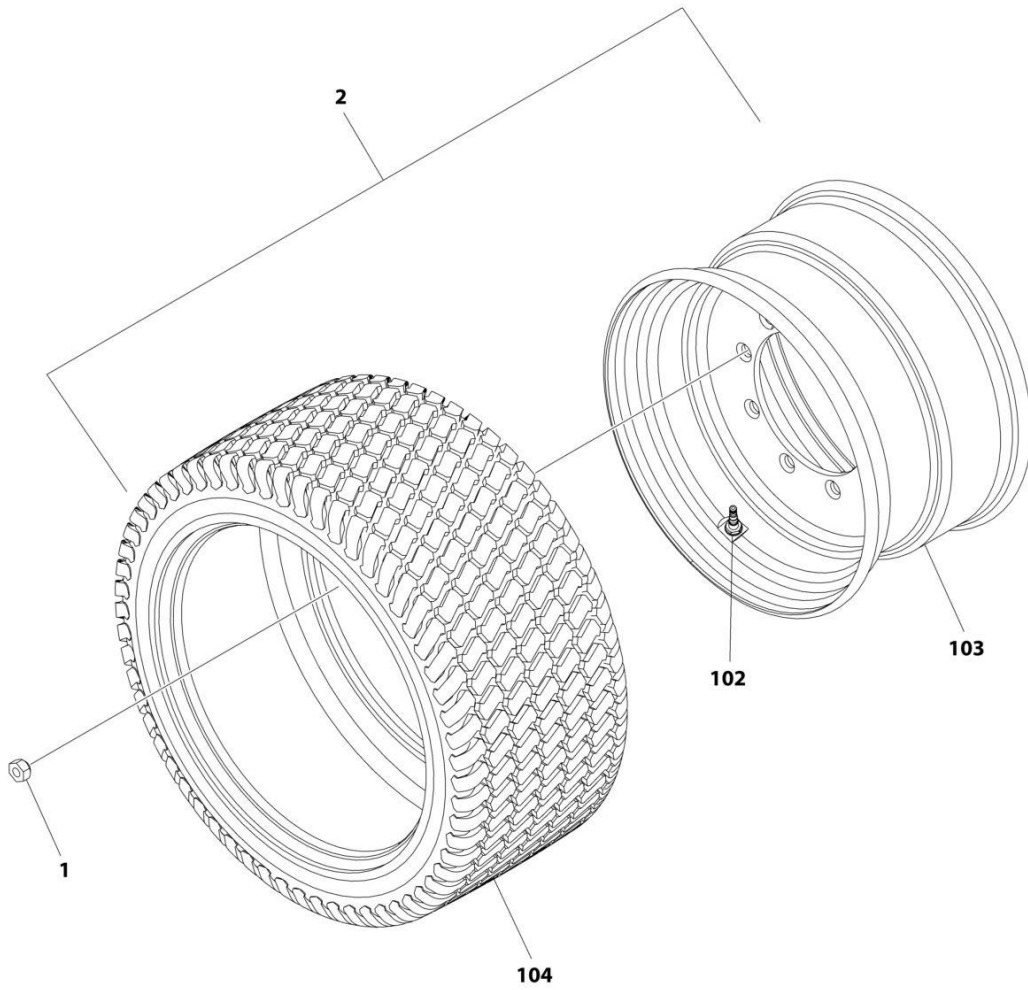
SECTION 1 - FRAME

FIGURE 1-9. TIRE AND WHEEL INSTALLATION - FOAM-FILLIED NON-MARKING

ITEM	PART NUMBER	QTY	DESCRIPTION	REV
	1001249340	Ref	TIRE AND WHEEL INSTALLATION - 26 X 12D460 FOAM-FILLED NON-MARKING	A
		Ref	Note: Assemblies may require ballast/foam filling to manufacturer's specification prior to installing on a machine. Refer to Operation and Safety or Service and Maintenance Manuals. Purchase individual tire and/or rim only if able to foam fill tire and wheel assembly, otherwise, purchase complete assembly.	
1	3300106	36	Nut, Wheel	
2	1001249343	2	Tire and Wheel Assembly - Left Side	A
3	1001249344	2	Tire and Wheel Assembly - Right Side	A
102	4641122	1	Valve, Air	
103	1001249352	1	Rim, Wheel - 18 x 10	
104	1001249354	1	Tire, 26 x 12D460, Lug Tire Non-Marking	

SECTION 1 - FRAME

FIGURE 1-10. TIRE AND WHEEL INSTALLATION - FOAM-FILLED TURF NON-MARKING



ART_1001259386

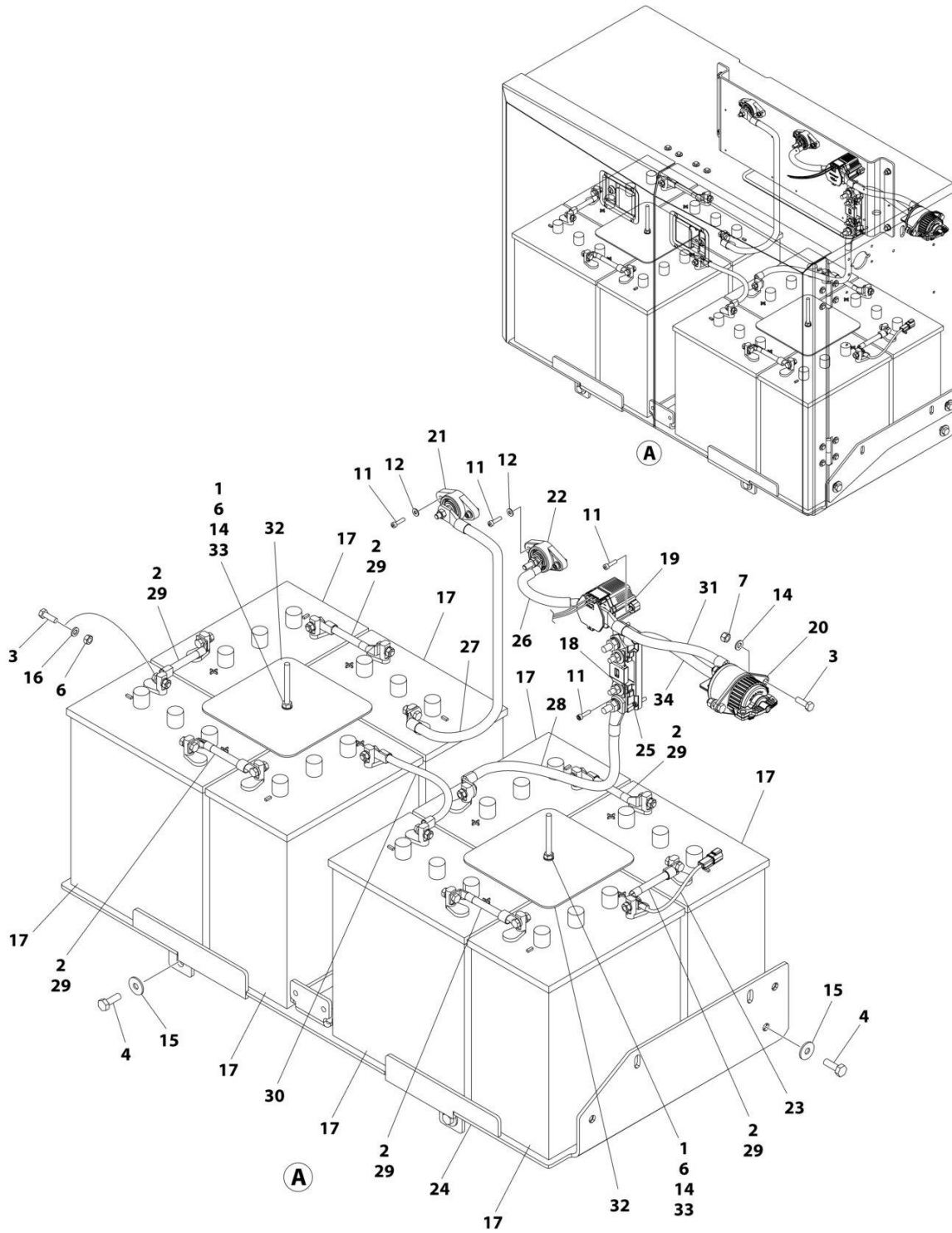
SECTION 1 - FRAME

FIGURE 1-10. TIRE AND WHEEL INSTALLATION - FOAM-FILLIED TURF NON-MARKING

ITEM	PART NUMBER	QTY	DESCRIPTION	REV
	1001259386	Ref	TIRE AND WHEEL INSTALLATION - 26 X 12D460 FOAM-FILLED TURF	A
		Ref	Note: Assemblies may require ballast/foam filling to manufacturer's specification prior to installing on a machine. Refer to Operation and Safety or Service and Maintenance Manuals. Purchase individual tire and/or rim only if able to foam fill tire and wheel assembly, otherwise, purchase complete assembly.	
1	3300106	36	Nut, Wheel	
2	1001258287	4	Tire and Wheel Assembly	A
102	4641122	1	Valve, Air	
103	1001249352	1	Rim, Wheel - 18 x 10	
104	1001259202	1	Tire, 26 x 12D460 Turf	

SECTION 1 - FRAME

FIGURE 1-11. BATTERY INSTALLATION - 310AH BATTERIES



ART_1001246886

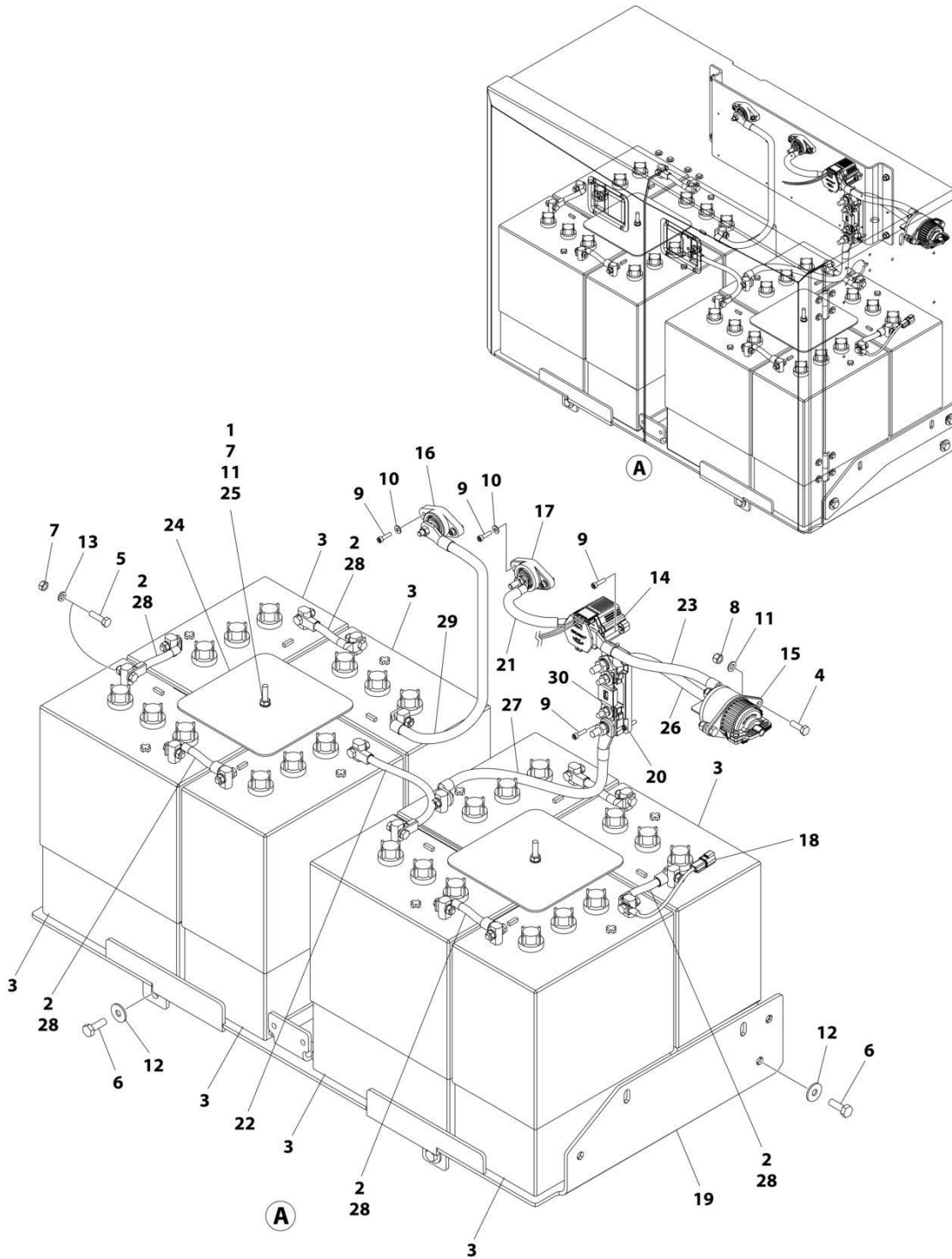
SECTION 1 - FRAME

FIGURE 1-11. BATTERY INSTALLATION - 310AH BATTERIES

ITEM	PART NUMBER	QTY	DESCRIPTION	REV
	1001246886	Ref	BATTERY INSTALLATION	D
1	0100011	AR	Compound, Locking	
2	0100051	AR	Grease, Terminal	
3	0760812	18	Bolt M8 x 25	
4	0771014	4	Bolt M10 x 30	
6	3290801	18	Nut M8	
7	3290805	2	Nut M8	
11	4031608	10	Bolt M5 x 20	
12	4711000	4	Washer #10	
14	4811900	4	Washer M8	
15	4812002	4	Washer M10	
16	4831900	16	Washer M8	
17	1001105091	8	Battery (6V)	
18	1001260530	1	Fuse, 355 AMP	
19	1001272006	1	Relay, 48V	
20	1001170483	1	Switch, Battery Disconnect	
21	1001186860	1	Stud, Power Distribution	
22	1001212359	1	Stud, Power Distribution	
23	1001225131	1	Harness, Temperature Sensor	
23	4460464	2	Terminal	
23	4460897	1	Connector – 2 Position	
23	1001102771	1	Sensor, Temperature	
24	1001247608	1	Tray	
25	1001254835	1	Fuse, Holder	
26	1001255640	1	Cable, Battery	
27	1001255641	1	Cable, Battery	
28	1001255642	1	Cable, Battery	
29	1001255643	6	Cable, Battery	
30	1001255644	1	Cable, Battery	
31	1001255645	1	Cable, Disconnect	
32	1001256014	2	Plate	
33	1001256021	2	Bolt	
34	1001256453	1	Cable, Disconnect	

SECTION 1 - FRAME

FIGURE 1-12. BATTERY INSTALLATION - 375AH BATTERIES



ART_1001254821

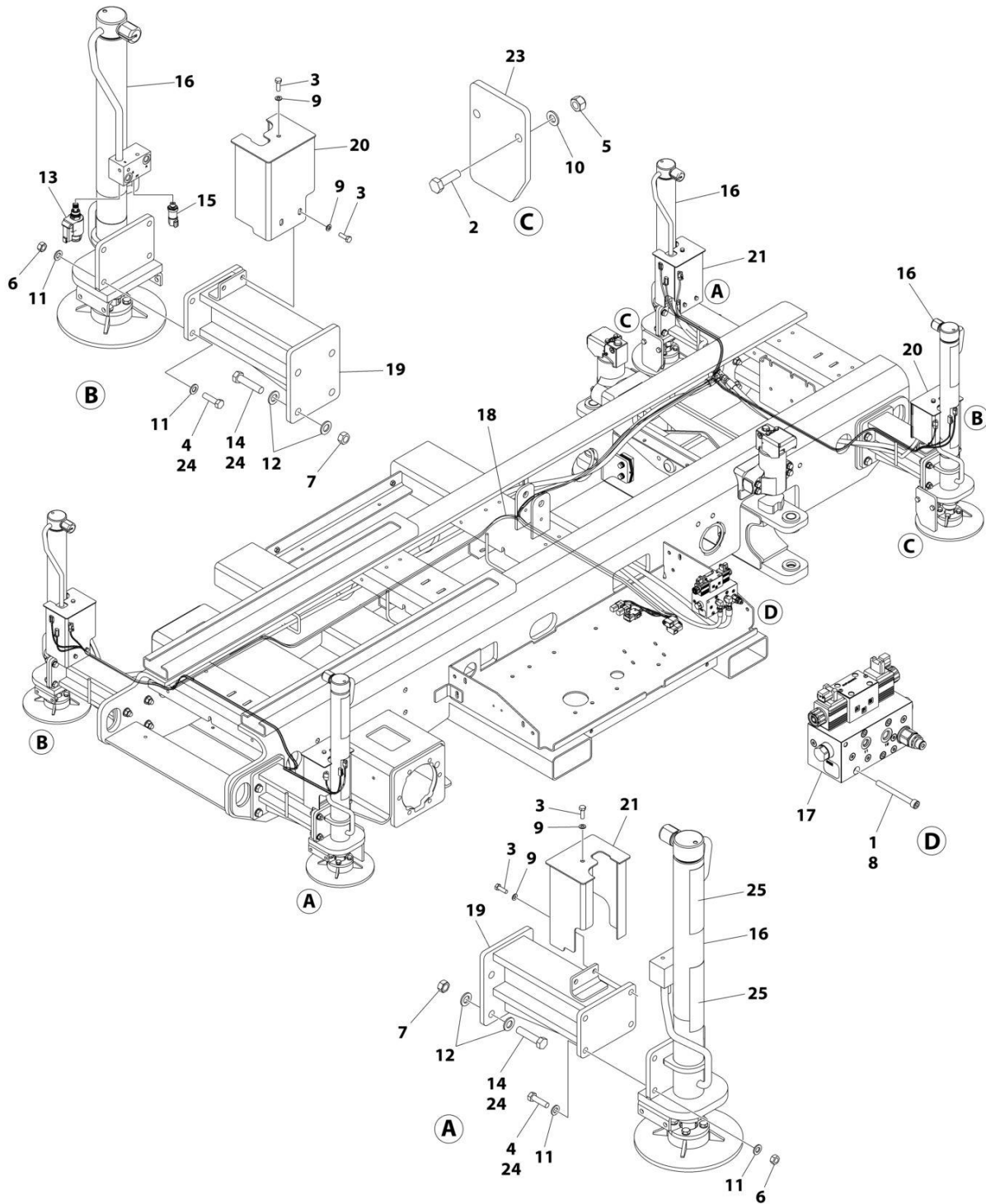
SECTION 1 - FRAME

FIGURE 1-12. BATTERY INSTALLATION - 375AH BATTERIES

ITEM	PART NUMBER	QTY	DESCRIPTION	REV
	1001254821	Ref	BATTERY INSTALLATION	C
1	0100011	AR	Compound, Locking	
2	0100051	AR	Grease, Terminal	
3	1001293088	1	Battery, 706HD	
4	0760812	2	Bolt M8 x 25	
5	0760814	16	Bolt M8 x 30	
6	0771014	4	Bolt M10 x 30	
7	3290801	18	Nut M8	
8	3290805	2	Nut M8	
9	4031608	10	Bolt M5 x 20	
10	4711000	4	Washer #10	
11	4811900	4	Washer M8	
12	4812002	4	Washer M10	
13	4831900	16	Washer M8	
14	1001272006	1	Relay, 48V	
15	1001170483	1	Switch, Battery Disconnect	
16	1001186860	1	Stud, Power Distribution	
17	1001212359	1	Stud, Power Distribution	
18	1001225131	1	Harness, Temperature Sensor	
18	4460464	2	Terminal	
18	4460897	1	Connector - 2 Position	
18	1001102771	1	Sensor, Temperature	
19	1001247608	1	Tray	
20	1001254835	1	Fuse, Holder	
21	1001255640	1	Cable, Battery	
22	1001255644	1	Cable, Battery	
23	1001255645	1	Cable, Disconnect	
24	1001256014	2	Plate	
25	1001256021	2	Bolt	
26	1001256453	1	Cable, Disconnect	
27	1001259459	1	Cable, Battery	
28	1001259460	6	Cable, Battery	
29	1001259461	1	Cable, Battery	
30	1001260530	1	Fuse, 355 AMP	

SECTION 1 - FRAME

FIGURE 1-13. LEVELING JACKS INSTALLATION - PARTIAL COVERS



ART_1001246885

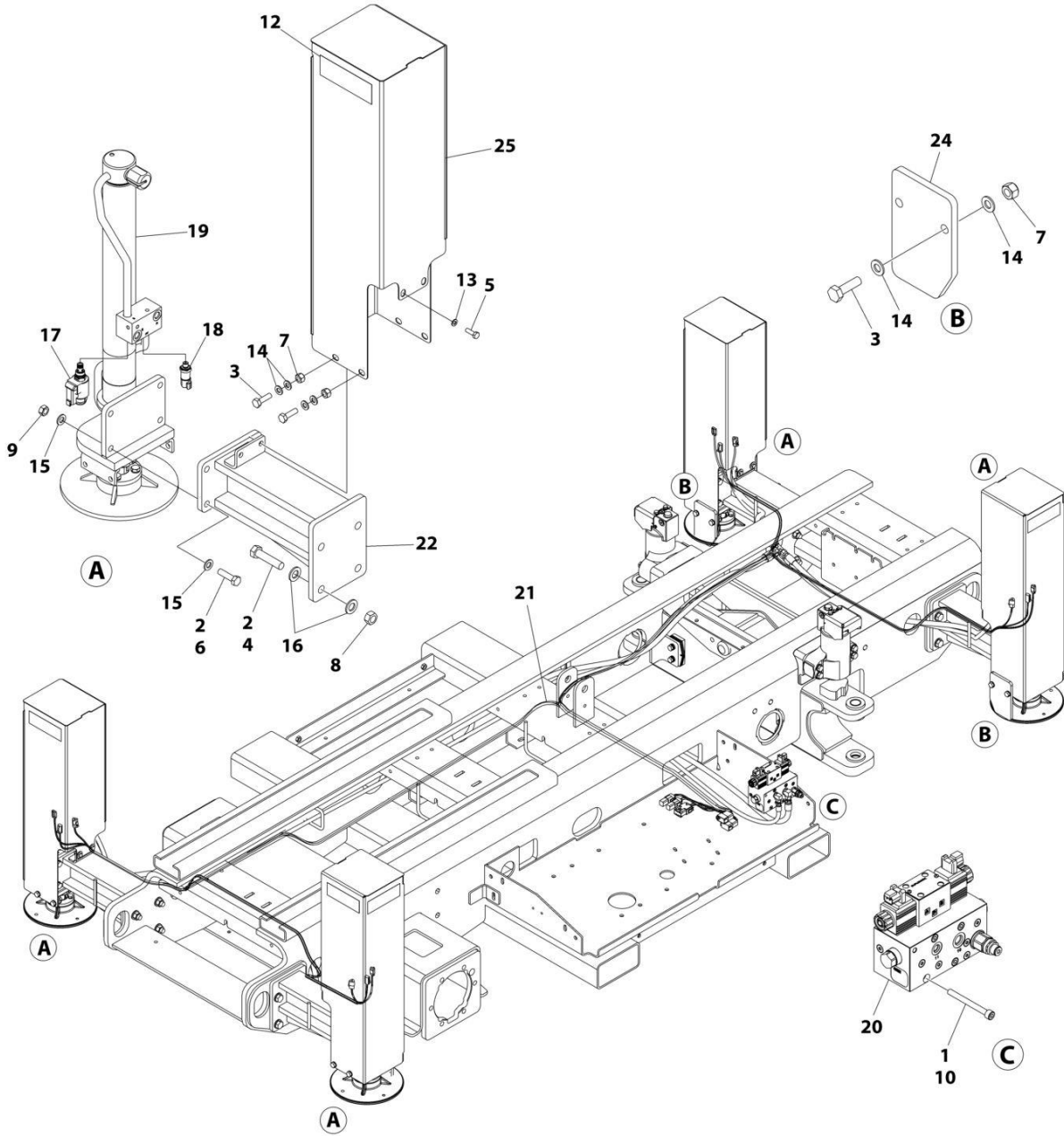
SECTION 1 - FRAME

FIGURE 1-13. LEVELING JACKS INSTALLATION - PARTIAL COVERS

ITEM	PART NUMBER	QTY	DESCRIPTION	REV
	1001246885	Ref	LEVELING JACKS INSTALLATION	D
1	0100011	AR	Compound, Locking	
2	0701015	8	Bolt M10 x 35	
3	0760812	12	Bolt M8 x 25	
4	0761217	16	Bolt M12 x 45	
5	3291005	8	Nut M10	
6	3331211	16	Nut M12	
7	3291601	16	Nut M16	
8	4031920	4	Capscrew M8 x 80	
9	4811900	12	Washer M8	
10	4812000	8	Washer M10	
11	4812100	32	Washer M12	
12	5241600	32	Washer M16	
13	1001103761	4	Cartridge, Valve	
13	7024497	1	Cartridge Less Coil	
13	7024502	1	Seal Kit	
13	70001965	1	Coil	
13	7024506	1	Nut, Coil	
14	0701622	16	Bolt M16 x 70	
15	1001227516	4	Sensor, Leveling Jacks Pressure	
16	1001243256	4	Cylinder Assembly - Leveling Jacks (See Separate Breakdown in CYLINDER Section)	
17	1001247380	1	Valve Assembly - Leveling Jacks (See Separate Breakdown in this Section)	
18	1001248863	1	Harness, Leveling Jack (See Separate Breakdown in ELECTRICAL Section)	
19	1001249407	4	Frame, Leveling Jack	
20	1001249914	2	Cover, Jack (Right)	
21	1001249915	2	Cover, Jack (Left)	
22	1001250342	1	Hydraulic Diagram - Leveling Jacks (Not Shown - See Separate Breakdown in HYDRAULIC Section)	
23	1001250353	4	Plate	
24	0100019	AR	Compound, Locking	
25	4420051	5 ft/144cm	Tape, Safety	
26	4240017	AR	Tie-Strap (Not Shown)	

SECTION 1 - FRAME

FIGURE 1-14. LEVELING JACKS INSTALLATION - FULL COVERS



ART_1001274495

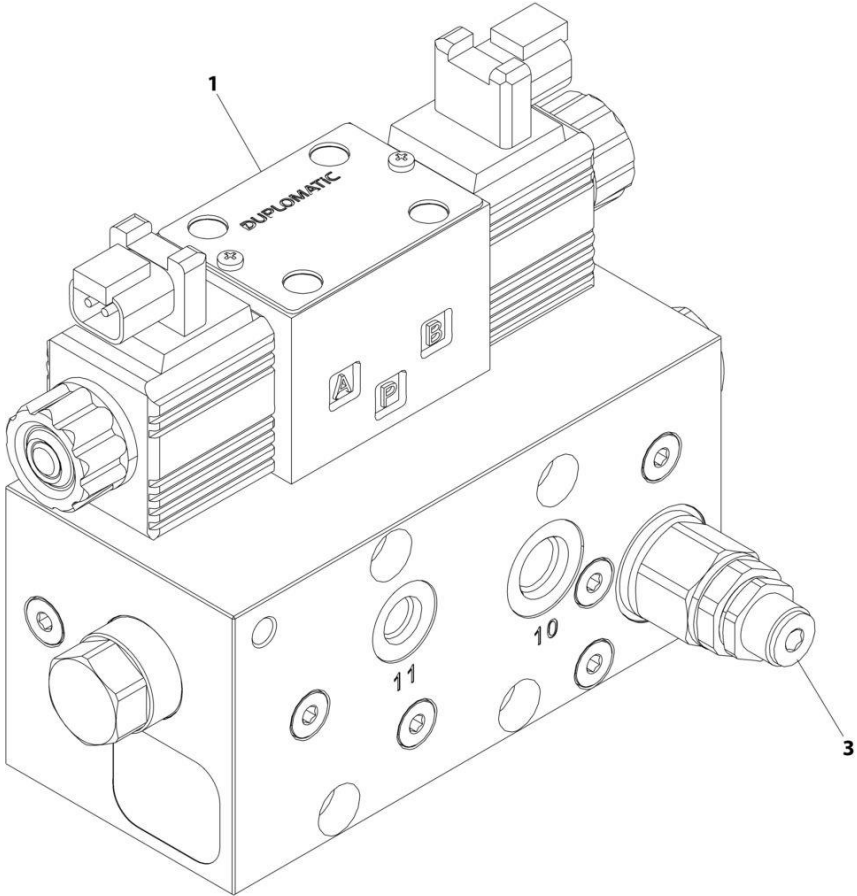
SECTION 1 - FRAME

FIGURE 1-14. LEVELING JACKS INSTALLATION - FULL COVERS

ITEM	PART NUMBER	QTY	DESCRIPTION	REV
	1001274495	Ref	LEVELING JACKS INSTALLATION	B
1	0100011	AR	Compound, Locking	
2	0100019	AR	Compound, Locking	
3	0701015	16	Bolt M10 x 35	
4	0701622	16	Bolt M16 x 70	
5	0760812	8	Bolt M8 x 25	
6	0761217	16	Bolt M12 x 45	
7	3291005	16	Nut M10	
8	3291601	16	Nut M16	
9	3331211	16	Nut M12	
10	4031920	4	Capscrew M8 x 80	
11	4240017	AR	Tie-Strap (Not Shown)	
12	4420051	4 ft/123cm	Tape, Safety	
13	4811902	8	Washer M8	
14	4812000	32	Washer M10	
15	4812100	32	Washer M12	
16	5241600	32	Washer M16	
17	1001103761	4	Cartridge, Valve	
17	7024497	1	Cartridge Less Coil	
17	7024502	1	Seal Kit	
17	70001965	1	Coil	
17	7024506	1	Nut, Coil	
18	1001227516	4	Sensor, Leveling Jacks Pressure	
19	1001243256	4	Cylinder Assembly - Leveling Jacks (See Separate Breakdown in CYLINDER Section)	
20	1001247380	1	Valve Assembly - Leveling Jacks (See Separate Breakdown in this Section)	
21	1001248863	1	Harness, Leveling Jack (See Separate Breakdown in ELECTRICAL Section)	
22	1001249407	4	Frame, Leveling Jack	
23	1001250342	1	Hydraulic Diagram - Leveling Jacks (Not Shown - See Separate Breakdown in HYDRAULIC Section)	
24	1001250353	4	Plate	
25	1001271360	4	Cover, Jack	

SECTION 1 - FRAME

FIGURE 1-15. LEVELING JACK VALVE ASSEMBLY



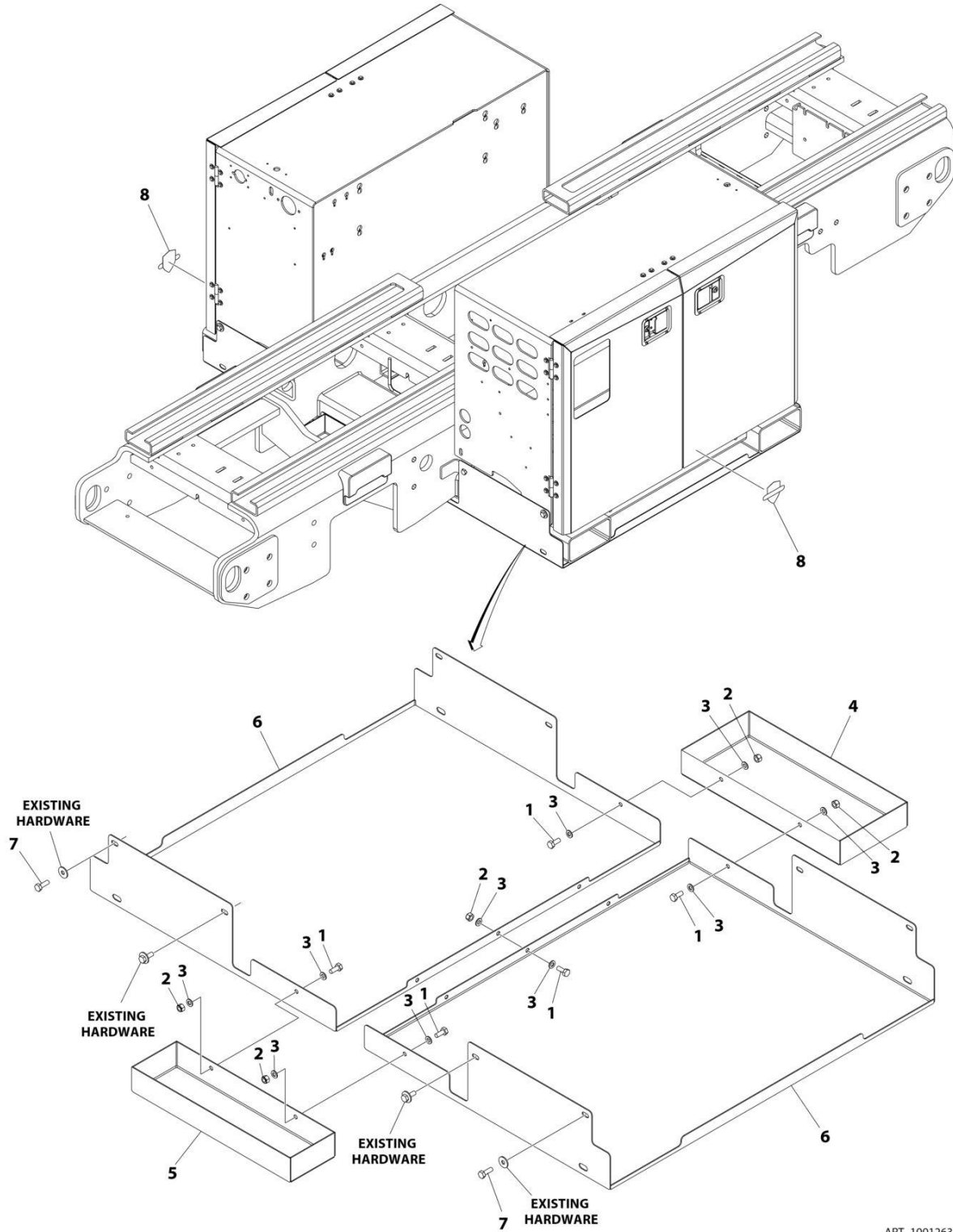
ART_1001247380

FIGURE 1-15. LEVELING JACK VALVE ASSEMBLY

ITEM	PART NUMBER	QTY	DESCRIPTION	REV
	1001247380	Ref	LEVELING JACK VALVE ASSEMBLY	D
1	70007760	1	Valve, Directional	
3	70007761	1	Cartridge, Relief Valve	
4	70007762	1	Cartridge, Shuttle Valve (Not Shown)	

SECTION 1 - FRAME

FIGURE 1-16. CLEANGUARD INSTALLATION



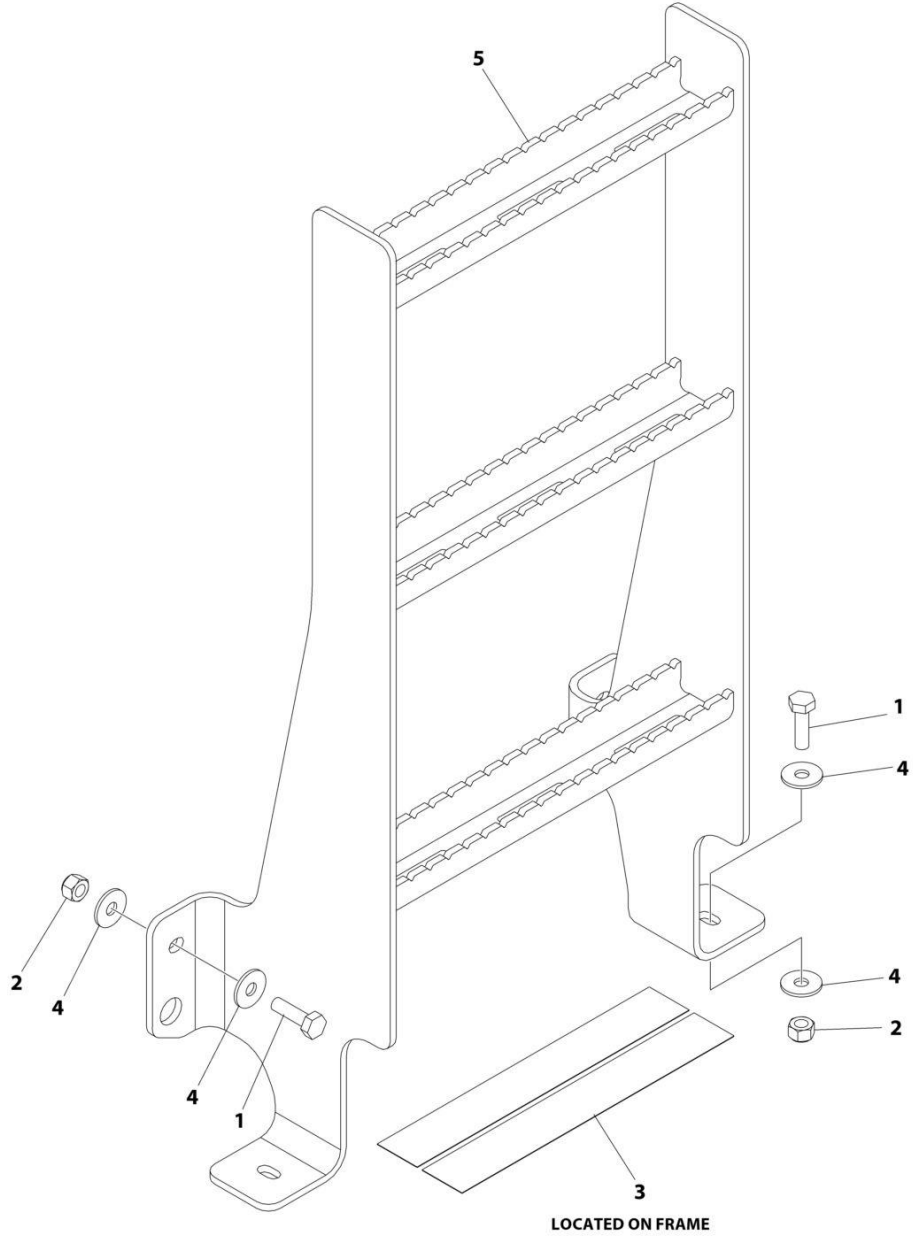
ART_1001263596

FIGURE 1-16. CLEANGUARD INSTALLATION

ITEM	PART NUMBER	QTY	DESCRIPTION	REV
	1001263596	Ref	CLEANGUARD INSTALLATION	C
1	0761012	7	Bolt M10 x 25	
2	3291005	7	Nut M10	
3	4812000	14	Washer M10	
4	1001263557	1	Tray, Cleanguard	
5	1001263558	1	Tray, Cleanguard	
6	1001263605	2	Tray, Cleanguard	
7	0761014	4	Bolt M10 x 30	
8	1001262581	2	Decal, Clean Guard	

SECTION 1 - FRAME

FIGURE 1-17. LADDER INSTALLATION (ERT4069)



ART_1001247425

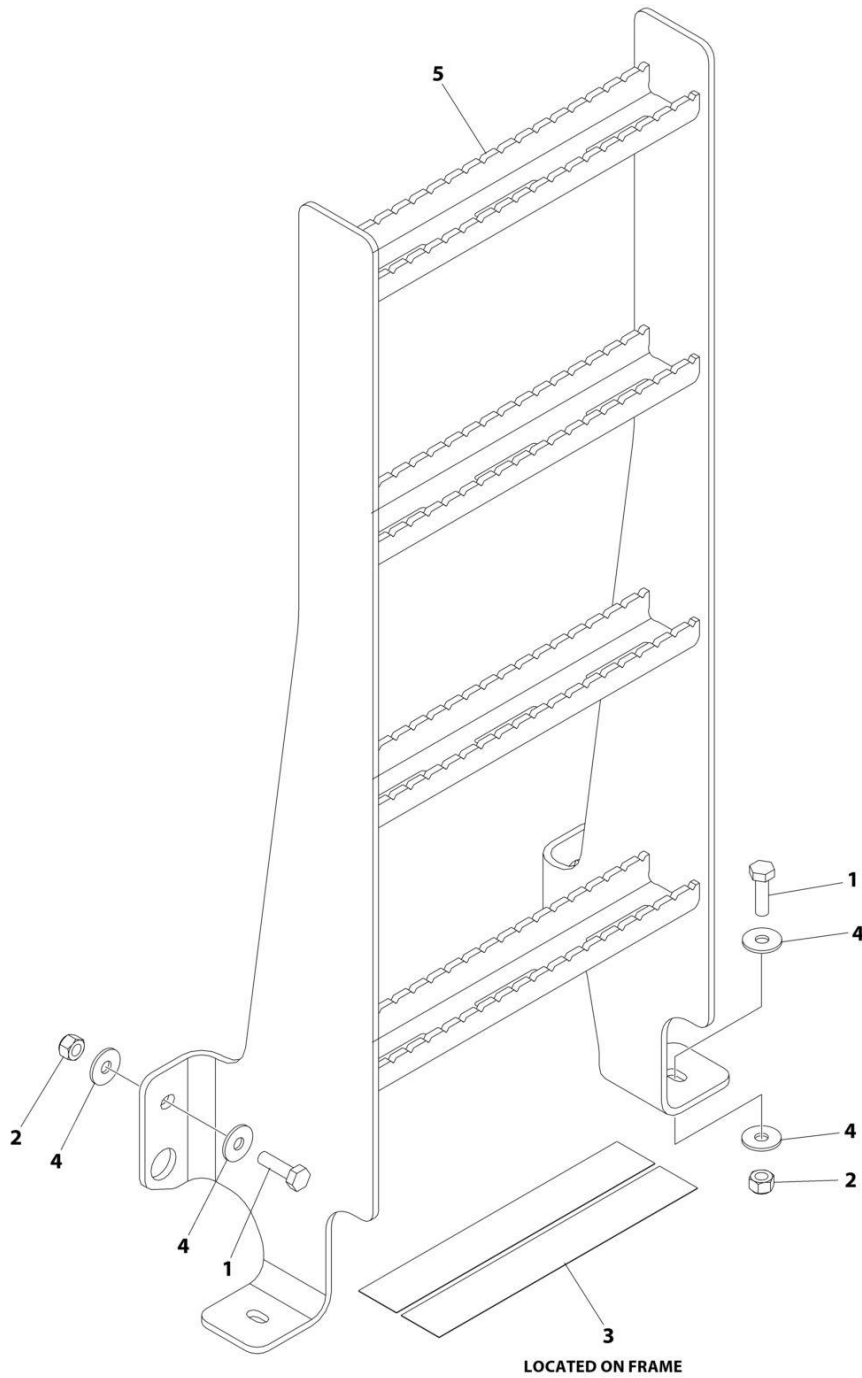
SECTION 1 - FRAME

FIGURE 1-17. LADDER INSTALLATION (ERT4069)

ITEM	PART NUMBER	QTY	DESCRIPTION	REV
	1001247425	Ref	LADDER INSTALLATION	B
1	0761015	4	Bolt M10 x 35	
2	3291005	4	Nut M10	
3	4420070	2	Tape, Anti-Skid	
4	4812002	8	Washer M10	
5	1001247353	1	Ladder	

SECTION 1 - FRAME

FIGURE 1-18. LADDER INSTALLATION (ERT4769)



ART_1001256562

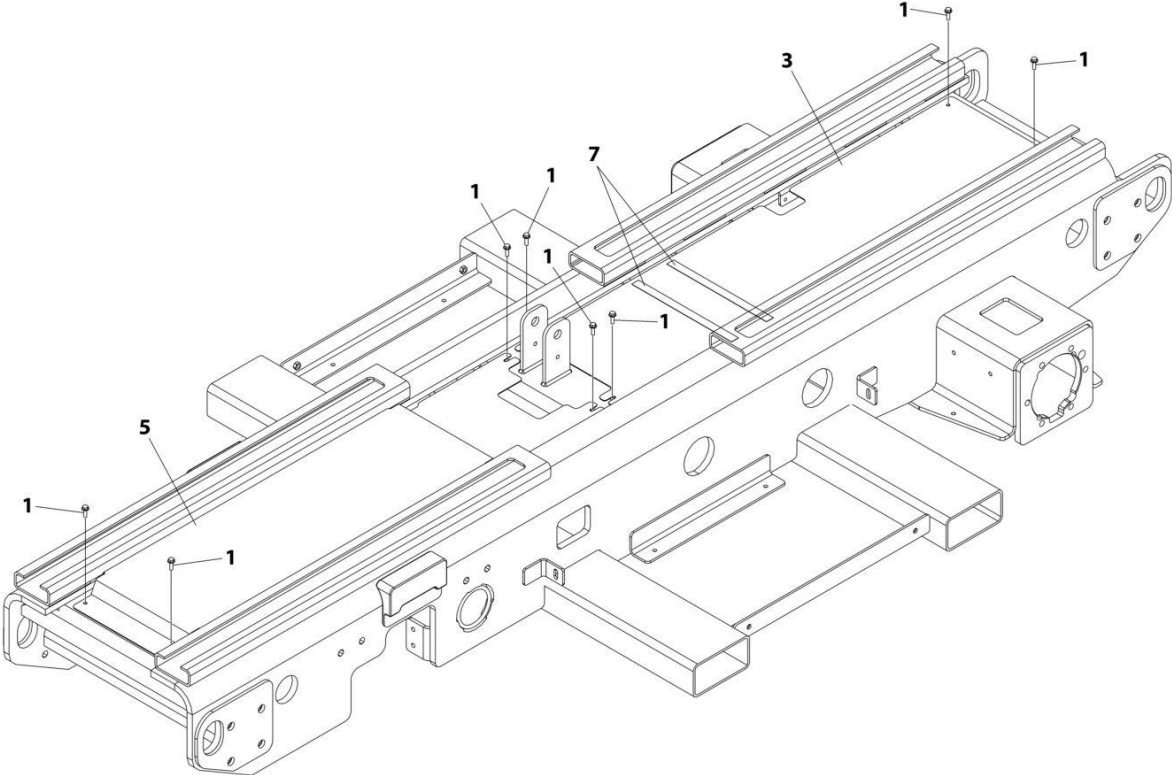
SECTION 1 - FRAME

FIGURE 1-18. LADDER INSTALLATION (ERT4769)

ITEM	PART NUMBER	QTY	DESCRIPTION	REV
	1001256562	Ref	LADDER INSTALLATION	A
1	0761015	4	Bolt M10 x 35	
2	3291005	4	Nut M10	
3	4420070	2	Tape, Anti-Skid	
4	4812002	8	Washer M10	
5	1001256561	1	Ladder	

SECTION 1 - FRAME

FIGURE 1-19. FRAME COVERS INSTALLATION (ERT4069)



ART_1001245440

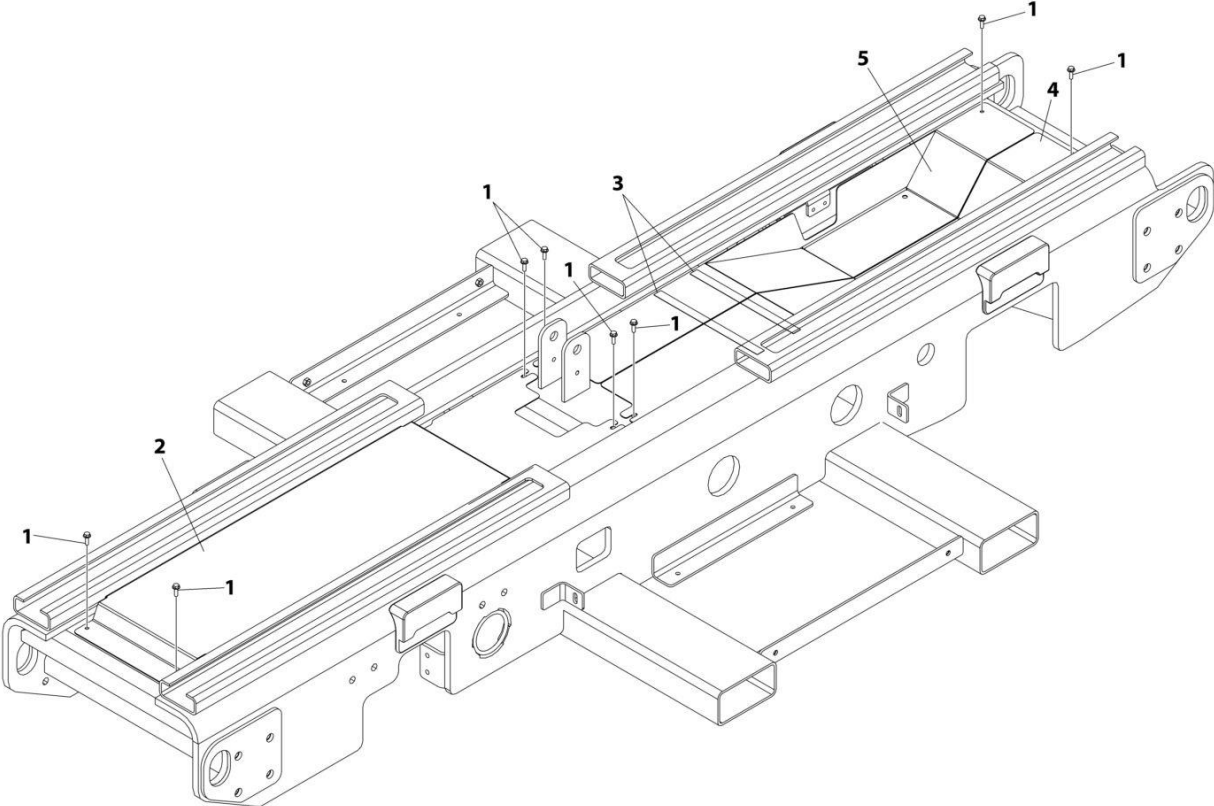
SECTION 1 - FRAME

FIGURE 1-19. FRAME COVERS INSTALLATION (ERT4069)

ITEM	PART NUMBER	QTY	DESCRIPTION	REV
	1001245440	Ref	FRAME COVERS INSTALLATION	D
1	5250812	8	Bolt M8 x 25	
3	1001245381	1	Cover (Rear)	
5	1001283427	1	Cover (Front)	
7	1001258188	2 ft	Tape, Foam	

SECTION 1 - FRAME

FIGURE 1-20. FRAME COVERS INSTALLATION (ERT4769)



ART_1001262140

SECTION 1 - FRAME

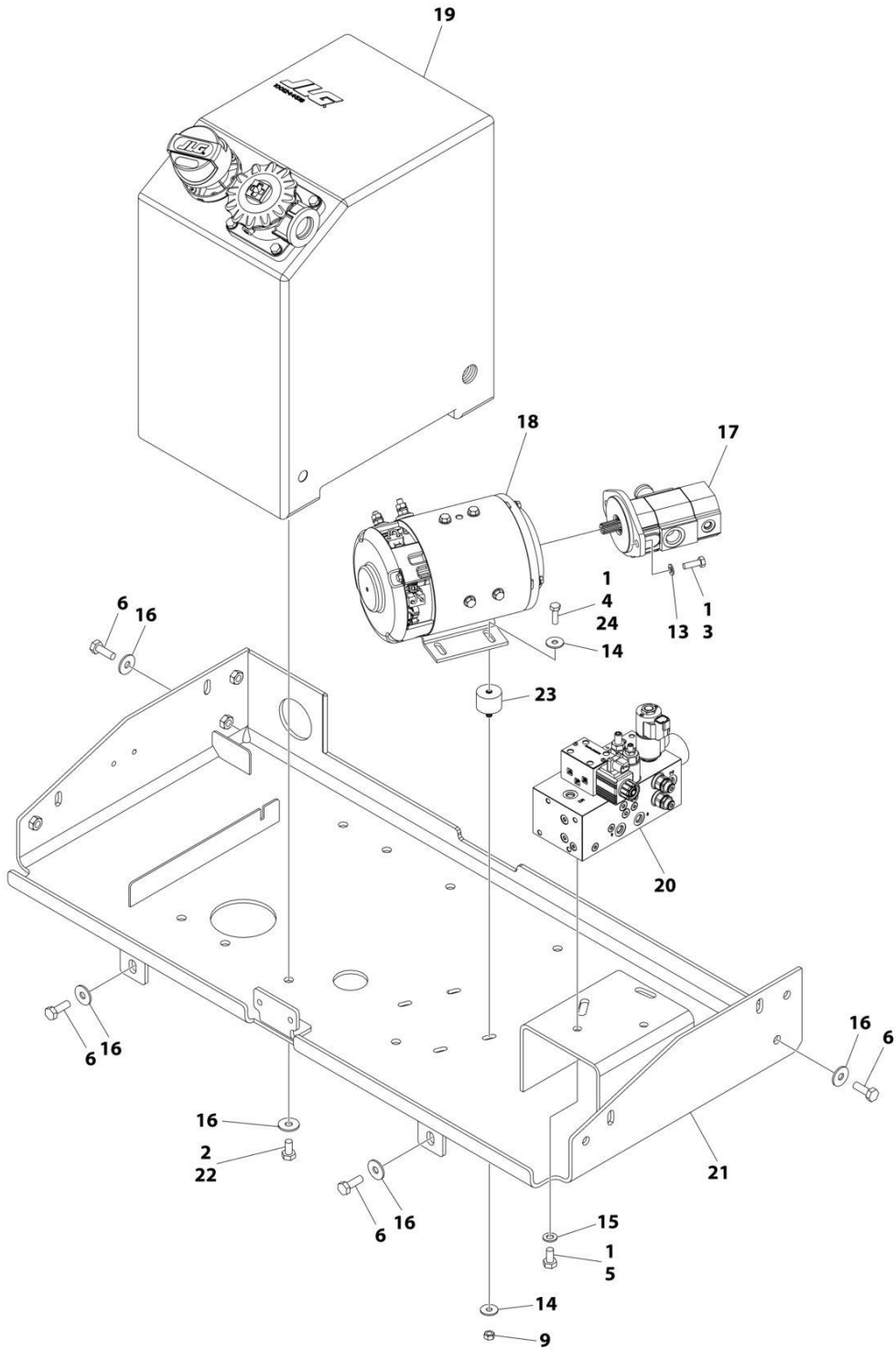
FIGURE 1-20. FRAME COVERS INSTALLATION (ERT4769)

ITEM	PART NUMBER	QTY	DESCRIPTION	REV
	1001262140	Ref	FRAME COVERS INSTALLATION	B
1	5250812	8	Bolt M8 x 25	
2	1001283427	1	Cover (Front)	
3	1001258188	2 ft	Tape, Foam	
4	1001262994	1	Plate, Cover	
5	1001263081	1	Plate, Cover	

SECTION 2 - GROUND CONTROLS

SECTION 2 - GROUND CONTROLS

FIGURE 2-1. HYDRAULIC COMPONENTS INSTALLATION



ART_1001246091

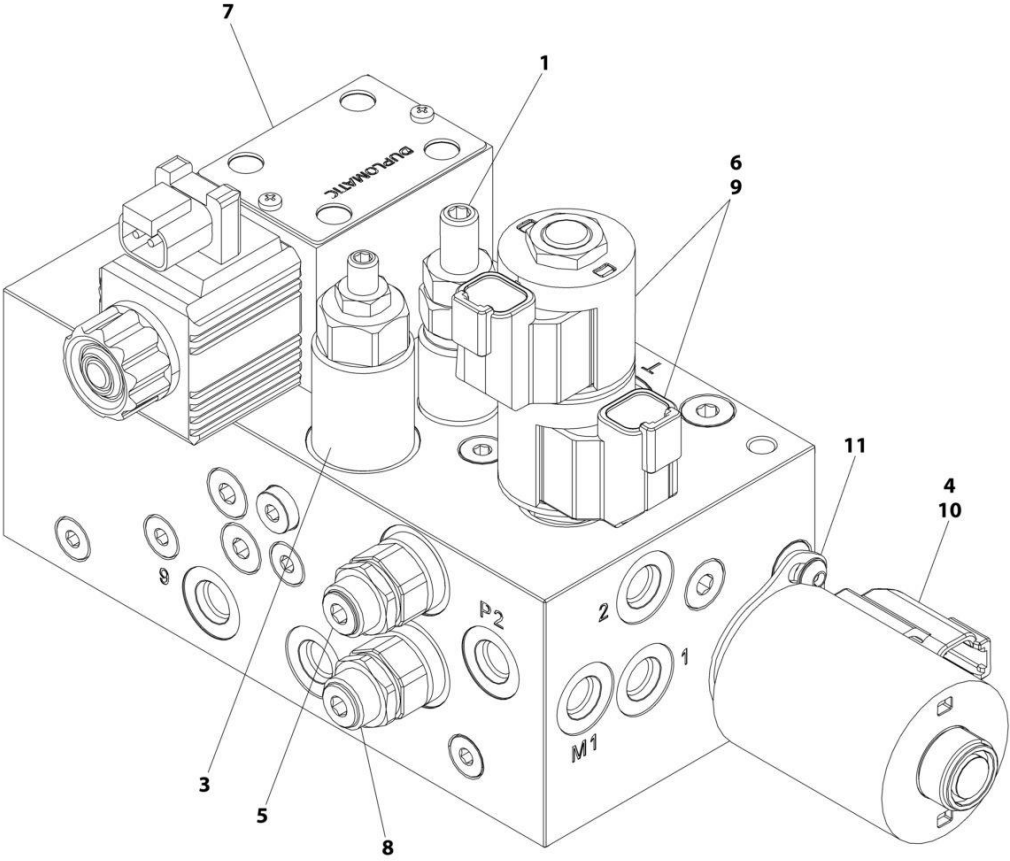
SECTION 2 - GROUND CONTROLS

FIGURE 2-1. HYDRAULIC COMPONENTS INSTALLATION

ITEM	PART NUMBER	QTY	DESCRIPTION	REV
	1001246091	Ref	HYDRAULIC COMPONENTS INSTALLATION	F
1	0100011	AR	Compound, Locking	
2	0100035	AR	Compound, Locking	
3	0760812	2	Bolt M8 x 25	
4	0770812	4	Bolt M8 x 25	
5	0771010	4	Bolt M10 x 20	
6	0771014	4	Bolt M10 x 30	
9	3290801	4	Nut M8	
13	4811900	2	Washer M8	
14	4811902	8	Washer M8	
15	4812000	4	Washer M10	
16	4812002	8	Washer M10	
17	1001246382	1	Pump	
18	1001246383	1	Generator	
19	1001246555	1	Tank Assembly - Hydraulic (See Separate Breakdown in this Section)	
20	1001247381	1	Valve, Electric (See Separate Breakdown in this Section)	
21	1001247630	1	Tray	
22	0761010	4	Bolt M10 x 20	
23	1001273525	4	Isolator (41.3mm/1-5/8inch)	
23	1001287360	4	Isolator (47.8mm/1-7/8inch)	
24	0760806	4	Bolt M8 x 12	

SECTION 2 - GROUND CONTROLS

FIGURE 2-2. VALVE ASSEMBLY - MAIN CONTROL



ART_1001247381

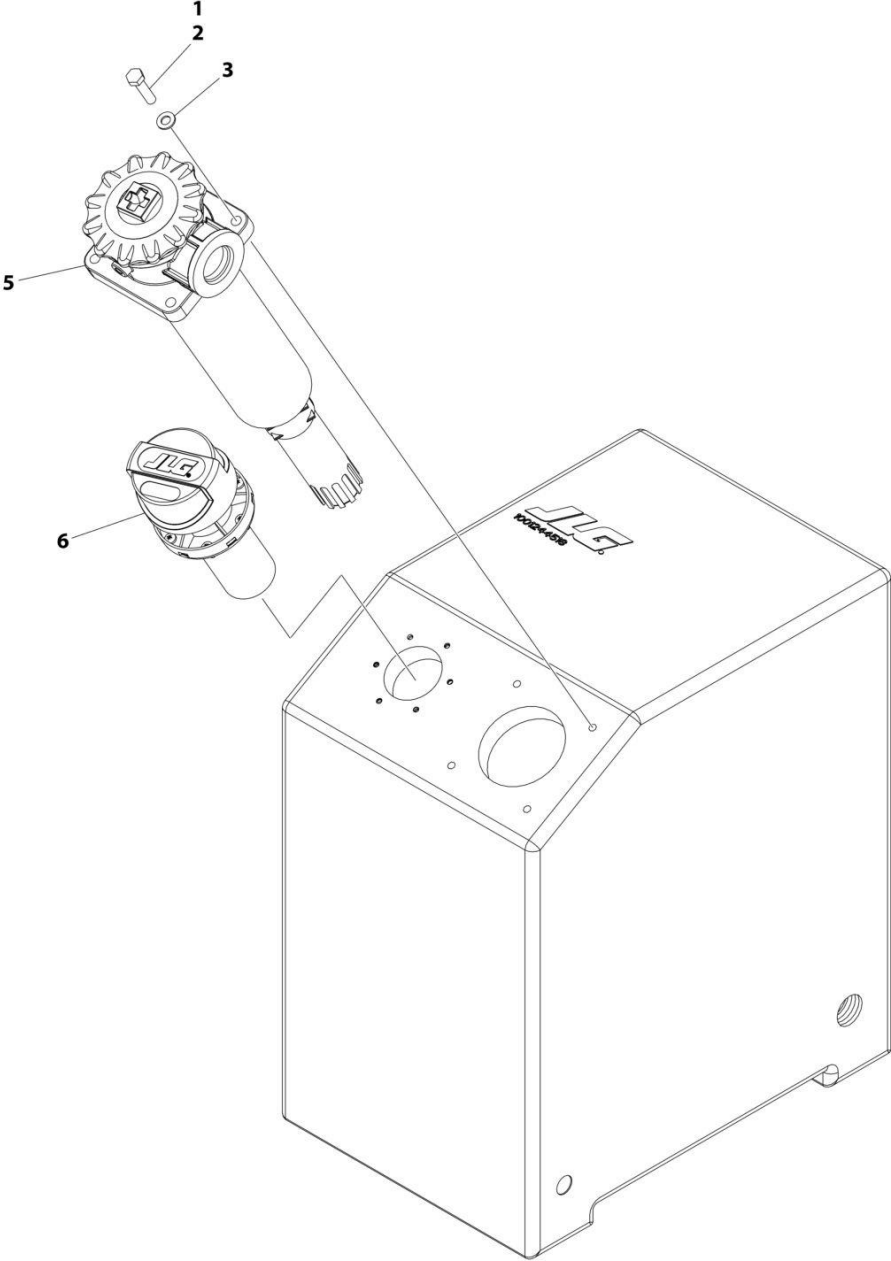
SECTION 2 - GROUND CONTROLS

FIGURE 2-2. VALVE ASSEMBLY - MAIN CONTROL

ITEM	PART NUMBER	QTY	DESCRIPTION	REV
	1001247381	Ref	VALVE ASSEMBLY - MAIN CONTROL	D
1	70007774	1	Cartridge, Relief Valve (Main)	
3	70007768	1	Cartridge, Pressure Reducing/Relieving Valve (Axle Charge)	
4	70006786	1	Cartridge, Valve (Flow Control)	
4	7012925	1	Seal Kit - 70006786 Valve	
5	70007769	1	Cartridge, Relief Valve (Steer)	
6	70007772	1	Valve, Directional (Steer)	
6	7017402	1	Seal Kit - 70007772 Valve	
7	70007771	1	Valve, Directional (Lift Enable)	
8	70007764	1	Cartridge, Relief Valve (Steer)	
9	70002386	2	Coil	
10	70003789	1	Coil	
11	70007773	1	Lockdown Kit	

SECTION 2 - GROUND CONTROLS

FIGURE 2-3. HYDRAULIC TANK ASSEMBLY



ART_1001246555

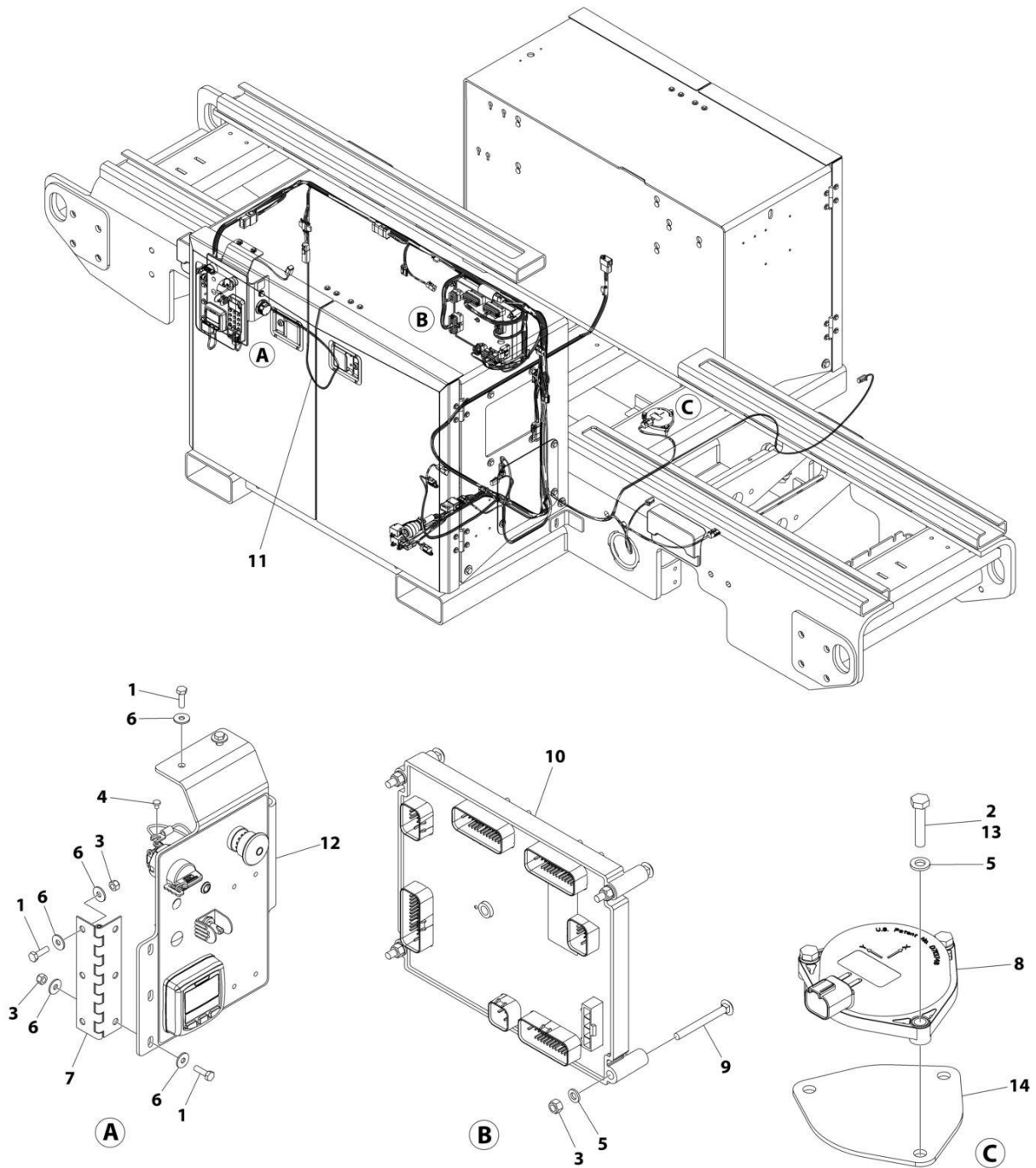
SECTION 2 - GROUND CONTROLS

FIGURE 2-3. HYDRAULIC TANK ASSEMBLY

ITEM	PART NUMBER	QTY	DESCRIPTION	REV
	1001246555	Ref	TANK ASSEMBLY	D
1	0100035	AR	Compound, Locking	
2	0760815	4	Bolt M8 x 35	
3	4811900	4	Washer M8	
5	1001246553	1	Filter, Hydraulic Tank	
5	70007035	1	Element, Filter	
6	1001248371	1	Filter, Filler/Breather	

SECTION 2 - GROUND CONTROLS

FIGURE 2-4. GROUND CONTROL PANEL INSTALLATION (ERT4069)



ART_1001254548

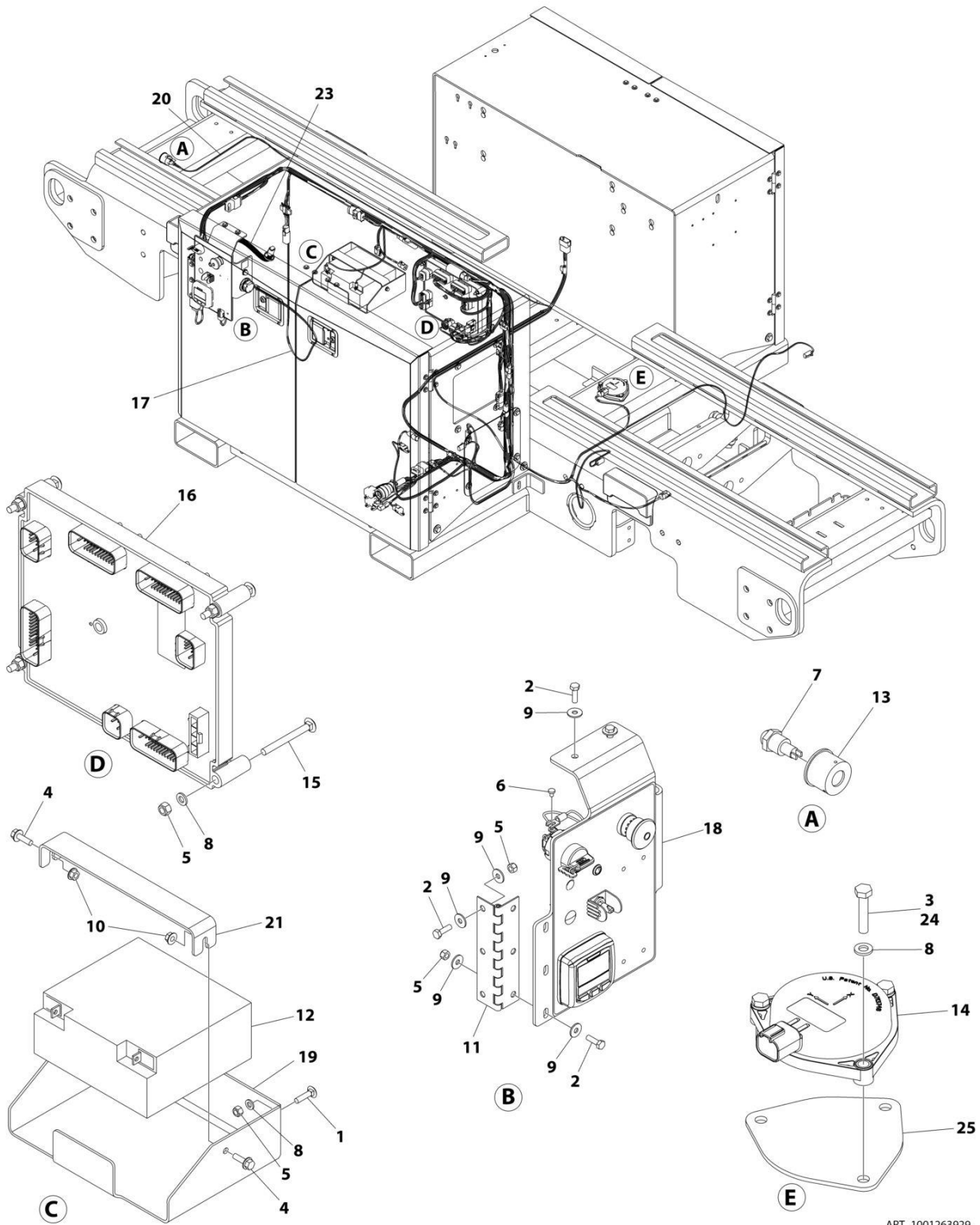
SECTION 2 - GROUND CONTROLS

FIGURE 2-4. GROUND CONTROL PANEL INSTALLATION (ERT4069)

ITEM	PART NUMBER	QTY	DESCRIPTION	REV
	1001254548	Ref	GROUND CONTROL PANEL INSTALLATION	C
1	0760610	8	Bolt M6 x 20	
2	0760614	3	Bolt M6 x 30	
2	4010615	3	Bolt M6 x 35	
3	3290605	10	Nut M6	
4	4010403	3	Screw M4 x 6	
5	4811700	7	Washer M6	
6	4811702	14	Washer M6	
7	1001110188	1	Hinge	
8	1001244934	1	Sensor, Tilt	
9	1001248039	4	Bolt M6 x 60	
10	1001249777	1	Module, Ground Control (Note: Re-calibration Required when Replaced)	
11	1001254403	1	Chassis Harness (See Separate Breakdown in ELECTRICAL Section)	
12	1001257885	1	Ground Control Assembly (See Separate Breakdown in this Section)	
13	0100011	AR	Compound, Locking	
14	1001272777	1	Gasket	

SECTION 2 - GROUND CONTROLS

FIGURE 2-5. GROUND CONTROL PANEL INSTALLATION (ERT4769)



ART_1001263929

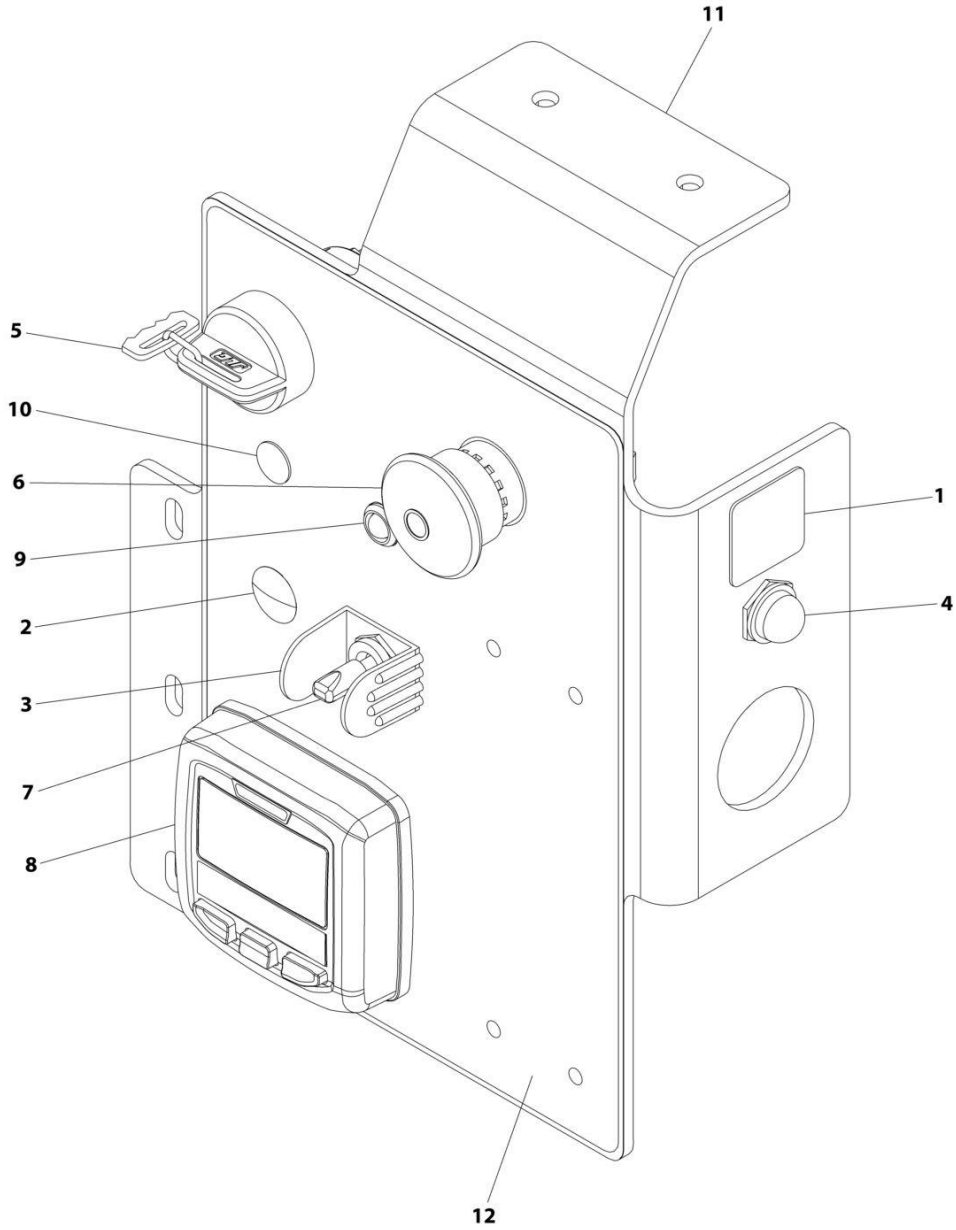
SECTION 2 - GROUND CONTROLS

FIGURE 2-5. GROUND CONTROL PANEL INSTALLATION (ERT4769)

ITEM	PART NUMBER	QTY	DESCRIPTION	REV
	1001263929	Ref	GROUND CONTROL PANEL INSTALLATION	E
1	0630587	2	Bolt M6 x 25	
2	0760610	8	Bolt M6 x 20	
3	4010615	3	Bolt M6 x 35	
4	0780610	2	Bolt M6 x 20	
5	3290605	12	Nut M6	
6	4010403	3	Screw M4 x 6	
7	4360387	1	Switch, Yellow Push Button	
8	4811700	9	Washer M6	
9	4811702	14	Washer M6	
10	5260600	2	Nut M6	
11	1001110188	1	Hinge	
12	1001172394	1	Battery, 12V	
13	1001176469	1	Shroud, Push Button Switch	
14	1001244934	1	Sensor, Tilt	
15	1001248039	4	Bolt M6 x 60	
16	1001249777	1	Module, Ground Control (Note: Re-calibration Required when Replaced)	
17	1001254403	1	Chassis Harness (See Separate Breakdown in ELECTRICAL Section)	
18	1001257885	1	Ground Control Assembly (See Separate Breakdown in this Section)	
19	1001263446	1	Bracket, Auxiliary Battery	
20	1001263448	1	Harness, Auxiliary	
21	1001263480	1	Strap, Auxiliary Battery	
22	4240017	AR	Tie-Strap (Not Shown)	
23	1001265053	1	Conduit	
24	0100011	AR	Compound, Locking	
25	1001272777	1	Gasket, Angle Sensor	

SECTION 2 - GROUND CONTROLS

FIGURE 2-6. GROUND CONTROL ASSEMBLY



ART_1001257885

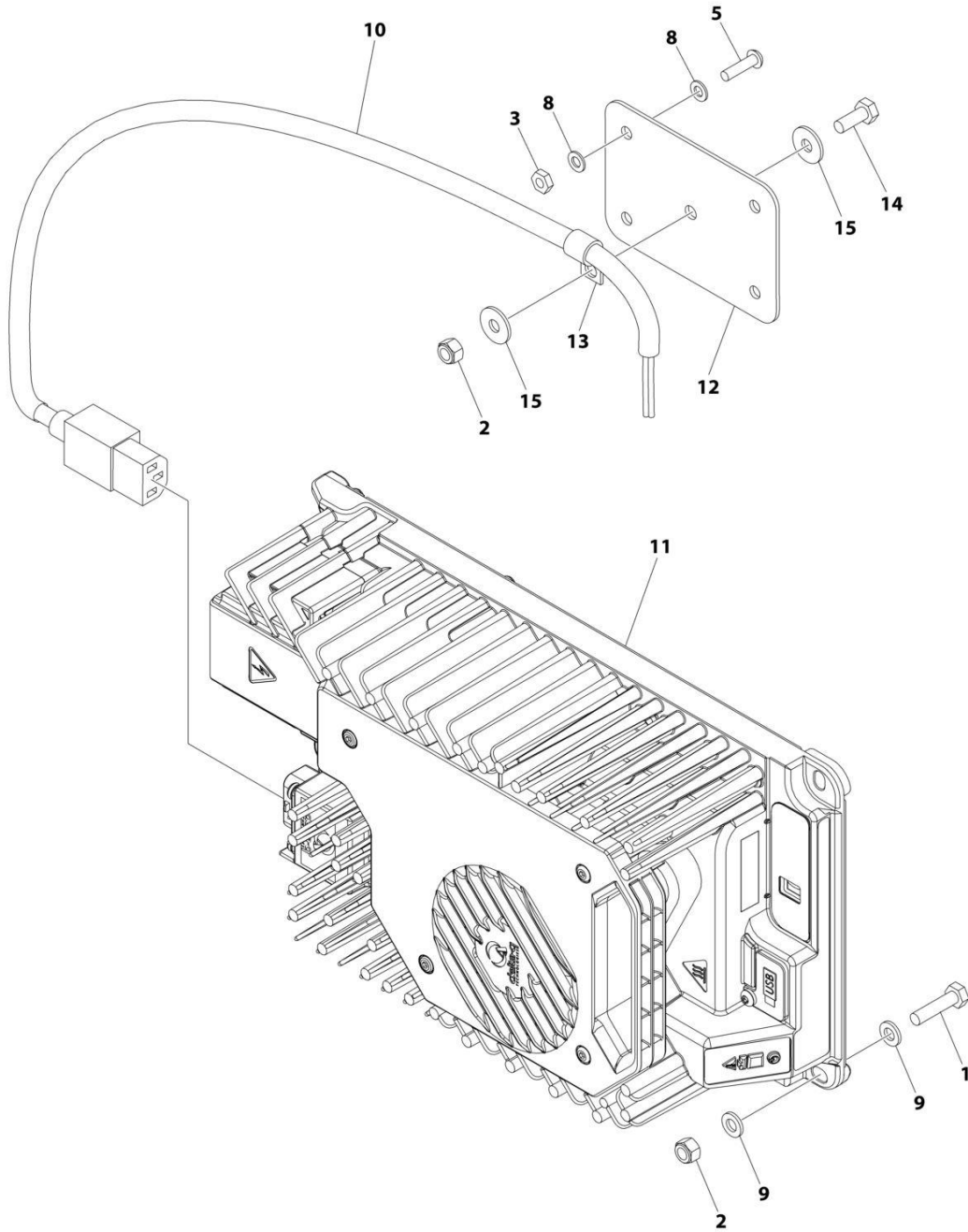
SECTION 2 - GROUND CONTROLS

FIGURE 2-6. GROUND CONTROL ASSEMBLY

ITEM	PART NUMBER	QTY	DESCRIPTION	REV
	1001257885	Ref	GROUND CONTROL ASSEMBLY	D
1	1706679	1	Decal - Brake Release	
2	3520026	1	Plug	
3	4060802	1	Guard, Switch	
4	4360387	1	Switch, Push Button	
5	4360469	1	Switch, Key	
5	2860030	1Set	Key, Replacement	
6	1001274559	1	Switch, Emergency Stop (Plastic)	
6	4360475	1	Switch, Emergency Stop (Metal)	
6	7020175	1	Cap	
6	7020176	1	Block, Contact	
7	4360524	1	Switch, Toggle	
8	1001171482	1	Gauge, Display	
9	1001182680	1	Light, LED	
10	1001226421	1	Plug	
11	1001257884	1	Bracket	
11	1001258920	1	Decal - Ground Control	

SECTION 2 - GROUND CONTROLS

FIGURE 2-7. BATTERY CHARGER INSTALLATION (NO PLUG)



ART_1001254881

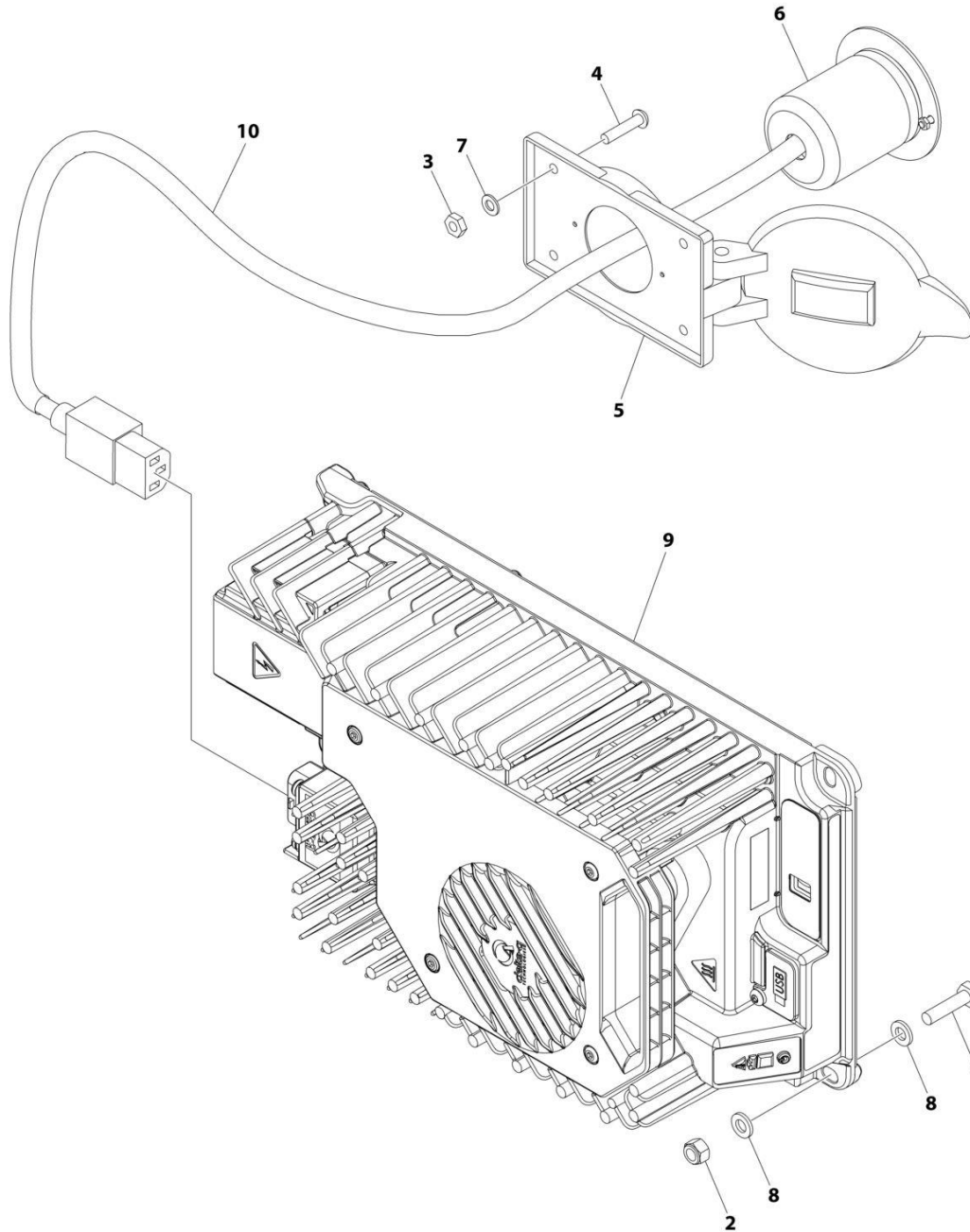
SECTION 2 - GROUND CONTROLS

FIGURE 2-7. BATTERY CHARGER INSTALLATION (NO PLUG)

ITEM	PART NUMBER	QTY	DESCRIPTION	REV
	1001254881	Ref	BATTERY CHARGER INSTALLATION	B
1	0700612	4	Bolt M6 x 25	
2	3290605	5	Nut M6	
3	3311005	4	Nut #10	
5	3911012	4	Screw #10 x 3/4	
8	4811600	8	Washer M5	
9	4811700	8	Washer M6	
10	1001263824	1	Cable, AC	
11	1001265677	1	Charger Assembly	
12	1001266001	1	Cover	
13	1321293	1	Clamp	
14	0760608	1	Bolt M6 x 16	
15	4811702	2	Washer M6	

SECTION 2 - GROUND CONTROLS

FIGURE 2-8. BATTERY CHARGER INSTALLATION (110V PLUG)



ART_1001251440

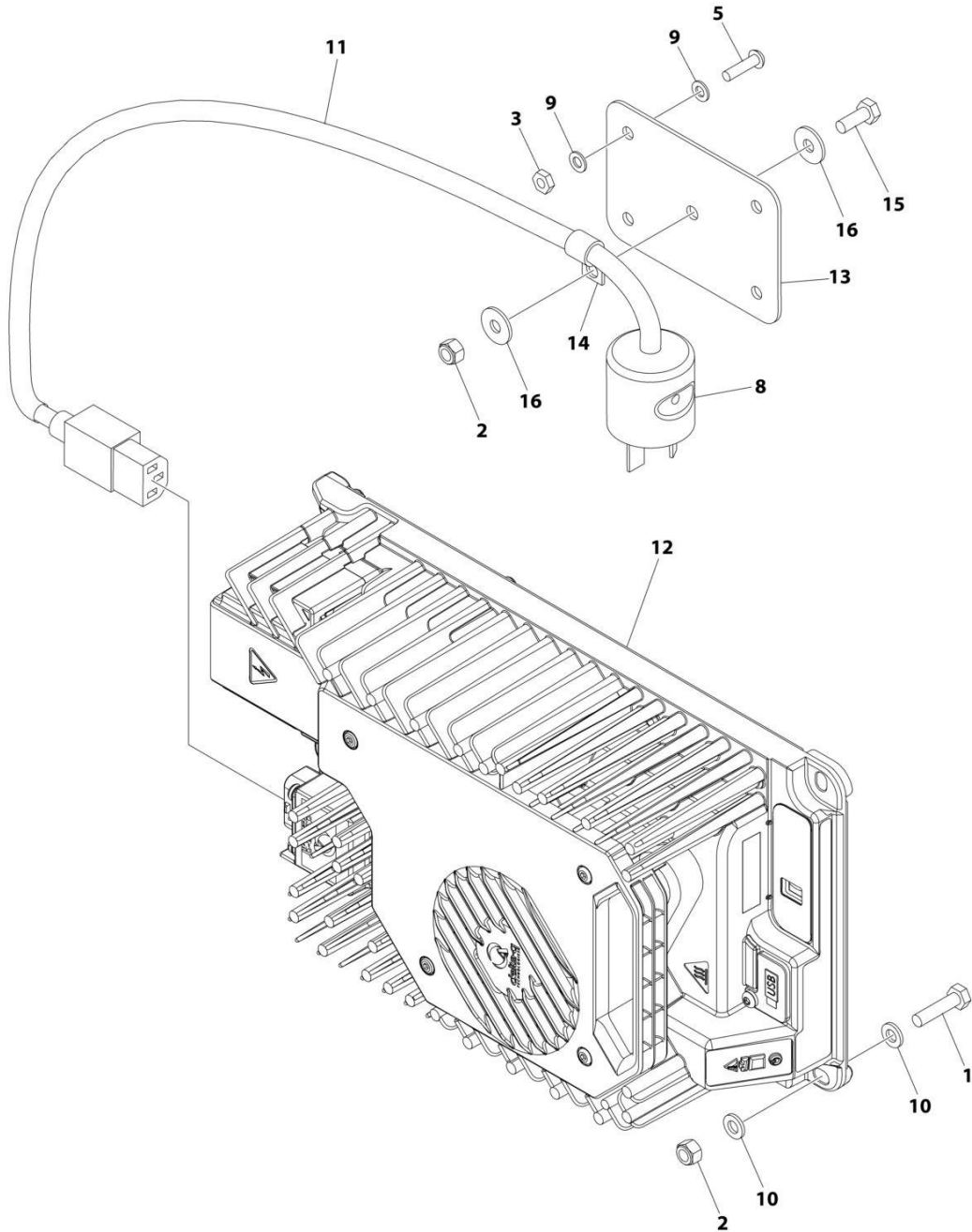
SECTION 2 - GROUND CONTROLS

FIGURE 2-8. BATTERY CHARGER INSTALLATION (110V PLUG)

ITEM	PART NUMBER	QTY	DESCRIPTION	REV
	1001251440	Ref	BATTERY CHARGER INSTALLATION	C
1	0700612	4	Bolt M6 x 25	
2	3290605	4	Nut M6	
3	3311005	4	Nut #10	
4	3911014	4	Screw #10 x 7/8	
5	4460802	1	Cover, Terminal	
6	4460803	1	Terminal, Plug	
7	4811600	4	Washer M5	
8	4811700	8	Washer M6	
9	1001265677	1	Charger Assembly	
10	1001263824	1	Cable, Charger to Receptacle	

SECTION 2 - GROUND CONTROLS

FIGURE 2-9. BATTERY CHARGER INSTALLATION (AUSTRALIAN PLUG)



ART_1001254883

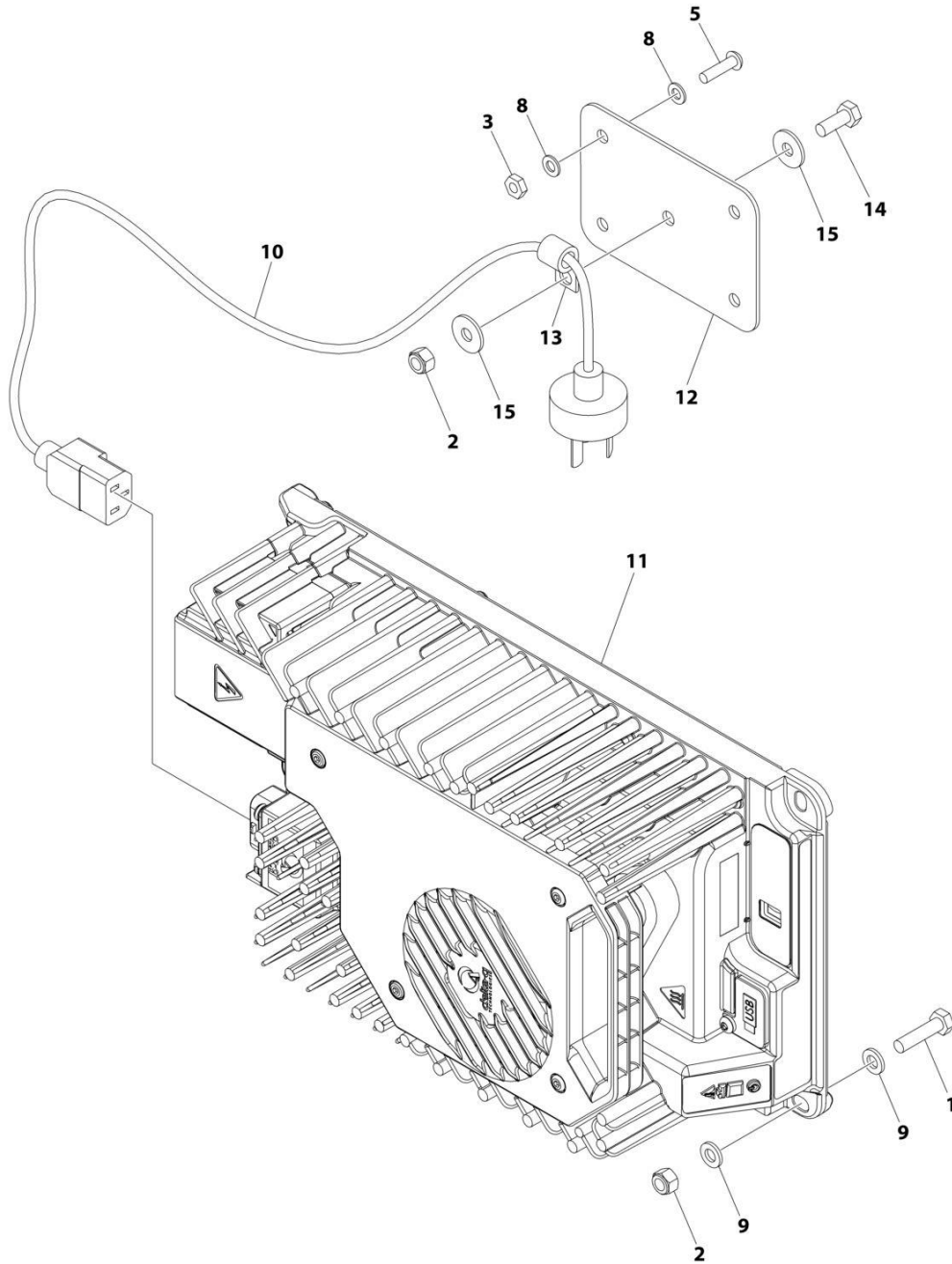
SECTION 2 - GROUND CONTROLS

FIGURE 2-9. BATTERY CHARGER INSTALLATION (AUSTRALIAN PLUG)

ITEM	PART NUMBER	QTY	DESCRIPTION	REV
	1001254883	Ref	BATTERY CHARGER INSTALLATION	B
1	0700612	4	Bolt M6 x 25	
2	3290605	5	Nut M6	
3	3311005	4	Nut #10	
5	3911012	4	Screw #10 x 3/4	
8	4460805	1	Plug	
9	4811600	8	Washer M5	
10	4811700	8	Washer M6	
11	1001263824	1	Cable, AC	
12	1001265677	1	Charger Assembly	
13	1001266001	1	Cover	
14	1321293	1	Clamp	
15	0760608	1	Bolt M6 x 16	
16	4811702	2	Washer M6	

SECTION 2 - GROUND CONTROLS

FIGURE 2-10. BATTERY CHARGER INSTALLATION (CHINA PLUG)



ART_1001254880

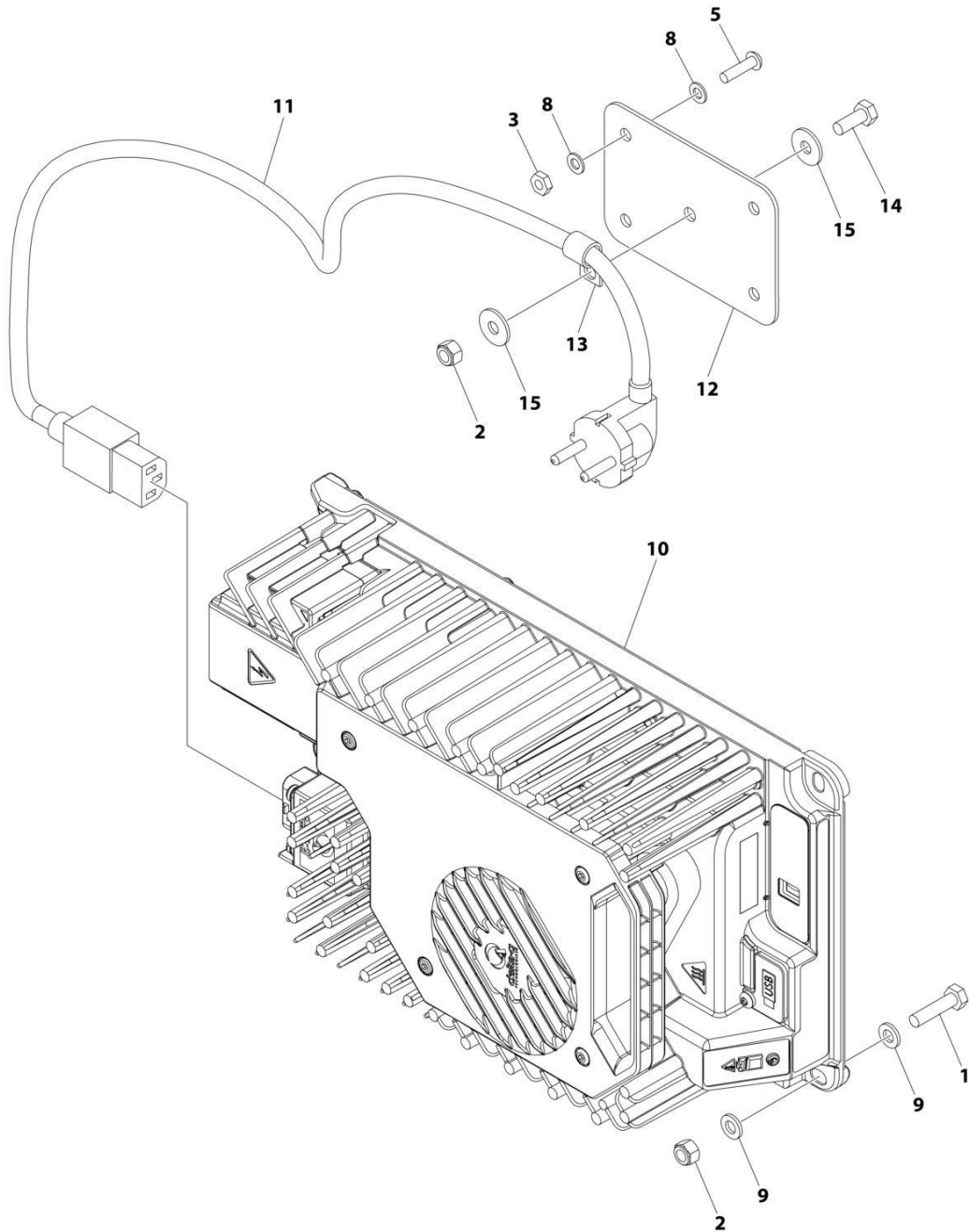
SECTION 2 - GROUND CONTROLS

FIGURE 2-10. BATTERY CHARGER INSTALLATION (CHINA PLUG)

ITEM	PART NUMBER	QTY	DESCRIPTION	REV
	1001254880	Ref	BATTERY CHARGER INSTALLATION	B
1	0700612	4	Bolt M6 x 25	
2	3290605	5	Nut M6	
3	3311005	4	Nut #10	
5	3911012	4	Screw #10 x 3/4	
8	4811600	8	Washer M5	
9	4811700	8	Washer M6	
10	1001207973	1	Cable, AC	
11	1001265677	1	Charger Assembly	
12	1001266001	1	Cover	
13	1321293	1	Clamp	
14	0760608	1	Bolt M6 x 16	
15	4811702	2	Washer M6	

SECTION 2 - GROUND CONTROLS

FIGURE 2-11. BATTERY CHARGER INSTALLATION (KOREAN PLUG)



ART_1001254882

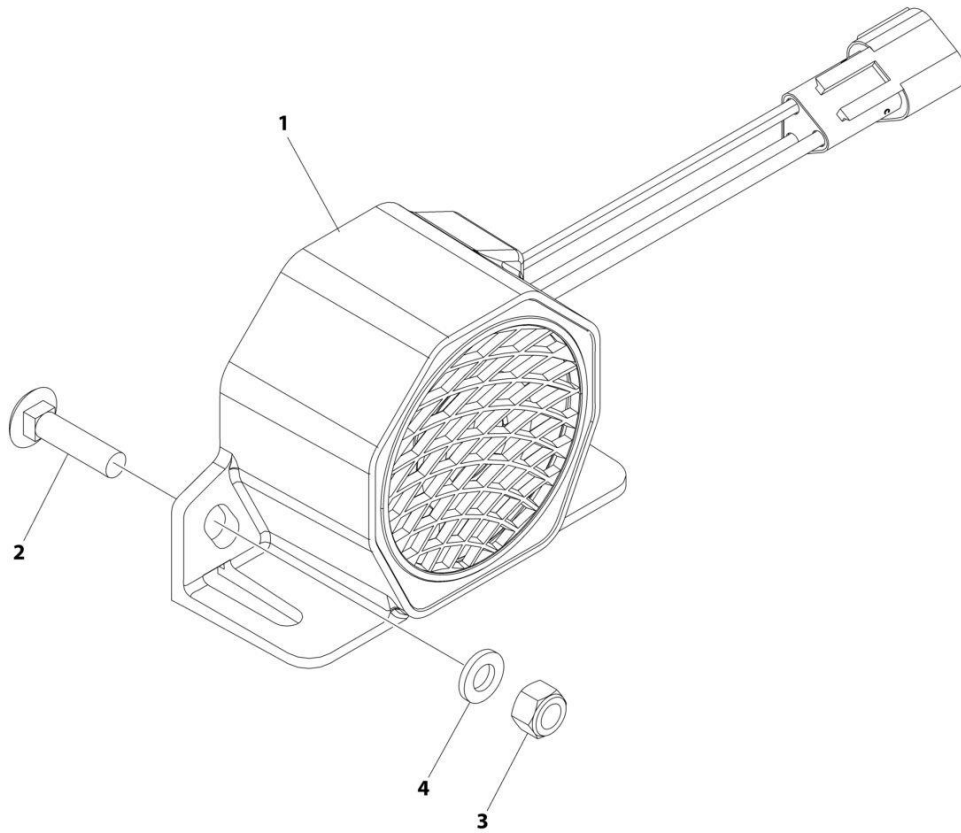
SECTION 2 - GROUND CONTROLS

FIGURE 2-11. BATTERY CHARGER INSTALLATION (KOREAN PLUG)

ITEM	PART NUMBER	QTY	DESCRIPTION	REV
	1001254882	Ref	BATTERY CHARGER INSTALLATION	B
1	0700612	4	Bolt M6 x 25	
2	3290605	5	Nut M6	
3	3311005	4	Nut #10	
5	3911012	4	Screw #10 x 3/4	
8	4811600	8	Washer M5	
9	4811700	8	Washer M6	
10	1001265677	1	Charger Assembly	
11	1001265678	1	Cable, AC	
12	1001266001	1	Cover	
13	1321293	1	Clamp	
14	0760608	1	Bolt M6 x 16	
15	4811702	2	Washer M6	

SECTION 2 - GROUND CONTROLS

FIGURE 2-12. ALARM INSTALLATION (HORN)



ART_1001250678

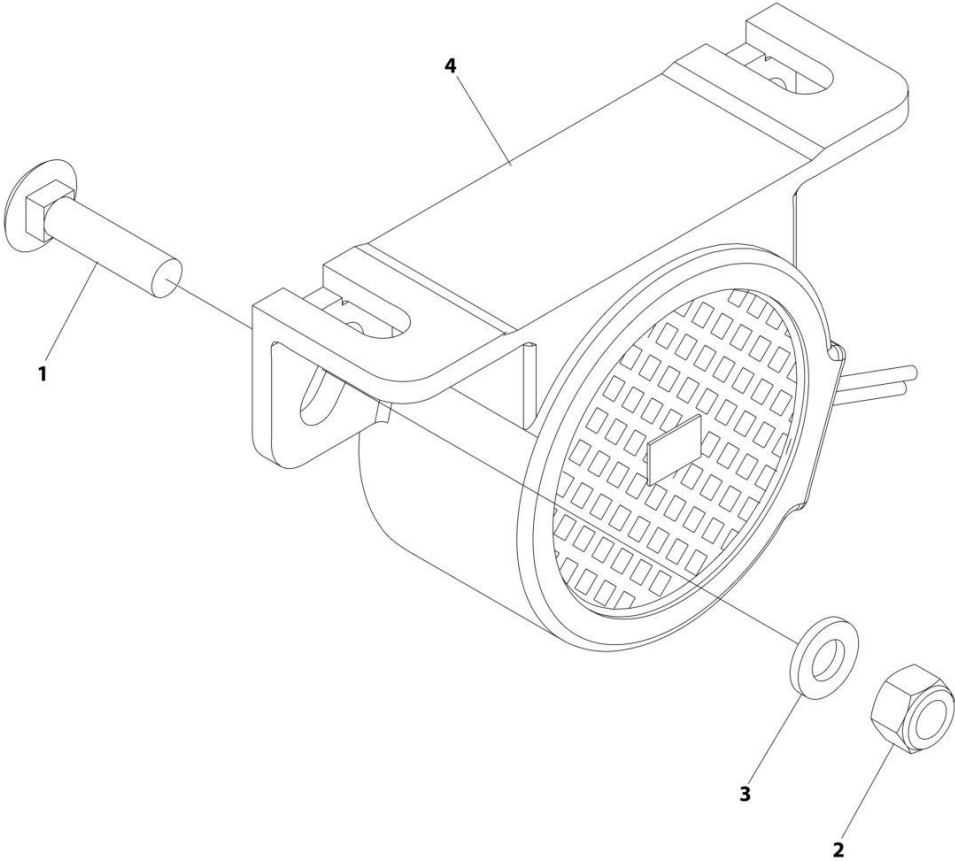
SECTION 2 - GROUND CONTROLS

FIGURE 2-12. ALARM INSTALLATION (HORN)

ITEM	PART NUMBER	QTY	DESCRIPTION	REV
	1001250678	Ref	ALARM INSTALLATION	C
1	0140043	1	Alarm	
2	0630587	2	Bolt M6 x 25	
3	3290605	2	Nut M6	
4	4811700	2	Washer M6	

SECTION 2 - GROUND CONTROLS

FIGURE 2-13. ALARM INSTALLATION (WHITE NOISE)



ART_1001249309

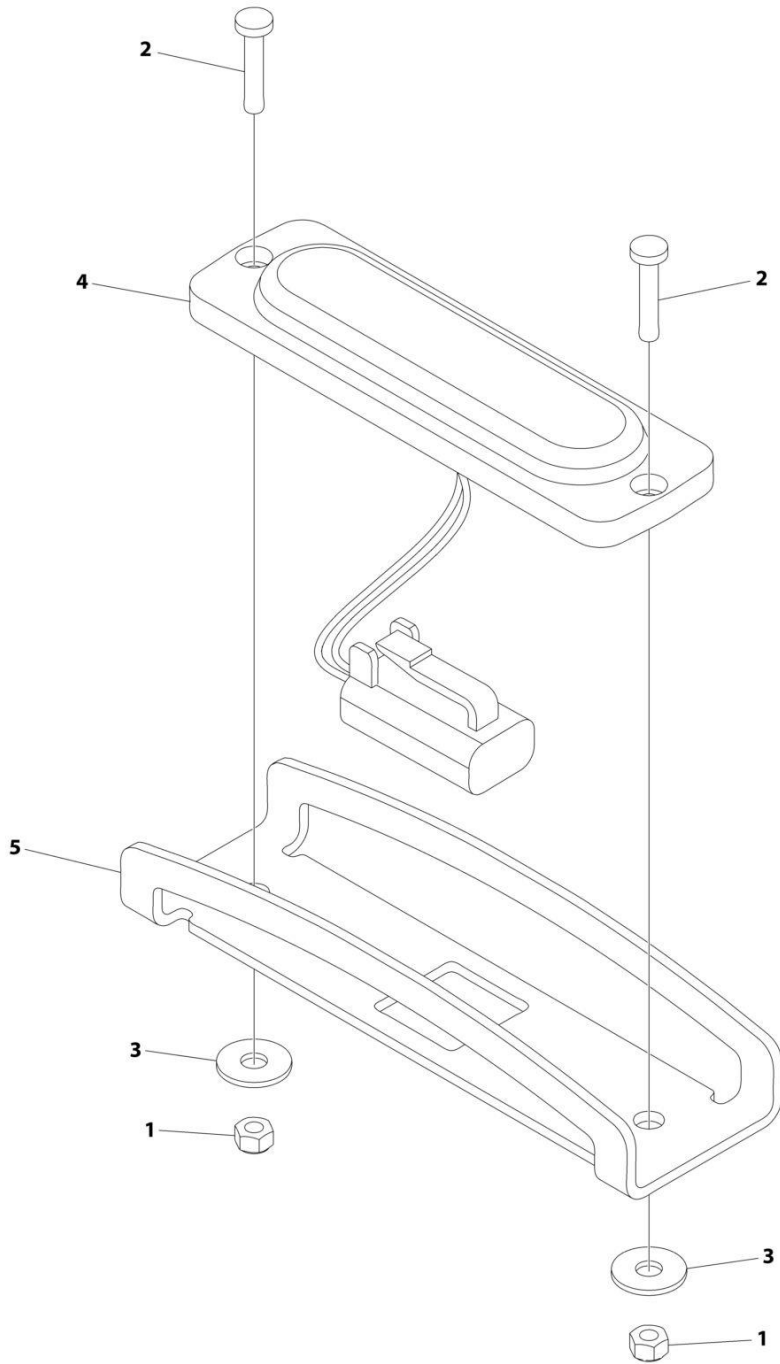
SECTION 2 - GROUND CONTROLS

FIGURE 2-13. ALARM INSTALLATION (WHITE NOISE)

ITEM	PART NUMBER	QTY	DESCRIPTION	REV
	1001249309	Ref	ALARM INSTALLATION	C
1	0630587	2	Bolt M6 x 25	
2	3290605	2	Nut M6	
3	4811700	2	Washer M6	
4	1001184682	1	Alarm	
4	4460897	1	Receptacle, Female - 2 Position	
4	4460464	2	Pin, Male	

SECTION 2 - GROUND CONTROLS

FIGURE 2-14. STROBE LIGHT INSTALLATION - SINGLE



ART_1001249306

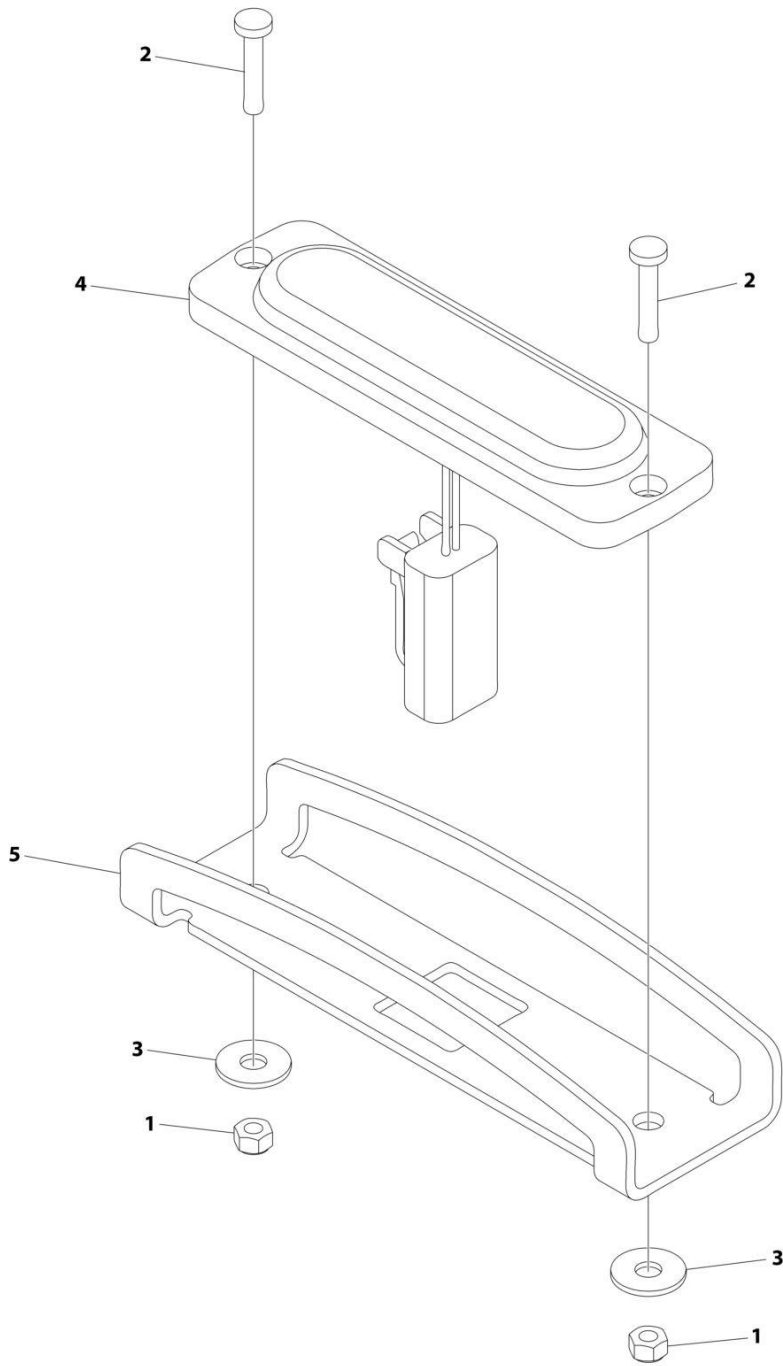
SECTION 2 - GROUND CONTROLS

FIGURE 2-14. STROBE LIGHT INSTALLATION - SINGLE

ITEM	PART NUMBER	QTY	DESCRIPTION	REV
	1001249306	Ref	STROBE LIGHT INSTALLATION - SINGLE	B
1	3290305	4	Nut M3	
2	4010308	4	Screw M3 x16	
3	1001091102	6	Washer M4	
4	1001239224	1	Lamp, Beacon	
4	4460891	1	Plug, Male - 2 Position	
4	4460465	2	Socket, Female	
5	1001242539	1	Guard	
6	1001263345	1	Cover, Hood (Not Shown - Located on Opposite Hood)	

SECTION 2 - GROUND CONTROLS

FIGURE 2-15. STROBE LIGHT INSTALLATION - DUAL



ART_1001249307

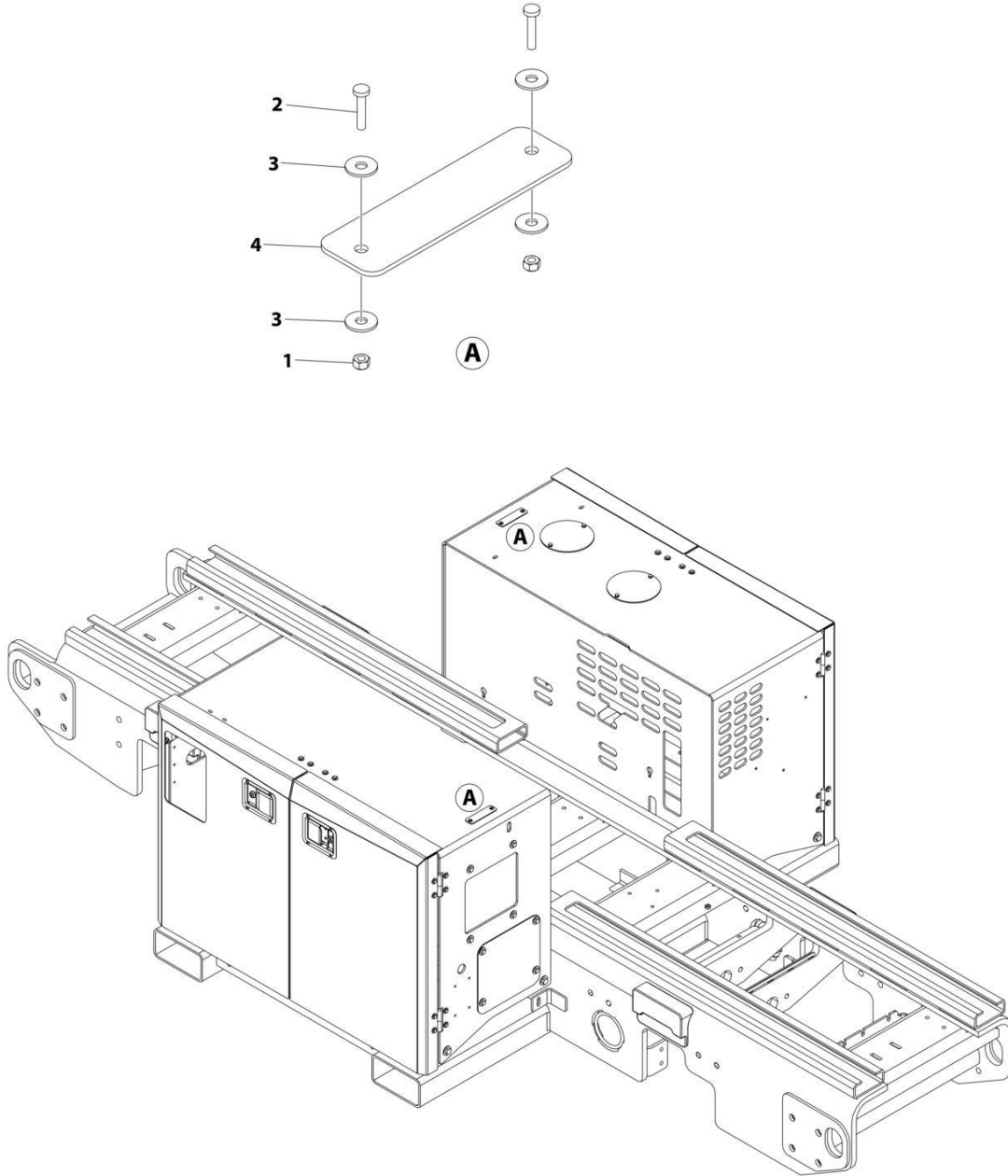
SECTION 2 - GROUND CONTROLS

FIGURE 2-15. STROBE LIGHT INSTALLATION - DUAL

ITEM	PART NUMBER	QTY	DESCRIPTION	REV
	1001249307	Ref	STROBE LIGHT INSTALLATION - DUAL	A
1	3290305	4	Nut M3	
2	4010308	4	Screw M3 x16	
3	1001091102	4	Washer M4	
4	1001239224	2	Lamp, Beacon	
4	4460891	1	Plug, Male - 2 Position	
4	4460465	2	Socket, Female	
5	1001242539	2	Guard	

SECTION 2 - GROUND CONTROLS

FIGURE 2-16. NO BEACON (COVERS)



ART_1001267649

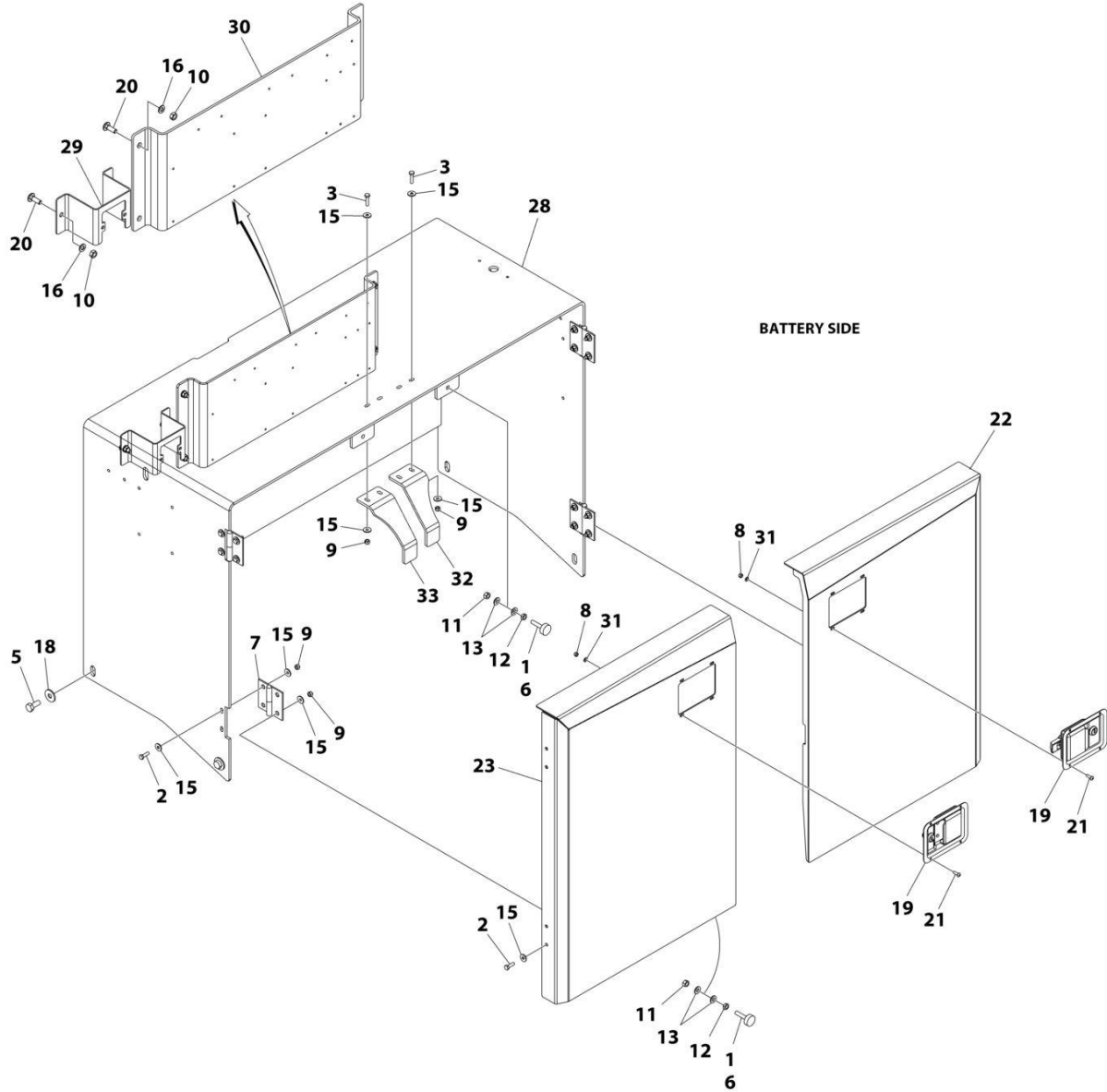
SECTION 2 - GROUND CONTROLS

FIGURE 2-16. NO BEACON (COVERS)

ITEM	PART NUMBER	QTY	DESCRIPTION	REV
	1001267649	Ref	NO BEACON (COVERS)	A
1	3290305	4	Nut M3	
2	4010308	4	Screw M3 x16	
3	1001091102	8	Washer M4	
4	1001263345	2	Cover, Hood	

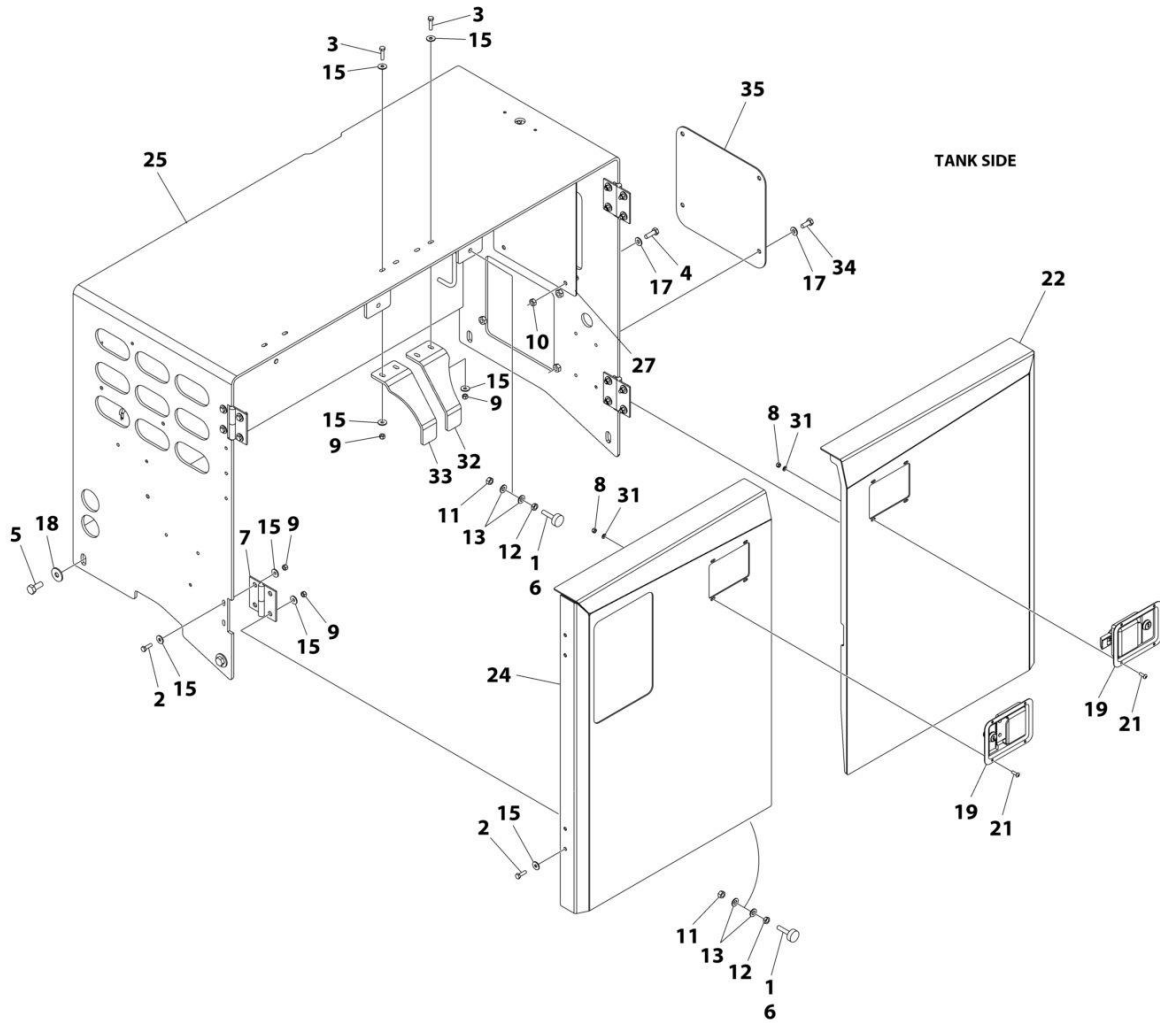
SECTION 2 - GROUND CONTROLS

FIGURE 2-17. HOODS INSTALLATION



ART_1001254827_1OF2

SECTION 2 - GROUND CONTROLS



ART_1001254827_20F2

SECTION 2 - GROUND CONTROLS

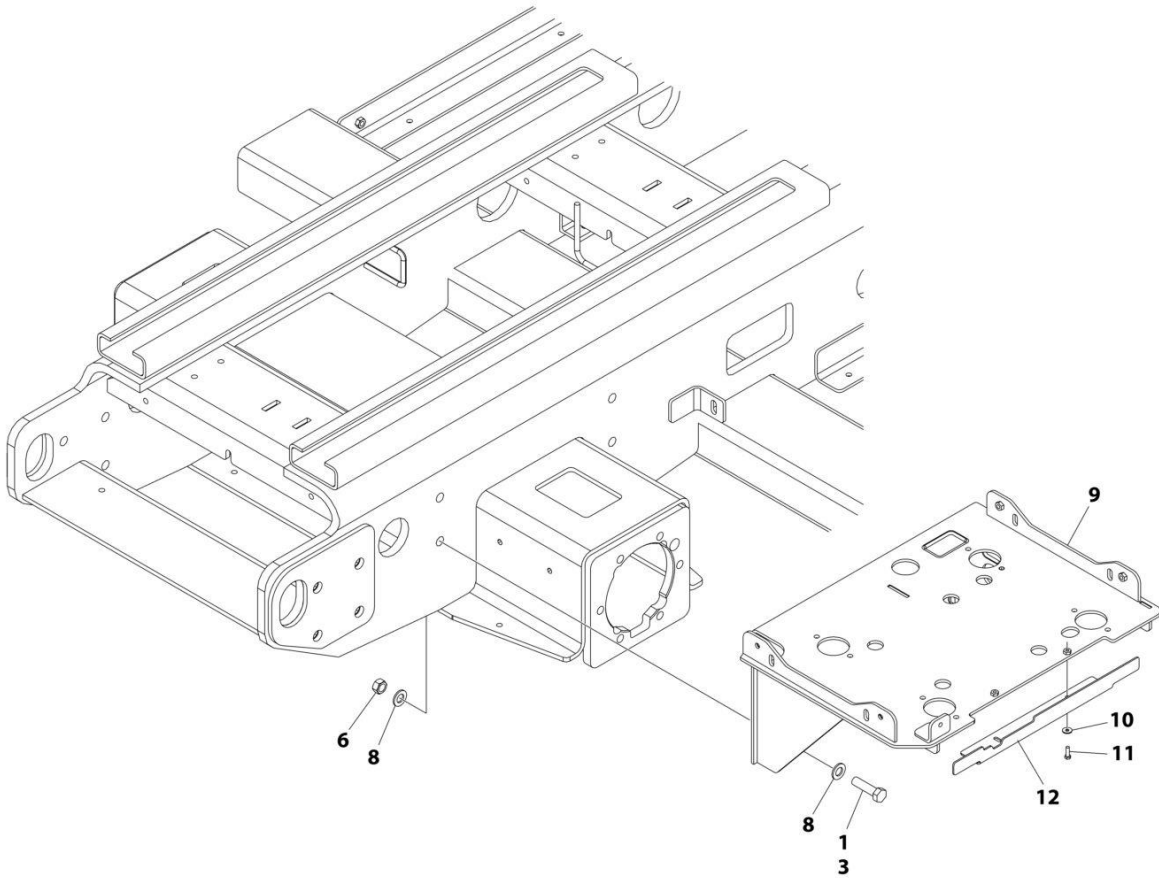
FIGURE 2-17. HOODS INSTALLATION

ITEM	PART NUMBER	QTY	DESCRIPTION	REV
	1001254827	Ref	HOODS INSTALLATION	E
1	0100011	AR	Compound, Locking	
2	0760610	32	Bolt M6 x 20	
3	0760612	8	Bolt M6 x 25	
4	0770812	4	Bolt M8 x 25	
5	0761012	8	Bolt M10 x 25	
6	1001260334	8	Bumper	
7	2600216	8	Hinge	
8	3290505	16	Nut M5	
9	3290605	40	Nut M6	
10	3290801	10	Nut M8	
11	3311501	8	Nut 5/16	
12	3311502	8	Nut 5/16	
13	4711500	16	Washer 5/16	
15	4811702	80	Washer M6	
16	4811900	6	Washer M8	
17	4811902	12	Washer M8	
18	4812002	8	Washer M10	
19	1001257454	4	Latch, Lock	
20	1001218448	6	Bolt	
21	1001234348	16	Screw M5 x 16 Grade 10.9	
22	1001247637	2	Door (Hydraulic Side RH/Engine Side RH)	
23	1001247638	1	Door (Engine Side LH)	
24	1001247639	1	Door (Hydraulic Side LH)	
25	1001248043	1	Shield (Hydraulic Side)	
27	1001248162	1	Cover	
28	1001255815	1	Cover, Battery	
29	1001256372	1	Bracket	
30	1001256373	1	Bracket	
31	4811600	16	Washer M5	
32	1001257688	2	Bracket, Striker	
33	1001257689	2	Bracket, Striker	
34	0760810	4	Bolt M8 x 20	
35	1001263930	1	Cover	

SECTION 3 - ENGINE

SECTION 3 - ENGINE

FIGURE 3-1. ENGINE MOUNTING INSTALLATION (GENSET)



ART_1001259032

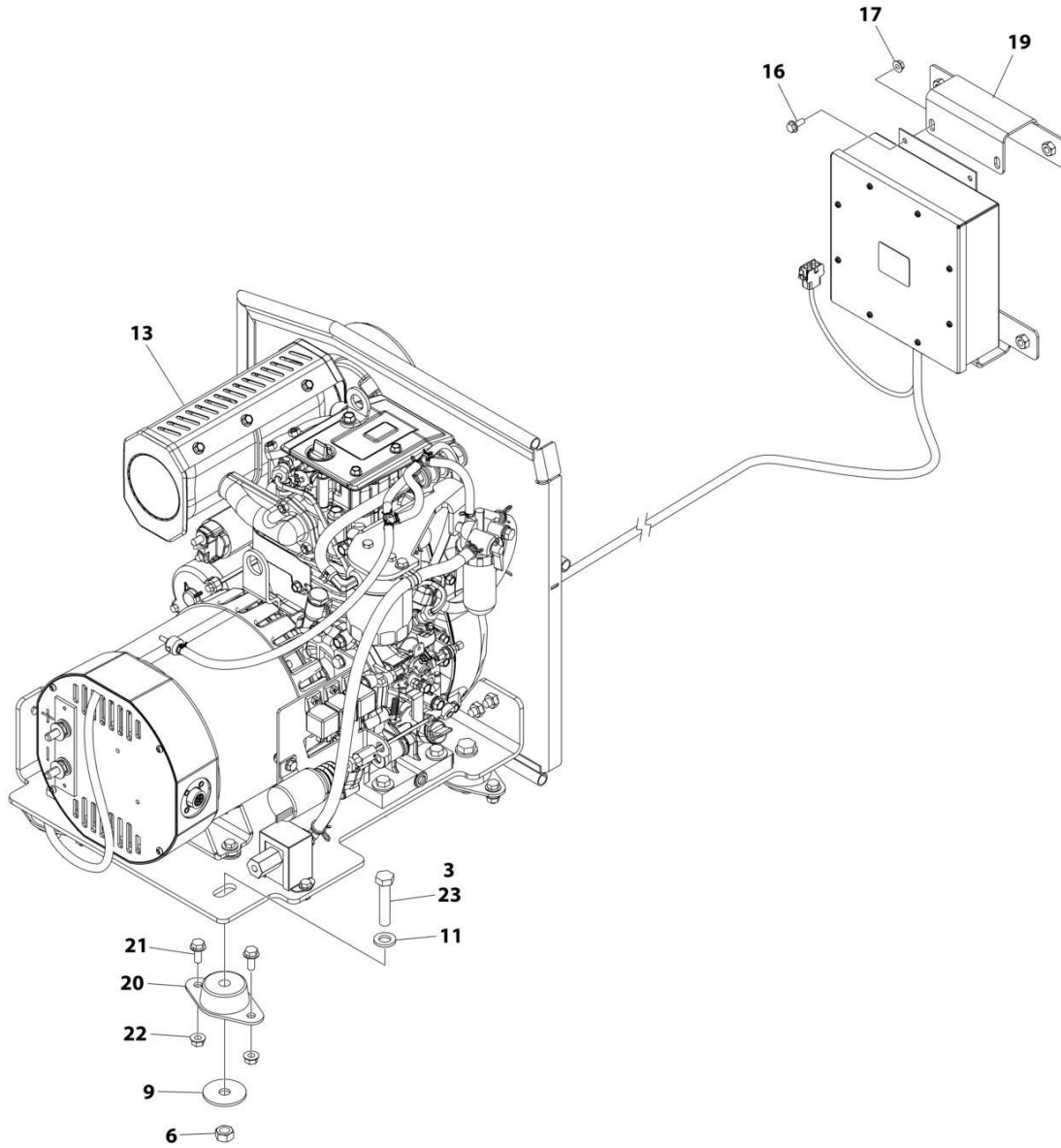
SECTION 3 - ENGINE

FIGURE 3-1. ENGINE MOUNTING INSTALLATION (GENSET)

ITEM	PART NUMBER	QTY	DESCRIPTION	REV
	1001259032	Ref	ENGINE INSTALLATION	C
1	0100011	AR	Compound, Locking	
3	0761620	4	Bolt M16 x 60	
6	3331611	4	Nut M16	
8	5241600	8	Washer M16	
9	1001290338	1	Bracket	
10	4811702	2	Washer M6	
11	0760610	2	Bolt M6 x 20	
12	1001290309	1	Bracket	

SECTION 3 - ENGINE

FIGURE 3-2. KUBOTA ENGINE INSTALLATION (GENSET)



ART_1001259030

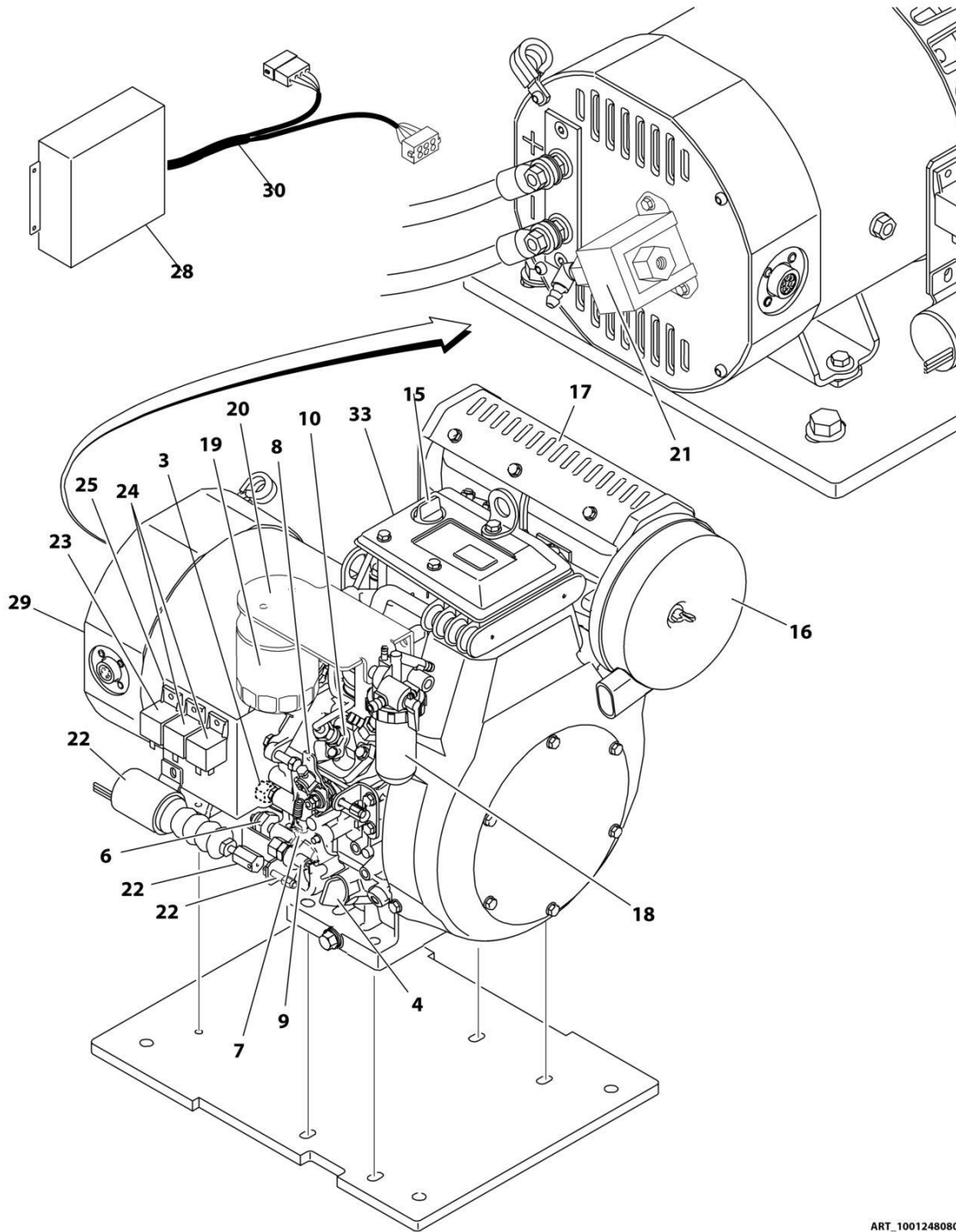
SECTION 3 - ENGINE

FIGURE 3-2. KUBOTA ENGINE INSTALLATION (GENSET)

ITEM	PART NUMBER	QTY	DESCRIPTION	REV
	1001259030	Ref	ENGINE INSTALLATION	D
3	0711220	4	Bolt M12 x 60	
6	3331211	4	Nut M12	
9	4740274	4	Washer	
11	5241200	4	Washer M12	
13	1001278112	1	Kubota Engine (See Separate Breakdown in this Section)	
16	5250608	4	Bolt 6 x 16	
17	5260600	4	Nut M6	
19	1001260677	2	Bracket	
20	3200425	4	Mount, Motor	
21	5250810	8	Bolt 8 x 20	
22	5260800	8	Nut M8	
23	0100011	AR	Compound, Locking	

SECTION 3 - ENGINE

FIGURE 3-3. KUBOTA ENGINE COMPONENTS (STAGE V)



ART_1001248080

SECTION 3 - ENGINE

FIGURE 3-3. KUBOTA ENGINE COMPONENTS (STAGE V)

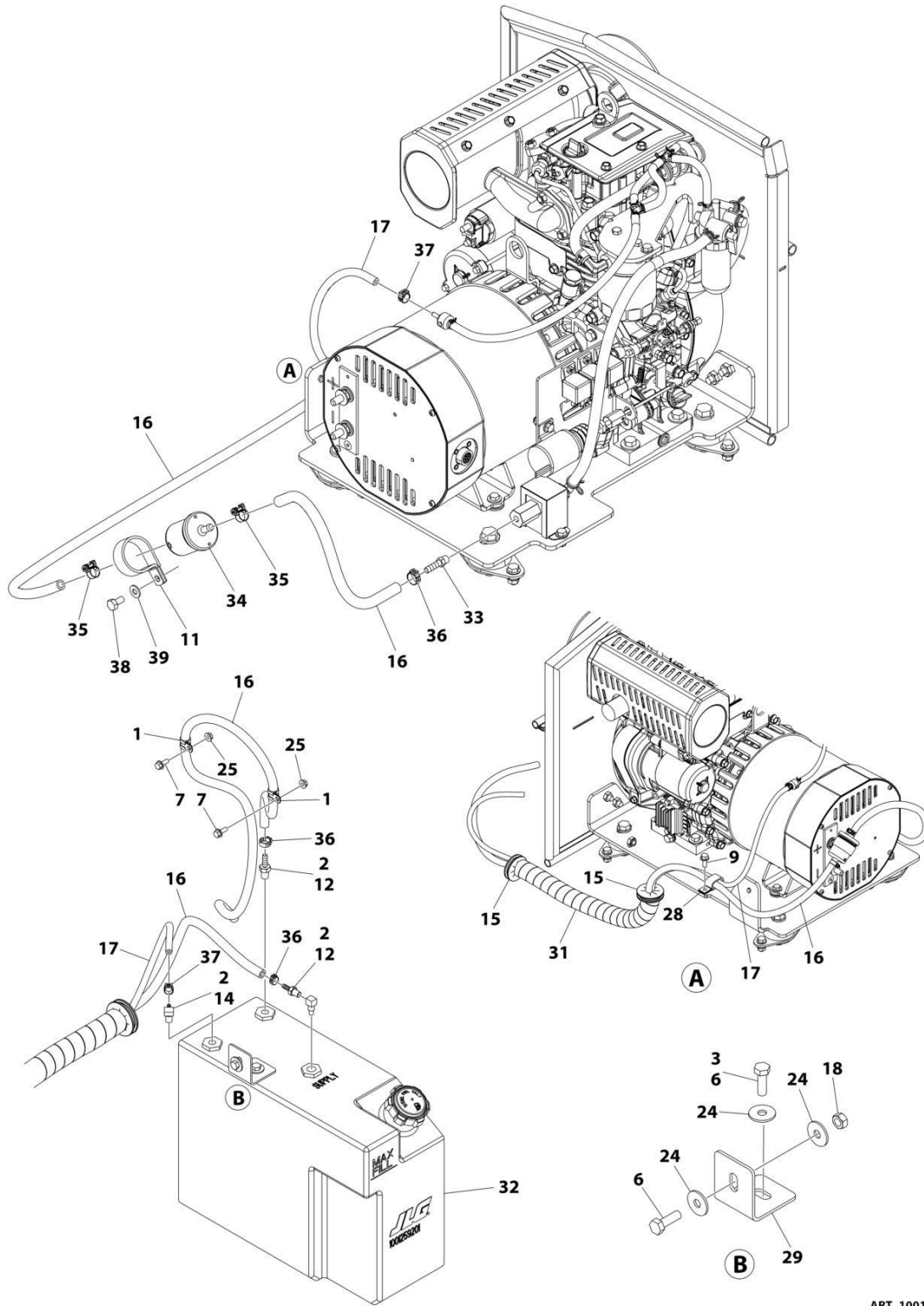
ITEM	PART NUMBER	QTY	DESCRIPTION	REV
	1001248080	Ref	KUBOTA MOTOR/GENERATOR COMPONENTS	A
1	70000290	1	Glow Plug (Not Shown)	
1	70000291	1	Harness, Glow Plug (Not Shown)	
2	70000292	1	Screen, Oil Sump (Includes O-Ring) (Not Shown)	
3	70000293	1	Cap, Oil Filler (Includes O-Ring)	
4	70000294	1	Dipstick	
5	70000295	1	Pump, Oil Rotor (Not Shown - Located beside Item 6)	
5	70000296	1	O-Ring Oil Rotor Pump (Not Shown)	
6	70000297	1	Switch, Oil	
7	70000298	1	Lever, Governor	
7	70000299	1	Pin, Governor Lever	
7	70000300	1	Spring, Governor Lever	
8	70000301	1	Spring, Idling	
8	70000304	1	Lever, Spring Control	
8	70000305	1	Spring, Stop (Speed Control Lever)	
9	70000302	1	Valve, Fuel Limit	
9	70000303	1	Gasket, Fuel Limit	
10	70000306	1	Pump, Injection	
10	70000307	1	Kit, Pump Adjustment Shim	
11	70000308	1	Flywheel/Ring Gear Assembly (Not Shown - Located Behind Front Cover)	
11	70000309	1	Ring Gear (Not Shown)	
11	70001121	1	Stator, Engine (Not Shown - Located Behind Flywheel) (Includes Coil & Grommet)	
12	70003557	1	Regulator, Voltage (Not Shown - Located on Opposite Side of Engine)	
13	70000310	1	Starter (Not Shown - Located on Opposite of Engine)	
14	70000311	1	Solenoid, Starter (Not Shown - Located on Opposite Side of Engine)	
15	70002244	1	Cap, Oil Filler (Includes O-Ring)	
16	70000312	1	Air Filter Assembly	
16	70000313	1	Element, Air Cleaner	
16	70000314	1	Gasket, Air Cleaner	
17	70000315	1	Muffler Assembly	
17	70000316	1	Gasket, Muffler	
18	70000317	1	Inline Fuel Check Valve Assembly	
18	70000967	1	Fuel Filter Assembly	
18	70000318	1	Element, Fuel Filter	
19	70000319	1	Element, Oil Filter	
19	70001144	1	Head, Oil Filter Head (Note: Does Not Include Element)	
20	70002544	1	Bracket, Oil Filter Mount	
21	70000320	1	Pump, Fuel	
22	70000321	1	Solenoid, Fuel	
22	70003618	1	Adapter, Solenoid	
22	70003619	1	Screw	
23	70000322	1	Relay	
24	70000323	2	Relay	
25	70002083	1	Bracket, Solenoid/Relay	
26	70000324	1	Sensor, Speed (Not Shown - Located Inside Front Cover)	
26	70004265	1	Bracket, Speed Sensor (Not Show - Located Inside Front Cover)	

SECTION 3 - ENGINE

ITEM	PART NUMBER	QTY	DESCRIPTION	REV
27	70000325	1	Sensor, Oil Temperature (Not Shown - Located on Opposite Side of Engine Base)	
28	70000326	1	Module, Engine Control	
29	70000327	1	Alternator	
29	70000382	1	Stator, Alternator	
29	70004394	1	Lead, Field Terminal Block Diode	
30	70000328	1	Harness, Generator	
31	70000329	1	Fuse 15Amp (Not Shown)	
32	70000330	1	Fuse 20Amp (Not Shown)	
33	70002543	1	Engine, Kubota (without Generator)	
34	70000289	1	Regulator, Voltage (Not Shown - Located on Opposite Side of Engine)	

SECTION 3 - ENGINE

FIGURE 3-4. ENGINE FUEL LINES INSTALLATION (GENSET)



ART_1001259031

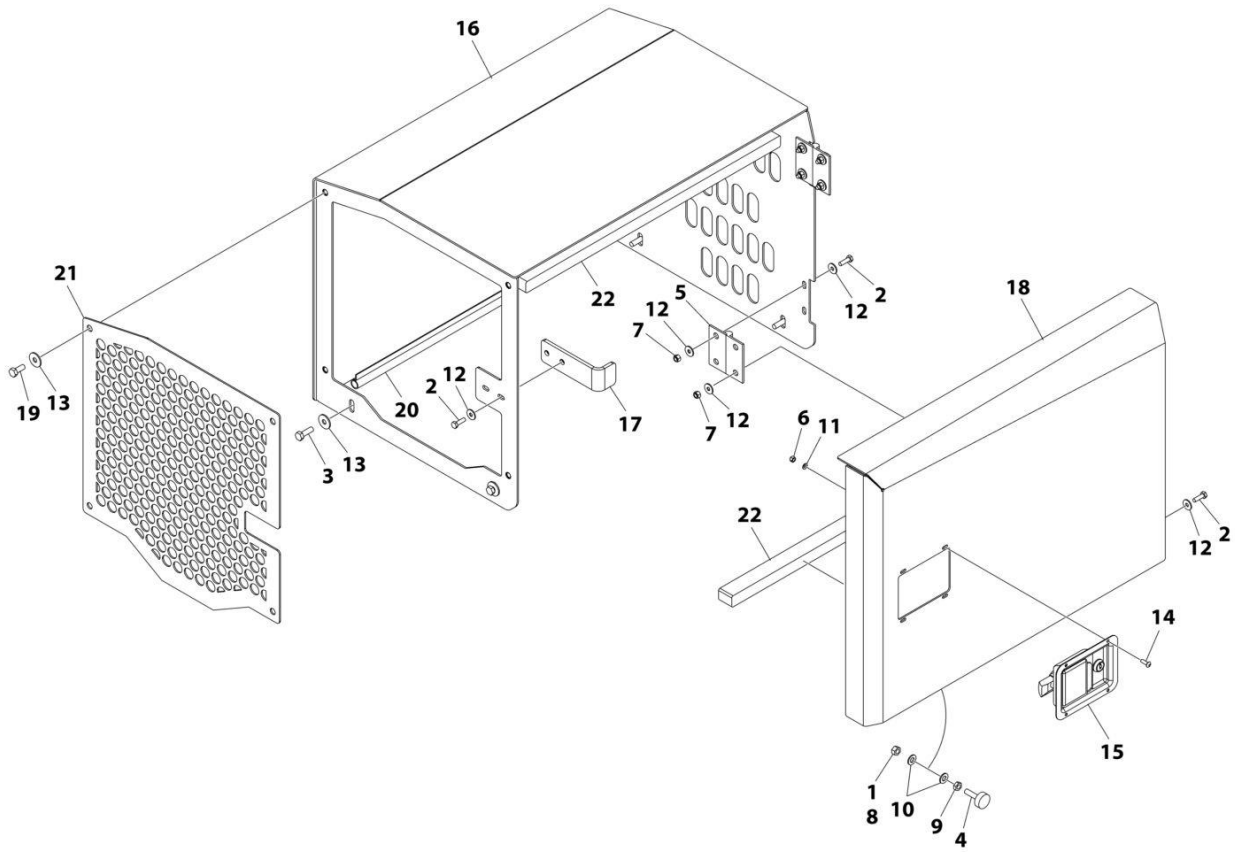
SECTION 3 - ENGINE

FIGURE 3-4. ENGINE FUEL LINES INSTALLATION (GENSET)

ITEM	PART NUMBER	QTY	DESCRIPTION	REV
	1001259031	Ref	FUEL LINES INSTALLATION	D
1	80630	2	Clamp	
2	0100020	AR	Sealant	
3	0100035	AR	Compound, Locking	
6	0700812	2	Bolt M8 x 25	
7	0780608	2	Bolt M6 x 16	
9	0780810	1	Bolt M8 x 20	
11	1320265	1	Clamp	
12	2180348	2	Fitting, Barb	
14	2221047	1	Fitting, 90 Barb	
15	2540045	2	Grommet	
16	2720058	11 ft/ 3.35m	Hose	
17	2720271	4.5 ft/ 1.34m	Hose	
18	3290801	1	Nut M8	
24	4811902	3	Washer M8	
25	5260600	2	Nut M6	
28	1001026127	1	Clamp	
29	1001258837	1	Bracket	
31	1001259240	1	Shield	
32	1001262074	1	Tank Assembly	
32	1001259201	1	Tank	
32	1001193336	1	Cap, Fuel (Non-Vented)	
33	2220794	1	Fitting, Straight Barb	
34	1001255422	1	Filter/Strainer, Fuel	
35	1001174486	2	Clamp	
36	1001263657	3	Clamp	
37	1001263658	2	Clamp	
38	0641404	1	Bolt 1/4 x 1/2	
39	4711400	1	Washer 1/4	

SECTION 3 - ENGINE

FIGURE 3-5. ENGINE HOOD AND DOOR INSTALLATION (GENSET)



ART_1001259033

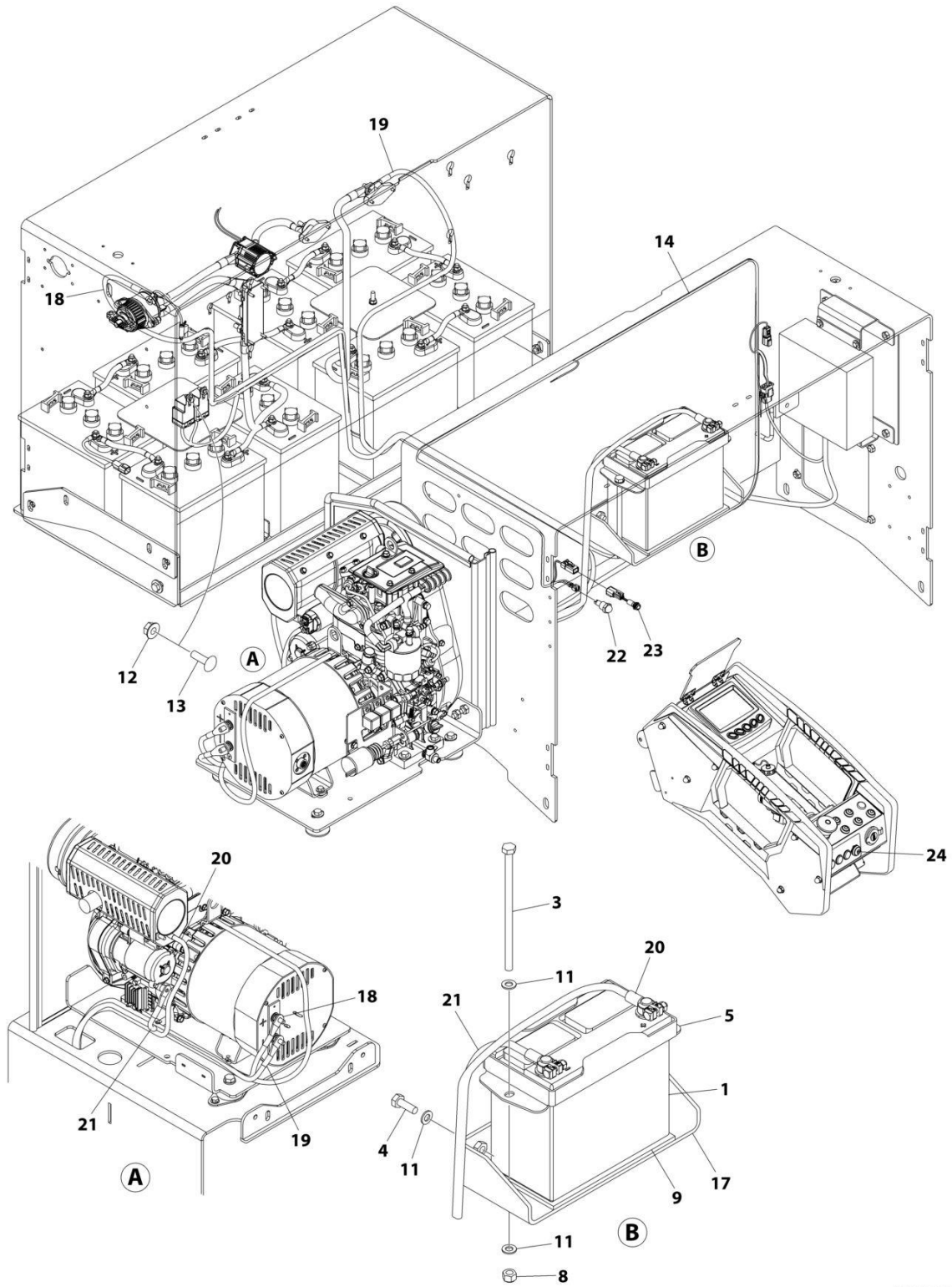
SECTION 3 - ENGINE

FIGURE 3-5. ENGINE HOOD AND DOOR INSTALLATION (GENSET)

ITEM	PART NUMBER	QTY	DESCRIPTION	REV
	1001259033	Ref	HOODS INSTALLATION	C
1	0100011	AR	Compound, Locking	
2	0760610	10	Bolt M6 x 20	
3	0770812	4	Bolt M8 x 25	
4	0940049	1	Stopper	
5	2600216	2	Hinge	
6	3290505	4	Nut M5	
7	3290605	8	Nut M6	
8	3311501	1	Nut 5/16	
9	3311502	1	Nut 5/16	
10	4711500	2	Washer 5/16	
11	4811600	4	Washer M5	
12	4811702	18	Washer M6	
13	4811902	8	Washer M8	
14	1001234348	4	Screw M5 x 16 Grade 10.9	
15	1001257454	1	Latch, Lock	
16	1001290343	1	Panel	
17	1001258870	1	Bracket	
18	1001290351	1	Door	
19	0760810	4	Bolt M8 x 20	
20	3960389	1.8 ft /0.57m	Seal	
21	1001290310	1	Plate	
22	1001291027	2	Seal	

SECTION 3 - ENGINE

FIGURE 3-6. ENGINE ELECTRICAL INSTALLATION (GENSET)



ART_1001259034

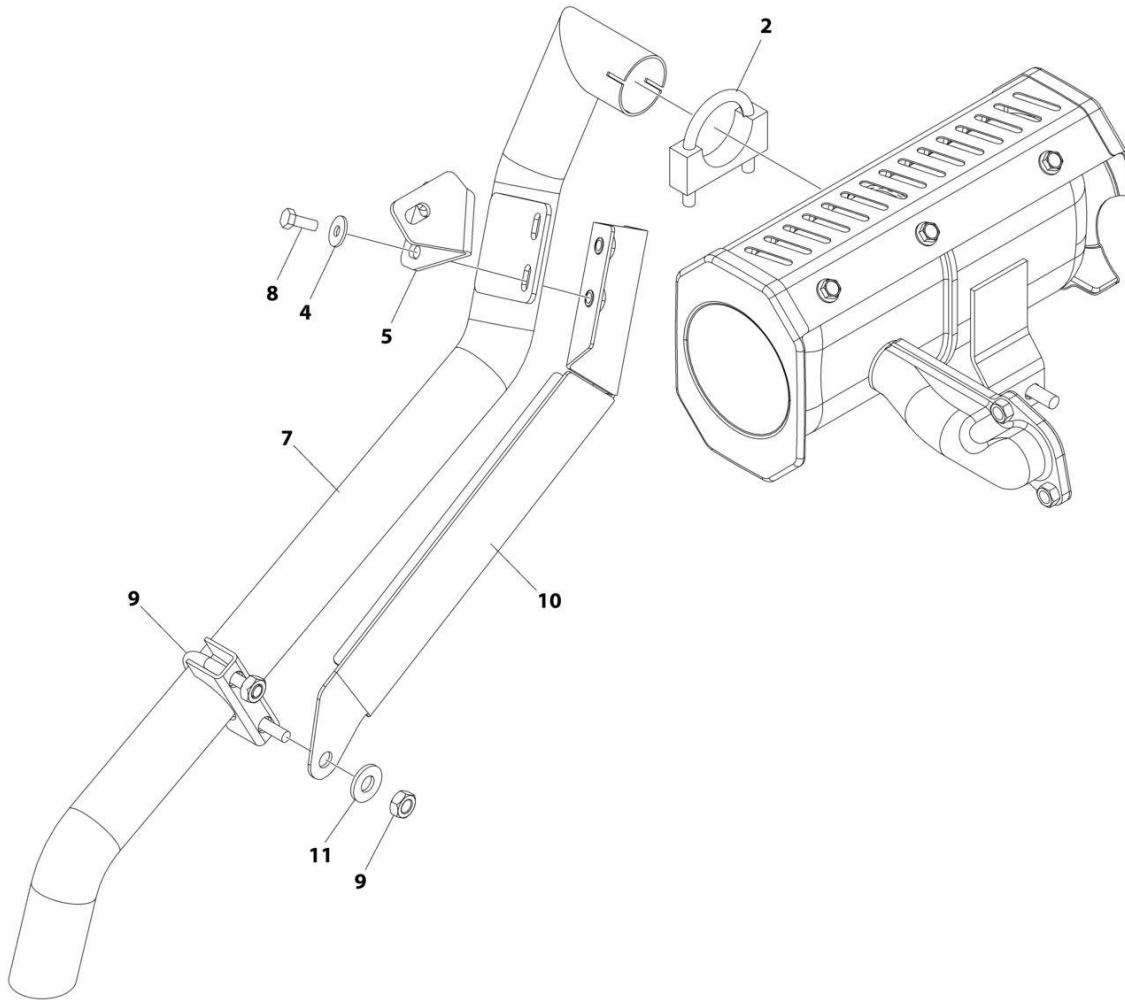
SECTION 3 - ENGINE

FIGURE 3-6. ENGINE ELECTRICAL INSTALLATION (GENSET)

ITEM	PART NUMBER	QTY	DESCRIPTION	REV
	1001259034	Ref	ENGINE ELECTRICAL INSTALLATION - DIESEL	D
1	0400201	1	Battery	
3	0701037	2	Bolt M10 x 200	
4	0771014	2	Bolt M10 x 30	
5	0902659	1	Bracket, Battery	
8	3291005	2	Nut M10	
9	3980035	1	Seat, Battery	
11	4812000	6	Washer M10	
12	5260600	2	Nut M6	
13	1001100451	2	Bolt M6 x 20	
14	1001255067	1	Harness, Mechtron Genset (See Separate Breakdown in ELECTRICAL Section)	
17	1001260678	1	Bracket	
18	1001260903	1	Cable - Generator Positive	
19	1001260904	1	Cable - Generator Negative	
20	1001260952	1	Cable - Battery Positive	
21	1001260953	1	Cable - Battery Negative	
22	4360387	1	Switch, Push Button	
23	1001182680	1	Light, LED	
24	1001250684	1	Switch, Push Button (Platform Control Box)	
25	4240018	1	Tie-Strap (Not Shown)	

SECTION 3 - ENGINE

FIGURE 3-7. EXHAUST INSTALLATION (GENSET)



ART_1001259035

SECTION 3 - ENGINE

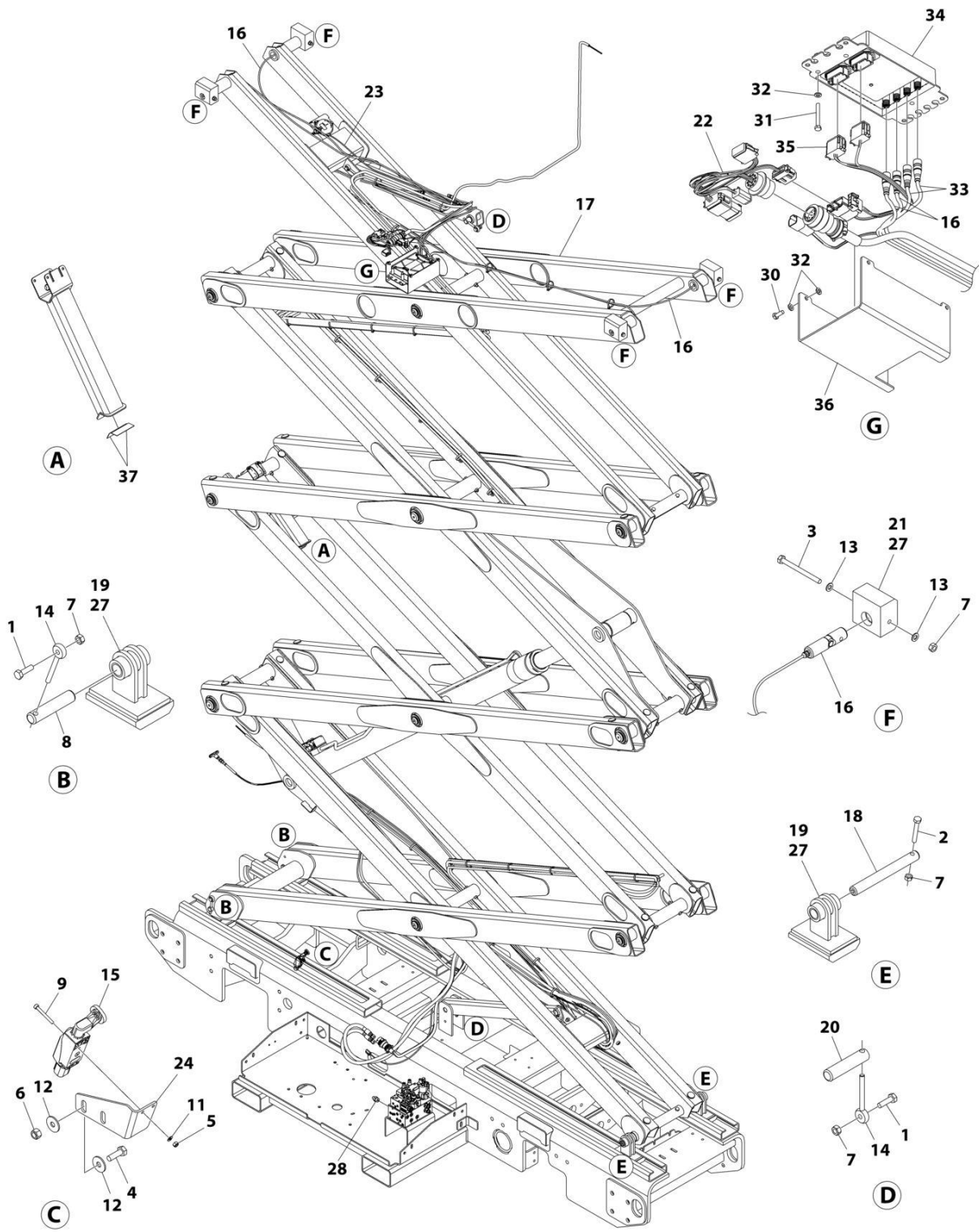
FIGURE 3-7. EXHAUST INSTALLATION (GENSET)

ITEM	PART NUMBER	QTY	DESCRIPTION	REV
	1001259035	Ref	EXHAUST INSTALLATION	D
2	1320135	1	Clamp	
4	4811702	2	Washer M6	
5	1001277750	1	Beacket	
7	1001290347	1	Pipe	
8	0760610	2	Bolt M6 x 20	
9	1320274	1	Clamp	
10	1001290345	1	Shield	
11	4811902	1	Washer M8	

SECTION 4 - SCISSORS ARMS

SECTION 4 - SCISSORS ARMS

FIGURE 4-1. ARMS INSTALLATION (ERT4069)



ART_1001248822

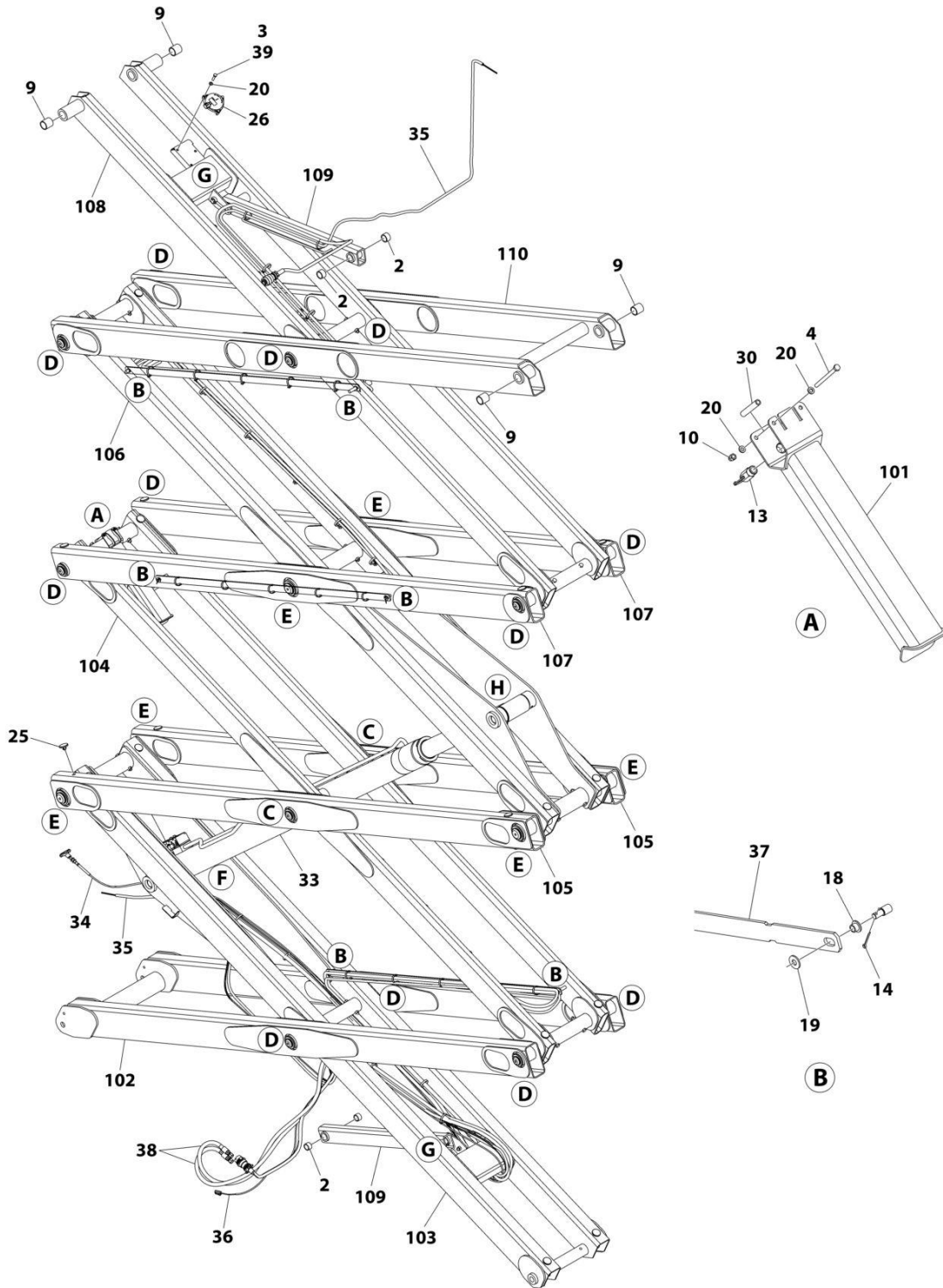
SECTION 4 - SCISSORS ARMS

FIGURE 4-1. ARMS INSTALLATION (ERT4069)

ITEM	PART NUMBER	QTY	DESCRIPTION	REV
	1001248822	Ref	ARMS INSTALLATION	E
1	0701015	4	Bolt 10 x 35	
2	0701022	2	Bolt 10 x 70	
3	0701029	4	Bolt 10 x 120	
4	0760812	2	Bolt M8 x 25	
5	3290405	2	Nut M4	
6	3290805	2	Nut M8	
7	3291007	10	Nut M10	
8	3422943	2	Pin	
9	4031511	2	Capscrew M4 x 35	
11	4811400	2	Washer M4	
12	4811902	4	Washer M8	
13	4812000	8	Washer M10	
14	1001270098	4	Pin, Keeper	
15	1001145548	1	Switch, Limit	
15	1001284972	1	Switch, Limit	
16	3422938	4	Pin	
17	1001247369	1	Arm Assembly (See Separate Breakdown in this Section)	
18	1001247521	2	Pin	
19	1001247667	4	Support, Slider	
20	1001247669	2	Pin	
21	1001247671	4	Block, Slide	
22	1001264939	1	Harness, Platform (See Separate Breakdown in ELECTRICAL Section)	
23	1001249091	1	Harness, Tilt Sensor (See Separate Breakdown in ELECTRICAL Section)	
24	1001257587	1	Bracket	
27	3020029	AR	Lubricant	
28	2220372	1	Fitting, Straight JIC/ORB	
29	4240018	AR	Tie - Strap (Not Shown)	
30	0760608	4	Bolt M6 x 16	
31	0700618	3	Bolt M6 x 50	
32	4811700	11	Washer M6	
33	1061020	2	Cable, Extension (1.5 Meter)	
34	1600387	1	Module, Load Sense (Note: Recalibration Required When Replaced)	
35	1001226830	1	Harness Load Sense (See Separate Breakdown in ELECTRICAL Section)	
36	1001263662	1	Cover	
37	1001189762	2	Tape	

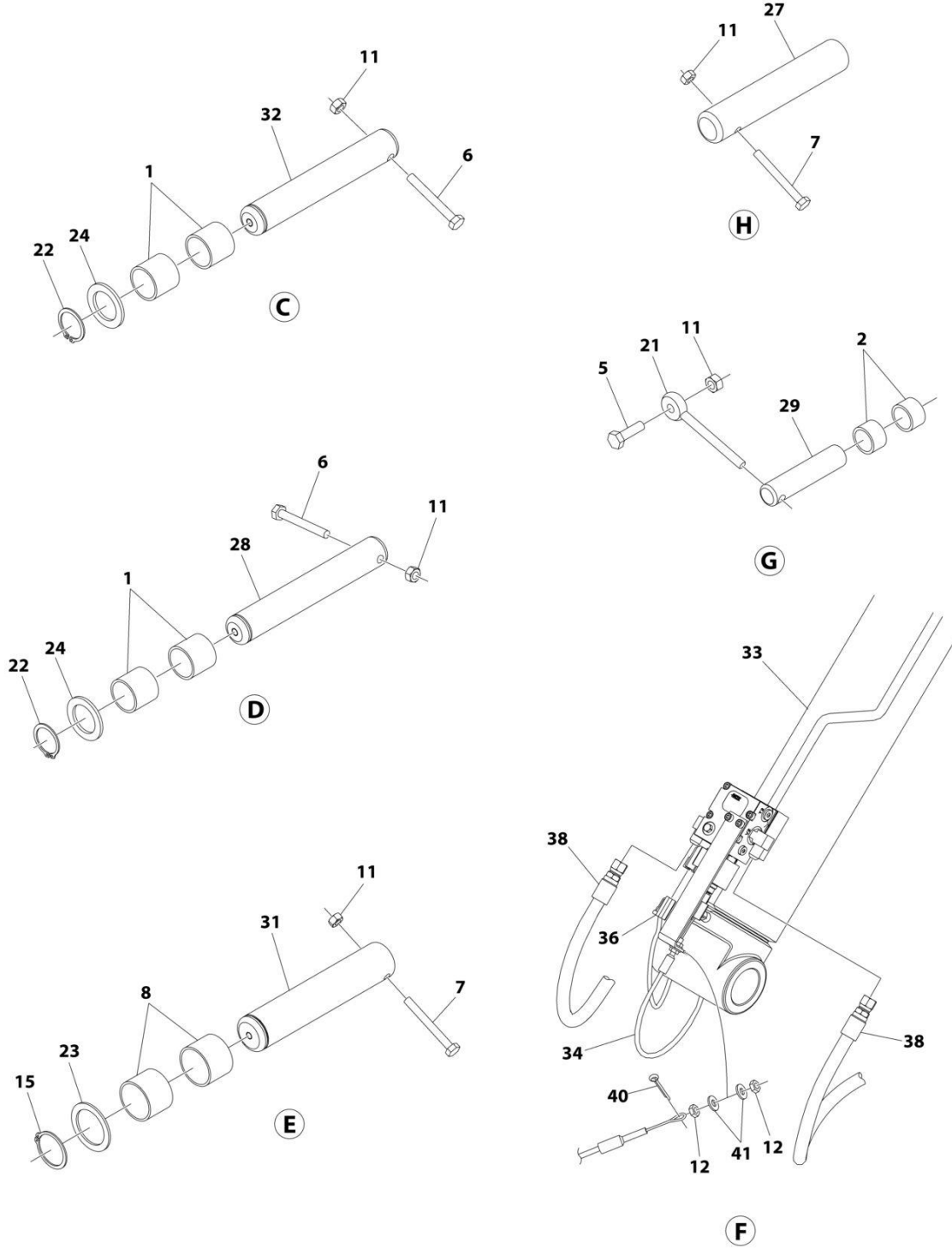
SECTION 4 - SCISSORS ARMS

FIGURE 4-2. ARMS ASSEMBLY (ERT4069)



ART_1001247369_1OF2

SECTION 4 - SCISSORS ARMS



ART_1001247369_2OF2

SECTION 4 - SCISSORS ARMS

FIGURE 4-2. ARMS ASSEMBLY (ERT4069)

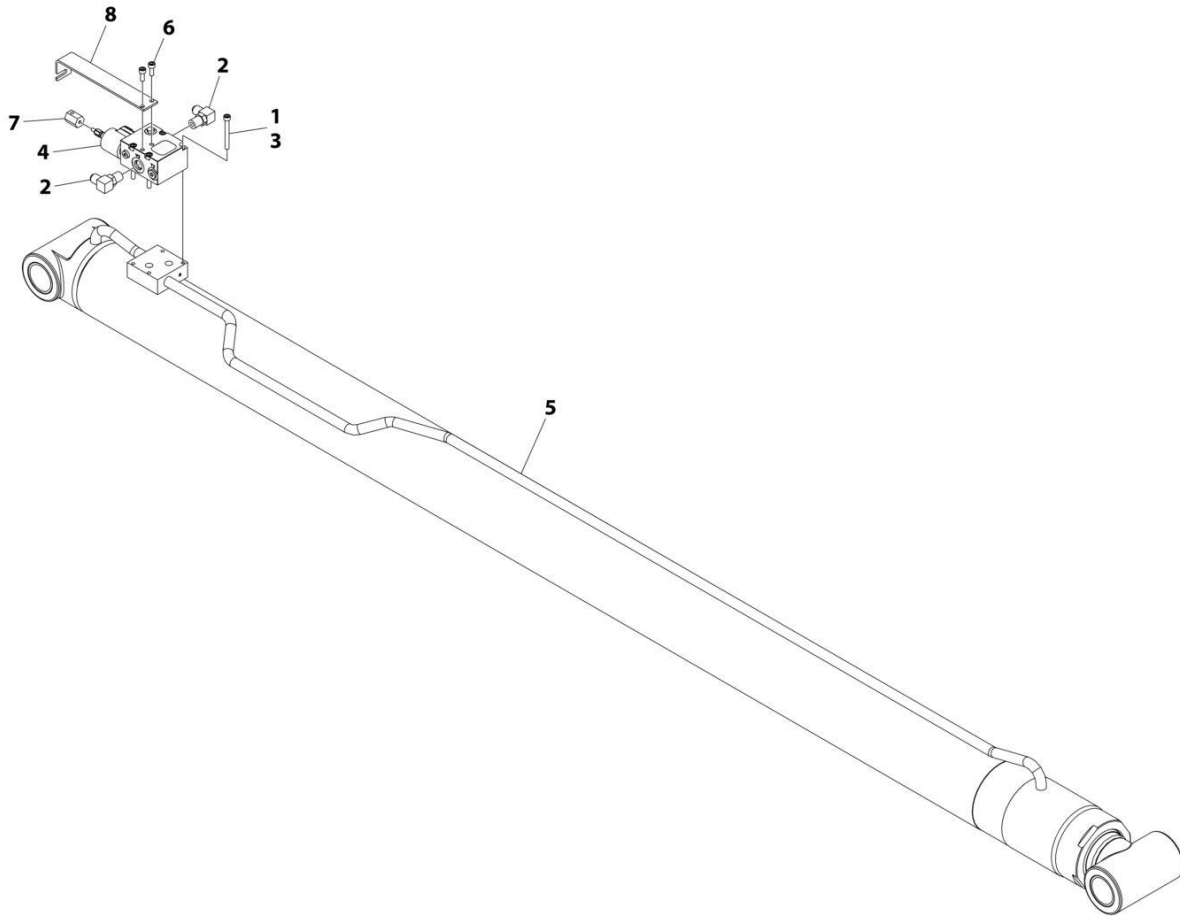
ITEM	PART NUMBER	QTY	DESCRIPTION	REV
	1001247369	Ref	ARMS ASSEMBLY	D
1	0440241	28	Bearing	
2	0440264	8	Bearing	
3	0700612	3	Bolt M6 x 25	
4	0700624	2	Bolt M6 x 80	
5	0701015	2	Bolt M10 x 35	
6	0701024	14	Bolt M10 x 80	
7	0701026	8	Bolt M10 x 90	
8	0961950	12	Bushing	
9	0962220	4	Bushing	
10	3290606	2	Nut M6	
11	3291007	24	Nut M10	
12	3321402	2	Nut 1/4	
13	3423151	1	Pin	
14	3450304	6	Pin, Cotter 3/32 x 1	
15	3760493	6	Ring, Retaining	
17	4240018	AR	Tie - Strap (Not Shown)	
18	4740480	6	Washer (Plastic Insert)	
19	4751500	6	Washer 5/16	
20	4811700	7	Washer M6	
21	1001270098	2	Pin, Keeper	
22	1001099560	14	Ring, Retaining	
23	1001197405	6	Washer	
24	1001217457	14	Washer	
25	1001228533	24	Bumper	
26	1001244934	1	Sensor, Tilt	
27	1001247522	2	Pin	
28	1001247524	12	Pin	
29	1001247669	2	Pin	
30	1001247670	2	Sleeve	
31	1001247835	6	Pin	
32	1001249637	2	Pin	
33	1001256128	1	Cylinder Lift Down Valve Assembly (See Separate Breakdown in this Section)	
34	1001265848	1	Cable, Manual Descent	
35	1001259135	1	Harness, Ground To Platform (See Separate Breakdown in ELECTRICAL Section)	
36	1001259139	1	Harness Lift Down (See Separate Breakdown in ELECTRICAL Section)	
37	1001259497	3	Bar, Cable	
38	1001260897	2	Hose	
39	0100011	AR	Compound, Locking	
40	3450405	1	Pin, Cotter 1/8 x 1-1/4	
41	4711400	2	Washer 1/4	
100	1001247377	1	Arm Kit (Not Shown)	C
101	1001247672	1	Prop, Arm	
102	1001256889	1	Arm, Outboard (Lower)	
103	1001257752	1	Arm, Inboard (Lower)	
104	1001257754	1	Arm, Inboard (Lower Mid)	
105	1001257755	2	Arm, Outboard (Lower Mid)	

SECTION 4 - SCISSORS ARMS

ITEM	PART NUMBER	QTY	DESCRIPTION	REV
106	1001257756	1	Arm, Inboard (Upper Mid)	
107	1001257757	2	Arm, Outboard (Upper Mid)	
108	1001257758	1	Arm, Inboard (Upper)	
109	1001257760	2	Tube, Arm Center Link	
110	1001258814	1	Arm, Outboard (Upper)	

SECTION 4 - SCISSORS ARMS

FIGURE 4-3. CYLINDER AND LIFT DOWN VALVE ASSEMBLY (ERT4069)



ART_1001256128

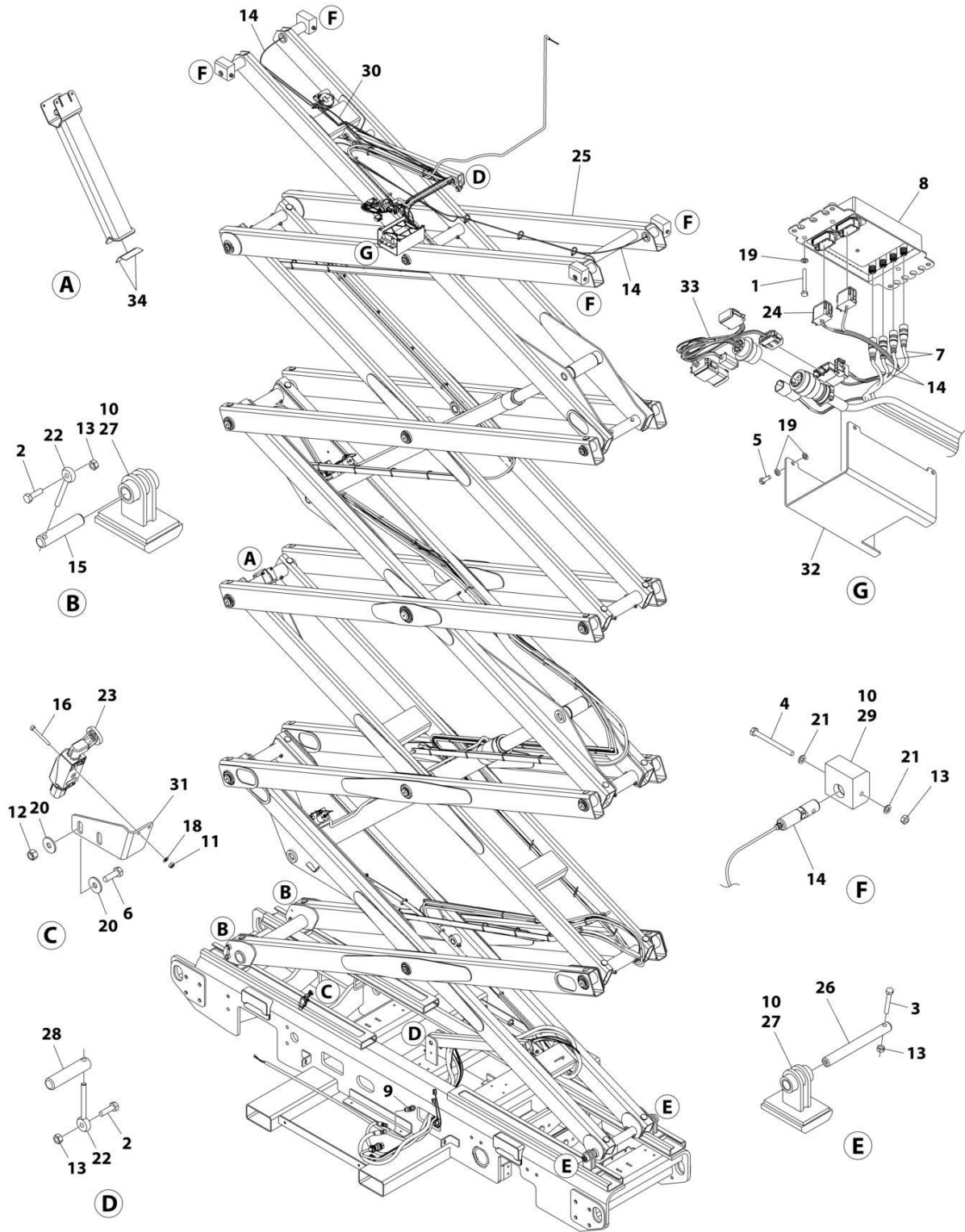
SECTION 4 - SCISSORS ARMS

FIGURE 4-3. CYLINDER AND LIFT DOWN VALVE ASSEMBLY (ERT4069)

ITEM	PART NUMBER	QTY	DESCRIPTION	REV
	1001256128	Ref	CYLINDER AND LIFT DOWN VALVE ASSEMBLY	C
1	0100011	AR	Compound, Locking	
2	2220473	2	Fitting, 90 JIC/ORB	
3	1001118878	4	Capscrew M6 x 55	
4	1001244904	1	Valve, Lift Down (No Service Parts Available)	
5	1001255394	1	Lift Cylinder Assembly (See Separate Breakdown in CYLINDER Section)	
6	4031707	2	Capscrew M6 x 16	
7	1001265744	1	Adapter	
8	1001265761	1	Bracket	

SECTION 4 - SCISSORS ARMS

FIGURE 4-4. ARMS INSTALLATION (ERT4769)



ART_1001248823

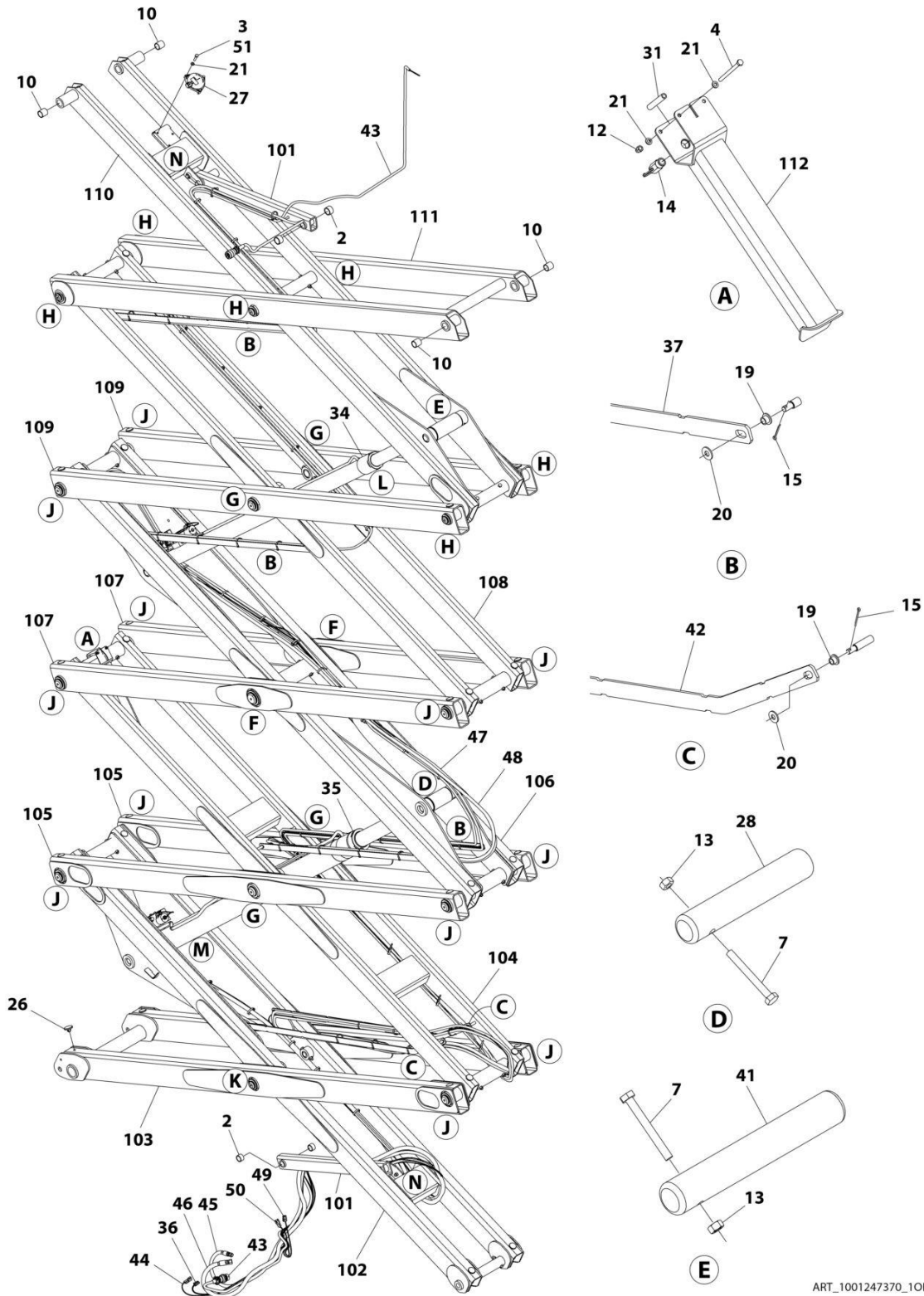
SECTION 4 - SCISSORS ARMS

FIGURE 4-4. ARMS INSTALLATION (ERT4769)

ITEM	PART NUMBER	QTY	DESCRIPTION	REV
	1001248823	Ref	ARMS INSTALLATION	D
1	0700618	3	Bolt M6 x 50	
2	0701015	4	Bolt 10 x 35	
3	0701022	2	Bolt 10 x 70	
4	0701029	4	Bolt 10 x 120	
5	0760608	4	Bolt M6 x 16	
6	0760812	2	Bolt M8 x 25	
7	1061020	2	Cable, Extension (1.5 Meter)	
8	1600387	1	Module, Load Sense (Note: Recalibration Required When Replaced)	
9	2220500	1	Fitting, 45 JIC/ORB	
10	3020029	AR	Lubricant	
11	3290405	2	Nut M4	
12	3290805	2	Nut M8	
13	3291007	10	Nut M10	
14	3422938	4	Pin	
15	3422943	2	Pin	
16	4031511	2	Capscrew M4 x 35	
17	4240018	AR	Tie - Strap (Not Shown)	
18	4811400	2	Washer M4	
19	4811700	11	Washer M6	
20	4811902	4	Washer M8	
21	4812000	8	Washer M10	
22	1001270098	4	Pin, Keeper	
23	1001145548	1	Switch, Limit	
23	1001284972	1	Switch, Limit	
24	1001226830	1	Harness Load Sense (See Separate Breakdown in ELECTRICAL Section)	
25	1001247370	1	Arm Assembly (See Separate Breakdown in this Section)	
26	1001247521	2	Pin	
27	1001247667	4	Support, Slider	
28	1001247669	2	Pin	
29	1001247671	4	Block, Slide	
30	1001249091	1	Harness, Tilt Sensor (See Separate Breakdown in ELECTRICAL Section)	
31	1001257587	1	Bracket	
32	1001263662	1	Cover	
33	1001264939	1	Harness, Platform (See Separate Breakdown in ELECTRICAL Section)	
34	1001189762	2	Tape	

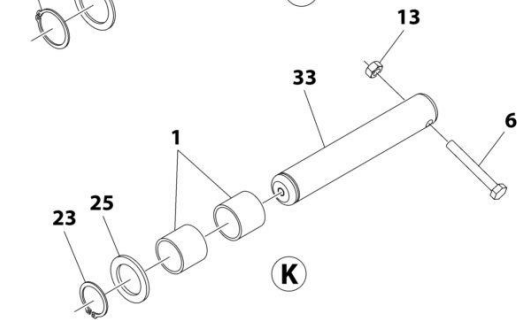
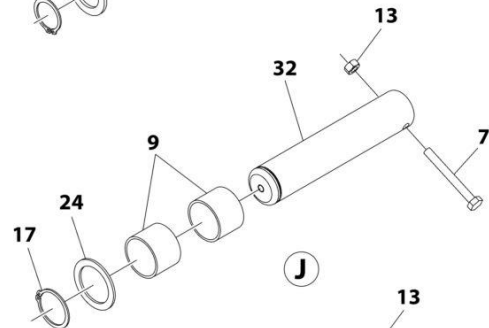
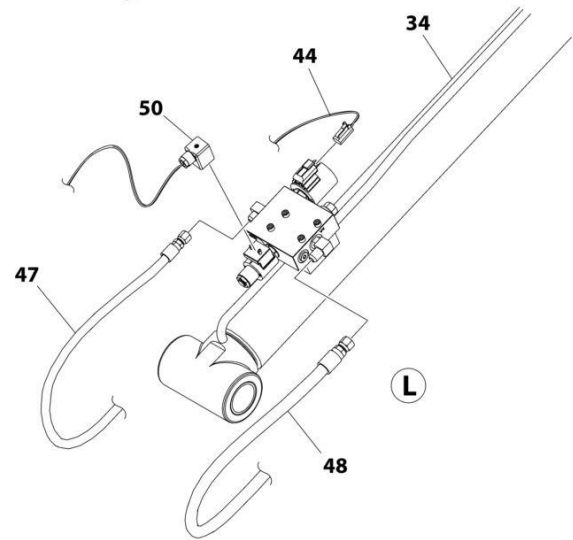
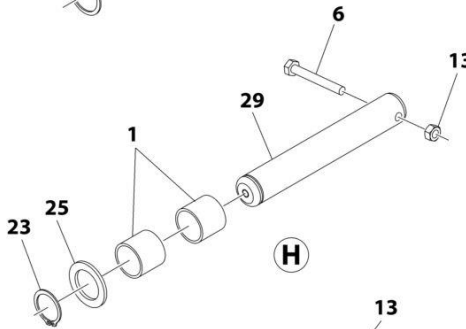
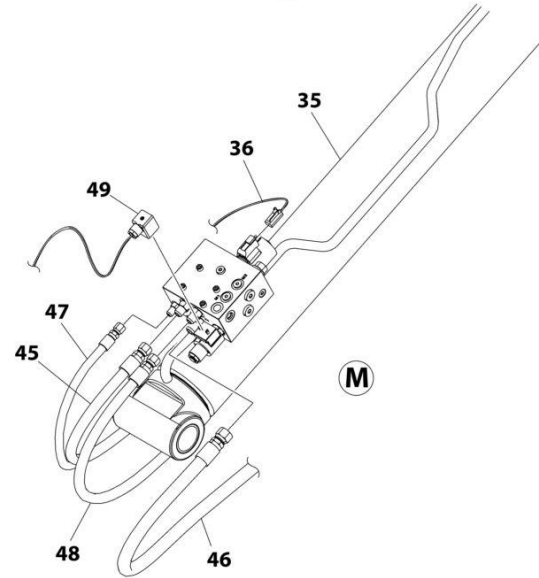
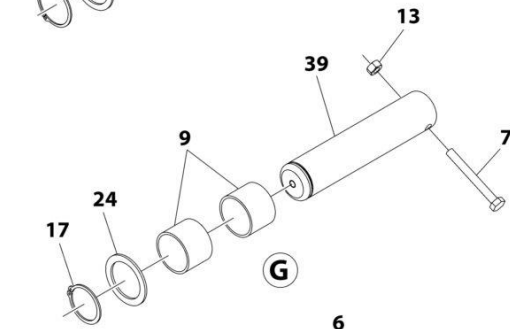
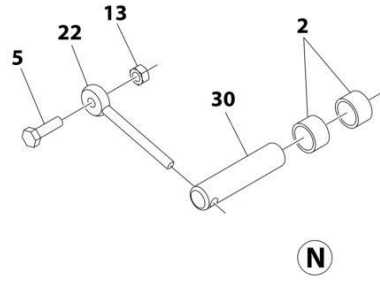
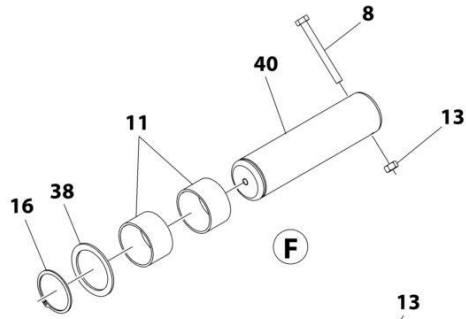
SECTION 4 - SCISSORS ARMS

FIGURE 4-5. ARMS ASSEMBLY (ERT4769)



ART_1001247370_10F2

SECTION 4 - SCISSORS ARMS



ART_1001247370_2OF2

SECTION 4 - SCISSORS ARMS

FIGURE 4-5. ARMS ASSEMBLY (ERT4769)

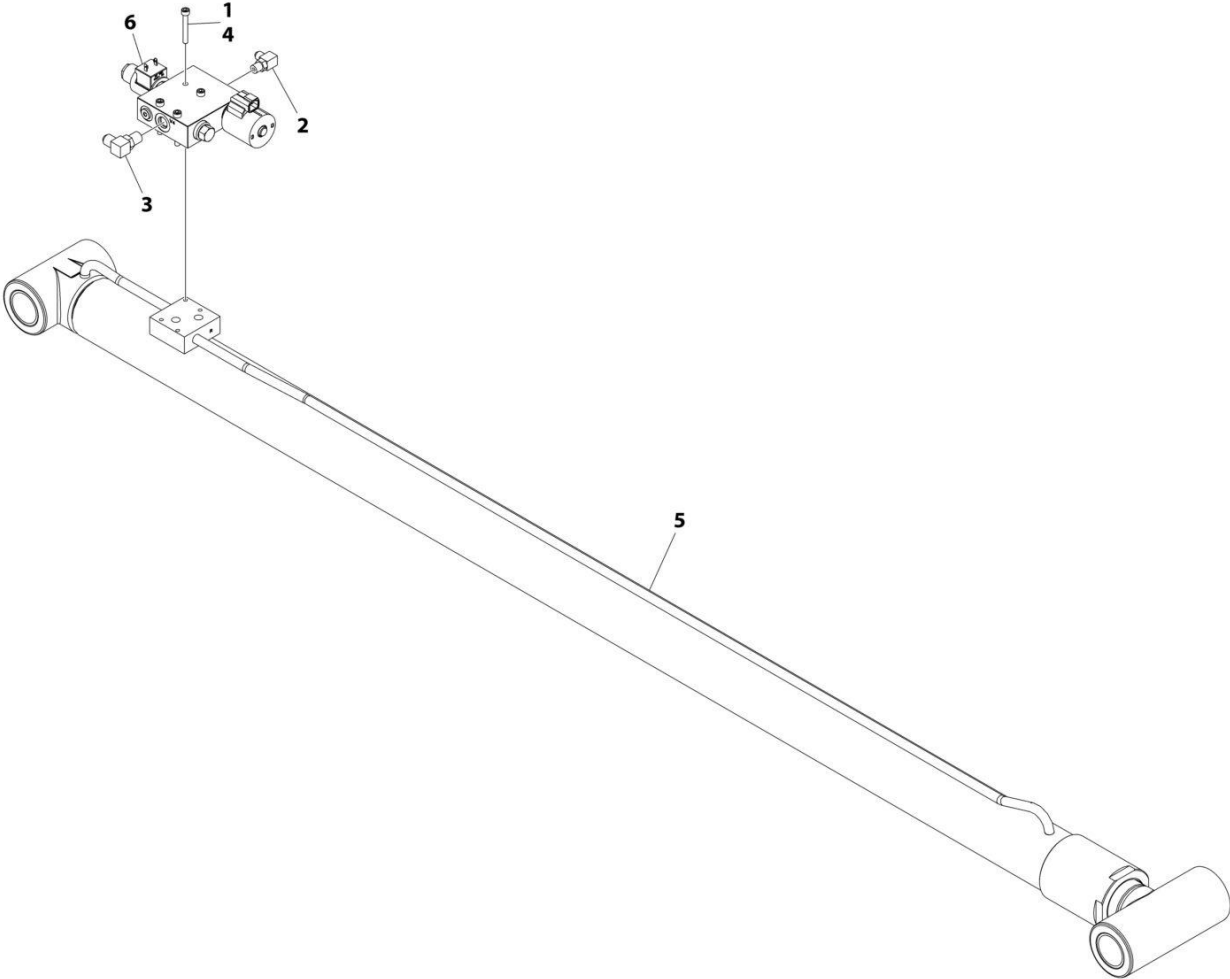
ITEM	PART NUMBER	QTY	DESCRIPTION	REV
	1001247370	Ref	ARMS ASSEMBLY	D
1	0440241	16	Bearing	
2	0440264	8	Bearing	
3	0700612	3	Bolt M6 x 25	
4	0700626	2	Bolt M6 x 90	
5	0701015	2	Bolt M10 x 35	
6	0701024	8	Bolt M10 x 80	
7	0701026	20	Bolt M10 x 90	
8	0701027	2	Bolt M10 x 100	
8	0701028	2	Bolt M10 x 110	
9	0961950	32	Bushing	
10	0962220	4	Bushing	
11	0962406	4	Bushing	
12	3290606	2	Nut M6	
13	3291007	32	Nut M10	
14	3423151	1	Pin	
15	3450304	12	Pin, Cotter 3/32 x 1	
16	1001260406	2	Ring, Retaining	
17	3760493	16	Ring, Retaining	
18	4240018	AR	Tie - Strap (Not Shown)	
19	4740480	12	Washer (Plastic Insert)	
20	4751500	12	Washer 5/16	
21	4811700	7	Washer M6	
22	1001270098	2	Pin, Keeper	
23	1001099560	8	Ring, Retaining	
24	1001197405	16	Washer	
25	1001217457	8	Washer	
26	1001228533	32	Bumper	
27	1001244934	1	Sensor, Tilt	
28	1001247522	3	Pin	
29	1001247524	6	Pin	
30	1001247669	2	Pin	
31	1001247670	2	Sleeve	
32	1001247835	12	Pin	
33	1001249637	2	Pin	
34	1001256460	1	Cylinder Lift Down Valve Assembly - Upper (See Separate Breakdown in this Section)	
35	1001256461	1	Cylinder Lift Down Valve Assembly - Lower (See Separate Breakdown in this Section)	
36	1001259139	1	Harness, Lift Down - Lower (See Separate Breakdown in ELECTRICAL Section)	
37	1001259497	4	Bar, Cable	
38	1001260352	2	Washer	
39	1001260527	4	Pin	
40	1001260528	2	Pin	
41	1001260529	1	Pin	
42	1001261270	2	Bar, Cable	
43	1001262141	1	Harness, Ground To Platform (See Separate Breakdown in ELECTRICAL Section)	
44	1001262142	1	Harness, Lift Down - Upper (See Separate Breakdown in ELECTRICAL Section)	

SECTION 4 - SCISSORS ARMS

ITEM	PART NUMBER	QTY	DESCRIPTION	REV
45	1001262179	1	Hose	
46	1001262197	1	Hose	
47	1001262198	1	Hose	
48	1001262199	1	Hose	
49	1001262404	1	Cable, Lower Aux Valve	
50	1001262407	1	Cable, Upper Aux Valve	
51	0100011	AR	Compound, Locking	
100	1001247378	1	Arm Kit (Not Shown)	
101	1001257760	2	Tube, Arm Center Link	
102	1001259529	1	Arm, Inboard (Lower)	
103	1001259530	1	Arm, Outboard (Lower)	
104	1001259531	1	Arm, Inboard (Lower Mid)	
105	1001259532	2	Arm, Outboard (Lower Mid)	
106	1001259533	1	Arm, Inboard (Mid)	
107	1001259534	2	Arm, Outboard (Mid)	
108	1001259535	1	Arm, Inboard (Upper Mid)	
109	1001259536	2	Arm, Outboard (Upper Mid)	
110	1001259537	1	Arm, Inboard (Upper)	
111	1001259538	1	Arm, Outboard (Upper)	
112	1001261273	1	Prop, Arm	

SECTION 4 - SCISSORS ARMS

FIGURE 4-6. CYLINDER AND LIFT DOWN VALVE ASSEMBLY (ERT4769)



ART_1001256460

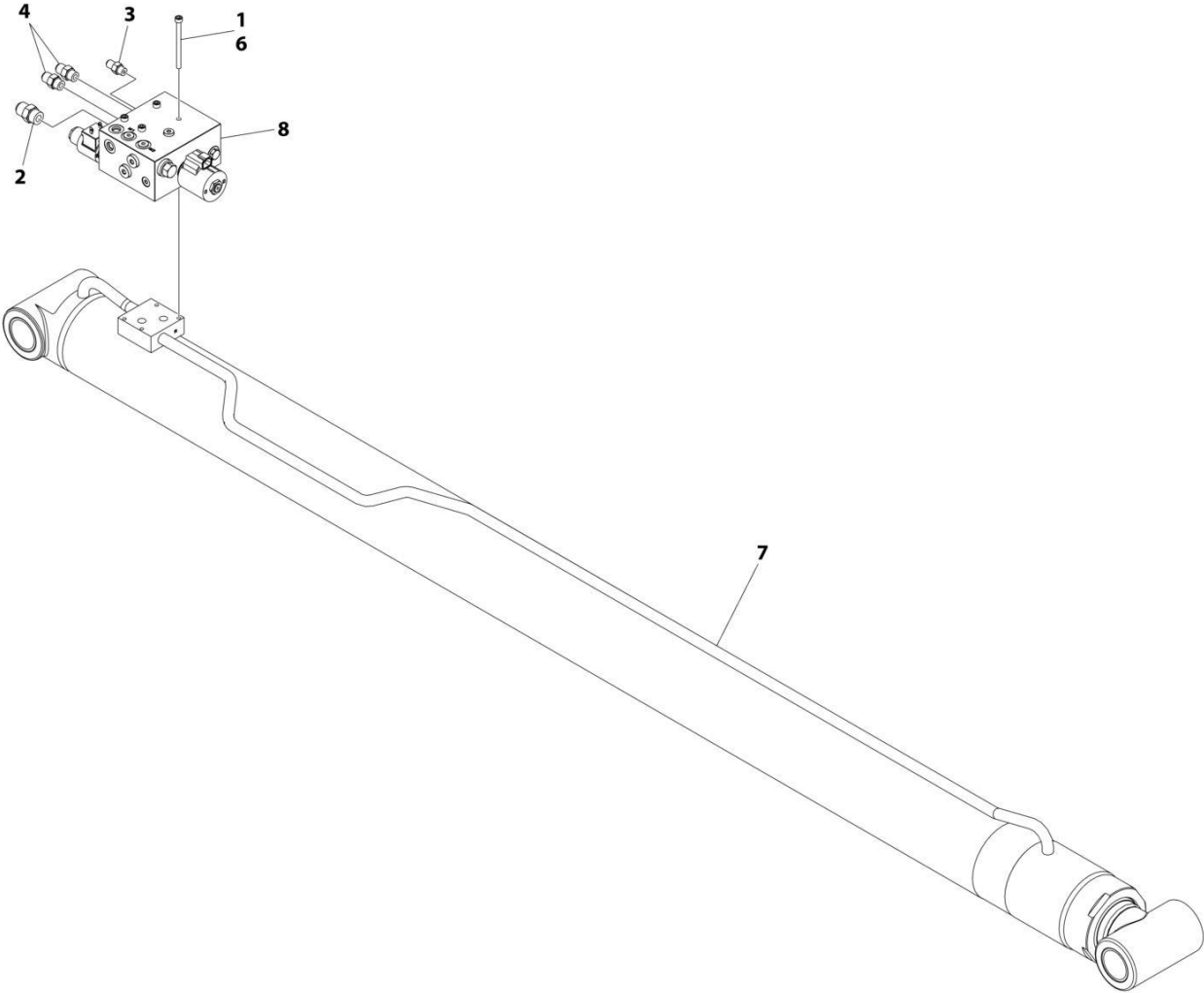
SECTION 4 - SCISSORS ARMS

FIGURE 4-6. CYLINDER AND LIFT DOWN VALVE ASSEMBLY (ERT4769)

ITEM	PART NUMBER	QTY	DESCRIPTION	REV
	1001256460	Ref	CYLINDER AND LIFT DOWN VALVE ASSEMBLY	B
1	0100011	AR	Compound, Locking	
2	2220466	1	Fitting, 90 JIC/ORB	
3	2220473	1	Fitting, 90 JIC/ORB	
4	4031713	4	Bolt M6 x 45	
5	1001255902	1	Lift Cylinder Assembly (See Separate Breakdown in CYLINDER Section)	
6	1001256397	1	Valve, Lift Down (No Service Parts Available)	

SECTION 4 - SCISSORS ARMS

FIGURE 4-7. CYLINDER AND LIFT DOWN VALVE ASSEMBLY (ERT4769)



ART_1001256461

SECTION 4 - SCISSORS ARMS

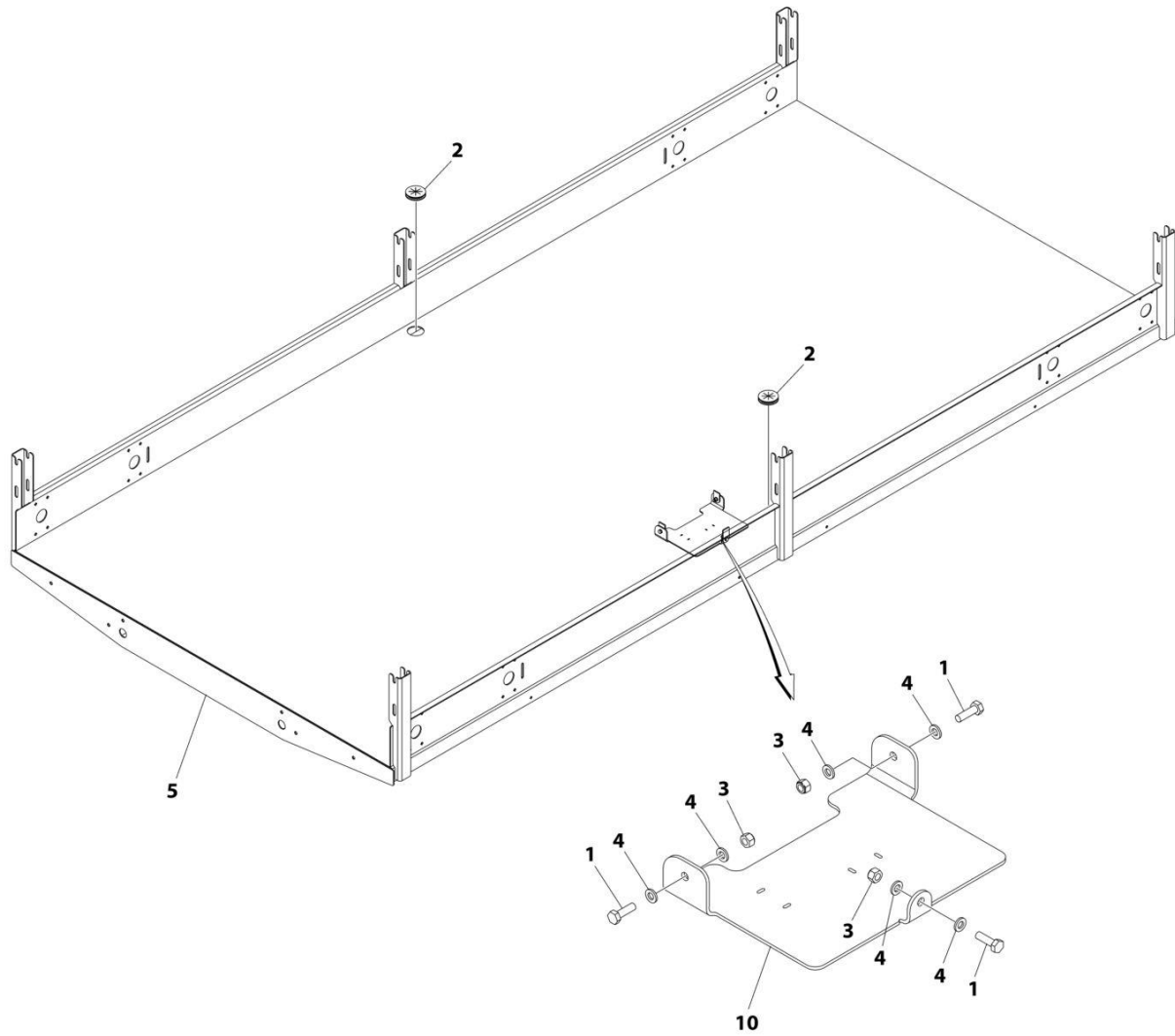
FIGURE 4-7. CYLINDER AND LIFT DOWN VALVE ASSEMBLY (ERT4769)

ITEM	PART NUMBER	QTY	DESCRIPTION	REV
	1001256461	Ref	CYLINDER AND LIFT DOWN VALVE ASSEMBLY	C
1	0100011	AR	Compound, Locking	
2	2220373	1	Fitting, Straight JIC/ORB	
3	2220415	1	Fitting, Straight JIC/ORB	
4	2220371	2	Fitting, Straight JIC/ORB	
6	4031720	4	Bolt M6 x 80	
7	1001255394	1	Lift Cylinder Assembly (See Separate Breakdown in CYLINDER Section)	
8	1001256341	1	Valve, Lift Down (No Service Parts Available)	

SECTION 5 - PLATFORM

SECTION 5 - PLATFORM

FIGURE 5-1. PLATFORM INSTALLATION



ART_1001244381

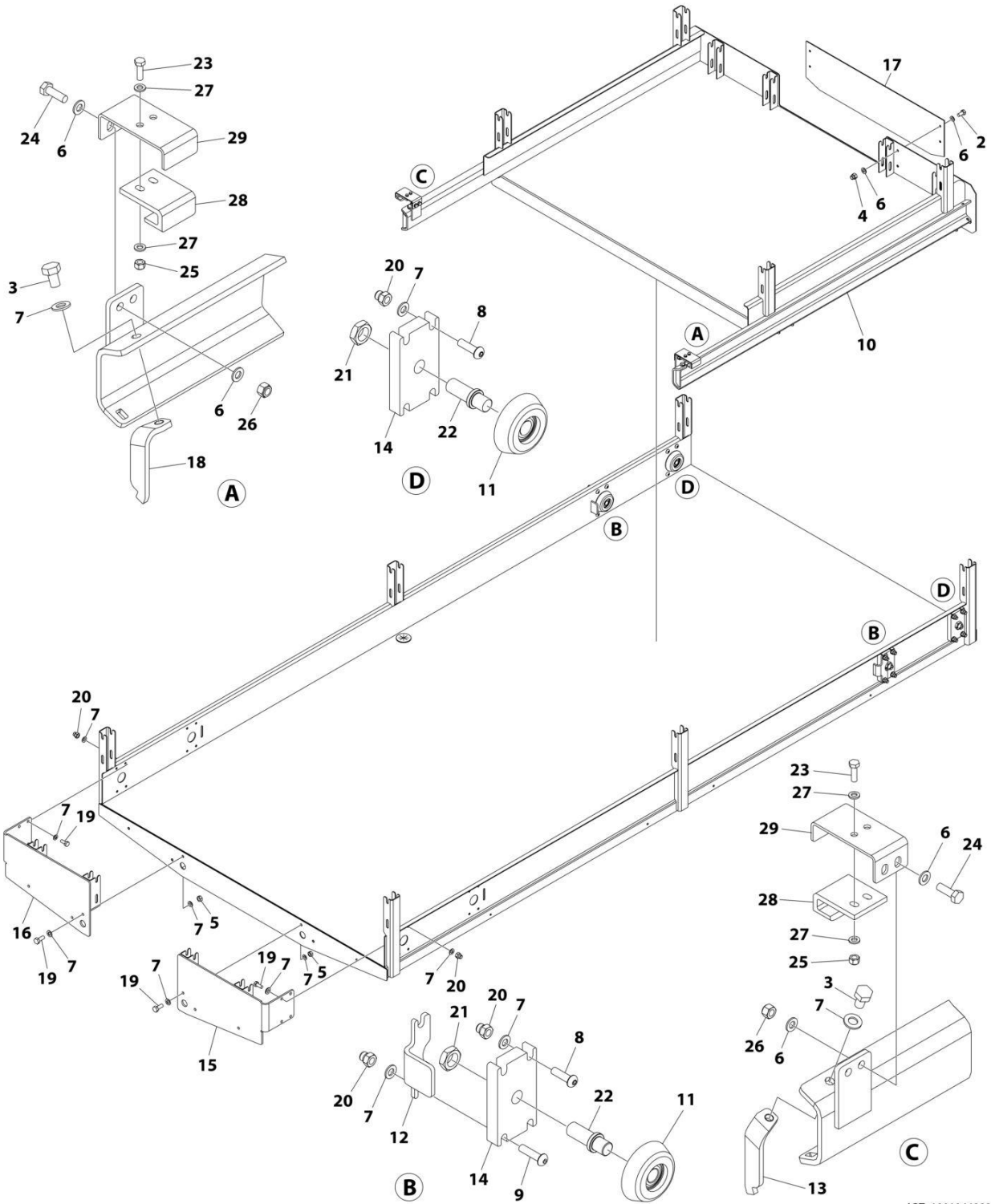
SECTION 5 - PLATFORM

FIGURE 5-1. PLATFORM INSTALLATION

ITEM	PART NUMBER	QTY	DESCRIPTION	REV
	1001244381	Ref	PLATFORM MOUNT INSTALLATION	B
1	0760610	3	Bolt M6 x 20	
2	2540045	2	Grommet	
3	3290605	3	Nut M6	
4	4811700	6	Washer M6	
5	1001245250	1	Platform	
10	1001251328	1	Cover	

SECTION 5 - PLATFORM

FIGURE 5-2. PLATFORM EXTENSION INSTALLATION (SINGLE)



ART_1001244382

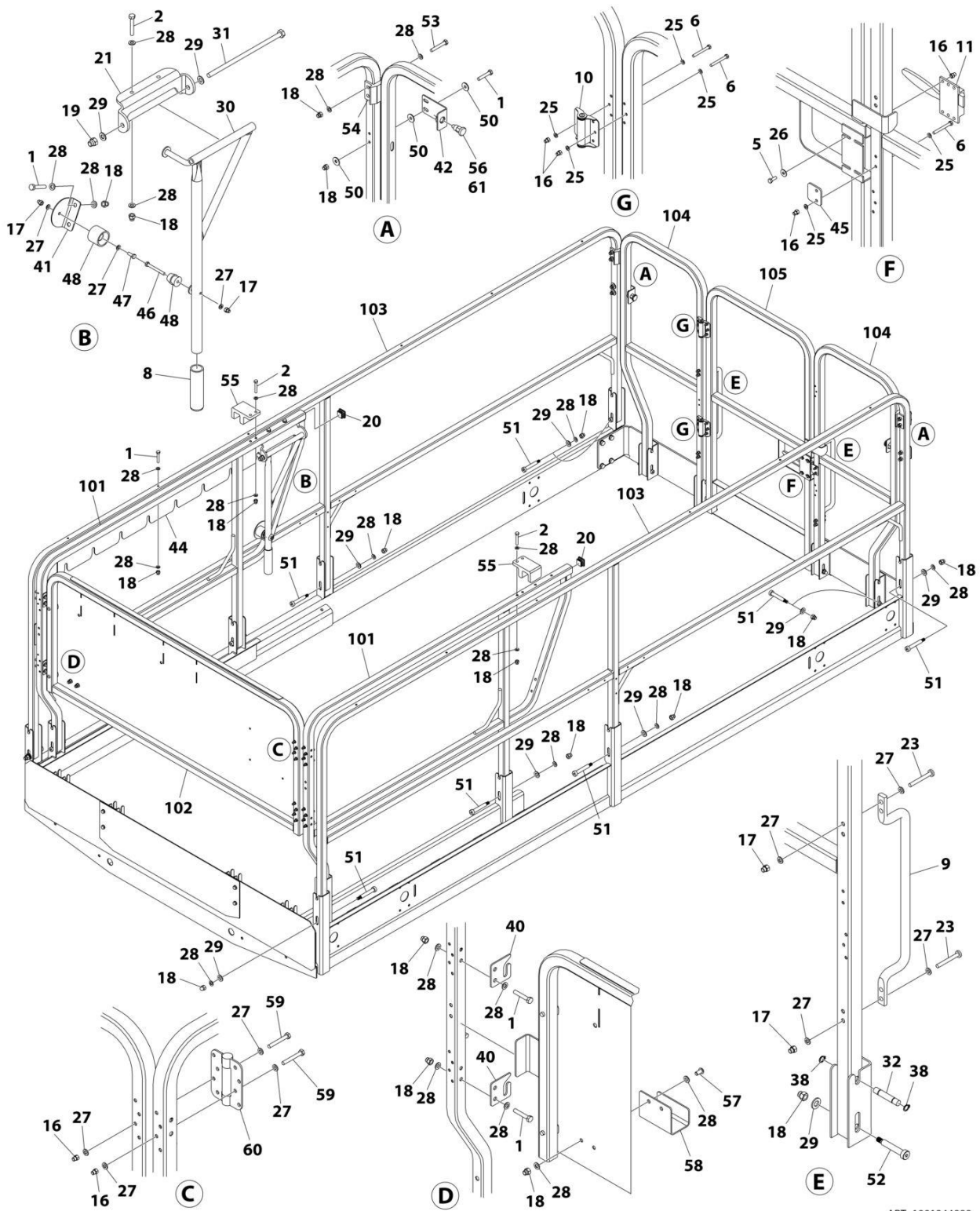
SECTION 5 - PLATFORM

FIGURE 5-2. PLATFORM EXTENSION INSTALLATION (SINGLE)

ITEM	PART NUMBER	QTY	DESCRIPTION	REV
	1001244382	Ref	PLATFORM WITH SINGLE EXTENSION INSTALLATION	F
2	0760808	4	Bolt M8 x 16	
3	0761008	2	Bolt M10 x 16	
4	3290806	4	Nut M8 x 1-1/4	
5	3291007	6	Nut M10 x 1-1/2	
6	4811900	16	Washer M8	
7	4812000	46	Washer M10	
8	1001261123	12	Screw M10 x 35	
9	3900394	4	Capscrew M10 x 1-1/2	
10	1001245479	1	Extension, Platform	
11	1001248933	4	Roller	
12	1001248990	2	Plate	
13	1001248991	1	Plate	
14	1001262640	4	Bracket	
15	1001250355	1	Plate	
16	1001250356	1	Plate	
17	1001250627	1	Plate	
18	1001250640	1	Plate	
19	0701012	14	Capscrew M10 x 25	
20	3291006	24	Nut M10	
21	3292002	4	Nut M20	
22	1001262639	4	Pin	
23	0760610	4	Bolt M6 x 20	
24	0760812	4	Bolt M6 x 25	
25	3290605	4	Nut M6	
26	3290805	4	Nut M8	
27	4811700	8	Washer M6	
28	1001265684	2	Brace, Extension leg Strap	
29	1001265821	2	Bracket, Extension Back Strap	
30	4420062	AR	Tape (Not Shown)	

SECTION 5 - PLATFORM

FIGURE 5-3. PLATFORM RAILS INSTALLATION (SINGLE EXTENSION)



ART_1001244888

SECTION 5 - PLATFORM

FIGURE 5-3. PLATFORM RAILS INSTALLATION (SINGLE EXTENSION)

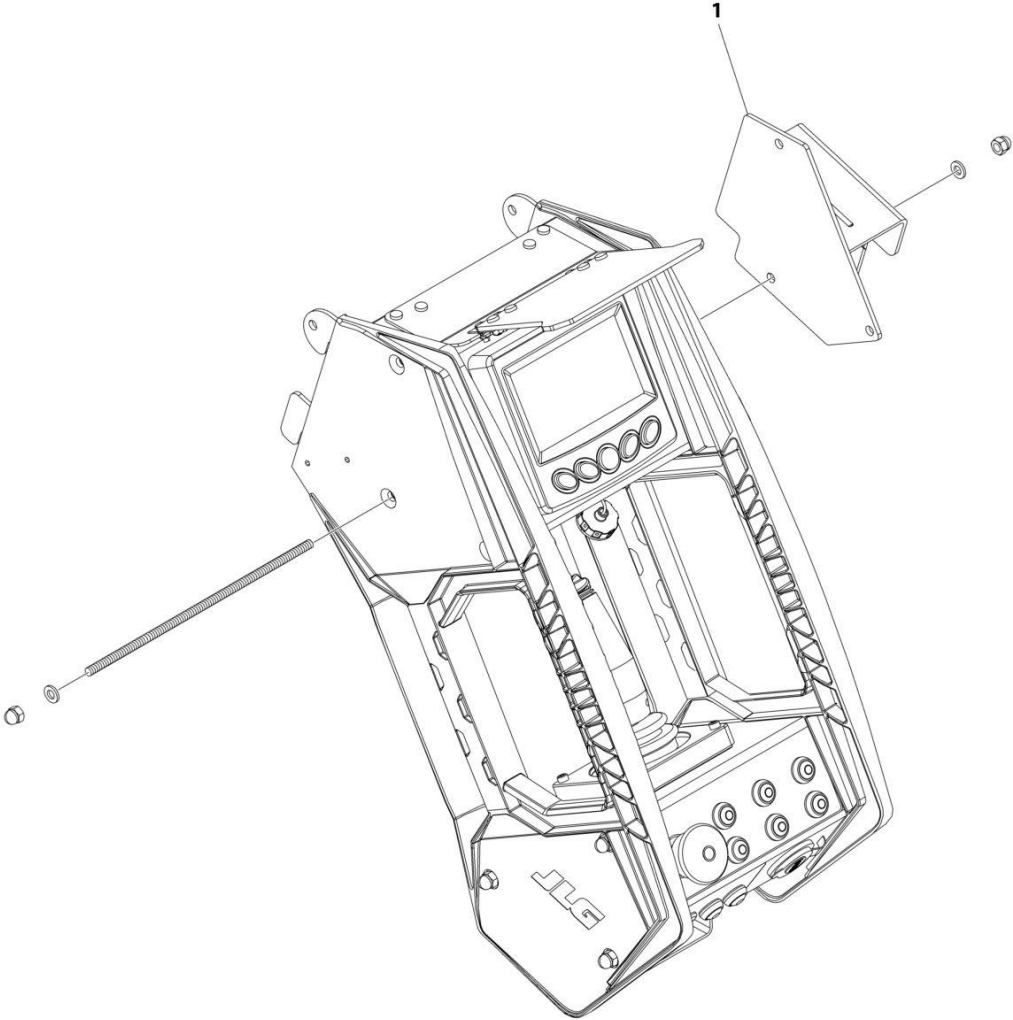
ITEM	PART NUMBER	QTY	DESCRIPTION	REV
	1001244888	Ref	RAIL INSTALLATION - PLATFORM WITH SINGLE EXTENSION	F
1	0700817	13	Bolt M8 x 45	
2	0700818	6	Bolt M8 x 50	
5	0760507	4	Bolt M8 x 14	
6	0700517	14	Bolt M5 x 45	
8	2560088	1	Grip, Handle	
9	2560176	2	Handle	
10	2600253	2	Hinge	
11	2940074	1	Latch	
16	3290506	34	Nut M5 x 3/4	
17	3290606	10	Nut M6 x 1	
18	3290806	39	Nut M8 x 1-1/4	
19	3291006	1	Nut M10	
20	3520072	2	Plug	
21	3537609	1	Plate, Pivot	
23	4010618	8	Screw M6 x 50	
25	4811600	40	Washer M5	
26	4811602	4	Washer M5	
27	4811700	51	Washer M6	
28	4811900	54	Washer M8	
29	4812000	16	Washer M10	
30	4846181	1	Handle (LH)	
31	1001195137	1	Bolt M10 x 240	
32	1001262495	2	Rod	
38	1001262454	4	Ring	
40	1001250829	2	Plate, Rotary Latch	
41	1001250830	1	Plate, Handle Latch	
42	1001258936	2	Plate, Rail	
44	1001294421	1	Plate, Extension	
45	1001253149	1	Plate, Gate Latch	
46	0700619	1	Bolt M6 x 55	
47	0760608	1	Bolt M6 x 16	
48	2940127	1	Latch	
50	4811902	12	Washer M8	
51	1001262399	12	Bolt M8 x 55	
52	1001262400	2	Bolt M8 x 50	
53	0700819	4	Bolt M8 x 55	
54	1001263628	2	Pad	
55	1001263629	2	Pad	
56	3422744	2	Pin, Plunger	
57	0630615	2	Bolt M8 x 16	
58	1001263269	1	Plate	
59	0700617	16	Bolt M6 x 45	
60	2600285	2	Hinge	
61	0100011	AR	Compound, Locking	
100	1001265846	1	Rail, Single Extension Kit	
101	1001248840	2	Rail, Extension Side	
102	1001248986	1	Rail, Extension Front	
103	1001249882	2	Rail, Platform Side	
104	1001249883	2	Rail, Platform Rear	

SECTION 5 - PLATFORM

ITEM	PART NUMBER	QTY	DESCRIPTION	REV
105	1001249884	1	Rail, Platform Gate	

SECTION 5 - PLATFORM

FIGURE 5-4. PLATFORM CONTROL BOX INSTALLATION - SIDE MOUNT



ART_1001265916

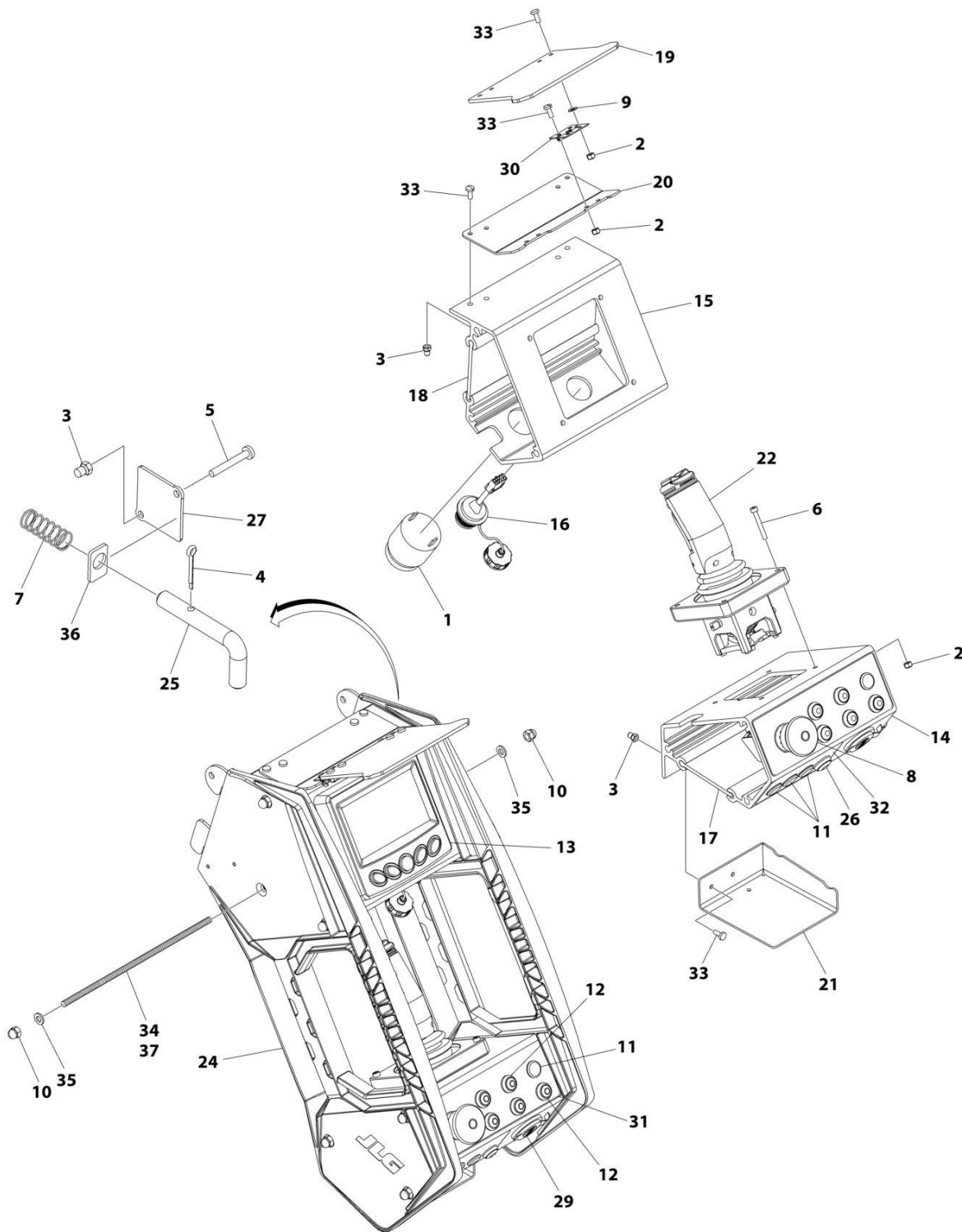
SECTION 5 - PLATFORM

FIGURE 5-4. PLATFORM CONTROL BOX INSTALLATION - SIDE MOUNT

ITEM	PART NUMBER	QTY	DESCRIPTION	REV
	1001265916	Ref	PLATFORM CONSOLE BOX INSTALLATION	B
1	1001265532	1	Bracket, Control Box Sidemount	
2	0100011	1	Compound, Locking (Not Shown - Use on Mounting Hardware)	

SECTION 5 - PLATFORM

FIGURE 5-5. PLATFORM CONTROL BOX INSTALLATION



ART_1001248176

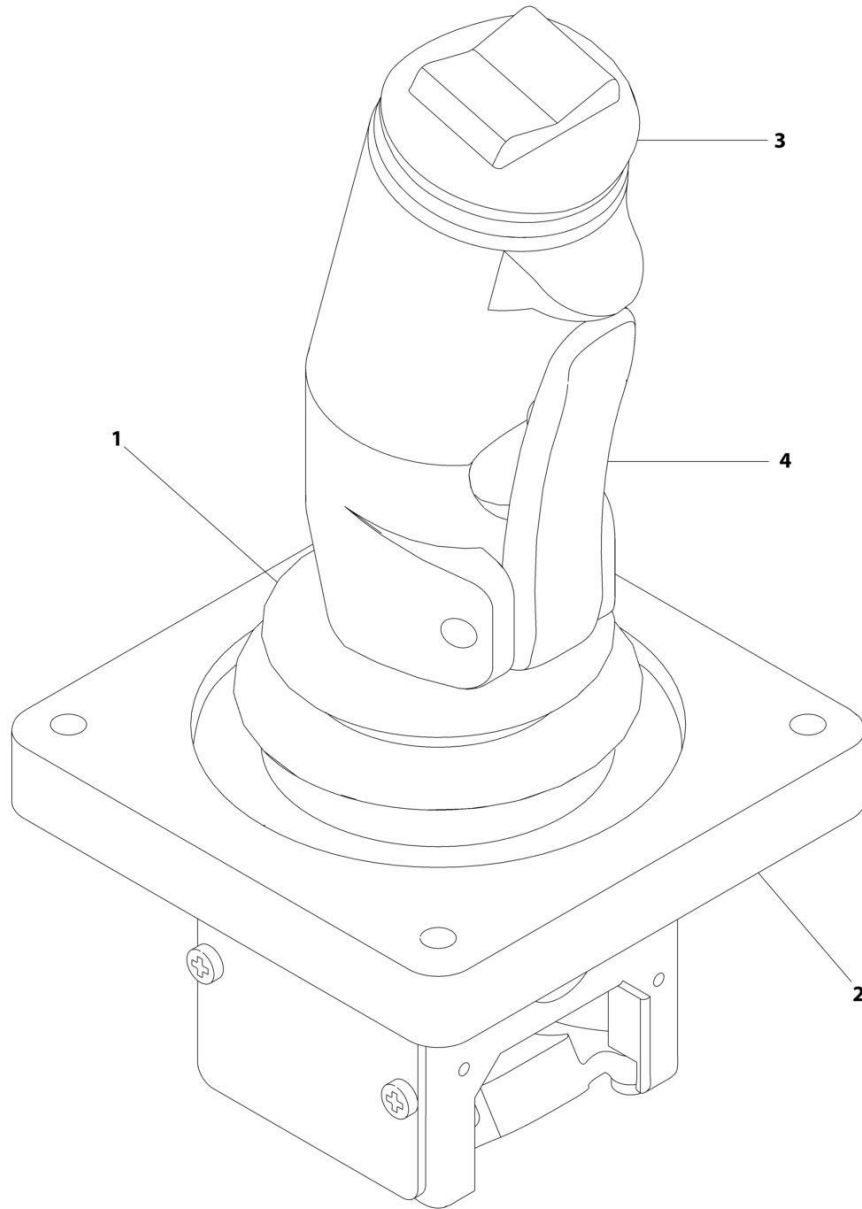
SECTION 5 - PLATFORM

FIGURE 5-5. PLATFORM CONTROL BOX INSTALLATION

ITEM	PART NUMBER	QTY	DESCRIPTION	REV
	1001248176	Ref	PLATFORM CONSOLE BOX INSTALLATION	D
1	0140030	1	Alarm	
2	3290405	12	Nut M4	
3	3290406	8	Nut M4	
4	3450303	1	Cotter Pin	
5	4010414	2	Bolt M4 x 30	
6	4031510	4	Bolt M4 x 30	
7	4160214	1	Spring, Door Latch	
8	4360475	1	Switch, Emergency Stop	
8	7020175	1	Cap	
8	7020176	1	Block, Contact	
9	4811400	4	Washer M4	
10	1001108603	12	Nut M6 x 1	
11	1001176626	4	Cap	
12	1001226749	5	Switch	
13	1001244932	1	Control, Scissor Display	
14	1001246583	1	Housing, Lower Extrusion	
15	1001246584	1	Housing, Upper Extrusion	
16	1001246823	1	USB Port	
17	1001246863	1	Cover, Lower Extrusion	
18	1001246864	1	Cover, Upper Extrusion	
19	1001246979	1	Shield, Display	
20	1001247313	1	Mount, Display Shield	
21	1001247443	1	Plate, Phone Holder	
22	1001247682	1	Controller Assembly (See Separate Breakdown in this Section)	
23	1001249049	1	Harness, Platform Control Box (Not Shown - See Separate Breakdown in ELECTRICAL Section)	
24	1001249259	2	Panel, Control Box Side	
25	1001250682	1	Pin	
26	1001250684	1	Switch, Push Button	
27	1001250692	1	Panel, Latch Cover	
29	1001253800	1	USB Port	
30	1001254119	2	Hinge	
31	1001257078	1	Decal - Platform Function	
32	1001257079	1	Decal - Platform Function	
33	4010405002	14	Bolt M4 x 10	
34	1001255461	6	Stud M6	
35	4811700	12	Washer M6	
36	1001262098	1	Plate, Control Box Latch	
37	0100011	AR	Compound, Locking	

SECTION 5 - PLATFORM

FIGURE 5-6. CONTROLLER ASSEMBLY



ART_1001247682

SECTION 5 - PLATFORM

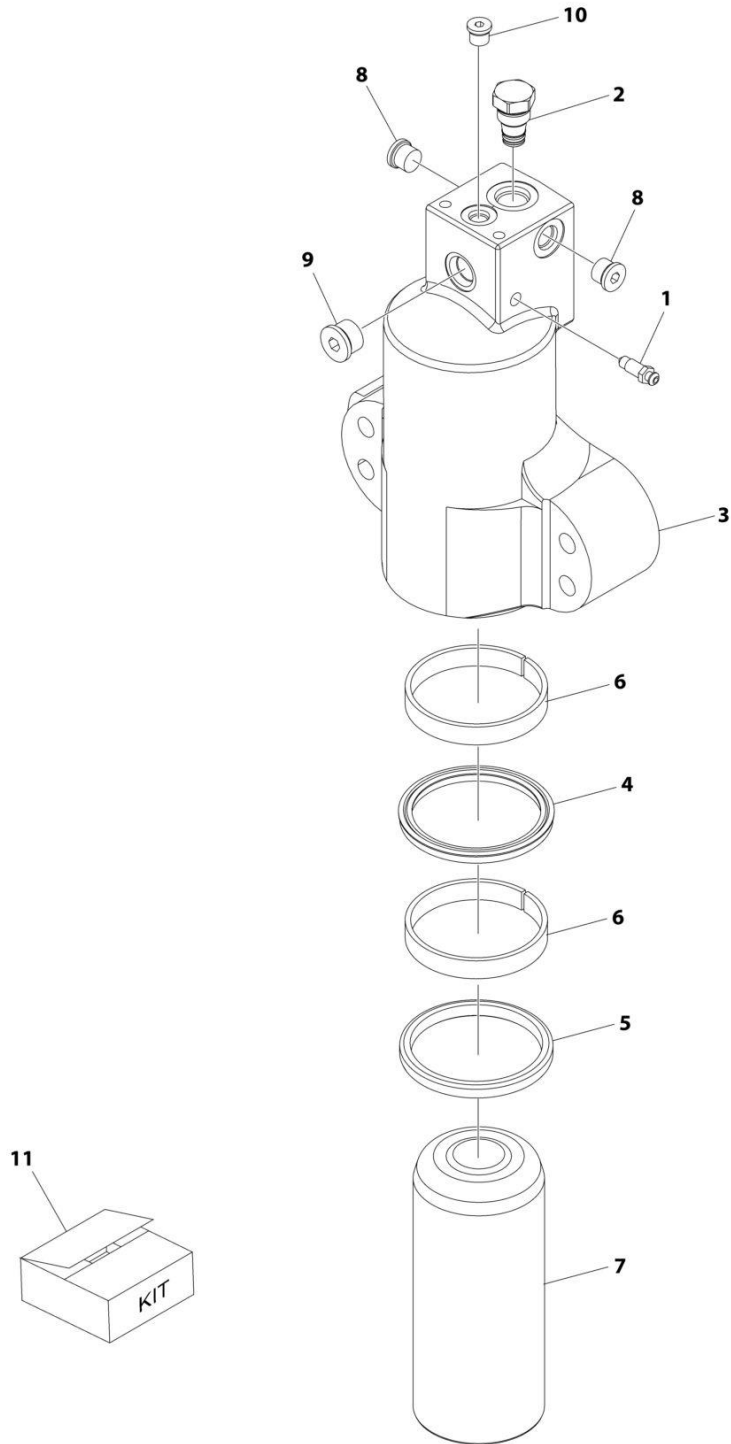
FIGURE 5-6. CONTROLLER ASSEMBLY

ITEM	PART NUMBER	QTY	DESCRIPTION	REV
	1001247682	Ref	DRIVE/STEER CONTROLLER ASSEMBLY (LCD)	B
1	70001250	1	Boot, Panel	
2	70001252	1	Gasket, Mounting	
2	70001251	1	Bezel, Mounting	
3	70007506	1	Handle Repair Kit (Includes handle gasket, item#4 push button and item #4 lever installed in front handle half, back handle half, top actuator, boot and hardware.)	
3	70000084	1	Cap, Rubber	
3	70000082	1	Microswitch	
3	7027766	1	Ring, Retaining	
3	7027365	1	Actuator, Handle	
3	70001253	1	Gasket, Handle	
3	70000683	4	Washer, Neoprene	
3	70000685	2	Spacer, Plastic	
3	70000686	2	Screw (Top)	
3	70000684	2	Screw (Bottom)	
4	7027367	1	Switch, Push Button	
4	7027765	1	Lever, Enable	

SECTION 6 - CYLINDER

SECTION 6 - CYLINDER

FIGURE 6-1. AXLE LOCKOUT CYLINDER ASSEMBLY



ART_1001245046

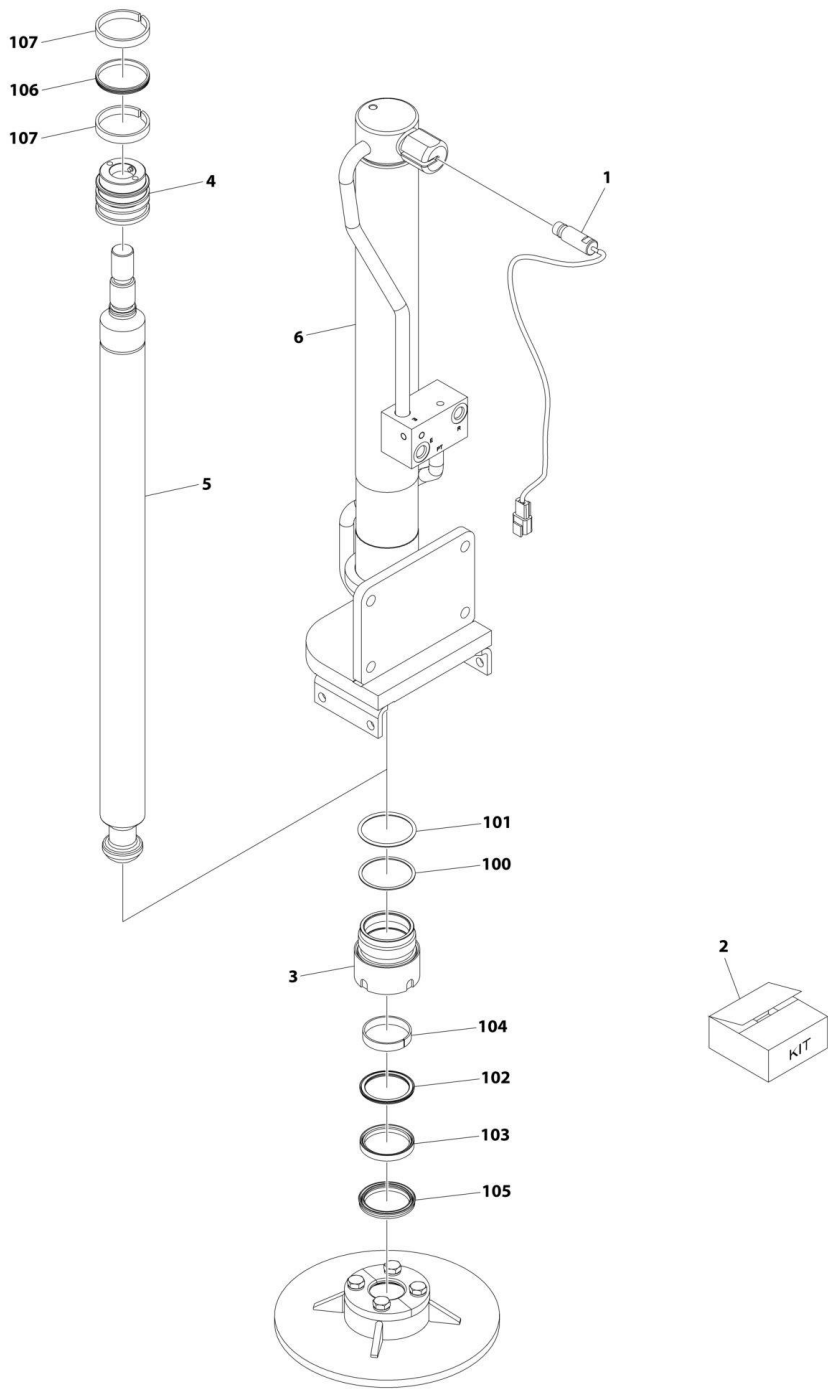
SECTION 6 - CYLINDER

FIGURE 6-1. AXLE LOCKOUT CYLINDER ASSEMBLY

ITEM	PART NUMBER	QTY	DESCRIPTION	REV
	1001245046	Ref	AXLE LOCKOUT CYLINDER ASSEMBLY	D
		Ref	Note: Original Cylinder May Have Been Replaced with Service Replacement. Identify PN Stamped on Cylinder Before Ordering Parts.	
1	4640858	1	Valve, Bleeder	
2	1001248671	1	Cartridge, Valve	
3	1001245653	1	Barrel	
4	See Note	NSS	Seal, Rod (Note: use p/n 70007678)	
5	See Note	NSS	Wiper (Note: use p/n 70007678)	
6	See Note	NSS	Ring, Wear (Note: use p/n 70007678)	
7	70007679	1	Rod	
8	2220885	2	Plug #6	
9	2220886	1	Plug #8	
10	2220883	1	Plug #4	
11	70007678	1	Kit, Seal (Includes Items 4-6)	

SECTION 6 - CYLINDER

FIGURE 6-2. LEVELING JACK CYLINDER ASSEMBLY



ART_1001243256

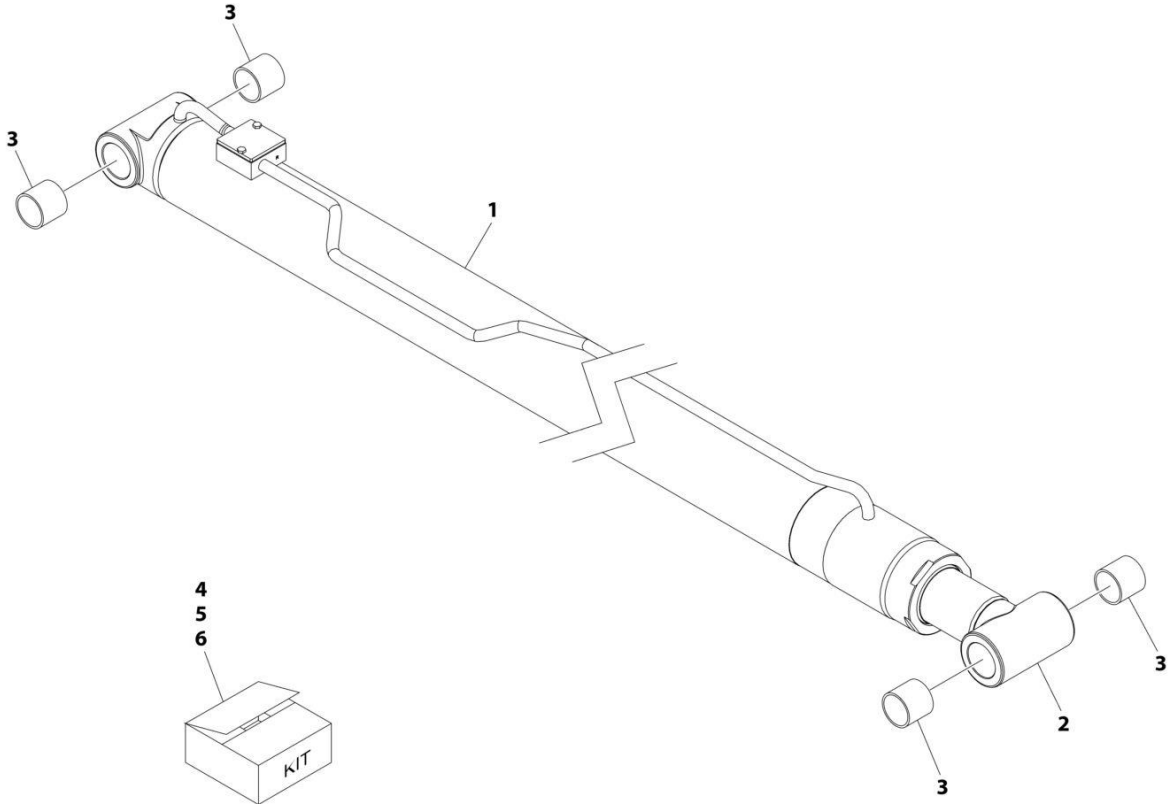
SECTION 6 - CYLINDER

FIGURE 6-2. LEVELING JACK CYLINDER ASSEMBLY

ITEM	PART NUMBER	QTY	DESCRIPTION	REV
	1001243256	Ref	LEVELING JACK CYLINDER ASSEMBLY	E
	See Note	Ref	Note: Original Cylinder May Have Been Replaced with Service Replacement. Identify PN Stamped on Cylinder Before Ordering Parts.	
1	1001246658	1	Sensor, Leveling Jacks Proximity	
2	70007709	1	Kit, Seal (Includes Items 100-107)	
3	70007710	1	Retainer	
4	70007711	1	Piston	
5	70007712	1	Rod	
6	See Note	1	Barrel (Note: Use PN 1001243256)	
100	See Note	NSS	Ring, Backup (Note: use p/n 70007709)	
101	See Note	NSS	O-Ring (Note: use p/n 70007709)	
102	See Note	NSS	Ring, Buffer (Note: use p/n 70007709)	
103	See Note	NSS	Seal, Rod (Note: use p/n 70007709)	
104	See Note	NSS	Ring, Wear (Note: use p/n 70007709)	
105	See Note	NSS	Wiper (Note: use p/n 70007709)	
106	See Note	NSS	Seal, Piston (Note: use p/n 70007709)	
107	See Note	NSS	Ring, Wear (Note: use p/n 70007709)	

SECTION 6 - CYLINDER

FIGURE 6-3. ERT4069 & ERT4769 LIFT CYLINDER ASSEMBLY - LOWER



ART_1001255394

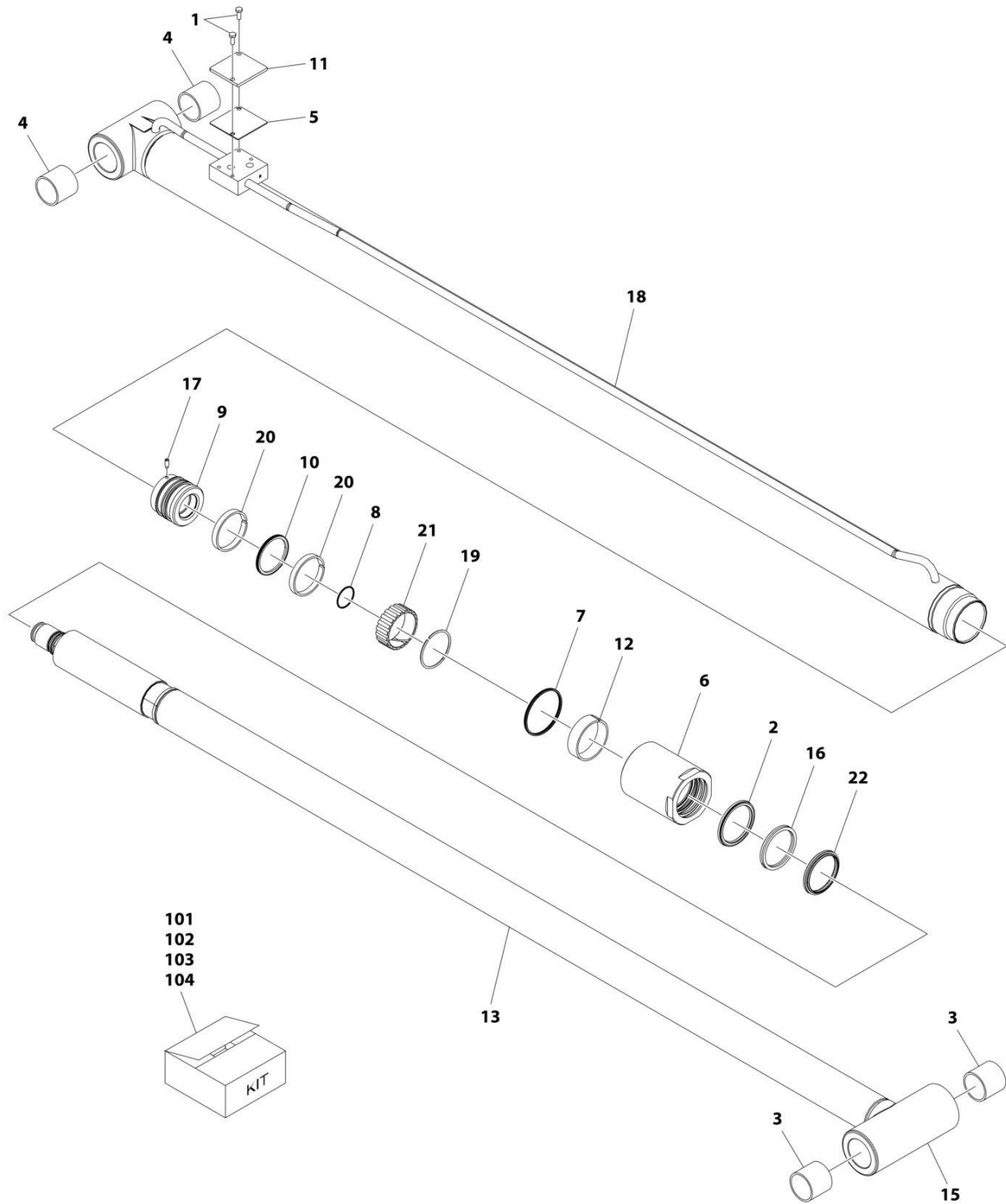
SECTION 6 - CYLINDER

FIGURE 6-3. ERT4069 & ERT4769 LIFT CYLINDER ASSEMBLY - LOWER

ITEM	PART NUMBER	QTY	DESCRIPTION	REV
	1001255394	Ref	CYLINDER ASSEMBLY - LIFT Note: Original Cylinder May Have Been Replaced with Service Replacement. Identify PN Stamped on Cylinder Before Ordering Parts.	D
		Ref		
1	Note	NSS	Barrel (Note: Use PN 1001255394)	
2	70007949	1	Rod Kit (Includes Rod & Rod End)	
3	70007950	4	Bushing	
4	70007715	1	Piston Kit (Includes Piston, Piston Seal, Wear Ring & Setscrew)	
5	70007948	1	Head/Retainer Kit (Includes Head, Head Seal, Buffer Ring, Piston Seal, Retainer, Wear Ring & Wiper),	
6	70007947	1	Seal Kit (Includes Buffer Ring, Head Seal, Piston Seals, Wear Rings & Wiper)	

SECTION 6 - CYLINDER

FIGURE 6-4. ERT4769 LIFT CYLINDER ASSEMBLY - UPPER



ART_1001255902

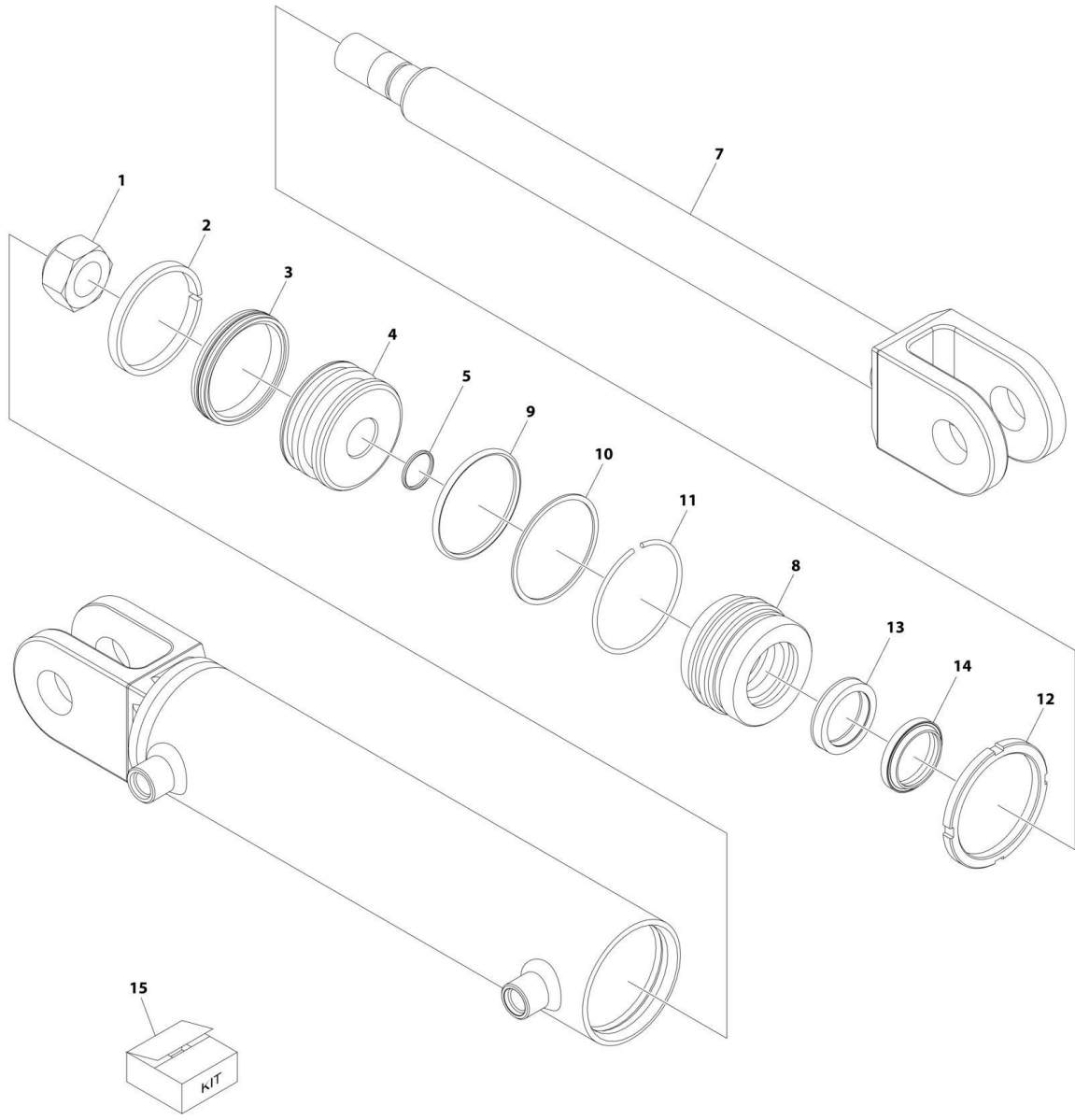
SECTION 6 - CYLINDER

FIGURE 6-4. ERT4769 LIFT CYLINDER ASSEMBLY - UPPER

ITEM	PART NUMBER	QTY	DESCRIPTION	REV
	1001255902	Ref	CYLINDER ASSEMBLY - LIFT	D
		Ref	Note: Original Cylinder May Have Been Replaced with Service Replacement. Identify PN Stamped on Cylinder Before Ordering Parts.	
1	See Note	NSS	Bolt (Note: Purchase Locally)	
2	See Note	NSS	Ring, Buffer (Note: Use Kit PN 70008568 or 70008569)	
3	70007950	2	Bushing	
4	70008572	2	Bushing	
5	See Note	NSS	Gasket (Note: Purchase Complete Assembly)	
6	See Note	NSS	Head (Note: Purchase Complete Assembly)	
7	See Note	NSS	Seal, Head (Note: Use Kit PN 70008568 or 70008569)	
8	See Note	NSS	O-Ring (Note: Use Kit PN 70008568)	
9	See Note	NSS	Piston (Note: Use Kit PN 70008570)	
10	See Note	NSS	Seal, Piston (Note: Use Kit PN 70008568 or 70008570)	
11	See Note	NSS	Plate (Note: Purchase Complete Assembly)	
12	See Note	NSS	Retainer (Note: Use Kit PN 70008569)	
13	See Note	NSS	Rod (Note: Use Kit PN 70008571)	
14	See Note	NSS	Bushing, Rod (Not Shown) (Note: Use Kit PN 70008568 or 70008569)	
15	See Note	NSS	End, Rod (Note: Use Kit PN 70008571)	
16	See Note	NSS	Seal, Rod (Note: Use Kit PN 70008568 or 70008569)	
17	See Note	NSS	Setscrew (Note: Use Kit PN 70008570)	
18	See Note	NSS	Barrel (Note: Purchase Complete Assembly)	
19	See Note	NSS	Ring, Stop (Note: Use Kit PN 70008571)	
20	See Note	NSS	Ring, Wear (Note: Use Kit PN 70008568 or 70008570)	
21	See Note	NSS	Ring, Wear (Note: Use Kit PN 70008568)	
22	See Note	NSS	Wiper (Note: Use Kit PN 70008568 or 70008569)	
101	70008568	1	Kit, Service (Includes Items 2,7,10,14,16,20,21,22)	
102	70008569	1	Kit, Retainer (Includes Items 2,7,12,14,16,22)	
103	70008570	1	Kit, Piston (Includes Items 9,10,17,20)	
104	70008571	1	Kit, Rod (Includes Items 13,15,19)	

SECTION 6 - CYLINDER

FIGURE 6-5. STEER CYLINDER ASSEMBLY



ART_1001246107

SECTION 6 - CYLINDER

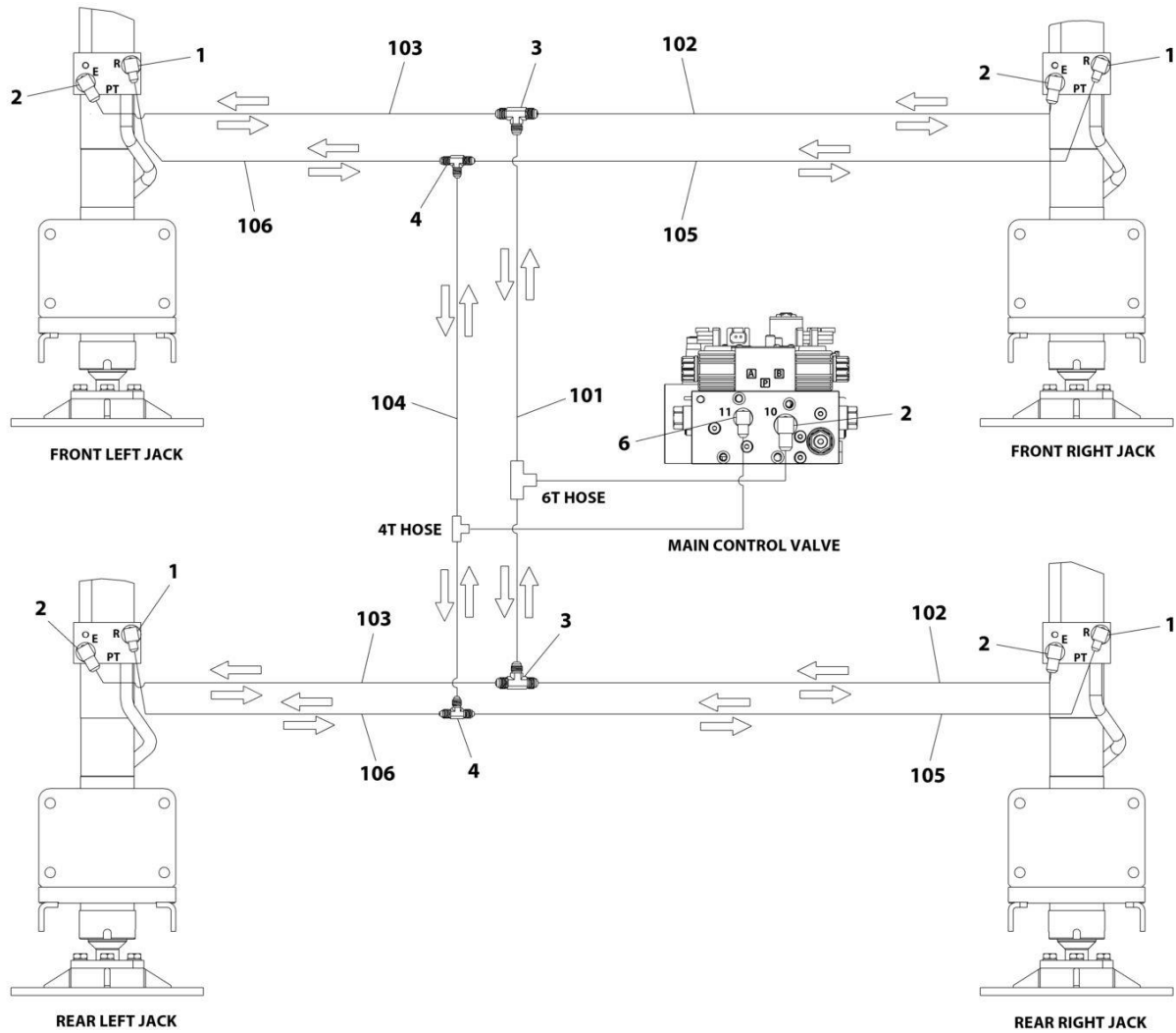
FIGURE 6-5. STEER CYLINDER ASSEMBLY

ITEM	PART NUMBER	QTY	DESCRIPTION	REV
	1001246107	Ref	STEER CYLINDER ASSEMBLY	B
		Ref	Note: Original Cylinder May Have Been Replaced with Service Replacement. Identify PN Stamped on Cylinder Before Ordering Parts.	
1	7001626	1	Nut	
2	See Note	NSS	Ring, Wear (Note: use p/n 70007610)	
3	See Note	NSS	Seal, Piston (Note: use p/n 70007610)	
4	70007607	1	Piston	
5	See Note	NSS	O-Ring (Note: use p/n 70007610)	
7	70007608	1	Rod	
8	70007609	1	Guide	
9	See Note	NSS	O-Ring (Note: use p/n 70007610)	
10	See Note	NSS	Ring, Backup (Note: use p/n 70007610)	
11	See Note	NSS	Ring, Retaining (Note: use p/n 70007610)	
12	7001630	1	Nut	
13	See Note	NSS	Ring (Note: use p/n 70007610)	
14	See Note	NSS	Ring, Wiper (Note: use p/n 70007610)	
15	70007610	1	Kit, Seal (Includes Items 2, 3, 5, 8-10, 12, & 13)	

SECTION 7 - HYDRAULIC

SECTION 7 - HYDRAULIC

FIGURE 7-1. HYDRAULIC DIAGRAM - LEVELING JACKS



ART_1001250342

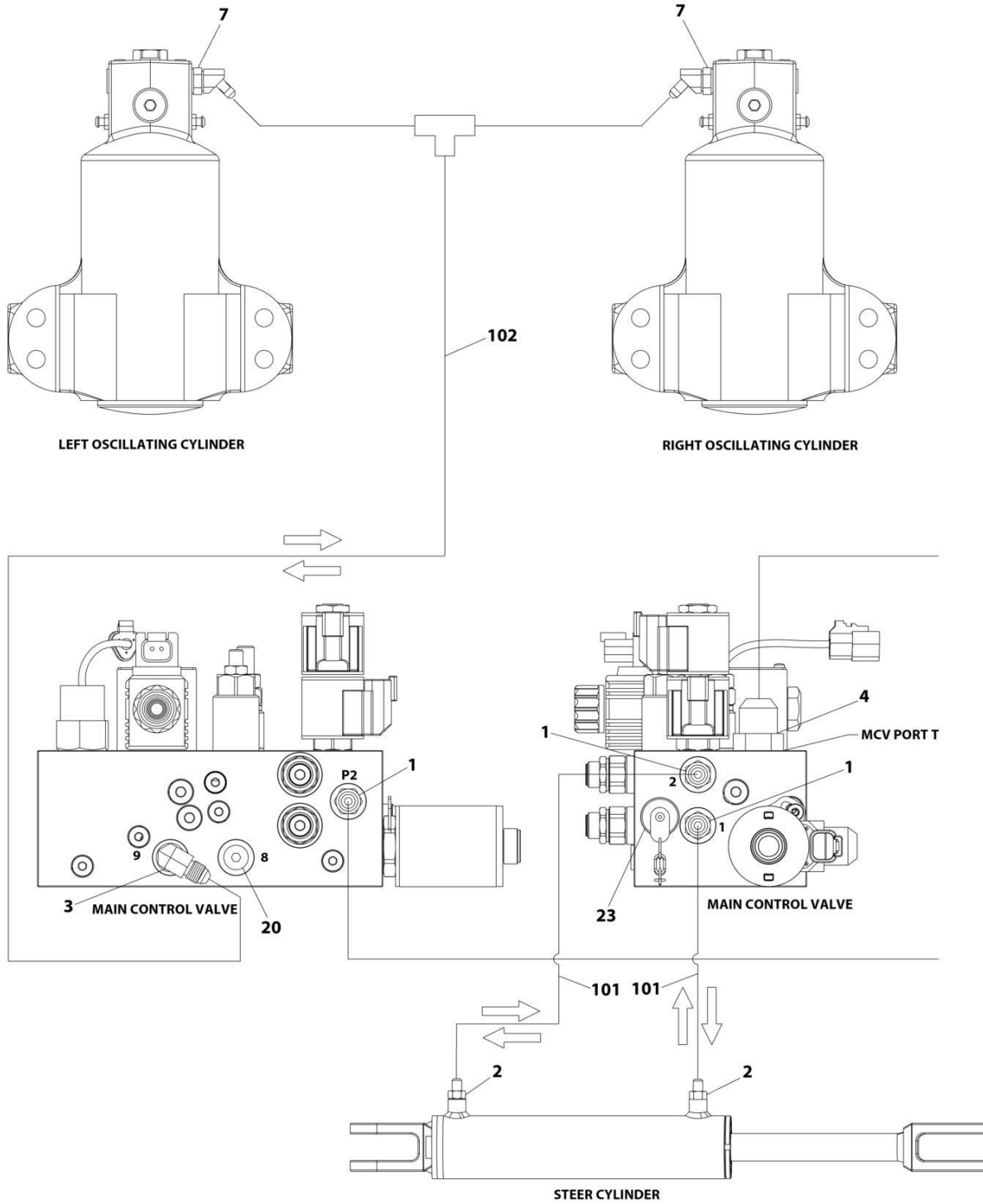
SECTION 7 - HYDRAULIC

FIGURE 7-1. HYDRAULIC DIAGRAM - LEVELING JACKS

ITEM	PART NUMBER	QTY	DESCRIPTION	REV
	1001250342	Ref	HYDRAULIC DIAGRAM - LEVELING JACKS	B
1	2220472	4	Fitting, 90 JIC/ORB	
2	2220473	5	Fitting, 90 JIC/ORB	
3	2220490	2	Fitting, Tee JIC/JIC/JIC	
4	2220504	2	Fitting, Tee JIC/JIC/JIC	
6	2220466	1	Fitting, 90 JIC/ORB	
100	1001260252	Ref	Hose Kit (Not Shown)	A
101	1001250307	1	Hose	
102	1001250308	2	Hose	
103	1001250309	2	Hose	
104	1001250310	1	Hose	
105	1001250311	2	Hose	
106	1001250312	2	Hose	

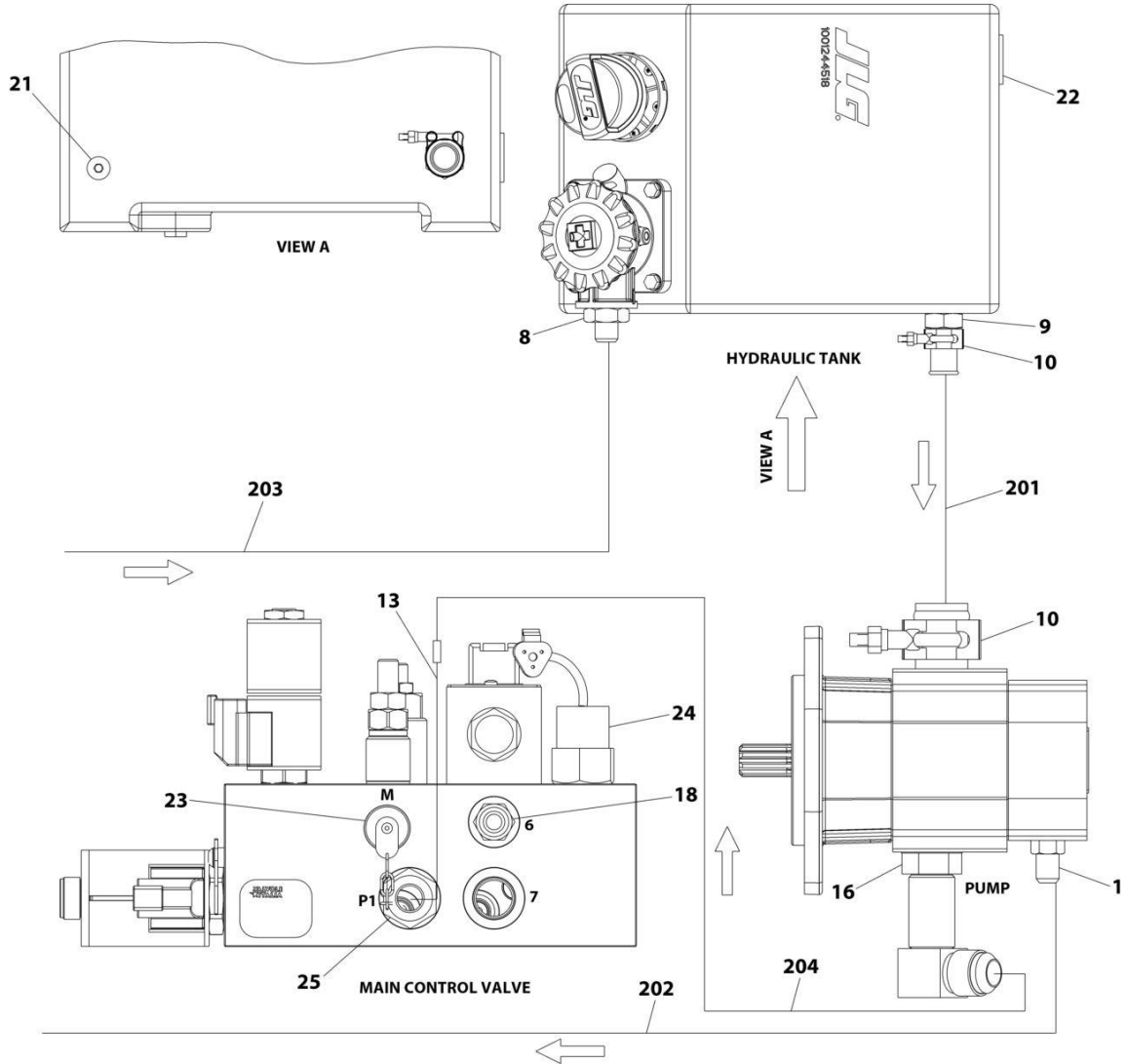
SECTION 7 - HYDRAULIC

FIGURE 7-2. HYDRAULIC DIAGRAM - STANDARD



ART_1001246103_10F2

SECTION 7 - HYDRAULIC



ART_1001246103_20F2

SECTION 7 - HYDRAULIC

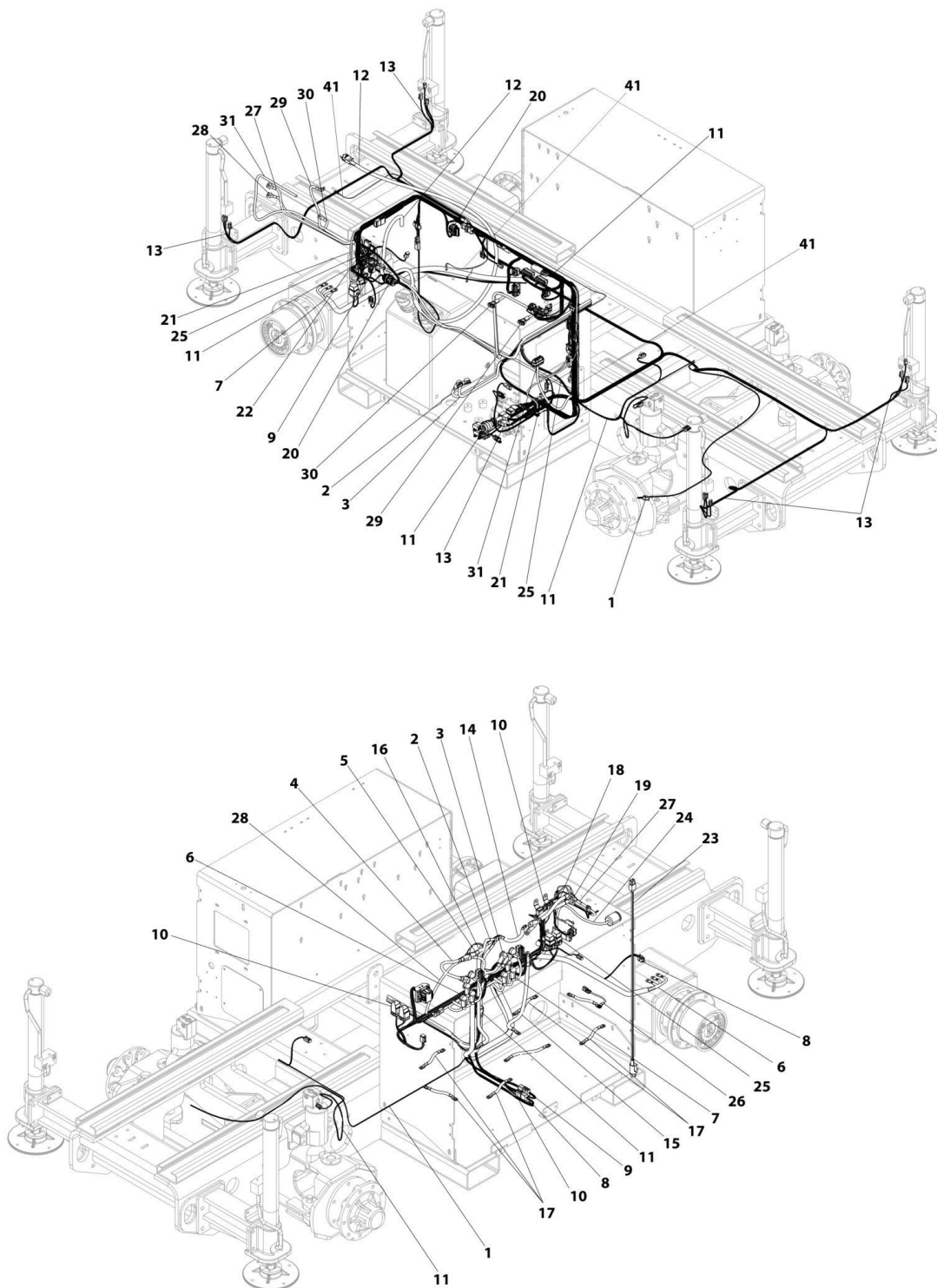
FIGURE 7-2. HYDRAULIC DIAGRAM - STANDARD

ITEM	PART NUMBER	QTY	DESCRIPTION	REV
	1001246103	Ref	HYDRAULIC DIAGRAM – STANDARD	E
1	2220415	4	Fitting, Straight JIC/ORB	
2	2220582	2	Fitting, Straight JIC/ORB	
3	2220940	1	Fitting, 90 JIC/ORB	
4	2220947	1	Fitting	
7	2221040	2	Fitting, 45 JIC/ORB	
8	83451104	1	Fitting, Straight JIC/ORB	
9	1001127389	1	Fitting, Straight ORB/Barb	
10	1001143501	2	Clamp	
13	1001249610	1	Tube	
16	2221069	1	Fitting, 90 JIC/ORB	
18	2220371	1	Fitting, Straight JIC/ORB	
20	2220883	1	Plug	
21	2220886	1	Plug	
22	2220891	1	Plug	
23	2221086	2	Fitting, Test Port	
24	1001256875	1	Switch, Pressure	
25	2220852	1	Fitting, Straight JIC/ORB	
100	1001260251	1	Hose Kit (Not Shown)	A
101	1001248868	2	Hose	
102	1001248871	1	Hose	
200	1001260254	1	Hose Kit (Not Shown) (Includes Items 201-204)	C
201	1001250716	1	Hose	
202	1001250773	1	Hose	
203	1001250968	1	Hose	
204	1001273640	1	Hose	

SECTION 8 - ELECTRICAL

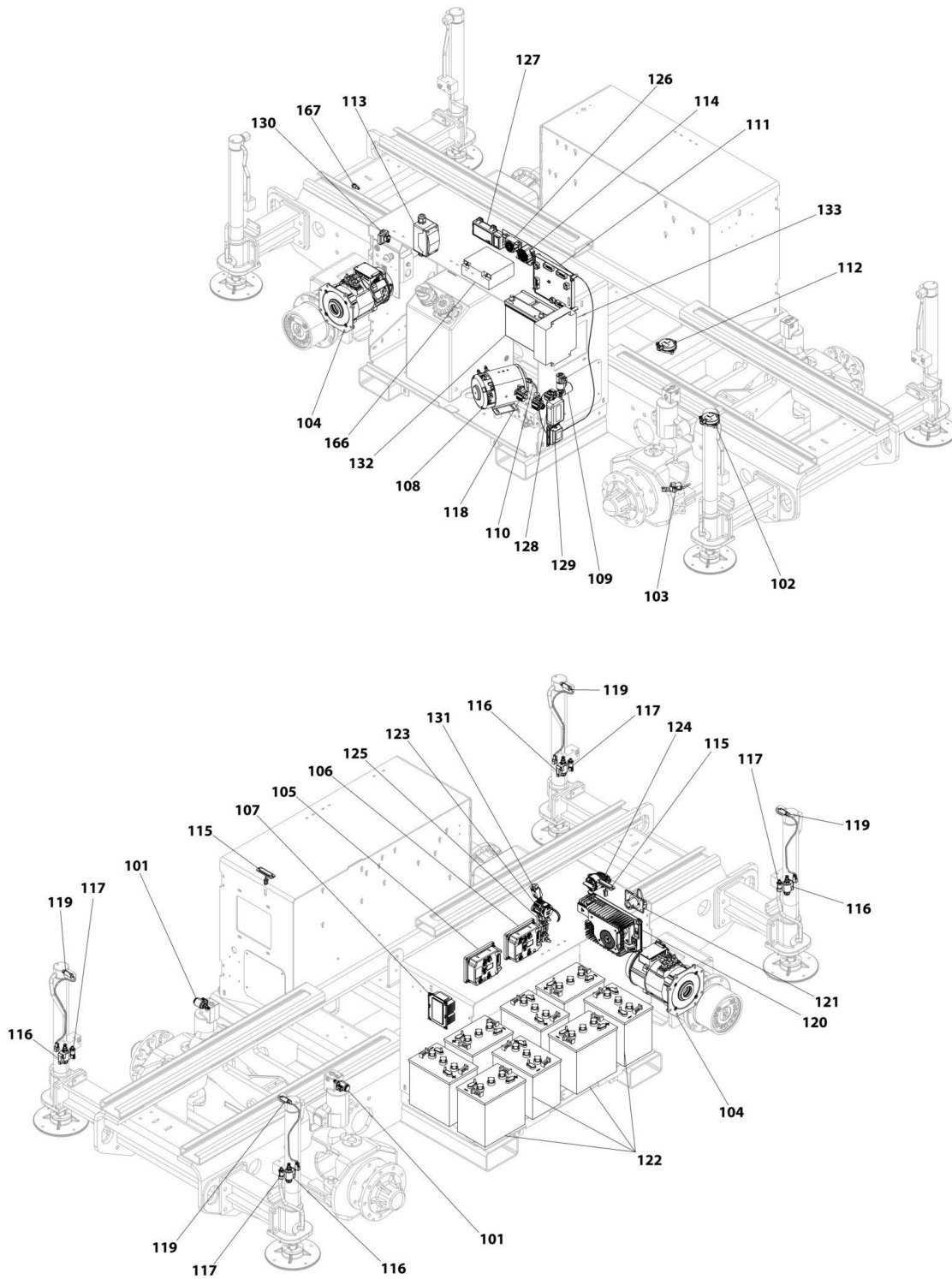
SECTION 8 - ELECTRICAL

FIGURE 8-1. ELECTRICAL LAYOUT



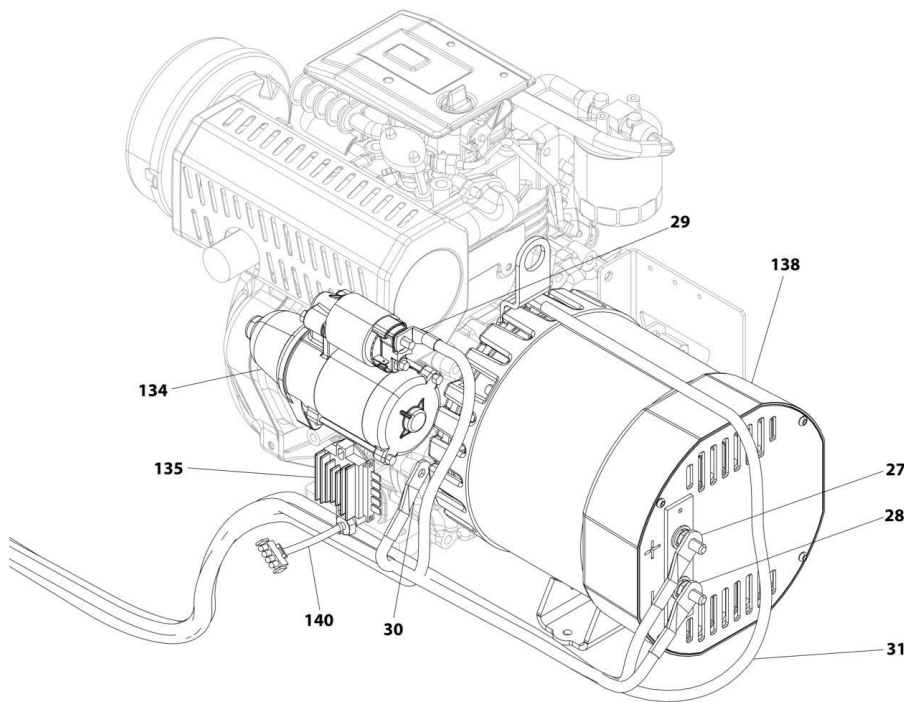
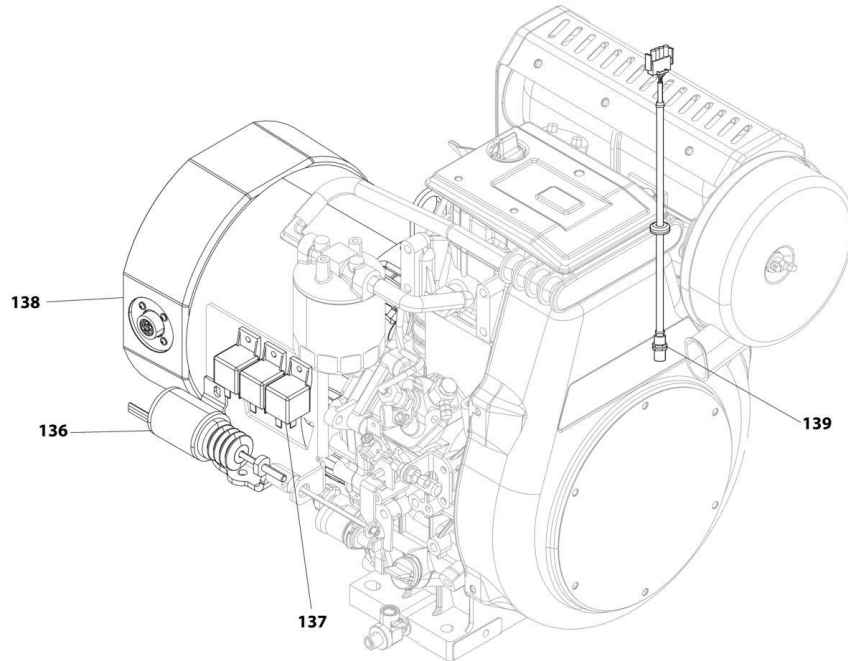
ART_ERT4769-ELECTRICAL_FRAME-HARNES

SECTION 8 - ELECTRICAL



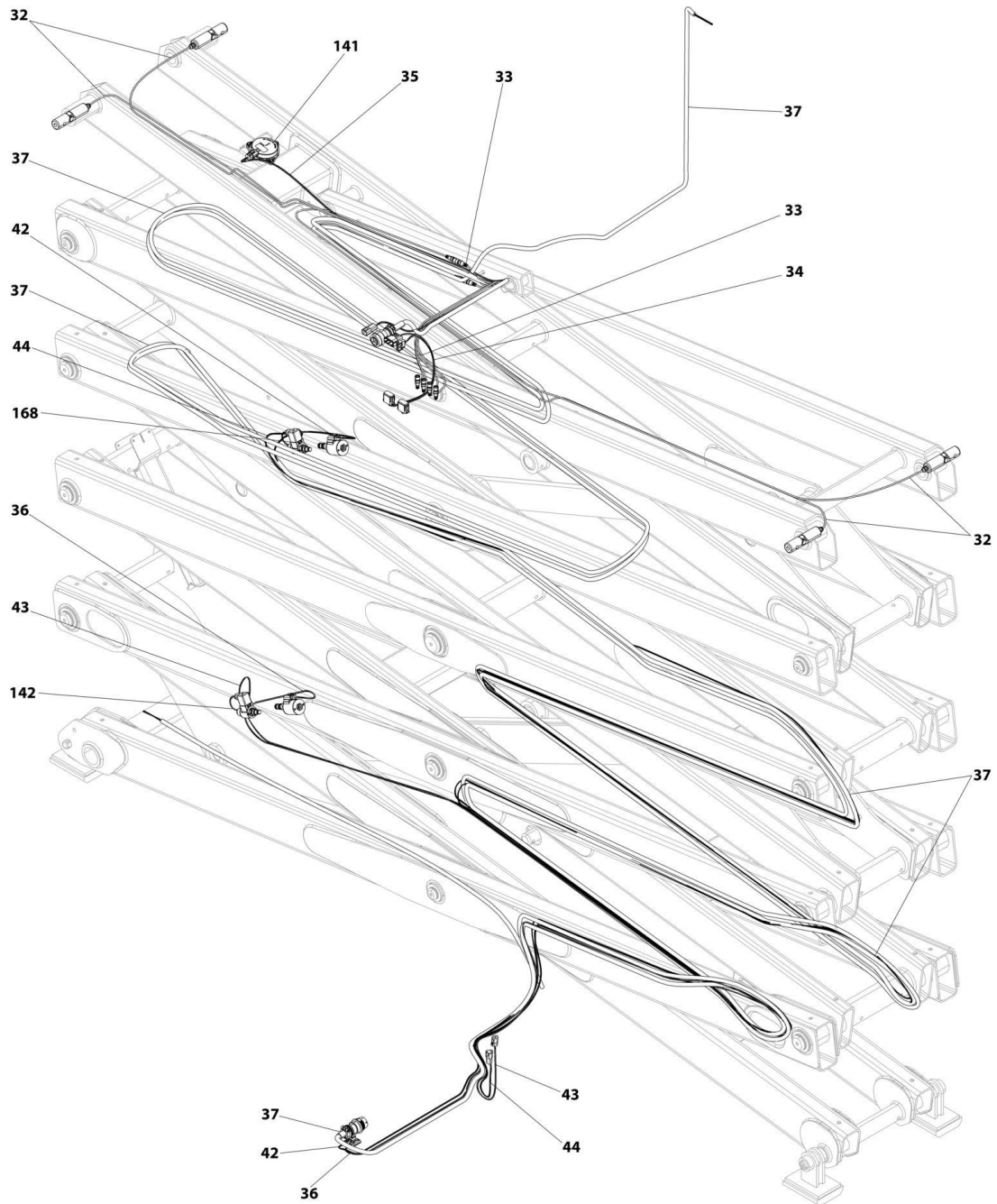
ART_ERT4769-ELECTRICAL_FRAME-COMPONENT

SECTION 8 - ELECTRICAL



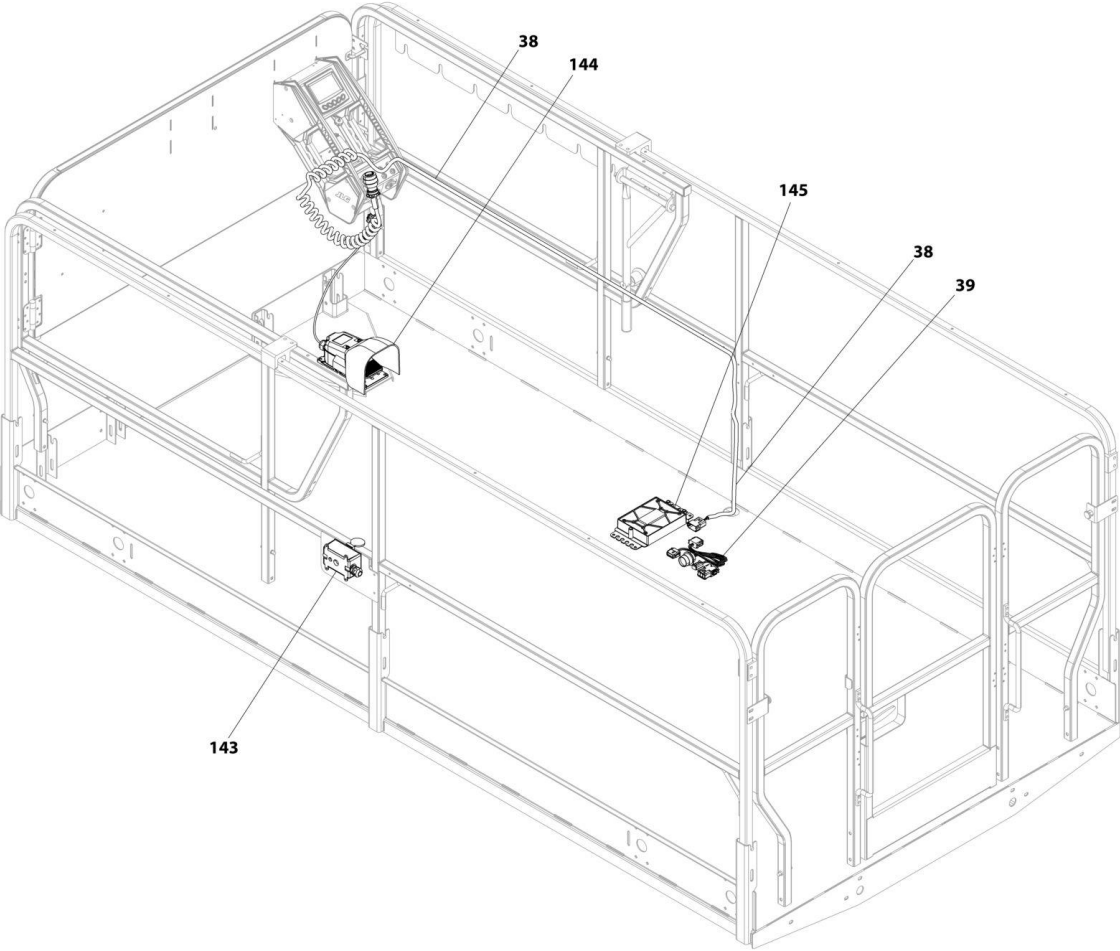
ART_ERT3369-ELECTRICAL_ENGINE-KUBOTAT4F

SECTION 8 - ELECTRICAL



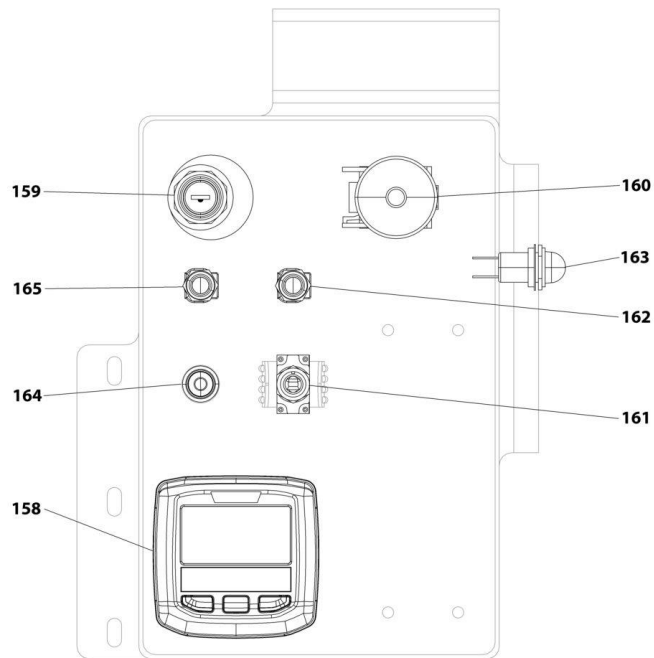
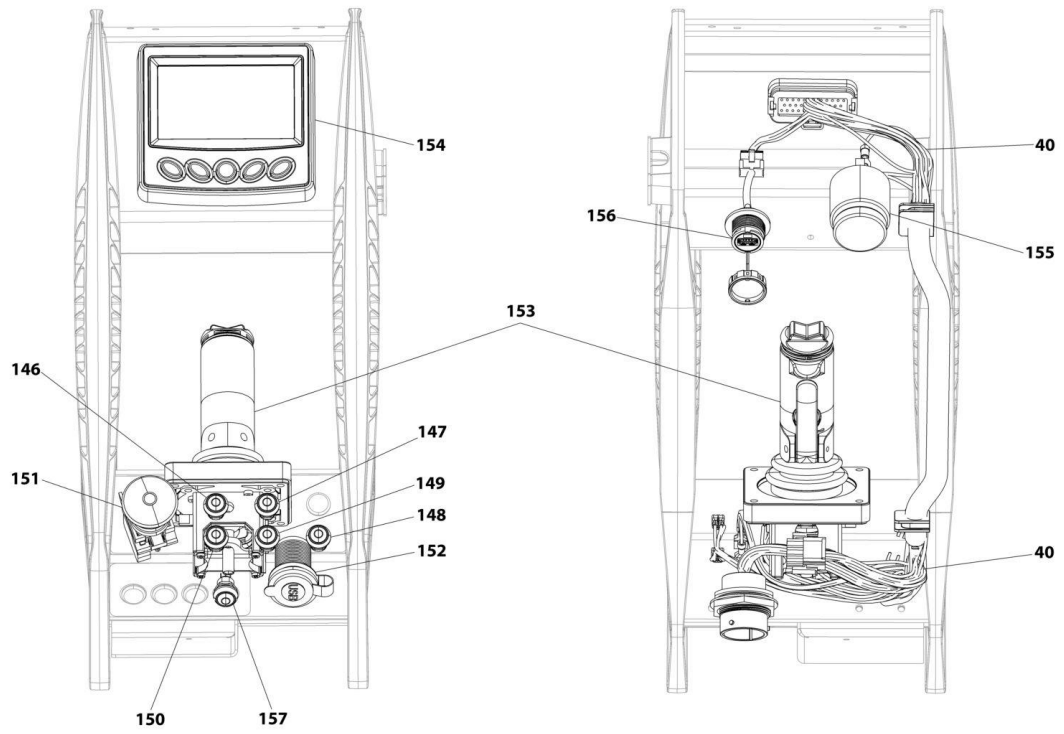
ART_ERT4769-ELECTRICAL_ARMS

SECTION 8 - ELECTRICAL



ART_ERT3369-ELECTRICAL_PLATFORM

SECTION 8 - ELECTRICAL



ART_ERT4769-ELECTRICAL_CONTROLS

SECTION 8 - ELECTRICAL

FIGURE 8-1. ELECTRICAL LAYOUT

ITEM	PART NUMBER	QTY	DESCRIPTION	REV
		Ref	Note: This figure is for part identification only.	
		Ref	HARNESS LIST	
1		Ref	Harness, Steer Angle Sensor	
2		Ref	Cable, Generator to Pump (+)	
3		Ref	Cable, Generator to Pump (-)	
4		Ref	Cable, Drive Module (-)	
5		Ref	Cable, Drive/Pump Module (-)	
6		Ref	Cable, Left Drive/Brake Motor Power	
7		Ref	Cable, Right Drive/Brake Motor Power	
8		Ref	Harness, Left Drive/Brake Motor	
9		Ref	Harness, Right Drive/Brake Motor	
10		Ref	Harness, Traction	
11		Ref	Harness, Chassis	
12		Ref	Cable, 12/3	
13		Ref	Harness, Leveling Jacks	
14		Ref	Cable, Relay to Power Stud	
15		Ref	Cable, Battery to Fuse	
16		Ref	Cable, Battery to Power Stud	
17		Ref	Cable, Battery Jumper	
18		Ref	Cable, Battery Disconnect to Relay	
19		Ref	Cable, Battery Disconnect to Fuse	
20		Ref	Harness, Clearsky	
21		Ref	Harness, Telematics	
22		Ref	Harness, Xirgo Jumper	
23		Ref	Charger Cable with Plug	
24		Ref	Cable, Charger to Receptacle	
25		Ref	Harness, Genset	
26		Ref	Harness, Temperature Sensor	
27		Ref	Cable, Engine (+) to Battery Disconnect	
28		Ref	Cable, Engine (-) to Power Stud	
29		Ref	Cable, Engine to Battery (+)	
30		Ref	Cable, Engine to Battery (-)	
31		Ref	Harness, Generator	
32		Ref	Assembly, Load Sense Pin/Cable	
33		Ref	Cable, Load Sense Extension	
34		Ref	Harness, Load Sense	
35		Ref	Harness, Tilt Sensor	
36		Ref	Harness, Lower Lift Down	
37		Ref	Cable, AC Ground to Platform	
38		Ref	Harness, Platform Control Box	
39		Ref	Harness, Platform	
40		Ref	Harness, Platform Control Box	
41		Ref	Harness, Auxiliary Descent	
42		Ref	Harness, Upper Lift Down	
43		Ref	Harness, Lower Auxiliary Descent	
44		Ref	Harness, Upper Auxiliary Descent	
		Ref	COMPONENT LIST	
101		Ref	Solenoid, Axle Lock	
102		Ref	Sensor, Tilt	
103		Ref	Sensor, Steer Angle	

SECTION 8 - ELECTRICAL

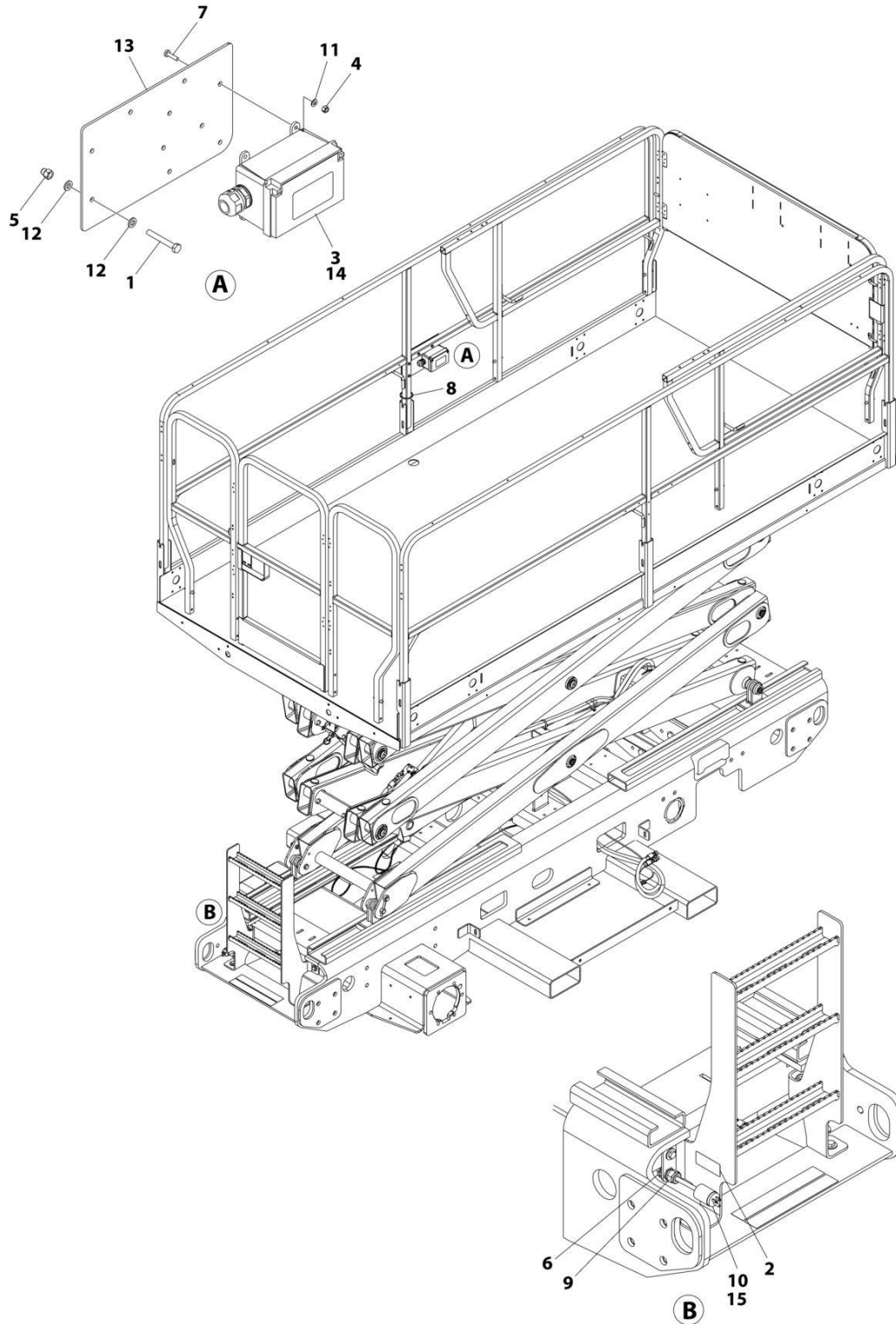
ITEM	PART NUMBER	QTY	DESCRIPTION	REV
104		Ref	Assembly, Drive Motor/Brake	
105		Ref	Module, Drive	
106		Ref	Module, Drive/Pump	
107		Ref	Converter	
108		Ref	Generator	
109		Ref	Solenoids, Main Control Valve	
110		Ref	Switch, Pressure	
111		Ref	Module, Ground Control	
112		Ref	Sensor, Tilt	
113		Ref	AC Breaker Box	
114		Ref	Alarm	
115		Ref	Beacon	
116		Ref	Solenoid, Leveling Jack Cylinder	
117		Ref	Sensor, Leveling Jacks Pressure	
118		Ref	Solenoid, Leveling Jacks Valve	
119		Ref	Sensor, Leveling Jacks Proximity	
120		Ref	Charger	
121		Ref	AC Receptacle	
122		Ref	Battery	
123		Ref	Relay	
124		Ref	Switch, Battery Disconnect	
125		Ref	Assembly, Fuse/Holder	
126		Ref	Alarm, White Noise	
127		Ref	Module, ClearSky Telematics CANBUS	
128		Ref	Antennae, ClearSky Telematics	
129		Ref	Module, ClearSky Telematics 3-Wire	
130		Ref	Voltage Regulator, ClearSky Telematics	
131		Ref	Switch, LSS Limit	
132		Ref	Battery	
133		Ref	Module, Engine Control	
134		Ref	Starter	
135		Ref	Regulator, Voltage	
136		Ref	Solenoid, Fuel	
137		Ref	Relay	
138		Ref	Alternator	
139		Ref	Sensor, Speed	
140		Ref	Sensor, Oil Temperature	
141		Ref	Sensor, Tilt	
142		Ref	Solenoid, Lower Lift Down	
143		Ref	AC Receptacle	
144		Ref	Footswitch	
145		Ref	Module, Load Sense	
146		Ref	Switch, Lift Select	
147		Ref	Switch, Drive Select	
148		Ref	Switch, Horn	
149		Ref	Switch, Speed Select	
150		Ref	Switch, Leveling Jacks	
151		Ref	Switch, Emergency Stop	
152		Ref	USB Port	
153		Ref	Joystick	
154		Ref	Display, Platform	

SECTION 8 - ELECTRICAL

ITEM	PART NUMBER	QTY	DESCRIPTION	REV
155		Ref	Alarm	
156		Ref	USB Port	
157		Ref	Switch, Genset Enable	
158		Ref	Display, Ground	
159		Ref	Switch, Key	
160		Ref	Switch, Emergency Stop	
161		Ref	Switch, Platform Lift/Lower	
162		Ref	Light, Load Sense Overload Indicator	
163		Ref	Switch, Brake Release	
164		Ref	Switch, Genset Start	
165		Ref	Light, Genset Indicator	
166		Ref	Battery	
167		Ref	Switch, Auxiliary Descent	
168		Ref	Solenoids, Upper Lift Down	

SECTION 8 - ELECTRICAL

FIGURE 8-2. AC BOX AT PLATFORM INSTALLATION - 110V GFI (ALL SPECS EXCEPT AUSTRALIAN & CE SPECS)



ART_1001255001

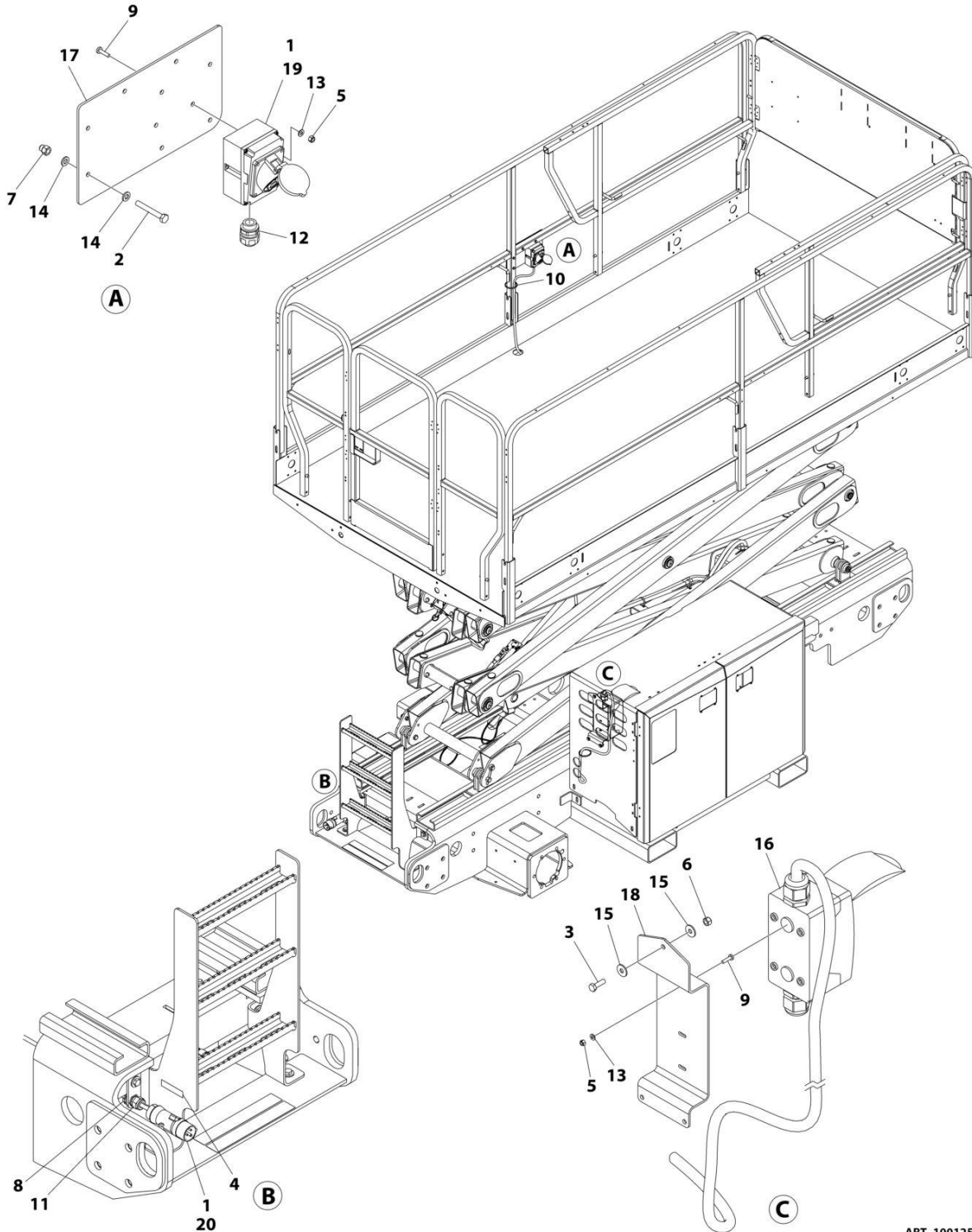
SECTION 8 - ELECTRICAL

FIGURE 8-2. AC BOX AT PLATFORM INSTALLATION - 110V GFI (ALL SPECS EXCEPT AUSTRALIAN & CE SPECS)

ITEM	PART NUMBER	QTY	DESCRIPTION	REV
	1001255001	Ref	AC BOX AT PLATFORM INSTALLATION - 110V	B
1	0700617	4	Bolt M6 x 45	
2	1703464	1	Decal - AC Power	
3	2902431	1	Receptacle Box Kit - 110V GFI (See Separate Breakdown in this Section)	
4	3290405	4	Nut M4	
5	3290606	4	Nut M6 x 1	
6	3300048	1	Nut 3/4	
7	4010408	4	Screw M4 x 16	
8	4240017	AR	Tie-Strap	
9	4460071	1	Connector	
10	4460138	1	Plug, Male	
11	4811400	4	Washer M4	
12	4811700	8	Washer M6	
13	1001254613	1	Plate, Platform Plug Mount	
14	4460315	3	Terminal, Spade	
15	1001212268	3	Terminal	

SECTION 8 - ELECTRICAL

FIGURE 8-3. AC BOX AT PLATFORM INSTALLATION - 110V IEC YELLOW (CE SPECS)



ART_1001255006

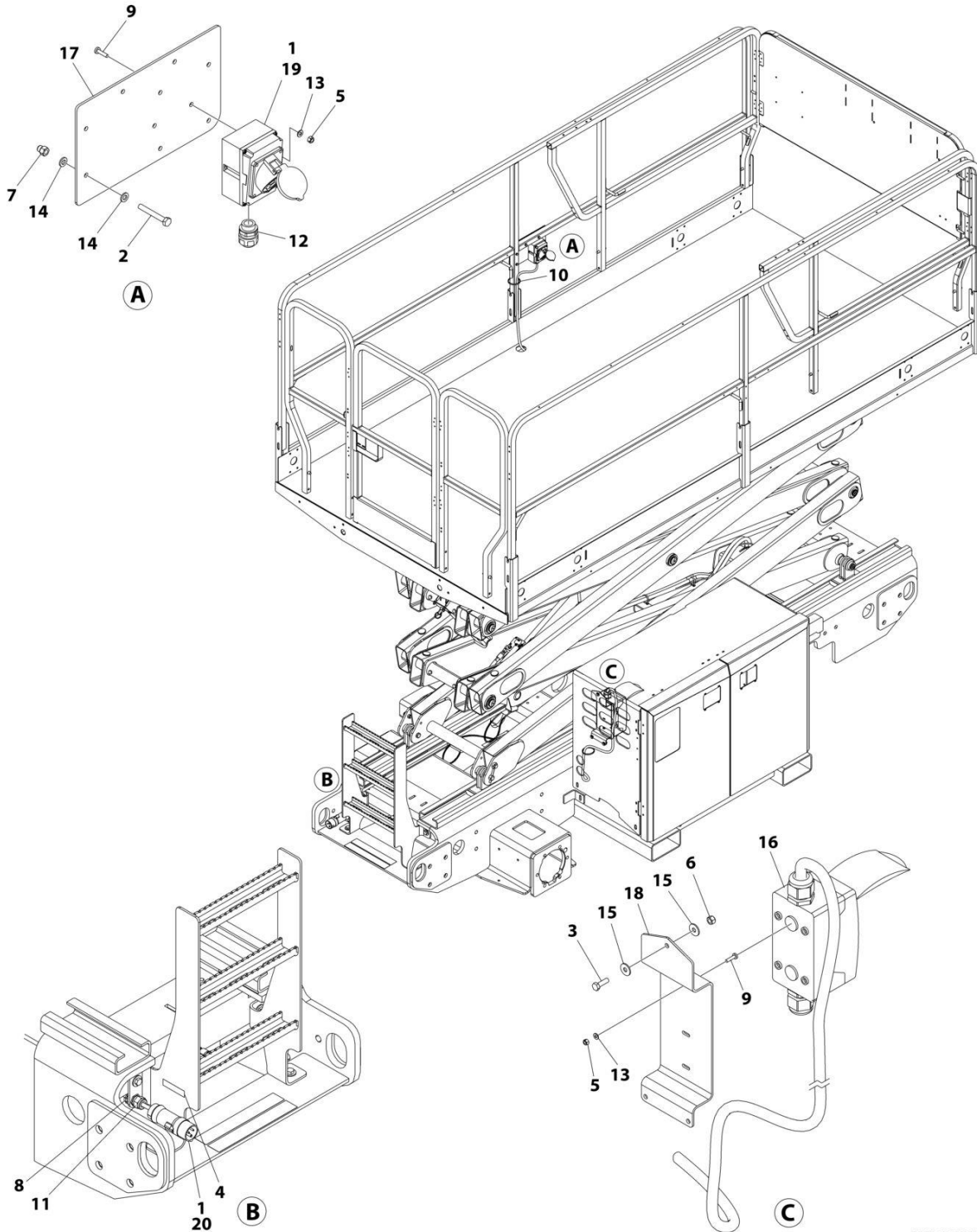
SECTION 8 - ELECTRICAL

FIGURE 8-3. AC BOX AT PLATFORM INSTALLATION - 110V IEC YELLOW (CE SPECS)

ITEM	PART NUMBER	QTY	DESCRIPTION	REV
	1001255006	Ref	AC BOX AT PLATFORM INSTALLATION - 110V IEC YELLOW	B
1	0275216	1	Receptacle Box Kit - 110V IEC Yellow (See Separate Breakdown in this Section)	
2	0700617	4	Bolt M6 x 45	
3	0760610	3	Bolt M6 x 20	
4	1705325	1	Decal - 110 Volt	
5	3290405	4	Nut M4	
6	3290605	3	Nut M6	
7	3290606	4	Nut M6 x 1	
8	3300048	1	Nut 3/4	
9	4010408	4	Screw M4 x 16	
10	4240017	AR	Tie-Strap	
11	4460071	1	Connector, Water Tight	
12	4460968	1	Connector, Strain Relief	
13	4811400	4	Washer M4	
14	4811700	8	Washer M6	
15	4811702	6	Washer M6	
16	1001096070	1	Breaker Box Kit (See Separate Breakdown in this Section)	
17	1001254613	1	Plate, Platform Plug Mount	
18	1001261118	1	Bracket, Electric Box Mount	
19	4460315	3	Terminal, Spade	
20	1001212268	3	Terminal	

SECTION 8 - ELECTRICAL

FIGURE 8-4. AC BOX AT PLATFORM INSTALLATION - 220V IEC BLUE (CE SPECS)



ART_1001255007

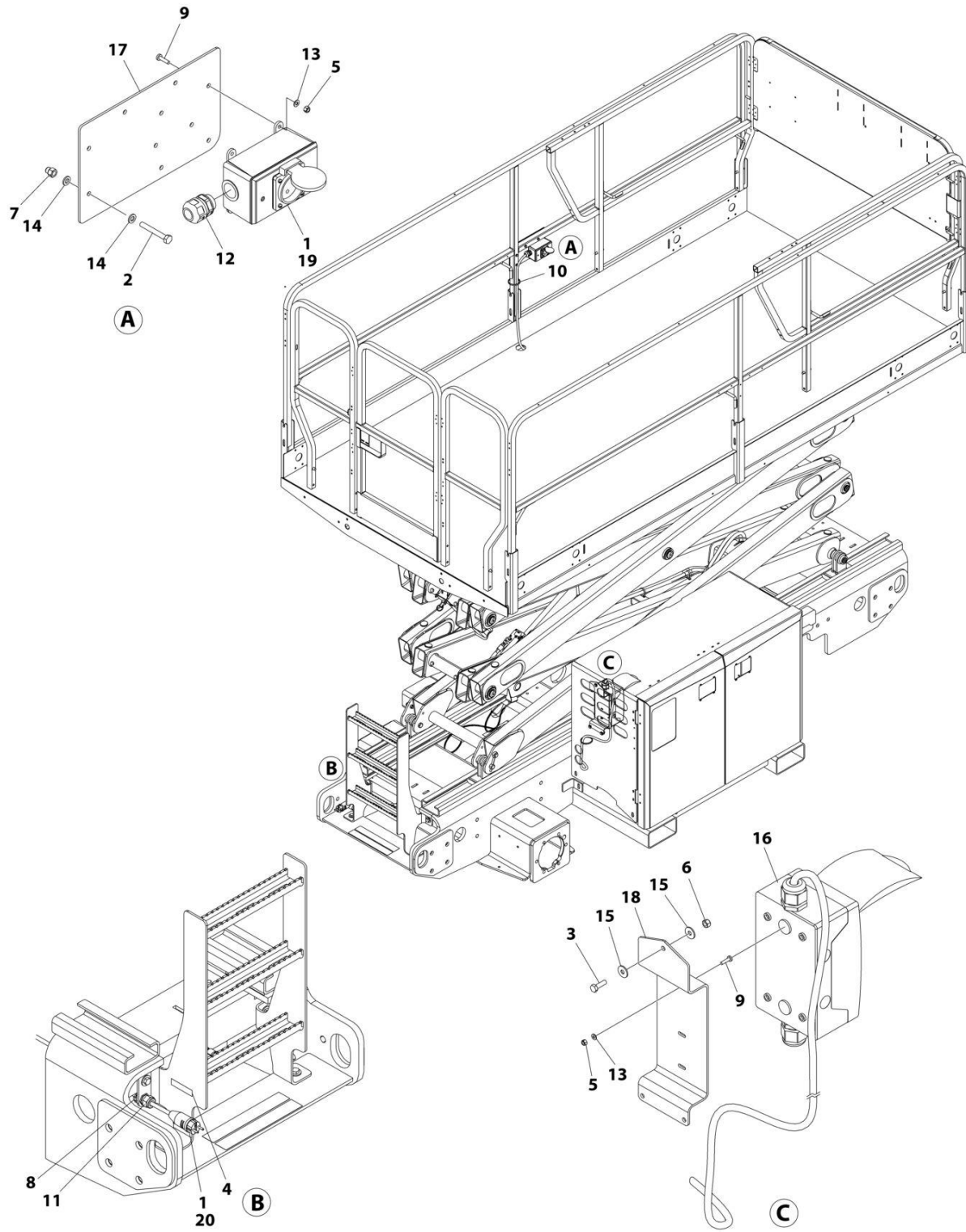
SECTION 8 - ELECTRICAL

FIGURE 8-4. AC BOX AT PLATFORM INSTALLATION - 220V IEC BLUE (CE SPECS)

ITEM	PART NUMBER	QTY	DESCRIPTION	REV
	1001255007	Ref	AC BOX AT PLATFORM INSTALLATION - 220V IEC BLUE	B
1	0275217	1	Receptacle Box Kit - 220V IEC Blue (See Separate Breakdown in this Section)	
2	0700617	4	Bolt M6 x 45	
3	0760610	3	Bolt M6 x 20	
4	3252507	1	Decal - 220 Volt	
5	3290405	4	Nut M4	
6	3290605	3	Nut M6	
7	3290606	4	Nut M6 x 1	
8	3300048	1	Nut 3/4	
9	4010408	4	Screw M4 x 16	
10	4240017	AR	Tie-Strap	
11	4460071	1	Connector, Water Tight	
12	4460968	1	Connector, Strain Relief	
13	4811400	4	Washer M4	
14	4811700	8	Washer M6	
15	4811702	6	Washer M6	
16	1001096070	1	Breaker Box Kit (See Separate Breakdown in this Section)	
17	1001254613	1	Plate, Platform Plug Mount	
18	1001261118	1	Bracket, Electric Box Mount	
19	4460315	3	Terminal, Spade	
20	1001212268	3	Terminal	

SECTION 8 - ELECTRICAL

FIGURE 8-5. AC BOX AT PLATFORM INSTALLATION - 220V CEE7 POST GROUND (CE SPECS)



ART_1001255004

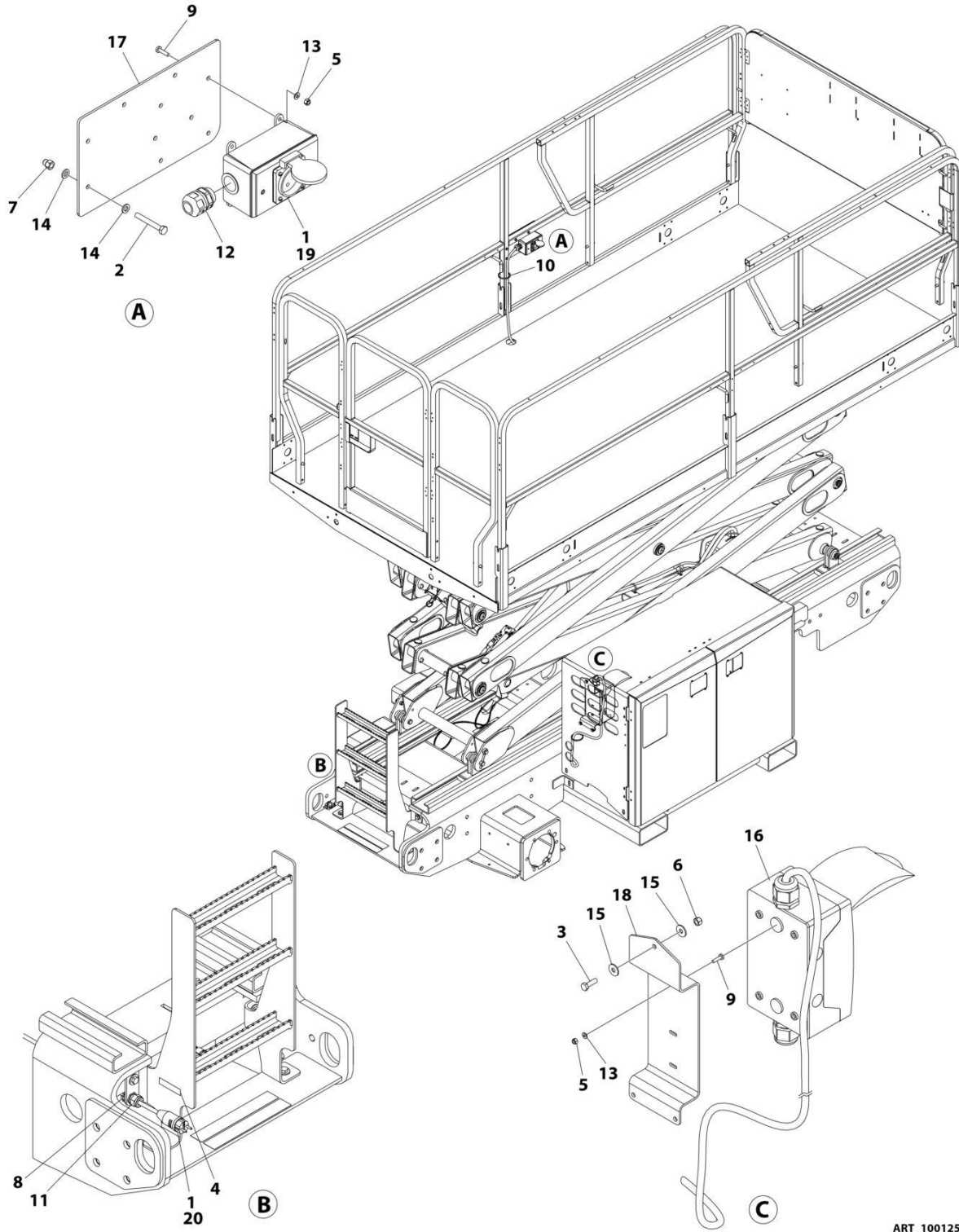
SECTION 8 - ELECTRICAL

FIGURE 8-5. AC BOX AT PLATFORM INSTALLATION - 220V CEE7 POST GROUND (CE SPECS)

ITEM	PART NUMBER	QTY	DESCRIPTION	REV
	1001255004	Ref	AC BOX AT PLATFORM INSTALLATION - 220V CEE7 POST GROUND	B
1	0275452	1	Receptacle Box Kit - 220V CEE7 Post Ground 2X4 Box (See Separate Breakdown in this Section)	
2	0700617	4	Bolt M6 x 45	
3	0760610	3	Bolt M6 x 20	
4	3252507	1	Decal - 220 Volt	
5	3290405	6	Nut M4	
6	3290605	3	Nut M6	
7	3290606	4	Nut M6 x 1	
8	3300048	1	Nut 3/4	
9	4010408	6	Screw M4 x 16	
10	4240017	AR	Tie-Strap	
11	4460071	1	Connector, Water Tight	
12	4460662	1	Connector, Strain Relief	
13	4811400	6	Washer M4	
14	4811700	8	Washer M6	
15	4811702	6	Washer M6	
16	1001152486	1	Electric Assembly, Box and Breaker (See Separate Breakdown in this Section)	
17	1001254613	1	Plate, Platform Plug Mount	
18	1001261118	1	Bracket, Electric Box Mount	
19	4460315	3	Terminal, Spade	
20	1001212268	3	Terminal	

SECTION 8 - ELECTRICAL

FIGURE 8-6. AC BOX AT PLATFORM INSTALLATION - 220V CEE7 SIDE GROUND (CE SPECS)



ART_1001255005

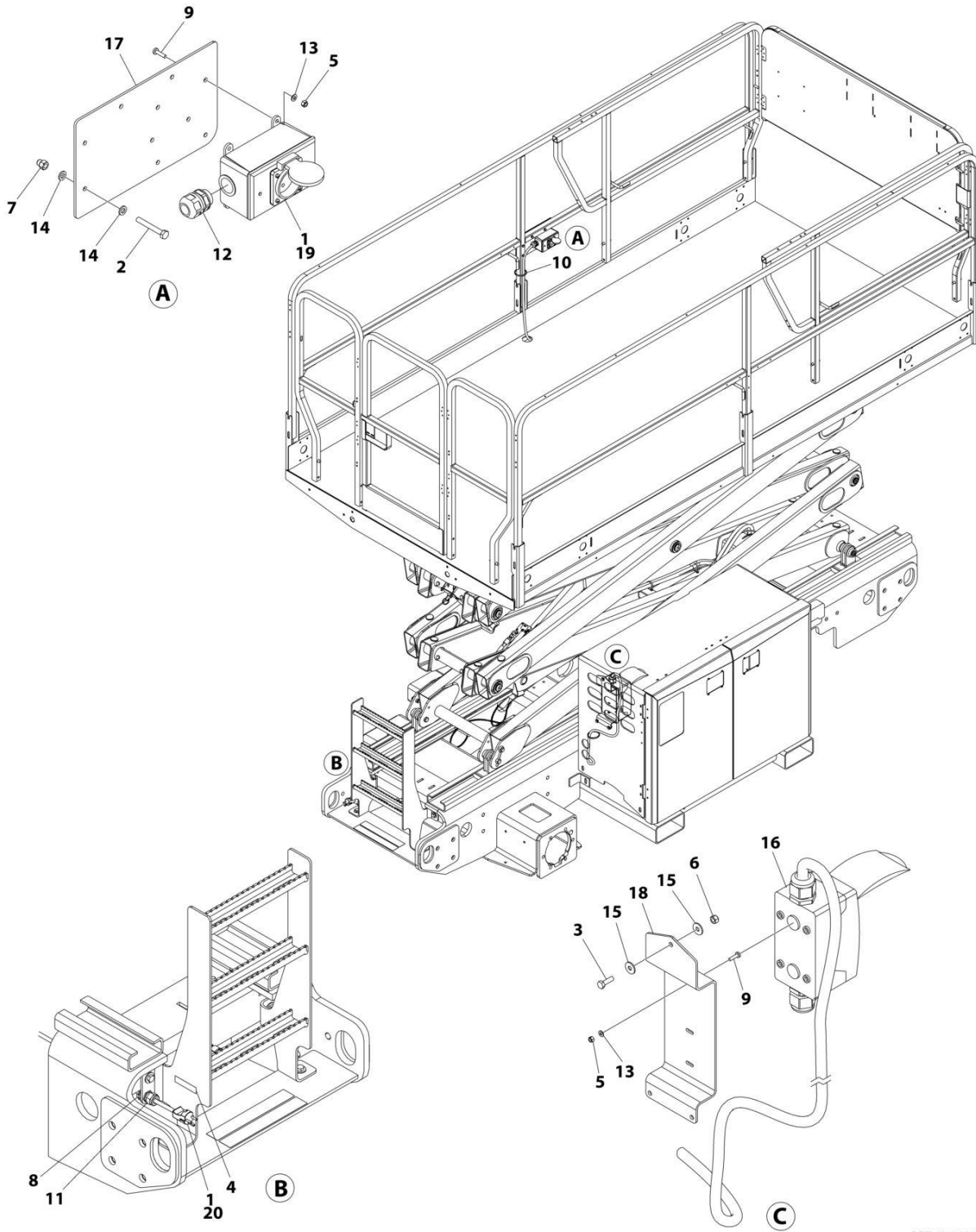
SECTION 8 - ELECTRICAL

FIGURE 8-6. AC BOX AT PLATFORM INSTALLATION - 220V CEE7 SIDE GROUND (CE SPECS)

ITEM	PART NUMBER	QTY	DESCRIPTION	REV
	1001255005	Ref	AC BOX AT PLATFORM INSTALLATION - 220V CEE7 SIDE GROUND	B
1	0275453	1	Receptacle Box Kit - 220V CEE7 Side Ground 2X4 Box (See Separate Breakdown in this Section)	
2	0700617	4	Bolt M6 x 45	
3	0760610	3	Bolt M6 x 20	
4	3252507	1	Decal - 220 Volt	
5	3290405	6	Nut M4	
6	3290605	3	Nut M6	
7	3290606	4	Nut M6 x 1	
8	3300048	1	Nut 3/4	
9	4010408	6	Screw M4 x 16	
10	4240017	AR	Tie-Strap	
11	4460071	1	Connector, Water Tight	
12	4460662	1	Connector, Strain Relief	
13	4811400	6	Washer M4	
14	4811700	8	Washer M6	
15	4811702	6	Washer M6	
16	1001152486	1	Electric Assembly, Box and Breaker (See Separate Breakdown in this Section)	
17	1001254613	1	Plate, Platform Plug Mount	
18	1001261118	1	Bracket, Electric Box Mount	
19	4460315	3	Terminal, Spade	
20	1001212268	3	Terminal	

SECTION 8 - ELECTRICAL

FIGURE 8-7. AC BOX AT PLATFORM INSTALLATION - 220V AFSINT 107 (CE SPECS)



ART_1001255008

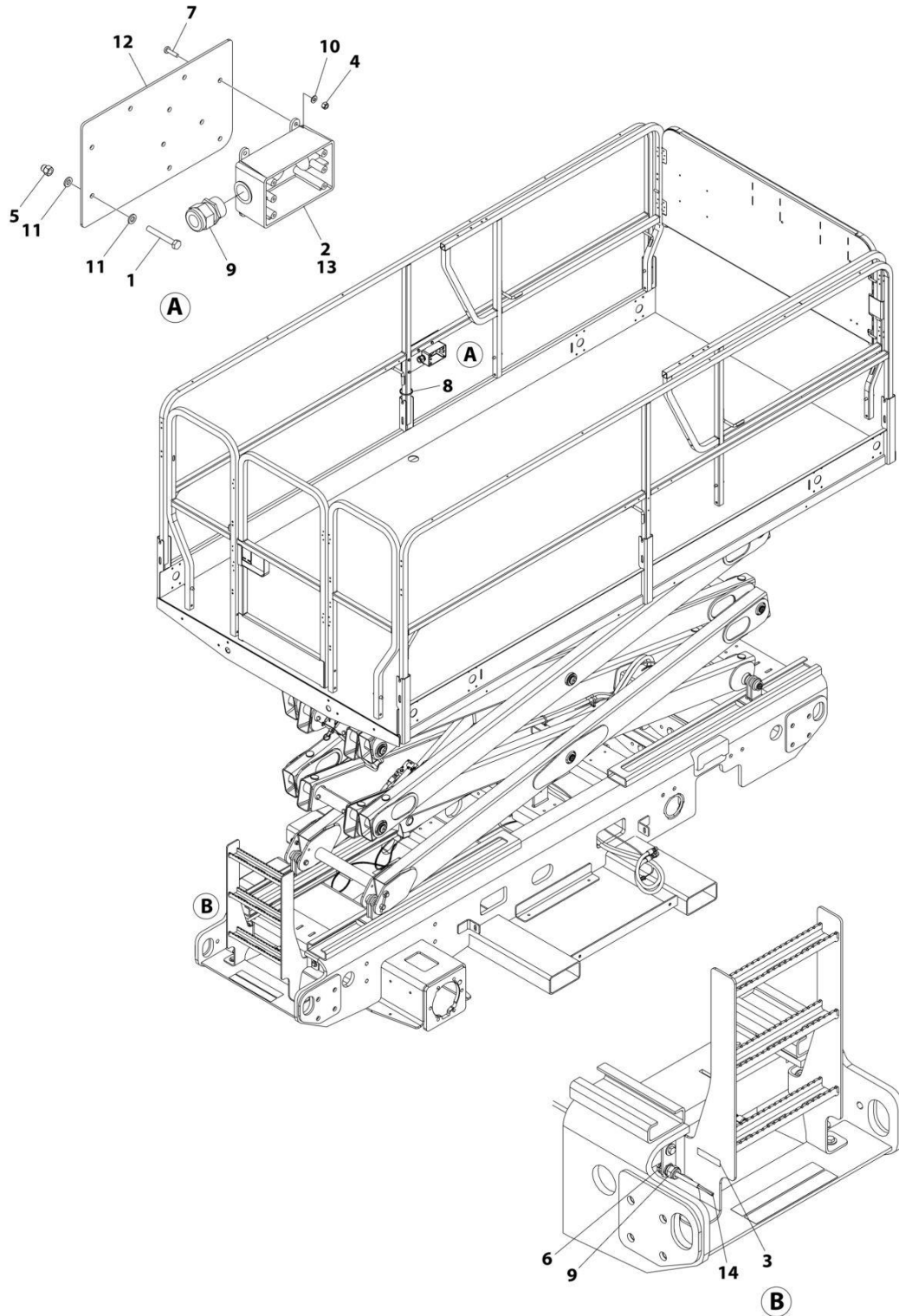
SECTION 8 - ELECTRICAL

FIGURE 8-7. AC BOX AT PLATFORM INSTALLATION - 220V AFSINT 107 (CE SPECS)

ITEM	PART NUMBER	QTY	DESCRIPTION	REV
	1001255008	Ref	AC BOX AT PLATFORM INSTALLATION - 220V AFSINT 107	B
1	0275454	1	Receptacle Box Kit - 220V AFSINT 107 (See Separate Breakdown in this Section)	
2	0700617	4	Bolt M6 x 45	
3	0760610	3	Bolt M6 x 20	
4	3252507	1	Decal - 220 Volt	
5	3290405	6	Nut M4	
6	3290605	3	Nut M6	
7	3290606	4	Nut M6 x 1	
8	3300048	1	Nut 3/4	
9	4010408	6	Screw M4 x 16	
10	4240017	AR	Tie-Strap	
11	4460071	1	Connector, Water Tight	
12	4460662	1	Connector, Strain Relief	
13	4811400	6	Washer M4	
14	4811700	8	Washer M6	
15	4811702	6	Washer M6	
16	1001096070	1	Breaker Box Kit (See Separate Breakdown in this Section)	
17	1001254613	1	Plate, Platform Plug Mount	
18	1001261118	1	Bracket, Electric Box Mount	
19	4460315	3	Terminal, Spade	
20	1001212268	3	Terminal	

SECTION 8 - ELECTRICAL

FIGURE 8-8. AC BOX AT PLATFORM INSTALLATION - 220V CUSTOMER SUPPLIED PLUG & RECEPTACLE (ALL SPECS EXCEPT AUSTRALIAN & CE SPECS)



ART_1001255002

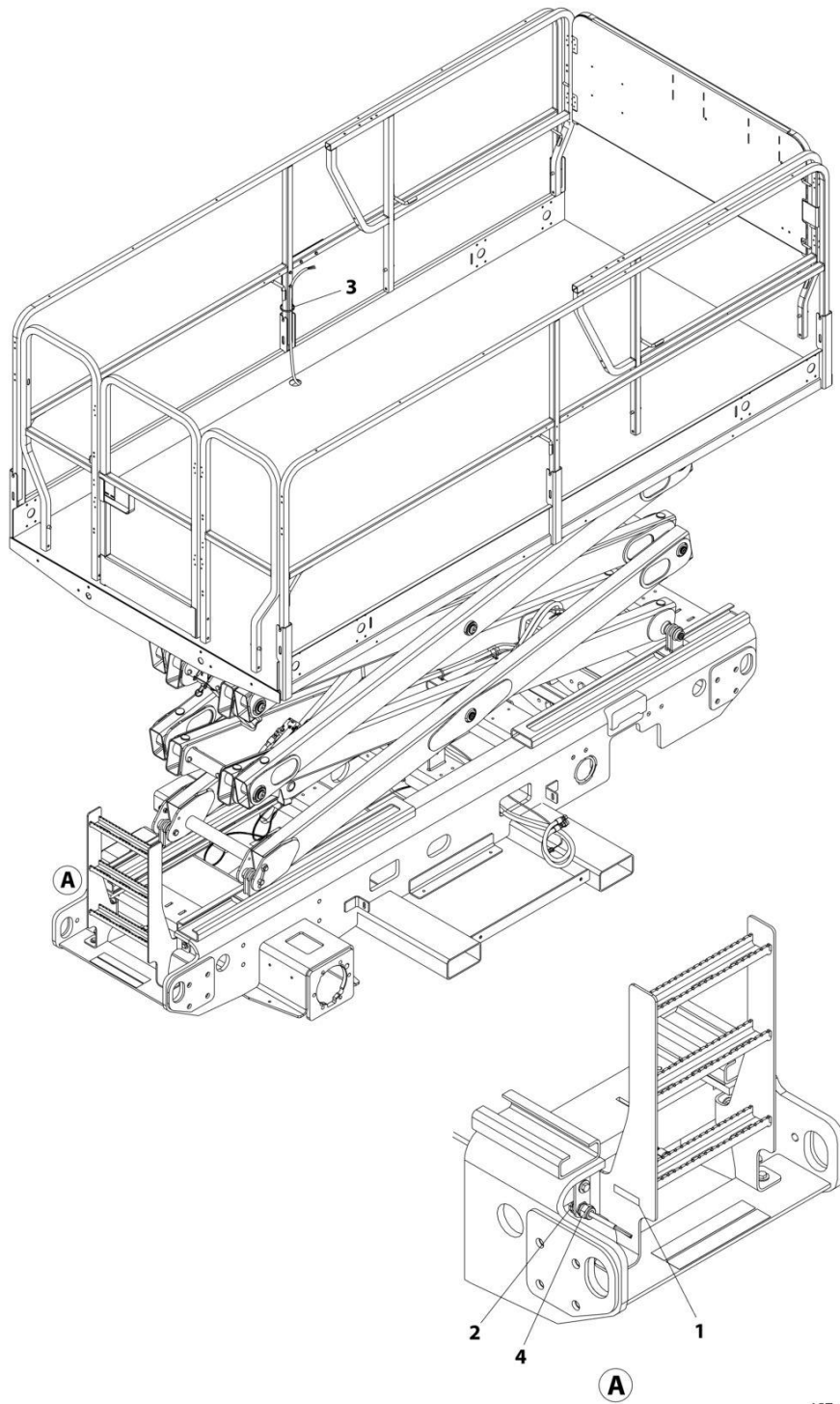
SECTION 8 - ELECTRICAL

FIGURE 8-8. AC BOX AT PLATFORM INSTALLATION - 220V CUSTOMER SUPPLIED PLUG & RECEPTACLE (ALL SPECS EXCEPT AUSTRALIAN & CE SPECS)

ITEM	PART NUMBER	QTY	DESCRIPTION	REV
	1001255002	Ref	AC BOX AT PLATFORM INSTALLATION - 220V RECEPTACLE	B
1	0700617	4	Bolt M6 x 45	
2	0861731	1	Box, Receptacle	
3	3252507	1	Decal - 220 Volt	
4	3290405	4	Nut M4	
5	3290606	4	Nut M6 x 1	
6	3300048	1	Nut 3/4	
7	4010408	4	Screw M4 x 16	
8	4240017	AR	Tie-Strap	
9	4460071	2	Connector, Water Tight	
10	4811400	4	Washer M4	
11	4811700	8	Washer M6	
12	1001254613	1	Plate, Platform Plug Mount	
13	4460315	3	Terminal, Spade	
14	1001212268	3	Terminal	

SECTION 8 - ELECTRICAL

FIGURE 8-9. AC BOX AT PLATFORM INSTALLATION - 220V CUSTOMER SUPPLIED COMPONENTS
(ALL SPECS)



ART_1001255003

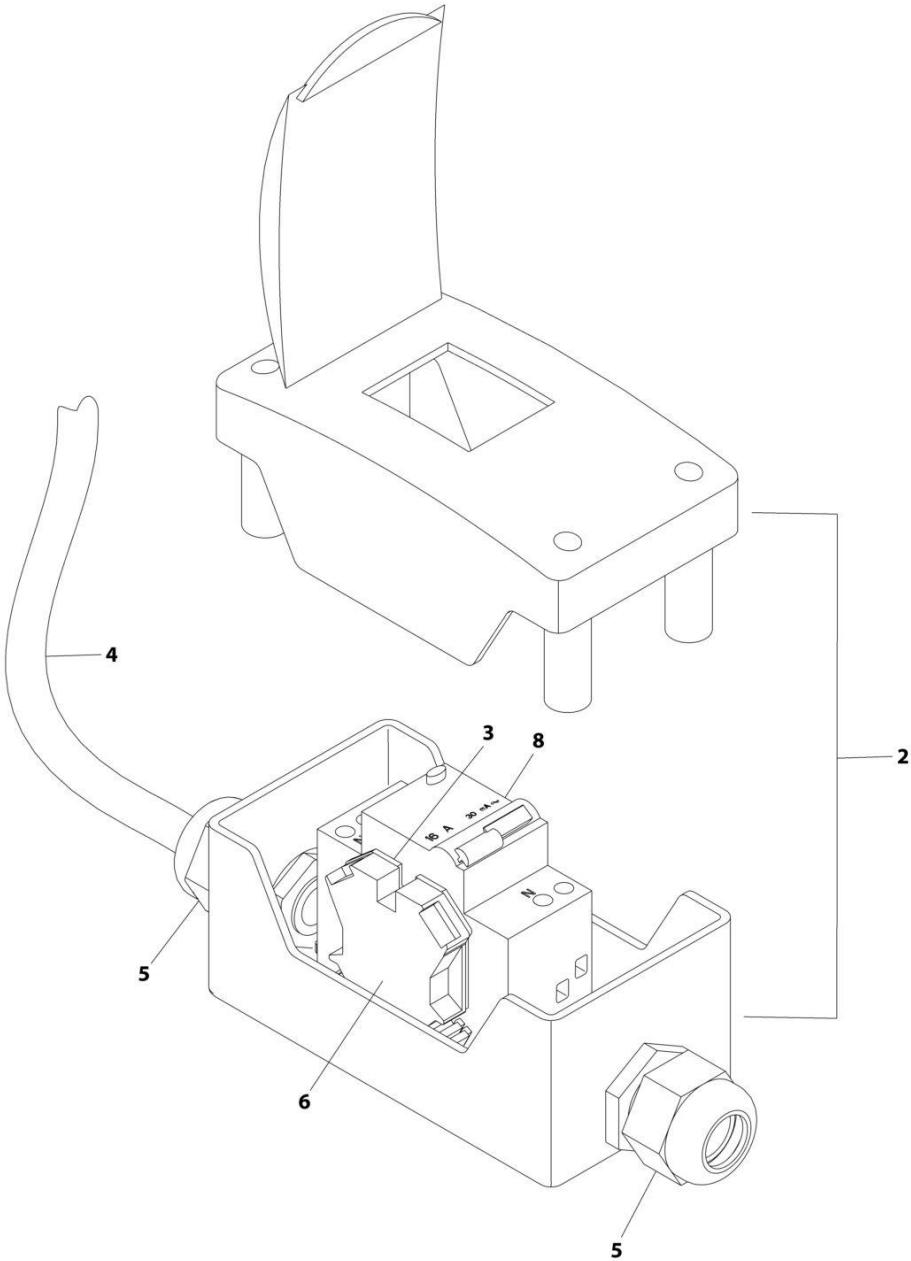
SECTION 8 - ELECTRICAL

**FIGURE 8-9. AC BOX AT PLATFORM INSTALLATION - 220V CUSTOMER SUPPLIED COMPONENTS
(ALL SPECS)**

ITEM	PART NUMBER	QTY	DESCRIPTION	REV
	1001255003	Ref	AC BOX AT PLATFORM INSTALLATION - 220V CUSTOMER SUPPLIED COMPONENTS	A
1	3252507	1	Decal - 220 Volt	
2	3300048	1	Nut 3/4	
3	4240017	AR	Tie-Strap	
4	4460071	1	Connector, Water Tight	

SECTION 8 - ELECTRICAL

FIGURE 8-10. BREAKER BOX KIT - 1 DOUBLE BREAKER



ART_1001096070_E

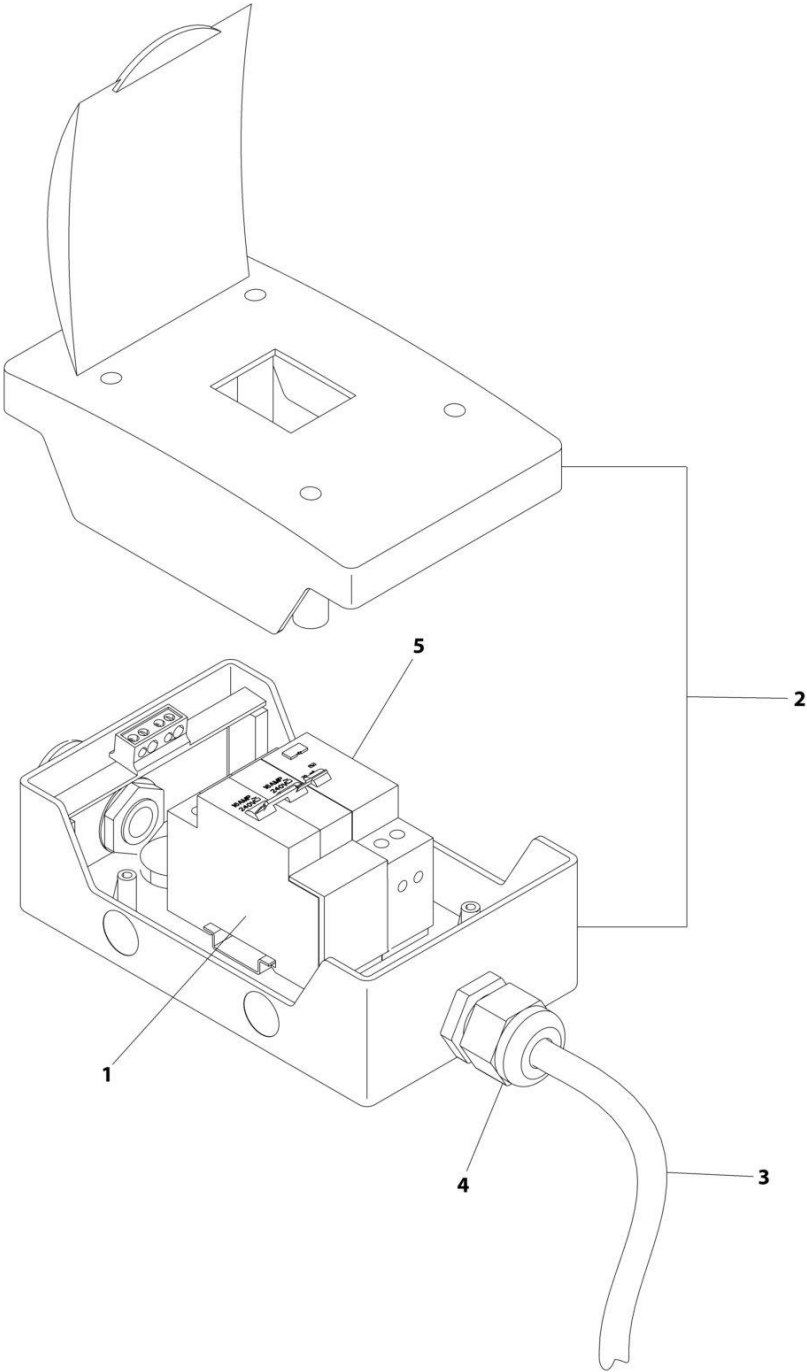
SECTION 8 - ELECTRICAL

FIGURE 8-10. BREAKER BOX KIT - 1 DOUBLE BREAKER

ITEM	PART NUMBER	QTY	DESCRIPTION	REV
	1001096070	Ref	BREAKER BOX KIT	E
2	0861880	1	Box	
3	4460956	1	Barrier, Terminal Block End	
4	1060908	12 ft/ 3.6m	Cable, 12/3	
5	1001097150	2	Connector, Strain Relief	
6	4460957	1	Block, Terminal	
8	1001181045	1	Breaker, 16Amp	

SECTION 8 - ELECTRICAL

FIGURE 8-11. BREAKER BOX KIT - 1 DOUBLE & 1 SINGLE BREAKER



ART_1001152486_C

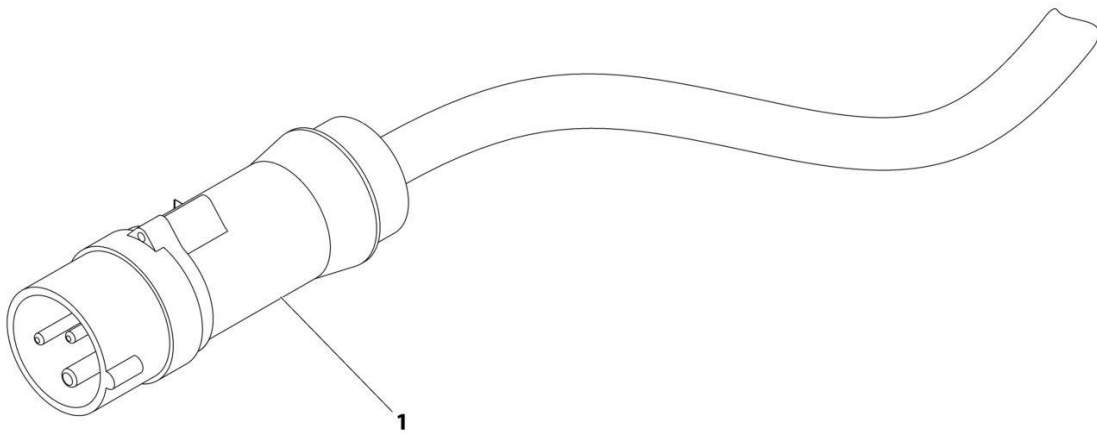
SECTION 8 - ELECTRICAL

FIGURE 8-11. BREAKER BOX KIT - 1 DOUBLE & 1 SINGLE BREAKER

ITEM	PART NUMBER	QTY	DESCRIPTION	REV
	1001152486	Ref	BREAKER BOX KIT	C
1	1001189172	1	Breaker, 16 Amp (Double)	
2	1001152483	1	Box	
3	1060908	12 ft/ 3.66m	Cable, 12/3	
4	1001097150	1	Connector, Strain Relief	
5	1001189171	1	Breaker, 30mA	

SECTION 8 - ELECTRICAL

FIGURE 8-12. CHARGER CORD PLUG INSTALLATION - 110V - IEC YELLOW (CE SPEC)



ART_0275666

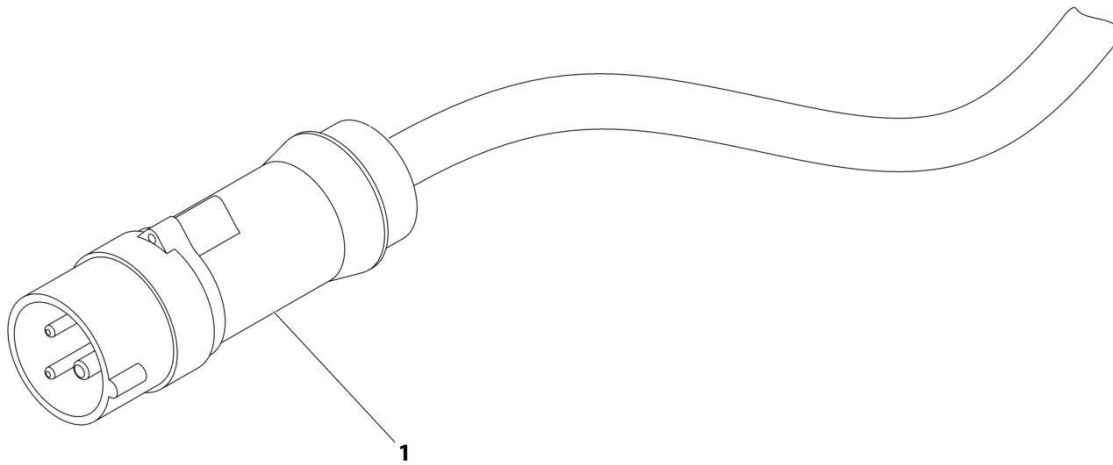
SECTION 8 - ELECTRICAL

FIGURE 8-12. CHARGER CORD PLUG INSTALLATION - 110V - IEC YELLOW (CE SPEC)

ITEM	PART NUMBER	QTY	DESCRIPTION	REV
	0275666	Ref	CHARGER CORD PLUG INSTALLATION - 110V IEC YELLOW	B
1	4461196	1	PLUG Plug	

SECTION 8 - ELECTRICAL

FIGURE 8-13. CHARGER CORD PLUG INSTALLATION - 220V - IEC BLUE (CE SPEC)



ART_0275667

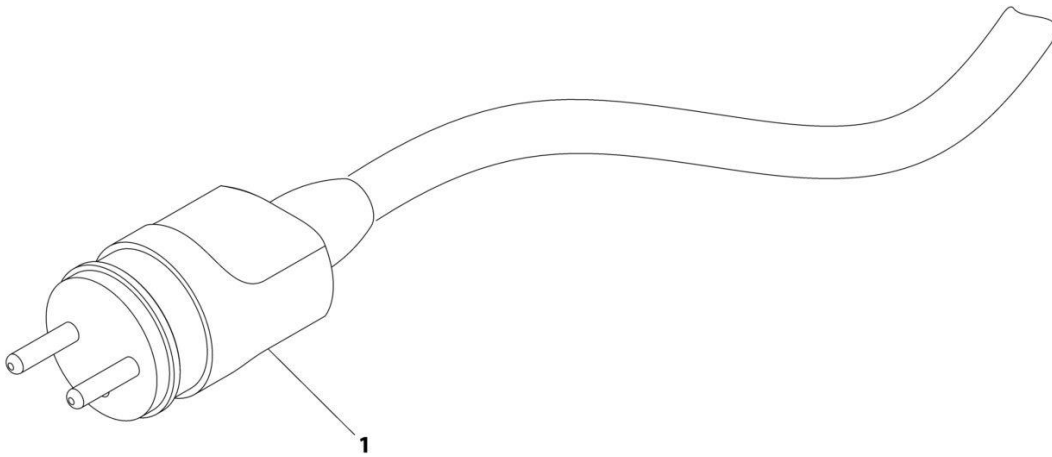
SECTION 8 - ELECTRICAL

FIGURE 8-13. CHARGER CORD PLUG INSTALLATION - 220V - IEC BLUE (CE SPEC)

ITEM	PART NUMBER	QTY	DESCRIPTION	REV
1	0275667 4461199	Ref 1	CHARGER CORD PLUG INSTALLATION - 220V IEC BLUE PLUG Plug	B

SECTION 8 - ELECTRICAL

FIGURE 8-14. CHARGER CORD PLUG INSTALLATION - 220V - CEE7 POST GROUND (CE SPEC)



ART_0275663

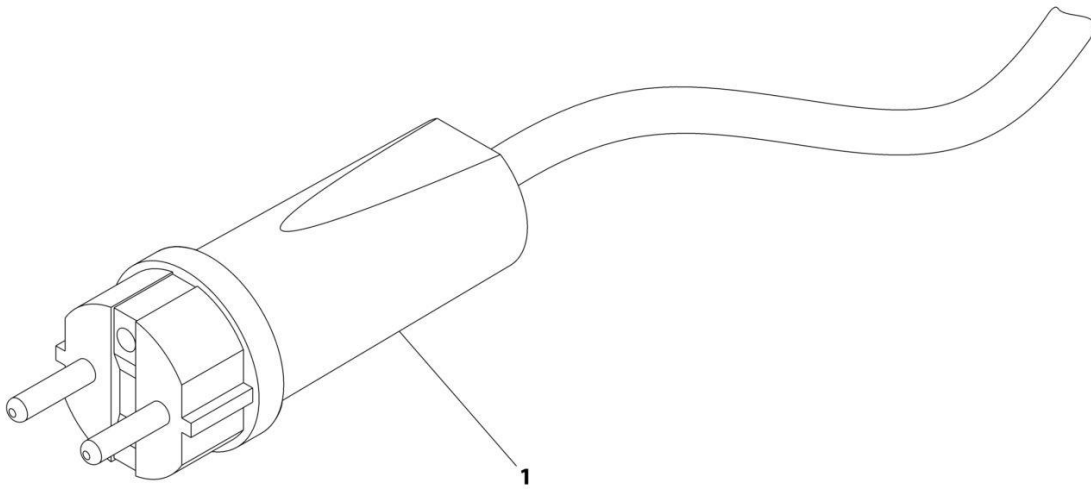
SECTION 8 - ELECTRICAL

FIGURE 8-14. CHARGER CORD PLUG INSTALLATION - 220V - CEE7 POST GROUND (CE SPEC)

ITEM	PART NUMBER	QTY	DESCRIPTION	REV
	0275663	Ref	CHARGER CORD PLUG INSTALLATION - 220V CEE7 POST GROUND	C
1	4461205	1	Plug	

SECTION 8 - ELECTRICAL

FIGURE 8-15. CHARGER CORD PLUG INSTALLATION - 220V - CEE7 SIDE GROUND (CE SPEC)



ART_0275664

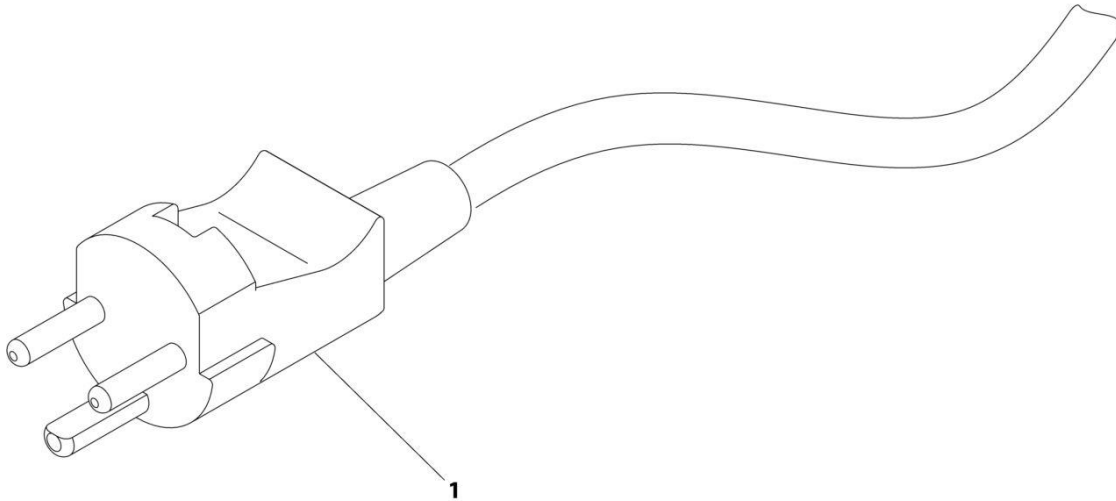
SECTION 8 - ELECTRICAL

FIGURE 8-15. CHARGER CORD PLUG INSTALLATION - 220V - CEE7 SIDE GROUND (CE SPEC)

ITEM	PART NUMBER	QTY	DESCRIPTION	REV
	0275664	Ref	CHARGER CORD PLUG INSTALLATION - 220V CEE7 SIDE GROUND	A
1	4461205	1	Plug	

SECTION 8 - ELECTRICAL

FIGURE 8-16. CHARGER CORD PLUG INSTALLATION - 220V - AFSINT 107 KEYED GROUND (CE SPEC)



ART_0275665

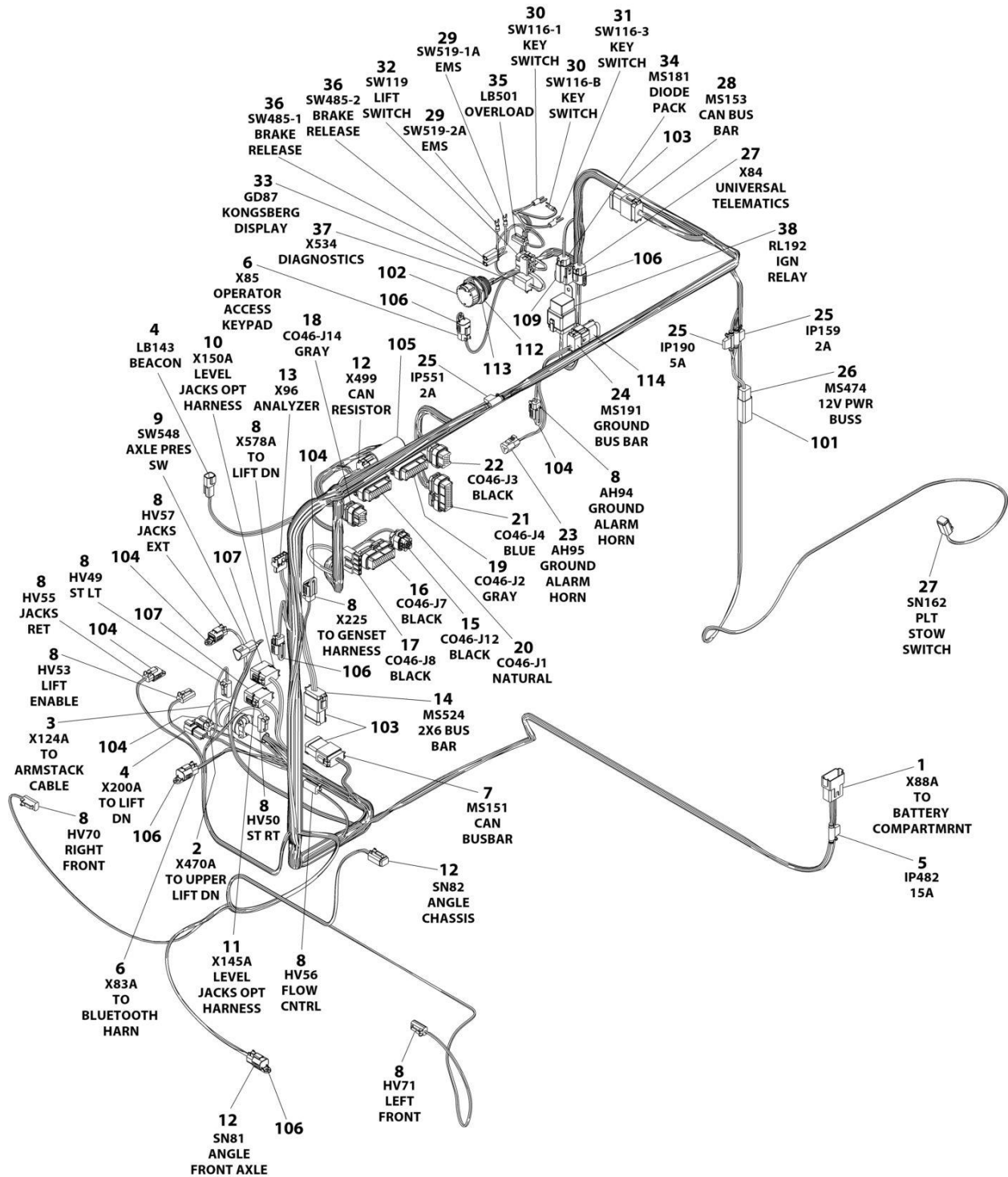
SECTION 8 - ELECTRICAL

FIGURE 8-16. CHARGER CORD PLUG INSTALLATION - 220V - AFSINT 107 KEYED GROUND (CE SPEC)

ITEM	PART NUMBER	QTY	DESCRIPTION	REV
	0275665	Ref	CHARGER CORD PLUG INSTALLATION - 220V AFSINT 107 KEYED GROUND	B
1	4461249	1	Plug	

SECTION 8 - ELECTRICAL

FIGURE 8-17. CHASSIS HARNESS



ART_1001254403

SECTION 8 - ELECTRICAL

FIGURE 8-17. CHASSIS HARNESS

ITEM	PART NUMBER	QTY	DESCRIPTION	REV
	1001254403	Ref	CHASSIS HARNESS	G
1	4460970	1	Receptacle - 12 Position	
1	4460464	4	Pin, Male	
1	4460943	4	Pin, Male	
1	1001157891	2	Pin, Male	
1	4460466	2	Plug, Terminal	
2	4460891	1	Plug, Male - 2 Position	
2	4460465	2	Socket, Female	
3	4460754	1	Plug, Male - 14 Position	
3	4460465	12	Socket, Female	
3	4460944	2	Socket, Female	
4	4460897	2	Receptacle, Female - 2 Position	
4	4460464	4	Pin, Male	
5	2400066	2	Fuseholder with Cover	
6	4460884	2	Plug, Male - 4 Position	
6	4460465	4	Socket, Female	
6	4460944	4	Socket, Female	
7	4460933	1	Plug, Male - 12 Position	
7	4460944	8	Socket, Female	
7	4460466	4	Plug, Terminal	
8	4460891	11	Plug, Male - 2 Position	
8	4460465	22	Socket, Female	
9	4460536	1	Receptacle, Female - 3 Position	
9	4460464	3	Pin, Male	
10	4460933	1	Plug, Male - 12 Position	
10	4460465	12	Socket, Female	
11	4460836	1	Connector - 12 Position	
11	4460465	8	Socket, Female	
11	4460466	4	Plug, Terminal	
12	4460884	3	Plug, Male - 4 Position	
12	4460944	12	Socket, Female	
13	4460761	1	Plug, Male - 4 Position	
13	4460227	4	Terminal	
14	4460933	1	Plug, Male - 12 Position	
14	4460465	10	Socket, Female	
14	4460466	2	Plug, Terminal	
15	1001113961	1	Connector - 8 Position	
15	4460871	2	Terminal	
15	4460905	6	Plug, Terminal	
16	4460873	1	Connector - 35 Position	
16	4460871	30	Terminal	
16	4460905	5	Plug, Terminal	
17	4460878	1	Connector - 4 Position	
17	4460887	2	Terminal	
18	1001246859	1	Connector - 14 Position	
18	4460871	7	Terminal	
18	4460905	7	Plug, Terminal	
19	4460875	1	Connector - 35 Position	
19	4460871	18	Terminal	
19	4460905	17	Plug, Terminal	

SECTION 8 - ELECTRICAL

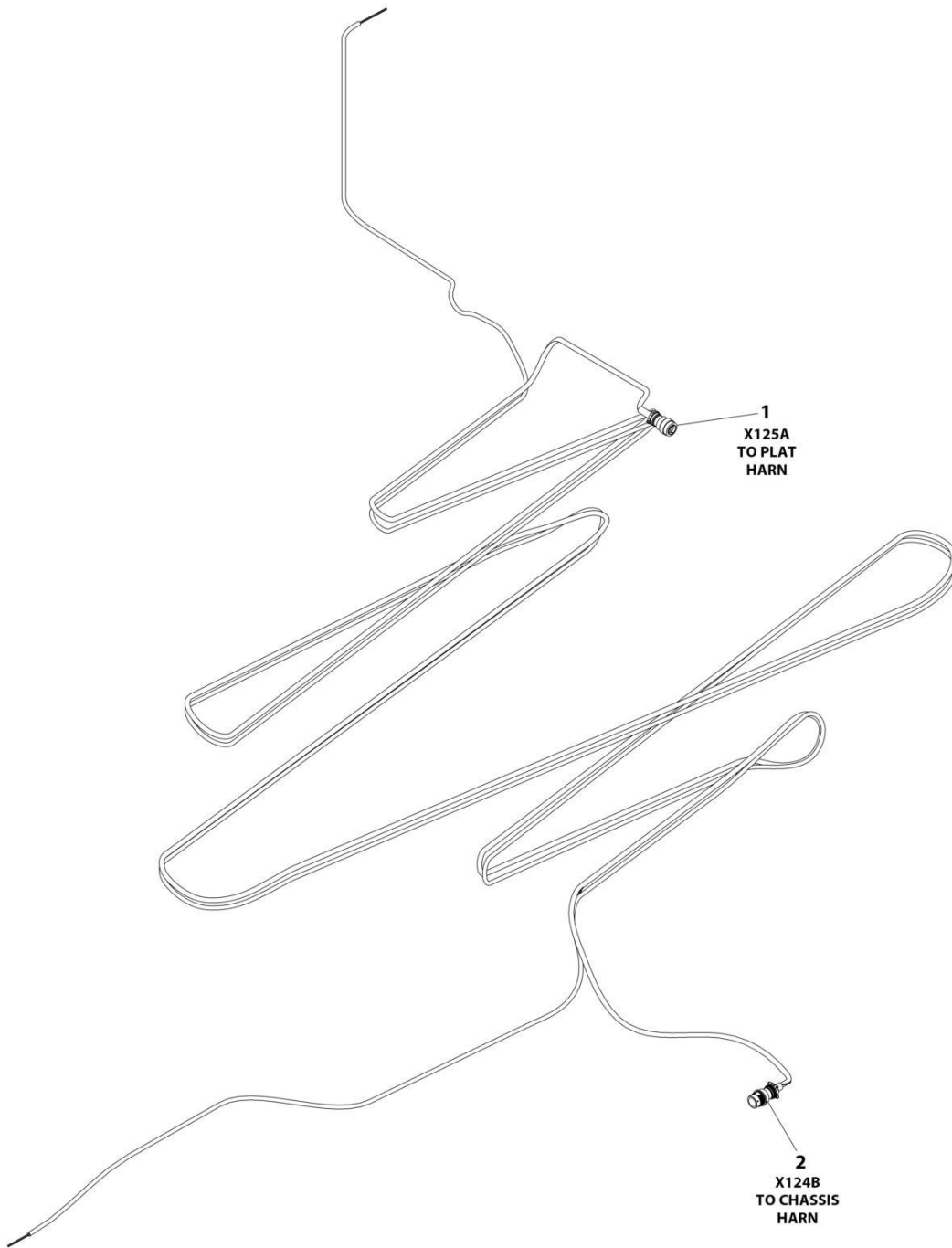
ITEM	PART NUMBER	QTY	DESCRIPTION	REV
20	4460874	1	Connector - 35 Position	
20	4460871	9	Terminal	
20	4460905	26	Plug, Terminal	
21	4460876	1	Connector - 35 Position	
21	4460871	18	Terminal	
21	4460905	17	Plug, Terminal	
22	4460872	1	Connector - 14 Position	
22	4460871	6	Terminal	
22	4460905	8	Plug, Terminal	
23	4460539	1	Plug, Male - 3 Position	
23	4460465	3	Socket, Female	
24	4460930	1	Plug, Male - 8 Position	
24	4460465	5	Socket, Female	
24	4460466	3	Plug, Terminal	
25	1001170764	3	Fuseholder with 20Amp Fuse	
26	4460884	1	Plug, Male - 4 Position	
26	4460942	2	Socket, Female	
26	4460465	1	Socket, Female	
26	4460466	1	Plug, Terminal	
27	4460884	2	Plug, Male - 4 Position	
27	4460465	8	Socket, Female	
28	4460933	1	Plug, Male - 12 Position	
28	4460465	12	Socket, Female	
29	4460183	2	Terminal, Fork	
30	4460144	2	Terminal, Fork	
31	4460806	1	Terminal, Fork	
32	4460418	1	Connector, Switch	
32	1001159186	3	Terminal	
33	4460894	1	Plug, Male - 6 Position	
33	4460465	2	Socket, Female	
33	4460944	2	Socket, Female	
33	4460466	2	Plug, Terminal	
34	4460884	1	Plug, Male - 4 Position	
34	4460465	3	Socket, Female	
34	4460466	1	Plug, Terminal	
35	1001126245	1	Connector - 2 Position	
35	4460928	2	Terminal	
36	4460260	2	Cover, Terminal	
36	4460259	2	Terminal	
37	1001112612	1	Connector - 9 Position	
37	4460464	3	Pin, Male	
37	4460943	2	Pin, Male	
37	4460466	4	Plug, Terminal	
38	1001117025	1	Connector, Relay	
38	1001116733	2	Terminal	
38	1001116732	2	Terminal	
38	1001128128	1	Plug, Terminal	
101	4460893	1	Buss Bar - 4 Position	
102	1001106736	1	Cap, Dust	
103	1001125677	3	Bussbar - 12 Position	
104	1001144295	5	Cap, Thermoplastic	

SECTION 8 - ELECTRICAL

ITEM	PART NUMBER	QTY	DESCRIPTION	REV
105	1001186231	1	Resistor Assembly	
106	1001192401	5	Cap, Dust	
107	1001215898	2	Cap, Dust	
109	1001152266	1	Connector - 4 Position	
112	1001125784	1	Washer	
113	1001125785	1	Nut	
114	4460984	1	Receptacle, Female - 8 Position	

SECTION 8 - ELECTRICAL

FIGURE 8-18. GROUND TO PLATFORM HARNESS (ERT4069)



ART_1001259135

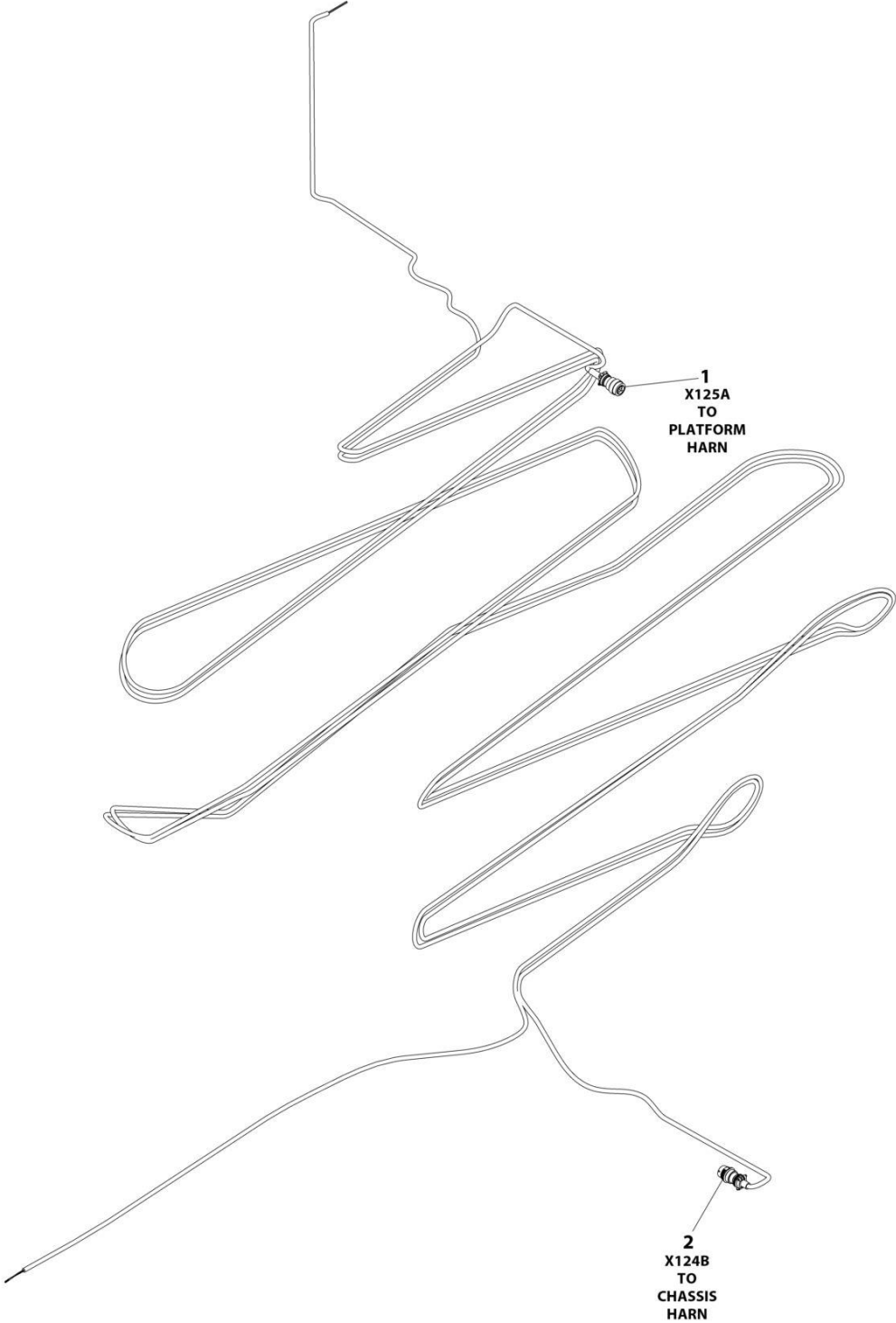
SECTION 8 - ELECTRICAL

FIGURE 8-18. GROUND TO PLATFORM HARNESS (ERT4069)

ITEM	PART NUMBER	QTY	DESCRIPTION	REV
	1001259135	Ref	GROUND TO PLATFORM HARNESS	B
1	4460754	1	Connector - 14 Position	
1	4460465	12	Socket, Female	
1	4460944	2	Terminal	
2	1001156541	1	Connector - 14 Position	
2	4460464	12	Pin, Male	
2	4460943	2	Terminal	

SECTION 8 - ELECTRICAL

FIGURE 8-19. GROUND TO PLATFORM HARNESS (ERT4769)



ART_1001262141

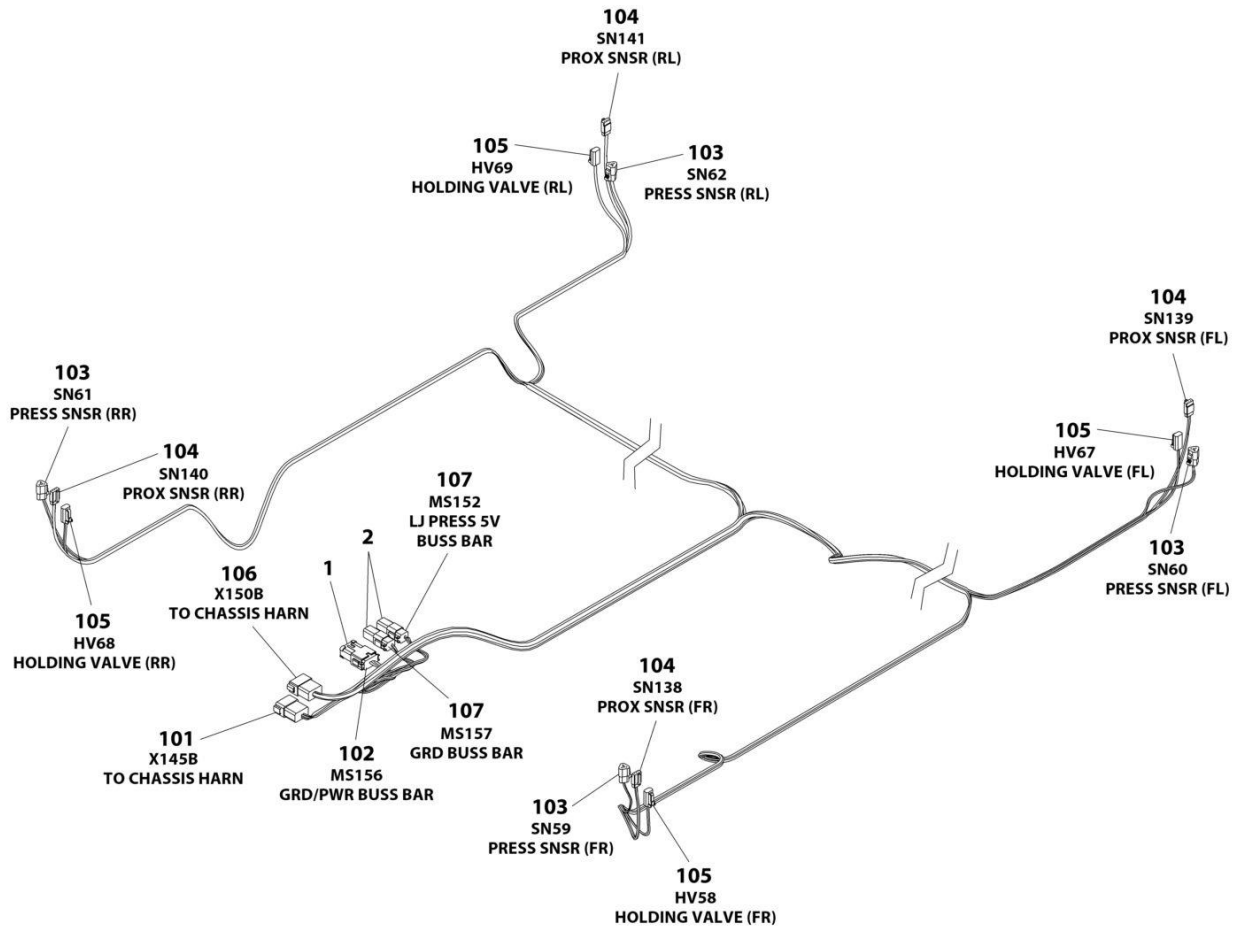
SECTION 8 - ELECTRICAL

FIGURE 8-19. GROUND TO PLATFORM HARNESS (ERT4769)

ITEM	PART NUMBER	QTY	DESCRIPTION	REV
	1001262141	Ref	GROUND TO PLATFORM HARNESS	B
1	4460754	1	Connector - 14 Position	
1	4460465	12	Socket, Female	
1	4460944	2	Terminal	
2	1001156541	1	Connector - 14 Position	
2	4460464	12	Pin, Male	
2	4460943	2	Terminal	

SECTION 8 - ELECTRICAL

FIGURE 8-20. LEVELING JACK HARNESS



ART_1001248863

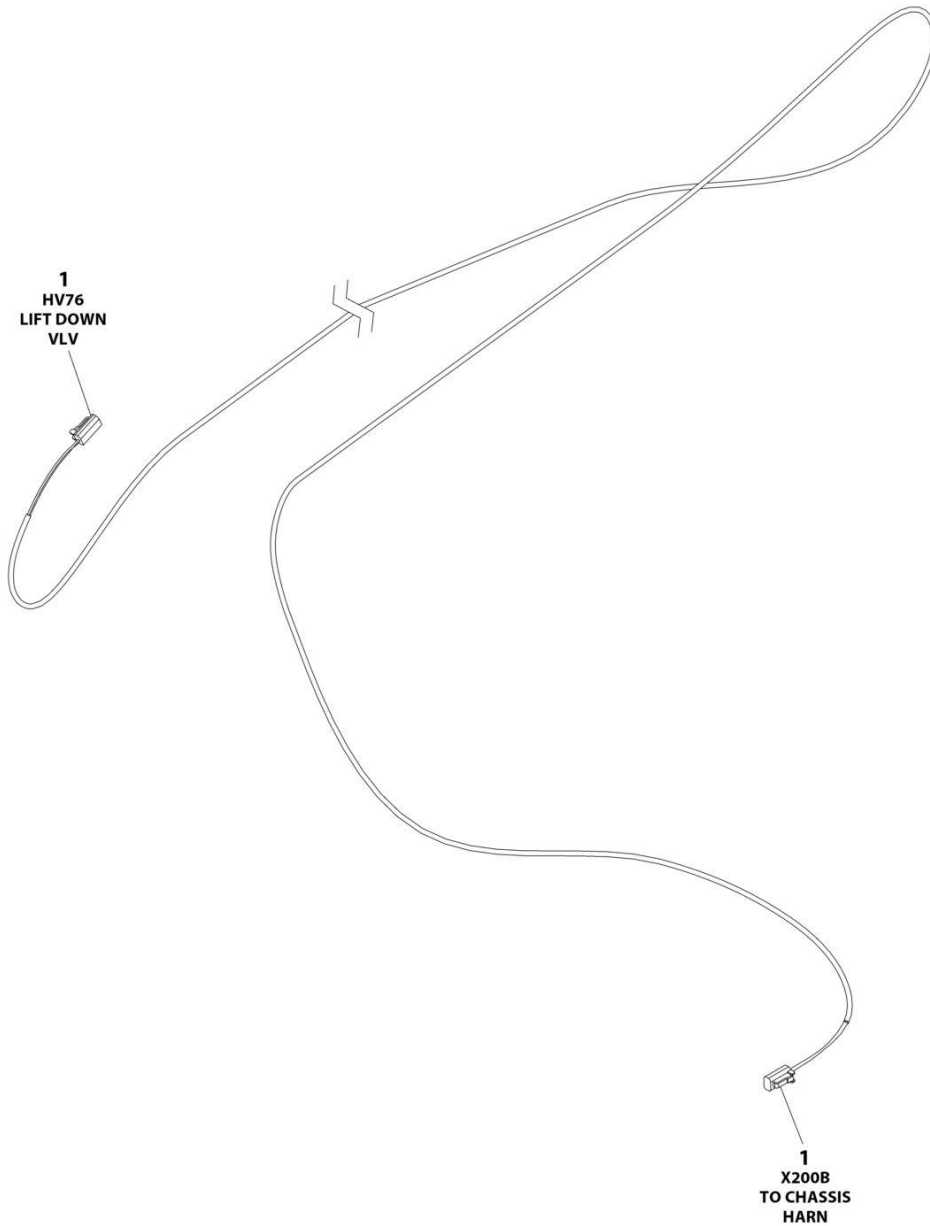
SECTION 8 - ELECTRICAL

FIGURE 8-20. LEVELING JACK HARNESS

ITEM	PART NUMBER	QTY	DESCRIPTION	REV
	1001248863	Ref	LEVELING JACK HARNESS	C
1	1001125677	1	Connector, 2 x 6 Bussbar (DT)	
2	4460892	2	Terminal, 6 Position Bussbar (DT)	
101	4460950	1	Receptacle, Female - 12 Position	
101	4460464	8	Pin, Male	
101	4460466	4	Plug, Terminal	
102	4460933	1	Plug, Male - 12 Position	
102	4460465	10	Socket, Female	
102	4460466	2	Plug, Terminal	
103	4460539	4	Plug, Male - 3 Position	
103	4460465	12	Socket, Female	
104	4460911	4	Connector - 3 Position	
104	1001116694	12	Terminal	
105	4460891	4	Plug, Male - 2 Position	
105	4460465	8	Socket, Female	
106	4460970	1	Receptacle - 12 Position	
106	4460464	12	Pin, Male	
107	4460894	2	Plug, Male - 6 Position	
107	4460465	10	Socket, Female	
107	4460466	2	Plug, Terminal	

SECTION 8 - ELECTRICAL

FIGURE 8-21. LIFT DOWN HARNESS - LOWER



ART_1001259139

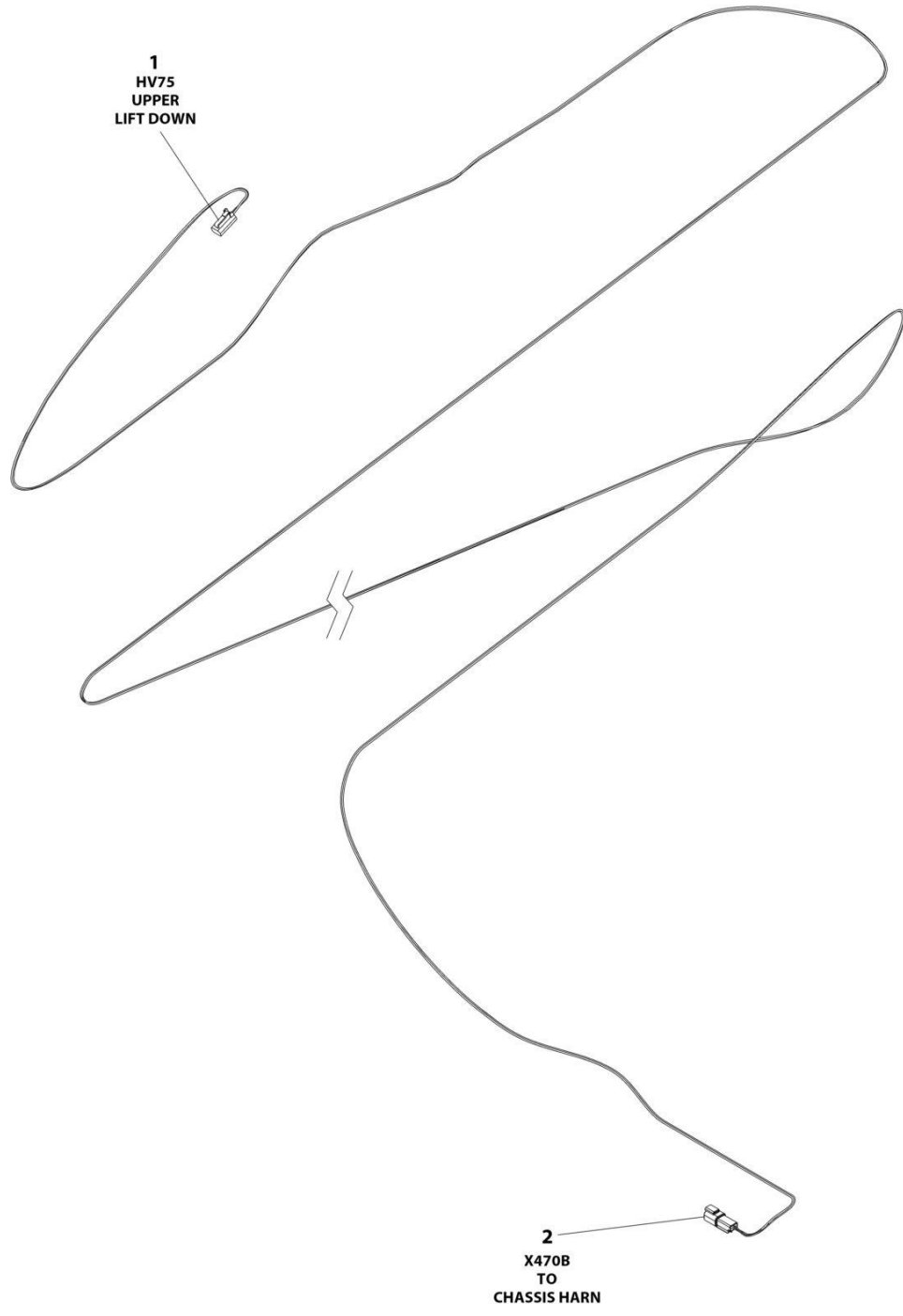
SECTION 8 - ELECTRICAL

FIGURE 8-21. LIFT DOWN HARNESS - LOWER

ITEM	PART NUMBER	QTY	DESCRIPTION	REV
	1001259139	Ref	LIFT DOWN HARNESS	B
1	4460891	2	Connector - 2 Position	
1	4460465	4	Socket, Female	

SECTION 8 - ELECTRICAL

FIGURE 8-22. LIFT DOWN HARNESS - UPPER (ERT4769)



ART_1001262142

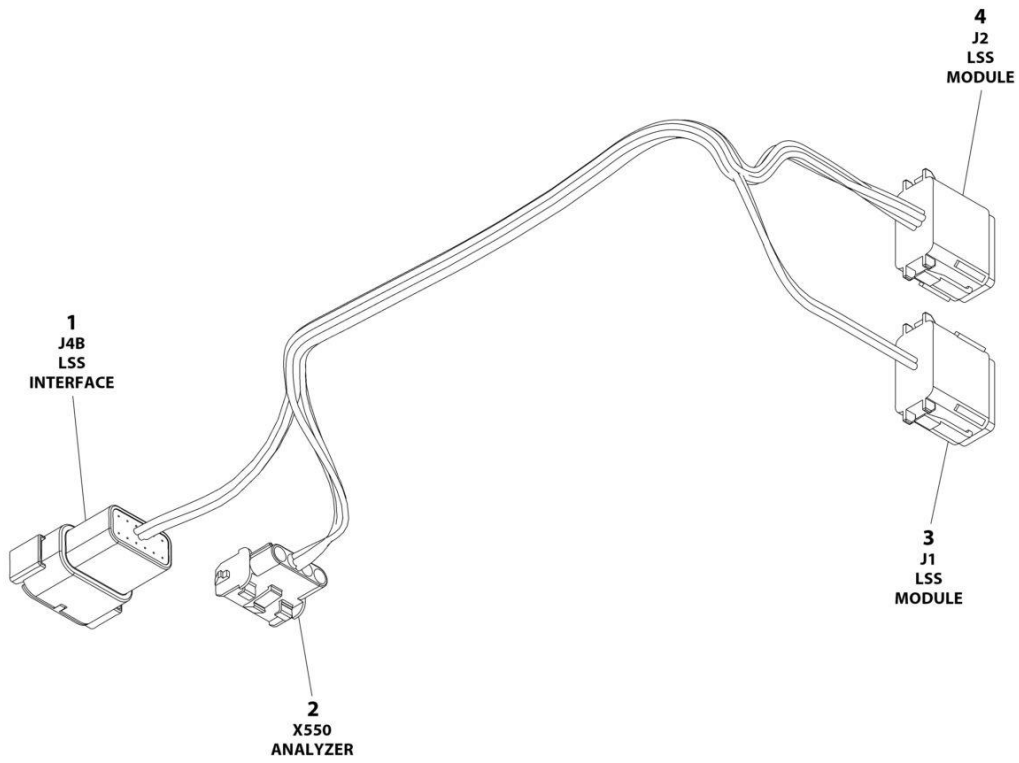
SECTION 8 - ELECTRICAL

FIGURE 8-22. LIFT DOWN HARNESS - UPPER (ERT4769)

ITEM	PART NUMBER	QTY	DESCRIPTION	REV
	1001262142	Ref	LIFT DOWN HARNESS	A
1	4460891	1	Connector - 2 Position	
1	4460465	2	Socket, Female	
2	4460897	1	Receptacle, Female- 2 Position	
2	4460464	2	Pin, Male	

SECTION 8 - ELECTRICAL

FIGURE 8-23. LSS HARNESS



ART_1001226830

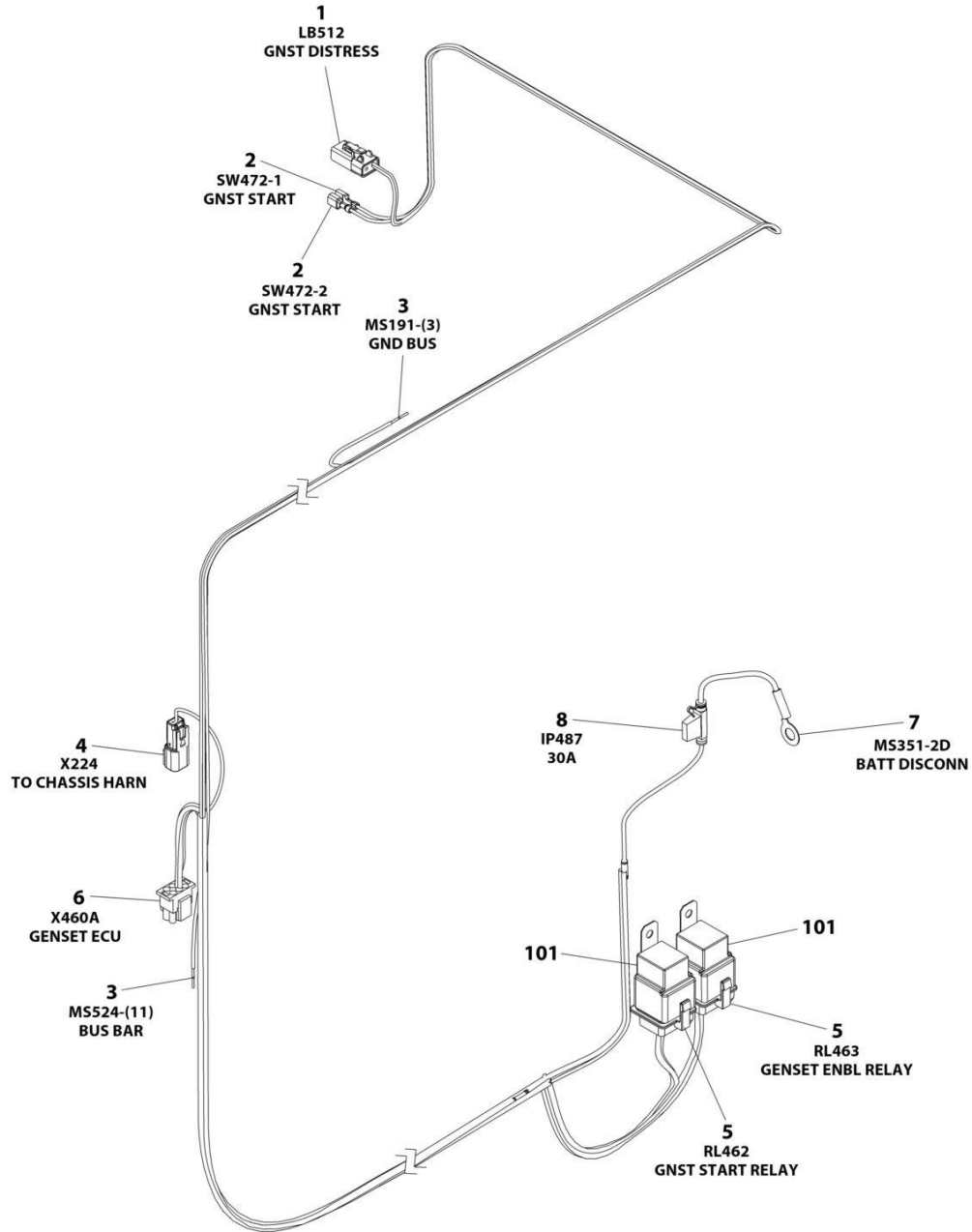
SECTION 8 - ELECTRICAL

FIGURE 8-23. LSS HARNESS

ITEM	PART NUMBER	QTY	DESCRIPTION	REV
	1001226830	Ref	LSS HARNESS	A
1	1001132170	1	Connector - 12 Position	
1	4460929	2	Pin, Male	
1	4460917	2	Pin, Male	
1	4460518	8	Plug, Terminal	
2	4460761	1	Receptacle, Female - 4 Position	
2	4460294	4	Pin, Male	
3	4460933	1	Connector - 12 Position	
3	4460465	2	Socket, Female	
3	4460466	10	Plug, Terminal	
4	4460836	1	Connector - 12 Position	
4	4460465	5	Socket, Female	
4	4460944	2	Socket, Female	
4	4460466	5	Plug, Terminal	

SECTION 8 - ELECTRICAL

FIGURE 8-24. MECHRON GENSET HARNESS



ART_1001255067

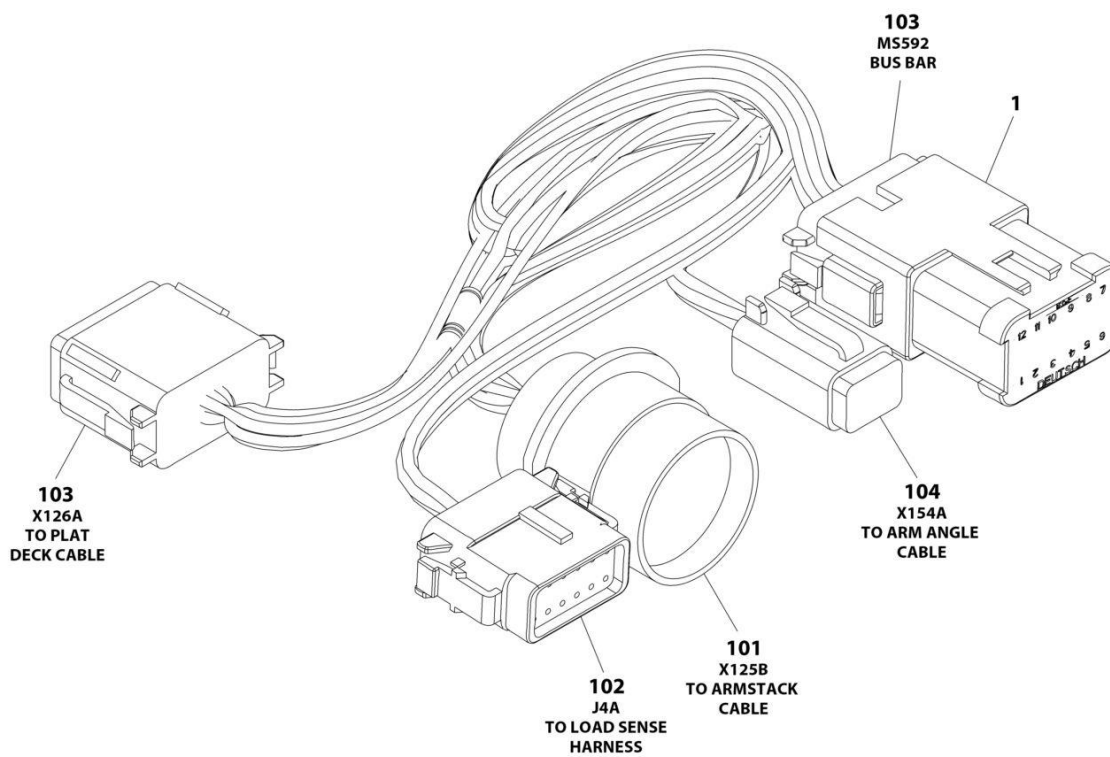
SECTION 8 - ELECTRICAL

FIGURE 8-24. MECHRON GENSET HARNESS

ITEM	PART NUMBER	QTY	DESCRIPTION	REV
	1001255067	Ref	MECHRON GENSET HARNESS	B
1	1001126245	1	Connector - 2 Position	
1	4460928	2	Terminal	
2	1001194421	2	Terminal, Female	
3	4460465	2	Socket, Female	
4	4460897	1	Receptacle, Female - 2 Position	
4	4460464	1	Pin, Male	
4	4460466	1	Plug, Terminal	
5	4460374	2	Connector	
5	1001116734	4	Terminal	
5	1001116732	4	Terminal	
5	1001128128	2	Plug, Terminal	
6	4460225	1	Connector - 6 Position	
6	4460705	2	Pin, Male	
6	1001118378	3	Pin, Male	
7	1001117110	1	Terminal, Ring	
8	1001170763	1	Fuseholder with 30Amp Fuse	
8	1001170762	1	Fuse 30Amp	
101	1001171295	2	Relay	

SECTION 8 - ELECTRICAL

FIGURE 8-25. PLATFORM HARNESS



ART_1001264939

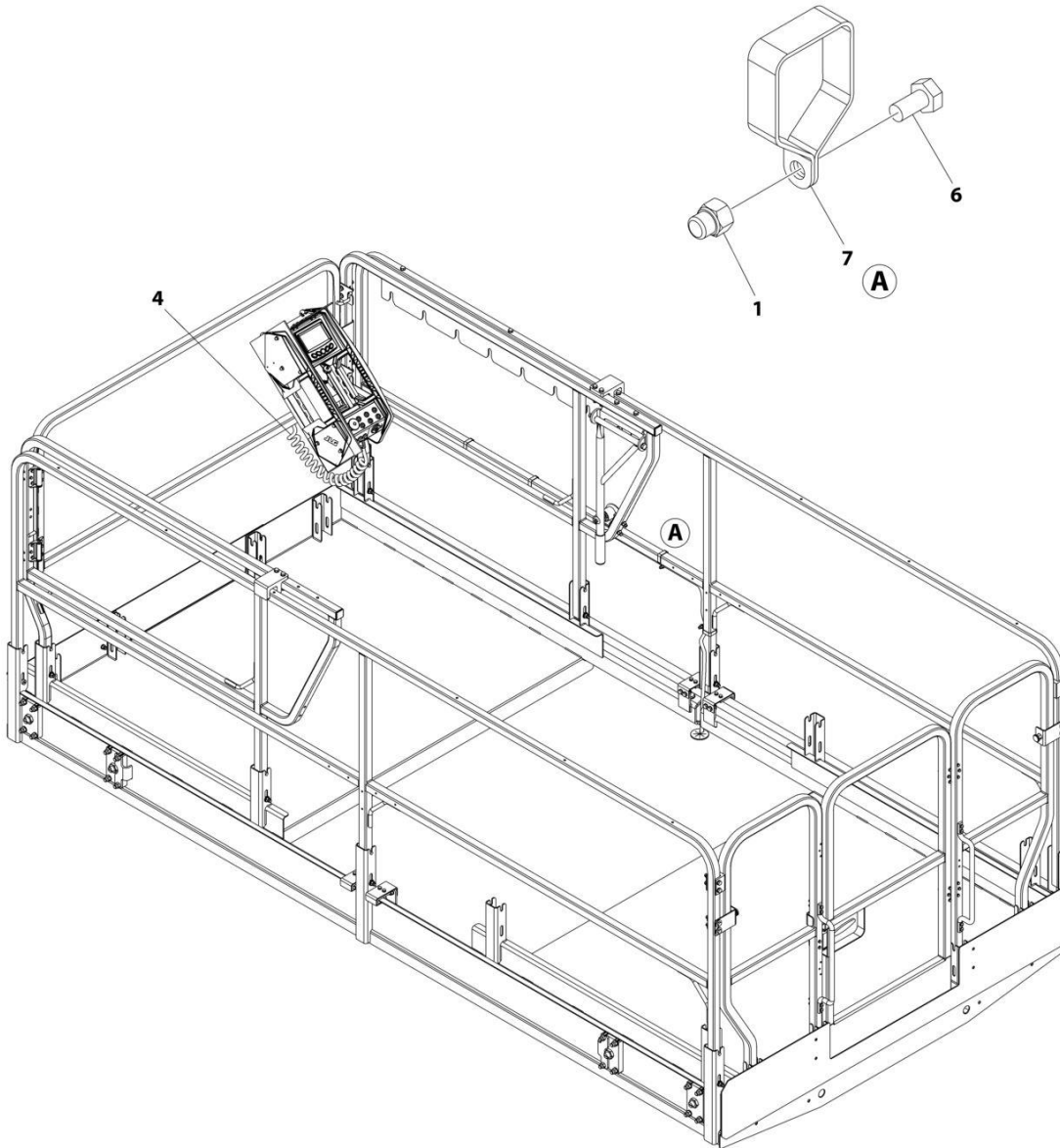
SECTION 8 - ELECTRICAL

FIGURE 8-25. PLATFORM HARNESS

ITEM	PART NUMBER	QTY	DESCRIPTION	REV
	1001264939	Ref	PLATFORM HARNESS	C
1	1001119020	1	Connector, Bussbar	
101	4460752	1	Connector - 14 Position	
101	4460464	8	Pin, Male	
101	4460943	2	Pin, Male	
101	4460466	4	Plug, Terminal	
102	1001116808	1	Connector - 12 Position	
102	4460928	2	Terminal	
102	4460918	2	Terminal	
102	4460518	8	Plug, Terminal	
103	4460933	2	Plug, Male - 12 Position	
103	4460465	21	Socket, Female	
103	4460466	3	Plug, Terminal	
104	4460884	1	Plug, Male - 4 Position	
104	4460465	4	Socket, Female	

SECTION 8 - ELECTRICAL

FIGURE 8-26. PLATFORM CABLE INSTALLATION – WITHOUT FOOTSWITCH



ART_1001254820

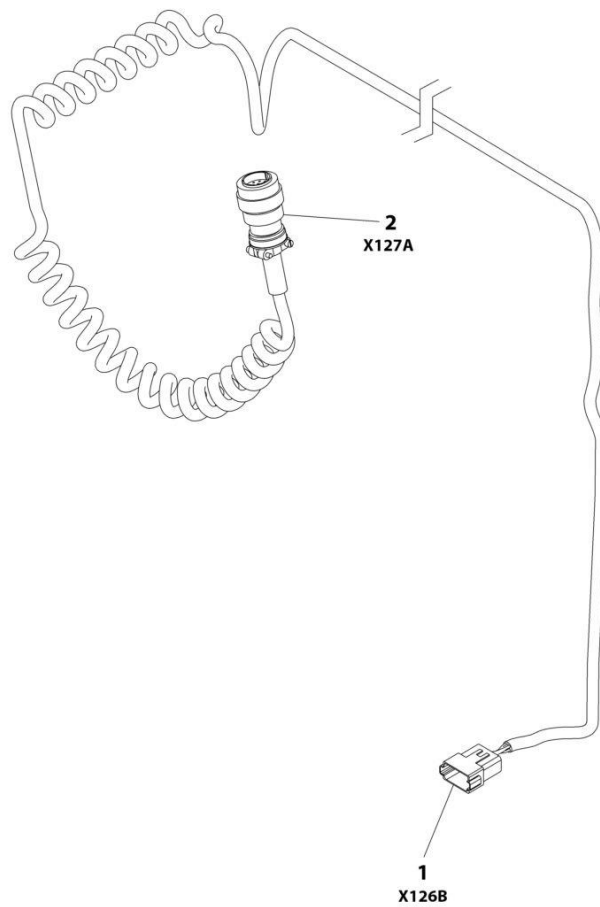
SECTION 8 - ELECTRICAL

FIGURE 8-26. PLATFORM CABLE INSTALLATION – WITHOUT FOOTSWITCH

ITEM	PART NUMBER	QTY	DESCRIPTION	REV
	1001254820	Ref	PLATFORM CABLE INSTALLATION – WITHOUT FOOTSWITCH	D
1	3290606	5	Nut M6 x 1	
4	1001249048	1	Cable, Platform Deck (See Separate Breakdown in this Section)	
6	0760606	5	Bolt M6 x 12	
7	1001220668	5	Clamp, Platform Cable Post	
8	4240018	1	Tie Strap (Not Shown)	

SECTION 8 - ELECTRICAL

FIGURE 8-27. PLATFORM CABLE HARNESS – WITHOUT FOOTSWITCH



ART_1001249048

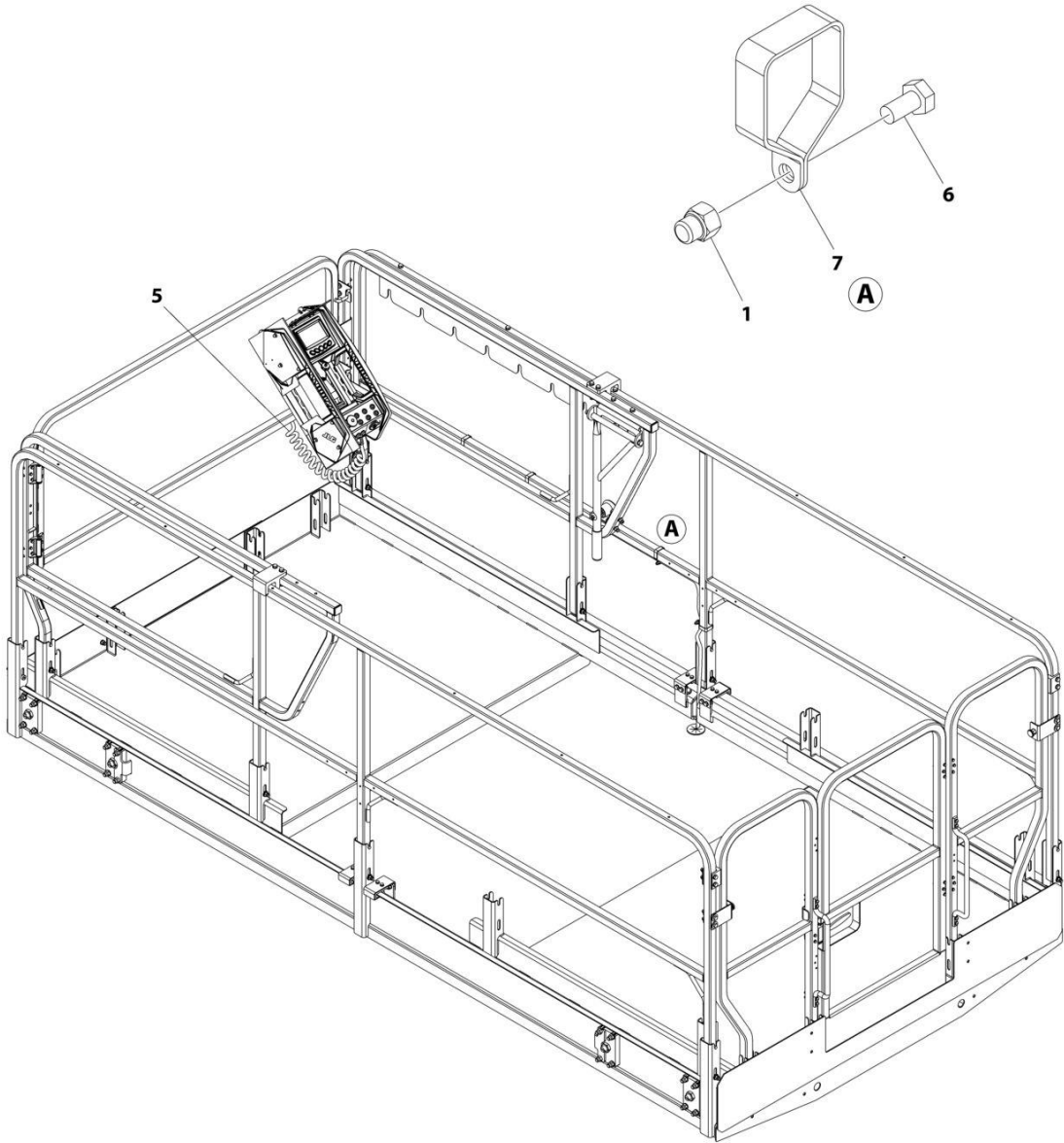
SECTION 8 - ELECTRICAL

FIGURE 8-27. PLATFORM CABLE HARNESS – WITHOUT FOOTSWITCH

ITEM	PART NUMBER	QTY	DESCRIPTION	REV
	1001249048	Ref	PLATFORM MODULE HARNESS – WITHOUT FOOTSWITCH	D
1	4460970	1	Plug, Male - 12 Position	
1	4460464	8	Pin, Male	
1	4460943	2	Pin, Male	
1	4460466	2	Plug, Terminal	
1	1001249190	1	Boot	
2	4460754	1	Receptacle, Female - 14 Position	
2	4460465	8	Socket, Femaile	
2	4460944	2	Socket, Femaile	
2	4460466	4	Plug, Terminal	

SECTION 8 - ELECTRICAL

FIGURE 8-28. PLATFORM CABLE INSTALLATION – WITH FOOTSWITCH



ART_1001258923

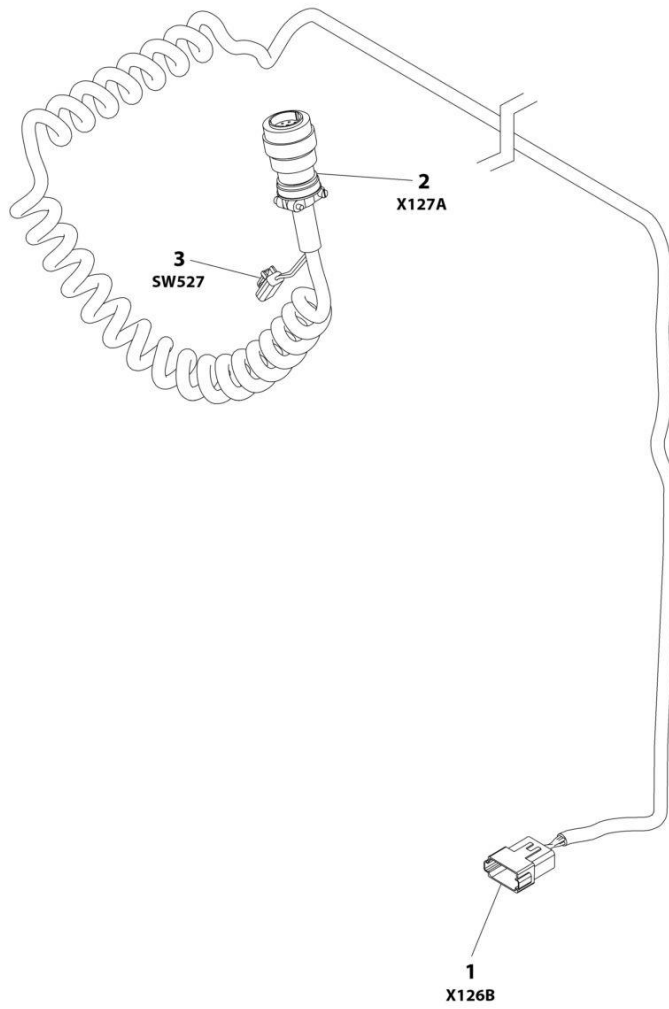
SECTION 8 - ELECTRICAL

FIGURE 8-28. PLATFORM CABLE INSTALLATION – WITH FOOTSWITCH

ITEM	PART NUMBER	QTY	DESCRIPTION	REV
	1001258923	Ref	PLATFORM CABLE INSTALLATION – WITH FOOTSWITCH	C
1	3290606	5	Nut M6 x 1	
5	1001258223	1	Harness, Platform Deck (See Separate Breakdown in this Section)	
6	0760606	5	Bolt M6 x 12	
7	1001220668	5	Clamp, Platform Cable Post	
8	4240018	1	Tie Strap (Not Shown)	

SECTION 8 - ELECTRICAL

FIGURE 8-29. PLATFORM CABLE HARNESS – WITH FOOTSWITCH



ART_1001258223

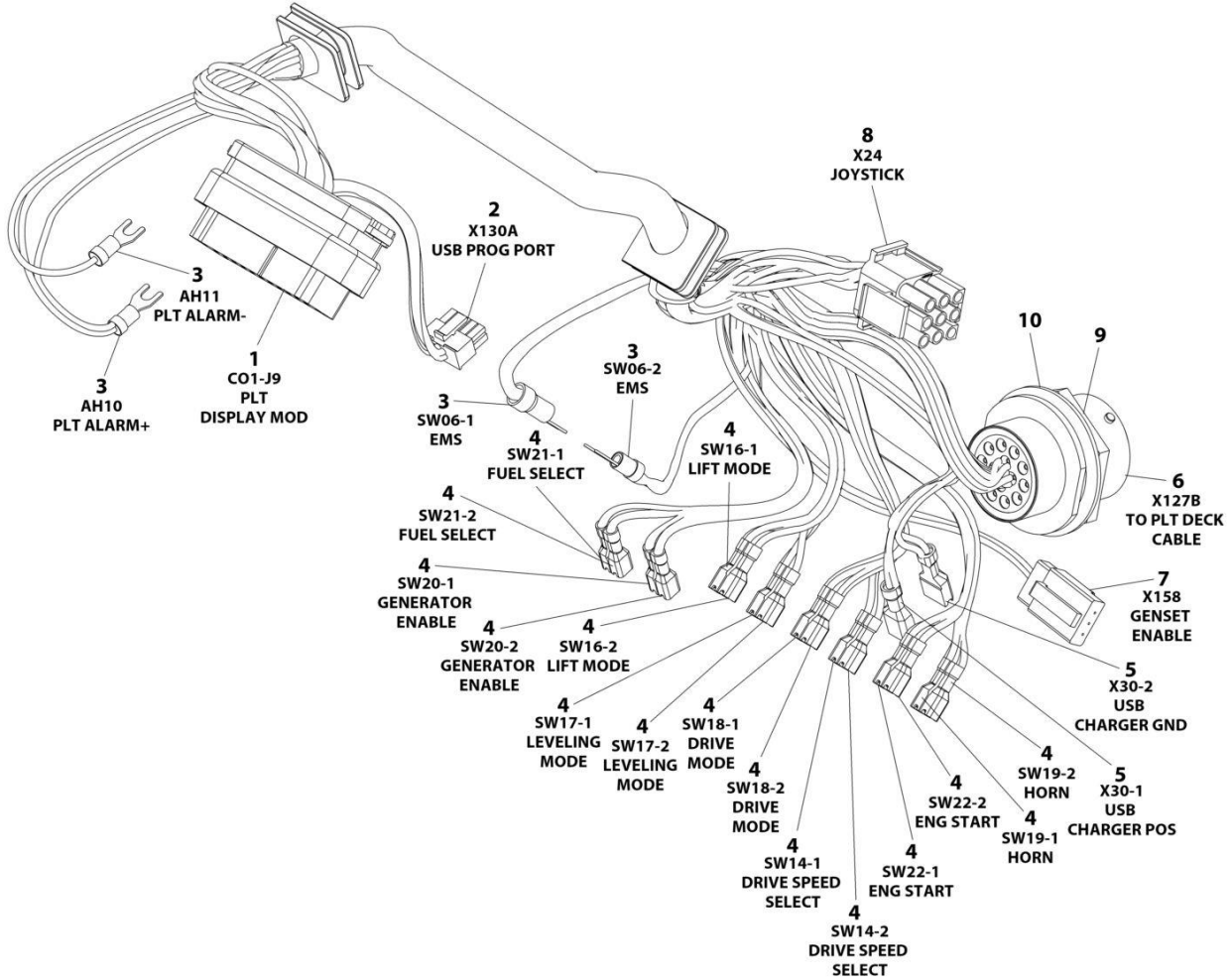
SECTION 8 - ELECTRICAL

FIGURE 8-29. PLATFORM CABLE HARNESS – WITH FOOTSWITCH

ITEM	PART NUMBER	QTY	DESCRIPTION	REV
	1001258223	Ref	PLATFORM MODULE HARNESS – WITH FOOTSWITCH	B
1	4460970	1	Plug, Male - 12 Position	
1	4460464	7	Pin, Male	
1	4460943	2	Pin, Male	
1	4460466	3	Plug, Terminal	
1	1001249190	1	Boot	
2	4460754	1	Receptacle, Female - 14 Position	
2	4460465	9	Socket, Female	
2	4460944	2	Socket, Female	
2	4460466	3	Plug, Terminal	
3	4460891	1	Plug, Male - 4 Position	
3	4460465	2	Socket, Female	

SECTION 8 - ELECTRICAL

FIGURE 8-30. PLATFORM CONTROL BOX HARNESS



ART_1001249049

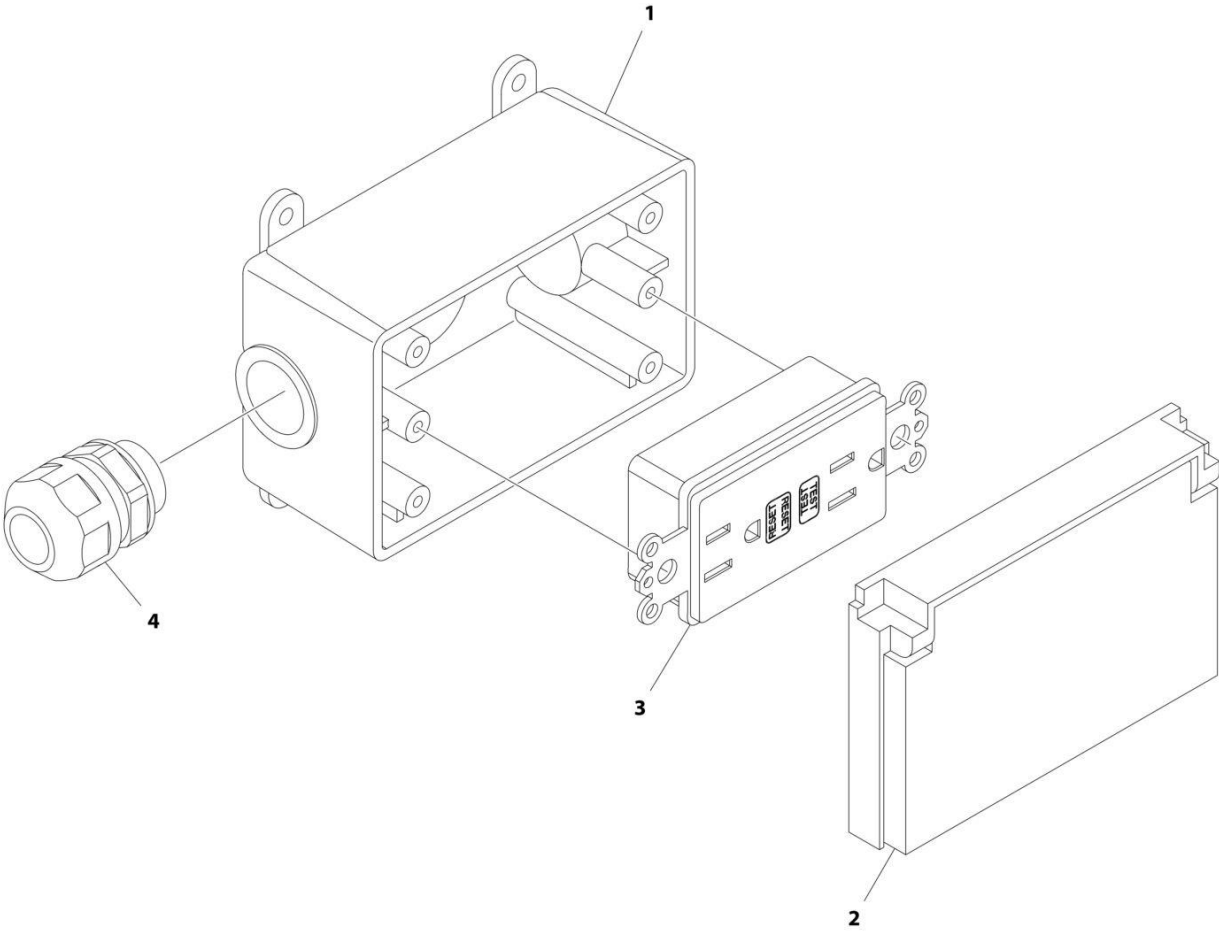
SECTION 8 - ELECTRICAL

FIGURE 8-30. PLATFORM CONTROL BOX HARNESS

ITEM	PART NUMBER	QTY	DESCRIPTION	REV
	1001249049	Ref	PLATFORM CONSOLE BOX HARNESS	G
1	4460873	1	Connector - 35 Position	
1	4460871	28	Pin, Male	
1	4460905	7	Plug, Terminal	
2	1001150735	1	Connector - 10 Position	
2	1001150889	5	Terminal	
3	4460183	4	Terminal, Fork	
4	1001201885	16	Receptacle, Female - 2 Position	
5	8220051	2	Terminal	
6	4461016	1	Connector - 14 Position	
6	4460464	11	Socket, Female	
6	4460466	1	Plug, Terminal	
6	4460943	2	Bussbar	
7	4460911	1	Plug, Male - 3 Position	
7	4460918	3	Terminal	
8	4460265	1	Plug, Male - 9 Position	
8	4460267	7	Terminal	
9	1001125784	1	Washer	
10	4460497	1	Terminal, Nut	

SECTION 8 - ELECTRICAL

FIGURE 8-31. RECEPTACLE BOX KIT - 110V GFI



ART_2902431

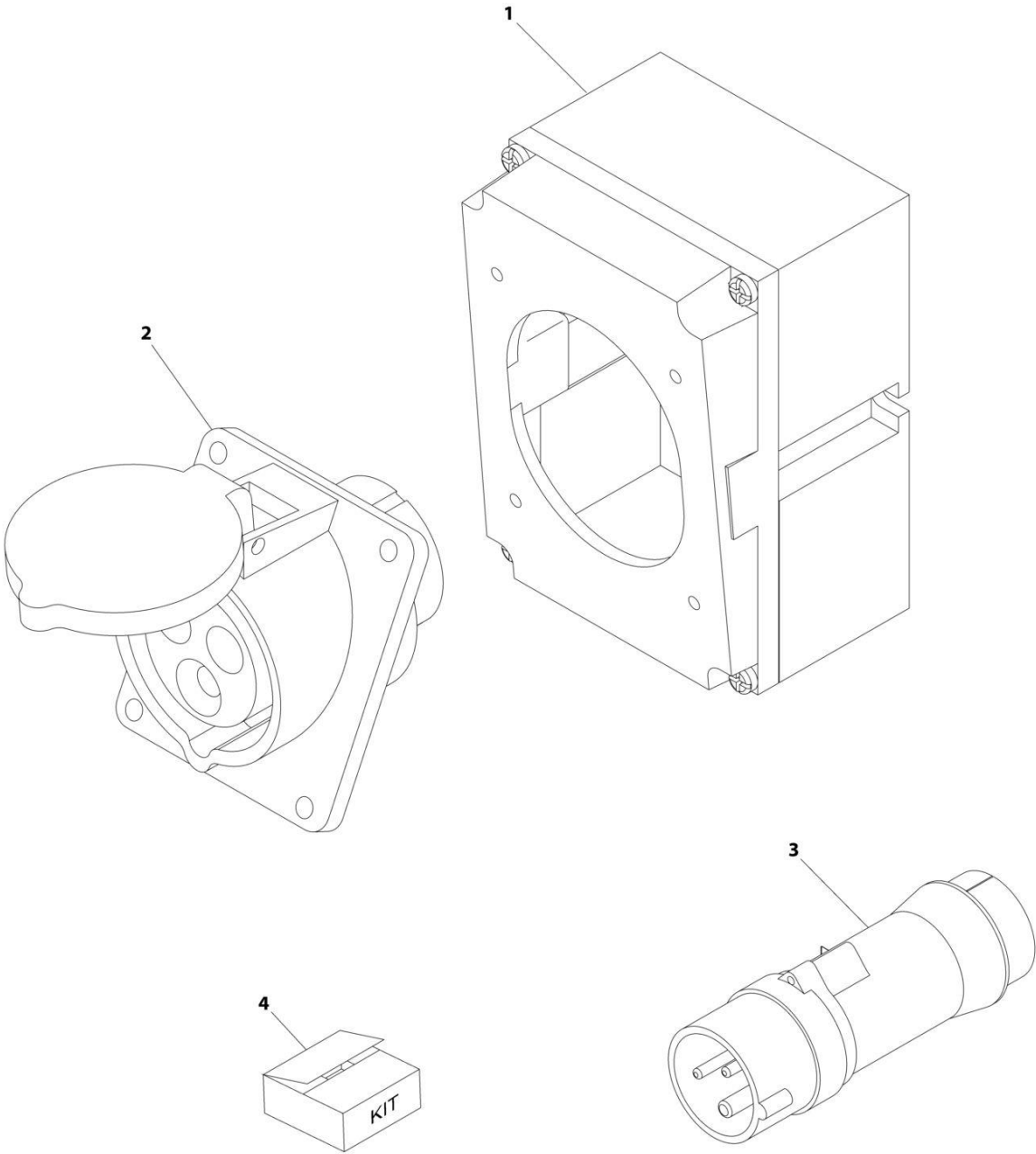
SECTION 8 - ELECTRICAL

FIGURE 8-31. RECEPTACLE BOX KIT - 110V GFI

ITEM	PART NUMBER	QTY	DESCRIPTION	REV
	2902431	Ref	RECEPTACLE BOX KIT - 110V GFI	D
1	0861731	1	Box, Receptacle	
2	1671207	1	Cover, Receptacle	
3	4460346	1	Receptacle	
4	4460662	1	Connector, Strain Relief	

SECTION 8 - ELECTRICAL

FIGURE 8-32. RECEPTACLE BOX KIT - 110V IEC YELLOW



ART_0275216

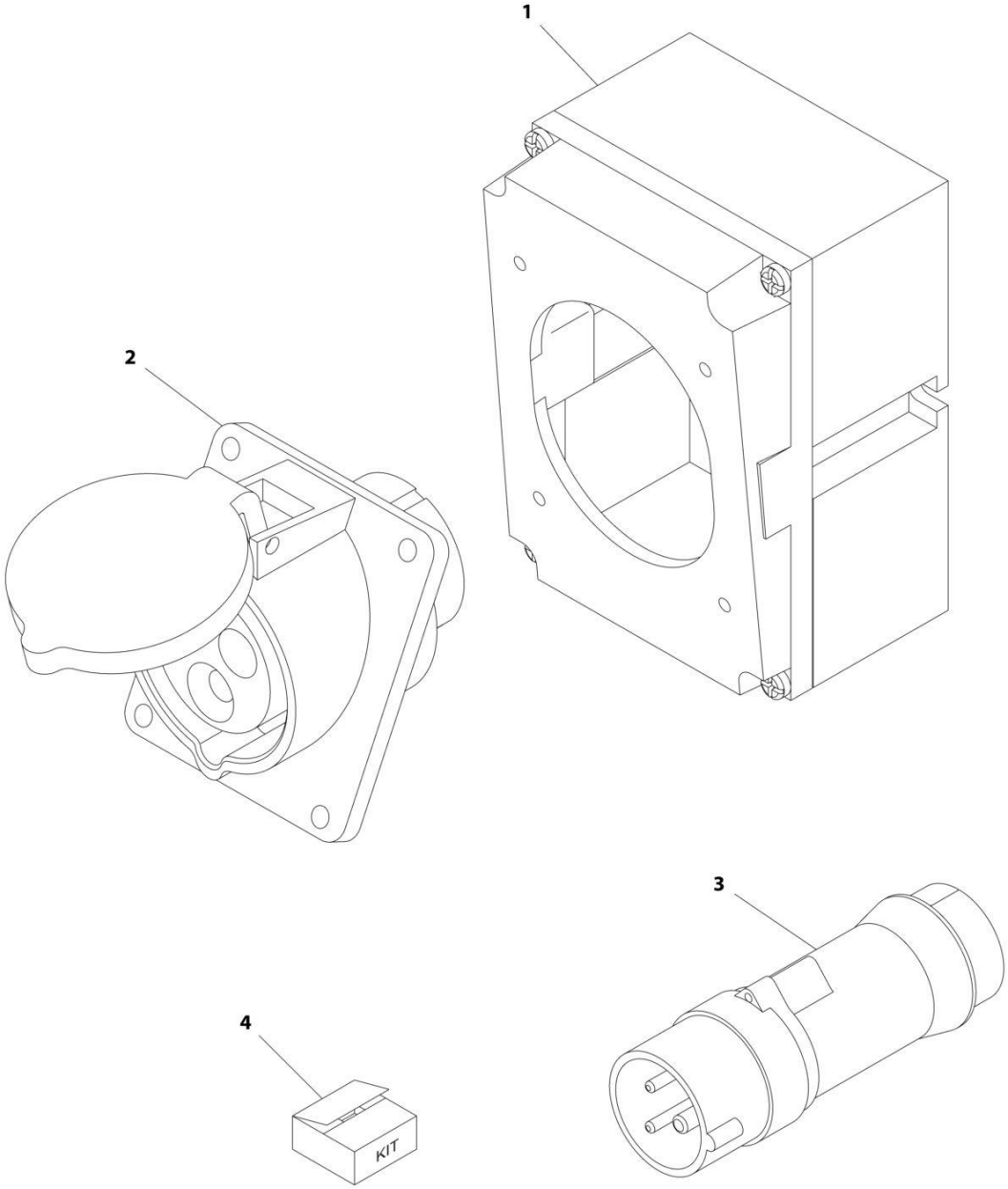
SECTION 8 - ELECTRICAL

FIGURE 8-32. RECEPTACLE BOX KIT - 110V IEC YELLOW

ITEM	PART NUMBER	QTY	DESCRIPTION	REV
	0275216	Ref	RECEPTACLE BOX KIT - 110V IEC YELLOW	B
1	0861781	1	Box, Switch	
2	4461198	1	Receptacle	
3	4461196	1	Plug, Male	
4	1001100341	1	Plug and Socket Kit (Includes Items 1-3 and Female Plug p/n 4461197)	

SECTION 8 - ELECTRICAL

FIGURE 8-33. RECEPTACLE BOX KIT - 220V IEC BLUE



ART_0275217

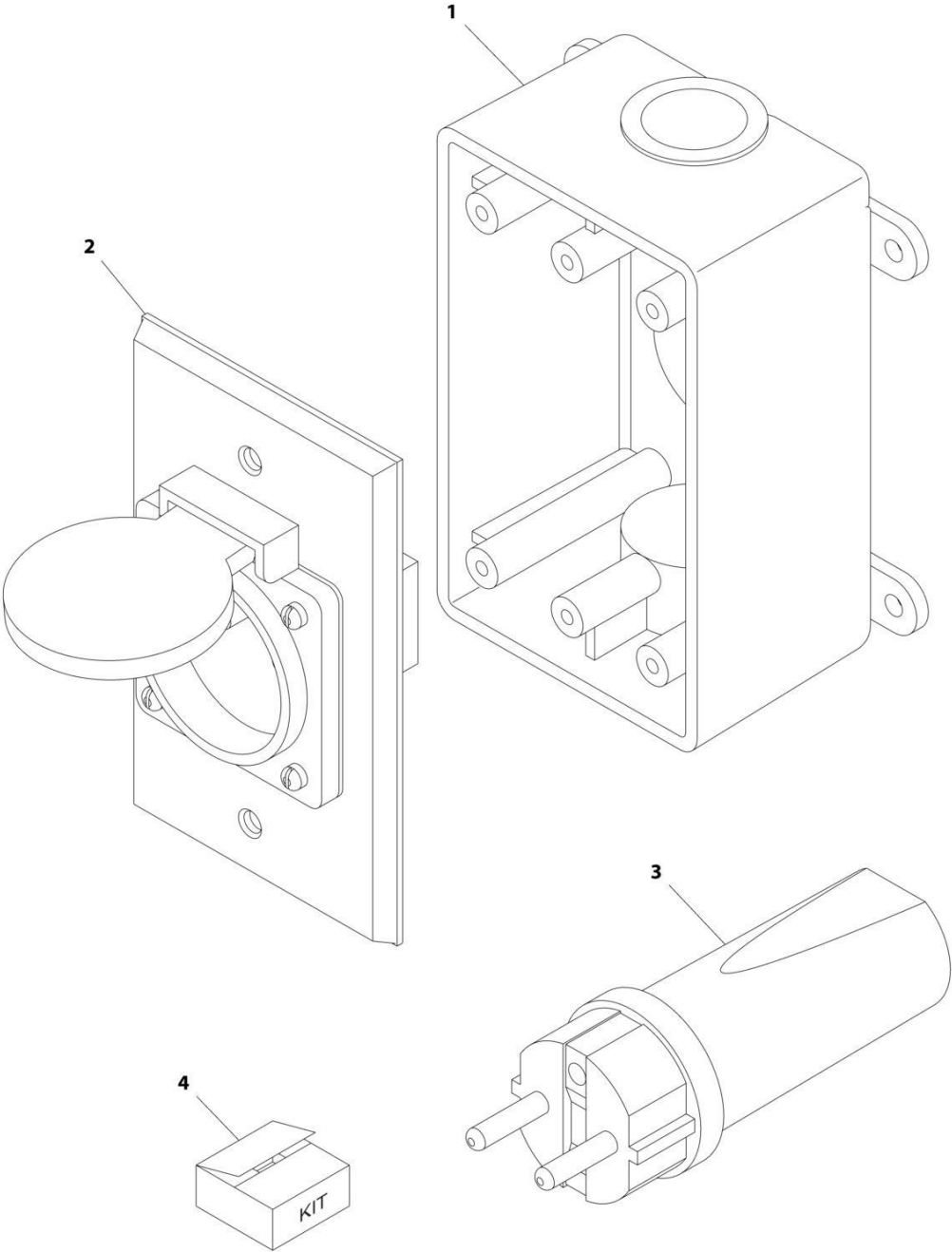
SECTION 8 - ELECTRICAL

FIGURE 8-33. RECEPTACLE BOX KIT - 220V IEC BLUE

ITEM	PART NUMBER	QTY	DESCRIPTION	REV
	0275217	Ref	RECEPTACLE BOX KIT - 220V IEC BLUE	B
1	0861781	1	Box, Switch	
2	4461201	1	Receptacle	
3	4461199	1	Plug, Male	
4	1001100342	1	Plug and Socket Kit (Includes Items 1-3 and Female Plug p/n 4461200)	

SECTION 8 - ELECTRICAL

FIGURE 8-34. RECEPTACLE BOX KIT - 220V POST GROUND



ART_0275452

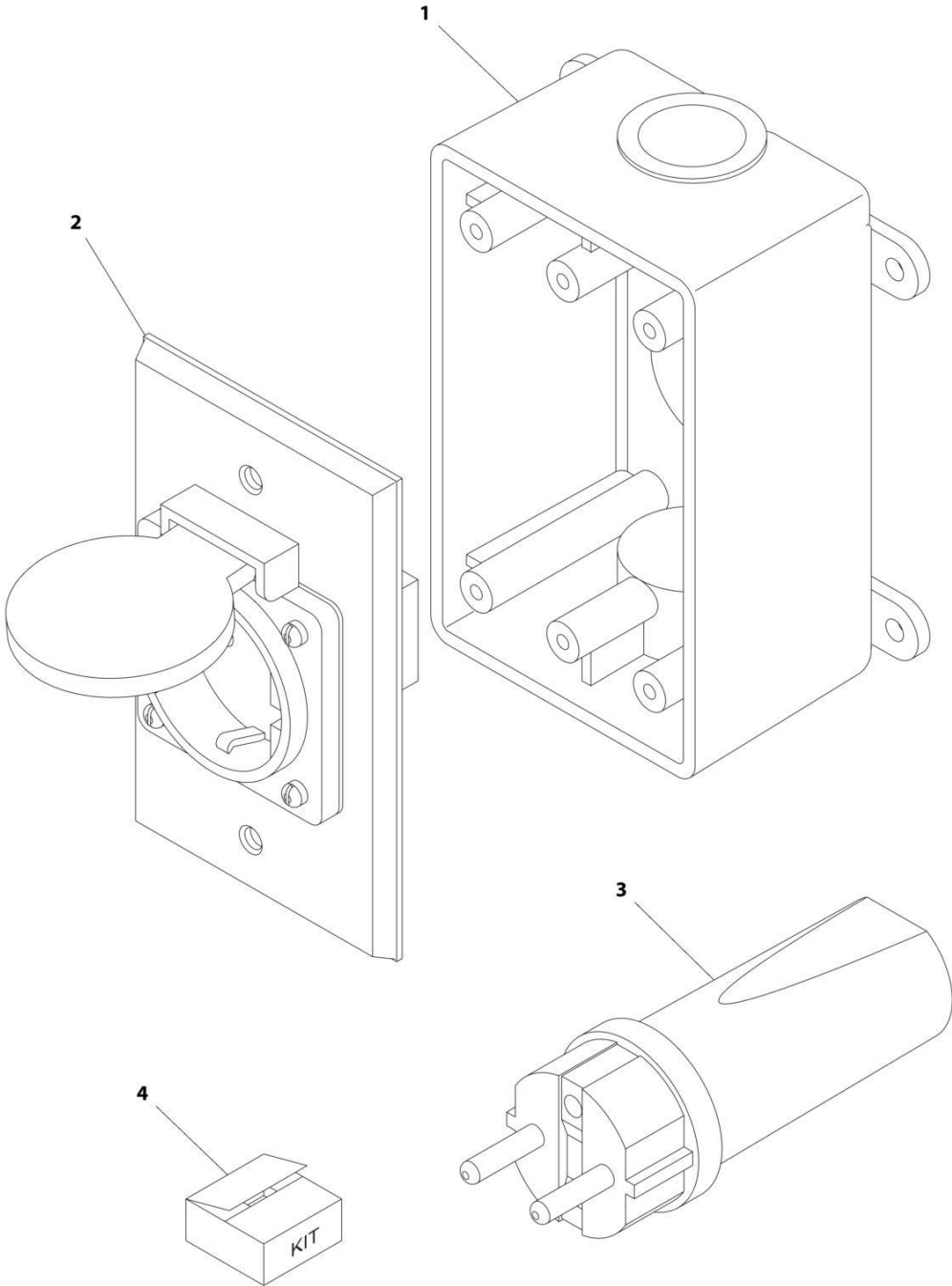
SECTION 8 - ELECTRICAL

FIGURE 8-34. RECEPTACLE BOX KIT - 220V POST GROUND

ITEM	PART NUMBER	QTY	DESCRIPTION	REV
	0275452	Ref	RECEPTACLE BOX KIT - 220V CEE7 POST GROUND	C
1	0861731	1	Box, Switch	
2	4461244	1	Receptacle	
3	4461205	1	Plug, Male	
4	1001100345	1	Plug and Socket Kit (Includes Items 1-3 and Female Plug p/n 4461206)	

SECTION 8 - ELECTRICAL

FIGURE 8-35. RECEPTACLE BOX KIT - 220V SIDE GROUND



ART_0275453

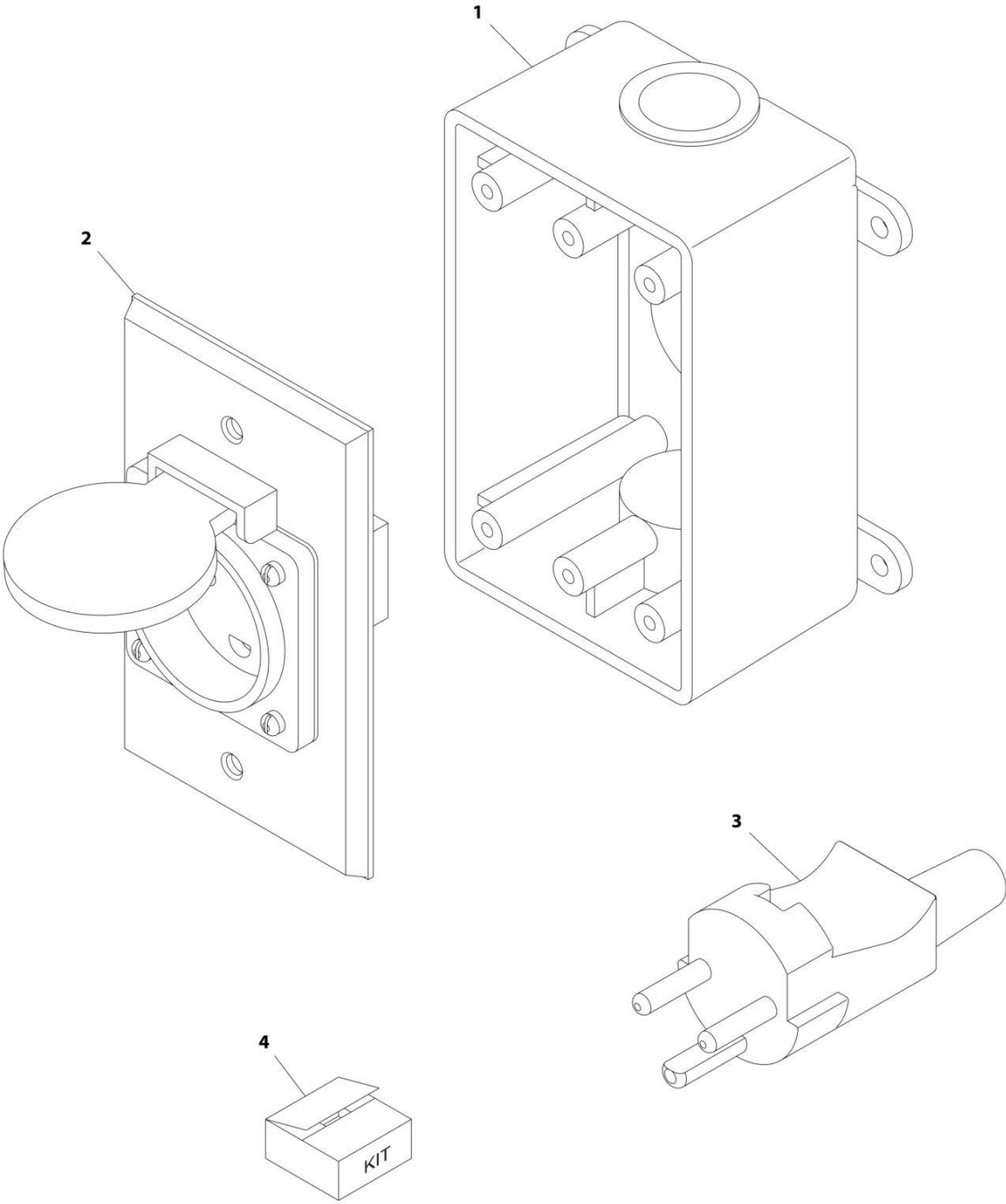
SECTION 8 - ELECTRICAL

FIGURE 8-35. RECEPTACLE BOX KIT - 220V SIDE GROUND

ITEM	PART NUMBER	QTY	DESCRIPTION	REV
	0275453	Ref	RECEPTACLE BOX KIT - 220V CEE7 SIDE GROUND	B
1	0861731	1	Box, Switch	
2	4461245	1	Receptacle	
3	4461205	1	Plug, Male	
4	1001100347	1	Plug and Socket Kit (Includes Items 1-3 and Female Plug p/n 4461206)	

SECTION 8 - ELECTRICAL

FIGURE 8-36. RECEPTACLE BOX KIT - 220V KEYED GROUND



ART_0275454

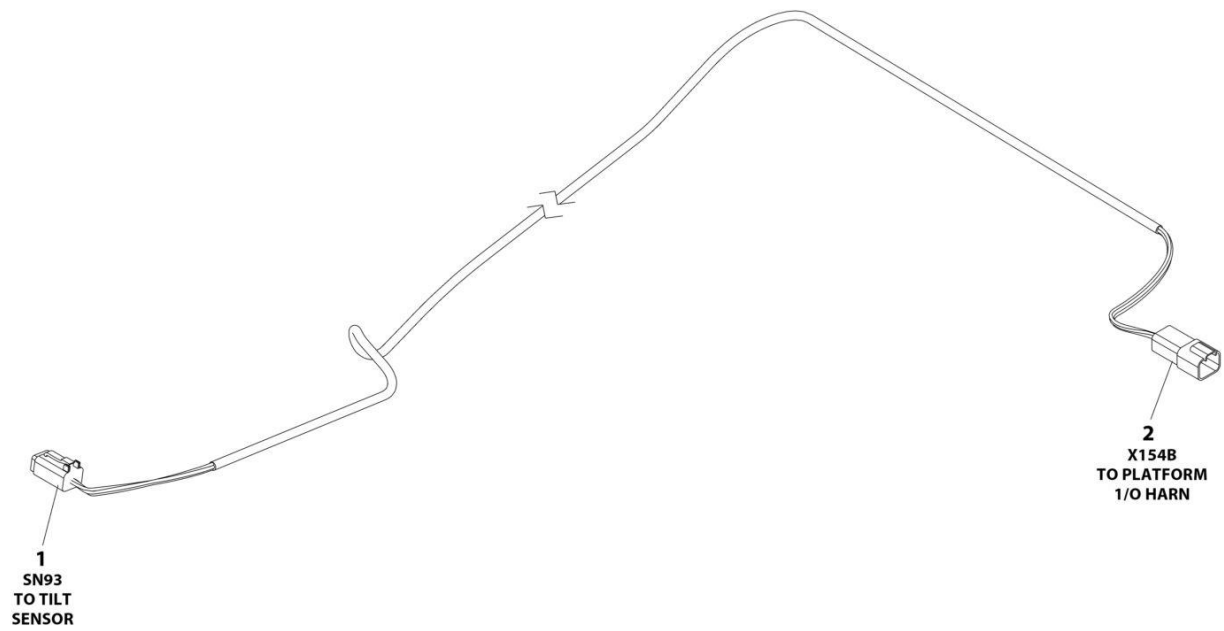
SECTION 8 - ELECTRICAL

FIGURE 8-36. RECEPTACLE BOX KIT - 220V KEYED GROUND

ITEM	PART NUMBER	QTY	DESCRIPTION	REV
	0275454	Ref	RECEPTACLE BOX KIT - 220V AFSINT 107	B
1	0861731	1	Box, Switch	
2	4461246	1	Receptacle	
3	4461249	1	Plug, Male	
4	1001100346	1	Plug and Socket Kit (Includes Items 1-3 and Female Plug p/n 4461250)	

SECTION 8 - ELECTRICAL

FIGURE 8-37. TILT SENSOR HARNESS



ART_1001249091

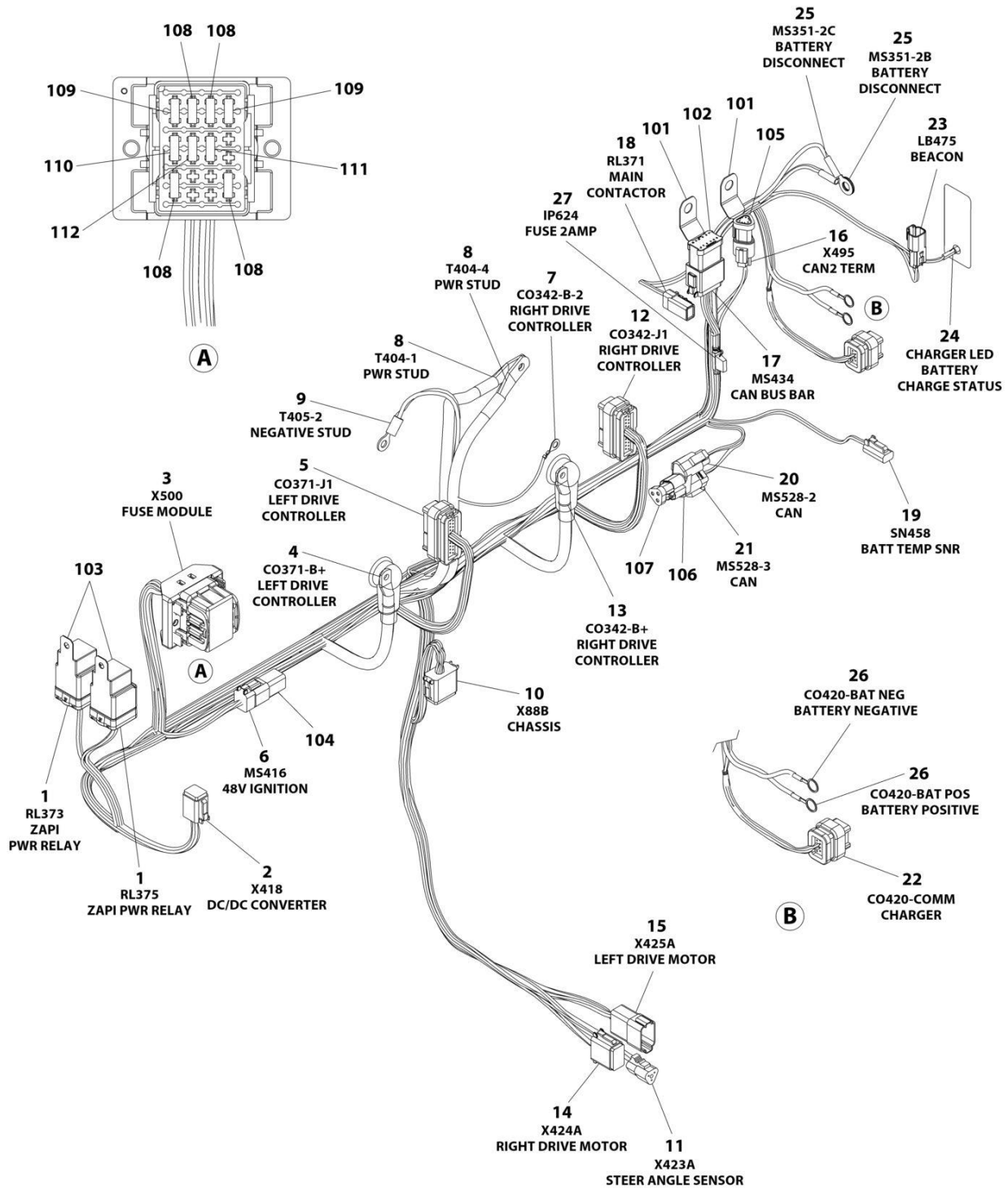
SECTION 8 - ELECTRICAL

FIGURE 8-37. TILT SENSOR HARNESS

ITEM	PART NUMBER	QTY	DESCRIPTION	REV
	1001249091	Ref	TILT SENSOR HARNESS	C
1	4460884	1	Plug, Male - 4 Position	
1	4460944	4	Socket, Female	
2	4460932	1	Receptacle, Female - 4 Position	
2	4460464	4	Pin, Male	

SECTION 8 - ELECTRICAL

FIGURE 8-38. TRACTION HARNESS



ART_1001255057

SECTION 8 - ELECTRICAL

FIGURE 8-38. TRACTION HARNESS

ITEM	PART NUMBER	QTY	DESCRIPTION	REV
	1001255057	Ref	TRACTION HARNESS	H
1	1001231398	2	Connector - 5 Position	
1	1001231400	4	Terminal	
1	1001231399	4	Terminal	
1	1001231406	2	Plug, Terminal	
1	1001231403	4	Seal, Terminal	
1	1001231404	4	Seal, Terminal	
2	4460894	1	Connector - 6 Position	
2	4460942	4	Socket, Female	
2	4460465	2	Socket, Female	
3	1001254035	1	Fuse Box Assembly	
3	1001166543	16	Terminal	
3	1001256109	2	Terminal	
3	4461008	6	Plug, Terminal	
3	4461054	12	Seal, Terminal	
3	1001126353	4	Seal, Terminal	
3	1001256116	2	Seal, Plug	
4	1001139524	1	Terminal, Ring	
5	4460873	1	Connector - 35 Position	
5	4460871	12	Terminal	
5	4460905	23	Plug, Terminal	
6	4460894	1	Plug, Male - 6 Position	
6	4460465	2	Socket, Female	
6	4460942	2	Socket, Female	
6	4460466	2	Plug, Terminal	
7	1001207173	1	Terminal, Ring	
8	1001117115	2	Terminal, Ring	
9	1001117107	1	Terminal, Ring	
10	4460933	1	Plug, Male - 12 Position	
10	4460465	4	Socket, Female	
10	4460944	4	Socket, Female	
10	1001157890	2	Socket, Female	
10	4460466	2	Plug, Terminal	
11	4460539	1	Plug, Male - 3 Position	
11	4460465	3	Socket, Female	
12	4460873	1	Connector - 35 Position	
12	4460871	15	Terminal	
12	4460905	20	Plug, Terminal	
13	1001139524	1	Terminal, Ring	
14	4460930	1	Plug, Male - 8 Position	
14	4460465	8	Socket, Female	
15	4460931	1	Receptacle, Female - 8 Position	
15	4460464	8	Pin, Male	
16	4461095	1	Plug, Male - 3 Position	
16	4460944	2	Socket, Female	
16	4460466	1	Plug, Terminal	
17	4460933	1	Plug, Male - 12 Position	
17	4460465	8	Socket, Female	
17	4460466	4	Plug, Terminal	
18	1001126245	1	Connector - 2 Position	

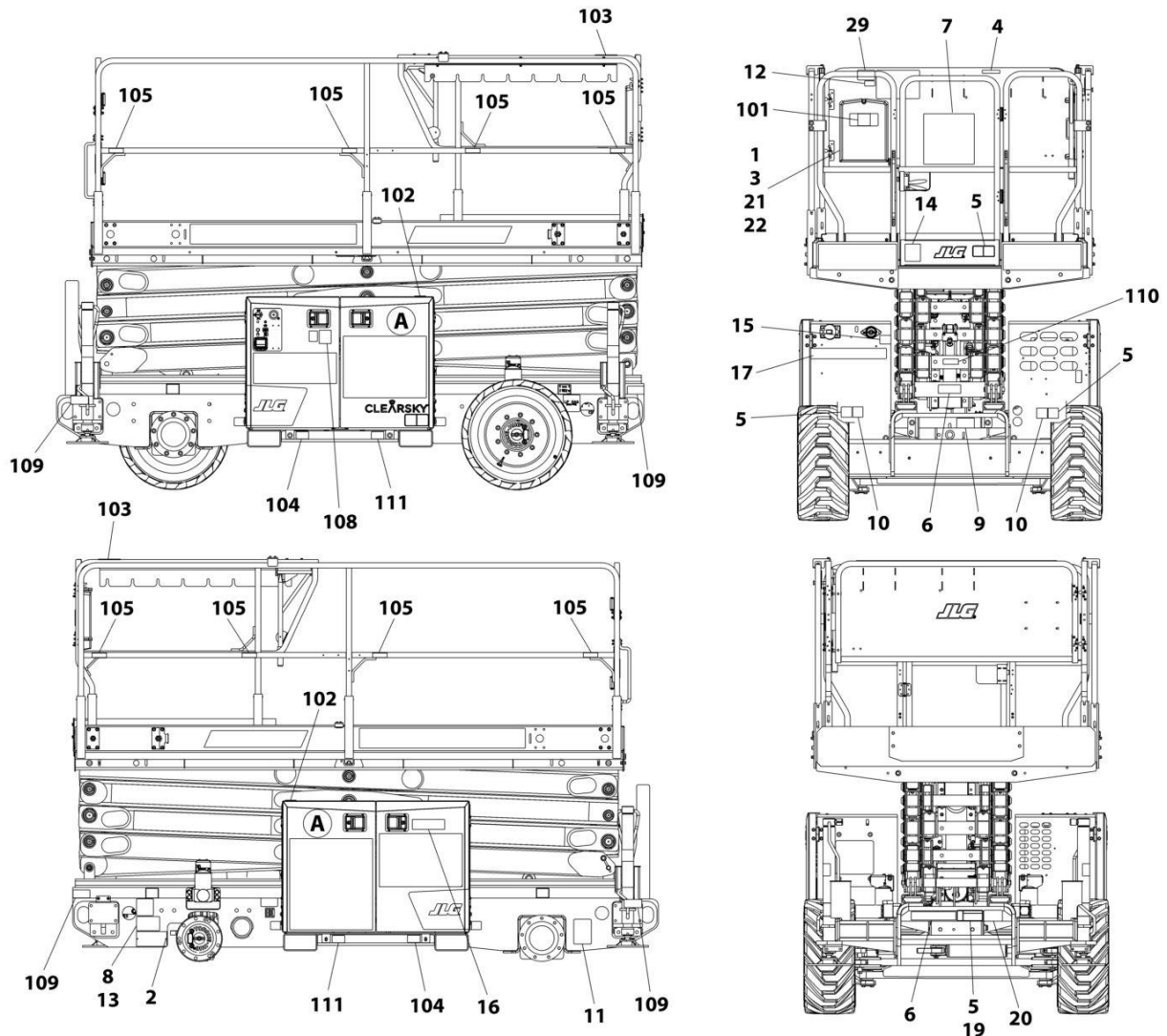
SECTION 8 - ELECTRICAL

ITEM	PART NUMBER	QTY	DESCRIPTION	REV
18	1001126008	1	Terminal	
19	4460891	1	Plug, Male - 2 Position	
19	4460465	2	Socket, Female	
20	4460539	1	Plug, Male - 3 Position	
20	4460944	2	Socket, Female	
20	4460466	1	Plug, Terminal	
21	1001116812	1	Plug, Male - 3 Position	
21	4460944	2	Socket, Female	
21	4460466	1	Plug, Terminal	
22	4460872	1	Connector - 14 Position	
22	4460871	6	Terminal	
22	4460905	8	Plug, Terminal	
23	4460897	1	Receptacle, Female - 2 Position	
23	4460464	2	Pin, Male	
24	1001250937	1	Cable, LED Indicator	
24	1001250886	1	Housing	
24	1001270272	1	Decal - Charge Indicator LED	
25	1001117110	2	Terminal, Ring	
26	4460019	2	Terminal, Ring	
27	1001170764	1	Fuse Holder	
27	1001196634	1	Fuse 2Amp	
101	1001120328	2	Mount	
102	1001125677	1	Bussbar - 12 Position	
103	1001171295	2	Relay	
104	4460892	1	Bussbar - 6 Position	
105	4461070	1	Connector - 3 Position	
106	4460945	1	Connector - 3 Way	
107	1001116815	1	Connector - 3 Position Plug	
108	1001170760	4	Fuse 10 Amp	
109	1001186489	2	Fuse 2 Amp	
110	1001253891	1	Fuse 7.5 Amp	
111	1001170761	1	Fuse 20 Amp	
112	1001170762	1	Fuse 30 Amp	

SECTION 9 - DECALS

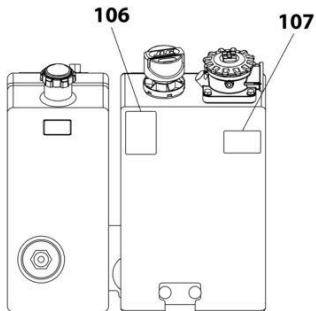
SECTION 9 - DECALS

FIGURE 9-1. DECAL INSTALLATION - ANSI SPECS (ENGLISH LANGUAGE) (ERT4069)

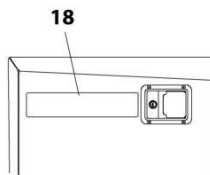


NOTE: ITEMS SHOWN MAY NOT BE REQUIRED FOR ALL SPECS. REFER TO PARTS LIST FOR USAGE.

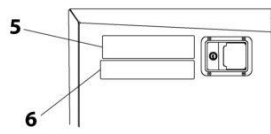
NOTE: ADDITIONAL DECALS CALLED OUT ON DECAL INSTALLATION - OPTIONS.



VIEW OF TANKS



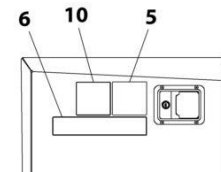
ANSI SPECS
BOTH SIDES TYPICAL



ENG/KOREAN/SPA/
POR/FRE SPECS
BOTH SIDES TYPICAL

AUSTRALIAN/CE SPECS
BOTH SIDES TYPICAL

(A)



ENG/CHINA SPECS
BOTH SIDES TYPICAL

ART_1001256771

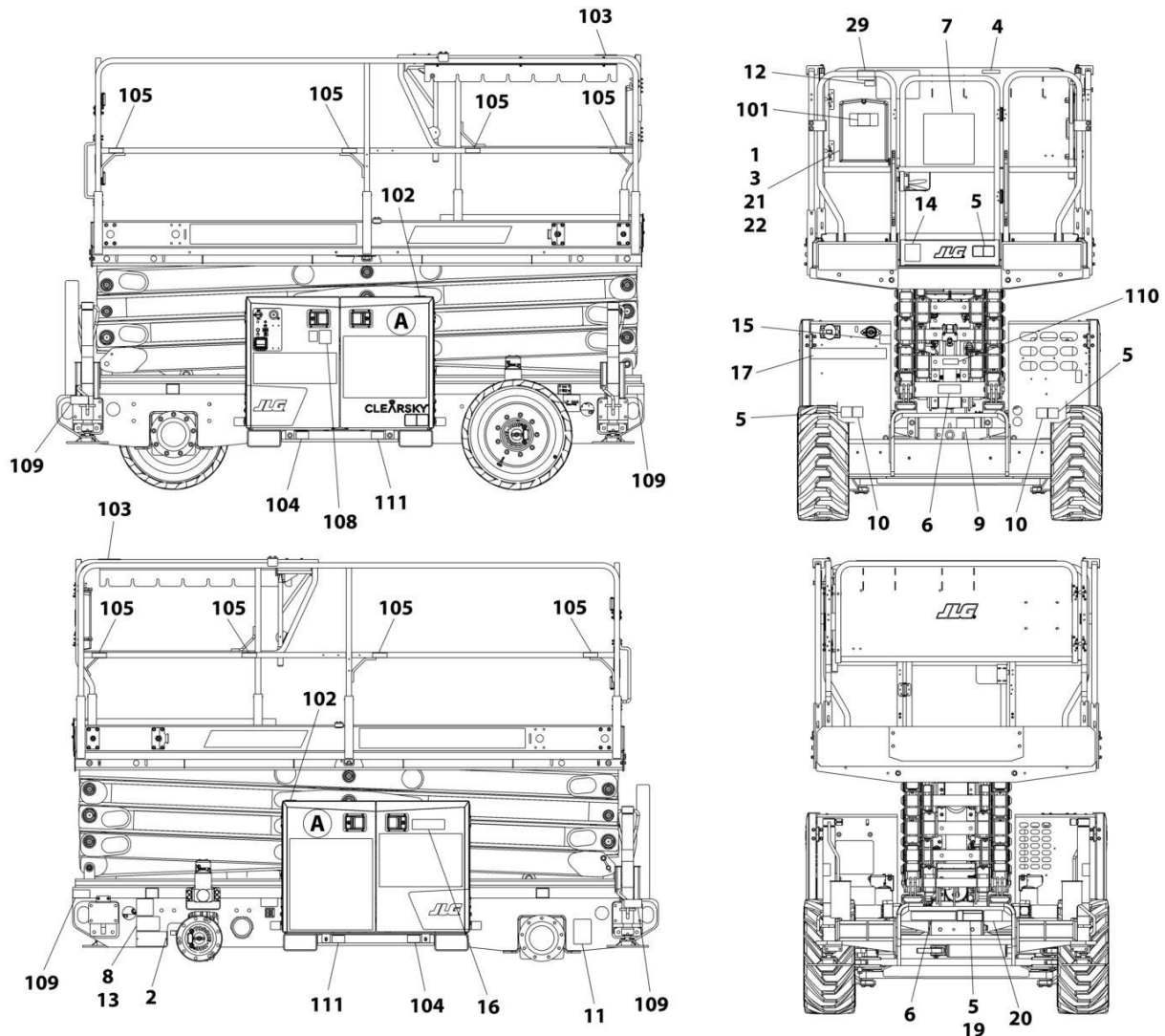
SECTION 9 - DECALS

FIGURE 9-1. DECAL INSTALLATION - ANSI SPECS (ENGLISH LANGUAGE) (ERT4069)

ITEM	PART NUMBER	QTY	DESCRIPTION	REV
	1001256771	Ref	DECAL INSTALLATION	C
	1001264346	Ref	DECAL CHART DRAWING	E
1	0760610	4	Bolt M6 x 20	
2	2080057	2	Fastener	
3	0860520	1	Box, Manual Storage	
4	1703821	1	Decal - Control Box Location	
5	1001211779	2	Decal - Electrocutation	
6	1001211777	2	Decal - Crushing Hazard	
7	1703816	1	Decal - Danger/Warning	
8	1001223055	1	Decal - Yearly Inspection	
9	1703822	1	Decal - Manual Descent Instruction	
11	1001131270	1	Decal - Patent	
12	1001223453	1	Decal - ICES	
15	1702155	1	Decal - Battery Disconnect	
16	1703813	1	Decal - Warning Battery Ventilation	
17	1001146794	1	Decal - Battery/Charger Service	
18	1703818	2	Decal - Warning Crushing Hazard/Danger Electrocutation	
19	1705695	1	Decal - Danger Electrocutation	
21	3290605	4	Nut M6	
22	4811700	8	Washer M6	
100	1001256763	1	Decal Master Kit (Not Shown)	
101	1701640	1	Decal - Manual	
102	1703687	2	Decal - Direction Arrow	
103	1703819	2	Decal - Direction Arrow	
104	1001265579	2	Decal - Fork Lift	
105	1704277	8	Decal - Lanyard Attach	
106	1704412	1	Decal - Hydraulic Oil Chart	
107	70046028	1	Decal - Hydraulic Oil Level	
108	1001094708	1	Decal - Hydraulic Oil	
109	1001162864	4	Decal - Lift Point/Tie Down	
110	1001256865	1	Decal - Arm Prop	
111	1001265580	2	Decal - Fork Lift	

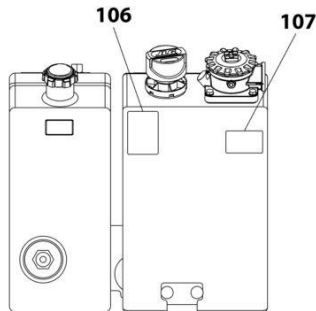
SECTION 9 - DECALS

FIGURE 9-2. DECAL INSTALLATION - AUSTRALIAN/CE SPECS (ENGLISH LANGUAGE) (ERT4069)

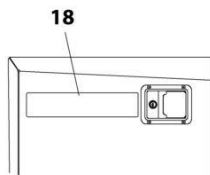


NOTE: ITEMS SHOWN MAY NOT BE REQUIRED FOR ALL SPECS. REFER TO PARTS LIST FOR USAGE.

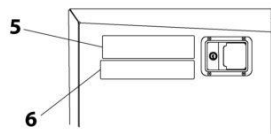
NOTE: ADDITIONAL DECALS CALLED OUT ON DECAL INSTALLATION - OPTIONS.



VIEW OF TANKS



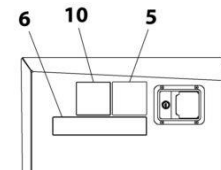
ANSI SPECS
BOTH SIDES TYPICAL



ENG/KOREAN/SPA/
POR/FRE SPECS
BOTH SIDES TYPICAL

A

AUSTRALIAN/CE SPECS
BOTH SIDES TYPICAL



ENG/CHINA SPECS
BOTH SIDES TYPICAL

ART_1001256778

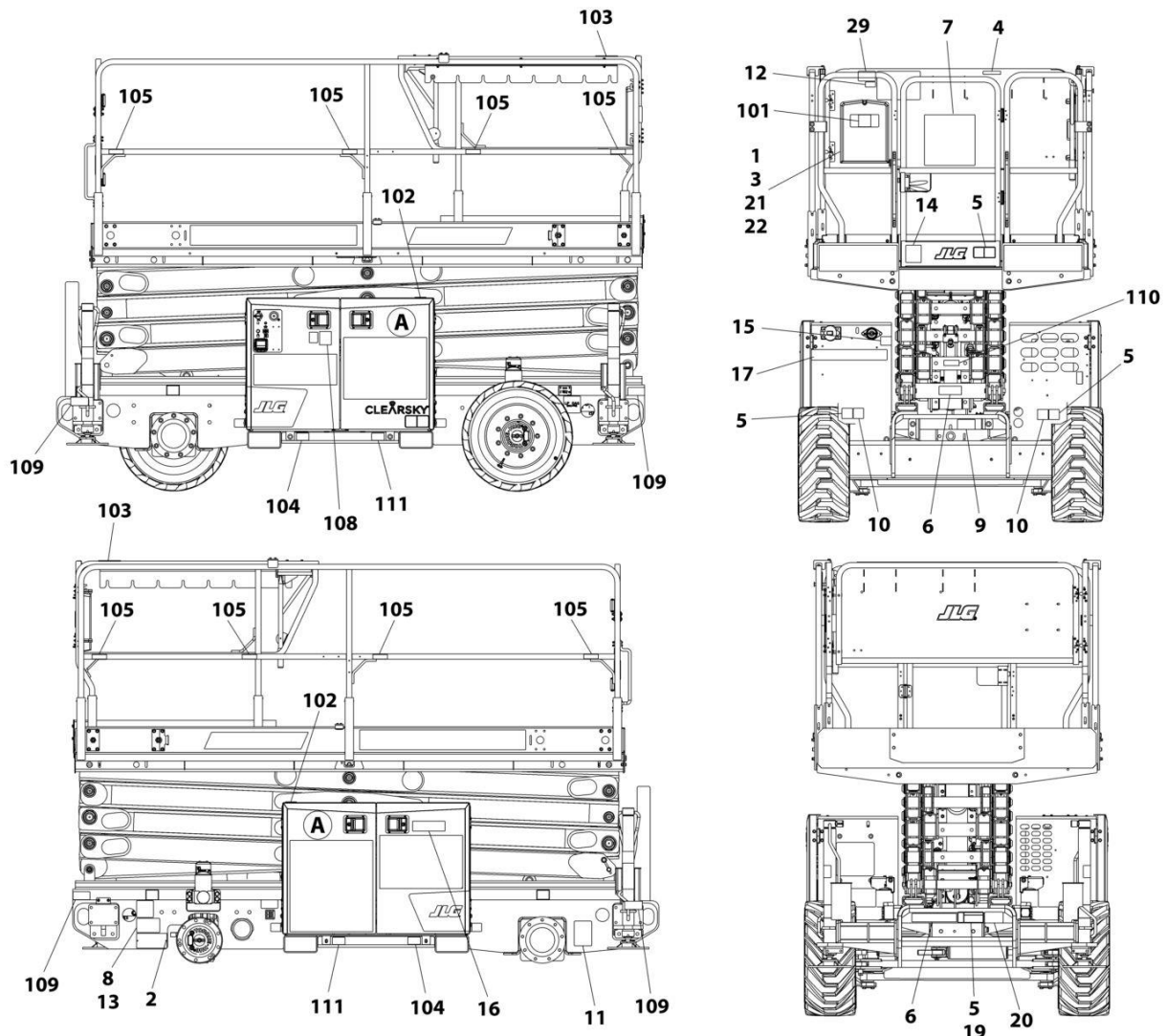
SECTION 9 - DECALS

FIGURE 9-2. DECAL INSTALLATION - AUSTRALIAN/CE SPECS (ENGLISH LANGUAGE) (ERT4069)

ITEM	PART NUMBER	QTY	DESCRIPTION	REV
	1001256778	Ref	DECAL INSTALLATION	C
	1001264346	Ref	DECAL CHART DRAWING	E
1	0760610	4	Bolt M6 x 20	
2	2080057	4	Fastener	
3	0860520	1	Box, Manual Storage	
5	1705671	6	Decal - Electrocutation	
6	1705673	4	Decal - Crushing	
9	1703822	1	Decal - Manual Descent Instruction	
13	1705670	2	Decal - Fire Hazard	
15	1702155	1	Decal - Battery Disconnect	
17	1001146794	1	Decal - Battery/Charger Service	
21	3290605	4	Nut M6	
22	4811700	8	Washer M6	
100	1001256763	1	Decal Master Kit (Not Shown)	
101	1701640	1	Decal - Manual	
102	1703687	2	Decal - Direction Arrow	
103	1703819	2	Decal - Direction Arrow	
104	1001265579	2	Decal - Fork Lift	
105	1704277	8	Decal - Lanyard Attach	
106	1704412	1	Decal - Hydraulic Oil Chart	
107	70046028	1	Decal - Hydraulic Oil Level	
108	1001094708	1	Decal - Hydraulic Oil	
109	1001162864	4	Decal - Lift Point/Tie Down	
110	1001256865	1	Decal - Arm Prop	
111	1001265580	2	Decal - Fork Lift	

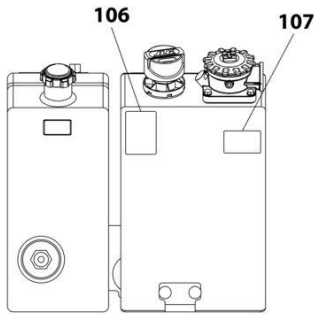
SECTION 9 - DECALS

FIGURE 9-3. DECAL INSTALLATION - BRAZIL SPECS (SPANISH/PORTUGUESE LANGUAGES) (ERT4069)

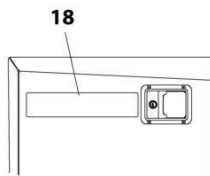


NOTE: ITEMS SHOWN MAY NOT BE REQUIRED FOR ALL SPECS. REFER TO PARTS LIST FOR USAGE.

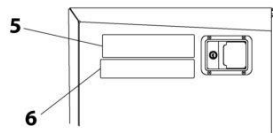
NOTE: ADDITIONAL DECALS CALLED OUT ON DECAL INSTALLATION - OPTIONS.



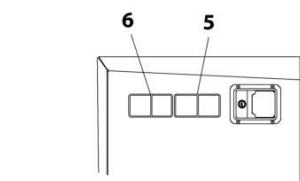
VIEW OF TANKS



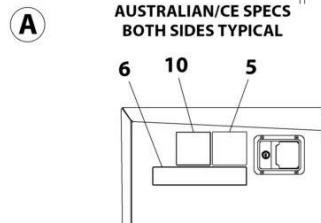
ANSI SPECS
BOTH SIDES TYPICAL



ENG/KOREAN/SPA/
POR/FRE SPECS
BOTH SIDES TYPICAL



AUSTRALIAN/CE SPECS
BOTH SIDES TYPICAL



ENG/CHINA SPECS
BOTH SIDES TYPICAL

ART_1001256774

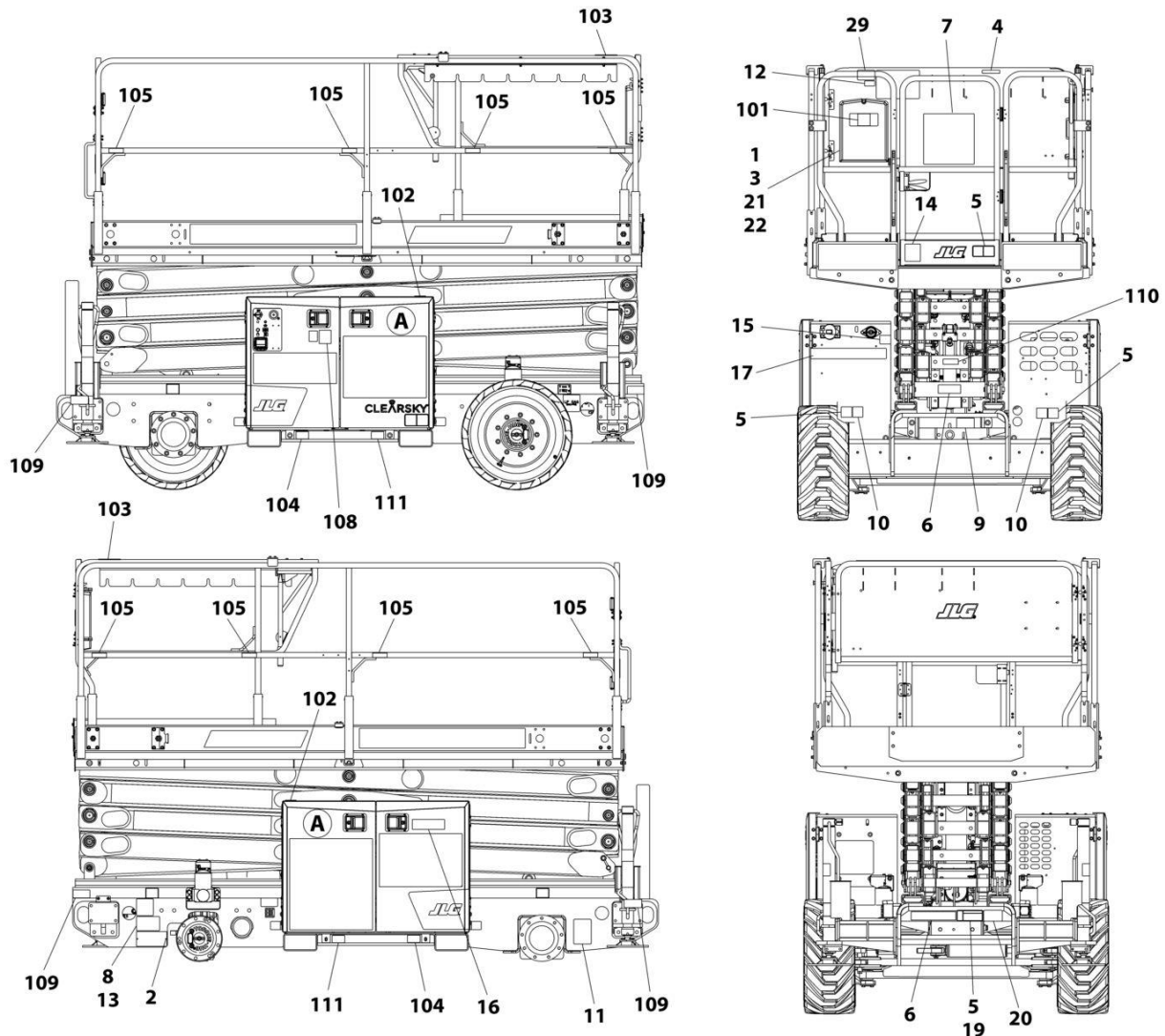
SECTION 9 - DECALS

**FIGURE 9-3. DECAL INSTALLATION - BRAZIL SPECS (SPANISH/PORTUGUESE LANGUAGES)
(ERT4069)**

ITEM	PART NUMBER	QTY	DESCRIPTION	REV
	1001256774	Ref	DECAL INSTALLATION	C
	1001264346	Ref	DECAL CHART DRAWING	E
1	0760610	4	Bolt M6 x 20	
2	2080057	2	Fastener	
3	0860520	1	Box, Manual Storage	
4	1704702	1	Decal - Control Box Location	
5	1705043	5	Decal - Danger Electrical Hazard	
6	1001216650	4	Decal - Crushing	
7	1704699	1	Decal - Danger/Warning	
8	1001224052	1	Decal - Yearly Inspection	
9	1703822	1	Decal - Manual Descent Instruction	
15	1702155	1	Decal - Battery Disconnect	
16	1704341	1	Decal - Warning Battery Ventilation	
17	1001146794	1	Decal - Battery/Charger Service	
21	3290605	4	Nut M6	
22	4811700	8	Washer M6	
100	1001256763	1	Decal Master Kit (Not Shown)	
101	1701640	1	Decal - Manual	
102	1703687	2	Decal - Direction Arrow	
103	1703819	2	Decal - Direction Arrow	
104	1001265579	2	Decal - Fork Lift	
105	1704277	8	Decal - Lanyard Attach	
106	1704412	1	Decal - Hydraulic Oil Chart	
107	70046028	1	Decal - Hydraulic Oil Level	
108	1001094708	1	Decal - Hydraulic Oil	
109	1001162864	4	Decal - Lift Point/Tie Down	
110	1001256865	1	Decal - Arm Prop	
111	1001265580	2	Decal - Fork Lift	

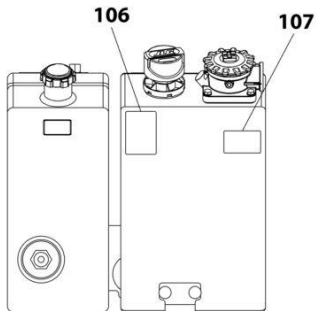
SECTION 9 - DECALS

FIGURE 9-4. DECAL INSTALLATION - CE SPECS (ERT4069)

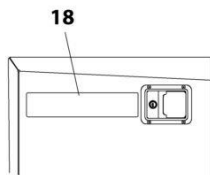


NOTE: ITEMS SHOWN MAY NOT BE REQUIRED FOR ALL SPECS. REFER TO PARTS LIST FOR USAGE.

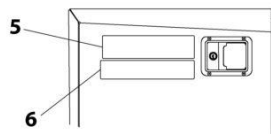
NOTE: ADDITIONAL DECALS CALLED OUT ON DECAL INSTALLATION - OPTIONS.



VIEW OF TANKS



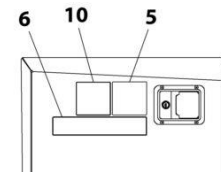
ANSI SPECS
BOTH SIDES TYPICAL



ENG/KOREAN/SPA/
POR/FRE SPECS
BOTH SIDES TYPICAL

A

AUSTRALIAN/CE SPECS
BOTH SIDES TYPICAL



ENG/CHINA SPECS
BOTH SIDES TYPICAL

ART_1001256777

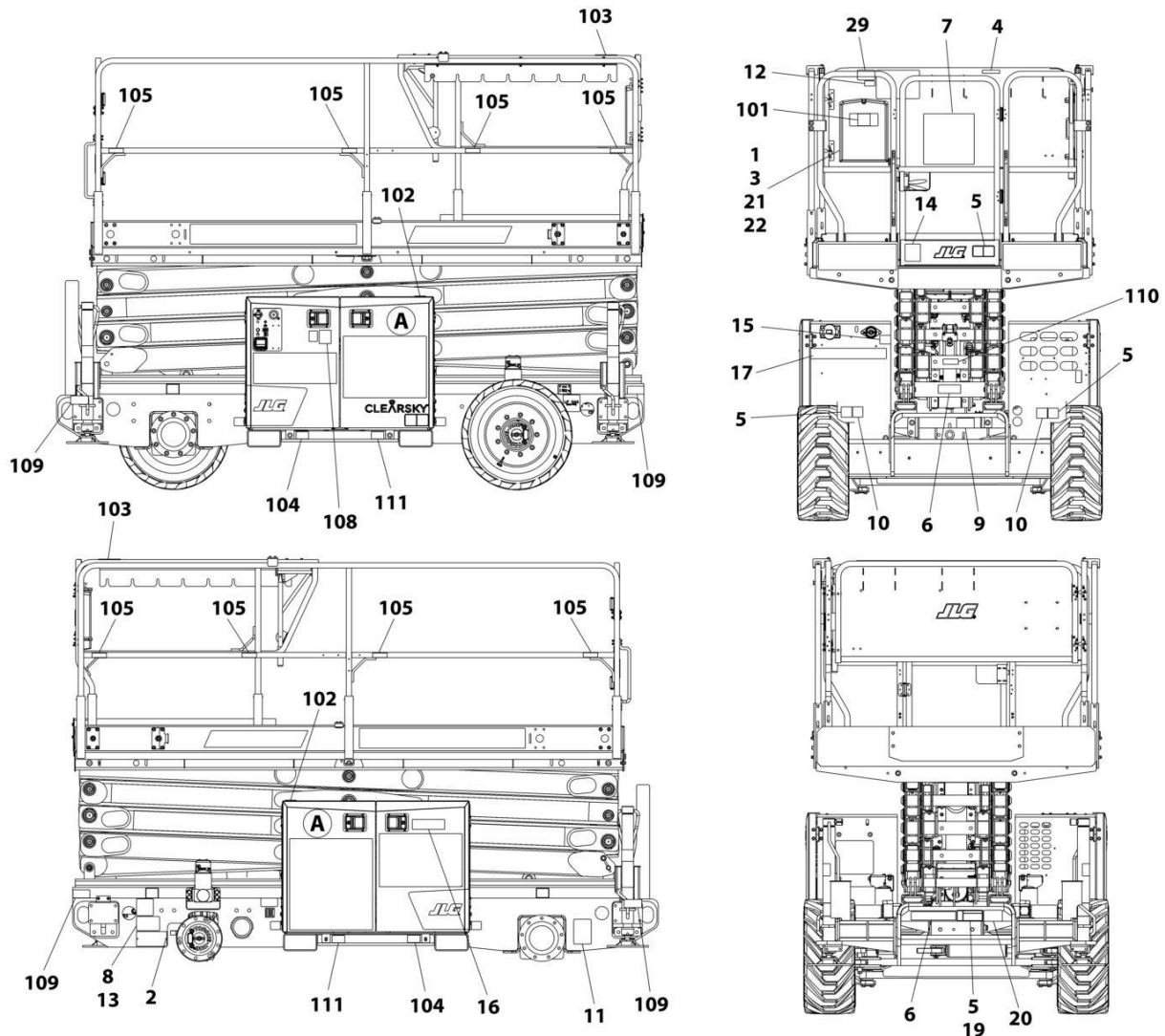
SECTION 9 - DECALS

FIGURE 9-4. DECAL INSTALLATION - CE SPECS (ERT4069)

ITEM	PART NUMBER	QTY	DESCRIPTION	REV
	1001256777	Ref	DECAL INSTALLATION	C
	1001264346	Ref	DECAL CHART DRAWING	E
1	0760610	4	Bolt M6 x 20	
2	2080057	2	Fastener	
3	0860520	1	Box, Manual Storage	
5	1705671	6	Decal - Electrocuttion	
6	1705673	4	Decal - Crushing	
9	1703822	1	Decal - Manual Descent Instruction	
13	1705670	2	Decal - Fire Hazard	
15	1702155	1	Decal - Battery Disconnect	
17	1001146795	1	Decal - Battery/Charger Service	
21	3290605	4	Nut M6	
22	4811700	8	Washer M6	
100	1001256763	1	Decal Master Kit (Not Shown)	
101	1701640	1	Decal - Manual	
102	1703687	2	Decal - Direction Arrow	
103	1703819	2	Decal - Direction Arrow	
104	1001265579	2	Decal - Fork Lift	
105	1704277	8	Decal - Lanyard Attach	
106	1704412	1	Decal - Hydraulic Oil Chart	
107	70046028	1	Decal - Hydraulic Oil Level	
108	1001094708	1	Decal - Hydraulic Oil	
109	1001162864	4	Decal - Lift Point/Tie Down	
110	1001256865	1	Decal - Arm Prop	
111	1001265580	2	Decal - Fork Lift	

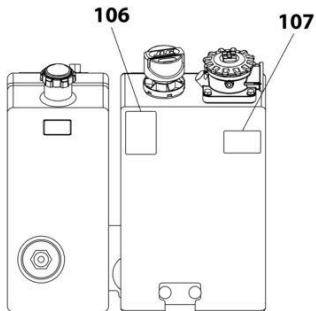
SECTION 9 - DECALS

FIGURE 9-5. DECAL INSTALLATION - CHINA SPECS (ENGLISH/CHINESE LANGUAGES) (ERT4069)

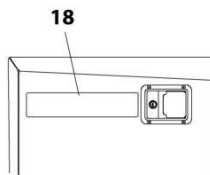


NOTE: ITEMS SHOWN MAY NOT BE REQUIRED FOR ALL SPECS. REFER TO PARTS LIST FOR USAGE.

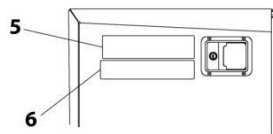
NOTE: ADDITIONAL DECALS CALLED OUT ON DECAL INSTALLATION - OPTIONS.



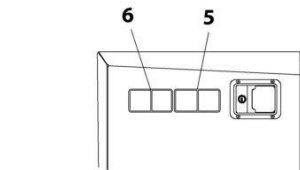
VIEW OF TANKS



ANSI SPECS
BOTH SIDES TYPICAL

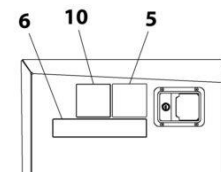


ENG/KOREAN/SPA/
POR/FRE SPECS
BOTH SIDES TYPICAL



A

AUSTRALIAN/CE SPECS
BOTH SIDES TYPICAL



ENG/CHINA SPECS
BOTH SIDES TYPICAL

ART_1001256773

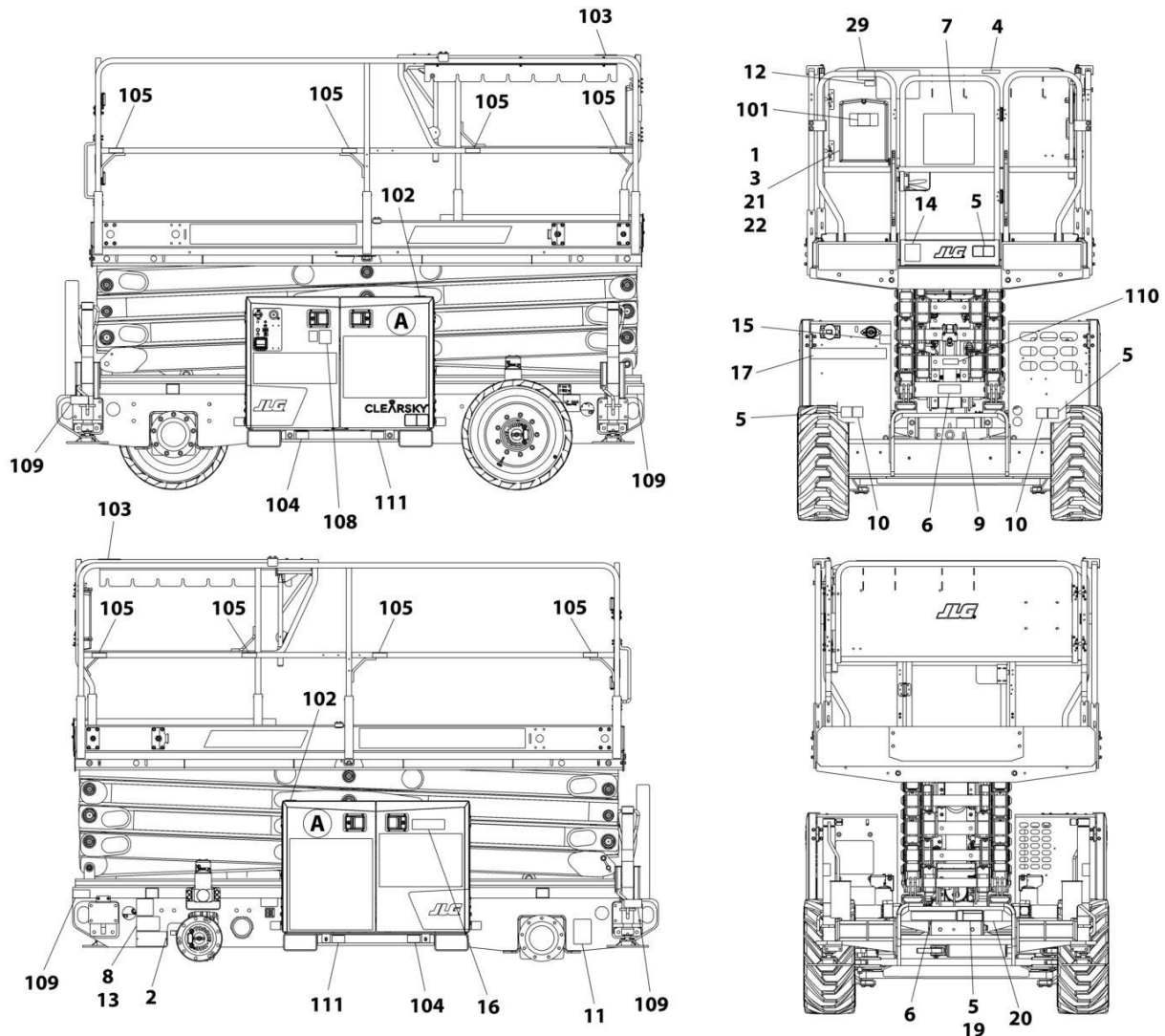
SECTION 9 - DECALS

FIGURE 9-5. DECAL INSTALLATION - CHINA SPECS (ENGLISH/CHINESE LANGUAGES) (ERT4069)

ITEM	PART NUMBER	QTY	DESCRIPTION	REV
	1001256773	Ref	DECAL INSTALLATION	C
	1001264346	Ref	DECAL CHART DRAWING	E
1	0760610	4	Bolt M6 x 20	
2	2080057	2	Fastener	
3	0860520	1	Box, Manual Storage	
4	1705194	1	Decal - Control Box Location	
5	1001211779	4	Decal - Electrocution	
6	1001215752	4	Decal - Crushing	
7	1705195	1	Decal - Danger/Warning	
8	1001224051	1	Decal - Yearly Inspection	
9	1703822	1	Decal - Manual Descent Instruction	
10	1001215747	4	Decal - Electrocution	
15	1702155	1	Decal - Battery Disconnect	
16	1704344	1	Decal - Warning Battery Ventilation	
17	1001146794	1	Decal - Battery/Charger Service	
19	1705695	1	Decal - Danger Electrocution	
20	1705944	1	Decal - Danger Electrocution	
21	3290605	4	Nut M6	
22	4811700	8	Washer M6	
100	1001256763	1	Decal Master Kit (Not Shown)	
101	1701640	1	Decal - Manual	
102	1703687	2	Decal - Direction Arrow	
103	1703819	2	Decal - Direction Arrow	
104	1001265579	2	Decal - Fork Lift	
105	1704277	8	Decal - Lanyard Attach	
106	1704412	1	Decal - Hydraulic Oil Chart	
107	70046028	1	Decal - Hydraulic Oil Level	
108	1001094708	1	Decal - Hydraulic Oil	
109	1001162864	4	Decal - Lift Point/Tie Down	
110	1001256865	1	Decal - Arm Prop	
111	1001265580	2	Decal - Fork Lift	

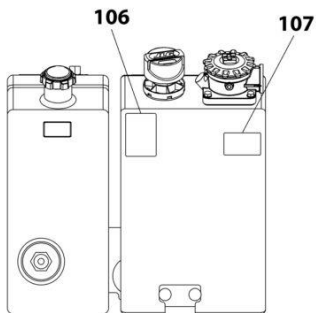
SECTION 9 - DECALS

FIGURE 9-6. DECAL INSTALLATION - CSA SPECS (ENGLISH/FRENCH LANGUAGES) (ERT4069)

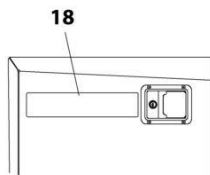


NOTE: ITEMS SHOWN MAY NOT BE REQUIRED FOR ALL SPECS. REFER TO PARTS LIST FOR USAGE.

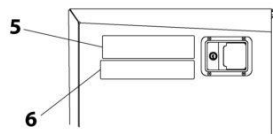
NOTE: ADDITIONAL DECALS CALLED OUT ON DECAL INSTALLATION - OPTIONS.



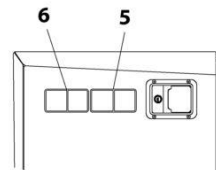
VIEW OF TANKS



ANSI SPECS
BOTH SIDES TYPICAL

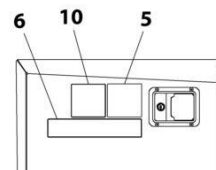


ENG/KOREAN/SPA/
POR/FRE SPECS
BOTH SIDES TYPICAL



AUSTRALIAN/CE SPECS
BOTH SIDES TYPICAL

(A)



ENG/CHINA SPECS
BOTH SIDES TYPICAL

ART_1001256776

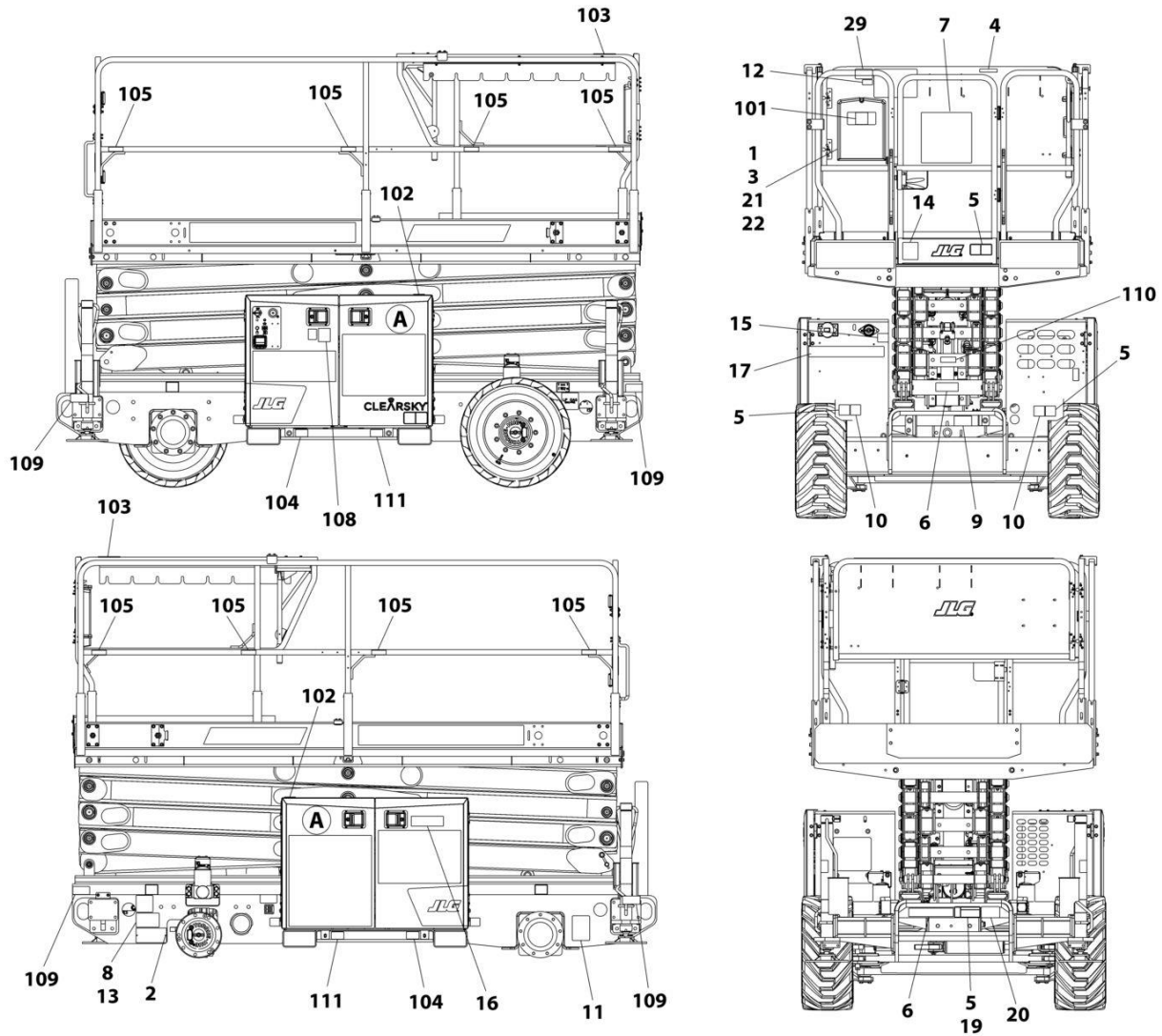
SECTION 9 - DECALS

FIGURE 9-6. DECAL INSTALLATION - CSA SPECS (ENGLISH/FRENCH LANGUAGES) (ERT4069)

ITEM	PART NUMBER	QTY	DESCRIPTION	REV
	1001256776	Ref	DECAL INSTALLATION	C
	1001264346	Ref	DECAL CHART DRAWING	E
1	0760610	4	Bolt M6 x 20	
2	2080057	2	Fastener	
3	0860520	1	Box, Manual Storage	
4	1704687	1	Decal - Control Box Location	
5	1705040	5	Decal - Danger Electrocutation	
6	1001215755	4	Decal - Crushing	
7	1704684	1	Decal - Danger/Warning	
8	1001223971	1	Decal - Yearly Inspection	
9	1703822	1	Decal - Manual Descent Instruction	
11	1001131270	1	Decal - Patent	
12	1001228370	1	Decal - ICES	
15	1702155	1	Decal - Battery Disconnect	
16	1704340	1	Decal - Warning Battery Ventilation	
17	1001146794	1	Decal - Battery/Charger Service	
21	3290605	4	Nut M6	
22	4811700	8	Washer M6	
100	1001256763	1	Decal Master Kit (Not Shown)	
101	1701640	1	Decal - Manual	
102	1703687	2	Decal - Direction Arrow	
103	1703819	2	Decal - Direction Arrow	
104	1001265579	2	Decal - Fork Lift	
105	1704277	8	Decal - Lanyard Attach	
106	1704412	1	Decal - Hydraulic Oil Chart	
107	70046028	1	Decal - Hydraulic Oil Level	
108	1001094708	1	Decal - Hydraulic Oil	
109	1001162864	4	Decal - Lift Point/Tie Down	
110	1001256865	1	Decal - Arm Prop	
111	1001265580	2	Decal - Fork Lift	

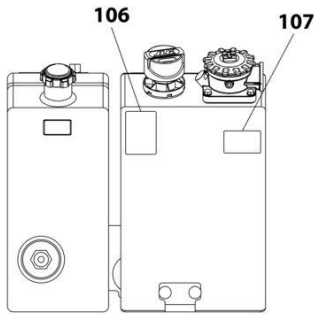
SECTION 9 - DECALS

FIGURE 9-7. DECAL INSTALLATION - KOREAN SPECS (ENGLISH/KOREAN LANGUAGES) (ERT4069)

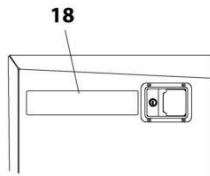


NOTE: ITEMS SHOWN MAY NOT BE REQUIRED FOR ALL SPECS. REFER TO PARTS LIST FOR USAGE.

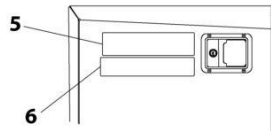
NOTE: ADDITIONAL DECALS CALLED OUT ON DECAL INSTALLATION - OPTIONS.



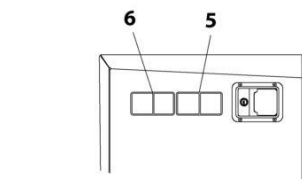
VIEW OF TANKS



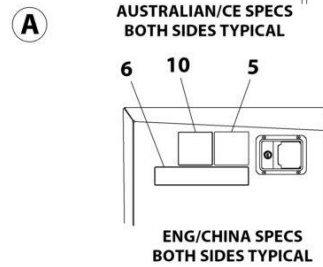
ANSI SPECS
BOTH SIDES TYPICAL



ENG/KOREAN/SPA/
POR/FRE SPECS
BOTH SIDES TYPICAL



AUSTRALIAN/CE SPECS
BOTH SIDES TYPICAL



ENG/CHINA SPECS
BOTH SIDES TYPICAL

ART_1001256772

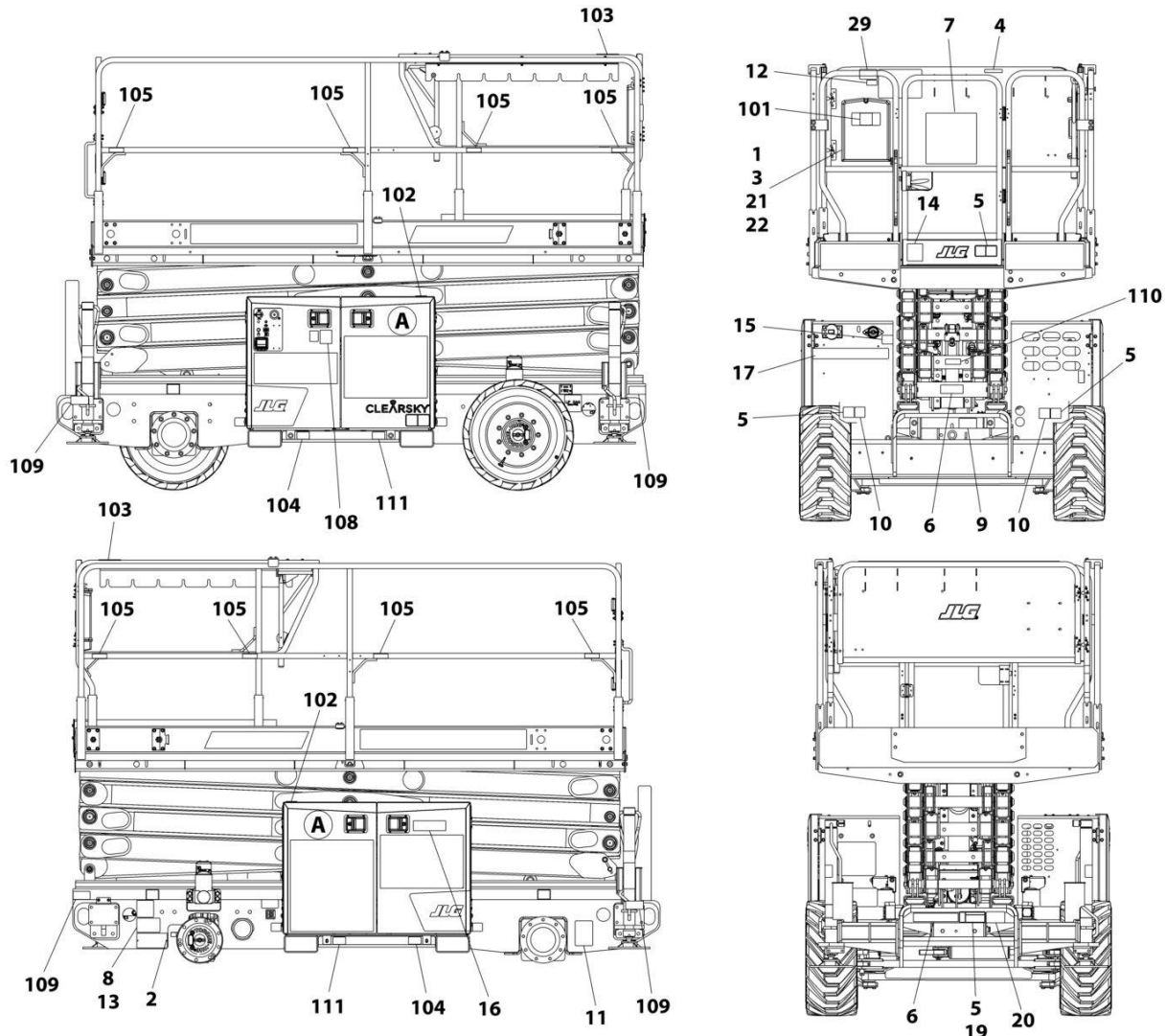
SECTION 9 - DECALS

**FIGURE 9-7. DECAL INSTALLATION - KOREAN SPECS (ENGLISH/KOREAN LANGUAGES)
(ERT4069)**

ITEM	PART NUMBER	QTY	DESCRIPTION	REV
	1001256772	Ref	DECAL INSTALLATION	C
	1001264346	Ref	DECAL CHART DRAWING	E
1	0760610	4	Bolt M6 x 20	
2	2080057	2	Fastener	
3	0860520	1	Box, Manual Storage	
4	1001162112	1	Decal - Control Box Location	
5	1001162114	5	Decal - Danger Electrical Hazard	
6	1001215751	4	Decal - Crushing	
7	1001162115	1	Decal - Danger Warning	
8	1001224048	1	Decal - Yearly Inspection	
9	1703822	1	Decal - Manual Descent Instruction	
15	1702155	1	Decal - Battery Disconnect	
16	1707022	1	Decal - Warning Battery Ventilation	
17	1001146794	1	Decal - Battery/Charger Service	
21	3290605	4	Nut M6	
22	4811700	8	Washer M6	
100	1001256763	1	Decal Master Kit (Not Shown)	
101	1701640	1	Decal - Manual	
102	1703687	2	Decal - Direction Arrow	
103	1703819	2	Decal - Direction Arrow	
104	1001265579	2	Decal - Fork Lift	
105	1704277	8	Decal - Lanyard Attach	
106	1704412	1	Decal - Hydraulic Oil Chart	
107	70046028	1	Decal - Hydraulic Oil Level	
108	1001094708	1	Decal - Hydraulic Oil	
109	1001162864	4	Decal - Lift Point/Tie Down	
110	1001256865	1	Decal - Arm Prop	
111	1001265580	2	Decal - Fork Lift	

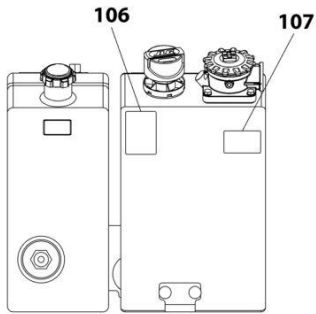
SECTION 9 - DECALS

FIGURE 9-8. DECAL INSTALLATION - LATIN AMERICAN SPECS (ENGLISH/SPANISH LANGUAGES) (ERT4069)

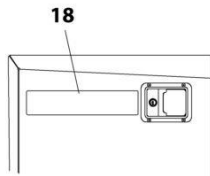


NOTE: ITEMS SHOWN MAY NOT BE REQUIRED FOR ALL SPECS. REFER TO PARTS LIST FOR USAGE.

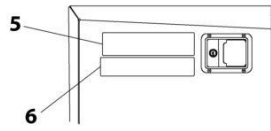
NOTE: ADDITIONAL DECALS CALLED OUT ON DECAL INSTALLATION - OPTIONS.



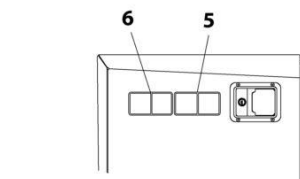
VIEW OF TANKS



ANSI SPECS
BOTH SIDES TYPICAL

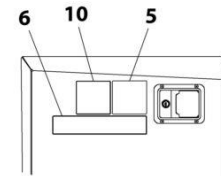


ENG/KOREAN/SPA/
POR/FRE SPECS
BOTH SIDES TYPICAL



AUSTRALIAN/CE SPECS
BOTH SIDES TYPICAL

A



ENG/CHINA SPECS
BOTH SIDES TYPICAL

ART_1001256775

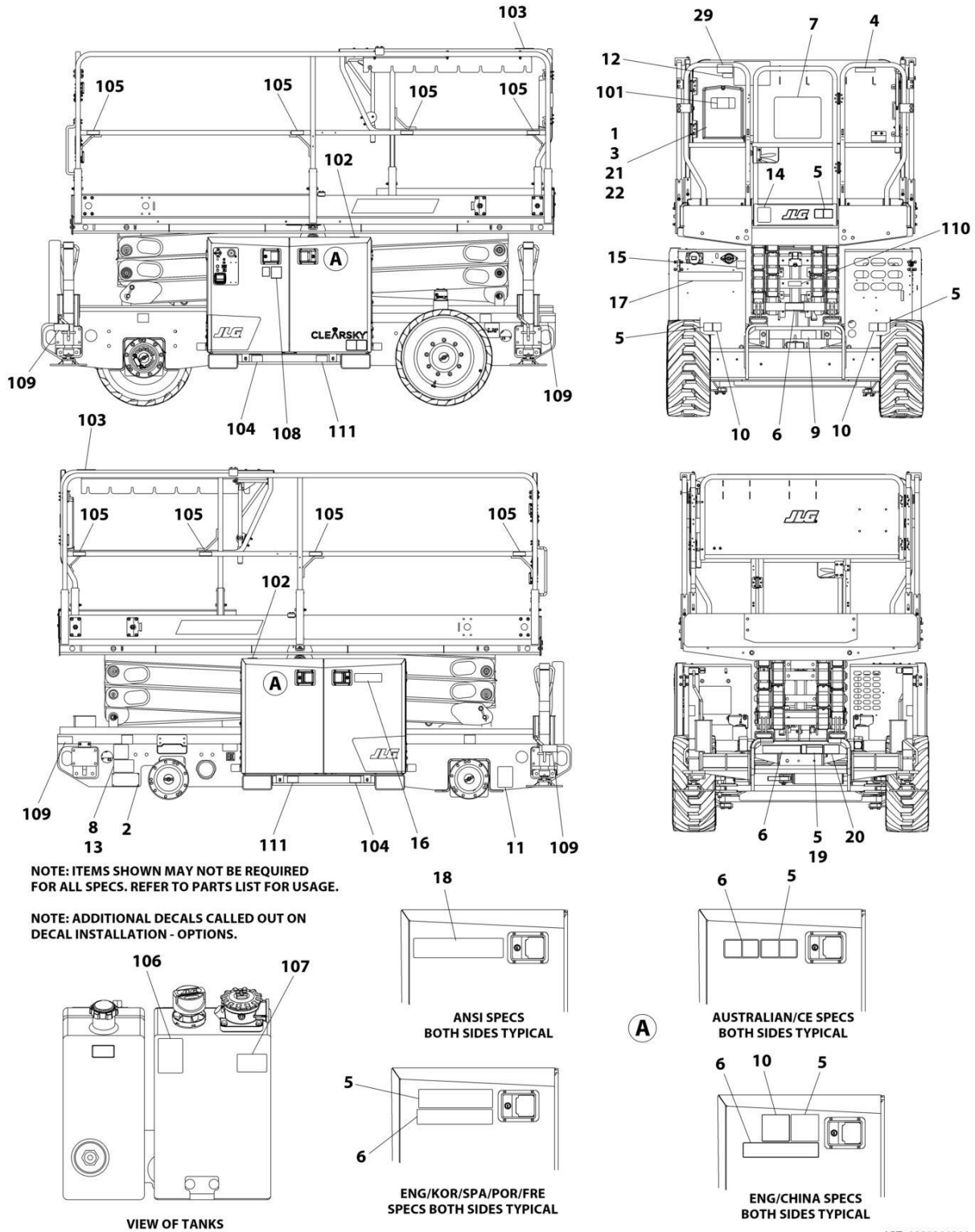
SECTION 9 - DECALS

**FIGURE 9-8. DECAL INSTALLATION - LATIN AMERICAN SPECS (ENGLISH/SPANISH LANGUAGES)
(ERT4069)**

ITEM	PART NUMBER	QTY	DESCRIPTION	REV
	1001256775	Ref	DECAL INSTALLATION	C
	1001264346	Ref	DECAL CHART DRAWING	E
1	0760610	4	Bolt M6 x 20	
2	2080057	2	Fastener	
3	0860520	1	Box, Manual Storage	
4	1704694	1	Decal - Control Box Location	
5	1705041	5	Decal - Danger Electrical Hazard	
6	1001215754	4	Decal - Crushing	
7	1704691	1	Decal - Danger/Warning	
8	1001224049	1	Decal - Yearly Inspection	
9	1703822	1	Decal - Manual Descent Instruction	
15	1702155	1	Decal - Battery Disconnect	
16	1704339	1	Decal - Warning Battery Ventilation	
17	1001146794	1	Decal - Battery/Charger Service	
21	3290605	4	Nut M6	
22	4811700	8	Washer M6	
100	1001256763	1	Decal Master Kit (Not Shown)	
101	1701640	1	Decal - Manual	
102	1703687	2	Decal - Direction Arrow	
103	1703819	2	Decal - Direction Arrow	
104	1001265579	2	Decal - Fork Lift	
105	1704277	8	Decal - Lanyard Attach	
106	1704412	1	Decal - Hydraulic Oil Chart	
107	70046028	1	Decal - Hydraulic Oil Level	
108	1001094708	1	Decal - Hydraulic Oil	
109	1001162864	4	Decal - Lift Point/Tie Down	
110	1001256865	1	Decal - Arm Prop	
111	1001265580	2	Decal - Fork Lift	

SECTION 9 - DECALS

FIGURE 9-9. DECAL INSTALLATION - ANSI SPECS (ENGLISH LANGUAGE) (ERT4769)



NOTE: ITEMS SHOWN MAY NOT BE REQUIRED FOR ALL SPECS. REFER TO PARTS LIST FOR USAGE.

NOTE: ADDITIONAL DECALS CALLED OUT ON DECAL INSTALLATION - OPTIONS.

ART_1001264964

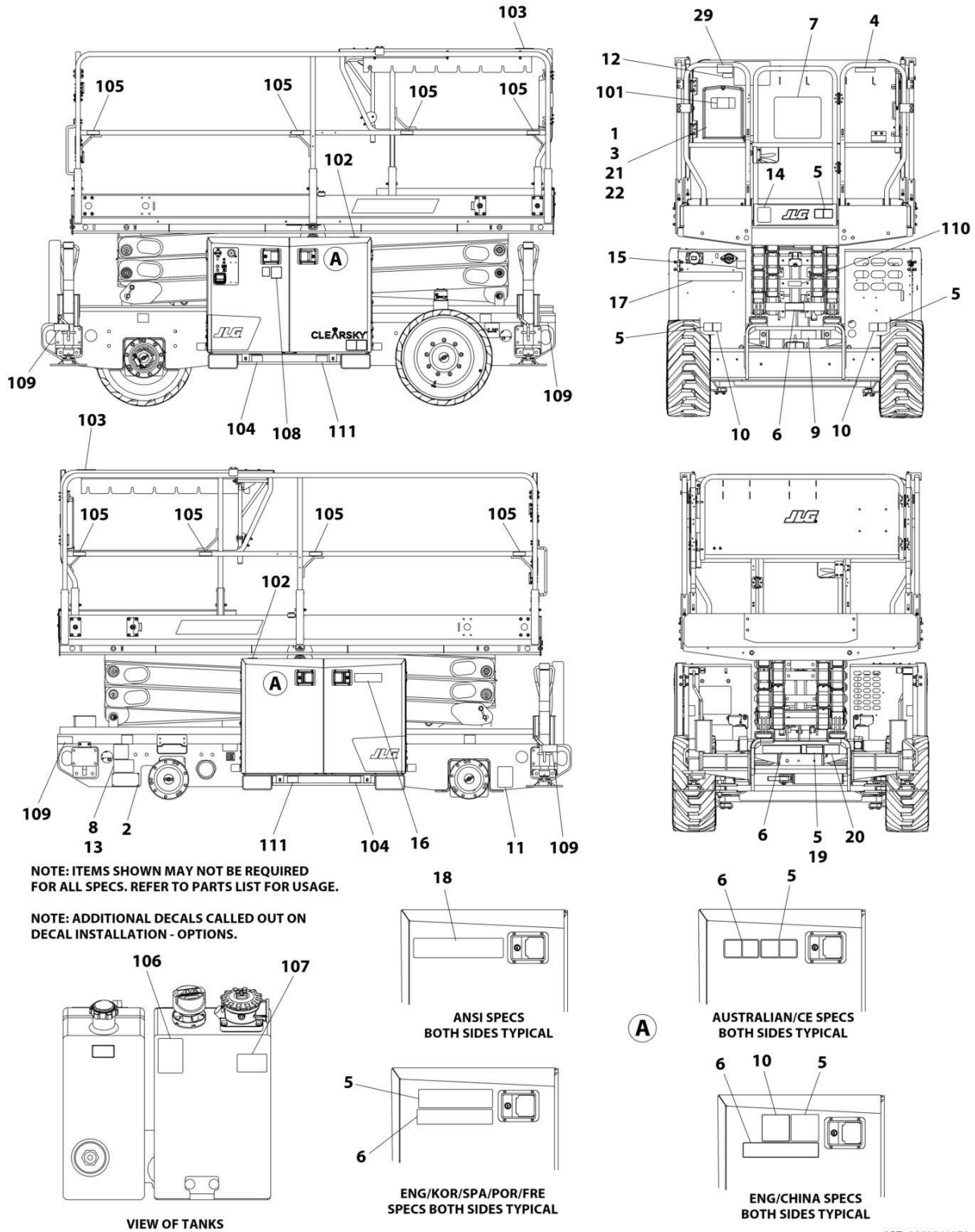
SECTION 9 - DECALS

FIGURE 9-9. DECAL INSTALLATION - ANSI SPECS (ENGLISH LANGUAGE) (ERT4769)

ITEM	PART NUMBER	QTY	DESCRIPTION	REV
	1001264964	Ref	DECAL INSTALLATION	B
	1001264973	Ref	DECAL CHART DRAWING	C
1	0760610	4	Bolt M6 x 20	
2	2080057	2	Fastener	
3	0860520	1	Box, Manual Storage	
4	1703821	1	Decal - Control Box Location	
5	1001211779	2	Decal - Electrocutation	
6	1001211777	2	Decal - Crushing Hazard	
7	1703816	1	Decal - Danger/Warning	
8	1001223055	1	Decal - Yearly Inspection	
9	1001226116	1	Decal - Manual Descent Instruction	
11	1001131270	1	Decal - Patent	
12	1001223453	1	Decal - ICES	
15	1702155	1	Decal - Battery Disconnect	
16	1703813	1	Decal - Warning Battery Ventilation	
17	1001146794	1	Decal - Battery/Charger Service	
18	1703818	2	Decal - Warning Crushing Hazard/Danger Electrocutation	
19	1705695	1	Decal - Danger Electrocutation	
21	3290605	4	Nut M6	
22	4811700	8	Washer M6	
100	1001256763	1	Decal Master Kit (Not Shown)	
101	1701640	1	Decal - Manual	
102	1703687	2	Decal - Direction Arrow	
103	1703819	2	Decal - Direction Arrow	
104	1001265579	2	Decal - Fork Lift	
105	1704277	8	Decal - Lanyard Attach	
106	1704412	1	Decal - Hydraulic Oil Chart	
107	70046028	1	Decal - Hydraulic Oil Level	
108	1001094708	1	Decal - Hydraulic Oil	
109	1001162864	4	Decal - Lift Point/Tie Down	
110	1001256865	1	Decal - Arm Prop	
111	1001265580	2	Decal - Fork Lift	

SECTION 9 - DECALS

FIGURE 9-10. DECAL INSTALLATION - AUSTRALIAN/CE SPECS (ENGLISH LANGUAGE) (ERT4769)



NOTE: ITEMS SHOWN MAY NOT BE REQUIRED FOR ALL SPECS. REFER TO PARTS LIST FOR USAGE.

NOTE: ADDITIONAL DECALS CALLED OUT ON DECAL INSTALLATION - OPTIONS.

ART_1001264971

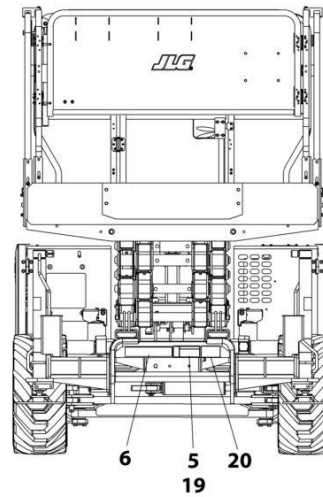
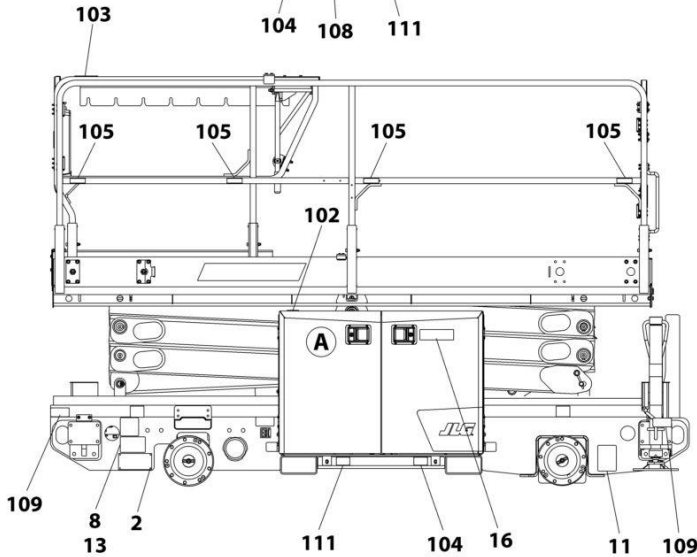
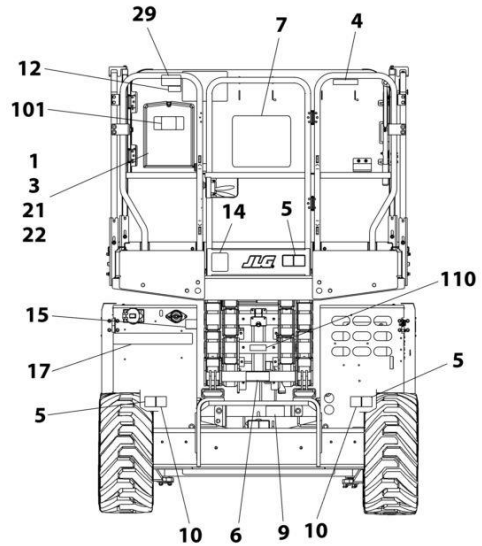
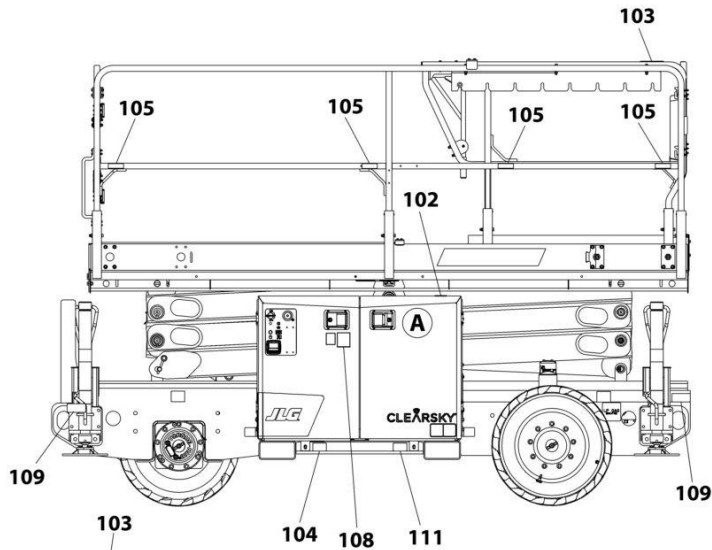
SECTION 9 - DECALS

FIGURE 9-10. DECAL INSTALLATION - AUSTRALIAN/CE SPECS (ENGLISH LANGUAGE) (ERT4769)

ITEM	PART NUMBER	QTY	DESCRIPTION	REV
	1001264971	Ref	DECAL INSTALLATION	B
	1001264973	Ref	DECAL CHART DRAWING	C
1	0760610	4	Bolt M6 x 20	
2	2080057	4	Fastener	
3	0860520	1	Box, Manual Storage	
5	1705671	6	Decal - Electrocution	
6	1705673	4	Decal - Crushing	
9	1001226116	1	Decal - Manual Descent Instruction	
13	1705670	2	Decal - Fire Hazard	
15	1702155	1	Decal - Battery Disconnect	
17	1001146794	1	Decal - Battery/Charger Service	
21	3290605	4	Nut M6	
22	4811700	8	Washer M6	
100	1001256763	1	Decal Master Kit (Not Shown)	
101	1701640	1	Decal - Manual	
102	1703687	2	Decal - Direction Arrow	
103	1703819	2	Decal - Direction Arrow	
104	1001265579	2	Decal - Fork Lift	
105	1704277	8	Decal - Lanyard Attach	
106	1704412	1	Decal - Hydraulic Oil Chart	
107	70046028	1	Decal - Hydraulic Oil Level	
108	1001094708	1	Decal - Hydraulic Oil	
109	1001162864	4	Decal - Lift Point/Tie Down	
110	1001256865	1	Decal - Arm Prop	
111	1001265580	2	Decal - Fork Lift	

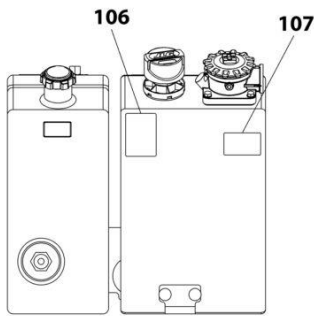
SECTION 9 - DECALS

FIGURE 9-11. DECAL INSTALLATION - BRAZIL SPECS (SPANISH/PORTUGUESE LANGUAGES) (ERT4769)

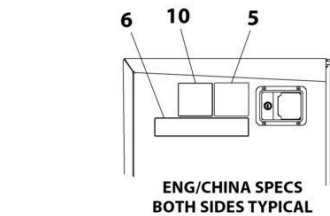
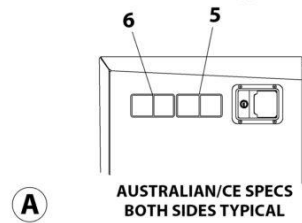
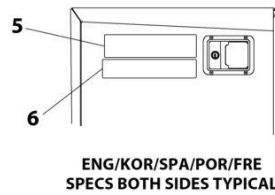
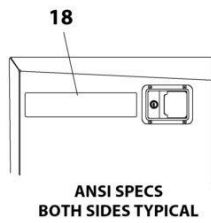


NOTE: ITEMS SHOWN MAY NOT BE REQUIRED FOR ALL SPECS. REFER TO PARTS LIST FOR USAGE.

NOTE: ADDITIONAL DECALS CALLED OUT ON DECAL INSTALLATION - OPTIONS.



VIEW OF TANKS



ART_1001264967

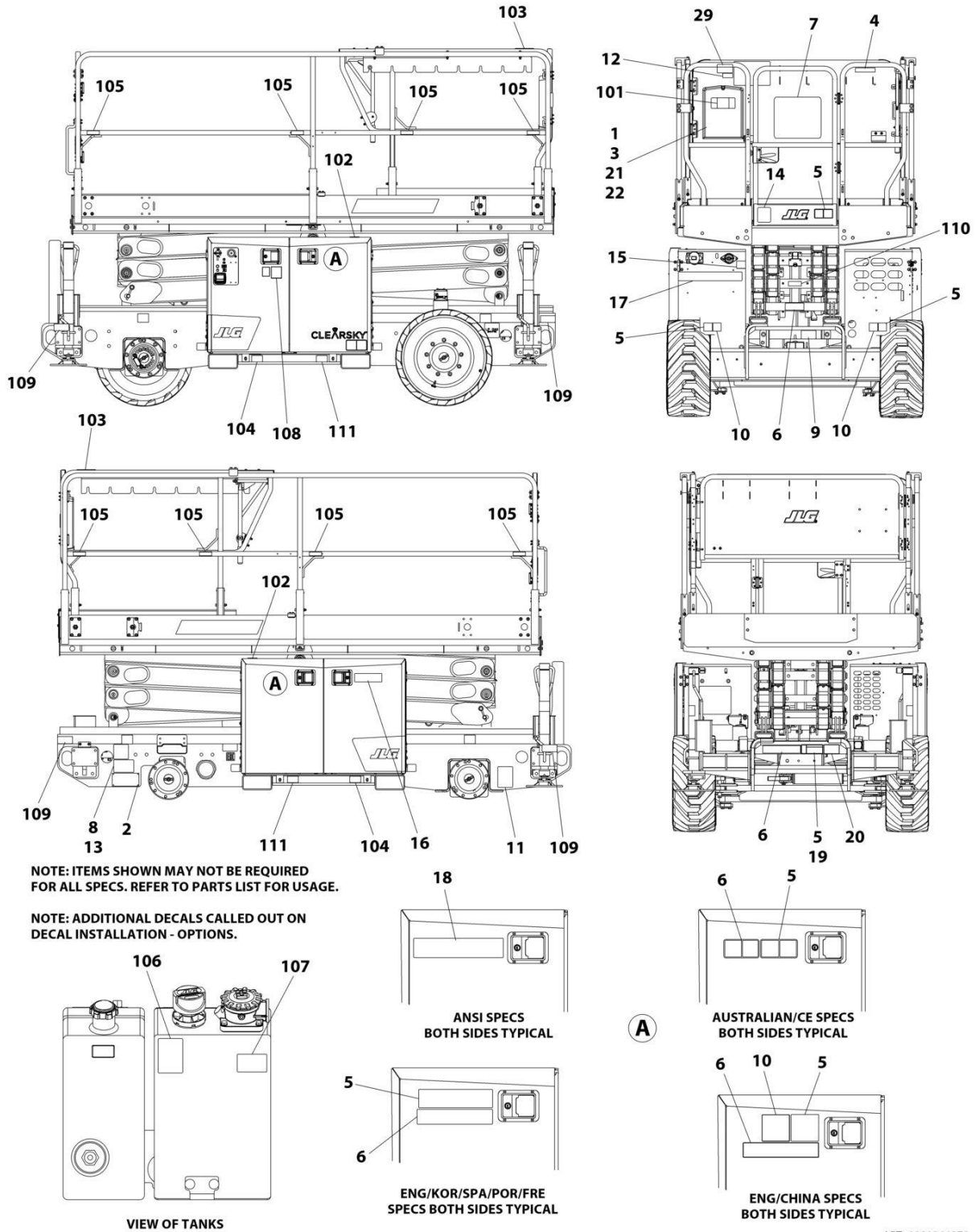
SECTION 9 - DECALS

**FIGURE 9-11. DECAL INSTALLATION - BRAZIL SPECS (SPANISH/PORTUGUESE LANGUAGES)
(ERT4769)**

ITEM	PART NUMBER	QTY	DESCRIPTION	REV
	1001264967	Ref	DECAL INSTALLATION	B
	1001264973	Ref	DECAL CHART DRAWING	C
1	0760610	4	Bolt M6 x 20	
2	2080057	2	Fastener	
3	0860520	1	Box, Manual Storage	
4	1704702	1	Decal - Control Box Location	
5	1705043	5	Decal - Danger Electrical Hazard	
6	1001216650	4	Decal - Crushing	
7	1704699	1	Decal - Danger/Warning	
8	1001224052	1	Decal - Yearly Inspection	
9	1001226116	1	Decal - Manual Descent Instruction	
15	1702155	1	Decal - Battery Disconnect	
16	1704341	1	Decal - Warning Battery Ventilation	
17	1001146794	1	Decal - Battery/Charger Service	
21	3290605	4	Nut M6	
22	4811700	8	Washer M6	
100	1001256763	1	Decal Master Kit (Not Shown)	
101	1701640	1	Decal - Manual	
102	1703687	2	Decal - Direction Arrow	
103	1703819	2	Decal - Direction Arrow	
104	1001265579	2	Decal - Fork Lift	
105	1704277	8	Decal - Lanyard Attach	
106	1704412	1	Decal - Hydraulic Oil Chart	
107	70046028	1	Decal - Hydraulic Oil Level	
108	1001094708	1	Decal - Hydraulic Oil	
109	1001162864	4	Decal - Lift Point/Tie Down	
110	1001256865	1	Decal - Arm Prop	
111	1001265580	2	Decal - Fork Lift	

SECTION 9 - DECALS

FIGURE 9-12. DECAL INSTALLATION - CE SPECS (ERT4769)



ART_1001264970

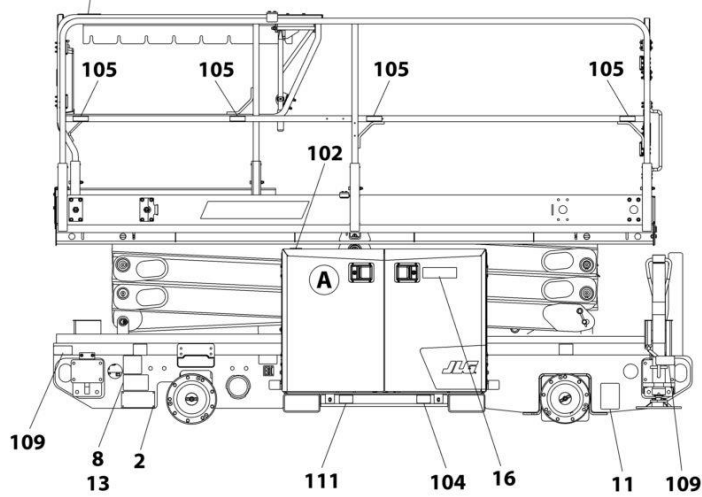
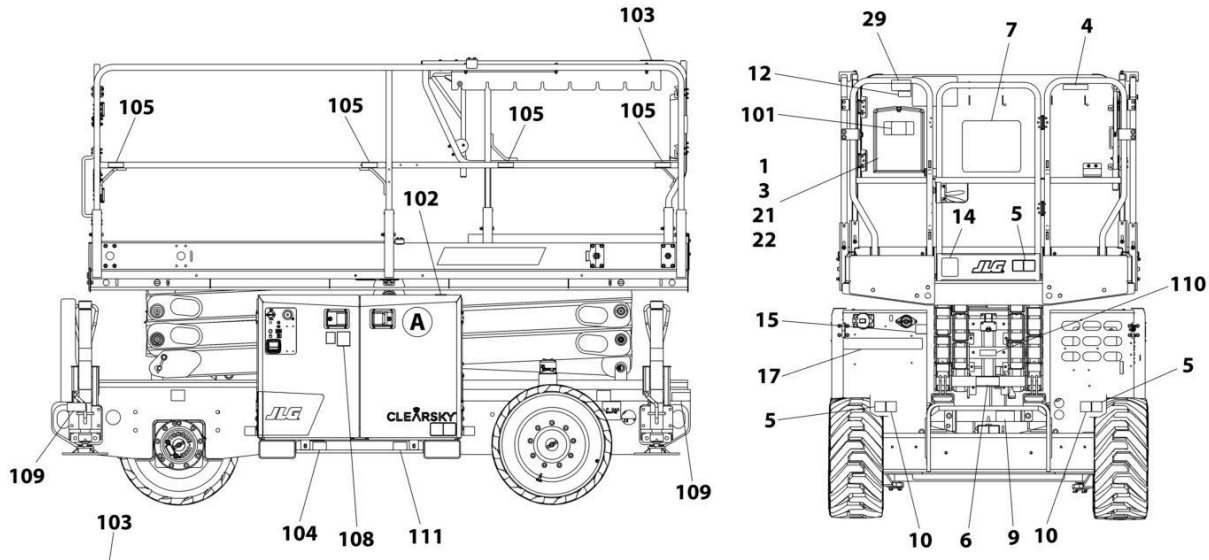
SECTION 9 - DECALS

FIGURE 9-12. DECAL INSTALLATION - CE SPECS (ERT4769)

ITEM	PART NUMBER	QTY	DESCRIPTION	REV
	1001264970	Ref	DECAL INSTALLATION	B
	1001264973	Ref	DECAL CHART DRAWING	C
1	0760610	4	Bolt M6 x 20	
2	2080057	2	Fastener	
3	0860520	1	Box, Manual Storage	
5	1705671	6	Decal - Electrocution	
6	1705673	4	Decal - Crushing	
9	1001226116	1	Decal - Manual Descent Instruction	
13	1705670	2	Decal - Fire Hazard	
15	1702155	1	Decal - Battery Disconnect	
17	1001146795	1	Decal - Battery/Charger Service	
21	3290605	4	Nut M6	
22	4811700	8	Washer M6	
100	1001256763	1	Decal Master Kit (Not Shown)	
101	1701640	1	Decal - Manual	
102	1703687	2	Decal - Direction Arrow	
103	1703819	2	Decal - Direction Arrow	
104	1001265579	2	Decal - Fork Lift	
105	1704277	8	Decal - Lanyard Attach	
106	1704412	1	Decal - Hydraulic Oil Chart	
107	70046028	1	Decal - Hydraulic Oil Level	
108	1001094708	1	Decal - Hydraulic Oil	
109	1001162864	4	Decal - Lift Point/Tie Down	
110	1001256865	1	Decal - Arm Prop	
111	1001265580	2	Decal - Fork Lift	

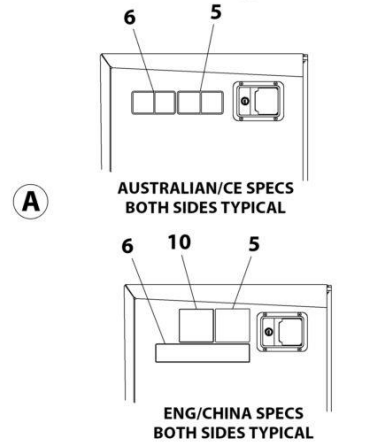
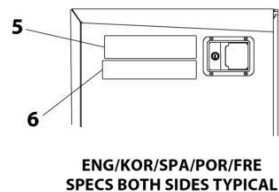
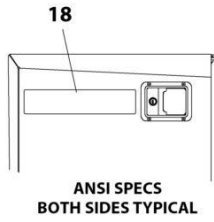
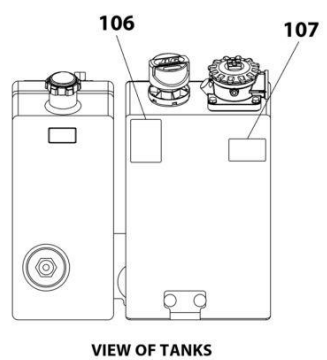
SECTION 9 - DECALS

FIGURE 9-13. DECAL INSTALLATION - CHINA SPECS (ENGLISH/CHINESE LANGUAGES) (ERT4769)



NOTE: ITEMS SHOWN MAY NOT BE REQUIRED FOR ALL SPECS. REFER TO PARTS LIST FOR USAGE.

NOTE: ADDITIONAL DECALS CALLED OUT ON DECAL INSTALLATION - OPTIONS.



ART_1001264966

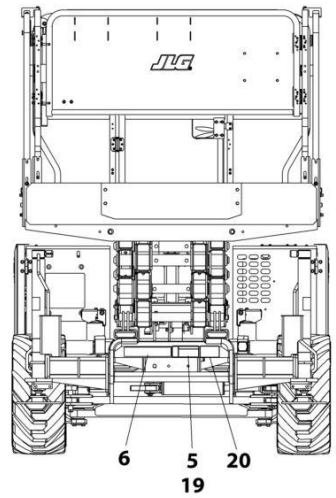
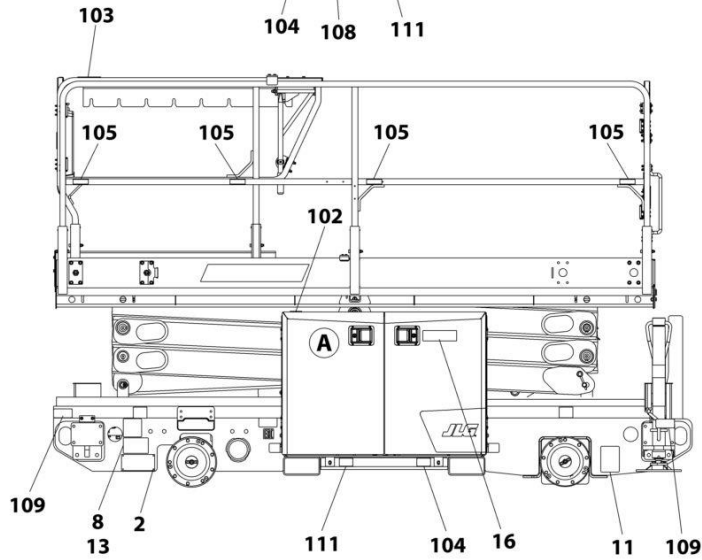
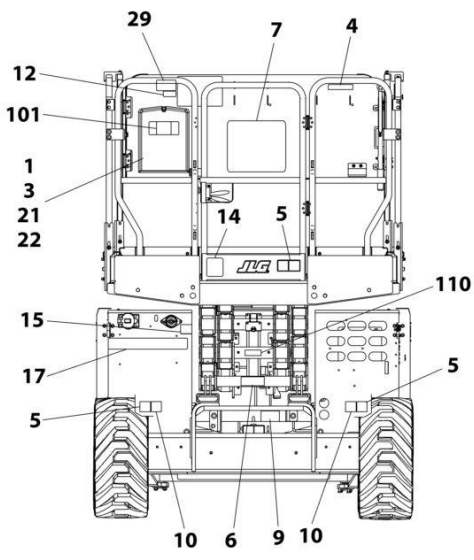
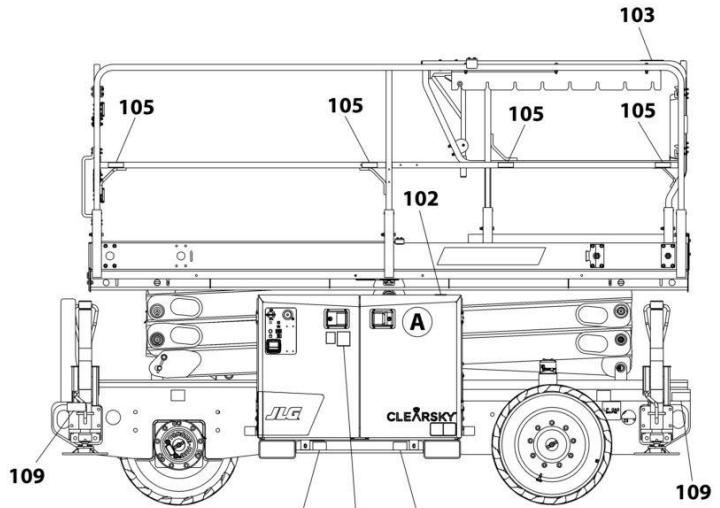
SECTION 9 - DECALS

FIGURE 9-13. DECAL INSTALLATION - CHINA SPECS (ENGLISH/CHINESE LANGUAGES) (ERT4769)

ITEM	PART NUMBER	QTY	DESCRIPTION	REV
	1001264966	Ref	DECAL INSTALLATION	B
	1001264973	Ref	DECAL CHART DRAWING	C
1	0760610	4	Bolt M6 x 20	
2	2080057	2	Fastener	
3	0860520	1	Box, Manual Storage	
4	1705194	1	Decal - Control Box Location	
5	1001211779	4	Decal - Electrocution	
6	1001215752	4	Decal - Crushing	
7	1705195	1	Decal - Danger/Warning	
8	1001224051	1	Decal - Yearly Inspection	
9	1001226116	1	Decal - Manual Descent Instruction	
10	1001215747	4	Decal - Electrocution	
15	1702155	1	Decal - Battery Disconnect	
16	1704344	1	Decal - Warning Battery Ventilation	
17	1001146794	1	Decal - Battery/Charger Service	
19	1705695	1	Decal - Danger Electrocution	
20	1705944	1	Decal - Danger Electrocution	
21	3290605	4	Nut M6	
22	4811700	8	Washer M6	
100	1001256763	1	Decal Master Kit (Not Shown)	
101	1701640	1	Decal - Manual	
102	1703687	2	Decal - Direction Arrow	
103	1703819	2	Decal - Direction Arrow	
104	1001265579	2	Decal - Fork Lift	
105	1704277	8	Decal - Lanyard Attach	
106	1704412	1	Decal - Hydraulic Oil Chart	
107	70046028	1	Decal - Hydraulic Oil Level	
108	1001094708	1	Decal - Hydraulic Oil	
109	1001162864	4	Decal - Lift Point/Tie Down	
110	1001256865	1	Decal - Arm Prop	
111	1001265580	2	Decal - Fork Lift	

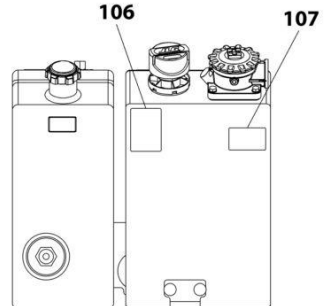
SECTION 9 - DECALS

FIGURE 9-14. DECAL INSTALLATION - CSA SPECS (ENGLISH/FRENCH LANGUAGES) (ERT4769)

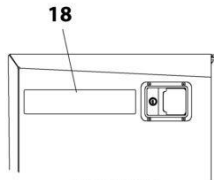


NOTE: ITEMS SHOWN MAY NOT BE REQUIRED FOR ALL SPECS. REFER TO PARTS LIST FOR USAGE.

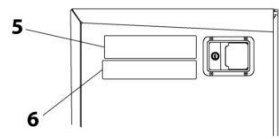
NOTE: ADDITIONAL DECALS CALLED OUT ON DECAL INSTALLATION - OPTIONS.



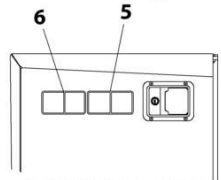
VIEW OF TANKS



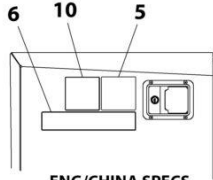
ANSI SPECS BOTH SIDES TYPICAL



ENG/KOR/SPA/POR/FRE SPECS BOTH SIDES TYPICAL



AUSTRALIAN/CE SPECS BOTH SIDES TYPICAL



ENG/CHINA SPECS BOTH SIDES TYPICAL

ART_1001264969

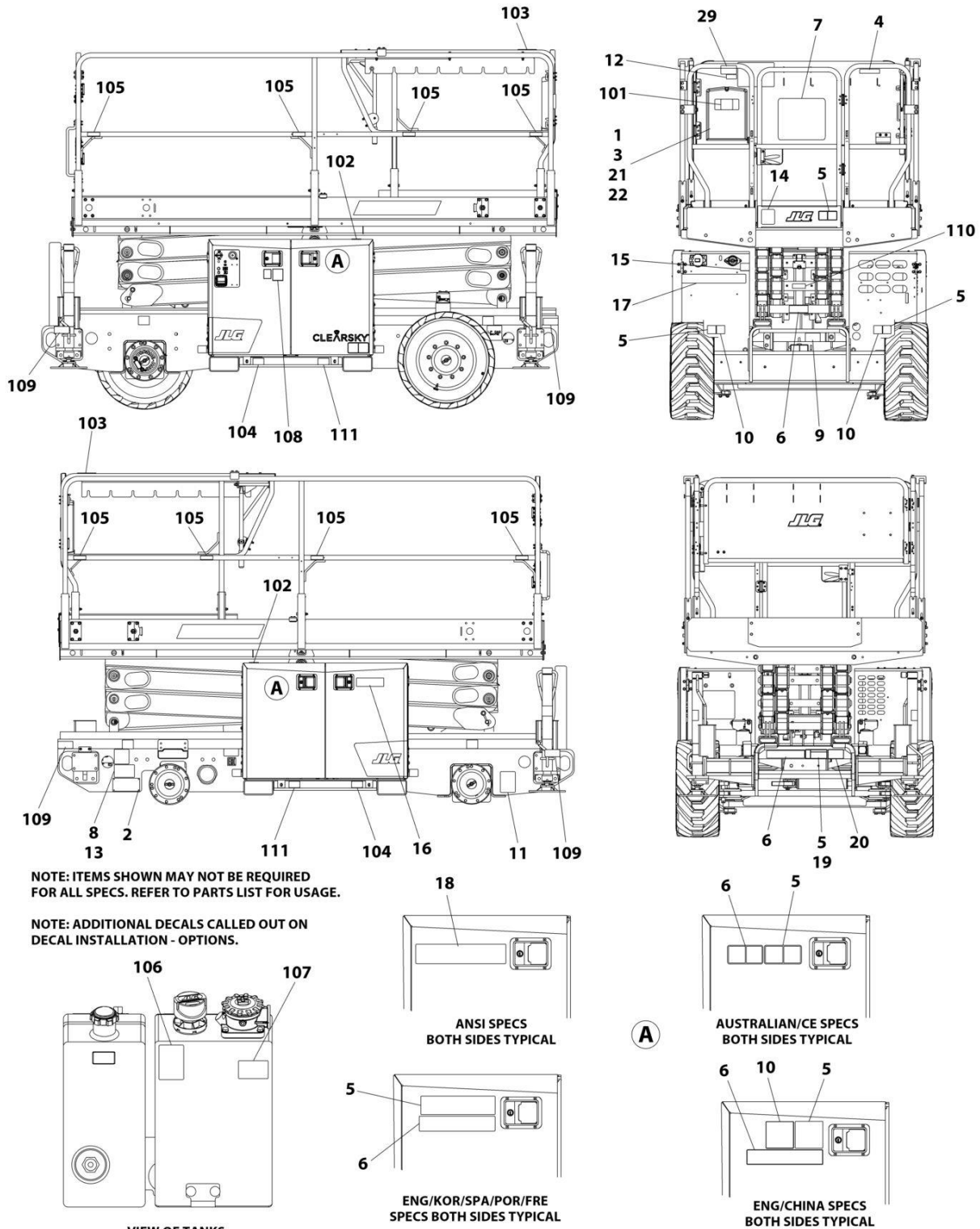
SECTION 9 - DECALS

FIGURE 9-14. DECAL INSTALLATION - CSA SPECS (ENGLISH/FRENCH LANGUAGES) (ERT4769)

ITEM	PART NUMBER	QTY	DESCRIPTION	REV
	1001264969	Ref	DECAL INSTALLATION	B
	1001264973	Ref	DECAL CHART DRAWING	C
1	0760610	4	Bolt M6 x 20	
2	2080057	2	Fastener	
3	0860520	1	Box, Manual Storage	
4	1704687	1	Decal - Control Box Location	
5	1705040	5	Decal - Danger Electrocutation	
6	1001215755	4	Decal - Crushing	
7	1704684	1	Decal - Danger/Warning	
8	1001223971	1	Decal - Yearly Inspection	
9	1001226116	1	Decal - Manual Descent Instruction	
11	1001131270	1	Decal - Patent	
12	1001228370	1	Decal - ICES	
15	1702155	1	Decal - Battery Disconnect	
16	1704340	1	Decal - Warning Battery Ventilation	
17	1001146794	1	Decal - Battery/Charger Service	
21	3290605	4	Nut M6	
22	4811700	8	Washer M6	
100	1001256763	1	Decal Master Kit (Not Shown)	
101	1701640	1	Decal - Manual	
102	1703687	2	Decal - Direction Arrow	
103	1703819	2	Decal - Direction Arrow	
104	1001265579	2	Decal - Fork Lift	
105	1704277	8	Decal - Lanyard Attach	
106	1704412	1	Decal - Hydraulic Oil Chart	
107	70046028	1	Decal - Hydraulic Oil Level	
108	1001094708	1	Decal - Hydraulic Oil	
109	1001162864	4	Decal - Lift Point/Tie Down	
110	1001256865	1	Decal - Arm Prop	
111	1001265580	2	Decal - Fork Lift	

SECTION 9 - DECALS

FIGURE 9-15. DECAL INSTALLATION - KOREAN SPECS (ENGLISH/KOREAN LANGUAGES) (ERT4769)



NOTE: ITEMS SHOWN MAY NOT BE REQUIRED FOR ALL SPECS. REFER TO PARTS LIST FOR USAGE.

NOTE: ADDITIONAL DECALS CALLED OUT ON DECAL INSTALLATION - OPTIONS.

ART_1001264965

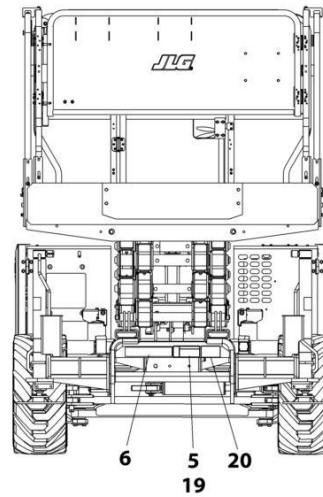
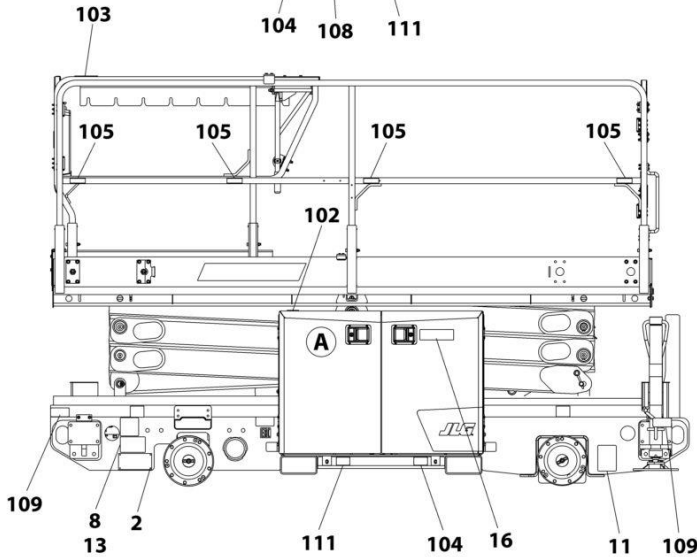
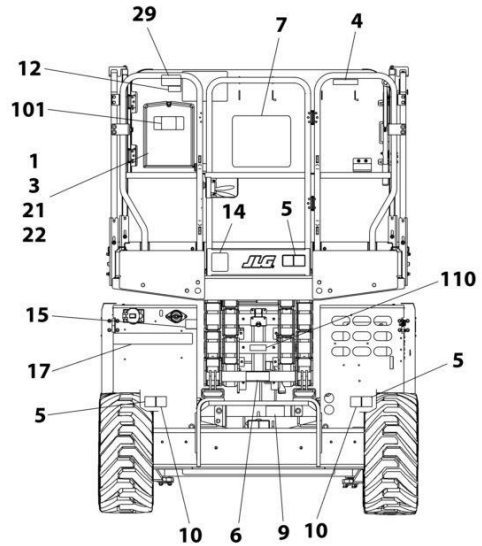
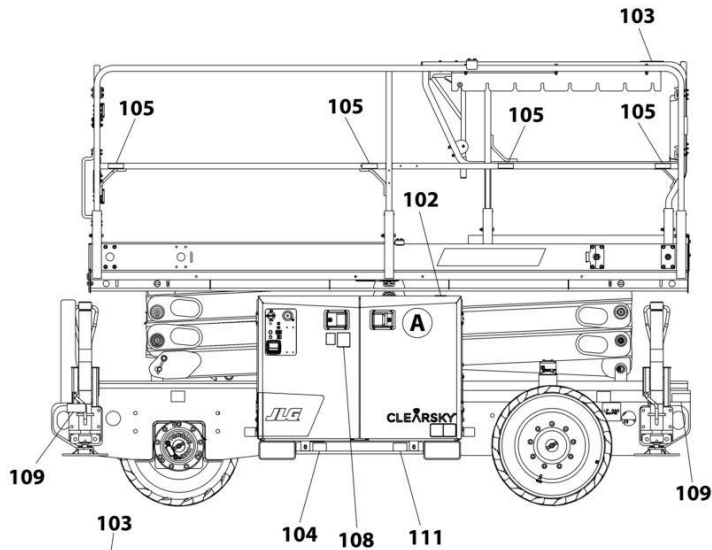
SECTION 9 - DECALS

**FIGURE 9-15. DECAL INSTALLATION - KOREAN SPECS (ENGLISH/KOREAN LANGUAGES)
(ERT4769)**

ITEM	PART NUMBER	QTY	DESCRIPTION	REV
	1001264965	Ref	DECAL INSTALLATION	B
	1001264973	Ref	DECAL CHART DRAWING	C
1	0760610	4	Bolt M6 x 20	
2	2080057	2	Fastener	
3	0860520	1	Box, Manual Storage	
4	1001162112	1	Decal - Control Box Location	
5	1001162114	5	Decal - Danger Electrical Hazard	
6	1001215751	4	Decal - Crushing	
7	1001162115	1	Decal - Danger Warning	
8	1001224048	1	Decal - Yearly Inspection	
9	1001226116	1	Decal - Manual Descent Instruction	
15	1702155	1	Decal - Battery Disconnect	
16	1707022	1	Decal - Warning Battery Ventilation	
17	1001146794	1	Decal - Battery/Charger Service	
21	3290605	4	Nut M6	
22	4811700	8	Washer M6	
100	1001256763	1	Decal Master Kit (Not Shown)	
101	1701640	1	Decal - Manual	
102	1703687	2	Decal - Direction Arrow	
103	1703819	2	Decal - Direction Arrow	
104	1001265579	2	Decal - Fork Lift	
105	1704277	8	Decal - Lanyard Attach	
106	1704412	1	Decal - Hydraulic Oil Chart	
107	70046028	1	Decal - Hydraulic Oil Level	
108	1001094708	1	Decal - Hydraulic Oil	
109	1001162864	4	Decal - Lift Point/Tie Down	
110	1001256865	1	Decal - Arm Prop	
111	1001265580	2	Decal - Fork Lift	

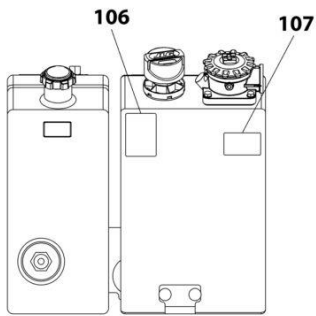
SECTION 9 - DECALS

FIGURE 9-16. DECAL INSTALLATION - LATIN AMERICAN SPECS (ENGLISH/SPANISH LANGUAGES) (ERT4769)

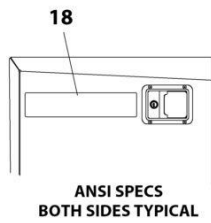


NOTE: ITEMS SHOWN MAY NOT BE REQUIRED FOR ALL SPECS. REFER TO PARTS LIST FOR USAGE.

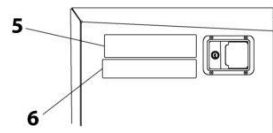
NOTE: ADDITIONAL DECALS CALLED OUT ON DECAL INSTALLATION - OPTIONS.



VIEW OF TANKS

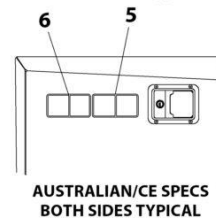


ANSI SPECS
BOTH SIDES TYPICAL

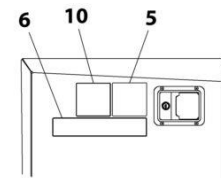


ENG/KOR/SPA/POR/FRE
SPECS BOTH SIDES TYPICAL

A



AUSTRALIAN/CE SPECS
BOTH SIDES TYPICAL



ENG/CHINA SPECS
BOTH SIDES TYPICAL

ART_1001264968

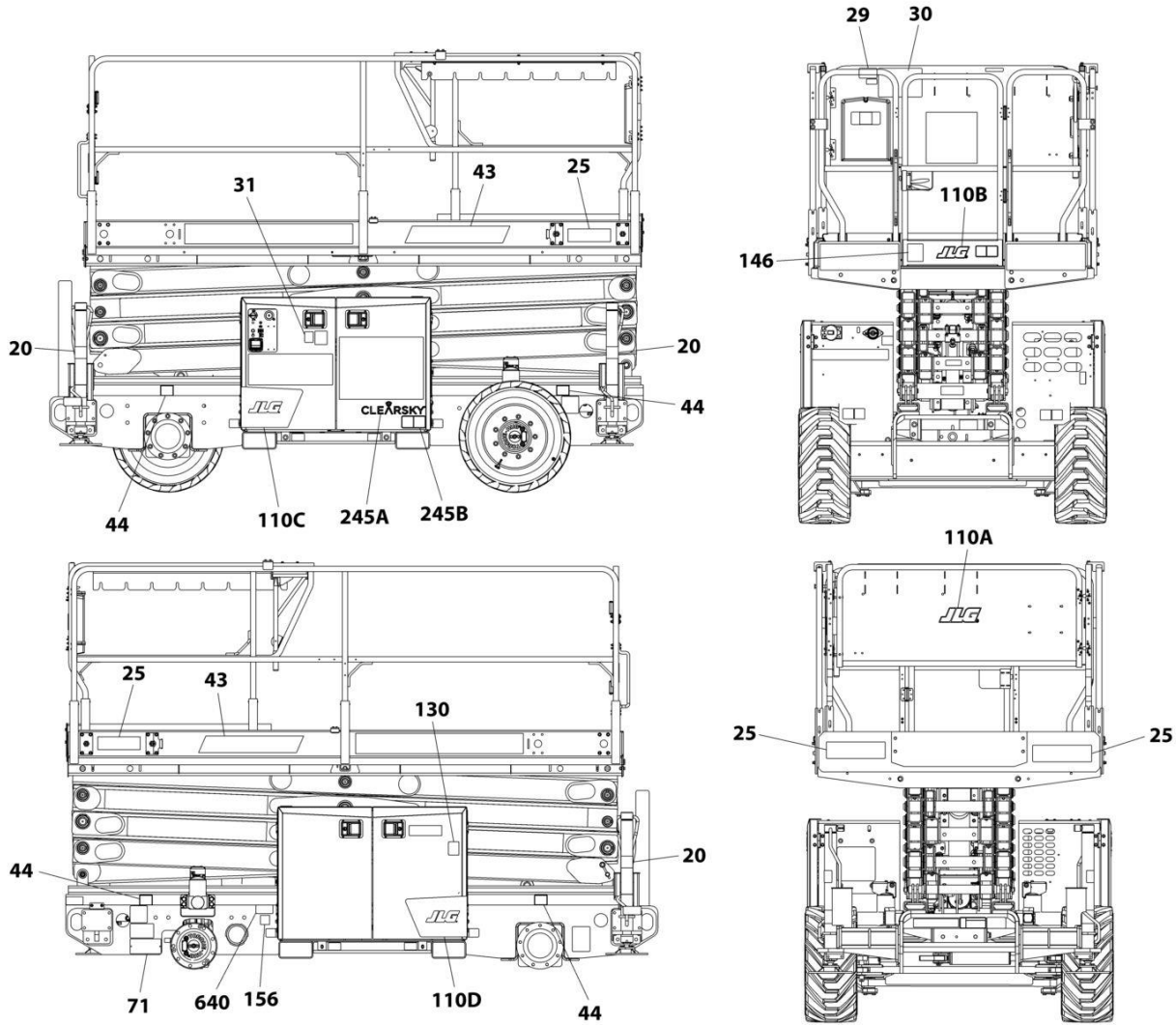
SECTION 9 - DECALS

**FIGURE 9-16. DECAL INSTALLATION - LATIN AMERICAN SPECS (ENGLISH/SPANISH LANGUAGES)
(ERT4769)**

ITEM	PART NUMBER	QTY	DESCRIPTION	REV
	1001264968	Ref	DECAL INSTALLATION	B
	1001264973	Ref	DECAL CHART DRAWING	C
1	0760610	4	Bolt M6 x 20	
2	2080057	2	Fastener	
3	0860520	1	Box, Manual Storage	
4	1704694	1	Decal - Control Box Location	
5	1705041	5	Decal - Danger Electrical Hazard	
6	1001215754	4	Decal - Crushing	
7	1704691	1	Decal - Danger/Warning	
8	1001224049	1	Decal - Yearly Inspection	
9	1001226116	1	Decal - Manual Descent Instruction	
15	1702155	1	Decal - Battery Disconnect	
16	1704339	1	Decal - Warning Battery Ventilation	
17	1001146794	1	Decal - Battery/Charger Service	
21	3290605	4	Nut M6	
22	4811700	8	Washer M6	
100	1001256763	1	Decal Master Kit (Not Shown)	
101	1701640	1	Decal - Manual	
102	1703687	2	Decal - Direction Arrow	
103	1703819	2	Decal - Direction Arrow	
104	1001265579	2	Decal - Fork Lift	
105	1704277	8	Decal - Lanyard Attach	
106	1704412	1	Decal - Hydraulic Oil Chart	
107	70046028	1	Decal - Hydraulic Oil Level	
108	1001094708	1	Decal - Hydraulic Oil	
109	1001162864	4	Decal - Lift Point/Tie Down	
110	1001256865	1	Decal - Arm Prop	
111	1001265580	2	Decal - Fork Lift	

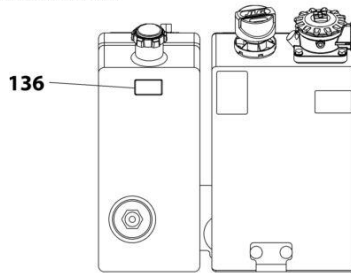
SECTION 9 - DECALS

FIGURE 9-17. DECAL INSTALLATION - OPTIONS



NOTE: ITEMS SHOWN MAY NOT BE REQUIRED FOR ALL SPECS. REFER TO PARTS LIST FOR USAGE.

NOTE: ERT4069 SHOWN. ERT4769 DECAL LOCATIONS TYPICAL.



VIEW OF TANKS

ART_DECAL_OPTIONS_31215928

SECTION 9 - DECALS

FIGURE 9-17. DECAL INSTALLATION - OPTIONS

ITEM	PART NUMBER	QTY	DESCRIPTION	REV
		Ref	DECAL INSTALLATION - OPTIONS	
	1001264346	Ref	DECAL CHART DRAWING (ERT4069)	A
	1001264973	Ref	DECAL CHART DRAWING (ERT4769)	A
20		Ref	Decal - Leveling Jack Warning Options:	
20	1701214	4	Decal - Leveling Jack Warning (ANSI Specs)	
20	1701785	4	Decal - Leveling Jack Warning (Australian/CE Specs)	
20	1704698	4	Decal - Leveling Jack Warning (Brazil Specs)	
20	1704690	4	Decal - Leveling Jack Warning (CSA Specs)	
20	1001215447	4	Decal - Leveling Jack Warning (Korean Specs)	
20	1704697	4	Decal - Leveling Jack Warning (Latin American Specs)	
25	1001254363	Ref	Corner Stripes Installation	C
25	4420051	4 ft /1.2m	Tape, Safety	
29	1001231801	1	Decal - Warning Prop 65	
30	1001256799	1	Decal - Capacity	
31	1701505	1	Decal - Fuel (Diesel)	
43	1001256785	2	Decal - Model (ERT4069)	
43	1001256786	2	Decal - Model (ERT4769)	
44	1001256792	4	Decal - Max Tire Load (ERT4069)	
44	1001262398	4	Decal - Max Tire Load (ERT4769)	
60A	1704286	1	Decal - Generator Warning (ANSI/ANSI Export Specs)	
60B	1704368	1	Decal - Generator Warning (ANSI/ANSI Export Specs)	
60C	1001093687	1	Decal - Generator Warning (ANSI/ANSI Export Specs)	
60D	1704371	1	Decal - Generator Warning (ANSI/ANSI Export Specs)	
60E	1704373	1	Decal - Generator Warning (ANSI/ANSI Export Specs)	
71	See Note	NSS	Decal - Manufacturers Serial Number (Note: Not Available for Purchase)	
110	1001265593	Ref	JLG Decals Installation	A
110A	1001256675	1	Decal - JLG	
110B	1001256676	1	Decal - JLG	
110C	1001265583	1	Decal - JLG (LH Door)	
110D	1001265584	1	Decal - JLG (RH Door)	
130		Ref	Decal - Warning Explosion/Fire Options:	
130	1704972	1	Decal - Warning Explosion/Fire (ANSI Specs)	
130	1706098	1	Decal - Warning Explosion/Fire (Australian/CE Specs)	
130	1706059	1	Decal - Warning Explosion/Fire (Brazil Specs)	
130	1706060	1	Decal - Warning Explosion/Fire (China Specs)	
130	1706064	1	Decal - Warning Explosion/Fire (CSA Specs)	
130	1706061	1	Decal - Warning Explosion/Fire (Korean Specs)	
130	1706063	1	Decal - Warning Explosion/Fire (Latin American Specs)	
136	1001125387	1	Decal - Ultra Low Sulfur Fuel (ANSI & CSA Specs)	
136	1001139654	1	Decal - Ultra Low Sulfur Fuel (CE Specs)	
146	1705084	1	Decal - Sound Power Level	
156	1001214029	Ref	EAC Decal Installation (Russian/CIS Specs)	
156	1001173703	1	Decal - EAC (Russian/CIS Specs)	
245	1001236984	Ref	Clearsky Decals Installation	A
245A	1001116208	1	Decal - Clearsky	
245B	1001120989	1	Decal - Radio Frequency	
640	1001143852	1	Decal - Emissions Compliance (Diesel Machines) (Not Shown - Located near SN Nameplate) (ANSI Export, Australian, CE, China & Korean Specs)	

SECTION 10 - RECOMMENDED SERVICE PARTS STOCK

SECTION 10 - RECOMMENDED SERVICE PARTS STOCK

SECTION 10 - RECOMMENDED SERVICE PARTS STOCK

FIGURE 10-1. RECOMMENDED SERVICE PARTS STOCK

ITEM	PART NUMBER	QTY	DESCRIPTION	REV
		Ref	Note: The following list will service one machine (built to current production per date on the front cover) with emergency repair parts which can be installed in the field. Parts from the list should be replaced when inventory is depleted to keep service parts stock supplied. For further information, contact your JLG dealer or the JLG Industries Parts Department.	
	1001152479	1	Breaker, 16 Amp (Double Breaker Box)	
	1001181045	1	Breaker, 16Amp (Single Breaker Box)	
	1001152482	1	Breaker, 30mA (Double Breaker Box)	
	70001965	1	Coil (Leveling Jack Installation)	
	7020176	1	Contact Block (Ground & Platform Control)	
	1001247682	1	Controller Assembly (Platform Console Box)	
		Ref	Engine - Kubota	
	70000313	12	Element, Air Cleaner	
	70000318	12	Element, Fuel Filter	
	70000319	12	Element, Oil Filter	
	70000329	2	Fuse, 15Amp	
	70000330	2	Fuse, 20Amp	
	70000326	1	Module, Engine Control	
	70000322	1	Relay	
	70000323	1	Relay	
	70007035	12	Element, Filter (Hydraulic Tank)	
	1001248371	1	Filler/Breather (Hydraulic Tank)	
	1001186489	2	Fuse, 2 Amp (Traction Harness)	
	1001253891	2	Fuse, 7.5 Amp (Traction Harness)	
	1001170760	2	Fuse, 10 Amp (Traction Harness)	
	1001170761	2	Fuse, 20 Amp (Traction Harness)	
	1001170762	2	Fuse, 30 Amp (Traction & Genset Harnesses)	
	1001260530	2	Fuse, 355 AMP (Battery Installations)	
	2940074	1	Latch (Platform)	
	2860030	1	Key, Replacement (Ground Control)	
	1001248066	1	Module, Drive	
	1001248064	1	Module, Drive/Pump (Drive Installation)	
	1001249777	1	Module, Ground Control	
	1600387	1	Module, Load Sense (Arms Installation)	
	1001171295	1	Relay (Traction & Genset Harness)	
	1001272006	1	Relay, 48V (Battery Installations)	
	70005394	1	Sensor (Drive Motor)	
	1001227516	1	Sensor, Leveling Jacks Pressure	
	1001246658	1	Sensor, Leveling Jacks Proximity	
	1001145548	1	Switch, Limit (Arms Installations)	
	1001256875	1	Sensor, Pressure (Hydraulic Diagram)	
	1001161117	1	Sensor, Steer Angle (Steering Installation)	
	1001102771	1	Sensor, Temperature (Battery Installations)	
	70005407	1	Sensor, Temperature (Drive Motor)	
	1001244934	1	Sensor, Tilt (Arms Installation, Axle Installation, & Ground Control)	
	1001226749	1	Switch (Platform Control Box)	
	1001170483	1	Switch, Battery Disconnect (Battery Installations)	
	4360475	1	Switch, Emergency Stop (Ground & Platform Control)	

SECTION 10 - RECOMMENDED SERVICE PARTS STOCK

ITEM	PART NUMBER	QTY	DESCRIPTION	REV
	4360469	1	Switch, Key (Ground Control)	
	4360387	1	Switch, Push Button (Ground Control)	
	1001250684	1	Switch, Push Button (Platform Control Box)	
	4360524	1	Switch, Toggle (Ground Control)	

SECTION 11 - SPECIAL OPTIONS/ACCESSORIES/KITS

SECTION 11 - SPECIAL OPTIONS/ACCESSORIES/KITS

SECTION 11 - SPECIAL OPTIONS/ACCESSORIES/KITS

FIGURE 11-1. SPECIAL OPTIONS/ACCESSORIES/KITS

ITEM	PART NUMBER	QTY	DESCRIPTION	REV
		Ref	Note: This list is to accommodate machines ordered with special equipment. Options may not be applicable to all models. For more specific parts information contact JLG Parts Department.	
		Ref	MISCELLANEOUS SPECIAL OPTIONS/ACCESSORIES/KITS	
	1001274431	Ref	Beacon Kit - Dual Beacon	
	1001274430	Ref	Beacon Kit - Single Beacon & Single to Dual Beacon	
		Ref	ClearSky (Telematics) Installation (Factory Installed) Options:	
	1001251506	Ref	ClearSky (Telematics) Installation - 3 Wire (Factory Installed) (ANSI and CSA Specs)	
	1001251522	Ref	ClearSky (Telematics) Installation - 3 Wire (Factory Installed) (ANSI Export, Korean and CE Specs)	
	1001249646	Ref	ClearSky (Telematics) Installation - Canbus (Factory Installed) (ANSI and CSA Specs)	
	1001249647	Ref	ClearSky (Telematics) Installation - Canbus (Factory Installed) (ANSI Export, Korean and CE Specs)	
	1001249648	Ref	ClearSky (Telematics) Installation - Canbus (Factory Installed) (Australian Specs)	
	1001274179	Ref	Decal Kit - Machine (ERT4069)	
	1001274180	Ref	Decal Kit - Machine (ERT4769)	
		Ref	Electrical Connector Kits	
	1001148902	Ref	Electrical Connector Kit - Amp/Tyco Electrical Connectors	
	1001148903	Ref	Electrical Connector Kit - Deutsch DT Electrical Connectors	
	1001148904	Ref	Electrical Connector Kit - Deutsch HD Electrical Connectors	
	1001148905	Ref	Electrical Connector Kit - Packard Electrical Connectors	
	1001148906	Ref	Electrical Connector Kit - Various Electrical Connectors	
	1001252988	Ref	Fire Extinguisher Kit	
	1001255164	Ref	Footswitch Installation (Korean Specs)	
	1120485	Ref	Fuel, Cap (Protectoseal)	
	1001254826	Ref	Kubota Engine (Mechron Genset) Installation	
	1001274349	Ref	Platform Worklights Kit (ERT4069)	
	1001274351	Ref	Platform Worklights Kit (ERT4769)	
	1001255478	Ref	Rail Padding Kit	
	1001266156	Ref	Service Kits & Tools	A
		Ref	Tools for Service	
	2901443	Ref	Analyzer Kit	
	1001249695	Ref	Analyzer and Cable Kit	
	1001249941	Ref	Analyzer and Cable Kit (Battery Powered)	
	1001137005	Ref	Cable Kit, Software	
	7002821	Ref	Crimper, Wire	
	7002823	Ref	Pin Extractor - Universal (For Electrical Connectors with Pins and Sockets)	
	4460510	Ref	Pin Extractor - 12-14 Gauge (For Removal of Pin/Sockets from Deutsch Connectors)	
	4460467	Ref	Pin Extractor - 16-18 Gauge (For Removal of Pin/Sockets from Deutsch Connectors)	
	7016654	Ref	Screwdriver, Magnetic	
	7002822	Ref	Screwdriver, Potentiometer	
	7004275	Ref	Seal Tool 1in (For Cylinders)	
	7004276	Ref	Seal Tool 1-1/2in (For Cylinders)	
	7002828	Ref	Stripper, Wire	
	1001274432	Ref	White Noise Alarm	

SECTION 11 - SPECIAL OPTIONS/ACCESSORIES/KITS

PART NUMBER INDEX

SECTION 11 - SPECIAL OPTIONS/ACCESSORIES/KITS

0100011.....13, 15, 17, 19, 37, 39, 41, 43, 59, 65, 67, 92, 95, 97, 105, 116, 119, 125, 127, 129, 137, 141, 143	179, 181, 183, 185, 187, 255, 257, 259, 261, 263, 265, 267, 269, 271, 273, 275, 277, 279, 281, 283, 285	1001106736 208	1001152486..... 183, 185, 195
0100019..... 19, 41, 43	0760612 92	1001108603 143	1001156541..... 211, 213
0100020..... 19, 103	0760614 15, 65	1001109892 19	1001157890..... 251
0100035... 19, 59, 63, 103	0760615 17	1001110188 65, 67	1001157891..... 207
0100051..... 37, 39	0760806 59	1001112612 208	1001159186..... 208
0140030..... 143	0760807 13, 15	1001113961 207	1001161117..... 17, 290
0140043..... 81	0760808 135	1001116208 287	1001162112..... 267, 283
0275216..... 179, 239	0760810 92, 105	1001116694 215	1001162114..... 267, 283
0275217..... 181, 241	0760812... 37, 39, 41, 43, 59, 113, 121, 135	1001116732 208, 223	1001162115..... 267, 283
0275452..... 183, 243	0760814 39	1001116733 208	1001162864..... 255, 257, 259, 261, 263, 265, 267, 269, 271, 273, 275, 277, 279, 281, 283, 285
0275453..... 185, 245	0760815 63	1001116734 223	1001166543..... 251
0275454..... 187, 247	0761008 135	1001116808 225	1001169423..... 17
0275663..... 201	0761010 59	1001116812 252	1001170483... 37, 39, 290
0275664..... 203	0761012 17, 47, 92	1001116815 252	1001170760..... 252, 290
0275665..... 205	0761014 47	1001117025 208	1001170761..... 252, 290
0275666..... 197	0761015 49, 51	1001117107 251	1001170762..... 223, 252, 290
0275667..... 199	0761217 41, 43	1001117110 223, 252	1001170763..... 223
0400201..... 107	0761616 13, 15	1001117115 251	1001170764..... 208, 252
0440162..... 17	0761620 95	1001118378 223	1001171295..... 223, 252, 290
0440237..... 17	0770812 59, 92, 105	1001118511 13, 15	1001171482..... 69
0440241..... 116, 124	0771010 59	1001118518 13, 15	1001172394..... 67
0440264..... 116, 124	0771014 ... 37, 39, 59, 107	1001118519 13, 15	1001173703..... 287
0630587..... 19, 67, 81, 83	0771015 13, 15	1001118878 119	1001174447..... 19
0630615..... 137	0771619 19	1001119020 225	1001174486..... 103
0641404..... 103	0780608 103	1001120328 252	1001176469..... 67
0641610..... 19	0780810 103	1001120989 287	1001176626..... 143
0641812..... 19	0860520 ... 255, 257, 259, 261, 263, 265, 267, 269, 271, 273, 275, 277, 279, 281, 283, 285	1001125387 287	1001181045..... 193, 290
0682013..... 19	0861731 ... 189, 237, 243, 245, 247	1001125677 208, 215, 252	1001182550..... 19, 27
0700512..... 19	0861781 239, 241	1001125784 209, 235	1001182680..... 69, 107
0700517..... 137	0861880 193	1001125785 209	1001182960..... 19
0700612.... 71, 73, 75, 77, 79, 116, 124	0902659 107	1001126008 252	1001184682..... 83
0700617.... 137, 177, 179, 181, 183, 185, 187, 189	0940049 105	1001126245 208, 223, 251	1001184852..... 19
0700618..... 113, 121	0961890 13, 15, 17	1001126353 251	1001184854..... 19
0700619..... 137	0961950 .13, 15, 116, 124	1001127389 164	1001186231..... 209
0700624..... 116	0962220 .13, 15, 116, 124	1001128128 208, 223	1001186489..... 252, 290
0700626..... 124	0962406 124	1001131270 255, 265, 271, 281	1001186860..... 37, 39
0700812..... 103	1001026127 103	1001132170 221	1001189171..... 195
0700814..... 19	1001091102 85, 87, 89	1001137005 294	1001189172..... 195
0700817..... 137	1001093687 287	1001139141 17	1001189762..... 113, 121
0700818..... 137	1001094708 255, 257, 259, 261, 263, 265, 267, 269, 271, 273, 275, 277, 279, 281, 283, 285	1001139524 251	1001190577..... 27
0700819..... 137	1001096070 179, 181, 187, 193	1001139654 287	1001192401..... 209
0701012..... 135	1001097150 193, 195	1001143501 164	1001193336..... 103
070101541, 43, 113, 116, 121, 124	1001099560 116, 124	1001143852 287	1001194421..... 223
0701022..... 113, 121	1001100341 239	1001144295 208	1001195089..... 17
0701024..... 116, 124	1001100342 241	1001145548 113, 121, 290	1001195137..... 137
0701026..... 17, 116, 124	1001100345 243	1001146794 255, 257, 259, 263, 265, 267, 269, 271, 273, 275, 279, 281, 283, 285	1001196634..... 252
0701027..... 124	1001100346 247	1001146795 261, 277	1001197405..... 116, 124
0701028..... 124	1001100347 245	1001148902 294	1001201885..... 235
0701029..... 113, 121	1001100451 107	1001148903 294	1001207173..... 251
0701037..... 107	1001102771 .. 37, 39, 290	1001148904 294	1001207973..... 77
0701622..... 41, 43	1001103761 41, 43	1001148905 294	1001211777..... 255, 271
0711220..... 97	1001105091 37	1001148906 294	1001211779..... 255, 263, 271, 279
0711224..... 13, 15		1001150735 235	1001212268..... 177, 179, 181, 183, 185, 187, 189
0760507..... 137		1001150889 235	1001212359..... 37, 39
0760508..... 19		1001151395 17	1001214029..... 287
0760606..... 227, 231		1001152266 209	1001214174..... 19, 29
0760608.... 71, 75, 77, 79, 113, 121, 137		1001152479 290	1001215447..... 287
0760610.... 65, 67, 92, 95, 105, 109, 133, 135,		1001152482 290	1001215747..... 263, 279
		1001152483 195	

SECTION 11 - SPECIAL OPTIONS/ACCESSORIES/KITS

1001215751 267, 283	1001246823..... 143	1001249340.....33	1001254821 39
1001215752 263, 279	1001246859.....207	1001249341.....31	1001254826 294
1001215754 269, 285	1001246863..... 143	1001249342.....31	1001254827 92
1001215755 265, 281	1001246864..... 143	1001249343.....33	1001254835 37, 39
1001215898 209	1001246885..... 41	1001249344.....33	1001254880 77
1001216650 259, 275	1001246886.....37	1001249352.....31, 33, 35	1001254881 71
1001217457 116, 124	1001246979..... 143	1001249353.....31	1001254882 79
1001218448 92	1001247019..... 13, 15	1001249354.....33	1001254883 75
1001219722 19	1001247313..... 143	1001249407.....41, 43	1001255001 177
1001220271 19	1001247353..... 49	1001249610.....164	1001255002 189
1001220668 227, 231	1001247369..... 113, 116	1001249637.....116, 124	1001255003 191
1001223055 255, 271	1001247370..... 121, 124	1001249646.....294	1001255004 183
1001223453 255, 271	1001247377..... 116	1001249647294	1001255005 185
1001223971 265, 281	1001247378..... 125	1001249648.....294	1001255006 179
1001224048 267, 283	1001247380..... 41, 43, 45	1001249695.....294	1001255007 181
1001224049 269, 285	1001247381..... 59, 61	1001249777...65, 67, 290	1001255008 187
1001224051 263, 279	1001247420..... 19	1001249882.....137	1001255057 19, 251
1001224052 259, 275	1001247425..... 49	1001249883.....137	1001255058 19
1001225131 37, 39	1001247443..... 143	1001249884.....138	1001255059 19
1001226116 271, 273, 275, 277, 279, 281, 283, 285	1001247521..... 113, 121	1001249914.....41	1001255060 19
1001226421 69	1001247522..... 116, 124	1001249915.....41	1001255061 19
1001226749 143, 290	1001247524..... 116, 124	1001249941.....294	1001255062 19
1001226830 113, 121, 221	1001247608..... 37, 39	1001250307161	1001255063 20
1001227516 .. 41, 43, 290	1001247630..... 59	1001250308161	1001255064 17
1001228370 265, 281	1001247637..... 92	1001250309.....161	1001255067 107, 223
1001228533 116, 124	1001247638..... 92	1001250310.....161	1001255164 294
1001231398 251	1001247639..... 92	1001250311.....161	1001255394 119, 129, 153
1001231399 251	1001247667..... 113, 121	1001250312.....161	1001255422 103
1001231400 251	1001247669..... 113, 116, 121, 124	1001250342...41, 43, 161	1001255461 143
1001231403 251	1001247670..... 116, 124	1001250353.....41, 43	1001255478 294
1001231404 251	1001247671..... 113, 121	1001250355.....135	1001255526 17
1001231406 251	1001247672..... 116	1001250356.....135	1001255610 20
1001231801 287	1001247682..... 143, 145, 290	1001250520.....17	1001255640 37, 39
1001234348 92, 105	1001247835..... 116, 124	1001250627135	1001255641 37
1001236984 287	1001248039..... 65, 67	100125063717	1001255642 37
1001239224 85, 87	1001248043..... 92	1001250640.....135	1001255643 37
1001242539 85, 87	1001248064..... 19, 290	1001250678.....81	1001255644 37, 39
1001243256 .. 41, 43, 151	1001248066..... 19, 290	1001250682.....143	1001255645 37, 39
1001244381 133	1001248080..... 99	1001250684.....107, 143, 291	1001255815 92
1001244382 135	1001248080..... 99	1001250692.....143	1001255902 127, 155
1001244391 15	1001248162..... 92	1001250716.....164	1001256014 37, 39
1001244775 31	1001248176..... 143	1001250773.....164	1001256021 37, 39
1001244888 137	1001248196..... 13, 15	1001250829.....137	1001256109 251
1001244904 119	1001248371..... 63, 290	1001250830.....137	1001256116 251
1001244932 143	1001248671.....149	1001250886.....19, 252	1001256128 116, 119
1001244934 ... 15, 65, 67, 116, 124, 290	1001248822..... 113	1001250937.....252	1001256186 20
1001245046 .. 13, 15, 149	1001248823..... 121	1001250968.....164	1001256187 20
1001245250 133	1001248834..... 13, 15	1001251328.....133	1001256341 129
1001245381 53	1001248840..... 137	1001251440.....73	1001256372 92
1001245440 53	1001248863... 41, 43, 215	1001251506.....294	1001256373 92
1001245459 17	1001248868..... 164	1001251522.....294	1001256397 127
1001245479 135	1001248871..... 164	1001251725.....17	1001256453 37, 39
1001245653 149	1001248933..... 135	1001251727.....17	1001256460 124, 127
1001246091 59	1001248986..... 137	1001252988.....294	1001256461 124, 129
1001246103 164	1001248990..... 135	1001253149.....137	1001256561 51
1001246107 17, 157	1001248991..... 135	1001253800.....143	1001256562 51
1001246382 59	1001249048..... 227, 229	1001253868.....17	1001256675 287
1001246383 59	1001249049..... 143, 235	1001253891.....252, 290	1001256676 287
1001246553 63	1001249091..... 113, 121, 249	1001254035.....251	1001256763 255, 257, 259, 261, 263, 265, 267, 269, 271, 273, 275, 277, 279, 281, 283, 285
1001246555 59, 63	1001249190..... 229, 233	1001254119.....143	1001256771 255
1001246583 143	1001249259..... 143	1001254363.....287	1001256772 267
1001246584 143	1001249297..... 17	1001254403...65, 67, 207	1001256773 263
1001246658 151, 290	1001249306..... 85	1001254548.....65	
	1001249307..... 87	1001254613.....177, 179, 181, 183, 185, 187, 189	
	1001249309..... 83	1001254820.....227	

SECTION 11 - SPECIAL OPTIONS/ACCESSORIES/KITS

1001256774.....	259	1001260251.....	164	1001264964.....	271	1001290347.....	109
1001256775.....	269	1001260252.....	161	1001264965.....	283	1001290351.....	105
1001256776.....	265	1001260254.....	164	1001264966.....	279	1001291027.....	105
1001256777.....	261	1001260334.....	92	1001264967.....	275	1001293088.....	39
1001256778.....	257	1001260352.....	124	1001264968.....	285	1001294421.....	137
1001256785.....	287	1001260406.....	124	1001264969.....	281	1060908.....	193, 195
1001256786.....	287	1001260485.....	13	1001264970.....	277	1061020.....	113, 121
1001256792.....	287	1001260527.....	124	1001264971.....	273	1120485.....	294
1001256799.....	287	1001260528.....	124	1001264973.....	271, 273, 275, 277, 279, 281, 283, 285, 287	1320043.....	17
1001256865.....	255, 257, 259, 261, 263, 265, 267, 269, 271, 273, 275, 277, 279, 281, 283, 285	1001260529.....	124	1001265053.....	67	1320135.....	109
1001256875.....	164, 290	1001260530.....	37, 39, 290	1001265532.....	141	1320265.....	103
1001256889.....	116	1001260677.....	97	1001265579.....	255, 257, 259, 261, 263, 265, 267, 269, 271, 273, 275, 277, 279, 281, 283, 285	1320274.....	109
1001257078.....	143	1001260678.....	107	1001265580.....	255, 257, 259, 261, 263, 265, 267, 269, 271, 273, 275, 277, 279, 281, 283, 285	1321293.....	71, 75, 77, 79
1001257079.....	143	1001260781.....	20	1001265584.....	287	1600387.....	113, 121, 290
1001257454.....	92, 105	1001260897.....	116	1001265588.....	287	1671207.....	237
1001257587.....	113, 121	1001260903.....	107	1001265589.....	287	1701214.....	287
1001257688.....	92	1001260904.....	107	1001265593.....	287	1701505.....	287
1001257689.....	92	1001260952.....	107	1001265677.....	71, 73, 75, 77, 79	1701640.....	255, 257, 259, 261, 263, 265, 267, 269, 271, 273, 275, 277, 279, 281, 283, 285
1001257752.....	116	1001260953.....	107	1001265678.....	79	1701785.....	287
1001257754.....	116	1001261118.....	179, 181, 183, 185, 187	1001265684.....	135	1702155.....	255, 257, 259, 261, 263, 265, 267, 269, 271, 273, 275, 277, 279, 281, 283, 285
1001257755.....	116	1001261123.....	135	1001265744.....	119	1703813.....	255, 271
1001257756.....	117	1001261270.....	124	1001265761.....	119	1703816.....	255, 271
1001257757.....	117	1001261273.....	125	1001265821.....	135	1703818.....	255, 271
1001257758.....	117	1001262074.....	103	1001265846.....	137	1703819.....	255, 257, 259, 261, 263, 265, 267, 269, 271, 273, 275, 277, 279, 281, 283, 285
1001257760.....	117, 125	1001262098.....	143	1001265848.....	116	1703821.....	255, 271
1001257884.....	69	1001262140.....	55	1001265916.....	141	1703822.....	255, 257, 259, 261, 263, 265, 267, 269, 271, 273, 275, 277, 279, 281, 283, 285
1001257885.....	65, 67, 69	1001262141.....	124, 213	1001266001.....	71, 75, 77, 79	1703827.....	287
1001258188.....	53, 55	1001262142.....	124, 219	1001266156.....	294	1704339.....	269, 285
1001258223.....	231, 233	1001262179.....	125	1001267649.....	89	1704340.....	265, 281
1001258287.....	35	1001262197.....	125	1001270098.....	113, 116, 121, 124	1704341.....	259, 275
1001258814.....	117	1001262198.....	125	1001270272.....	252	1704344.....	263, 279
1001258837.....	103	1001262199.....	125	1001271360.....	43	1704368.....	287
1001258870.....	105	1001262398.....	287	1001272006.....	37, 39, 290	1704371.....	287
1001258920.....	69	1001262399.....	137	1001272777.....	15, 65, 67	1704373.....	287
1001258923.....	231	1001262400.....	137	1001273525.....	59	1704412.....	255, 257, 259, 261, 263, 265, 267, 269, 271, 273, 275, 277, 279, 281, 283, 285
1001258936.....	137	1001262404.....	125	1001273640.....	164	1704428.....	287
1001259030.....	97	1001262407.....	125	1001274179.....	294	1704339.....	269, 285
1001259031.....	103	1001262454.....	137	1001274180.....	294	1704340.....	265, 281
1001259032.....	95	1001262495.....	137	1001274349.....	294	1704341.....	259, 275
1001259033.....	105	1001262581.....	47	1001274351.....	294	1704344.....	263, 279
1001259034.....	107	1001262639.....	135	1001274430.....	294	1704368.....	287
1001259035.....	109	1001262640.....	135	1001274431.....	294	1704371.....	287
1001259135.....	116, 211	1001262994.....	55	1001274432.....	294	1704373.....	287
1001259139.....	116, 124, 217	1001263081.....	55	1001274495.....	43	1704412.....	255, 257, 259, 261, 263, 265, 267, 269, 271, 273, 275, 277, 279, 281, 283, 285
1001259201.....	103	1001263269.....	137	1001274559.....	69	1704684.....	265, 281
1001259202.....	35	1001263345.....	85, 89	1001277750.....	109	1704687.....	265, 281
1001259240.....	103	1001263446.....	67	1001278112.....	97	1704690.....	287
1001259386.....	35	1001263448.....	67	1001283427.....	53, 55	1704691.....	269, 285
1001259459.....	39	1001263480.....	67	1001284972.....	113, 121	1704694.....	269, 285
1001259460.....	39	1001263557.....	47	1001287360.....	59	1704697.....	287
1001259461.....	39	1001263558.....	47	1001290309.....	95	1704698.....	287
1001259497.....	116, 124	1001263596.....	47	1001290310.....	105	1704699.....	259, 275
1001259529.....	125	1001263605.....	47	1001290338.....	95	1704702.....	259, 275
1001259530.....	125	1001263628.....	137	1001290343.....	105	1704972.....	287
1001259531.....	125	1001263629.....	137	1001290345.....	109		
1001259532.....	125	1001263657.....	103				
1001259533.....	125	1001263658.....	103				
1001259534.....	125	1001263662.....	113, 121				
1001259535.....	125	1001263824.....	71, 73, 75				
1001259536.....	125	1001263929.....	67				
1001259537.....	125	1001263930.....	92				
1001259538.....	125	1001264346.....	255, 257, 259, 261, 263, 265, 267, 269, 287				
		1001264939.....	113, 121, 225				

SECTION 11 - SPECIAL OPTIONS/ACCESSORIES/KITS

1705040	265, 281	3020029	113, 121	4010405002.....	143	4460705	223
1705041	269, 285	3200425	97	4010408.....	177, 179, 181, 183, 185, 187, 189	4460752	225
1705043	259, 275	3252507 ...	181, 183, 185, 187, 189, 191	4010414.....	143	4460754 ...	207, 211, 213, 229, 233
1705084	287	3290305	85, 87, 89	4010615.....	15, 65, 67	4460761	207, 221
1705194	263, 279	3290405 ...	113, 121, 143, 177, 179, 181, 183, 185, 187, 189	4010618.....	137	4460802	73
1705195	263, 279	3290406	143	4031510.....	143	4460803	73
1705325	179	3290505	19, 92, 105	4031511.....	113, 121	4460805	75
1705670 ...	257, 261, 273, 277	3290506	137	4031608.....	19, 37, 39	4460806	208
1705671 ...	257, 261, 273, 277	3290605 ...	17, 19, 65, 67, 71, 73, 75, 77, 79, 81, 83, 92, 105, 133, 135, 179, 181, 183, 185, 187, 255, 257, 259, 261, 263, 265, 267, 269, 271, 273, 275, 277, 279, 281, 283, 285	4031707.....	17, 19, 119	4460836	207, 221
1705673 ...	257, 261, 273, 277	3290606 ...	116, 124, 137, 177, 179, 181, 183, 185, 187, 189, 227, 231	4031713.....	127	4460871 ...	207, 208, 235, 251, 252
1705695 ...	255, 263, 271, 279	3290801 ...	37, 39, 59, 92, 103	4031720.....	129	4460872	208, 252
1705944	263, 279	3290805 .	19, 37, 39, 113, 121, 135	4031920.....	41, 43	4460873	207, 235, 251
1706059	287	3290806	135, 137	4060802.....	69	4460874	208
1706060	287	3291005 ...	17, 41, 43, 47, 49, 51, 107	4160214.....	143	4460875	207
1706061	287	3291006	135, 137	4240017.....	17, 41, 43, 67, 177, 179, 181, 183, 185, 187, 189, 191	4460876	208
1706063	287	3291007 ...	113, 116, 121, 124, 135	4240018....	107, 113, 116, 121, 124, 227, 231	4460878	207
1706064	287	3291601	41, 43	4240084.....	19	4460884 ...	207, 208, 225, 249
1706098	287	3292002	135	4360387.67, 69, 107, 291		4460887	207
1706679	69	3300048 ...	177, 179, 181, 183, 185, 187, 189, 191	4360469.....	69, 291	4460891 85, 87, 207, 215, 217, 219, 233, 252	
1707022	267, 283	3300106	31, 33, 35	4360475.....	69, 143, 290	4460892	215, 252
2080057 ...	255, 257, 259, 261, 263, 265, 267, 269, 271, 273, 275, 277, 279, 281, 283, 285	3311005 ...	71, 73, 75, 77, 79	4360524.....	69, 291	4460893	208
2180348	103	3311501	92, 105	4420051.....	41, 43, 287	4460894	208, 215, 251
2220371	129, 164	3311502	92, 105	4420062.....	135	4460897 .	37, 39, 83, 207, 219, 223, 252
2220372	113	3321402	116	4420070.....	49, 51	4460905 ...	207, 208, 235, 251, 252
2220373	129	3331211	41, 43, 97	4460019.....	252	4460911	215, 235
2220415	129, 164	3331611	19, 95	4460071....	177, 179, 181, 183, 185, 187, 189, 191	4460917	221
2220466	127, 161	3422592	13, 15	4460138.....	177	4460918	225, 235
2220472	161	3422744	137	4460144.....	208	4460928	208, 223, 225
2220473	119, 127, 161	3422938	113, 121	4460183.....	208, 235	4460929	221
2220490	161	3422943	113, 121	4460225.....	223	4460930	208, 251
2220500	121	3423151	116, 124	4460227.....	207	4460931	251
2220504	161	3431622	17	4460259.....	208	4460932	249
2220582	164	3450303	143	4460260.....	208	4460933 ...	207, 208, 215, 221, 225, 251
2220794	103	3450304	116, 124	4460265.....	235	4460942	208, 251
2220852	164	3450405	116	4460267.....	235	4460943 ...	207, 208, 211, 213, 225, 229, 233, 235
2220883	149, 164	3450608	17	4460294.....	221	4460944 ...	207, 208, 211, 213, 221, 229, 233, 249, 251, 252
2220885	149	3520026	69	4460315....	177, 179, 181, 183, 185, 187, 189	4460945	252
2220886	149, 164	3520072	137	4460346.....	237	4460950	215
2220891	164	3537609	137	4460374.....	223	4460956	193
2220940	164	3760493	116, 124	4460418.....	208	4460957	193
2220947	164	3841143	17	4460464..	37, 39, 83, 207, 208, 211, 213, 215, 219, 223, 225, 229, 233, 235, 249, 251, 252	4460968	179, 181
2221040	164	3841258	13, 15	4460466....	207, 208, 215, 221, 223, 225, 229, 233, 235, 251, 252	4460970 ...	207, 215, 229, 233
2221047	103	3900394	135	4460467.....	294	4460984	209
2221069	164	3911012	71, 75, 77, 79	4460497.....	235	4461008	251
2221086	164	3911014	73	4460510.....	294	4461016	235
2400066	207	3960389	105	4460516.....	27	4461054	251
2540045	103, 133	3980035	107	4460518.....	221, 225	4461070	252
2560088	137	4010308	85, 87, 89	4460536.....	207	4461095	251
2560176	137	4010403	65, 67	4460539....	208, 215, 251, 252	4461196	197, 239
2600216	92, 105			4460662....	183, 185, 187, 237	4461198	239
2600253	137					4461199	199, 241
2600285	137					4461201	241
2720058	103					4461205 ...	201, 203, 243, 245
2720271	103					4461244	243
2780282	19, 23					4461245	245
2860030	69, 290						
2901443	294						
2902431	177, 237						
2940074	137, 290						
2940127	137						

SECTION 11 - SPECIAL OPTIONS/ACCESSORIES/KITS

4461246.....	247	70000293.....	99	70001377.....	23	70007715.....	153
4461249.....	205, 247	70000294.....	99	70001378.....	23	70007760.....	45
4640858.....	149	70000295.....	99	70001379.....	23	70007761.....	45
4641122.....	31, 33, 35	70000296.....	99	70001380.....	24	70007762.....	45
4711000.....	37, 39	70000297.....	99	70001965.....	41, 43, 290	70007764.....	61
4711400.....	103, 116	70000298.....	99	70002083.....	99	70007768.....	61
4711500.....	92, 105	70000299.....	99	70002244.....	99	70007769.....	61
4711800.....	19	70000300.....	99	70002386.....	61	70007771.....	61
4712600.....	17	70000301.....	99	70002543.....	100	70007772.....	61
4740229.....	13, 15	70000302.....	99	70002544.....	99	70007773.....	61
4740274.....	97	70000303.....	99	7000281.....	23	70007774.....	61
4740480.....	116, 124	70000304.....	99	70003557.....	99	70007947.....	153
4751500.....	116, 124	70000305.....	99	70003618.....	99	70007948.....	153
4811400.....	113, 121, 143, 177, 179, 181, 183, 185, 187, 189	70000306.....	99	70003619.....	99	70007949.....	153
4811600.....	19, 71, 73, 75, 77, 79, 92, 105, 137	70000307.....	99	70003789.....	61	70007950.....	153, 155
4811602.....	137	70000308.....	99	70004265.....	99	70008568.....	155
4811700.....	15, 65, 67, 71, 73, 75, 77, 79, 81, 83, 113, 116, 121, 124, 133, 135, 137, 143, 177, 179, 181, 183, 185, 187, 189, 255, 257, 259, 261, 263, 265, 267, 269, 271, 273, 275, 277, 279, 281, 283, 285	70000309.....	99	70004394.....	100	70008569.....	155
4811702.....	19, 65, 67, 71, 75, 77, 79, 92, 95, 105, 109, 179, 181, 183, 185, 187	70000310.....	99	70004809.....	27	70008570.....	155
4811900.....	13, 15, 37, 39, 41, 59, 63, 92, 135, 137	70000311.....	99	70004811.....	27	70008571.....	155
4811902.....	19, 43, 59, 92, 103, 105, 109, 113, 121, 137	70000312.....	99	70004820.....	27	70008572.....	155
4812000.....	41, 43, 47, 59, 107, 113, 121, 135, 137	70000313.....	99, 290	70005385.....	27	7001626.....	157
4812002.....	37, 39, 49, 51, 59, 92	70000314.....	99	70005386.....	27	7001630.....	157
4812100.....	41, 43	70000315.....	99	70005387.....	27	7002821.....	294
4831900.....	37, 39	70000316.....	99	70005388.....	27	7002822.....	294
4846181.....	137	70000317.....	99	70005389.....	27	7002823.....	294
4872000.....	19	70000318.....	99, 290	70005390.....	27	7002828.....	294
4891600.....	19	70000319.....	99, 290	70005391.....	27	7004275.....	294
4892000.....	19	70000320.....	99	70005392.....	27	7004276.....	294
5241000.....	13, 15	70000321.....	99	70005393.....	27	70046028.....	255, 257, 259, 261, 263, 265, 267, 269, 271, 273, 275, 277, 279, 281, 283, 285
5241200.....	13, 15, 97	70000322.....	99, 290	70005394.....	27, 290	7007640.....	23
5241600.....	19, 41, 43, 95	70000323.....	99, 290	70005395.....	27	7012925.....	61
5250608.....	97	70000324.....	99	70005396.....	27	7016654.....	294
5250810.....	97	70000325.....	100	70005397.....	27	7017007.....	24
5250812.....	53, 55	70000326.....	100, 290	70005398.....	27	7017009.....	23
5260600.....	67, 97, 103, 107	70000327.....	100	70005399.....	27	7017022.....	23
5260800.....	97	70000328.....	100	70005400.....	27	7017402.....	61
70000082.....	145	70000329.....	100, 290	70005401.....	27	7020033.....	29
70000084.....	145	70000330.....	100, 290	70005402.....	27	7020035.....	29
70000289.....	100	70000382.....	100	70005403.....	27	7020036.....	29
70000290.....	99	70000683.....	145	70005404.....	27	7020037.....	29
70000291.....	99	70000684.....	145	70005405.....	27	7020038.....	29
70000292.....	99	70000685.....	145	70005406.....	27	7020039.....	29
		70000686.....	145	70005407.....	27, 290	7020040.....	29
		70000967.....	99	70005408.....	27	7020041.....	29
		70001121.....	99	70005409.....	27	7020175.....	69, 143
		70001144.....	99	70005410.....	27	7020176.....	69, 143, 290
		70001250.....	145	70005411.....	27	7024497.....	41, 43
		70001251.....	145	70005412.....	27	7024502.....	13, 15, 41, 43
		70001252.....	145	70005415.....	19	7024506.....	41, 43
		70001253.....	145	70006786.....	61	7024738.....	23
		70001365.....	13, 15	70007035.....	63, 290	7024741.....	23
		70001366.....	23	70007506.....	145	7027365.....	145
		70001367.....	23	70007607.....	157	7027367.....	145
		70001368.....	24	70007608.....	157	7027628.....	13, 15
		70001369.....	23	70007609.....	157	7027765.....	145
		70001370.....	23	70007610.....	157	7027766.....	145
		70001371.....	23	70007678.....	149	80630.....	103
		70001372.....	23	70007679.....	149	8220051.....	235
		70001373.....	23	70007709.....	151	83451104.....	164
		70001374.....	23	70007710.....	151		
		70001375.....	23	70007711.....	151		
		70001376.....	23	70007712.....	151		



Corporate Office
JLG Industries, Inc.
1 JLG Drive
McConnellsburg, PA 17233-9533 USA
☎ **(717) 485-5161 (Corporate)**
☎ **(877) 554-5438 (Customer Support)**
📠 **(717) 485-6417**

Visit our website for JLG Worldwide Locations.
www.jlg.com



OSHKOSH™