



Illustrated Parts Manual

***Model
R3246***

**PVC
2010**

**P/N
31215935**

January 7, 2022 - Rev D

ANSI

CE



AS/NZS



An Oshkosh Corporation Company

REVISION LOG

NOTES:

NOTE: Country of Assembly - The R Scissor Lifts are assembled by JLG Industries in the following countries: USA or China or Europe. Refer to the Serial Number Tag to identify the country of assembly. R Scissors assembled in USA will have a serial number prefix of 02 (i.e. 02XXXXXXXX), R Scissors manufactured in China will have a serial number prefix of B2 (i.e. B2XXXXXXXX), and R Scissors manufactured in Europe will have a serial number prefix of 12 (i.e. 12XXXXXXXX) or E2 (i.e. E2XXXXXXXX)

REVISION LOG:

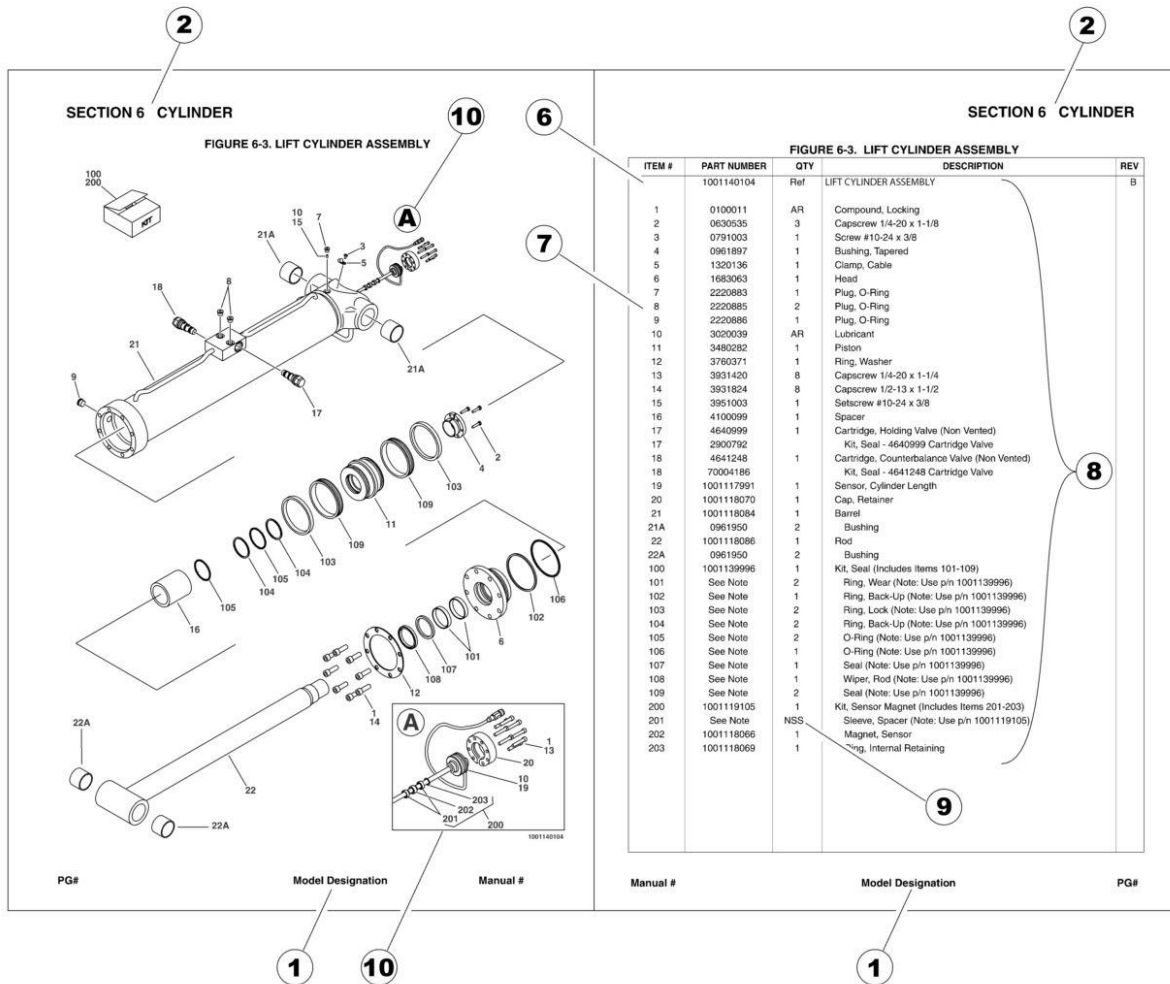
September 15, 2020 - A - Original Issue of Manual (Edited to B/M 1001380000 Rev T and 1001245768 Rev A)

November 1, 2020 - B - Revised Manual (Edited to B/M 1001380000 Rev T and 1001245768 Rev A)

March 15, 2021 - C - Revised Manual (Edited to B/M 1001380000 Rev W and 1001245768 Rev A)

January 7, 2022 - D - Revised Manual (Edited to B/M 1001380000 Rev W & Y and 1001245768 Rev A)

GENERAL INFORMATION



1) MACHINE IDENTIFICATION

Machines are identified by model and in some cases a combination of models, serial number (SN) or regional standard (i.e ANSI, CE, CSA). Components may also be identified by SN or manufacturer. Common components that may be identified by these characteristics are engines and hydraulic components.

2) PARTS MANUAL ORGANIZATION

Product information in this manual is organized under section titles. Frame, Cylinder, Hydraulic and Electrical are a few examples. Each section is organized by figure and page number. The information within the Figure is then organized by item number, part number, description and corresponding illustration (s).

3) TABLE OF CONTENTS (NOT SHOWN)

A table of contents is found toward the beginning of the manual. Figure number, description and page number are provided for quick reference to the page containing the related information.

4) RECOMMENDED SPARE PARTS (NOT SHOWN)

The Recommended Spare Parts List, located near the end of the manual, reference most frequently used maintenance parts.

5) PART NUMBER INDEX (NOT SHOWN)

A numerical index listing all part numbers and the corresponding page number(s) appears at the back of the manual.

GENERAL INFORMATION

6) NON-SERVICED PARTS

In some instances, it is necessary to display non-serviced parts, assemblies or installations. In the case of assemblies and installations there will be a Ref in the Qty. column. In case of parts that are not available for service within assemblies or components, there will be a NSS (Not Sold Separately) or NLA (No Longer Available) listed in the Qty. column of the manual.

7) PARTS LIST ITEM NUMBERS

Numbers shown in the item# column correspond to numbers used in the associated illustration (s). Item numbers which are missing from the sequence in the parts list are not used on that page.

8) INDENTED PARTS DESCRIPTION

An indented part description is included in the item under which it is indented.

9) ABBREVIATION AND SYMBOLS

AC.....	Alternating Current	L.....	Liter
ADE.....	Advanced Design Electronics	LB(LBS).....	Pounds
AG.....	Agricultural	LCD.....	Liquid Crystal Display
ANSI.....	American National Standards Institute	LED.....	Light Emitting Diodes
AR.....	As Required	LH.....	Left Hand
ASSY.....	Assembly	LRC.....	Low Rated Countries
AUS.....	Australia	LSS.....	Load Sensing System
AUX.....	Auxiliary	M(m).....	Metric/Meter
AWG.....	American Wire Gauge	MM(mm).....	Milimeter
B/M.....	Bill of Material	mA.....	Miliamps
CAC.....	Charge Air Cooler	NLA.....	No Longer Available
CE.....	European Conformity	NPT.....	National Pipe Threads
CCW.....	Counter Clockwise	NSS.....	Not Sold Separately
CM.....	Centimeter	OD.....	Outside Diameter
CW.....	Clockwise	ORB.....	O-Ring Boss
CSA.....	Canadian Standards Association	ORFS.....	O-Ring Face Seal
CYL.....	Cylinder	OZ (oz).....	Ounces
DIA.....	Diameter	PG.....	Page
DC.....	Direct Current	PN.....	Part Number
DEF.....	Diesel Exhaust Fluid	QT(qt.).....	Quarts
EMS.....	Emergency Stop	QTY.....	Quantity
ENG.....	Engine	REF.....	Reference
FT(ft).....	Feet	REV.....	Revision Level
GA(Ga).....	Gauge	RH.....	Right Hand
HRC.....	High Rated Countries	SAE.....	Society of Automotive Engineers
HVAC.....	Heating, Ventilating, and Air Conditioning	SN.....	Serial Number
HYD.....	Hydraulic	SPEC(S).....	Specifications
Hz.....	Hertz	T/T.....	Turntable
ID.....	Inside Diameter	UGM.....	Universal Ground Module
IN.....	inches	V.....	Volts
ISO.....	International Organization for Standards	W.....	Watts
JIC.....	Joint Industry Council	#.....	Number
KG.....	Kilogram		

10) ILLUSTRATION REFERENCE LETTERS

When necessary, illustrations may contain reference letters that are intended to track information (i. e. hoses, harnesses) from one point to another or to track visual enlargement of components to show details that may be located in another area on the illustration.

Note: Due to continuous product improvements, JLG Industries, Inc. reserves the right to make specification changes without prior notification. Contact JLG Industries, Inc. for updated information.

TABLE OF CONTENTS

SECTION 1 - FRAME.....	11
FIGURE 1-1. STEER INSTALLATION (MACHINES WITH SN STARTING WITH M2)	12
FIGURE 1-2. STEER INSTALLATION (MACHINES WITH SN STARTING WITH 12, B2, & G2).....	14
FIGURE 1-3. DRIVE/BRAKE INSTALLATION	16
FIGURE 1-4. DRIVE MOTOR ASSEMBLY	18
FIGURE 1-5. TIRE/WHEEL INSTALLATION.....	20
FIGURE 1-6. POTHOLE PROTECTION SYSTEM INSTALLATION	22
FIGURE 1-7. TILT SENSOR INSTALLATION	24
FIGURE 1-8. BATTERY CHARGER INSTALLATION - DELTA-Q (WITHOUT COMMUNICATION PORT).....	26
FIGURE 1-9. BATTERY CHARGER INSTALLATION - DELTA-Q (WITH COMMUNICATION PORT)	28
FIGURE 1-10. BATTERY CHARGER INSTALLATION - EAGLE PERFORMANCE	30
FIGURE 1-11. BATTERY CHARGER INSTALLATION - GREEN POWER	32
FIGURE 1-12. STROBE LIGHT INSTALLATION - DUAL (AMBER) (WITHOUT GUARD).....	34
FIGURE 1-13. STROBE LIGHT INSTALLATION - DUAL (AMBER) (WITH GUARD)	36
FIGURE 1-14. ALARM INSTALLATION (AMBIENT/WHITE NOISE)	38
FIGURE 1-15. LADDER INSTALLATION	40
FIGURE 1-16. FRAME COVERS INSTALLATION.....	42
SECTION 2 - GROUND CONTROLS	45
FIGURE 2-1. HYDRAULIC COMPONENTS INSTALLATION (Prior to SN 1200037158, Prior to SN B200070777, Prior to SN M200046498)	46
FIGURE 2-2. HYDRAULIC COMPONENTS INSTALLATION (SN 1200037158 to Present, SN B200070777 to Present, SN M200046498 to Present)	48
FIGURE 2-3. MAIN VALVE ASSEMBLY	50
FIGURE 2-4. CLEAN GUARD INSTALLATION.....	52
FIGURE 2-5. ELECTRICAL COMPONENTS INSTALLATION (MACHINES WITH SN STARTING WITH 12, B2, M2, & G2)	54
FIGURE 2-6. ELECTRICAL COMPONENTS INSTALLATION - #1 (MACHINES BUILT WITH SN STARTING WITH 12, B2, & G2)	56
FIGURE 2-7. ELECTRICAL COMPONENTS INSTALLATION - #2 (MACHINES WITH SN STARTING WITH 12, B2 & G2).....	58
FIGURE 2-8. ACCESS CONTROL KEYPAD INSTALLATION.....	60
FIGURE 2-9. MOBILE CONTROL INSTALLATION.....	62
FIGURE 2-10. MDI INSTALLATION	64
FIGURE 2-11. BATTERIES INSTALLATION - STANDARD 6V-255AH	66
FIGURE 2-12. BATTERIES INSTALLATION - STANDARD 6V-220AH	68
FIGURE 2-13. BATTERIES INSTALLATION - AGM 6V-220AH.....	70
FIGURE 2-14. BATTERIES INSTALLATION - AGM EVCG 6V-220AH.....	72
FIGURE 2-15. BATTERIES INSTALLATION - 6V-220AH (TROJAN)	74
FIGURE 2-16. INVERTER INSTALLATION (OPTIONAL)	76
FIGURE 2-17. DOORS INSTALLATION	78
SECTION 3 - SCISSORS ARMS	81
FIGURE 3-1. SCISSORS ARMS INSTALLATION (ALL SPECS EXCEPT CHINA SPECS)	82
FIGURE 3-2. SCISSORS ARMS INSTALLATION (CHINA SPECS) (Prior to SN B200071893, Excluding B200071784 and B200071857)	86
FIGURE 3-3. SCISSORS ARMS INSTALLATION (CHINA SPECS) (SN B200071893 to Present)	90
FIGURE 3-4. SCISSORS ARMS INSTALLATION (CHINA SPECS) (ALL MACHINES STARTING WITH SN G2).....	94

TABLE OF CONTENTS

FIGURE 3-5. ARMS GUARD INSTALLATION	98
SECTION 4 - PLATFORM	101
FIGURE 4-1. PLATFORM INSTALLATION (ALL SPECS EXCEPT CHINA SPECS)	102
FIGURE 4-2. PLATFORM INSTALLATION (CHINA SPECS) (Prior to SN B200071893, Excluding B200071784 and B200071857).....	104
FIGURE 4-3. PLATFORM INSTALLATION (CHINA SPECS) (SN B200071893 to Present)	106
FIGURE 4-4. PLATFORM INSTALLATION (CHINA SPECS) (ALL MACHINES STARTING WITH SN G2).....	108
FIGURE 4-5. PLATFORM EXTENSION INSTALLATION (ALL SPECS EXCEPT CHINA SPECS).....	110
FIGURE 4-6. PLATFORM EXTENSION INSTALLATION (CHINA SPECS) (Prior to SN B200071893, Excluding B200071784 and B200071857).....	112
FIGURE 4-7. PLATFORM EXTENSION INSTALLATION (CHINA SPECS) (SN B200071893 to Present).....	114
FIGURE 4-8. PLATFORM EXTENSION INSTALLATION (CHINA SPECS) (ALL MACHINES STARTING WITH SN G2).....	116
FIGURE 4-9. RAILS INSTALLATION (SIDE BY SIDE) (ALL SPECS EXCEPT CHINA SPECS).....	118
FIGURE 4-10. RAILS INSTALLATION (SIDE BY SIDE) (CHINA SPECS) (Prior to SN B200071893, Excluding B200071784 and B200071857).....	120
FIGURE 4-11. RAILS INSTALLATION (SIDE BY SIDE) (CHINA SPECS) (SN B200071893 to Present).....	122
FIGURE 4-12. RAILS INSTALLATION (SIDE BY SIDE) (CHINA SPECS) (ALL MACHINES STARTING WITH SN G2)	124
FIGURE 4-13. RAILS INSTALLATION (TUBE IN TUBE).....	126
FIGURE 4-14. EXTENSION HANDLES INSTALLATION (OPTIONAL)	128
FIGURE 4-15. GATE LATCH INSTALLATION.....	130
FIGURE 4-16. PLATFORM CONSOLE INSTALLATION (MACHINES WITH SN STARTING WITH M2).....	132
FIGURE 4-17. PLATFORM CONSOLE INSTALLATION (MACHINES WITH SN STARITNG WITH 12, B2 & G2)	134
FIGURE 4-18. CONTROLLER ASSEMBLY.....	136
FIGURE 4-19. USB/PHONE CRADLE INSTALLATION.....	138
FIGURE 4-20. PIPE RACKS INSTALLATION (SIDE BY SIDE RAILS) (OPTIONAL)	140
FIGURE 4-21. PIPE RACKS INSTALLATION (TUBE IN TUBE RAILS) (OPTIONAL)	142
FIGURE 4-22. OVERHEAD PROTECTION INSTALLATION (KOREAN SPECS)	144
SECTION 5 - CYLINDER.....	147
FIGURE 5-1. LIFT CYLINDER ASSEMBLY	148
FIGURE 5-2. STEER CYLINDER ASSEMBLY	150
SECTION 6 - HYDRAULIC	153
FIGURE 6-1. HYDRAULIC COMPONENTS INSTALLATION	154
FIGURE 6-2. HYDRAULIC COMPONENTS INSTALLATION (SN 1200037158 to Present, SN B200070777 to Present, SN M200046498 to Present).....	156
SECTION 7 - ELECTRICAL.....	159
FIGURE 7-1. AC BOX AT PLATFORM INSTALLATION - 110V GFI (ALL SPECS EXCEPT AUSTRALIAN & CE SPECS)	160
FIGURE 7-2. AC BOX AT PLATFORM INSTALLATION - 110V IEC YELLOW (CE SPECS).....	162
FIGURE 7-3. AC BOX AT PLATFORM INSTALLATION - 220V IEC BLUE (CE SPECS)	164
FIGURE 7-4. AC BOX AT PLATFORM INSTALLATION - 220V CEE7 POST GROUND (CE SPECS).....	166
FIGURE 7-5. AC BOX AT PLATFORM INSTALLATION - 220V CEE7 SIDE GROUND (CE SPECS)	168
FIGURE 7-6. AC BOX AT PLATFORM INSTALLATION - 220V AFSINT 107 (CE SPECS).....	170
FIGURE 7-7. AC BOX AT PLATFORM INSTALLATION - 220V CHINA PLUG (CHINA SPECS).....	172
FIGURE 7-8. AC BOX AT PLATFORM INSTALLATION - 220V LOCALLY SUPPLIED COMPONENTS (ALL SPECS).....	174
FIGURE 7-9. AC BOX AT PLATFORM INSTALLATION - 220V (AUSTRALIAN SPECS)	176

TABLE OF CONTENTS

FIGURE 7-10. BREAKER BOX KIT WITH 1 DOUBLE BREAKER.....	178
FIGURE 7-11. BREAKER BOX KIT WITH 3 BREAKERS	180
FIGURE 7-12. CAN SPLICE HARNESS (CHARGER WITH COMMUNICATION PORT)	182
FIGURE 7-13. CHARGER HARNESS (CHARGER WITH COMMUNICATION PORT) (PVC 1910).....	184
FIGURE 7-14. CHARGER HARNESS (CHARGER WITH COMMUNICATION PORT) (PVC 2004).....	186
FIGURE 7-15. CHARGER PLUG INSTALLATION - CUSTOMER SUPPLIED PLUG.....	188
FIGURE 7-16. CHARGER PLUG INSTALLATION - 110V PLUG (ANSI, ANSI EXPORT, CSA & JAPANESE SPECS).....	190
FIGURE 7-17. CHARGER PLUG INSTALLATION - 110V IEC YELLOW PLUG (CE SPECS)	192
FIGURE 7-18. CHARGER PLUG INSTALLATION - 220V IEC BLUE PLUG (CE SPECS).....	194
FIGURE 7-19. CHARGER PLUG INSTALLATION - 220V CEE7 PLUG (CE SPECS).....	196
FIGURE 7-20. CHARGER PLUG INSTALLATION - 220V AFSINT107 PLUG (CE SPECS).....	198
FIGURE 7-21. CHARGER PLUG INSTALLATION (AUSTRALIAN PLUG)	200
FIGURE 7-22. CHARGER PLUG INSTALLATION - CHINA PLUG.....	202
FIGURE 7-23. CHARGER PLUG INSTALLATION - KOREAN PLUG.....	204
FIGURE 7-24. CHASSIS HARNESS.....	206
FIGURE 7-25. GROUND TO PLATFORM CABLE INSTALLATION - WITHOUT PLATFORM COIL CABLE (MACHINES WITH SN STARTING WITH 12, B2, M2 & G2).....	210
FIGURE 7-26. GROUND TO PLATFORM CABLE INSTALLATION - WITHOUT PLATFORM COIL CABLE & WITH FOOTSWITCH (MACHINES WITH SN STARTING WITH 12, B2 & G2).....	212
FIGURE 7-27. GROUND TO PLATFORM CABLE INSTALLATION - WITH PLATFORM COIL CABLE (MACHINES WITH SN STARTING WITH 12, B2, M2 & G2).....	214
FIGURE 7-28. GROUND TO PLATFORM CABLE INSTALLATION - WITH PLATFORM COIL CABLE & FOOTSWITCH (MACHINES WITH SN STARTING WITH 12, B2 & G2).....	216
FIGURE 7-29. GROUND TO PLATFORM CABLE INSTALLATION - PLATFORM STRAIGHT CABLE ONLY (MACHINES WITH SN STARTING WITH 12, B2 & G2).....	218
FIGURE 7-30. GROUND TO PLATFORM CABLE INSTALLATION - PLATFORM COIL CABLE ONLY (MACHINES WITH SN STARTING WITH 12, B2 & G2).....	220
FIGURE 7-31. GROUND TO PLATFORM CABLE INSTALLATION - SCISSORS ARMS CABLE ONLY (MACHINES WITH SN STARTING WITH 12, B2 & G2).....	222
FIGURE 7-32. GROUND TO PLATFORM CABLE INSTALLATION - WITHOUT PLATFORM COIL CABLE (MACHINES WITH SN STARTING WITH 12, B2 & G2).....	224
FIGURE 7-33. LIFT DOWN HARNESS.....	226
FIGURE 7-34. PLATFORM CONTROL BOX HARNESS (MACHINES WITH SN STARTING WITH M2).....	228
FIGURE 7-35. PLATFORM CONTROL BOX HARNESS (MACHINES WITH SN STARTING WITH 12, B2 & G2)	230
FIGURE 7-36. RECEPTACLE BOX KIT - 110V GFI.....	232
FIGURE 7-37. RECEPTACLE BOX KIT - 110V IEC YELLOW (CE SPEC).....	234
FIGURE 7-38. RECEPTACLE BOX KIT - 220V IEC BLUE (CE SPEC)	236
FIGURE 7-39. RECEPTACLE BOX KIT - 220V CEE7 POST GROUND (CE SPEC).....	238
FIGURE 7-40. RECEPTACLE BOX KIT - 220V CEE7 SIDE GROUND (CE SPEC).....	240
FIGURE 7-41. RECEPTACLE BOX KIT - 220V AFSINT 107 (CE SPEC).....	242
SECTION 8 - DECALS.....	245
FIGURE 8-1. DECAL INSTALLATION (ANSI SPECS).....	246
FIGURE 8-2. DECAL INSTALLATION (AUSTRALIAN SPECS).....	248
FIGURE 8-3. DECAL INSTALLATION (BRAZIL SPECS).....	250
FIGURE 8-4. DECAL INSTALLATION (CE SPECS)	252
FIGURE 8-5. DECAL INSTALLATION (CHINA SPECS).....	254
FIGURE 8-6. DECAL INSTALLATION (CSA SPECS).....	256

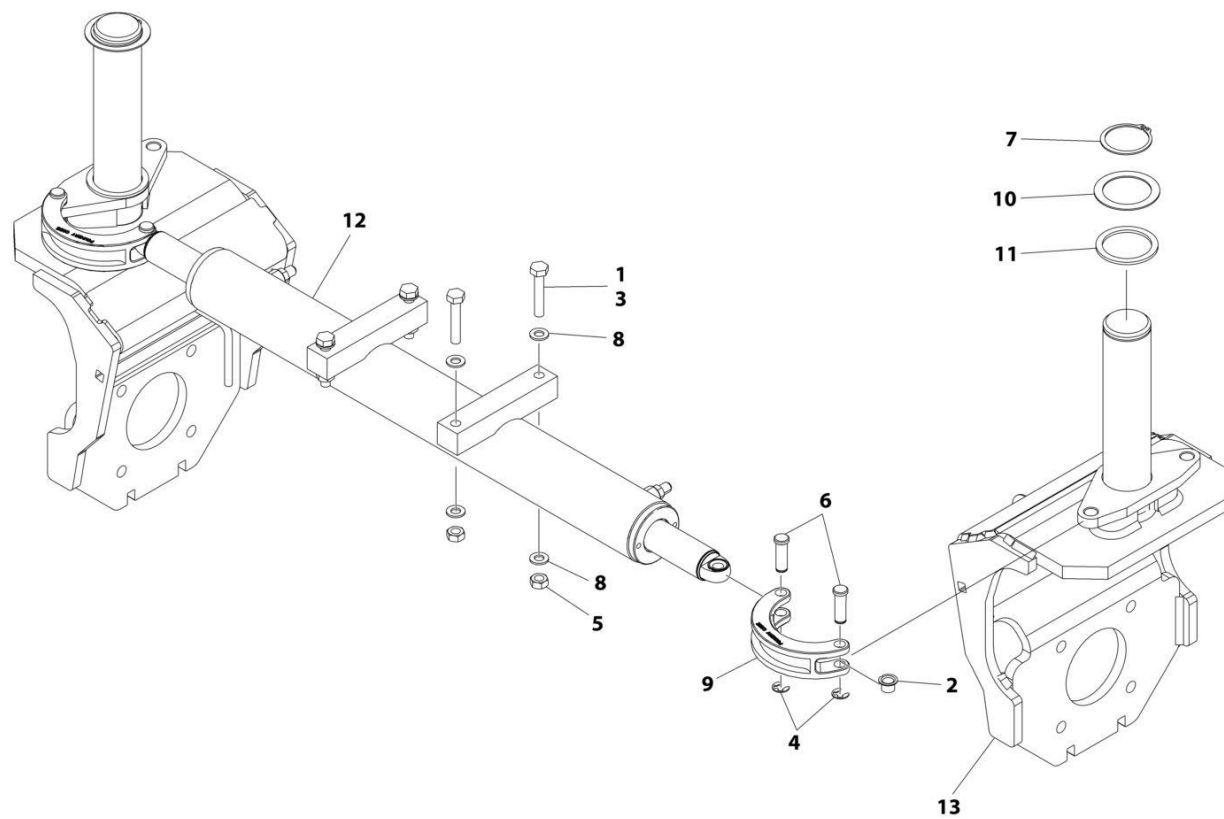
TABLE OF CONTENTS

FIGURE 8-7. DECAL INSTALLATION (KOREAN SPECS).....	258
FIGURE 8-8. DECAL INSTALLATION (LATIN AMERICAN SPECS).....	260
FIGURE 8-9. DECAL INSTALLATION - OPTIONS.....	262
SECTION 9 - RECOMMENDED SERVICE PARTS STOCK.....	265
FIGURE 9-1. RECOMMENDED SERVICE PARTS STOCK.....	266
SECTION 10 - SPECIAL OPTIONS	267
FIGURE 10-1. SPECIAL OPTIONS	268
PART NUMBER INDEX.....	271

SECTION 1 - FRAME

SECTION 1 - FRAME

FIGURE 1-1. STEER INSTALLATION (MACHINES WITH SN STARTING WITH M2)



ART_1001234316

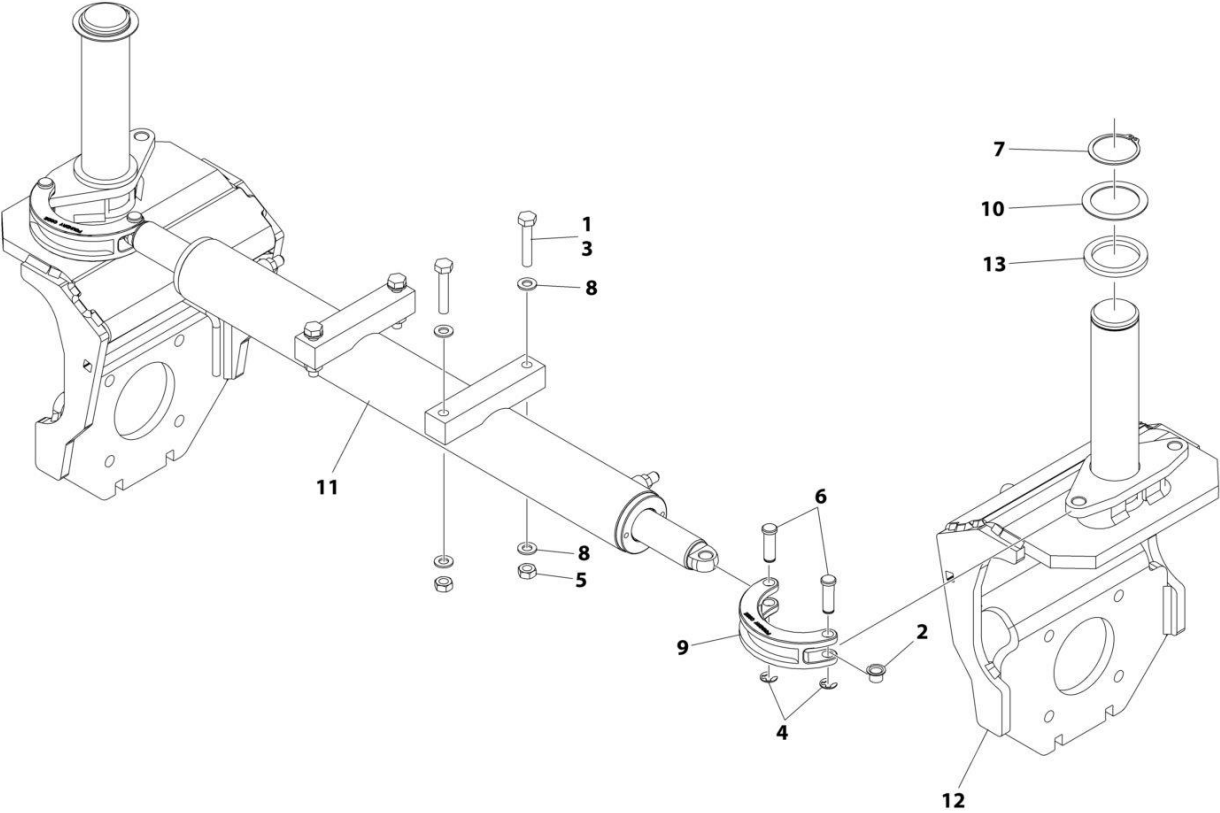
SECTION 1 - FRAME

FIGURE 1-1. STEER INSTALLATION (MACHINES WITH SN STARTING WITH M2)

ITEM	PART NUMBER	QTY	DESCRIPTION	REV
	1001234316	Ref	STEER INSTALLATION	B
1	0100011	AR	Compound, Locking	
2	0440259	2	Bearing	
3	0761019	4	Bolt M10 x 55	
4	1380153	4	E-Clip	
5	3291001	4	Nut M10	
6	3423037	4	Pin	
7	3760217	2	Ring, Retaining	
8	4812000	8	Washer M10	
9	4846757	2	Link	
10	1001197396	2	Washer	
11	1001205751	2	Washer	
12	1001233449	1	Steer Cylinder Assembly (See Separate Breakdown in Cylinder Section)	
13	1001234838	2	Spindle	

SECTION 1 - FRAME

FIGURE 1-2. STEER INSTALLATION (MACHINES WITH SN STARTING WITH 12, B2, & G2)



ART_1001270236

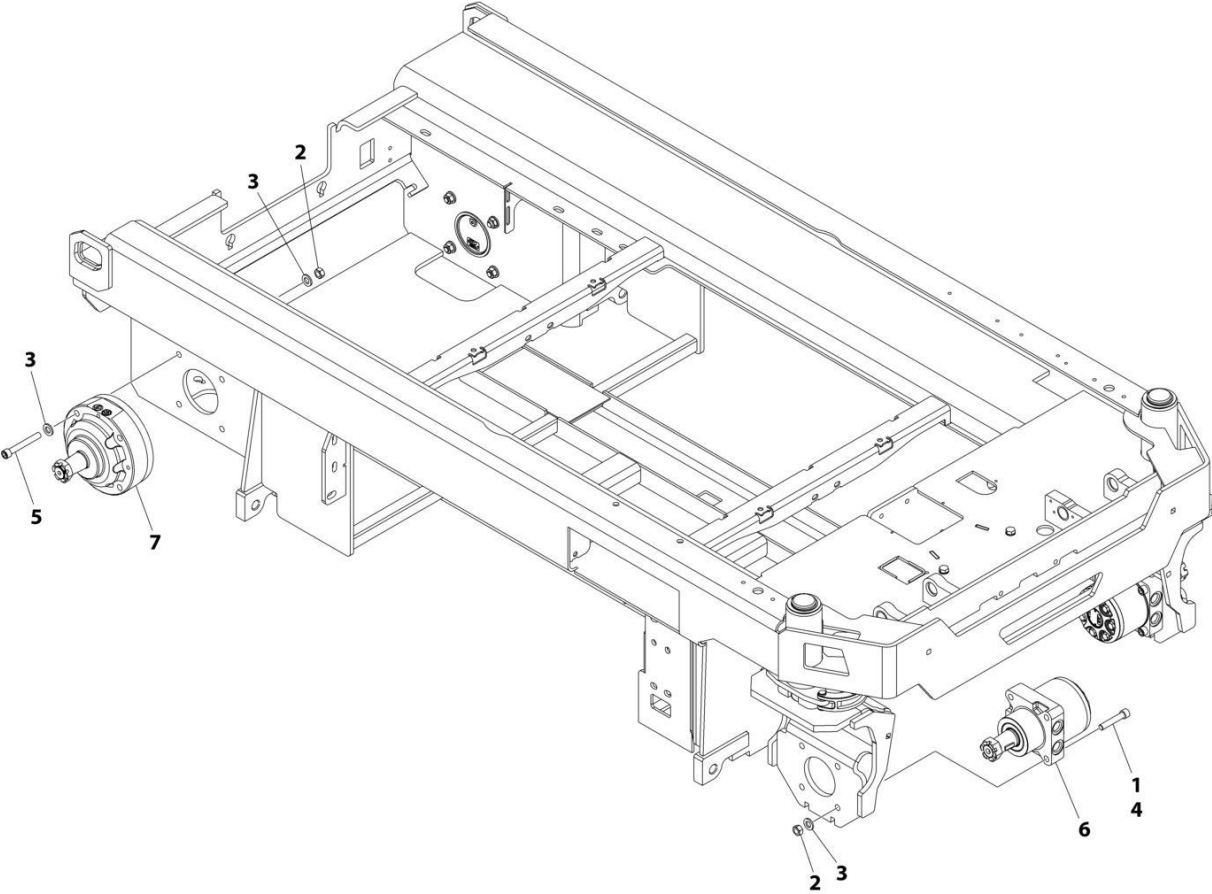
SECTION 1 - FRAME

FIGURE 1-2. STEER INSTALLATION (MACHINES WITH SN STARTING WITH 12, B2, & G2)

ITEM	PART NUMBER	QTY	DESCRIPTION	REV
	1001270236	Ref	STEER INSTALLATION	A
1	0100011	AR	Compound, Locking	
2	0440259	2	Bearing	
3	0761019	4	Bolt M10 x 55	
4	1380153	4	E-Clip	
5	3291001	4	Nut M10	
6	3423037	4	Pin	
7	3760217	2	Ring, Retaining	
8	4812000	8	Washer M10	
9	4846757	2	Link	
10	1001197396	2	Washer	
11	1001233449	1	Steer Cylinder Assembly (See Separate Breakdown in CYLINDER Section)	
12	1001234838	2	Spindle	
13	1001269507	2	Washer	

SECTION 1 - FRAME

FIGURE 1-3. DRIVE/BRAKE INSTALLATION



ART_1001234529

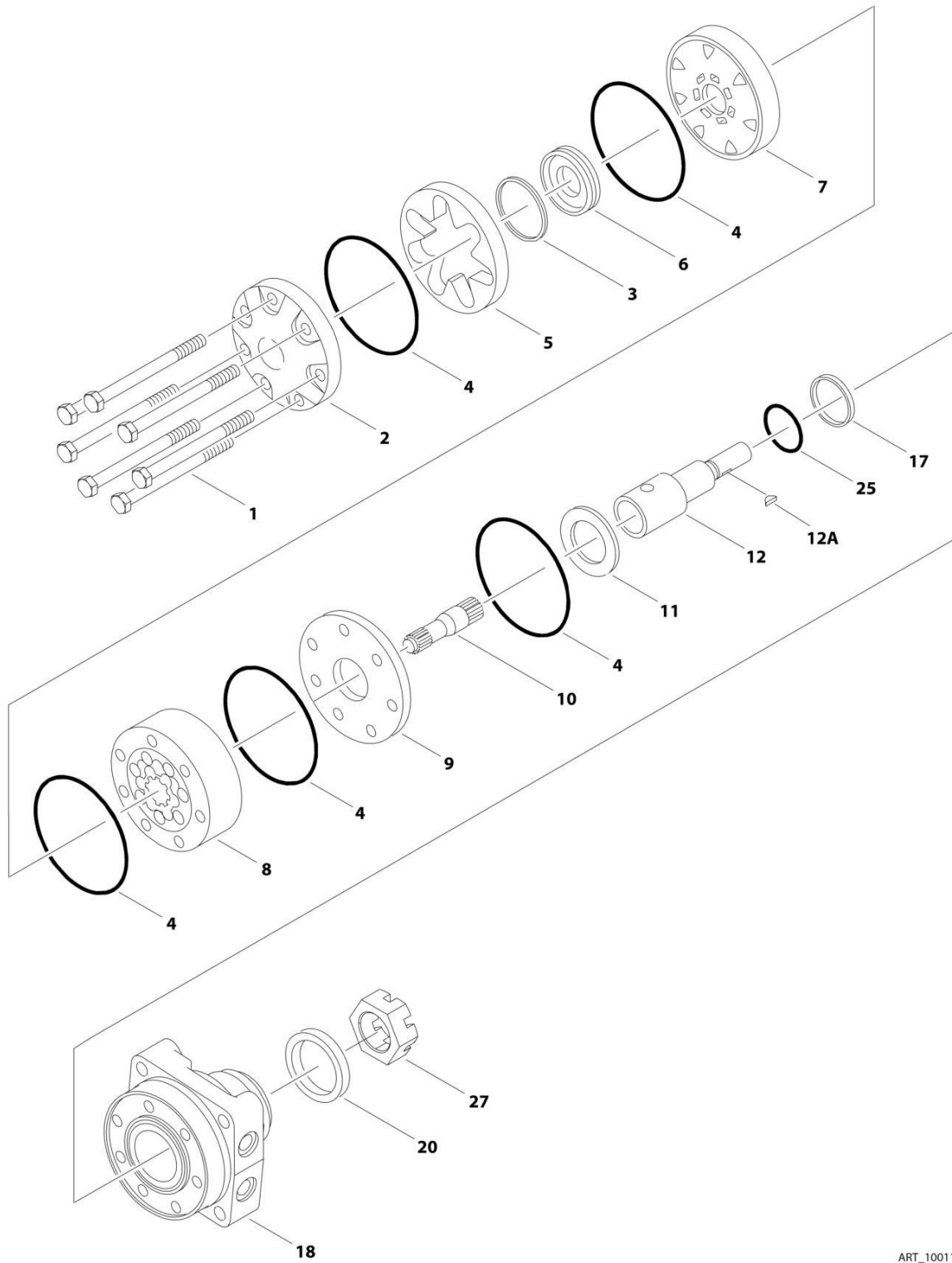
SECTION 1 - FRAME

FIGURE 1-3. DRIVE/BRAKE INSTALLATION

ITEM	PART NUMBER	QTY	DESCRIPTION	REV
	1001234529	Ref	DRIVE/BRAKE INSTALLATION	B
1	0100011	AR	Compound, Locking	
2	3331211	16	Nut M12	
3	5241200	24	Washer M12	
4	5272117	8	Capscrew M12 x 65	
5	5272122	8	Capscrew M12 x 90	
6	1001199937	2	Drive Motor Assembly (See Separate Breakdown in this Section)	
7	1001202773	2	Drive Brake Assembly (Note: No Internal Service Parts Available)	
7	70005918	1	Key, Shaft	
7	70005919	1	Nut 1-1/8	

SECTION 1 - FRAME

FIGURE 1-4. DRIVE MOTOR ASSEMBLY



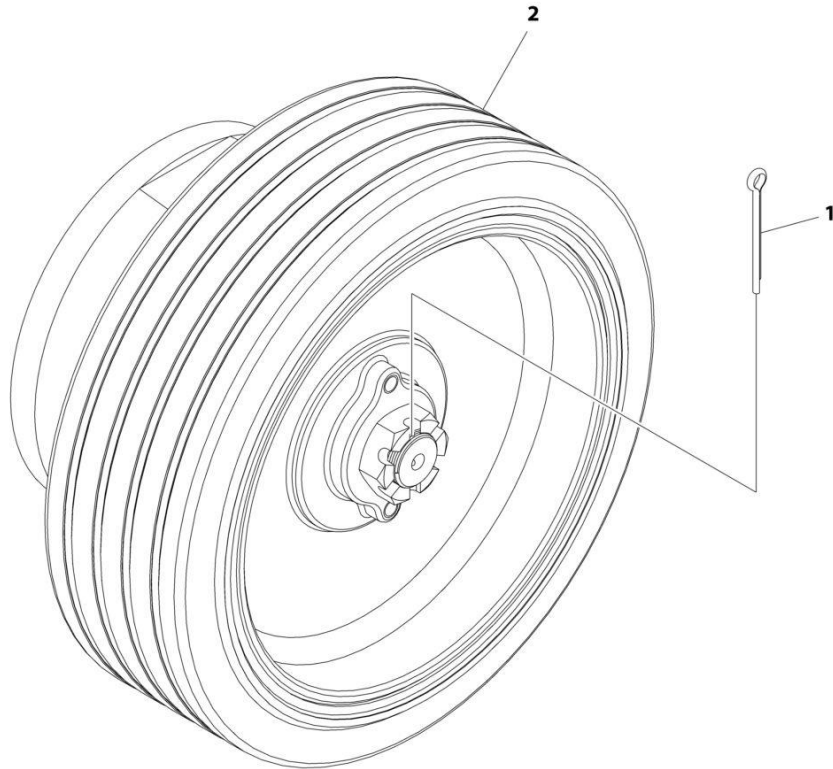
ART_1001199937

FIGURE 1-4. DRIVE MOTOR ASSEMBLY

ITEM	PART NUMBER	QTY	DESCRIPTION	REV
	1001199937	Ref	DRIVE MOTOR ASSEMBLY	D
1	70005806	7	Bolt	
2	7023328	1	Cover	
3	7023318	1	Seal, Commutator	
4	7023310	5	Ring, Seal	
5	7023315	1	Commutator (Includes Item 6)	
6	See Note	NSS	Ring, Commutator (Use p/n 7023315)	
7	70005812	1	Manifold	
8	70000278	1	Rotor Set	
9	7023311	1	Plate, Wear	
10	70005814	1	Link, Drive	
11	7023308	1	Bearing, Thrust	
12	70005813	1	Shaft	
12A	7023324	1	Key, Shaft	
17	70005809	1	Washer, Backup	
18	See Note	NSS	Housing Assembly (Use p/n 1001199937)	
20	7023319	1	Seal, Dirt and Water	
25	70005808	1	Ring, Backup	
27	70005807	1	Nut	

SECTION 1 - FRAME

FIGURE 1-5. TIRE/WHEEL INSTALLATION



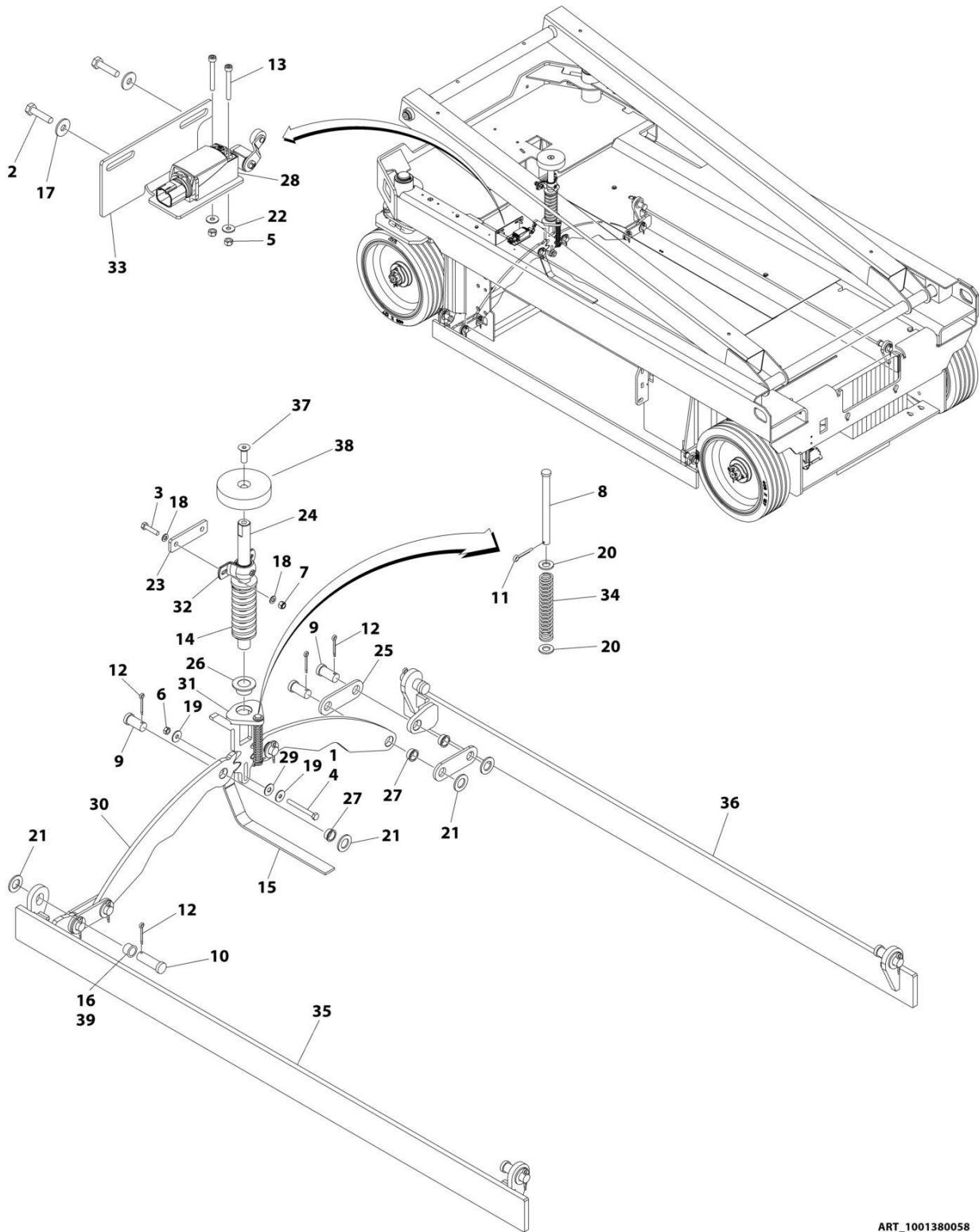
ART_1001213928

FIGURE 1-5. TIRE/WHEEL INSTALLATION

ITEM	PART NUMBER	QTY	DESCRIPTION	REV
	1001213928	Ref	TIRE AND WHEEL INSTALLATION	A
		Ref	Note: Must Replace Tire and Wheel Assemblies in pairs per axle.	
1	3450508	4	Pin, Cotter 5/32 x 2	
2	1001212187	4	Tire and Wheel	

SECTION 1 - FRAME

FIGURE 1-6. POTHOLE PROTECTION SYSTEM INSTALLATION



ART_1001380058

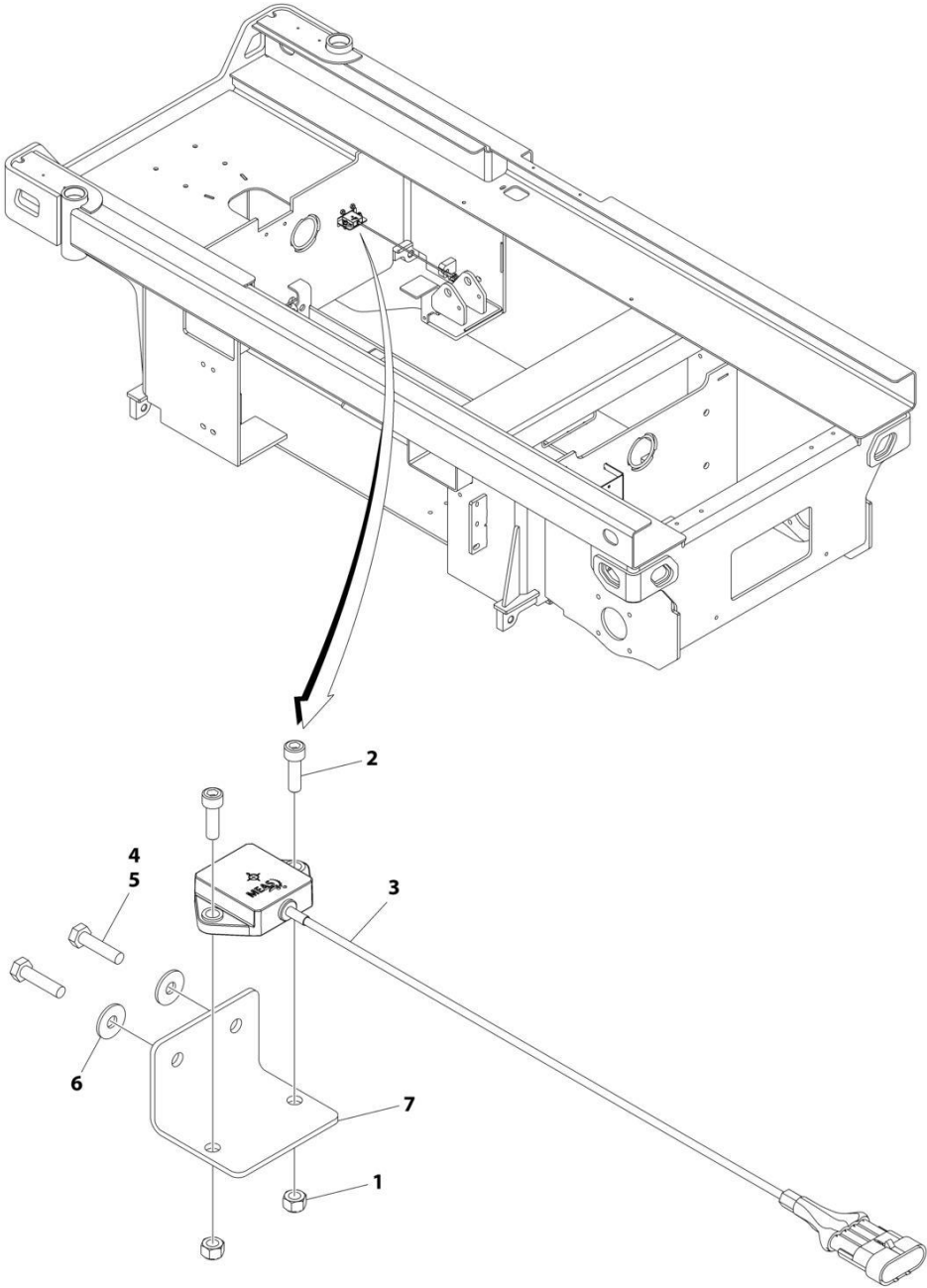
SECTION 1 - FRAME

FIGURE 1-6. POTHOLE PROTECTION SYSTEM INSTALLATION

ITEM	PART NUMBER	QTY	DESCRIPTION	REV
	1001380058	Ref	POTHOLE PROTECTION SYSTEM INSTALLATION	D
1	0100011	AR	Compound, Locking	
2	0700612	2	Bolt M6 x 25	
3	0700815	2	Bolt M8 x 35	
4	0700823	1	Bolt M8 x 75	
5	3290405	2	Nut M4	
6	3290801	1	Nut M8	
7	3290805	2	Nut M8	
8	3430636	1	Pin	
9	3431212	6	Pin	
10	3431218	4	Pin	
11	3450403	1	Pin, Cotter 1/8 x 3/4	
12	3450505	10	Pin, Cotter 5/32 x 1/2	
13	4031511	2	Capscrew M4 x 35	
14	4160202	1	Spring	
15	4240147	1	Strap, Anti-Static	
16	4740086	NLA	Washer (Use Item 39)	
17	4811702	2	Washer M6	
18	4811900	4	Washer M8	
19	4811902	2	Washer M8	
20	4812000	2	Washer M10	
21	4812500	10	Washer M20	
22	1001091102	2	Washer M4	
23	1001202987	1	Plate, Mounting	
24	1001214528	1	Actuator (Upper) (Cylindrical Shaft Machined at Top - as Shown)	
24	1001202988	1	Actuator (Upper) (Full Length Cylindrical Shaft - Not Shown)	
25	1001202999	4	Link	
26	1001203869	1	Bearing	
27	1001203870	6	Bearing	
28	1001203871	1	Switch, Limit	
29	1001203872	1	Washer	
30	1001213597	2	Plate, Pinion	
31	1001214526	1	Actuator (Lower)	
32	1001215953	1	Bearing	
33	1001218307	1	Plate, Sensor Mounting	
34	1001227855	1	Spring	
35	1001234797	1	Bar (LH)	
36	1001234798	1	Bar (RH)	
37	1001110302	1	Screw M12 x 35	
38	1001214534	1	Pad	
39	0440263	4	Bearing, Flange	

SECTION 1 - FRAME

FIGURE 1-7. TILT SENSOR INSTALLATION



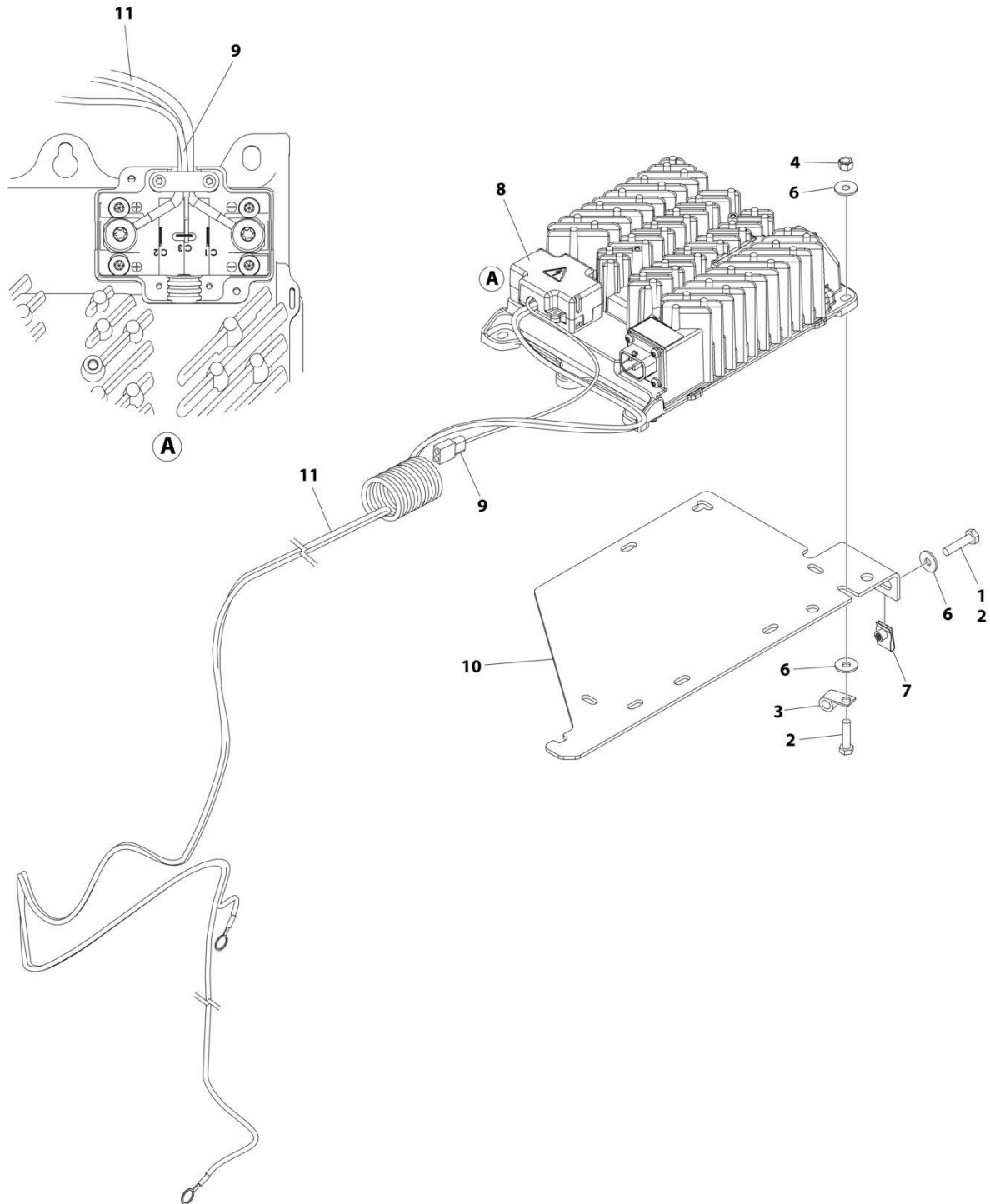
ART_1001214217

FIGURE 1-7. TILT SENSOR INSTALLATION

ITEM	PART NUMBER	QTY	DESCRIPTION	REV
	1001214217	Ref	TILT SENSOR INSTALLATION	D
1	3290601	2	Nut M6	
2	4031708	2	Capscrew M6 x 20	
3	1001186466	1	Sensor, Tilt	
4	0100011	AR	Compound, Locking	
5	0700612	2	Bolt M6 x 25	
6	4811702	2	Washer M6	
7	1001217059	1	Plate, Mounting	

SECTION 1 - FRAME

FIGURE 1-8. BATTERY CHARGER INSTALLATION - DELTA-Q (WITHOUT COMMUNICATION PORT)



ART_1001263256

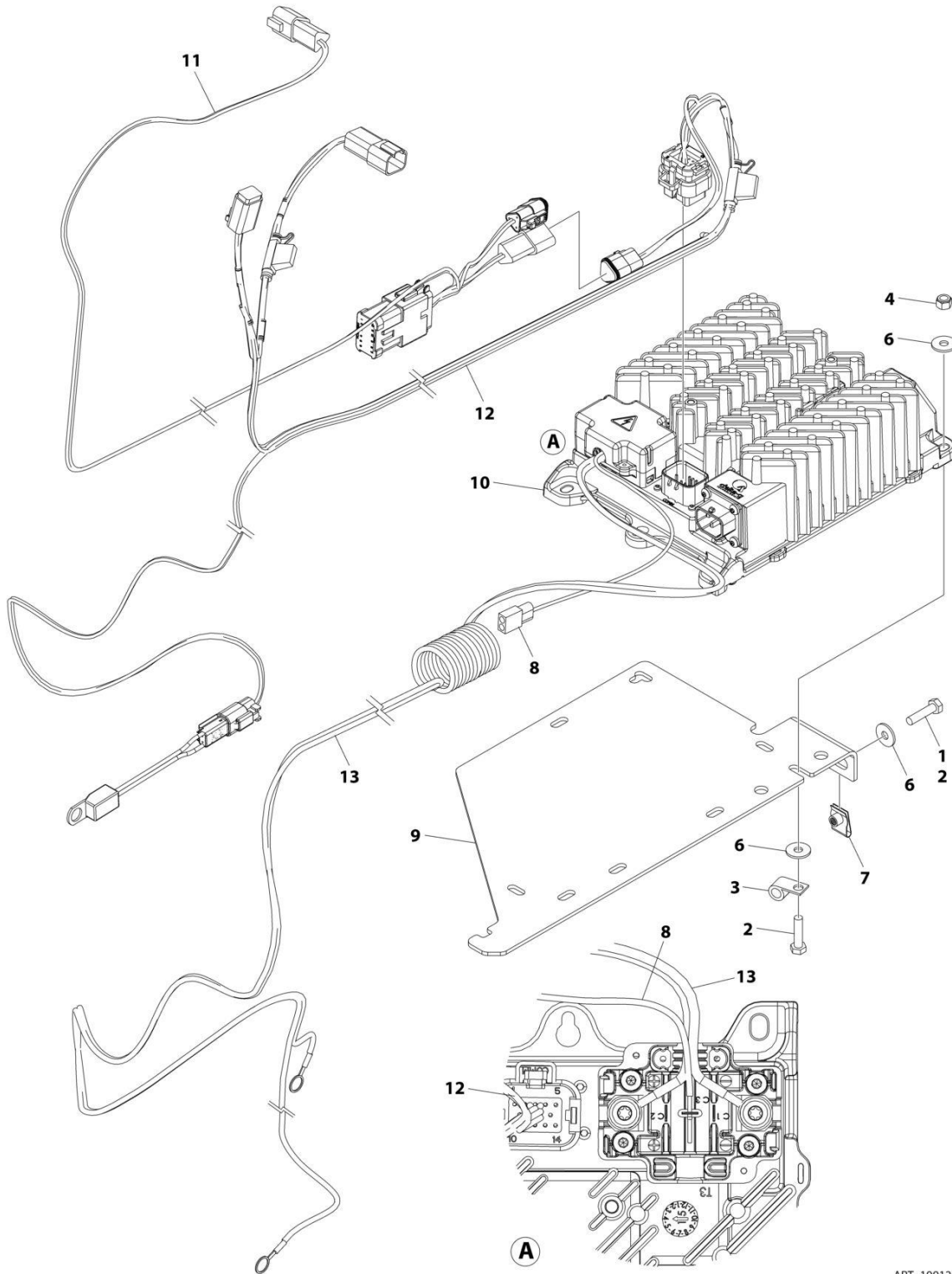
SECTION 1 - FRAME

FIGURE 1-8. BATTERY CHARGER INSTALLATION - DELTA-Q (WITHOUT COMMUNICATION PORT)

ITEM	PART NUMBER	QTY	DESCRIPTION	REV
	1001263256	Ref	BATTERY CHARGER INSTALLATION - DELTA-Q	A
1	0100011	AR	Compound, Locking	
2	0760612	5	Bolt M6 x 25	
3	1321293	1	Clamp	
4	3290605	3	Nut M6	
5	4240017	AR	Tie-Strap (Not Shown)	
6	4811702	8	Washer M6	
7	1001130220	2	Nut, Tinnerman M6	
8	1001200561	1	Charger, Battery - Delta-Q	
9	1001207009	1	Charger Interlock Harness	
9	4460424	1	Receptacle, Female - 2 Position	
9	4460227	2	Pin, Male	
10	1001236139	1	Bracket	
11	1001256642	1	Charger DC Connection Harness	

SECTION 1 - FRAME

FIGURE 1-9. BATTERY CHARGER INSTALLATION - DELTA-Q (WITH COMMUNICATION PORT)



ART_1001263257

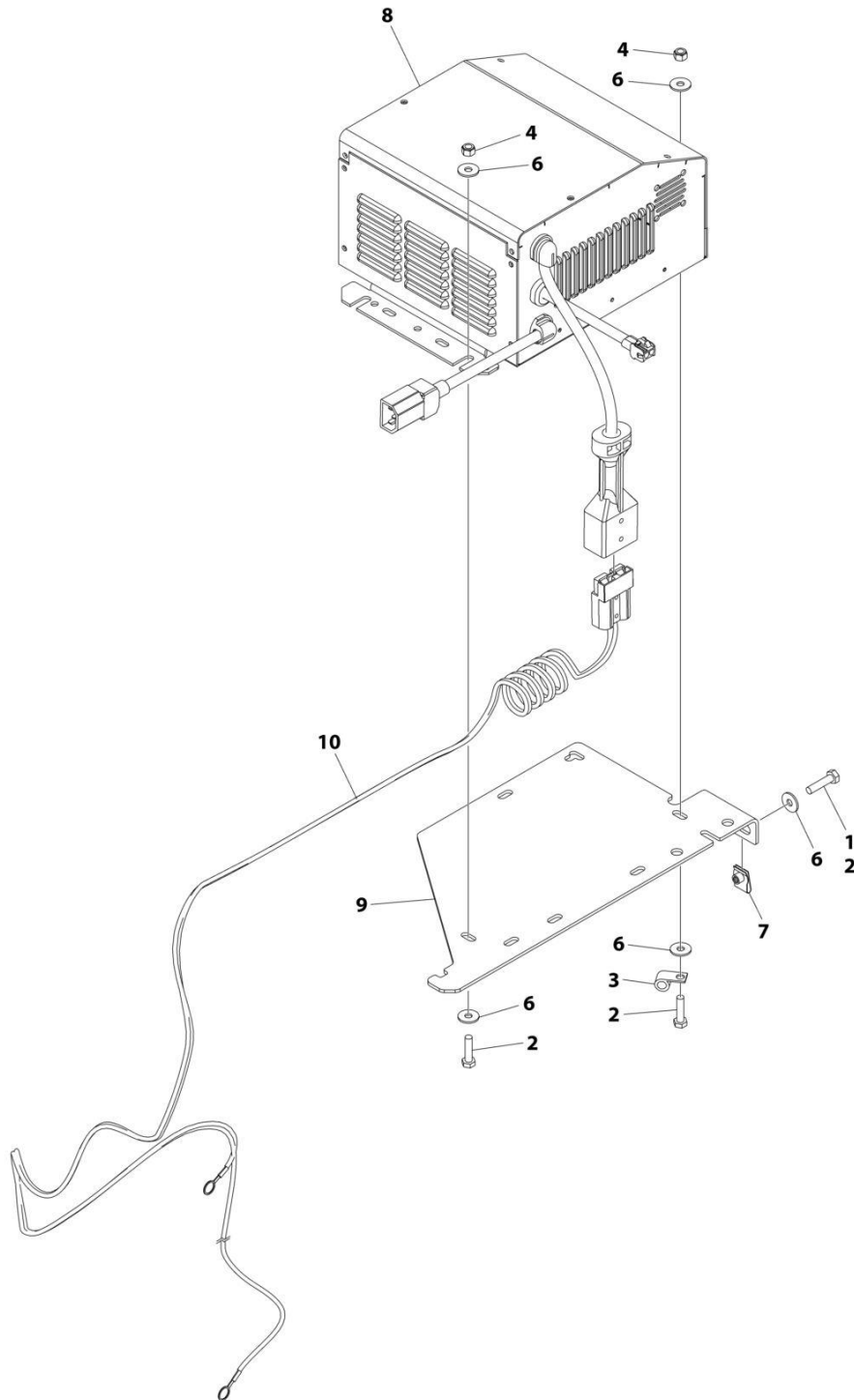
SECTION 1 - FRAME

FIGURE 1-9. BATTERY CHARGER INSTALLATION - DELTA-Q (WITH COMMUNICATION PORT)

ITEM	PART NUMBER	QTY	DESCRIPTION	REV
	1001263257	Ref	BATTERY CHARGER INSTALLATION - DELTA-Q	A
1	0100011	AR	Compound, Locking	
2	0760612	5	Bolt M6 x 25	
3	1321293	1	Clamp	
4	3290605	3	Nut M6	
5	4240017	AR	Tie-Strap (Not Shown)	
6	4811702	8	Washer M6	
7	1001130220	2	Nut, Tinnerman M6	
8	1001207009	1	Charger Interlock Harness	
8	4460424	1	Receptacle, Female - 2 Position	
8	4460227	2	Pin, Male	
9	1001236139	1	Bracket	
10	1001253952	1	Charger, Battery - Delta-Q	
11	1001254027	1	Can Splice Harness (See Separate Breakdown in ELECTRICAL Section)	
12	1001254028	1	Charger To Battery Harness (See Separate Breakdown in ELECTRICAL Section)	
13	1001256642	1	Battery Charger to DC Connection Cable	

SECTION 1 - FRAME

FIGURE 1-10. BATTERY CHARGER INSTALLATION - EAGLE PERFORMANCE



ART_1001263258

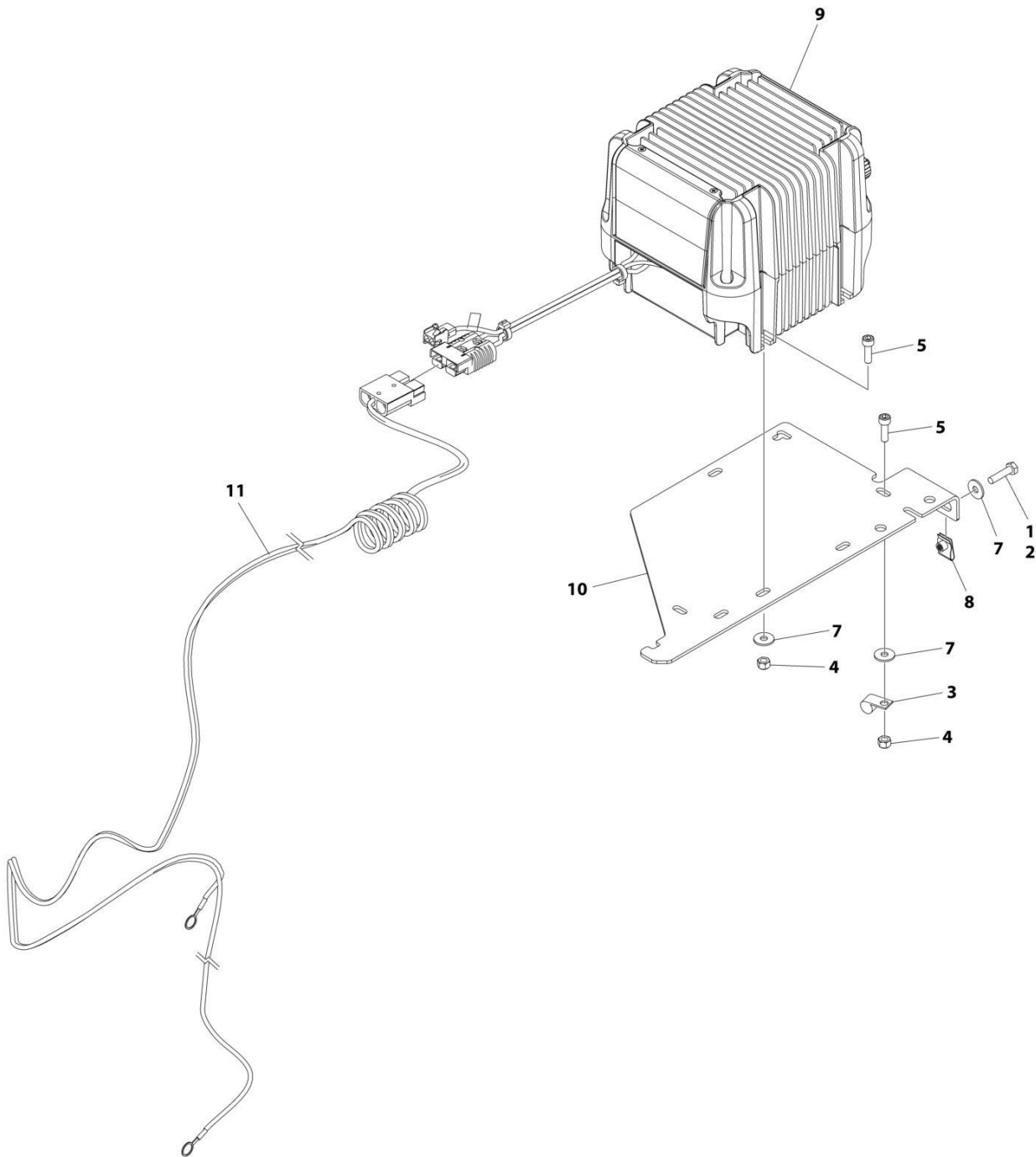
SECTION 1 - FRAME

FIGURE 1-10. BATTERY CHARGER INSTALLATION - EAGLE PERFORMANCE

ITEM	PART NUMBER	QTY	DESCRIPTION	REV
	1001263258	Ref	BATTERY CHARGER INSTALLATION - EAGLE PERFORMANCE	A
1	0100011	AR	Compound, Locking	
2	0760612	5	Bolt M6 x 20	
3	1321293	1	Clamp	
4	3290605	3	Nut M6	
5	4240017	AR	Tie-Strap (Not Shown)	
6	4811702	8	Washer M6	
7	1001130220	2	Nut, Tinnerman M6	
8	1001206995	1	Charger, Battery - Eagle Performance	
9	1001236139	1	Bracket	
10	1001256643	1	Charger DC Connection Harness	

SECTION 1 - FRAME

FIGURE 1-11. BATTERY CHARGER INSTALLATION - GREEN POWER



ART_1001263259

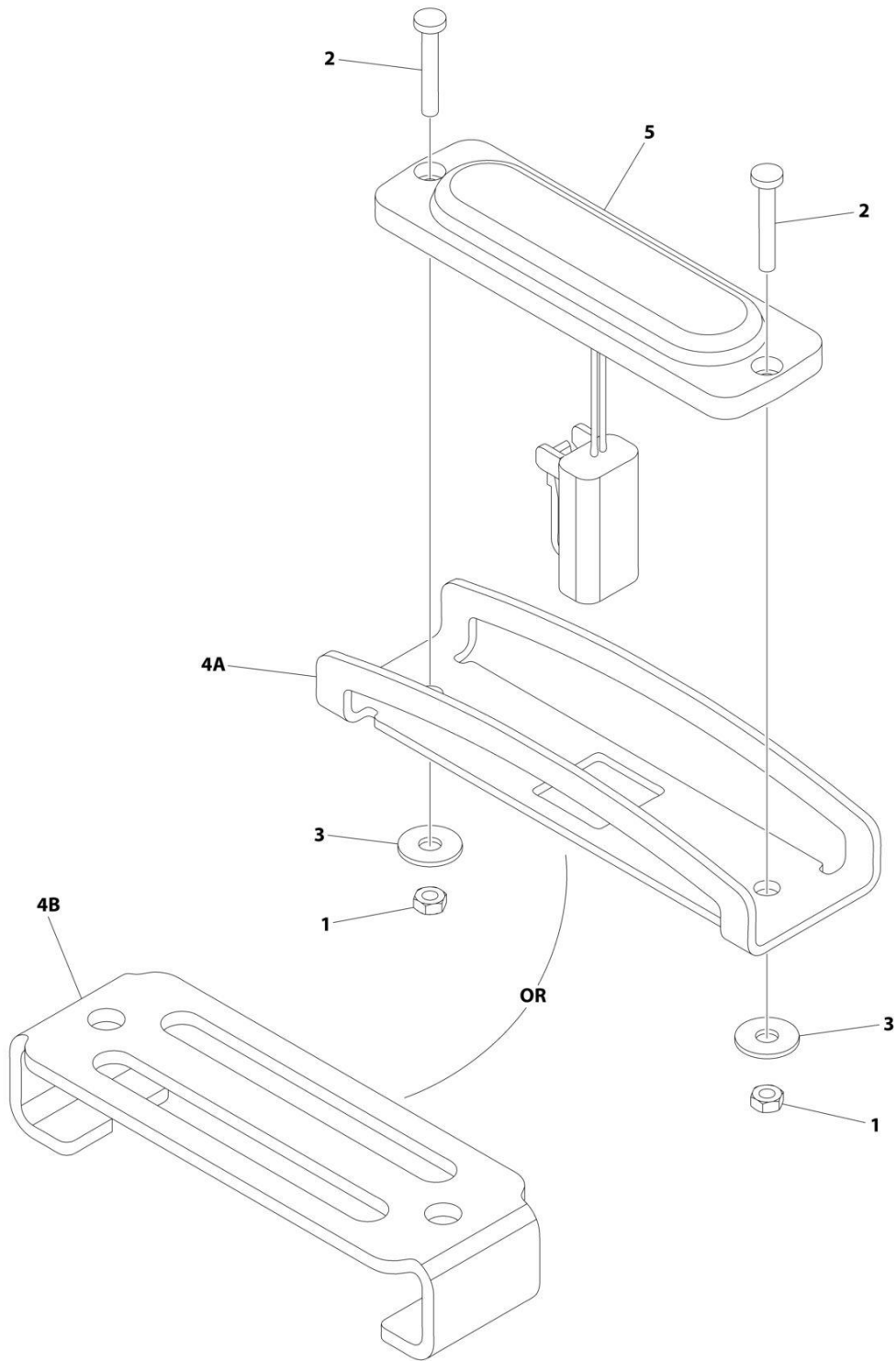
SECTION 1 - FRAME

FIGURE 1-11. BATTERY CHARGER INSTALLATION - GREEN POWER

ITEM	PART NUMBER	QTY	DESCRIPTION	REV
	1001263259	Ref	BATTERY CHARGER INSTALLATION - GREEN POWER	A
1	0100011	AR	Compound, Locking	
2	0700612	2	Bolt M6 x 25	
3	1321293	1	Clamp, Cable	
4	3290605	4	Nut M6	
5	4031708	4	Capscrew M6 x 20	
6	4240017	AR	Tie-Strap (Not Shown)	
7	4811702	6	Washer M6	
8	1001130220	2	Nut, Tinnerman M6	
9	1001205598	1	Charger, Battery Green Power	
10	1001236139	1	Bracket	
11	1001256643	1	Charger DC Connection Harness	

SECTION 1 - FRAME

FIGURE 1-12. STROBE LIGHT INSTALLATION - DUAL (AMBER) (WITHOUT GUARD)



ART_1001242697

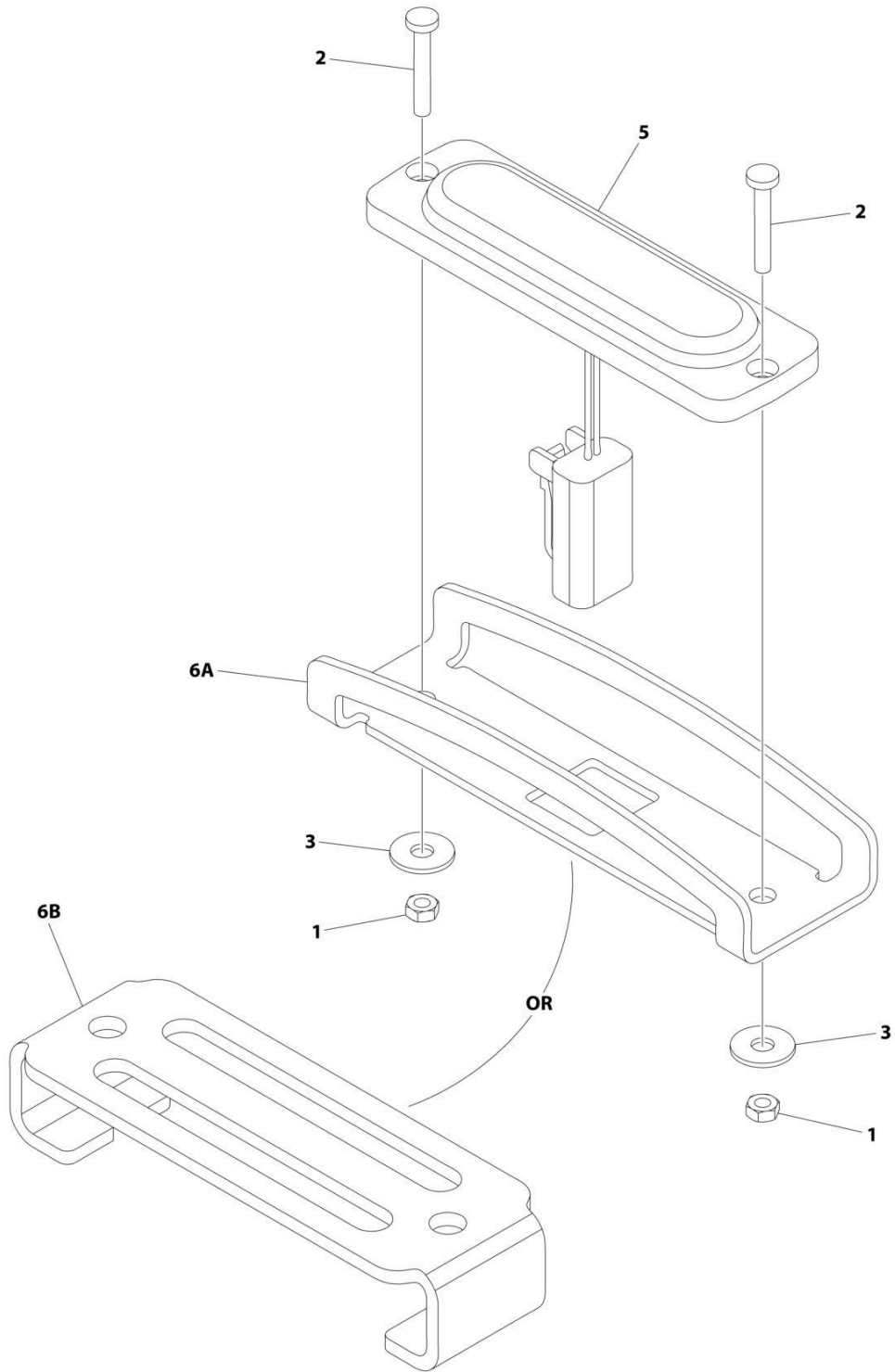
SECTION 1 - FRAME

FIGURE 1-12. STROBE LIGHT INSTALLATION - DUAL (AMBER) (WITHOUT GUARD)

ITEM	PART NUMBER	QTY	DESCRIPTION	REV
	1001242697	Ref	STROBE LIGHT INSTALLATION - SINGLE (AMBER) (WITH GUARD)	D
1	3290305	2	Nut M3	
2	4010310	2	Screw M3 x 20	
3	1001091102	2	Washer M4	
4A	1001242539	1	Guard	
4B	1001239661	1	Cover	
5	1001239224	1	Light, Strobe	
5	4460891	1	Plug, Male - 2 Position	
5	4460465	2	Socket, Female	

SECTION 1 - FRAME

FIGURE 1-13. STROBE LIGHT INSTALLATION - DUAL (AMBER) (WITH GUARD)



ART_1001242990

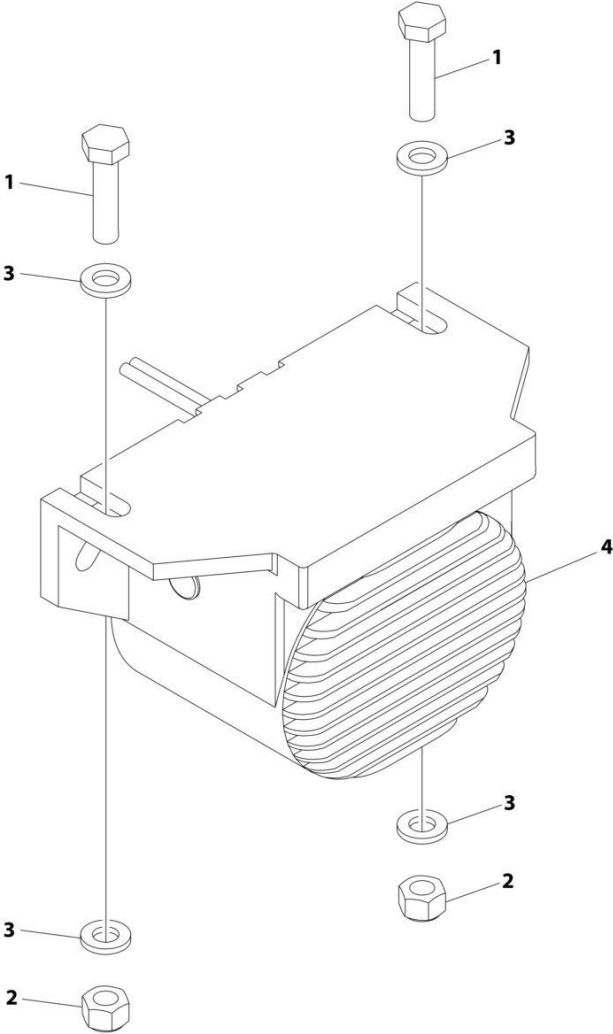
SECTION 1 - FRAME

FIGURE 1-13. STROBE LIGHT INSTALLATION - DUAL (AMBER) (WITH GUARD)

ITEM	PART NUMBER	QTY	DESCRIPTION	REV
	1001242990	Ref	STROBE LIGHT INSTALLATION - DUAL (AMBER) (WITH GUARD)	D
1	3290305	4	Nut M3	
2	4010310	4	Screw M3 x 20	
3	1001091102	4	Washer M4	
4	1001215216	1	Strobe Light Jumper Harness (Not Shown)	
4	4460897	2	Receptacle, Female - 2 Position	
4	4460464	4	Pin, Male	
4	4460891	1	Plug, Male - 2 Position	
4	4460465	2	Socket, Female	
5	1001239224	2	Light, Strobe	
5	4460891	1	Plug, Male - 2 Position	
5	4460465	2	Socket, Female	
6A	1001242539	2	Guard	
6B	1001239661	2	Cover	
7	4240018	AR	Tie-Strap (Not Shown)	

SECTION 1 - FRAME

FIGURE 1-14. ALARM INSTALLATION (AMBIENT/WHITE NOISE)



ART_1001204495

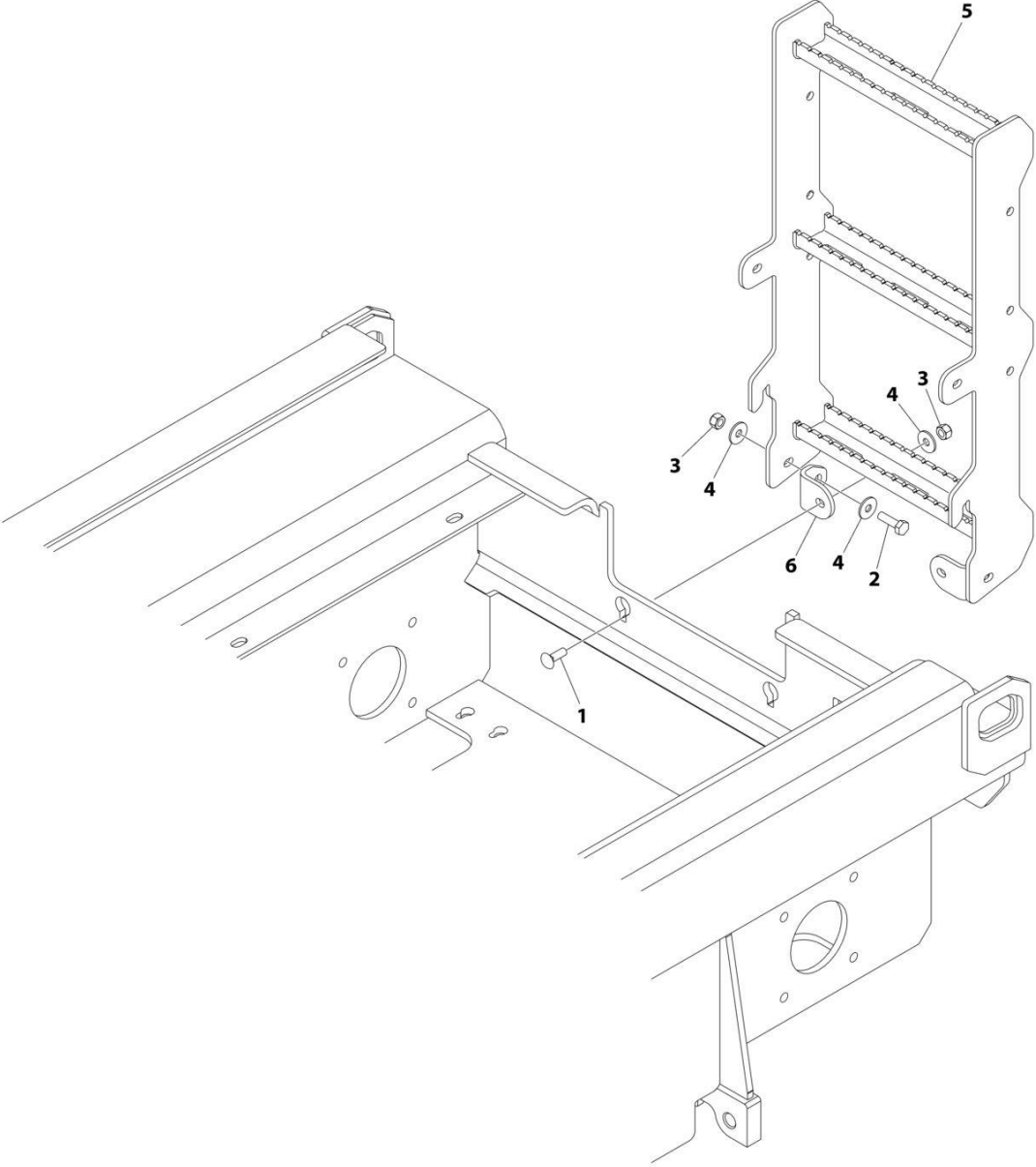
SECTION 1 - FRAME

FIGURE 1-14. ALARM INSTALLATION (AMBIENT/WHITE NOISE)

ITEM	PART NUMBER	QTY	DESCRIPTION	REV
	1001204495	Ref	ALARM INSTALLATION (AMBIENT/WHITE NOISE)	B
1	0760612	2	Bolt M6 x 25	
2	3290605	2	Nut M6	
3	4811700	4	Washer M6	
4	1001182806	1	Alarm	
4	4460897	1	Receptacle, Female - 2 Position	
4	4460464	2	Pin, Male	

SECTION 1 - FRAME

FIGURE 1-15. LADDER INSTALLATION



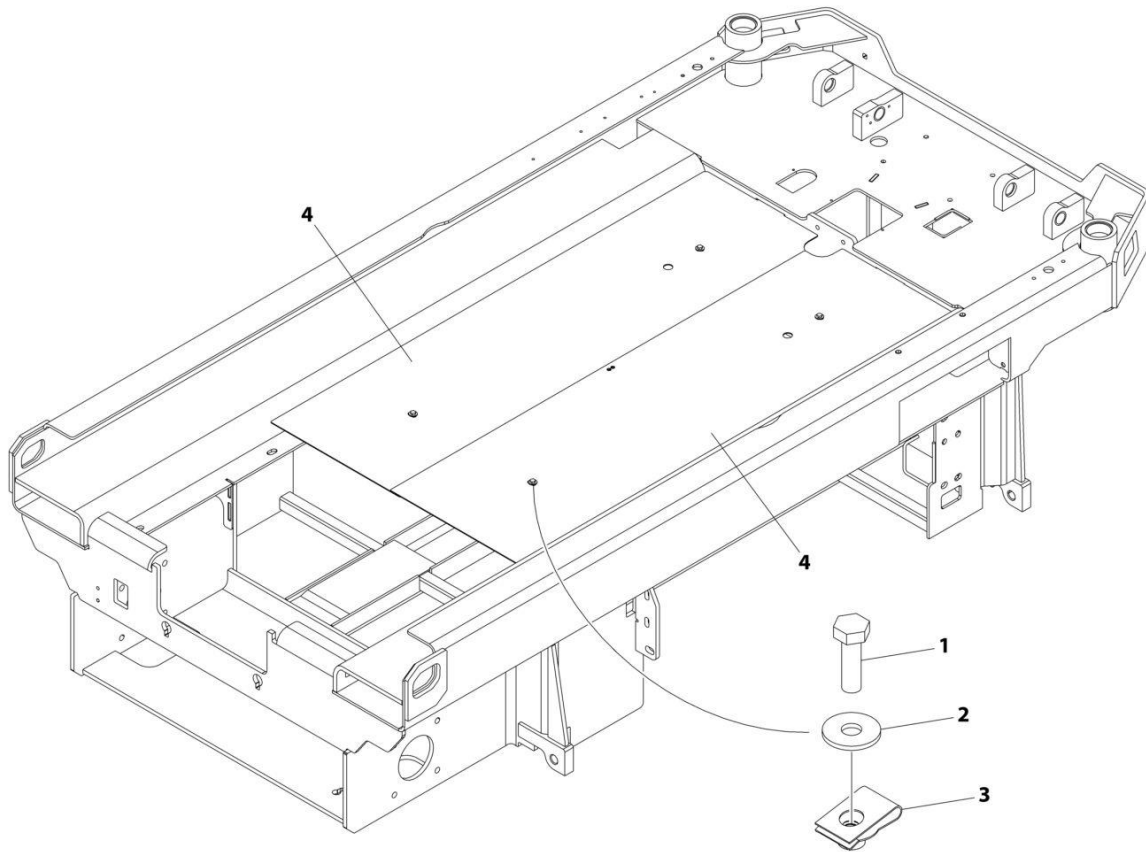
ART_1001234317

FIGURE 1-15. LADDER INSTALLATION

ITEM	PART NUMBER	QTY	DESCRIPTION	REV
	1001234317	Ref	LADDER INSTALLATION	A
1	0630613	2	Bolt M10 x 30	
2	0761015	2	Bolt M10 x 35	
3	3291005	4	Nut M10	
4	4812002	6	Washer M10	
5	1001234842	1	Ladder	
6	1001235955	2	Bracket	

SECTION 1 - FRAME

FIGURE 1-16. FRAME COVERS INSTALLATION



ART_1001236968

SECTION 1 - FRAME

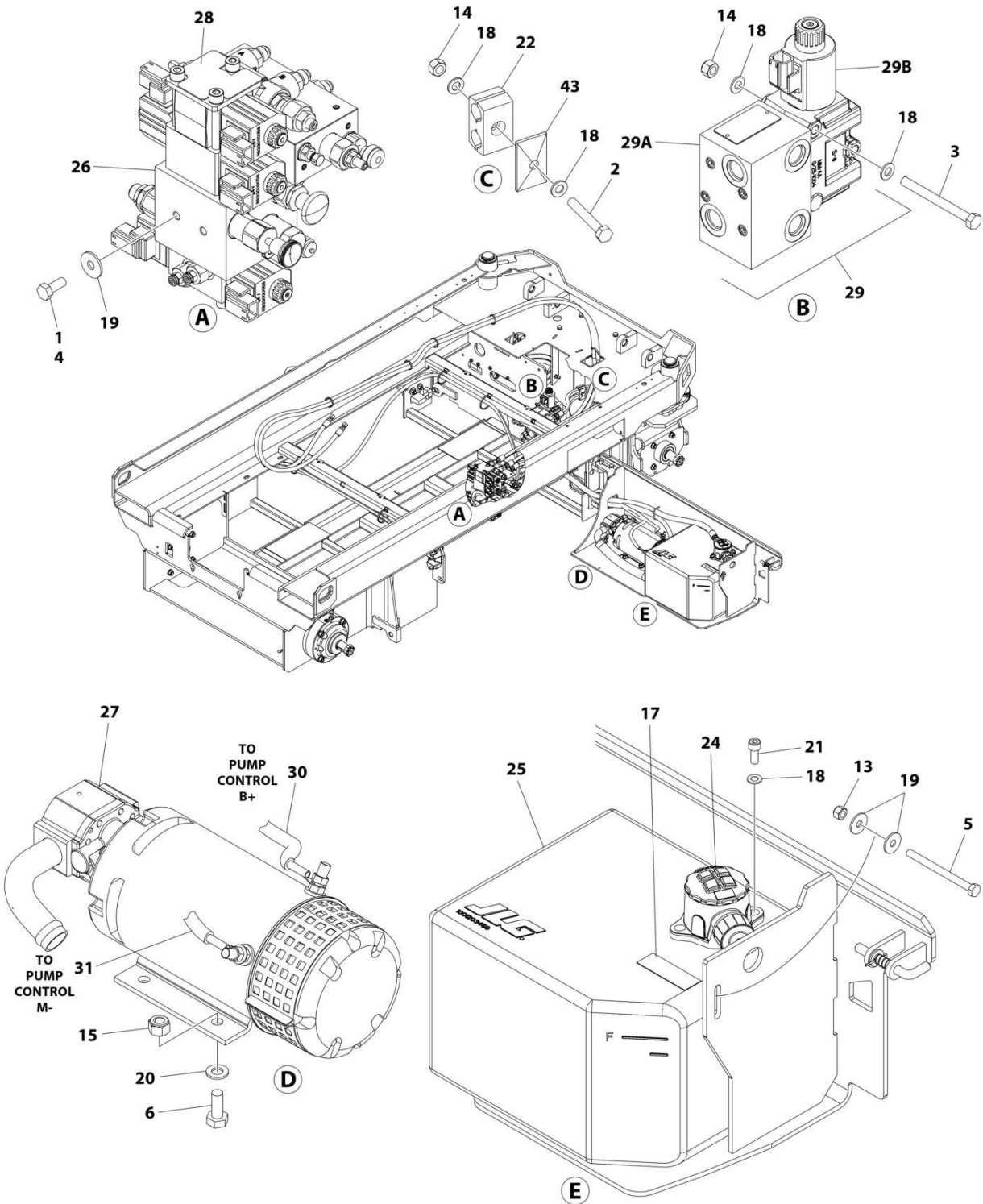
FIGURE 1-16. FRAME COVERS INSTALLATION

ITEM	PART NUMBER	QTY	DESCRIPTION	REV
	1001236968	Ref	FRAME COVERS INSTALLATION	A
1	0760610	4	Bolt M6 x 20	
2	4811702	4	Washer M6	
3	1001130220	4	Nut, Tinnerman M6	
4	1001236531	2	Cover	

SECTION 2 - GROUND CONTROLS

SECTION 2 - GROUND CONTROLS

FIGURE 2-1. HYDRAULIC COMPONENTS INSTALLATION (Prior to SN 1200037158, Prior to SN B200070777, Prior to SN M200046498)



ART_1001380008_F_10F2

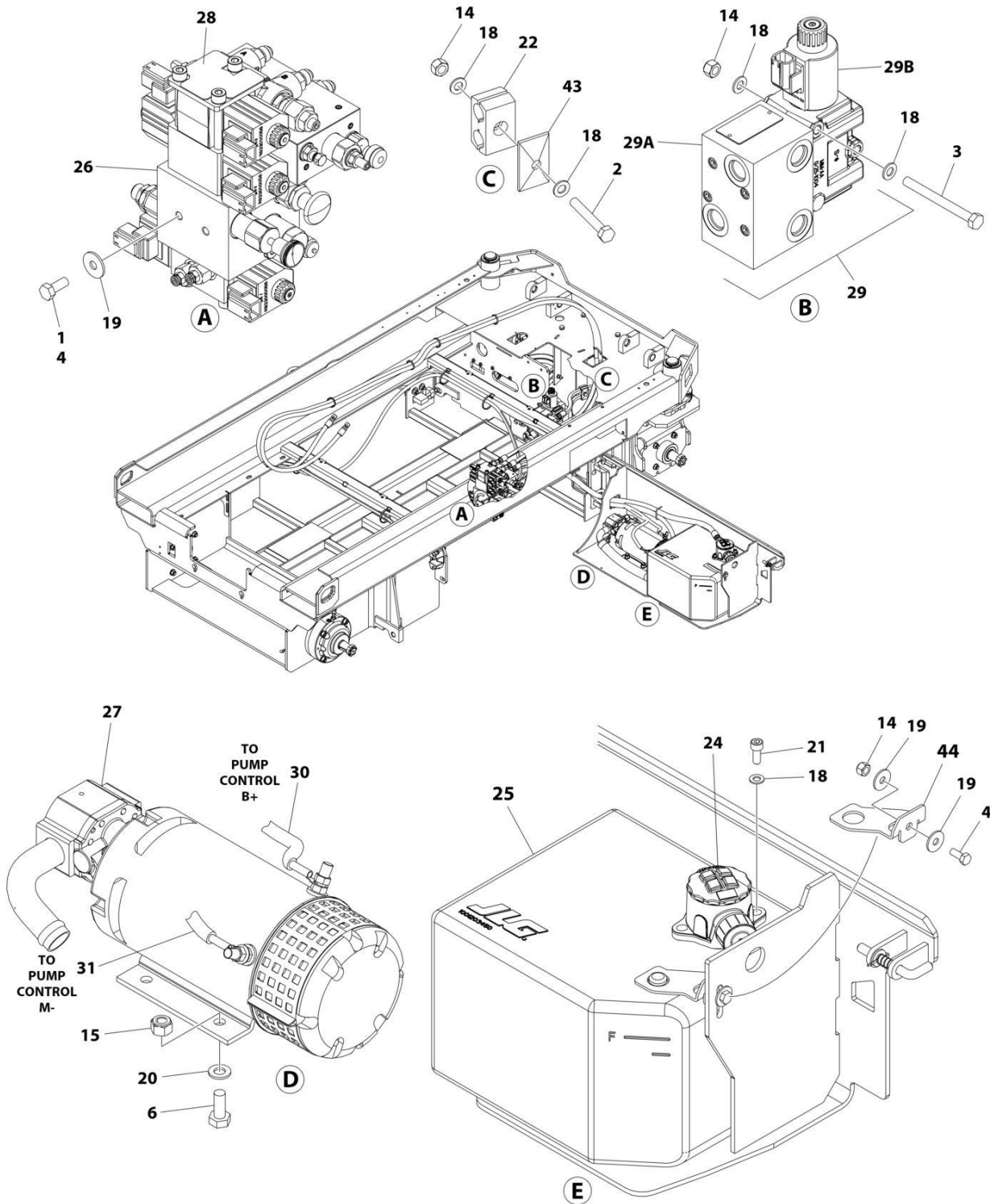
SECTION 2 - GROUND CONTROLS

FIGURE 2-1. HYDRAULIC COMPONENTS INSTALLATION (Prior to SN 1200037158, Prior to SN B200070777, Prior to SN M200046498)

ITEM	PART NUMBER	QTY	DESCRIPTION	REV
	1001380008	Ref	HYDRAULIC COMPONENTS INSTALLATION	F
1	0100011	AR	Compound, Locking	
2	0700819	2	Bolt M8 x 55	
3	0700825	2	Bolt M8 x 85	
4	0760810	2	Bolt M8 x 20	
5	0760827	1	Bolt M8 x 100	
6	0761012	2	Bolt M8 x 25	
13	3290801	1	Nut M8	
14	3290805	4	Nut M8	
15	3291005	2	Nut M10	
16	4240017	AR	Tie-Strap (Not Shown)	
17	4420062	75 mm	Tape	
18	4811900	AR	Washer M8	
19	4811902	4	Washer M8	
20	4812000	2	Washer M10	
21	5271808	2	Capscrew M8 x 20	
22	8750014	2	Clamp	
24	1001202851	1	Filter, Hydraulic	
24	70005423	1	Filter Element Kit (Includes Element, Cap O-Ring and Bowl O-Ring)	
24	70007946	1	O-Ring, Bowl	
25	1001203450	1	Tank, Hydraulic	
26	1001248679	1	Main Valve Assembly (See Separate Breakdown in this Section)	
27	1001204719	1	Motor/Pump Assembly	
27	70005815	1	Replacement Motor	
27	70005817	1	Replacement Pump	
27	70005816	1	Seal and Mounting Kit (Includes Shaft Seal, Retaining Ring, Gasket and Pump Mounting Hardware)	
28	1001212294	1	Decal - Manifold	
29	1001215434	1	Traction Valve Assembly	
29	70006295	4	Screw	
29A	70004465	1	Valve, Flow Divider	
29A	70004164	1	Seal Kit - 70004465 Valve	
29B	70006296	1	Valve, Diverter	
29B	70006297	1	Coil	
29B	70006298	1	Seal, Interface	
29B	70006299	1	Coil Seal & Nut Kit	
30	1001234628	1	Cable, Pump (+)	
31	1001234629	1	Cable, Pump (-)	
43	1321752	2	Clamp	

SECTION 2 - GROUND CONTROLS

FIGURE 2-2. HYDRAULIC COMPONENTS INSTALLATION (SN 1200037158 to Present, SN B200070777 to Present, SN M200046498 to Present)



ART_1001380008_G_10F2

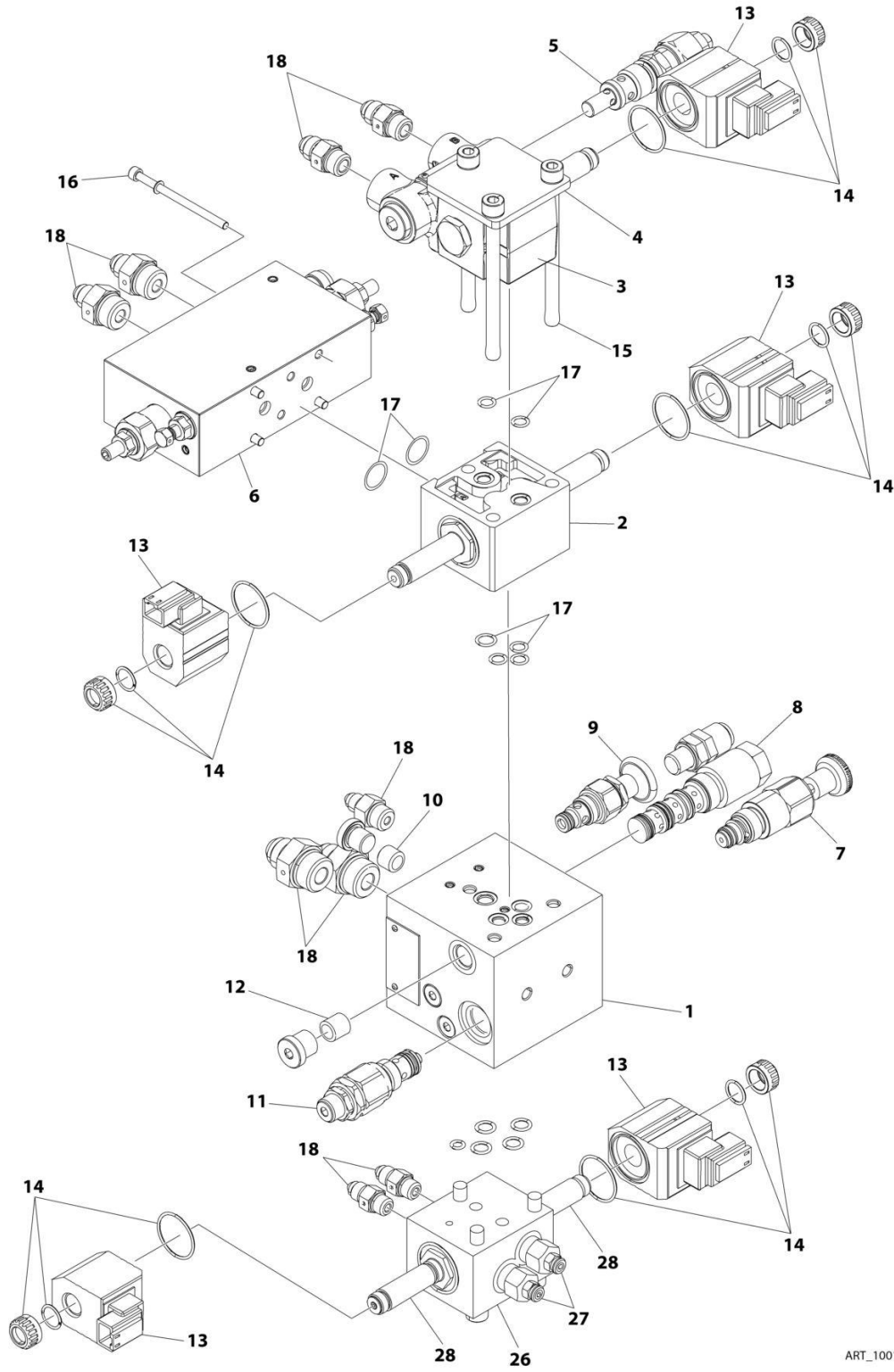
SECTION 2 - GROUND CONTROLS

FIGURE 2-2. HYDRAULIC COMPONENTS INSTALLATION (SN 1200037158 to Present, SN B200070777 to Present, SN M200046498 to Present)

ITEM	PART NUMBER	QTY	DESCRIPTION	REV
	1001380008	Ref	HYDRAULIC COMPONENTS INSTALLATION	G
1	0100011	AR	Compound, Locking	
2	0700819	2	Bolt M8 x 55	
3	0700825	2	Bolt M8 x 85	
4	0760810	3	Bolt M8 x 20	
6	0761012	2	Bolt M8 x 25	
14	3290805	5	Nut M8	
15	3291005	2	Nut M10	
16	4240017	AR	Tie-Strap (Not Shown)	
18	4811900	AR	Washer M8	
19	4811902	4	Washer M8	
20	4812000	2	Washer M10	
21	5271808	2	Capscrew M8 x 20	
22	8750014	2	Clamp	
24	1001202851	1	Filter, Hydraulic	
24	70005423	1	Filter Element Kit (Includes Element, Cap O-Ring and Bowl O-Ring)	
24	70007946	1	O-Ring, Bowl	
25	1001203450	1	Tank, Hydraulic	
26	1001248679	1	Main Valve Assembly (See Separate Breakdown in this Section)	
27	1001204719	1	Motor/Pump Assembly (See Separate Breakdown in this Section)	
27	70005815	1	Replacement Motor	
27	70005817	1	Replacement Pump	
27	70005816	1	Seal and Mounting Kit (Includes Shaft Seal, Retaining Ring, Gasket and Pump Mounting Hardware)	
28	1001212294	1	Decal - Manifold	
29	1001215434	1	Traction Valve Assembly	
29	70006295	4	Screw	
29A	70004465	1	Valve, Flow Divider	
29A	70004164	1	Seal Kit - 70004465 Valve	
29B	70006296	1	Valve, Diverter	
29B	70006297	1	Coil	
29B	70006298	1	Seal, Interface	
29B	70006299	1	Coil Seal & Nut Kit	
30	1001234628	1	Cable, Pump (+)	
31	1001234629	1	Cable, Pump (-)	
43	1321752	2	Clamp	
44	1001269730	1	Bracket, Tank Mounting	

SECTION 2 - GROUND CONTROLS

FIGURE 2-3. MAIN VALVE ASSEMBLY



ART_1001248679

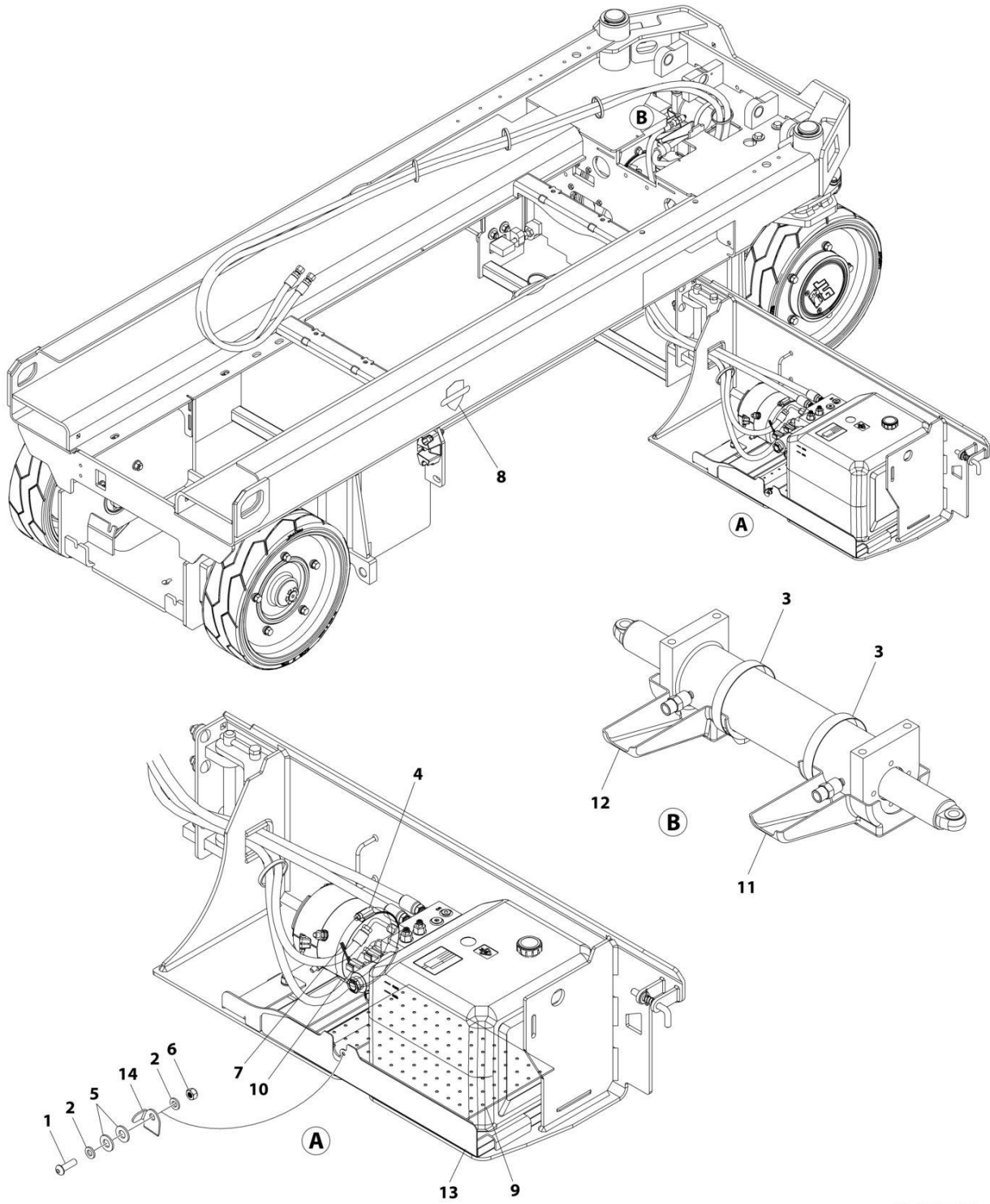
SECTION 2 - GROUND CONTROLS

FIGURE 2-3. MAIN VALVE ASSEMBLY

ITEM	PART NUMBER	QTY	DESCRIPTION	REV
	1001248679	Ref	MAIN VALVE ASSEMBLY	D
1	70007595	1	Valve Assembly (Includes Items 7-9)	
2	70005903	1	Valve Assembly - Lower Drive	
3	70007594	1	Valve Assembly - Lift	
4	70005911	1	Plate	
5	70005909	1	Valve, Cartridge	
6	70007593	1	Valve Assembly - Upperr Drive	
7	70005900	1	Valve, Cartridge	
8	70005898	1	Valve, Cartridge	
9	70005899	1	Valve, Cartridge	
10	70007598	1	Restrictor, Flow	
11	70007596	1	Cartridge, Valve	
12	70007597	1	Orifice	
13	70005893	5	Coil	
14	70021209	5	Coil Nut Kit	
15	70007599	1	Bolt Kit	
16	70007600	1	Bolt Kit	
17	70007601	1	Seal Kit	
18	70007602	1	Fitting Kit	
26	NPN	1	Valve Assembly - Steer	
27	70006301	2	Valve, Cartridge - Relief	
28	NPN	2	Valve, Solenoid Cartridge	

SECTION 2 - GROUND CONTROLS

FIGURE 2-4. CLEAN GUARD INSTALLATION



ART_1001269714

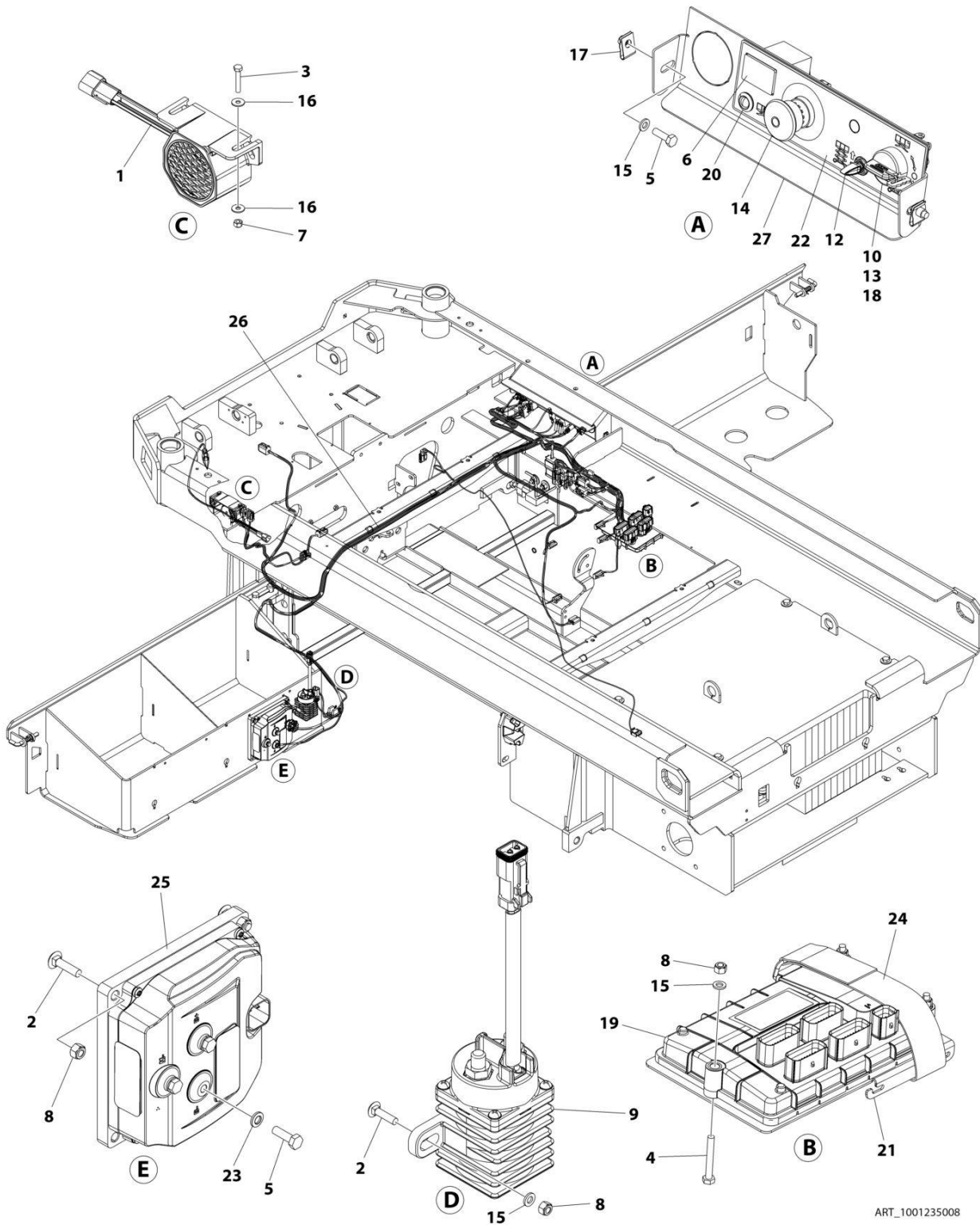
SECTION 2 - GROUND CONTROLS

FIGURE 2-4. CLEAN GUARD INSTALLATION

ITEM	PART NUMBER	QTY	DESCRIPTION	REV
	1001269714	Ref	CLEANGUARD INSTALLATION	B
1	3900364	1	Screw M6 x 20	
2	4811700	2	Washer M6	
3	8405204	2	Clamp	
4	8405402	1	Clamp	
5	1001108581	2	Washer M8	
6	1001170310	1	Nut M6	
7	1001260887	2	Plate, Diverting	
8	1001262581	1	Decal - Clean Guard	
9	1001263359	1	Pad	
10	1001263785	1	Pad	
11	1001265635	1	Tray (LH)	
12	1001265636	1	Tray (RH)	
13	1001269746	1	Tray	
14	1001269747	1	Plate, Stopper	

SECTION 2 - GROUND CONTROLS

FIGURE 2-5. ELECTRICAL COMPONENTS INSTALLATION (MACHINES WITH SN STARTING WITH 12, B2, M2, & G2)



ART_1001235008

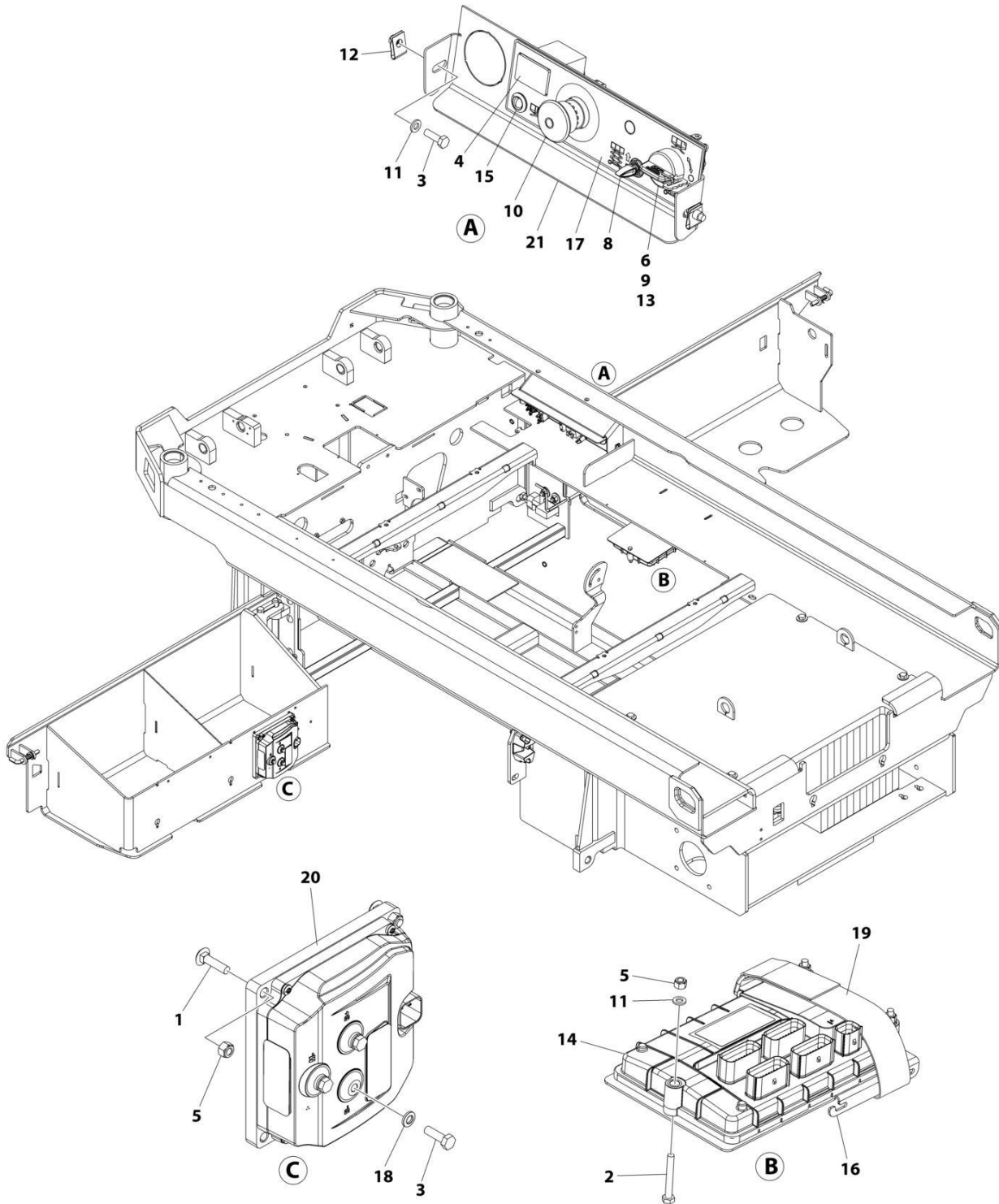
SECTION 2 - GROUND CONTROLS

FIGURE 2-5. ELECTRICAL COMPONENTS INSTALLATION (MACHINES WITH SN STARTING WITH 12, B2, M2, & G2)

ITEM	PART NUMBER	QTY	DESCRIPTION	REV
	1001235008	Ref	ELECTRICAL COMPONENTS INSTALLATION	C
1	0140043	1	Alarm	
2	0630587	4	Bolt M6 x 25	
3	0700412	2	Bolt M4 x 25	
4	0700617	3	Bolt M6 x 45	
5	0760610	5	Bolt M6 x 20	
6	2420172	1	Hourmeter	
7	3290405	2	Nut M4	
8	3290605	7	Nut M6	
9	3740150	1	Relay	
10	3910804	3	Screw #8 x 1/4	
11	4240017	AR	Tie-Strap (Not Shown)	
12	4360328	1	Switch, Toggle	
13	4360469	1	Switch, Key	
13	2860030	1 Set	Key, Replacement	
14	4360475	1	Switch, Emergency Stop (Metal)	
14	7020175	1	Cap	
14	7020176	1	Block, Contact	
14	1001274559	1	Switch, Emergency Stop (Plastic)	
15	4811700	7	Washer M6	
16	1001091102	4	Washer M4	
17	1001130220	2	Nut Tinnerman M6	
18	1001130590	1	Plate	
19	1001200629	1	Module, Control (Note: Recalibration Required when Replaced)	
20	1001200631	1	Light, Indicator (Red)	
21	1001207494	1	Bracket	
22	1001209682	1	Decal - Ground Control	
23	1001210966	3	Washer	
24	1001215762	1	Strap, Clinch	
25	1001216062	1	Module, Power (Note: Recalibration Required when Replaced)	
26	1001234479	1	Chassis Harness (See Separate Breakdown in ELECTRICAL SECTION)	
27	1001235559	1	Support	

SECTION 2 - GROUND CONTROLS

FIGURE 2-6. ELECTRICAL COMPONENTS INSTALLATION - #1 (MACHINES BUILT WITH SN STARTING WITH 12, B2, & G2)



ART_1001237887

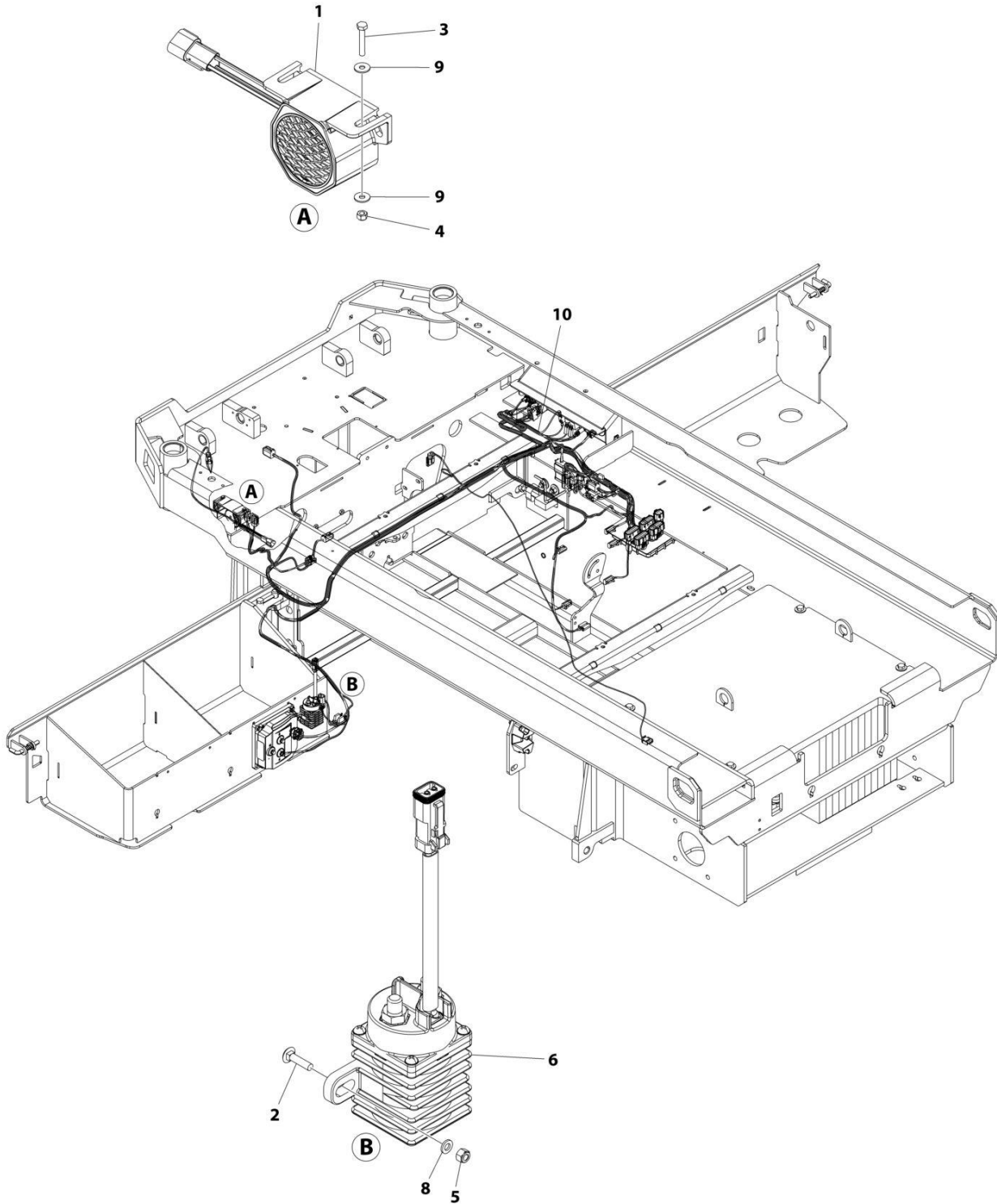
SECTION 2 - GROUND CONTROLS

FIGURE 2-6. ELECTRICAL COMPONENTS INSTALLATION - #1 (MACHINES BUILT WITH SN STARTING WITH 12, B2, & G2)

ITEM	PART NUMBER	QTY	DESCRIPTION	REV
	1001237887	Ref	ELECTRICAL COMPONENTS INSTALLATION	B
1	0630587	2	Bolt M6 x 25	
2	0700617	3	Bolt M6 x 45	
3	0760610	5	Bolt M6 x 20	
4	2420172	1	Hourmeter	
5	3290605	5	Nut M6	
6	3910804	3	Screw #8 x 1/4	
7	4240017	AR	Tie-Strap (Not Shown)	
8	4360328	1	Switch, Toggle	
9	4360469	1	Switch, Key	
9	2860030	1 Set	Key, Replacement	
10	4360475	1	Switch, Emergency Stop (Metal)	
10	7020175	1	Cap	
10	7020176	1	Block, Contact	
10	1001274559	1	Switch, Emergency Stop (Plastic)	
11	4811700	5	Washer M6	
12	1001130220	2	Nut Tinnerman M6	
13	1001130590	1	Plate	
14	1001200629	1	Module, Control (Note: Recalibration Required when Replaced)	
15	1001200631	1	Light, Indicator (Red)	
16	1001207494	1	Bracket	
17	1001209682	1	Decal - Ground Control	
18	1001210966	3	Washer	
19	1001215762	1	Strap, Clinch	
20	1001216062	1	Module, Power (Note: Recalibration Required when Replaced)	
21	1001235559	1	Support	

SECTION 2 - GROUND CONTROLS

FIGURE 2-7. ELECTRICAL COMPONENTS INSTALLATION - #2 (MACHINES WITH SN STARTING WITH 12, B2 & G2)



ART_1001239386

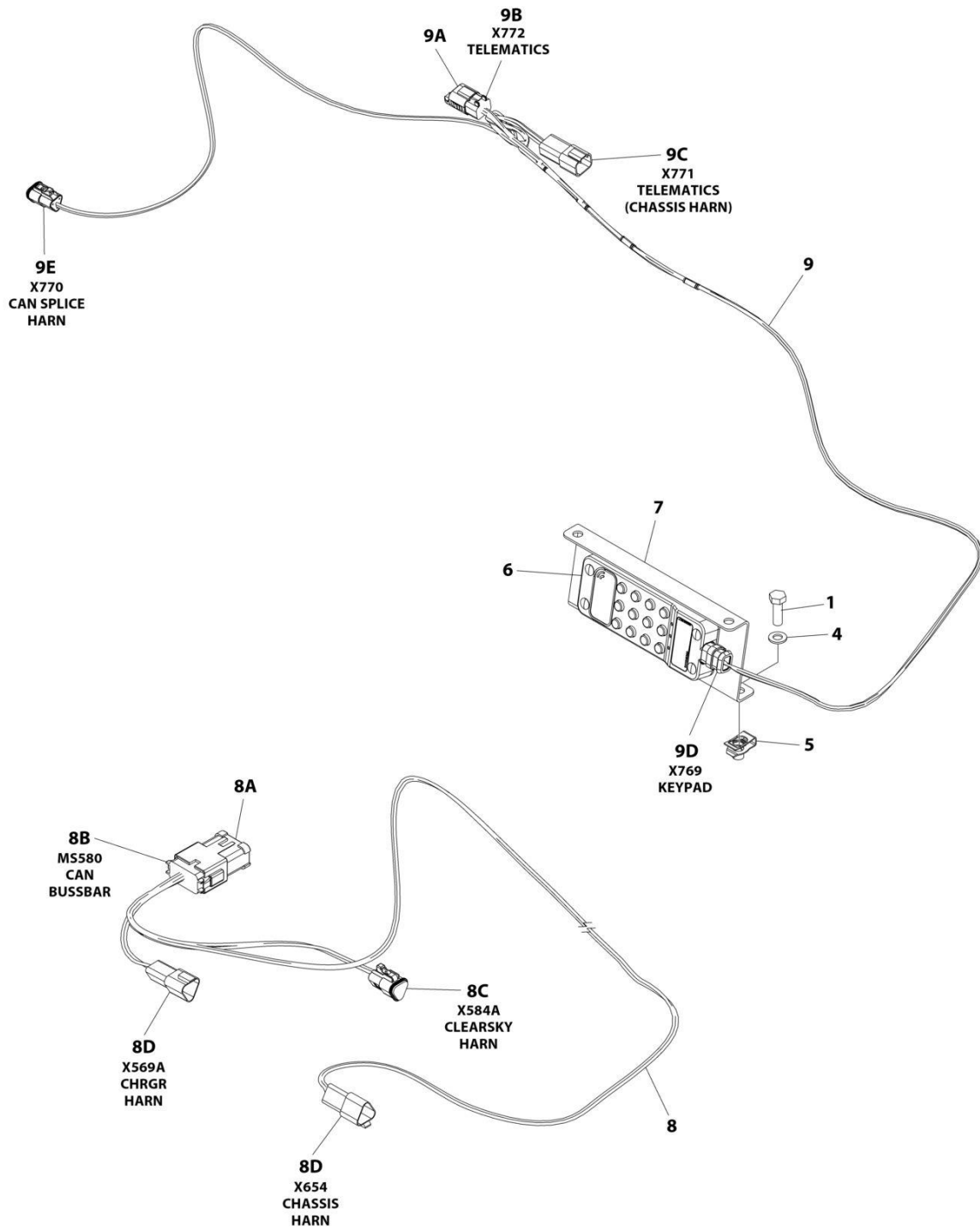
SECTION 2 - GROUND CONTROLS

FIGURE 2-7. ELECTRICAL COMPONENTS INSTALLATION - #2 (MACHINES WITH SN STARTING WITH 12, B2 & G2)

ITEM	PART NUMBER	QTY	DESCRIPTION	REV
	1001239386	Ref	ELECTRICAL COMPONENTS INSTALLATION	B
1	0140043	1	Alarm	
2	0630587	2	Bolt M6 x 25	
3	0700412	2	Bolt M4 x 25	
4	3290405	2	Nut M4	
5	3290605	2	Nut M6	
6	3740150	1	Relay	
7	4240017	AR	Tie-Strap (Not Shown)	
8	4811700	2	Washer M6	
9	1001091102	4	Washer M4	
10	1001283410	1	Chassis Harness with ClearSky (See Separate Breakdown in ELECTRICAL SECTION)	

SECTION 2 - GROUND CONTROLS

FIGURE 2-8. ACCESS CONTROL KEYPAD INSTALLATION



ART_1001258356

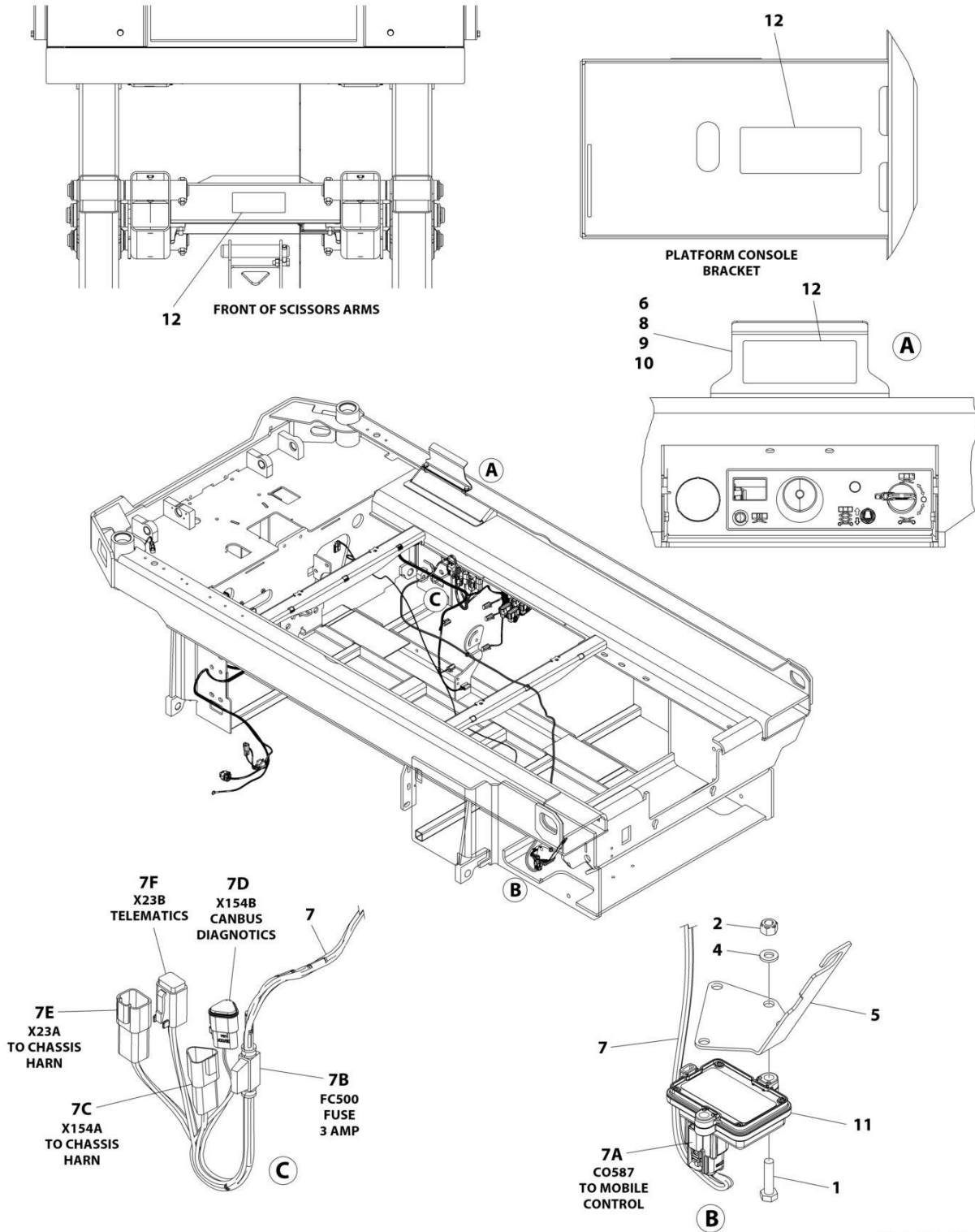
SECTION 2 - GROUND CONTROLS

FIGURE 2-8. ACCESS CONTROL KEYPAD INSTALLATION

ITEM	PART NUMBER	QTY	DESCRIPTION	REV
	1001258356	Ref	ACCESS CONTROL KEYPAD INSTALLATION	A
1	0760812	2	Bolt, M8 x 25	
2	1062255	AR	Tie-Strap (Not Shown)	
3	4240032	AR	Tie-Strap (Not Shown)	
4	4811900	2	Washer M8	
5	1001118274	2	Nut, Tinnerman	
6	1001238392	1	Keypad	
7	1001248773	1	Bracket	
8	1001254027	1	Access Control Keypad Can Splice Harness	
8A	1001125677	AR	Connector, Bus Bar - 12 Position	
8B	4460933	1	Plug, Male - 12 Position	
8B	4460944	6	Socket, Female	
8B	4460466	6	Plug, Terminal	
8C	1001118812	1	Plug, Male - 3 Position	
8C	4460944	2	Socket, Female	
8C	4460466	1	Plug, Terminal	
8D	1001144147	2	Receptacle, Female - 3 Position	
8D	4460943	4	Pin, Male	
8D	4460466	2	Plug, Terminal	
9	1001258691	1	Access Control Keypad Harness	
9A	1001192401	1	Dustcap	
9B	4460884	1	Plug, Male - 4 Position	
9B	4460465	4	Socket, Female	
9C	4460932	1	Receptacle, Female - 4 Position	
9C	4460464	4	Pin, Male	
9D	1001210079	1	Plug, Male - 4 Position	
9D	4460465	2	Socket, Female	
9D	4460944	2	Socket, Female	
9E	1001116812	1	Plug, Male - 3 Position	
9E	4460944	2	Socket, Female	
9E	4460466	1	Plug, Terminal	

SECTION 2 - GROUND CONTROLS

FIGURE 2-9. MOBILE CONTROL INSTALLATION



ART_1001245353

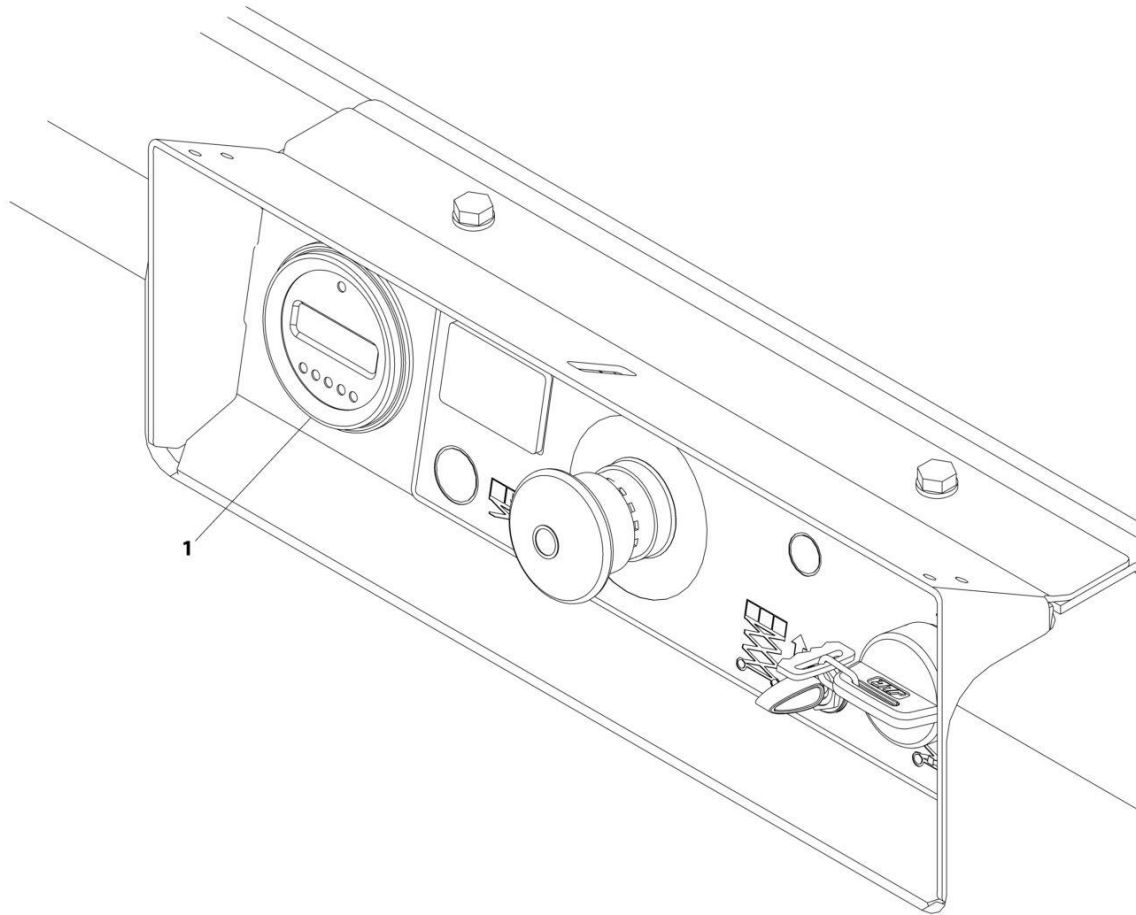
SECTION 2 - GROUND CONTROLS

FIGURE 2-9. MOBILE CONTROL INSTALLATION

ITEM	PART NUMBER	QTY	DESCRIPTION	REV
	1001245353	Ref	MOBILE CONTROL INSTALLATION	C
1	0700612	2	Bolt M6 x 25	
2	3290605	2	Nut M6	
3	4240017	AR	Tie-Strap (Not Shown)	
4	4811700	2	Washer M6	
5	1001244394	1	Bracket, Module	
6	1001244885	1	Plate, Decal	
7	1001245299	1	Mobile Control Harness	
7A	1001205409	1	Connector - 8 Position	
7A	1001162887	4	Terminal	
7A	1001163340	4	Plug, Terminal	
7B	2400060	1	Fuseholder with Cap	
7B	1001196635	1	Fuse 3 Amp	
7C	1001144147	1	Receptacle, Female - 3 Position	
7C	4460943	2	Pin, Male	
7C	4460466	1	Plug, Terminal	
7D	1001116812	1	Plug, Male - 3 Position	
7D	4460944	2	Socket, Female	
7D	4460466	1	Plug, Terminal	
7E	4460932	1	Receptacle, Female - 4 Position	
7E	4460464	4	Pin, Terminal	
7F	4460884	1	Pin, Male	
7F	4460465	4	Socket, Female	
8	0760810	2	Bolt M8 x 20	
9	4811900	2	Washer M8	
10	1001118274	2	Nut Tinnerman M8	
11	1001245293	1	Control, Mobile	
12	1001248768	3	Decal, Mobile Control	
13	3121792	1	Manual, Mobile Control (Not Shown)	

SECTION 2 - GROUND CONTROLS

FIGURE 2-10. MDI INSTALLATION



ART_1001207293

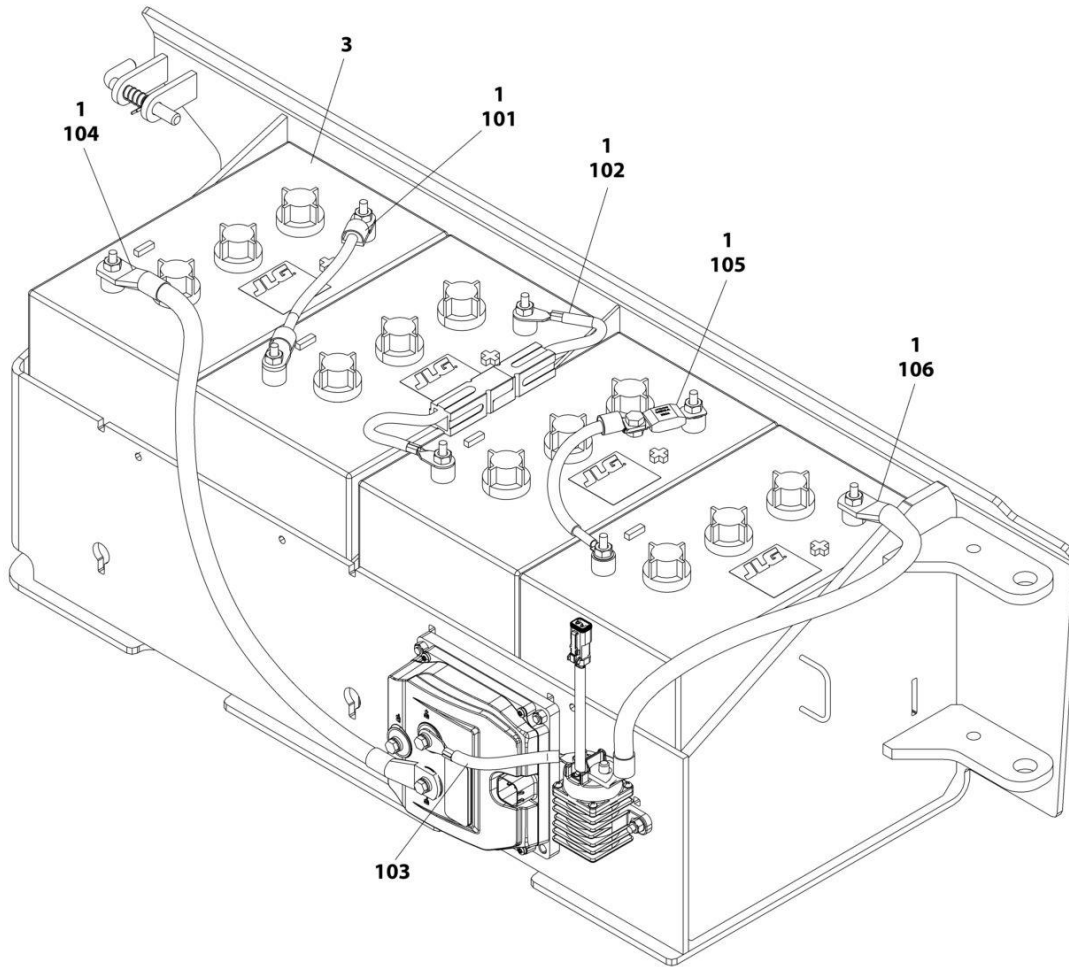
SECTION 2 - GROUND CONTROLS

FIGURE 2-10. MDI INSTALLATION

ITEM	PART NUMBER	QTY	DESCRIPTION	REV
1	1001207293 1001200632	Ref 1	MDI INSTALLATION Gauge, MDI	B

SECTION 2 - GROUND CONTROLS

FIGURE 2-11. BATTERIES INSTALLATION - STANDARD 6V-255AH



ART_1001235834

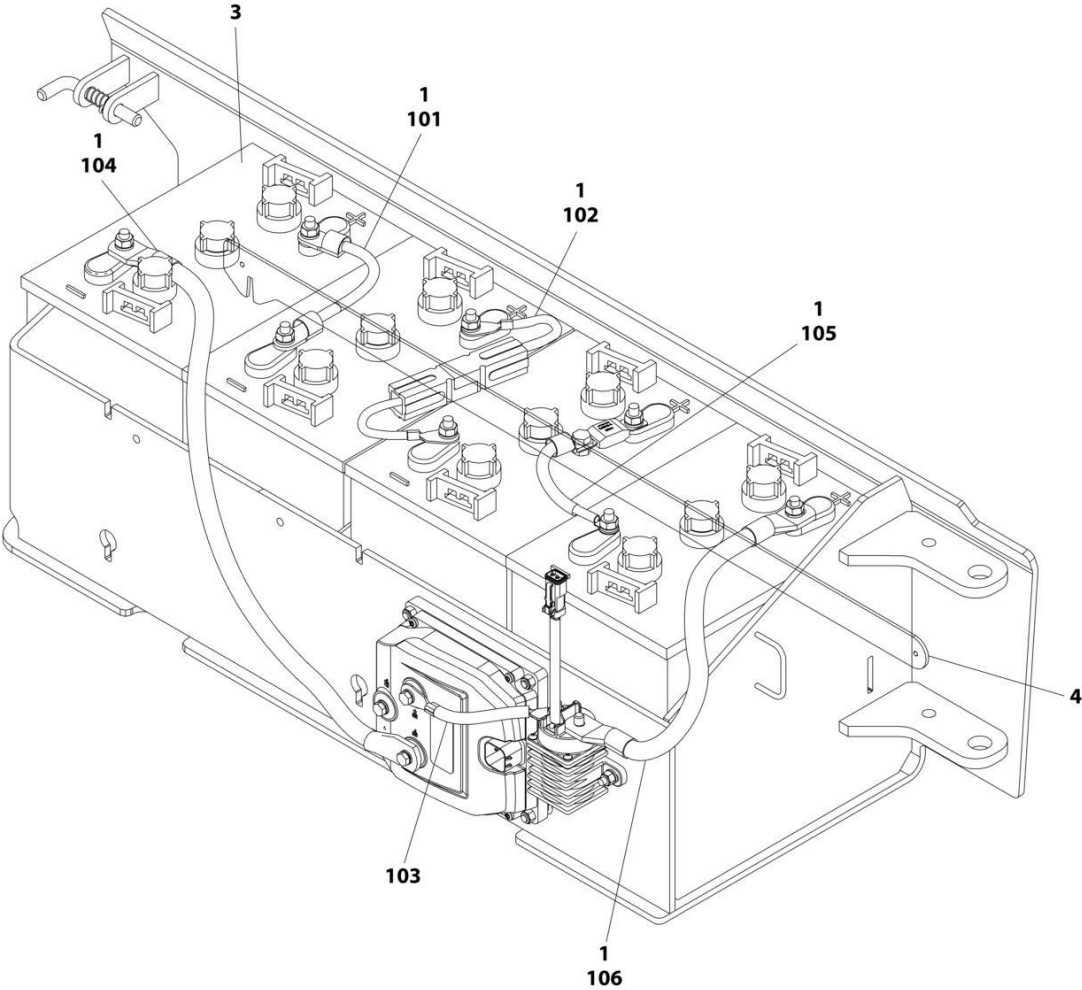
SECTION 2 - GROUND CONTROLS

FIGURE 2-11. BATTERIES INSTALLATION - STANDARD 6V-255AH

ITEM	PART NUMBER	QTY	DESCRIPTION	REV
	1001235834	Ref	BATTERIES INSTALLATION	A
1	0100051	AR	Grease, Terminal	
2	4240017	AR	Tie-Strap (Not Shown)	
3	1001235106	4	Battery	
100	1001228123	1	Battery Cable Kit (Not Shown)	
101	1060998	1	Cable, Positive to Negative	
102	4923328	1	Cable, Positive to Negative	
103	1001201708	1	Cable, Contactor to Pump Control B+	
104	1001201711	1	Cable, Battery Negative to Pump Control B-	
105	1001210401	1	Cable, Battery Fuse	
106	1001229110	1	Cable, Battery Positive to Contactor	

SECTION 2 - GROUND CONTROLS

FIGURE 2-12. BATTERIES INSTALLATION - STANDARD 6V-220AH



ART_1001236632

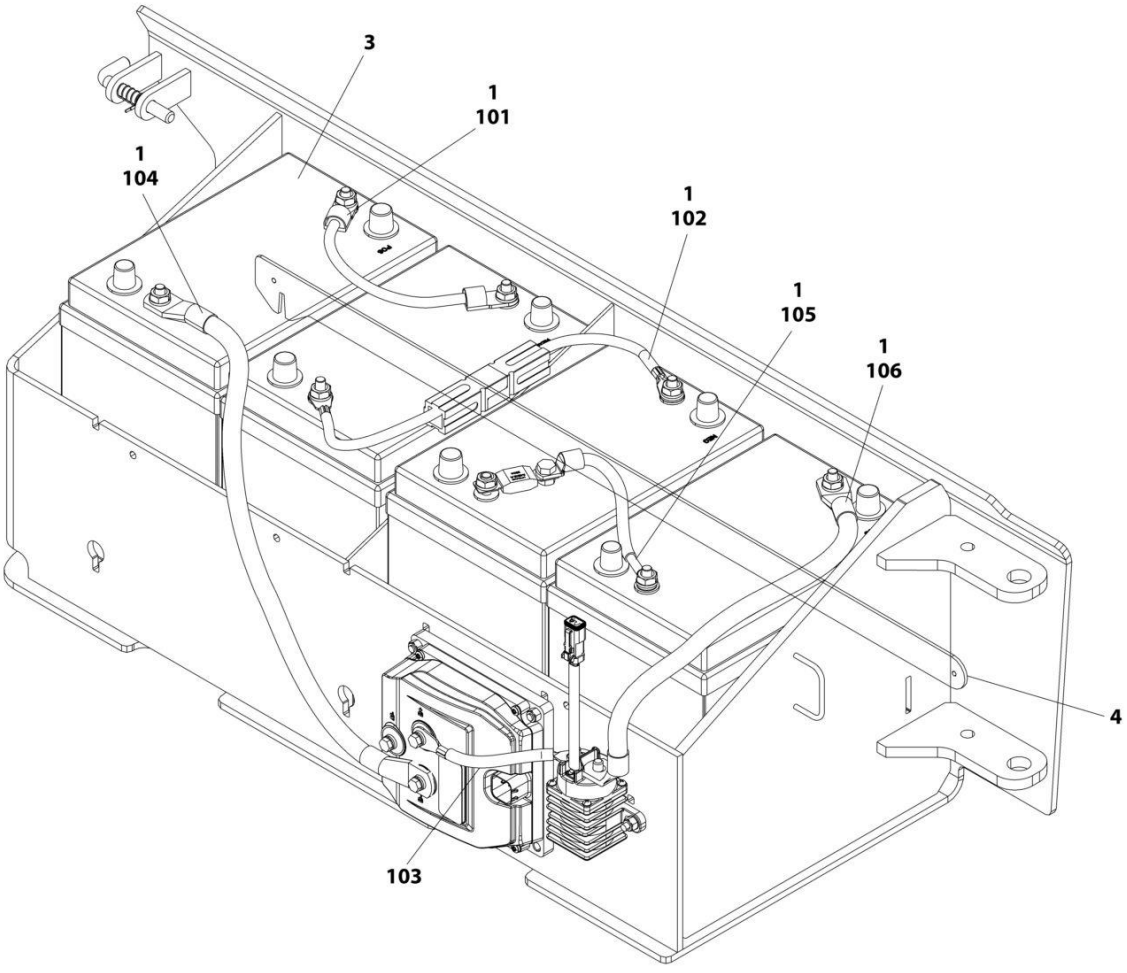
SECTION 2 - GROUND CONTROLS

FIGURE 2-12. BATTERIES INSTALLATION - STANDARD 6V-220AH

ITEM	PART NUMBER	QTY	DESCRIPTION	REV
	1001236632	Ref	BATTERIES INSTALLATION	B
1	0100051	AR	Grease, Terminal	
2	4240017	AR	Tie-Strap (Not Shown)	
3	1001216180	4	Battery	
4	1001239269	1	Bar	
100	1001228123	1	Battery Cable Kit (Not Shown)	
101	1060998	1	Cable, Positive to Negative	
102	4923328	1	Cable, Positive to Negative	
103	1001201708	1	Cable, Contactor to Pump Control B+	
104	1001201711	1	Cable, Battery Negative to Pump Control B-	
105	1001210401	1	Cable, Battery Fuse	
106	1001229110	1	Cable, Battery Positive to Contactor	

SECTION 2 - GROUND CONTROLS

FIGURE 2-13. BATTERIES INSTALLATION - AGM 6V-220AH



ART_1001237989

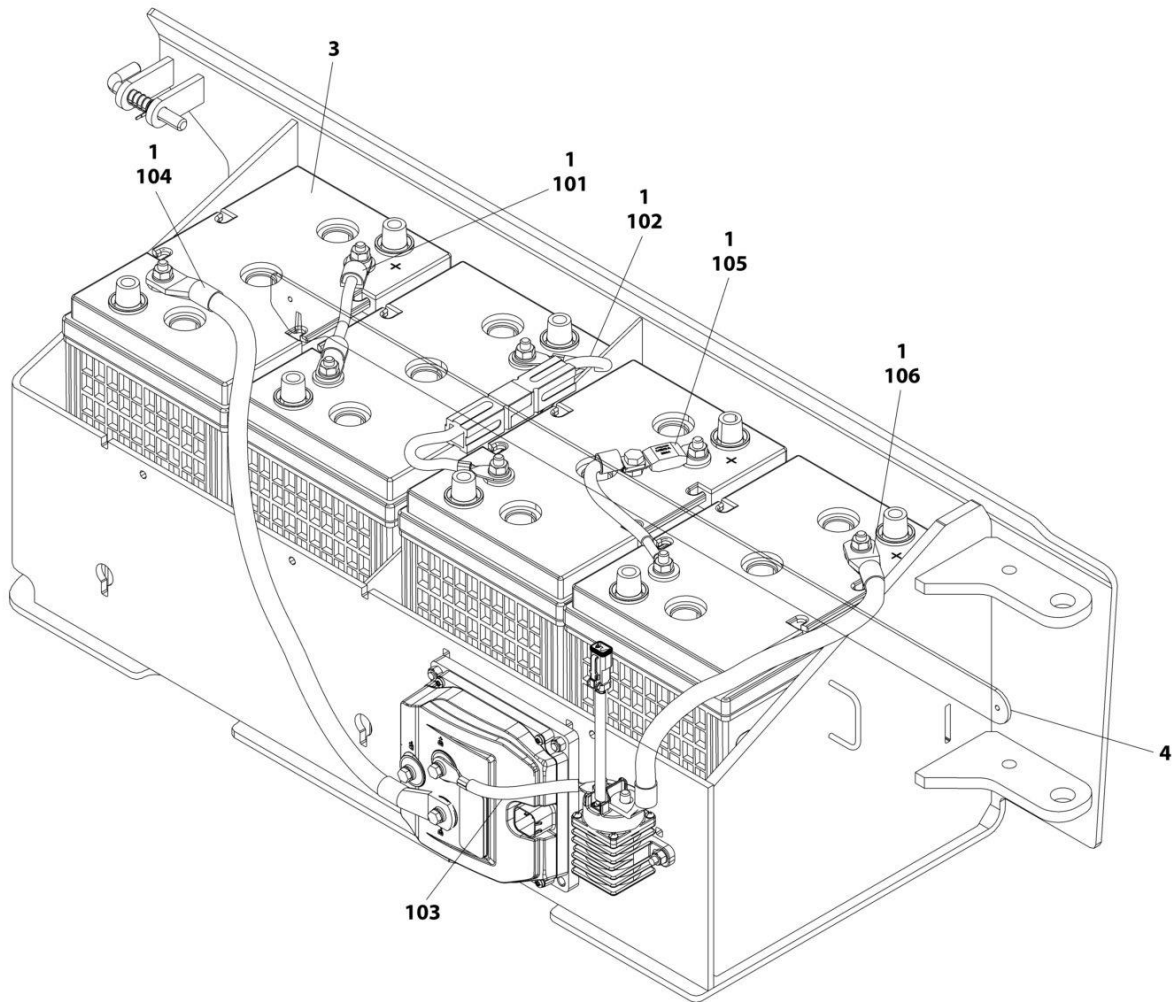
SECTION 2 - GROUND CONTROLS

FIGURE 2-13. BATTERIES INSTALLATION - AGM 6V-220AH

ITEM	PART NUMBER	QTY	DESCRIPTION	REV
	1001237989	Ref	BATTERIES INSTALLATION	B
1	0100051	AR	Grease, Terminal	
2	4240017	AR	Tie-Strap (Not Shown)	
3	1001112112	4	Battery	
4	1001239269	1	Bar	
100	1001228123	1	Battery Cable Kit (Not Shown)	
101	1060998	1	Cable, Positive to Negative	
102	4923328	1	Cable, Positive to Negative	
103	1001201708	1	Cable, Contactor to Pump Control B+	
104	1001201711	1	Cable, Battery Negative to Pump Control B-	
105	1001210401	1	Cable, Battery Fuse	
106	1001229110	1	Cable, Battery Positive to Contactor	

SECTION 2 - GROUND CONTROLS

FIGURE 2-14. BATTERIES INSTALLATION - AGM EVCG 6V-220AH



ART_1001237991

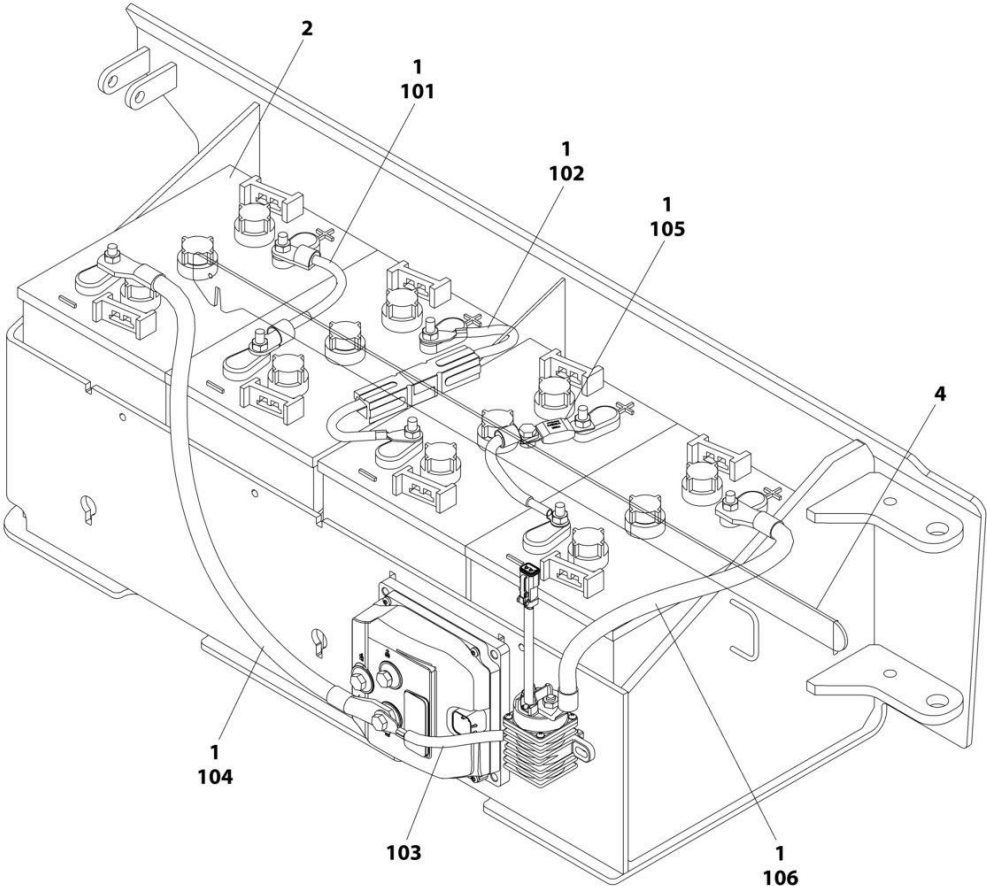
SECTION 2 - GROUND CONTROLS

FIGURE 2-14. BATTERIES INSTALLATION - AGM EVCG 6V-220AH

ITEM	PART NUMBER	QTY	DESCRIPTION	REV
	1001237991	Ref	BATTERIES INSTALLATION	B
1	0100051	AR	Grease, Terminal	
2	4240017	AR	Tie-Strap (Not Shown)	
3	1001214347	4	Battery	
4	1001239269	1	Bar	
100	1001228123	1	Battery Cable Kit (Not Shown)	
101	1060998	1	Cable, Positive to Negative	
102	4923328	1	Cable, Positive to Negative	
103	1001201708	1	Cable, Contactor to Pump Control B+	
104	1001201711	1	Cable, Battery Negative to Pump Control B-	
105	1001210401	1	Cable, Battery Fuse	
106	1001229110	1	Cable, Battery Positive to Contactor	

SECTION 2 - GROUND CONTROLS

FIGURE 2-15. BATTERIES INSTALLATION - 6V-220AH (TROJAN)



ART_1001249054

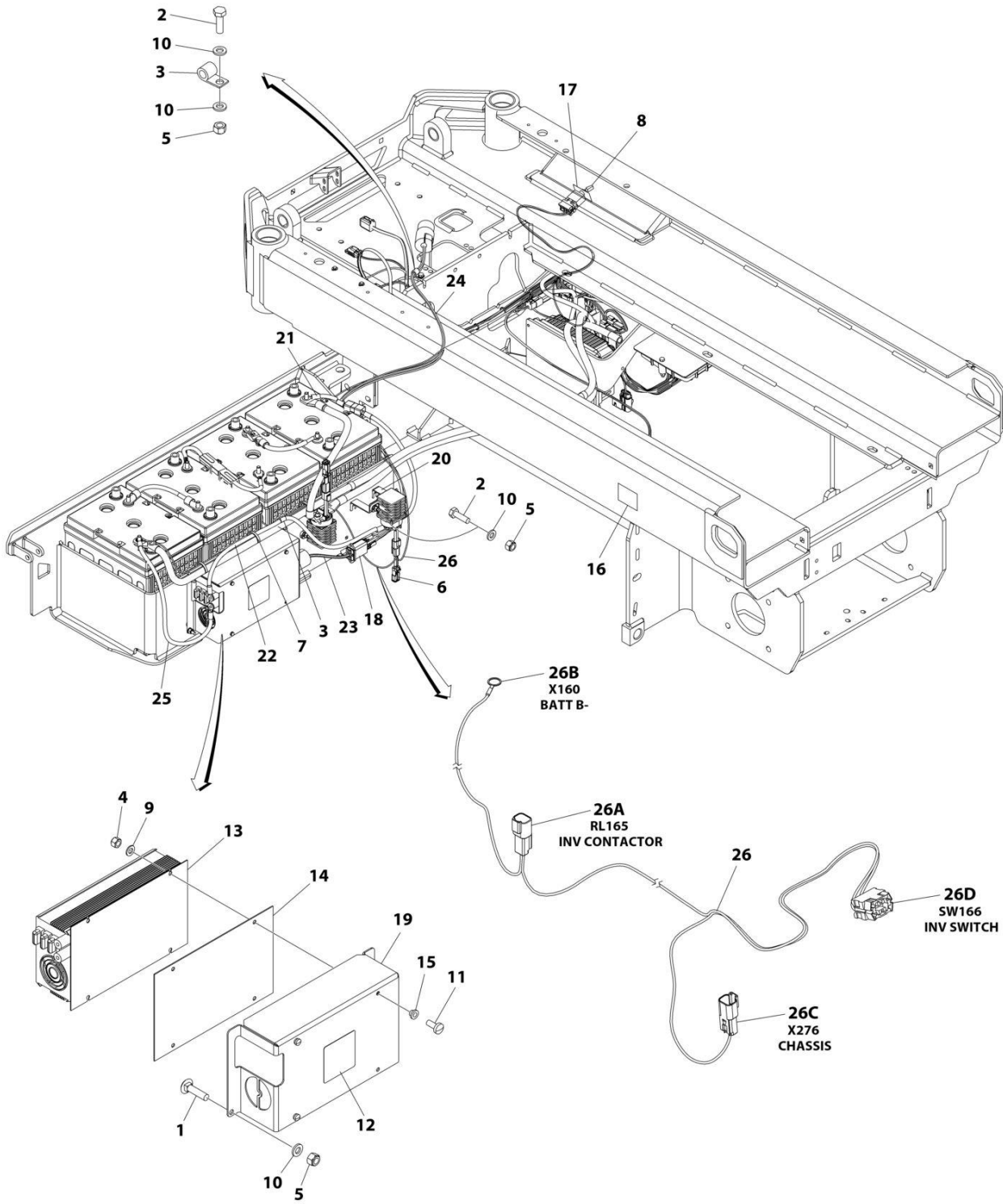
SECTION 2 - GROUND CONTROLS

FIGURE 2-15. BATTERIES INSTALLATION - 6V-220AH (TROJAN)

ITEM	PART NUMBER	QTY	DESCRIPTION	REV
	1001249054	Ref	BATTERIES INSTALLATION	B
1	0100051	AR	Grease, Terminal	
2	1001258498	4	Battery	
3	4240017	AR	Tie-Strap (Not Shown)	
4	1001239269	1	Bar	
100	1001228123	1	Battery Cable Kit (Not Shown)	
101	1060998	1	Cable, Positive to Negative	
102	4923328	1	Cable, Positive to Negative	
103	1001201708	1	Cable, Contactor to Pump Control B+	
104	1001201711	1	Cable, Battery Negative to Pump Control B-	
105	1001210401	1	Cable, Battery Fuse	
106	1001229110	1	Cable, Battery Positive to Contactor	

SECTION 2 - GROUND CONTROLS

FIGURE 2-16. INVERTER INSTALLATION (OPTIONAL)



ART_1001257121

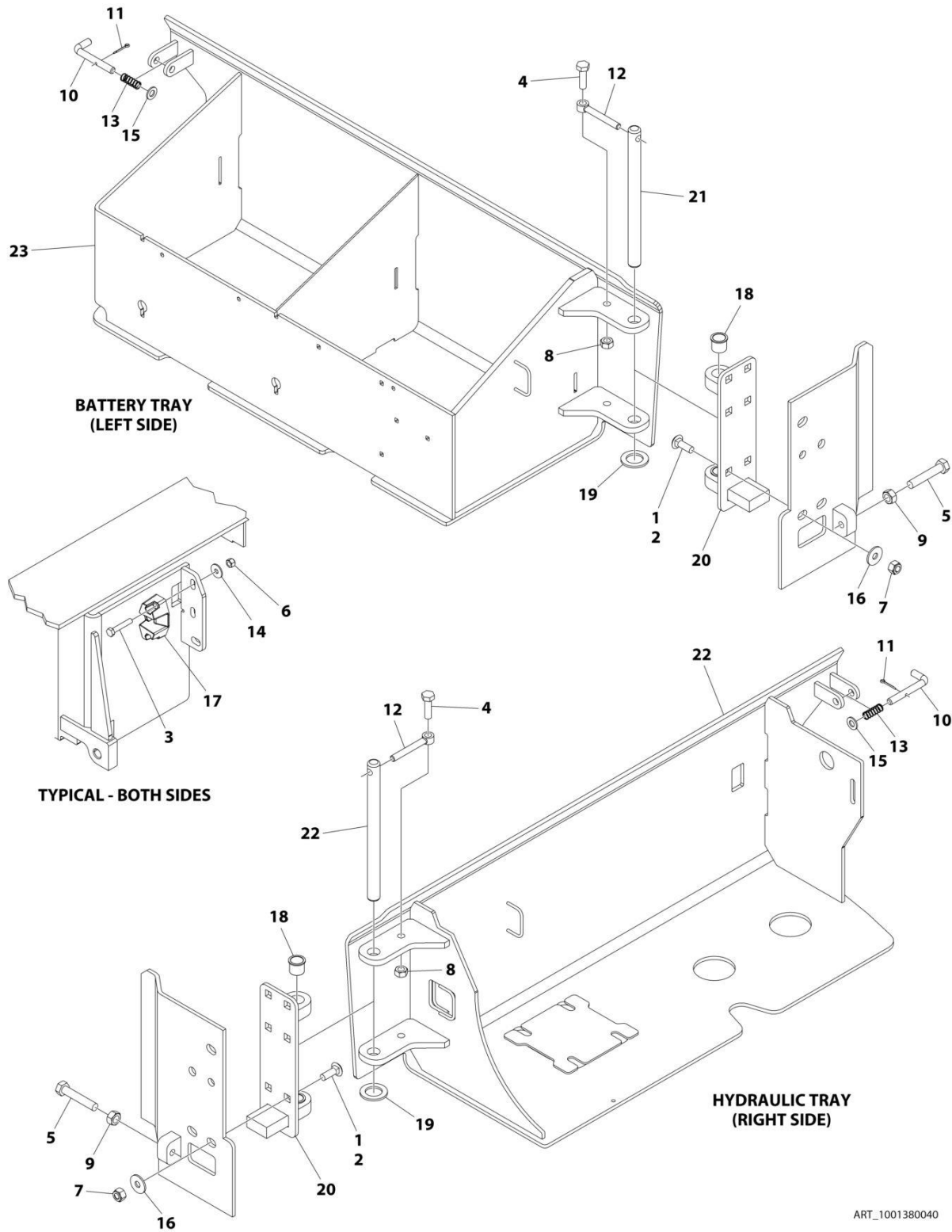
SECTION 2 - GROUND CONTROLS

FIGURE 2-16. INVERTER INSTALLATION (OPTIONAL)

ITEM	PART NUMBER	QTY	DESCRIPTION	REV
	1001257121	Ref	INVERTER INSTALLATION (OPTIONAL)	B
1	0630587	4	Bolt M6 x 25	
2	0760610	3	Bolt M6 x 20	
3	1321293	2	Clamp	
4	3290405	3	Nut M4	
5	3290605	7	Nut M6	
6	3740150	1	Relay	
8	4240017	AR	Tie-Strap	
9	4360336	1	Switch, Toggle	
10	4811400	3	Washer M4	
11	4811700	8	Washer M6	
7	1001101540	3	Screw M4 x 14	
12	1001125483	1	Decal - Pressure Wash	
13	1001136757	1	Inverter	
14	1001142173	1	Insulate	
15	1001142174	3	Washer 1/8	
16	1001143009	1	Decal - Inverter	
17	1001143010	1	Decal - On/Off Inverter	
18	1001157547	1	Filter, AC	
19	1001210440	1	Support	
20	1001210605	1	Support	
21	1001210878	1	Cable, Battery + to Inverter Contactor	
22	1001210879	1	Cable, Inverter Contactor to Inverter +	
23	1001210881	1	Cable, Inverter to AC Filter	
24	1001210882	1	Cable, AC Filter to AC Plug	
25	1001256744	1	Cable, Pump Control B- to Inverter-	
26	1001256746	1	Harness, Inverter	C
26A	4460897	1	Connector	
26A	4460464	2	Terminal	
26B	4460722	1	Connector	
26C	4460897	1	Connector	
26C	4460464	1	Terminal	
26C	4460466	1	Terminal	
26D	4460418	1	Connector	
26D	1001159186	2	Terminal	

SECTION 2 - GROUND CONTROLS

FIGURE 2-17. DOORS INSTALLATION



ART_1001380040

SECTION 2 - GROUND CONTROLS

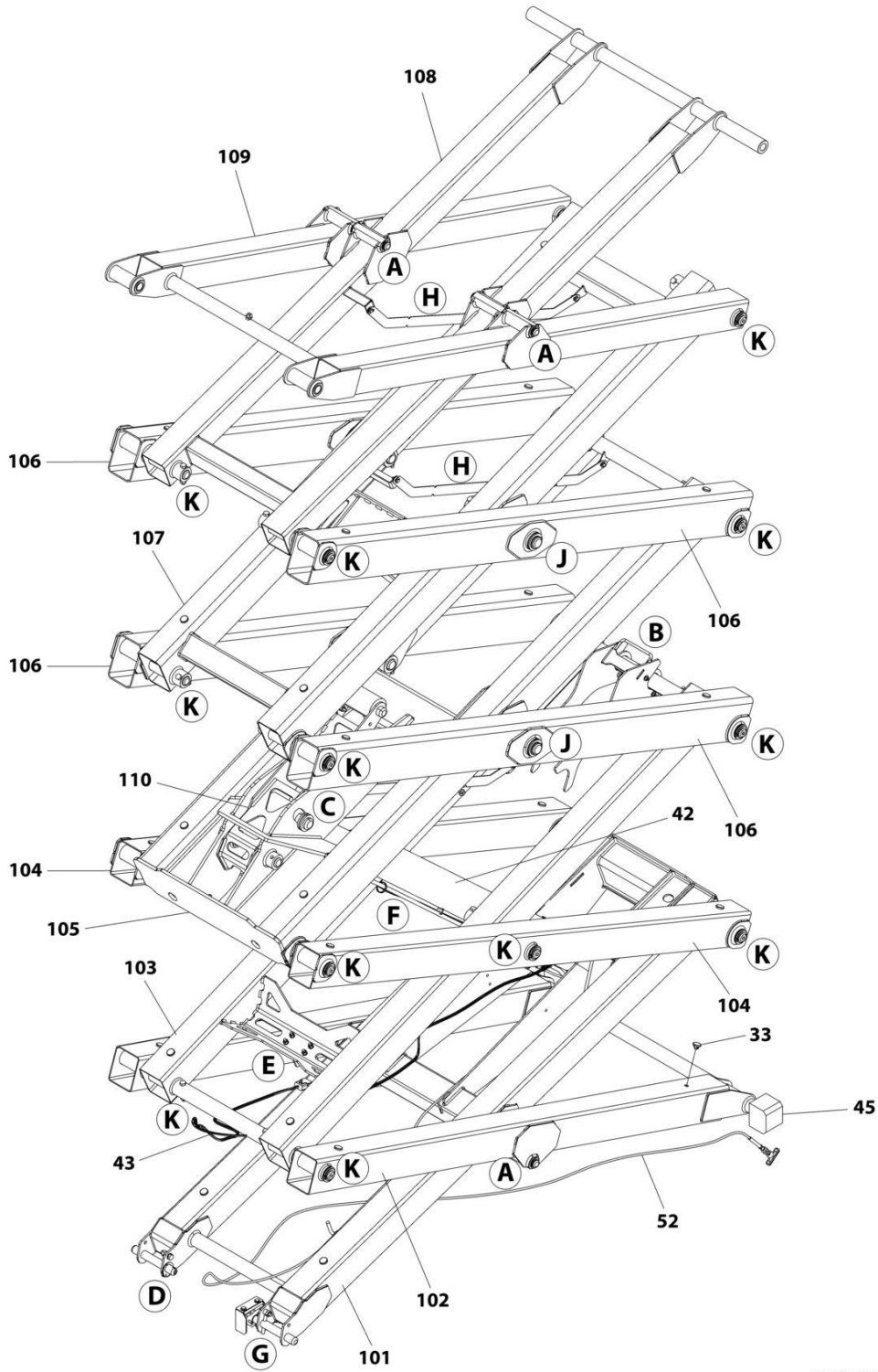
FIGURE 2-17. DOORS INSTALLATION

ITEM	PART NUMBER	QTY	DESCRIPTION	REV
	1001380040	Ref	DOORS INSTALLATION	B
1	0100011	AR	Compound, Locking	
2	0630613	10	Bolt M10 x 30	
3	0700817	4	Bolt M8 x 45	
4	0701015	2	Bolt M10 x 35	
5	0761221	2	Bolt M12 x 65	
6	3290805	4	Nut M8	
7	3291005	10	Nut M10	
8	3291007	2	Nut M10	
9	3291201	2	Nut M12	
10	3423243	2	Pin	
11	3450303	2	Pin, Cotter 3/32 x 3/4	
12	3841143	2	Keeper, Pin	
13	4160214	2	Spring	
14	4811902	4	Washer M8	
15	4812000	AR	Washer M10	
16	4812002	10	Washer M10	
17	1001214810	2	Support	
18	1001218573	4	Bearing	
19	1001229792	2	Washer	
20	1001234858	2	Hinge	
21	1001234862	2	Pin	
22	1001380041	1	Tray, Hydraulic	
23	1001380042	1	Tray, Battery	

SECTION 3 - SCISSORS ARMS

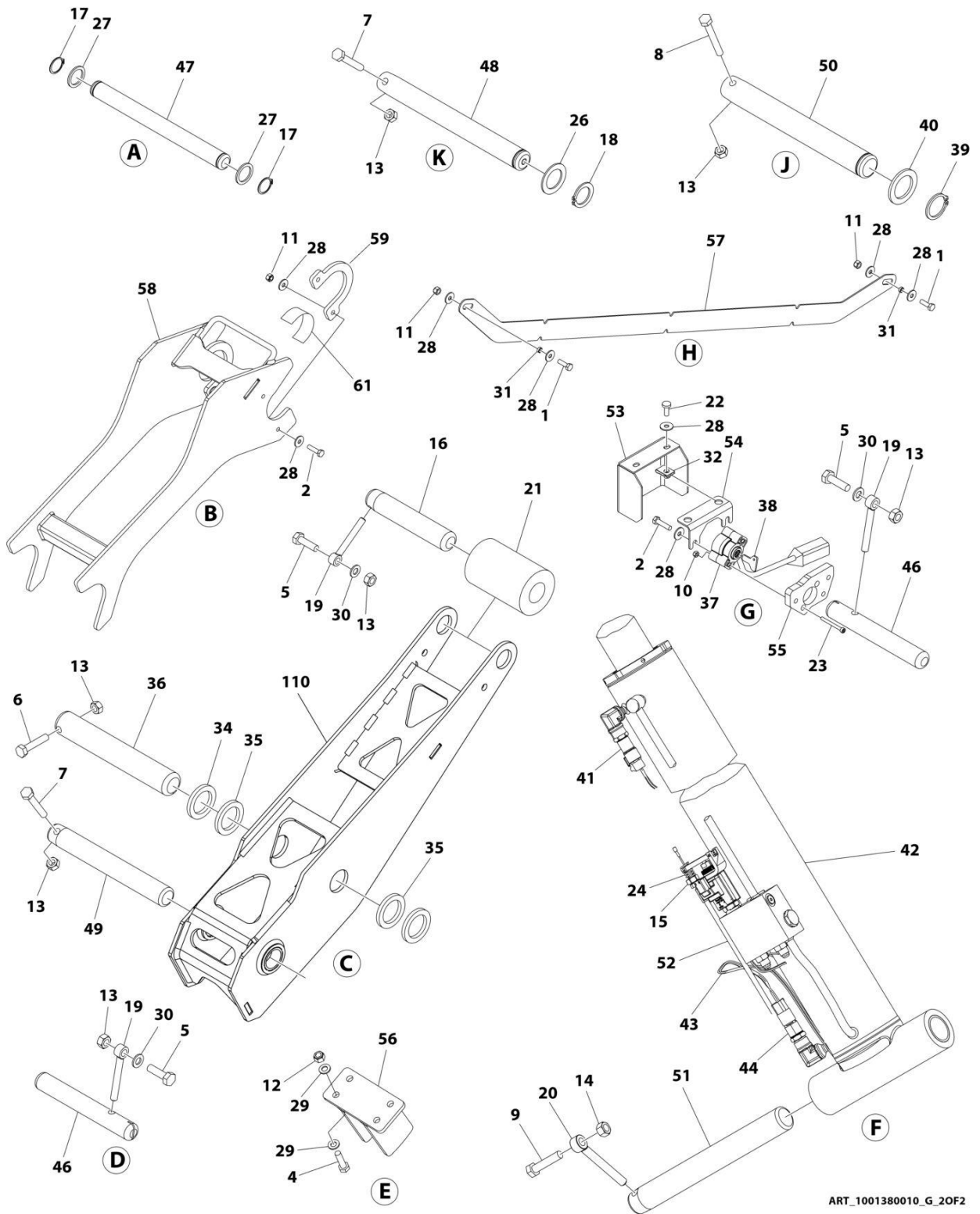
SECTION 3 - SCISSORS ARMS

FIGURE 3-1. SCISSORS ARMS INSTALLATION (ALL SPECS EXCEPT CHINA SPECS)



ART_1001380010_G_10F2

SECTION 3 - SCISSORS ARMS



ART_1001380010_G_20F2

SECTION 3 - SCISSORS ARMS

FIGURE 3-1. SCISSORS ARMS INSTALLATION (ALL SPECS EXCEPT CHINA SPECS)

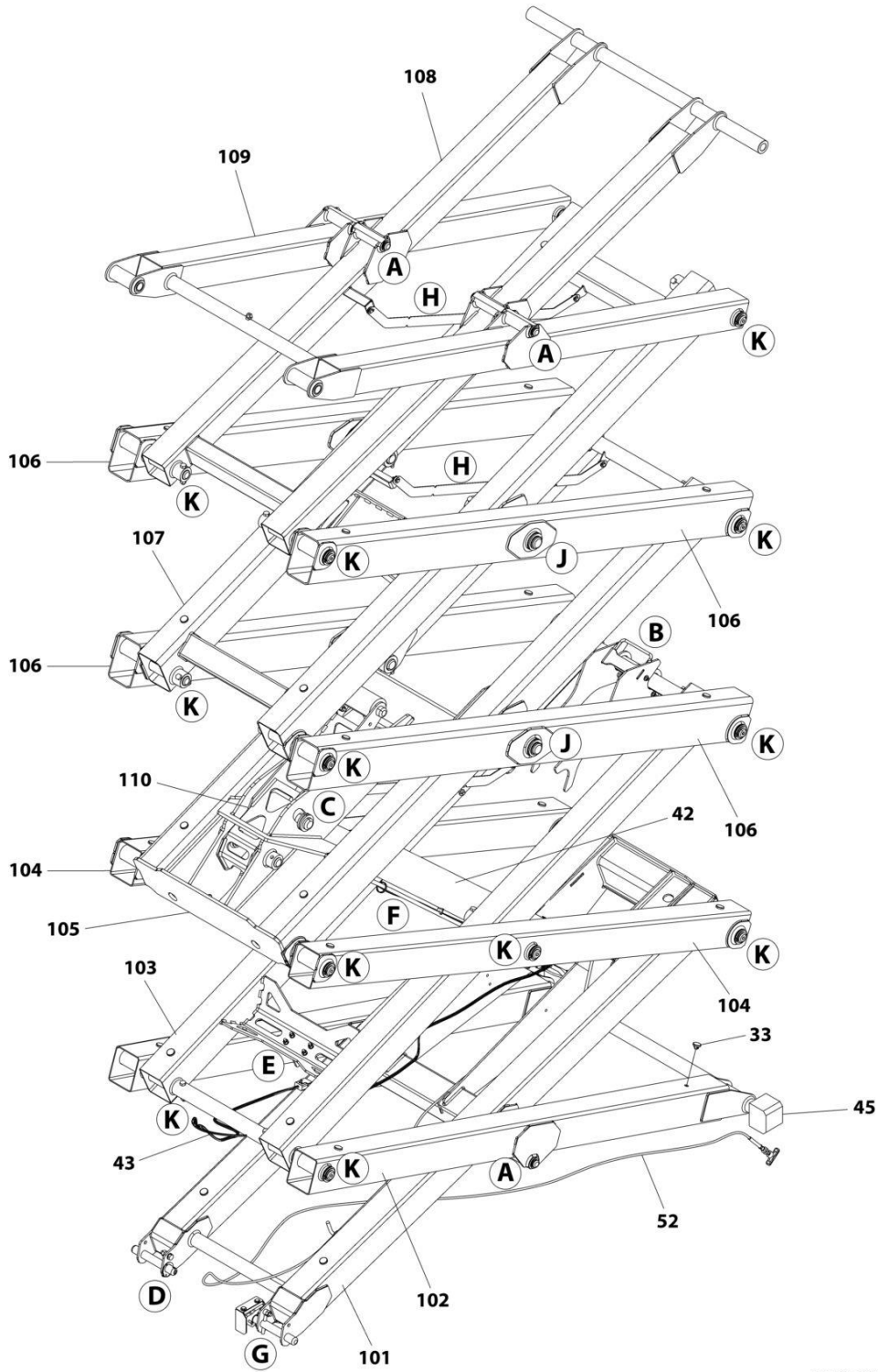
ITEM	PART NUMBER	QTY	DESCRIPTION	REV
	1001380010	Ref	SCISSORS ARMS INSTALLATION	G
1	0700610	6	Bolt M6 x 20	
2	0700612	7	Bolt M6 x 25	
4	0700814	4	Bolt M8 x 30	
5	0701015	3	Bolt M10 x 35	
6	0701018	1	Bolt M10 x 50	
7	0701021	19	Bolt M10 x 65	
8	0701024	4	Bolt M10 x 80	
9	0701219	1	Bolt M12 x 55	
10	3290405	2	Nut M4	
11	3290605	10	Nut M6	
12	3290805	4	Nut M8	
13	3291007	27	Nut M10	
14	3291207	1	Nut M12	
15	3321402	1	Nut 1/4	
16	3422998	1	Pin	
17	3760115	8	Ring, Retaining	
18	3760387	18	Ring, Retaining	
19	3841143	3	Keeper, Pin	
20	3841203	1	Keeper, Pin	
21	3860104	1	Roller	
22	4010608	2	Screw M6 x 16	
23	4031512	2	Capscrew M4 x 40	
24	4160078	1	Spring	
25	4240017	AR	Tie-Strap (Not Shown)	
26	4740438	18	Washer	
27	4740531	8	Washer	
28	4811702	25	Washer M6	
29	4811900	8	Washer M8	
30	4812000	3	Washer M10	
31	1001128888	6	Washer	
32	1001130220	2	Nut Tinnerman M6	
33	1001137675	32	Bumper	
34	1001139000	1	Plate	
35	1001139002	2	Pad	
36	1001139003	1	Pin	
37	1001146963	1	Sensor, Angle	
38	1001205345	1	Key (Steel)	
38	1001234204	1	Key (Aluminun)	
39	1001214689	4	Ring, Retaining	
40	1001217457	4	Washer	
41	1001225164	1	Sensor, Pressure Transducer	
42	1001244417	1	Lift Cylinder Assembly (See Separate Breakdown in CYLINDER Section)	
43	1001233795	1	Lift Down Harness (See Separate Breakdown in ELECTRICAL Section)	
44	1001235104	1	Sensor, Pressure Transducer	
45	1001247707	1	Block, Side	
46	1001236165	2	Pin	
47	1001236167	4	Pin	

SECTION 3 - SCISSORS ARMS

ITEM	PART NUMBER	QTY	DESCRIPTION	REV
48	1001236169	18	Pin	
49	1001236170	1	Pin	
50	1001236171	4	Pin	
51	1001236172	1	Pin	
52	1001236269	1	Cable, Manual Descent	
53	1001236486	1	Cover	
54	1001236487	1	Plate	
55	1001236488	1	Plate	
56	1001243348	1	Adapter	
57	1001237824	3	Plate	
58	1001238684	1	Arm, Prop	
59	1001239479	2	Plate	
61	4420062	15 in/ 37cm	Tape	
100	1001236348	1	Arm Kit	
101	1001241662	1	Arm - Inner 1	
101	0440264	4	Bearing (Not Shown)	
102	1001241663	1	Arm - Outer 1	
102	0440264	4	Bearing - 1 ID (Not Shown)	
102	0440265	4	Bearing - 1-1/4 ID (Not Shown)	
103	1001241664	1	Arm - Inner 2	
104	1001241665	1	Arm - Outer 2	
104	0440265	6	Bearing (Not Shown)	
105	1001241666	1	Arm - Inner 3	
106	1001241667	2	Arm - Outer 3 and Outer 4	
106	0440265	4	Bearing - 1-1/4 ID (Not Shown)	
106	0962272	4	Bearing - 1-1/2 ID (Not Shown)	
107	1001241668	1	Arm - Inner 4	
108	1001241669	1	Arm - Inner 5	
108	0440264	4	Bearing (Not Shown)	
109	1001241670	1	Arm - Outer 5	
109	0440264	4	Bearing - 1 ID (Not Shown)	
109	0440265	4	Bearing - 1-1/4 ID (Not Shown)	
110	1001241671	1	Kicker	
110	0440265	2	Bearing (Not Shown)	

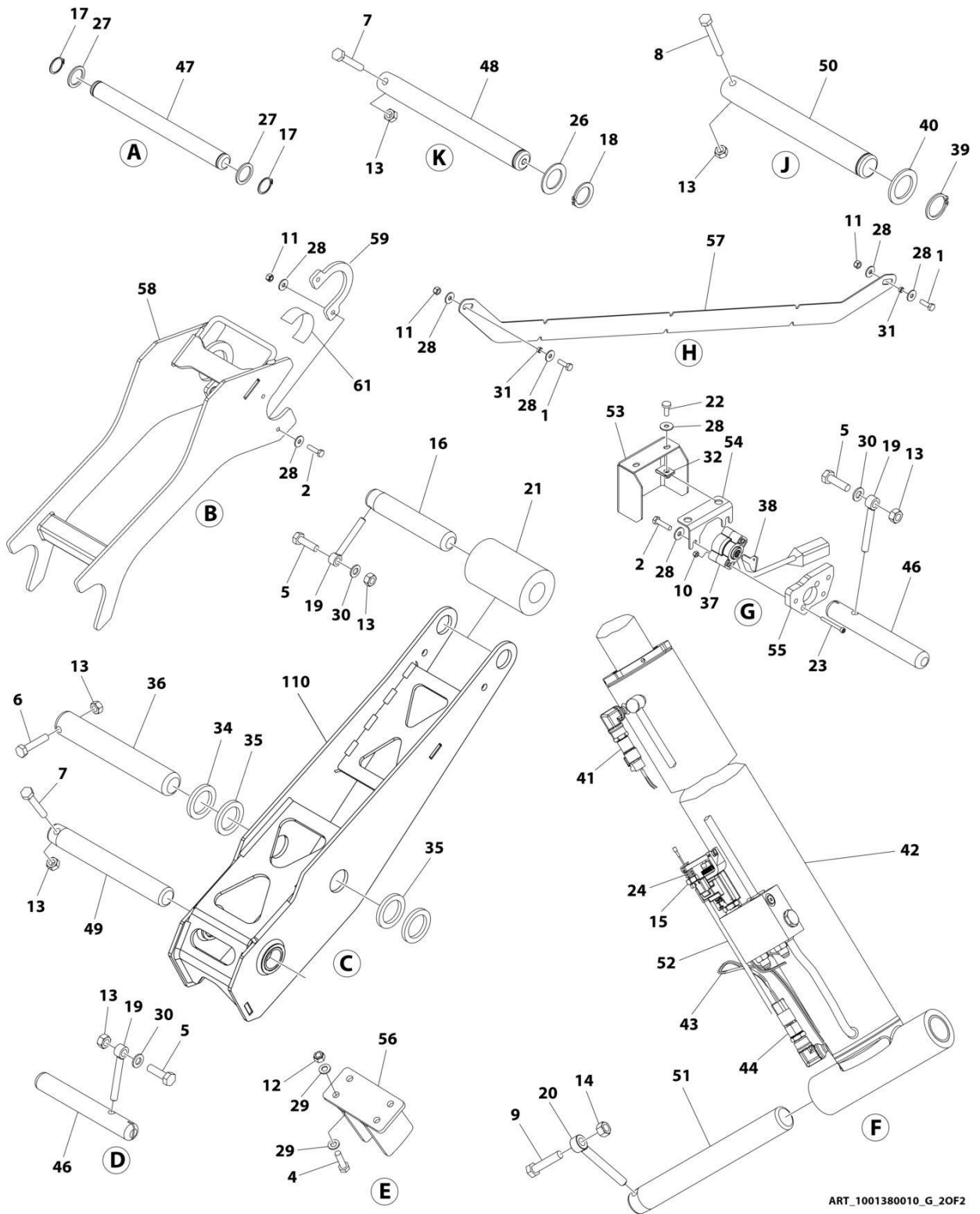
SECTION 3 - SCISSORS ARMS

FIGURE 3-2. SCISSORS ARMS INSTALLATION (CHINA SPECS) (Prior to SN B200071893, Excluding B200071784 and B200071857)



ART_1001380010_G_10F2

SECTION 3 - SCISSORS ARMS



ART_1001380010_G_20F2

SECTION 3 - SCISSORS ARMS

FIGURE 3-2. SCISSORS ARMS INSTALLATION (CHINA SPECS) (Prior to SN B200071893, Excluding B200071784 and B200071857)

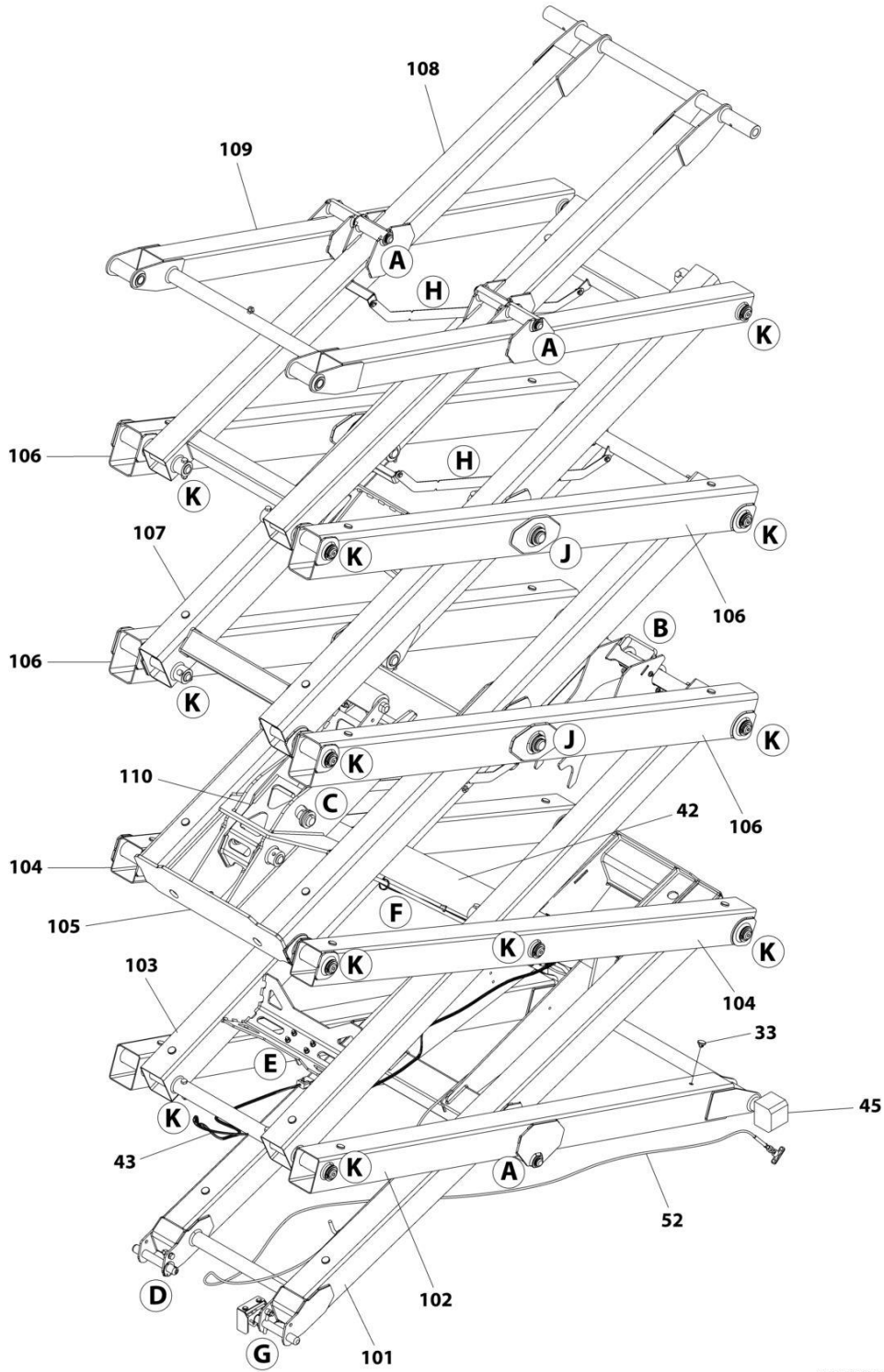
ITEM	PART NUMBER	QTY	DESCRIPTION	REV
	1001380010	Ref	SCISSORS ARMS INSTALLATION	G
1	0700610	6	Bolt M6 x 20	
2	0700612	7	Bolt M6 x 25	
4	0700814	4	Bolt M8 x 30	
5	0701015	3	Bolt M10 x 35	
6	0701018	1	Bolt M10 x 50	
7	0701021	19	Bolt M10 x 65	
8	0701024	4	Bolt M10 x 80	
9	0701219	1	Bolt M12 x 55	
10	3290405	2	Nut M4	
11	3290605	10	Nut M6	
12	3290805	4	Nut M8	
13	3291007	27	Nut M10	
14	3291207	1	Nut M12	
15	3321402	1	Nut 1/4	
16	3422998	1	Pin	
17	3760115	8	Ring, Retaining	
18	3760387	18	Ring, Retaining	
19	3841143	3	Keeper, Pin	
20	3841203	1	Keeper, Pin	
21	3860104	1	Roller	
22	4010608	2	Screw M6 x 16	
23	4031512	2	Capscrew M4 x 40	
24	4160078	1	Spring	
25	4240017	AR	Tie-Strap (Not Shown)	
26	4740438	18	Washer	
27	4740531	8	Washer	
28	4811702	25	Washer M6	
29	4811900	8	Washer M8	
30	4812000	3	Washer M10	
31	1001128888	6	Washer	
32	1001130220	2	Nut Tinnerman M6	
33	1001137675	32	Bumper	
34	1001139000	1	Plate	
35	1001139002	2	Pad	
36	1001139003	1	Pin	
37	1001146963	1	Sensor, Angle	
38	1001205345	1	Key (Steel)	
38	1001234204	1	Key (Aluminun)	
39	1001214689	4	Ring, Retaining	
40	1001217457	4	Washer	
41	1001225164	1	Sensor, Pressure Transducer	
42	1001244417	1	Lift Cylinder Assembly (See Separate Breakdown in CYLINDER Section)	
43	1001233795	1	Lift Down Harness (See Separate Breakdown in ELECTRICAL Section)	
44	1001235104	1	Sensor, Pressure Transducer	
45	1001247707	1	Block, Side	
46	1001236165	2	Pin	

SECTION 3 - SCISSORS ARMS

ITEM	PART NUMBER	QTY	DESCRIPTION	REV
47	1001236167	4	Pin	
48	1001236169	18	Pin	
49	1001236170	1	Pin	
50	1001236171	4	Pin	
51	1001236172	1	Pin	
52	1001236269	1	Cable, Manual Descent	
53	1001236486	1	Cover	
54	1001236487	1	Plate	
55	1001236488	1	Plate	
56	1001243348	1	Adapter	
57	1001237824	3	Plate	
58	1001238684	1	Arm, Prop	
59	1001239479	2	Plate	
61	4420062	15 in/ 37cm	Tape	
100	1001236348	1	Arm Kit	
101	1001241662	1	Arm - Inner 1	
101	0440264	4	Bearing (Not Shown)	
102	1001241663	1	Arm - Outer 1	
102	0440264	4	Bearing - 1 ID (Not Shown)	
102	0440265	4	Bearing - 1-1/4 ID (Not Shown)	
103	1001241664	1	Arm - Inner 2	
104	1001241665	1	Arm - Outer 2	
104	0440265	6	Bearing (Not Shown)	
105	1001241666	1	Arm - Inner 3	
106	1001241667	2	Arm - Outer 3 and Outer 4	
106	0440265	4	Bearing - 1-1/4 ID (Not Shown)	
106	0962272	4	Bearing - 1-1/2 ID (Not Shown)	
107	1001241668	1	Arm - Inner 4	
108	1001241669	1	Arm - Inner 5	
108	0440264	4	Bearing (Not Shown)	
109	1001241670	1	Arm - Outer 5	
109	0440264	4	Bearing - 1 ID (Not Shown)	
109	0440265	4	Bearing - 1-1/4 ID (Not Shown)	
110	1001241671	1	Kicker	
110	0440265	2	Bearing (Not Shown)	

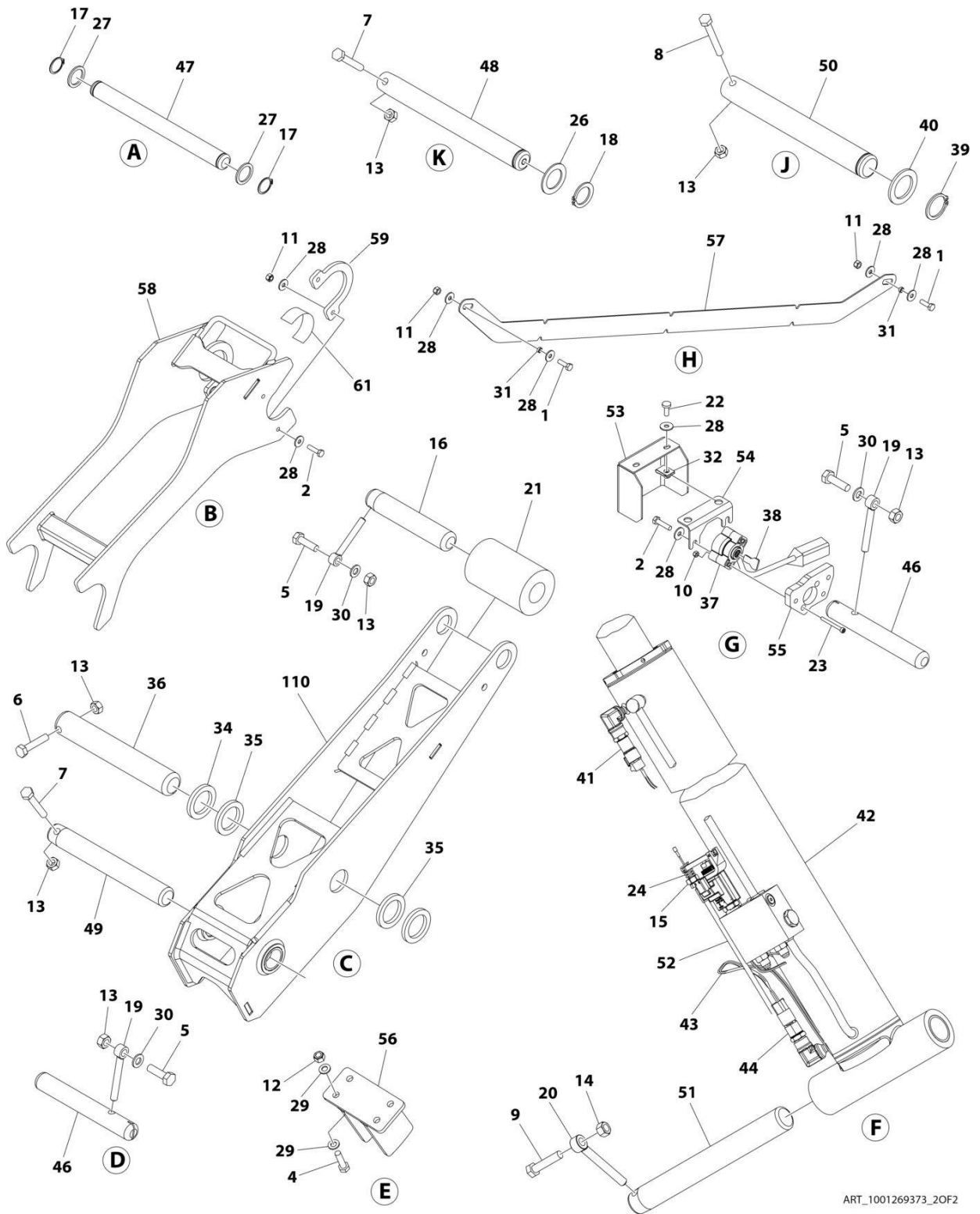
SECTION 3 - SCISSORS ARMS

FIGURE 3-3. SCISSORS ARMS INSTALLATION (CHINA SPECS) (SN B200071893 to Present)



ART_1001269373_1OF2

SECTION 3 - SCISSORS ARMS



ART_1001269373_2OF2

SECTION 3 - SCISSORS ARMS

FIGURE 3-3. SCISSORS ARMS INSTALLATION (CHINA SPECS) (SN B200071893 to Present)

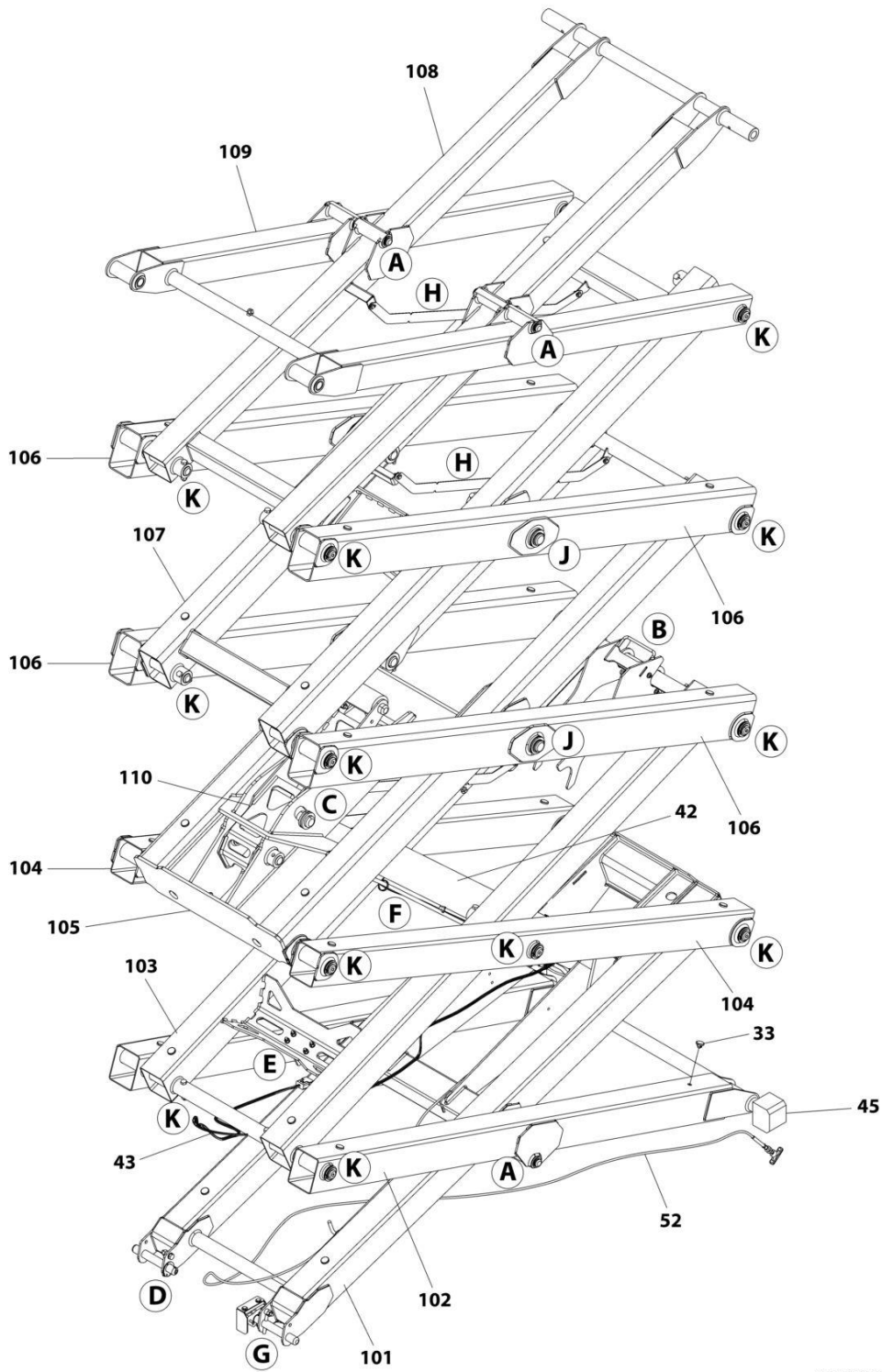
ITEM	PART NUMBER	QTY	DESCRIPTION	REV
	1001269373	Ref	SCISSORS ARMS INSTALLATION	A
1	0700610	6	Bolt M6 x 20	
2	0700612	7	Bolt M6 x 25	
4	0700814	4	Bolt M8 x 30	
5	0701015	3	Bolt M10 x 35	
6	0701018	1	Bolt M10 x 50	
7	0701021	19	Bolt M10 x 65	
8	0701024	4	Bolt M10 x 80	
9	0701219	1	Bolt M12 x 55	
10	3290405	2	Nut M4	
11	3290605	10	Nut M6	
12	3290805	4	Nut M8	
13	3291007	27	Nut M10	
14	3291207	1	Nut M12	
15	3321402	1	Nut 1/4	
16	3422998	1	Pin	
17	3760115	8	Ring, Retaining	
18	3760387	18	Ring, Retaining	
19	3841143	3	Keeper, Pin	
20	3841203	1	Keeper, Pin	
21	3860104	1	Roller	
22	4010608	2	Screw M6 x 16	
23	4031512	2	Capscrew M4 x 40	
24	4160078	1	Spring	
25	4240017	AR	Tie-Strap (Not Shown)	
26	4740438	18	Washer	
27	4740531	8	Washer	
28	4811702	25	Washer M6	
29	4811900	8	Washer M8	
30	4812000	3	Washer M10	
31	1001128888	6	Washer	
32	1001130220	2	Nut Tinnerman M6	
33	1001137675	32	Bumper	
34	1001139000	1	Plate	
35	1001139002	2	Pad	
36	1001139003	1	Pin	
37	1001146963	1	Sensor, Angle	
38	1001205345	1	Key	
39	1001214689	4	Ring, Retaining	
40	1001217457	4	Washer	
41	1001225164	1	Sensor, Pressure Transducer	
42	1001244417	1	Lift Cylinder Assembly (See Separate Breakdown in CYLINDER Section)	
43	1001233795	1	Lift Down Harness (See Separate Breakdown in ELECTRICAL Section)	
44	1001235104	1	Sensor, Pressure Transducer	
45	1001247707	1	Block, Side	
46	1001236165	2	Pin	
47	1001236167	4	Pin	
48	1001236169	18	Pin	

SECTION 3 - SCISSORS ARMS

ITEM	PART NUMBER	QTY	DESCRIPTION	REV
49	1001236170	1	Pin	
50	1001236171	4	Pin	
51	1001236172	1	Pin	
52	1001236269	1	Cable, Manual Descent	
53	1001236486	1	Cover	
54	1001236487	1	Plate	
55	1001236488	1	Plate	
56	1001243348	1	Adapter	
57	1001237824	3	Plate	
58	1001238684	1	Arm, Prop	
59	1001239479	2	Plate	
100	1001269838	1	Arm Kit	
101	1001241662	1	Arm - Inner 1	
101	0440264	4	Bearing (Not Shown)	
102	1001241663	1	Arm - Outer 1	
102	0440264	4	Bearing - 1 ID (Not Shown)	
102	0440265	4	Bearing - 1-1/4 ID (Not Shown)	
103	1001241664	1	Arm - Inner 2	
104	1001241665	1	Arm - Outer 2	
104	0440265	6	Bearing - 1-1/4 ID (Not Shown)	
105	1001241666	1	Arm - Inner 3	
106	1001241667	2	Arm - Outer 3 and Outer 4	
106	0440265	4	Bearing - 1-1/4 ID (Not Shown)	
106	0962272	4	Bearing - 1-1/2 ID (Not Shown)	
107	1001241668	1	Arm - Inner 4	
108	1001269377	1	Arm - Inner 5	
108	0440264	4	Bearing (Not Shown)	
109	1001241670	1	Arm - Outer 5	
109	0440264	4	Bearing - 1 ID (Not Shown)	
109	0440265	4	Bearing - 1-1/4 ID (Not Shown)	
110	1001241671	1	Kicker	
110	0440265	2	Bearing (Not Shown)	

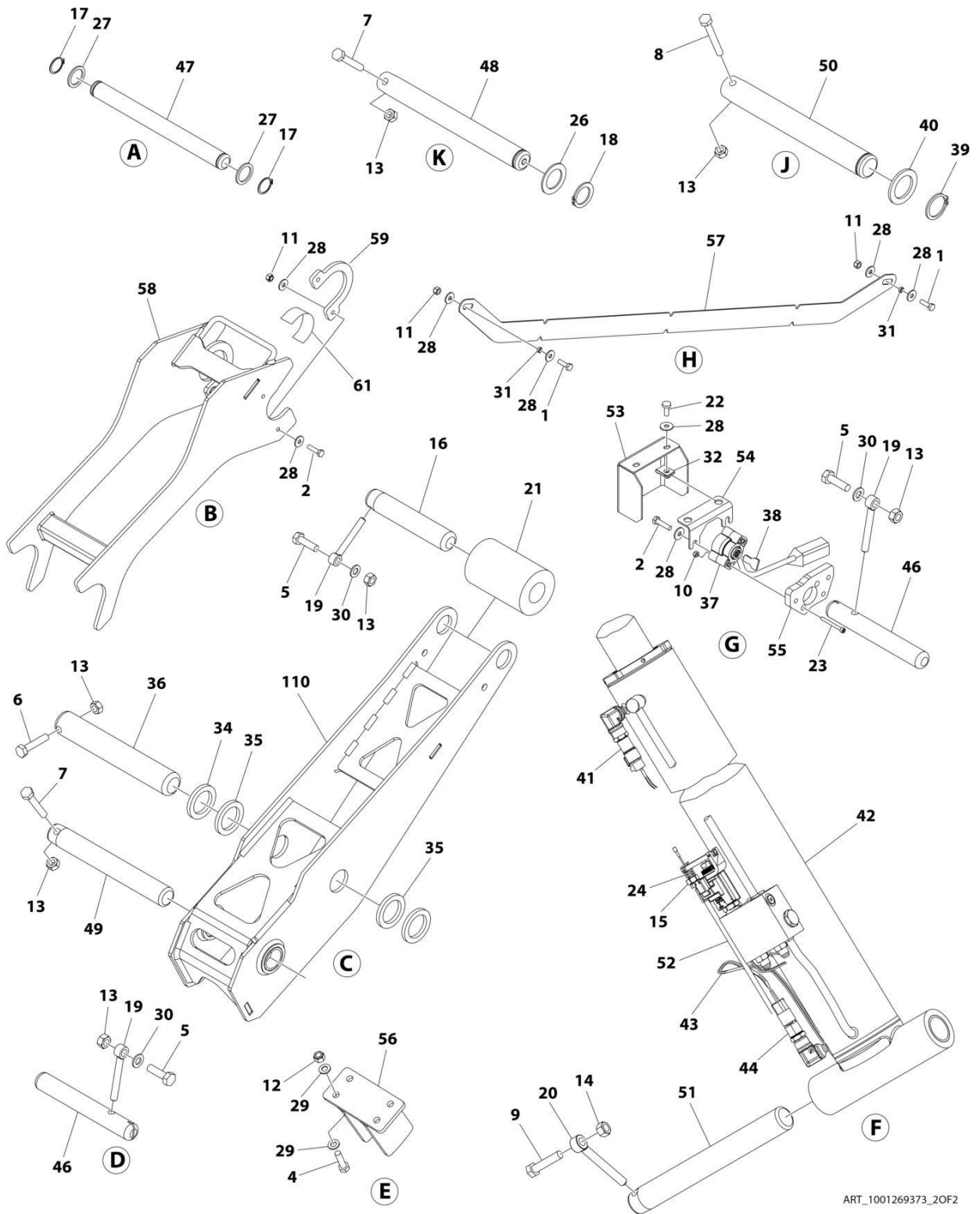
SECTION 3 - SCISSORS ARMS

FIGURE 3-4. SCISSORS ARMS INSTALLATION (CHINA SPECS) (ALL MACHINES STARTING WITH SN G2)



ART_1001269373_1OF2

SECTION 3 - SCISSORS ARMS



ART_1001269373_2OF2

SECTION 3 - SCISSORS ARMS

FIGURE 3-4. SCISSORS ARMS INSTALLATION (CHINA SPECS) (ALL MACHINES STARTING WITH SN G2)

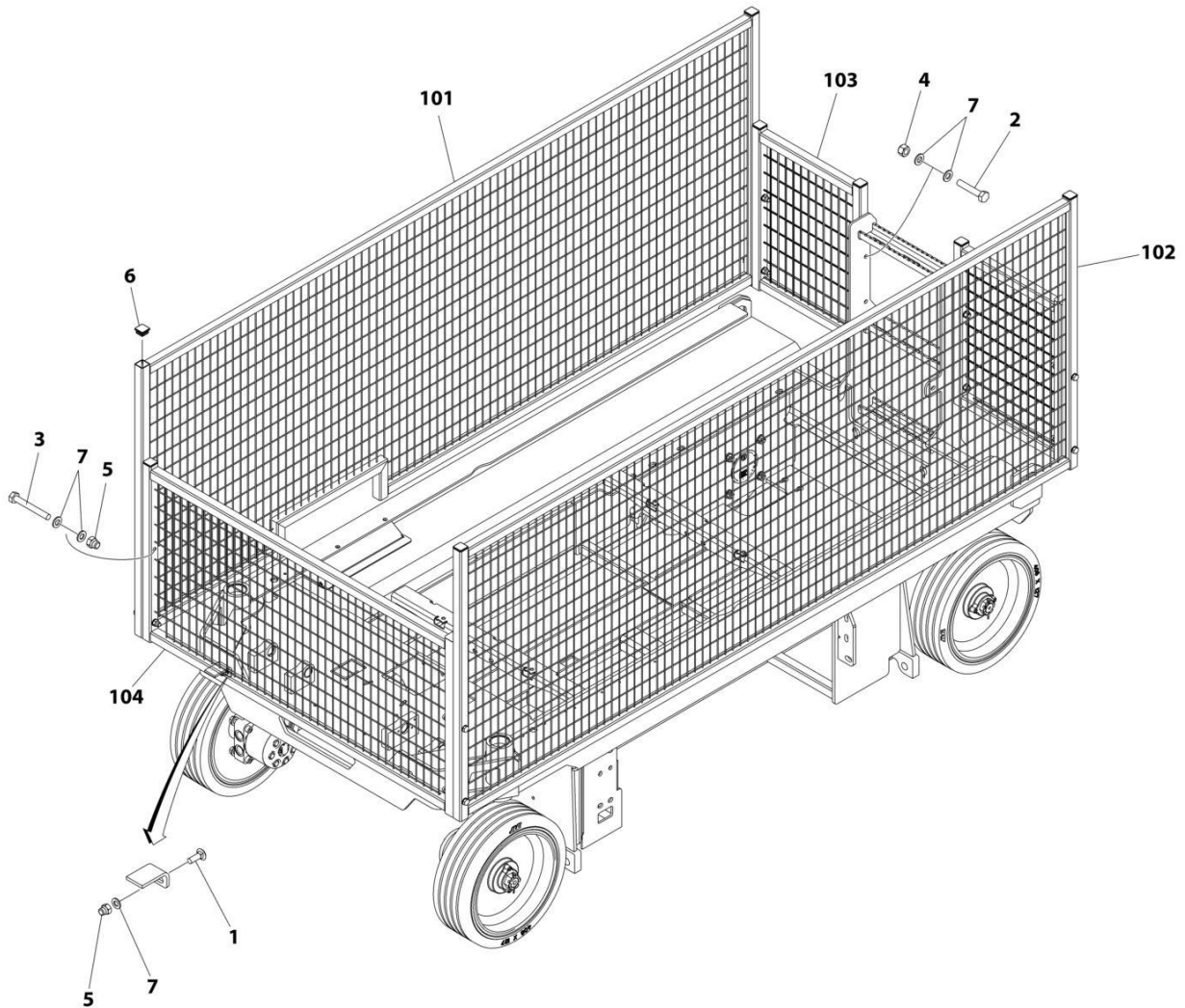
ITEM	PART NUMBER	QTY	DESCRIPTION	REV
	1001269373	Ref	SCISSORS ARMS INSTALLATION	A
1	0700610	6	Bolt M6 x 20	
2	0700612	7	Bolt M6 x 25	
4	0700814	4	Bolt M8 x 30	
5	0701015	3	Bolt M10 x 35	
6	0701018	1	Bolt M10 x 50	
7	0701021	19	Bolt M10 x 65	
8	0701024	4	Bolt M10 x 80	
9	0701219	1	Bolt M12 x 55	
10	3290405	2	Nut M4	
11	3290605	10	Nut M6	
12	3290805	4	Nut M8	
13	3291007	27	Nut M10	
14	3291207	1	Nut M12	
15	3321402	1	Nut 1/4	
16	3422998	1	Pin	
17	3760115	8	Ring, Retaining	
18	3760387	18	Ring, Retaining	
19	3841143	3	Keeper, Pin	
20	3841203	1	Keeper, Pin	
21	3860104	1	Roller	
22	4010608	2	Screw M6 x 16	
23	4031512	2	Capscrew M4 x 40	
24	4160078	1	Spring	
25	4240017	AR	Tie-Strap (Not Shown)	
26	4740438	18	Washer	
27	4740531	8	Washer	
28	4811702	25	Washer M6	
29	4811900	8	Washer M8	
30	4812000	3	Washer M10	
31	1001128888	6	Washer	
32	1001130220	2	Nut Tinnerman M6	
33	1001137675	32	Bumper	
34	1001139000	1	Plate	
35	1001139002	2	Pad	
36	1001139003	1	Pin	
37	1001146963	1	Sensor, Angle	
38	1001205345	1	Key	
39	1001214689	4	Ring, Retaining	
40	1001217457	4	Washer	
41	1001225164	1	Sensor, Pressure Transducer	
42	1001244417	1	Lift Cylinder Assembly (See Separate Breakdown in CYLINDER Section)	
43	1001233795	1	Lift Down Harness (See Separate Breakdown in ELECTRICAL Section)	
44	1001235104	1	Sensor, Pressure Transducer	
45	1001247707	1	Block, Side	
46	1001236165	2	Pin	
47	1001236167	4	Pin	

SECTION 3 - SCISSORS ARMS

ITEM	PART NUMBER	QTY	DESCRIPTION	REV
48	1001236169	18	Pin	
49	1001236170	1	Pin	
50	1001236171	4	Pin	
51	1001236172	1	Pin	
52	1001236269	1	Cable, Manual Descent	
53	1001236486	1	Cover	
54	1001236487	1	Plate	
55	1001236488	1	Plate	
56	1001243348	1	Adapter	
57	1001237824	3	Plate	
58	1001238684	1	Arm, Prop	
59	1001239479	2	Plate	
100	1001269838	1	Arm Kit	
101	1001241662	1	Arm - Inner 1	
101	0440264	4	Bearing (Not Shown)	
102	1001241663	1	Arm - Outer 1	
102	0440264	4	Bearing - 1 ID (Not Shown)	
102	0440265	4	Bearing - 1-1/4 ID (Not Shown)	
103	1001241664	1	Arm - Inner 2	
104	1001241665	1	Arm - Outer 2	
104	0440265	6	Bearing - 1-1/4 ID (Not Shown)	
105	1001241666	1	Arm - Inner 3	
106	1001241667	2	Arm - Outer 3 and Outer 4	
106	0440265	4	Bearing - 1-1/4 ID (Not Shown)	
106	0962272	4	Bearing - 1-1/2 ID (Not Shown)	
107	1001241668	1	Arm - Inner 4	
108	1001269377	1	Arm - Inner 5	
108	0440264	4	Bearing (Not Shown)	
109	1001241670	1	Arm - Outer 5	
109	0440264	4	Bearing - 1 ID (Not Shown)	
109	0440265	4	Bearing - 1-1/4 ID (Not Shown)	
110	1001241671	1	Kicker	
110	0440265	2	Bearing (Not Shown)	

SECTION 3 - SCISSORS ARMS

FIGURE 3-5. ARMS GUARD INSTALLATION



ART_1001380024

SECTION 3 - SCISSORS ARMS

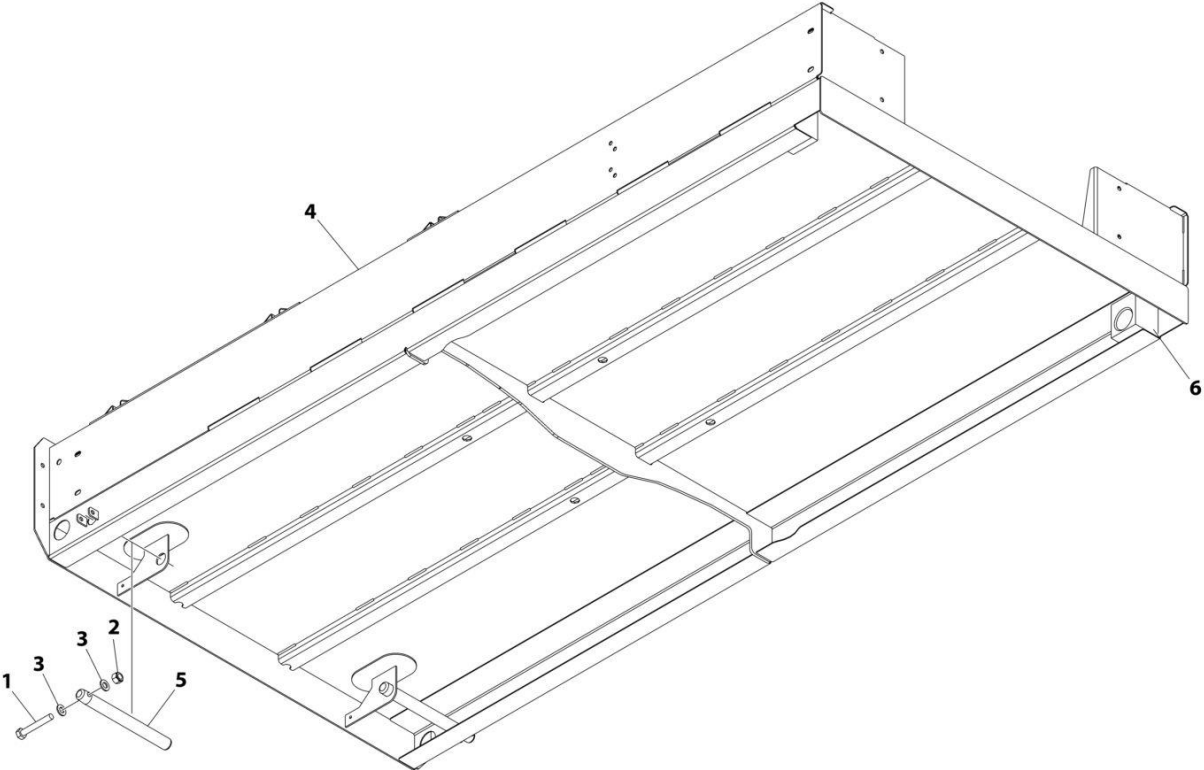
FIGURE 3-5. ARMS GUARD INSTALLATION

ITEM	PART NUMBER	QTY	DESCRIPTION	REV
	1001380024	Ref	ARM GUARD INSTALLATION	A
1	0630613	2	Bolt M10 x 30	
2	0701019	4	Bolt M10 x 55	
3	0701024	8	Bolt M10 x 80	
4	3291005	4	Nut M10	
5	3291006	10	Nut M10	
6	3520072	10	Plug	
7	4812000	26	Washer M10	
100	1001239943	1	Arm Guard Kit (Not Shown)	
101	1001239892	1	Guard, Arm (RH)	
102	1001239894	1	Guard, Arm (LH)	
103	1001239899	2	Guard, Arm (Rear)	
104	1001239904	1	Guard, Arm (Front)	

SECTION 4 - PLATFORM

SECTION 4 - PLATFORM

FIGURE 4-1. PLATFORM INSTALLATION (ALL SPECS EXCEPT CHINA SPECS)



ART_1001234380_C

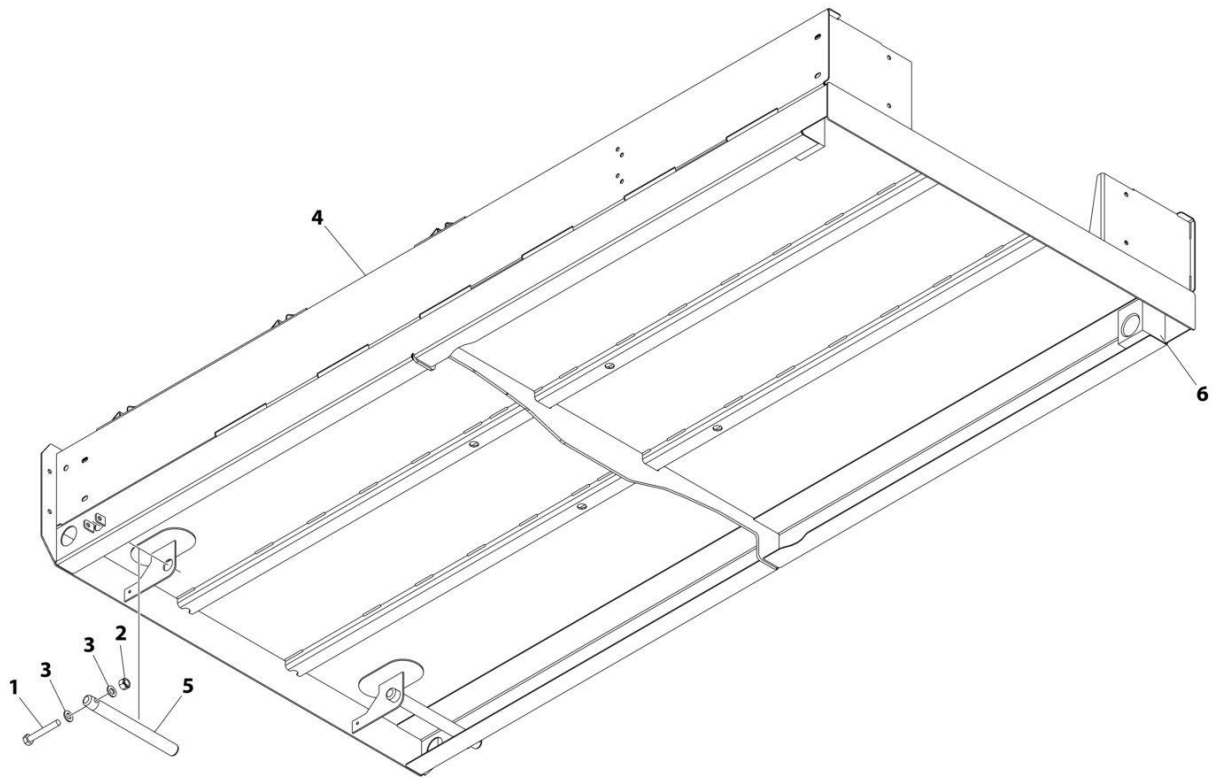
SECTION 4 - PLATFORM

FIGURE 4-1. PLATFORM INSTALLATION (ALL SPECS EXCEPT CHINA SPECS)

ITEM	PART NUMBER	QTY	DESCRIPTION	REV
	1001234380	Ref	PLATFORM INSTALLATION	C
1	0700819	2	Bolt M8 x 55	
2	3290805	2	Nut M8	
3	4811900	4	Washer M8	
4	1001234336	1	Platform	
5	1001235590	2	Pin	
6	1001247706	2	Block, Slide	

SECTION 4 - PLATFORM

FIGURE 4-2. PLATFORM INSTALLATION (CHINA SPECS) (Prior to SN B200071893, Excluding B200071784 and B200071857)



ART_1001234380_C

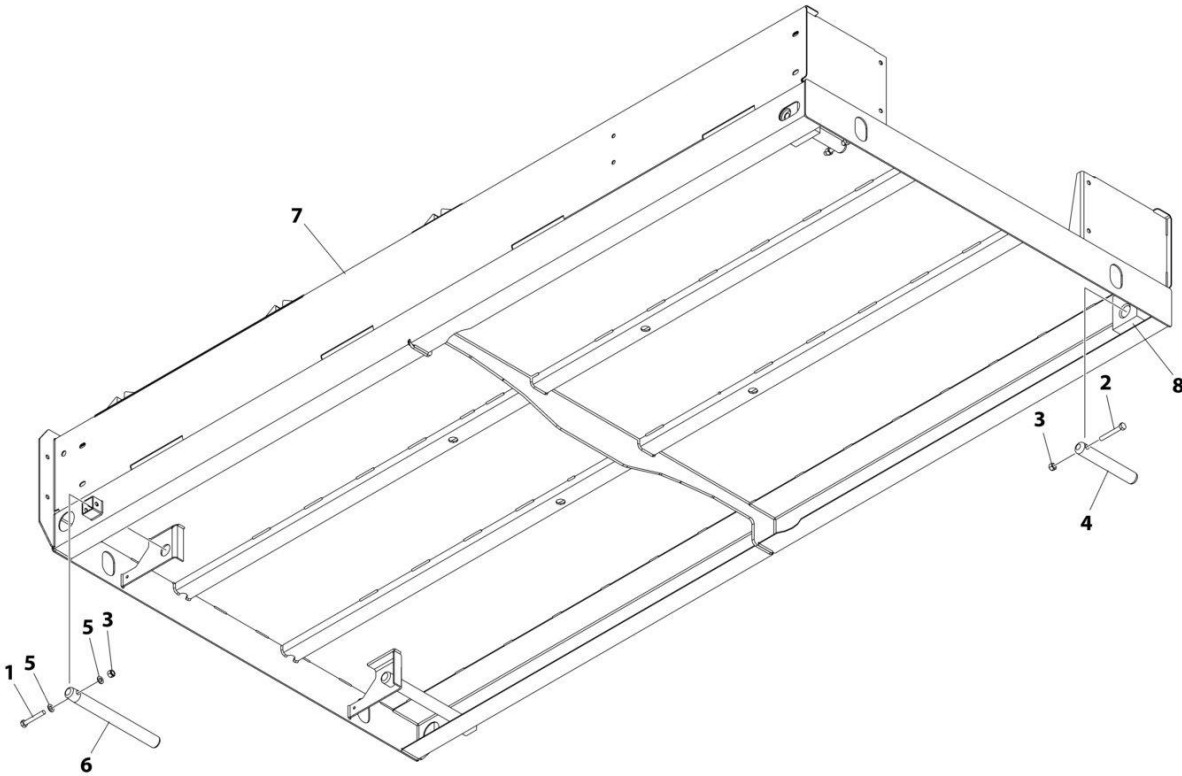
SECTION 4 - PLATFORM

FIGURE 4-2. PLATFORM INSTALLATION (CHINA SPECS) (Prior to SN B200071893, Excluding B200071784 and B200071857)

ITEM	PART NUMBER	QTY	DESCRIPTION	REV
	1001234380	Ref	PLATFORM INSTALLATION	C
1	0700819	2	Bolt M8 x 55	
2	3290805	2	Nut M8	
3	4811900	4	Washer M8	
4	1001234336	1	Platform	
5	1001235590	2	Pin	
6	1001247706	2	Block, Slide	

SECTION 4 - PLATFORM

FIGURE 4-3. PLATFORM INSTALLATION (CHINA SPECS) (SN B200071893 to Present)



ART_1001269286

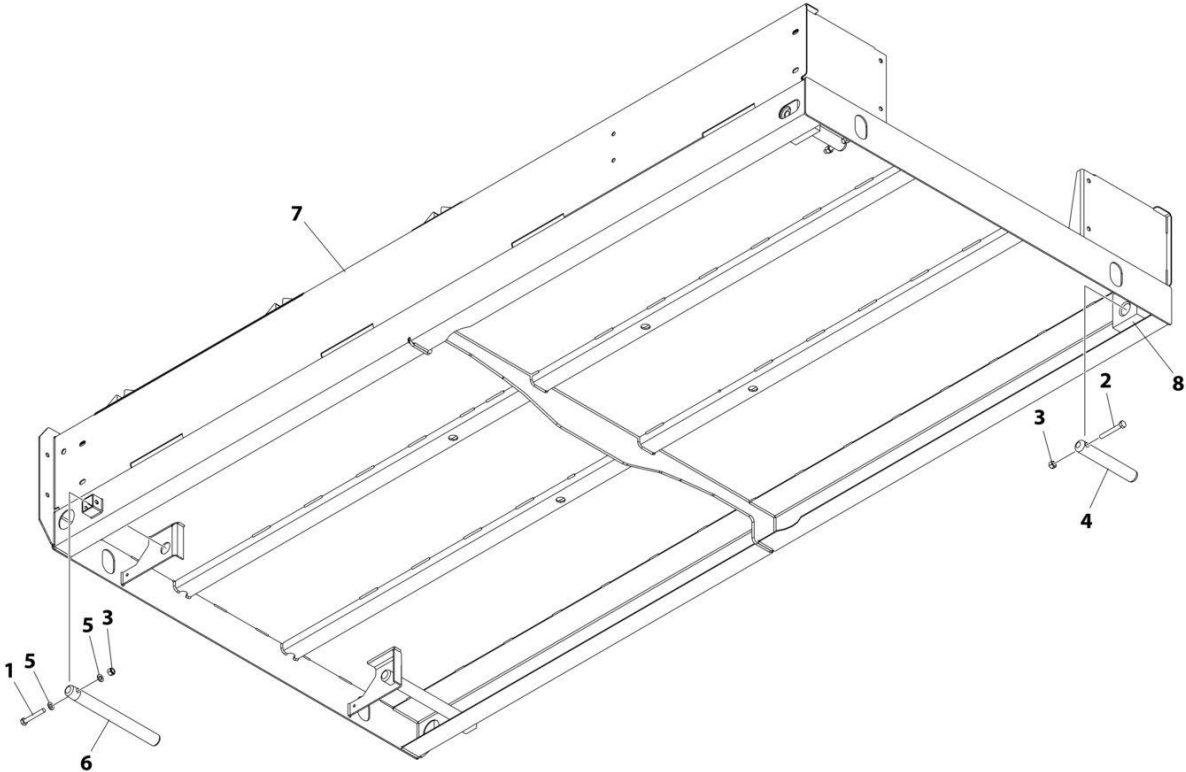
SECTION 4 - PLATFORM

FIGURE 4-3. PLATFORM INSTALLATION (CHINA SPECS) (SN B200071893 to Present)

ITEM	PART NUMBER	QTY	DESCRIPTION	REV
	1001269286	Ref	PLATFORM INSTALLATION	A
1	0700819	2	Bolt M8 x 55	
2	0700820	2	Bolt M8 x 60	
3	3290805	4	Nut M8	
4	3422426	2	Pin	
5	4811900	4	Washer M8	
6	1001235590	2	Pin	
7	1001269279	1	Platform	
8	1001269401	2	Block, Side	

SECTION 4 - PLATFORM

FIGURE 4-4. PLATFORM INSTALLATION (CHINA SPECS) (ALL MACHINES STARTING WITH SN G2)



ART_1001269286

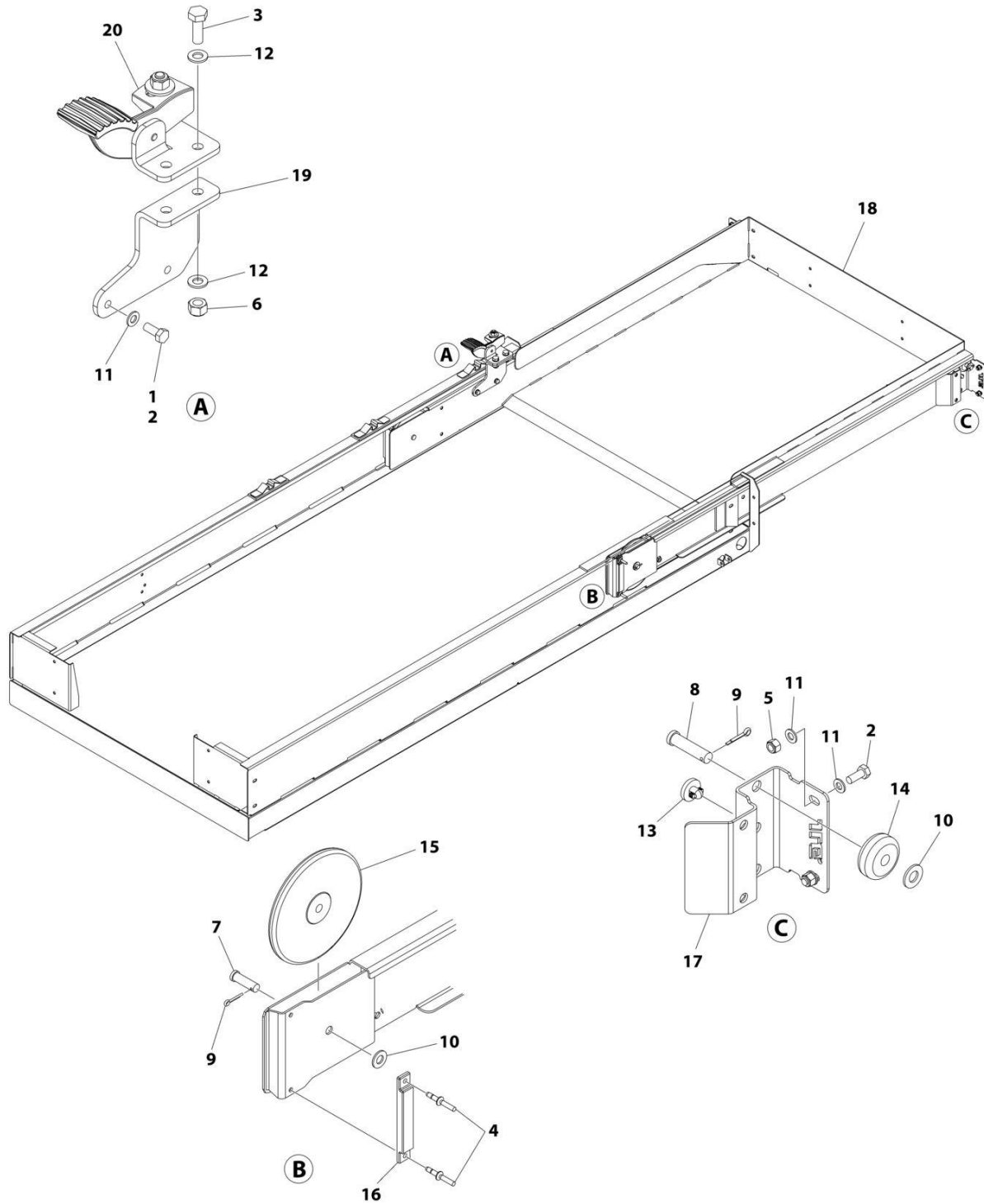
SECTION 4 - PLATFORM

FIGURE 4-4. PLATFORM INSTALLATION (CHINA SPECS) (ALL MACHINES STARTING WITH SN G2)

ITEM	PART NUMBER	QTY	DESCRIPTION	REV
	1001269286	Ref	PLATFORM INSTALLATION	A
1	0700819	2	Bolt M8 x 55	
2	0700820	2	Bolt M8 x 60	
3	3290805	4	Nut M8	
4	3422426	2	Pin	
5	4811900	4	Washer M8	
6	1001235590	2	Pin	
7	1001269279	1	Platform	
8	1001269401	2	Block, Side	

SECTION 4 - PLATFORM

FIGURE 4-5. PLATFORM EXTENSION INSTALLATION (ALL SPECS EXCEPT CHINA SPECS)



ART_1001234381

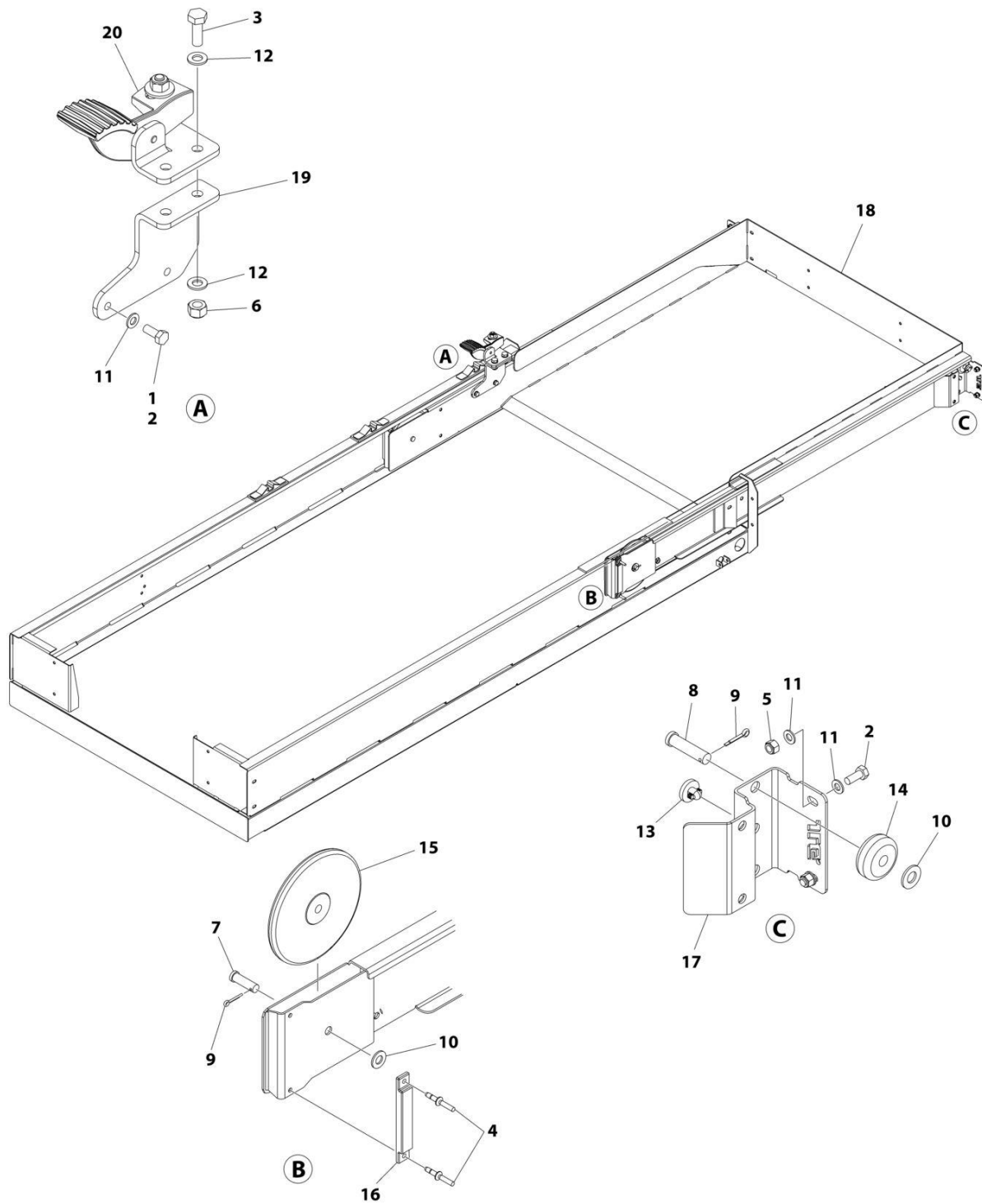
SECTION 4 - PLATFORM

FIGURE 4-5. PLATFORM EXTENSION INSTALLATION (ALL SPECS EXCEPT CHINA SPECS)

ITEM	PART NUMBER	QTY	DESCRIPTION	REV
	1001234381	Ref	PLATFORM EXTENSION INSTALLATION	C
1	0100011	AR	Compound, Locking	
2	0760810	6	Bolt M8 x 20	
3	0761014	2	Bolt M10 x 30	
4	2080040	4	Fastener	
5	3290805	4	Nut M8	
6	3291005	2	Nut M10	
7	3430813	2	Pin	
8	3430816	2	Pin	
9	3450403	4	Pin, Cotter	
10	4711800	4	Washer 1/2	
11	4811900	10	Washer M8	
12	4812000	4	Washer M10	
13	1001137675	2	Bumper	
14	1001205422	2	Roller (Front)	
15	1001205430	2	Roller (Rear)	
16	1001208852	2	Pad	
17	1001210064	2	Support	
18	1001213470	1	Extension, Platform	
19	1001213838	1	Latch Assembly	
20	1001234407	1	Bracket	

SECTION 4 - PLATFORM

FIGURE 4-6. PLATFORM EXTENSION INSTALLATION (CHINA SPECS) (Prior to SN B200071893, Excluding B200071784 and B200071857)



ART_1001234381

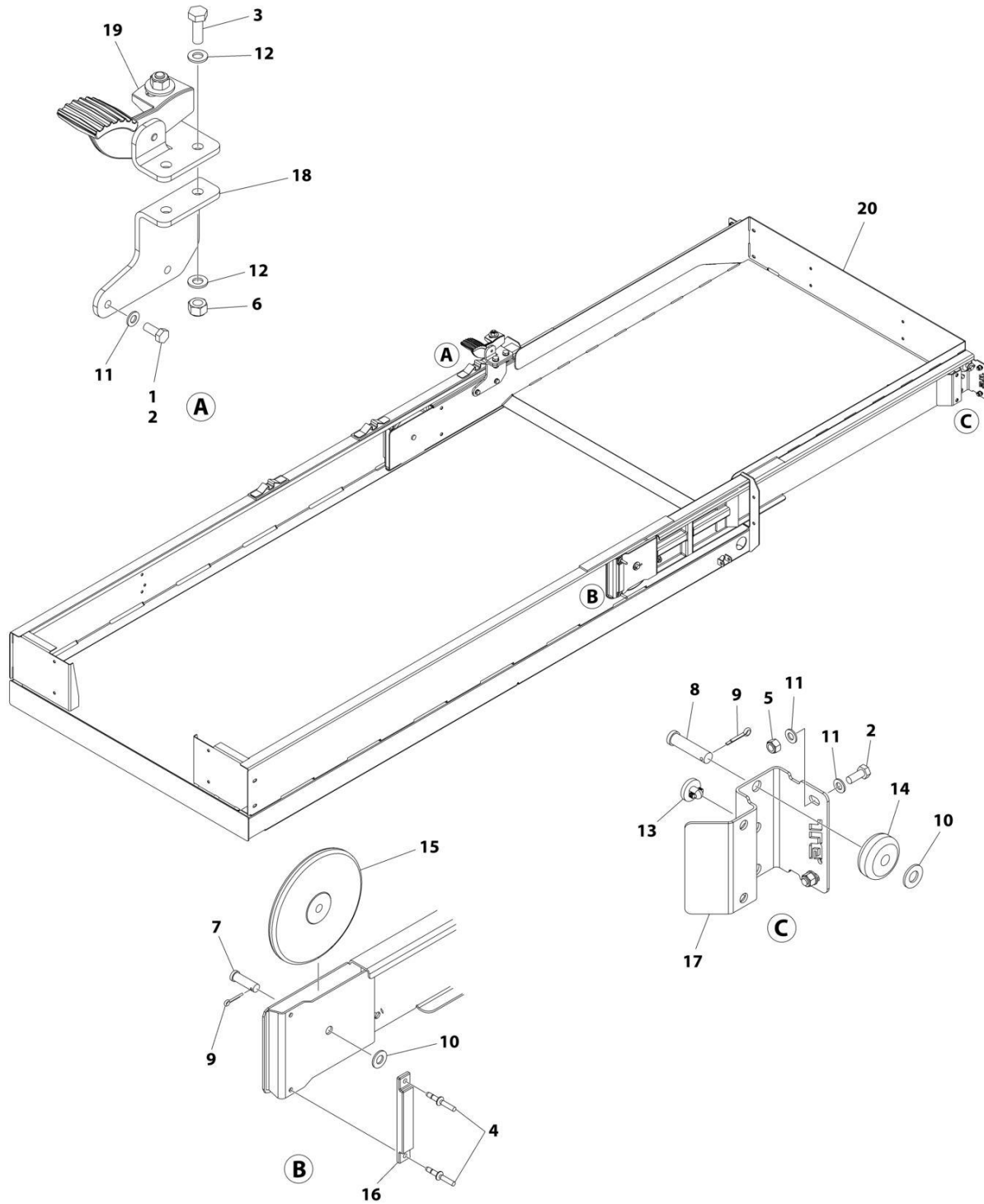
SECTION 4 - PLATFORM

**FIGURE 4-6. PLATFORM EXTENSION INSTALLATION (CHINA SPECS) (Prior to SN B200071893,
Excluding B200071784 and B200071857)**

ITEM	PART NUMBER	QTY	DESCRIPTION	REV
	1001234381	Ref	PLATFORM EXTENSION INSTALLATION	C
1	0100011	AR	Compound, Locking	
2	0760810	6	Bolt M8 x 20	
3	0761014	2	Bolt M10 x 30	
4	2080040	4	Fastener	
5	3290805	4	Nut M8	
6	3291005	2	Nut M10	
7	3430813	2	Pin	
8	3430816	2	Pin	
9	3450403	4	Pin, Cotter	
10	4711800	4	Washer 1/2	
11	4811900	10	Washer M8	
12	4812000	4	Washer M10	
13	1001137675	2	Bumper	
14	1001205422	2	Roller (Front)	
15	1001205430	2	Roller (Rear)	
16	1001208852	2	Pad	
17	1001210064	2	Support	
18	1001213470	1	Extension, Platform	
19	1001213838	1	Latch Assembly	
20	1001234407	1	Bracket	

SECTION 4 - PLATFORM

FIGURE 4-7. PLATFORM EXTENSION INSTALLATION (CHINA SPECS) (SN B200071893 to Present)



ART_1001269288

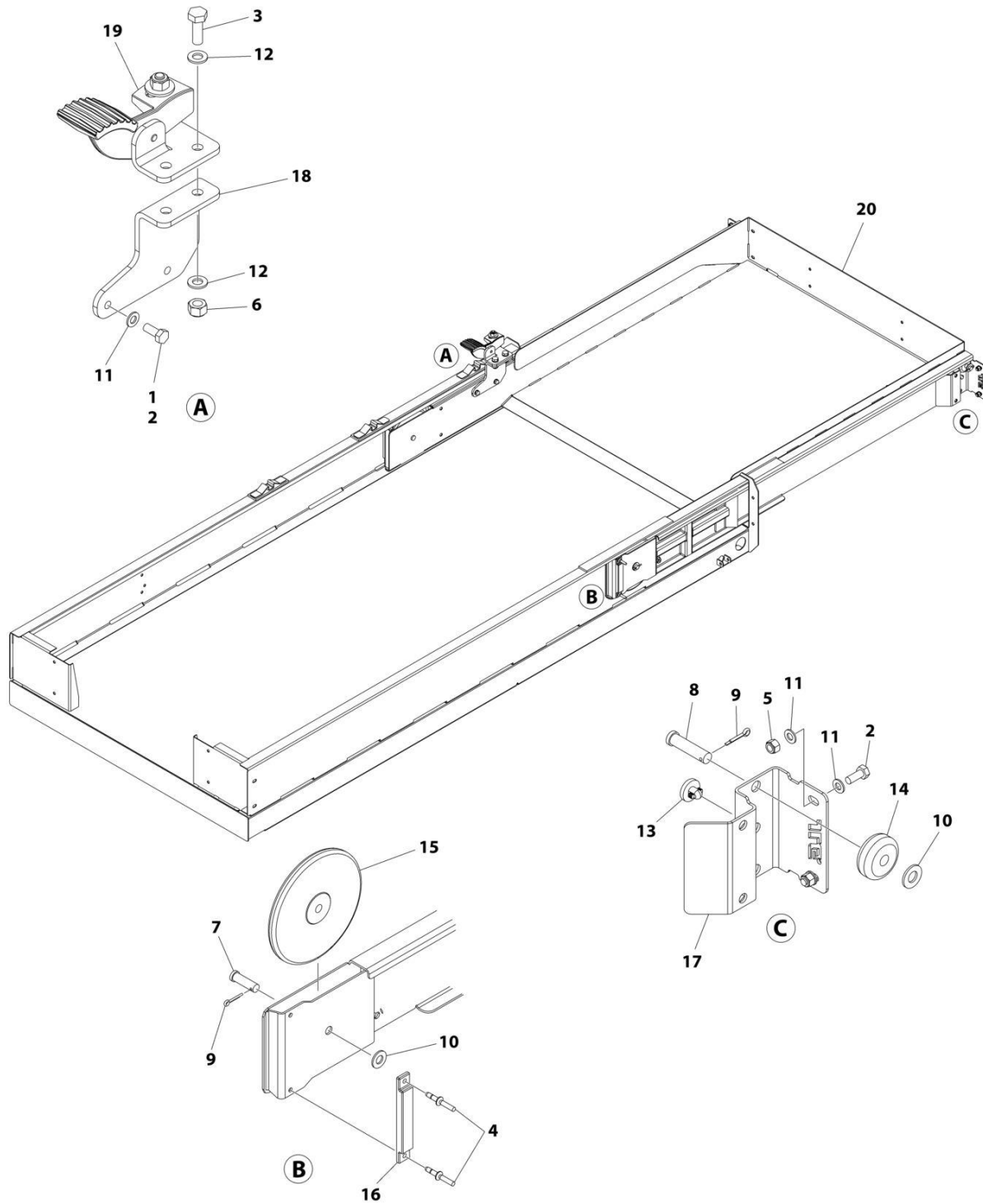
SECTION 4 - PLATFORM

FIGURE 4-7. PLATFORM EXTENSION INSTALLATION (CHINA SPECS) (SN B200071893 to Present)

ITEM	PART NUMBER	QTY	DESCRIPTION	REV
	1001269288	Ref	PLATFORM EXTENSION INSTALLATION	A
1	0100011	AR	Compound, Locking	
2	0760810	6	Bolt M8 x 20	
3	0761014	2	Bolt M10 x 30	
4	2080040	4	Fastener	
5	3290805	4	Nut M8	
6	3291005	2	Nut M10	
7	3430813	2	Pin	
8	3430816	2	Pin	
9	3450403	4	Pin, Cotter	
10	4711800	4	Washer 1/2	
11	4811900	10	Washer M8	
12	4812000	4	Washer M10	
13	1001137675	2	Bumper	
14	1001205422	2	Roller (Front)	
15	1001205430	2	Roller (Rear)	
16	1001208852	2	Pad	
17	1001210064	2	Support	
18	1001213838	1	Latch Assembly	
19	1001234407	1	Bracket	
20	1001269236	1	Extension, Platform	

SECTION 4 - PLATFORM

FIGURE 4-8. PLATFORM EXTENSION INSTALLATION (CHINA SPECS) (ALL MACHINES STARTING WITH SN G2)



ART_1001269288

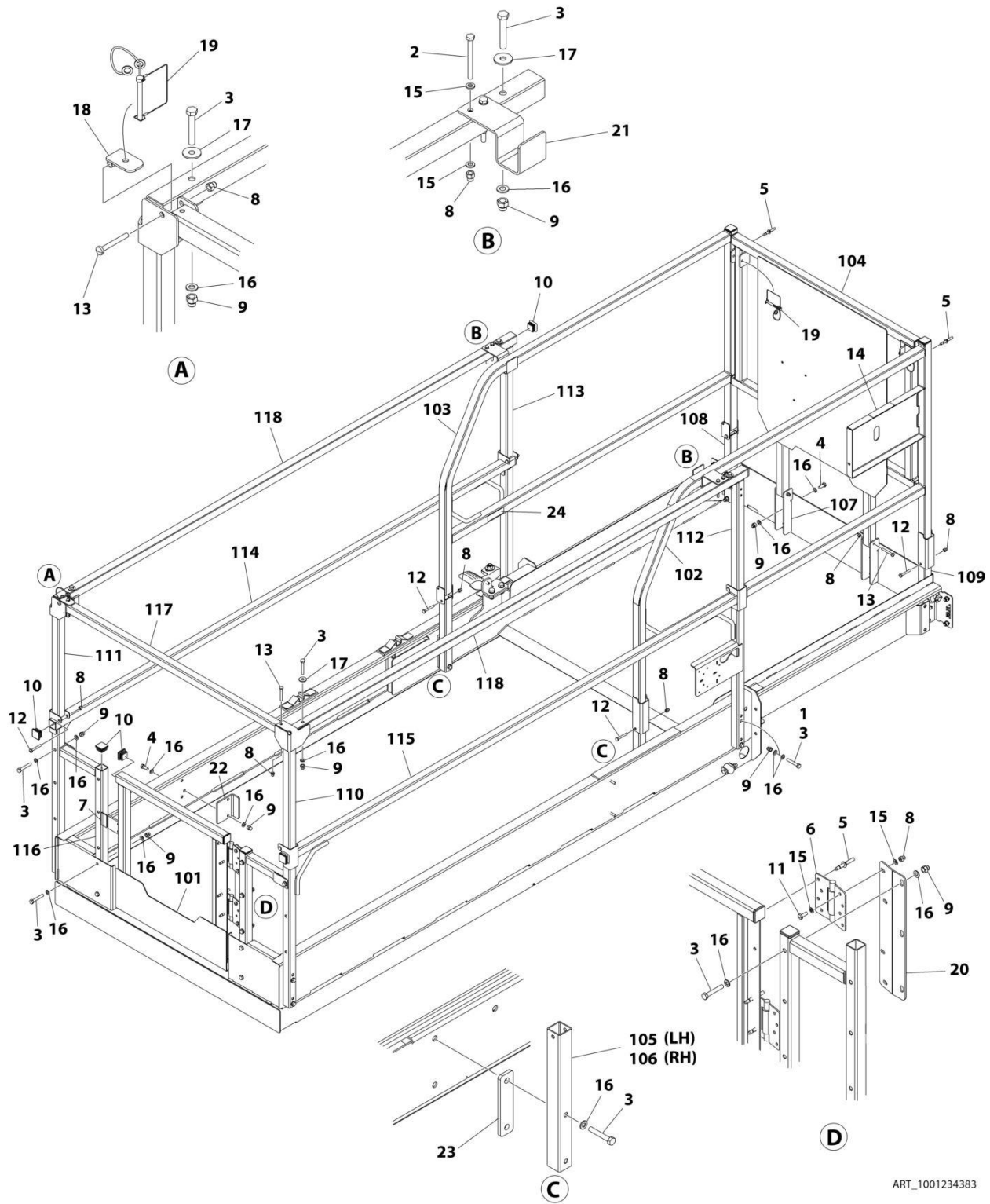
SECTION 4 - PLATFORM

FIGURE 4-8. PLATFORM EXTENSION INSTALLATION (CHINA SPECS) (ALL MACHINES STARTING WITH SN G2)

ITEM	PART NUMBER	QTY	DESCRIPTION	REV
	1001269288	Ref	PLATFORM EXTENSION INSTALLATION	A
1	0100011	AR	Compound, Locking	
2	0760810	6	Bolt M8 x 20	
3	0761014	2	Bolt M10 x 30	
4	2080040	4	Fastener	
5	3290805	4	Nut M8	
6	3291005	2	Nut M10	
7	3430813	2	Pin	
8	3430816	2	Pin	
9	3450403	4	Pin, Cotter	
10	4711800	4	Washer 1/2	
11	4811900	10	Washer M8	
12	4812000	4	Washer M10	
13	1001137675	2	Bumper	
14	1001205422	2	Roller (Front)	
15	1001205430	2	Roller (Rear)	
16	1001208852	2	Pad	
17	1001210064	2	Support	
18	1001213838	1	Latch Assembly	
19	1001234407	1	Bracket	
20	1001269236	1	Extension, Platform	

SECTION 4 - PLATFORM

FIGURE 4-9. RAILS INSTALLATION (SIDE BY SIDE) (ALL SPECS EXCEPT CHINA SPECS)



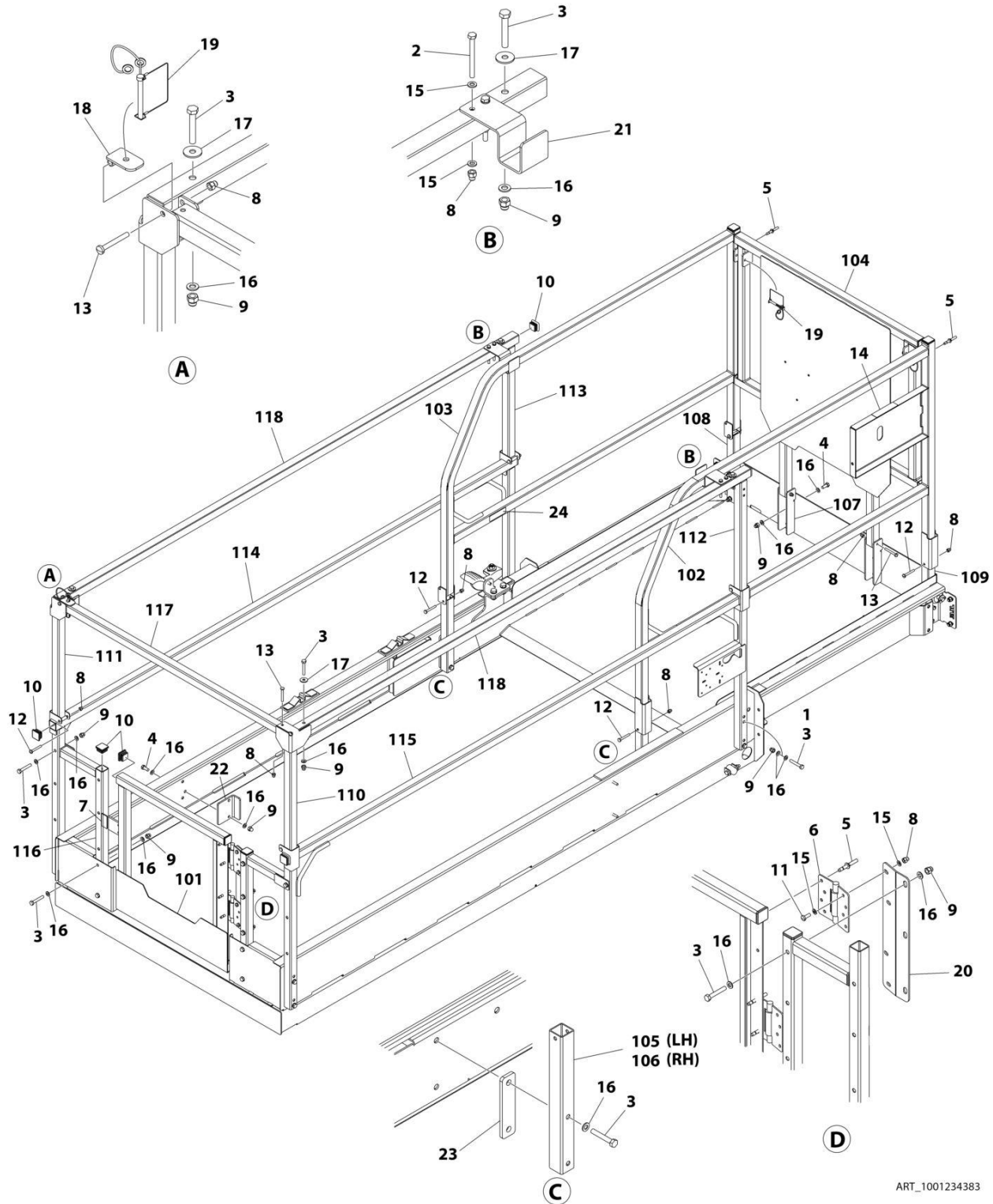
SECTION 4 - PLATFORM

FIGURE 4-9. RAILS INSTALLATION (SIDE BY SIDE) (ALL SPECS EXCEPT CHINA SPECS)

ITEM	PART NUMBER	QTY	DESCRIPTION	REV
	1001234383	Ref	RAILS INSTALLATION (SIDE BY SIDE)	G
1	0100011	AR	Compound, Locking	
2	0700621	AR	Bolt M6 x 65	
2	0700618	AR	Bolt M6 x 50	
3	0700818	29	Bolt M8 x 50	
4	0760810	6	Bolt M8 x 20	
5	2080040	6	Fastener	
6	2600281	2	Hinge	
7	3080007	1	Magnet, Gate	
8	3290606	20	Nut M6	
9	3290806	31	Nut M8	
10	3520072	18	Plug	
11	4010608	4	Screw M6 x 16	
12	4010617	8	Screw M6 x 45	
13	4010618	4	Screw M6 x 50	
14	4420062	4 in/ 10cm	Tape	
15	4811700	16	Washer M6	
16	4811900	66	Washer M8	
17	4811902	4	Washer M8	
18	1001154378	1	Bracket	
19	1001187587	3	Pin, Snap with Lanyard	
20	1001210586	1	Support	
21	1001237911	2	Bracket	
22	1001232622	1	Bracket	
23	1001235287	2	Plate	
24	1704277	2	Decal - Lanyard Attach Graphic	
100	1001235960	1	Rail Kit (Not Shown)	
101	1001210302	1	Gate	
102	1001213915	1	Rail, Extension Side (RH)	
103	1001213916	1	Rail, Extension Side (LH)	
104	1001213931	1	Rail, Extension Front	
105	1001222861	1	Tube Rail (Lower LH)	
106	1001222869	1	Tube Rail (Lower RH)	
107	1001223053	2	Bracket	
108	1001223165	1	Tube, Extension (Lower LH)	
109	1001223166	1	Tube, Extension (Lower RH)	
110	1001229739	1	Rail Rear (Upper RH)	
111	1001229740	1	Rail Rear (Upper LH)	
112	1001229741	1	Rail Front (Upper RH)	
113	1001229742	1	Rail Front (Upper LH)	
114	1001234006	1	Rail Rear (Lower LH)	
115	1001234007	1	Rail Rear (Lower RH)	
116	1001234008	2	Rail, Gate Mount	
117	1001234268	1	Tube, Rear Top	
118	1001235286	2	Rail, Side Top	

SECTION 4 - PLATFORM

FIGURE 4-10. RAILS INSTALLATION (SIDE BY SIDE) (CHINA SPECS) (Prior to SN B200071893, Excluding B200071784 and B200071857)



ART_1001234383

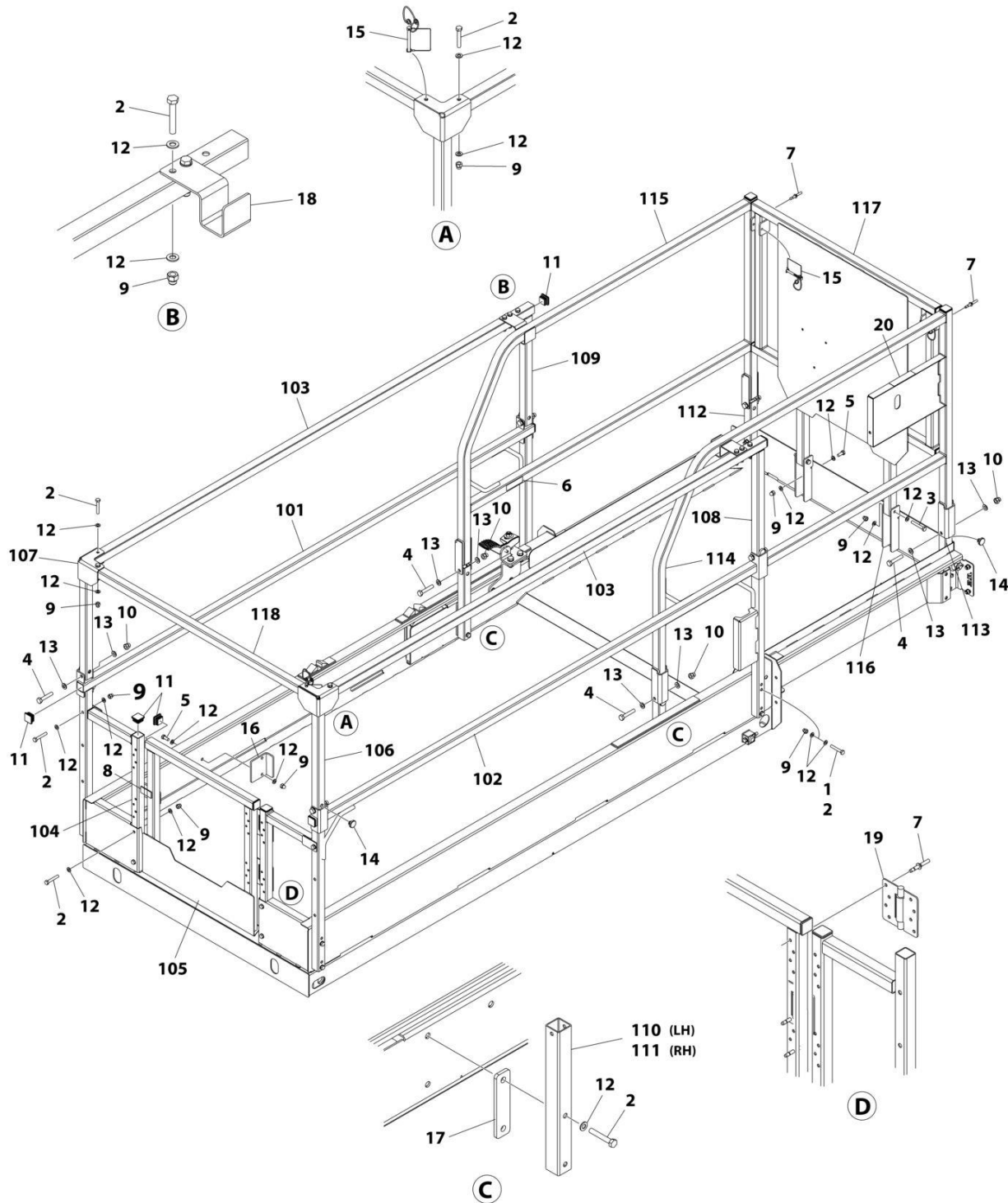
SECTION 4 - PLATFORM

**FIGURE 4-10. RAILS INSTALLATION (SIDE BY SIDE) (CHINA SPECS) (Prior to SN B200071893,
Excluding B200071784 and B200071857)**

ITEM	PART NUMBER	QTY	DESCRIPTION	REV
	1001234383	Ref	RAILS INSTALLATION (SIDE BY SIDE)	G
1	0100011	AR	Compound, Locking	
2	0700621	AR	Bolt M6 x 65	
2	0700618	AR	Bolt M6 x 50	
3	0700818	29	Bolt M8 x 50	
4	0760810	6	Bolt M8 x 20	
5	2080040	6	Fastener	
6	2600281	2	Hinge	
7	3080007	1	Magnet, Gate	
8	3290606	20	Nut M6	
9	3290806	31	Nut M8	
10	3520072	18	Plug	
11	4010608	4	Screw M6 x 16	
12	4010617	8	Screw M6 x 45	
13	4010618	4	Screw M6 x 50	
14	4420062	4 in/ 10cm	Tape	
15	4811700	16	Washer M6	
16	4811900	66	Washer M8	
17	4811902	4	Washer M8	
18	1001154378	1	Bracket	
19	1001187587	3	Pin, Snap with Lanyard	
20	1001210586	1	Support	
21	1001237911	2	Bracket	
22	1001232622	1	Bracket	
23	1001235287	2	Plate	
24	1704277	2	Decal - Lanyard Attach Graphic	
100	1001235960	1	Rail Kit (Not Shown)	
101	1001210302	1	Gate	
102	1001213915	1	Rail, Extension Side (RH)	
103	1001213916	1	Rail, Extension Side (LH)	
104	1001213931	1	Rail, Extension Front	
105	1001222861	1	Tube Rail (Lower LH)	
106	1001222869	1	Tube Rail (Lower RH)	
107	1001223053	2	Bracket	
108	1001223165	1	Tube, Extension (Lower LH)	
109	1001223166	1	Tube, Extension (Lower RH)	
110	1001229739	1	Rail Rear (Upper RH)	
111	1001229740	1	Rail Rear (Upper LH)	
112	1001229741	1	Rail Front (Upper RH)	
113	1001229742	1	Rail Front (Upper LH)	
114	1001234006	1	Rail Rear (Lower LH)	
115	1001234007	1	Rail Rear (Lower RH)	
116	1001234008	2	Rail, Gate Mount	
117	1001234268	1	Tube, Rear Top	
118	1001235286	2	Rail, Side Top	

SECTION 4 - PLATFORM

FIGURE 4-11. RAILS INSTALLATION (SIDE BY SIDE) (CHINA SPECS) (SN B200071893 to Present)



ART_1001269287

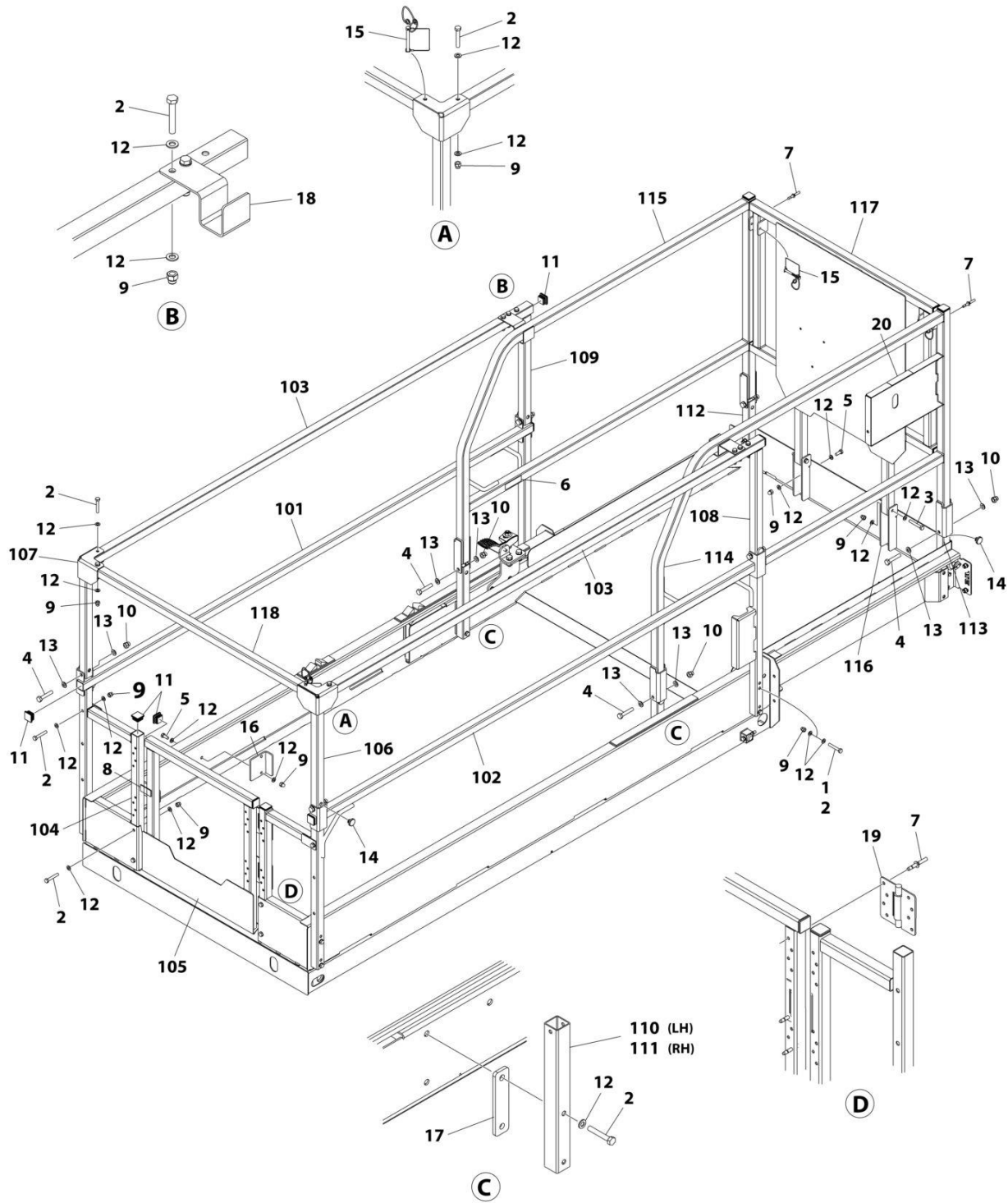
SECTION 4 - PLATFORM

FIGURE 4-11. RAILS INSTALLATION (SIDE BY SIDE) (CHINA SPECS) (SN B200071893 to Present)

ITEM	PART NUMBER	QTY	DESCRIPTION	REV
	1001269287	Ref	RAILS INSTALLATION (SIDE BY SIDE)	A
1	0100011	AR	Compound, Locking	
2	0700818	31	Bolt M8 x 50	
3	0700819	2	Bolt M8 x 55	
4	0701019	8	Bolt M10 x 55	
5	0760810	6	Bolt M8 x 20	
6	1704277	2	Decal - Lanyard Attached Graphic	
7	2080040	18	Fastener	
8	3080007	1	Magnet, Gate	
9	3290806	35	Nut M8	
10	3291006	8	Nut M10	
11	3520072	18	Plug	
12	4811900	78	Washer M8	
13	4812000	16	Washer M10	
14	1001137675	8	Bumper	
15	1001187587	3	Pin, Snap With Lanyard	
16	1001232622	1	Bracket	
17	1001235287	2	Plate	
18	1001269701	2	Bracket	
19	2600281	2	Hinge	
20	4420062	4 in\10cm	Tape	
100	1001270276	1	Rail Kit (Not Shown)	
101	1001269291	1	Rail Rear (Lower LH)	
102	1001269292	1	Rail Rear (Lower RH)	
103	1001269293	2	Rail, Side Top	
104	1001269477	2	Rail, Gate Mount	
105	1001269496	1	Gate	
106	1001269585	1	Rail Rear (Upper RH)	
107	1001269586	1	Rail Rear (Upper LH)	
108	1001269587	1	Rail Front (Upper RH)	
109	1001269588	1	Rail Front (Upper LH)	
110	1001269590	1	Tube Rail (Lower LH)	
111	1001269591	1	Tube Rail (Lower RH)	
112	1001269592	1	Tube Extension (Lower LH)	
113	1001269593	1	Tube Extension (Lower RH)	
114	1001269594	1	Rail, Extension Side (RH)	
115	1001269595	1	Rail, Extension Side (LH)	
116	1001269598	2	Bracket	
117	1001269600	1	Rail, Extension Front	
118	1001269656	1	Tube, Rear Top	

SECTION 4 - PLATFORM

FIGURE 4-12. RAILS INSTALLATION (SIDE BY SIDE) (CHINA SPECS) (ALL MACHINES STARTING WITH SN G2)



ART_1001269287

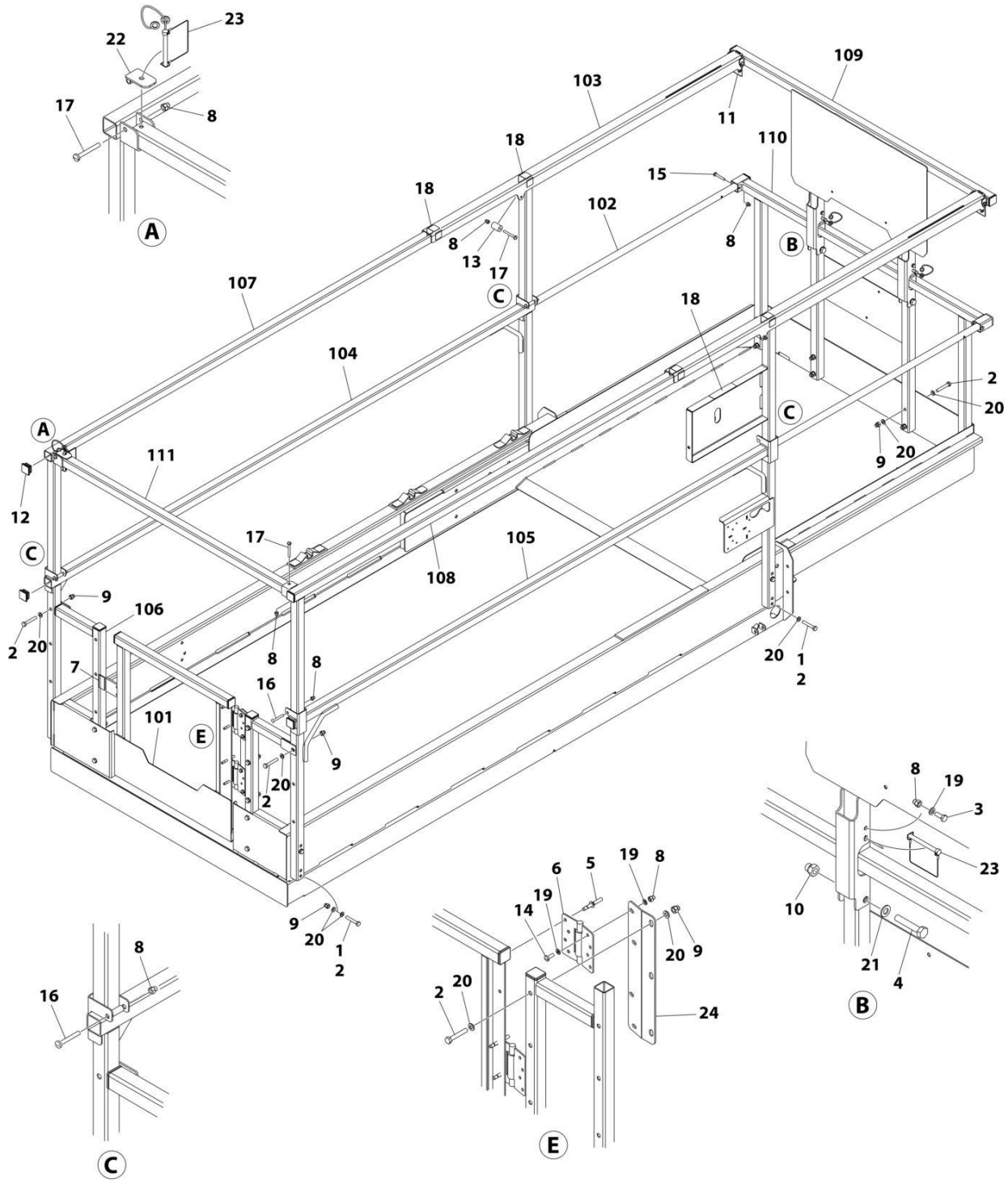
SECTION 4 - PLATFORM

FIGURE 4-12. RAILS INSTALLATION (SIDE BY SIDE) (CHINA SPECS) (ALL MACHINES STARTING WITH SN G2)

ITEM	PART NUMBER	QTY	DESCRIPTION	REV
	1001269287	Ref	RAILS INSTALLATION (SIDE BY SIDE)	A
1	0100011	AR	Compound, Locking	
2	0700818	31	Bolt M8 x 50	
3	0700819	2	Bolt M8 x 55	
4	0701019	8	Bolt M10 x 55	
5	0760810	6	Bolt M8 x 20	
6	1704277	2	Decal - Lanyard Attached Graphic	
7	2080040	18	Fastener	
8	3080007	1	Magnet, Gate	
9	3290806	35	Nut M8	
10	3291006	8	Nut M10	
11	3520072	18	Plug	
12	4811900	78	Washer M8	
13	4812000	16	Washer M10	
14	1001137675	8	Bumper	
15	1001187587	3	Pin, Snap With Lanyard	
16	1001232622	1	Bracket	
17	1001235287	2	Plate	
18	1001269701	2	Bracket	
19	2600281	2	Hinge	
20	4420062	4 in\10cm	Tape	
100	1001270276	1	Rail Kit (Not Shown)	
101	1001269291	1	Rail Rear (Lower LH)	
102	1001269292	1	Rail Rear (Lower RH)	
103	1001269293	2	Rail, Side Top	
104	1001269477	2	Rail, Gate Mount	
105	1001269496	1	Gate	
106	1001269585	1	Rail Rear (Upper RH)	
107	1001269586	1	Rail Rear (Upper LH)	
108	1001269587	1	Rail Front (Upper RH)	
109	1001269588	1	Rail Front (Upper LH)	
110	1001269590	1	Tube Rail (Lower LH)	
111	1001269591	1	Tube Rail (Lower RH)	
112	1001269592	1	Tube Extension (Lower LH)	
113	1001269593	1	Tube Extension (Lower RH)	
114	1001269594	1	Rail, Extension Side (RH)	
115	1001269595	1	Rail, Extension Side (LH)	
116	1001269598	2	Bracket	
117	1001269600	1	Rail, Extension Front	
118	1001269656	1	Tube, Rear Top	

SECTION 4 - PLATFORM

FIGURE 4-13. RAILS INSTALLATION (TUBE IN TUBE)



ART_1001234382

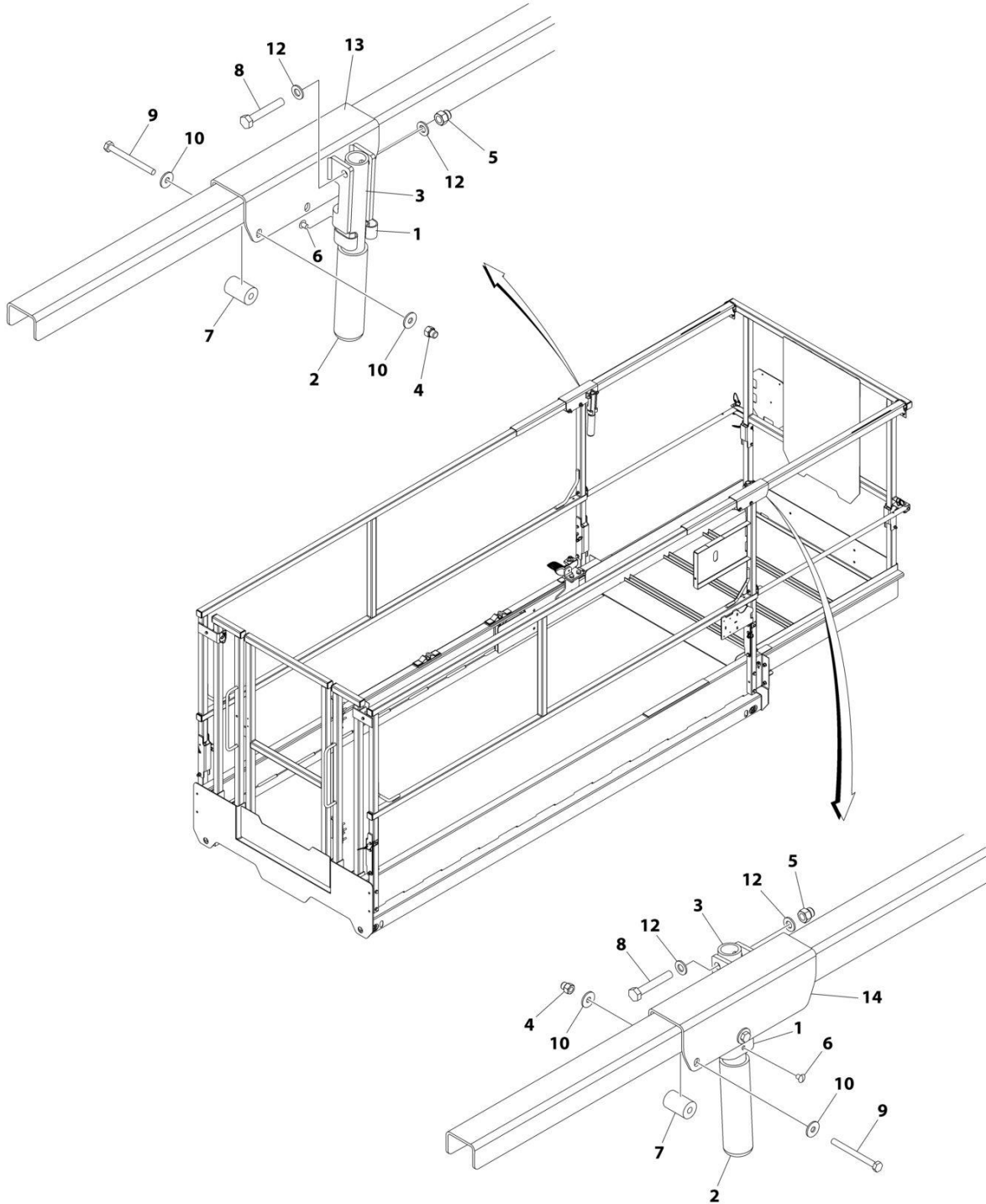
SECTION 4 - PLATFORM

FIGURE 4-13. RAILS INSTALLATION (TUBE IN TUBE)

ITEM	PART NUMBER	QTY	DESCRIPTION	REV
	1001234382	Ref	RAILS INSTALLATION (TUBE IN TUBE)	D
1	0100011	AR	Compound, Locking	
2	0700818	25	Bolt M8 x 50	
3	0760608	2	Bolt M6 x 16	
4	0761019	2	Bolt M10 x 55	
5	2080040	4	Fastener	
6	2600281	2	Hinge	
7	3080007	1	Magnet, Gate	
8	3290606	16	Nut M6	
9	3290806	21	Nut M8	
10	3291006	2	Nut M10	
11	3422219	2	Pin, Snap	
12	3520072	14	Plug	
13	3860111	2	Roller	
14	4010608	4	Screw M6 x 16	
15	4010616	2	Screw M6 x 40	
16	4010617	4	Screw M6 x 45	
17	4010618	4	Screw M6 x 50	
18	4420062	16 in/ 40cm	Tape	
19	4811700	10	Washer M6	
20	4811900	50	Washer M8	
21	4812000	2	Washer M10	
22	1001154378	1	Bracket	
23	1001187587	3	Pin, Snap with Lanyard	
24	1001210586	1	Support	
100	1001235959	1	Rail Kit (Not Shown)	
101	1001210302	1	Gate	
102	1001213415	2	Rod, Extension MID	
103	1001213416	2	Rail, Extension Top	
104	1001234006	1	Rail, Side MID (LH)	
105	1001234007	1	Rail, Side MID (RH)	
106	1001234008	2	Rail, Rear	
107	1001234141	1	Rail, Side Top (LH)	
108	1001234142	1	Rail, Side Top (RH)	
109	1001234266	1	Rail, Extension Top Front	
110	1001234267	1	Rail, Extension MID Front	
111	1001234268	1	Tube, Rear Top	

SECTION 4 - PLATFORM

FIGURE 4-14. EXTENSION HANDLES INSTALLATION (OPTIONAL)



ART_1001215446_E

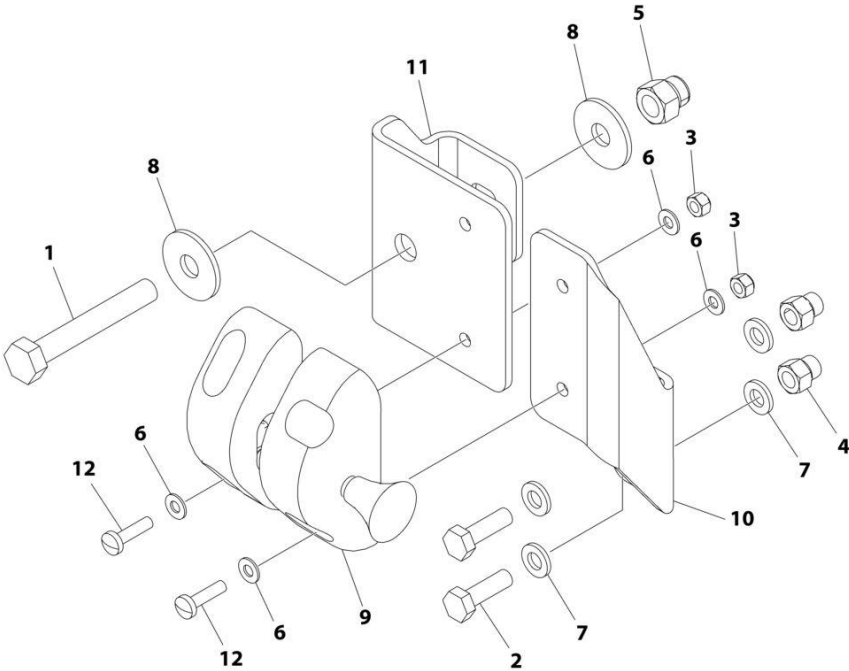
SECTION 4 - PLATFORM

FIGURE 4-14. EXTENSION HANDLES INSTALLATION (OPTIONAL)

ITEM	PART NUMBER	QTY	DESCRIPTION	REV
	1001215446	Ref	EXTENSION HANDLES INSTALLATION (OPTIONAL)	E
1	1380132	2	Clip	
2	2560088	2	Grip	
3	2560190	2	Handle	
4	3290606	2	Nut M6	
5	3290806	2	Nut M8	
6	3820019	2	Rivet	
7	3860111	2	Roller	
8	0700818	AR	Bolt M8 x 50	
9	0700621	AR	Bolt M6 x 65	
10	4811702	AR	Washer M6	
12	4811900	AR	Washer M8	
13	1001235560	1	Bracket (LH)	
14	1001235561	1	Bracket (RH)	

SECTION 4 - PLATFORM

FIGURE 4-15. GATE LATCH INSTALLATION



ART_1001220995

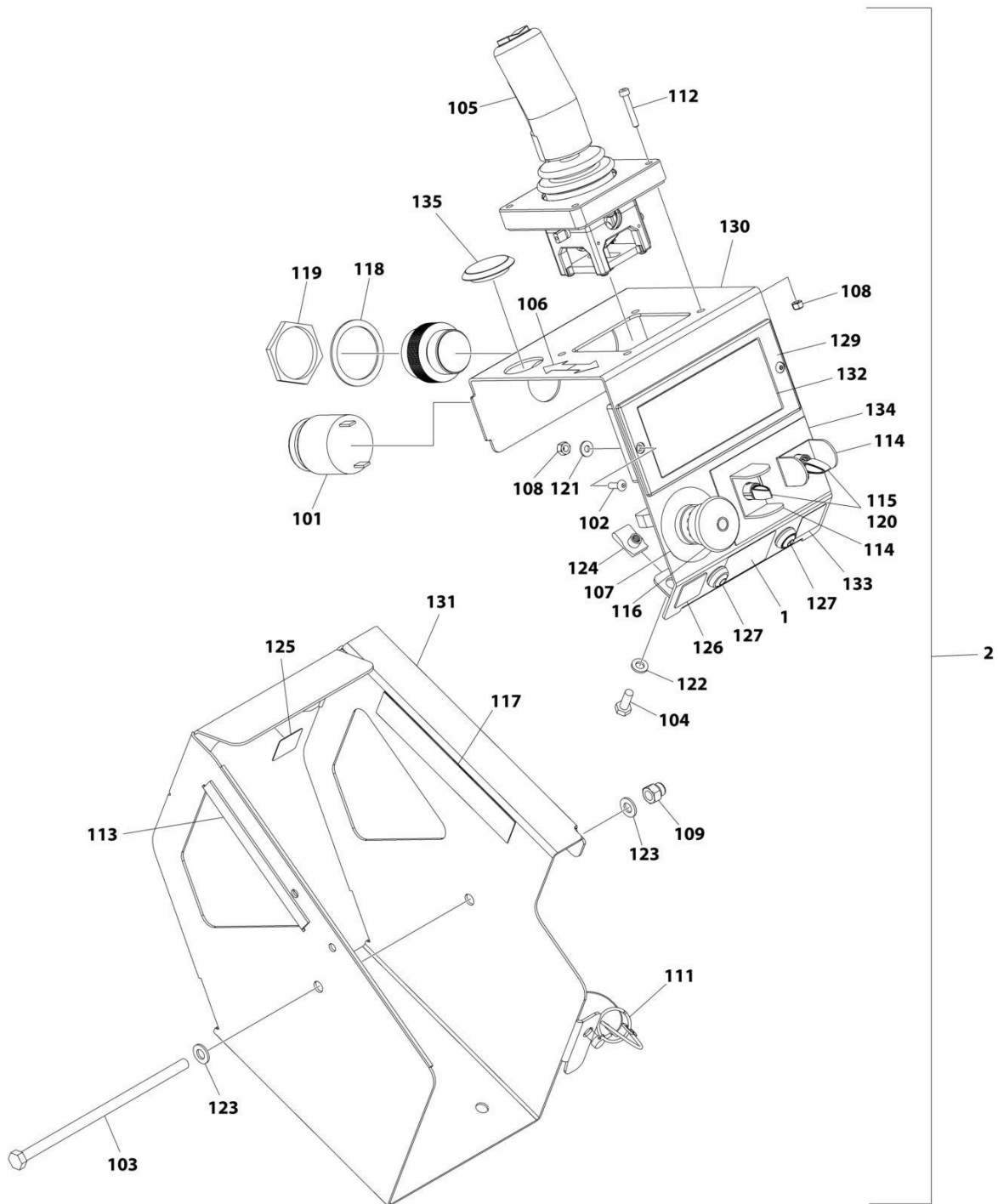
SECTION 4 - PLATFORM

FIGURE 4-15. GATE LATCH INSTALLATION

ITEM	PART NUMBER	QTY	DESCRIPTION	REV
	1001220995	Ref	GATE LATCH INSTALLATION	B
1	0700819	1	Bolt M8 x 55	
2	0760610	2	Bolt M6 x 20	
3	3290405	4	Nut M4	
4	3290606	2	Nut M6	
5	3290806	1	Nut M8	
6	4811400	8	Washer M4	
7	4811700	4	Washer M6	
8	4811902	2	Washer M8	
9	1001134821	1	Latch	
10	1001220409	1	Mount	
11	1001220410	1	Plate	
12	4010408	4	Screw M4 x 16	

SECTION 4 - PLATFORM

FIGURE 4-16. PLATFORM CONSOLE INSTALLATION (MACHINES WITH SN STARTING WITH M2)



ART_1001214151

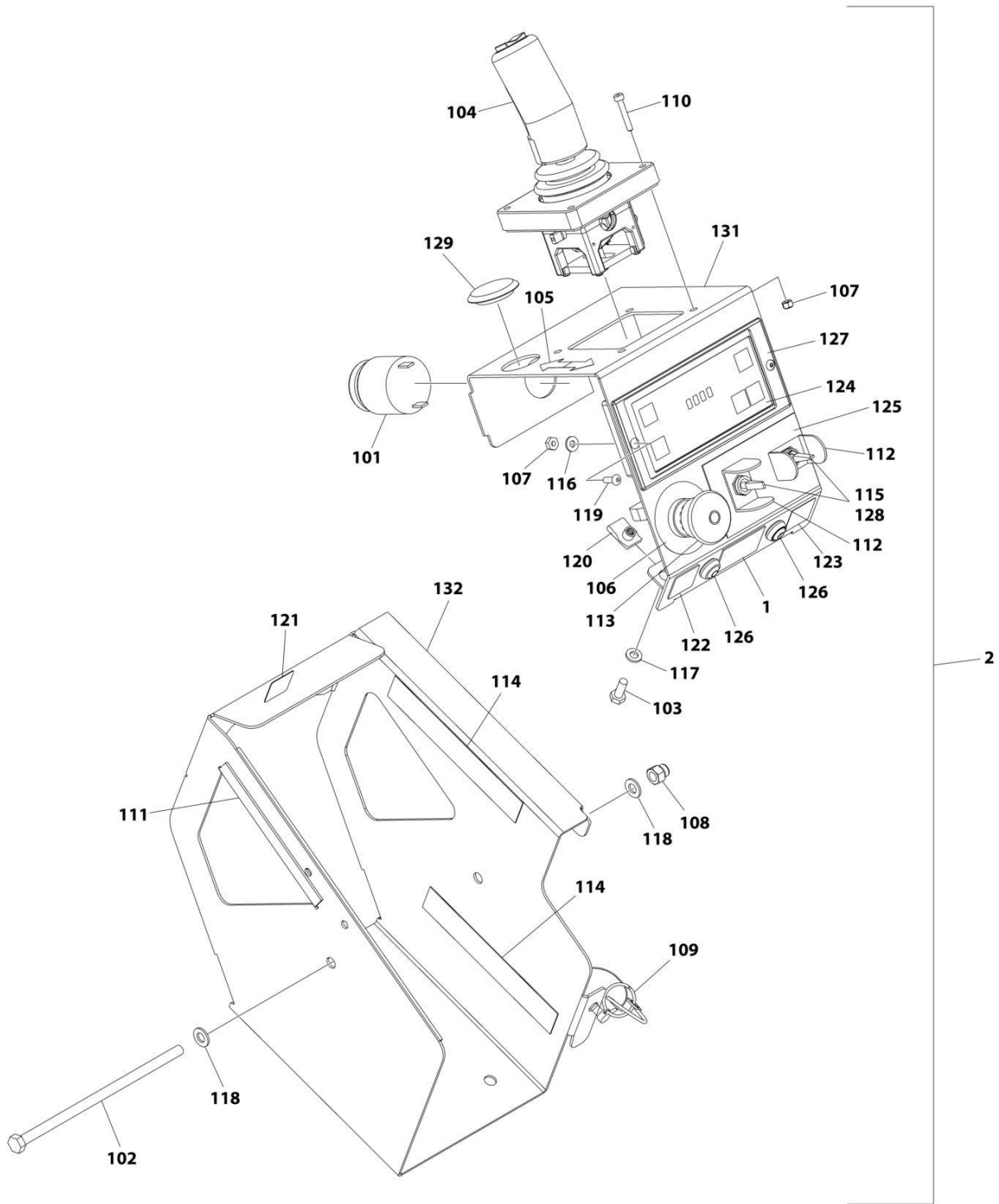
SECTION 4 - PLATFORM

FIGURE 4-16. PLATFORM CONSOLE INSTALLATION (MACHINES WITH SN STARTING WITH M2)

ITEM	PART NUMBER	QTY	DESCRIPTION	REV
	1001214151	Ref	PLATFORM CONSOLE INSTALLATION	E
1	1001258665	1	Decal - R3246/R4045	
2	1001214924	Ref	Platform Console Box Assembly	I
101	0140030	1	Alarm	
102	1001047064	2	Screw M4 x 15	
103	0700835	1	Bolt M8 x 180	
104	0760610	2	Bolt M6 x 20	
105	1600402	1	Controller Assembly (See Separate Breakdown in this Section)	
106	1703819	1	Decal - Arrow	
107	1704260	1	Decal - Emergency Stop	
108	3290405	6	Nut M4	
109	3290806	1	Nut M8	
111	3423278	1	Pin, Snap with Lanyard	
112	4031509	4	Capscrew M4 x 25	
113	4060803	6 in /14cm	Flex-Trim	
114	4060906	2	Guard, Switch	
115	1001258446	2	Switch, Toggle	
116	4360475	1	Switch, Emergency Stop	
116	7020175	1	Cap	
116	7020176	1	Block, Contact	
117	4420062	12 in/ 30cm	Tape	
118	4460496	1	Washer, Terminal	
119	4460497	1	Nut, Terminal	
120	4711700	2	Washer 7/16	
121	4811400	2	Washer M4	
122	4811700	2	Washer M6	
123	4811900	2	Washer M8	
124	1001130220	2	Nut, Tinnerman M6	
125	1001132358	1	Decal - Steer	
126	1001132361	1	Decal - Horn	
127	1001226749	2	Switch - Push Button	
128	1001200819	1	Platform Control Box Harness (Not Shown) (See Separate Breakdown in ELECTRICAL Section)	
129	1001228112	1	Module, Platform Control	
130	1001262655	1	Plate, Box (Inside)	
131	1001209596	1	Plate, Box (Outside)	
132	1001218285	1	Decal - Platform Control	
133	1001213886	1	Decal - Indoor/Outdoor	
134	1001220893	1	Decal - Lift/Drive Function	
135	1001262221	1	Plug	

SECTION 4 - PLATFORM

FIGURE 4-17. PLATFORM CONSOLE INSTALLATION (MACHINES WITH SN STARTING WITH 12, B2 & G2)



ART_1001269997

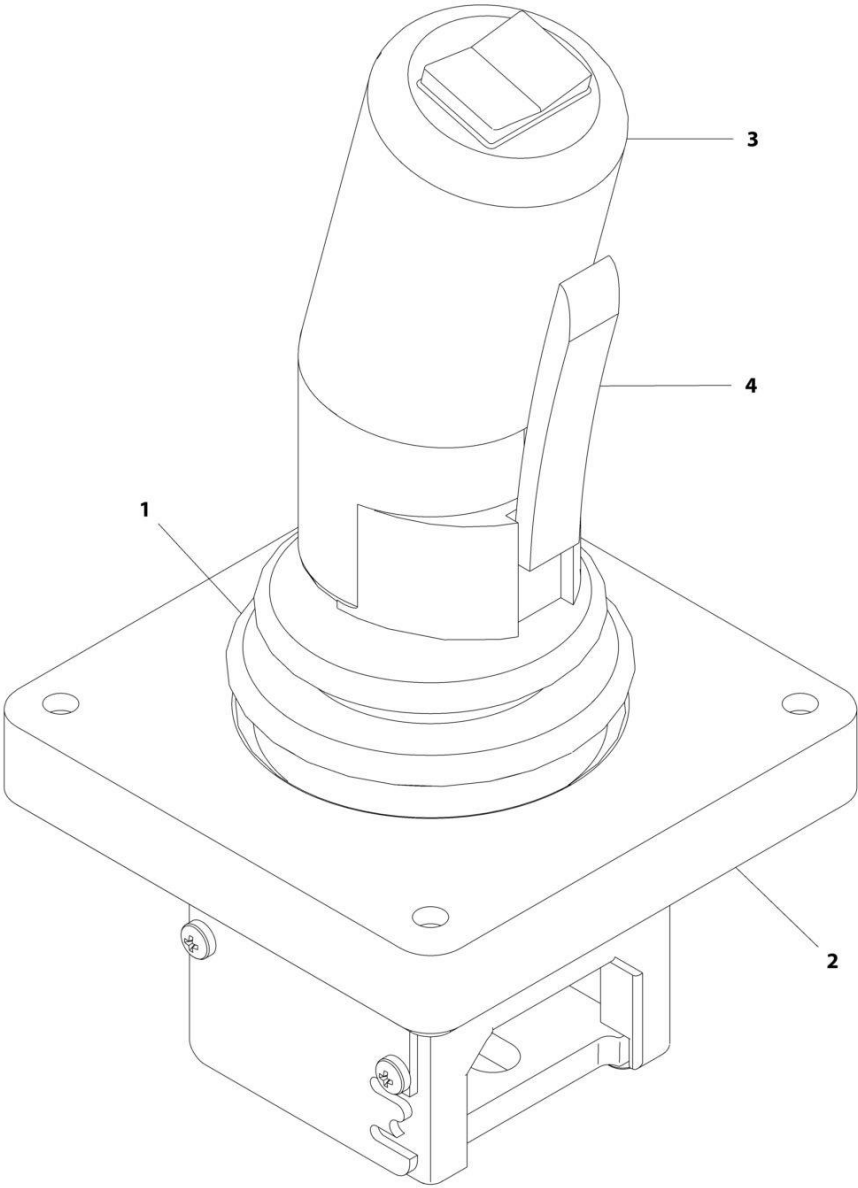
SECTION 4 - PLATFORM

FIGURE 4-17. PLATFORM CONSOLE INSTALLATION (MACHINES WITH SN STARTING WITH 12, B2 & G2)

ITEM	PART NUMBER	QTY	DESCRIPTION	REV
	1001269997	Ref	PLATFORM CONSOLE INSTALLATION	A
1	1001258665	1	Decal - R3246/R4045	
2	1001269998	Ref	Platform Console Box Assembly	A
101	0140030	1	Alarm	
102	0700835	1	Bolt M8 x 180	
103	0760610	2	Bolt M6 x 20	
104	1600402	1	Controller Assembly (See Separate Breakdown in this Section)	
105	1703819	1	Decal - Arrow	
106	1704260	1	Decal - Emergency Stop	
107	3290405	6	Nut M4	
108	3290806	1	Nut M8	
109	3423278	1	Pin, Snap with Lanyard	
110	4031509	4	Capscrew M4 x 25	
111	4060803	6 in /14cm	Flex-Trim	
112	4060906	2	Guard, Switch	
113	4360475	1	Switch, Emergency Stop	
113	7020175	1	Cap	
113	7020176	1	Block, Contact	
114	4420062	12 in/ 30cm	Tape	
115	4711700	2	Washer 7/16	
116	4811400	2	Washer M4	
117	4811700	2	Washer M6	
118	4811900	2	Washer M8	
119	1001047064	2	Screw M4 x 15	
120	1001130220	2	Nut, Tinnerman M6	
121	1001132358	1	Decal - Steer	
122	1001132361	1	Decal - Horn	
123	1001213886	1	Decal - Indoor/Outdoor	
124	1001218285	1	Decal - Platform Control	
125	1001220893	1	Decal - Lift/Drive Function	
126	1001226749	2	Switch - Push Button	
127	1001228112	1	Module, Platform Control	
128	1001258446	2	Switch, Toggle	
129	1001262221	1	Plug	
130	1001269999	1	Platform Control Box Harness (Not Shown) (See Separate Breakdown in ELECTRICAL Section)	
131	1001270470	1	Plate, Box (Inside)	
132	1001270471	1	Plate, Box (Outside)	

SECTION 4 - PLATFORM

FIGURE 4-18. CONTROLLER ASSEMBLY



ART_1600402

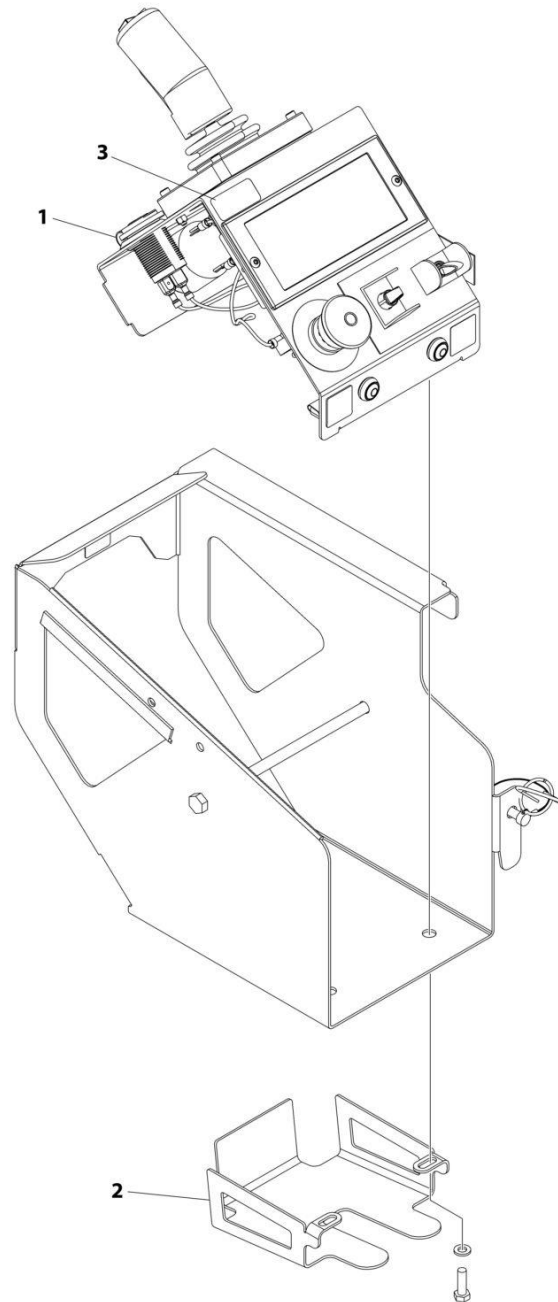
SECTION 4 - PLATFORM

FIGURE 4-18. CONTROLLER ASSEMBLY

ITEM	PART NUMBER	QTY	DESCRIPTION	REV
	1600402	Ref	DRIVE/STEER CONTROLLER ASSEMBLY	A
1	70001250	1	Boot, Panel	
2	70001252	1	Gasket, Mounting	
2	70001251	1	Bezel, Mounting	
3	70003650	1	Handle Repair Kit (Includes handle gasket, item#4 push button and item #4 lever installed in front handle half, back handle half, top actuator, boot and hardware.)	
3	70000084	1	Cap, Rubber	
3	70000082	1	Microswitch	
3	7027766	1	Ring, Retaining	
3	7027365	1	Actuator, Handle	
3	70001253	1	Gasket, Handle	
3	70000683	4	Washer, Neoprene	
3	70000685	2	Spacer, Plastic	
3	70000686	2	Screw (Top)	
3	70000684	2	Screw (Bottom)	
4	7027367	1	Switch, Push Button	
4	7027765	1	Lever, Enable	

SECTION 4 - PLATFORM

FIGURE 4-19. USB/PHONE CRADLE INSTALLATION



ART_1001262150

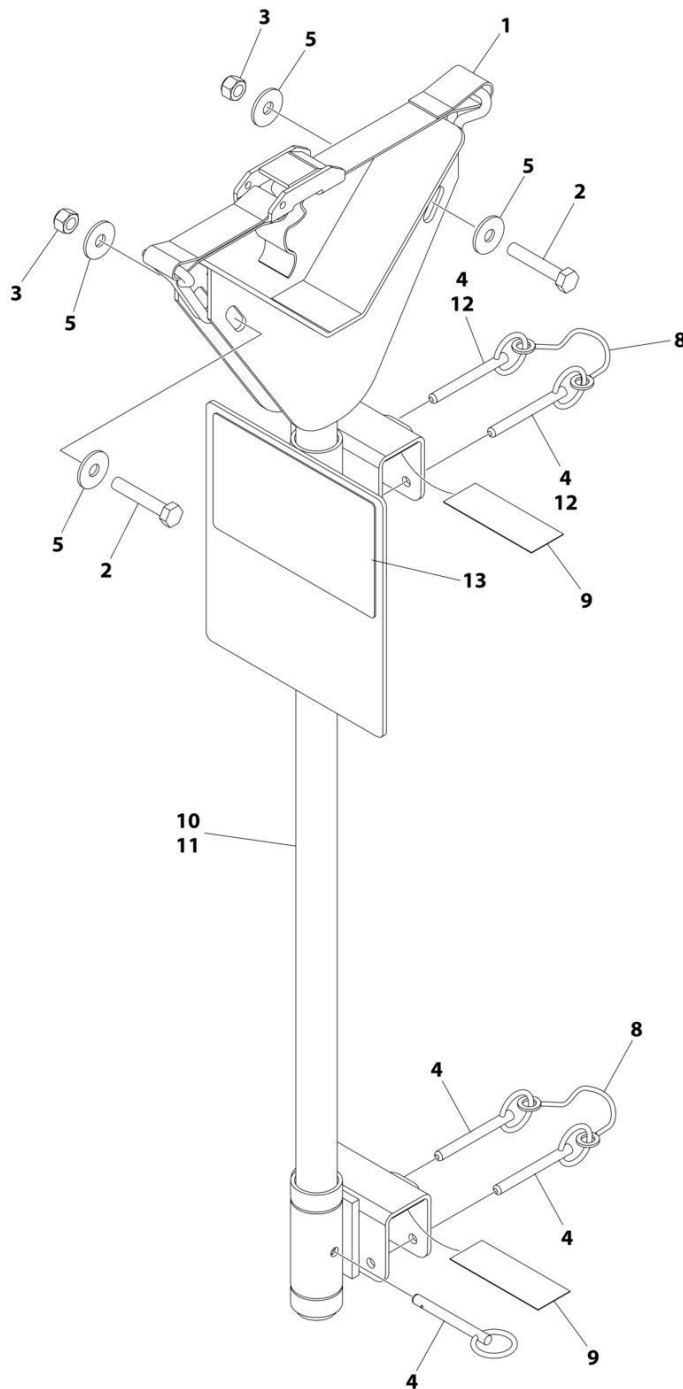
SECTION 4 - PLATFORM

FIGURE 4-19. USB/PHONE CRADLE INSTALLATION

ITEM	PART NUMBER	QTY	DESCRIPTION	REV
	1001262150	Ref	USB/PHONE CRADLE INSTALLATION	B
1	1001253800	1	Terminal, USB Receptacle	
2	1001261131	1	Bracket, Phone	
3	1001274168	1	Decal, USB Charge	

SECTION 4 - PLATFORM

FIGURE 4-20. PIPE RACKS INSTALLATION (SIDE BY SIDE RAILS) (OPTIONAL)



ART_1001214229_B

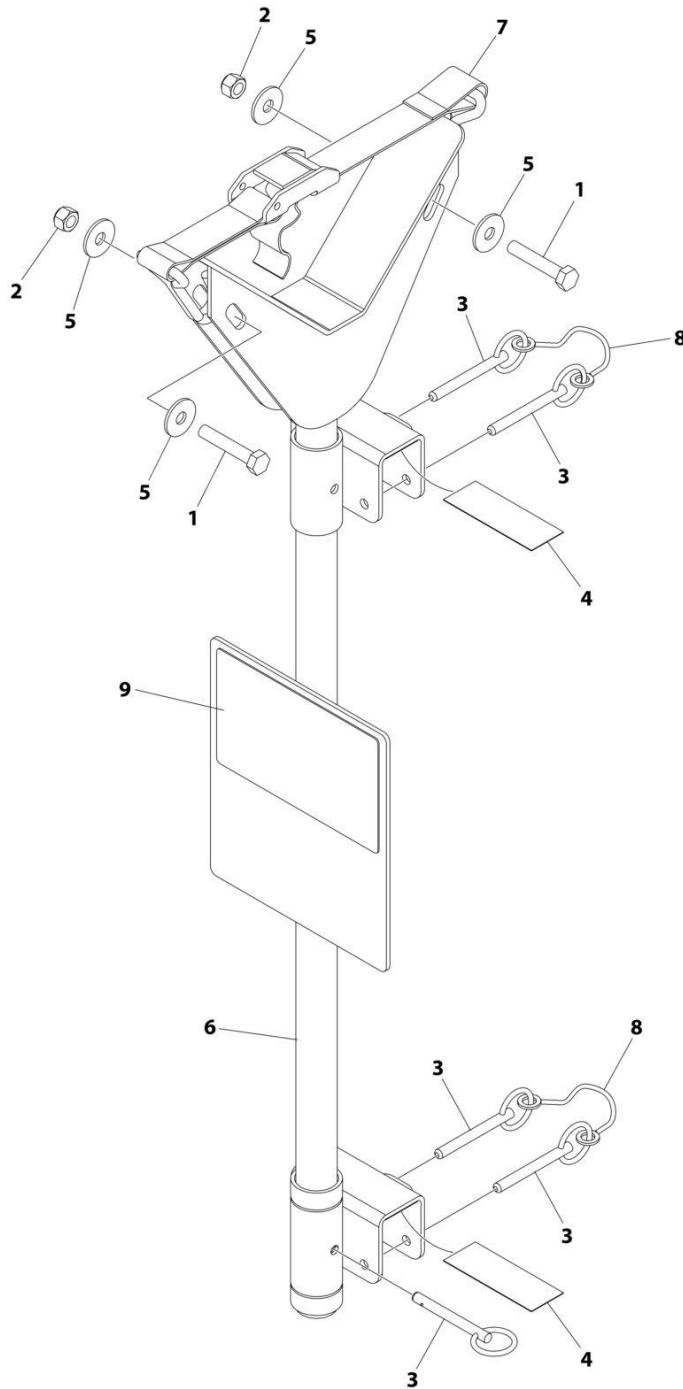
SECTION 4 - PLATFORM

FIGURE 4-20. PIPE RACKS INSTALLATION (SIDE BY SIDE RAILS) (OPTIONAL)

ITEM	PART NUMBER	QTY	DESCRIPTION	REV
	1001214229	Ref	PIPE RACKS INSTALLATION (SIDE BY SIDE RAILS) (OPTIONAL)	B
1	0480100	2	Strap	
2	0700817	4	Bolt M8 x 45	
3	3290805	4	Nut M8	
4	3422661	AR	Pin	
5	4811902	8	Washer M6	
8	1060379	4	Lanyard	
9	4420062	AR	Tape	
10	1001235498	1	Rack, Tube (Rear)	
11	1001235509	1	Rack, Tube (Front)	
12	1001235941	2	Pin	
13	1001236621	2	Decal - Pipe Rack Capacity	

SECTION 4 - PLATFORM

FIGURE 4-21. PIPE RACKS INSTALLATION (TUBE IN TUBE RAILS) (OPTIONAL)



ART_1001235849

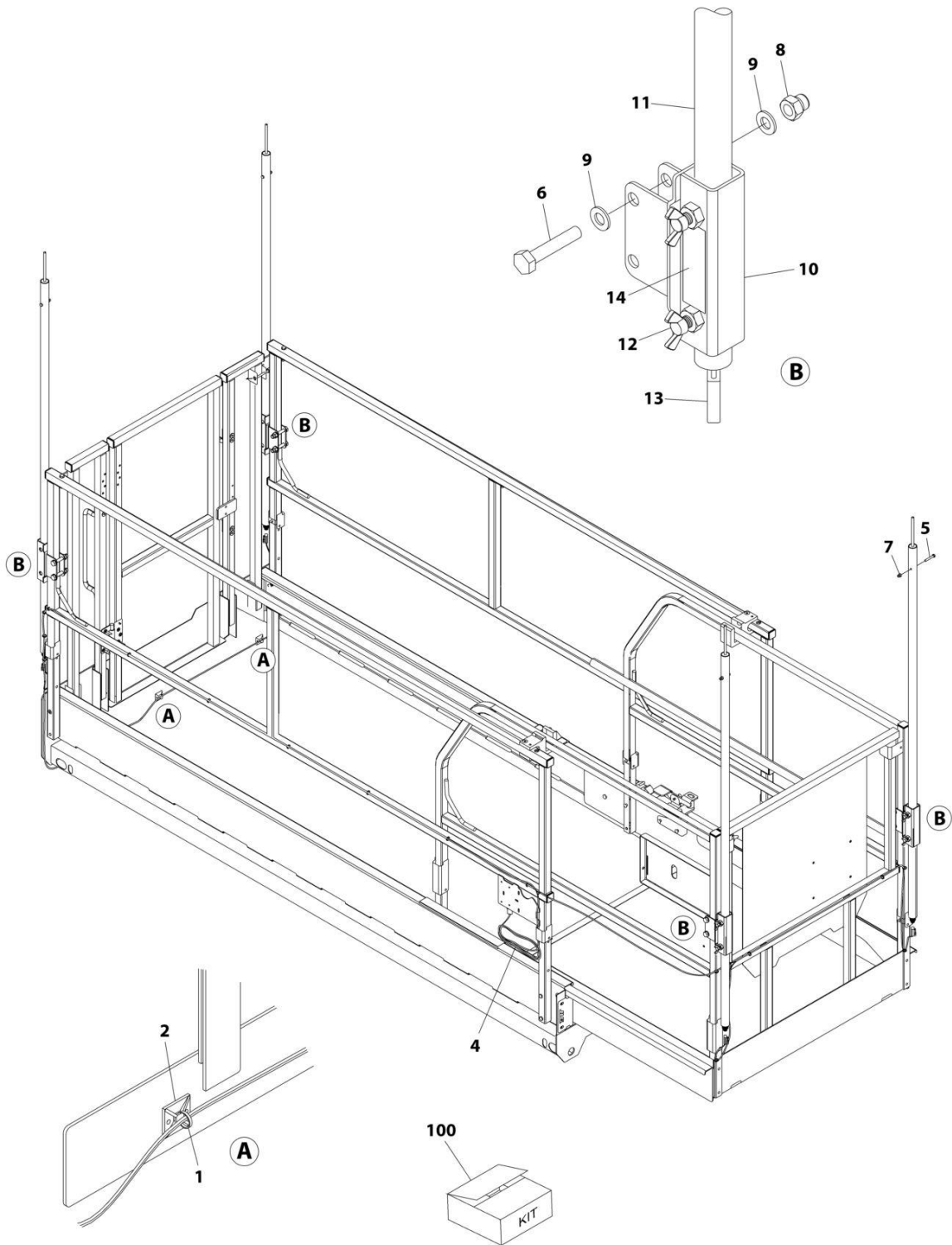
SECTION 4 - PLATFORM

FIGURE 4-21. PIPE RACKS INSTALLATION (TUBE IN TUBE RAILS) (OPTIONAL)

ITEM	PART NUMBER	QTY	DESCRIPTION	REV
	1001235849	Ref	PIPE RACKS INSTALLATION (OPTIONAL)	A
1	0700817	4	Bolt M8 x 45	
2	3290805	4	Nut M8	
3	3422661	10	Pin	
4	4420062	AR	Tape	
5	4811902	8	Washer M6	
6	1001235498	2	Rack, Tube	
7	0480100	2	Strap	
8	1060379	4	Lanyard	
9	1001236621	2	Decal - Tube Rack Capacity	

SECTION 4 - PLATFORM

FIGURE 4-22. OVERHEAD PROTECTION INSTALLATION (KOREAN SPECS)



ART_1001226901

SECTION 4 - PLATFORM

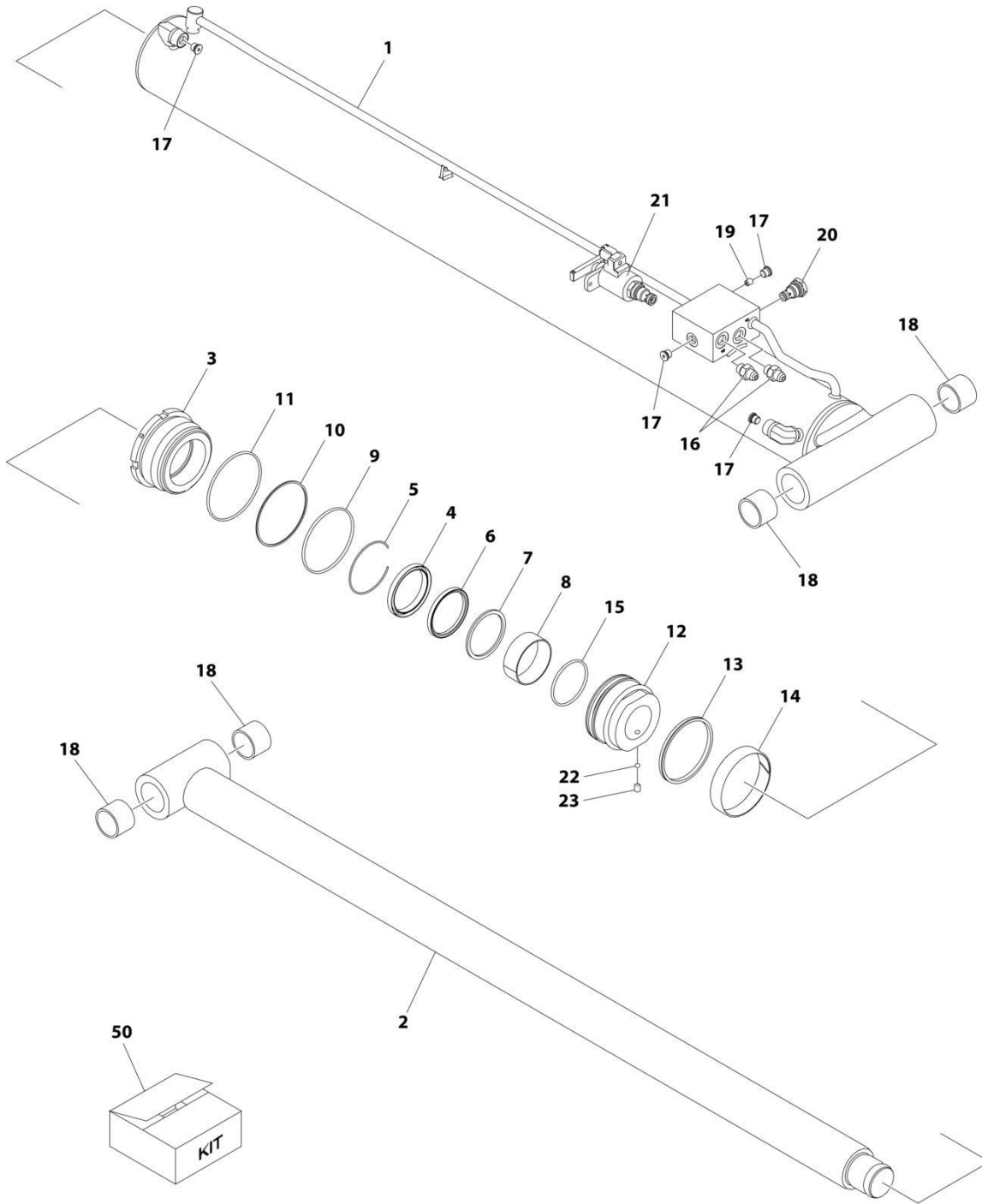
FIGURE 4-22. OVERHEAD PROTECTION INSTALLATION (KOREAN SPECS)

ITEM	PART NUMBER	QTY	DESCRIPTION	REV
	1001226901	Ref	OVERHEAD PROTECTION INSTALLATION (KOREAN SPECS)	A
1	4240017	AR	Tie-Strap	
2	4460234	2	Mount, Tie-Strap	
4	1001227728	1	Overhead Protection Harness	A
4	4460891	4	Plug, Male - 2 Position (X503-X506)	
4	4460465	8	Socket, Female	
4	4460536	1	Receptacle, Female - 3 Position (X507)	
4	4460464	2	Pin, Male	
4	4460466	1	Plug, Terminal	
5	0700616	4	Bolt M6 x 40	
6	0701019	8	Bolt M10 x 55	
7	3290606	4	Nut M6	
8	3291006	8	Nut M10	
9	4812000	16	Washer M10	
10	1001221275	4	Bracket	
11	1001221276	4	Tube	
12	1001222914	8	Thumb Screw	
13	1001226277	4	Switch, Overhead Protection	
14	1001228184	1	Decal - Overhaed Protection Weight	
100	1001221244	1	Overhead Protection Kit (Includes Items 5-14)	

SECTION 5 - CYLINDER

SECTION 5 - CYLINDER

FIGURE 5-1. LIFT CYLINDER ASSEMBLY



ART_1001244417

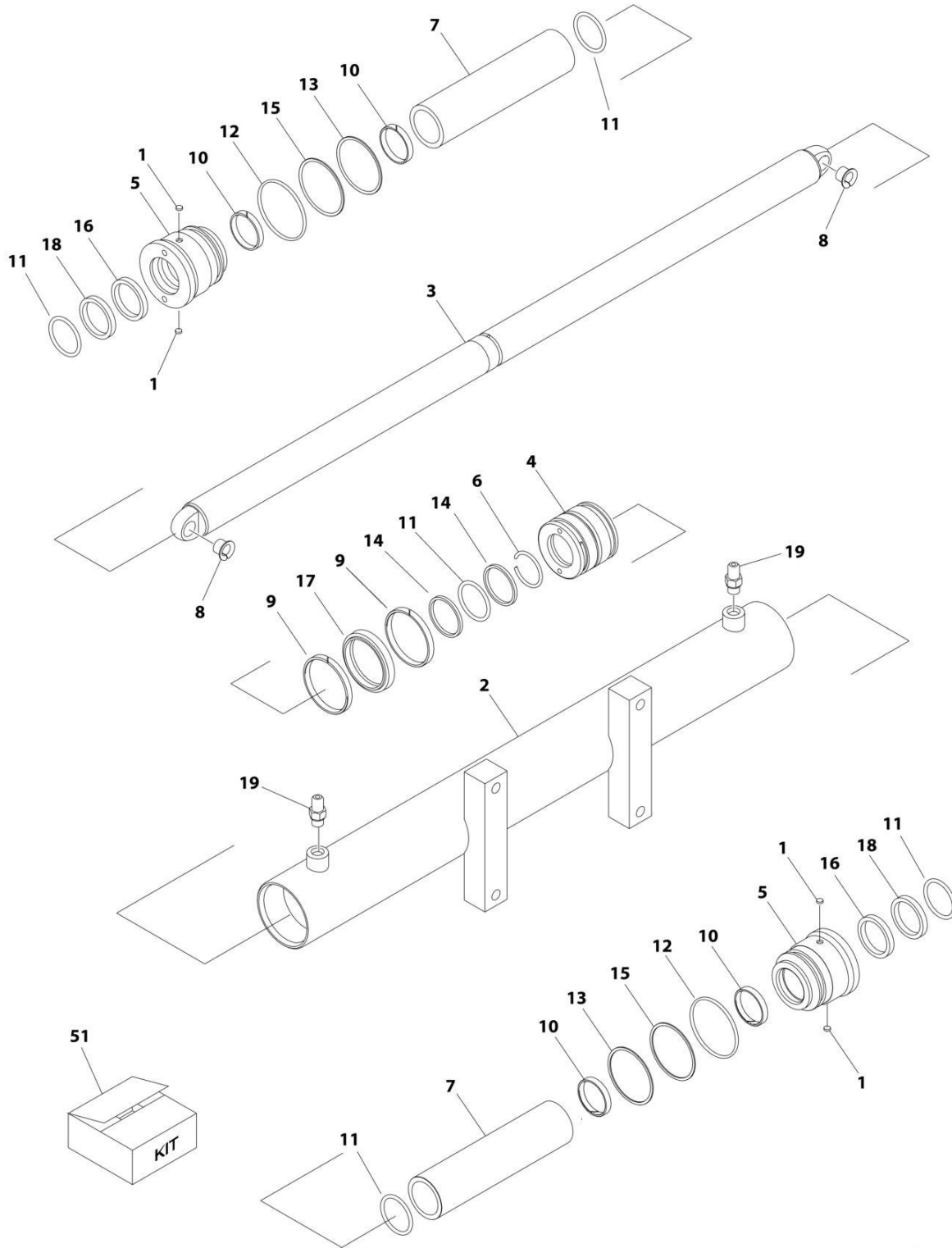
SECTION 5 - CYLINDER

FIGURE 5-1. LIFT CYLINDER ASSEMBLY

ITEM	PART NUMBER	QTY	DESCRIPTION	REV
	1001244417	Ref	LIFT CYLINDER ASSEMBLY	C
		Ref	Note: Original Cylinder May Have Been Replaced with Service Replacement. Identify PN Stamped on Cylinder Before Ordering Parts.	
1	See Note:	NSS	Barrel (Note: Purchase Complete Part)	
2	70007050	1	Rod	
3	70007051	1	Head	
4	See Note	NSS	Wiper (Note: Use Item 50)	
5	70050795	1	Ring, Retaining	
6	See Note	NSS	Seal, Rod (Note: Use Item 50)	
7	See Note	NSS	Ring, Back-up (Note: Use Item 50)	
8	70007052	1	Bearing	
9	See Note	NSS	O-Ring (Note: Use Item 50)	
10	See Note	NSS	Ring, Back-up (Note: Use Item 50)	
11	See Note	NSS	O-Ring (Note: Use Item 50)	
12	70007053	1	Piston	
13	See Note	NSS	Seal, Piston (Note: Use Item 50)	
14	See Note	NSS	Ring, Wear (Note: Use Item 50)	
15	See Note	NSS	O-Ring (Note: Use Item 50)	
16	70007054	2	Fitting	
17	2220883	4	Plug	
18	0961948	4	Bearing	
19	70007055	1	Orifice	
20	70004585	1	Cartridge, Valve	
21	70005236	1	Cartridge, Solenoid Valve	
22	70022564	1	Ball	
23	70023369	1	Setscrew	
50	70007056	1	Seal Kit - 1001244417 Cylinder (Includes Items 4, 6, 7, 9-11 & 13-15)	

SECTION 5 - CYLINDER

FIGURE 5-2. STEER CYLINDER ASSEMBLY



ART_1001233449

SECTION 5 - CYLINDER

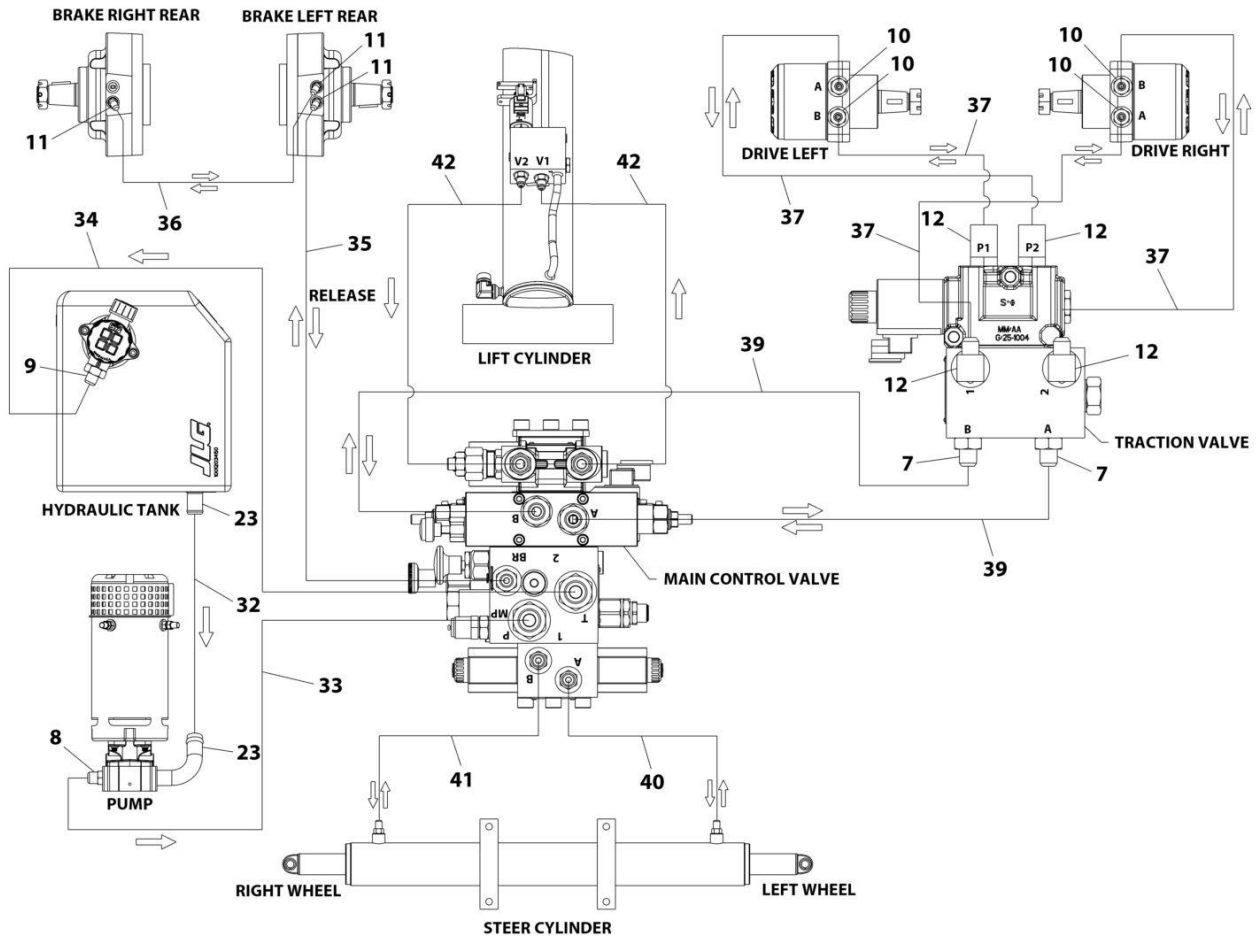
FIGURE 5-2. STEER CYLINDER ASSEMBLY

ITEM	PART NUMBER	QTY	DESCRIPTION	REV
	1001233449	Ref	STEER CYLINDER ASSEMBLY	C
		Ref	Note: Original Cylinder May Have Been Replaced with Service Replacement. Identify PN Stamped on Cylinder Before Ordering Parts.	
1	70003636	4	Lock	
2	See Note	NSS	Barrel (Note: Purchase Complete Assembly)	
3	70007074	1	Rod	
4	70007075	1	Piston	
5	70007076	2	Head	
6	70007077	1	Ring	
7	70007078	2	Spacer	
8	0440259	2	Bearing	
9	See Note	NSS	Ring, Wear (Note: Use Item 51)	
10	See Note	NSS	Ring, Wear (Note: Use Item 51)	
11	See Note	NSS	O-Ring (Note: Use Item 51)	
12	See Note	NSS	O-Ring (Note: Use Item 51)	
13	See Note	NSS	O-Ring (Note: Use Item 51)	
14	See Note	NSS	Ring, Back-Up (Note: Use Item 51)	
15	See Note	NSS	Ring, Back-Up (Note: Use Item 51)	
16	See Note	NSS	Seal (Note: Use Item 51)	
17	See Note	NSS	Seal, Stop (Not Shown) (Note: Use Item 51)	
18	See Note	NSS	Wiper (Note: Use Item 51)	
19	70007079	2	Fitting, Straight	
51	70007080	1	Seal Kit - 1001233449 Cylinder (Includes Items 9-18)	

SECTION 6 - HYDRAULIC

SECTION 6 - HYDRAULIC

FIGURE 6-1. HYDRAULIC COMPONENTS INSTALLATION



ART_1001380008_F_20F2

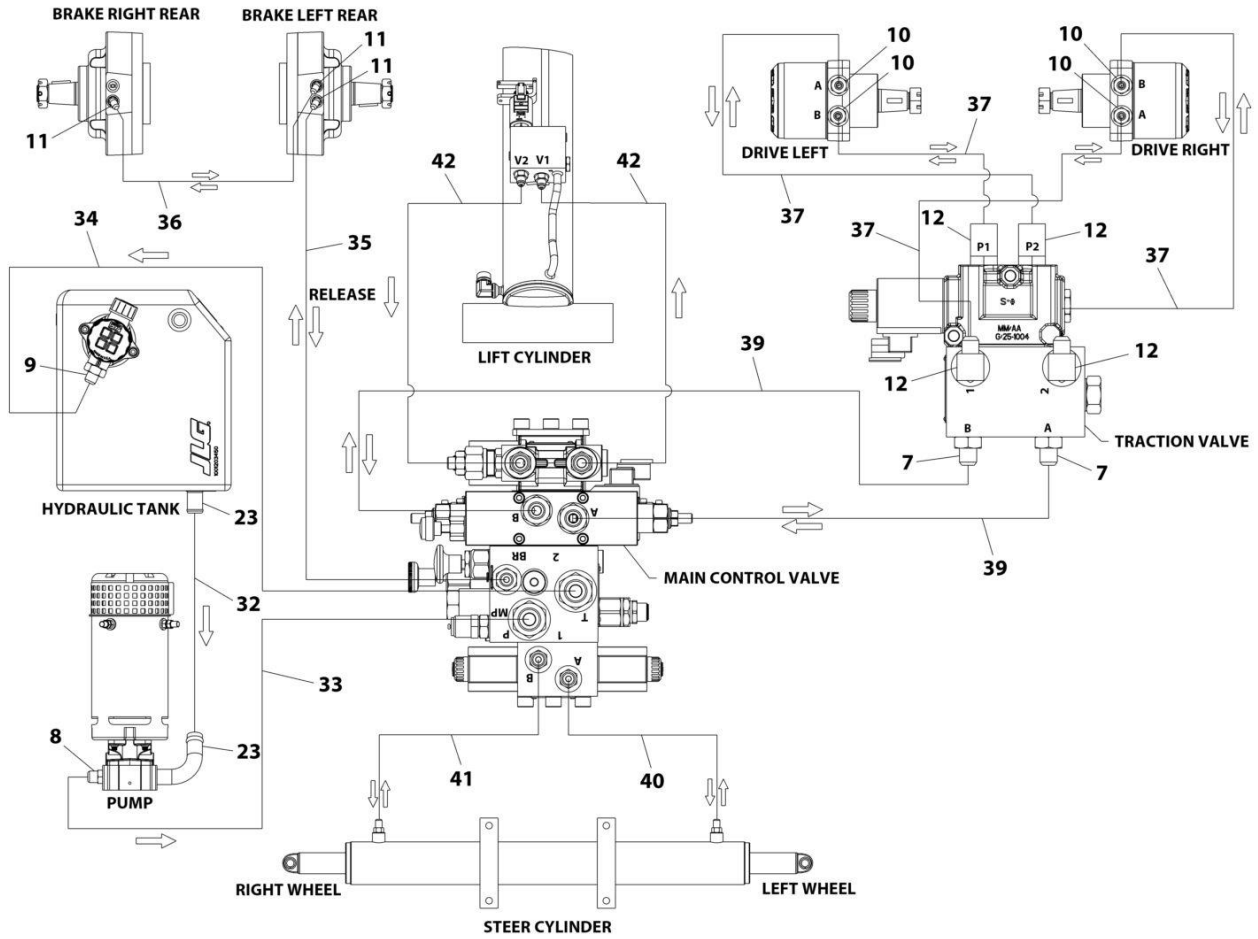
SECTION 6 - HYDRAULIC

FIGURE 6-1. HYDRAULIC COMPONENTS INSTALLATION

ITEM	PART NUMBER	QTY	DESCRIPTION	REV
	1001380008	Ref	HYDRAULIC COMPONENTS INSTALLATION	F
7	2220372	2	Fitting, Straight - JIC/ORB	
8	2220373	1	Fitting, Straight - JIC/ORB	
9	2220375	1	Fitting, Straight - JIC/ORB	
10	2220497	4	Fitting, Straight - JIC/ORB	
11	2220502	3	Fitting, 45 JIC/ORB	
12	2220628	4	Fitting, 90 JIC/ORB	
23	1001143501	2	Clamp, T-Bolt Heavy Duty	
32	1001203835	1	Hose	
33	1001236800	1	Hose	
34	1001236801	1	Hose	
35	1001236802	1	Hose	
36	1001236803	1	Hose	
37	1001236804	4	Hose	
39	1001236806	2	Hose	
40	1001236807	1	Hose	
41	1001236808	1	Hose	
42	1001236809	2	Hose	

SECTION 6 - HYDRAULIC

FIGURE 6-2. HYDRAULIC COMPONENTS INSTALLATION (SN 1200037158 to Present, SN B200070777 to Present, SN M200046498 to Present)



ART_1001380008_G_20F2

SECTION 6 - HYDRAULIC

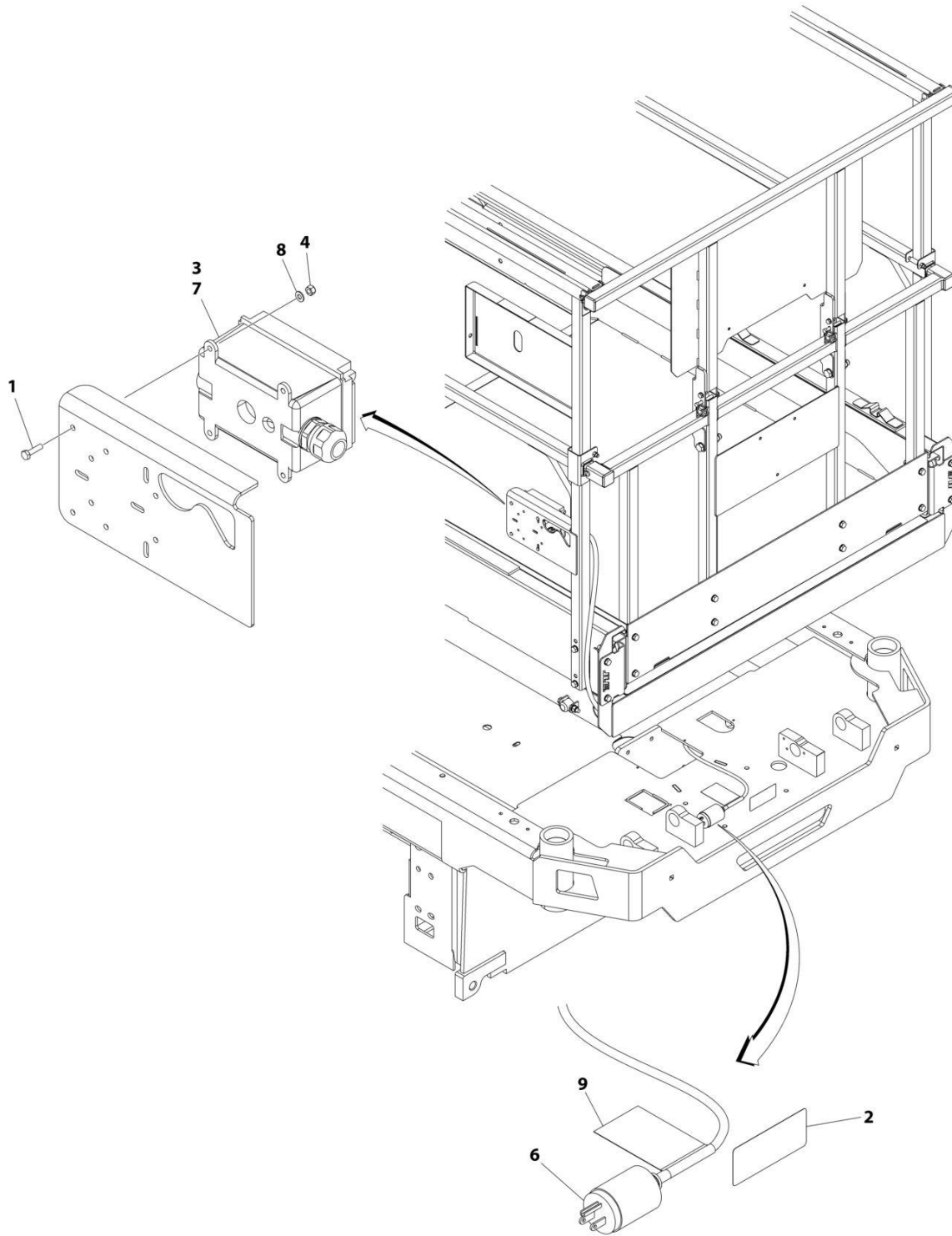
FIGURE 6-2. HYDRAULIC COMPONENTS INSTALLATION (SN 1200037158 to Present, SN B200070777 to Present, SN M200046498 to Present)

ITEM	PART NUMBER	QTY	DESCRIPTION	REV
	1001380008	Ref	HYDRAULIC COMPONENTS INSTALLATION	G
7	2220372	2	Fitting, Straight - JIC/ORB	
8	2220373	1	Fitting, Straight - JIC/ORB	
9	2220375	1	Fitting, Straight - JIC/ORB	
10	2220497	4	Fitting, Straight - JIC/ORB	
11	2220502	3	Fitting, 45 JIC/ORB	
12	2220628	4	Fitting, 90 JIC/ORB	
23	1001143501	2	Clamp, T-Bolt Heavy Duty	
32	1001203835	1	Hose	
33	1001236800	1	Hose	
34	1001236801	1	Hose	
35	1001236802	1	Hose	
36	1001236803	1	Hose	
37	1001236804	4	Hose	
39	1001236806	2	Hose	
40	1001236807	1	Hose	
41	1001236808	1	Hose	
42	1001236809	2	Hose	

SECTION 7 - ELECTRICAL

SECTION 7 - ELECTRICAL

FIGURE 7-1. AC BOX AT PLATFORM INSTALLATION - 110V GFI (ALL SPECS EXCEPT AUSTRALIAN & CE SPECS)



ART_1001237400

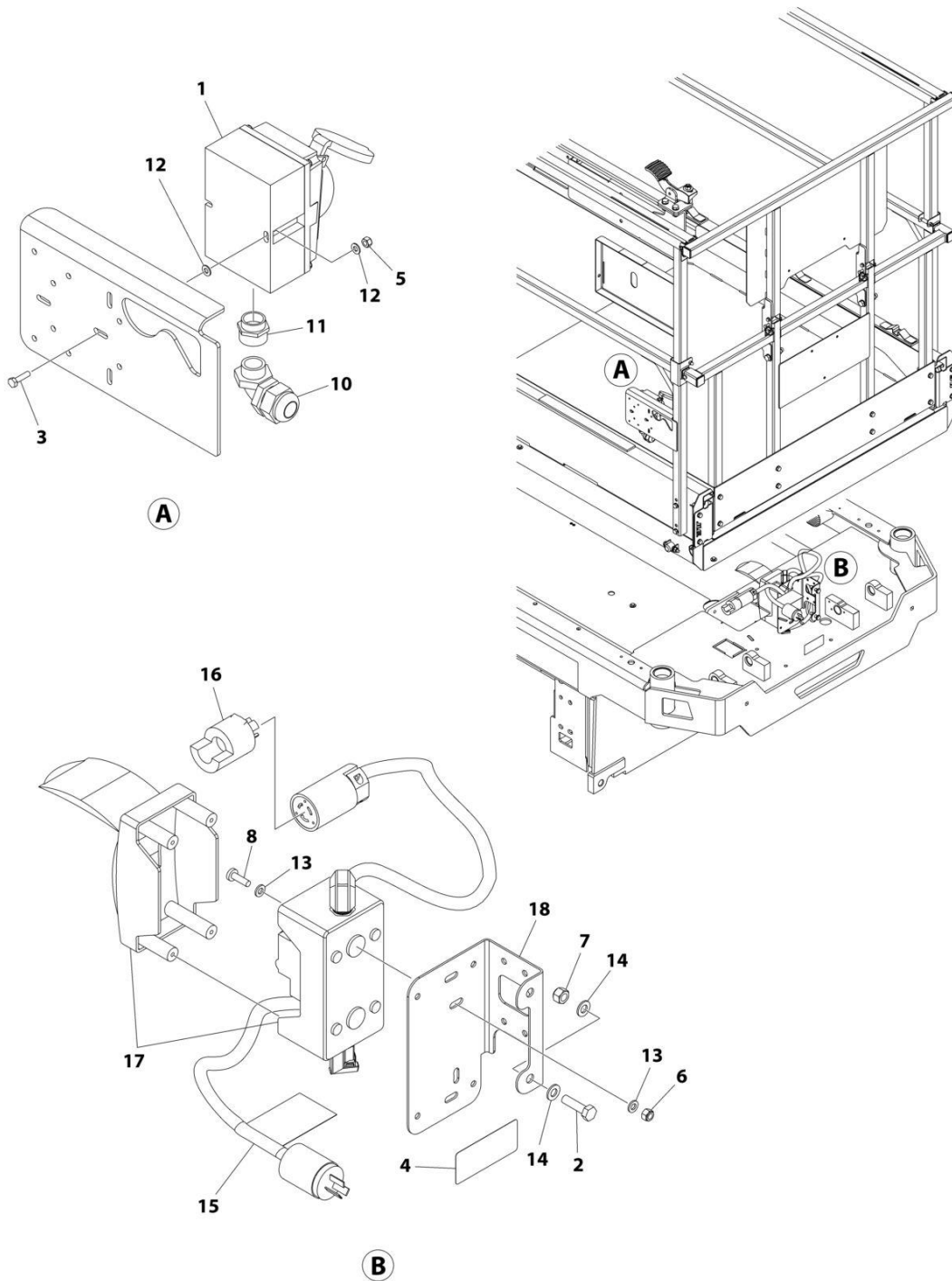
SECTION 7 - ELECTRICAL

FIGURE 7-1. AC BOX AT PLATFORM INSTALLATION - 110V GFI (ALL SPECS EXCEPT AUSTRALIAN & CE SPECS)

ITEM	PART NUMBER	QTY	DESCRIPTION	REV
	1001237400	Ref	AC BOX AT PLATFORM INSTALLATION - 110V GFI	C
1	0760408	4	Bolt M4 x 16	
2	1703464	1	Decal - AC Power	
3	2902431	1	Receptacle Box Kit (See Separate Breakdown in this Section)	
4	3290405	4	Nut M4	
5	4240017	AR	Tie-Strap (Not Shown)	
6	4460138	1	Plug, Male - AC	
7	4460315	1	Terminal	
8	4811400	4	Washer M4	
9	1001102258	1	Decal - AC Label	

SECTION 7 - ELECTRICAL

FIGURE 7-2. AC BOX AT PLATFORM INSTALLATION - 110V IEC YELLOW (CE SPECS)



ART_1001238133

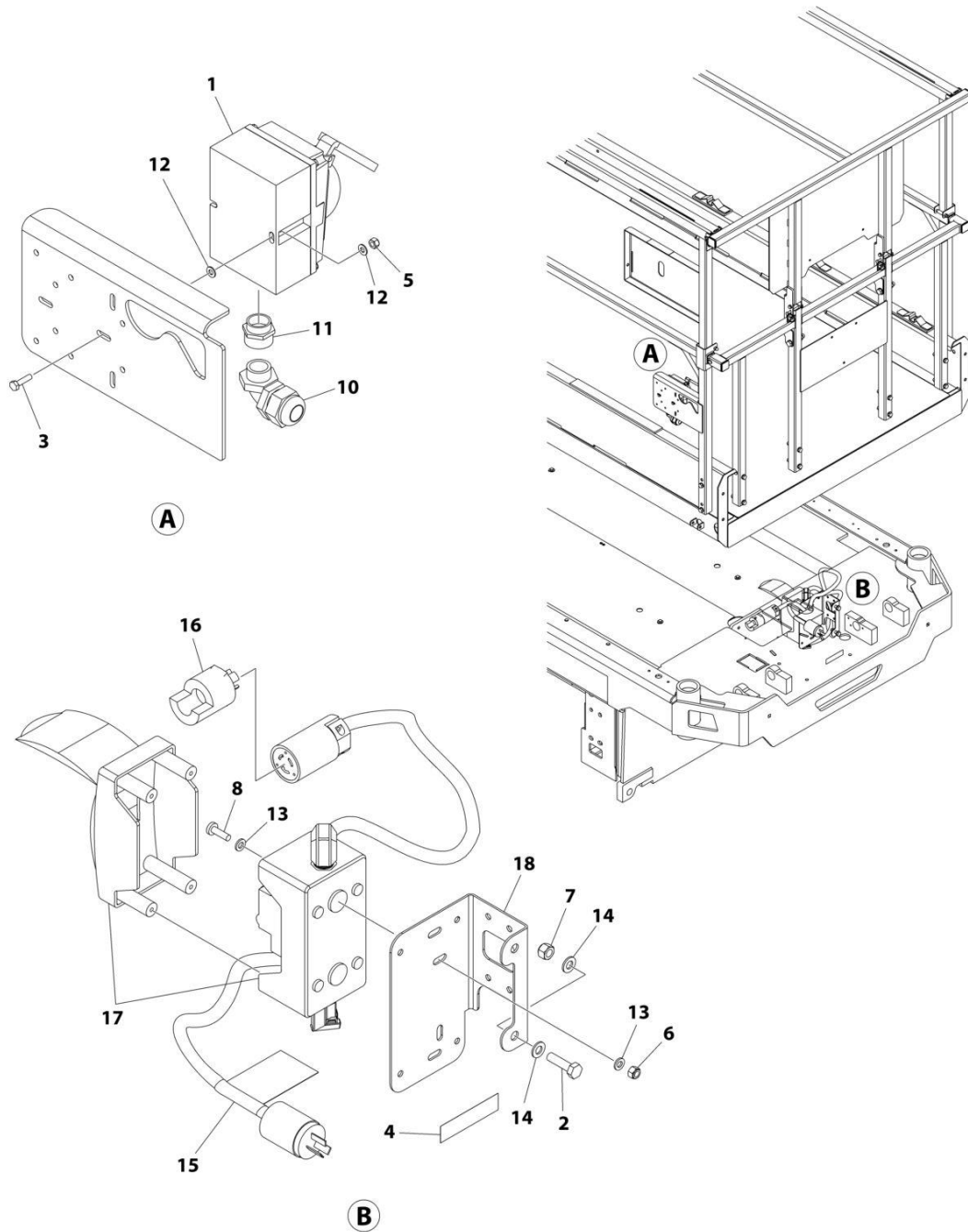
SECTION 7 - ELECTRICAL

FIGURE 7-2. AC BOX AT PLATFORM INSTALLATION - 110V IEC YELLOW (CE SPECS)

ITEM	PART NUMBER	QTY	DESCRIPTION	REV
	1001238133	Ref	AC BOX AT PLATFORM INSTALLATION - 110V IEC YELLOW	B
1	0275216	1	Receptacle Box Kit - 110V IEC Yellow (See Separate Breakdown in this Section)	
2	0700814	2	Bolt M8 x 30	
3	0760408	2	Bolt M4 x 16	
4	1703464	1	Decal - AC Power	
5	3290405	2	Nut M4	
6	3290605	2	Nut M6	
7	3290805	2	Nut M8	
8	4010610	2	Screw M6 x 20	
9	4240017	AR	Tie-Strap (Not Shown)	
10	4461257	1	Connector, Strain Relief	
11	4461258	1	Connector, Adapter	
12	4811400	4	Washer M4	
13	4811700	4	Washer M6	
14	4811900	4	Washer M8	
15	1001102258	1	Decal - AC Label	
16	1001120204	1	Plug, Male Twist	
17	1001209776	1	Breaker Box Kit (See Separate Breakdown in this Section)	
18	1001238198	1	Bracket	

SECTION 7 - ELECTRICAL

FIGURE 7-3. AC BOX AT PLATFORM INSTALLATION - 220V IEC BLUE (CE SPECS)



ART_1001238134

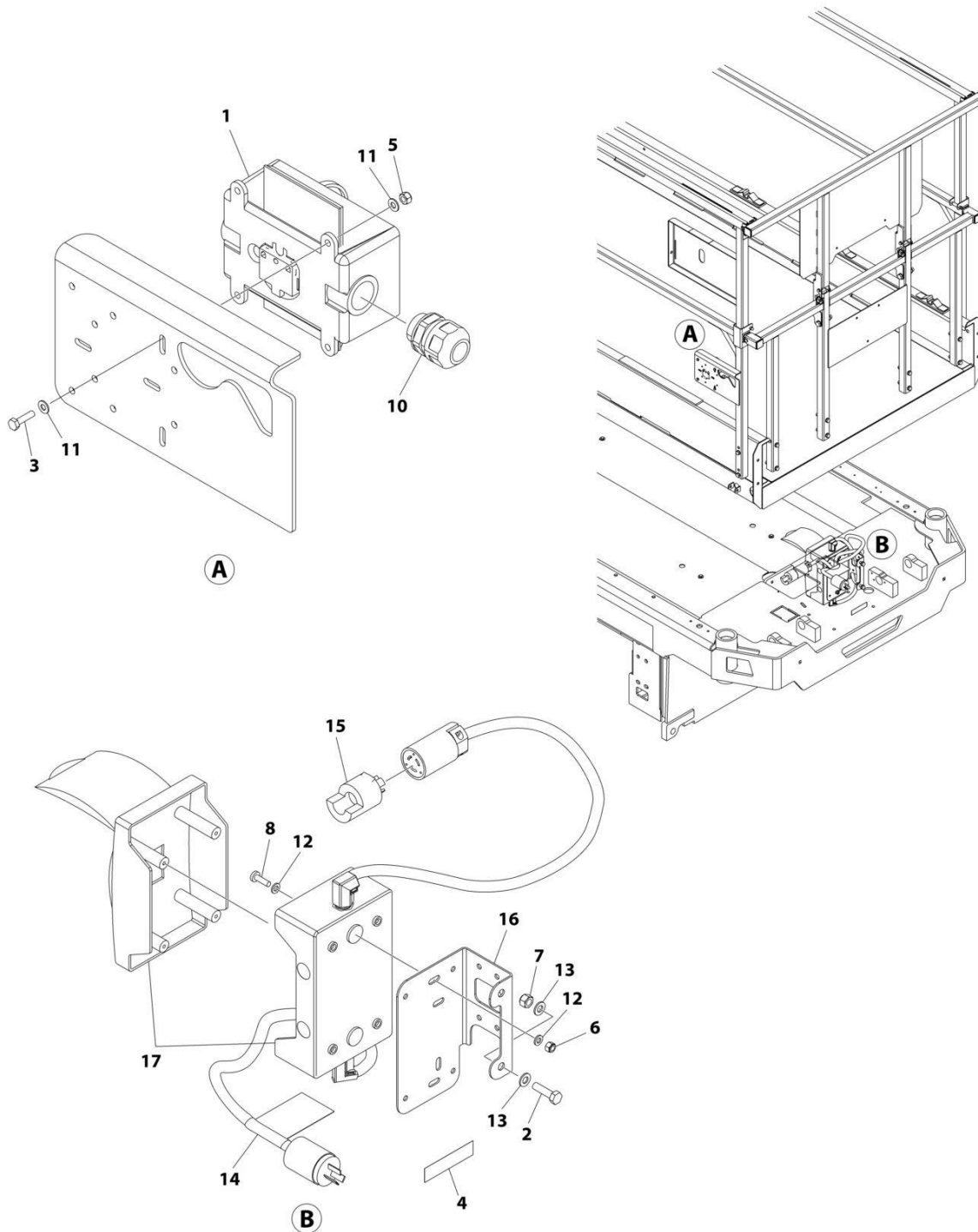
SECTION 7 - ELECTRICAL

FIGURE 7-3. AC BOX AT PLATFORM INSTALLATION - 220V IEC BLUE (CE SPECS)

ITEM	PART NUMBER	QTY	DESCRIPTION	REV
	1001238134	Ref	AC BOX AT PLATFORM INSTALLATION - 220V IEC BLUE	A
1	0275217	1	Receptacle Box Kit - 220V IEC Blue (See Separate Breakdown in this Section)	
2	0700814	2	Bolt M8 x 30	
3	0760408	2	Bolt M4 x 16	
4	3252507	1	Decal - AC Power	
5	3290405	2	Nut M4	
6	3290605	2	Nut M6	
7	3290805	2	Nut M8	
8	4010610	2	Screw M6 x 20	
9	4240017	AR	Tie-Strap (Not Shown)	
10	4461257	1	Connector, Strain Relief	
11	4461258	1	Connector, Adapter	
12	4811400	4	Washer M4	
13	4811700	4	Washer M6	
14	4811900	4	Washer M8	
15	1001102258	1	Decal - AC Label	
16	1001120204	1	Plug, Male Twist	
17	1001209776	1	Breaker Box Kit (See Separate Breakdown in this Section)	
18	1001238198	1	Bracket	

SECTION 7 - ELECTRICAL

FIGURE 7-4. AC BOX AT PLATFORM INSTALLATION - 220V CEE7 POST GROUND (CE SPECS)



ART_1001238130

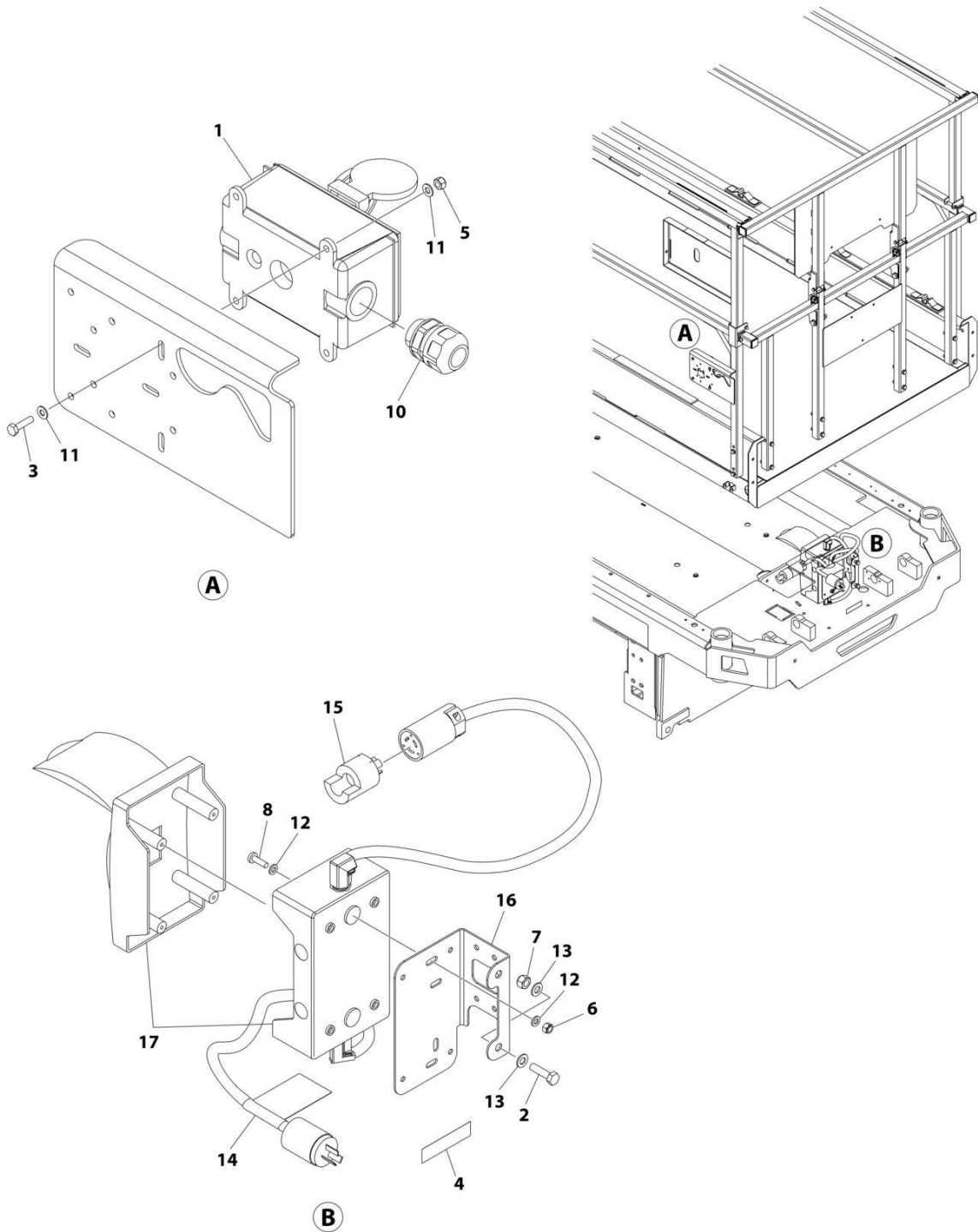
SECTION 7 - ELECTRICAL

FIGURE 7-4. AC BOX AT PLATFORM INSTALLATION - 220V CEE7 POST GROUND (CE SPECS)

ITEM	PART NUMBER	QTY	DESCRIPTION	REV
	1001238130	Ref	AC BOX AT PLATFORM INSTALLATION - 220V CEE7 POST GROUND	B
1	0275452	1	Receptacle Box Kit - 220V CEE7 Post Ground (See Separate Breakdown in this Section)	
2	0700814	2	Screw M8 x 30	
3	0760408	4	Bolt M4 x 16	
4	3252507	1	Decal - AC Power	
5	3290405	4	Nut M4	
6	3290605	2	Nut M6	
7	3290805	2	Nut M8	
8	4010610	2	Screw M6 x 20	
9	4240017	AR	Tie-Strap (Not Shown)	
10	4460662	1	Connector, Strain Relief	
11	4811400	8	Washer M4	
12	4811700	4	Washer M6	
13	4811900	4	Washer M8	
14	1001102258	1	Decal - AC Label	
15	1001120204	1	Plug, Male Twist	
16	1001238198	1	Bracket	
17	1001209482	1	Breaker Box Kit (See Separate Breakdown in this Section)	

SECTION 7 - ELECTRICAL

FIGURE 7-5. AC BOX AT PLATFORM INSTALLATION - 220V CEE7 SIDE GROUND (CE SPECS)



ART_1001238131

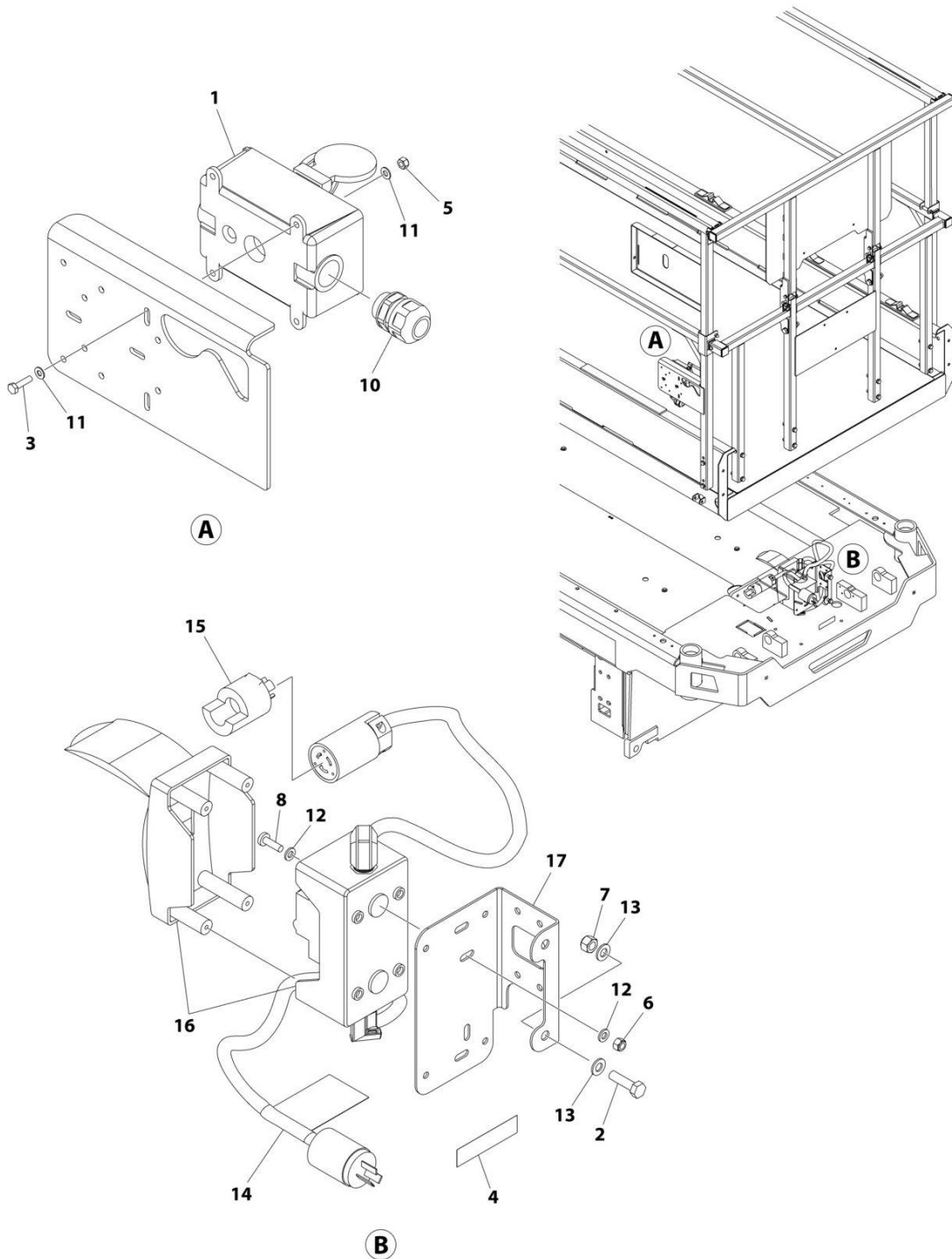
SECTION 7 - ELECTRICAL

FIGURE 7-5. AC BOX AT PLATFORM INSTALLATION - 220V CEE7 SIDE GROUND (CE SPECS)

ITEM	PART NUMBER	QTY	DESCRIPTION	REV
	1001238131	Ref	AC BOX AT PLATFORM INSTALLATION - 220V CEE7 SIDE GROUND	B
1	0275453	1	Receptacle Box Kit - 220V CEE7 Side Ground (See Separate Breakdown in this Section)	
2	0700814	2	Bolt M8 x 30	
3	0760408	4	Bolt M4 x 16	
4	3252507	1	Decal - AC Power	
5	3290405	4	Nut M4	
6	3290605	2	Nut M6	
7	3290805	2	Nut M8	
8	4010610	2	Screw M6 x 20	
9	4240017	AR	Tie-Strap (Not Shown)	
10	4460662	1	Connector, Strain Relief	
11	4811400	8	Washer M4	
12	4811700	4	Washer M6	
13	4811900	4	Washer M8	
14	1001102258	1	Decal - AC Label	
15	1001120204	1	Plug, Male Twist	
16	1001238198	1	Bracket	
17	1001209482	1	Breaker Box Kit (See Separate Breakdown in this Section)	

SECTION 7 - ELECTRICAL

FIGURE 7-6. AC BOX AT PLATFORM INSTALLATION - 220V AFSINT 107 (CE SPECS)



ART_1001238132

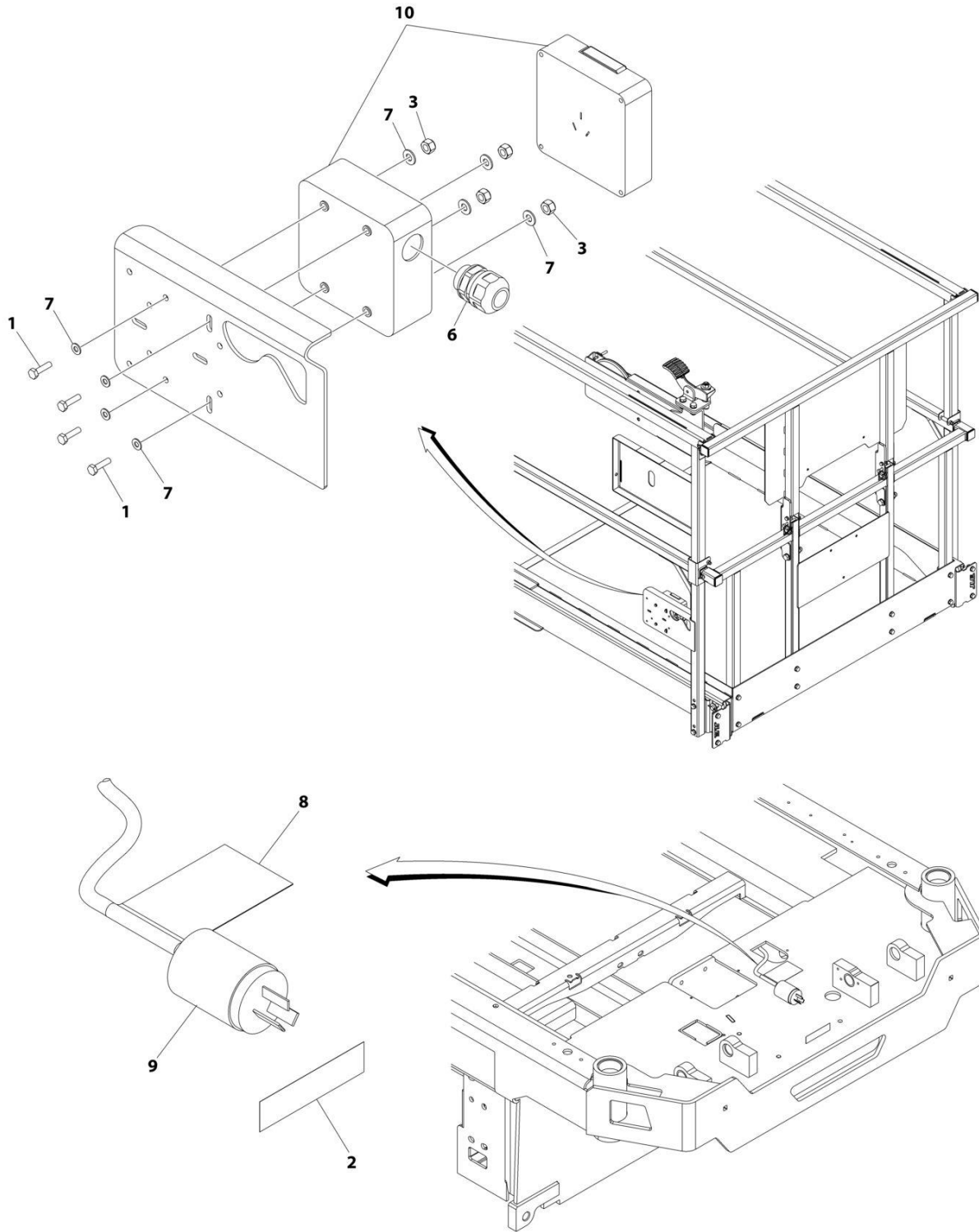
SECTION 7 - ELECTRICAL

FIGURE 7-6. AC BOX AT PLATFORM INSTALLATION - 220V AFSINT 107 (CE SPECS)

ITEM	PART NUMBER	QTY	DESCRIPTION	REV
	1001238132	Ref	AC BOX AT PLATFORM INSTALLATION - 220V AFSINT 107	B
1	0275454	1	Receptacle Box Kit - 220V AFSINT 107 (See Separate Breakdown in this Section)	
2	0700814	2	Bolt M8 x 30	
3	0760408	4	Bolt M4 x 16	
4	3252507	1	Decal - AC Power	
5	3290405	4	Nut M4	
6	3290605	2	Nut M6	
7	3290805	2	Nut M8	
8	4010610	2	Screw M6 x 20	
9	4240017	AR	Tie-Strap (Not Shown)	
10	4460662	1	Connector, Strain Relief	
11	4811400	8	Washer M4	
12	4811700	4	Washer M6	
13	4811900	4	Washer M8	
14	1001102258	1	Decal - AC Label	
15	1001120204	1	Plug, Male Twist	
16	1001209776	1	Breaker Box Kit (See Separate Breakdown in this Section)	
17	1001238198	1	Bracket	

SECTION 7 - ELECTRICAL

FIGURE 7-7. AC BOX AT PLATFORM INSTALLATION - 220V CHINA PLUG (CHINA SPECS)



ART_1001238135

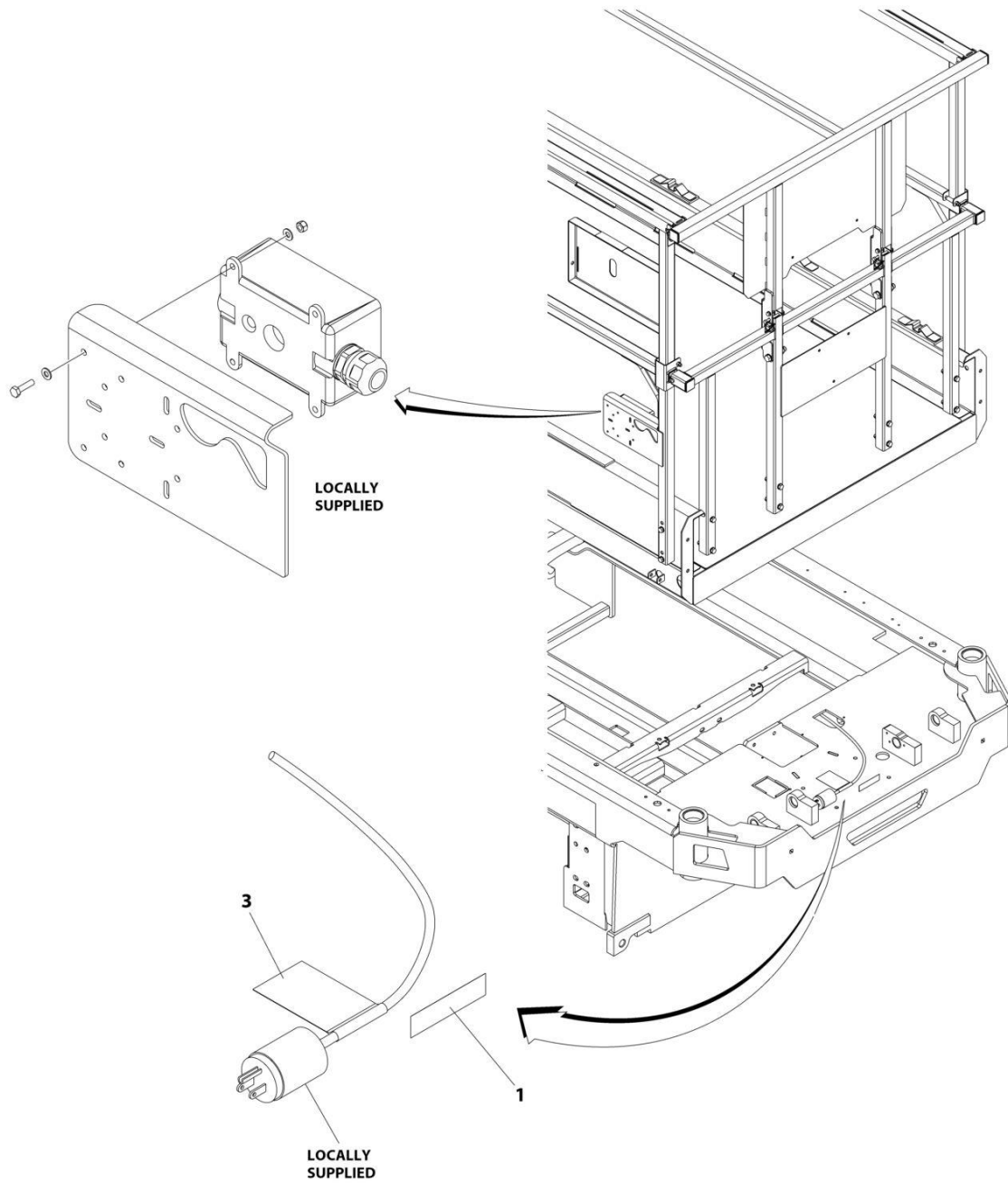
SECTION 7 - ELECTRICAL

FIGURE 7-7. AC BOX AT PLATFORM INSTALLATION - 220V CHINA PLUG (CHINA SPECS)

ITEM	PART NUMBER	QTY	DESCRIPTION	REV
	1001238135	Ref	AC BOX AT PLATFORM INSTALLATION - 220V CHINA PLUG (CHINA SPECS)	A
1	0760408	4	Bolt M4 x 16	
2	3252507	1	Decal - 220 Volt	
3	3290405	4	Nut M4	
4	4240017	AR	Tie-Strap (Not Shown)	
5	4460315	1	Terminal (Not Shown)	
6	4460968	1	Connector, Strain Relief	
7	4811400	8	Washer M4	
8	1001102258	1	Decal - AC Label	
9	1001187816	1	Plug	
10	1001188116	1	Box	

SECTION 7 - ELECTRICAL

FIGURE 7-8. AC BOX AT PLATFORM INSTALLATION - 220V LOCALLY SUPPLIED COMPONENTS (ALL SPECS)



ART_1001237401

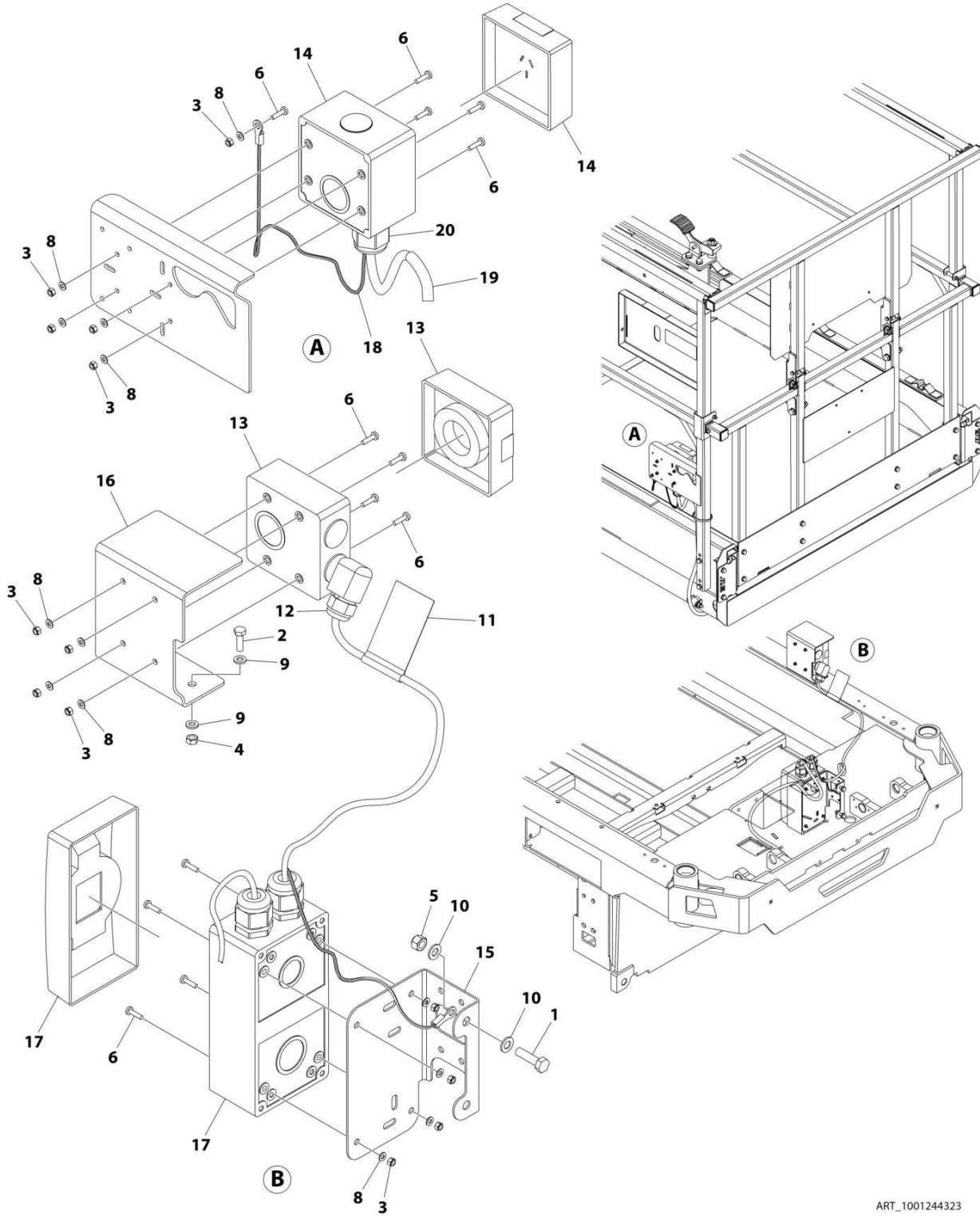
SECTION 7 - ELECTRICAL

**FIGURE 7-8. AC BOX AT PLATFORM INSTALLATION - 220V LOCALLY SUPPLIED COMPONENTS
(ALL SPECS)**

ITEM	PART NUMBER	QTY	DESCRIPTION	REV
	1001237401	Ref	AC BOX AT PLATFORM INSTALLATION - 220V LOCALLY SUPPLIED COMPONENTS (ALL SPECS)	C
1	3252507	1	Decal - 220 Volt	
2	4240017	AR	Tie-Strap (Not Shown)	
3	1001102258	1	Decal - AC Label	

SECTION 7 - ELECTRICAL

FIGURE 7-9. AC BOX AT PLATFORM INSTALLATION - 220V (AUSTRALIAN SPECS)



ART_1001244323

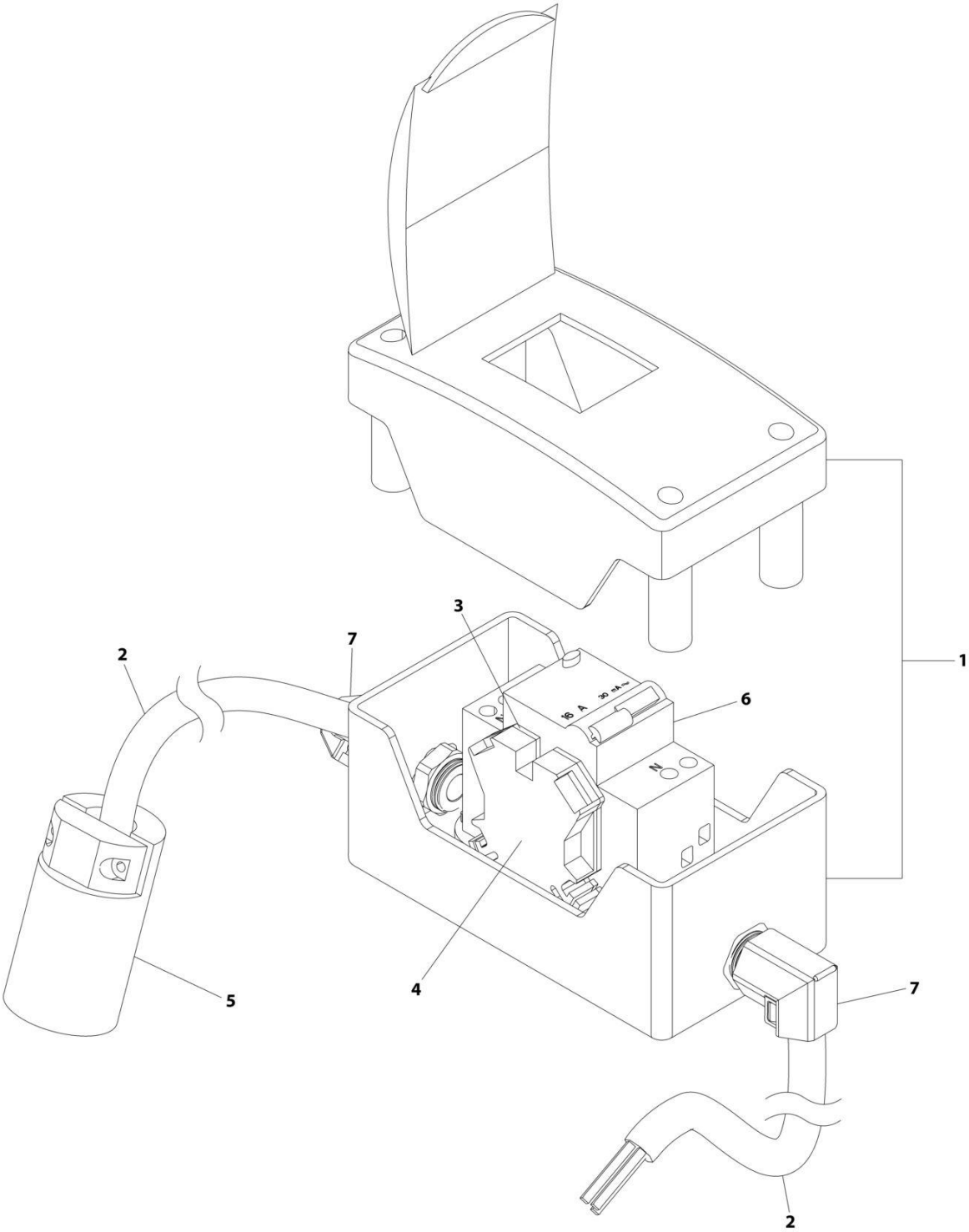
SECTION 7 - ELECTRICAL

FIGURE 7-9. AC BOX AT PLATFORM INSTALLATION - 220V (AUSTRALIAN SPECS)

ITEM	PART NUMBER	QTY	DESCRIPTION	REV
	1001244323	Ref	AC BOX AT PLATFORM INSTALLATION - 220V (AUSTRALIAN SPECS)	B
1	0700814	2	Bolt M8 x 30	
2	0760610	2	Bolt M6 x 20	
3	3290405	13	Nut M4	
4	3290601	2	Nut M6	
5	3290805	2	Nut M8	
6	4010408	13	Screw M4 x 16	
7	4240017	AR	Tie-Strap (Not Shown)	
8	4811400	13	Washer M4	
9	4811700	4	Washer M6	
10	4811900	4	Washer M8	
11	1001102258	1	Decal - AC Label	
12	1001103471	1	Connector Strain Relief 90	
13	1001227267	1	Receptacle Australian - 230V	
14	1001227268	1	Receptacle Australian - 230V	
15	1001238198	1	Bracket	
16	1001244900	1	Bracket	
17	1001245739	1	Box and Breaker Electrical Assembly (See Separate Breakdown in this Section)	
18	1001245744	1	Earth/Ground Link Harness	
19	1001245747	1	Conduit	
20	1001097150	1	Terminal	

SECTION 7 - ELECTRICAL

FIGURE 7-10. BREAKER BOX KIT WITH 1 DOUBLE BREAKER



ART_1001209776

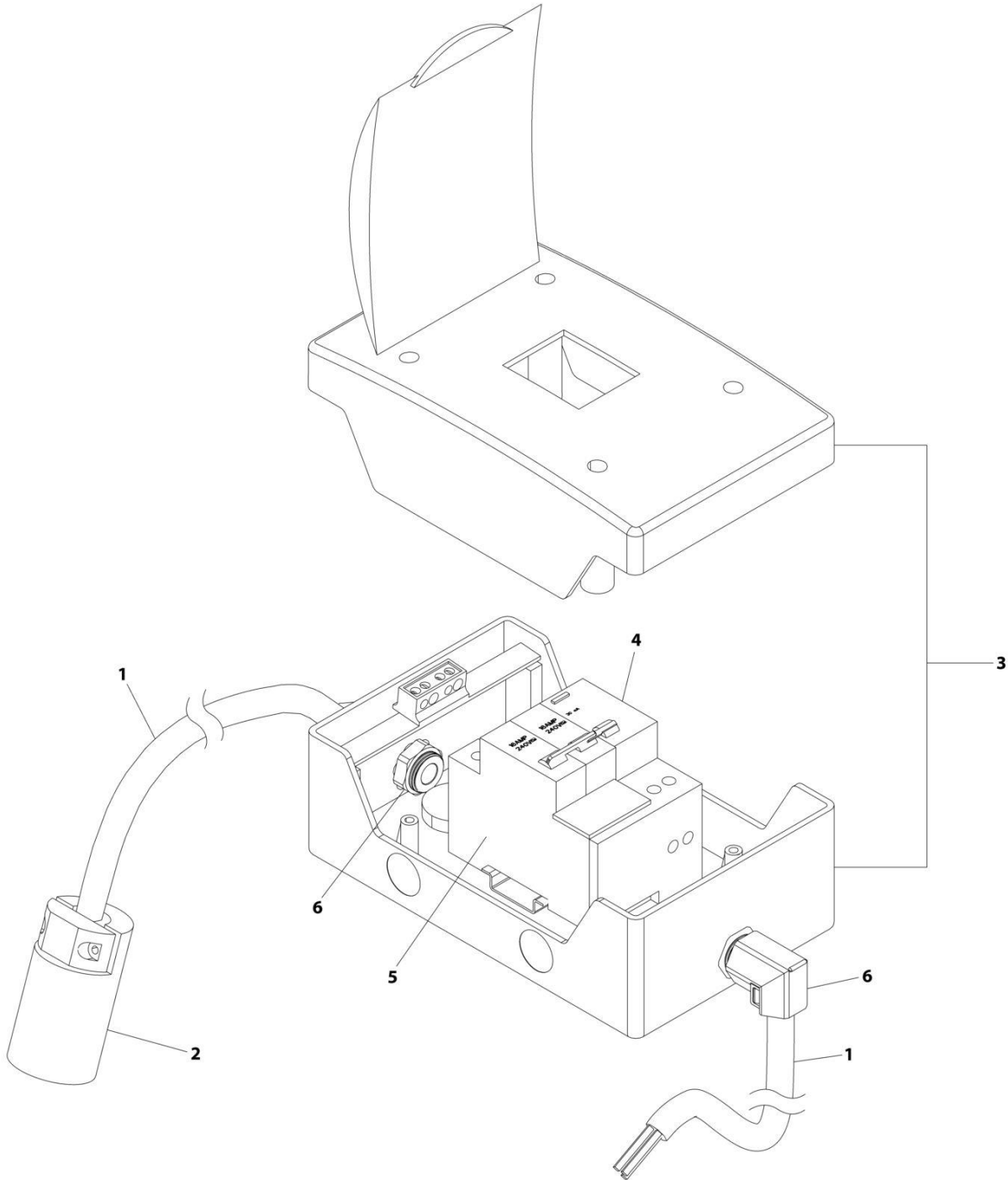
SECTION 7 - ELECTRICAL

FIGURE 7-10. BREAKER BOX KIT WITH 1 DOUBLE BREAKER

ITEM	PART NUMBER	QTY	DESCRIPTION	REV
	1001209776	Ref	BREAKER BOX KIT WITH 1 DOUBLE BREAKER	F
1	0861880	1	Box	
2	1060908	126 in /3.2m	Cable, 12/3	
3	4460956	1	Barrier, Terminal	
4	4460957	1	Block, Terminal	
5	1001120205	1	Connector, Female Twist	
6	1001181045	1	Breaker 30mAmp/16 Amp	
7	1001217164	2	Connector, Strain Relief 90	

SECTION 7 - ELECTRICAL

FIGURE 7-11. BREAKER BOX KIT WITH 3 BREAKERS



ART_1001209482

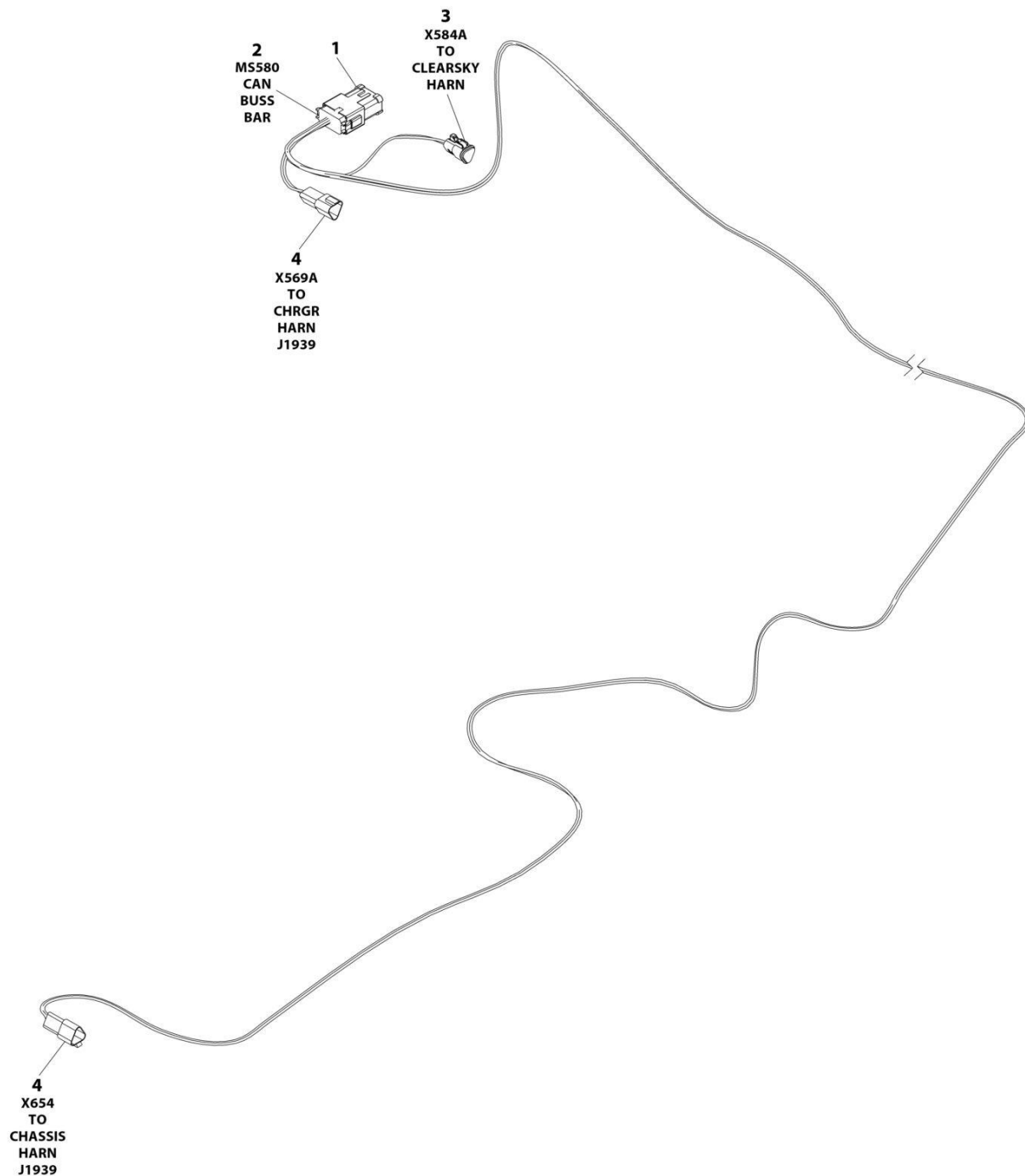
SECTION 7 - ELECTRICAL

FIGURE 7-11. BREAKER BOX KIT WITH 3 BREAKERS

ITEM	PART NUMBER	QTY	DESCRIPTION	REV
	1001209482	Ref	BREAKER BOX KIT WITH 3 BREAKERS	G
1	1060908	126 in /3.2m	Cable, 12/3	
2	1001120205	1	Connector, Female Twist	
3	1001152483	1	Box	
4	1001189171	1	Breaker, 30mAmp	
5	1001189172	1	Breaker 16 Amp, Double	
6	1001217164	2	Connector, Strain Relief 90	

SECTION 7 - ELECTRICAL

FIGURE 7-12. CAN SPLICE HARNESS (CHARGER WITH COMMUNICATION PORT)



ART_1001254027

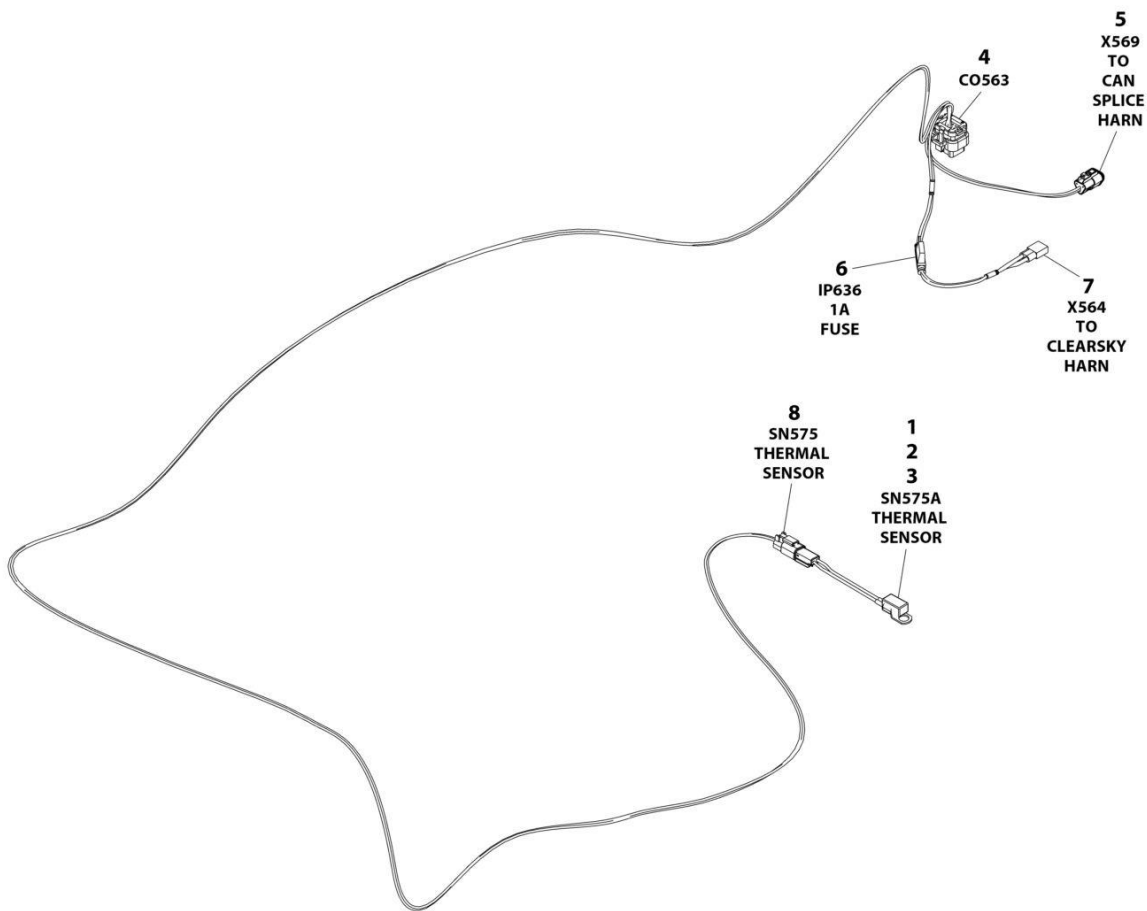
SECTION 7 - ELECTRICAL

FIGURE 7-12. CAN SPLICE HARNESS (CHARGER WITH COMMUNICATION PORT)

ITEM	PART NUMBER	QTY	DESCRIPTION	REV
	1001254027	Ref	CAN SPLICE HARNESS	A
1	1001125677	1	Connector, Bus Bar - 12 Position	
2	4460933	1	Plug, Male - 12 Position	
2	4460944	6	Socket, Female	
2	4460466	6	Plug, Terminal	
3	1001118812	1	Plug, Male - 3 Position	
3	4460944	2	Socket, Female	
3	4460466	1	Plug, Terminal	
4	1001144147	2	Receptacle, Female - 3 Position	
4	4460943	4	Pin, Male	
4	4460466	2	Plug, Terminal	

SECTION 7 - ELECTRICAL

FIGURE 7-13. CHARGER HARNESS (CHARGER WITH COMMUNICATION PORT) (PVC 1910)



ART_1001254028

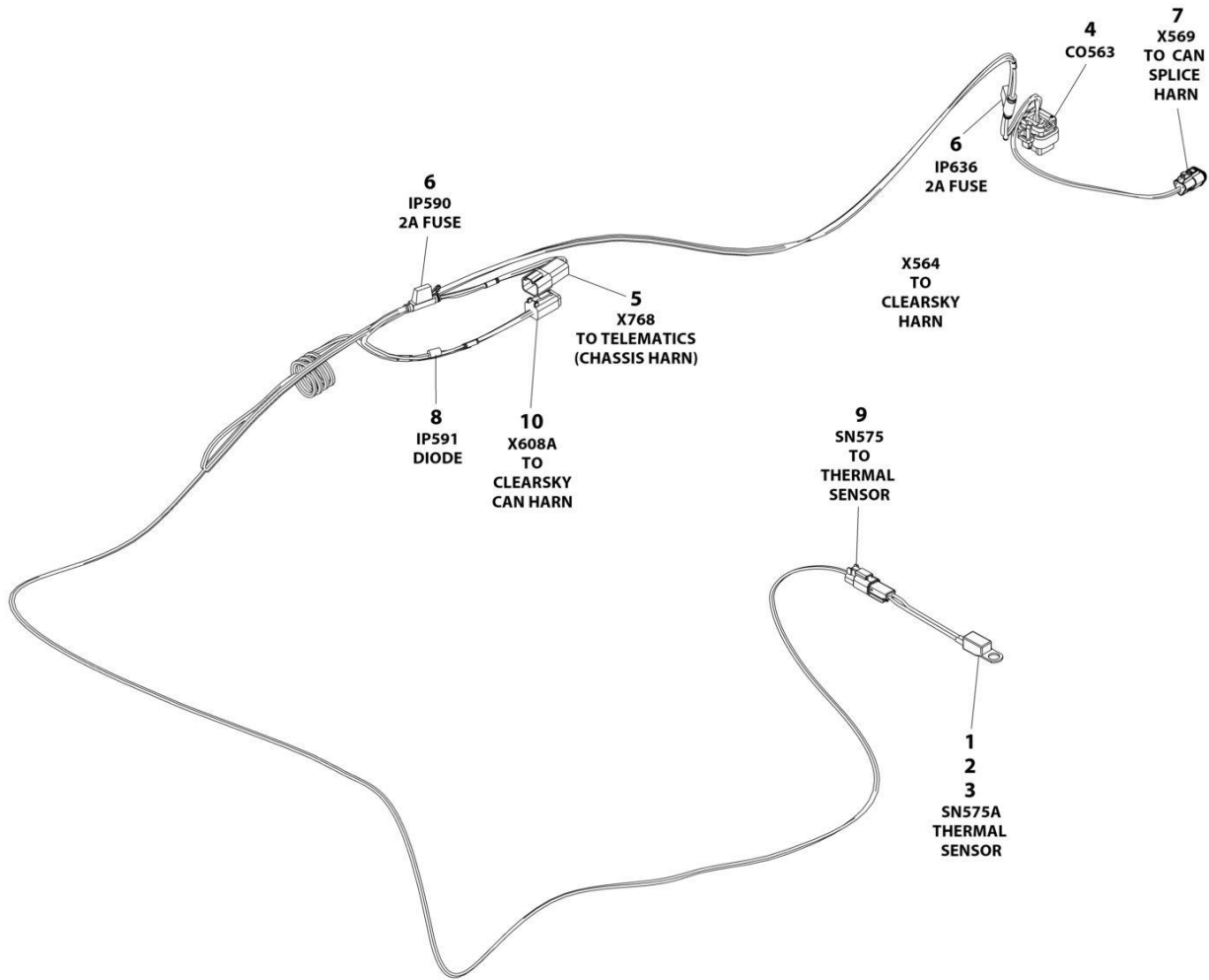
SECTION 7 - ELECTRICAL

FIGURE 7-13. CHARGER HARNESS (CHARGER WITH COMMUNICATION PORT) (PVC 1910)

ITEM	PART NUMBER	QTY	DESCRIPTION	REV
	1001254028	Ref	CHARGER HARNESS	A
1	4460464	2	Pin, Male	
2	4460897	1	Receptacle, Female - 2 Position	
3	1001102771	1	Sensor, Temperature	
4	4460872	1	Connector - 14 Position	
4	4460871	6	Terminal	
4	4460905	8	Plug, Terminal	
5	1001116812	1	Plug, Male - 3 Position	
5	4460944	2	Socket, Female	
5	4460466	1	Plug, Terminal	
6	2400060	1	Fuseholder With Cover	
6	1001228388	1	Fuse 1A	
7	4460424	1	Receptacle, Female - 2 Position	
7	4460227	2	Pin, Male	
8	4460891	1	Plug, Male - 2 Position	
8	4460465	2	Socket, Female	

SECTION 7 - ELECTRICAL

FIGURE 7-14. CHARGER HARNESS (CHARGER WITH COMMUNICATION PORT) (PVC 2004)



ART_1001254028_C

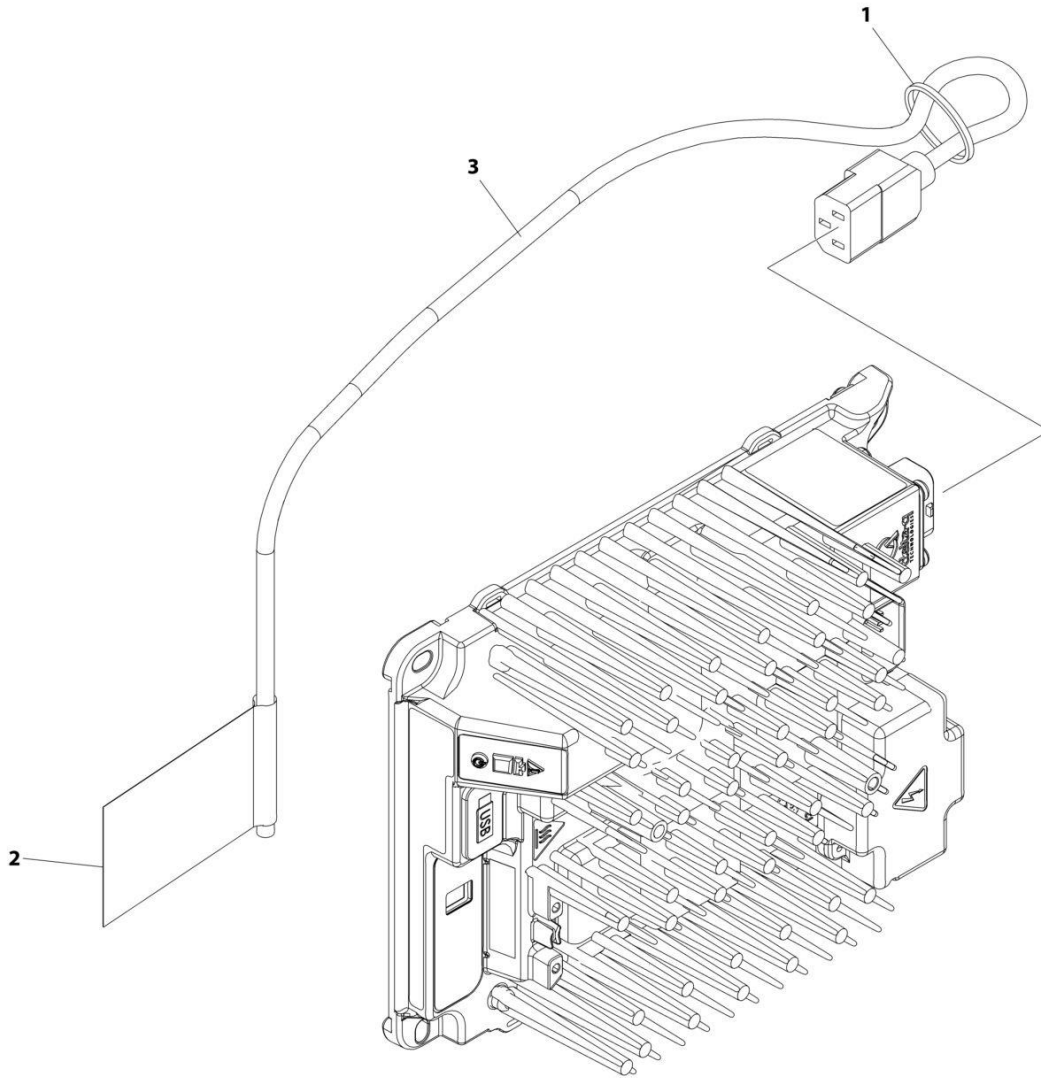
SECTION 7 - ELECTRICAL

FIGURE 7-14. CHARGER HARNESS (CHARGER WITH COMMUNICATION PORT) (PVC 2004)

ITEM	PART NUMBER	QTY	DESCRIPTION	REV
	1001254028	Ref	CHARGER HARNESS	C
1	4460464	2	Pin, Male	
2	4460897	1	Receptacle, Female - 2 Position	
3	1001102771	1	Sensor, Temperature	
4	4460872	1	Connector - 14 Position	
4	4460871	6	Terminal	
4	4460905	8	Plug, Terminal	
5	4460932	1	Receptacle, Female - 4 Position	
5	4460464	1	Pin, Male	
6	2400060	2	Fuseholder With Cover	
6	1001196634	2	Fuse 2A	
7	1001116812	1	Plug, Male - 3 Position	
7	4460944	2	Socket, Female	
7	4460466	1	Plug, Terminal	
8	3990001	1	Diode	
9	4460891	1	Plug, Male - 2 Position	
9	4460465	2	Socket, Female	
10	4460884	1	Plug, Male - 4 Position	
10	4460465	4	Socket, Female	

SECTION 7 - ELECTRICAL

FIGURE 7-15. CHARGER PLUG INSTALLATION - CUSTOMER SUPPLIED PLUG



ART_1001248631

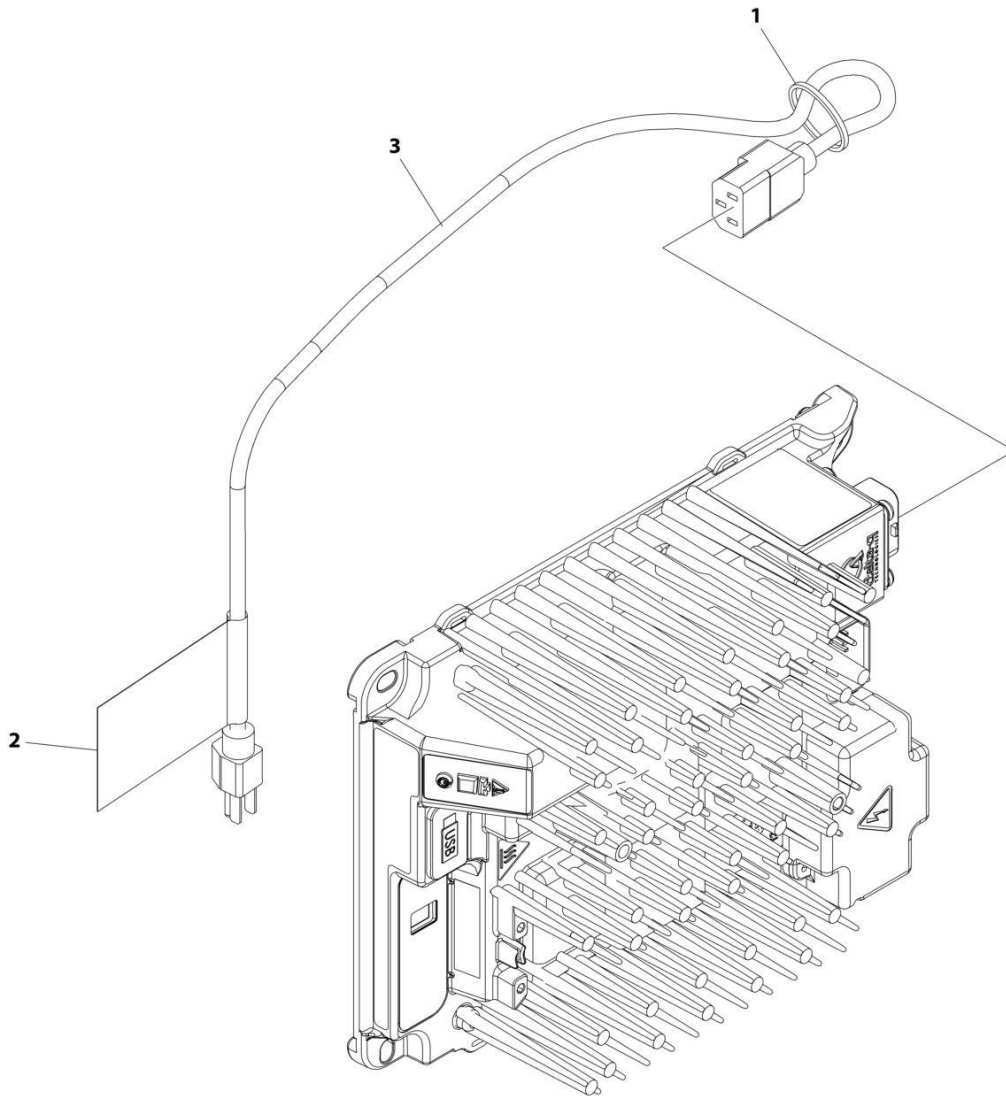
SECTION 7 - ELECTRICAL

FIGURE 7-15. CHARGER PLUG INSTALLATION - CUSTOMER SUPPLIED PLUG

ITEM	PART NUMBER	QTY	DESCRIPTION	REV
	1001248631	Ref	CHARGER PLUG INSTALLATION	B
1	4240017	AR	Tie-Strap	
2	1001102489	1	Decal - Charger	
3	1001207974	1	Cable, Charger Plug (No Plug)	

SECTION 7 - ELECTRICAL

FIGURE 7-16. CHARGER PLUG INSTALLATION - 110V PLUG (ANSI, ANSI EXPORT, CSA & JAPANESE SPECS)



ART_1001248632

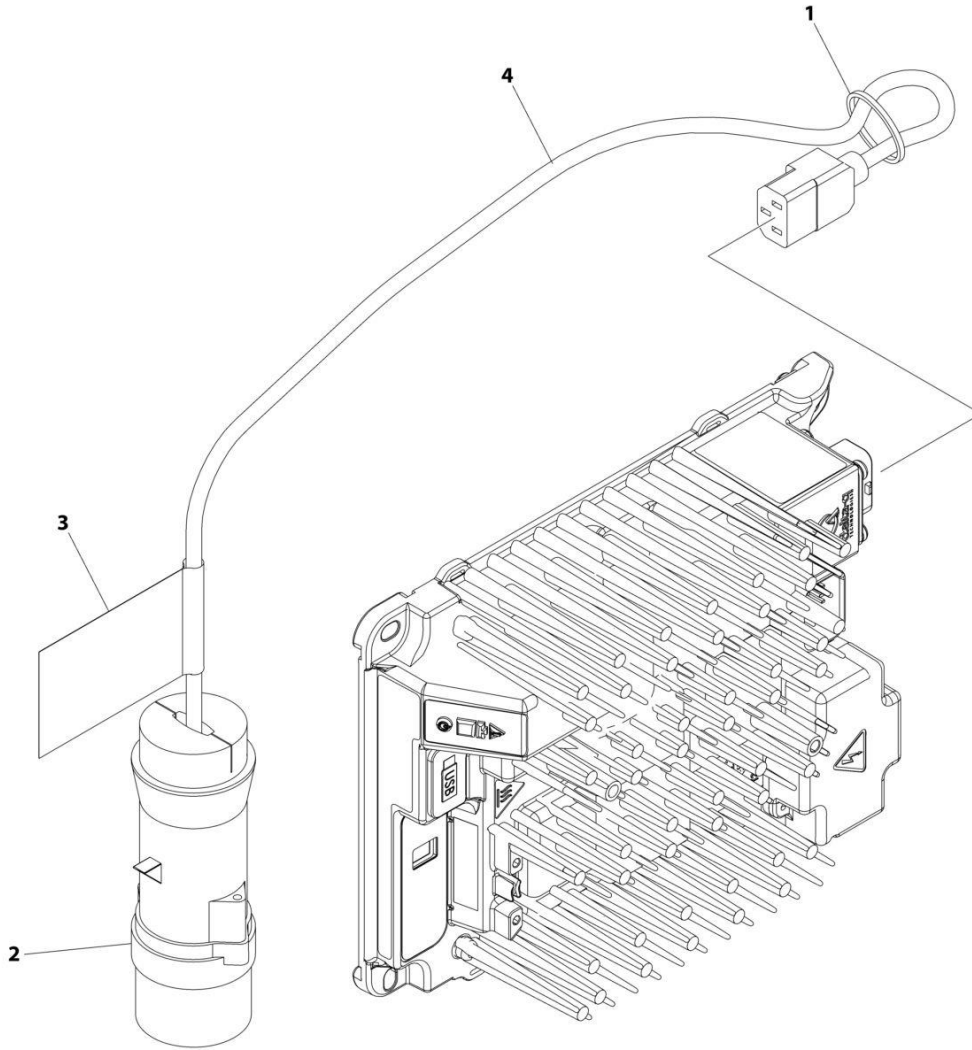
SECTION 7 - ELECTRICAL

FIGURE 7-16. CHARGER PLUG INSTALLATION - 110V PLUG (ANSI, ANSI EXPORT, CSA & JAPANESE SPECS)

ITEM	PART NUMBER	QTY	DESCRIPTION	REV
	1001248632	Ref	CHARGER PLUG INSTALLATION	B
1	4240017	AR	Tie-Strap	
2	1001102489	1	Decal - Charger	
3	1001207970	1	Cable, Charger Plug	

SECTION 7 - ELECTRICAL

FIGURE 7-17. CHARGER PLUG INSTALLATION - 110V IEC YELLOW PLUG (CE SPECS)



ART_1001258771

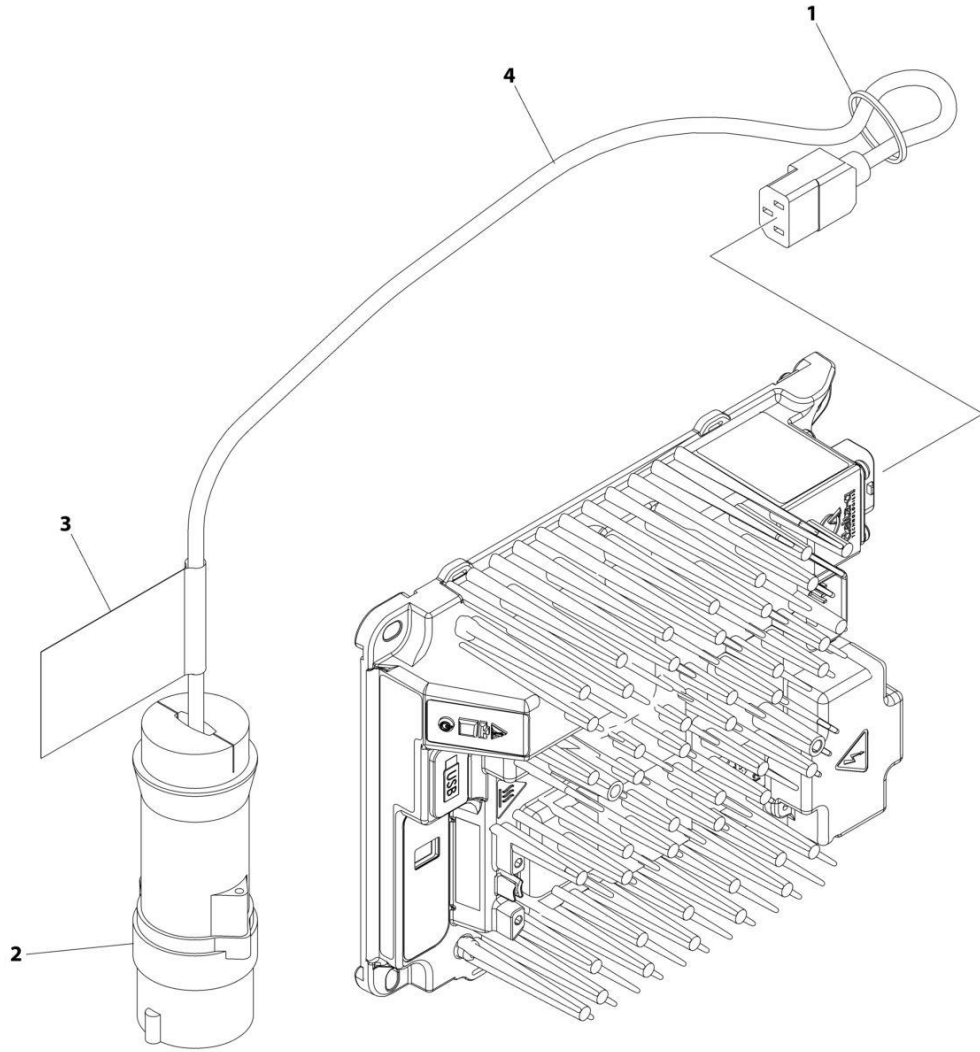
SECTION 7 - ELECTRICAL

FIGURE 7-17. CHARGER PLUG INSTALLATION - 110V IEC YELLOW PLUG (CE SPECS)

ITEM	PART NUMBER	QTY	DESCRIPTION	REV
	1001258771	Ref	CHARGER PLUG INSTALLATION	A
1	4240017	AR	Tie-Strap	
2	4461196	1	Terminal	
3	1001102489	1	Decal - Charger	
4	1001207974	1	Cable, Charger Plug (No Plug)	

SECTION 7 - ELECTRICAL

FIGURE 7-18. CHARGER PLUG INSTALLATION - 220V IEC BLUE PLUG (CE SPECS)



ART_1001258772

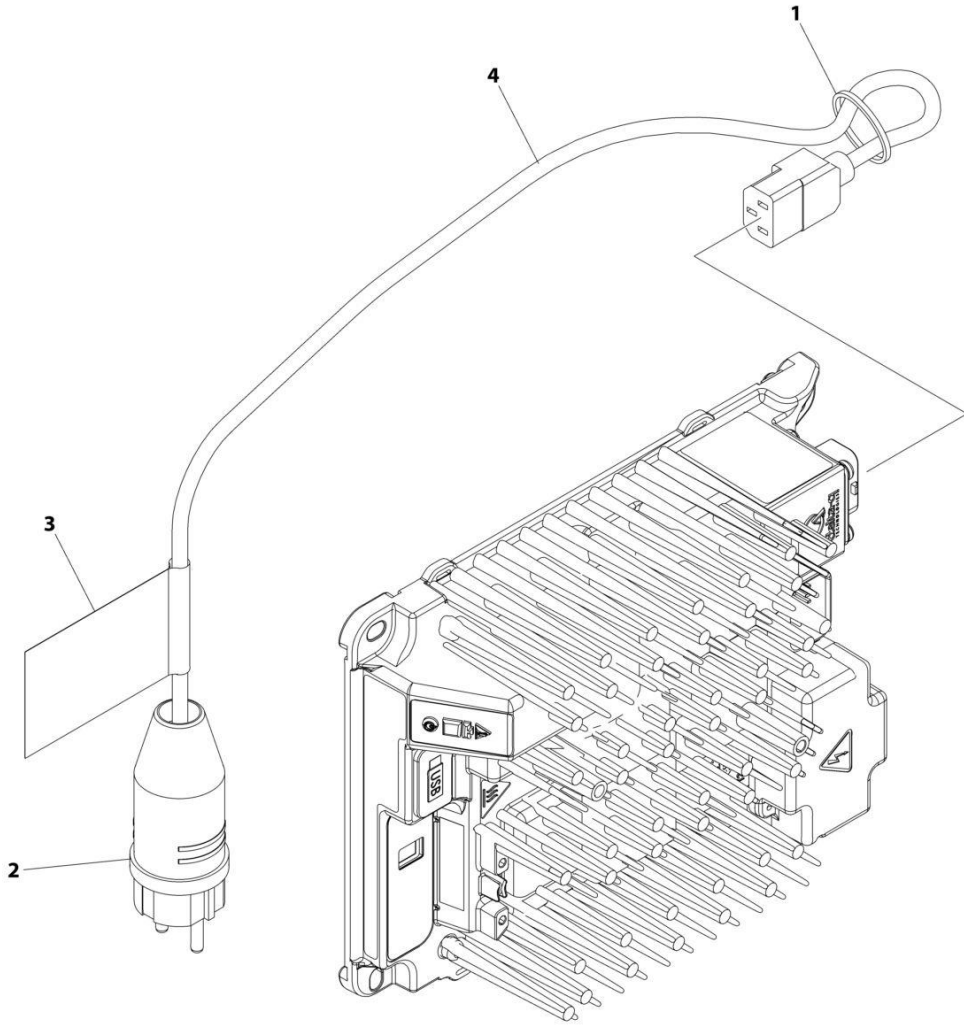
SECTION 7 - ELECTRICAL

FIGURE 7-18. CHARGER PLUG INSTALLATION - 220V IEC BLUE PLUG (CE SPECS)

ITEM	PART NUMBER	QTY	DESCRIPTION	REV
	1001258772	Ref	CHARGER PLUG INSTALLATION	A
1	4240017	AR	Tie-Strap	
2	4461199	1	Terminal	
3	1001102489	1	Decal - Charger	
4	1001207974	1	Cable, Charger Plug (No Plug)	

SECTION 7 - ELECTRICAL

FIGURE 7-19. CHARGER PLUG INSTALLATION - 220V CEE7 PLUG (CE SPECS)



ART_1001258768

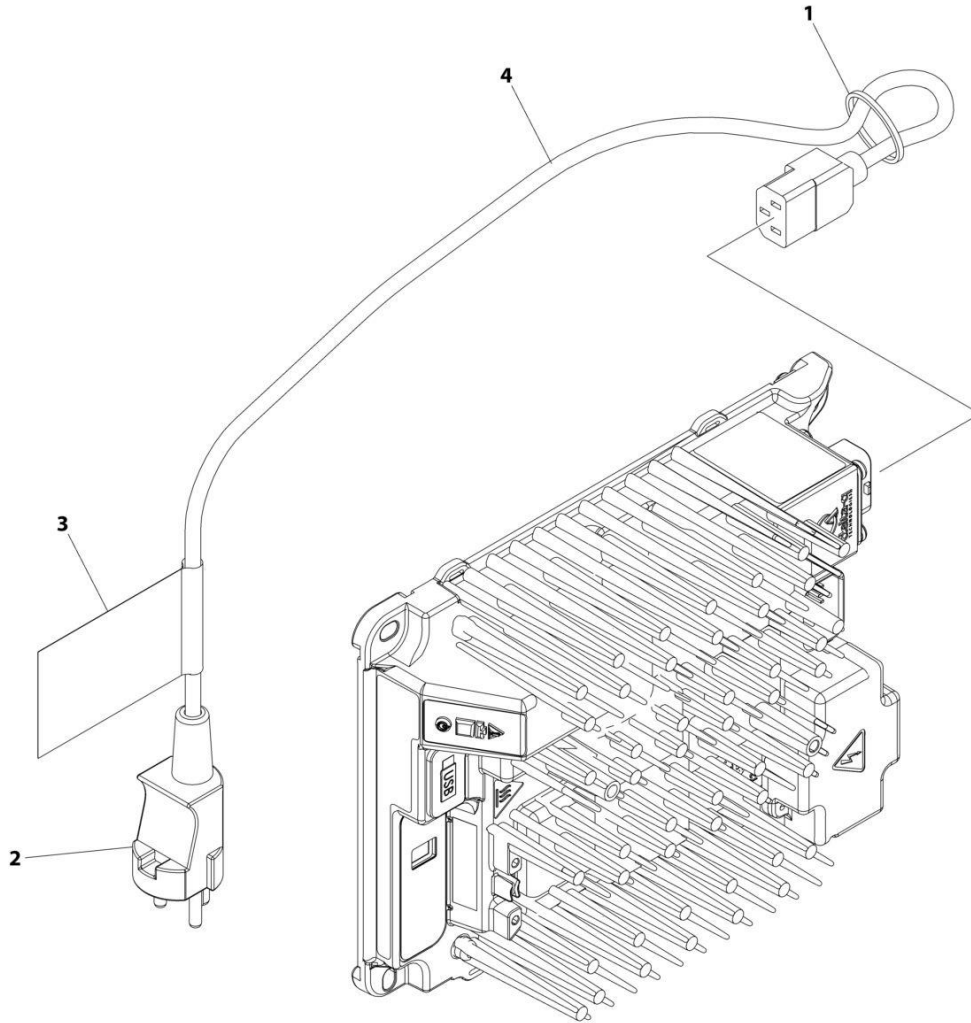
SECTION 7 - ELECTRICAL

FIGURE 7-19. CHARGER PLUG INSTALLATION - 220V CEE7 PLUG (CE SPECS)

ITEM	PART NUMBER	QTY	DESCRIPTION	REV
	1001258768	Ref	CHARGER PLUG INSTALLATION	A
1	4240017	AR	Tie-Strap	
2	4461205	1	Terminal	
3	1001102489	1	Decal - Charger	
4	1001207974	1	Cable, Charger Plug (No Plug)	

SECTION 7 - ELECTRICAL

FIGURE 7-20. CHARGER PLUG INSTALLATION - 220V AFSINT107 PLUG (CE SPECS)



ART_1001258770

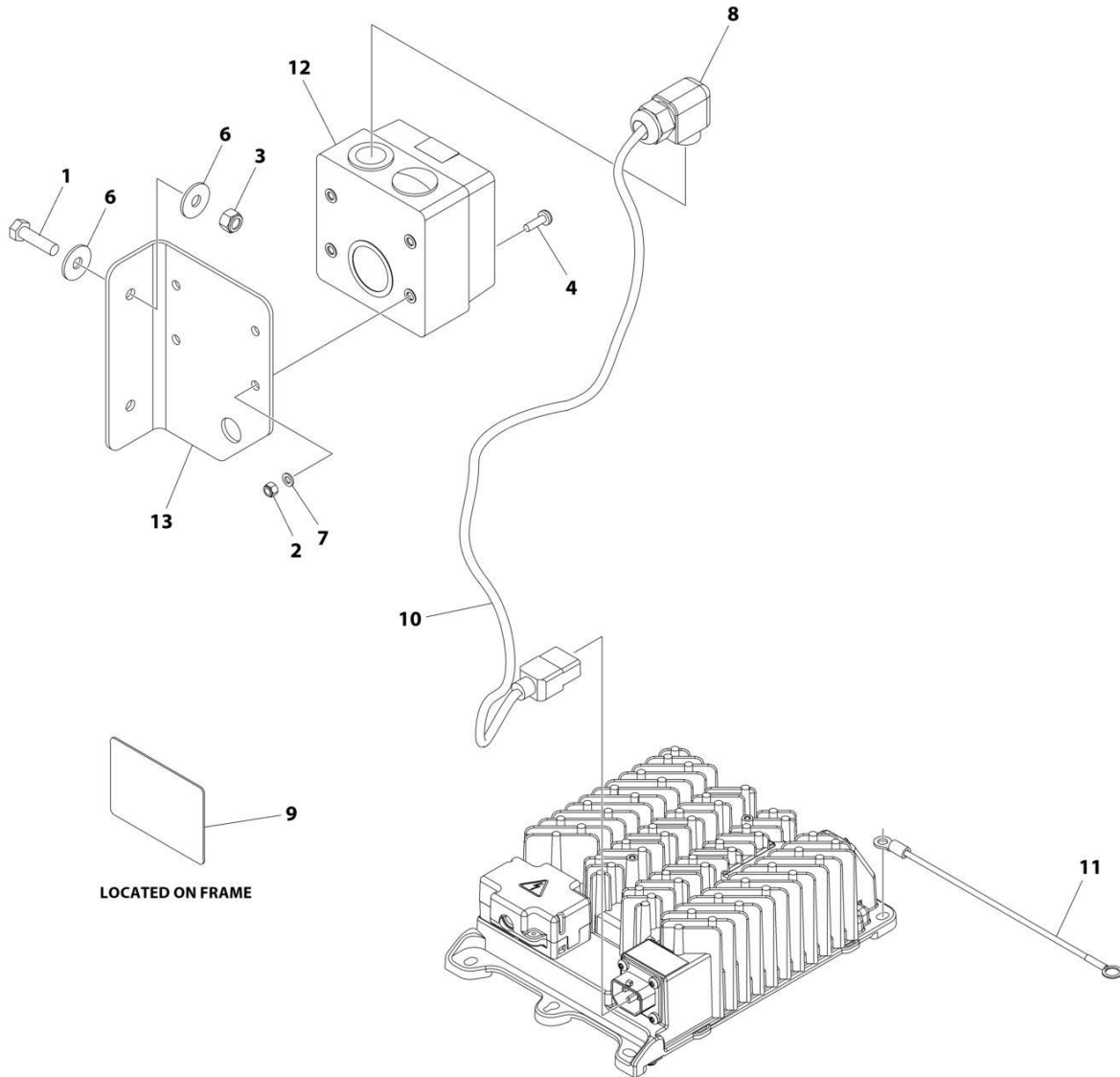
SECTION 7 - ELECTRICAL

FIGURE 7-20. CHARGER PLUG INSTALLATION - 220V AFSINT107 PLUG (CE SPECS)

ITEM	PART NUMBER	QTY	DESCRIPTION	REV
	1001258770	Ref	CHARGER PLUG INSTALLATION	A
1	4240017	AR	Tie-Strap	
2	4461249	1	Terminal	
3	1001102489	1	Decal - Charger	
4	1001207974	1	Cable, Charger Plug (No Plug)	

SECTION 7 - ELECTRICAL

FIGURE 7-21. CHARGER PLUG INSTALLATION (AUSTRALIAN PLUG)



ART_1001263295

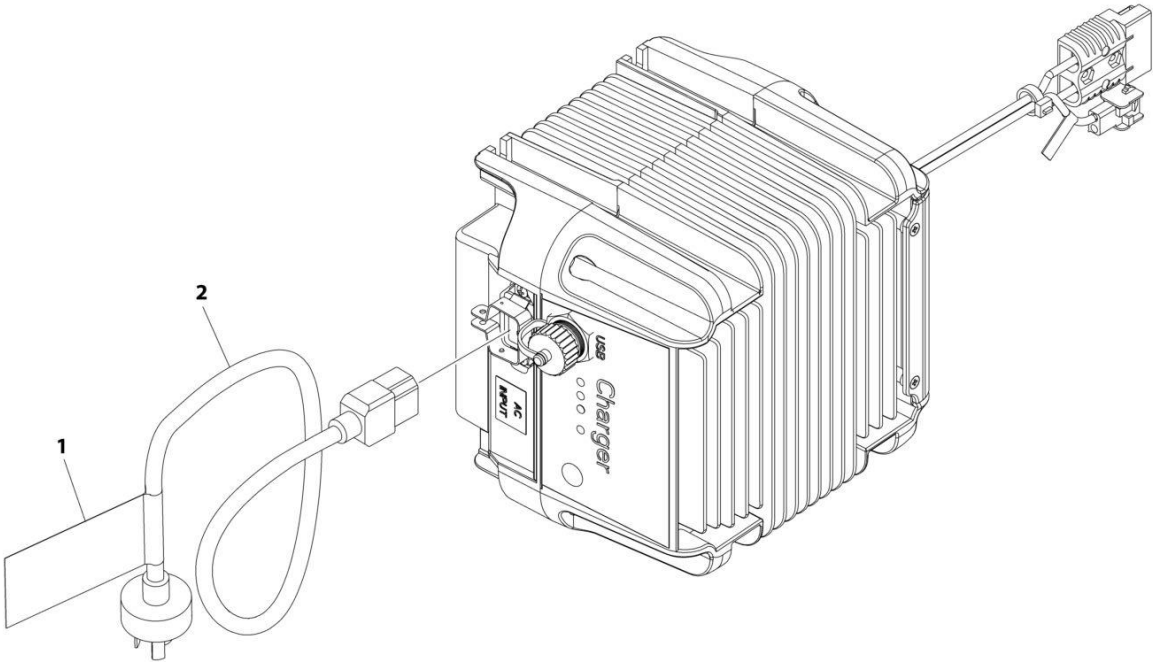
SECTION 7 - ELECTRICAL

FIGURE 7-21. CHARGER PLUG INSTALLATION (AUSTRALIAN PLUG)

ITEM	PART NUMBER	QTY	DESCRIPTION	REV
	1001263295	Ref	CHARGER PLUG INSTALLATION	A
1	0700814	2	Bolt M8 x 30	
2	3290505	4	Nut M5	
3	3290805	2	Nut M8	
4	3900381	4	Screw M5 x 16	
5	4240017	AR	Tie Strap (Not Shown)	
6	4811902	4	Washer M8	
7	4831600	4	Washer M5	
8	1001103471	1	Connector Strain Relief 90	
9	1001134280	1	Decal - Charger	
10	1001207974	1	Cable, Charger AC Input	
11	1001227219	1	Ground Harness	
12	1001227267	1	Receptacle Australian - 230V	
13	1001249890	1	Bracket	

SECTION 7 - ELECTRICAL

FIGURE 7-22. CHARGER PLUG INSTALLATION - CHINA PLUG



ART_1001263294

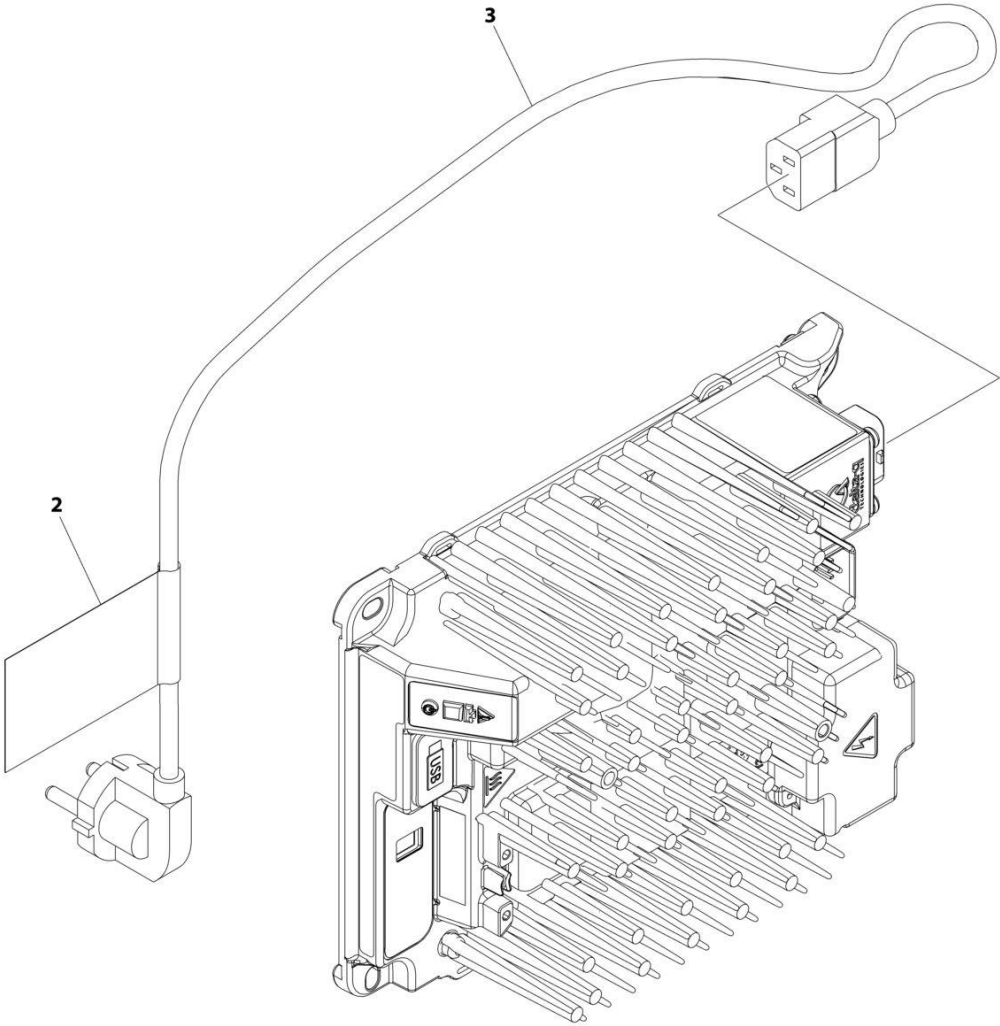
SECTION 7 - ELECTRICAL

FIGURE 7-22. CHARGER PLUG INSTALLATION - CHINA PLUG

ITEM	PART NUMBER	QTY	DESCRIPTION	REV
	1001263294	Ref	CHARGER PLUG INSTALLATION	A
1	1001102489	1	Decal - Charger Label	
2	1001207973	1	Cable, Charger AC Input	

SECTION 7 - ELECTRICAL

FIGURE 7-23. CHARGER PLUG INSTALLATION - KOREAN PLUG



ART_1001248634

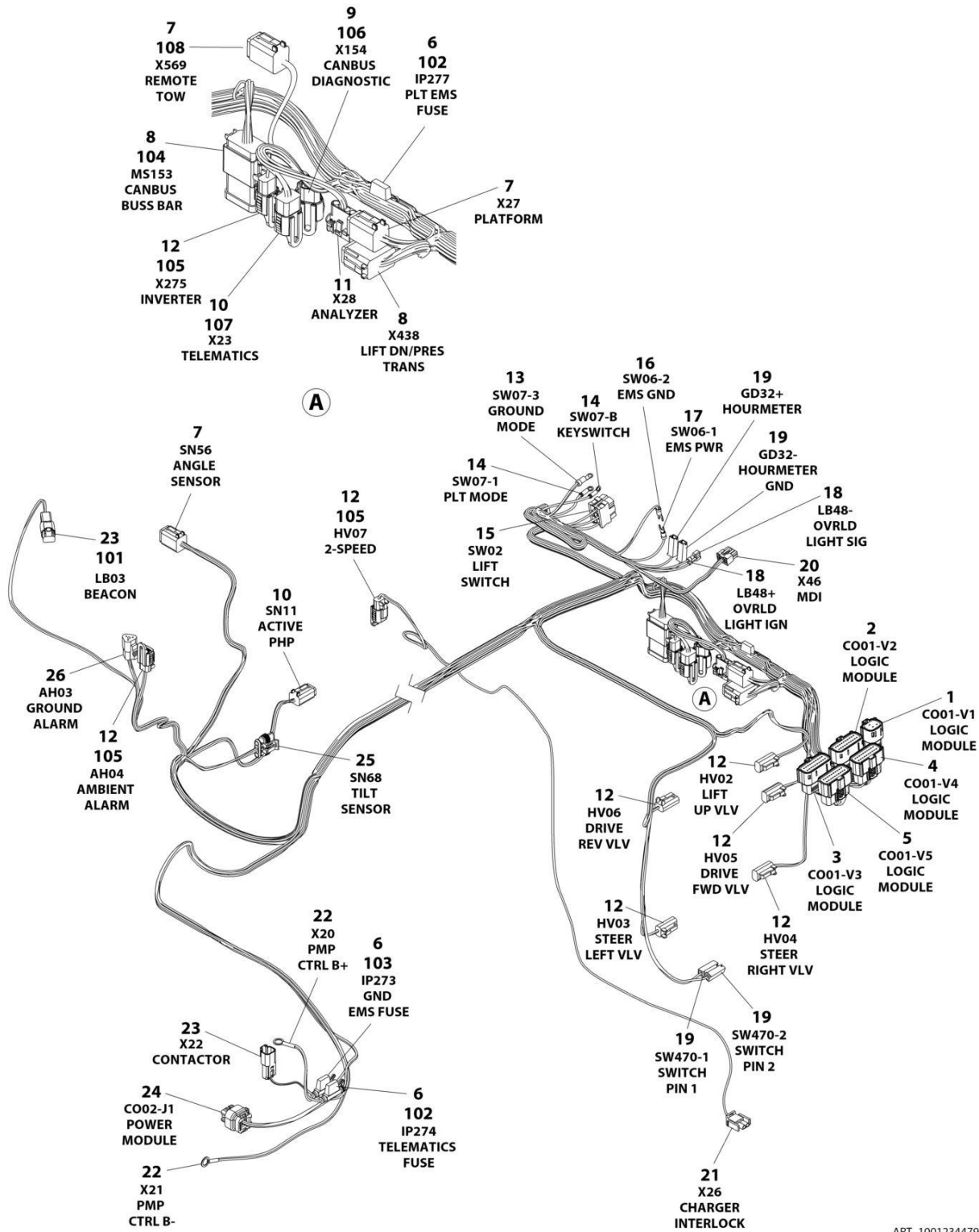
SECTION 7 - ELECTRICAL

FIGURE 7-23. CHARGER PLUG INSTALLATION - KOREAN PLUG

ITEM	PART NUMBER	QTY	DESCRIPTION	REV
	1001248634	Ref	CHARGER PLUG INSTALLATION	A
1	4240017	AR	Tie-Strap (Not Shown)	
2	1001102489	1	Decal - Charger Label	
3	1001221949	1	Cable, Charger AC Input	

SECTION 7 - ELECTRICAL

FIGURE 7-24. CHASSIS HARNESS



ART_1001234479

SECTION 7 - ELECTRICAL

FIGURE 7-24. CHASSIS HARNESS

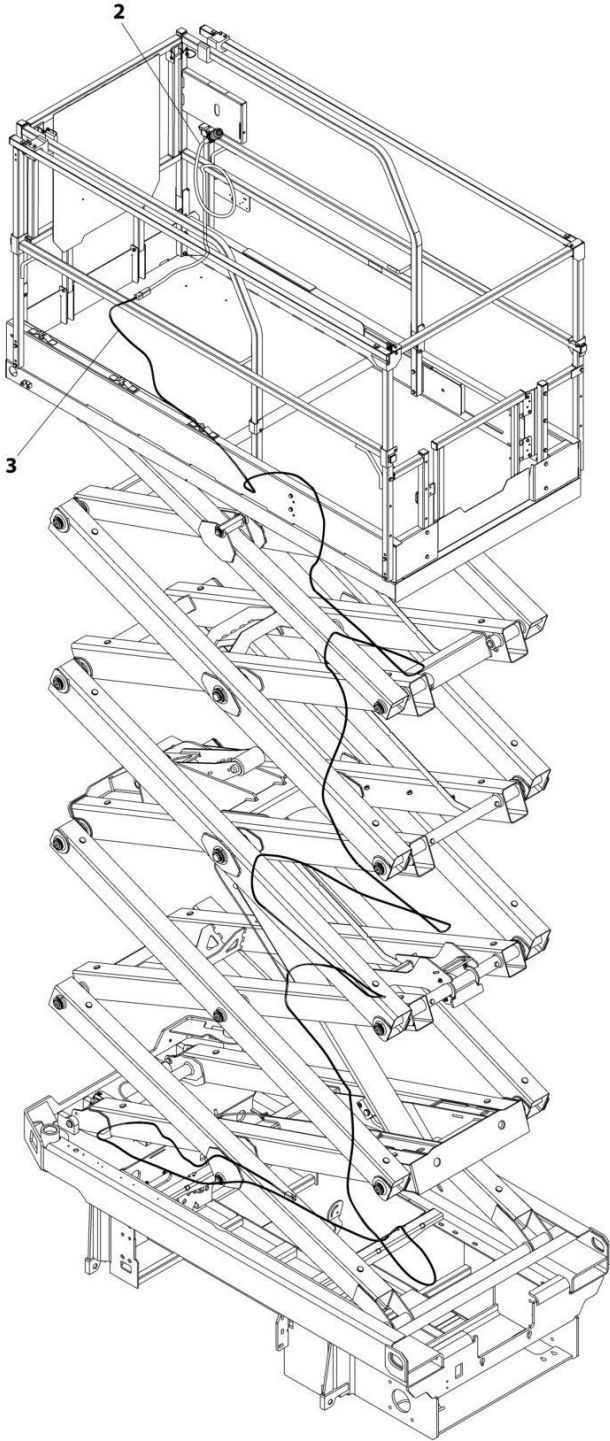
ITEM	PART NUMBER	QTY	DESCRIPTION	REV
	1001234479	Ref	CHASSIS HARNESS	D
1	1001205409	1	Connector - 8 Position	
1	1001162887	6	Terminal	
1	1001163340	2	Plug, Terminal	
2	1001205410	1	Connector - 20 Position	
2	1001162887	12	Terminal	
2	1001163340	8	Plug, Terminal	
3	1001162886	1	Connector - 20 Position	
3	1001162887	16	Terminal	
3	1001163340	4	Plug, Terminal	
4	1001205411	1	Connector - 20 Position	
4	1001162887	16	Terminal	
4	1001163340	4	Plug, Terminal	
5	1001205412	1	Connector - 20 Position	
5	1001162887	18	Terminal	
5	1001163340	2	Plug, Terminal	
6	2400060	3	Holder/Cover, Fuse	
7	4460894	3	Plug, Male - 6 Position	
7	4460465	14	Socket, Female	
7	4460944	2	Socket, Female	
7	4460466	2	Plug, Terminal	
8	4460933	2	Plug, Male - 12 Position	
8	4460465	22	Socket, Female	
8	4460466	2	Plug, Terminal	
9	1001116812	1	Receptacle, Female - 3 Position	
9	4060944	2	Socket, Female	
9	4460466	1	Plug, Terminal	
10	4460884	2	Plug, Male - 4 Position	
10	4460465	8	Socket, Female	
11	4460761	1	Plug, Male - 4 Position	
11	4460227	4	Socket, Female	
12	4460891	8	Plug, Male - 2 Position	
12	4460465	16	Socket, Female	
12	4460466	1	Plug, Terminal	
13	4460042	1	Terminal, Ring	
14	4460247	2	Terminal, Ring	
15	4460418	1	Connector - 6 Position	
15	1001159186	3	Terminal	
16	4460115	1	Terminal, Ring	
17	4460183	1	Terminal, Ring	
18	1001201885	2	Terminal	
19	4460260	4	Cover, Terminal	
16	4460259	4	Terminal	
20	1001151629	1	Plug, Male - 8 Position	
20	4461023	2	Terminal	
20	4460877	2	Terminal	
21	4460320	1	Plug, Male - 2 Position	
21	4460226	1	Socket, Female	
22	4460256	2	Terminal	
23	4460897	2	Receptacle, Female - 2 Position	

SECTION 7 - ELECTRICAL

ITEM	PART NUMBER	QTY	DESCRIPTION	REV
23	4460464	4	Pin, Male	
24	1001113961	1	Connector - 8 Position	
24	4460871	4	Socket, Female	
24	4460905	4	Plug, Terminal	
25	1001103012	1	Plug, Male - 4 Position	
25	1001196589	4	Terminal	
25	1001104498	4	Seal Terminal	
26	4460539	1	Plug, Male - 3 Position	
26	4460465	3	Socket, Female	
101	4460891	1	Plug, Male - 4 Position	
102	8229242	2	Fuse 5 Amp	
103	8229244	1	Fuse, 15 Amp	
104	1001125677	1	Connector, Bussbar	
105	1001144295	3	Cap - 2 Position	
106	1001144296	1	Cap - 3 Position	
107	1001192401	1	Cap, Dust	
108	1001213448	1	Connector, Dust Cap	

SECTION 7 - ELECTRICAL

**FIGURE 7-25. GROUND TO PLATFORM CABLE INSTALLATION - WITHOUT PLATFORM COIL CABLE
(MACHINES WITH SN STARTING WITH 12, B2, M2 & G2)**



ART_1001234093

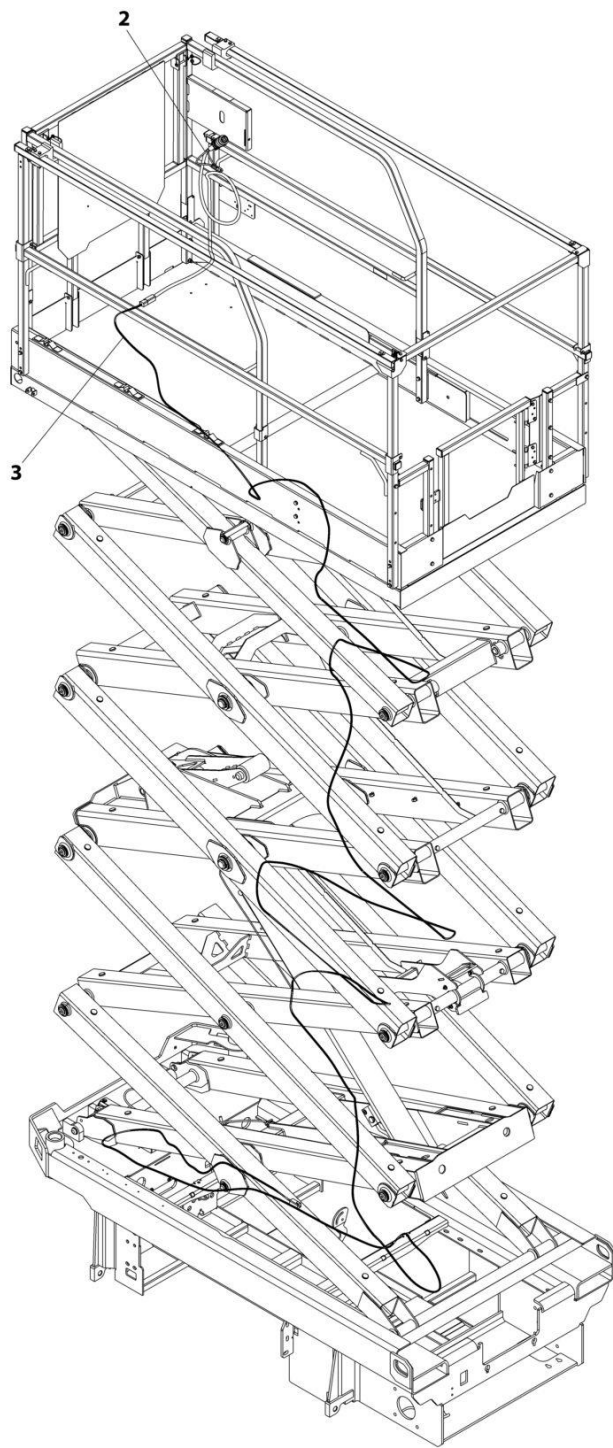
SECTION 7 - ELECTRICAL

**FIGURE 7-25. GROUND TO PLATFORM CABLE INSTALLATION - WITHOUT PLATFORM COIL CABLE
(MACHINES WITH SN STARTING WITH 12, B2, M2 & G2)**

ITEM	PART NUMBER	QTY	DESCRIPTION	REV
	1001234093	Ref	GROUND TO PLATFORM CABLE INSTALLATION - WITHOUT PLATFORM COIL CABLE	A
1	4240017	AR	Tie-Strap (Not Shown)	
2	1001200812	1	Platform Harness	
2	4460899	1	Receptacle, Female - 6 Position (To Item 3)	
2	4460464	4	Pin, Male	
2	4460943	2	Pin, Male	
2	4460754	1	Connector - 14 Position (To Console Box)	
2	4460465	8	Socket, Female	
2	4460466	6	Plug, Terminal	
3	1001234631	1	Cable Assembly - Ground to Platform	
3	4460894	1	Plug, Male - 6 Position (To Platform Harness Item 2)	
3	4460465	4	Socket, Female	
3	4460944	2	Socket, Female	
3	4460899	1	Receptacle, Female - 6 Position (To Chassis Harness)	
3	4460464	4	Pin, Male	
3	4460943	2	Pin, Male	

SECTION 7 - ELECTRICAL

FIGURE 7-26. GROUND TO PLATFORM CABLE INSTALLATION - WITHOUT PLATFORM COIL CABLE & WITH FOOTSWITCH (MACHINES WITH SN STARTING WITH 12, B2 & G2)



ART_1001234095

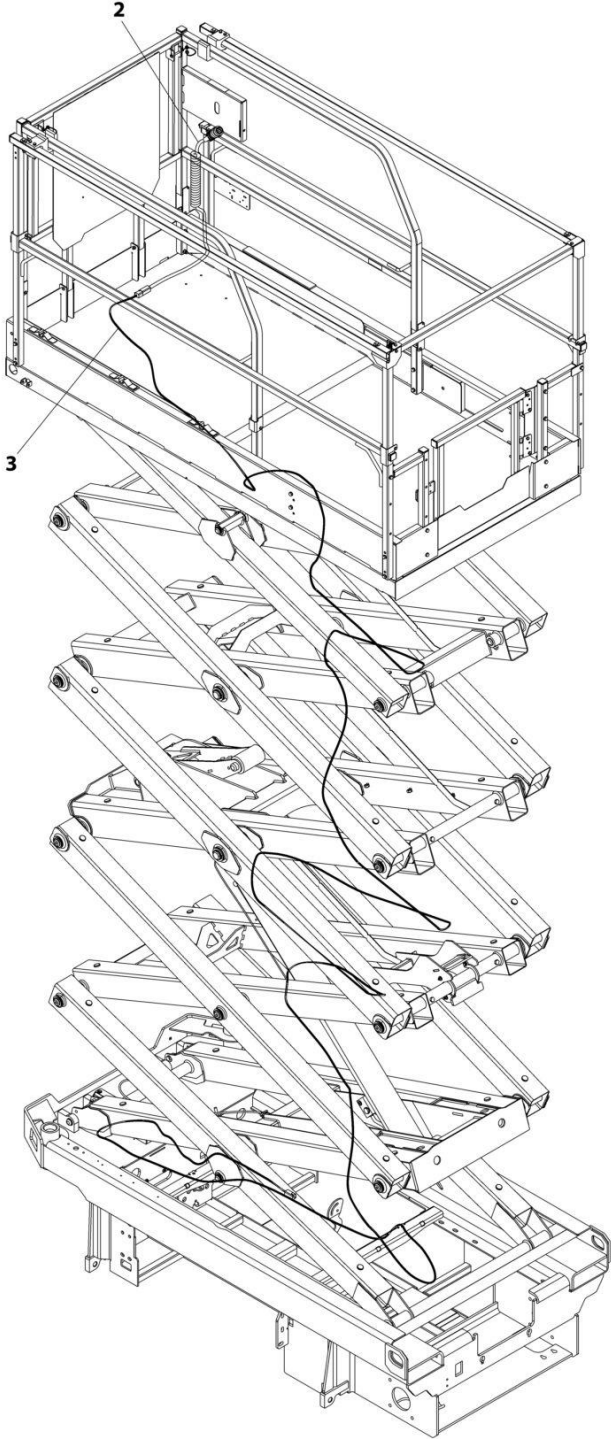
SECTION 7 - ELECTRICAL

**FIGURE 7-26. GROUND TO PLATFORM CABLE INSTALLATION - WITHOUT PLATFORM COIL CABLE
& WITH FOOTSWITCH (MACHINES WITH SN STARTING WITH 12, B2 & G2)**

ITEM	PART NUMBER	QTY	DESCRIPTION	REV
	1001234095	Ref	GROUND TO PLATFORM CABLE INSTALLATION - WITHOUT PLATFORM COIL CABLE AND WITH FOOTSWITCH	A
1	4240017	AR	Tie-Strap (Not Shown)	
2	1001223263	1	Platform Harness	
2	4460899	1	Receptacle, Female - 6 Position (To Item 3)	
2	4460464	4	Pin, Male	
2	4460943	2	Pin, Male	
2	4460754	1	Connector - 14 Position (To Console Box)	
2	4460465	8	Socket, Female	
2	4460944	2	Socket, Female	
2	4460466	4	Plug, Terminal	
2	4460891	1	Plug, Male - 2 Position (To Footswitch)	
2	4460465	2	Socket, Female	
2	4460897	1	Receptacle, Female - 2 Position (Footswitch Jumper)	
2	4460464	2	Pin, Male	
2	4460539	1	Plug, Male - 3 Position (To Overhead Switches)	
2	4460465	2	Socket, Female	
2	4460466	1	Plug, Terminal	
3	1001234631	1	Cable Assembly - Ground to Platform	
3	4460894	1	Plug, Male - 6 Position (To Platform Harness Item 2)	
3	4460465	4	Socket, Female	
3	4460944	2	Socket, Female	
3	4460899	1	Receptacle, Female - 6 Position (To Chassis Harness)	
3	4460464	4	Pin, Male	
3	4460943	2	Pin, Male	

SECTION 7 - ELECTRICAL

**FIGURE 7-27. GROUND TO PLATFORM CABLE INSTALLATION - WITH PLATFORM COIL CABLE
(MACHINES WITH SN STARTING WITH 12, B2, M2 & G2)**



ART_1001234094

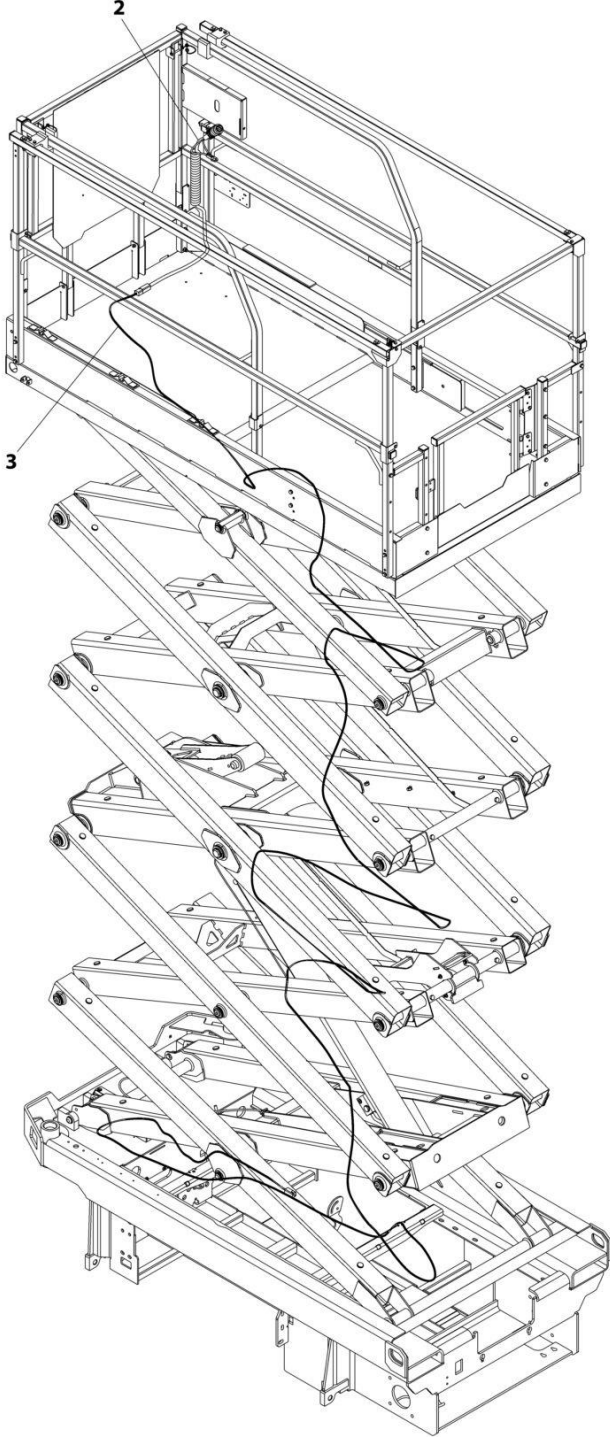
SECTION 7 - ELECTRICAL

**FIGURE 7-27. GROUND TO PLATFORM CABLE INSTALLATION - WITH PLATFORM COIL CABLE
(MACHINES WITH SN STARTING WITH 12, B2, M2 & G2)**

ITEM	PART NUMBER	QTY	DESCRIPTION	REV
	1001234094	Ref	GROUND TO PLATFORM CABLE INSTALLATION - WITH PLATFORM COIL CABLE	A
1	4240017	AR	Tie-Strap (Not Shown)	
2	1001202184	1	Platform Harness	
2	4460899	1	Receptacle, Female - 6 Position (To Item 3)	
2	4460464	4	Pin, Male	
2	4460943	2	Pin, Male	
2	4460754	1	Connector - 14 Position (To Console Box)	
2	4460465	8	Socket, Female	
2	4460466	6	Plug, Terminal	
3	1001234631	1	Cable Assembly - Ground to Platform	
3	4460894	1	Plug, Male - 6 Position (To Platform Harness Item 2)	
3	4460465	4	Socket, Female	
3	4460944	2	Socket, Female	
3	4460899	1	Receptacle, Female - 6 Position (To Chassis Harness)	
3	4460464	4	Pin, Male	
3	4460943	2	Pin, Male	

SECTION 7 - ELECTRICAL

FIGURE 7-28. GROUND TO PLATFORM CABLE INSTALLATION - WITH PLATFORM COIL CABLE & FOOTSWITCH (MACHINES WITH SN STARTING WITH 12, B2 & G2)



ART_1001234096

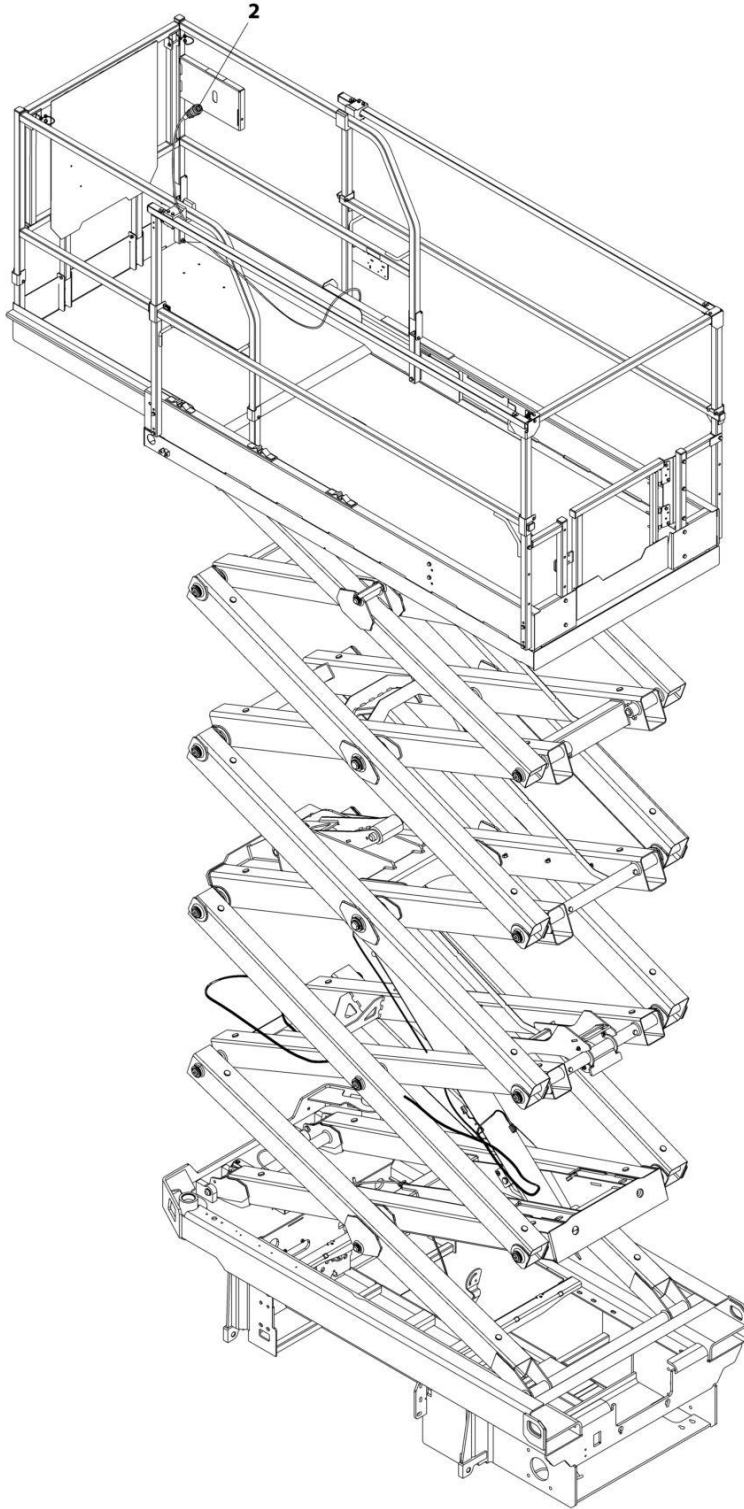
SECTION 7 - ELECTRICAL

FIGURE 7-28. GROUND TO PLATFORM CABLE INSTALLATION - WITH PLATFORM COIL CABLE & FOOTSWITCH (MACHINES WITH SN STARTING WITH 12, B2 & G2)

ITEM	PART NUMBER	QTY	DESCRIPTION	REV
	1001234096	Ref	GROUND TO PLATFORM CABLE INSTALLATION - WITH PLATFORM COIL CABLE AND FOOTSWITCH	A
1	4240017	AR	Tie-Strap (Not Shown)	
2	1001223262	1	Platform Harness	
2	4460899	1	Receptacle, Female - 6 Position (To Item 3)	
2	4460464	4	Pin, Male	
2	4460943	2	Pin, Male	
2	4460754	1	Connector - 14 Position (To Console Box)	
2	4460465	8	Socket, Female	
2	4460944	2	Socket, Female	
2	4460466	4	Plug, Terminal	
2	4460891	1	Plug, Male - 2 Position (To Footswitch)	
2	4460465	2	Socket, Female	
2	4460897	1	Receptacle, Female - 2 Position (Footswitch Jumper)	
2	4460464	2	Pin, Male	
2	4460539	1	Plug, Male - 3 Position (To Overhead Switches)	
2	4460465	2	Socket, Female	
2	4460466	1	Plug, Terminal	
3	1001234631	1	Cable Assembly - Ground to Platform	
3	4460894	1	Plug, Male - 6 Position (To Platform Harness Item 2)	
3	4460465	4	Socket, Female	
3	4460944	2	Socket, Female	
3	4460899	1	Receptacle, Female - 6 Position (To Chassis Harness)	
3	4460464	4	Pin, Male	
3	4460943	2	Pin, Male	

SECTION 7 - ELECTRICAL

FIGURE 7-29. GROUND TO PLATFORM CABLE INSTALLATION - PLATFORM STRAIGHT CABLE ONLY (MACHINES WITH SN STARTING WITH 12, B2 & G2)



ART_1001223650

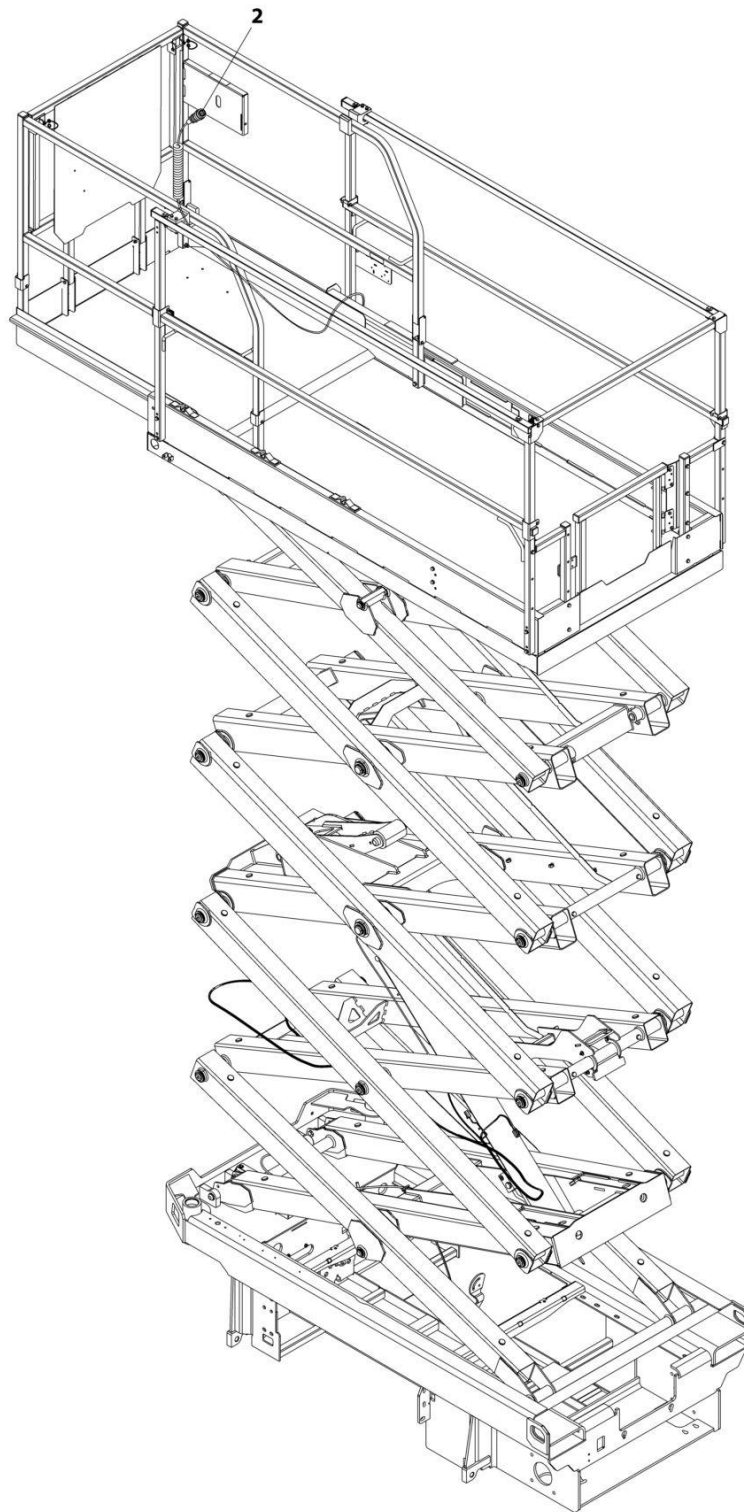
SECTION 7 - ELECTRICAL

FIGURE 7-29. GROUND TO PLATFORM CABLE INSTALLATION - PLATFORM STRAIGHT CABLE ONLY (MACHINES WITH SN STARTING WITH 12, B2 & G2)

ITEM	PART NUMBER	QTY	DESCRIPTION	REV
	1001223650	Ref	GROUND TO PLATFORM CABLE INSTALLATION	A
1	4240017	AR	Tie-Strap (Not Shown)	
2	1001200812	1	Platform Harness	
2	4460899	1	Receptacle, Female - 6 position (To Platform/AC Cable Connector)	
2	4460464	4	Pin, Male	
2	4460943	2	Pin, Male	
2	4460754	1	Connector - 14 Position (To Console Box)	
2	4460465	8	Socket, Female	
2	4460466	6	Plug, Terminal	

SECTION 7 - ELECTRICAL

**FIGURE 7-30. GROUND TO PLATFORM CABLE INSTALLATION - PLATFORM COIL CABLE ONLY
(MACHINES WITH SN STARTING WITH 12, B2 & G2)**



ART_1001223651

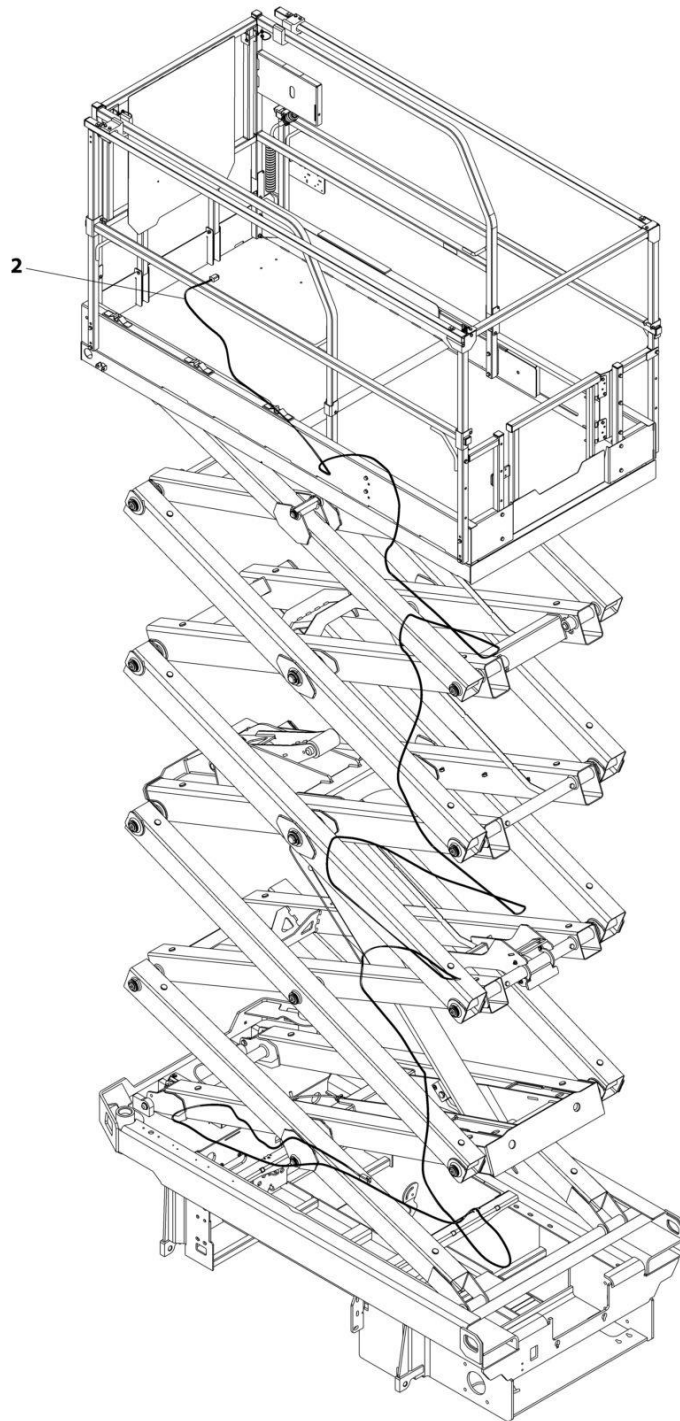
SECTION 7 - ELECTRICAL

**FIGURE 7-30. GROUND TO PLATFORM CABLE INSTALLATION - PLATFORM COIL CABLE ONLY
(MACHINES WITH SN STARTING WITH 12, B2 & G2)**

ITEM	PART NUMBER	QTY	DESCRIPTION	REV
	1001223651	Ref	GROUND TO PLATFORM CABLE INSTALLATION	A
1	4240017	AR	Tie-Strap (Not Shown)	
2	1001202184	1	Platform Harness	
2	4460899	1	Receptacle, Female - 6 position (To Platform/AC Cable Connector)	
2	4460464	4	Pin, Male	
2	4460943	2	Pin, Male	
2	4460754	1	Connector - 14 Position (To Console Box)	
2	4460465	8	Socket, Female	
2	4460466	6	Plug, Terminal	

SECTION 7 - ELECTRICAL

**FIGURE 7-31. GROUND TO PLATFORM CABLE INSTALLATION - SCISSORS ARMS CABLE ONLY
(MACHINES WITH SN STARTING WITH 12, B2 & G2)**



ART_1001239389

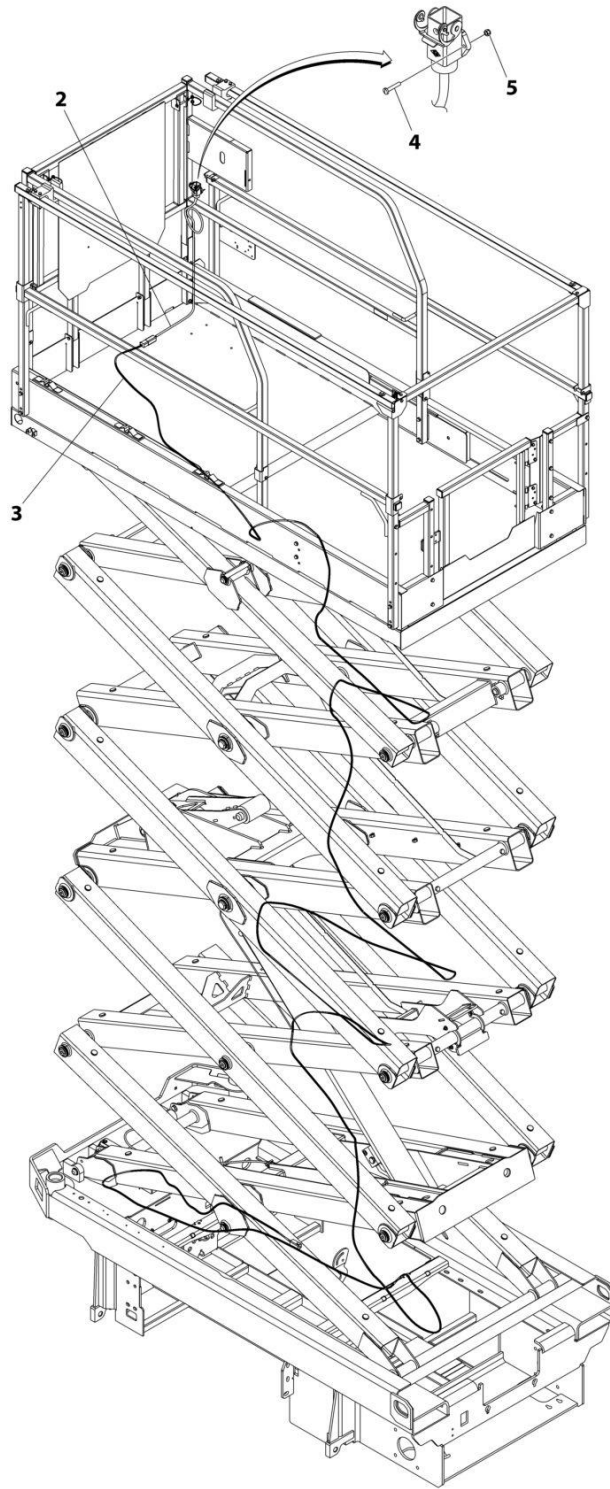
SECTION 7 - ELECTRICAL

**FIGURE 7-31. GROUND TO PLATFORM CABLE INSTALLATION - SCISSORS ARMS CABLE ONLY
(MACHINES WITH SN STARTING WITH 12, B2 & G2)**

ITEM	PART NUMBER	QTY	DESCRIPTION	REV
	1001239389	Ref	GROUND TO PLATFORM CABLE INSTALLATION	A
1	4240017	AR	Tie-Strap (Not Shown)	
2	1001234631	1	Cable Assembly - Ground to Platform	
2	4460894	1	Plug, Male - 6 Position (To Platform Harness Item 2)	
2	4460465	4	Socket, Female	
2	4460944	2	Socket, Female	
2	4460899	1	Receptacle, Female - 6 Position (To Chassis Harness)	
2	4460464	4	Pin, Male	
2	4460943	2	Pin, Male	

SECTION 7 - ELECTRICAL

FIGURE 7-32. GROUND TO PLATFORM CABLE INSTALLATION - WITHOUT PLATFORM COIL CABLE
(MACHINES WITH SN STARTING WITH 12, B2 & G2)



ART_1001270025

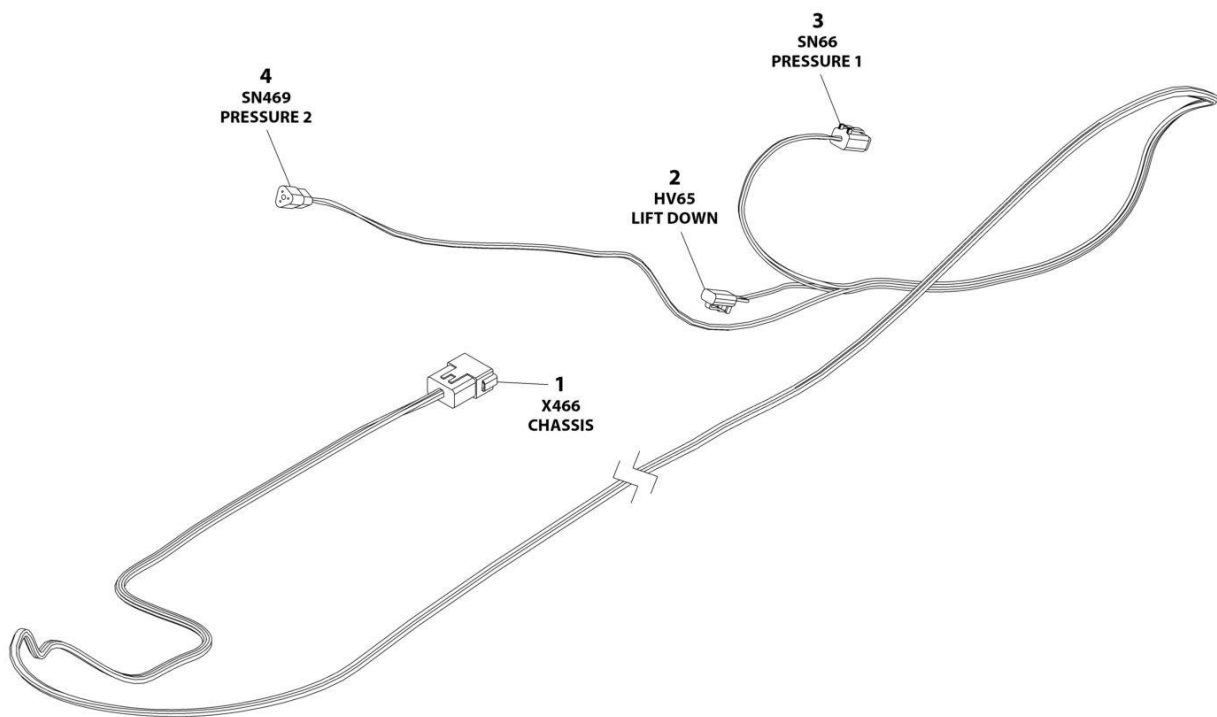
SECTION 7 - ELECTRICAL

**FIGURE 7-32. GROUND TO PLATFORM CABLE INSTALLATION - WITHOUT PLATFORM COIL CABLE
(MACHINES WITH SN STARTING WITH 12, B2 & G2)**

ITEM	PART NUMBER	QTY	DESCRIPTION	REV
	1001270025	Ref	GROUND TO PLATFORM CABLE INSTALLATION	B
1	4240017	AR	Tie-Strap (Not Shown)	
2	1001270443	1	Platform Harness	A
2	4460899	1	Receptacle, Female - 6 Position (To Item 3)	
2	4460464	4	Pin, Male	
2	4460943	2	Pin, Male	
2	1001269947	1	Connector - 12 Position (To Console Box)	
2	1001269949	2	Terminal	
2	1001269944	6	Terminal	
3	1001234631	1	Cable Assembly - Ground to Platform	C
3	4460894	1	Plug, Male - 6 Position (To Platform Harness Item 2)	
3	4460465	4	Socket, Female	
3	4460944	2	Socket, Female	
3	4460899	1	Receptacle, Female - 6 Position (To Chassis Harness)	
3	4460464	4	Pin, Male	
3	4460943	2	Pin, Male	
4	0760310	2	Screw M3 x 20	
5	3290305	2	Nut M3	

SECTION 7 - ELECTRICAL

FIGURE 7-33. LIFT DOWN HARNESS



ART_1001233795

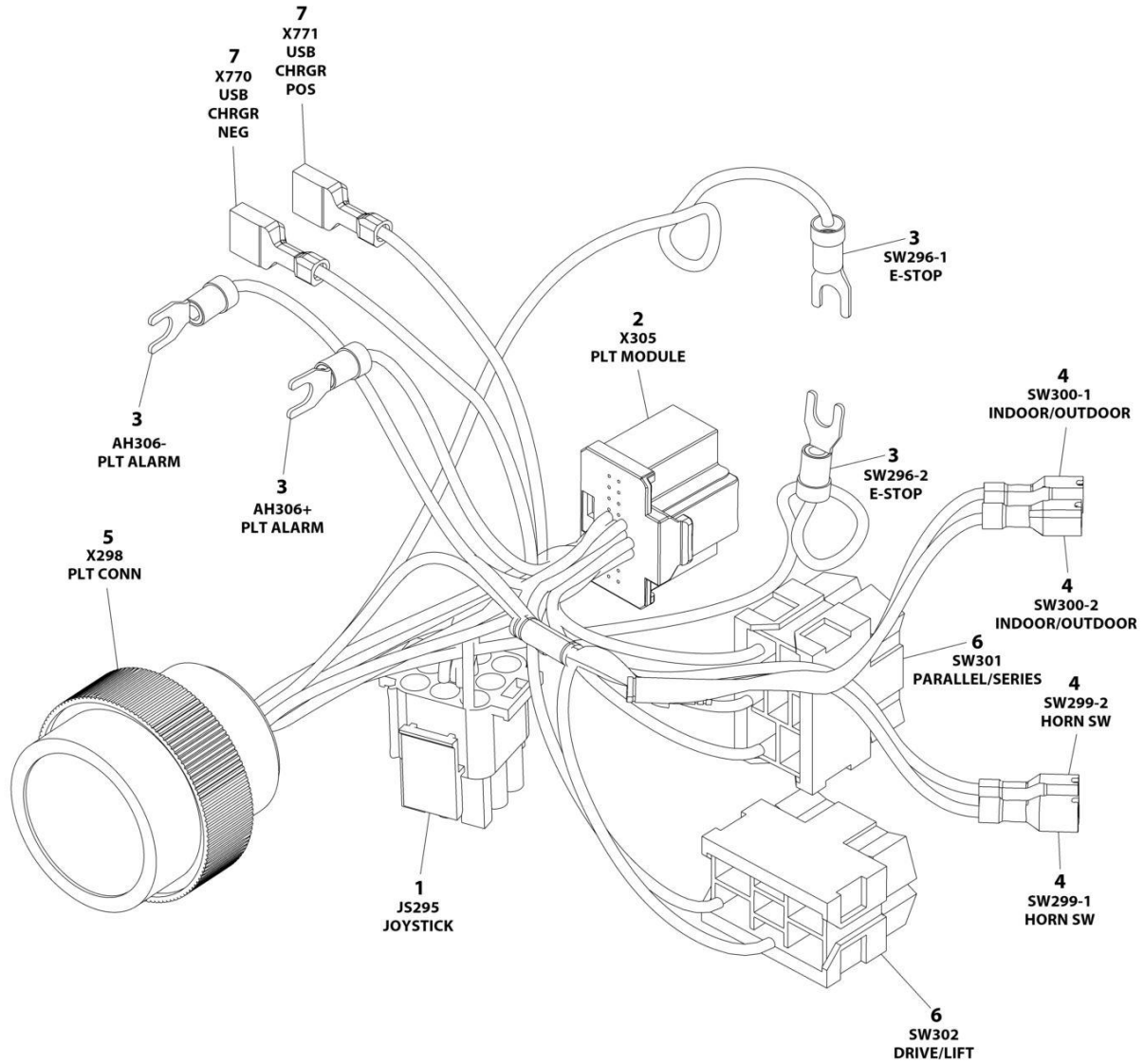
SECTION 7 - ELECTRICAL

FIGURE 7-33. LIFT DOWN HARNESS

ITEM	PART NUMBER	QTY	DESCRIPTION	REV
	1001233795	Ref	LIFT DOWN HARNESS	D
1	4460970	1	Receptacle, Female - 12 Position	
1	4460464	9	Pin, Male	
1	4460466	3	Plug, Terminal	
2	4460891	1	Plug, Male - 4 Position	
2	4460465	2	Socket, Female	
3	4460884	1	Plug, Male - 4 Position	
3	4460465	4	Socket, Female	
4	4460539	1	Plug, Male - 3 Position	
4	4460465	3	Socket, Female	

SECTION 7 - ELECTRICAL

FIGURE 7-34. PLATFORM CONTROL BOX HARNESS (MACHINES WITH SN STARTING WITH M2)



ART_1001200819

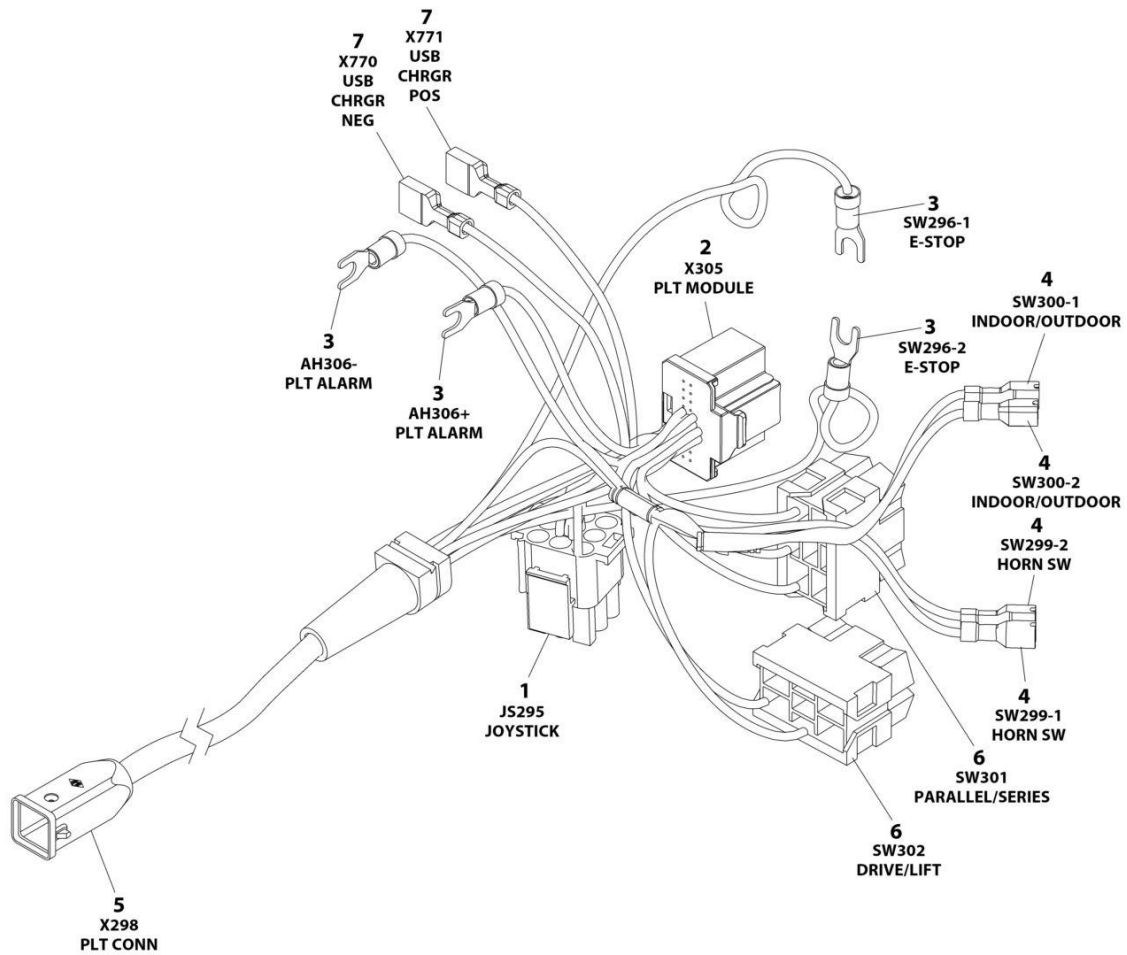
SECTION 7 - ELECTRICAL

FIGURE 7-34. PLATFORM CONTROL BOX HARNESS (MACHINES WITH SN STARTING WITH M2)

ITEM	PART NUMBER	QTY	DESCRIPTION	REV
	1001200819	Ref	PLATFORM CONTROL BOX HARNESS	E
1	4460265	1	Plug, Male - 9 Position	
1	4460267	6	Pin, Male	
2	1001212036	1	Connector - 20 Position	
2	1001212035	16	Terminal	
3	4460183	4	Terminal, Fork	
4	1001201885	4	Terminal with Cover	
5	4461016	1	Connector - 14 Position	
5	4460464	8	Pin, Male	
5	4460466	6	Plug, Terminal	
6	4460418	2	Connector - 6 Position	
6	1001159186	5	Terminal	
7	1001194421	2	Terminal	

SECTION 7 - ELECTRICAL

FIGURE 7-35. PLATFORM CONTROL BOX HARNESS (MACHINES WITH SN STARTING WITH 12, B2 & G2)



ART_1001269999

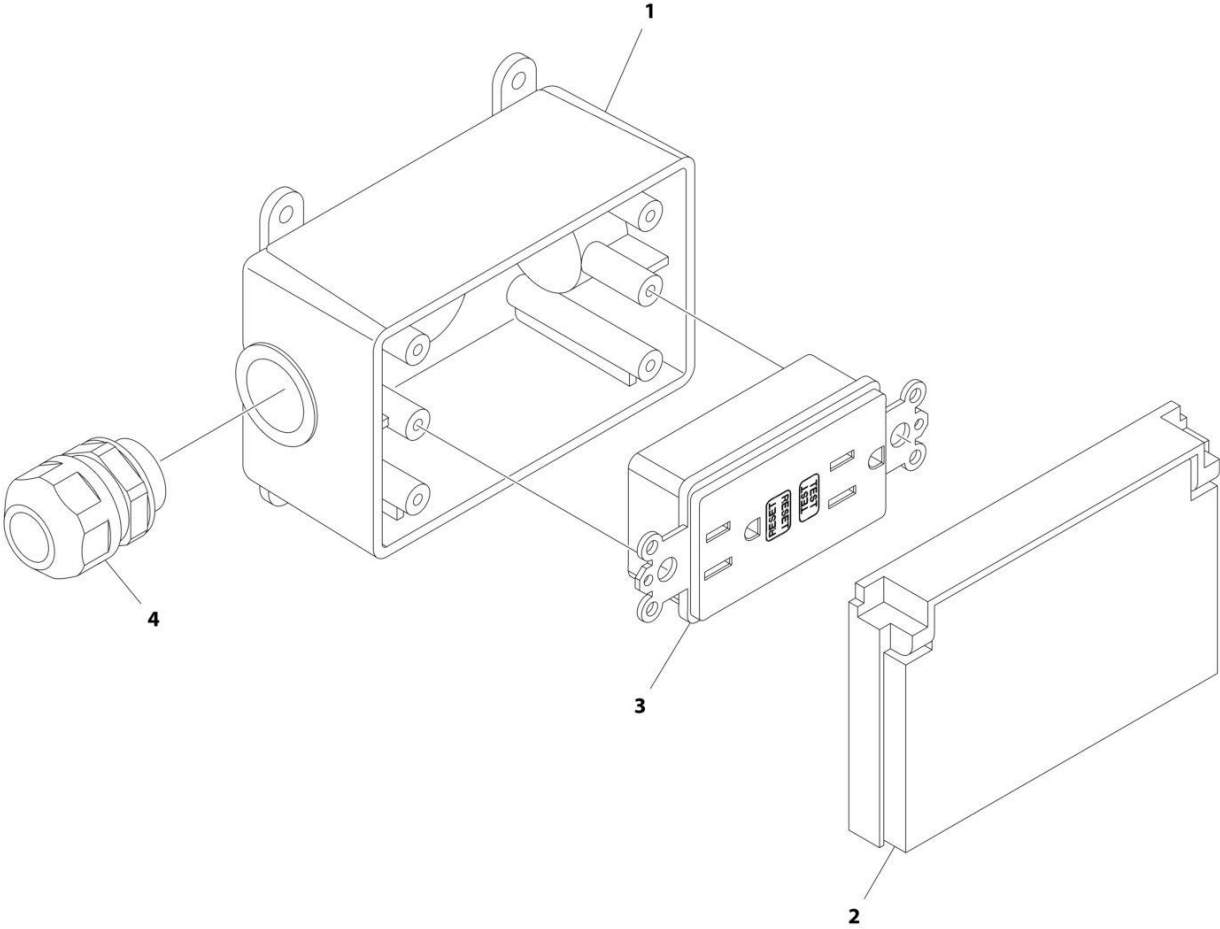
SECTION 7 - ELECTRICAL

FIGURE 7-35. PLATFORM CONTROL BOX HARNESS (MACHINES WITH SN STARTING WITH 12, B2 & G2)

ITEM	PART NUMBER	QTY	DESCRIPTION	REV
	1001269999	Ref	PLATFORM CONTROL BOX HARNESS	A
1	4460265	1	Plug, Male - 9 Position	
1	4460267	7	Pin, Male	
2	1001212036	1	Connector - 20 Position	
2	1001212035	17	Terminal	
3	4460183	4	Terminal, Fork	
4	1001201885	4	Terminal with Cover	
5	1001269946	1	Connector - 12 Position	
5	1001269943	10	Pin, Male	
6	4460418	2	Connector - 6 Position	
6	1001159186	5	Terminal	
7	1001194421	2	Terminal	

SECTION 7 - ELECTRICAL

FIGURE 7-36. RECEPTACLE BOX KIT - 110V GFI



ART_2902431

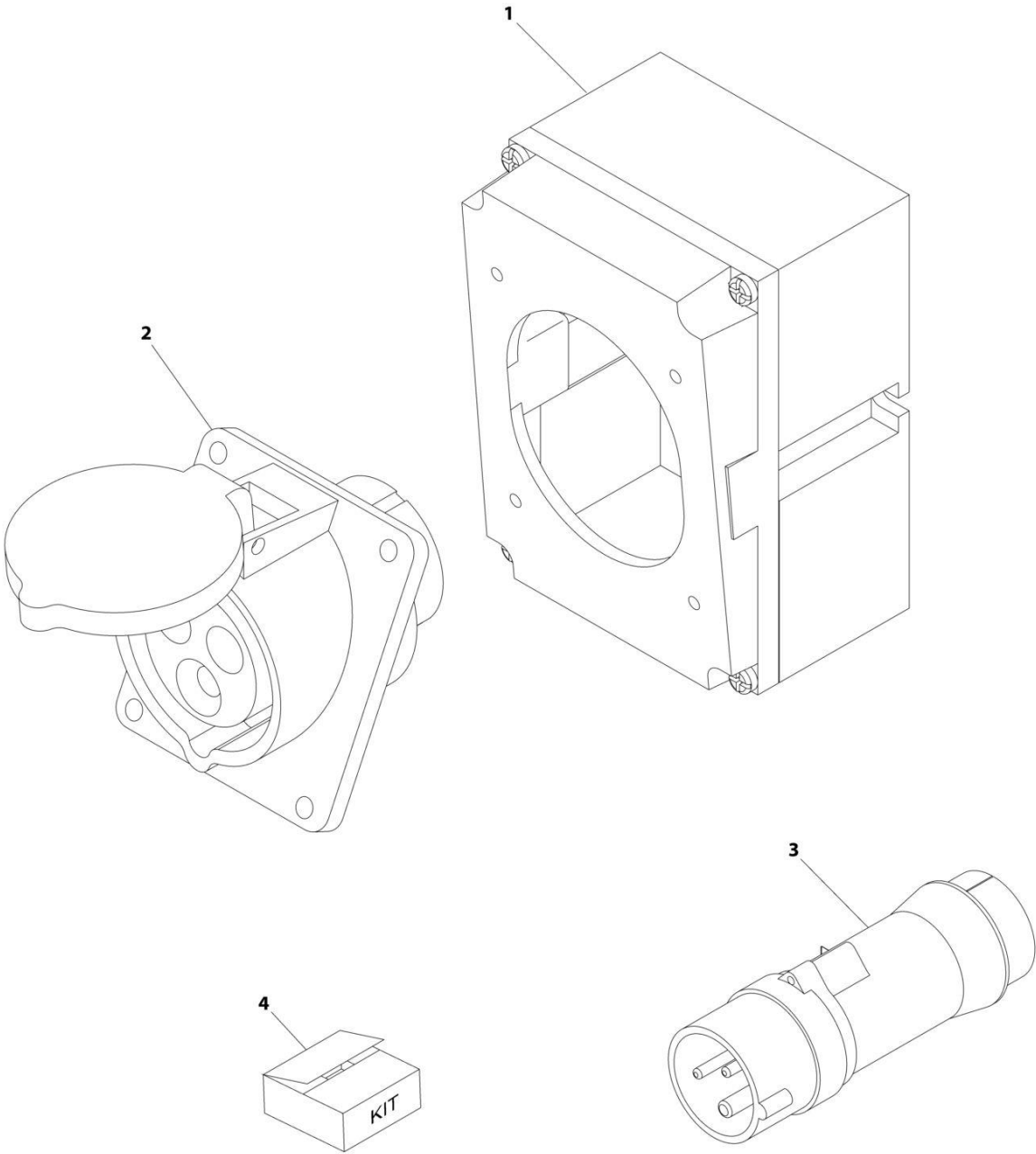
SECTION 7 - ELECTRICAL

FIGURE 7-36. RECEPTACLE BOX KIT - 110V GFI

ITEM	PART NUMBER	QTY	DESCRIPTION	REV
	2902431	Ref	RECEPTACLE BOX KIT - 110V GFI	D
1	0861731	1	Box, Receptacle	
2	1671207	1	Cover, Receptacle	
3	4460346	1	Receptacle	
4	4460662	1	Connector, Strain Relief	

SECTION 7 - ELECTRICAL

FIGURE 7-37. RECEPTACLE BOX KIT - 110V IEC YELLOW (CE SPEC)



ART_0275216

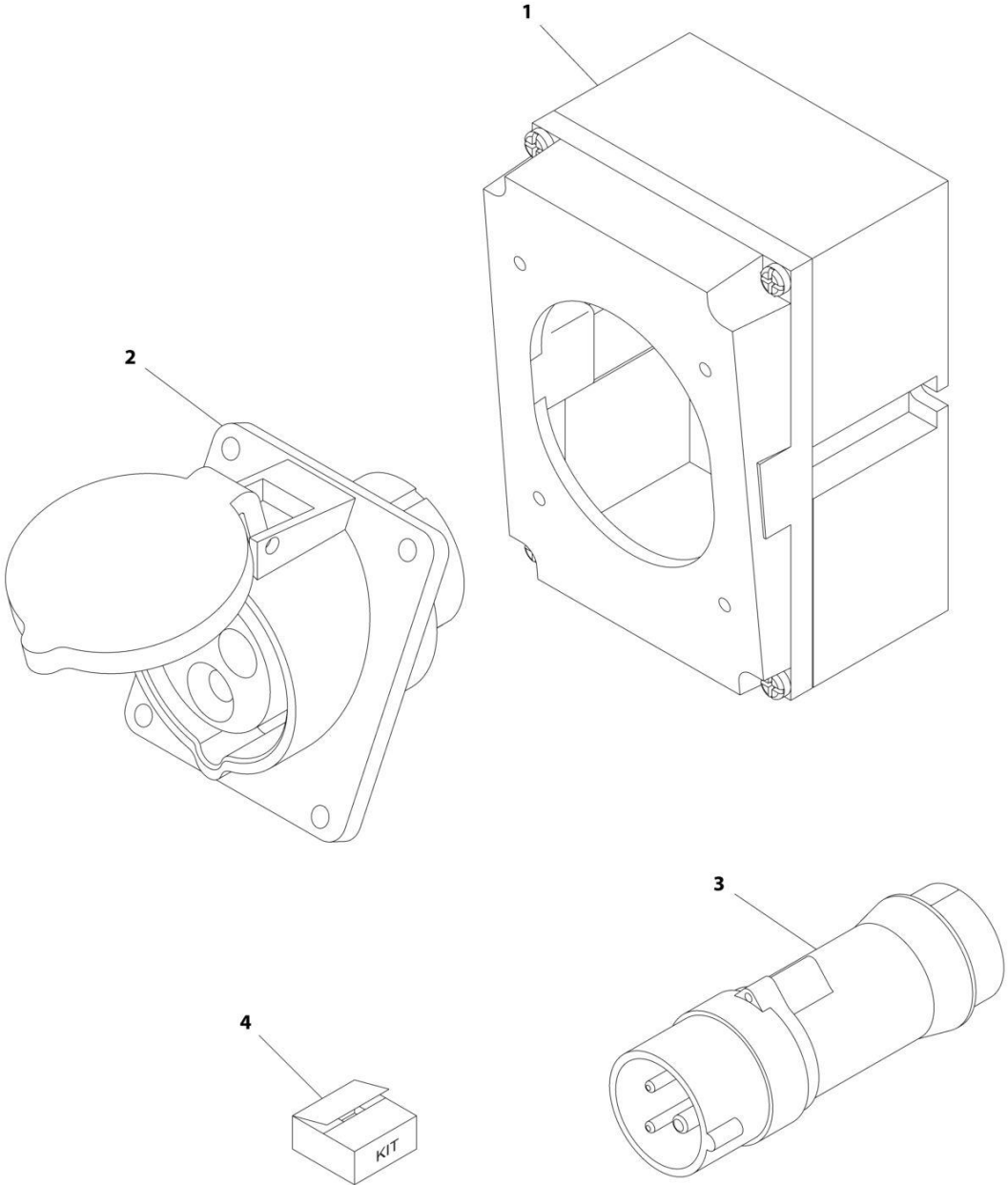
SECTION 7 - ELECTRICAL

FIGURE 7-37. RECEPTACLE BOX KIT - 110V IEC YELLOW (CE SPEC)

ITEM	PART NUMBER	QTY	DESCRIPTION	REV
	0275216	Ref	RECEPTACLE BOX KIT - 110V IEC YELLOW	B
1	0861781	1	Box, Switch	
2	4461198	1	Receptacle	
3	4461196	1	Plug, Male	
4	1001100341	1	Plug and Socket Kit (Includes Items 1-3 and Female Plug p/n 4461197)	

SECTION 7 - ELECTRICAL

FIGURE 7-38. RECEPTACLE BOX KIT - 220V IEC BLUE (CE SPEC)



ART_0275217

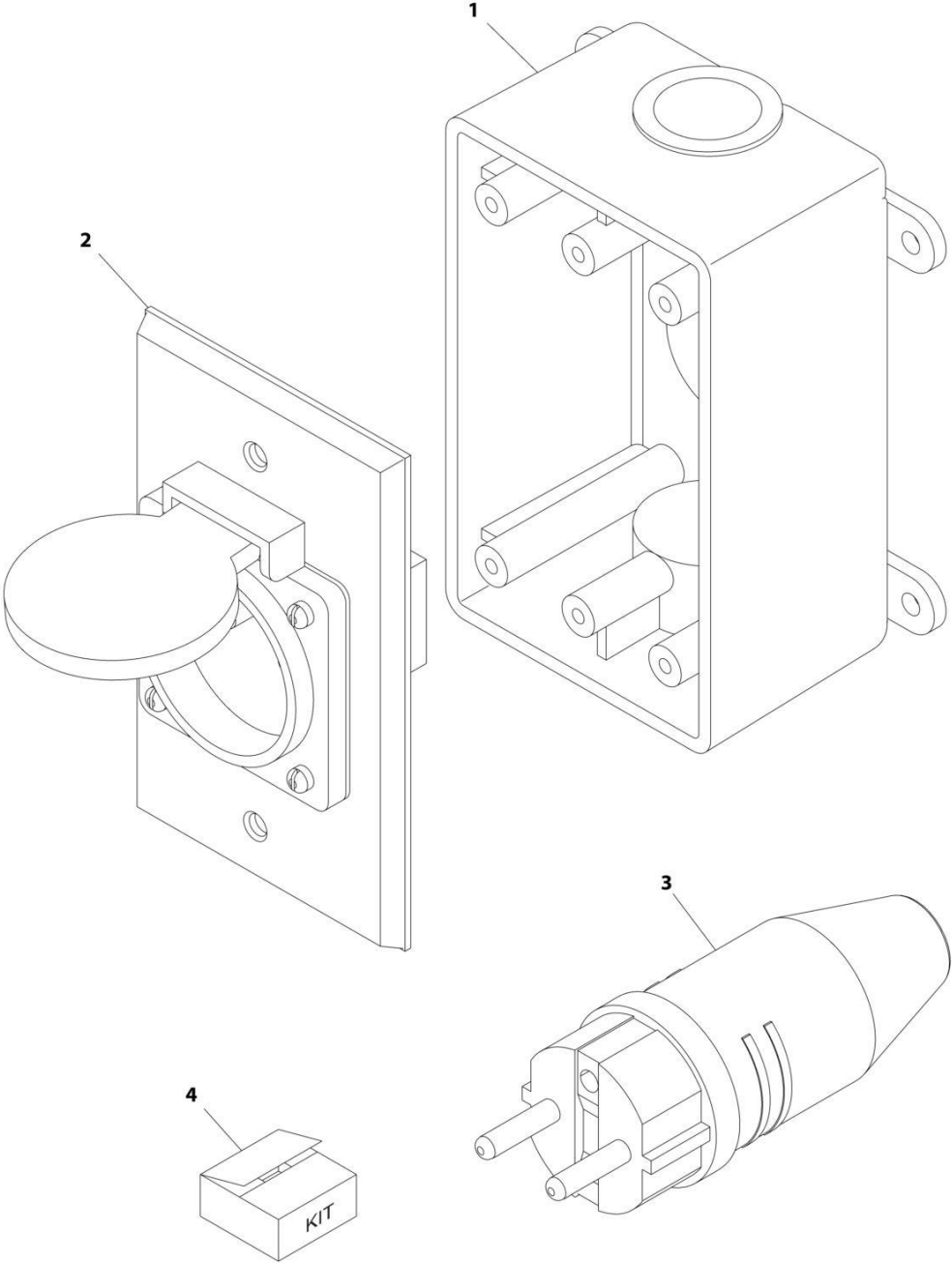
SECTION 7 - ELECTRICAL

FIGURE 7-38. RECEPTACLE BOX KIT - 220V IEC BLUE (CE SPEC)

ITEM	PART NUMBER	QTY	DESCRIPTION	REV
	0275217	Ref	RECEPTACLE BOX KIT - 220V IEC BLUE	B
1	0861781	1	Box, Switch	
2	4461201	1	Receptacle	
3	4461199	1	Plug, Male	
4	1001100342	1	Plug and Socket Kit (Includes Items 1-3 and Female Plug p/n 4461200)	

SECTION 7 - ELECTRICAL

FIGURE 7-39. RECEPTACLE BOX KIT - 220V CEE7 POST GROUND (CE SPEC)



ART_0275452-C

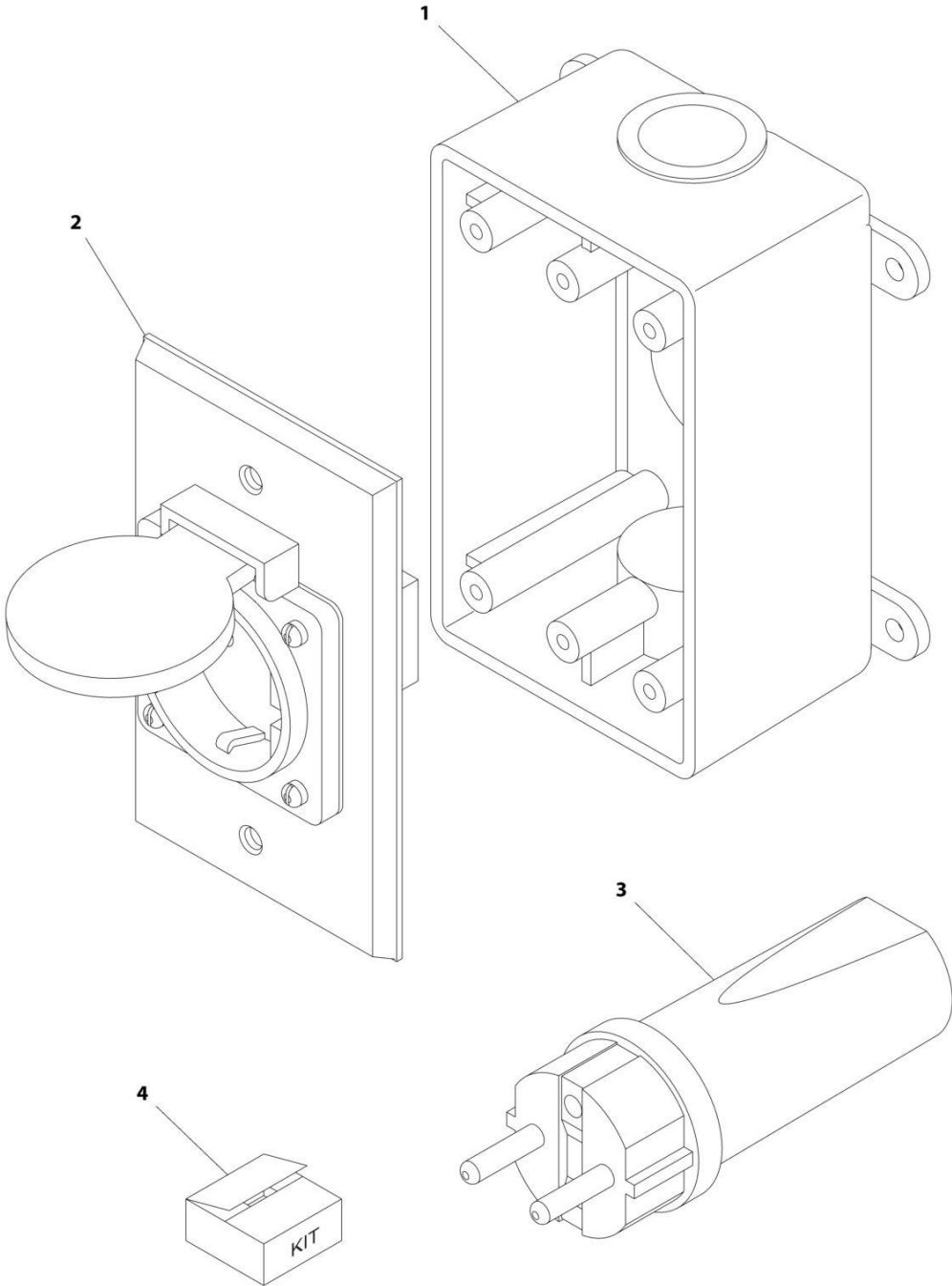
SECTION 7 - ELECTRICAL

FIGURE 7-39. RECEPTACLE BOX KIT - 220V CEE7 POST GROUND (CE SPEC)

ITEM	PART NUMBER	QTY	DESCRIPTION	REV
	0275452	Ref	RECEPTACLE BOX KIT - 220V CEE7 POST GROUND 2IN X 4IN BOX	C
1	0861731	1	Box, Switch	
2	4461244	1	Receptacle	
3	4461205	1	Plug, Male	
4	1001100345	1	Plug and Socket Kit (Includes Items 1-3 and Female Plug p/n 4461203)	

SECTION 7 - ELECTRICAL

FIGURE 7-40. RECEPTACLE BOX KIT - 220V CEE7 SIDE GROUND (CE SPEC)



ART_0275453

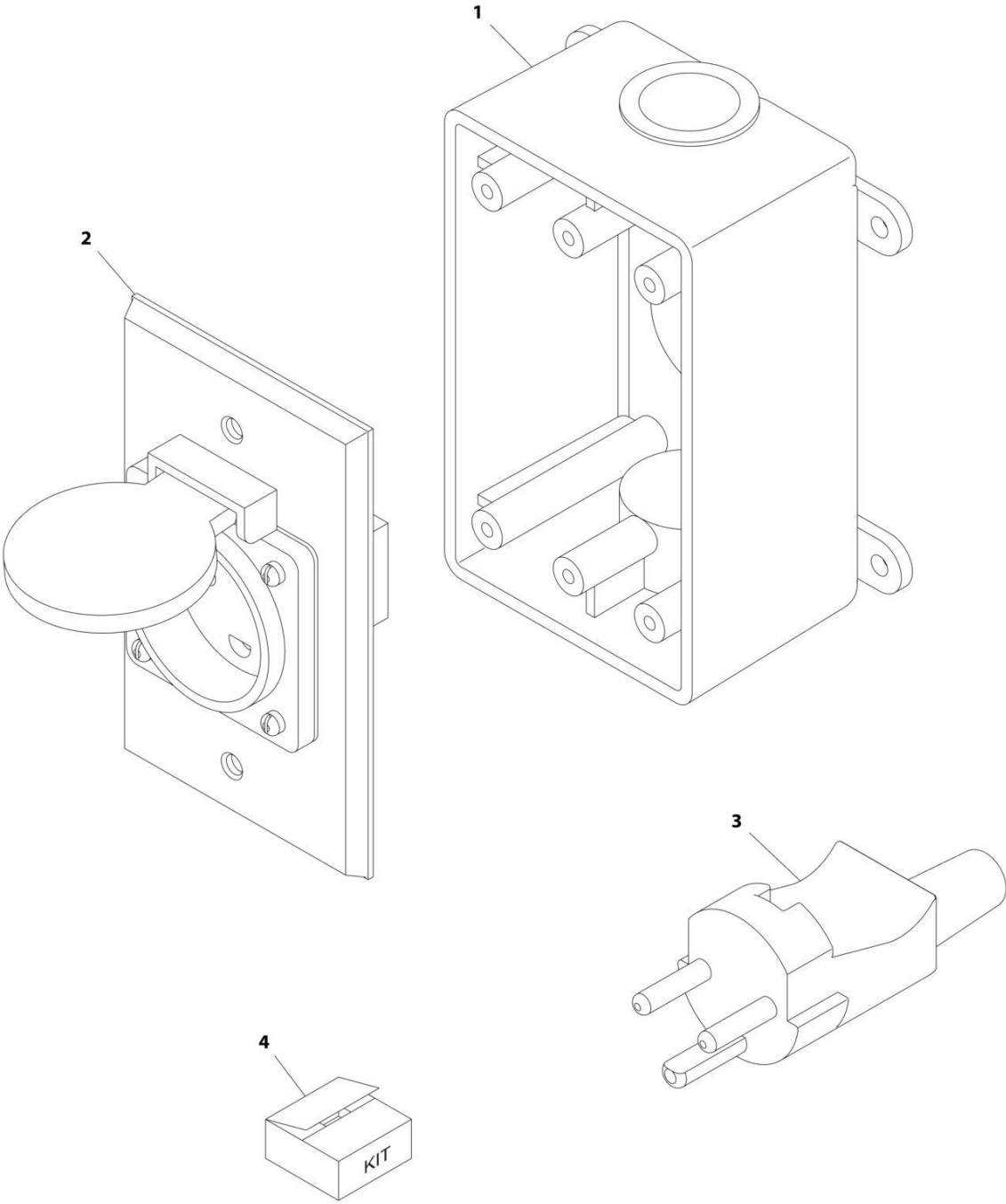
SECTION 7 - ELECTRICAL

FIGURE 7-40. RECEPTACLE BOX KIT - 220V CEE7 SIDE GROUND (CE SPEC)

ITEM	PART NUMBER	QTY	DESCRIPTION	REV
	0275453	Ref	RECEPTACLE BOX KIT - 220V CEE7 SIDE GROUND	B
1	0861731	1	Box, Switch	
2	4461245	1	Receptacle	
3	4461205	1	Plug, Male	
4	1001100347	1	Plug and Socket Kit (Includes Items 1-3 and Female Plug p/n 4461206)	

SECTION 7 - ELECTRICAL

FIGURE 7-41. RECEPTACLE BOX KIT - 220V AFSINT 107 (CE SPEC)



ART_0275454

SECTION 7 - ELECTRICAL

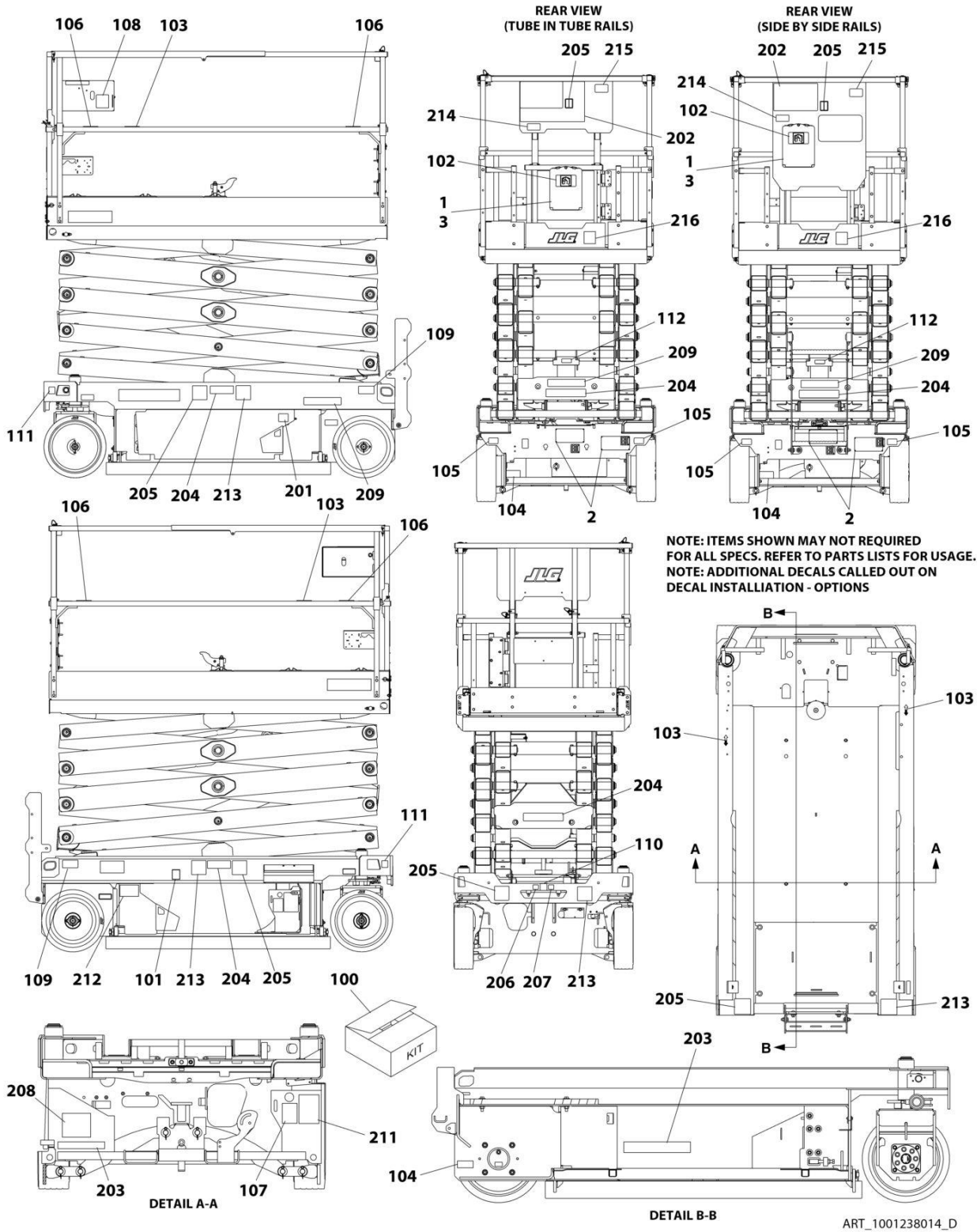
FIGURE 7-41. RECEPTACLE BOX KIT - 220V AFSINT 107 (CE SPEC)

ITEM	PART NUMBER	QTY	DESCRIPTION	REV
	0275454	Ref	RECEPTACLE BOX KIT - 220V AFSINT 107	B
1	0861731	1	Box, Switch	
2	4461246	1	Receptacle	
3	4461249	1	Plug, Male	
4	1001100346	1	Plug and Socket Kit (Includes Items 1-3 and Female Plug p/n 4461250)	

SECTION 8 - DECALS

SECTION 8 - DECALS

FIGURE 8-1. DECAL INSTALLATION (ANSI SPECS)



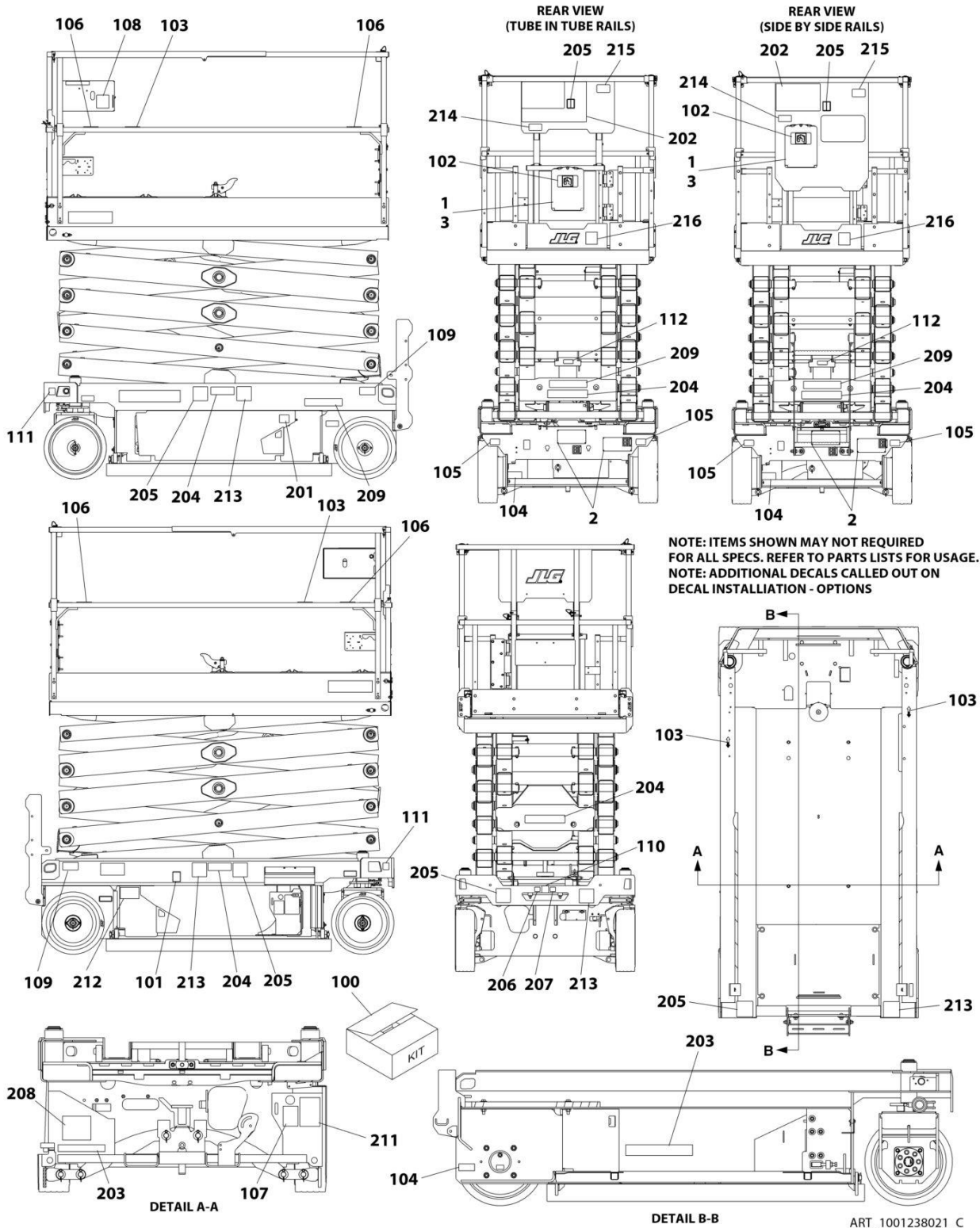
SECTION 8 - DECALS

FIGURE 8-1. DECAL INSTALLATION (ANSI SPECS)

ITEM	PART NUMBER	QTY	DESCRIPTION	REV
	1001238014	Ref	DECAL INSTALLATION (ENGLISH LANGUAGE)	D
	1001237749	Ref	DECAL REFERENCE CHART	H
1	2080040	3	Fastener	
2	2080057	4	Fastener	
3	8990147	1	Holder, Manual	
100	1001239270	1	Master Decal Kit	D
101	1701504	1	Decal - Hydraulic Oil	
102	1701640	1	Decal - Manual	
103	1703819	4	Decal - Direction Arrow	
104	1001248126	1	Decal - Manual Descent Instructions	
105	1704016	2	Decal - Fork Lift	
106	1704277	4	Decal - Lanyard Attach	
107	1704412	1	Decal - Hydraulic Oil	
108	1001132359	1	Decal - Control Box Locate	
109	1001162864	2	Decal - Lift Point/Tie Down	
110	1001212290	1	Decal - Tie Down	
111	1001212291	2	Decal - Lifting Lug	
112	1001237899	1	Decal - Arms Prop	
201	1702155	1	Decal - Battery Disconnect	
202	1703816	1	Decal - Danger/Warning	
203	1001146794	1	Decal - Battery/Charger Service	
204	1001211777	4	Decal - Crushing Hazard	
205	1001211779	4	Decal - Electrocution	
206	1001212292	1	Decal - No Lifting	
207	1001212293	1	Decal - No Forklift	
208	1001237538	1	Decal - Battery Spacer	
209	1703813	2	Decal - Warning Battery Ventilation	
211	1001131270	1	Decal - Patent	
212	1001223055	1	Decal - Yearly Inspection	
214	1001228370	1	Decal - ICES	
215	1001231801	1	Decal - Warning Prop 65	

SECTION 8 - DECALS

FIGURE 8-2. DECAL INSTALLATION (AUSTRALIAN SPECS)



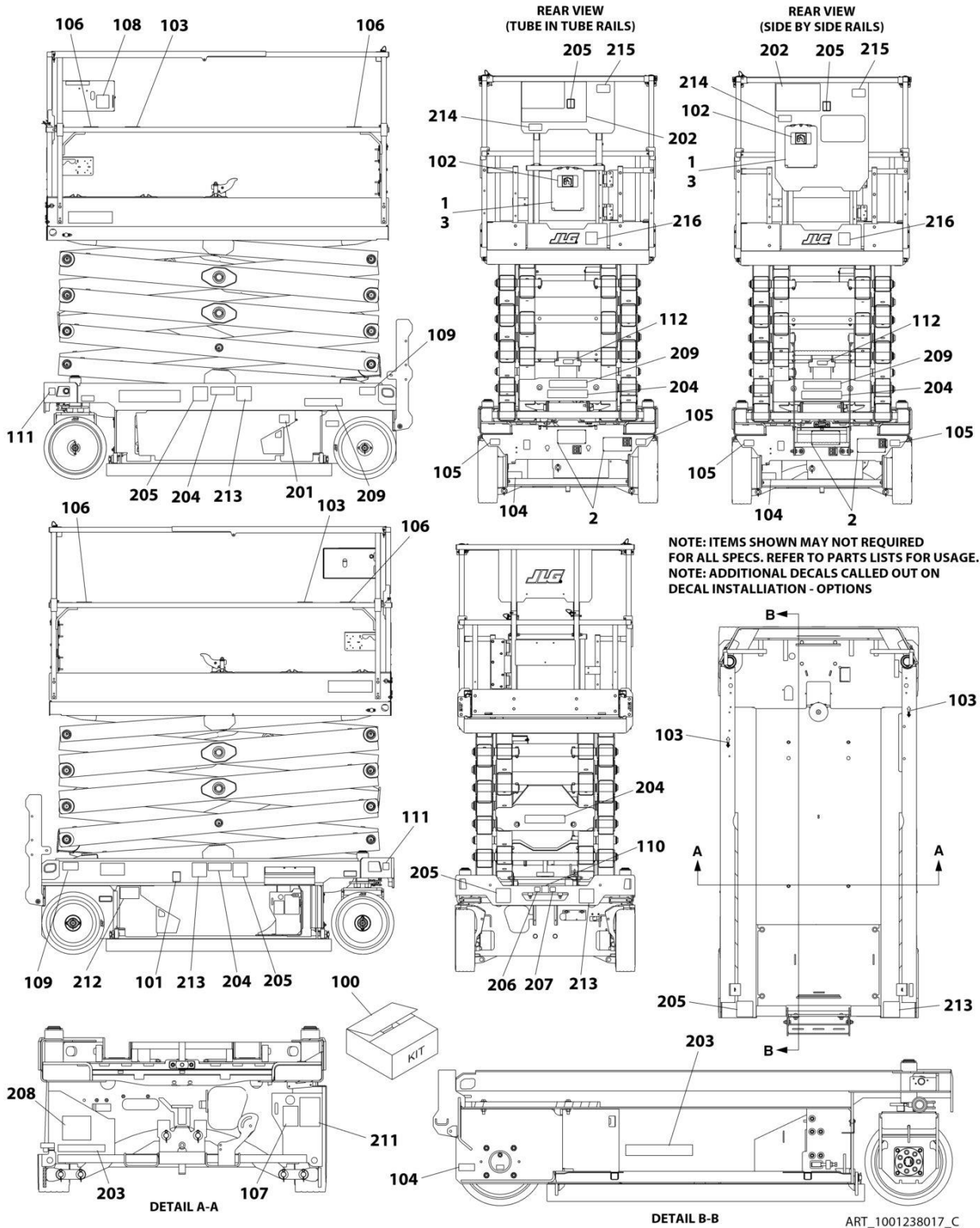
SECTION 8 - DECALS

FIGURE 8-2. DECAL INSTALLATION (AUSTRALIAN SPECS)

ITEM	PART NUMBER	QTY	DESCRIPTION	REV
	1001238021	Ref	DECAL INSTALLATION (ENGLISH LANGUAGE)	C
	1001237749	Ref	DECAL REFERENCE CHART	H
1	2080040	3	Fasteners	
2	2080057	4	Fasteners	
3	8990147	1	Holder, Manual	
100	1001239270	1	Master Decal Kit	D
101	1701504	1	Decal - Hydraulic Oil	
102	1701640	1	Decal - Manual	
103	1703819	4	Decal - Direction Arrow	
104	1001248126	1	Decal - Manual Descent Instructions	
105	1704016	2	Decal - Fork Lift	
106	1704277	4	Decal - Lanyard Attach Graphic	
107	1704412	1	Decal - Hydraulic Oil	
108	1001132359	1	Decal - Control Box Locate	
109	1001162864	2	Decal - Lift Point/Tie Down	
110	1001212290	1	Decal - Tie Down	
111	1001212291	2	Decal - Lifting Lug	
112	1001237899	1	Decal - Arms Prop	
201	1702155	1	Decal - Battery Disconnect	
203	1001146794	1	Decal - Battery/Charger Service	
204	1705673	4	Decal - Crushing	
205	1705671	5	Decal - Electrocution	
206	1001212292	1	Decal - No Lifting	
207	1001212293	1	Decal - No Forklift	
208	1001237538	1	Decal - Battery Spacer	
209	1705670	2	Decal - Fire Hazard	

SECTION 8 - DECALS

FIGURE 8-3. DECAL INSTALLATION (BRAZIL SPECS)



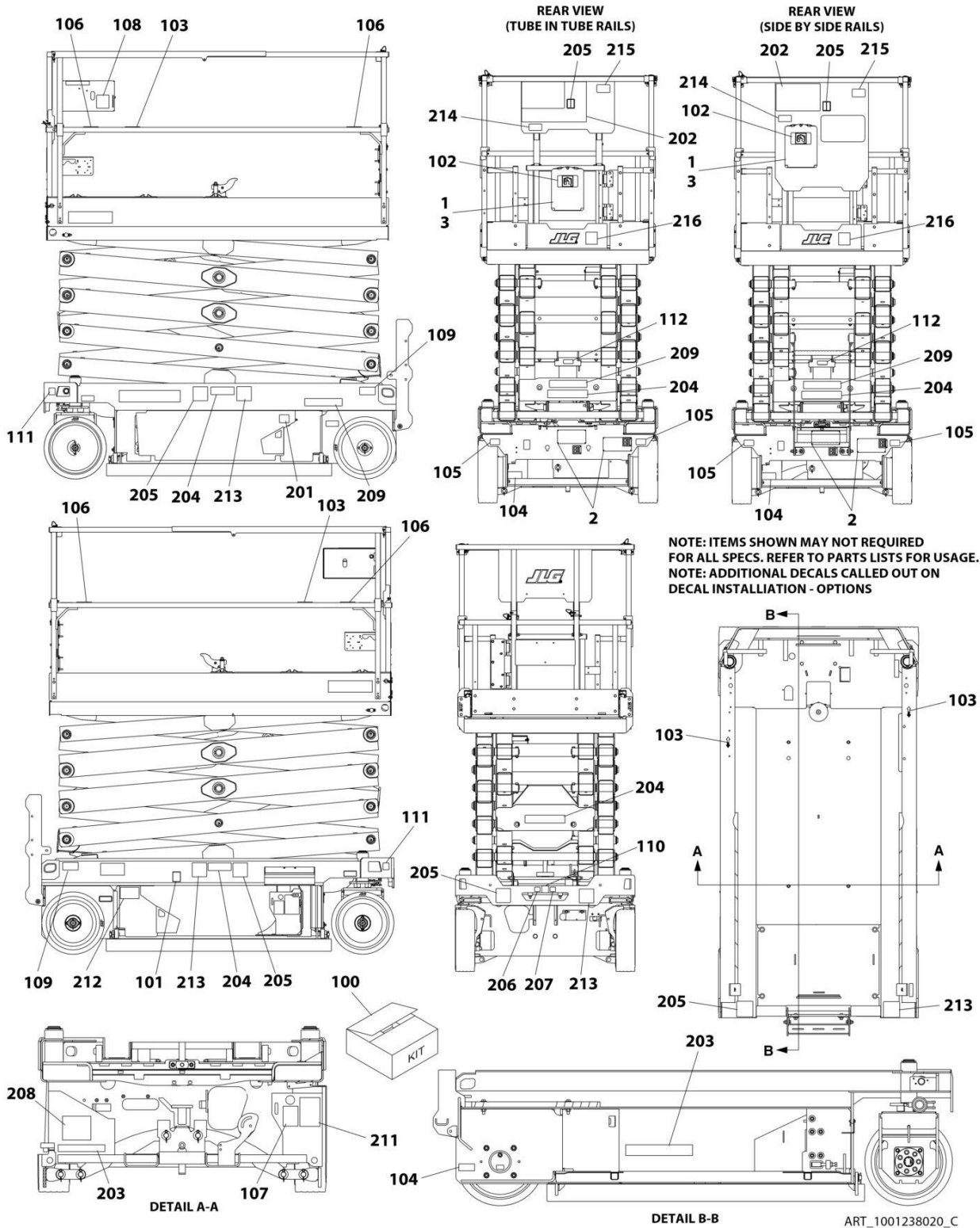
SECTION 8 - DECALS

FIGURE 8-3. DECAL INSTALLATION (BRAZIL SPECS)

ITEM	PART NUMBER	QTY	DESCRIPTION	REV
	1001238017	Ref	DECAL INSTALLATION (SPANISH/PORTUGUESE LANGUAGE)	C
	1001237749	Ref	DECAL REFERENCE CHART	H
1	2080040	3	Fastener	
2	2080057	4	Fastener	
3	8990147	1	Holder, Manual	
100	1001239270	1	Master Decal Kit	D
101	1701504	1	Decal - Hydraulic Oil	
102	1701640	1	Decal - Manual	
103	1703819	4	Decal - Direction Arrow	
104	1001248126	1	Decal - Manual Descent Instructions	
105	1704016	2	Decal - Fork Lift	
106	1704277	4	Decal - Lanyard Attach	
107	1704412	1	Decal - Hydraulic Oil	
108	1001132359	1	Decal - Control Box Locate	
109	1001162864	2	Decal - Lift Point/Tie Down	
110	1001212290	1	Decal - Tie Down	
111	1001212291	2	Decal - Lifting Lug	
112	1001237899	1	Decal - Arms Prop	
201	1702155	1	Decal - Battery Disconnect	
202	1704699	1	Decal - Danger/Warning	
203	1001146794	1	Decal - Battery/Charger Service	
204	1001216650	4	Decal - Crushing Hazard	
205	1001215748	4	Decal - Electrocution	
206	1001212292	1	Decal - No Lifting	
207	1001212293	1	Decal - No Forklift	
208	1001237538	1	Decal - Battery Spacer	
209	1704341	2	Decal - Warning Battery Ventilation	
212	1001224052	1	Decal - Yearly Inspection	
213	1001216648	4	Decal - Danger Electrocution	

SECTION 8 - DECALS

FIGURE 8-4. DECAL INSTALLATION (CE SPECS)



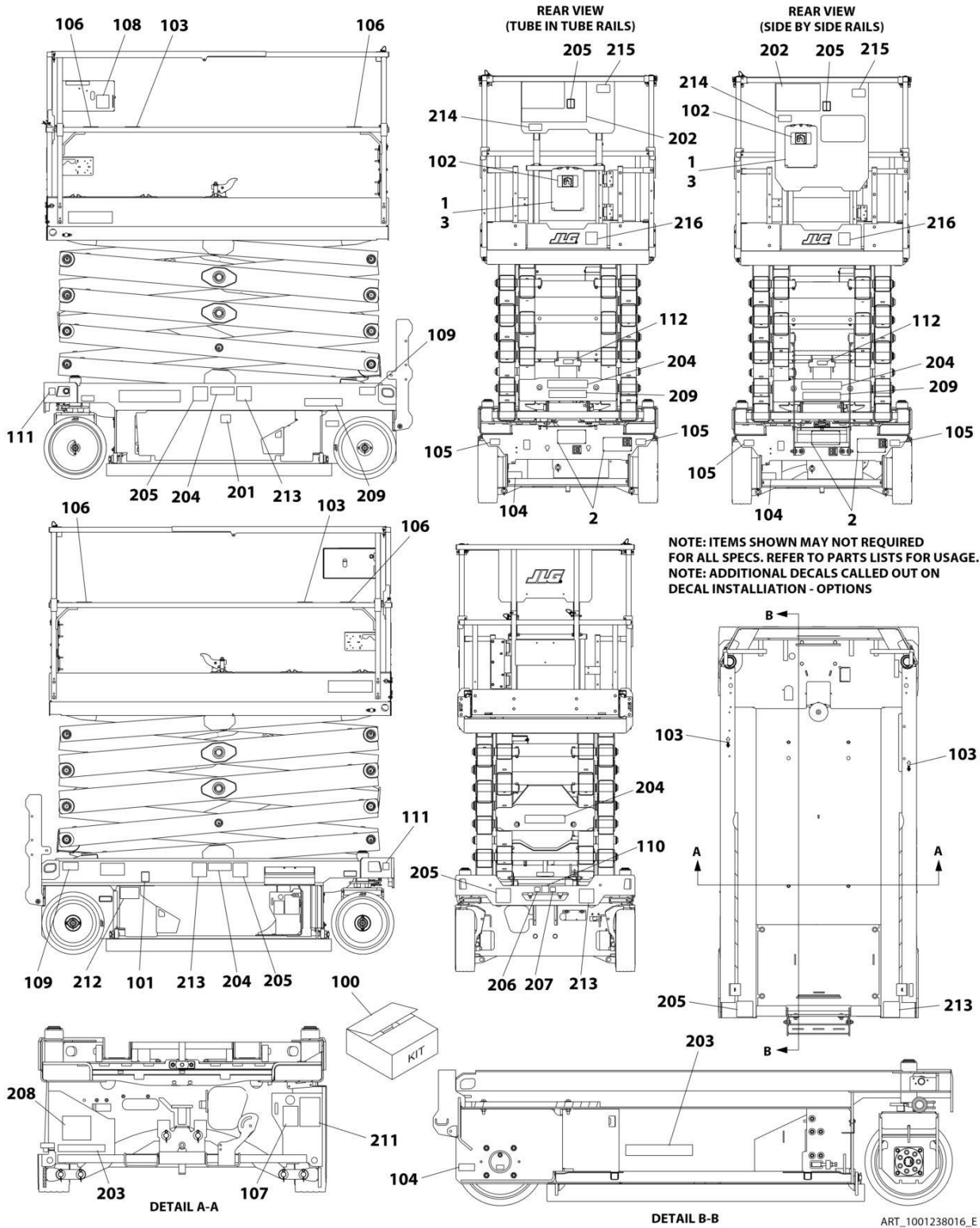
SECTION 8 - DECALS

FIGURE 8-4. DECAL INSTALLATION (CE SPECS)

ITEM	PART NUMBER	QTY	DESCRIPTION	REV
	1001238020	Ref	DECAL INSTALLATION (ENGLISH LANGUAGE)	C
	1001237749	Ref	DECAL REFERENCE CHART	H
1	2080040	3	Fastener	
2	2080057	4	Fastener	
3	8990147	1	Holder, Manual	
100	1001239270	1	Master Decal Kit	D
101	1701504	1	Decal - Hydraulic Oil	
102	1701640	1	Decal - Manual	
103	1703819	4	Decal - Direction Arrow	
104	1001248126	1	Decal - Manual Descent Instructions	
105	1704016	2	Decal - Fork Lift	
106	1704277	4	Decal - Lanyard Attach	
107	1704412	1	Decal - Hydraulic Oil	
108	1001132359	1	Decal - Control Box Locate	
109	1001162864	2	Decal - Lift Point/Tie Down	
110	1001212290	1	Decal - Tie Down	
111	1001212291	2	Decal - Lifting Lug	
112	1001237899	1	Decal - Arms Prop	
201	1702155	1	Decal - Battery Disconnect	
203	1001146795	1	Decal - Battery/Charger Service	
204	1705673	4	Decal - Crushing	
205	1705671	5	Decal - Electrocution	
206	1001212292	1	Decal - No Lifting	
207	1001212293	1	Decal - No Forklift	
208	1001237538	1	Decal - Battery Spacer	
209	1705670	2	Decal - Fire Hazard	

SECTION 8 - DECALS

FIGURE 8-5. DECAL INSTALLATION (CHINA SPECS)



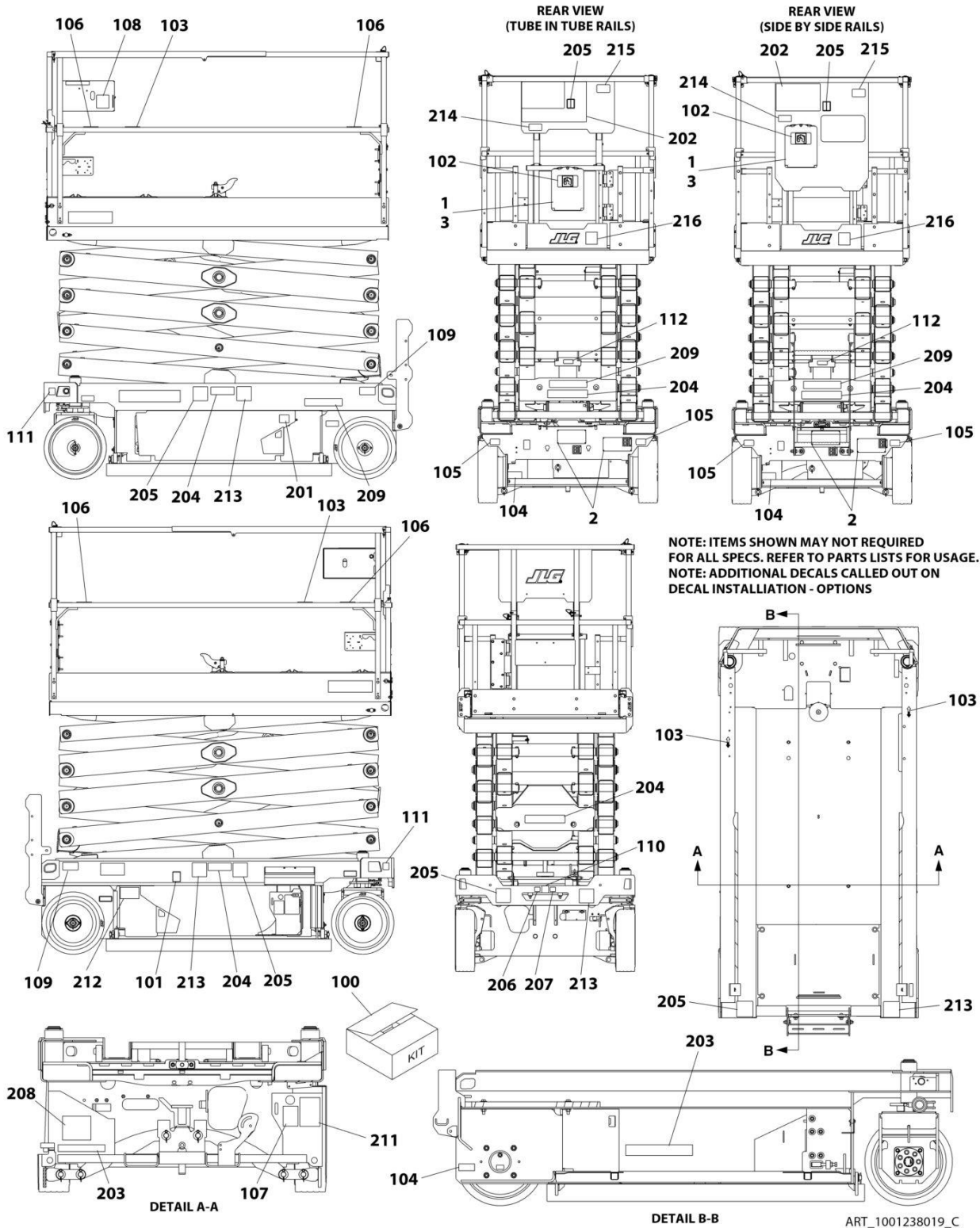
SECTION 8 - DECALS

FIGURE 8-5. DECAL INSTALLATION (CHINA SPECS)

ITEM	PART NUMBER	QTY	DESCRIPTION	REV
	1001238016	Ref	DECAL INSTALLATION (ENGLISH/CHINESE LANGUAGE)	E
	1001237749	Ref	DECAL REFERENCE CHART	H
1	2080040	3	Fastener	
2	2080057	4	Fastener	
3	8990147	1	Holder, Manual	
100	1001239270	1	Master Decal Kit	D
101	1701504	1	Decal - Hydraulic Oil	
102	1701640	1	Decal - Manual	
103	1703819	4	Decal - Direction Arrow	
104	1001248126	1	Decal - Manual Descent Instructions	
105	1704016	2	Decal - Fork Lift	
106	1704277	4	Decal - Lanyard Attach	
107	1704412	1	Decal - Hydraulic Oil	
108	1001132359	1	Decal - Control Box Locate	
109	1001162864	2	Decal - Lift Point/Tie Down	
110	1001212290	1	Decal - Tie Down	
111	1001212291	2	Decal - Lifting Lug	
112	1001237899	1	Decal - Arms Prop	
201	1702155	1	Decal - Battery Disconnect	
202	1705195	1	Decal - Danger/Warning	
203	1001146794	1	Decal - Battery/Charger Service	
204	1001215752	4	Decal - Crushing Hazard	
205	1001211779	4	Decal - Electrocution	
206	1001212292	1	Decal - No Lifting	
207	1001212293	1	Decal - No Forklift	
208	1001237538	1	Decal - Battery Spacer	
209	1704344	2	Decal - Warning Battery Ventilation	
212	1001224051	1	Decal - Yearly Inspection	
213	1001215747	4	Decal - Danger Electrocution	
216	1001244298	1	Decal - Wechat QR Code	

SECTION 8 - DECALS

FIGURE 8-6. DECAL INSTALLATION (CSA SPECS)



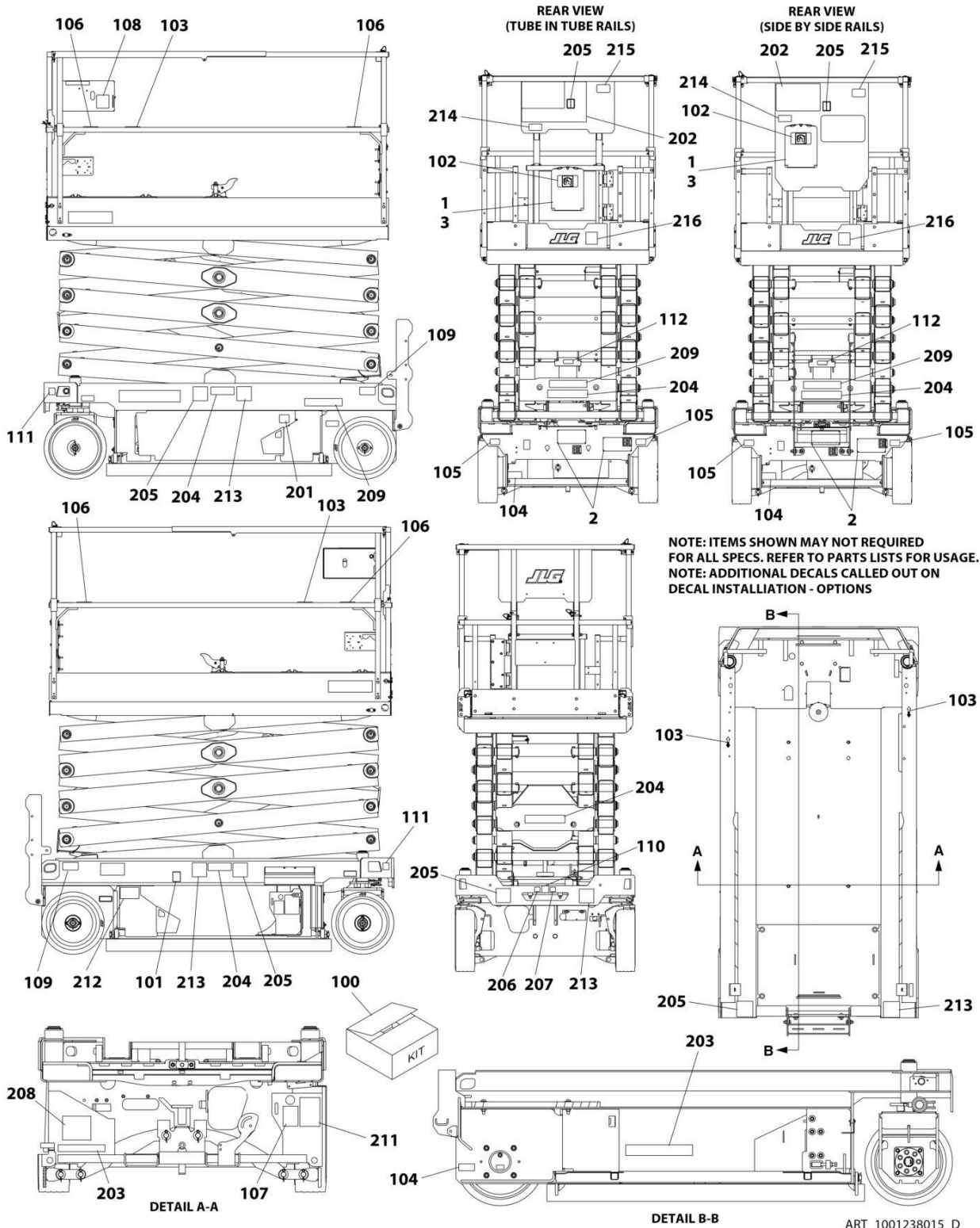
SECTION 8 - DECALS

FIGURE 8-6. DECAL INSTALLATION (CSA SPECS)

ITEM	PART NUMBER	QTY	DESCRIPTION	REV
	1001238019	Ref	DECAL INSTALLATION (ENGLISH/FRENCH LANGUAGE)	C
	1001237749	Ref	DECAL REFERENCE CHART	F
1	2080040	3	Fastener	
2	2080057	4	Fastener	
3	8990147	1	Holder, Manual	
100	1001239270	1	Master Decal Kit	D
101	1701504	1	Decal - Hydraulic Oil	
102	1701640	1	Decal - Manual	
103	1703819	4	Decal - Direction Arrow	
104	1001248126	1	Decal - Manual Descent Instructions	
105	1704016	2	Decal - Fork Lift	
106	1704277	4	Decal - Lanyard Attach	
107	1704412	1	Decal - Hydraulic Oil	
108	1001132359	1	Decal - Control Box Locate	
109	1001162864	2	Decal - Lift Point/Tie Down	
110	1001212290	1	Decal - Tie Down	
111	1001212291	2	Decal - Lifting Lug	
112	1001237899	1	Decal - Arms Prop	
201	1702155	1	Decal - Battery Disconnect	
202	1704684	1	Decal - Danger/Warning	
203	1001146794	1	Decal - Battery/Charger Service	
204	1705311	4	Decal - Crushing Hazard	
205	1001211779	4	Decal - Electrocution	
206	1001212292	1	Decal - No Lifting	
207	1001212293	1	Decal - No Forklift	
208	1001237538	2	Decal - Battery Spacer	
209	1704340	1	Decal - Warning Battery Ventilation	
211	1001131270	1	Decal - Patent	
212	1001223971	1	Decal - Yearly Inspection	
213	1001215749	4	Decal - Danger Electrocution	
214	1001228370	1	Decal - ICES	
215	1001231801	1	Decal - Warning Prop 65	

SECTION 8 - DECALS

FIGURE 8-7. DECAL INSTALLATION (KOREAN SPECS)



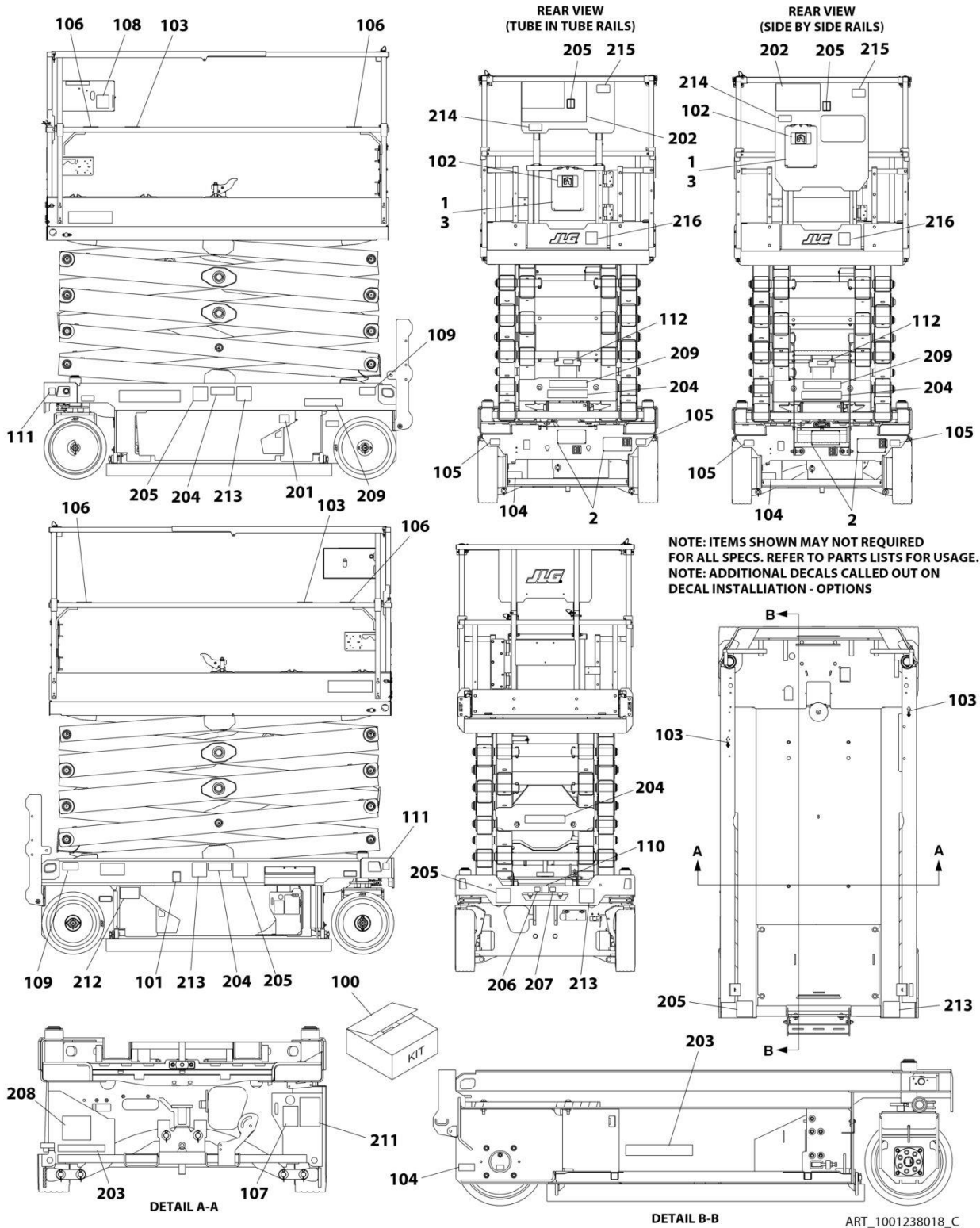
SECTION 8 - DECALS

FIGURE 8-7. DECAL INSTALLATION (KOREAN SPECS)

ITEM	PART NUMBER	QTY	DESCRIPTION	REV
	1001238015	Ref	DECAL INSTALLATION (ENGLISH/KOREAN LANGUAGES)	D
	1001237749	Ref	DECAL REFERENCE CHART	H
1	2080040	3	Fastener	
2	2080057	4	Fastener	
3	8990147	1	Holder, Manual	
100	1001239270	1	Master Decal Kit	D
101	1701504	1	Decal - Hydraulic Oil	
102	1701640	1	Decal - Manual	
103	1703819	4	Decal - Direction Arrow	
104	1001248126	1	Decal - Manual Descent Instructions	
105	1704016	2	Decal - Fork Lift	
106	1704277	4	Decal - Lanyard Attach	
107	1704412	1	Decal - Hydraulic Oil	
108	1001132359	1	Decal - Control Box Locate	
109	1001162864	2	Decal - Lift Point/Tie Down	
110	1001212290	1	Decal - Tie Down	
111	1001212291	2	Decal - Lifting Lug	
112	1001237899	1	Decal - Arms Prop	
201	1702155	1	Decal - Battery Disconnect	
202	1001162115	1	Decal - Danger/Warning	
203	1001146794	1	Decal - Battery/Charger Service	
204	1001215751	4	Decal - Crushing Hazard	
205	1001211779	4	Decal - Electrocution	
206	1001212292	1	Decal - No Lifting	
207	1001212293	1	Decal - No Forklift	
208	1001237538	1	Decal - Battery Spacer	
209	1707022	2	Decal - Warning Battery Ventilation	
212	1001224048	1	Decal - Yearly Inspection	
213	1001215750	4	Decal - Danger Electrocution	

SECTION 8 - DECALS

FIGURE 8-8. DECAL INSTALLATION (LATIN AMERICAN SPECS)



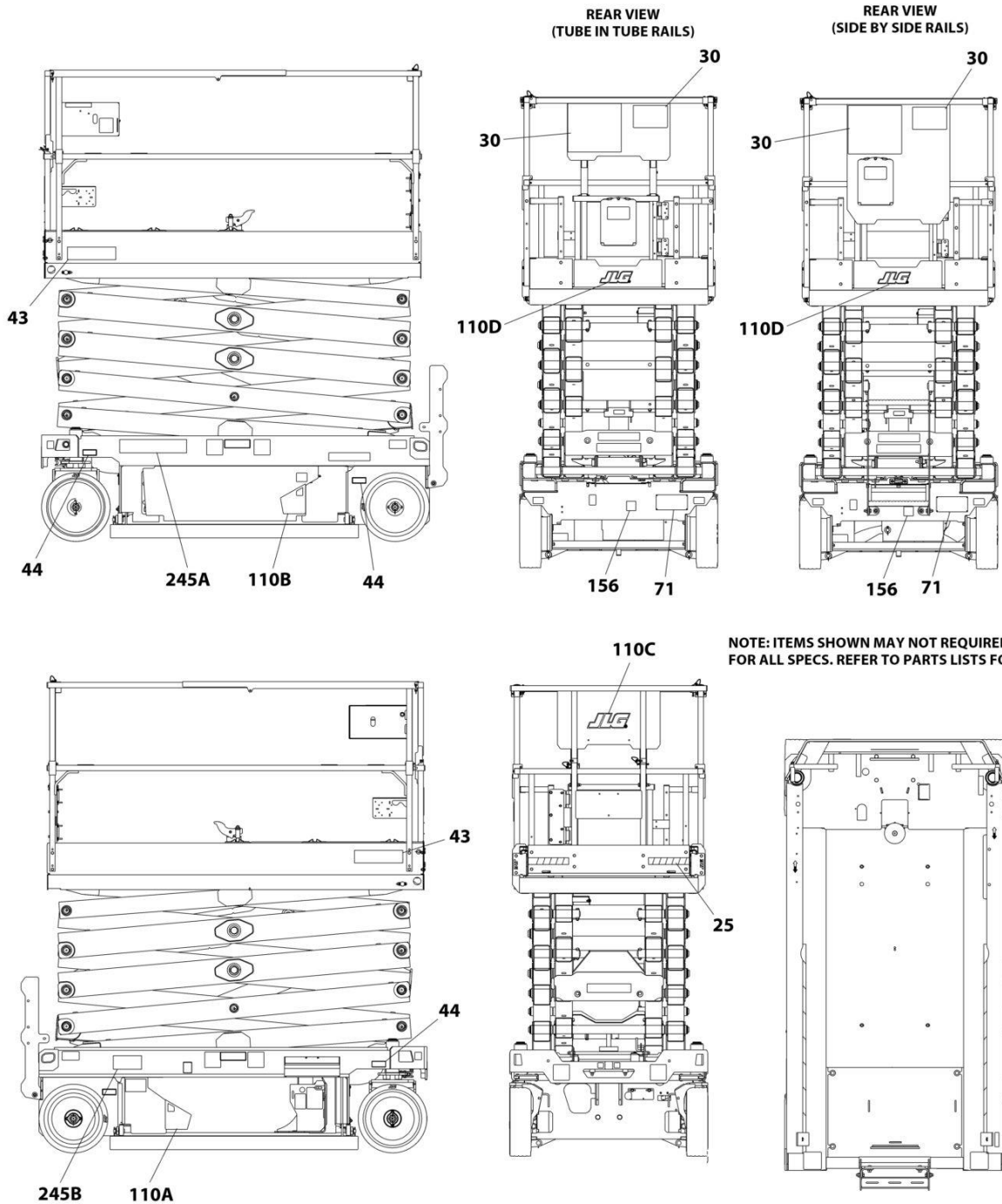
SECTION 8 - DECALS

FIGURE 8-8. DECAL INSTALLATION (LATIN AMERICAN SPECS)

ITEM	PART NUMBER	QTY	DESCRIPTION	REV
	1001238018	Ref	DECAL INSTALLATION (ENGLISH/SPANISH LANGUAGES)	C
	1001237749	Ref	DECAL REFERENCE CHART	F
1	2080040	3	Fastener	
2	2080057	4	Fastener	
3	8990147	1	Holder, Manual	
100	1001239270	1	Master Decal Kit	D
101	1701504	1	Decal - Hydraulic Oil	
102	1701640	1	Decal - Manual	
103	1703819	4	Decal - Direction Arrow	
104	1001248126	1	Decal - Manual Descent Instructions	
105	1704016	2	Decal - Fork Lift	
106	1704277	4	Decal - Lanyard Attach	
107	1704412	1	Decal - Hydraulic Oil	
108	1001132359	1	Decal - Control Box Locate	
109	1001162864	2	Decal - Lift Point/Tie Down	
110	1001212290	1	Decal - Tie Down	
111	1001212291	2	Decal - Lifting Lug	
112	1001237899	1	Decal - Arms Prop	
201	1702155	1	Decal - Battery Disconnect	
202	1704691	1	Decal - Danger/Warning	
203	1001146794	1	Decal - Battery/Charger Service	
204	1705316	4	Decal - Crushing Hazard	
205	1001211779	4	Decal - Electrocution	
206	1001212292	1	Decal - No Lifting	
207	1001212293	1	Decal - No Forklift	
208	1001237538	1	Decal - Battery Spacer	
209	1704339	2	Decal - Warning Battery Ventilation	
212	1001224049	1	Decal - Yearly Inspection	
213	1001215748	4	Decal - Danger Electrocution	

SECTION 8 - DECALS

FIGURE 8-9. DECAL INSTALLATION - OPTIONS



NOTE: ITEMS SHOWN MAY NOT REQUIRED FOR ALL SPECS. REFER TO PARTS LISTS FOR USAGE.

ART_DECAL OPTIONS

SECTION 8 - DECALS

FIGURE 8-9. DECAL INSTALLATION - OPTIONS

ITEM	PART NUMBER	QTY	DESCRIPTION	REV
		Ref	DECAL INSTALLATION - OPTIONS:	
25	1001217894	Ref	Corner Stripes Installation	C
25	4420051	44 in/ 110cm	Tape, Safety	
30		Ref	Decal- Capacity Options	
30	1001237115	1	Decal- Capacity (705 LB/ 320 KG)	
30	1001245409	1	Decal- Capacity (with Dual Languages)	
30	1001237115	1	Decal- Capacity (705 LB/ 320 KG)	
30	1001216865	1	Plate, Decal Mounting (Not Shown)	
30	1001249042	1	Decal- Capacity (705 LB/ 320 KG) (Australian Specs)	
43	1001257175	2	Decal- Model Designation - R3246	
44	1706312	4	Decal- Maximum Tire Load	
71	See Note	NSS	Decal- Manufacturing Serial Number (Note: Not Available for Purchase)	
110	1001255102	Ref	JLG Decal Installation	A
110A	1001255104	1	Decal- JLG	
110B	1001255105	1	Decal- JLG	
110C	1001256675	1	Decal- JLG	
110D	1001256676	1	Decal- JLG	
156	1001173703	1	Decal- EAC (Russian/CIS Specs)	
245	1001236984	Ref	ClearSky Decal Installation	B
245A	1001116208	1	Decal - ClearSky	
245B	1001120989	1	Decal - Radio Frequency	

SECTION 9 - RECOMMENDED SERVICE PARTS STOCK

SECTION 9 - RECOMMENDED SERVICE PARTS STOCK

SECTION 9 - RECOMMENDED SERVICE PARTS STOCK

FIGURE 9-1. RECOMMENDED SERVICE PARTS STOCK

ITEM	PART NUMBER	QTY	DESCRIPTION	REV
		Ref	Note: The following list will service one machine (built to current production per date on the front cover) with emergency repair parts which can be installed in the field. Parts from the list should be replaced when inventory is depleted to keep service parts stock supplied. For further information, contact your JLG dealer or the JLG Industries Parts Department.	
		Ref	STANDARD PARTS	
	70005423	6	Hydraulic Filter Service Kit	
	70006297	1	Coil	
	70005893	1	Coil	
	3740150	1	Relay	
	4360328	1	Switch, Toggle	
	4360469	1	Switch, Key	
	2860030	1	Key, Replacement	
	4360475	1	Switch, Mushroom	
	3080007	1	Magnet, Latch	
	1600402	1	Controller, Drive/Steer	
	4360345	1	Switch, Toggle	
	1001226749	1	Switch, Push Button	
	8229242	2	Fuse 5Amp	
	8229244	2	Fuse 15 Amp	
		Ref	VARIABLE PARTS	
	1001203871	1	Switch, Roller	
	1001186466	1	Sensor, Tilt	
	1001200629	1	Module, Control	
	1001216062	1	Module, Power	
	4360336	1	Switch, Toggle (Machines with Inverter)	
	1001225164	1	Sensor, Pressure Transducer	
	1001235104	1	Sensor, Pressure Transducer	
	1001228112	1	Module, Platform	
	1001181045	1	Breaker 30mAmp/16Amp (CE Specs Machines)	
	1001189171	1	Breaker 30mAmp (CE Specs Machines)	
	1001189172	1	Breaker 16Amp Double (CE Specs Machines)	

SECTION 10 - SPECIAL OPTIONS

SECTION 10 - SPECIAL OPTIONS

FIGURE 10-1. SPECIAL OPTIONS

ITEM	PART NUMBER	QTY	DESCRIPTION	REV
		Ref	Note: This list is to accommodate machines ordered with special equipment. Options may not be applicable to all models. For more specific parts information contact the JLG Parts Department.	
		Ref	SPECIAL OPTIONS	
	1001236903	Ref	Antivandalism Package (Factory Installed)	
	1001249639	Ref	Antivandalism Add-on Kit (Dealer Installed)	
	1001255597	Ref	Battery Charger - CAN (With Communication Port) Add-on Kit	
		Ref	ClearSky Installation Options (Factory Installed):	
	1001278847	Ref	ClearSky Installation - 3-Wire	
	1001251146	Ref	ClearSky Installation - 3G Canbus (ANSI, ANSI Export, Australian, CE & CSA Specs)	
	1001251144	Ref	ClearSky Installation - 4G Canbus (All Specs except China Specs)	
	1001246531	Ref	ClearSky Installation - 4G Canbus (China Specs)	
		Ref	ClearSky Add-on Kit Options (Dealer Installed):	
	1001265376	Ref	ClearSky Add-on Kit - Canbus (ANSI, ANSI Export & CSA Specs) (Dealer Installed):	
	1001237257	Ref	ClearSky Add-on Kit - Canbus (ANSI Export & CE Specs) (Dealer Installed):	
	1001248502	Ref	ClearSky Add-on Kit - Canbus (Australian Specs) (Dealer Installed):	
	1001248503	Ref	ClearSky Add-on Kit - Canbus (China Specs) (Dealer Installed):	
	1001248689	Ref	ClearSky Add-on Kit - Access Control (Dealer Installed):	
		Ref	Decal Kit Options:	
	1001239270	Ref	Decal Kit - Master	
	1001234319	Ref	Drive Motor Covers installation	
		Ref	Electrical Connector Kits	
	1001148902	Ref	Amp/Tyco Electrical Connector Kit	
	1001148903	Ref	Deutsch DT Electrical Connector Kit	
	1001148904	Ref	Deutsch HD Electrical Connector Kit	
	1001148905	Ref	Packard Electrical Connector Kit	
	1001148906	Ref	Various Electrical Connector Kit	
	1001245768	Ref	European Subassembly Kit	A
	1001218728	Ref	Fire Extinguisher Installation	
	1001248843	Ref	Foot Latch Add-on Kit (Dealer Installed)	
	1001236547	Ref	Footswitch Installation (Japanese & Korean Specs Only)	
	1001220933	Ref	Height Restrictor Switch Installation	
	1001270121	Ref	Hostile Environment Package Installation	
	1001249638	Ref	Inverter Add-on Kit (Dealer Installed)	
	1001250532	Ref	Mobile Control Add-on Kit (Dealer Installed)	
	1001229076	Ref	Noise Reduction Add-on Kit (Dealer Installed)	
	1001229728	Ref	Overhead Protection Add-on Kit (Dealer Installed)	
	1001269651	Ref	Platform Control Box Cover Add-on Kit (Dealer Installed)	
	1001231309	Ref	Platform Extension Handles Add-on Kit (Dealer Installed)	
	1001262557	Ref	Platform Self Closing Gate Add-on Kit (Dealer Installed)	
	1001262558	Ref	Platform Self Closing Gate Add-on Kit (Dealer Installed)	
	1001234453	Ref	Remote Tow Installation	
	1001301945	Ref	Rail (Spare) Service Kit	
	1001306722	Ref	Rail (Spare) Service KitV (S138)	
	1001224583	Ref	Service Kits List	U

SECTION 10 - SPECIAL OPTIONS

ITEM	PART NUMBER	QTY	DESCRIPTION	REV
	1001254721	Ref	SkySense Level 1 Add-on Kit (Dealer Installed)	
	1001254542	Ref	SkySense Level 2 Add-on Kit (Dealer Installed)	
	1001255669	Ref	SkySense Level 1 Installation (Factory Installed)	
	1001255883	Ref	SkySense Level 2 Installation (Factory Installed)	
	1001270122	Ref	Steering (Spindle Top) Covers installation (MACHINES WITH SN STARTING WITH 12, B2 & G2)	
	1001249229	Ref	Strobe (Single) Light Add-on Kit (Dealer Installed)	
	1001249326	Ref	Strobe (Dual) Light Add-on Kit (Dealer Installed)	
		Ref	Tools for Service	
	2901443	1	Analyzer Kit	
	1001232474	1	Benchtop Harness	
	8896941	1	Wire Stripper	
	7002821	1	Wire Crimper (To install wire ends to wires)	
	7002823	1	Pin/Socket Extractor - Universal (To Remove Pins/Sockets from Connectors)	
	4460467	1	Extractor - 16-18 Gauge (For Removal Pins/Sockets from Deutsch Connectors)	
	4460510	1	Extractor - 12-14 Gauge (For Removal of Pins/Sockets from Deutsch Connectors)	
	7002822	1	Screwdriver, Potentiometer (To Adjust Drive Controllers)	
	7016654	1	Screwdriver, Magnetic	
	7004275	1	Seal Installation Tool - 1in	
	7004276	1	Seal Installation Tool - 1-1/2in	
	7002826	1	Seal Installation Tool - 2in	
	1001269646	Ref	Tool Tray/Work Surface Add-on Kit (Dealer Installed)	
	1001262959	Ref	Voltage Regulator Re-Location Add-on Kit (Dealer Installed)	

PART NUMBER INDEX

SECTION 10 - SPECIAL OPTIONS

0100011.....13, 15, 17, 23, 25, 27, 29, 31, 33, 47, 49, 79, 111, 113, 115, 117, 119, 121, 123, 125, 127	0761019..... 13, 15, 127	1001142173 77	1001202999.....23
0100051.....67, 69, 71, 73, 75	0761221 79	1001142174 77	1001203450.....47, 49
0140030.....133, 135	0861731 ... 233, 239, 241, 243	1001143009 77	1001203835..... 155, 157
0140043.....55, 59	0861781 235, 237	1001143010 77	1001203869.....23
0275216.....163, 235	0861880..... 179	1001143501 155, 157	1001203870.....23
0275217165, 237	0961948 149	1001144147 .. 61, 63, 183	1001203871.....23, 266
0275452.....167, 239	0962272 85, 89, 93, 97	1001144295 208	1001203872.....23
0275453.....169, 241	1001047064 133, 135	1001144296 208	1001204495.....39
0275454.....171, 243	1001091102 ... 23, 35, 37, 55, 59	1001146794 247, 249, 251, 255, 257, 259, 261	1001204719.....47, 49
0440259.....13, 15, 151	1001097150 177	1001146795 253	1001205345.....84, 88, 92, 96
0440263.....23	1001100341 235	1001146963 ... 84, 88, 92, 96	1001205409.....63, 207
0440264.....85, 89, 93, 97	1001100342 237	1001148902 268	1001205410.....207
0440265.....85, 89, 93, 97	1001100345 239	1001148903 268	1001205411.....207
0480100.....141, 143	1001100346 243	1001148904 268	1001205412.....207
0630587.....55, 57, 59, 77	1001100347 241	1001148905 268	1001205422.....111, 113, 115, 117
0630613.....41, 79, 99	1001101540 77	1001148906 268	1001205430.....111, 113, 115, 117
0700412.....55, 59	1001102258 161, 163, 165, 167, 169, 171, 173, 175, 177	1001151629 207	1001205598.....33
0700610.....84, 88, 92, 96	1001102489 189, 191, 193, 195, 197, 199, 203, 205	1001152483 181	1001205751.....13
0700612.....23, 25, 33, 63, 84, 88, 92, 96	1001102771 185, 187	1001154378 119, 121, 127	1001206995.....31
0700616.....145	1001103012 208	1001157547 77	1001207009.....27, 29
0700617.....55, 57	1001103471 177, 201	1001159186 77, 207, 229, 231	1001207293.....65
0700618.....119, 121	1001104498 208	1001162115 259	1001207494.....55, 57
0700621.....119, 121, 129	1001108581 53	1001162864 247, 249, 251, 253, 255, 257, 259, 261	1001207970.....191
0700814.....84, 88, 92, 96, 163, 165, 167, 169, 171, 177, 201	1001110302 23	1001162886 207	1001207973.....203
0700815.....23	1001112112 71	1001162887 63, 207	1001207974.....189, 193, 195, 197, 199, 201
0700817.....79, 141, 143	1001113961 208	1001163340 63, 207	1001208852.....111, 113, 115, 117
0700818.....119, 121, 123, 125, 127, 129	1001116208 263	1001170310 53	1001209482.....167, 169, 181
070081947, 49, 103, 105, 107, 109, 123, 125, 131	1001116812 . 61, 63, 185, 187, 207	1001173703 263	1001209596.....133
0700820.....107, 109	1001118274 61, 63	1001181045 179, 266	1001209682.....55, 57
0700823.....23	1001118812 61, 183	1001182806 39	1001209776.....163, 165, 171, 179
0700825.....47, 49	1001120204 163, 165, 167, 169, 171	1001186466 25, 266	1001210064.....111, 113, 115, 117
0700835.....133, 135	1001120205 179, 181	1001187587 119, 121, 123, 125, 127	1001210079.....61
0701015.....79, 84, 88, 92, 96	1001120989 263	1001187816 173	1001210302.....119, 121, 127
0701018.....84, 88, 92, 96	1001125483 77	1001188116 173	1001210401....67, 69, 71, 73, 75
0701019.....99, 123, 125, 145	1001125677 61, 183, 208	1001189171 181, 266	1001210440.....77
0701021.....84, 88, 92, 96	1001128888 ... 84, 88, 92, 96	1001189172 181, 266	1001210586.....119, 121, 127
0701024.....84, 88, 92, 96, 99	1001130220 ... 27, 29, 31, 33, 43, 55, 57, 84, 88, 92, 96, 133, 135	1001192401 61, 208	1001210605.....77
0701219.....84, 88, 92, 96	1001130590 55, 57	1001194421 229, 231	1001210878.....77
0760310.....225	1001131270 247, 257	1001196589 208	1001210879.....77
0760408.....161, 163, 165, 167, 169, 171, 173	1001132358 133, 135	1001196634 187	1001210881.....77
0760608.....127	1001132359 247, 249, 251, 253, 255, 257, 259, 261	1001196635 63	1001210882.....77
0760610.....43, 55, 57, 77, 131, 133, 135, 177	1001132361 133, 135	1001197396 13, 15	1001210966.....55, 57
0760612.....27, 29, 31, 39	1001134280 201	1001199937 17, 19	1001211777.....247
0760810...47, 49, 63, 111, 113, 115, 117, 119, 121, 123, 125	1001134821 131	1001200561 27	1001211779.....247, 255, 257, 259, 261
0760812.....61	1001136757 77	1001200629 .. 55, 57, 266	1001212035.....229, 231
0760827.....47	1001137675 ... 84, 88, 92, 96, 111, 113, 115, 117, 123, 125	1001200631 55, 57	1001212036.....229, 231
0761012.....47, 49	1001139000 ... 84, 88, 92, 96	1001200632 65	1001212187.....21
0761014.....111, 113, 115, 117	1001139002 ... 84, 88, 92, 96	1001200812 211, 219	1001212290.....247, 249, 251, 253, 255, 257, 259, 261
0761015.....41	1001139003 ... 84, 88, 92, 96	1001200819 133, 229	1001212291.....247, 249, 251, 253, 255, 257, 259, 261
		1001201708 ... 67, 69, 71, 73, 75	
		1001201711 ... 67, 69, 71, 73, 75	
		1001201885 207, 229, 231	
		1001202184 215, 221	
		1001202773 17	
		1001202851 47, 49	
		1001202987 23	
		1001202988 23	

SECTION 10 - SPECIAL OPTIONS

1001212292 247, 249, 251, 253, 255, 257, 259, 261	1001223053..... 119, 121	1001234317.....41	1001236621 141, 143
1001212293 247, 249, 251, 253, 255, 257, 259, 261	1001223055.....247	1001234319.....268	1001236632 69
1001212294 47, 49	1001223165..... 119, 121	1001234336..... 103, 105	1001236800 155, 157
1001213415 127	1001223166..... 119, 121	1001234380..... 103, 105	1001236801 155, 157
1001213416 127	1001223262.....217	1001234381..... 111, 113	1001236802 155, 157
1001213448 208	1001223263.....213	1001234382.....127	1001236803 155, 157
1001213470 111, 113	1001223650.....219	1001234383.....119, 121	1001236804 155, 157
1001213597 23	1001223651.....221	1001234407.....111, 113, 115, 117	1001236806 155, 157
1001213838 111, 113, 115, 117	1001223971.....257	1001234453.....268	1001236807 155, 157
1001213886 133, 135	1001224048.....259	1001234479.....55, 207	1001236808 155, 157
1001213915 119, 121	1001224049.....261	1001234529.....17	1001236809 155, 157
1001213916 119, 121	1001224051.....255	1001234628.....47, 49	1001236903 268
1001213928 21	1001224052.....251	1001234629.....47, 49	1001236968 43
1001213931 119, 121	1001224583.....268	1001234631.....211, 213, 215, 217, 223, 225	1001236984 263
1001214151 133	1001225164.... 84, 88, 92, 96, 266	1001234797.....23	1001237115 263
1001214217 25	1001226277..... 145	1001234798.....23	1001237257 268
1001214229 141	1001226749..... 133, 135, 266	1001234838..... 13, 15	1001237400 161
1001214347 73	1001226901..... 145	1001234842.....41	1001237401 175
1001214526 23	1001227219.....201	1001234858.....79	1001237538 247, 249, 251, 253, 255, 257, 259, 261
1001214528 23	1001227267..... 177, 201	1001234862.....79	1001237749 247, 249, 251, 253, 255, 257, 259, 261
1001214534 23	1001227268..... 177	1001235008.....55	1001237824 ... 85, 89, 93, 97
1001214689 ... 84, 88, 92, 96	1001227728..... 145	1001235104....84, 88, 92, 96, 266	1001237887 57
1001214810 79	1001227855.....23	1001235106.....67	1001237899 247, 249, 251, 253, 255, 257, 259, 261
1001214924 133	1001228112..... 133, 135, 266	1001235286..... 119, 121	1001237911 119, 121
1001215216 37	1001228123....67, 69, 71, 73, 75	1001235287 119, 121, 123, 125	1001237989 71
1001215434 47, 49	1001228184..... 145	1001235498..... 141, 143	1001237991 73
1001215446 129	1001228370..... 247, 257	1001235509.....141	1001238014 247
1001215747 255	1001228388..... 185	1001235559.....55, 57	1001238015 259
1001215748 251, 261	1001229076.....268	1001235560.....129	1001238016 255
1001215749 257	1001229110....67, 69, 71, 73, 75	1001235561.....129	1001238017 251
1001215750 259	1001229728.....268	1001235590..... 103, 105, 107, 109	1001238018 261
1001215751 259	1001229739..... 119, 121	1001235834.....67	1001238019 257
1001215752 255	1001229740..... 119, 121	1001235849.....143	1001238020 253
1001215762 55, 57	1001229741..... 119, 121	1001235941.....141	1001238021 249
1001215953 23	1001229742..... 119, 121	1001235955.....41	1001238130 167
1001216062 .. 55, 57, 266	1001229792..... 79	1001235959.....127	1001238131 169
1001216180 69	1001231309.....268	1001235960.....119, 121	1001238132 171
1001216648 251	1001231801..... 247, 257	1001236139....27, 29, 31, 33	1001238133 163
1001216650 251	1001232474.....269	1001236165....84, 88, 92, 96	1001238134 165
1001216865 263	1001232622..... 119, 121, 123, 125	1001236167....84, 89, 92, 96	1001238135 173
1001217059 25	1001233449... 13, 15, 151	1001236169....85, 89, 92, 97	1001238198 163, 165, 167, 169, 171, 177
1001217164 179, 181	1001233795....84, 88, 92, 96, 227	1001236170....85, 89, 93, 97	1001238392 61
1001217457 ... 84, 88, 92, 96	1001234006..... 119, 121, 127	1001236171....85, 89, 93, 97	1001238684 ... 85, 89, 93, 97
1001217894 263	1001234007..... 119, 121, 127	1001236172....85, 89, 93, 97	1001239224 35, 37
1001218285 133, 135	1001234008..... 119, 121, 127	1001236269....85, 89, 93, 97	1001239269 ... 69, 71, 73, 75
1001218307 23	1001234093.....211	1001236348.....85, 89	1001239270 247, 249, 251, 253, 255, 257, 259, 261, 268
1001218573 79	1001234094.....215	1001236486....85, 89, 93, 97	1001239386 59
1001218728 268	1001234095.....213	1001236487....85, 89, 93, 97	1001239389 223
1001220409 131	1001234096.....217	1001236488....85, 89, 93, 97	1001239479 ... 85, 89, 93, 97
1001220410 131	1001234141..... 127	1001236531.....43	1001239661 35, 37
1001220893 133, 135	1001234142..... 127	1001236547268	1001239892 99
1001220933 268	1001234204..... 84, 88		1001239894 99
1001220995 131	1001234266..... 127		1001239899 99
1001221244 145	1001234267..... 127		1001239904 99
1001221275 145	1001234268..... 119, 121, 127		
1001221276 145	1001234316..... 13		
1001221949 205			
1001222861 119, 121			
1001222869 119, 121			
1001222914 145			

SECTION 10 - SPECIAL OPTIONS

1001239943.....99	1001253800..... 139	1001269590..... 123, 125	1703813.....247
1001241662....85, 89, 93, 97	1001253952..... 29	1001269591..... 123, 125	1703816.....247
1001241663....85, 89, 93, 97	1001254027.. 29, 61, 183	1001269592..... 123, 125	1703819.... 133, 135, 247, 249, 251, 253, 255, 257, 259, 261
1001241664....85, 89, 93, 97	1001254028 29, 185, 187	1001269593..... 123, 125	1704016....247, 249, 251, 253, 255, 257, 259, 261
1001241665....85, 89, 93, 97	1001254542..... 269	1001269594..... 123, 125	1704260..... 133, 135
1001241666....85, 89, 93, 97	1001254721..... 269	1001269595..... 123, 125	1704277.... 119, 121, 123, 125, 247, 249, 251, 253, 255, 257, 259, 261
1001241667....85, 89, 93, 97	1001255102..... 263	1001269598..... 123, 125	1704339.....261
1001241668....85, 89, 93, 97	1001255104..... 263	1001269600..... 123, 125	1704340.....257
1001241669.....85, 89	1001255105..... 263	1001269646..... 269	1704341.....251
1001241670....85, 89, 93, 97	1001255597..... 268	1001269651..... 268	1704344.....255
1001241671....85, 89, 93, 97	1001255669..... 269	1001269656..... 123, 125	1704412.... 247, 249, 251, 253, 255, 257, 259, 261
1001242539.....35, 37	1001255883..... 269	1001269701..... 123, 125	1704684.....257
1001242697.....35	1001256642..... 27, 29	1001269714..... 53	1704691.....261
1001242990.....37	1001256643..... 31, 33	1001269730..... 49	1704699.....251
1001243348....85, 89, 93, 97	1001256675..... 263	1001269746..... 53	1705195.....255
1001244298.....255	1001256676..... 263	1001269747..... 53	1705311.....257
1001244323.....177	1001256744..... 77	1001269838..... 93, 97	1705316.....261
1001244394.....63	1001256746..... 77	1001269943..... 231	1705670.....249, 253
1001244417....84, 88, 92, 96, 149	1001257121..... 77	1001269944..... 225	1705671.....249, 253
1001244885.....63	1001257175..... 263	1001269946..... 231	1705673.....249, 253
1001244900.....177	1001258356..... 61	1001269947..... 225	1706312.....263
1001245293.....63	1001258446..... 133, 135	1001269949..... 225	1707022.....259
1001245299.....63	1001258498..... 75	1001269997..... 135	2080040.... 111, 113, 115, 117, 119, 121, 123, 125, 127, 247, 249, 251, 253, 255, 257, 259, 261
1001245353.....63	1001258665..... 133, 135	1001269998..... 135	2080057.... 247, 249, 251, 253, 255, 257, 259, 261
1001245409.....263	1001258691..... 61	1001269999..... 135, 231	2220372..... 155, 157
1001245739.....177	1001258768..... 197	1001270025..... 225	2220373..... 155, 157
1001245744.....177	1001258770..... 199	1001270121..... 268	2220375..... 155, 157
1001245747.....177	1001258771..... 193	1001270122..... 269	2220497..... 155, 157
1001245768.....268	1001258772..... 195	1001270236..... 15	2220502..... 155, 157
1001246531.....268	1001260887..... 53	1001270276..... 123, 125	2220628..... 155, 157
1001247706..... 103, 105	1001261131..... 139	1001270443..... 225	2220883.....149
1001247707....84, 88, 92, 96	1001262150..... 139	1001270470..... 135	2400060.....63, 185, 187, 207
1001248126....247, 249, 251, 253, 255, 257, 259, 261	1001262221..... 133, 135	1001270471..... 135	2420172.....55, 57
1001248502.....268	1001262557..... 268	1001274168..... 139	2560088.....129
1001248503.....268	1001262558..... 268	1001274559..... 55, 57	2560190.....129
1001248631.....189	1001262581..... 53	1001278847..... 268	2600281.... 119, 121, 123, 125, 127
1001248632.....191	1001262655..... 133	1001283410..... 59	2860030.....55, 57, 266
1001248634.....205	1001262656..... 269	1001301945..... 268	2901443.....269
1001248679....47, 49, 51	1001263256..... 27	1001306722..... 268	2902431..... 161, 233
1001248689.....268	1001263257..... 29	1001380008 . 47, 49, 155, 157	3080007.... 119, 121, 123, 125, 127, 266
1001248768.....63	1001263258..... 31	1001380010..... 84, 88	3121792.....63
1001248773.....61	1001263259..... 33	1001380024..... 99	3252507.... 165, 167, 169, 171, 173, 175
1001248843.....268	1001263294..... 203	1001380040..... 79	3290305..... 35, 37, 225
1001249042.....263	1001263295..... 201	1001380041..... 79	3290405....23, 55, 59, 77, 84, 88, 92, 96, 131, 133, 135, 161, 163, 165, 167, 169, 171, 173, 177
1001249054.....75	1001263359..... 53	1001380042..... 79	3290505.....201
1001249229.....269	1001263785..... 53	1001380058..... 23	3290601.....25, 177
1001249326.....269	1001265376..... 268	1060379..... 141, 143	3290605.... 27, 29, 31, 33, 39, 55, 57, 59, 63, 77,
1001249638.....268	1001265635..... 53	1060908..... 179, 181	
1001249639.....268	1001265636..... 53	1060998 ... 67, 69, 71, 73, 75	
1001249890.....201	1001269236..... 115, 117	1062255..... 61	
1001250532.....268	1001269279..... 107, 109	1321293 ... 27, 29, 31, 33, 77	
1001251144.....268	1001269286..... 107, 109	1321752..... 47, 49	
1001251146.....268	1001269287..... 123, 125	1380132..... 129	
	1001269288..... 115, 117	1380153..... 13, 15	
	1001269291..... 123, 125	1600402 ... 133, 135, 137, 266	
	1001269292..... 123, 125	1671207..... 233	
	1001269293..... 123, 125	1701504 ... 247, 249, 251, 253, 255, 257, 259, 261	
	1001269373..... 92, 96	1701640 ... 247, 249, 251, 253, 255, 257, 259, 261	
	1001269377..... 93, 97	1702155 ... 247, 249, 251, 253, 255, 257, 259, 261	
	1001269401..... 107, 109	1703464..... 161, 163	
	1001269477..... 123, 125		
	1001269496..... 123, 125		
	1001269507..... 15		
	1001269585..... 123, 125		
	1001269586..... 123, 125		
	1001269587..... 123, 125		
	1001269588..... 123, 125		

SECTION 10 - SPECIAL OPTIONS

84, 88, 92, 96, 163, 165, 167, 169, 171	4010617 119, 121, 127	211, 213, 215, 217, 219, 221, 227, 229	163, 165, 167, 169, 171, 177
3290606 ... 119, 121, 127, 129, 131, 145	4010618 119, 121, 127	4460467 269	4811702 ... 23, 25, 27, 29, 31, 33, 43, 84, 88, 92, 96, 129
3290801 23, 47	4031509 133, 135	4460496 133	4811900 ... 23, 47, 49, 61, 63, 84, 88, 92, 96, 103, 105, 107, 109, 111, 113, 115, 117, 119, 121, 123, 125, 127, 129, 133, 135, 163, 165, 167, 169, 171, 177
3290805 ... 23, 47, 49, 79, 84, 88, 92, 96, 103, 105, 107, 109, 111, 113, 115, 117, 141, 143, 163, 165, 167, 169, 171, 177, 201	4031512 ... 84, 88, 92, 96	4460497 133	4811902 ... 23, 47, 49, 79, 119, 121, 131, 141, 143, 201
3290806 ... 119, 121, 123, 125, 127, 129, 131, 133, 135	4031708 25, 33	4460510 269	4812000 ... 13, 15, 23, 47, 49, 79, 84, 88, 92, 96, 99, 111, 113, 115, 117, 123, 125, 127, 145
3291001 13, 15	4060803 133, 135	4460536 145	4812002 41, 79
3291005 ... 41, 47, 49, 79, 99, 111, 113, 115, 117	4060906 133, 135	4460539 ... 208, 213, 217, 227	4812500 23
3291006 99, 123, 125, 127, 145	4060944 207	4460662 ... 167, 169, 171, 233	4831600 201
3291007 ... 79, 84, 88, 92, 96	4160078 ... 84, 88, 92, 96	4460722 77	4846757 13, 15
3291201 79	4160202 23	4460754 ... 211, 213, 215, 217, 219, 221	4923328 ... 67, 69, 71, 73, 75
3291207 ... 84, 88, 92, 96	4160214 79	4460761 207	5241200 17
3321402 ... 84, 88, 92, 96	4240017 ... 27, 29, 31, 33, 47, 49, 55, 57, 59, 63, 67, 69, 71, 73, 75, 77, 84, 88, 92, 96, 145, 161, 163, 165, 167, 169, 171, 173, 175, 177, 189, 191, 193, 195, 197, 199, 201, 205, 211, 213, 215, 217, 219, 221, 223, 225	4460871 ... 185, 187, 208	5271808 47, 49
3331211 17	4240032 61	4460872 185, 187	5272117 17
3422219 127	4240147 23	4460877 207	5272122 17
3422426 107, 109	4360328 55, 57, 266	446088461, 63, 187, 207, 227	70000082 137
3422661 141, 143	4360336 77, 266	4460891 35, 37, 145, 185, 187, 207, 208, 213, 217, 227	70000084 137
3422998 ... 84, 88, 92, 96	4360345 266	4460892 ... 207, 211, 213, 215, 217, 223, 225	70000278 19
3423037 13, 15	4360469 55, 57, 266	4460897 .. 37, 39, 77, 185, 187, 207, 213, 217	70000683 137
3423243 79	4360475 55, 57, 133, 135, 266	4460899 ... 211, 213, 215, 217, 219, 221, 223, 225	70000684 137
3423278 133, 135	4420051 263	4460905 ... 185, 187, 208	70000685 137
3430636 23	4420062 . 47, 85, 89, 119, 121, 123, 125, 127, 133, 135, 141, 143	4460932 61, 63, 187	70000686 137
3430813 ... 111, 113, 115, 117	4420062 . 47, 85, 89, 119, 121, 123, 125, 127, 133, 135, 141, 143	4460933 61, 183, 207	70001250 137
3430816 ... 111, 113, 115, 117	4460042 207	4460943 61, 63, 183, 211, 213, 215, 217, 219, 221, 223, 225	70001251 137
3431212 23	4460115 207	4460944 61, 63, 183, 185, 187, 207, 211, 213, 215, 217, 223, 225	70001252 137
3431218 23	4460138 161	4460956 179	70001253 137
3450303 79	4460183 ... 207, 229, 231	4460957 179	70003636 151
3450403 23, 111, 113, 115, 117	4460226 207	4460968 173	70003650 137
3450505 23	4460227 27, 29, 185, 207	4460970 227	70004164 47, 49
3450508 21	4460234 145	4461016 229	70004465 47, 49
3520072 99, 119, 121, 123, 125, 127	4460247 207	4461023 207	70004585 149
3740150 .. 55, 59, 77, 266	4460259 207	4461196 193, 235	70005236 149
3760115 ... 84, 88, 92, 96	4460260 207	4461198 235	70005423 47, 49, 266
3760217 13, 15	4460265 229, 231	4461199 195, 237	70005806 19
3760387 ... 84, 88, 92, 96	4460267 229, 231	4461201 237	70005807 19
3820019 129	4460315 161, 173	4461205 ... 197, 239, 241	70005808 19
3841143 ... 79, 84, 88, 92, 96	4460320 207	4461244 239	70005809 19
3841203 ... 84, 88, 92, 96	4460346 233	4461245 241	70005812 19
3860104 ... 84, 88, 92, 96	4460418 77, 207, 229, 231	4461246 243	70005813 19
3860111 127, 129	4460424 27, 29, 185	4461249 199, 243	70005814 19
3900364 53	4460464 ... 37, 39, 61, 63, 77, 145, 185, 187, 208, 211, 213, 215, 217, 219, 221, 223, 225, 227, 229	4461257 163, 165	70005815 47, 49
3900381 201	4460465 ... 35, 37, 61, 63, 145, 185, 187, 207, 208, 211, 213, 215, 217, 219, 221, 223, 225, 227	4461258 163, 165	70005816 47, 49
3910804 55, 57	4460466 . 61, 63, 77, 145, 183, 185, 187, 207,	4711700 133, 135	70005817 47, 49
3990001 187		4711800 ... 111, 113, 115, 117	70005893 51, 266
4010310 35, 37		4740086 23	70005898 51
4010408 131, 177		4740438 ... 84, 88, 92, 96	70005899 51
4010608 ... 84, 88, 92, 96, 119, 121, 127		4740531 ... 84, 88, 92, 96	70005900 51
4010610 ... 163, 165, 167, 169, 171		4811400 ... 77, 131, 133, 135, 161, 163, 165, 167, 169, 171, 173, 177	70005903 51
4010616 127		4811700 ... 39, 53, 55, 57, 59, 63, 77, 119, 121, 127, 131, 133, 135,	70005909 51

SECTION 10 - SPECIAL OPTIONS

70006296.....	47, 49	70007078.....	151	70023369.....	149	7023319.....	19
70006297.....	47, 49, 266	70007079.....	151	7002821.....	269	7023324.....	19
70006298.....	47, 49	70007080.....	151	7002822.....	269	7023328.....	19
70006299.....	47, 49	70007593.....	51	7002823.....	269	7027365.....	137
70006301.....	51	70007594.....	51	7002826.....	269	7027367.....	137
70007050.....	149	70007595.....	51	7004275.....	269	7027765.....	137
70007051.....	149	70007596.....	51	7004276.....	269	7027766.....	137
70007052.....	149	70007597.....	51	70050795.....	149	8229242.....	208, 266
70007053.....	149	70007598.....	51	7016654.....	269	8229244.....	208, 266
70007054.....	149	70007599.....	51	7020175.....	55, 57, 133, 135	8405204.....	53
70007055.....	149	70007600.....	51	7020176.....	55, 57, 133, 135	8405402.....	53
70007056.....	149	70007601.....	51	7023308.....	19	8750014.....	47, 49
70007074.....	151	70007602.....	51	7023310.....	19	8896941.....	269
70007075.....	151	70007946.....	47, 49	7023311.....	19	8990147.....	247, 249, 251, 253, 255, 257, 259, 261
70007076.....	151	70021209.....	51	7023315.....	19		
70007077.....	151	70022564.....	149	7023318.....	19		



**Corporate Office
JLG Industries, Inc.
1 JLG Drive
McConnellsburg, PA 17233-9533 USA
☎ (717) 485-5161 (Corporate)
☎ (877) 554-5438 (Customer Support)
📠 (717) 485-6417**

**Visit our website for JLG Worldwide Locations.
www.jlg.com**



OSHKOSH™