



Illustrated Parts Manual

Model RT5394

PVC
2010

P/N
31215941

February 5, 2024 - Rev C

ANSI

CE



AS/NZS



An Oshkosh Corporation Company

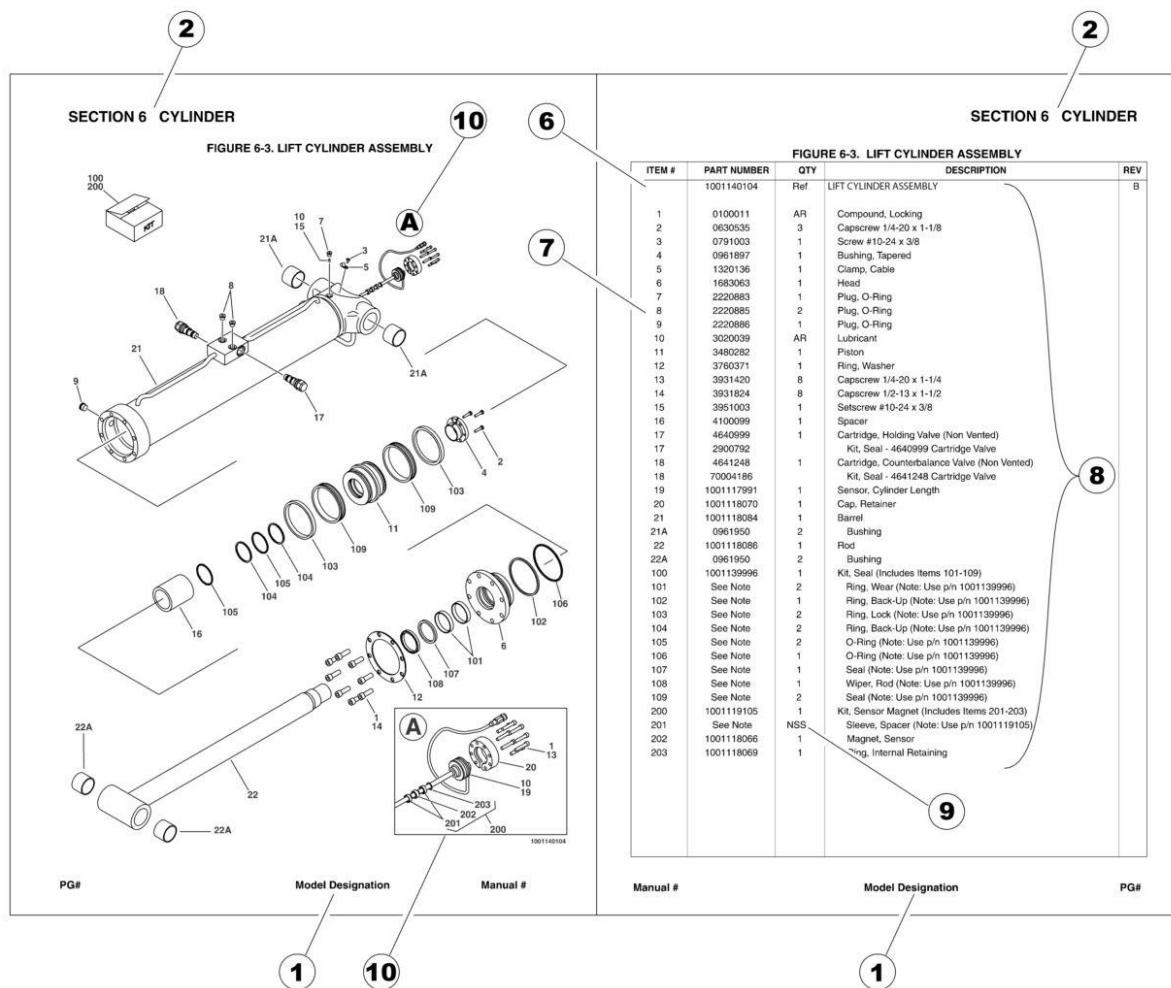
REVISION LOG

September 15, 2020 - A - Original Issue Of Manual

March 15, 2021 - B - Revised Manual (Edited to 1001249143 Rev H)

February 5, 2024 - C - Revised Manual (Edited to 1001249143 Rev H)

GENERAL INFORMATION



1) MACHINE IDENTIFICATION

Machines are identified by model and in some cases a combination of models, serial number (SN) or regional standard (i.e ANSI, CE, CSA). Components may also be identified by SN or manufacturer. Common components that may be identified by these characteristics are engines and hydraulic components.

2) PARTS MANUAL ORGANIZATION

Product information in this manual is organized under section titles. Frame, Cylinder, Hydraulic and Electrical are a few examples. Each section is organized by figure and page number. The information within the Figure is then organized by item number, part number, description and corresponding illustration (s).

3) TABLE OF CONTENTS (NOT SHOWN)

A table of contents is found toward the beginning of the manual. Figure number, description and page number are provided for quick reference to the page containing the related information.

4) RECOMMENDED SPARE PARTS (NOT SHOWN)

The Recommended Spare Parts List, located near the end of the manual, reference most frequently used maintenance parts.

5) PART NUMBER INDEX (NOT SHOWN)

A numerical index listing all part numbers and the corresponding page number(s) appears at the back of the manual.

GENERAL INFORMATION

6) NON-SERVICED PARTS

In some instances, it is necessary to display non-serviced parts, assemblies or installations. In the case of assemblies and installations there will be a Ref in the Qty. column. In case of parts that are not available for service within assemblies or components, there will be a NSS (Not Sold Separately) or NLA (No Longer Available) listed in the Qty. column of the manual.

7) PARTS LIST ITEM NUMBERS

Numbers shown in the item# column correspond to numbers used in the associated illustration (s). Item numbers which are missing from the sequence in the parts list are not used on that page.

8) INDENTED PARTS DESCRIPTION

An indented part description is included in the item under which it is indented.

9) ABBREVIATION AND SYMBOLS

| | | | |
|-------------|--|--------------|---------------------------------|
| AC..... | Alternating Current | L..... | Liter |
| ADE..... | Advanced Design Electronics | LB(LBS)..... | Pounds |
| AG..... | Agricultural | LCD..... | Liquid Crystal Display |
| ANSI..... | American National Standards Institute | LED..... | Light Emitting Diodes |
| AR..... | As Required | LH..... | Left Hand |
| ASSY..... | Assembly | LRC..... | Low Rated Countries |
| AUS..... | Australia | LSS..... | Load Sensing System |
| AUX..... | Auxiliary | M(m)..... | Metric/Meter |
| AWG..... | American Wire Gauge | MM(mm)..... | Milimeter |
| B/M..... | Bill of Material | mA..... | Miliamps |
| CAC..... | Charge Air Cooler | NLA..... | No Longer Available |
| CE..... | European Conformity | NPT..... | National Pipe Threads |
| CCW..... | Counter Clockwise | NSS..... | Not Sold Separately |
| CM..... | Centimeter | OD..... | Outside Diameter |
| CW..... | Clockwise | ORB..... | O-Ring Boss |
| CSA..... | Canadian Standards Association | ORFS..... | O-Ring Face Seal |
| CYL..... | Cylinder | OZ (oz)..... | Ounces |
| DIA..... | Diameter | PG..... | Page |
| DC..... | Direct Current | PN..... | Part Number |
| DEF..... | Diesel Exhaust Fluid | QT(qt.)..... | Quarts |
| EMS..... | Emergency Stop | QTY..... | Quantity |
| ENG..... | Engine | REF..... | Reference |
| FT(ft)..... | Feet | REV..... | Revision Level |
| GA(Ga)..... | Gauge | RH..... | Right Hand |
| HRC..... | High Rated Countries | SAE..... | Society of Automotive Engineers |
| HVAC..... | Heating, Ventilating, and Air Conditioning | SN..... | Serial Number |
| HYD..... | Hydraulic | SPEC(S)..... | Specifications |
| Hz..... | Hertz | T/T..... | Turntable |
| ID..... | Inside Diameter | UGM..... | Universal Ground Module |
| IN..... | inches | V..... | Volts |
| ISO..... | International Organization for Standards | W..... | Watts |
| JIC..... | Joint Industry Council | #..... | Number |
| KG..... | Kilogram | | |

10) ILLUSTRATION REFERENCE LETTERS

When necessary, illustrations may contain reference letters that are intended to track information (i. e. hoses, harnesses) from one point to another or to track visual enlargement of components to show details that may be located in another area on the illustration.

Note: Due to continuous product improvements, JLG Industries, Inc. reserves the right to make specification changes without prior notification. Contact JLG Industries, Inc. for updated information.

TABLE OF CONTENTS

| | |
|--|-----|
| SECTION 1 - FRAME..... | 11 |
| FIGURE 1-1. AXLE INSTALLATION - FIXED..... | 12 |
| FIGURE 1-2. AXLE INSTALLATION - OSCILLATING..... | 14 |
| FIGURE 1-3. STEER INSTALLATION..... | 16 |
| FIGURE 1-4. WHEEL DRIVE INSTALLATION..... | 18 |
| FIGURE 1-5. DRIVE HUB ASSEMBLY - FRONT..... | 20 |
| FIGURE 1-6. DRIVE HUB AND BRAKE ASSEMBLY - REAR..... | 22 |
| FIGURE 1-7. DRIVE MOTOR ASSEMBLY..... | 26 |
| FIGURE 1-8. TIRE AND WHEEL INSTALLATION - 12 X 16.5 FOAM FILLED..... | 28 |
| FIGURE 1-9. TIRE AND WHEEL INSTALLATION - 12 X 16.5 FOAM FILLED NON-MARKING..... | 30 |
| FIGURE 1-10. TIRE AND WHEEL INSTALLATION - IN395/45/D20 FOAM FILLED..... | 32 |
| FIGURE 1-11. TIRE AND WHEEL INSTALLATION - IN395/45/D20 FOAM FILLED NON-MARKING..... | 34 |
| FIGURE 1-12. BEACON LIGHT INSTALLATION - OPTIONAL..... | 36 |
| FIGURE 1-13. LEVELING JACKS INSTALLATION..... | 38 |
| FIGURE 1-14. LEVELING JACKS ASSEMBLY..... | 40 |
| FIGURE 1-15. LEVELING JACKS VALVE ASSEMBLY..... | 42 |
| SECTION 2 - GROUND CONTROLS..... | 45 |
| FIGURE 2-1. VALVE INSTALLATION..... | 46 |
| FIGURE 2-2. MAIN VALVE ASSEMBLY..... | 48 |
| FIGURE 2-3. FLOW DIVIDER VALVE ASSEMBLY..... | 50 |
| FIGURE 2-4. TANKS & HORN INSTALLATION - DIESEL..... | 52 |
| FIGURE 2-5. TANKS AND HORN INSTALLATION - GASOLINE..... | 54 |
| FIGURE 2-6. HYDRAULIC TANK ASSEMBLY..... | 56 |
| FIGURE 2-7. ELECTRICAL COMPONENTS INSTALLATION - DIESEL..... | 58 |
| FIGURE 2-8. ELECTRICAL COMPONENTS INSTALLATION - KUBOTA GASOLINE..... | 60 |
| FIGURE 2-9. GROUND CONTROL BOX ASSEMBLY - KUBOTA DIESEL..... | 62 |
| FIGURE 2-10. GROUND CONTROL BOX ASSEMBLY - KUBOTA GASOLINE..... | 64 |
| FIGURE 2-11. MOTION ALARM INSTALLATION..... | 66 |
| FIGURE 2-12. WHITE NOISE ALARM INSTALLATION..... | 68 |
| FIGURE 2-13. HOODS AND LADDERS INSTALLATION..... | 70 |
| SECTION 3 - ENGINE..... | 75 |
| FIGURE 3-1. ENGINE INSTALLATION - KUBOTA DIESEL T4F..... | 76 |
| FIGURE 3-2. ENGINE AND PUMP SUB-ASSEMBLY - KUBOTA DIESEL T4F..... | 80 |
| FIGURE 3-3. ENGINE ASSEMBLY - KUBOTA DIESEL T4F..... | 82 |
| FIGURE 3-4. ENGINE INSTALLATION - KUBOTA DIESEL T4F WITH GENERATOR..... | 86 |
| FIGURE 3-5. ENGINE AND PUMP SUB-ASSEMBLY - KUBOTA DIESEL T4F WITH GENERATOR..... | 90 |
| FIGURE 3-6. ENGINE ASSEMBLY - KUBOTA DIESEL T4F WITH GENERATOR..... | 92 |
| FIGURE 3-7. ENGINE COMPONENTS - KUBOTA DIESEL T4F..... | 96 |
| FIGURE 3-8. ENGINE INSTALLATION - KUBOTA GASOLINE..... | 100 |
| FIGURE 3-9. ENGINE AND PUMP SUB-ASSEMBLY - KUBOTA GASOLINE..... | 104 |
| FIGURE 3-10. ENGINE ASSEMBLY - KUBOTA GASOLINE..... | 106 |
| FIGURE 3-11. ENGINE INSTALLATION - KUBOTA GASOLINE WITH GENERATOR..... | 110 |
| FIGURE 3-12. ENGINE AND PUMP SUB-ASSEMBLY - KUBOTA GASOLINE WITH GENERATOR..... | 114 |
| FIGURE 3-13. ENGINE ASSEMBLY - KUBOTA GASOLINE WITH GENERATOR..... | 116 |
| FIGURE 3-14. ENGINE COMPONENTS - KUBOTA GASOLINE..... | 120 |
| FIGURE 3-15. FUEL/WATER SEPARATOR ASSEMBLY - DIESEL ENGINES..... | 124 |
| FIGURE 3-16. COUPLING KIT - DIESEL ENGINES..... | 126 |
| FIGURE 3-17. COUPLING KIT - GASOLINE ENGINES..... | 128 |
| FIGURE 3-18. PISTON PUMP ASSEMBLY..... | 130 |
| FIGURE 3-19. FAN GUARD INSTALLATION - KUBOTA..... | 134 |
| FIGURE 3-20. SPARK ARRESTOR MUFFLER - OPTIONAL (GASOLINE ENGINES)..... | 136 |
| FIGURE 3-21. GENERATOR INSTALLATION - 4000W (KUBOTA DIESEL STAGE III)..... | 138 |
| FIGURE 3-22. GENERATOR INSTALLATION - 4000W (KUBOTA DIESEL T4F)..... | 142 |
| FIGURE 3-23. GENERATOR INSTALLATION - 4000W (KUBOTA GASOLINE) (DUAL FUEL)..... | 146 |
| FIGURE 3-24. GENERATOR INSTALLATION - 7500W (KUBOTA DIESEL STAGE III)..... | 150 |
| FIGURE 3-25. GENERATOR INSTALLATION - 7500W (KUBOTA DIESEL T4F)..... | 154 |
| FIGURE 3-26. GENERATOR INSTALLATION - 7500W (KUBOTA GASOLINE) (DUAL FUEL)..... | 158 |
| FIGURE 3-27. JUNCTION BOX ASSEMBLY - 4000W GENERATOR (ALL SPECS EXCEPT AUSTRALIAN AND CE SPECS)..... | 162 |
| FIGURE 3-28. JUNCTION BOX ASSEMBLY - 7500W GENERATOR (ALL SPECS EXCEPT AUSTRALIAN AND CE SPECS)..... | 164 |
| FIGURE 3-29. JUNCTION BOX ASSEMBLY - 4000W/7500W GENERATOR (AUSTRALIAN AND CE SPECS)..... | 166 |

TABLE OF CONTENTS

| | |
|--|-----|
| SECTION 4 - SCISSORS ARMS | 169 |
| FIGURE 4-1. SCISSORS ARMS ASSEMBLY | 170 |
| FIGURE 4-2. SCISSORS ARMS INSTALLATION WITH AC CABLE..... | 176 |
| FIGURE 4-3. SCISSORS ARMS INSTALLATION WITH GENERATOR..... | 178 |
| FIGURE 4-4. ARM GUARDS INSTALLATION | 180 |
| SECTION 5 - PLATFORM | 183 |
| FIGURE 5-1. PLATFORM AND SINGLE EXTENSION INSTALLATION - STANDARD..... | 184 |
| FIGURE 5-2. PLATFORM AND DUAL EXTENSION INSTALLATION - STANDARD | 186 |
| FIGURE 5-3. PLATFORM AND DUAL EXTENSION INSTALLATION - MEGADECK | 188 |
| FIGURE 5-4. RAILS INSTALLATION - STANDARD PLATFORM WITH SINGLE EXTENSION..... | 190 |
| FIGURE 5-5. RAILS INSTALLATION - STANDARD PLATFORM WITH DUAL EXTENSION | 194 |
| FIGURE 5-6. RAILS INSTALLATION - MEGADECK PLATFORM WITH DUAL EXTENSION | 198 |
| FIGURE 5-7. PLATFORM CONSOLE BOX INSTALLATION - DIESEL MACHINES..... | 202 |
| FIGURE 5-8. PLATFORM CONSOLE BOX INSTALLATION - GASOLINE MACHINES | 204 |
| FIGURE 5-9. CONTROLLER ASSEMBLY | 206 |
| FIGURE 5-10. PLATFORM MODULE INSTALLATION | 208 |
| FIGURE 5-11. PIPE RACK INSTALLATION | 210 |
| FIGURE 5-12. SKYWELDER INSTALLATION (OPTIONAL) (ANSI SPECS) | 212 |
| FIGURE 5-13. SKYWELDER INSTALLATION (OPTIONAL) (CE SPECS)..... | 214 |
| FIGURE 5-14. WELDER ASSEMBLY | 216 |
| FIGURE 5-15. WORKSTATION INSTALLATION (OPTIONAL) | 218 |
| SECTION 6 - CYLINDER..... | 221 |
| FIGURE 6-1. AXLE LOCKOUT CYLINDER ASSEMBLY..... | 222 |
| FIGURE 6-2. LOWER LIFT CYLINDER | 224 |
| FIGURE 6-3. UPPER LIFT CYLINDER..... | 226 |
| FIGURE 6-4. LEVELING JACK CYLINDER ASSEMBLY..... | 228 |
| FIGURE 6-5. STEER CYLINDER ASSEMBLY | 230 |
| SECTION 7 - HYDRAULIC | 233 |
| FIGURE 7-1. HYDRAULIC DIAGRAM - FIXED AXLE | 234 |
| FIGURE 7-2. HYDRAULIC DIAGRAM - OSCILLATING AXLE | 242 |
| FIGURE 7-3. HYDRAULIC DIAGRAM - SCISSOR ARMS..... | 252 |
| SECTION 8 - ELECTRICAL..... | 255 |
| FIGURE 8-1. AC BOX AT PLATFORM INSTALLATION - 110V GFI (ANSI, ANSI EXPORT, CHINA, CSA AND JAPANESE SPECS)..... | 256 |
| FIGURE 8-2. BOX AT PLATFORM INSTALLATION - 220V (ANSI EXPORT, CSA, CHINA AND JAPANESE SPECS)..... | 258 |
| FIGURE 8-3. AC BOX AT PLATFORM INSTALLATION - 110V IEC YELLOW (CE SPEC) | 260 |
| FIGURE 8-4. AC BOX AT PLATFORM INSTALLATION - 220V IEC BLUE (CE SPEC)..... | 262 |
| FIGURE 8-5. AC BOX AT PLATFORM INSTALLATION - 220V AFSINT107 (CE SPEC) | 264 |
| FIGURE 8-6. AC BOX AT PLATFORM INSTALLATION - 220V CEE7 POST GROUND WITH 2X4 BOX (CE SPEC) | 266 |
| FIGURE 8-7. AC BOX AT PLATFORM INSTALLATION - 220V CEE7 POST GROUND WITH 70X70 BOX (CE SPEC) | 268 |
| FIGURE 8-8. AC BOX AT PLATFORM INSTALLATION - 220V CEE7 SIDE GROUND WITH 2X4 BOX (CE SPEC) | 270 |
| FIGURE 8-9. AC BOX AT PLATFORM INSTALLATION - 220V CEE7 SIDE GROUND WITH 70X70 BOX (CE SPEC)..... | 272 |
| FIGURE 8-10. BATTERY CABLE KIT - DIESEL ENGINES..... | 274 |
| FIGURE 8-11. BATTERY CABLE KIT - GASOLINE ENGINES | 276 |
| FIGURE 8-12. BREAKER BOX KIT - SINGLE DOUBLE POLE BREAKER..... | 278 |
| FIGURE 8-13. CHASSIS HARNESS..... | 280 |
| FIGURE 8-14. DUAL FUEL HARNESS..... | 282 |
| FIGURE 8-15. ENGINE HARNESS - KUBOTA DIESEL | 286 |
| FIGURE 8-16. ENGINE HARNESS - KUBOTA GASOLINE | 290 |
| FIGURE 8-17. GENERATOR CONTROL HARNESS - 4000W GENERATOR (GENERATOR TO CONTROL BOX) | 294 |
| FIGURE 8-18. GENERATOR CONTROL HARNESS - 4000W GENERATOR (CONTROL BOX TO GENERATOR CONTROL)..... | 296 |
| FIGURE 8-19. GENERATOR CONTROL HARNESS - 7500W GENERATOR (GENERATOR TO CONTROL BOX) | 298 |
| FIGURE 8-20. GENERATOR CONTROL HARNESS - 7500W GENERATOR (CONTROL BOX TO GENERATOR CONTROL)..... | 300 |
| FIGURE 8-21. GROUND CONTROL BOX HARNESS - LOWER | 302 |
| FIGURE 8-22. GROUND CONTROL BOX HARNESS - UPPER..... | 304 |
| FIGURE 8-23. GROUND TO LOWER AUXILIARY HOLDING VALVE HARNESS..... | 306 |
| FIGURE 8-24. GROUND TO UPPER AUXILIARY HOLDING VALVE HARNESS..... | 308 |
| FIGURE 8-25. GROUND TO LOWER LIFT CYLINDER HARNESS..... | 310 |

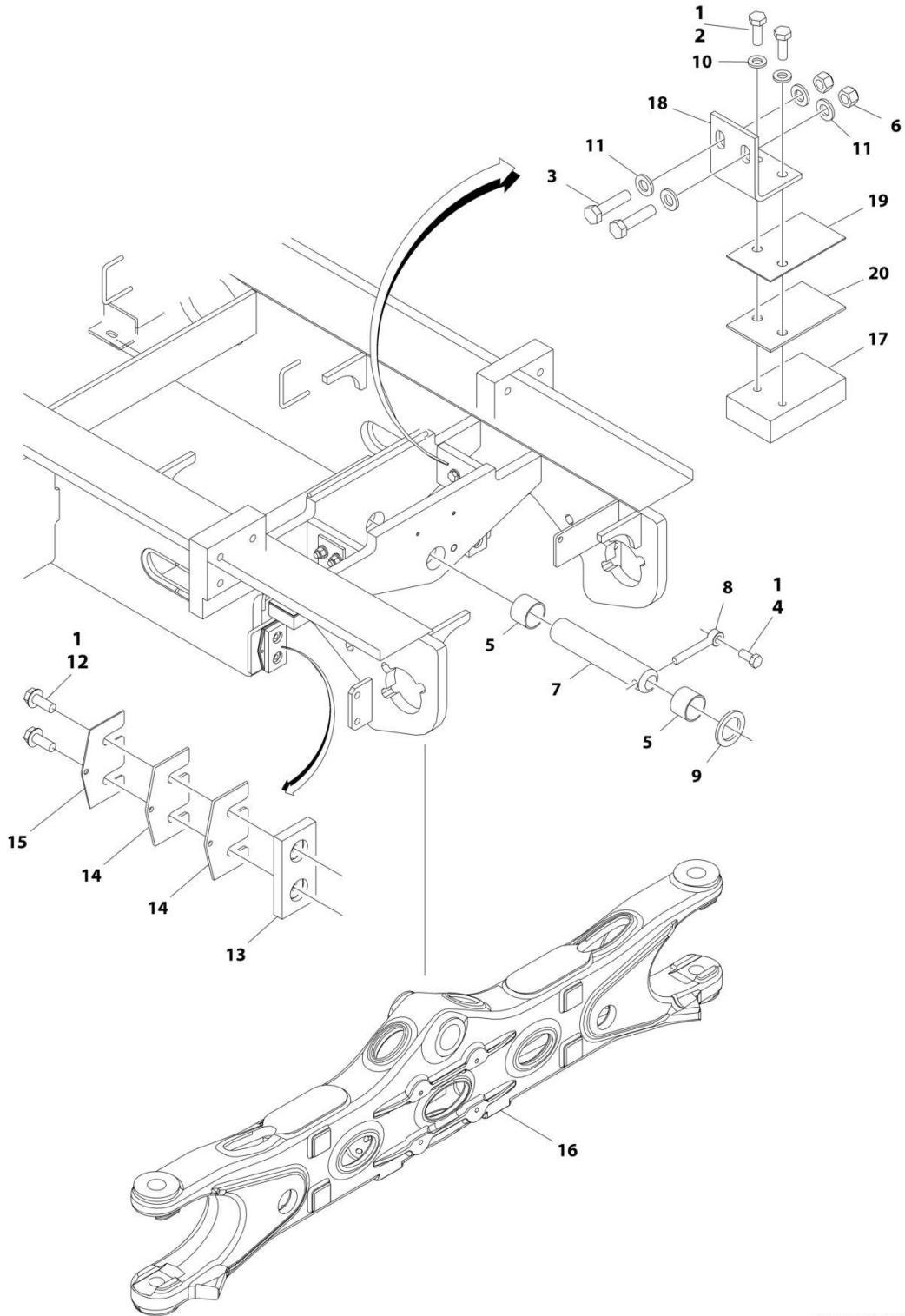
TABLE OF CONTENTS

| | |
|--|-----|
| FIGURE 8-26. GROUND TO UPPER LIFT CYLINDER HARNESS | 312 |
| FIGURE 8-27. GROUND TO PLATFORM HARNESS | 314 |
| FIGURE 8-28. HYDRAULIC COMPARTMENT HARNESS | 316 |
| FIGURE 8-29. LEVELING JACK HARNESS | 318 |
| FIGURE 8-30. LSS HARNESS | 320 |
| FIGURE 8-31. OSCILLATING AXLE HARNESS | 322 |
| FIGURE 8-32. PLATFORM CONTROL BOX HARNESS | 324 |
| FIGURE 8-33. PLATFORM MODULE TO CONSOLE BOX HARNESS | 326 |
| FIGURE 8-34. RECEPTACLE ASSEMBLY (MACHINES WITH GENERATORS) (ALL SPECS EXCEPT AUSTRALIAN AND CE SPEC)..... | 328 |
| FIGURE 8-35. RECEPTACLE BOX KIT - 110V GFI..... | 330 |
| FIGURE 8-36. RECEPTACLE BOX KIT - 110V IEC YELLOW..... | 332 |
| FIGURE 8-37. RECEPTACLE BOX KIT - 220V IEC BLUE | 334 |
| FIGURE 8-38. RECEPTACLE BOX KIT - 220V AFSINT 107 (CE SPEC)..... | 336 |
| FIGURE 8-39. RECEPTACLE BOX KIT - 220V CEE7 SIDE GROUND | 338 |
| FIGURE 8-40. RECEPTACLE BOX KIT - 220V CEE7 POST GROUND (CE SPEC)..... | 340 |
| FIGURE 8-41. RECEPTACLE BOX KIT - 220V CEE7 POST GROUND 70MM X 70MM BOX (CE SPEC)..... | 342 |
| FIGURE 8-42. SCISSORS ARMS GUARD HARNESS | 344 |
| | |
| SECTION 9 - DECALS | 347 |
| | |
| FIGURE 9-1. DECAL INSTALLATION - ANSI AND ANSI EXPORT SPECS (ENGLISH) | 348 |
| FIGURE 9-2. DECAL INSTALLATION - AUSTRALIAN AND JAPANESE SPECS..... | 350 |
| FIGURE 9-3. DECAL INSTALLATION - BRAZIL SPECS (SPANISH/PORTUGUESE)..... | 352 |
| FIGURE 9-4. DECAL INSTALLATION - CE SPEC..... | 354 |
| FIGURE 9-5. DECAL INSTALLATION - CHINESE SPECS (ENGLISH/CHINESE) | 356 |
| FIGURE 9-6. DECAL INSTALLATION - CSA (ENGLISH/FRENCH) | 358 |
| FIGURE 9-7. DECAL INSTALLATION - KOREAN SPECS (ENGLISH/KOREAN) | 360 |
| FIGURE 9-8. DECAL INSTALLATION - LATIN AMERICAN SPECS (ENGLISH/SPANISH)..... | 362 |
| FIGURE 9-9. DECAL INSTALLATION - OPTIONS | 364 |
| | |
| SECTION 10 - RECOMMENDED SERVICE PARTS STOCK | 367 |
| | |
| FIGURE 10-1. RECOMMENDED SERVICE PARTS STOCK | 368 |
| | |
| SECTION 11 - SPECIAL OPTIONS..... | 369 |
| | |
| FIGURE 11-1. SPECIAL OPTIONS..... | 370 |
| | |
| PART NUMBER INDEX | 373 |

SECTION 1 - FRAME

SECTION 1 - FRAME

FIGURE 1-1. AXLE INSTALLATION - FIXED



ART_100117745

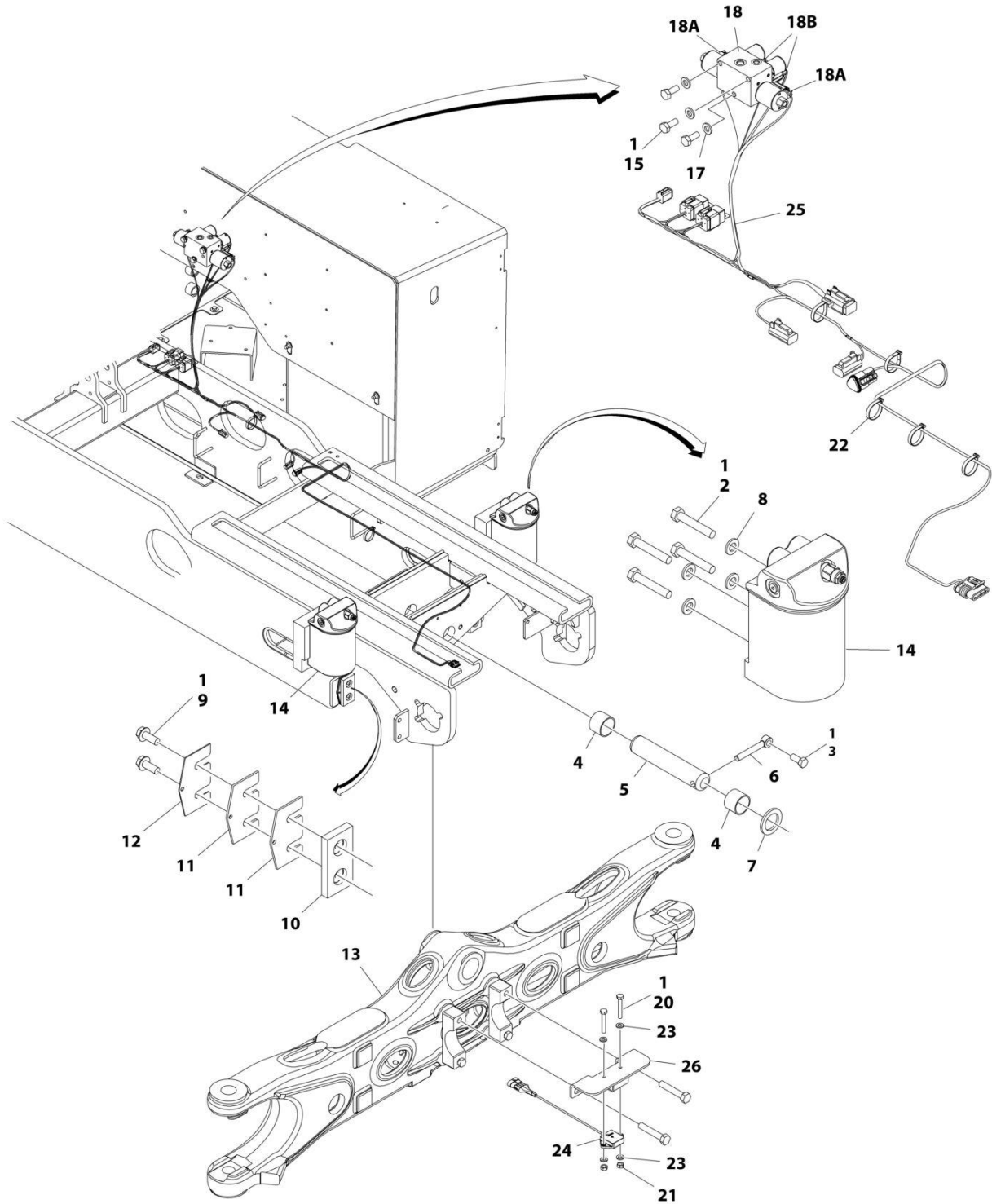
SECTION 1 - FRAME

FIGURE 1-1. AXLE INSTALLATION - FIXED

| ITEM | PART NUMBER | QTY | DESCRIPTION | REV |
|------|-------------|-----|---------------------------|-----|
| | 1001177745 | Ref | AXLE INSTALLATION - FIXED | A |
| 1 | 0100011 | AR | Compound, Locking | |
| 2 | 0701014 | 4 | Bolt M10 x 30 | |
| 3 | 0701218 | 4 | Bolt M12 x 50 | |
| 4 | 0761615 | 1 | Bolt M16 x 35 | |
| 5 | 0961950 | 2 | Bearing | |
| 6 | 3291205 | 4 | Nut M12 | |
| 7 | 3422592 | 1 | Pin | |
| 8 | 3841258 | 1 | Keeper, Pin | |
| 9 | 4740158 | 1 | Washer | |
| 10 | 5241000 | 4 | Washer M10 | |
| 11 | 5241200 | 8 | Washer M12 | |
| 12 | 5251012 | 4 | Bolt M10 x 25 | |
| 13 | 1001118511 | 2 | Pad, Wear | |
| 14 | 1001118518 | 4 | Shim 11Ga | |
| 15 | 1001118519 | 2 | Shim 16Ga | |
| 16 | 1001162995 | 1 | Axle | |
| 17 | 1001180307 | 2 | Block | |
| 18 | 1001180309 | 2 | Bracket | |
| 19 | 1001180315 | 2 | Shim .06 | |
| 20 | 1001180316 | 2 | Shim .12 | |

SECTION 1 - FRAME

FIGURE 1-2. AXLE INSTALLATION - OSCILLATING



ART_1001177749

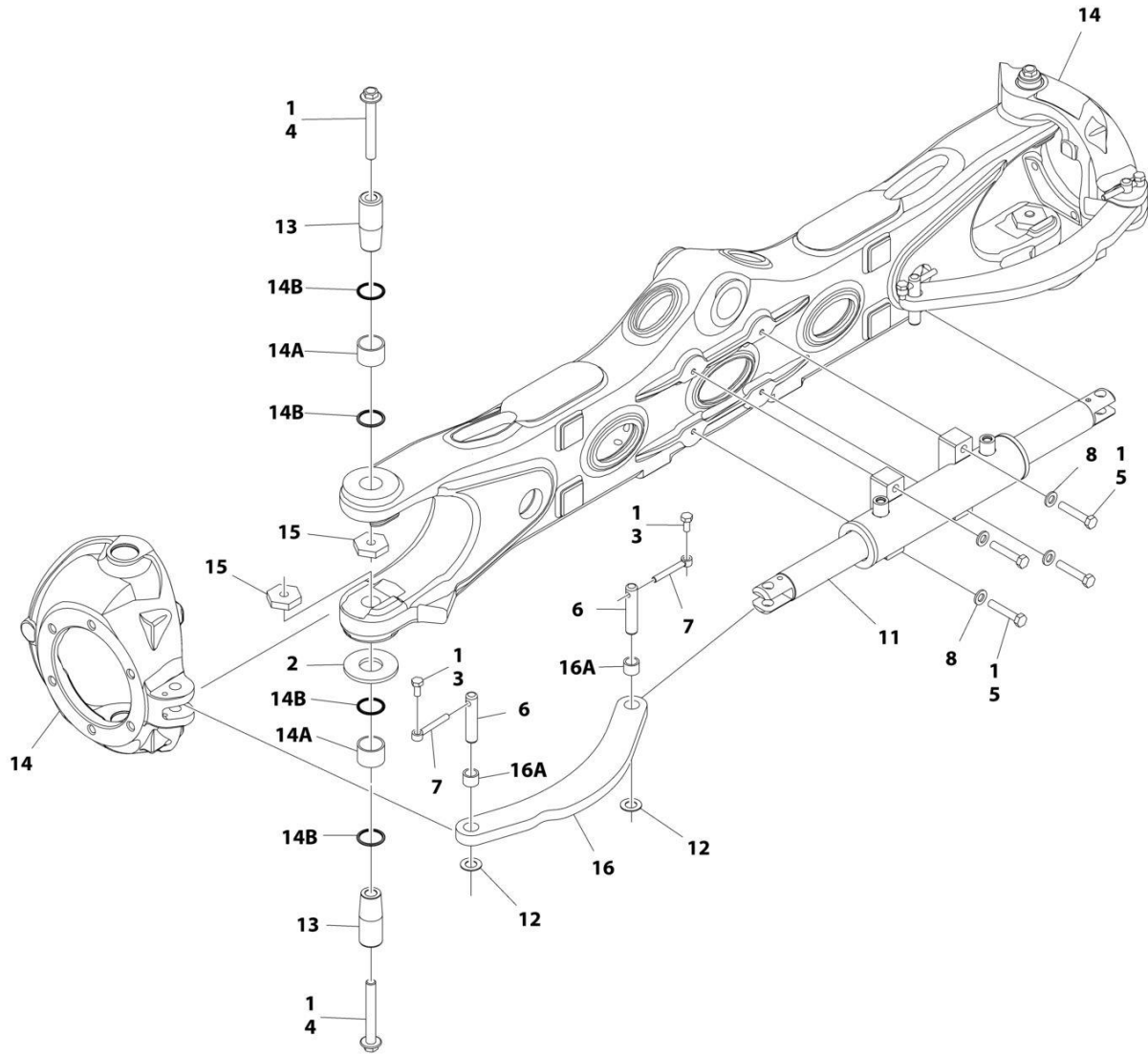
SECTION 1 - FRAME

FIGURE 1-2. AXLE INSTALLATION - OSCILLATING

| ITEM | PART NUMBER | QTY | DESCRIPTION | REV |
|------|-------------|-----|---|-----|
| | 1001177749 | Ref | AXLE INSTALLATION - OSCILLATING | F |
| 1 | 0100011 | AR | Compound, Locking | |
| 2 | 0701222 | 8 | Bolt M12 x 70 | |
| 3 | 0761615 | 1 | Bolt M16 x 35 | |
| 4 | 0961950 | 2 | Bearing | |
| 5 | 3422592 | 1 | Pin | |
| 6 | 3841258 | 1 | Keeper, Pin | |
| 7 | 4740158 | 1 | Washer | |
| 8 | 5241200 | 8 | Washer M12 | |
| 9 | 5251012 | 4 | Bolt M10 x 25 | |
| 10 | 1001118511 | 2 | Pad, Wear | |
| 11 | 1001118518 | 4 | Shim 11Ga | |
| 12 | 1001118519 | 2 | Shim 16Ga | |
| 13 | 1001162995 | 1 | Axle | |
| 14 | 1001163580 | 2 | Axle Lockout Cylinder Assembly (See Separate Breakdown in CYLINDER SECTION) | |
| 15 | 0701012 | 3 | Bolt M10 x 25 | |
| 17 | 5241000 | 3 | Washer M10 | |
| 18 | 1001191201 | 1 | Axle Lockout Valve Assembly | |
| 18A | 7012910 | 2 | Cartridge, Solenoid Less Coil | |
| 18A | 2900708 | 2 | Seal Kit - 7012910 Valve | |
| 18A | 70003977 | 2 | Nut, Coil | |
| 18A | 70050516 | 2 | Coil | |
| 18B | 70005163 | 2 | Cartridge, Solenoid Less Coil | |
| 18B | 70005164 | 2 | Seat Kit - 70005163 Valve | |
| 18B | 7022390 | 2 | Nut, Coil | |
| 18B | 70002963 | 2 | Coil | |
| 20 | 0700616 | 2 | Bolt M6 x 40 | |
| 21 | 3290601 | 2 | Nut M6 | |
| 22 | 4240018 | 5 | Tie-Strap | |
| 23 | 4811700 | 4 | Washer M6 | |
| 24 | 1001186467 | 1 | Sensor, Dual Axis | |
| 25 | 1001187601 | 1 | Oscillating Axle Harness (See Separate Breakdown in ELECTRICAL SECTION) | |
| 26 | 1001187695 | 1 | Bracket | |

SECTION 1 - FRAME

FIGURE 1-3. STEER INSTALLATION



ART_1001177747

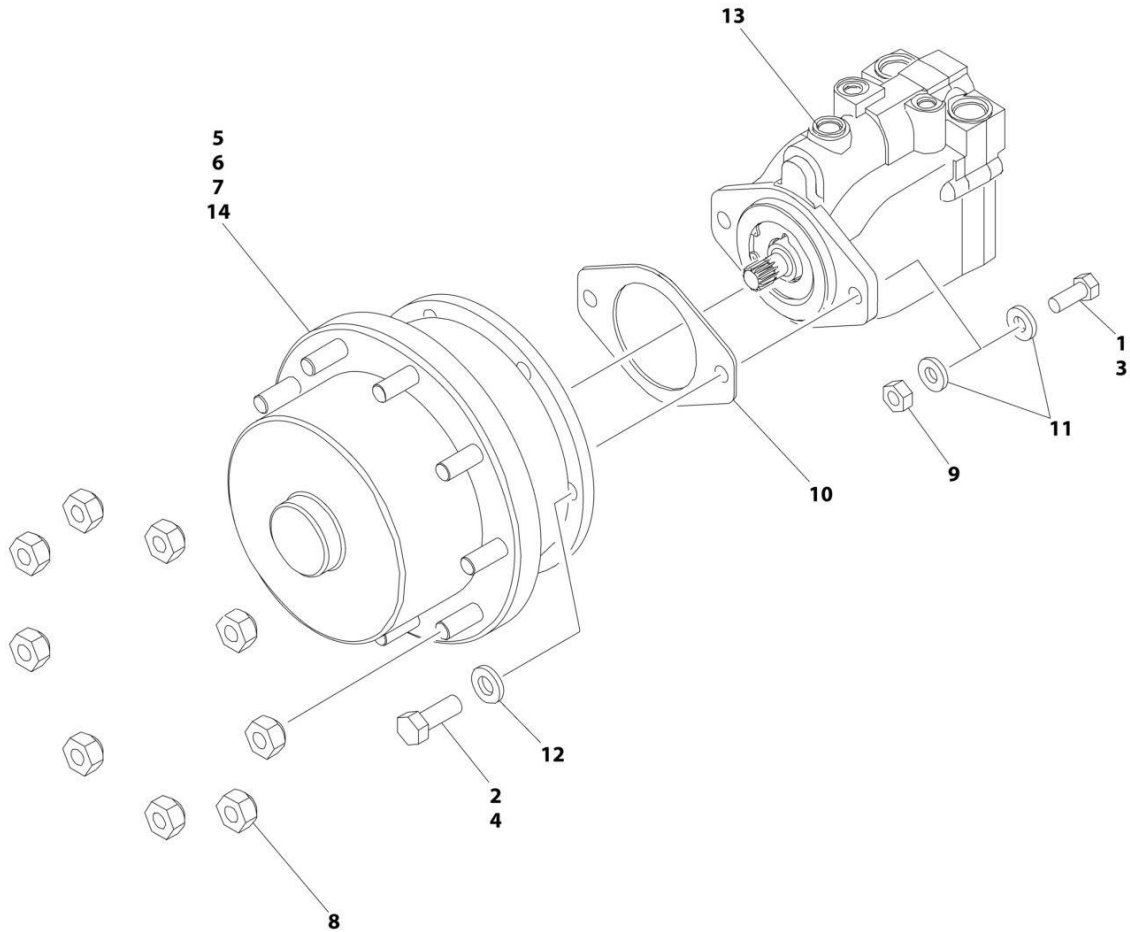
SECTION 1 - FRAME

FIGURE 1-3. STEER INSTALLATION

| ITEM | PART NUMBER | QTY | DESCRIPTION | REV |
|------|-------------|-----|--|-----|
| | 1001177747 | Ref | STEER INSTALLATION | D |
| 1 | 0100011 | AR | Compound, Locking | |
| 2 | 1001233139 | 2 | Washer, Thrust | |
| 3 | 0761011 | 4 | Bolt M10 x 22 | |
| 4 | 1001190368 | 4 | Bolt M16 x 120 | |
| 5 | 0711221 | 4 | Bolt M12 x 65 | |
| 6 | 3423304 | 4 | Pin, Pivot | |
| 7 | 3841143 | 4 | Keeper, Pin | |
| 8 | 5241200 | 4 | Washer M12 | |
| 11 | 1001163178 | 1 | Steer Cylinder Assembly (See Separate Breakdown in CYLINDER SECTION) | |
| 12 | 4740086 | 4 | Washer | |
| 13 | 1001163405 | 4 | Kingpin | |
| 14 | 1001163715 | 2 | Spindle Assembly | |
| 14A | 0961948 | 2 | Bearing | |
| 14B | 1001163716 | 4 | Seal | |
| 15 | 1001176848 | 4 | Nut M16 | |
| 16 | 1001179256 | 2 | Tie-Rod | |
| 16A | 1001164209 | 2 | Bearing | |

SECTION 1 - FRAME

FIGURE 1-4. WHEEL DRIVE INSTALLATION



ART_1001102804

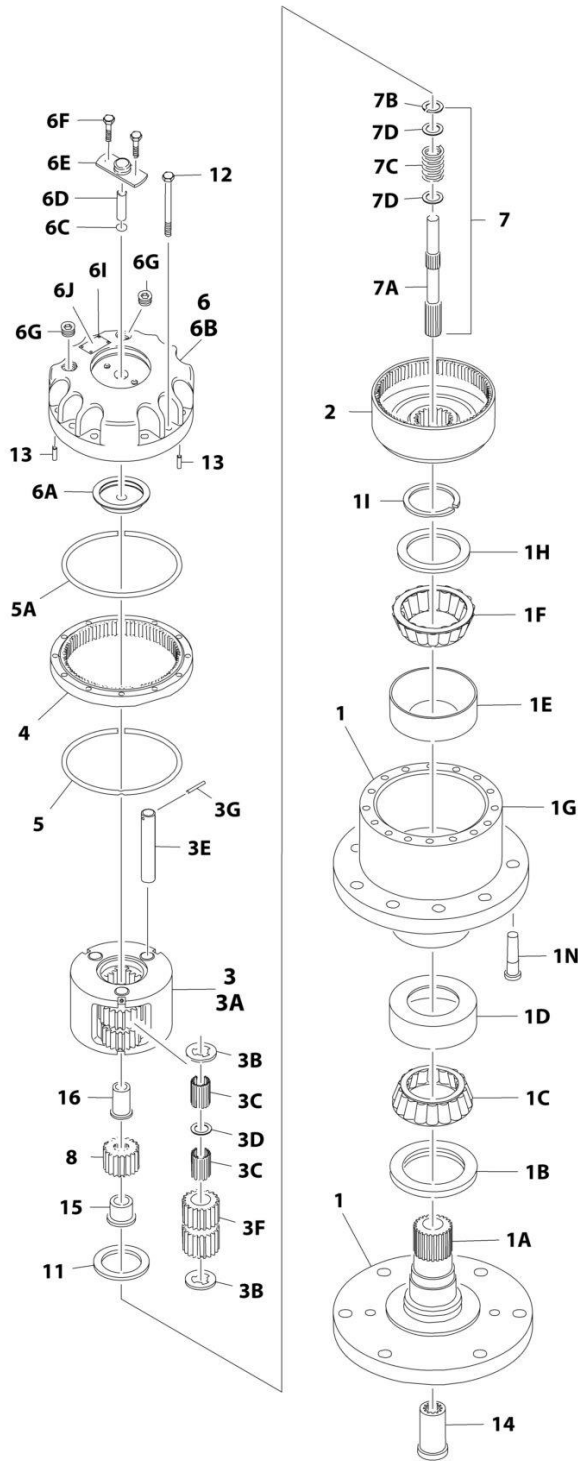
SECTION 1 - FRAME

FIGURE 1-4. WHEEL DRIVE INSTALLATION

| ITEM | PART NUMBER | QTY | DESCRIPTION | REV |
|------|-------------|-----|---|-----|
| | 1001102804 | Ref | WHEEL DRIVE INSTALLATION | H |
| 1 | 0100011 | AR | Compound, Locking | |
| 2 | 0100019 | AR | Compound, Locking | |
| 3 | 0681810 | 4 | Bolt 1/2 x 1-1/4 | |
| 4 | 0682014 | 24 | Bolt 5/8 x 1-3/4 | |
| 6 | 2780267 | 2 | Drive Hub with Brake Assembly (Rear) (See Separate Breakdown in this Section) | |
| 7 | 2780268 | 2 | Drive Hub without Brake Assembly (Front) (See Separate Breakdown in this Section) | |
| 8 | 3300106 | 36 | Lugnut | |
| 9 | 3311801 | 4 | Nut 1/2 | |
| 10 | 3960526 | 4 | Gasket | |
| 11 | 4891800 | 8 | Washer 1/2 | |
| 12 | 4892000 | 24 | Washer 5/8 | |
| 13 | 1001102805 | 4 | Drive Motor Assembly (See Separate Breakdown in this Section) | |

SECTION 1 - FRAME

FIGURE 1-5. DRIVE HUB ASSEMBLY - FRONT



ART_2780268

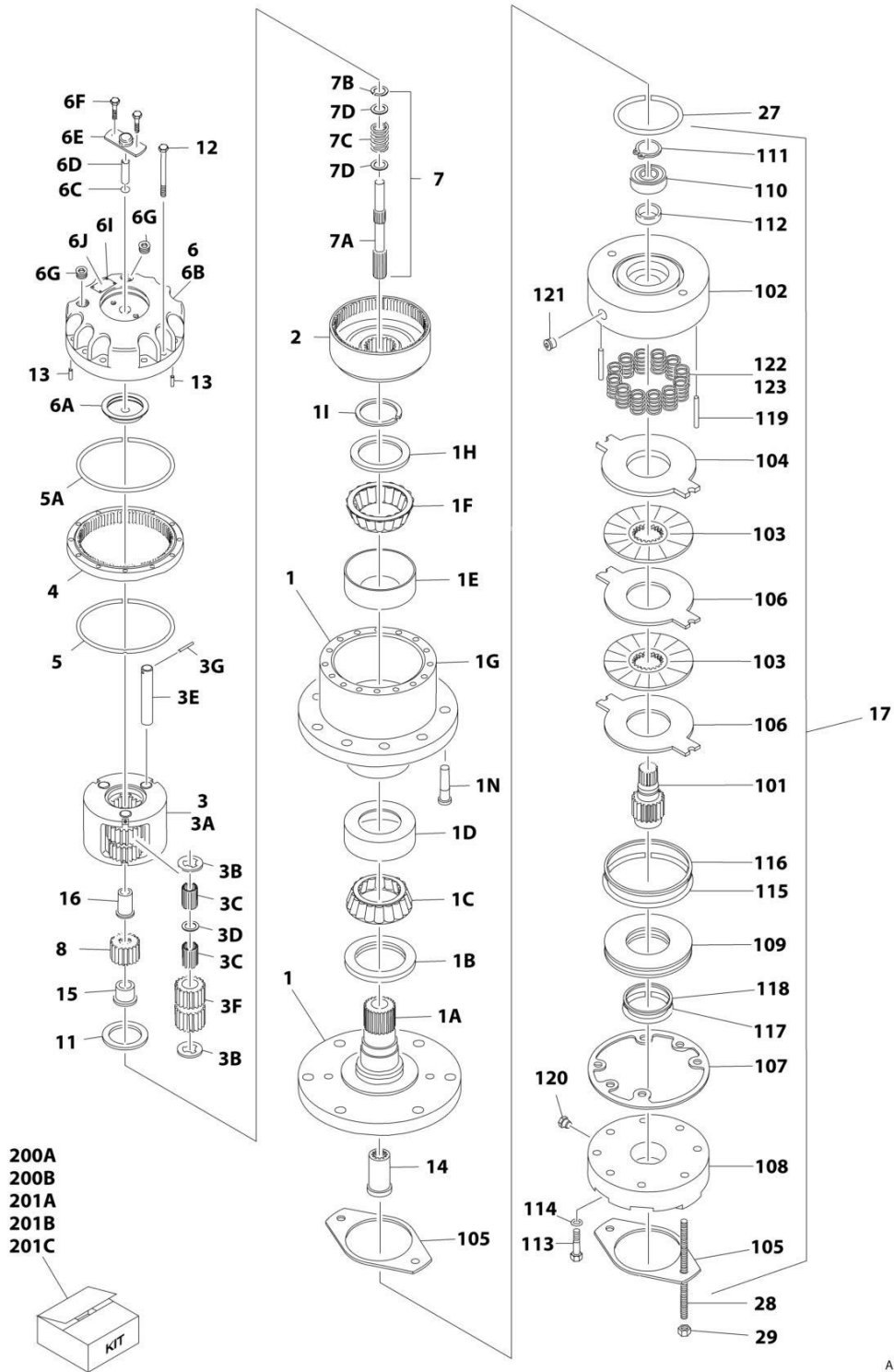
SECTION 1 - FRAME

FIGURE 1-5. DRIVE HUB ASSEMBLY - FRONT

| ITEM | PART NUMBER | QTY | DESCRIPTION | REV |
|------|-------------|-----|---|-----|
| | 2780268 | Ref | DRIVE HUB ASSEMBLY - FRONT | F |
| 1 | See Note | 1 | Spindle/Housing Assembly (Note: Purchase Individual Components) | |
| 1A | 7017059 | 1 | Spindle | |
| 1B | 7001998 | 1 | Seal | |
| 1C | 7010429 | 1 | Cone, Bearing (Includes Item 1D) | |
| 1D | 7010429 | 1 | Cup, Bearing (Includes Item 1C) | |
| 1E | 7000257 | 1 | Cup, Bearing | |
| 1F | 7000258 | 1 | Cone, Bearing | |
| 1G | 7007601 | 1 | Housing/Ring Gear | |
| 1H | 7000232 | 1 | Washer, Thrust | |
| 1I | 7000229 | 1 | Ring, Retaining | |
| 1N | 7007640 | 9 | Stud, Wheel | |
| 2 | 7000246 | 1 | Gear, Internal | |
| 3 | 7024712 | 1 | Carrier Assembly | |
| 3A | See Note | 1 | Carrier (Note: Use Item 3) | |
| 3B | See Note | 6 | Ring, Retaining (Note: Use Item 3) | |
| 3C | See Note | AR | Bearing, Needle (Note: Use Item 3) | |
| 3D | See Note | 3 | Washer, Thrust (Note: Use Item 3) | |
| 3E | See Note | 3 | Shaft, Planet (Note: Use Item 3) | |
| 3F | See Note | 3 | Gear, Planet (Note: Use Item 3) | |
| 3G | See Note | 3 | Roll Pin (Note: Use Item 3) | |
| 4 | 7000248 | 1 | Ring Gear | |
| 5 | 7000230 | 1 | O-Ring | |
| 5A | 7017070 | 1 | O-Ring | |
| 6 | 70001349 | 1 | Cover Assembly Kit | |
| 6A | See Note | 1 | Spacer, Thrust (Note: Use Item 6) | |
| 6B | See Note | 1 | Plate, Cover (Note: Use Item 6) | |
| 6C | See Note | 1 | O-Ring (Note: Use Item 6) | |
| 6D | See Note | 1 | Rod, Disconnect (Note: Use Item 6) | |
| 6E | See Note | 1 | Cap, Disengage (Note: Use Item 6) | |
| 6F | See Note | 2 | Bolt (Note: Use Item 6) | |
| 6G | See Note | 1 | Plug, Pipe (Note: Use Item 6) | |
| 6I | See Note | 4 | Rivet (Note: Not Available for Purchase) | |
| 6J | See Note | 1 | Plate, ID (Note: Not Available for Purchase) | |
| 7 | | Ref | Input Shaft Assembly | |
| 7A | 7024714 | 1 | Shaft | |
| 7B | 7000261 | 1 | Ring, Retaining | |
| 7C | 7000262 | 1 | Spring | |
| 7D | 7000263 | 2 | Spacer, Thrust | |
| 8 | 7024713 | 1 | Gear, Sun | |
| 11 | 7000253 | 1 | Washer, Thrust | |
| 12 | 7017067 | 12 | Bolt | |
| 13 | 7017080 | 4 | Pin, Dowel | |
| 14 | 7000206 | 1 | Coupling | |
| 15 | 7024715 | 1 | Spacer, Input | |
| 16 | 7024716 | 1 | Spacer, Input | |

SECTION 1 - FRAME

FIGURE 1-6. DRIVE HUB AND BRAKE ASSEMBLY - REAR



SECTION 1 - FRAME

FIGURE 1-6. DRIVE HUB AND BRAKE ASSEMBLY - REAR

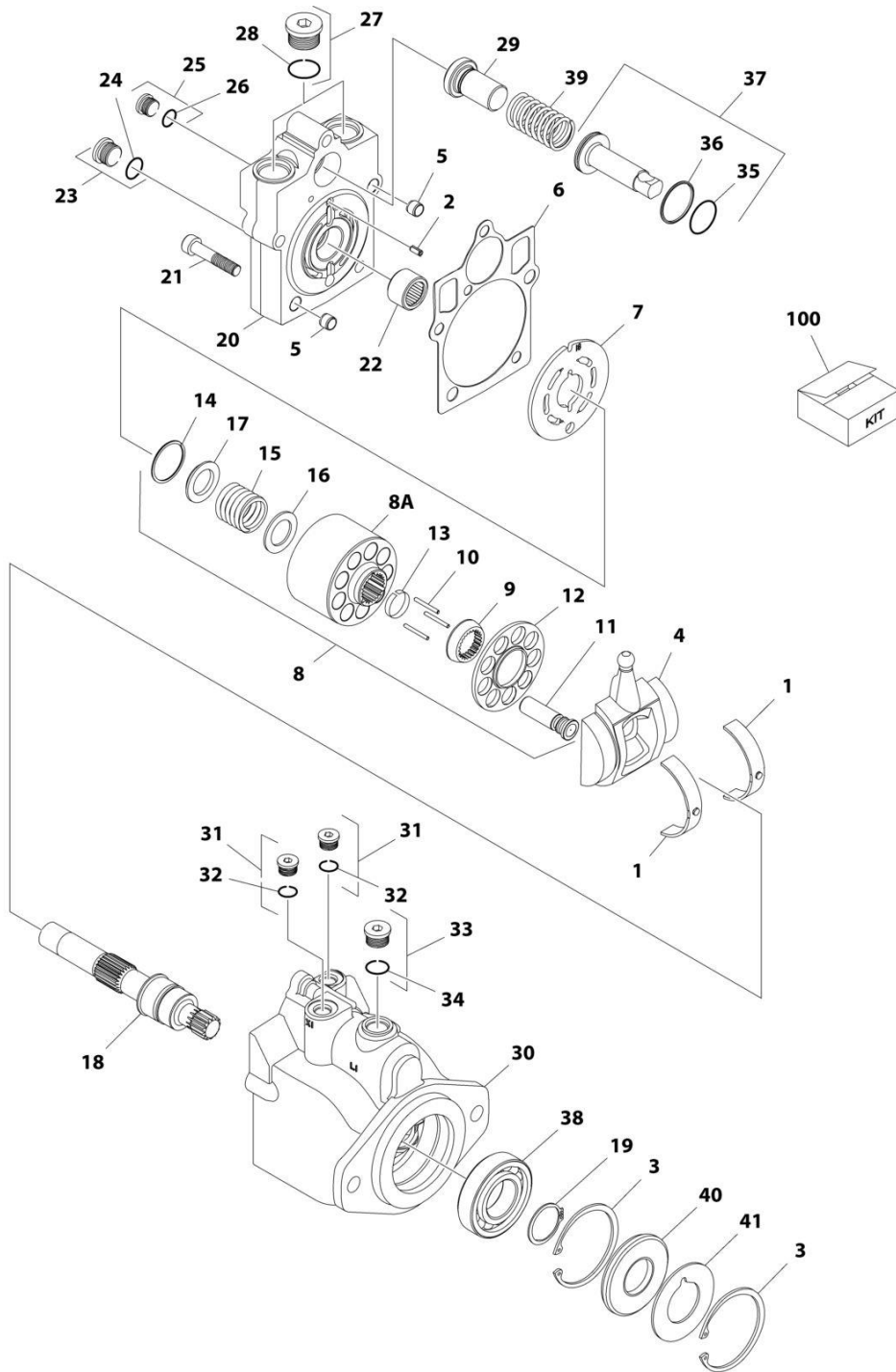
| ITEM | PART NUMBER | QTY | DESCRIPTION | REV |
|------|-------------|-----|---|-----|
| | 2780267 | Ref | DRIVE HUB AND BRAKE ASSEMBLY - REAR | I |
| 1 | See Note | 1 | Spindle/Housing Assembly (Note: Purchase Individual Components) | |
| 1A | 7017059 | 1 | Spindle | |
| 1B | 7001998 | 1 | Seal | |
| 1C | 7010429 | 1 | Cone, Bearing (Includes Item 1D) | |
| 1D | 7010429 | 1 | Cup, Bearing (Includes Item 1C) | |
| 1E | 7000257 | 1 | Cup, Bearing | |
| 1F | 7000258 | 1 | Cone, Bearing | |
| 1G | 7007601 | 1 | Housing/Ring Gear | |
| 1H | 7000232 | 1 | Washer, Thrust | |
| 1I | 7000229 | 1 | Ring, Retaining | |
| 1N | 7007640 | 9 | Stud, Wheel | |
| 2 | 7000246 | 1 | Gear, Internal | |
| 3 | 7024712 | 1 | Carrier Assembly | |
| 3A | See Note | 1 | Carrier (Note: Use Item 3) | |
| 3B | See Note | 6 | Ring, Retaining (Note: Use Item 3) | |
| 3C | See Note | AR | Bearing, Needle (Note: Use Item 3) | |
| 3D | See Note | 3 | Washer, Thrust (Note: Use Item 3) | |
| 3E | See Note | 3 | Shaft, Planet (Note: Use Item 3) | |
| 3F | See Note | 3 | Gear, Planet (Note: Use Item 3) | |
| 3G | See Note | 3 | Roll Pin (Note: Use Item 3) | |
| 4 | 7000248 | 1 | Ring Gear | |
| 5 | 7000230 | 1 | O-Ring | |
| 5A | 7017070 | 1 | O-Ring | |
| 6 | 70001349 | 1 | Cover Assembly Kit | |
| 6A | See Note | 1 | Spacer, Thrust (Note: Use Item 6) | |
| 6B | See Note | 1 | Plate, Cover (Note: Use Item 6) | |
| 6C | See Note | 1 | O-Ring (Note: Use Item 6) | |
| 6D | See Note | 1 | Rod, Disconnect (Note: Use Item 6) | |
| 6E | See Note | 1 | Cap, Disengage (Note: Use Item 6) | |
| 6F | See Note | 2 | Bolt (Note: Use Item 6) | |
| 6G | See Note | 1 | Plug, Pipe (Note: Use Item 6) | |
| 6I | See Note | 4 | Rivet (Note: Not Available for Purchase) | |
| 6J | See Note | 1 | Plate, ID (Note: Not Available for Purchase) | |
| 7 | | Ref | Input Shaft Assembly | |
| 7A | 7024714 | 1 | Shaft | |
| 7B | 7000261 | 1 | Ring, Retaining | |
| 7C | 7000262 | 1 | Spring | |
| 7D | 7000263 | 2 | Spacer, Thrust | |
| 8 | 7024713 | 1 | Gear, Sun | |
| 11 | 7000253 | 1 | Washer, Thrust | |
| 12 | 7017067 | 12 | Bolt | |
| 13 | 7017080 | 4 | Pin, Dowel | |
| 14 | 7000206 | 1 | Coupling | |
| 15 | 7024715 | 1 | Spacer, Input | |
| 16 | 7024716 | 1 | Spacer, Input | |
| 17 | 7024182 | 1 | Brake Assembly (See Items 101-123 for Breakdown) | |
| 27 | 7024705 | 1 | O-Ring | |
| 28 | 7024717 | 2 | Rod, Threaded | |

SECTION 1 - FRAME

| ITEM | PART NUMBER | QTY | DESCRIPTION | REV |
|------|-------------|-----|---|-----|
| 29 | 7024718 | 2 | Nut 1/2in-13NC | |
| | 7024182 | Ref | BRAKE ASSEMBLY | |
| 101 | 7024189 | 1 | Shaft | |
| 102 | See Note | 1 | Housing (Note: Use Item 17) | |
| 103 | See Note | 2 | Plate, Friction (Note: Use Item 201B) | |
| 104 | See Note | 1 | Plate, Pressure (Note: Use Item 201B) | |
| 105 | 7000731 | 2 | Gasket | |
| 106 | See Note | 2 | Plate, Outer (Note: Use Item 201B) | |
| 107 | See Note | 1 | Gasket (Note: Use Item 200A, 201B or 201C) | |
| 108 | 7024191 | 1 | Cylinder | |
| 109 | 7024192 | 1 | Piston | |
| 110 | See Note | 1 | Bearing, Ball (Note: Use Item 201C) | |
| 111 | See Note | 1 | Ring, Retaining (Note: Use Item 201C) | |
| 112 | See Note | 1 | Seal, Shaft (Note: Use Item 201C) | |
| 113 | See Note | 6 | Capscrew (Note: Use Item 17) | |
| 114 | See Note | 6 | Lockwasher (Note: Use Item 17) | |
| 115 | See Note | 1 | O-Ring (Note: Use Item 200B) | |
| 116 | See Note | 1 | Ring, Back-up (Note: Use Item 200B) | |
| 117 | See Note | 1 | O-Ring (Note: Use Item 200B) | |
| 118 | See Note | 1 | Ring, Back-up (Note: Use Item 200B) | |
| 119 | 7024190 | 2 | Pin, Dowel | |
| 120 | See Note | 1 | Plug (Note: Use Item 17) | |
| 121 | See Note | 2 | Plug (Note: Use Item 17) | |
| 122 | See Note | 12 | Spring Kit (Natural) (Note: Use Item 201A) | |
| 123 | See Note | 2 | Spring Kit (Blue) (Note: Use Item 201A) | |
| | | Ref | Kit Options | |
| 200 | | Ref | Seal Kit Options: | |
| 200A | See Note | 1 | Hub Seal Kit (Note: Purchase Individual Components) | |
| 200B | 7024194 | 1 | Brake Seal Kit (Includes Items 105, 107 & 115-118) | |
| 201 | | Ref | Repair Kit Options: | |
| 201A | 7024196 | 1 | Brake Spring Kit (Includes 12 Natural Colored and 2 Blue Colored Springs Items 122 & 123) | |
| 201B | 7024193 | 1 | Brake Friction Disc Kit (Includes Items 103, 104, 106 & 107) | |
| 201C | 7024197 | 1 | Brake Bearing Kit (Includes Items 107 & 110-112) | |

SECTION 1 - FRAME

FIGURE 1-7. DRIVE MOTOR ASSEMBLY



ART_1001102805

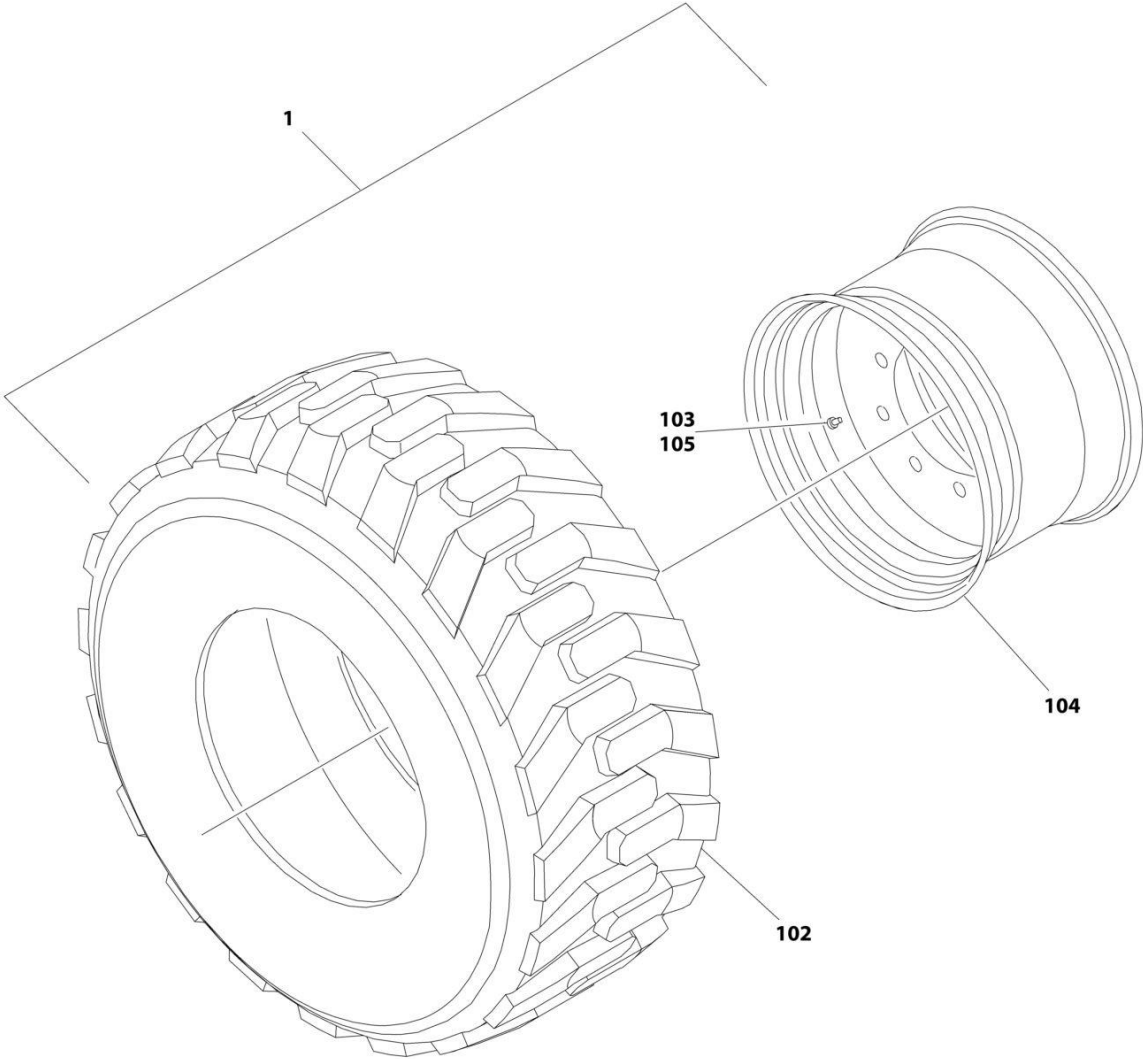
SECTION 1 - FRAME

FIGURE 1-7. DRIVE MOTOR ASSEMBLY

| ITEM | PART NUMBER | QTY | DESCRIPTION | REV |
|------|-------------|-----|--|-----|
| | 1001102805 | Ref | DRIVE MOTOR ASSEMBLY | D |
| 1 | 7022302 | 2 | Bearing, Journal | |
| 2 | 7007446 | 1 | Pin | |
| 3 | 7007438 | 2 | Ring, Retaining | |
| 4 | 7022305 | 1 | Swash Plate | |
| 5 | See Note | 2 | Pin (Note: Not Available for Purchase) | |
| 6 | See Note | 1 | Gasket (Note: Use Item 100) | |
| 7 | 7024862 | 1 | Plate, Valve | |
| 8 | 7023907 | 1 | Cylinder Block Kit (Includes Items 8A & 9-17) | |
| 8A | See Note | 1 | Block, Cylinder (Note: Use Item 8) | |
| 9 | 7021277 | 1 | Guide, Slipper Retainer | |
| 10 | 7021275 | 3 | Pin, Slipper Hold Down | |
| 11 | See Note | 9 | Piston Assembly (Note: Use Item 8) | |
| 12 | 7021276 | 1 | Retainer, Hold Down Pin | |
| 13 | 7022310 | 1 | Retainer, Slipper | |
| 14 | 7022311 | 1 | Ring, Retaining | |
| 15 | 7022312 | 1 | Spring | |
| 16 | 7024868 | 1 | Washer | |
| 17 | 7022314 | 1 | Retainer, Spring | |
| 18 | 7023910 | 1 | Shaft | |
| 19 | 7007439 | 1 | Ring, Retaining | |
| 20 | 70000797 | 1 | Cap, End - Axial | |
| 21 | 7022368 | 5 | Screw | |
| 22 | 7021249 | 1 | Bearing, Needle | |
| 23 | 2220886 | 1 | Plug (Includes Item 24) | |
| 24 | See Note | 1 | O-Ring (Note: Use Item 23 or 100) | |
| 25 | 2220883 | 1 | Plug (Includes Item 26) | |
| 26 | See Note | 1 | O-Ring (Note: Use Item 25 or 100) | |
| 27 | 7027419 | 2 | Plug (Includes Item 28) | |
| 28 | See Note | 2 | O-Ring (Note: Use Item 27 or 100) | |
| 29 | 7022369 | 1 | Seat, Spring | |
| 30 | 70001932 | 1 | Housing | |
| 31 | 2220883 | 2 | Plug (Includes Item 32) | |
| 32 | See Note | 2 | O-Ring (Note: Use Item 31 or 100) | |
| 33 | 2220886 | 1 | Plug (Includes Item 34) | |
| 34 | See Note | 1 | O-Ring (Note: Use Item 33 or 100) | |
| 35 | See Note | 1 | O-Ring (Note: Use Item 37 or 100) | |
| 36 | See Note | 1 | Ring, Seal (Note: Use Item 37 or 100) | |
| 37 | 7024854 | 1 | Piston, Servo (Includes Items 35 & 36) | |
| 38 | 7007437 | 1 | Bearing | |
| 39 | 7022326 | 1 | Spring | |
| 40 | See Note | 1 | Seal, Lip (Note: Use Item 100) | |
| 41 | 7022371 | 1 | Washer, Support | |
| 100 | 7022328 | 1 | Seal Kit (Includes Items 6, 24, 26, 28, 32, 34, 35, 36 & 40) | |

SECTION 1 - FRAME

FIGURE 1-8. TIRE AND WHEEL INSTALLATION - 12 X 16.5 FOAM FILLED



ART_0270092

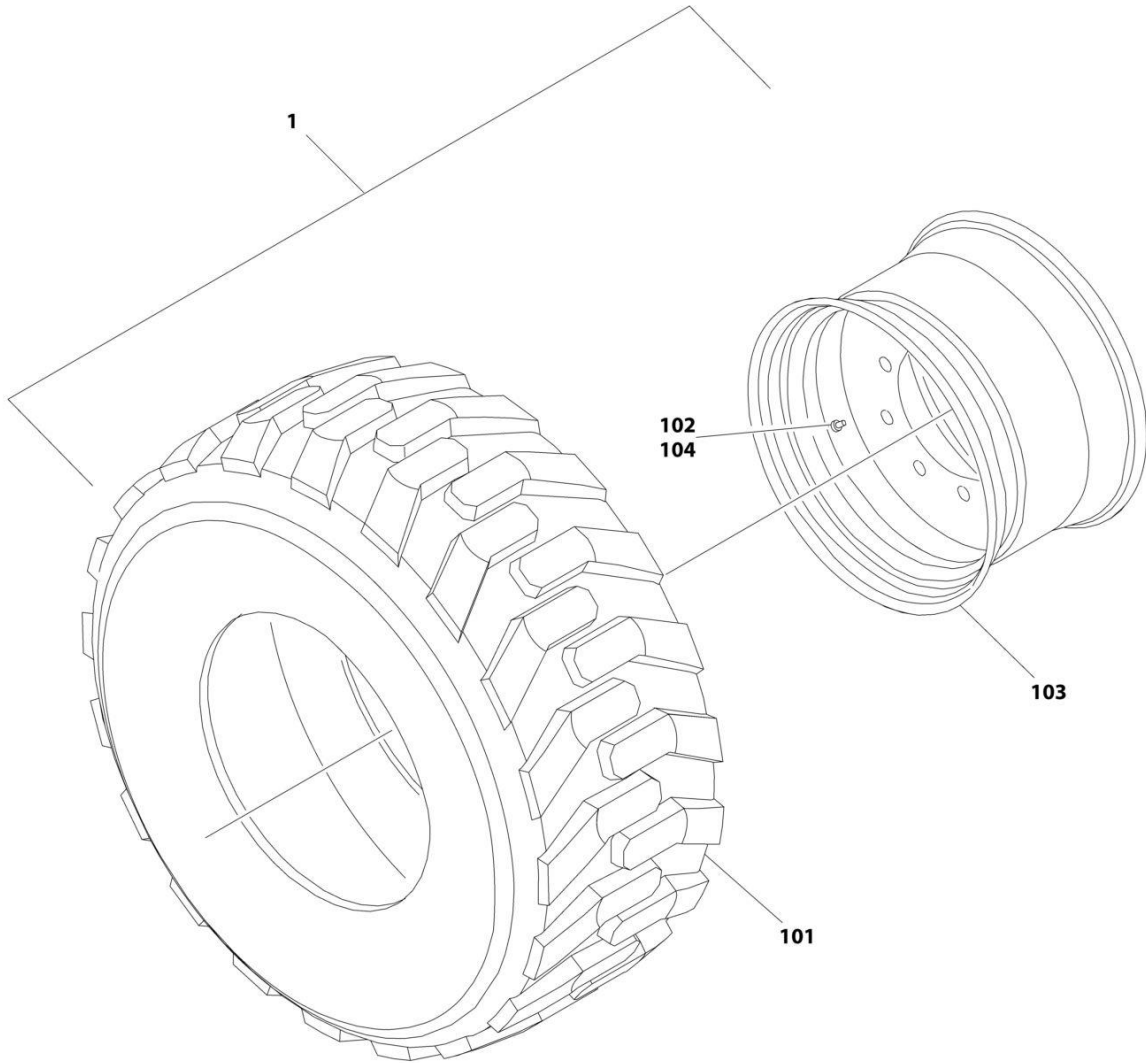
SECTION 1 - FRAME

FIGURE 1-8. TIRE AND WHEEL INSTALLATION - 12 X 16.5 FOAM FILLED

| ITEM | PART NUMBER | QTY | DESCRIPTION | REV |
|------|-------------|-----|--|-----|
| | 0270092 | Ref | TIRE AND WHEEL INSTALLATION - 12 X 16.5 FOAM FILLED | C |
| | | Ref | Note: Assemblies may require ballast/foam filling to manufacturer's specifications prior to installing on a machine. Refer to Operation and Safety or Service and Maintenance Manuals. Purchase individual tire and/or rim only if able to foam fill tire and wheel assembly, otherwise, purchase complete assembly. | |
| 1 | 1001148865 | 2 | Tire and Wheel Assembly - 12 x 16.5 (RH Side) | G |
| 1 | 1001148866 | 2 | Tire and Wheel Assembly - 12 x 16.5 (LH Side) | G |
| 102 | 4520216 | 4 | Tire - 12 x 16.5 | |
| 103 | 4641122 | 4 | Valve | |
| 104 | 1001147274 | 4 | Rim, Wheel | |
| 105 | 1001149953 | 4 | Cap, Valve Stem | |

SECTION 1 - FRAME

FIGURE 1-9. TIRE AND WHEEL INSTALLATION - 12 X 16.5 FOAM FILLED NON-MARKING



ART_0270653

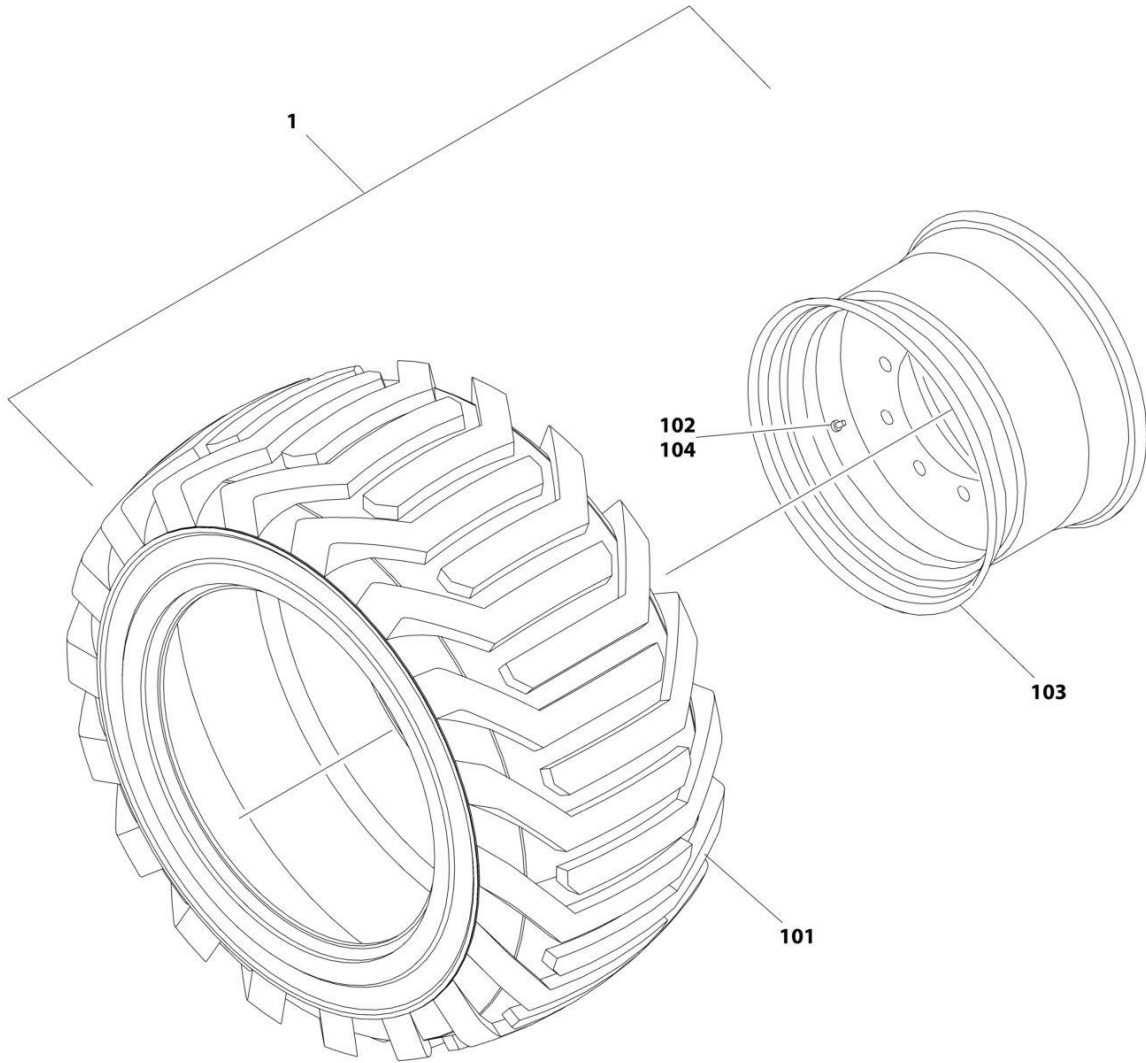
SECTION 1 - FRAME

FIGURE 1-9. TIRE AND WHEEL INSTALLATION - 12 X 16.5 FOAM FILLED NON-MARKING

| ITEM | PART NUMBER | QTY | DESCRIPTION | REV |
|------|-------------|-----|--|-----|
| | 0270653 | Ref | TIRE AND WHEEL INSTALLATION - 12 X 16.5 FOAM FILLED | B |
| | | Ref | Note: Assemblies may require ballast/foam filling to manufacturer's specifications prior to installing on a machine. Refer to Operation and Safety or Service and Maintenance Manuals. Purchase individual tire and/or rim only if able to foam fill tire and wheel assembly, otherwise, purchase complete assembly. | |
| 1 | 1001148869 | 1 | Tire and Wheel Assembly - Right Side | H |
| 1 | 1001148870 | 1 | Tire and Wheel Assembly - Left Side | H |
| 101 | 4520240 | 1 | Tire 12 x 16.5 Non-Marking | |
| 102 | 4641122 | 1 | Valve | |
| 103 | 1001147274 | 1 | Rim, Wheel | |
| 104 | 1001149953 | 1 | Cap, Valve Stem | |

SECTION 1 - FRAME

FIGURE 1-10. TIRE AND WHEEL INSTALLATION - IN395/45/D20 FOAM FILLED



ART_1001179171

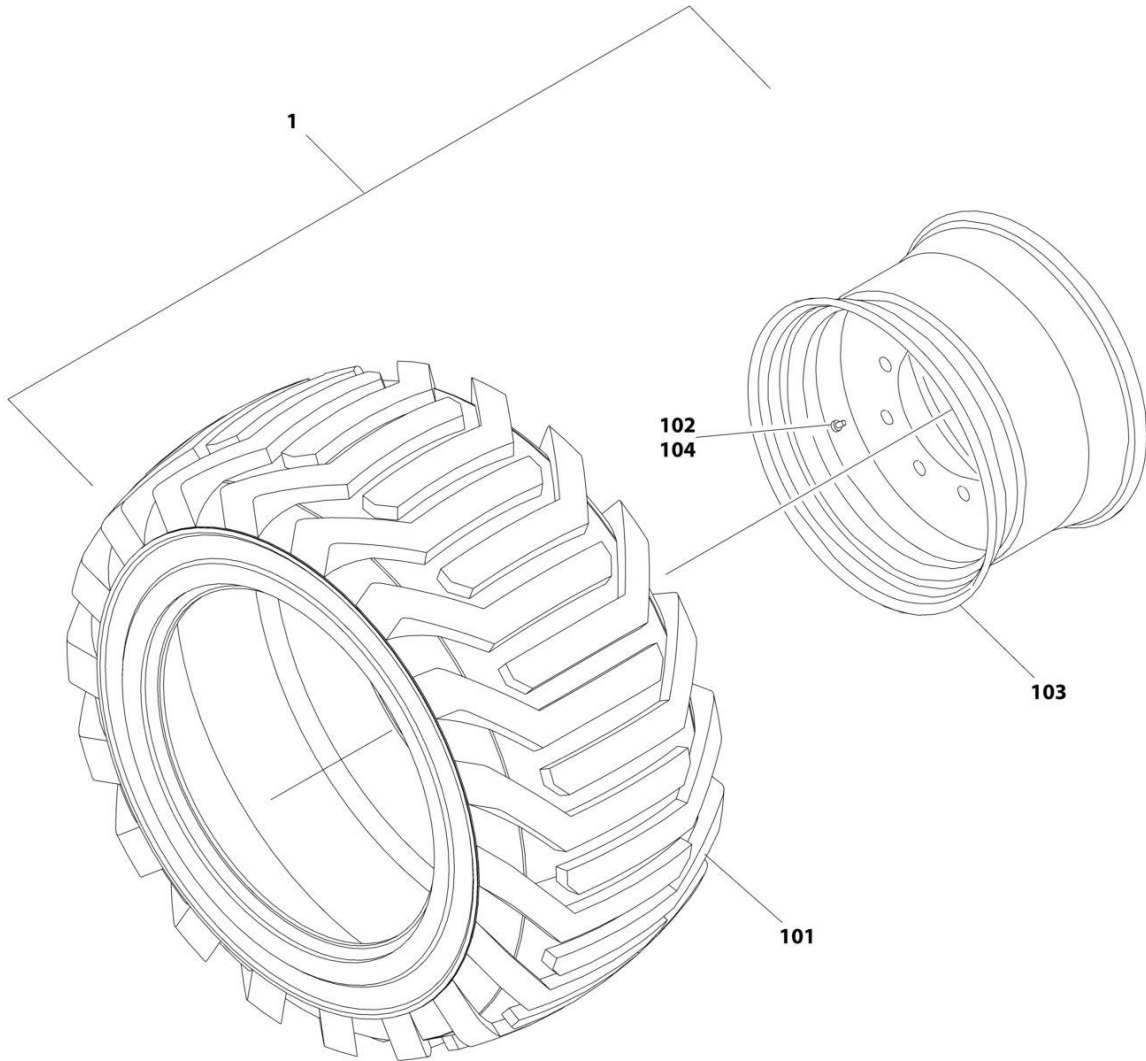
SECTION 1 - FRAME

FIGURE 1-10. TIRE AND WHEEL INSTALLATION - IN395/45/D20 FOAM FILLED

| ITEM | PART NUMBER | QTY | DESCRIPTION | REV |
|------|-------------|-----|--|-----|
| | 1001179171 | Ref | TIRE AND WHEEL INSTALLATION - IN395/45/D20 FOAM FILLED | A |
| | | Ref | Note: Assemblies may require ballast/foam filling to manufacturer's specifications prior to installing on a machine. Refer to Operation and Safety or Service and Maintenance Manuals. Purchase individual tire and/or rim only if able to foam fill tire and wheel assembly, otherwise, purchase complete assembly. | |
| 1 | 1001179173 | 2 | Tire and Wheel Assembly - IN395/45/D20 Non-Marking (RH Side) | B |
| 1 | 1001179172 | 2 | Tire and Wheel Assembly - IN395/45/D20 Non-Marking (LH Side) | B |
| 101 | 1001179175 | 4 | Tire IN395/45/D20 | |
| 102 | 4641122 | 4 | Valve | |
| 103 | 1001179174 | 4 | Rim, Wheel | |
| 104 | 1001149953 | 4 | Cap, Valve Stem | |

SECTION 1 - FRAME

FIGURE 1-11. TIRE AND WHEEL INSTALLATION - IN395/45/D20 FOAM FILLED NON-MARKING



ART_1001179956

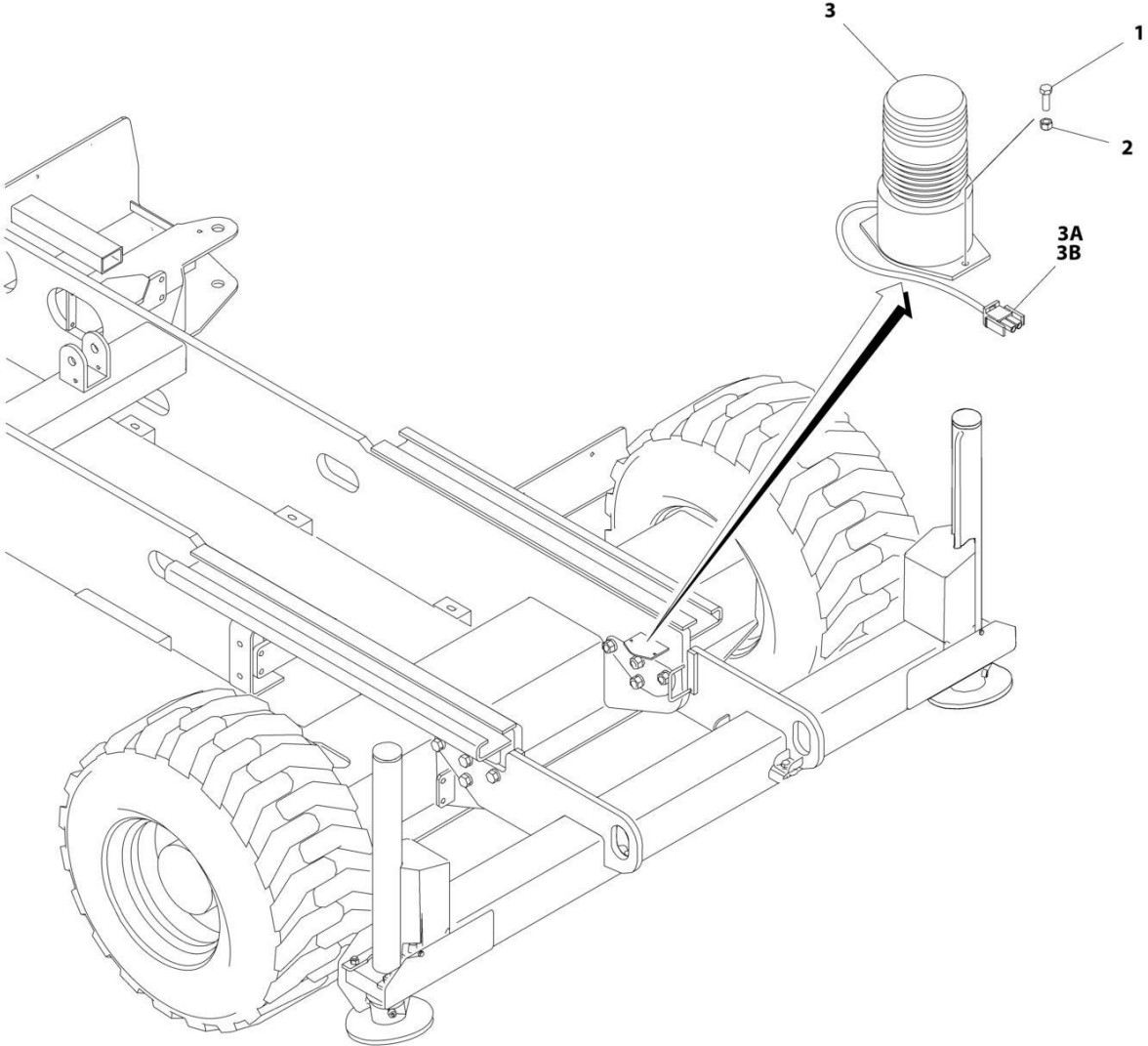
SECTION 1 - FRAME

FIGURE 1-11. TIRE AND WHEEL INSTALLATION - IN395/45/D20 FOAM FILLED NON-MARKING

| ITEM | PART NUMBER | QTY | DESCRIPTION | REV |
|------|-------------|-----|--|-----|
| | 1001179956 | Ref | TIRE AND WHEEL INSTALLATION - IN395/45/D20 FOAM FILLED NON-MARKING | A |
| | | Ref | Note: Assemblies may require ballast/foam filling to manufacturer's specifications prior to installing on a machine. Refer to Operation and Safety or Service and Maintenance Manuals. Purchase individual tire and/or rim only if able to foam fill tire and wheel assembly, otherwise, purchase complete assembly. | |
| 1 | 1001179958 | 2 | Tire and Wheel Assembly - IN395/45/D20 Non-Marking (RH Side) | B |
| 1 | 1001179957 | 2 | Tire and Wheel Assembly - IN395/45/D20 Non-Marking (LH Side) | B |
| 101 | 1001179959 | 4 | Tire IN395/45/D20 Non-Marking | |
| 102 | 4641122 | 4 | Valve | |
| 103 | 1001179174 | 4 | Rim, Wheel | |
| 104 | 1001149953 | 4 | Cap, Valve Stem | |

SECTION 1 - FRAME

FIGURE 1-12. BEACON LIGHT INSTALLATION - OPTIONAL



ART_1001205340

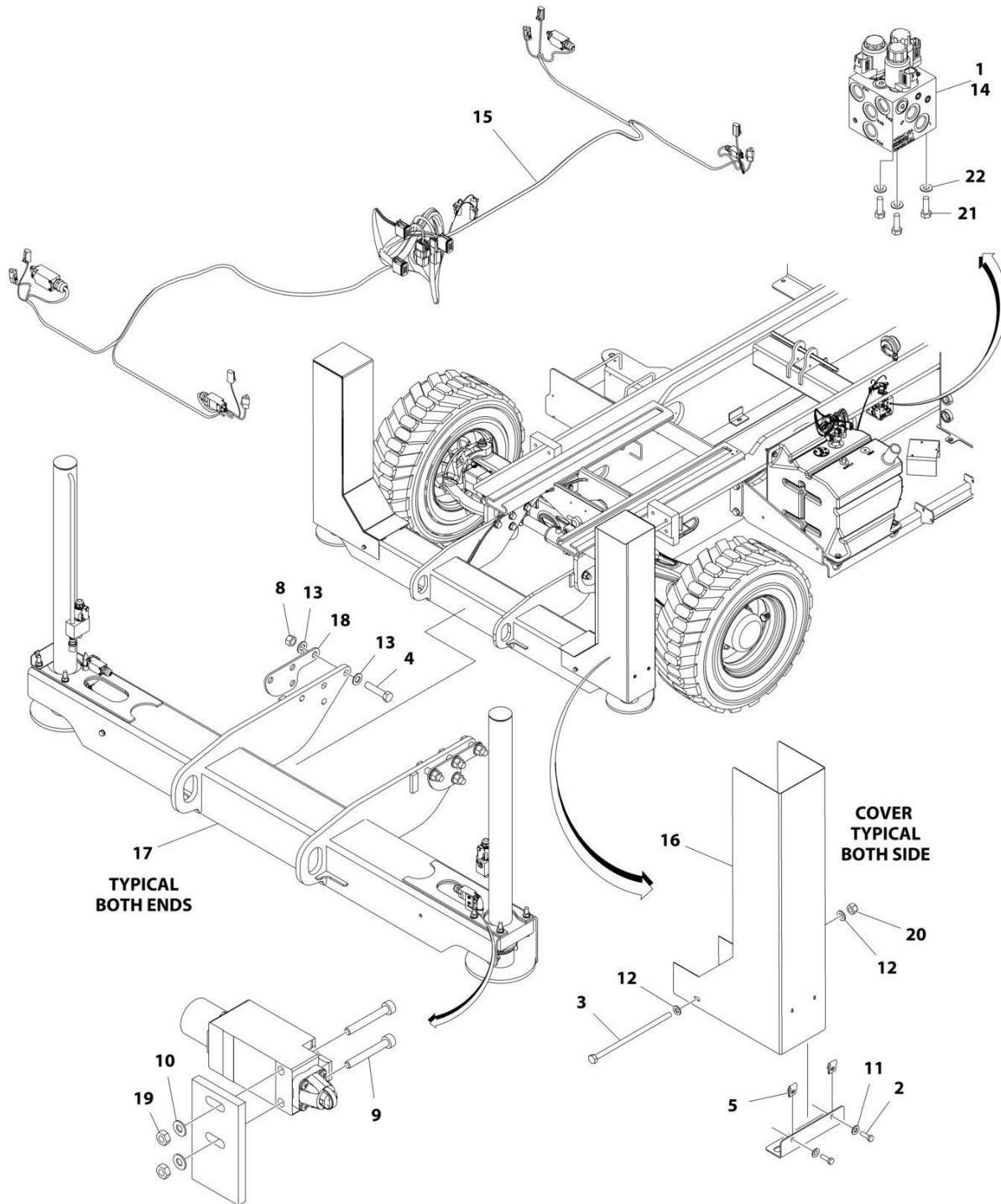
SECTION 1 - FRAME

FIGURE 1-12. BEACON LIGHT INSTALLATION - OPTIONAL

| ITEM | PART NUMBER | QTY | DESCRIPTION | REV |
|------|-------------|-----|--------------------------------------|-----|
| | 1001205340 | Ref | BEACON LIGHT INSTALLATION - OPTIONAL | A |
| 1 | 0760508 | 2 | Bolt, M5 X 16 | |
| 2 | 3290505 | 2 | Nut, Lock M5 X 0.8 | |
| 3 | 1001205343 | 1 | Beacon Light Assembly | |
| 3 | 2920146 | 1 | Beacon Light (Amber) | |
| 3 | 7016319 | 1 | Bulb, Replacement | |
| 3 | 7016372 | 1 | Len, Replacement | |
| 3A | 4460320 | 1 | Plug, Male - 2 Position | |
| 3B | 4460267 | 2 | Terminal | |

SECTION 1 - FRAME

FIGURE 1-13. LEVELING JACKS INSTALLATION



ART_1001178866

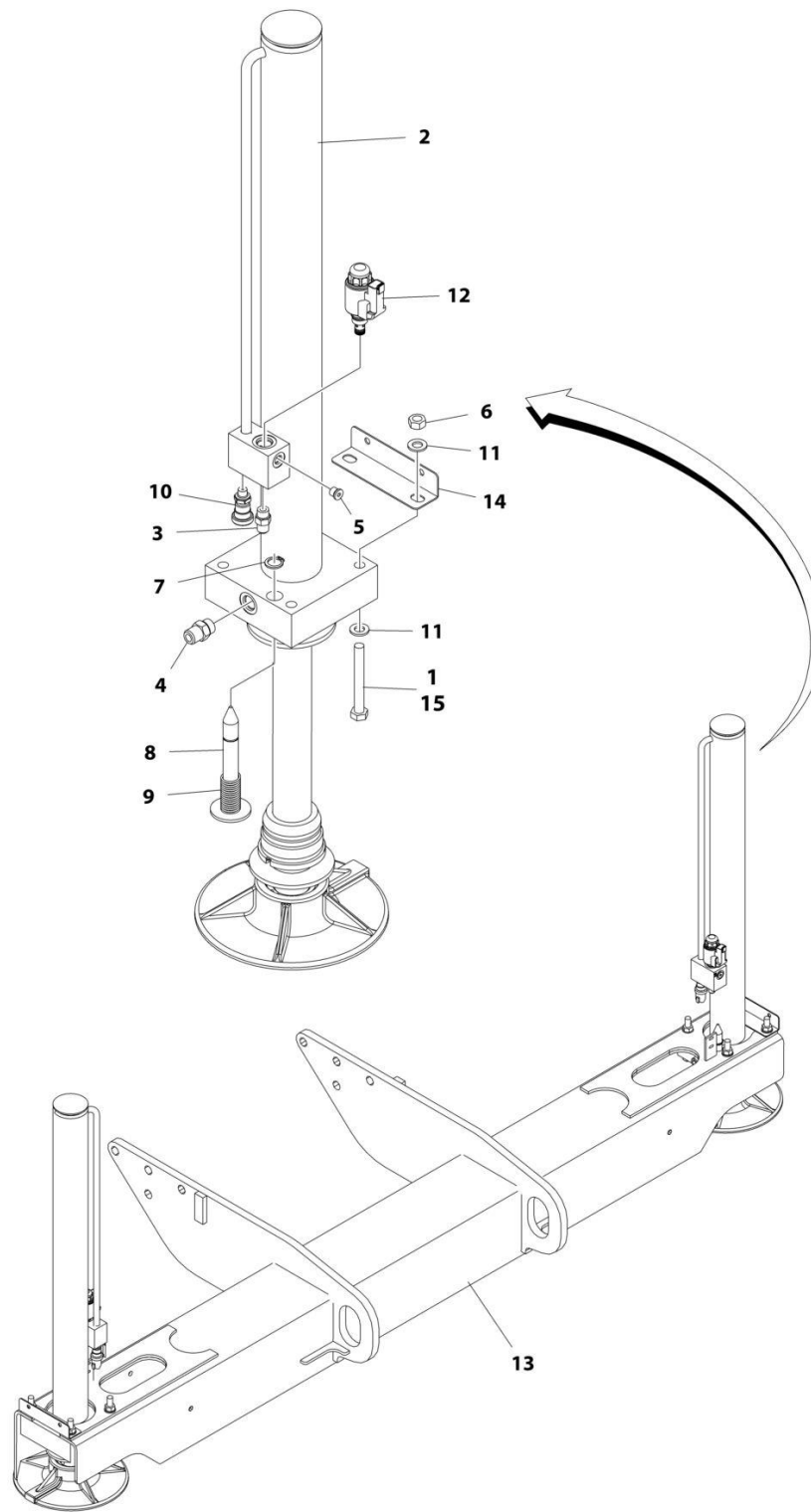
SECTION 1 - FRAME

FIGURE 1-13. LEVELING JACKS INSTALLATION

| ITEM | PART NUMBER | QTY | DESCRIPTION | REV |
|------|-------------|-----|---|-----|
| | 1001178866 | Ref | LEVELING JACKS INSTALLATION | I |
| 1 | 0100011 | AR | Compound, Locking | |
| 2 | 0700610 | 8 | Bolt M6 x 20 | |
| 3 | 0701039 | 4 | Bolt M10 x 220 | |
| 4 | 0712026 | 16 | Bolt M20 x 90 | |
| 5 | 1001130220 | 8 | Nut, Tinnerman M6 | |
| 8 | 3332017 | 16 | Nut M20 | |
| 9 | 4031510 | 8 | Capscrew M4 x 30 | |
| 10 | 4811400 | 8 | Washer M4 | |
| 11 | 4811900 | AR | Washer M8 | |
| 11 | 4811702 | AR | Washer M6 | |
| 12 | 4812000 | 8 | Washer M10 | |
| 13 | 5242000 | 32 | Washer M20 | |
| 14 | 1001217108 | 1 | Leveling Jack Valve Assembly (See Separate Breakdown in this Section) | |
| 15 | 1001103801 | 1 | Leveling Jack Harness (See Separate Breakdown in ELECTRICAL SECTION) | |
| 16 | 1001179200 | 4 | Cover | |
| 17 | 1001182971 | 2 | Leveling Jack Assembly (See Separate Breakdown in this Section) | |
| 18 | 1001183328 | 4 | Plate | |
| 19 | 3290401 | 8 | Nut M4 | |
| 20 | 3291005 | 4 | Nut M10 | |
| 21 | 0641508 | 3 | Bolt 5/16 x 1 | |
| 22 | 4711500 | 3 | Washer 5/16 | |

SECTION 1 - FRAME

FIGURE 1-14. LEVELING JACKS ASSEMBLY



ART_1001182971_E

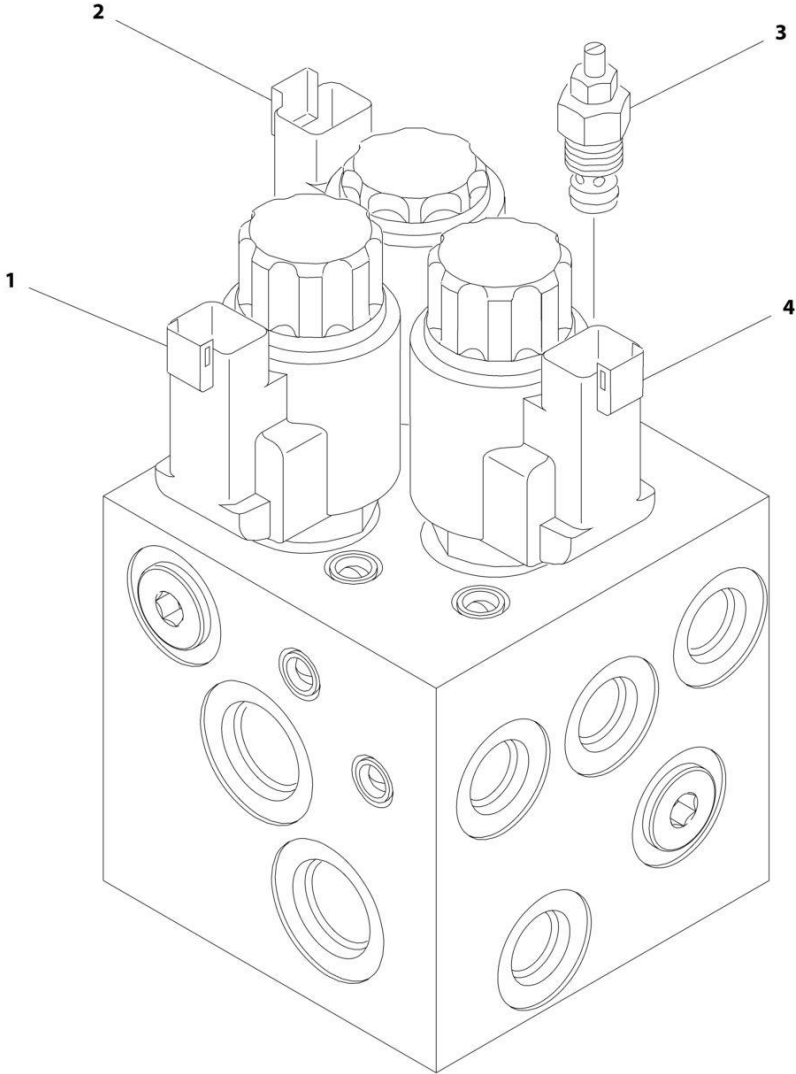
SECTION 1 - FRAME

FIGURE 1-14. LEVELING JACKS ASSEMBLY

| ITEM | PART NUMBER | QTY | DESCRIPTION | REV |
|------|-------------|-----|---|-----|
| | 1001182971 | Ref | LEVELING JACKS ASSEMBLY | E |
| 1 | 0761227 | 8 | Bolt M12 x 100 | |
| 2 | 1001231261 | 2 | Jack Cylinder Assembly (See Separate Breakdown in CYLINDER SECTION) | |
| 3 | 2220371 | 2 | Fitting, Straight JIC/ORB | |
| 4 | 2220373 | 2 | Fitting, Straight JIC/ORB | |
| 5 | 2220883 | 2 | Plug | |
| 6 | 3331211 | 8 | Nut M12 | |
| 7 | 3760348 | 2 | Ring, Retaining | |
| 8 | 3841564 | 2 | Rod | |
| 9 | 4160116 | 2 | Spring | |
| 10 | 4360518 | 2 | Transducer, Pressure | |
| 11 | 4812100 | 16 | Washer M12 | |
| 12 | 1001103761 | 2 | Cartridge, Solenoid Valve | |
| 12 | 7024502 | 2 | Seal Kit - 1001103761 Valve (1 Per Cartridge) | |
| 12 | 70001965 | 2 | Coil (1 Per Cartridge) | |
| 12 | 7024506 | 2 | Coil Nut Kit (1 Per Cartridge) | |
| 13 | 1001179911 | 1 | Frame, Jack | |
| 14 | 1001191325 | 2 | Bracket | |
| 15 | 0100011 | AR | Compound, Locking | |

SECTION 1 - FRAME

FIGURE 1-15. LEVELING JACKS VALVE ASSEMBLY



ART_1001217108

SECTION 1 - FRAME

FIGURE 1-15. LEVELING JACKS VALVE ASSEMBLY

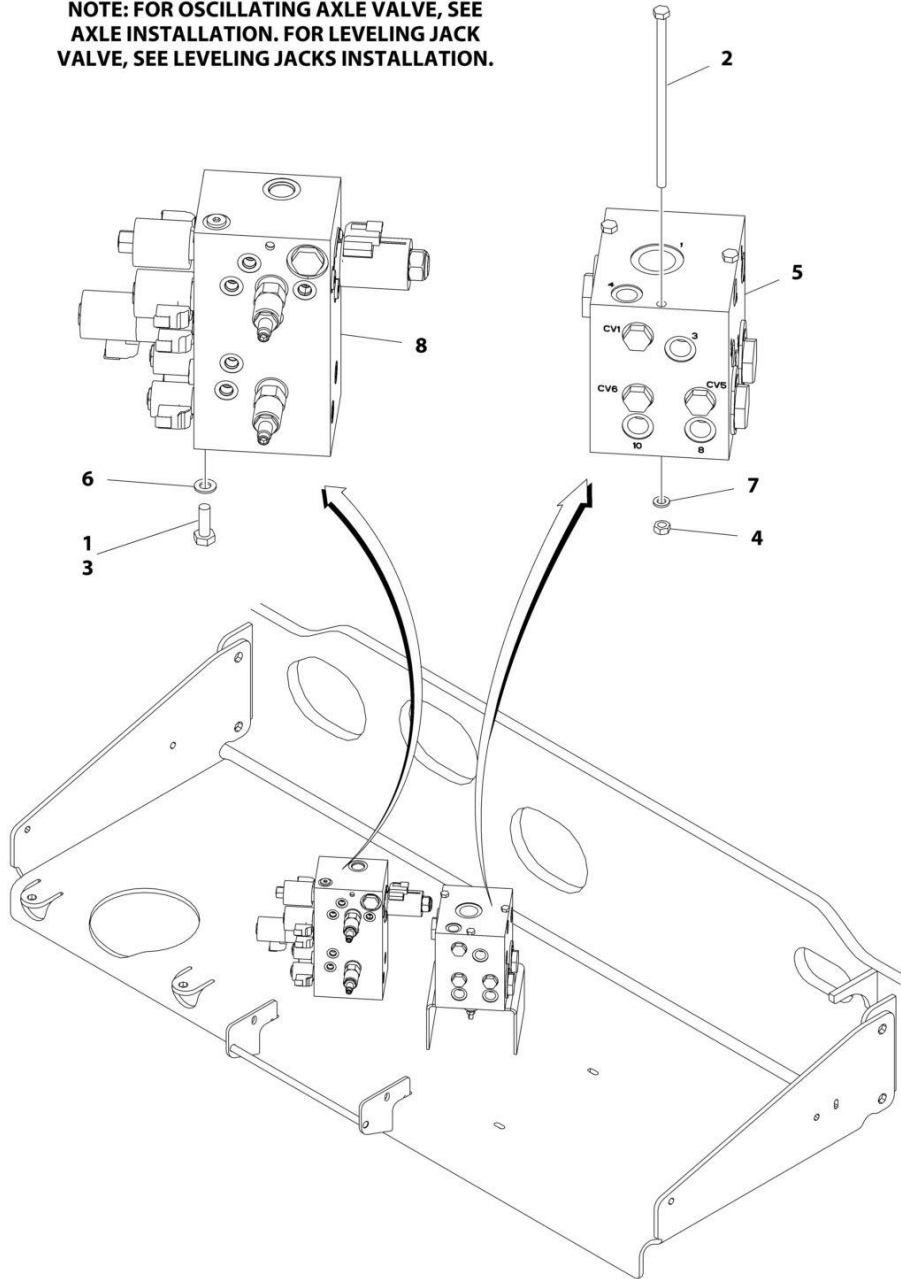
| ITEM | PART NUMBER | QTY | DESCRIPTION | REV |
|------|-------------|-----|----------------------------------|-----|
| | 1001217108 | Ref | LEVELING JACKS VALVE ASSEMBLY | B |
| 1 | 7024497 | 1 | Cartridge without Coil (Retract) | |
| 1 | 7024502 | 1 | Seal Kit - 7024497 Cartridge | |
| 1 | 70001965 | 1 | Coil | |
| 1 | 7024506 | 1 | Coil Nut Kit | |
| 2 | 7024498 | 1 | Cartridge without Coil (Extend) | |
| 2 | 7024503 | 1 | Seal Kit - 7024498 Cartridge | |
| 2 | 70001965 | 1 | Coil | |
| 2 | 7024507 | 1 | Coil Nut Kit | |
| 3 | 70006292 | 1 | Cartridge (Thermal Relief) | |
| 3 | 7024504 | 1 | Seal Kit - 70006292 Cartridge | |
| 4 | 7024500 | 1 | Cartridge without Coil | |
| 4 | 7024505 | 1 | Seal Kit - 7024500 Cartridge | |
| 4 | 70001965 | 1 | Coil | |
| 4 | 7024506 | 1 | Coil Nut Kit | |

SECTION 2 - GROUND CONTROLS

SECTION 2 - GROUND CONTROLS

FIGURE 2-1. VALVE INSTALLATION

NOTE: FOR OSCILLATING AXLE VALVE, SEE AXLE INSTALLATION. FOR LEVELING JACK VALVE, SEE LEVELING JACKS INSTALLATION.



ART_1001178489

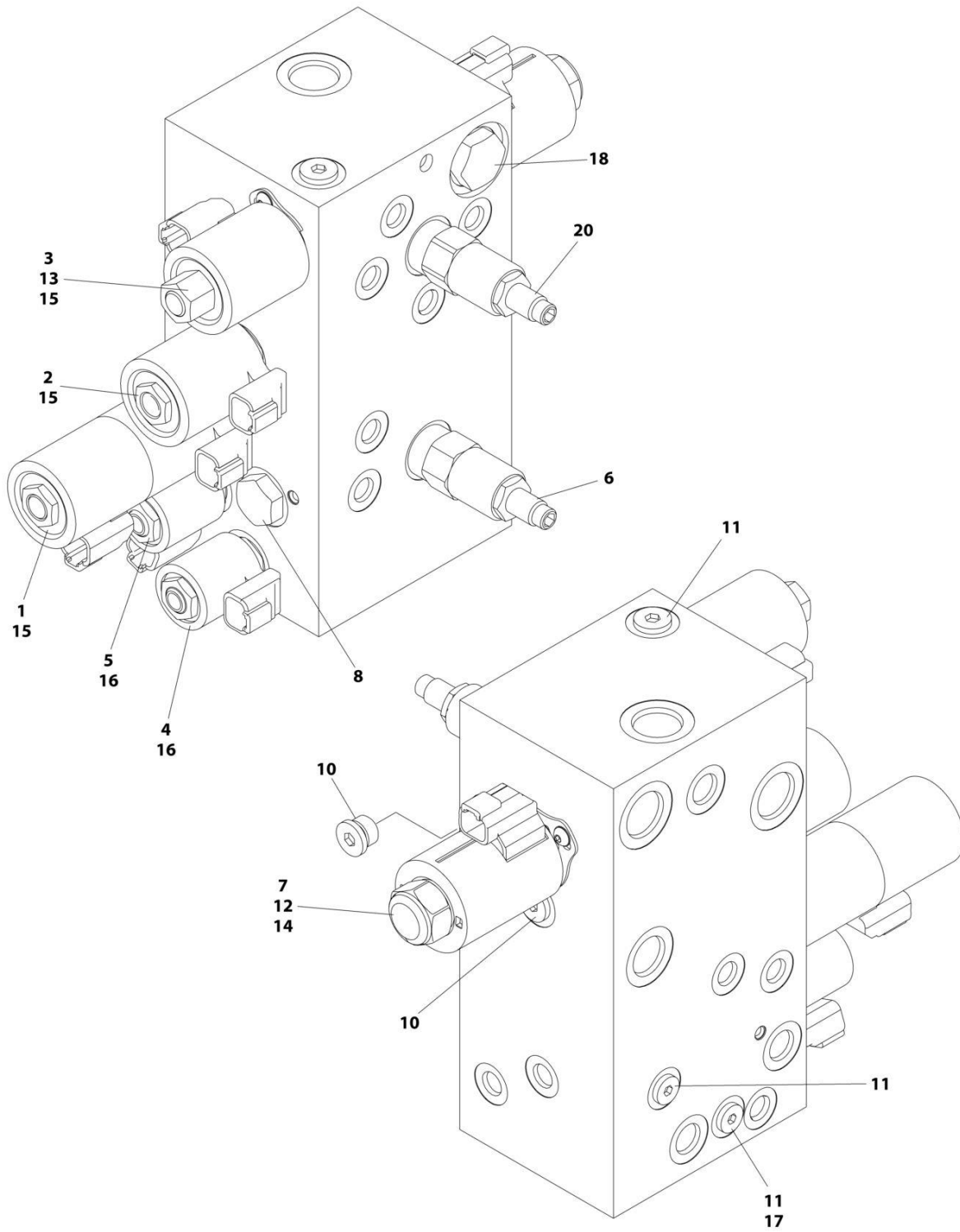
SECTION 2 - GROUND CONTROLS

FIGURE 2-1. VALVE INSTALLATION

| ITEM | PART NUMBER | QTY | DESCRIPTION | REV |
|------|-------------|-----|--|-----|
| | 1001178489 | Ref | VALVE INSTALLATION | D |
| 1 | 0100011 | AR | Compound, Locking | |
| 2 | 0700836 | 3 | Bolt M8 x 190 | |
| 3 | 0771014 | 4 | Bolt M10 x 30 | |
| 4 | 3290801 | 3 | Nut M8 | |
| 5 | 4641303 | 1 | Flow Divider Valve Assembly (See Separate Breakdown in this Section) | |
| 6 | 4812000 | 4 | Washer M10 | |
| 7 | 4831900 | 3 | Washer M8 | |
| 8 | 1001234828 | 1 | Main Valve Assembly (See Separate Breakdown in this Section) | |

SECTION 2 - GROUND CONTROLS

FIGURE 2-2. MAIN VALVE ASSEMBLY



ART_1001234828_C

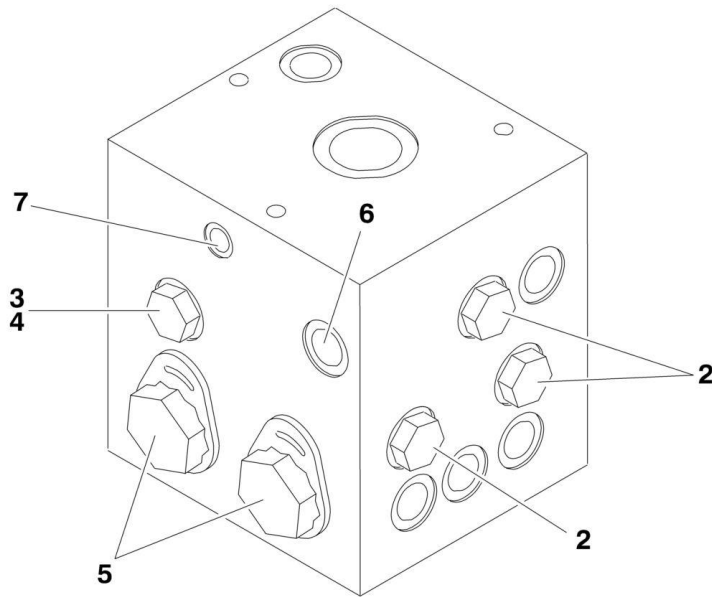
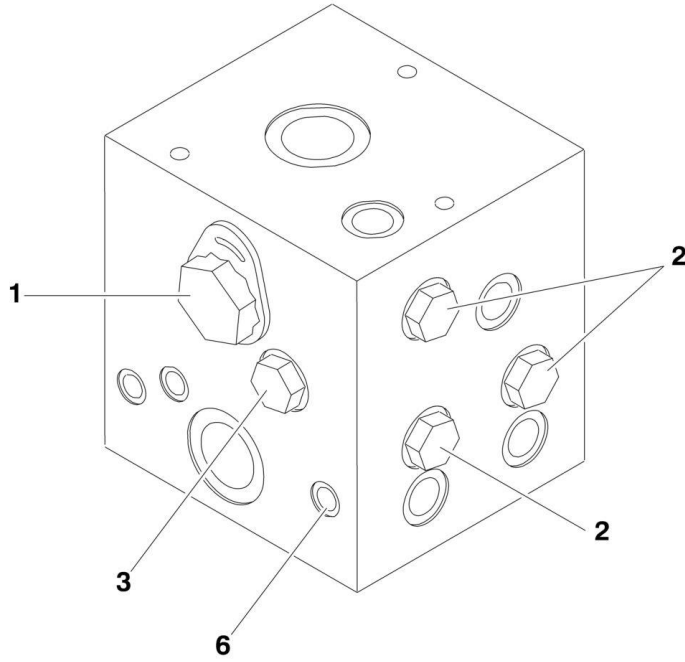
SECTION 2 - GROUND CONTROLS

FIGURE 2-2. MAIN VALVE ASSEMBLY

| ITEM | PART NUMBER | QTY | DESCRIPTION | REV |
|------|-------------|-----|---|-----|
| | 1001234828 | Ref | MAIN VALVE ASSEMBLY | C |
| 1 | 70005449 | 1 | Cartridge, Solenoid Less Coil (Steer) | |
| 1 | 70005073 | 1 | Seal Kit - 70005449 Valve | |
| 1 | 70003024 | 1 | Spacer, Coil | |
| 1 | 7022390 | 1 | Nut, Coil | |
| 2 | 70005448 | 1 | Cartridge, Solenoid Less Coil (Lift Up) | |
| 2 | 70004580 | 1 | Seal Kit - 70005448 Valve | |
| 2 | 7022390 | 1 | Nut, Coil | |
| 3 | 70005069 | 1 | Cartridge, Solenoid Less Coil (Main Dump) | |
| 3 | 7022399 | 1 | Seal Kit - 70005069 Valve | |
| 3 | 70003977 | 1 | Nut, Coil | |
| 4 | 70005167 | 1 | Cartridge, Solenoid Less Coil | |
| 4 | 7023900 | 1 | Seal Kit - 70005167 Valve | |
| 4 | 7022390 | 1 | Nut, Coil | |
| 5 | 70005167 | 1 | Cartridge, Solenoid Less Coil | |
| 5 | 7023900 | 1 | Seal Kit - 70005167 Valve | |
| 5 | 7022390 | 1 | Nut, Coil | |
| 6 | 70007036 | 1 | Cartridge, Relief Valve | |
| 6 | 7023936 | 1 | Seal Kit - 70007036 Valve | |
| 7 | 70006786 | 1 | Cartridge, Solenoid Less Coil | |
| 7 | 7012925 | 1 | Seal Kit - 70006786 Valve | |
| 8 | 7022398 | 1 | Cartridge, Valve (Load Shuttle) | |
| 8 | 7023900 | 1 | Seal Kit - 7022398 Valve | |
| 10 | 2220885 | 3 | Plug | |
| 11 | 2220883 | 2 | Plug | |
| 12 | 70005725 | 1 | Lock Down Kit | |
| 13 | 70005724 | 1 | Lock Down Kit | |
| 14 | 70003789 | 1 | Coil | |
| 15 | 70001967 | 4 | Coil | |
| 16 | 70001977 | 2 | Coil | |
| 17 | 70004883 | 1 | Orifice | |
| 18 | 70005100 | 1 | Cartridge, Check Valve | |
| 18 | 7022399 | 1 | Seal Kit - 70005100 Valve | |
| 20 | 70005165 | 1 | Cartridge, Relief Valve | |
| 20 | 7022399 | 1 | Seal Kit - 70005165 Valve | |

SECTION 2 - GROUND CONTROLS

FIGURE 2-3. FLOW DIVIDER VALVE ASSEMBLY



ART_4641303

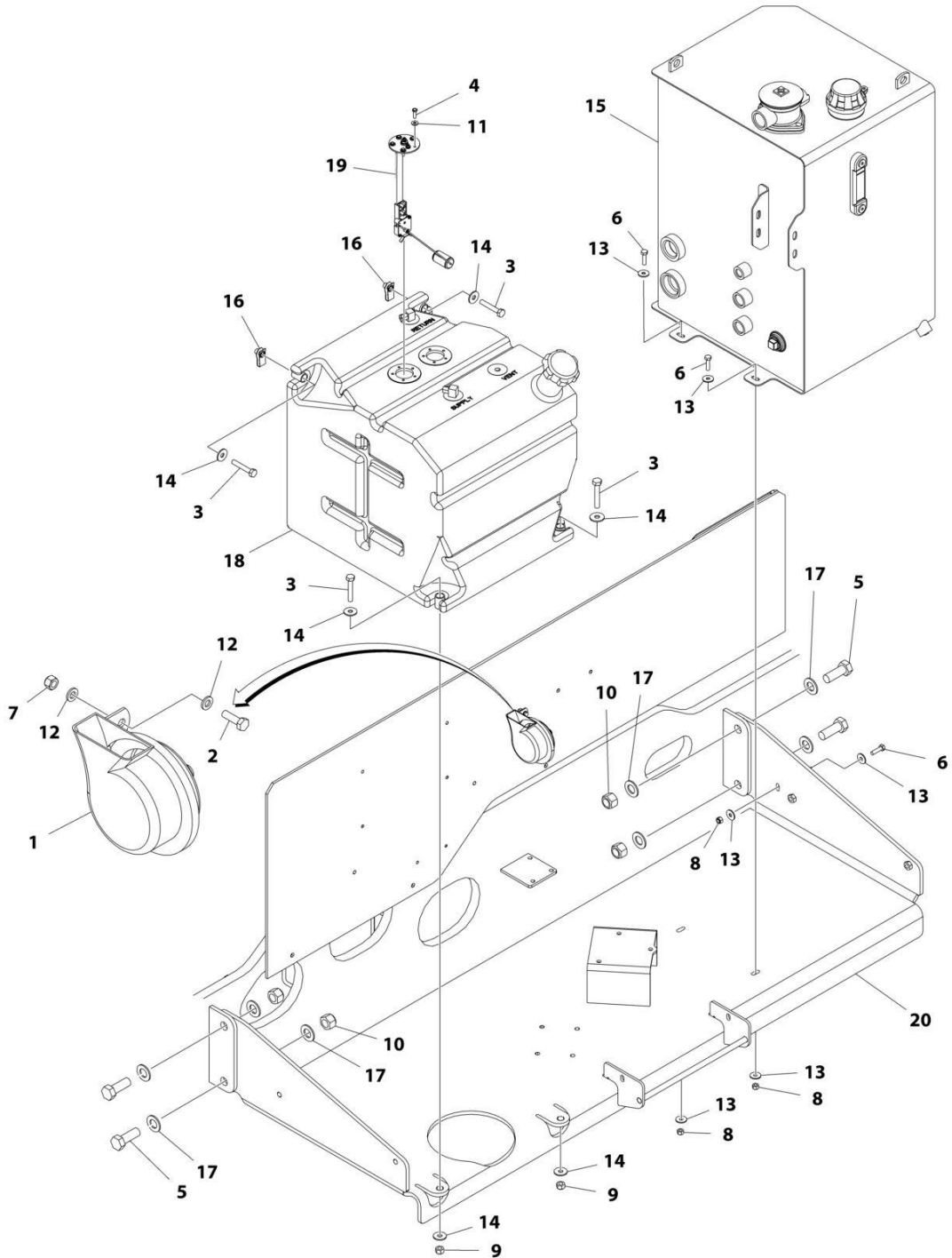
SECTION 2 - GROUND CONTROLS

FIGURE 2-3. FLOW DIVIDER VALVE ASSEMBLY

| ITEM | PART NUMBER | QTY | DESCRIPTION | REV |
|------|-------------|-----|------------------------------|-----|
| | 4641303 | Ref | FLOW DIVIDER VALVE ASSEMBLY | C |
| 1 | 7023933 | 1 | Cartridge, Flow Divider | |
| 1 | 7021625 | 1 | Seal Kit - 7023933 Cartridge | |
| 2 | 7022397 | 6 | Cartridge, Check | |
| 2 | 7022399 | 6 | Seal Kit - 7022397 Cartridge | |
| 3 | 7021639 | 2 | Cartridge, Check Valves | |
| 3 | 2900756 | 2 | Seal Kit - 7022398 Cartridge | |
| 4 | 7024881 | 1 | Piston, Pilot | |
| 5 | 7023917 | 2 | Cartridge, Flow Divider | |
| 5 | 7021625 | 2 | Seal Kit - 7023917 Cartridge | |
| 6 | 70003935 | 2 | Orifice | |
| 7 | 70003936 | 1 | Orifice | |

SECTION 2 - GROUND CONTROLS

FIGURE 2-4. TANKS & HORN INSTALLATION - DIESEL



ART_1001177751

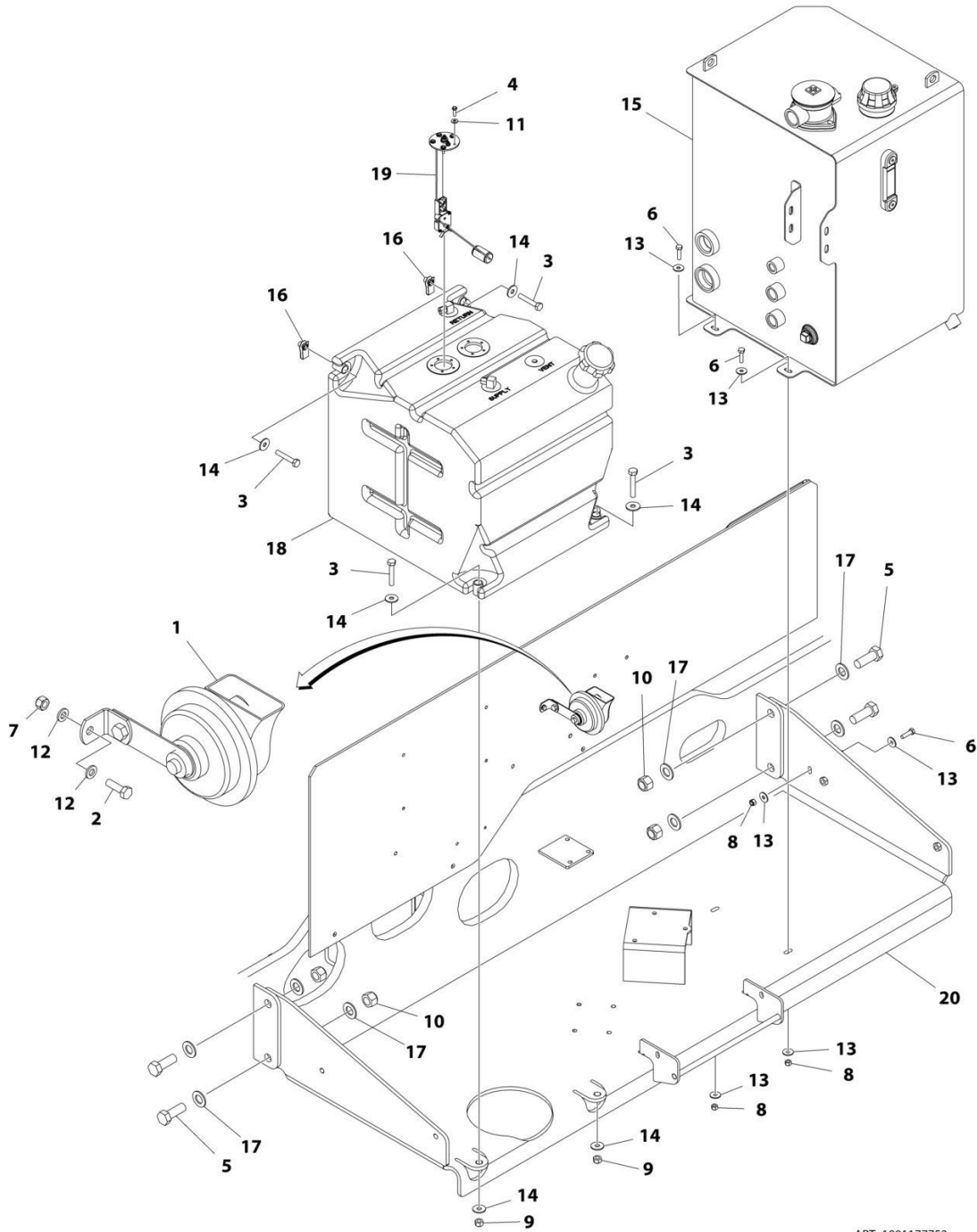
SECTION 2 - GROUND CONTROLS

FIGURE 2-4. TANKS & HORN INSTALLATION - DIESEL

| ITEM | PART NUMBER | QTY | DESCRIPTION | REV |
|------|-------------|-----|--|-----|
| | 1001177751 | Ref | TANKS AND HORN INSTALLATION - DIESEL | E |
| 1 | 0140001 | 1 | Horn | |
| 2 | 0700610 | 1 | Bolt M6 x 20 | |
| 3 | 0701020 | 4 | Bolt M10 x 60 | |
| 4 | 0731005 | 5 | Screw, #10 x 5/8 | |
| 5 | 0762019 | 4 | Bolt M20 x 55 | |
| 6 | 0760814 | 3 | Bolt M8 x 30 | |
| 7 | 3290605 | 1 | Nut M6 | |
| 8 | 3290805 | 3 | Nut M8 | |
| 9 | 3291005 | 2 | Nut M10 | |
| 10 | 3292005 | 4 | Nut M20 | |
| 11 | 4751000 | 5 | Washer #10 | |
| 12 | 4811700 | 2 | Washer M6 | |
| 13 | 4811902 | 6 | Washer M8 | |
| 14 | 4812002 | 6 | Washer M10 | |
| 15 | 1001102823 | 1 | Hydraulic Tank Assembly (See Separate Breakdown in this Section) | |
| 16 | 1001118972 | 2 | Nut Tinnerman M10 | |
| 17 | 5242000 | 8 | Washer M20 | |
| 18 | 1001163418 | 1 | Fuel Tank Assembly | |
| 18 | 1001193336 | 1 | Cap, Fuel | |
| 18 | 70004794 | 1 | Tube, Pick-up | |
| 19 | 1001231195 | 1 | Sensor, Fuel Level | |
| 20 | 1001181554 | 1 | Tray | |

SECTION 2 - GROUND CONTROLS

FIGURE 2-5. TANKS AND HORN INSTALLATION - GASOLINE



ART_100117752

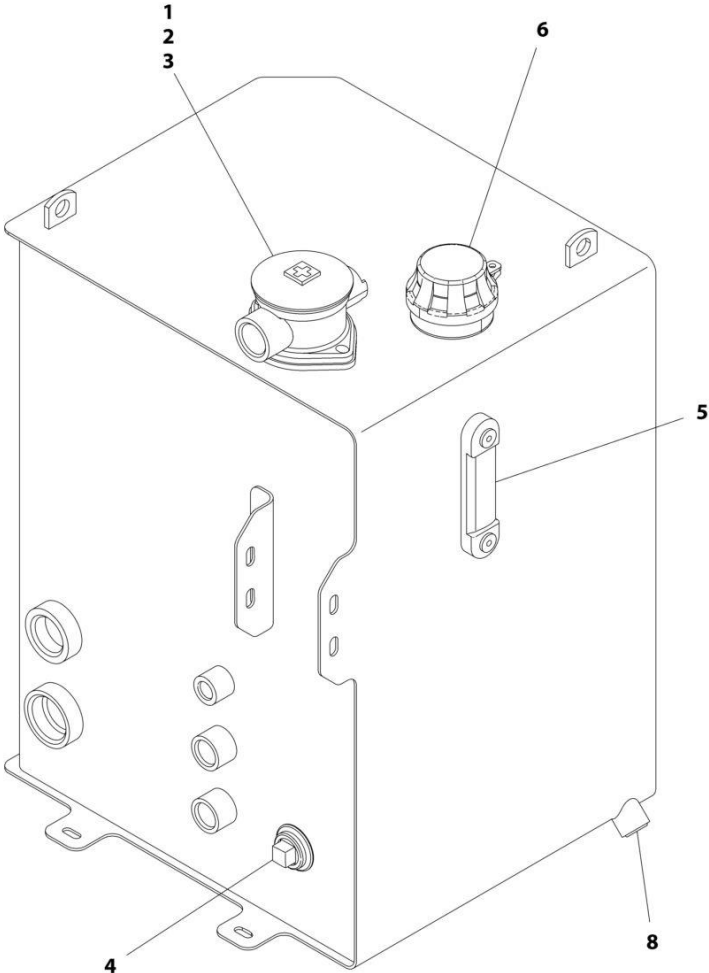
SECTION 2 - GROUND CONTROLS

FIGURE 2-5. TANKS AND HORN INSTALLATION - GASOLINE

| ITEM | PART NUMBER | QTY | DESCRIPTION | REV |
|------|-------------|-----|--|-----|
| | 1001177752 | Ref | TANKS AND HORN INSTALLATION - GASOLINE | E |
| 1 | 0140001 | 1 | Horn | |
| 2 | 0700610 | 1 | Bolt M6 x 20 | |
| 3 | 0701020 | 4 | Bolt M10 x 60 | |
| 4 | 0731005 | 5 | Screw, #10 x 5/8 | |
| 5 | 0762019 | 4 | Bolt M20 x 55 | |
| 6 | 0760814 | 3 | Bolt M8 x 30 | |
| 7 | 3290605 | 1 | Nut M6 | |
| 8 | 3290805 | 3 | Nut M8 | |
| 9 | 3291005 | 2 | Nut M10 | |
| 10 | 3292005 | 4 | Nut M20 | |
| 11 | 4751000 | 5 | Washer #10 | |
| 12 | 4811700 | 2 | Washer M6 | |
| 13 | 4811902 | 6 | Washer M8 | |
| 14 | 4812002 | 6 | Washer M10 | |
| 15 | 1001102823 | 1 | Hydraulic Tank Assembly (See Separate Breakdown in this Section) | |
| 16 | 1001118972 | 2 | Nut Tinnerman M10 | |
| 17 | 5242000 | 8 | Washer M20 | |
| 18 | 1001206896 | 1 | Fuel Tank Assembly | |
| 18 | 1001211336 | 1 | Cap, Fuel | |
| 18 | 70004794 | 1 | Tube, Pick-up | |
| 19 | 1001231195 | 1 | Sensor, Fuel Level | |
| 20 | 1001181554 | 1 | Tray | |

SECTION 2 - GROUND CONTROLS

FIGURE 2-6. HYDRAULIC TANK ASSEMBLY



ART_1001102823

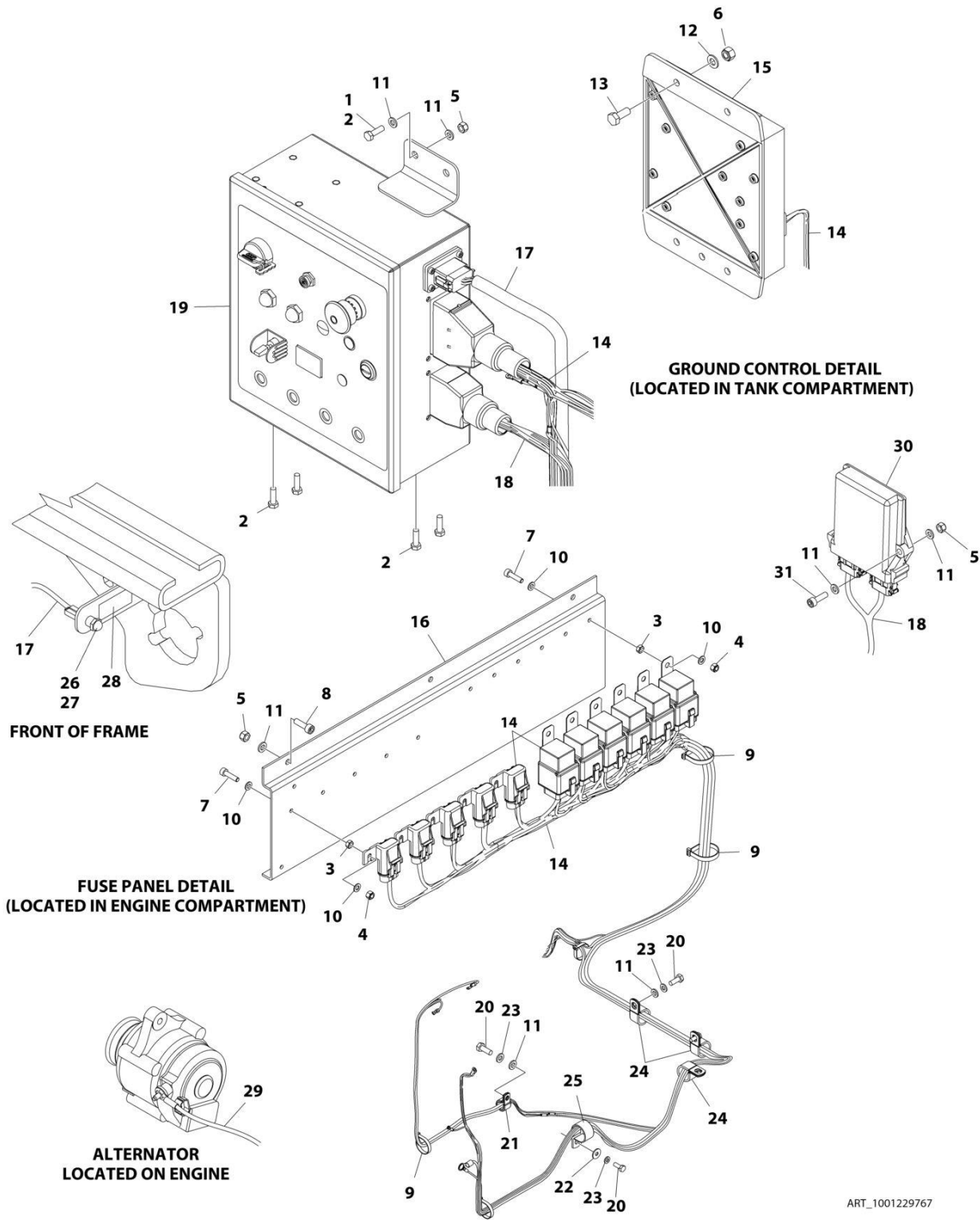
SECTION 2 - GROUND CONTROLS

FIGURE 2-6. HYDRAULIC TANK ASSEMBLY

| ITEM | PART NUMBER | QTY | DESCRIPTION | REV |
|------|-------------|-----|--|-----|
| | 1001102823 | Ref | HYDRAULIC TANK ASSEMBLY | C |
| 1 | 70001959 | 1 | Filter, Return | |
| 1 | 70001960 | 1 | Element, Filter | |
| 1 | 70002768 | 1 | Spring, Return Filter Assembly | |
| 2 | 7023306 | 1 | Seal Between Filter Cover and Head | |
| 3 | 7023347 | 1 | Gasket Between Tank and Filter Flange | |
| 4 | 7024446 | 1 | Plug, Magnetic 1in NPT | |
| 5 | 7024441 | 1 | Gauge, Fluid Level | |
| 6 | 70002113 | 1 | Breather/Fill Cap | |
| 7 | See Note | 2 | Strainer (Note: Not a serviceable Item per Vendor) (Not Shown) | |
| 8 | 70002112 | 1 | Plug, Magnetic | |

SECTION 2 - GROUND CONTROLS

FIGURE 2-7. ELECTRICAL COMPONENTS INSTALLATION - DIESEL



ART_1001229767

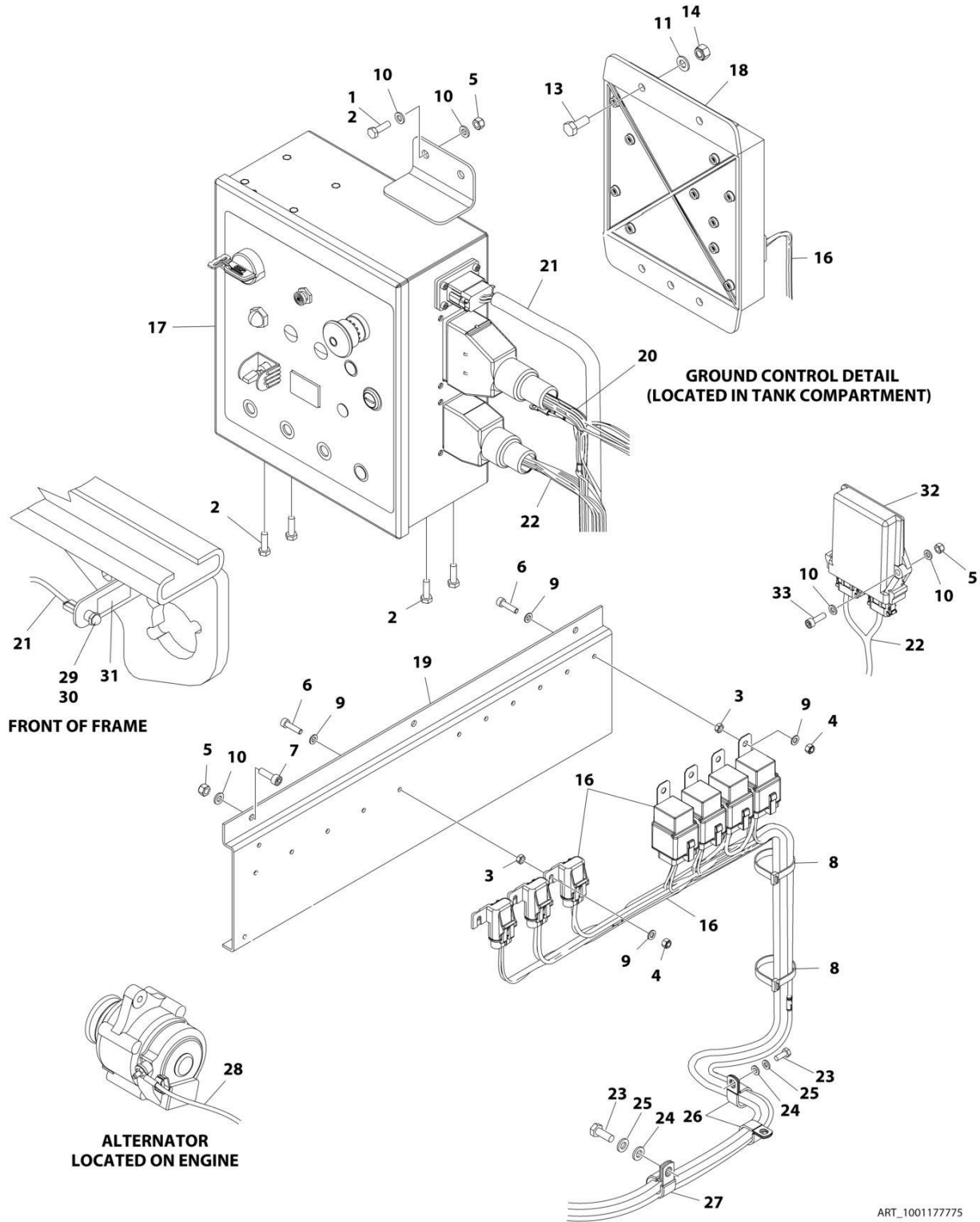
SECTION 2 - GROUND CONTROLS

FIGURE 2-7. ELECTRICAL COMPONENTS INSTALLATION - DIESEL

| ITEM | PART NUMBER | QTY | DESCRIPTION | REV |
|------|-------------|-----|--|-----|
| | 1001229767 | Ref | ELECTRICAL COMPONENTS INSTALLATION - DIESEL | G |
| 1 | 0100011 | AR | Compound, Locking | |
| 2 | 0760610 | 6 | Bolt M6 x 20 | |
| 3 | 3290501 | 11 | Nut M5 | |
| 4 | 3290505 | 11 | Nut M5 | |
| 5 | 3290605 | 7 | Nut M6 | |
| 6 | 3290805 | 4 | Nut M8 | |
| 7 | 4031608 | 11 | Bolt M5 x 20 | |
| 8 | 4031708 | 3 | Bolt M6 x 20 | |
| 9 | 4240018 | 17 | Tie-Strap | |
| 10 | 4811600 | 22 | Washer M5 | |
| 11 | 4811700 | 14 | Washer M6 | |
| 12 | 4811900 | 4 | Washer M8 | |
| 13 | 0760810001 | 4 | Capscrew M8 x 20 | |
| 14 | 1001244348 | 1 | Engine Harness - Diesel (See Separate Breakdown in ELECTRICAL SECTION) | |
| 15 | 1001182481 | 1 | Module, Control (Note: Re-calibration Required when Replaced) | |
| 16 | 1001185125 | 1 | Plate, Mounting | |
| 17 | 1001222025 | 1 | Hydraulic Compartment Harness (See Separate Breakdown in ELECTRICAL SECTION) | |
| 18 | 1001236270 | 1 | Chassis Harness (See Separate Breakdown in ELECTRICAL SECTION) | |
| 19 | 1001236353 | 1 | Ground Box Assembly (See Separate Breakdown in this Section) | |
| 20 | 0760608 | 4 | Bolt M6 x 16 | |
| 21 | 1320041 | 1 | Clamp | |
| 22 | 4811702 | 1 | Washer M6 | |
| 23 | 4831700 | 4 | Washer M6 | |
| 24 | 1001100319 | 3 | Hose Clip M10 | |
| 25 | 1320095 | 1 | Clamp | |
| 26 | 4360387 | 1 | Switch, Push Button | |
| 27 | 1001176469 | 1 | Shroud, Switch | |
| 28 | 1001226116 | 1 | Decal - Manual Descent Instruction | |
| 29 | 1001234069 | 1 | Harness, Fusible Link | |
| 30 | 1001234736 | 1 | Module, Control - Hydraulics (Note: Re-calibration Required when Replaced) | |
| 31 | 4031711 | 2 | Capscrew M6 x 35 | |

SECTION 2 - GROUND CONTROLS

FIGURE 2-8. ELECTRICAL COMPONENTS INSTALLATION - KUBOTA GASOLINE



ART_100117775

SECTION 2 - GROUND CONTROLS

FIGURE 2-8. ELECTRICAL COMPONENTS INSTALLATION - KUBOTA GASOLINE

| ITEM | PART NUMBER | QTY | DESCRIPTION | REV |
|------|-------------|-----|--|-----|
| | 1001177775 | Ref | ELECTRICAL COMPONENTS INSTALLATION - KUBOTA GASOLINE | J |
| 1 | 0100011 | AR | Compound, Locking | |
| 2 | 0760610 | 6 | Bolt M6 x 20 | |
| 3 | 3290501 | AR | Nut M5 | |
| 4 | 3290505 | AR | Nut M5 | |
| 5 | 3290605 | 5 | Nut M6 | |
| 6 | 4031608 | AR | Capscrew M5 x 20 | |
| 7 | 4031708 | 3 | Capscrew M6 x 20 | |
| 8 | 4240018 | 21 | Tie-Strap | |
| 9 | 4811600 | AR | Washer M5 | |
| 10 | 4811700 | 7 | Washer M6 | |
| 11 | 4811900 | 4 | Washer M8 | |
| 13 | 0760810001 | 4 | Bolt M8 x 20 | |
| 14 | 1001102433 | 4 | Nut M8 | |
| 16 | 1001244349 | 1 | Engine Harness - Gasoline (See Separate Breakdown in ELECTRICAL SECTION) | |
| 17 | 1001236430 | 1 | Ground Control Box Assembly (See Separate Breakdown in this Section) | |
| 18 | 1001182481 | 1 | Module, Control (Note: Re-calibration Required when Replaced) | |
| 19 | 1001185125 | 1 | Plate, Mounting | |
| 20 | 1001236380 | 1 | Dual Fuel Harness (See Separate Breakdown in ELECTRICAL SECTION) | |
| 21 | 1001222025 | 1 | Hydraulic Compartment Harness (See Separate Breakdown in ELECTRICAL SECTION) | |
| 22 | 1001236270 | 1 | Chassis Harness (See Separate Breakdown in ELECTRICAL SECTION) | |
| 23 | 0760608 | 2 | Bolt M6 x 16 | |
| 24 | 4811702 | 2 | Washer M6 | |
| 25 | 4831700 | 2 | Washer M6 | |
| 26 | 1001100319 | AR | Hose Clip M10 | |
| 27 | 1320095 | AR | Clamp | |
| 28 | 1001234069 | 1 | Harness, Fusible Link | |
| 29 | 4360387 | 1 | Switch, Push Button | |
| 30 | 1001176469 | 1 | Shroud, Switch | |
| 31 | 1001226116 | 1 | Decal - Manual Descent Instructions | |
| 32 | 1001234736 | 1 | Module, Control - Hydraulics (Note: Re-calibration Required when Replaced) | |
| 33 | 4031711 | AR | Capscrew M6 x 35 | |

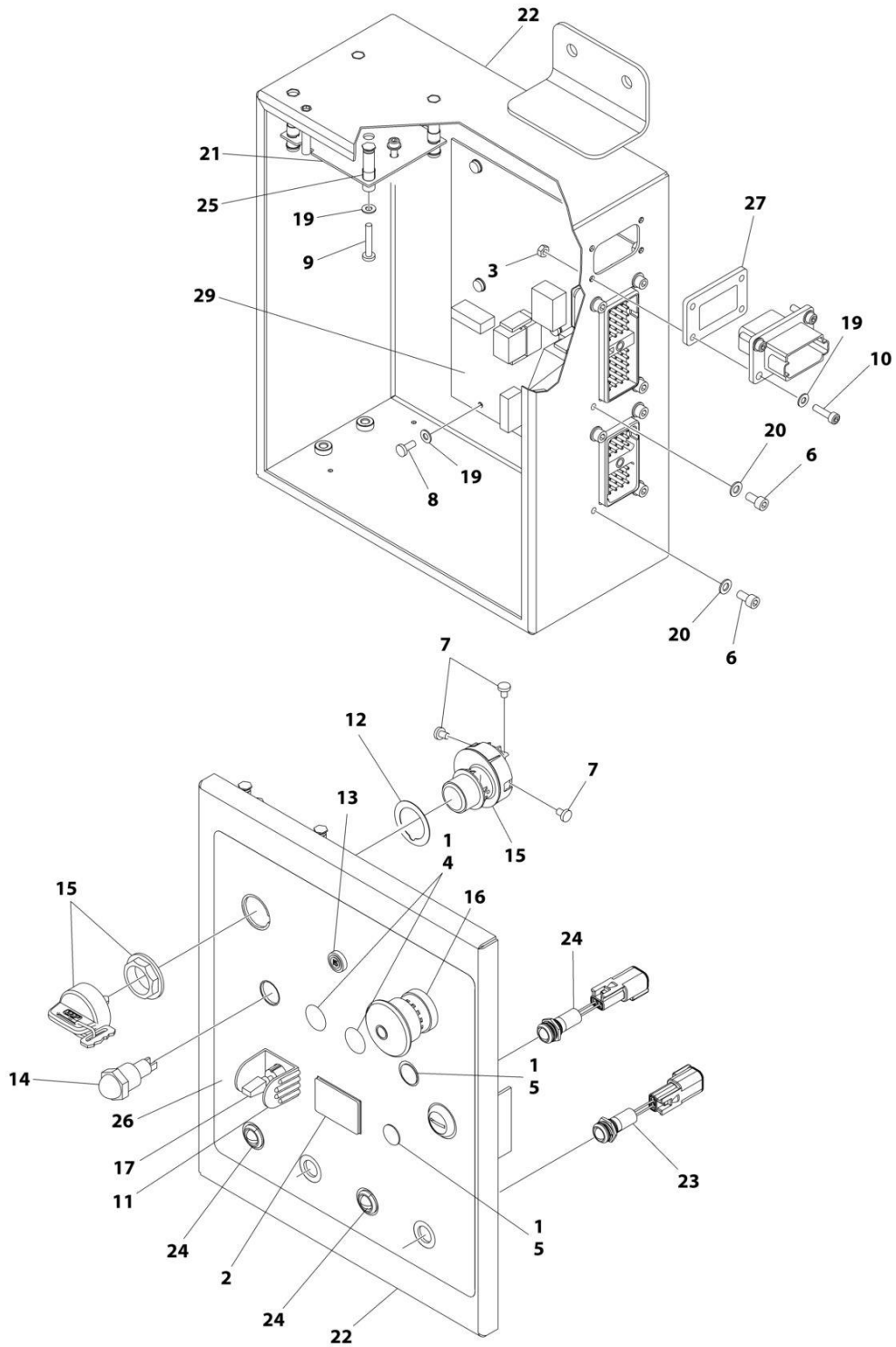
SECTION 2 - GROUND CONTROLS

FIGURE 2-9. GROUND CONTROL BOX ASSEMBLY - KUBOTA DIESEL

| ITEM | PART NUMBER | QTY | DESCRIPTION | REV |
|------|-------------|-------|---|-----|
| | 1001236353 | Ref | GROUND CONTROL BOX ASSEMBLY - KUBOTA DIESEL | D |
| 1 | 0100009 | AR | Sealant | |
| 2 | 2420172 | 1 | Gauge | |
| 3 | 3290405 | 4 | Nut M4 | |
| 4 | 3520026 | 1 | Plug, Hole | |
| 5 | 3520028 | 2 | Plug, Hole | |
| 6 | 3900300 | 8 | Capscrew | |
| 7 | 4010403 | 4 | Screw M4 x 6 | |
| 8 | 4010405 | 4 | Screw M4 x 10 | |
| 9 | 4010412 | 4 | Screw M4 x 24 | |
| 10 | 4031507 | 4 | Capscrew M4 x 16 | |
| 11 | 4060802 | 1 | Guard, Switch | |
| 12 | 4360070 | 1 | Breaker, Circuit 15Amp | |
| 13 | 4360387 | 2 | Switch, Push Button | |
| 14 | 4360469 | 1 | Switch, Key | |
| 14 | 2860030 | 1 set | Key, Replacement | |
| 15 | 1001274559 | 1 | Switch, Emergency Stop (Plastic) | |
| 15 | 4360475 | 1 | Switch, Emergency Stop (Metal) | |
| 15 | 7020175 | 1 | Cap | |
| 15 | 7020176 | 1 | Block, Contact | |
| 16 | 4360524 | 1 | Switch, Toggle | |
| 17 | 4460234 | 8 | Mount, Tie-Strap (Not Shown) | |
| 18 | 4811400 | 12 | Washer M4 | |
| 19 | 4811600 | 8 | Washer M5 | |
| 20 | 4070987 | 5 | Shim, .063 | |
| 21 | 1001181330 | 1 | Sensor | |
| 21 | See Note | 1 | Connector - 4 Position (Note: Not Available for Purchase) | |
| 21 | See Note | 4 | Terminal (Note: Not Available for Purchase) | |
| 22 | 1001181711 | 1 | Box, Ground Control | |
| 22 | 1001165791 | 1 | Hinge | |
| 22 | 1001166257 | 1 | Latch | |
| 23 | 1001182680 | 1 | LED Light with Connector (Red) | |
| 24 | 1001182681 | 3 | LED Light with Connector (Yellow) | |
| 25 | 1001184730 | 4 | Washer, Nylon | |
| 26 | 1001189773 | 1 | Decal, Ground Control | |
| 27 | 1001190002 | 1 | Seal, Connector | |
| 28 | 1001227353 | 1 | Ground Control Box Harness - Upper (Not Shown) (See Separate Breakdown in ELECTRICAL SECTION) | |
| 29 | 1001234735 | 1 | Module, Ground Control (Note: Re-calibration Required when Replaced) | |
| 30 | 1001236153 | 1 | Ground Control Box Harness - Lower (Not Shown) (See Separate Breakdown in ELECTRICAL SECTION) | |

SECTION 2 - GROUND CONTROLS

FIGURE 2-10. GROUND CONTROL BOX ASSEMBLY - KUBOTA GASOLINE



ART_1001236430

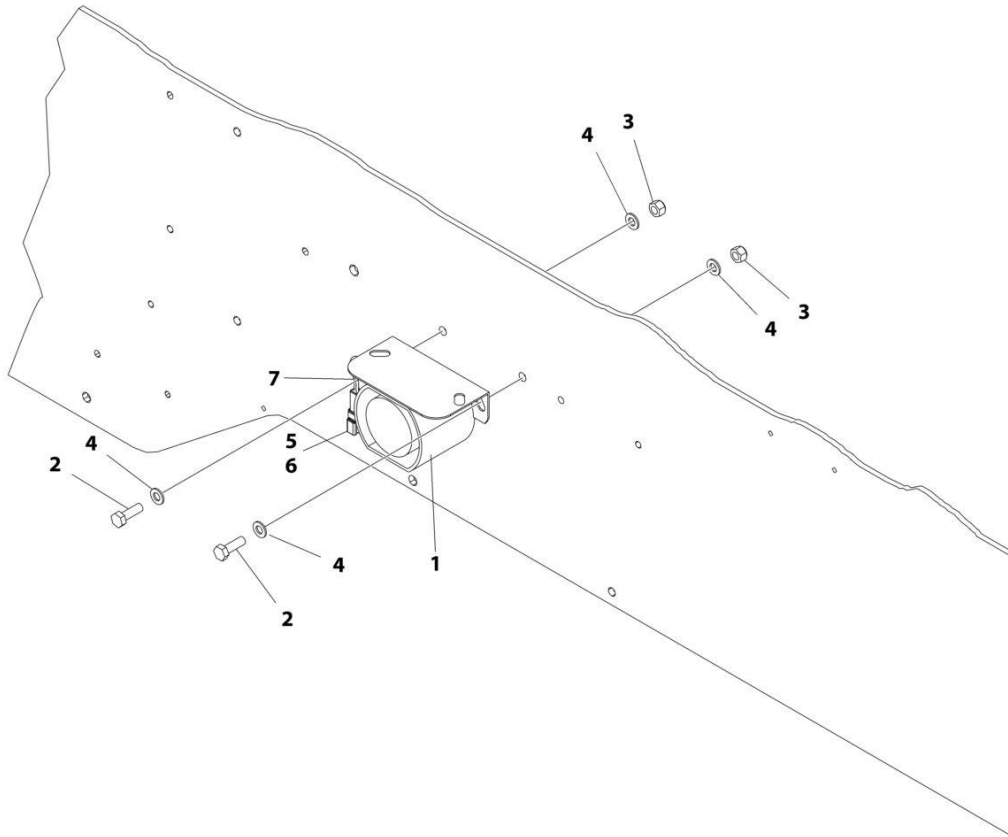
SECTION 2 - GROUND CONTROLS

FIGURE 2-10. GROUND CONTROL BOX ASSEMBLY - KUBOTA GASOLINE

| ITEM | PART NUMBER | QTY | DESCRIPTION | REV |
|------|-------------|-------|---|-----|
| | 1001236430 | Ref | GROUND CONTROL BOX ASSEMBLY - KUBOTA GASOLINE | D |
| 1 | 0100009 | AR | Sealant | |
| 2 | 2420172 | 1 | Gauge | |
| 3 | 3290405 | 4 | Nut M4 | |
| 4 | 3520026 | 2 | Plug, Hole | |
| 5 | 3520028 | 2 | Plug, Hole | |
| 6 | 3900300 | 8 | Capscrew | |
| 7 | 4010403 | 4 | Screw M4 x 6 | |
| 8 | 4010405 | 4 | Screw M4 x 10 | |
| 9 | 4010412 | 4 | Screw M4 x 24 | |
| 10 | 4031507 | 4 | Capscrew M4 x 16 | |
| 11 | 4060802 | 1 | Guard, Switch | |
| 12 | 4070987 | AR | Shim, .015 | |
| 13 | 4360070 | 1 | Breaker, Circuit 15Amp | |
| 14 | 4360387 | 1 | Switch, Push Button | |
| 15 | 4360469 | 1 | Switch, Key | |
| 15 | 2860030 | 1 set | Key, Replacement | |
| 16 | 1001274559 | 1 | Switch, Emergency Stop (Plastic) | |
| 16 | 4360475 | 1 | Switch, Emergency Stop (Metal) | |
| 16 | 7020175 | 1 | Cap | |
| 16 | 7020176 | 1 | Block, Contact | |
| 17 | 4360524 | 1 | Switch, Toggle | |
| 18 | 4460234 | AR | Mount, Tie-Strap (Not Shown) | |
| 19 | 4811400 | 12 | Washer M4 | |
| 20 | 4811600 | 8 | Washer M5 | |
| 21 | 1001181330 | 1 | Sensor | |
| 21 | See Note | 1 | Connector - 4 Position (Note: Not Available for Purchase) | |
| 21 | See Note | 4 | Terminal (Note: Not Available for Purchase) | |
| 22 | 1001181711 | 1 | Box, Ground Control | |
| 22 | 1001165791 | 1 | Hinge | |
| 22 | 1001166257 | 1 | Latch | |
| 23 | 1001182680 | 1 | LED Light with Connector (Red) | |
| 24 | 1001182681 | 3 | LED Light with Connector (Yellow) | |
| 25 | 1001184730 | 4 | Washer, Nylon | |
| 26 | 1001189773 | 1 | Decal - Ground Control | |
| 27 | 1001190002 | 1 | Seal, Connector | |
| 28 | 1001227353 | 1 | Ground Control Box Harness - Upper (Not Shown) (See Separate Breakdown in ELECTRICAL SECTION) | |
| 29 | 1001234735 | 1 | Module, Ground Control (Note: Re-calibration Required when Replaced) | |
| 30 | 1001236153 | 1 | Ground Control Box Harness - Lower (Not Shown) (See Separate Breakdown in ELECTRICAL SECTION) | |

SECTION 2 - GROUND CONTROLS

FIGURE 2-11. MOTION ALARM INSTALLATION



ART_1001191641

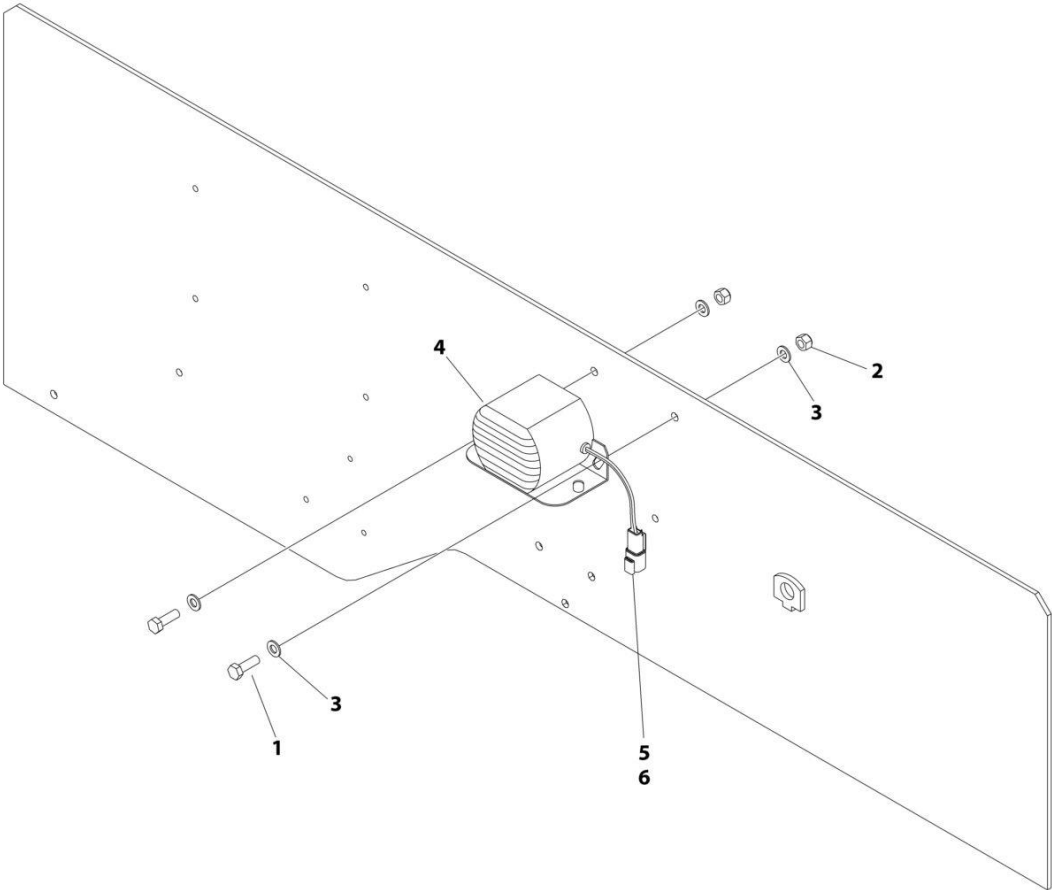
SECTION 2 - GROUND CONTROLS

FIGURE 2-11. MOTION ALARM INSTALLATION

| ITEM | PART NUMBER | QTY | DESCRIPTION | REV |
|------|-------------|-----|---------------------------|-----|
| | 1001191641 | Ref | MOTION ALARM INSTALLATION | C |
| 1 | 0140032 | 1 | Alarm | |
| 2 | 0770812 | 2 | Bolt M8 x 25 | |
| 3 | 3290805 | 2 | Nut M8 | |
| 4 | 4811900 | 4 | Washer M8 | |
| 5 | 4460464 | 2 | Pin, Male | |
| 6 | 4460897 | 1 | Connector - 2 Position | |
| 7 | 1001175012 | AR | Conduit | |

SECTION 2 - GROUND CONTROLS

FIGURE 2-12. WHITE NOISE ALARM INSTALLATION



ART_1001219108

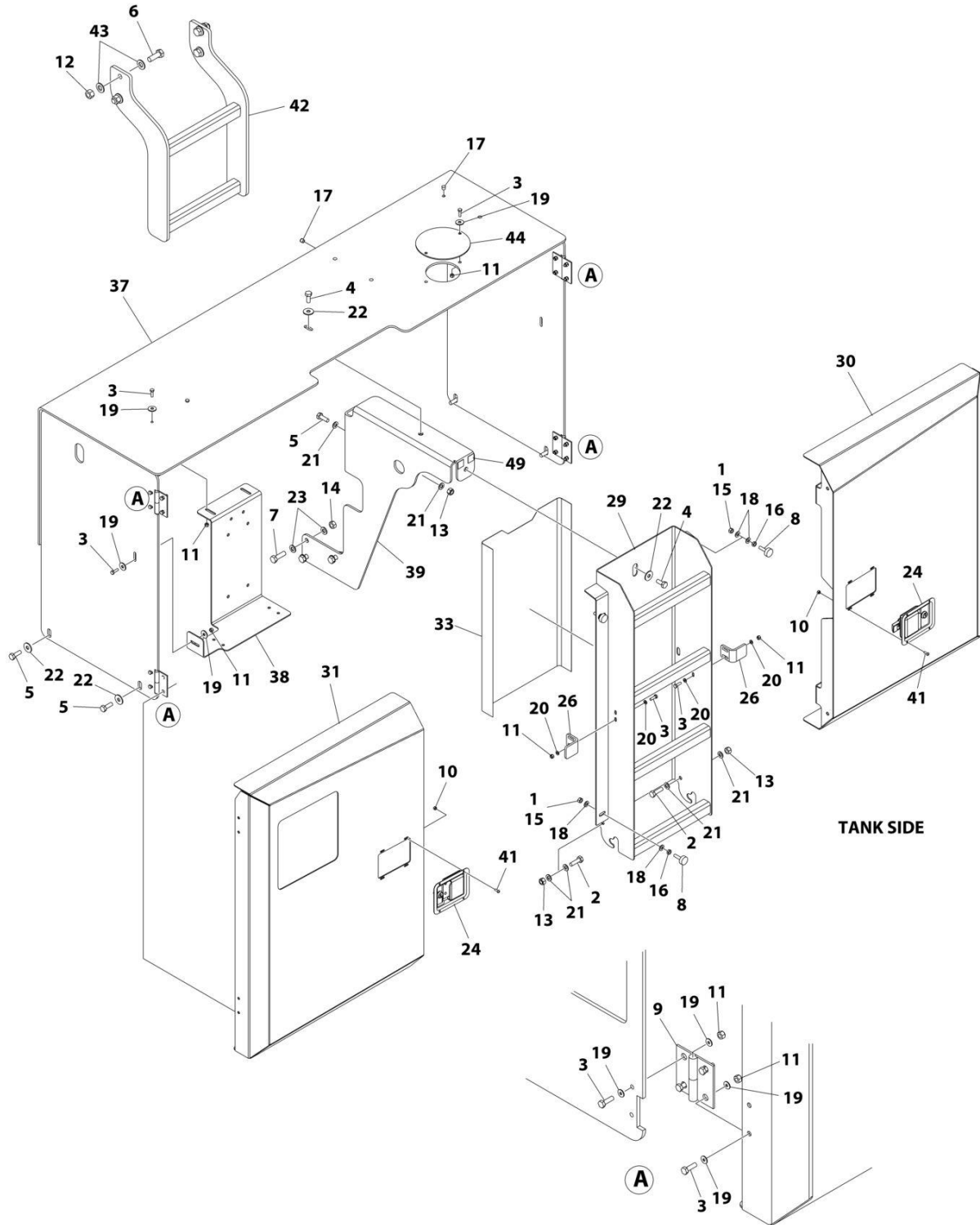
SECTION 2 - GROUND CONTROLS

FIGURE 2-12. WHITE NOISE ALARM INSTALLATION

| ITEM | PART NUMBER | QTY | DESCRIPTION | REV |
|------|-------------|-----|--------------------------------|-----|
| | 1001219108 | Ref | WHITE NOISE ALARM INSTALLATION | A |
| 1 | 0760612 | 2 | Bolt M6 x 25 | |
| 2 | 3290605 | 2 | Nut M6 | |
| 3 | 4811702 | 4 | Washer M6 | |
| 4 | 1001182806 | 1 | Alarm, White Noise | |
| 5 | 4460897 | 1 | Connector - 2 Position | |
| 6 | 4460464 | 2 | Pin, Male | |

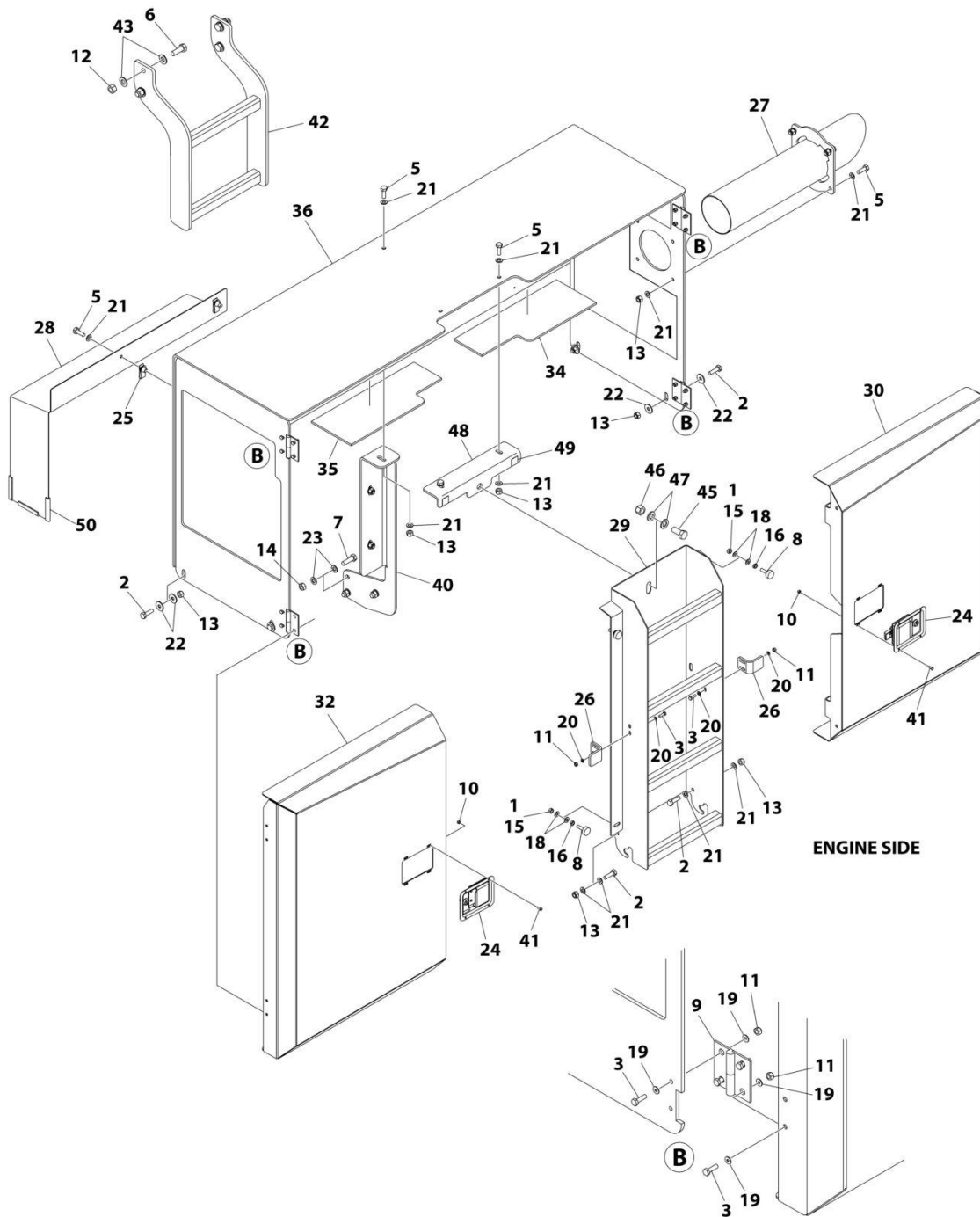
SECTION 2 - GROUND CONTROLS

FIGURE 2-13. HOODS AND LADDERS INSTALLATION



ART_1001233738_10F2_H

SECTION 2 - GROUND CONTROLS



ART_1001233738_2OF2_H

SECTION 2 - GROUND CONTROLS

FIGURE 2-13. HOODS AND LADDERS INSTALLATION

| ITEM | PART NUMBER | QTY | DESCRIPTION | REV |
|------|-------------|-----|------------------------------|-----|
| | 1001233738 | Ref | HOODS INSTALLATION | H |
| 1 | 0100011 | AR | Compound, Locking | |
| 2 | 0701015 | 8 | Bolt M10 x 35 | |
| 3 | 0760610 | 45 | Bolt M6 x 20 | |
| 4 | 0761012 | 2 | Bolt M10 x 25 | |
| 5 | 0761014 | 16 | Bolt M10 x 30 | |
| 6 | 0761416 | 8 | Bolt M14 x 40 | |
| 7 | 0761216 | 6 | Bolt M12 x 40 | |
| 8 | 0940049 | 8 | Stop, Hood | |
| 9 | 2600216 | 8 | Hinge | |
| 10 | 3290505 | 16 | Nut M5 | |
| 11 | 3290605 | 45 | Nut M6 | |
| 12 | 3291407 | 8 | Nut M14 | |
| 13 | 3291005 | 18 | Nut M10 | |
| 14 | 3291201 | 6 | Nut M12 | |
| 15 | 3311501 | 8 | Nut 5/16 | |
| 16 | 3311502 | 8 | Nut 5/16 | |
| 17 | 3520060 | 6 | Plug 3/8 | |
| 18 | 4711500 | 16 | Washer 5/16 | |
| 19 | 4811700 | 72 | Washer M6 | |
| 20 | 4811702 | 18 | Washer M6 | |
| 21 | 4812000 | 30 | Washer M10 | |
| 22 | 4812002 | 14 | Washer M10 | |
| 23 | 4812100 | 12 | Washer M12 | |
| 24 | 1001257454 | 4 | Latch | |
| 25 | 1001118972 | 2 | Nut Tinnerman M10 | |
| 26 | 1001181116 | 4 | Bracket | |
| 27 | 1001183416 | 1 | Tube, Exhaust | |
| 28 | 1001183727 | 1 | Shield, Generator | |
| 29 | 1001204140 | 2 | Ladder | |
| 30 | 1001258390 | 2 | Door, Less Latch | |
| 31 | 1001258391 | 1 | Door, Less Latch | |
| 32 | 1001258392 | 1 | Door, Less Latch | |
| 33 | 1001238471 | 1 | Insulate | |
| 34 | 1001225257 | 1 | Insulate | |
| 35 | 1001225258 | 1 | Insulate | |
| 36 | 1001233544 | 1 | Shield Cover, Engine Side | |
| 37 | 1001233549 | 1 | Shield Cover, Hydraulic Side | |
| 38 | 1001233554 | 1 | Mount | |
| 39 | 1001233576 | 1 | Bracket | |
| 40 | 1001237910 | 1 | Bracket | |
| 41 | 1001234348 | 16 | Screw M5 x 16 Grade 10.9 | |
| 42 | 1001234847 | 2 | Ladder | |
| 43 | 4812200 | 16 | Washer M14 | |
| 44 | 1001226221 | 1 | Plate | |
| 45 | 0761615 | 1 | Bolt M16 x 35 | |
| 46 | 3291605 | 1 | Nut M16 | |
| 47 | 4812300 | 2 | Washer M16 | |
| 48 | 1001237909 | 1 | Bracket | |
| 49 | 4420062 | 7.1 | Tape | |

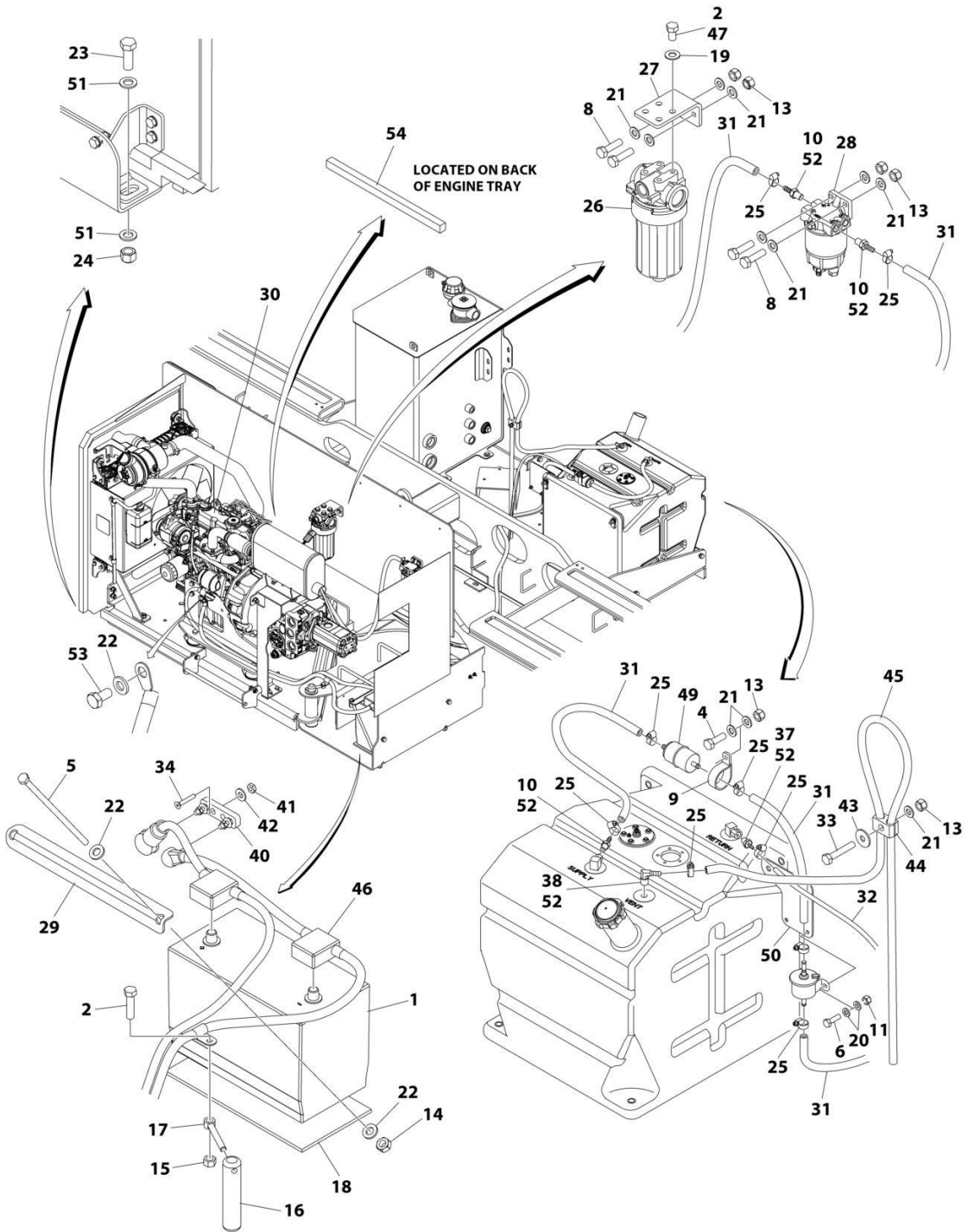
SECTION 2 - GROUND CONTROLS

| ITEM | PART NUMBER | QTY | DESCRIPTION | REV |
|------|-------------|-----------------------------|-------------|-----|
| 50 | 4060803 | in/180mm 9.4 in/240mm | Flex-Trim | |

SECTION 3 - ENGINE

SECTION 3 - ENGINE

FIGURE 3-1. ENGINE INSTALLATION - KUBOTA DIESEL T4F



ART_1001177786_L

SECTION 3 - ENGINE

FIGURE 3-1. ENGINE INSTALLATION - KUBOTA DIESEL T4F

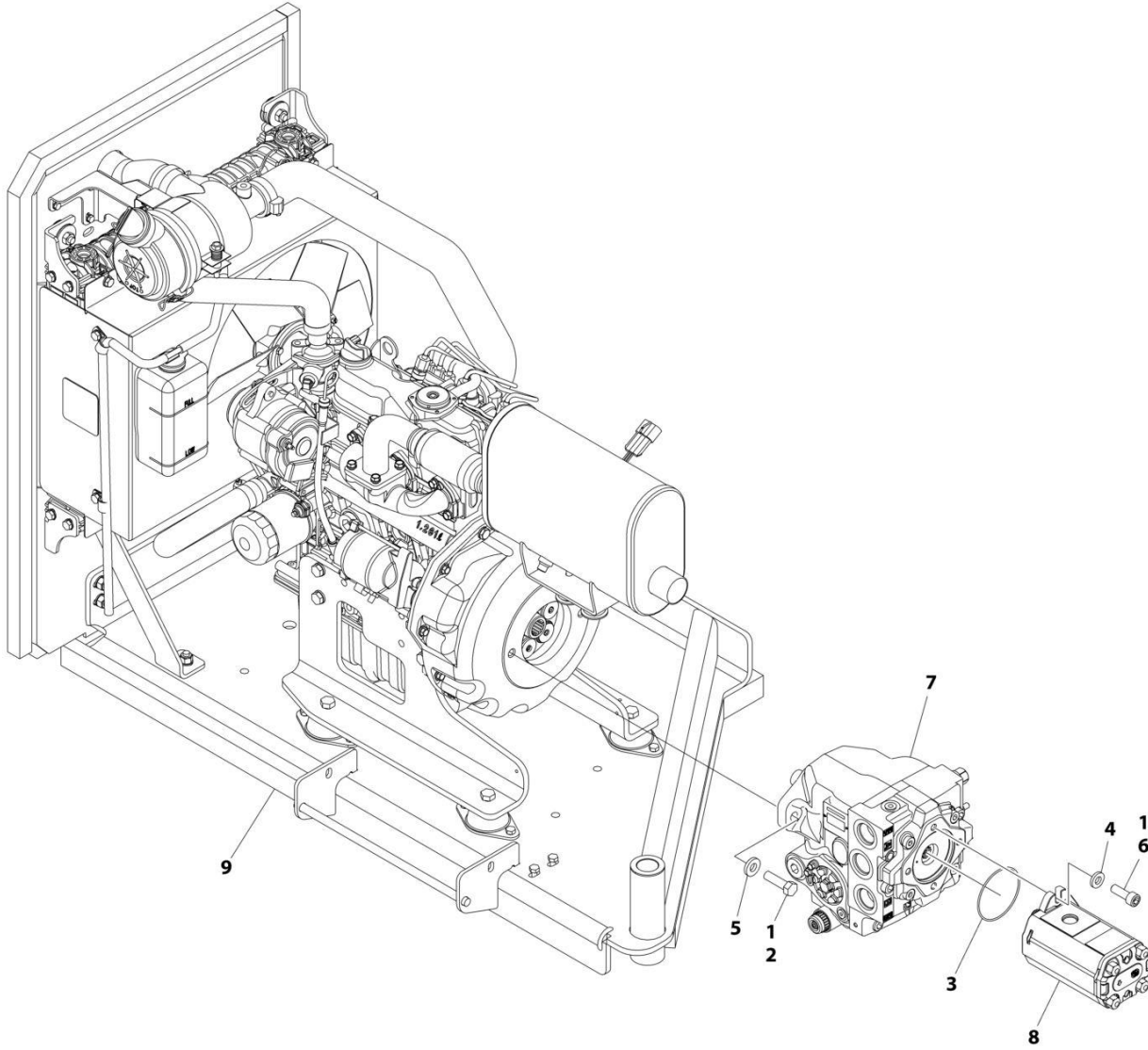
| ITEM | PART NUMBER | QTY | DESCRIPTION | REV |
|------|-------------|-------------------|---|-----|
| | 1001177786 | Ref | ENGINE INSTALLATION - KUBOTA DIESEL T4F | L |
| 1 | 0400075 | 1 | Battery | |
| 2 | 0761010 | 3 | Bolt M10 x 20 | |
| 3 | 0641612 | 1 | Bolt 3/8 x 1-1/2 | |
| 4 | 0700812 | 1 | Bolt M8 x 25 | |
| 5 | 0701047 | 2 | Bolt M10 x 300 | |
| 6 | 0760610 | 2 | Bolt M8 x 20 | |
| 8 | 0760814 | 4 | Bolt M8 x 30 | |
| 9 | 1320265 | 1 | Clamp | |
| 10 | 2180348 | 3 | Fitting, NPT/Barbed | |
| 11 | 3290605 | 2 | Nut M6 | |
| 13 | 3290805 | 6 | Nut M8 | |
| 14 | 3291001 | 2 | Nut M10 | |
| 15 | 3311605 | 1 | Nut 3/8 | |
| 16 | 3422669 | 1 | Pin | |
| 17 | 3841143 | 1 | Keeper, Pin | |
| 18 | 3980007 | 1 | Seat, Battery | |
| 19 | 4812000 | 3 | Washer M10 | |
| 20 | 4811700 | 4 | Washer M6 | |
| 21 | 4811900 | 11 | Washer M8 | |
| 22 | 5241000 | 5 | Washer M10 | |
| 23 | 0761617 | 1 | Bolt M16 x 45 | |
| 24 | 3291605 | 1 | Nut M16 | |
| 25 | 8405009 | 11 | Clamp | |
| 26 | 1001208874 | 1 | Filter, Charge Pump | |
| 26 | 70010383 | 1 | Element, Filter | |
| 27 | 1001194836 | 1 | Bracket, Charge Pump | |
| 28 | 1001190609 | 1 | Fuel/Water Separator Assembly (See Separate Breakdown in this Section) | |
| 29 | 1001184065 | 1 | Bracket, Hold Down | |
| 30 | 1001238776 | 1 | Engine and Pump Sub-Assembly (See Separate Breakdown in this Section) | |
| 31 | 2720058 | 14.5 ft / 4.4m | Hose | |
| 32 | 2720271 | 9.3 ft / 2.8m | Hose | |
| 33 | 0700817 | 1 | Bolt M8 x 45 | |
| 34 | 0741010 | 2 | Screw #10 x 1-1/4 | |
| 37 | 2180666 | 1 | Fitting, NPT/Barbed | |
| 38 | 2220313 | 1 | Fitting, 90° NPTF/Barbed | |
| 40 | 2400044 | 1 | Fuse, Mounting Block | |
| 41 | 3300408 | 2 | Nut | |
| 42 | 4711400 | 2 | Washer 1/4 | |
| 43 | 4811902 | 1 | Washer M8 | |
| 44 | 8750014 | 1 | Clamp | |
| 45 | 1001165035 | 5.5 ft / 1.7m | Hose | |
| 46 | 1001186428 | 1 | Battery Cable Kit - Diesel (See Separate Breakdown in ELECTRICAL SECTION) | |
| 47 | 0100011 | AR | Compound, Locking | |
| 49 | 1001190545 | 1 | Strainer, Fuel | |

SECTION 3 - ENGINE

| ITEM | PART NUMBER | QTY | DESCRIPTION | REV |
|------|-------------|-----|-------------------|-----|
| 50 | 1001191146 | 1 | Bracket | |
| 51 | 4812300 | 2 | Washer M6 | |
| 52 | 0100020 | AR | Sealant | |
| 53 | 8303511 | 1 | Capscrew M10 x 20 | |
| 54 | 1001183421 | 1 | Foam, Baffle | |

SECTION 3 - ENGINE

FIGURE 3-2. ENGINE AND PUMP SUB-ASSEMBLY - KUBOTA DIESEL T4F



ART_1001238776

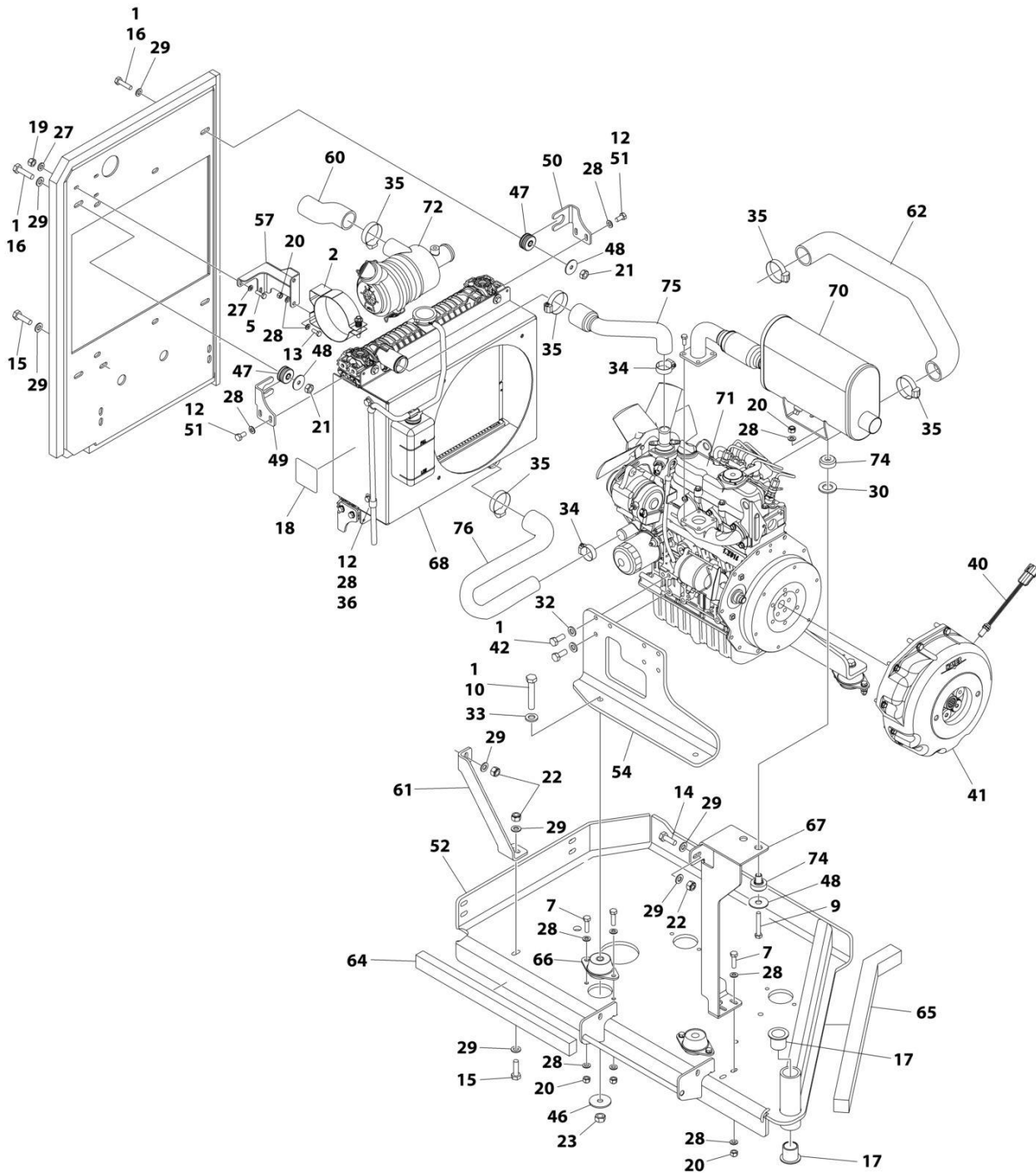
SECTION 3 - ENGINE

FIGURE 3-2. ENGINE AND PUMP SUB-ASSEMBLY - KUBOTA DIESEL T4F

| ITEM | PART NUMBER | QTY | DESCRIPTION | REV |
|------|-------------|-----|---|-----|
| | 1001238776 | Ref | ENGINE AND PUMP SUB-ASSEMBLY - KUBOTA DIESEL T4F | D |
| 1 | 0100011 | AR | Compound, Locking | |
| 2 | 0641814 | 2 | Bolt 1/2 x 1-3/4 | |
| 3 | 3790152 | 1 | O-Ring | |
| 4 | 4891600 | 2 | Washer 3/8 | |
| 5 | 4891800 | 2 | Washer 1/2 | |
| 6 | 83191040 | 2 | Capscrew M10 x 30 | |
| 7 | 1001101331 | 1 | Piston Pump Assembly (See Separate Breakdown in this Section) | |
| 8 | 1001239200 | 1 | Gear Pump Assembly | |
| 8 | 7023929 | 1 | Seal Kit - 1001239200 Pump (Note: Seal Kit is only service component available) | |
| 9 | 1001238775 | 1 | Engine Assembly - Kubota Diesel T4F (See Separate Breakdown in this Section) | |

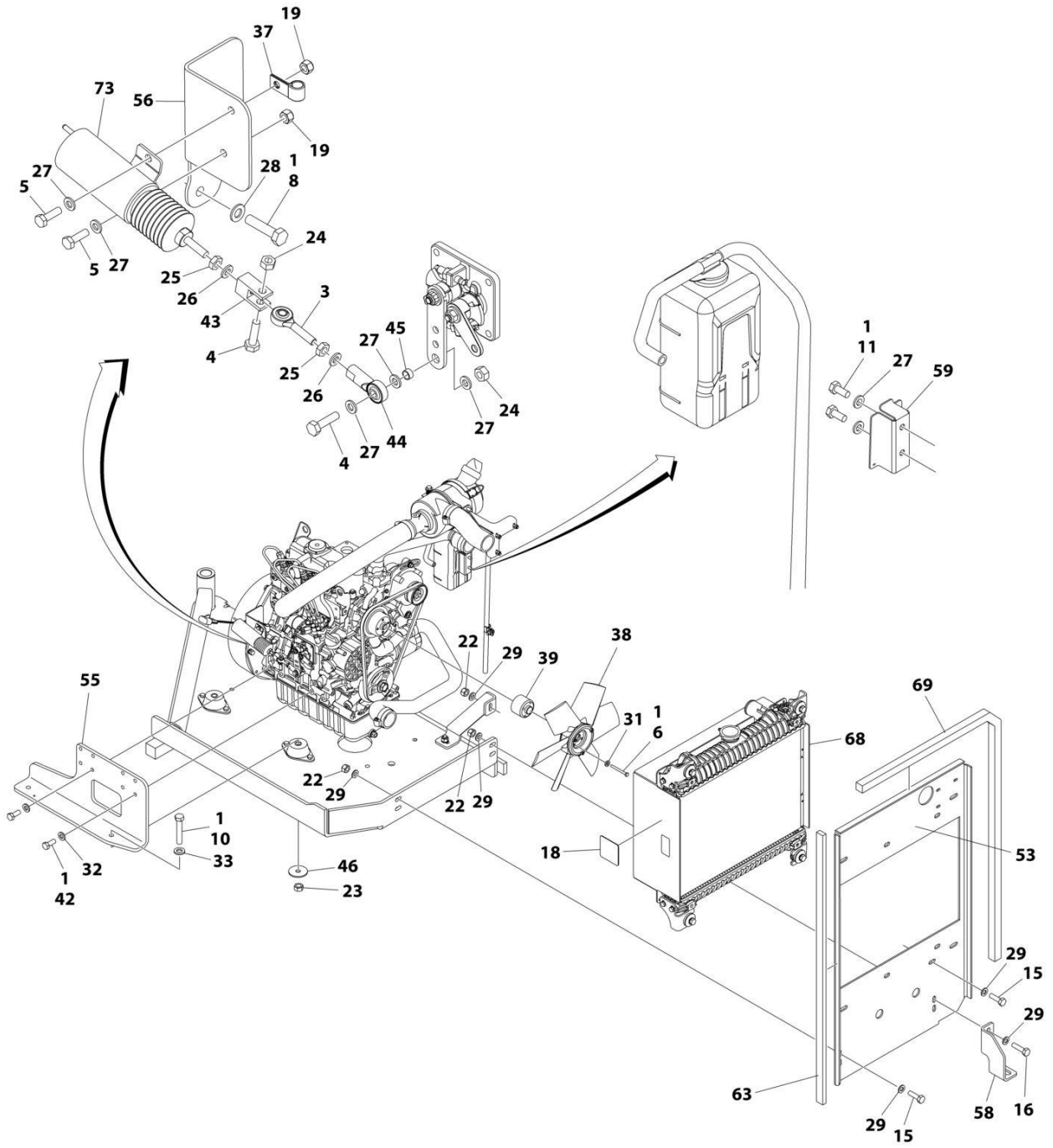
SECTION 3 - ENGINE

FIGURE 3-3. ENGINE ASSEMBLY - KUBOTA DIESEL T4F



ART_1001238775_10F2_B

SECTION 3 - ENGINE



ART_1001238775_2OF2_B

SECTION 3 - ENGINE

FIGURE 3-3. ENGINE ASSEMBLY - KUBOTA DIESEL T4F

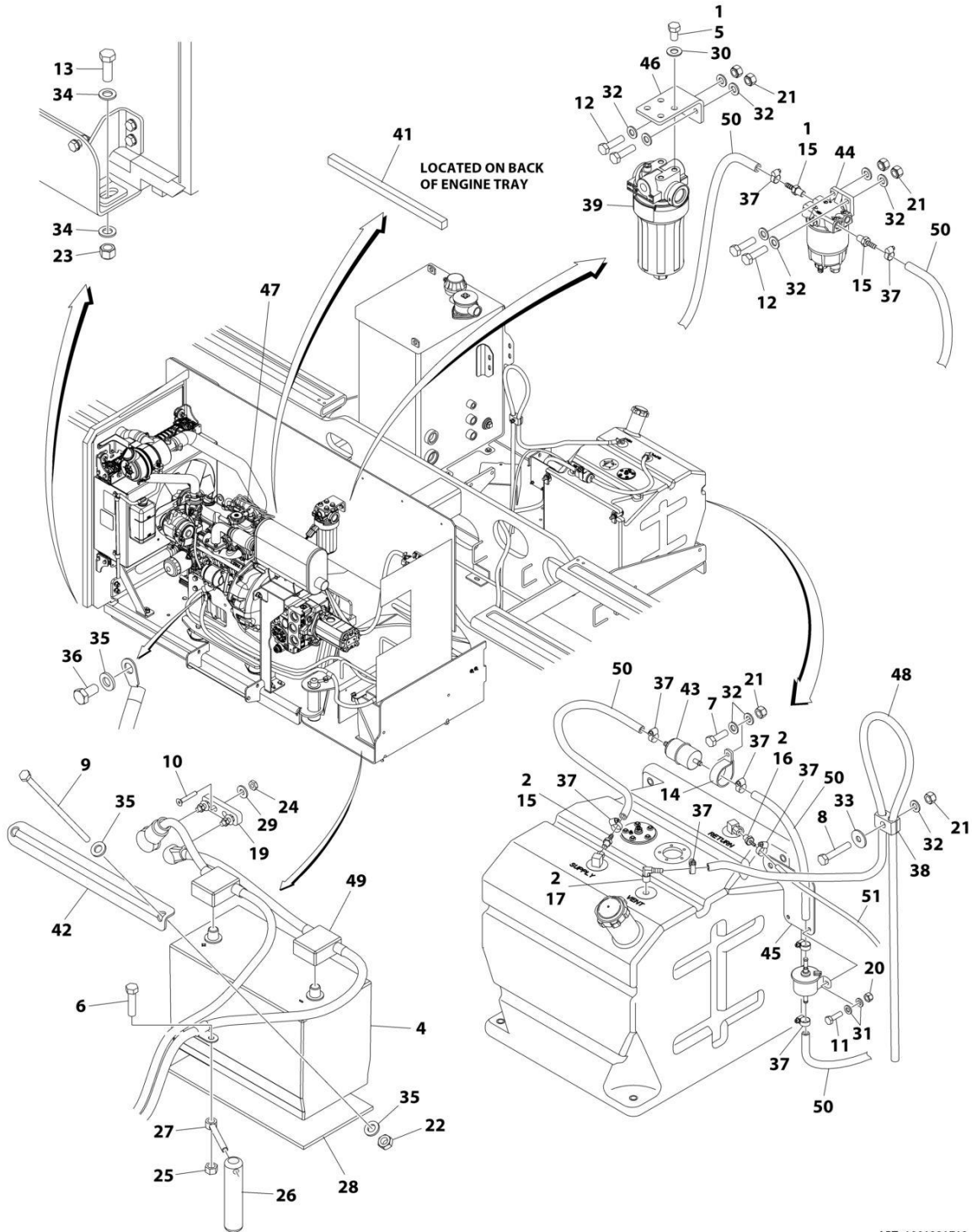
| ITEM | PART NUMBER | QTY | DESCRIPTION | REV |
|------|-------------|-----|--|-----|
| | 1001238775 | Ref | ENGINE ASSEMBLY - KUBOTA DIESEL T4F | B |
| 1 | 0100011 | AR | Compound, Locking | |
| 2 | 0340045 | 1 | Band, Mounting | |
| 3 | 0440334 | 1 | Bearing | |
| 4 | 0641408 | 2 | Bolt 1/4 x 1 | |
| 5 | 0700610 | 5 | Bolt M6 x 20 | |
| 6 | 0700620 | 4 | Bolt M6 x 60 | |
| 7 | 0700814 | 10 | Bolt M8 x 30 | |
| 8 | 0700815 | 2 | Bolt M8 x 35 | |
| 9 | 0700819 | 2 | Bolt M8 x 55 | |
| 10 | 0701222 | 4 | Bolt M12 x 70 | |
| 11 | 0760607 | 2 | Bolt M6 x 14 | |
| 12 | 0760608 | 10 | Bolt M6 x 16 | |
| 13 | 0760810 | AR | Bolt M8 x 20 | |
| 14 | 0761014 | 1 | Bolt M10 x 30 | |
| 15 | 0761015 | 4 | Bolt M10 x 35 | |
| 16 | 0761016 | 6 | Bolt M10 x 40 | |
| 17 | 0961986 | 2 | Bearing, Flange | |
| 18 | 1703162 | 2 | Decal - Fan Blade | |
| 19 | 3290605 | 5 | Nut M6 | |
| 20 | 3290805 | 14 | Nut M8 | |
| 21 | 3291001 | 4 | Nut M10 | |
| 22 | 3291005 | 7 | Nut M10 | |
| 23 | 3291201 | 4 | Nut M12 | |
| 24 | 3311405 | 2 | Nut 1/4 | |
| 25 | 3321402 | 2 | Nut 1/4 | |
| 26 | 4761400 | 2 | Washer 1/4 | |
| 27 | 4811700 | 13 | Washer M6 | |
| 28 | 4811900 | 38 | Washer M8 | |
| 29 | 4812000 | 18 | Washer M10 | |
| 30 | 4812500 | 2 | Washer M20 | |
| 31 | 5240600 | 4 | Washer M6 | |
| 32 | 5241000 | 8 | Washer M10 | |
| 33 | 5241200 | 4 | Washer M12 | |
| 34 | 8405101 | 2 | Clamp | |
| 35 | 8405104 | 5 | Clamp | |
| 36 | 85941016 | 2 | Clamp | |
| 37 | 90021705 | 1 | Clamp, Support | |
| 38 | 1001118538 | 1 | Fan | |
| 39 | 1001118539 | 1 | Fan, Spacer | |
| 40 | 1001118580 | 1 | Sensor, Speed | |
| 41 | 1001118675 | 1 | Housing, Coupling Kit (See Separate Breakdown in this Section) | |
| 42 | 1001118746 | 8 | Bolt M10 x 25 | |
| 43 | 1001118881 | 1 | Clevis, Linkage | |
| 44 | 1001118925 | 1 | Bearing | |
| 45 | 1001128888 | 1 | Washer | |
| 46 | 1001168018 | 4 | Washer | |
| 47 | 1001169054 | 4 | Isolator, Radiator | |
| 48 | 1001169138 | 6 | Pad | |
| 49 | 1001169967 | 2 | Bracket, Radiator | |

SECTION 3 - ENGINE

| ITEM | PART NUMBER | QTY | DESCRIPTION | REV |
|------|-------------|-----|--|-----|
| 50 | 1001170035 | 2 | Bracket, Radiator | |
| 51 | 1001180620 | AR | Compound, Locking | |
| 52 | 1001181649 | 1 | Tray, Engine | |
| 53 | 1001181658 | 1 | Plate, Radiator Mounting | |
| 54 | 1001182976 | 1 | Mount, Engine (LH) | |
| 55 | 1001182977 | 1 | Mount, Engine (RH) | |
| 56 | 1001182979 | 1 | Bracket, Throttle Cylinder | |
| 57 | 1001182980 | 1 | Bracket, Air Cleaner | |
| 58 | 1001182981 | 1 | Bracket, Tray | |
| 59 | 1001182982 | 1 | Mount | |
| 60 | 1001182983 | 1 | Tube, Intake | |
| 61 | 1001182984 | 1 | Bracket, Support | |
| 62 | 1001182987 | 1 | Tube, Air Intake | |
| 63 | 1001247403 | 1 | Foam, Baffle | |
| 64 | 1001183424 | 1 | Foam, Baffle | |
| 65 | 1001184066 | 1 | Foam, Baffle | |
| 66 | 1001187235 | 4 | Mount, Motor | |
| 67 | 1001195600 | 1 | Bracket, Muffler | |
| 68 | 1001220957 | 1 | Radiator & Shroud Assembly | |
| 68 | 1001198726 | 1 | Radiator | |
| 68 | 70007502 | 1 | Valve, Drain | |
| 68 | 1001220959 | 1 | Shroud | |
| 69 | 1001227285 | 1 | Seal | |
| 70 | 1001234950 | 1 | Muffler | |
| 71 | 1001238770 | 1 | Engine Components - Kubota Diesel T4F (See Separate Breakdown in this Section) | |
| 72 | 1001118280 | 1 | Air Filter Assembly | |
| 72 | 7015004 | 2 | Element | |
| 73 | 1001118582 | 1 | Actuator, Throttle | |
| 74 | 1001125248 | 2 | Mount, Engine | |
| 75 | 1001182978 | 1 | Tube, Inlet | |
| 76 | 1001182985 | 1 | Tube, Outlet | |

SECTION 3 - ENGINE

FIGURE 3-4. ENGINE INSTALLATION - KUBOTA DIESEL T4F WITH GENERATOR



ART_1001231712_E

SECTION 3 - ENGINE

FIGURE 3-4. ENGINE INSTALLATION - KUBOTA DIESEL T4F WITH GENERATOR

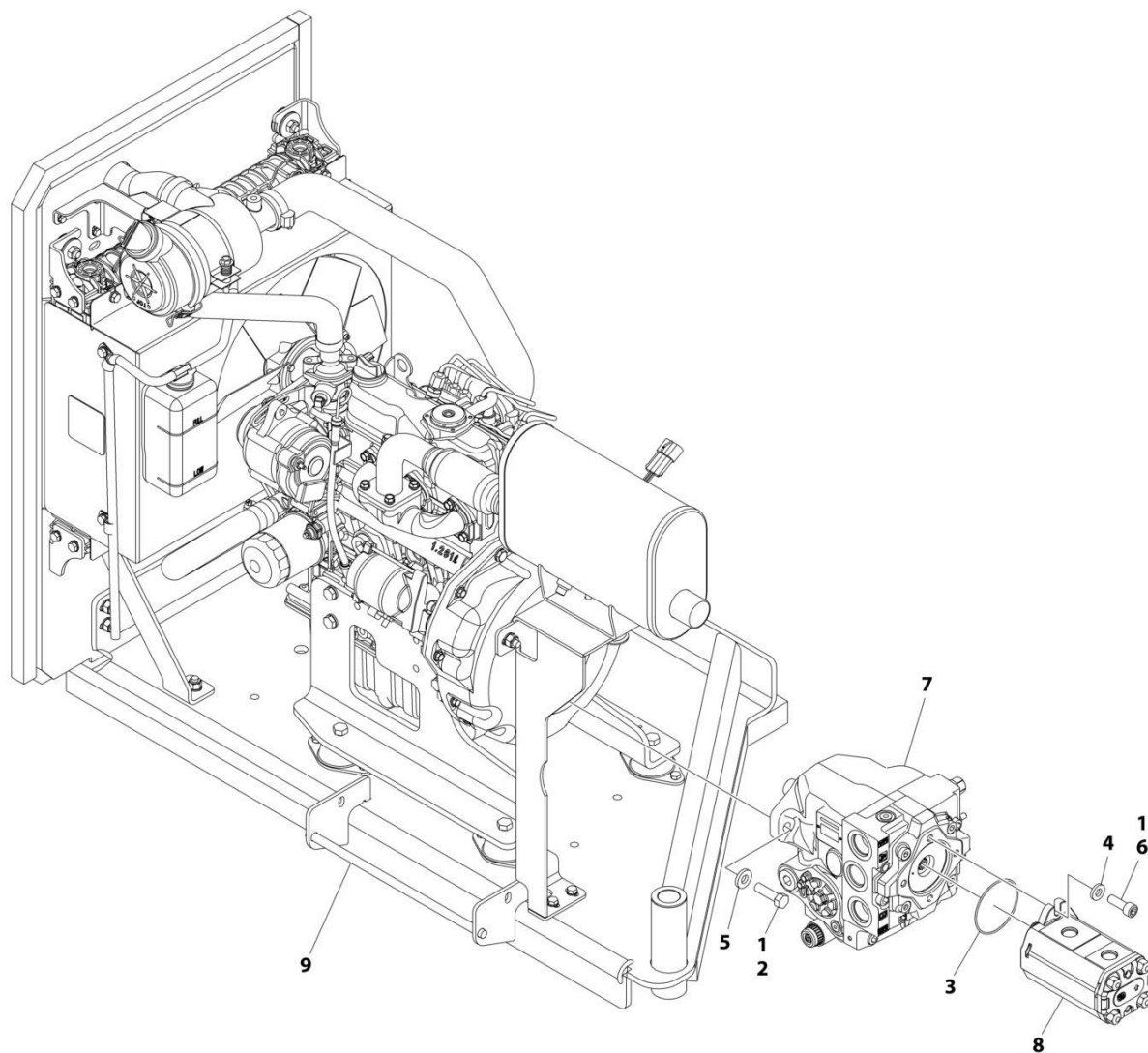
| ITEM | PART NUMBER | QTY | DESCRIPTION | REV |
|------|-------------|-----------------|--|-----|
| | 1001231712 | Ref | ENGINE INSTALLATION - KUBOTA DIESEL T4F | E |
| 1 | 0100011 | AR | Compound, Locking | |
| 2 | 0100020 | AR | Sealant | |
| 4 | 0400075 | 1 | Battery | |
| 5 | 0641605 | 4 | Bolt 3/8 x 5/8 | |
| 5 | 0761010 | 3 | Bolt M10 x 20 | |
| 6 | 0641612 | 1 | Bolt 3/8 x 1-1/2 | |
| 7 | 0700812 | 1 | Bolt M8 x 25 | |
| 8 | 0700817 | 1 | Bolt M8 x 45 | |
| 9 | 0701047 | 2 | Bolt M10 x 300 | |
| 10 | 0741010 | 2 | Screw #10 x 1-1/4 | |
| 11 | 0760610 | 2 | Bolt M8 x 20 | |
| 12 | 0760814 | 4 | Bolt M8 x 30 | |
| 13 | 0761617 | 1 | Bolt M16 x 45 | |
| 14 | 1320265 | 1 | Clamp | |
| 15 | 2180348 | 3 | Fitting, NPT/Barbed | |
| 16 | 2180666 | 1 | Fitting, NPT/Barbed | |
| 17 | 2220313 | 1 | Fitting, 90° NPTF/Barbed | |
| 19 | 2400044 | 1 | Fuse, Mounting Block | |
| 20 | 3290605 | 2 | Nut M6 | |
| 21 | 3290805 | 6 | Nut M8 | |
| 22 | 3291001 | 2 | Nut M10 | |
| 23 | 3291605 | 1 | Nut M16 | |
| 24 | 3300408 | 2 | Nut | |
| 25 | 3311605 | 1 | Nut 3/8 | |
| 26 | 3422669 | 1 | Pin | |
| 27 | 3841143 | 1 | Keeper, Pin | |
| 28 | 3980007 | 1 | Seat, Battery | |
| 29 | 4711400 | 2 | Washer 1/4 | |
| 30 | 4711600 | 4 | Washer 3/8 | |
| 30 | 4812000 | 3 | Washer M10 | |
| 31 | 4811700 | 4 | Washer M6 | |
| 32 | 4811900 | 11 | Washer M8 | |
| 33 | 4811902 | 1 | Washer M8 | |
| 34 | 4812300 | 2 | Washer M6 | |
| 35 | 5241000 | 5 | Washer M10 | |
| 36 | 8303511 | 1 | Capscrew M10 x 20 | |
| 37 | 8405009 | 11 | Clamp | |
| 38 | 8750014 | 1 | Clamp | |
| 39 | 70010383 | 1 | Element, Filter | |
| 41 | 1001183421 | 1 | Foam, Baffle | |
| 42 | 1001184065 | 1 | Bracket, Hold Down | |
| 43 | 1001190545 | 1 | Strainer, Fuel | |
| 44 | 1001190609 | 1 | Fuel/Water Separator Assembly (See Separate Breakdown in this Section) | |
| 45 | 1001191146 | 1 | Bracket | |
| 46 | 1001194836 | 1 | Bracket | |
| 48 | 1001165035 | 5.5 ft/ 1.7m | Hose | |
| 49 | 1001186428 | 1 | Battery Cable Kit - Diesel (See Separate Breakdown in | |

SECTION 3 - ENGINE

| ITEM | PART NUMBER | QTY | DESCRIPTION | REV |
|------|-------------|------------------|-----------------------------|-----|
| 50 | 2720058 | 14.5 ft/ 4.4m | ELECTRICAL SECTION) Hose | |
| 51 | 2720271 | 18 ft/ 5.4m | Hose | |

SECTION 3 - ENGINE

FIGURE 3-5. ENGINE AND PUMP SUB-ASSEMBLY - KUBOTA DIESEL T4F WITH GENERATOR



ART_1001238778

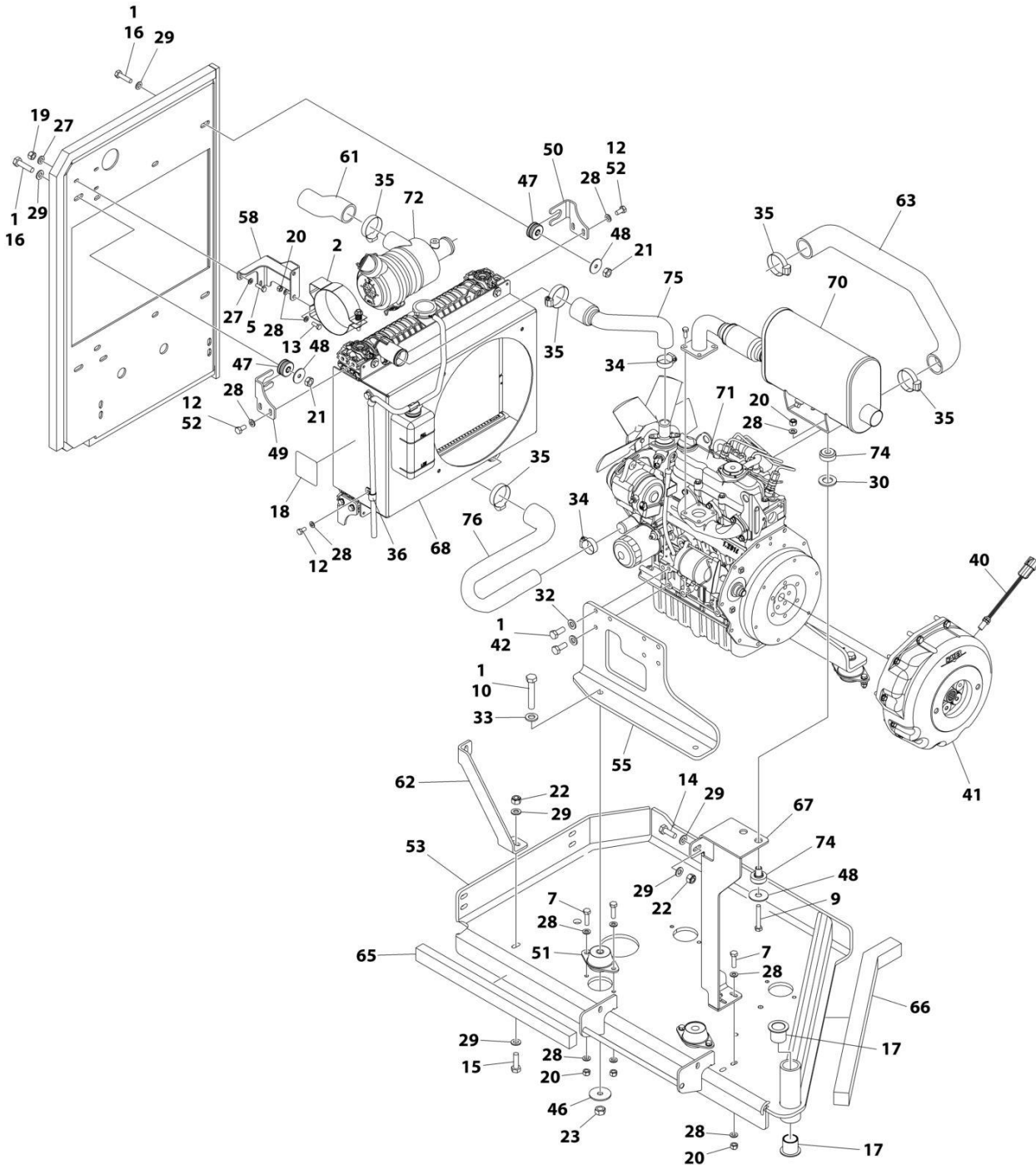
SECTION 3 - ENGINE

FIGURE 3-5. ENGINE AND PUMP SUB-ASSEMBLY - KUBOTA DIESEL T4F WITH GENERATOR

| ITEM | PART NUMBER | QTY | DESCRIPTION | REV |
|------|-------------|-----|---|-----|
| | 1001238778 | Ref | ENGINE AND PUMP SUB-ASSEMBLY - KUBOTA DIESEL T4F | C |
| 1 | 0100011 | AR | Compound, Locking | |
| 2 | 0641814 | 2 | Bolt 1/2 x 1-3/4 | |
| 3 | 3790152 | 1 | O-Ring | |
| 4 | 4891600 | 2 | Washer 3/8 | |
| 5 | 4891800 | 2 | Washer 1/2 | |
| 6 | 83191040 | 2 | Capscrew M10 x 30 | |
| 7 | 1001101331 | 1 | Piston Pump Assembly (See Separate Breakdown in this Section) | |
| 8 | 1001239200 | 1 | Gear Pump Assembly | |
| 8 | 7023929 | 1 | Seal Kit - 1001239200 Pump (Note: Seal Kit is only service component available) | |
| 9 | 1001238777 | 1 | Engine Assembly - Kubota Diesel T4F (See Separate Breakdown in this Section) | |

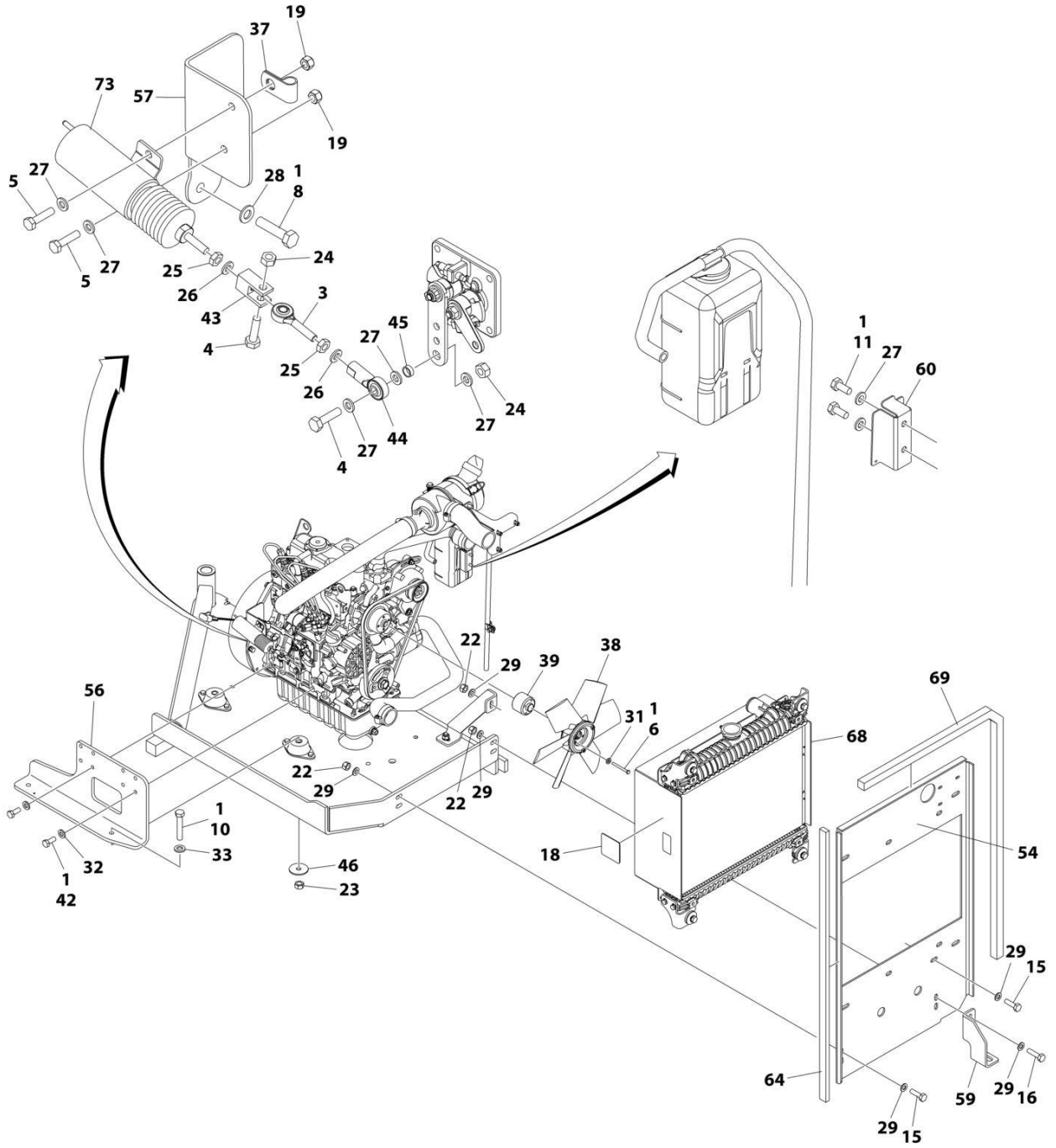
SECTION 3 - ENGINE

FIGURE 3-6. ENGINE ASSEMBLY - KUBOTA DIESEL T4F WITH GENERATOR



ART_1001238777_10F2_B

SECTION 3 - ENGINE



ART_1001238777_20F2_B

SECTION 3 - ENGINE

FIGURE 3-6. ENGINE ASSEMBLY - KUBOTA DIESEL T4F WITH GENERATOR

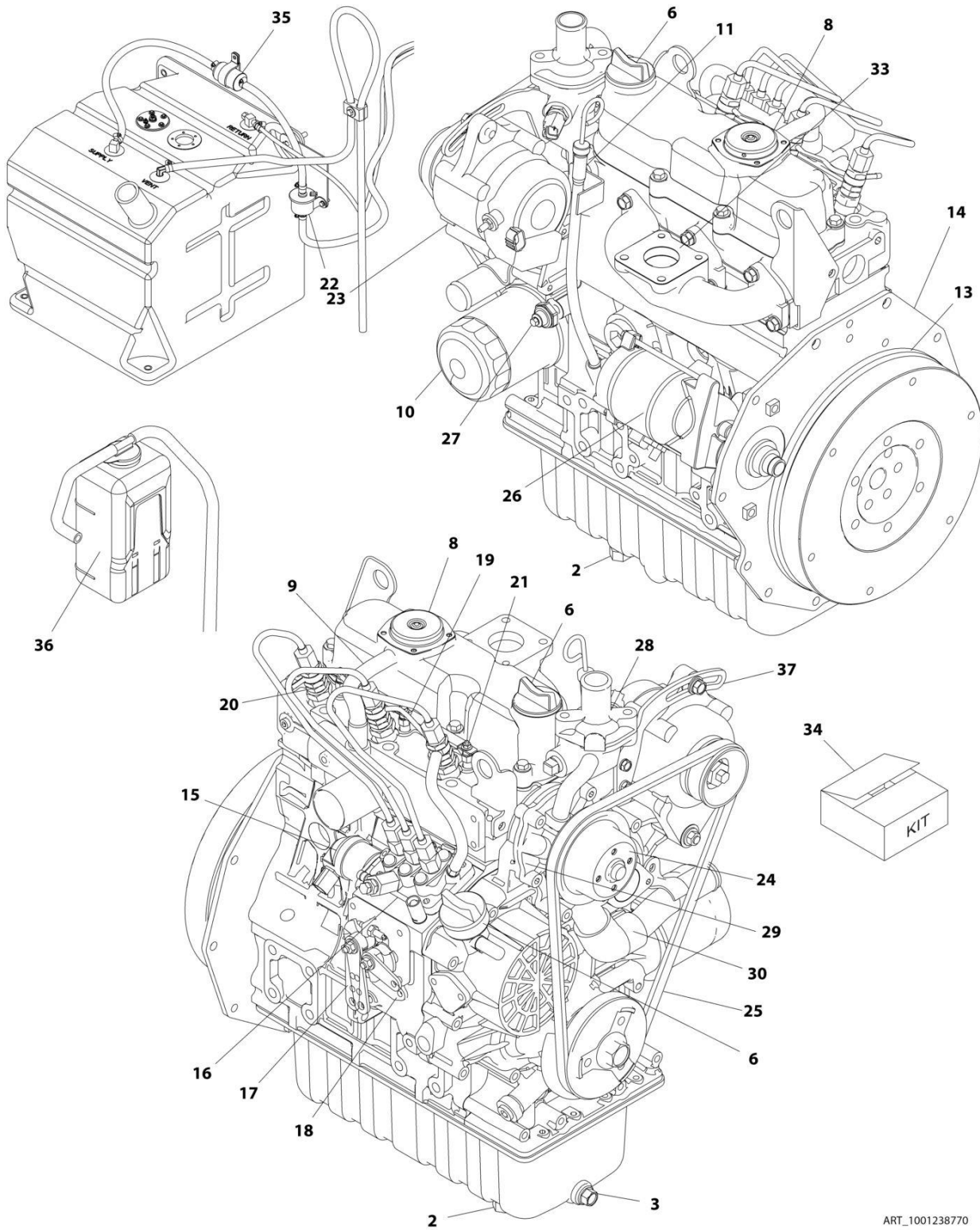
| ITEM | PART NUMBER | QTY | DESCRIPTION | REV |
|------|-------------|-----|---|-----|
| | 1001238777 | Ref | ENGINE ASSEMBLY - KUBOTA DIESEL T4F | B |
| 1 | 0100011 | AR | Compound, Locking | |
| 2 | 0340045 | 1 | Band, Mounting | |
| 3 | 0440334 | 1 | Bearing | |
| 4 | 0641408 | 2 | Bolt 1/4 x 1 | |
| 5 | 0700610 | 5 | Bolt M6 x 20 | |
| 6 | 0700620 | 4 | Bolt M6 x 60 | |
| 7 | 0700814 | 10 | Bolt M8 | |
| 8 | 0700815 | 2 | Bolt M8 x 35 | |
| 9 | 0700819 | 2 | Bolt M8 x 55 | |
| 10 | 0701222 | 4 | Bolt M12 x 70 | |
| 11 | 0760607 | 2 | Bolt M6 x 14 | |
| 12 | 0760808 | 10 | Bolt M8 x 16 | |
| 13 | 0760810 | 2 | Bolt M8 x 20 | |
| 14 | 0761014 | 1 | Bolt M10 x 30 | |
| 15 | 0761015 | 4 | Bolt M10 x 35 | |
| 16 | 0761016 | 6 | Bolt M10 x 40 | |
| 17 | 0961986 | 2 | Bearing, Flange | |
| 18 | 1703162 | 2 | Decal - Fan Blade | |
| 19 | 3290605 | 5 | Nut M6 | |
| 20 | 3290805 | 14 | Nut M8 | |
| 21 | 3291001 | 4 | Nut M10 | |
| 22 | 3291005 | 7 | Nut M10 | |
| 23 | 3291201 | 4 | Nut M12 | |
| 24 | 3311405 | 2 | Nut 1/4 | |
| 25 | 3321402 | 2 | Nut 1/4 | |
| 26 | 4761400 | 2 | Washer 1/4 | |
| 27 | 4811700 | 13 | Washer M6 | |
| 28 | 4811900 | 38 | Washer M8 | |
| 29 | 4812000 | 18 | Washer M10 | |
| 30 | 4812500 | 2 | Washer M20 | |
| 31 | 5240600 | 4 | Washer M6 | |
| 32 | 5241000 | 8 | Washer M10 | |
| 33 | 5241200 | 4 | Washer M12 | |
| 34 | 8405101 | 2 | Clamp | |
| 35 | 8405104 | 5 | Clamp | |
| 36 | 85941016 | 2 | Clamp | |
| 37 | 90021705 | 1 | Clamp, Support | |
| 38 | 1001118538 | 1 | Fan | |
| 39 | 1001118539 | 1 | Spacer, Fan | |
| 40 | 1001118580 | 1 | Sensor, Speed | |
| 41 | 1001118675 | 1 | Coupling Kit (See Separate Breakdown in this Section) | |
| 42 | 1001118746 | 8 | Bolt M10 x 25 | |
| 43 | 1001118881 | 1 | Clevis, Linkage | |
| 44 | 1001118925 | 1 | Bearing | |
| 45 | 1001128888 | 1 | Washer | |
| 46 | 1001168018 | 4 | Washer | |
| 47 | 1001169054 | 4 | Isolator, Radiator | |
| 48 | 1001169138 | 6 | Pad | |
| 49 | 1001169967 | 2 | Bracket, Radiator | |

SECTION 3 - ENGINE

| ITEM | PART NUMBER | QTY | DESCRIPTION | REV |
|------|-------------|-----|--|-----|
| 50 | 1001170035 | 2 | Bracket, Radiator | |
| 51 | 1001175509 | 4 | Mount, Motor | |
| 52 | 1001180620 | AR | Compound, Locking | |
| 53 | 1001181649 | 1 | Tray, Engine | |
| 54 | 1001181658 | 1 | Plate, Radiator Mounting | |
| 55 | 1001182976 | 1 | Mount, Engine (LH) | |
| 56 | 1001182977 | 1 | Mount, Engine (RH) | |
| 57 | 1001182979 | 1 | Bracket, Throttle Cylinder | |
| 58 | 1001182980 | 1 | Bracket, Air Cleaner | |
| 59 | 1001182981 | 1 | Bracket, Tray | |
| 60 | 1001182982 | 1 | Mount | |
| 61 | 1001182983 | 1 | Tube, Intake | |
| 62 | 1001182984 | 1 | Bracket, Support | |
| 63 | 1001182987 | 1 | Tube, Air Intake | |
| 64 | 1001247403 | 1 | Foam, Baffle | |
| 65 | 1001183424 | 1 | Foam, Baffle | |
| 66 | 1001184066 | 1 | Foam, Baffle | |
| 67 | 1001195600 | 1 | Bracket, Muffler | |
| 68 | 1001220957 | 1 | Radiator & Shroud Assembly | |
| 68 | 1001198726 | 1 | Radiator | |
| 68 | 70007502 | 1 | Valve, Drain | |
| 68 | 1001220959 | 1 | Shroud | |
| 69 | 1001227285 | 1 | Seal | |
| 70 | 1001234950 | 1 | Muffler | |
| 71 | 1001238770 | 1 | Engine Components - Kubota Diesel T4F (See Separate Breakdown in this Section) | |
| 72 | 1001118280 | 1 | Air Filter Assembly | |
| 72 | 7015004 | 2 | Element | |
| 73 | 1001118582 | 1 | Actuator, Throttle | |
| 74 | 1001125248 | 2 | Mount, Engine | |
| 75 | 1001182978 | 1 | Tube, Inlet | |
| 76 | 1001182985 | 1 | Tube, Outlet | |

SECTION 3 - ENGINE

FIGURE 3-7. ENGINE COMPONENTS - KUBOTA DIESEL T4F



ART_1001238770

SECTION 3 - ENGINE

FIGURE 3-7. ENGINE COMPONENTS - KUBOTA DIESEL T4F

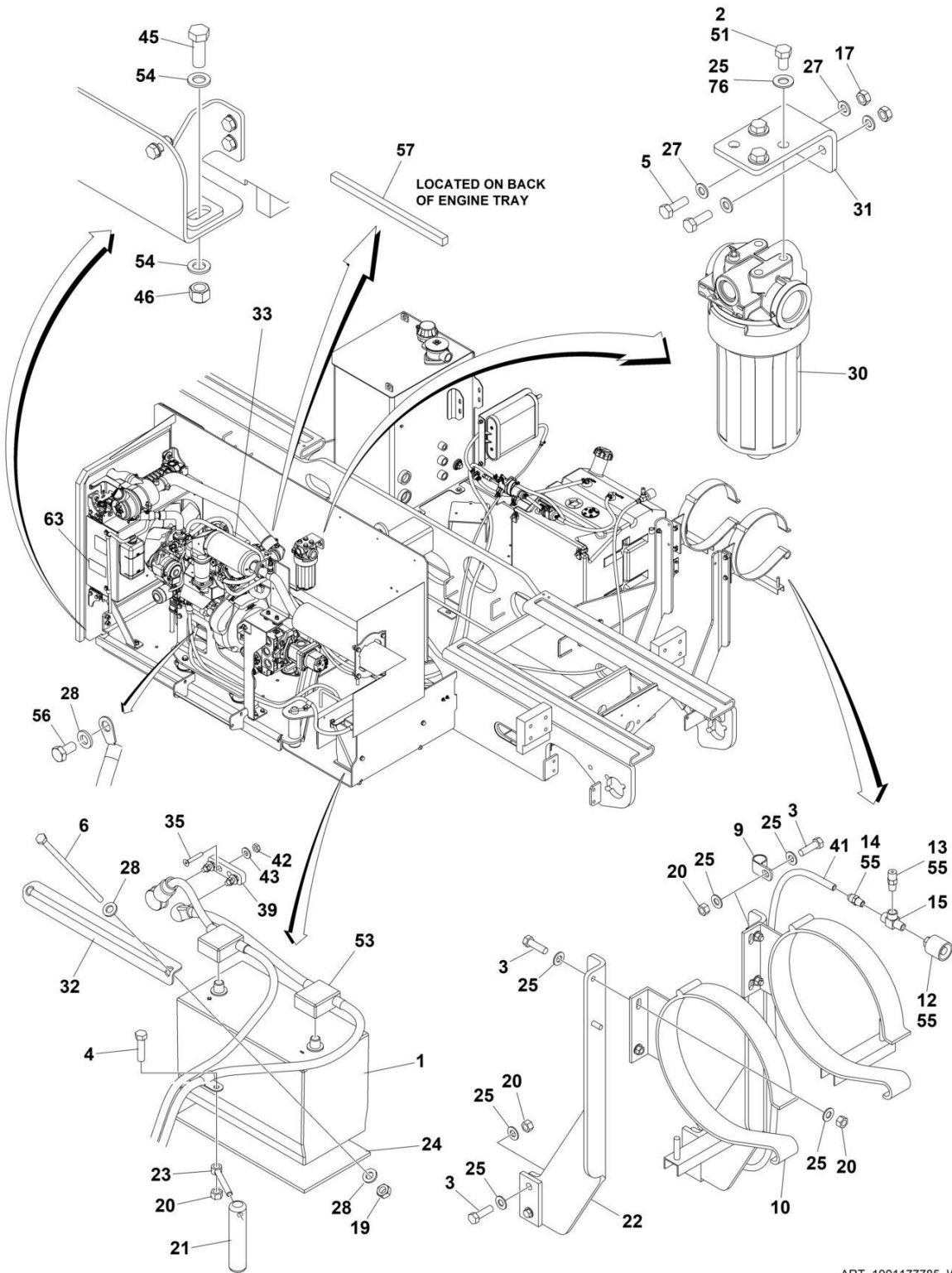
| ITEM | PART NUMBER | QTY | DESCRIPTION | REV |
|------|-------------|-----|---------------------------------------|-----|
| | 1001238770 | Ref | ENGINE COMPONENTS - KUBOTA DIESEL T4F | A |
| 1 | 70004524 | 1 | Drain (Not Shown) | |
| 2 | 7023154 | 1 | Plug, Drain | |
| 2 | 70002315 | 1 | Seal, Plug | |
| 3 | 70004525 | 1 | Plug, Drain | |
| 3 | 70004526 | 1 | Gasket | |
| 4 | 70005220 | 1 | Gasket, Cylinder Head (Not Shown) | |
| 5 | 7017922 | 1 | Seal, Front Main (Not Shown) | |
| 6 | 70002318 | 2 | Cap, Oil Fill | |
| 6 | 70004311 | 2 | O-Ring | |
| 7 | 70005221 | 1 | Gasket, Valve Cover (Not Shown) | |
| 8 | 70003060 | 1 | Comp Valve, Breather | |
| 8 | 70003061 | 1 | Cover, Breather | |
| 8 | 7017934 | 4 | Screw | |
| 9 | 70002316 | 1 | Pipe, Water Return | |
| 9 | 70002317 | 1 | Tube, Breather | |
| 9 | 70004530 | 1 | Clamp, Hose | |
| 9 | 70004531 | 1 | Band, Pipe | |
| 10 | 70004395 | 1 | Filter, Oil | |
| 11 | 70005222 | 1 | Dipstick | |
| 11 | 70005223 | 1 | Tube, Dipstick | |
| 12 | 7017928 | 1 | Seal, Rear Main (Not Shown) | |
| 13 | 70005224 | 1 | Gear, Ring | |
| 14 | 70002419 | 1 | Plate, Rear End | |
| 15 | 7025479 | 1 | Solenoid, Stop | |
| 16 | 7023164 | 1 | Pump, Injection | |
| 16 | 70002319 | 1 | Shim, Injection | |
| 16 | 70002320 | 1 | Shim, Injection | |
| 16 | 70002321 | 1 | Shim, Injection Pump | |
| 16 | 70002322 | 1 | Shim, Injection Pump | |
| 16 | 70002323 | 1 | Shim, Injection Pump | |
| 16 | 7017945 | 1 | Joint, Eye | |
| 17 | 70004396 | 1 | Control, Speed | |
| 17 | 70004397 | 1 | Gasket | |
| 18 | 7023165 | 1 | Gasket | |
| 19 | 70004536 | 1 | Pipe, Over Flow | |
| 19 | 70004537 | 1 | Screw, Air Bleeder | |
| 19 | 70004538 | 1 | Gasket | |
| 19 | 70004539 | 1 | Pipe, Over Flow | |
| 20 | 70004399 | 3 | Holder, Nozzle | |
| 20 | 70004540 | 3 | Nut | |
| 20 | 7023167 | 3 | Gasket | |
| 20 | 7023168 | 3 | Seal, Heat | |
| 21 | 70004398 | 3 | Plug, Glow | |
| 21 | 70004544 | 1 | Cord, Glow Plug | |
| 22 | 70005228 | 1 | Electric Fuel Feed Pump | |
| 23 | 70006661 | 1 | Alternator - 60Amp | |
| 24 | 7023140 | 1 | Pulley, Fan | |
| 25 | 70006665 | 1 | V-Belt | |
| 26 | 7023144 | 1 | Starter | |

SECTION 3 - ENGINE

| ITEM | PART NUMBER | QTY | DESCRIPTION | REV |
|------|-------------|-----|--------------------------------------|-----|
| 27 | 7017901 | 1 | Switch, Oil | |
| 28 | 70004829 | 1 | Pipe, Water Return | |
| 28 | 7023145 | 1 | Gasket, Flange | |
| 28 | 7017958 | 1 | Hose, Water Return | |
| 28 | 7023170 | 1 | Thermostat | |
| 28 | 70002326 | 1 | Gasket, Thermostat | |
| 28 | 70003064 | 1 | Sensor, Water Temperature | |
| 28 | 70003063 | 1 | Washer, Seal | |
| 29 | 70002327 | 1 | Pump, Water | |
| 29 | 70002328 | 1 | Gasket, Water Pump | |
| 30 | 7017963 | 1 | Pipe, Water | |
| 30 | 70002330 | 1 | Pipe, Water | |
| 31 | 7023149 | 1 | Gasket, Inlet Manifold (Not Shown) | |
| 32 | 7023148 | 1 | Gasket, Exhaust Manifold (Not Shown) | |
| 33 | 7023124 | 1 | Gasket (Muffler) | |
| 33 | 70004415 | 4 | Bolt, Sems | |
| 34 | 70005226 | 1 | Upper Gasket Kit | |
| 34 | 70005227 | 1 | Lower Gasket Kit | |
| 35 | 7017992 | 1 | Fuel Filter | |
| 36 | 70005229 | 1 | Tank, Coolant Reserve | |
| 37 | 70006664 | 1 | Arm, Adjustment | |

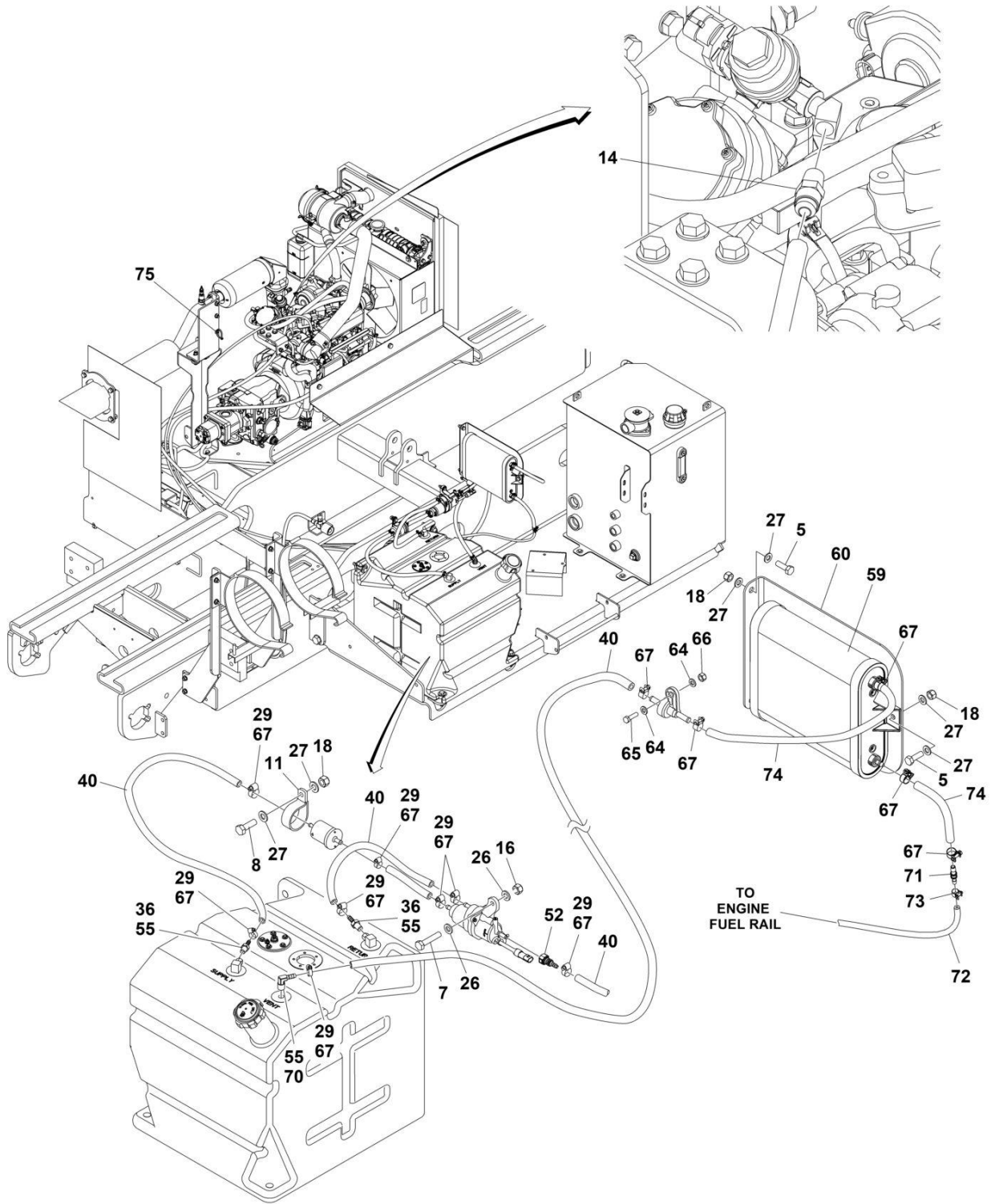
SECTION 3 - ENGINE

FIGURE 3-8. ENGINE INSTALLATION - KUBOTA GASOLINE



ART_100117785_W_10F2

SECTION 3 - ENGINE



ART_100117785_W_20F2

SECTION 3 - ENGINE

FIGURE 3-8. ENGINE INSTALLATION - KUBOTA GASOLINE

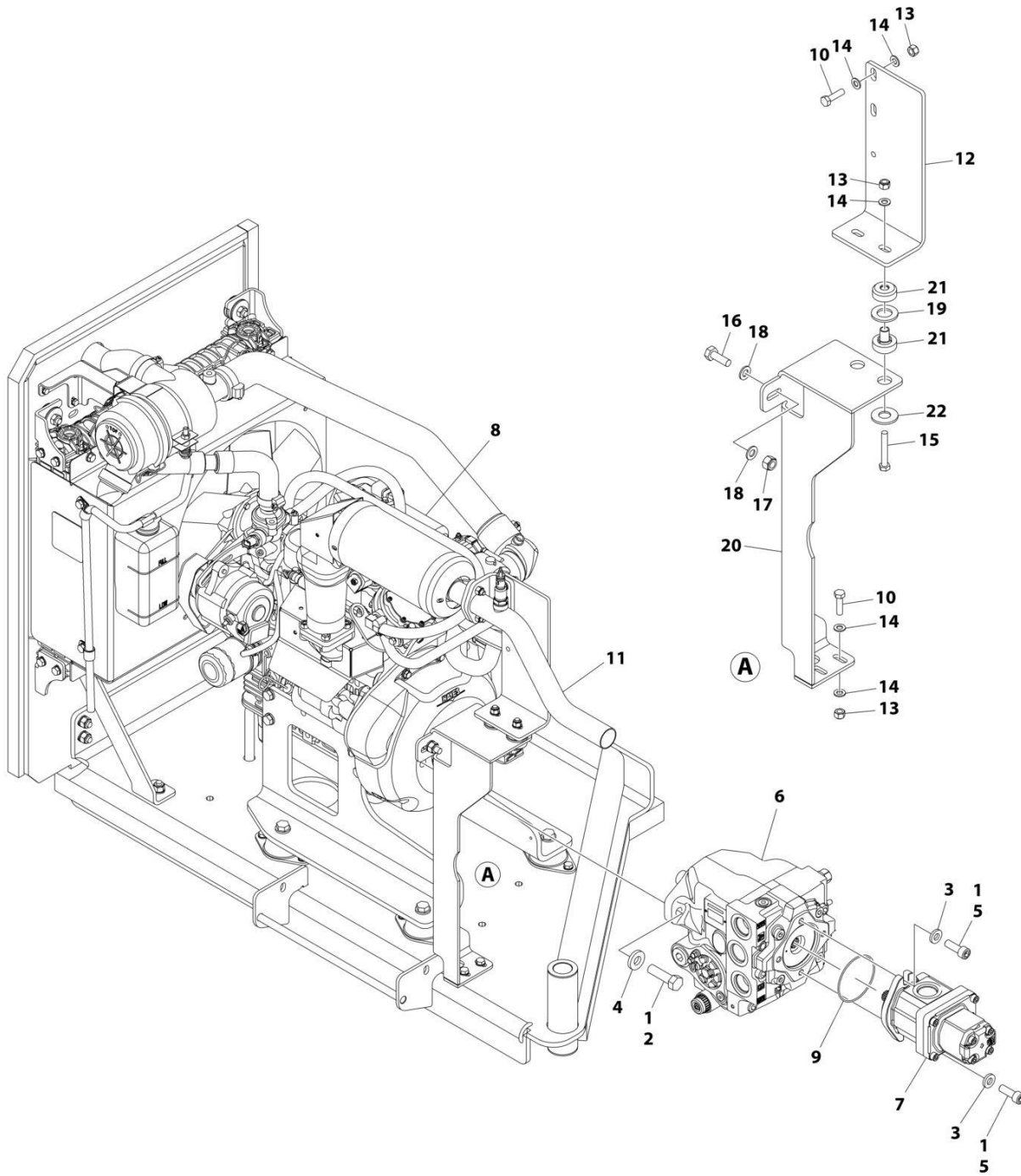
| ITEM | PART NUMBER | QTY | DESCRIPTION | REV |
|------|-------------|------------------|---|-----|
| | 1001177785 | Ref | ENGINE INSTALLATION - KUBOTA GASOLINE | W |
| 1 | 0400075 | 1 | Battery | |
| 2 | 0761010 | AR | Bolt M10 x 20 | |
| 3 | 0641610 | 9 | Bolt 3/8 x 1-1/4 | |
| 4 | 0641612 | 1 | Bolt 3/8 x 1-1/2 | |
| 5 | 0700812 | AR | Bolt M8 x 25 | |
| 6 | 0701047 | 2 | Bolt M10 x 300 | |
| 7 | 0760614 | 3 | Bolt M6 x 30 | |
| 8 | 0760812 | AR | Bolt M8 x 25 | |
| 9 | 1320061 | 1 | Clamp | |
| 10 | 1320220 | 1 | LP Clamp Kit | |
| 11 | 1320265 | 1 | Clamp | |
| 12 | 2180387 | 1 | Fitting, Tank Connector | |
| 13 | 2180389 | 1 | Fitting, Relief Valve - LP | |
| 14 | 2180418 | 2 | Fitting | |
| 15 | 2220290 | 1 | Fitting, Tee | |
| 16 | 3290605 | 3 | Nut M6 | |
| 17 | 3290801 | 2 | Nut M8 | |
| 18 | 3290805 | AR | Nut M8 | |
| 19 | 3291001 | 2 | Nut M10 | |
| 20 | 3311605 | 10 | Nut 3/8 | |
| 21 | 3422669 | 1 | Pin | |
| 22 | 3573440 | 2 | Plate, Mounting | |
| 23 | 3841143 | 1 | Keeper Pin | |
| 24 | 3980007 | 1 | Seat, Battery | |
| 25 | 4711600 | AR | Washer 3/8 | |
| 26 | 4811700 | 6 | Washer M6 | |
| 27 | 4811900 | AR | Washer M8 | |
| 28 | 5241000 | 5 | Washer M10 | |
| 29 | 8405009 | AR | Clamp | |
| 30 | 1001208874 | 1 | Filter, Charge Pump | |
| 30 | 70010383 | 1 | Element, Filter | |
| 31 | 1001194836 | 1 | Bracket | |
| 32 | 1001184065 | 1 | Bracket, Hold Down | |
| 33 | 1001184653 | 1 | Engine and Pump Sub-Assembly (See Separate Breakdown in this Section) | |
| 35 | 0741010 | 2 | Screw #10 x 1-1/4 | |
| 36 | 2180348 | 2 | Fitting, NPT/Barbed | |
| 39 | 2400044 | 1 | Block, Fuse Mounting | |
| 40 | 1001300357 | 15.7 ft/ 4.8m | Hose | |
| 41 | 2720611 | 1 | Hose | |
| 42 | 3300408 | 2 | Nut | |
| 43 | 4711400 | 2 | Washer 1/4 | |
| 45 | 0761617 | 1 | Bolt M16 x 45 | |
| 46 | 3291605 | 1 | Nut M16 | |
| 51 | 0100011 | AR | Compound, Locking | |
| 52 | 1001174093 | 1 | Coupling, Quick Connect | |
| 53 | 1001186429 | 1 | Battery Cable Kit (See Separate Breakdown in ELECTRICAL SECTION) | |

SECTION 3 - ENGINE

| ITEM | PART NUMBER | QTY | DESCRIPTION | REV |
|------|-------------|-----------------|--|-----|
| 54 | 4812300 | 2 | Washer M16 | |
| 55 | 0100020 | AR | Sealant | |
| 56 | 8303511 | 1 | Capscrew M10 x 20 | |
| 57 | 1001183421 | 1 | Foam, Baffle | |
| 59 | 1001225420 | 1 | Canister, Carbon | |
| 60 | 1001225421 | 1 | Bracket | |
| 63 | 1001262941 | 1 | Decal - EPA Evaporation 2020 Standards | |
| 63 | 1001274101 | 1 | Decal - EPA Evaporation 2021 Standards | |
| 63 | 1001288395 | 1 | Decal - EPA Evaporation 2022 Standards | |
| 63 | 1001299769 | 1 | Decal - EPA Evaporation 2023 Standards | |
| 64 | 4811600 | AR | Washer M5 | |
| 65 | 0760512 | AR | Bolt M5 x 25 | |
| 66 | 3290505 | AR | Nut M5 | |
| 67 | 1001174486 | 14 | Clamp | |
| 70 | 2221176 | 1 | Fitting, 90 | |
| 71 | 1001131391 | 1 | Coupling, Fuel Line | |
| 72 | 1001129256 | 9.3 ft/ 2.8m | Hose | |
| 73 | 1001185585 | 2 | Clamp, Hose | |
| 74 | 1001129255 | 2.5 ft/ .8m | Hose | |
| 75 | 1001146588 | AR | Tie-Strap | |
| 76 | 4812000 | AR | Washer M10 | |

SECTION 3 - ENGINE

FIGURE 3-9. ENGINE AND PUMP SUB-ASSEMBLY - KUBOTA GASOLINE



ART_1001184653

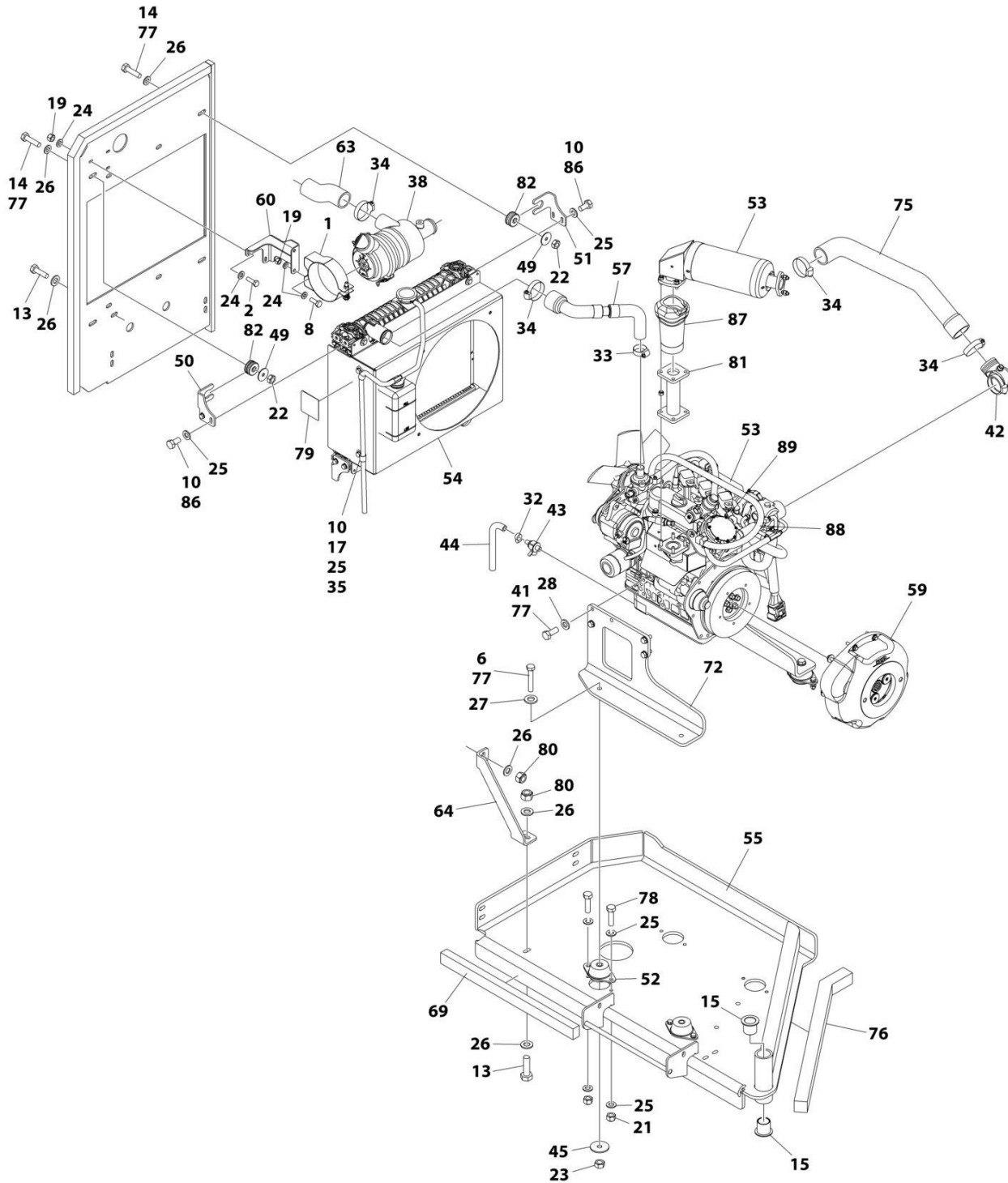
SECTION 3 - ENGINE

FIGURE 3-9. ENGINE AND PUMP SUB-ASSEMBLY - KUBOTA GASOLINE

| ITEM | PART NUMBER | QTY | DESCRIPTION | REV |
|------|-------------|-----|---|-----|
| | 1001184653 | Ref | ENGINE AND PUMP SUB-ASSEMBLY - KUBOTA GASOLINE | F |
| 1 | 0100011 | AR | Compound, Locking | |
| 2 | 0641814 | 2 | Bolt 1/2 x 1-3/4 | |
| 3 | 4891600 | AR | Washer 3/8 | |
| 4 | 4891800 | 2 | Washer 1/2 | |
| 5 | 83191040 | 2 | Capscrew M10 x 30 | |
| 6 | 1001101331 | 1 | Piston Pump Assembly (See Separate Breakdown in this Section) | |
| 7 | 1001217291 | 1 | Gear Pump Assembly | |
| 7 | 70002861 | 1 | Seal Kit - 1001217291 Pump (Note: Seal Kit is only service component available) | |
| 8 | 1001184654 | 1 | Engine Assembly - Kubota Gasoline (See Separate Breakdown in this Section) | |
| 9 | 3790152 | 1 | O-Ring | |
| 10 | 0700814 | AR | Bolt M8 x 30 | |
| 11 | 1001186833 | 1 | Tube, Exhaust | |
| 12 | 1001226420 | 1 | Bracket, Exhaust | |
| 13 | 3290805 | AR | Nut M8 | |
| 14 | 4811900 | AR | Washer M8 | |
| 15 | 0700819 | AR | Bolt M8 x 55 | |
| 16 | 0761014 | AR | Bolt M10 x 30 | |
| 17 | 3291005 | AR | Nut M10 | |
| 18 | 4812000 | AR | Washer M10 | |
| 19 | 4812500 | AR | Washer M20 | |
| 20 | 1001195600 | 1 | Bracket | |
| 21 | 1001125248 | 1 | Mount | |
| 22 | 1001169138 | 2 | Pad | |

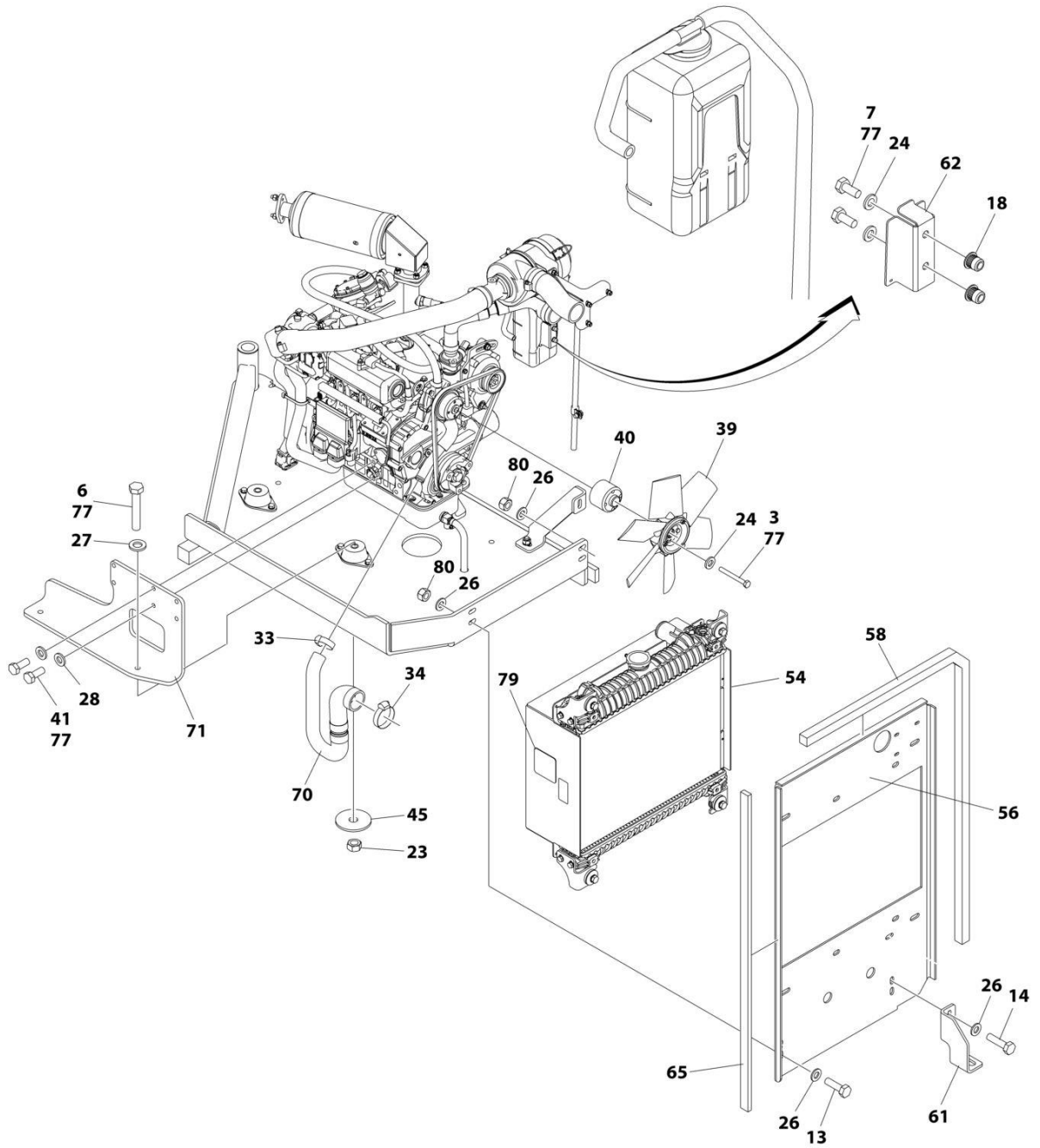
SECTION 3 - ENGINE

FIGURE 3-10. ENGINE ASSEMBLY - KUBOTA GASOLINE



ART_1001184654_10F2_M

SECTION 3 - ENGINE



ART_1001184654_2OF2_M

SECTION 3 - ENGINE

FIGURE 3-10. ENGINE ASSEMBLY - KUBOTA GASOLINE

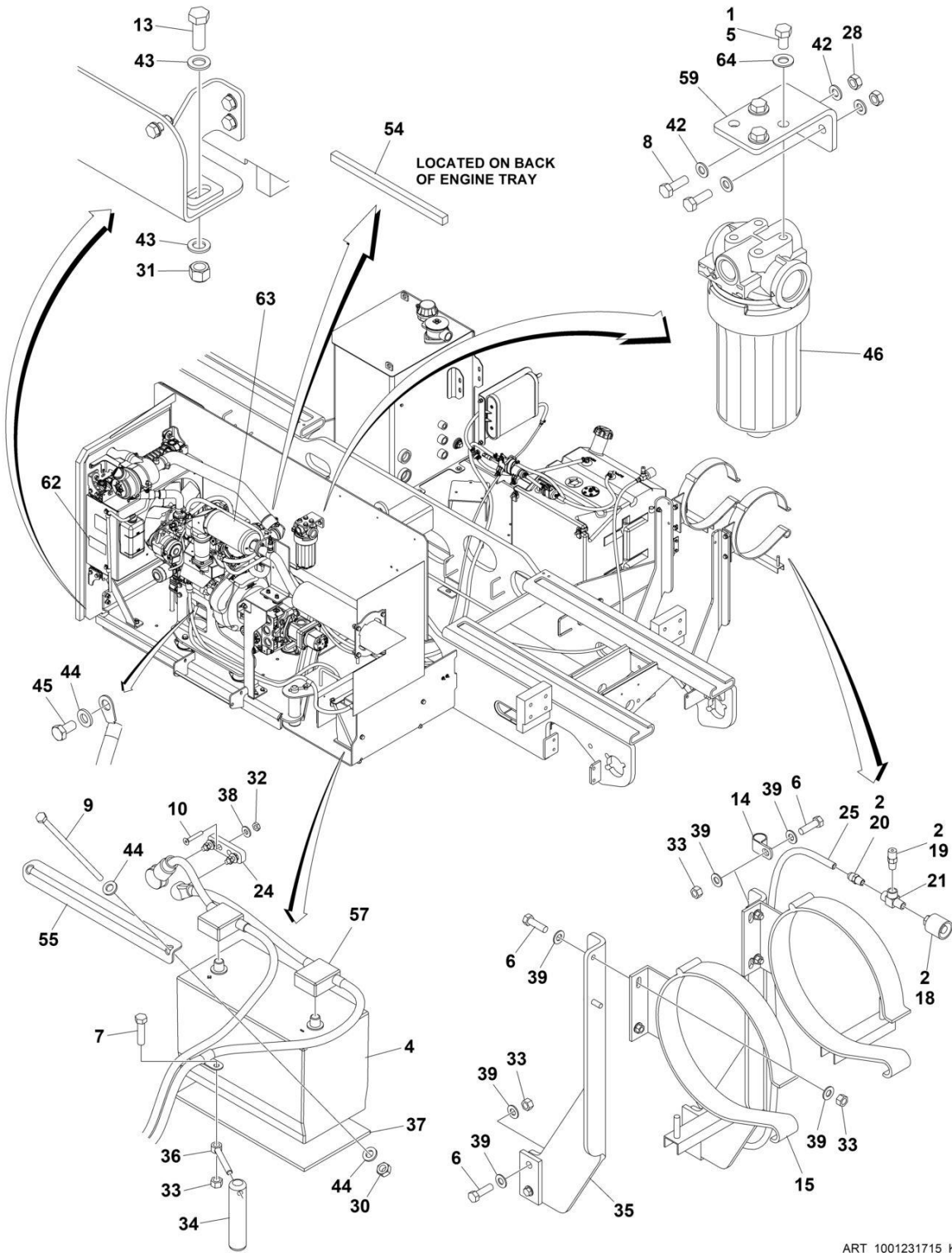
| ITEM | PART NUMBER | QTY | DESCRIPTION | REV |
|------|-------------|-----|--|-----|
| | 1001184654 | Ref | ENGINE ASSEMBLY - KUBOTA GASOLINE | M |
| 1 | 0340045 | 1 | Band, Mounting | |
| 2 | 0700610 | 3 | Bolt M6 x 20 | |
| 3 | 0700619 | 4 | Bolt M6 x 55 | |
| 6 | 0701222 | 4 | Bolt M12 x 70 | |
| 7 | 0760607 | 2 | Bolt M6 x 14 | |
| 8 | 0760608 | AR | Bolt M6 x 16 | |
| 10 | 0760808 | 10 | Bolt M8 x 16 | |
| 11 | 0760815 | AR | Bolt M8 x 35 | |
| 13 | 0761015 | 4 | Bolt M10 x 35 | |
| 14 | 0761016 | 6 | Bolt M10 x 40 | |
| 15 | 0961986 | 2 | Bearing, Flange | |
| 17 | 1001191832 | AR | Nut M8 | |
| 18 | 1001178636 | AR | Nut M6 | |
| 19 | 3290605 | AR | Nut M6 | |
| 21 | 3290805 | AR | Nut M8 | |
| 22 | 3291001 | 4 | Nut M10 | |
| 23 | 3291201 | 4 | Nut M12 | |
| 24 | 4811700 | AR | Washer M6 | |
| 25 | 4811900 | AR | Washer M8 | |
| 26 | 4812000 | 16 | Washer M10 | |
| 27 | 5241200 | 4 | Washer M12 | |
| 28 | 5241000 | 8 | Washer M10 | |
| 32 | 8405009 | 1 | Clamp | |
| 33 | 8405101 | 2 | Clamp | |
| 34 | 8405104 | 5 | Clamp | |
| 35 | 85941016 | 2 | Clamp | |
| 38 | 1001118280 | 1 | Air Filter Assembly | |
| 38 | 7015004 | 2 | Element | |
| 38 | 7015005 | 1 | Cover Assembly | |
| 38 | 1340069 | 1 | Valve, Vacuumator | |
| 39 | 1001118538 | 1 | Fan | |
| 40 | 1001118539 | 1 | Fan, Spacer | |
| 41 | 1001118746 | 8 | Bolt M10 x 25 | |
| 42 | 1001146043 | 1 | Elbow | |
| 43 | 1001161497 | 1 | Valve Oil Drain | |
| 44 | 1001165035 | 1 | Hose | |
| 45 | 1001168018 | 4 | Washer | |
| 49 | 1001169138 | 4 | Pad | |
| 50 | 1001169967 | 2 | Bracket, Radiator | |
| 51 | 1001170035 | 2 | Bracket, Radiator | |
| 52 | 1001187235 | 4 | Mount, Motor | |
| 53 | 1001224493 | 1 | Engine Components - Kubota Gasoline (See Separate Breakdown in this Section) | |
| 54 | 1001220957 | 1 | Radiator & Shroud Assembly | |
| 54 | 1001198726 | 1 | Radiator | |
| 54 | 70007502 | 1 | Valve, Drain | |
| 54 | 1001220959 | 1 | Shroud | |
| 55 | 1001181649 | 1 | Tray, Engine | |
| 56 | 1001181658 | 1 | Plate, Radiator Mounting | |

SECTION 3 - ENGINE

| ITEM | PART NUMBER | QTY | DESCRIPTION | REV |
|------|-------------|-----------------|--|-----|
| 57 | 1001181659 | 1 | Hose, Radiator (Upper) | |
| 58 | 1001181739 | 1 | Seal | |
| 59 | 1001181829 | 1 | Coupling Kit - Gasoline Engines (See Separate Breakdown in this Section) | |
| 60 | 1001182980 | 1 | Bracket, Air Cleaner | |
| 61 | 1001182981 | 1 | Bracket, Tray | |
| 62 | 1001182982 | 1 | Mount | |
| 63 | 1001182983 | 1 | Tube, Intake | |
| 64 | 1001182984 | 1 | Bracket, Support | |
| 65 | 1001247403 | 1 | Foam, Baffle | |
| 69 | 1001183424 | 1 | Foam, Baffle | |
| 70 | 1001183427 | 1 | Tube, Coolant | |
| 71 | 1001183428 | 1 | Mount, Engine (RH) | |
| 72 | 1001183429 | 1 | Mount, Engine (LH) | |
| 75 | 1001184064 | 1 | Tube, Intake | |
| 76 | 1001184066 | 1 | Foam, Baffle | |
| 77 | 0100011 | AR | Compound, Locking | |
| 78 | 0700814 | 8 | Bolt, M8 x 30 | |
| 79 | 1703162 | 2 | Decal - Fan Blade | |
| 80 | 3291005 | 6 | Nut M10 | |
| 81 | 1001213847 | 1 | Tube, Exhaust | |
| 82 | 1001169054 | 4 | Isolator, Radiator | |
| 86 | 1001180620 | AR | Compound, Locking | |
| 87 | 1001210708 | 1 | Sleeve, Insulation | |
| 88 | 1001181625 | 50 in/ 127cm | Hose | |
| 89 | 8410013 | 4 | Clamp | |

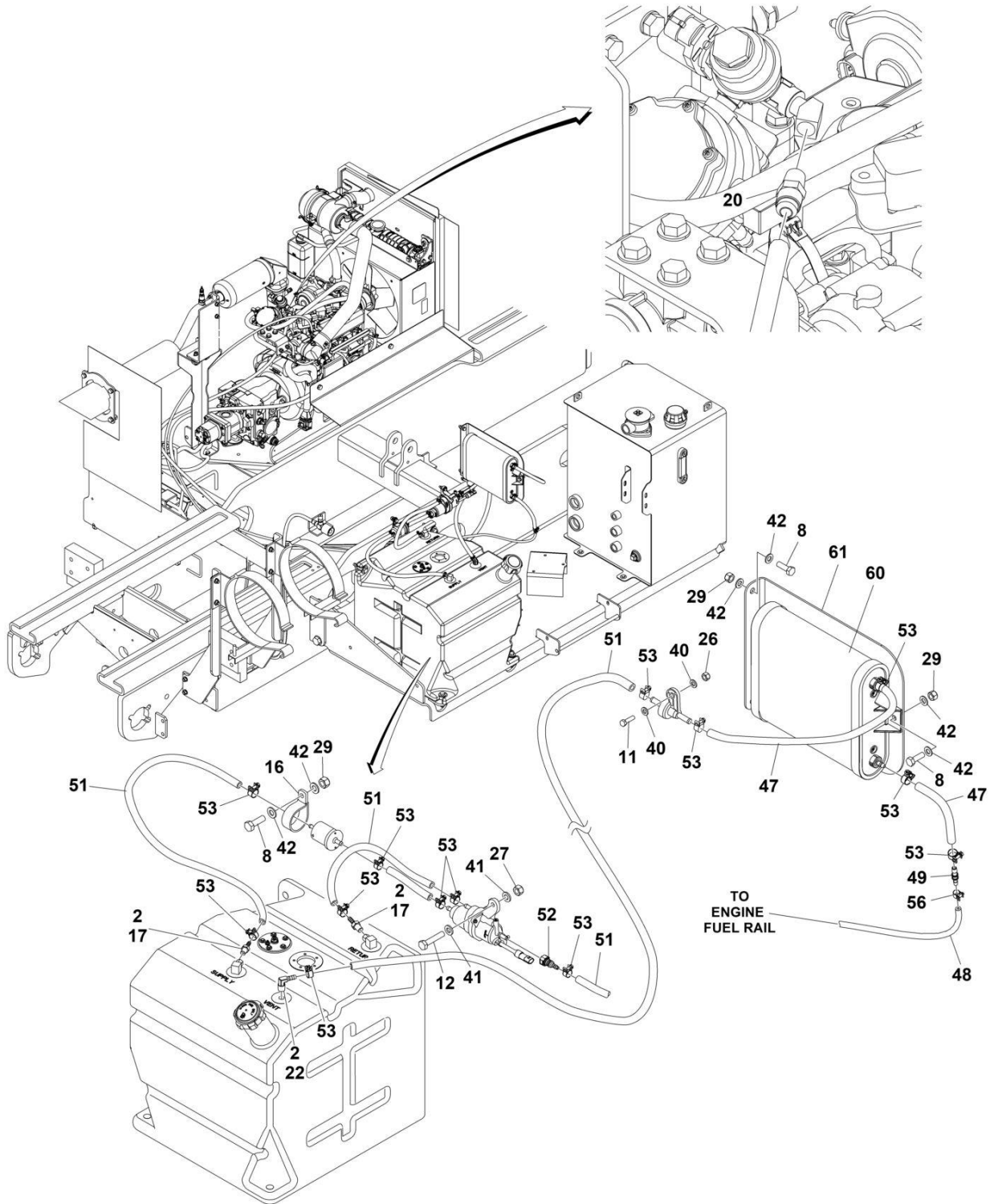
SECTION 3 - ENGINE

FIGURE 3-11. ENGINE INSTALLATION - KUBOTA GASOLINE WITH GENERATOR



ART_1001231715_K_10F2

SECTION 3 - ENGINE



ART_1001231715_K_20F2

SECTION 3 - ENGINE

FIGURE 3-11. ENGINE INSTALLATION - KUBOTA GASOLINE WITH GENERATOR

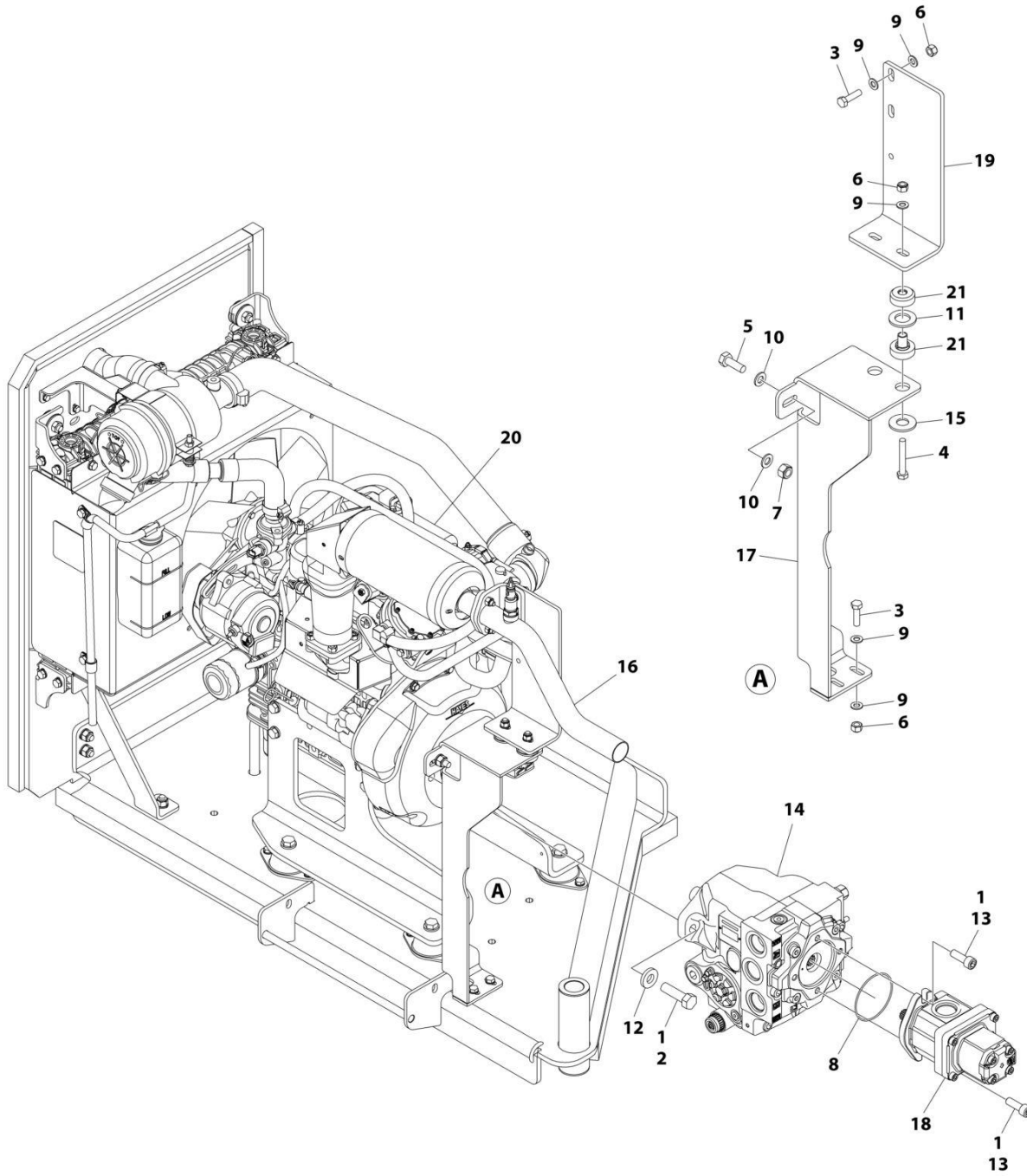
| ITEM | PART NUMBER | QTY | DESCRIPTION | REV |
|------|-------------|-----------------|---------------------------------------|-----|
| | 1001231715 | Ref | ENGINE INSTALLATION - KUBOTA GASOLINE | K |
| 1 | 0100011 | AR | Compound, Locking | |
| 2 | 0100020 | AR | Sealant | |
| 4 | 0400075 | 1 | Battery | |
| 5 | 0761010 | 3 | Bolt M10 x 20 | |
| 6 | 0641610 | 9 | Bolt 3/8 x 1-1/4 | |
| 7 | 0641612 | 1 | Bolt 3/8 x 1-1/2 | |
| 8 | 0700812 | 7 | Bolt M8 x 25 | |
| 9 | 0701047 | 2 | Bolt M10 x 300 | |
| 10 | 0741010 | 2 | Screw 10 x 1-1/4 | |
| 11 | 0760512 | 1 | Bolt M5 x 25 | |
| 12 | 0760614 | 3 | Bolt M6 x 30 | |
| 13 | 0761617 | 1 | Bolt M16 x 45 | |
| 14 | 1320061 | 1 | Clamp | |
| 15 | 1320220 | 1 | LP Clamp Kit | |
| 15 | 4400420 | 1 | Tank, LP - Steel (Not Shown) | |
| 15 | 4400275 | 1 | Tank, LP - Aluminum (Not Shown) | |
| 16 | 1320265 | 1 | Clamp | |
| 17 | 2180348 | 2 | Fitting, NPT/Barbed | |
| 18 | 2180387 | 1 | Fitting, Tank Connector | |
| 19 | 2180389 | 1 | Fitting, Relief Valve - LP | |
| 20 | 2180418 | 2 | Fitting | |
| 21 | 2220290 | 1 | Fitting, Tee | |
| 22 | 2221176 | 1 | Fitting, 90 | |
| 24 | 2400044 | 1 | Block, Fuse Mounting | |
| 25 | 2720611 | 1 | Hose | |
| 26 | 3290505 | 1 | Nut M5 | |
| 27 | 3290605 | 3 | Nut M6 | |
| 28 | 3290801 | 2 | Nut M8 | |
| 29 | 3290805 | 5 | Nut M8 | |
| 30 | 3291001 | 2 | Nut M10 | |
| 31 | 3291605 | 1 | Nut M16 | |
| 32 | 3300408 | 2 | Nut | |
| 33 | 3311605 | 10 | Nut 3/8 | |
| 34 | 3422669 | 1 | Pin | |
| 35 | 3573440 | 2 | Plate, Mounting | |
| 36 | 3841143 | 1 | Keeper Pin | |
| 37 | 3980007 | 1 | Seat, Battery | |
| 38 | 4711400 | 2 | Washer 1/4 | |
| 39 | 4711600 | AR | Washer 3/8 | |
| 40 | 4811600 | 2 | Washer M5 | |
| 41 | 4811700 | 6 | Washer M6 | |
| 42 | 4811900 | 14 | Washer M8 | |
| 43 | 4812300 | 2 | Washer M16 | |
| 44 | 5241000 | 5 | Washer M10 | |
| 45 | 8303511 | 1 | Capscrew M10 x 20 | |
| 46 | 1001208874 | 1 | Filter, Charge Pump | |
| 46 | 70010383 | 1 | Element (Includes O-Ring) | |
| 47 | 1001129255 | 30 in/ 75 cm | Hose | |

SECTION 3 - ENGINE

| ITEM | PART NUMBER | QTY | DESCRIPTION | REV |
|------|-------------|-----------------|---|-----|
| 48 | 1001129256 | 9.5 ft/ 2.8m | Hose | |
| 49 | 1001131391 | 1 | Coupling, Fuel Line | |
| 50 | 1001146588 | 1 | Tie-Strap | |
| 51 | 1001300357 | 16 ft/ 4.8m | Hose | |
| 52 | 1001174093 | 1 | Coupling, Quick Connect | |
| 53 | 1001174486 | 14 | Clamp | |
| 54 | 1001183421 | 1 | Foam, Baffle | |
| 55 | 1001184065 | 1 | Bracket, Hold Down | |
| 56 | 1001185585 | 2 | Clamp, Hose | |
| 57 | 1001186429 | 1 | Battery Cable Kit (See Separate Breakdown in ELECTRICAL SECTION) | |
| 59 | 1001194836 | 1 | Bracket | |
| 60 | 1001225420 | 1 | Canister, Carbon | |
| 61 | 1001225421 | 1 | Bracket | |
| 62 | 1001262941 | 1 | Decal - EPA Evaporation 2020 Standards | |
| 62 | 1001274101 | 1 | Decal - EPA Evaporation 2021 Standards | |
| 62 | 1001288395 | 1 | Decal - EPA Evaporation 2022 Standards | |
| 62 | 1001299769 | 1 | Decal - EPA Evaporation 2023 Standards | |
| 63 | 1001231716 | 1 | Engine and Pump Sub-Assembly (See Separate Breakdown in this Section) | |
| 64 | 4812000 | 3 | Washer M10 | |

SECTION 3 - ENGINE

FIGURE 3-12. ENGINE AND PUMP SUB-ASSEMBLY - KUBOTA GASOLINE WITH GENERATOR



ART_1001231716

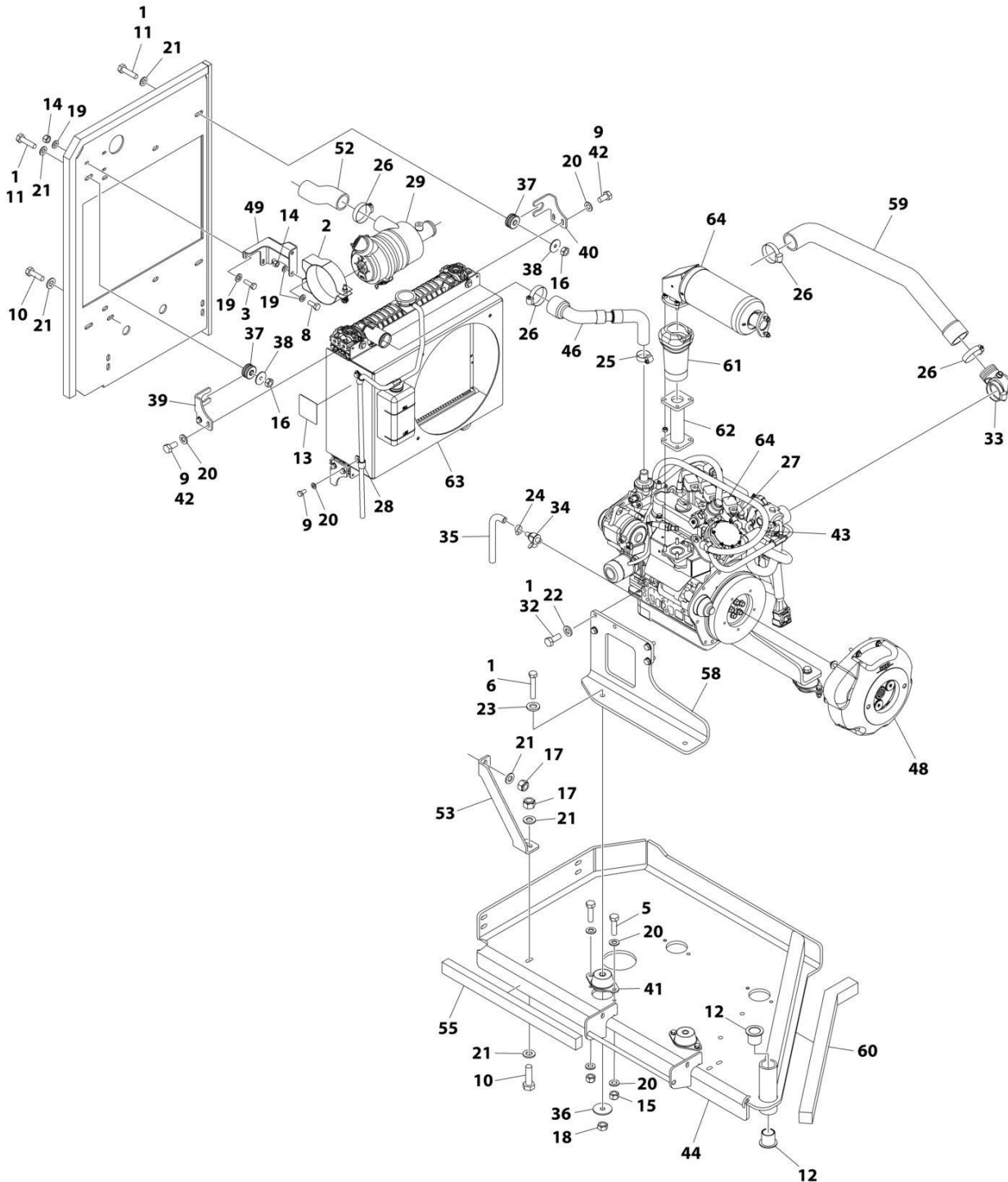
SECTION 3 - ENGINE

FIGURE 3-12. ENGINE AND PUMP SUB-ASSEMBLY - KUBOTA GASOLINE WITH GENERATOR

| ITEM | PART NUMBER | QTY | DESCRIPTION | REV |
|------|-------------|-----|---|-----|
| | 1001231716 | Ref | ENGINE AND PUMP SUB-ASSEMBLY - KUBOTA GASOLINE | B |
| 1 | 0100011 | AR | Compound, Locking | |
| 2 | 0641814 | 2 | Bolt 1/2 x 1-3/4 | |
| 3 | 0700814 | 4 | Bolt M8 x 30 | |
| 4 | 0700819 | 2 | Bolt M8 x 55 | |
| 5 | 0761014 | 1 | Bolt M10 x 30 | |
| 6 | 3290805 | 6 | Nut M8 | |
| 7 | 3291005 | 1 | Nut M10 | |
| 8 | 3790152 | 1 | O-Ring | |
| 9 | 4811900 | 10 | Washer M8 | |
| 10 | 4812000 | 2 | Washer M10 | |
| 11 | 4812500 | 2 | Washer M20 | |
| 12 | 4891800 | 2 | Washer 1/2 | |
| 13 | 83191040 | 2 | Capscrew M10 x 30 | |
| 14 | 1001101331 | 1 | Piston Pump Assembly (See Separate Breakdown in this Section) | |
| 15 | 1001169138 | 2 | Pad | |
| 16 | 1001186833 | 1 | Tube, Exhaust | |
| 17 | 1001195600 | 1 | Bracket | |
| 18 | 1001217291 | 1 | Gear Pump Assembly | |
| 18 | 70002861 | 1 | Seal Kit - 1001217291 Pump (Note: Seal Kit is only service component available) | |
| 19 | 1001226420 | 1 | Bracket, Exhaust | |
| 20 | 1001231717 | 1 | Engine Assembly - Kubota Gasoline (See Separate Breakdown in this Section) | |
| 21 | 1001125248 | 2 | Mount | |

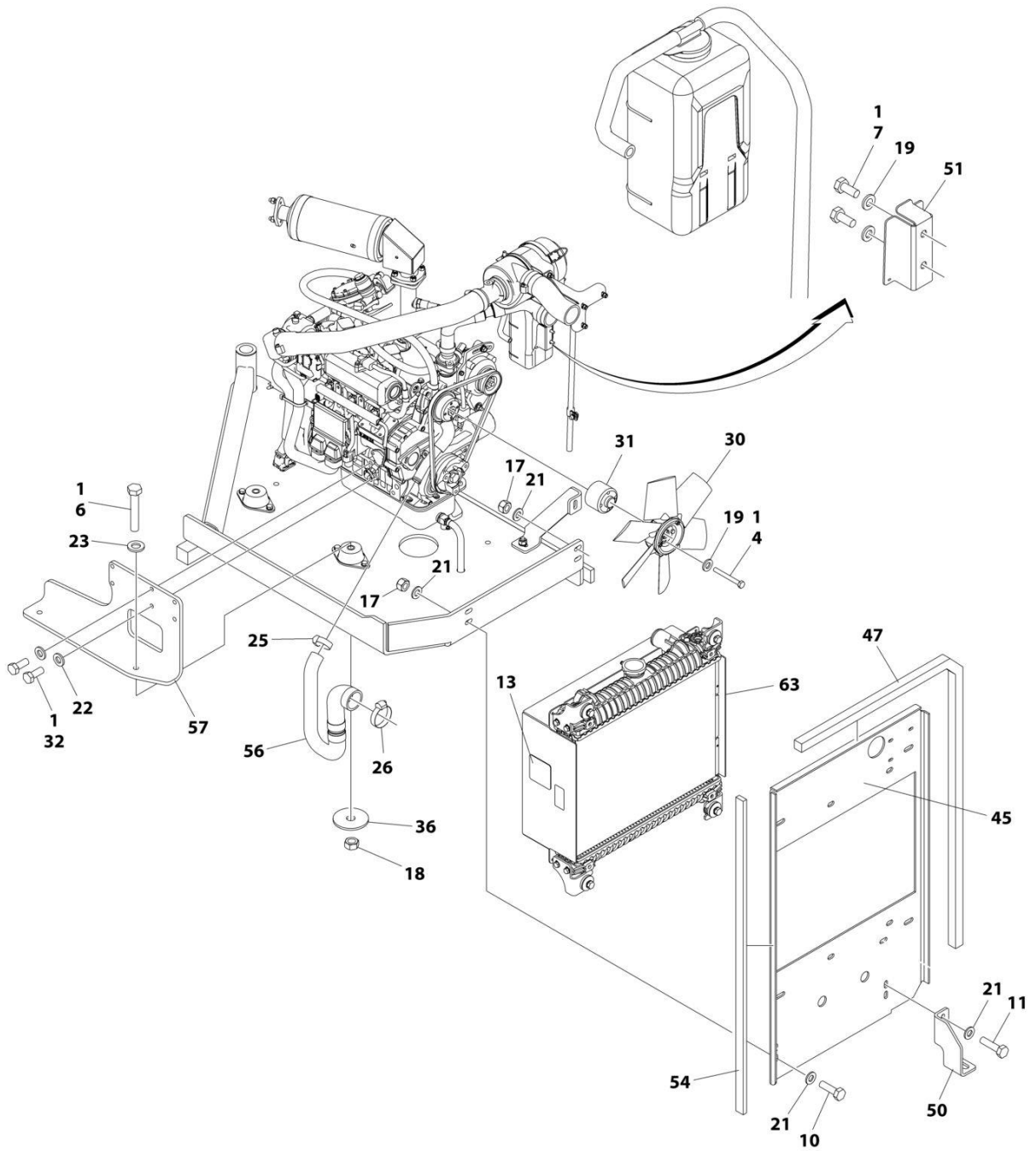
SECTION 3 - ENGINE

FIGURE 3-13. ENGINE ASSEMBLY - KUBOTA GASOLINE WITH GENERATOR



ART_1001231717_10F2_B

SECTION 3 - ENGINE



ART_1001231717_20F2_B

SECTION 3 - ENGINE

FIGURE 3-13. ENGINE ASSEMBLY - KUBOTA GASOLINE WITH GENERATOR

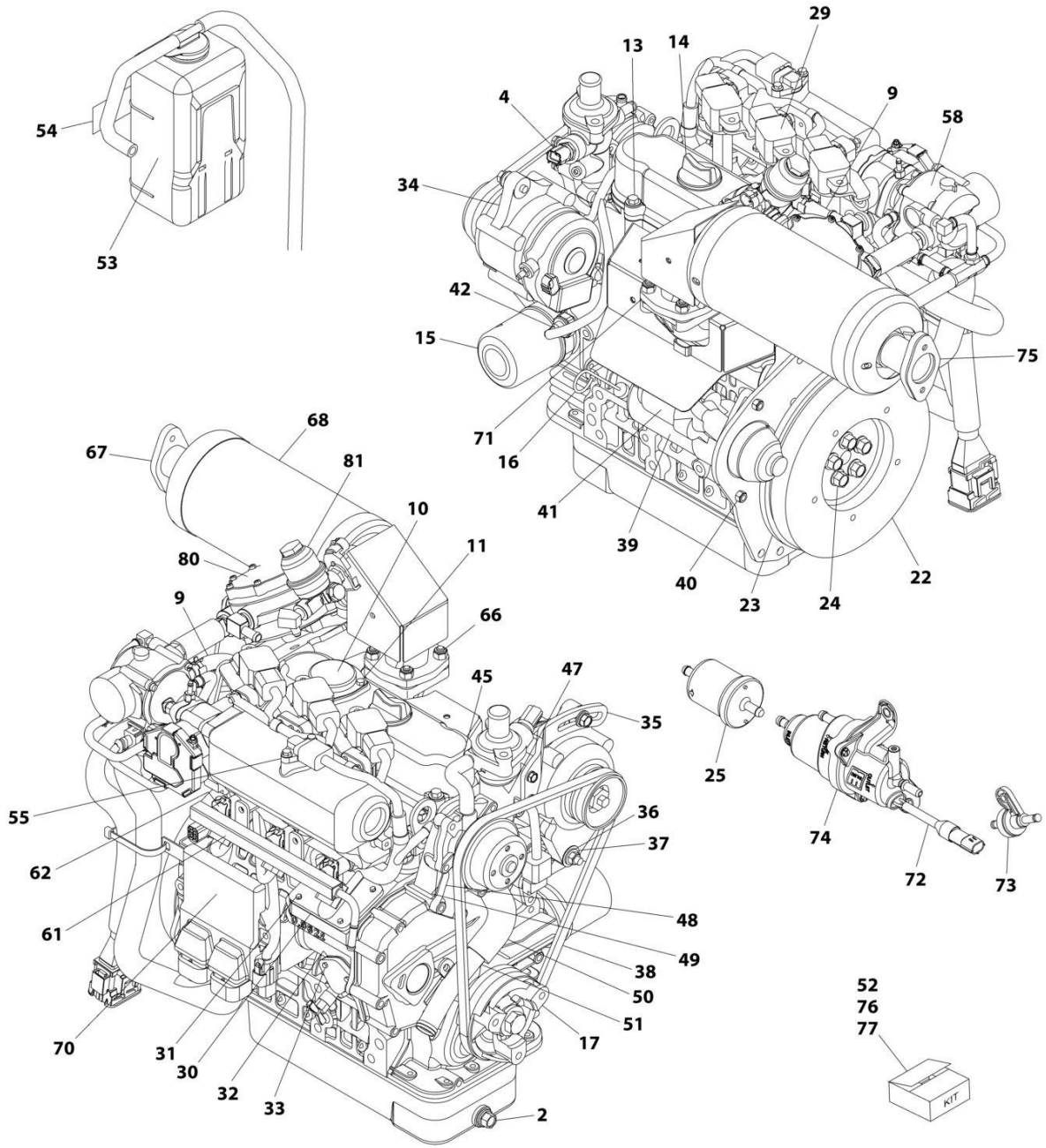
| ITEM | PART NUMBER | QTY | DESCRIPTION | REV |
|------|-------------|-----------------|-----------------------------------|-----|
| | 1001231717 | Ref | ENGINE ASSEMBLY - KUBOTA GASOLINE | B |
| 1 | 0100011 | AR | Compound, Locking | |
| 2 | 0340045 | 1 | Band, Mounting | |
| 3 | 0700610 | 3 | Bolt M6 x 20 | |
| 4 | 0700619 | 4 | Bolt M6 x 55 | |
| 5 | 0700814 | 8 | Bolt M8 x 30 | |
| 6 | 0701222 | 4 | Bolt M12 x 70 | |
| 7 | 0760607 | 2 | Bolt M6 x 14 | |
| 8 | 0760608 | 2 | Bolt M6 x 16 | |
| 9 | 0760808 | 10 | Bolt M8 x 16 | |
| 10 | 0761015 | 4 | Bolt M10 x 35 | |
| 11 | 0761016 | 6 | Bolt M10 x 40 | |
| 12 | 0961986 | 2 | Bearing, Flange | |
| 13 | 1703162 | 2 | Decal - Fan Blade | |
| 14 | 3290605 | 5 | Nut M6 | |
| 15 | 3290805 | 8 | Nut M8 | |
| 16 | 3291001 | 4 | Nut M10 | |
| 17 | 3291005 | 6 | Nut M10 | |
| 18 | 3291201 | 4 | Nut M12 | |
| 19 | 4811700 | 16 | Washer M6 | |
| 20 | 4811900 | 26 | Washer M8 | |
| 21 | 4812000 | 16 | Washer M10 | |
| 22 | 5241000 | 8 | Washer M10 | |
| 23 | 5241200 | 4 | Washer M12 | |
| 24 | 8405009 | 1 | Clamp | |
| 25 | 8405101 | 2 | Clamp | |
| 26 | 8405104 | 5 | Clamp | |
| 27 | 8410013 | 4 | Clamp | |
| 28 | 85941016 | 2 | Clamp | |
| 29 | 1001118280 | 1 | Air Filter Assembly | |
| 29 | 7015004 | 2 | Element | |
| 29 | 7015005 | 1 | Cover Assembly | |
| 29 | 1340069 | 1 | Valve, Vacuator | |
| 30 | 1001118538 | 1 | Fan | |
| 31 | 1001118539 | 1 | Fan, Spacer | |
| 32 | 1001118746 | 8 | Bolt M10 x 25 | |
| 33 | 1001146043 | 1 | Elbow | |
| 34 | 1001161497 | 1 | Valve Oil Drain | |
| 35 | 1001165035 | 1 | Hose | |
| 36 | 1001168018 | 4 | Washer | |
| 37 | 1001169054 | 4 | Isolator, Radiator | |
| 38 | 1001169138 | 4 | Pad | |
| 39 | 1001169967 | 2 | Bracket, Radiator | |
| 40 | 1001170035 | 2 | Bracket, Radiator | |
| 41 | 1001175509 | 4 | Mount, Motor | |
| 42 | 1001180620 | AR | Compound, Locking | |
| 43 | 1001181625 | 50 in/ 127cm | Hose | |
| 44 | 1001181649 | 1 | Tray, Engine | |
| 45 | 1001181658 | 1 | Plate, Radiator Mounting | |

SECTION 3 - ENGINE

| ITEM | PART NUMBER | QTY | DESCRIPTION | REV |
|------|-------------|-----|--|-----|
| 46 | 1001181659 | 1 | Hose, Radiator (Upper) | |
| 47 | 1001181739 | 1 | Seal | |
| 48 | 1001181829 | 1 | Coupling Kit - Gasoline Engines (See Separate Breakdown in this Section) | |
| 49 | 1001182980 | 1 | Bracket, Air Cleaner | |
| 50 | 1001182981 | 1 | Bracket, Tray | |
| 51 | 1001182982 | 1 | Mount | |
| 52 | 1001182983 | 1 | Tube, Intake | |
| 53 | 1001182984 | 1 | Bracket, Support | |
| 54 | 1001247403 | 1 | Foam, Baffle | |
| 55 | 1001183424 | 1 | Foam, Baffle | |
| 56 | 1001183427 | 1 | Tube, Coolant | |
| 57 | 1001183428 | 1 | Mount, Engine (RH) | |
| 58 | 1001183429 | 1 | Mount, Engine (LH) | |
| 59 | 1001184064 | 1 | Tube, Intake | |
| 60 | 1001184066 | 1 | Foam, Baffle | |
| 61 | 1001210708 | 1 | Sleeve, Insulation | |
| 62 | 1001213847 | 1 | Tube, Exhaust | |
| 63 | 1001220957 | 1 | Radiator & Shroud Assembly | |
| 63 | 1001198726 | 1 | Radiator | |
| 63 | 70007502 | 1 | Valve, Drain | |
| 63 | 1001220959 | 1 | Shroud | |
| 64 | 1001224493 | 1 | Engine Components - Kubota Gasoline (See Separate Breakdown in this Section) | |

SECTION 3 - ENGINE

FIGURE 3-14. ENGINE COMPONENTS - KUBOTA GASOLINE



ART_1001224493

SECTION 3 - ENGINE

FIGURE 3-14. ENGINE COMPONENTS - KUBOTA GASOLINE

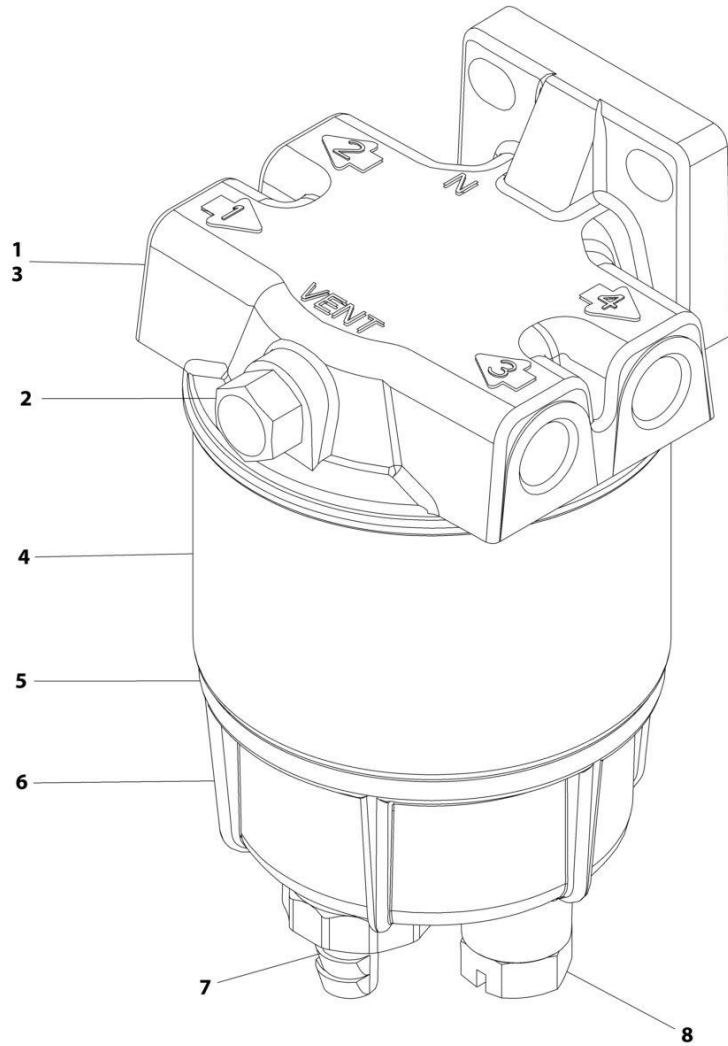
| ITEM | PART NUMBER | QTY | DESCRIPTION | REV |
|------|-------------|-----|-------------------------------------|-----|
| | 1001224493 | Ref | ENGINE COMPONENTS - KUBOTA GASOLINE | C |
| 1 | 70004524 | 1 | Drain (Not Shown) | |
| 2 | 70004525 | 1 | Plug, Drain | |
| 2 | 70004526 | 1 | Gasket | |
| 3 | 7017906 | 2 | Bolt (Not Shown) | |
| 4 | 70005726 | 1 | Sensor, Water Temperature | |
| 4 | 70005727 | 1 | Gasket | |
| 5 | 70005728 | 1 | Gasket, Head (Not Shown) | |
| 6 | 7017914 | 1 | Joint, Pipe (Not Shown) | |
| 7 | 70005729 | 1 | Seal, Oil (Not Shown) | |
| 8 | 70005730 | 1 | Sensor, Revolution (Not Shown) | |
| 9 | 7017959 | 2 | Band, Pipe | |
| 10 | 70005731 | 1 | O-Ring, Breather | |
| 10 | 70005732 | 1 | Cover, Breather | |
| 11 | 7017934 | 4 | Screw | |
| 12 | 70005733 | 1 | Gasket, Head Cover (Not Shown) | |
| 13 | 70004831 | 4 | Bolt | |
| 14 | 70002318 | 1 | Plug, Oil Filler | |
| 14 | 70004311 | 1 | O-Ring | |
| 15 | 7017980 | 1 | Filter, Oil | |
| 16 | 70005734 | 1 | Gauge, Oil | |
| 17 | 70004294 | 1 | Pump, Oil | |
| 17 | 70004295 | 1 | Gasket, Oil | |
| 18 | 70004296 | 1 | Key, Feather (Not Shown) | |
| 19 | 7017982 | 1 | Gasket, Bearing Case (Not Shown) | |
| 20 | 7017983 | 1 | Seal, Oil (Not Shown) | |
| 21 | 7017984 | 1 | Gasket, Case Cover (Not Shown) | |
| 22 | 70005735 | 1 | Gear, Ring | |
| 23 | 70005736 | 1 | Rotor | |
| 24 | 70004834 | 5 | Bolt | |
| 25 | 7017992 | 1 | Fuel, Filter | |
| 26 | 70005737 | 1 | Sensor, Stick (Not Shown) | |
| 27 | 70005738 | 1 | Holder, Sensor (Not Shown) | |
| 28 | 70005739 | 3 | Spark Plug (Not Shown) | |
| 29 | 70005740 | 3 | Coil, Ignition | |
| 30 | 7017986 | 1 | Gasket | |
| 31 | 70004538 | 2 | Packing | |
| 32 | 7017995 | 1 | Gasket, Fuel Pump | |
| 33 | 70004848 | 2 | Bolt | |
| 34 | 70006661 | 1 | Alternator - 60Amp | |
| 35 | 70006662 | 1 | Bracket, Adjustment | |
| 36 | 70004557 | 1 | Washer | |
| 37 | 70004558 | 1 | Washer, Spring Lock | |
| 38 | 7023107 | 1 | V-Belt | |
| 39 | 70005743 | 1 | Starter | |
| 40 | 70005329 | 5 | Nut | |
| 41 | 70005744 | 1 | Magnetic, Switch | |
| 42 | 70005745 | 1 | Switch, Oil Pressure | |
| 43 | 70004829 | 1 | Pipe, Water Return (Not Shown) | |
| 44 | 70004306 | 1 | Gasket, Water Flange (Not Shown) | |

SECTION 3 - ENGINE

| ITEM | PART NUMBER | QTY | DESCRIPTION | REV |
|------|-------------|-----|--------------------------------------|-----|
| 45 | 70004851 | 1 | Pipe, Water Return | |
| 46 | 7023170 | 1 | Thermostat (Not Shown) | |
| 47 | 70002326 | 1 | Gasket, Thermostat | |
| 48 | 70004853 | 1 | Pump, Water | |
| 49 | 70004854 | 1 | Gasket, Water Pump | |
| 50 | 70004912 | 1 | Hose, Water | |
| 51 | 70004913 | 2 | Band, Pipe | |
| 52 | 70005229 | 1 | Coolant Tank Kit | |
| 53 | 4400498 | 1 | Tank, Coolant | |
| 54 | 70004401 | 1 | Decal - Instruction | |
| 55 | 70005746 | 1 | Sensor (TMAP) | |
| 56 | 70005747 | 1 | O-Ring (Not Shown) | |
| 57 | 7017994 | 2 | Gasket, Air Cleaner (Not Shown) | |
| 58 | 70005748 | 1 | Mixer | |
| 59 | 70004537 | 1 | Screw, Air Bleeder (Not Shown) | |
| 60 | 70005749 | 1 | Gasket, In-Manifold (Not Shown) | |
| 61 | 70005750 | 1 | Rail, Fuel Ignition | |
| 62 | 70005751 | 3 | Injector | |
| 63 | 70005752 | 1 | Gasket, Exhaust Manifold (Not Shown) | |
| 64 | 70005753 | 3 | Bolt, Stud (Not Shown) | |
| 65 | 70005327 | 6 | Nut (Not Shown) | |
| 66 | 70005754 | 4 | Bolt, Stud | |
| 67 | 70005755 | 1 | Muffler | |
| 68 | 70005756 | 1 | Cover, Muffler | |
| 69 | 70005757 | 1 | Harness, Wire (ECU) (Not Shown) | |
| 70 | 70005758 | 1 | Module, Engine Control (ECU) | |
| 71 | 70005759 | 2 | Gasket, Muffler | |
| 72 | 70005760 | 2 | Sensor, O2 | |
| 73 | 70005762 | 1 | Valve, 2 Way | |
| 74 | 70005761 | 1 | Pump, Fuel | |
| 75 | 70005763 | 1 | Gasket, Muffler | |
| 76 | 70005764 | 1 | Upper Gasket Kit | |
| 77 | 70005765 | 1 | Lower Gasket Kit | |
| 78 | 70005766 | 1 | Cable Assembly (ECOM) (Not Shown) | |
| 79 | 70005767 | 1 | Adapter (ECOM) (Not Shown) | |
| 80 | 70005768 | 1 | Regulator | |
| 81 | 70005769 | 1 | Valve, Lockoff | |

SECTION 3 - ENGINE

FIGURE 3-15. FUEL/WATER SEPARATOR ASSEMBLY - DIESEL ENGINES



ART_1001190609

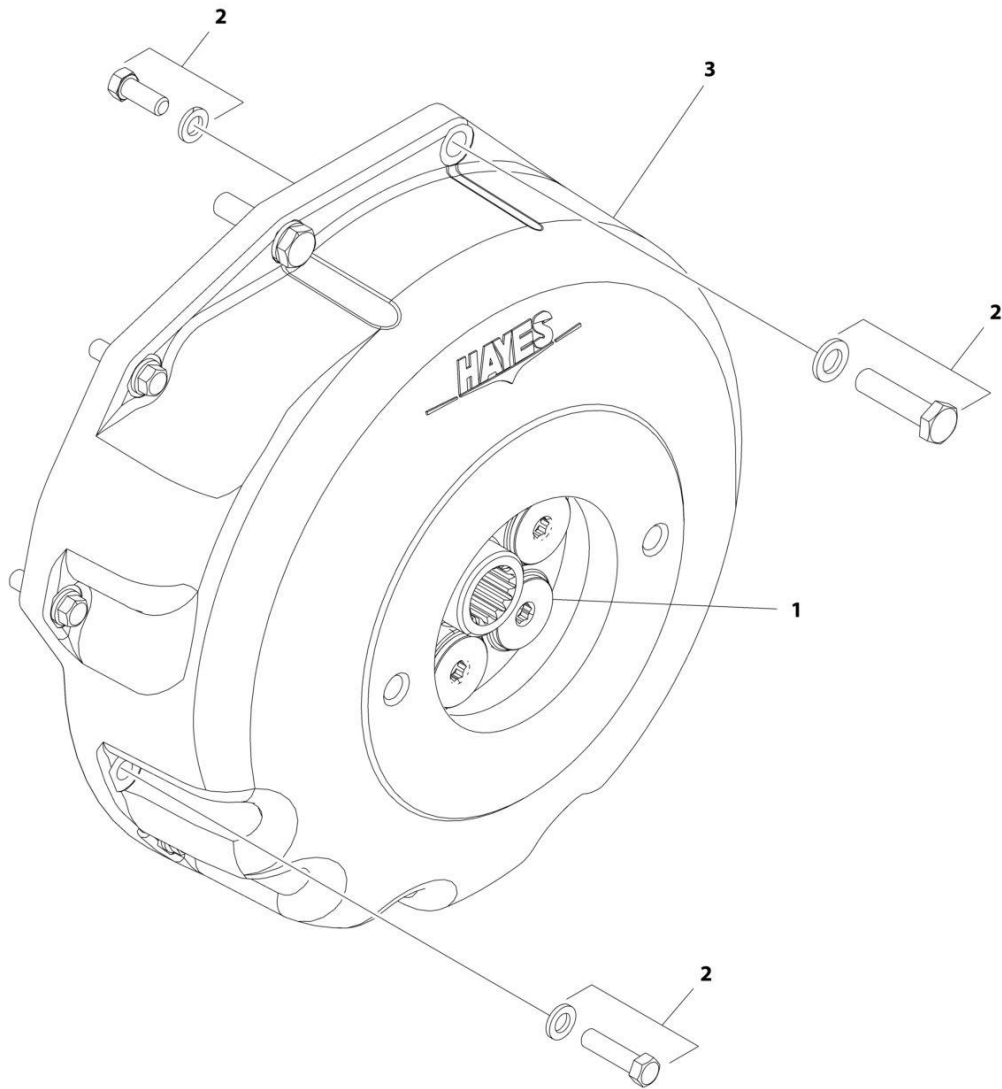
SECTION 3 - ENGINE

FIGURE 3-15. FUEL/WATER SEPARATOR ASSEMBLY - DIESEL ENGINES

| ITEM | PART NUMBER | QTY | DESCRIPTION | REV |
|------|-------------|-----|--|-----|
| | 1001190609 | Ref | FUEL/WATER SEPARATOR ASSEMBLY - DIESEL ENGINES | B |
| 1 | 70005293 | 1 | Head, Mounting | |
| 2 | 70005294 | 1 | Plug | |
| 3 | 70005295 | 1 | Gasket, Head | |
| 4 | 70005296 | 1 | Element | |
| 5 | 70005297 | 1 | O-Ring | |
| 6 | 70002901 | 1 | Bowl | |
| 7 | 70004070 | 1 | Drain, Self Venting | |
| 8 | 70004069 | 1 | Plug | |

SECTION 3 - ENGINE

FIGURE 3-16. COUPLING KIT - DIESEL ENGINES



ART_1001118675

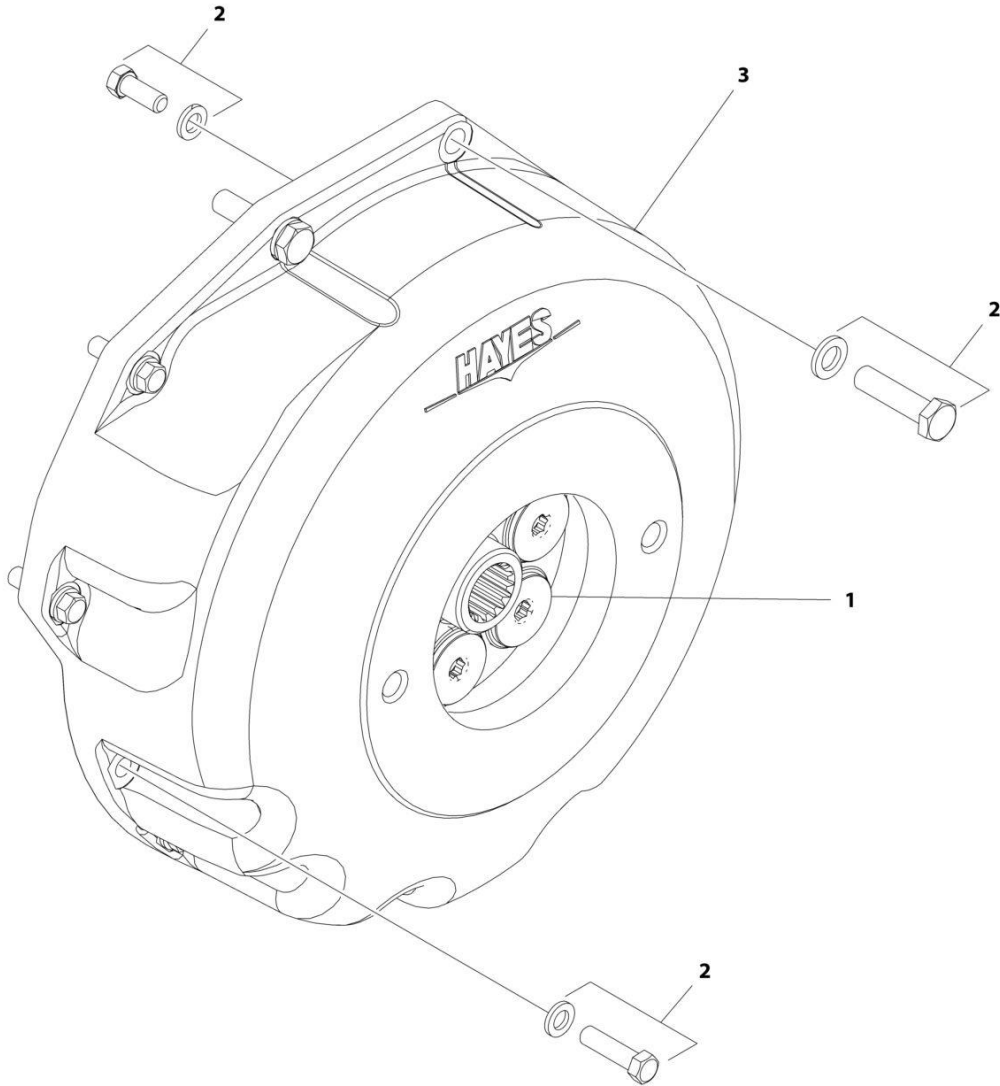
SECTION 3 - ENGINE

FIGURE 3-16. COUPLING KIT - DIESEL ENGINES

| ITEM | PART NUMBER | QTY | DESCRIPTION | REV |
|------|-------------|-----|------------------------------------|-----|
| | 1001118675 | Ref | COUPLING KIT - DIESEL ENGINES | A |
| 1 | 70001933 | 1 | Coupling Assembly | |
| 2 | 70005453 | 1 | Bolt Kit | |
| 3 | See Note | NSS | Housing (Note: Use p/n 1001118675) | |

SECTION 3 - ENGINE

FIGURE 3-17. COUPLING KIT - GASOLINE ENGINES



ART_1001181829

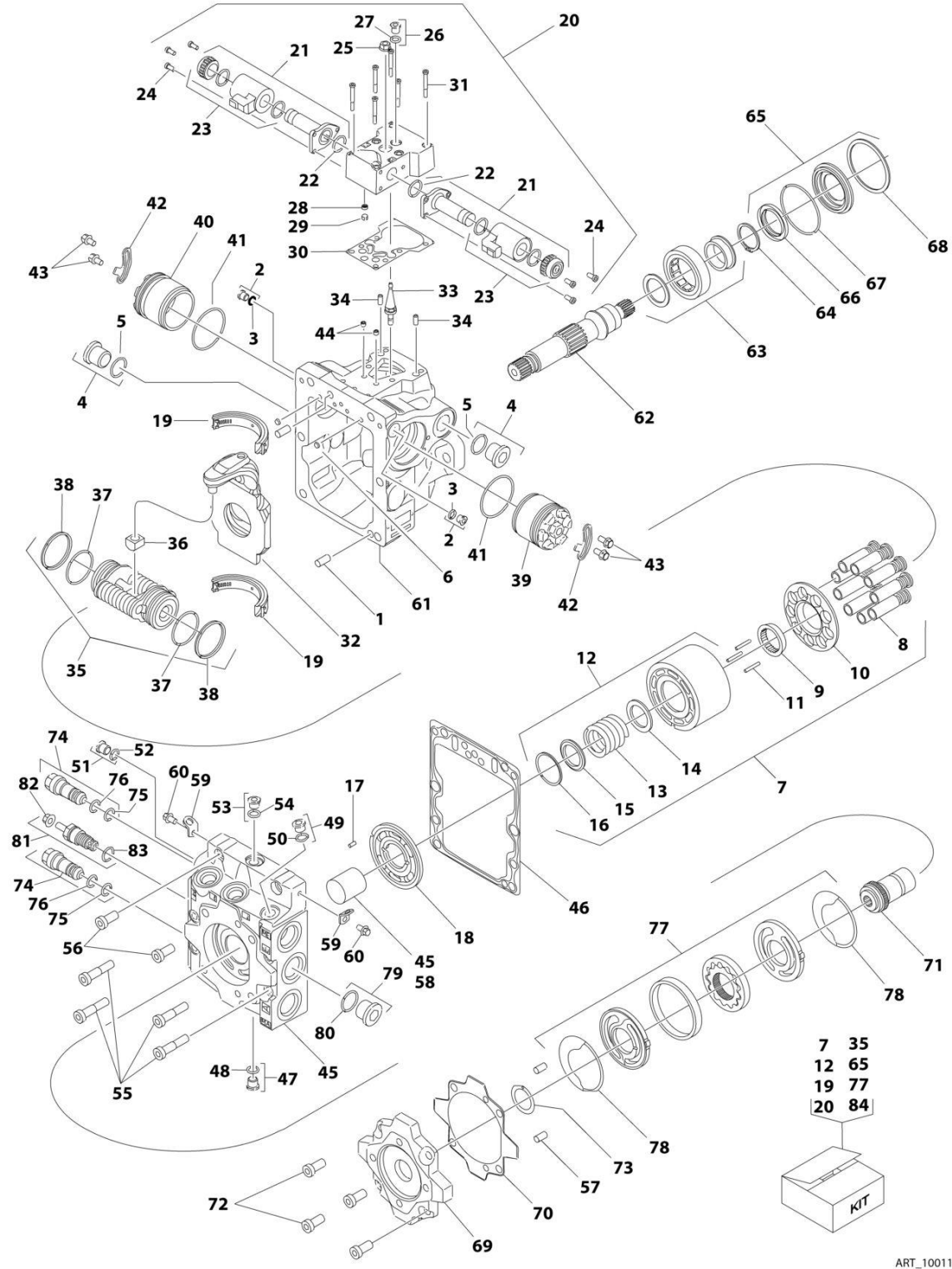
SECTION 3 - ENGINE

FIGURE 3-17. COUPLING KIT - GASOLINE ENGINES

| ITEM | PART NUMBER | QTY | DESCRIPTION | REV |
|------|-------------|-----|------------------------------------|-----|
| | 1001181829 | Ref | COUPLING KIT - GASOLINE ENGINES | B |
| 1 | 70005455 | 1 | Coupling Assembly | |
| 2 | 70005454 | 1 | Bolt Kit | |
| 3 | See Note | NSS | Housing (Note: Use p/n 1001181829) | |

SECTION 3 - ENGINE

FIGURE 3-18. PISTON PUMP ASSEMBLY



ART_1001101331

SECTION 3 - ENGINE

FIGURE 3-18. PISTON PUMP ASSEMBLY

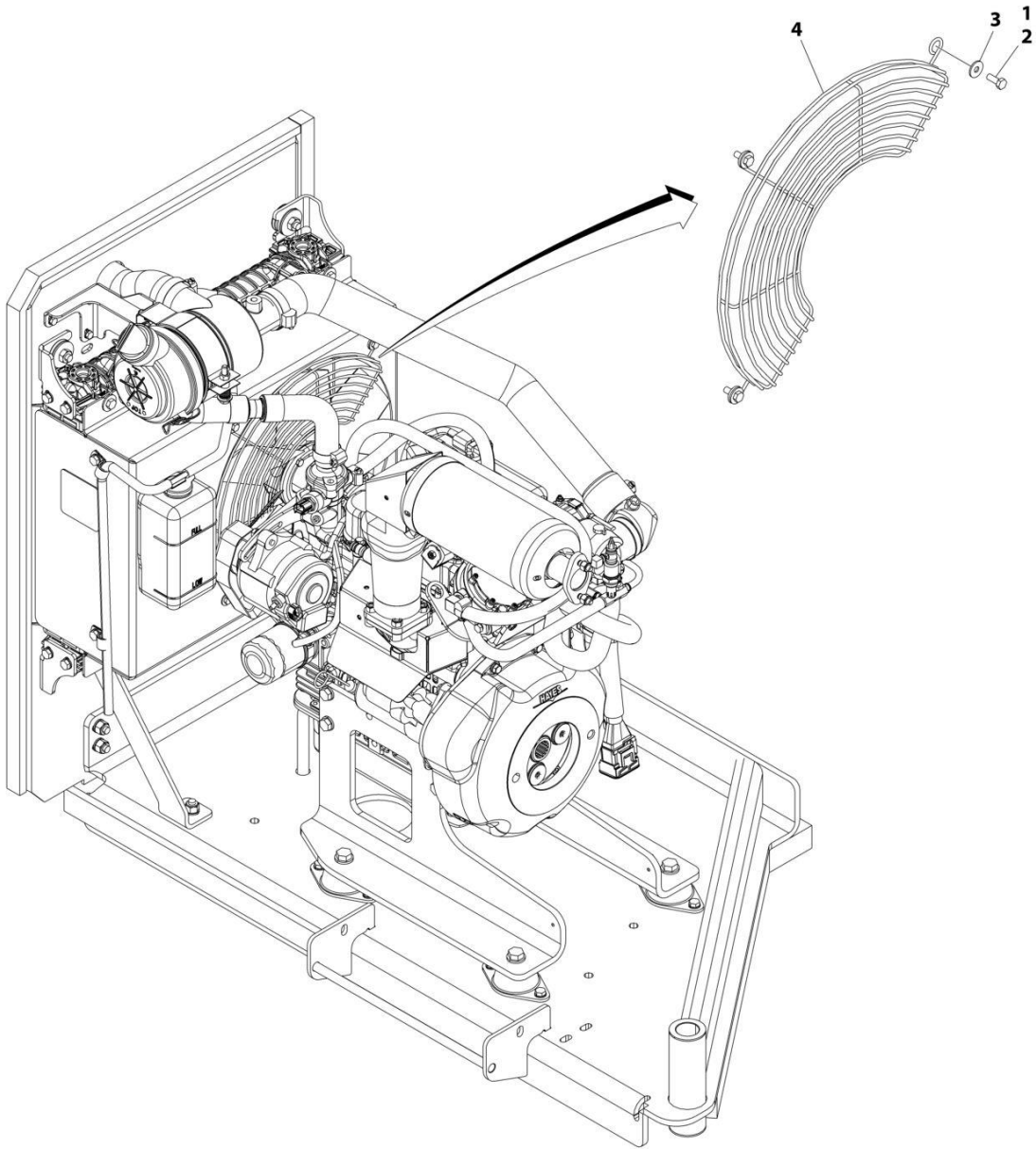
| ITEM | PART NUMBER | QTY | DESCRIPTION | REV |
|------|-------------|-----|---|-----|
| | 1001101331 | Ref | PISTON PUMP ASSEMBLY | E |
| 1 | 70002132 | 2 | Pin | |
| 2 | 70002133 | 2 | Plug Assembly (Includes Item 3) | |
| 3 | 7007207 | 2 | O-Ring (Part of Item 2) | |
| 4 | 7007419 | 2 | Plug Assembly (Includes Item 5) | |
| 5 | 7007418 | 2 | O-Ring (Part of Item 4) | |
| 6 | 70002134 | 2 | Screen | |
| 7 | 70002135 | 1 | Cylinder Block Kit (Includes Items 8-16) | |
| 8 | 70002136 | 1 | Piston Assembly Kit (Includes Qty 9 Piston Assemblies) (Part of Item 7) | |
| 9 | 70002137 | 1 | Guide, Slipper Retainer (Part of Item 7) | |
| 10 | 70002138 | 1 | Retainer, Slipper (Part of Item 7) | |
| 11 | 7021275 | 3 | Pin, Slipper Retainer Hold Down (Part of Item 7) | |
| 12 | 70002143 | 1 | Cylinder Block Assembly (Includes Items 13-16) (Part of Item 7) | |
| 13 | 70002139 | 1 | Spring (Part of Item 12) | |
| 14 | 70002140 | 1 | Washer (Part of Item 12) | |
| 15 | 70002141 | 1 | Washer (Part of Item 12) | |
| 16 | 70002142 | 1 | Ring, Retaining (Part of Item 12) | |
| 17 | 7007446 | 1 | Pin | |
| 18 | 70002144 | 1 | Plate, CW Valve | |
| 19 | 70002145 | 1 | Swash Plate Bearing Kit (Includes Qty 2 Bearings) | |
| 20 | 70002146 | 1 | EDC Kit (Includes Items 21-31) | |
| 21 | 70002147 | 2 | Solenoid Valve Assembly (Includes Item 22 & 23) (Part of Item 20) | |
| 22 | 70002148 | 2 | O-Ring (1 Per Valve Assembly) (Part of Item 21) | |
| 23 | 70002149 | 2 | Coil, Nut and Seals Kit (1 Per Valve Assembly) (Part of Item 21) | |
| 24 | 70002150 | 6 | Screw (Part of Item 20) | |
| 25 | 7022301 | 1 | Nut, Seal (Part of Item 20) | |
| 26 | 70002151 | 1 | Plug Assembly (Part of Item 20) (Includes Item 27) | |
| 27 | 7007207 | 1 | O-Ring (Part of Item 26) | |
| 28 | 70002134 | 1 | Screen (Part of Item 20) | |
| 29 | 70002153 | 1 | Ring, Locking (Part of Item 20) | |
| 30 | 70002154 | 1 | Gasket, Control (Part of Item 20) | |
| 31 | 70002156 | 6 | Capscrew (Part of Item 20) | |
| 32 | 70002152 | 1 | Swash Plate | |
| 33 | 70002155 | 1 | Link, Swash Plate | |
| 34 | 70002157 | 2 | Pin, Dowel | |
| 35 | 70002158 | 1 | Servo Piston Assembly (Includes Items 36-38) | |
| 36 | 70002159 | 1 | Block, Slider (Part of Item 35) | |
| 37 | 70002160 | 2 | O-Ring (Part of Item 35) | |
| 38 | 70002161 | 2 | Ring, Piston (Part of Item 35) | |
| 39 | 70002162 | 1 | Cylinder, Servo | |
| 40 | 70002162 | 1 | Cylinder, Servo | |
| 41 | 70002163 | 2 | O-Ring | |
| 42 | 70002164 | 2 | Plate, Locking | |
| 43 | 70002165 | 4 | Screw | |
| 44 | 70002166 | 2 | Orifice | |
| 45 | 70002167 | 1 | Cap, End (Includes Item 58) | |
| 46 | 70002168 | 1 | Gasket, End Cap | |
| 47 | 70002158 | 1 | Plug Assembly (Includes Item 48) | |

SECTION 3 - ENGINE

| ITEM | PART NUMBER | QTY | DESCRIPTION | REV |
|------|-------------|-----|--|-----|
| 48 | 7021256 | 1 | O-Ring (Part of Item 47) | |
| 49 | 70001958 | 1 | Plug Assembly (Includes Item 50) | |
| 50 | 7021256 | 1 | O-Ring (Part of Item 49) | |
| 51 | 70001958 | 1 | Plug Assembly (Includes Item 52) | |
| 52 | 7021256 | 1 | O-Ring (Part of Item 51) | |
| 53 | 70001958 | 1 | Plug Assembly (Includes Item 54) | |
| 54 | 7021256 | 1 | O-Ring (Part of Item 53) | |
| 55 | 70002169 | 4 | Capscrew | |
| 56 | 70002170 | 2 | Capscrew | |
| 57 | 70002132 | 2 | Pin | |
| 58 | 70002172 | 1 | Bearing, Journal (Part of Item 45) | |
| 59 | 7022340 | 2 | Bracket, Lifting | |
| 60 | 70002165 | 2 | Screw | |
| 61 | See Note | 1 | Housing (Note: Purchase p/n 1001101331) | |
| 62 | 70002175 | 1 | Shaft | |
| 63 | 70002176 | 1 | Ball Bearing Kit | |
| 64 | 70007439 | 1 | Ring, Retaining | |
| 65 | 70002174 | 1 | Shaft Seal Kit (Includes Items 66-68) (Note: This is a universal kit and will contain extra pieces that are not used on this pump assembly.) | |
| 66 | 70002177 | 1 | Seal, Lip | |
| 67 | 70002178 | 1 | O-Ring | |
| 68 | 70002179 | 1 | Ring, Retaining | |
| 69 | 70002180 | 1 | Adapter | |
| 70 | 70002181 | 1 | Seal, Adapter | |
| 71 | 70002182 | 1 | Coupling | |
| 72 | 70002185 | 4 | Capscrew | |
| 73 | 70002186 | 1 | Plate, Thrust | |
| 74 | 70002188 | 2 | High Pressure Relief Valve Cartridge Assembly (Includes Item 75 & 76) | |
| 75 | 70002187 | 2 | O-Ring (1 Per Cartridge) (Part of Item 74) | |
| 76 | 7007415 | 2 | O-Ring (1 Per Cartridge) (Part of Item 74) | |
| 77 | 70002189 | 1 | Charge Pump Kit (Includes Item 78) | |
| 78 | 70002190 | 2 | Ring, Seal (Part of Item 77) | |
| 79 | 7023964 | 1 | Plug Assembly (Includes Item 80) | |
| 80 | 7007415 | 1 | O-Ring (Part of Item 79) | |
| 81 | 70002191 | 1 | Charge Relief Valve Cartridge Assembly (Includes Item 82 & 83) | |
| 82 | 70002187 | 1 | Nut, Seal (Part of Item 81) | |
| 83 | 7007415 | 1 | O-Ring (Part of Item 81) | |
| 84 | 70002192 | 1 | Overhaul Seal Kit (Includes Items 3, 5, 22, 27, 30, 37, 38, 41, 48, 50, 52, 54, 66, 67, 70, 75, 76, 78, 82 & 83) | |

SECTION 3 - ENGINE

FIGURE 3-19. FAN GUARD INSTALLATION - KUBOTA



ART_1001220614

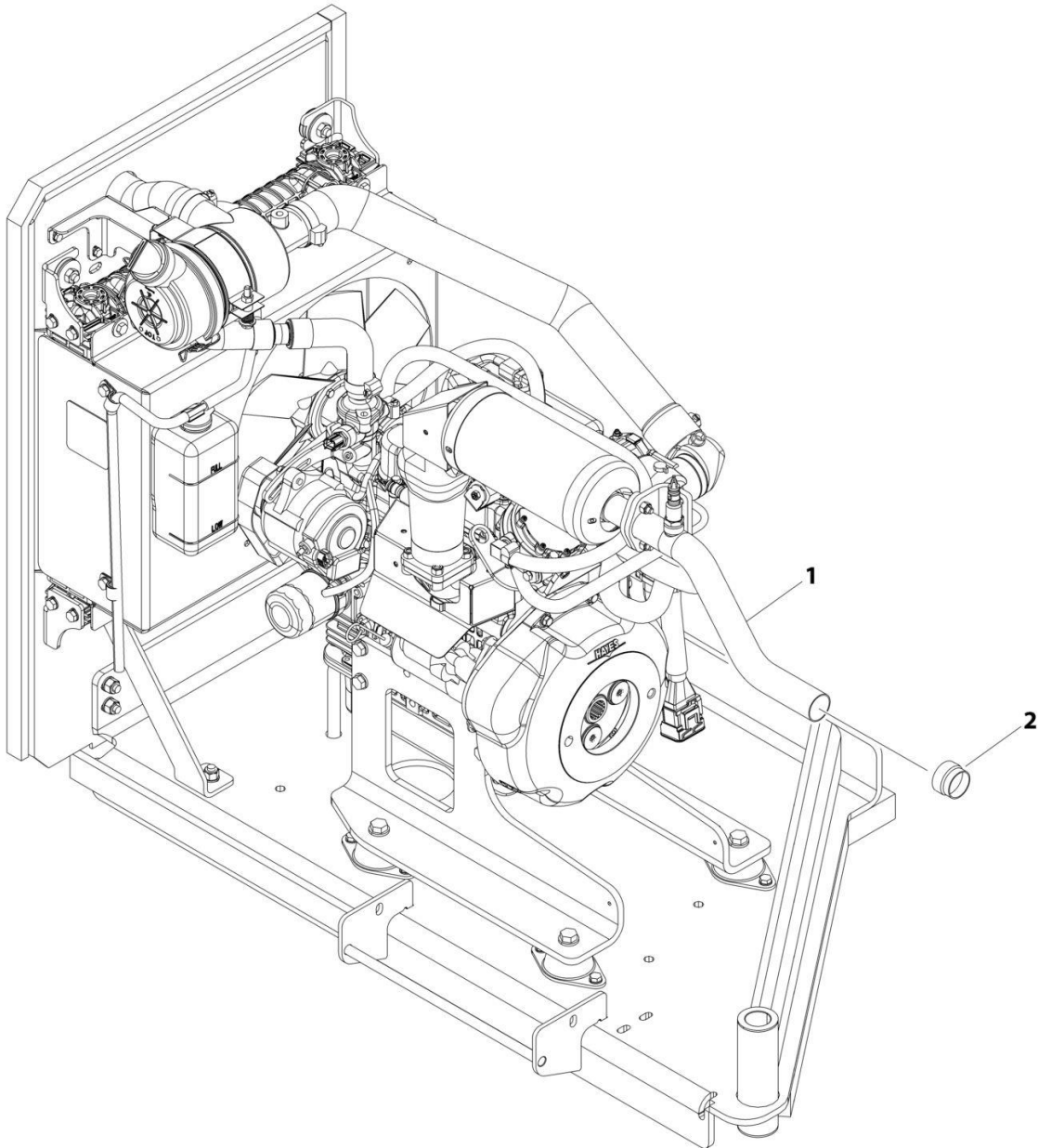
SECTION 3 - ENGINE

FIGURE 3-19. FAN GUARD INSTALLATION - KUBOTA

| ITEM | PART NUMBER | QTY | DESCRIPTION | REV |
|------|-------------|-----|---------------------------------|-----|
| | 1001220614 | Ref | FAN GUARD INSTALLATION - KUBOTA | A |
| 1 | 0100011 | AR | Compound, Locking | |
| 2 | 0760608 | 3 | Bolt M6 x 16 | |
| 3 | 4811702 | 3 | Washer M6 | |
| 4 | 1001220613 | 1 | Shroud, Fan Guard | |

SECTION 3 - ENGINE

FIGURE 3-20. SPARK ARRESTOR MUFFLER - OPTIONAL (GASOLINE ENGINES)



ART_1001187703

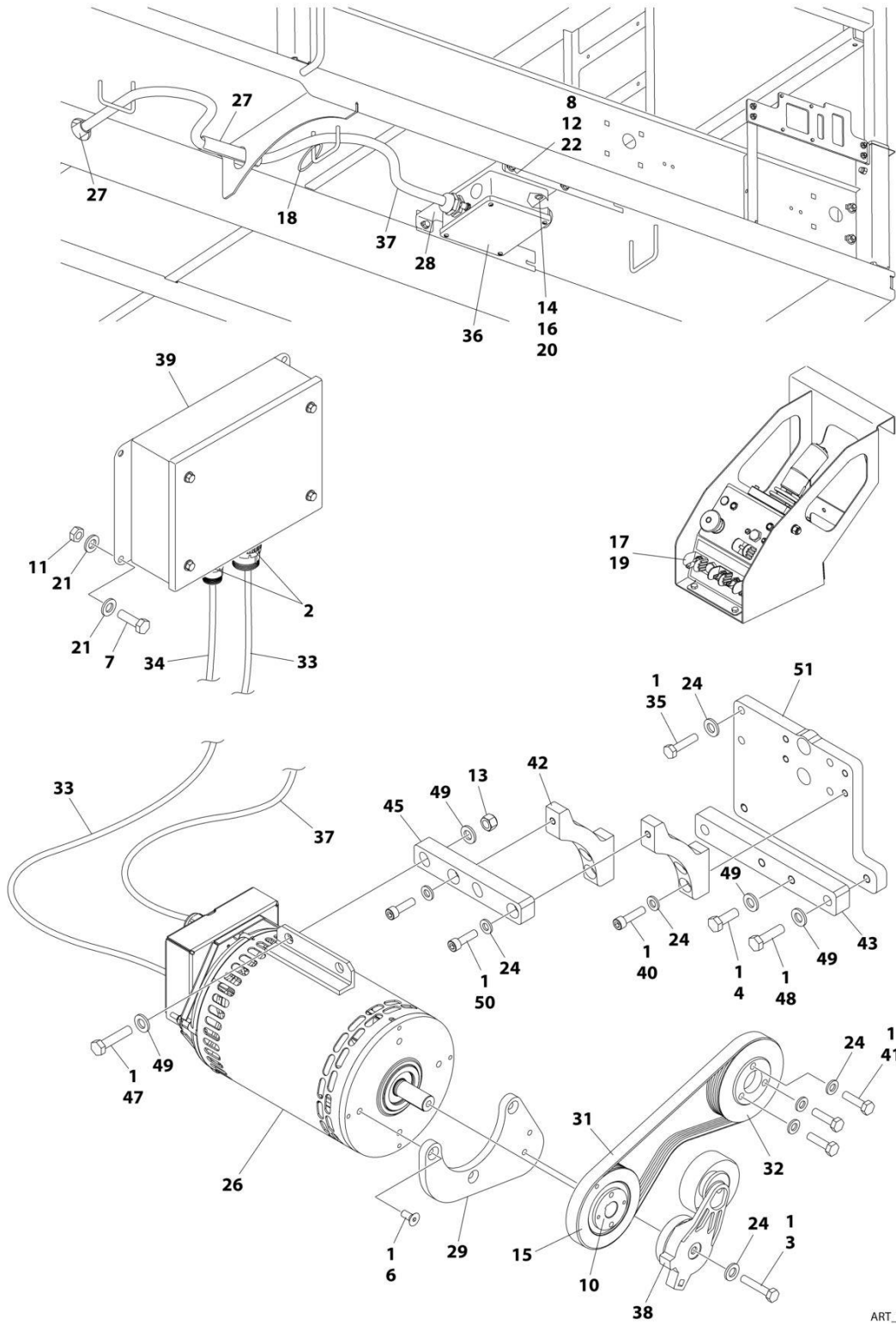
SECTION 3 - ENGINE

FIGURE 3-20. SPARK ARRESTOR MUFFLER - OPTIONAL (GASOLINE ENGINES)

| ITEM | PART NUMBER | QTY | DESCRIPTION | REV |
|------|-------------|-----|--|-----|
| | 1001187703 | Ref | SPARK ARRESTOR MUFFLER - OPTIONAL (GASOLINE ENGINES) | A |
| 1 | 1001219775 | 1 | Arrestor, Spark | |
| 2 | 1001219826 | 1 | Pipe, Exhaust | |

SECTION 3 - ENGINE

FIGURE 3-21. GENERATOR INSTALLATION - 4000W (KUBOTA DIESEL STAGE III)



ART_1001181217_G

SECTION 3 - ENGINE

FIGURE 3-21. GENERATOR INSTALLATION - 4000W (KUBOTA DIESEL STAGE III)

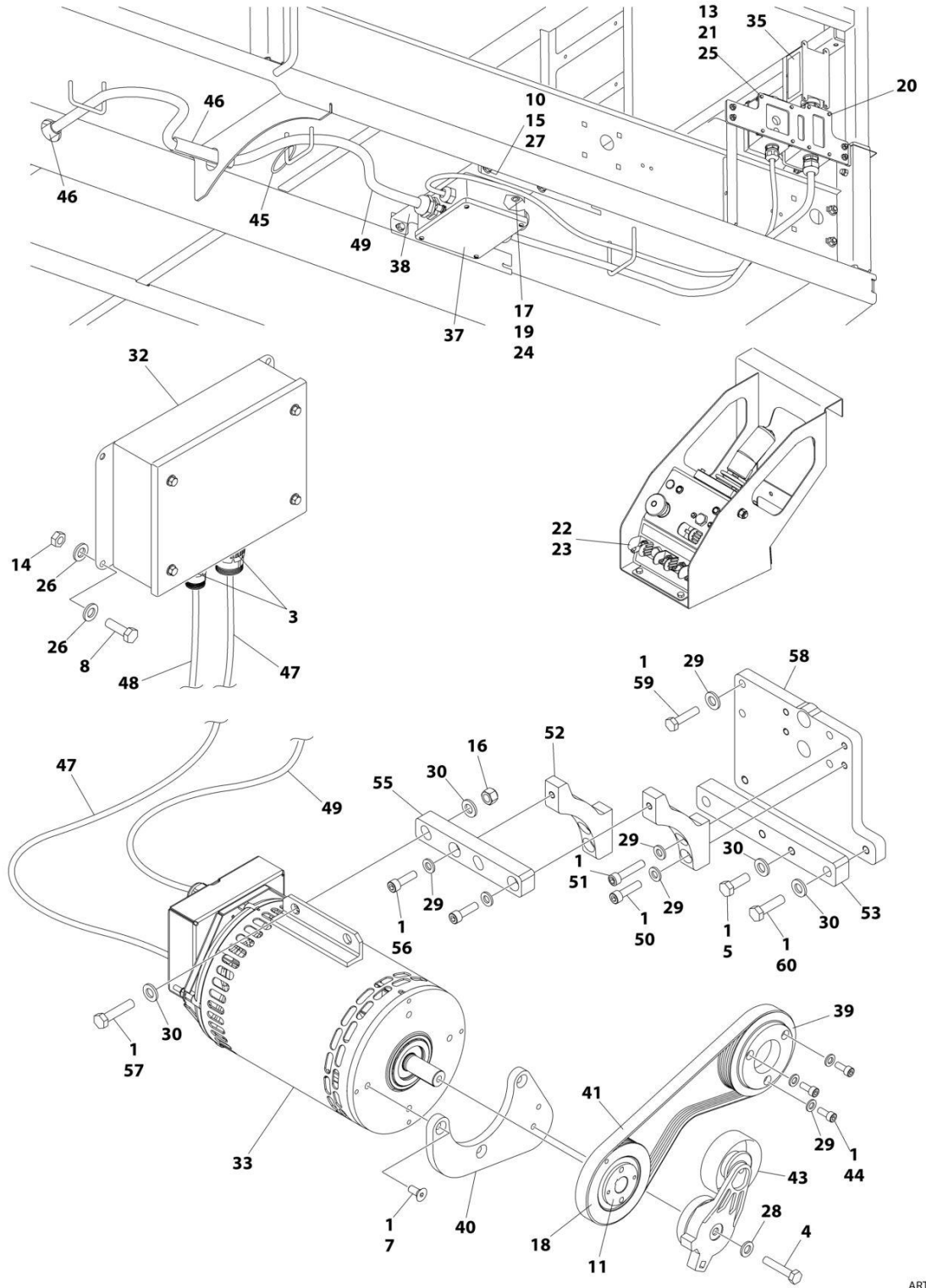
| ITEM | PART NUMBER | QTY | DESCRIPTION | REV |
|------|-------------|-----|--|-----|
| | 1001181217 | Ref | GENERATOR INSTALLATION - 4000W (KUBOTA DIESEL STAGE III) | G |
| 1 | 0100011 | AR | Compound, Locking | |
| 2 | 0100048 | AR | Grease, Silicone (Apply to Contactor Connector) | |
| 3 | 0701019 | 1 | Bolt M10 x 55 | |
| 4 | 0701215 | 2 | Bolt M12 x 35 | |
| 6 | 0741607 | 3 | Bolt 3/8-16 x .88 | |
| 7 | 0760610 | 4 | Bolt M6 x 20 | |
| 8 | 0780810 | 4 | Bolt M8 x 20 | |
| 10 | 0962520 | 1 | Bushing, Taper | |
| 11 | 3290605 | 4 | Nut M6 | |
| 12 | 3290805 | 4 | Nut M8 | |
| 13 | 3291201 | 2 | Nut M12 | |
| 14 | 3311005 | 4 | Nut #10 | |
| 15 | 3580318 | 1 | Pulley, Generator | |
| 16 | 3931016 | 4 | Screw #10 x 1 | |
| 17 | 4060802 | 1 | Guard, Switch | |
| 18 | 4240017 | 2 | Tie Strap | |
| 19 | 4360482 | 1 | Switch, Toggle | |
| 20 | 4751000 | 4 | Washer #10 | |
| 21 | 4811700 | 8 | Washer M6 | |
| 22 | 4811900 | 4 | Washer M8 | |
| 24 | 5241000 | AR | Washer M10 | |
| 26 | 1001140347 | 1 | Generator Assembly | |
| 26 | 70003709 | 1 | Ring, Retaining (External) | |
| 26 | 70003708 | 1 | Ring, Retaining (Internal) | |
| 26 | 70001966 | 1 | Bearing | |
| 26 | 70004092 | 1 | Endbell (Shaft End) | |
| 26 | 70004099 | 1 | Key | |
| 26 | 70004676 | 1 | Rotor | |
| 26 | 70004686 | 1 | Stator | |
| 26 | 70004678 | 1 | Endbell (Rear) | |
| 26 | 70004679 | 1 | Cover, Endbell (Rear) | |
| 26 | 70004680 | 1 | Enclosure, Wiring | |
| 26 | 70004681 | 1 | Cover, Enclosure | |
| 26 | 70004682 | 1 | Switch, Reset (Located on Enclosure Cover) | |
| 26 | 70004683 | 1 | Connector, Strain Relief (Located on Enclosure Cover) | |
| 26 | 4460224 | 1 | Receptacle, Female - 6 Position (Connects to Harness) | |
| 26 | 4460268 | 1 | Pin, Male (Connects to Harness) | |
| 26 | 4460807 | 6 | Seal, Pin (Connects to Harness) | |
| 26 | 4460808 | 1 | Seal, Interface (Connects to Harness) | |
| 27 | 1001151080 | 2 | Conduit, Split Poly | |
| 28 | 1001166732 | 1 | Support | |
| 29 | 1001184162 | 1 | Bracket | |
| 31 | 1001244939 | 1 | Belt | |
| 32 | 1001244937 | 1 | Pulley | |
| 33 | 1001236444 | 1 | Harness, 4000W Generator Control - Generator to Control Box (See Separate Breakdown in ELECTRICAL Section) | |
| 34 | 1001186826 | 1 | Harness, 4000W Generator Control - Control Box to Generator Control (See Separate Breakdown in ELECTRICAL Section) | |

SECTION 3 - ENGINE

| ITEM | PART NUMBER | QTY | DESCRIPTION | REV |
|------|-------------|-----|--|-----|
| 35 | 1001207285 | AR | Bolt M10 x 45 | |
| 36 | 1001187197 | 1 | Junction Box Assembly - 4000W Generator(Australian, CE & UK CA Specs) (See Separate Breakdown in this Section) | |
| 37 | 1001236445 | 1 | Cable, Electrical 10/4 | |
| 38 | 3580317 | 1 | Pulley, Belt Tensioner | |
| 39 | 1001138566 | 1 | Box, Generator Control 4000W Generator 50Hz | |
| 39 | 70006552 | 1 | Capacitor | |
| 39 | 70006553 | 1 | Relay | |
| 40 | 5272012 | AR | Bolt M10 x 40 | |
| 41 | 1001119929 | AR | Bolt M10 x 35 | |
| 42 | 1001202532 | 2 | Generator Arm Mount Bracket | |
| 43 | 1001208340 | 1 | Generator Bracket | |
| 45 | 1001202536 | 1 | Plate | |
| 46 | 4032014 | AR | Bolt M10 x 50 | |
| 47 | 0701219 | AR | Bolt M12 x 55 | |
| 48 | 0701217 | AR | Bolt M12 x 45 | |
| 49 | 5241200 | AR | Washer M12 | |
| 50 | 5272011 | AR | Bolt M10 x 35 | |
| 51 | 1001208339 | 1 | Generator Mount Bracket | |

SECTION 3 - ENGINE

FIGURE 3-22. GENERATOR INSTALLATION - 4000W (KUBOTA DIESEL T4F)



ART_1001177770

SECTION 3 - ENGINE

FIGURE 3-22. GENERATOR INSTALLATION - 4000W (KUBOTA DIESEL T4F)

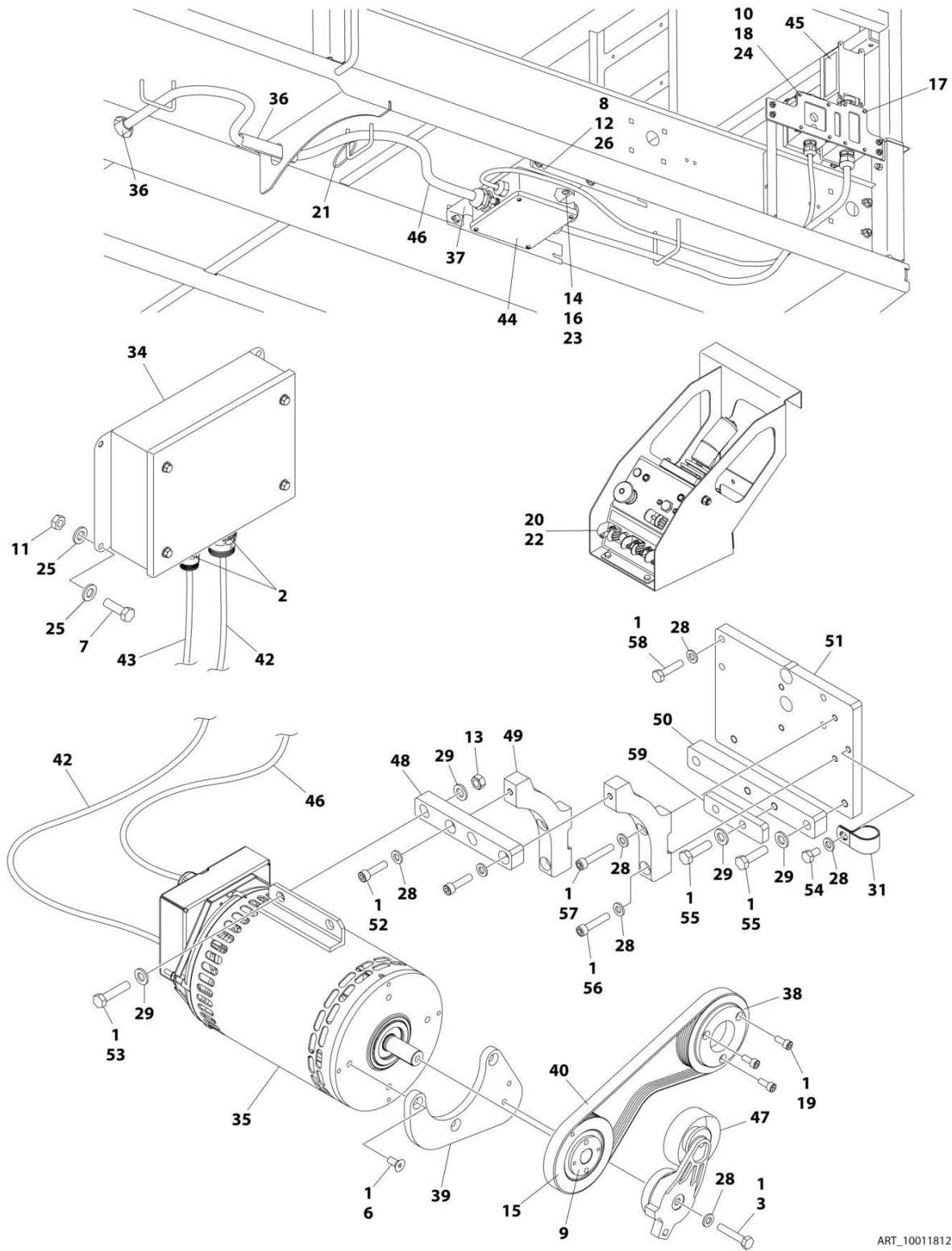
| ITEM | PART NUMBER | QTY | DESCRIPTION | REV |
|------|-------------|-----|---|-----|
| | 1001177770 | Ref | GENERATOR INSTALLATION - 4000W (KUBOTA DIESEL T4F) | H |
| 1 | 0100011 | AR | Compound, Locking | |
| 3 | 0100048 | AR | Grease, Silicone (Apply to Contactor Connector) | |
| 4 | 0701019 | 1 | Bolt M10 x 55 | |
| 5 | 0701215 | 2 | Bolt M12 x 35 | |
| 7 | 0741607 | 3 | Bolt 3/8 x .88 | |
| 8 | 0760610 | 4 | Bolt M6 x 20 | |
| 10 | 0780810 | 4 | Bolt M8 x 20 | |
| 11 | 0962520 | 1 | Bushing, Taper | |
| 13 | 3290405 | 4 | Nut M4 | |
| 14 | 3290605 | 4 | Nut M6 | |
| 15 | 3290805 | 4 | Nut M8 | |
| 16 | 3291201 | 2 | Nut M12 | |
| 17 | 3311005 | 4 | Nut #10 | |
| 18 | 3580318 | 1 | Pulley, Generator | |
| 19 | 3931016 | 4 | Screw #10 x 1 | |
| 20 | 3940804 | 4 | Self, Tapping | |
| 21 | 4010408 | 4 | Screw M4 x 16 | |
| 22 | 4060802 | 1 | Guard, Switch | |
| 23 | 4360482 | 1 | Switch, Toggle | |
| 24 | 4751000 | 4 | Washer #10 | |
| 25 | 4811400 | 4 | Washer M4 | |
| 26 | 4811700 | 8 | Washer M6 | |
| 27 | 4811900 | 4 | Washer M8 | |
| 28 | 4812000 | 1 | Washer M10 | |
| 29 | 5241000 | AR | Washer M10 | |
| 30 | 5241200 | AR | Washer M12 | |
| 32 | 1001138566 | 1 | Box, Generator Control (4000W Generator - 60Hz) | |
| 32 | 70006552 | 1 | Capacitor | |
| 32 | 70006553 | 1 | Relay | |
| 33 | 1001140346 | 1 | Generator Assembly | |
| 33 | 70003709 | 1 | Ring, Retaining (External) | |
| 33 | 70003708 | 1 | Ring, Retaining (Internal) | |
| 33 | 70001966 | 1 | Bearing | |
| 33 | 70004092 | 1 | Endbell (Shaft End) | |
| 33 | 70004099 | 1 | Key | |
| 33 | 70004676 | 1 | Rotor | |
| 33 | 70004687 | 1 | Stator | |
| 33 | 70004678 | 1 | Endbell (Rear) | |
| 33 | 70004679 | 1 | Cover, Endbell (Rear) | |
| 33 | 70004680 | 1 | Enclosure, Wiring | |
| 33 | 70004685 | 1 | Cover, Enclosure | |
| 33 | 70004682 | 1 | Switch, Reset (Located on Enclosure Cover) | |
| 33 | 70004098 | 1 | Connector, Strain Relief (Located on Enclosure Cover) | |
| 33 | 4460224 | 1 | Receptacle, Female - 6 Position (Connects to Harness | |
| 33 | 4460268 | 1 | Pin, Male (Connects to Harness) | |
| 33 | 4460807 | 6 | Seal, Pin (Connects to Harness) | |
| 33 | 4460808 | 1 | Seal, Interface (Connects to Harness) | |
| 35 | 1001187092 | 1 | Platform Receptacle Assembly (See Separate Breakdown in ELECTRICAL SECTION) | |

SECTION 3 - ENGINE

| ITEM | PART NUMBER | QTY | DESCRIPTION | REV |
|------|-------------|-----|--|-----|
| 37 | 1001186828 | 1 | Junction Box Assembly - 4000W Generator (All Specs Except Australian, CE & UK CA Specs) (See Separate Breakdown in this Section) | |
| 38 | 1001166732 | 1 | Support | |
| 39 | 1001183726 | 1 | Pulley | |
| 40 | 1001184162 | 1 | Bracket | |
| 41 | 1001184235 | 1 | Belt | |
| 43 | 3580317 | 1 | Pulley, Belt Tensioner | |
| 44 | 1001186919 | 3 | Bolt M10 x 40 | |
| 45 | 4240017 | 2 | Tie Strap | |
| 46 | 1001151080 | 2 | Conduit, Split Poly | |
| 47 | 1001236444 | 1 | Harness, 4000W Generator Control - Generator to Control Box (See Separate Breakdown in ELECTRICAL SECTION) | |
| 48 | 1001186826 | 1 | Harness, 4000W Generator Control - Control Box to Generator Control (See Separate Breakdown in ELECTRICAL SECTION) | |
| 49 | 1001236445 | 1 | Cable, Electrical 10/4 | |
| 50 | 5272012 | AR | Bolt M10 x 40 | |
| 51 | 4032014 | AR | Bolt M10 x 50 | |
| 52 | 1001202532 | 2 | Generator Arm Mount Bracket | |
| 53 | 1001208340 | 1 | Generator Bracket | |
| 55 | 1001202536 | 1 | Plate | |
| 56 | 5272011 | AR | Bolt M10 x 35 | |
| 57 | 0701219 | AR | Bolt M12 x 55 | |
| 58 | 1001208339 | 1 | Generator Mount Bracket | |
| 59 | 1001207285 | AR | Bolt M10 x 45 Grade 10.9 | |
| 60 | 0701217 | AR | Bolt M12 x 45 | |

SECTION 3 - ENGINE

FIGURE 3-23. GENERATOR INSTALLATION - 4000W (KUBOTA GASOLINE) (DUAL FUEL)



ART_1001181216

SECTION 3 - ENGINE

FIGURE 3-23. GENERATOR INSTALLATION - 4000W (KUBOTA GASOLINE) (DUAL FUEL)

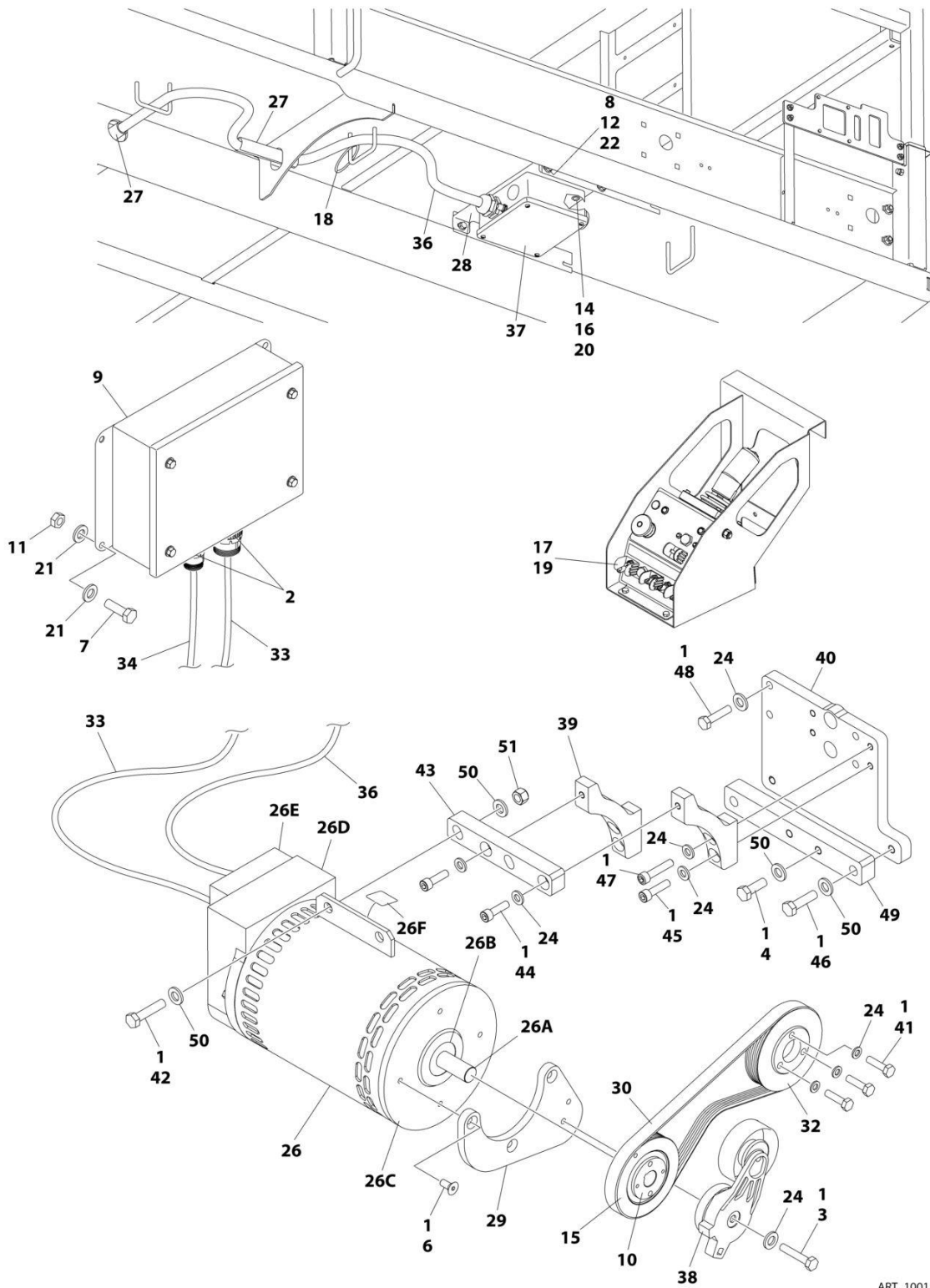
| ITEM | PART NUMBER | QTY | DESCRIPTION | REV |
|------|-------------|-----|---|-----|
| | 1001181216 | Ref | GENERATOR INSTALLATION - 4000W (KUBOTA GASOLINE) (DUAL FUEL) | G |
| 1 | 0100011 | AR | Compound, Locking | |
| 2 | 0100048 | AR | Grease, Silicone (Apply to Contactor Connector) | |
| 3 | 0701019 | 1 | Bolt M10 x 55 | |
| 6 | 0741607 | 3 | Bolt 3/8 x .88 | |
| 7 | 0760610 | 4 | Bolt M6 x 20 | |
| 8 | 0780810 | 4 | Bolt M8 x 20 | |
| 9 | 0962520 | 1 | Bushing, Taper | |
| 10 | 3290405 | 4 | Nut M4 | |
| 11 | 3290605 | 4 | Nut M6 | |
| 12 | 3290805 | 4 | Nut M8 | |
| 13 | 3291201 | AR | Nut M12 | |
| 14 | 3311005 | 4 | Nut #10 | |
| 15 | 3580318 | 1 | Pulley, Generator | |
| 16 | 3931016 | 4 | Screw #10 x 1 | |
| 17 | 3940804 | 4 | Self, Tapping | |
| 18 | 4010408 | 4 | Screw M4 x 16 | |
| 19 | 4031908 | 3 | Bolt M8 x 20 | |
| 20 | 4060802 | 1 | Guard, Switch | |
| 21 | 4240017 | 2 | Tie Strap | |
| 22 | 4360482 | 1 | Switch, Toggle | |
| 23 | 4751000 | 4 | Washer #10 | |
| 24 | 4811400 | 4 | Washer M4 | |
| 25 | 4811700 | 8 | Washer M6 | |
| 26 | 4811900 | 4 | Washer M8 | |
| 28 | 5241000 | AR | Washer M10 | |
| 29 | 5241200 | AR | Washer M12 | |
| 31 | 8406302 | 1 | Clamp | |
| 34 | 1001138566 | 1 | Box, Generator Control (4000W Generator - 60Hz) | |
| 34 | 70006552 | 1 | Capacitor | |
| 34 | 70006553 | 1 | Relay | |
| 35 | 1001140346 | 1 | Generator Assembly | |
| 35 | 70003709 | 1 | Ring, Retaining (External) | |
| 35 | 70003708 | 1 | Ring, Retaining (Internal) | |
| 35 | 70001966 | 1 | Bearing | |
| 35 | 70004092 | 1 | Endbell (Shaft End) | |
| 35 | 70004099 | 1 | Key | |
| 35 | 70004676 | 1 | Rotor | |
| 35 | 70004687 | 1 | Stator | |
| 35 | 70004678 | 1 | Endbell (Rear) | |
| 35 | 70004679 | 1 | Cover, Endbell (Rear) | |
| 35 | 70004680 | 1 | Enclosure, Wiring | |
| 35 | 70004685 | 1 | Cover, Enclosure | |
| 35 | 70004682 | 1 | Switch, Reset (Located on Enclosure Cover) | |
| 35 | 70004098 | 1 | Connector, Strain Relief (Located on Enclosure Cover) | |
| 35 | 4460224 | 1 | Receptacle, Female - 6 Position (Connects to Harness) | |
| 35 | 4460268 | 1 | Pin, Male (Connects to Harness) | |
| 35 | 4460807 | 6 | Seal, Pin (Connects to Harness) | |
| 35 | 4460808 | 1 | Seal, Interface (Connects to Harness) | |

SECTION 3 - ENGINE

| ITEM | PART NUMBER | QTY | DESCRIPTION | REV |
|------|-------------|-----|--|-----|
| 36 | 1001151080 | 2 | Conduit, Split Poly | |
| 37 | 1001166732 | 1 | Support | |
| 38 | 1001181211 | 1 | Pulley | |
| 39 | 1001184162 | 1 | Bracket | |
| 40 | 1001184163 | 1 | Belt | |
| 42 | 1001236444 | 1 | Harness, 4000W Generator Control - Generator to Control Box (See Separate Breakdown in ELECTRICAL SECTION) | |
| 43 | 1001186826 | 1 | Harness, 4000W Generator Control - Control Box to Generator Control (See Separate Breakdown in ELECTRICAL SECTION) | |
| 44 | 1001186828 | 1 | Junction Box Assembly - 4000W Generator (All Specs Except Australian, CE & UK CA Specs) (See Separate Breakdown in this Section) | |
| 45 | 1001187092 | 1 | Platform Receptacle Assembly (See Separate Breakdown in ELECTRICAL SECTION) | |
| 46 | 1001236445 | 1 | Cable, Electrical 10/4 | |
| 47 | 3580317 | 1 | Belt | |
| 48 | 1001202759 | 1 | Plate | |
| 49 | 1001202760 | 2 | Generator Arm Mount Bracket | |
| 50 | 1001208340 | 1 | Generator Bracket | |
| 51 | 1001202764 | 1 | Plate | |
| 52 | 5272012 | AR | Bolt M10 x 40 | |
| 53 | 0701219 | AR | Bolt M12 x 55 | |
| 54 | 0761009 | AR | Bolt M10 x 18 | |
| 55 | 0701217 | AR | Bolt M12 x 45 | |
| 56 | 4032014 | AR | Bolt M10 x 50 | |
| 57 | 4032016 | AR | Bolt M10 x 60 | |
| 58 | 1001207285 | AR | Bolt M10 x 45 Grade 10.9 | |
| 59 | 1001210645 | 1 | Plate | |

SECTION 3 - ENGINE

FIGURE 3-24. GENERATOR INSTALLATION - 7500W (KUBOTA DIESEL STAGE III)



ART_1001181140_H

SECTION 3 - ENGINE

FIGURE 3-24. GENERATOR INSTALLATION - 7500W (KUBOTA DIESEL STAGE III)

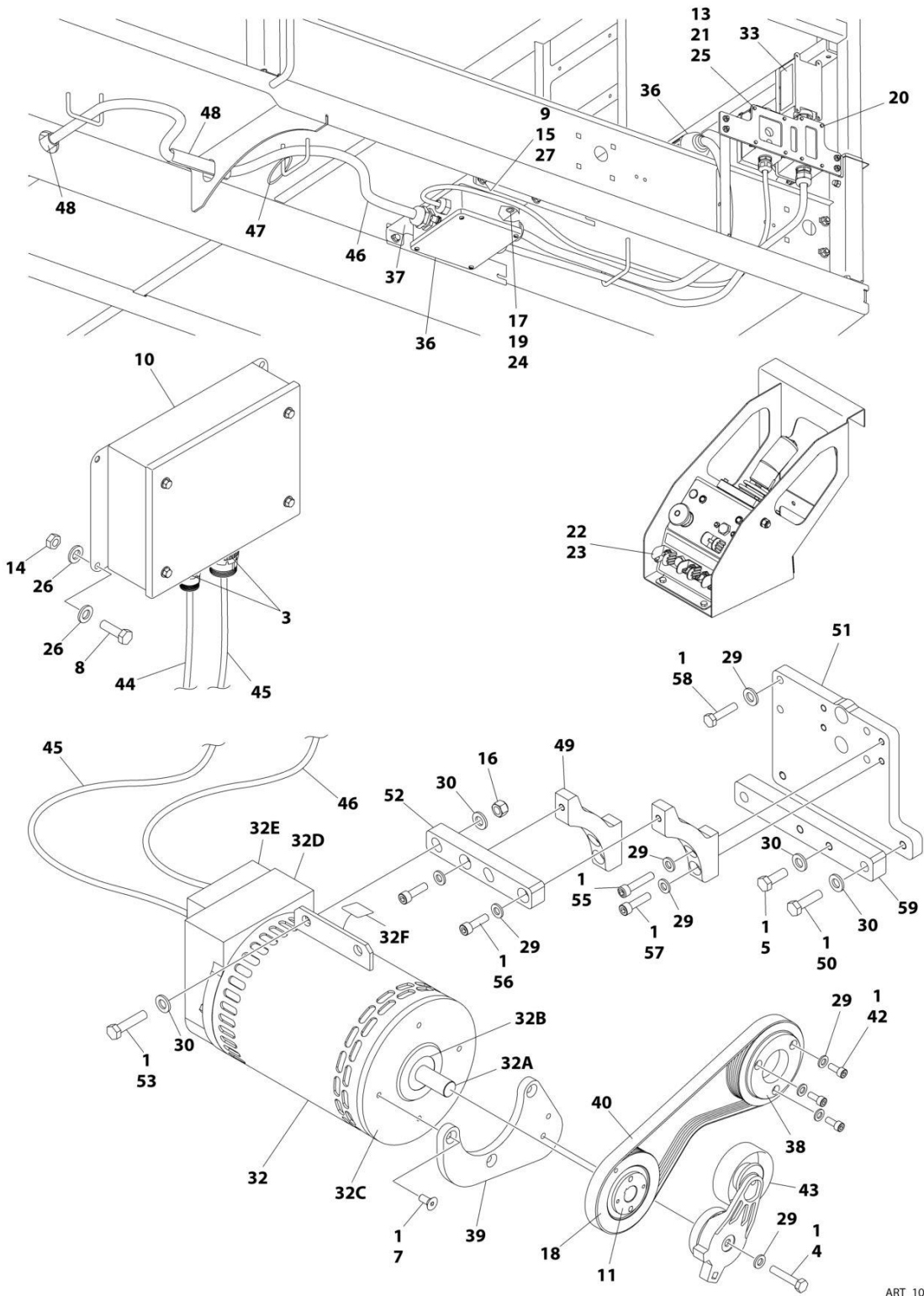
| ITEM | PART NUMBER | QTY | DESCRIPTION | REV |
|------|-------------|-----|--|-----|
| | 1001181140 | Ref | GENERATOR INSTALLATION - 7500W (KUBOTA DIESEL STAGE III) | H |
| 1 | 0100011 | AR | Compound, Locking | |
| 2 | 0100048 | AR | Grease, Silicone (Apply to Contactor Connector) | |
| 3 | 0701019 | 1 | Bolt M10 x 55 | |
| 4 | 0701215 | 2 | Bolt M12 x 35 | |
| 6 | 0741607 | 3 | Bolt 3/8 x .88 | |
| 7 | 0760610 | 4 | Bolt M6 x 20 | |
| 8 | 0780810 | 4 | Bolt M8 x 20 | |
| 9 | 0861572 | 1 | Box, Generator Control 7500W Generator 50Hz | |
| 10 | 0962520 | 1 | Bushing, Taper | |
| 11 | 3290605 | 4 | Nut M6 | |
| 12 | 3290805 | 4 | Nut M8 | |
| 14 | 3311005 | 4 | Nut #10 | |
| 15 | 3580318 | 1 | Pulley, Generator | |
| 16 | 3931016 | 4 | Screw #10 x 1 | |
| 17 | 4060802 | 1 | Guard, Switch | |
| 18 | 4240017 | 2 | Tie Strap | |
| 19 | 4360482 | 1 | Switch, Toggle | |
| 20 | 4751000 | 4 | Washer #10 | |
| 21 | 4811700 | 8 | Washer M6 | |
| 22 | 4811900 | 4 | Washer M8 | |
| 24 | 5241000 | AR | Washer M10 | |
| 26 | 1001212223 | 1 | Generator Assembly | A |
| 26 | 70001100 | 1 | Rotor (Includes p/n 70001384 & 70000863) (Not Shown) | |
| 26 | 70001384 | 1 | Bearing, Ball Radial (Not Shown) | |
| 26 | 70000863 | 1 | Fan (Not Shown) | |
| 26 | 70006093 | 1 | Stator (Not Shown) | |
| 26 | 70002297 | 1 | Stud | |
| 26 | 70003631 | 1 | Brushholder Assembly (Not Shown) (was p/n 7024484) | |
| 26A | 70004099 | 1 | Key | |
| 26B | 70001966 | 1 | Bearing, Ball Radial (Located in Belt Tensioner Endbell) | |
| 26B | 70003708 | 1 | Ring, Internal Retaining (Located in Belt Tensioner Endbell) | |
| 26B | 70003709 | 1 | Ring, External Retaining (Located in Belt Tensioner Endbell) | |
| 26C | 70004092 | 1 | Endbell, Belt Tensioner | |
| 26D | 70004094 | 1 | Endbell, Brush Block | |
| 26E | 70006094 | 1 | Shroud | |
| 26E | 70002291 | 1 | Insulator, Endbell | |
| 26E | 7027799 | 1 | Block, Connector 6 Position (Not Shown) | |
| 26E | 70002460 | 1 | Nut, Brass (Attaches p/n 7027799 to Cover) (Not Shown) | |
| 26E | 70006095 | 1 | Breaker, Circuit 30Amp | |
| 26E | 70006096 | 1 | Boot, Breaker | |
| 26E | 7026626 | 1 | Connector, 6 Position (Includes Seal) (Not Shown) | |
| 26E | 7026597 | 1 | Connector, with Leads (Not Shown) | |
| 26E | 70004098 | 1 | Clamp, Cable | |
| 26E | 70006097 | 1 | Plate, End Panel | |
| 26E | 70001974 | 1 | Decal - Terminal Connections | |
| 26F | 70001973 | 1 | Decal - Warning Moving Parts | |
| 27 | 1001151080 | 2 | Conduit, Split Poly | |
| 28 | 1001166732 | 1 | Support | |

SECTION 3 - ENGINE

| ITEM | PART NUMBER | QTY | DESCRIPTION | REV |
|------|-------------|-----|--|-----|
| 29 | 1001184162 | 1 | Bracket | |
| 30 | 1001244939 | 1 | Belt | |
| 32 | 1001244937 | 1 | Pulley | |
| 33 | 1001236442 | 1 | Harness, 7500W Generator Control - Generator to Generator Control Box (See Separate Breakdown in ELECTRICAL SECTION) | |
| 34 | 1001186822 | 1 | Harness, 7500W Generator Control - Generator Control Box to Generator Control (See Separate Breakdown in ELECTRICAL SECTION) | |
| 36 | 1001236443 | 1 | Cable, Electrical 8/5 | |
| 37 | 1001187197 | 1 | Junction Box Assembly - 7500W Generator (Australian, CE & UK CA Specs) (See Separate Breakdown in this Section) | |
| 38 | 3580317 | 1 | Pulley, Belt Tensioner | |
| 39 | 1001202532 | 2 | Generator Arm Mount Bracket | |
| 40 | 1001208339 | 1 | Generator Mount Bracket | |
| 41 | 1001119929 | AR | Bolt M10 x 35 | |
| 42 | 0701219 | AR | Bolt M12 x 55 | |
| 43 | 1001202536 | 1 | Plate | |
| 44 | 5272011 | AR | Bolt M10 x 35 | |
| 45 | 5272012 | AR | Bolt M10 x 40 | |
| 46 | 0701217 | AR | Bolt M12 x 45 | |
| 47 | 4032014 | AR | Bolt M10 x 50 | |
| 48 | 1001207285 | AR | Bolt M10 x 45 Grade 10.9 | |
| 49 | 1001208340 | 1 | Generator Bracket | |
| 50 | 5241200 | 8 | Washer M12 | |
| 51 | 3291201 | 2 | Nut M12 | |
| 52 | 0760606 | AR | Bolt M6 x 12 (Not Shown) | |
| 53 | 4871700 | AR | Washer M6 (Not Shown) | |

SECTION 3 - ENGINE

FIGURE 3-25. GENERATOR INSTALLATION - 7500W (KUBOTA DIESEL T4F)



ART_100117767

SECTION 3 - ENGINE

FIGURE 3-25. GENERATOR INSTALLATION - 7500W (KUBOTA DIESEL T4F)

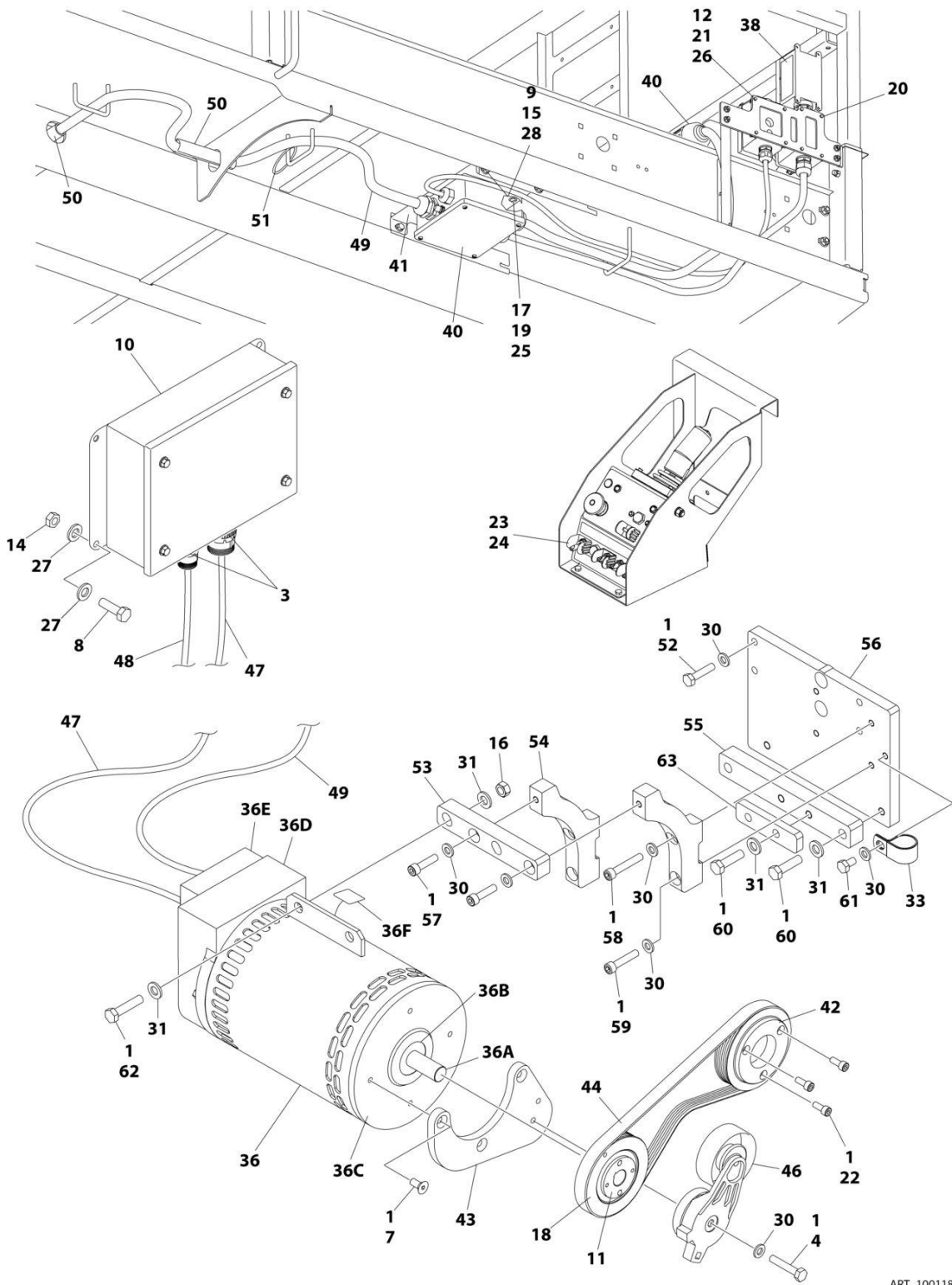
| ITEM | PART NUMBER | QTY | DESCRIPTION | REV |
|------|-------------|-----|--|-----|
| | 1001177767 | Ref | GENERATOR INSTALLATION - 7500W (KUBOTA DIESEL T4F) | I |
| 1 | 0100011 | AR | Compound, Locking | |
| 3 | 0100048 | AR | Grease, Silicone (Apply to Contactor Connector) | |
| 4 | 0701019 | 1 | Bolt M10 x 55 | |
| 5 | 0701215 | 2 | Bolt M12 x 35 | |
| 7 | 0741607 | 3 | Bolt 3/8 x .88 | |
| 8 | 0760610 | 4 | Bolt M6 x 20 | |
| 9 | 0780810 | 4 | Bolt M8 x 20 | |
| 10 | 0861538 | 1 | Box, Generator Control (7500W Generator - 60Hz) | |
| 11 | 0962520 | 1 | Bushing, Taper | |
| 13 | 3290405 | 4 | Nut M4 | |
| 14 | 3290605 | 4 | Nut M6 | |
| 15 | 3290805 | 4 | Nut M8 | |
| 16 | 3291201 | AR | Nut M12 | |
| 17 | 3311005 | 4 | Nut #10 | |
| 18 | 3580318 | 1 | Pulley, Generator | |
| 19 | 3931016 | 4 | Screw #10 x 1 | |
| 20 | 3940804 | 4 | Self, Tapping | |
| 21 | 4010408 | 4 | Screw M4 x 16 | |
| 22 | 4060802 | 1 | Guard, Switch | |
| 23 | 4360482 | 1 | Switch, Toggle | |
| 24 | 4751000 | 4 | Washer #10 | |
| 25 | 4811400 | 4 | Washer M4 | |
| 26 | 4811700 | 8 | Washer M6 | |
| 27 | 4811900 | 4 | Washer M8 | |
| 29 | 5241000 | AR | Washer M10 | |
| 30 | 5241200 | AR | Washer M12 | |
| 32 | 1001212223 | 1 | Generator Assembly | A |
| 32 | 70001100 | 1 | Rotor (Includes p/n 70001384 & 70000863) (Not Shown) | |
| 32 | 70001384 | 1 | Bearing, Ball Radial (Not Shown) | |
| 32 | 70000863 | 1 | Fan (Not Shown) | |
| 32 | 70006093 | 1 | Stator (Not Shown) | |
| 32 | 70002297 | 1 | Stud | |
| 32 | 70003631 | 1 | Brushholder Assembly (Not Shown) (was p/n 7024484) | |
| 32A | 70004099 | 1 | Key | |
| 32B | 70001966 | 1 | Bearing, Ball Radial (Located in Belt Tensioner Endbell) | |
| 32B | 70003708 | 1 | Ring, Internal Retaining (Located in Belt Tensioner Endbell) | |
| 32B | 70003709 | 1 | Ring, External Retaining (Located in Belt Tensioner Endbell) | |
| 32C | 70004092 | 1 | Endbell, Belt Tensioner | |
| 32D | 70004094 | 1 | Endbell, Brush Block | |
| 32E | 70006094 | 1 | Shroud | |
| 32E | 70002291 | 1 | Insulator, Endbell | |
| 32E | 7027799 | 1 | Block, Connector 6 Position (Not Shown) | |
| 32E | 70002460 | 1 | Nut, Brass (Attaches p/n 7027799 to Cover) (Not Shown) | |
| 32E | 70006095 | 1 | Breaker, Circuit 30Amp | |
| 32E | 70006096 | 1 | Boot, Breaker (Not Shown) | |
| 32E | 7026626 | 1 | Connector, 6 Position (Includes Seal) (Not Shown) | |
| 32E | 7026597 | 1 | Connector, with Leads (Not Shown) | |
| 32E | 70004098 | 1 | Clamp, Cable | |
| 32E | 70006097 | 1 | Plate, End Panel | |

SECTION 3 - ENGINE

| ITEM | PART NUMBER | QTY | DESCRIPTION | REV |
|------|-------------|-----|--|-----|
| 32E | 70001974 | 1 | Decal - Terminal Connections | |
| 32F | 70001973 | 1 | Decal - Warning Moving Parts | |
| 33 | 1001187092 | 1 | Platform Receptacle Assembly (See Separate Breakdown in ELECTRICAL SECTION) | |
| 36 | 1001187228 | 1 | Junction Box Assembly - 7500W Generator (All Specs Except Australian, CE & UK CA Specs) (See Separate Breakdown in this Section) | |
| 37 | 1001166732 | 1 | Support | |
| 38 | 1001183726 | 1 | Pulley | |
| 39 | 1001184162 | 1 | Bracket | |
| 40 | 1001184235 | 1 | Belt | |
| 42 | 1001186919 | 3 | Bolt M10 x 40 | |
| 43 | 3580317 | 1 | Pulley, Belt Tensioner | |
| 44 | 1001186822 | 1 | Harness, 7500W Generator Control - Generator Control Box to Generator Control (See Separate Breakdown in ELECTRICAL SECTION) | |
| 45 | 1001236442 | 1 | Harness, 7500W Generator Control - Generator to Generator Control Box (See Separate Breakdown in ELECTRICAL SECTION) | |
| 46 | 1001236443 | 1 | Cable, Electrical 8/5 | |
| 47 | 4240017 | 2 | Tie Strap | |
| 48 | 1001151080 | 2 | Conduit, Split Poly | |
| 49 | 1001202532 | 2 | Generator Arm Mount Bracket | |
| 50 | 0701217 | AR | Bolt M12 x 45 | |
| 51 | 1001208339 | 1 | Generator Mount Bracket | |
| 52 | 1001202536 | 1 | Plate | |
| 53 | 0701219 | AR | Bolt M12 x 55 | |
| 55 | 4032014 | AR | Bolt M10 x 50 | |
| 56 | 5272011 | AR | Bolt M10 x 35 | |
| 57 | 5272012 | AR | Bolt M10 x 40 | |
| 58 | 1001207285 | AR | Bolt M10 x 45 Grade 10.9 | |
| 59 | 1001208340 | 1 | Generator Bracket | |
| 60 | 0760606 | AR | Bolt M6 x 12 (Not Shown) | |
| 61 | 4871700 | AR | Washer M6 (Not Shown) | |

SECTION 3 - ENGINE

FIGURE 3-26. GENERATOR INSTALLATION - 7500W (KUBOTA GASOLINE) (DUAL FUEL)



ART_1001181141

SECTION 3 - ENGINE

FIGURE 3-26. GENERATOR INSTALLATION - 7500W (KUBOTA GASOLINE) (DUAL FUEL)

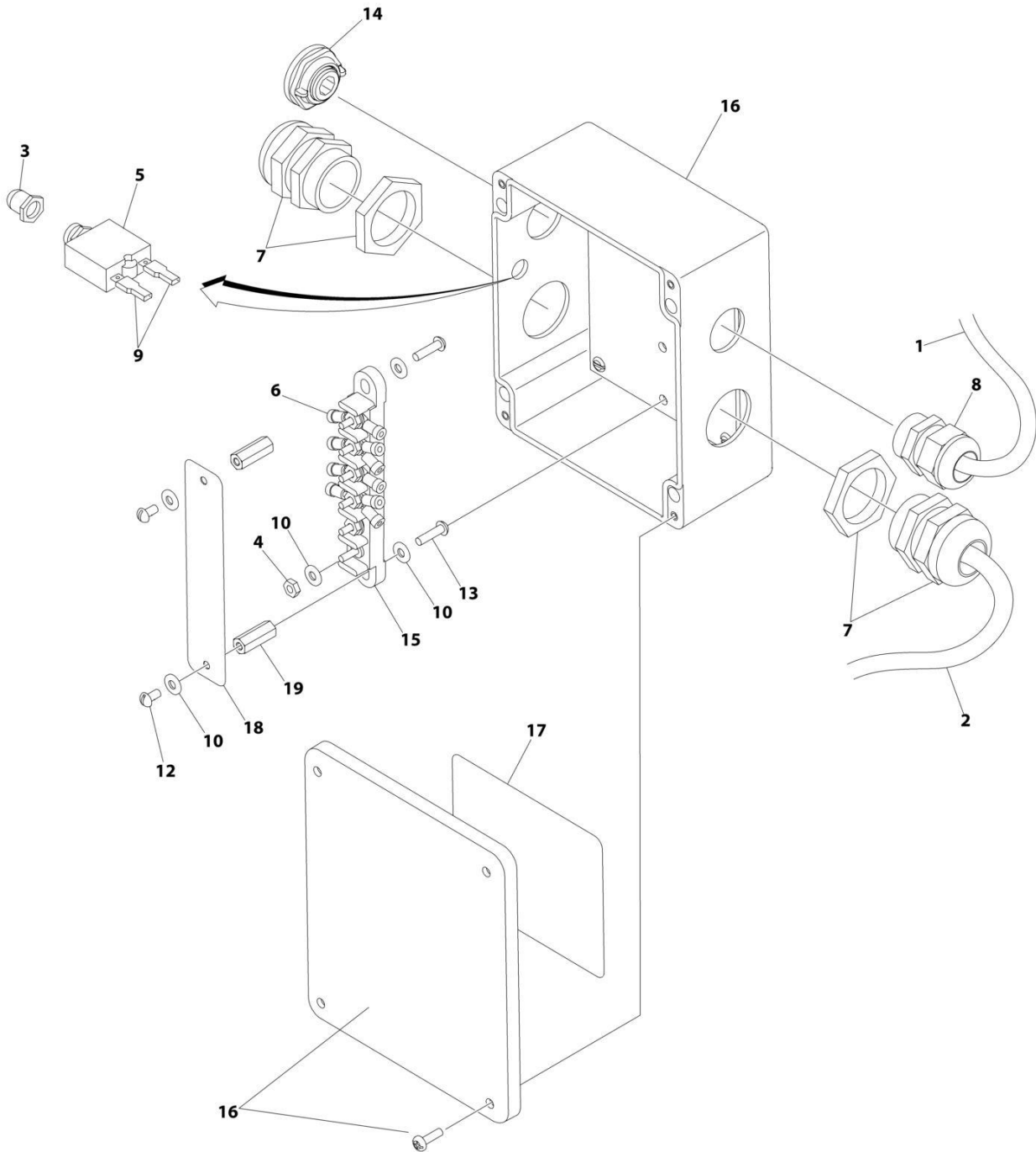
| ITEM | PART NUMBER | QTY | DESCRIPTION | REV |
|------|-------------|-----|---|-----|
| | 1001181141 | Ref | GENERATOR INSTALLATION - 7500W (KUBOTA GASOLINE) (DUAL FUEL) | J |
| 1 | 0100011 | AR | Compound, Locking | |
| 3 | 0100048 | AR | Grease, Silicone (Apply to Contactor Connector) | |
| 4 | 0701019 | 1 | Bolt M10 x 55 | |
| 7 | 0741607 | 3 | Bolt 3/8 x .88 | |
| 8 | 0760610 | 4 | Bolt M6 x 20 | |
| 9 | 0780810 | 4 | Bolt M8 x 20 | |
| 10 | 0861538 | 1 | Box, Generator Control (7500W Generator - 60Hz) | |
| 11 | 0962520 | 1 | Bushing, Taper | |
| 13 | 3290405 | 4 | Nut M4 | |
| 14 | 3290605 | 4 | Nut M6 | |
| 15 | 3290805 | 4 | Nut M8 | |
| 16 | 3291201 | AR | Nut M12 | |
| 17 | 3311005 | 4 | Nut #10 | |
| 18 | 3580318 | 1 | Pulley, Generator | |
| 19 | 3931016 | 4 | Screw #10 x 1 | |
| 20 | 3940804 | 4 | Self, Tapping | |
| 21 | 4010408 | 4 | Screw M4 x 16 | |
| 22 | 4031908 | 3 | Bolt M8 x 20 | |
| 23 | 4060802 | 1 | Guard, Switch | |
| 24 | 4360482 | 1 | Switch, Toggle | |
| 25 | 4751000 | 4 | Washer #10 | |
| 26 | 4811400 | 4 | Washer M4 | |
| 27 | 4811700 | 8 | Washer M6 | |
| 28 | 4811900 | 4 | Washer M8 | |
| 30 | 5241000 | AR | Washer M10 | |
| 31 | 5241200 | AR | Washer M12 | |
| 33 | 8406302 | 1 | Clamp | |
| 36 | 1001212223 | 1 | Generator Assembly | A |
| 36 | 70001100 | 1 | Rotor (Includes p/n 70001384 & 70000863) (Not Shown) | |
| 36 | 70001384 | 1 | Bearing, Ball Radial (Not Shown) | |
| 36 | 70000863 | 1 | Fan (Not Shown) | |
| 36 | 70006093 | 1 | Stator (Not Shown) | |
| 36 | 70002297 | 1 | Stud | |
| 36 | 70003631 | 1 | Brushholder Assembly (Not Shown) (was p/n 7024484) | |
| 36A | 70004099 | 1 | Key | |
| 36B | 70001966 | 1 | Bearing, Ball Radial (Located in Belt Tensioner Endbell) | |
| 36B | 70003708 | 1 | Ring, Internal Retaining (Located in Belt Tensioner Endbell) | |
| 36B | 70003709 | 1 | Ring, External Retaining (Located in Belt Tensioner Endbell) | |
| 36C | 70004092 | 1 | Endbell, Belt Tensioner | |
| 36D | 70004094 | 1 | Endbell, Brush Block | |
| 36E | 70006094 | 1 | Shroud | |
| 36E | 70002291 | 1 | Insulator, Endbell | |
| 36E | 7027799 | 1 | Block, Connector 6 Position (Not Shown) | |
| 36E | 70002460 | 1 | Nut, Brass (Attaches p/n 7027799 to Cover) (Not Shown) | |
| 36E | 70006095 | 1 | Breaker, Circuit 30Amp | |
| 36E | 70006096 | 1 | Boot, Breaker (Not Shown) | |
| 36E | 7026626 | 1 | Connector, 6 Position (Includes Seal) (Not Shown) | |
| 36E | 7026597 | 1 | Connector, with Leads (Not Shown) | |

SECTION 3 - ENGINE

| ITEM | PART NUMBER | QTY | DESCRIPTION | REV |
|------|-------------|-----|--|-----|
| 36E | 70004098 | 1 | Clamp, Cable | |
| 36E | 70006097 | 1 | Plate, End Panel | |
| 36E | 70001974 | 1 | Decal - Terminal Connections | |
| 36F | 70001973 | 1 | Decal - Warning Moving Parts | |
| 38 | 1001187092 | 1 | Platform Receptacle Assembly (See Separate Breakdown in ELECTRICAL SECTION) | |
| 40 | 1001187228 | 1 | Junction Box Assembly - 7500W Generator (All Specs Except Australian, CE & UK CA Specs) (See Separate Breakdown in this Section) | |
| 41 | 1001166732 | 1 | Support | |
| 42 | 1001181211 | 1 | Pulley | |
| 43 | 1001184162 | 1 | Bracket | |
| 44 | 1001184163 | 1 | Belt | |
| 46 | 3580317 | 1 | Pulley, Belt Tensioner | |
| 47 | 1001236442 | 1 | Harness, 7500W Generator Control - Generator to Generator Control Box (See Separate Breakdown in ELECTRICAL SECTION) | |
| 48 | 1001186822 | 1 | Harness, 7500W Generator Control - Generator Control Box to Generator Control (See Separate Breakdown in ELECTRICAL SECTION) | |
| 49 | 1001236443 | 1 | Cable, Electrical 8/5 | |
| 50 | 1001151080 | 2 | Conduit, Split Poly | |
| 51 | 4240017 | 2 | Tie Strap | |
| 52 | 1001207285 | AR | Bolt M10 x 45 Grade 10.9 | |
| 53 | 1001202759 | 1 | Plate | |
| 54 | 1001202760 | 2 | Generator Arm Mount Bracket | |
| 55 | 1001208340 | 1 | Generator Bracket | |
| 56 | 1001202764 | 1 | Plate | |
| 57 | 5272012 | AR | Bolt M10 x 40 | |
| 58 | 4032016 | AR | Bolt M10 x 60 | |
| 59 | 4032014 | AR | Bolt M10 x 50 | |
| 60 | 0701217 | AR | Bolt M12 x 45 | |
| 61 | 0761009 | AR | Bolt M10 x 18 | |
| 62 | 0701219 | AR | Bolt M12 x 55 | |
| 63 | 1001210645 | 1 | Plate | |
| 64 | 0760606 | AR | Bolt M6 x 12 (Not Shown) | |
| 65 | 4871700 | AR | Washer M6 (Not Shown) | |

SECTION 3 - ENGINE

FIGURE 3-27. JUNCTION BOX ASSEMBLY - 4000W GENERATOR (ALL SPECS EXCEPT AUSTRALIAN AND CE SPECS)



ART_1001186828

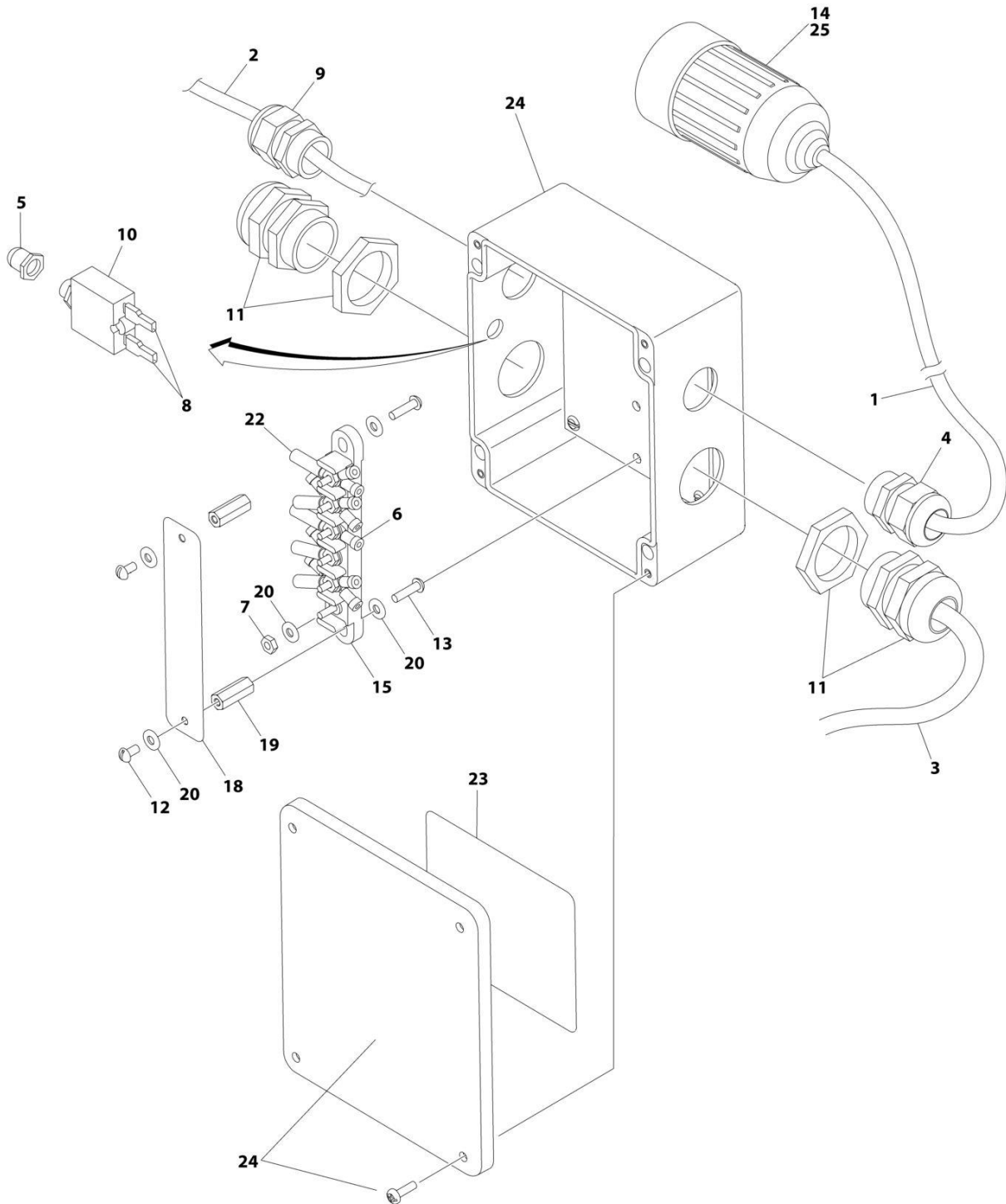
SECTION 3 - ENGINE

FIGURE 3-27. JUNCTION BOX ASSEMBLY - 4000W GENERATOR (ALL SPECS EXCEPT AUSTRALIAN AND CE SPECS)

| ITEM | PART NUMBER | QTY | DESCRIPTION | REV |
|------|-------------|------------|---|-----|
| | 1001186828 | Ref | JUNCTION BOX ASSEMBLY - 4000W GENERATOR | B |
| 1 | 1060494 | 6.8 ft/ 2m | Cable, Electrical - 12/3 | |
| 2 | 1060708 | 6.8 ft/ 2m | Cable, Electrical - 10/3 | |
| 3 | 3300396 | 1 | Cover, Fuse | |
| 4 | 3311001 | 6 | Nut, #10-24 | |
| 5 | 4360070 | 1 | Circuit Breaker - 15Amp | |
| 6 | 4460068 | 10 | Terminal | |
| 7 | 4460426 | 2 | Connector, Strain Relief | |
| 8 | 4460425 | 1 | Strain Relief, Terminal | |
| 9 | 4460483 | 2 | Terminal | |
| 10 | 4711000 | 10 | Washer, #10 | |
| 12 | 10702077 | 2 | Screw, #10-32 X 3/8 | |
| 13 | 10702082 | 2 | Screw, #10-32 X 3/4 | |
| 14 | 1001152525 | 1 | Plug | |
| 15 | 1001157520 | 1 | Block, Terminal - 6 Pole | |
| 16 | 1001157521 | 1 | Box, Junction | |
| 17 | 1001195517 | 1 | Decal - Wiring Schematic | |
| 18 | 1001158007 | 1 | Cover | |
| 19 | 1001158008 | 2 | Stand-Off | |

SECTION 3 - ENGINE

FIGURE 3-28. JUNCTION BOX ASSEMBLY - 7500W GENERATOR (ALL SPECS EXCEPT AUSTRALIAN AND CE SPECS)



ART_1001187228

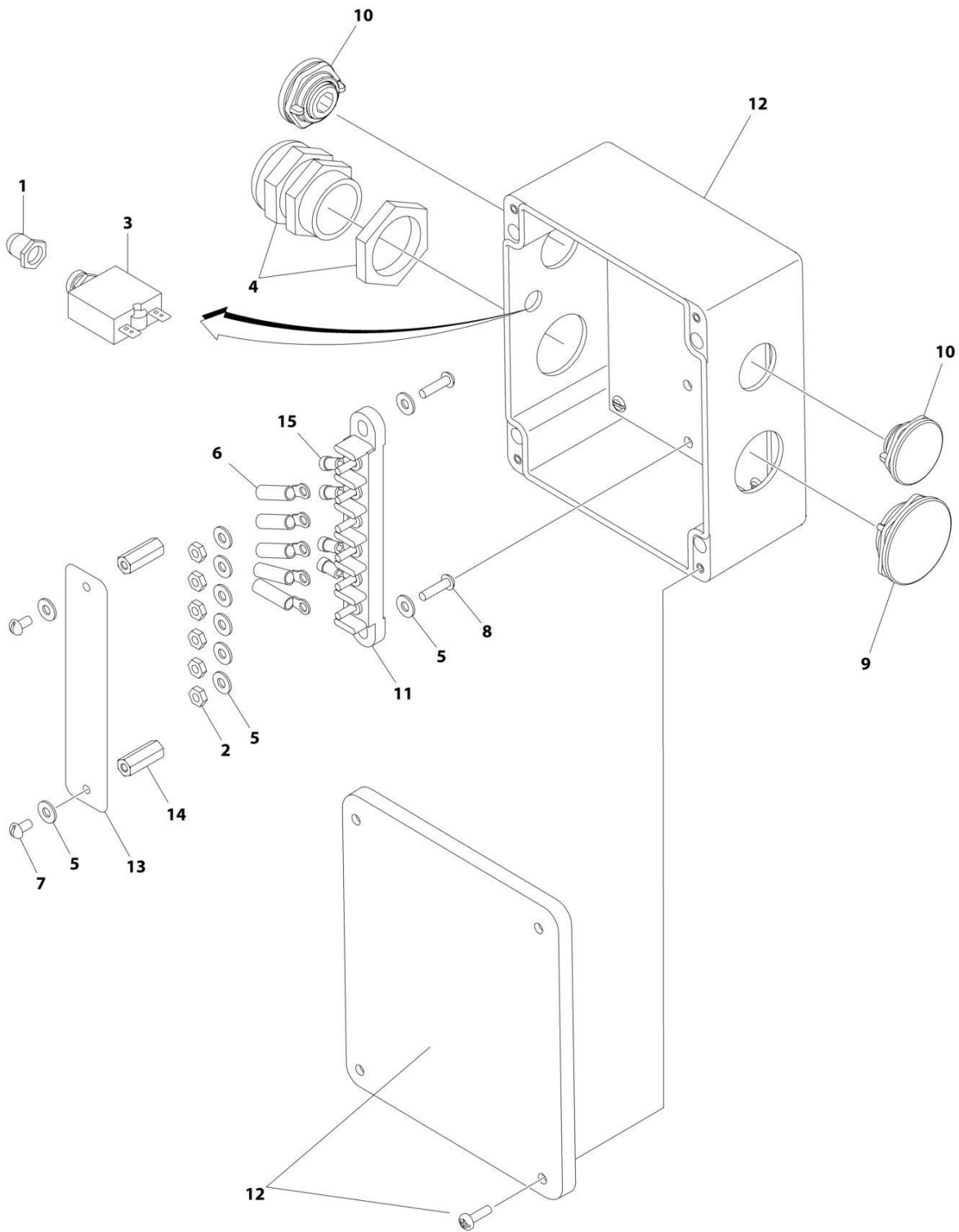
SECTION 3 - ENGINE

FIGURE 3-28. JUNCTION BOX ASSEMBLY - 7500W GENERATOR (ALL SPECS EXCEPT AUSTRALIAN AND CE SPECS)

| ITEM | PART NUMBER | QTY | DESCRIPTION | REV |
|------|-------------|------------|---|-----|
| | 1001187228 | Ref | JUNCTION BOX ASSEMBLY - 7500W GENERATOR | A |
| 1 | 1060343 | 6.8 ft/ 2m | Cable, Electrical - 10/4 | |
| 2 | 1060494 | 6.8 ft/ 2m | Cable, Electrical - 12/3 | |
| 3 | 1060708 | 6.8 ft/ 2m | Cable, Electrical - 10/3 | |
| 4 | 1321692 | 1 | Strain Relief, Terminal | |
| 5 | 3300396 | 1 | Cover, Fuse | |
| 6 | 4460068 | 10 | Terminal | |
| 7 | 3311001 | 6 | Nut, #10-24 | |
| 8 | 4460483 | 2 | Terminal | |
| 9 | 4460425 | 1 | Strain Relief, Terminal | |
| 10 | 4360070 | 1 | Circuit Breaker - 15Amp | |
| 11 | 4460426 | 2 | Connector, Strain Relief | |
| 12 | 10702077 | 2 | Screw, #10-32 X 3/8 | |
| 13 | 10702082 | 2 | Screw, #10-32 X 3/4 | |
| 14 | 4460963 | 1 | Connector, Turnlock | |
| 15 | 1001157520 | 1 | Block, Terminal - 6 Pole | |
| 18 | 1001158007 | 1 | Cover | |
| 19 | 1001158008 | 2 | Stand-Off | |
| 20 | 4711000 | 10 | Washer, #10 | |
| 22 | 8220022 | 5 | Terminal, #10 Stud | |
| 23 | 1001157528 | 1 | Decal - Wiring Schematic | |
| 24 | 1001187232 | 1 | Box, Junction | |
| 25 | 1671092 | 1 | Cover, Connector | |

SECTION 3 - ENGINE

FIGURE 3-29. JUNCTION BOX ASSEMBLY - 4000W/7500W GENERATOR (AUSTRALIAN AND CE SPECS)



ART_1001187197

SECTION 3 - ENGINE

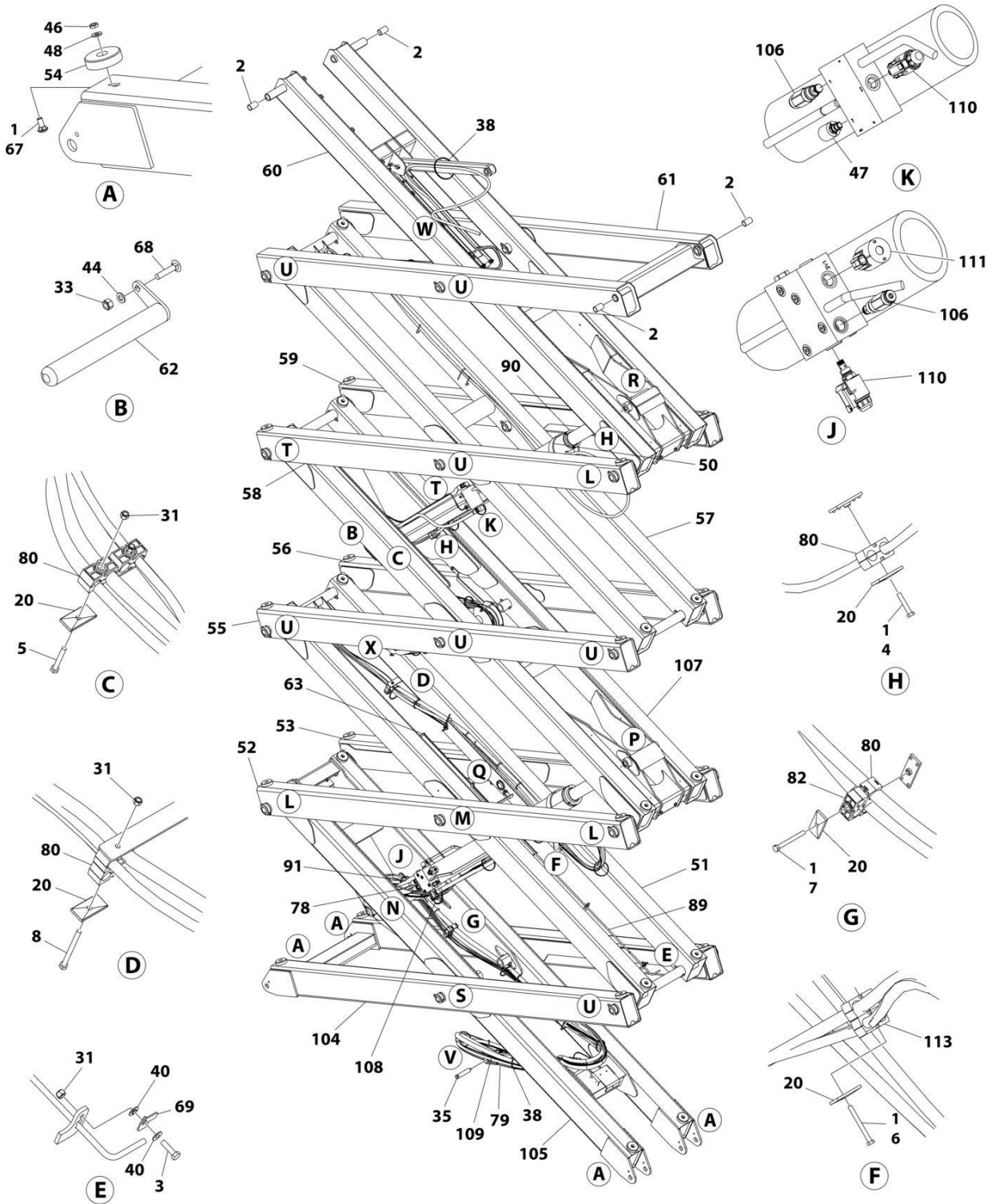
FIGURE 3-29. JUNCTION BOX ASSEMBLY - 4000W/7500W GENERATOR (AUSTRALIAN AND CE SPECS)

| ITEM | PART NUMBER | QTY | DESCRIPTION | REV |
|------|-------------|-----|---|-----|
| | 1001187197 | Ref | JUNCTION BOX ASSEMBLY - 4000W/7500W GENERATOR | A |
| 1 | 3300396 | 1 | Cover, Fuse | |
| 2 | 3311001 | 6 | Nut, #10-24 | |
| 3 | 4360070 | 1 | Circuit Breaker - 15Amp | |
| 4 | 4460426 | 1 | Connector, Strain Relief | |
| 5 | 4711000 | 10 | Washer, #10 | |
| 6 | 8220022 | 5 | Terminal, #10 Stud | |
| 7 | 10702077 | 2 | Screw, #10-32 X 3/8 | |
| 8 | 10702082 | 2 | Screw, #10-32 X 3/4 | |
| 9 | 1001148648 | 1 | Plug | |
| 10 | 1001152525 | 2 | Plug | |
| 11 | 1001157520 | 1 | Block, Terminal - 6 Pole | |
| 12 | 1001157521 | 1 | Box, Junction | |
| 13 | 1001158007 | 1 | Cover | |
| 14 | 1001158008 | 2 | Stand-Off | |
| 15 | 4460068 | 4 | Terminal | |

SECTION 4 - SCISSORS ARMS

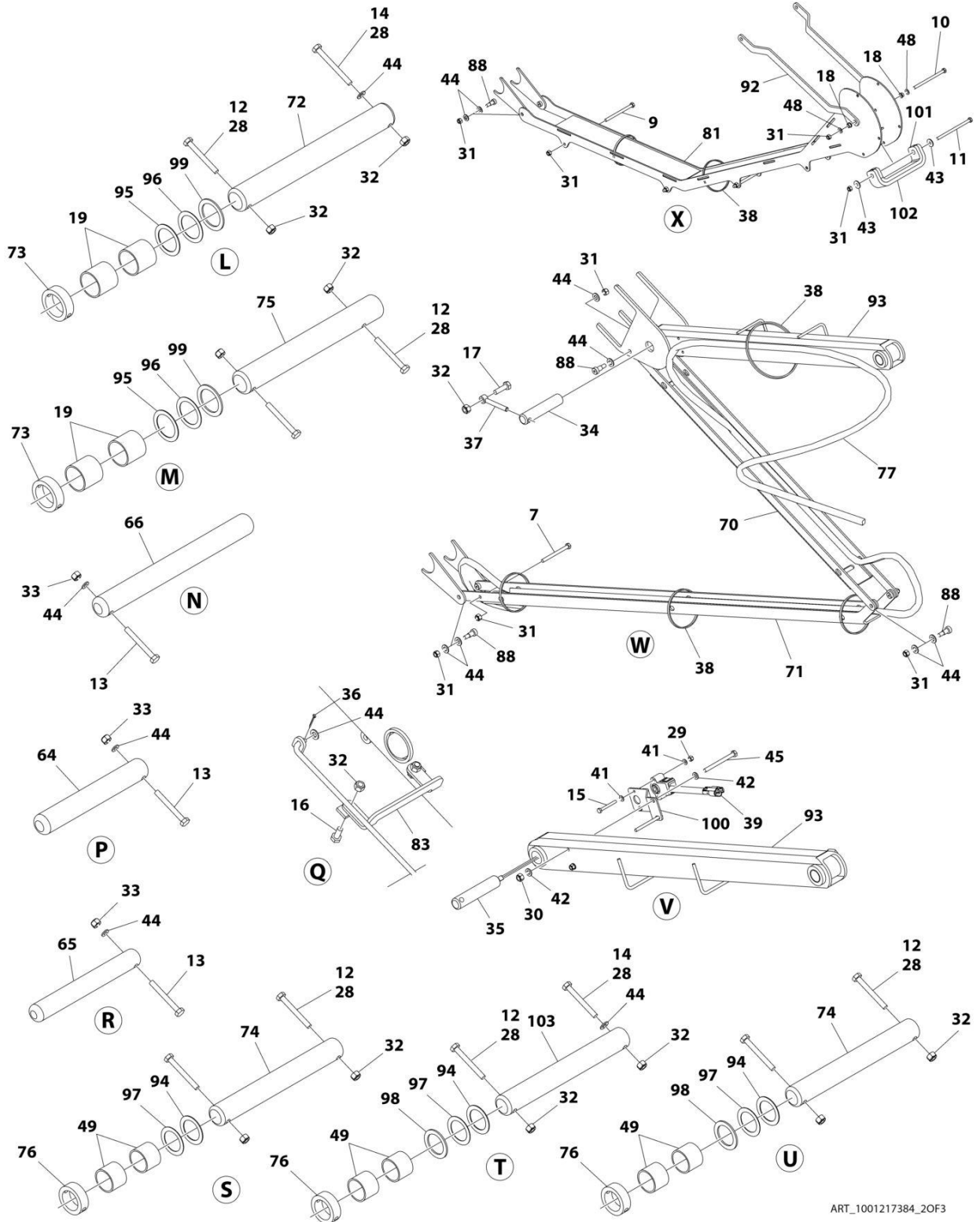
SECTION 4 - SCISSORS ARMS

FIGURE 4-1. SCISSORS ARMS ASSEMBLY



ART_1001217384_10F3

SECTION 4 - SCISSORS ARMS



ART_1001217384_2OF3

SECTION 4 - SCISSORS ARMS

FIGURE 4-1. SCISSORS ARMS ASSEMBLY

| ITEM | PART NUMBER | QTY | DESCRIPTION | REV |
|------|-------------|-----|--|-----|
| | 1001217384 | Ref | SCISSORS ARMS ASSEMBLY | H |
| 1 | 0100011 | AR | Compound, Locking | |
| 2 | 0440250 | 4 | Bearing | |
| 3 | 0700814 | 1 | Bolt M8 x 30 | |
| 4 | 0700817 | 2 | Bolt M8 x 45 | |
| 5 | 0700820 | 2 | Bolt M8 x 60 | |
| 6 | 0700824 | 1 | Bolt M8 x 80 | |
| 7 | 0700826 | 2 | Bolt M8 x 90 | |
| 8 | 0700827 | 1 | Bolt M8 x 100 | |
| 9 | 0700828 | 6 | Bolt M8 x 110 | |
| 10 | 0700830 | 1 | Bolt M8 x 130 | |
| 11 | 0700831 | 1 | Bolt M8 x 140 | |
| 12 | 0711025 | 44 | Bolt M10 x 85 | |
| 13 | 0711026 | 3 | Bolt M10 x 90 | |
| 14 | 0711027 | 8 | Bolt M10 x 100 | |
| 15 | 0760415 | 2 | Bolt M4 x 35 | |
| 16 | 0761012 | 2 | Bolt M10 x 25 | |
| 17 | 0771015 | 2 | Bolt M10 x 35 | |
| 18 | 0962031 | 2 | Bushing, Flange | |
| 19 | 0962036 | 16 | Bushing | |
| 20 | 1309435 | 7 | Cover, Clamp | |
| 28 | 3020039 | AR | Lubricant | |
| 29 | 3290405 | 2 | Nut M4 | |
| 30 | 3290605 | 2 | Nut M6 | |
| 31 | 3290805 | 23 | Nut M8 | |
| 32 | 3291005 | 56 | Nut M10 | |
| 33 | 3331017 | 4 | Nut M10 | |
| 34 | 3422943 | 2 | Pin, Link Pivot | |
| 35 | 3422963 | 1 | Pin, Link Attach | |
| 36 | 3450304 | 1 | Pin, Cotter 3/32 x 1 | |
| 37 | 3841143 | 2 | Keeper, Pin | |
| 38 | 4240018 | 39 | Tie-Strap | |
| 39 | 4360500 | 1 | Switch, Rotary Angle Sensor | |
| 40 | 4740455 | 2 | Washer | |
| 41 | 4811400 | 4 | Washer M4 | |
| 42 | 4811700 | 4 | Washer M6 | |
| 43 | 4811902 | 2 | Washer M8 | |
| 44 | 4812000 | 31 | Washer M10 | |
| 45 | 1001096653 | 2 | Bolt M6 x 70 | |
| 46 | 1001102433 | 32 | Nut M8 | |
| 47 | 1001148972 | 1 | Valve, Solenoid Cartridge | |
| 47 | 70002401 | 1 | Cartridge Less Coil | |
| 47 | 7017496 | 1 | Seal Kit - 70002401 & 1001148972 Valve | |
| 47 | 70003788 | 1 | Coil | |
| 48 | 1001108588 | 36 | Washer M8 | |
| 49 | 1001118665 | 36 | Bearing | |
| 50 | 1001143645 | 2 | Strap, Cinch | |
| 51 | 1001181375 | 1 | Arm, Inner 2 | |
| 52 | 1001181384 | 1 | Arm, Outer 2 (RH) | |
| 53 | 1001181385 | 1 | Arm, Outer 2 (LH) | |

SECTION 4 - SCISSORS ARMS

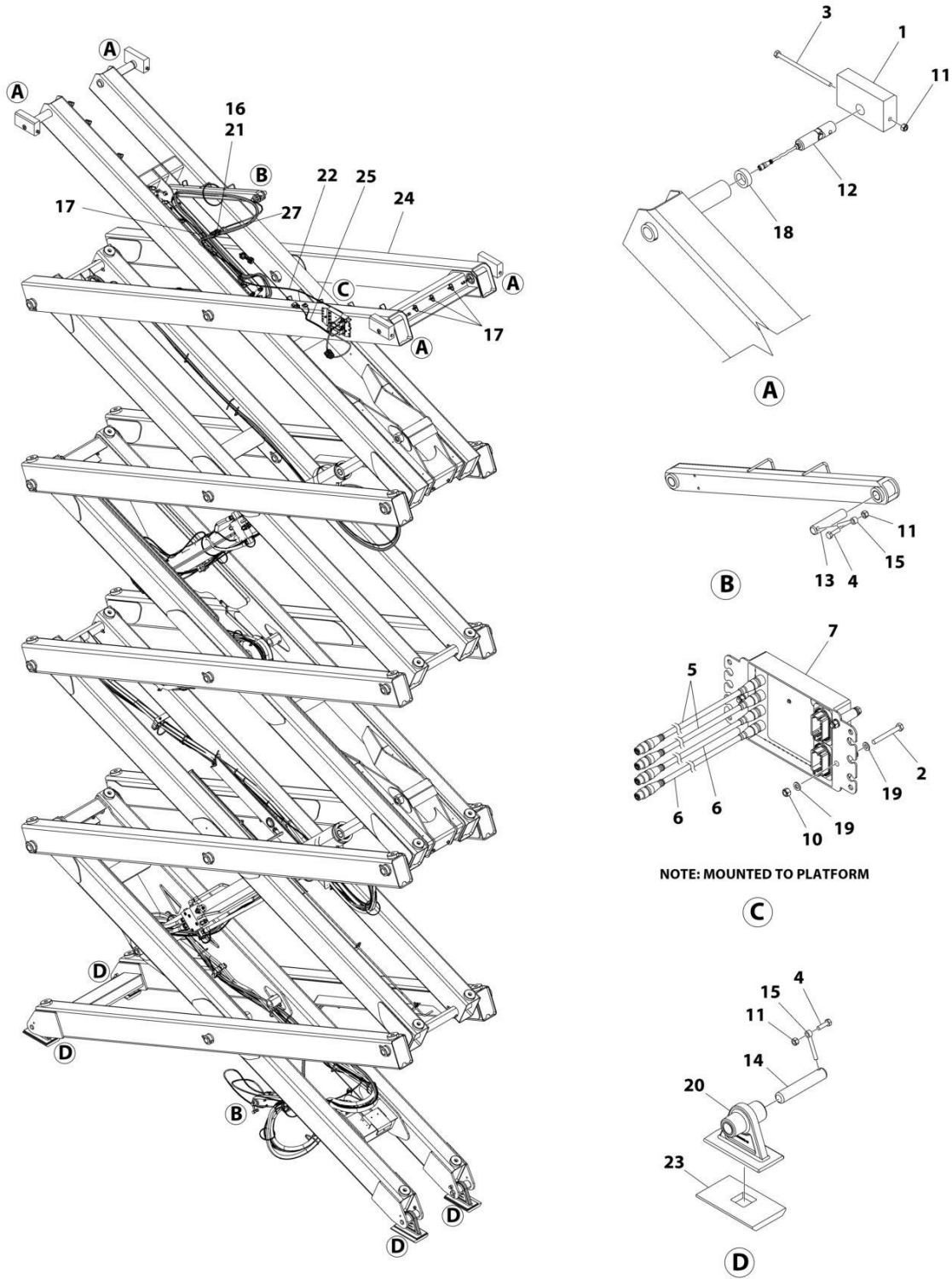
| ITEM | PART NUMBER | QTY | DESCRIPTION | REV |
|------|-------------|-----|--|-----|
| 54 | 1001181436 | 32 | Bumper | |
| 55 | 1001181476 | 1 | Arm, Outer 3 (RH) | |
| 56 | 1001181477 | 1 | Arm, Outer 3 (LH) | |
| 57 | 1001181479 | 1 | Arm, Inner 4 | |
| 58 | 1001181481 | 1 | Arm, Outer 4 (RH) | |
| 59 | 1001181482 | 1 | Arm, Outer 4 (LH) | |
| 60 | 1001181485 | 1 | Arm, Inner 5 | |
| 61 | 1001181486 | 1 | Arm, Outer 5 | |
| 62 | 1001184019 | 1 | Pin | |
| 63 | 1001185315 | 2 | Prop, Safety | |
| 63 | 0962224 | 2 | Bearing (1 per Prop) | |
| 64 | 1001185704 | 1 | Pin | |
| 65 | 1001185705 | 1 | Pin | |
| 66 | 1001185706 | 1 | Pin | |
| 67 | 1001186235 | 32 | Bolt M8 x 20 | |
| 68 | 1001186551 | 1 | Bolt M10 x 50 | |
| 69 | 1001186900 | 1 | Plate, Rod Keeper | |
| 70 | 1001187185 | 1 | Carrier, Cable | |
| 71 | 1001187186 | 1 | Channel, Cable Carrier | |
| 72 | 1001188000 | 6 | Pin | |
| 73 | 1001188001 | 8 | Collar | |
| 74 | 1001188345 | 16 | Pin | |
| 75 | 1001188348 | 2 | Pin | |
| 76 | 1001188351 | 18 | Collar | |
| 77 | 1001236865 | 1 | Ground to Platform Harness (See Separate Breakdown in ELECTRICAL SECTION) | |
| 78 | 1001190522 | 1 | Ground to Lower Lift Cylinder Harness (See Separate Breakdown in ELECTRICAL SECTION) | |
| 79 | 1001190524 | 1 | Ground to Upper Lift Cylinder Harness (See Separate Breakdown in ELECTRICAL SECTION) | |
| 80 | 1001191629 | 7 | Clamp | |
| 81 | 1001191722 | 1 | Plate, Cable Tray | |
| 82 | 1001191838 | 1 | Clamp | |
| 83 | 1001193040 | 1 | Bracket | |
| 88 | 1001193296 | 10 | Bolt M8 x 14 | |
| 89 | 1001193386 | 1 | Rod, Prop Actuator | |
| 90 | 1001225369 | 1 | Lift Cylinder Assembly - Upper (See Separate Breakdown in CYLINDER SECTION) | |
| 91 | 1001234703 | 1 | Lift Cylinder Assembly - Lower (See Separate Breakdown in CYLINDER SECTION) | |
| 92 | 1001194393 | 2 | Plate, Cable Tray | |
| 93 | 1001195209 | 2 | Link | |
| 93 | 0962474 | 4 | Bushing | |
| 94 | 1001197395 | AR | Washer | |
| 95 | 1001197396 | AR | Washer | |
| 96 | 1001197397 | AR | Washer | |
| 97 | 1001197398 | AR | Washer | |
| 98 | 1001197404 | AR | Washer | |
| 99 | 1001197405 | AR | Washer | |
| 100 | 1001202520 | 1 | Bracket, Switch | |
| 101 | 1001209406 | 1 | Plate | |
| 102 | 1001209407 | 1 | Bumper | |

SECTION 4 - SCISSORS ARMS

| ITEM | PART NUMBER | QTY | DESCRIPTION | REV |
|------|-------------|-----|---|-----|
| 103 | 1001217300 | 2 | Pin | |
| 104 | 1001217381 | 1 | Arm, Outer 1 | |
| 105 | 1001217382 | 1 | Arm, Inner 1 | |
| 106 | 1001217888 | 1 | Valve, Cartridge | |
| 106 | 7024808 | 1 | Seal Kit - 1001217888 Valve | |
| 107 | 1001218504 | 1 | Arm, Inner 3 | |
| 108 | 1001222343 | 1 | Ground to Auxilary Lower Holding Valve Harness (See Separate Breakdown in ELECTRICAL SECTION) | |
| 109 | 1001222344 | 1 | Ground to Auxilary Upper Holding Valve Harness (See Separate Breakdown in ELECTRICAL SECTION) | |
| 110 | 1001103761 | 2 | Valve, Solenoid Cartridge | |
| 110 | 7024497 | 1 | Cartridge Less Coil | |
| 110 | 7024502 | 1 | Seal Kit - 1001103761 & 7024497 Valve | |
| 110 | 70001965 | 1 | Coil | |
| 110 | 7024506 | 1 | Nut Kit - Coil | |
| 111 | 1001206625 | 1 | Valve, Solenoid Cartridge | |
| 111 | 70006104 | 1 | Cartridge Less Coil | |
| 111 | 70006105 | 1 | Seal Kit - 1001206625 & 70006104 Valve | |
| 111 | 70005788 | 1 | Coil | |
| 111 | 7022390 | 1 | Nut Coil | |
| 113 | 80933216 | 2 | Clamp | |

SECTION 4 - SCISSORS ARMS

FIGURE 4-2. SCISSORS ARMS INSTALLATION WITH AC CABLE



ART_1001237516_F

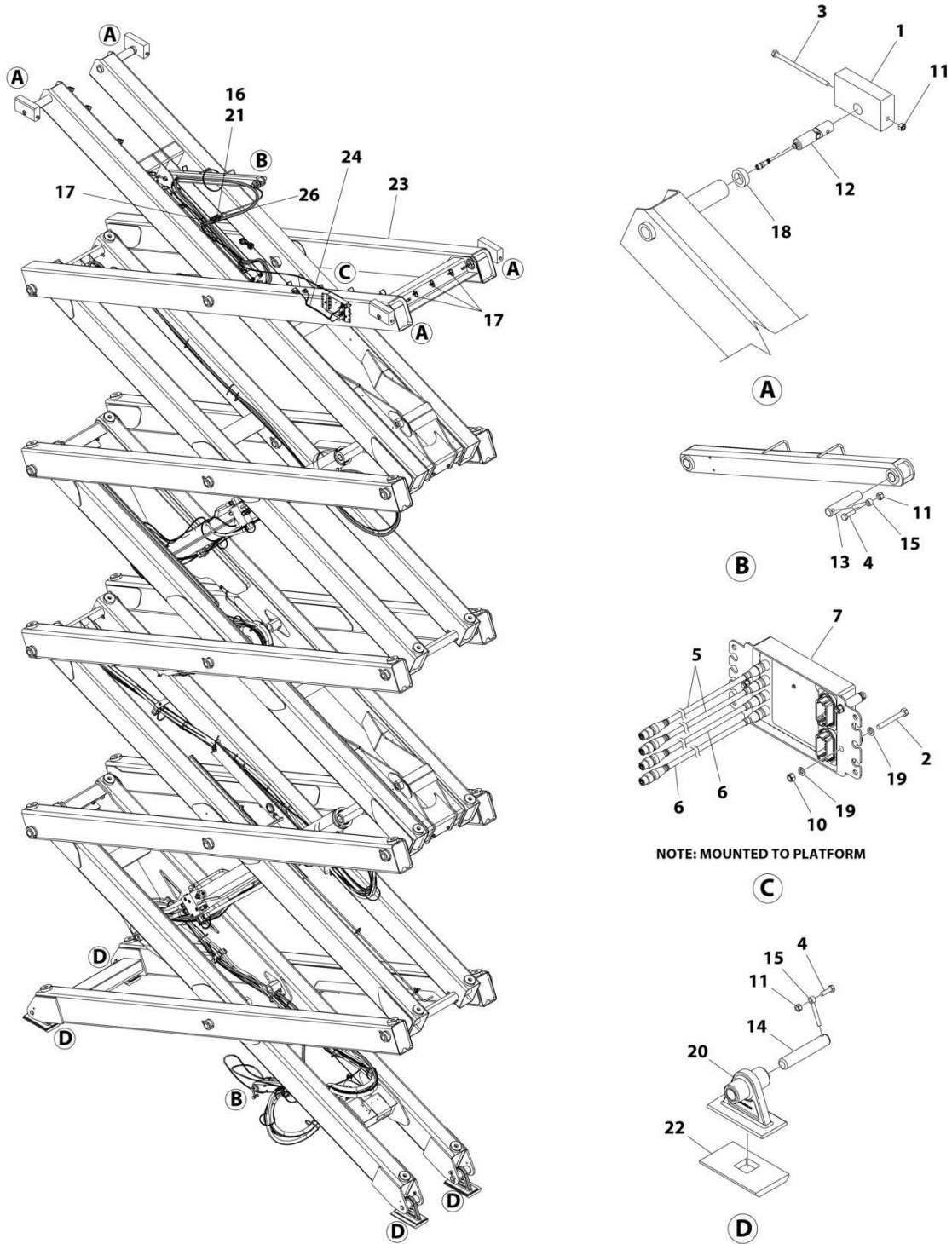
SECTION 4 - SCISSORS ARMS

FIGURE 4-2. SCISSORS ARMS INSTALLATION WITH AC CABLE

| ITEM | PART NUMBER | QTY | DESCRIPTION | REV |
|------|-------------|-----|---|-----|
| | 1001237516 | Ref | SCISSORS ARMS INSTALLATION | F |
| 1 | 0561489 | 4 | Block, Slide | |
| 2 | 0700618 | 3 | Bolt M6 x 50 | |
| 3 | 0701037 | 4 | Bolt M10 x 200 | |
| 4 | 0771015 | 6 | Bolt M10 x 35 | |
| 5 | 1061020 | 2 | Cable (5 FT/1.5 M Length) | |
| 6 | 1061021 | 2 | Cable (10 FT/3 M Length) | |
| 7 | 1600387 | 1 | Module, Control - LSS | |
| 10 | 3290605 | 3 | Nut M6 | |
| 11 | 3291005 | 10 | Nut M10 | |
| 12 | 3422938 | 4 | Pin | |
| 13 | 3422943 | 1 | Pin | |
| 14 | 3422961 | 4 | Pin | |
| 15 | 3841143 | 6 | Keeper, Pin | |
| 16 | 4240018 | 14 | Tie-Strap | |
| 17 | 4240033 | 19 | Tie-Strap | |
| 18 | 4568295 | 4 | Tube, Spacer | |
| 19 | 4811700 | 6 | Washer M6 | |
| 20 | 1001099623 | 4 | Slider | |
| 20 | 0440234 | 8 | Bearing (2 per Slider) | |
| 21 | 1001130781 | 3 | Conduit | |
| 22 | 1001178759 | 1 | Cable, AC | |
| 23 | 1001181501 | 4 | Pad, Slide | |
| 24 | 1001217384 | 1 | Scissors Arms Assembly (See Separate Breakdown in this Section) | |
| 25 | 1001226830 | 1 | LSS Harness (See Separate Breakdown in ELECTRICAL Section) | |
| 26 | 4460234 | 16 | Mount, Tie-Strap (Not Shown) | |
| 27 | 1001244865 | 1 | Grommet | |

SECTION 4 - SCISSORS ARMS

FIGURE 4-3. SCISSORS ARMS INSTALLATION WITH GENERATOR



ART_1001237515_F

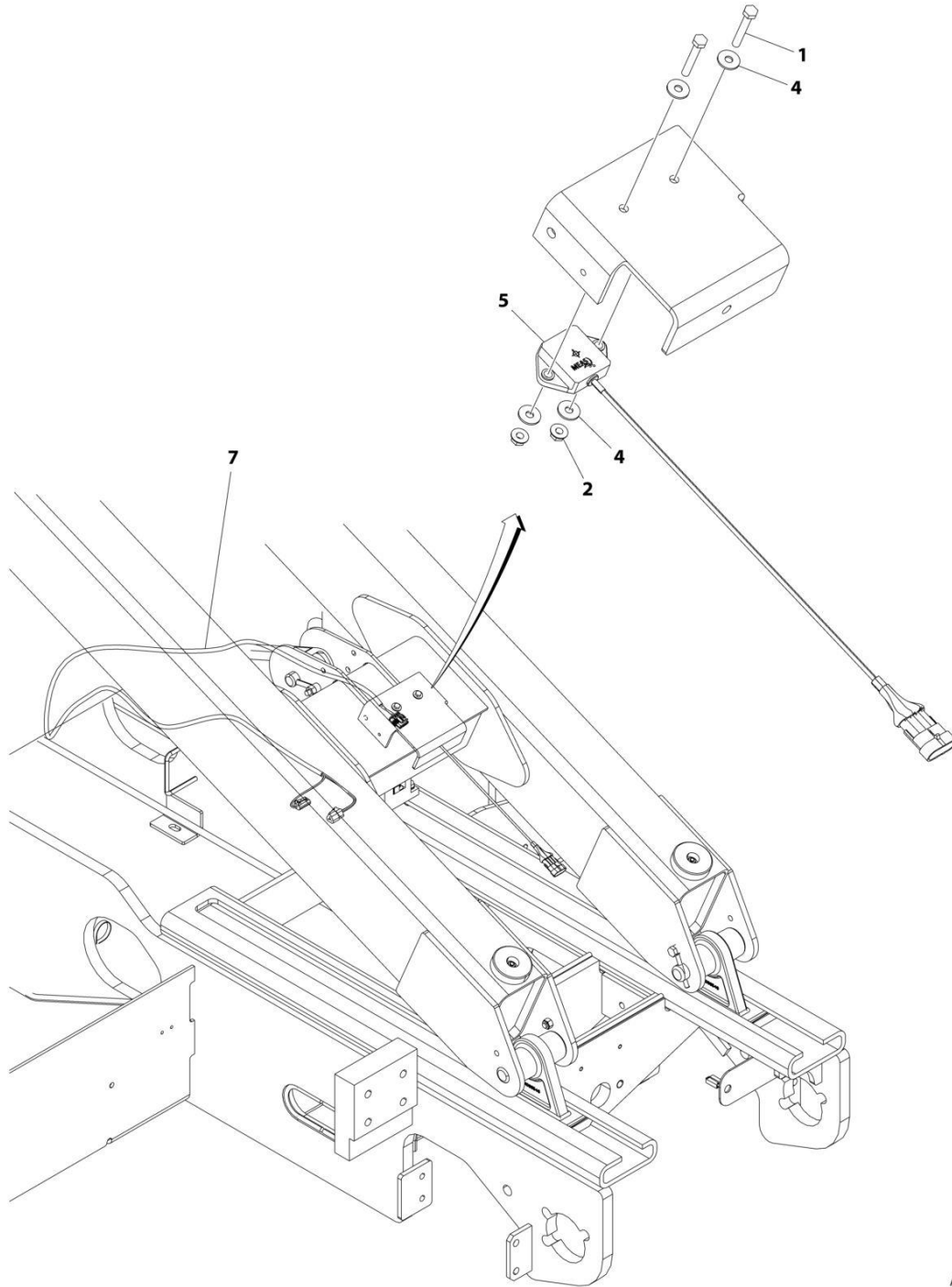
SECTION 4 - SCISSORS ARMS

FIGURE 4-3. SCISSORS ARMS INSTALLATION WITH GENERATOR

| ITEM | PART NUMBER | QTY | DESCRIPTION | REV |
|------|-------------|-----|---|-----|
| | 1001237515 | Ref | SCISSORS ARMS INSTALLATION | F |
| 1 | 0561489 | 4 | Block, Slide | |
| 2 | 0700618 | 3 | Bolt M6 x 50 | |
| 3 | 0701037 | 4 | Bolt M10 x 200 | |
| 4 | 0771015 | 6 | Bolt M10 x 35 | |
| 5 | 1061020 | 2 | Cable (5 FT/1.5 M Length) | |
| 6 | 1061021 | 2 | Cable (10 FT/3 M Length) | |
| 7 | 1600387 | 1 | Module, Control - LSS | |
| 10 | 3290605 | 3 | Nut M6 | |
| 11 | 3291005 | 10 | Nut M10 | |
| 12 | 3422938 | 4 | Pin | |
| 13 | 3422943 | 1 | Pin | |
| 14 | 3422961 | 4 | Pin | |
| 15 | 3841143 | 6 | Keeper, Pin | |
| 16 | 4240018 | 10 | Tie-Strap | |
| 17 | 4240033 | 19 | Tie-Strap | |
| 18 | 4568295 | 4 | Tube, Spacer | |
| 19 | 4811700 | 6 | Washer M6 | |
| 20 | 1001099623 | 4 | Slider | |
| 20 | 0440234 | 8 | Bearing (2 per Slider) | |
| 21 | 1001130781 | 2 | Conduit | |
| 22 | 1001181501 | 4 | Pad, Slide | |
| 23 | 1001217384 | 1 | Scissors Arms Assembly (See Separate Breakdown in this Section) | |
| 24 | 1001226830 | 1 | LSS Harness (See Separate Breakdown in ELECTRICAL Section) | |
| 25 | 4460234 | 16 | Mount, Tie-Strap (Not Shown) | |
| 26 | 1001244865 | 1 | Grommet | |

SECTION 4 - SCISSORS ARMS

FIGURE 4-4. ARM GUARDS INSTALLATION



ART_1001231784

SECTION 4 - SCISSORS ARMS

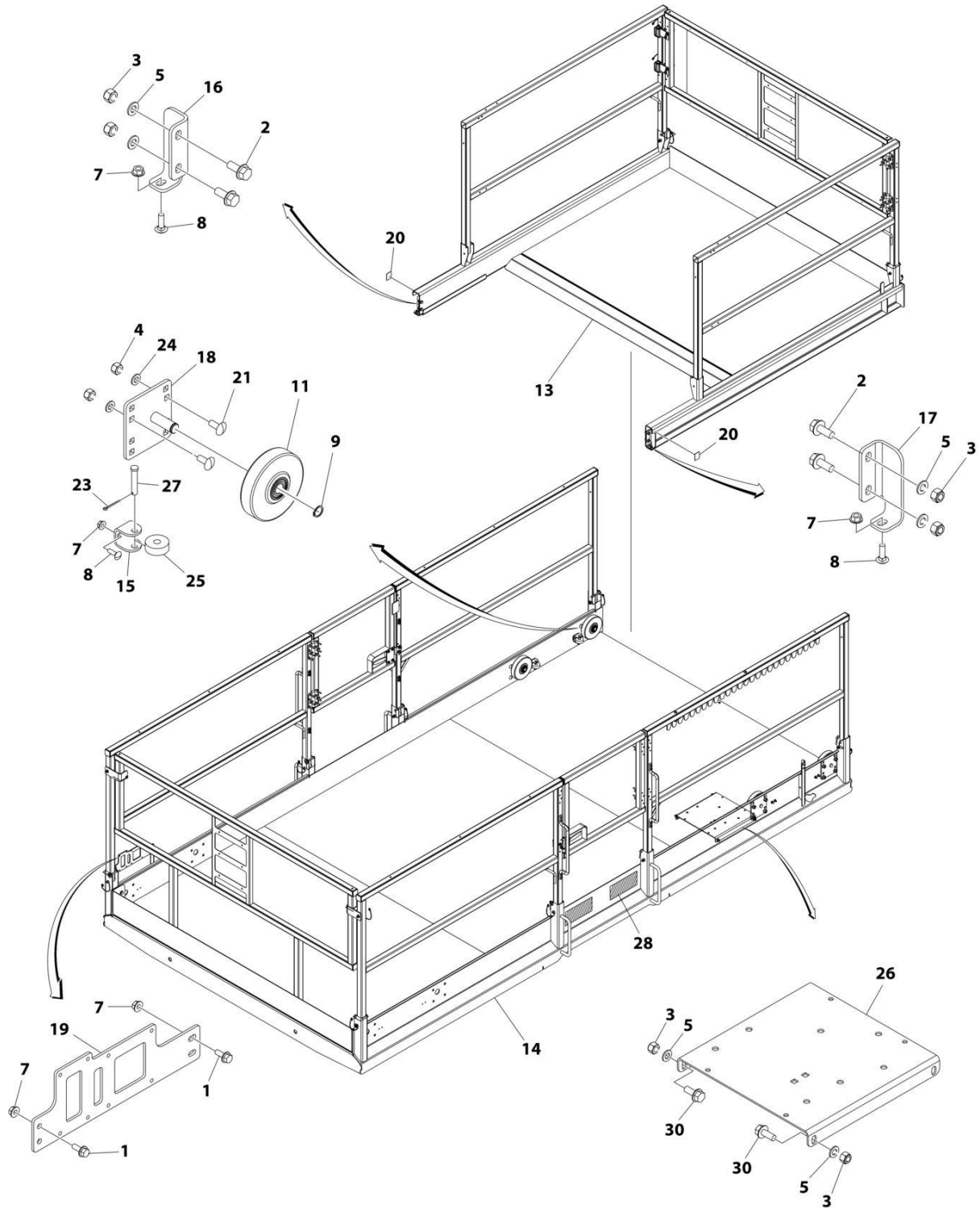
FIGURE 4-4. ARM GUARDS INSTALLATION

| ITEM | PART NUMBER | QTY | DESCRIPTION | REV |
|------|-------------|-----|--|-----|
| | 1001231784 | Ref | ARM GUARDS INSTALLATION | E |
| 1 | 0700616 | 2 | Bolt M6 x 40 | |
| 2 | 3290605 | 2 | Nut M6 | |
| 3 | 4240018 | 12 | Tie-Strap (Not Shown) | |
| 4 | 4811702 | 4 | Washer M6 | |
| 5 | 1001187857 | 1 | Sensor, Dual Axis | |
| 7 | 1001244347 | 1 | Scissors Arms Guard Harness (See Separate Breakdown in ELECTRICAL SECTION) | |

SECTION 5 - PLATFORM

SECTION 5 - PLATFORM

FIGURE 5-1. PLATFORM AND SINGLE EXTENSION INSTALLATION - STANDARD



ART_100117756

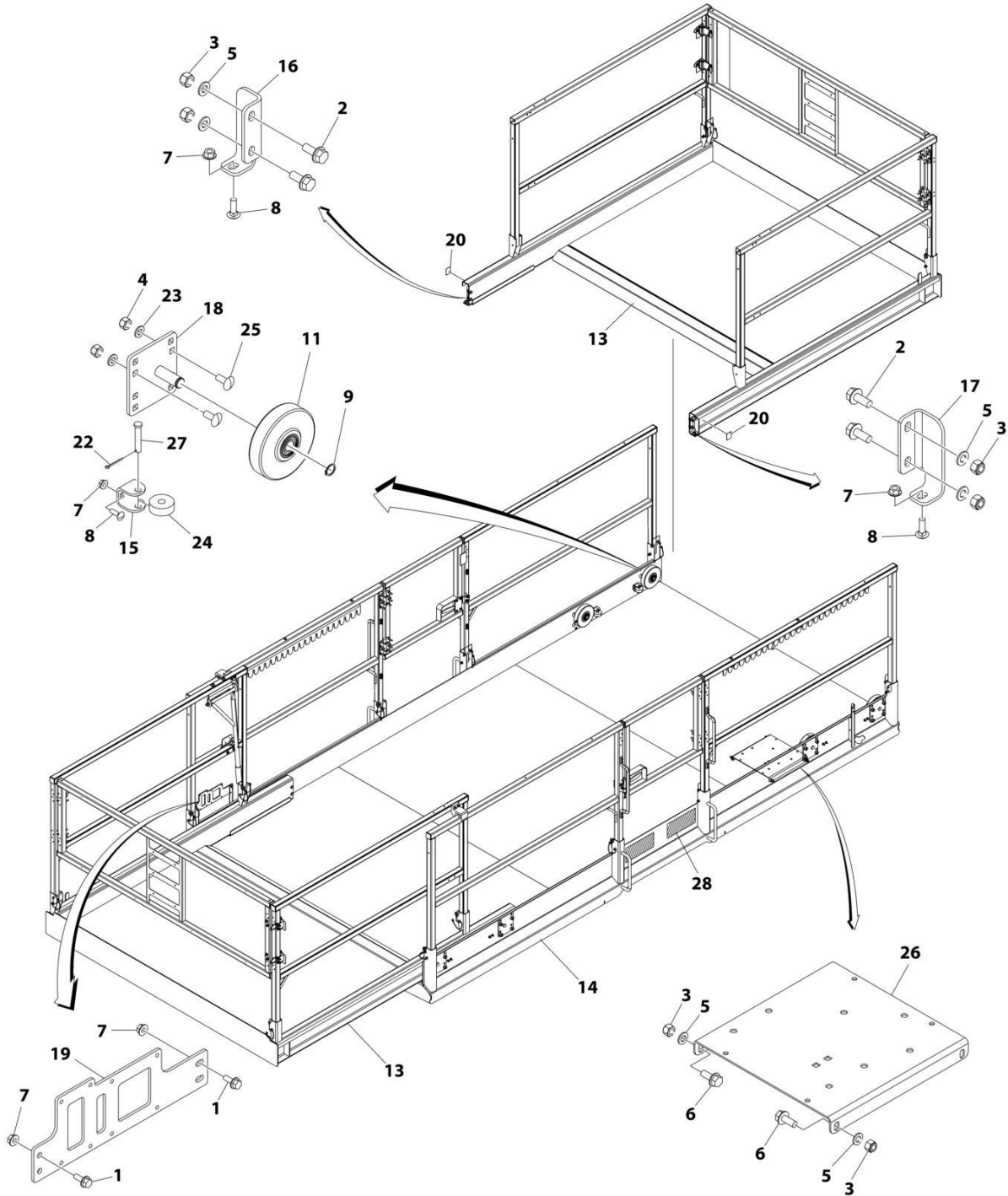
SECTION 5 - PLATFORM

FIGURE 5-1. PLATFORM AND SINGLE EXTENSION INSTALLATION - STANDARD

| ITEM | PART NUMBER | QTY | DESCRIPTION | REV |
|------|-------------|-----------------|---|-----|
| | 1001177756 | Ref | PLATFORM AND SINGLE EXTENSION INSTALLATION - STANDARD | H |
| 1 | 0780608 | 4 | Bolt M6 x 16 | |
| 2 | 0780810 | AR | Bolt M8 x 20 | |
| 3 | 3290805 | AR | Nut M8 | |
| 4 | 3291005 | 16 | Nut M10 | |
| 5 | 4811900 | AR | Washer M8 | |
| 7 | 5260600 | 14 | Nut M6, Grade10 | |
| 8 | 1001100451 | 10 | Bolt M6 x 20 | |
| 9 | 1001149581 | 4 | Ring, Retaining | |
| 11 | 1001167274 | 4 | Roller | |
| 13 | 1001179691 | 1 | Extension, Platform | |
| 14 | 1001179693 | 1 | Platform | |
| 15 | 1001179856 | 4 | Bracket, Roller | |
| 16 | 1001180981 | 1 | Bracket, Stop (LH) | |
| 17 | 1001180983 | 1 | Bracket, Stop (RH) | |
| 18 | 1001180990 | 4 | Bracket, Roller | |
| 19 | 1001182294 | 1 | Bracket | |
| 20 | 4420062 | 1.9 in/ 50mm | Tape | |
| 21 | 0630564 | 16 | Bolt M10 x 25 | |
| 23 | 3450304 | 4 | Pin, Cotter 3/32 x 1 | |
| 24 | 4812000 | 16 | Washer M10 | |
| 25 | 1001143898 | 4 | Roller | |
| 26 | 1001194115 | 1 | Bracket, Module | |
| 27 | 3430616 | 4 | Pin, Clevis | |
| 28 | 4420051 | AR | Tape, Safety | |
| 29 | 1001205831 | 4 | Spacer | |
| 30 | 0780812 | AR | Bolt M8 x 25 | |

SECTION 5 - PLATFORM

FIGURE 5-2. PLATFORM AND DUAL EXTENSION INSTALLATION - STANDARD



ART_1001177755

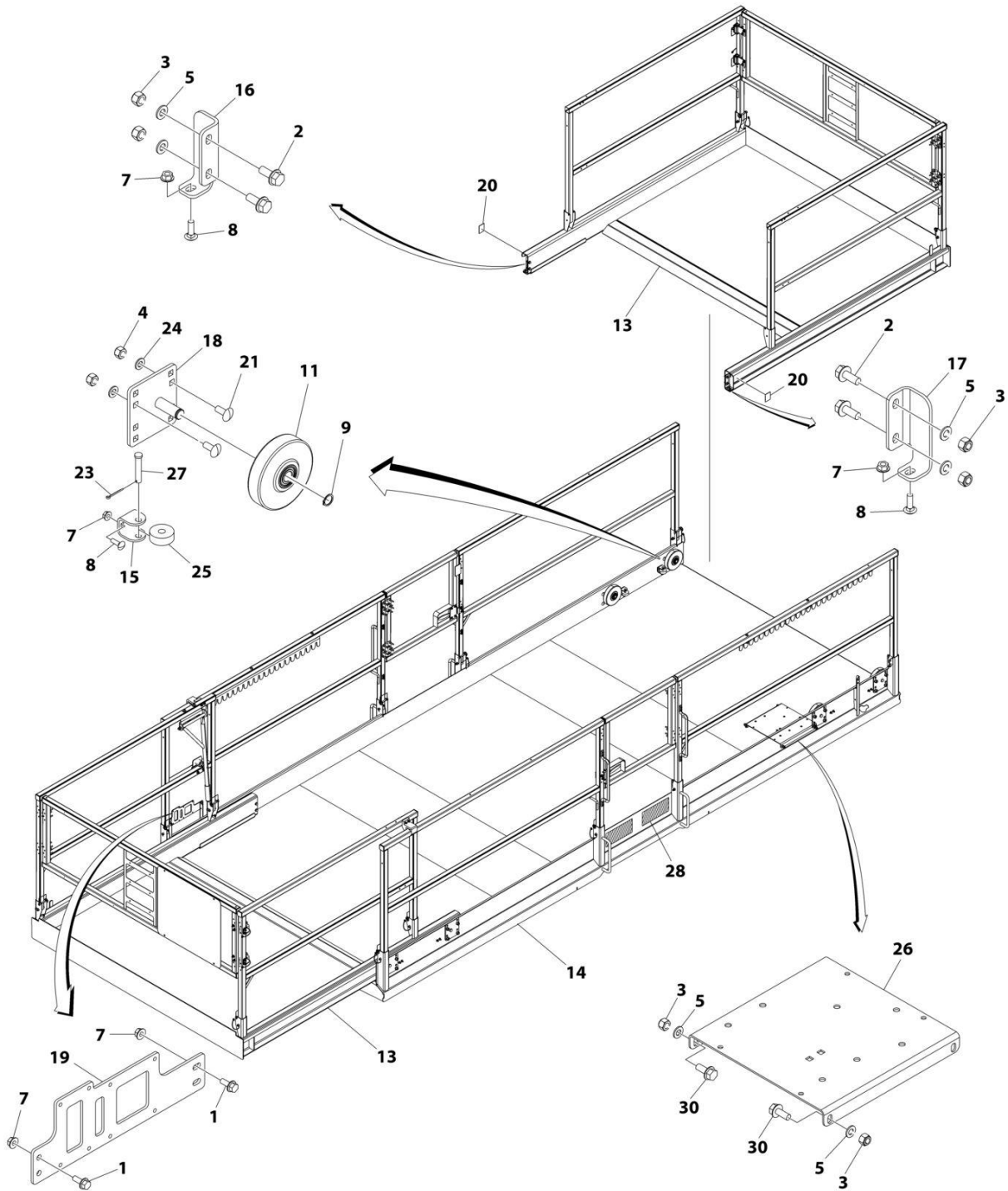
SECTION 5 - PLATFORM

FIGURE 5-2. PLATFORM AND DUAL EXTENSION INSTALLATION - STANDARD

| ITEM | PART NUMBER | QTY | DESCRIPTION | REV |
|------|-------------|------------------|---|-----|
| | 1001177755 | Ref | PLATFORM AND DUAL EXTENSION INSTALLATION - STANDARD | H |
| 1 | 0780608 | 4 | Bolt M6 x 16 | |
| 2 | 0780810 | AR | Bolt M8 x 20 | |
| 3 | 3290805 | AR | Nut M8 | |
| 4 | 3291005 | 32 | Nut M10 | |
| 5 | 4811900 | AR | Washer M8 | |
| 6 | 0780812 | AR | Bolt M8 x 25 | |
| 7 | 5260600 | 24 | Nut M6, Grade 10 | |
| 8 | 1001100451 | 20 | Bolt M6 x 20 | |
| 9 | 1001149581 | 8 | Ring, Retaining | |
| 11 | 1001167274 | 8 | Roller | |
| 13 | 1001179691 | 2 | Extension, Platform | |
| 14 | 1001179693 | 1 | Platform | |
| 15 | 1001179856 | 8 | Bracket, Roller | |
| 16 | 1001180981 | 2 | Bracket, Stop (LH) | |
| 17 | 1001180983 | 2 | Bracket, Stop (RH) | |
| 18 | 1001180990 | 8 | Bracket, Roller | |
| 19 | 1001182294 | 1 | Bracket | |
| 20 | 4420062 | 3.9 in/ 100mm | Tape | |
| 22 | 3450304 | 8 | Pin, Cotter 3/32 x 1 | |
| 23 | 4812000 | 32 | Washer M10 | |
| 24 | 1001143898 | 8 | Roller | |
| 25 | 0630564 | 32 | Bolt M10 x 25 | |
| 26 | 1001194115 | 1 | Bracket, Module | |
| 27 | 3430616 | 8 | Pin, Clevis | |
| 28 | 4420051 | AR | Tape, Safety | |
| 29 | 1001205831 | 8 | Spacer | |

SECTION 5 - PLATFORM

FIGURE 5-3. PLATFORM AND DUAL EXTENSION INSTALLATION - MEGADECK



ART_100117757

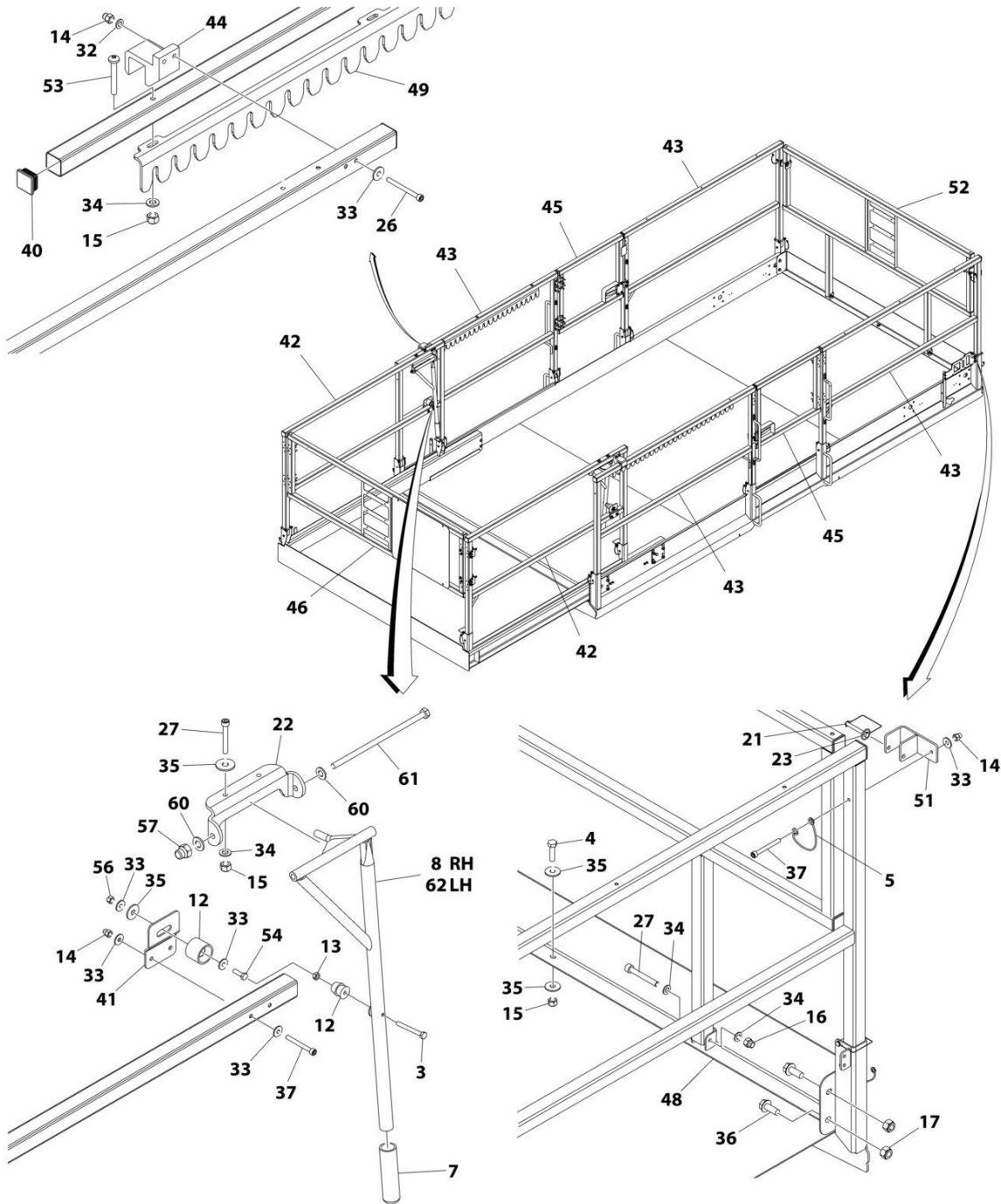
SECTION 5 - PLATFORM

FIGURE 5-3. PLATFORM AND DUAL EXTENSION INSTALLATION - MEGADECK

| ITEM | PART NUMBER | QTY | DESCRIPTION | REV |
|------|-------------|------------------|---|-----|
| | 1001177757 | Ref | PLATFORM AND DUAL EXTENSION INSTALLATION - MEGADECK | H |
| 1 | 0780608 | 4 | Bolt M6 x 16 | |
| 2 | 0780810 | AR | Bolt M8 x 20 | |
| 3 | 3290805 | AR | Nut M8 | |
| 4 | 3291005 | 32 | Nut M10 | |
| 5 | 4811900 | AR | Washer M8 | |
| 7 | 5260600 | 24 | Nut M6, Grade 10 | |
| 8 | 1001100451 | 20 | Bolt M6 x 20 | |
| 9 | 1001149581 | 8 | Ring, Retaining | |
| 11 | 1001167274 | 8 | Roller | |
| 13 | 1001179691 | 2 | Extension, Platform | |
| 14 | 1001179696 | 1 | Platform | |
| 15 | 1001179856 | 8 | Bracket, Roller | |
| 16 | 1001180981 | 2 | Bracket, Stop (LH) | |
| 17 | 1001180983 | 2 | Bracket, Stop (RH) | |
| 18 | 1001180990 | 8 | Bracket, Roller | |
| 19 | 1001182294 | 1 | Bracket | |
| 20 | 4420062 | 3.9 in/ 100mm | Tape | |
| 21 | 0630564 | 32 | Bolt M10 x 25 | |
| 23 | 3450304 | 8 | Pin, Cotter 3/32 x 1 | |
| 24 | 4812000 | 32 | Washer M10 | |
| 25 | 1001143898 | 8 | Roller | |
| 26 | 1001194115 | 1 | Bracket, Module | |
| 27 | 3430616 | 8 | Pin, Clevis | |
| 28 | 4420051 | AR | Tape, Safety | |
| 29 | 1001205831 | 8 | Spacer | |
| 30 | 0780812 | AR | Bolt M8 x 25 | |

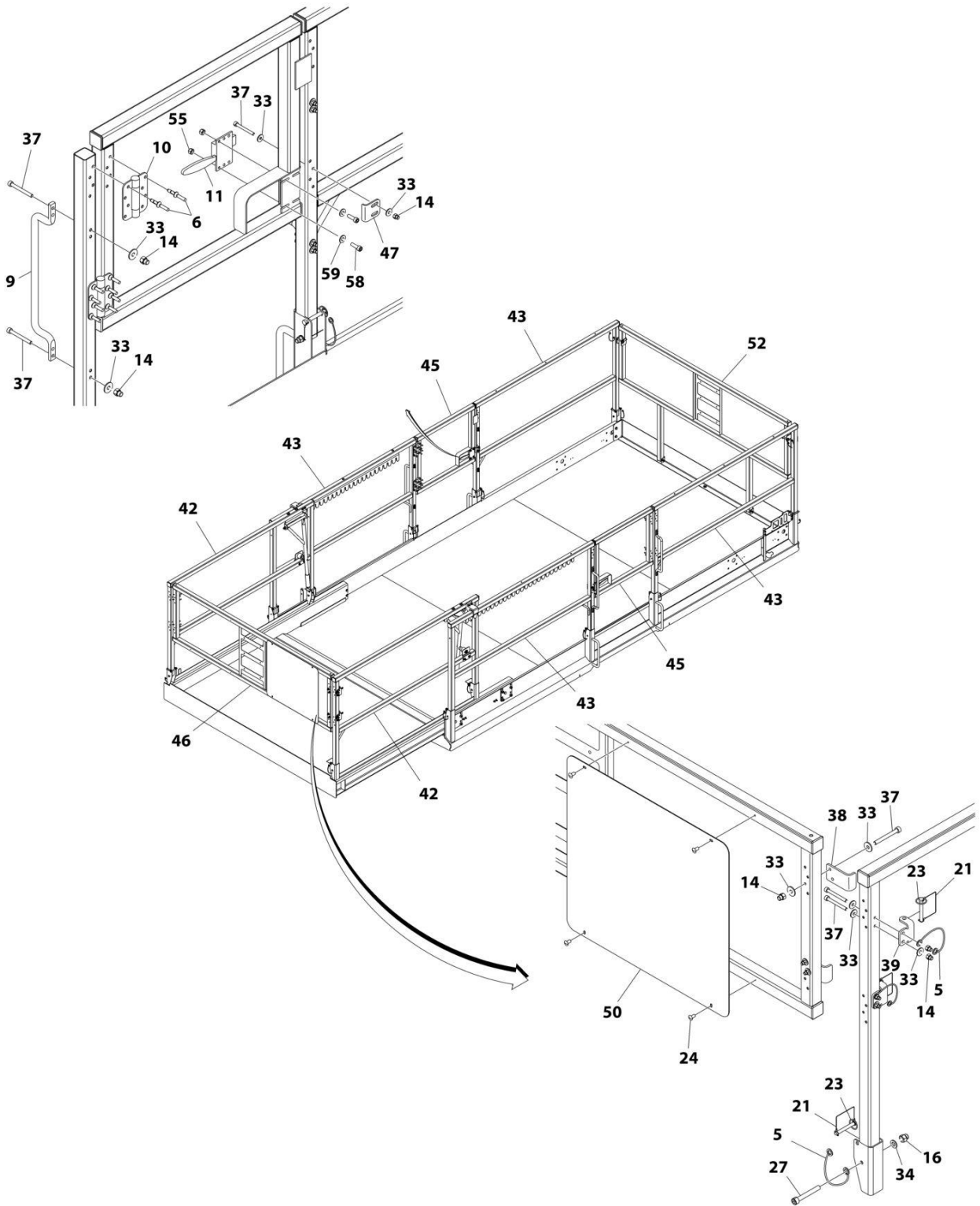
SECTION 5 - PLATFORM

FIGURE 5-4. RAILS INSTALLATION - STANDARD PLATFORM WITH SINGLE EXTENSION



ART_1001177758_10F2

SECTION 5 - PLATFORM



ART_1001177758_20F2

SECTION 5 - PLATFORM

FIGURE 5-4. RAILS INSTALLATION - STANDARD PLATFORM WITH SINGLE EXTENSION

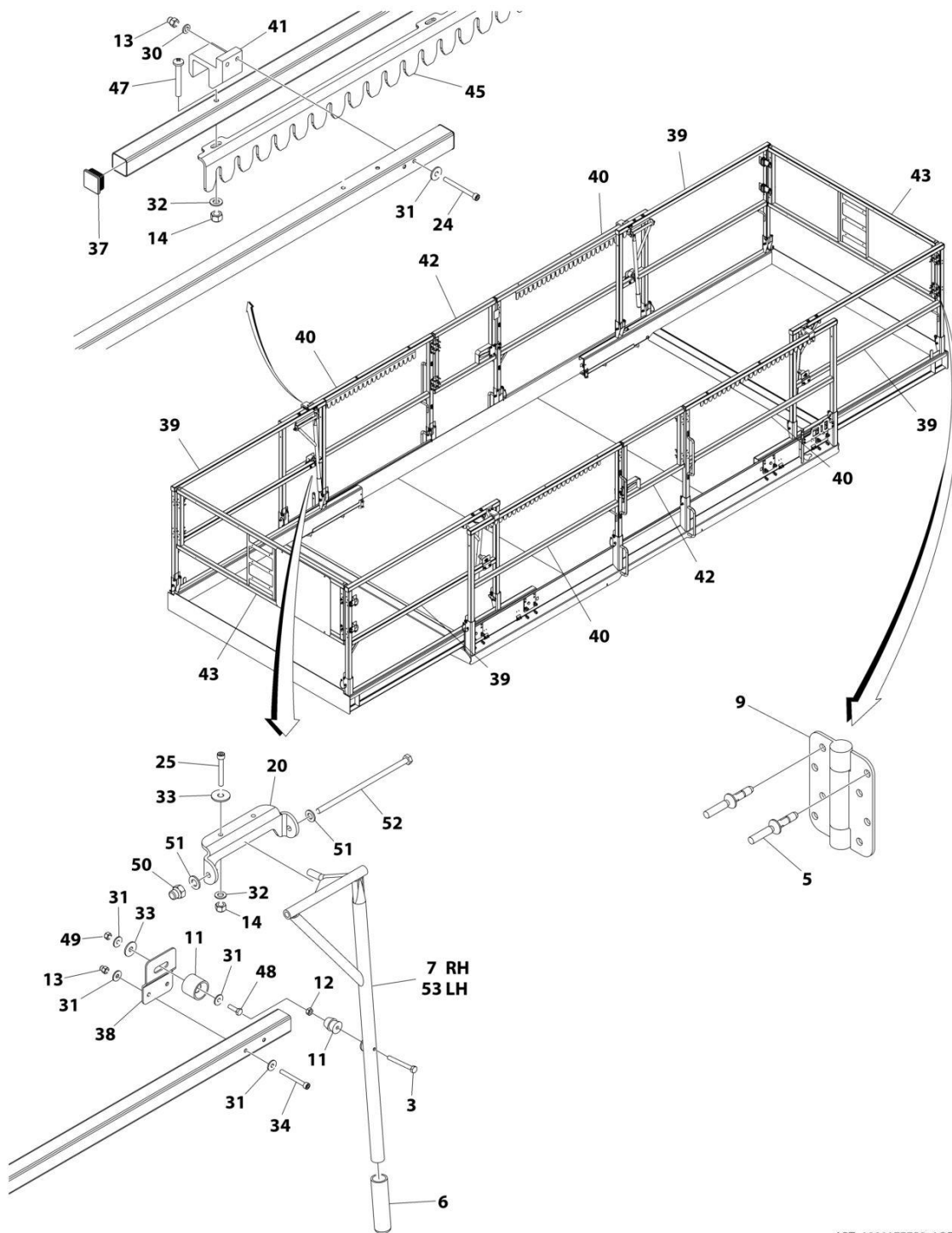
| ITEM | PART NUMBER | QTY | DESCRIPTION | REV |
|------|-------------|-----|--|-----|
| | 1001177758 | Ref | RAILS INSTALLATION - STANDARD PLATFORM WITH SINGLE EXTENSION | H |
| 3 | 0700619 | AR | Bolt M6 x 55 | |
| 4 | 0760814 | 1 | Bolt M8 x 30 | |
| 5 | 1060808 | 16 | Lanyard | |
| 6 | 2080040 | 48 | Fastener, Blind | |
| 7 | 2560088 | AR | Grip, Handle | |
| 8 | 2560172 | 1 | Handle | |
| 9 | 2560176 | 4 | Handle, Grab | |
| 10 | 2600285 | 6 | Hinge, Self Closing | |
| 11 | 2940074 | 2 | Latch | |
| 12 | 2940127 | AR | Latch, Rubber Insert | |
| 13 | 3290601 | AR | Nut M6 | |
| 14 | 3290606 | AR | Nut M6 | |
| 15 | 3290805 | AR | Nut M8 | |
| 16 | 3290806 | 14 | Nut M8 | |
| 17 | 3291005 | 4 | Nut M10 | |
| 21 | 3421565 | 16 | Pin | |
| 22 | 3537609 | AR | Plate, Pivot | |
| 23 | 3760170 | 16 | Ring, Split | |
| 24 | 3820020 | 4 | Rivet | |
| 26 | 4031717 | 4 | Capscrew M6 x 65 | |
| 27 | 4031916 | AR | Capscrew M8 x 60 | |
| 32 | 4811700 | 4 | Washer M6 | |
| 33 | 4811702 | AR | Washer M6 | |
| 34 | 4811900 | AR | Washer M8 | |
| 35 | 4811902 | AR | Washer M8 | |
| 36 | 5251012 | 4 | Bolt M10 x 25 | |
| 37 | 1001118878 | AR | Capscrew M6 x 55 | |
| 38 | 1001179558 | 2 | Bracket | |
| 39 | 1001179559 | 2 | Bracket | |
| 40 | 1001179639 | 28 | Plug | |
| 41 | 1001179644 | AR | Plate, Mounting | |
| 42 | 1001179676 | 2 | Rail, Extension Side | |
| 43 | 1001179677 | 4 | Rail, Platform Side | |
| 44 | 1001179678 | 2 | Pad | |
| 45 | 1001179694 | 2 | Gate | |
| 46 | 1001179695 | 1 | Rail, Extension end | |
| 47 | 1001198325 | 2 | Plate, Latch | |
| 48 | 1001180986 | 1 | Kickplate | |
| 49 | 1001180987 | AR | Bracket, Extension Stop | |
| 50 | 1001180994 | 1 | Plate, Billboard | |
| 51 | 1001181001 | 2 | Bracket, Latch | |
| 52 | 1001181003 | 1 | Rail, Platform End | |
| 53 | 1001192382 | AR | Screw | |
| 54 | 0760610 | AR | Bolt M6 x 20 | |
| 55 | 3290505 | 8 | Nut M5 | |
| 56 | 3290605 | AR | Nut M6 | |
| 57 | 3291006 | AR | Nut M10 | |
| 58 | 4031607 | 8 | Capscrew M5 x 16 | |

SECTION 5 - PLATFORM

| ITEM | PART NUMBER | QTY | DESCRIPTION | REV |
|------|-------------|-----|----------------|-----|
| 59 | 4811602 | 8 | Washer M5 | |
| 60 | 4812000 | AR | Washer M10 | |
| 61 | 1001195137 | AR | Bolt M10 x 240 | |
| 62 | 2560171 | 1 | Handle | |

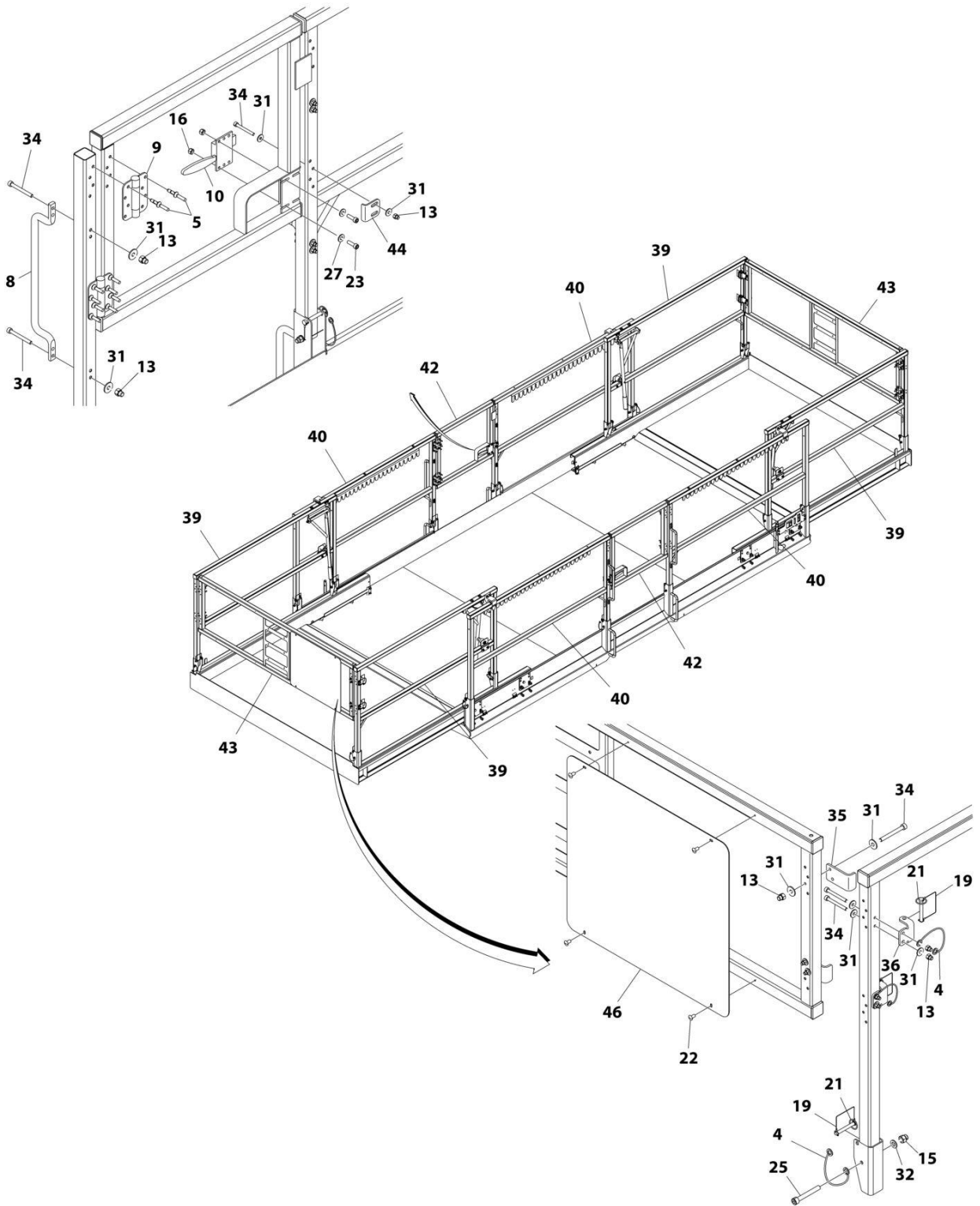
SECTION 5 - PLATFORM

FIGURE 5-5. RAILS INSTALLATION - STANDARD PLATFORM WITH DUAL EXTENSION



ART_1001177759_10F2

SECTION 5 - PLATFORM



ART_100117759_20F2

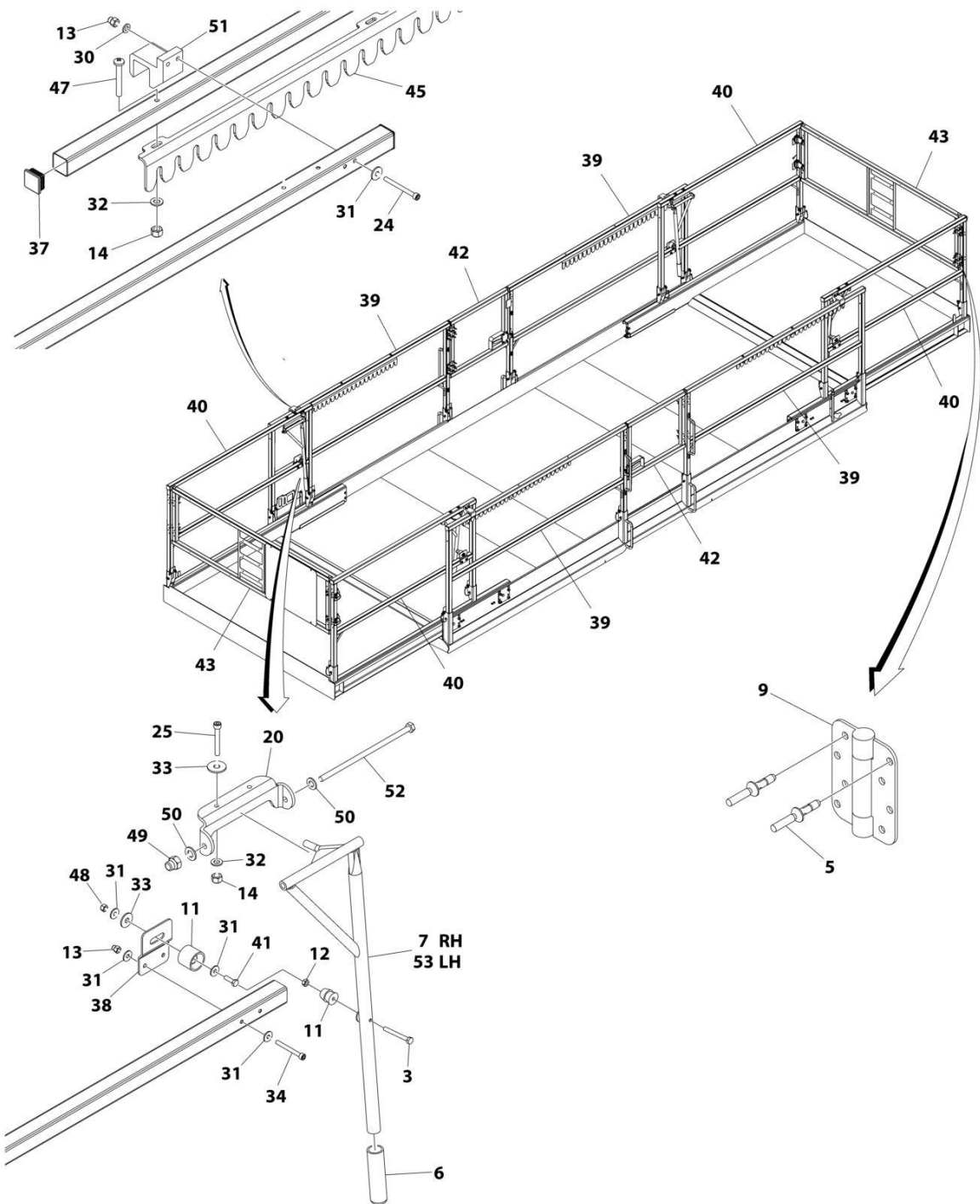
SECTION 5 - PLATFORM

FIGURE 5-5. RAILS INSTALLATION - STANDARD PLATFORM WITH DUAL EXTENSION

| ITEM | PART NUMBER | QTY | DESCRIPTION | REV |
|------|-------------|-----|--|-----|
| | 1001177759 | Ref | RAILS INSTALLATION - STANDARD PLATFORM WITH DUAL EXTENSION | G |
| 3 | 0700619 | AR | Bolt M6 x 55 | |
| 4 | 1060808 | 20 | Lanyard | |
| 5 | 2080040 | 64 | Fastener, Blind | |
| 6 | 2560088 | AR | Grip, Handle | |
| 7 | 2560172 | 2 | Handle | |
| 8 | 2560176 | 4 | Handle, Grab | |
| 9 | 2600285 | 8 | Hinge, Self Closing | |
| 10 | 2940074 | 2 | Latch | |
| 11 | 2940127 | AR | Latch, Rubber Insert | |
| 12 | 3290601 | AR | Nut M6 | |
| 13 | 3290606 | AR | Nut M6 | |
| 14 | 3290805 | AR | Nut M8 | |
| 15 | 3290806 | 16 | Nut M8 | |
| 16 | 3300432 | 8 | Nut #10 | |
| 19 | 3421565 | 20 | Pin | |
| 20 | 3537609 | AR | Plate, Pivot | |
| 21 | 3760170 | 20 | Ring, Split | |
| 22 | 3820020 | 4 | Rivet | |
| 23 | 3931010 | 8 | Capscrew #10 x 5/8 | |
| 24 | 4031717 | 8 | Capscrew M6 x 65 | |
| 25 | 4031916 | AR | Capscrew M8 x 60 | |
| 27 | 4751000 | 8 | Washer #10 | |
| 30 | 4811700 | 8 | Washer M6 | |
| 31 | 4811702 | AR | Washer M6 | |
| 32 | 4811900 | AR | Washer M8 | |
| 33 | 4811902 | AR | Washer M8 | |
| 34 | 1001118878 | AR | Capscrew M6 x 55 | |
| 35 | 1001179558 | 4 | Bracket | |
| 36 | 1001179559 | 4 | Bracket | |
| 37 | 1001179639 | 32 | Plug | |
| 38 | 1001179644 | AR | Plate, Mounting | |
| 39 | 1001179676 | 4 | Rail, Extension Side | |
| 40 | 1001179677 | 4 | Rail, Platform Side | |
| 41 | 1001179678 | 4 | Pad | |
| 42 | 1001179694 | 2 | Gate | |
| 43 | 1001179695 | 2 | Rail, Extension End | |
| 44 | 1001198325 | 2 | Plate, Latch | |
| 45 | 1001180987 | AR | Bracket, Extension Stop | |
| 46 | 1001180994 | 1 | Plate, Billboard | |
| 47 | 1001192382 | AR | Screw | |
| 48 | 0760610 | AR | Bolt M6 x 20 | |
| 49 | 3290605 | AR | Nut M6 | |
| 50 | 3291006 | AR | Nut M10 | |
| 51 | 4812000 | AR | Washer M10 | |
| 52 | 1001195137 | AR | Bolt M10 x 240 | |
| 53 | 2560171 | 2 | Handle | |

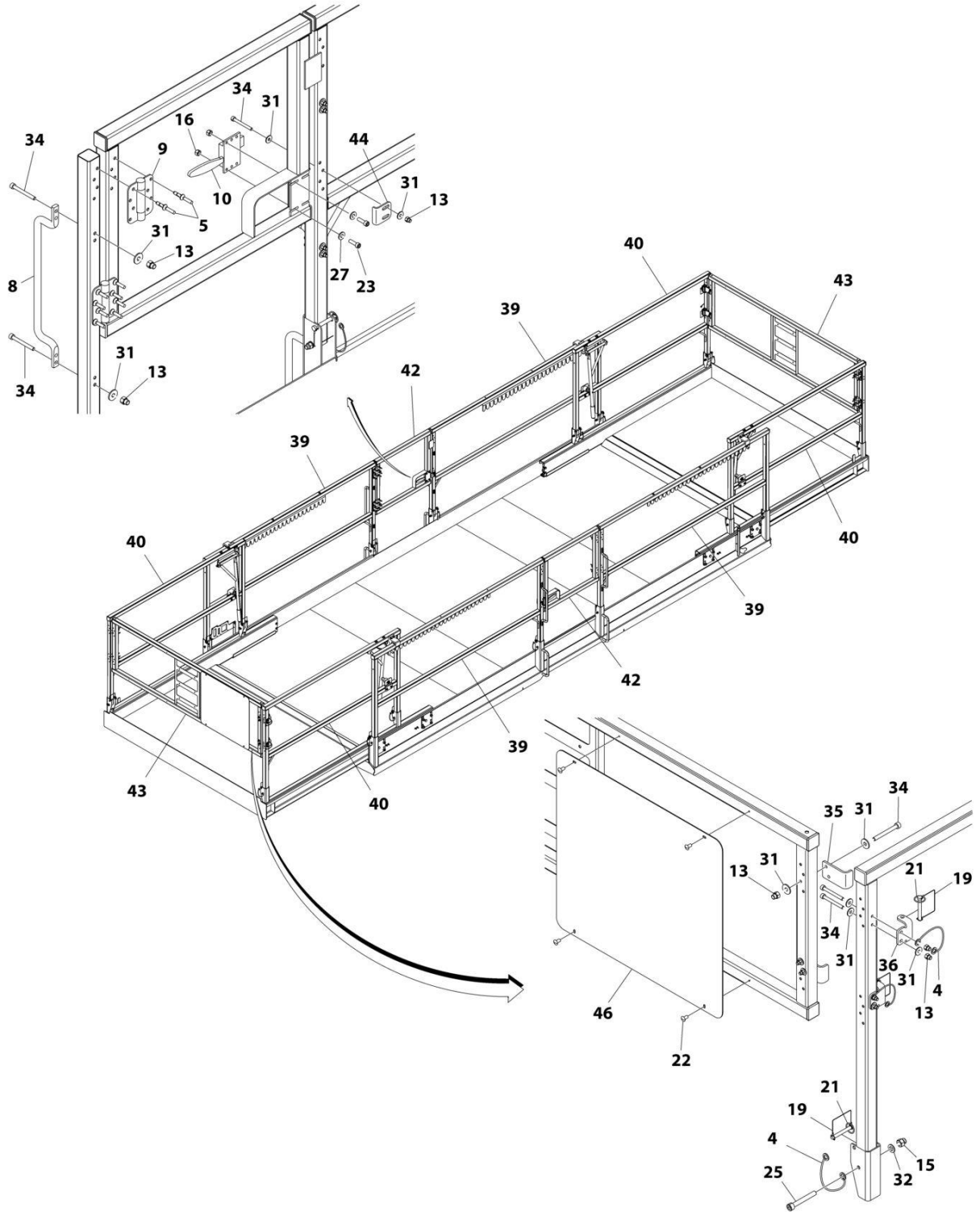
SECTION 5 - PLATFORM

FIGURE 5-6. RAILS INSTALLATION - MEGADECK PLATFORM WITH DUAL EXTENSION



ART_1001177760_10F2

SECTION 5 - PLATFORM



ART_100117760_2OF2

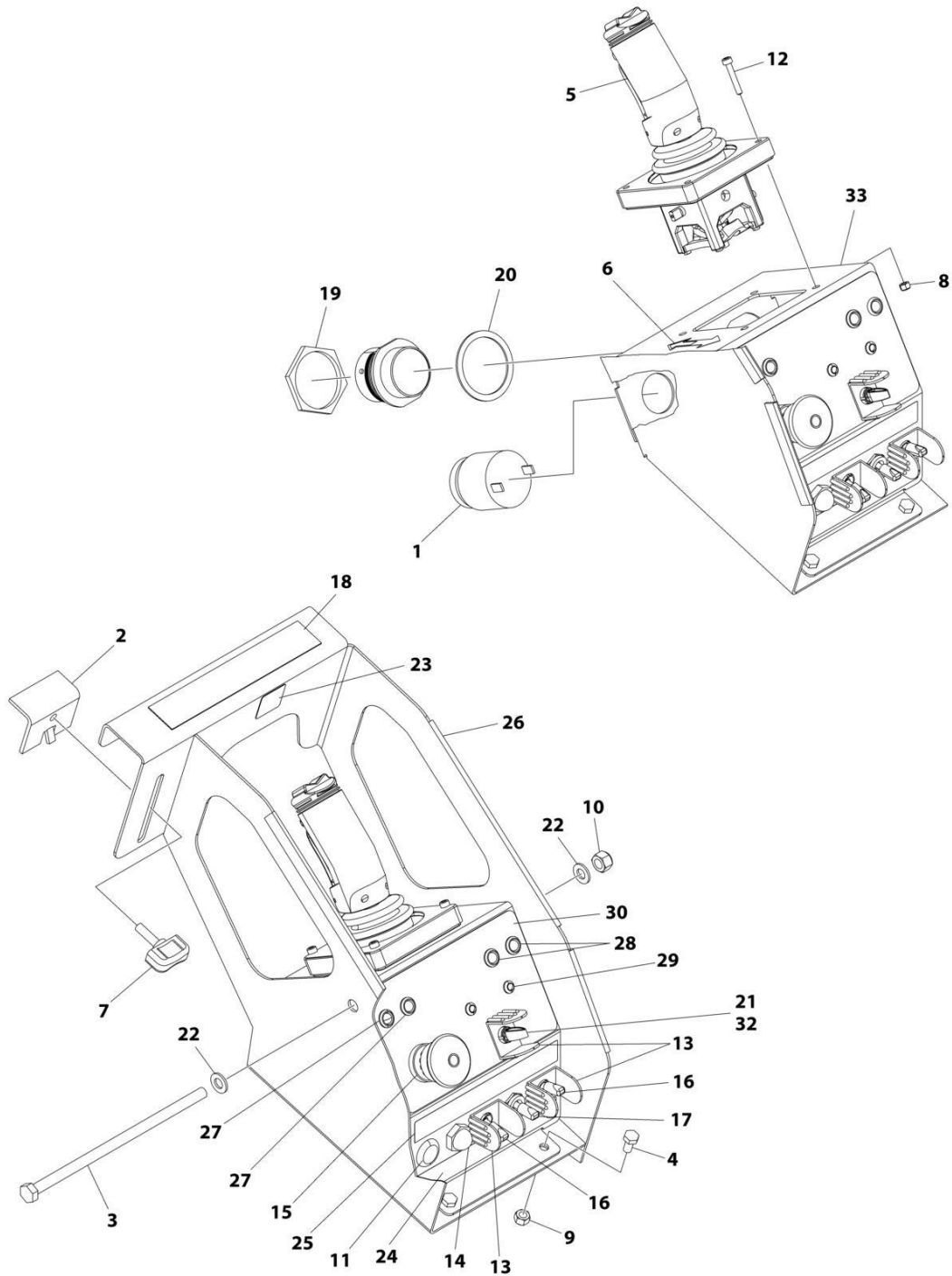
SECTION 5 - PLATFORM

FIGURE 5-6. RAILS INSTALLATION - MEGADECK PLATFORM WITH DUAL EXTENSION

| ITEM | PART NUMBER | QTY | DESCRIPTION | REV |
|------|-------------|-----|--|-----|
| | 1001177760 | Ref | RAILS INSTALLATION - MEGADECK PLATFORM WITH DUAL EXTENSION | G |
| 3 | 0700619 | AR | Bolt M6 x 55 | |
| 4 | 1060808 | 20 | Lanyard | |
| 5 | 2080040 | 64 | Fastener, Blind | |
| 6 | 2560088 | AR | Grip, Handle | |
| 7 | 2560172 | 2 | Handle | |
| 8 | 2560176 | 4 | Handle, Grab | |
| 9 | 2600285 | 8 | Hinge, Self Closing | |
| 10 | 2940074 | 2 | Latch | |
| 11 | 2940127 | AR | Latch, Rubber Insert | |
| 12 | 3290601 | AR | Nut M6 | |
| 13 | 3290606 | AR | Nut M6 | |
| 14 | 3290805 | AR | Nut M8 | |
| 15 | 3290806 | 16 | Nut M8 | |
| 16 | 3300432 | 8 | Nut #10-24 | |
| 19 | 3421565 | 20 | Pin | |
| 20 | 3537609 | AR | Plate, Pivot | |
| 21 | 3760170 | 20 | Ring, Split | |
| 22 | 3820020 | 4 | Rivet | |
| 23 | 3931010 | 8 | Capscrew #10 x 5/8 | |
| 24 | 4031717 | 8 | Capscrew M6 x 65 | |
| 25 | 4031916 | AR | Capscrew M8 x 60 | |
| 27 | 4751000 | 8 | Washer #10 | |
| 30 | 4811700 | 8 | Washer M6 | |
| 31 | 4811702 | AR | Washer M6 | |
| 32 | 4811900 | AR | Washer M8 | |
| 33 | 4811902 | AR | Washer M8 | |
| 34 | 1001118878 | AR | Capscrew M6 x 55 | |
| 35 | 1001179558 | 4 | Bracket | |
| 36 | 1001179559 | 4 | Bracket | |
| 37 | 1001179639 | 32 | Plug | |
| 38 | 1001179644 | AR | Plate, Mounting | |
| 39 | 1001179658 | 4 | Rail, Platform Side | |
| 40 | 1001179676 | 4 | Rail, Extension Side | |
| 41 | 0760610 | 2 | Bolt M6 x 20 | |
| 42 | 1001179694 | 2 | Gate | |
| 43 | 1001179695 | 2 | Rail, Extension End | |
| 44 | 1001198325 | 2 | Plate, Latch | |
| 45 | 1001180987 | AR | Bracket, Extension Stop | |
| 46 | 1001180994 | 1 | Plate, Billboard | |
| 47 | 1001192382 | AR | Screw | |
| 48 | 3290605 | AR | Nut M6 | |
| 49 | 3291006 | AR | Nut M10 | |
| 50 | 4812000 | AR | Washer M10 | |
| 51 | 1001179678 | 4 | Pad | |
| 52 | 1001195137 | AR | Bolt M10 x 240 | |
| 53 | 2560171 | 2 | Handle | |

SECTION 5 - PLATFORM

FIGURE 5-7. PLATFORM CONSOLE BOX INSTALLATION - DIESEL MACHINES



ART_1001236264_G

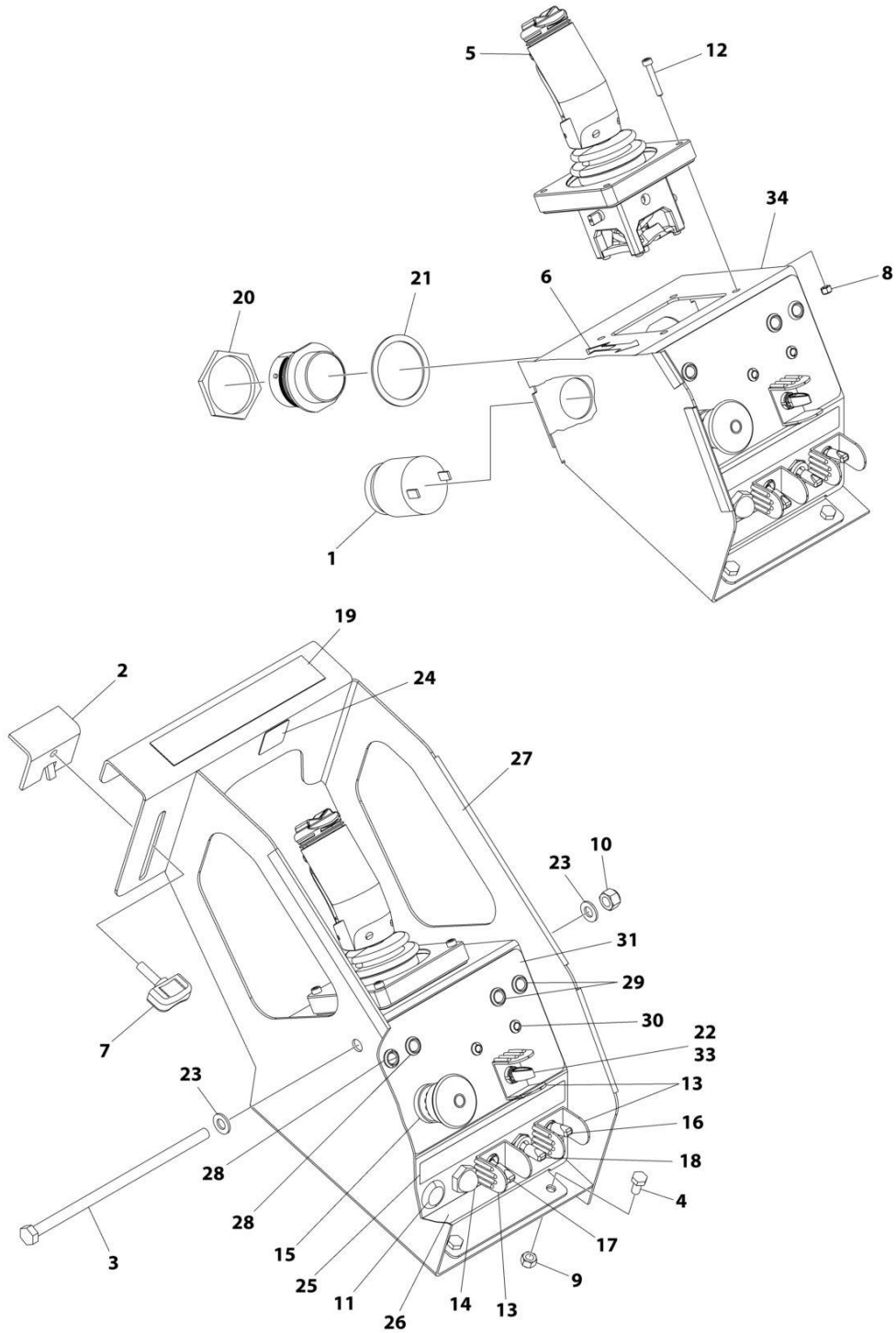
SECTION 5 - PLATFORM

FIGURE 5-7. PLATFORM CONSOLE BOX INSTALLATION - DIESEL MACHINES

| ITEM | PART NUMBER | QTY | DESCRIPTION | REV |
|------|-------------|-----|---|-----|
| | 1001236264 | Ref | PLATFORM CONSOLE BOX INSTALLATION - DIESEL MACHINES | G |
| 1 | 0140030 | 1 | Alarm | |
| 2 | 0181847 | 1 | Angle, Clamp | |
| 3 | 0700835 | 1 | Bolt M8 x 180 | |
| 4 | 0760606 | 3 | Bolt M6 x 12 | |
| 5 | 1001247682 | 1 | Drive/Steer Controller Assembly (See Separate Breakdown in this Section) | |
| 6 | 1703819 | 1 | Decal - Direction Arrow | |
| 7 | 2560141 | 1 | Thumbscrew | |
| 8 | 3290405 | 4 | Nut M4 | |
| 9 | 3290605 | 3 | Nut M6 | |
| 10 | 3290805 | 1 | Nut M8 | |
| 11 | 1001226421 | 1 | Plug | |
| 12 | 4031509 | 4 | Capscrew M4 x 25 | |
| 13 | 4060802 | 3 | Guard, Switch | |
| 14 | 4360387 | 1 | Switch, Push Button | |
| 15 | 1001274559 | 1 | Switch, Emergency Stop (Plastic) | |
| 15 | 4360475 | 1 | Switch, Emergency Stop (Metal) | |
| 15 | 7020175 | 1 | Cap | |
| 15 | 7020176 | 1 | Block, Contact | |
| 16 | 4360483 | 2 | Switch, Toggle | |
| 17 | 4360525 | 1 | Switch, Toggle | |
| 18 | 4420076 | 3 | Tape | |
| 19 | 4460470 | 1 | Nut, Terminal | |
| 20 | 4460471 | 1 | Washer, Terminal | |
| 21 | 4711700 | 2 | Washer 7/16 | |
| 22 | 4811900 | 2 | Washer M8 | |
| 23 | 1001132358 | 1 | Decal - Steer | |
| 24 | 1001181622 | 1 | Decal - Platform Diesel | |
| 25 | 1001181623 | 1 | Decal - Platform Diesel | |
| 26 | 1001190270 | 1 | Bracket | |
| 27 | 1001190472 | 2 | Lamp, LED with Harness | |
| 28 | 1001190473 | 2 | Lamp, LED with Harness | |
| 29 | 1001190474 | 2 | Lamp, LED with Harness | |
| 30 | 1001236199 | 1 | Decal - Platform Function | |
| 31 | 1001236230 | 1 | Platform Box Harness (Not Shown - See Separate Breakdown in ELECTRICAL SECTION) | |
| 32 | 1001236560 | 1 | Switch, Toggle | |
| 33 | 1001235922 | 1 | Plate | |

SECTION 5 - PLATFORM

FIGURE 5-8. PLATFORM CONSOLE BOX INSTALLATION - GASOLINE MACHINES



ART_1001236265_G

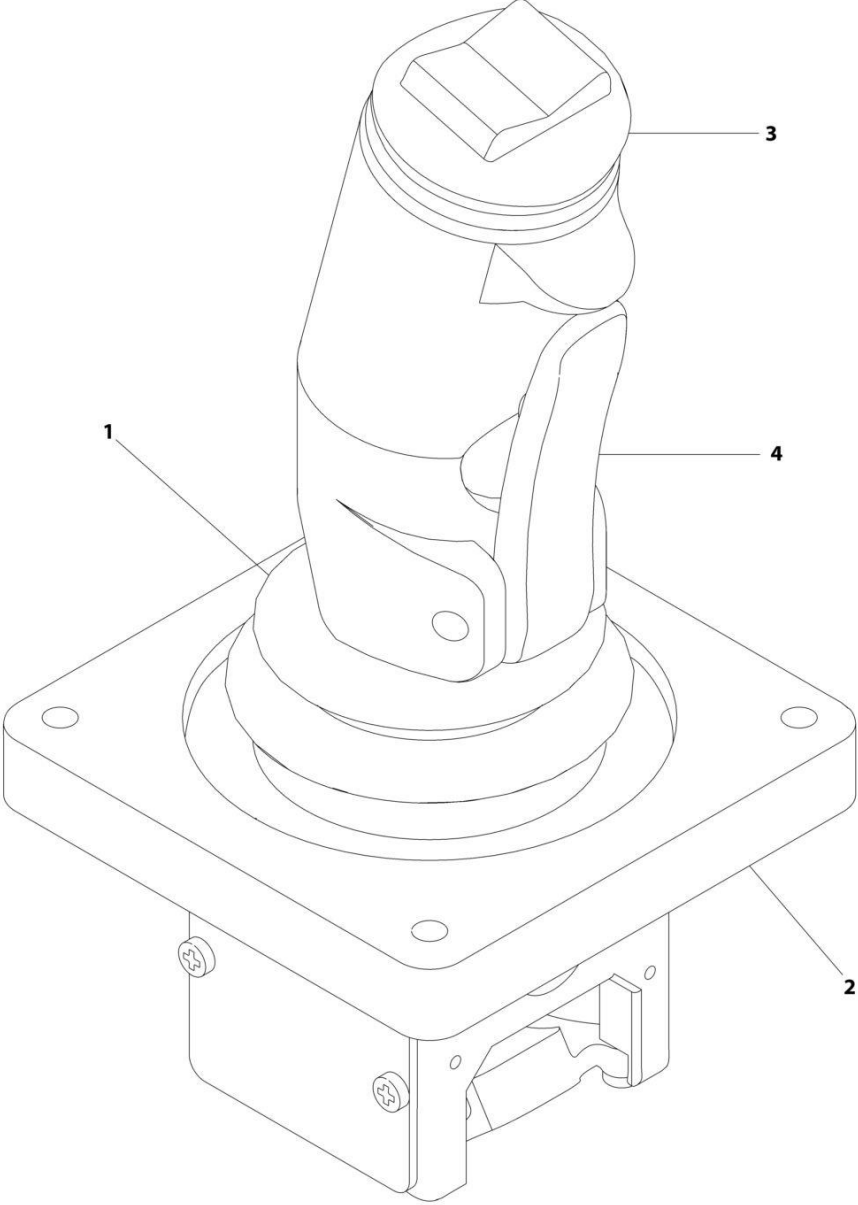
SECTION 5 - PLATFORM

FIGURE 5-8. PLATFORM CONSOLE BOX INSTALLATION - GASOLINE MACHINES

| ITEM | PART NUMBER | QTY | DESCRIPTION | REV |
|------|-------------|-----|---|-----|
| | 1001236265 | Ref | PLATFORM CONSOLE BOX INSTALLATION - GASOLINE MACHINES | G |
| 1 | 0140030 | 1 | Alarm | |
| 2 | 0181847 | 1 | Angle, Clamp | |
| 3 | 0700835 | 1 | Bolt M8 x 180 | |
| 4 | 0760606 | 3 | Bolt M6 x 12 | |
| 5 | 1001247682 | 1 | Drive/Steer Controller Assembly (See Separate Breakdown in this Section) | |
| 6 | 1703819 | 1 | Decal - Direction Arrow | |
| 7 | 2560141 | 1 | Thumbscrew | |
| 8 | 3290405 | 4 | Nut M4 | |
| 9 | 3290605 | 3 | Nut M6 | |
| 10 | 3290805 | 1 | Nut M8 | |
| 11 | 1001226421 | 1 | Plug | |
| 12 | 4031509 | 4 | Capscrew M4 x 25 | |
| 13 | 4060802 | 3 | Guard, Switch | |
| 14 | 4360387 | 1 | Switch, Push Button | |
| 15 | 1001274559 | 1 | Switch, Emergency Stop (Plastic) | |
| 15 | 4360475 | 1 | Switch, Emergency Stop (Metal) | |
| 15 | 7020175 | 1 | Cap | |
| 15 | 7020176 | 1 | Block, Contact | |
| 16 | 4360482 | 1 | Switch, Toggle | |
| 17 | 4360483 | 1 | Switch, Toggle | |
| 18 | 4360525 | 1 | Switch, Toggle | |
| 19 | 4420076 | 3 | Tape | |
| 20 | 4460470 | 1 | Nut, Terminal | |
| 21 | 4460471 | 1 | Washer, Terminal | |
| 22 | 4711700 | 2 | Washer 7/16 | |
| 23 | 4811900 | 2 | Washer M8 | |
| 24 | 1001132358 | 1 | Decal - Steer | |
| 25 | 1001181626 | 1 | Decal - Platform Dual Fuel | |
| 26 | 1001181627 | 1 | Decal - Platform Dual Fuel | |
| 27 | 1001190270 | 1 | Bracket | |
| 28 | 1001190472 | 2 | Lamp, LED with Harness | |
| 29 | 1001190473 | 2 | Lamp, LED with Harness | |
| 30 | 1001190474 | 2 | Lamp, LED with Harness | |
| 31 | 1001236199 | 1 | Decal - Platform Function | |
| 32 | 1001236230 | 1 | Platform Box Harness (Not Shown - See Separate Breakdown in ELECTRICAL SECTION) | |
| 33 | 1001236560 | 1 | Switch, Toggle | |
| 34 | 1001235922 | 1 | Plate | |

SECTION 5 - PLATFORM

FIGURE 5-9. CONTROLLER ASSEMBLY



ART_1001247682

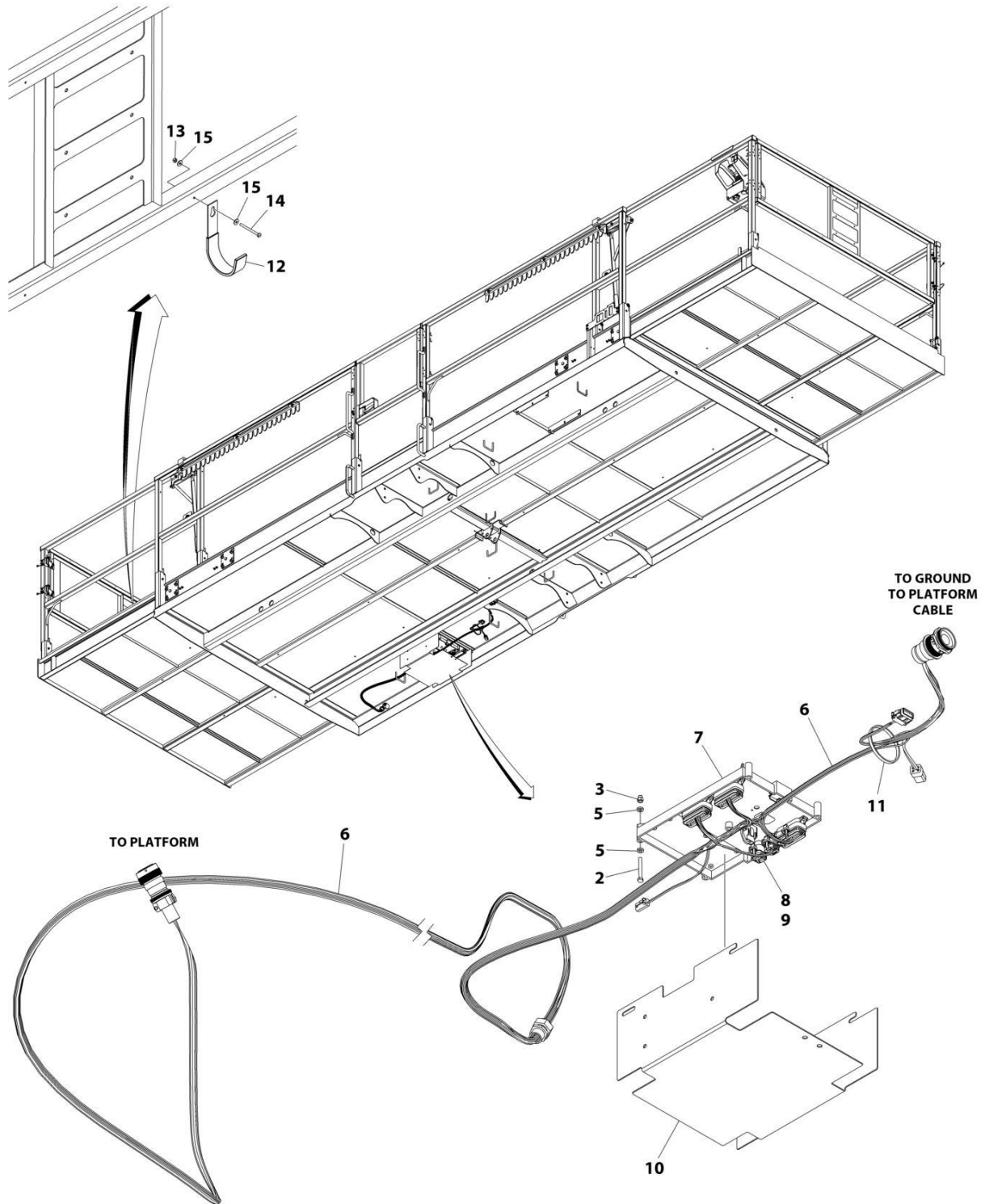
SECTION 5 - PLATFORM

FIGURE 5-9. CONTROLLER ASSEMBLY

| ITEM | PART NUMBER | QTY | DESCRIPTION | REV |
|------|-------------|-----|---|-----|
| | 1001247682 | Ref | DRIVE/STEER CONTROLLER ASSEMBLY (LCD) | B |
| 1 | 70001250 | 1 | Boot, Panel | |
| 2 | 70001252 | 1 | Gasket, Mounting | |
| 2 | 70001251 | 1 | Bezel, Mounting | |
| 3 | 70007506 | 1 | Handle Repair Kit (Includes handle gasket, item#4 push button and item #4 lever installed in front handle half, back handle half, top actuator, boot and hardware.) | |
| 3 | 70000084 | 1 | Cap, Rubber | |
| 3 | 70000082 | 1 | Microswitch | |
| 3 | 7027766 | 1 | Ring, Retaining | |
| 3 | 7027365 | 1 | Actuator, Handle | |
| 3 | 70001253 | 1 | Gasket, Handle | |
| 3 | 70000683 | 4 | Washer, Neoprene | |
| 3 | 70000685 | 2 | Spacer, Plastic | |
| 3 | 70000686 | 2 | Screw (Top) | |
| 3 | 70000684 | 2 | Screw (Bottom) | |
| 4 | 7027367 | 1 | Switch, Push Button | |
| 4 | 7027765 | 1 | Lever, Enable | |

SECTION 5 - PLATFORM

FIGURE 5-10. PLATFORM MODULE INSTALLATION



ART_1001177754

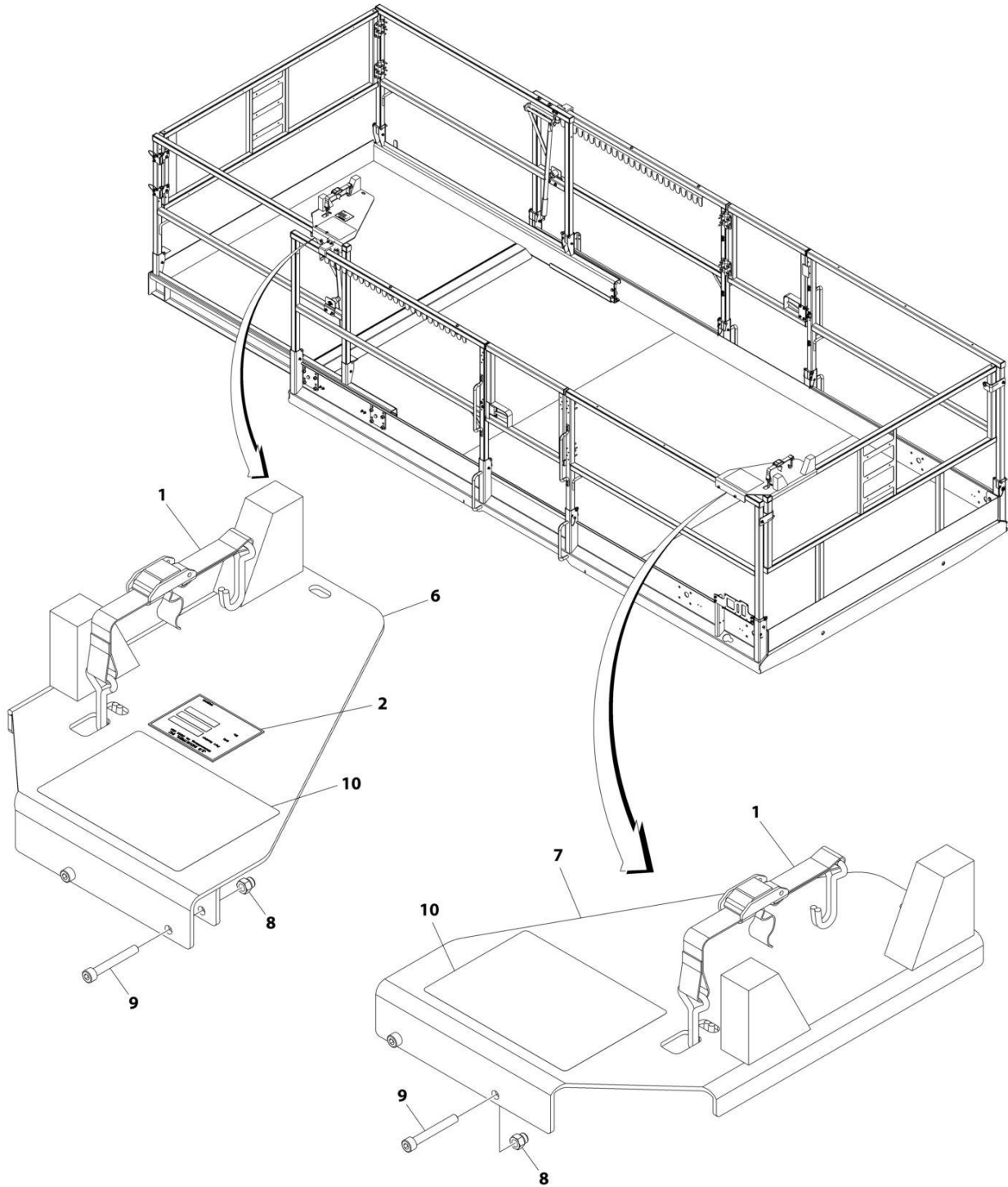
SECTION 5 - PLATFORM

FIGURE 5-10. PLATFORM MODULE INSTALLATION

| ITEM | PART NUMBER | QTY | DESCRIPTION | REV |
|------|-------------|-----|---|-----|
| | 1001177754 | Ref | PLATFORM MODULE INSTALLATION | F |
| 1 | 0100011 | AR | Compound, Locking (Not Shown) | |
| 2 | 0760618 | 4 | Bolt M6 x 50 | |
| 3 | 3290606 | 4 | Nut M6 | |
| 3 | 3290607 | 4 | Nut M6 | |
| 4 | 4240033 | 10 | Tie-Strap (Not Shown) | |
| 5 | 5240600 | 8 | Washer M6 | |
| 6 | 1001236162 | 1 | Platform Module to Console Box Harness (See Separate Breakdown in ELECTRICAL SECTION) | |
| 7 | 1001235098 | 1 | Module, Platform (Note: Re-calibration Required when Replaced) | |
| 8 | 4460905 | 8 | Plug, Terminal | |
| 9 | 1001116946 | 1 | Connector - 8 Position | |
| 10 | 1001237058 | 1 | Bracket | |
| 11 | 4240018 | AR | Tie-Strap | |
| 12 | 2700100 | 1 | Hook | |
| 13 | 3290405 | AR | Nut M4 | |
| 14 | 4010418 | AR | Bolt M4 x 50 | |
| 15 | 1001091102 | AR | Washer M4 | |

SECTION 5 - PLATFORM

FIGURE 5-11. PIPE RACK INSTALLATION



ART_1001185492

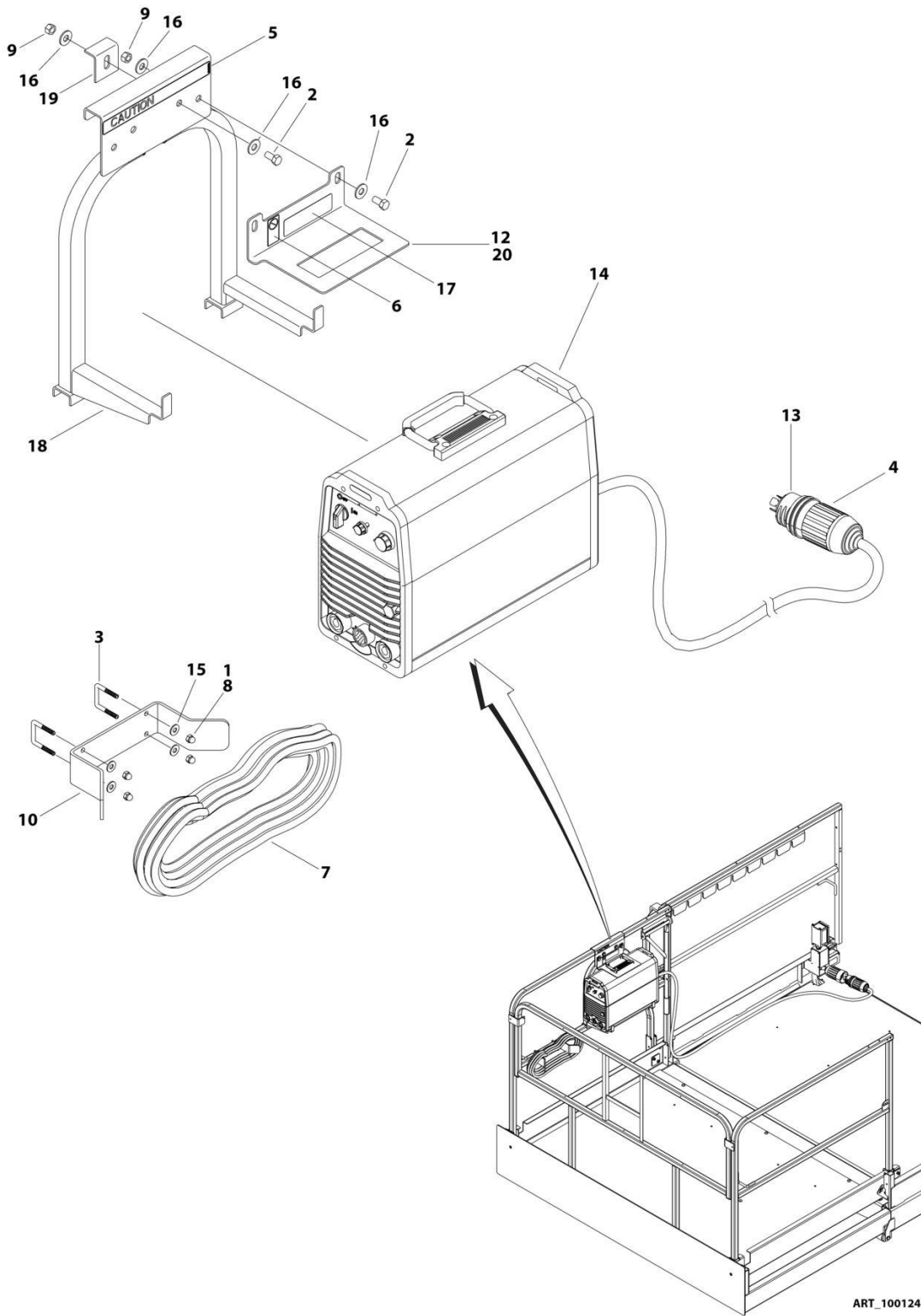
SECTION 5 - PLATFORM

FIGURE 5-11. PIPE RACK INSTALLATION

| ITEM | PART NUMBER | QTY | DESCRIPTION | REV |
|------|-------------|-----|--|-----|
| | 1001185492 | Ref | PIPE RACK INSTALLATION | B |
| 1 | 0480100 | 2 | Belt, Tie Down | |
| 2 | See Note | 1 | Nameplate - Serial Number (Note: Not Available for Purchase) | |
| 6 | 1001185503 | 1 | Support, Pipe Rack | |
| 7 | 1001185504 | 1 | Support, Pipe Rack | |
| 8 | 3290806 | 4 | Nut M8 | |
| 9 | 4031916 | 4 | Capscrew M8 x 60 | |
| 10 | 1001186127 | 2 | Decal - Pipe Rack Capacity | |

SECTION 5 - PLATFORM

FIGURE 5-12. SKYWELDER INSTALLATION (OPTIONAL) (ANSI SPECS)



ART_1001245845

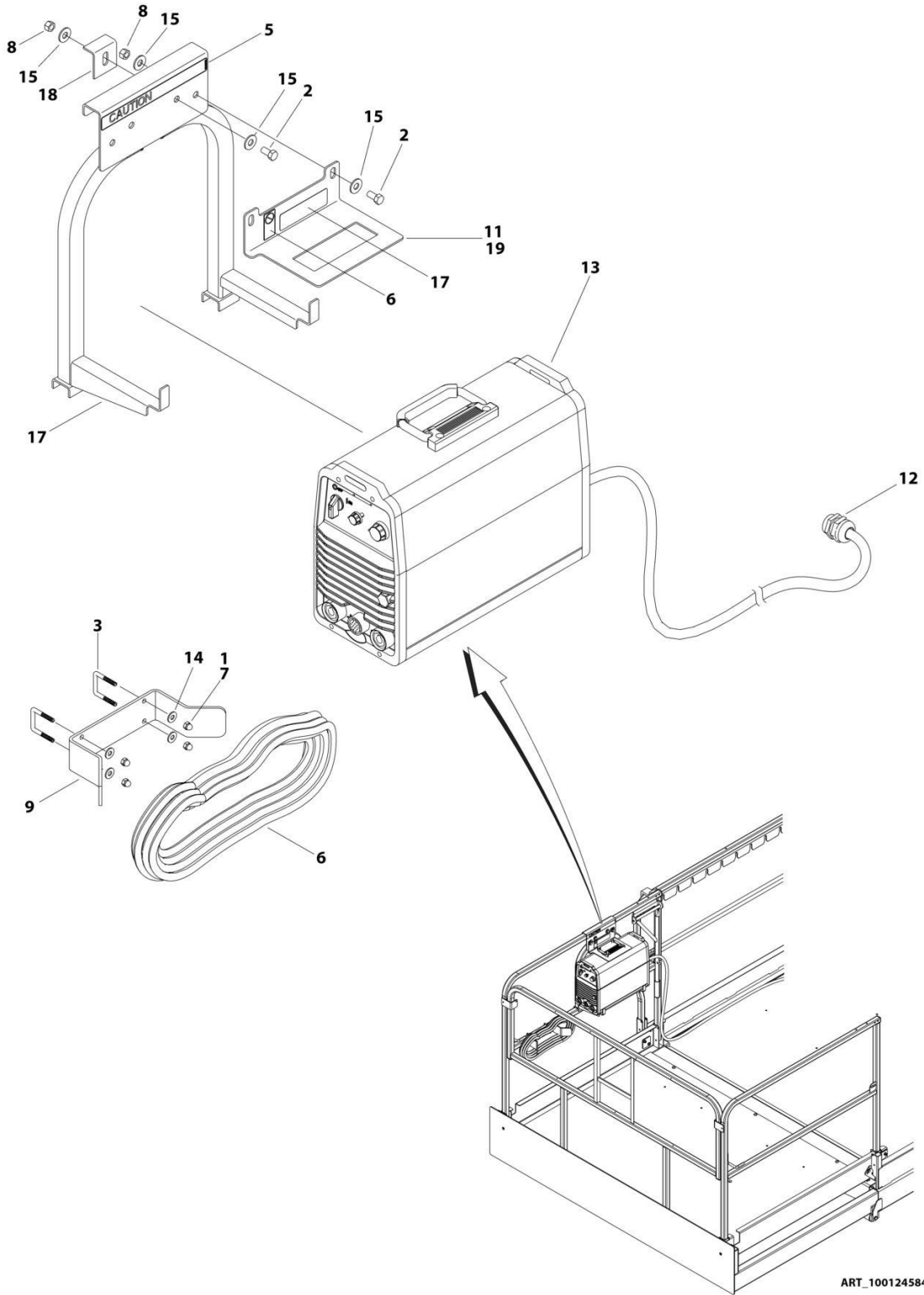
SECTION 5 - PLATFORM

FIGURE 5-12. SKYWELDER INSTALLATION (OPTIONAL) (ANSI SPECS)

| ITEM | PART NUMBER | QTY | DESCRIPTION | REV |
|------|-------------|-----|--|-----|
| | 1001245845 | Ref | SKYWELDER INSTALLATION | A |
| 1 | 0100011 | AR | Compound, Locking | |
| 2 | 0641606 | 4 | Bolt 3/8 x 3/4 | |
| 3 | 1320302 | 2 | Clamp | |
| 4 | 1671093 | 1 | Cover, Plug | |
| 5 | 1702868 | 1 | Decal - No Hands | |
| 6 | 1705305 | 1 | Decal - Weld Lead | |
| 7 | 2902217 | 1 | Weld Leads Kit | |
| 8 | 3300151 | 4 | Nut 1/4 | |
| 9 | 3311605 | 4 | Nut 3/8 | |
| 10 | 3573400 | 1 | Plate | |
| 11 | 4240099 | AR | Tie-Strap (Not Shown) | |
| 12 | 4420037 | AR | Tape | |
| 13 | 4460962 | 1 | Plug, Male Twistlock | |
| 14 | 4530028 | 1 | Welder Assembly (See Separate Breakdown in this Section) | |
| 15 | 4751400 | 4 | Washer 1/4 | |
| 16 | 4751600 | 8 | Washer 3/8 | |
| 17 | 1001228988 | 1 | Decal - Weight | |
| 18 | 1001245681 | 1 | Support | |
| 19 | 1001245996 | 2 | Bracket | |
| 20 | 1001246080 | 1 | Bracket | |

SECTION 5 - PLATFORM

FIGURE 5-13. SKYWELDER INSTALLATION (OPTIONAL) (CE SPECS)



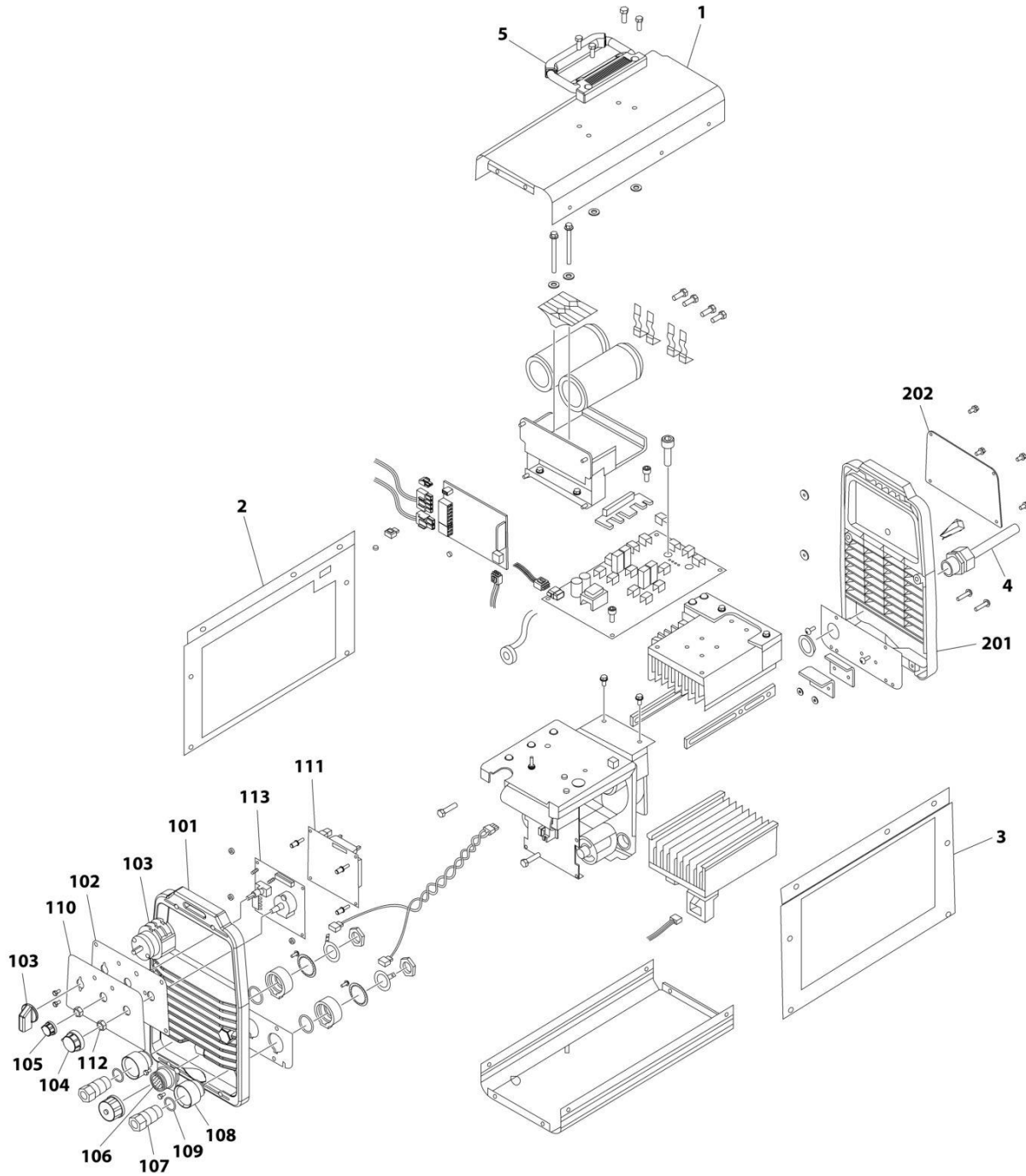
SECTION 5 - PLATFORM

FIGURE 5-13. SKYWELDER INSTALLATION (OPTIONAL) (CE SPECS)

| ITEM | PART NUMBER | QTY | DESCRIPTION | REV |
|------|-------------|-----|--|-----|
| | 1001245846 | Ref | SKYWELDER INSTALLATION | A |
| 1 | 0100011 | AR | Compound, Locking | |
| 2 | 0641606 | 4 | Bolt 3/8 x 3/4 | |
| 3 | 1320302 | 2 | Clamp | |
| 4 | 1702868 | 1 | Decal - No Hands | |
| 5 | 1705305 | 1 | Decal - Weld Lead | |
| 6 | 2902217 | 1 | Weld Leads Kit | |
| 7 | 3300151 | 4 | Nut 1/4 | |
| 8 | 3311605 | 4 | Nut 3/8 | |
| 9 | 3573400 | 1 | Plate | |
| 10 | 4240099 | AR | Tie-Strap (Not Shown) | |
| 11 | 4420037 | AR | Tape | |
| 12 | 4460426 | 1 | Connector, Strain Relief | |
| 13 | 4530028 | 1 | Welder Assembly (See Separate Breakdown in this Section) | |
| 14 | 4751400 | 4 | Washer 1/4 | |
| 15 | 4751600 | 8 | Washer 3/8 | |
| 16 | 1001228988 | 1 | Decal - Weight | |
| 17 | 1001245681 | 1 | Support | |
| 18 | 1001245996 | 2 | Bracket | |
| 19 | 1001246080 | 1 | Bracket | |

SECTION 5 - PLATFORM

FIGURE 5-14. WELDER ASSEMBLY



ART_4530028

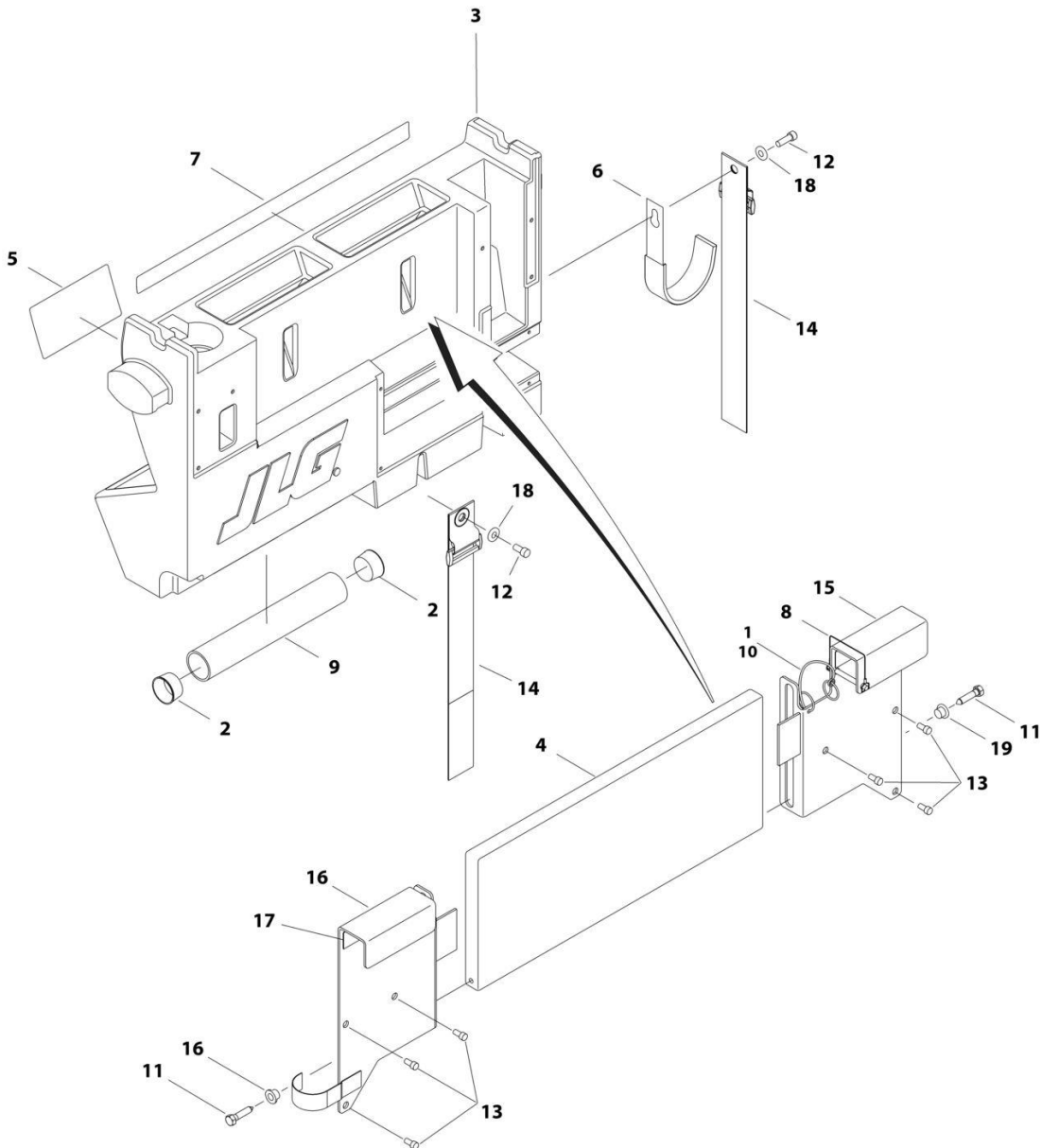
SECTION 5 - PLATFORM

FIGURE 5-14. WELDER ASSEMBLY

| ITEM | PART NUMBER | QTY | DESCRIPTION | REV |
|------|-------------|-----|--|-----|
| | 4530028 | Ref | WELDER ASSEMBLY | B |
| | | Ref | Note: For Other Components, contact your Miller Welder Dealer. | |
| 1 | 7027773 | 1 | Cover, Top | |
| 1 | 7027774 | 1 | Decal - Static Precautionary Warning | |
| 2 | See Note | NSS | Panel, LH Side (Note: Part of Item 1. Purchase Item 1) | |
| 3 | See Note | NSS | Panel, RH Side (Note: Part of Item 1. Purchase Item 1) | |
| 4 | 7024467 | 1 | Cable, Power | |
| 4 | 7027775 | 1 | Decal - Electrical Shock Warning (Not Shown) | |
| 5 | 7027776 | 1 | Handle, Carrying | |
| 101 | 7024462 | 1 | Panel, Front | |
| 102 | 7024463 | 1 | Panel, Console | |
| 103 | 7024469 | 1 | Switch with Lead | |
| 104 | 7024470 | 1 | Knob | |
| 105 | 7024471 | 1 | Knob | |
| 106 | 7024472 | 1 | Receptacle with Leads and Plugs | |
| 107 | 7024473 | 2 | Receptacle, Twistlock Female | |
| 108 | 7024474 | 2 | Insulator | |
| 109 | 7024475 | 2 | O-Ring | |
| 110 | 7027777 | 1 | Nameplate | |
| 111 | 7027779 | 1 | Circuit Card Assembly (Process Control) | |
| 112 | 7024478 | 2 | Nut | |
| 113 | 7027778 | 1 | Circuit Card Assembly (Operator Interface) | |
| 201 | 7024462 | 1 | Panel, Rear | |
| 202 | 7027780 | 1 | Panel, Cover | |

SECTION 5 - PLATFORM

FIGURE 5-15. WORKSTATION INSTALLATION (OPTIONAL)



ART_0274260_C

SECTION 5 - PLATFORM

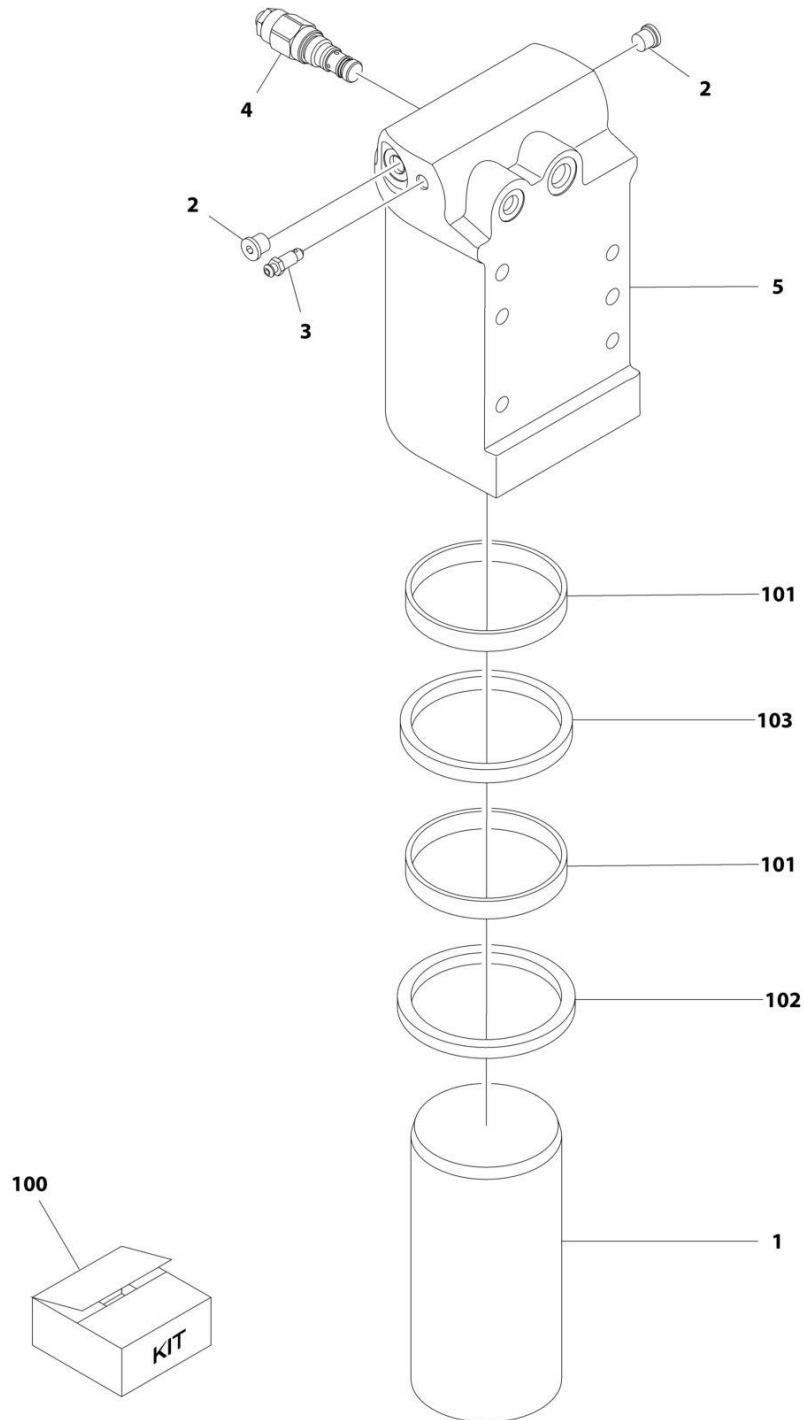
FIGURE 5-15. WORKSTATION INSTALLATION (OPTIONAL)

| ITEM | PART NUMBER | QTY | DESCRIPTION | REV |
|------|-------------|-----------|--|-----|
| | 0274260 | Ref | WORKSTATION INSTALLATION - REFERENCE CHART | C |
| | 1001246392 | Ref | WORKSTATION INSTALLATION (OPTIONAL) | B |
| 1 | 1060379 | 1 | Cable, Lanyard | |
| 2 | 1120555 | 2 | Cap, Manual Storage | |
| 3 | 1580023 | 1 | Container | |
| 4 | 1580024 | 1 | Tray | |
| 5 | 1705997 | 1 | Decal - Workstation | |
| 6 | 2700100 | 1 | Hook, Hanger | |
| 7 | 1001246395 | 1 | Decal - Workstation Kit | |
| 8 | 3422219 | 1 | Pin | |
| 9 | 3460334 | 1 | PVC Pipe | |
| 10 | 3760170 | 2 | Ring | |
| 11 | 3900355 | 2 | Screw 5/16 x 1-1/2 | |
| 12 | 3931412 | 2 | Bolt 1/4 x 3/4 | |
| 13 | 3931508 | 6 | Bolt 5/16 x 1/2 | |
| 14 | 4240003 | 2 | Strap | |
| 15 | 4340853 | 1 | Mount, RH Channel | |
| 16 | 4340854 | 1 | Mount, LH Channel | |
| 17 | 4420062 | 3 ft/0.9m | Tape | |
| 18 | 4711400 | 2 | Washer 1/4 | |
| 19 | 4740480 | 2 | Insert, Plastic | |

SECTION 6 - CYLINDER

SECTION 6 - CYLINDER

FIGURE 6-1. AXLE LOCKOUT CYLINDER ASSEMBLY



ART_1001163580

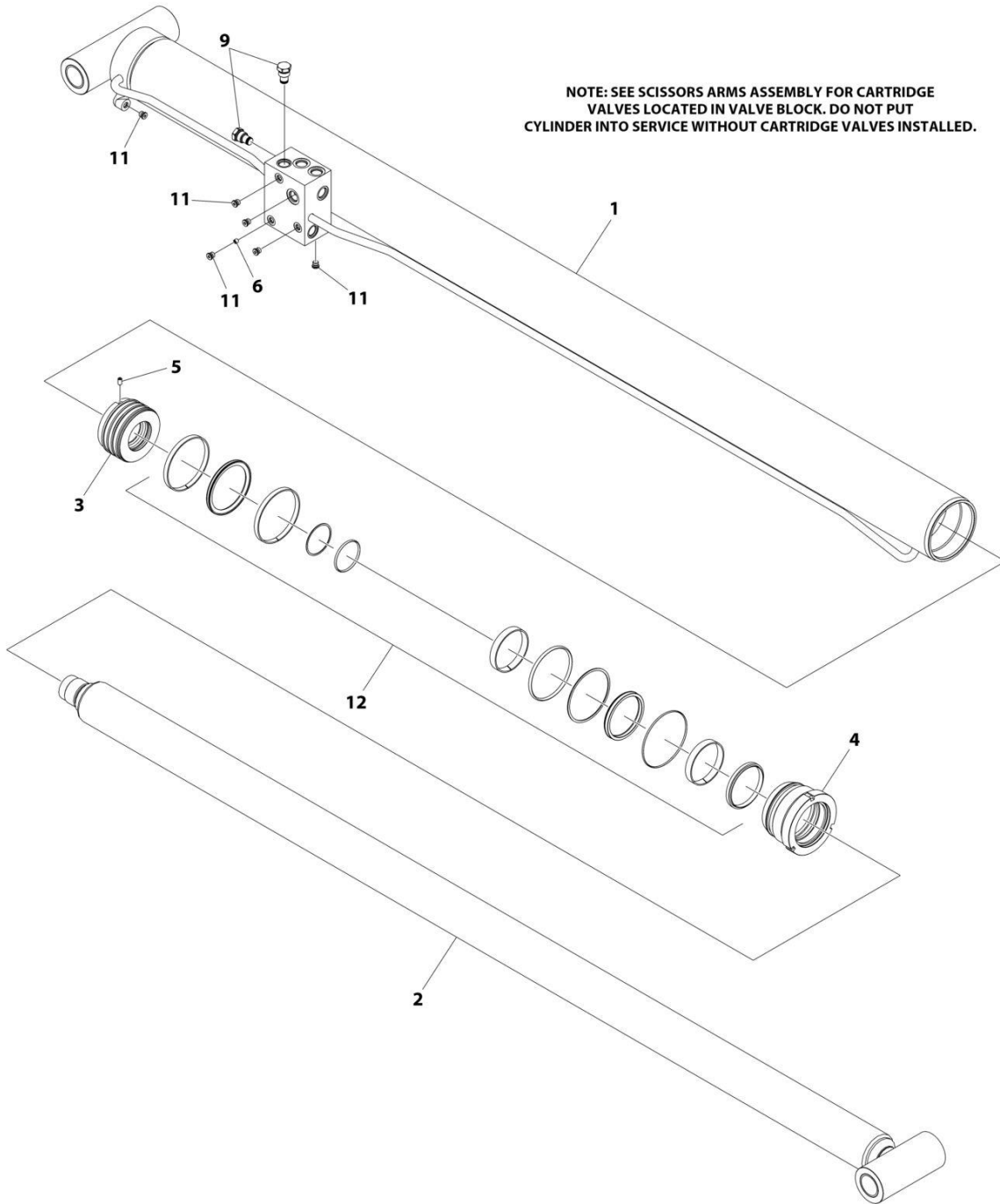
SECTION 6 - CYLINDER

FIGURE 6-1. AXLE LOCKOUT CYLINDER ASSEMBLY

| ITEM | PART NUMBER | QTY | DESCRIPTION | REV |
|------|-------------|-----|---|-----|
| | 1001163580 | Ref | AXLE LOCKOUT CYLINDER ASSEMBLY | I |
| | | Ref | Note: Original Cylinder May Have Been Replaced with Service Replacement. Identify PN Stamped on Cylinder Before Ordering Parts. | |
| 1 | 1684290 | 1 | Rod | |
| 2 | 2220883 | 2 | Plug #4 | |
| 3 | 4640858 | 1 | Valve, Bleeder | |
| 4 | 1001117372 | 1 | Cartridge, Valve | |
| 4 | 70002842 | 1 | Seal Kit - 1001117372 Valve | |
| 5 | 1001164817 | 1 | Barrel | |
| 100 | 2902266 | NLA | Seal Kit - 1001163590 Cylinder (Includes Items 101-103) | |
| 101 | See Note | NSS | Ring, Wear (Note: Use Item 100) | |
| 102 | See Note | NSS | Seal (Note: Use Item 100) | |
| 103 | See Note | NSS | Wiper (Note: Use Item 100) | |

SECTION 6 - CYLINDER

FIGURE 6-2. LOWER LIFT CYLINDER



NOTE: SEE SCISSORS ARMS ASSEMBLY FOR CARTRIDGE VALVES LOCATED IN VALVE BLOCK. DO NOT PUT CYLINDER INTO SERVICE WITHOUT CARTRIDGE VALVES INSTALLED.

ART_1001234703

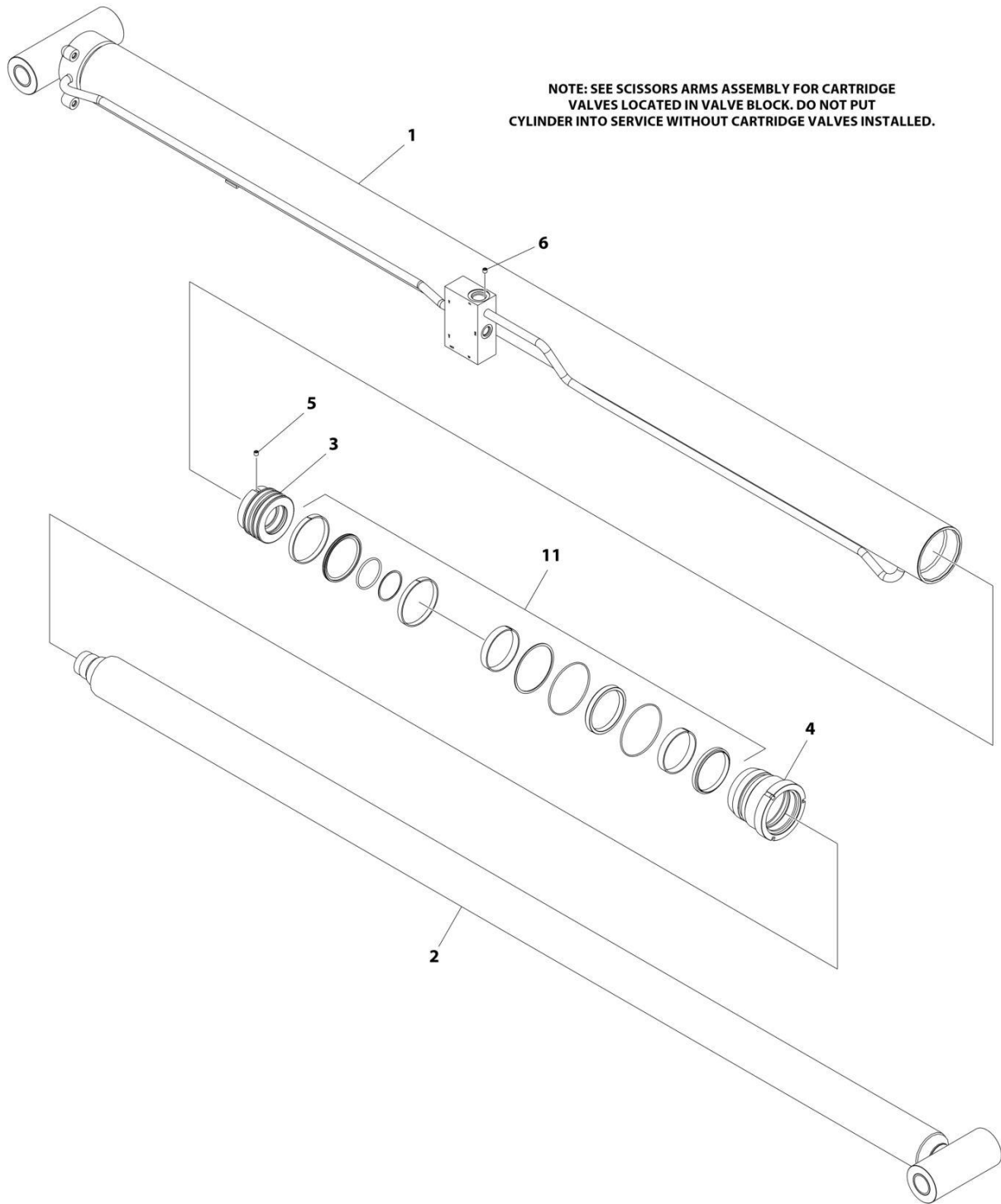
SECTION 6 - CYLINDER

FIGURE 6-2. LOWER LIFT CYLINDER

| ITEM | PART NUMBER | QTY | DESCRIPTION | REV |
|------|-------------|-----|---|-----|
| | 1001234703 | Ref | LOWER LIFT CYLINDER | E |
| | | Ref | Note: Original Cylinder May Have Been Replaced with Service Replacement. Identify PN Stamped on Cylinder Before Ordering Parts. | |
| 1 | See Note | NSS | Barrel (Note: Use p/n 1001234703) | |
| 2 | 70005383 | 1 | Rod | |
| 3 | 70005381 | 1 | Piston | |
| 4 | 70005382 | 1 | Head | |
| 5 | 70020438 | 1 | Screw | |
| 6 | 70006844 | 1 | Orifice | |
| 9 | 1001132208 | 2 | Valve, Check | |
| 9 | 7017496 | 2 | Seal Kit - 1001132208 Valve (1 per Cartridge) | |
| 11 | 2220883 | 6 | Plug | |
| 12 | 70005380 | 1 | Seal Kit - 1001234703 Cylinder | |

SECTION 6 - CYLINDER

FIGURE 6-3. UPPER LIFT CYLINDER



NOTE: SEE SCISSORS ARMS ASSEMBLY FOR CARTRIDGE VALVES LOCATED IN VALVE BLOCK. DO NOT PUT CYLINDER INTO SERVICE WITHOUT CARTRIDGE VALVES INSTALLED.

ART_1001225369

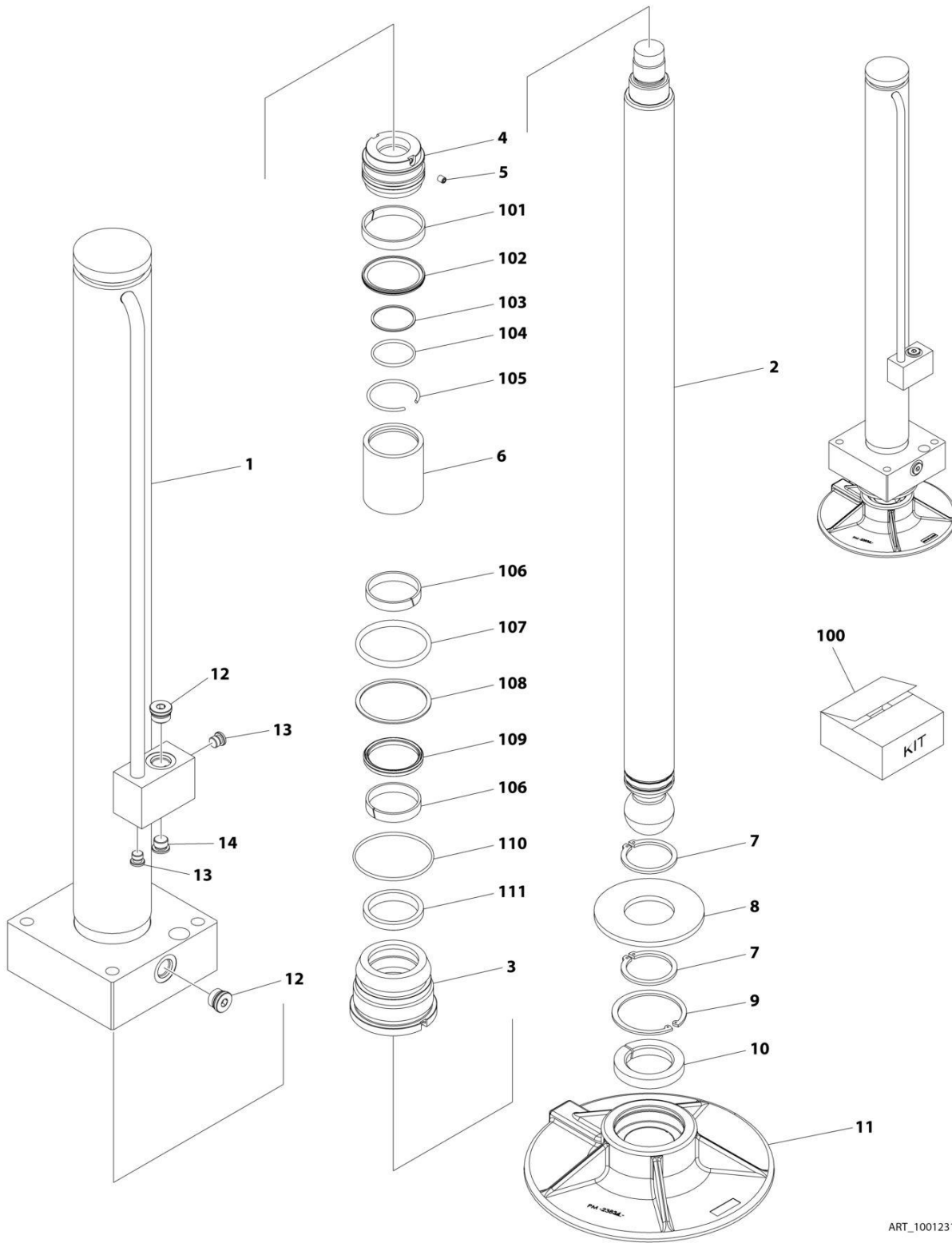
SECTION 6 - CYLINDER

FIGURE 6-3. UPPER LIFT CYLINDER

| ITEM | PART NUMBER | QTY | DESCRIPTION | REV |
|------|-------------|-----|---|-----|
| | 1001225369 | Ref | UPPER LIFT CYLINDER | B |
| | | Ref | Note: Original Cylinder May Have Been Replaced with Service Replacement. Identify PN Stamped on Cylinder Before Ordering Parts. | |
| 1 | See Note | NSS | Barrel (Note: Use p/n 1001225369) | |
| 2 | 70005378 | 1 | Rod | |
| 3 | 70005376 | 1 | Piston | |
| 4 | 70005377 | 1 | Head | |
| 5 | 70023915 | 1 | Screw | |
| 6 | 70006843 | 1 | Orifice | |
| 11 | 70005375 | 1 | Seal Kit - 1001225369 Cylinder | |

SECTION 6 - CYLINDER

FIGURE 6-4. LEVELING JACK CYLINDER ASSEMBLY



ART_1001231261

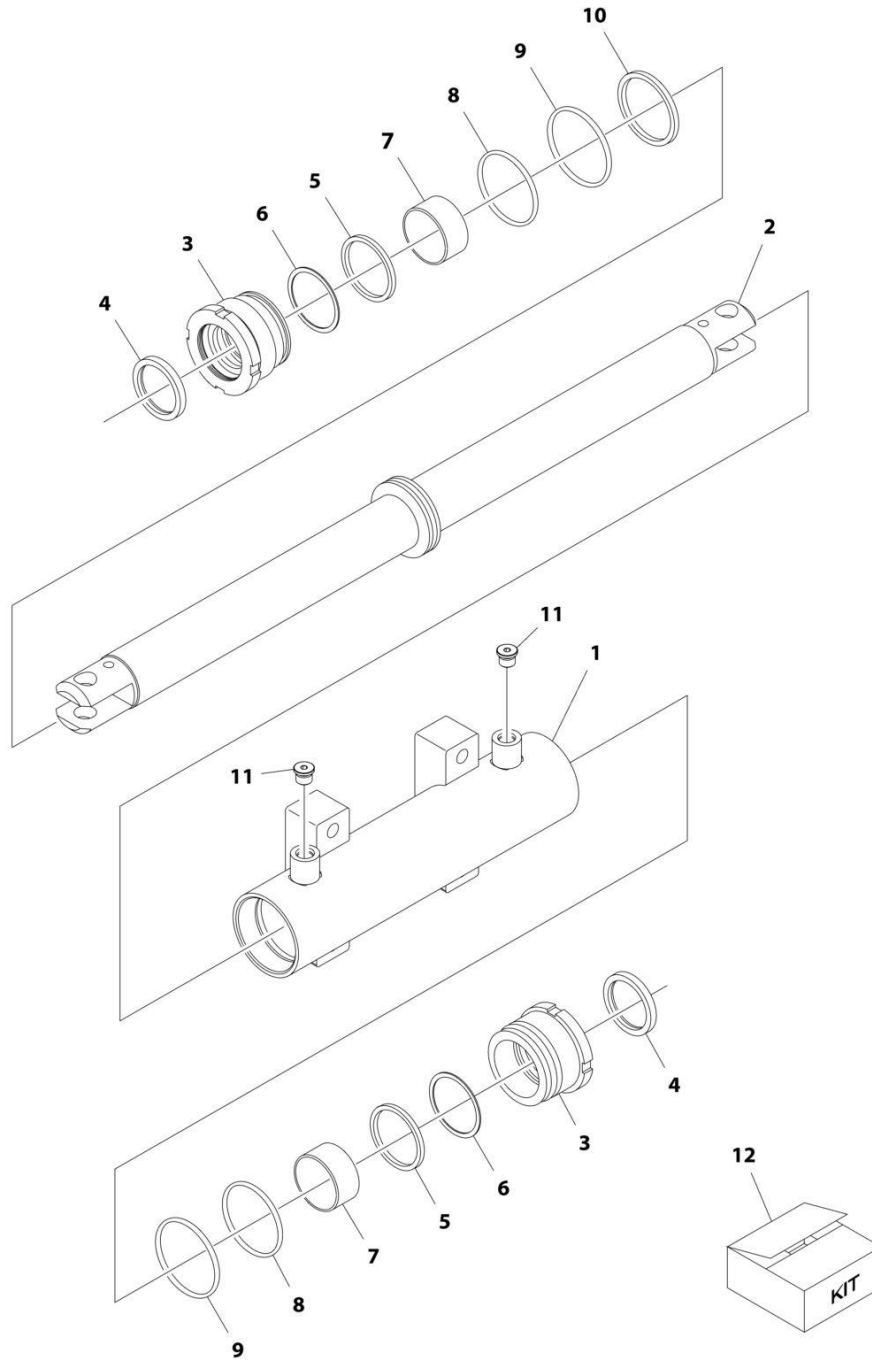
SECTION 6 - CYLINDER

FIGURE 6-4. LEVELING JACK CYLINDER ASSEMBLY

| ITEM | PART NUMBER | QTY | DESCRIPTION | REV |
|------|-------------|-----|---|-----|
| | 1001231261 | Ref | LEVELING JACK CYLINDER ASSEMBLY | B |
| | | Ref | Note: Original Cylinder May Have Been Replaced with Service Replacement. Identify PN Stamped on Cylinder Before Ordering Parts. | |
| 1 | See Note | NSS | Barrel (Note: Use p/n 1001231261) | |
| 2 | 70007045 | 1 | Rod | |
| 3 | 70026417 | 1 | Head | |
| 4 | 70007044 | 1 | Piston | |
| 5 | 70023915 | 1 | Screw | |
| 6 | 70007043 | 1 | Spacer | |
| 7 | 70007042 | 2 | Ring, Retaining | |
| 8 | 70007041 | 1 | Plate, Jack | |
| 9 | 70007040 | 1 | Ring, Retaining | |
| 10 | 70007039 | 1 | Half Shell | |
| 11 | 70007038 | 1 | Pad, Jack | |
| 12 | 2220886 | 2 | Plug | |
| 13 | 2220887 | 2 | Plug | |
| 14 | 2220885 | 1 | Plug | |
| 100 | 70007037 | 1 | Seal Kit - 1001231261 Cylinder (Includes Items 101-111) | |
| 101 | See Note | NSS | Ring, Wear (Note: Use Item 100) | |
| 102 | See Note | NSS | Seal (Note: Use Item 100) | |
| 103 | See Note | NSS | Ring, Back-up (Note: Use Item 100) | |
| 104 | See Note | NSS | O-Ring (Note: Use Item 100) | |
| 105 | See Note | NSS | Ring, Snap (Note: Use Item 100) | |
| 106 | See Note | NSS | Ring, Wear (Note: Use Item 100) | |
| 107 | See Note | NSS | O-Ring (Note: Use Item 100) | |
| 108 | See Note | NSS | Ring, Back-up (Note: Use Item 100) | |
| 109 | See Note | NSS | Seal (Note: Use Item 100) | |
| 110 | See Note | NSS | O-Ring (Note: Use Item 100) | |
| 111 | See Note | NSS | Wiper (Note: Use Item 100) | |

SECTION 6 - CYLINDER

FIGURE 6-5. STEER CYLINDER ASSEMBLY



ART_1001163178

SECTION 6 - CYLINDER

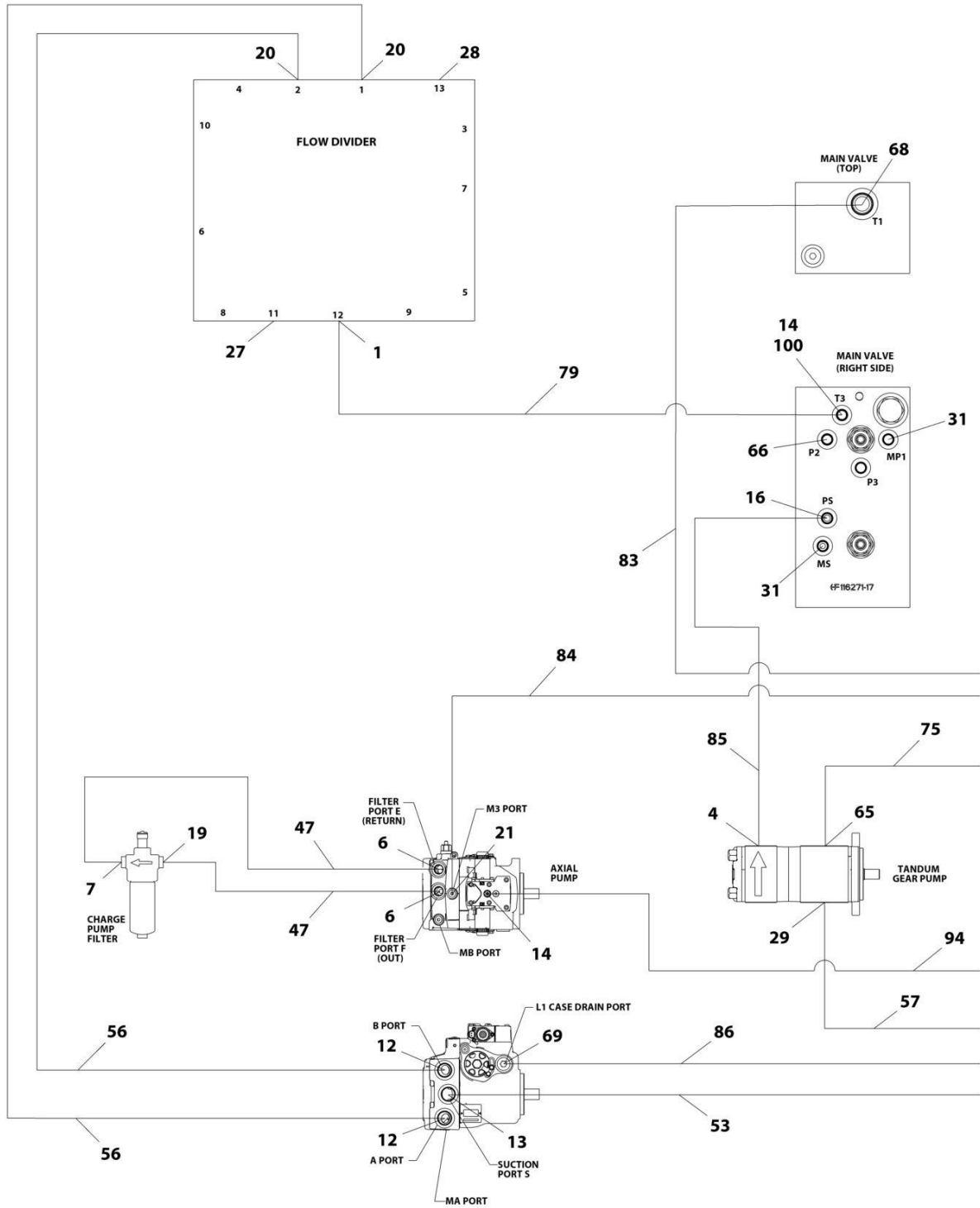
FIGURE 6-5. STEER CYLINDER ASSEMBLY

| ITEM | PART NUMBER | QTY | DESCRIPTION | REV |
|------|-------------|-----|---|-----|
| | 1001163178 | Ref | STEER CYLINDER ASSEMBLY | E |
| | | Ref | Note: Original Cylinder May Have Been Replaced with Service Replacement. Identify PN Stamped on Cylinder Before Ordering Parts. | |
| 1 | 70005150 | 1 | Barrel | |
| 2 | 70005151 | 1 | Rod | |
| 3 | 70005152 | 2 | Head | |
| 4 | See Note | NSS | Wiper (Note: Use Item 12) | |
| 5 | See Note | NSS | Seal, Rod (Note: Use Item 12) | |
| 6 | See Note | NSS | Ring, Back-up (Note: Use Item 12) | |
| 7 | 70005153 | 2 | Bearing, Dry | |
| 8 | See Note | NSS | O-Ring (Note: Use Item 12) | |
| 9 | See Note | NSS | O-Ring (Note: Use Item 12) | |
| 10 | See Note | NSS | Seal, Piston (Note: Use Item 12) | |
| 11 | See Note | 2 | Plug 9/16 (Note: Not Available for Purchase) | |
| 12 | 70005154 | 1 | Seal Kit - 1001163178 Cylinder (Includes Items 4-6 & 8-10) | |

SECTION 7 - HYDRAULIC

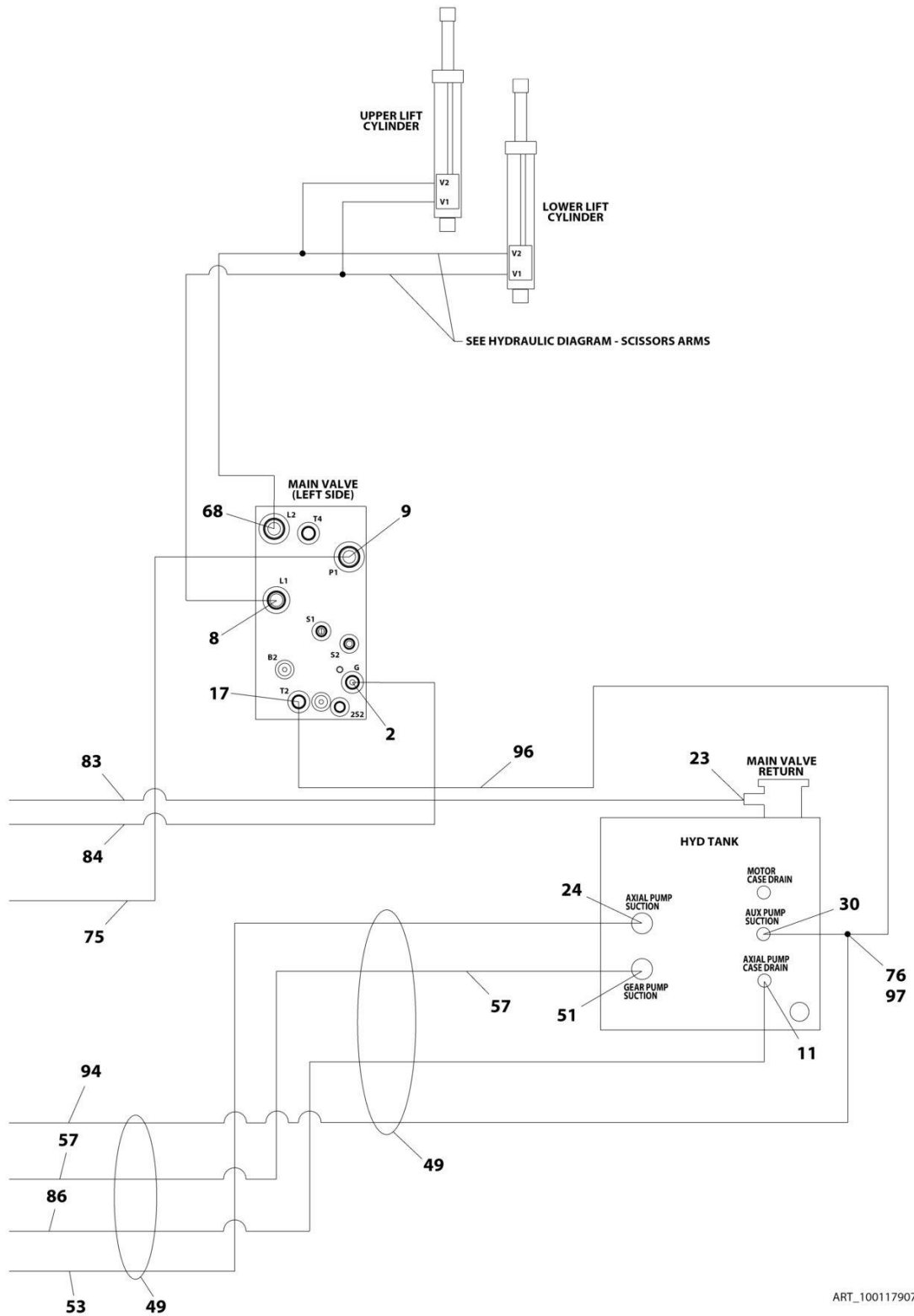
SECTION 7 - HYDRAULIC

FIGURE 7-1. HYDRAULIC DIAGRAM - FIXED AXLE



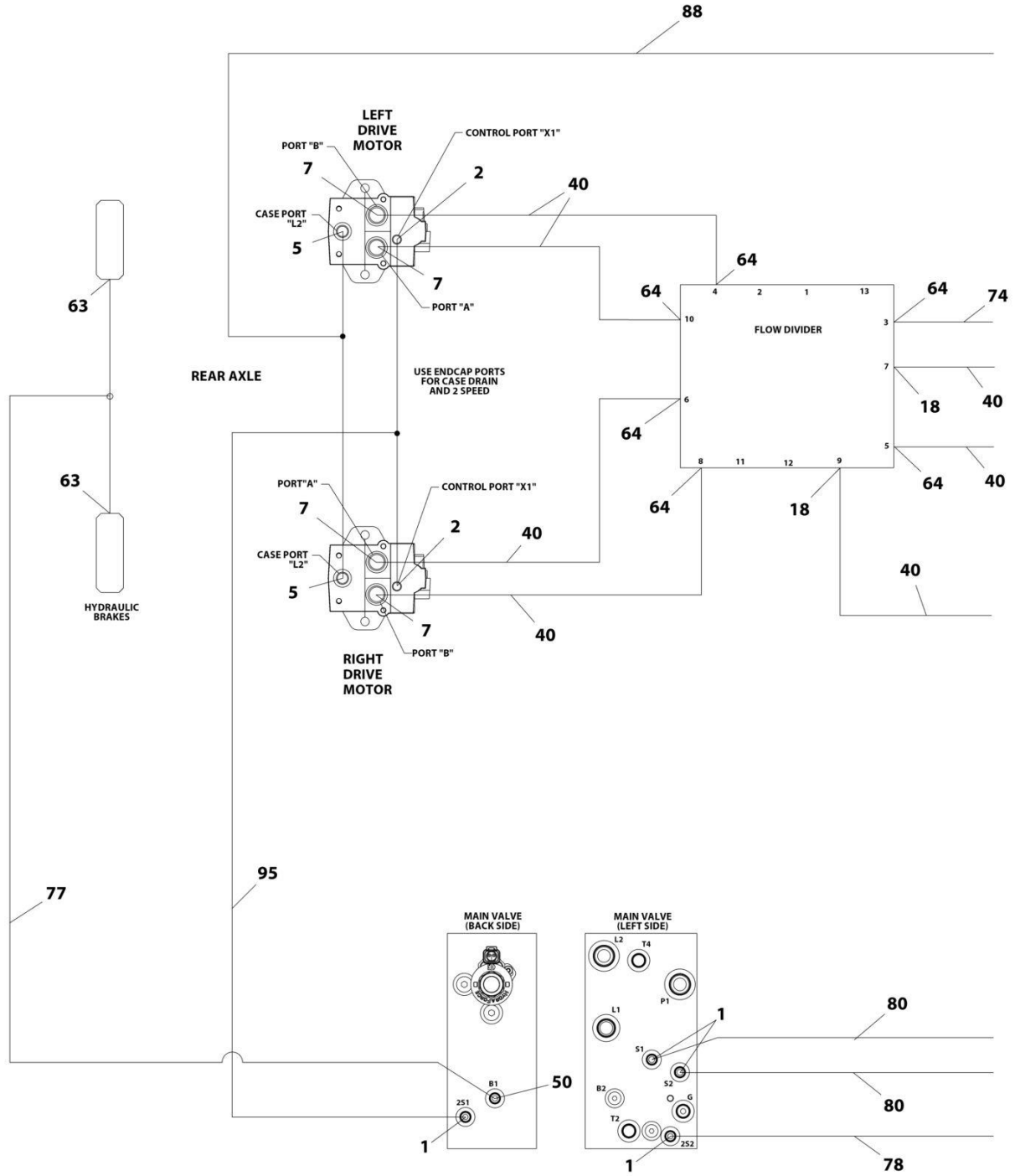
ART_1001179071_10F5

SECTION 7 - HYDRAULIC



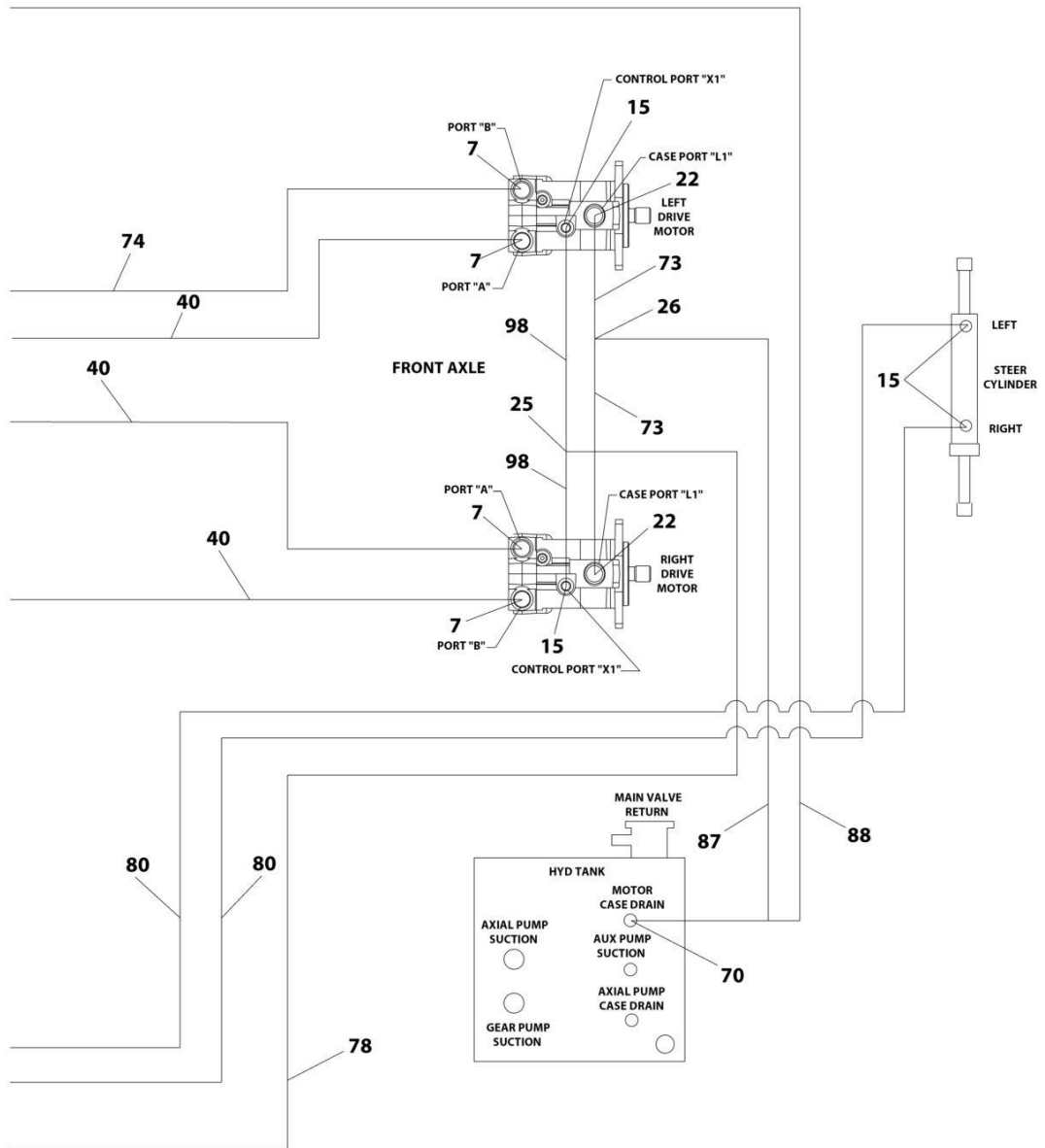
ART_1001179071_2OF5

SECTION 7 - HYDRAULIC



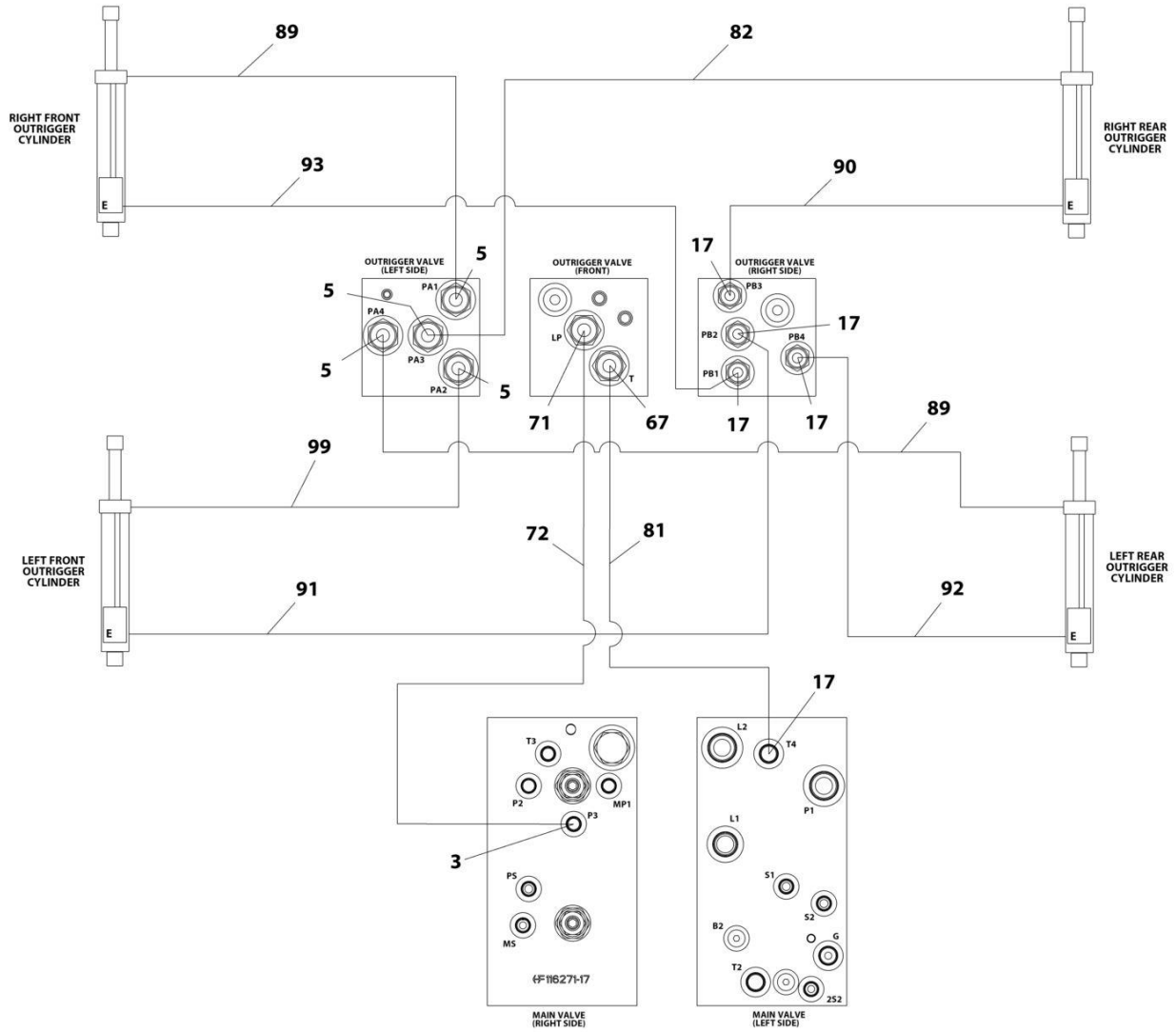
ART_1001179071_3OF5

SECTION 7 - HYDRAULIC



ART_1001179071_40F5

SECTION 7 - HYDRAULIC



ART_1001179071_SOF5

SECTION 7 - HYDRAULIC

FIGURE 7-1. HYDRAULIC DIAGRAM - FIXED AXLE

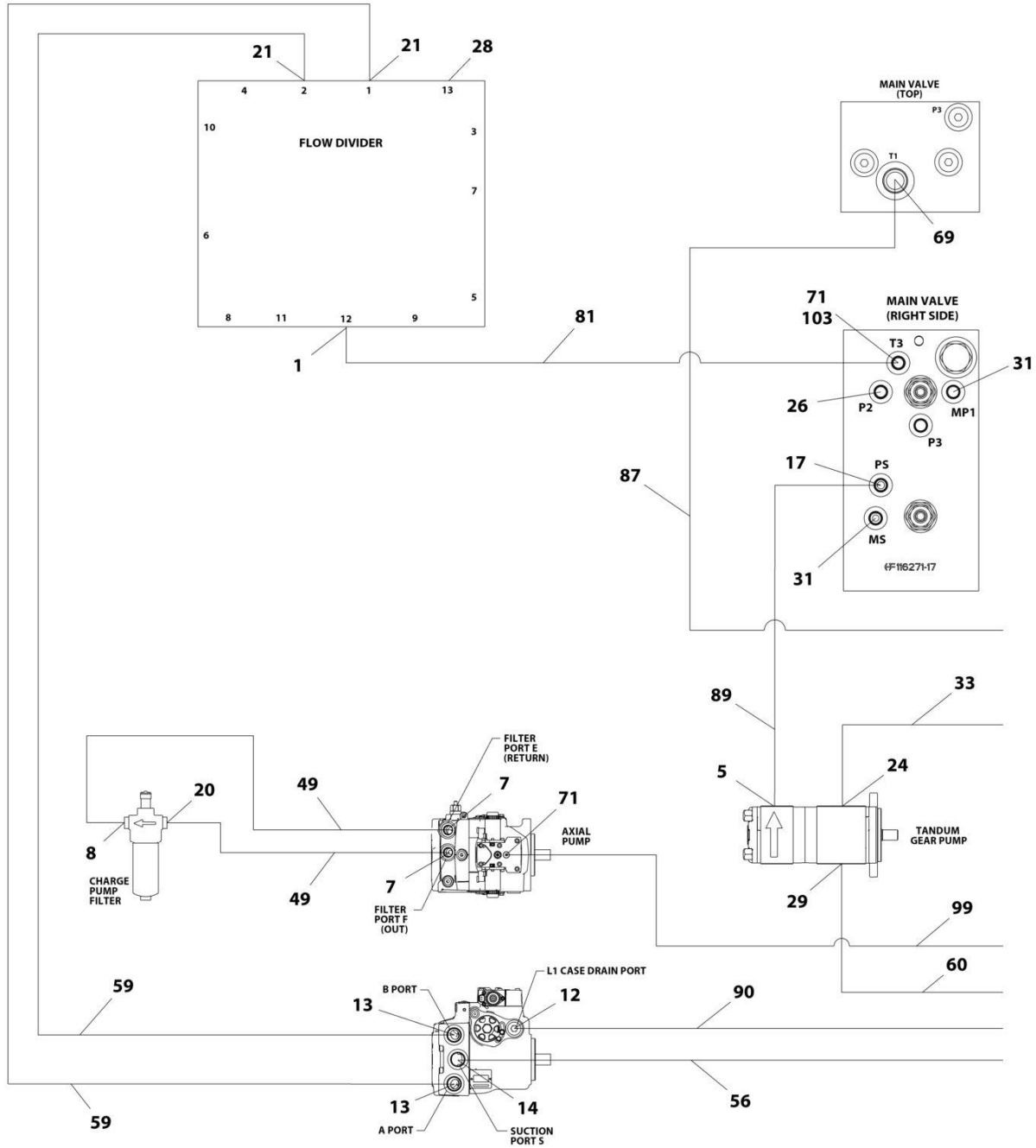
| ITEM | PART NUMBER | QTY | DESCRIPTION | REV |
|------|-------------|-----|--------------------------------|-----|
| | 1001179071 | Ref | HYDRAULIC DIAGRAM - FIXED AXLE | H |
| 1 | 2220415 | 5 | Fitting, Straight JIC/ORB | |
| 2 | 2220582 | 3 | Fitting, Straight JIC/ORB | |
| 3 | 2220603 | 1 | Fitting, Straight JIC/ORB | |
| 4 | 2220497 | 1 | Fitting, Straight JIC/ORB | |
| 5 | 2220373 | 6 | Fitting, Straight JIC/ORB | |
| 6 | 2110810 | 2 | Fitting, Straight ORFS/ORB | |
| 7 | 2110812 | 9 | Fitting, Straight ORFS/ORB | |
| 8 | 2220852 | 1 | Fitting, Straight JIC/ORB | |
| 9 | 2111010 | 1 | Fitting, Straight ORFS/ORB | |
| 11 | 2220578 | 1 | Fitting, 90 JIC/ORB | |
| 12 | 2111216 | 2 | Fitting, Straight ORFS/ORB | |
| 13 | 2112016 | 1 | Fitting, Straight ORFS/ORB | |
| 14 | 2220466 | AR | Fitting, 90 JIC/ORB | |
| 15 | 2221040 | 4 | Fitting, 45 JIC/ORB | |
| 16 | 2220775 | 1 | Fitting, 90 JIC/ORB | |
| 17 | 2220371 | 6 | Fitting, Straight JIC/ORB | |
| 18 | 2110808 | 2 | Fitting, Straight ORFS/ORB | |
| 19 | 2130812 | 1 | Fitting, 90 ORFS/ORB | |
| 20 | 2131216 | 2 | Fitting, 90 ORFS/ORB | |
| 21 | 2220472 | 1 | Fitting, 90 JIC/ORB | |
| 22 | 2220500 | 2 | Fitting, 45 JIC/ORB | |
| 23 | 2220435 | 1 | Fitting, Straight JIC/ORB | |
| 24 | 2152020 | 1 | Fitting, 45 ORFS/ORB | |
| 25 | 2220504 | 1 | Fitting, Tee JIC/JIC/JIC | |
| 26 | 2220362 | 1 | Fitting, Tee FL/FL/FL | |
| 27 | 2220237 | 1 | Plug ORB | |
| 28 | 2220238 | 1 | Plug ORB | |
| 29 | 2220479 | 1 | Fitting, Straight JIC/ORB | |
| 30 | 2220577 | 1 | Fitting, Straight JIC/ORB | |
| 31 | 2221086 | 2 | Fitting, Test | |
| 40 | 2753791 | 7 | Hose | |
| 47 | 2754244 | 2 | Hose | |
| 49 | 4061032 | AR | Shield | |
| 50 | 2110404 | 1 | Fitting, Straight ORFS/ORB | |
| 51 | 8760351 | 1 | Fitting, 45 JIC/ORB | |
| 53 | 1001104581 | 1 | Hose | |
| 56 | 1001107924 | 2 | Hose | |
| 57 | 1001108128 | 1 | Hose | |
| 63 | 2130404 | 2 | Fitting, 90 ORFS/ORB | |
| 64 | 2130808 | 6 | Fitting, 90 ORFS/ORB | |
| 65 | 2131010 | 1 | Fitting, 90 ORFS/ORB | |
| 66 | 2220235 | 1 | Fitting | |
| 67 | 2220372 | 1 | Fitting, Straight JIC/ORB | |
| 68 | 2220408 | 2 | Fitting, Straight JIC/ORB | |
| 69 | 2220451 | 1 | Fitting, Straight JIC/ORB | |
| 70 | 2220602 | 1 | Fitting, Tee JIC/ORB/JIC | |
| 71 | 2220628 | 1 | Fitting, 90 JIC/ORB | |
| 72 | 2716703 | 1 | Hose | |
| 73 | 2716705 | 2 | Hose | |

SECTION 7 - HYDRAULIC

| ITEM | PART NUMBER | QTY | DESCRIPTION | REV |
|------|-------------|-----|--------------------------|-----|
| 74 | 2753970 | 1 | Hose | |
| 75 | 2753798 | 1 | Hose | |
| 76 | 8760268 | 1 | Fitting, 90 JIC/FSJIC | |
| 77 | 1001104589 | 1 | Hose | |
| 78 | 1001108477 | 1 | Hose | |
| 79 | 1001151351 | 1 | Hose | |
| 80 | 1001158199 | 2 | Hose | |
| 81 | 1001158246 | 1 | Hose | |
| 82 | 1001182051 | 1 | Hose | |
| 83 | 1001194378 | 1 | Hose | |
| 84 | 1001194379 | 1 | Hose | |
| 85 | 1001194380 | 1 | Hose | |
| 86 | 1001194381 | 1 | Hose | |
| 87 | 1001194382 | 1 | Hose | |
| 88 | 1001194383 | 1 | Hose | |
| 89 | 1001194384 | 2 | Hose | |
| 90 | 1001194385 | 1 | Hose | |
| 91 | 1001194386 | 1 | Hose | |
| 92 | 1001194387 | 1 | Hose | |
| 93 | 1001194388 | 1 | Hose | |
| 94 | 1001194390 | 1 | Hose | |
| 95 | 1001194391 | 1 | Hose | |
| 96 | 2752485 | 1 | Hose | |
| 97 | 2220635 | 1 | Fitting, Tee JIC/JIC/JIC | |
| 98 | 1001151354 | 2 | Hose | |
| 99 | 1001205920 | 1 | Hose | |
| 100 | 2220502 | AR | Fitting, 45 JIC/ORB | |

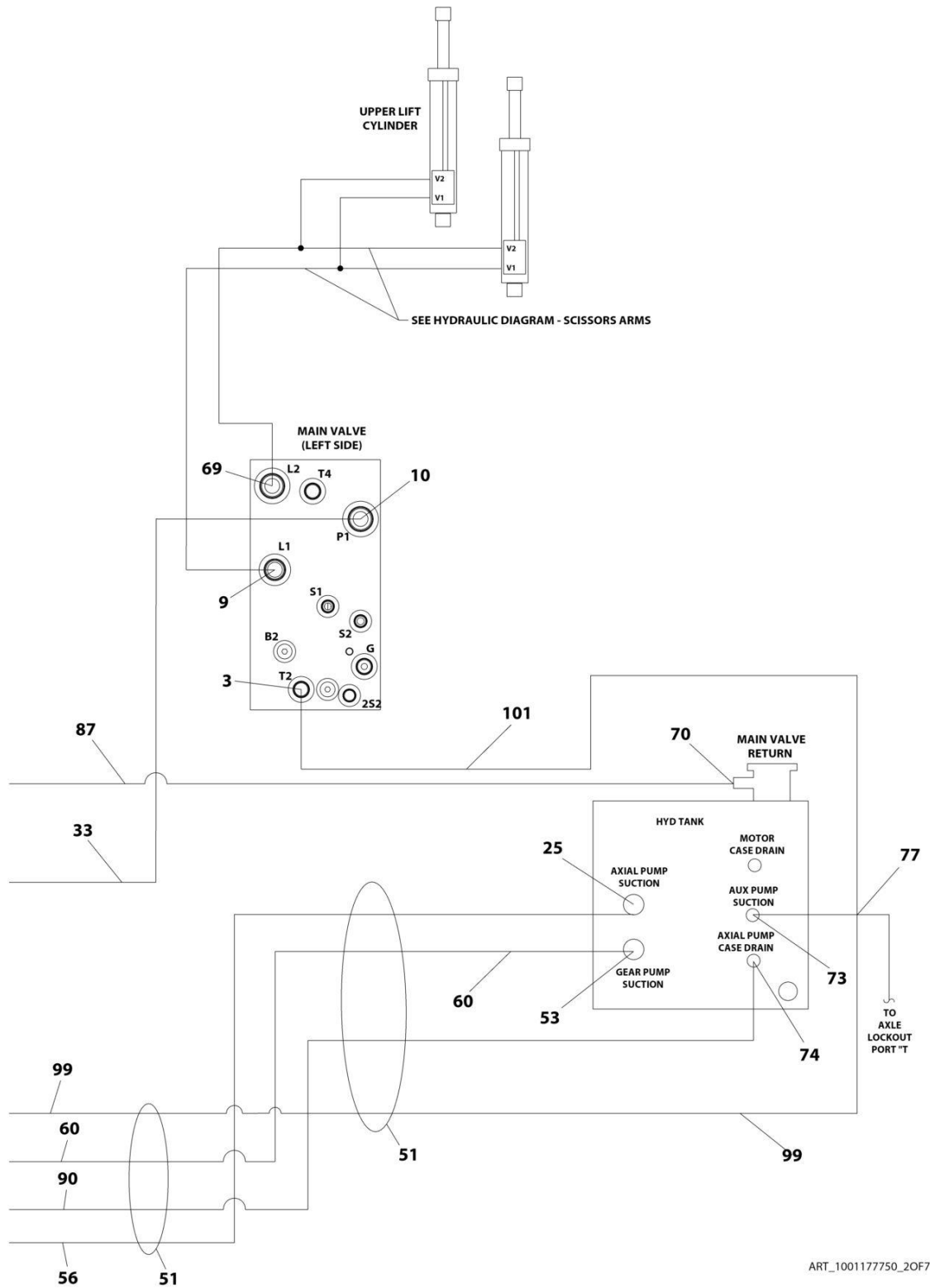
SECTION 7 - HYDRAULIC

FIGURE 7-2. HYDRAULIC DIAGRAM - OSCILLATING AXLE

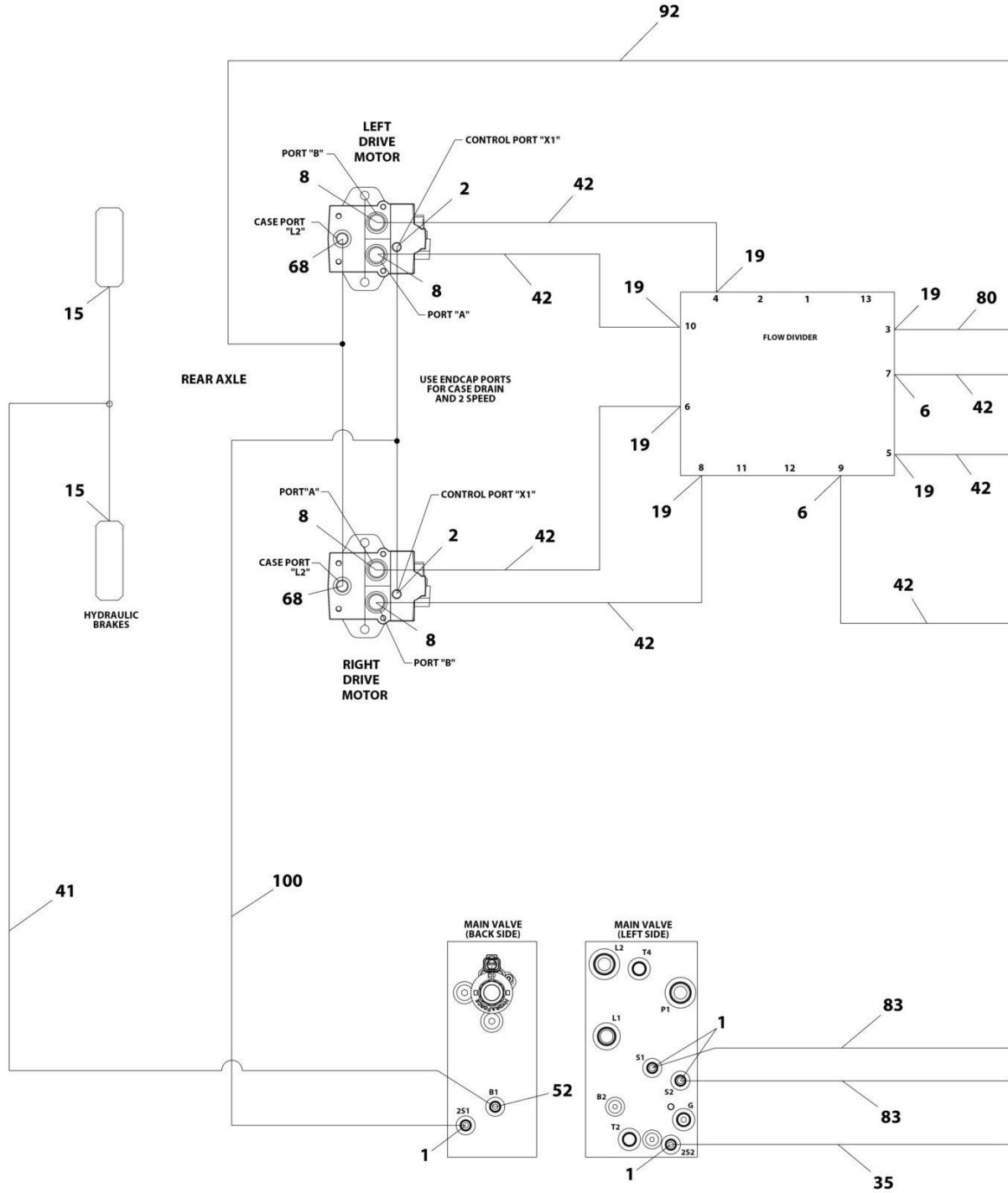


ART_1001177750_10F7

SECTION 7 - HYDRAULIC

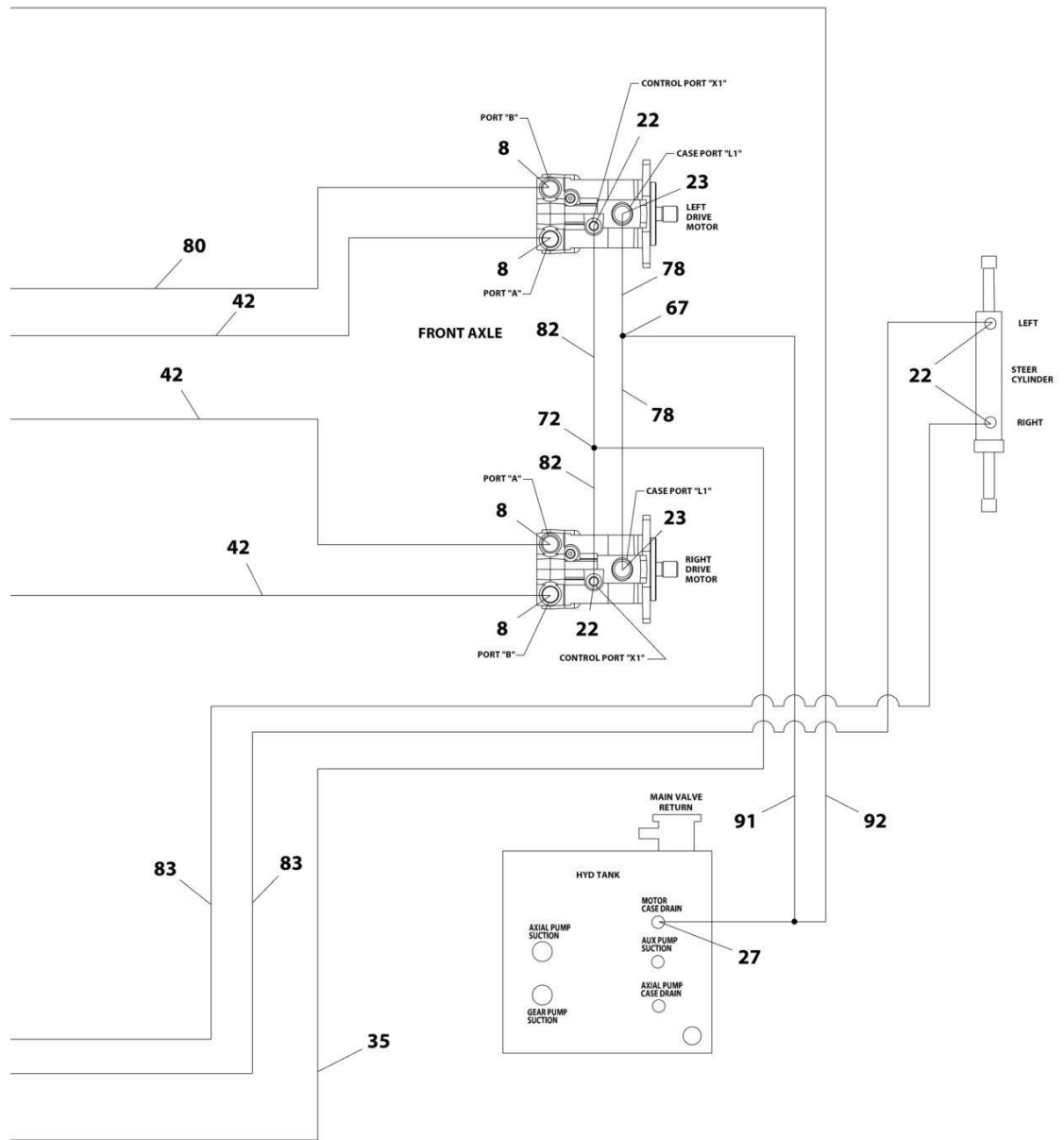


SECTION 7 - HYDRAULIC



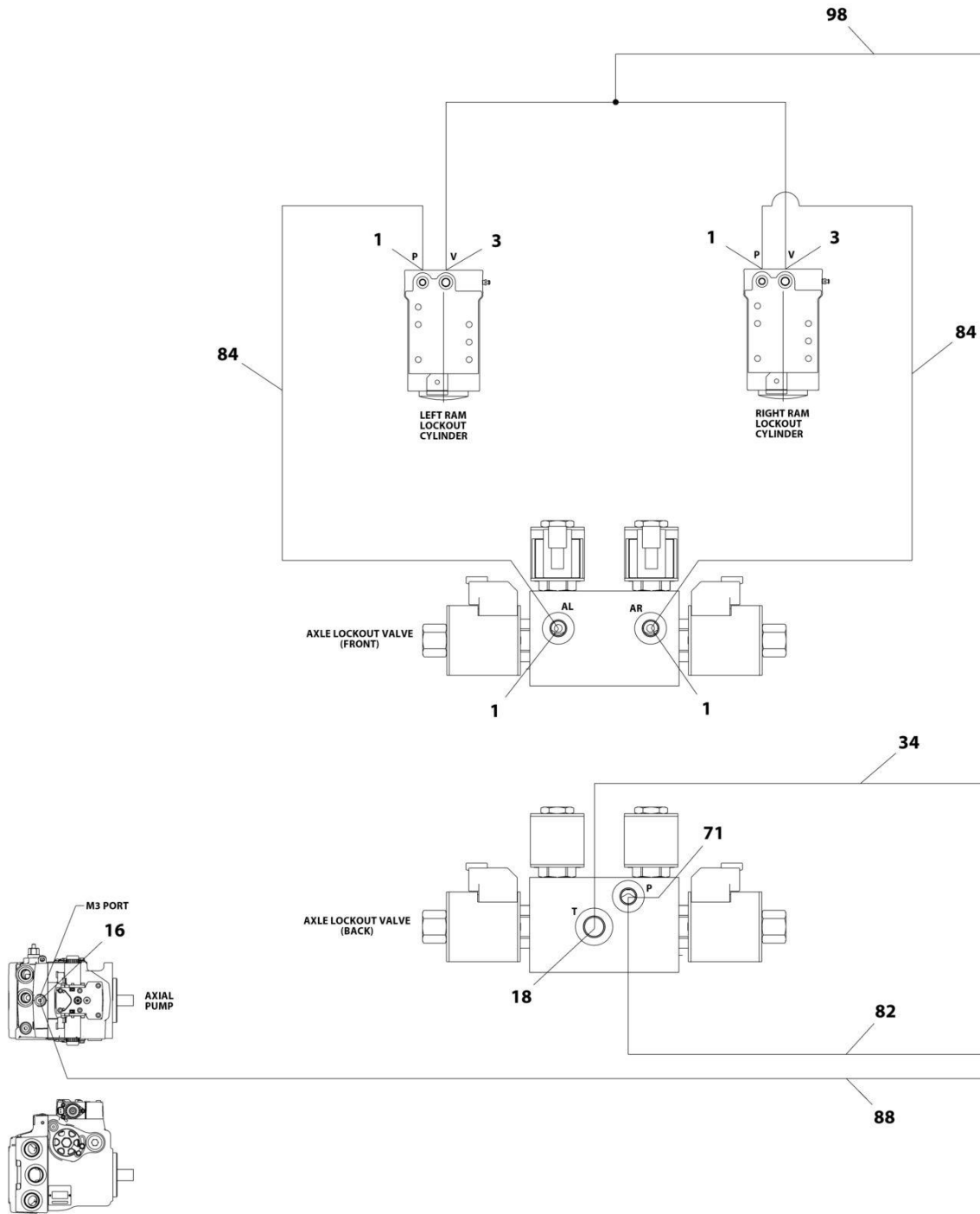
ART_100117750_3OF7

SECTION 7 - HYDRAULIC



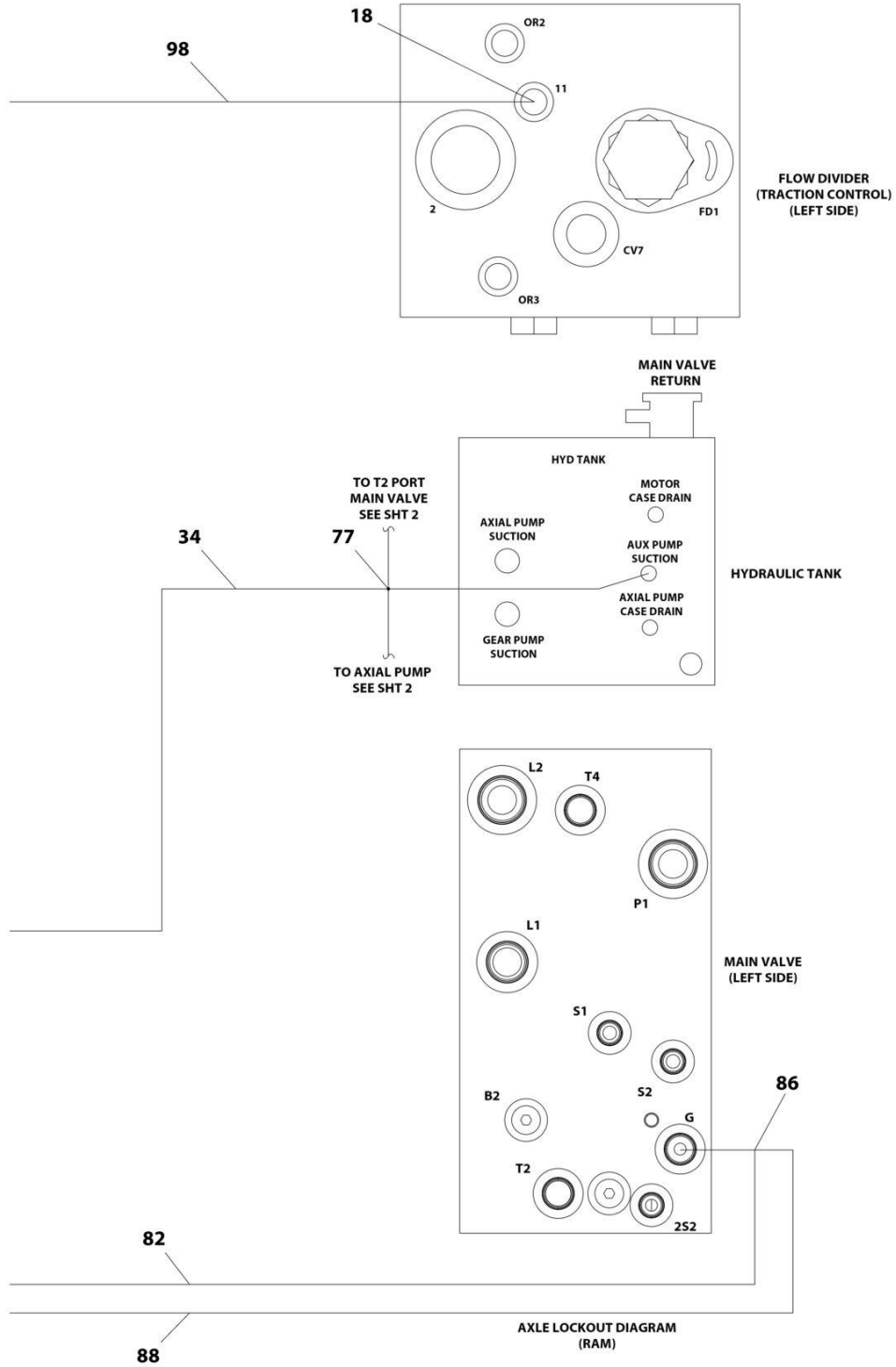
ART_1001177750_4OF7

SECTION 7 - HYDRAULIC



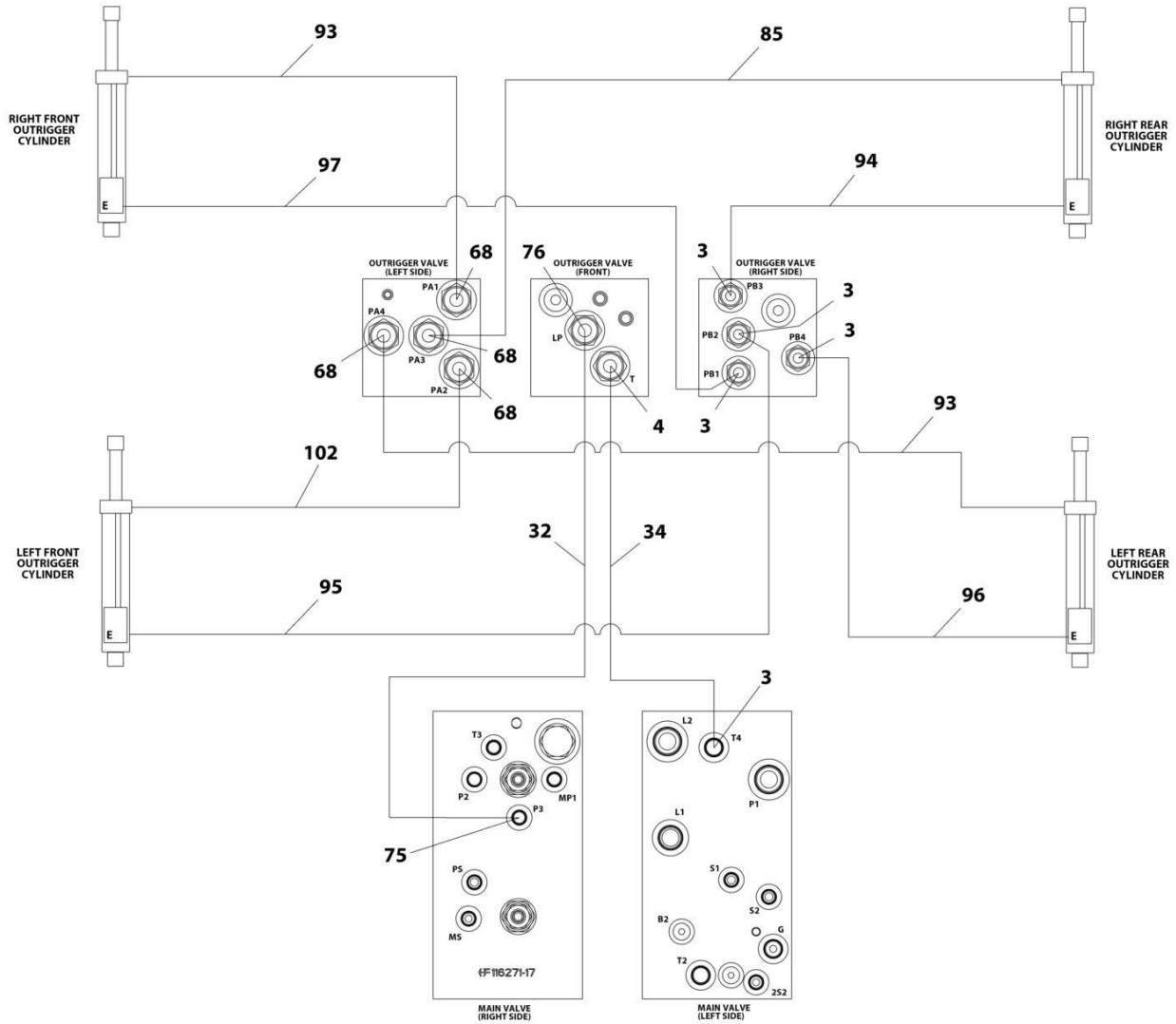
ART_100117750_5OF7

SECTION 7 - HYDRAULIC



ART_100117750_GOF7

SECTION 7 - HYDRAULIC



ART_100117750_7OF7

SECTION 7 - HYDRAULIC

FIGURE 7-2. HYDRAULIC DIAGRAM - OSCILATING AXLE

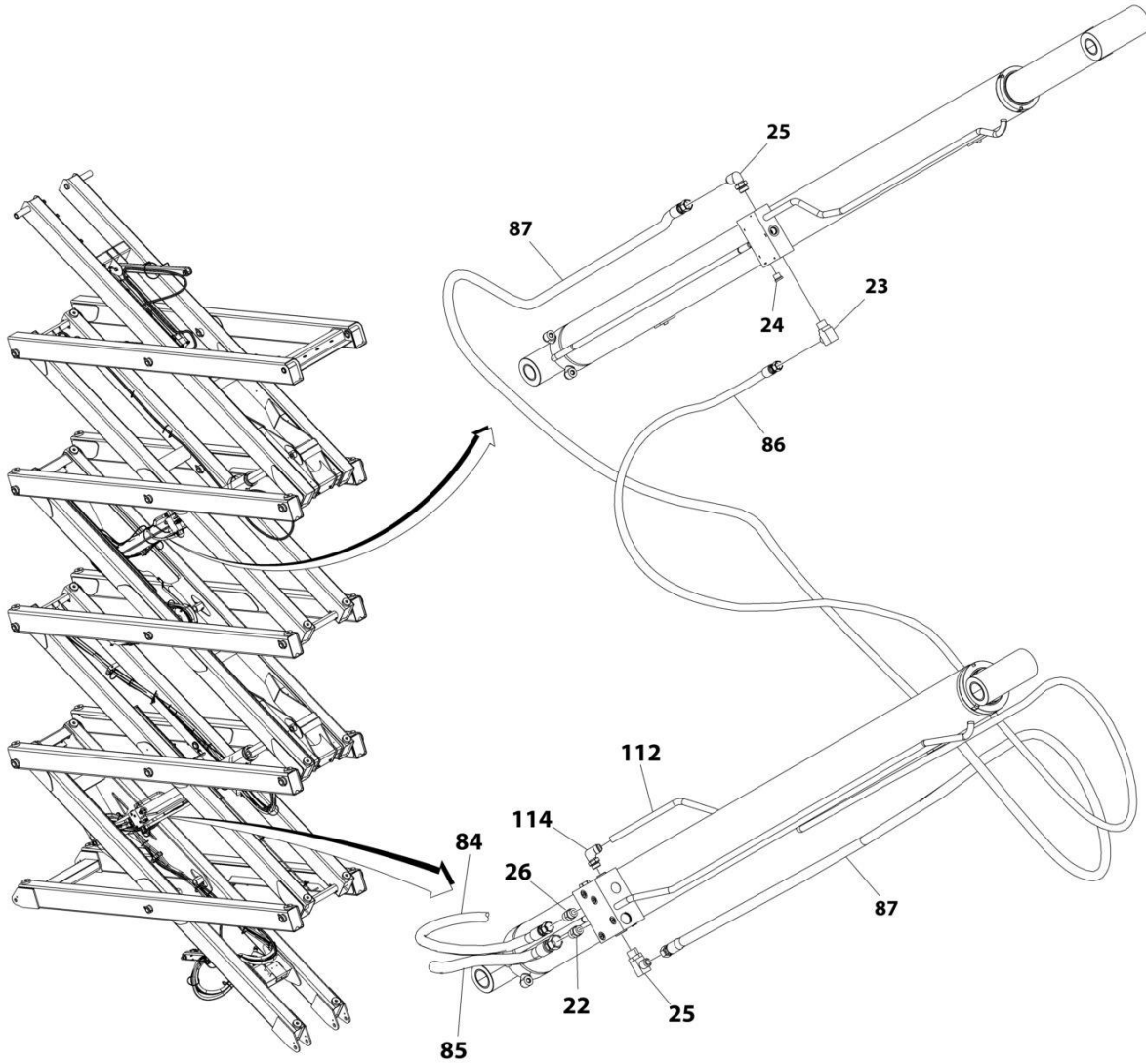
| ITEM | PART NUMBER | QTY | DESCRIPTION | REV |
|------|-------------|-----|--------------------------------------|-----|
| | 1001177750 | Ref | HYDRAULIC DIAGRAM - OSCILLATING AXLE | J |
| 1 | 2220415 | 9 | Fitting, Straight JIC/ORB | |
| 2 | 2220582 | 2 | Fitting, Straight JIC/ORB | |
| 3 | 2220371 | 8 | Fitting, Straight JIC/ORB | |
| 4 | 2220372 | 1 | Fitting, Straight JIC/ORB | |
| 5 | 2220497 | 1 | Fitting, Straight JIC/ORB | |
| 6 | 2110808 | 2 | Fitting, Straight ORFS/ORB | |
| 7 | 2110810 | 2 | Fitting, Straight ORFS/ORB | |
| 8 | 2110812 | 9 | Fitting, Straight ORFS/ORB | |
| 9 | 2220852 | 1 | Fitting, Straight JIC/ORB | |
| 10 | 2111010 | 1 | Fitting, Straight ORFS/ORB | |
| 12 | 2220451 | 1 | Fitting, Straight JIC/ORB | |
| 13 | 2111216 | 2 | Fitting, Straight ORFS/ORB | |
| 14 | 2112016 | 1 | Fitting, Straight ORFS/ORB | |
| 15 | 2130404 | 2 | Fitting, 90 ORFS/ORB | |
| 16 | 2220472 | 1 | Fitting, 90 JIC/ORB | |
| 17 | 2220775 | 1 | Fitting, 90 JIC/ORB | |
| 18 | 2220473 | 2 | Fitting, 90 JIC/ORB | |
| 19 | 2130808 | 6 | Fitting, 90 ORFS/ORB | |
| 20 | 2130812 | 1 | Fitting, 90 ORFS/ORB | |
| 21 | 2131216 | 2 | Fitting, 90 ORFS/ORB | |
| 22 | 2221040 | 4 | Fitting, 45 JIC/ORB | |
| 23 | 2220500 | 2 | Fitting, 45 JIC/ORB | |
| 24 | 2131010 | 1 | Fitting, 90 ORFS/ORB | |
| 25 | 2152020 | 1 | Fitting, 45 ORFS/ORB | |
| 26 | 2220235 | 1 | Fitting | |
| 27 | 2220602 | 1 | Fitting, Tee JIC/ORB/JIC | |
| 28 | 2220238 | 1 | Plug ORB | |
| 29 | 2220479 | 1 | Fitting, Straight JIC/ORB | |
| 31 | 2221086 | 2 | Fitting, Test | |
| 32 | 2716703 | 1 | Hose | |
| 33 | 2753798 | 1 | Hose | |
| 34 | 1001158246 | 2 | Hose | |
| 35 | 1001108477 | 1 | Hose | |
| 41 | 1001104589 | 1 | Hose | |
| 42 | 2753791 | 7 | Hose | |
| 49 | 2754244 | 2 | Hose | |
| 51 | 4061032 | AR | Shield | |
| 52 | 2110404 | 1 | Fitting, Straight ORFS/ORB | |
| 53 | 8760351 | 1 | Fitting, 45 ORFS/ORB | |
| 56 | 1001104581 | 1 | Hose | |
| 59 | 1001107924 | 2 | Hose | |
| 60 | 1001108128 | 1 | Hose | |
| 67 | 2220362 | 1 | Fitting, Tee FL/FL/FL | |
| 68 | 2220373 | 6 | Fitting, Straight JIC/ORB | |
| 69 | 2220408 | 2 | Fitting, Straight JIC/ORB | |
| 70 | 2220435 | 1 | Fitting, Straight JIC/ORB | |
| 71 | 2220466 | AR | Fitting, 90 JIC/ORB | |
| 72 | 2220504 | 1 | Fitting, Tee JIC/JIC/JIC | |
| 73 | 2220577 | 1 | Fitting, Straight JIC/ORB | |

SECTION 7 - HYDRAULIC

| ITEM | PART NUMBER | QTY | DESCRIPTION | REV |
|------|-------------|-----|---------------------------|-----|
| 74 | 2220578 | 1 | Fitting, 90 JIC/ORB | |
| 75 | 2220603 | 1 | Fitting, Straight JIC/ORB | |
| 76 | 2220628 | 1 | Fitting, 90 JIC/ORB | |
| 77 | 2220635 | 2 | Fitting, Tee JIC/JIC/JIC | |
| 78 | 2716705 | 2 | Hose | |
| 80 | 2753970 | 1 | Hose | |
| 81 | 1001151351 | 1 | Hose | |
| 82 | 1001151354 | 3 | Hose | |
| 83 | 1001158199 | 2 | Hose | |
| 84 | 1001173043 | 2 | Hose | |
| 85 | 1001182051 | 1 | Hose | |
| 86 | 1001193988 | 1 | Fitting, Tee JIC/ORB/JIC | |
| 87 | 1001194378 | 1 | Hose | |
| 88 | 1001194379 | 1 | Hose | |
| 89 | 1001194380 | 1 | Hose | |
| 90 | 1001194381 | 1 | Hose | |
| 91 | 1001194382 | 1 | Hose | |
| 92 | 1001194383 | 1 | Hose | |
| 93 | 1001194384 | 2 | Hose | |
| 94 | 1001194385 | 1 | Hose | |
| 95 | 1001194386 | 1 | Hose | |
| 96 | 1001194387 | 1 | Hose | |
| 97 | 1001194388 | 1 | Hose | |
| 98 | 1001194389 | 1 | Hose | |
| 99 | 1001194390 | 1 | Hose | |
| 100 | 1001194391 | 1 | Hose | |
| 101 | 2752485 | 1 | Hose | |
| 102 | 1001205920 | 1 | Hose | |
| 103 | 2220502 | AR | Fitting, 45 JIC/ORB | |

SECTION 7 - HYDRAULIC

FIGURE 7-3. HYDRAULIC DIAGRAM - SCISSOR ARMS



ART_1001217384_30F3

SECTION 7 - HYDRAULIC

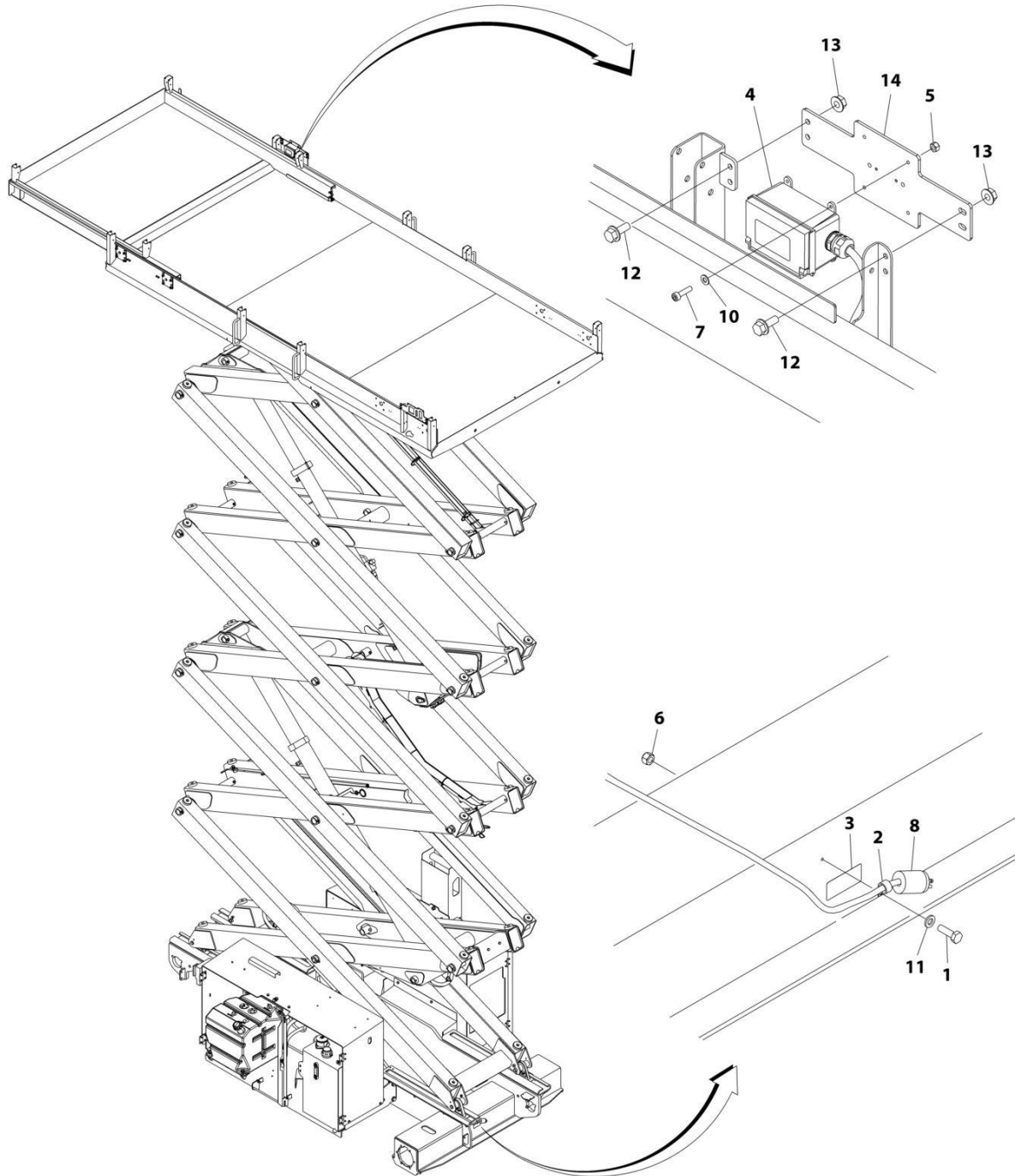
FIGURE 7-3. HYDRAULIC DIAGRAM - SCISSOR ARMS

| ITEM | PART NUMBER | QTY | DESCRIPTION | REV |
|------|-------------|-----|-----------------------------------|-----|
| | 1001217384 | Ref | SCISSOR ARMS ASSEMBLY - HYDRAULIC | G |
| 22 | 2220408 | 1 | Fitting, Straight JIC/ORB | |
| 23 | 2220671 | 1 | Fitting, 90 JIC/ORB | |
| 24 | 2220883 | 1 | Plug | |
| 25 | 2220906 | 2 | Fitting, 90 JIC/ORB | |
| 26 | 2220947 | 1 | Fitting, Straight JIC/ORB | |
| 84 | 1001193174 | 1 | Hose | |
| 85 | 1001193179 | 1 | Hose | |
| 86 | 1001236307 | 1 | Hose | |
| 87 | 1001236306 | 1 | Hose | |
| 112 | 1001237837 | 1 | Tube | |
| 114 | 2221036 | 1 | Fitting, 90 JIC/ORB | |

SECTION 8 - ELECTRICAL

SECTION 8 - ELECTRICAL

FIGURE 8-1. AC BOX AT PLATFORM INSTALLATION - 110V GFI (ANSI, ANSI EXPORT, CHINA, CSA AND JAPANESE SPECS)



ART_1001207511

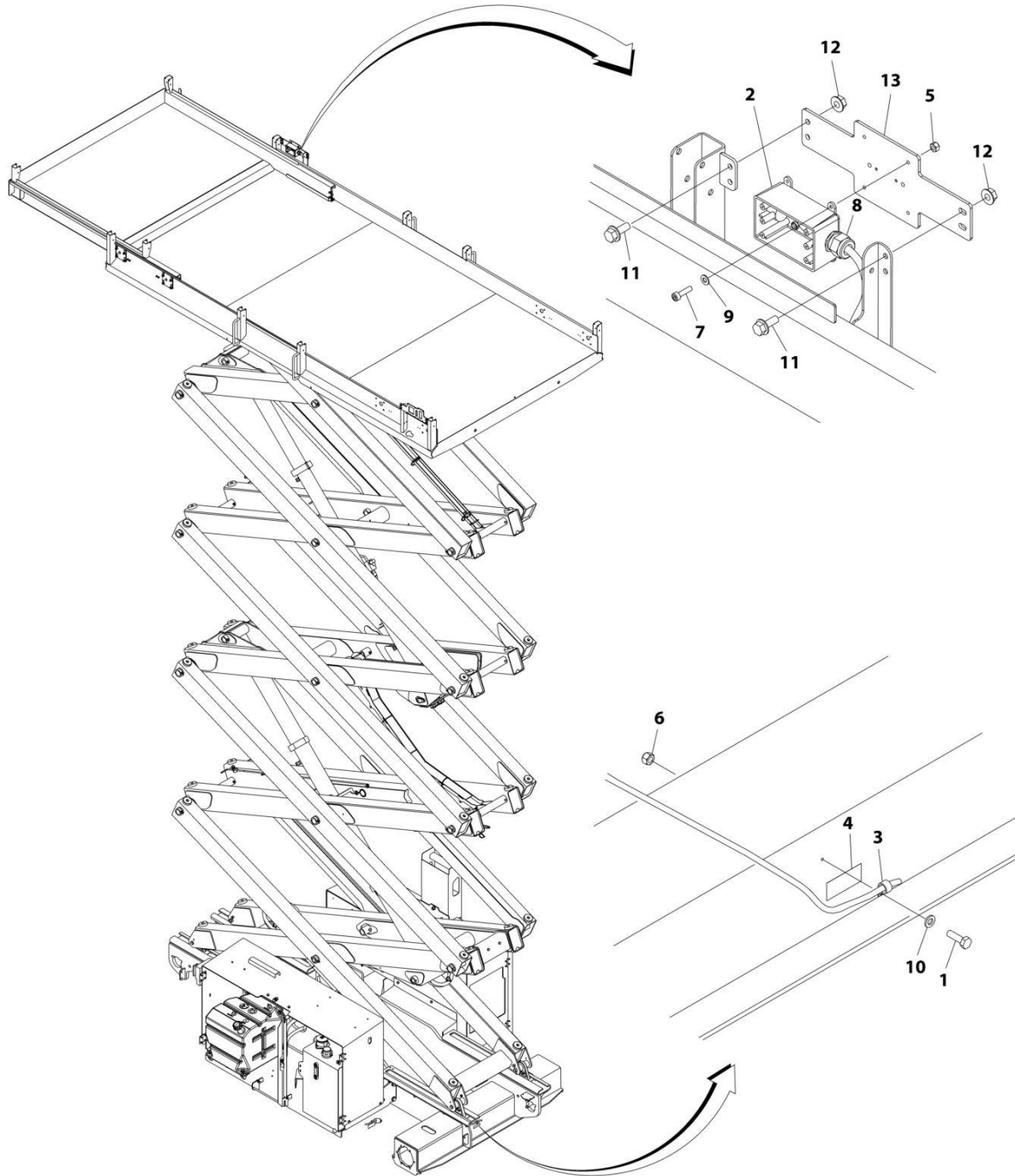
SECTION 8 - ELECTRICAL

FIGURE 8-1. AC BOX AT PLATFORM INSTALLATION - 110V GFI (ANSI, ANSI EXPORT, CHINA, CSA AND JAPANESE SPECS)

| ITEM | PART NUMBER | QTY | DESCRIPTION | REV |
|------|-------------|-----|---|-----|
| | 1001207511 | Ref | AC BOX AT PLATFORM INSTALLATION - 110V GFI | A |
| 1 | 0760610 | 1 | Bolt M6 x 20 | |
| 2 | 1320224 | 1 | Clamp | |
| 3 | 1703464 | 1 | Decal - AC Power | |
| 4 | 2902431 | 1 | Receptacle Box Kit (See Separate Breakdown in this Section) | |
| 5 | 3290405 | 4 | Nut M4 | |
| 6 | 3290605 | 1 | Nut M6 | |
| 7 | 4031507 | 4 | Bolt M4 x 16 | |
| 8 | 4460138 | 1 | Plug | |
| 9 | 4460315 | 3 | Terminal (Not Shown) | |
| 10 | 4811400 | 4 | Washer M4 | |
| 11 | 4811700 | 1 | Washer M6 | |
| 12 | 0780608 | 4 | Bolt M6 x 16 | |
| 13 | 5260600 | 4 | Nut M6 | |
| 14 | 1001207520 | 1 | Bracket | |

SECTION 8 - ELECTRICAL

FIGURE 8-2. BOX AT PLATFORM INSTALLATION - 220V (ANSI EXPORT, CSA, CHINA AND JAPANESE SPECS)



ART_1001207512

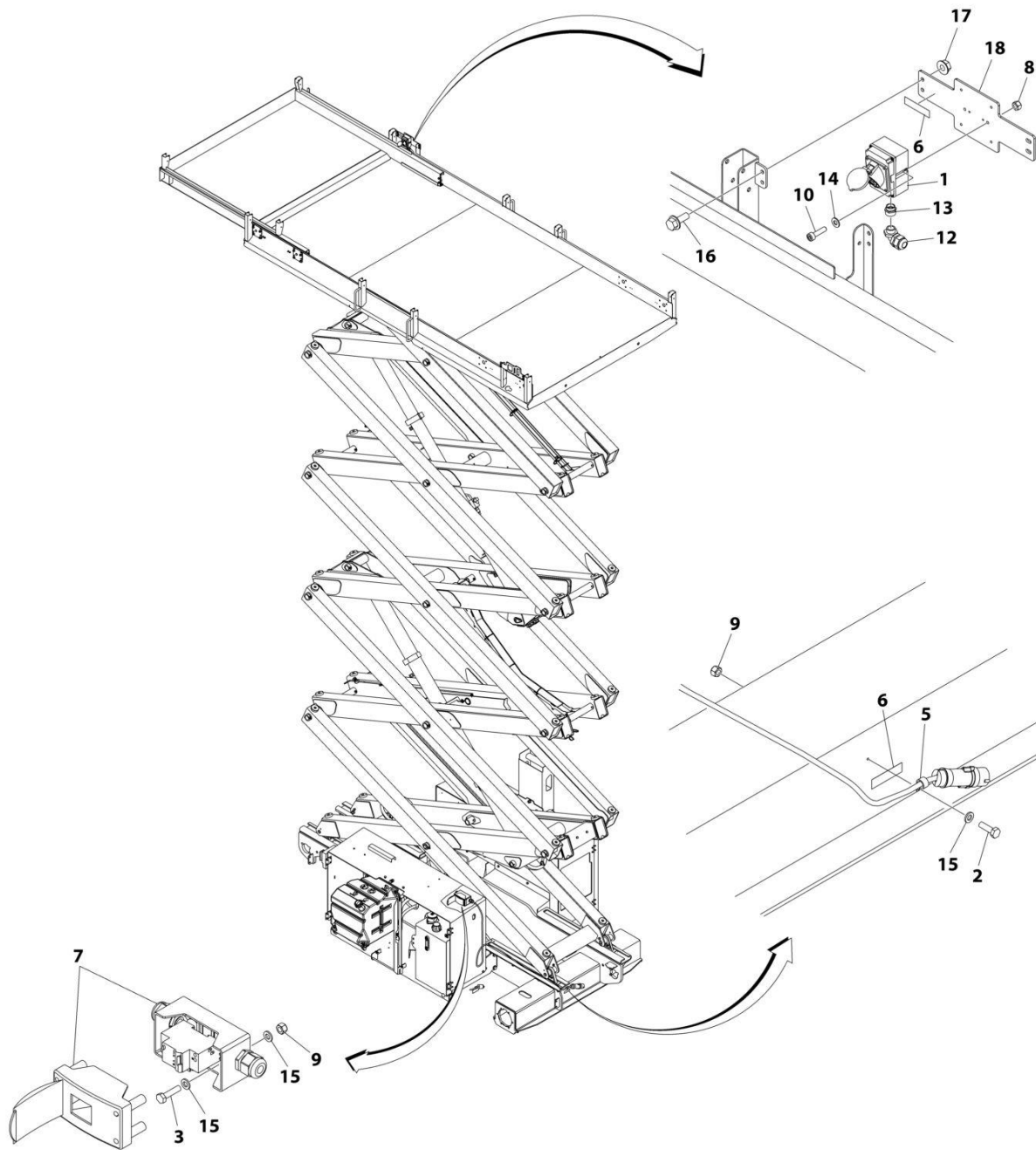
SECTION 8 - ELECTRICAL

FIGURE 8-2. BOX AT PLATFORM INSTALLATION - 220V (ANSI EXPORT, CSA, CHINA AND JAPANESE SPECS)

| ITEM | PART NUMBER | QTY | DESCRIPTION | REV |
|------|-------------|-----|--|-----|
| | 1001207512 | Ref | AC BOX AT PLATFORM INSTALLATION - 220V | A |
| 1 | 0760610 | 1 | Bolt M6 x 20 | |
| 2 | 0861731 | 1 | Box, Receptacle | |
| 3 | 1320224 | 1 | Clamp | |
| 4 | 3252507 | 1 | Decal - 220 Volt | |
| 5 | 3290405 | 4 | Nut M4 | |
| 6 | 3290605 | 1 | Nut M6 | |
| 7 | 4031507 | 4 | Bolt M4 x 16 | |
| 8 | 4460071 | 1 | Connector, Strain Relief | |
| 9 | 4811400 | 4 | Washer M4 | |
| 10 | 4811700 | 1 | Washer M6 | |
| 11 | 0780608 | 4 | Bolt M6 x 16 | |
| 12 | 5260600 | 4 | Nut M6 | |
| 13 | 1001207520 | 1 | Bracket | |

SECTION 8 - ELECTRICAL

FIGURE 8-3. AC BOX AT PLATFORM INSTALLATION - 110V IEC YELLOW (CE SPEC)



ART_1001207516_B

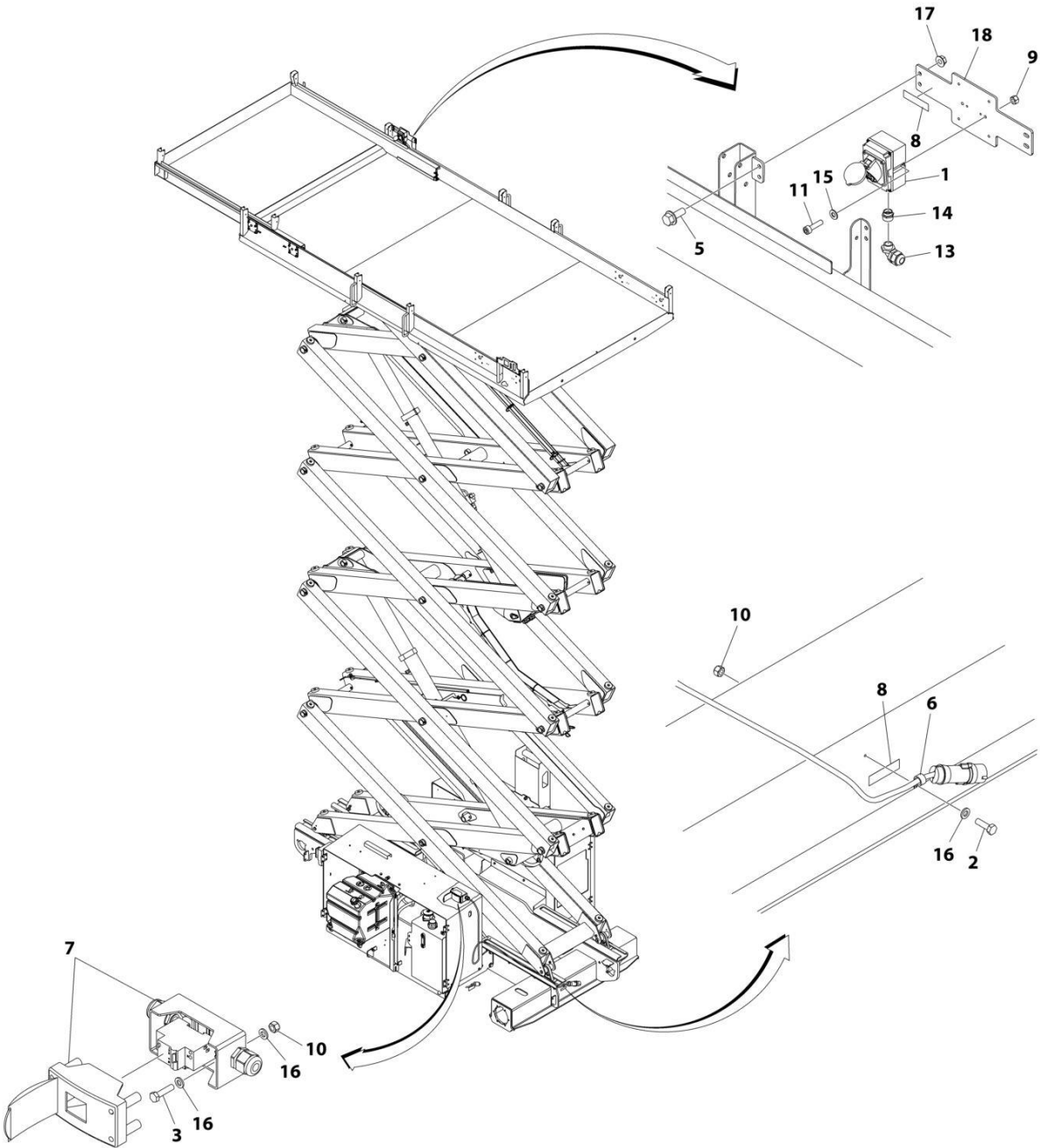
SECTION 8 - ELECTRICAL

FIGURE 8-3. AC BOX AT PLATFORM INSTALLATION - 110V IEC YELLOW (CE SPEC)

| ITEM | PART NUMBER | QTY | DESCRIPTION | REV |
|------|-------------|-----|---|-----|
| | 1001207516 | Ref | AC BOX AT PLATFORM INSTALLATION - 110V IEC YELLOW | B |
| 1 | 0275216 | 1 | Receptacle Box Kit (See Separate Breakdown in this Section) | |
| 2 | 0760610 | 1 | Bolt M6 x 20 | |
| 3 | 0760612 | 2 | Bolt M6 x 25 | |
| 5 | 1320224 | 1 | Clamp | |
| 6 | 1705325 | 2 | Decal - 110 Volt | |
| 7 | 1001096070 | 1 | Breaker Box Kit (See Separate Breakdown in this Section) | |
| 8 | 3290405 | 2 | Nut M4 | |
| 9 | 3290605 | 3 | Nut M6 | |
| 10 | 4031507 | 2 | Bolt M4 x 16 | |
| 12 | 4461257 | 1 | Connector, Strain Relief | |
| 13 | 4461258 | 1 | Connector, Adapter | |
| 14 | 4811400 | 2 | Washer M4 | |
| 15 | 4811700 | 5 | Washer M6 | |
| 16 | 0780608 | 4 | Bolt M6 x 16 | |
| 17 | 5260600 | 4 | Nut M6 | |
| 18 | 1001207520 | 1 | Bracket | |

SECTION 8 - ELECTRICAL

FIGURE 8-4. AC BOX AT PLATFORM INSTALLATION - 220V IEC BLUE (CE SPEC)



ART_1001209298_B

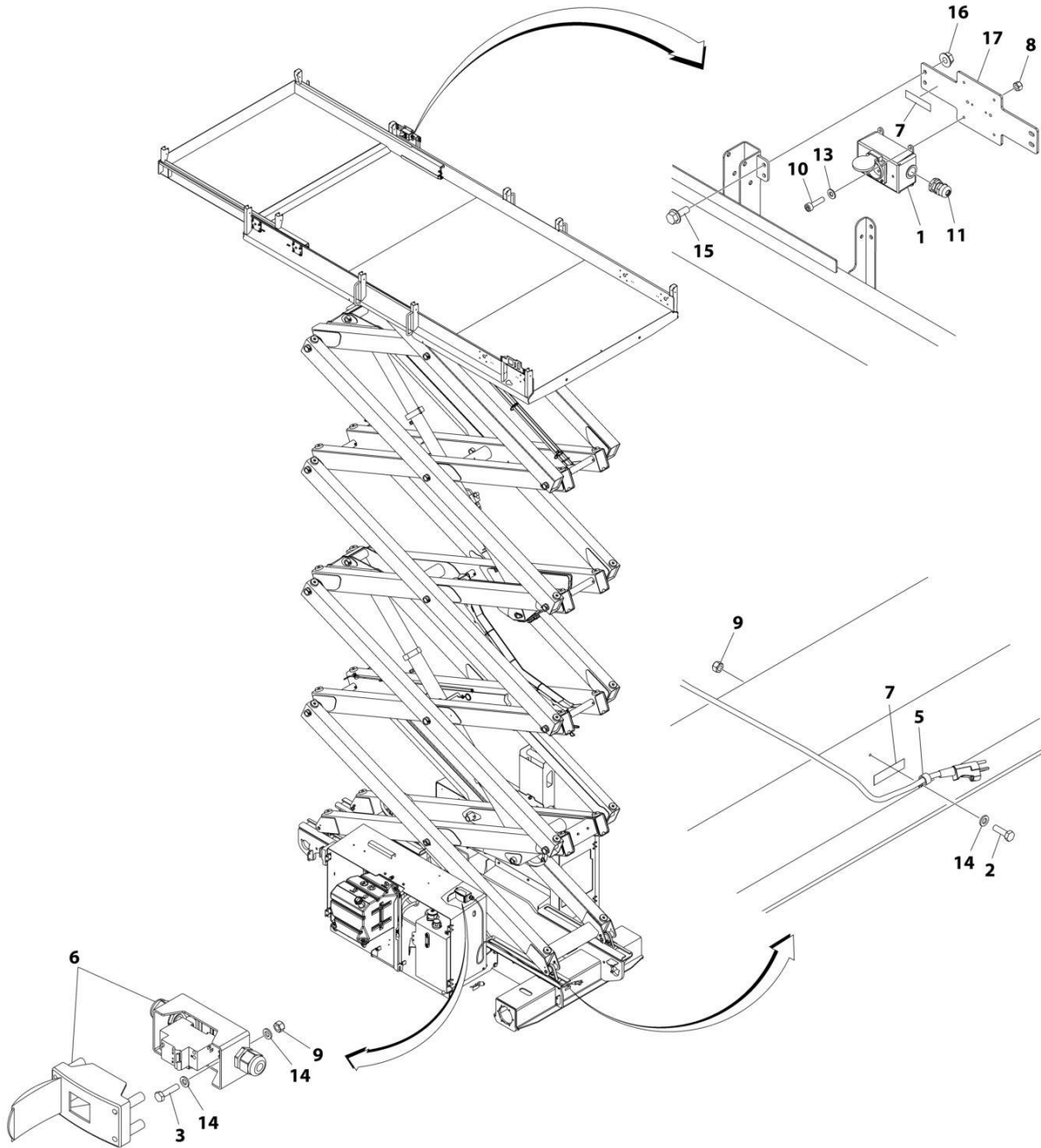
SECTION 8 - ELECTRICAL

FIGURE 8-4. AC BOX AT PLATFORM INSTALLATION - 220V IEC BLUE (CE SPEC)

| ITEM | PART NUMBER | QTY | DESCRIPTION | REV |
|------|-------------|-----|---|-----|
| | 1001209298 | Ref | AC BOX AT PLATFORM INSTALLATION - 220V IEC BLUE | B |
| 1 | 0275217 | 1 | Receptacle Box Kit (See Separate Breakdown in this Section) | |
| 2 | 0760610 | 1 | Bolt M6 x 20 | |
| 3 | 0760612 | 2 | Bolt M6 x 25 | |
| 5 | 0780608 | 4 | Bolt M6 x 16 | |
| 6 | 1320224 | 1 | Clamp | |
| 7 | 1001096070 | 1 | Breaker Box Kit (See Separate Breakdown in this Section) | |
| 8 | 3252507 | 2 | Decal - 220 Volt | |
| 9 | 3290405 | 2 | Nut M4 | |
| 10 | 3290605 | 3 | Nut M6 | |
| 11 | 4031507 | 2 | Bolt M4 x 16 | |
| 13 | 4461257 | 1 | Connector, Strain Relief | |
| 14 | 4461258 | 1 | Connector, Adapter | |
| 15 | 4811400 | 2 | Washer M4 | |
| 16 | 4811700 | 5 | Washer M6 | |
| 17 | 5260600 | 4 | Nut M6 | |
| 18 | 1001207520 | 1 | Bracket | |

SECTION 8 - ELECTRICAL

FIGURE 8-5. AC BOX AT PLATFORM INSTALLATION - 220V AFSINT107 (CE SPEC)



ART_1001207521_B

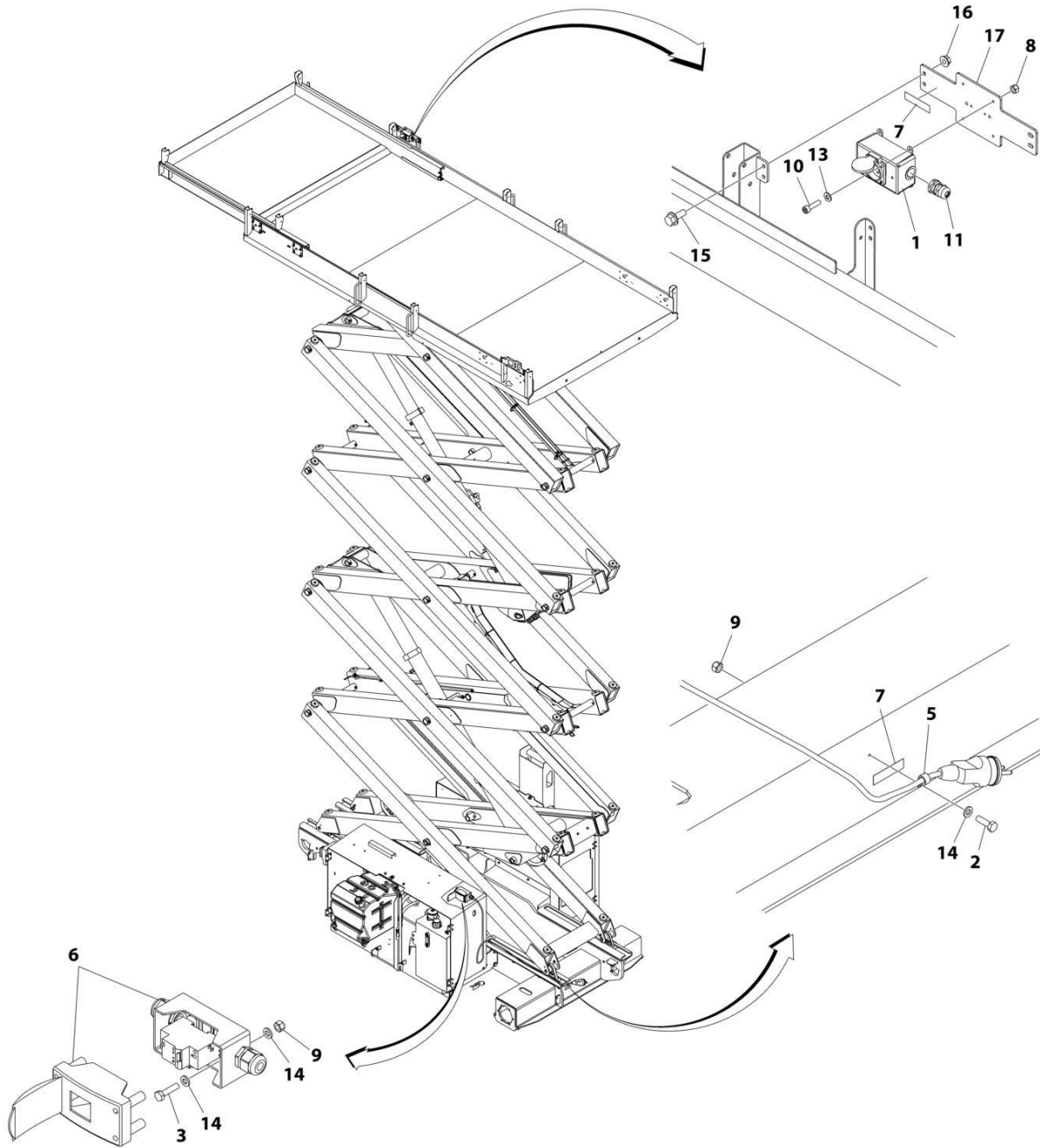
SECTION 8 - ELECTRICAL

FIGURE 8-5. AC BOX AT PLATFORM INSTALLATION - 220V AFSINT107 (CE SPEC)

| ITEM | PART NUMBER | QTY | DESCRIPTION | REV |
|------|-------------|-----|---|-----|
| | 1001207521 | Ref | AC BOX AT PLATFORM INSTALLATION - 220V AFSINT107 | B |
| 1 | 0275454 | 1 | Receptacle Box Kit (See Separate Breakdown in this Section) | |
| 2 | 0760610 | 1 | Bolt M6 x 20 | |
| 3 | 0760612 | 2 | Bolt M6 x 25 | |
| 5 | 1320224 | 1 | Clamp | |
| 6 | 1001096070 | 1 | Breaker Box Kit (See Separate Breakdown in this Section) | |
| 7 | 3252507 | 2 | Decal - 220 Volt | |
| 8 | 3290405 | 4 | Nut M4 | |
| 9 | 3290605 | 3 | Nut M6 | |
| 10 | 4031507 | 4 | Bolt M4 x 16 | |
| 11 | 4460968 | 1 | Connector, Strain Relief | |
| 13 | 4811400 | 4 | Washer M4 | |
| 14 | 4811700 | 5 | Washer M6 | |
| 15 | 0780608 | 4 | Bolt M6 x 16 | |
| 16 | 5260600 | 4 | Nut M6 | |
| 17 | 1001207520 | 1 | Bracket | |

SECTION 8 - ELECTRICAL

FIGURE 8-6. AC BOX AT PLATFORM INSTALLATION - 220V CEE7 POST GROUND WITH 2X4 BOX (CE SPEC)



ART_1001207514_C

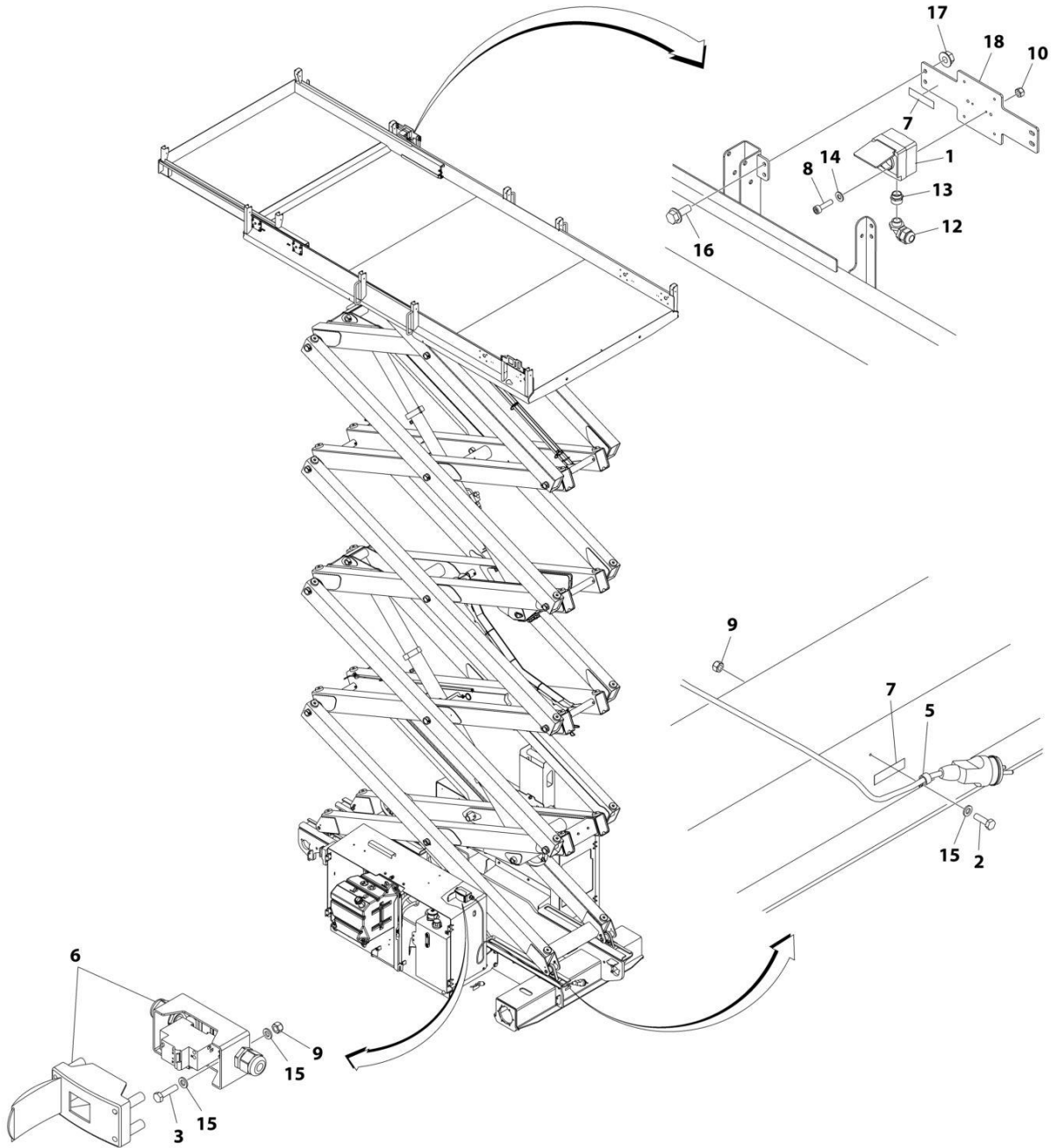
SECTION 8 - ELECTRICAL

**FIGURE 8-6. AC BOX AT PLATFORM INSTALLATION - 220V CEE7 POST GROUND WITH 2X4 BOX
(CE SPEC)**

| ITEM | PART NUMBER | QTY | DESCRIPTION | REV |
|------|-------------|-----|--|-----|
| | 1001207514 | Ref | AC BOX AT PLATFORM INSTALLATION - 220V CEE7 POST GROUND WITH 2X4 BOX | C |
| 1 | 0275452 | 1 | Receptacle Box Kit (See Separate Breakdown in this Section) | |
| 2 | 0760610 | 1 | Bolt M6 x 20 | |
| 3 | 0760612 | 2 | Bolt M6 x 25 | |
| 5 | 1320224 | 1 | Clamp | |
| 6 | 1001096070 | 1 | Breaker Box Kit (See Separate Breakdown in this Section) | |
| 7 | 3252507 | 2 | Decal - 220 Volt | |
| 8 | 3290405 | 4 | Nut M4 | |
| 9 | 3290605 | 3 | Nut M6 | |
| 10 | 4031507 | 4 | Bolt M4 x 16 | |
| 11 | 4460968 | 1 | Connector, Strain Relief | |
| 13 | 4811400 | 4 | Washer M4 | |
| 14 | 4811700 | 5 | Washer M6 | |
| 15 | 0780608 | 4 | Bolt M6 x 16 | |
| 16 | 5260600 | 4 | Nut M6 | |
| 17 | 1001207520 | 1 | Bracket | |

SECTION 8 - ELECTRICAL

FIGURE 8-7. AC BOX AT PLATFORM INSTALLATION - 220V CEE7 POST GROUND WITH 70X70 BOX
(CE SPEC)



ART_1001207518_C

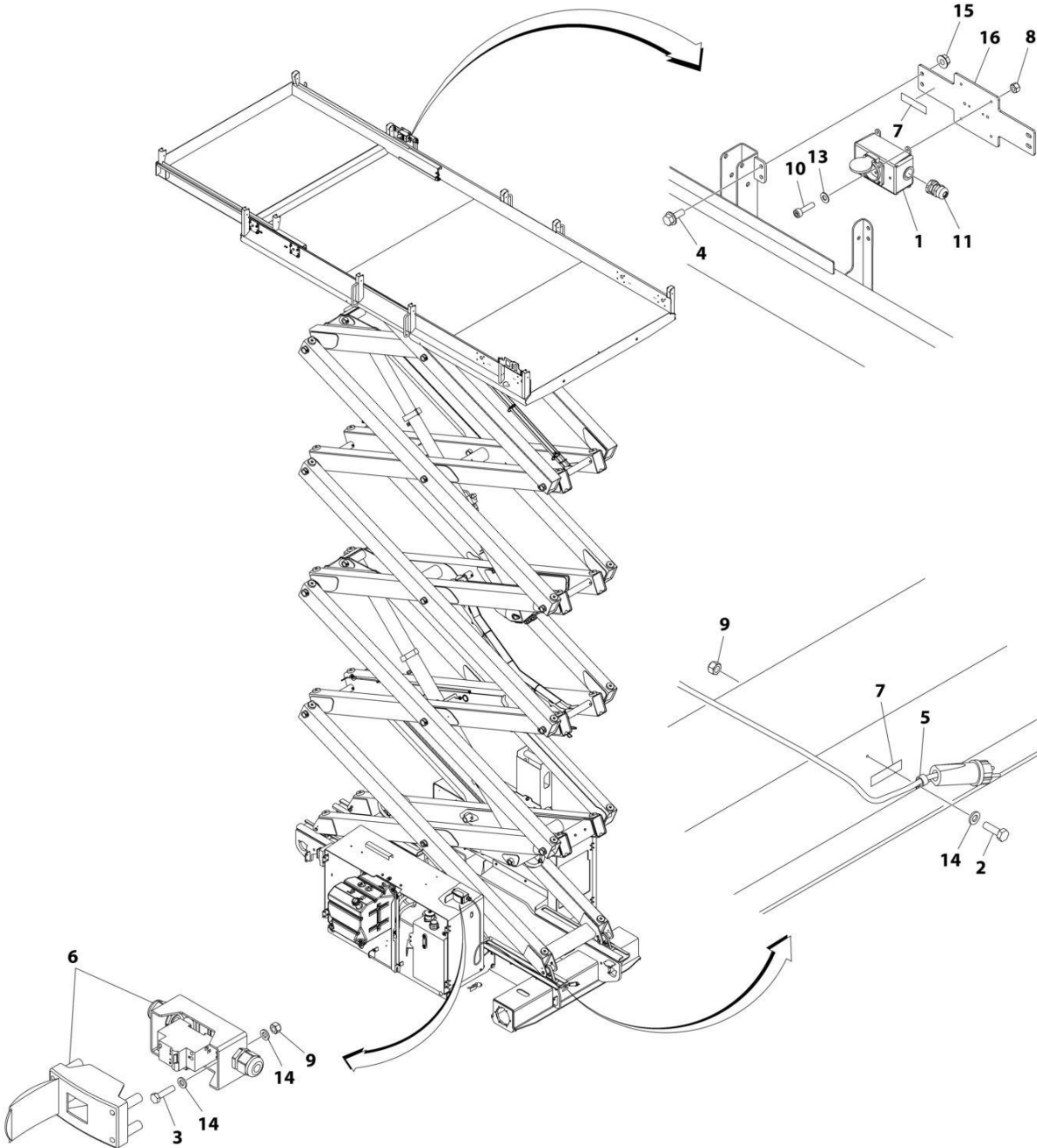
SECTION 8 - ELECTRICAL

**FIGURE 8-7. AC BOX AT PLATFORM INSTALLATION - 220V CEE7 POST GROUND WITH 70X70 BOX
(CE SPEC)**

| ITEM | PART NUMBER | QTY | DESCRIPTION | REV |
|------|-------------|-----|--|-----|
| | 1001207518 | Ref | AC BOX AT PLATFORM INSTALLATION - 220V CEE7 POST GROUND WITH 70X70 BOX | C |
| 1 | 0275218 | 1 | Receptacle Box Kit (See Separate Breakdown in this Section) | |
| 2 | 0760610 | 1 | Bolt M6 x 20 | |
| 3 | 0760612 | 2 | Bolt M6 x 25 | |
| 5 | 1320224 | 1 | Clamp | |
| 6 | 1001096070 | 1 | Breaker Box Kit (See Separate Breakdown in this Section) | |
| 7 | 3252507 | 2 | Decal - 220 Volt | |
| 8 | 3290405 | 2 | Nut M4 | |
| 9 | 3290605 | 3 | Nut M6 | |
| 10 | 4031507 | 2 | Bolt M4 x 16 | |
| 12 | 4461257 | 1 | Connector, Strain Relief | |
| 13 | 4461258 | 1 | Connector, Adapter | |
| 14 | 4811400 | 2 | Washer M4 | |
| 15 | 4811700 | 5 | Washer M6 | |
| 16 | 0780608 | 4 | Bolt M6 x 16 | |
| 17 | 5260600 | 4 | Nut M6 | |
| 18 | 1001207520 | 1 | Bracket | |

SECTION 8 - ELECTRICAL

FIGURE 8-8. AC BOX AT PLATFORM INSTALLATION - 220V CEE7 SIDE GROUND WITH 2X4 BOX (CE SPEC)



ART_1001207515_B

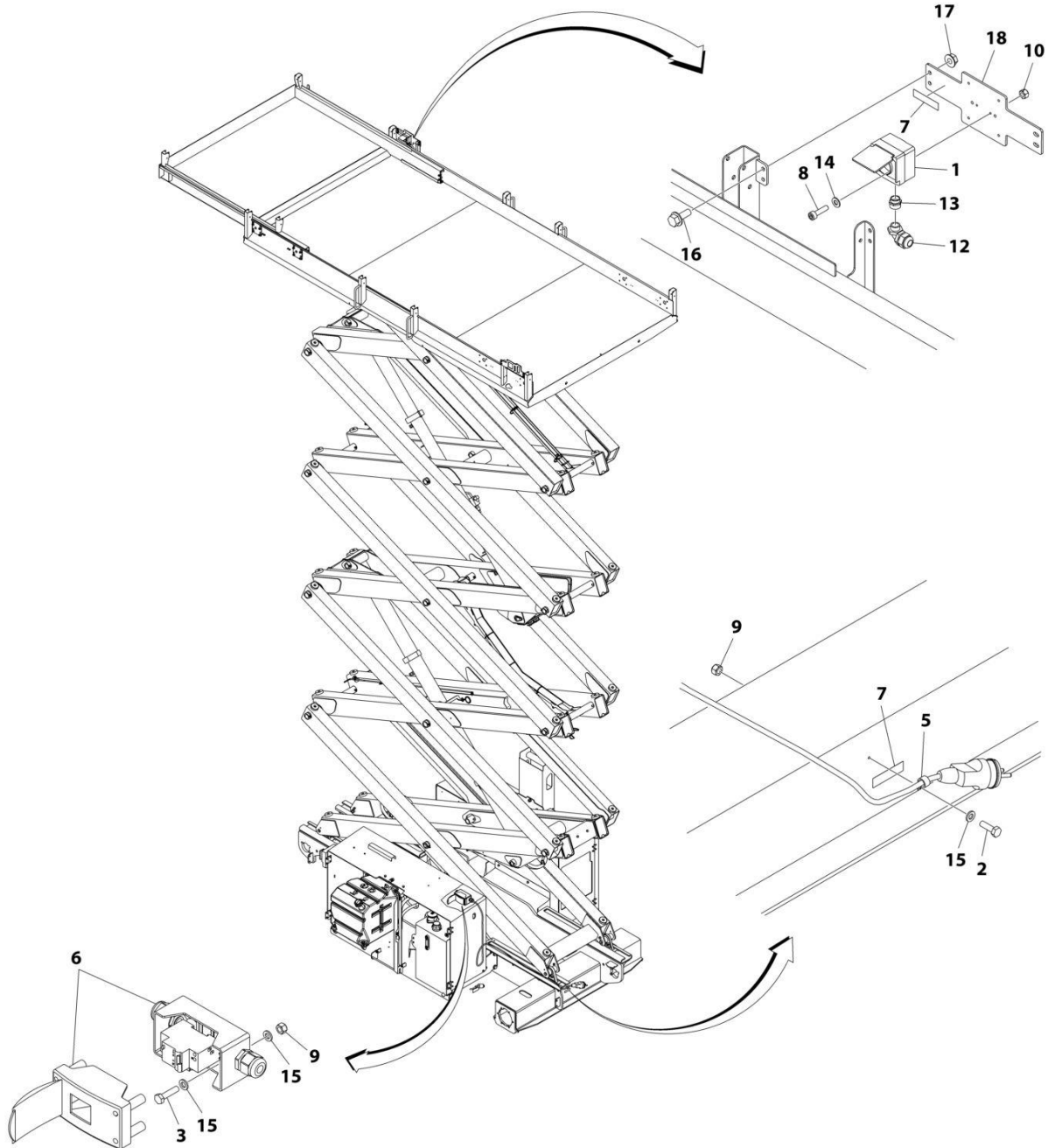
SECTION 8 - ELECTRICAL

**FIGURE 8-8. AC BOX AT PLATFORM INSTALLATION - 220V CEE7 SIDE GROUND WITH 2X4 BOX
(CE SPEC)**

| ITEM | PART NUMBER | QTY | DESCRIPTION | REV |
|------|-------------|-----|--|-----|
| | 1001207515 | Ref | AC BOX AT PLATFORM INSTALLATION - 220V CEE7 SIDE GROUND WITH 2X4 BOX | B |
| 1 | 0275453 | 1 | Receptacle Box Kit (See Separate Breakdown in this Section) | |
| 2 | 0760610 | 1 | Bolt M6 x 20 | |
| 3 | 0760612 | 2 | Bolt M6 x 25 | |
| 4 | 0780608 | 4 | Bolt M6 x 16 | |
| 5 | 1320224 | 1 | Clamp | |
| 6 | 1001096070 | 1 | Breaker Box Kit (See Separate Breakdown in this Section) | |
| 7 | 3252507 | 2 | Decal - 220 Volt | |
| 8 | 3290405 | 4 | Nut M4 | |
| 9 | 3290605 | 3 | Nut M6 | |
| 10 | 4031507 | 4 | Bolt M4 x 16 | |
| 11 | 4460968 | 1 | Connector, Strain Relief | |
| 13 | 4811400 | 4 | Washer M4 | |
| 14 | 4811700 | 5 | Washer M6 | |
| 15 | 5260600 | 4 | Nut M6 | |
| 16 | 1001207520 | 1 | Bracket | |

SECTION 8 - ELECTRICAL

FIGURE 8-9. AC BOX AT PLATFORM INSTALLATION - 220V CEE7 SIDE GROUND WITH 70X70 BOX (CE SPEC)



ART_1001207519_B

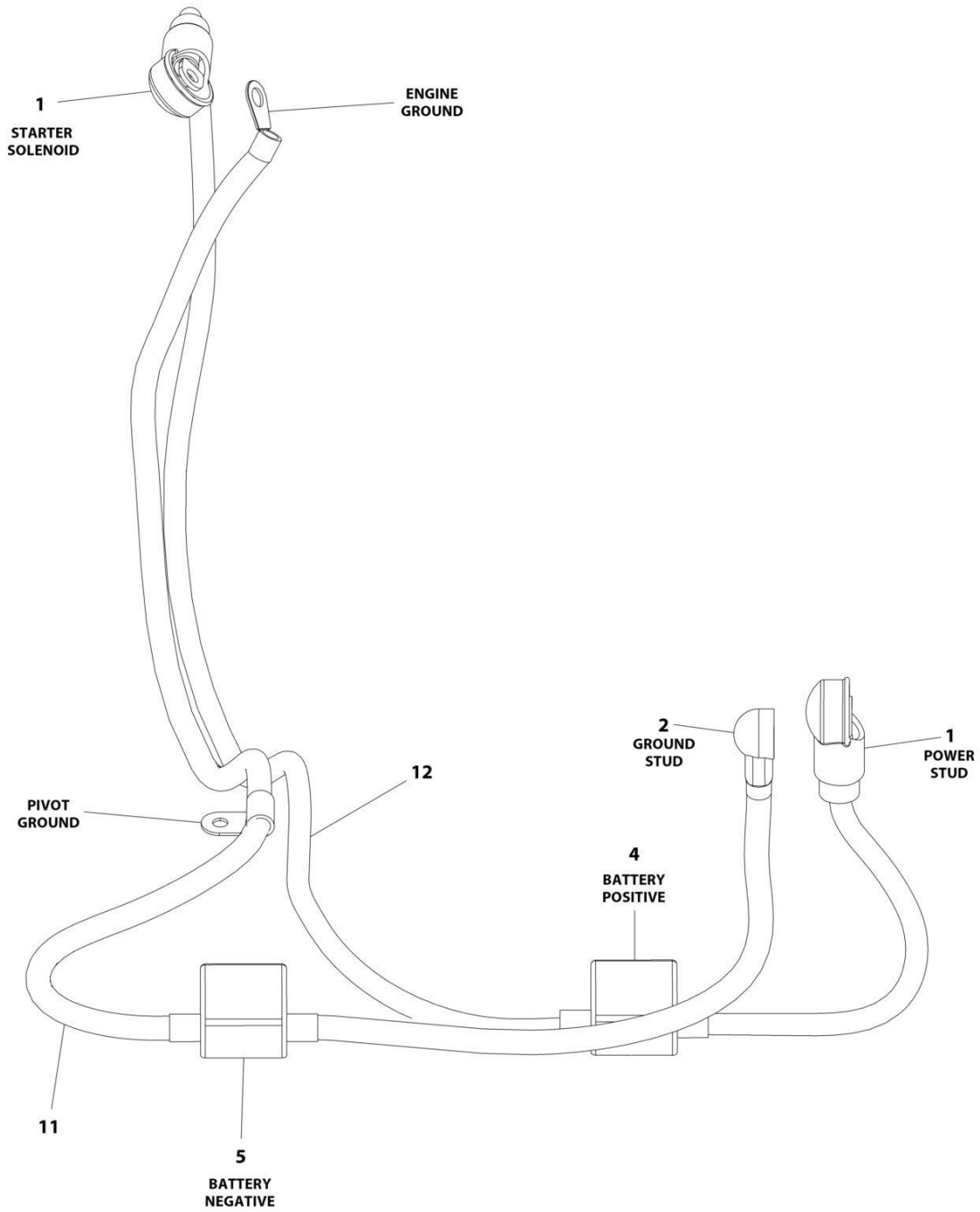
SECTION 8 - ELECTRICAL

**FIGURE 8-9. AC BOX AT PLATFORM INSTALLATION - 220V CEE7 SIDE GROUND WITH 70X70 BOX
(CE SPEC)**

| ITEM | PART NUMBER | QTY | DESCRIPTION | REV |
|------|-------------|-----|--|-----|
| | 1001207519 | Ref | AC BOX AT PLATFORM INSTALLATION - 220V CEE7 SIDE GROUND WITH 70X70 BOX | B |
| 1 | 0275219 | 1 | Receptacle Box Kit (See Separate Breakdown in this Section) | |
| 2 | 0760610 | 1 | Bolt M6 x 20 | |
| 3 | 0760612 | 2 | Bolt M6 x 25 | |
| 5 | 1320224 | 1 | Clamp | |
| 6 | 1001096070 | 1 | Breaker Box Kit (See Separate Breakdown in this Section) | |
| 7 | 3252507 | 2 | Decal - 220 Volt | |
| 8 | 3290405 | 2 | Nut M4 | |
| 9 | 3290605 | 3 | Nut M6 | |
| 10 | 4031507 | 2 | Bolt M4 x 16 | |
| 12 | 4461257 | 1 | Connector, Strain Relief | |
| 13 | 4461258 | 1 | Connector, Adapter | |
| 14 | 4811400 | 2 | Washer M4 | |
| 15 | 4811700 | 5 | Washer M6 | |
| 16 | 0780608 | 4 | Bolt M6 x 16 | |
| 17 | 5260600 | 4 | Nut M6 | |
| 18 | 1001207520 | 1 | Bracket | |

SECTION 8 - ELECTRICAL

FIGURE 8-10. BATTERY CABLE KIT - DIESEL ENGINES



ART_1001186428

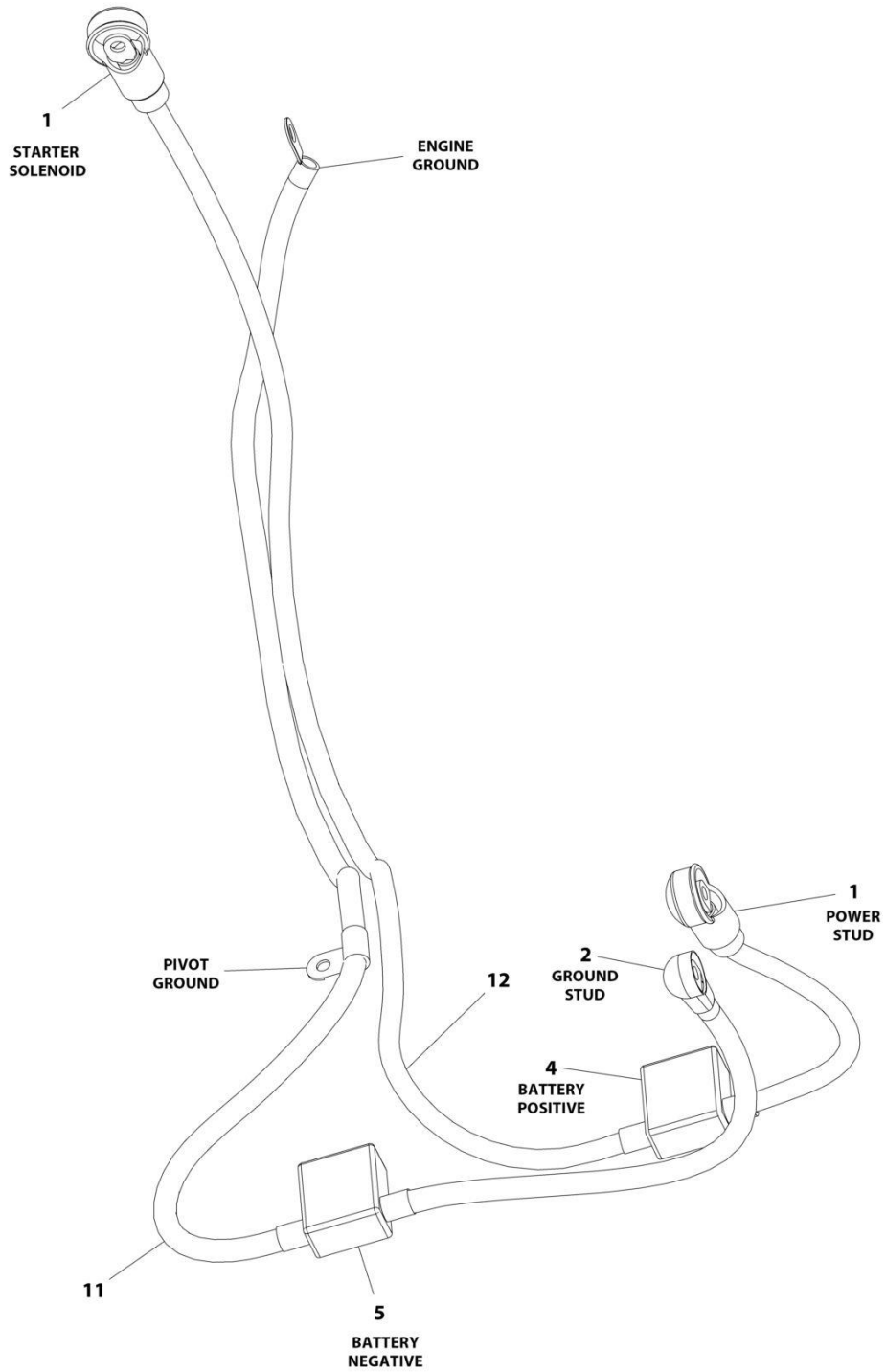
SECTION 8 - ELECTRICAL

FIGURE 8-10. BATTERY CABLE KIT - DIESEL ENGINES

| ITEM | PART NUMBER | QTY | DESCRIPTION | REV |
|------|-------------|-----|------------------------------------|-----|
| | 1001186428 | Ref | BATTERY CABLE KIT - DIESEL ENGINES | E |
| 1 | 0840052 | 2 | Boot | |
| 2 | 1001098765 | 1 | Boot | |
| 4 | 1001186483 | 1 | Boot | |
| 5 | 1001186484 | 1 | Boot | |
| 11 | 70009008 | 1 | Cable, Negative | |
| 12 | 70009009 | 1 | Cable, Positive | |

SECTION 8 - ELECTRICAL

FIGURE 8-11. BATTERY CABLE KIT - GASOLINE ENGINES



ART_1001186429

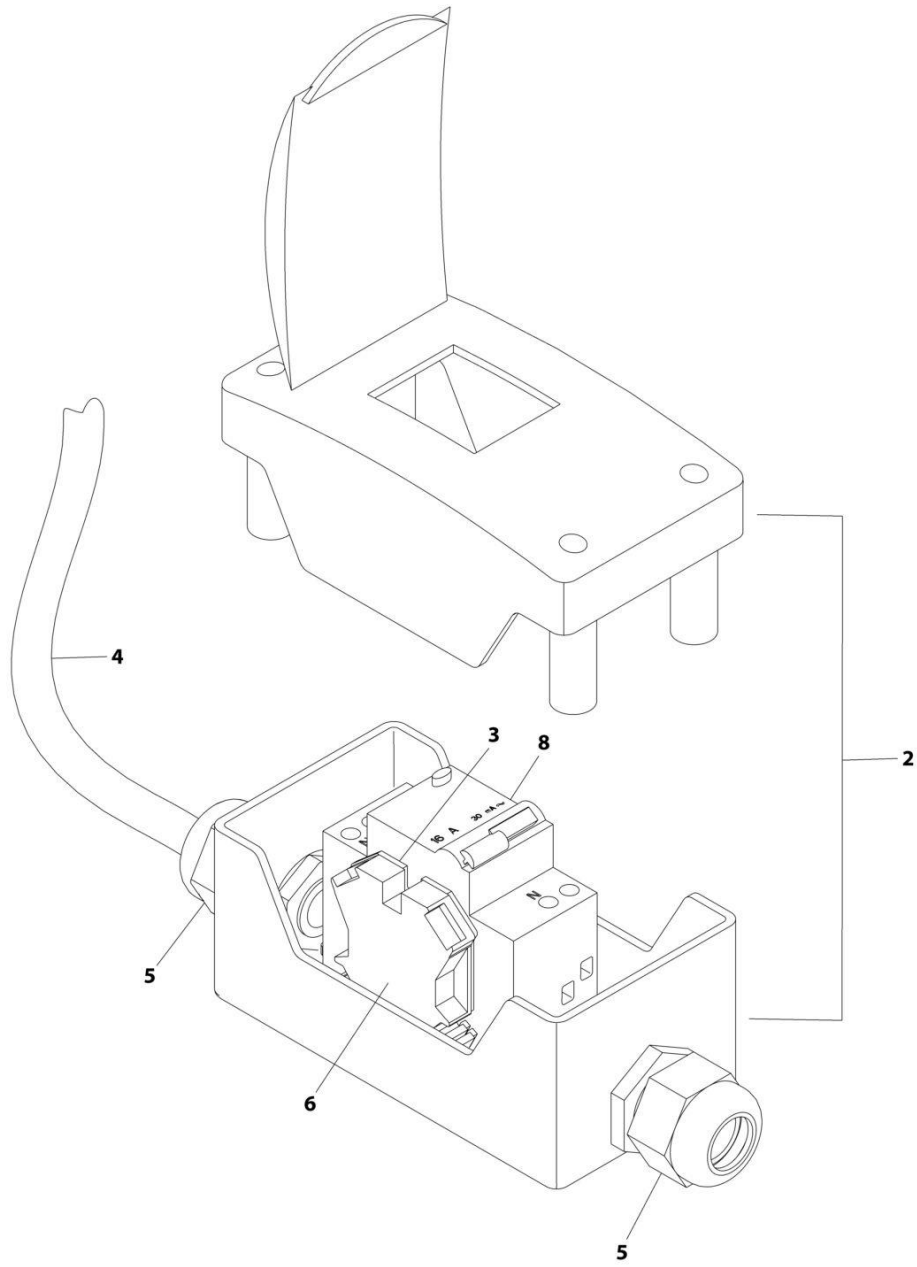
SECTION 8 - ELECTRICAL

FIGURE 8-11. BATTERY CABLE KIT - GASOLINE ENGINES

| ITEM | PART NUMBER | QTY | DESCRIPTION | REV |
|------|-------------|-----|--------------------------------------|-----|
| | 1001186429 | Ref | BATTERY CABLE KIT - GASOLINE ENGINES | C |
| 1 | 0840052 | 2 | Boot | |
| 2 | 1001098765 | 1 | Boot | |
| 4 | 1001186483 | 1 | Boot | |
| 5 | 1001186484 | 1 | Boot | |
| 11 | 70009010 | 1 | Cable, Negative | |
| 12 | 70009011 | 1 | Cable, Positive | |

SECTION 8 - ELECTRICAL

FIGURE 8-12. BREAKER BOX KIT - SINGLE DOUBLE POLE BREAKER



ART_1001096070_E

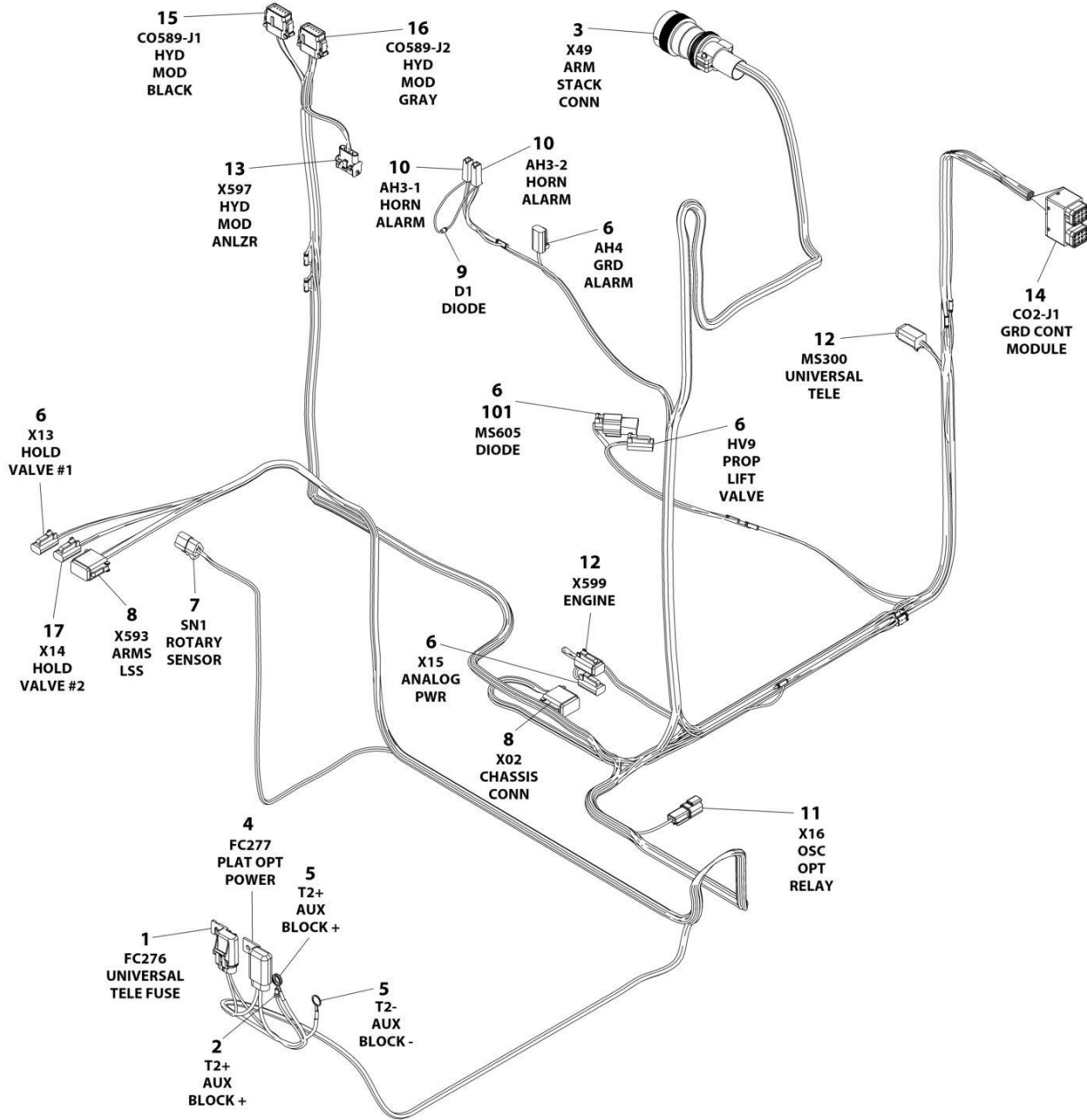
SECTION 8 - ELECTRICAL

FIGURE 8-12. BREAKER BOX KIT - SINGLE DOUBLE POLE BREAKER

| ITEM | PART NUMBER | QTY | DESCRIPTION | REV |
|------|-------------|----------------|-----------------------------|-----|
| | 1001096070 | Ref | BREAKER BOX KIT | E |
| 2 | 0861880 | 1 | Box | |
| 3 | 4460956 | 1 | Barrier, Terminal Block End | |
| 4 | 1060908 | 12 ft/ 3.6m | Cable, 12/3 | |
| 5 | 1001097150 | 2 | Connector, Strain Relief | |
| 6 | 4460957 | 1 | Block, Terminal | |
| 8 | 1001181045 | 1 | Breaker, 16Amp | |

SECTION 8 - ELECTRICAL

FIGURE 8-13. CHASSIS HARNESS



ART_1001236270_C

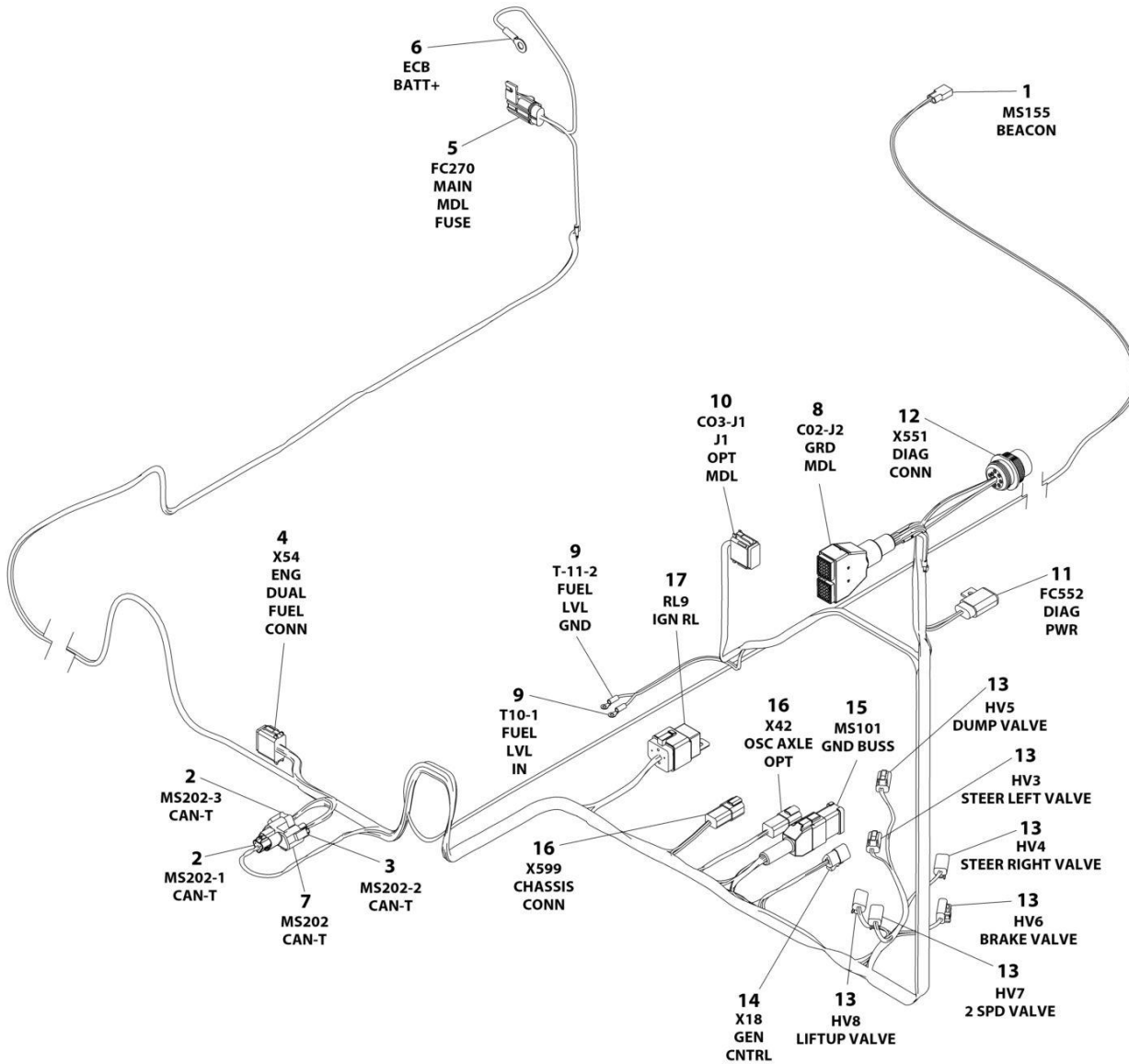
SECTION 8 - ELECTRICAL

FIGURE 8-13. CHASSIS HARNESS

| ITEM | PART NUMBER | QTY | DESCRIPTION | REV |
|------|-------------|-----|--|-----|
| | 1001236270 | Ref | CHASSIS HARNESS | C |
| 1 | 1001117078 | 1 | Fuseholder with 5 Amp Fuse | |
| 1 | See Note | NSS | Fuse - 5 Amp (Note: Purchase Locally) | |
| 1 | 1001116733 | 2 | Terminal | |
| 2 | 4460670 | 1 | Terminal, Ring | |
| 3 | 1001116926 | 1 | Connector - 24 Position | |
| 3 | 4460465 | 4 | Socket, Female | |
| 3 | 4460509 | 4 | Socket, Female | |
| 3 | 4460944 | 3 | Socket, Female | |
| 3 | 4460466 | 10 | Plug, Terminal | |
| 4 | 1001117023 | 1 | Fuseholder with 10 Amp Fuse | |
| 4 | See Note | NSS | Fuse - 10 Amp (Note: Purchase Locally) | |
| 4 | 1001116752 | 2 | Terminal | |
| 5 | 4460019 | 2 | Terminal, Ring | |
| 6 | 4460891 | 5 | Plug, Male - 2 Position | |
| 6 | 4460465 | 10 | Socket, Female | |
| 7 | 4460539 | 1 | Plug, Male - 3 Position | |
| 7 | 4460465 | 3 | Socket, Female | |
| 8 | 4460930 | 2 | Connector - 8 Position | |
| 8 | 4460465 | 13 | Socket, Female | |
| 8 | 4460466 | 3 | Plug, Terminal | |
| 9 | 3990010 | 1 | Diode | |
| 10 | 4460260 | 2 | Cover, Terminal | |
| 10 | 4460259 | 4 | Terminal | |
| 11 | 4460897 | 1 | Receptacle, Female - 2 Position | |
| 11 | 4460464 | 1 | Pin, Male | |
| 11 | 4460466 | 1 | Plug, Terminal | |
| 12 | 4460884 | 2 | Plug, Male - 4 Position | |
| 12 | 4460465 | 8 | Socket, Female | |
| 12 | 1001192401 | 1 | Cover, Dust | |
| 13 | 4460761 | 1 | Receptacle, Female - 4 Position | |
| 13 | 4460267 | 1 | Pin, Male | |
| 14 | 4460812 | 1 | Connector - 24 Position | |
| 14 | 4460465 | 14 | Socket, Female | |
| 14 | 4460942 | 2 | Socket, Female | |
| 14 | 4460944 | 3 | Socket, Female | |
| 14 | 4460466 | 5 | Plug, Terminal | |
| 14 | 0840056 | 1 | Boot | |
| 15 | 1001116808 | 1 | Connector - 12 Position | |
| 15 | 4460928 | 6 | Terminal | |
| 15 | 4460518 | 6 | Plug, Terminal | |
| 16 | 1001116774 | 1 | Connector - 12 Position | |
| 16 | 4460928 | 9 | Terminal | |
| 16 | 4460518 | 3 | Plug, Terminal | |
| 17 | 4460897 | 1 | Plug, Male - 2 Position | |
| 17 | 4460464 | 2 | Socket, Female | |
| 101 | 1001116816 | 1 | Connector, Diode | |

SECTION 8 - ELECTRICAL

FIGURE 8-14. DUAL FUEL HARNESS



ART_1001236380

SECTION 8 - ELECTRICAL

FIGURE 8-14. DUAL FUEL HARNESS

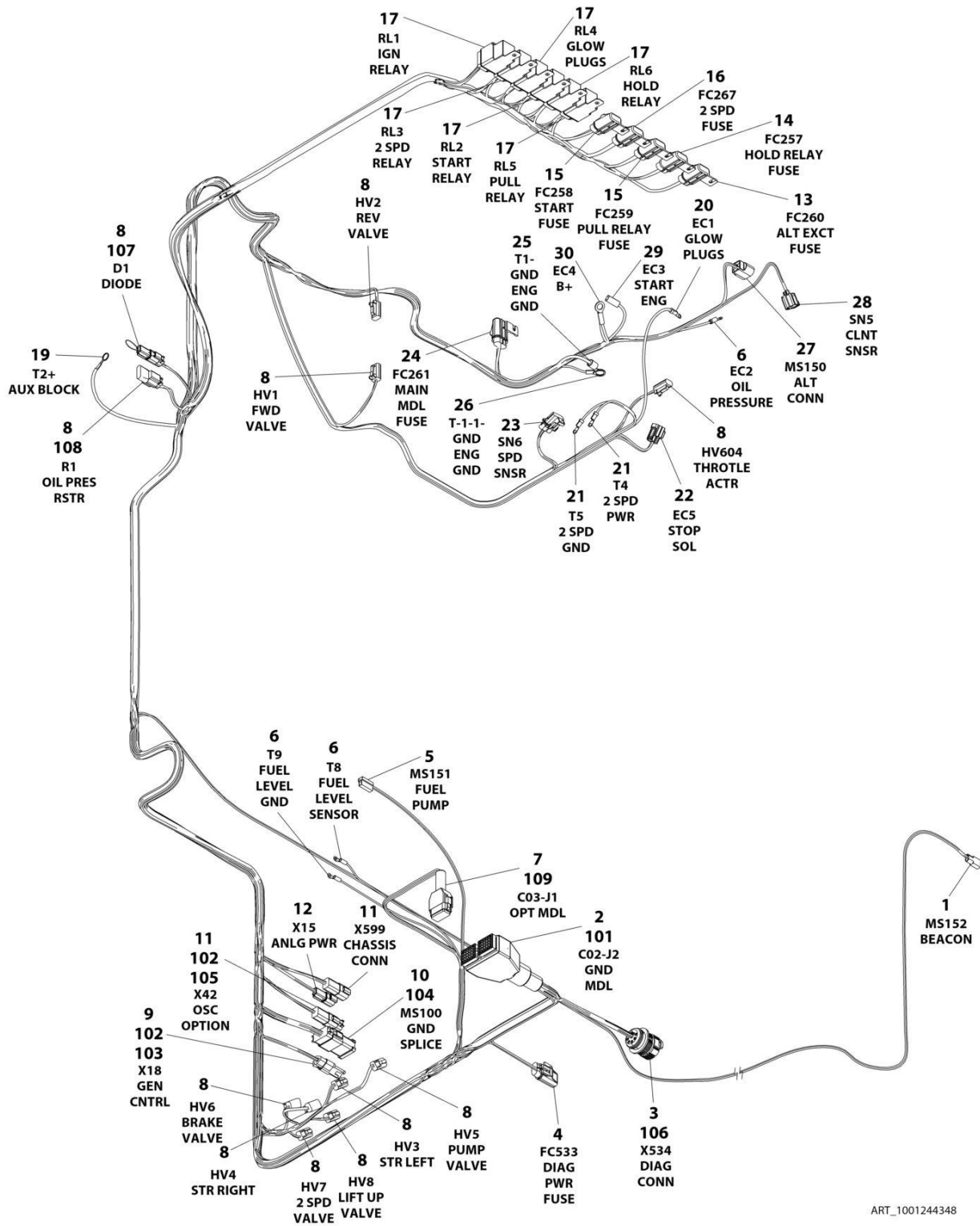
| ITEM | PART NUMBER | QTY | DESCRIPTION | REV |
|------|-------------|-----|--|-----|
| | 1001236380 | Ref | DUAL FUEL HARNESS | A |
| 1 | 4460424 | 1 | Plug, Male - 2 Position | |
| 1 | 4460268 | 2 | Socket, Female | |
| 2 | 1001116812 | 2 | Plug, Male - 3 Position | |
| 2 | 4460944 | 6 | Socket, Female | |
| 3 | 4460539 | 1 | Plug, Male - 3 Position | |
| 3 | 4460944 | 3 | Socket, Female | |
| 4 | 4460933 | 1 | Connector - 12 Position | |
| 4 | 4460465 | 8 | Socket, Female | |
| 4 | 4460944 | 3 | Socket, Female | |
| 4 | 4460942 | 1 | Socket, Female | |
| 5 | 1001117069 | 1 | Fuseholder with 20 Amp Fuse | |
| 5 | See Note | 1 | Fuse - 20 Amp (Note: Purchase Locally) | |
| 5 | 1001116752 | 2 | Terminal | |
| 6 | 8220045 | 1 | Terminal, Ring | |
| 7 | 4460945 | 1 | Receptacle - 3 Way | |
| 8 | 4460814 | 1 | Connector - 40 Position | |
| 8 | 4460466 | 15 | Plug, Terminal | |
| 8 | 4460944 | 3 | Socket, Female | |
| 8 | 4460465 | 22 | Socket, Female | |
| 8 | 0840057 | 1 | Boot | |
| 9 | 8220007 | 2 | Terminal, Ring | |
| 10 | 4460933 | 1 | Plug, Male - 12 Position | |
| 10 | 4460465 | 2 | Socket, Female | |
| 10 | 4460944 | 3 | Socket, Female | |
| 10 | 4460466 | 7 | Plug, Terminal | |
| 10 | 1001174455 | 1 | Boot | |
| 11 | 1001117023 | 1 | Fuseholder with 10 Amp Fuse | |
| 11 | See Note | 1 | Fuse - 10 Amp (Note: Purchase Locally) | |
| 11 | 1001116733 | 2 | Terminal | |
| 12 | 1001112612 | 1 | Connector - 9 Position | |
| 12 | 4460464 | 3 | Pin, Male | |
| 12 | 4460943 | 3 | Pin, Male | |
| 12 | 4460466 | 3 | Plug, Terminal | |
| 13 | 4460891 | 6 | Plug, Male | |
| 13 | 4460465 | 12 | Socket, Female | |
| 14 | 4460539 | 1 | Plug, Male - 3 Position | |
| 14 | 4460465 | 3 | Socket, Female | |
| 14 | 4460536 | 1 | Receptacle, Female - 3 Position | |
| 14 | 4460466 | 3 | Plug, Terminal | |
| 15 | 4460836 | 1 | Plug, Male - 12 Position | |
| 15 | 4460465 | 10 | Socket, Female | |
| 15 | 4460466 | 2 | Plug, Terminal | |
| 15 | 4460837 | 1 | Receptacle, Female - 12 Position | |
| 16 | 4460932 | 2 | Receptacle, Female - 4 Position | |
| 16 | 4460464 | 7 | Socket, Female | |
| 16 | 4460466 | 1 | Plug, Terminal | |
| 16 | 4460884 | 1 | Plug, Male - 4 Position | |
| 16 | 4460466 | 4 | Plug, Terminal | |
| 17 | 1001117025 | 1 | Relay and Receptacle | |

SECTION 8 - ELECTRICAL

| ITEM | PART NUMBER | QTY | DESCRIPTION | REV |
|------|-------------|-----|-------------|-----|
| 17 | 3740080 | 1 | Relay | |
| 17 | 1001116732 | 2 | Terminal | |
| 17 | 1001116734 | 2 | Terminal | |

SECTION 8 - ELECTRICAL

FIGURE 8-15. ENGINE HARNESS - KUBOTA DIESEL



ART_1001244348

SECTION 8 - ELECTRICAL

FIGURE 8-15. ENGINE HARNESS - KUBOTA DIESEL

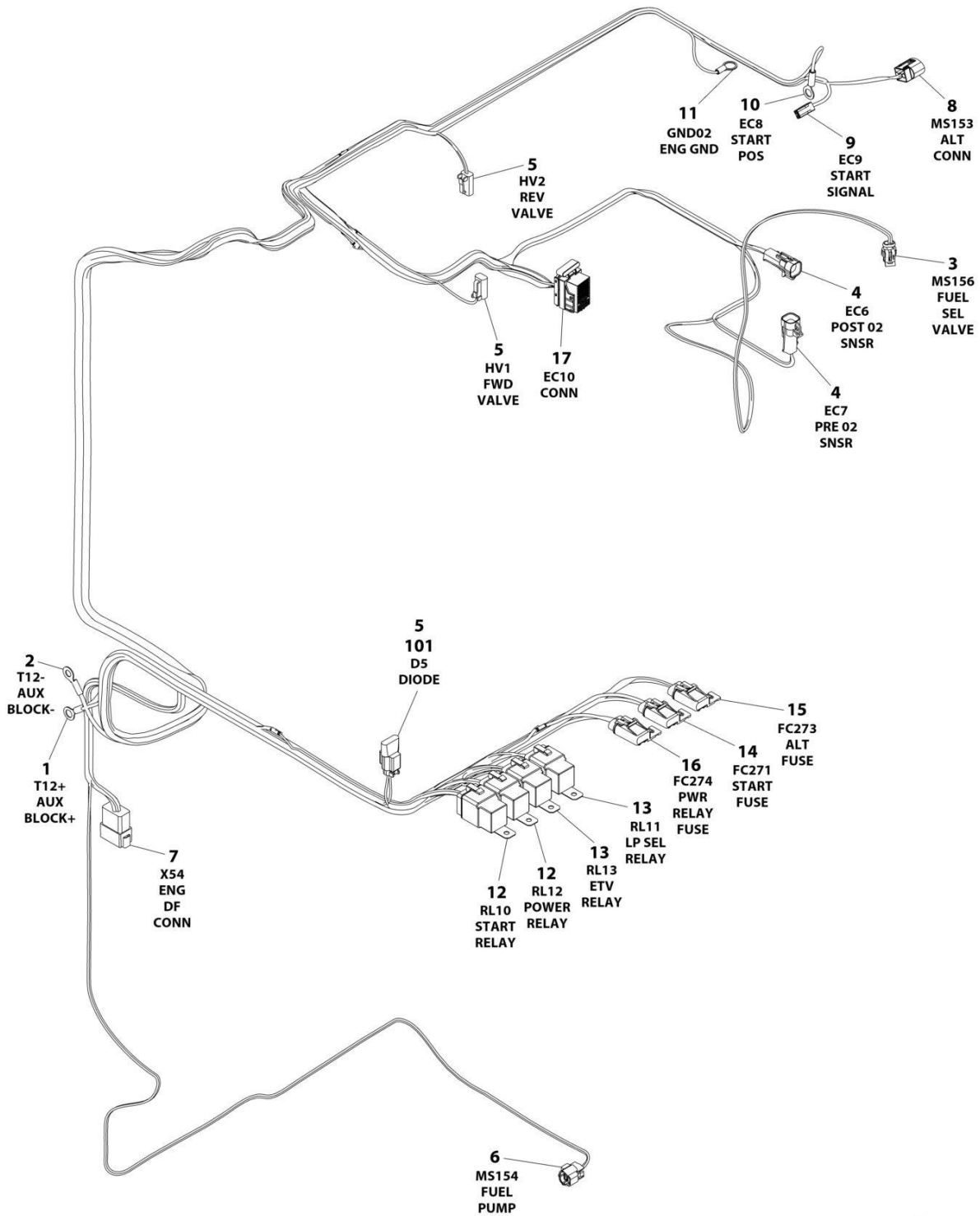
| ITEM | PART NUMBER | QTY | DESCRIPTION | REV |
|------|-------------|-----|--|-----|
| | 1001244348 | Ref | ENGINE HARNESS - KUBOTA DIESEL | D |
| 1 | 4460424 | 1 | Plug, Male - 2 Position | |
| 1 | 4460268 | 2 | Socket, Female | |
| 2 | 4460814 | 1 | Connector - 40 Position | |
| 2 | 4460465 | 28 | Socket, Female | |
| 2 | 4460942 | 1 | Socket, Female | |
| 2 | 4460944 | 3 | Socket, Female | |
| 2 | 4460466 | 8 | Plug, Terminal | |
| 3 | 1001112612 | 1 | Connector - 9 Position | |
| 3 | 4460464 | 3 | Pin, Male | |
| 3 | 4460943 | 3 | Pin, Male | |
| 3 | 4460466 | 3 | Plug, Terminal | |
| 4 | 1001117078 | 1 | Fuseholder with 5 Amp Fuse | |
| 4 | See Note | 1 | Fuse - 5 Amp (Note: Purchase Locally) | |
| 4 | 1001116733 | 2 | Terminal | |
| 5 | 1001118744 | 1 | Connector - 2 Position | |
| 5 | 1001118745 | 2 | Terminal | |
| 6 | 4460247 | 2 | Terminal, Ring | |
| 7 | 4460933 | 1 | Plug, Male - 12 Position | |
| 7 | 4460465 | 2 | Socket, Female | |
| 7 | 4460944 | 3 | Socket, Female | |
| 7 | 4460466 | 7 | Plug Terminal | |
| 8 | 4460891 | 11 | Plug, Male - 2 Position | |
| 8 | 4460465 | 22 | Socket, Female | |
| 9 | 4460539 | 1 | Plug, Male - 3 Position | |
| 9 | 4460465 | 3 | Socket, Female | |
| 10 | 4460836 | 1 | Plug, Male - 12 Position | |
| 10 | 4460465 | 12 | Socket, Female | |
| 11 | 4460932 | 2 | Receptacle, Female - 4 Position | |
| 11 | 4460464 | 7 | Pin, Male | |
| 11 | 4460466 | 1 | Plug, Terminal | |
| 12 | 4460897 | 1 | Receptacle, Female - 2 Position | |
| 12 | 4460464 | 2 | Pin, Male | |
| 13 | 1001117069 | 1 | Fuseholder with 20 Amp Fuse and Mounting Bracket | |
| 13 | See Note | 1 | Fuse - 20 Amp (Note: Purchase Locally) | |
| 13 | 1001116733 | 2 | Terminal | |
| 14 | 1001117077 | 1 | Fuseholder with 4 Amp Fuse and Mounting Bracket | |
| 14 | See Note | 1 | Fuse - 4 Amp (Note: Purchase Locally) | |
| 14 | 1001116733 | 1 | Terminal | |
| 14 | 1001116752 | 1 | Terminal | |
| 15 | 1001118938 | 2 | Fuseholder with 40 Amp Fuse and Mounting Bracket | |
| 15 | See Note | 2 | Fuse - 40 Amp (Note: Purchase Locally) | |
| 15 | 1001116752 | 4 | Terminal | |
| 16 | 1001117070 | 1 | Fuseholder with 30 Amp Fuse and Mounting Bracket | |
| 16 | See Note | 1 | Fuse - 30 Amp (Note: Purchase Locally) | |
| 16 | 1001116752 | 2 | Terminal | |
| 17 | 1001266832 | 6 | Relay with Connector | |
| 17 | 3740080 | 6 | Relay | |
| 17 | 1001116734 | 11 | Terminal | |
| 17 | 1001116732 | 12 | Terminal | |

SECTION 8 - ELECTRICAL

| ITEM | PART NUMBER | QTY | DESCRIPTION | REV |
|------|-------------|-----|---|-----|
| 17 | 1001116733 | 1 | Terminal | |
| 17 | 1001128128 | 1 | Plug, Terminal | |
| 19 | 4460019 | 2 | Terminal, Ring | |
| 20 | 4460142 | 1 | Terminal, Ring | |
| 21 | 4460042 | 2 | Terminal, Ring | |
| 22 | 1001223432 | 1 | Connector - 2 Position | |
| 22 | 1001223795 | 2 | Terminal | |
| 22 | 1001223796 | 2 | Seal, Terminal | |
| 23 | 1001117055 | 1 | Plug, Male - 3 Position | |
| 23 | 4460746 | 2 | Terminal | |
| 24 | 1001117069 | 1 | Fuseholder with 10 Amp Fuse and Mounting Bracket | |
| 24 | See Note | 1 | Fuse - 10 Amp (Note: Purchase Locally) | |
| 24 | 1001116752 | 2 | Terminal | |
| 25 | 8220029 | 1 | Terminal | |
| 26 | 8220111 | 1 | Terminal, Ring | |
| 27 | 1001125748 | 1 | Connector - 3 Position | |
| 27 | 1001125773 | 2 | Terminal | |
| 27 | 1001129773 | 1 | Terminal | |
| 27 | | Ref | Seal, Terminal | |
| 28 | 1001118657 | 1 | Connector - 2 Position | |
| 28 | 1001118658 | 2 | Terminal | |
| 29 | 1001118743 | 1 | Housing, Terminal | |
| 29 | 1001230488 | 1 | Terminal | |
| 30 | 8220164 | 1 | Terminal, Ring | |
| 101 | 0840057 | 1 | Boot | |
| 102 | 4460466 | 7 | Plug, Terminal | |
| 103 | 4460536 | 1 | Receptacle, Female - 3 Position | |
| 104 | 4460837 | 1 | Connector, Bussbar | |
| 105 | 4460884 | 1 | Plug, Male | |
| 106 | 1001106736 | 1 | Dust Cap | |
| 107 | 1001116816 | 3 | Receptacle, Female - 2 Position with Diode (at D1, D2 & D3) | |
| 108 | 1001195684 | 1 | Receptacle, Female - 2 Position with Resistor (at R1) | |
| 109 | 1001174455 | 1 | Boot | |

SECTION 8 - ELECTRICAL

FIGURE 8-16. ENGINE HARNESS - KUBOTA GASOLINE



ART_1001244349

SECTION 8 - ELECTRICAL

FIGURE 8-16. ENGINE HARNESS - KUBOTA GASOLINE

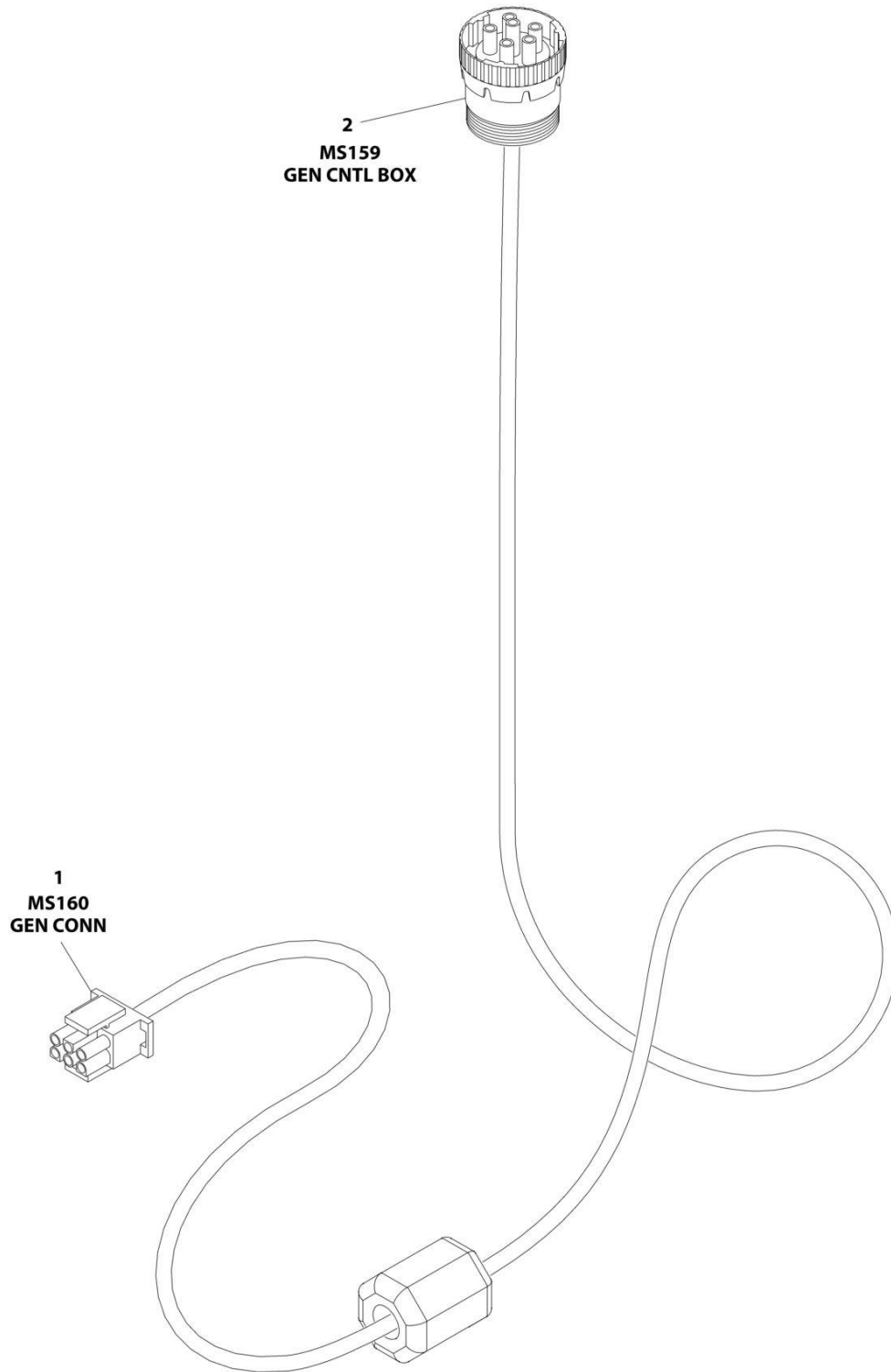
| ITEM | PART NUMBER | QTY | DESCRIPTION | REV |
|------|-------------|-----|--|-----|
| | 1001244349 | Ref | ENGINE HARNESS - KUBOTA GASOLINE | E |
| 1 | 8220164 | 1 | Terminal, Ring | |
| 2 | 8220045 | 1 | Terminal, Ring | |
| 3 | 4461118 | 1 | Plug, Male - 2 Position | |
| 3 | 1001107854 | 2 | Terminal | |
| 3 | 1001116763 | 2 | Seal | |
| 4 | 1001184722 | 2 | Receptacle, Female - 4 Position | |
| 4 | 1001116749 | 8 | Terminal | |
| 4 | 4460608 | 8 | Seal | |
| 5 | 4460891 | 3 | Plug, Male - 2 Position | |
| 5 | 4460465 | 6 | Socket, Female | |
| 6 | 1001184832 | 1 | Connector - 2 Position | |
| 6 | 1001118658 | 2 | Terminal | |
| 6 | 1001205250 | 2 | Seal | |
| 7 | 4460970 | 1 | Connector - 12 Position | |
| 7 | 4460464 | 8 | Pin, Male | |
| 7 | 4460943 | 3 | Pin, Male | |
| 7 | 4460941 | 1 | Pin, Male | |
| 8 | 1001125748 | 1 | Connector - 3 Position | |
| 8 | 1001125773 | 3 | Terminal | |
| 8 | 1001129772 | 2 | Seal | |
| 9 | 1001184768 | 1 | Housing, Terminal | |
| 9 | 1001184769 | 1 | Terminal | |
| 10 | 1001117110 | 1 | Terminal, Ring | |
| 11 | 8220111 | 1 | Terminal, Ring | |
| 12 | 1001265084 | 2 | Relay with Connector | |
| 12 | 3740080 | 2 | Relay | |
| 12 | 1001116752 | 4 | Terminal | |
| 12 | 1001116732 | 4 | Terminal | |
| 13 | 1001117025 | 2 | Relay with Connector | |
| 13 | 3740080 | 2 | Relay | |
| 13 | 1001116733 | 4 | Terminal | |
| 13 | 1001116732 | 4 | Terminal | |
| 14 | 1001118938 | 1 | Fuseholder with 40 Amp Fuse and Mounting Bracket | |
| 14 | See Note | 1 | Fuse - 40 Amp (Note: Purchase Locally) | |
| 14 | 1001116752 | 2 | Terminal | |
| 15 | 1001117078 | 1 | Fuseholder with 5 Amp Fuse and Mounting Bracket | |
| 15 | See Note | 1 | Fuse - 5 Amp (Note: Purchase Locally) | |
| 15 | 1001116732 | AR | Terminal | |
| 16 | 1001117070 | 1 | Fuseholder with 30 Amp Fuse and Mounting Bracket | |
| 16 | See Note | 1 | Fuse - 30 Amp (Note: Purchase Locally) | |
| 16 | 1001116752 | 2 | Terminal | |
| 17 | 1001184705 | 1 | Connector - 42 Position | |
| 17 | 1001187455 | 4 | Terminal | |
| 17 | 1001184718 | 4 | Terminal | |
| 17 | 1001166702 | 1 | Terminal | |
| 17 | 1001184716 | 10 | Terminal | |
| 17 | 1001184717 | 2 | Terminal | |
| 17 | 4461054 | 4 | Seal | |
| 17 | 1001167690 | 5 | Seal | |

SECTION 8 - ELECTRICAL

| ITEM | PART NUMBER | QTY | DESCRIPTION | REV |
|------|-------------|-----|-------------------------------|-----|
| 17 | 1001126393 | 12 | Seal | |
| 101 | 1001118616 | 1 | Receptacle, Female with Diode | |

SECTION 8 - ELECTRICAL

FIGURE 8-17. GENERATOR CONTROL HARNESS - 4000W GENERATOR (GENERATOR TO CONTROL BOX)



ART_1001236444

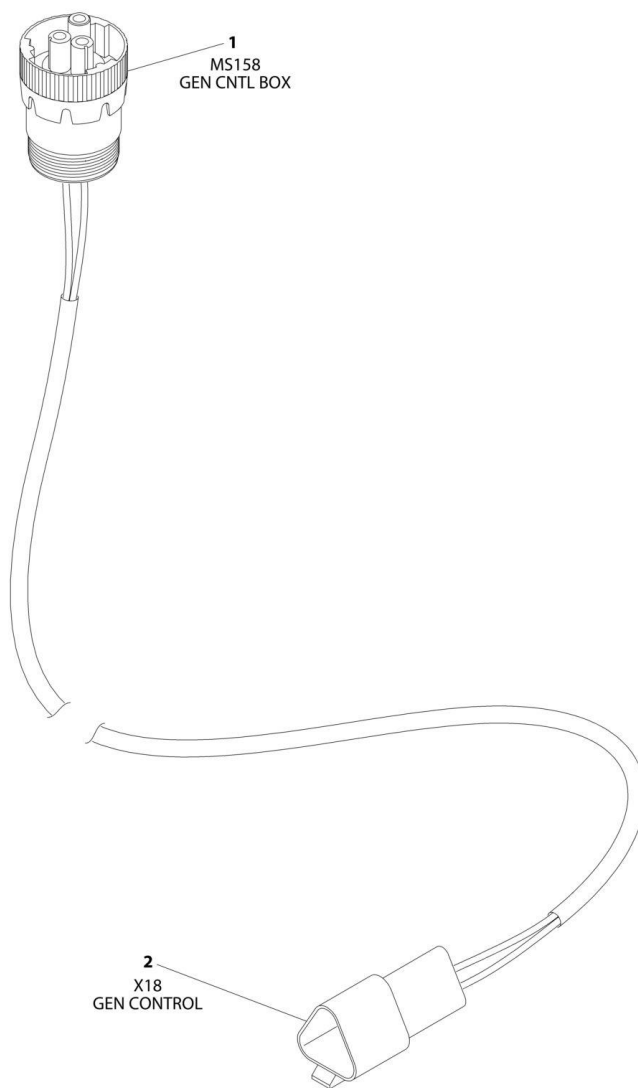
SECTION 8 - ELECTRICAL

FIGURE 8-17. GENERATOR CONTROL HARNESS - 4000W GENERATOR (GENERATOR TO CONTROL BOX)

| ITEM | PART NUMBER | QTY | DESCRIPTION | REV |
|------|-------------|-----|---|-----|
| | 1001236444 | Ref | GENERATOR CONTROL HARNESS - 4000W GENERATOR (GENERATOR TO CONTROL BOX) | A |
| 1 | 4460225 | 1 | Plug, Male - 6 Position | |
| 1 | 4460268 | 2 | Socket, Female | |
| 1 | 4460808 | 1 | Seal, Connector | |
| 1 | 4460807 | 1 | Seal, Terminal | |
| 2 | 77363233 | 1 | Connector - 6 Position | |
| 2 | 4460465 | 2 | Socket, Female | |
| 2 | 4460466 | 4 | Plug, Terminal | |

SECTION 8 - ELECTRICAL

FIGURE 8-18. GENERATOR CONTROL HARNESS - 4000W GENERATOR (CONTROL BOX TO GENERATOR CONTROL)



ART_1001186826

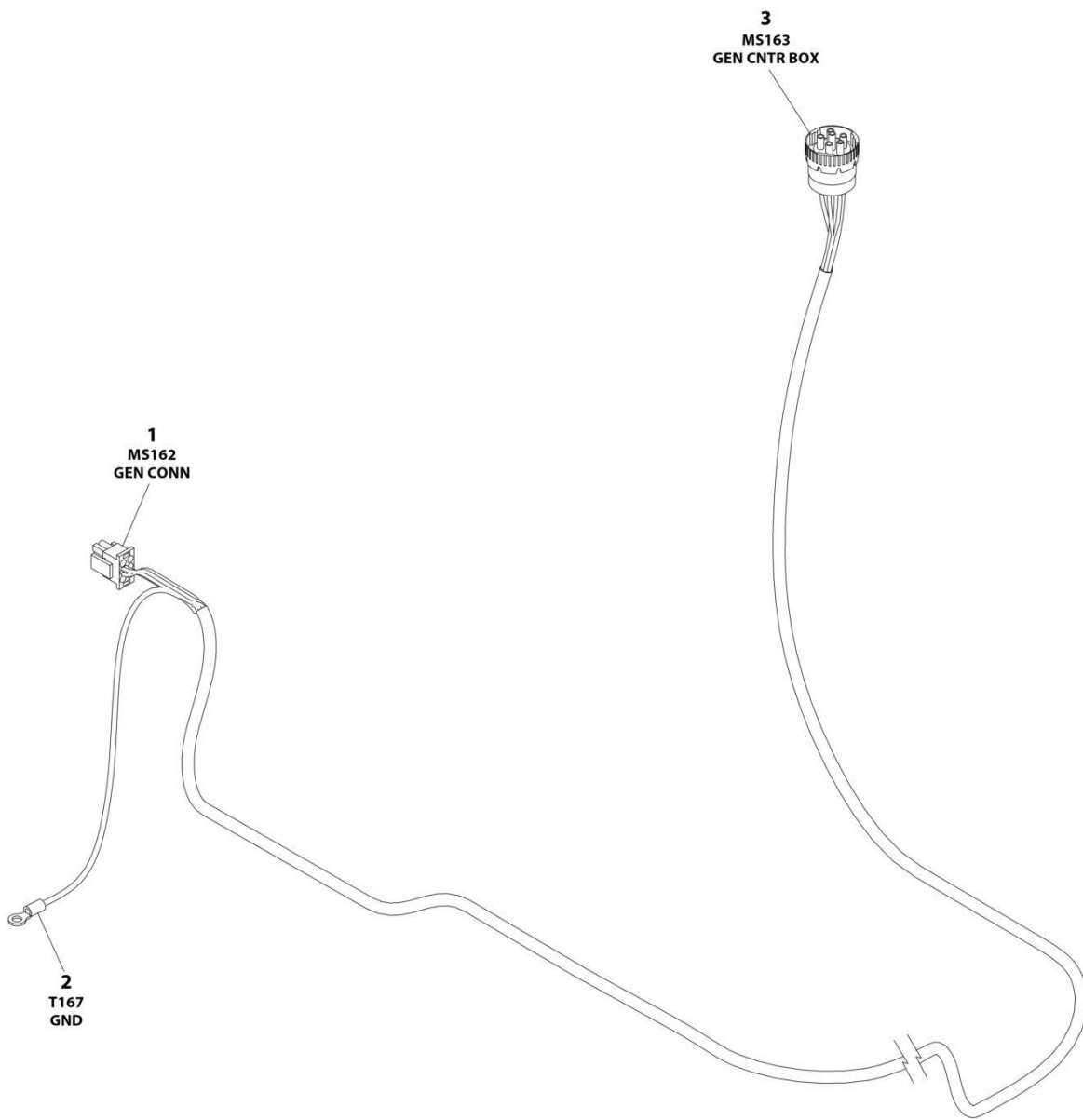
SECTION 8 - ELECTRICAL

FIGURE 8-18. GENERATOR CONTROL HARNESS - 4000W GENERATOR (CONTROL BOX TO GENERATOR CONTROL)

| ITEM | PART NUMBER | QTY | DESCRIPTION | REV |
|------|-------------|-----|---|-----|
| | 1001186826 | Ref | GENERATOR CONTROL HARNESS - 4000W GENERATOR (CONTROL BOX TO GENERATOR CONTROL) | C |
| 1 | 4460967 | 1 | Connector - 3 Position | |
| 1 | 4460465 | 2 | Socket, Female | |
| 1 | 4460466 | 1 | Plug, Terminal | |
| 2 | 4460536 | 1 | Receptacle, Female - 3 Position | |
| 2 | 4460464 | 2 | Pin, Male | |
| 2 | 4460466 | 1 | Plug, Terminal | |

SECTION 8 - ELECTRICAL

FIGURE 8-19. GENERATOR CONTROL HARNESS - 7500W GENERATOR (GENERATOR TO CONTROL BOX)



ART_1001236442

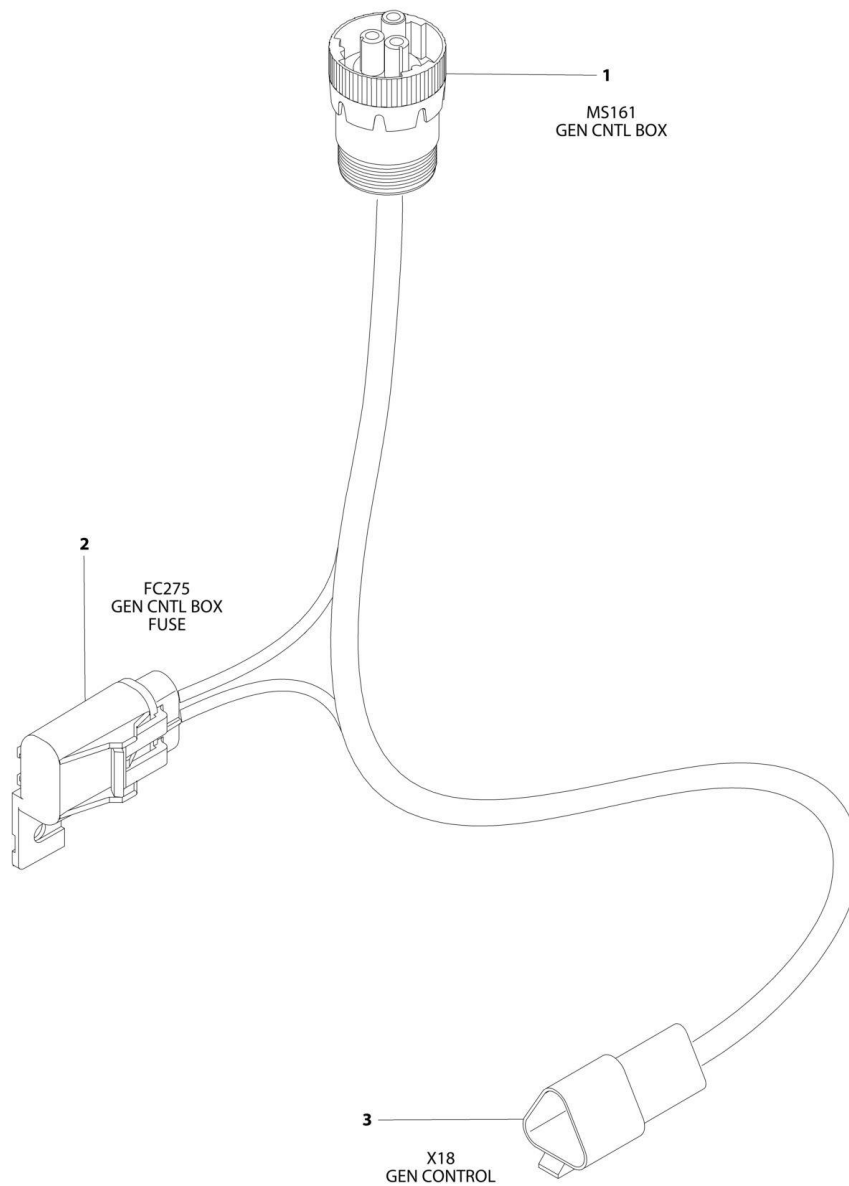
SECTION 8 - ELECTRICAL

FIGURE 8-19. GENERATOR CONTROL HARNESS - 7500W GENERATOR (GENERATOR TO CONTROL BOX)

| ITEM | PART NUMBER | QTY | DESCRIPTION | REV |
|------|-------------|-----|-----------------------------------|-----|
| | 1001236442 | Ref | GENERATOR CONTROL HARNESS - 7500W | A |
| 1 | 4460225 | 1 | Plug, Male - 6 Position | |
| 1 | 4460808 | 1 | Seal, Terminal | |
| 1 | 4460268 | 6 | Socket, Female | |
| 2 | 4460043 | 1 | Terminal, Ring | |
| 3 | 77363233 | 1 | Connector - 6 Position | |
| 3 | 4460465 | 6 | Socket, Female | |

SECTION 8 - ELECTRICAL

FIGURE 8-20. GENERATOR CONTROL HARNESS - 7500W GENERATOR (CONTROL BOX TO GENERATOR CONTROL)



ART_1001186822

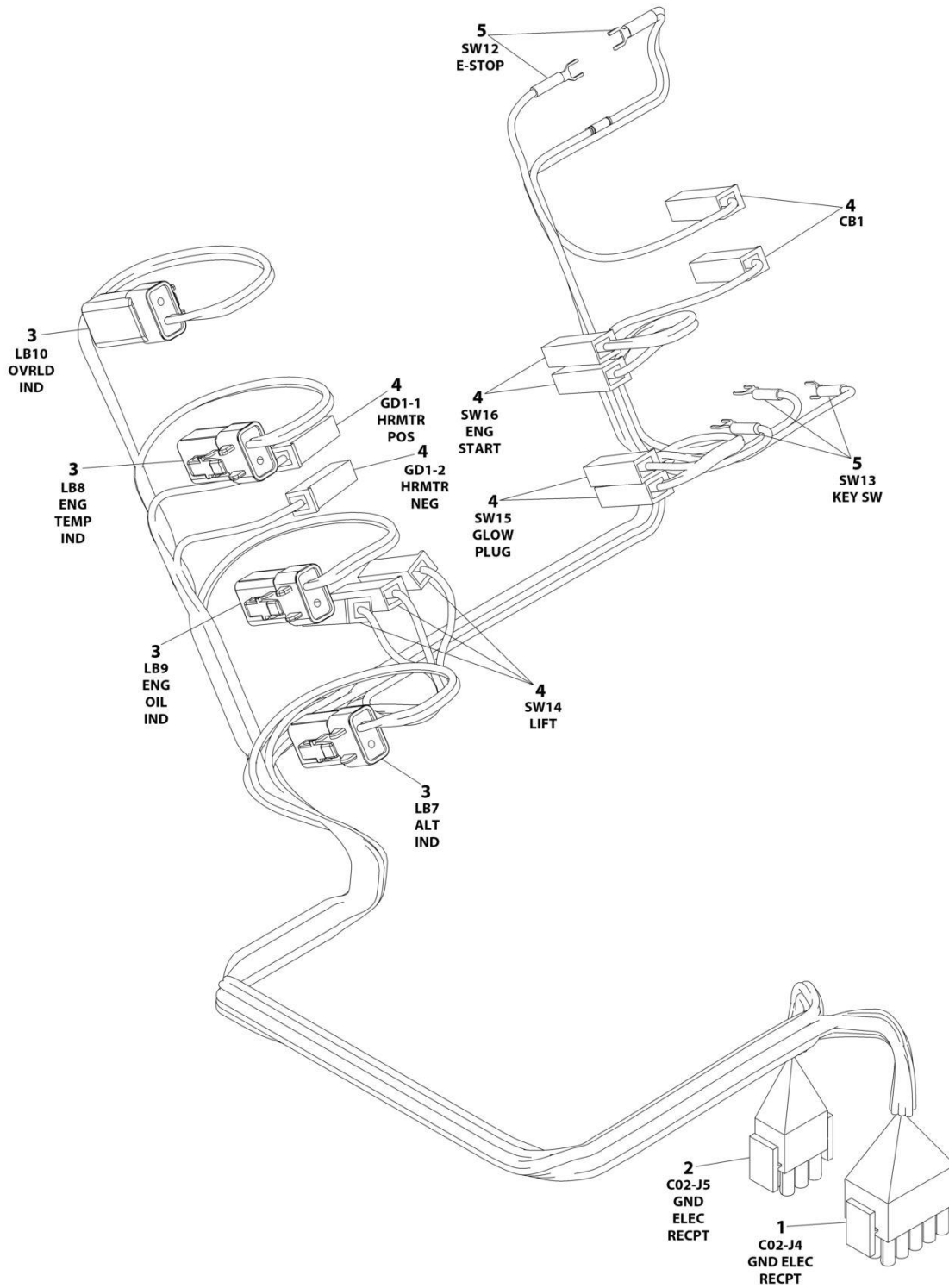
SECTION 8 - ELECTRICAL

FIGURE 8-20. GENERATOR CONTROL HARNESS - 7500W GENERATOR (CONTROL BOX TO GENERATOR CONTROL)

| ITEM | PART NUMBER | QTY | DESCRIPTION | REV |
|------|-------------|-----|---|-----|
| | 1001186822 | Ref | GENERATOR CONTROL HARNESS - 7500W GENERATOR (CONTROL BOX TO GENERATOR CONTROL) | D |
| 1 | 4460967 | 1 | Connector | |
| 1 | 4460465 | 3 | Socket, Female | |
| 2 | 1001117078 | 1 | Connector - 2 Position | |
| 2 | 1001116733 | 2 | Terminal, Female | |
| 3 | 4460536 | 1 | Receptacle, Female - 3 Position | |
| 3 | 4460464 | 3 | Pin, Male | |

SECTION 8 - ELECTRICAL

FIGURE 8-21. GROUND CONTROL BOX HARNESS - LOWER



ART_1001236153

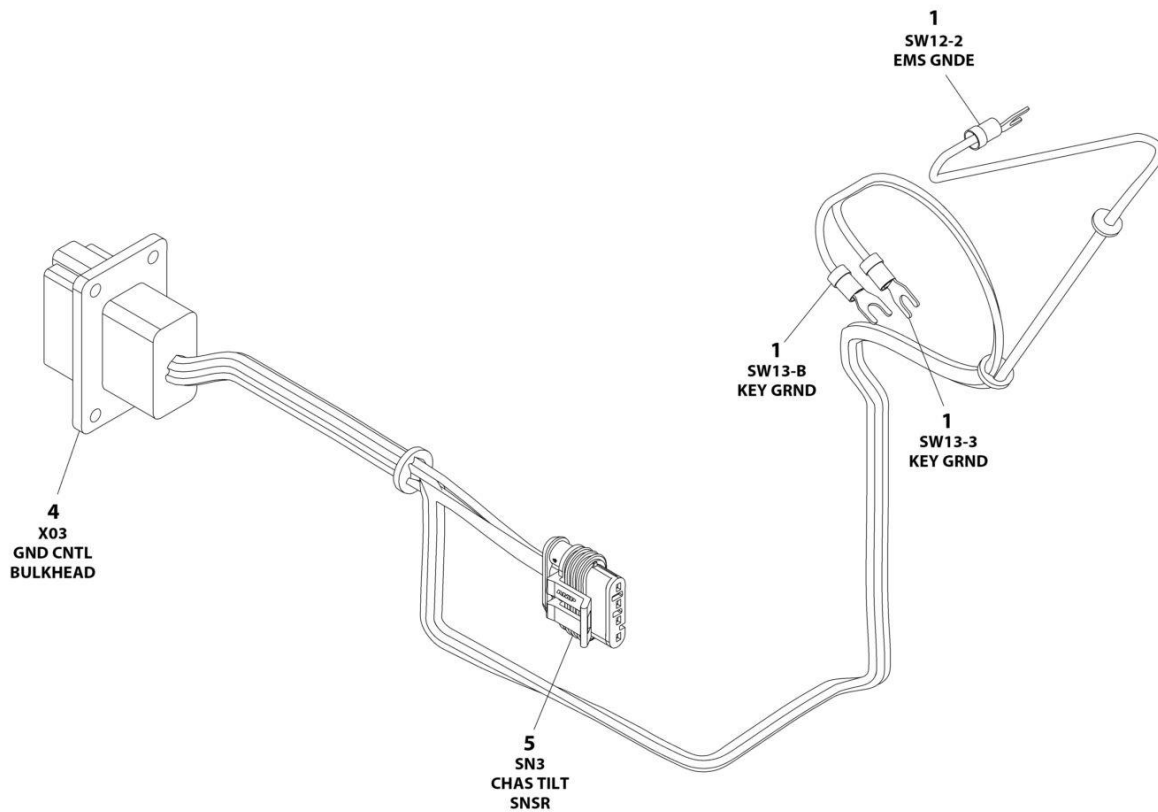
SECTION 8 - ELECTRICAL

FIGURE 8-21. GROUND CONTROL BOX HARNESS - LOWER

| ITEM | PART NUMBER | QTY | DESCRIPTION | REV |
|------|-------------|-----|------------------------------------|-----|
| | 1001236153 | Ref | GROUND CONTROL BOX HARNESS - LOWER | B |
| 1 | 4460434 | 1 | Connector - 15 Position | |
| 1 | 4460268 | 11 | Socket, Female | |
| 2 | 4460225 | 1 | Connector - 6 Position | |
| 2 | 4460268 | 6 | Socket, Female | |
| 3 | 1001126245 | 4 | Receptacle, Female - 2 Position | |
| 3 | 4460928 | 8 | Socket, Female | |
| 4 | 4460260 | 11 | Cover, Terminal | |
| 4 | 4460259 | 11 | Terminal | |
| 5 | 4460183 | 4 | Terminal, Fork | |
| 5 | 4460115 | 2 | Terminal, Fork | |

SECTION 8 - ELECTRICAL

FIGURE 8-22. GROUND CONTROL BOX HARNESS - UPPER



ART_1001227353

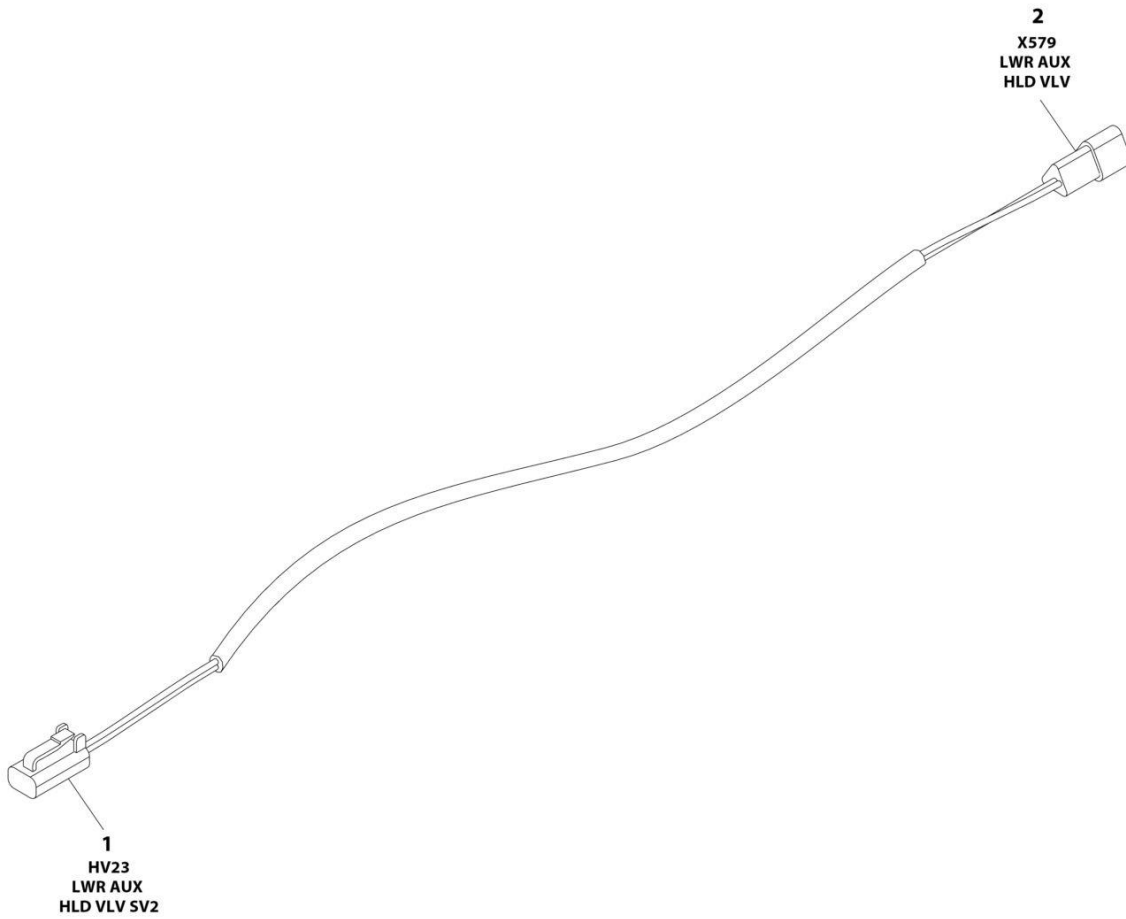
SECTION 8 - ELECTRICAL

FIGURE 8-22. GROUND CONTROL BOX HARNESS - UPPER

| ITEM | PART NUMBER | QTY | DESCRIPTION | REV |
|------|-------------|-----|------------------------------------|-----|
| | 1001227353 | Ref | GROUND CONTROL BOX HARNESS - UPPER | A |
| 1 | 4460183 | 3 | Terminal, Fork | |
| 4 | 4460939 | 1 | Connector - 12 Position | |
| 4 | 4460464 | 5 | Pin, Male | |
| 4 | 4460943 | 2 | Pin, Male | |
| 4 | 4460466 | 5 | Plug, Terminal | |
| 5 | 1001103012 | 1 | Plug, Male - 4 Position | |
| 5 | 1001107854 | 4 | Terminal | |
| 5 | 1001104498 | 4 | Seal | |

SECTION 8 - ELECTRICAL

FIGURE 8-23. GROUND TO LOWER AUXILIARY HOLDING VALVE HARNESS



ART_1001222343

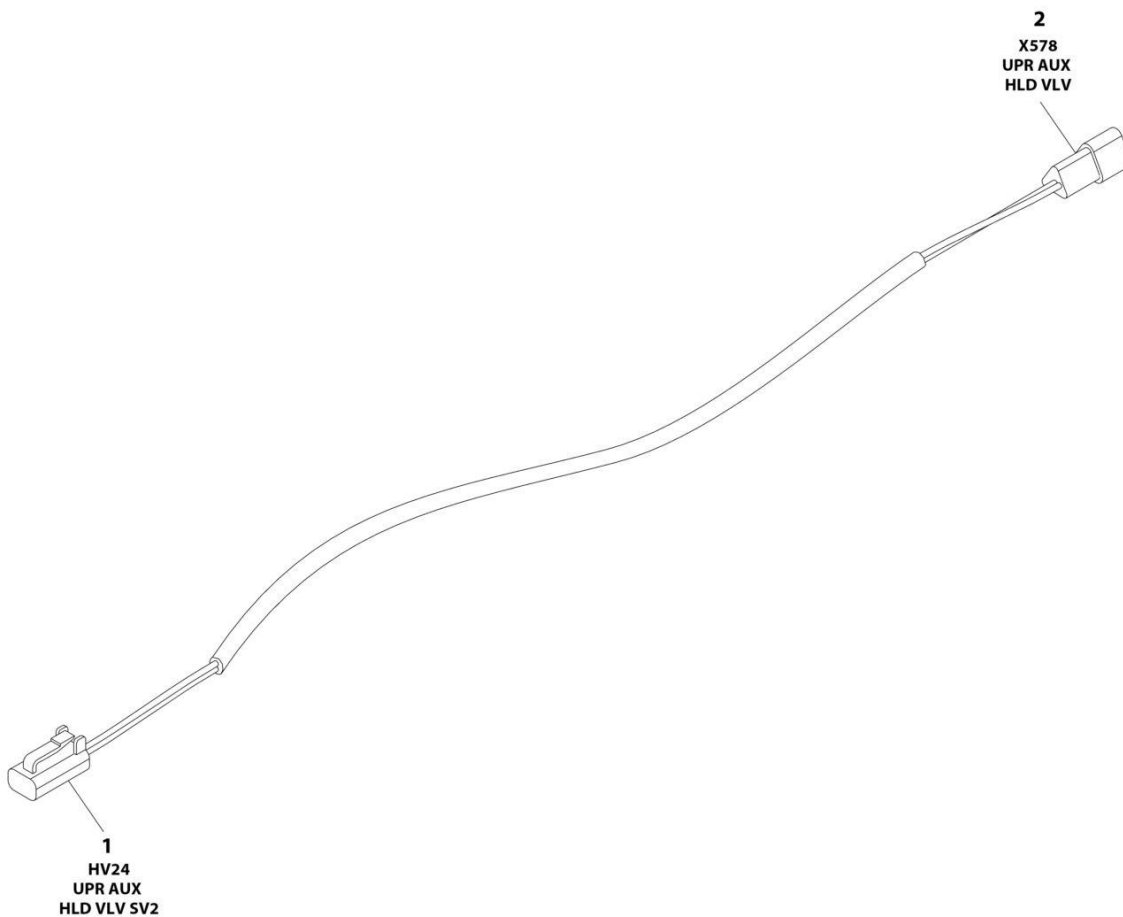
SECTION 8 - ELECTRICAL

FIGURE 8-23. GROUND TO LOWER AUXILIARY HOLDING VALVE HARNESS

| ITEM | PART NUMBER | QTY | DESCRIPTION | REV |
|------|-------------|-----|---|-----|
| | 1001222343 | Ref | GROUND TO LOWER AUXILIARY HOLDING VALVE HARNESS | B |
| 1 | 4460891 | 1 | Plug, Male - 2 Position | |
| 1 | 4460465 | 2 | Socket, Female | |
| 2 | 4460536 | 1 | Receptacle, Female - 3 Position | |
| 2 | 4460464 | 2 | Pin, Male | |
| 2 | 4460466 | 1 | Plug, Terminal | |

SECTION 8 - ELECTRICAL

FIGURE 8-24. GROUND TO UPPER AUXILIARY HOLDING VALVE HARNESS



ART_1001222344

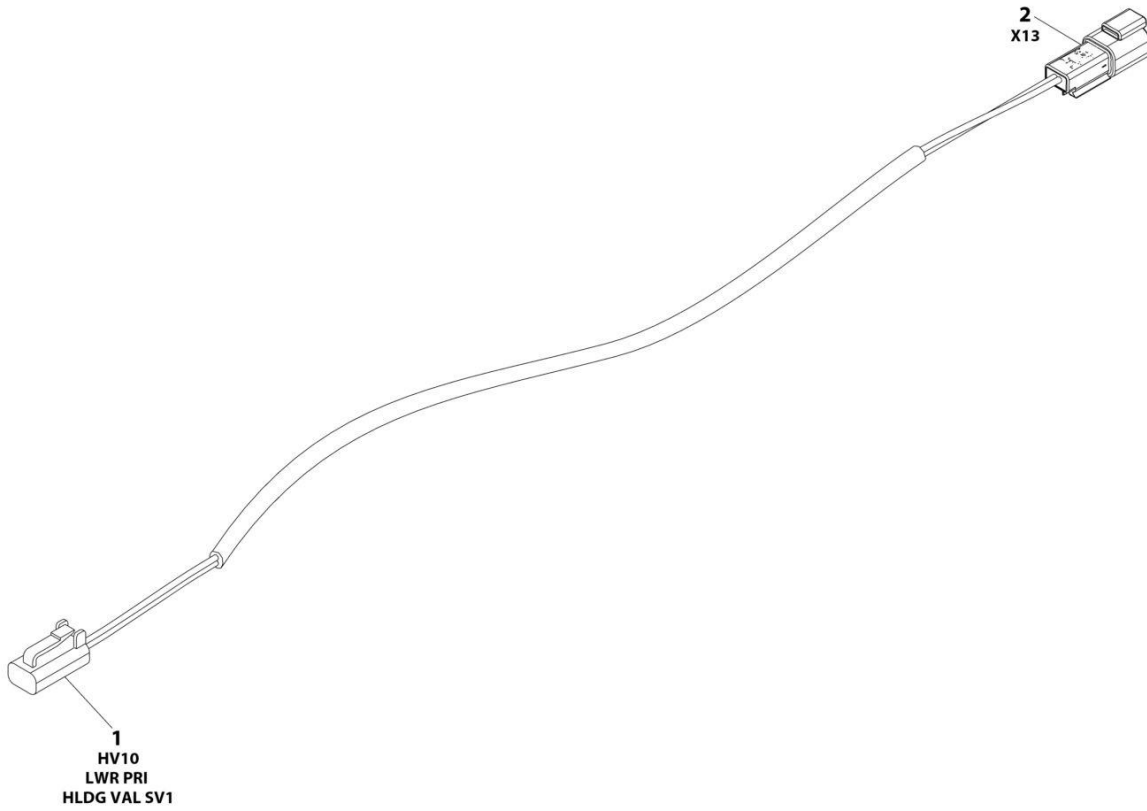
SECTION 8 - ELECTRICAL

FIGURE 8-24. GROUND TO UPPER AUXILIARY HOLDING VALVE HARNESS

| ITEM | PART NUMBER | QTY | DESCRIPTION | REV |
|------|-------------|-----|---|-----|
| | 1001222344 | Ref | GROUND TO UPPER AUXILIARY HOLDING VALVE HARNESS | B |
| 1 | 4460891 | 1 | Plug, Male - 2 Position | |
| 1 | 4460465 | 2 | Socket, Female | |
| 2 | 4460539 | 1 | Plug, Male - 3 Position | |
| 2 | 4460465 | 2 | Socket, Female | |
| 2 | 4460466 | 1 | Plug, Terminal | |

SECTION 8 - ELECTRICAL

FIGURE 8-25. GROUND TO LOWER LIFT CYLINDER HARNESS



ART_1001190522

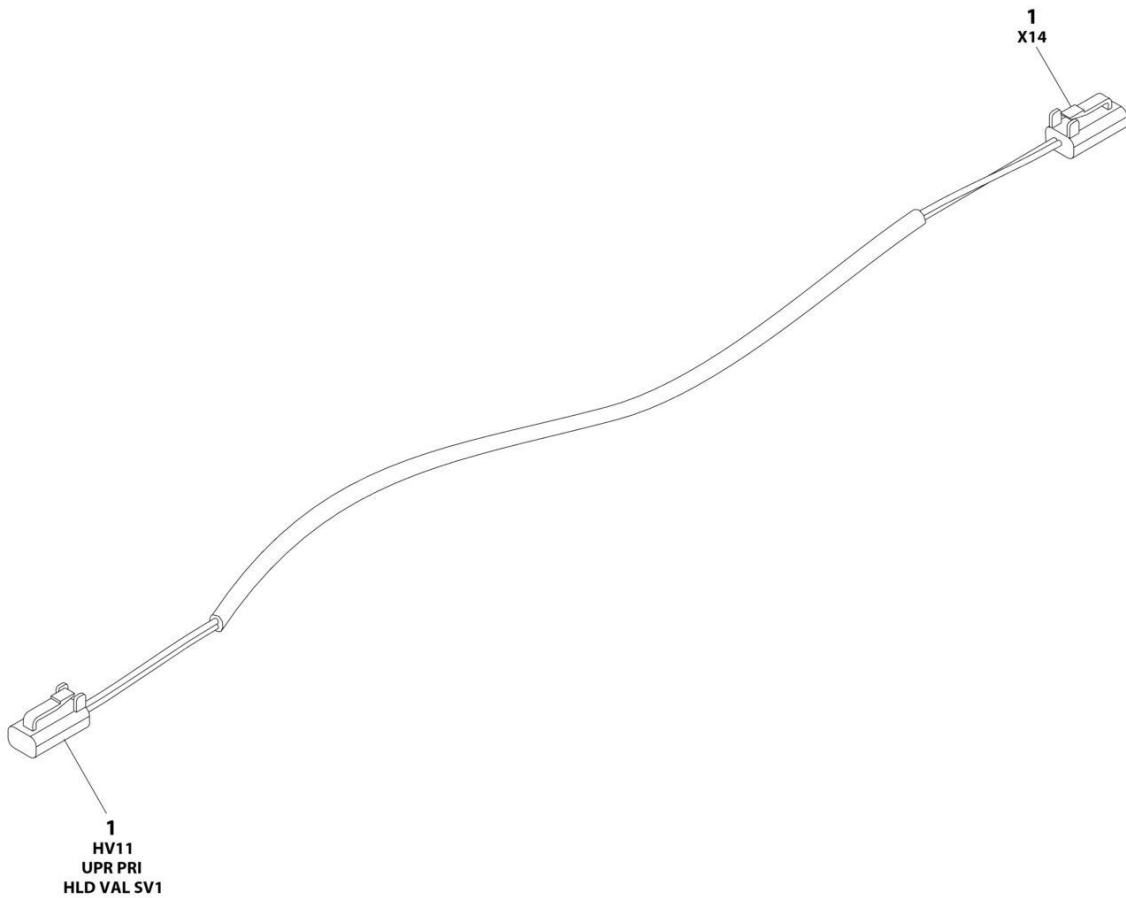
SECTION 8 - ELECTRICAL

FIGURE 8-25. GROUND TO LOWER LIFT CYLINDER HARNESS

| ITEM | PART NUMBER | QTY | DESCRIPTION | REV |
|------|-------------|-----|---------------------------------------|-----|
| | 1001190522 | Ref | GROUND TO LOWER LIFT CYLINDER HARNESS | C |
| 1 | 4460891 | 1 | Plug, Male - 2 Position | |
| 1 | 4460465 | 2 | Socket, Female | |
| 2 | 4460897 | 1 | Receptacle, Female - 2 Position | |
| 2 | 4460464 | 2 | Pin, Male | |

SECTION 8 - ELECTRICAL

FIGURE 8-26. GROUND TO UPPER LIFT CYLINDER HARNESS



ART_1001190524

SECTION 8 - ELECTRICAL

FIGURE 8-26. GROUND TO UPPER LIFT CYLINDER HARNESS

| ITEM | PART NUMBER | QTY | DESCRIPTION | REV |
|------|-------------|-----|---------------------------------------|-----|
| | 1001190524 | Ref | GROUND TO UPPER LIFT CYLINDER HARNESS | C |
| 1 | 4460891 | 2 | Plug, Male - 2 Position | |
| 1 | 4460465 | 4 | Socket, Female | |

SECTION 8 - ELECTRICAL

FIGURE 8-27. GROUND TO PLATFORM HARNESS



ART_1001236865

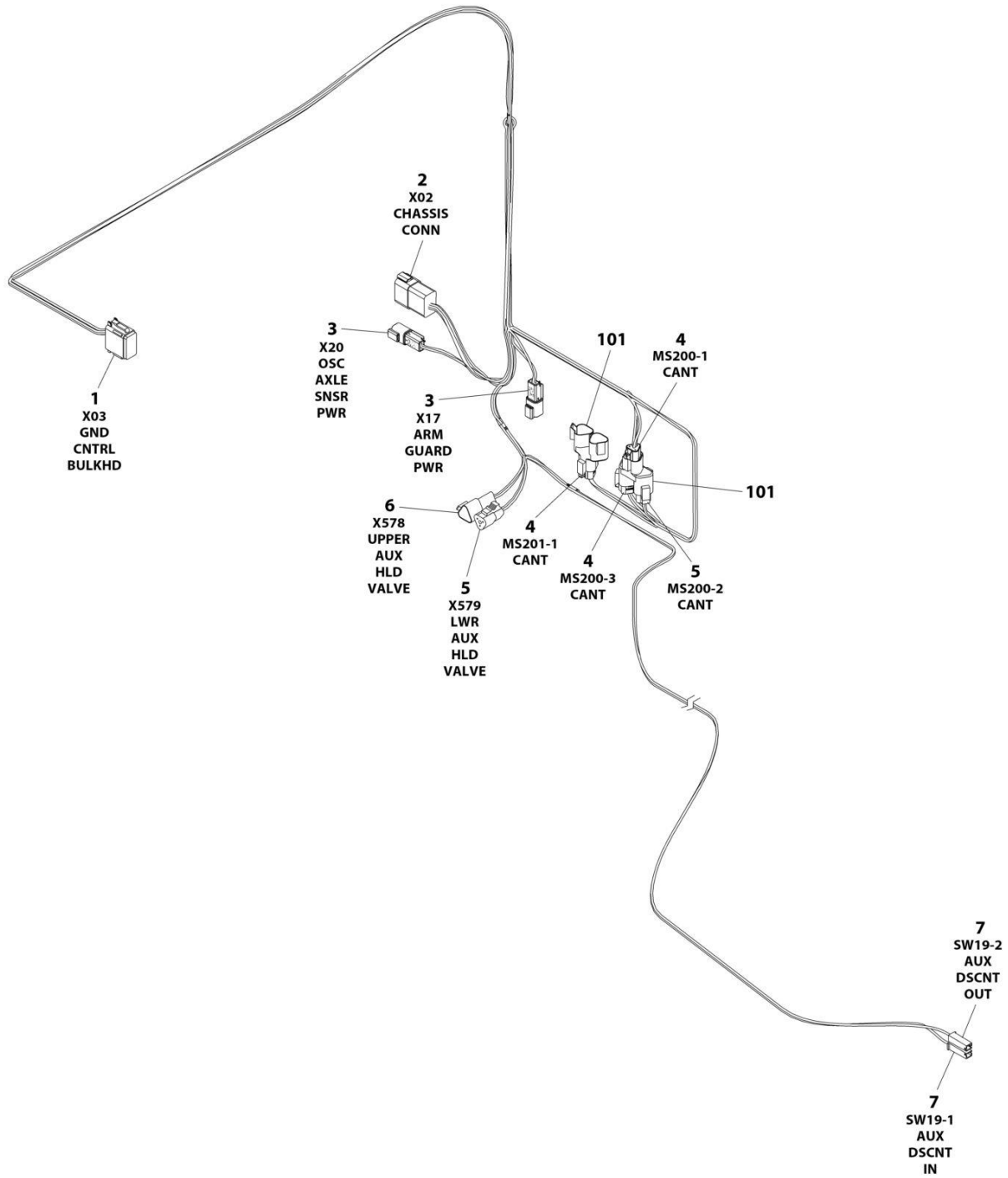
SECTION 8 - ELECTRICAL

FIGURE 8-27. GROUND TO PLATFORM HARNESS

| ITEM | PART NUMBER | QTY | DESCRIPTION | REV |
|------|-------------|-----|----------------------------|-----|
| | 1001236865 | Ref | GROUND TO PLATFORM HARNESS | A |
| 1 | 1001116926 | 1 | Connector - 21 Position | |
| 1 | 4460465 | 8 | Socket, Female | |
| 1 | 4460509 | 4 | Socket, Female | |
| 1 | 4460944 | 2 | Socket, Female | |
| 1 | 4460466 | 7 | Plug, Terminal | |
| 2 | 1001116930 | 1 | Connector - 21 Position | |
| 2 | 4460464 | 8 | Pin, Male | |
| 2 | 4460508 | 4 | Pin, Male | |
| 2 | 4460943 | 2 | Pin, Male | |
| 2 | 4460466 | 7 | Plug, Terminal | |

SECTION 8 - ELECTRICAL

FIGURE 8-28. HYDRAULIC COMPARTMENT HARNESS



ART_1001222025

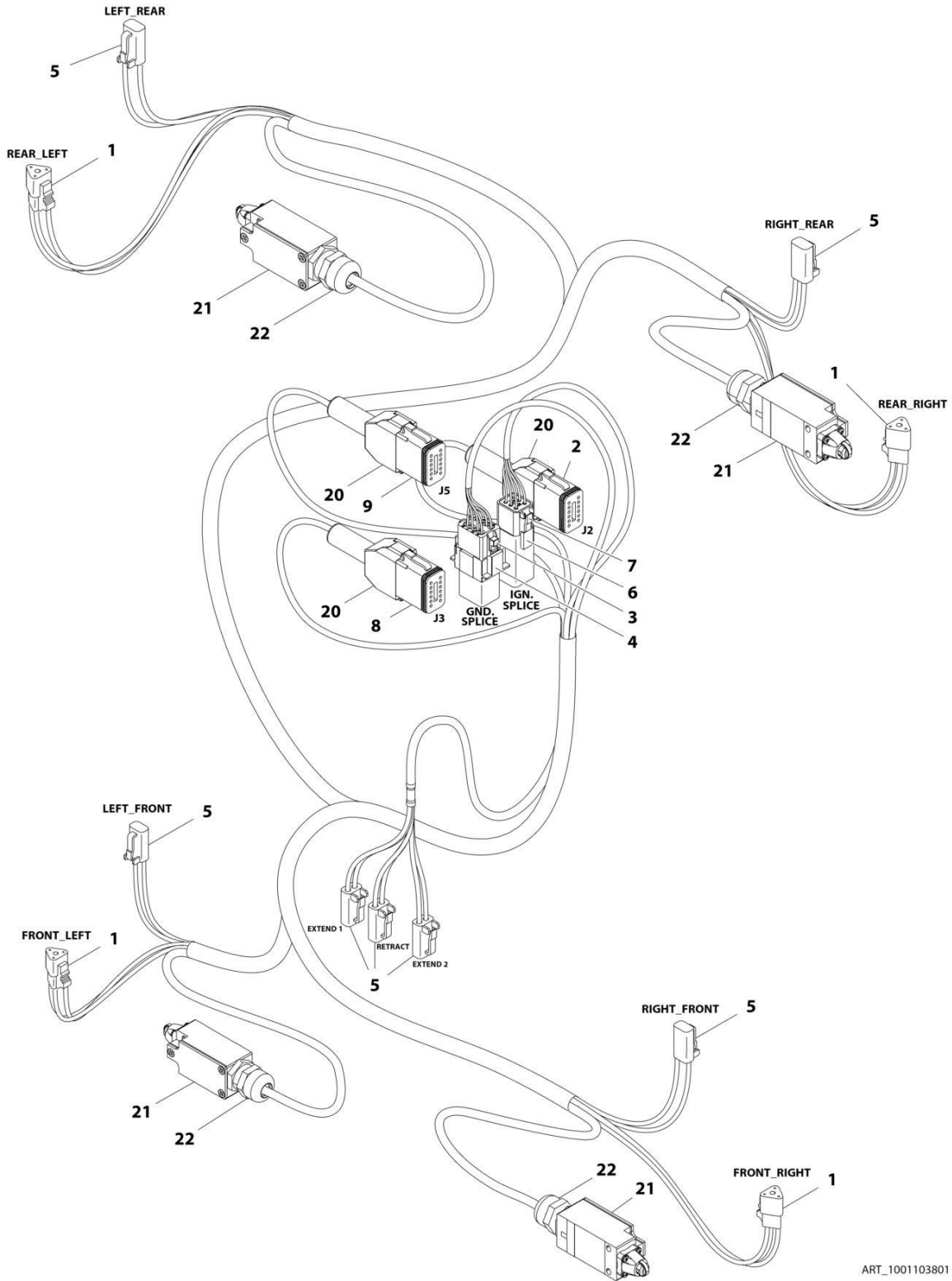
SECTION 8 - ELECTRICAL

FIGURE 8-28. HYDRAULIC COMPARTMENT HARNESS

| ITEM | PART NUMBER | QTY | DESCRIPTION | REV |
|------|-------------|-----|---------------------------------|-----|
| | 1001222025 | Ref | HYDRAULIC COMPARTMENT HARNESS | A |
| 1 | 4460933 | 1 | Plug, Male - 12 Position | |
| 1 | 4460465 | 4 | Socket, Female | |
| 1 | 4460944 | 2 | Socket, Female | |
| 1 | 4460466 | 6 | Plug, Terminal | |
| 2 | 4460931 | 1 | Receptacle, Female - 8 Position | |
| 2 | 4460464 | 3 | Pin, Male | |
| 2 | 4460943 | 3 | Pin, Male | |
| 2 | 4460466 | 2 | Plug, Terminal | |
| 3 | 4460897 | 2 | Receptacle, Female - 2 Position | |
| 3 | 4460464 | 4 | Pin, Male | |
| 4 | 1001116812 | 3 | Plug, Male - 3 Position | |
| 4 | 4460944 | 9 | Socket, Female | |
| 5 | 4460539 | 2 | Plug, Male - 3 Position | |
| 5 | 4460944 | 6 | Terminal | |
| 6 | 4460536 | 1 | Receptacle, Female - 3 Position | |
| 6 | 4460464 | 2 | Pin, Male | |
| 6 | 4460466 | 1 | Plug, Terminal | |
| 7 | 4460260 | 2 | Holder, Terminal | |
| 7 | 4460259 | 2 | Terminal | |
| 101 | 4460945 | 2 | Receptacle - 3 Way | |

SECTION 8 - ELECTRICAL

FIGURE 8-29. LEVELING JACK HARNESS



ART_1001103801

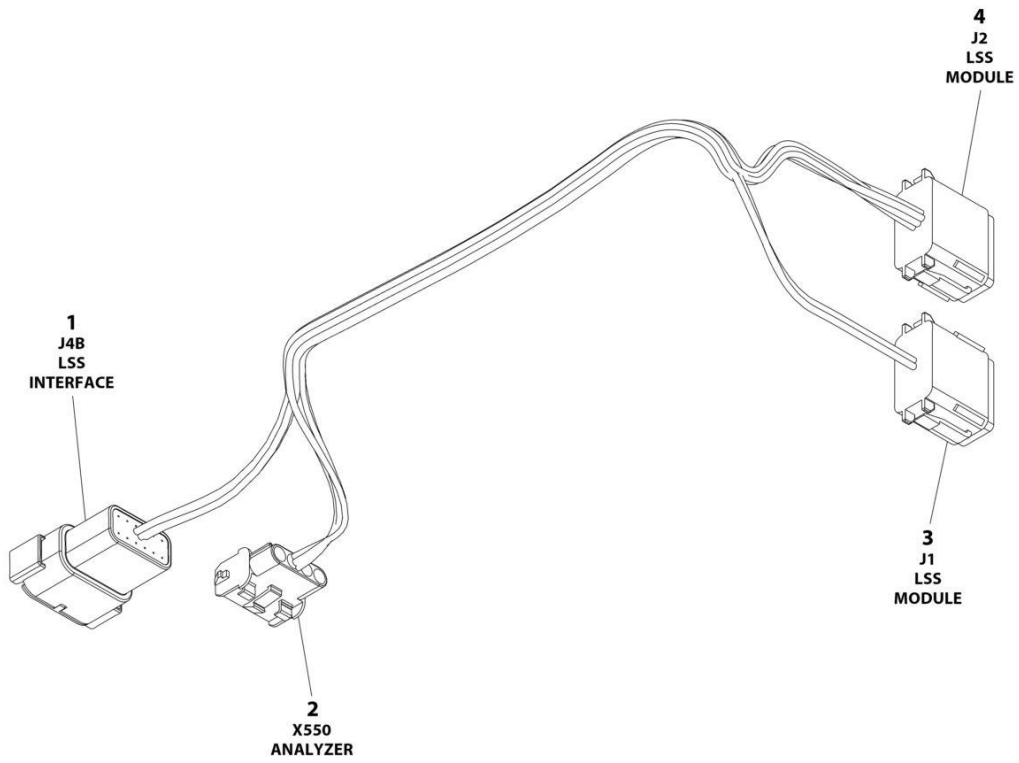
SECTION 8 - ELECTRICAL

FIGURE 8-29. LEVELING JACK HARNESS

| ITEM | PART NUMBER | QTY | DESCRIPTION | REV |
|------|-------------|-----|----------------------------------|-----|
| | 1001103801 | Ref | LEVELING JACK HARNESS | D |
| 1 | 4460539 | 4 | Connector - 3 Position | |
| 1 | 4460465 | 12 | Socket, Female | |
| 2 | 4460836 | 1 | Connector - 12 Position | |
| 2 | 4460465 | 7 | Socket, Female | |
| 2 | 4460466 | 5 | Plug | |
| 3 | 4460851 | 1 | Connector - 8 Position | |
| 3 | 4460465 | 8 | Socket, Female | |
| 4 | 4460852 | 1 | Connector, Buss Bar - 8 Position | |
| 5 | 4460891 | 7 | Connector - 2 Position | |
| 5 | 4460465 | 14 | Socket, Female | |
| 6 | 4460892 | 1 | Terminal, Buss Bar - 6 Position | |
| 7 | 4460894 | 1 | Connector - 6 Position | |
| 7 | 4460465 | 6 | Socket, Female | |
| 8 | 4460934 | 1 | Connector - 12 Position | |
| 8 | 4460465 | 12 | Socket, Female | |
| 9 | 4460935 | 1 | Connector - 12 Position | |
| 9 | 4460465 | 5 | Socket, Female | |
| 9 | 4460466 | 7 | Plug | |
| 20 | 0840055 | 3 | Boot | |
| 21 | 4360548 | 4 | Switch, Limit | |
| 22 | 4460968 | 4 | Connector, Strain Relief | |

SECTION 8 - ELECTRICAL

FIGURE 8-30. LSS HARNESS



ART_1001226830

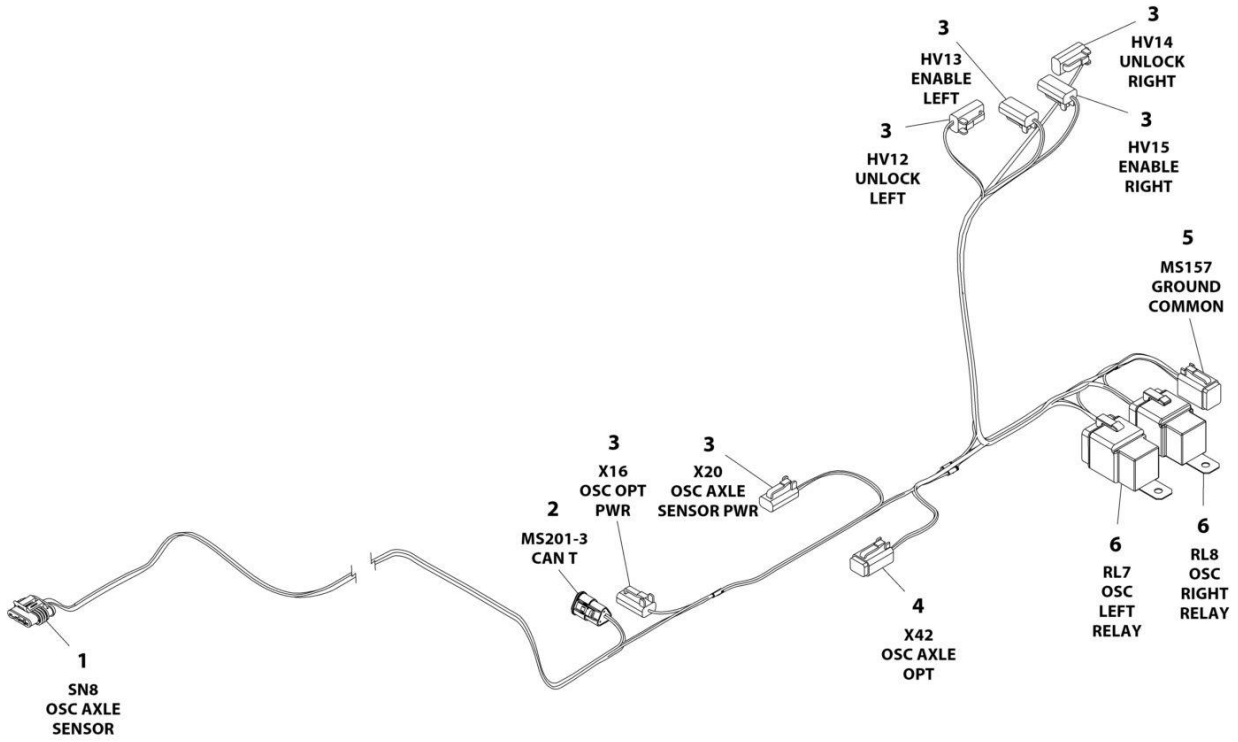
SECTION 8 - ELECTRICAL

FIGURE 8-30. LSS HARNESS

| ITEM | PART NUMBER | QTY | DESCRIPTION | REV |
|------|-------------|-----|---------------------------------|-----|
| | 1001226830 | Ref | LSS HARNESS | A |
| 1 | 1001132170 | 1 | Connector - 12 Position | |
| 1 | 4460929 | 2 | Pin, Male | |
| 1 | 4460917 | 2 | Pin, Male | |
| 1 | 4460518 | 8 | Plug, Terminal | |
| 2 | 4460761 | 1 | Receptacle, Female - 4 Position | |
| 2 | 4460294 | 4 | Pin, Male | |
| 3 | 4460933 | 1 | Connector - 12 Position | |
| 3 | 4460465 | 2 | Socket, Female | |
| 3 | 4460466 | 10 | Plug, Terminal | |
| 4 | 4460836 | 1 | Connector - 12 Position | |
| 4 | 4460465 | 5 | Socket, Female | |
| 4 | 4460944 | 2 | Socket, Female | |
| 4 | 4460466 | 5 | Plug, Terminal | |

SECTION 8 - ELECTRICAL

FIGURE 8-31. OSCILLATING AXLE HARNESS



ART_1001187601

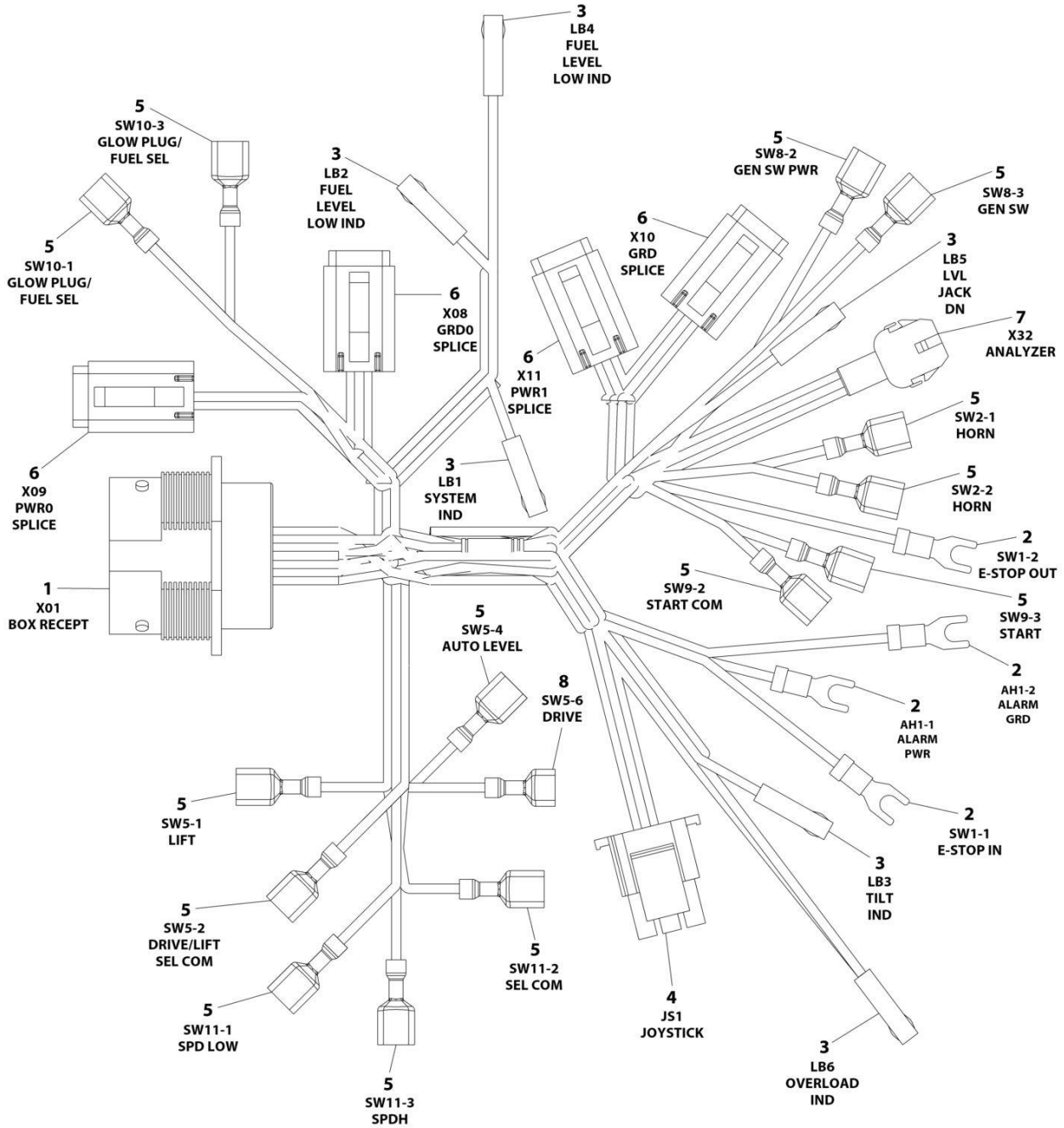
SECTION 8 - ELECTRICAL

FIGURE 8-31. OSCILLATING AXLE HARNESS

| ITEM | PART NUMBER | QTY | DESCRIPTION | REV |
|------|-------------|-----|--------------------------|-----|
| | 1001187601 | Ref | OSCILLATING AXLE HARNESS | C |
| 1 | 1001103012 | 1 | Connector - 4 Position | |
| 1 | 1001107854 | 4 | Socket, Female | |
| 1 | 1001104498 | 4 | Seal | |
| 2 | 1001116812 | 1 | Connector - 3 Position | |
| 2 | 4460944 | 3 | Socket, Female | |
| 3 | 4460891 | 6 | Connector - 2 Position | |
| 3 | 4460465 | 11 | Socket, Female | |
| 3 | 4460466 | 1 | Plug, Terminal | |
| 4 | 4460884 | 1 | Connector - 4 Position | |
| 4 | 4460465 | 3 | Socket, Female | |
| 4 | 4460466 | 1 | Plug, Terminal | |
| 5 | 4460894 | 1 | Connector - 6 Position | |
| 5 | 4460465 | 6 | Socket, Female | |
| 6 | 1001117025 | 2 | Connector, Relay | |
| 6 | 4460375 | 8 | Terminal | |

SECTION 8 - ELECTRICAL

FIGURE 8-32. PLATFORM CONTROL BOX HARNESS



ART_1001236230

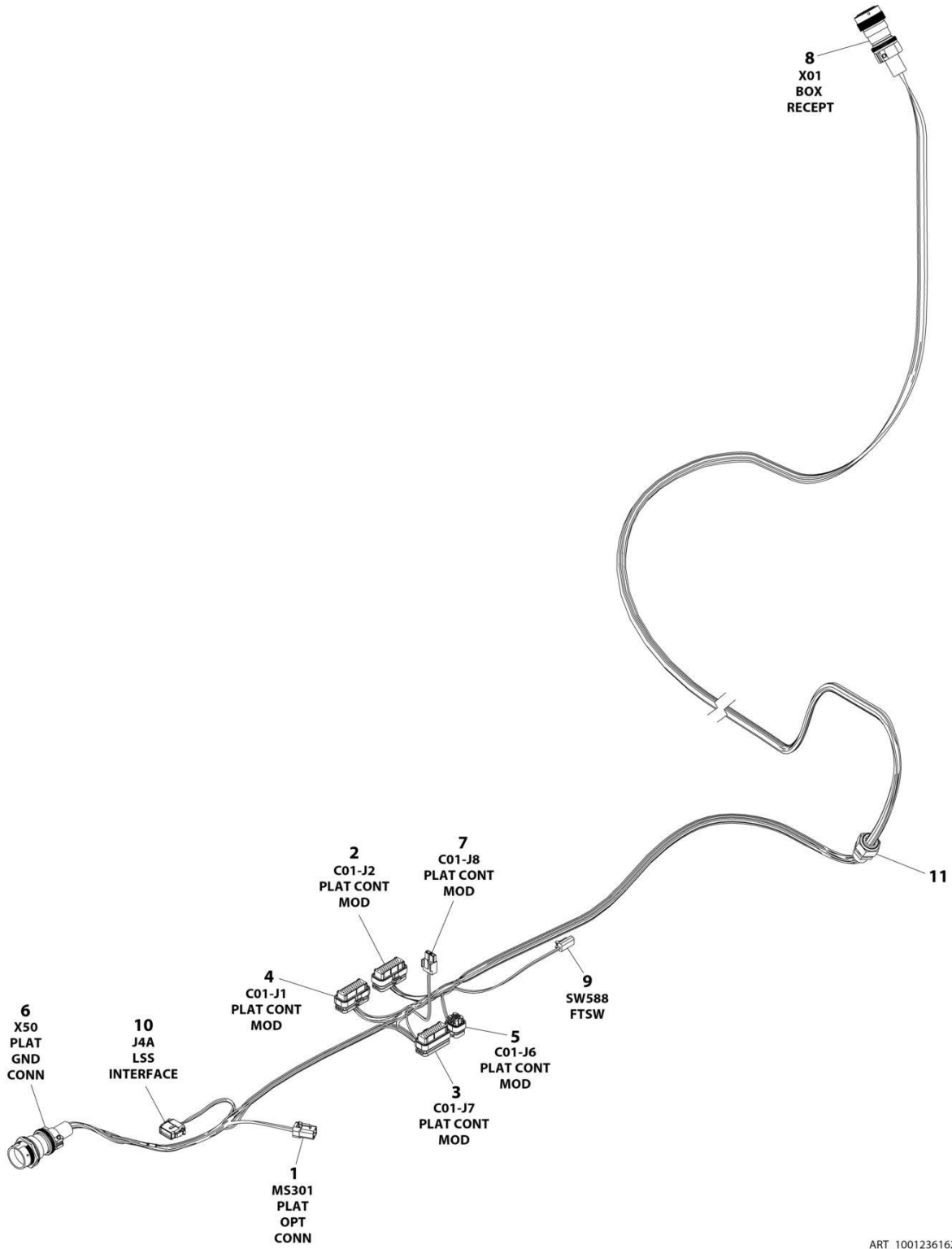
SECTION 8 - ELECTRICAL

FIGURE 8-32. PLATFORM CONTROL BOX HARNESS

| ITEM | PART NUMBER | QTY | DESCRIPTION | REV |
|------|-------------|-----|------------------------------|-----|
| | 1001236230 | Ref | PLATFORM CONSOLE BOX HARNESS | C |
| 1 | 1001116934 | 1 | Connector - 31 Position | |
| 1 | 4460464 | 31 | Pin, Male | |
| 2 | 4460183 | 4 | Terminal, Fork | |
| 3 | 1001190469 | 6 | Connector - 2 Position | |
| 3 | 1001190471 | 12 | Terminal | |
| 4 | 4460265 | 1 | Plug, Male - 9 Position | |
| 4 | 4460267 | 7 | Terminal | |
| 5 | 1001194421 | 13 | Terminal | |
| 6 | 4460894 | 4 | Plug, Male - 6 Position | |
| 6 | 4460465 | 20 | Socket, Female | |
| 6 | 4460466 | 4 | Plug, Terminal | |
| 6 | 4460892 | 4 | Bussbar | |
| 7 | 4460761 | 1 | Plug, Male - 4 Position | |
| 7 | 4460267 | 4 | Terminal | |
| 8 | 1001194221 | 1 | Terminal | |

SECTION 8 - ELECTRICAL

FIGURE 8-33. PLATFORM MODULE TO CONSOLE BOX HARNESS



ART_1001236162

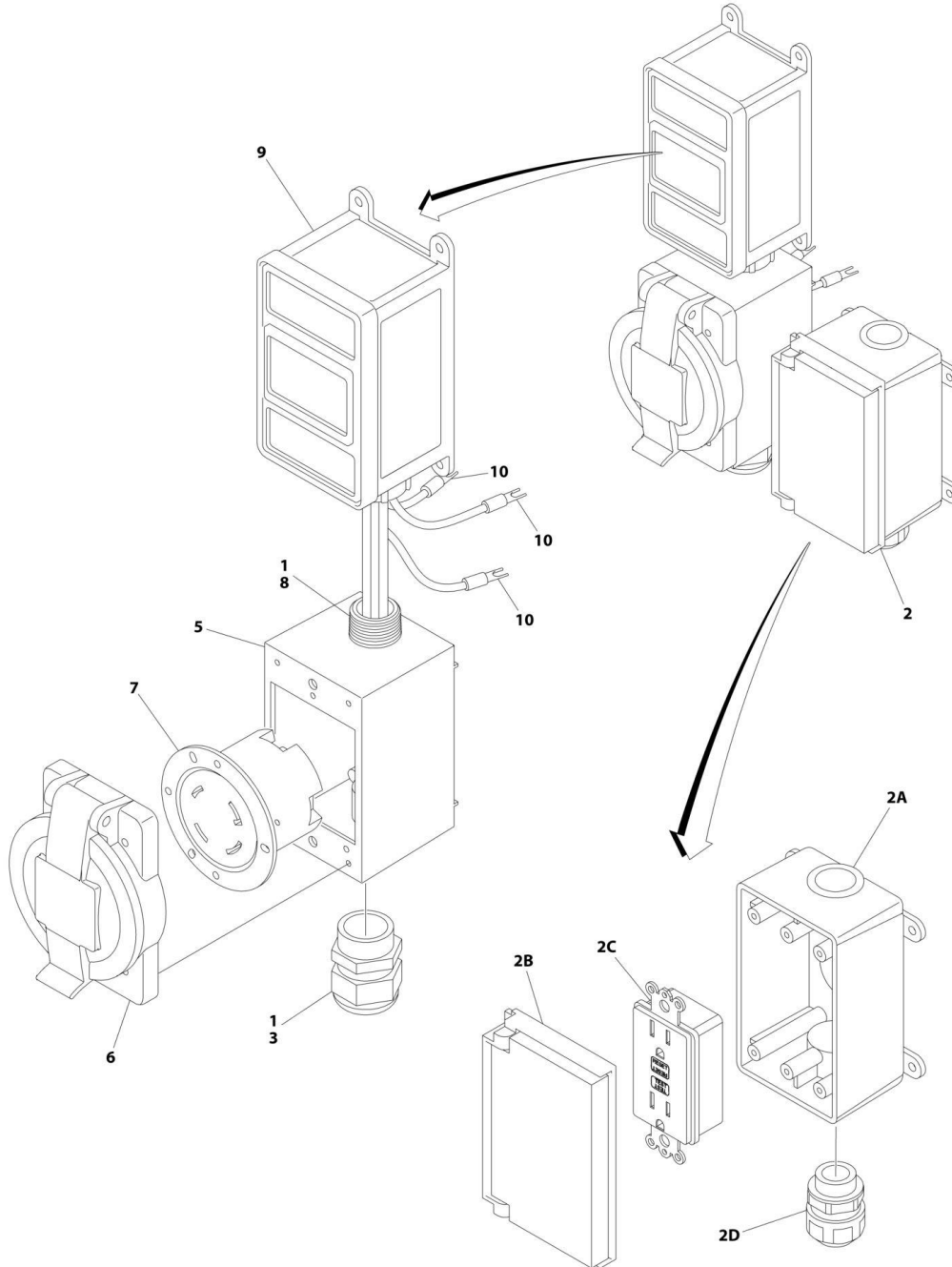
SECTION 8 - ELECTRICAL

FIGURE 8-33. PLATFORM MODULE TO CONSOLE BOX HARNESS

| ITEM | PART NUMBER | QTY | DESCRIPTION | REV |
|------|-------------|-----|--|-----|
| | 1001236162 | Ref | PLATFORM MODULE TO CONSOLE BOX HARNESS | C |
| 1 | 1001116810 | 1 | Plug, Male - 4 Position | |
| 1 | 4460509 | 2 | Socket, Female | |
| 1 | 4460466 | 6 | Plug, Terminal | |
| 1 | 1001116811 | 1 | Receptacle, Female - 4 Position | |
| 2 | 4460876 | 1 | Connector - 35 Position | |
| 2 | 4460905 | 20 | Plug, Terminal | |
| 2 | 4460871 | 15 | Socket, Female | |
| 3 | 4460873 | 1 | Connector - 35 Position | |
| 3 | 4460871 | 11 | Socket, Female | |
| 3 | 4460905 | 24 | Plug, Terminal | |
| 4 | 4460874 | 1 | Connector - 35 Position | |
| 4 | 4460871 | 12 | Socket, Female | |
| 4 | 4460905 | 23 | Plug, Terminal | |
| 5 | 1001113961 | 1 | Connector - 8 Position | |
| 5 | 4460871 | 2 | Socket, Female | |
| 5 | 4460905 | 6 | Plug, Terminal | |
| 6 | 1001116930 | 1 | Connector - 21 Position | |
| 6 | 4460464 | 4 | Pin, Male | |
| 6 | 4460508 | 4 | Pin, Male | |
| 6 | 4460943 | 3 | Pin, Male | |
| 6 | 4460466 | 10 | Plug, Terminal | |
| 7 | 4460879 | 1 | Connector - 2 Position | |
| 7 | 4461271 | 2 | Terminal | |
| 8 | 1001195123 | 1 | Connector - 31 Position | |
| 8 | 4460465 | 31 | Socket, Female | |
| 9 | 4460891 | 1 | Plug, Male - 2 Position | |
| 9 | 4460465 | 2 | Socket, Female | |
| 9 | 1001144295 | 1 | Receptacle, Female | |
| 10 | 1001116808 | 1 | Connector - 12 Position | |
| 10 | 4460518 | 8 | Plug, Terminal | |
| 10 | 4460928 | 2 | Socket, Female | |
| 10 | 4460918 | 2 | Terminal | |
| 11 | 4460051 | 1 | Connector, Strain Relief | |

SECTION 8 - ELECTRICAL

FIGURE 8-34. RECEPTACLE ASSEMBLY (MACHINES WITH GENERATORS) (ALL SPECS EXCEPT AUSTRALIAN AND CE SPEC)



ART_1001187092

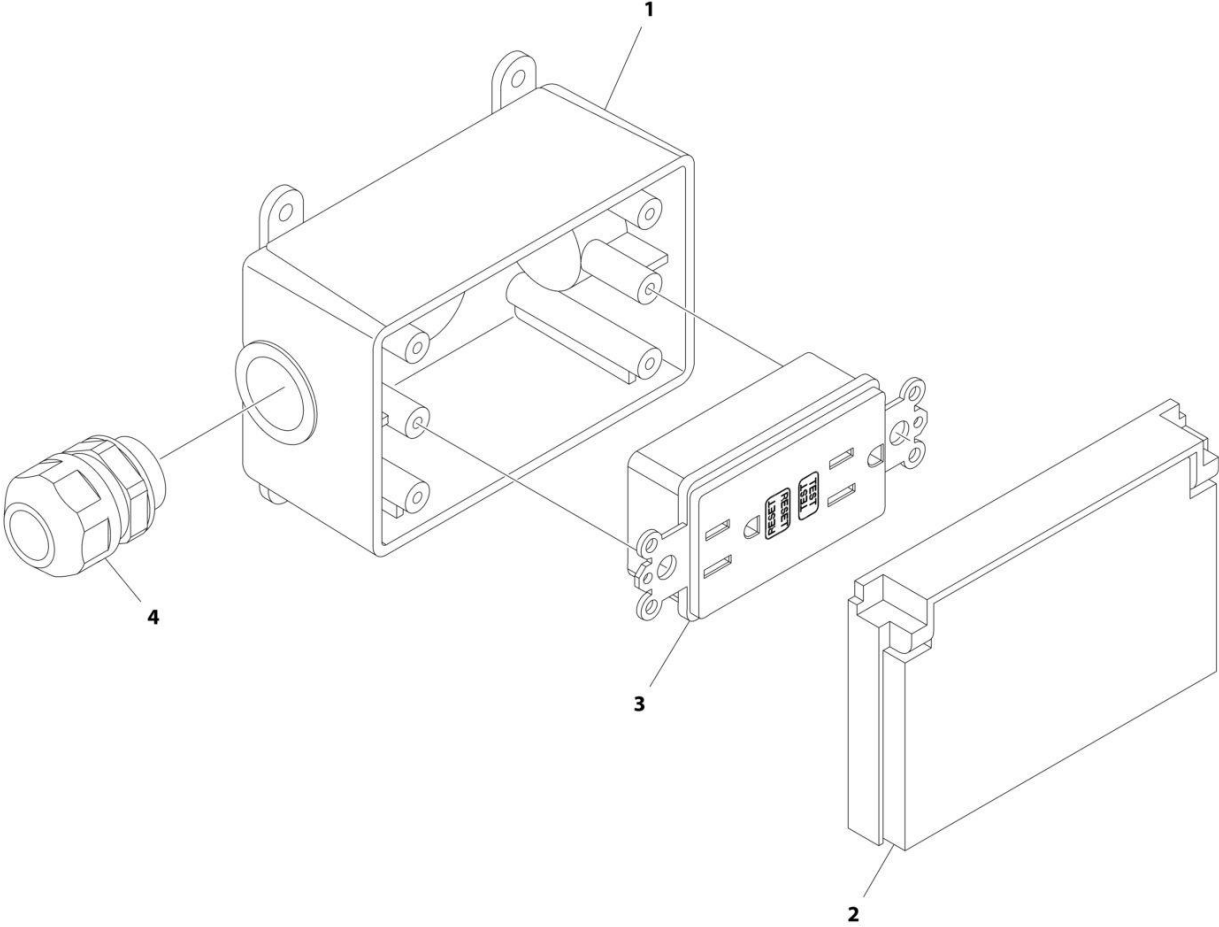
SECTION 8 - ELECTRICAL

FIGURE 8-34. RECEPTACLE ASSEMBLY (MACHINES WITH GENERATORS) (ALL SPECS EXCEPT AUSTRALIAN AND CE SPEC)

| ITEM | PART NUMBER | QTY | DESCRIPTION | REV |
|------|-------------|-----|------------------------------|-----|
| | 1001187092 | Ref | RECEPTACLE ASSEMBLY | D |
| 1 | 0100020 | AR | Sealant, Pipe | |
| 2 | 2902431 | 1 | Receptacle Box Kit | |
| 2A | 0861731 | 1 | Box | |
| 2B | 1671207 | 1 | Cover | |
| 2C | 4460346 | 1 | Receptacle | |
| 2D | 4460662 | 1 | Connector, Strain Relief | |
| 3 | 4460612 | 1 | Connector, Strain Relief | |
| 4 | 1001099670 | 2 | Terminal (Not Shown) | |
| 5 | 1001148675 | 1 | Box | |
| 6 | 1001148676 | 1 | Cover, Receptacle | |
| 7 | 1001148907 | 1 | Connector, Receptacle - 240V | |
| 8 | 1001159119 | 1 | Conduit | |
| 9 | 1001159118 | 1 | Breaker, GFCI 30A - 240V | |
| 10 | 4460315 | 3 | Terminal | |

SECTION 8 - ELECTRICAL

FIGURE 8-35. RECEPTACLE BOX KIT - 110V GFI



ART_2902431

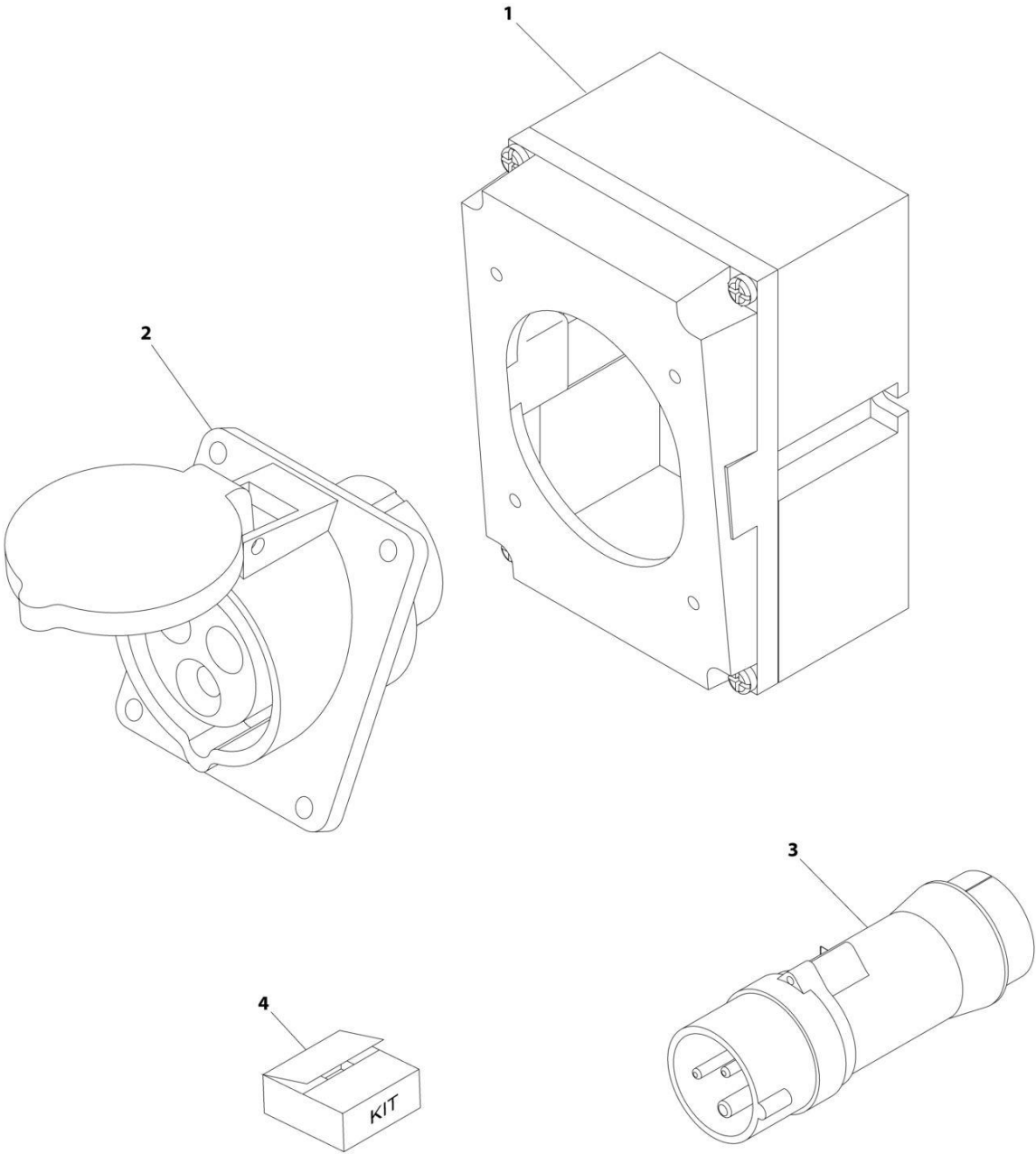
SECTION 8 - ELECTRICAL

FIGURE 8-35. RECEPTACLE BOX KIT - 110V GFI

| ITEM | PART NUMBER | QTY | DESCRIPTION | REV |
|------|-------------|-----|-------------------------------|-----|
| | 2902431 | Ref | RECEPTACLE BOX KIT - 110V GFI | D |
| 1 | 0861731 | 1 | Box, Receptacle | |
| 2 | 1671207 | 1 | Cover, Receptacle | |
| 3 | 4460346 | 1 | Receptacle | |
| 4 | 4460662 | 1 | Connector, Strain Relief | |

SECTION 8 - ELECTRICAL

FIGURE 8-36. RECEPTACLE BOX KIT - 110V IEC YELLOW



ART_0275216

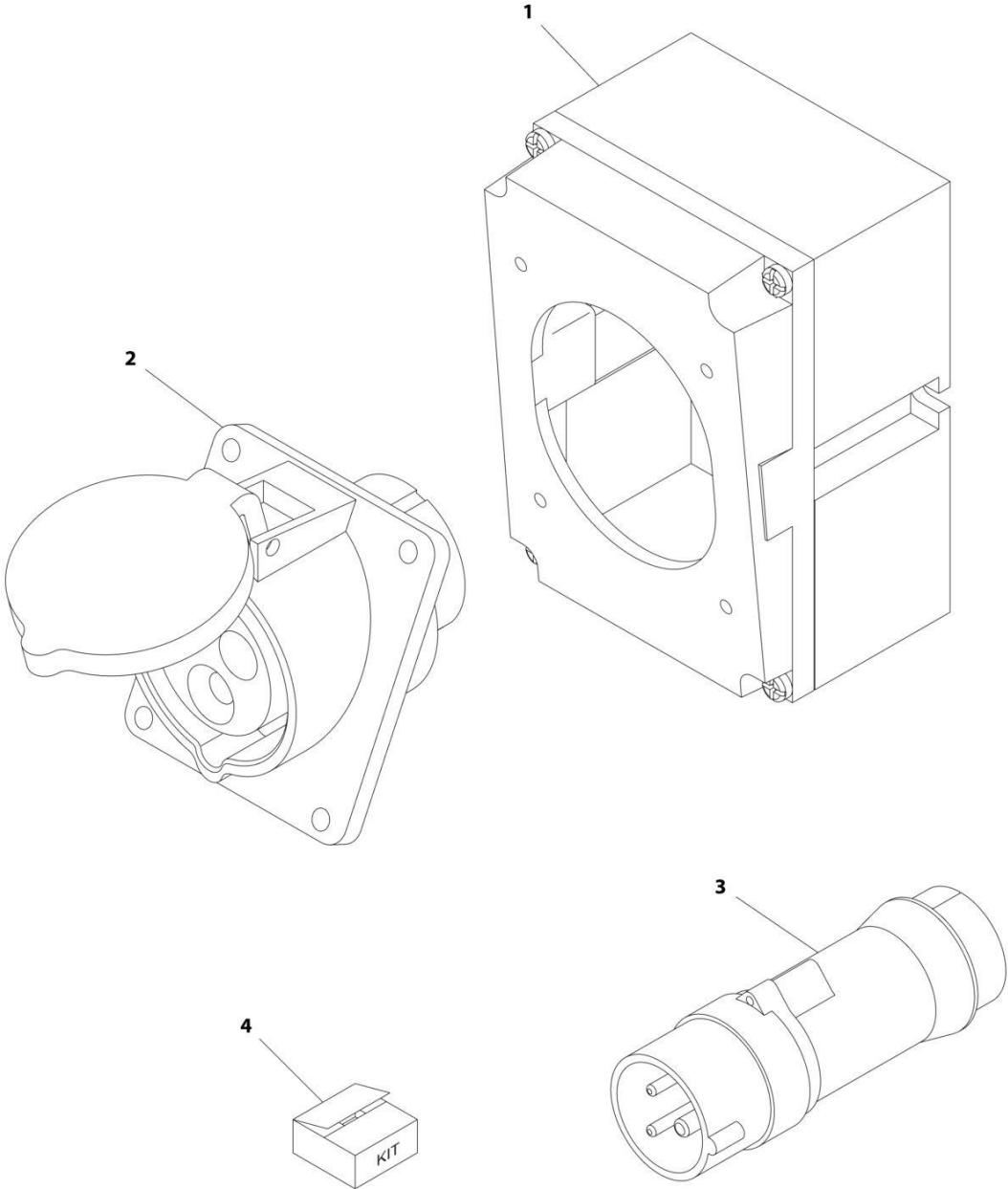
SECTION 8 - ELECTRICAL

FIGURE 8-36. RECEPTACLE BOX KIT - 110V IEC YELLOW

| ITEM | PART NUMBER | QTY | DESCRIPTION | REV |
|------|-------------|-----|--|-----|
| | 0275216 | Ref | RECEPTACLE BOX KIT - 110V IEC YELLOW | B |
| 1 | 0861781 | 1 | Box, Switch | |
| 2 | 4461198 | 1 | Receptacle | |
| 3 | 4461196 | 1 | Plug, Male | |
| 4 | 1001100341 | 1 | Plug and Socket Kit (Includes Items 1-3 and Female Plug p/n 4461197) | |

SECTION 8 - ELECTRICAL

FIGURE 8-37. RECEPTACLE BOX KIT - 220V IEC BLUE



ART_0275217

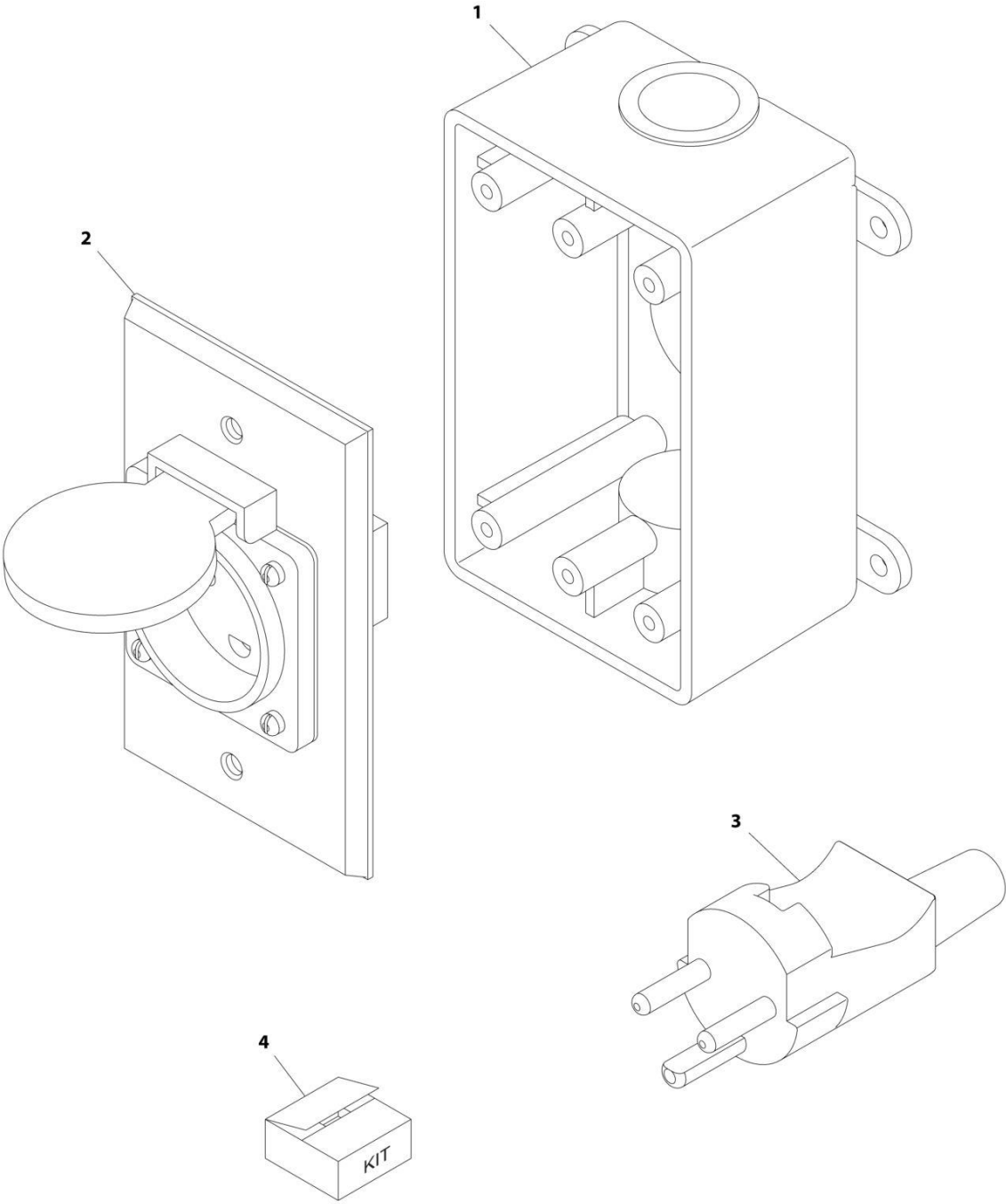
SECTION 8 - ELECTRICAL

FIGURE 8-37. RECEPTACLE BOX KIT - 220V IEC BLUE

| ITEM | PART NUMBER | QTY | DESCRIPTION | REV |
|------|-------------|-----|--|-----|
| | 0275217 | Ref | RECEPTACLE BOX KIT - 220V IEC BLUE | B |
| 1 | 0861781 | 1 | Box, Switch | |
| 2 | 4461201 | 1 | Receptacle | |
| 3 | 4461199 | 1 | Plug, Male | |
| 4 | 1001100342 | 1 | Plug and Socket Kit (Includes Items 1-3 and Female Plug p/n 4461200) | |

SECTION 8 - ELECTRICAL

FIGURE 8-38. RECEPTACLE BOX KIT - 220V AFSINT 107 (CE SPEC)



ART_0275454

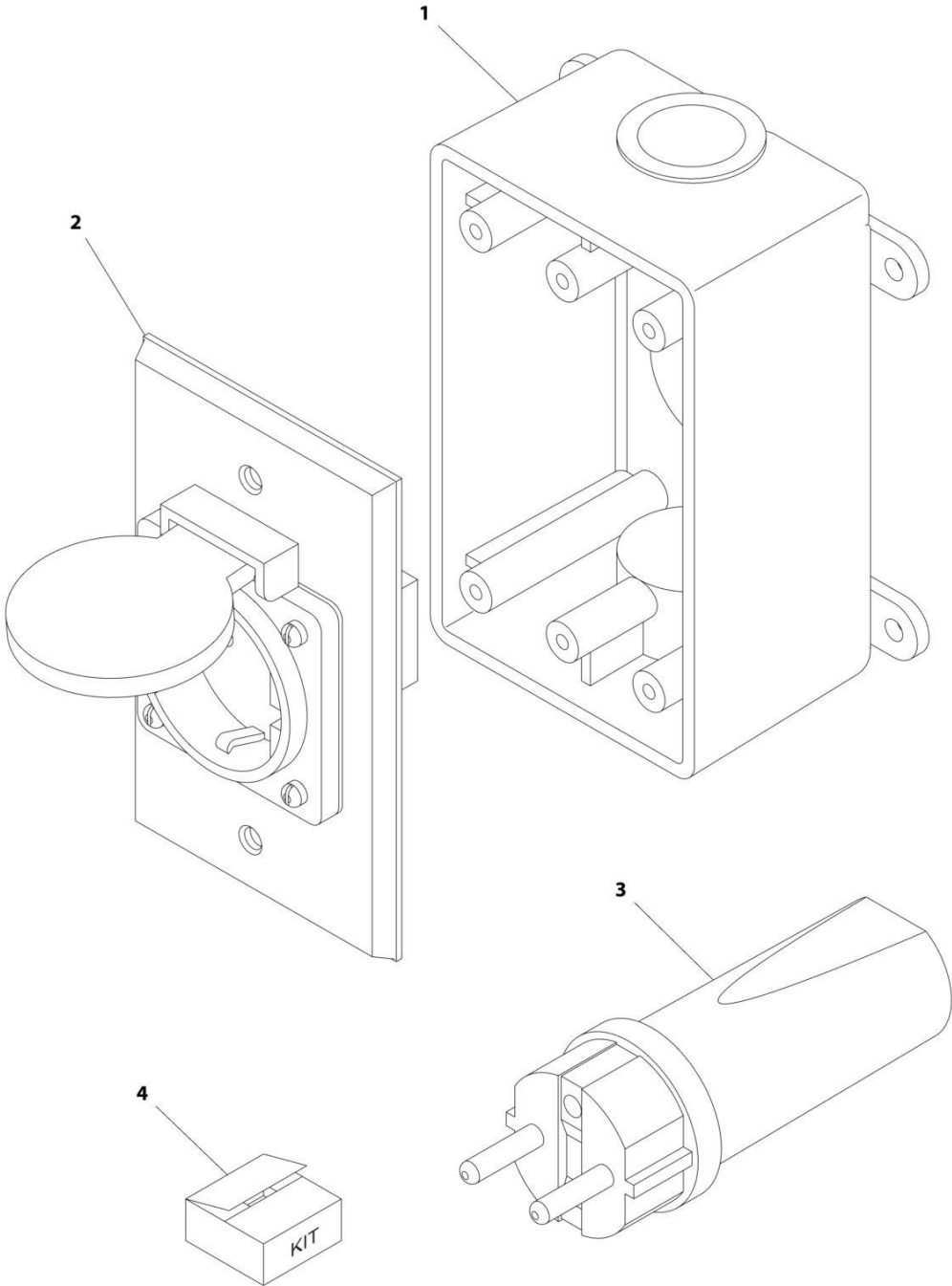
SECTION 8 - ELECTRICAL

FIGURE 8-38. RECEPTACLE BOX KIT - 220V AFSINT 107 (CE SPEC)

| ITEM | PART NUMBER | QTY | DESCRIPTION | REV |
|------|-------------|-----|--|-----|
| | 0275454 | Ref | RECEPTACLE BOX KIT - 220V AFSINT 107 | B |
| 1 | 0861731 | 1 | Box, Switch | |
| 2 | 4461246 | 1 | Receptacle | |
| 3 | 4461249 | 1 | Plug, Male | |
| 4 | 1001100346 | 1 | Plug and Socket Kit (Includes Items 1-3 and Female Plug p/n 4461250) | |

SECTION 8 - ELECTRICAL

FIGURE 8-39. RECEPTACLE BOX KIT - 220V CEE7 SIDE GROUND



ART_0275453

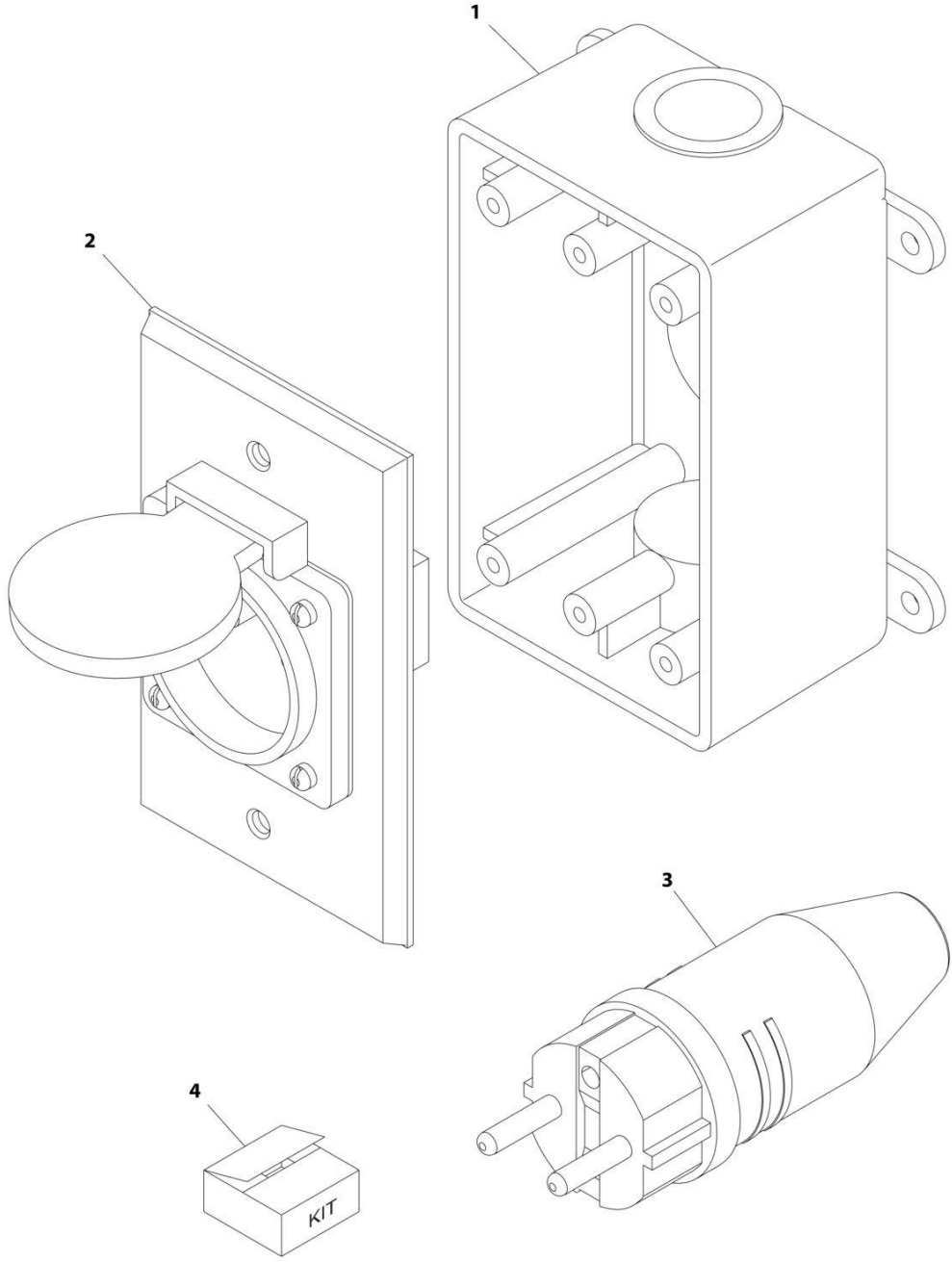
SECTION 8 - ELECTRICAL

FIGURE 8-39. RECEPTACLE BOX KIT - 220V CEE7 SIDE GROUND

| ITEM | PART NUMBER | QTY | DESCRIPTION | REV |
|------|-------------|-----|--|-----|
| | 0275453 | Ref | RECEPTACLE BOX KIT - 220V CEE7 SIDE GROUND | B |
| 1 | 0861731 | 1 | Box, Switch | |
| 2 | 4461245 | 1 | Receptacle | |
| 3 | 4461205 | 1 | Plug, Male | |
| 4 | 1001100347 | 1 | Plug and Socket Kit (Includes Items 1-3 and Female Plug p/n 4461206) | |

SECTION 8 - ELECTRICAL

FIGURE 8-40. RECEPTACLE BOX KIT - 220V CEE7 POST GROUND (CE SPEC)



ART_0275452-C

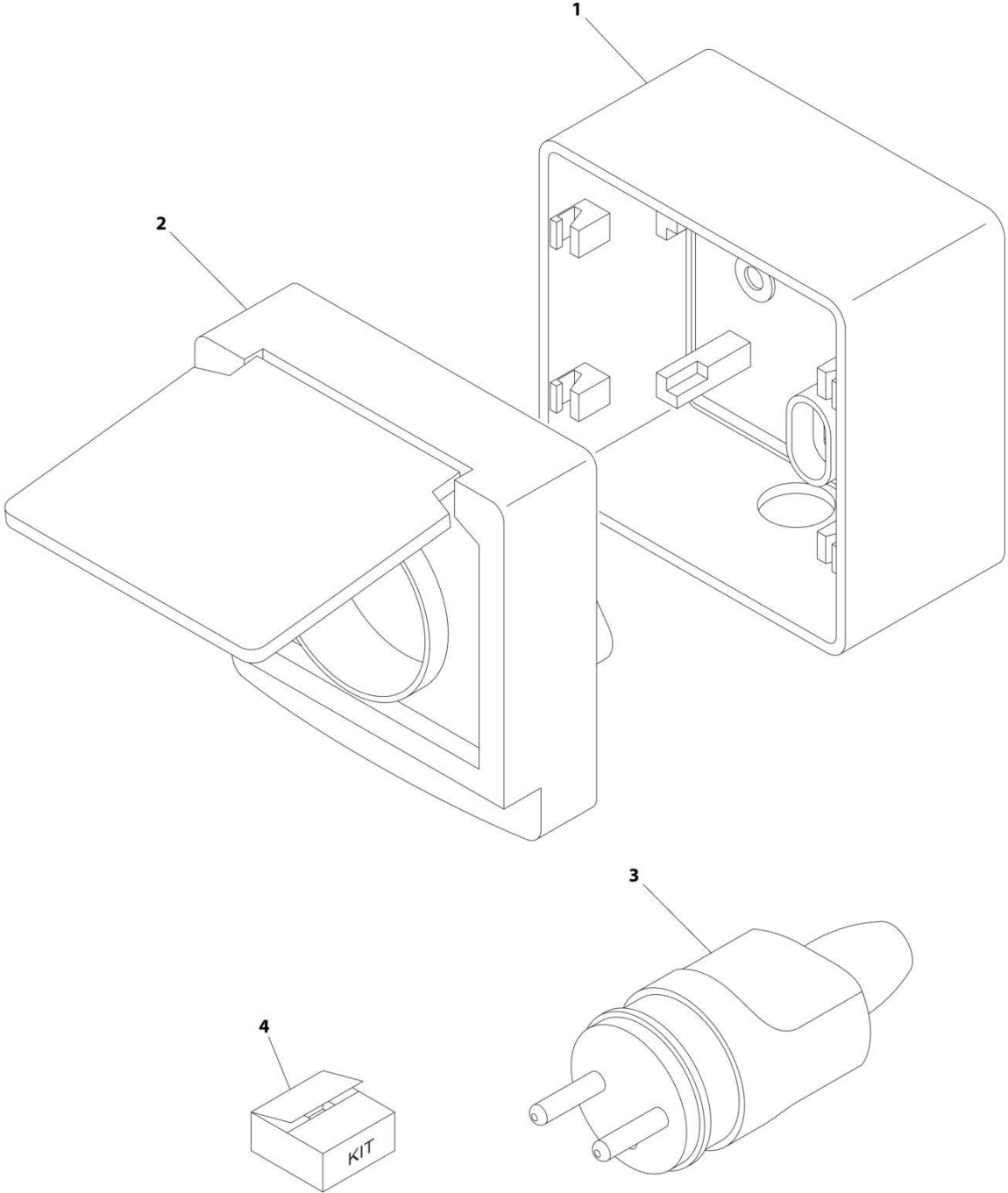
SECTION 8 - ELECTRICAL

FIGURE 8-40. RECEPTACLE BOX KIT - 220V CEE7 POST GROUND (CE SPEC)

| ITEM | PART NUMBER | QTY | DESCRIPTION | REV |
|------|-------------|-----|--|-----|
| | 0275452 | Ref | RECEPTACLE BOX KIT - 220V CEE7 POST GROUND 2IN X 4IN BOX | C |
| 1 | 0861731 | 1 | Box, Switch | |
| 2 | 4461244 | 1 | Receptacle | |
| 3 | 4461205 | 1 | Plug, Male | |
| 4 | 1001100345 | 1 | Plug and Socket Kit (Includes Items 1-3 and Female Plug p/n 4461203) | |

SECTION 8 - ELECTRICAL

FIGURE 8-41. RECEPTACLE BOX KIT - 220V CEE7 POST GROUND 70MM X 70MM BOX (CE SPEC)



ART_0275218

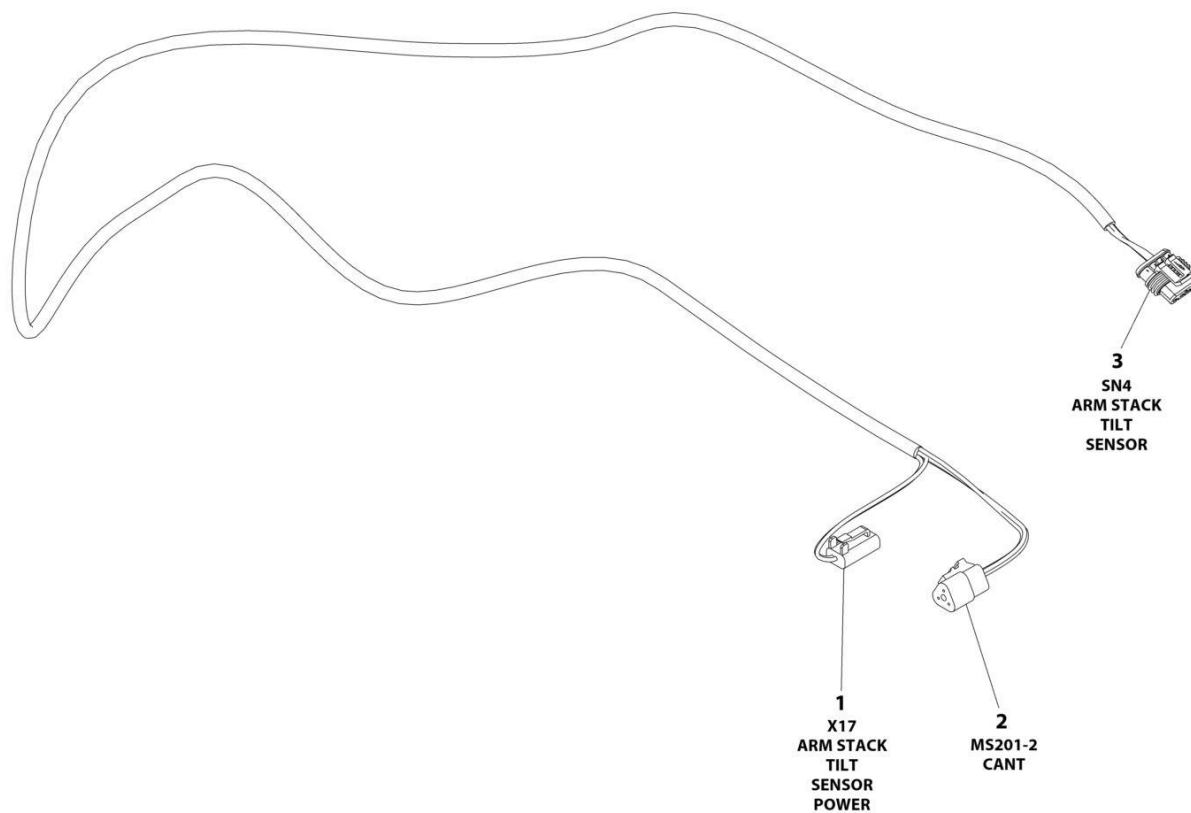
SECTION 8 - ELECTRICAL

FIGURE 8-41. RECEPTACLE BOX KIT - 220V CEE7 POST GROUND 70MM X 70MM BOX (CE SPEC)

| ITEM | PART NUMBER | QTY | DESCRIPTION | REV |
|------|-------------|-----|--|-----|
| | 0275218 | Ref | RECEPTACLE BOX KIT - 220V CEE7 POST GROUND 70X70 BOX | C |
| 1 | 1001141967 | 1 | Box, Switch | |
| 2 | 1001141968 | 1 | Receptacle | |
| 3 | 4461205 | 1 | Plug, Male | |
| 4 | 1001141971 | 1 | Plug and Socket Kit (Includes Items 1-3 and Female Plug p/n 4461206) | |

SECTION 8 - ELECTRICAL

FIGURE 8-42. SCISSORS ARMS GUARD HARNESS



ART_1001244347

SECTION 8 - ELECTRICAL

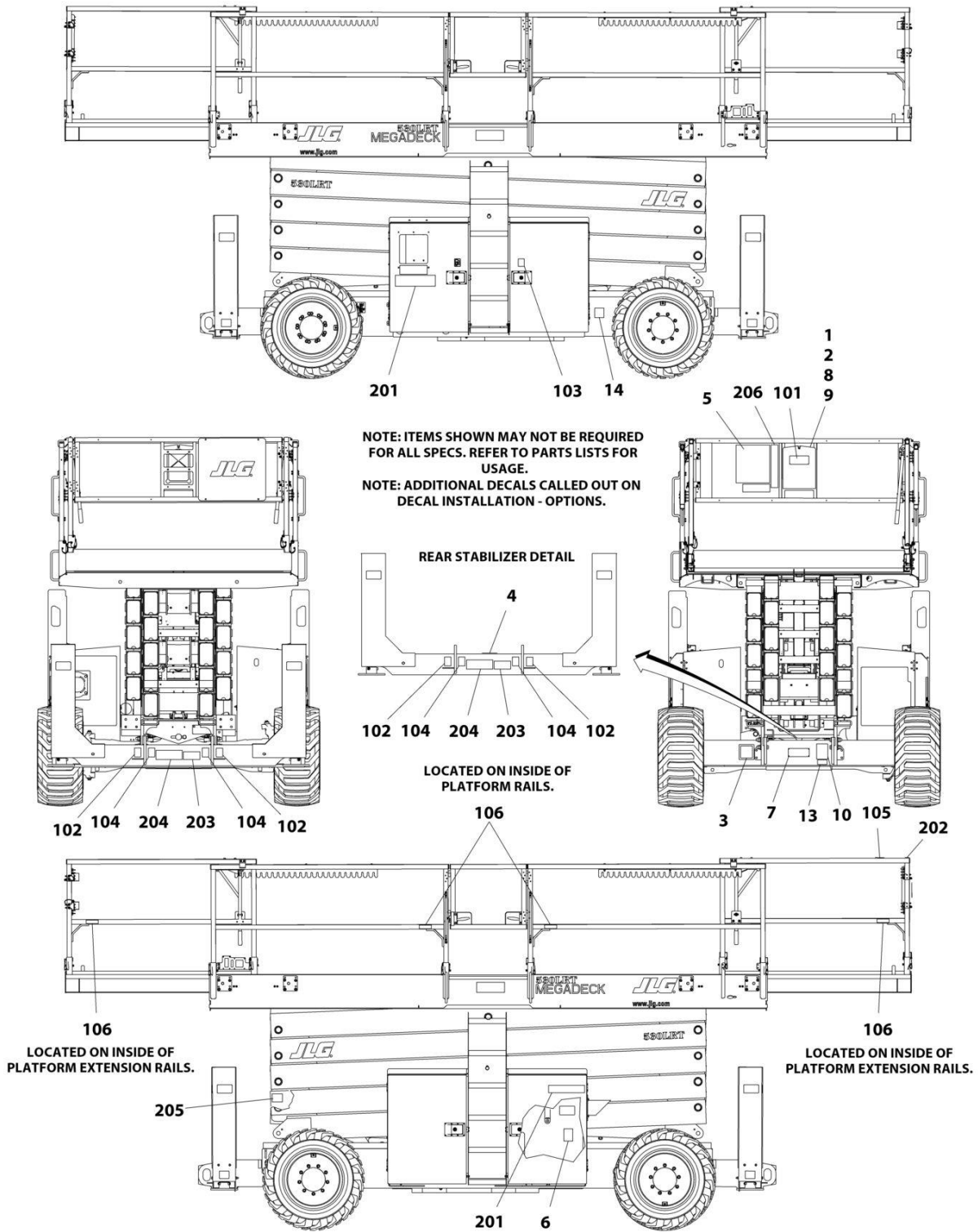
FIGURE 8-42. SCISSORS ARMS GUARD HARNESS

| ITEM | PART NUMBER | QTY | DESCRIPTION | REV |
|------|-------------|-----|-----------------------------|-----|
| | 1001244347 | Ref | SCISSORS ARMS GUARD HARNESS | B |
| 1 | 4460891 | 1 | Plug, Male - 2 Position | |
| 1 | 4460465 | 2 | Socket, Female | |
| 2 | 4460539 | 1 | Plug, Male - 3 Position | |
| 2 | 4460944 | 3 | Socket, Female | |
| 3 | 1001103012 | 1 | Connector - 4 Position | |
| 3 | 1001107854 | 4 | Socket, Female | |

SECTION 9 - DECALS

SECTION 9 - DECALS

FIGURE 9-1. DECAL INSTALLATION - ANSI AND ANSI EXPORT SPECS (ENGLISH)



ART_1001187668_D

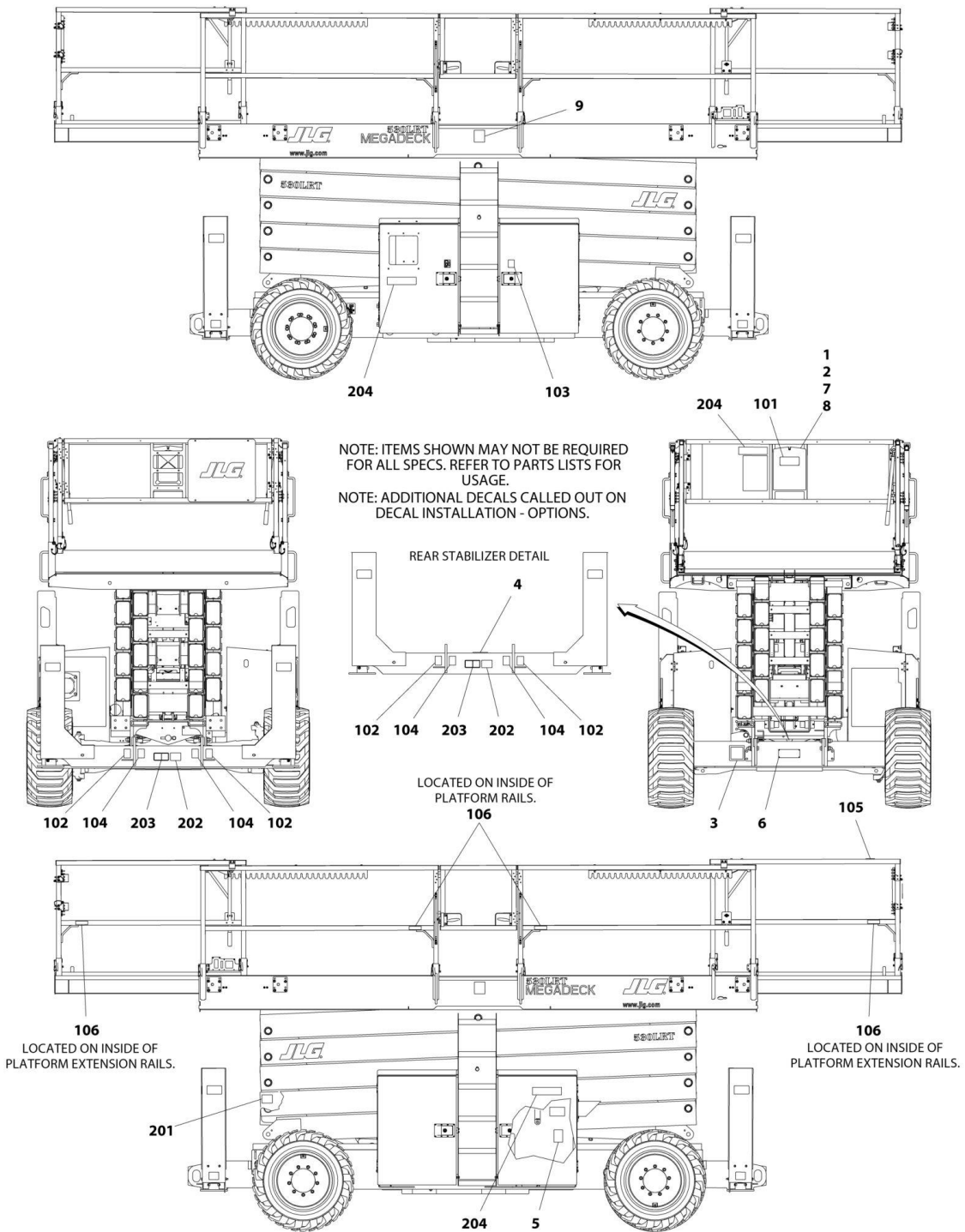
SECTION 9 - DECALS

FIGURE 9-1. DECAL INSTALLATION - ANSI AND ANSI EXPORT SPECS (ENGLISH)

| ITEM | PART NUMBER | QTY | DESCRIPTION | REV |
|------|-------------|-----|---|-----|
| | 1001187668 | Ref | DECAL INSTALLATION | D |
| | | Ref | Note: See DECAL INSTALLATION - OPTIONS for additional decals. | |
| 1 | 0760610 | 4 | Bolt, M6 X 20 | |
| 2 | 0860520 | 1 | Box, Manual Storage | |
| 3 | See Note | NSS | Decal - Bar Code (Note: Not Available for Purchase) | |
| 4 | 1703687 | 2 | Decal - Directional Arrow | |
| 5 | 1703816 | 1 | Decal - Danger/Warning | |
| 6 | 1704412 | 1 | Decal - Hydraulic Oil | |
| 7 | 2080057 | 4 | Fastener | |
| 8 | 3290605 | 4 | Nut, Lock M6 | |
| 9 | 4811700 | 8 | Washer, M6 | |
| 10 | 1001131270 | 1 | Decal - Patent | |
| 13 | 1001223453 | 1 | Decal - ICES | |
| 14 | 1001223055 | 1 | Decal - Yearly Inspection | |
| 101 | 1701509 | 1 | Decal - Manual | |
| 102 | 1703811 | 1 | Decal - Lifting Lug | |
| 103 | 1703812 | 1 | Decal - Hydraulic Oil | |
| 104 | 1703814 | 1 | Decal - Tie Down | |
| 105 | 1703819 | 1 | Decal - Directional Arrow | |
| 106 | 1704277 | 1 | Decal - Lanyard Attach | |
| 201 | 1703818 | 1 | Decal - Danger Electrocution/Warning Crushing | |
| 202 | 1703821 | 1 | Decal - Control Box Location | |
| 203 | 1703823 | 1 | Decal - Danger/Electrocution Hazard | |
| 204 | 1704432 | 1 | Decal - Warning Crushing | |
| 205 | 1705019 | 1 | Decal - Safety Prop | |
| 206 | 1001192853 | 1 | Decal - Legend | |

SECTION 9 - DECALS

FIGURE 9-2. DECAL INSTALLATION - AUSTRALIAN AND JAPANESE SPECS



ART_1001203770

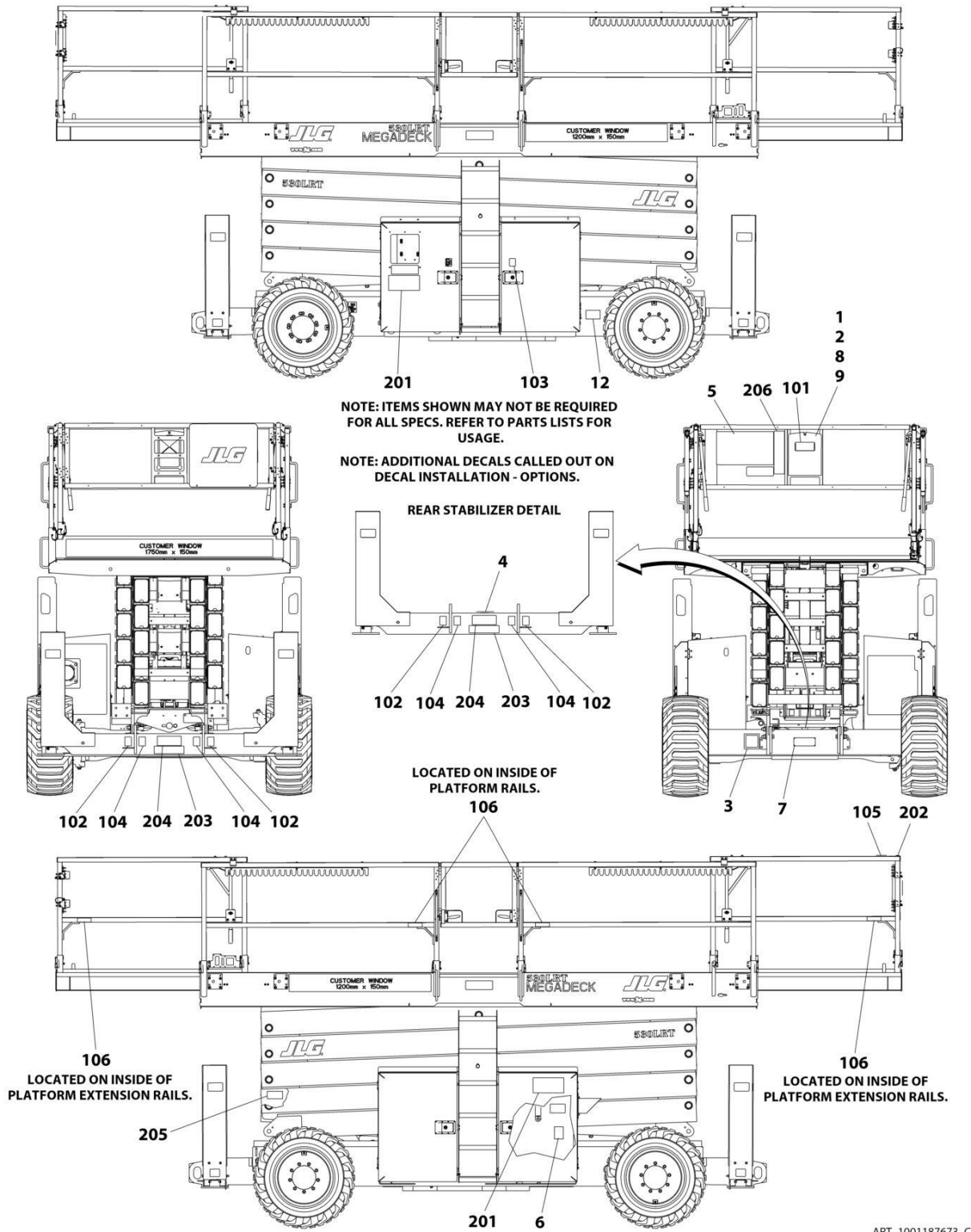
SECTION 9 - DECALS

FIGURE 9-2. DECAL INSTALLATION - AUSTRALIAN AND JAPANESE SPECS

| ITEM | PART NUMBER | QTY | DESCRIPTION | REV |
|------|-------------|-----|---|-----|
| | 1001203770 | Ref | DECAL INSTALLATION | D |
| | | Ref | Note: See DECAL INSTALLATION - OPTIONS for additional decals. | |
| 1 | 0760610 | 4 | Bolt, M6 X 20 | |
| 2 | 0860520 | 1 | Box, Manual Storage | |
| 3 | See Note | NSS | Decal - Bar Code (Note: Not Available for Purchase) | |
| 4 | 1703687 | 2 | Decal - Directional Arrow | |
| 5 | 1704412 | 1 | Decal - Hydraulic Oil | |
| 6 | 2080057 | 4 | Fastener | |
| 7 | 3290605 | 4 | Nut, Lock M6 | |
| 8 | 4811700 | 8 | Washer, M6 | |
| 9 | 1001191526 | 2 | Decal - Sound Power Level | |
| 101 | 1701509 | 1 | Decal - Manual | |
| 102 | 1703811 | 1 | Decal - Lifting Lug | |
| 103 | 1703812 | 1 | Decal - Hydraulic Oil | |
| 104 | 1703814 | 1 | Decal - Tie Down | |
| 105 | 1703819 | 1 | Decal - Directional Arrow | |
| 106 | 1704277 | 1 | Decal - Lanyard Attach | |
| 201 | 1705019 | 1 | Decal - Safety Prop | |
| 202 | 1705372 | 1 | Decal - Head Crushing | |
| 203 | 1705671 | 1 | Decal - Electrocution | |
| 204 | 1706338 | 1 | Decal - Electrocution/Crushing | |

SECTION 9 - DECALS

FIGURE 9-3. DECAL INSTALLATION - BRAZIL SPECS (SPANISH/PORTUGUESE)



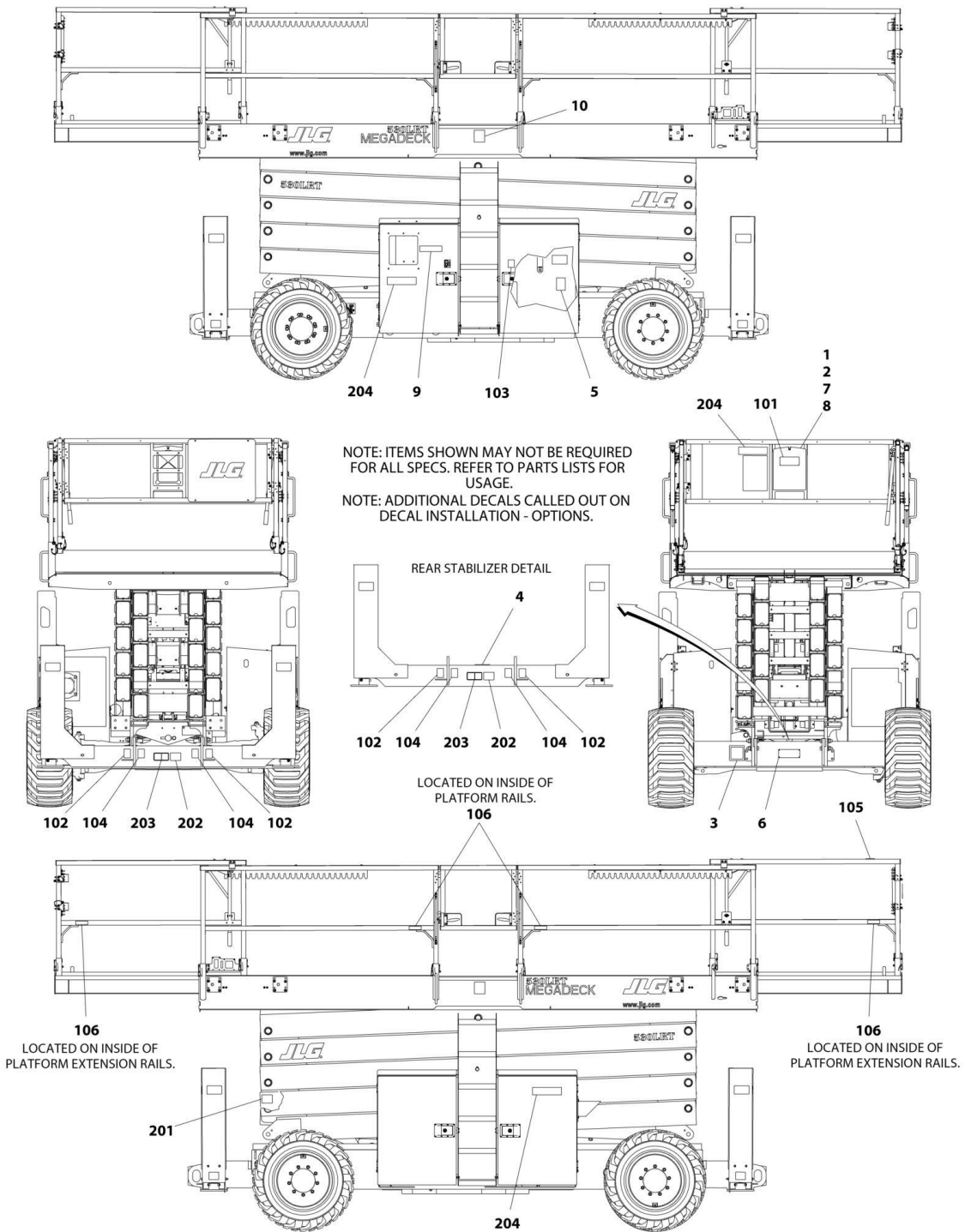
SECTION 9 - DECALS

FIGURE 9-3. DECAL INSTALLATION - BRAZIL SPECS (SPANISH/PORTUGUESE)

| ITEM | PART NUMBER | QTY | DESCRIPTION | REV |
|------|-------------|-----|---|-----|
| | 1001187673 | Ref | DECAL INSTALLATION | C |
| | | Ref | Note: See DECAL INSTALLATION - OPTIONS for additional decals. | |
| 1 | 0760610 | 4 | Bolt M6 x 20 | |
| 2 | 0860520 | 1 | Box, Manual Storage | |
| 3 | See Note | NSS | Decal - Bar Code (Note: Not Available for Purchase) | |
| 4 | 1703687 | 2 | Decal - Directional Arrow | |
| 5 | 1704699 | 1 | Decal - Danger/Warning | |
| 6 | 1704412 | 1 | Decal - Hydraulic Oil | |
| 7 | 2080057 | 4 | Fastener | |
| 8 | 3290605 | 4 | Nut M6 | |
| 9 | 4811700 | 8 | Washer M6 | |
| 12 | 1001224052 | 1 | Decal - Yearly Inspection | |
| 101 | 1701509 | 1 | Decal - Manual | |
| 102 | 1703811 | 1 | Decal - Lifting Lug | |
| 103 | 1703812 | 1 | Decal - Hydraulic Oil | |
| 104 | 1703814 | 1 | Decal - Tie Down | |
| 105 | 1703819 | 1 | Decal - Directional Arrow | |
| 106 | 1704277 | 1 | Decal - Lanyard Attach | |
| 201 | 1704701 | 1 | Decal - Danger Electrocution/Warning Crushing | |
| 202 | 1704702 | 1 | Decal - Control Box Location | |
| 203 | 1705043 | 1 | Decal - Danger/Electrocution Hazard | |
| 204 | 1705318 | 1 | Decal - Warning Crushing | |
| 205 | 1705019 | 1 | Decal - Safety Prop | |
| 206 | 1001203077 | 1 | Decal - Legend | |

SECTION 9 - DECALS

FIGURE 9-4. DECAL INSTALLATION - CE SPEC



ART_1001187670

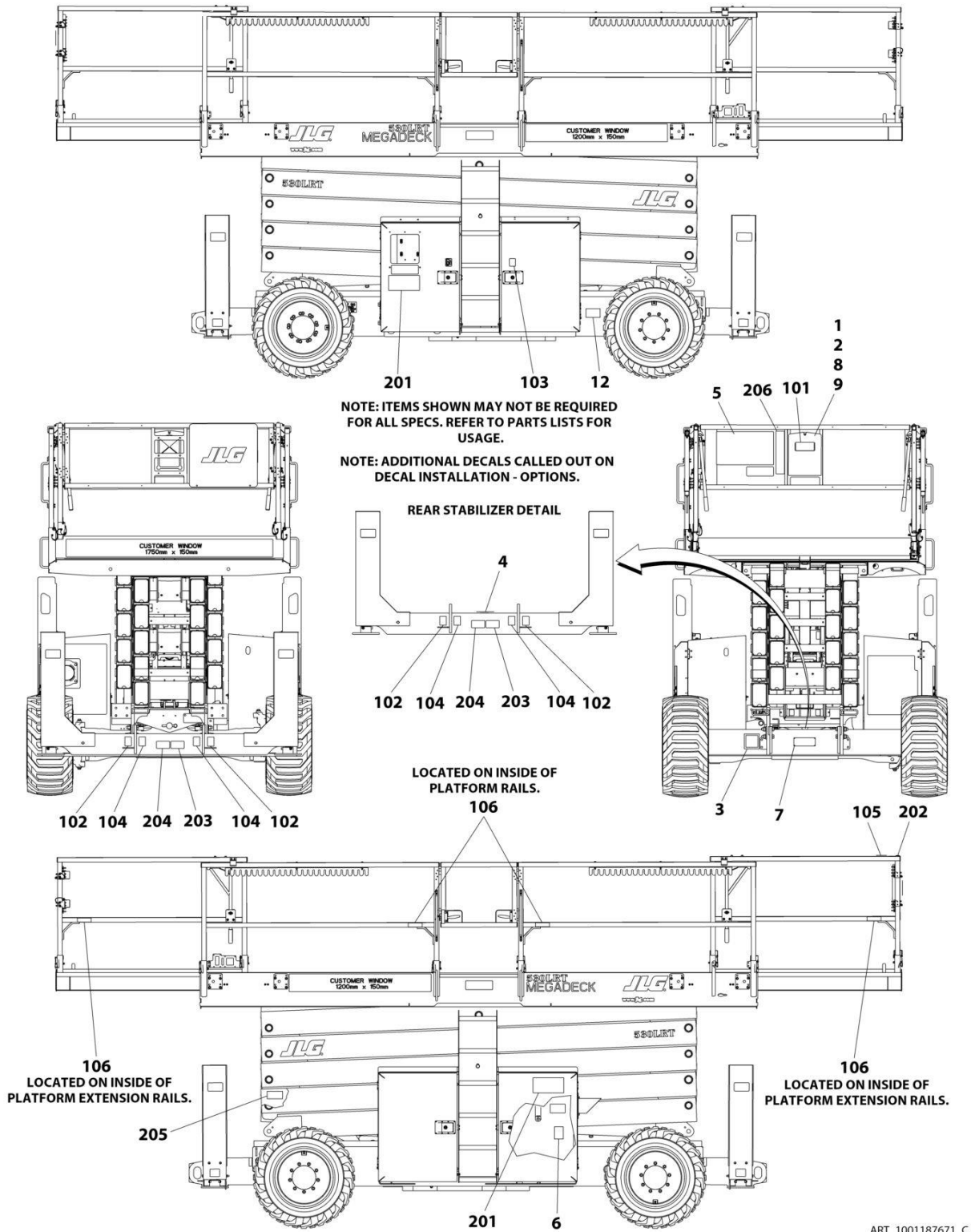
SECTION 9 - DECALS

FIGURE 9-4. DECAL INSTALLATION - CE SPEC

| ITEM | PART NUMBER | QTY | DESCRIPTION | REV |
|------|-------------|-----|---|-----|
| | 1001187670 | Ref | DECAL INSTALLATION | F |
| | | Ref | Note: See DECAL INSTALLATION - OPTIONS for additional decals. | |
| 1 | 0760610 | 4 | Bolt, M6 X 20 | |
| 2 | 0860520 | 1 | Box, Manual Storage | |
| 3 | See Note | 1 | Decal - Bar Code (Note: Not Available for Purchase) | |
| 4 | 1703687 | 2 | Decal - Directional Arrow | |
| 5 | 1704412 | 1 | Decal - Hydraulic Oil | |
| 6 | 2080057 | 4 | Fastener | |
| 7 | 3290605 | 4 | Nut, Lock M6 | |
| 8 | 4811700 | 8 | Washer, M6 | |
| 9 | 1001197634 | 1 | Decal - MSSO Operation | |
| 10 | 80463053 | 2 | Decal - Sound Power Level | |
| 101 | 1701509 | 1 | Decal - Manual | |
| 102 | 1703811 | 1 | Decal - Lifting Lugs | |
| 103 | 1703812 | 1 | Decal - Hydraulic Oil | |
| 104 | 1703814 | 1 | Decal - Tie Down | |
| 105 | 1703819 | 1 | Decal - Directional Arrow | |
| 106 | 1704277 | 1 | Decal - Lanyard Attach | |
| 201 | 1705019 | 1 | Decal - Safety Prop | |
| 202 | 1705372 | 1 | Decal - Head Crushing | |
| 203 | 1705671 | 1 | Decal - Electrocution | |
| 204 | 1706338 | 1 | Decal - Electrocution/Crushing | |

SECTION 9 - DECALS

FIGURE 9-5. DECAL INSTALLATION - CHINESE SPECS (ENGLISH/CHINESE)



ART_1001187671_C

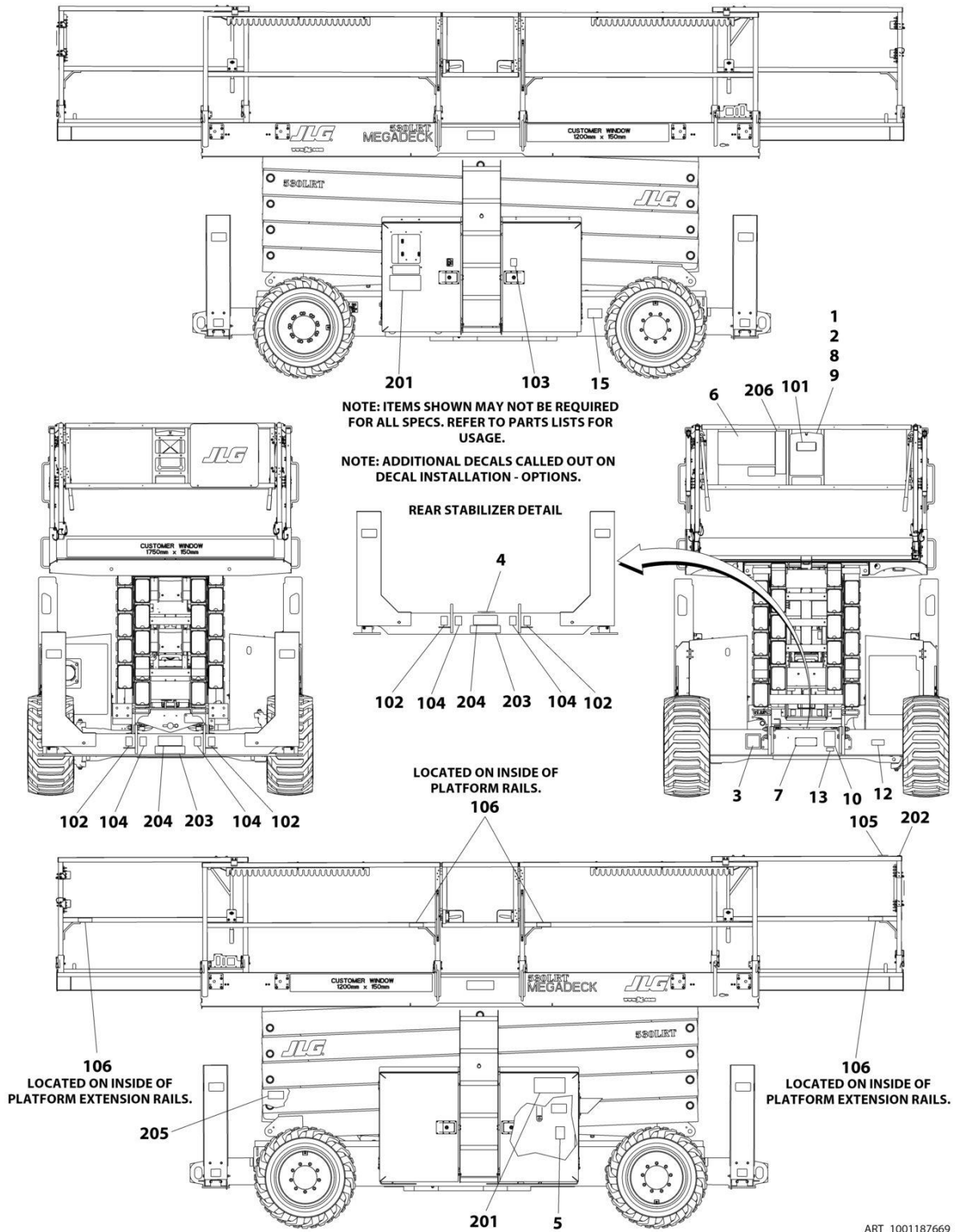
SECTION 9 - DECALS

FIGURE 9-5. DECAL INSTALLATION - CHINESE SPECS (ENGLISH/CHINESE)

| ITEM | PART NUMBER | QTY | DESCRIPTION | REV |
|------|-------------|-----|---|-----|
| | 1001187671 | Ref | DECAL INSTALLATION | C |
| | | Ref | Note: See DECAL INSTALLATION - OPTIONS for additional decals. | |
| 1 | 0760610 | 4 | Bolt M6 x 20 | |
| 2 | 0860520 | 1 | Box, Manual Storage | |
| 3 | See Note | NSS | Decal - Bar Code (Note: Not Available for Purchase) | |
| 4 | 1703687 | 2 | Decal - Directional Arrow | |
| 5 | 1705195 | 1 | Decal - Danger/Warning | |
| 6 | 1704412 | 1 | Decal - Hydraulic Oil | |
| 7 | 2080057 | 4 | Fastener | |
| 8 | 3290605 | 4 | Nut M6 | |
| 9 | 4811700 | 8 | Washer M6 | |
| 12 | 1001224050 | 1 | Decal - Yearly Inspection | |
| 101 | 1701509 | 1 | Decal - Manual | |
| 102 | 1703811 | 1 | Decal - Lifting Lug | |
| 103 | 1703812 | 1 | Decal - Hydraulic Oil | |
| 104 | 1703814 | 1 | Decal - Tie Down | |
| 105 | 1703819 | 1 | Decal - Directional Arrow | |
| 106 | 1704277 | 1 | Decal - Lanyard Attach | |
| 201 | 1705193 | 1 | Decal - Danger Electrocution/Warning Crushing | |
| 202 | 1705194 | 1 | Decal - Control Box Location | |
| 203 | 1705944 | 1 | Decal - Danger/Electrocution Hazard | |
| 204 | 1705943 | 1 | Decal - Warning Crushing | |
| 205 | 1705019 | 1 | Decal - Safety Prop | |
| 206 | 1001192853 | 1 | Decal - Legend | |

SECTION 9 - DECALS

FIGURE 9-6. DECAL INSTALLATION - CSA (ENGLISH/FRENCH)



ART_1001187669_D

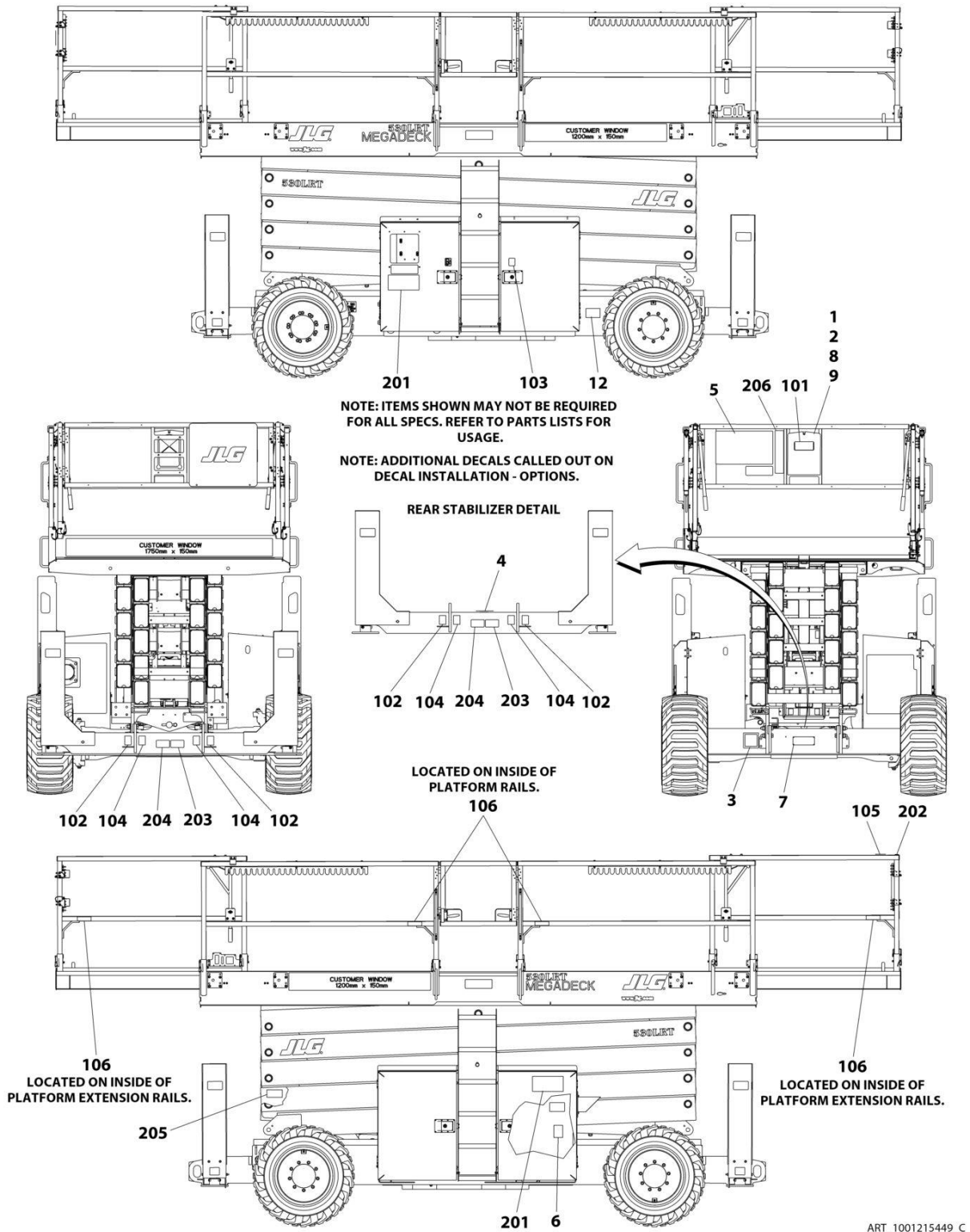
SECTION 9 - DECALS

FIGURE 9-6. DECAL INSTALLATION - CSA (ENGLISH/FRENCH)

| ITEM | PART NUMBER | QTY | DESCRIPTION | REV |
|------|-------------|-----|---|-----|
| | 1001187669 | Ref | DECAL INSTALLATION | D |
| | | Ref | Note: See DECAL INSTALLATION - OPTIONS for additional decals. | |
| 1 | 0760610 | 4 | Bolt M6 x 20 | |
| 2 | 0860520 | 1 | Box, Manual Storage | |
| 3 | See Note | NSS | Decal - Bar Code (Note: Not Available for Purchase) | |
| 4 | 1703687 | 2 | Decal - Directional Arrow | |
| 5 | 1704412 | 1 | Decal - Hydraulic Oil | |
| 6 | 1704684 | 1 | Decal - Danger/Warning | |
| 7 | 2080057 | 4 | Fastener | |
| 8 | 3290605 | 4 | Nut M6 | |
| 9 | 4811700 | 8 | Washer M6 | |
| 10 | 1001131270 | 1 | Decal - Patent | |
| 12 | 1705303 | 1 | Decal - CSA | |
| 13 | 1001223453 | 1 | Decal - ICES | |
| 15 | 1001223971 | 1 | Decal - Yearly Inspection | |
| 101 | 1701509 | 1 | Decal - Manual | |
| 102 | 1703811 | 1 | Decal - Lifting Lug | |
| 103 | 1703812 | 1 | Decal - Hydraulic Oil | |
| 104 | 1703814 | 1 | Decal - Tie Down | |
| 105 | 1703819 | 1 | Decal - Directional Arrow | |
| 106 | 1704277 | 1 | Decal - Lanyard Attach | |
| 201 | 1704686 | 1 | Decal - Danger Electrocution/Warning Crushing | |
| 202 | 1704687 | 1 | Decal - Control Box Location | |
| 203 | 1705040 | 1 | Decal - Danger/Electrocution Hazard | |
| 204 | 1705311 | 1 | Decal - Warning Crushing | |
| 205 | 1705019 | 1 | Decal - Safety Prop | |
| 206 | 1001203075 | 1 | Decal - Legend | |

SECTION 9 - DECALS

FIGURE 9-7. DECAL INSTALLATION - KOREAN SPECS (ENGLISH/KOREAN)



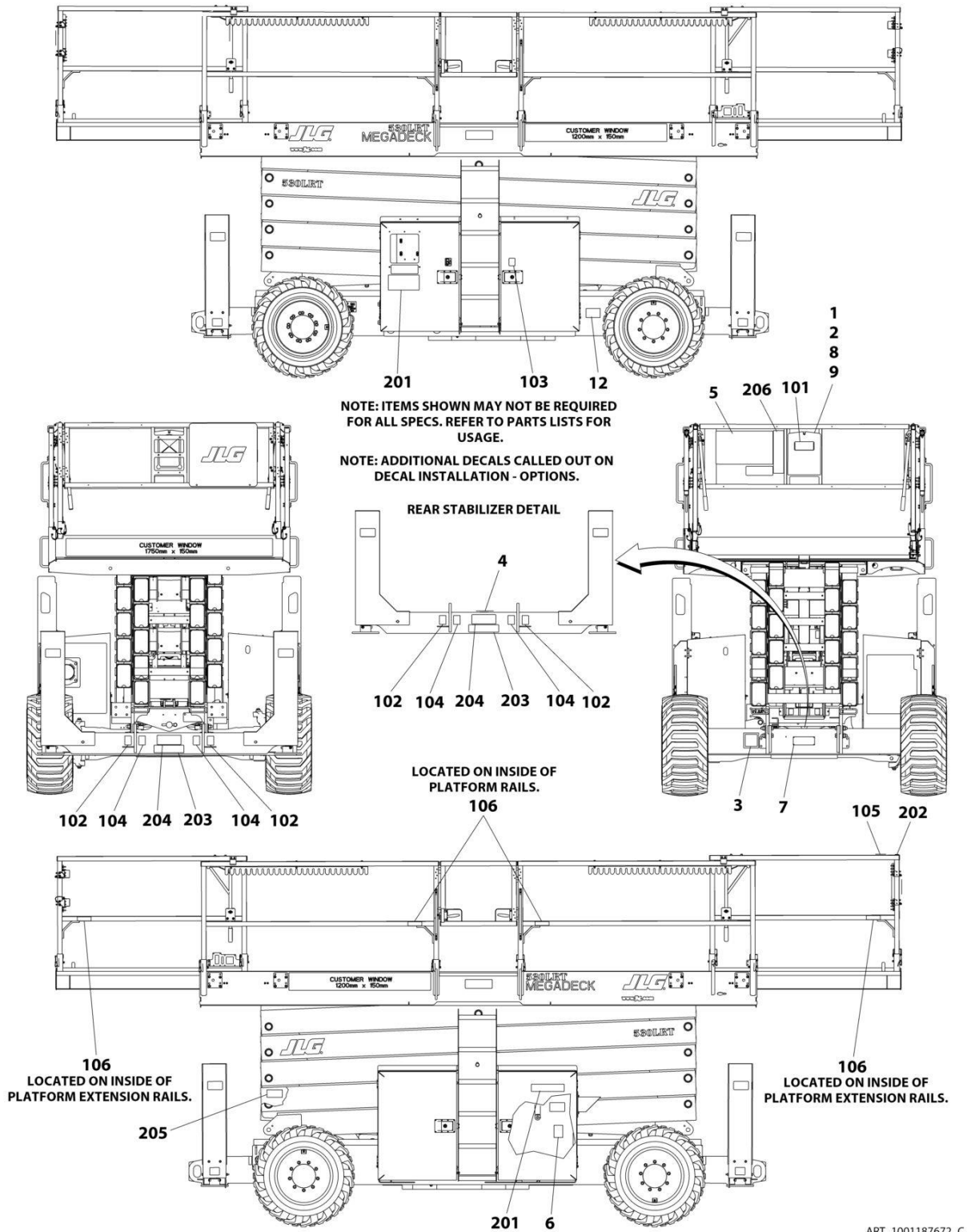
SECTION 9 - DECALS

FIGURE 9-7. DECAL INSTALLATION - KOREAN SPECS (ENGLISH/KOREAN)

| ITEM | PART NUMBER | QTY | DESCRIPTION | REV |
|------|-------------|-----|---|-----|
| | 1001215449 | Ref | DECAL INSTALLATION | C |
| | | Ref | Note: See DECAL INSTALLATION - OPTIONS for additional decals. | |
| 1 | 0760610 | 4 | Bolt, M6 X 20 | |
| 2 | 0860520 | 1 | Box, Manual Storage | |
| 3 | See Note | NSS | Decal - Bar Code (Note: Not Available for Purchase) | |
| 4 | 1703687 | 2 | Decal - Directional Arrow | |
| 5 | 1001162115 | 1 | Decal - Danger/Warning | |
| 6 | 1704412 | 1 | Decal - Hydraulic Oil | |
| 7 | 2080057 | 4 | Fastener | |
| 8 | 3290605 | 4 | Nut, Lock M6 | |
| 9 | 4811700 | 8 | Washer, M6 | |
| 12 | 1001224048 | 1 | Decal - Yearly Inspection | |
| 101 | 1701509 | 1 | Decal - Manual | |
| 102 | 1703811 | 1 | Decal - Lifting Lug | |
| 103 | 1703812 | 1 | Decal - Hydraulic Oil | |
| 104 | 1703814 | 1 | Decal - Tie Down | |
| 105 | 1703819 | 1 | Decal - Directional Arrow | |
| 106 | 1704277 | 1 | Decal - Lanyard Attach | |
| 201 | 1001162111 | 1 | Decal - Danger Electrocution/Warning Crushing | |
| 202 | 1001162112 | 1 | Decal - Control Box Location | |
| 203 | 1001162114 | 1 | Decal - Danger/Electrocution Hazard | |
| 204 | 1001162113 | 1 | Decal - Warning Crushing | |
| 205 | 1705019 | 1 | Decal - Safety Prop | |
| 206 | 1001162110 | 1 | Decal - Legend | |

SECTION 9 - DECALS

FIGURE 9-8. DECAL INSTALLATION - LATIN AMERICAN SPECS (ENGLISH/SPANISH)



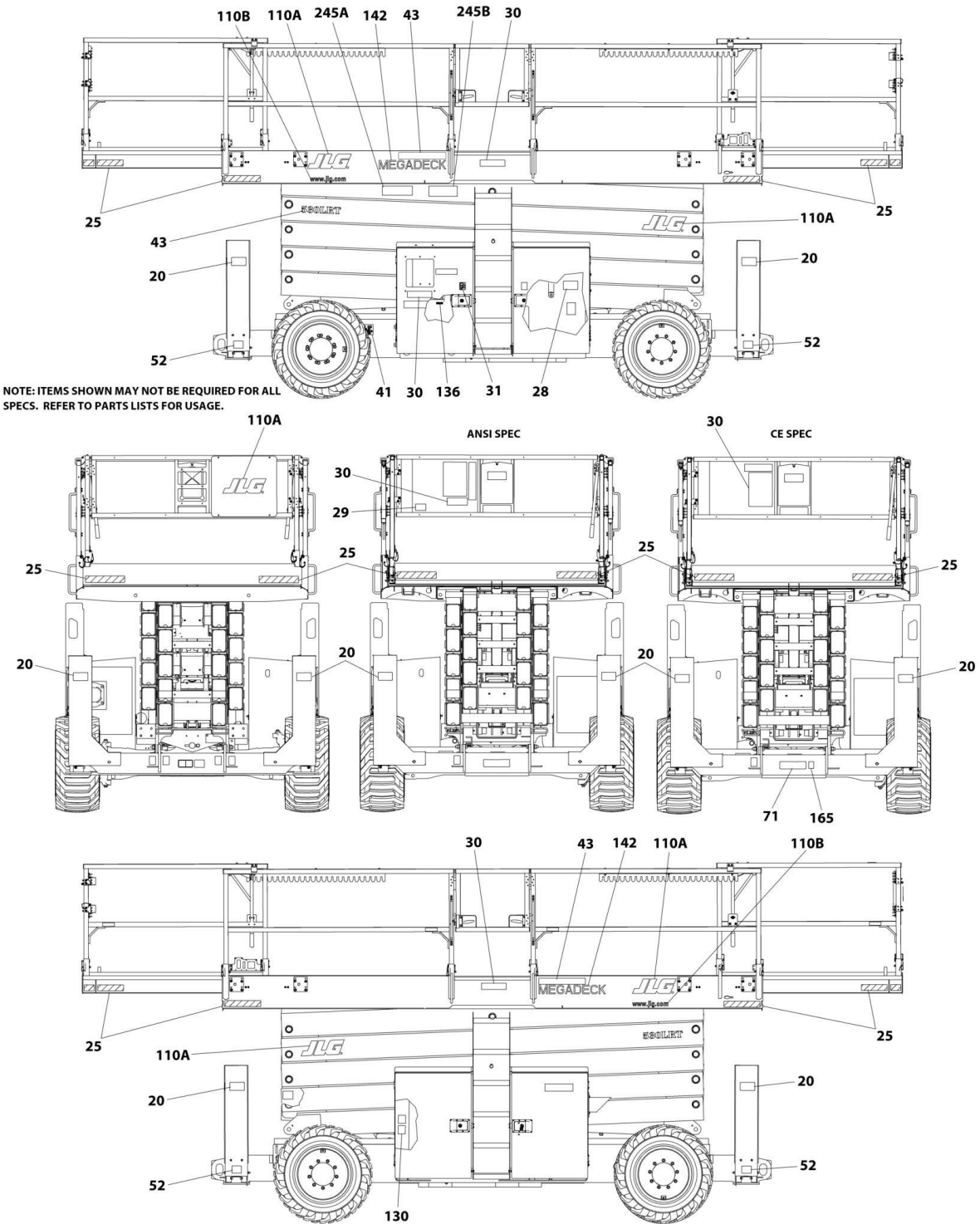
SECTION 9 - DECALS

FIGURE 9-8. DECAL INSTALLATION - LATIN AMERICAN SPECS (ENGLISH/SPANISH)

| ITEM | PART NUMBER | QTY | DESCRIPTION | REV |
|------|-------------|-----|---|-----|
| | 1001187672 | Ref | DECAL INSTALLATION | C |
| | | Ref | Note: See DECAL INSTALLATION - OPTIONS for additional decals. | |
| 1 | 0760610 | 4 | Bolt M6 x 20 | |
| 2 | 0860520 | 1 | Box, Manual Storage | |
| 3 | See Note | NSS | Decal - Bar Code (Note: Not Available for Purchase) | |
| 4 | 1703687 | 2 | Decal - Directional Arrow | |
| 5 | 1704691 | 1 | Decal - Danger/Warning | |
| 6 | 1704412 | 1 | Decal - Hydraulic Oil | |
| 7 | 2080057 | 4 | Fastener | |
| 8 | 3290605 | 4 | Nut M6 | |
| 9 | 4811700 | 8 | Washer M6 | |
| 12 | 1001224049 | 1 | Decal - Yearly Inspection | |
| 101 | 1701509 | 1 | Decal - Manual | |
| 102 | 1703811 | 1 | Decal - Lifting Lug | |
| 103 | 1703812 | 1 | Decal - Hydraulic Oil | |
| 104 | 1703814 | 1 | Decal - Tie Down | |
| 105 | 1703819 | 1 | Decal - Directional Arrow | |
| 106 | 1704277 | 1 | Decal - Lanyard Attach | |
| 201 | 1704693 | 1 | Decal - Danger Electrocution/Warning Crushing | |
| 202 | 1704694 | 1 | Decal - Control Box Location | |
| 203 | 1705041 | 1 | Decal - Danger/Electrocution Hazard | |
| 204 | 1705316 | 1 | Decal - Warning Crushing | |
| 205 | 1705019 | 1 | Decal - Safety Prop | |
| 206 | 1001203076 | 1 | Decal - Legend | |

SECTION 9 - DECALS

FIGURE 9-9. DECAL INSTALLATION - OPTIONS



ART_DECAL_OPTIONS

SECTION 9 - DECALS

FIGURE 9-9. DECAL INSTALLATION - OPTIONS

| ITEM | PART NUMBER | QTY | DESCRIPTION | REV |
|------|-------------|----------------|--|-----|
| | | Ref | DECAL INSTALLATION - REFERENCE CHART | |
| | 1001249143 | 1 | DECAL INSTALLATION - OPTIONS | C |
| 20 | 1701214 | 8 | Decal - Outrigger Warning (ANSI, ANSI Export, China and CSA Specs) (English) | |
| 20 | 1701785 | 8 | Decal - Outrigger Warning (Australian, CE and Japanese Specs) (English) | |
| 20 | 1704698 | 8 | Decal - Outrigger Warning (Brazilian Spec) (Spanish/Portuguese) | |
| 20 | 1704690 | 8 | Decal - Outrigger Warning (CSA Specs) (English/French) | |
| 20 | 1001215447 | 8 | Decal - Outrigger Warning (Korean Specs) (English/Korean) | |
| 20 | 1704697 | 8 | Decal - Outrigger Warning (Latin American Spec) (English/Spanish) | |
| 25 | 1001187701 | Ref | Decal - Warning Stripes Installation (Single Deck Extension) | A |
| 25 | 1001192381 | Ref | Decal - Warning Stripes Installation (Dual Deck Extension) | A |
| 25 | 4420051 | 10 ft/ 3.1m | Tape, Safety (Single Deck Extension) | |
| 25 | 4420051 | 12 ft/ 3.7m | Tape, Safety (Dual Deck Extension) | |
| 28 | 1702788 | 1 | Decal - Biodegradable Hydraulic Fluid (All Specs Except ANSI Export, China and Japanese Specs) | |
| 28 | 1704174 | 1 | Decal - Synthetic Biodegradable Hydraulic Fluid (All Specs Except ANSI Export, China and Japanese Specs) | |
| 28 | 1703479 | 1 | Decal - Biodegradable Hydraulic Fluid (German Specs) | |
| 28 | 1704175 | 1 | Decal - Synthetic Biodegradable Hydraulic Fluid (German Specs) | |
| 29 | 1001231801 | 1 | Decal - Warning Prop 65 (ANSI Specs) | |
| 30 | 1001269878 | 4 | Decal - Capacity 1500lbs/680kg (With Single Deck Extension) (All Specs Except Australian and CE Specs) | |
| 30 | 1001202974 | 1 | Decal - Capacity 680kg (With Single Deck Extension) (Australian and CE Specs) | |
| 30 | 1001269879 | 4 | Decal - Capacity 1500lbs/680kg (With Dual Deck Extension) (All Specs Except Australian and CE Specs) | |
| 30 | 1001191733 | 1 | Decal - Capacity 680kg (With Dual Deck Extension) (Australian and CE Specs) | |
| 31 | 1701505 | 1 | Decal - Fuel (Diesel) | |
| 31 | 1701542 | 1 | Decal - Fuel (Dual Fuel) | |
| 41 | 1700818 | 1 | Decal - LP Gas (ANSI, ANSI Export and CSA Specs) (English) | |
| 41 | 1702720 | 1 | Decal - LP Gas (ANSI Export Specs) (Spanish) | |
| 41 | 1704271 | 1 | Decal - LP Gas (CSA Spec) (English/French) | |
| 43 | 1001264309 | 1 | Decal - Model RT5394 | |
| 52 | 1001191735 | 4 | Decal - Max Tire load | |
| 71 | See Note | NSS | Nameplate - Manufacturer Serial Number (Note: Not Available for Purchase) | |
| 110 | 1001220567 | Ref | JLG Logo Decal Installation | A |
| 110A | 1702773 | 5 | Decal - JLG | |
| 110B | 1704885 | 2 | Decal - Website | |
| 130 | 1704972 | 1 | Decal - Warning Explosion/Fire (English) (ANSI and ANSI Export Specs) | |
| 130 | 1706098 | 1 | Decal - Warning Explosion/Fire (Pictogram) (Australian, CE and Japanese Spec) | |
| 130 | 1706059 | 1 | Decal - Warning Explosion/Fire (English/Portuguese) (Brazil Specs) | |
| 130 | 1706060 | 1 | Decal - Warning Explosion/Fire (English/Chinese) (China Specs) | |
| 130 | 1706064 | 1 | Decal - Warning Explosion/Fire (English/French) (CSA Specs) | |
| 130 | 1706063 | 1 | Decal - Warning Explosion/Fire (English/Spanish) (Latin | |

SECTION 9 - DECALS

| ITEM | PART NUMBER | QTY | DESCRIPTION | REV |
|------|-------------|-----|--|-----|
| 136 | 1001125387 | 1 | American Specs) Decal - Ultra Low Sulfur Fuel (ANSI, CSA and Japanese Specs) (Kubota T4F Only) | A |
| 136 | 1001139654 | 1 | Decal - Ultra Low Sulfur Fuel (CE Specs) (ISO) | |
| 142 | 1001142595 | 2 | Decal - Megadeck | |
| 156 | 1001214029 | Ref | EAC Decal Installation (Russian/CIS Specs) | |
| 156 | 1001173703 | 1 | Decal - EAC | |
| 245 | 1001229700 | Ref | Decal - ClearSky Telematics Installation | |
| 245A | 1001116208 | 1 | Decal - ClearSky | |
| 245B | 1001120989 | 1 | Decal - Radio Frequency Device | |

SECTION 10 - RECOMMENDED SERVICE PARTS STOCK

SECTION 10 - RECOMMENDED SERVICE PARTS STOCK

SECTION 10 - RECOMMENDED SERVICE PARTS STOCK

FIGURE 10-1. RECOMMENDED SERVICE PARTS STOCK

| ITEM | PART NUMBER | QTY | DESCRIPTION | REV |
|------|-------------|-----|---|-----|
| | | Ref | Note: The following list will service one machine (built to current production per date on the front cover) with emergency repair parts which can be installed in the field. Parts from the list should be replaced when inventory is depleted to keep service parts stock supplied. For further information, contact your JLG dealer or the JLG Industries Parts Department. | |
| | | Ref | STANDARD PARTS | |
| | 4360070 | 1 | Breaker, Circuit 15Amp | |
| | 70002113 | 1 | Breather, Hydraulic Tank | |
| | 70050516 | 1 | Coil | |
| | 70002963 | 1 | Coil | |
| | 70003789 | 1 | Coil | |
| | 70001965 | 1 | Coil | |
| | 70001967 | 1 | Coil | |
| | 70001977 | 1 | Coil | |
| | 70003788 | 1 | Coil | |
| | 70005788 | 1 | Coil | |
| | 1001247682 | 1 | Controller Assembly | |
| | 70010383 | 1 | Element, Charge Filter | |
| | 70001960 | 4 | Element, Return Filter | |
| | 2860030 | 1 | Key, Replacement | |
| | 3740080 | 1 | Relay | |
| | 4360475 | 1 | Switch, Emergency Stop | |
| | 4360387 | 1 | Switch, Push Button | |
| | 4360482 | 1 | Switch, Toggle | |
| | 4360483 | 1 | Switch, Toggle | |
| | 4360524 | 1 | Switch, Toggle | |
| | 1001236560 | 1 | Switch, Toggle | |
| | | Ref | VARIABLE PARTS | |
| | 1001181045 | 1 | Breaker, 30mA/16Amp (CE Spec Machines) | |
| | 1001159118 | 1 | Breaker, GFCI 30A - 240V (Machines with Receptacle Assembly) | |
| | 4360070 | 1 | Breaker, Circuit - 15Amp (Machines with Generator) | |
| | 7015004 | 12 | Element, Air Cleaner (Kubota Engines) | |
| | 70005296 | 1 | Element, Fuel/Water Separator | |
| | 2940074 | 1 | Latch | |
| | 1001182481 | 1 | Module, Control (Kubota Engines) | |
| | 1001234735 | 1 | Module, Ground Control | |
| | 1001235098 | 1 | Module, Platform Control | |
| | 1001187857 | 1 | Sensor, Dual Axis (Arm Guards) | |
| | 4360469 | 1 | Switch, Key | |
| | 4360548 | 1 | Switch, Limit (Leveling Jacks) | |
| | 4360500 | 1 | Switch, Rotary Angle Sensor | |
| | 4360482 | 1 | Switch, Toggle (Machines with Generator) | |
| | 1001234736 | 1 | Module, Control - Hydraulics | |
| | 1600387 | 1 | Module, Control - LSS | |

SECTION 11 - SPECIAL OPTIONS

SECTION 11 - SPECIAL OPTIONS

FIGURE 11-1. SPECIAL OPTIONS

| ITEM | PART NUMBER | QTY | DESCRIPTION | REV |
|------|-------------|-----|---|-----|
| | | Ref | Note: This list is to accommodate machines ordered with special equipment. Options may not be applicable to all models. For more specific parts information contact JLG Parts Department. | |
| | | Ref | MISCELLANEOUS SPECIAL OPTIONS | |
| | 1001181468 | Ref | Airline Installation | |
| | 1001215967 | Ref | Airline Add-on Kit | |
| | 1001234565 | Ref | Cable Routing Kit | |
| | | Ref | ClearSky Telematic Installation (Factory Installed) Options: | |
| | 1001236021 | Ref | ClearSky Canbus Connection (ANSI & CSA Specs) | |
| | 1001236869 | Ref | ClearSky Canbus Connection (ANSI Export & CE Specs) | |
| | 1001246528 | Ref | ClearSky Canbus Connection (Australian Spec) | |
| | 1001246529 | Ref | ClearSky Canbus Connection (Chinese Spec) | |
| | 1001229107 | Ref | ClearSky 3 Wire Connection (ANSI and CSA Specs) | |
| | 1001233237 | Ref | ClearSky 3 Wire Connection (ANSI Export and CE Specs) | |
| | | Ref | ClearSky Telematic Add-on Kit (Dealer Installed) Options: | |
| | 1001237254 | Ref | ClearSky Canbus Connection (ANSI & CSA Specs) | |
| | 1001247539 | Ref | ClearSky (Telematics) Installation - Canbus (Australian Specs) | |
| | 1001237255 | Ref | ClearSky Canbus Connection (ANSI Export & CE Specs) | |
| | 1001230504 | Ref | ClearSky 3 Wire Connection (ANSI and CSA Specs) | |
| | 1001234102 | Ref | ClearSky 3 Wire Connection (ANSI Export and CE Specs) | |
| | 1001243580 | Ref | ClearSky Telematics Access Control Kit (ANSI, ANSI Export, CE and CSA Specs) | |
| | 1001243185 | Ref | ClearSky Telematics Access Control Kit – Single Can (ANSI Specs) | |
| | 1001243186 | Ref | ClearSky Telematics Access Control Kit – Single Can (CE Specs) | |
| | 1001177763 | Ref | Cold Weather Package - 120V (Diesel Engine) | |
| | 1001215968 | Ref | Cold Weather Package Add-on Kit - 120V (Diesel Engine) | |
| | 1001206739 | Ref | Cold Weather Package - 120V (Gas Engine) | |
| | 1001188785 | Ref | Cold Weather Package - 240V (Diesel Engine) | |
| | 1001215969 | Ref | Cold Weather Package Add-on Kit - 240V (Diesel Engine) | |
| | 1001191737 | Ref | Container Shipment Preparation | |
| | | Ref | Decal Kits: | |
| | 1001194829 | Ref | Decal Kit - Country Spec (ANSI Spec) | |
| | 1001194831 | Ref | Decal Kit - Country Spec (Australian, CE and Japanese Specs) | |
| | 1001194834 | Ref | Decal Kit - Country Spec (Brazil Specs) | |
| | 1001214131 | Ref | Decal Kit - Country Spec (Chinese Specs) | |
| | 1001194830 | Ref | Decal Kit - Country Spec (CSA Specs) | |
| | 1001162116 | Ref | Decal Kit - Country Spec (Korean Specs) | |
| | 1001203076 | Ref | Decal Kit - Country Spec (Latin American Specs) | |
| | 1001193323 | Ref | Decal Kit - Master (Standard Decal) | |
| | 1001233631 | Ref | Door Bumpers Kit | |
| | 1001233818 | Ref | Door Retention Kit | |
| | | Ref | Electrical Connector Kits | |
| | 1001148902 | Ref | Electrical Connector Kit - Amp/Tyco Electrical Connectors | |
| | 1001148903 | Ref | Electrical Connector Kit - Deutsch DT Electrical Connectors | |
| | 1001148904 | Ref | Electrical Connector Kit - Deutsch HD Electrical Connectors | |
| | 1001148905 | Ref | Electrical Connector Kit - Packard Electrical Connectors | |
| | 1001148906 | Ref | Electrical Connector Kit - Various Electrical Connectors | |

SECTION 11 - SPECIAL OPTIONS

| ITEM | PART NUMBER | QTY | DESCRIPTION | REV |
|------|-------------|-----|--|-----|
| | 1001253708 | Ref | Fan and Pulley Guard Kit (Australian Specs) | |
| | 1001218620 | Ref | Fliter Kit (Diesel Engines) | |
| | 1001186539 | Ref | Fire Extinguisher Installation | |
| | 1001233321 | Ref | Footswitch Installation (Korean Specs Only) | |
| | 1001234575 | Ref | Footswitch Add-on Kit (Korean Specs Only) | |
| | 1001202749 | Ref | Fuel Cap Cover Installation (Black) (Note: Lock p/n 1001102157 must be Purchased Separately) | |
| | 1001191395 | Ref | Fuel Cap Cover Installation (Green) (Diesel Machines) (Note: Lock p/n 1001102157 must be Purchased Separately) | |
| | 1001191394 | Ref | Fuel Cap Cover Installation (Red) (Gas Machines) (Note: Lock p/n 1001102157 must be Purchased Separately) | |
| | 1001234904 | Ref | Fuselink Kit | |
| | | Ref | Generator Add-on Kit Options: | |
| | 1001215964 | Ref | Generator Kit - 4000W 50Hz (Diesel Engines) | |
| | 1001215962 | Ref | Generator Kit - 4000W 60Hz (Diesel Engines) | |
| | 1001215963 | Ref | Generator Kit - 4000W 60Hz (Gas Engines) | |
| | 1001215961 | Ref | Generator Kit - 7500W SkyPower 50Hz (Diesel Engines) | |
| | 1001215959 | Ref | Generator Kit - 7500W SkyPower 60Hz (Diesel Engines) | |
| | 1001215960 | Ref | Generator Kit - 7500W SkyPower 60Hz (Gas Engines) | |
| | 1001110509 | Ref | Ground Control Box Cover Installation | |
| | 1001187700 | Ref | Headlights and Taillights Installation | |
| | 1001215971 | Ref | Headlights and Taillights Add-on Kit | |
| | 1001238484 | Ref | Material Tray Kit – Single Deck Extension | |
| | 1001231858 | Ref | Material Tray Kit – Dual and Mega Deck Extension | |
| | 1001238487 | Ref | Large Material Rack (Single Extension) | |
| | 1001236785 | Ref | Large Material Rack (Dual Extension) | |
| | 1001236786 | Ref | Large Material Rack (Mega Deck) (ANSI Export, CE, Japanese, and Chinese Specs) | |
| | 1001199441 | Ref | Oil Cooler Installation | |
| | 1001215972 | Ref | Oil Cooler Add-on Kits | |
| | 1001258358 | Ref | Operator Access Control - Keypad | |
| | 1001234258 | Ref | Platform Bearing Spacers Kit | |
| | 1001241633 | Ref | Platform Console Box Cover Kit | |
| | 1001197983 | Ref | Platform Lanyard Attach Installation | |
| | 1001187699 | Ref | Platform Lights Installation - Flood Lights (Nite - Bright) | |
| | 1001215966 | Ref | Platform Lights Add-on Kit - Flood Lights | |
| | 1001187698 | Ref | Platform Lights Installation - Worklights | |
| | 1001215965 | Ref | Platform Lights Add-on Kit - Worklights | |
| | 1001215970 | Ref | Pipe Racks Add-on Kit | |
| | | Ref | Tools for Service | |
| | 7002821 | 1 | Crimper, Wire | |
| | 7002823 | 1 | Pin Extractor - Universal (For Electrical Connectors with Pins and Sockets) | |
| | 4460510 | 1 | Pin Extractor - 12-14 Gauge (For Removal of Pin/Sockets from Deutsch Connectors) | |
| | 4460467 | 1 | Pin Extractor - 16-18 Gauge (For Removal of Pin/Sockets from Deutsch Connectors) | |
| | 7016654 | 1 | Screwdriver, Magnetic | |
| | 7002822 | 1 | Screwdriver, Potentiometer | |
| | 7004275 | 1 | Seal Tool 1in (For Cylinders) | |
| | 7004276 | 1 | Seal Tool 1-1/2in (For Cylinders) | |
| | 7002828 | 1 | Stripper, Wire | |

PART NUMBER INDEX

SECTION 11 - SPECIAL OPTIONS

| | | | |
|-----------------------------|-----------------------------|----------------------------|--------------------------|
| 0100009.....63, 65 | 0701012..... 15 | 0761617 77, 87, 102, 112 | 1001107854.....291, 305, |
| 0100011.... 13, 15, 17, 19, | 0701014..... 13 | 0762019 53, 55 | 323, 345 |
| 39, 41, 47, 59, 61, 72, | 0701015 72 | 0770812 67 | 1001107924.....239, 249 |
| 77, 81, 84, 87, 91, 94, | 0701019... 139, 143, 147, | 0771014 47 | 1001108128.....239, 249 |
| 102, 105, 109, 112, | 151, 155, 159 | 0771015 172, 177, 179 | 1001108477.....240, 249 |
| 115, 118, 135, 139, | 0701020..... 53, 55 | 0780608 ... 185, 187, 189, | 1001108588.....172 |
| 143, 147, 151, 155, | 0701037..... 177, 179 | 257, 259, 261, 263, | 1001110509.....371 |
| 159, 172, 209, 213, 215 | 0701039..... 39 | 265, 267, 269, 271, 273 | 1001112612.....283, 287 |
| 0100019..... 19 | 0701047.77, 87, 102, 112 | 0780810 ... 139, 143, 147, | 1001113961.....327 |
| 010002078, 87, 103, 112, | 0701215... 139, 143, 151, | 151, 155, 159, 185, | 1001116208.....366 |
| 329 | 155 | 187, 189 | 1001116732.....284, 287, |
| 0100048.... 139, 143, 147, | 0701217... 140, 144, 148, | 0780812 185, 187, 189 | 291 |
| 151, 155, 159 | 152, 156, 160 | 0840052 275, 277 | 1001116733.....281, 283, |
| 0140001.....53, 55 | 0701218 13 | 0840055 319 | 287, 288, 291, 301 |
| 0140030.....203, 205 | 0701219... 140, 144, 148, | 0840056 281 | 1001116734.....284, 287 |
| 0140032.....67 | 152, 156, 160 | 0840057 283, 288 | 1001116749.....291 |
| 0181847.....203, 205 | 0701222. 15, 84, 94, 108, | 0860520 ... 349, 351, 353, | 1001116752.....281, 283, |
| 0270092.....29 | 118 | 355, 357, 359, 361, 363 | 287, 288, 291 |
| 0270653.....31 | 0711025 172 | 0861538 155, 159 | 1001116763.....291 |
| 0274260.....219 | 0711026 172 | 0861572 151 | 1001116774.....281 |
| 0275216.....261, 333 | 0711027 172 | 0861731 ... 259, 329, 331, | 1001116808.....281, 327 |
| 0275217.....263, 335 | 0711221 17 | 337, 339, 341 | 1001116810.....327 |
| 0275218.....269, 343 | 0712026..... 39 | 0861781 333, 335 | 1001116811.....327 |
| 0275219.....273 | 0731005..... 53, 55 | 0861880 279 | 1001116812.....283, 317, |
| 0275452.....267, 341 | 0741010.77, 87, 102, 112 | 0940049 72 | 323 |
| 0275453.....271, 339 | 0741607 ... 139, 143, 147, | 0961948 17 | 1001116816.....281, 288 |
| 0275454.....265, 337 | 151, 155, 159 | 0961950 13, 15 | 1001116926.....281, 315 |
| 0340045.84, 94, 108, 118 | 0760415 172 | 0961986 84, 94, 108, 118 | 1001116930.....315, 327 |
| 0400075.77, 87, 102, 112 | 0760508 37 | 0962031 172 | 1001116934.....325 |
| 0440234..... 177, 179 | 0760512 103, 112 | 0962036 172 | 1001116946.....209 |
| 0440250..... 172 | 0760606... 152, 156, 160, | 0962224 173 | 1001117023.....281, 283 |
| 0440334.....84, 94 | 203, 205 | 0962474 173 | 1001117025.....283, 291, |
| 0480100.....211 | 0760607.84, 94, 108, 118 | 0962520 ... 139, 143, 147, | 323 |
| 0561489..... 177, 179 | 0760608. 59, 61, 84, 108, | 151, 155, 159 | 1001117055.....288 |
| 0630564.... 185, 187, 189 | 118, 135 | 1001091102 209 | 1001117069.....283, 287, |
| 0641408.....84, 94 | 0760610 ... 59, 61, 72, 77, | 1001096070 261, 263, | 288 |
| 0641508.....39 | 87, 139, 143, 147, 151, | 265, 267, 269, 271, | 1001117070.....287, 291 |
| 0641605.....87 | 155, 159, 192, 196, | 273, 279 | 1001117077.....287 |
| 0641606.....213, 215 | 200, 257, 259, 261, | 1001096653 172 | 1001117078.....281, 287, |
| 0641610..... 102, 112 | 263, 265, 267, 269, | 1001097150 279 | 291, 301 |
| 0641612.77, 87, 102, 112 | 271, 273, 349, 351, | 1001098765 275, 277 | 1001117110.....291 |
| 0641814.81, 91, 105, 115 | 353, 355, 357, 359, | 1001099623 177, 179 | 1001117372.....223 |
| 0681810..... 19 | 361, 363 | 1001099670 329 | 1001118280..85, 95, 108, |
| 0682014..... 19 | 0760612 69, 261, 263, | 1001100319 59, 61 | 118 |
| 0700610....39, 53, 55, 84, | 265, 267, 269, 271, 273 | 1001100341 333 | 1001118511..... 13, 15 |
| 94, 108, 118 | 0760614..... 102, 112 | 1001100342 335 | 1001118518..... 13, 15 |
| 0700616..... 15, 181 | 0760618 209 | 1001100345 341 | 1001118519..... 13, 15 |
| 0700618..... 177, 179 | 0760808 94, 108, 118 | 1001100346 337 | 1001118538..84, 94, 108, |
| 0700619.... 108, 118, 192, | 0760810 84, 94 | 1001100347 339 | 118 |
| 196, 200 | 0760810001 59, 61 | 1001100451 185, 187, | 1001118539..84, 94, 108, |
| 0700620.....84, 94 | 0760812 102 | 189 | 118 |
| 0700812.77, 87, 102, 112 | 0760814... 53, 55, 77, 87, | 1001101331 . 81, 91, 105, | 1001118580..... 84, 94 |
| 070081484, 94, 105, 109, | 192 | 115, 131 | 1001118582.....85, 95 |
| 115, 118, 172 | 0760815 108 | 1001102433 61, 172 | 1001118616.....292 |
| 0700815.....84, 94 | 0761009..... 148, 160 | 1001102804 19 | 1001118657.....288 |
| 0700817.....77, 87, 172 | 0761010.77, 87, 102, 112 | 1001102805 19, 27 | 1001118658.....288, 291 |
| 0700819.84, 94, 105, 115 | 0761011 17 | 1001102823 53, 55, 57 | 1001118665.....172 |
| 0700820..... 172 | 0761012 72, 172 | 1001103012 305, 323, | 1001118675...84, 94, 127 |
| 0700824..... 172 | 0761014. 72, 84, 94, 105, | 345 | 1001118743.....288 |
| 0700826..... 172 | 115 | 1001103761 41, 174 | 1001118744.....287 |
| 0700827..... 172 | 0761015.84, 94, 108, 118 | 1001103801 39, 319 | 1001118745.....287 |
| 0700828..... 172 | 0761016.84, 94, 108, 118 | 1001104498 305, 323 | 1001118746..84, 94, 108, |
| 0700830..... 172 | 0761216..... 72 | 1001104581 239, 249 | 118 |
| 0700831..... 172 | 0761227 41 | 1001104589 240, 249 | 1001118878.....192, 196, |
| 0700835.....203, 205 | 0761416 72 | 1001106736 288 | 200 |
| 0700836.....47 | 0761615..... 13, 15, 72 | | 1001118881.....84, 94 |

SECTION 11 - SPECIAL OPTIONS

| | | | |
|---|---|----------------------------------|----------------------------------|
| 1001118925..... 84, 94 | 1001157528..... 165 | 1001177760..... 200 | 1001181045..... 279, 368 |
| 1001118938..... 287, 291 | 1001158007..... 163, 165, 167 | 1001177763..... 370 | 1001181116..... 72 |
| 1001118972..... 53, 55, 72 | 1001158008..... 163, 165, 167 | 1001177767..... 155 | 1001181140..... 151 |
| 1001119929..... 140, 152 | 1001158199..... 240, 250 | 1001177770..... 143 | 1001181141..... 159 |
| 1001120989..... 366 | 1001158246..... 240, 249 | 1001177775..... 61 | 1001181211..... 148, 160 |
| 1001125248 . 85, 95, 105, 115 | 1001159118..... 329, 368 | 1001177785..... 102 | 1001181216..... 147 |
| 1001125387..... 366 | 1001159119..... 329 | 1001177786..... 77 | 1001181217..... 139 |
| 1001125748..... 288, 291 | 1001161497..... 108, 118 | 1001178489..... 47 | 1001181330..... 63, 65 |
| 1001125773..... 288, 291 | 1001162110..... 361 | 1001178636..... 108 | 1001181375..... 172 |
| 1001126245..... 303 | 1001162111..... 361 | 1001178759..... 177 | 1001181384..... 172 |
| 1001126393..... 292 | 1001162112..... 361 | 1001178866..... 39 | 1001181385..... 172 |
| 1001128128..... 288 | 1001162113..... 361 | 1001179071..... 239 | 1001181436..... 173 |
| 1001128888..... 84, 94 | 1001162114..... 361 | 1001179171..... 33 | 1001181468..... 370 |
| 1001129255..... 103, 112 | 1001162115..... 361 | 1001179172..... 33 | 1001181476..... 173 |
| 1001129256..... 103, 113 | 1001162116..... 370 | 1001179173..... 33 | 1001181477..... 173 |
| 1001129772..... 291 | 1001162995..... 13, 15 | 1001179174..... 33, 35 | 1001181479..... 173 |
| 1001129773..... 288 | 1001163178..... 17, 231 | 1001179175..... 33 | 1001181481..... 173 |
| 1001130220..... 39 | 1001163405..... 17 | 1001179200..... 39 | 1001181482..... 173 |
| 1001130781..... 177, 179 | 1001163418..... 53 | 1001179256..... 17 | 1001181485..... 173 |
| 1001131270..... 349, 359 | 1001163580..... 15, 223 | 1001179558..... 192, 196, 200 | 1001181486..... 173 |
| 1001131391..... 103, 113 | 1001163715..... 17 | 1001179559..... 192, 196, 200 | 1001181501..... 177, 179 |
| 1001132170..... 321 | 1001163716..... 17 | 1001179639..... 192, 196, 200 | 1001181554..... 53, 55 |
| 1001132208..... 225 | 1001164209..... 17 | 1001179644..... 192, 196, 200 | 1001181622..... 203 |
| 1001132358..... 203, 205 | 1001164817..... 223 | 1001179658..... 200 | 1001181623..... 203 |
| 1001138566..... 140, 143, 147 | 1001165035.. 77, 87, 108, 118 | 1001179676..... 192, 196, 200 | 1001181625..... 109, 118 |
| 1001139654..... 366 | 1001165791..... 63, 65 | 1001179677..... 192, 196 | 1001181626..... 205 |
| 1001140346..... 143, 147 | 1001166257..... 63, 65 | 1001179678..... 192, 196, 200 | 1001181627..... 205 |
| 1001140347..... 139 | 1001166702..... 291 | 1001179691..... 185, 187, 189 | 1001181649 . 85, 95, 108, 118 |
| 1001141967..... 343 | 1001166732..... 139, 144, 148, 151, 156, 160 | 1001179693..... 185, 187 | 1001181658 . 85, 95, 108, 118 |
| 1001141968..... 343 | 1001167274..... 185, 187, 189 | 1001179694..... 185, 187, 200 | 1001181659..... 109, 119 |
| 1001141971..... 343 | 1001167690..... 291 | 1001179695..... 192, 196, 200 | 1001181711..... 63, 65 |
| 1001142595..... 366 | 1001168018.. 84, 94, 108, 118 | 1001179696..... 189 | 1001181739..... 109, 119 |
| 1001143645..... 172 | 1001169054.. 84, 94, 109, 118 | 1001179856..... 185, 187, 189 | 1001181829..... 109, 119, 129 |
| 1001143898..... 185, 187, 189 | 1001169138.. 84, 94, 105, 108, 115, 118 | 1001179911..... 41 | 1001182051..... 240, 250 |
| 1001144295..... 327 | 1001169967.. 84, 94, 108, 118 | 1001179956..... 35 | 1001182294..... 185, 187, 189 |
| 1001146043..... 108, 118 | 1001170035.. 85, 95, 108, 118 | 1001179957..... 35 | 1001182481 .. 59, 61, 368 |
| 1001146588..... 103, 113 | 1001173043..... 250 | 1001179958..... 35 | 1001182680..... 63, 65 |
| 1001147274..... 29, 31 | 1001173703..... 366 | 1001179959..... 35 | 1001182681..... 63, 65 |
| 1001148648..... 167 | 1001174093..... 102, 113 | 1001180307..... 13 | 1001182806..... 69 |
| 1001148675..... 329 | 1001174455..... 283, 288 | 1001180309..... 13 | 1001182971..... 39, 41 |
| 1001148676..... 329 | 1001174486..... 103, 113 | 1001180315..... 13 | 1001182976..... 85, 95 |
| 1001148865..... 29 | 1001175012..... 67 | 1001180316..... 13 | 1001182977..... 85, 95 |
| 1001148866..... 29 | 1001175509..... 95, 118 | 1001180620.. 85, 95, 109, 118 | 1001182978..... 85, 95 |
| 1001148869..... 31 | 1001176469..... 59, 61 | 1001180981..... 185, 187, 189 | 1001182979..... 85, 95 |
| 1001148870..... 31 | 1001176848..... 17 | 1001180983..... 185, 187, 189 | 1001182980 . 85, 95, 109, 119 |
| 1001148902..... 370 | 1001177745..... 13 | 1001180986..... 192 | 1001182981 . 85, 95, 109, 119 |
| 1001148903..... 370 | 1001177747..... 17 | 1001180987..... 192, 196, 200 | 1001182982 . 85, 95, 109, 119 |
| 1001148904..... 370 | 1001177749..... 15 | 1001180990..... 185, 187, 189 | 1001182983 . 85, 95, 109, 119 |
| 1001148905..... 370 | 1001177750..... 249 | 1001180994..... 192, 196, 200 | 1001182984 . 85, 95, 109, 119 |
| 1001148906..... 370 | 1001177751..... 53 | 1001181001..... 192 | 1001182985..... 85, 95 |
| 1001148907..... 329 | 1001177752..... 55 | 1001181003..... 192 | 1001182987..... 85, 95 |
| 1001148972..... 172 | 1001177754..... 209 | | 1001183328..... 39 |
| 1001149581..... 185, 187, 189 | 1001177755..... 187 | | 1001183416..... 72 |
| 1001149953... 29, 31, 33, 35 | 1001177756..... 185 | | 1001183421 . 78, 87, 103, 113 |
| 1001151080..... 139, 144, 148, 151, 156, 160 | 1001177757..... 189 | | 1001183424 . 85, 95, 109, 119 |
| 1001151351..... 240, 250 | 1001177758..... 192 | | 1001183427..... 109, 119 |
| 1001151354..... 240, 250 | 1001177759..... 196 | | |
| 1001152525..... 163, 167 | | | |
| 1001157520..... 163, 165, 167 | | | |
| 1001157521..... 163, 167 | | | |

SECTION 11 - SPECIAL OPTIONS

| | | | |
|---------------------------|----------------------------|----------------------------|--------------------------|
| 1001183428.....109, 119 | 1001187670..... 355 | 1001194385 240, 250 | 1001207518.....269 |
| 1001183429.....109, 119 | 1001187671..... 357 | 1001194386 240, 250 | 1001207519.....273 |
| 1001183726..... 144, 156 | 1001187672..... 363 | 1001194387 240, 250 | 1001207520.....257, 259, |
| 1001183727.....72 | 1001187673..... 353 | 1001194388 240, 250 | 261, 263, 265, 267, |
| 1001184019.....173 | 1001187695..... 15 | 1001194389 250 | 269, 271, 273 |
| 1001184064.....109, 119 | 1001187698..... 371 | 1001194390 240, 250 | 1001207521.....265 |
| 1001184065..77, 87, 102, | 1001187699..... 371 | 1001194391 240, 250 | 1001208339.....140, 144, |
| 113 | 1001187700..... 371 | 1001194393 173 | 152, 156 |
| 1001184066..85, 95, 109, | 1001187701..... 365 | 1001194421 325 | 1001208340.....140, 144, |
| 119 | 1001187703..... 137 | 1001194829 370 | 148, 152, 156, 160 |
| 1001184162.....139, 144, | 1001187857..... 181, 368 | 1001194830 370 | 1001208874..77, 102, 112 |
| 148, 152, 156, 160 | 1001188000..... 173 | 1001194831 370 | 1001209298.....263 |
| 1001184163..... 148, 160 | 1001188001..... 173 | 1001194834 370 | 1001209406.....173 |
| 1001184235..... 144, 156 | 1001188345..... 173 | 1001194836 .77, 87, 102, | 1001209407.....173 |
| 1001184653..... 102, 105 | 1001188348..... 173 | 113 | 1001210645.....148, 160 |
| 1001184654..... 105, 108 | 1001188351..... 173 | 1001195123 327 | 1001210708..... 109, 119 |
| 1001184705.....291 | 1001188785..... 370 | 1001195137 193, 196, | 1001211336.....55 |
| 1001184716.....291 | 1001189773..... 63, 65 | 200 | 1001212223.....151, 155, |
| 1001184717.....291 | 1001190002..... 63, 65 | 1001195209 173 | 159 |
| 1001184718.....291 | 1001190270..... 203, 205 | 1001195517 163 | 1001213847..... 109, 119 |
| 1001184722.....291 | 1001190368..... 17 | 1001195600 .85, 95, 105, | 1001214029.....366 |
| 1001184730..... 63, 65 | 1001190469..... 325 | 115 | 1001214131.....370 |
| 1001184768.....291 | 1001190471..... 325 | 1001195684 288 | 1001215447.....365 |
| 1001184769.....291 | 1001190472..... 203, 205 | 1001197395 173 | 1001215449.....361 |
| 1001184832.....291 | 1001190473..... 203, 205 | 1001197396 173 | 1001215959.....371 |
| 1001185125.....59, 61 | 1001190474..... 203, 205 | 1001197397 173 | 1001215960.....371 |
| 1001185315..... 173 | 1001190522..... 173, 311 | 1001197398 173 | 1001215961.....371 |
| 1001185492.....211 | 1001190524..... 173, 313 | 1001197404 173 | 1001215962.....371 |
| 1001185503.....211 | 1001190545..... 77, 87 | 1001197405 173 | 1001215963.....371 |
| 1001185504.....211 | 1001190609..77, 87, 125 | 1001197634 355 | 1001215964.....371 |
| 1001185585..... 103, 113 | 1001191146..... 78, 87 | 1001197983 371 | 1001215965.....371 |
| 1001185704..... 173 | 1001191201..... 15 | 1001198325 192, 196, | 1001215966.....371 |
| 1001185705..... 173 | 1001191325..... 41 | 200 | 1001215967.....370 |
| 1001185706..... 173 | 1001191394..... 371 | 1001198726 .85, 95, 108, | 1001215968.....370 |
| 1001186127.....211 | 1001191395..... 371 | 119 | 1001215969.....370 |
| 1001186235..... 173 | 1001191526..... 351 | 1001199441 371 | 1001215970.....371 |
| 1001186428..77, 87, 275 | 1001191629..... 173 | 1001202520 173 | 1001215971.....371 |
| 1001186429.....102, 113, | 1001191641..... 67 | 1001202532 140, 144, | 1001215972.....371 |
| 277 | 1001191722..... 173 | 152, 156 | 1001217108.....39, 43 |
| 1001186467..... 15 | 1001191733..... 365 | 1001202536 140, 144, | 1001217291..... 105, 115 |
| 1001186483.....275, 277 | 1001191735..... 365 | 152, 156 | 1001217300.....174 |
| 1001186484.....275, 277 | 1001191737..... 370 | 1001202749 371 | 1001217381.....174 |
| 1001186539.....371 | 1001191832..... 108 | 1001202759 148, 160 | 1001217382.....174 |
| 1001186551..... 173 | 1001191838..... 173 | 1001202760 148, 160 | 1001217384.....172, 177, |
| 1001186822.....152, 156, | 1001192381..... 365 | 1001202764 148, 160 | 179, 253 |
| 160, 301 | 1001192382 192, 196, | 1001202974 365 | 1001217888.....174 |
| 1001186826.....139, 144, | 200 | 1001203075 359 | 1001218504.....174 |
| 148, 297 | 1001192401..... 281 | 1001203076 363, 370 | 1001218620.....371 |
| 1001186828.....144, 148, | 1001192853..... 349, 357 | 1001203077 353 | 1001219108.....69 |
| 163 | 1001193040..... 173 | 1001203770 351 | 1001219775.....137 |
| 1001186833..... 105, 115 | 1001193174..... 253 | 1001204140 72 | 1001219826.....137 |
| 1001186900..... 173 | 1001193179..... 253 | 1001205250 291 | 1001220567.....365 |
| 1001186919..... 144, 156 | 1001193296..... 173 | 1001205340 37 | 1001220613.....135 |
| 1001187092..... 143, 148, | 1001193323..... 370 | 1001205343 37 | 1001220614.....135 |
| 156, 160, 329 | 1001193336..... 53 | 1001205831 185, 187, | 1001220957..85, 95, 108, |
| 1001187185..... 173 | 1001193386..... 173 | 189 | 119 |
| 1001187186..... 173 | 1001193988..... 250 | 1001205920 240, 250 | 1001220959..85, 95, 108, |
| 1001187197.....140, 152, | 1001194115 185, 187, | 1001206625 174 | 119 |
| 167 | 189 | 1001206739 370 | 1001222025..59, 61, 317 |
| 1001187228.....156, 160, | 1001194221..... 325 | 1001206896 55 | 1001222343..... 174, 307 |
| 165 | 1001194378 240, 250 | 1001207285 140, 144, | 1001222344..... 174, 309 |
| 1001187232..... 165 | 1001194379 240, 250 | 148, 152, 156, 160 | 1001223055.....349 |
| 1001187235..... 85, 108 | 1001194380 240, 250 | 1001207511 257 | 1001223432.....288 |
| 1001187455.....291 | 1001194381 240, 250 | 1001207512 259 | 1001223453.....349, 359 |
| 1001187601..... 15, 323 | 1001194382 240, 250 | 1001207514 267 | 1001223795.....288 |
| 1001187668.....349 | 1001194383 240, 250 | 1001207515 271 | 1001223796.....288 |
| 1001187669.....359 | 1001194384 240, 250 | 1001207516 261 | 1001223971.....359 |

SECTION 11 - SPECIAL OPTIONS

| | | | | |
|------------------|------------------|--------------------------------------|---|---|
| 1001224048 | 361 | 1001236270...59, 61, 281 | 1001258392.....72 | 1703819 ... 203, 205, 349, |
| 1001224049 | 363 | 1001236306.....253 | 1001262941.....103, 113 | 351, 353, 355, 357, |
| 1001224050 | 357 | 1001236307.....253 | 1001264309.....365 | 359, 361, 363 |
| 1001224052 | 353 | 1001236353.....59, 63 | 1001265084.....291 | 1703821 349 |
| 1001224493 | 108, 119, 121 | 1001236380.....61, 283 | 1001266832.....287 | 1703823 349 |
| 1001225257 | 72 | 1001236430.....61, 65 | 1001269878.....365 | 1704174 365 |
| 1001225258 | 72 | 1001236442.....152, 156, 160, 299 | 1001269879.....365 | 1704175 365 |
| 1001225369 | 173, 227 | 1001236443.....152, 156, 160 | 1001274101.....103, 113 | 1704271 365 |
| 1001225420 | 103, 113 | 1001236444.....139, 144, 148, 295 | 1001274559..63, 65, 203, 205 | 1704277 ... 349, 351, 353, 355, 357, 359, 361, 363 |
| 1001225421 | 103, 113 | 1001236445.....140, 144, 148 | 1001288395.....103, 113 | 1704412 ... 349, 351, 353, 355, 357, 359, 361, 363 |
| 1001226116 | 59, 61 | 1001236560.....203, 205, 368 | 1001299769.....103, 113 | 1704432 349 |
| 1001226221 | 72 | 1001236785.....371 | 1001300357.....102, 113 | 1704684 359 |
| 1001226420 | 105, 115 | 1001236786.....371 | 1060343.....165 | 1704686 359 |
| 1001226421 | 203, 205 | 1001236865.....173, 315 | 1060379.....219 | 1704687 359 |
| 1001226830 | 177, 179, 321 | 1001236869.....370 | 1060494.....163, 165 | 1704690 365 |
| 1001227285 | 85, 95 | 1001237058.....209 | 1060708.....163, 165 | 1704691 363 |
| 1001227353 | 63, 65, 305 | 1001237254.....370 | 1060808.....192, 196, 200 | 1704692 363 |
| 1001228988 | 213, 215 | 1001237255.....370 | 1060908.....279 | 1704693 363 |
| 1001229107 | 370 | 1001237515.....179 | 1061020.....177, 179 | 1704694 363 |
| 1001229700 | 366 | 1001237516.....177 | 1061021.....177, 179 | 1704697 365 |
| 1001229767 | 59 | 1001237837.....253 | 10702077...163, 165, 167 | 1704698 365 |
| 1001230488 | 288 | 1001237909.....72 | 10702082...163, 165, 167 | 1704699 353 |
| 1001230504 | 370 | 1001237910.....72 | 1120555.....219 | 1704701 353 |
| 1001231195 | 53, 55 | 1001238471.....72 | 1309435.....172 | 1704702 353 |
| 1001231261 | 41, 229 | 1001238484.....371 | 1320041.....59 | 1704885 365 |
| 1001231712 | 87 | 1001238487.....371 | 1320061.....102, 112 | 1704972 365 |
| 1001231715 | 112 | 1001238770.....85, 95, 97 | 1320095.....59, 61 | 1705019 ... 349, 351, 353, 355, 357, 359, 361, 363 |
| 1001231716 | 113, 115 | 1001238775.....81, 84 | 1320220.....102, 112 | 1705040 359 |
| 1001231717 | 115, 118 | 1001238776.....77, 81 | 1320224...257, 259, 261, 263, 265, 267, 269, 271, 273 | 1705041 363 |
| 1001231784 | 181 | 1001238777.....91, 94 | 1320265.77, 87, 102, 112 | 1705043 353 |
| 1001231801 | 365 | 1001238778.....91 | 1320302.....213, 215 | 1705193 357 |
| 1001231858 | 371 | 1001239200.....81, 91 | 1321692.....165 | 1705194 357 |
| 1001233139 | 17 | 1001241633.....371 | 1340069.....108, 118 | 1705195 357 |
| 1001233237 | 370 | 1001243185.....370 | 1580023.....219 | 1705303 359 |
| 1001233321 | 371 | 1001243186.....370 | 1580024.....219 | 1705305 213, 215 |
| 1001233544 | 72 | 1001243580.....370 | 1600387.....177, 179, 368 | 1705311 359 |
| 1001233549 | 72 | 1001244347.....181, 345 | 1671092.....165 | 1705316 363 |
| 1001233554 | 72 | 1001244348.....59, 287 | 1671093.....213 | 1705318 353 |
| 1001233576 | 72 | 1001244349.....61, 291 | 1671207.....329, 331 | 1705325 261 |
| 1001233631 | 370 | 1001244865.....177, 179 | 1684290.....223 | 1705372 351, 355 |
| 1001233738 | 72 | 1001244937.....139, 152 | 1700818.....365 | 1705671 351, 355 |
| 1001233818 | 370 | 1001244939.....139, 152 | 1701214.....365 | 1705943 357 |
| 1001234069 | 59, 61 | 1001245681.....213, 215 | 1701505.....365 | 1705944 357 |
| 1001234102 | 370 | 1001245845.....213 | 1701509...349, 351, 353, 355, 357, 359, 361, 363 | 1705997 219 |
| 1001234258 | 371 | 1001245846.....215 | 1701542.....365 | 1706059 365 |
| 1001234348 | 72 | 1001245996.....213, 215 | 1701785.....365 | 1706060 365 |
| 1001234565 | 370 | 1001246080.....213, 215 | 1702720.....365 | 1706063 365 |
| 1001234575 | 371 | 1001246392.....219 | 1702773.....365 | 1706064 365 |
| 1001234703 | 173, 225 | 1001246395.....219 | 1702788.....365 | 1706098 365 |
| 1001234735 | 63, 65, 368 | 1001246528.....370 | 1702868.....213, 215 | 1706338 351, 355 |
| 1001234736 | 59, 61, 368 | 1001246529.....370 | 1703162.84, 94, 109, 118 | 2080040 ... 192, 196, 200 |
| 1001234828 | 47, 49 | 1001247403..85, 95, 109, 119 | 1703464.....257 | 2080057 ... 349, 351, 353, 355, 357, 359, 361, 363 |
| 1001234847 | 72 | 1001247539.....370 | 1703479.....365 | 2110404 239, 249 |
| 1001234904 | 371 | 1001247682.....203, 205, 207, 368 | 1703687...349, 351, 353, 355, 357, 359, 361, 363 | 2110808 239, 249 |
| 1001234950 | 85, 95 | 1001249143.....365 | 1703811...349, 351, 353, 355, 357, 359, 361, 363 | 2110810 239, 249 |
| 1001235098 | 209, 368 | 1001253708.....371 | 1703812...349, 351, 353, 355, 357, 359, 361, 363 | 2111216 239, 249 |
| 1001235922 | 203, 205 | 1001257454.....72 | 1703814...349, 351, 353, 355, 357, 359, 361, 363 | 2112016 239, 249 |
| 1001236021 | 370 | 1001258358.....371 | 1703816.....349 | 2130404 239, 249 |
| 1001236153 | 63, 65, 303 | 1001258390.....72 | 1703818.....349 | 2130808 239, 249 |
| 1001236162 | 209, 327 | 1001258391.....72 | | 2130812 239, 249 |
| 1001236199 | 203, 205 | | | 2131010 239, 249 |
| 1001236230 | 203, 205, 325 | | | 2131216 239, 249 |
| 1001236264 | 203 | | | |
| 1001236265 | 205 | | | |

SECTION 11 - SPECIAL OPTIONS

| | | | | | | | |
|--------------------------|---------------------------|---------------|--|---------------|-------------------------------------|--------------|---|
| 2152020..... | 239, 249 | 2754244..... | 239, 249 | 3300151..... | 213, 215 | 4010412..... | 63, 65 |
| 2180348.77, 87, 102, 112 | | 2780267..... | 19, 23 | 3300396.... | 163, 165, 167 | 4010418..... | 209 |
| 2180387..... | 102, 112 | 2780268..... | 19, 21 | 3300408 | 77, 87, 102, 112 | 4031507 | 63, 65, 257, 259, 261, 263, 265, 267, 269, 271, 273 |
| 2180389..... | 102, 112 | 2860030..... | 63, 65, 368 | 3300432..... | 196, 200 | 4031509..... | 203, 205 |
| 2180418..... | 102, 112 | 2900708..... | 15 | 3311001.... | 163, 165, 167 | 4031510..... | 39 |
| 2180666..... | 77, 87 | 2900756..... | 51 | 3311005... .. | 139, 143, 147, 151, 155, 159 | 4031607..... | 192 |
| 2220235..... | 239, 249 | 2902217..... | 213, 215 | 3311501..... | 72 | 4031708..... | 59, 61 |
| 2220237..... | 239 | 2902266..... | 223 | 3311502..... | 72 | 4031711..... | 59, 61 |
| 2220238..... | 239, 249 | 2902431.... | 257, 329, 331 | 3311605 | 77, 87, 102, 112, 213, 215 | 4031717..... | 192, 196, 200 |
| 2220290..... | 102, 112 | 2920146..... | 37 | 3311801..... | 19 | 4031908..... | 147, 159 |
| 2220313..... | 77, 87 | 2940074... .. | 192, 196, 200, 368 | 3321402..... | 84, 94 | 4031916.... | 192, 196, 200, 211 |
| 2220362..... | 239, 249 | 2940127.... | 192, 196, 200 | 3331017..... | 172 | 4032014.... | 140, 144, 148, 152, 156, 160 |
| 2220371..... | 41, 239, 249 | 3020039..... | 172 | 3331211..... | 41 | 4032016..... | 148, 160 |
| 2220372..... | 239, 249 | 3252507... .. | 259, 263, 265, 267, 269, 271, 273 | 3332017..... | 39 | 4060802 | 63, 65, 139, 143, 147, 151, 155, 159, 203, 205 |
| 2220373..... | 41, 239, 249 | 3290401..... | 39 | 3421565.... | 192, 196, 200 | 4060803..... | 73 |
| 2220408..... | 239, 249, 253 | 3290405 | 63, 65, 143, 147, 155, 159, 172, 203, 205, 209, 257, 259, 261, 263, 265, 267, 269, 271, 273 | 3422219..... | 219 | 4061032..... | 239, 249 |
| 2220415..... | 239, 249 | 3290501..... | 59, 61 | 3422592..... | 13, 15 | 4070987..... | 63, 65 |
| 2220435..... | 239, 249 | 3290505... .. | 37, 59, 61, 72, 103, 112, 192 | 3422669 | 77, 87, 102, 112 | 4160116..... | 41 |
| 2220451..... | 239, 249 | 3290601..... | 15, 192, 196, 200 | 3422938..... | 177, 179 | 4240003..... | 219 |
| 2220466..... | 239, 249 | 3290605... .. | 53, 55, 59, 61, 69, 72, 77, 84, 87, 94, 102, 108, 112, 118, 139, 143, 147, 151, 155, 159, 172, 177, 179, 181, 192, 196, 200, 203, 205, 257, 259, 261, 263, 265, 267, 269, 271, 273, 349, 351, 353, 355, 357, 359, 361, 363 | 3422943.... | 172, 177, 179 | 4240017.... | 139, 144, 147, 151, 156, 160 |
| 2220472..... | 239, 249 | 3290606... .. | 192, 196, 200, 209 | 3422961..... | 177, 179 | 4240018.. | 15, 59, 61, 172, 177, 179, 181, 209 |
| 2220473..... | 249 | 3290607..... | 209 | 3422963..... | 172 | 4240033.... | 177, 179, 209 |
| 2220479..... | 239, 249 | 3290801..... | 47, 102, 112 | 3423304..... | 17 | 4240099..... | 213, 215 |
| 2220497..... | 239, 249 | 3290805... .. | 53, 55, 59, 67, 77, 84, 87, 94, 102, 105, 108, 112, 115, 118, 139, 143, 147, 151, 155, 159, 172, 185, 187, 189, 192, 196, 200, 203, 205 | 3430616.... | 185, 187, 189 | 4340853..... | 219 |
| 2220500..... | 239, 249 | 3290806... .. | 192, 196, 200, 211 | 3450304... .. | 172, 185, 187, 189 | 4340854..... | 219 |
| 2220502..... | 240, 250 | 3291001.... | 77, 84, 87, 94, 102, 108, 112, 118 | 3460334..... | 219 | 4360070 | 63, 65, 163, 165, 167, 368 |
| 2220504..... | 239, 249 | 3291005... .. | 39, 53, 55, 72, 84, 94, 105, 109, 115, 118, 172, 177, 179, 185, 187, 189, 192 | 3520026..... | 63, 65 | 4360387.... | 59, 61, 63, 65, 203, 205, 368 |
| 2220577..... | 239, 249 | 3291006.... | 192, 196, 200 | 3520028..... | 63, 65 | 4360469..... | 63, 65, 368 |
| 2220578..... | 239, 250 | 3291201... .. | 72, 84, 94, 108, 118, 139, 143, 147, 152, 155, 159 | 3520060..... | 72 | 4360475 | 63, 65, 203, 205, 368 |
| 2220582..... | 239, 249 | 3291205..... | 13 | 3537609.... | 192, 196, 200 | 4360482.... | 139, 143, 147, 151, 155, 159, 205, 368 |
| 2220602..... | 239, 249 | 3291407..... | 72 | 3573400..... | 213, 215 | 4360483.... | 203, 205, 368 |
| 2220603..... | 239, 250 | 3291605... .. | 72, 77, 87, 102, 112 | 3573440..... | 102, 112 | 4360500..... | 172, 368 |
| 2220628..... | 239, 250 | 3291605... .. | 72, 77, 87, 102, 112 | 3573609.... | 192, 196, 200 | 4360518..... | 41 |
| 2220635..... | 240, 250 | 3291605... .. | 72, 77, 87, 102, 112 | 3580317... .. | 140, 144, 148, 152, 156, 160 | 4360524..... | 63, 65, 368 |
| 2220671..... | 253 | 3291605... .. | 72, 77, 87, 102, 112 | 3580318... .. | 139, 143, 147, 151, 155, 159 | 4360525..... | 203, 205 |
| 2220775..... | 239, 249 | 3291605... .. | 72, 77, 87, 102, 112 | 3740080... .. | 284, 287, 291, 368 | 4360548..... | 319, 368 |
| 2220852..... | 239, 249 | 3291605... .. | 72, 77, 87, 102, 112 | 3760170... .. | 192, 196, 200, 219 | 4400275..... | 112 |
| 2220883... .. | 27, 41, 49, 223, 225, 253 | 3291605... .. | 72, 77, 87, 102, 112 | 3760348..... | 41 | 4400420..... | 112 |
| 2220885..... | 49, 229 | 3291605... .. | 72, 77, 87, 102, 112 | 3790152 | 81, 91, 105, 115 | 4400498..... | 122 |
| 2220886..... | 27, 229 | 3291605... .. | 72, 77, 87, 102, 112 | 3820020.... | 192, 196, 200 | 4420037..... | 213, 215 |
| 2220887..... | 229 | 3291605... .. | 72, 77, 87, 102, 112 | 3841143... .. | 17, 77, 87, 102, 112, 172, 177, 179 | 4420051.... | 185, 187, 189, 365 |
| 2220906..... | 253 | 3291605... .. | 72, 77, 87, 102, 112 | 3841258..... | 13, 15 | 4420062..... | 72, 185, 187, 189, 219 |
| 2220947..... | 253 | 3291605... .. | 72, 77, 87, 102, 112 | 3841564..... | 41 | 4420076..... | 203, 205 |
| 2221036..... | 253 | 3291605... .. | 72, 77, 87, 102, 112 | 3900300..... | 63, 65 | 4460019..... | 281, 288 |
| 2221040..... | 239, 249 | 3291605... .. | 72, 77, 87, 102, 112 | 3900355..... | 219 | 4460042..... | 288 |
| 2221086..... | 239, 249 | 3291605... .. | 72, 77, 87, 102, 112 | 3931010..... | 196, 200 | 4460043..... | 299 |
| 2221176..... | 103, 112 | 3291605... .. | 72, 77, 87, 102, 112 | 3931016... .. | 139, 143, 147, 151, 155, 159 | 4460051..... | 327 |
| 2400044.77, 87, 102, 112 | | 3291605... .. | 72, 77, 87, 102, 112 | 3931412..... | 219 | 4460068.... | 163, 165, 167 |
| 2420172..... | 63, 65 | 3291605... .. | 72, 77, 87, 102, 112 | 3931508..... | 219 | 4460071..... | 259 |
| 2560088.... | 192, 196, 200 | 3291605... .. | 72, 77, 87, 102, 112 | 3940804... .. | 143, 147, 155, 159 | 4460115..... | 303 |
| 2560141..... | 203, 205 | 3291605... .. | 72, 77, 87, 102, 112 | 3960526..... | 19 | 4460138..... | 257 |
| 2560171.... | 193, 196, 200 | 3291605... .. | 72, 77, 87, 102, 112 | 3980007 | 77, 87, 102, 112 | 4460142..... | 288 |
| 2560172.... | 192, 196, 200 | 3291605... .. | 72, 77, 87, 102, 112 | 3990010..... | 281 | | |
| 2560176.... | 192, 196, 200 | 3291605... .. | 72, 77, 87, 102, 112 | 4010403..... | 63, 65 | | |
| 2600216..... | 72 | 3291605... .. | 72, 77, 87, 102, 112 | 4010405..... | 63, 65 | | |
| 2600285.... | 192, 196, 200 | 3291605... .. | 72, 77, 87, 102, 112 | 4010408... .. | 143, 147, 155, 159 | | |
| 2700100..... | 209, 219 | 3291605... .. | 72, 77, 87, 102, 112 | | | | |
| 2716703..... | 239, 249 | 3291605... .. | 72, 77, 87, 102, 112 | | | | |
| 2716705..... | 239, 250 | 3291605... .. | 72, 77, 87, 102, 112 | | | | |
| 2720058..... | 77, 88 | 3291605... .. | 72, 77, 87, 102, 112 | | | | |
| 2720271..... | 77, 88 | 3291605... .. | 72, 77, 87, 102, 112 | | | | |
| 2720611..... | 102, 112 | 3291605... .. | 72, 77, 87, 102, 112 | | | | |
| 2752485..... | 240, 250 | 3291605... .. | 72, 77, 87, 102, 112 | | | | |
| 2753791..... | 239, 249 | 3291605... .. | 72, 77, 87, 102, 112 | | | | |
| 2753798..... | 240, 249 | 3291605... .. | 72, 77, 87, 102, 112 | | | | |
| 2753970..... | 240, 250 | 3291605... .. | 72, 77, 87, 102, 112 | | | | |

SECTION 11 - SPECIAL OPTIONS

| | | | |
|----------------------------|-----------------------------|----------------------------|-----------------------------|
| 4460183 303, 305, 325 | 4460879 327 | 4740086.....17 | 5260600 ... 185, 187, 189, |
| 4460224 139, 143, 147 | 4460884 ... 281, 283, 288, | 4740158.....13, 15 | 257, 259, 261, 263, |
| 4460225 295, 299, 303 | 323 | 4740455.....172 | 265, 267, 269, 271, 273 |
| 4460234 63, 65, 177, 179 | 4460891 ... 281, 283, 287, | 4740480.....219 | 5272011 ... 140, 144, 152, |
| 4460247 287 | 291, 307, 309, 311, | 475100053, 55, 139, 143, | 156 |
| 4460259 281, 303, 317 | 313, 319, 323, 327, 345 | 147, 151, 155, 159, | 5272012 ... 140, 144, 148, |
| 4460260 281, 303, 317 | 4460892 319, 325 | 196, 200 | 152, 156, 160 |
| 4460265 325 | 4460894 319, 323, 325 | 4751400.....213, 215 | 70000082 207 |
| 4460267 37, 281, 325 | 4460897 67, 69, 281, 287, | 4751600.....213, 215 | 70000084 207 |
| 4460268 ... 139, 143, 147, | 311, 317 | 4761400.....84, 94 | 70000683 207 |
| 283, 287, 295, 299, 303 | 4460905 209, 327 | 4811400..39, 63, 65, 143, | 70000684 207 |
| 4460294 321 | 4460917 321 | 147, 155, 159, 172, | 70000685 207 |
| 4460315 257, 329 | 4460918 327 | 257, 259, 261, 263, | 70000686 207 |
| 4460320 37 | 4460928 281, 303, 327 | 265, 267, 269, 271, 273 | 70000797 27 |
| 4460346 329, 331 | 4460929 321 | 4811600....59, 61, 63, 65, | 70000863.. 151, 155, 159 |
| 4460375 323 | 4460930 281 | 103, 112 | 70001100.. 151, 155, 159 |
| 4460424 283, 287 | 4460931 317 | 4811602.....193 | 70001250 207 |
| 4460425 163, 165 | 4460932 283, 287 | 4811700....15, 53, 55, 59, | 70001251 207 |
| 4460426 ... 163, 165, 167, | 4460933 ... 283, 287, 317, | 61, 72, 77, 84, 87, 94, | 70001252 207 |
| 215 | 321 | 102, 108, 112, 118, | 70001253 207 |
| 4460434 303 | 4460934 319 | 139, 143, 147, 151, | 70001349 21, 23 |
| 4460464 67, 69, 281, 283, | 4460935 319 | 155, 159, 172, 177, | 70001384.. 151, 155, 159 |
| 287, 291, 297, 301, | 4460939 305 | 179, 192, 196, 200, | 70001932 27 |
| 305, 307, 311, 315, | 4460941 291 | 257, 259, 261, 263, | 70001933 127 |
| 317, 325, 327 | 4460942 281, 283, 287 | 265, 267, 269, 271, | 70001958 132 |
| 4460465 ... 281, 283, 287, | 4460943 ... 283, 287, 291, | 273, 349, 351, 353, | 70001959 57 |
| 291, 295, 297, 299, | 305, 315, 317, 327 | 355, 357, 359, 361, 363 | 70001960 57, 368 |
| 301, 307, 309, 311, | 4460944 ... 281, 283, 287, | 4811702....39, 59, 61, 69, | 70001965 41, 43, 174, |
| 313, 315, 317, 319, | 315, 317, 321, 323, 345 | 72, 135, 181, 192, 196, | 368 |
| 321, 323, 325, 327, 345 | 4460945 283, 317 | 200 | 70001966. 139, 143, 147, |
| 4460466 ... 281, 283, 287, | 4460956 279 | 4811900....39, 59, 61, 67, | 151, 155, 159 |
| 288, 295, 297, 305, | 4460957 279 | 77, 84, 87, 94, 102, | 70001967 49, 368 |
| 307, 309, 315, 317, | 4460962 213 | 105, 108, 112, 115, | 70001973.. 151, 156, 160 |
| 319, 321, 323, 325, 327 | 4460963 165 | 118, 139, 143, 147, | 70001974.. 151, 156, 160 |
| 4460467 371 | 4460967 297, 301 | 151, 155, 159, 185, | 70001977 49, 368 |
| 4460470 203, 205 | 4460968 ... 265, 267, 271, | 187, 189, 192, 196, | 7000206 21, 23 |
| 4460471 203, 205 | 319 | 200, 203, 205 | 70002112 57 |
| 4460483 163, 165 | 4460970 291 | 4811902....53, 55, 77, 87, | 70002113 57, 368 |
| 4460508 315, 327 | 4461054 291 | 172, 192, 196, 200 | 70002132 131, 132 |
| 4460509 281, 315, 327 | 4461118 291 | 4812000....39, 47, 72, 77, | 70002133 131 |
| 4460510 371 | 4461196 333 | 84, 87, 94, 103, 105, | 70002134 131 |
| 4460518 281, 321, 327 | 4461198 333 | 108, 113, 115, 118, | 70002135 131 |
| 4460536 ... 283, 288, 297, | 4461199 335 | 143, 172, 185, 187, | 70002136 131 |
| 301, 307, 317 | 4461201 335 | 189, 193, 196, 200 | 70002137 131 |
| 4460539 ... 281, 283, 287, | 4461205 ... 339, 341, 343 | 4812002.....53, 55, 72 | 70002138 131 |
| 309, 317, 319, 345 | 4461244 341 | 4812100.....41, 72 | 70002139 131 |
| 4460608 291 | 4461245 339 | 4812200.....72 | 70002140 131 |
| 4460612 329 | 4461246 337 | 4812300..72, 78, 87, 103, | 70002141 131 |
| 4460662 329, 331 | 4461249 337 | 112 | 70002142 131 |
| 4460670 281 | 4461257 ... 261, 263, 269, | 4812500.84, 94, 105, 115 | 70002143 131 |
| 4460746 288 | 273 | 4831700.....59, 61 | 70002144 131 |
| 4460761 281, 321, 325 | 4461258 ... 261, 263, 269, | 4831900.....47 | 70002145 131 |
| 4460807 ... 139, 143, 147, | 273 | 4871700....152, 156, 160 | 70002146 131 |
| 295 | 4461271 327 | 4891600.....81, 91, 105 | 70002147 131 |
| 4460808 ... 139, 143, 147, | 4520216 29 | 4891800..19, 81, 91, 105, | 70002148 131 |
| 295, 299 | 4520240 31 | 115 | 70002149 131 |
| 4460812 281 | 4530028 213, 215, 217 | 4892000.....19 | 70002150 131 |
| 4460814 283, 287 | 4568295 177, 179 | 5240600.....84, 94, 209 | 70002151 131 |
| 4460836 ... 283, 287, 319, | 4640858 223 | 5241000....13, 15, 77, 84, | 70002152 131 |
| 321 | 4641122 29, 31, 33, 35 | 87, 94, 102, 108, 112, | 70002153 131 |
| 4460837 283, 288 | 4641303 47, 51 | 118, 139, 143, 147, | 70002154 131 |
| 4460851 319 | 4711000 163, 165, 167 | 151, 155, 159 | 70002155 131 |
| 4460852 319 | 4711400 77, 87, 102, 112, | 5241200....13, 15, 17, 84, | 70002156 131 |
| 4460871 327 | 219 | 94, 108, 118, 140, 143, | 70002157 131 |
| 4460873 327 | 4711500 39, 72 | 147, 152, 155, 159 | 70002158 131 |
| 4460874 327 | 4711600 87, 102, 112 | 5242000.....39, 53, 55 | 70002159 131 |
| 4460876 327 | 4711700 203, 205 | 5251012.....13, 15, 192 | 70002160 131 |

SECTION 11 - SPECIAL OPTIONS

| | | | | | | | |
|---------------------------|----------|----------------|---------------------------------|----------------|----------|--|----------|
| 70002161..... | 131 | 70003631 .. | 151, 155, 159 | 70005073 | 49 | 70005753..... | 122 |
| 70002162..... | 131 | 70003708 . | 139, 143, 147, 151, 155, 159 | 70005100 | 49 | 70005754..... | 122 |
| 70002163..... | 131 | 70003709 . | 139, 143, 147, 151, 155, 159 | 70005150 | 231 | 70005755..... | 122 |
| 70002164..... | 131 | 70003788 | 172, 368 | 70005151 | 231 | 70005756..... | 122 |
| 70002165..... | 131, 132 | 70003789 | 49, 368 | 70005152 | 231 | 70005757..... | 122 |
| 70002166..... | 131 | 70003935 | 51 | 70005153 | 231 | 70005758..... | 122 |
| 70002167..... | 131 | 70003936 | 51 | 70005154 | 231 | 70005759..... | 122 |
| 70002168..... | 131 | 70003977 | 15, 49 | 70005163 | 15 | 70005760..... | 122 |
| 70002169..... | 132 | 70004069 | 125 | 70005164 | 15 | 70005761..... | 122 |
| 70002170..... | 132 | 70004070 | 125 | 70005165 | 49 | 70005762..... | 122 |
| 70002172..... | 132 | 70004092 . | 139, 143, 147, 151, 155, 159 | 70005167 | 49 | 70005763..... | 122 |
| 70002174..... | 132 | 70004094 .. | 151, 155, 159 | 70005220 | 97 | 70005764..... | 122 |
| 70002175..... | 132 | 70004098 . | 143, 147, 151, 155, 160 | 70005221 | 97 | 70005765..... | 122 |
| 70002176..... | 132 | 70004099 . | 139, 143, 147, 151, 155, 159 | 70005222 | 97 | 70005766..... | 122 |
| 70002177..... | 132 | 70004294 | 121 | 70005223 | 97 | 70005767..... | 122 |
| 70002178..... | 132 | 70004295 | 121 | 70005224 | 97 | 70005768..... | 122 |
| 70002179..... | 132 | 70004296 | 121 | 70005226 | 98 | 70005769..... | 122 |
| 70002180..... | 132 | 70004306 | 121 | 70005227 | 98 | 70005788..... | 174, 368 |
| 70002181..... | 132 | 70004311 | 97, 121 | 70005228 | 97 | 70006093... 151, 155, 159 | |
| 70002182..... | 132 | 70004395 | 97 | 70005229 | 98, 122 | 70006094... 151, 155, 159 | |
| 70002185..... | 132 | 70004396 | 97 | 70005293 | 125 | 70006095... 151, 155, 159 | |
| 70002186..... | 132 | 70004397 | 97 | 70005294 | 125 | 70006096... 151, 155, 159 | |
| 70002187..... | 132 | 70004398 | 97 | 70005295 | 125 | 70006097... 151, 155, 160 | |
| 70002188..... | 132 | 70004399 | 97 | 70005296 | 125, 368 | 70006104..... | 174 |
| 70002189..... | 132 | 70004401 | 122 | 70005297 | 125 | 70006105..... | 174 |
| 70002190..... | 132 | 70004415 | 98 | 70005327 | 122 | 70006292..... | 43 |
| 70002191..... | 132 | 70004524 | 97, 121 | 70005329 | 121 | 70006552... 140, 143, 147 | |
| 70002192..... | 132 | 70004525 | 97, 121 | 70005375 | 227 | 70006553... 140, 143, 147 | |
| 7000229..... | 21, 23 | 70004526 | 97, 121 | 70005376 | 227 | 70006661..... | 97, 121 |
| 70002291... 151, 155, 159 | | 70004530 | 97 | 70005377 | 227 | 70006662..... | 121 |
| 70002297... 151, 155, 159 | | 70004531 | 97 | 70005378 | 227 | 70006664..... | 98 |
| 7000230..... | 21, 23 | 70004533 | 97, 121 | 70005380 | 225 | 70006665..... | 97 |
| 70002315..... | 97 | 70004536 | 97 | 70005381 | 225 | 70006786..... | 49 |
| 70002316..... | 97 | 70004537 | 97, 122 | 70005382 | 225 | 70006843..... | 227 |
| 70002317..... | 97 | 70004538 | 97, 121 | 70005383 | 225 | 70006844..... | 225 |
| 70002318..... | 97, 121 | 70004539 | 97 | 70005448 | 49 | 70007036..... | 49 |
| 70002319..... | 97 | 70004540 | 97 | 70005449 | 49 | 70007037..... | 229 |
| 7000232..... | 21, 23 | 70004544 | 97 | 70005453 | 127 | 70007038..... | 229 |
| 70002320..... | 97 | 70004557 | 121 | 70005454 | 129 | 70007039..... | 229 |
| 70002321..... | 97 | 70004558 | 121 | 70005455 | 129 | 70007040..... | 229 |
| 70002322..... | 97 | 70004580 | 49 | 70005724 | 49 | 70007041..... | 229 |
| 70002323..... | 97 | 70004676 .. | 139, 143, 147 | 70005725 | 49 | 70007042..... | 229 |
| 70002326..... | 98, 122 | 70004678 .. | 139, 143, 147 | 70005726 | 121 | 70007043..... | 229 |
| 70002327..... | 98 | 70004679 .. | 139, 143, 147 | 70005727 | 121 | 70007044..... | 229 |
| 70002328..... | 98 | 70004680 .. | 139, 143, 147 | 70005728 | 121 | 70007045..... | 229 |
| 70002330..... | 98 | 70004681 | 139 | 70005729 | 121 | 7000731..... | 24 |
| 70002401..... | 172 | 70004682 .. | 139, 143, 147 | 70005730 | 121 | 70007439..... | 132 |
| 70002419..... | 97 | 70004683 | 139 | 70005731 | 121 | 70007502..... 85, 95, 108, 119 | |
| 7000246..... | 21, 23 | 70004685 | 143, 147 | 70005732 | 121 | 70007506..... | 207 |
| 70002460... 151, 155, 159 | | 70004686 | 139 | 70005733 | 121 | 70009008..... | 275 |
| 7000248..... | 21, 23 | 70004687 | 143, 147 | 70005734 | 121 | 70009009..... | 275 |
| 7000248..... | 21, 23 | 70004794 | 53, 55 | 70005735 | 121 | 70009010..... | 277 |
| 7000253..... | 21, 23 | 70004829 | 98, 121 | 70005736 | 121 | 70009011..... | 277 |
| 7000257..... | 21, 23 | 70004831 | 121 | 70005737 | 121 | 70010383..... 77, 87, 102, 112, 368 | |
| 7000258..... | 21, 23 | 70004834 | 121 | 70005738 | 121 | 7001998..... | 21, 23 |
| 7000261..... | 21, 23 | 70004834 | 121 | 70005739 | 121 | 70020438..... | 225 |
| 7000262..... | 21, 23 | 70004848 | 121 | 70005740 | 121 | 70023915..... | 227, 229 |
| 7000263..... | 21, 23 | 70004851 | 122 | 70005743 | 121 | 70026417..... | 229 |
| 70002768..... | 57 | 70004853 | 122 | 70005744 | 121 | 7002821..... | 371 |
| 70002842..... | 223 | 70004854 | 122 | 70005745 | 121 | 7002822..... | 371 |
| 70002861..... | 105, 115 | 70004883 | 49 | 70005746 | 122 | 7002823..... | 371 |
| 70002901..... | 125 | 70004892 | 122 | 70005747 | 122 | 7002828..... | 371 |
| 70002963..... | 15, 368 | 70004912 | 122 | 70005748 | 122 | 7004275..... | 371 |
| 70003024..... | 49 | 70004913 | 122 | 70005749 | 122 | 7004276..... | 371 |
| 70003060..... | 97 | 70005069 | 49 | 70005750 | 122 | 70050516..... | 15, 368 |
| 70003061..... | 97 | | | 70005751 | 122 | | |
| 70003063..... | 98 | | | 70005752 | 122 | | |
| 70003064..... | 98 | | | | | | |

SECTION 11 - SPECIAL OPTIONS

| | | | |
|----------------------------------|---------------------------|--------------------------|-----------------------------------|
| 7007207 131 | 7021249 27 | 7023933..... 51 | 7024862 27 |
| 7007415 132 | 7021256 132 | 7023936..... 49 | 7024868 27 |
| 7007418 131 | 7021275 27, 131 | 7023964..... 132 | 7024881 51 |
| 7007419 131 | 7021276 27 | 7024182..... 23, 24 | 7025479 97 |
| 7007437 27 | 7021277 27 | 7024189..... 24 | 7026597 151, 155, 159 |
| 7007438 27 | 7021625 51 | 7024190..... 24 | 7026626 151, 155, 159 |
| 7007439 27 | 7021639 51 | 7024191..... 24 | 7027365 207 |
| 7007446 27, 131 | 7022301 131 | 7024192..... 24 | 7027367 207 |
| 7007601 21, 23 | 7022302 27 | 7024193..... 24 | 7027419 27 |
| 7007640 21, 23 | 7022305 27 | 7024194..... 24 | 7027765 207 |
| 7010429 21, 23 | 7022310 27 | 7024196..... 24 | 7027766 207 |
| 7012910 15 | 7022311 27 | 7024197..... 24 | 7027773 217 |
| 7012925 49 | 7022312 27 | 7024441..... 57 | 7027774 217 |
| 7015004 85, 95, 108, 118, 368 | 7022314 27 | 7024446..... 57 | 7027775 217 |
| 7015005 108, 118 | 7022326 27 | 7024462..... 217 | 7027776 217 |
| 7016319 37 | 7022328 27 | 7024463..... 217 | 7027777 217 |
| 7016372 37 | 7022340 132 | 7024467..... 217 | 7027778 217 |
| 7016654 371 | 7022368 27 | 7024469..... 217 | 7027779 217 |
| 7017059 21, 23 | 7022369 27 | 7024470..... 217 | 7027780 217 |
| 7017067 21, 23 | 7022371 27 | 7024471..... 217 | 7027799 151, 155, 159 |
| 7017070 21, 23 | 7022390 15, 49, 174 | 7024472..... 217 | 77363233 295, 299 |
| 7017080 21, 23 | 7022397 51 | 7024473..... 217 | 80463053 355 |
| 7017496 172, 225 | 7022398 49 | 7024474..... 217 | 80933216 174 |
| 7017901 98 | 7022399 49, 51 | 7024475..... 217 | 8220007 283 |
| 7017906 121 | 7023107 121 | 7024478..... 217 | 8220022 165, 167 |
| 7017914 121 | 7023124 98 | 7024497 43, 174 | 8220029 288 |
| 7017922 97 | 7023140 97 | 7024498..... 43 | 8220045 283, 291 |
| 7017928 97 | 7023144 97 | 7024500..... 43 | 8220111 288, 291 |
| 7017934 97, 121 | 7023145 98 | 7024502..... 41, 43, 174 | 8220164 288, 291 |
| 7017945 97 | 7023148 98 | 7024503..... 43 | 8303511 .78, 87, 103, 112 |
| 7017958 98 | 7023149 98 | 7024504..... 43 | 83191040 81, 91, 105, 115 |
| 7017959 121 | 7023154 97 | 7024505..... 43 | 840500977, 87, 102, 108, 118 |
| 7017963 98 | 7023164 97 | 7024506..... 41, 43, 174 | 8405101 .84, 94, 108, 118 |
| 7017980 121 | 7023165 97 | 7024507..... 43 | 8405104 .84, 94, 108, 118 |
| 7017982 121 | 7023167 97 | 7024705..... 23 | 8406302 147, 159 |
| 7017983 121 | 7023168 97 | 7024712..... 21, 23 | 8410013 109, 118 |
| 7017984 121 | 7023170 98, 122 | 7024713..... 21, 23 | 85941016 84, 94, 108, 118 |
| 7017986 121 | 7023306 57 | 7024714..... 21, 23 | 8750014 77, 87 |
| 7017992 98, 121 | 7023347 57 | 7024715..... 21, 23 | 8760268 240 |
| 7017994 122 | 7023900 49 | 7024716..... 21, 23 | 8760351 239, 249 |
| 7017995 121 | 7023907 27 | 7024717..... 23 | 90021705 84, 94 |
| 7020175 63, 65, 203, 205 | 7023907 27 | 7024718 24 | |
| 7020176 63, 65, 203, 205 | 7023910 27 | 7024808..... 174 | |
| | 7023917 51 | 7024854..... 27 | |
| | 7023929 81, 91 | | |



**Corporate Office
JLG Industries, Inc.
1 JLG Drive
McConnellsburg, PA 17233-9533 USA
☎ (717) 485-5161 (Corporate)
☎ (877) 554-5438 (Customer Support)
📠 (717) 485-6417**

**Visit our website for JLG Worldwide Locations.
www.jlg.com**



OSHKOSH™