



# Illustrated Parts Manual

***Model***  
***ES1330L***

**PVC**  
**2004**

**P/N**  
**31215948**

**March 15, 2021 - Rev D**

***ANSI***

**CE**



An Oshkosh Corporation Company



## **REVISION LOG**

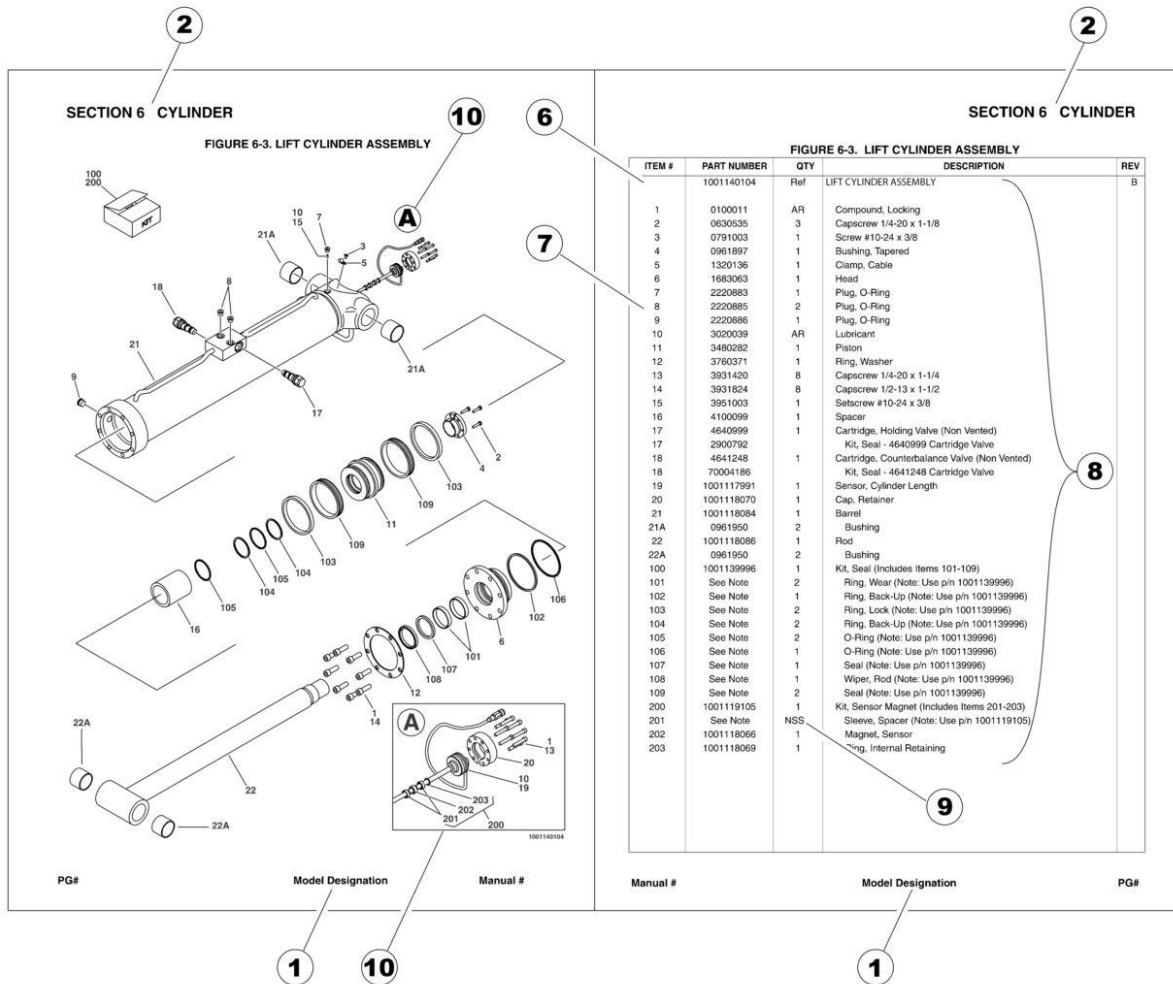
April 3, 2020 - A - Original Issue of Manual (1001250000 Rev F)

June 1, 2020 - B - Revised Manual (1001250000 Rev I)

September 30, 2020 - C - Revised Manual (1001250000 Rev I)

March 15, 2021 - D - Revised Manual (1001250000 Rev K)

# GENERAL INFORMATION



## 1) MACHINE IDENTIFICATION

Machines are identified by model and in some cases a combination of models, serial number (SN) or regional standard (i.e ANSI, CE, CSA). Components may also be identified by SN or manufacturer. Common components that may be identified by these characteristics are engines and hydraulic components.

## 2) PARTS MANUAL ORGANIZATION

Product information in this manual is organized under section titles. Frame, Cylinder, Hydraulic and Electrical are a few examples. Each section is organized by figure and page number. The information within the Figure is then organized by item number, part number, description and corresponding illustration (s).

## 3) TABLE OF CONTENTS (NOT SHOWN)

A table of contents is found toward the beginning of the manual. Figure number, description and page number are provided for quick reference to the page containing the related information.

## 4) RECOMMENDED SPARE PARTS (NOT SHOWN)

The Recommended Spare Parts List, located near the end of the manual, reference most frequently used maintenance parts.

## 5) PART NUMBER INDEX (NOT SHOWN)

A numerical index listing all part numbers and the corresponding page number(s) appears at the back of the manual.

## GENERAL INFORMATION

### 6) NON-SERVICED PARTS

In some instances, it is necessary to display non-serviced parts, assemblies or installations. In the case of assemblies and installations there will be a Ref in the Qty. column. In case of parts that are not available for service within assemblies or components, there will be a NSS (Not Sold Separately) or NLA (No Longer Available) listed in the Qty. column of the manual.

### 7) PARTS LIST ITEM NUMBERS

Numbers shown in the item# column correspond to numbers used in the associated illustration (s). Item numbers which are missing from the sequence in the parts list are not used on that page.

### 8) INDENTED PARTS DESCRIPTION

An indented part description is included in the item under which it is indented.

### 9) ABBREVIATION AND SYMBOLS

AC.....	Alternating Current	L.....	Liter
ADE.....	Advanced Design Electronics	LB(LBS).....	Pounds
AG.....	Agricultural	LCD.....	Liquid Crystal Display
ANSI.....	American National Standards Institute	LED.....	Light Emitting Diodes
AR.....	As Required	LH.....	Left Hand
ASSY.....	Assembly	LRC.....	Low Rated Countries
AUS.....	Australia	LSS.....	Load Sensing System
AUX.....	Auxiliary	M(m).....	Metric/Meter
AWG.....	American Wire Gauge	MM(mm).....	Milimeter
B/M.....	Bill of Material	mA.....	Miliamps
CAC.....	Charge Air Cooler	NLA.....	No Longer Available
CE.....	European Conformity	NPT.....	National Pipe Threads
CCW.....	Counter Clockwise	NSS.....	Not Sold Separately
CM.....	Centimeter	OD.....	Outside Diameter
CW.....	Clockwise	ORB.....	O-Ring Boss
CSA.....	Canadian Standards Association	ORFS.....	O-Ring Face Seal
CYL.....	Cylinder	OZ (oz).....	Ounces
DIA.....	Diameter	PG.....	Page
DC.....	Direct Current	PN.....	Part Number
DEF.....	Diesel Exhaust Fluid	QT(qt.).....	Quarts
EMS.....	Emergency Stop	QTY.....	Quantity
ENG.....	Engine	REF.....	Reference
FT(ft).....	Feet	REV.....	Revision Level
GA(Ga).....	Gauge	RH.....	Right Hand
HRC.....	High Rated Countries	SAE.....	Society of Automotive Engineers
HVAC.....	Heating, Ventilating, and Air Conditioning	SN.....	Serial Number
HYD.....	Hydraulic	SPEC(S).....	Specifications
Hz.....	Hertz	T/T.....	Turntable
ID.....	Inside Diameter	UGM.....	Universal Ground Module
IN.....	inches	V.....	Volts
ISO.....	International Organization for Standards	W.....	Watts
JIC.....	Joint Industry Council	#.....	Number
KG.....	Kilogram		

### 10) ILLUSTRATION REFERENCE LETTERS

When necessary, illustrations may contain reference letters that are intended to track information (i. e. hoses, harnesses) from one point to another or to track visual enlargement of components to show details that may be located in another area on the illustration.

*Note: Due to continuous product improvements, JLG Industries, Inc. reserves the right to make specification changes without prior notification. Contact JLG Industries, Inc. for updated information.*



# TABLE OF CONTENTS

SECTION 1 - FRAME.....	11
FIGURE 1-1. STEER INSTALLATION .....	12
FIGURE 1-2. DRIVE COMPONENTS INSTALLATION.....	14
FIGURE 1-3. DRIVE MOTOR ASSEMBLY .....	16
FIGURE 1-4. TIRE/WHEEL INSTALLATION .....	18
FIGURE 1-5. POTHOLE PROTECTION SYSTEM INSTALLATION .....	20
FIGURE 1-6. TILT SENSOR INSTALLATION .....	22
FIGURE 1-7. BATTERY CHARGER INSTALLATION - DELTA-Q (LOCALLY SUPPLIED PLUG).....	24
FIGURE 1-8. BATTERY CHARGER INSTALLATION - DELTA-Q (110V PLUG).....	26
FIGURE 1-9. BATTERY CHARGER INSTALLATION - DELTA-Q (AUSTRALIAN PLUG).....	28
FIGURE 1-10. BATTERY CHARGER INSTALLATION - DELTA-Q (CE SPECS) (110V IEC YELLOW PLUG) .....	30
FIGURE 1-11. BATTERY CHARGER INSTALLATION - DELTA-Q (CE SPECS) (220V IEC BLUE PLUG) .....	32
FIGURE 1-12. BATTERY CHARGER INSTALLATION - DELTA-Q (CE SPECS) (AFSINT107 PLUG) .....	34
FIGURE 1-13. BATTERY CHARGER INSTALLATION - DELTA-Q (CE SPECS) (CEE7 - GRD PLUG) .....	36
FIGURE 1-14. BATTERY CHARGER INSTALLATION - DELTA-Q (LESS AC CABLE) .....	38
FIGURE 1-15. BATTERY CHARGER INSTALLATION - DELTA-Q WITH CAN TERMINAL (LESS AC CABLE) .....	40
FIGURE 1-16. BATTERY CHARGER INSTALLATION - GREEN POWER (LOCALLY SUPPLIED PLUG).....	42
FIGURE 1-17. BATTERY CHARGER INSTALLATION - GREEN POWER (110V PLUG) .....	44
FIGURE 1-18. BATTERY CHARGER INSTALLATION - GREEN POWER (CHINA PLUG) .....	46
FIGURE 1-19. BATTERY CHARGER INSTALLATION - GREEN POWER (KOREAN PLUG) .....	48
FIGURE 1-20. BATTERY CHARGER INSTALLATION - GREEN POWER (LESS AC CABLE) .....	50
FIGURE 1-21. STROBE LIGHT INSTALLATION - SINGLE (AMBER) (WITH GUARD) .....	52
FIGURE 1-22. STROBE LIGHT INSTALLATION - DUAL (AMBER) (WITH GUARD) .....	54
FIGURE 1-23. ALARM INSTALLATION (AMBIENT/WHITE NOISE) .....	56
FIGURE 1-24. LADDER INSTALLATION.....	58
FIGURE 1-25. FRAME COVER INSTALLATION .....	60
SECTION 2 - GROUND CONTROLS .....	63
FIGURE 2-1. HYDRAULIC COMPONENT INSTALLATION.....	64
FIGURE 2-2. MOTOR/PUMP/TANK ASSEMBLY .....	66
FIGURE 2-3.    CLEANGUARD INSTALLATION.....	68
FIGURE 2-4. ELECTRICAL COMPONENTS INSTALLATION (WITHOUT PLATFORM DRIVE SELECT SWITCH) (CHINA BUILT MACHINES) (Prior to SN B200067714, Prior to SN M200041685) .....	70
FIGURE 2-5. ELECTRICAL COMPONENTS INSTALLATION (WITH PLATFORM DRIVE SELECT SWITCH) (CHINA & MEXICO BUILT MACHINES) (SN B200067714 to Present, SN M200041685 to Present).....	72
FIGURE 2-6. MOBILE CONTROL INSTALLATION .....	74
FIGURE 2-7. MDI INSTALLATION .....	76
FIGURE 2-8. BATTERIES INSTALLATION - STANDARD BATTERIES WITHOUT DISCONNECT .....	78
FIGURE 2-9. BATTERIES INSTALLATION - STANDARD BATTERIES WITH DISCONNECT .....	80
FIGURE 2-10. BATTERIES INSTALLATION - AGM BATTERIES WITHOUT DISCONNECT .....	82
FIGURE 2-11. BATTERIES INSTALLATION - AGM VISION BATTERIES WITHOUT DISCONNECT .....	84
FIGURE 2-12. BATTERIES INSTALLATION - AGM BATTERIES WITH DISCONNECT .....	86
FIGURE 2-13. BATTERIES INSTALLATION - AGM VISION BATTERIES WITH DISCONNECT .....	88
FIGURE 2-14. DOORS INSTALLATION .....	90
SECTION 3 - SCISSORS ARMS.....	93
FIGURE 3-1. SCISSOR ARMS INSTALLATION (WITH LSS) .....	94
SECTION 4 - PLATFORM .....	99
FIGURE 4-1. PLATFORM INSTALLATION .....	100
FIGURE 4-2. PLATFORM EXTENSION INSTALLATION.....	102
FIGURE 4-3. RAILS INSTALLATION (1.0M TUBE IN TUBE) .....	104
FIGURE 4-4. RAILS INSTALLATION (1.1M TUBE IN TUBE) .....	106
FIGURE 4-5. RAILS INSTALLATION (SIDE BY SIDE) .....	108
FIGURE 4-6. GATE LATCH INSTALLATION .....	110
FIGURE 4-7. PLATFORM CONTROL BOX INSTALLATION - WITHOUT DRIVE SELECT SWITCH (Prior to SN B200069779, Prior to SN M200044013).....	112
FIGURE 4-8. PLATFORM CONTROL BOX INSTALLATION - WITHOUT DRIVE SELECT SWITCH (SN B200069779 to Present, SN M200044013 to Present).....	114
FIGURE 4-9. PLATFORM CONTROL BOX INSTALLATION - WITH DRIVE SELECT SWITCH (Prior to SN B200069779, Prior to SN M200044013) .....	116

# TABLE OF CONTENTS

FIGURE 4-10. PLATFORM CONTROL BOX INSTALLATION - WITH DRIVE SELECT SWITCH (SN B200069779 to Present, SN M200044013 to Present) .....	118
FIGURE 4-11. DRIVE/STEER CONTROLLER ASSEMBLY .....	120
SECTION 5 - CYLINDER .....	123
FIGURE 5-1. LIFT CYLINDER ASSEMBLY .....	124
FIGURE 5-2. STEER CYLINDER ASSEMBLY .....	126
SECTION 6 - HYDRAULIC .....	129
FIGURE 6-1. HYDRAULIC DIAGRAM .....	130
SECTION 7 - ELECTRICAL .....	133
FIGURE 7-1. AC BOX AT PLATFORM INSTALLATION - 110V GFI (ALL SPECS EXCEPT CE SPECS) .....	134
FIGURE 7-2. AC BOX AT PLATFORM INSTALLATION - 110V IEC YELLOW (CE SPECS) .....	136
FIGURE 7-3. AC BOX AT PLATFORM INSTALLATION - 220V IEC BLUE (CE SPECS) .....	138
FIGURE 7-4. AC BOX AT PLATFORM INSTALLATION - 220V CEE7 POST GROUND (CE SPECS) .....	140
FIGURE 7-5. AC BOX AT PLATFORM INSTALLATION - 220V CEE7 SIDE GROUND (CE SPECS) .....	142
FIGURE 7-6. AC BOX AT PLATFORM INSTALLATION - 220V AFSINT 107 (CE SPECS) .....	144
FIGURE 7-7. AC BOX AT PLATFORM INSTALLATION - 220V AUSTRALIAN PLUG (AUSTRALIAN SPECS) .....	146
FIGURE 7-8. AC BOX AT PLATFORM INSTALLATION - 220V CHINA PLUG (CHINA SPECS) .....	148
FIGURE 7-9. AC BOX AT PLATFORM INSTALLATION - 220V LOCALLY SUPPLIED .....	150
FIGURE 7-10. BREAKER BOX KIT WITH 1 DOUBLE BREAKER (AUSTRALIAN SPECS) .....	152
FIGURE 7-11. BREAKER BOX KIT WITH 1 DOUBLE BREAKER (CE SPECS) .....	154
FIGURE 7-12. BREAKER BOX KIT WITH 3 BREAKER .....	156
FIGURE 7-13. CAN SPLICE HARNESS .....	158
FIGURE 7-14. CHARGER HARNESS .....	160
FIGURE 7-15. CHARGER PLUG INSTALLATION (LOCALLY SUPPLIED PLUG) (ALL SPECS EXCEPT ANSI & AUSTRALIAN SPECS) .....	162
FIGURE 7-16. CHARGER PLUG INSTALLATION (110V PLUG) (ANSI & CSA SPECS) .....	164
FIGURE 7-17. CHARGER PLUG INSTALLATION (AUSTRALIAN PLUG) (AUSTRALIAN SPECS) .....	166
FIGURE 7-18. CHARGER PLUG INSTALLATION (110V IEC YELLOW PLUG) (CE SPECS) .....	168
FIGURE 7-19. CHARGER PLUG INSTALLATION (220V IEC BLUE PLUG) (CE SPECS) .....	170
FIGURE 7-20. CHARGER PLUG INSTALLATION (220V CEE7 PLUG) (CE SPECS) .....	172
FIGURE 7-21. CHARGER PLUG INSTALLATION (220V AFSINT107 PLUG) (CE SPECS) .....	174
FIGURE 7-22. CHARGER PLUG INSTALLATION (CHINA PLUG) (CHINA SPECS) .....	176
FIGURE 7-23. CHARGER PLUG INSTALLATION (KOREAN PLUG) (KOREAN SPECS) .....	178
FIGURE 7-24. CHASSIS HARNESS (WITHOUT PLATFORM DRIVE SELECT SWITCH) (CHINA BUILT MACHINES) (Prior to SN B200067714, Prior to SN M200041685) .....	180
FIGURE 7-25. CHASSIS HARNESS (WITH PLATFORM DRIVE SELECT SWITCH) (CHINA & MEXICO BUILT MACHINES) (SN B200067714 to Present, SN M200041685 to Present) .....	184
FIGURE 7-26. DRIVE CONTROL HARNESS .....	188
FIGURE 7-27. GROUND TO PLATFORM CABLE INSTALLATION - WITHOUT PLATFORM COIL CABLE/WITHOUT AC CABLE/WITHOUT FOOTSWITCH .....	190
FIGURE 7-28. GROUND TO PLATFORM CABLE INSTALLATION - WITHOUT PLATFORM COIL CABLE/WITH AC CABLE/WITHOUT FOOTSWITCH .....	192
FIGURE 7-29. GROUND TO PLATFORM CABLE INSTALLATION - WITHOUT PLATFORM COIL CABLE/WITH AC CABLE/WITHOUT FOOTSWITCH (AUSTRALIAN SPECS) .....	194
FIGURE 7-30. GROUND TO PLATFORM CABLE INSTALLATION - WITHOUT PLATFORM COIL CABLE/WITHOUT AC CABLE/WITH FOOTSWITCH .....	196
FIGURE 7-31. GROUND TO PLATFORM CABLE INSTALLATION - WITHOUT PLATFORM COIL CABLE/WITH AC CABLE/WITH FOOTSWITCH .....	198
FIGURE 7-32. GROUND TO PLATFORM CABLE INSTALLATION - WITH PLATFORM COIL CABLE/WITHOUT AC CABLE/WITHOUT FOOTSWITCH .....	200
FIGURE 7-33. GROUND TO PLATFORM CABLE INSTALLATION - WITH PLATFORM COIL CABLE/WITH AC CABLE/WITHOUT FOOTSWITCH .....	202
FIGURE 7-34. GROUND TO PLATFORM CABLE INSTALLATION - WITH PLATFORM COIL CABLE/WITH AC CABLE/WITHOUT FOOTSWITCH (AUSTRALIAN SPECS) .....	204
FIGURE 7-35. GROUND TO PLATFORM CABLE INSTALLATION - WITH PLATFORM COIL CABLE/WITHOUT AC CABLE/WITH FOOTSWITCH .....	206
FIGURE 7-36. GROUND TO PLATFORM CABLE INSTALLATION - WITH PLATFORM COIL CABLE/WITH AC CABLE/WITH FOOTSWITCH .....	208
FIGURE 7-37. LIFT DOWN HARNESS (WITH LSS) .....	210
FIGURE 7-38. PLATFORM CONTROL BOX HARNESS .....	212
FIGURE 7-39. RECEPTACLE BOX KIT - 110V GFI .....	214



# TABLE OF CONTENTS

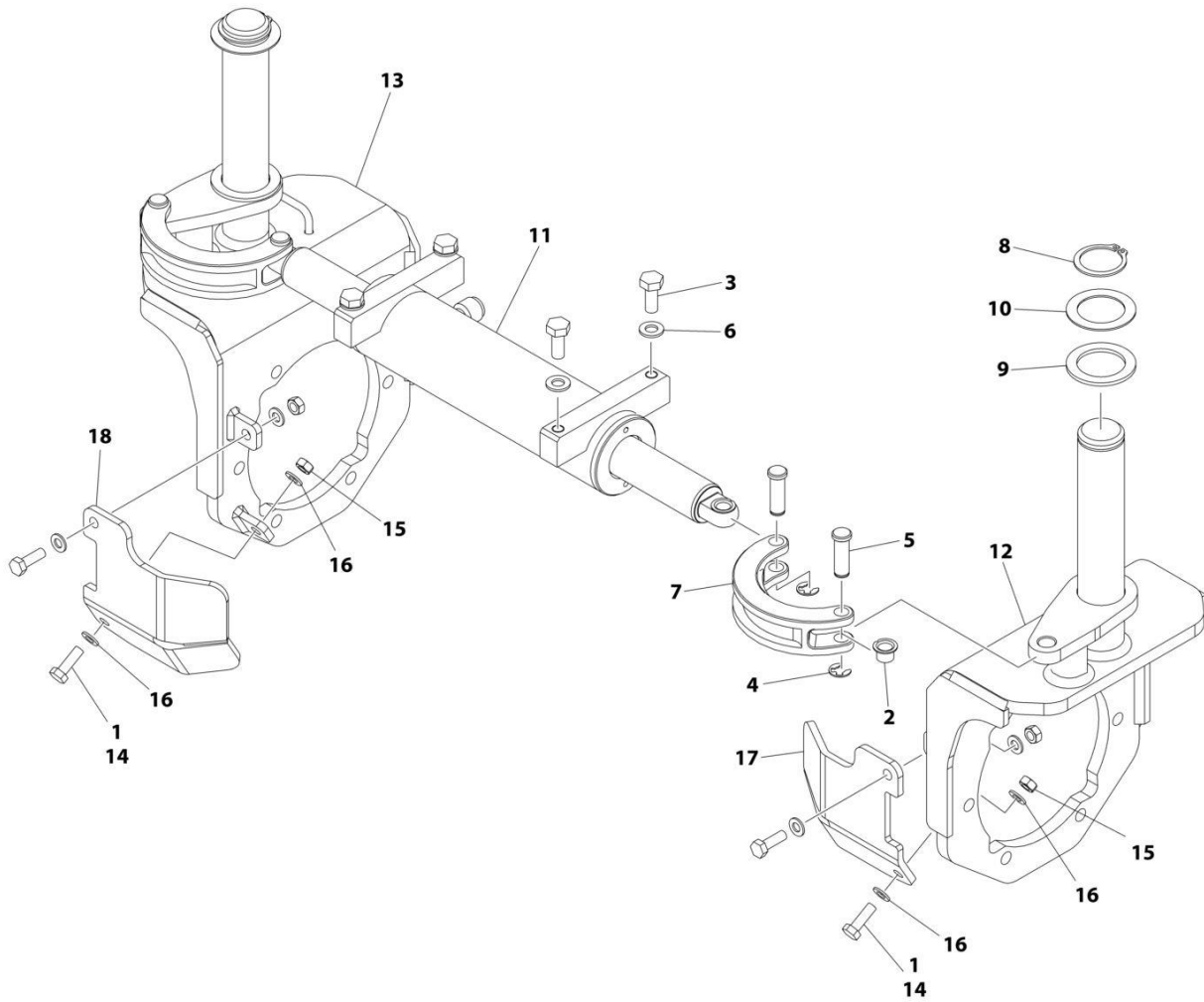
FIGURE 7-40. RECEPTACLE BOX KIT - 110V IEC YELLOW (CE SPEC) .....	216
FIGURE 7-41. RECEPTACLE BOX KIT - 220V IEC BLUE (CE SPEC) .....	218
FIGURE 7-42. RECEPTACLE BOX KIT - 220V CEE7 POST GROUND (CE SPEC) .....	220
FIGURE 7-43. RECEPTACLE BOX KIT - 220V CEE7 SIDE GROUND (CE SPEC) .....	222
FIGURE 7-44. RECEPTACLE BOX KIT - 220V AFSINT 107 (CE SPEC) .....	224
SECTION 8 - DECALS .....	227
FIGURE 8-1. DECAL INSTALLATION (ANSI SPECS) .....	228
FIGURE 8-2. DECAL INSTALLATION (AUSTRALIAN SPECS) .....	232
FIGURE 8-3. DECAL INSTALLATION (CE SPECS) .....	236
FIGURE 8-4. DECAL INSTALLATION (CHINA SPECS) .....	240
FIGURE 8-5. DECAL INSTALLATION (CSA SPECS) .....	244
FIGURE 8-6. DECAL INSTALLATION (JAPANESE SPECS) .....	248
FIGURE 8-7. DECAL INSTALLATION (KOREAN SPECS) .....	252
FIGURE 8-8. DECAL INSTALLATION - OPTIONS .....	256
SECTION 9 - RECOMMENDED SERVICE PARTS STOCK .....	259
FIGURE 9-1. RECOMMENDED SERVICE PARTS STOCK .....	260
SECTION 10 - SPECIAL OPTIONS .....	261
FIGURE 10-1. SPECIAL OPTIONS .....	262
PART NUMBER INDEX .....	265



**SECTION 1 - FRAME**

# SECTION 1 - FRAME

## FIGURE 1-1. STEER INSTALLATION



ART\_1001243106

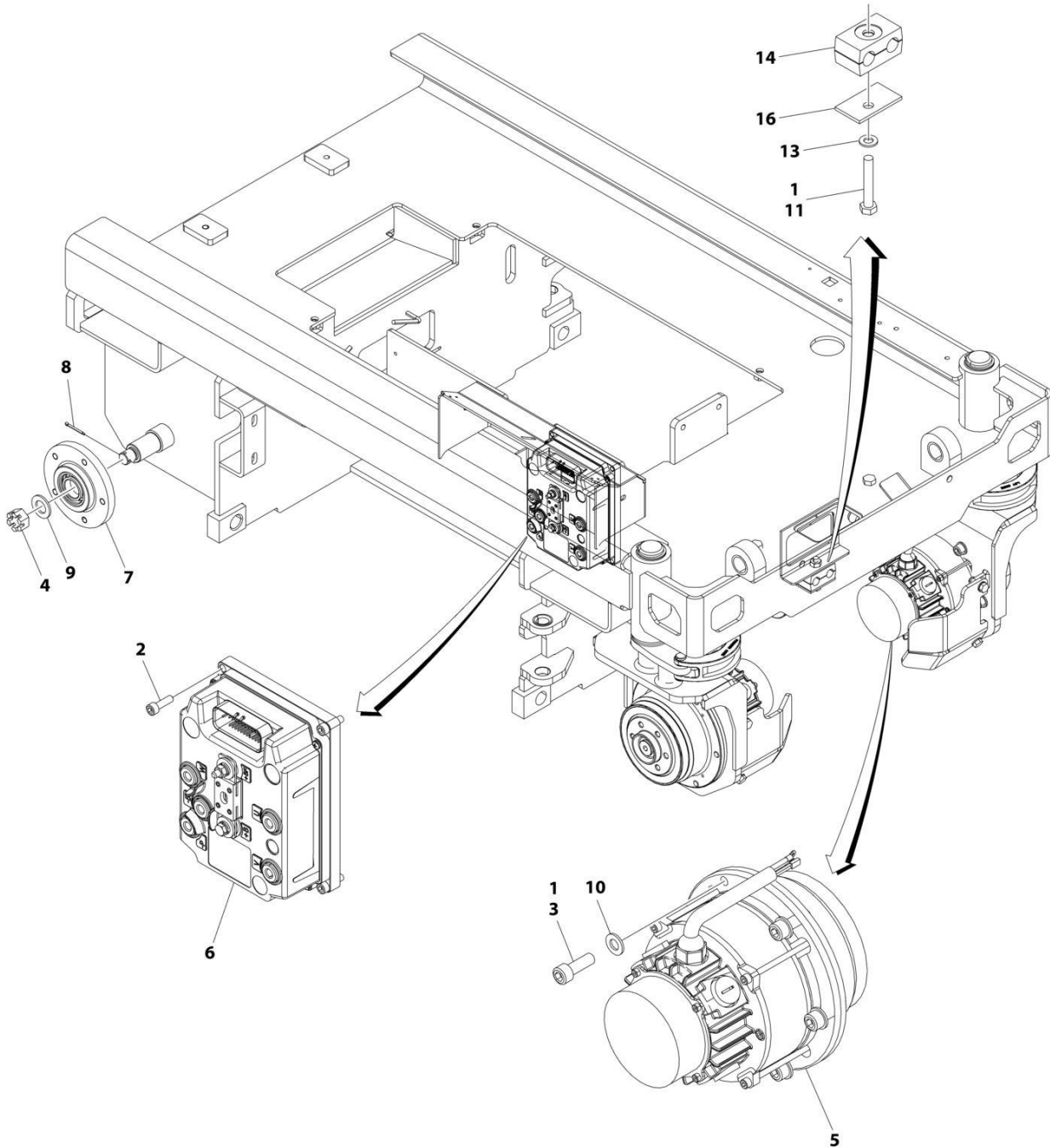
# SECTION 1 - FRAME

## FIGURE 1-1. STEER INSTALLATION

ITEM	PART NUMBER	QTY	DESCRIPTION	REV
	1001243106	Ref	STEER INSTALLATION	B
1	0100011	AR	Compound, Locking	
2	0440259	2	Bearing	
3	0761012	4	Bolt M10 x 25	
4	1380153	4	Clip	
5	3423037	4	Pin	
6	4812000	4	Washer M10	
7	4846757	2	Lug, Steering	
8	1001099560	2	Ring, Retaining	
9	1001233524	2	Washer	
10	1001233525	2	Washer	
11	1001234461	1	Steer Cylinder Assembly (See Separate Breakdown in CYLINDER SECTION)	
12	1001243248	1	Spindle (LH)	
13	1001243249	1	Spindle (RH)	
14	0760812	4	Bolt M8 x 25	
15	3290801	4	Nut M8	
16	4811900	8	Washer M8	
17	1001246920	1	Cover (LH)	
18	1001246921	1	Cover (RH)	
100	1001236834	4	Bearing (Part of Frame) (Not Shown)	

# SECTION 1 - FRAME

## FIGURE 1-2. DRIVE COMPONENTS INSTALLATION



ART\_1001241599

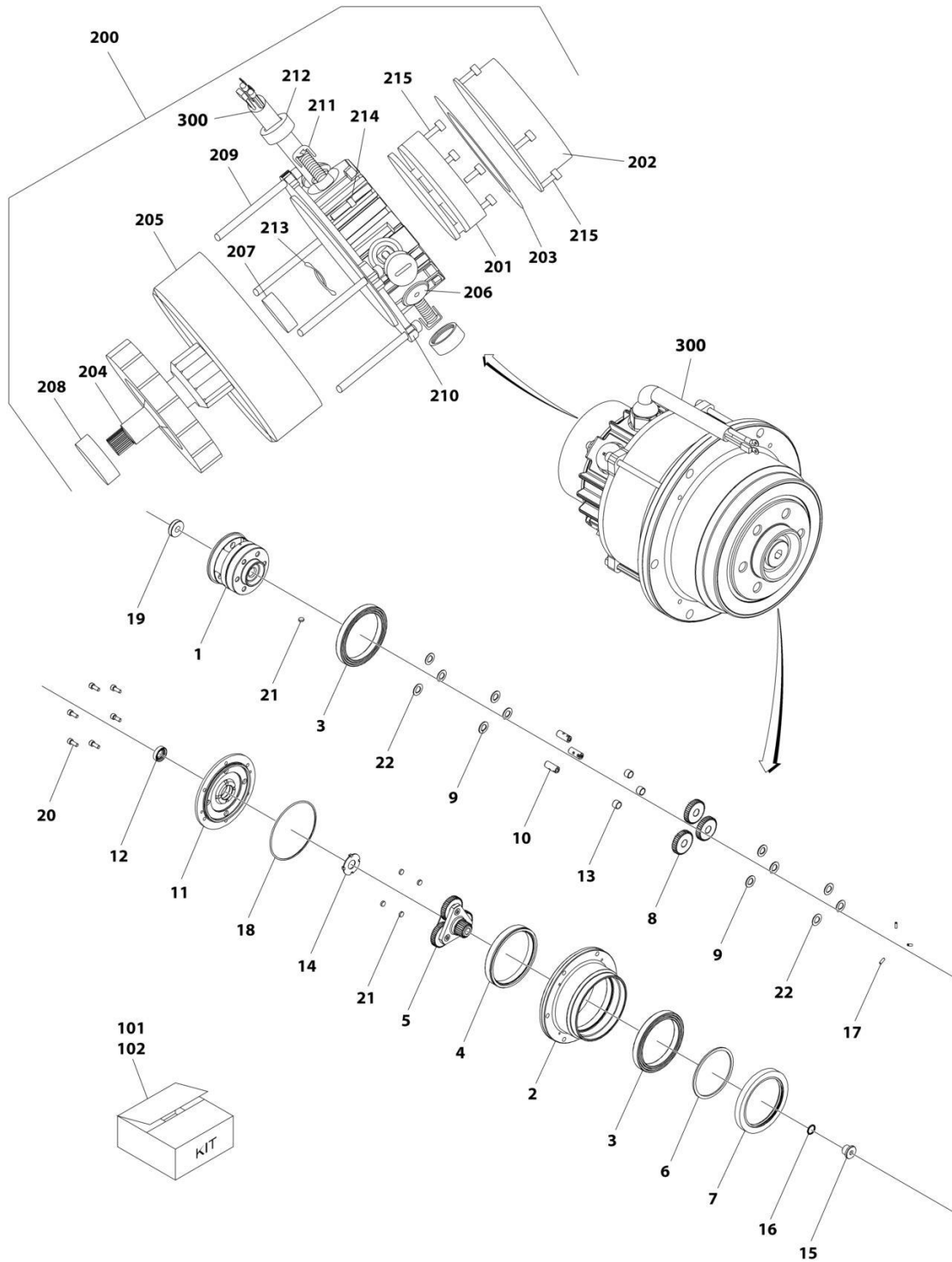
## SECTION 1 - FRAME

**FIGURE 1-2. DRIVE COMPONENTS INSTALLATION**

ITEM	PART NUMBER	QTY	DESCRIPTION	REV
	1001241599	Ref	DRIVE COMPONENTS INSTALLATION	G
1	0100011	AR	Compound, Locking	
2	4031708	4	Capscrew M6 x 20	
3	4032010	12	Capscrew M10 x 30	
4	3322203	2	Nut 3/4	
5	1001243257	2	Drive Motor Assembly (See Separate Breakdown in this Section)	
6	1001243107	1	Module, Control (Drive) (Note: Recalibration Required when Replaced.)	
7	1001242978	2	Hub, Assembly	
7	1001242980	4	Bearing (2 Per Hub)	
8	3391210	2	Pin, Cotter 3.2 x 30	
9	4812500	2	Washer M20	
10	4812000	12	Washer M10	
11	0700818	1	Bolt M8 x 50	
13	4811900	1	Washer M8	
14	1001249667	1	Clamp	
15	4240017	AR	Tie-Strap (Not Shown)	
16	1321752	1	Plate, Clamp	

# SECTION 1 - FRAME

## FIGURE 1-3. DRIVE MOTOR ASSEMBLY



ART\_1001243257



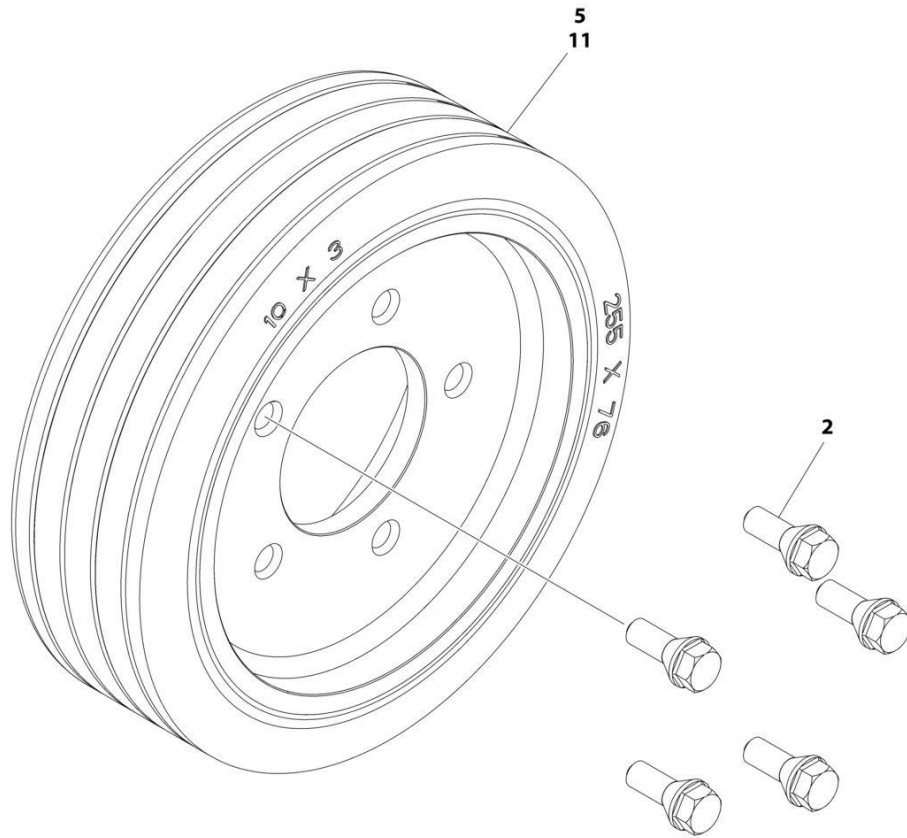
# SECTION 1 - FRAME

## FIGURE 1-3. DRIVE MOTOR ASSEMBLY

ITEM	PART NUMBER	QTY	DESCRIPTION	REV
	1001243257	Ref	DRIVE MOTOR ASSEMBLY	F
1	70007267	1	Spindle/Carrier	
2	70007266	1	Ring Gear	
3	See Note	NSS	Bearing (Note: Use Item 101)	
4	70007265	1	Ring Gear	
5	70007264	1	Carrier Sub-Assembly - Primary	
6	70007263	1	Ring, Retaining	
7	See Note	NSS	Seal, Lip (Note: Use Item 101 or 102)	
8	70007262	3	Gear, Planet - Secondary	
9	70007261	6	Washer	
10	70007260	3	Shaft, Planet	
11	70007259	1	Cap, End	
12	See Note	NSS	Seal, Lip (Note: Use Item 101 or 102)	
13	See Note	NSS	Bearing (Note: Use Item 101)	
14	70007258	1	Thrustwasher	
15	70007257	1	Plug	
16	See Note	NSS	O-Ring (Note: Use Item 101 or 102)	
17	70007256	3	Pin	
18	See Note	NSS	O-Ring (Note: Use Item 101 or 102)	
19	70007255	1	Thrustwasher	
20	70007254	6	Capscrew M6	
21	70007253	5	Magnet	
22	70007252	6	Washer	
101	70007269	1	Bearing Kit (Includes Items 3,7,12,13,16,18)	
102	70007268	1	Seal Kit (Includes Items 7,12,16,18)	
200	70007270	1	Motor Kit (Includes Items 201-215)	
201	70007271	1	ELECTRIC BRAKE	
202	See Note	NSS	Cover (Note: Use Item 200)	
203	70007273	1	Gasket	
204	See Note	NSS	Armature (Note: Use Item 200)	
205	See Note	NSS	Frame & Field (Note: Use Item 200)	
206	See Note	NSS	Plug (Note: Use Item 200)	
207	See Note	NSS	Bearing (Note: Use Item 200)	
208	See Note	NSS	Bearing (Note: Use Item 200)	
209	See Note	NSS	Capscrew (Note: Use Item 200)	
210	See Note	NSS	Commutator (Note: Use Item 200)	
211	70007272	4	Brush	
212	70007274	4	Cover, Brush	
213	See Note	NSS	Washer, Wavy (Note: Use Item 200)	
214	See Note	3	Capscrew	
215	70007275	8	Capscrew M4 x 12	
300	1001246639	1	Motor Harness	
300	4460891	1	Plug, Male - 2 Position	
300	4460465	2	Socket, Female	

# SECTION 1 - FRAME

## FIGURE 1-4. TIRE/WHEEL INSTALLATION



ART\_1001241546

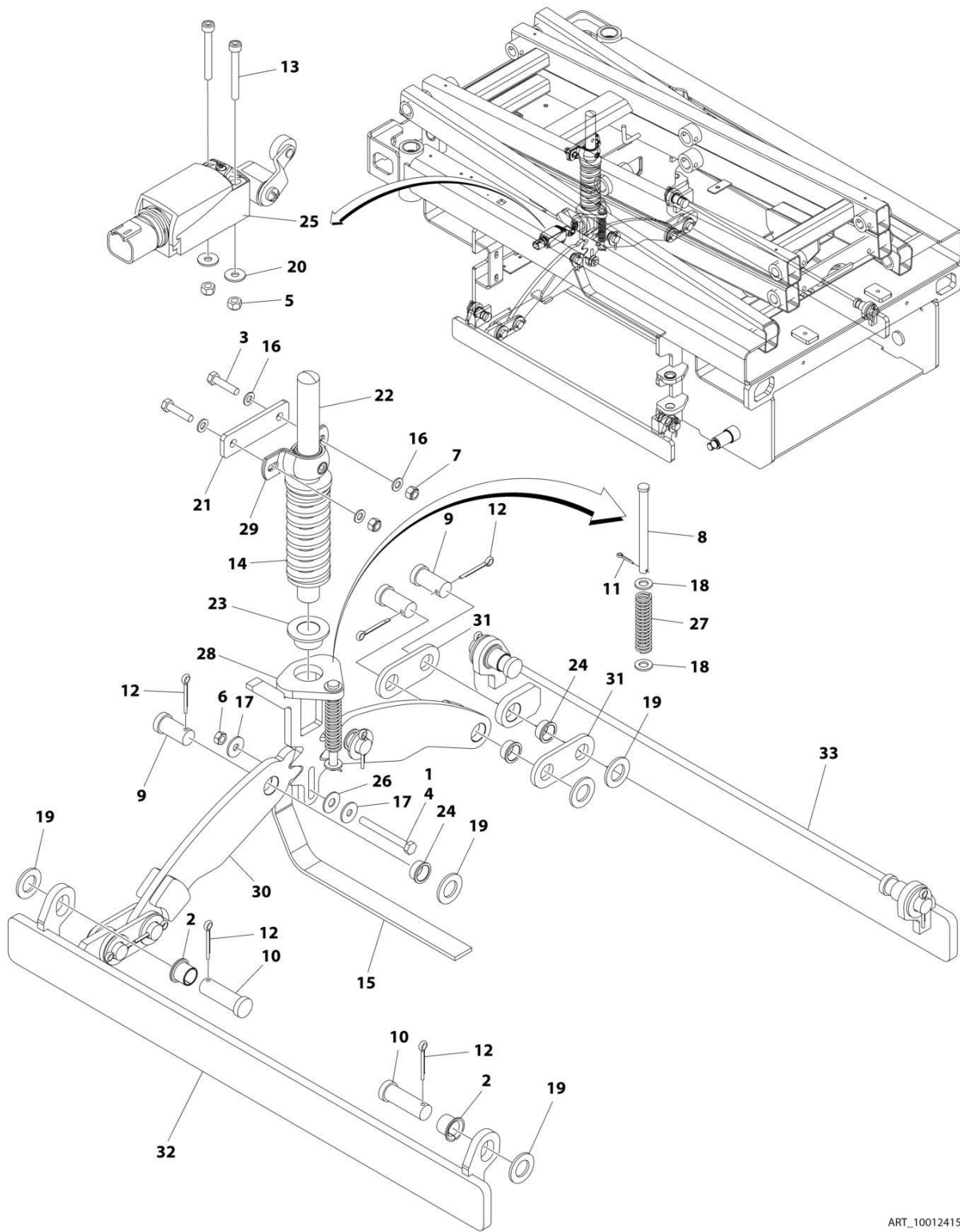
# SECTION 1 - FRAME

## FIGURE 1-4. TIRE/WHEEL INSTALLATION

ITEM	PART NUMBER	QTY	DESCRIPTION	REV
	1001241546	Ref	TIRE/WHEEL INSTALLATION	E
		Ref	Note: Must Replace Tire and Wheel Assemblies in Pairs Per Axle	
2	1001245139	22	Bolt, Wheel M10 X 1.5	
5	1001241601	2	Tire and Wheel (Non - Marking) (Front)	
11	1001237518	2	Tire and Wheel (Non - Marking) (Rear)	

# SECTION 1 - FRAME

## FIGURE 1-5. POTHOLE PROTECTION SYSTEM INSTALLATION



ART\_1001241542

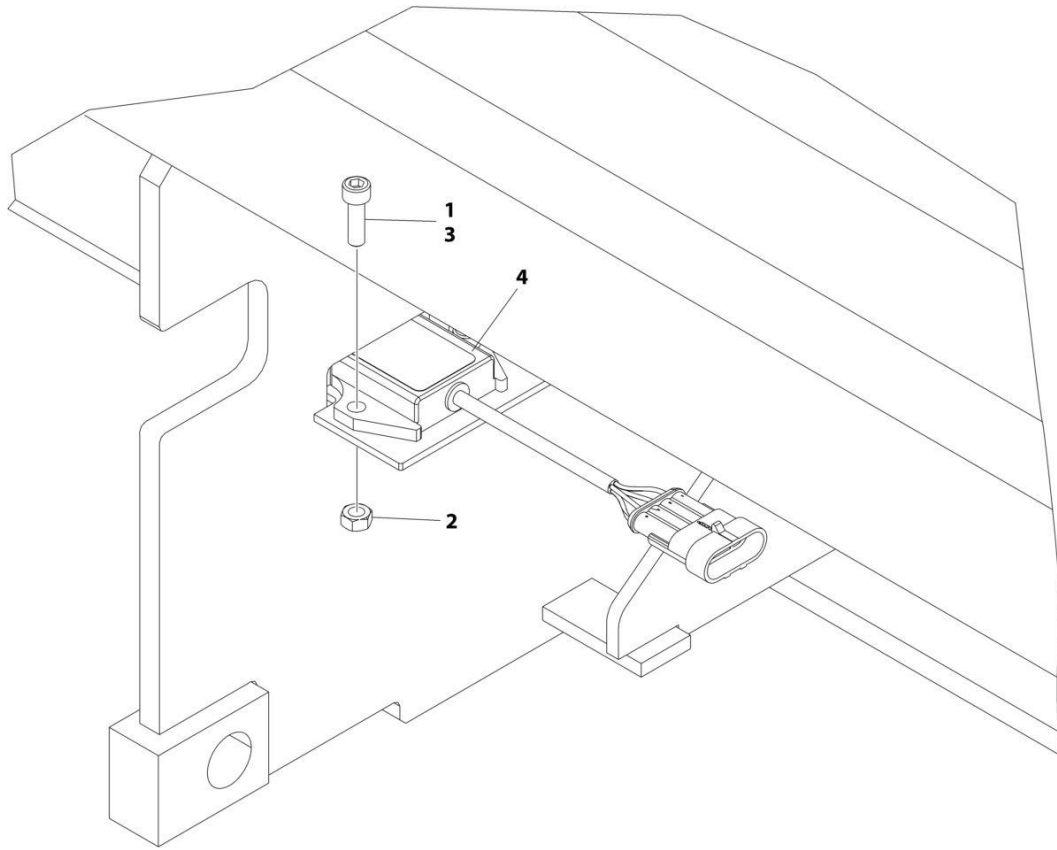
# SECTION 1 - FRAME

## FIGURE 1-5. POTHOLE PROTECTION SYSTEM INSTALLATION

ITEM	PART NUMBER	QTY	DESCRIPTION	REV
	1001241542	Ref	POTHOLE PROTECTION SYSTEM INSTALLATION	E
1	0100011	AR	Compound, Locking	
2	0440263	4	Bearing	
3	0700815	2	Bolt M8 x 35	
4	0700823	1	Bolt M8 x 75	
5	3290405	2	Nut M4	
6	3290801	1	Nut M8	
7	3290805	2	Nut M8	
8	3430636	1	Pin	
9	3431212	6	Pin	
10	3431218	4	Pin	
11	3450303	1	Pin, Cotter 3/32 x 3/4	
12	3450505	10	Pin, Cotter 5/32 x 1/2	
13	4031511	2	Capscrew M4 x 35	
14	4160202	1	Spring	
15	4240147	1	Strap, Anti-Static	
16	4811900	4	Washer M8	
17	4811902	2	Washer M8	
18	4812000	2	Washer M10	
19	4812500	14	Washer M20	
20	1001091102	2	Washer M4	
21	1001202987	1	Plate, Mounting	
22	1001202988	1	Actuator (Upper)	
23	1001203869	1	Bearing	
24	1001203870	6	Bearing	
25	1001203871	1	Switch, Limit	
26	1001203872	1	Washer 3/8	
27	1001212068	1	Spring	
28	1001214526	1	Actuator (Lower)	
29	1001215953	1	Bearing	
30	1001249846	2	Plate, Pinion	
31	1001236849	4	Link	
32	1001241543	1	Bar (LH)	
33	1001241544	1	Bar (RH)	

# SECTION 1 - FRAME

## FIGURE 1-6. TILT SENSOR INSTALLATION



ART\_1001237507

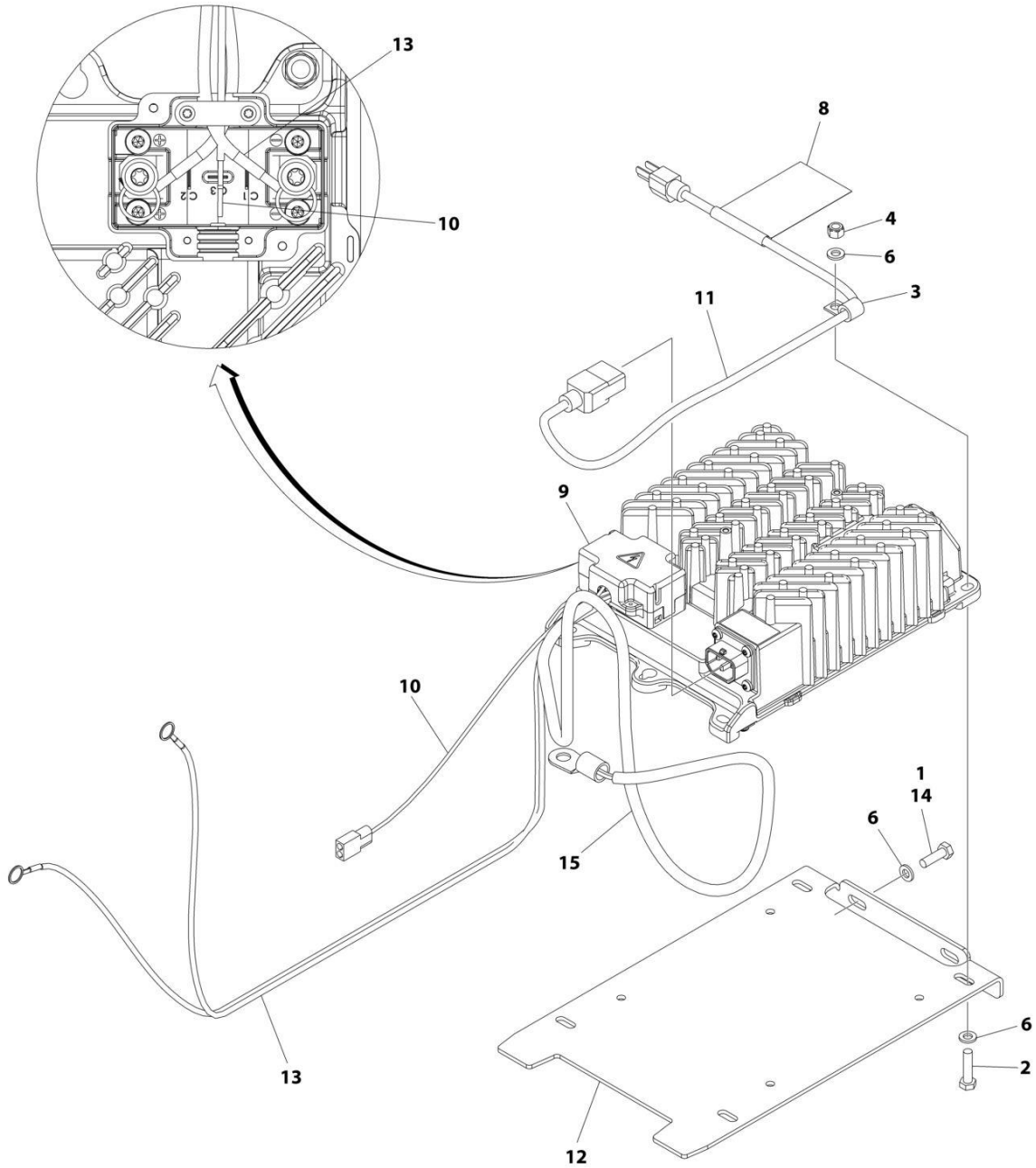
# SECTION 1 - FRAME

## FIGURE 1-6. TILT SENSOR INSTALLATION

ITEM	PART NUMBER	QTY	DESCRIPTION	REV
	1001237507	Rev	TILT SENSOR INSTALLATION	C
1	0100011	1	Compound, Locking	
2	3290601	1	Nut M6 x 20	
3	4031708	1	Capscrew M6 x 20	
4	1001186466	1	Sensor, Tilt	

# SECTION 1 - FRAME

FIGURE 1-7. BATTERY CHARGER INSTALLATION - DELTA-Q (LOCALLY SUPPLIED PLUG)



ART\_1001244598\_C



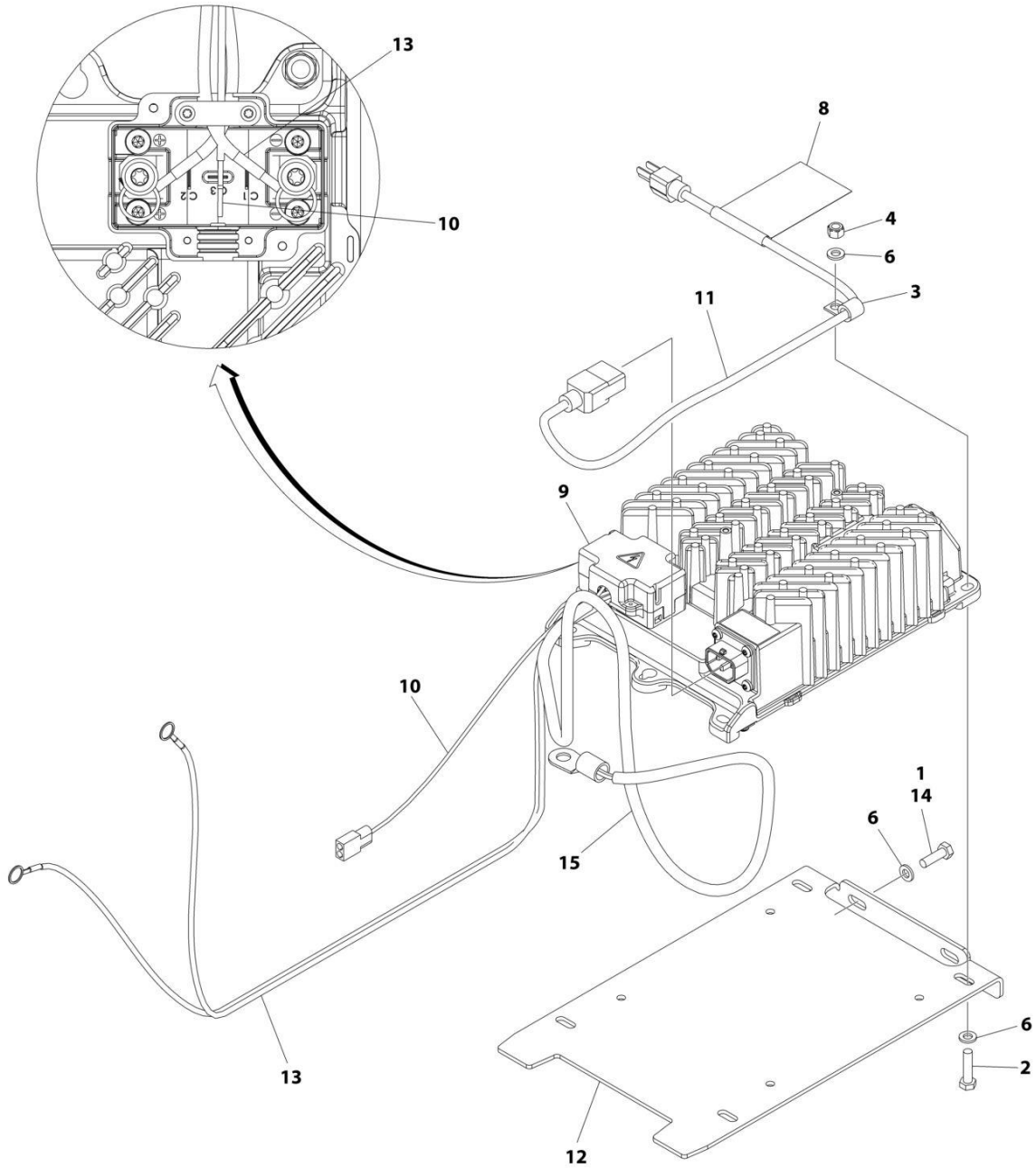
## SECTION 1 - FRAME

**FIGURE 1-7. BATTERY CHARGER INSTALLATION - DELTA-Q (LOCALLY SUPPLIED PLUG)**

ITEM	PART NUMBER	QTY	DESCRIPTION	REV
	1001244598	Ref	BATTERY CHARGER INSTALLATION - DELTA-Q (LOCALLY SUPPLIED PLUG)	C
1	0760610	2	Bolt M6 x 20	
2	0760612	4	Bolt M6 x 25	
3	1321293	1	Clamp	
4	3290605	4	Nut M6	
5	4240017	AR	Tie-Strap (Not Shown)	
6	4811700	10	Washer M6	
8	1001102489	1	Decal - Charger	
9	1001249940	1	Charger, Battery - Delta-Q	
10	1001207009	1	Charger Interlock Harness	
10	4460424	1	Receptacle, Female - 2 Position	
10	4460227	2	Pin, Male	
11	1001207974	1	Cable, Charger AC Input	
12	1001237462	1	Bracket	
13	1001241489	1	Charger DC Connection Harness	
14	0100011	AR	Compound, Locking	
15	1001260628	1	Sensor, Temperature	

# SECTION 1 - FRAME

## FIGURE 1-8. BATTERY CHARGER INSTALLATION - DELTA-Q (110V PLUG)



ART\_1001244603\_C

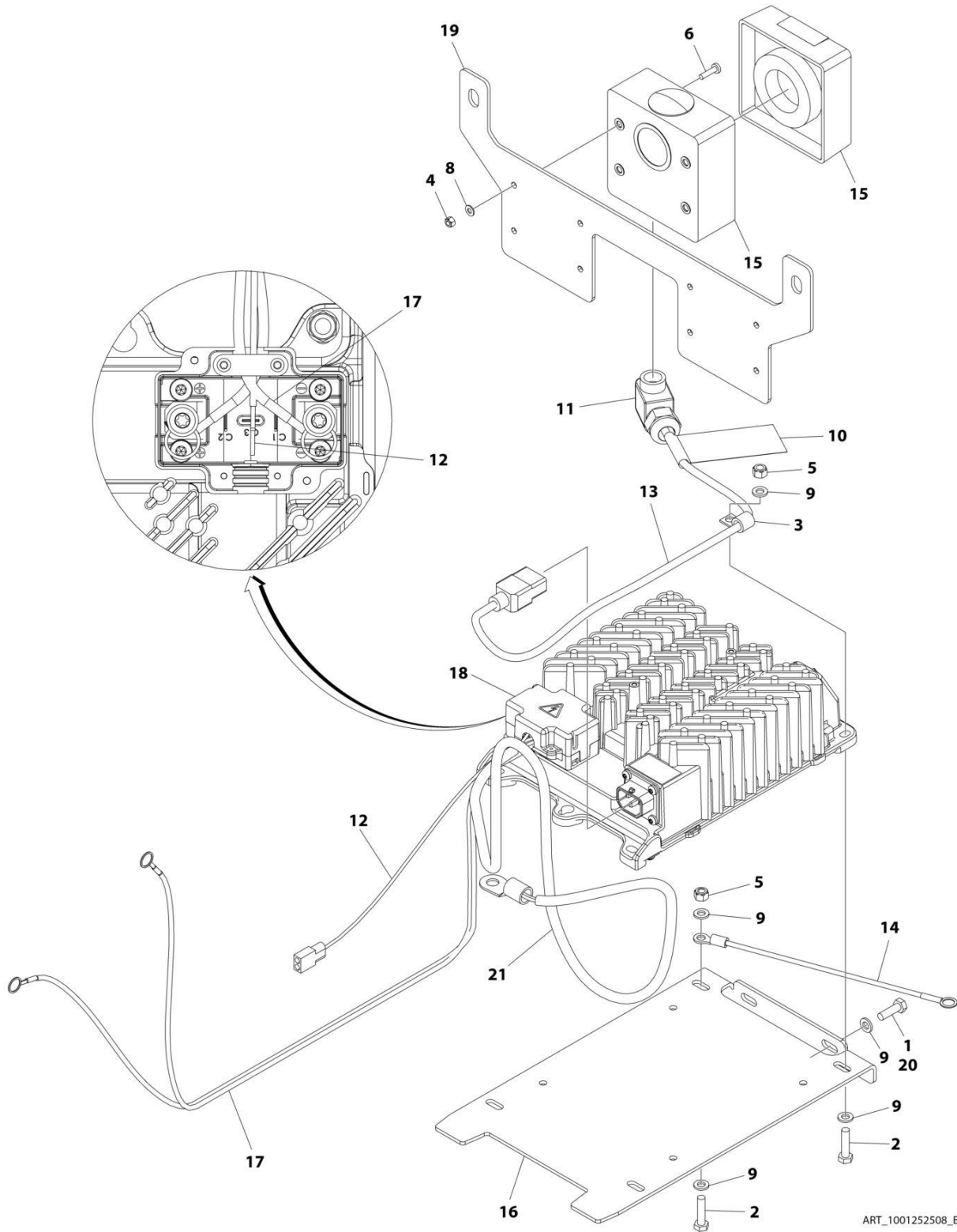
## SECTION 1 - FRAME

**FIGURE 1-8. BATTERY CHARGER INSTALLATION - DELTA-Q (110V PLUG)**

ITEM	PART NUMBER	QTY	DESCRIPTION	REV
	1001244603	Ref	BATTERY CHARGER INSTALLATION - DELTA-Q (110V PLUG)	C
1	0760610	2	Bolt M6 x 20	
2	0760612	4	Bolt M6 x 25	
3	1321293	1	Clamp	
4	3290605	4	Nut M6	
5	4240017	AR	Tie-Strap (Not Shown)	
6	4811700	10	Washer M6	
8	1001102489	1	Decal - Charger	
9	1001249940	1	Charger, Battery - Delta-Q	
10	1001207009	1	Charger Interlock Harness	
10	4460424	1	Receptacle, Female - 2 Position	
10	4460227	2	Pin, Male	
11	1001207970	1	Charger AC Input Cable	
12	1001237462	1	Bracket	
13	1001241489	1	Charger DC Connection Harness	
14	0100011	AR	Compound, Locking	
15	1001260628	1	Sensor, Temperature	

# SECTION 1 - FRAME

## FIGURE 1-9. BATTERY CHARGER INSTALLATION - DELTA-Q (AUSTRALIAN PLUG)



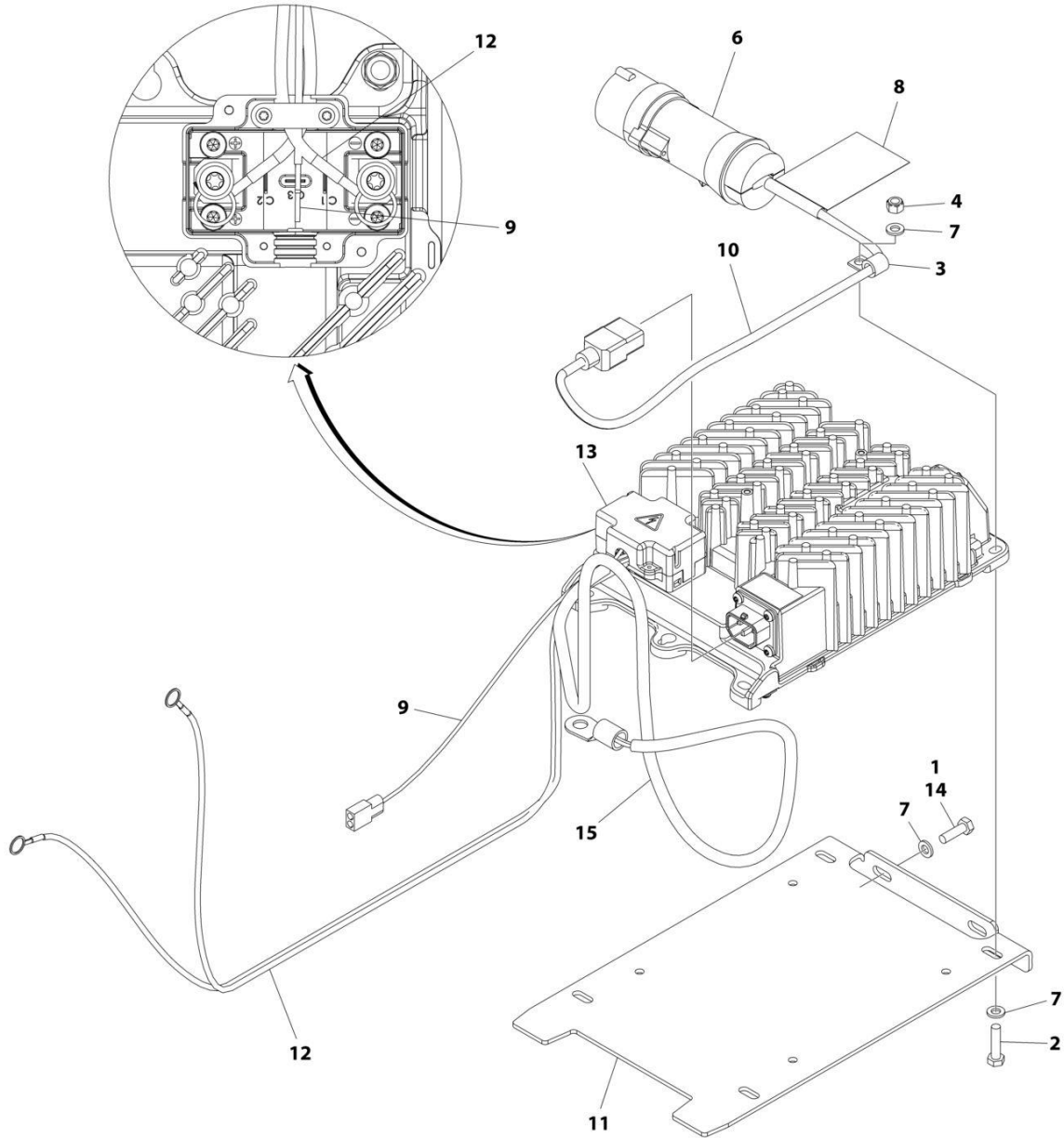
## SECTION 1 - FRAME

**FIGURE 1-9. BATTERY CHARGER INSTALLATION - DELTA-Q (AUSTRALIAN PLUG)**

ITEM	PART NUMBER	QTY	DESCRIPTION	REV
	1001252508	Ref	BATTERY CHARGER INSTALLATION	B
1	0760610	2	Bolt M6 x 20	
2	0760612	4	Bolt M6 x 25	
3	1321293	1	Clamp	
4	3290405	4	Nut M4	
5	3290605	4	Nut M6	
6	4010408	4	Screw M4 x 16	
7	4240017	AR	Tie-Strap (Not Shown)	
8	4811400	4	Washer M4	
9	4811700	10	Washer M6	
10	1001102489	1	Decal - Charger Label	
11	1001103471	1	Connector, Strain Relief 90	
12	1001207009	1	Harness, Charger Interlock	
12	4460424	1	Receptacle, Female - 2 Position	
12	4460227	2	Pin, Male	
13	1001207974	1	Cable, AC Input	
14	1001227219	1	Harness, Earth/Ground Link	
15	1001227267	1	Receptacle, Australian	
16	1001237462	1	Bracket	
17	1001241489	1	Harness, Charger DC	
18	1001249940	1	Charger, Battery - Delta-Q	
19	1001253626	1	Bracket	
20	0100011	AR	Compound, Locking	
21	1001260628	1	Sensor, Temperature	

# SECTION 1 - FRAME

FIGURE 1-10. BATTERY CHARGER INSTALLATION - DELTA-Q (CE SPECS) (110V IEC YELLOW PLUG)



ART\_1001255205\_B

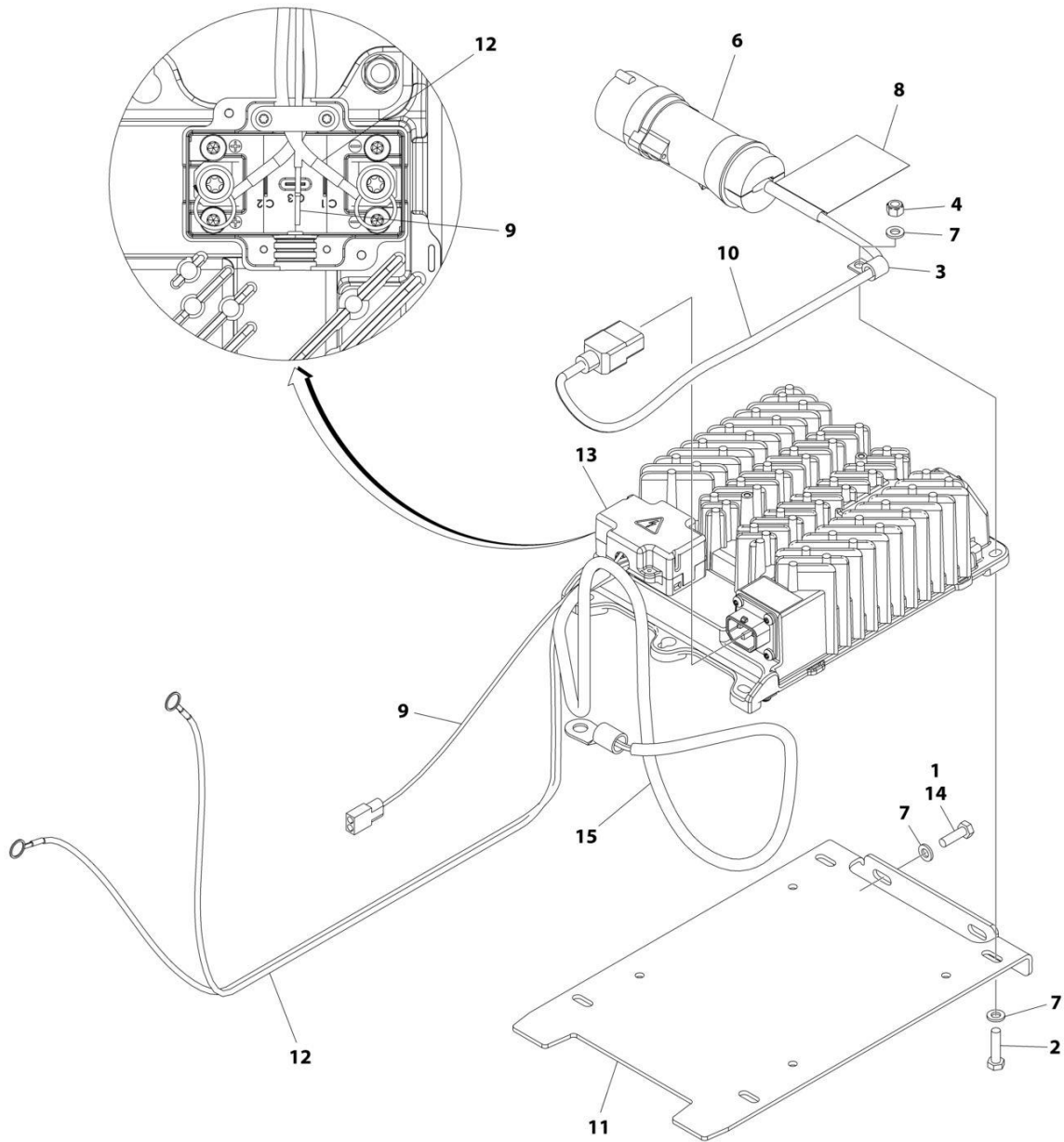
## SECTION 1 - FRAME

**FIGURE 1-10. BATTERY CHARGER INSTALLATION - DELTA-Q (CE SPECS) (110V IEC YELLOW PLUG)**

ITEM	PART NUMBER	QTY	DESCRIPTION	REV
	1001255205	Ref	BATTERY CHARGER INSTALLATION	B
1	0760610	2	Bolt M6 x 20	
2	0760612	4	Bolt M6 x 25	
3	1321293	1	Clamp	
4	3290605	4	Nut M6	
5	4240017	AR	Tie-Strap (Not Shown)	
6	4461196	1	Plug, Male	
7	4811700	10	Washer M6	
8	1001102489	1	Decal - Charger Label	
9	1001207009	1	Harness, Charger Interlock	
9	4460424	1	Receptacle, Female - 2 Position	
9	4460227	2	Pin, Male	
10	1001207974	1	Cable, Charger AC	
11	1001237462	1	Bracket	
12	1001241489	1	Harness, Charger DC	
13	1001249940	1	Charger, Battery - Delta-Q	
14	0100011	AR	Compound, Locking	
15	1001260628	1	Sensor, Temperature	

# SECTION 1 - FRAME

## FIGURE 1-11. BATTERY CHARGER INSTALLATION - DELTA-Q (CE SPECS) (220V IEC BLUE PLUG)



ART\_1001255206\_B



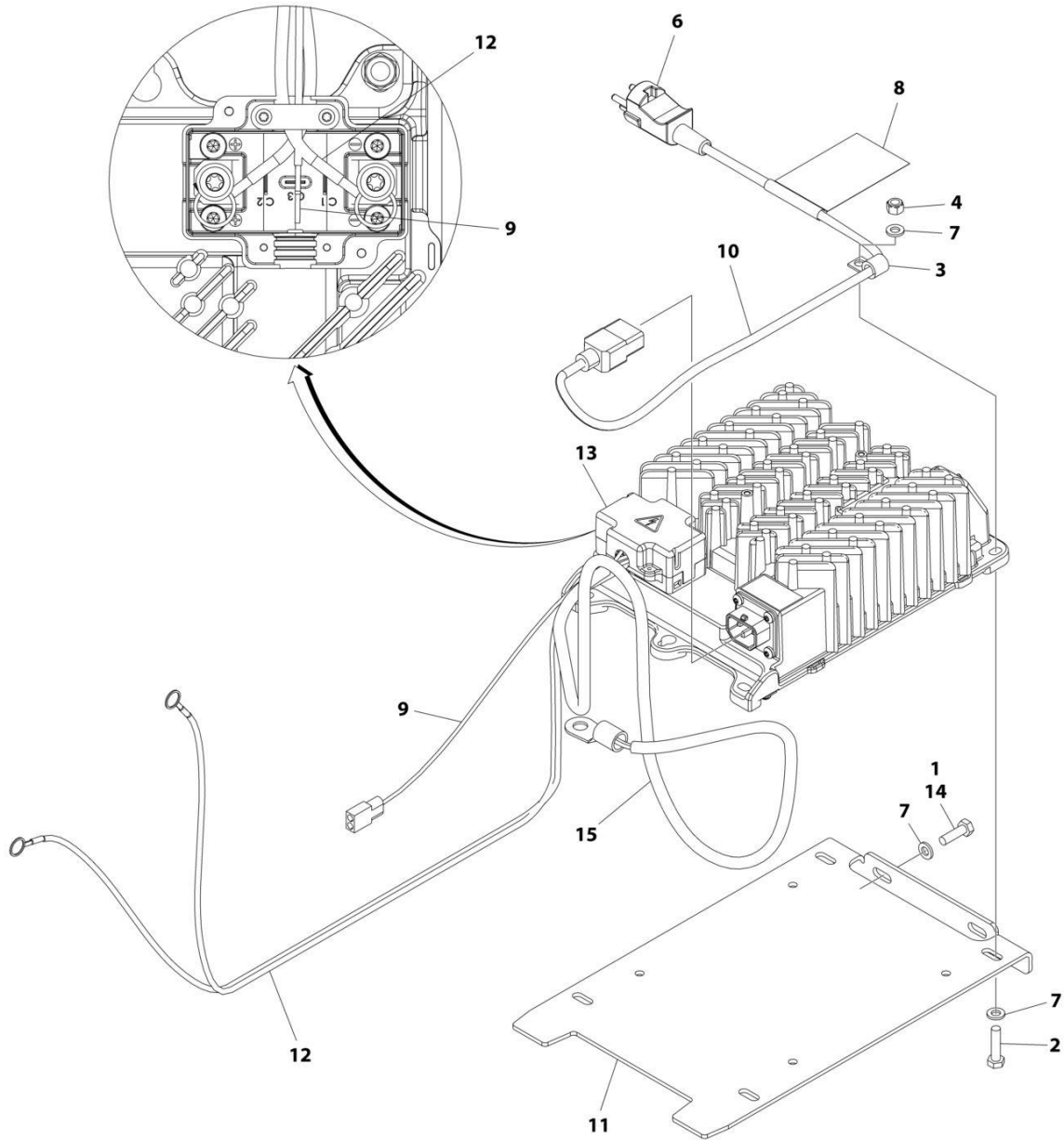
## SECTION 1 - FRAME

**FIGURE 1-11. BATTERY CHARGER INSTALLATION - DELTA-Q (CE SPECS) (220V IEC BLUE PLUG)**

ITEM	PART NUMBER	QTY	DESCRIPTION	REV
	1001255206	Ref	BATTERY CHARGER INSTALLATION	B
1	0760610	2	Bolt M6 x 20	
2	0760612	4	Bolt M6 x 25	
3	1321293	1	Clamp	
4	3290605	4	Nut M6	
5	4240017	AR	Tie-Strap (Not Shown)	
6	4461199	1	Plug, Male	
7	4811700	10	Washer M6	
8	1001102489	1	Decal - Charger Label	
9	1001207009	1	Harness, Charger Interlock	
9	4460424	1	Receptacle, Female - 2 Position	
9	4460227	2	Pin, Male	
10	1001207974	1	Cable, Charger AC	
11	1001237462	1	Bracket	
12	1001241489	1	Harness, Charger DC	
13	1001249940	1	Charger, Battery - Delta-Q	
14	0100011	AR	Compound, Locking	
15	1001260628	1	Sensor, Temperature	

# SECTION 1 - FRAME

FIGURE 1-12. BATTERY CHARGER INSTALLATION - DELTA-Q (CE SPECS) (AFSINT107 PLUG)



ART\_1001255204\_B

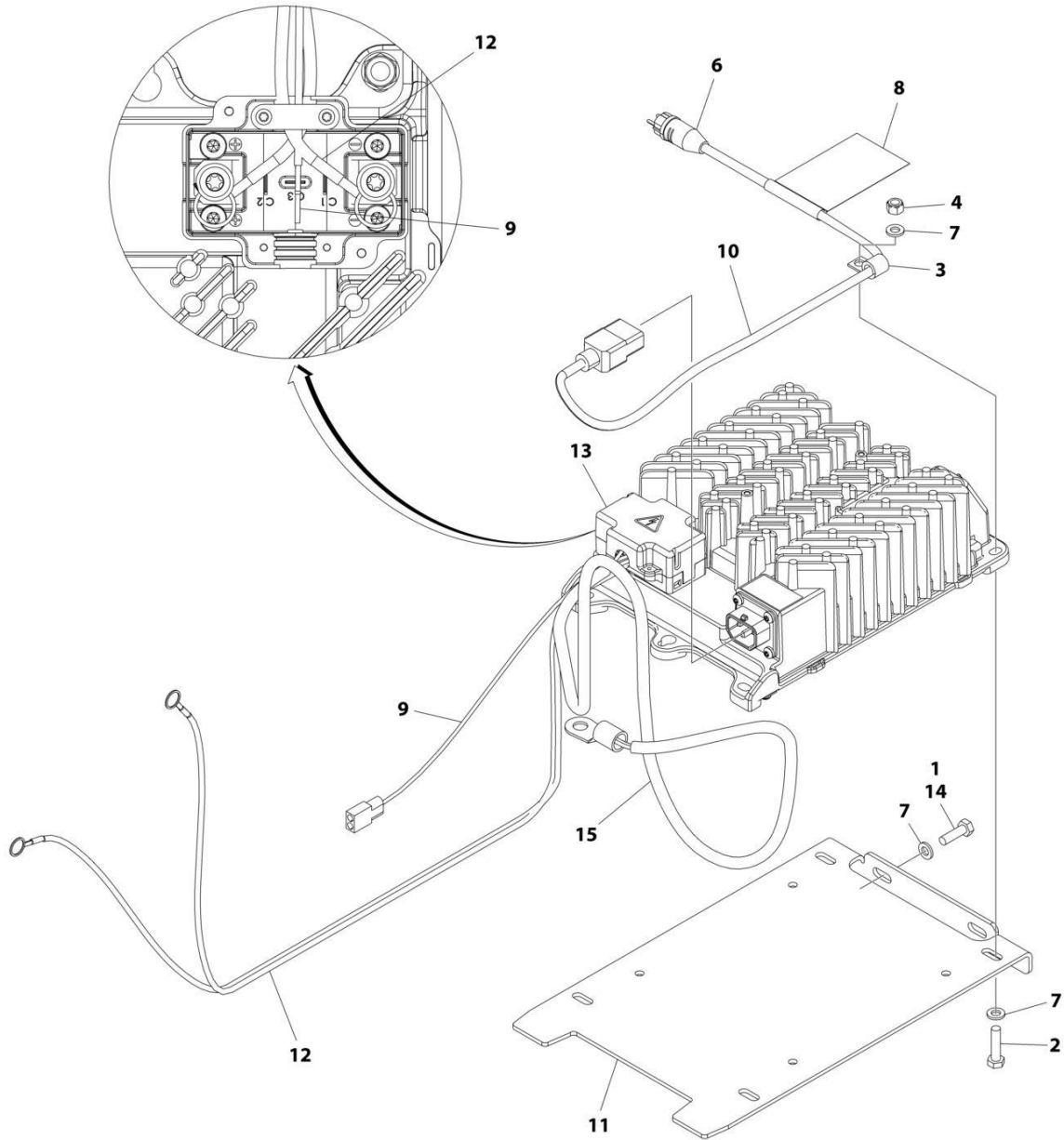
## SECTION 1 - FRAME

**FIGURE 1-12. BATTERY CHARGER INSTALLATION - DELTA-Q (CE SPECS) (AFSINT107 PLUG)**

ITEM	PART NUMBER	QTY	DESCRIPTION	REV
	1001255204	Ref	BATTERY CHARGER INSTALLATION	B
1	0760610	2	Bolt M6 x 20	
2	0760612	4	Bolt M6 x 25	
3	1321293	1	Clamp	
4	3290605	4	Nut M6	
5	4240017	AR	Tie-Strap (Not Shown)	
6	4461249	1	Plug, Male	
7	4811700	10	Washer M6	
8	1001102489	1	Decal - Charger Label	
9	1001207009	1	Harness, Charger Interlock	
9	4460424	2	Receptacle, Female - 2 Position	
9	4460227	1	Pin, Male	
10	1001207974	1	Cable, Charger AC	
11	1001237462	1	Bracket	
12	1001241489	1	Harness, Charger DC	
13	1001249940	1	Charger, Battery - Delta-Q	
14	0100011	AR	Compound, Locking	
15	1001260628	1	Sensor, Temperature	

# SECTION 1 - FRAME

FIGURE 1-13. BATTERY CHARGER INSTALLATION - DELTA-Q (CE SPECS) (CEE7 - GRD PLUG)



ART\_1001255203\_B

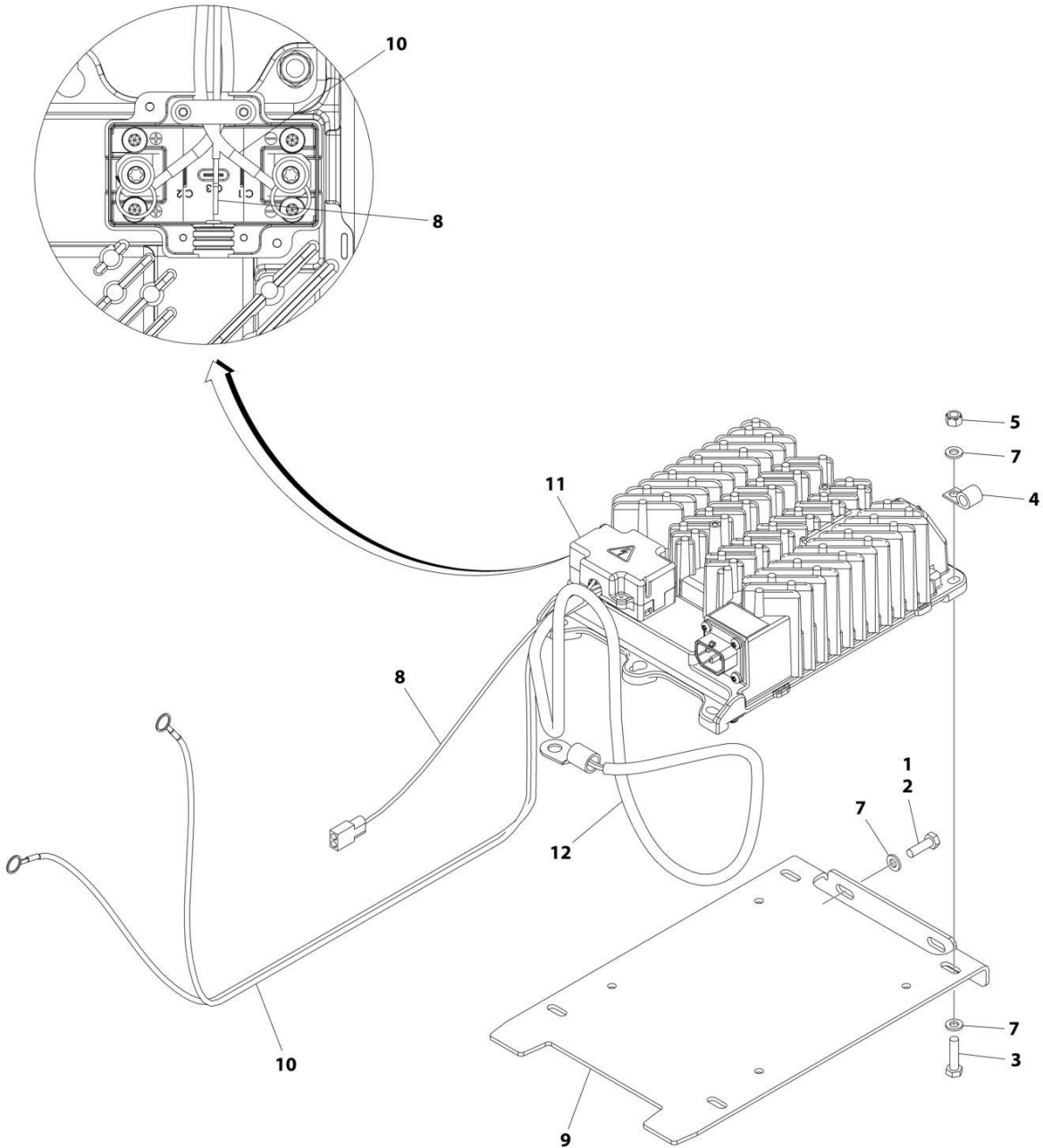
## SECTION 1 - FRAME

**FIGURE 1-13. BATTERY CHARGER INSTALLATION - DELTA-Q (CE SPECS) (CEE7 - GRD PLUG)**

ITEM	PART NUMBER	QTY	DESCRIPTION	REV
	1001255203	Ref	BATTERY CHARGER INSTALLATION	B
1	0760610	2	Bolt M6 x 20	
2	0760612	4	Bolt M6 x 25	
3	1321293	1	Clamp	
4	3290605	4	Nut M6	
5	4240017	AR	Tie-Strap (Not Shown)	
6	4461205	1	Plug, Male	
7	4811700	10	Washer M6	
8	1001102489	1	Decal - Charger Label	
9	1001207009	1	Harness, Charger Interlock	
9	4460424	1	Receptacle, Female - 2 Position	
9	4460227	2	Pin, Male	
10	1001207974	1	Cable, Charger AC	
11	1001237462	1	Bracket	
12	1001241489	1	Harness, Charger DC	
13	1001249940	1	Charger, Battery - Delta-Q	
14	0100011	AR	Compound, Locking	
15	1001260628	1	Sensor, Temperature	

# SECTION 1 - FRAME

## FIGURE 1-14. BATTERY CHARGER INSTALLATION - DELTA-Q (LESS AC CABLE)



ART\_1001264943

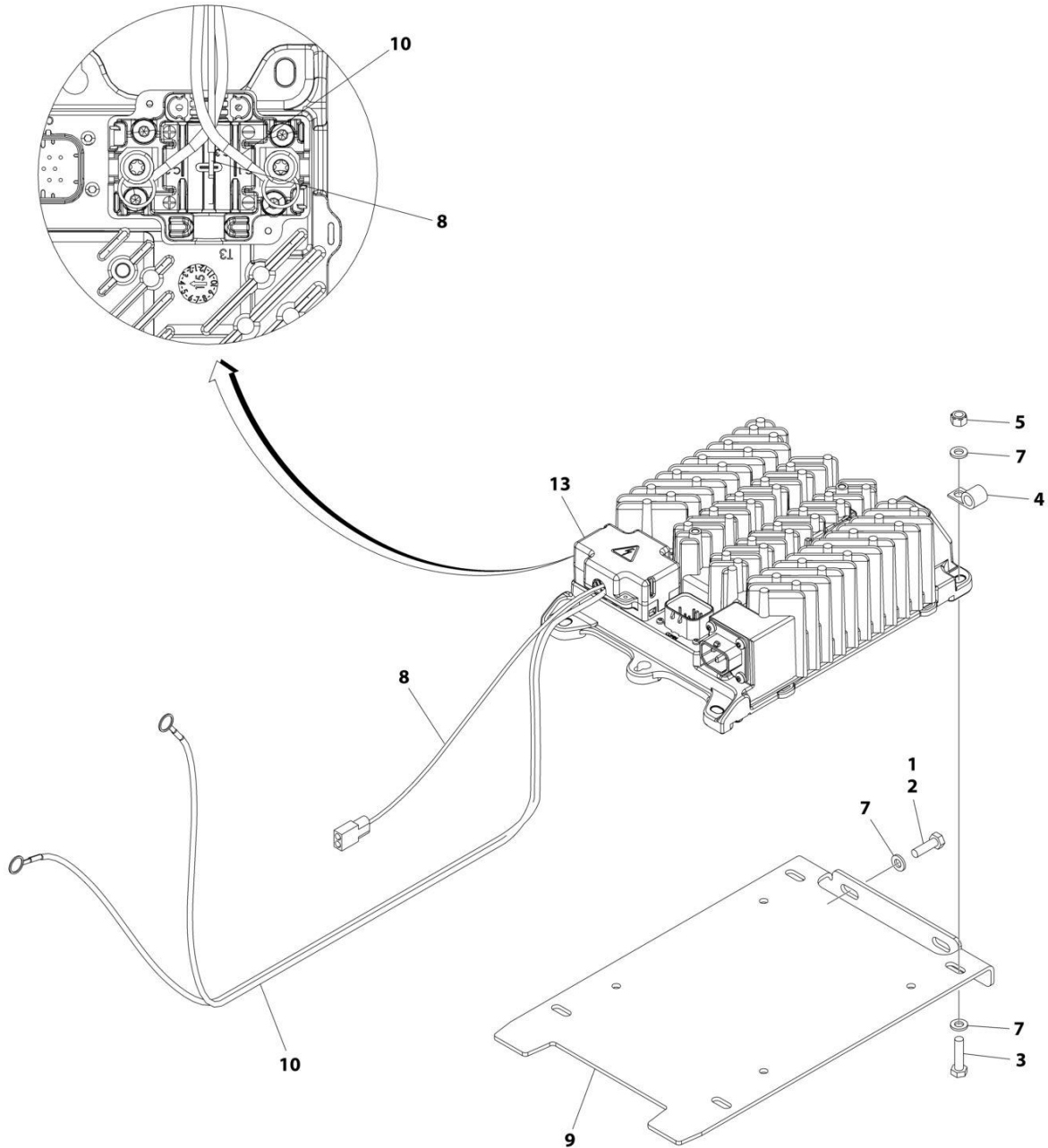
## SECTION 1 - FRAME

**FIGURE 1-14. BATTERY CHARGER INSTALLATION - DELTA-Q (LESS AC CABLE)**

ITEM	PART NUMBER	QTY	DESCRIPTION	REV
	1001264943	Ref	BATTERY CHARGER INSTALLATION - DELTA-Q (LESS AC CABLE)	A
1	0100011	AR	Compound, Locking	
2	0760610	2	Bolt M6 x 20	
3	0760612	4	Bolt M6 x 25	
4	1321293	1	Clamp	
5	3290605	4	Nut M6	
6	4240017	AR	Tie-Strap (Not Shown)	
7	4811700	10	Washer M6	
8	1001207009	1	Charger Interlock Harness	
8	4460424	1	Receptacle, Female - 2 Position	
8	4460227	2	Pin, Male	
9	1001237462	1	Bracket	
10	1001241489	1	Charger DC Connection Harness	
11	1001249940	1	Charger, Battery - Delta-Q	
12	1001260628	1	Sensor, Temperature	

# SECTION 1 - FRAME

FIGURE 1-15. BATTERY CHARGER INSTALLATION - DELTA-Q WITH CAN TERMINAL (LESS AC CABLE)



ART\_1001264944



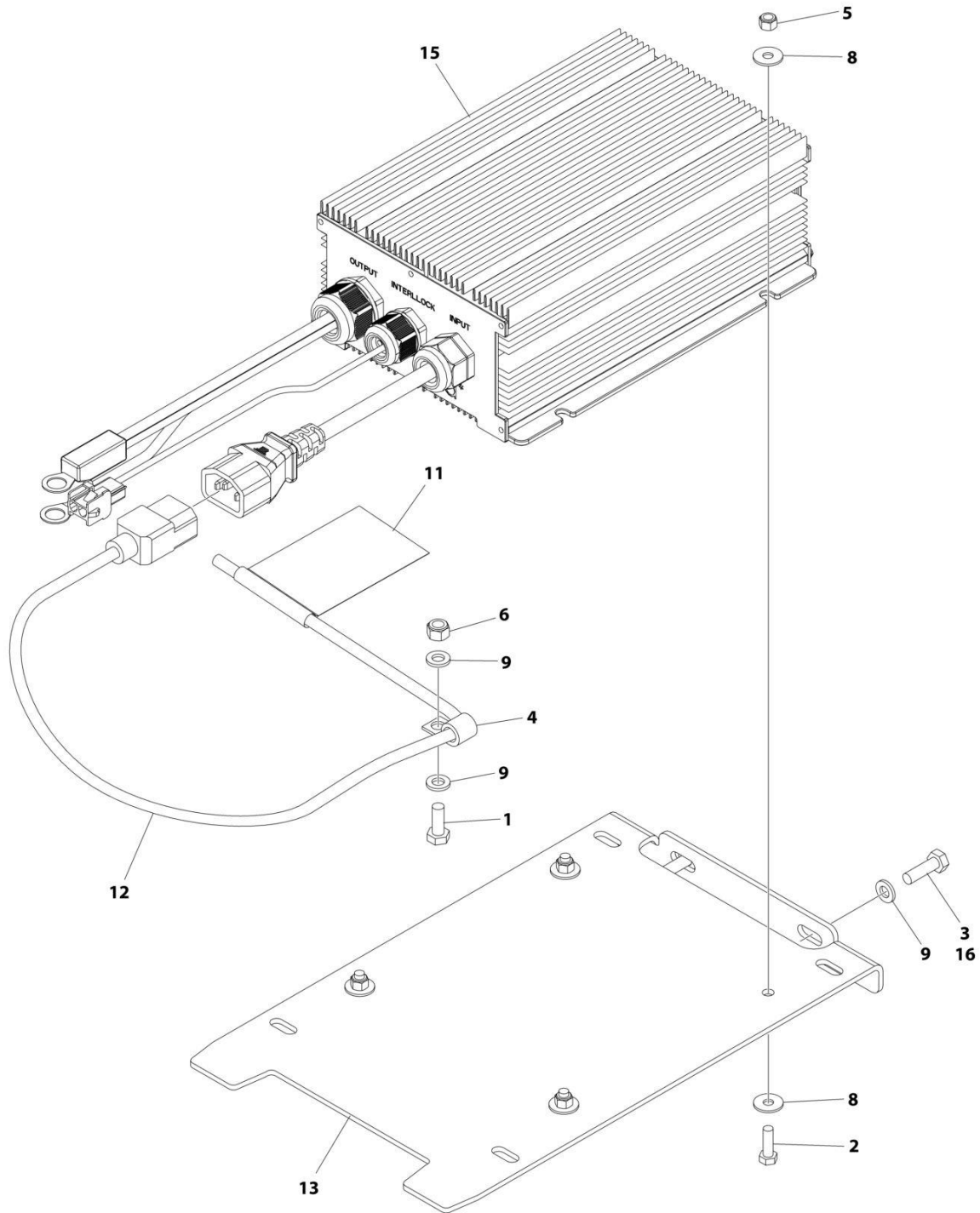
## SECTION 1 - FRAME

**FIGURE 1-15. BATTERY CHARGER INSTALLATION - DELTA-Q WITH CAN TERMINAL (LESS AC CABLE)**

ITEM	PART NUMBER	QTY	DESCRIPTION	REV
	1001264944	Ref	BATTERY CHARGER INSTALLATION - DELTA-Q WITH CAN TERMINAL (LESS AC CABLE)	A
1	0100011	AR	Compound, Locking	
2	0760610	2	Bolt M6 x 20	
3	0760612	4	Bolt M6 x 25	
4	1321293	1	Clamp	
5	3290605	4	Nut M6	
6	4240017	AR	Tie-Strap (Not Shown)	
7	4811700	10	Washer M6	
8	1001207009	1	Charger Interlock Harness	
8	4460424	1	Receptacle, Female - 2 Position	
8	4460227	2	Pin, Male	
9	1001237462	1	Bracket	
10	1001241489	1	Charger DC Connection Harness	
11	1001254027	1	Can Splice Harness (Not Shown - See Separate Breakdown in ELECTRICAL Section)	
12	1001254028	1	Charger To Battery Harness (Not Shown - See Separate Breakdown in ELECTRICAL Section)	
13	1001264978	1	Charger, Battery - Delta-Q with Can Terminal	

# SECTION 1 - FRAME

FIGURE 1-16. BATTERY CHARGER INSTALLATION - GREEN POWER (LOCALLY SUPPLIED PLUG)



ART\_1001244600

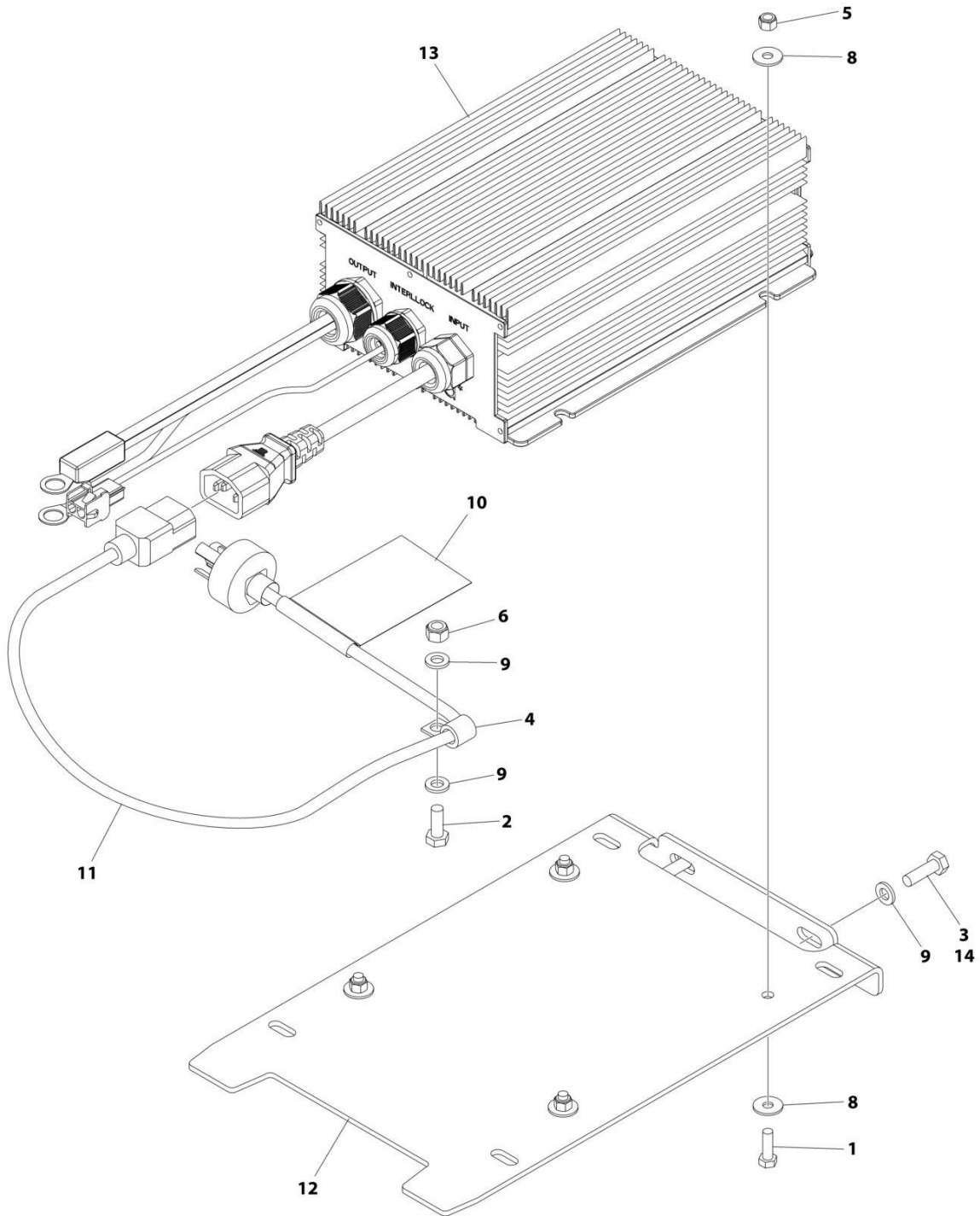
## SECTION 1 - FRAME

**FIGURE 1-16. BATTERY CHARGER INSTALLATION - GREEN POWER (LOCALLY SUPPLIED PLUG)**

ITEM	PART NUMBER	QTY	DESCRIPTION	REV
	1001244600	Ref	BATTERY CHARGER INSTALLATION - GREEN POWER (LOCALLY SUPPLIED PLUG)	C
1	0760608	1	Bolt M6 x 16	
2	0760508	4	Bolt M5 x 16	
3	0760610	2	Bolt M5 x 20	
4	1321293	1	Clamp, Cable	
5	3290505	4	Nut M5	
6	3290605	1	Nut M6	
7	4240017	AR	Tie-Strap (Not Shown)	
8	4811602	8	Washer M5	
9	4811700	4	Washer M6	
11	1001102489	1	Decal - Charger	
12	1001207974	1	Cable, Charger AC Input	
13	1001237462	1	Bracket	
15	1001244478	1	Charger, Battery-Green Power	
16	0100011	AR	Compound, Locking	

# SECTION 1 - FRAME

## FIGURE 1-17. BATTERY CHARGER INSTALLATION - GREEN POWER (110V PLUG)



ART\_1001250219

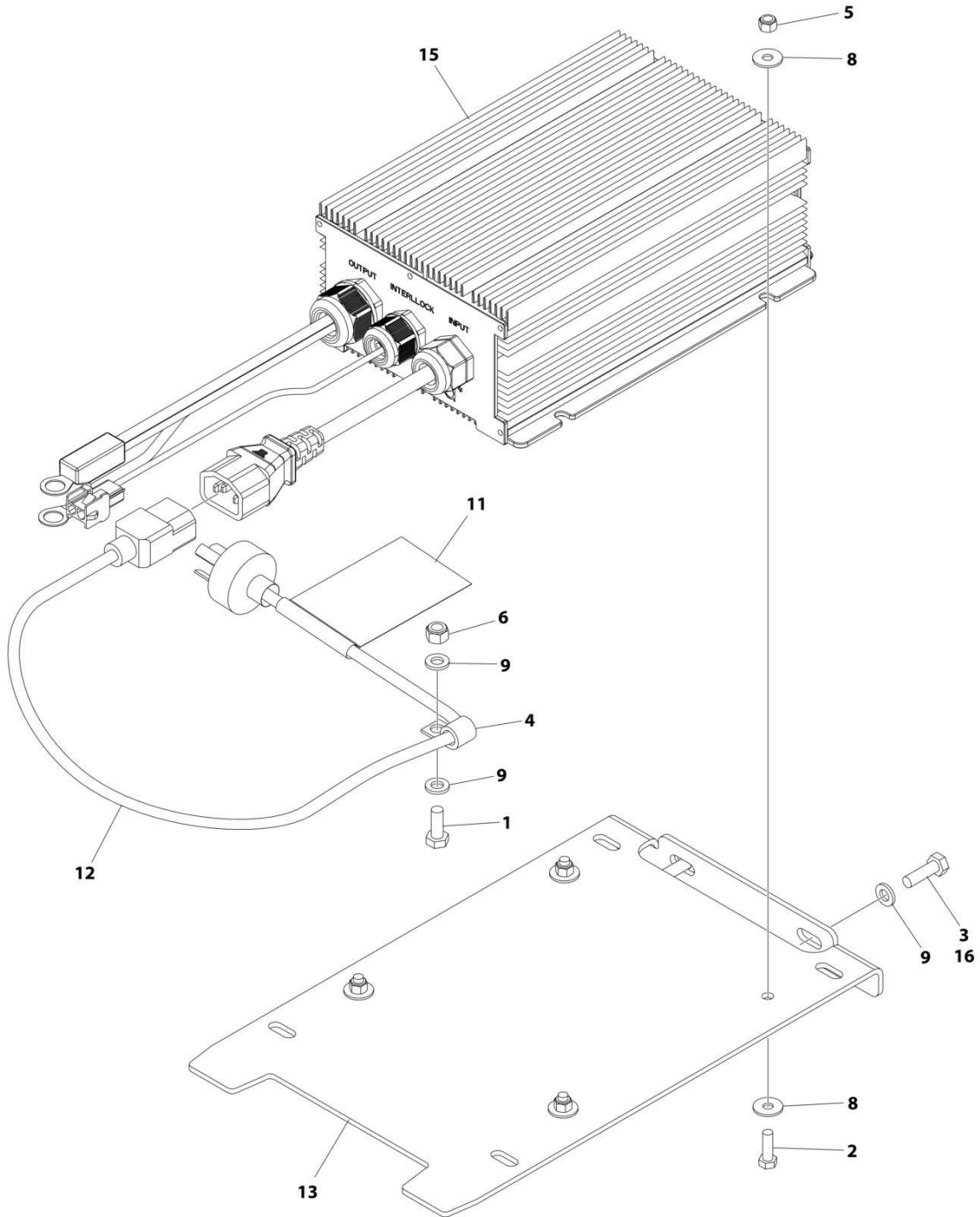
## SECTION 1 - FRAME

**FIGURE 1-17. BATTERY CHARGER INSTALLATION - GREEN POWER (110V PLUG)**

ITEM	PART NUMBER	QTY	DESCRIPTION	REV
	1001250219	Ref	BATTERY CHARGER INSTALLATION - GREEN POWER (110V PLUG)	B
1	0760508	4	Bolt M5 x 16	
2	0760608	1	Bolt M6 x 16	
3	0760610	2	Bolt M5 x 20	
4	1321293	1	Clamp, Cable	
5	3290505	4	Nut M5	
6	3290605	1	Nut M6	
7	4240017	AR	Tie-Strap (Not Shown)	
8	4811602	8	Washer M5	
9	4811700	4	Washer M6	
10	1001102489	1	Decal - Charger	
11	1001207970	1	Cable, Charger AC Input	
12	1001237462	1	Bracket	
13	1001244478	1	Charger, Battery-Green Power	
14	0100011	AR	Compound, Locking	

# SECTION 1 - FRAME

## FIGURE 1-18. BATTERY CHARGER INSTALLATION - GREEN POWER (CHINA PLUG)



ART\_1001244599

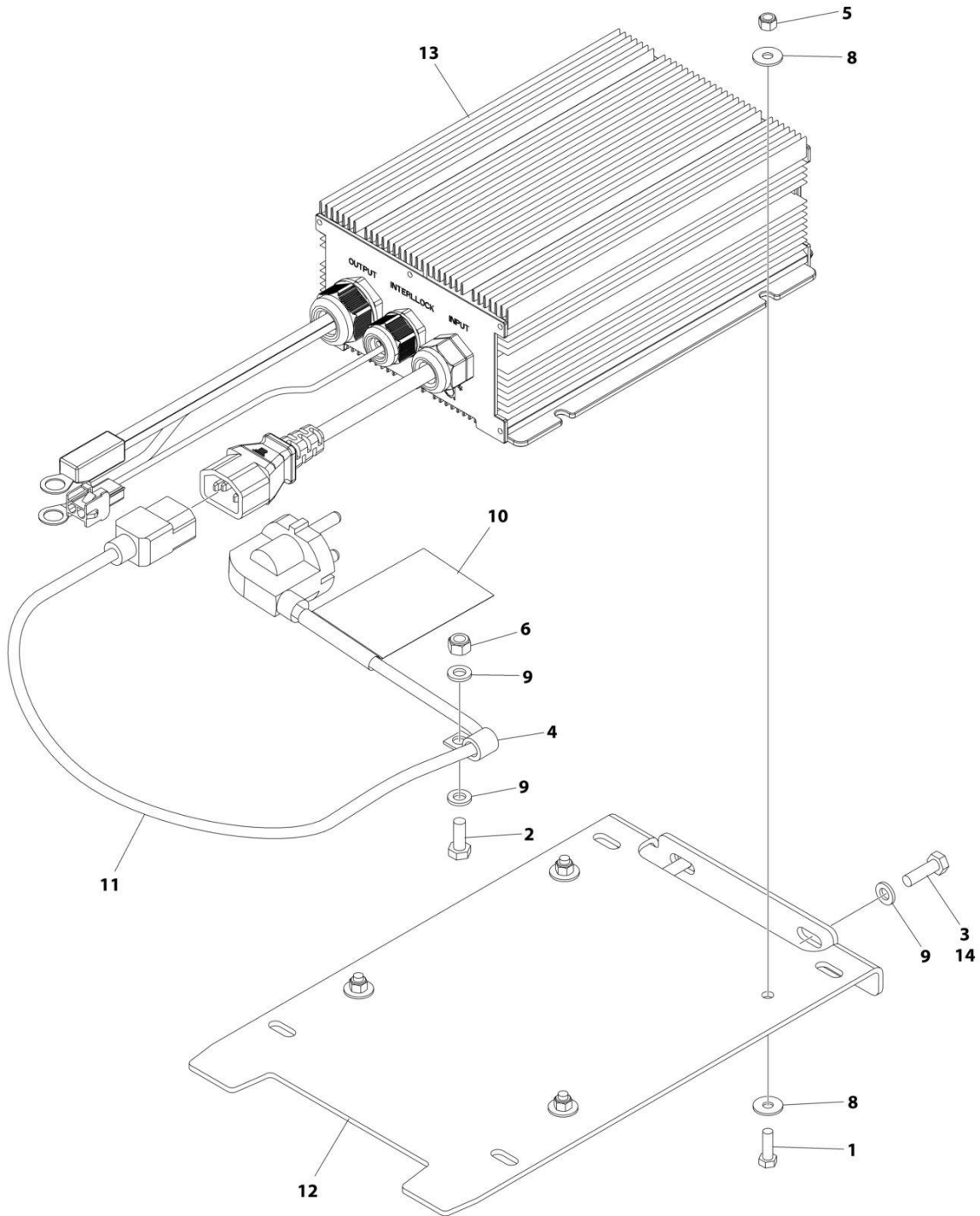
## SECTION 1 - FRAME

**FIGURE 1-18. BATTERY CHARGER INSTALLATION - GREEN POWER (CHINA PLUG)**

ITEM	PART NUMBER	QTY	DESCRIPTION	REV
	1001244599	Ref	BATTERY CHARGER INSTALLATION - GREEN POWER (CHINA PLUG)	C
1	0760608	1	Bolt M6 x 16	
2	0760508	4	Bolt M5 x 16	
3	0760610	2	Bolt M5 x 20	
4	1321293	1	Clamp, Cable	
5	3290505	4	Nut M5	
6	3290605	1	Nut M6	
7	4240017	AR	Tie-Strap (Not Shown)	
8	4811602	8	Washer M5	
9	4811700	4	Washer M6	
11	1001102489	1	Decal - Charger	
12	1001207973	1	Cable, Charger AC Input	
13	1001237462	1	Bracket	
15	1001244478	1	Charger, Battery-Green Power	
16	0100011	AR	Compound, Locking	

# SECTION 1 - FRAME

## FIGURE 1-19. BATTERY CHARGER INSTALLATION - GREEN POWER (KOREAN PLUG)



ART\_1001250218



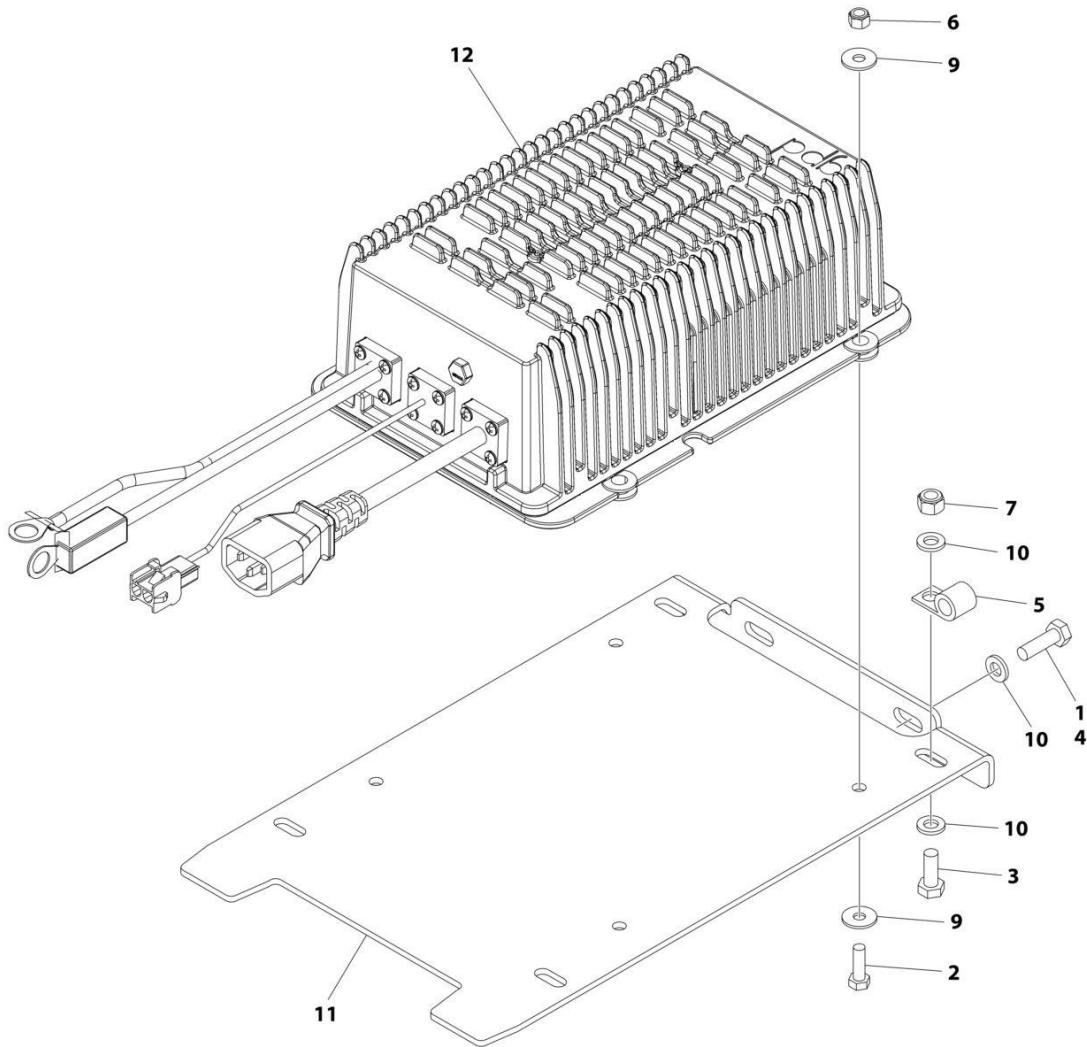
## SECTION 1 - FRAME

**FIGURE 1-19. BATTERY CHARGER INSTALLATION - GREEN POWER (KOREAN PLUG)**

ITEM	PART NUMBER	QTY	DESCRIPTION	REV
	1001250218	Ref	BATTERY CHARGER INSTALLATION - GREEN POWER (KOREAN PLUG)	B
1	0760508	4	Bolt M5 x 16	
2	0760608	1	Bolt M6 x 16	
3	0760610	2	Bolt M5 x 20	
4	1321293	1	Clamp, Cable	
5	3290505	4	Nut M5	
6	3290605	1	Nut M6	
7	4240017	AR	Tie-Strap (Not Shown)	
8	4811602	8	Washer M5	
9	4811700	4	Washer M6	
10	1001102489	1	Decal - Charger	
11	1001221949	1	Cable, Charger AC Input	
12	1001237462	1	Bracket	
13	1001244478	1	Charger, Battery-Green Power	
14	0100011	AR	Compound, Locking	

# SECTION 1 - FRAME

FIGURE 1-20. BATTERY CHARGER INSTALLATION - GREEN POWER (LESS AC CABLE)



ART\_1001264945

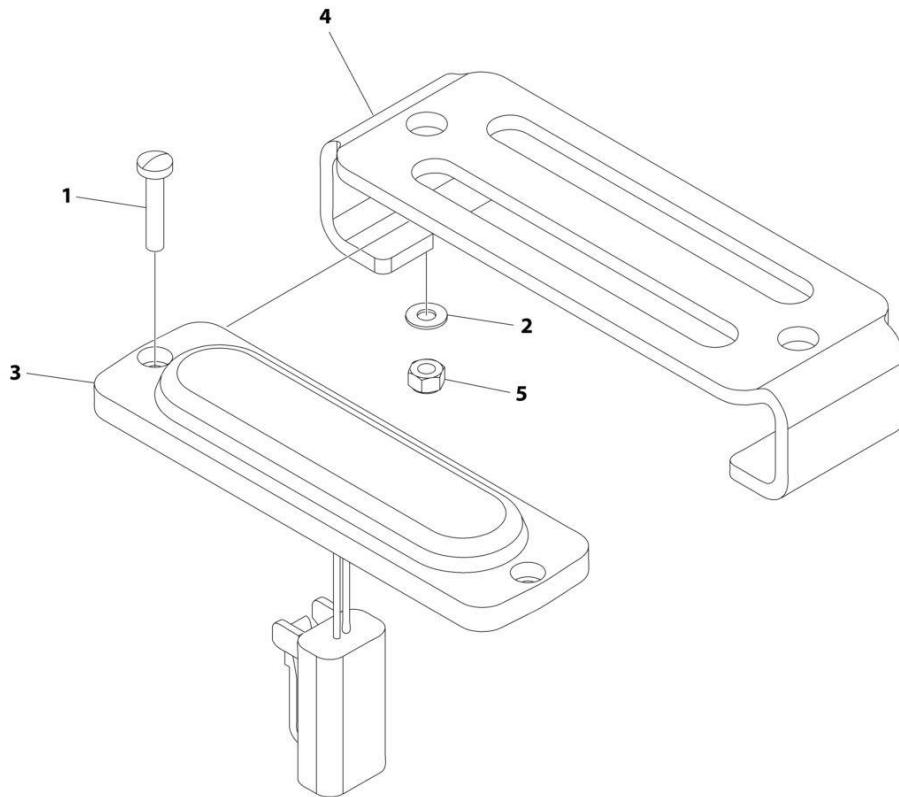
## SECTION 1 - FRAME

**FIGURE 1-20. BATTERY CHARGER INSTALLATION - GREEN POWER (LESS AC CABLE)**

ITEM	PART NUMBER	QTY	DESCRIPTION	REV
	1001264945	Ref	BATTERY CHARGER INSTALLATION - GREEN POWER (LESS AC CABLE)	C
1	0100011	AR	Compound, Locking	
2	0760508	4	Bolt M5 x 16	
3	0760608	1	Bolt M6 x 16	
4	0760610	2	Bolt M5 x 20	
5	1321293	1	Clamp, Cable	
6	3290505	4	Nut M5	
7	3290605	1	Nut M6	
8	4240017	AR	Tie-Strap (Not Shown)	
9	4711000	8	Washer #10	
10	4811700	4	Washer M6	
11	1001237462	1	Bracket	
12	1001285138	1	Charger, Battery-Green Power	

# SECTION 1 - FRAME

FIGURE 1-21. STROBE LIGHT INSTALLATION - SINGLE (AMBER) (WITH GUARD)



ART\_1001239314\_D

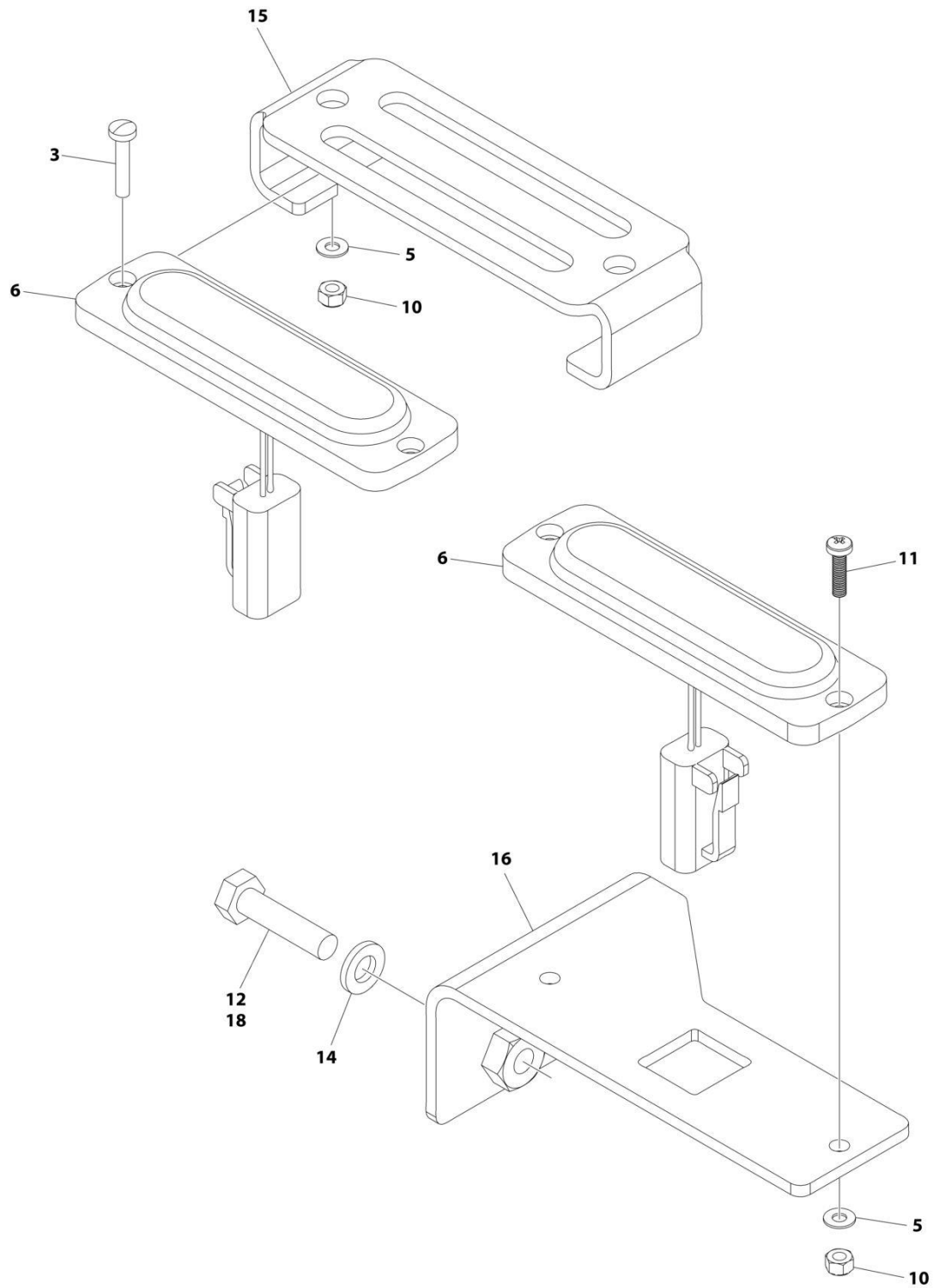
## SECTION 1 - FRAME

**FIGURE 1-21. STROBE LIGHT INSTALLATION - SINGLE (AMBER) (WITH GUARD)**

ITEM	PART NUMBER	QTY	DESCRIPTION	REV
	1001239314	Rev	STROBE LIGHT INSTALLATION - SINGLE (AMBER) (WITH GUARD)	D
1	4010308	2	Screw M3 x 16	
2	1001110544	2	Washer M3	
3	1001239224	1	Light, Strobe	
3	4460891	1	Plug, Male - 2 Position	
3	4460465	2	Socket, Female	
4	1001239661	1	Guard	
5	3290305	2	Nut M3	

# SECTION 1 - FRAME

## FIGURE 1-22. STROBE LIGHT INSTALLATION - DUAL (AMBER) (WITH GUARD)



ART\_1001239315\_F

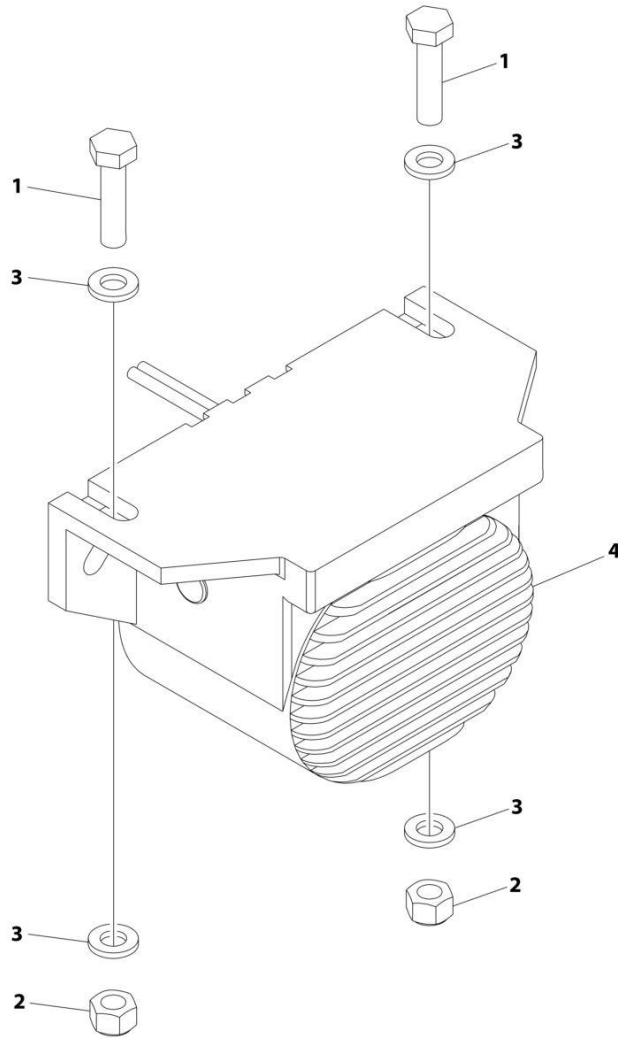
## SECTION 1 - FRAME

**FIGURE 1-22. STROBE LIGHT INSTALLATION - DUAL (AMBER) (WITH GUARD)**

ITEM	PART NUMBER	QTY	DESCRIPTION	REV
	1001239315	Ref	STROBE LIGHT INSTALLATION - DUAL (AMBER) (WITH GUARD)	F
3	4010308	2	Screw M3 x 16	
5	1001110544	4	Washer M3	
6	1001239224	2	Light, Strobe	
6	4460891	1	Plug, Male - 2 Position	
6	4460465	2	Socket, Female	
10	3290305	4	Nut M3	
11	1001198576	2	Screw	
12	0700612	2	Capscrew M6 x 25	
14	4811700	2	Washer M6	
15	1001239661	1	Guard	
16	1001256745	1	Bracket	
17	1001250078	1	Strobe Light Jumper Harness (Not Shown)	
17	4460897	2	Receptacle, Female - 2 Position	
17	4460464	4	Pin, Male	
17	4460891	1	Plug, Male - 2 Position	
17	4460465	2	Socket, Female	
18	0100011	AR	Compound, Locking	

# SECTION 1 - FRAME

FIGURE 1-23. ALARM INSTALLATION (AMBIENT/WHITE NOISE)



ART\_1001204495



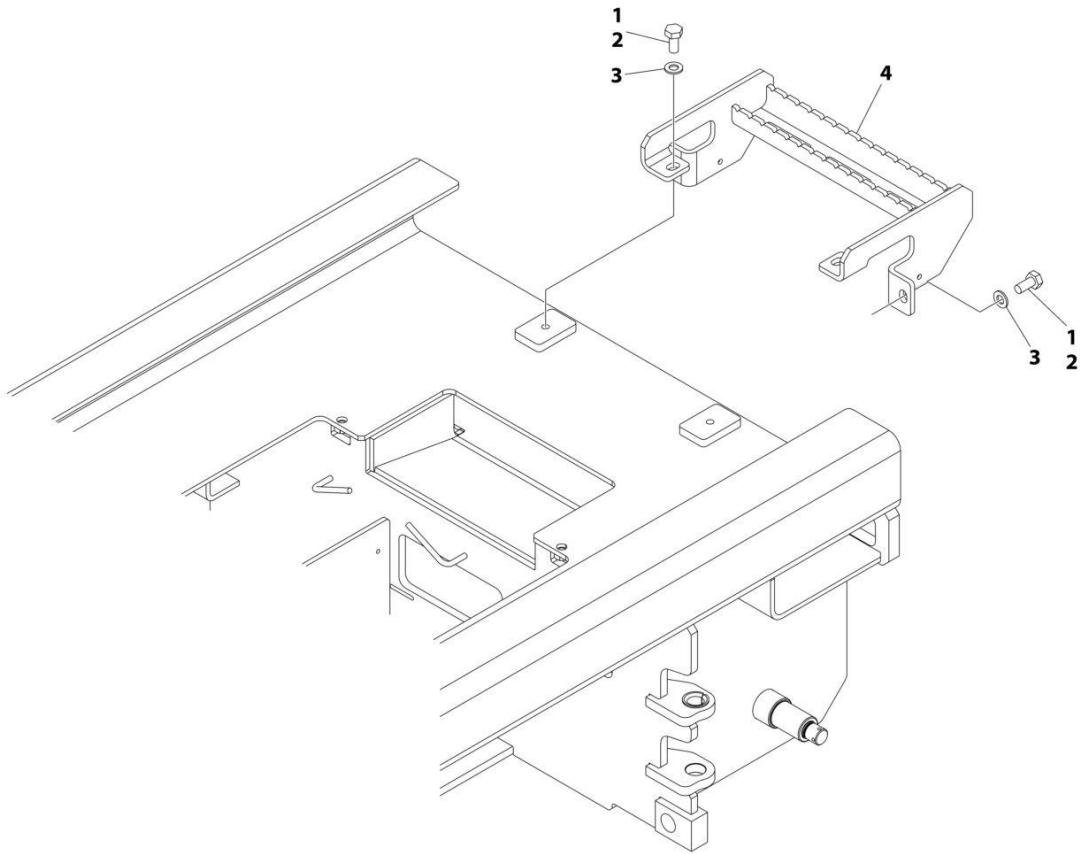
# SECTION 1 - FRAME

## FIGURE 1-23. ALARM INSTALLATION (AMBIENT/WHITE NOISE)

ITEM	PART NUMBER	QTY	DESCRIPTION	REV
	1001204495	Ref	ALARM INSTALLATION (AMBIENT/WHITE NOISE)	B
1	0760612	2	Bolt M6 x 25	
2	3290605	2	Nut M6	
3	4811700	4	Washer M6	
4	1001182806	1	Alarm	
4	4460897	1	Receptacle, Female - 2 Position	
4	4460464	2	Pin, Male	

# SECTION 1 - FRAME

## FIGURE 1-24. LADDER INSTALLATION



ART\_1001244160

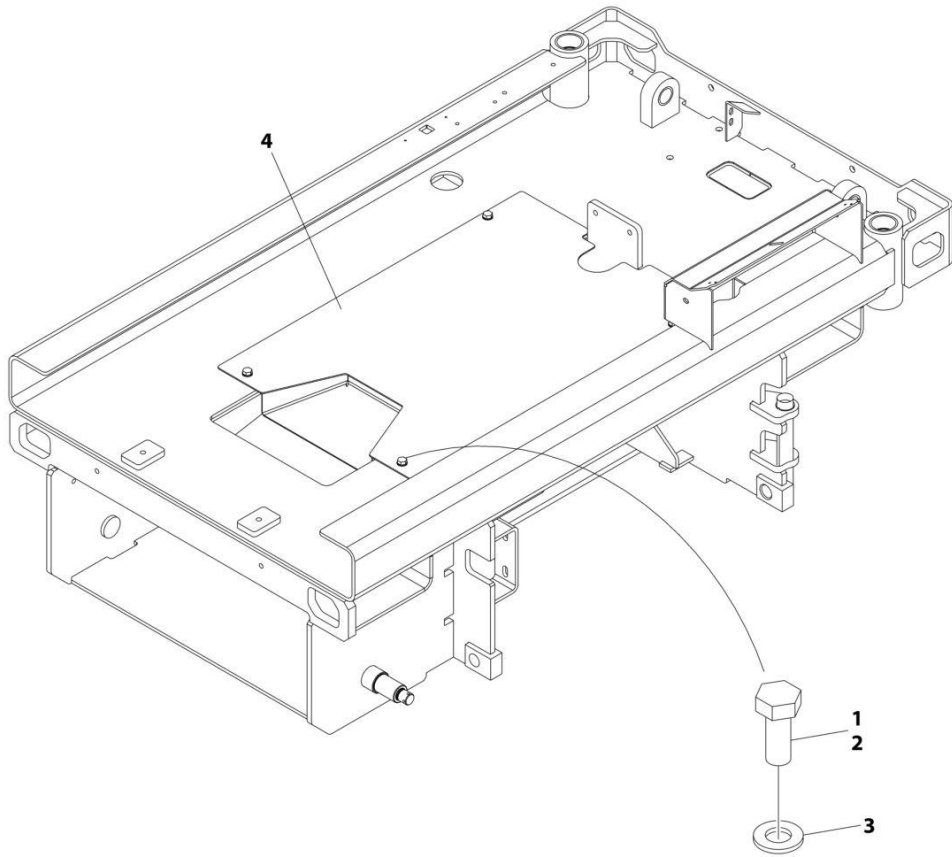
# SECTION 1 - FRAME

## FIGURE 1-24. LADDER INSTALLATION

ITEM	PART NUMBER	QTY	DESCRIPTION	REV
	1001244160	Ref	LADDER INSTALLATION	E
1	0100011	AR	Compound, Locking	
2	0761011	4	Bolt M10 x 22	
3	4812000	4	Washer M10	
4	1001250403	1	Ladder	

# SECTION 1 - FRAME

## FIGURE 1-25. FRAME COVER INSTALLATION



ART\_1001241589

# SECTION 1 - FRAME

## FIGURE 1-25. FRAME COVER INSTALLATION

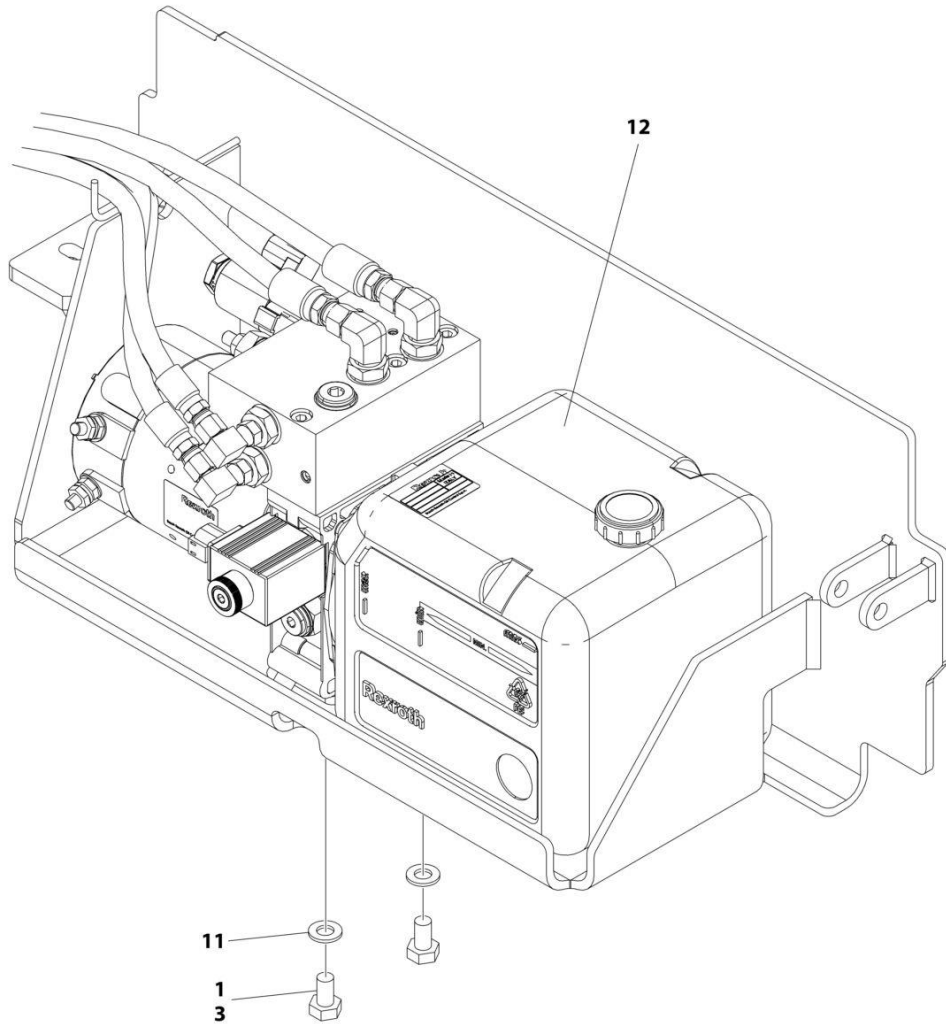
ITEM	PART NUMBER	QTY	DESCRIPTION	REV
	1001241589	Ref	FRAME COVER INSTALLATION	D
1	0100011	AR	Compound, Locking	
2	0760810	4	Bolt M8 x 20	
3	4811900	4	Washer M8	
4	1001243838	1	Cover	



**SECTION 2 - GROUND CONTROLS**

# SECTION 2 - GROUND CONTROLS

## FIGURE 2-1. HYDRAULIC COMPONENT INSTALLATION



ART\_1001235002\_10F2



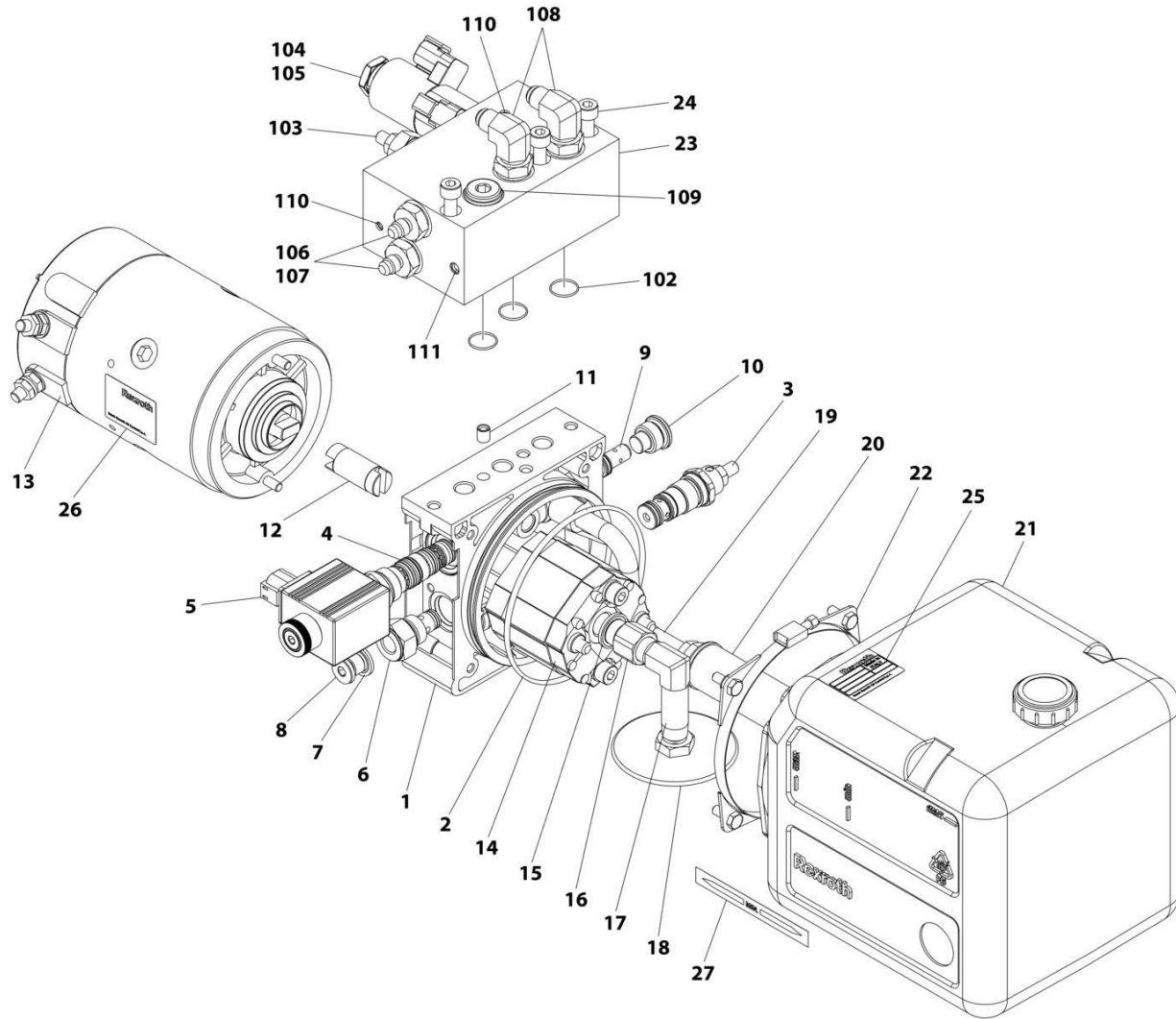
## SECTION 2 - GROUND CONTROLS

### FIGURE 2-1. HYDRAULIC COMPONENT INSTALLATION

ITEM	PART NUMBER	QTY	DESCRIPTION	REV
	1001235002	Rev	HYDRAULIC COMPONENTS INSTALLATION	I
1	0100011	AR	Compound, Locking	
3	0761009	2	Bolt M10 x 18	
11	4812000	AR	Washer M10	
12	1001245851	1	Motor/Pump/Tank Assembly (See Separate Breakdown in this Section)	

# SECTION 2 - GROUND CONTROLS

## FIGURE 2-2. MOTOR/PUMP/TANK ASSEMBLY



ART\_1001245851

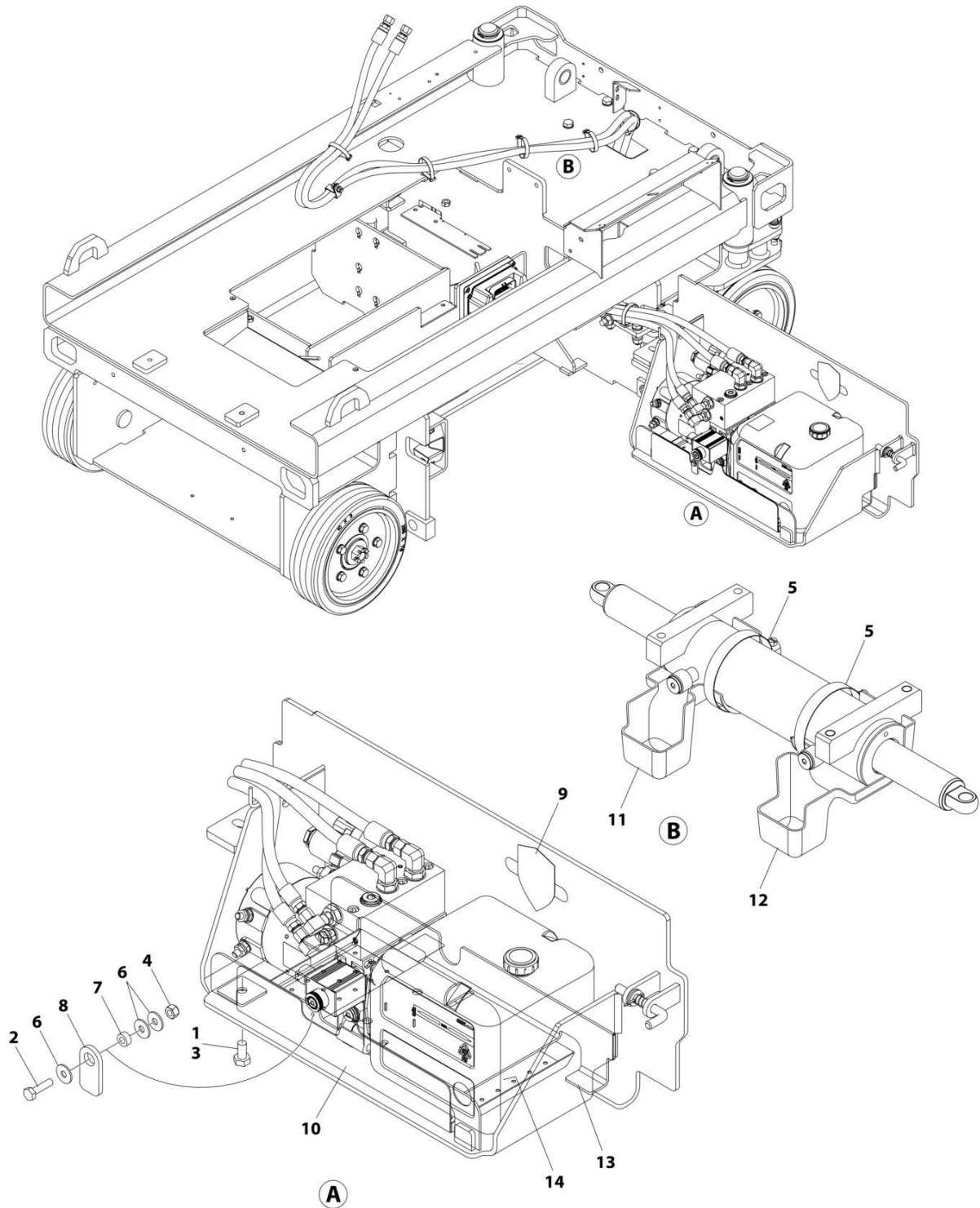
## SECTION 2 - GROUND CONTROLS

### FIGURE 2-2. MOTOR/PUMP/TANK ASSEMBLY

ITEM	PART NUMBER	QTY	DESCRIPTION	REV
	1001245851	Ref	MOTOR/PUMP/TANK ASSEMBLY	B
1	See Note	NSS	Manifold (Note: Purchase p/n 1001245851)	
2	70003690	1	O-Ring	
3	70007120	1	Cartridge, Valve (No Seal Kit Available)	
4	70003685	1	Cartridge, Valve (No Seal Kit Available)	
5	70003686	1	Coil	
6	See Note	NSS	Cartridge, Valve (No Seal Kit Available) (Note: Use p/n 70005636)	
7	See Note	NSS	Seal (Note: Use p/n 70005636)	
8	See Note	NSS	Plug (Note: Use p/n 70005636)	
9	70007121	1	Cartridge, Valve (No Seal Kit Available)	
10	See Note	NSS	Plug (Note: Not Available for Purchase)	
11	See Note	NSS	Plug (Note: Not Available for Purchase)	
12	70007122	1	Coupling (Pump to Motor)	
13	70007123	1	Motor, Replacement	
14	70007124	1	Pump, Replacement	
15	See Note	NSS	Seal (Note: Not Available for Purchase)	
16	See Note	NSS	Fitting (Note: Not Available for Purchase)	
17	See Note	NSS	Pipe, Suction (Note: Not Available for Purchase)	
18	70003696	1	Filter, Suction	
19	See Note	NSS	Pipe, Return (Note: Not Available for Purchase)	
20	70003734	1	Filter, Return	
21	70007125	1	Tank	
22	70007126	1	Clamp Kit - Tank	
23	70007127	1	Valve Assembly (Note: Sold as Assembly Only)	
24	See Note	NSS	Capscrew M8 x 55 (Note: Not Available - Purchase Locally)	
25	See Note	NSS	Nameplate - Identification (Note: Not Available for Purchase)	
26	See Note	NSS	Decal (Note: Not Available for Purchase)	
27	70007128	1	Decal - Oil Level	
102	70008248	3	Seal	
103	70005637	2	Valve, Relief	
104	70007589	1	Cartridge	
105	70008249	2	Coil	
106	70003706	2	Filter	
107	70008250	2	Adaptor, 3/8 - 7/16 JIC	
108	70005635	2	Adaptor, 3/8 90-Degree - 9/16 JIC	
109	70005632	1	Plug, 3/8	
110	70008251	8	Plug, Ball Seal - 6MM	
111	70008252	1	Plug, Ball Seal - 8MM	

# SECTION 2 - GROUND CONTROLS

## FIGURE 2-3. CLEANGUARD INSTALLATION



ART\_1001265088

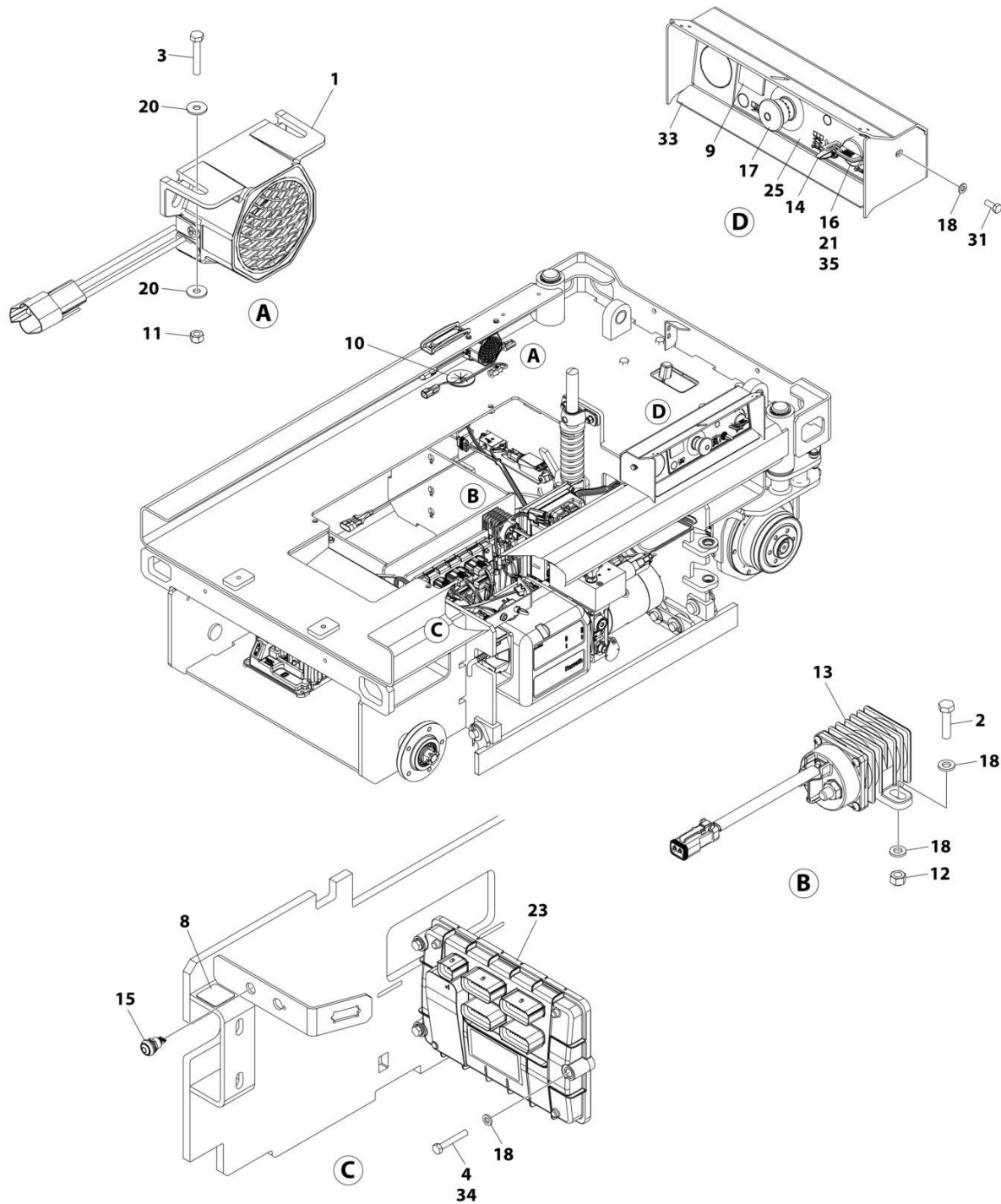
## SECTION 2 - GROUND CONTROLS

### FIGURE 2-3. CLEANGUARD INSTALLATION

ITEM	PART NUMBER	QTY	DESCRIPTION	REV
	1001265088	Ref	CLEANGUARD INSTALLATION	B
1	0100011	AR	Compound, Locking	
2	0760408	1	Bolt M4 x 16	
3	0761010	2	Bolt M10 x 20	
4	3290405	1	Nut M4	
5	8405204	2	Clamp	
6	1001091102	3	Washer M4	
7	1001260503	1	Tube	
8	1001260504	1	Plate, Stopper	
9	1001262581	1	Decal - Clean Guard	
10	1001265409	1	Tray	
11	1001266166	1	Tray (LH)	
12	1001266167	1	Tray (RH)	
13	1001266955	1	Bracket	
14	1001274560	1	Pad	

# SECTION 2 - GROUND CONTROLS

**FIGURE 2-4. ELECTRICAL COMPONENTS INSTALLATION (WITHOUT PLATFORM DRIVE SELECT SWITCH) (CHINA BUILT MACHINES) (Prior to SN B200067714, Prior to SN M200041685)**



ART\_1001243252

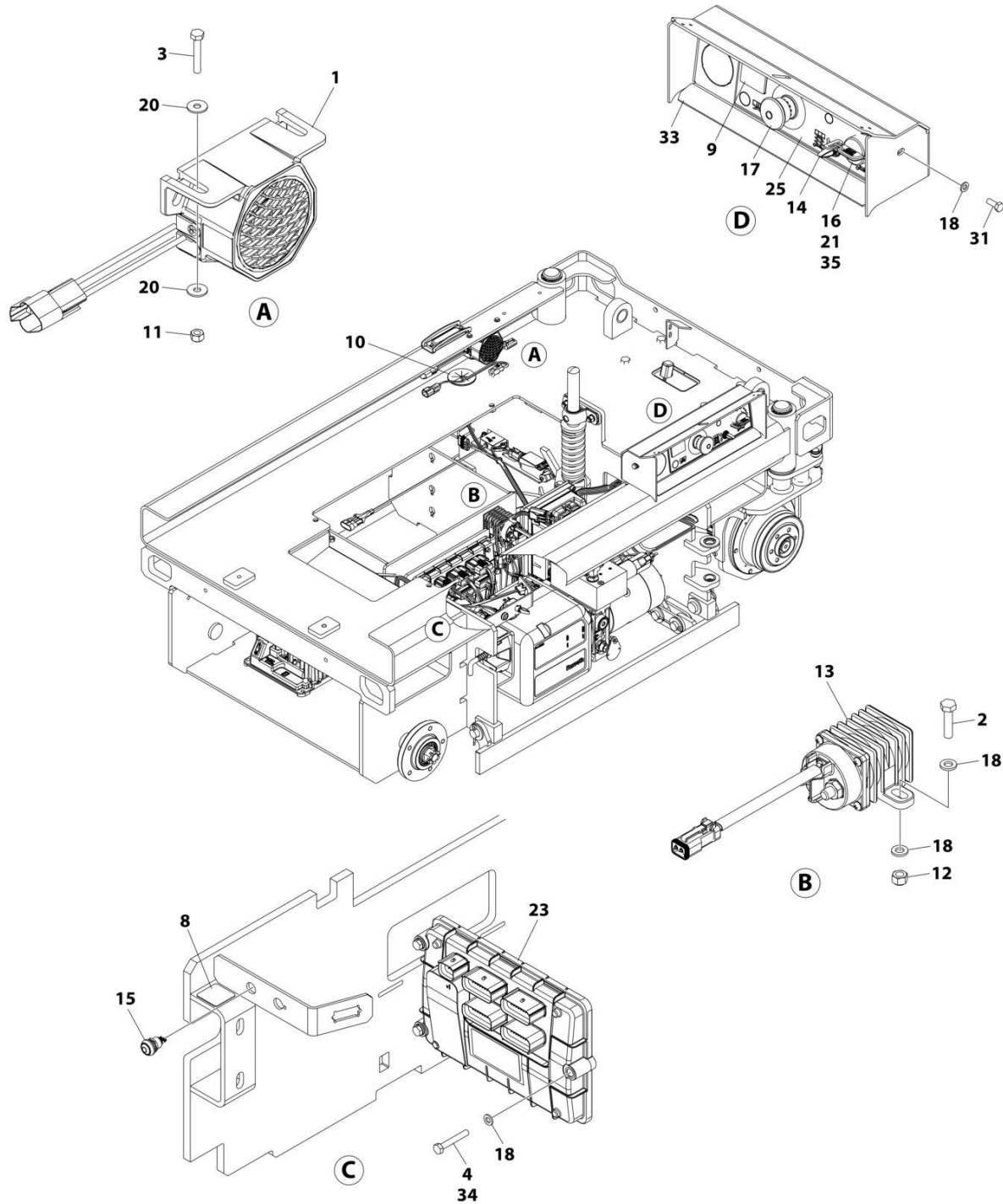
## SECTION 2 - GROUND CONTROLS

**FIGURE 2-4. ELECTRICAL COMPONENTS INSTALLATION (WITHOUT PLATFORM DRIVE SELECT SWITCH) (CHINA BUILT MACHINES) (Prior to SN B200067714, Prior to SN M200041685)**

ITEM	PART NUMBER	QTY	DESCRIPTION	REV
	1001243252	Ref	ELECTRICAL COMPONENTS INSTALLATION (WITH LSS)	G
1	0140043	1	Alarm	
2	0700612	2	Bolt M6 x 25	
3	0700412	2	Bolt M6 x 25	
4	0700616	3	Bolt M6 x 40	
8	1706679	1	Decal - Brake Release	
9	2420172	1	Hourmeter	
10	2540045	2	Grommet	
11	3290405	2	Nut M4	
12	3290605	2	Nut M6	
13	3740150	1	Relay	
14	4360328	1	Switch, Toggle	
15	1001226749	1	Switch, Push Button	
16	4360469	1	Switch, Key	
16	2860030	1 Set	Key, Replacement	
17	4360475	1	Switch, Emergency Stop	
17	7020175	1	Cap	
17	7020176	1	Block, Contact	
18	4811700	9	Washer M6	
20	1001091102	4	Washer M4	
21	1001130590	1	Plate, Key Switch	
23	1001200629	1	Module, Control (Note: Re-calibration Required when Replaced)	
25	1001209682	1	Decal - Ground Control	
28	1001243254	1	Chassis Harness (Not Shown - See Separate Breakdown in ELECTRICAL SECTION)	
29	1001243255	1	Drive Control Harness (Not Shown - See Separate Breakdown in ELECTRICAL SECTION)	
30	4240017	AR	Tie-Strap (Not Shown)	
31	0760608	2	Bolt M6 x 16	
33	1001249645	1	Bracket, Ground Control	
34	0100011	AR	Compound, Locking	
35	3910804	3	Screw #8 x 1/4	

# SECTION 2 - GROUND CONTROLS

**FIGURE 2-5. ELECTRICAL COMPONENTS INSTALLATION (WITH PLATFORM DRIVE SELECT SWITCH) (CHINA & MEXICO BUILT MACHINES) (SN B200067714 to Present, SN M200041685 to Present)**



ART\_1001243252\_J



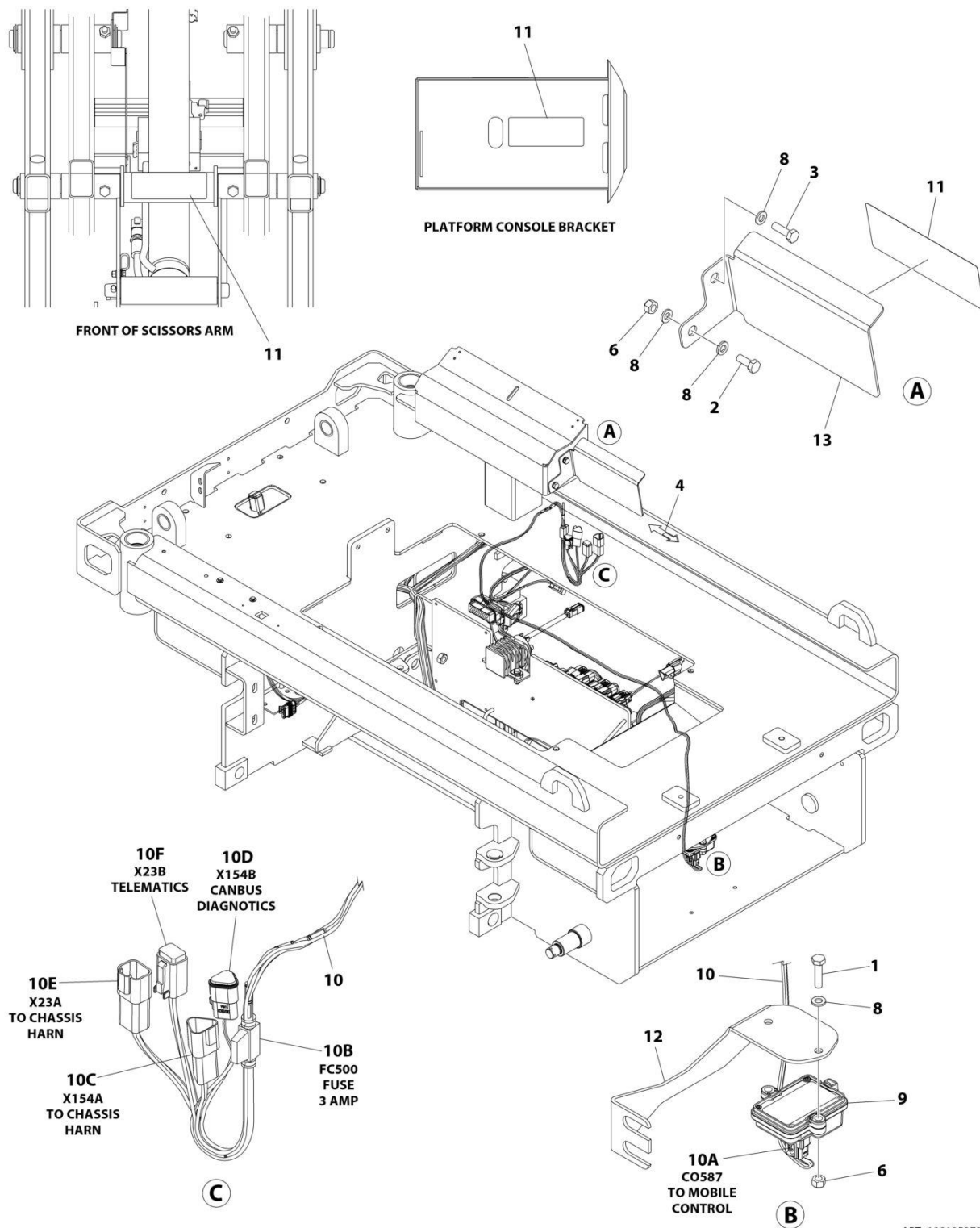
## SECTION 2 - GROUND CONTROLS

**FIGURE 2-5. ELECTRICAL COMPONENTS INSTALLATION (WITH PLATFORM DRIVE SELECT SWITCH) (CHINA & MEXICO BUILT MACHINES) (SN B200067714 to Present, SN M200041685 to Present)**

ITEM	PART NUMBER	QTY	DESCRIPTION	REV
	1001243252	Ref	ELECTRICAL COMPONENTS INSTALLATION (WITH LSS)	J
1	0140043	1	Alarm	
2	0700612	2	Bolt M6 x 25	
3	0700412	2	Bolt M6 x 25	
4	0700616	3	Bolt M6 x 40	
8	1706679	1	Decal - Brake Release	
9	2420172	1	Hourmeter	
10	2540045	2	Grommet	
11	3290405	2	Nut M4	
12	3290605	2	Nut M6	
13	3740150	1	Relay	
14	4360328	1	Switch, Toggle	
15	1001226749	1	Switch, Push Button	
16	4360469	1	Switch, Key	
16	2860030	1 Set	Key, Replacement	
17	1001274559	1	Switch, Emergency Stop (Plastic)	
17	4360475	1	Switch, Emergency Stop (Metal)	
17	7020175	1	Cap	
17	7020176	1	Block, Contact	
18	4811700	9	Washer M6	
20	1001091102	4	Washer M4	
21	1001130590	1	Plate, Key Switch	
23	1001200629	1	Module, Control (Note: Re-calibration Required when Replaced)	
25	1001209682	1	Decal - Ground Control	
28	1001266214	1	Chassis Harness (Not Shown - See Separate Breakdown in ELECTRICAL Section)	
29	1001243255	1	Drive Control Harness (Not Shown - See Separate Breakdown in ELECTRICAL Section)	
30	4240017	AR	Tie-Strap (Not Shown)	
31	0760608	2	Bolt M6 x 16	
33	1001249645	1	Bracket, Ground Control	
34	0100011	AR	Compound, Locking	
35	3910804	3	Screw #8 x 1/4	
36	0100048	AR	Grease, Dielectric (Not Shown)	

# SECTION 2 - GROUND CONTROLS

## FIGURE 2-6. MOBILE CONTROL INSTALLATION



ART\_1001253737

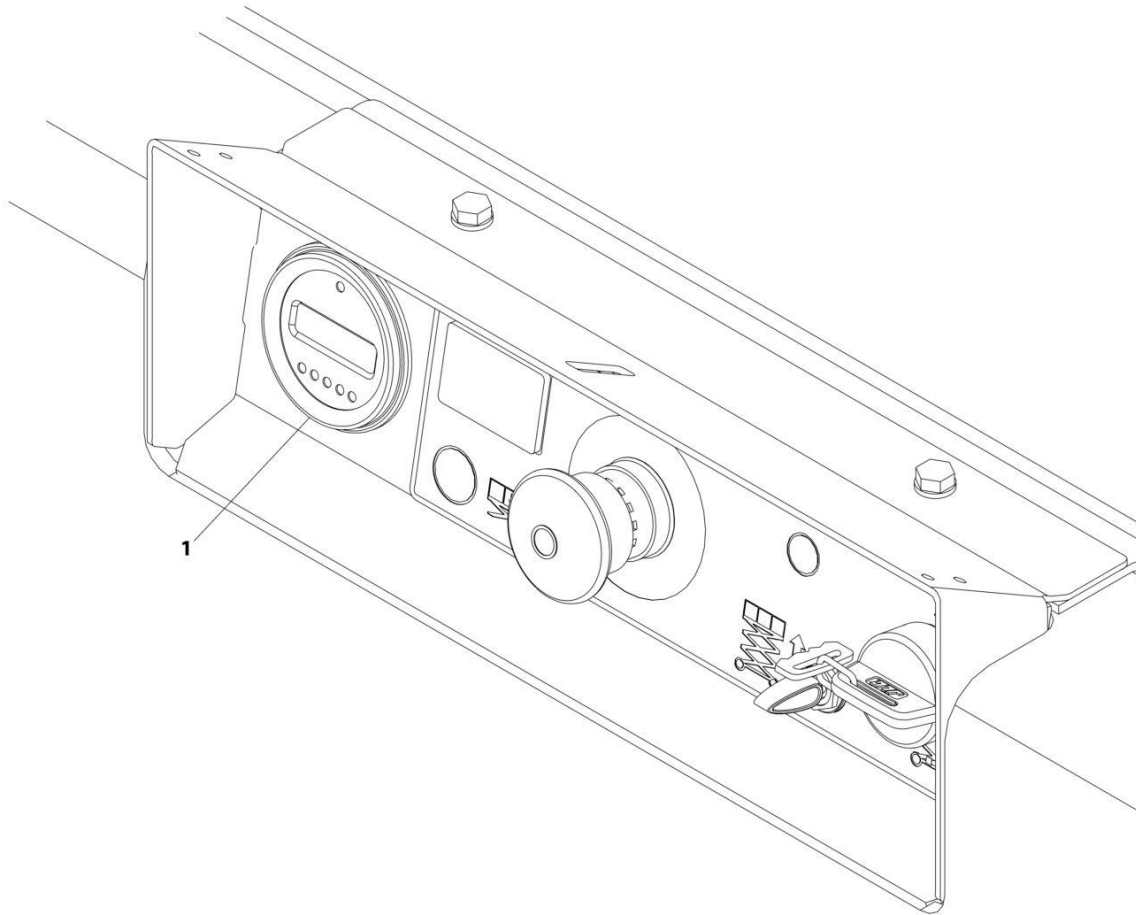
## SECTION 2 - GROUND CONTROLS

### FIGURE 2-6. MOBILE CONTROL INSTALLATION

ITEM	PART NUMBER	QTY	DESCRIPTION	REV
	1001253737	Ref	MOBILE CONTROL INSTALLATION	A
1	0700612	2	Bolt M6 x 25	
2	0760608	1	Bolt M6 x 16	
3	0760610	1	Bolt M6 x 20	
4	1703819	1	Decal - Direction Arrow	
5	3121792	1	Manual, Mobile Control (Not Shown)	
6	3290605	3	Nut M6	
7	4240017	AR	Tie-Strap (Not Shown)	
8	4811700	5	Washer M6	
9	1001245293	1	Control, Mobile	
10	1001245299	1	Mobile Control Harness	
10A	1001205409	1	Connector - 8 Position	
10A	1001162887	4	Terminal	
10A	1001163340	4	Plug, Terminal	
10B	2400060	1	Fuseholder with Cap	
10B	1001196635	1	Fuse 3 Amp	
10C	1001144147	1	Receptacle, Female - 3 Position	
10C	4460943	2	Pin, Male	
10D	4460466	1	Plug, Terminal	
10D	1001116812	1	Plug, Male - 3 Position	
10D	4460944	2	Socket, Female	
10D	4460466	1	Plug, Terminal	
10E	4460932	1	Receptacle, Female - 4 Position	
10F	4460464	4	Pin, Terminal	
10F	4460884	1	Pin, Male	
10F	4460465	4	Socket, Female	
11	1001248768	3	Decal, Mobile Control	
12	1001253625	1	Bracket, Module	
13	1001253715	1	Plate, Decal	

## SECTION 2 - GROUND CONTROLS

FIGURE 2-7. MDI INSTALLATION



ART\_1001207293

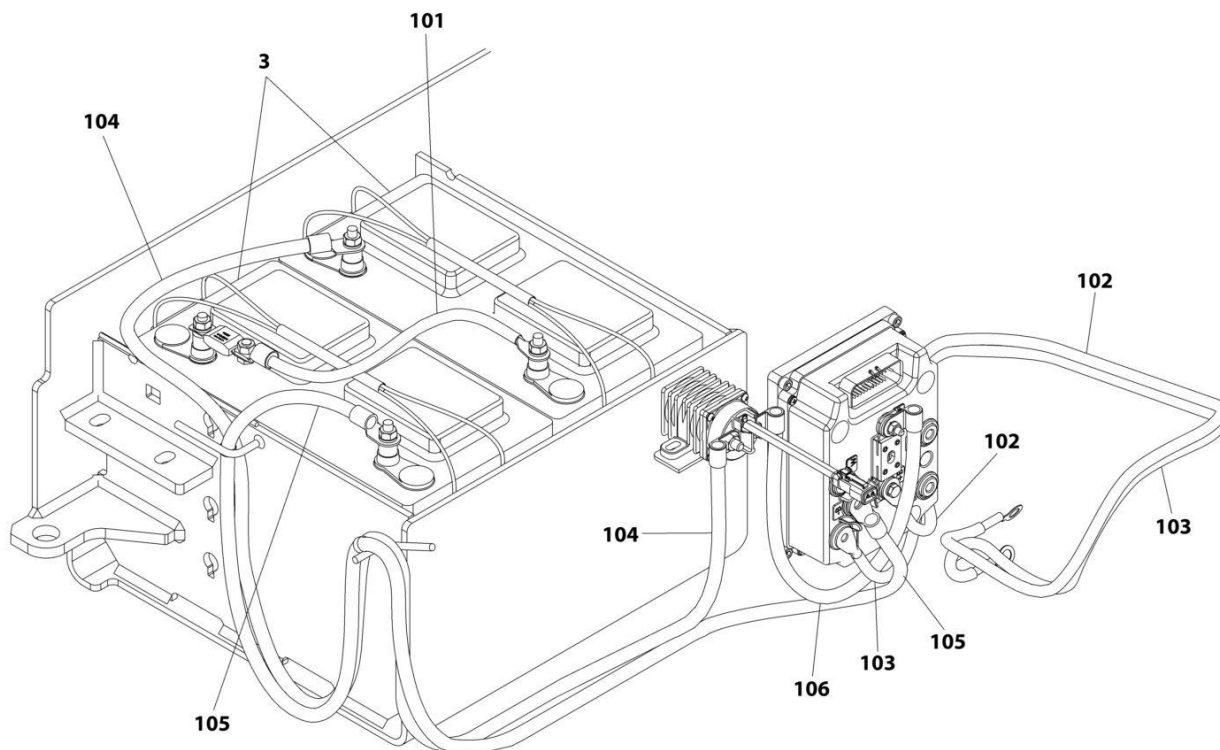
## SECTION 2 - GROUND CONTROLS

FIGURE 2-7. MDI INSTALLATION

ITEM	PART NUMBER	QTY	DESCRIPTION	REV
1	1001207293	Ref	MDI INSTALLATION	B
	1001200632	1	Gauge, MDI	

## SECTION 2 - GROUND CONTROLS

FIGURE 2-8. BATTERIES INSTALLATION - STANDARD BATTERIES WITHOUT DISCONNECT



ART\_1001243226

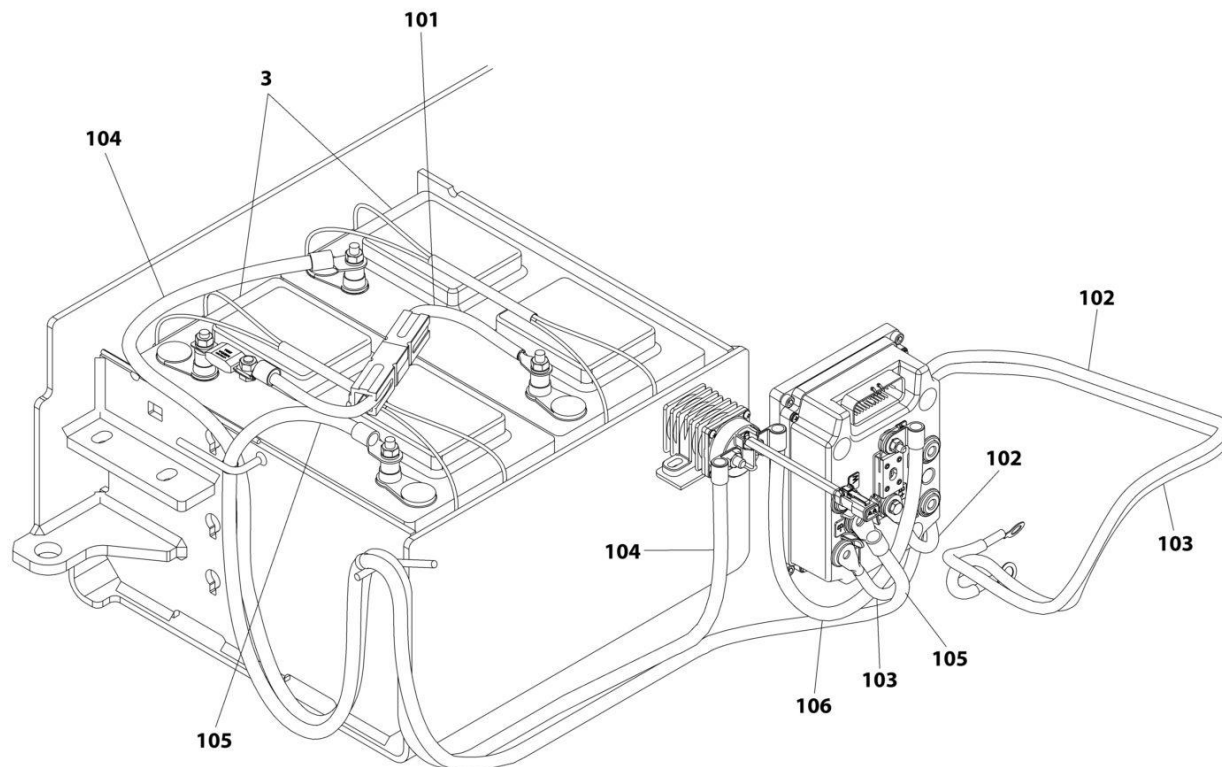
## SECTION 2 - GROUND CONTROLS

**FIGURE 2-8. BATTERIES INSTALLATION - STANDARD BATTERIES WITHOUT DISCONNECT**

ITEM	PART NUMBER	QTY	DESCRIPTION	REV
	1001243226	Ref	BATTERIES INSTALLTION - STANDARD BATTERIES WITHOUT DISCONNECT	E
1	0100051	AR	Grease, Terminal (Not Shown)	
2	4240017	AR	Tie-Strap (Not Shown)	
3	1001233714	2	Battery	
100	1001243230	1	Battery Cable Kit (Not Shown)	
101	1001239303	1	Cable, Positive (+) to Negative (-)	
102	1001243232	1	Cable, Pump Motor (+) to Module (+B)	
103	1001243233	1	Cable, Pump Motor (-) to Module (-P)	
104	1001244338	1	Cable, Battery (+) to Relay	
105	1001243235	1	Cable, Battery (-) to Module (-B)	
106	1001244339	1	Cable, Relay to Module (+BF)	

## SECTION 2 - GROUND CONTROLS

FIGURE 2-9. BATTERIES INSTALLATION - STANDARD BATTERIES WITH DISCONNECT



ART\_1001243227



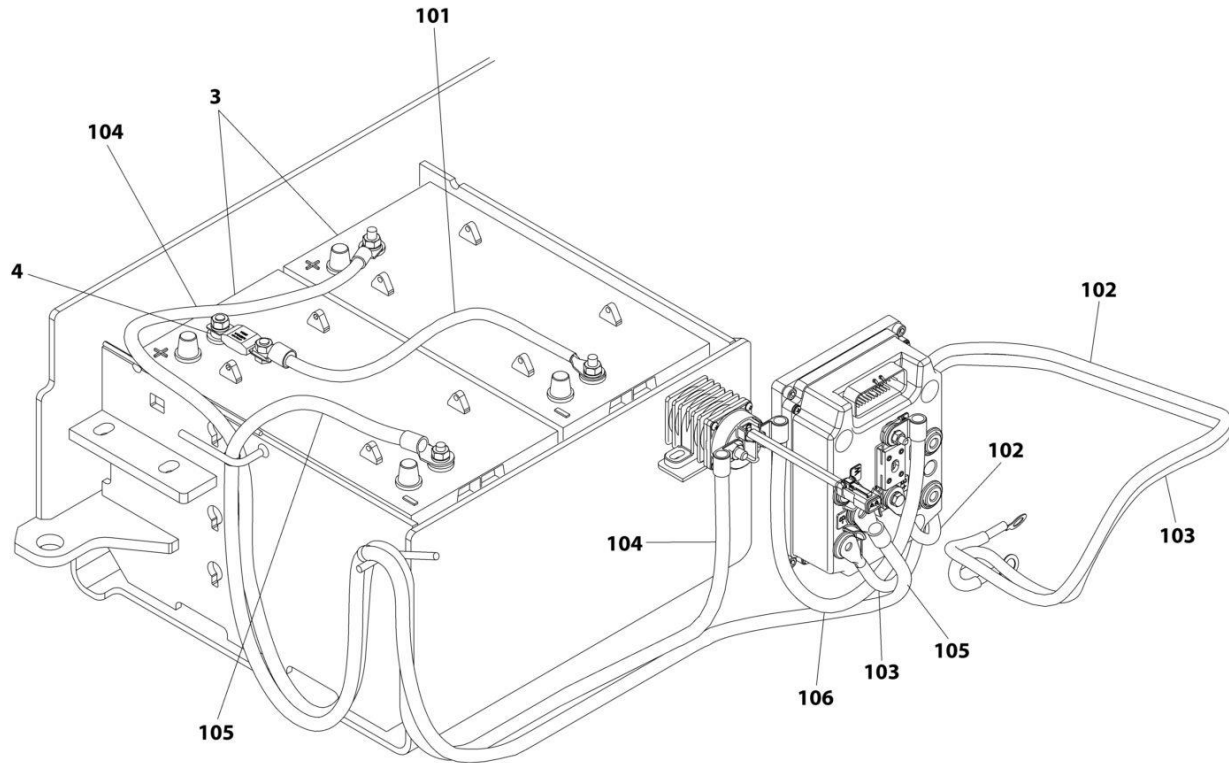
## SECTION 2 - GROUND CONTROLS

**FIGURE 2-9. BATTERIES INSTALLATION - STANDARD BATTERIES WITH DISCONNECT**

ITEM	PART NUMBER	QTY	DESCRIPTION	REV
	1001243227	Ref	BATTERIES INSTALLATION - STANDARD BATTERIES WITH DISCONNECT	E
1	0100051	AR	Grease, Terminal (Not Shown)	
2	4240017	AR	Tie-Strap (Not Shown)	
3	1001233714	2	Battery	
100	1001243231	1	Battery Cable Kit (Not Shown)	
101	1001238060	1	Cable, Positive (+) to Negative (-)	
102	1001243232	1	Cable, Pump Motor (+) to Module (+B)	
103	1001243233	1	Cable, Pump Motor (-) to Module (-P)	
104	1001244338	1	Cable, Battery (+) to Relay	
105	1001243235	1	Cable, Battery (-) to Module (-B)	
106	1001244339	1	Cable, Relay to Module (+BF)	

## SECTION 2 - GROUND CONTROLS

FIGURE 2-10. BATTERIES INSTALLATION - AGM BATTERIES WITHOUT DISCONNECT



ART\_1001243228

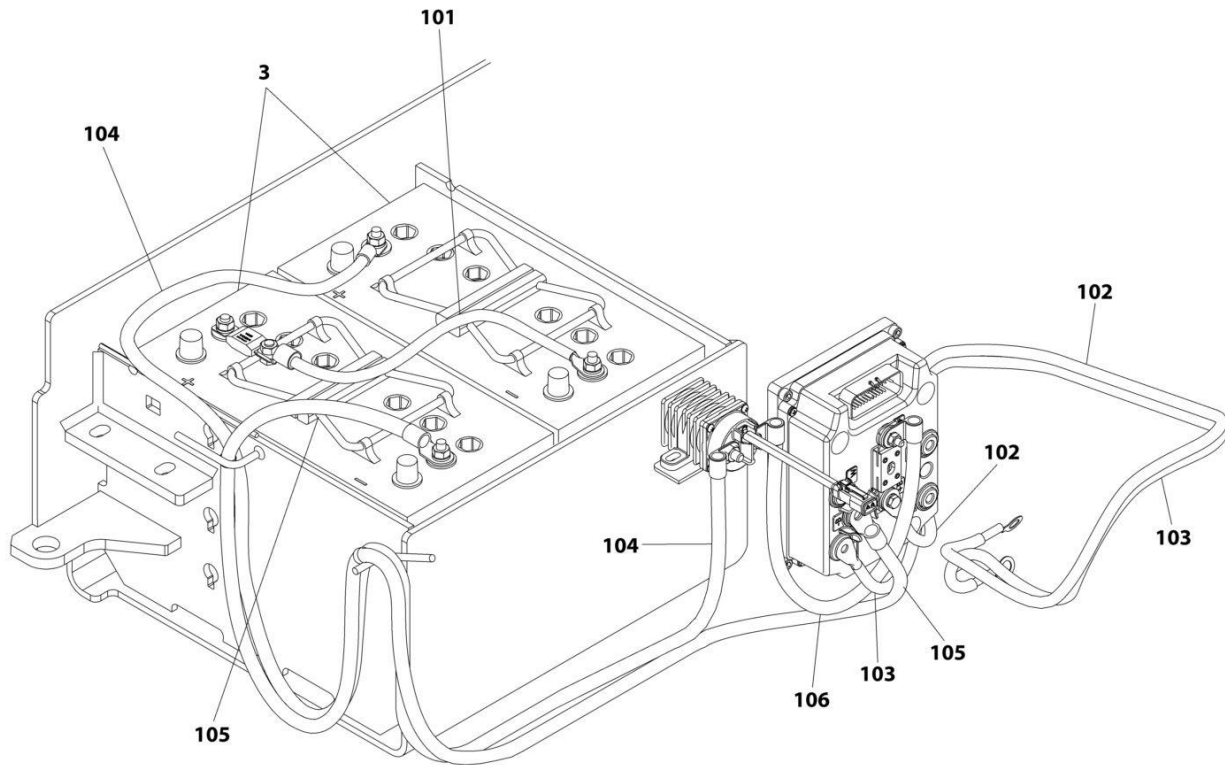
## SECTION 2 - GROUND CONTROLS

**FIGURE 2-10. BATTERIES INSTALLATION - AGM BATTERIES WITHOUT DISCONNECT**

ITEM	PART NUMBER	QTY	DESCRIPTION	REV
	1001243228	Ref	BATTERIES INSTALLATION - AGM BATTERIES WITHOUT DISCONNECT	E
1	0100051	AR	Grease, Terminal (Not Shown)	
2	4240017	AR	Tie-Strap (Not Shown)	
3	1001125916	2	Battery	
4	1001249668	1	Washer	
100	1001243230	1	Battery Cable Kit (Not Shown)	
101	1001239303	1	Cable, Positive (+) to Negative (-)	
102	1001243232	1	Cable, Pump Motor (+) to Module (+B)	
103	1001243233	1	Cable, Pump Motor (-) to Module (-P)	
104	1001244338	1	Cable, Battery (+) to Relay	
105	1001243235	1	Cable, Battery (-) to Module (-B)	
106	1001244339	1	Cable, Relay to Module (+BF)	

## SECTION 2 - GROUND CONTROLS

FIGURE 2-11. BATTERIES INSTALLATION - AGM VISION BATTERIES WITHOUT DISCONNECT



ART\_1001255263

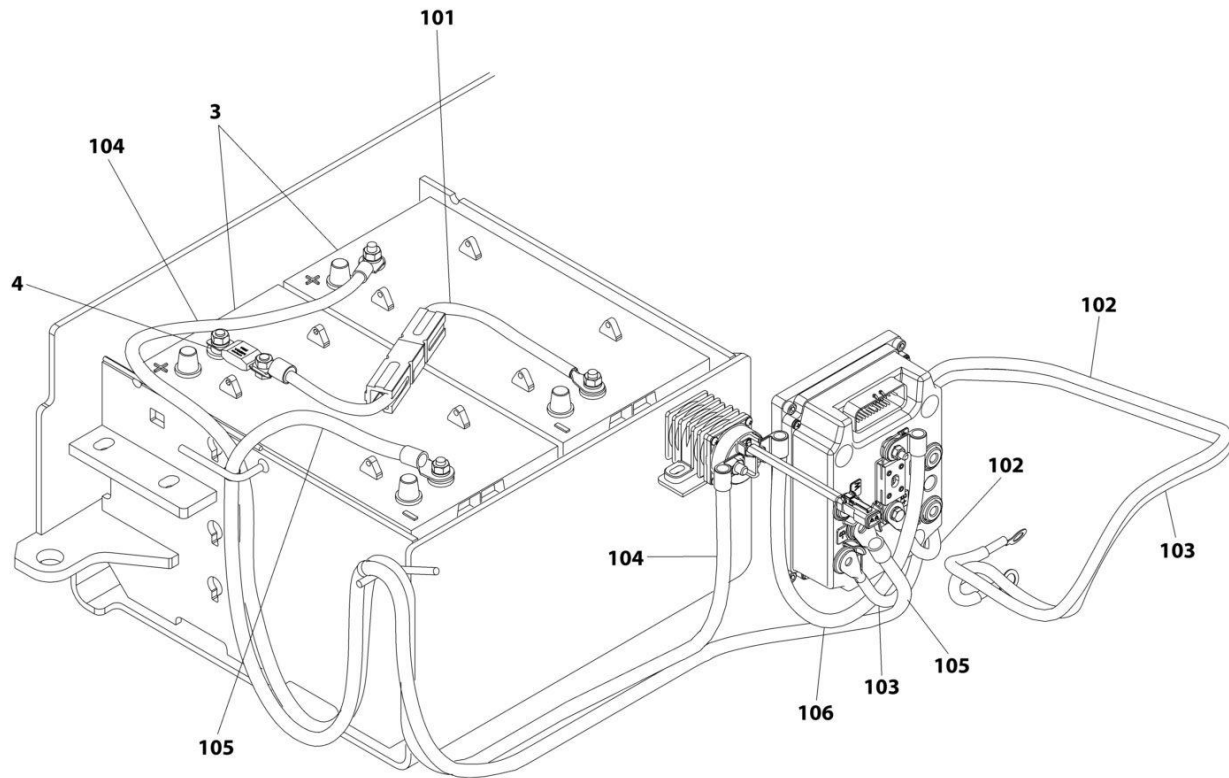
## SECTION 2 - GROUND CONTROLS

**FIGURE 2-11. BATTERIES INSTALLATION - AGM VISION BATTERIES WITHOUT DISCONNECT**

ITEM	PART NUMBER	QTY	DESCRIPTION	REV
	1001255263	Ref	BATTERIES INSTALLATION - AGM VISION BATTERIES WITHOUT DISCONNECT	A
1	0100051	AR	Grease, Terminal (Not Shown)	
2	4240017	AR	Tie-Strap (Not Shown)	
3	1001254633	2	Battery	
100	1001243230	1	Battery Cable Kit (Not Shown)	
101	1001239303	1	Cable, Positive (+) to Negative (-)	
102	1001243232	1	Cable, Pump Motor (+) to Module (+B)	
103	1001243233	1	Cable, Pump Motor (-) to Module (-P)	
104	1001244338	1	Cable, Battery (+) to Relay	
105	1001243235	1	Cable, Battery (-) to Module (-B)	
106	1001244339	1	Cable, Relay to Module (+BF)	

## SECTION 2 - GROUND CONTROLS

FIGURE 2-12. BATTERIES INSTALLATION - AGM BATTERIES WITH DISCONNECT



ART\_1001243229

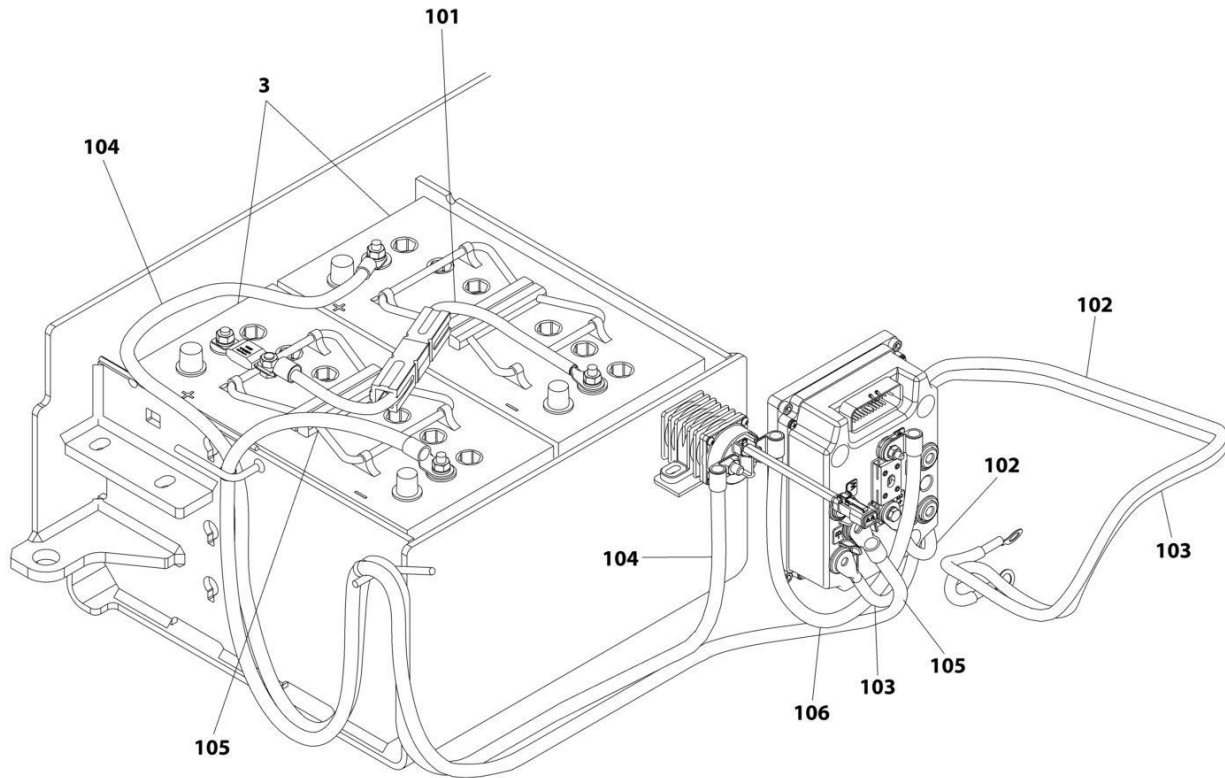
## SECTION 2 - GROUND CONTROLS

**FIGURE 2-12. BATTERIES INSTALLATION - AGM BATTERIES WITH DISCONNECT**

ITEM	PART NUMBER	QTY	DESCRIPTION	REV
	1001243229	Rev	BATTERIES INSTALLATION - AGM BATTERIES WITH DISCONNECT	E
1	0100051	AR	Grease, Terminal (Not Shown)	
2	4240017	AR	Tie-Strap (Not Shown)	
3	1001125916	2	Battery	
4	1001249668	1	Washer	
100	1001243231	1	Battery Cable Kit (Not Shown)	
101	1001238060	1	Cable, Positive (+) to Negative (-)	
102	1001243232	1	Cable, Pump Motor (+) to Module (+B)	
103	1001243233	1	Cable, Pump Motor (-) to Module (-P)	
104	1001244338	1	Cable, Battery (+) to Relay	
105	1001243235	1	Cable, Battery (-) to Module (-B)	
106	1001244339	1	Cable, Relay to Module (+BF)	

## SECTION 2 - GROUND CONTROLS

FIGURE 2-13. BATTERIES INSTALLATION - AGM VISION BATTERIES WITH DISCONNECT



ART\_1001255264



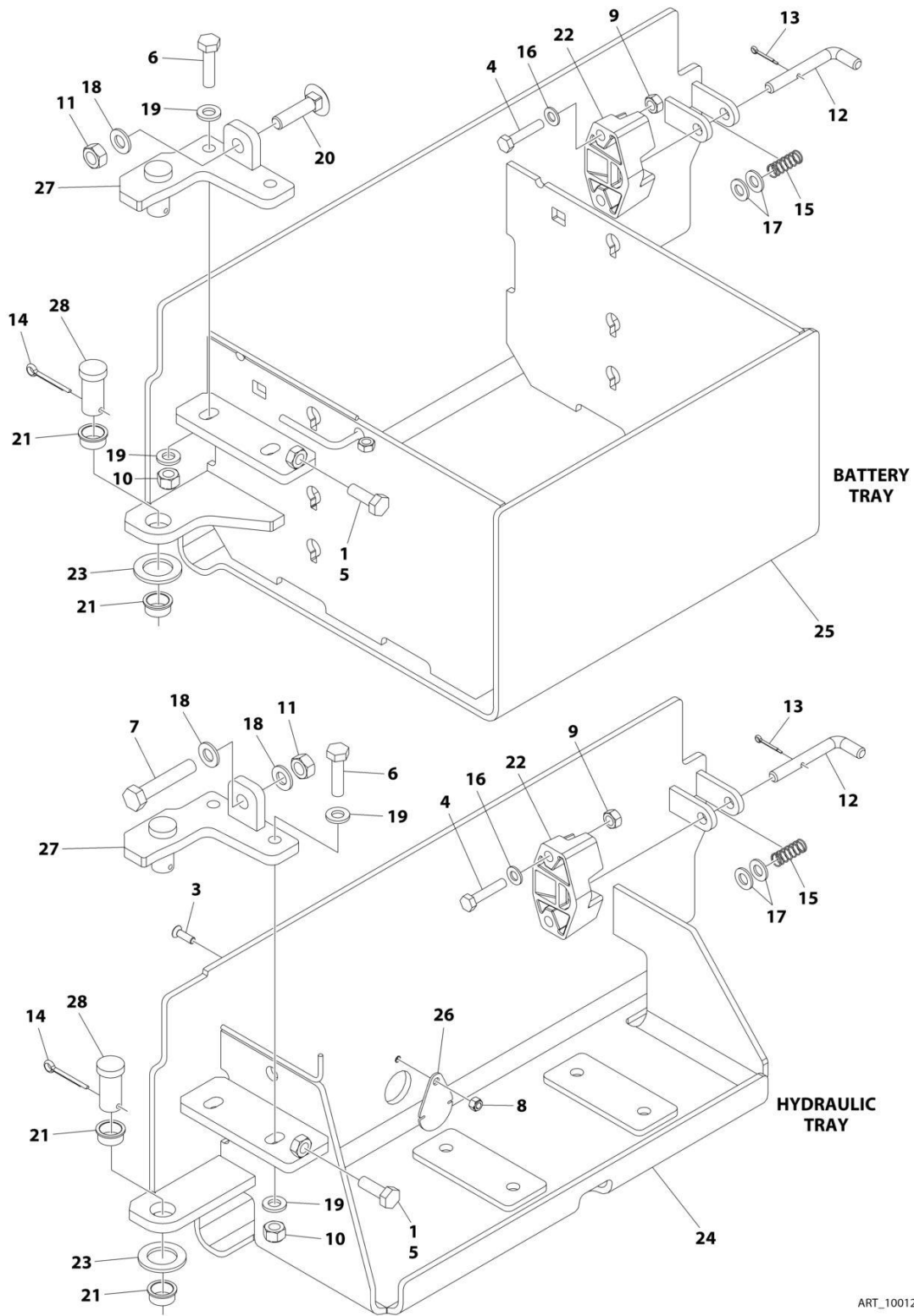
## SECTION 2 - GROUND CONTROLS

**FIGURE 2-13. BATTERIES INSTALLATION - AGM VISION BATTERIES WITH DISCONNECT**

ITEM	PART NUMBER	QTY	DESCRIPTION	REV
	1001255264	Rev	BATTERIES INSTALLATION - AGM VISION BATTERIES WITH DISCONNECT	A
1	0100051	AR	Grease, Terminal (Not Shown)	
2	4240017	AR	Tie-Strap (Not Shown)	
3	1001254633	2	Battery	
100	1001243231	1	Battery Cable Kit (Not Shown)	
101	1001238060	1	Cable, Positive (+) to Negative (-)	
102	1001243232	1	Cable, Pump Motor (+) to Module (+B)	
103	1001243233	1	Cable, Pump Motor (-) to Module (-P)	
104	1001244338	1	Cable, Battery (+) to Relay	
105	1001243235	1	Cable, Battery (-) to Module (-B)	
106	1001244339	1	Cable, Relay to Module (+BF)	

# SECTION 2 - GROUND CONTROLS

## FIGURE 2-14. DOORS INSTALLATION



ART\_1001236861

## SECTION 2 - GROUND CONTROLS

### FIGURE 2-14. DOORS INSTALLATION

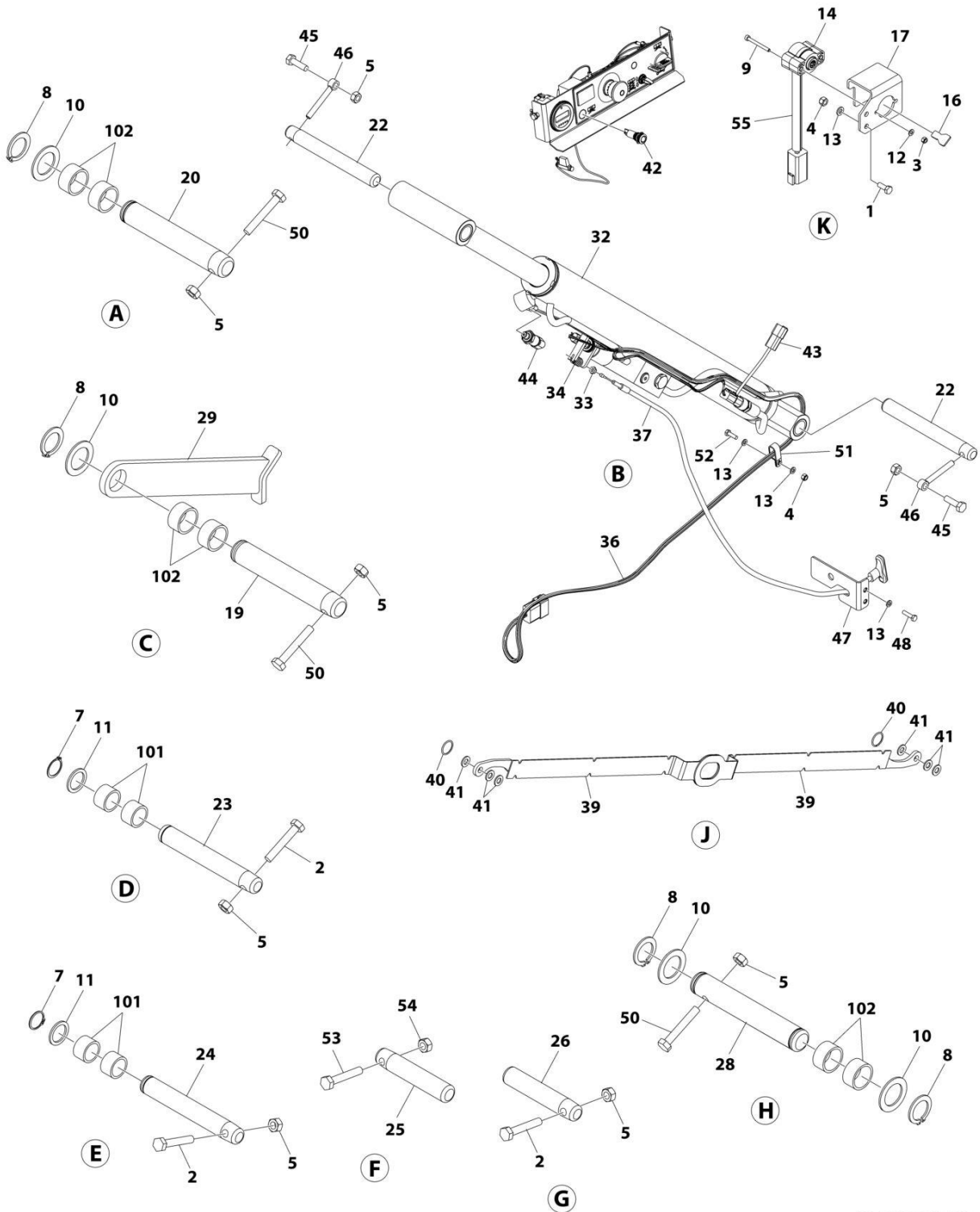
ITEM	PART NUMBER	QTY	DESCRIPTION	REV
	1001236861	Rev	DOORS INSTALLATION	C
1	0100011	AR	Compound, Locking	
3	0630576	1	Screw M6 x 20	
4	0700816	4	Bolt M8 x 40	
5	0761014	2	Bolt M10 x 30	
6	0761016	4	Bolt M10 x 40	
7	0761221	1	Bolt M12 x 65	
8	3290605	1	Nut M6	
9	3290805	4	Nut M8	
10	3291005	4	Nut M10	
11	3291201	2	Nut M12	
12	3423243	2	Pin, Latch	
13	3450303	2	Pin, Cotter 3/32 x 3/4	
14	3450505	2	Pin Cotter 5/32 x 1/2	
15	4160214	2	Spring	
16	4811900	4	Washer M8	
17	4812000	4	Washer M10	
18	4812100	3	Washer M12	
19	5241000	8	Washer M10	
20	1001245750	1	Bolt M12 x 50	
21	1001203870	4	Bearing	
22	1001214810	2	Support Latch	
23	1001229792	2	Washer	
24	1001236856	1	Tray, Hydraulic	
25	1001236860	1	Tray, Battery	
26	1001239457	1	Cover	
27	1001244672	2	Bracket	
28	3431212	2	Pin	



**SECTION 3 - SCISSORS ARMS**



# SECTION 3 - SCISSORS ARMS



ART\_1001249876\_20F2

## SECTION 3 - SCISSORS ARMS

FIGURE 3-1. SCISSOR ARMS INSTALLATION (WITH LSS)

ITEM	PART NUMBER	QTY	DESCRIPTION	REV
	1001249876	Ref	SCISSOR ARMS INSTALLATION (WITH LSS)	L
1	0760608	2	Bolt M6 x 16	
2	0701020	9	Bolt M10 x 60	
3	3290405	2	Nut M4	
4	3290605	3	Nut M6	
5	3291007	17	Nut M10	
6	3340962	16	Pad	
7	3760115	8	Ring, Retaining	
8	3760387	7	Ring, Retaining	
9	4031512	2	Capscrew M4 x 40	
10	4740438	7	Washer	
11	4740531	8	Washer	
12	4811400	2	Washer M4	
13	4811700	6	Washer M6	
14	1001146963	1	Sensor, Angle	
15	1001204311	2	Block, Lower Slide	
16	1001234204	1	Key	
17	1001231268	1	Mount	
19	1001233860	1	Pin	
20	1001233861	4	Pin	
22	1001233863	2	Pin	
23	1001233864	4	Pin	
24	1001233865	4	Pin	
25	1001233866	1	Pin	
26	1001233867	1	Pin	
28	1001239737	1	Pin	
29	1001244144	1	Prop, Arm	
31	1001244320	1	Arm Kit (Not Shown - See Item 101-112)	
32	1001236222	1	Lift Cylinder Assembly (See Separate Breakdown in Cylinder Section)	
33	3321402	1	Nut 1/4	
34	4160078	1	Spring	
35	4240017	AR	Tie-Strap (Not Shown)	
36	1001239374	1	Liftdown Harness (See Separate Breakdown in Electrical Section)	
37	1001239404	1	Cable, Manual Descent	
39	1001245790	2	Support	
40	3760170	2	Ring	
41	4812000	6	Washer M10	
42	1001200631	1	Light, Indicator	
43	1001235104	1	Transducer, Pressure	
44	1001225164	1	Transducer, Pressure	
45	0701015	2	Bolt M10 x 35	
46	3841143	2	Keeper, Pin	
47	1001263443	1	Mount	
48	0760612	2	Bolt M6 x 25	
49	1001246303	2	Sleeve	
50	0701021	6	Bolt M10 x 65	
51	1321385	1	Clamp	
52	0760610	1	Bolt M6 x 20	
53	1001258226	1	Bolt M8 x 40 (M10 Shoulder)	



## SECTION 3 - SCISSORS ARMS

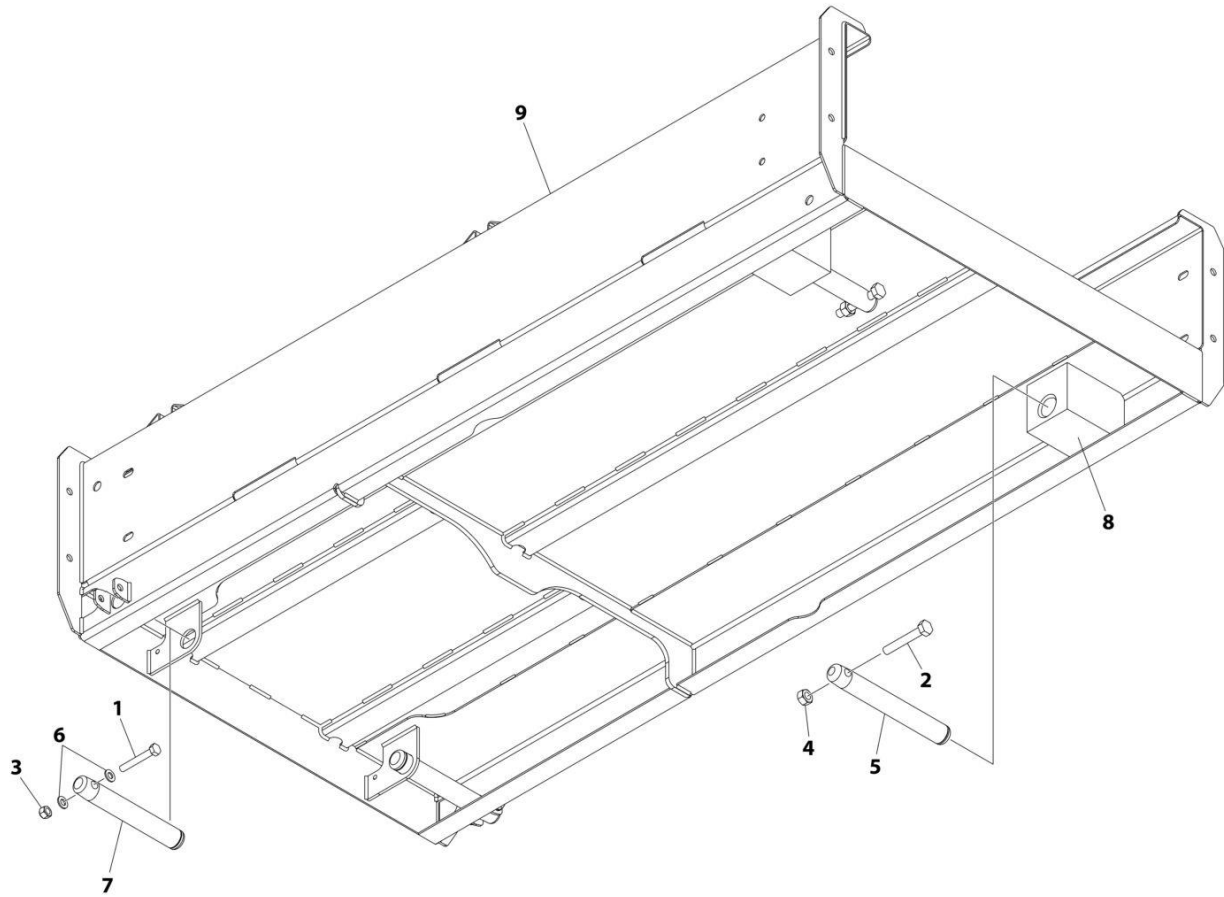
ITEM	PART NUMBER	QTY	DESCRIPTION	REV
54	3290807	1	Nut M8	
55	1001262299	1	Conduit	
100	0440263	2	Bushing (Part of Frame)	
	1001244320	Ref	ARM KIT	
101	0440264	20	Bearing	
102	0440265	12	Bearing	
103	1001245386	1	Arm, Bottom Inside	
104	1001233834	1	Arm, Mid Inside	
105	1001245388	1	Arm, Top Inside	
107	1001233837	1	Arm, Bottom Outside	
108	1001245634	1	Arm, Mid Outside	
109	1001245635	1	Arm, Mid Outside with Prop Mount	
112	1001245451	1	Arm, Top Outside	



**SECTION 4 - PLATFORM**

# SECTION 4 - PLATFORM

## FIGURE 4-1. PLATFORM INSTALLATION



ART\_1001248157

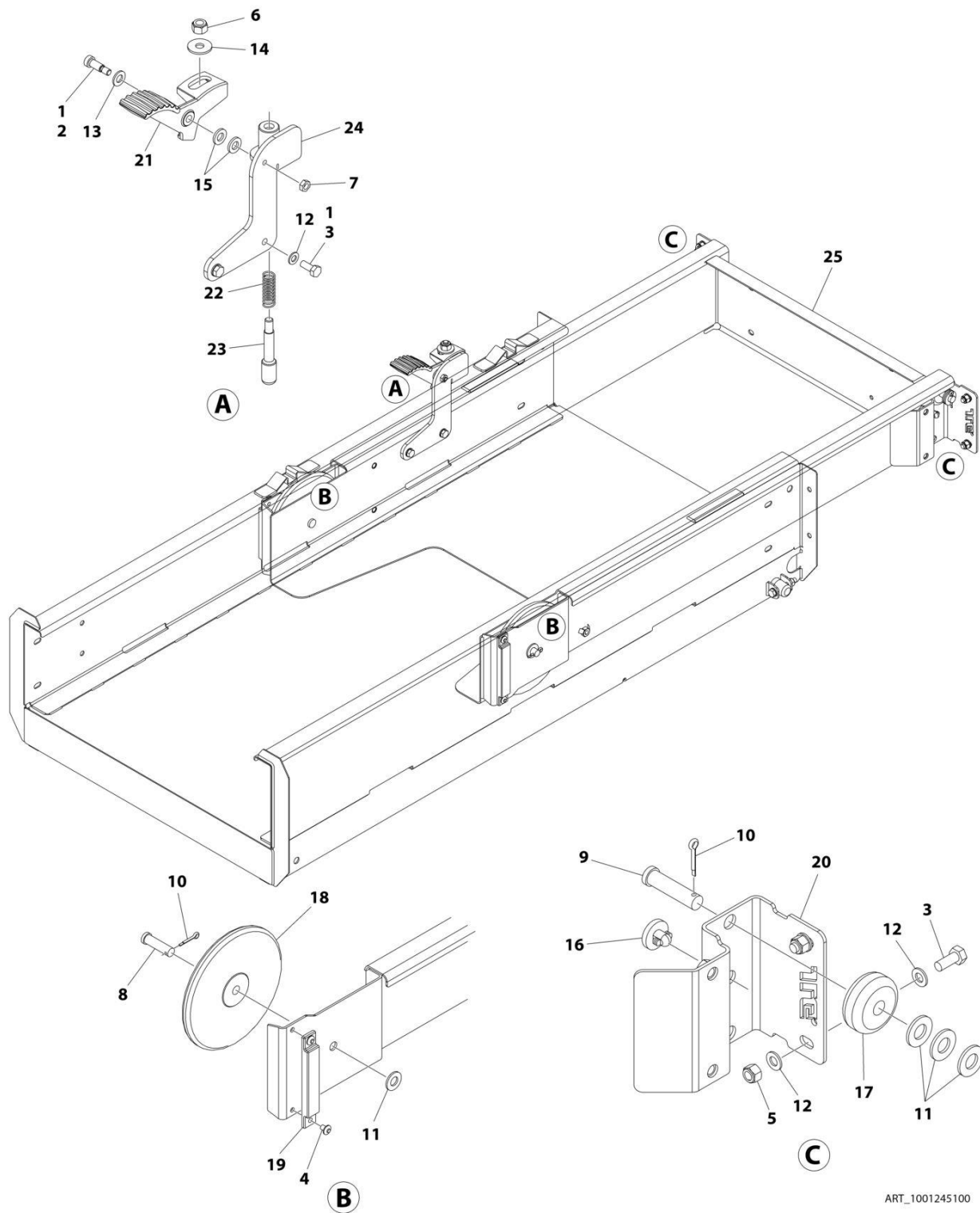
## SECTION 4 - PLATFORM

### FIGURE 4-1. PLATFORM INSTALLATION

ITEM	PART NUMBER	QTY	DESCRIPTION	REV
	1001248157	Ref	PLATFORM INSTALLATION	A
1	0700819	2	Bolt M8 x 55	
2	0701021	2	Bolt M10 x 65	
3	3290805	2	Nut M8	
4	3291007	2	Nut M10	
5	3423032	2	Pin	
6	4811900	4	Washer M8	
7	1001203443	2	Pin	
8	1001205156	2	Block, Slide	
9	1001248155	1	Platform	

# SECTION 4 - PLATFORM

## FIGURE 4-2. PLATFORM EXTENSION INSTALLATION



ART\_1001245100

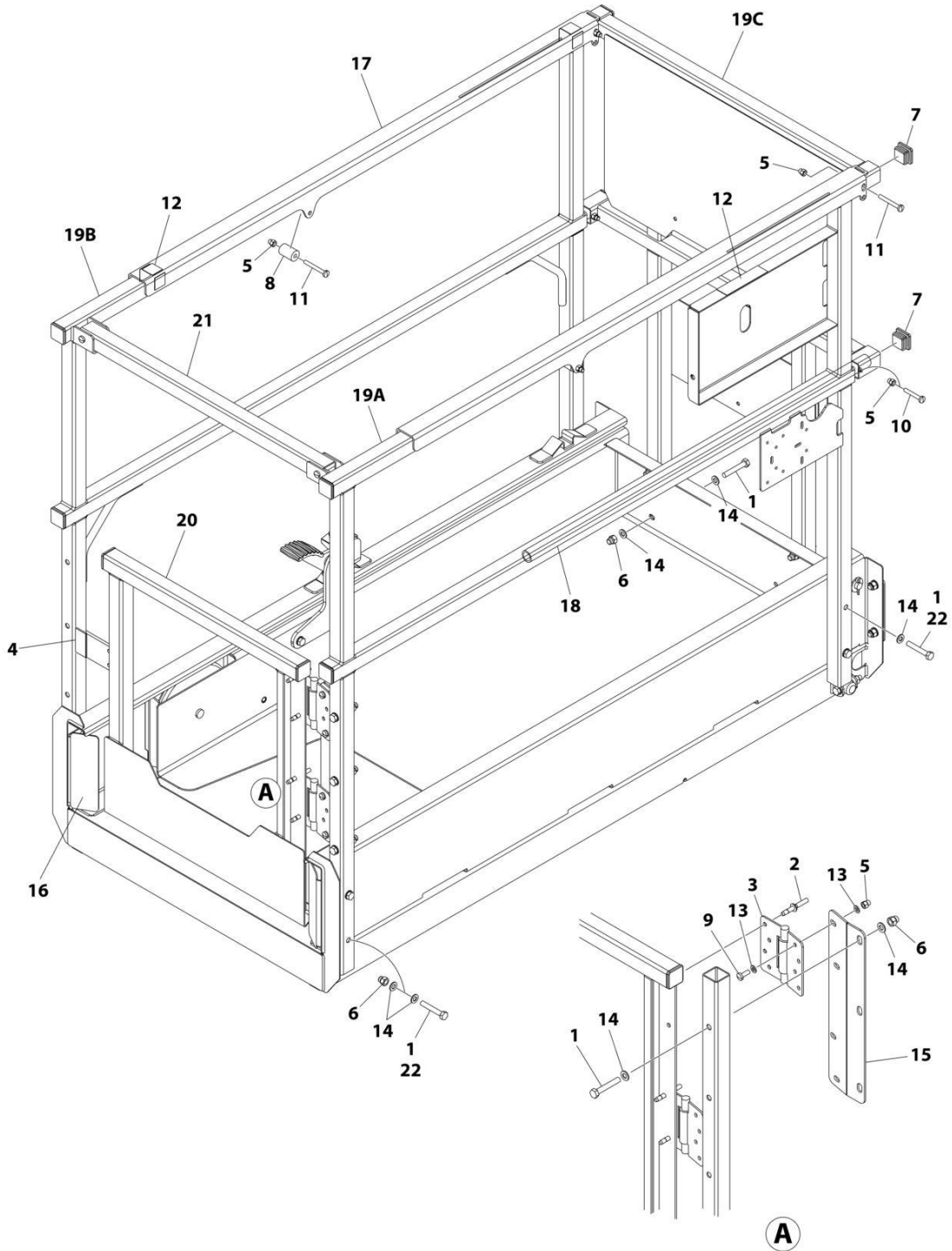
## SECTION 4 - PLATFORM

**FIGURE 4-2. PLATFORM EXTENSION INSTALLATION**

ITEM	PART NUMBER	QTY	DESCRIPTION	REV
	1001245100	Ref	PLATFORM EXTENSION INSTALLATION	C
1	0100011	AR	Compound, Locking	
2	0630183	1	Screw 3/8 x 1	
3	0760810	6	Bolt M8 x 20	
4	2080040	4	Fastener	
5	3290805	4	Nut M8	
6	3291005	1	Nut M10	
7	3311502	1	Nut 5/16	
8	3430814	2	Pin	
9	3430816	2	Pin	
10	3450403	4	Pin, Cotter 1/8 x 3/4	
11	4711800	8	Washer 1/2	
12	4811900	10	Washer M8	
13	4812000	1	Washer M10	
14	4812002	1	Washer M10	
15	5241000	2	Washer M10	
16	1001137675	2	Bumper	
17	1001205422	2	Roller (Front)	
18	1001205430	2	Roller (Rear)	
19	1001208852	2	Pad	
20	1001210064	2	Support	
21	1001217043	1	Plate	
22	1001221475	1	Spring	
23	1001221476	1	Rod	
24	1001236129	1	Bracket	
25	1001245099	1	Extension, Platform	

# SECTION 4 - PLATFORM

## FIGURE 4-3. RAILS INSTALLATION (1.0M TUBE IN TUBE)



ART\_1001245103



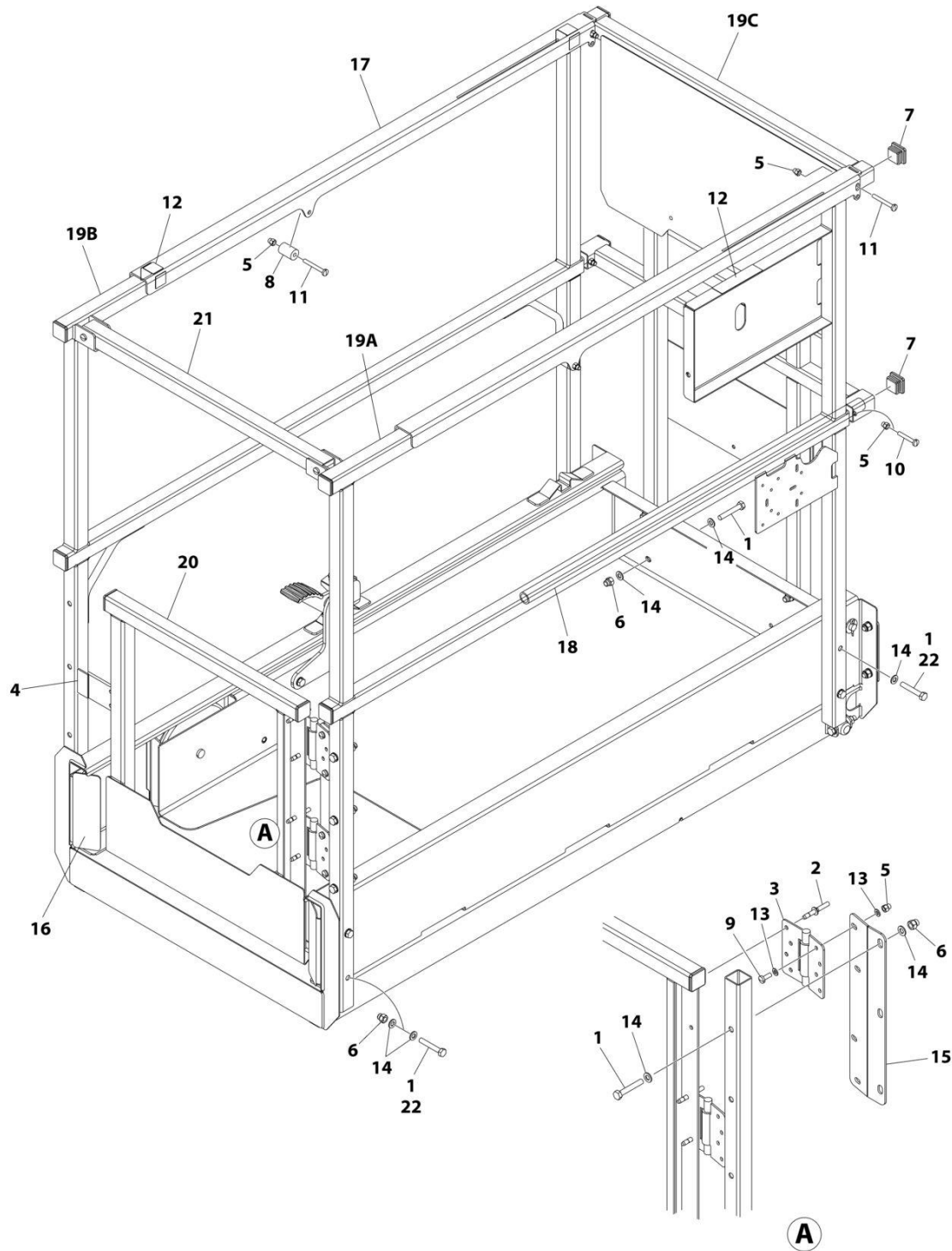
## SECTION 4 - PLATFORM

**FIGURE 4-3. RAILS INSTALLATION (1.0M TUBE IN TUBE)**

ITEM	PART NUMBER	QTY	DESCRIPTION	REV
	1001245103	Ref	RAILS INSTALLATION (1.0M TUBE IN TUBE)	B
1	0700818	15	Bolt M8 x 50	
2	2080040	4	Fastener	
3	2600281	2	Hinge	
4	3080007	1	Latch, Magnetic Gate	
5	3290606	12	Nut M6	
6	3290806	11	Nut M8	
7	3520072	10	Plug	
8	3860111	2	Roller	
9	4010608	4	Screw M6 x 16	
10	4010616	2	Screw M6 x 40	
11	4010618	6	Screw M6 x 50	
12	4420062	16 in /40cm	Tape	
13	4811700	8	Washer M6	
14	4811900	26	Washer M8	
15	1001210586	1	Support	
16	1001210963	2	Cover	
17	1001244095	2	Rail, Top Slide	
18	1001244096	2	Rod	
19	1001245102	1	Rail, Kit (Not Shown)	
19A	1001244045	1	Rail, Side (RH)	
19B	1001244047	1	Rail, Side (LH)	
19C	1001245101	1	Rail, Front Extension	
20	1001245110	1	Gate	
21	1001245138	1	Rail, Rear	
22	0100011	AR	Compound, Locking	

# SECTION 4 - PLATFORM

## FIGURE 4-4. RAILS INSTALLATION (1.1M TUBE IN TUBE)



ART\_1001245107

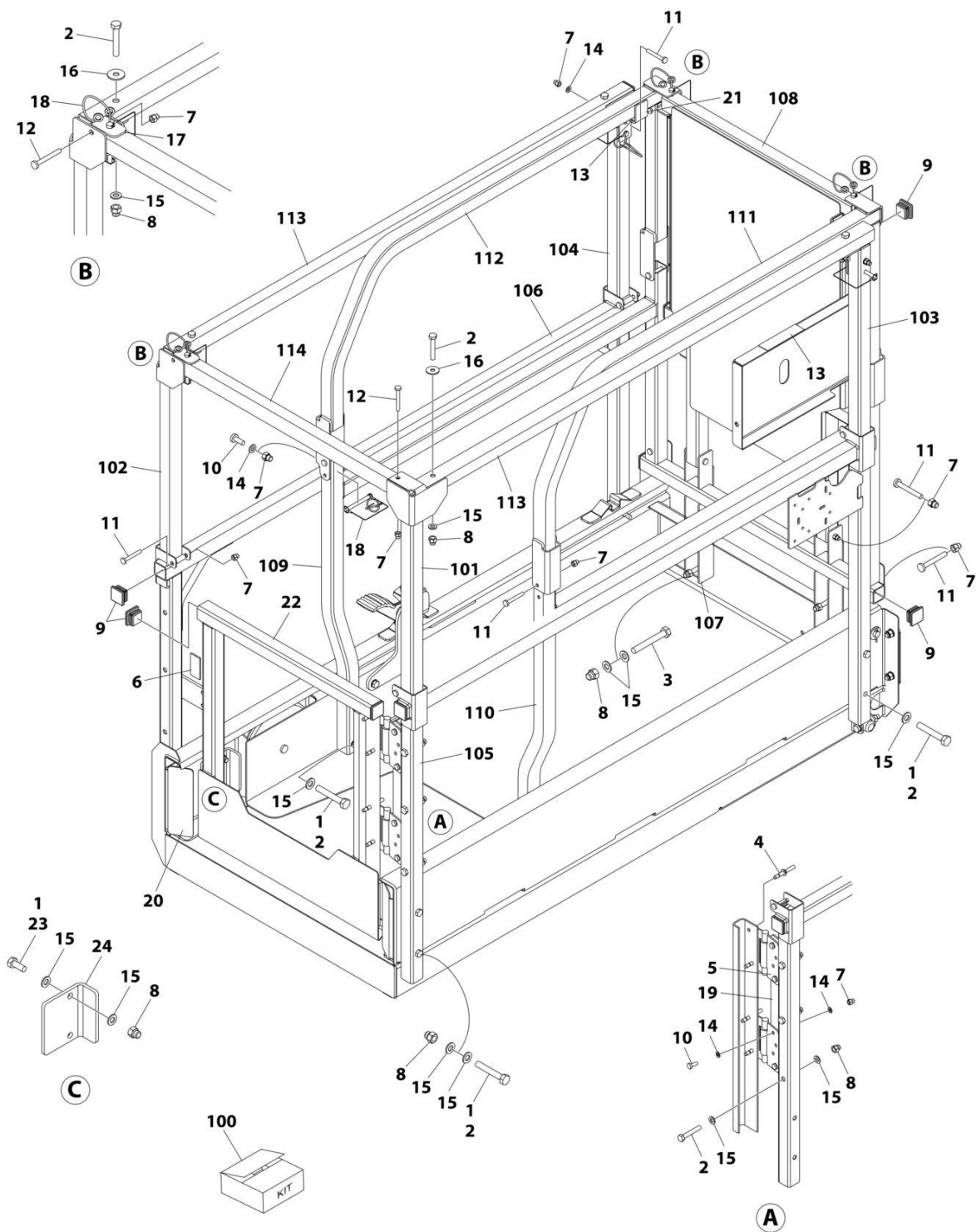
## SECTION 4 - PLATFORM

**FIGURE 4-4. RAILS INSTALLATION (1.1M TUBE IN TUBE)**

ITEM	PART NUMBER	QTY	DESCRIPTION	REV
	1001245107	Ref	RAILS INSTALLATION (1.1M TUBE IN TUBE)	B
1	0700818	15	Bolt M8 x 50	
2	2080040	4	Fastener	
3	2600281	2	Hinge	
4	3080007	1	Latch, Magnetic Gate	
5	3290606	12	Nut M6	
6	3290806	11	Nut M8	
7	3520072	10	Plug	
8	3860111	2	Roller	
9	4010608	4	Screw M6 x 16	
10	4010616	2	Screw M6 x 40	
11	4010618	6	Screw M6 x 50	
12	4420062	16 in /40cm	Tape	
13	4811700	8	Washer M6	
14	4811900	26	Washer M8	
15	1001210586	1	Support	
16	1001210963	2	Cover	
17	1001244095	2	Rail, Top Slide	
18	1001244096	2	Rod	
19	1001245108	1	Rail, Kit (Not Shown)	
19A	1001244093	1	Rail, Side (RH)	
19B	1001244092	1	Rail, Side (LH)	
19C	1001245106	1	Rail, Front Extension	
20	1001245110	1	Gate	
21	1001245138	1	Rail, Rear	
22	0100011	AR	Compound, Locking	

# SECTION 4 - PLATFORM

## FIGURE 4-5. RAILS INSTALLATION (SIDE BY SIDE)



ART\_1001245119

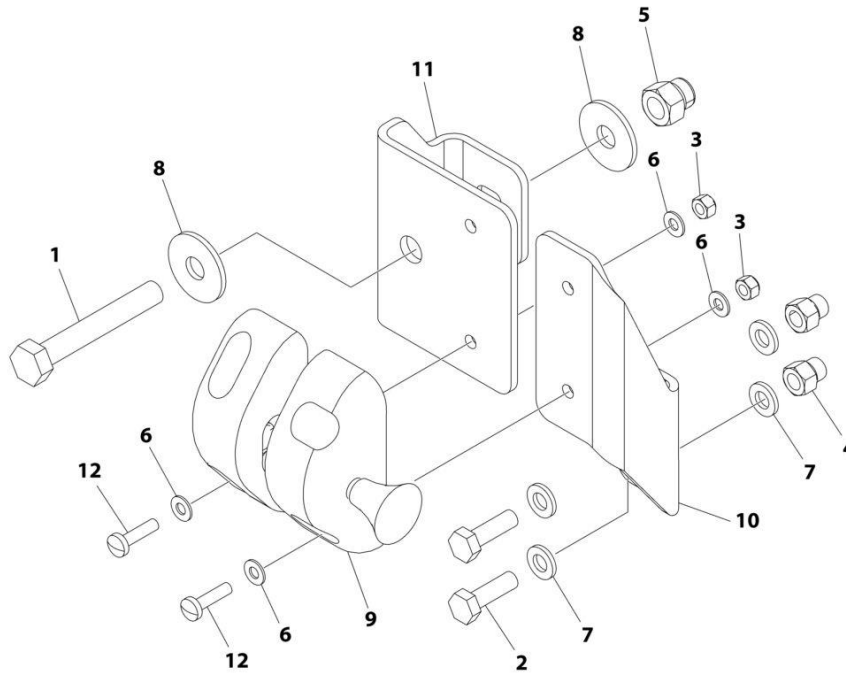
## SECTION 4 - PLATFORM

**FIGURE 4-5. RAILS INSTALLATION (SIDE BY SIDE)**

ITEM	PART NUMBER	QTY	DESCRIPTION	REV
	1001245119	Ref	RAILS INSTALLATION (SIDE BY SIDE)	B
1	0100011	AR	Compound, Locking	
2	0700818	19	Bolt M8 x 50	
3	0700820	4	Bolt M8 x 60	
4	2080040	4	Fastener	
5	2600281	2	Hinge	
6	3080007	1	Latch, Magnetic Gate	
7	3290606	23	Nut M6	
8	3290806	17	Nut M8	
9	3520072	12	Plug	
10	4010608	5	Screw M6 x 16	
11	4010617	16	Screw M6 x 45	
12	4010618	2	Screw M6 x 50	
13	4420062	15 in/ 37cm	Tape	
14	4811700	13	Washer M6	
15	4811900	38	Washer M8	
16	4811902	4	Washer M8	
17	1001154378	1	Bracket	
18	1001187587	6	Pin, With Lanyard	
19	1001210586	1	Support	
20	1001210963	2	Cover	
21	1001232257	2	Brace	
22	1001245110	1	Gate	
23	0760810	2	Bolt M8 x 20	
24	1001232622	1	Bracket	
100	1001245120	1	Rail, Kit (Not Shown)	
101	1001229739	1	Rail (RH Upper Rear)	
102	1001229740	1	Rail (LH Upper Rear)	
103	1001229741	1	Rail (RH Upper Front)	
104	1001229742	1	Rail (LH Upper Front)	
105	1001245121	1	Rail (RH Lower)	
106	1001245122	1	Rail (LH Lower)	
107	1001245123	1	Rail (Lower Extension)	
108	1001245125	1	Rail (Upper Front Extension)	
109	1001245129	1	Rail (Extension LH Side Upper)	
110	1001245131	1	Rail (Extension RH Side Upper)	
111	1001245132	1	Rail (Extension RH Side Lower)	
112	1001245134	1	Rail (Extension LH Side Lower)	
113	1001245135	2	Rail (RH and LH Side Upper)	
114	1001245136	1	Rail (Rear Top)	

# SECTION 4 - PLATFORM

## FIGURE 4-6. GATE LATCH INSTALLATION



ART\_1001220995

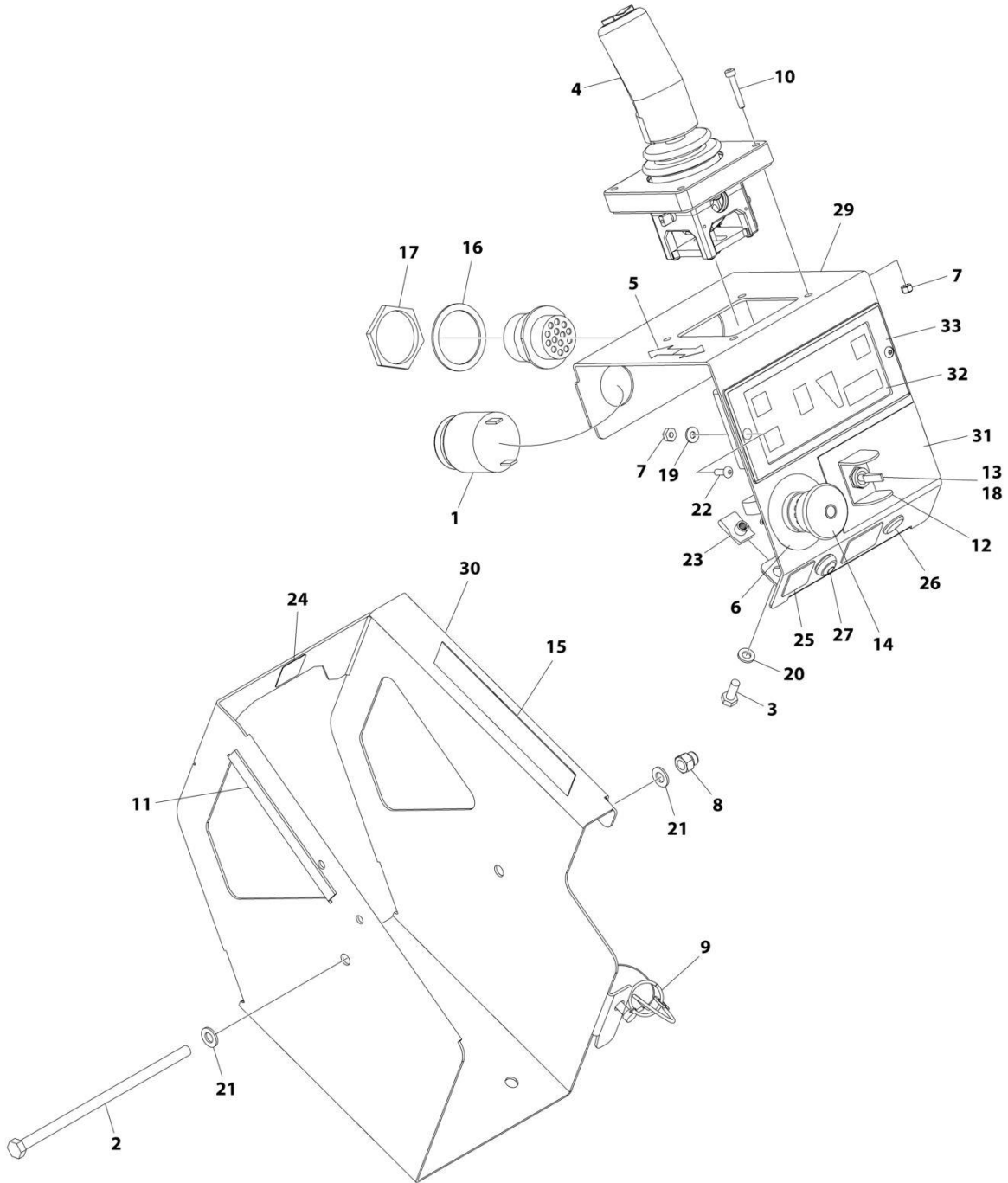
## SECTION 4 - PLATFORM

### FIGURE 4-6. GATE LATCH INSTALLATION

ITEM	PART NUMBER	QTY	DESCRIPTION	REV
	1001220995	Ref	GATE LATCH INSTALLATION	B
1	0700819	1	Bolt M8 x 55	
2	0760610	2	Bolt M6 x 20	
3	3290405	4	Nut M4	
4	3290606	2	Nut M6	
5	3290806	1	Nut M8	
6	4811400	8	Washer M4	
7	4811700	4	Washer M6	
8	4811902	2	Washer M8	
9	1001134821	1	Latch	
10	1001220409	1	Mount	
11	1001220410	1	Plate	
12	4010408	4	Screw M4 x 16	

# SECTION 4 - PLATFORM

FIGURE 4-7. PLATFORM CONTROL BOX INSTALLATION - WITHOUT DRIVE SELECT SWITCH (Prior to SN B200069779, Prior to SN M200044013)



ART\_1001253938



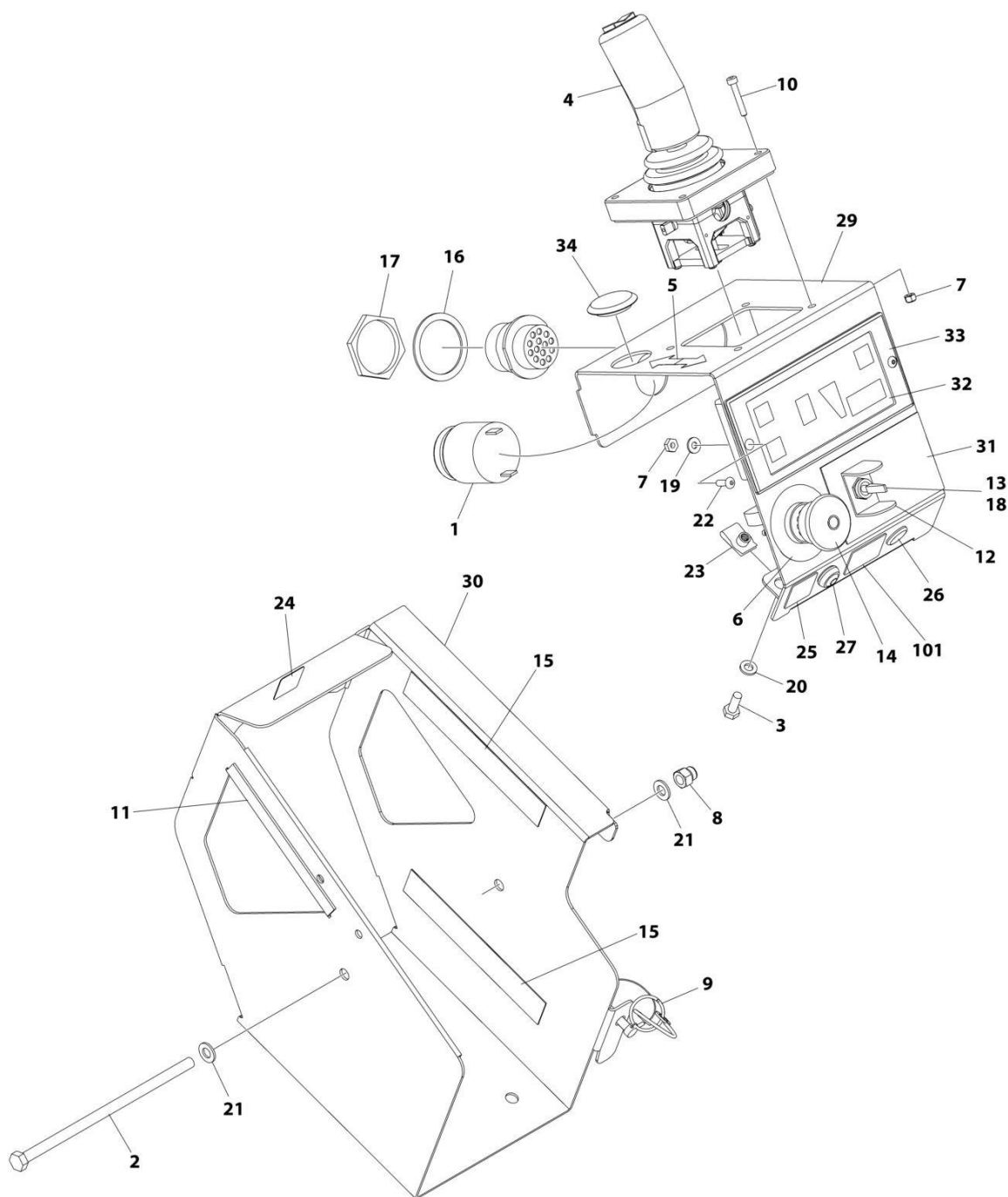
## SECTION 4 - PLATFORM

**FIGURE 4-7. PLATFORM CONTROL BOX INSTALLATION - WITHOUT DRIVE SELECT SWITCH (Prior to SN B200069779, Prior to SN M200044013)**

ITEM	PART NUMBER	QTY	DESCRIPTION	REV
	1001253938	Ref	PLATFORM CONTROL BOX INSTALLATION	A
1	0140030	1	Alarm	
2	0700835	1	Bolt M8 x 180	
3	0760610	2	Bolt M6 x 20	
4	1600402	1	Controller Assembly (See Separate Breakdown in this Section)	
5	1703819	1	Decal - Arrow	
6	1704260	1	Decal - Emergency Stop	
7	3290405	6	Nut M4	
8	3290806	1	Nut M8	
9	3423278	1	Pin, Snap with Lanyard	
10	4031509	4	Capscrew M4 x 25	
11	4060803	6 in/14cm	Flex-Trim	
12	4060906	1	Guard, Switch	
13	4360345	1	Switch, Toggle	
14	4360475	1	Switch, Emergency Stop	
14	7020175	1	Cap	
14	7020176	1	Block, Contact	
15	4420062	12 in/ 30cm	Tape	
16	4460496	1	Washer, Terminal	
17	4460497	1	Nut, Terminal	
18	4711700	1	Washer 7/16	
19	4811400	2	Washer M4	
20	4811700	2	Washer M6	
21	4811900	2	Washer M8	
22	1001047064	2	Screw M4 x 15	
23	1001130220	2	Nut, Tinnerman M6	
24	1001132358	1	Decal - Steer	
25	1001132361	1	Decal - Horn	
26	1001176626	1	Plug	
27	1001200633	2	Switch - Push Button	
28	1001200819	1	Platform Control Box Harness (Not Shown) (See Separate Breakdown in ELECTRICAL SECTION)	
29	1001209595	1	Plate, Box (Inside)	
30	1001209596	1	Plate, Box (Outside)	
31	1001213491	1	Decal - Lift/Drive Function	
32	1001218285	1	Decal - Platform Control	
33	1001228112	1	Module, Platform Control	

# SECTION 4 - PLATFORM

FIGURE 4-8. PLATFORM CONTROL BOX INSTALLATION - WITHOUT DRIVE SELECT SWITCH (SN B200069779 to Present, SN M200044013 to Present)



ART\_1001253938\_C

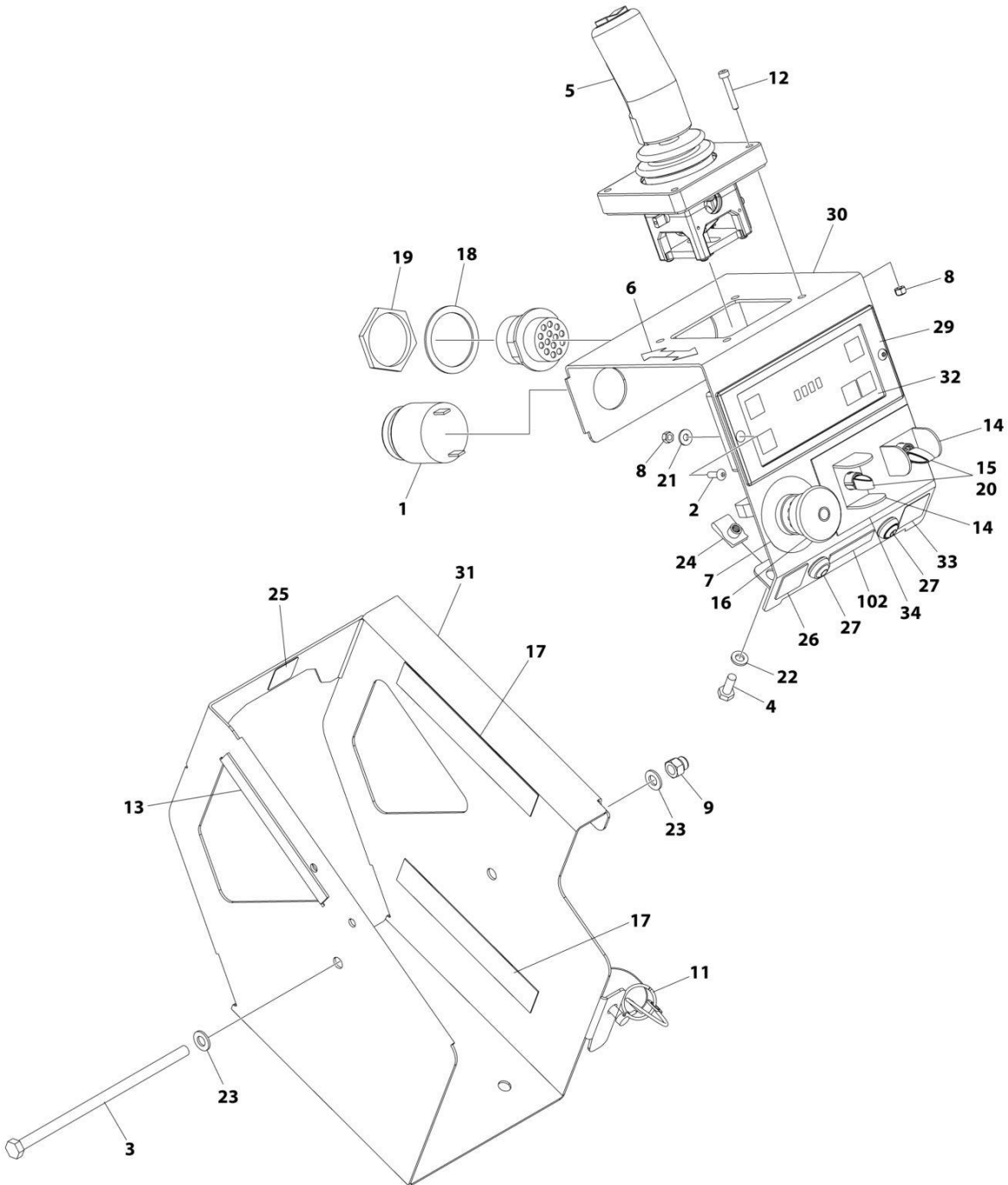
## SECTION 4 - PLATFORM

**FIGURE 4-8. PLATFORM CONTROL BOX INSTALLATION - WITHOUT DRIVE SELECT SWITCH (SN B200069779 to Present, SN M200044013 to Present)**

ITEM	PART NUMBER	QTY	DESCRIPTION	REV
	1001253938	Ref	PLATFORM CONTROL BOX INSTALLATION	C
1	0140030	1	Alarm	
2	0700835	1	Bolt M8 x 180	
3	0760610	2	Bolt M6 x 20	
4	1600402	1	Controller Assembly (See Separate Breakdown in this Section)	
5	1703819	1	Decal - Arrow	
6	1704260	1	Decal - Emergency Stop	
7	3290405	6	Nut M4	
8	3290806	1	Nut M8	
9	3423278	1	Pin, Snap with Lanyard	
10	4031509	4	Capscrew M4 x 25	
11	4060803	6 in/14cm	Flex-Trim	
12	4060906	1	Guard, Switch	
13	4360345	1	Switch, Toggle	
14	4360475	1	Switch, Emergency Stop	
14	7020175	1	Cap	
14	7020176	1	Block, Contact	
15	4420062	12 in/ 30cm	Tape	
16	4460496	1	Washer, Terminal	
17	4460497	1	Nut, Terminal	
18	4711700	1	Washer 7/16	
19	4811400	2	Washer M4	
20	4811700	2	Washer M6	
21	4811900	2	Washer M8	
22	1001047064	2	Screw M4 x 15	
23	1001130220	2	Nut, Tinnerman M6	
24	1001132358	1	Decal - Steer	
25	1001132361	1	Decal - Horn	
26	1001176626	1	Plug	
27	1001200633	2	Switch - Push Button	
28	1001200819	1	Platform Control Box Harness (Not Shown) (See Separate Breakdown in ELECTRICAL Section)	
29	1001262655	1	Plate, Box (Inside)	
30	1001209596	1	Plate, Box (Outside)	
31	1001213491	1	Decal - Lift/Drive Function	
32	1001218285	1	Decal - Platform Control	
33	1001228112	1	Module, Platform Control	
34	1001262221	1	Plug	
		Ref	PLATFORM CONTROL BOX INSTALLATION	A
101	1001219173	1	Decal - Model Number	

# SECTION 4 - PLATFORM

FIGURE 4-9. PLATFORM CONTROL BOX INSTALLATION - WITH DRIVE SELECT SWITCH (Prior to SN B200069779, Prior to SN M200044013)



ART\_1001214924\_G

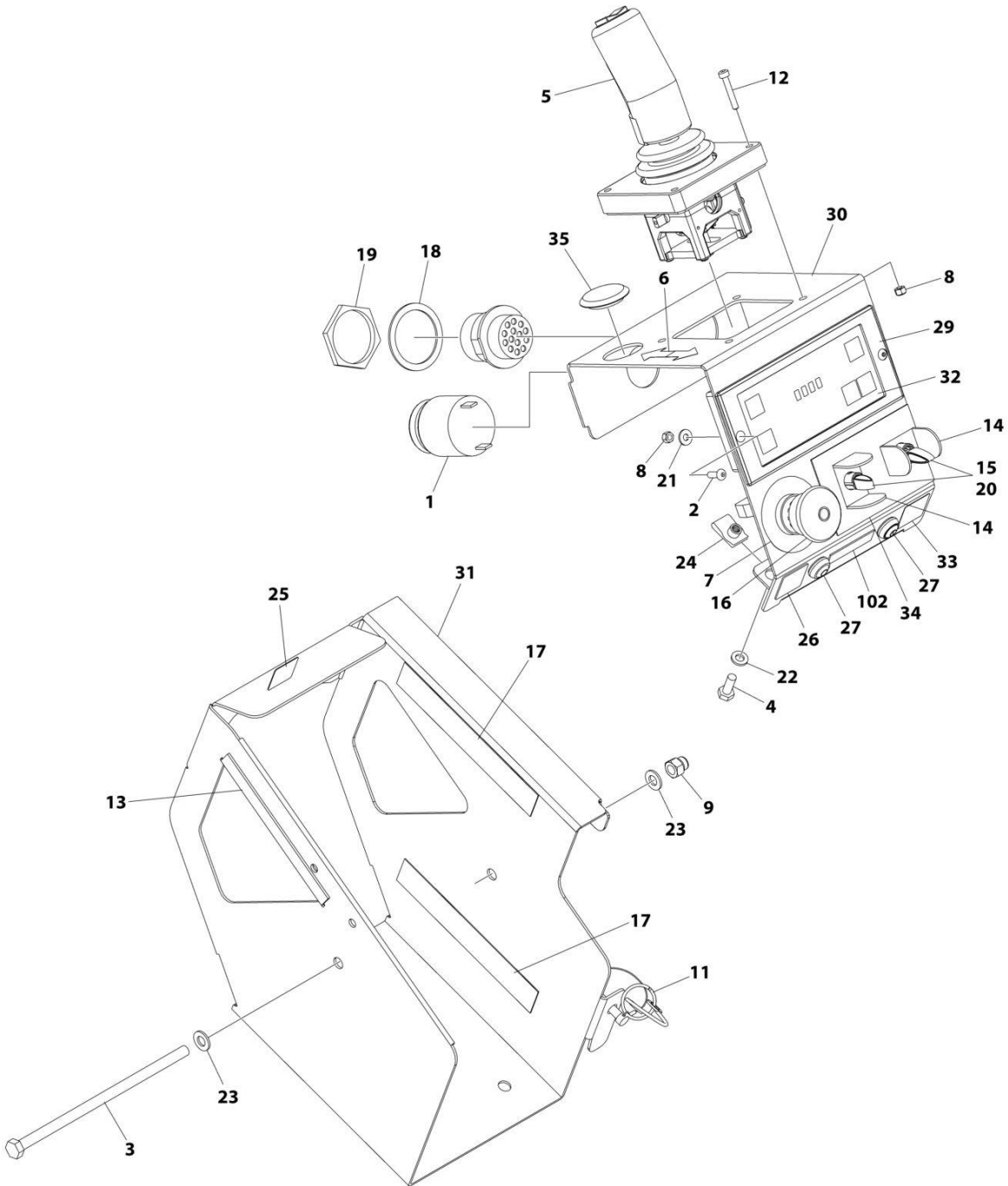
## SECTION 4 - PLATFORM

**FIGURE 4-9. PLATFORM CONTROL BOX INSTALLATION - WITH DRIVE SELECT SWITCH (Prior to SN B200069779, Prior to SN M200044013)**

ITEM	PART NUMBER	QTY	DESCRIPTION	REV
	1001214924	Ref	PLATFORM CONSOLE ASSEMBLY	G
1	0140030	1	Alarm	
2	0630473	2	Screw #8 x 1/2	
2	1001047064	2	Screw (Socket Head)	
3	0700835	1	Bolt M8 x 180	
4	0760610	2	Bolt M6 x 20	
5	1600402	1	Controller Assembly (See Separate Breakdown in this Section)	
6	1703819	1	Decal - Arrow	
7	1704260	1	Decal - Emergency Stop	
8	3290405	6	Nut M4	
9	3290806	1	Nut M8	
11	3423278	1	Pin, Snap with Lanyard	
12	4031509	4	Capscrew M4 x 25	
13	4060803	6 in /14cm	Flex-Trim	
14	4060906	2	Guard, Switch	
15	1001258446	2	Switch, Toggle	
16	4360475	1	Switch, Emergency Stop	
16	7020175	1	Cap	
16	7020176	1	Block, Contact	
17	4420062	12 in/ 30cm	Tape	
18	4460496	1	Washer, Terminal	
19	4460497	1	Nut, Terminal	
20	4711700	2	Washer 7/16	
21	4811400	2	Washer M4	
22	4811700	2	Washer M6	
23	4811900	2	Washer M8	
24	1001130220	2	Nut, Tinnerman M6	
25	1001132358	1	Decal - Steer	
26	1001132361	1	Decal - Horn	
27	1001226749	2	Switch - Push Button	
28	1001200819	1	Platform Control Box Harness (Not Shown) (See Separate Breakdown in ELECTRICAL SECTION)	
29	1001228112	1	Module, Platform Control	
30	1001209595	1	Plate, Box (Inside)	
31	1001209596	1	Plate, Box (Outside)	
32	1001218285	1	Decal - Platform Control	
33	1001213886	1	Decal - Indoor/Outdoor	
34	1001220893	1	Decal - Lift/Drive Function	
	1001214151	Ref	PLATFORM CONSOLE INSTALLATION	E
102	1001258665	1	Decal - 3246R/4045R	

# SECTION 4 - PLATFORM

FIGURE 4-10. PLATFORM CONTROL BOX INSTALLATION - WITH DRIVE SELECT SWITCH (SN B200069779 to Present, SN M200044013 to Present)



ART\_1001214924\_I

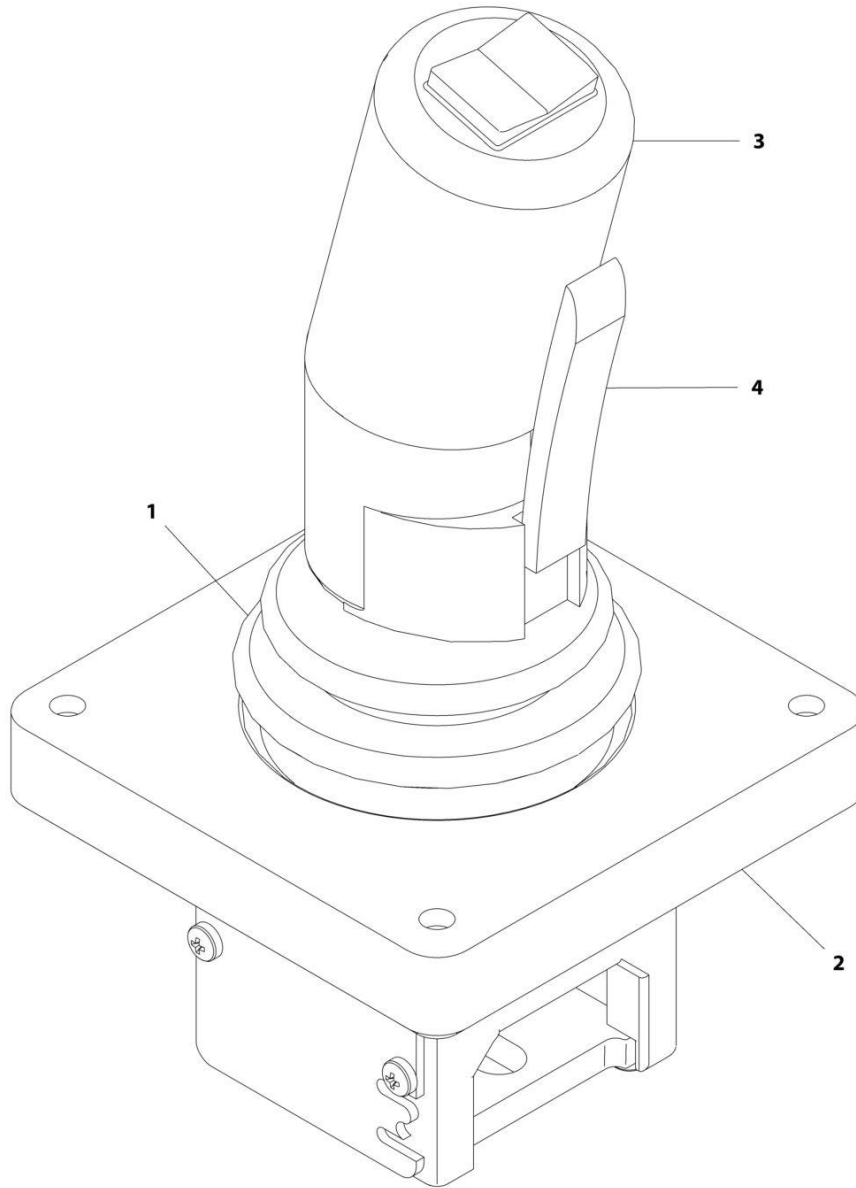
## SECTION 4 - PLATFORM

**FIGURE 4-10. PLATFORM CONTROL BOX INSTALLATION - WITH DRIVE SELECT SWITCH (SN B200069779 to Present, SN M200044013 to Present)**

ITEM	PART NUMBER	QTY	DESCRIPTION	REV
	1001214924	Ref	PLATFORM CONSOLE ASSEMBLY	I
1	0140030	1	Alarm	
2	0630473	2	Screw #8 x 1/2	
2	1001047064	2	Screw (Socket Head)	
3	0700835	1	Bolt M8 x 180	
4	0760610	2	Bolt M6 x 20	
5	1600402	1	Controller Assembly (See Separate Breakdown in this Section)	
6	1703819	1	Decal - Arrow	
7	1704260	1	Decal - Emergency Stop	
8	3290405	6	Nut M4	
9	3290806	1	Nut M8	
11	3423278	1	Pin, Snap with Lanyard	
12	4031509	4	Capscrew M4 x 25	
13	4060803	6 in /14cm	Flex-Trim	
14	4060906	2	Guard, Switch	
15	1001258446	2	Switch, Toggle	
16	4360475	1	Switch, Emergency Stop	
16	7020175	1	Cap	
16	7020176	1	Block, Contact	
17	4420062	12 in/ 30cm	Tape	
18	4460496	1	Washer, Terminal	
19	4460497	1	Nut, Terminal	
20	4711700	2	Washer 7/16	
21	4811400	2	Washer M4	
22	4811700	2	Washer M6	
23	4811900	2	Washer M8	
24	1001130220	2	Nut, Tinnerman M6	
25	1001132358	1	Decal - Steer	
26	1001132361	1	Decal - Horn	
27	1001226749	2	Switch - Push Button	
28	1001200819	1	Platform Control Box Harness (Not Shown) (See Separate Breakdown in ELECTRICAL Section)	
29	1001228112	1	Module, Platform Control	
30	1001262655	1	Plate, Box (Inside)	
31	1001209596	1	Plate, Box (Outside)	
32	1001218285	1	Decal - Platform Control	
33	1001213886	1	Decal - Indoor/Outdoor	
34	1001220893	1	Decal - Lift/Drive Function	
35	1001262221	1	Plug, Platform Control Box	
	1001214151	Ref	PLATFORM CONSOLE INSTALLATION	E
102	1001258665	1	Decal - 3246R/4045R	

# SECTION 4 - PLATFORM

## FIGURE 4-11. DRIVE/STEER CONTROLLER ASSEMBLY



ART\_1600402



## SECTION 4 - PLATFORM

**FIGURE 4-11. DRIVE/STEER CONTROLLER ASSEMBLY**

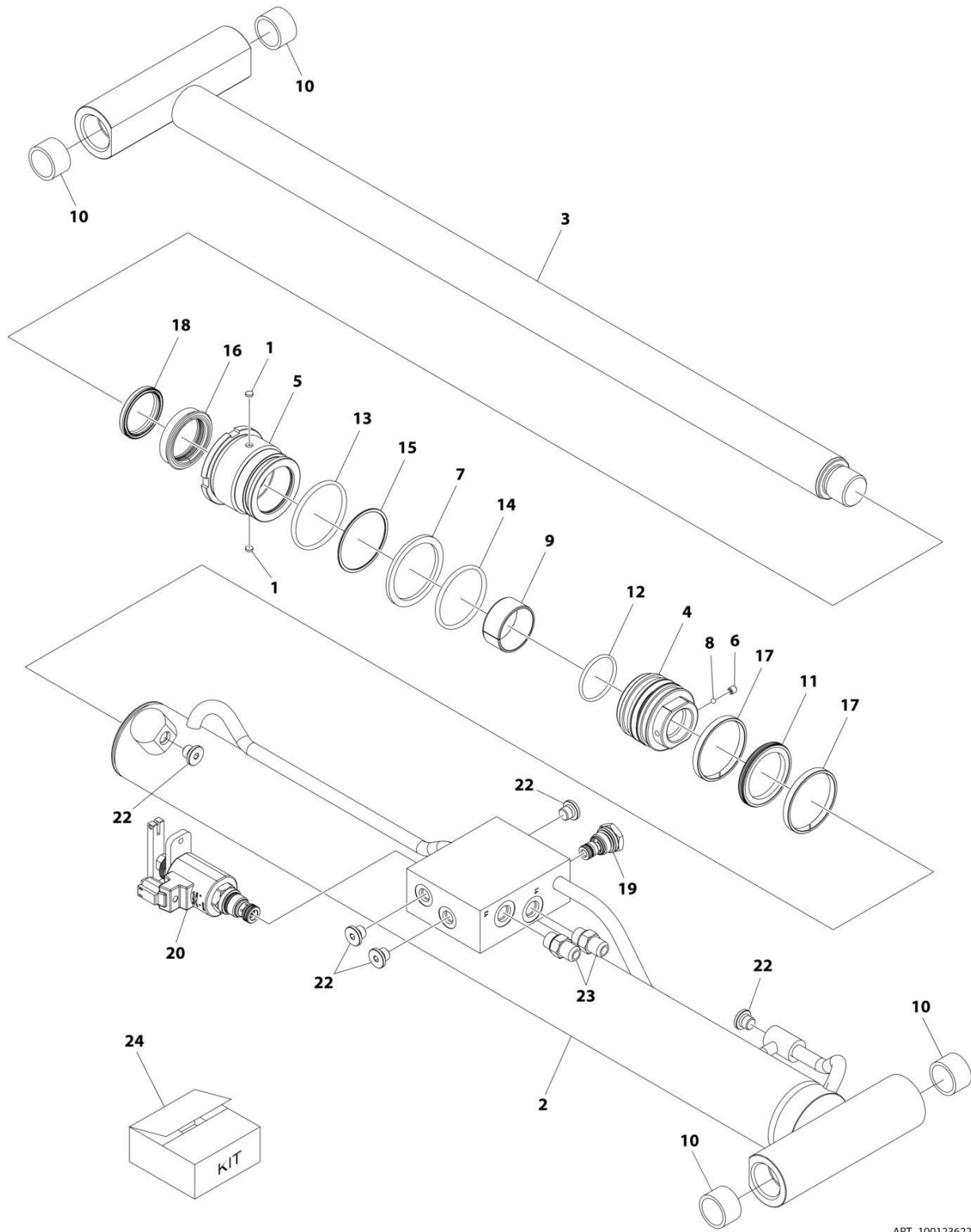
ITEM	PART NUMBER	QTY	DESCRIPTION	REV
	1600402	Ref	DRIVE/STEER CONTROLLER ASSEMBLY	A
1	70001250	1	Boot, Panel	
2	70001252	1	Gasket, Mounting	
2	70001251	1	Bezel, Mounting	
3	70003650	1	Handle Repair Kit (Includes handle gasket, item#4 push button and item #4 lever installed in front handle half, back handle half, top actuator, boot and hardware.)	
3	70000084	1	Cap, Rubber	
3	70000082	1	Microswitch	
3	7027766	1	Ring, Retaining	
3	7027365	1	Actuator, Handle	
3	70001253	1	Gasket, Handle	
3	70000683	4	Washer, Neoprene	
3	70000685	2	Spacer, Plastic	
3	70000686	2	Screw (Top)	
3	70000684	2	Screw (Bottom)	
4	7027367	1	Switch, Push Button	
4	7027765	1	Lever, Enable	



**SECTION 5 - CYLINDER**

# SECTION 5 - CYLINDER

## FIGURE 5-1. LIFT CYLINDER ASSEMBLY



ART\_1001236222

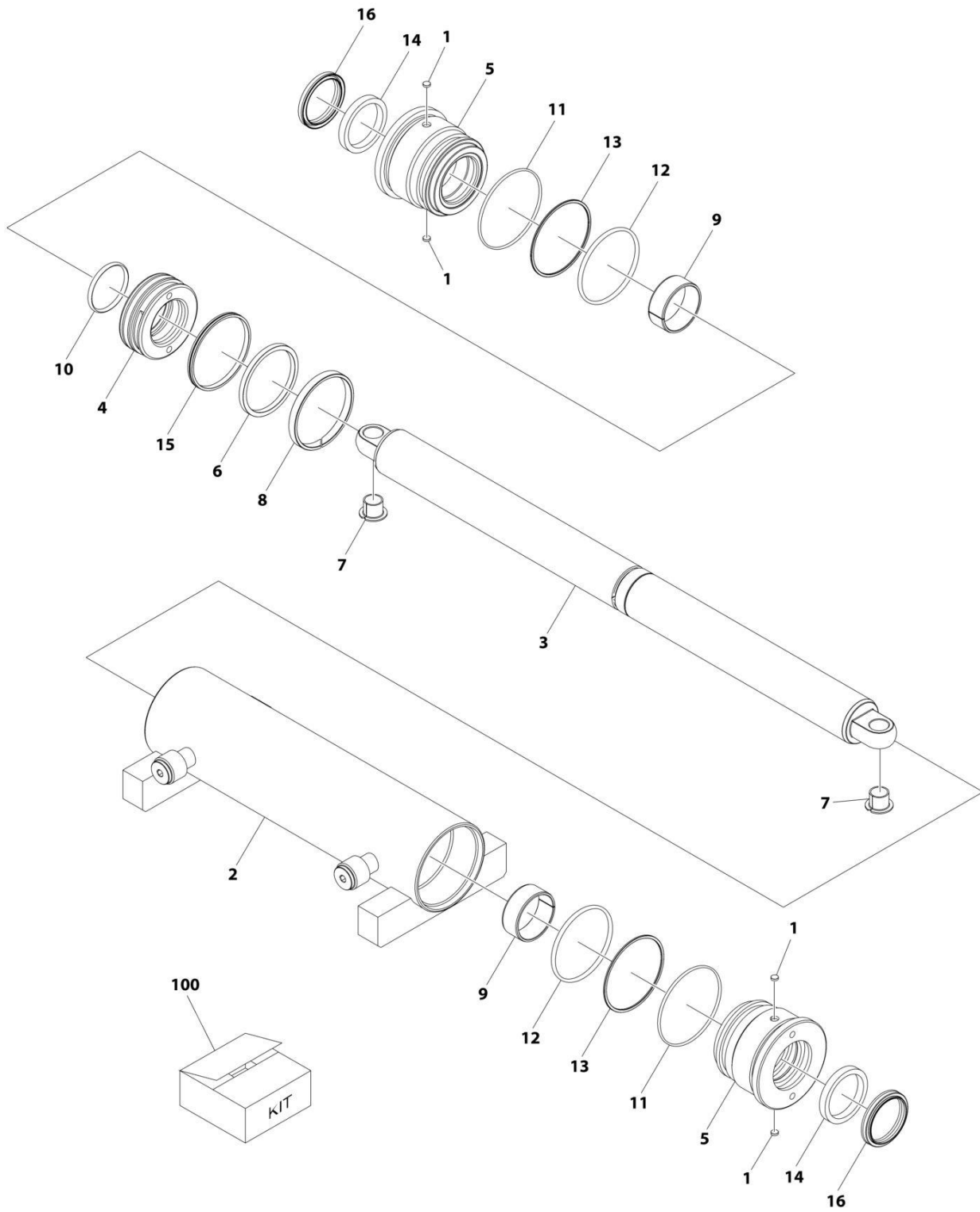
## SECTION 5 - CYLINDER

**FIGURE 5-1. LIFT CYLINDER ASSEMBLY**

ITEM	PART NUMBER	QTY	DESCRIPTION	REV
	1001236222	Ref	LIFT CYLINDER ASSEMBLY	B
		Ref	Note: Original Cylinder May Have Been Replaced with Service Replacement. Identify PN Stamped on Cylinder Before Ordering Parts.	
1	70003636	2	Insert, Locking	
2	See Note	NSS	Barrel (Note: Use p/n 1001236222)	
3	70007129	1	Rod	
4	70007130	1	Piston	
5	70007131	1	Head	
6	See Note	NSS	Setscrew (Note: Use Item 24)	
7	70007132	1	Ring, Back-up	
8	See Note	NSS	Ball (Note: Use Item 24)	
9	70007133	1	Ring, Wear	
10	0962292	4	Bearing	
11	See Note	NSS	Ring, Wear (Note: Use Item 24)	
12	See Note	NSS	O-Ring (Note: Use Item 24)	
13	See Note	NSS	O-Ring (Note: Use Item 24)	
14	See Note	NSS	O-Ring (Note: Use Item 24)	
15	See Note	NSS	Ring, Back-up (Note: Use Item 24)	
16	See Note	NSS	Seal, Rod (Note: Use Item 24)	
17	See Note	NSS	Seal, Piston (Note: Use Item 24)	
18	See Note	NSS	Wiper (Note: Use Item 24)	
19	70004585	1	Valve, Check (Bosch Rexroth)	
19	70008142	1	Valve, Check (Sant - Valvole)	
20	70005236	1	Valve, Manual Descent (Bosch Rexroth)	
20	70008143	1	Valve, Manual Descent (Sant - Valvole)	
21	70007134	2	Fitting, Straight (Not Shown)	
22	2220883	5	Plug	
23	70007135	2	Fitting, Straight	
24	70007136	1	Seal Kit - Cylinder (Includes Items 6, 8 & 11-18)	

# SECTION 5 - CYLINDER

## FIGURE 5-2. STEER CYLINDER ASSEMBLY



ART\_1001234461

## SECTION 5 - CYLINDER

### FIGURE 5-2. STEER CYLINDER ASSEMBLY

ITEM	PART NUMBER	QTY	DESCRIPTION	REV
	1001234461	Ref	STEER CYLINDER ASSEMBLY	A
		Ref	Note: Original Cylinder May Have Been Replaced with Service Replacement. Identify PN Stamped on Cylinder Before Ordering Parts.	
1	70003636	4	Insert, Locking	
2	See Note	NSS	Barrel (Note: Use p/n 1001234461)	
3	70007074	1	Rod	
4	70007075	1	Piston	
5	70007076	2	Head	
6	70007077	1	Ring, Retaining	
7	0440259	2	Bushing	
8	See Note	NSS	Ring, Wear (Note: Use Item 100)	
9	See Note	NSS	Ring, Wear (Note: Use Item 100)	
10	See Note	NSS	O-Ring (Note: Use Item 100)	
11	See Note	NSS	O-Ring (Note: Use Item 100)	
12	See Note	NSS	O-Ring (Note: Use Item 100)	
13	See Note	NSS	Ring, Back-up (Note: Use Item 100)	
14	See Note	NSS	Seal, Rod (Note: Use Item 100)	
15	See Note	NSS	Seal, Piston (Note: Use Item 100)	
16	See Note	NSS	Wiper (Note: Use Item 100)	
100	70007118	1	Seal Kit - Cylinder (Includes Items 8-16)	

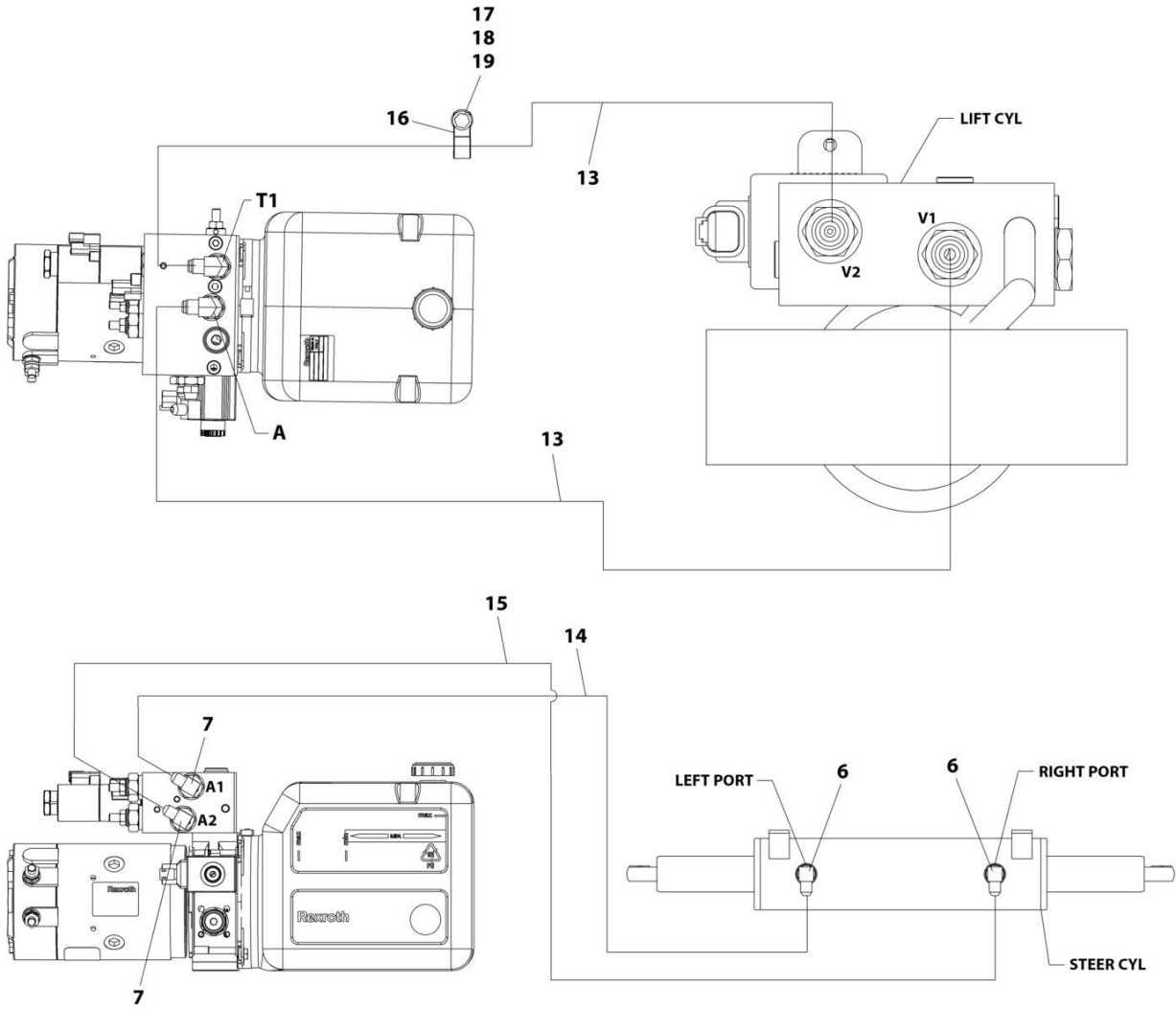




**SECTION 6 - HYDRAULIC**

# SECTION 6 - HYDRAULIC

## FIGURE 6-1. HYDRAULIC DIAGRAM



ART\_1001235002\_2OF2

## SECTION 6 - HYDRAULIC

### FIGURE 6-1. HYDRAULIC DIAGRAM

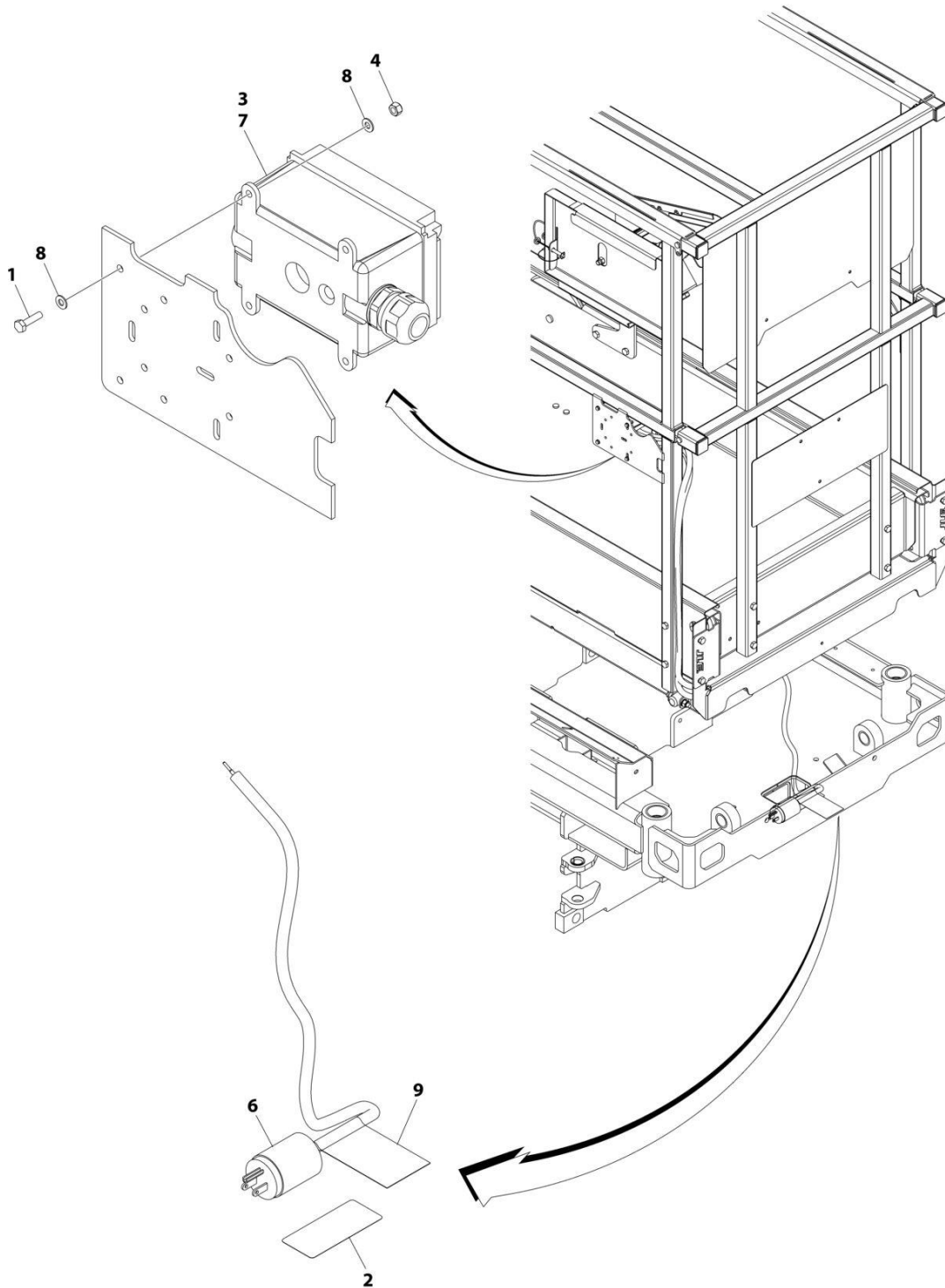
ITEM	PART NUMBER	QTY	DESCRIPTION	REV
	1001235002	Rev	HYDRAULIC DIAGRAM	I
6	2220466	2	Adapter, 90	
7	2220654	2	Adapter, 90	
9	4240018	8	Tie-Strap (Not Shown)	
13	1001249887	2	Hose	
14	1001238025	1	Hose	
15	1001238026	1	Hose	
16	1001247924	1	Clamp, Hoses	
18	3290601	1	Nut M6	
20	0700610	1	Screw M6 x 20	
21	4811700	2	Washer M6	



**SECTION 7 - ELECTRICAL**

# SECTION 7 - ELECTRICAL

FIGURE 7-1. AC BOX AT PLATFORM INSTALLATION - 110V GFI (ALL SPECS EXCEPT CE SPECS)



ART\_1001244911

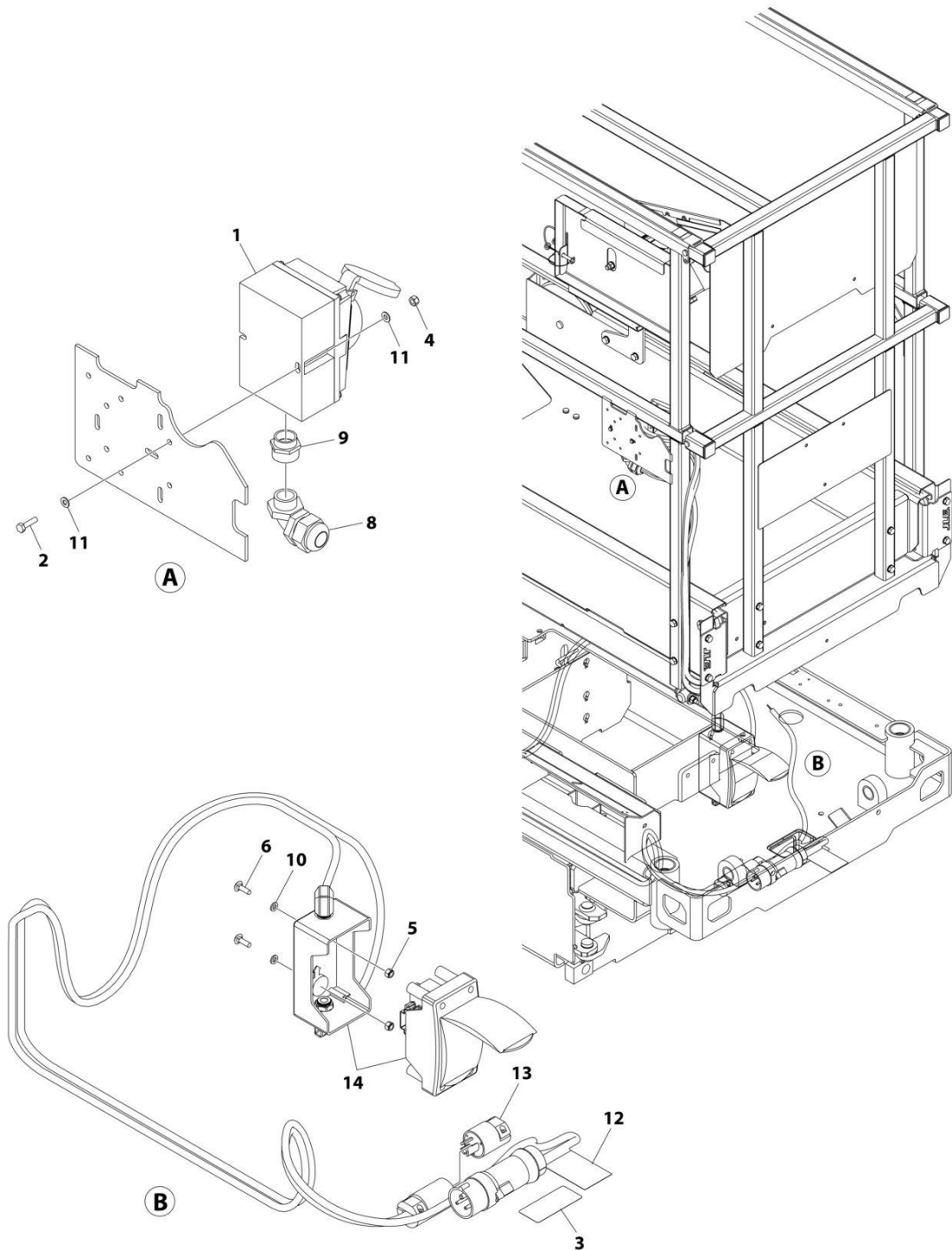
## SECTION 7 - ELECTRICAL

**FIGURE 7-1. AC BOX AT PLATFORM INSTALLATION - 110V GFI (ALL SPECS EXCEPT CE SPECS)**

ITEM	PART NUMBER	QTY	DESCRIPTION	REV
	1001244911	Ref	AC BOX AT PLATFORM INSTALLATION - 110V GFI	A
1	0760408	4	Bolt M4 x 16	
2	1703464	1	Decal - AC Power	
3	2902431	1	Receptacle Box Kit (See Separate Breakdown in this Section)	
4	3290405	4	Nut M4	
5	4240017	AR	Tie-Strap (Not Shown)	
6	4460138	1	Plug, Male - AC	
7	4460315	1	Terminal	
8	4811400	8	Washer M4	
9	1001102258	1	Decal - AC Label	

# SECTION 7 - ELECTRICAL

## FIGURE 7-2. AC BOX AT PLATFORM INSTALLATION - 110V IEC YELLOW (CE SPECS)



ART\_1001244916



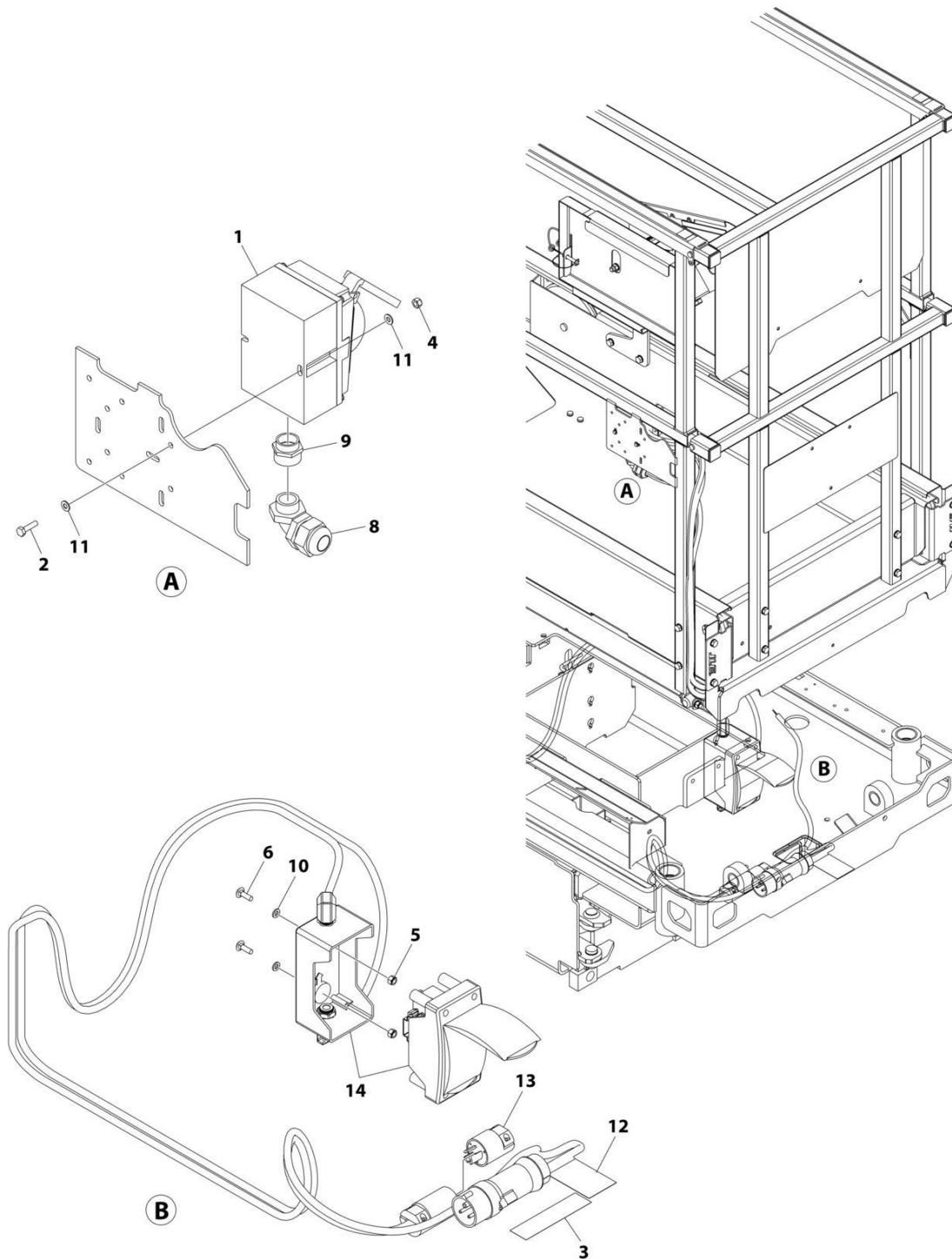
## SECTION 7 - ELECTRICAL

**FIGURE 7-2. AC BOX AT PLATFORM INSTALLATION - 110V IEC YELLOW (CE SPECS)**

ITEM	PART NUMBER	QTY	DESCRIPTION	REV
	1001244916	Ref	AC BOX AT PLATFORM INSTALLATION - 110V IEC YELLOW	B
1	0275216	1	Receptacle Box Kit - 110V IEC Yellow (See Separate Breakdown in this Section)	
2	0760408	2	Bolt M4 x 16	
3	1703464	1	Decal - AC Power	
4	3290405	2	Nut M4	
5	3290605	2	Nut M6	
6	1001100451	2	Bolt M6 x 20	
7	4240017	AR	Tie-Strap (Not Shown)	
8	4461257	1	Connector, Strain Relief	
9	4461258	1	Connector, Adapter	
10	4811700	2	Washer M6	
11	4811400	4	Washer M4	
12	1001102258	1	Decal - AC Label	
13	1001120204	1	Plug, Male Twist	
14	1001244909	1	Breaker Box Kit (See Separate Breakdown in this Section)	

# SECTION 7 - ELECTRICAL

## FIGURE 7-3. AC BOX AT PLATFORM INSTALLATION - 220V IEC BLUE (CE SPECS)



ART\_1001244917

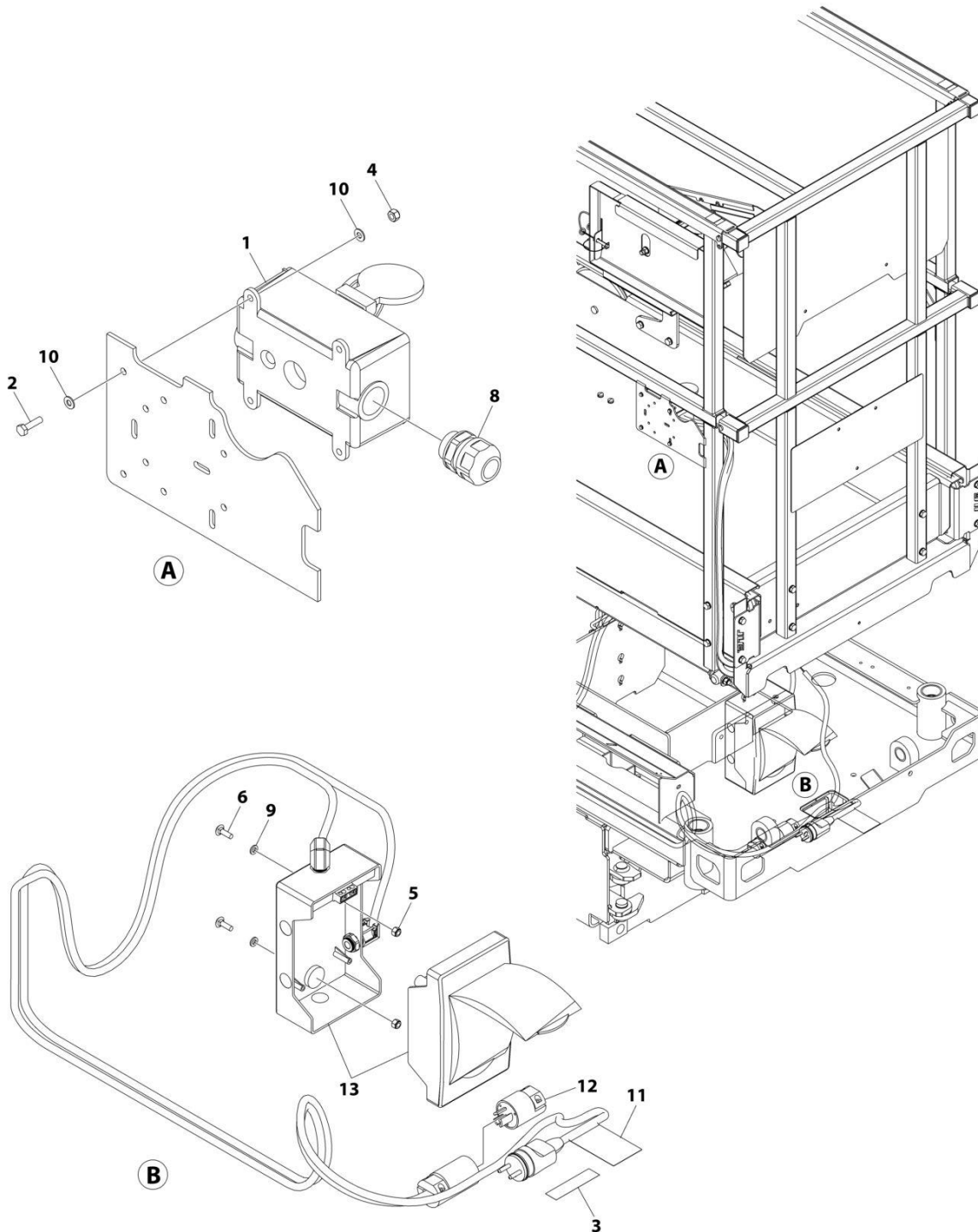
## SECTION 7 - ELECTRICAL

**FIGURE 7-3. AC BOX AT PLATFORM INSTALLATION - 220V IEC BLUE (CE SPECS)**

ITEM	PART NUMBER	QTY	DESCRIPTION	REV
	1001244917	Ref	AC BOX AT PLATFORM INSTALLATION - 220V IEC BLUE	B
1	0275217	1	Receptacle Box Kit - 220V IEC Blue (See Separate Breakdown in this Section)	
2	0760408	2	Bolt M4 x 16	
3	3252507	1	Decal - AC Power	
4	3290405	2	Nut M4	
5	3290605	2	Nut M6	
6	1001100451	2	Bolt M6 x 20	
7	4240017	AR	Tie-Strap (Not Shown)	
8	4461257	1	Connector, Strain Relief	
9	4461258	1	Connector, Adapter	
10	4811700	2	Washer M6	
11	4811400	4	Washer M4	
12	1001102258	1	Decal - AC Label	
13	1001120204	1	Plug, Male Twist	
14	1001244909	1	Breaker Box Kit (See Separate Breakdown in this Section)	

# SECTION 7 - ELECTRICAL

## FIGURE 7-4. AC BOX AT PLATFORM INSTALLATION - 220V CEE7 POST GROUND (CE SPECS)



ART\_1001244913

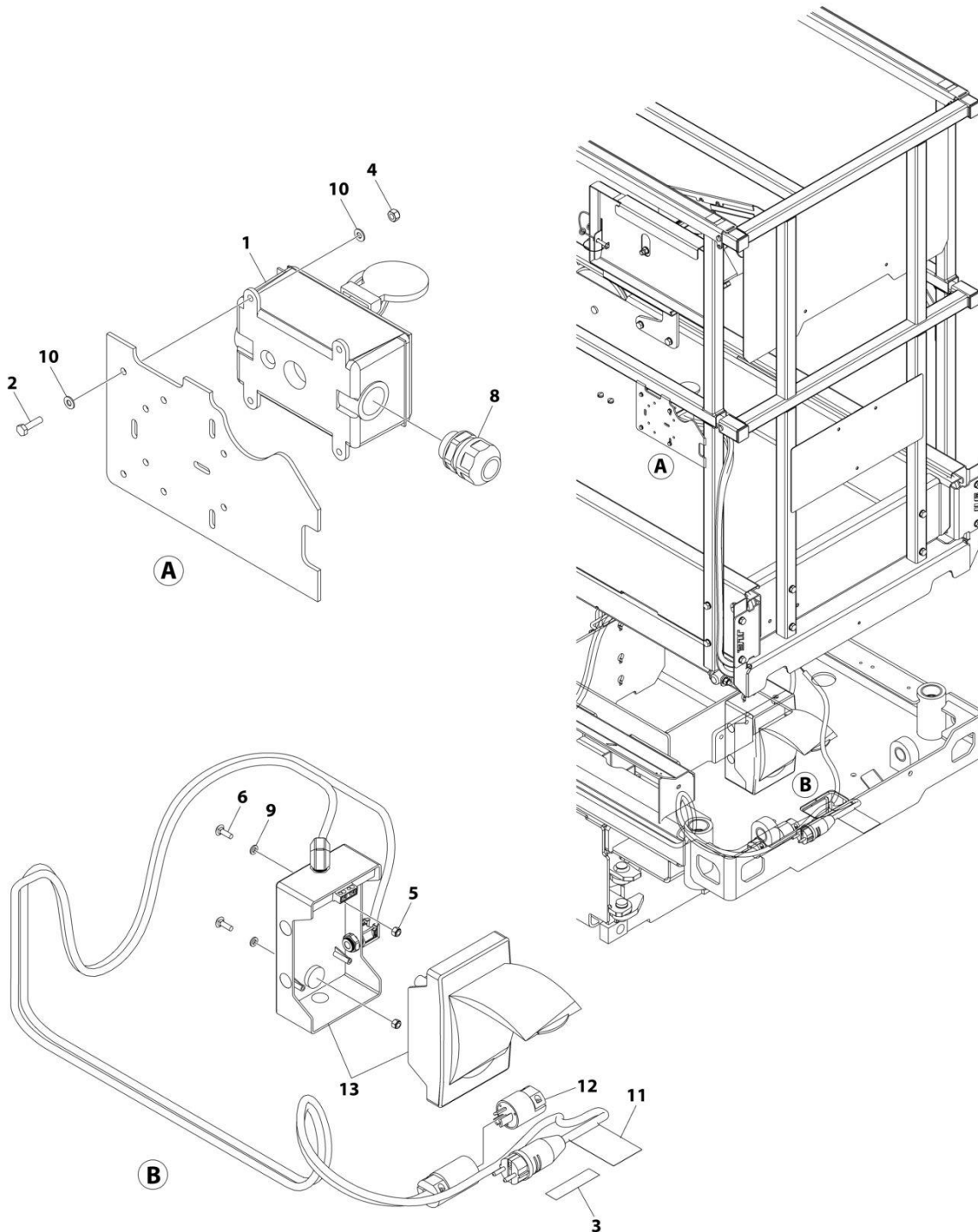
## SECTION 7 - ELECTRICAL

**FIGURE 7-4. AC BOX AT PLATFORM INSTALLATION - 220V CEE7 POST GROUND (CE SPECS)**

ITEM	PART NUMBER	QTY	DESCRIPTION	REV
	1001244913	Ref	AC BOX AT PLATFORM INSTALLATION - 220V CEE7 POST GROUND	B
1	0275452	1	Receptacle Box Kit - 220V CEE7 Post Ground (See Separate Breakdown in this Section)	
2	0760408	4	Bolt M4 x 16	
3	3252507	1	Decal - AC Power	
4	3290405	4	Nut M4	
5	3290605	2	Nut M6	
6	1001100451	2	Bolt M6 x 20	
7	4240017	AR	Tie-Strap (Not Shown)	
8	4460662	1	Connector, Strain Relief	
9	4811700	2	Washer M6	
10	4811400	8	Washer M4	
11	1001102258	1	Decal - AC Label	
12	1001120204	1	Plug, Male Twist	
13	1001244908	1	Breaker Box Kit (See Separate Breakdown in this Section)	

# SECTION 7 - ELECTRICAL

## FIGURE 7-5. AC BOX AT PLATFORM INSTALLATION - 220V CEE7 SIDE GROUND (CE SPECS)



ART\_1001244914

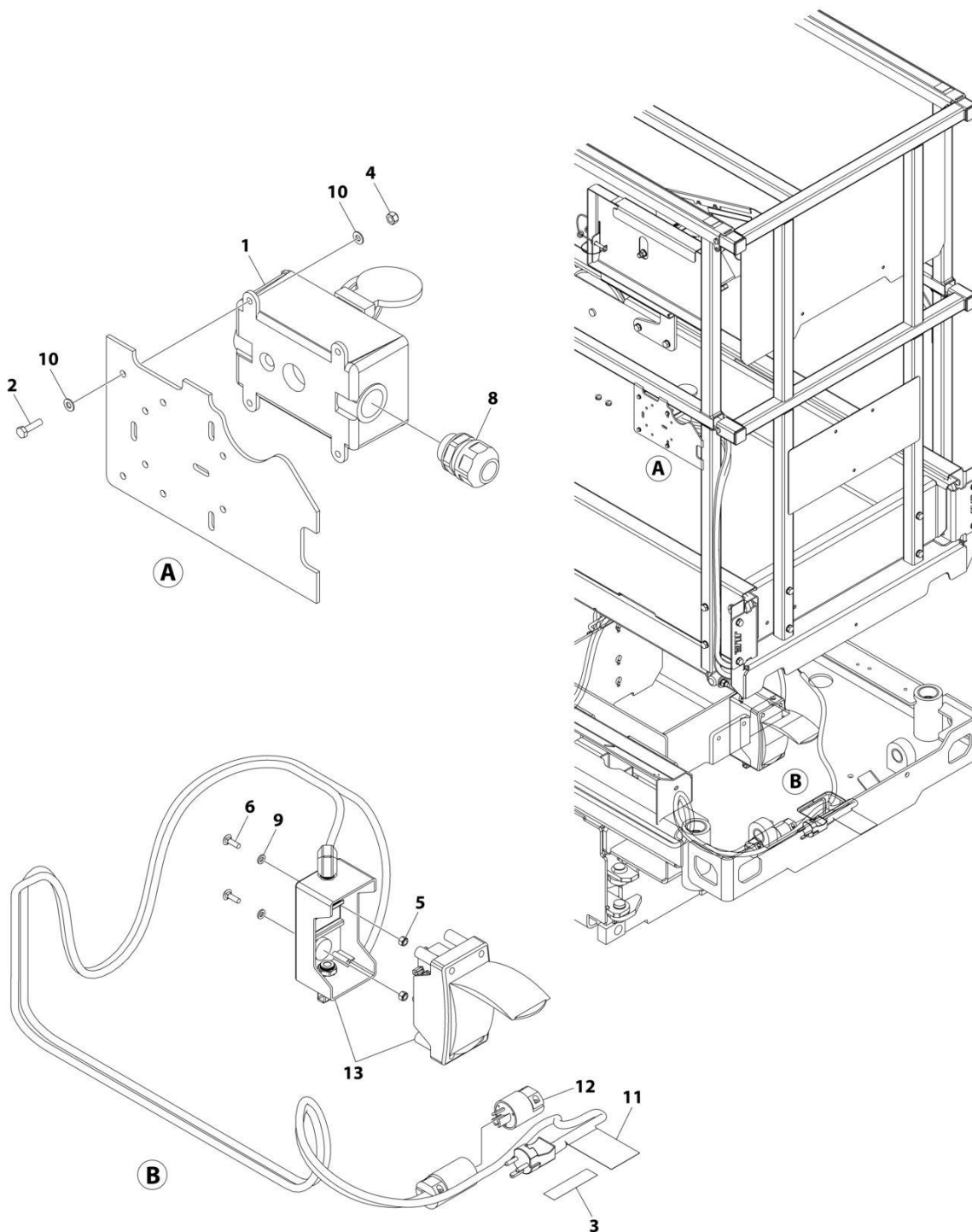
## SECTION 7 - ELECTRICAL

**FIGURE 7-5. AC BOX AT PLATFORM INSTALLATION - 220V CEE7 SIDE GROUND (CE SPECS)**

ITEM	PART NUMBER	QTY	DESCRIPTION	REV
	1001244914	Ref	AC BOX AT PLATFORM INSTALLATION - 220V CEE7 SIDE GROUND	B
1	0275453	1	Receptacle Box Kit - 220V CEE7 Side Ground (See Separate Breakdown in this Section)	
2	0760408	4	Bolt M4 x 16	
3	3252507	1	Decal - AC Power	
4	3290405	4	Nut M4	
5	3290605	2	Nut M6	
6	1001100451	2	Bolt M6 x 20	
7	4240017	AR	Tie-Strap (Not Shown)	
8	4460662	1	Connector, Strain Relief	
9	4811700	2	Washer M6	
10	4811400	8	Washer M4	
11	1001102258	1	Decal - AC Label	
12	1001120204	1	Plug, Male Twist	
13	1001244908	1	Breaker Box Kit (See Separate Breakdown in this Section)	

# SECTION 7 - ELECTRICAL

## FIGURE 7-6. AC BOX AT PLATFORM INSTALLATION - 220V AFSINT 107 (CE SPECS)



ART\_1001244915



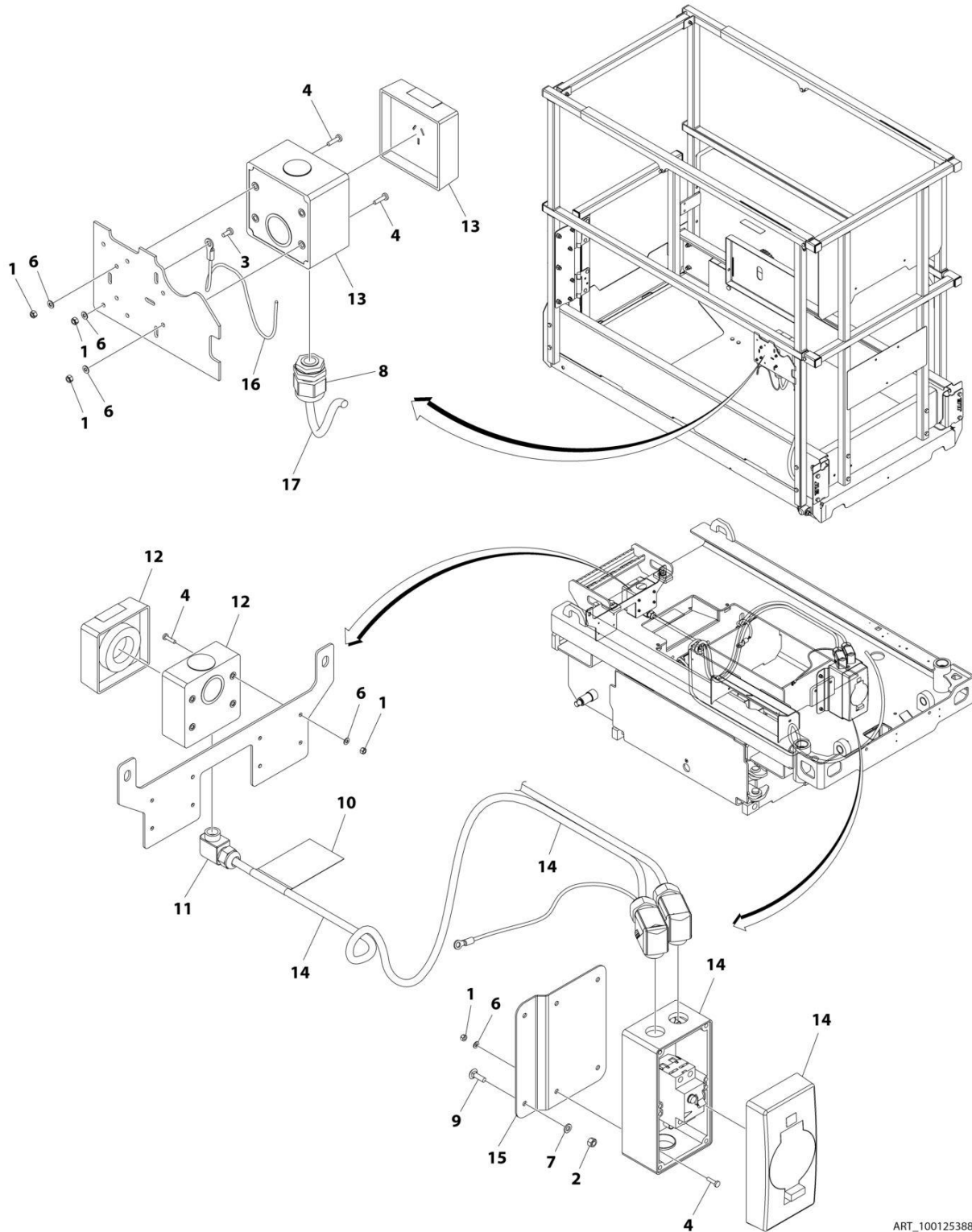
## SECTION 7 - ELECTRICAL

**FIGURE 7-6. AC BOX AT PLATFORM INSTALLATION - 220V AFSINT 107 (CE SPECS)**

ITEM	PART NUMBER	QTY	DESCRIPTION	REV
	1001244915	Ref	AC BOX AT PLATFORM INSTALLATION - 220V AFSINT 107	B
1	0275454	1	Receptacle Box Kit - 220V AFSINT 107 (See Separate Breakdown in this Section)	
2	0760408	4	Bolt M4 x 16	
3	3252507	1	Decal - AC Power	
4	3290405	4	Nut M4	
5	3290605	2	Nut M6	
6	1001100451	2	Bolt M6 x 20	
7	4240017	AR	Tie-Strap (Not Shown)	
8	4460662	1	Connector, Strain Relief	
9	4811700	2	Washer M6	
10	4811400	8	Washer M4	
11	1001102258	1	Decal - AC Label	
12	1001120204	1	Plug, Male Twist	
13	1001244909	1	Breaker Box Kit (See Separate Breakdown in this Section)	

# SECTION 7 - ELECTRICAL

## FIGURE 7-7. AC BOX AT PLATFORM INSTALLATION - 220V AUSTRALIAN PLUG (AUSTRALIAN SPECS)



ART\_1001253885

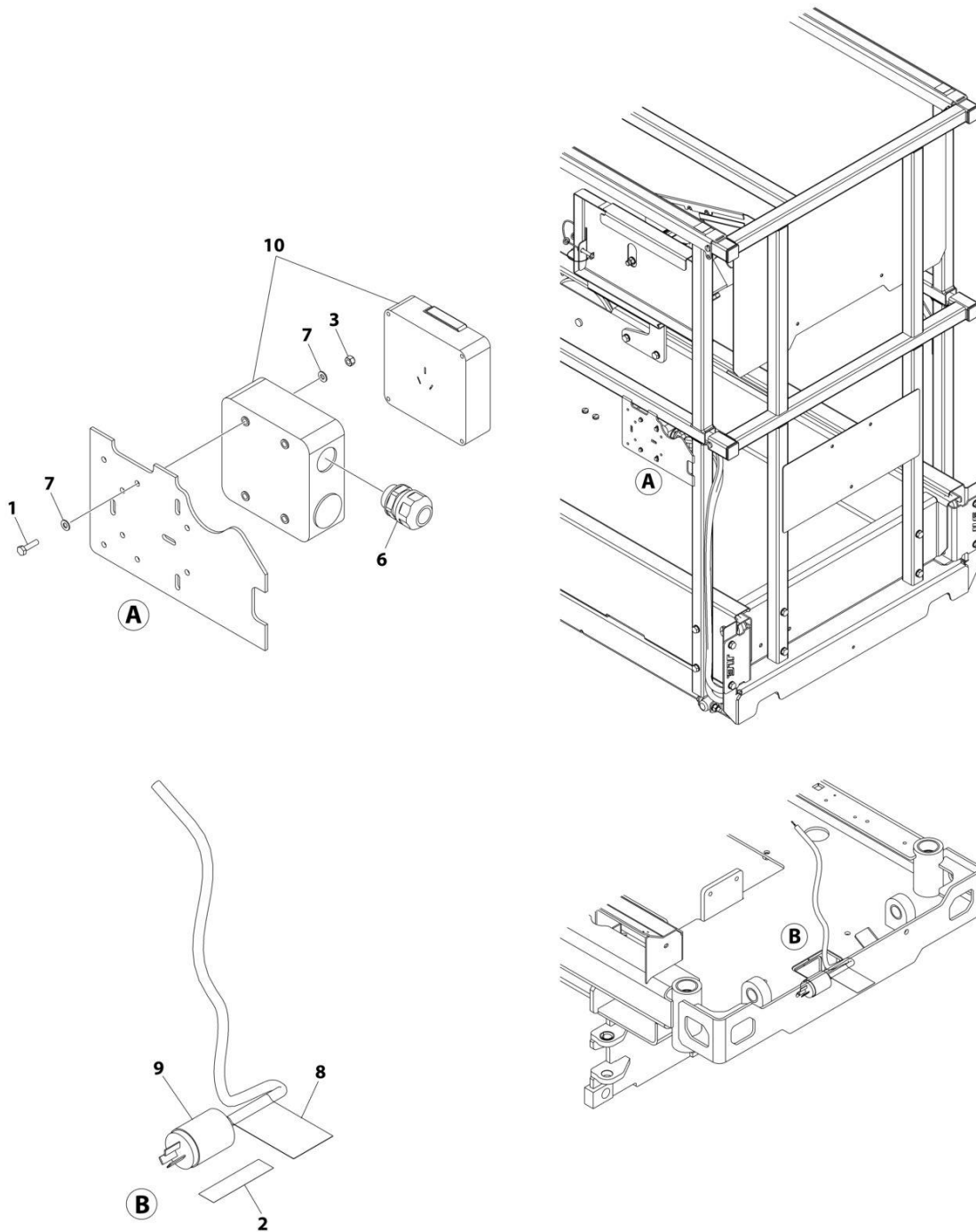
## SECTION 7 - ELECTRICAL

**FIGURE 7-7. AC BOX AT PLATFORM INSTALLATION - 220V AUSTRALIAN PLUG (AUSTRALIAN SPECS)**

ITEM	PART NUMBER	QTY	DESCRIPTION	REV
	1001253885	Ref	AC BOX AT PLATFORM INSTALLATION - 220V	A
1	3290405	13	Nut M4	
2	3290605	2	Nut M6	
3	4010405	1	Screw M4 x 10	
4	4010408	12	Screw M4 x 16	
5	4240017	AR	Tie-Starp (Not Shown)	
6	4811400	13	Washer M4	
7	4811700	2	Washer M6	
8	1001097150	1	Connector, Strain Relief	
9	1001100451	2	Bolt M6 x 20	
10	1001102258	1	Decal - AC Label	
11	1001103471	1	Connector, Strain Relief 90	
12	1001227267	1	Receptacle, Female	
13	1001227268	1	Receptacle, Female	
14	1001253969	1	Breaker Box Assembly (See Separate Breakdown in this Section)	
15	1001253972	1	Bracket	
16	1001245744	1	Harness, Earth/Ground	
17	1001245747	1	Conduit	

# SECTION 7 - ELECTRICAL

## FIGURE 7-8. AC BOX AT PLATFORM INSTALLATION - 220V CHINA PLUG (CHINA SPECS)



ART\_1001244918

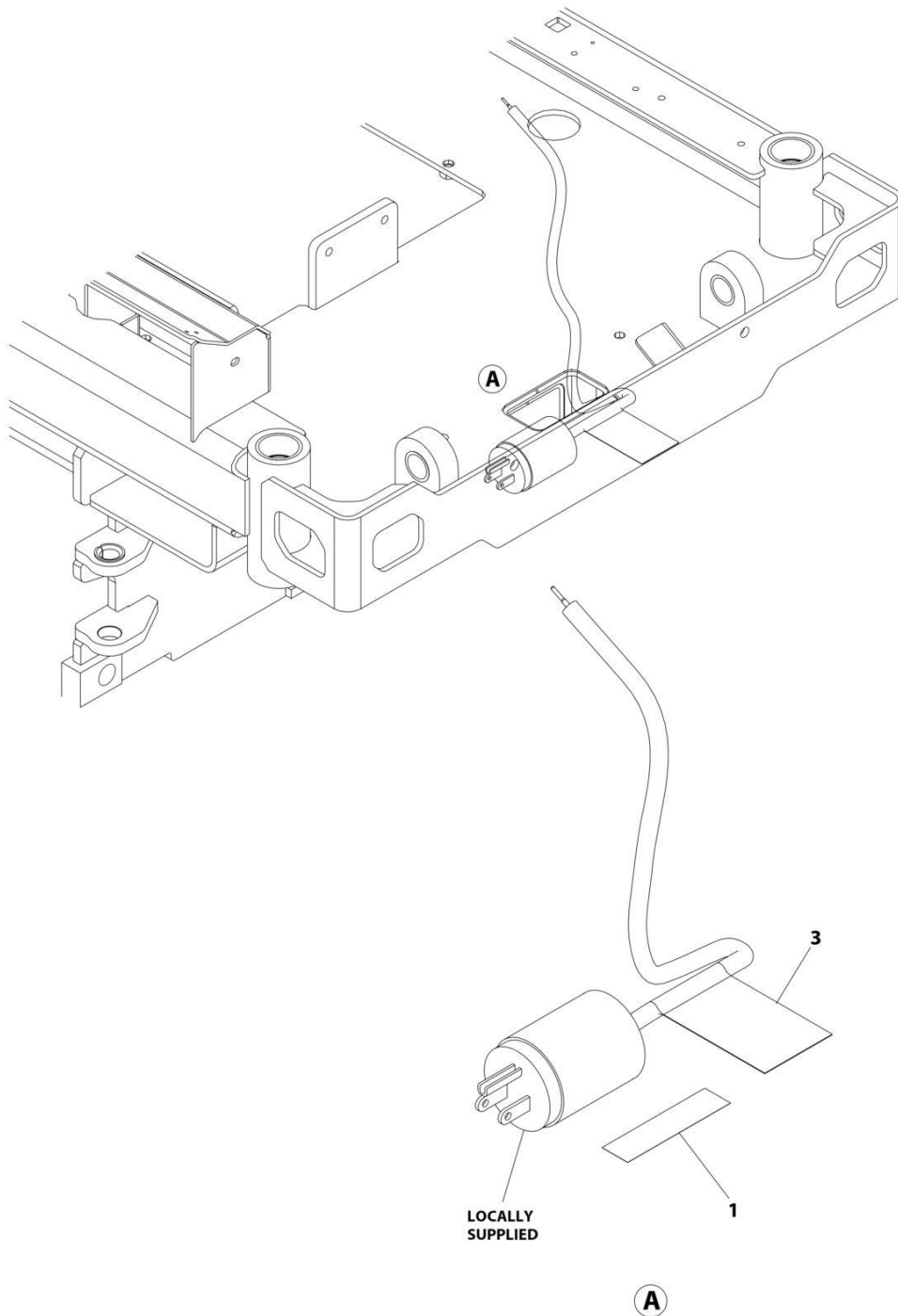
## SECTION 7 - ELECTRICAL

**FIGURE 7-8. AC BOX AT PLATFORM INSTALLATION - 220V CHINA PLUG (CHINA SPECS)**

ITEM	PART NUMBER	QTY	DESCRIPTION	REV
	1001244918	Ref	AC BOX AT PLATFORM INSTALLATION - 220V CHINA PLUG	A
1	0760408	4	Bolt M4 x 16	
2	3252507	1	Decal - 220 Volt	
3	3290405	4	Nut M4	
4	4240017	AR	Tie-Strap (Not Shown)	
5	4460315	1	Terminal (Not Shown)	
6	4460968	1	Connector, Strain Relief	
7	4811400	8	Washer M4	
8	1001102258	1	Decal - AC Label	
9	1001187816	1	Plug	
10	1001188116	1	Box	

# SECTION 7 - ELECTRICAL

## FIGURE 7-9. AC BOX AT PLATFORM INSTALLATION - 220V LOCALLY SUPPLIED



ART\_1001244912

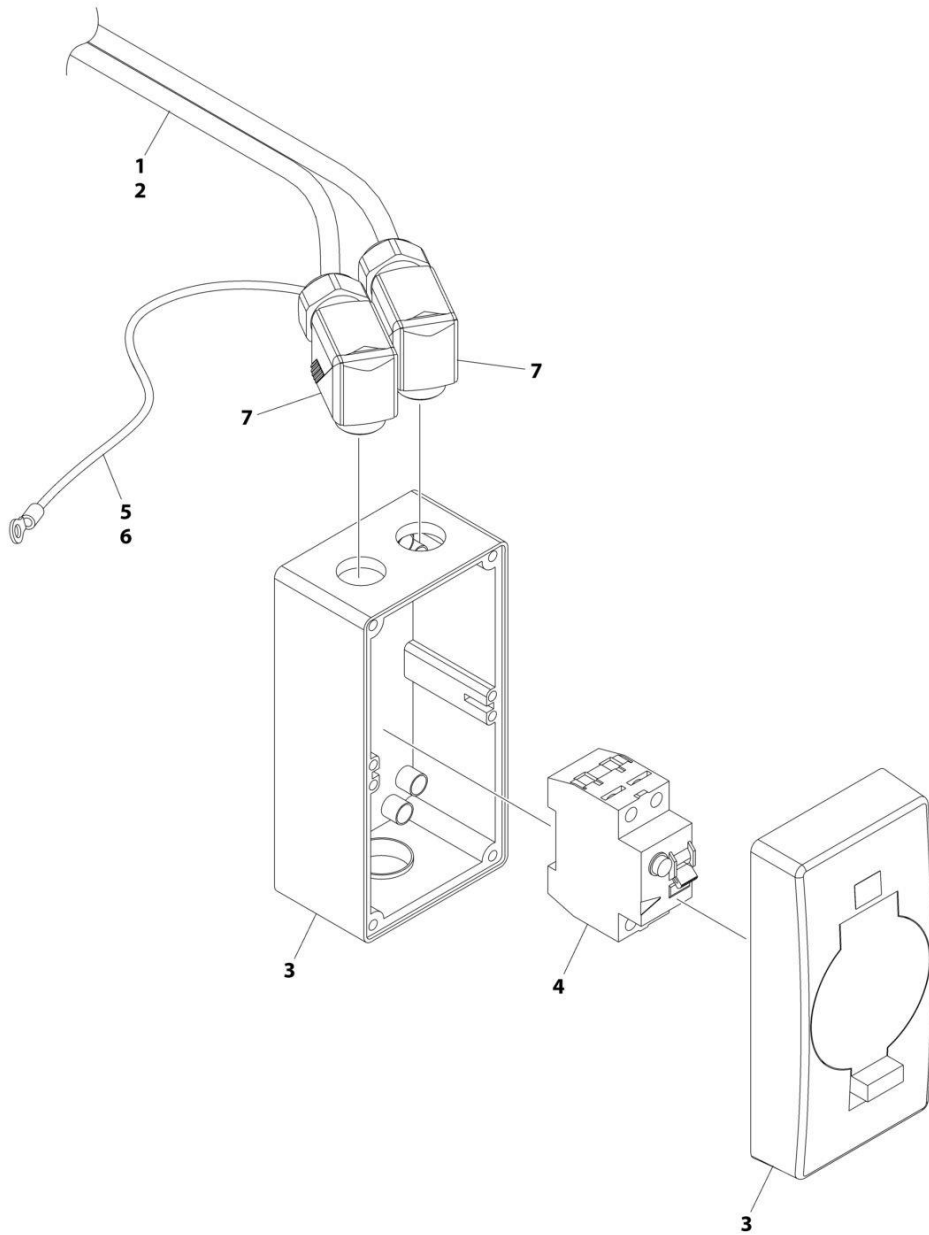
## SECTION 7 - ELECTRICAL

**FIGURE 7-9. AC BOX AT PLATFORM INSTALLATION - 220V LOCALLY SUPPLIED**

ITEM	PART NUMBER	QTY	DESCRIPTION	REV
	1001244912	Ref	AC BOX AT PLATFORM INSTALLATION - 220V LOCALLY SUPPLIED COMPONENTS	A
1	3252507	1	Decal - 220 Volt	
2	4240017	AR	Tie-Strap (Not Shown)	
3	1001102258	1	Decal - AC Label	

# SECTION 7 - ELECTRICAL

FIGURE 7-10. BREAKER BOX KIT WITH 1 DOUBLE BREAKER (AUSTRALIAN SPECS)



ART\_1001253969



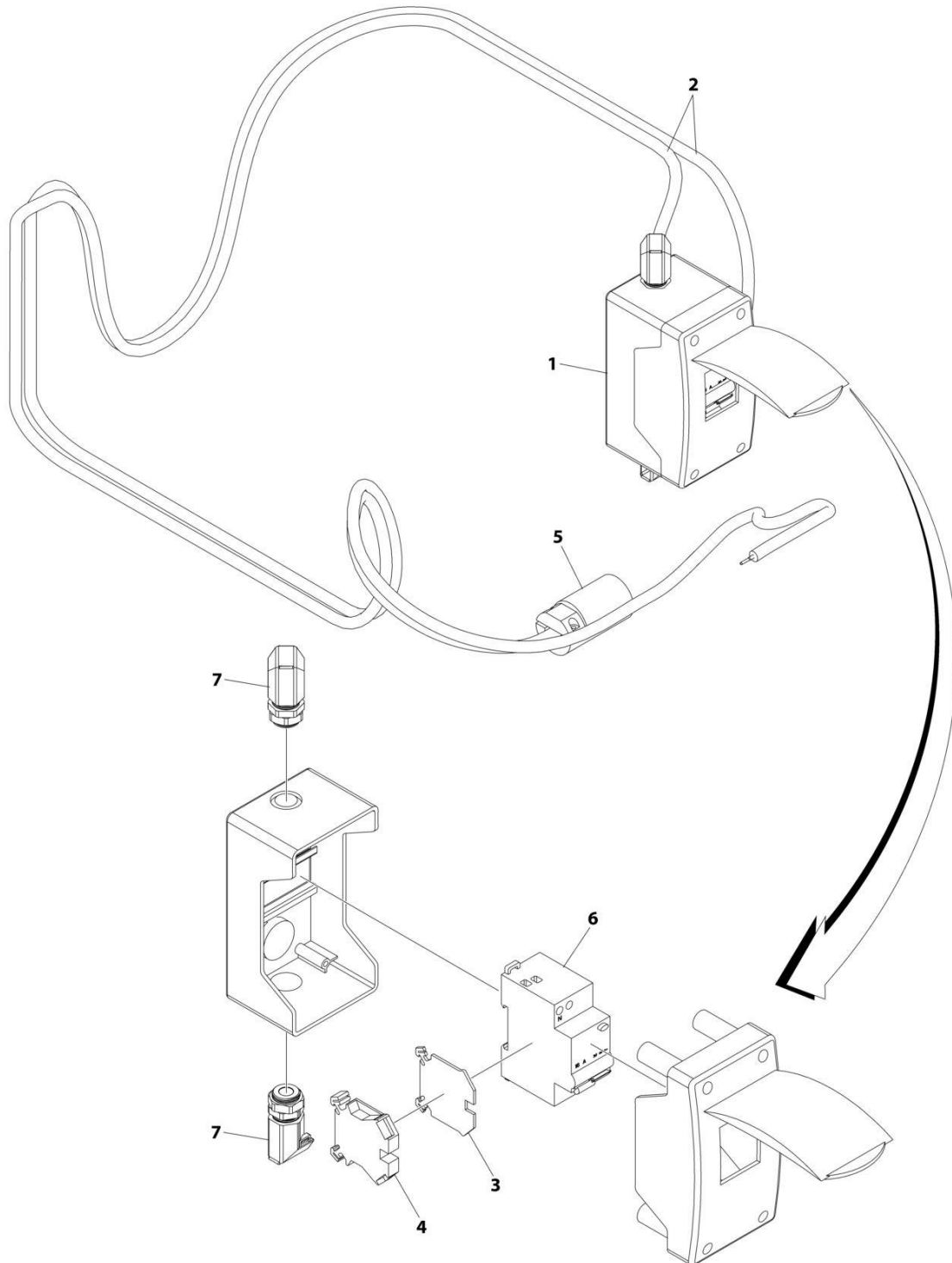
## SECTION 7 - ELECTRICAL

**FIGURE 7-10. BREAKER BOX KIT WITH 1 DOUBLE BREAKER (AUSTRALIAN SPECS)**

ITEM	PART NUMBER	QTY	DESCRIPTION	REV
	1001253969	1	BREAKER BOX KIT WITH 1 DOUBLE BREAKER	A
1	1060908	59 in /1.5m	Cable	
2	1001125927	44cm	Conduit, Dia 16	
3	1001227269	1	Box, Breaker with Cover	
4	1001228191	1	Breaker, 250V Double Pole	
5	1001245743	1	Block, Terminal	
6	1001245744	1	Harness, Earth/Ground	
7	1001245917	2	Connector, Strain Relief 90	

# SECTION 7 - ELECTRICAL

## FIGURE 7-11. BREAKER BOX KIT WITH 1 DOUBLE BREAKER (CE SPECS)



ART\_1001244909

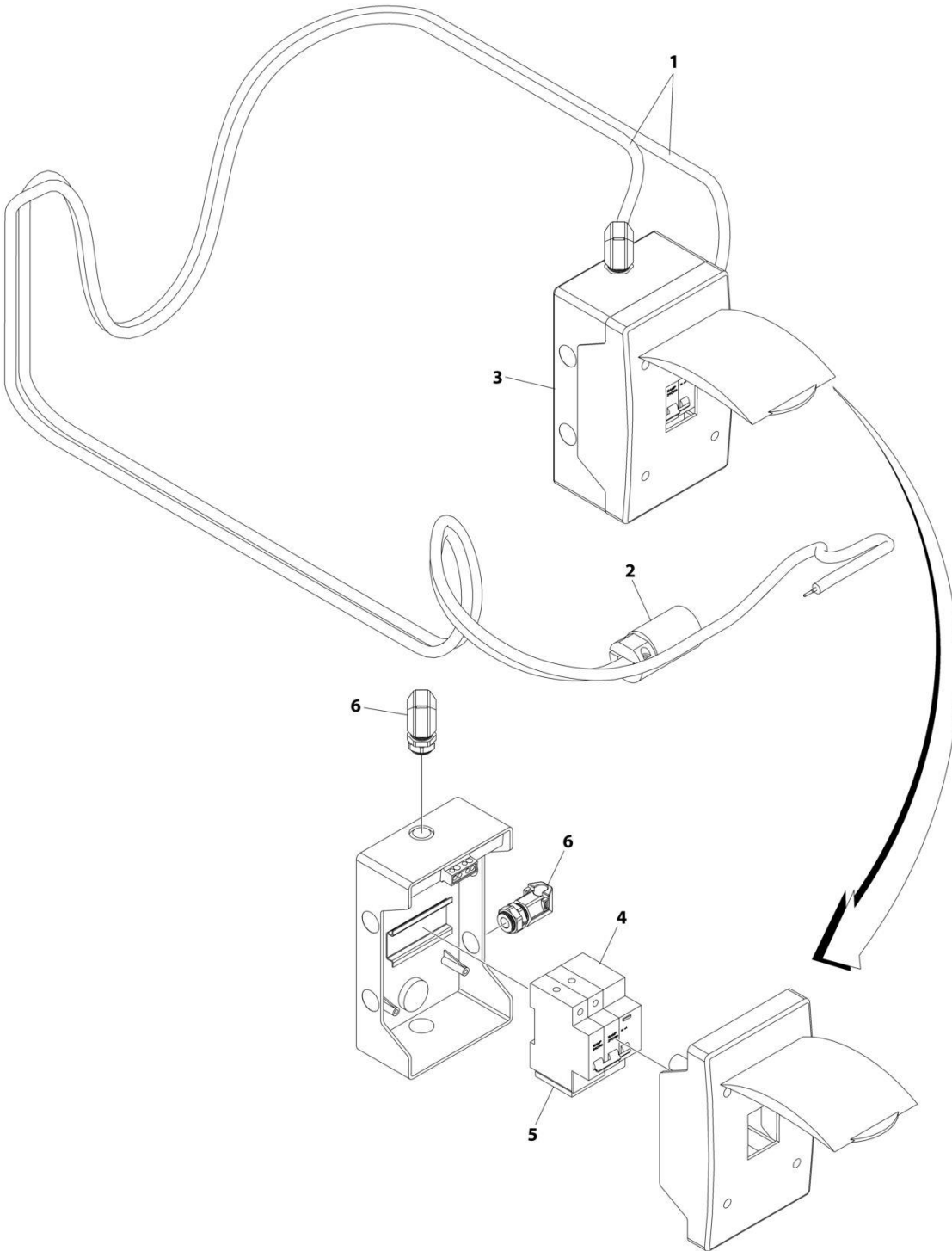
## SECTION 7 - ELECTRICAL

**FIGURE 7-11. BREAKER BOX KIT WITH 1 DOUBLE BREAKER (CE SPECS)**

ITEM	PART NUMBER	QTY	DESCRIPTION	REV
	1001244909	1	BREAKER BOX KIT WITH 1 DOUBLE BREAKER	A
1	0861880	1	Box, Breaker	
2	1060908	19 ft/5.7m	Cable, 12/3	
3	4460956	1	Barrier, Terminal	
4	4460957	1	Block, Terminal	
5	1001120205	1	Connector, Female	
6	1001181045	1	Breaker - 30mA/16Amp	
7	1001217164	2	Connector, Strain Relief - 90	

# SECTION 7 - ELECTRICAL

## FIGURE 7-12. BREAKER BOX KIT WITH 3 BREAKER



ART\_1001244908

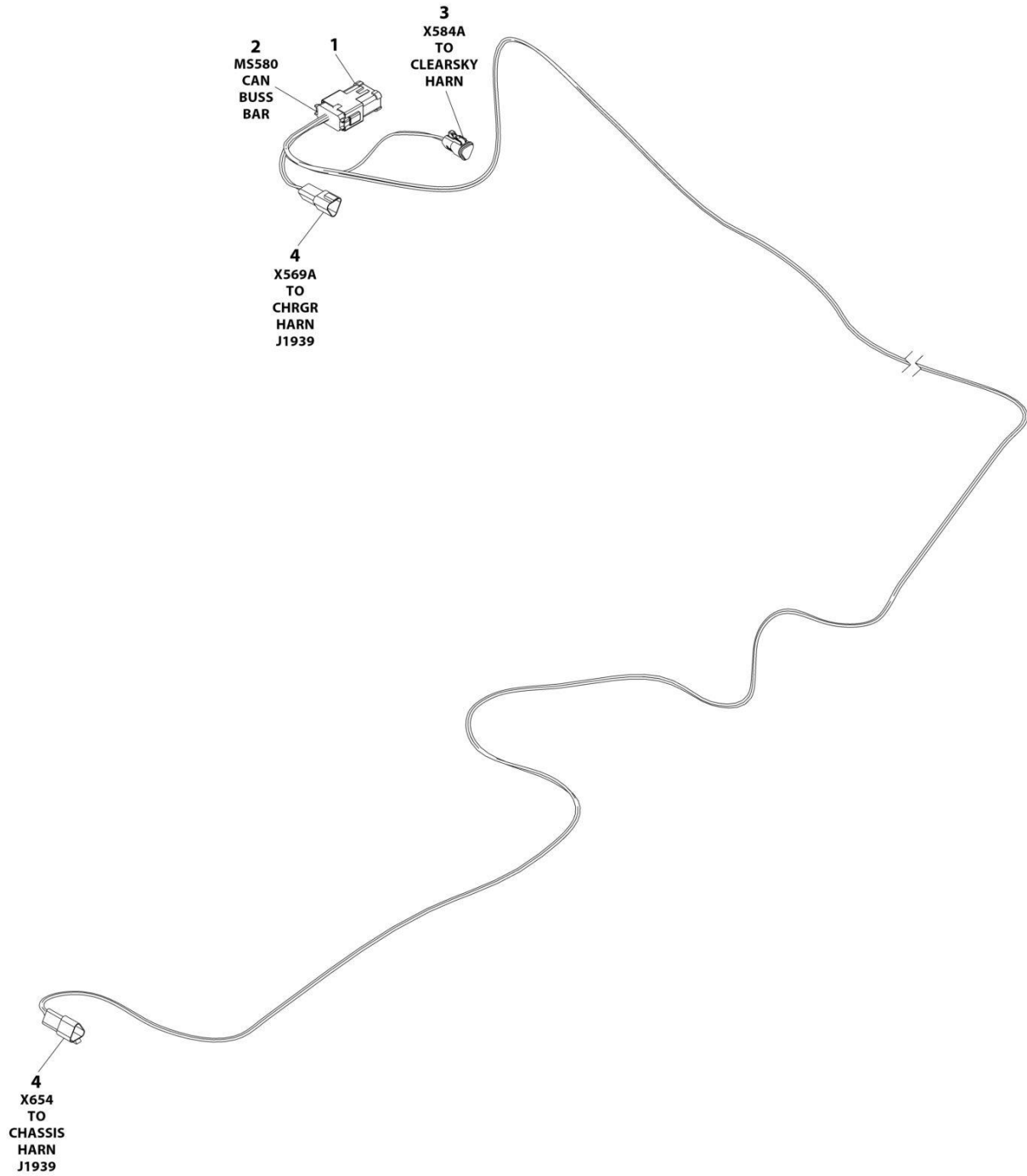
## SECTION 7 - ELECTRICAL

**FIGURE 7-12. BREAKER BOX KIT WITH 3 BREAKER**

ITEM	PART NUMBER	QTY	DESCRIPTION	REV
	1001244908	1	BREAKER BOX KIT WITH 3 BREAKERS	B
1	1060908	19 ft/5.7m	Cable, 12/3 Receptacle	
2	1001120205	1	Connector, Female	
3	1001152483	1	Box, Breaker	
4	1001189171	1	Breaker, 30mA	
5	1001189172	1	Breaker - 16Amp Double	
6	1001217164	2	Connector, Strain Relief - 90	

# SECTION 7 - ELECTRICAL

## FIGURE 7-13. CAN SPLICE HARNESS



ART\_1001254027

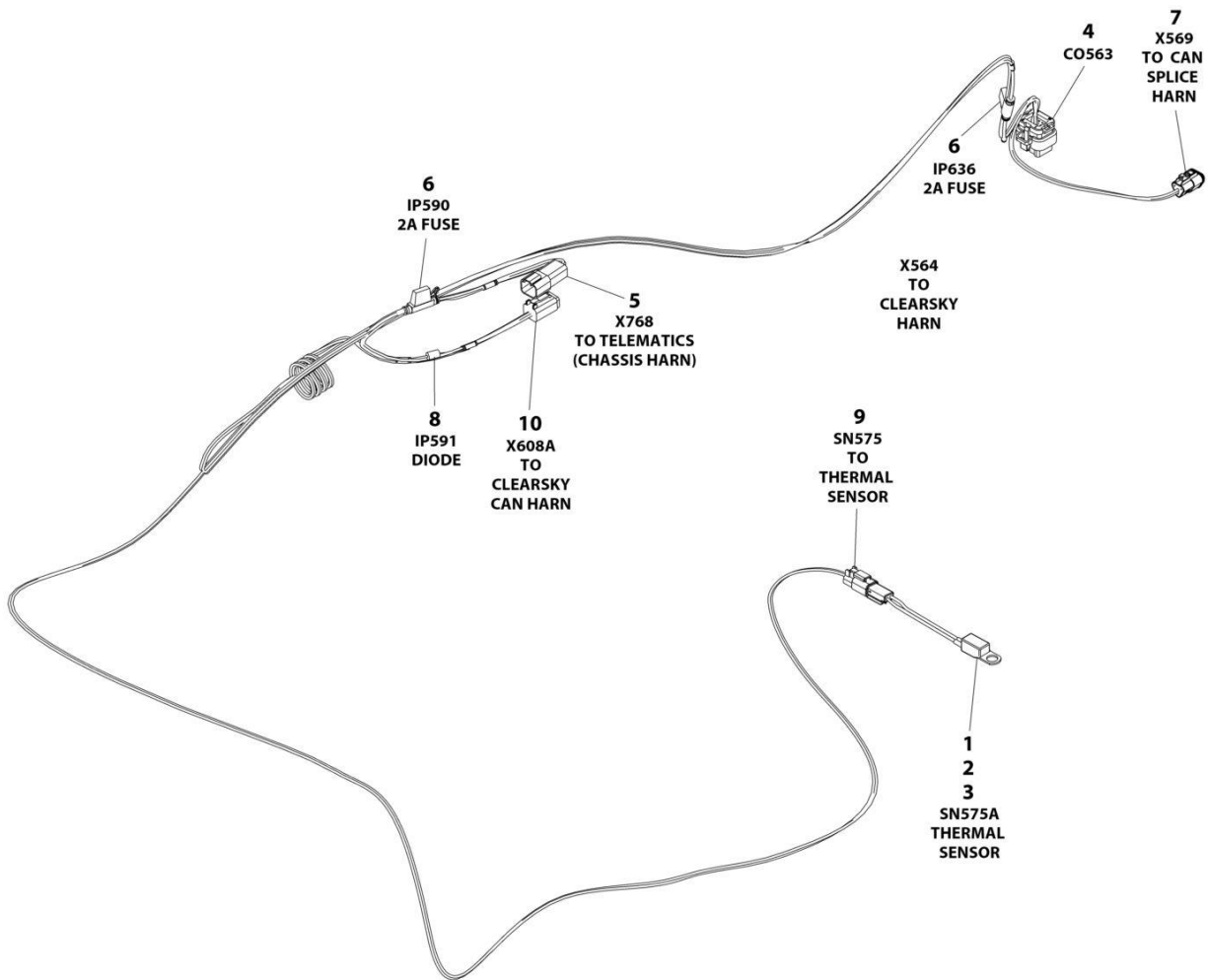
## SECTION 7 - ELECTRICAL

### FIGURE 7-13. CAN SPLICE HARNESS

ITEM	PART NUMBER	QTY	DESCRIPTION	REV
	1001254027	Ref	CAN SPLICE HARNESS	A
1	1001125677	1	Connector, Bus Bar - 12 Position	
2	4460933	1	Plug, Male - 12 Position	
2	4460944	6	Socket, Female	
2	4460466	6	Plug, Terminal	
3	1001118812	1	Plug, Male - 3 Position	
3	4460944	2	Socket, Female	
3	4460466	1	Plug, Terminal	
4	1001144147	2	Receptacle, Female - 3 Position	
4	4460943	4	Pin, Male	
4	4460466	2	Plug, Terminal	

# SECTION 7 - ELECTRICAL

## FIGURE 7-14. CHARGER HARNESS



ART\_1001254028\_C



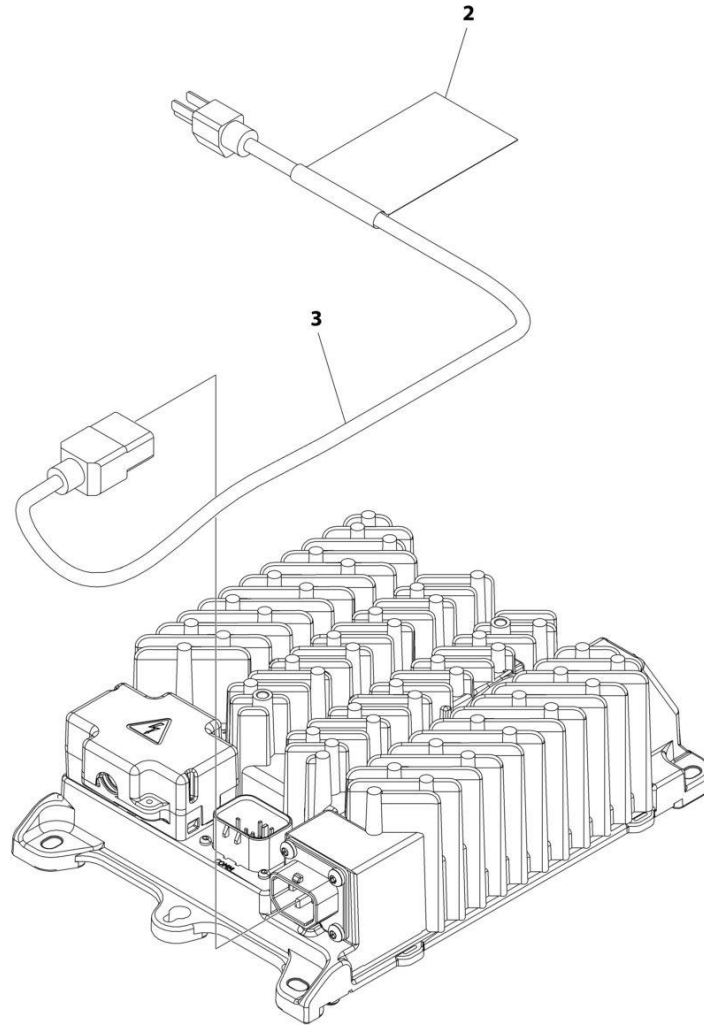
## SECTION 7 - ELECTRICAL

### FIGURE 7-14. CHARGER HARNESS

ITEM	PART NUMBER	QTY	DESCRIPTION	REV
	1001254028	Ref	CHARGER HARNESS	C
1	4460464	2	Pin, Male	
2	4460897	1	Receptacle, Female - 2 Position	
3	1001102771	1	Sensor, Temperature	
4	4460872	1	Connector - 14 Position	
4	4460871	6	Terminal	
4	4460905	8	Plug, Terminal	
5	4460932	1	Receptacle, Female - 4 Position	
5	4460464	1	Pin, Male	
6	2400060	2	Fuseholder With Cover	
6	1001196634	2	Fuse 2A	
7	1001116812	1	Plug, Male - 3 Position	
7	4460944	2	Socket, Female	
7	4460466	1	Plug, Terminal	
8	3990001	1	Diode	
9	4460891	1	Plug, Male - 2 Position	
9	4460465	2	Socket, Female	
10	4460884	1	Plug, Male - 4 Position	
10	4460465	4	Socket, Female	

# SECTION 7 - ELECTRICAL

**FIGURE 7-15. CHARGER PLUG INSTALLATION (LOCALLY SUPPLIED PLUG) (ALL SPECS EXCEPT ANSI & AUSTRALIAN SPECS)**



ART\_1001264946

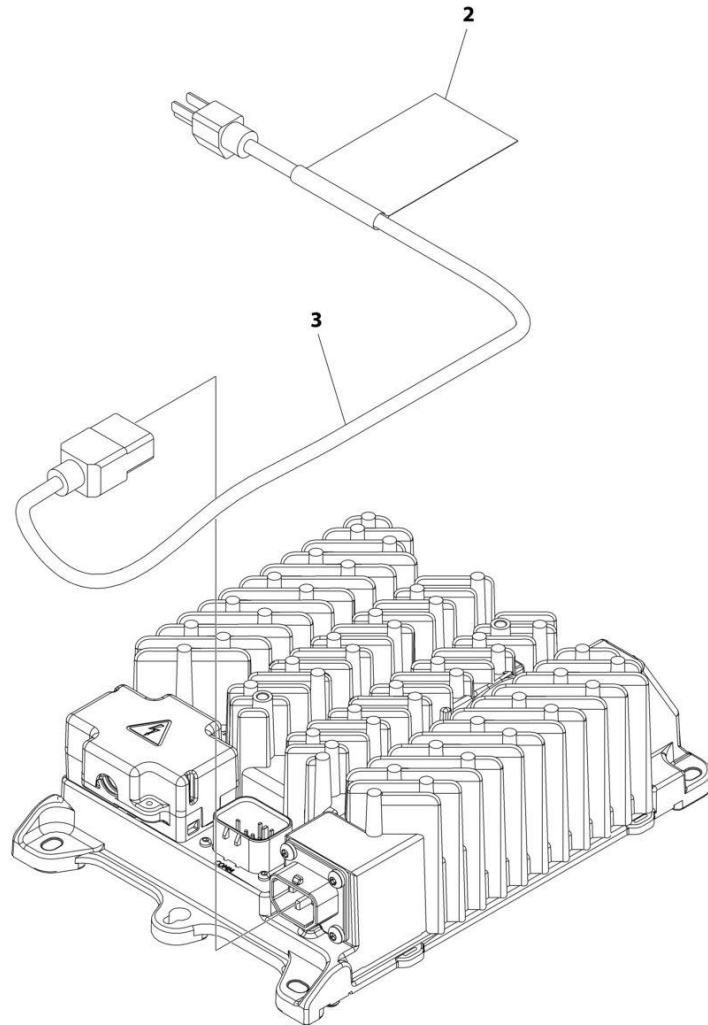
## SECTION 7 - ELECTRICAL

**FIGURE 7-15. CHARGER PLUG INSTALLATION (LOCALLY SUPPLIED PLUG) (ALL SPECS EXCEPT ANSI & AUSTRALIAN SPECS)**

ITEM	PART NUMBER	QTY	DESCRIPTION	REV
	1001264946	Ref	CHARGER PLUG INSTALLATION (LOCALLY SUPPLIED PLUG)	A
1	4240017	AR	Tie-Strap (Not Shown)	
2	1001102489	1	Decal - Charger	
3	1001207974	1	Cable, Charger AC Input	

# SECTION 7 - ELECTRICAL

FIGURE 7-16. CHARGER PLUG INSTALLATION (110V PLUG) (ANSI & CSA SPECS)



ART\_1001264947

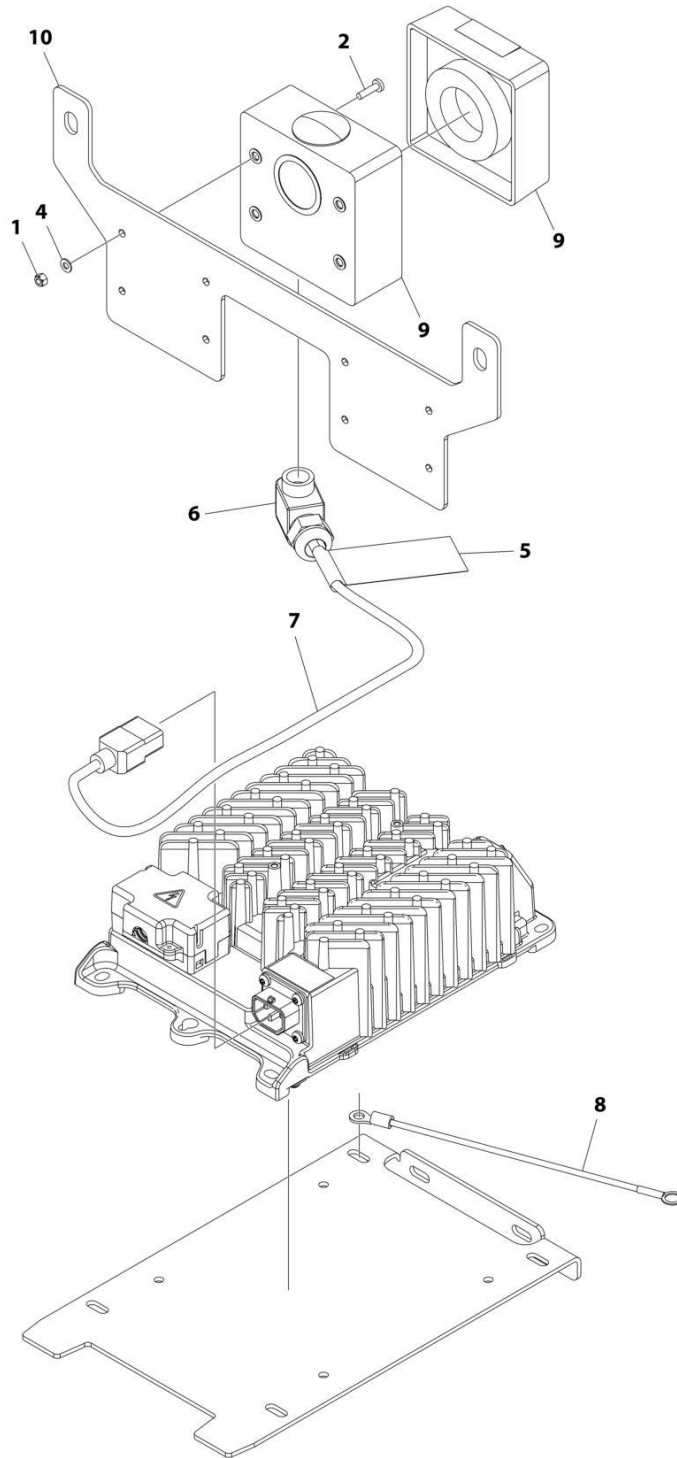
## SECTION 7 - ELECTRICAL

**FIGURE 7-16. CHARGER PLUG INSTALLATION (110V PLUG) (ANSI & CSA SPECS)**

ITEM	PART NUMBER	QTY	DESCRIPTION	REV
	1001264947	Ref	CHARGER PLUG INSTALLATION (110V PLUG)	A
1	4240017	AR	Tie-Strap (Not Shown)	
2	1001102489	1	Decal - Charger	
3	1001207970	1	Cable, Charger AC Input	

# SECTION 7 - ELECTRICAL

## FIGURE 7-17. CHARGER PLUG INSTALLATION (AUSTRALIAN PLUG) (AUSTRALIAN SPECS)



ART\_1001264954

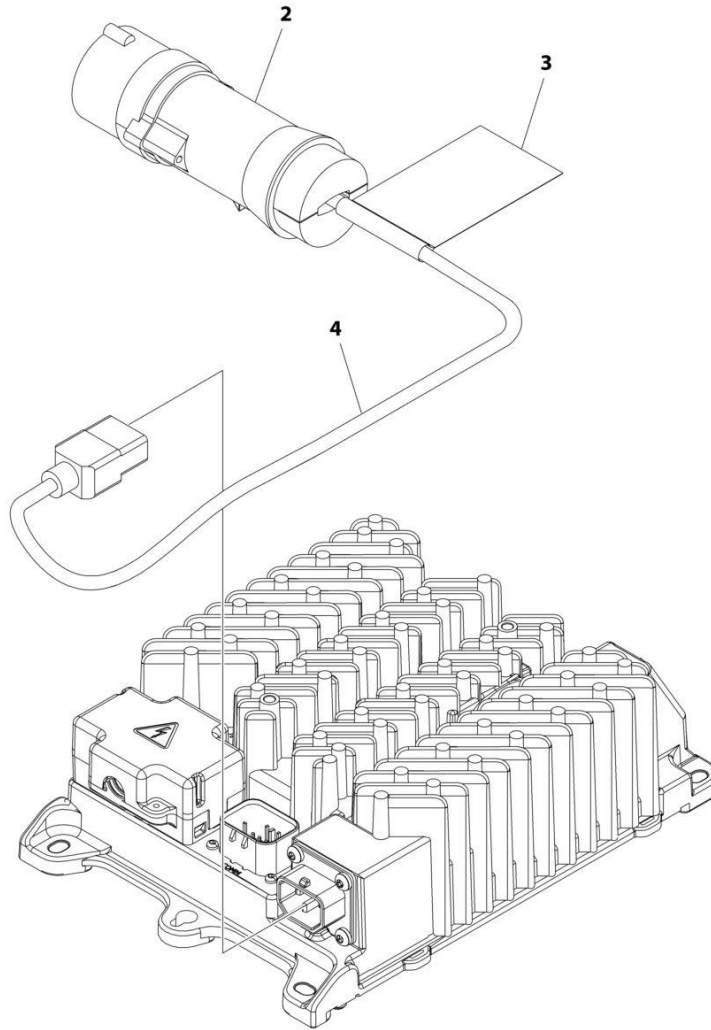
## SECTION 7 - ELECTRICAL

**FIGURE 7-17. CHARGER PLUG INSTALLATION (AUSTRALIAN PLUG) (AUSTRALIAN SPECS)**

ITEM	PART NUMBER	QTY	DESCRIPTION	REV
	1001264954	Ref	CHARGER PLUG INSTALLATION (AUSTRALIAN PLUG)	A
1	3290405	4	Nut M4	
2	4010408	4	Screw M4 x 16	
3	4240017	AR	Tie-Strap (Not Shown)	
4	4811400	4	Washer M4	
5	1001102489	1	Decal - Charger Label	
6	1001103471	1	Connector, Strain Relief 90	
7	1001207974	1	Cable, AC Input	
8	1001227219	1	Harness, Earth/Ground Link	
9	1001227267	1	Receptacle, Australian	
10	1001253626	1	Bracket	

## SECTION 7 - ELECTRICAL

FIGURE 7-18. CHARGER PLUG INSTALLATION (110V IEC YELLOW PLUG) (CE SPECS)



ART\_1001264951



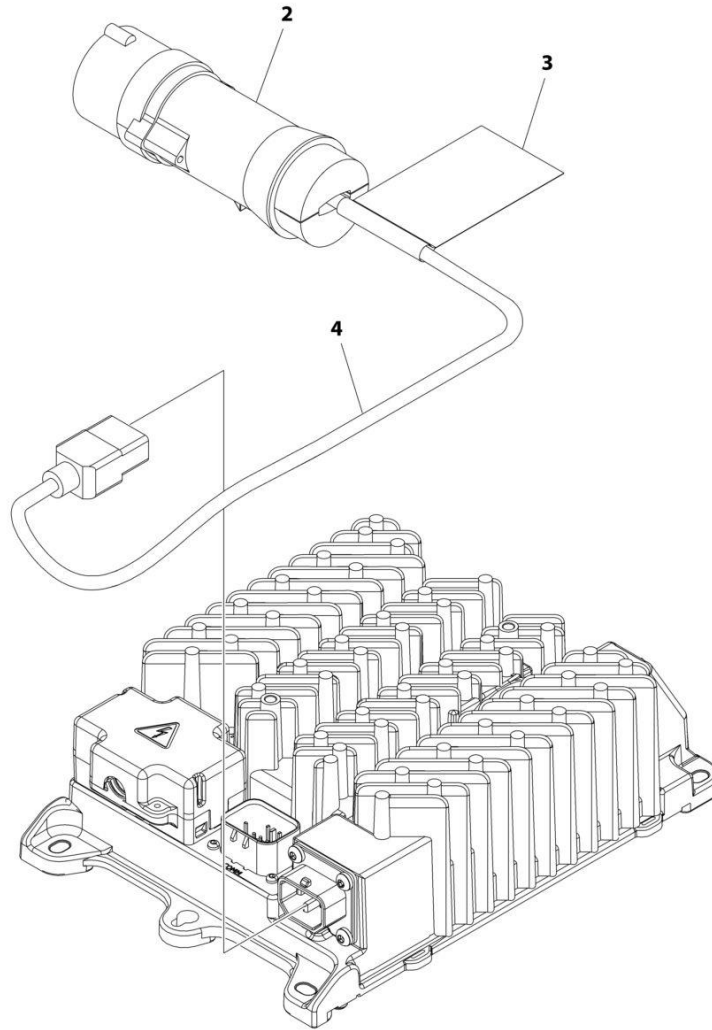
## SECTION 7 - ELECTRICAL

**FIGURE 7-18. CHARGER PLUG INSTALLATION (110V IEC YELLOW PLUG) (CE SPECS)**

ITEM	PART NUMBER	QTY	DESCRIPTION	REV
	1001264951	Ref	CHARGER PLUG INSTALLATION (110V IEC YELLOW PLUG)	A
1	4240017	AR	Tie-Strap (Not Shown)	
2	4461196	1	Plug, Male	
3	1001102489	1	Decal - Charger	
4	1001207974	1	Cable, Charger AC Input	

# SECTION 7 - ELECTRICAL

FIGURE 7-19. CHARGER PLUG INSTALLATION (220V IEC BLUE PLUG) (CE SPECS)



ART\_1001264952

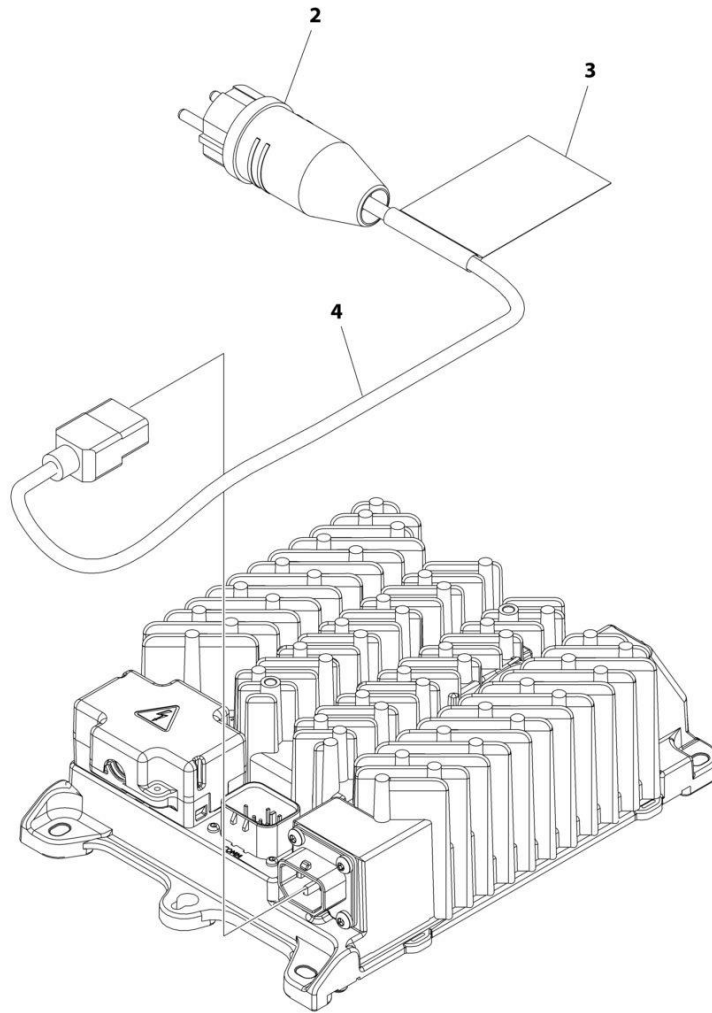
## SECTION 7 - ELECTRICAL

**FIGURE 7-19. CHARGER PLUG INSTALLATION (220V IEC BLUE PLUG) (CE SPECS)**

ITEM	PART NUMBER	QTY	DESCRIPTION	REV
	1001264952	Ref	CHARGER PLUG INSTALLATION (220V IEC BLUE PLUG)	A
1	4240017	AR	Tie-Strap (Not Shown)	
2	4461199	1	Plug, Male	
3	1001102489	1	Decal - Charger	
4	1001207974	1	Cable, Charger AC Input	

# SECTION 7 - ELECTRICAL

## FIGURE 7-20. CHARGER PLUG INSTALLATION (220V CEE7 PLUG) (CE SPECS)



ART\_1001264949

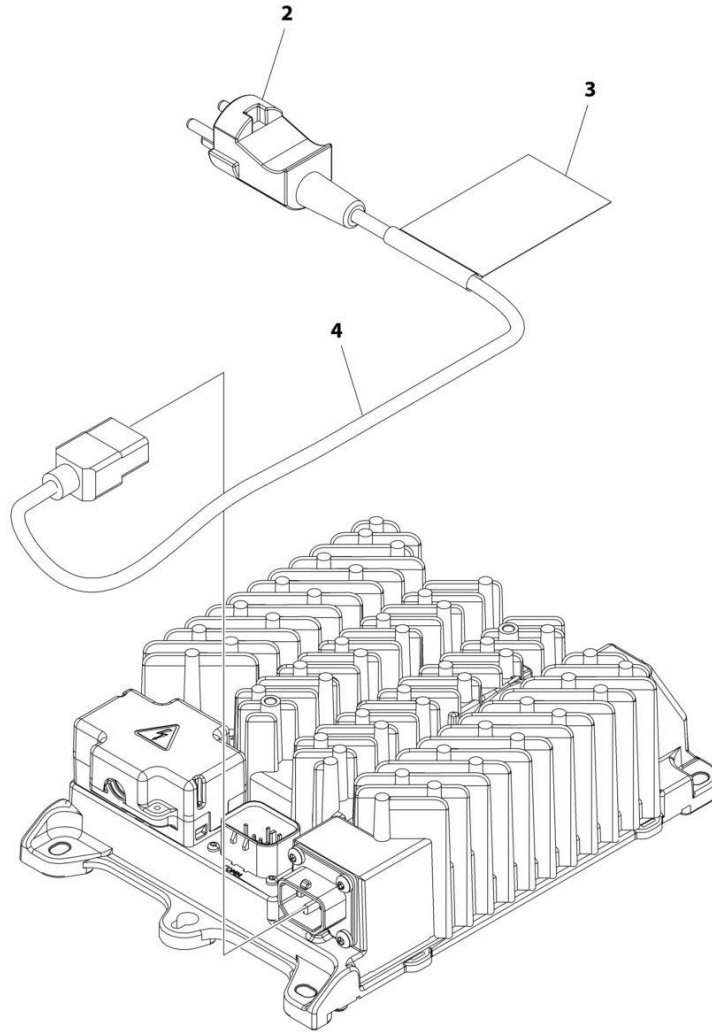
## SECTION 7 - ELECTRICAL

**FIGURE 7-20. CHARGER PLUG INSTALLATION (220V CEE7 PLUG) (CE SPECS)**

ITEM	PART NUMBER	QTY	DESCRIPTION	REV
	1001264949	Ref	CHARGER PLUG INSTALLATION (220V CEE7 PLUG)	A
1	4240017	AR	Tie-Strap (Not Shown)	
2	4461205	1	Plug, Male	
3	1001102489	1	Decal - Charger	
4	1001207974	1	Cable, Charger AC Input	

# SECTION 7 - ELECTRICAL

FIGURE 7-21. CHARGER PLUG INSTALLATION (220V AFSINT107 PLUG) (CE SPECS)



ART\_1001264950

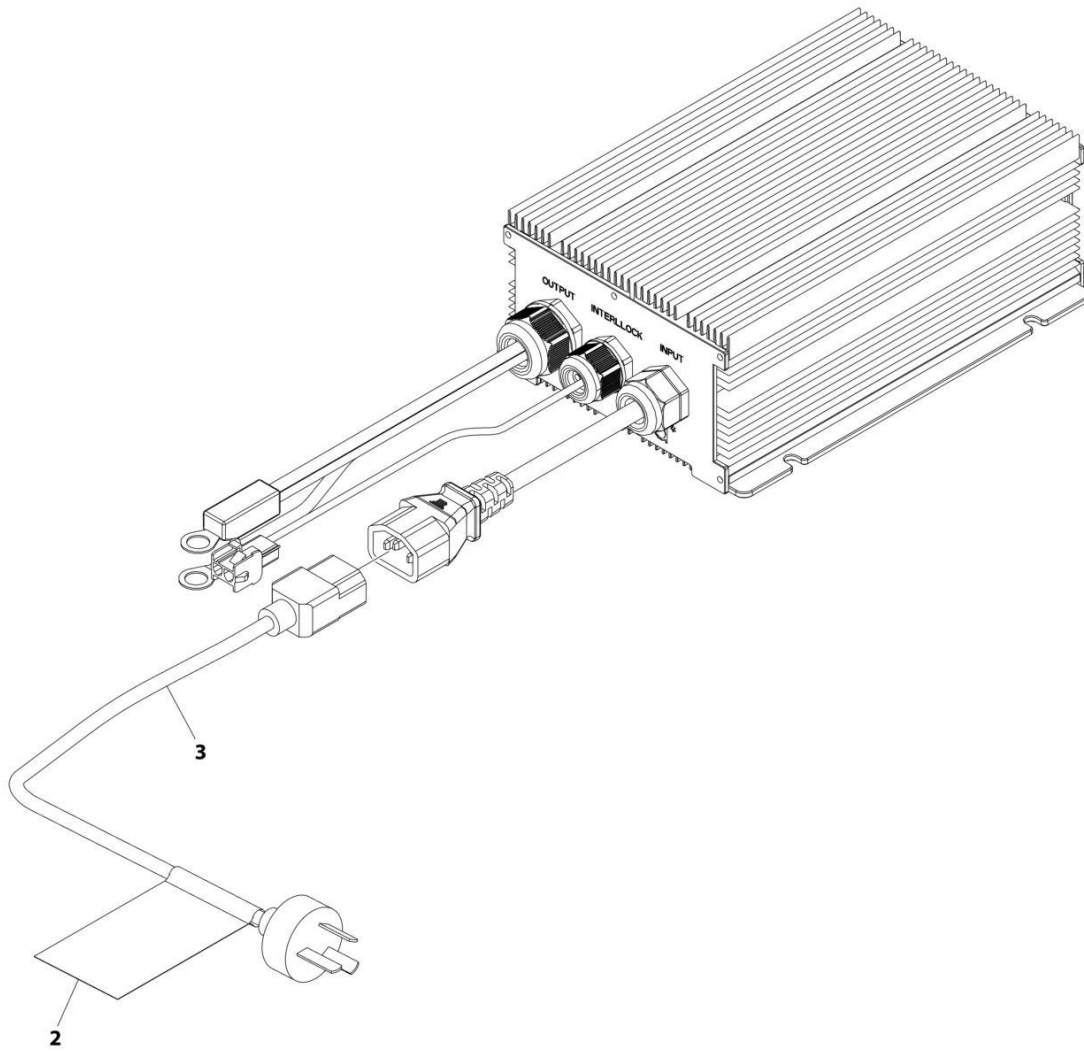
## SECTION 7 - ELECTRICAL

**FIGURE 7-21. CHARGER PLUG INSTALLATION (220V AFSINT107 PLUG) (CE SPECS)**

ITEM	PART NUMBER	QTY	DESCRIPTION	REV
	1001264950	Ref	CHARGER PLUG INSTALLATION (220V AFSINT107 PLUG)	A
1	4240017	AR	Tie-Strap (Not Shown)	
2	4461249	1	Plug, Male	
3	1001102489	1	Decal - Charger	
4	1001207974	1	Cable, Charger AC Input	

# SECTION 7 - ELECTRICAL

FIGURE 7-22. CHARGER PLUG INSTALLATION (CHINA PLUG) (CHINA SPECS)



ART\_1001264953



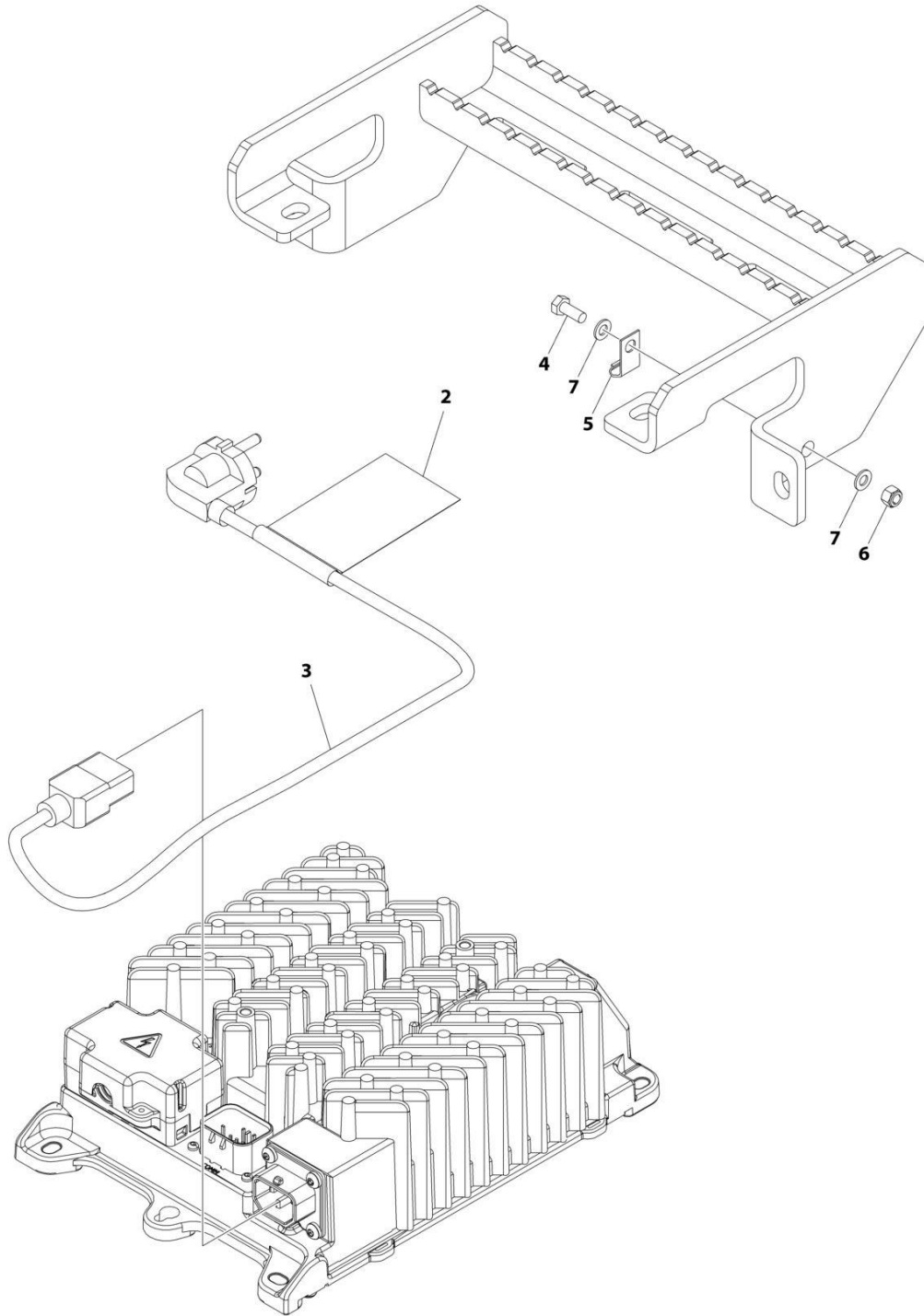
## SECTION 7 - ELECTRICAL

**FIGURE 7-22. CHARGER PLUG INSTALLATION (CHINA PLUG) (CHINA SPECS)**

ITEM	PART NUMBER	QTY	DESCRIPTION	REV
	1001264953	Ref	CHARGER PLUG INSTALLATION (CHINA PLUG)	A
1	4240017	AR	Tie-Strap (Not Shown)	
2	1001102489	1	Decal - Charger	
3	1001207973	1	Cable, Charger AC Input	

# SECTION 7 - ELECTRICAL

## FIGURE 7-23. CHARGER PLUG INSTALLATION (KOREAN PLUG) (KOREAN SPECS)



ART\_1001264948

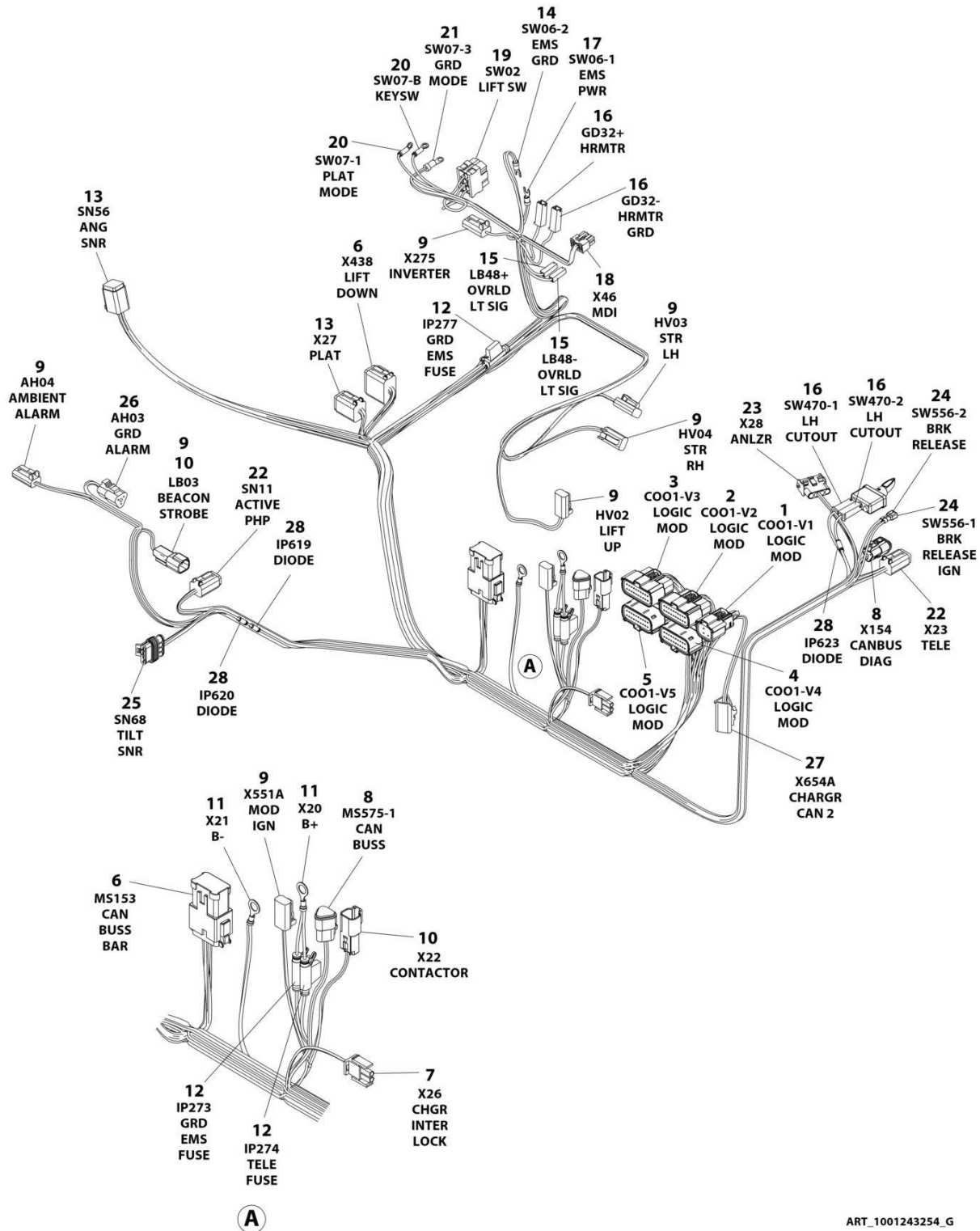
## SECTION 7 - ELECTRICAL

**FIGURE 7-23. CHARGER PLUG INSTALLATION (KOREAN PLUG) (KOREAN SPECS)**

ITEM	PART NUMBER	QTY	DESCRIPTION	REV
	1001264948	Ref	CHARGER PLUG INSTALLATION (KOREAN PLUG)	B
1	4240017	AR	Tie-Strap (Not Shown)	
2	1001102489	1	Decal - Charger	
3	1001221949	1	Cable, Charger AC Input	
4	0760810	1	Bolt M8 x 20	
5	1320223	1	Clamp	
6	3290805	1	Nut M8	
7	4811900	2	Washer M8	

# SECTION 7 - ELECTRICAL

**FIGURE 7-24. CHASSIS HARNESS (WITHOUT PLATFORM DRIVE SELECT SWITCH) (CHINA BUILT MACHINES) (Prior to SN B200067714, Prior to SN M200041685)**



ART\_1001243254\_G

## SECTION 7 - ELECTRICAL

**FIGURE 7-24. CHASSIS HARNESS (WITHOUT PLATFORM DRIVE SELECT SWITCH) (CHINA BUILT MACHINES) (Prior to SN B200067714, Prior to SN M200041685)**

ITEM	PART NUMBER	QTY	DESCRIPTION	REV
	1001243254	Ref	CHASSIS HARNESS (WITH LSS)	H
1	1001205409	1	Connector - 8 Position	
1	1001162887	6	Terminal	
1	1001163340	2	Plug, Terminal	
2	1001205410	1	Connector - 20 Position	
2	1001162887	13	Terminal	
2	1001163340	7	Plug, Terminal	
3	1001162886	1	Connector - 20 Position	
3	1001162887	15	Terminal	
3	1001163340	5	Plug, Terminal	
4	1001205411	1	Connector - 20 Position	
4	1001162887	16	Terminal	
4	1001163340	4	Plug, Terminal	
5	1001205412	1	Connector - 20 Position	
5	1001162887	14	Terminal	
5	1001163340	6	Plug, Terminal	
6	4460933	2	Plug, Male - 12 Position	
6	4460465	22	Socket, Female	
6	4460466	2	Plug, Terminal	
6	1001125677	1	Bussbar - 12 Position	
7	4460320	1	Plug, Male - 2 Position	
7	4460226	1	Socket, Female	
8	1001116812	2	Plug, Male - 3 Position	
8	4460944	4	Socket, Female	
8	4460466	1	Plug, Terminal	
8	1001144296	1	Cap	
9	4460891	7	Plug, Male- 3 Position	
9	4460465	11	Socket, Female	
9	4460466	2	Plug, Terminal	
9	1001144295	2	Cap	
10	4460897	2	Receptacle, Female - 2 Position	
10	4460464	4	Pin, Male	
11	4460670	2	Terminal, Ring	
12	2400060	3	Fuseholder with Cover	
12		Ref	Fuse 5Amp	
12		Ref	Fuse 15Amp	
13	4460894	2	Plug, Male - 6 Position	
13	4460465	10	Socket, Female	
13	4460944	2	Socket, Female	
14	4460115	1	Terminal, Fork	
15	1001117000	2	Cover, Terminal	
15	1001118387	2	Terminal	
16	4460260	4	Cover, Terminal	
16	4460259	4	Terminal	
17	4460183	1	Terminal, Fork	
18	1001151629	1	Connector- 8 Position	
18	4461023	2	Terminal	
18	4460877	2	Terminal	
19	4460418	1	Connector, Switch	

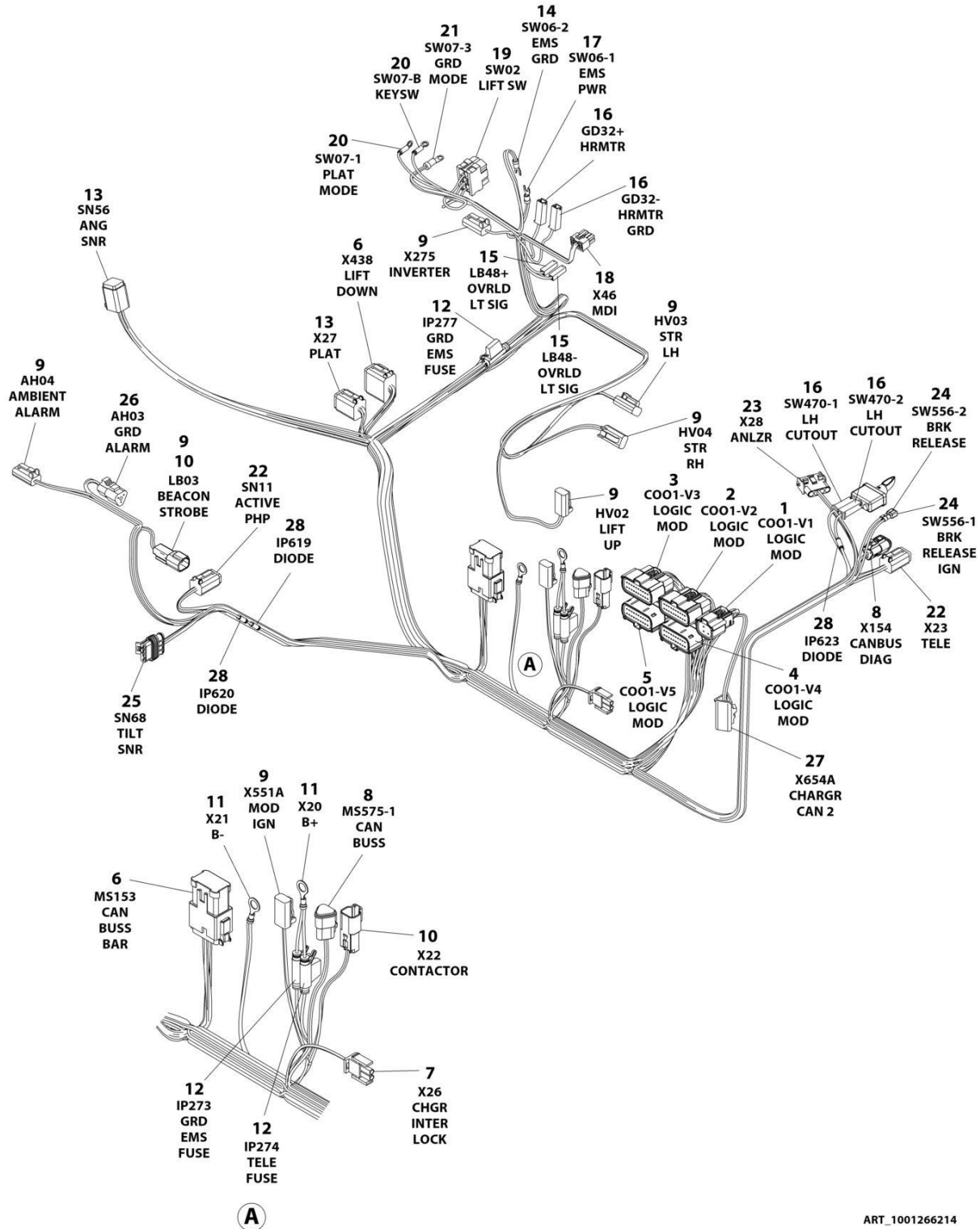
## SECTION 7 - ELECTRICAL

ITEM	PART NUMBER	QTY	DESCRIPTION	REV
19	4460419	3	Terminal	
20	4460247	2	Terminal, Ring	
21	4460042	1	Terminal, Ring	
22	4460884	2	Plug, Male - 4 Position	
22	4460465	8	Socket, Female	
22	1001192401	1	Cap	
23	4460761	1	Receptacle, Female- 4 Position	
23	4460227	4	Pin, Male	
24	1001201885	2	Terminal	
25	1001103012	1	Plug, Male- 4 Position	
25	1001196589	4	Terminal	
25	1001104498	4	Seal	
26	4460539	1	Plug, Male -2 Position	
26	4460465	3	Socket, Female	
27	4460965	1	Plug, Male - 3 Position	
27	4460944	2	Socket, Female	
27	4460966	1	Plug, Terminal	
28	8229031	3	Diode - 6Amp	



# SECTION 7 - ELECTRICAL

**FIGURE 7-25. CHASSIS HARNESS (WITH PLATFORM DRIVE SELECT SWITCH) (CHINA & MEXICO BUILT MACHINES) (SN B200067714 to Present, SN M200041685 to Present)**



ART\_1001266214



## SECTION 7 - ELECTRICAL

**FIGURE 7-25. CHASSIS HARNESS (WITH PLATFORM DRIVE SELECT SWITCH) (CHINA & MEXICO BUILT MACHINES) (SN B200067714 to Present, SN M200041685 to Present)**

ITEM	PART NUMBER	QTY	DESCRIPTION	REV
	1001266214	Ref	CHASSIS HARNESS (WITH LSS)	A
1	1001205409	1	Connector - 8 Position	
1	1001162887	8	Terminal	
2	1001205410	1	Connector - 20 Position	
2	1001162887	13	Terminal	
2	1001163340	7	Plug, Terminal	
3	1001162886	1	Connector - 20 Position	
3	1001162887	15	Terminal	
3	1001163340	5	Plug, Terminal	
4	1001205411	1	Connector - 20 Position	
4	1001162887	16	Terminal	
4	1001163340	4	Plug, Terminal	
5	1001205412	1	Connector - 20 Position	
5	1001162887	14	Terminal	
5	1001163340	6	Plug, Terminal	
6	4460933	2	Plug, Male - 12 Position	
6	4460465	22	Socket, Female	
6	4460466	2	Plug, Terminal	
6	1001125677	1	Bussbar - 12 Position	
7	4460320	1	Plug, Male - 2 Position	
7	4460226	1	Socket, Female	
8	1001116812	2	Plug, Male - 3 Position	
8	4460944	4	Socket, Female	
8	4460466	1	Plug, Terminal	
8	1001144296	1	Cap	
9	4460891	7	Plug, Male- 3 Position	
9	4460465	11	Socket, Female	
9	4460466	2	Plug, Terminal	
9	1001144295	2	Cap	
10	4460897	2	Receptacle, Female - 2 Position	
10	4460464	4	Pin, Male	
11	4460670	1	Terminal, Ring	
12	2400060	3	Fuseholder with Cover	
12		Ref	Fuse 5Amp	
12		Ref	Fuse 15Amp	
13	4460894	2	Plug, Male - 6 Position	
13	4460465	10	Socket, Female	
13	4460944	2	Socket, Female	
14	4460115	1	Terminal, Fork	
15	1001117000	2	Cover, Terminal	
15	1001118387	2	Terminal	
16	4460260	4	Cover, Terminal	
16	4460259	4	Terminal	
17	4460183	1	Terminal, Fork	
18	1001151629	1	Connector- 8 Position	
18	4461023	2	Terminal	
18	4460877	2	Terminal	
19	4460418	1	Connector, Switch	
19	4460419	3	Terminal	

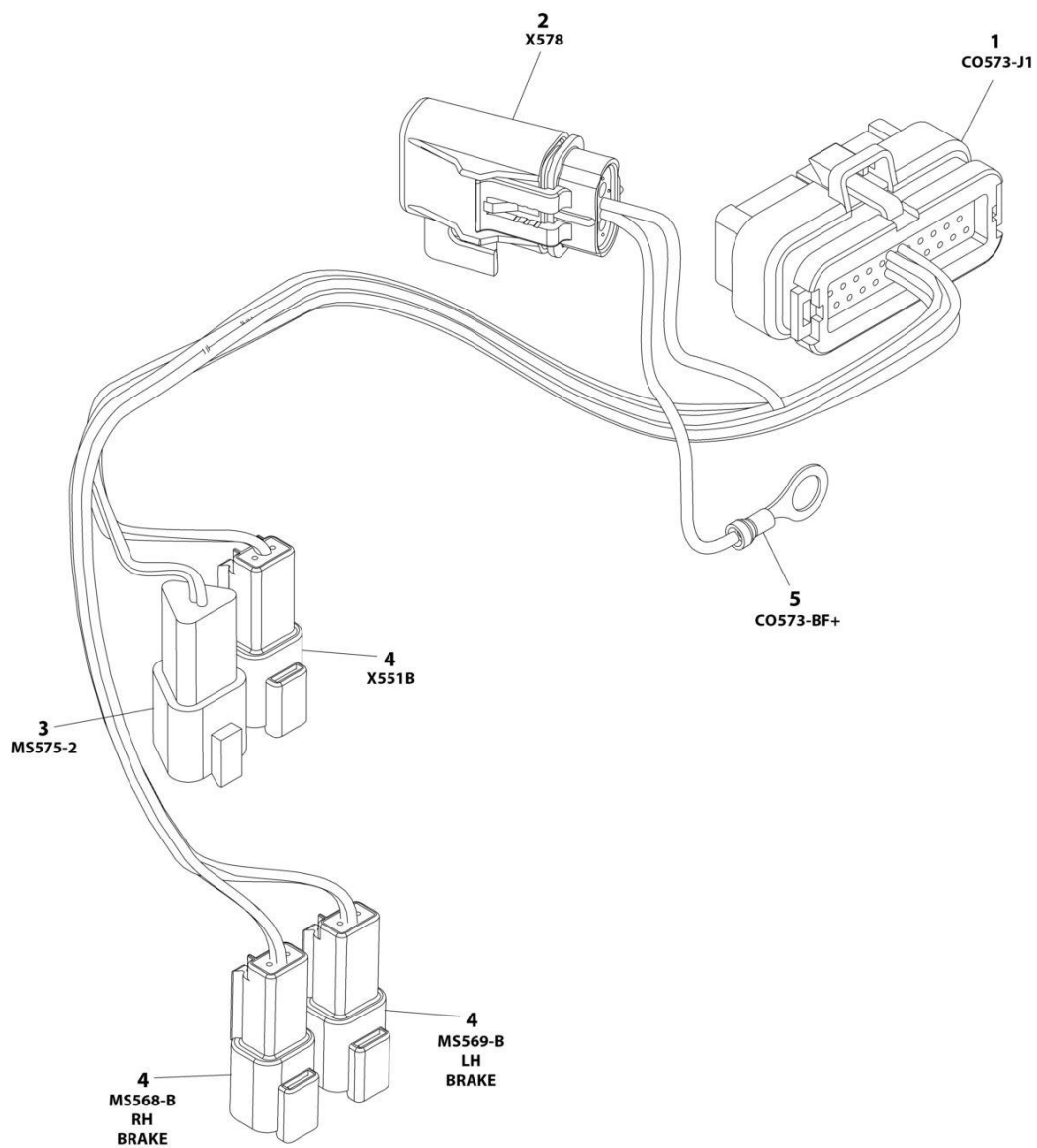
## SECTION 7 - ELECTRICAL

ITEM	PART NUMBER	QTY	DESCRIPTION	REV
20	4460247	2	Terminal, Ring	
21	4460042	1	Terminal, Ring	
22	4460884	2	Plug, Male - 4 Position	
22	4460465	8	Socket, Female	
22	1001192401	1	Cap	
23	4460761	1	Receptacle, Female- 4 Position	
23	4460227	4	Pin, Male	
24	1001201885	2	Terminal	
25	1001103012	1	Plug, Male- 4 Position	
25	1001196589	4	Terminal	
25	1001104498	4	Seal	
26	4460539	1	Plug, Male -2 Position	
26	4460465	3	Socket, Female	
27	4460965	1	Plug, Male - 3 Position	
27	4460944	2	Socket, Female	
27	4460966	1	Plug, Terminal	
27	1001144296	1	Cap	
28	8229031	3	Diode - 6Amp	



# SECTION 7 - ELECTRICAL

## FIGURE 7-26. DRIVE CONTROL HARNESS



ART\_1001243255

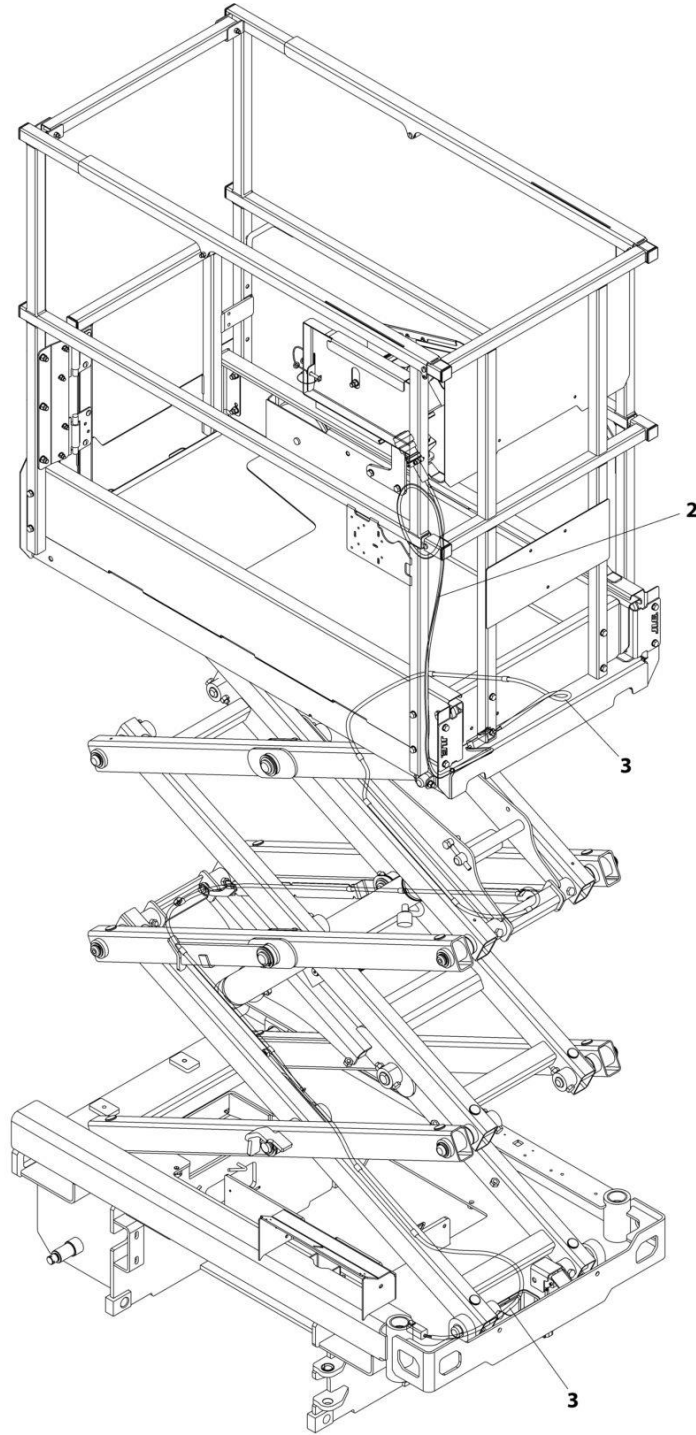
## SECTION 7 - ELECTRICAL

### FIGURE 7-26. DRIVE CONTROL HARNESS

ITEM	PART NUMBER	QTY	DESCRIPTION	REV
	1001243255	Ref	DRIVE CONTROL HARNESS	C
1	4460873	1	Connector- 35 Position	
1	4460871	8	Socket, Female	
1	4460905	27	Plug, Terminal	
2	1001217843	1	Connector, Fuseholder	
2	1001116733	2	Terminal	
2	8229234	1	Fuse 10Amp ATO	
2	1001217842	1	Cover, Fuse	
3	1001144147	1	Receptacle, Female - 3 Position	
3	4460943	2	Pin, Male	
3	4460466	1	Plug, Terminal	
4	4460897	3	Receptacle, Female - 2 Position	
4	4460464	6	Pin, Male	
5	4460670	1	Terminal, Ring	

## SECTION 7 - ELECTRICAL

FIGURE 7-27. GROUND TO PLATFORM CABLE INSTALLATION - WITHOUT PLATFORM COIL CABLE/WITHOUT AC CABLE/WITHOUT FOOTSWITCH



ART\_1001244437

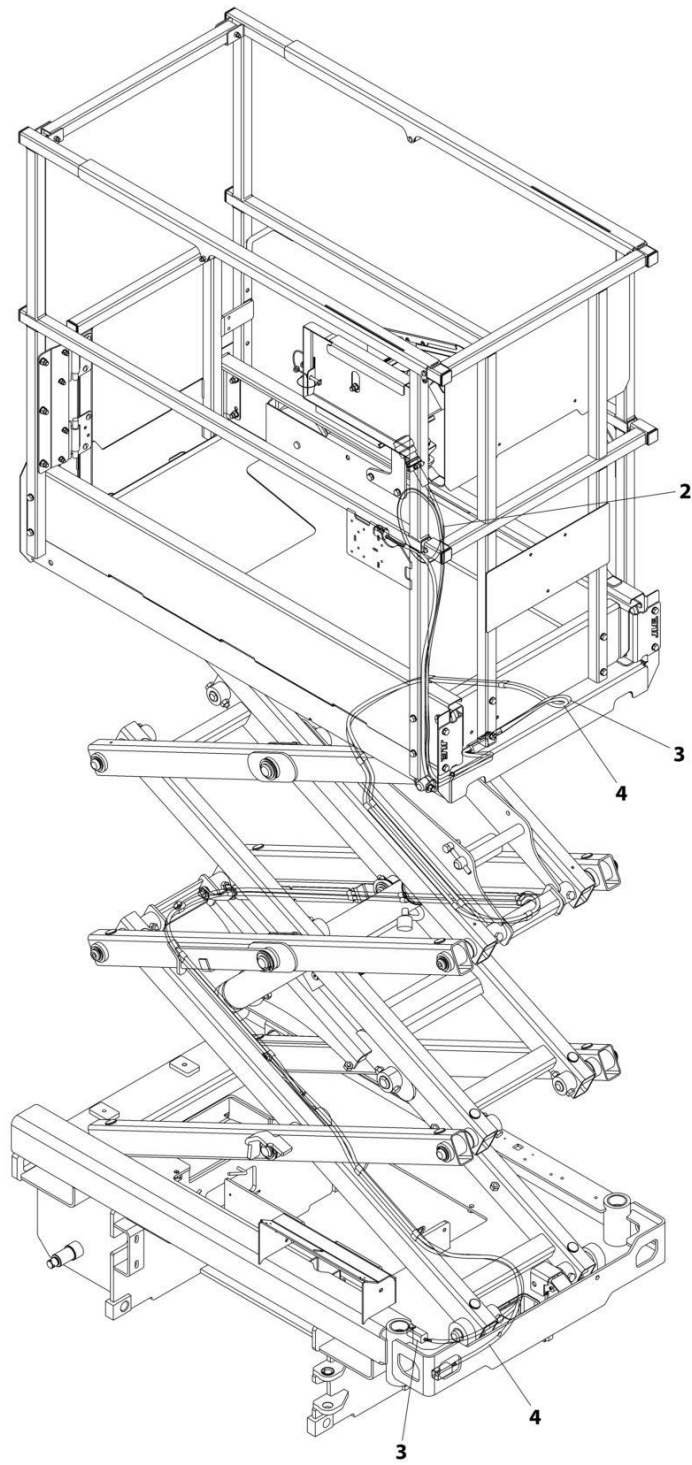
## SECTION 7 - ELECTRICAL

**FIGURE 7-27. GROUND TO PLATFORM CABLE INSTALLATION - WITHOUT PLATFORM COIL CABLE/WITHOUT AC CABLE/WITHOUT FOOTSWITCH**

ITEM	PART NUMBER	QTY	DESCRIPTION	REV
	1001244437	Ref	GROUND TO PLATFORM CABLE INSTALLATION	C
1	4240017	AR	Tie-Strap (Not Shown)	
2	1001241320	1	Platform Harness	
2	4460754	1	Connector - 14 Position (x61 Platform Box)	
2	4460465	6	Socket, Female	
2	4460944	2	Socket, Female	
2	4460466	6	Plug, Terminal	
2	4460899	1	Receptacle, Female - 6 Position (x60 Platform)	
2	4460464	4	Pin, Male	
2	4460943	2	Pin, Male	
3	1001244444	1	Cable Assembly - Ground to Platform	
3	4460899	1	Receptacle, Female - 6 Position (x58 Chassis)	
3	4460464	4	Pin, Male	
3	4460943	2	Pin, Male	
3	4460894	1	Plug, Male - 6 Position (x59 Platform)	
3	4460465	4	Socket, Female	
3	4460944	2	Socket, Female	

## SECTION 7 - ELECTRICAL

FIGURE 7-28. GROUND TO PLATFORM CABLE INSTALLATION - WITHOUT PLATFORM COIL CABLE/WITH AC CABLE/WITHOUT FOOTSWITCH



ART\_1001244438



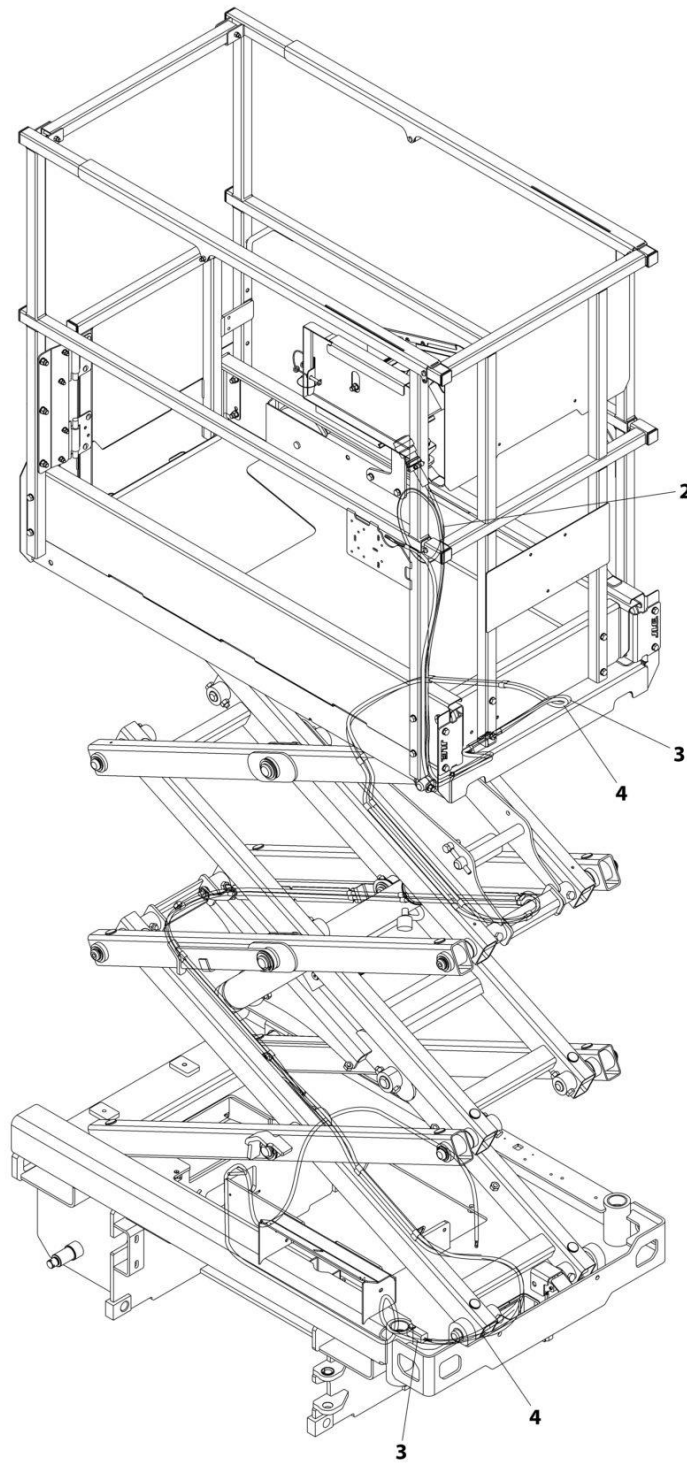
## SECTION 7 - ELECTRICAL

**FIGURE 7-28. GROUND TO PLATFORM CABLE INSTALLATION - WITHOUT PLATFORM COIL CABLE/WITH AC CABLE/WITHOUT FOOTSWITCH**

ITEM	PART NUMBER	QTY	DESCRIPTION	REV
	1001244438	Ref	GROUND TO PLATFORM CABLE INSTALLATION	C
1	4240017	AR	Tie-Strap (Not Shown)	
2	1001241320	1	Platform Harness	
2	4460754	1	Connector - 14 Position (x61 Platform Box)	
2	4460465	6	Socket, Female	
2	4460944	2	Socket, Female	
2	4460466	6	Plug, Terminal	
2	4460899	1	Receptacle, Female - 6 Position (x60 Platform)	
2	4460464	4	Pin, Male	
2	4460943	2	Pin, Male	
3	1001244444	1	Cable Assembly - Ground to Platform	
3	4460899	1	Receptacle, Female - 6 Position (x58 Chassis)	
3	4460464	4	Pin, Male	
3	4460943	2	Pin, Male	
3	4460894	1	Plug, Male - 6 Position (x59 Platform)	
3	4460465	4	Socket, Female	
3	4460944	2	Socket, Female	
4	1001244445	1	Cable, AC	

## SECTION 7 - ELECTRICAL

FIGURE 7-29. GROUND TO PLATFORM CABLE INSTALLATION - WITHOUT PLATFORM COIL CABLE/WITH AC CABLE/WITHOUT FOOTSWITCH (AUSTRALIAN SPECS)



ART\_1001253887

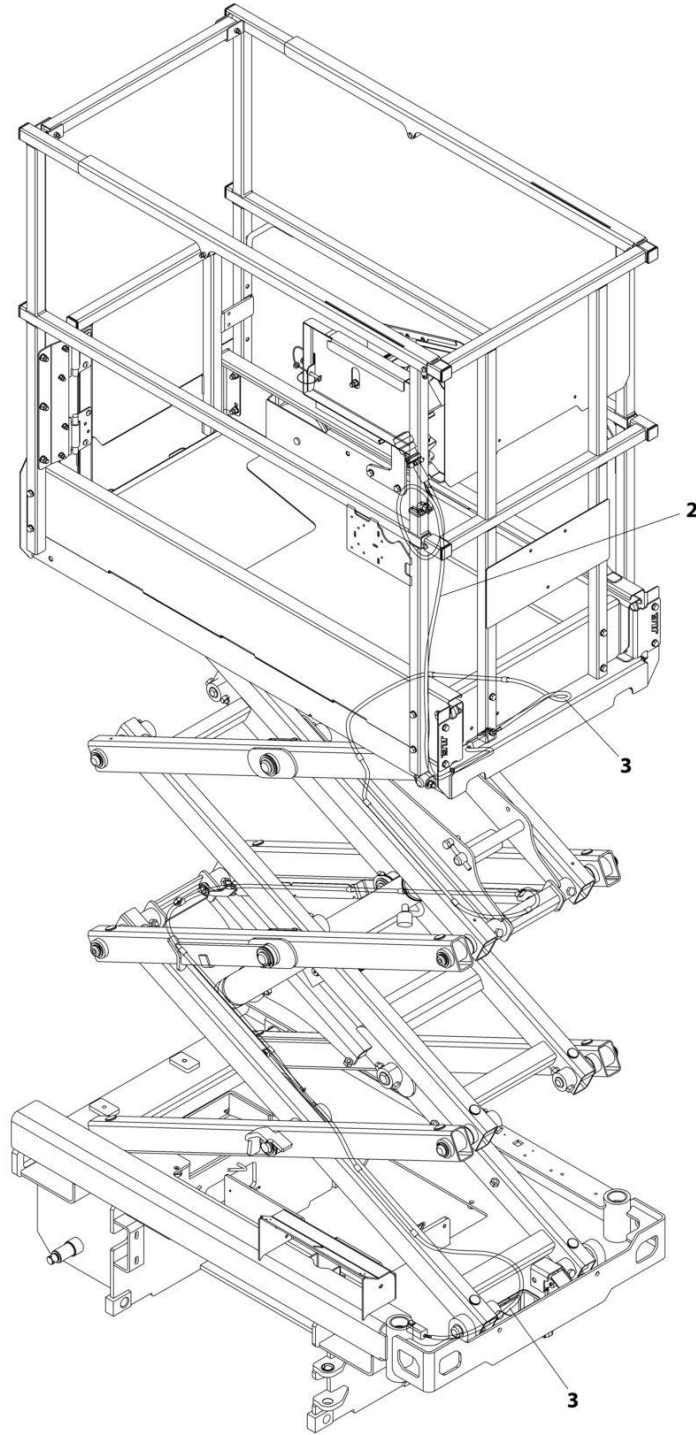
## SECTION 7 - ELECTRICAL

**FIGURE 7-29. GROUND TO PLATFORM CABLE INSTALLATION - WITHOUT PLATFORM COIL CABLE/WITH AC CABLE/WITHOUT FOOTSWITCH (AUSTRALIAN SPECS)**

ITEM	PART NUMBER	QTY	DESCRIPTION	REV
	1001253887	Ref	GROUND TO PLATFORM CABLE INSTALLATION	A
1	4240017	AR	Tie-Strap (Not Shown)	
2	1001241320	1	Platform Harness	
2	4460754	1	Connector - 14 Position (x61 Platform Box)	
2	4460465	6	Socket, Female	
2	4460944	2	Socket, Female	
2	4460466	6	Plug, Terminal	
2	4460899	1	Receptacle, Female - 6 Position (x60 Platform)	
2	4460464	4	Pin, Male	
2	4460943	2	Pin, Male	
3	1001244444	1	Cable Assembly - Ground to Platform	
3	4460899	1	Receptacle, Female - 6 Position (x58 Chassis)	
3	4460464	4	Pin, Male	
3	4460943	2	Pin, Male	
3	4460894	1	Plug, Male - 6 Position (x59 Platform)	
3	4460465	4	Socket, Female	
3	4460944	2	Socket, Female	
4	1001253889	1	Cable, AC	

## SECTION 7 - ELECTRICAL

FIGURE 7-30. GROUND TO PLATFORM CABLE INSTALLATION - WITHOUT PLATFORM COIL CABLE/WITHOUT AC CABLE/WITH FOOTSWITCH



ART\_1001244439

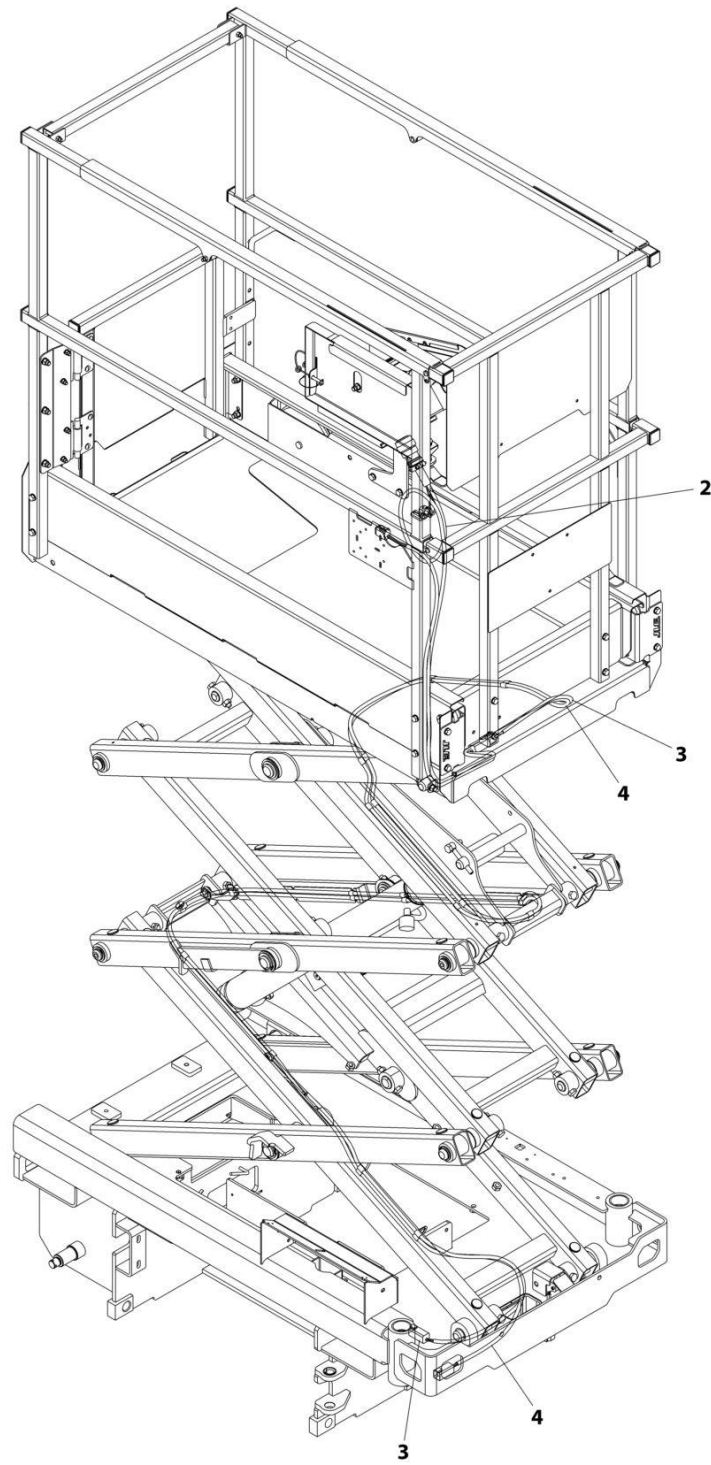
## SECTION 7 - ELECTRICAL

**FIGURE 7-30. GROUND TO PLATFORM CABLE INSTALLATION - WITHOUT PLATFORM COIL CABLE/WITHOUT AC CABLE/WITH FOOTSWITCH**

ITEM	PART NUMBER	QTY	DESCRIPTION	REV
	1001244439	Ref	GROUND TO PLATFORM CABLE INSTALLATION	C
1	4240017	AR	Tie-Strap (Not Shown)	
2	1001241321	1	Platform Harness	
2	4460754	1	Connector - 14 Position (x61 Platform Box)	
2	4460465	6	Socket, Female	
2	4460944	2	Socket, Female	
2	4460466	6	Plug, Terminal	
2	4460899	1	Receptacle, Female - 6 Position (x60 Platform)	
2	4460464	4	Pin, Male	
2	4460943	2	Pin, Male	
2	4460891	1	Plug, Male - 2 Position (SW63 Footswitch)	
2	4460465	2	Socket, Female	
2	4460539	1	Plug, Male - 3 Position (SW475 Overhead Switch)	
2	4460465	2	Socket, Female	
2	4460466	1	Plug, Terminal	
3	1001244444	1	Cable Assembly - Ground to Platform	
3	4460899	1	Receptacle, Female - 6 Position (x58 Chassis)	
3	4460464	4	Pin, Male	
3	4460943	2	Pin, Male	
3	4460894	1	Plug, Male - 6 Position (x59 Platform)	
3	4460465	4	Socket, Female	
3	4460944	2	Socket, Female	

## SECTION 7 - ELECTRICAL

FIGURE 7-31. GROUND TO PLATFORM CABLE INSTALLATION - WITHOUT PLATFORM COIL CABLE/WITH AC CABLE/WITH FOOTSWITCH



ART\_1001244440

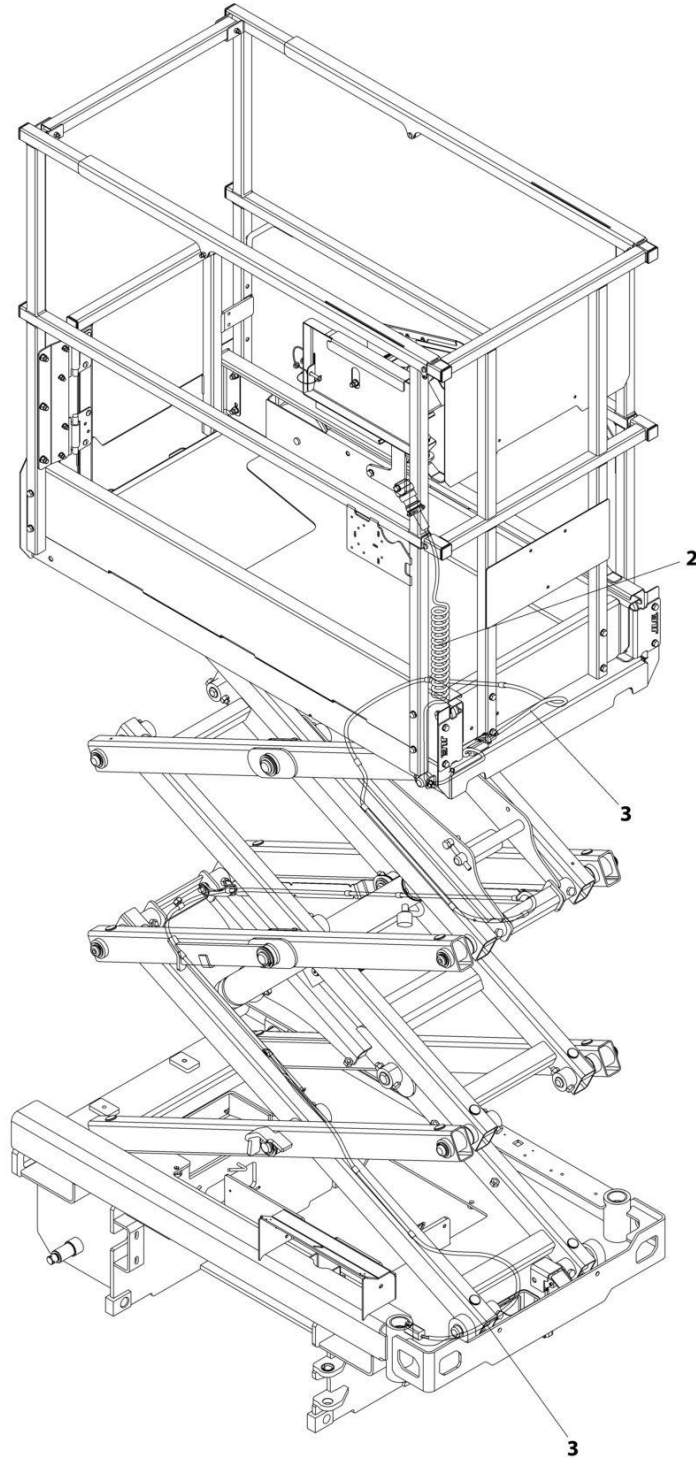
## SECTION 7 - ELECTRICAL

**FIGURE 7-31. GROUND TO PLATFORM CABLE INSTALLATION - WITHOUT PLATFORM COIL CABLE/WITH AC CABLE/WITH FOOTSWITCH**

ITEM	PART NUMBER	QTY	DESCRIPTION	REV
	1001244440	Ref	GROUND TO PLATFORM CABLE INSTALLATION	C
1	4240017	AR	Tie-Strap (Not Shown)	
2	1001241321	1	Platform Harness	
2	4460754	1	Connector - 14 Position (x61 Platform Box)	
2	4460465	6	Socket, Female	
2	4460944	2	Socket, Female	
2	4460466	6	Plug, Terminal	
2	4460899	1	Receptacle, Female - 6 Position (x60 Platform)	
2	4460464	4	Pin, Male	
2	4460943	2	Pin, Male	
2	4460891	1	Plug, Male - 2 Position (SW63 Footswitch)	
2	4460465	2	Socket, Female	
2	4460539	1	Plug, Male - 3 Position (SW475 Overhead Switch)	
2	4460465	2	Socket, Female	
2	4460466	1	Plug, Terminal	
3	1001244444	1	Cable Assembly - Ground to Platform	
3	4460899	1	Receptacle, Female - 6 Position (x58 Chassis)	
3	4460464	4	Pin, Male	
3	4460943	2	Pin, Male	
3	4460894	1	Plug, Male - 6 Position (x59 Platform)	
3	4460465	4	Socket, Female	
3	4460944	2	Socket, Female	
4	1001244445	1	Cable, AC	

## SECTION 7 - ELECTRICAL

FIGURE 7-32. GROUND TO PLATFORM CABLE INSTALLATION - WITH PLATFORM COIL CABLE/WITHOUT AC CABLE/WITHOUT FOOTSWITCH



ART\_1001261046



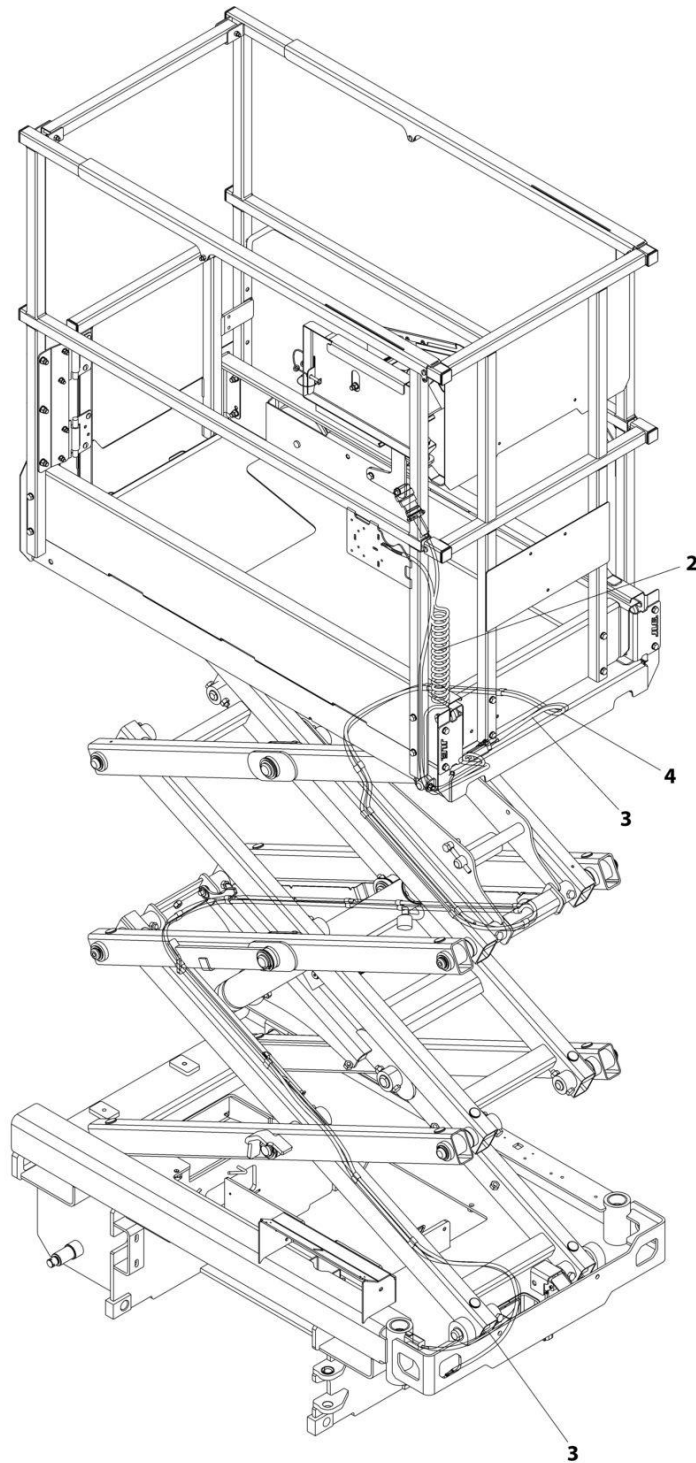
## SECTION 7 - ELECTRICAL

**FIGURE 7-32. GROUND TO PLATFORM CABLE INSTALLATION - WITH PLATFORM COIL  
CABLE/WITHOUT AC CABLE/WITHOUT FOOTSWITCH**

ITEM	PART NUMBER	QTY	DESCRIPTION	REV
	1001261046	Ref	GROUND TO PLATFORM CABLE INSTALLATION	B
1	4240017	AR	Tie-Strap (Not Shown)	
2	1001265533	1	Platform Harness	
2	4460754	1	Connector - 14 Position (x61 Platform Box)	
2	4460465	6	Socket, Female	
2	4460944	2	Socket, Female	
2	4460466	6	Plug, Terminal	
2	4460899	1	Receptacle, Female - 6 Position (x60 Platform)	
2	4460464	4	Pin, Male	
2	4460943	2	Pin, Male	
3	1001244444	1	Cable Assembly - Ground to Platform	
3	4460899	1	Receptacle, Female - 6 Position (x58 Chassis)	
3	4460464	4	Pin, Male	
3	4460943	2	Pin, Male	
3	4460894	1	Plug, Male - 6 Position (x59 Platform)	
3	4460465	4	Socket, Female	
3	4460944	2	Socket, Female	

## SECTION 7 - ELECTRICAL

FIGURE 7-33. GROUND TO PLATFORM CABLE INSTALLATION - WITH PLATFORM COIL CABLE/WITH AC CABLE/WITHOUT FOOTSWITCH



ART\_1001261047

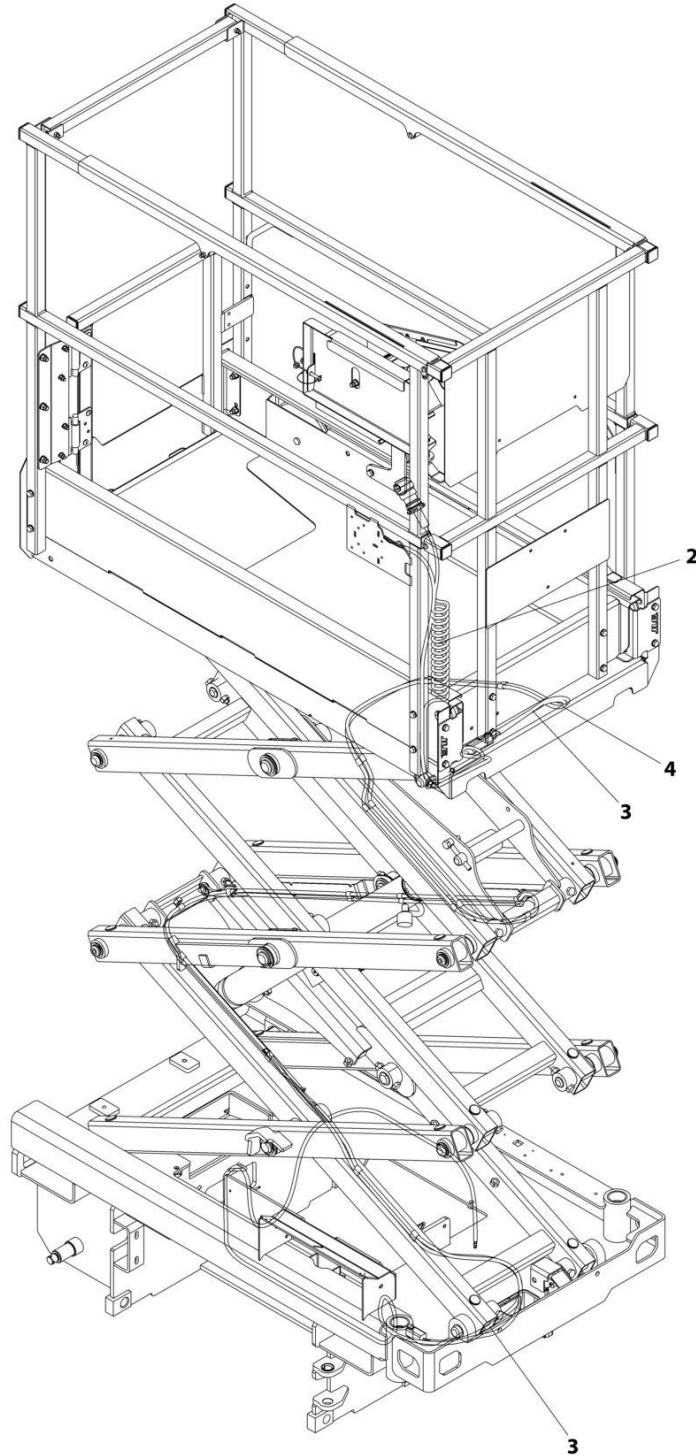
## SECTION 7 - ELECTRICAL

**FIGURE 7-33. GROUND TO PLATFORM CABLE INSTALLATION - WITH PLATFORM COIL  
CABLE/WITH AC CABLE/WITHOUT FOOTSWITCH**

ITEM	PART NUMBER	QTY	DESCRIPTION	REV
	1001261047	Ref	GROUND TO PLATFORM CABLE INSTALLATION	A
1	4240017	AR	Tie-Strap (Not Shown)	
2	1001265533	1	Platform Harness	
2	4460754	1	Connector - 14 Position (x61 Platform Box)	
2	4460465	6	Socket, Female	
2	4460944	2	Socket, Female	
2	4460466	6	Plug, Terminal	
2	4460899	1	Receptacle, Female - 6 Position (x60 Platform)	
2	4460464	4	Pin, Male	
2	4460943	2	Pin, Male	
3	1001244444	1	Cable Assembly - Ground to Platform	
3	4460899	1	Receptacle, Female - 6 Position (x58 Chassis)	
3	4460464	4	Pin, Male	
3	4460943	2	Pin, Male	
3	4460894	1	Plug, Male - 6 Position (x59 Platform)	
3	4460465	4	Socket, Female	
3	4460944	2	Socket, Female	
4	1001244445	1	Cable, AC	

## SECTION 7 - ELECTRICAL

FIGURE 7-34. GROUND TO PLATFORM CABLE INSTALLATION - WITH PLATFORM COIL CABLE/WITH AC CABLE/WITHOUT FOOTSWITCH (AUSTRALIAN SPECS)



ART\_1001261051

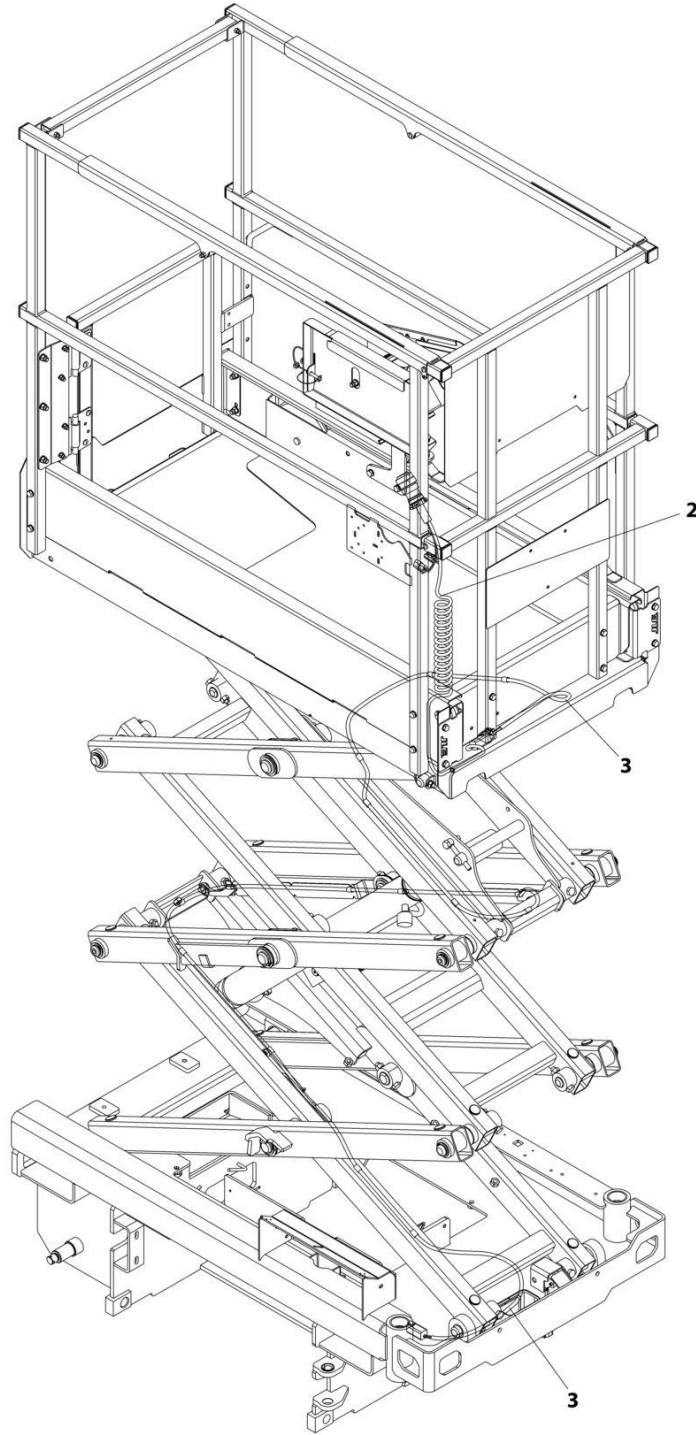
## SECTION 7 - ELECTRICAL

**FIGURE 7-34. GROUND TO PLATFORM CABLE INSTALLATION - WITH PLATFORM COIL  
CABLE/WITH AC CABLE/WITHOUT FOOTSWITCH (AUSTRALIAN SPECS)**

ITEM	PART NUMBER	QTY	DESCRIPTION	REV
	1001261051	Ref	GROUND TO PLATFORM CABLE INSTALLATION	B
1	4240017	AR	Tie-Strap (Not Shown)	
2	1001265534	1	Platform Harness	
2	4460754	1	Connector - 14 Position (x61 Platform Box)	
2	4460465	6	Socket, Female	
2	4460944	2	Socket, Female	
2	4460466	6	Plug, Terminal	
2	4460899	1	Receptacle, Female - 6 Position (x60 Platform)	
2	4460464	4	Pin, Male	
2	4460943	2	Pin, Male	
3	1001244444	1	Cable Assembly - Ground to Platform	
3	4460899	1	Receptacle, Female - 6 Position (x58 Chassis)	
3	4460464	4	Pin, Male	
3	4460943	2	Pin, Male	
3	4460894	1	Plug, Male - 6 Position (x59 Platform)	
3	4460465	4	Socket, Female	
3	4460944	2	Socket, Female	
4	1001253889	1	Cable, AC	

## SECTION 7 - ELECTRICAL

FIGURE 7-35. GROUND TO PLATFORM CABLE INSTALLATION - WITH PLATFORM COIL CABLE/WITHOUT AC CABLE/WITH FOOTSWITCH



ART\_1001261048

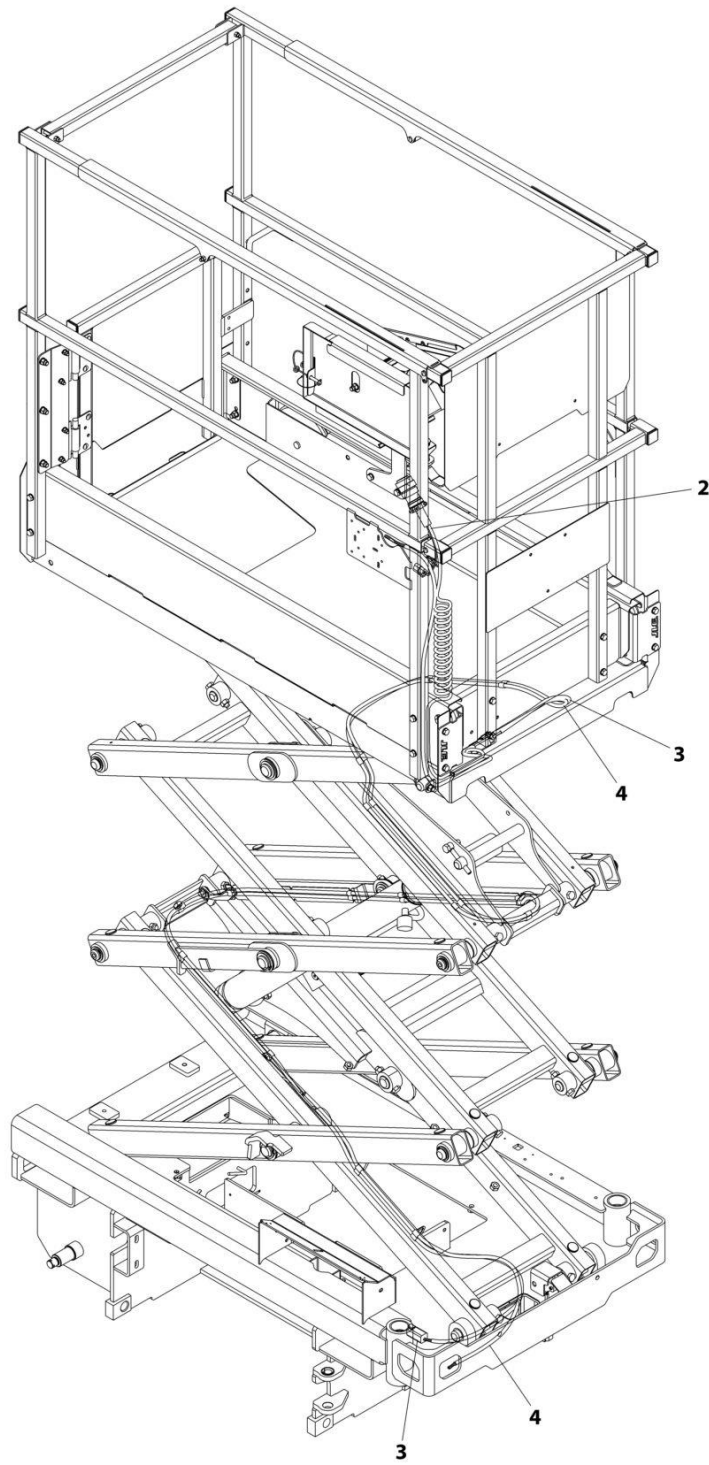
## SECTION 7 - ELECTRICAL

**FIGURE 7-35. GROUND TO PLATFORM CABLE INSTALLATION - WITH PLATFORM COIL  
CABLE/WITHOUT AC CABLE/WITH FOOTSWITCH**

ITEM	PART NUMBER	QTY	DESCRIPTION	REV
	1001261048	Ref	GROUND TO PLATFORM CABLE INSTALLATION	B
1	4240017	AR	Tie-Strap (Not Shown)	
2	1001265534	1	Platform Harness	
2	4460754	1	Connector - 14 Position (x61 Platform Box)	
2	4460465	8	Socket, Female	
2	4460944	2	Socket, Female	
2	4460466	4	Plug, Terminal	
2	4460899	1	Receptacle, Female - 6 Position (x60 Platform)	
2	4460464	4	Pin, Male	
2	4460943	2	Pin, Male	
2	4460891	1	Plug, Male - 2 Position (SW63 Footswitch)	
2	4460465	2	Socket, Female	
2	4460539	1	Plug, Male - 3 Position (SW475 Overhead Switch)	
2	4460465	2	Socket, Female	
2	4460466	1	Plug, Terminal	
3	1001244444	1	Cable Assembly - Ground to Platform	
3	4460899	1	Receptacle, Female - 6 Position (x58 Chassis)	
3	4460464	4	Pin, Male	
3	4460943	2	Pin, Male	
3	4460894	1	Plug, Male - 6 Position (x59 Platform)	
3	4460465	4	Socket, Female	
3	4460944	2	Socket, Female	

## SECTION 7 - ELECTRICAL

FIGURE 7-36. GROUND TO PLATFORM CABLE INSTALLATION - WITH PLATFORM COIL CABLE/WITH AC CABLE/WITH FOOTSWITCH



ART\_1001261049



## SECTION 7 - ELECTRICAL

**FIGURE 7-36. GROUND TO PLATFORM CABLE INSTALLATION - WITH PLATFORM COIL  
CABLE/WITH AC CABLE/WITH FOOTSWITCH**

ITEM	PART NUMBER	QTY	DESCRIPTION	REV
	1001261049	Ref	GROUND TO PLATFORM CABLE INSTALLATION	B
1	4240017	AR	Tie-Strap (Not Shown)	
2	1001223262	1	Platform Harness	
2	4460754	1	Connector - 14 Position (x61 Platform Box)	
2	4460465	8	Socket, Female	
2	4460944	2	Socket, Female	
2	4460466	4	Plug, Terminal	
2	4460899	1	Receptacle, Female - 6 Position (x60 Platform)	
2	4460464	4	Pin, Male	
2	4460943	2	Pin, Male	
2	4460891	1	Plug, Male - 2 Position (SW63 Footswitch)	
2	4460465	2	Socket, Female	
2	4460539	1	Plug, Male - 3 Position (SW475 Overhead Switch)	
2	4460465	2	Socket, Female	
2	4460466	1	Plug, Terminal	
3	1001244444	1	Cable Assembly - Ground to Platform	
3	4460899	1	Receptacle, Female - 6 Position (x58 Chassis)	
3	4460464	4	Pin, Male	
3	4460943	2	Pin, Male	
3	4460894	1	Plug, Male - 6 Position (x59 Platform)	
3	4460465	4	Socket, Female	
3	4460944	2	Socket, Female	
4	1001244445	1	Cable, AC	

# SECTION 7 - ELECTRICAL

## FIGURE 7-37. LIFT DOWN HARNESS (WITH LSS)



ART\_1001239374

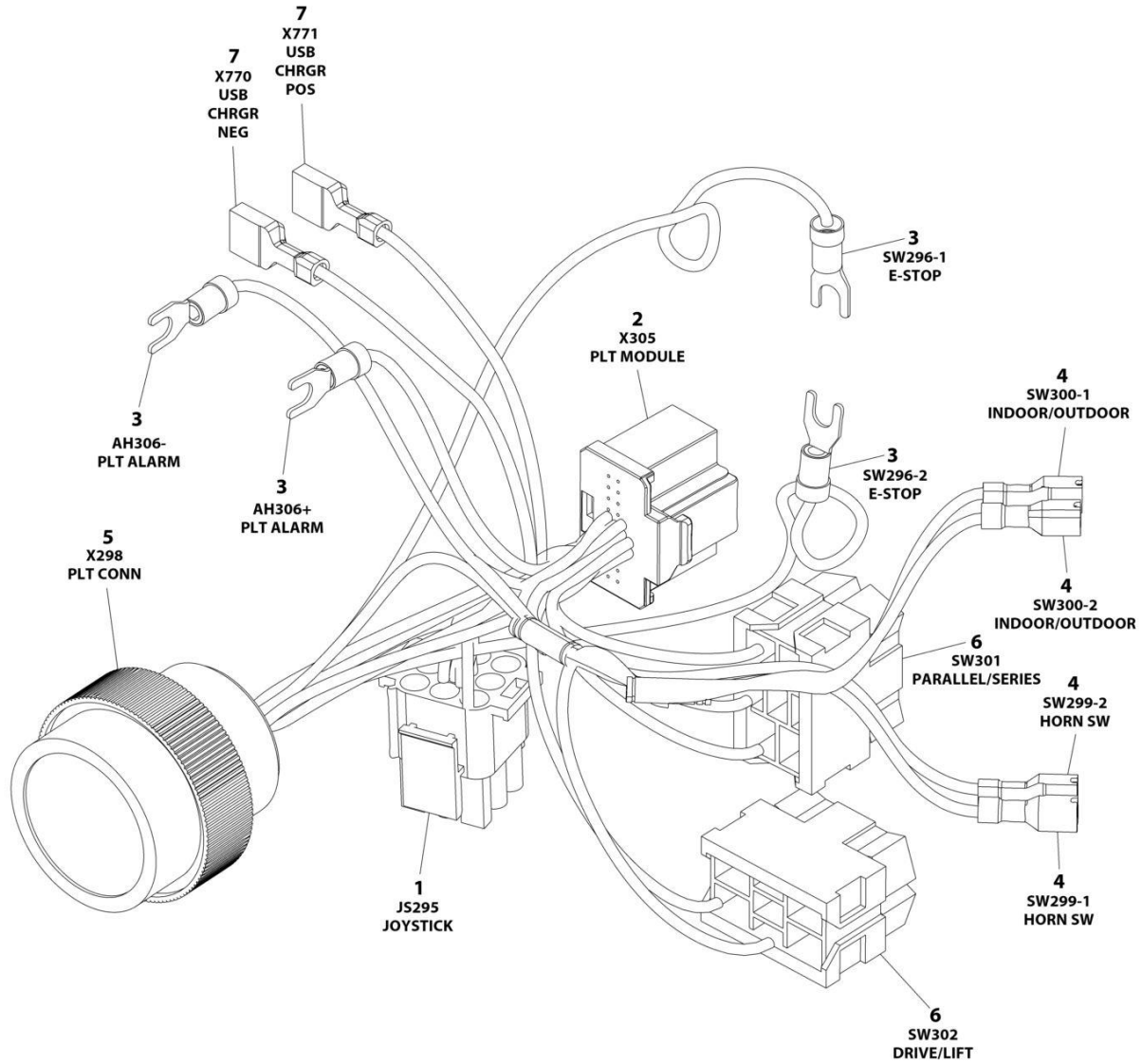
## SECTION 7 - ELECTRICAL

### FIGURE 7-37. LIFT DOWN HARNESS (WITH LSS)

ITEM	PART NUMBER	QTY	DESCRIPTION	REV
	1001239374	Ref	LIFT DOWN HARNESS (WITH LSS)	E
1	4460970	1	Receptacle, Female - 12 Position	
1	4460464	9	Pin, Male	
1	4460466	3	Plug, Terminal	
2	4460891	1	Plug, Male - 2 Position	
2	4460465	2	Socket, Female	
3	4460884	1	Plug, Male - 4 Position	
3	4460465	4	Socket, Female	
4	4460539	1	Plug, Male - 3 Position	
4	4460465	3	Socket, Female	

# SECTION 7 - ELECTRICAL

## FIGURE 7-38. PLATFORM CONTROL BOX HARNESS



ART\_1001200819

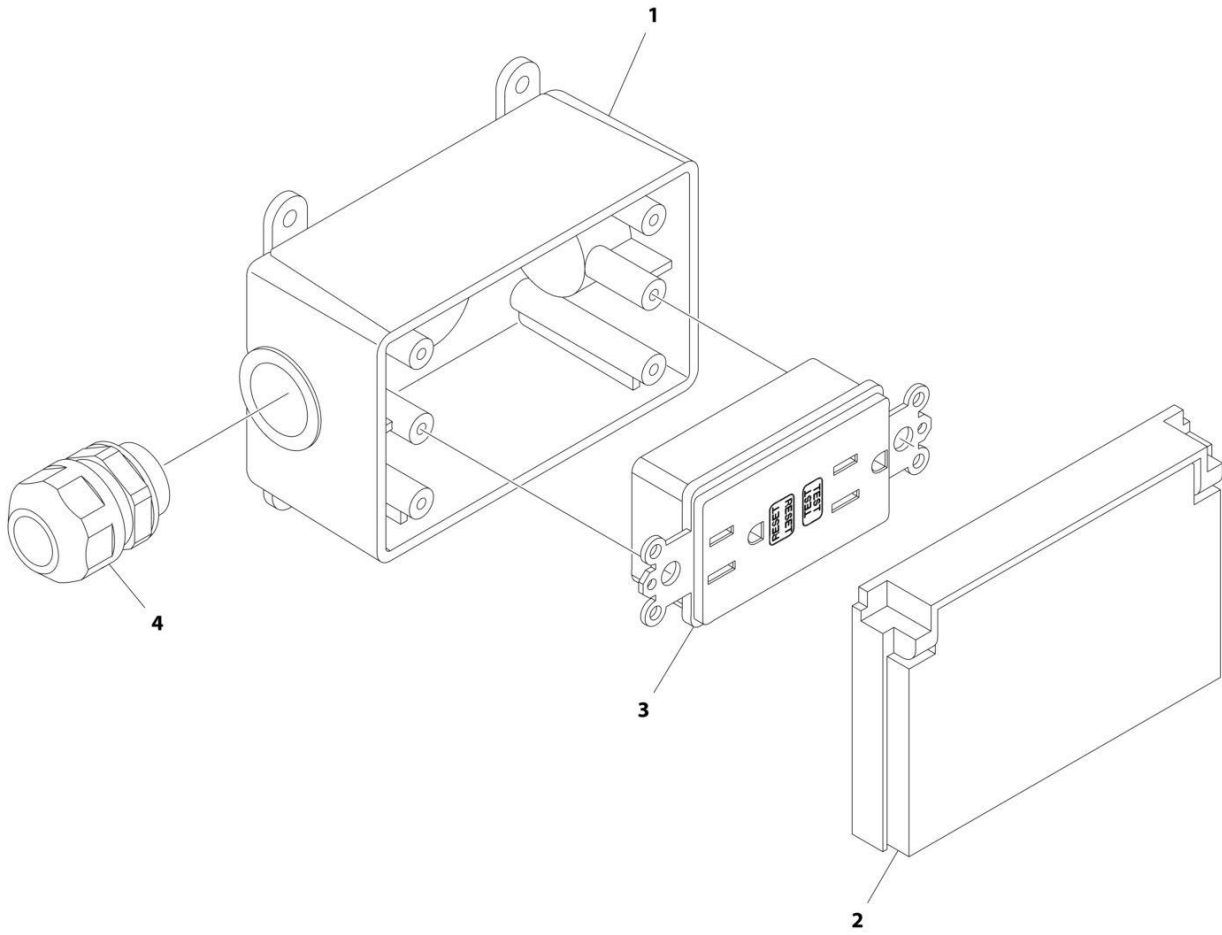
## SECTION 7 - ELECTRICAL

### FIGURE 7-38. PLATFORM CONTROL BOX HARNESS

ITEM	PART NUMBER	QTY	DESCRIPTION	REV
	1001200819	Ref	PLATFORM CONTROL BOX HARNESS	E
1	4460265	1	Plug, Male - 9 Position	
1	4460267	6	Pin, Male	
2	1001212036	1	Connector - 20 Position	
2	1001212035	16	Terminal	
3	4460183	4	Terminal, Fork	
4	1001201885	4	Terminal with Cover	
5	4461016	1	Connector - 14 Position	
5	4460464	8	Pin, Male	
5	4460466	6	Plug, Terminal	
6	4460418	2	Connector - 6 Position	
6	1001159186	5	Terminal	
7	1001194421	2	Terminal	

# SECTION 7 - ELECTRICAL

FIGURE 7-39. RECEPTACLE BOX KIT - 110V GFI



ART\_2902431

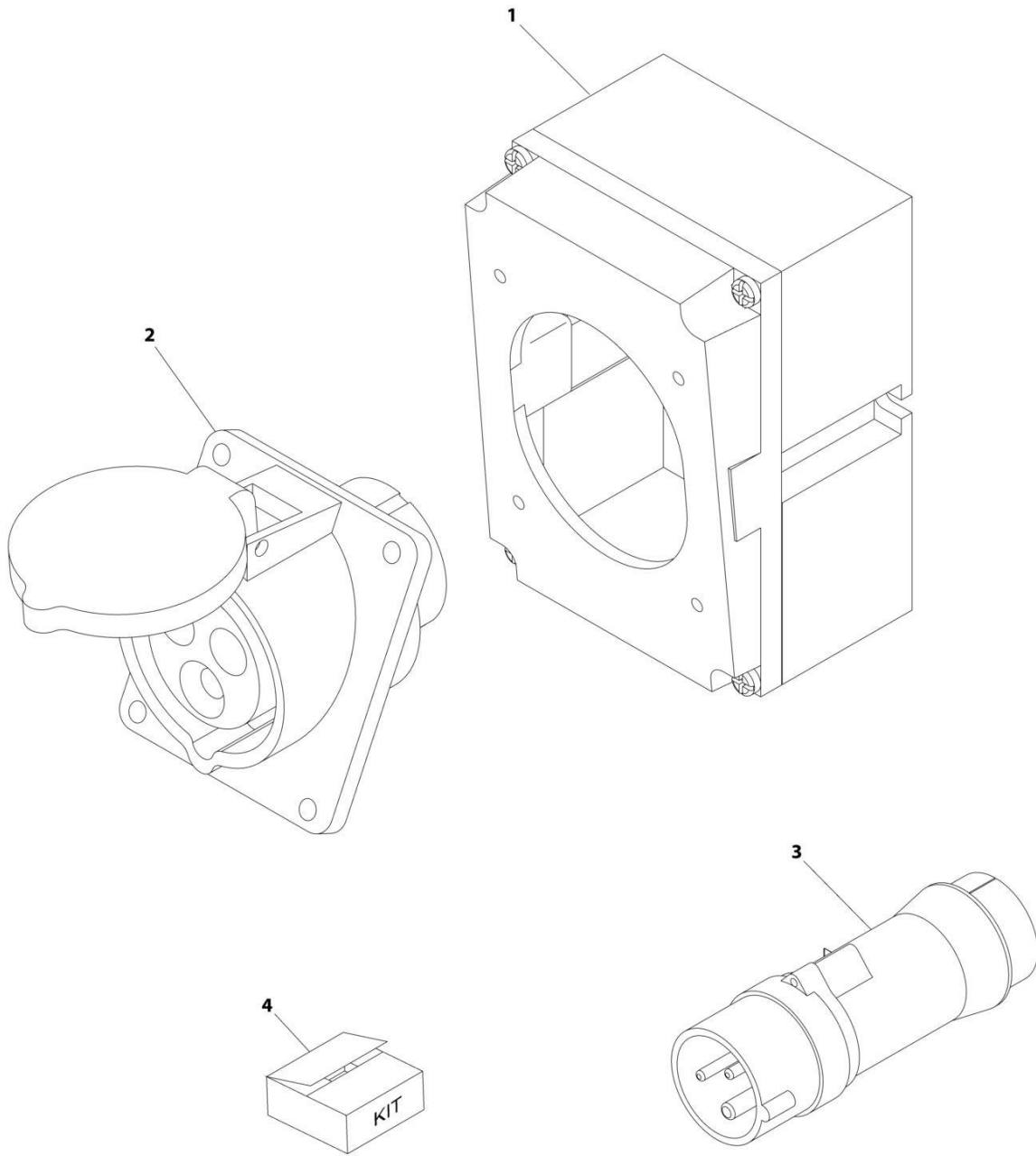
# SECTION 7 - ELECTRICAL

## FIGURE 7-39. RECEPTACLE BOX KIT - 110V GFI

ITEM	PART NUMBER	QTY	DESCRIPTION	REV
	2902431	Ref	RECEPTACLE BOX KIT - 110V GFI	D
1	0861731	1	Box, Receptacle	
2	1671207	1	Cover, Receptacle	
3	4460346	1	Receptacle	
4	4460662	1	Connector, Strain Relief	

# SECTION 7 - ELECTRICAL

FIGURE 7-40. RECEPTACLE BOX KIT - 110V IEC YELLOW (CE SPEC)



ART\_0275216



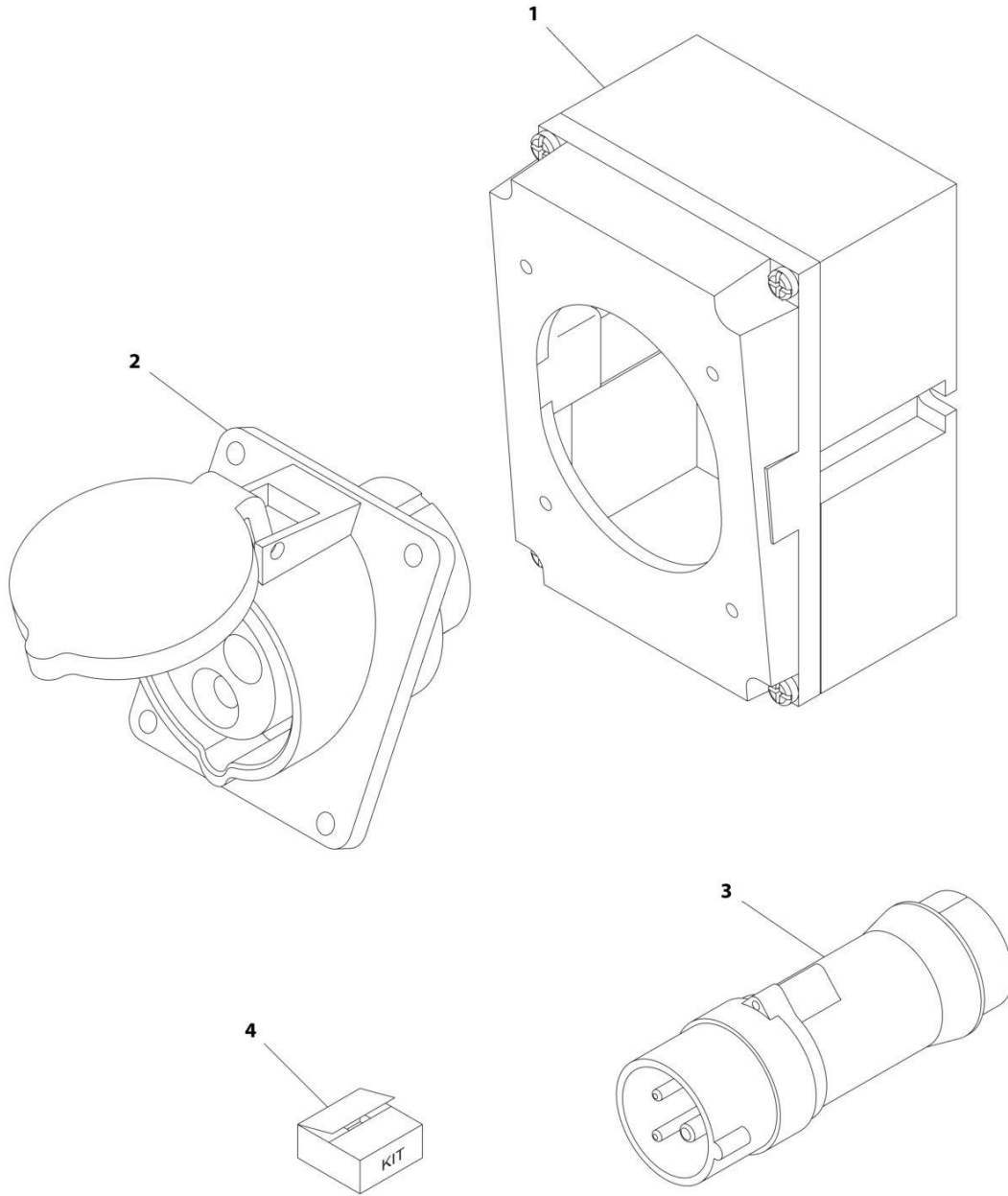
## SECTION 7 - ELECTRICAL

**FIGURE 7-40. RECEPTACLE BOX KIT - 110V IEC YELLOW (CE SPEC)**

ITEM	PART NUMBER	QTY	DESCRIPTION	REV
	0275216	Ref	RECEPTACLE BOX KIT - 110V IEC YELLOW	B
1	0861781	1	Box, Switch	
2	4461198	1	Receptacle	
3	4461196	1	Plug, Male	
4	1001100341	1	Plug and Socket Kit (Includes Items 1-3 and Female Plug p/n 4461197)	

# SECTION 7 - ELECTRICAL

FIGURE 7-41. RECEPTACLE BOX KIT - 220V IEC BLUE (CE SPEC)



ART\_0275217

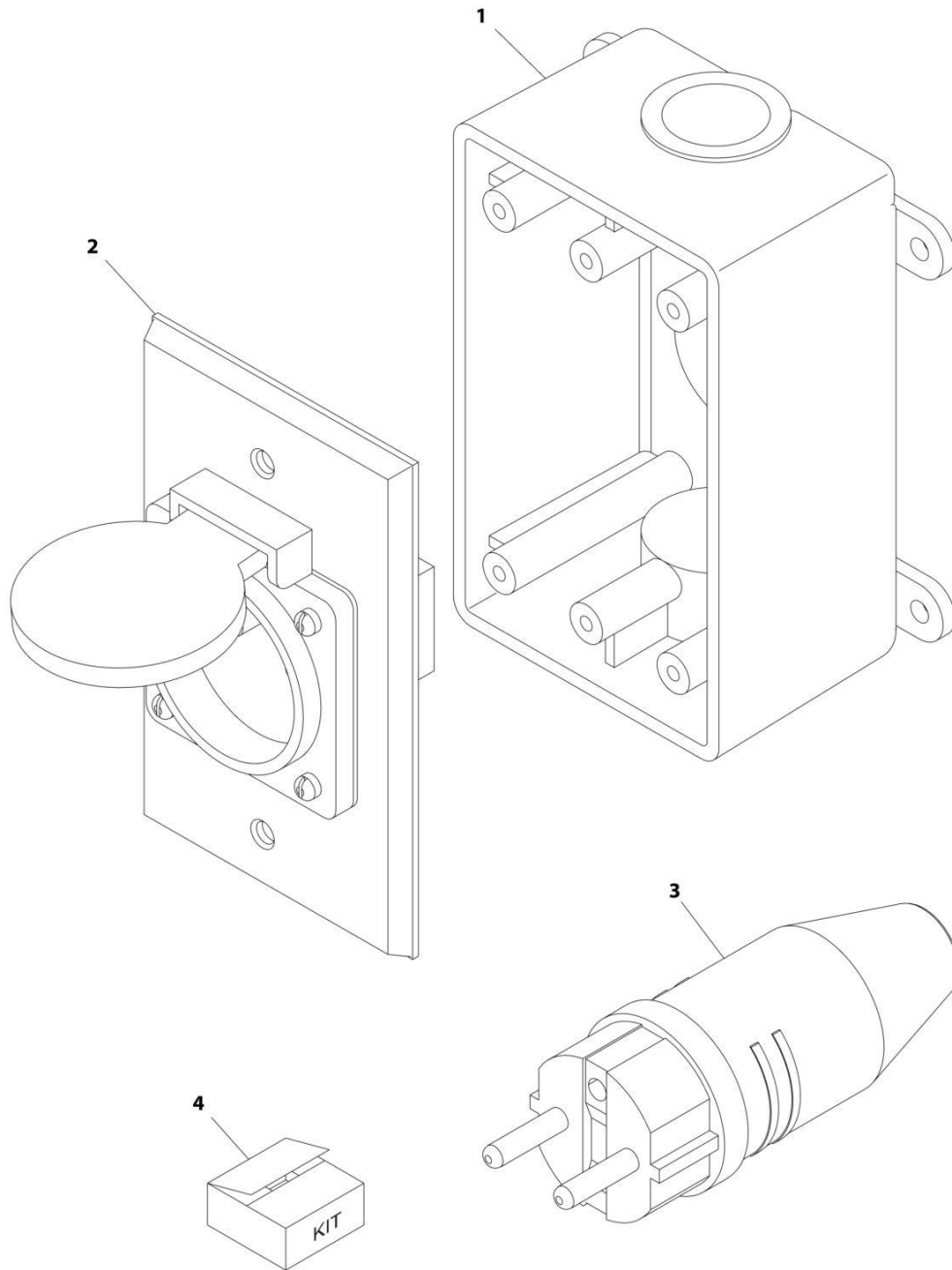
## SECTION 7 - ELECTRICAL

**FIGURE 7-41. RECEPTACLE BOX KIT - 220V IEC BLUE (CE SPEC)**

ITEM	PART NUMBER	QTY	DESCRIPTION	REV
	0275217	Ref	RECEPTACLE BOX KIT - 220V IEC BLUE	B
1	0861781	1	Box, Switch	
2	4461201	1	Receptacle	
3	4461199	1	Plug, Male	
4	1001100342	1	Plug and Socket Kit (Includes Items 1-3 and Female Plug p/n 4461200)	

# SECTION 7 - ELECTRICAL

FIGURE 7-42. RECEPTACLE BOX KIT - 220V CEE7 POST GROUND (CE SPEC)



ART\_0275452-C

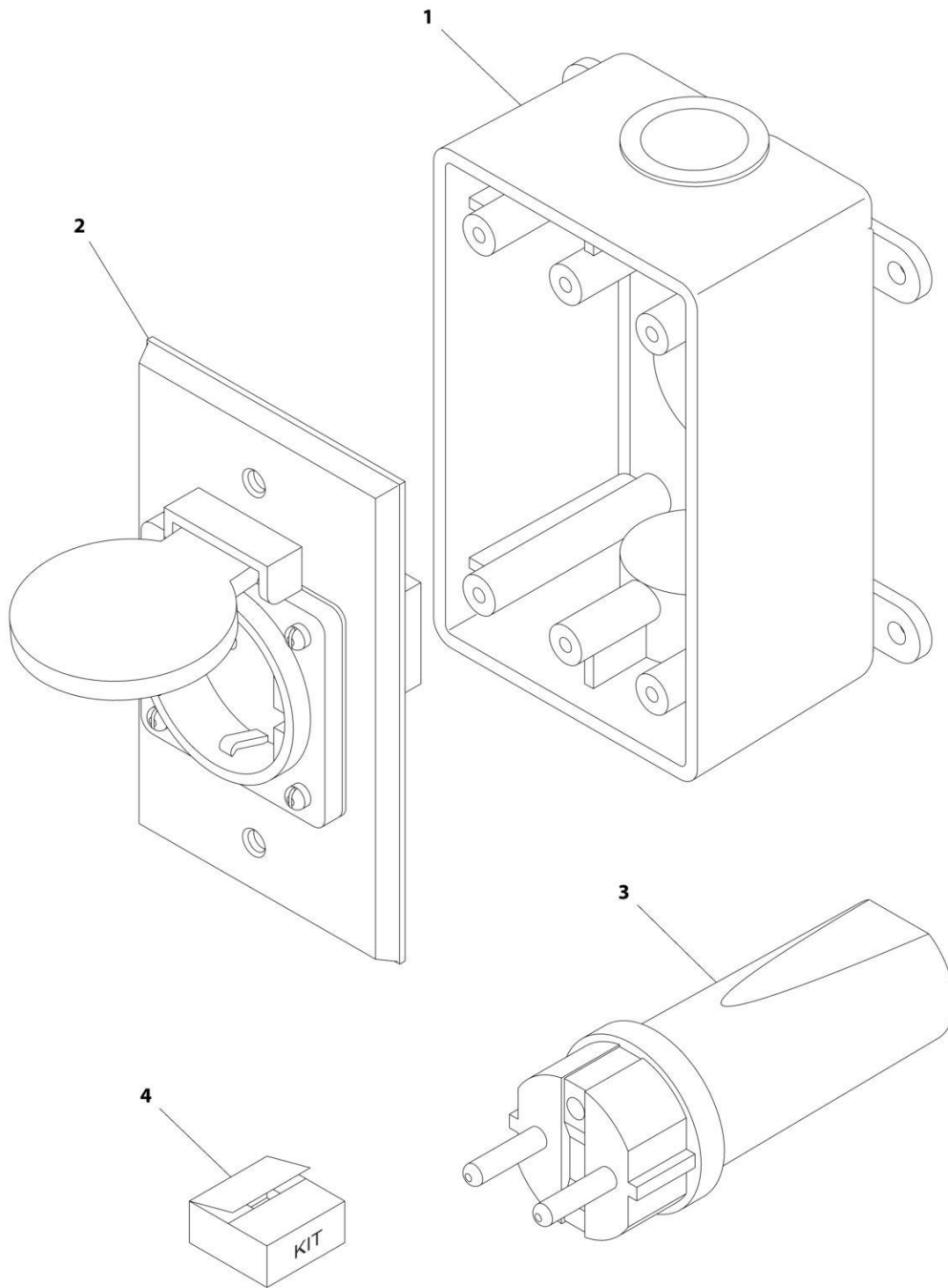
## SECTION 7 - ELECTRICAL

**FIGURE 7-42. RECEPTACLE BOX KIT - 220V CEE7 POST GROUND (CE SPEC)**

ITEM	PART NUMBER	QTY	DESCRIPTION	REV
	0275452	Ref	RECEPTACLE BOX KIT - 220V CEE7 POST GROUND 2IN X 4IN BOX	C
1	0861731	1	Box, Switch	
2	4461244	1	Receptacle	
3	4461205	1	Plug, Male	
4	1001100345	1	Plug and Socket Kit (Includes Items 1-3 and Female Plug p/n 4461203)	

# SECTION 7 - ELECTRICAL

FIGURE 7-43. RECEPTACLE BOX KIT - 220V CEE7 SIDE GROUND (CE SPEC)



ART\_0275453

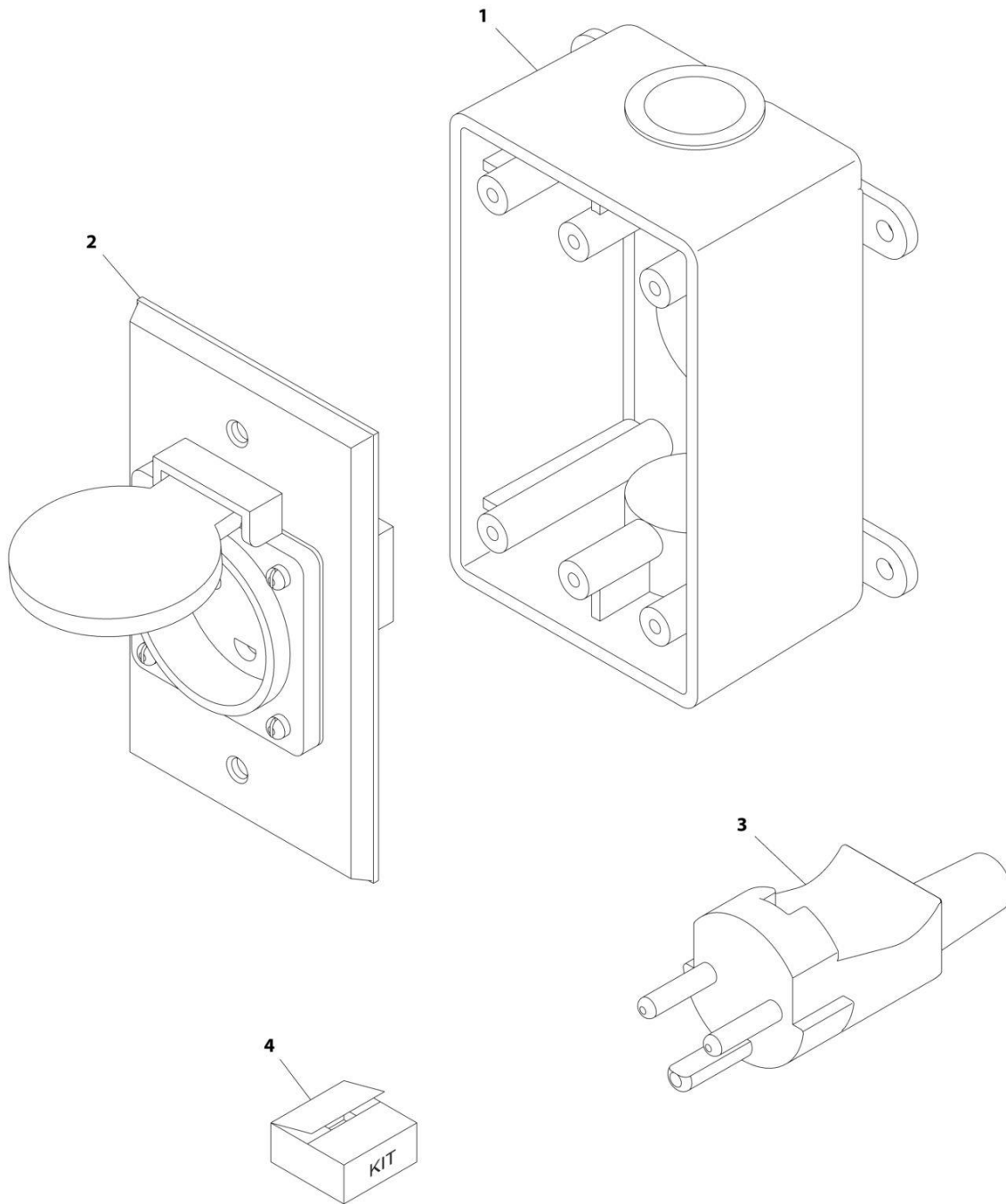
## SECTION 7 - ELECTRICAL

**FIGURE 7-43. RECEPTACLE BOX KIT - 220V CEE7 SIDE GROUND (CE SPEC)**

ITEM	PART NUMBER	QTY	DESCRIPTION	REV
	0275453	Ref	RECEPTACLE BOX KIT - 220V CEE7 SIDE GROUND	B
1	0861731	1	Box, Switch	
2	4461245	1	Receptacle	
3	4461205	1	Plug, Male	
4	1001100347	1	Plug and Socket Kit (Includes Items 1-3 and Female Plug p/n 4461206)	

# SECTION 7 - ELECTRICAL

FIGURE 7-44. RECEPTACLE BOX KIT - 220V AFSINT 107 (CE SPEC)



ART\_0275454



## SECTION 7 - ELECTRICAL

**FIGURE 7-44. RECEPTACLE BOX KIT - 220V AFSINT 107 (CE SPEC)**

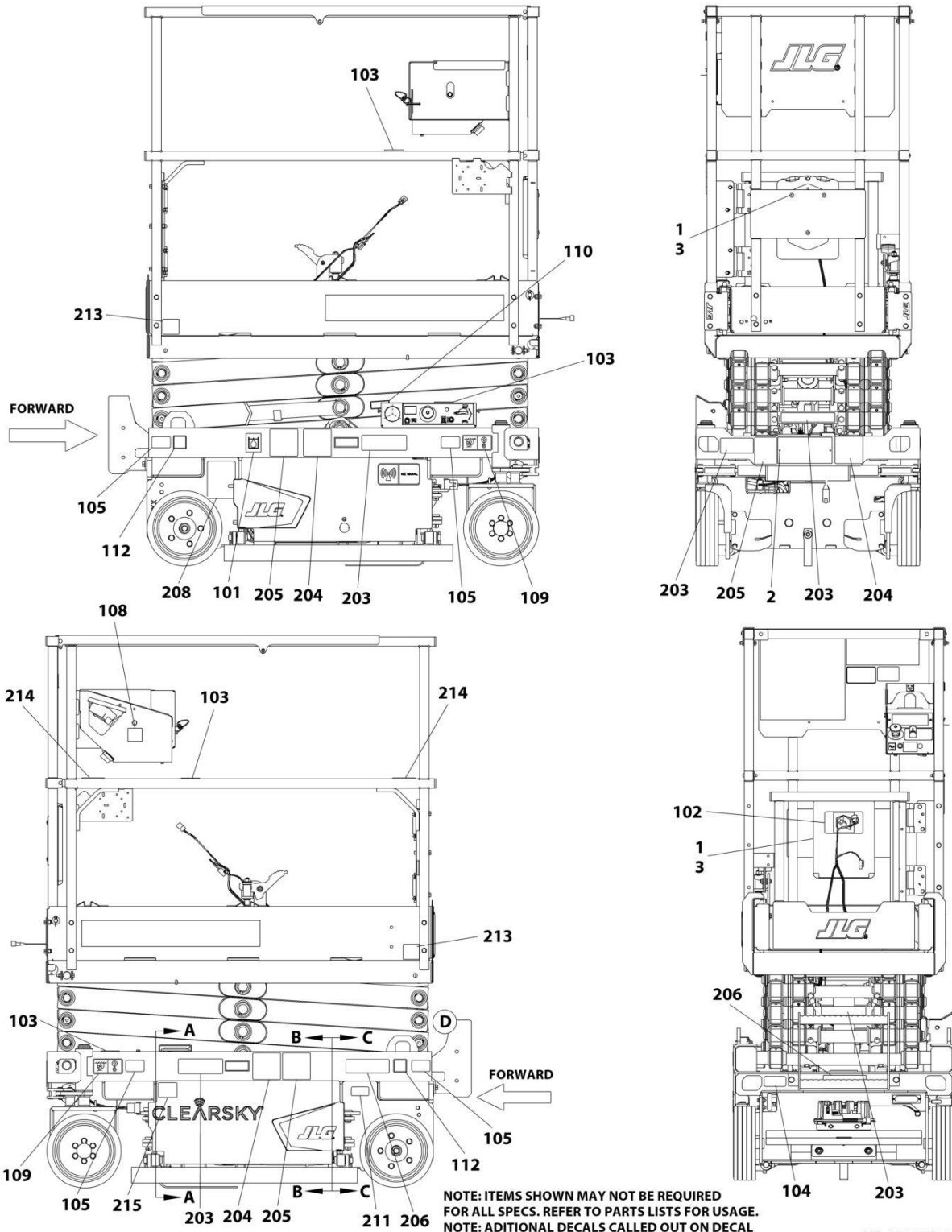
ITEM	PART NUMBER	QTY	DESCRIPTION	REV
	0275454	Ref	RECEPTACLE BOX KIT - 220V AFSINT 107	B
1	0861731	1	Box, Switch	
2	4461246	1	Receptacle	
3	4461249	1	Plug, Male	
4	1001100346	1	Plug and Socket Kit (Includes Items 1-3 and Female Plug p/n 4461250)	



**SECTION 8 - DECALS**

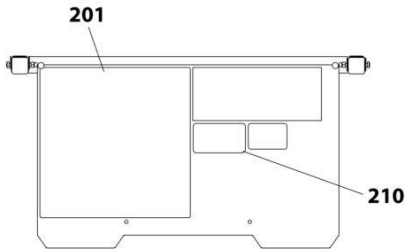
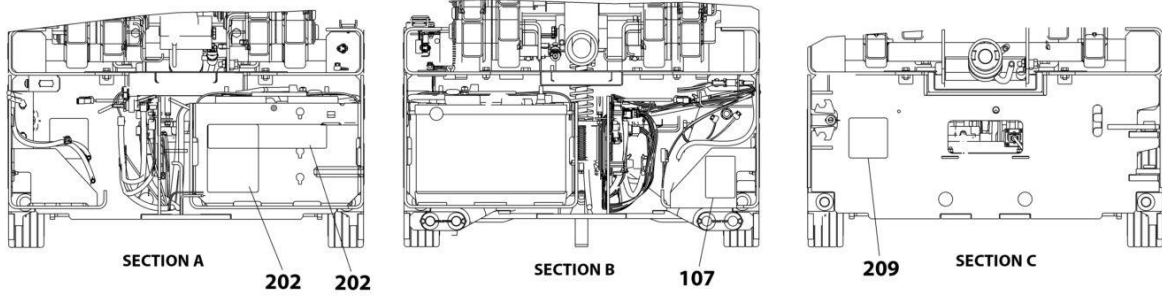
# SECTION 8 - DECALS

## FIGURE 8-1. DECAL INSTALLATION (ANSI SPECS)

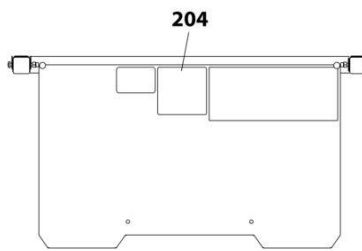


ART\_1001247301\_10F2

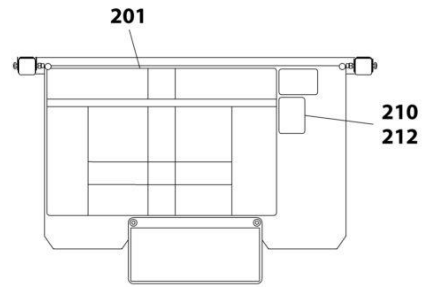
# SECTION 8 - DECALS



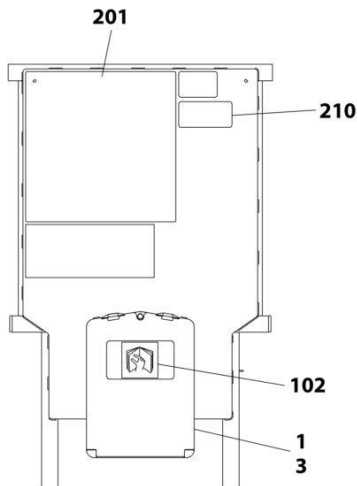
FIXED RAIL (ANSI SPECS)



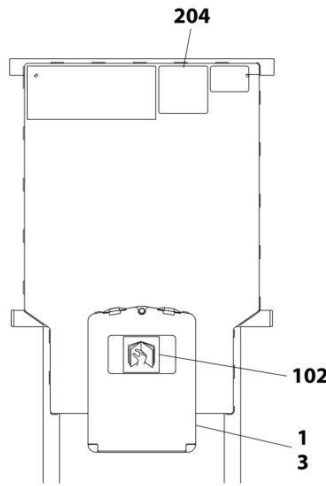
FIXED RAIL (CE AND JAPANESE SPECS)



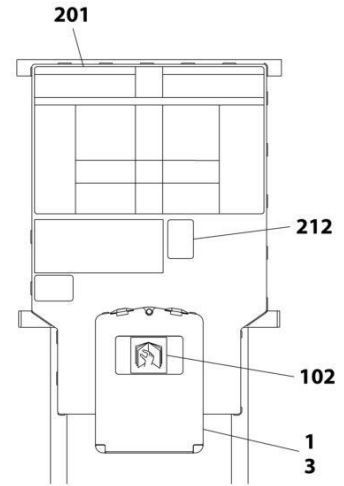
FIXED RAIL (CHINA, CSA AND KOREAN SPECS)



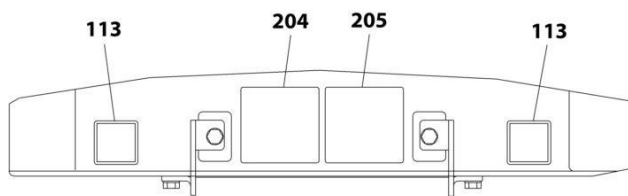
FOLDING RAIL (ANSI SPECS)



FOLDING RAIL (CE SPECS)



FOLDING RAIL (CHINA AND KOREAN SPECS)



DETAIL D  
TOP REAR OF FRAME

NOTE: ITEMS SHOWN MAY NOT BE REQUIRED FOR ALL SPECS. REFER TO PARTS LISTS FOR USAGE.  
NOTE: ADDITIONAL DECALS CALLED OUT ON DECAL INSTALLATION - OPTIONS.

ART\_1001247301\_20F2

## SECTION 8 - DECALS

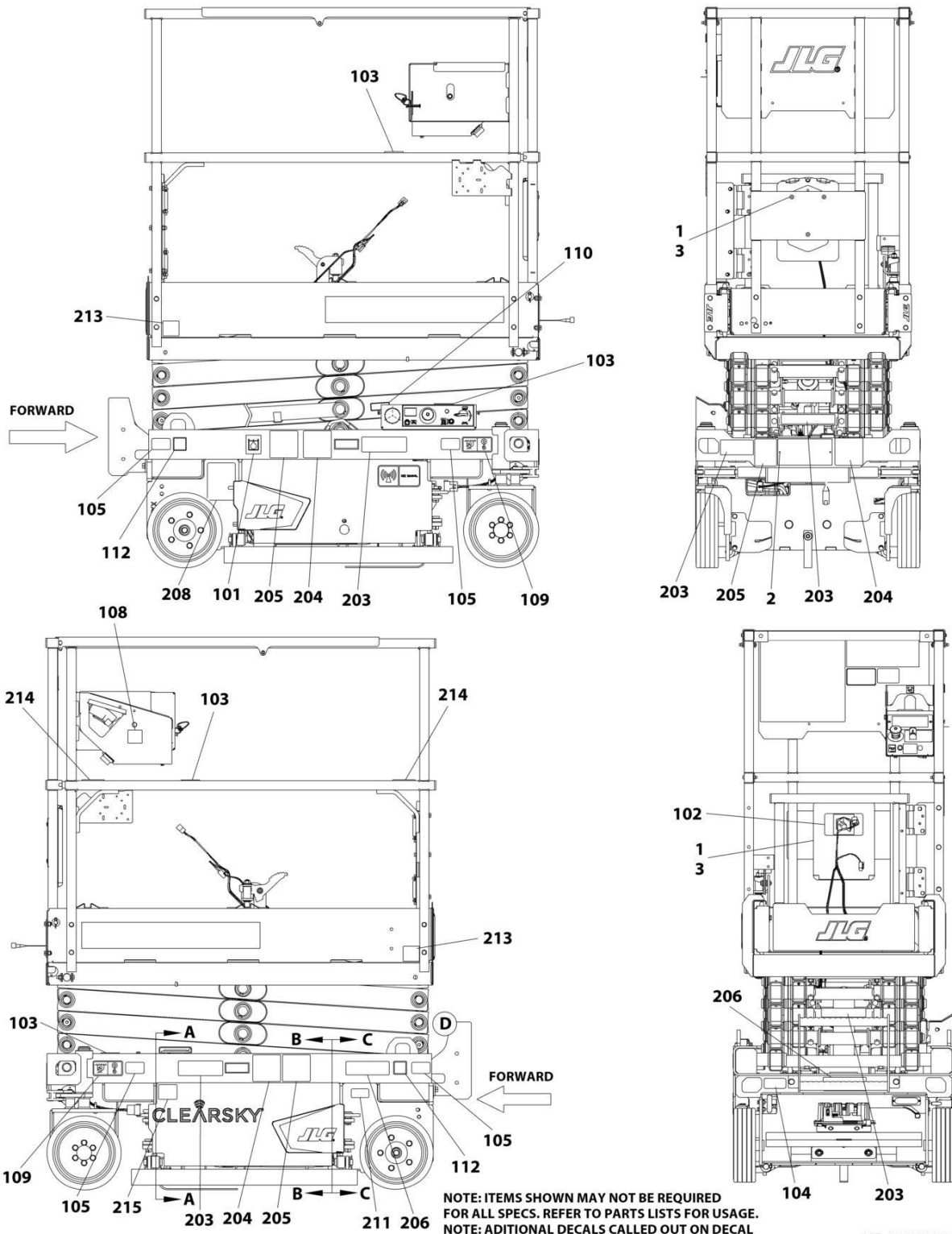
FIGURE 8-1. DECAL INSTALLATION (ANSI SPECS)

ITEM	PART NUMBER	QTY	DESCRIPTION	REV
	1001247301	Ref	DECALS INSTALLATION (ANSI SPECS)	E
	1001247399	Ref	DECALS CHART DRAWING	K
1	2080040	3	Fastener	
2	2080057	4	Fastener	
3	8990147	1	Holder Manual	
100	1001247296	1	Master Decal Kit (Not Shown)	F
101	1701504	1	Decal - Hydraulic Oil	
102	1701640	1	Decal - Manual	
103	1703819	4	Decal - Directional Arrow	
104	1001248126	1	Decal - Manual Descent Instructions	
105	1704016	4	Decal - Fork Lift	
107	1704412	1	Decal - Hydraulic Oil Chart	
108	1001132359	1	Decal - Control Box Locate	
109	1001162864	2	Decal - Lift Point/Tie Down	
110	1001220430	1	Decal - Safety Prop	
112	1001212290	1	Decal - Tie Down	
113	1001212291	1	Decal - Lifting Lug	
201	1703816	1	Decal - Danger/Warning	
202	1001146794	1	Decal - Battery/Charger Service	
203	1001211777	4	Decal - Crushing Hazard	
204	1001211779	4	Decal - Electrocution	
206	1703813	2	Decal - Warning Battery Ventilation	
208	1001131270	1	Decal - Patent	
209	1001223055	1	Decal - Yearly Inspection	
210	1001231801	1	Decal - Warning Prop 65	
211	1001228370	1	Decal - ICES	
214	1704277	2	Decal - Lanyard Attach	
215	1702155	1	Decal - Battery Disconnect	



# SECTION 8 - DECALS

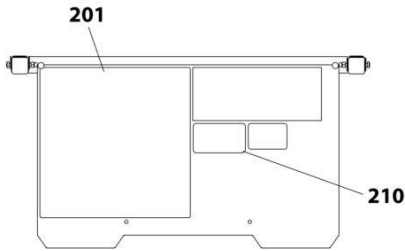
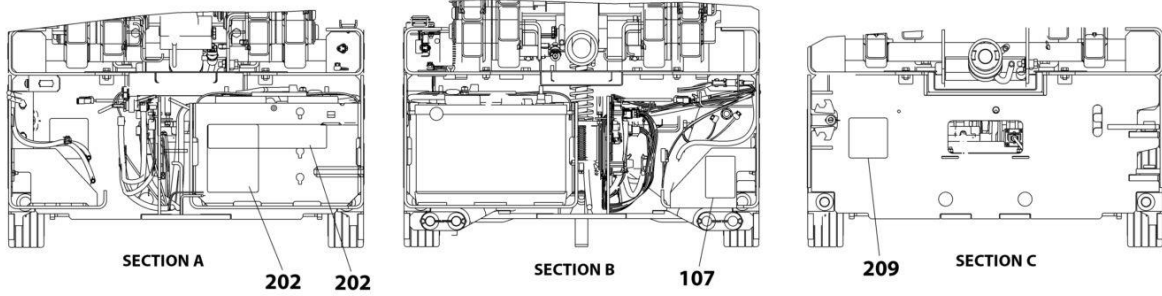
## FIGURE 8-2. DECAL INSTALLATION (AUSTRALIAN SPECS)



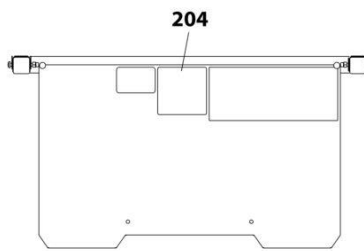
ART\_1001256628\_10F2



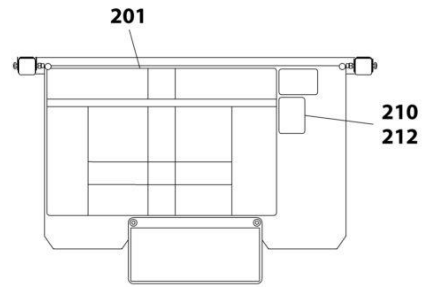
# SECTION 8 - DECALS



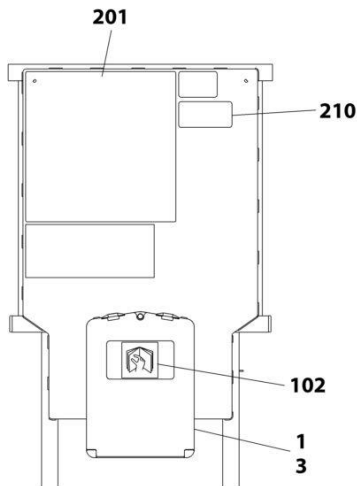
FIXED RAIL (ANSI SPECS)



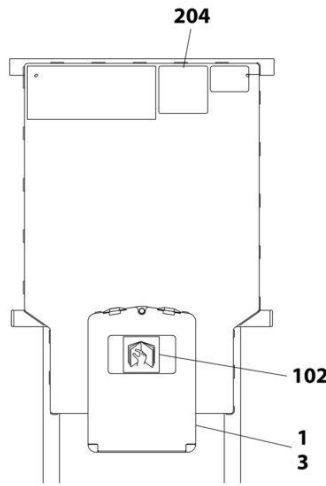
FIXED RAIL (CE AND JAPANESE SPECS)



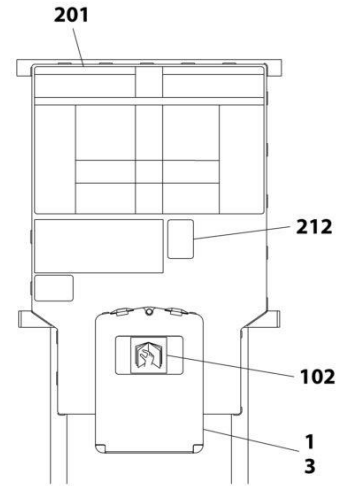
FIXED RAIL (CHINA, CSA AND KOREAN SPECS)



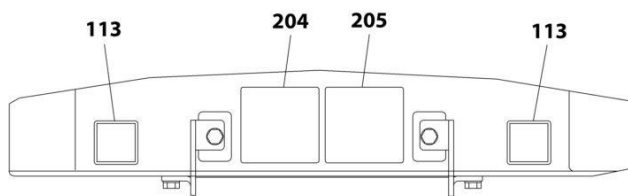
FOLDING RAIL (ANSI SPECS)



FOLDING RAIL (CE SPECS)



FOLDING RAIL (CHINA AND KOREAN SPECS)



DETAIL D  
TOP REAR OF FRAME

NOTE: ITEMS SHOWN MAY NOT BE REQUIRED FOR ALL SPECS. REFER TO PARTS LISTS FOR USAGE.  
NOTE: ADDITIONAL DECALS CALLED OUT ON DECAL INSTALLATION - OPTIONS.

ART\_1001256628\_20F2

## SECTION 8 - DECALS

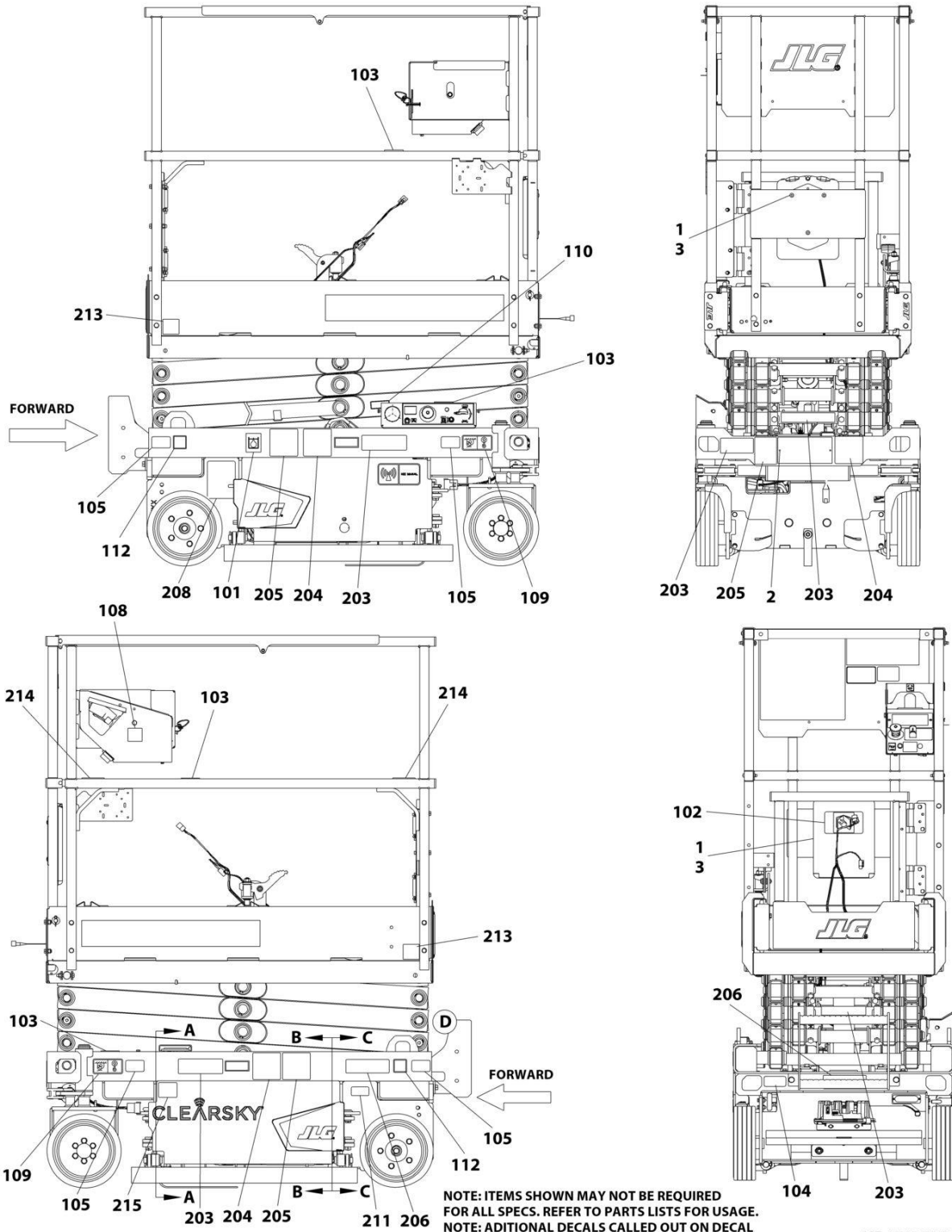
FIGURE 8-2. DECAL INSTALLATION (AUSTRALIAN SPECS)

ITEM	PART NUMBER	QTY	DESCRIPTION	REV
	1001256628	Ref	DECALS INSTALLATION	B
	1001247399	Ref	DECALS CHART DRAWING	I
1	2080040	3	Fastener	
2	2080057	4	Fastener	
3	8990147	1	Holder Manual	
100	1001247296	1	Master Decal Kit (Not Shown)	F
101	1701504	1	Decal - Hydraulic Oil	
102	1701640	1	Decal - Manual	
103	1703819	4	Decal - Directional Arrow	
104	1001248126	1	Decal - Manual Descent	
105	1704016	4	Decal - Fork Lift	
107	1704412	1	Decal - Hydraulic Oil Chart	
108	1001132359	1	Decal - Control Box Locate	
109	1001162864	4	Decal - Lift Point/Tie Down	
110	1001220430	1	Decal - Safety Prop	
112	1001212290	1	Decal - Tie Down	
113	1001212291	1	Decal - Lifting Lug	
202	1001146794	1	Decal - See Manual	
203	1001219172	4	Decal - Crushing	
204	1001219171	5	Decal - Electrocution	
206	1705670	2	Decal - Fire Hazard	
214	1704277	2	Decal - Lanyard Attach	
215	1702155	1	Decal - Battery Disconnect	



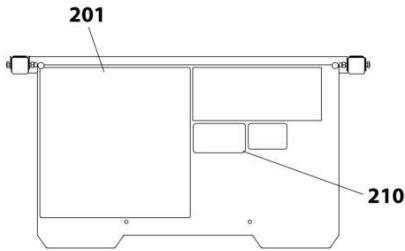
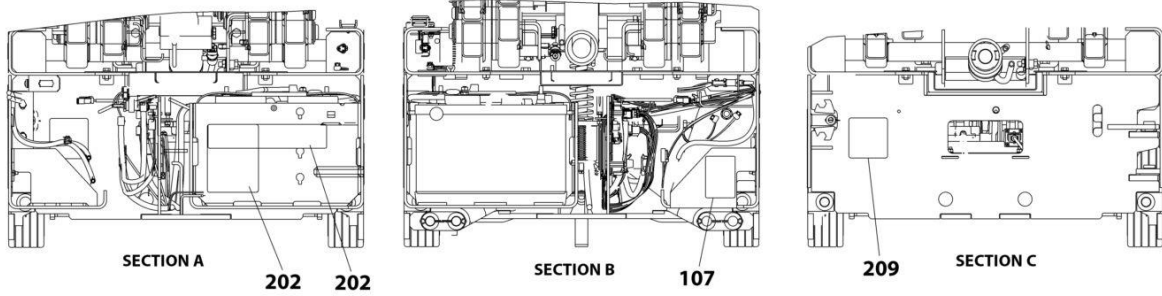
# SECTION 8 - DECALS

## FIGURE 8-3. DECAL INSTALLATION (CE SPECS)

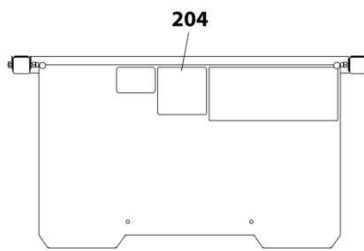


ART\_1001247305\_10F2

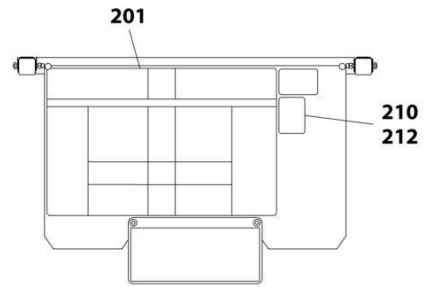
# SECTION 8 - DECALS



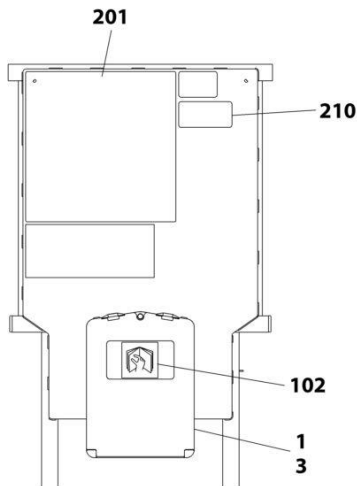
FIXED RAIL (ANSI SPECS)



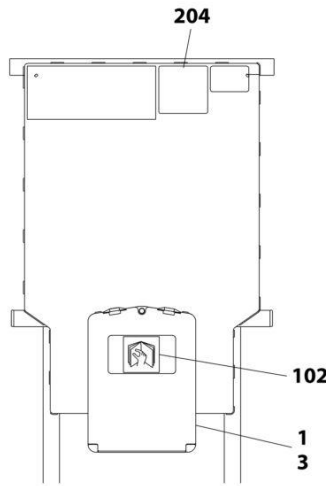
FIXED RAIL (CE AND JAPANESE SPECS)



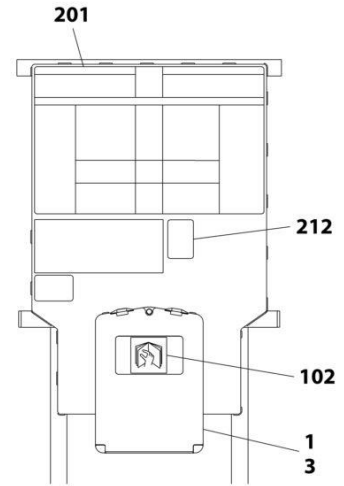
FIXED RAIL (CHINA, CSA AND KOREAN SPECS)



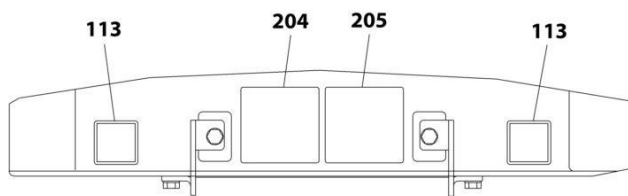
FOLDING RAIL (ANSI SPECS)



FOLDING RAIL (CE SPECS)



FOLDING RAIL (CHINA AND KOREAN SPECS)



DETAIL D  
TOP REAR OF FRAME

NOTE: ITEMS SHOWN MAY NOT BE REQUIRED FOR ALL SPECS. REFER TO PARTS LISTS FOR USAGE.  
NOTE: ADDITIONAL DECALS CALLED OUT ON DECAL INSTALLATION - OPTIONS.

ART\_1001247305\_20F2

## SECTION 8 - DECALS

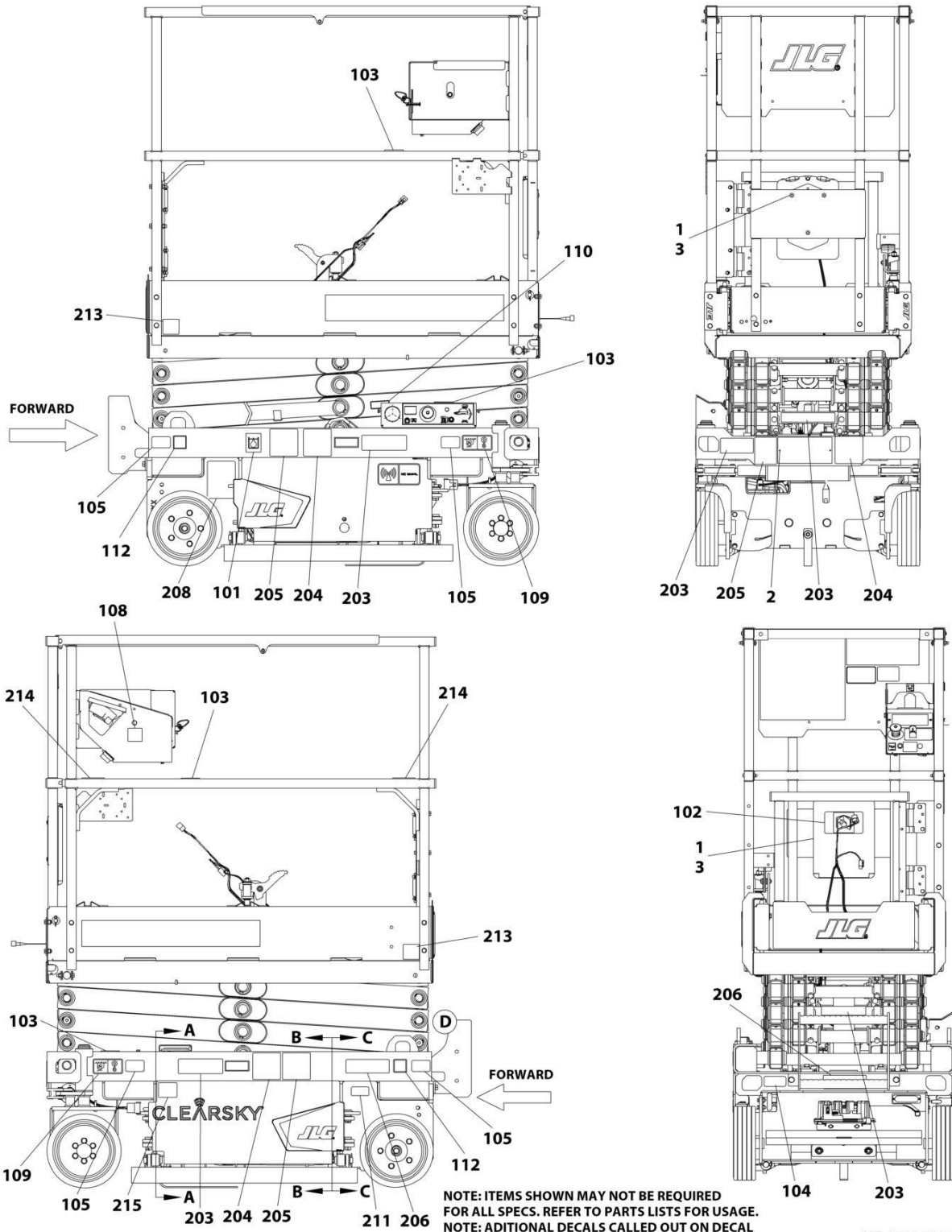
FIGURE 8-3. DECAL INSTALLATION (CE SPECS)

ITEM	PART NUMBER	QTY	DESCRIPTION	REV
	1001247305	Ref	DECALS INSTALLATION (CE & UK CA SPECS)	E
	1001247399	Ref	DECALS CHART DRAWING	K
1	2080040	3	Fastener	
2	2080057	4	Fastener	
3	8990147	1	Holder Manual	
100	1001247296	1	Master Decal Kit (Not Shown)	F
101	1701504	1	Decal - Hydraulic Oil	
102	1701640	1	Decal - Manual	
103	1703819	4	Decal - Directional Arrow	
104	1001248126	1	Decal - Manual Descent	
105	1704016	4	Decal - Fork Lift	
107	1704412	1	Decal - Hydraulic Oil Chart	
108	1001132359	1	Decal - Control Box Locate	
109	1001162864	4	Decal - Lift Point/Tie Down	
110	1001220430	1	Decal - Safety Prop	
112	1001212290	1	Decal - Tie Down	
113	1001212291	1	Decal - Lifting Lug	
202	1001247310	1	Decal - See Manual	
203	1001219172	4	Decal - Crushing	
204	1001219171	5	Decal - Electrocution	
206	1705670	2	Decal - Fire Hazard	
214	1704277	2	Decal - Lanyard Attach	
215	1702155	1	Decal - Battery Disconnect	



# SECTION 8 - DECALS

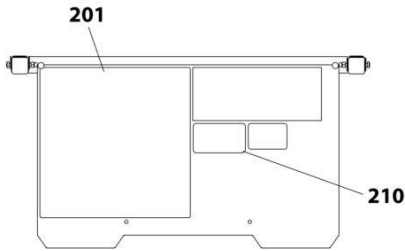
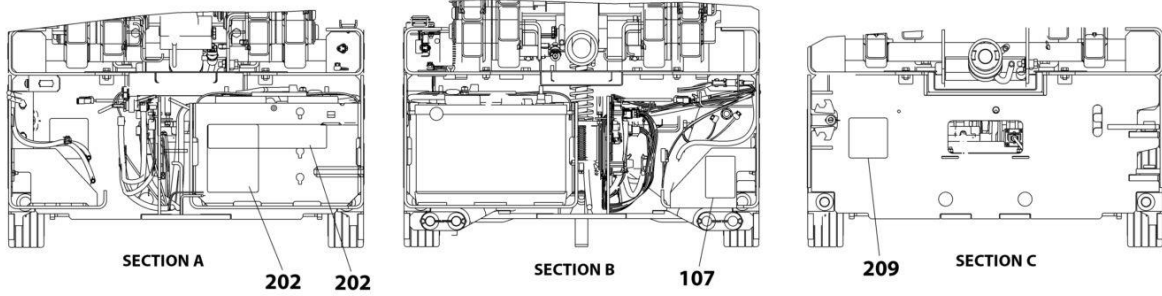
## FIGURE 8-4. DECAL INSTALLATION (CHINA SPECS)



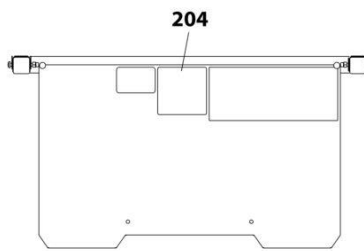
ART\_1001247303\_10F2



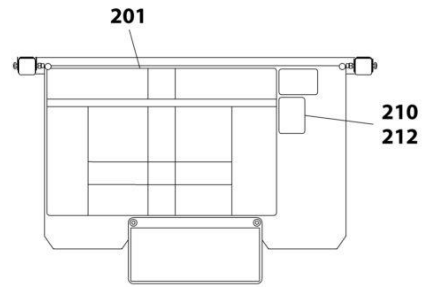
# SECTION 8 - DECALS



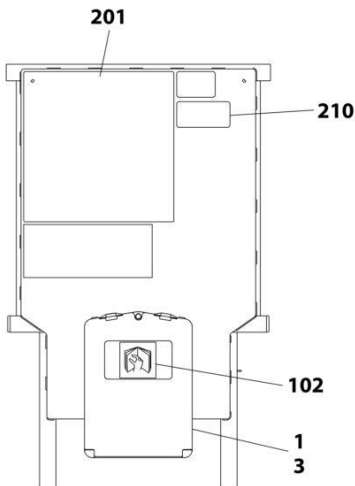
FIXED RAIL (ANSI SPECS)



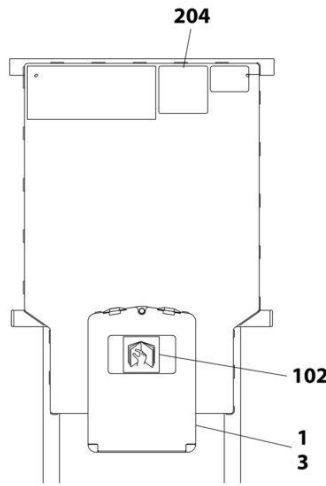
FIXED RAIL (CE AND JAPANESE SPECS)



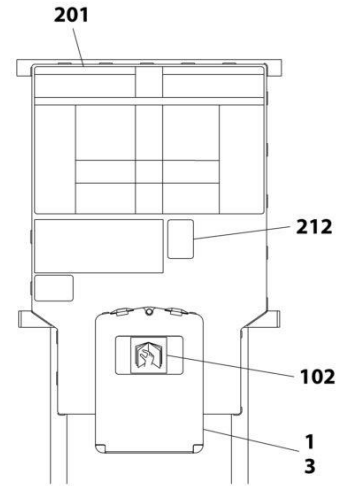
FIXED RAIL (CHINA, CSA AND KOREAN SPECS)



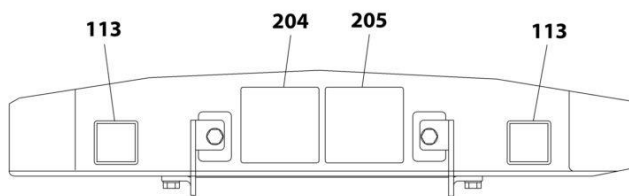
FOLDING RAIL (ANSI SPECS)



FOLDING RAIL (CE SPECS)



FOLDING RAIL (CHINA AND KOREAN SPECS)



DETAIL D  
TOP REAR OF FRAME

NOTE: ITEMS SHOWN MAY NOT BE REQUIRED FOR ALL SPECS. REFER TO PARTS LISTS FOR USAGE.  
NOTE: ADDITIONAL DECALS CALLED OUT ON DECAL INSTALLATION - OPTIONS.

ART\_1001247303\_20F2

## SECTION 8 - DECALS

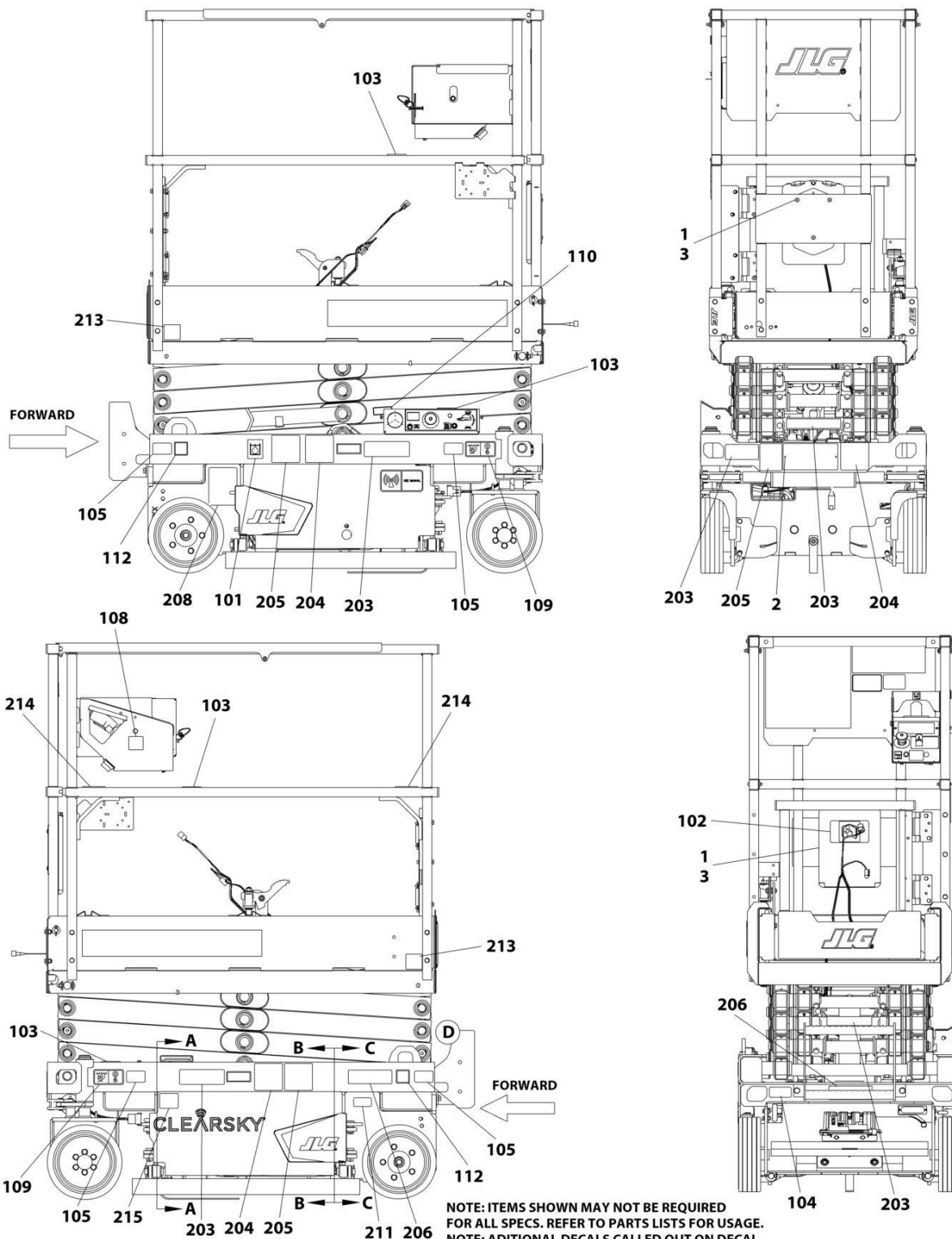
FIGURE 8-4. DECAL INSTALLATION (CHINA SPECS)

ITEM	PART NUMBER	QTY	DESCRIPTION	REV
	1001247303	Ref	DECALS INSTALLATION (CHINA SPECS)	E
	1001247399	Ref	DECALS CHART DRAWING	K
1	2080040	3	Fastener	
2	2080057	4	Fastener	
3	8990147	1	Holder Manual	
100	1001247296	1	Master Decal Kit (Not Shown)	F
101	1701504	1	Decal - Hydraulic Oil	
102	1701640	1	Decal - Manual	
103	1703819	4	Decal - Directional Arrow	
104	1001248126	1	Decal - Manual Descent	
105	1704016	4	Decal - Fork Lift	
107	1704412	1	Decal - Hydraulic Oil Chart	
108	1001132359	1	Decal - Control Box Locate	
109	1001162864	4	Decal - Lift Point/Tie Down	
110	1001220430	1	Decal - Safety Prop	
112	1001212290	1	Decal - Tie Down	
113	1001212291	1	Decal - Lifting Lug	
201	1001247311	1	Decal - Danger/Warning	
202	1001146794	1	Decal - Battery/Charger Service	
203	1001249894	4	Decal - Crushing Hazard	
204	1001211779	4	Decal - Electrocution	
205	1001215747	4	Decal - Danger Electrocution	
206	1704344	2	Decal - Warning Battery Ventilation	
209	1001224051	1	Decal - Yearly Inspection	
212	1001244301	1	Decal - NO Platform to Ground	
213	1001244298	2	Decal - App	
214	1704277	2	Decal - Lanyard Attach	
215	1702155	1	Decal - Battery Disconnect	



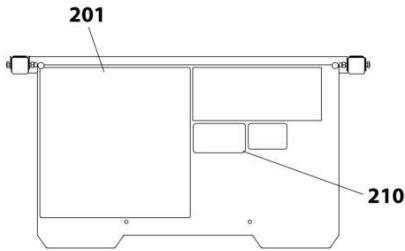
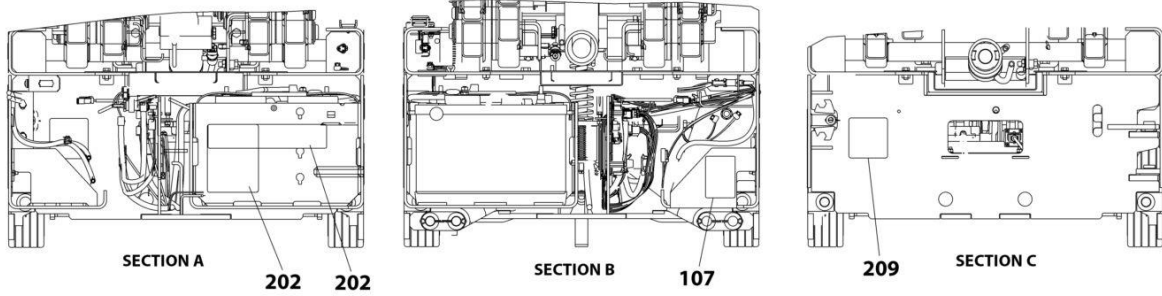
# SECTION 8 - DECALS

## FIGURE 8-5. DECAL INSTALLATION (CSA SPECS)

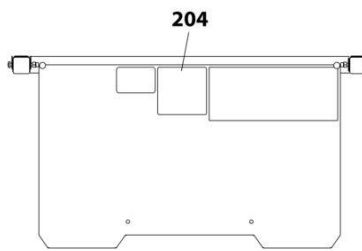


ART\_1001254501\_10F2

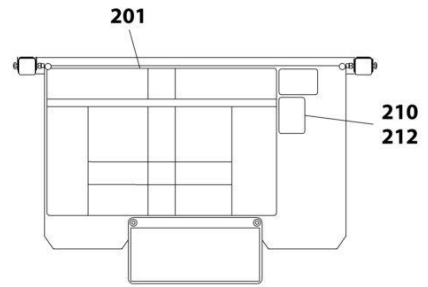
# SECTION 8 - DECALS



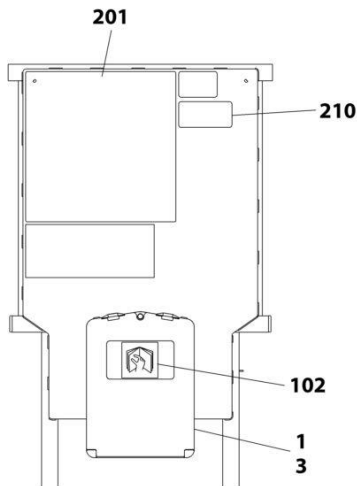
FIXED RAIL (ANSI SPECS)



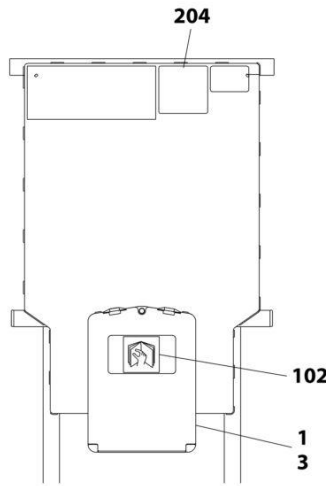
FIXED RAIL (CE AND JAPANESE SPECS)



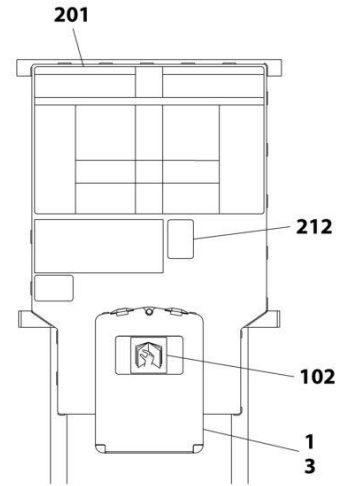
FIXED RAIL (CHINA, CSA AND KOREAN SPECS)



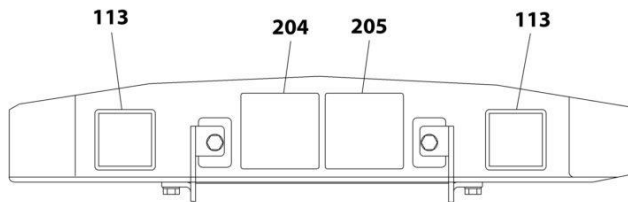
FOLDING RAIL (ANSI SPECS)



FOLDING RAIL (CE SPECS)



FOLDING RAIL (CHINA AND KOREAN SPECS)



DETAIL D  
TOP REAR OF FRAME

NOTE: ITEMS SHOWN MAY NOT BE REQUIRED FOR ALL SPECS. REFER TO PARTS LISTS FOR USAGE.  
NOTE: ADDITIONAL DECALS CALLED OUT ON DECAL INSTALLATION - OPTIONS.

ART\_1001254501\_20F2

## SECTION 8 - DECALS

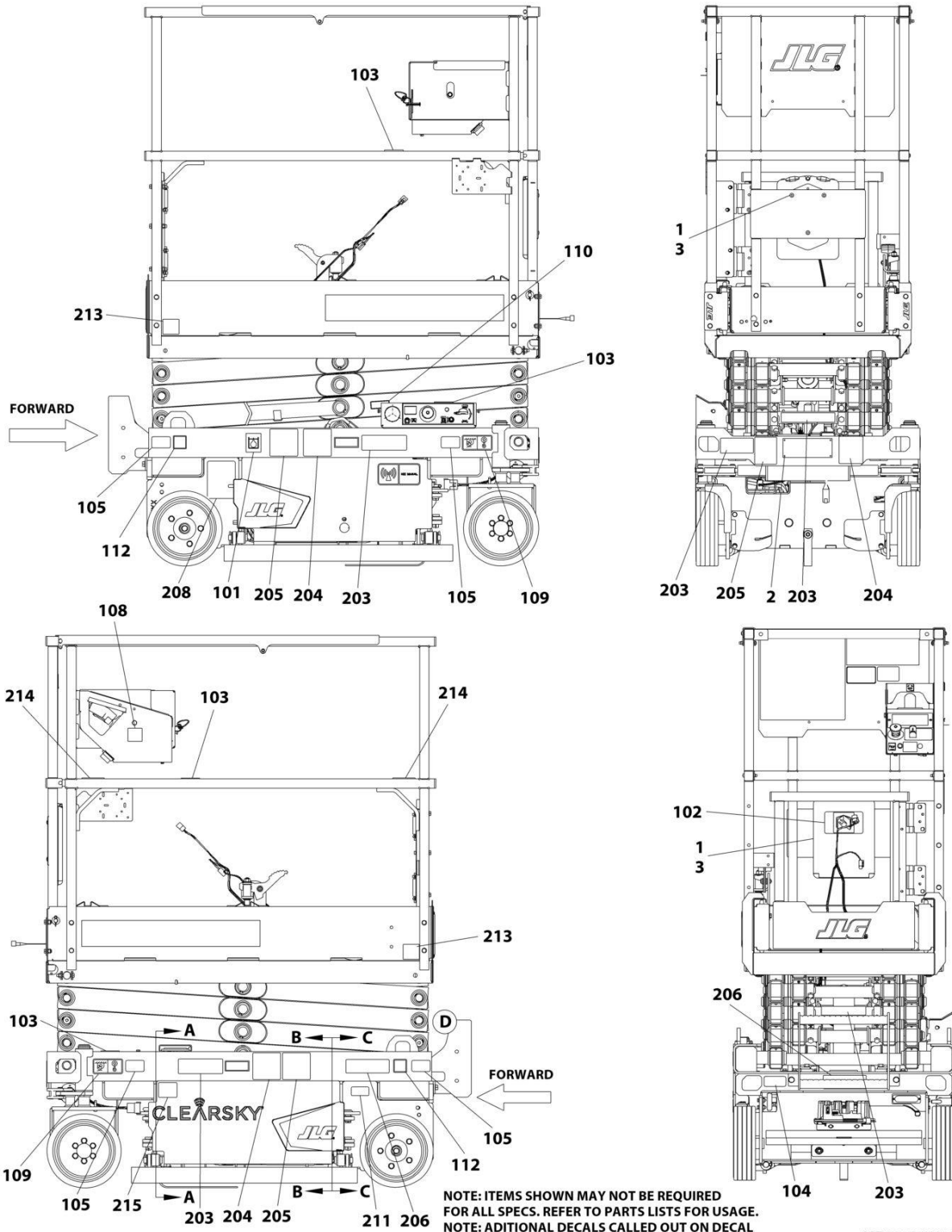
FIGURE 8-5. DECAL INSTALLATION (CSA SPECS)

ITEM	PART NUMBER	QTY	DESCRIPTION	REV
	1001254501	Ref	DECALS INSTALLATION (CSA SPECS)	D
	1001247399	Ref	DECALS CHART DRAWING	K
1	2080040	3	Fastener	
2	2080057	4	Fastener	
3	8990147	1	Holder Manual	
100	1001247296	1	Master Decal Kit (Not Shown)	F
101	1701504	1	Decal - Hydraulic Oil	
102	1701640	1	Decal - Manual	
103	1703819	4	Decal - Directional Arrow	
104	1001248126	1	Decal - Manual Descent Instructions	
105	1704016	4	Decal - Fork Lift	
107	1704412	1	Decal - Hydraulic Oil Chart	
108	1001132359	1	Decal - Control Box Locate	
109	1001162864	4	Decal - Lift Point/Tie Down	
110	1001220430	1	Decal - Safety Prop	
112	1001212290	1	Decal - Tie Down	
113	1001212291	1	Decal - Lifting Lug	
201	1704684	1	Decal - Danger/Warning	
202	1001146794	1	Decal - Battery/Charger Service	
203	1705311	4	Decal - Crushing Hazard	
204	1001211779	4	Decal - Electrocution	
206	1704340	2	Decal - Warning Battery Ventilation	
208	1001131270	1	Decal - Patent	
209	1001223971	1	Decal - Yearly Inspection	
210	1001231801	1	Decal - Warning Prop 65	
211	1001228370	1	Decal - ICES	
214	1704277	2	Decal - Lanyard Attach	
215	1702155	1	Decal - Battery Disconnect	



# SECTION 8 - DECALS

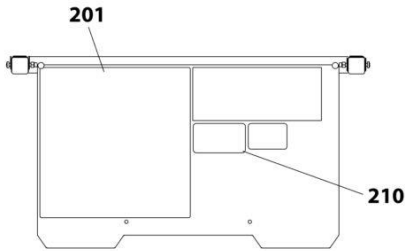
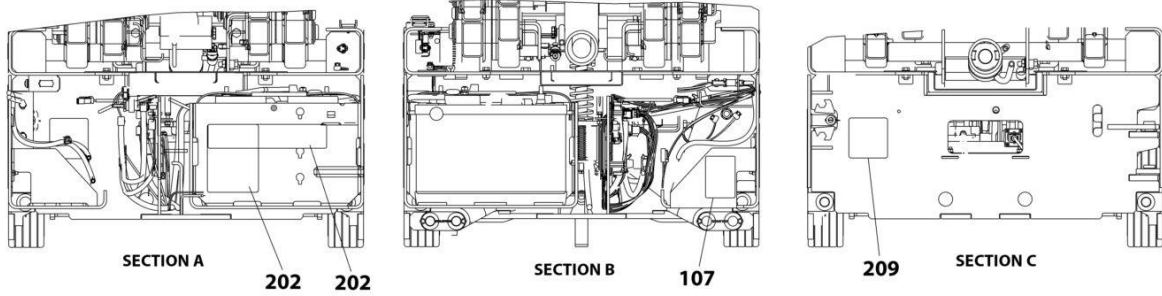
## FIGURE 8-6. DECAL INSTALLATION (JAPANESE SPECS)



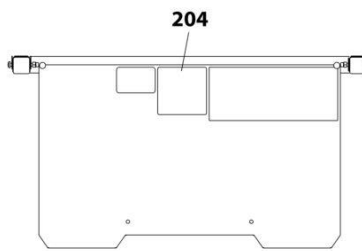
ART\_1001247304\_10F2



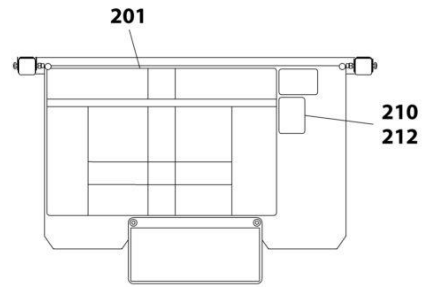
# SECTION 8 - DECALS



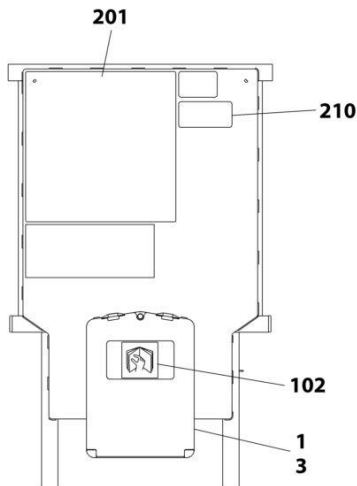
FIXED RAIL (ANSI SPECS)



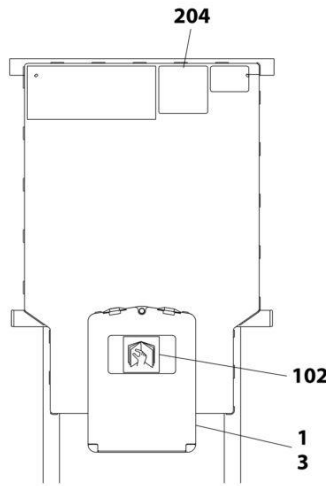
FIXED RAIL (CE AND JAPANESE SPECS)



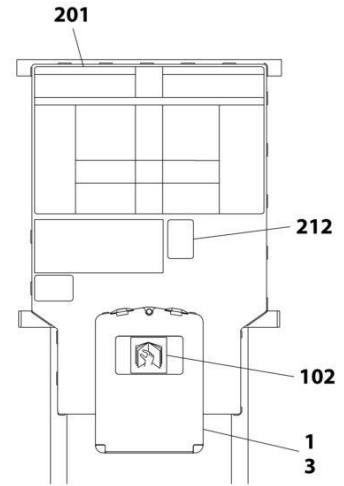
FIXED RAIL (CHINA, CSA AND KOREAN SPECS)



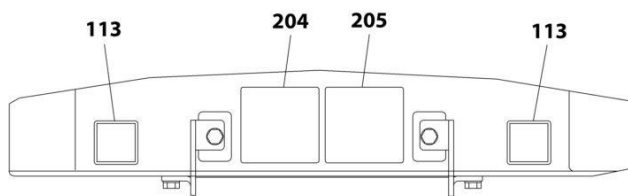
FOLDING RAIL (ANSI SPECS)



FOLDING RAIL (CE SPECS)



FOLDING RAIL (CHINA AND KOREAN SPECS)



DETAIL D  
TOP REAR OF FRAME

NOTE: ITEMS SHOWN MAY NOT BE REQUIRED FOR ALL SPECS. REFER TO PARTS LISTS FOR USAGE.  
NOTE: ADDITIONAL DECALS CALLED OUT ON DECAL INSTALLATION - OPTIONS.

ART\_1001247304\_20F2

## SECTION 8 - DECALS

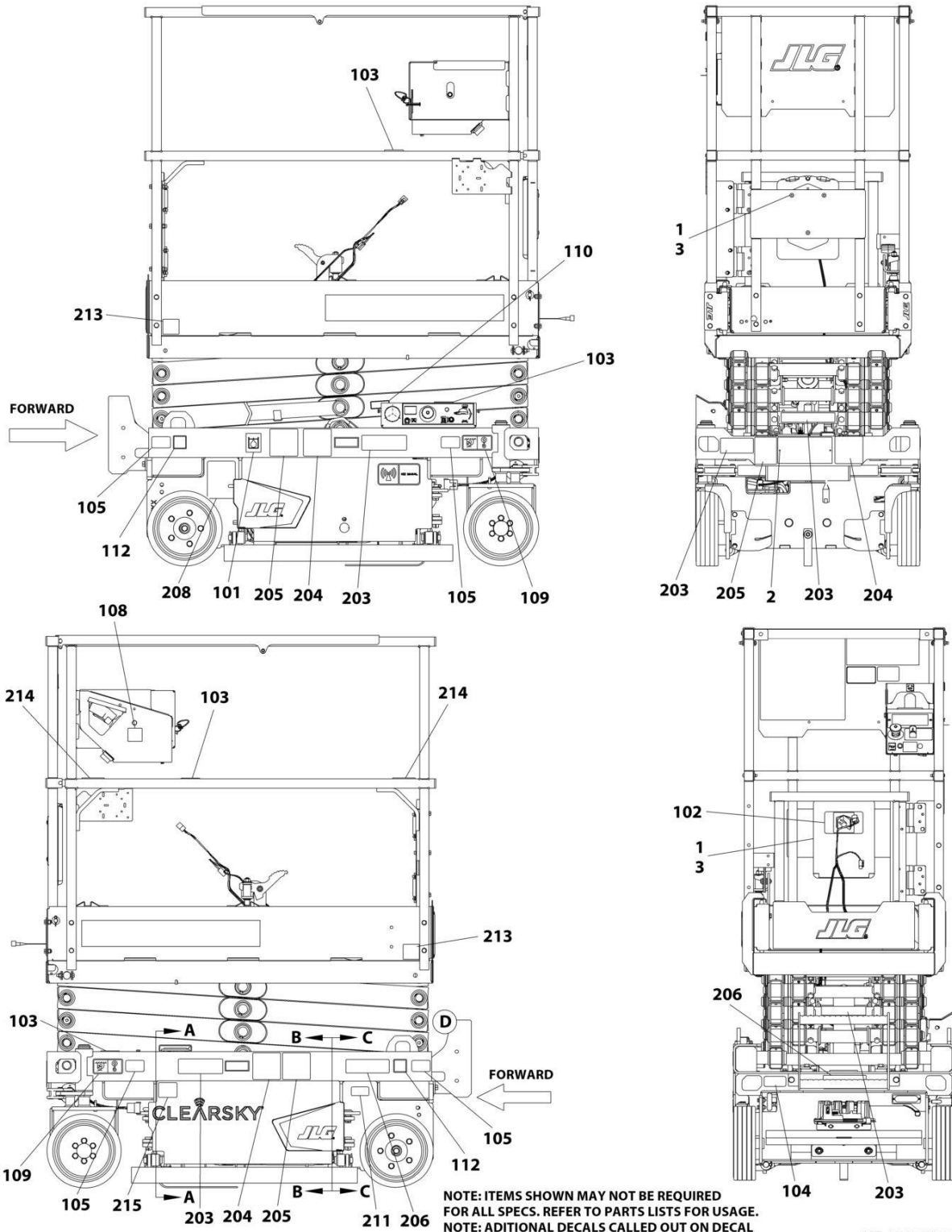
FIGURE 8-6. DECAL INSTALLATION (JAPANESE SPECS)

ITEM	PART NUMBER	QTY	DESCRIPTION	REV
	1001247304	Ref	DECALS INSTALLATION (JAPANESE SPECS)	G
	1001247399	Ref	DECALS CHART DRAWING	K
1	2080040	4	Fastener	
2	2080057	4	Fastener	
3	0860520	1	Holder Manual	
100	1001247296	1	Master Decal Kit (Not Shown)	F
101	1701504	1	Decal - Hydraulic Oil	
102	1701640	1	Decal - Manual	
103	1703819	4	Decal - Directional Arrow	
104	1001248126	1	Decal - Manual Descent	
105	1704016	4	Decal - Fork Lift	
107	1704412	1	Decal - Hydraulic Oil Chart	
108	1001132359	1	Decal - Control Box Locate	
109	1001162864	4	Decal - Lift Point/Tie Down	
110	1001220430	1	Decal - Safety Prop	
112	1001212290	1	Decal - Tie Down	
113	1001212291	1	Decal - Lifting Lug	
202	1001146794	1	Decal - Battery/Charger Service	
203	1001219172	4	Decal - Crushing	
204	1001219171	5	Decal - Electrocution	
206	1705670	2	Decal - Fire Hazard	
214	1704277	2	Decal - Lanyard Attach	



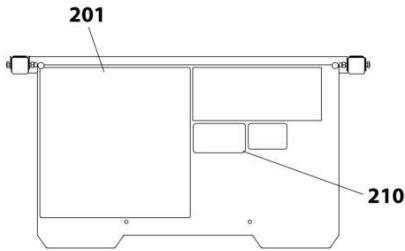
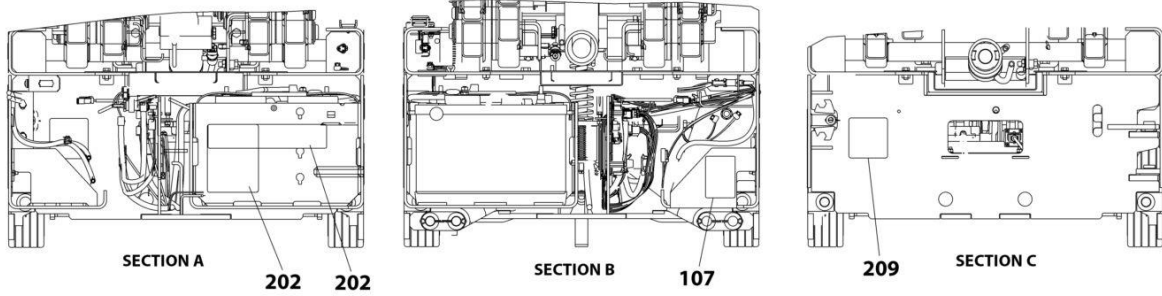
# SECTION 8 - DECALS

## FIGURE 8-7. DECAL INSTALLATION (KOREAN SPECS)

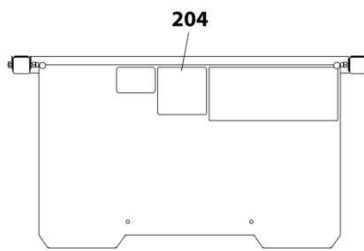


ART\_1001247302\_10F2

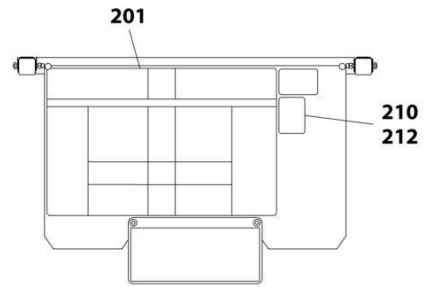
# SECTION 8 - DECALS



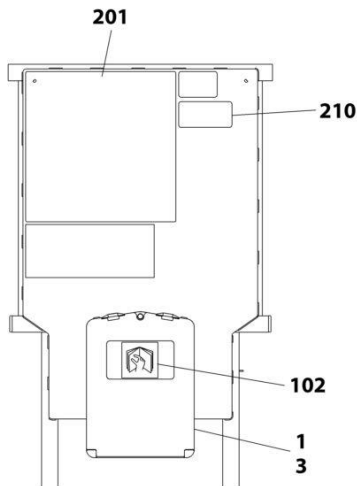
FIXED RAIL (ANSI SPECS)



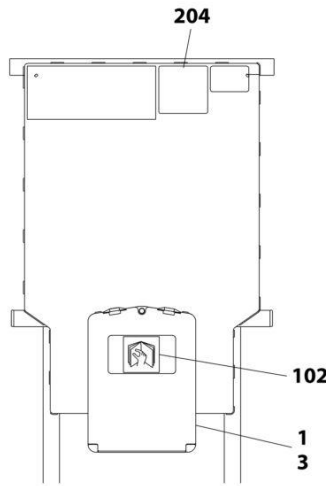
FIXED RAIL (CE AND JAPANESE SPECS)



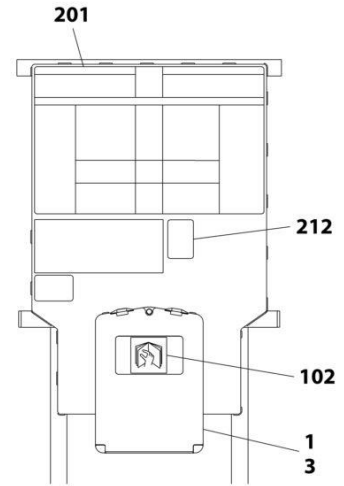
FIXED RAIL (CHINA, CSA AND KOREAN SPECS)



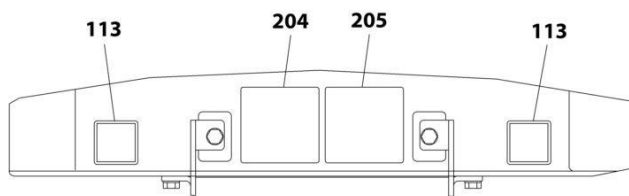
FOLDING RAIL (ANSI SPECS)



FOLDING RAIL (CE SPECS)



FOLDING RAIL (CHINA AND KOREAN SPECS)



DETAIL D  
TOP REAR OF FRAME

NOTE: ITEMS SHOWN MAY NOT BE REQUIRED FOR ALL SPECS. REFER TO PARTS LISTS FOR USAGE.  
NOTE: ADDITIONAL DECALS CALLED OUT ON DECAL INSTALLATION - OPTIONS.

ART\_1001247302\_20F2

## SECTION 8 - DECALS

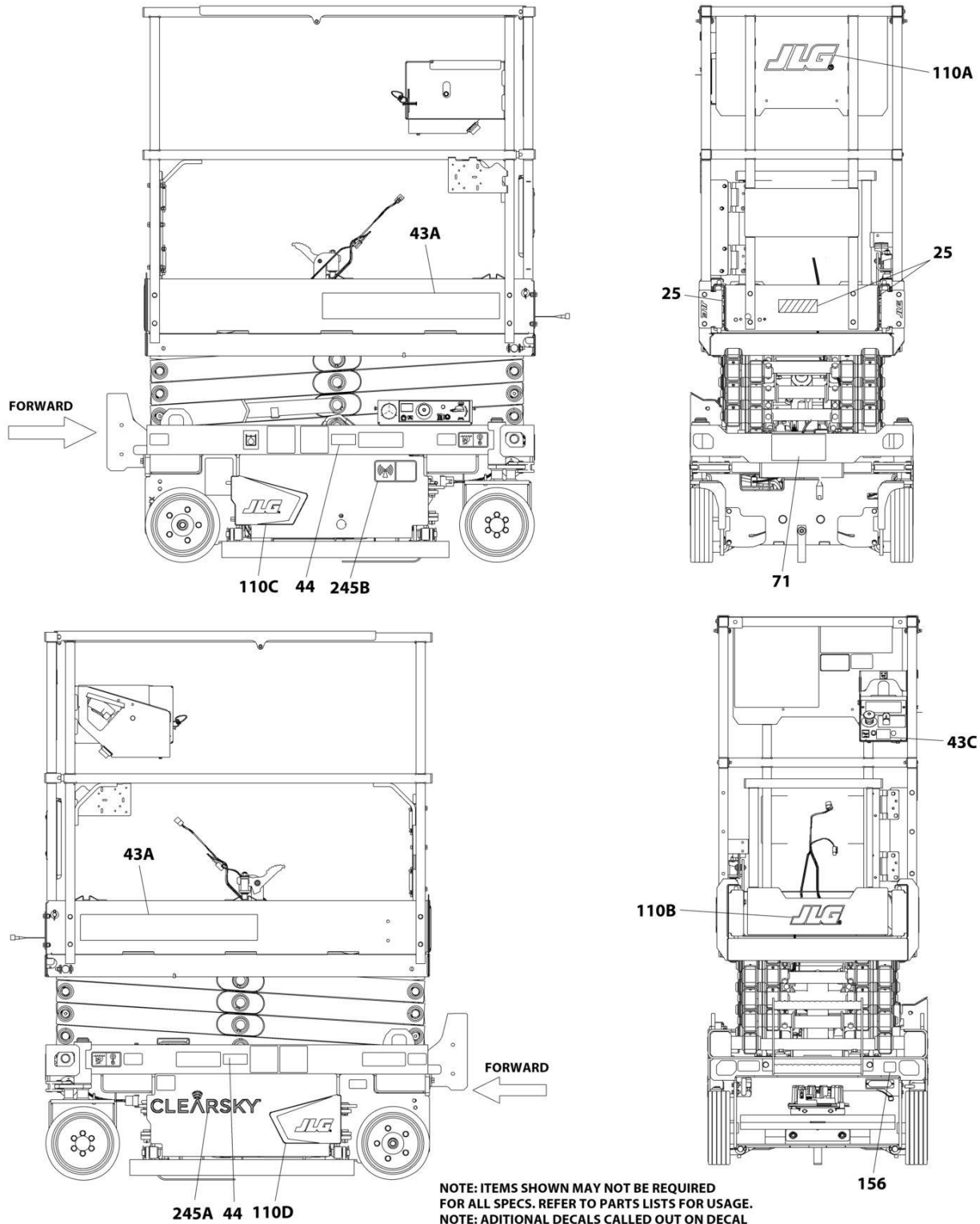
FIGURE 8-7. DECAL INSTALLATION (KOREAN SPECS)

ITEM	PART NUMBER	QTY	DESCRIPTION	REV
	1001247302	Ref	DECALS INSTALLATION (KOREAN SPECS)	E
	1001247399	Ref	DECAL CHART DRAWING	K
1	2080040	3	Fastener	
2	2080057	4	Fastener	
3	8990147	1	Holder Manual	
100	1001247296	1	Master Decal Kit (Not Shown)	F
101	1701504	1	Decal - Hydraulic Oil	
102	1701640	1	Decal - Manual	
103	1703819	4	Decal - Directional Arrow	
104	1001248126	1	Decal - Manual Descent	
105	1704016	4	Decal - Fork Lift	
107	1704412	1	Decal - Hydraulic Oil Chart	
108	1001132359	1	Decal - Control Box Locate	
109	1001162864	4	Decal - Lift Point/Tie Down	
110	1001220430	1	Decal - Safety Prop	
112	1001212290	1	Decal - Tie Down	
113	1001212291	1	Decal - Lifting Lug	
201	1001247309	1	Decal - Danger/Warning	
202	1001146794	1	Decal - Battery/Charger Service	
203	1001249893	4	Decal - Crushing Hazard	
204	1001211779	4	Decal - Electrocution	
205	1001215750	4	Decal - Danger Electrocution	
206	1707022	2	Decal - Warning Battery Ventilation	
209	1001224048	1	Decal - Yearly Inspection	
214	1704277	2	Decal - Lanyard Attach	
215	1702155	1	Decal - Battery Disconnect	



# SECTION 8 - DECALS

## FIGURE 8-8. DECAL INSTALLATION - OPTIONS

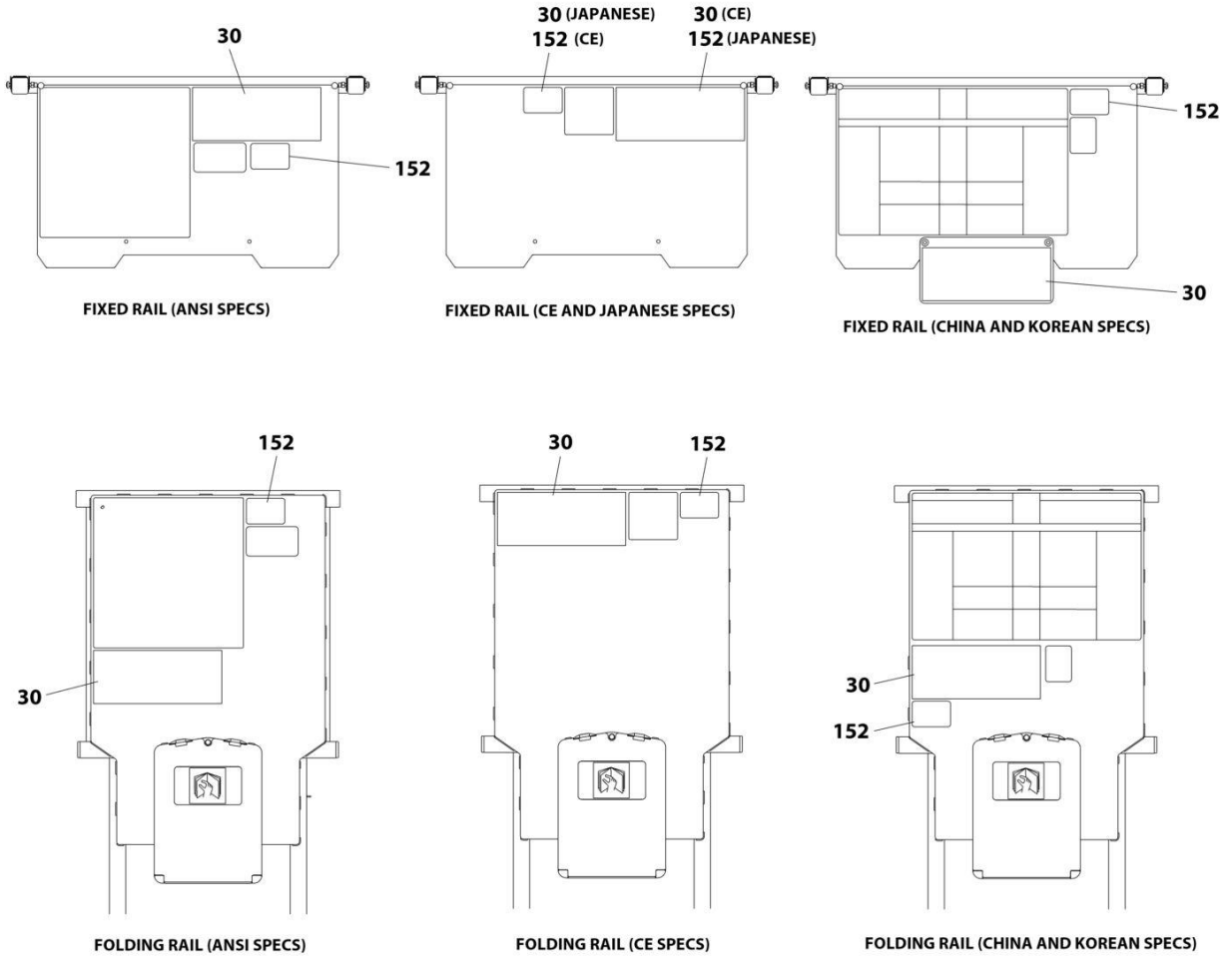


NOTE: ITEMS SHOWN MAY NOT BE REQUIRED FOR ALL SPECS. REFER TO PARTS LISTS FOR USAGE.  
 NOTE: ADDITIONAL DECALS CALLED OUT ON DECAL INSTALLATION - OPTIONS.

ART\_DECAL OPTIONS\_10F2



# SECTION 8 - DECALS



**NOTE: ITEMS SHOWN MAY NOT BE REQUIRED FOR ALL SPECS. REFER TO PARTS LISTS FOR USAGE.**  
**NOTE: ADDITIONAL DECALS CALLED OUT ON DECAL INSTALLATION - OPTIONS.**

ART\_DECAL\_OPTIONS\_2OF2

## SECTION 8 - DECALS

FIGURE 8-8. DECAL INSTALLATION - OPTIONS

ITEM	PART NUMBER	QTY	DESCRIPTION	REV
		Ref	DECAL INSTALLATION - OPTIONS	
	1001247399	Ref	DECAL CHART DRAWING	F
25	1001247712	Ref	Corner Stripes Installation	
25	4420051	3 ft/ 92cm	Tape, Safety	
30		Ref	Decal - Capacity Options:	
30	1001246677	1	Decal - Capacity (500lb/227kg) (Indoor Only Machines) (ANSI, ANSI Export, CE, China & Korean Specs)	
30	1001265839	1	Decal - Capacity (500lb/227kg) (Indoor/Outdoor Machines) (ANSI, ANSI Export, CE, China, & Korean Specs)	
30	1001247537	1	Decal - Capacity (China, CSA and Korean Specs)	B
30	1001246677	1	Decal - Capacity (500lb/227kg) (500lb/227kg) (Indoor Only Machines) (China, CSA and Korean Specs)	
30	1001265839	1	Decal - Capacity (500lb/227kg) (500lb/227kg) (Indoor/Outdoor Machines) (China, CSA and Korean Specs)	
30	1001247344	1	Plate, Decal Mounting (Indoor Only Machines)	
30	1001216865	1	Plate, Decal Mounting (Indoor/Outdoor Machines)	
30	2080040	2	Fastener	
43	1001247536	1	Decal - Model Designation	D
43A	1001246681	1	Decal - Model Designation	
43C	1001249939	1	Decal - Model Designation	
44	1001247660	2	Decal - Maximum Tire Load	
71	See Note	NSS	Decal - Manufacturers Serial Number (Note: Not Available for Purchase)	
	1001256603	1	JLG Decals Installation	B
110A	1001256675	1	Decal - JLG	
110B	1001256676	1	Decal - JLG	
110C	1001256677	1	Decal - Door	
110D	1001256678	1	Decal - Door	
152		Ref	Decal - No Pipe Racks Allowed Options:	
152	1001092071	1	Decal - No Pipe Racks Allowed (English) (ANSI, ANSI Export and China Specs)	
152	1001092497	1	Decal - No Pipe Racks Allowed (English) (CE and Japanese Specs)	
152	1001120622	1	Decal - No Pipe Racks Allowed (English/Chinese) (China Specs)	
152	1001092580	1	Decal - No Pipe Racks Allowed (English/French) (CSA Specs)	
152	1001120621	1	Decal - No Pipe Racks Allowed (English/Korean) (Korean Specs)	
156	1001173703	1	Decal - EAC (Russian/CIS Specs)	
245	1001236984	Ref	Decal - Clear Sky	
245A	1001116208	1	Decal - Clear Sky	
245B	1001120989	1	Decal - Radio Frequency	

## **SECTION 9 - RECOMMENDED SERVICE PARTS STOCK**

## **SECTION 9 - RECOMMENDED SERVICE PARTS STOCK**

## SECTION 9 - RECOMMENDED SERVICE PARTS STOCK

FIGURE 9-1. RECOMMENDED SERVICE PARTS STOCK

ITEM	PART NUMBER	QTY	DESCRIPTION	REV
		Ref	Note: The following list will service one machine (built to current production per date on the front cover) with emergency repair parts which can be installed in the field. Parts from the list should be replaced when inventory is depleted to keep service parts stock supplied. For further information, contact your JLG dealer or the JLG Industries Parts Department.	
		Ref	STANDARD PARTS	
	3740150	1	Relay	
	4360328	1	Switch, Toggle	
	4360469	1	Switch, Key (All Specs except CE Specs)	
	2860030	1	Key, Replacement	
	4360475	1	Switch, Emergency Stop	
	3080007	1	Magnet, Latch	
	1600402	1	Controller, Drive/Steer	
	4360345	1	Switch, Toggle	
	1001200633	1	Switch, Push Button	
	8229234	2	Fuse - 10AMP ATO	
		Ref	VARIABLE PARTS	
	1001243107	1	Module, Control (Drive)	
	1001203871	1	Switch, Roller	
	1001186466	1	Sensor, Tilt	
	1001200629	1	Module, Control	
	1001226749	1	Switch, Push Button (Machines with LSS)	
	1001200746	1	Sensor, Angle (Machines without LSS)	
	1001146963	1	Sensor, Angle (Machines with LSS)	
	1001224873	1	Module, Platform	
	1001181045	1	Breaker 30mAmp/16Amp (CE Specs Machines)	
	1001189171	1	Breaker 30mAmp (CE Specs Machines)	
	1001189172	1	Breaker 16Amp Double (CE Specs Machines)	

**SECTION 10 - SPECIAL OPTIONS**

# SECTION 10 - SPECIAL OPTIONS

## FIGURE 10-1. SPECIAL OPTIONS

ITEM	PART NUMBER	QTY	DESCRIPTION	REV
		Ref	Note: This list is to accommodate machines ordered with special equipment. Options may not be applicable to all models. For more specific parts information contact the JLG Parts Department.	
		Ref	<b>SPECIAL OPTIONS</b>	
	1001209921	Ref	Antivandalism Package (Factory Installed)	
	1001225173	Ref	Antivandalism Add-On Kit (Dealer Installed)	
	1001255129	Ref	Beacon Light Add-On Kit (Dealer Installed)	
	1001265088	Ref	CleanGuard Leak Containment Installation	
		Ref	<b>ClearSky Telematics Installations (Factory Installed)</b>	
	1001229107	Ref	ClearSky Telematics Installation - 3 Wire (Factory Installed) (ANSI & CSA Specs)	
	1001233237	Ref	ClearSky Telematics Installation - 3 Wire (Factory Installed) (CE Specs)	
	1001247531	Ref	ClearSky Telematics Installation - Canbus (Factory Installed) (ANSI & CSA Specs)	
	1001247533	Ref	ClearSky Telematics Installation - Canbus (Factory Installed) (Australian Specs)	
	1001247532	Ref	ClearSky Telematics Installation - Canbus (Factory Installed) (CE Specs)	
	1001247534	Ref	ClearSky Telematics Installation - Canbus (Factory Installed) (China Specs)	
		Ref	Decal Kit Options:	
	1001247296	Ref	Decal Kit - Common	
		Ref	Electrical Connector Kits	
	1001148902	Ref	Amp/Tyco Electrical Connector Kit	
	1001148903	Ref	Deutsch DT Electrical Connector Kit	
	1001148904	Ref	Deutsch HD Electrical Connector Kit	
	1001148905	Ref	Packard Electrical Connector Kit	
	1001148906	Ref	Various Electrical Connector Kit	
	1001236533	Ref	Footswitch Installation (Factory Installed) (ANSI Export & Japanese Specs Only)	
	1001210670	1	Footswitch Assembly (ANSI Export & Japanese Specs Only)	
	1705828	1	Decal - Footswitch (ANSI Export & Japanese Specs Only)	
	1001255128	Ref	Footswitch Add-On Kit (Dealer Installed)	
	1001268465	Ref	Hostile Environment Package Installation	
	1001246444	Ref	Low Height Retriktion System Installation (ANSI Export, Japan & Korean Specs)	
	1001254661	Ref	Service Kits/Tools	A
	1001269479	Ref	SkySense (Level 1) Installation	
		Ref	Tools for Service	
	2901443	1	Analyzer Kit	
	1001232474	1	Benchtop Harness	
	8896941	1	Wire Stripper	
	7002821	1	Wire Crimper (To install wire ends to wires)	
	7002823	1	Pin/Socket Extractor - Universal (To Remove Pins/Sockets from Connectors)	
	4460467	1	Extractor - 16-18 Gauge (For Removal Pins/Sockets from Deutsch Connectors)	
	4460510	1	Extractor - 12-14 Gauge (For Removal of Pins/Sockets from Deutsch Connectors)	
	7002822	1	Screwdriver, Potentiometer (To Adjust Drive Controllers)	

## SECTION 10 - SPECIAL OPTIONS

ITEM	PART NUMBER	QTY	DESCRIPTION	REV
	7016654	1	Screwdriver, Magnetic	
	7004275	1	Seal Installation Tool - 1in	
	7004276	1	Seal Installation Tool - 1-1/2in	
	7002826	1	Seal Installation Tool - 2in	





**PART NUMBER INDEX**

## SECTION 10 - SPECIAL OPTIONS

0100011.....13, 15, 21, 23, 25, 27, 29, 31, 33, 35, 37, 39, 41, 43, 45, 47, 49, 51, 55, 59, 61, 65, 69, 71, 73, 91, 103, 105, 107, 109	0861781 .....217, 219 0861880 .....155 0962292 .....125 1001047064.....113, 115, 117, 119 1001091102....21, 69, 71, 73	1001146794 .....230, 234, 242, 246, 250, 254 1001146963 .....96, 260 1001148902 .....262 1001148903 .....262 1001148904 .....262 1001148905 .....262 1001148906 .....262 1001151629 .....181, 185 1001152483 .....157 1001154378 .....109 1001159186 .....213 1001162864 .....230, 234, 238, 242, 246, 250, 254 1001162886 .....181, 185 1001162887 .75, 181, 185 1001163340 .75, 181, 185 1001173703 .....258 1001176626 .....113, 115 1001181045 .....155, 260 1001182806 .....57 1001186466 .....23, 260 1001187587 .....109 1001187816 .....149 1001188116 .....149 1001189171 .....157, 260 1001189172 .....157, 260 1001192401 .....182, 186 1001194421 .....213 1001196589 .....182, 186 1001196634 .....161 1001196635 .....75 1001198576 .....55 1001200629 ..71, 73, 260 1001200631 .....96 1001200632 .....77 1001200633 .....113, 115, 260 1001200746 .....260 1001200819 .....113, 115, 117, 119, 213 1001201885 .....182, 186, 213 1001202987 .....21 1001202988 .....21 1001203443 .....101 1001203869 .....21 1001203870 .....21, 91 1001203871 .....21, 260 1001203872 .....21 1001204311 .....96 1001204495 .....57 1001205156 .....101 1001205409 .75, 181, 185 1001205410 .....181, 185 1001205411 .....181, 185 1001205412 .....181, 185 1001205422 .....103 1001205430 .....103 1001207009 ....25, 27, 29, 31, 33, 35, 37, 39, 41 1001207293 .....77 1001207970 ..27, 45, 165 1001207973 .....47, 177	1001207974....25, 29, 31, 33, 35, 37, 43, 163, 167, 169, 171, 173, 175 1001208852.....103 1001209595.....113, 117 1001209596.....113, 115, 117, 119 1001209682.....71, 73 1001209921.....262 1001210064.....103 1001210586.....105, 107, 109 1001210670.....262 1001210963.....105, 107, 109 1001211777 .....230 1001211779.....230, 242, 246, 254 1001212035.....213 1001212036.....213 1001212068.....21 1001212290.....230, 234, 238, 242, 246, 250, 254 1001212291.....230, 234, 238, 242, 246, 250, 254 1001213491.....113, 115 1001213886.....117, 119 1001214151.....117, 119 1001214526.....21 1001214810.....91 1001214924.....117, 119 1001215747 .....242 1001215750.....254 1001215953.....21 1001216865.....258 1001217043.....103 1001217164.....155, 157 1001217842.....189 1001217843.....189 1001218285.....113, 115, 117, 119 1001219171.....234, 238, 250 1001219172.....234, 238, 250 1001219173.....115 1001220409.....111 1001220410.....111 1001220430.....230, 234, 238, 242, 246, 250, 254 1001220893.....117, 119 1001220995.....111 1001221475 .....103 1001221476.....103 1001221949.....49, 179 1001223055 .....230 1001223262.....209 1001223971 .....246 1001224048 .....254 1001224051.....242 1001224873.....260 1001225164.....96 1001225173 .....262 1001226749..71, 73, 117, 119, 260 1001227219.....29, 167
0100048.....73 0100051.....79, 81, 83, 85, 87, 89 0140030.....113, 115, 117, 119 0140043.....71, 73 0275216.....137, 217 0275217.....139, 219 0275452.....141, 221 0275453.....143, 223 0275454.....145, 225 0440259.....13, 127 0440263.....21, 97 0440264.....97 0440265.....97 0630183.....103 0630473.....117, 119 0630576.....91 0700412.....71, 73 0700610.....131 0700612.....55, 71, 73, 75 0700616.....71, 73 0700815.....21 0700816.....91 0700818.....15, 105, 107, 109 0700819.....101, 111 0700820.....109 0700823.....21 0700835.....113, 115, 117, 119 0701015.....96 0701020.....96 0701021.....96, 101 0760408.....69, 135, 137, 139, 141, 143, 145, 149 0760508.....43, 45, 47, 49, 51 0760608.....43, 45, 47, 49, 51, 71, 73, 75, 96 0760610.....25, 27, 29, 31, 33, 35, 37, 39, 41, 43, 45, 47, 49, 51, 75, 96, 111, 113, 115, 117, 119 0760612.....25, 27, 29, 31, 33, 35, 37, 39, 41, 57, 96 0760810.....61, 103, 109, 179 0760812.....13 0761009.....65 0761010.....69 0761011.....59 0761012.....13 0761014.....91 0761016.....91 0761221.....91 0860520.....250 0861731.....215, 221, 223, 225	1001092071 .....258 1001092497 .....258 1001092580 .....258 1001097150 .....147 1001099560 .....13 1001100341 .....217 1001100342 .....219 1001100345 .....221 1001100346 .....225 1001100347 .....223 1001100451 .....137, 139, 141, 143, 145, 147 1001102258.....135, 137, 139, 141, 143, 145, 147, 149, 151 1001102489....25, 27, 29, 31, 33, 35, 37, 43, 45, 47, 49, 163, 165, 167, 169, 171, 173, 175, 177, 179 1001102771 .....161 1001103012 .....182, 186 1001103471 .29, 147, 167 1001104498.....182, 186 1001110544.....53, 55 1001116208 .....258 1001116733 .....189 1001116812 75, 161, 181, 185 1001117000 .....181, 185 1001118387 .....181, 185 1001118812 .....159 1001120204.....137, 139, 141, 143, 145 1001120205.....155, 157 1001120621 .....258 1001120622 .....258 1001120989 .....258 1001125677 .....159, 181, 185 1001125916 .....83, 87 1001125927 .....153 1001130220.....113, 115, 117, 119 1001130590 .....71, 73 1001131270 .....230, 246 1001132358.....113, 115, 117, 119 1001132359.....230, 234, 238, 242, 246, 250, 254 1001132361 .....113, 115, 117, 119 1001134821 .....111 1001137675 .....103 1001144147 .75, 159, 189 1001144295 .....181, 185 1001144296 .....181, 185, 186		

## SECTION 10 - SPECIAL OPTIONS

1001227267	.29, 147, 167	1001241543	.....21	1001244914	.....143	1001247533	.....262
1001227268	.....147	1001241544	.....21	1001244915	.....145	1001247534	.....262
1001227269	.....153	1001241546	.....19	1001244916	.....137	1001247536	.....258
1001228112	.....113, 115, 117, 119	1001241589	.....61	1001244917	.....139	1001247537	.....258
1001228191	.....153	1001241599	.....15	1001244918	.....149	1001247660	.....258
1001228370	.....230, 246	1001241601	.....19	1001245099	.....103	1001247712	.....258
1001229107	.....262	1001242978	.....15	1001245100	.....103	1001247924	.....131
1001229739	.....109	1001242980	.....15	1001245101	.....105	1001248126	.....230, 234, 238, 242, 246, 250, 254
1001229740	.....109	1001243106	.....13	1001245102	.....105	1001248155	.....101
1001229741	.....109	1001243107	.....15, 260	1001245103	.....105	1001248157	.....101
1001229742	.....109	1001243226	.....79	1001245106	.....107	1001248768	.....75
1001229792	.....91	1001243227	.....81	1001245107	.....107	1001249645	.....71, 73
1001231268	.....96	1001243228	.....83	1001245108	.....107	1001249667	.....15
1001231801	.....230, 246	1001243229	.....87	1001245110	.....105, 107, 109	1001249668	.....83, 87
1001232257	.....109	1001243230	.....79, 83, 85	1001245119	.....109	1001249846	.....21
1001232474	.....262	1001243231	.....81, 87, 89	1001245120	.....109	1001249876	.....96
1001232622	.....109	1001243232	.....79, 81, 83, 85, 87, 89	1001245121	.....109	1001249887	.....131
1001233237	.....262	1001243233	.....79, 81, 83, 85, 87, 89	1001245122	.....109	1001249893	.....254
1001233524	.....13	1001243235	.....79, 81, 83, 85, 87, 89	1001245123	.....109	1001249894	.....242
1001233525	.....13	1001243248	.....13	1001245125	.....109	1001249939	.....258
1001233714	.....79, 81	1001243249	.....13	1001245129	.....109	1001249940	.....25, 27, 29, 31, 33, 35, 37, 39
1001233834	.....97	1001243252	.....71, 73	1001245131	.....109	1001250078	.....55
1001233837	.....97	1001243254	.....71, 181	1001245132	.....109	1001250218	.....49
1001233860	.....96	1001243255	.....71, 73, 189	1001245134	.....109	1001250219	.....45
1001233861	.....96	1001243257	.....15, 17	1001245135	.....109	1001250403	.....59
1001233863	.....96	1001243838	.....61	1001245136	.....109	1001252508	.....29
1001233864	.....96	1001244045	.....105	1001245138	.....105, 107	1001253625	.....75
1001233865	.....96	1001244047	.....105	1001245139	.....19	1001253626	.....29, 167
1001233866	.....96	1001244092	.....107	1001245293	.....75	1001253715	.....75
1001233867	.....96	1001244093	.....107	1001245299	.....75	1001253737	.....75
1001234204	.....96	1001244095	.....105, 107	1001245386	.....97	1001253885	.....147
1001234461	.....13, 127	1001244096	.....105, 107	1001245388	.....97	1001253887	.....195
1001235002	.....65, 131	1001244144	.....96	1001245451	.....97	1001253889	.....195, 205
1001235104	.....96	1001244160	.....59	1001245634	.....97	1001253938	.....113, 115
1001236129	.....103	1001244298	.....242	1001245635	.....97	1001253969	.....147, 153
1001236222	.....96, 125	1001244301	.....242	1001245743	.....153	1001253972	.....147
1001236533	.....262	1001244320	.....96, 97	1001245744	.....147, 153	1001254027	.....41, 159
1001236834	.....13	1001244338	.....79, 81, 83, 85, 87, 89	1001245747	.....147	1001254028	.....41, 161
1001236849	.....21	1001244339	.....79, 81, 83, 85, 87, 89	1001245750	.....91	1001254501	.....246
1001236856	.....91	1001244437	.....191	1001245790	.....96	1001254633	.....85, 89
1001236860	.....91	1001244438	.....193	1001245851	.....65, 67	1001254661	.....262
1001236861	.....91	1001244439	.....197	1001245917	.....153	1001255128	.....262
1001236984	.....258	1001244440	.....199	1001246303	.....96	1001255129	.....262
1001237462	.....25, 27, 29, 31, 33, 35, 37, 39, 41, 43, 45, 47, 49, 51	1001244444	.....191, 193, 195, 197, 199, 201, 203, 205, 207, 209	1001246444	.....262	1001255203	.....37
1001237507	.....23	1001244445	.....193, 199, 203, 209	1001246639	.....17	1001255204	.....35
1001237518	.....19	1001244478	.....43, 45, 47, 49	1001246677	.....258	1001255205	.....31
1001238025	.....131	1001244598	.....25	1001246681	.....258	1001255206	.....33
1001238026	.....131	1001244599	.....47	1001246920	.....13	1001255263	.....85
1001238060	.....81, 87, 89	1001244600	.....43	1001246921	.....13	1001255264	.....89
1001239224	.....53, 55	1001244603	.....27	1001247296	.....230, 234, 238, 242, 246, 250, 254, 262	1001256603	.....258
1001239303	.....79, 83, 85	1001244672	.....91	1001247301	.....230	1001256628	.....234
1001239314	.....53	1001244908	.....141, 143, 157	1001247302	.....254	1001256675	.....258
1001239315	.....55	1001244909	.....137, 139, 145, 155	1001247303	.....242	1001256676	.....258
1001239374	.....96, 211	1001244911	.....135	1001247304	.....250	1001256677	.....258
1001239404	.....96	1001244912	.....151	1001247305	.....238	1001256678	.....258
1001239457	.....91	1001244913	.....141	1001247309	.....254	1001256745	.....55
1001239661	.....53, 55			1001247310	.....238	1001258226	.....96
1001239737	.....96			1001247311	.....242	1001258446	.....117, 119
1001241320	.....191, 193, 195			1001247344	.....258	1001258665	.....117, 119
1001241321	.....197, 199			1001247399	.....230, 234, 238, 242, 246, 250, 254, 258	1001260503	.....69
1001241489	.....25, 27, 29, 31, 33, 35, 37, 39, 41			1001247531	.....262	1001260504	.....69
1001241542	.....21			1001247532	.....262	1001260628	.....25, 27, 29, 31, 33, 35, 37, 39
						1001261046	.....201
						1001261047	.....203

## SECTION 10 - SPECIAL OPTIONS

1001261048 .....	207	1704412 ....	230, 234, 238, 242, 246, 250, 254	3431212.....	21, 91	4460260.....	181, 185
1001261049 .....	209	1704684 .....	246	3431218.....	21	4460265 .....	213
1001261051 .....	205	1705311 .....	246	3450303.....	21, 91	4460267 .....	213
1001262221 .....	115, 119	1705670 ....	234, 238, 250	3450403.....	103	4460315 .....	135, 149
1001262299 .....	97	1705828 .....	262	3450505.....	21, 91	4460320 .....	181, 185
1001262581 .....	69	1706679 .....	71, 73	3520072.....	105, 107, 109	4460346 .....	215
1001262655 .....	115, 119	1707022 .....	254	3740150.....	71, 73, 260	4460418 ....	181, 185, 213
1001263443 .....	96	2080040 ....	103, 105, 107, 109, 230, 234, 238, 242, 246, 250, 254, 258	3760115.....	96	4460419 .....	182, 185
1001264943 .....	39	2080057 ....	230, 234, 238, 242, 246, 250, 254	3760170.....	96	4460424 ....	25, 27, 29, 31, 33, 35, 37, 39, 41
1001264944 .....	41	2220466 .....	131	3760387.....	96	4460464 ..	55, 57, 75, 161, 181, 185, 189, 191, 193, 195, 197, 199, 201, 203, 205, 207, 209, 211, 213
1001264945 .....	51	2220654 .....	131	3841143.....	96	4460465 ....	17, 53, 55, 75, 161, 181, 182, 185, 186, 191, 193, 195, 197, 199, 201, 203, 205, 207, 209, 211
1001264946 .....	163	2220883 .....	125	3860111.....	105, 107	4460466 .....	75, 159, 161, 181, 185, 189, 191, 193, 195, 197, 199, 201, 203, 205, 207, 209, 211, 213
1001264947 .....	165	2400060 ....	75, 161, 181, 185	3910804.....	71, 73	4460467 .....	262
1001264948 .....	179	2420172 .....	71, 73	3990001.....	161	4460496 ....	113, 115, 117, 119
1001264949 .....	173	2540045 .....	71, 73	4010308.....	53, 55	4460497 ....	113, 115, 117, 119
1001264950 .....	175	2600281 ....	105, 107, 109	4010405.....	147	4460510 .....	262
1001264951 .....	169	2860030 .....	71, 73, 260	4010408.....	29, 111, 147, 167	4460539 ....	182, 186, 197, 199, 207, 209, 211
1001264952 .....	171	2901443 .....	262	4010608.....	105, 107, 109	4460662 ....	141, 143, 145, 215
1001264953 .....	177	2902431 .....	135, 215	4010616.....	105, 107	4460670 ....	181, 185, 189
1001264954 .....	167	3080007 ....	105, 107, 109, 260	4010617.....	109	4460754 ....	191, 193, 195, 197, 199, 201, 203, 205, 207, 209
1001264978 .....	41	3121792 .....	75	4010618.....	105, 107, 109	4460761 .....	182, 186
1001265088 .....	69, 262	3252507 ....	139, 141, 143, 145, 149, 151	4031509.....	113, 115, 117, 119	4460871 .....	161, 189
1001265409 .....	69	3290305 .....	53, 55	4031511.....	21	4460872 .....	161
1001265533 .....	201, 203	3290405 ....	21, 29, 69, 71, 73, 96, 111, 113, 115, 117, 119, 135, 137, 139, 141, 143, 145, 147, 149, 167	4031512.....	96	4460873 .....	189
1001265534 .....	205, 207	3290405 ....	21, 29, 69, 71, 73, 96, 111, 113, 115, 117, 119, 135, 137, 139, 141, 143, 145, 147, 149, 167	4031708.....	15, 23	4460877 .....	181, 185
1001265839 .....	258	3290505 ....	43, 45, 47, 49, 51	4032010.....	15	4460884 .....	75, 161, 182, 186, 211
1001266166 .....	69	3290601 .....	23, 131	4060803.....	113, 115, 117, 119	4460891 ..	17, 53, 55, 161, 181, 185, 197, 199, 207, 209, 211
1001266167 .....	69	3290605 ....	25, 27, 29, 31, 33, 35, 37, 39, 41, 43, 45, 47, 49, 51, 57, 71, 73, 75, 91, 96, 137, 139, 141, 143, 145, 147	4060906.....	113, 115, 117, 119	4460894 ....	181, 185, 191, 193, 195, 197, 199, 201, 203, 205, 207, 209
1001266214 .....	73, 185	3290606 ...	105, 107, 109, 111	4160078.....	96	4460897 ..	55, 57, 161, 181, 185, 189
1001266955 .....	69	3290801 .....	13, 21	4160202.....	21	4460899 ....	191, 193, 195, 197, 199, 201, 203, 205, 207, 209
1001268465 .....	262	3290805 21, 91, 101, 103, 179	179	4160214.....	91	4460905 .....	161, 189
1001269479 .....	262	3290806 ....	105, 107, 109, 111, 113, 115, 117, 119	4240017.....	15, 25, 27, 29, 31, 33, 35, 37, 39, 41, 43, 45, 47, 49, 51, 71, 73, 75, 79, 81, 83, 85, 87, 89, 96, 135, 137, 139, 141, 143, 145, 147, 149, 151, 163, 165, 167, 169, 171, 173, 175, 177, 179, 191, 193, 195, 197, 199, 201, 203, 205, 207, 209	4460906.....	182, 186
1001274559 .....	73	3290807 .....	97	4240018.....	131	4460932 .....	75, 161
1001274560 .....	69	3291005 .....	91, 103	4240147.....	21	4460933 ....	159, 181, 185
1001285138 .....	51	3291007 .....	96, 101	4360328.....	71, 73, 260	4460943 .....	75, 159, 189, 191, 193, 195, 197, 199, 201, 203, 205, 207, 209
1060908.....	153, 155, 157	3291201 .....	91	4360345.....	113, 115, 260	4460944 .....	75, 159, 161, 181, 182, 185, 186, 191, 193, 195, 197,
1320223.....	179	3311502 .....	103	4360469.....	71, 73, 260		
1321293.....	25, 27, 29, 31, 33, 35, 37, 39, 41, 43, 45, 47, 49, 51	3321402 .....	96	4360475 71, 73, 113, 115, 117, 119, 260			
1321385.....	96	3322203 .....	15	4420051 .....	258		
1321752.....	15	3340962 .....	96	4420062.....	105, 107, 109, 113, 115, 117, 119		
1380153.....	13	3391210 .....	15	4460042.....	182, 186		
1600402.....	113, 115, 117, 119, 121, 260	3423032 .....	101	4460115.....	181, 185		
1671207.....	215	3423037 .....	13	4460138.....	135		
1701504.....	230, 234, 238, 242, 246, 250, 254	3423243 .....	91	4460183.....	181, 185, 213		
1701640.....	230, 234, 238, 242, 246, 250, 254	3423278 ....	113, 115, 117, 119	4460226.....	181, 185		
1702155.....	230, 234, 238, 242, 246, 254	3423278 ....	113, 115, 117, 119	4460227.....	25, 27, 29, 31, 33, 35, 37, 39, 41, 182, 186		
1703464.....	135, 137	3430636 .....	21	4460247.....	182, 186		
1703813.....	230	3430814 .....	103	4460259.....	181, 185		
1703816.....	230	3430816 .....	103				
1703819.....	75, 113, 115, 117, 119, 230, 234, 238, 242, 246, 250, 254						
1704016.....	230, 234, 238, 242, 246, 250, 254						
1704260.....	113, 115, 117, 119						
1704277.....	230, 234, 238, 242, 246, 250, 254						
1704340.....	246						
1704344.....	242						

## SECTION 10 - SPECIAL OPTIONS

199, 201, 203, 205, 207, 209	115, 117, 119, 131, 137, 139, 141, 143, 145, 147	70007074..... 127	70007268..... 17
4460956 ..... 155	4811900 .... 13, 15, 21, 61,	70007075..... 127	70007269..... 17
4460957 ..... 155	91, 101, 103, 105, 107,	70007076..... 127	70007270..... 17
4460965 ..... 182, 186	109, 113, 115, 117,	70007077..... 127	70007271..... 17
4460966 ..... 182, 186	119, 179	70007118..... 127	70007272..... 17
4460968 ..... 149	4811902 ..... 21, 109, 111	70007120..... 67	70007273..... 17
4460970 ..... 211	4812000 .... 13, 15, 21, 59,	70007121..... 67	70007274..... 17
4461016 ..... 213	65, 91, 96, 103	70007122..... 67	70007275..... 17
4461023 ..... 181, 185	4812002 ..... 103	70007123..... 67	70007589..... 67
4461196 ..... 31, 169, 217	4812100 ..... 91	70007124..... 67	70008142..... 125
4461198 ..... 217	4812500 ..... 15, 21	70007125..... 67	70008143..... 125
4461199 ..... 33, 171, 219	4846757 ..... 13	70007126..... 67	70008248..... 67
4461201 ..... 219	5241000 ..... 91, 103	70007127..... 67	70008249..... 67
4461205 ..... 37, 173, 221, 223	70000082 ..... 121	70007128..... 67	70008250..... 67
4461244 ..... 221	70000084 ..... 121	70007129..... 125	70008251..... 67
4461245 ..... 223	70000683 ..... 121	70007130..... 125	70008252..... 67
4461246 ..... 225	70000684 ..... 121	70007131..... 125	7002821 ..... 262
4461249 ..... 35, 175, 225	70000685 ..... 121	70007132..... 125	7002822 ..... 262
4461257 ..... 137, 139	70000686 ..... 121	70007133..... 125	7002823 ..... 262
4461258 ..... 137, 139	70001250 ..... 121	70007134..... 125	7002826 ..... 263
4711000 ..... 51	70001251 ..... 121	70007135..... 125	7004275 ..... 263
4711700 .... 113, 115, 117, 119	70001252 ..... 121	70007136..... 125	7004276 ..... 263
4711800 ..... 103	70001253 ..... 121	70007252..... 17	7016654 ..... 263
4740438 ..... 96	70003636 ..... 125, 127	70007253..... 17	7020175 71, 73, 113, 115, 117, 119
4740531 ..... 96	70003650 ..... 121	70007254..... 17	7020176 71, 73, 113, 115, 117, 119
4811400 29, 96, 111, 113, 115, 117, 119, 135, 137, 139, 141, 143, 145, 147, 149, 167	70003685 ..... 67	70007255..... 17	7027365 ..... 121
4811602 .... 43, 45, 47, 49	70003686 ..... 67	70007256..... 17	7027367 ..... 121
4811700 .... 25, 27, 29, 31, 33, 35, 37, 39, 41, 43, 45, 47, 49, 51, 55, 57, 71, 73, 75, 96, 105, 107, 109, 111, 113,	70003690 ..... 67	70007257..... 17	7027765 ..... 121
	70003696 ..... 67	70007258..... 17	7027766 ..... 121
	70003706 ..... 67	70007259..... 17	8229031 ..... 182, 186
	70003734 ..... 67	70007260..... 17	8229234 ..... 189, 260
	70004585 ..... 125	70007261..... 17	8405204 ..... 69
	70005236 ..... 125	70007262..... 17	8896941 ..... 262
	70005632 ..... 67	70007263..... 17	8990147 .... 230, 234, 238, 242, 246, 254
	70005635 ..... 67	70007264..... 17	
	70005637 ..... 67	70007265..... 17	
		70007266..... 17	
		70007267..... 17	



**Corporate Office  
JLG Industries, Inc.  
1 JLG Drive  
McConnellsburg, PA 17233-9533 USA  
☎ (717) 485-5161 (Corporate)  
☎ (877) 554-5438 (Customer Support)  
📠 (717) 485-6417**

**Visit our website for JLG Worldwide Locations.  
[www.jlg.com](http://www.jlg.com)**



**OSHKOSH™**