



Illustrated Parts Manual

***Model
ES2632***

**PVC
2010**

**P/N
31219059
September 1, 2021 - Rev C**

ANSI

CE



AS/NZS



An Oshkosh Corporation Company

REVISION LOG

NOTES:

NOTE: Country of Assembly - The R Scissor Lifts are assembled by JLG Industries in the following countries: USA or China or Europe. Refer to the Serial Number Tag to identify the country of assembly. R Scissors assembled in USA will have a serial number prefix of 02 (i.e. 02XXXXXXXX), R Scissors manufactured in China will have a serial number prefix of B2 (i.e. B2XXXXXXXX), and R Scissors manufactured in Europe will have a serial number prefix of 12 (i.e. 12XXXXXXXX) or E2 (i.e. E2XXXXXXXX)

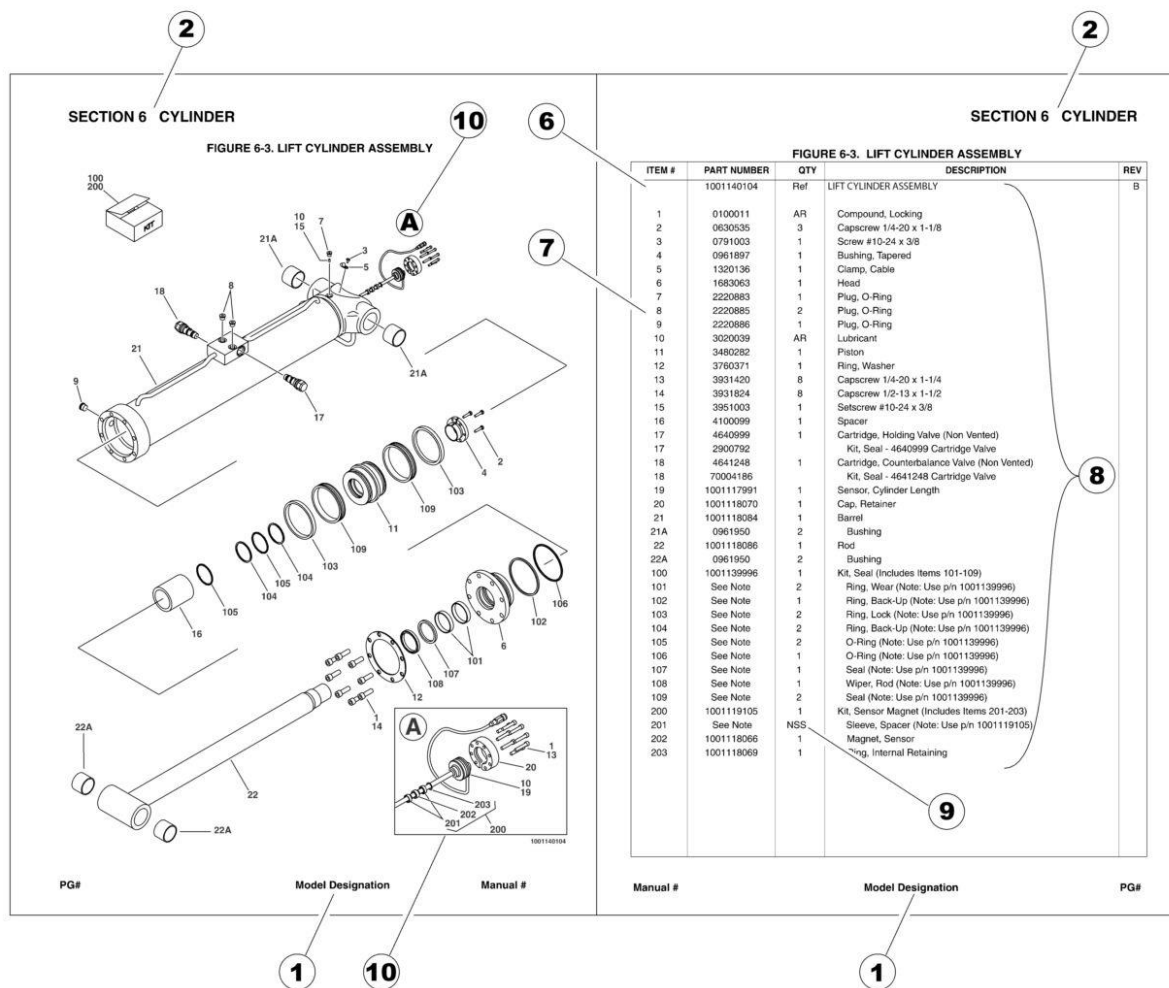
REVISION LOG:

October 1, 2020 - A - Original Issue of Manual (Edited to B/M 1001370000 Rev T and 1001263968 Rev A)

March 15, 2021 - B - Revised Manual (Edited to B/M 1001370000 Rev U and 1001263968 Rev A)

September 1, 2021 - C - Revised Manual (Edited to B/M 1001370000 Rev W and 1001263968 Rev A)

GENERAL INFORMATION



1) MACHINE IDENTIFICATION

Machines are identified by model and in some cases a combination of models, serial number (SN) or regional standard (i.e ANSI, CE, CSA). Components may also be identified by SN or manufacturer. Common components that may be identified by these characteristics are engines and hydraulic components.

2) PARTS MANUAL ORGANIZATION

Product information in this manual is organized under section titles. Frame, Cylinder, Hydraulic and Electrical are a few examples. Each section is organized by figure and page number. The information within the Figure is then organized by item number, part number, description and corresponding illustration (s).

3) TABLE OF CONTENTS (NOT SHOWN)

A table of contents is found toward the beginning of the manual. Figure number, description and page number are provided for quick reference to the page containing the related information.

4) RECOMMENDED SPARE PARTS (NOT SHOWN)

The Recommended Spare Parts List, located near the end of the manual, reference most frequently used maintenance parts.

5) PART NUMBER INDEX (NOT SHOWN)

A numerical index listing all part numbers and the corresponding page number(s) appears at the back of the manual.

GENERAL INFORMATION

6) NON-SERVICED PARTS

In some instances, it is necessary to display non-serviced parts, assemblies or installations. In the case of assemblies and installations there will be a Ref in the Qty. column. In case of parts that are not available for service within assemblies or components, there will be a NSS (Not Sold Separately) or NLA (No Longer Available) listed in the Qty. column of the manual.

7) PARTS LIST ITEM NUMBERS

Numbers shown in the item# column correspond to numbers used in the associated illustration (s). Item numbers which are missing from the sequence in the parts list are not used on that page.

8) INDENTED PARTS DESCRIPTION

An indented part description is included in the item under which it is indented.

9) ABBREVIATION AND SYMBOLS

AC.....	Alternating Current	L.....	Liter
ADE.....	Advanced Design Electronics	LB(LBS).....	Pounds
AG.....	Agricultural	LCD.....	Liquid Crystal Display
ANSI.....	American National Standards Institute	LED.....	Light Emitting Diodes
AR.....	As Required	LH.....	Left Hand
ASSY.....	Assembly	LRC.....	Low Rated Countries
AUS.....	Australia	LSS.....	Load Sensing System
AUX.....	Auxiliary	M(m).....	Metric/Meter
AWG.....	American Wire Gauge	MM(mm).....	Milimeter
B/M.....	Bill of Material	mA.....	Miliamps
CAC.....	Charge Air Cooler	NLA.....	No Longer Available
CE.....	European Conformity	NPT.....	National Pipe Threads
CCW.....	Counter Clockwise	NSS.....	Not Sold Separately
CM.....	Centimeter	OD.....	Outside Diameter
CW.....	Clockwise	ORB.....	O-Ring Boss
CSA.....	Canadian Standards Association	ORFS.....	O-Ring Face Seal
CYL.....	Cylinder	OZ (oz).....	Ounces
DIA.....	Diameter	PG.....	Page
DC.....	Direct Current	PN.....	Part Number
DEF.....	Diesel Exhaust Fluid	QT(qt.).....	Quarts
EMS.....	Emergency Stop	QTY.....	Quantity
ENG.....	Engine	REF.....	Reference
FT(ft).....	Feet	REV.....	Revision Level
GA(Ga).....	Gauge	RH.....	Right Hand
HRC.....	High Rated Countries	SAE.....	Society of Automotive Engineers
HVAC.....	Heating, Ventilating, and Air Conditioning	SN.....	Serial Number
HYD.....	Hydraulic	SPEC(S).....	Specifications
Hz.....	Hertz	T/T.....	Turntable
ID.....	Inside Diameter	UGM.....	Universal Ground Module
IN.....	inches	V.....	Volts
ISO.....	International Organization for Standards	W.....	Watts
JIC.....	Joint Industry Council	#.....	Number
KG.....	Kilogram		

10) ILLUSTRATION REFERENCE LETTERS

When necessary, illustrations may contain reference letters that are intended to track information (i. e. hoses, harnesses) from one point to another or to track visual enlargement of components to show details that may be located in another area on the illustration.

Note: Due to continuous product improvements, JLG Industries, Inc. reserves the right to make specification changes without prior notification. Contact JLG Industries, Inc. for updated information.

TABLE OF CONTENTS

SECTION 1 - FRAME.....	9
FIGURE 1-1. DRIVE MOTOR AND STEER INSTALLATION.....	10
FIGURE 1-2. DRIVE MOTOR ASSEMBLY.....	12
FIGURE 1-3. REAR WHEEL HUB INSTALLATION.....	16
FIGURE 1-4. HUB ASSEMBLY - REAR.....	18
FIGURE 1-5. POTHOLE PROTECTION SYSTEM INSTALLATION.....	20
FIGURE 1-6. TIRE AND WHEEL INSTALLATION.....	22
FIGURE 1-7. TILT SENSOR INSTALLATION.....	24
FIGURE 1-8. BATTERY CHARGER INSTALLATION - DELTA-Q.....	26
FIGURE 1-9. BATTERY CHARGER INSTALLATION - EAGLE PERFORMANCE.....	28
FIGURE 1-10. BATTERY CHARGER INSTALLATION - GREEN POWER.....	30
FIGURE 1-11. STROBE LIGHT INSTALLATION - SINGLE (AMBER) (WITH GUARD).....	32
FIGURE 1-12. STROBE LIGHT INSTALLATION - DUAL (AMBER) (WITH GUARD).....	34
FIGURE 1-13. ALARM INSTALLATION (AMBIENT/WHITE NOISE).....	36
FIGURE 1-14. LADDER INSTALLATION.....	38
FIGURE 1-15. FRAME COVERS INSTALLATION.....	40
SECTION 2 - GROUND CONTROLS.....	43
FIGURE 2-1. PUMP/MOTOR/TANK AND HOSES INSTALLATION.....	44
FIGURE 2-2. PUMP/MOTOR/TANK ASSEMBLY (Prior to SN B200072912, Prior to SN M200050039, Prior to SN 1200037748).....	46
FIGURE 2-3. PUMP/MOTOR/TANK ASSEMBLY (SN B200072912 to Present, SN M200050039 to Present, SN 1200037748 to Present).....	48
FIGURE 2-4. CLEANGUARD INSTALLATION.....	50
FIGURE 2-5. ELECTRICAL COMPONENTS INSTALLATION (MEXICO AND CHINA BUILT MACHINES).....	52
FIGURE 2-6. ELECTRICAL COMPONENTS INSTALLATION #1 (EUROPEAN BUILT MACHINES).....	54
FIGURE 2-7. ELECTRICAL COMPONENTS INSTALLATION #2 (EUROPEAN BUILT MACHINES).....	56
FIGURE 2-8. ACCESS CONTROL KEYPAD INSTALLATION.....	58
FIGURE 2-9. MOBILE CONTROL INSTALLATION.....	60
FIGURE 2-10. MDI INSTALLATION.....	62
FIGURE 2-11. BATTERIES INSTALLATION - STANDARD BATTERIES (CHINA BUILT MACHINES).....	64
FIGURE 2-12. BATTERIES INSTALLATION - STANDARD BATTERIES (MEXICO & EUROPEAN BUILT MACHINES).....	66
FIGURE 2-13. BATTERIES INSTALLATION - AGM BATTERIES.....	68
FIGURE 2-14. BATTERIES INSTALLATION - AGM EVCG BATTERIES.....	70
FIGURE 2-15. INVERTER INSTALLATION (OPTIONAL).....	72
FIGURE 2-16. DOORS INSTALLATION.....	74
SECTION 3 - SCISSORS ARMS.....	77
FIGURE 3-1. SCISSORS ARMS INSTALLATION.....	78
FIGURE 3-2. ARM GUARDS INSTALLATION.....	82
SECTION 4 - PLATFORM.....	85
FIGURE 4-1. PLATFORM INSTALLATION.....	86
FIGURE 4-2. PLATFORM EXTENSION INSTALLATION.....	88
FIGURE 4-3. RAILS INSTALLATION (SIDE BY SIDE).....	90
FIGURE 4-4. RAILS INSTALLATION (TUBE IN TUBE).....	92
FIGURE 4-5. EXTENSION HANDLES INSTALLATION (OPTIONAL).....	94
FIGURE 4-6. GATE LATCH INSTALLATION - OPTIONAL.....	96
FIGURE 4-7. PLATFORM CONSOLE INSTALLATION (ALL SPECS EXCEPT AUSTRALIAN SPECS).....	98
FIGURE 4-8. PLATFORM CONSOLE INSTALLATION (AUSTRALIAN SPECS).....	100
FIGURE 4-9. DRIVE/STEER CONTROLLER ASSEMBLY.....	102
FIGURE 4-10. USB/PHONE CRADLE INSTALLATION.....	104
FIGURE 4-11. PIPE RACKS INSTALLATION (OPTIONAL).....	106
FIGURE 4-12. OVERHEAD PROTECTION INSTALLATION (KOREAN SPECS).....	108
SECTION 5 - CYLINDER.....	111
FIGURE 5-1. LIFT CYLINDER ASSEMBLY.....	112
FIGURE 5-2. STEER CYLINDER ASSEMBLY.....	114
SECTION 6 - ELECTRICAL.....	117
FIGURE 6-1. AC BOX AT PLATFORM INSTALLATION - 110V GFI (ALL SPECS EXCEPT AUSTRALIAN & CE SPECS).....	118

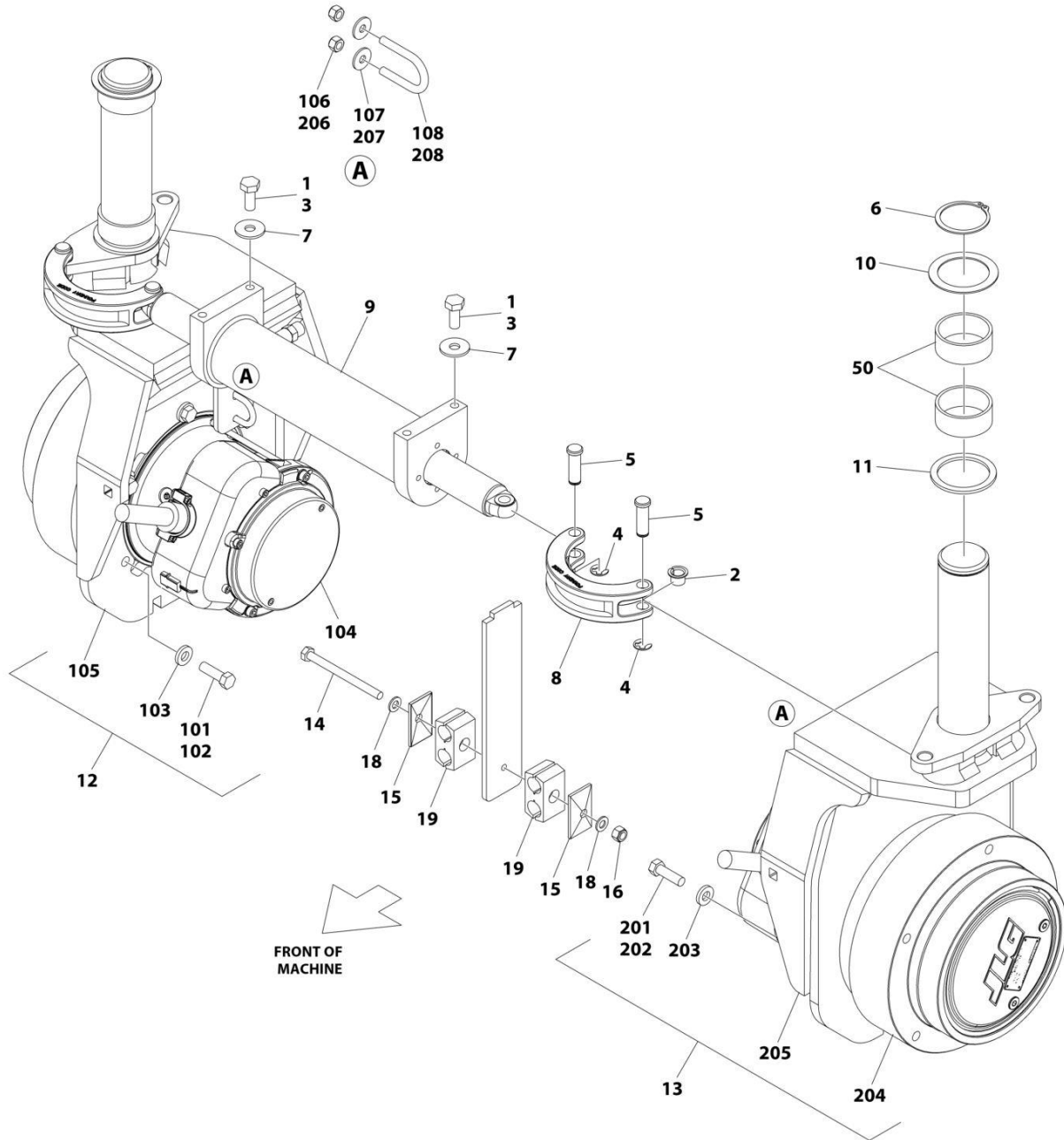
TABLE OF CONTENTS

FIGURE 6-2. AC BOX AT PLATFORM INSTALLATION - 110V IEC YELLOW (CE SPECS).....	120
FIGURE 6-3. AC BOX AT PLATFORM INSTALLATION - 220V IEC BLUE (CE SPECS)	122
FIGURE 6-4. AC BOX AT PLATFORM INSTALLATION - 220V CEE7 POST GROUND (CE SPECS).....	124
FIGURE 6-5. AC BOX AT PLATFORM INSTALLATION - 220V CEE7 SIDE GROUND (CE SPECS).....	126
FIGURE 6-6. AC BOX AT PLATFORM INSTALLATION - 220V AFSINT 107 (CE SPECS).....	128
FIGURE 6-7. AC BOX AT PLATFORM INSTALLATION - 220V LOCALLY SUPPLIED	130
FIGURE 6-8. AC BOX AT PLATFORM INSTALLATION - 220V (AUSTRALIAN SPECS)	132
FIGURE 6-9. AC BOX AT PLATFORM INSTALLATION - 220V CHINA PLUG (CHINA SPECS).....	134
FIGURE 6-10. BREAKER BOX KIT (AUSTRALIAN SPEC).....	136
FIGURE 6-11. BREAKER BOX KIT WITH 1 DOUBLE BREAKER (CE SPECS)	138
FIGURE 6-12. BREAKER BOX KIT WITH 3 BREAKERS (CE SPECS)	140
FIGURE 6-13. CAN SPLICE HARNESS (CHARGER WITH COMMUNICATION PORT).....	142
FIGURE 6-14. CHARGER HARNESS (CHARGER WITH COMMUNICATION PORT) (PVC2004)	144
FIGURE 6-15. CHARGER PLUG INSTALLATION - CUSTOMER SUPPLIED PLUG (ALL SPECS).....	146
FIGURE 6-16. CHARGER PLUG INSTALLATION - 110V PLUG (ANSI, ANSI EXPORT & CSA SPECS).....	148
FIGURE 6-17. CHARGER PLUG INSTALLATION - 110V IEC YELLOW PLUG (CE SPECS).....	150
FIGURE 6-18. CHARGER PLUG INSTALLATION - 220V IEC BLUE PLUG (CE SPECS).....	152
FIGURE 6-19. CHARGER PLUG INSTALLATION - 220V AFSINT 107 PLUG (CE SPECS)	154
FIGURE 6-20. CHARGER PLUG INSTALLATION - 220V CEE7 PLUG (CE SPECS)	156
FIGURE 6-21. CHARGER PLUG INSTALLATION (AUSTRALIAN PLUG).....	158
FIGURE 6-22. CHARGER PLUG INSTALLATION (CHINA PLUG)	160
FIGURE 6-23. CHARGER PLUG INSTALLATION (KOREAN PLUG)	162
FIGURE 6-24. CHASSIS HARNESS.....	164
FIGURE 6-25. DRIVE HARNESS	168
FIGURE 6-26. GROUND TO PLATFORM CABLE INSTALLATION - WITHOUT PLATFORM COIL CABLE (CHINA BUILT MACHINES).....	170
FIGURE 6-27. GROUND TO PLATFORM CABLE INSTALLATION - WITHOUT PLATFORM COIL CABLE & WITH FOOTSWITCH (CHINA BUILT MACHINES).....	172
FIGURE 6-28. GROUND TO PLATFORM CABLE INSTALLATION - WITH PLATFORM COIL CABLE (CHINA BUILT MACHINES).....	174
FIGURE 6-29. GROUND TO PLATFORM CABLE INSTALLATION - WITH PLATFORM COIL CABLE & FOOTSWITCH (CHINA BUILT MACHINES).....	176
FIGURE 6-30. GROUND TO PLATFORM CABLE INSTALLATION - PLATFORM STRAIGHT CABLE ONLY (USA AND EUROPE BUILT MACHINES).....	178
FIGURE 6-31. GROUND TO PLATFORM CABLE INSTALLATION - PLATFORM COIL CABLE ONLY (USA AND EUROPE BUILT MACHINES).....	180
FIGURE 6-32. GROUND TO PLATFORM CABLE INSTALLATION - SCISSORS ARMS CABLE ONLY (USA AND EUROPE BUILT MACHINES).....	182
FIGURE 6-33. LIFT DOWN HARNESS.....	184
FIGURE 6-34. PLATFORM CONTROL BOX HARNESS.....	186
FIGURE 6-35. RECEPTACLE BOX KIT - 110V GFI	188
FIGURE 6-36. RECEPTACLE BOX KIT - 110V IEC YELLOW (CE SPEC)	190
FIGURE 6-37. RECEPTACLE BOX KIT - 220V CEE7 POST GROUND (CE SPEC)	192
FIGURE 6-38. RECEPTACLE BOX KIT - 220V CEE7 SIDE GROUND (CE SPEC).....	194
FIGURE 6-39. RECEPTACLE BOX KIT - 220V AFSINT 107 (CE SPEC)	196
SECTION 7 - DECALS	199
FIGURE 7-1. DECAL INSTALLATION (ANSI SPECS)	200
FIGURE 7-2. DECAL INSTALLATION (AUSTRALIAN SPECS)	202
FIGURE 7-3. DECAL INSTALLATION (BRAZIL SPECS)	204
FIGURE 7-4. DECAL INSTALLATION (CE SPECS).....	206
FIGURE 7-5. DECAL INSTALLATION (CHINA SPECS).....	208
FIGURE 7-6. DECAL INSTALLATION (CSA SPECS)	210
FIGURE 7-7. DECAL INSTALLATION (KOREAN SPECS).....	212
FIGURE 7-8. DECAL INSTALLATION (LATIN AMERICAN SPECS).....	214
FIGURE 7-9. DECAL INSTALLATIONS - OPTIONS.....	216
SECTION 8 - RECOMMENDED SERVICE PARTS STOCK.....	219
FIGURE 8-1. RECOMMENDED SERVICE PARTS STOCK.....	220
SECTION 9 - SPECIAL OPTIONS	221
FIGURE 9-1. SPECIAL OPTIONS/ACCESSORIES/KITS.....	222
PART NUMBER INDEX.....	225

SECTION 1 - FRAME

SECTION 1 - FRAME

FIGURE 1-1. DRIVE MOTOR AND STEER INSTALLATION



ART_1001256704

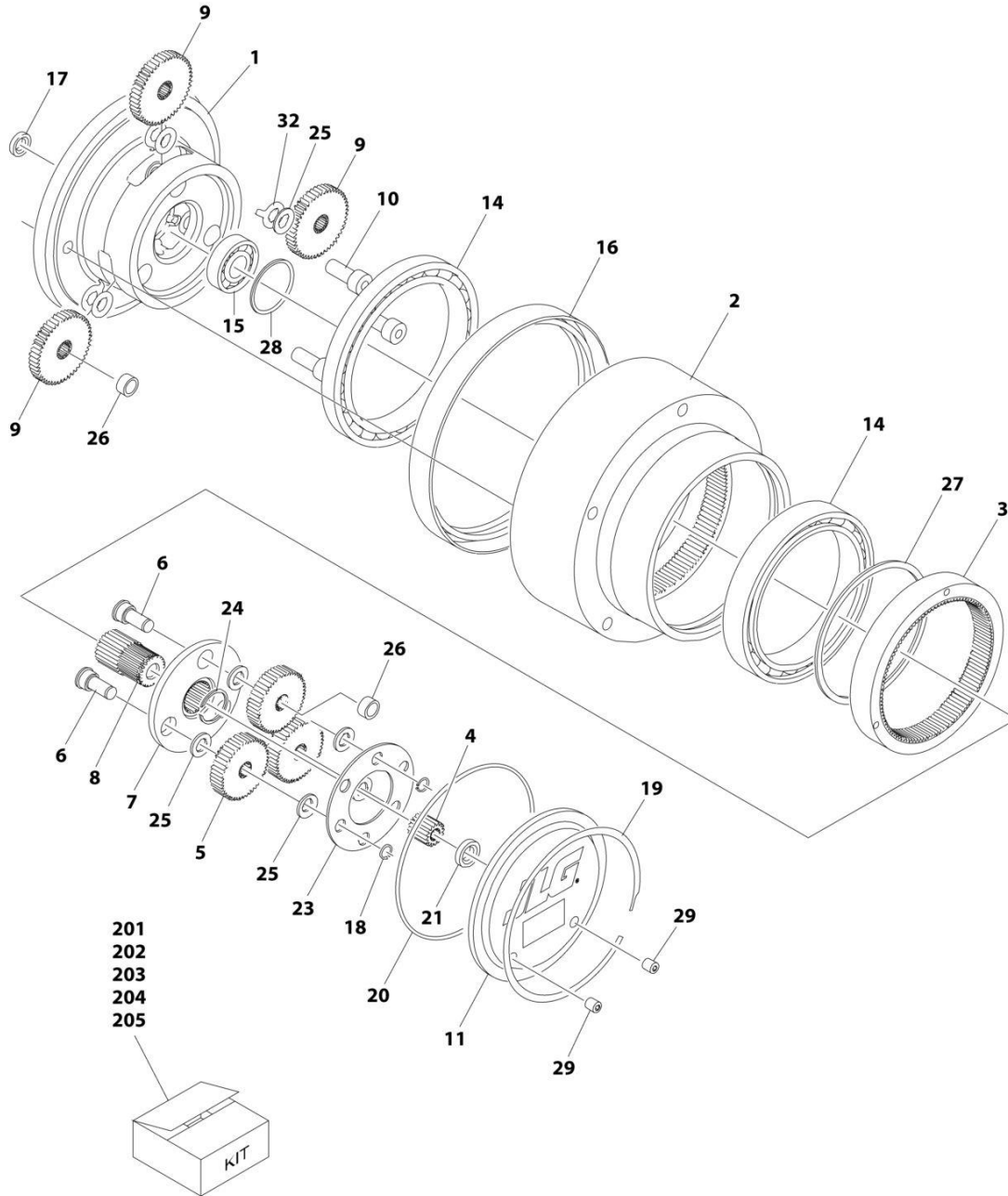
SECTION 1 - FRAME

FIGURE 1-1. DRIVE MOTOR AND STEER INSTALLATION

ITEM	PART NUMBER	QTY	DESCRIPTION	REV
	1001256704	Ref	STEER INSTALLATION	B
1	0100011	AR	Compound, Locking	
2	0440259	2	Bearing	
3	0701012	4	Bolt M10 x 25	
4	1380153	4	E-Clip	
5	3423037	4	Pin	
6	3760217	2	Ring, Retaining	
7	4812002	4	Washer M10	
8	4846757	2	Lug, Steering	
9	1001179447	1	Steer Cylinder Assembly (See Separate Breakdown in CYLINDER Section)	
10	1001197396	2	Washer	
11	1001205751	2	Washer	
12	1001262500	1	Motor/Spindle Assembly (See item 101-108 for Breakdown)	
13	1001262658	1	Motor/Spindle Assembly (See item 201-208 for Breakdown)	
14	0760827	1	Bolt M8 x 100	
15	1321752	2	Cover, Clamp	
16	3290805	1	Nut M8	
17	4240017	AR	Tie-Strap (Not Shown)	
18	4811900	2	Washer M8	
19	8750015	2	Clamp	
50	1001153785	4	Bearing (Part of Frame)	
	1001262500	Ref	MOTOR/SPINDLE ASSEMBLY	D
101	0100011	AR	Compound, Locking	
102	0681610	6	Bolt 3/8 x 1-1/4 Grade 8	
103	4891600	6	Washer 3/8	
104	1001256944	1	Drive Motor Assembly (See Separate Breakdown in this Section)	
105	1001262539	1	Spindle	
106	3290605	2	Nut M6	
107	4811702	2	Washer M6	
108	1001259015	1	U-Bolt	
	1001262658	Ref	MOTOR/SPINDLE ASSEMBLY	D
201	0100011	AR	Compound, Locking	
202	0681610	6	Bolt 3/8 x 1-1/4 Grade 8	
203	4891600	6	Washer 3/8	
204	1001256944	1	Drive Motor Assembly (See Separate Breakdown in this Section)	
205	1001262539	1	Spindle	
206	3290605	2	Nut M6	
207	4811702	2	Washer M6	
208	1001259015	1	U-Bolt	

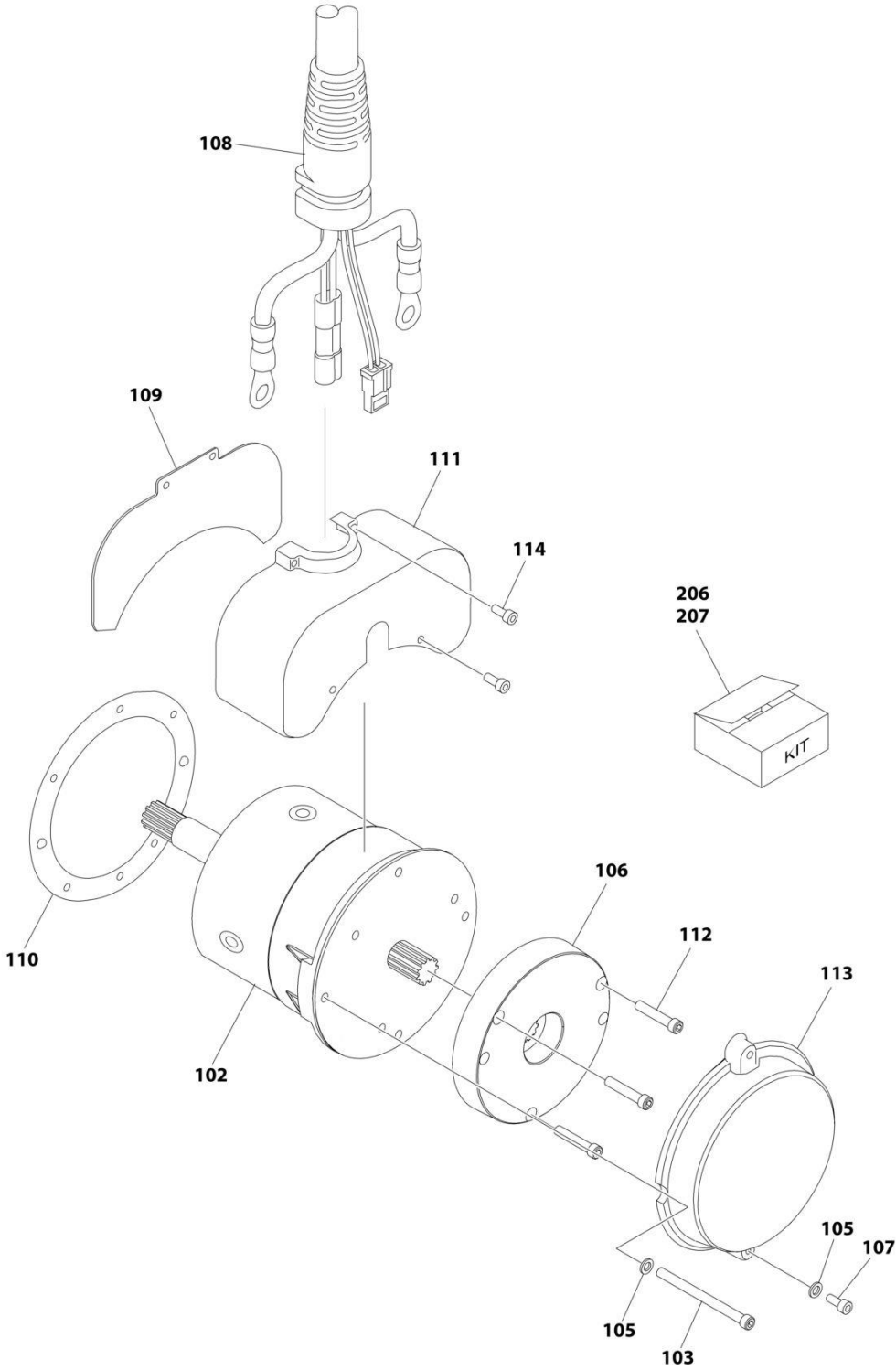
SECTION 1 - FRAME

FIGURE 1-2. DRIVE MOTOR ASSEMBLY



ART_1001256944_10F2

SECTION 1 - FRAME



ART_1001256944_20F2

SECTION 1 - FRAME

FIGURE 1-2. DRIVE MOTOR ASSEMBLY

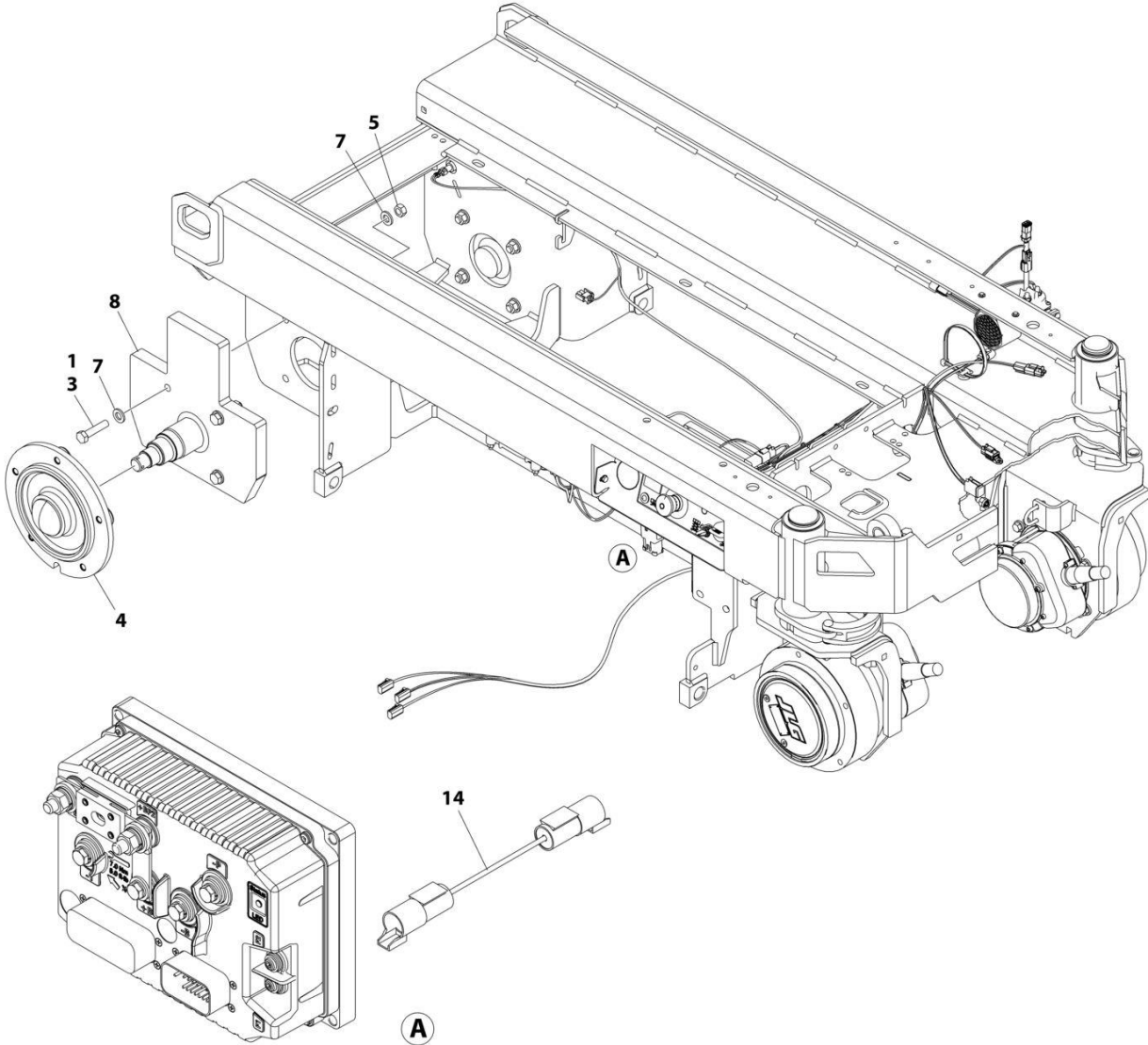
ITEM	PART NUMBER	QTY	DESCRIPTION	REV
	1001256944	Ref	DRIVE MOTOR ASSEMBLY	D
		Ref	HUB ASSEMBLY	
1	See Note	NSS	Spindle (Note: Purchase Complete Assembly)	
2	See Note	NSS	Hub (Note: Use Item 203)	
3	See Note	NSS	Ring, Input (Note: Use Item 204)	
4	See Note	NSS	Gear, Input Sun (Note: Use Item 202)	
5	70007490	3	Gear, Input Planet (Includes Item 26)	
6	See Note	NSS	Pin, Planet Gear (Note: Use Item 202)	
7	See Note	NSS	Carrier (Note: Use Item 202)	
8	See Note	NSS	Gear, Output Sun (Note: Use Item 202)	
9	70007193	3	Gear, Output Planet (Includes Item 26) (Note: Included in Item 205)	
10	70007199	3	Pin, Output Planet (Note: Included in Item 205)	
11	See Note	NSS	Cover (Note: Use Item 201)	
14	70007541	2	Bearing, Main (Note: Included in Items 203 or 204 or 205)	
15	See Note	NSS	Bearing , Shaft (Note: Use Item 205)	
16	70001739	1	Seal, Lip (Note: Included in Items 203)	
17	7024786	1	Seal, Lip	
18	See Note	NSS	Ring, Retaining (Note: Use Item 202)	
19	See Note	NSS	Ring, Retaining (Note: Use Item 201)	
20	70000191	1	O-Ring (Note: Included in Items 201 or 202 or 203 or 204 or 205)	
21	See Note	NSS	Washer, Thrust (Note: Use Item 201)	
23	See Note	NSS	Plate, Thrust (Note: Use Item 202)	
24	See Note	NSS	Ring, Retaining (Note: Use Item 202)	
25	See Note	NSS	Washer, Thrust (Note: Use Item 202)	
26	See Note	NSS	Bushing (Note: Use Item 202 or 205)	
27	70007544	1	Ring, Retaining (Note: Included in Items 203 or 204 or 205)	
28	See Note	NSS	Ring, Retaining (Note: Use Item 205)	
29	See Note	NSS	Plug (Note: Use Item 201)	
32	70007205	3	Washer, Tanged (Note: Included in Item 205)	
		Ref	BRAKE AND MOTOR	
102	70007782	1	Motor Electric	
103	70007495	2	Bolt M6 x 100	
103		Ref	Bolt M6 x 140	
105	70007546	4	Washer 1/4	
106	See Note	NSS	Brake, Input (Note: Use Item 206)	
107	70007191	2	Bolt M6 x 20	
108	70007676	1	Harness, Motor	
109	See Note	NSS	Plate, Cover (Note: Use Item 207)	
110	See Note	NSS	Gasket (Note: Use Item 207)	
111	See Note	NSS	Cover (Note: Use Item 207)	
112	See Note	NSS	Capscrew (Note: Use Item 206)	
113	See Note	NSS	Cover (Note: Use Item 207)	
114	See Note	NSS	Capscrew (Note: Use Item 207)	
		Ref	KIT OPTIONS	
201	7024747	1	Cover Kit - Hub (Includes Items 11, 19, 20, 21 & 29)	
202	7024749	1	Input Carrier Kit (Includes Items 4-8, 18, 20 & 23-26)	
203	7024756	1	Hub Kit (Includes Items 2, 16, 20, 27 & Qty 1 of Item 14)	
204	7024758	1	Input Ring Kit (Includes Items 3, 14, 20 & 27)	
205	70007670	1	Carrier Kit (Includes Items 9, 10, 14, 15, 20, 26-28 & 32)	

SECTION 1 - FRAME

ITEM	PART NUMBER	QTY	DESCRIPTION	REV
206	7024759	1	Brake Kit (Includes Items 106, 112 and O-Ring)	
207	70007844	1	Cover Kit - Electric Motor (Includes Items 107, 109, 110, 111, 113 & 114)	

SECTION 1 - FRAME

FIGURE 1-3. REAR WHEEL HUB INSTALLATION



ART_1001256130_F

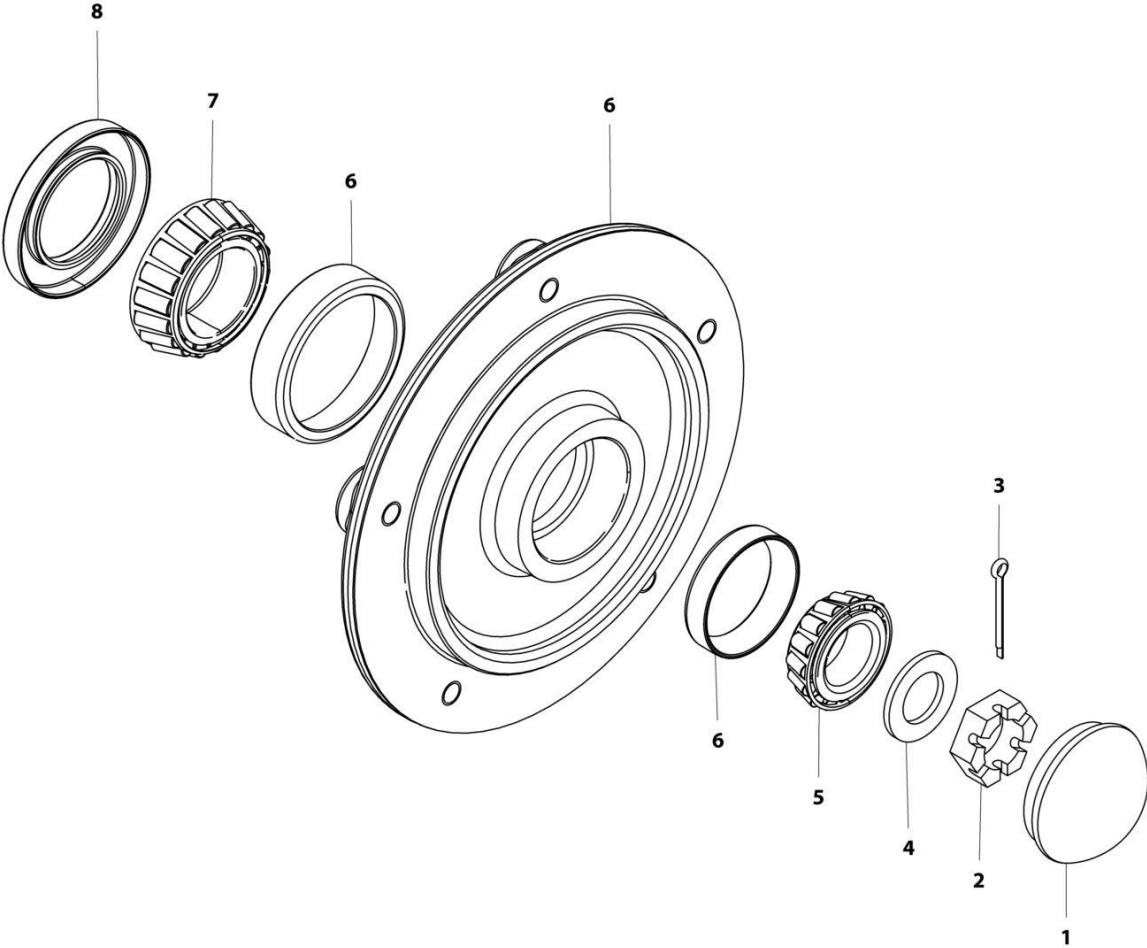
SECTION 1 - FRAME

FIGURE 1-3. REAR WHEEL HUB INSTALLATION

ITEM	PART NUMBER	QTY	DESCRIPTION	REV
	1001256130	Ref	REAR WHEEL HUB INSTALLATION	F
1	0100011	AR	Compound, Locking	
3	0711219	8	Bolt M12 x 55	
4	2780266	2	Hub Assembly - Rear (See Separate Breakdown in this Section)	
5	3331211	8	Nut M12	
7	5241200	16	Washer M12	
8	1001226423	2	Spindle Rear	
14	4923602	1	Harness, Field Wire Connection	

SECTION 1 - FRAME

FIGURE 1-4. HUB ASSEMBLY - REAR



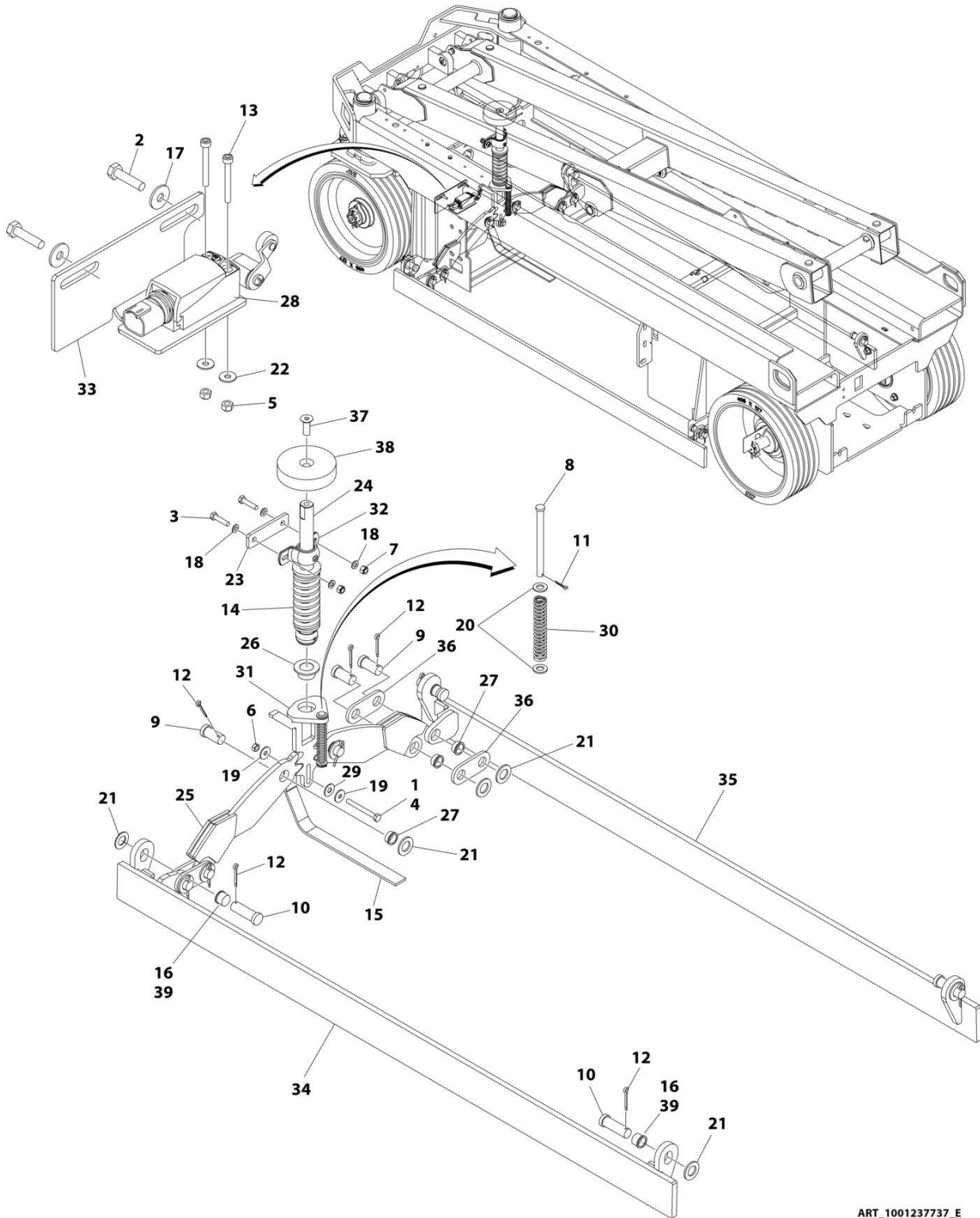
ART_2780266

FIGURE 1-4. HUB ASSEMBLY - REAR

ITEM	PART NUMBER	QTY	DESCRIPTION	REV
	2780266	Ref	HUB ASSEMBLY - REAR	E
1	1001102354	1	Cap, Dust (was p/n 7012524)	
2	3300423	1	Nut, Slotted (was p/n 7010641)	
3	3450406	1	Pin, Cotter 2 x 3/16 (was p/n 7010642)	
4	4740468	1	Washer (was p/n 7019697)	
5	1001102351	1	Bearing, Cone - Outer (was p/n 7026185)	
6	See Note	NSS	Hub (Note: Purchase Complete Assembly p/n 2780266)	
7	1001102353	1	Bearing, Cone - Inner (was p/n 7026183)	
8	1001102349	1	Seal (was p/n 7026184)	

SECTION 1 - FRAME

FIGURE 1-5. POTHOLE PROTECTION SYSTEM INSTALLATION



ART_1001237737_E

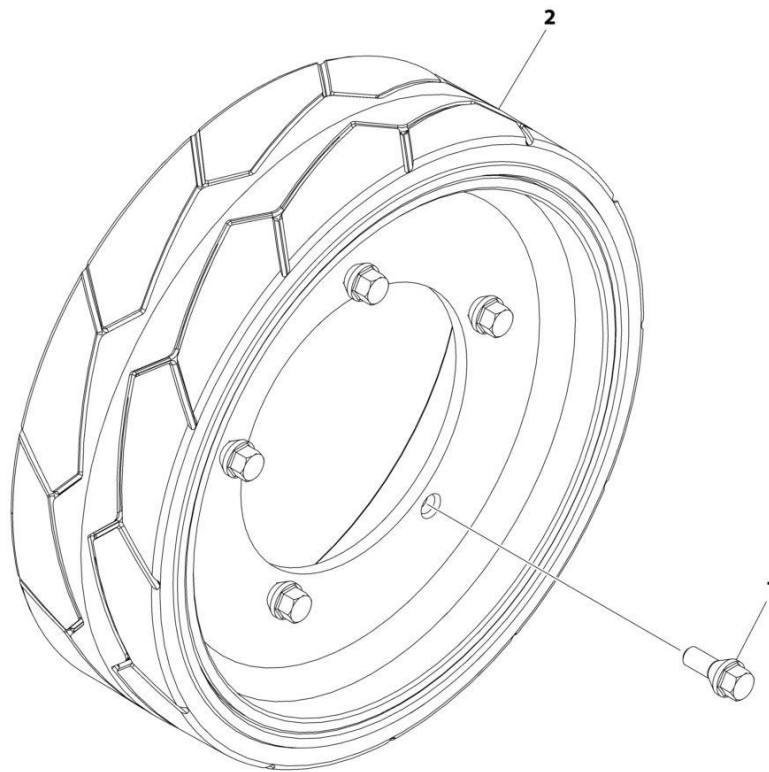
SECTION 1 - FRAME

FIGURE 1-5. POTHOLE PROTECTION SYSTEM INSTALLATION

ITEM	PART NUMBER	QTY	DESCRIPTION	REV
	1001237737	Ref	POTHOLE PROTECTION SYSTEM INSTALLATION	E
1	0100011	AR	Compound, Locking	
2	0700612	2	Bolt M6 x 25	
3	0700815	2	Bolt M8 x 35	
4	0700823	1	Bolt M8 x 75	
5	3290405	2	Nut M4	
6	3290801	1	Nut M8	
7	3290805	2	Nut M8	
8	3430636	1	Pin	
9	3431212	6	Pin	
10	3431218	4	Pin	
11	3450302	1	Pin, Cotter 7/8 x 1/2	
12	3450505	10	Pin, Cotter 5/32 x 1/2	
13	4031511	2	Capscrew M4 x 35	
14	4160202	1	Spring	
15	4240147	1	Strap, Anti-Static	
16	4740086	NLA	Washer (Use Item 39)	
17	4811702	2	Washer M6	
18	4811900	4	Washer M8	
19	4811902	2	Washer M8	
20	4812000	2	Washer M10	
21	4812500	10	Washer M20	
22	1001091102	2	Washer M4	
23	1001202987	1	Plate, Mounting	
24	1001214528	1	Actuator (Upper)	
25	1001243781	2	Plate, Pinion	
26	1001203869	1	Bearing	
27	1001203870	6	Bearing	
28	1001203871	1	Switch, Limit	
29	1001203872	1	Washer 3/8	
30	1001227855	1	Spring	
31	1001214526	1	Actuator (Lower)	
32	1001215953	1	Bearing	
33	1001218307	1	Plate, Sensor Mounting	
34	1001234797	1	Bar (LH)	
35	1001234798	1	Bar (RH)	
36	1001236849	4	Link	
37	1001110302	1	Bolt M12 x 35	
38	1001214534	1	Pad, Actuator	
39	0440263	4	Bushing, Flange	

SECTION 1 - FRAME

FIGURE 1-6. TIRE AND WHEEL INSTALLATION



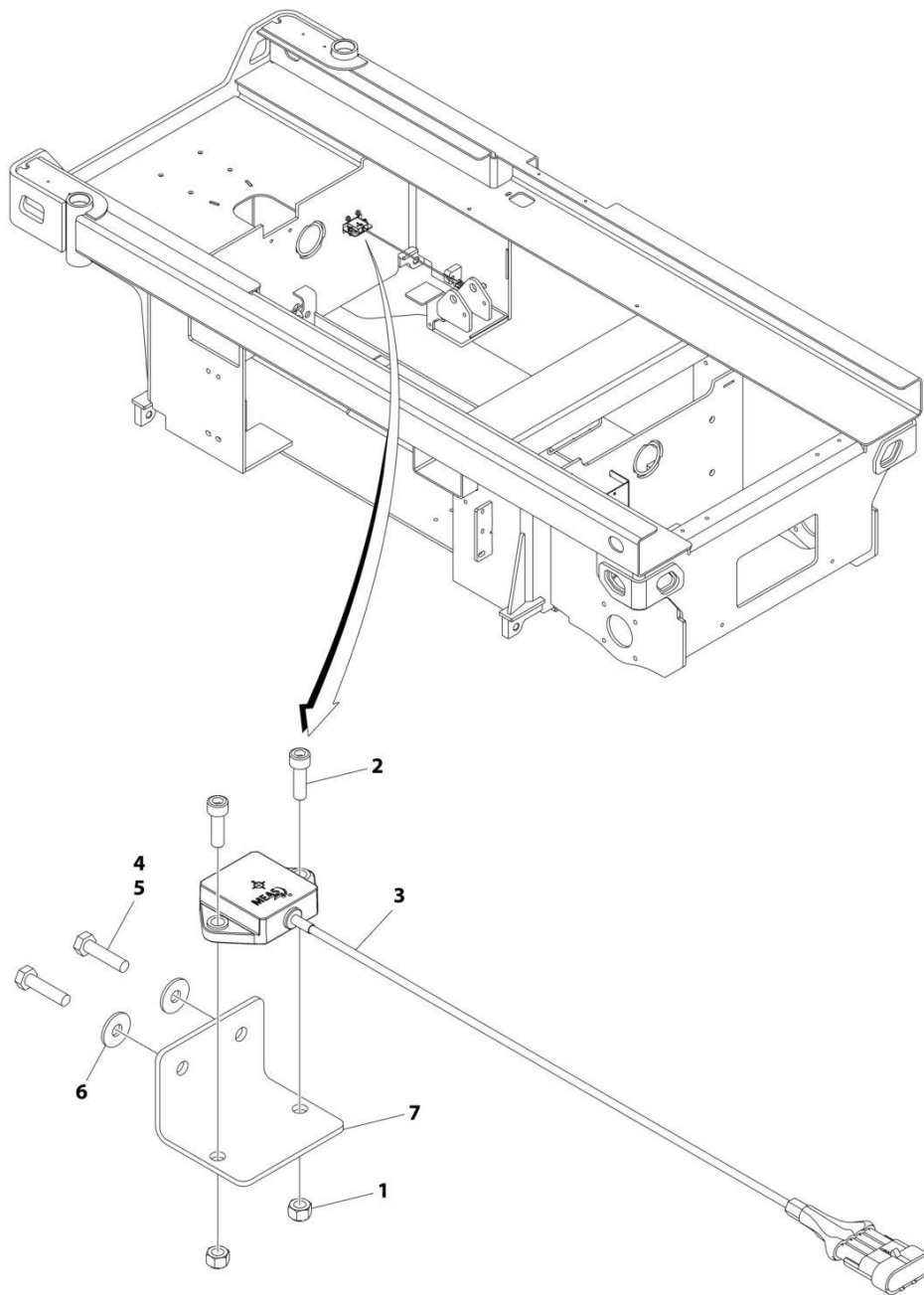
ART_1001256694

FIGURE 1-6. TIRE AND WHEEL INSTALLATION

ITEM	PART NUMBER	QTY	DESCRIPTION	REV
	1001256694	Ref	TIRE AND WHEEL ASSEMBLY	A
1	0630580	20	Bolt	
2	1001114466	4	Tire, 125 x 406	

SECTION 1 - FRAME

FIGURE 1-7. TILT SENSOR INSTALLATION



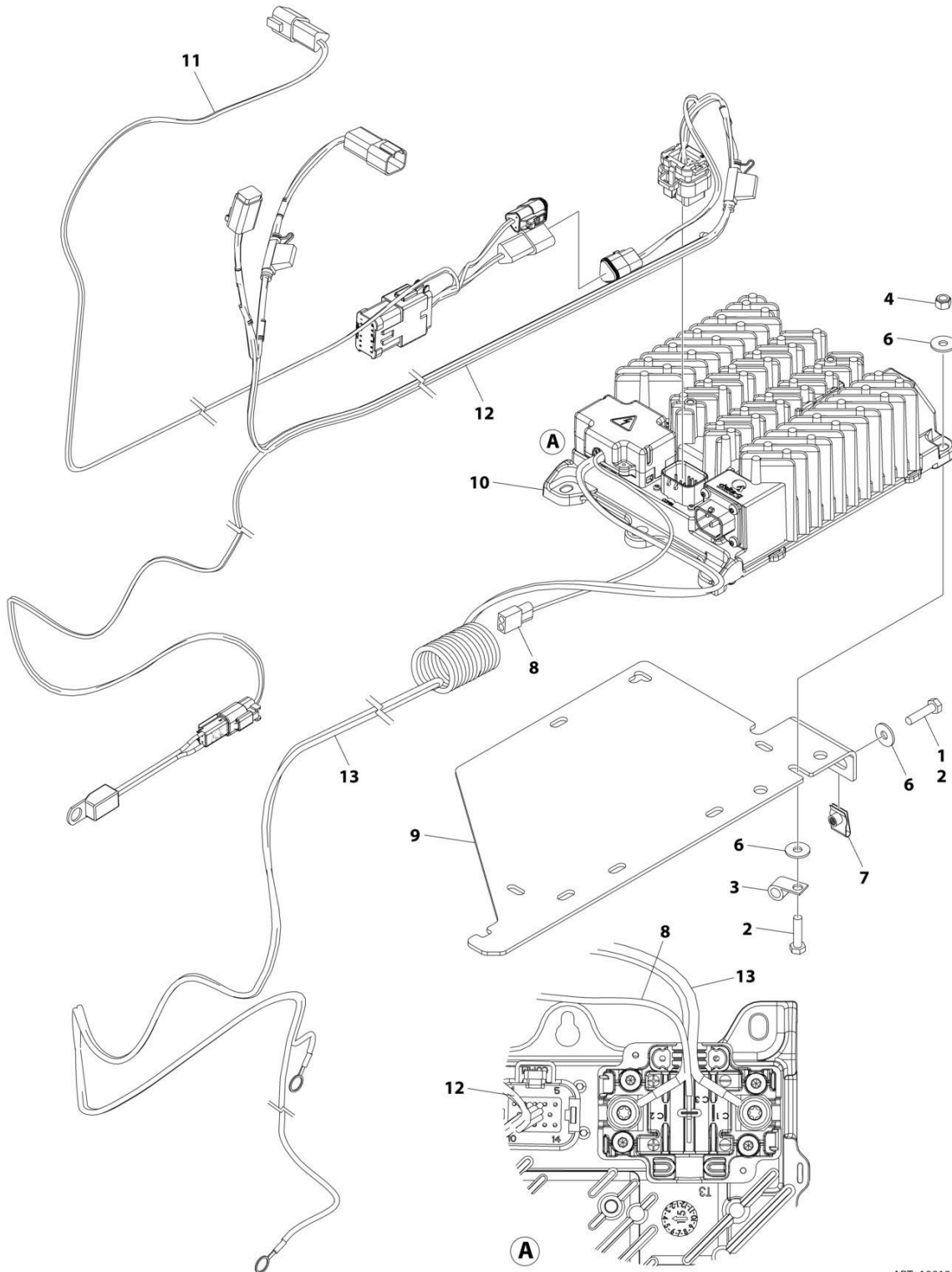
ART_1001214217

FIGURE 1-7. TILT SENSOR INSTALLATION

ITEM	PART NUMBER	QTY	DESCRIPTION	REV
	1001214217	Ref	TILT SENSOR INSTALLATION	D
1	3290601	2	Nut M6	
2	4031708	2	Capscrew M6 x 20	
3	1001186466	1	Sensor, Tilt	
4	0100011	AR	Compound, Locking	
5	0700612	2	Bolt M6 x 25	
6	4811702	2	Washer M6	
7	1001217059	1	Plate, Mounting	

SECTION 1 - FRAME

FIGURE 1-8. BATTERY CHARGER INSTALLATION - DELTA-Q



ART_1001263257

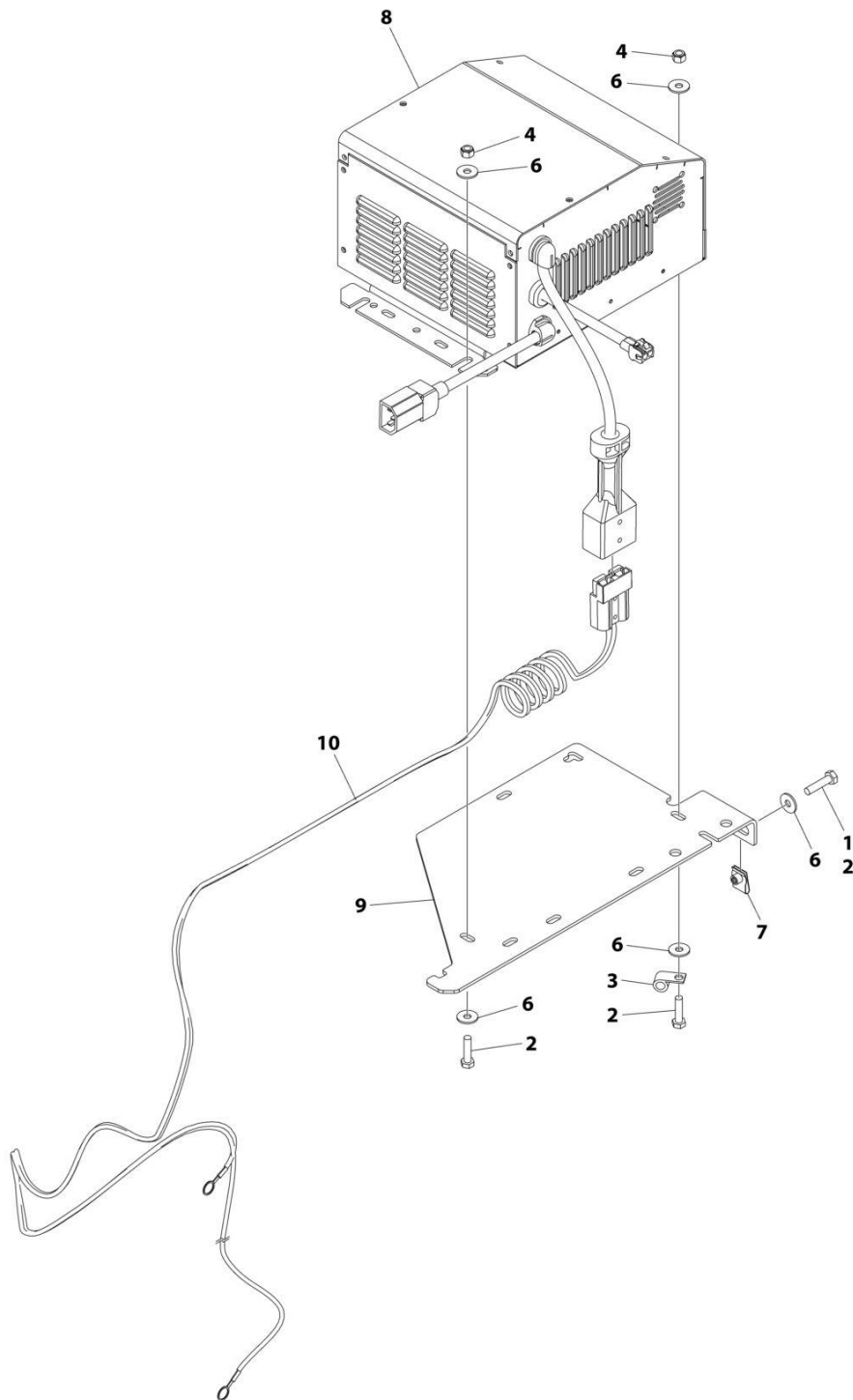
SECTION 1 - FRAME

FIGURE 1-8. BATTERY CHARGER INSTALLATION - DELTA-Q

ITEM	PART NUMBER	QTY	DESCRIPTION	REV
	1001263257	Ref	BATTERY CHARGER INSTALLATION - DELTA-Q	A
1	0100011	AR	Compound, Locking	
2	0760612	5	Bolt M6 x 25	
3	1321293	1	Clamp	
4	3290605	3	Nut M6	
5	4240017	AR	Tie-Strap (Not Shown)	
6	4811702	8	Washer M6	
7	1001130220	2	Nut, Tinnerman M6	
8	1001207009	1	Charger Interlock Harness	
8	4460424	1	Receptacle, Female - 2 Position	
8	4460227	2	Pin, Male	
9	1001236139	1	Bracket	
10	1001253952	1	Charger, Battery - Delta-Q	
11	1001254027	1	Can Splice Harness (See Separate Breakdown in ELECTRICAL Section)	
12	1001254028	1	Charger To Battery Harness (See Separate Breakdown in ELECTRICAL Section)	
13	1001256642	1	Battery Charger to DC Connection Cable	

SECTION 1 - FRAME

FIGURE 1-9. BATTERY CHARGER INSTALLATION - EAGLE PERFORMANCE



ART_1001263258

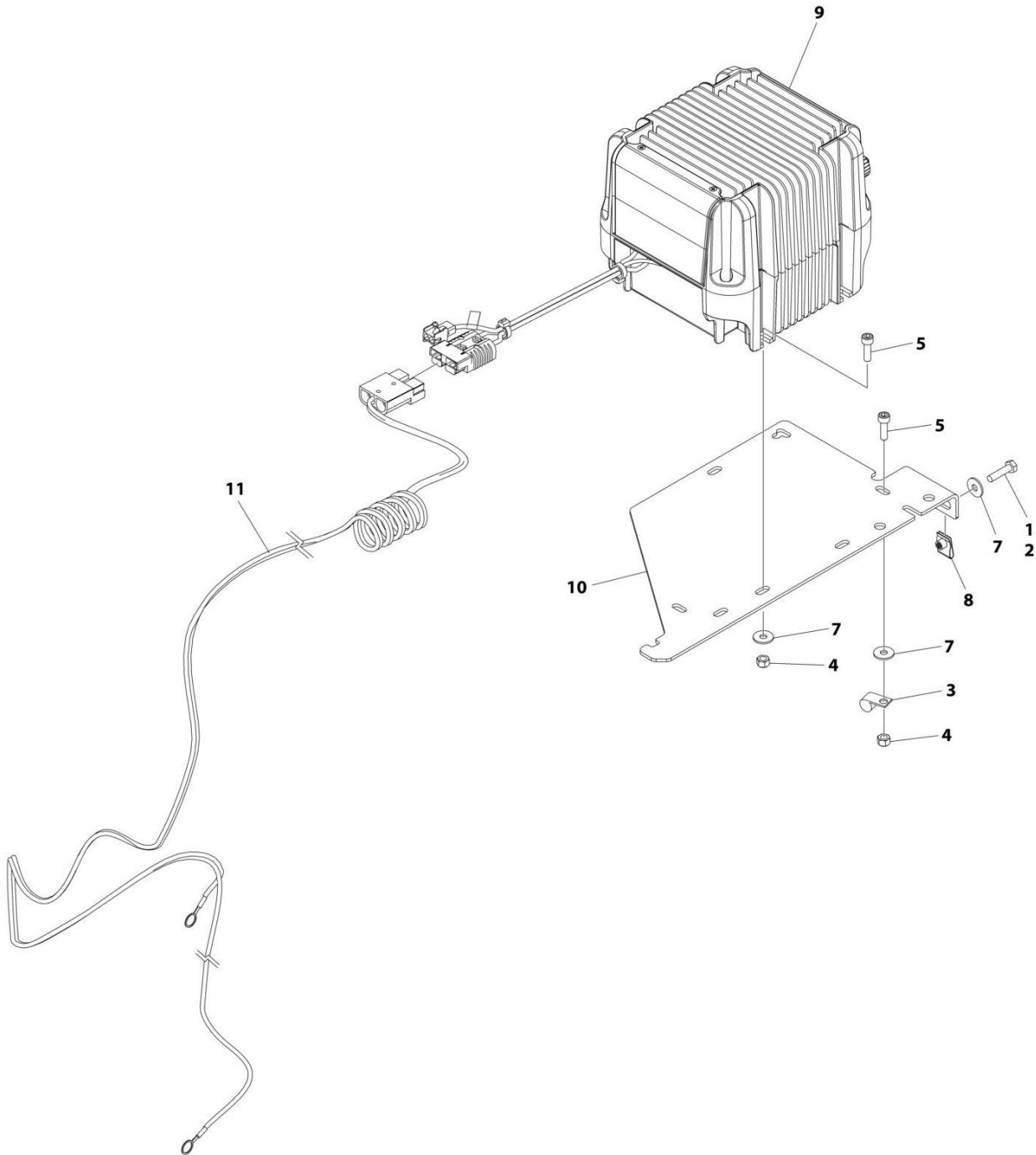
SECTION 1 - FRAME

FIGURE 1-9. BATTERY CHARGER INSTALLATION - EAGLE PERFORMANCE

ITEM	PART NUMBER	QTY	DESCRIPTION	REV
	1001263258	Ref	BATTERY CHARGER INSTALLATION - EAGLE PERFORMANCE	A
1	0100011	AR	Compound, Locking	
2	0760612	5	Bolt M6 x 20	
3	1321293	1	Clamp	
4	3290605	3	Nut M6	
5	4240017	AR	Tie-Strap (Not Shown)	
6	4811702	8	Washer M6	
7	1001130220	2	Nut, Tinnerman M6	
8	1001206995	1	Charger, Battery - Eagle Performance	
9	1001236139	1	Bracket	
10	1001256643	1	Charger DC Connection Harness	

SECTION 1 - FRAME

FIGURE 1-10. BATTERY CHARGER INSTALLATION - GREEN POWER



ART_1001263259

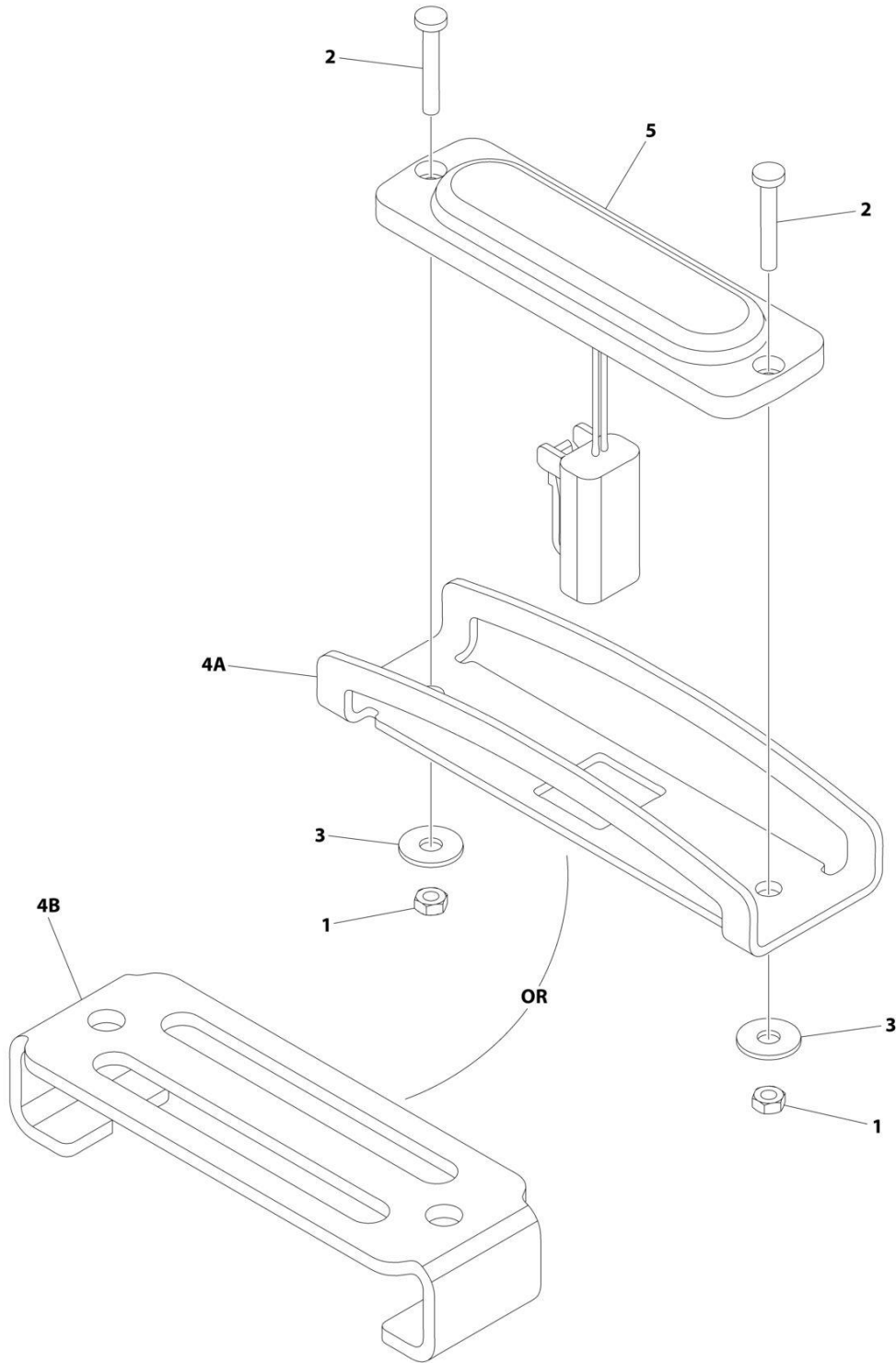
SECTION 1 - FRAME

FIGURE 1-10. BATTERY CHARGER INSTALLATION - GREEN POWER

ITEM	PART NUMBER	QTY	DESCRIPTION	REV
	1001263259	Ref	BATTERY CHARGER INSTALLATION - GREEN POWER	A
1	0100011	AR	Compound, Locking	
2	0700612	2	Bolt M6 x 25	
3	1321293	1	Clamp, Cable	
4	3290605	4	Nut M6	
5	4031708	4	Capscrew M6 x 20	
6	4240017	AR	Tie-Strap (Not Shown)	
7	4811702	6	Washer M6	
8	1001130220	2	Nut, Tinnerman M6	
9	1001205598	1	Charger, Battery Green Power	
10	1001236139	1	Bracket	
11	1001256643	1	Charger DC Connection Harness	

SECTION 1 - FRAME

FIGURE 1-11. STROBE LIGHT INSTALLATION - SINGLE (AMBER) (WITH GUARD)



ART_1001242697

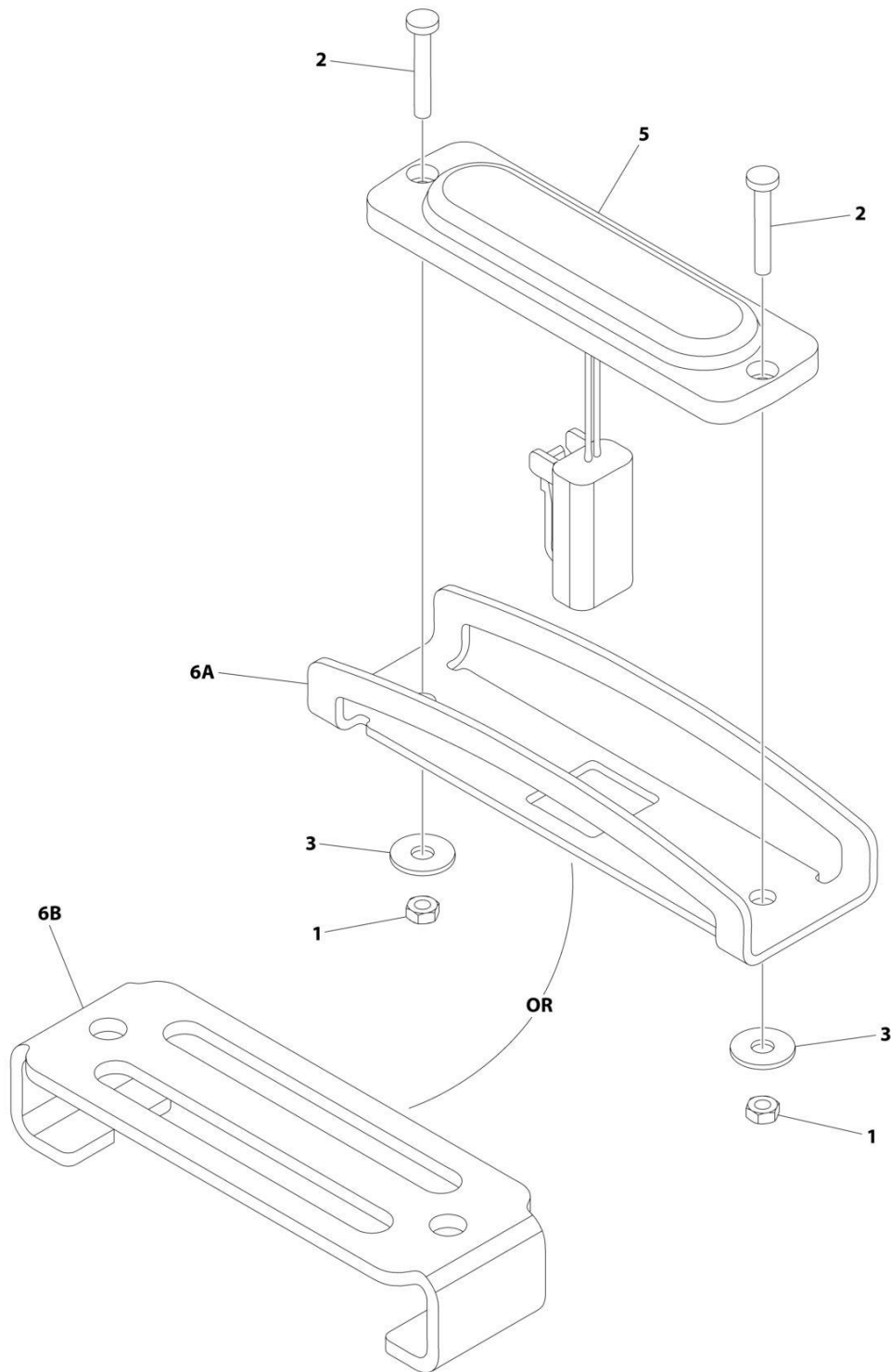
SECTION 1 - FRAME

FIGURE 1-11. STROBE LIGHT INSTALLATION - SINGLE (AMBER) (WITH GUARD)

ITEM	PART NUMBER	QTY	DESCRIPTION	REV
	1001242697	Ref	STROBE LIGHT INSTALLATION - SINGLE (AMBER) (WITH GUARD)	D
1	3290305	2	Nut M3	
2	4010310	2	Screw M3 x 20	
3	1001091102	2	Washer M4	
4A	1001242539	1	Guard	
4B	1001239661	1	Cover	
5	1001239224	1	Light, Strobe	
5	4460891	1	Plug, Male - 2 Position	
5	4460465	2	Socket, Female	

SECTION 1 - FRAME

FIGURE 1-12. STROBE LIGHT INSTALLATION - DUAL (AMBER) (WITH GUARD)



ART_1001242990

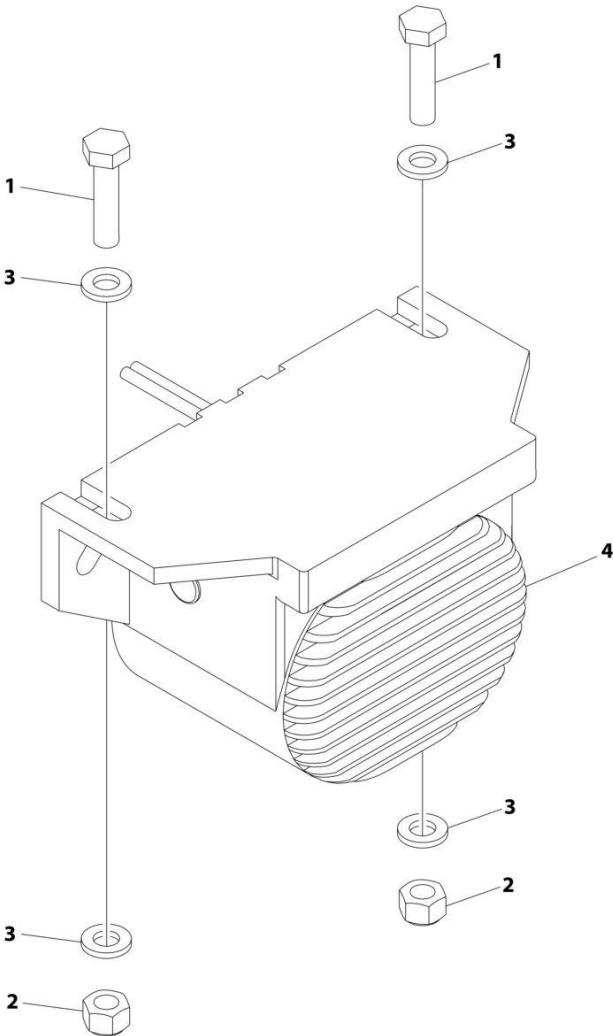
SECTION 1 - FRAME

FIGURE 1-12. STROBE LIGHT INSTALLATION - DUAL (AMBER) (WITH GUARD)

ITEM	PART NUMBER	QTY	DESCRIPTION	REV
	1001242990	Ref	STROBE LIGHT INSTALLATION - DUAL (AMBER) (WITH GUARD)	D
1	3290305	4	Nut M3	
2	4010310	4	Screw M3 x 20	
3	1001091102	4	Washer M4	
4	1001215216	1	Strobe Light Jumper Harness (Not Shown)	
4	4460897	2	Receptacle, Female - 2 Position	
4	4460464	4	Pin, Male	
4	4460891	1	Plug, Male - 2 Position	
4	4460465	2	Socket, Female	
5	1001239224	2	Light, Strobe	
5	4460891	1	Plug, Male - 2 Position	
5	4460465	2	Socket, Female	
6A	1001242539	2	Guard	
6B	1001239661	2	Cover	
7	4240018	AR	Tie-Strap (Not Shown)	

SECTION 1 - FRAME

FIGURE 1-13. ALARM INSTALLATION (AMBIENT/WHITE NOISE)



ART_1001204495

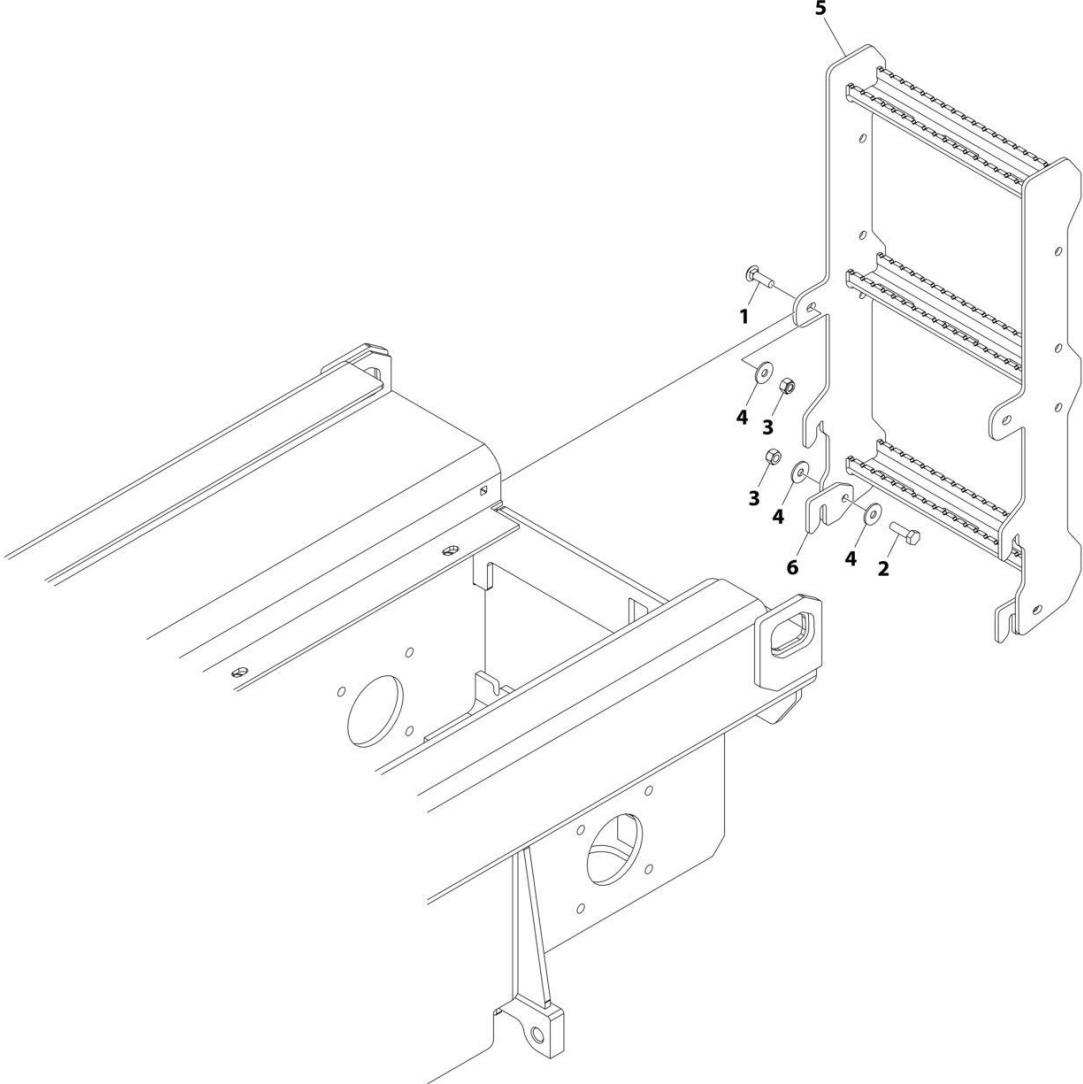
SECTION 1 - FRAME

FIGURE 1-13. ALARM INSTALLATION (AMBIENT/WHITE NOISE)

ITEM	PART NUMBER	QTY	DESCRIPTION	REV
	1001204495	Ref	ALARM INSTALLATION (AMBIENT/WHITE NOISE)	B
1	0760612	2	Bolt M6 x 25	
2	3290605	2	Nut M6	
3	4811700	4	Washer M6	
4	1001182806	1	Alarm	
4	4460897	1	Receptacle, Female - 2 Position	
4	4460464	2	Pin, Male	

SECTION 1 - FRAME

FIGURE 1-14. LADDER INSTALLATION



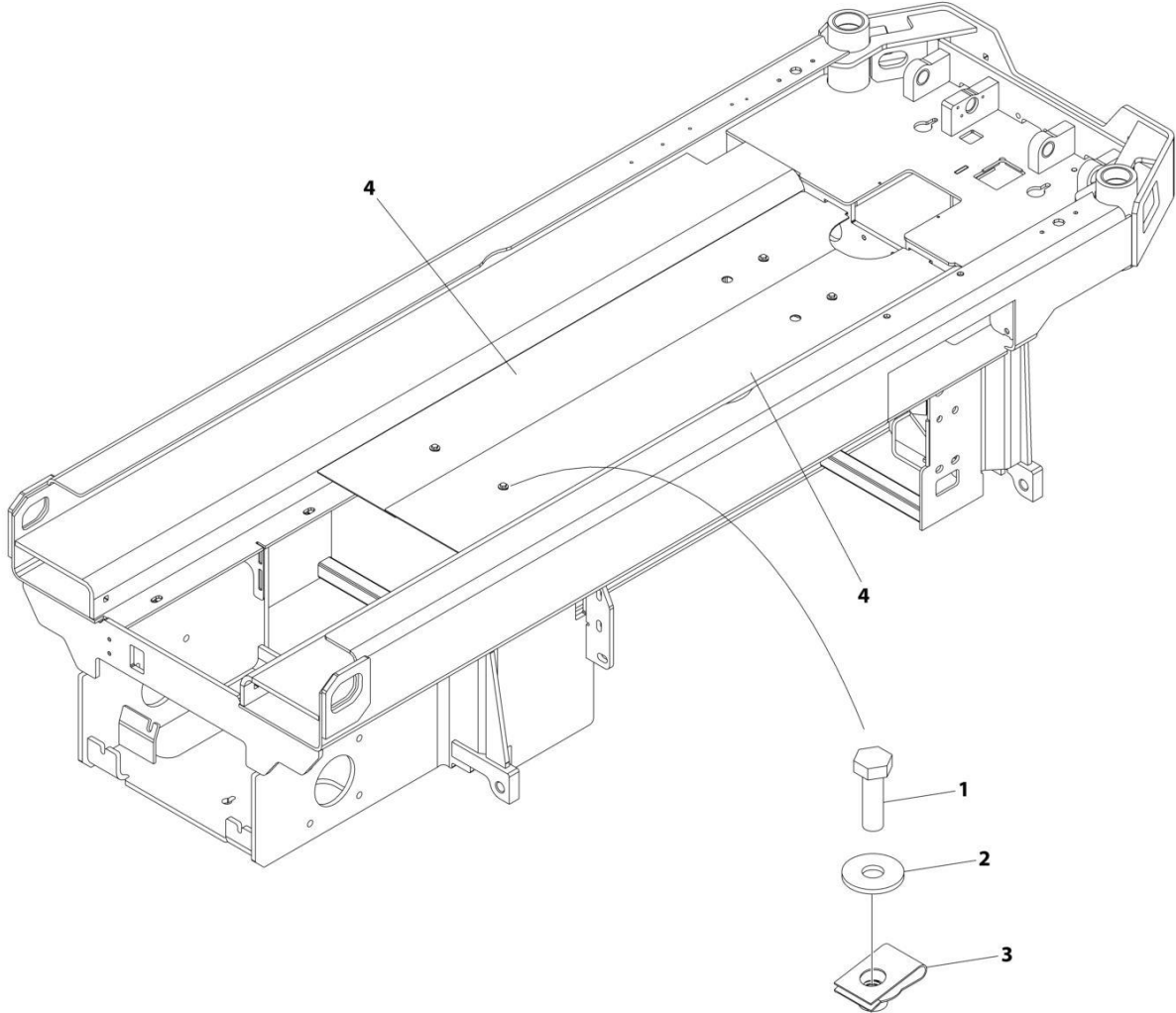
ART_1001237707

FIGURE 1-14. LADDER INSTALLATION

ITEM	PART NUMBER	QTY	DESCRIPTION	REV
	1001237707	Ref	LADDER INSTALLATION	B
1	1001228406	2	Bolt M10 x 35	
2	0761015	2	Bolt M10 x 35	
3	3291005	4	Nut M10	
4	4812002	6	Washer M10	
5	1001234842	1	Ladder	
6	1001235955	2	Bracket	
6	1001237708	2	Bracket	

SECTION 1 - FRAME

FIGURE 1-15. FRAME COVERS INSTALLATION



ART_1001237855

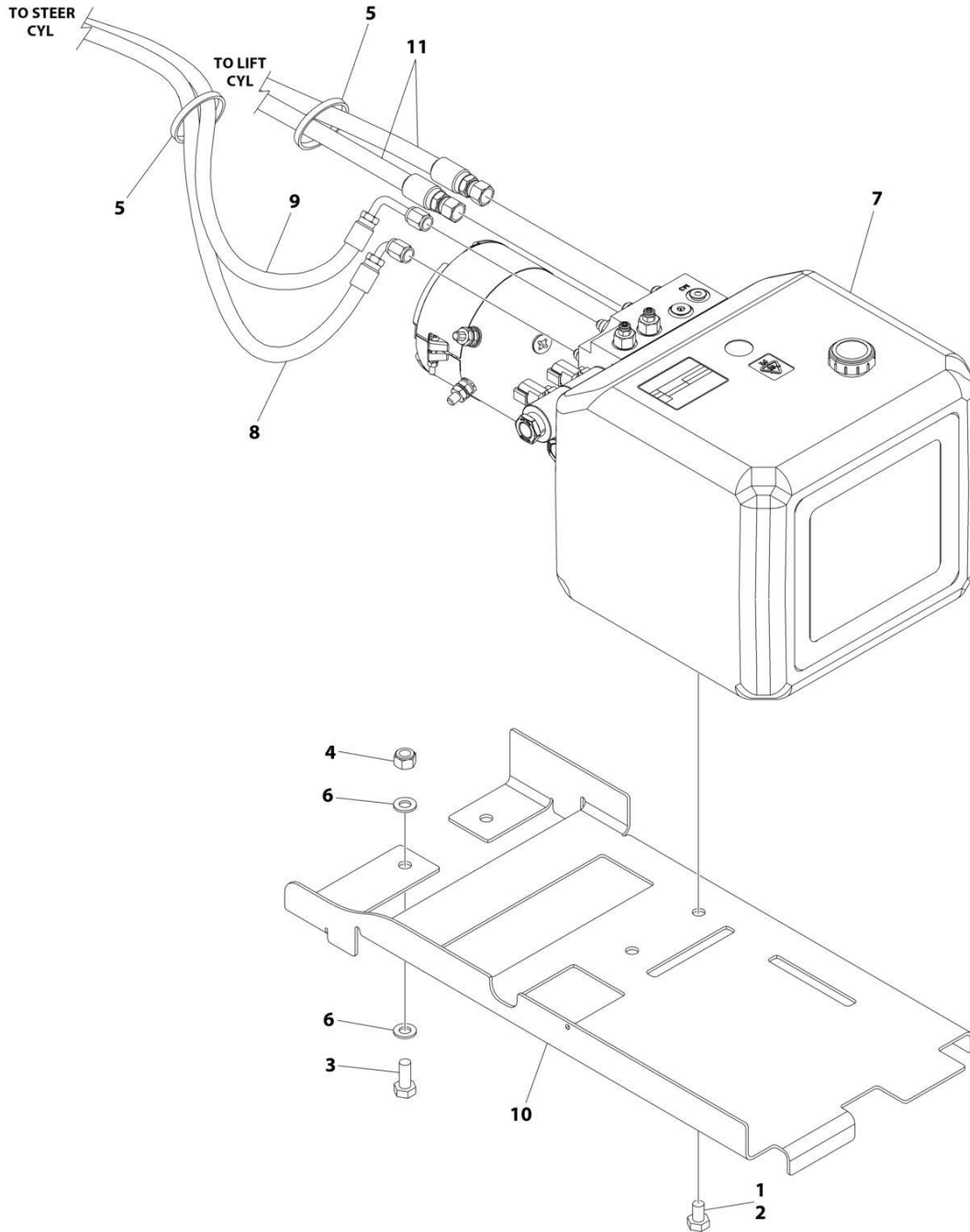
FIGURE 1-15. FRAME COVERS INSTALLATION

ITEM	PART NUMBER	QTY	DESCRIPTION	REV
	1001237855	Ref	FRAME COVERS INSTALLATION	A
1	0760610	4	Bolt M6 x 20	
2	4811702	4	Washer M6	
3	1001130220	4	Nut, Tinnerman M6	
4	1001237856	2	Cover	

SECTION 2 - GROUND CONTROLS

SECTION 2 - GROUND CONTROLS

FIGURE 2-1. PUMP/MOTOR/TANK AND HOSES INSTALLATION



ART_1001256872

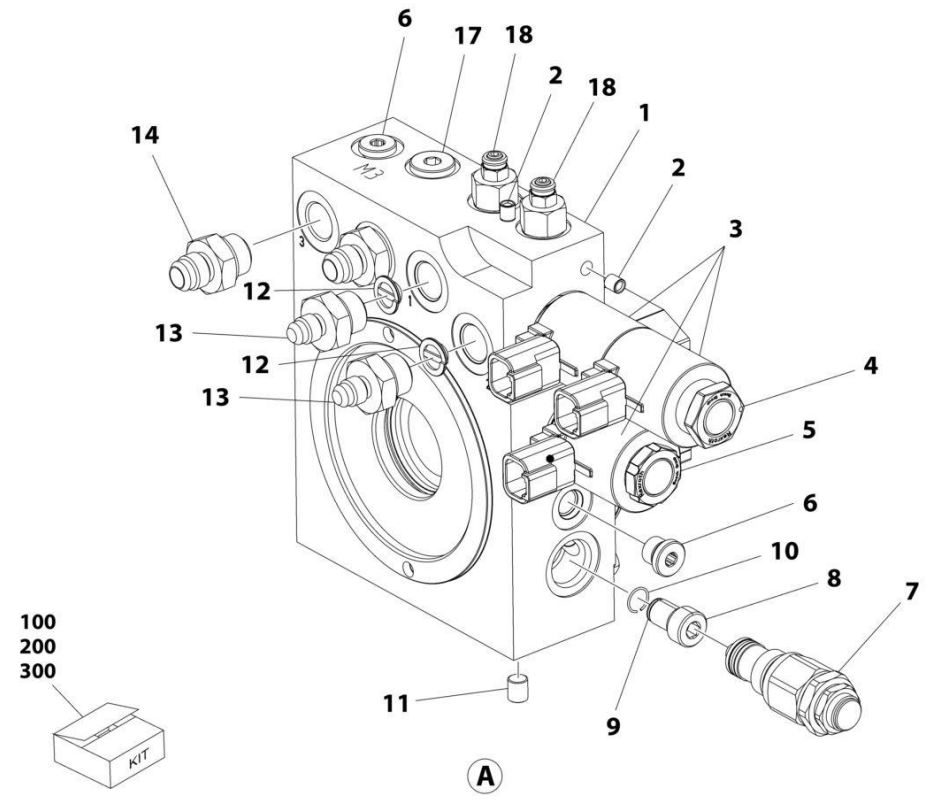
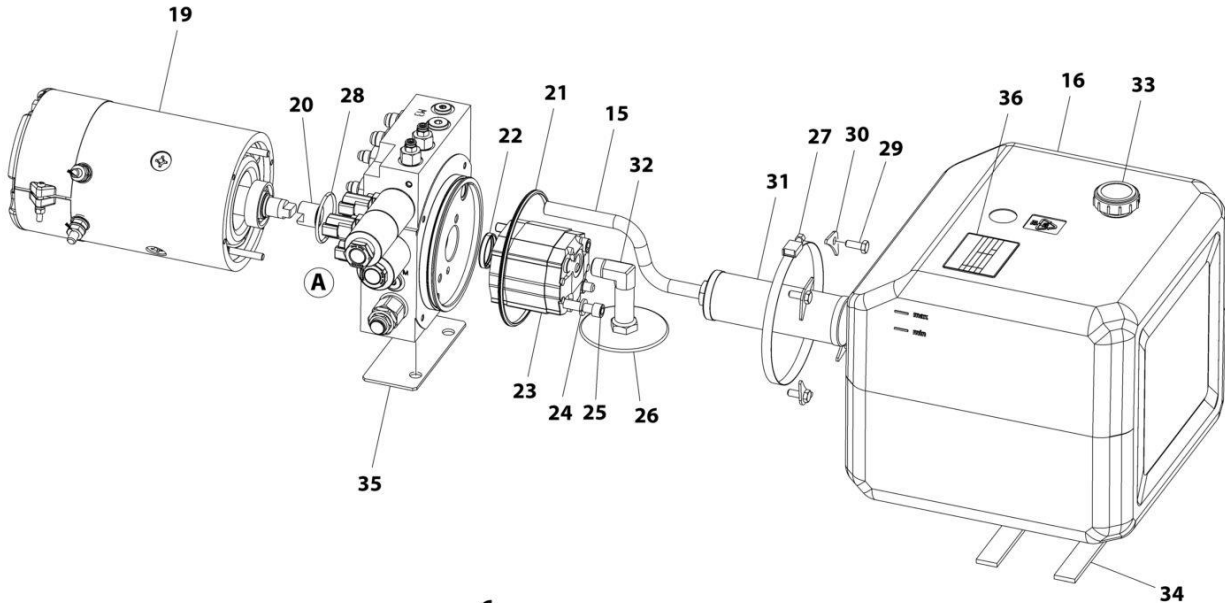
SECTION 2 - GROUND CONTROLS

FIGURE 2-1. PUMP/MOTOR/TANK AND HOSES INSTALLATION

ITEM	PART NUMBER	QTY	DESCRIPTION	REV
	1001256872	Ref	PUMP/MOTOR/TANK AND HOSES INSTALLATION	B
1	0100011	AR	Compound, Locking	
2	0761008	2	Bolt M10 x 16	
3	0761012	2	Bolt M10 x 25	
4	3291005	2	Nut M10	
5	4240018	AR	Tie-Strap	
6	4812000	4	Washer M10	
7	1001274485	1	Pump/Motor/Tank Assembly (See Separate Breakdown in this Section)	
8	1001260689	1	Hose	
9	1001260690	1	Hose	
10	1001262201	1	Bracket	
11	1001262667	2	Hose	

SECTION 2 - GROUND CONTROLS

FIGURE 2-2. PUMP/MOTOR/TANK ASSEMBLY (Prior to SN B200072912, Prior to SN M200050039, Prior to SN 1200037748)



ART_1001254904

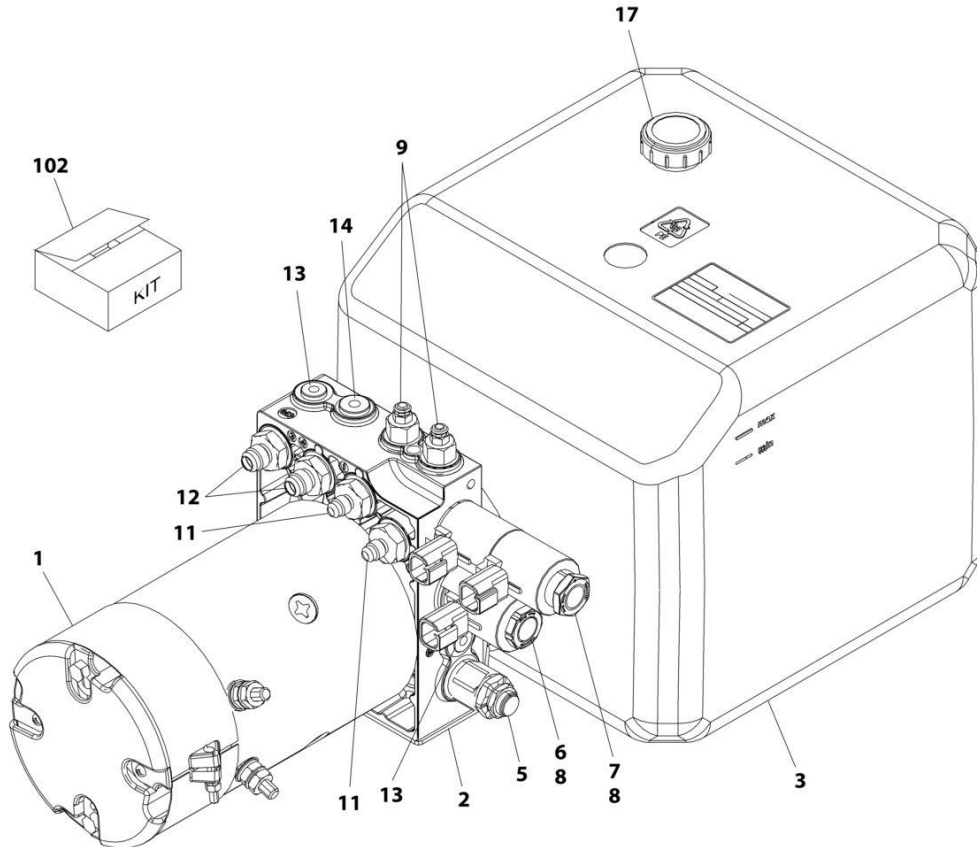
SECTION 2 - GROUND CONTROLS

FIGURE 2-2. PUMP/MOTOR/TANK ASSEMBLY (Prior to SN B200072912, Prior to SN M200050039, Prior to SN 1200037748)

ITEM	PART NUMBER	QTY	DESCRIPTION	REV
	1001254904	Ref	PUMP/MOTOR/TANK ASSEMBLY	D
1		Ref	Manifold	
2		Ref	Plug	
3	70007590	3	Coil	
4	70007589	1	Cartridge, Solenoid Valve (Less Coil)	
5	70007588	1	Cartridge, Solenoid Valve (Less Coil)	
6	See Note	NSS	Plug (Note: Use Item 200)	
7	70007587	1	Cartridge, Valve	
8	See Note	NSS	Fitting (Note: Use Item 200)	
9	See Note	NSS	Filter 500 Micron (Note: Use Item 200)	
10	70007703	1	Ring, Sealing	
11	See Note	NSS	Plug (Note: Purchase Complete Assembly)	
12	See Note	NSS	Filter 400 Micron (Note: Use Item 200)	
13	See Note	NSS	Fitting, Straight JIC (Note: Use Item 200)	
14	See Note	NSS	Fitting, Straight JIC (Note: Use Item 200)	
15	70003697	1	Tube, Return	
16	See Note	NSS	Tank (Note: Use Item 100)	
17	See Note	NSS	Plug (Note: Use Item 200)	
18	70007591	2	Cartridge, Valve	
19	70007584	1	Motor, Replacement	
20	70007704	1	Coupling (Motor to Pump)	
21	See Note	NSS	Seal (Tank to Manifold) (Note: Use Item 100)	
22	70007705	1	Bushing, Pump	
23	See Note	NSS	Pump (Note: Use Item 300)	
24	See Note	NSS	Washer (Note: Use Item 300)	
25	See Note	NSS	Capscrew M8 x 80 (Note: Use Item 300)	
26	70007706	1	Filter, Suction	
27	See Note	NSS	Clamp/Strap (Note: Use Item 100)	
28	70007707	1	Ring, Sealing	
29	See Note	NSS	Bolt M6 x 16 (Note: Use Item 100)	
30	See Note	NSS	Bracket (Note: Use Item 100)	
31	70004935	1	Fitting, Return	
32	70007708	1	Fitting, 90	
33	See Note	NSS	Cap, Filler (Note: Use Item 100)	
34	See Note	NSS	Pad (Note: Use Item 100)	
35	See Note	NSS	Plate (Note: Purchase Complete Assembly)	
36	See Note	NSS	Decal - Identification (Note: Purchase Complete Assembly)	
100	70007612	1	Tank Kit (Includes Items 16, 21, 27, 29, 30, 33 & 34)	
200	70007613	1	Filter & Fitting Kit (Includes Items 6, 8, 9, 12, 13, 14 & 17)	
300	70007616	1	Pump Kit (Includes Items 23-25)	

SECTION 2 - GROUND CONTROLS

FIGURE 2-3. PUMP/MOTOR/TANK ASSEMBLY (SN B200072912 to Present, SN M200050039 to Present, SN 1200037748 to Present)



ART_1001274485

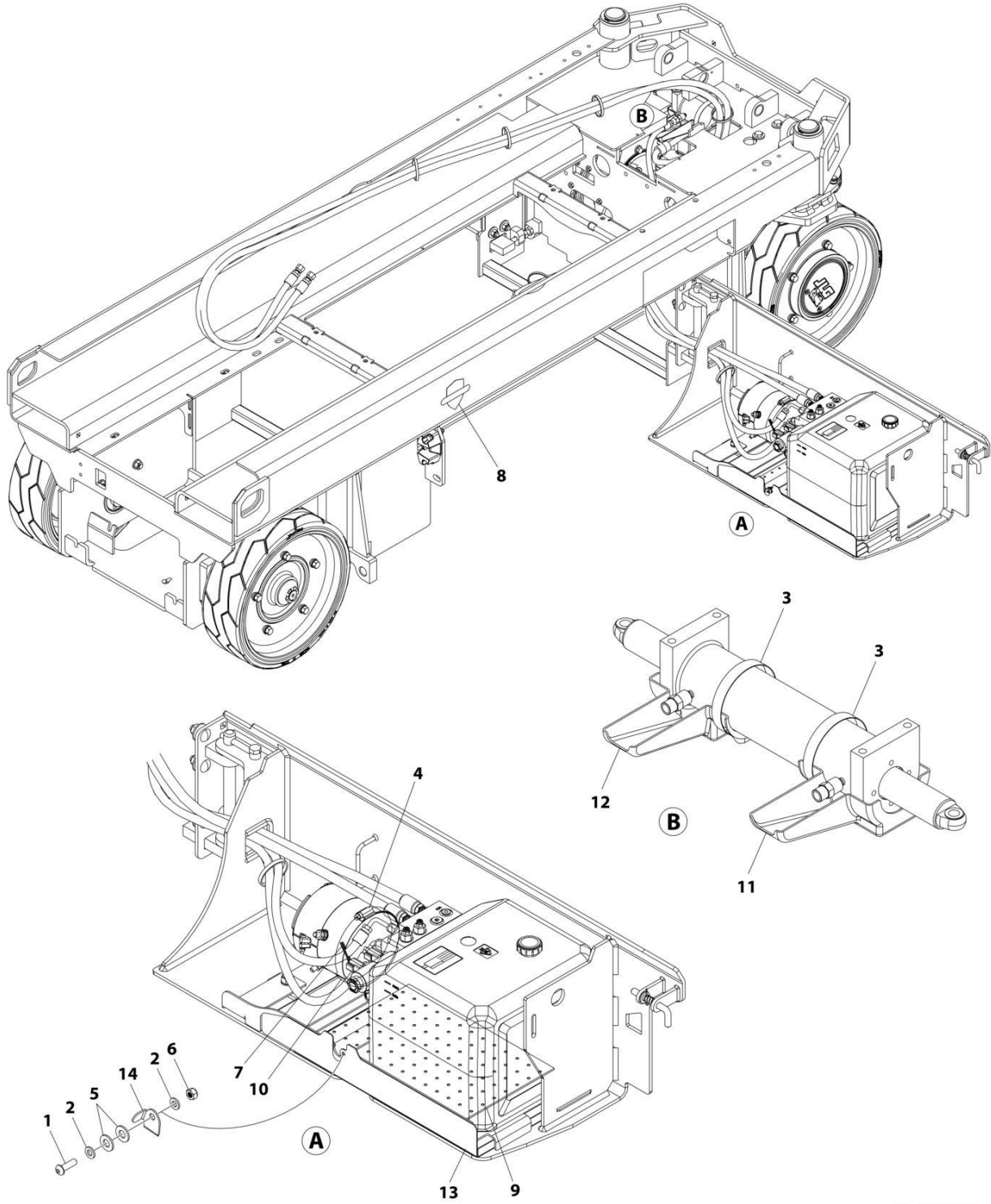
SECTION 2 - GROUND CONTROLS

FIGURE 2-3. PUMP/MOTOR/TANK ASSEMBLY (SN B200072912 to Present, SN M200050039 to Present, SN 1200037748 to Present)

ITEM	PART NUMBER	QTY	DESCRIPTION	REV
	1001274485	Ref	PUMP/MOTOR/TANK ASSEMBLY	A
1	70007584	1	Motor, Replacement	
2	See Note	1	Manifold	
3	70007612	1	Tank Kit (Includes Tank, Tie-Strap, Bracket, Support and Hardware)	
4	See Note	1	Filter - 500 Micro (Not Shown - Located Inside Tank Area) (Note: Use Item 102)	
5	70007614	1	Valve, Cartridge (Relief)	
6	70007588	1	Valve, Solenoid Cartridge (Less Coil)	
7	70007589	1	Valve, Solenoid Cartridge (Less Coil)	
8	70007590	3	Coil	
9	70007615	2	Valve, Cartridge	
10	See Note	2	Screen, Screw-in - 400 Micro (Not Shown - Located Inside Tank Area) (Note: Use Item 102)	
11	See Note	2	Fitting, Straight JIC/UNF (Note: Use Item 102)	
12	See Note	2	Fitting, Straight JIC/UNF (Note: Use Item 102)	
13	See Note	2	Plug 7/16 (Note: Use Item 102)	
14	See Note	1	Plug 1/4 (Note: Use Item 102)	
15	70004935	1	Filter, Return (20 Micron) (Not Shown - Located Inside Tank Area)	
16	70007616	1	Pump Kit (Includes Pump & Hardware) (Not Shown - Located Inside Tank Area)	
17	70003700	1	Cap, Oil Fill	
102	70007613	1	Filter & Fitting Kit (Includes Items 4, & 10-14)	

SECTION 2 - GROUND CONTROLS

FIGURE 2-4. CLEANGUARD INSTALLATION



ART_1001269714

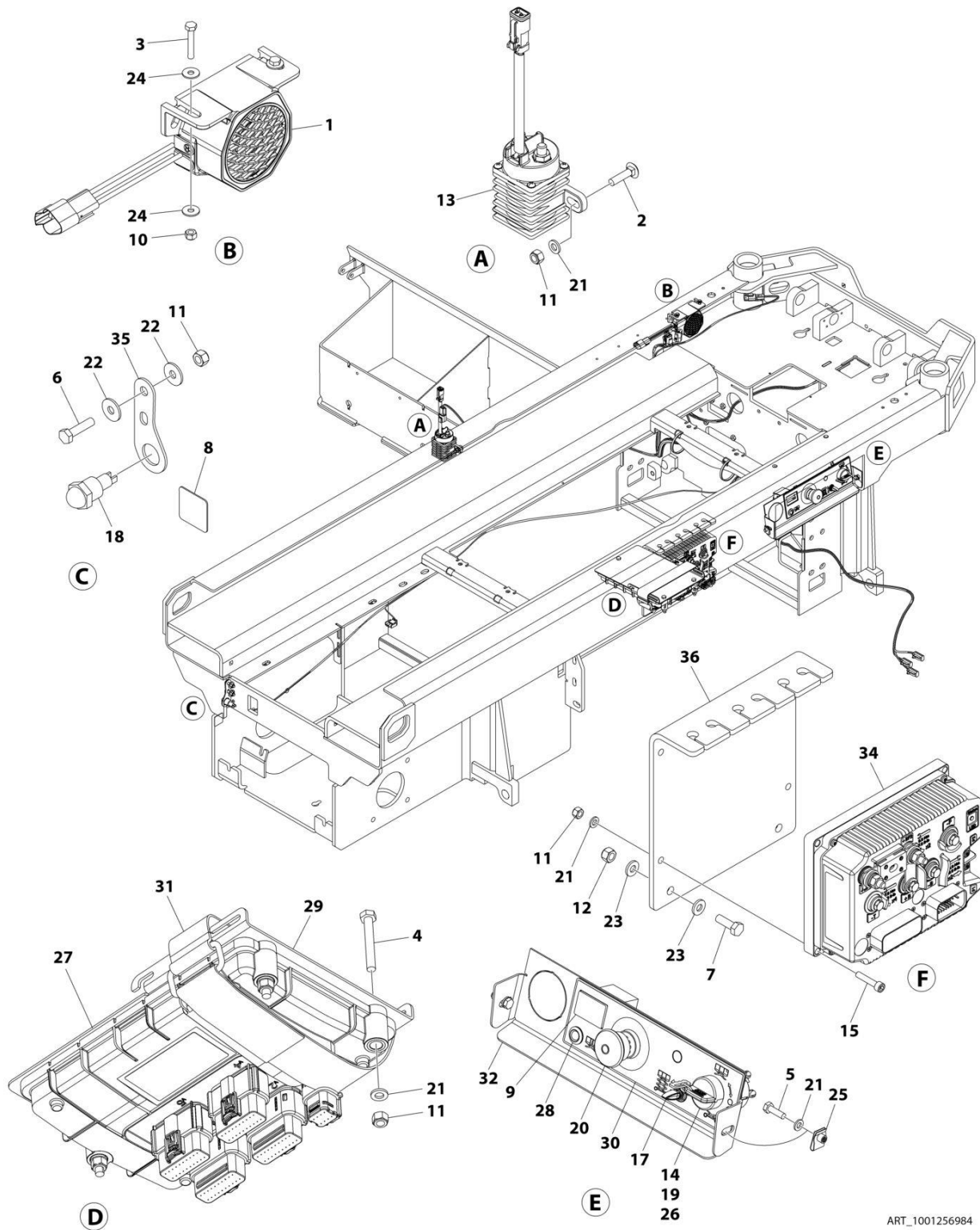
SECTION 2 - GROUND CONTROLS

FIGURE 2-4. CLEANGUARD INSTALLATION

ITEM	PART NUMBER	QTY	DESCRIPTION	REV
	1001269714	Ref	CLEANGUARD INSTALLATION	B
1	3900364	1	Screw M6 x 20	
2	4811700	2	Washer M6	
3	8405204	2	Clamp	
4	8405402	1	Clamp	
5	1001108581	2	Washer M8	
6	1001170310	1	Nut M6	
7	1001260887	2	Plate, Diverting	
8	1001262581	1	Decal - Clean Guard	
9	1001263359	1	Pad	
10	1001263785	1	Pad	
11	1001265635	1	Tray (LH)	
12	1001265636	1	Tray (RH)	
13	1001269746	1	Tray	
14	1001269747	1	Plate, Stopper	

SECTION 2 - GROUND CONTROLS

FIGURE 2-5. ELECTRICAL COMPONENTS INSTALLATION (MEXICO AND CHINA BUILT MACHINES)



ART_1001256984

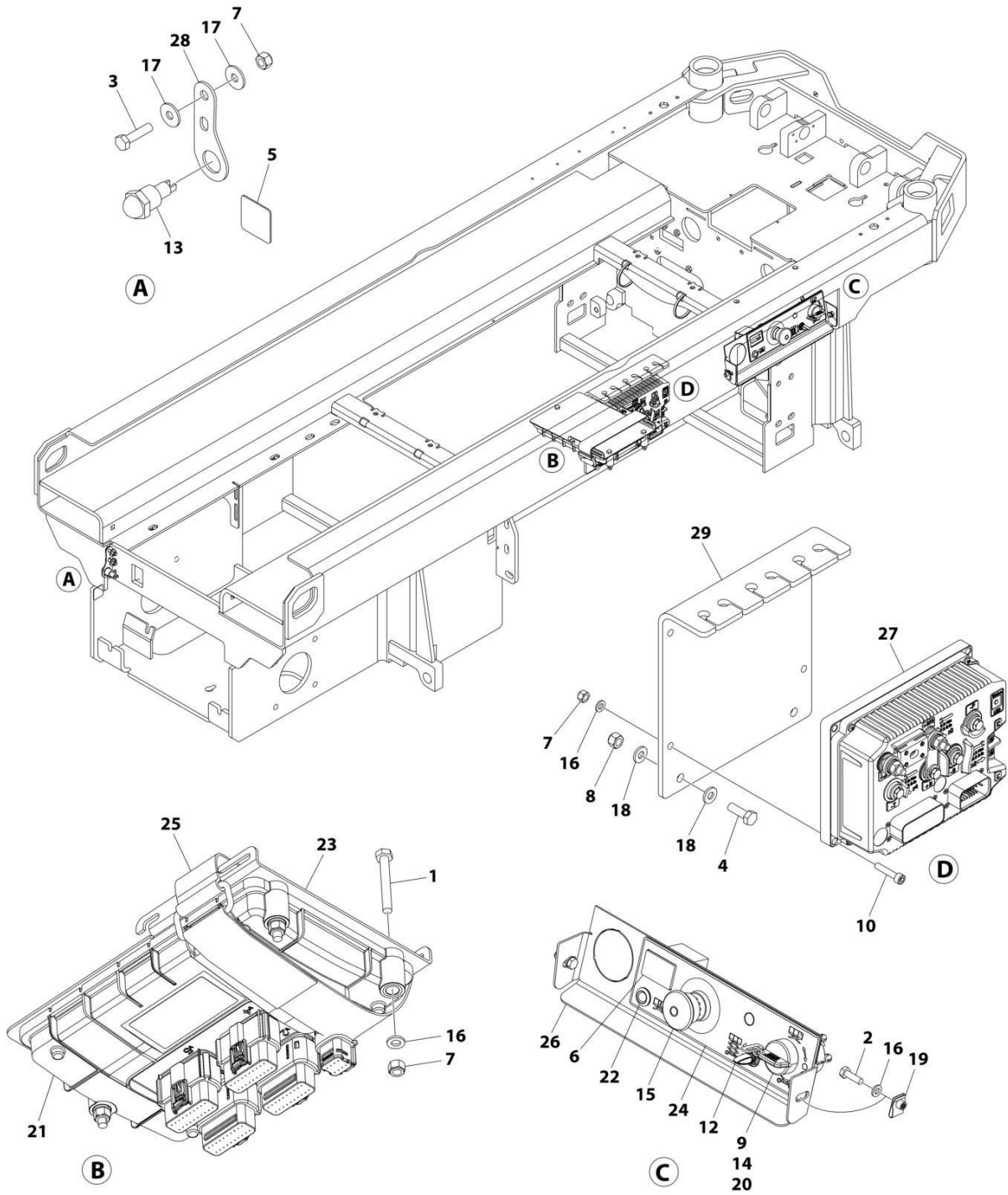
SECTION 2 - GROUND CONTROLS

FIGURE 2-5. ELECTRICAL COMPONENTS INSTALLATION (MEXICO AND CHINA BUILT MACHINES)

ITEM	PART NUMBER	QTY	DESCRIPTION	REV
	1001256984	Ref	ELECTRICAL COMPONENTS INSTALLATION	D
1	0140043	1	Alarm	
2	0630587	2	Bolt M6 x 25	
3	0700412	2	Bolt M4 x 25	
4	0700617	3	Bolt M6 x 45	
5	0760610	2	Bolt M6 x 20	
6	0760612	2	Bolt M6 x 25	
7	0760812	2	Bolt M8 x 25	
8	1706679	1	Decal - Brake Release	
9	2420172	1	Hourmeter	
10	3290405	2	Nut M4	
11	3290605	11	Nut M6	
12	3290805	2	Nut M8	
13	3740150	1	Relay	
14	3910804	3	Screw #8 x 1/4	
15	4031710	4	Capscrew M6 x 30	
16	4240017	AR	Tie-Strap (Not Shown)	
17	4360328	1	Switch, Toggle	
18	4360387	1	Switch, Push Button	
19	4360469	1	Switch, Key	
19	2860030	1 Set	Key, Replacement	
20	4360475	1	Switch, Emergency Stop (Metal)	
20	7020175	1	Cap	
20	7020176	1	Block, Contact	
20	1001274559	1	Switch, Emergency Stop (Plastic)	
21	4811700	11	Washer M6	
22	4811702	4	Washer M6	
23	4811900	4	Washer M8	
24	1001091102	4	Washer M4	
25	1001130220	2	Nut, Tinnerman M6	
26	1001130590	1	Plate, Key Switch	
27	1001200629	1	Module, Control (Note: Re-calibration Required when Replaced)	
28	1001200631	1	Light, Indicator	
29	1001207494	1	Bracket	
30	1001209682	1	Decal - Ground Control	
31	1001215762	1	Strap, Cinch	
32	1001235559	1	Support	
33	1001255934	1	Drive Harness (Not Shown - See Separate Breakdown in ELECTRICAL Section)	
34	See Note	Ref	Module, System (Note: Identify PN on Label Before Purchasing. Re-calibration Required when Replaced)	
34	1001256876	1	Module, System (Note: Re-calibration Required when Replaced)	
34	1001268506	1	Module, System (Note: Re-calibration Required when Replaced)	
35	1001257138	1	Bracket	
36	1001257139	1	Bracket	
37	1001261064	1	Chassis Harness (Not Shown - See Separate Breakdown in ELECTRICAL Section)	

SECTION 2 - GROUND CONTROLS

FIGURE 2-6. ELECTRICAL COMPONENTS INSTALLATION #1 (EUROPEAN BUILT MACHINES)



ART_1001263350

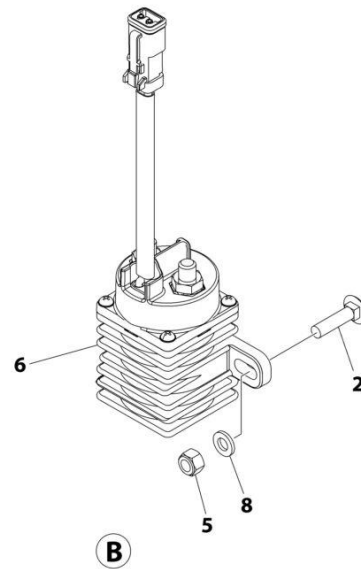
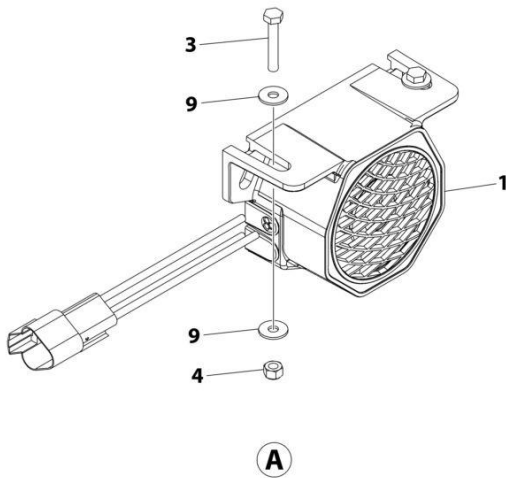
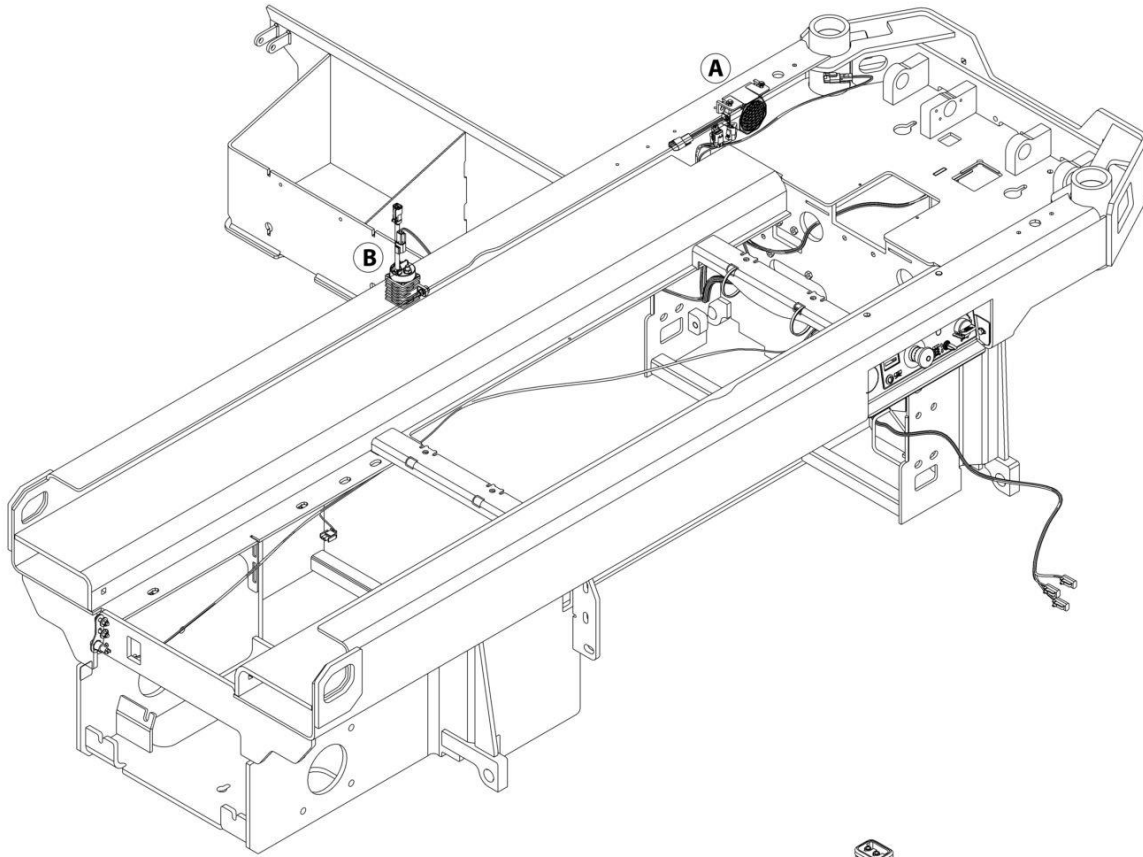
SECTION 2 - GROUND CONTROLS

FIGURE 2-6. ELECTRICAL COMPONENTS INSTALLATION #1 (EUROPEAN BUILT MACHINES)

ITEM	PART NUMBER	QTY	DESCRIPTION	REV
	1001263350	Ref	ELECTRICAL COMPONENTS INSTALLATION	C
1	0700617	3	Bolt M6 x 45	
2	0760610	2	Bolt M6 x 20	
3	0760612	2	Bolt M6 x 25	
4	0760812	2	Bolt M8 x 25	
5	1706679	1	Decal - Brake Release	
6	2420172	1	Hourmeter	
7	3290605	9	Nut M6	
8	3290805	2	Nut M8	
9	3910804	3	Screw #8 x 1/4	
10	4031710	4	Capscrew M6 x 30	
11	4240017	AR	Tie-Strap (Not Shown)	
12	4360328	1	Switch, Toggle	
13	4360387	1	Switch, Push Button	
14	4360469	1	Switch, Key	
14	2860030	1 Set	Key, Replacement	
15	4360475	1	Switch, Emergency Stop (Metal)	
15	7020175	1	Cap	
15	7020176	1	Block, Contact	
15	1001274559	1	Switch, Emergency Stop (Plastic)	
16	4811700	9	Washer M6	
17	4811702	4	Washer M6	
18	4811900	4	Washer M8	
19	1001130220	2	Nut, Tinnerman M6	
20	1001130590	1	Plate, Key Switch	
21	1001200629	1	Module, Control (Note: Re-calibration Required when Replaced)	
22	1001200631	1	Lamp	
23	1001207494	1	Bracket	
24	1001209682	1	Decal - Ground Control	
25	1001215762	1	Strap, Cinch	
26	1001235559	1	Support	
27	See Note	Ref	Module, System (Note: Identify PN on Label Before Ordering. Re-Calibration Required when Replaced)	
27	1001256876	1	Module, System (Note: Re-Calibration Required when Replaced)	
27	1001268506	1	Module, System (Note: Re-Calibration Required when Replaced)	
28	1001257138	1	Bracket	
29	1001257139	1	Bracket	

SECTION 2 - GROUND CONTROLS

FIGURE 2-7. ELECTRICAL COMPONENTS INSTALLATION #2 (EUROPEAN BUILT MACHINES)



ART_1001263967

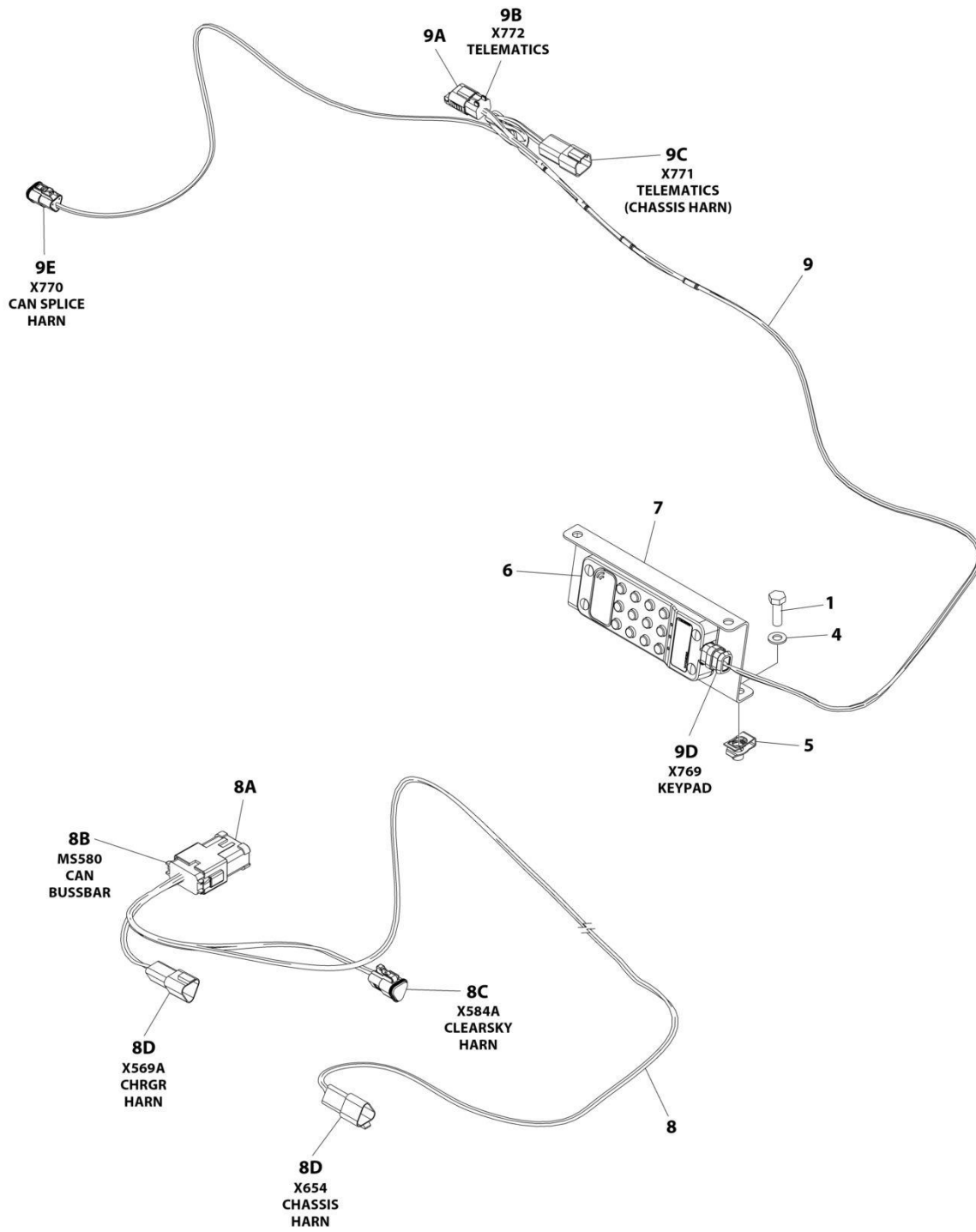
SECTION 2 - GROUND CONTROLS

FIGURE 2-7. ELECTRICAL COMPONENTS INSTALLATION #2 (EUROPEAN BUILT MACHINES)

ITEM	PART NUMBER	QTY	DESCRIPTION	REV
	1001263967	Ref	ELECTRICAL COMPONENTS INSTALLATION	A
1	0140043	1	Alarm	
2	0630587	2	Bolt M6 x 25	
3	0700412	2	Bolt M4 x 25	
4	3290405	2	Nut M4	
5	3290605	2	Nut M6	
6	3740150	1	Relay	
7	4240017	AR	Tie-Strap (Not Shown)	
8	4811700	2	Washer M6	
9	1001091102	4	Washer M4	
10	1001255934	1	Drive Harness (Not Shown - See Separate Breakdown in ELECTRICAL Section)	
11	1001261064	1	Chassis Harness (Not Shown - See Separate Breakdown in ELECTRICAL Section)	

SECTION 2 - GROUND CONTROLS

FIGURE 2-8. ACCESS CONTROL KEYPAD INSTALLATION



ART_1001258356

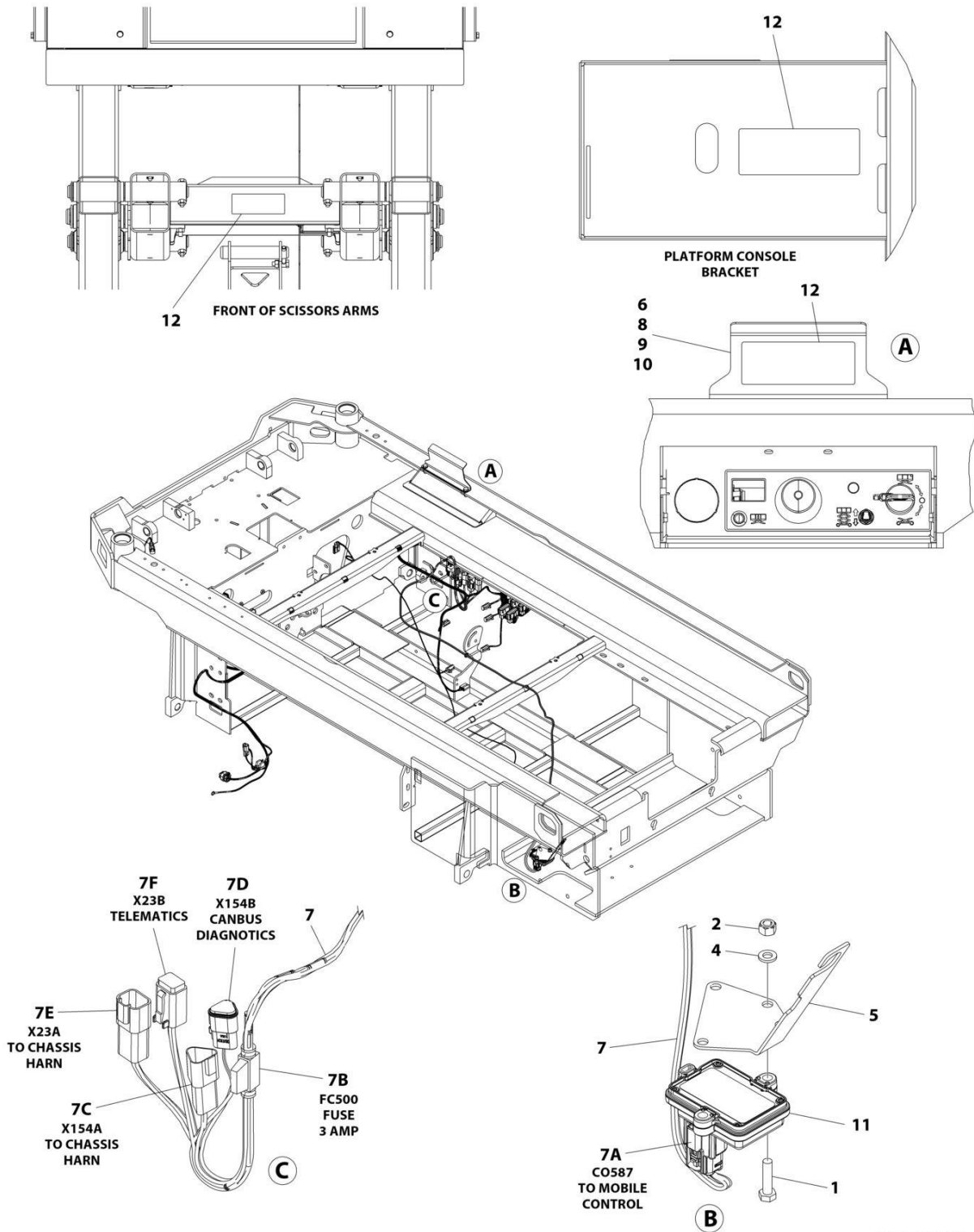
SECTION 2 - GROUND CONTROLS

FIGURE 2-8. ACCESS CONTROL KEYPAD INSTALLATION

ITEM	PART NUMBER	QTY	DESCRIPTION	REV
	1001258356	Ref	ACCESS CONTROL KEYPAD INSTALLATION	A
1	0760812	2	Bolt, M8 x 25	
2	1062255	AR	Tie-Strap (Not Shown)	
3	4240032	AR	Tie-Strap (Not Shown)	
4	4811900	2	Washer M8	
5	1001118274	2	Nut, Tinnerman	
6	1001238392	1	Keypad	
7	1001248773	1	Bracket	
8	1001254027	1	Access Control Keypad Can Splice Harness	
8A	1001125677	AR	Connector, Bus Bar - 12 Position	
8B	4460933	1	Plug, Male - 12 Position	
8B	4460944	6	Socket, Female	
8B	4460466	6	Plug, Terminal	
8C	1001118812	1	Plug, Male - 3 Position	
8C	4460944	2	Socket, Female	
8C	4460466	1	Plug, Terminal	
8D	1001144147	2	Receptacle, Female - 3 Position	
8D	4460943	4	Pin, Male	
8D	4460466	2	Plug, Terminal	
9	1001258691	1	Access Control Keypad Harness	
9A	1001192401	1	Dustcap	
9B	4460884	1	Plug, Male - 4 Position	
9B	4460465	4	Socket, Female	
9C	4460932	1	Receptacle, Female - 4 Position	
9C	4460464	4	Pin, Male	
9D	1001210079	1	Plug, Male - 4 Position	
9D	4460465	2	Socket, Female	
9D	4460944	2	Socket, Female	
9E	1001116812	1	Plug, Male - 3 Position	
9E	4460944	2	Socket, Female	
9E	4460466	1	Plug, Terminal	

SECTION 2 - GROUND CONTROLS

FIGURE 2-9. MOBILE CONTROL INSTALLATION



ART_1001245353

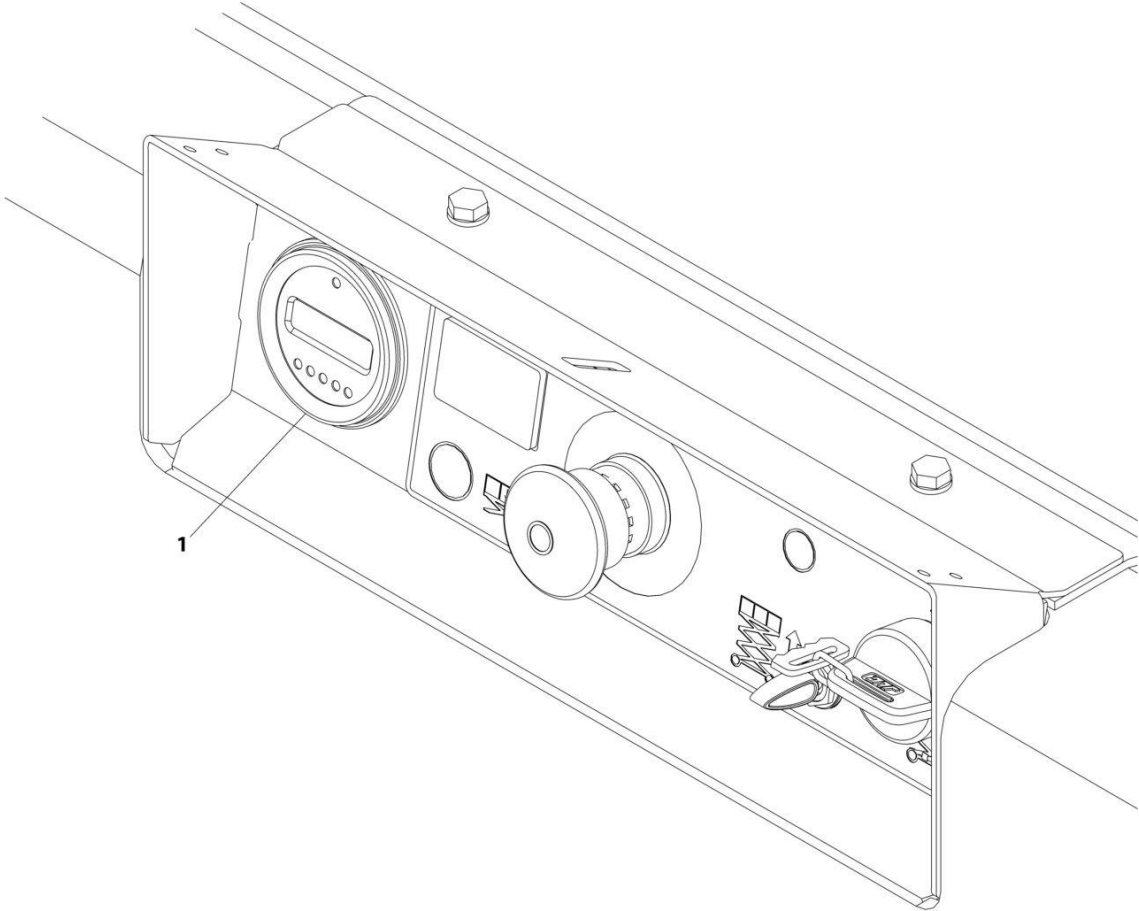
SECTION 2 - GROUND CONTROLS

FIGURE 2-9. MOBILE CONTROL INSTALLATION

ITEM	PART NUMBER	QTY	DESCRIPTION	REV
	1001245353	Ref	MOBILE CONTROL INSTALLATION	C
1	0700612	2	Bolt M6 x 25	
2	3290605	2	Nut M6	
3	4240017	AR	Tie-Strap (Not Shown)	
4	4811700	2	Washer M6	
5	1001244394	1	Bracket, Module	
6	1001244885	1	Plate, Decal	
7	1001245299	1	Mobile Control Harness	
7A	1001205409	1	Connector - 8 Position	
7A	1001162887	4	Terminal	
7A	1001163340	4	Plug, Terminal	
7B	2400060	1	Fuseholder with Cap	
7B	1001196635	1	Fuse 3 Amp	
7C	1001144147	1	Receptacle, Female - 3 Position	
7C	4460943	2	Pin, Male	
7C	4460466	1	Plug, Terminal	
7D	1001116812	1	Plug, Male - 3 Position	
7D	4460944	2	Socket, Female	
7D	4460466	1	Plug, Terminal	
7E	4460932	1	Receptacle, Female - 4 Position	
7E	4460464	4	Pin, Terminal	
7F	4460884	1	Pin, Male	
7F	4460465	4	Socket, Female	
8	0760810	2	Bolt M8 x 20	
9	4811900	2	Washer M8	
10	1001118274	2	Nut Tinnerman M8	
11	1001245293	1	Control, Mobile	
12	1001248768	3	Decal, Mobile Control	
13	3121792	1	Manual, Mobile Control (Not Shown)	

SECTION 2 - GROUND CONTROLS

FIGURE 2-10. MDI INSTALLATION



ART_1001207293

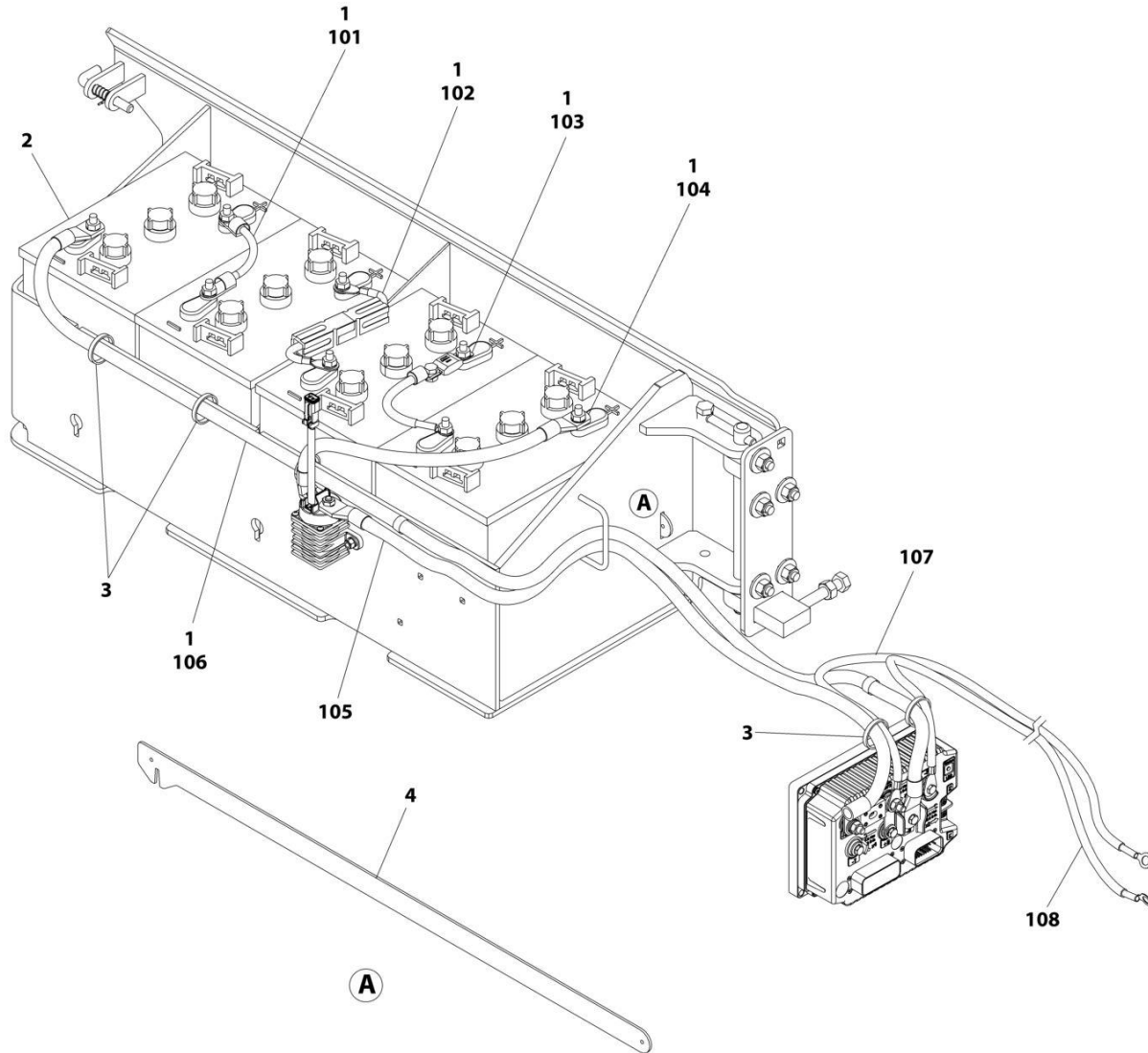
SECTION 2 - GROUND CONTROLS

FIGURE 2-10. MDI INSTALLATION

ITEM	PART NUMBER	QTY	DESCRIPTION	REV
1	1001207293 1001200632	Ref 1	MDI INSTALLATION Gauge, MDI	B

SECTION 2 - GROUND CONTROLS

FIGURE 2-11. BATTERIES INSTALLATION -STANDARD BATTERIES (CHINA BUILT MACHINES)



ART_1001263423

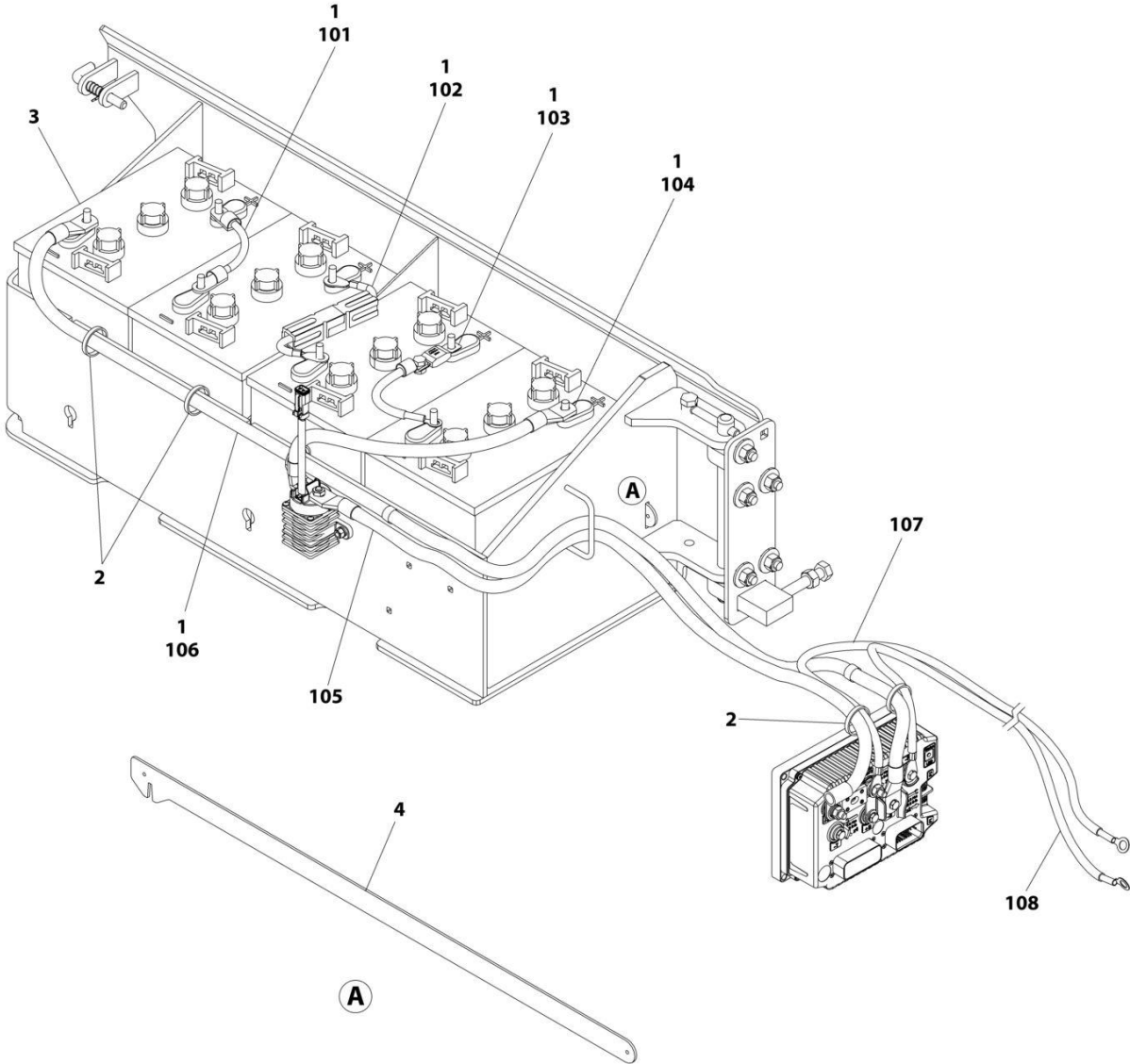
SECTION 2 - GROUND CONTROLS

FIGURE 2-11. BATTERIES INSTALLATION -STANDARD BATTERIES (CHINA BUILT MACHINES)

ITEM	PART NUMBER	QTY	DESCRIPTION	REV
	1001263423	Ref	BATTERIES INSTALLATION - STANDARD BATTERIES	C
1	0100051	AR	Grease, Terminal	
2	1001258498	4	Battery	
3	4240017	AR	Tie-Strap	
4	1001239269	1	Bar	
100	1001256327	1	Cable, Electrical Kit	
101	1060998	1	Cable, Positive to Negative	
102	4923328	1	Cable, Positive to Negative	
103	1001264310	1	Cable, Battery Fuse	
104	1001259017	1	Cable, Battery to Contactor	
105	1001256328	1	Cable, Contactor to Module B+	
106	1001256329	1	Cable, Battery- to Module B-	
107	1001243232	1	Cable, Pump Positive	
108	1001243233	1	Cable, Pump Negative	

SECTION 2 - GROUND CONTROLS

FIGURE 2-12. BATTERIES INSTALLATION - STANDARD BATTERIES (MEXICO & EUROPEAN BUILT MACHINES)



ART_1001263419

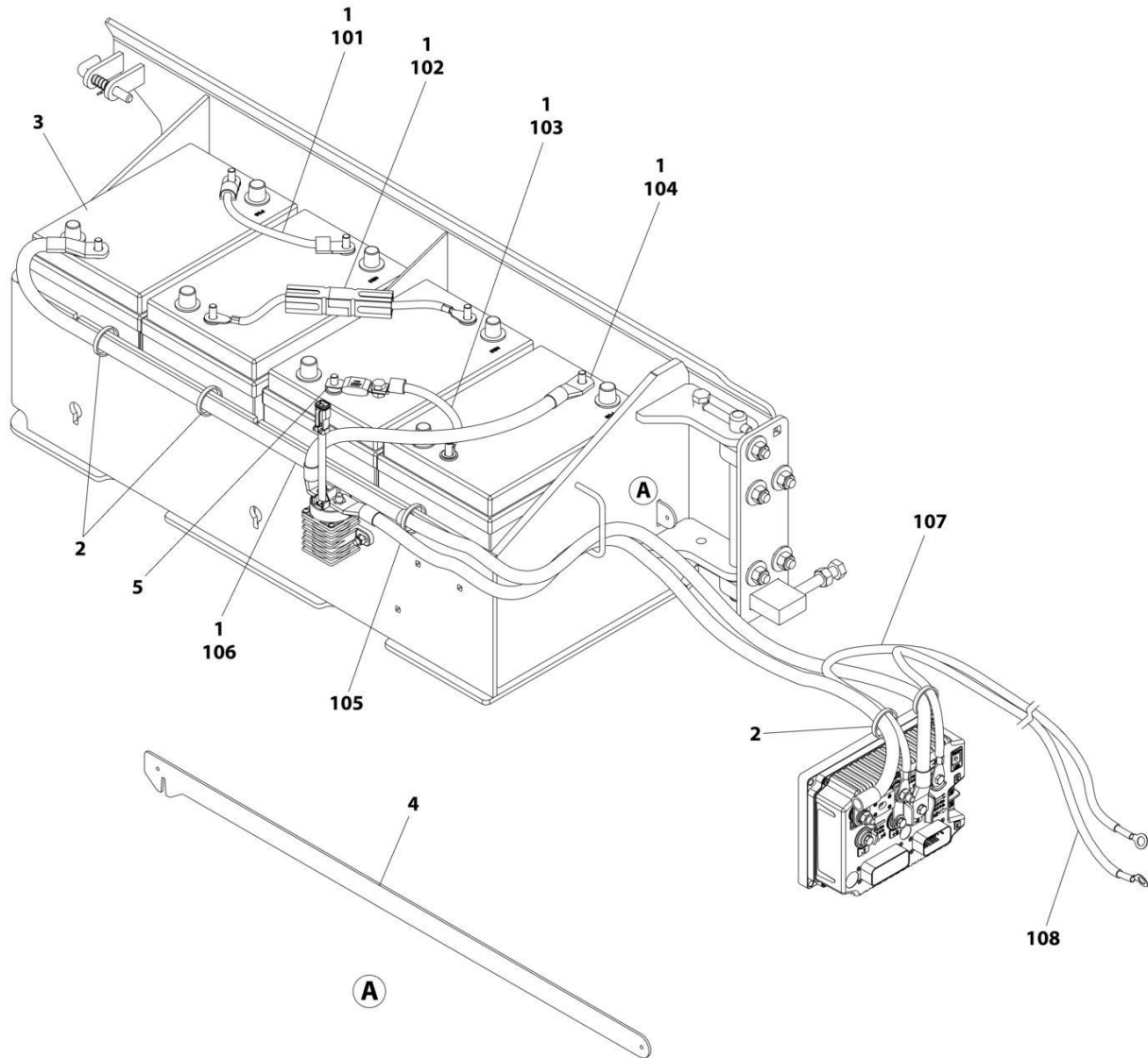
SECTION 2 - GROUND CONTROLS

FIGURE 2-12. BATTERIES INSTALLATION - STANDARD BATTERIES (MEXICO & EUROPEAN BUILT MACHINES)

ITEM	PART NUMBER	QTY	DESCRIPTION	REV
	1001263419	Ref	BATTERIES INSTALLATION - STANDARD BATTERIES	B
1	0100051	AR	Grease, Terminal	
2	4240017	AR	Tie-Strap	
3	1001216180	4	Battery	
4	1001239269	1	Bar	
100	1001256327	1	Cable, Electrical Kit	
101	1060998	1	Cable, Positive to Negative	
102	4923328	1	Cable, Positive to Negative	
103	1001264310	1	Cable, Battery Fuse	
104	1001259017	1	Cable, Battery to Contactor	
105	1001256328	1	Cable, Contactor to Module B+	
106	1001256329	1	Cable, Battery- to Module B-	
107	1001243232	1	Cable, Pump Positive	
108	1001243233	1	Cable, Pump Negative	

SECTION 2 - GROUND CONTROLS

FIGURE 2-13. BATTERIES INSTALLATION - AGM BATTERIES



ART_1001263420

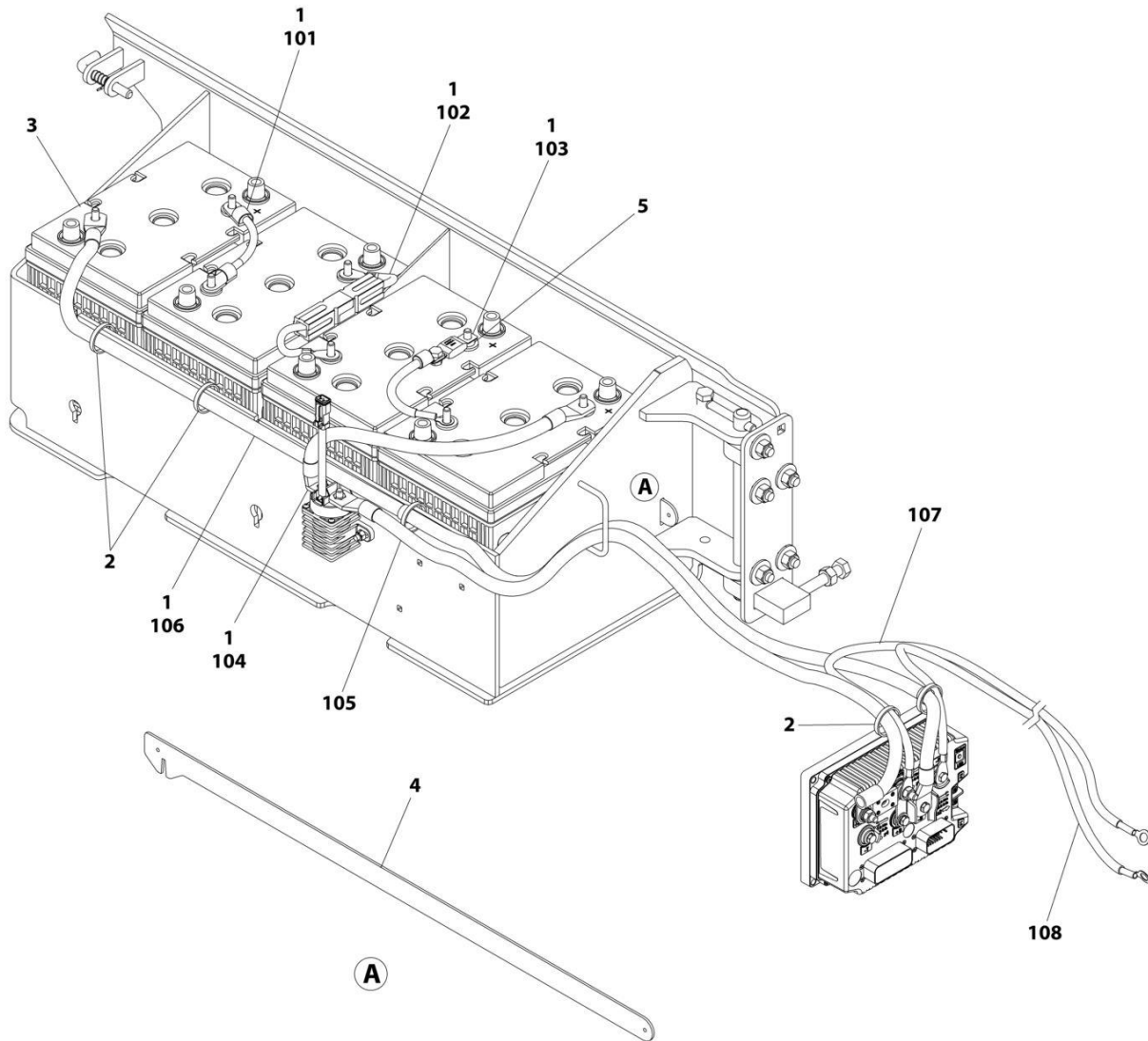
SECTION 2 - GROUND CONTROLS

FIGURE 2-13. BATTERIES INSTALLATION - AGM BATTERIES

ITEM	PART NUMBER	QTY	DESCRIPTION	REV
	1001263420	Ref	BATTERIES INSTALLATION - AGM BATTERIES	B
1	0100051	AR	Grease, Terminal	
2	4240017	AR	Tie-Strap	
3	1001112112	4	Battery	
4	1001239269	1	Bar	
5	1001249668	1	Washer	
100	1001256327	1	Cable, Electrical Kit	
101	1060998	1	Cable, Positive to Negative	
102	4923328	1	Cable, Positive to Negative	
103	1001264310	1	Cable, Battery Fuse	
104	1001259017	1	Cable, Battery to Contactor	
105	1001256328	1	Cable, Contactor to Module B+	
106	1001256329	1	Cable, Battery- to Module B-	
107	1001243232	1	Cable, Pump Positive	
108	1001243233	1	Cable, Pump Negative	

SECTION 2 - GROUND CONTROLS

FIGURE 2-14. BATTERIES INSTALLATION - AGM EVCG BATTERIES



ART_1001263421

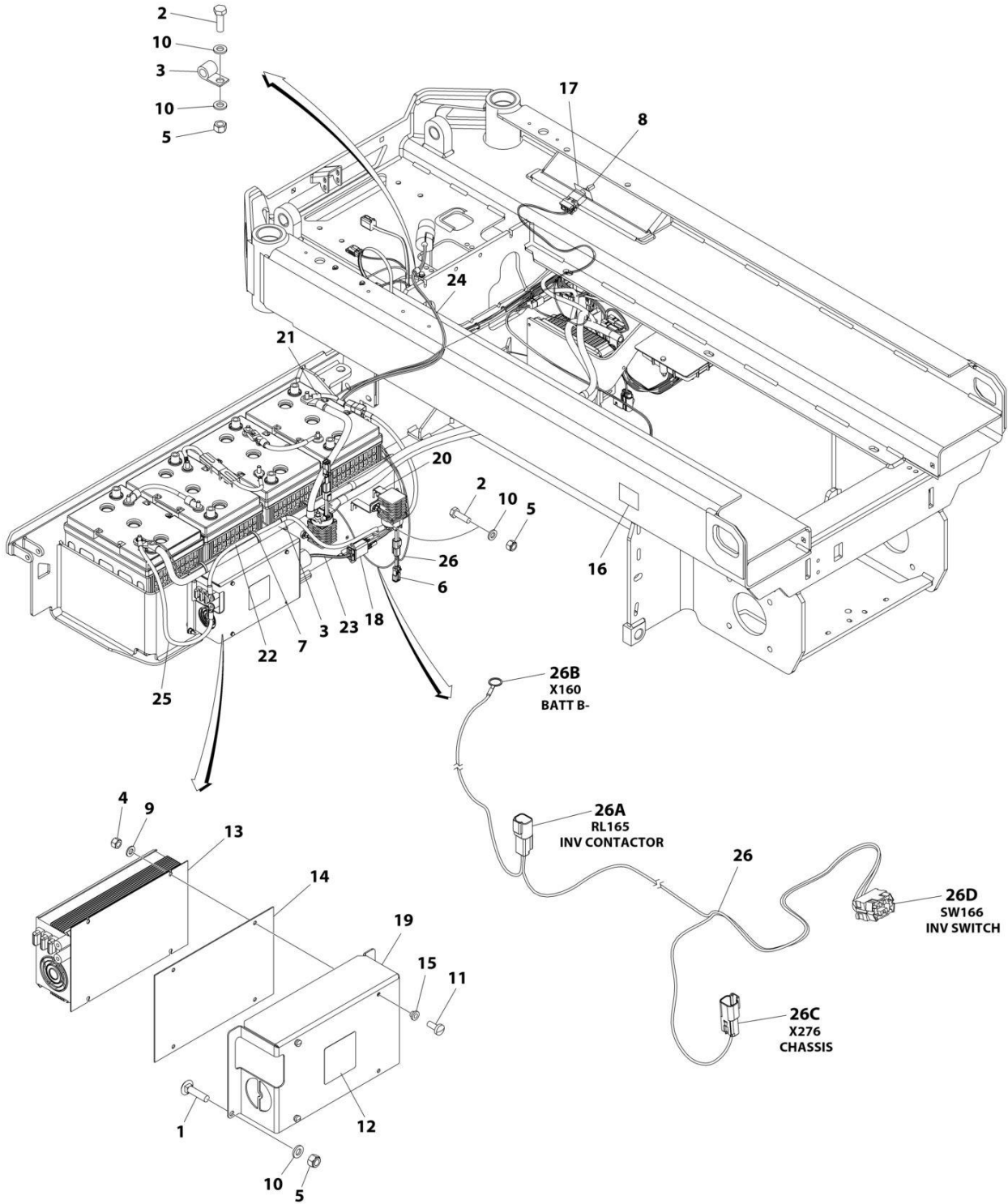
SECTION 2 - GROUND CONTROLS

FIGURE 2-14. BATTERIES INSTALLATION - AGM EVCG BATTERIES

ITEM	PART NUMBER	QTY	DESCRIPTION	REV
	1001263421	Ref	BATTERIES INSTALLATION - AGM EVCG BATTERIES	B
1	0100051	AR	Grease, Terminal	
2	4240017	AR	Tie-Strap	
3	1001214347	4	Battery	
4	1001239269	1	Bar	
5	1001249668	1	Washer	
100	1001256327	1	Cable, Electrical Kit	
101	1060998	1	Cable, Positive to Negative	
102	4923328	1	Cable, Positive to Negative	
103	1001264310	1	Cable, Battery Fuse	
104	1001259017	1	Cable, Battery to Contactor	
105	1001256328	1	Cable, Contactor to Module B+	
106	1001256329	1	Cable, Battery- to Module B-	
107	1001243232	1	Cable, Pump Positive	
108	1001243233	1	Cable, Pump Negative	

SECTION 2 - GROUND CONTROLS

FIGURE 2-15. INVERTER INSTALLATION (OPTIONAL)



ART_1001257121

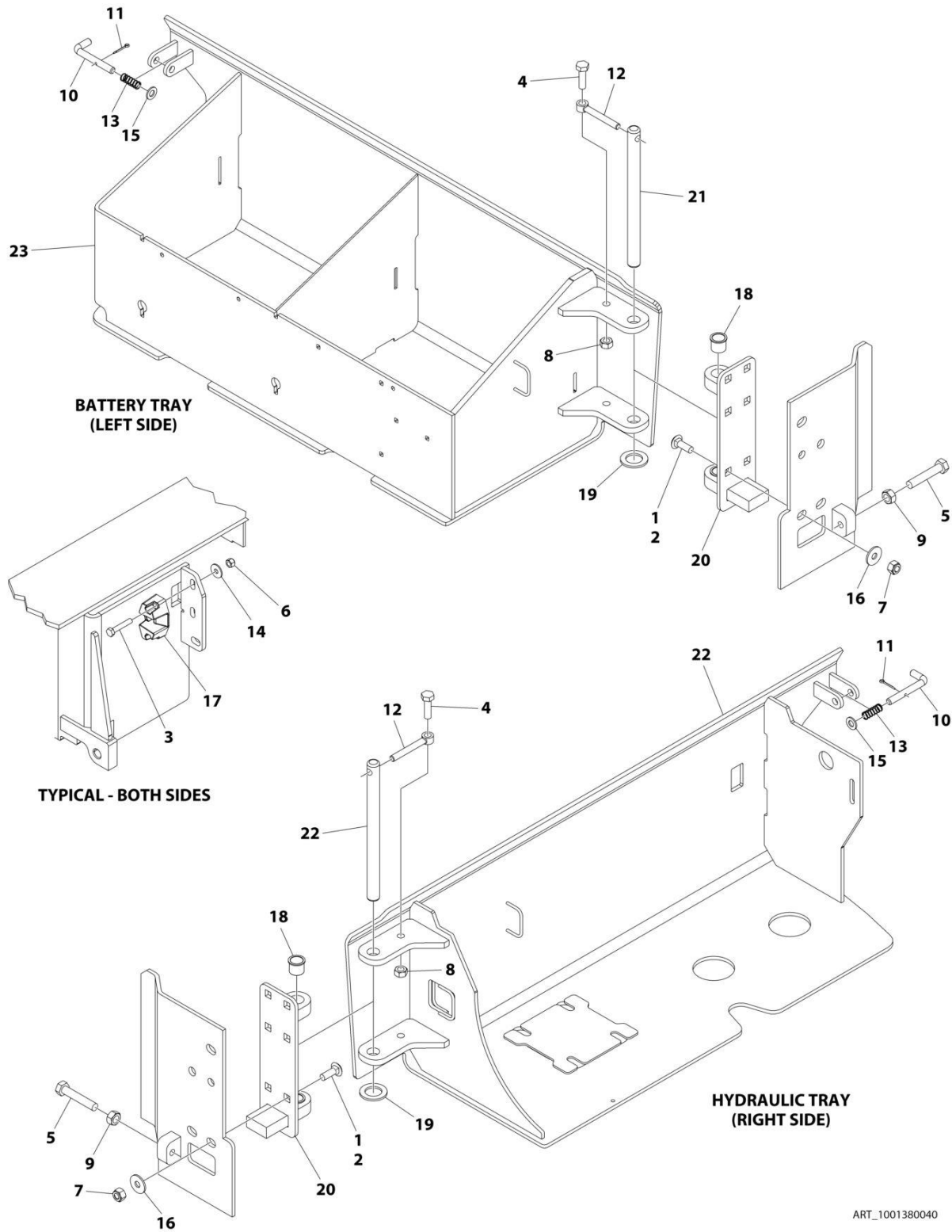
SECTION 2 - GROUND CONTROLS

FIGURE 2-15. INVERTER INSTALLATION (OPTIONAL)

ITEM	PART NUMBER	QTY	DESCRIPTION	REV
	1001257121	Ref	INVERTER INSTALLATION (OPTIONAL)	B
1	0630587	4	Bolt M6 x 25	
2	0760610	3	Bolt M6 x 20	
3	1321293	2	Clamp	
4	3290405	3	Nut M4	
5	3290605	7	Nut M6	
6	3740150	1	Relay	
8	4240017	AR	Tie-Strap	
9	4360336	1	Switch, Toggle	
10	4811400	3	Washer M4	
11	4811700	8	Washer M6	
7	1001101540	3	Screw M4 x 14	
12	1001125483	1	Decal - Pressure Wash	
13	1001136757	1	Inverter	
14	1001142173	1	Insulate	
15	1001142174	3	Washer 1/8	
16	1001143009	1	Decal - Inverter	
17	1001143010	1	Decal - On/Off Inverter	
18	1001157547	1	Filter, AC	
19	1001210440	1	Support	
20	1001210605	1	Support	
21	1001210878	1	Cable, Battery + to Inverter Contactor	
22	1001210879	1	Cable, Inverter Contactor to Inverter +	
23	1001210881	1	Cable, Inverter to AC Filter	
24	1001210882	1	Cable, AC Filter to AC Plug	
25	1001256744	1	Cable, Pump Control B- to Inverter-	
26	1001256746	1	Harness, Inverter	C
26A	4460897	1	Connector	
26A	4460464	2	Terminal	
26B	4460722	1	Connector	
26C	4460897	1	Connector	
26C	4460464	1	Terminal	
26C	4460466	1	Terminal	
26D	4460418	1	Connector	
26D	1001159186	2	Terminal	

SECTION 2 - GROUND CONTROLS

FIGURE 2-16. DOORS INSTALLATION



ART_1001380040

SECTION 2 - GROUND CONTROLS

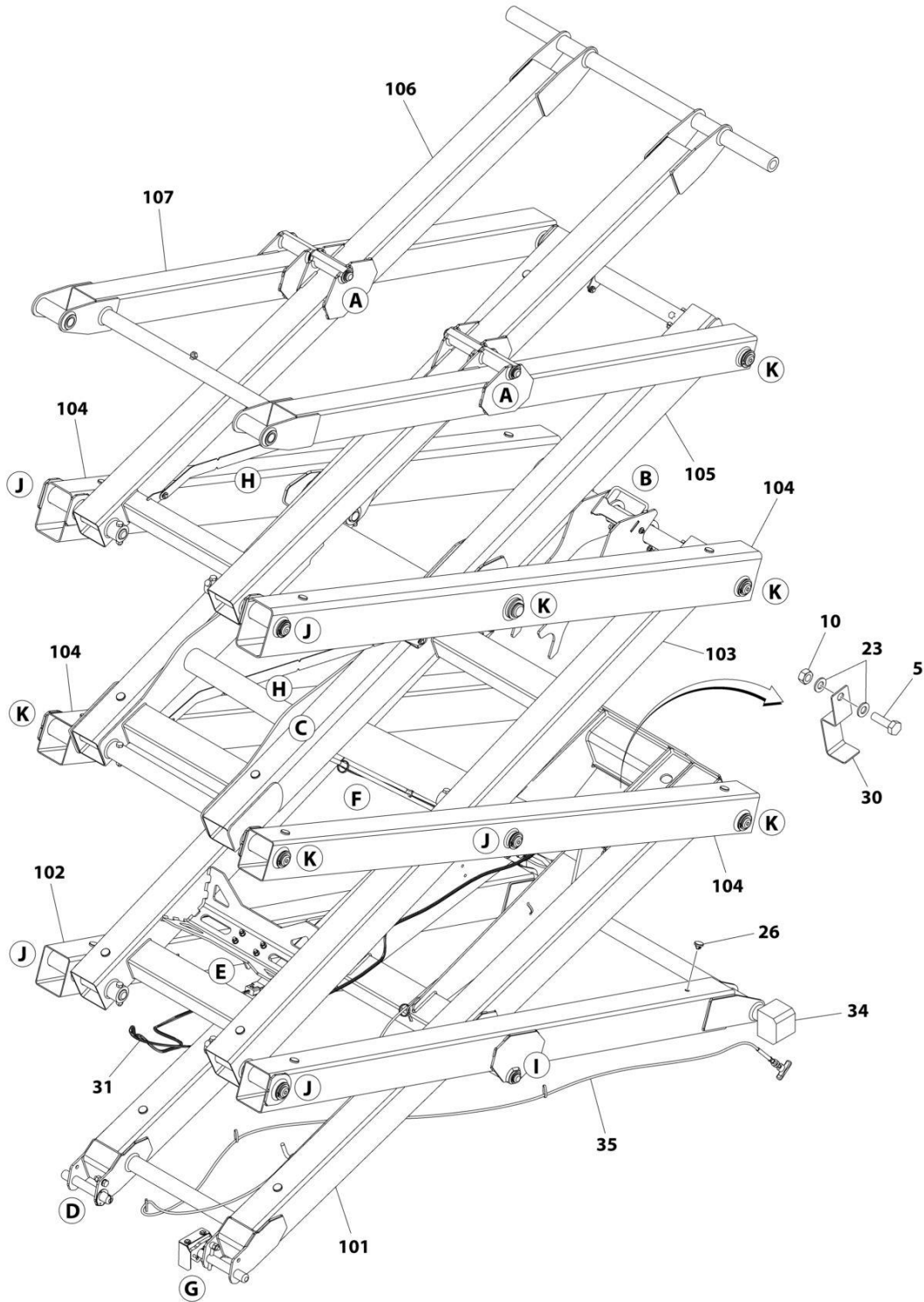
FIGURE 2-16. DOORS INSTALLATION

ITEM	PART NUMBER	QTY	DESCRIPTION	REV
	1001380040	Ref	DOORS INSTALLATION	B
1	0100011	AR	Compound, Locking	
2	0630613	10	Bolt M10 x 30	
3	0700817	4	Bolt M8 x 45	
4	0701015	2	Bolt M10 x 35	
5	0761221	2	Bolt M12 x 65	
6	3290805	4	Nut M8	
7	3291005	10	Nut M10	
8	3291007	2	Nut M10	
9	3291201	2	Nut M12	
10	3423243	2	Pin	
11	3450303	2	Pin, Cotter 3/32 x 3/4	
12	3841143	2	Keeper, Pin	
13	4160214	2	Spring	
14	4811902	4	Washer M8	
15	4812000	AR	Washer M10	
16	4812002	10	Washer M10	
17	1001214810	2	Support	
18	1001218573	4	Bearing	
19	1001229792	2	Washer	
20	1001234858	2	Hinge	
21	1001234862	2	Pin	
22	1001380041	1	Tray, Hydraulic	
23	1001380042	1	Tray, Battery	

SECTION 3 - SCISSORS ARMS

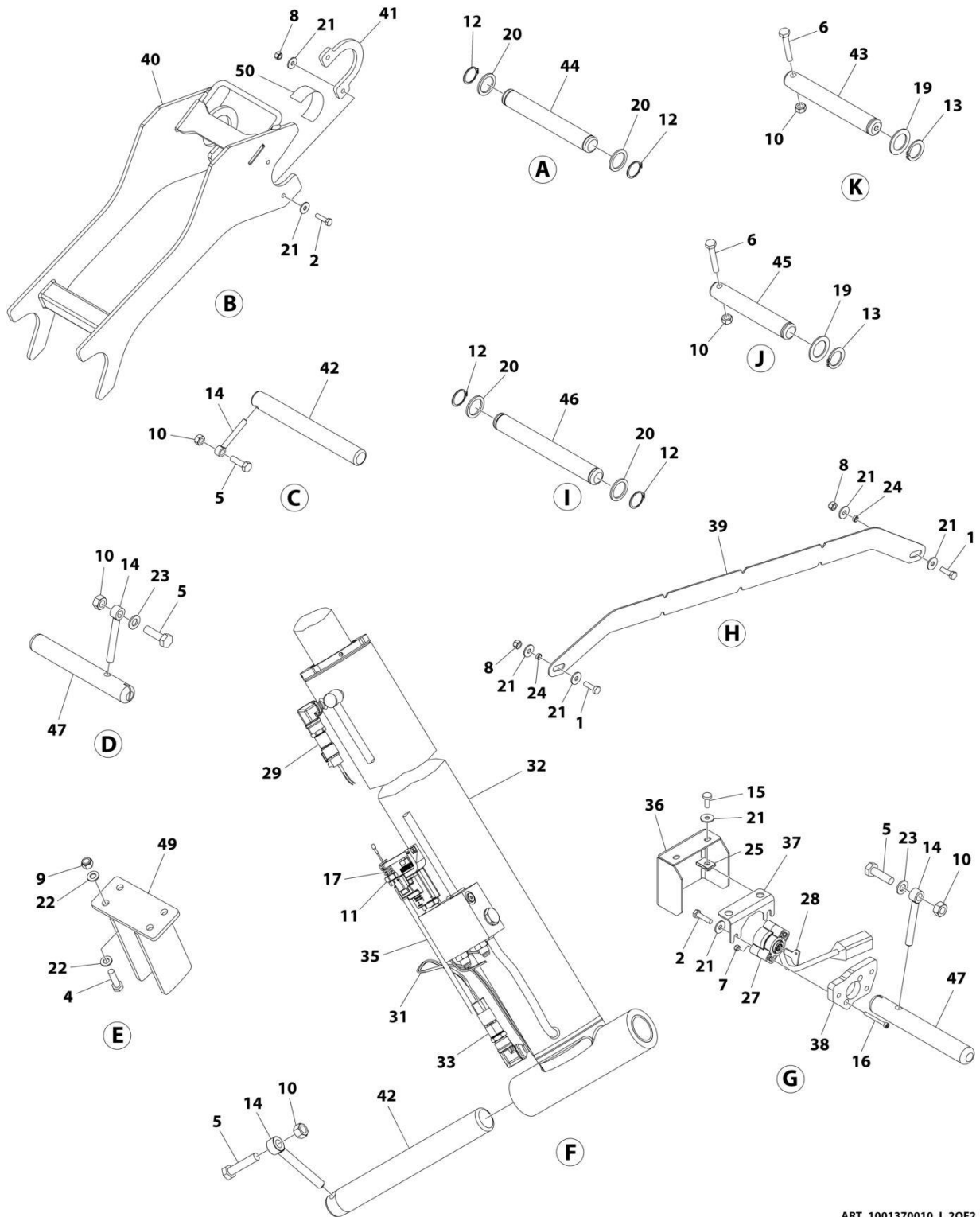
SECTION 3 - SCISSORS ARMS

FIGURE 3-1. SCISSORS ARMS INSTALLATION



ART_1001370010_I_10F2

SECTION 3 - SCISSORS ARMS



ART_1001370010_I_20F2

SECTION 3 - SCISSORS ARMS

FIGURE 3-1. SCISSORS ARMS INSTALLATION

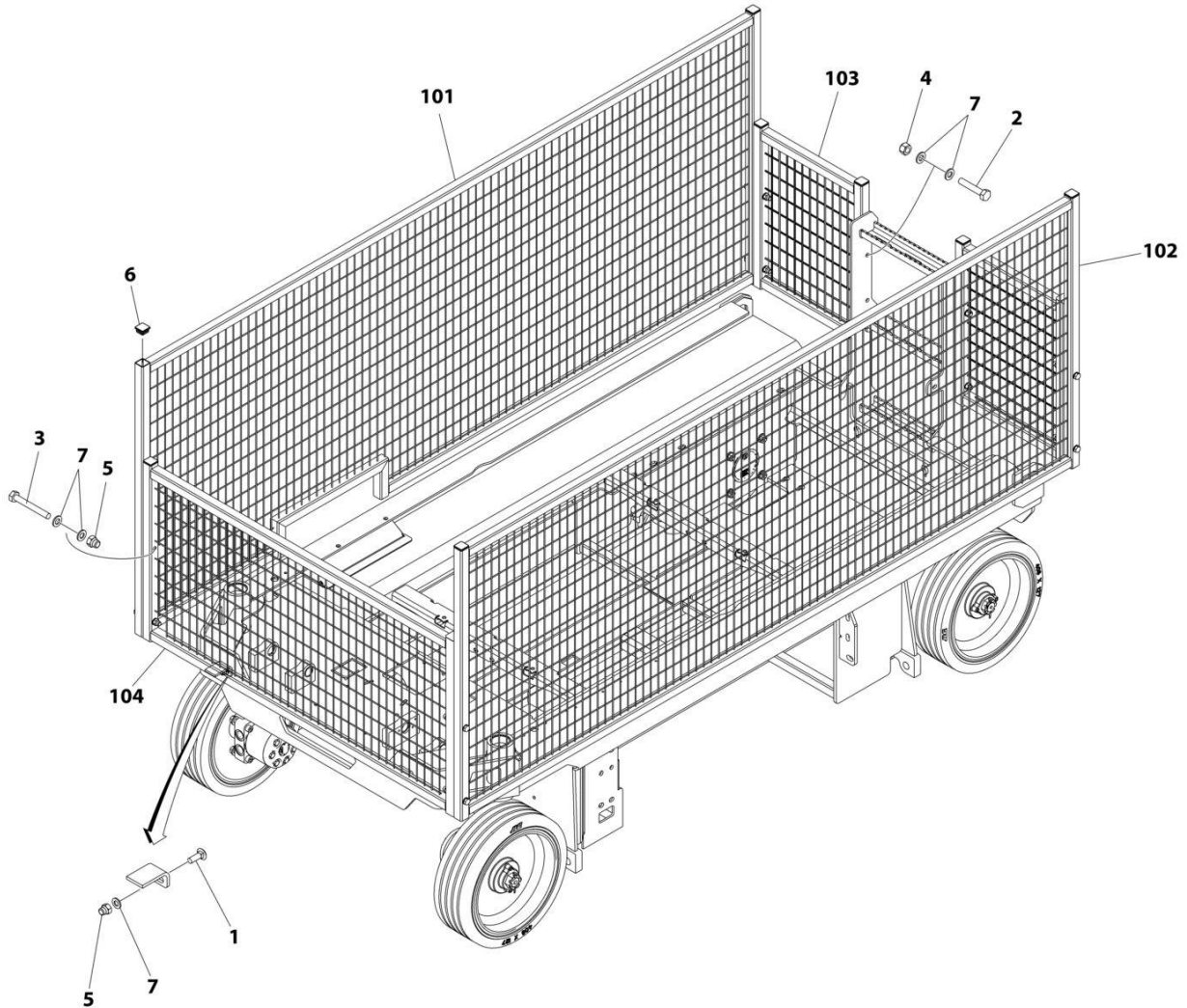
ITEM	PART NUMBER	QTY	DESCRIPTION	REV
	1001370010	Ref	SCISSORS ARMS INSTALLATION	I
1	0700610	4	Bolt M6 x 20	
2	0700612	7	Bolt M6 x 25	
4	0700814	4	Bolt M8 x 30	
5	0701015	5	Bolt M10 x 35	
6	0701021	16	Bolt M10 x 65	
7	3290405	2	Nut M4	
8	3290605	8	Nut M6	
9	3290805	4	Nut M8	
10	3291007	21	Nut M10	
11	3321402	1	Nut 1/4	
12	3760115	8	Ring, Retaining	
13	3760387	16	Ring, Retaining	
14	3841143	4	Keeper, Pin	
15	4010608	2	Screw M6 x 16	
16	4031512	2	Capscrew M4 x 40	
17	4160078	1	Spring	
18	4240017	AR	Tie-Strap (Not Shown)	
19	4740438	16	Washer	
20	4740531	8	Washer	
21	4811702	21	Washer M6	
22	4811900	8	Washer M8	
23	4812000	4	Washer M10	
24	1001128888	4	Washer	
25	1001130220	2	Nut Tinnerman M6	
26	1001137675	24	Bumper	
27	1001146963	1	Sensor, Angle	
28	1001205345	1	Key (Steel)	
28	1001234204	1	Key (Aluminun)	
29	1001225164	1	Sensor, Pressure Transducer	
30	1001226791	1	Bracket, Cable	
31	1001233795	1	Lift Down Harness (See Separate Breakdown in ELECTRICAL Section)	
32	1001244416	1	Lift Cylinder Assembly (See Separate Breakdown in CYLINDER Section)	
33	1001235104	1	Sensor, Pressure Transducer	
34	1001247707	2	Block, Side	
35	1001236269	1	Cable, Manual Descent	
36	1001236486	1	Cover	
37	1001236487	1	Plate	
38	1001236488	1	Plate	
39	1001237824	2	Plate	
40	1001238684	1	Arm, Prop	
41	1001239479	2	Plate	
42	1001239925	2	Pin	
43	1001239927	10	Pin	
44	1001239928	2	Pin	
45	1001239929	6	Pin	
46	1001239930	2	Pin	
47	1001239931	2	Pin	

SECTION 3 - SCISSORS ARMS

ITEM	PART NUMBER	QTY	DESCRIPTION	REV
49	1001246674	1	Adapter	
50	4420062	15 in/ 37cm	Tape	
100	1001241744	1	Arm Kit	
101	1001241737	1	Arm - Inner 1	
101	0440264	4	Bearing (Not Shown)	
102	1001241738	1	Arm - Outer 2	
102	0440264	4	Bearing - 1 ID (Not Shown)	
102	0440265	4	Bearing - 1-1/4 ID (Not Shown)	
103	1001241739	1	Arm - Inner 2	
104	1001241740	2	Arm - Outer 2 and Outer 3	
104	0440265	6	Bearing (Not Shown)	
105	1001241741	1	Arm - Inner 3	
106	1001241742	1	Arm - Inner 4	
106	0440264	4	Bearing (Not Shown)	
107	1001241743	1	Arm - Outer 4	
107	0440264	8	Bearing - 1 ID (Not Shown)	
107	0440265	4	Bearing - 1-1/4 ID (Not Shown)	
201	0440264	4	Bearing (Part of Frame) (Not Shown)	

SECTION 3 - SCISSORS ARMS

FIGURE 3-2. ARM GUARDS INSTALLATION



ART_1001239674

SECTION 3 - SCISSORS ARMS

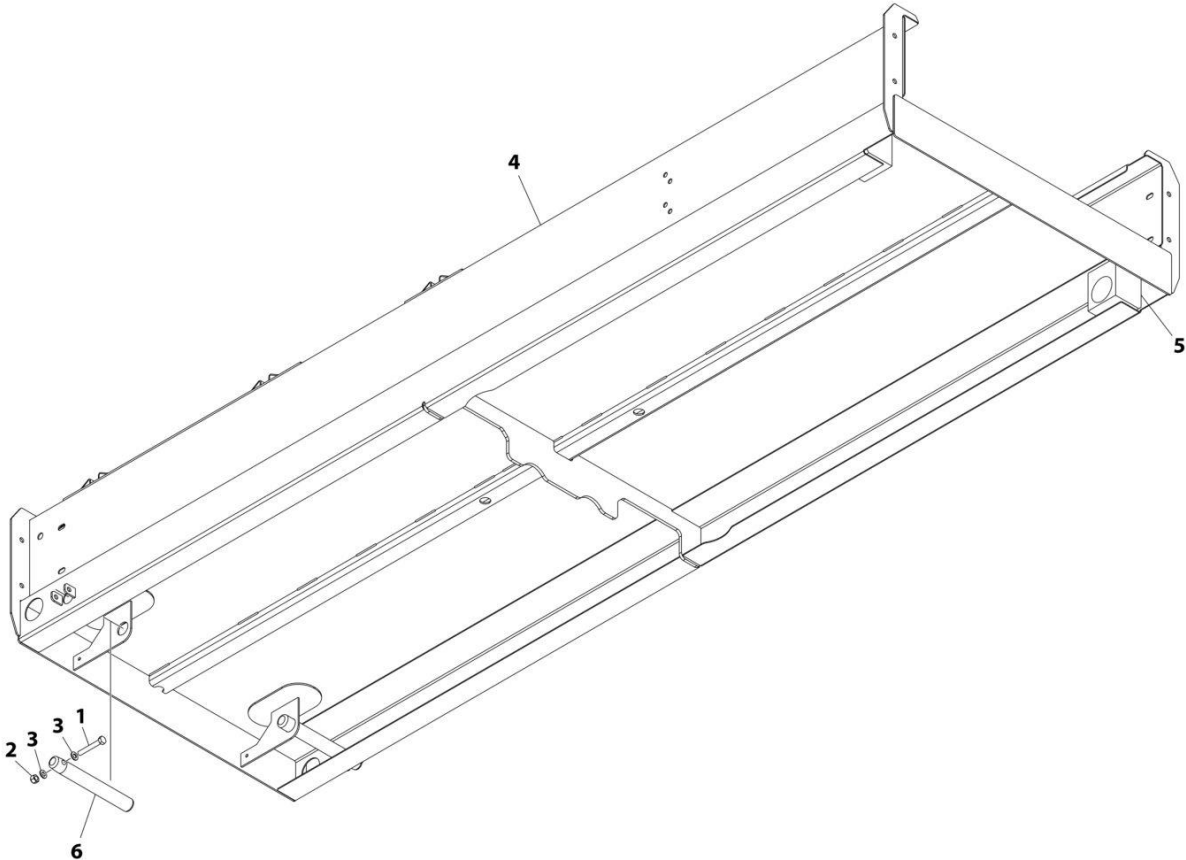
FIGURE 3-2. ARM GUARDS INSTALLATION

ITEM	PART NUMBER	QTY	DESCRIPTION	REV
	1001239674	Ref	ARM GUARD INSTALLATION	A
1	0630613	2	Bolt M10 x 30	
2	0701019	4	Bolt M10 x 55	
3	0701024	8	Bolt M10 x 80	
4	3291005	4	Nut M10	
5	3291006	10	Nut M10	
6	3520072	10	Plug	
7	4812000	26	Washer M10	
100	1001241352	1	Arm Guard Kit (Not Shown)	
101	1001239892	1	Guard, Arm (RH)	
102	1001239894	1	Guard, Arm (LH)	
103	1001241353	2	Guard, Arm (Rear)	
104	1001241358	1	Guard, Arm (Front)	

SECTION 4 - PLATFORM

SECTION 4 - PLATFORM

FIGURE 4-1. PLATFORM INSTALLATION



ART_1001234384_B

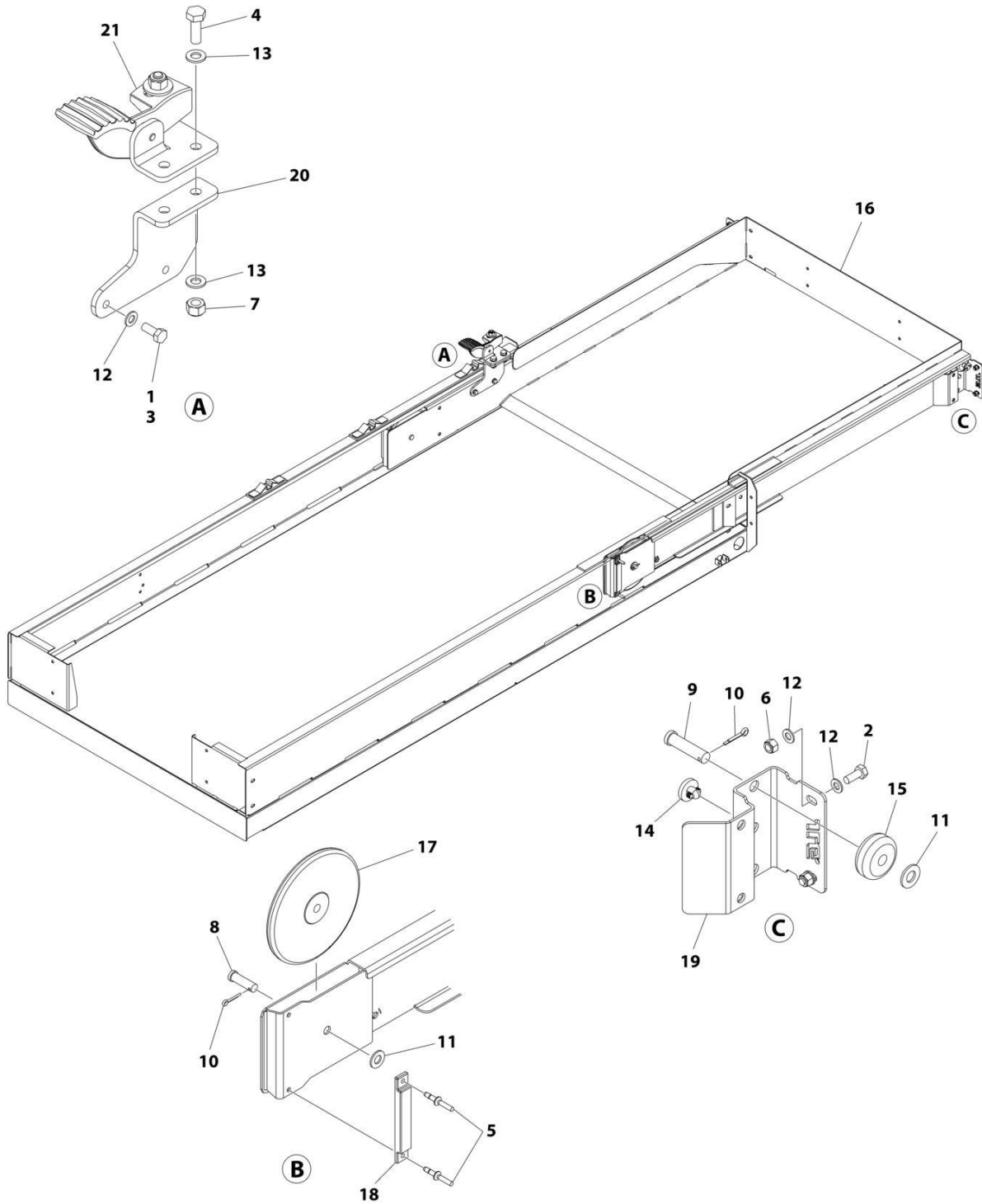
SECTION 4 - PLATFORM

FIGURE 4-1. PLATFORM INSTALLATION

ITEM	PART NUMBER	QTY	DESCRIPTION	REV
	1001234384	Ref	PLATFORM INSTALLATION	B
1	0700819	2	Bolt M8 x 55	
2	3290805	2	Nut M8	
3	4811900	4	Washer M8	
4	1001235555	1	Platform	
5	1001247706	2	Block, Slide	
6	1001239926	2	Pin	

SECTION 4 - PLATFORM

FIGURE 4-2. PLATFORM EXTENSION INSTALLATION



ART_1001234385

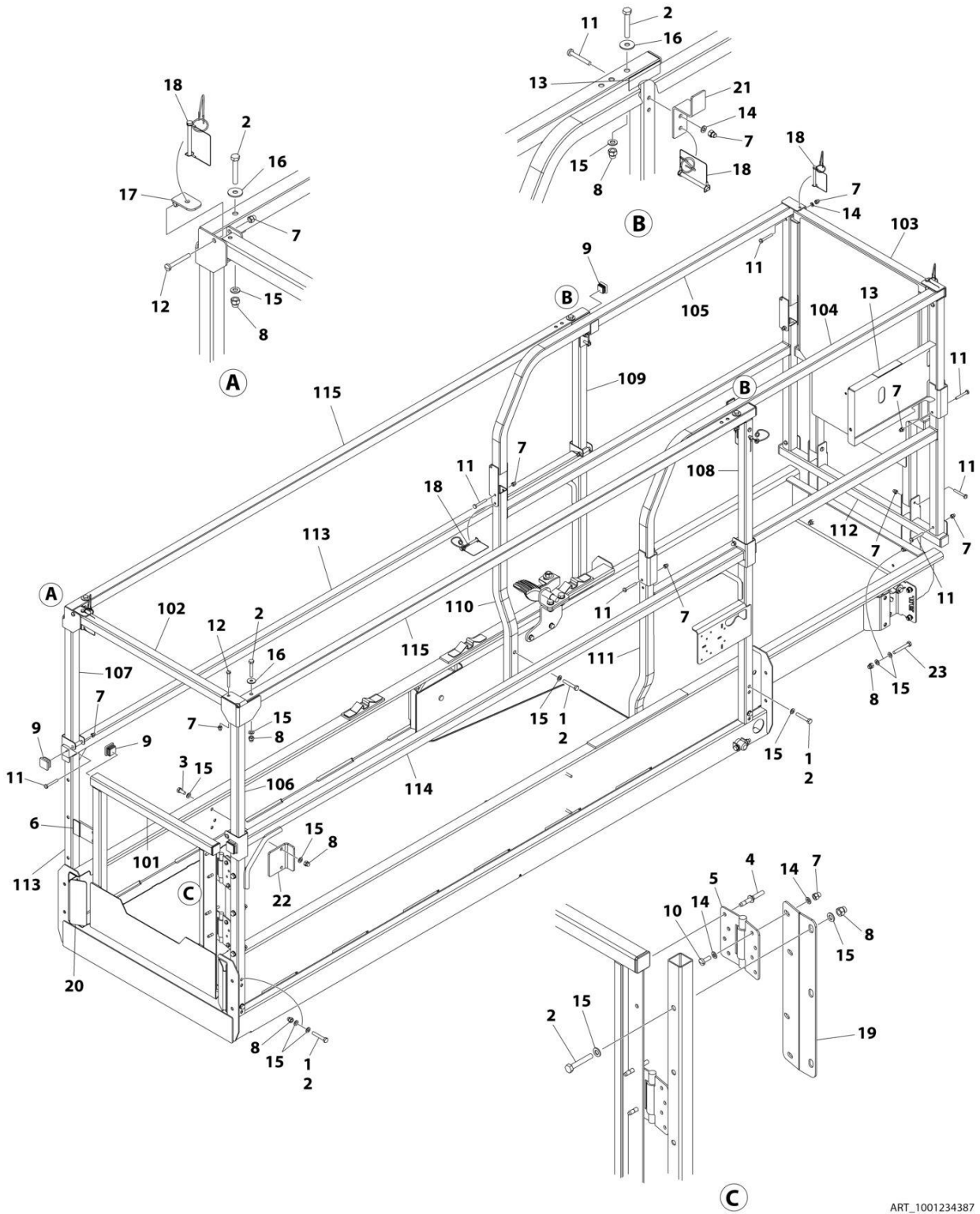
SECTION 4 - PLATFORM

FIGURE 4-2. PLATFORM EXTENSION INSTALLATION

ITEM	PART NUMBER	QTY	DESCRIPTION	REV
	1001234385	Ref	PLATFORM EXTENSION INSTALLATION	A
1	0100011	AR	Compound, Locking	
2	0760810	4	Bolt M8 x 20	
3	0760812	2	Bolt, M8 x 25	
4	0761014	2	Bolt M10 x 30	
5	2080040	4	Fastener	
6	3290805	4	Nut M8	
7	3291005	2	Nut M10	
8	3430814	2	Pin	
9	3430816	2	Pin	
10	3450403	4	Pin, Cotter	
11	4711800	4	Washer 1/2	
12	4811900	10	Washer M8	
13	4812000	4	Washer M10	
14	1001137675	2	Bumper	
15	1001205422	2	Roller (Front)	
16	1001205424	1	Extension, Platform	
17	1001205430	2	Roller (Rear)	
18	1001208852	2	Pad	
19	1001210064	2	Support	
20	1001213838	1	Bracket	
21	1001234407	1	Latch Assembly	

SECTION 4 - PLATFORM

FIGURE 4-3. RAILS INSTALLATION (SIDE BY SIDE)



ART_1001234387

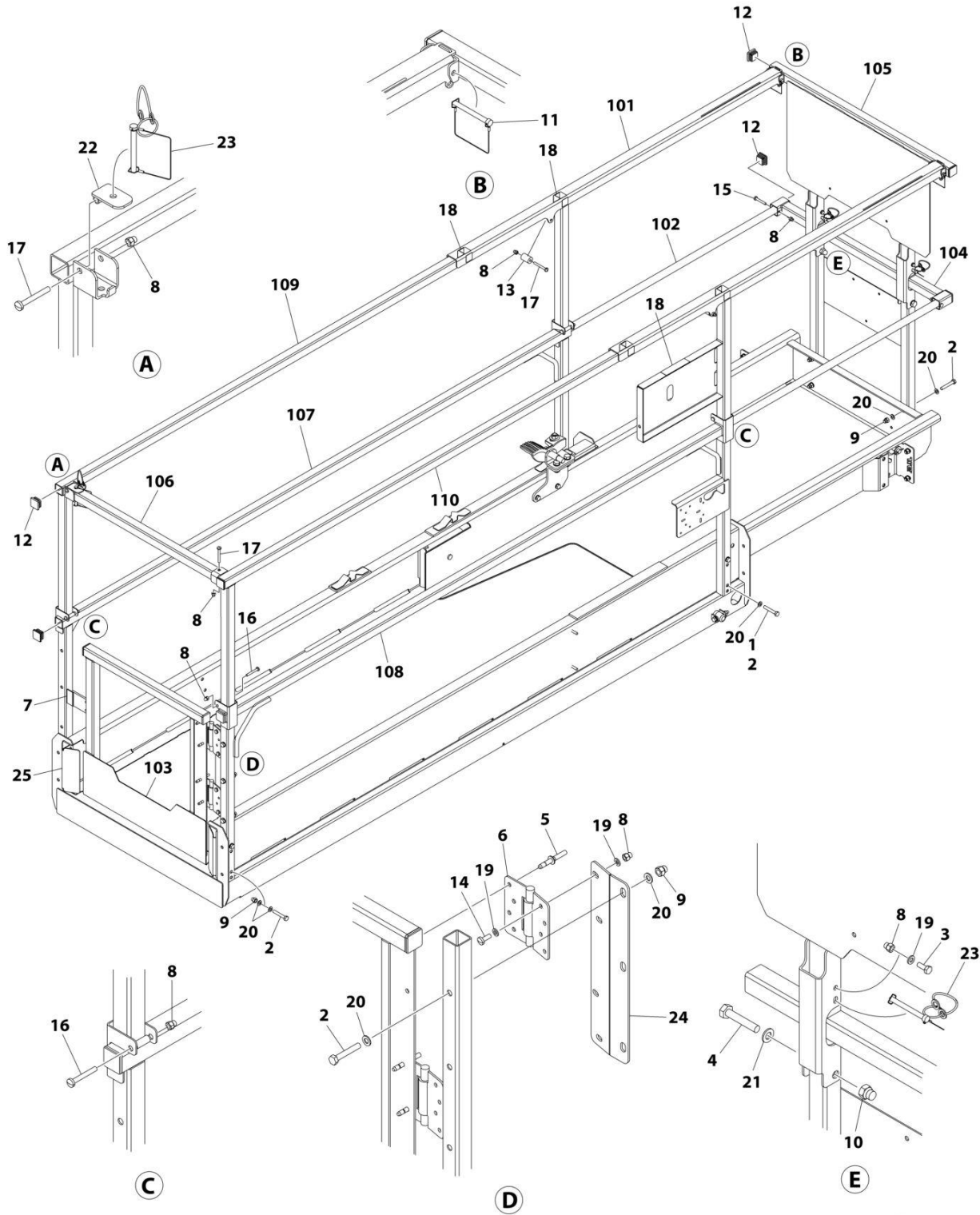
SECTION 4 - PLATFORM

FIGURE 4-3. RAILS INSTALLATION (SIDE BY SIDE)

ITEM	PART NUMBER	QTY	DESCRIPTION	REV
	1001234387	Ref	RAILS INSTALLATION (SIDE BY SIDE)	F
1	0100011	AR	Compound, Locking	
2	0700818	19	Bolt M8 x 50	
3	0760810	2	Bolt M8 x 20	
4	2080040	4	Fastener	
5	2600281	2	Hinge	
6	3080007	1	Magnet, Gate	
7	3290606	22	Nut M6	
8	3290806	17	Nut M8	
9	3520072	12	Plug	
10	4010608	4	Screw M6 x 16	
11	4010617	16	Screw M6 x 45	
12	4010618	2	Screw M6 x 50	
13	4420062	15 in/ 37cm	Tape	
14	4811700	12	Washer M6	
15	4811900	42	Washer M8	
16	4811902	4	Washer M8	
17	1001154378	1	Bracket	
18	1001187587	6	Pin, Snap with Lanyard	
19	1001210586	1	Support	
20	1001210963	2	Cover	
21	1001232257	2	Brace	
22	1001232622	1	Bracket	
23	0700820	4	Bolt M8 x 60	
24	1001156186	4	Plug, Hole	
100	1001236624	1	Rail Kit (Not Shown)	
101	1001210302	1	Gate	
102	1001210458	1	Tube, Rear Top	
103	1001229732	1	Rail, Extension Front (Upper)	
104	1001229733	1	Rail, Extension Side (RH)	
105	1001229734	1	Rail, Extension Side (LH)	
106	1001229739	1	Rail Rear (Upper RH)	
107	1001229740	1	Rail Rear (Upper LH)	
108	1001229741	1	Rail Front (Upper RH)	
109	1001229742	1	Rail Front (Upper LH)	
110	1001230248	1	Tube, Rail (Lower LH)	
111	1001230249	1	Tube, Rail (Lower RH)	
112	1001231405	1	Tube, Extension (Lower)	
113	1001234006	1	Rail Rear (Lower LH)	
114	1001234007	1	Rail Rear (Lower RH)	
115	1001235286	2	Rail, Side Top	

SECTION 4 - PLATFORM

FIGURE 4-4. RAILS INSTALLATION (TUBE IN TUBE)



ART_1001234386

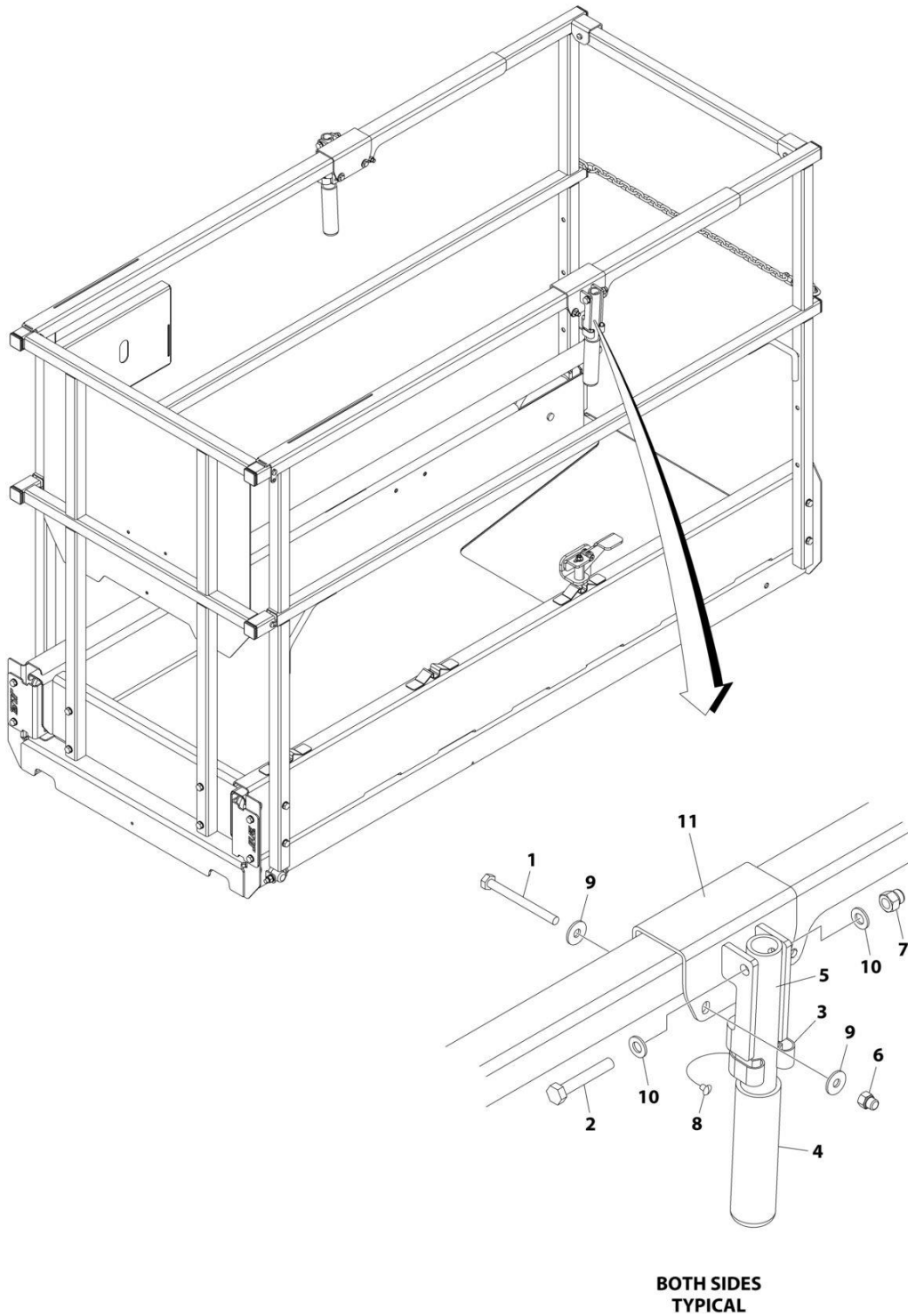
SECTION 4 - PLATFORM

FIGURE 4-4. RAILS INSTALLATION (TUBE IN TUBE)

ITEM	PART NUMBER	QTY	DESCRIPTION	REV
	1001234386	Ref	RAILS INSTALLATION (TUBE IN TUBE)	D
1	0100011	AR	Compound, Locking	
2	0700818	15	Bolt M8 x 50	
3	0760608	2	Bolt M6 x 16	
4	0761019	2	Bolt M10 x 55	
5	2080040	4	Fastener	
6	2600281	2	Hinge	
7	3080007	1	Magnet, Gate	
8	3290606	16	Nut M6	
9	3290806	11	Nut M8	
10	3291006	2	Nut M10	
11	3422219	2	Pin, Snap	
12	3520072	10	Plug	
13	3860111	2	Roller	
14	4010608	4	Screw M6 x 16	
15	4010616	2	Screw M6 x 40	
16	4010617	4	Screw M6 x 45	
17	4010618	4	Screw M6 x 50	
18	4420062	16 in/ 40cm	Tape	
19	4811700	10	Washer M6	
20	4811900	30	Washer M8	
21	4812000	2	Washer M10	
22	1001154378	1	Bracket	
23	1001187587	3	Pin, Snap with Lanyard	
24	1001210586	1	Support	
25	1001210963	2	Cover	
100	1001236623	1	Rail Kit (Not Shown)	
101	1001206225	1	Rail, Extension Top	
102	1001206226	1	Rail, Extension MID	
103	1001210302	1	Gate	
104	1001210446	1	Rail, Extension MID Front	
105	1001210447	1	Rail, Extension Top Front	
106	1001210458	1	Tube, Rear Top	
107	1001234006	1	Rail, Side MID (LH)	
108	1001234007	1	Rail, Side MID (RH)	
109	1001234141	1	Rail, Side Top (LH)	
110	1001234142	1	Rail, Side Top (RH)	

SECTION 4 - PLATFORM

FIGURE 4-5. EXTENSION HANDLES INSTALLATION (OPTIONAL)



ART_1001222587

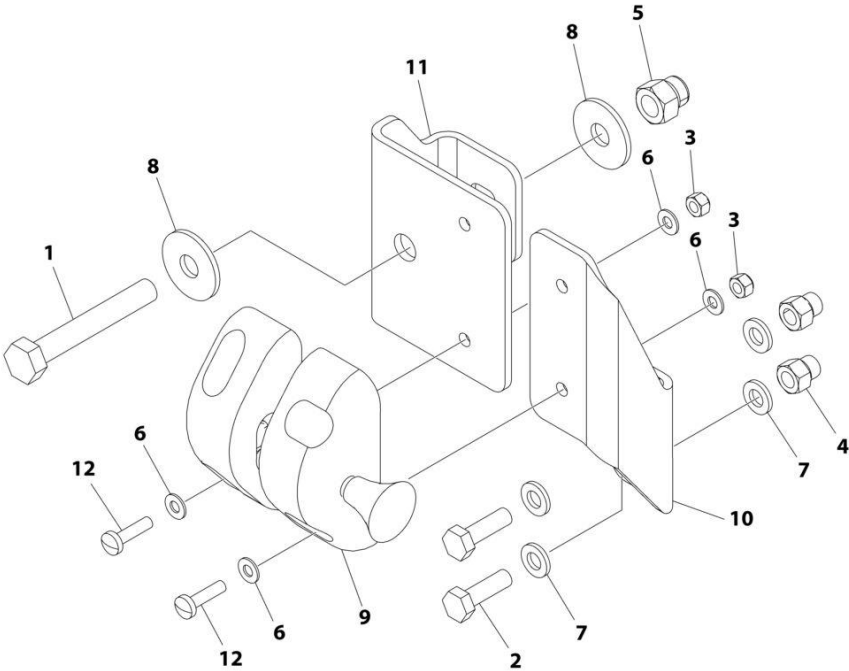
SECTION 4 - PLATFORM

FIGURE 4-5. EXTENSION HANDLES INSTALLATION (OPTIONAL)

ITEM	PART NUMBER	QTY	DESCRIPTION	REV
	1001222587	Ref	HANDLE EXTENSION INSTALLATION (OPTIONAL)	B
1	0700621	4	Bolt M6 x 65	
2	0700818	2	Bolt M8 x 50	
3	1380132	2	Clip	
4	2560088	2	Grip, Handle	
5	2560190	2	Handle	
6	3290606	2	Nut M6	
7	3290806	2	Nut M8	
8	3820019	2	Rivet	
9	4811702	8	Washer M6	
10	4811900	4	Washer M8	
11	1001216823	2	Bracket	

SECTION 4 - PLATFORM

FIGURE 4-6. GATE LATCH INSTALLATION - OPTIONAL



ART_1001220995

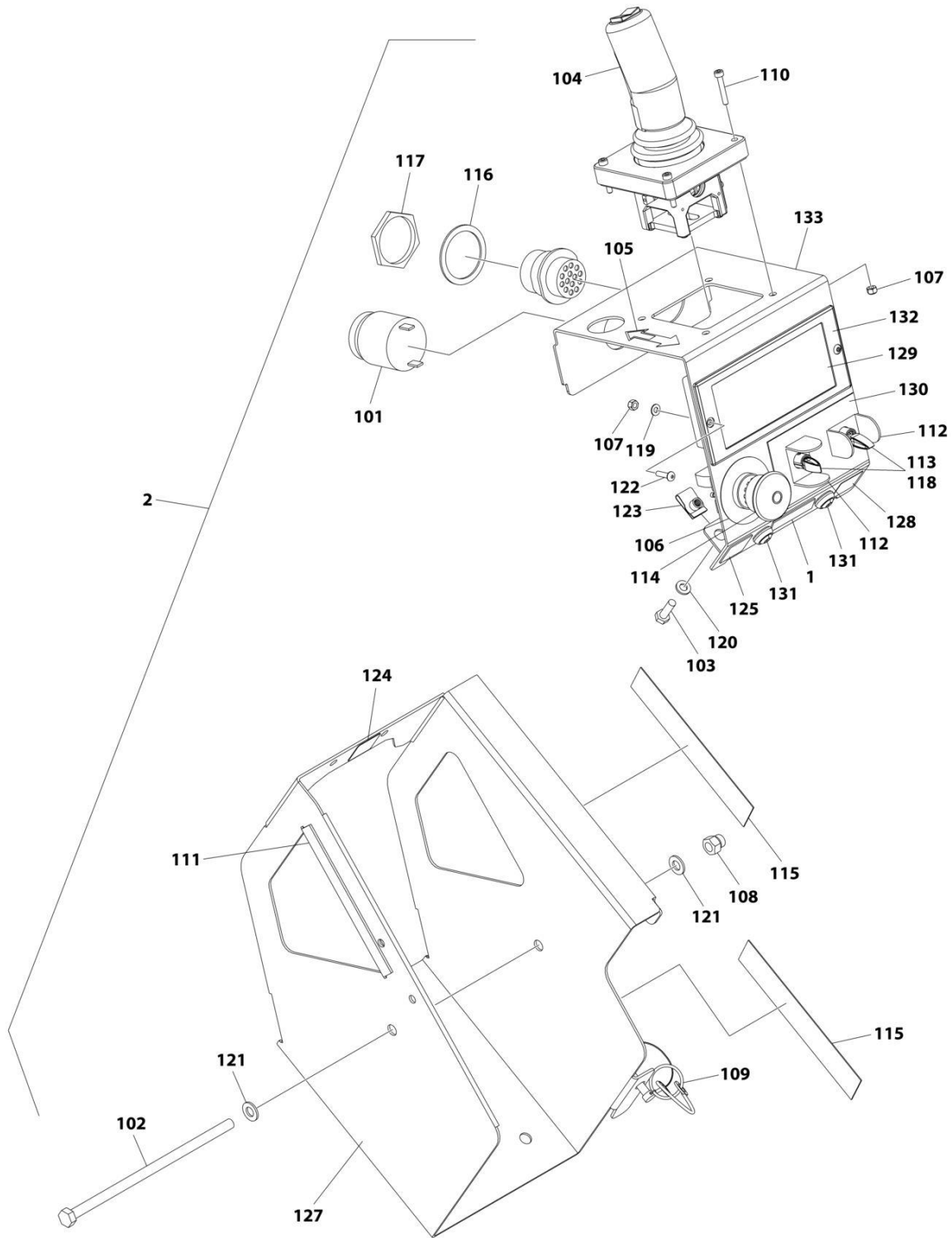
SECTION 4 - PLATFORM

FIGURE 4-6. GATE LATCH INSTALLATION - OPTIONAL

ITEM	PART NUMBER	QTY	DESCRIPTION	REV
	1001220995	Ref	GATE LATCH INSTALLATION	B
1	0700819	1	Bolt M8 x 55	
2	0760610	2	Bolt M6 x 20	
3	3290405	4	Nut M4	
4	3290606	2	Nut M6	
5	3290806	1	Nut M8	
6	4811400	8	Washer M4	
7	4811700	4	Washer M6	
8	4811902	2	Washer M8	
9	1001134821	1	Latch	
10	1001220409	1	Mount	
11	1001220410	1	Plate	
12	4010408	4	Screw M4 x 16	

SECTION 4 - PLATFORM

FIGURE 4-7. PLATFORM CONSOLE INSTALLATION (ALL SPECS EXCEPT AUSTRALIAN SPECS)



ART_1001258752

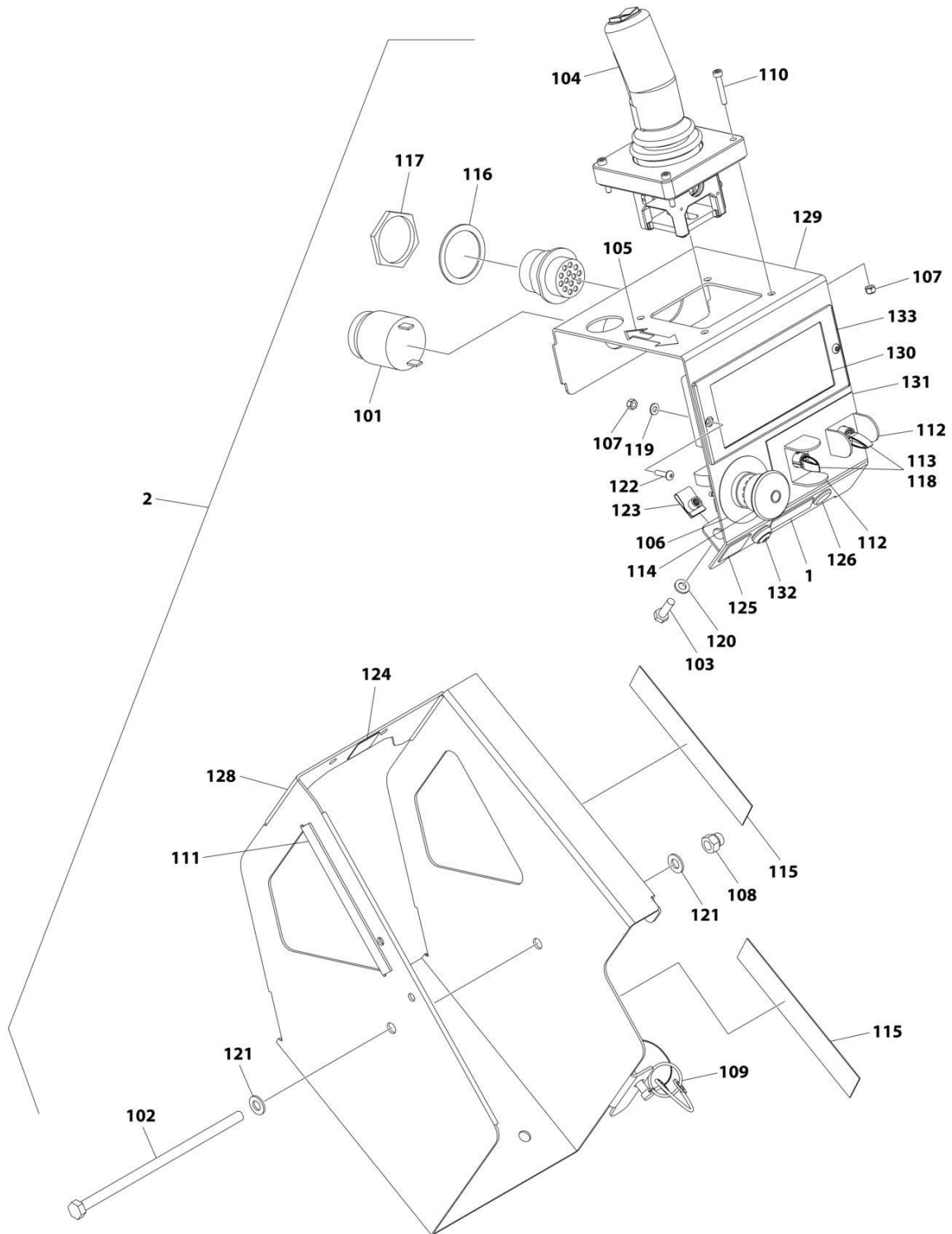
SECTION 4 - PLATFORM

FIGURE 4-7. PLATFORM CONSOLE INSTALLATION (ALL SPECS EXCEPT AUSTRALIAN SPECS)

ITEM	PART NUMBER	QTY	DESCRIPTION	REV
	1001258752	Ref	PLATFORM CONSOLE INSTALLATION	C
1	1001258867	1	Decal - ES1932/ES2632/ES3246	
2	1001262656	1	Platform Console Assembly	B
101	0140030	1	Alarm	
102	0700835	1	Bolt M8 x 180	
103	0760610	2	Bolt M6 x 20	
104	1600402	1	Controller Assembly (See Separate Breakdown in this Section)	
105	1703819	1	Decal - Arrow	
106	1704260	1	Decal - Emergency Stop	
107	3290405	6	Nut M4	
108	3290806	1	Nut M8	
109	3423278	1	Pin, Snap with Lanyard	
110	4031509	4	Capscrew M4 x 25	
111	4060803	6 in /14cm	Flex-Trim	
112	4060906	2	Guard, Switch	
113	4360345	2	Switch, Toggle	
114	4360475	1	Switch, Emergency Stop	
114	7020175	1	Cap	
114	7020176	1	Block, Contact	
115	4420062	12 in/ 30cm	Tape	
116	4460496	1	Washer, Terminal	
117	4460497	1	Nut, Terminal	
118	4711700	2	Washer 7/16	
119	4811400	2	Washer M4	
120	4811700	2	Washer M6	
121	4811900	2	Washer M8	
122	1001047064	2	Screw (Socket Head)	
123	1001130220	2	Nut, Tinnerman M6	
124	1001132358	1	Decal - Steer	
125	1001132361	1	Decal - Horn	
126	1001200819	1	Platform Control Box Harness (Not Shown - See Separate Breakdown in ELECTRICAL Section)	
127	1001209596	1	Plate, Box (Outside)	
128	1001213886	1	Decal - Indoor/Outdoor	
129	1001218285	1	Decal - Platform Control	
130	1001220893	1	Decal - Lift/Drive Function	
131	1001226749	2	Switch - Push Button	
132	1001228112	1	Module, Platform Control	
133	1001262655	1	Plate, Box (Inside)	

SECTION 4 - PLATFORM

FIGURE 4-8. PLATFORM CONSOLE INSTALLATION (AUSTRALIAN SPECS)



ART_1001258753

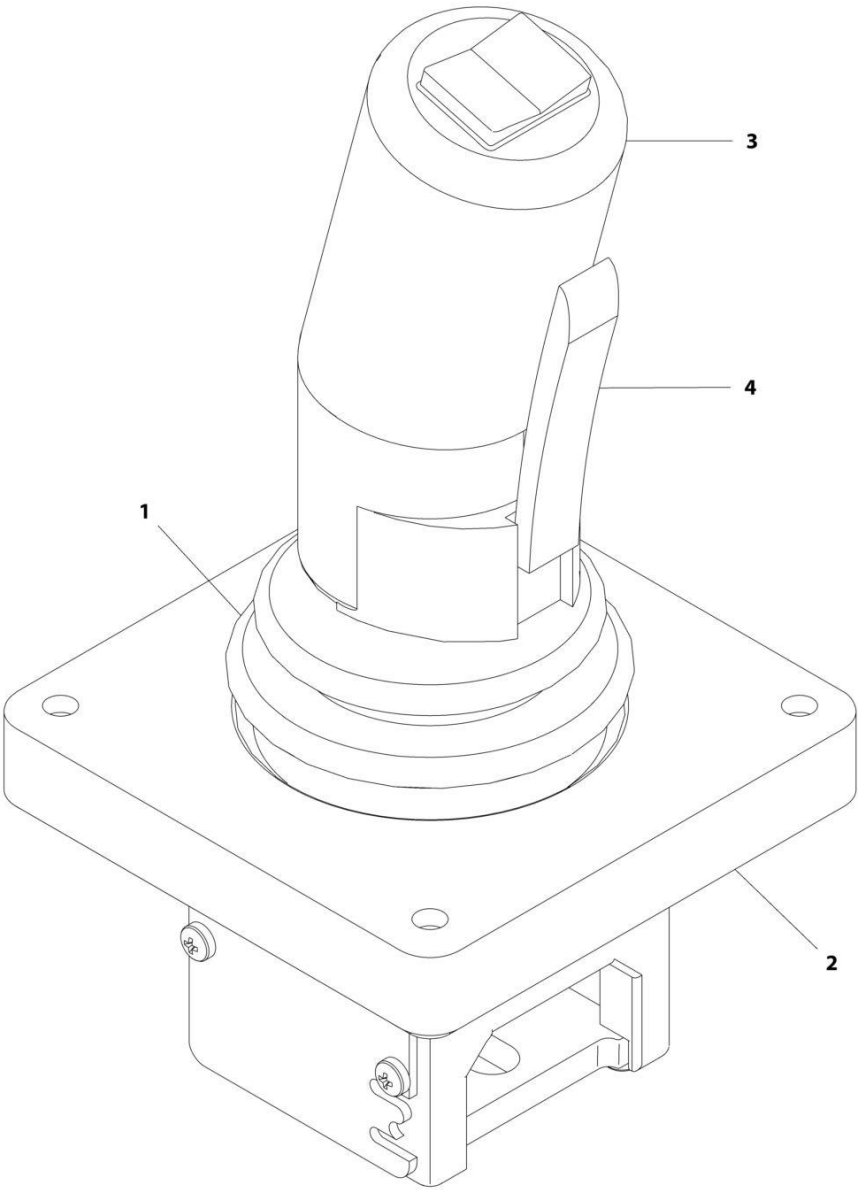
SECTION 4 - PLATFORM

FIGURE 4-8. PLATFORM CONSOLE INSTALLATION (AUSTRALIAN SPECS)

ITEM	PART NUMBER	QTY	DESCRIPTION	REV
	1001258753	Ref	PLATFORM CONSOLE INSTALLATION	B
1	1001258957	1	Decal - ES1932i/ES2632i/ES3246i	
2	1001258868	1	Platform Console Assembly	C
101	0140030	1	Alarm	
102	0700835	1	Bolt M8 x 180	
103	0760610	2	Bolt M6 x 20	
104	1600402	1	Controller Assembly (See Separate Breakdown in this Section)	
105	1703819	1	Decal - Arrow	
106	1704260	1	Decal - Emergency Stop	
107	3290405	6	Nut M4	
108	3290806	1	Nut M8	
109	3423278	1	Pin, Snap with Lanyard	
110	4031509	4	Capscrew M4 x 25	
111	4060803	6 in /14cm	Flex-Trim	
112	4060906	2	Guard, Switch	
113	4360345	2	Switch, Toggle	
114	4360475	1	Switch, Emergency Stop	
114	7020175	1	Cap	
114	7020176	1	Block, Contact	
115	4420062	12 in/ 30cm	Tape	
116	4460496	1	Washer, Terminal	
117	4460497	1	Nut, Terminal	
118	4711700	2	Washer 7/16	
119	4811400	2	Washer M4	
120	4811700	2	Washer M6	
121	4811900	2	Washer M8	
122	1001047064	2	Screw (Socket Head)	
123	1001130220	2	Nut, Tinnerman M6	
124	1001132358	1	Decal - Steer	
125	1001132361	1	Decal - Horn	
126	1001176626	1	Plug	
127	1001200819	1	Platform Control Box Harness (Not Shown) (See Separate Breakdown in ELECTRICAL SECTION)	
128	1001262655	1	Plate, Box (Inside)	
129	1001209596	1	Plate, Box (Outside)	
130	1001218285	1	Decal - Platform Control	
131	1001220893	1	Decal - Lift/Drive Function	
132	1001226749	1	Switch - Push Button	
133	1001228112	1	Module, Platform Control	

SECTION 4 - PLATFORM

FIGURE 4-9. DRIVE/STEER CONTROLLER ASSEMBLY



ART_1600402

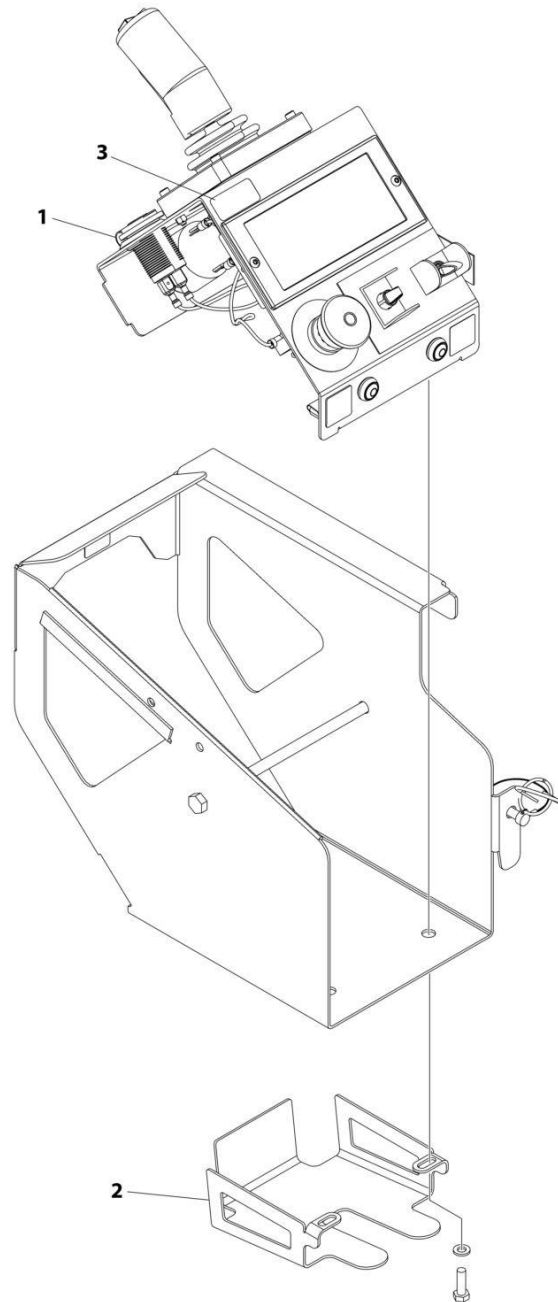
SECTION 4 - PLATFORM

FIGURE 4-9. DRIVE/STEER CONTROLLER ASSEMBLY

ITEM	PART NUMBER	QTY	DESCRIPTION	REV
	1600402	Ref	DRIVE/STEER CONTROLLER ASSEMBLY	A
1	70001250	1	Boot, Panel	
2	70001252	1	Gasket, Mounting	
2	70001251	1	Bezel, Mounting	
3	70003650	1	Handle Repair Kit (Includes handle gasket, item#4 push button and item #4 lever installed in front handle half, back handle half, top actuator, boot and hardware.)	
3	70000084	1	Cap, Rubber	
3	70000082	1	Microswitch	
3	7027766	1	Ring, Retaining	
3	7027365	1	Actuator, Handle	
3	70001253	1	Gasket, Handle	
3	70000683	4	Washer, Neoprene	
3	70000685	2	Spacer, Plastic	
3	70000686	2	Screw (Top)	
3	70000684	2	Screw (Bottom)	
4	7027367	1	Switch, Push Button	
4	7027765	1	Lever, Enable	

SECTION 4 - PLATFORM

FIGURE 4-10. USB/PHONE CRADLE INSTALLATION



ART_1001262150

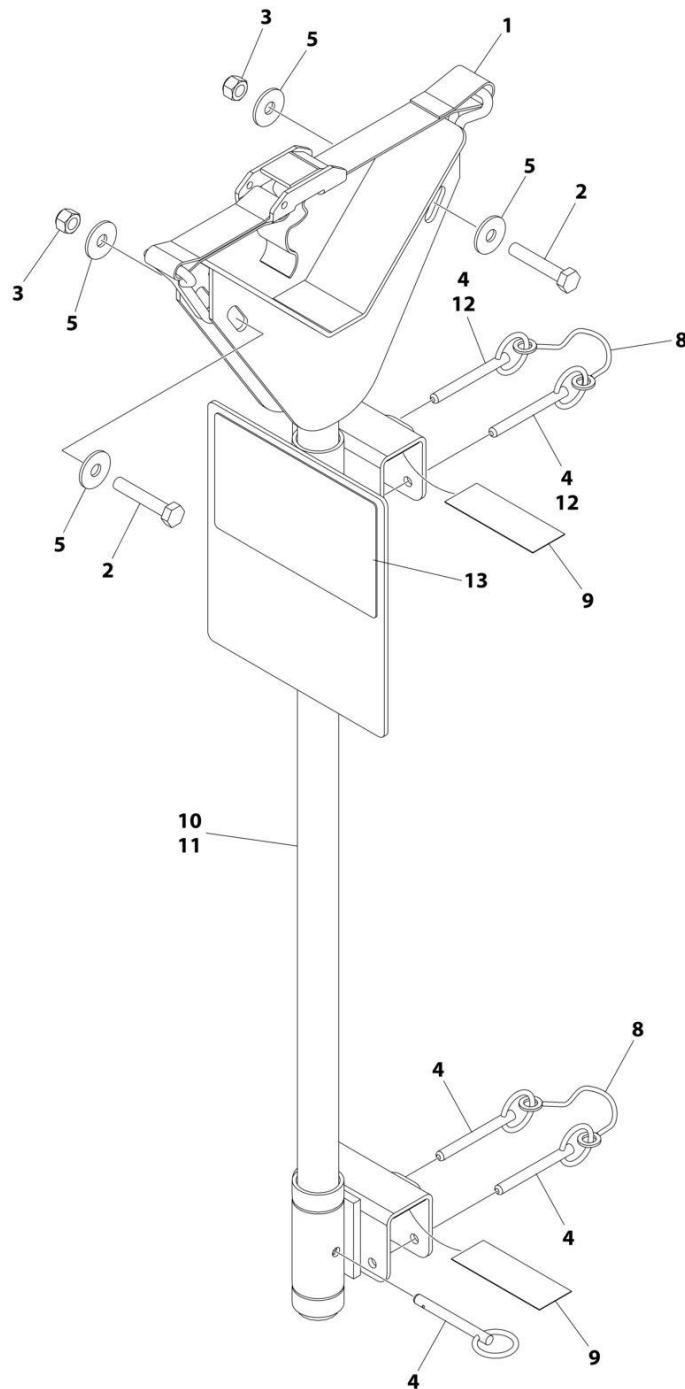
SECTION 4 - PLATFORM

FIGURE 4-10. USB/PHONE CRADLE INSTALLATION

ITEM	PART NUMBER	QTY	DESCRIPTION	REV
	1001262150	Ref	USB/PHONE CRADLE INSTALLATION	B
1	1001253800	1	Terminal, USB Receptacle	
2	1001261131	1	Bracket, Phone	
3	1001274168	1	Decal, USB Charge	

SECTION 4 - PLATFORM

FIGURE 4-11. PIPE RACKS INSTALLATION (OPTIONAL)



ART_1001214229_B

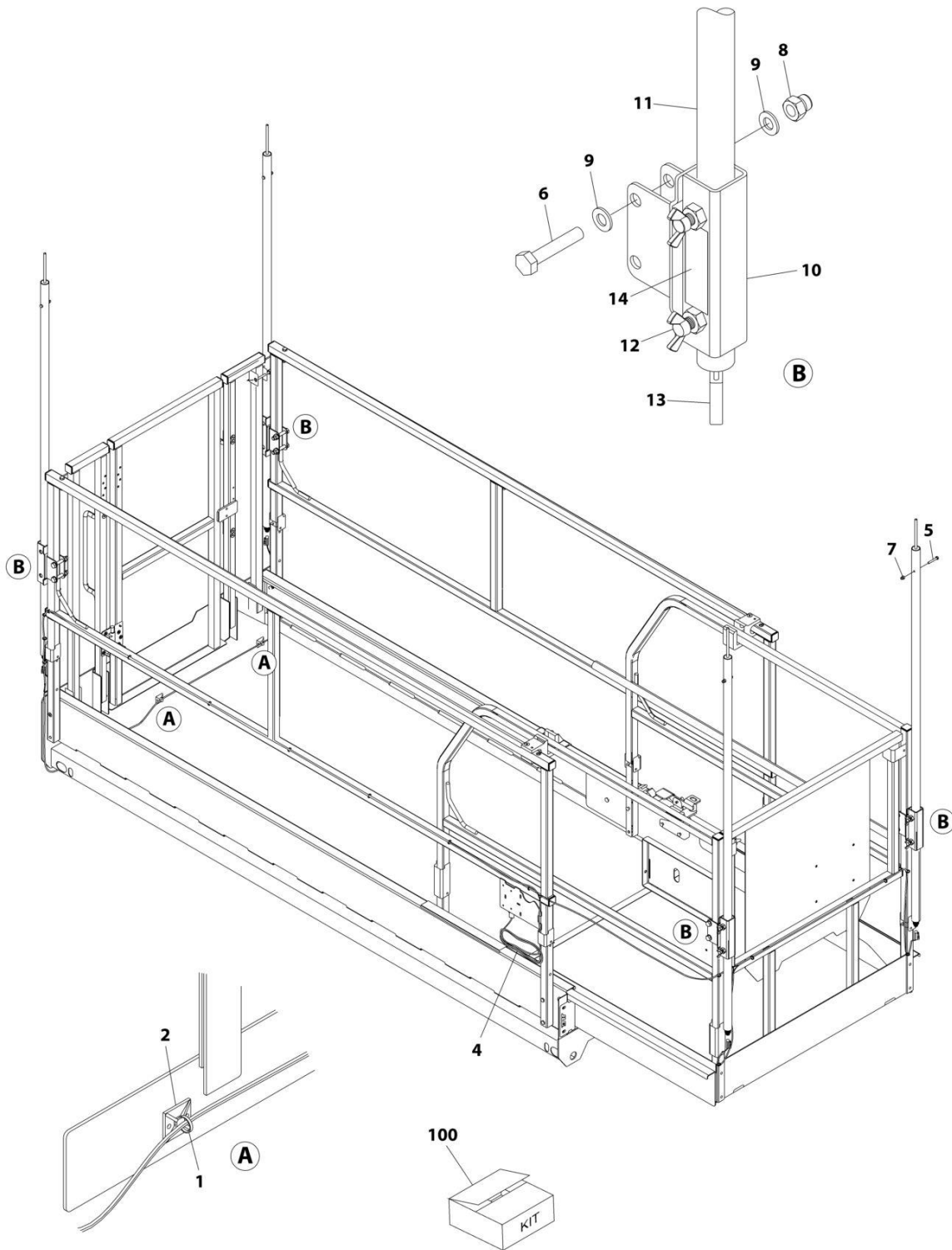
SECTION 4 - PLATFORM

FIGURE 4-11. PIPE RACKS INSTALLATION (OPTIONAL)

ITEM	PART NUMBER	QTY	DESCRIPTION	REV
	1001214229	Ref	PIPE RACKS INSTALLATION (SIDE BY SIDE RAILS) (OPTIONAL)	B
1	0480100	2	Strap	
2	0700817	4	Bolt M8 x 45	
3	3290805	4	Nut M8	
4	3422661	AR	Pin	
5	4811902	8	Washer M6	
8	1060379	4	Lanyard	
9	4420062	AR	Tape	
10	1001235498	1	Rack, Tube (Rear)	
11	1001235509	1	Rack, Tube (Front)	
12	1001235941	2	Pin	
13	1001236621	2	Decal - Pipe Rack Capacity	

SECTION 4 - PLATFORM

FIGURE 4-12. OVERHEAD PROTECTION INSTALLATION (KOREAN SPECS)



ART_1001226901

SECTION 4 - PLATFORM

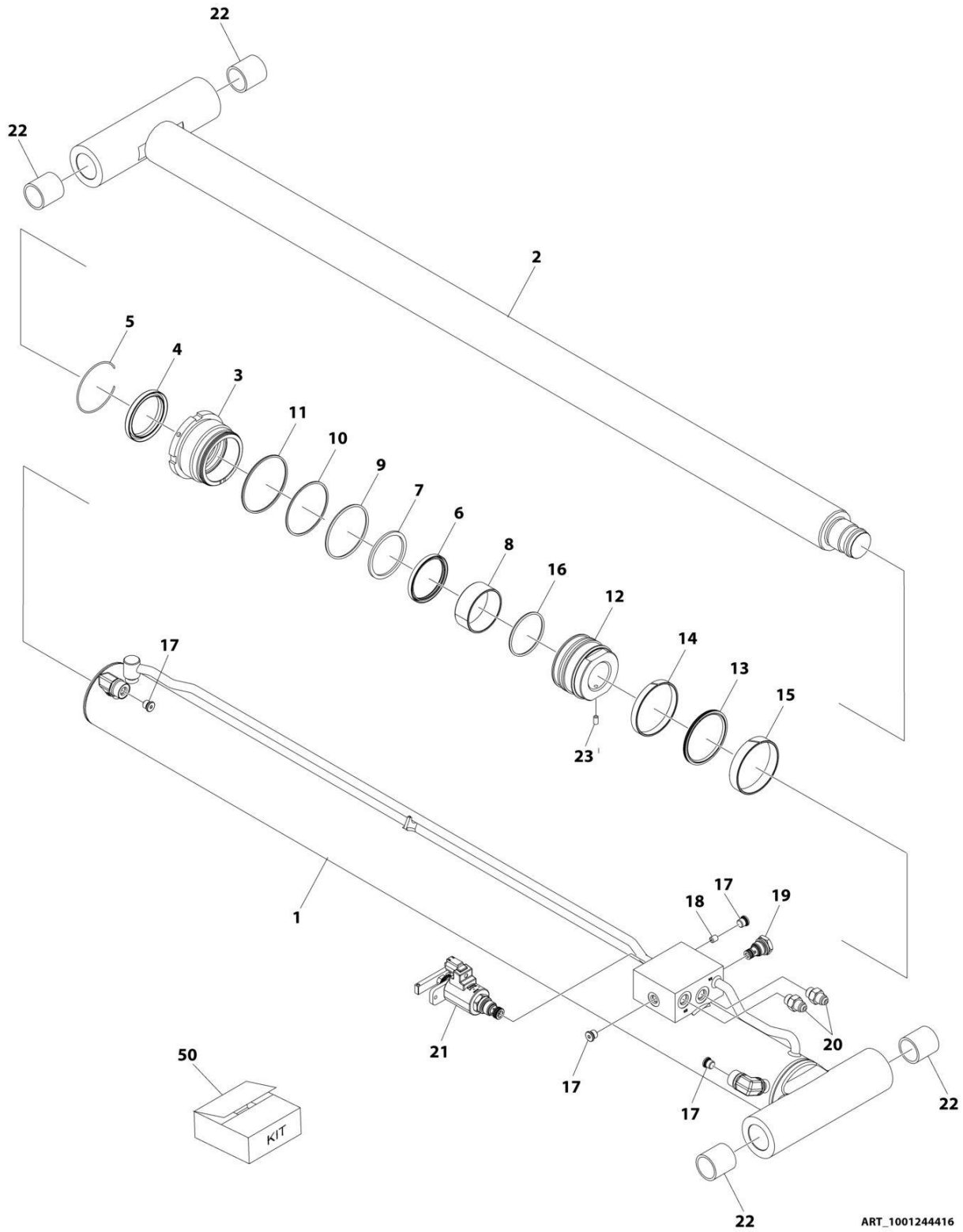
FIGURE 4-12. OVERHEAD PROTECTION INSTALLATION (KOREAN SPECS)

ITEM	PART NUMBER	QTY	DESCRIPTION	REV
	1001226901	Ref	OVERHEAD PROTECTION INSTALLATION (KOREAN SPECS)	A
1	4240017	AR	Tie-Strap	
2	4460234	2	Mount, Tie-Strap	
4	1001227728	1	Overhead Protection Harness	A
4	4460891	4	Plug, Male - 2 Position (X503-X506)	
4	4460465	8	Socket, Female	
4	4460536	1	Receptacle, Female - 3 Position (X507)	
4	4460464	2	Pin, Male	
4	4460466	1	Plug, Terminal	
5	0700616	4	Bolt M6 x 40	
6	0701019	8	Bolt M10 x 55	
7	3290606	4	Nut M6	
8	3291006	8	Nut M10	
9	4812000	16	Washer M10	
10	1001221275	4	Bracket	
11	1001221276	4	Tube	
12	1001222914	8	Thumb Screw	
13	1001226277	4	Switch, Overhead Protection	
14	1001228184	1	Decal - Overhaed Protection Weight	
100	1001221244	1	Overhead Protection Kit (Includes Items 5-14)	

SECTION 5 - CYLINDER

SECTION 5 - CYLINDER

FIGURE 5-1. LIFT CYLINDER ASSEMBLY



ART_1001244416

SECTION 5 - CYLINDER

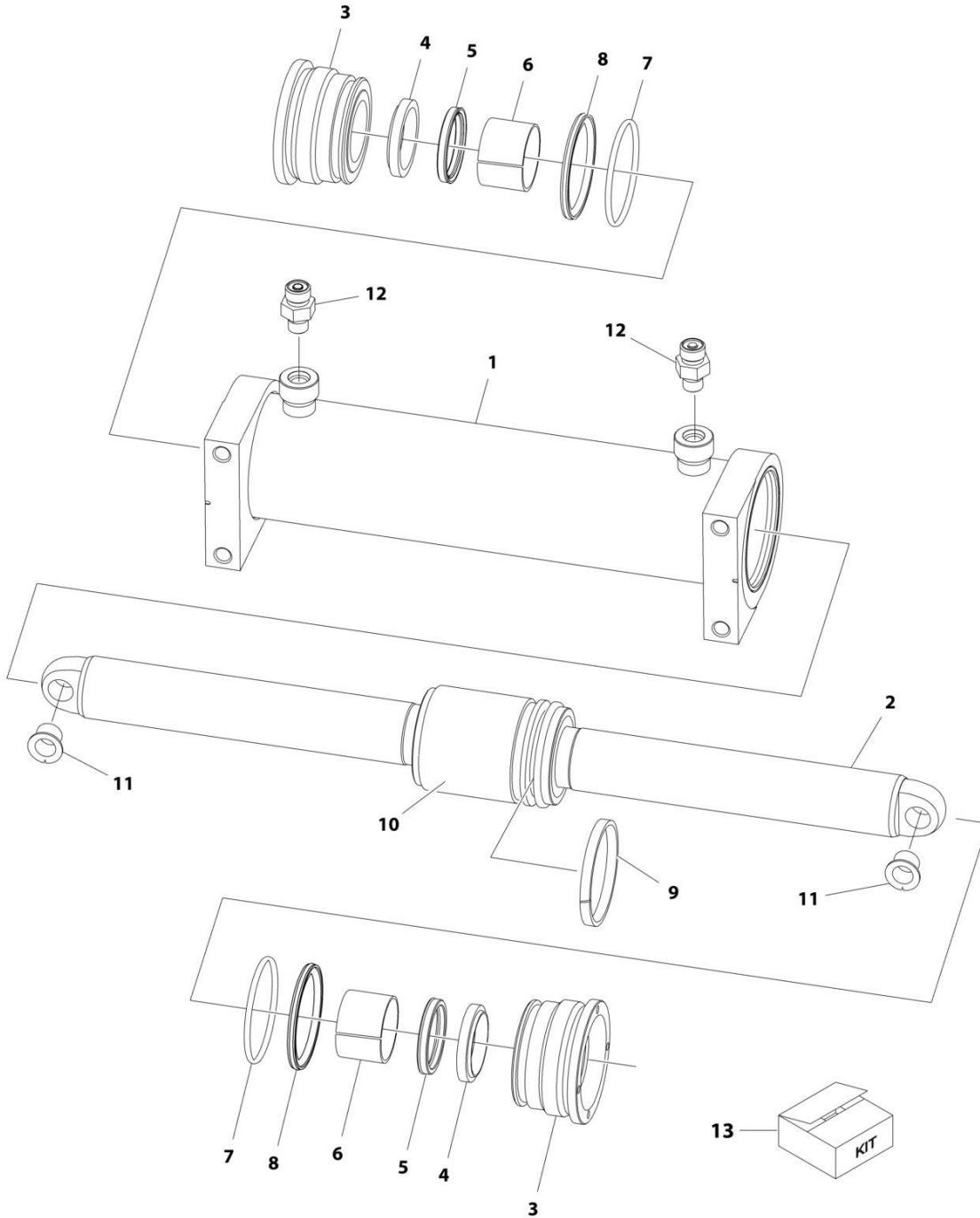
FIGURE 5-1. LIFT CYLINDER ASSEMBLY

ITEM	PART NUMBER	QTY	DESCRIPTION	REV
	1001244416	Ref	LIFT CYLINDER ASSEMBLY	D
		Ref	Note: Original Cylinder May Have Been Replaced with Service Replacement. Identify PN Stamped on Cylinder Before Ordering Parts.	
1	See Note	NSS	Barrel (Note: Purchase Complete Cylinder)	
2	70007101	1	Rod	
3	70007102	1	Head	
4	See Note	NSS	Wiper	
5	70027244	1	Ring, Retaining	
6	See Note	NSS	Seal	
7	See Note	NSS	Ring, Back-up	
8	70007103	1	Bearing	
9	See Note	NSS	O-Ring	
10	See Note	NSS	Ring, Back-up	
11	See Note	NSS	O-Ring	
12	70007104	1	Piston	
13	See Note	NSS	Seal, Piston	
14	See Note	NSS	Ring, Wear	
15	See Note	NSS	Ring, Wear	
16	See Note	NSS	O-Ring	
17	2220883	4	Plug	
18	70007055	1	Orifice	
19	70004585	1	Valve, Cartridge - Check	
20	2220371	1	Fitting, Straight - JIC/ORB	
21	70005236	1	Valve, Cartridge - Manual Descent (Includes Lever & Spring)	
22	0962006	4	Bearing	
23	70007105	1	Setscrew M6 x 12	
50	70007106	1	Seal Kit - 1001244416 Cylinder (Includes Items 4,,6,7, 9-11 & 13-16)	

SECTION 5 - CYLINDER

FIGURE 5-2. STEER CYLINDER ASSEMBLY

NOTE: IDENTIFY THE PART NUMBER STAMPED ON CYLINDER BEFORE ORDERING PARTS.



ART_1001179447

SECTION 5 - CYLINDER

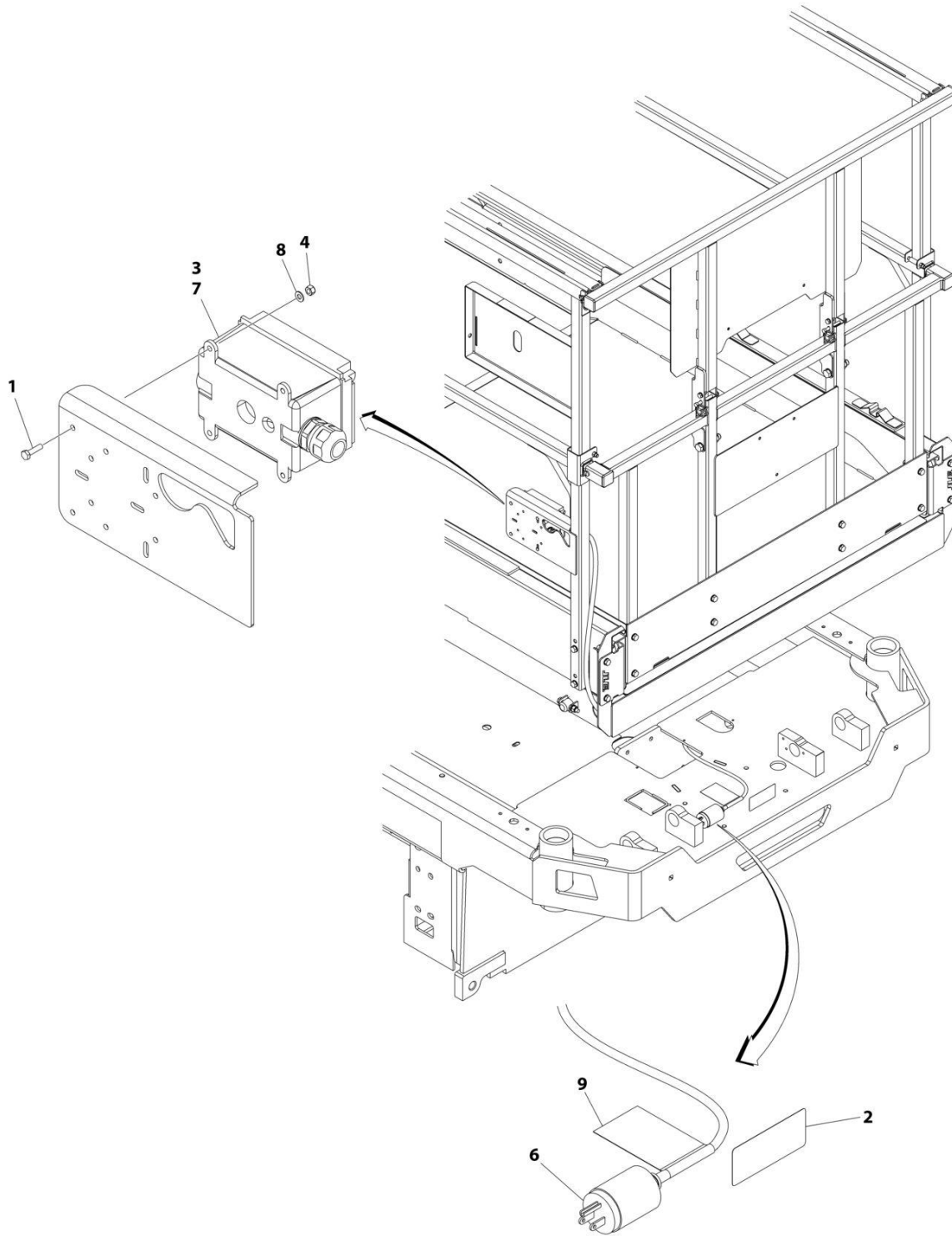
FIGURE 5-2. STEER CYLINDER ASSEMBLY

ITEM	PART NUMBER	QTY	DESCRIPTION	REV
	1001179447	Ref	STEER CYLINDER ASSEMBLY (SH-PAC)	A
		Ref	Note: Original Cylinder May Have Been Replaced with Service Replacement. Identify PN Stamped on Cylinder Before Ordering Parts.	
1	70005421	1	Barrel	
2	70005420	1	Rod	
3	70004241	2	Head	
4	See Note	NSS	Wiper (Note: Use Item 13)	
5	See Note	NSS	Seal, Rod (Note: Use Item 13)	
6	See Note	NSS	Ring, Wear (Note: Use Item 13)	
7	See Note	NSS	O-Ring (Note: Use Item 13)	
8	See Note	NSS	Ring, Back-up (Note: Use Item 13)	
9	See Note	NSS	Seal, Piston (Note: Use Item 13)	
10	70005419	1	Spacer	
11	0440259	2	Bearing, Flange	
12	2110404	2	Fitting, Straight ORFS/ORB	
13	70004239	1	Seal Kit - 1001179447 Cylinder (Includes Items 4-9)	

SECTION 6 - ELECTRICAL

SECTION 6 - ELECTRICAL

FIGURE 6-1. AC BOX AT PLATFORM INSTALLATION - 110V GFI (ALL SPECS EXCEPT AUSTRALIAN & CE SPECS)



ART_1001237400

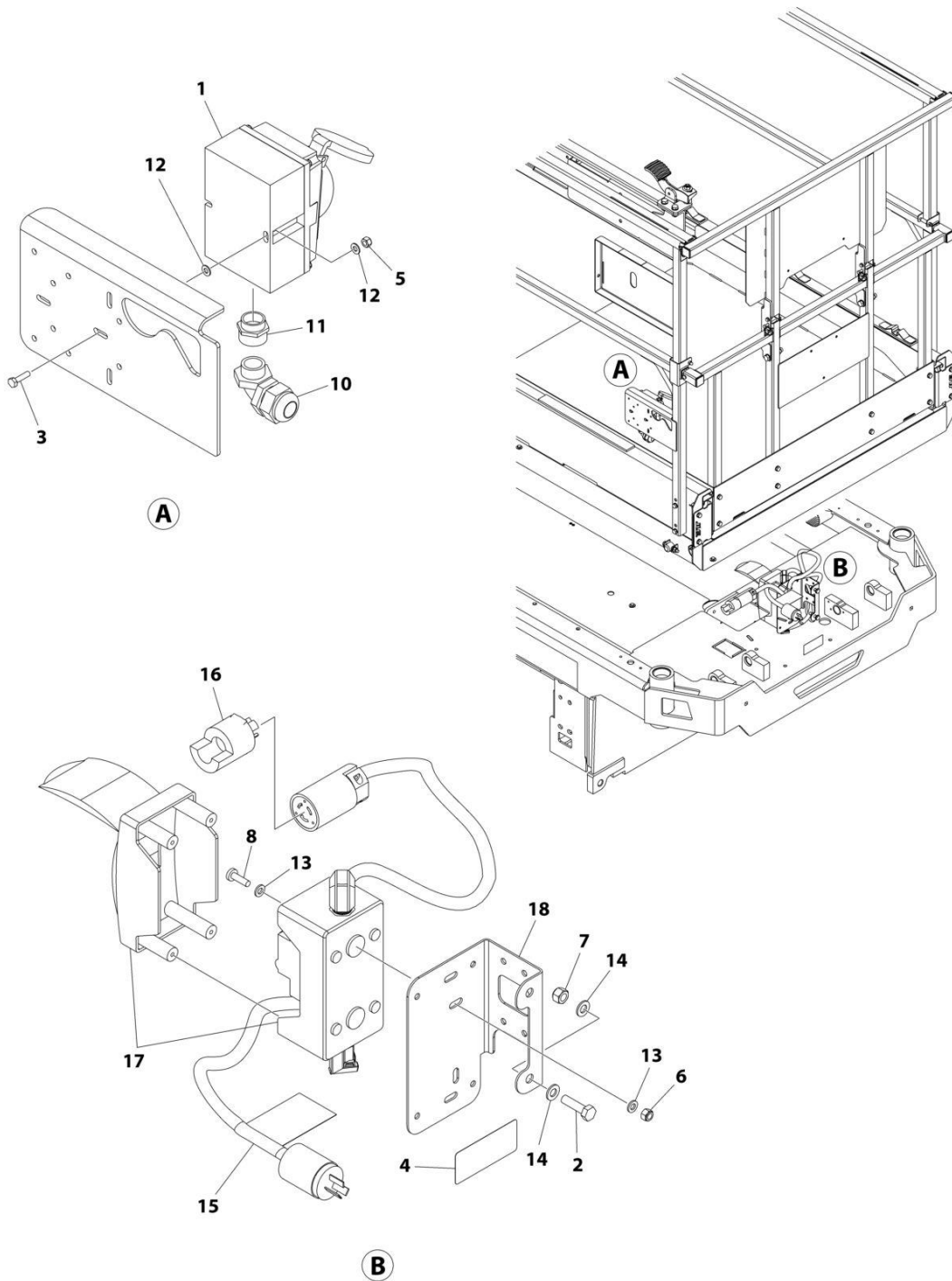
SECTION 6 - ELECTRICAL

FIGURE 6-1. AC BOX AT PLATFORM INSTALLATION - 110V GFI (ALL SPECS EXCEPT AUSTRALIAN & CE SPECS)

ITEM	PART NUMBER	QTY	DESCRIPTION	REV
	1001237400	Ref	AC BOX AT PLATFORM INSTALLATION - 110V GFI	C
1	0760408	4	Bolt M4 x 16	
2	1703464	1	Decal - AC Power	
3	2902431	1	Receptacle Box Kit (See Separate Breakdown in this Section)	
4	3290405	4	Nut M4	
5	4240017	AR	Tie-Strap (Not Shown)	
6	4460138	1	Plug, Male - AC	
7	4460315	1	Terminal	
8	4811400	4	Washer M4	
9	1001102258	1	Decal - AC Label	

SECTION 6 - ELECTRICAL

FIGURE 6-2. AC BOX AT PLATFORM INSTALLATION - 110V IEC YELLOW (CE SPECS)



ART_1001238133

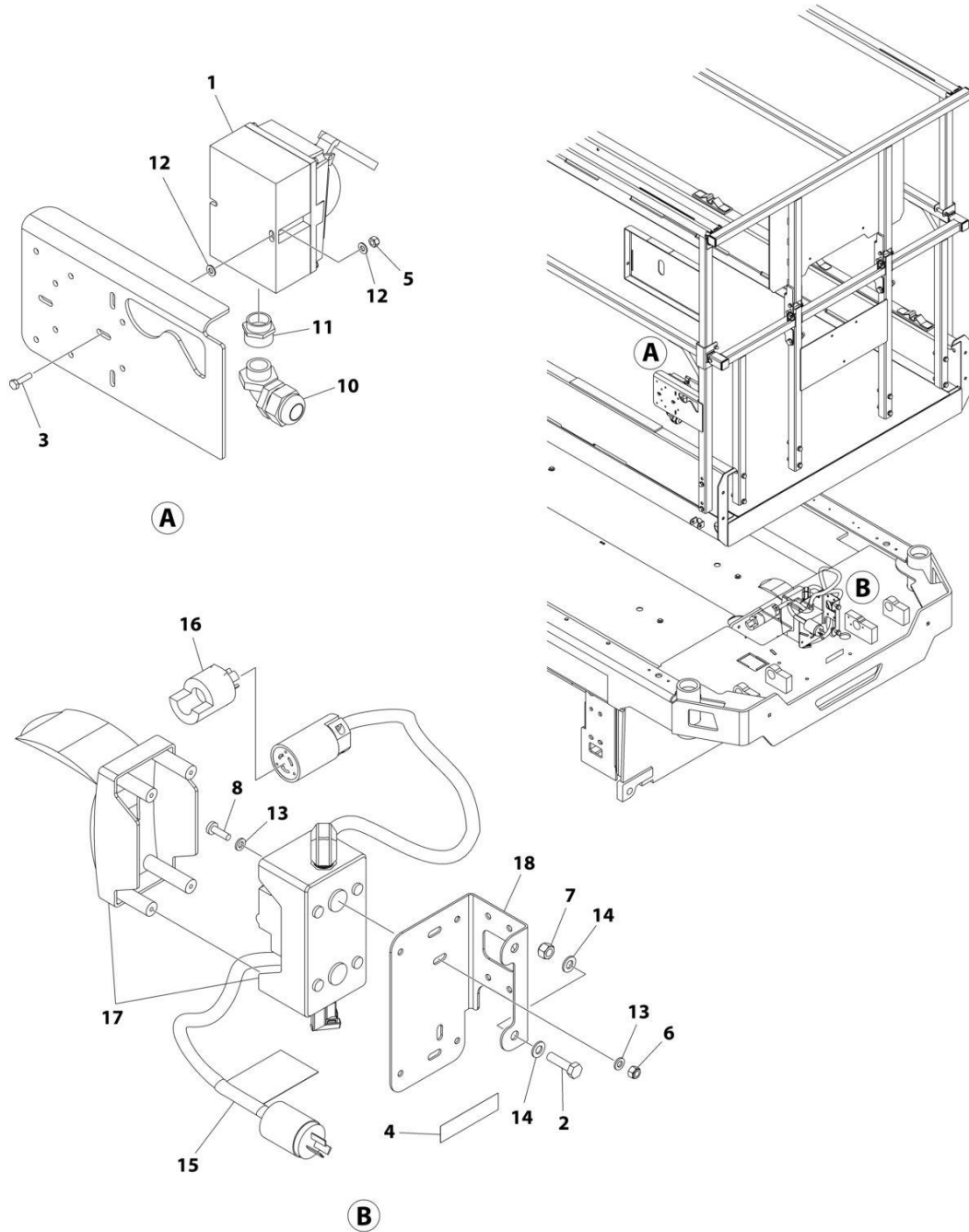
SECTION 6 - ELECTRICAL

FIGURE 6-2. AC BOX AT PLATFORM INSTALLATION - 110V IEC YELLOW (CE SPECS)

ITEM	PART NUMBER	QTY	DESCRIPTION	REV
	1001238133	Ref	AC BOX AT PLATFORM INSTALLATION - 110V IEC YELLOW	B
1	0275216	1	Receptacle Box Kit - 110V IEC Yellow (See Separate Breakdown in this Section)	
2	0700814	2	Bolt M8 x 30	
3	0760408	2	Bolt M4 x 16	
4	1703464	1	Decal - AC Power	
5	3290405	2	Nut M4	
6	3290605	2	Nut M6	
7	3290805	2	Nut M8	
8	4010610	2	Screw M6 x 20	
9	4240017	AR	Tie-Strap (Not Shown)	
10	4461257	1	Connector, Strain Relief	
11	4461258	1	Connector, Adapter	
12	4811400	4	Washer M4	
13	4811700	4	Washer M6	
14	4811900	4	Washer M8	
15	1001102258	1	Decal - AC Label	
16	1001120204	1	Plug, Male Twist	
17	1001209776	1	Breaker Box Kit (See Separate Breakdown in this Section)	
18	1001238198	1	Bracket	

SECTION 6 - ELECTRICAL

FIGURE 6-3. AC BOX AT PLATFORM INSTALLATION - 220V IEC BLUE (CE SPECS)



ART_1001238134

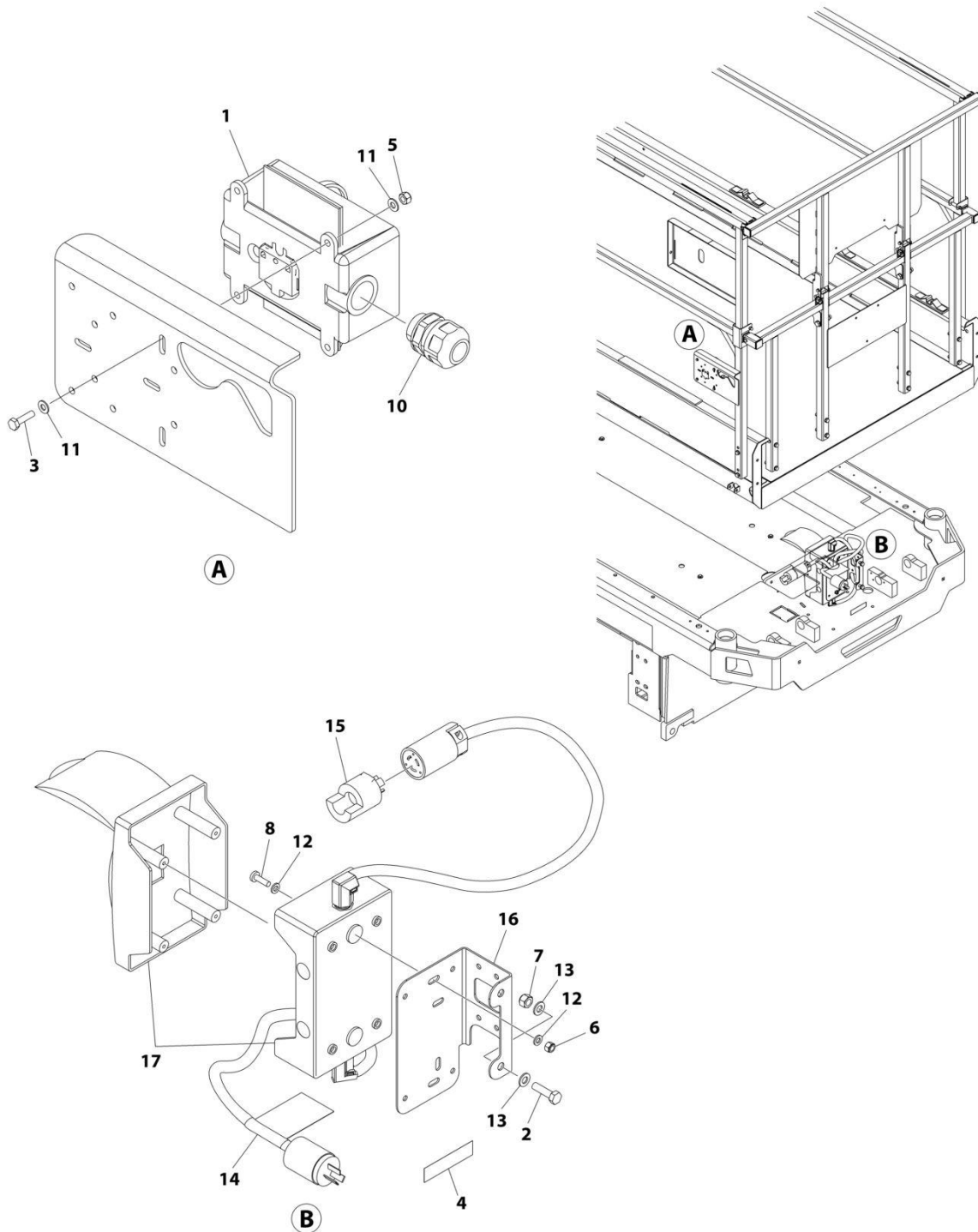
SECTION 6 - ELECTRICAL

FIGURE 6-3. AC BOX AT PLATFORM INSTALLATION - 220V IEC BLUE (CE SPECS)

ITEM	PART NUMBER	QTY	DESCRIPTION	REV
	1001238134	Ref	AC BOX AT PLATFORM INSTALLATION - 220V IEC BLUE	A
1	0275217	1	Receptacle Box Kit - 220V IEC Blue (See Separate Breakdown in this Section)	
2	0700814	2	Bolt M8 x 30	
3	0760408	2	Bolt M4 x 16	
4	3252507	1	Decal - AC Power	
5	3290405	2	Nut M4	
6	3290605	2	Nut M6	
7	3290805	2	Nut M8	
8	4010610	2	Screw M6 x 20	
9	4240017	AR	Tie-Strap (Not Shown)	
10	4461257	1	Connector, Strain Relief	
11	4461258	1	Connector, Adapter	
12	4811400	4	Washer M4	
13	4811700	4	Washer M6	
14	4811900	4	Washer M8	
15	1001102258	1	Decal - AC Label	
16	1001120204	1	Plug, Male Twist	
17	1001209776	1	Breaker Box Kit (See Separate Breakdown in this Section)	
18	1001238198	1	Bracket	

SECTION 6 - ELECTRICAL

FIGURE 6-4. AC BOX AT PLATFORM INSTALLATION - 220V CEE7 POST GROUND (CE SPECS)



ART_1001238130

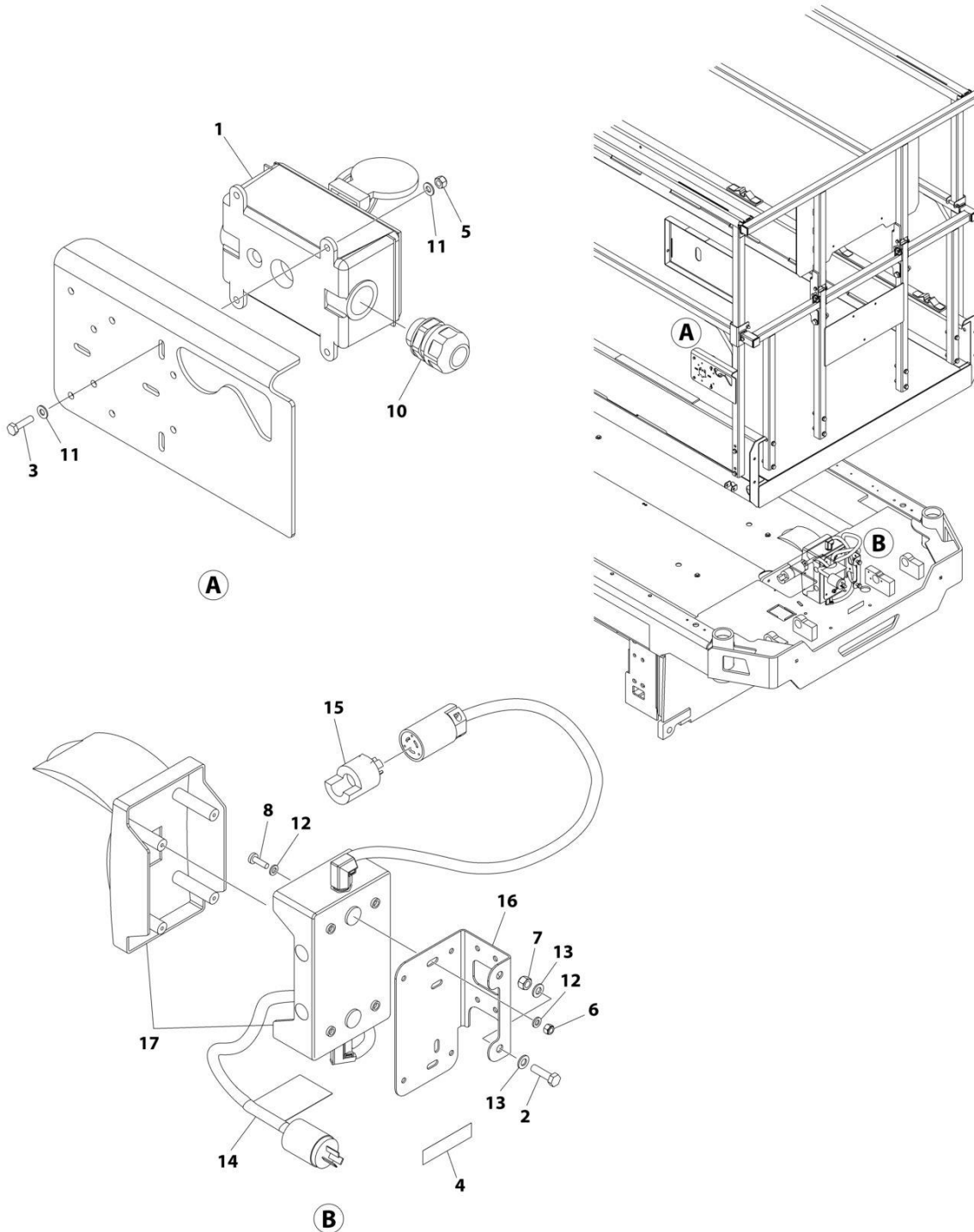
SECTION 6 - ELECTRICAL

FIGURE 6-4. AC BOX AT PLATFORM INSTALLATION - 220V CEE7 POST GROUND (CE SPECS)

ITEM	PART NUMBER	QTY	DESCRIPTION	REV
	1001238130	Ref	AC BOX AT PLATFORM INSTALLATION - 220V CEE7 POST GROUND	B
1	0275452	1	Receptacle Box Kit - 220V CEE7 Post Ground (See Separate Breakdown in this Section)	
2	0700814	2	Screw M8 x 30	
3	0760408	4	Bolt M4 x 16	
4	3252507	1	Decal - AC Power	
5	3290405	4	Nut M4	
6	3290605	2	Nut M6	
7	3290805	2	Nut M8	
8	4010610	2	Screw M6 x 20	
9	4240017	AR	Tie-Strap (Not Shown)	
10	4460662	1	Connector, Strain Relief	
11	4811400	8	Washer M4	
12	4811700	4	Washer M6	
13	4811900	4	Washer M8	
14	1001102258	1	Decal - AC Label	
15	1001120204	1	Plug, Male Twist	
16	1001238198	1	Bracket	
17	1001209482	1	Breaker Box Kit (See Separate Breakdown in this Section)	

SECTION 6 - ELECTRICAL

FIGURE 6-5. AC BOX AT PLATFORM INSTALLATION - 220V CEE7 SIDE GROUND (CE SPECS)



ART_1001238131

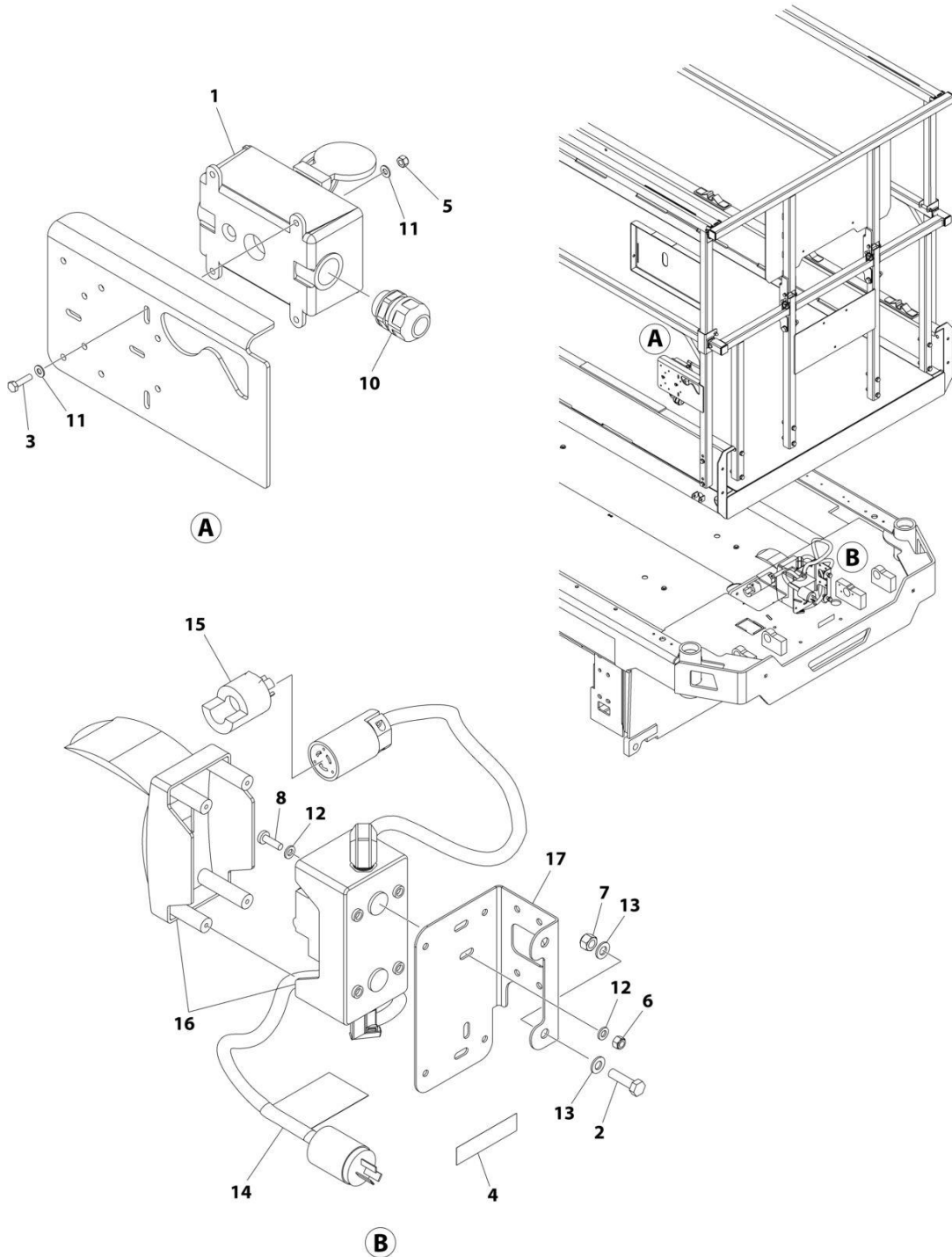
SECTION 6 - ELECTRICAL

FIGURE 6-5. AC BOX AT PLATFORM INSTALLATION - 220V CEE7 SIDE GROUND (CE SPECS)

ITEM	PART NUMBER	QTY	DESCRIPTION	REV
	1001238131	Ref	AC BOX AT PLATFORM INSTALLATION - 220V CEE7 SIDE GROUND	B
1	0275453	1	Receptacle Box Kit - 220V CEE7 Side Ground (See Separate Breakdown in this Section)	
2	0700814	2	Bolt M8 x 30	
3	0760408	4	Bolt M4 x 16	
4	3252507	1	Decal - AC Power	
5	3290405	4	Nut M4	
6	3290605	2	Nut M6	
7	3290805	2	Nut M8	
8	4010610	2	Screw M6 x 20	
9	4240017	AR	Tie-Strap (Not Shown)	
10	4460662	1	Connector, Strain Relief	
11	4811400	8	Washer M4	
12	4811700	4	Washer M6	
13	4811900	4	Washer M8	
14	1001102258	1	Decal - AC Label	
15	1001120204	1	Plug, Male Twist	
16	1001238198	1	Bracket	
17	1001209482	1	Breaker Box Kit (See Separate Breakdown in this Section)	

SECTION 6 - ELECTRICAL

FIGURE 6-6. AC BOX AT PLATFORM INSTALLATION - 220V AFSINT 107 (CE SPECS)



ART_1001238132

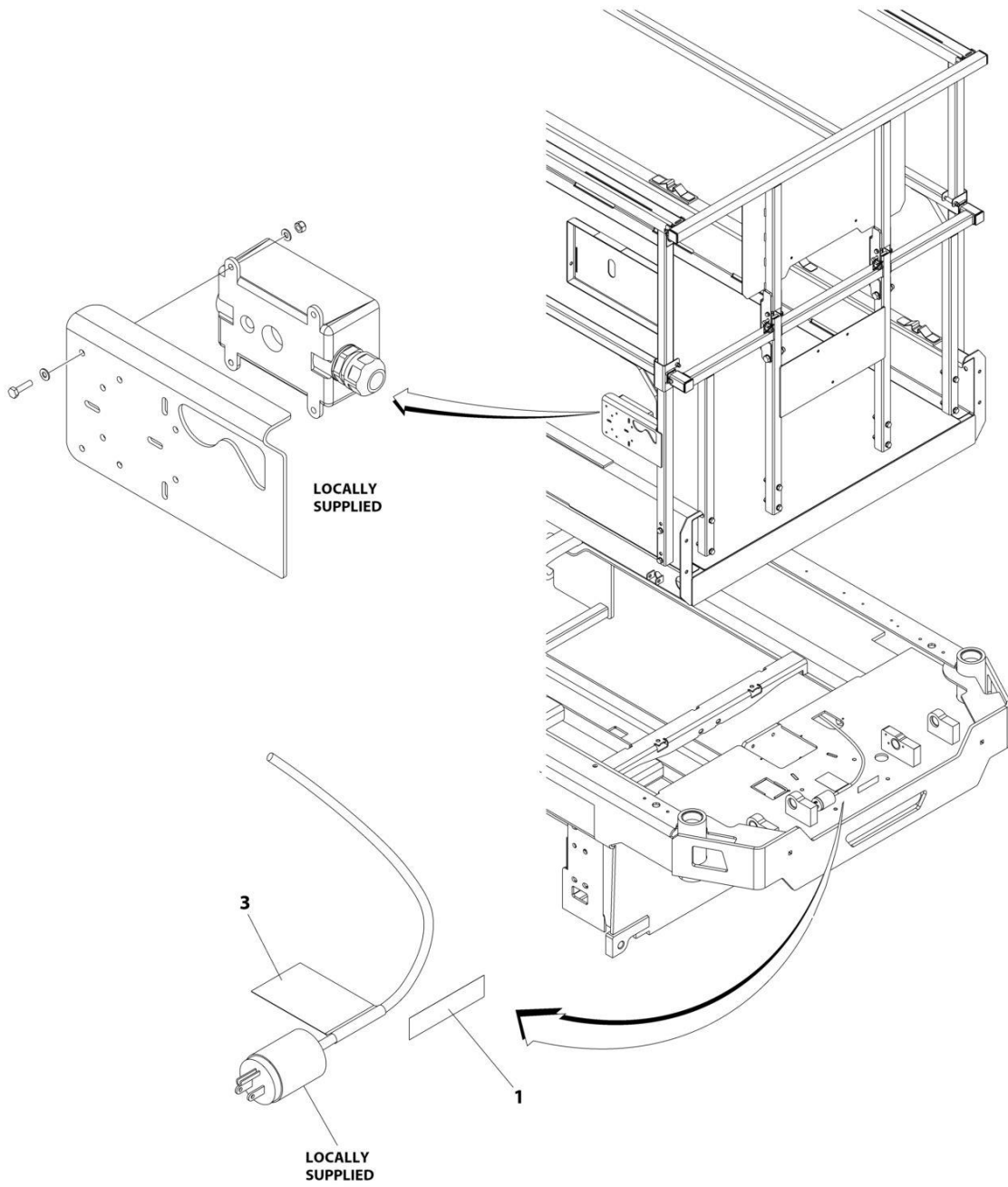
SECTION 6 - ELECTRICAL

FIGURE 6-6. AC BOX AT PLATFORM INSTALLATION - 220V AFSINT 107 (CE SPECS)

ITEM	PART NUMBER	QTY	DESCRIPTION	REV
	1001238132	Ref	AC BOX AT PLATFORM INSTALLATION - 220V AFSINT 107	B
1	0275454	1	Receptacle Box Kit - 220V AFSINT 107 (See Separate Breakdown in this Section)	
2	0700814	2	Bolt M8 x 30	
3	0760408	4	Bolt M4 x 16	
4	3252507	1	Decal - AC Power	
5	3290405	4	Nut M4	
6	3290605	2	Nut M6	
7	3290805	2	Nut M8	
8	4010610	2	Screw M6 x 20	
9	4240017	AR	Tie-Strap (Not Shown)	
10	4460662	1	Connector, Strain Relief	
11	4811400	8	Washer M4	
12	4811700	4	Washer M6	
13	4811900	4	Washer M8	
14	1001102258	1	Decal - AC Label	
15	1001120204	1	Plug, Male Twist	
16	1001209776	1	Breaker Box Kit (See Separate Breakdown in this Section)	
17	1001238198	1	Bracket	

SECTION 6 - ELECTRICAL

FIGURE 6-7. AC BOX AT PLATFORM INSTALLATION - 220V LOCALLY SUPPLIED



ART_1001237401

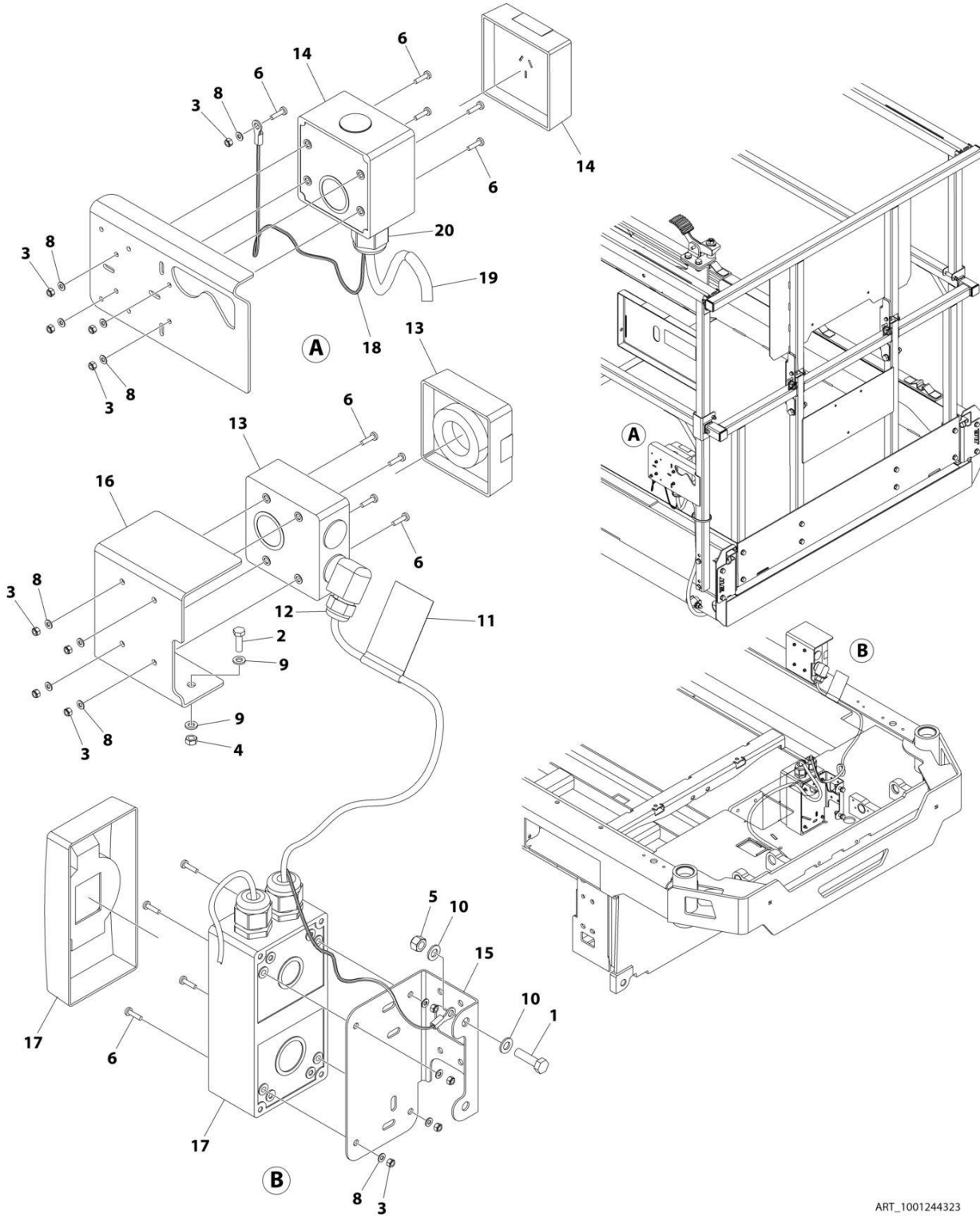
SECTION 6 - ELECTRICAL

FIGURE 6-7. AC BOX AT PLATFORM INSTALLATION - 220V LOCALLY SUPPLIED

ITEM	PART NUMBER	QTY	DESCRIPTION	REV
	1001237401	Ref	AC BOX AT PLATFORM INSTALLATION - 220V LOCALLY SUPPLIED COMPONENTS (ALL SPECS)	C
1	3252507	1	Decal - 220 Volt	
2	4240017	AR	Tie-Strap (Not Shown)	
3	1001102258	1	Decal - AC Label	

SECTION 6 - ELECTRICAL

FIGURE 6-8. AC BOX AT PLATFORM INSTALLATION - 220V (AUSTRALIAN SPECS)



ART_1001244323

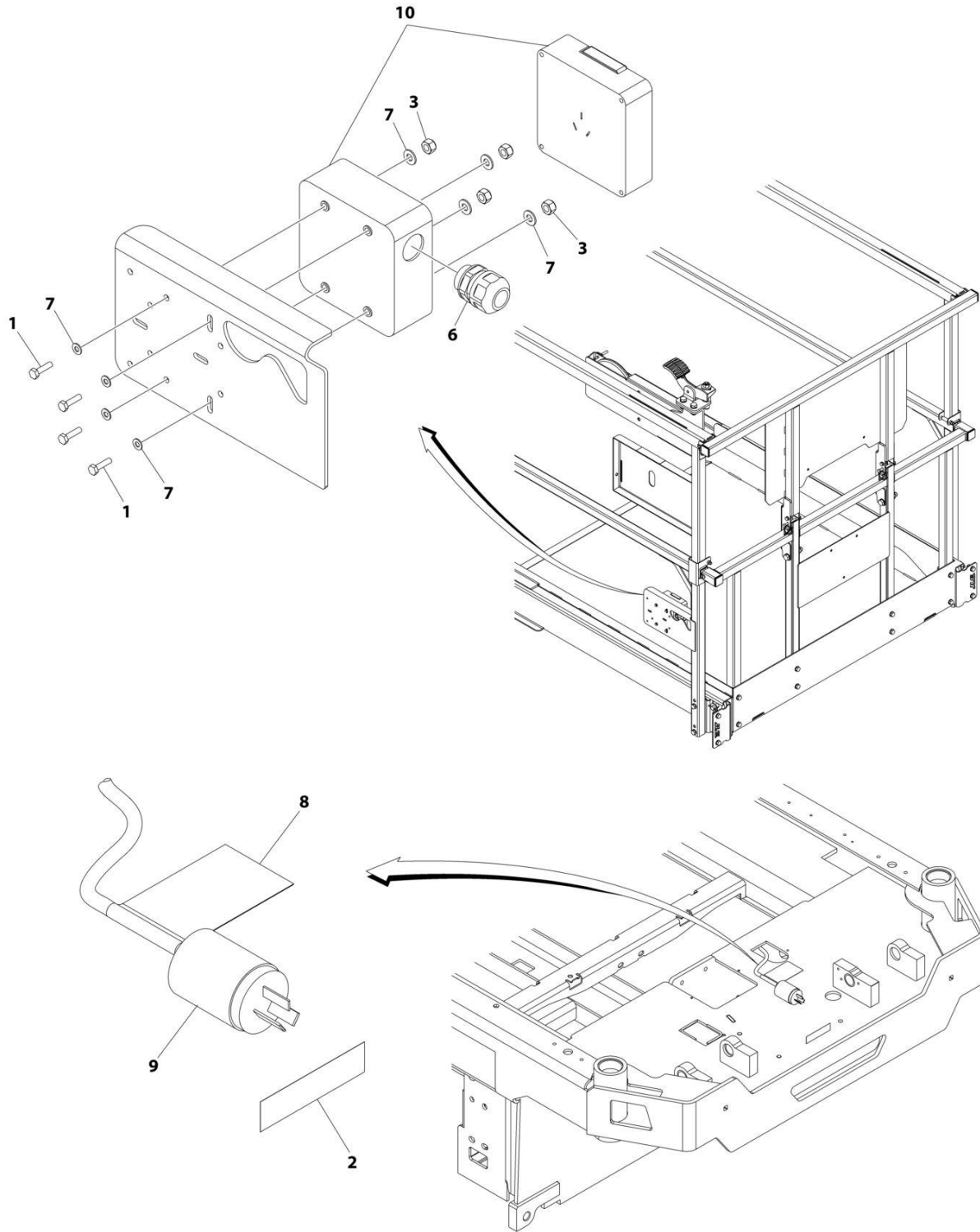
SECTION 6 - ELECTRICAL

FIGURE 6-8. AC BOX AT PLATFORM INSTALLATION - 220V (AUSTRALIAN SPECS)

ITEM	PART NUMBER	QTY	DESCRIPTION	REV
	1001244323	Ref	AC BOX AT PLATFORM INSTALLATION - 220V (AUSTRALIAN SPECS)	B
1	0700814	2	Bolt M8 x 30	
2	0760610	2	Bolt M6 x 20	
3	3290405	13	Nut M4	
4	3290601	2	Nut M6	
5	3290805	2	Nut M8	
6	4010408	13	Screw M4 x 16	
7	4240017	AR	Tie-Strap (Not Shown)	
8	4811400	13	Washer M4	
9	4811700	4	Washer M6	
10	4811900	4	Washer M8	
11	1001102258	1	Decal - AC Label	
12	1001103471	1	Connector Strain Relief 90	
13	1001227267	1	Receptacle Australian - 230V	
14	1001227268	1	Receptacle Australian - 230V	
15	1001238198	1	Bracket	
16	1001244900	1	Bracket	
17	1001245739	1	Box and Breaker Electrical Assembly (See Separate Breakdown in this Section)	
18	1001245744	1	Earth/Ground Link Harness	
19	1001245747	1	Conduit	
20	1001097150	1	Terminal	

SECTION 6 - ELECTRICAL

FIGURE 6-9. AC BOX AT PLATFORM INSTALLATION - 220V CHINA PLUG (CHINA SPECS)



ART_1001238135

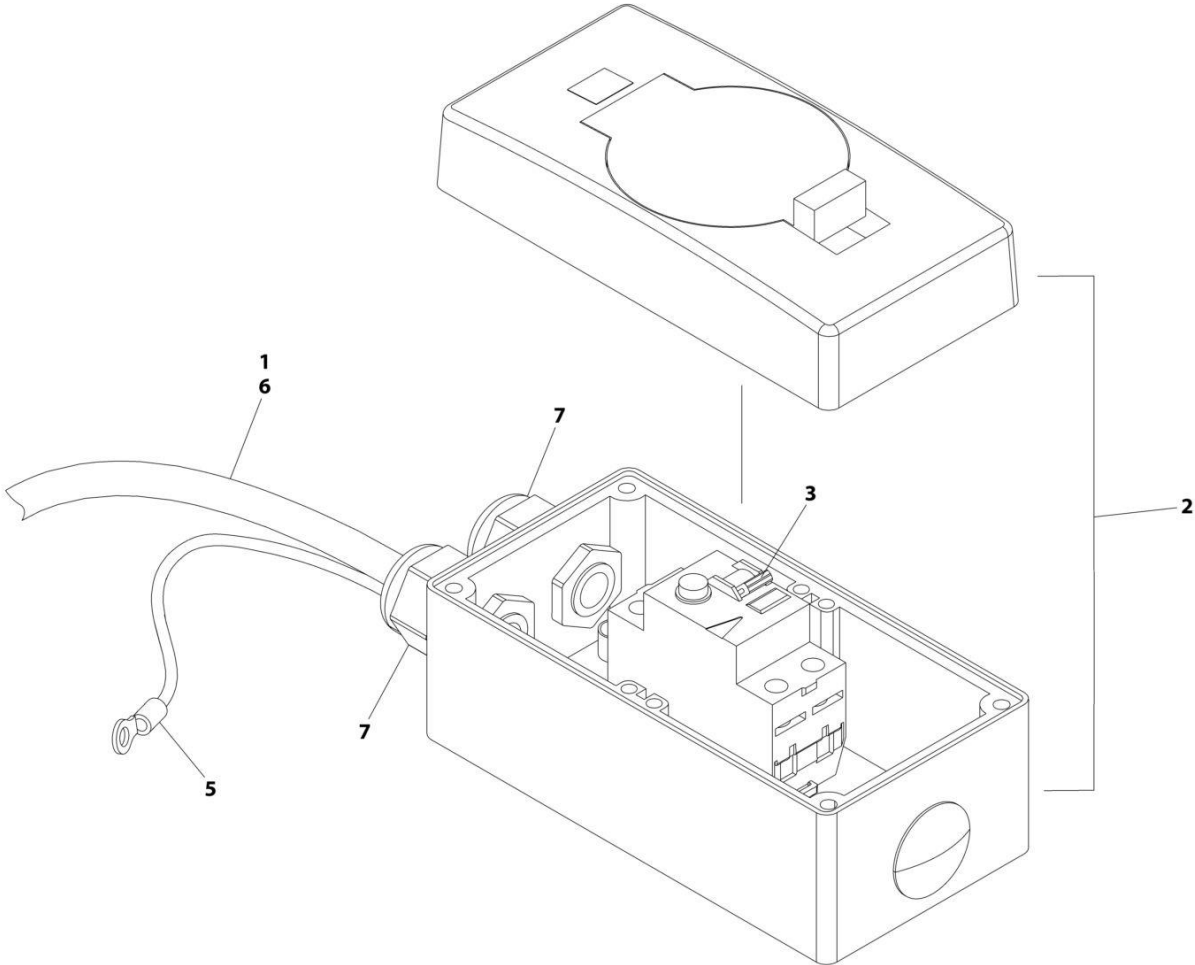
SECTION 6 - ELECTRICAL

FIGURE 6-9. AC BOX AT PLATFORM INSTALLATION - 220V CHINA PLUG (CHINA SPECS)

ITEM	PART NUMBER	QTY	DESCRIPTION	REV
	1001238135	Ref	AC BOX AT PLATFORM INSTALLATION - 220V CHINA PLUG (CHINA SPECS)	A
1	0760408	4	Bolt M4 x 16	
2	3252507	1	Decal - 220 Volt	
3	3290405	4	Nut M4	
4	4240017	AR	Tie-Strap (Not Shown)	
5	4460315	1	Terminal (Not Shown)	
6	4460968	1	Connector, Strain Relief	
7	4811400	8	Washer M4	
8	1001102258	1	Decal - AC Label	
9	1001187816	1	Plug	
10	1001188116	1	Box	

SECTION 6 - ELECTRICAL

FIGURE 6-10. BREAKER BOX KIT (AUSTRALIAN SPEC)



ART_1001245739

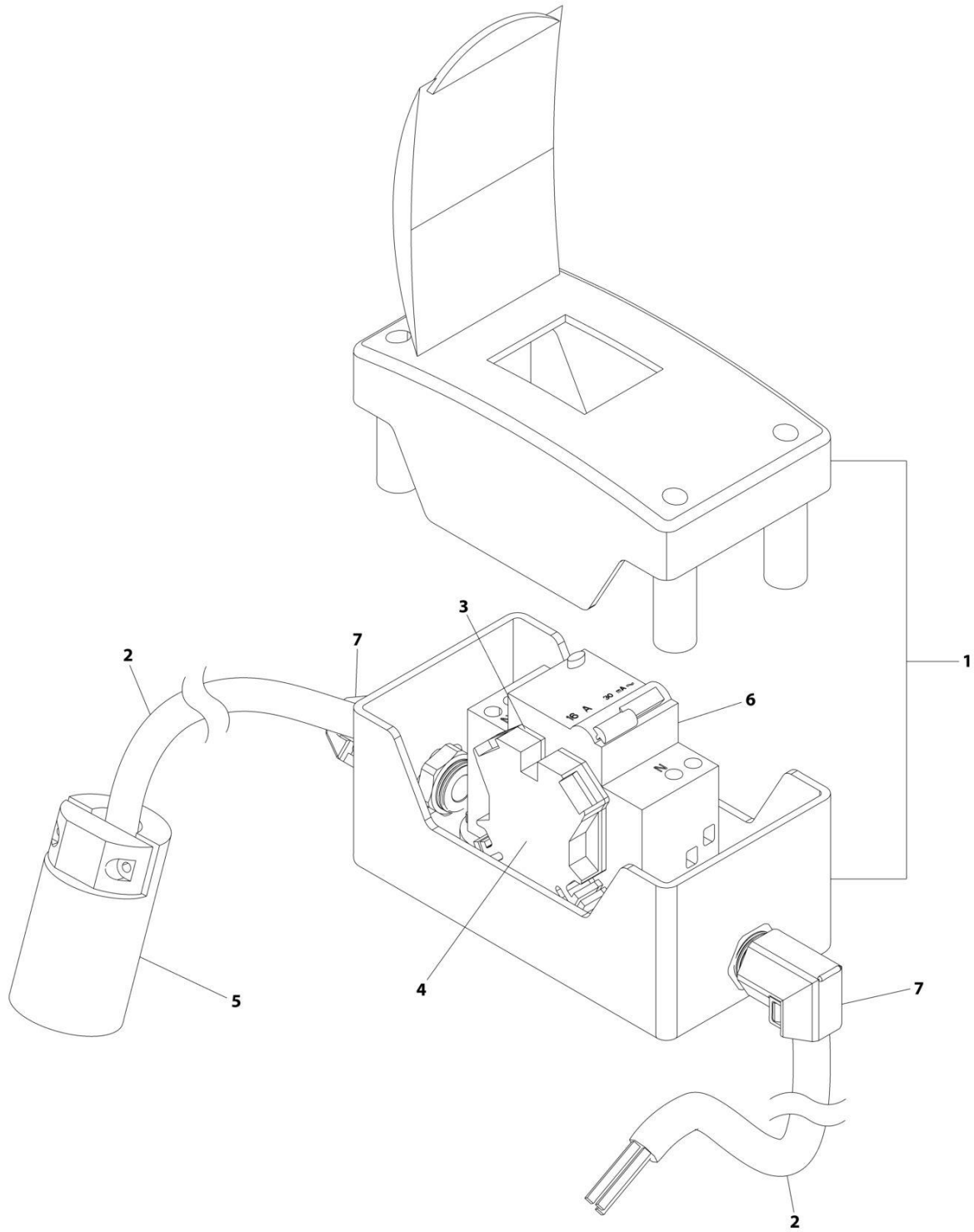
SECTION 6 - ELECTRICAL

FIGURE 6-10. BREAKER BOX KIT (AUSTRALIAN SPEC)

ITEM	PART NUMBER	QTY	DESCRIPTION	REV
1	1001245739	Ref	BREAKER BOX KIT	B
	1060908	825 mm/ 32.5in	Cable	
2	1001227269	1	Enclosure	
3	1001228191	1	Breaker	
4	1001245743	1	Terminal (Not Shown)	
5	1001245744	1	Earth/Ground Link Harness	
6	1001125927	1	Conduit	
7	1001097150	2	Connector	

SECTION 6 - ELECTRICAL

FIGURE 6-11. BREAKER BOX KIT WITH 1 DOUBLE BREAKER (CE SPECS)



ART_1001209776

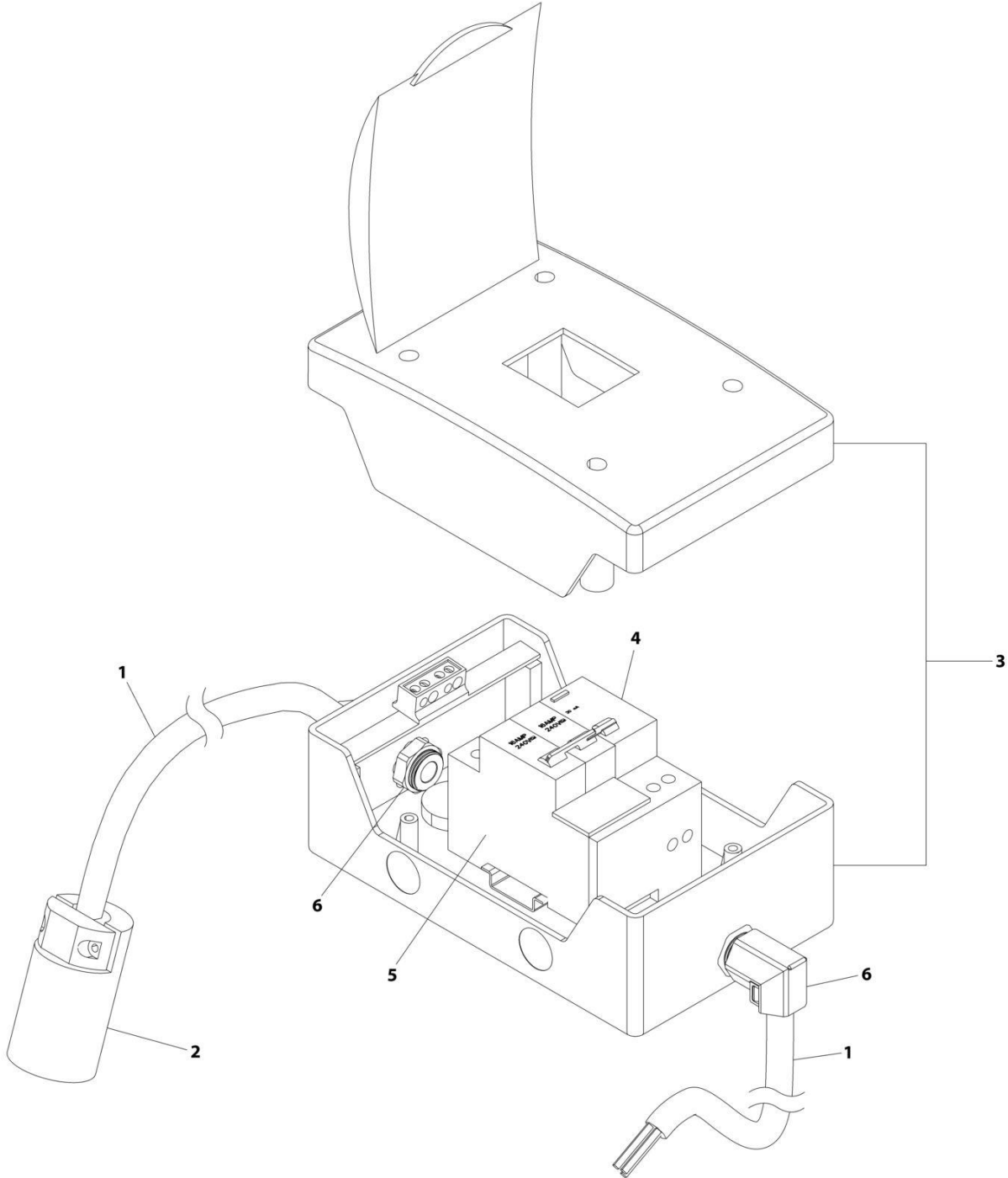
SECTION 6 - ELECTRICAL

FIGURE 6-11. BREAKER BOX KIT WITH 1 DOUBLE BREAKER (CE SPECS)

ITEM	PART NUMBER	QTY	DESCRIPTION	REV
	1001209776	Ref	BREAKER BOX KIT WITH 1 DOUBLE BREAKER	F
1	0861880	1	Box	
2	1060908	126 in /3.2m	Cable, 12/3	
3	4460956	1	Barrier, Terminal	
4	4460957	1	Block, Terminal	
5	1001120205	1	Connector, Female Twist	
6	1001181045	1	Breaker 30mAmp/16 Amp	
7	1001217164	2	Connector, Strain Relief 90	

SECTION 6 - ELECTRICAL

FIGURE 6-12. BREAKER BOX KIT WITH 3 BREAKERS (CE SPECS)



ART_1001209482

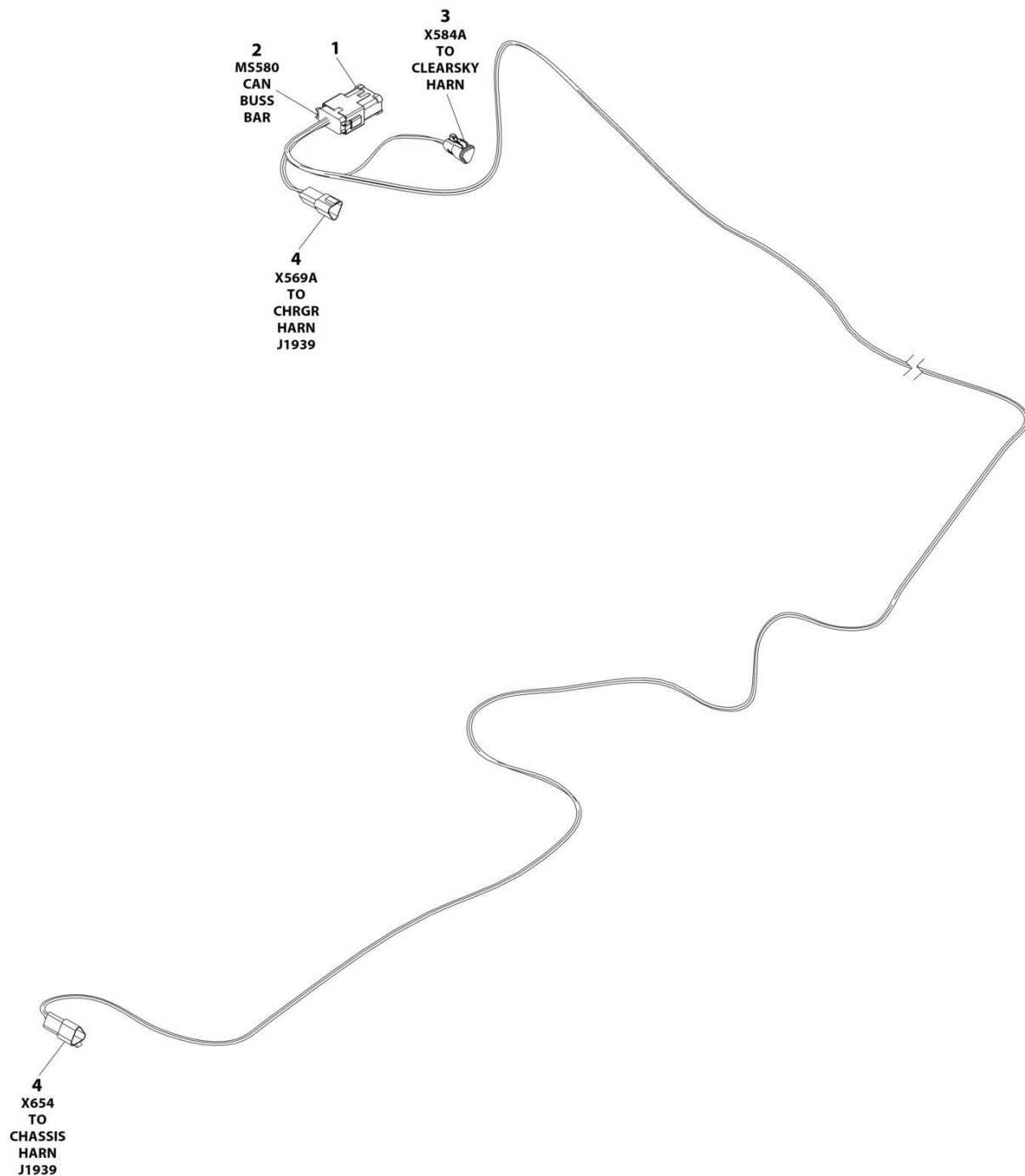
SECTION 6 - ELECTRICAL

FIGURE 6-12. BREAKER BOX KIT WITH 3 BREAKERS (CE SPECS)

ITEM	PART NUMBER	QTY	DESCRIPTION	REV
1	1001209482	Ref	BREAKER BOX KIT WITH 3 BREAKERS	G
	1060908	126 in /3.2m	Cable, 12/3	
2	1001120205	1	Connector, Female Twist	
3	1001152483	1	Box	
4	1001189171	1	Breaker, 30mAmp	
5	1001189172	1	Breaker 16 Amp, Double	
6	1001217164	2	Connector, Strain Relief 90	

SECTION 6 - ELECTRICAL

FIGURE 6-13. CAN SPLICE HARNESS (CHARGER WITH COMMUNICATION PORT)



ART_1001254027

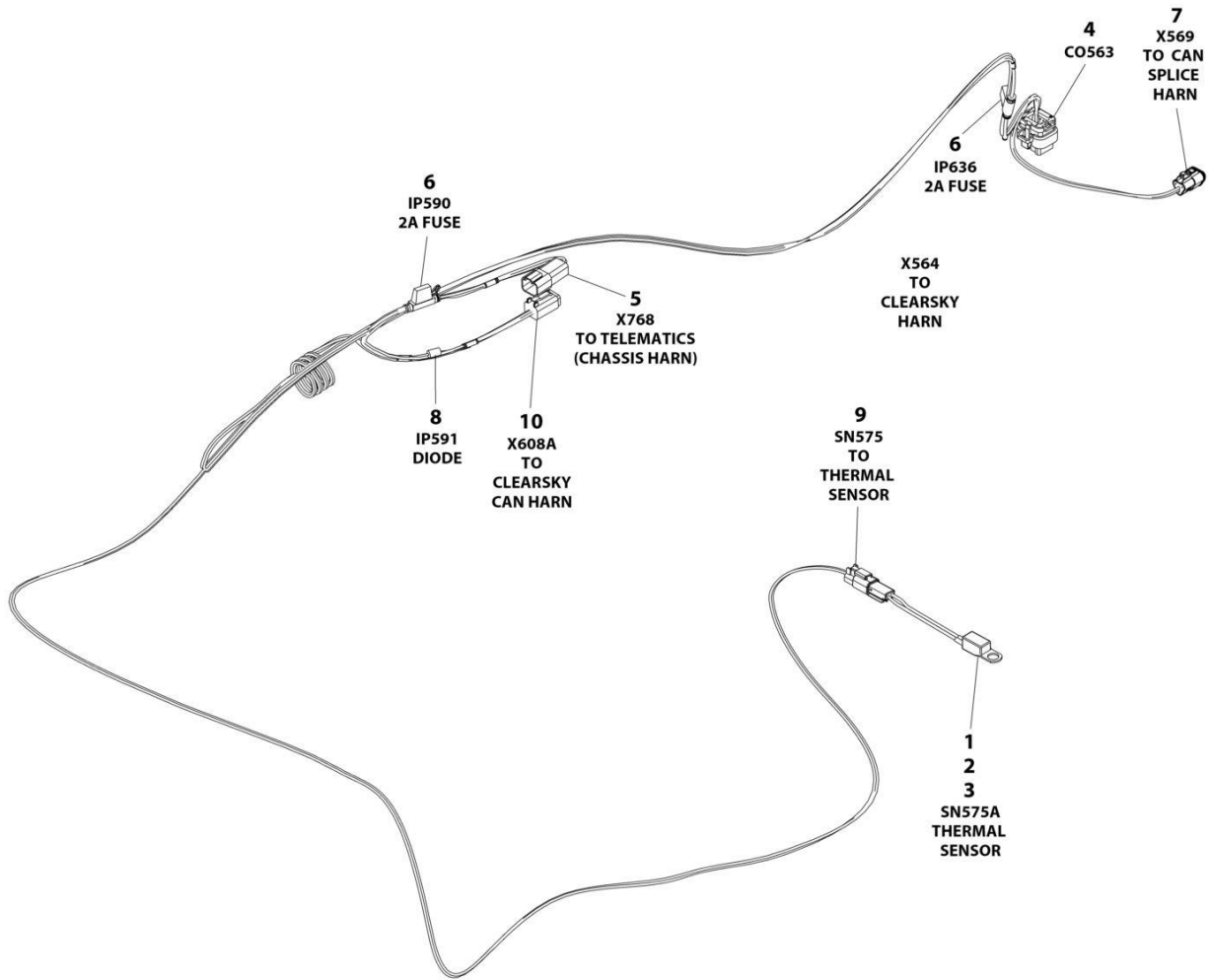
SECTION 6 - ELECTRICAL

FIGURE 6-13. CAN SPLICE HARNESS (CHARGER WITH COMMUNICATION PORT)

ITEM	PART NUMBER	QTY	DESCRIPTION	REV
	1001254027	Ref	CAN SPLICE HARNESS	A
1	1001125677	1	Connector, Bus Bar - 12 Position	
2	4460933	1	Plug, Male - 12 Position	
2	4460944	6	Socket, Female	
2	4460466	6	Plug, Terminal	
3	1001118812	1	Plug, Male - 3 Position	
3	4460944	2	Socket, Female	
3	4460466	1	Plug, Terminal	
4	1001144147	2	Receptacle, Female - 3 Position	
4	4460943	4	Pin, Male	
4	4460466	2	Plug, Terminal	

SECTION 6 - ELECTRICAL

FIGURE 6-14. CHARGER HARNESS (CHARGER WITH COMMUNICATION PORT) (PVC2004)



ART_1001254028_C

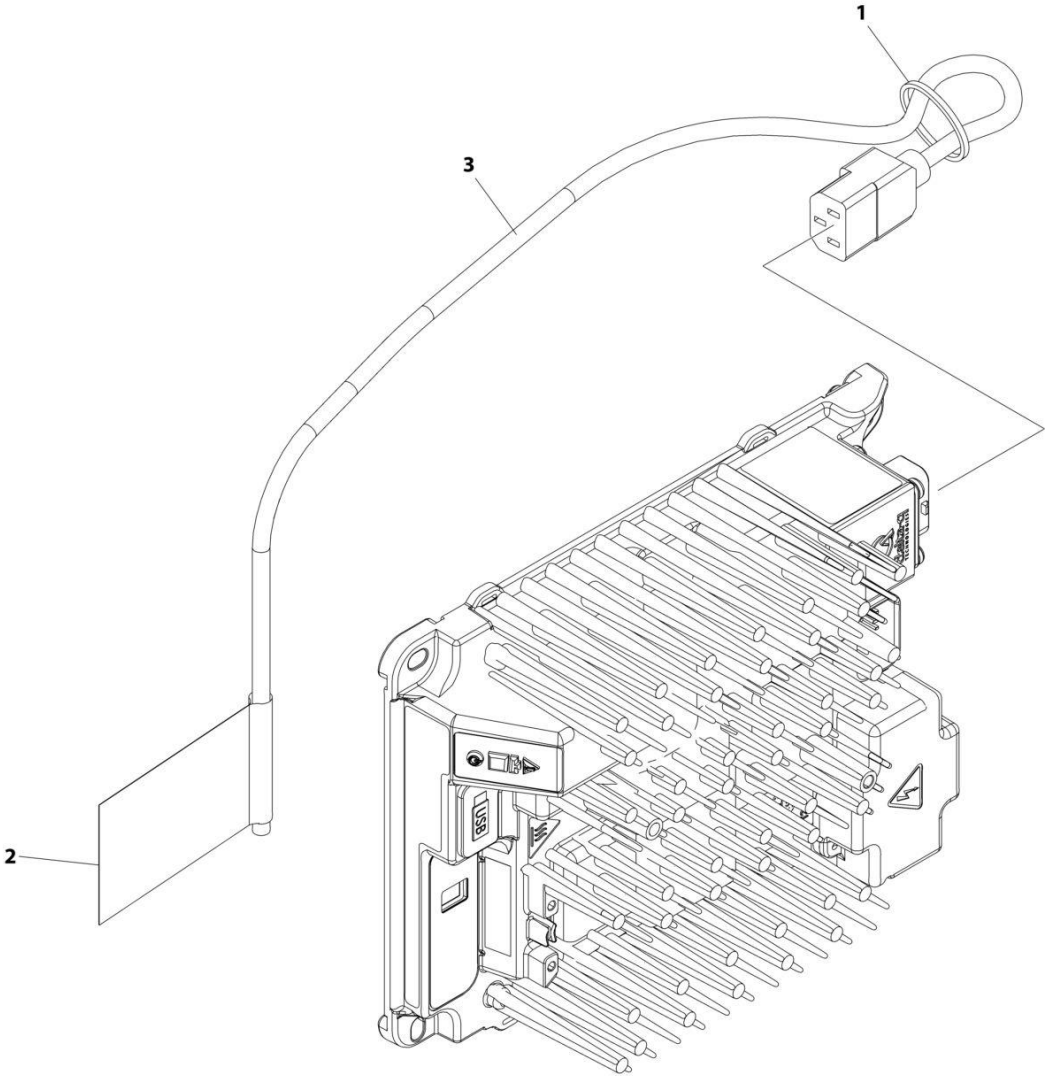
SECTION 6 - ELECTRICAL

FIGURE 6-14. CHARGER HARNESS (CHARGER WITH COMMUNICATION PORT) (PVC2004)

ITEM	PART NUMBER	QTY	DESCRIPTION	REV
	1001254028	Ref	CHARGER HARNESS	C
1	4460464	2	Pin, Male	
2	4460897	1	Receptacle, Female - 2 Position	
3	1001102771	1	Sensor, Temperature	
4	4460872	1	Connector - 14 Position	
4	4460871	6	Terminal	
4	4460905	8	Plug, Terminal	
5	4460932	1	Receptacle, Female - 4 Position	
5	4460464	1	Pin, Male	
6	2400060	2	Fuseholder With Cover	
6	1001196634	2	Fuse 2A	
7	1001116812	1	Plug, Male - 3 Position	
7	4460944	2	Socket, Female	
7	4460466	1	Plug, Terminal	
8	3990001	1	Diode	
9	4460891	1	Plug, Male - 2 Position	
9	4460465	2	Socket, Female	
10	4460884	1	Plug, Male - 4 Position	
10	4460465	4	Socket, Female	

SECTION 6 - ELECTRICAL

FIGURE 6-15. CHARGER PLUG INSTALLATION - CUSTOMER SUPPLIED PLUG (ALL SPECS)



ART_1001248631

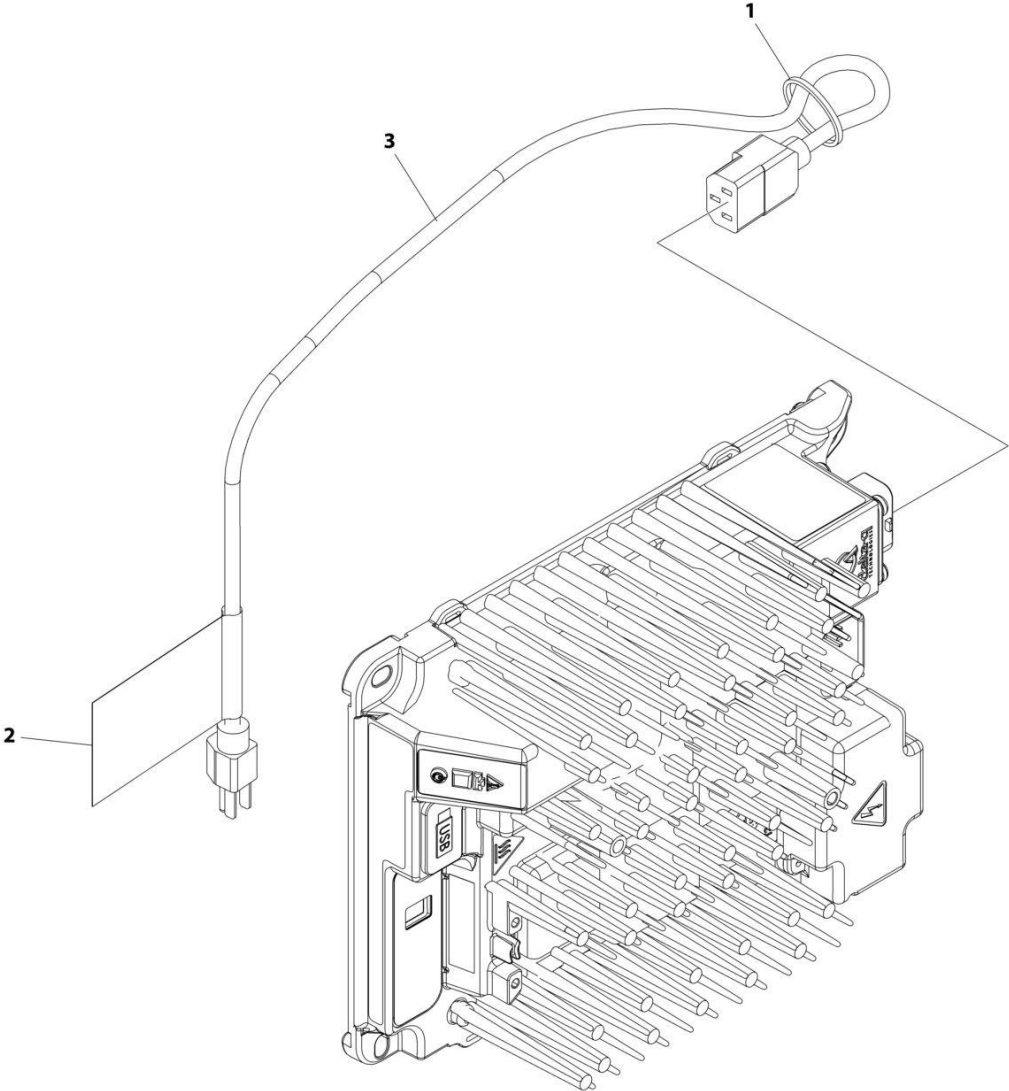
SECTION 6 - ELECTRICAL

FIGURE 6-15. CHARGER PLUG INSTALLATION - CUSTOMER SUPPLIED PLUG (ALL SPECS)

ITEM	PART NUMBER	QTY	DESCRIPTION	REV
	1001248631	Ref	CHARGER PLUG INSTALLATION	B
1	4240017	AR	Tie-Strap	
2	1001102489	1	Decal - Charger	
3	1001207974	1	Cable, Charger Plug (No Plug)	

SECTION 6 - ELECTRICAL

FIGURE 6-16. CHARGER PLUG INSTALLATION - 110V PLUG (ANSI, ANSI EXPORT & CSA SPECS)



ART_1001248632

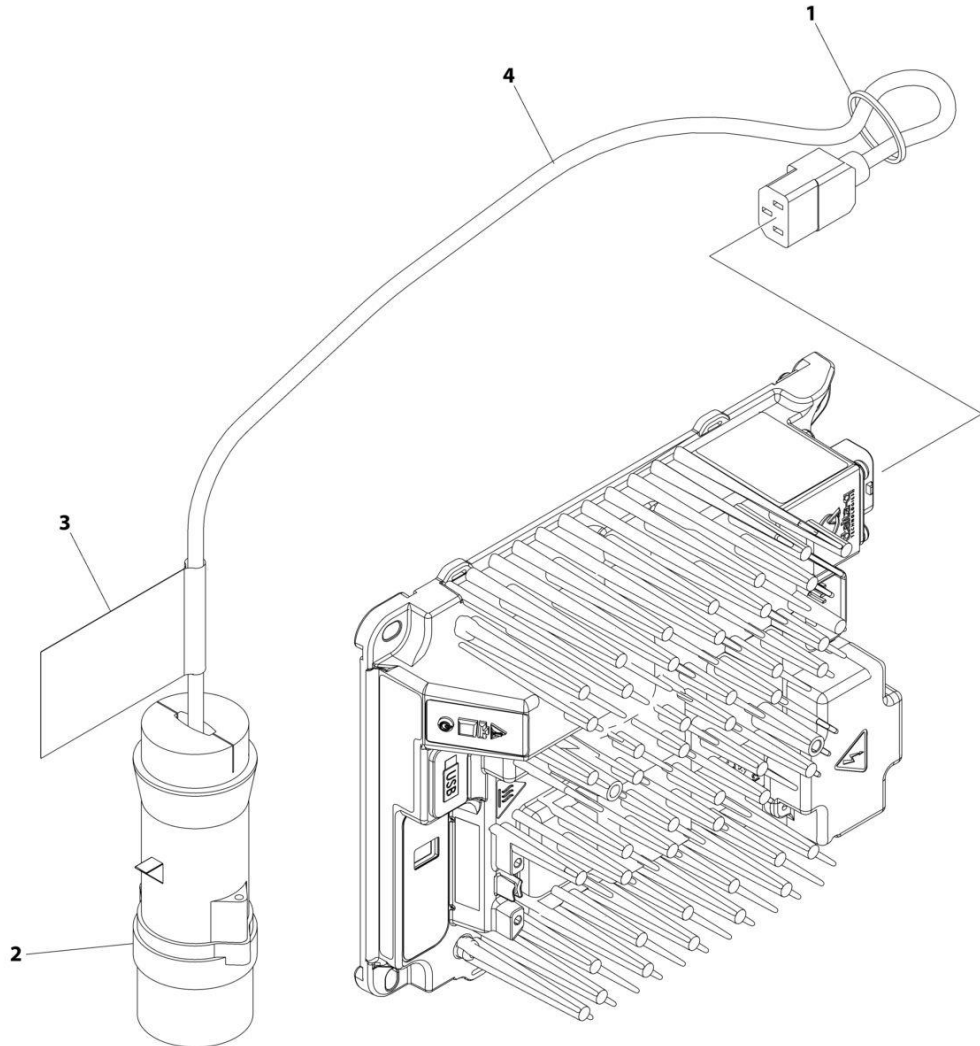
SECTION 6 - ELECTRICAL

FIGURE 6-16. CHARGER PLUG INSTALLATION - 110V PLUG (ANSI, ANSI EXPORT & CSA SPECS)

ITEM	PART NUMBER	QTY	DESCRIPTION	REV
	1001248632	Ref	CHARGER PLUG INSTALLATION	B
1	4240017	AR	Tie-Strap	
2	1001102489	1	Decal - Charger	
3	1001207970	1	Cable, Charger Plug	

SECTION 6 - ELECTRICAL

FIGURE 6-17. CHARGER PLUG INSTALLATION - 110V IEC YELLOW PLUG (CE SPECS)



ART_1001258771

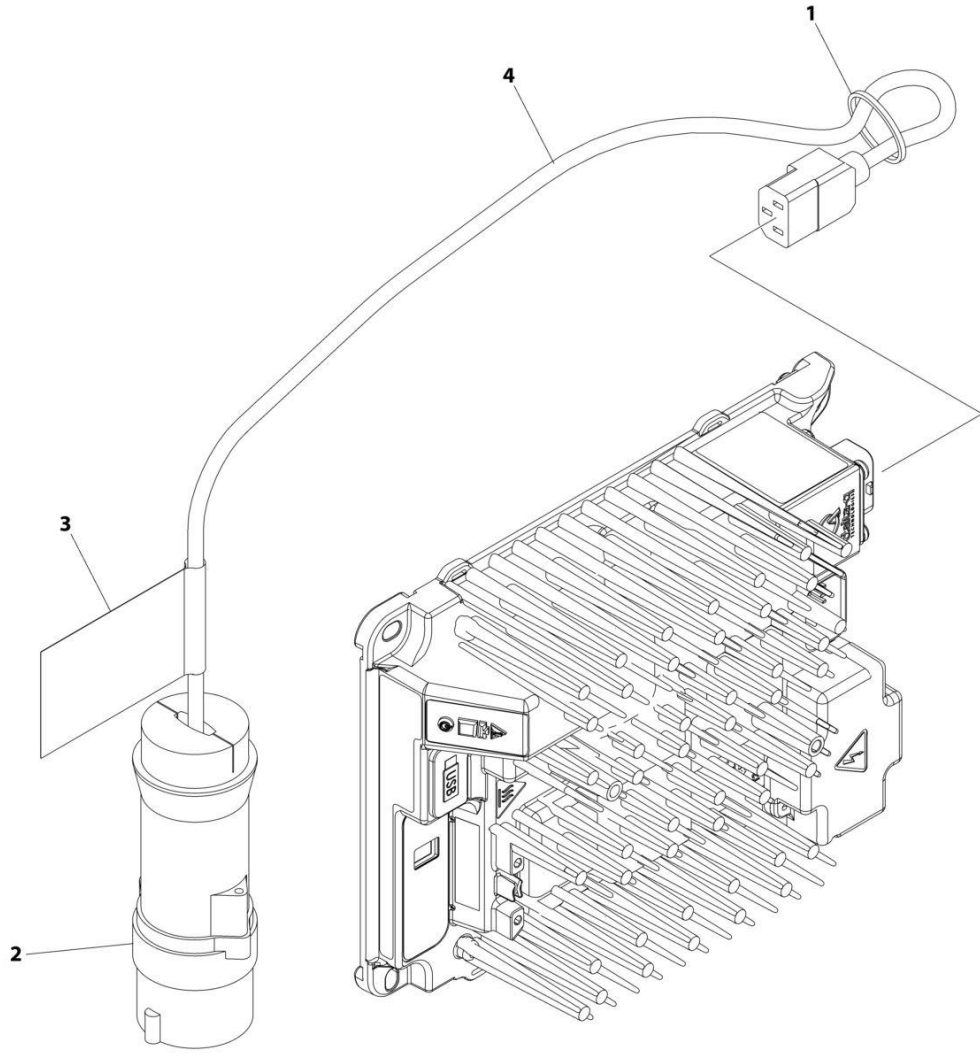
SECTION 6 - ELECTRICAL

FIGURE 6-17. CHARGER PLUG INSTALLATION - 110V IEC YELLOW PLUG (CE SPECS)

ITEM	PART NUMBER	QTY	DESCRIPTION	REV
	1001258771	Ref	CHARGER PLUG INSTALLATION	A
1	4240017	AR	Tie-Strap	
2	4461196	1	Terminal	
3	1001102489	1	Decal - Charger	
4	1001207974	1	Cable, Charger Plug (No Plug)	

SECTION 6 - ELECTRICAL

FIGURE 6-18. CHARGER PLUG INSTALLATION - 220V IEC BLUE PLUG (CE SPECS)



ART_1001258772

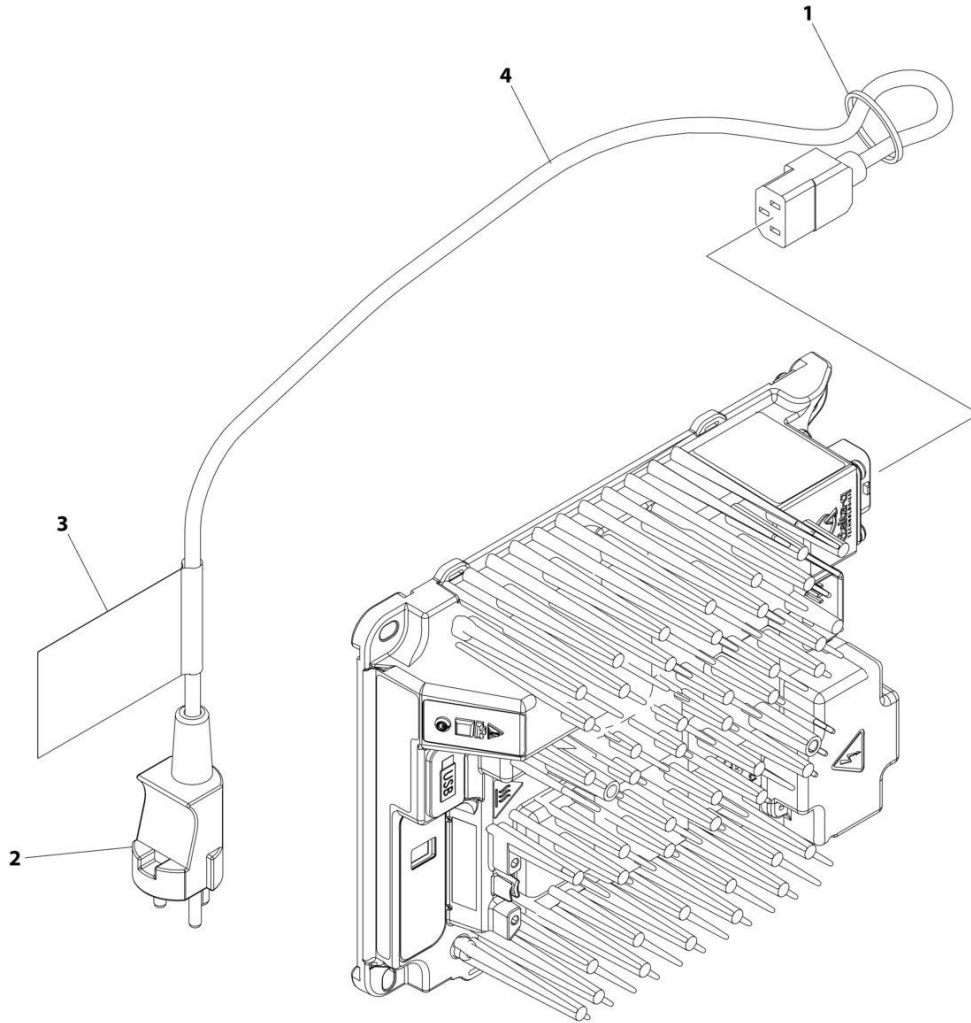
SECTION 6 - ELECTRICAL

FIGURE 6-18. CHARGER PLUG INSTALLATION - 220V IEC BLUE PLUG (CE SPECS)

ITEM	PART NUMBER	QTY	DESCRIPTION	REV
	1001258772	Ref	CHARGER PLUG INSTALLATION	A
1	4240017	AR	Tie-Strap	
2	4461199	1	Terminal	
3	1001102489	1	Decal - Charger	
4	1001207974	1	Cable, Charger Plug (No Plug)	

SECTION 6 - ELECTRICAL

FIGURE 6-19. CHARGER PLUG INSTALLATION - 220V AFSINT 107 PLUG (CE SPECS)



ART_1001258770

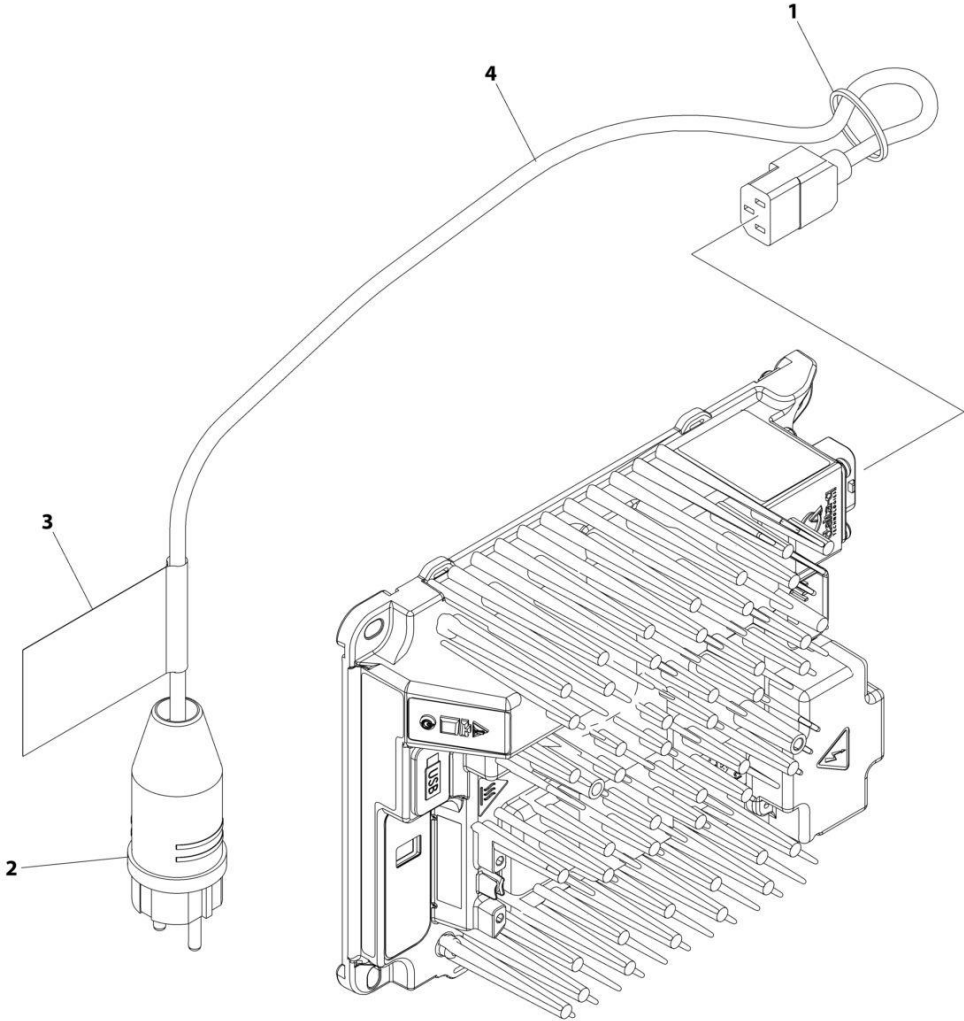
SECTION 6 - ELECTRICAL

FIGURE 6-19. CHARGER PLUG INSTALLATION - 220V AFSINT 107 PLUG (CE SPECS)

ITEM	PART NUMBER	QTY	DESCRIPTION	REV
	1001258770	Ref	CHARGER PLUG INSTALLATION	A
1	4240017	AR	Tie-Strap	
2	4461249	1	Terminal	
3	1001102489	1	Decal - Charger	
4	1001207974	1	Cable, Charger Plug (No Plug)	

SECTION 6 - ELECTRICAL

FIGURE 6-20. CHARGER PLUG INSTALLATION - 220V CEE7 PLUG (CE SPECS)



ART_1001258768

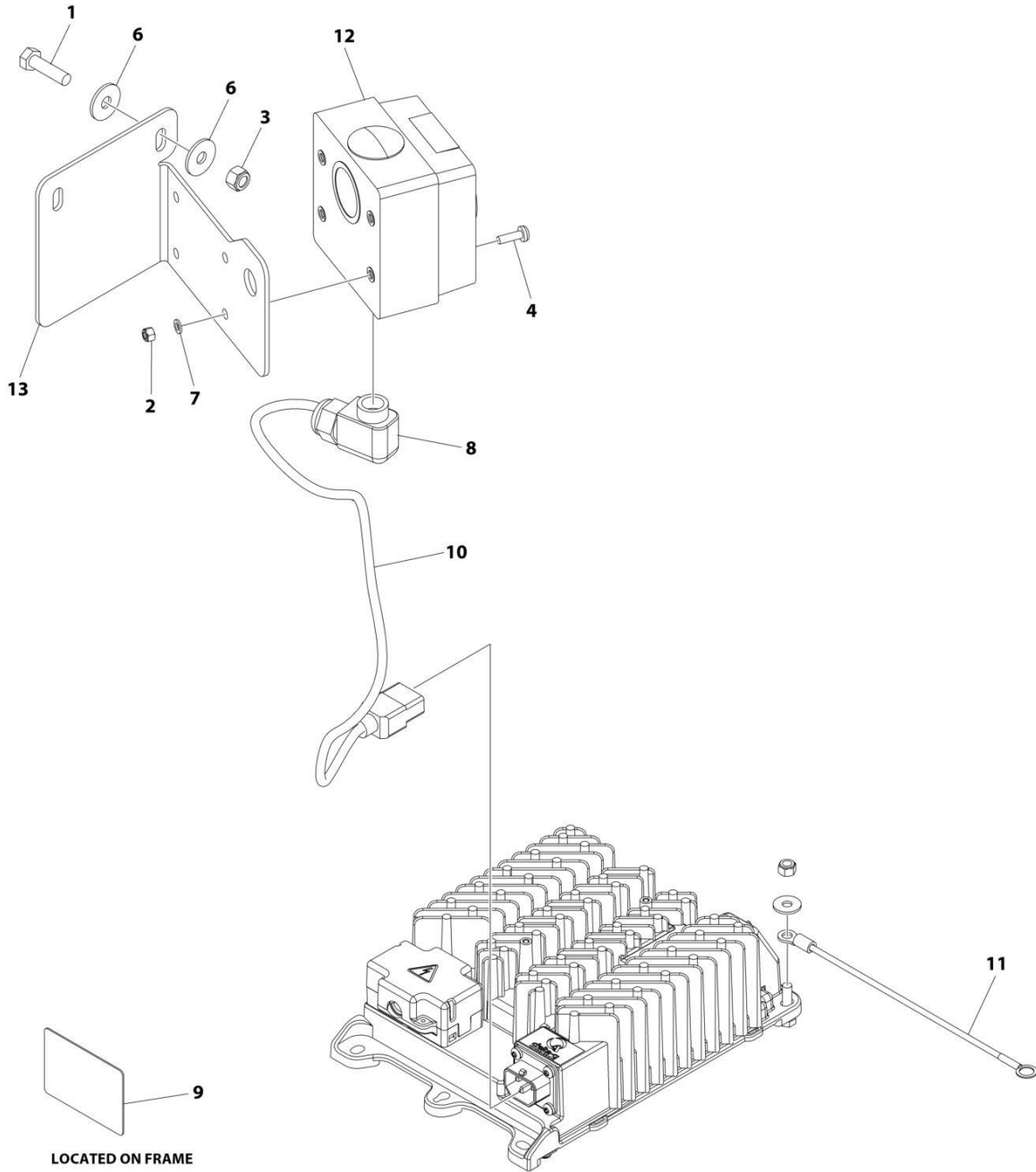
SECTION 6 - ELECTRICAL

FIGURE 6-20. CHARGER PLUG INSTALLATION - 220V CEE7 PLUG (CE SPECS)

ITEM	PART NUMBER	QTY	DESCRIPTION	REV
	1001258768	Ref	CHARGER PLUG INSTALLATION	A
1	4240017	AR	Tie-Strap	
2	4461205	1	Terminal	
3	1001102489	1	Decal - Charger	
4	1001207974	1	Cable, Charger Plug (No Plug)	

SECTION 6 - ELECTRICAL

FIGURE 6-21. CHARGER PLUG INSTALLATION (AUSTRALIAN PLUG)



ART_1001263296

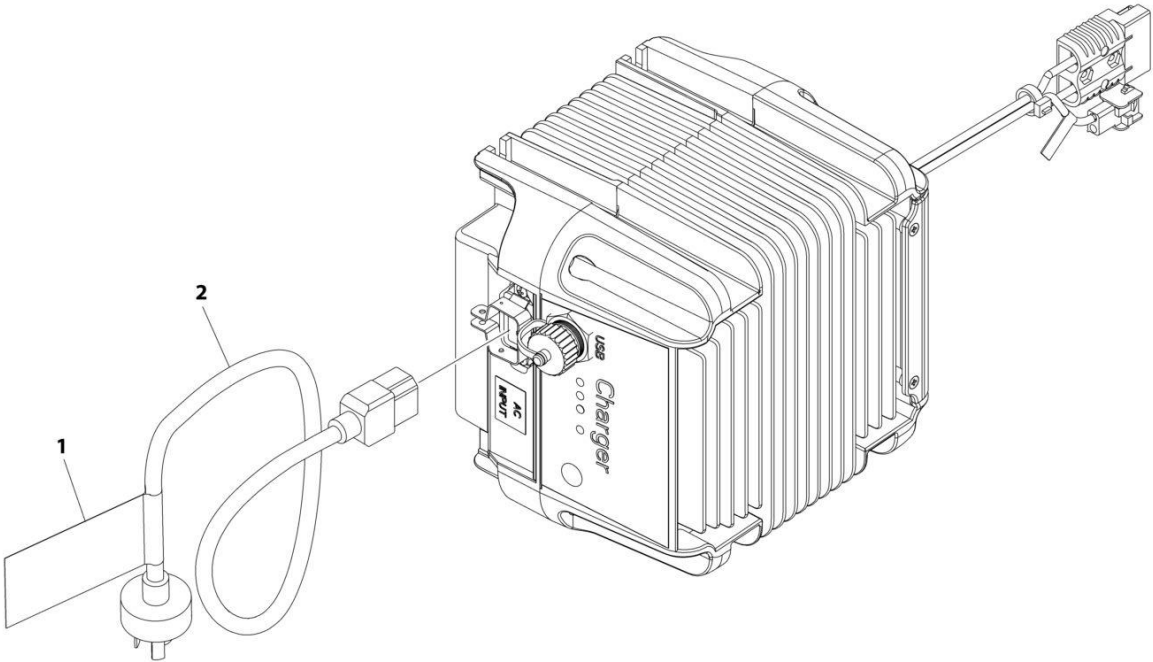
SECTION 6 - ELECTRICAL

FIGURE 6-21. CHARGER PLUG INSTALLATION (AUSTRALIAN PLUG)

ITEM	PART NUMBER	QTY	DESCRIPTION	REV
	1001263296	Ref	CHARGER PLUG INSTALLATION	A
1	0700814	2	Bolt M8 x 30	
2	3290505	4	Nut M5	
3	3290805	2	Nut M8	
4	3900381	4	Screw M5 x 16	
5	4240017	AR	Tie-Strap (Not Shown)	
6	4811902	4	Washer M8	
7	4831600	4	Washer M5	
8	1001103471	1	Connector Strain Relief 90	
9	1001134280	1	Decal - Charger	
10	1001207974	1	Cable, Charger AC Input	
11	1001227219	1	Ground Harness	
12	1001227267	1	Receptacle Australian - 230V	
13	1001244644	1	Bracket	

SECTION 6 - ELECTRICAL

FIGURE 6-22. CHARGER PLUG INSTALLATION (CHINA PLUG)



ART_1001263294

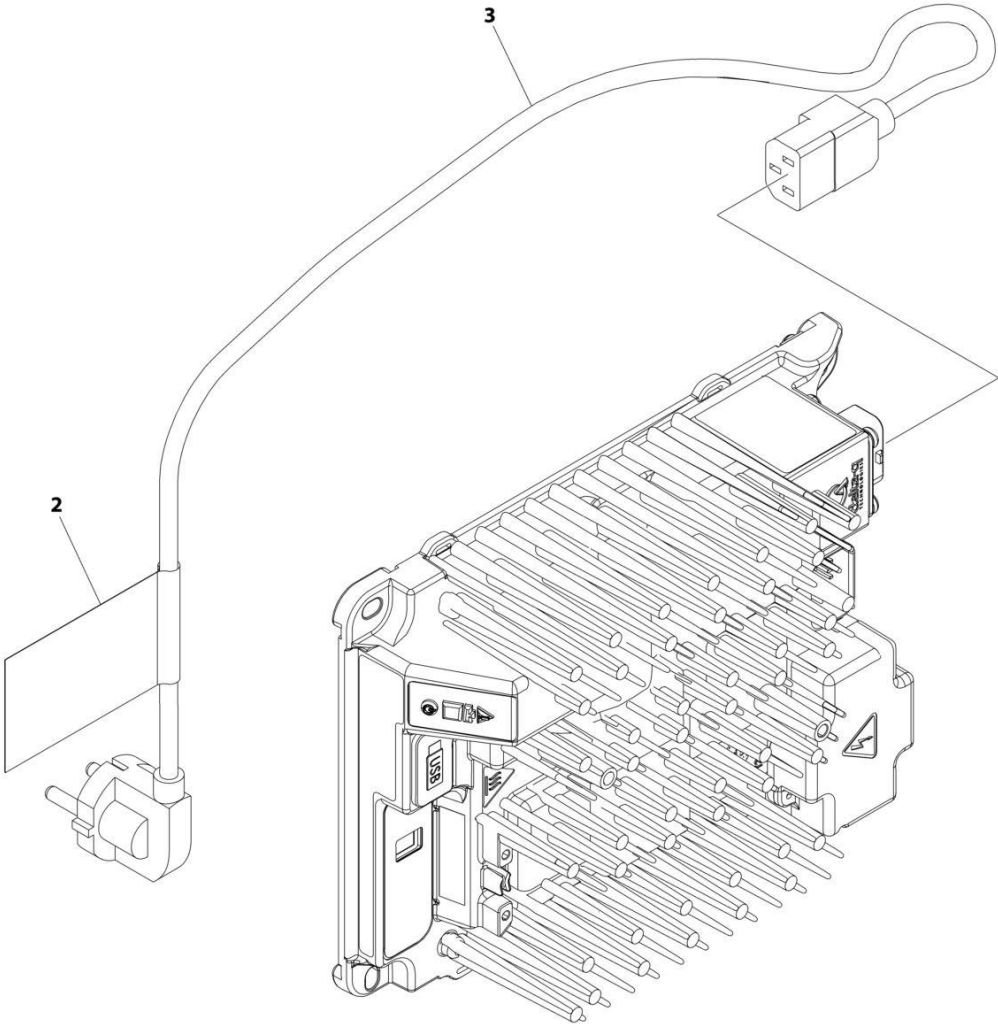
SECTION 6 - ELECTRICAL

FIGURE 6-22. CHARGER PLUG INSTALLATION (CHINA PLUG)

ITEM	PART NUMBER	QTY	DESCRIPTION	REV
	1001263294	Ref	CHARGER PLUG INSTALLATION	A
1	1001102489	1	Decal - Charger Label	
2	1001207973	1	Cable, Charger AC Input	

SECTION 6 - ELECTRICAL

FIGURE 6-23. CHARGER PLUG INSTALLATION (KOREAN PLUG)



ART_1001248634

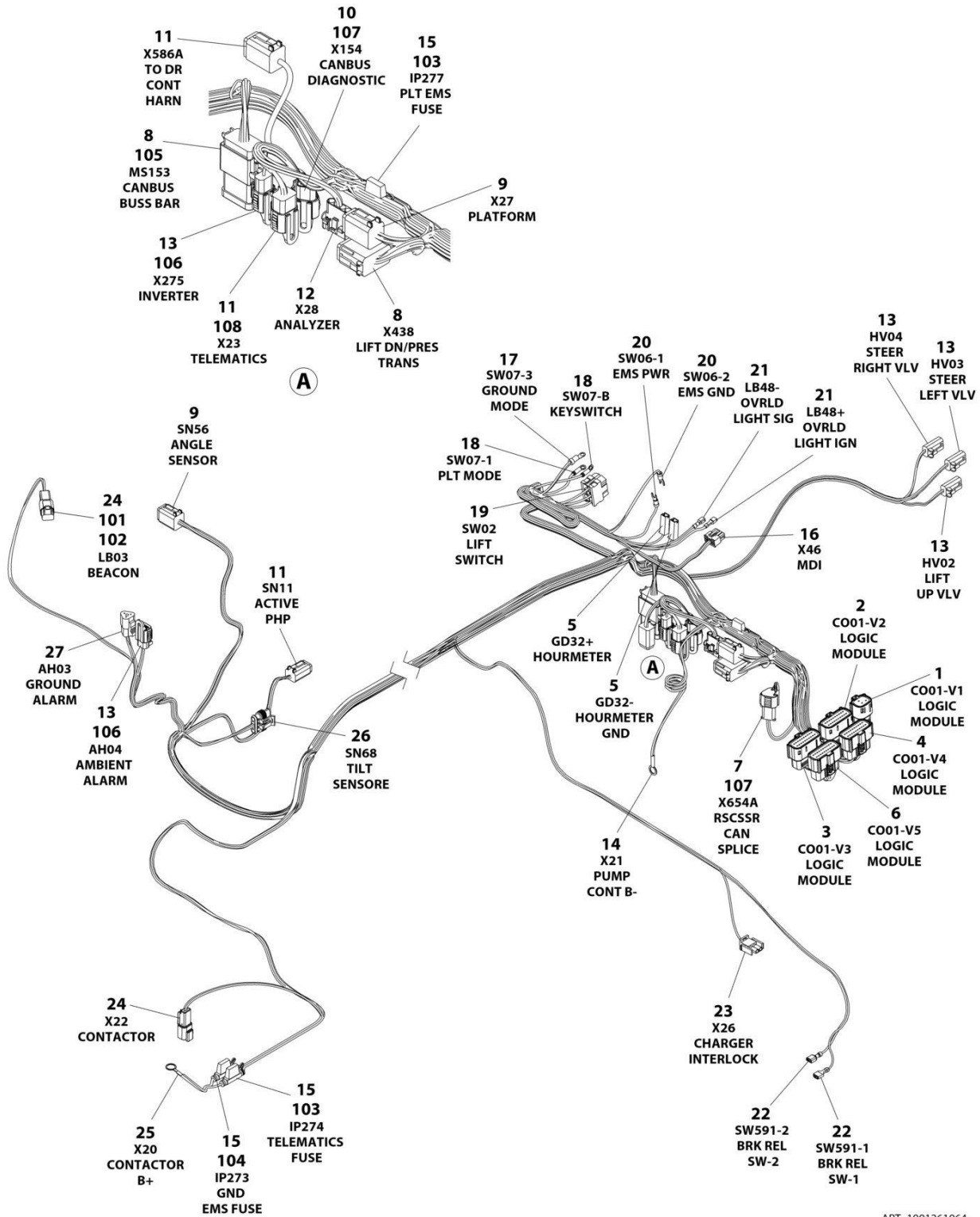
SECTION 6 - ELECTRICAL

FIGURE 6-23. CHARGER PLUG INSTALLATION (KOREAN PLUG)

ITEM	PART NUMBER	QTY	DESCRIPTION	REV
	1001248634	Ref	CHARGER PLUG INSTALLATION	A
1	4240017	AR	Tie-Strap (Not Shown)	
2	1001102489	1	Decal - Charger Label	
3	1001221949	1	Cable, Charger AC Input	

SECTION 6 - ELECTRICAL

FIGURE 6-24. CHASSIS HARNESS



ART_1001261064

SECTION 6 - ELECTRICAL

FIGURE 6-24. CHASSIS HARNESS

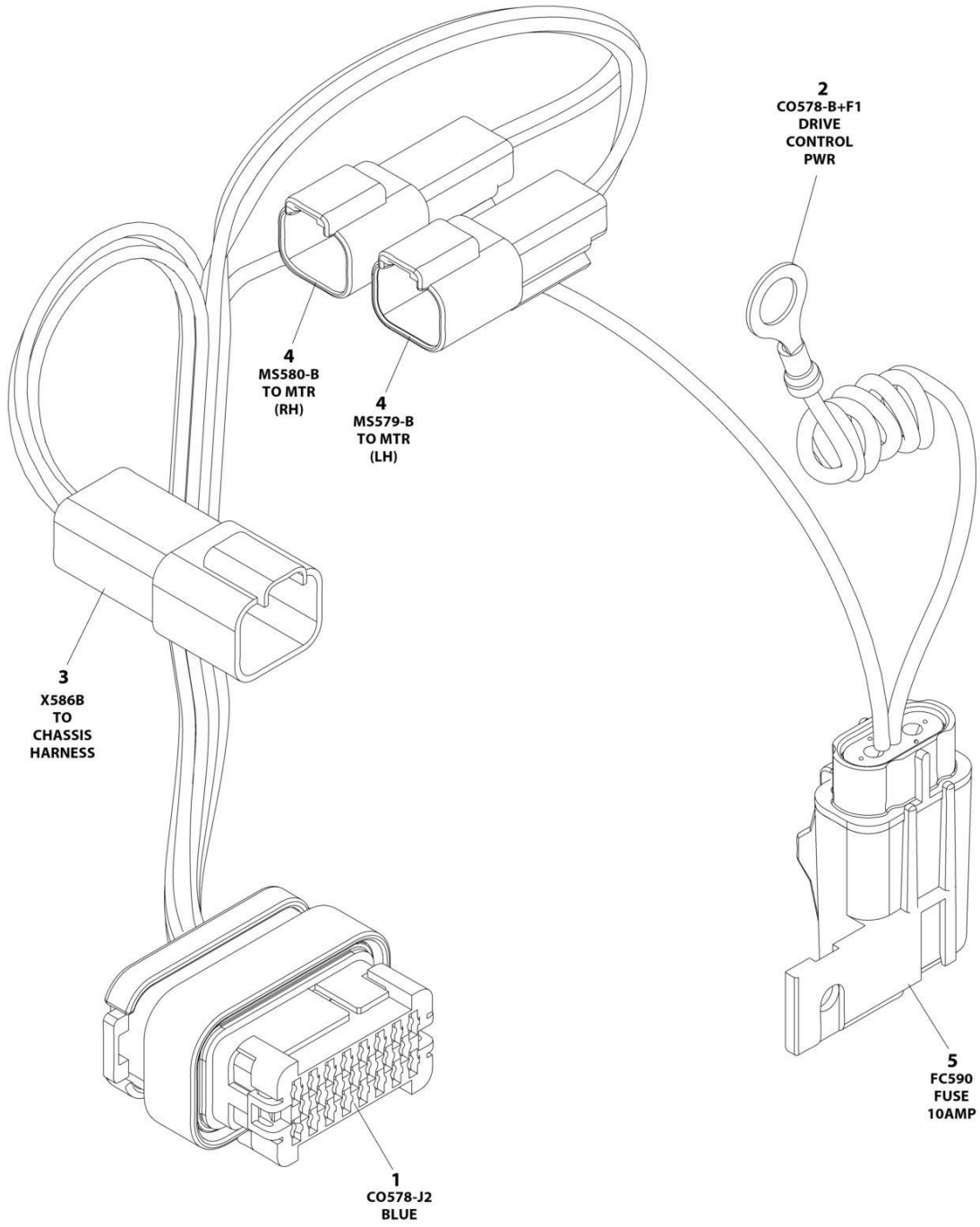
ITEM	PART NUMBER	QTY	DESCRIPTION	REV
	1001261064	Ref	CHASSIS HARNESS	B
1	1001205409	1	Connector - 8 Position	
1	1001162887	8	Terminal	
2	1001205410	1	Connector - 20 Position	
2	1001162887	13	Terminal	
2	1001163340	7	Plug, Terminal	
3	1001162886	1	Connector - 20 Position	
3	1001162887	16	Terminal	
3	1001163340	4	Plug, Terminal	
4	1001205411	1	Connector - 20 Position	
4	1001162887	16	Terminal	
4	1001163340	4	Plug, Terminal	
5	4460260	4	Cover, Terminal	
5	4460259	4	Terminal	
6	1001205412	1	Connector - 20 Position	
6	1001162887	14	Terminal	
6	1001163340	6	Plug, Terminal	
7	4460965	1	Plug, Male - 3 Position	
7	4460944	2	Socket, Female	
7	4460466	1	Plug, Terminal	
8	4460933	2	Plug, Male - 12 Position	
8	4460465	10	Socket, Female	
8	4460944	12	Socket, Female	
8	4460466	2	Plug, Terminal	
9	4460894	2	Plug, Male - 6 Position	
9	4460465	8	Socket, Female	
9	4460944	2	Socket, Female	
9	4460466	2	Plug, Terminal	
10	1001116812	1	Receptacle, Female - 3 Position	
10	4060944	2	Socket, Female	
10	4460466	1	Plug, Terminal	
11	4460884	3	Plug, Male - 4 Position	
11	4460465	10	Socket, Female	
11	4460944	2	Socket, Female	
12	4460761	1	Plug, Male - 4 Position	
12	4460227	4	Socket, Female	
13	4460891	5	Plug, Male - 2 Position	
13	4460465	9	Socket, Female	
13	4460466	1	Plug, Terminal	
14	4460256	2	Terminal	
15	2400060	3	Holder/Cover, Fuse	
16	1001151629	1	Plug, Male - 8 Position	
16	4461023	2	Terminal	
16	4460877	2	Terminal	
17	4460042	1	Terminal, Ring	
18	4460247	2	Terminal, Ring	
19	4460418	1	Connector - 6 Position	
19	1001159186	3	Terminal	
20	4460115	1	Terminal, Ring	
21	1001201885	2	Terminal	

SECTION 6 - ELECTRICAL

ITEM	PART NUMBER	QTY	DESCRIPTION	REV
22	1001194421	2	Terminal	
23	4460320	1	Plug, Male - 2 Position	
23	4460226	1	Socket, Female	
24	4460897	2	Receptacle, Female - 2 Position	
24	4460464	4	Pin, Male	
25	4460019	1	Terminal, Ring	
26	1001103012	1	Plug, Male - 4 Position	
26	1001196589	4	Terminal	
26	1001104498	4	Seal Terminal	
27	4460539	1	Plug, Male - 3 Position	
27	4460465	3	Socket, Female	
101	4460466	2	Plug, Terminal	
102	4460891	1	Plug, Male - 4 Position	
103	8229242	2	Fuse 5 Amp	
104	8229244	1	Fuse, 15 Amp	
105	1001125677	1	Connector, Bussbar	
106	1001144295	2	Cap - 2 Position	
107	1001144296	2	Cap - 3 Position	
108	1001192401	1	Cap, Dust	

SECTION 6 - ELECTRICAL

FIGURE 6-25. DRIVE HARNESS



ART_1001255934

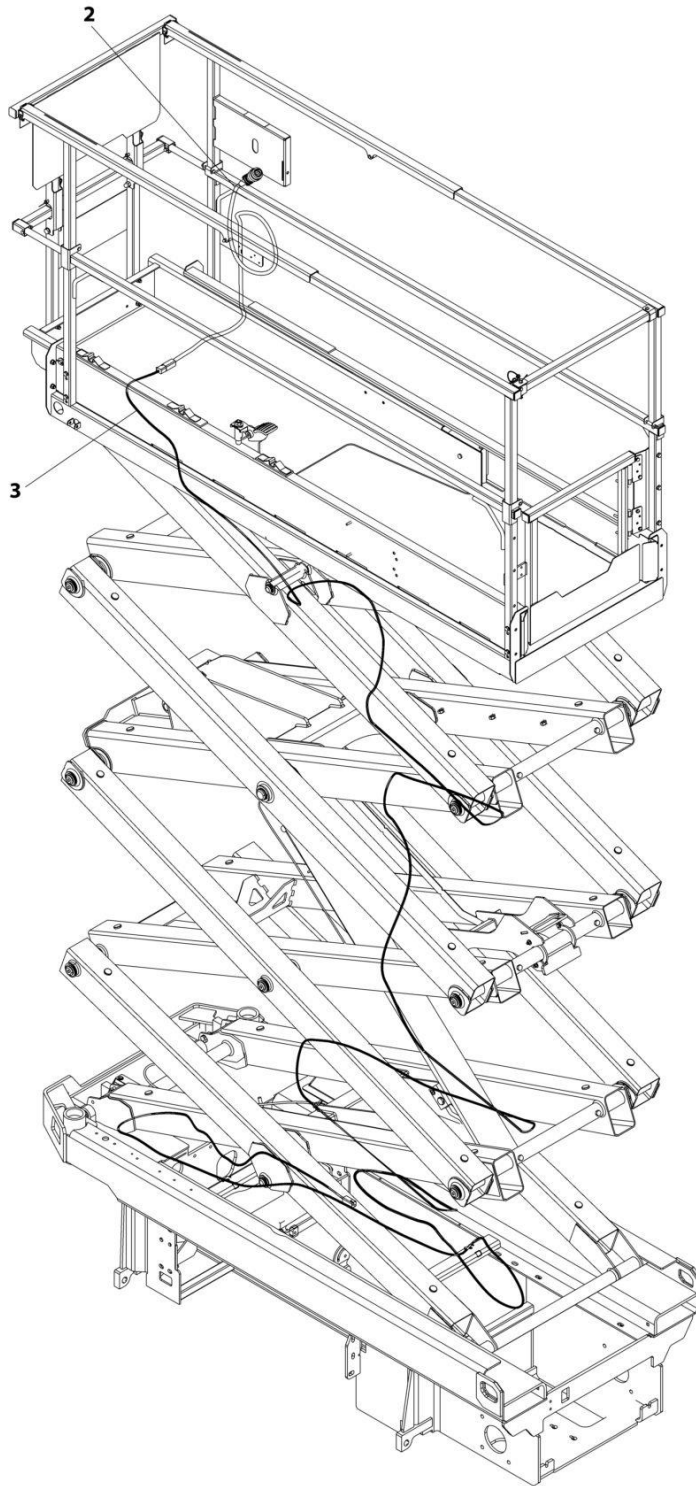
SECTION 6 - ELECTRICAL

FIGURE 6-25. DRIVE HARNESS

ITEM	PART NUMBER	QTY	DESCRIPTION	REV
	1001255934	Ref	DRIVE HARNESS	E
1	1001096138	1	Connector - 23 Position	
1	4460871	9	Terminal	
1	4460905	14	Plug, Terminal	
2	4460670	1	Terminal, Ring	
3	4460932	1	Receptacle, Female - 4 Position	
3	4460943	2	Pin, Male	
3	4460464	2	Pin, Male	
4	4460897	2	Receptacle, Female - 2 Position	
4	4460464	4	Pin, Male	
5	1001217843	1	Fuseholder with Cap	
5	1001217842	1	Cap, Cover	
5	8229234	1	Fuse - 10Amp	
5	1001116733	2	Terminal	

SECTION 6 - ELECTRICAL

FIGURE 6-26. GROUND TO PLATFORM CABLE INSTALLATION - WITHOUT PLATFORM COIL CABLE
(CHINA BUILT MACHINES)



ART_1001239675

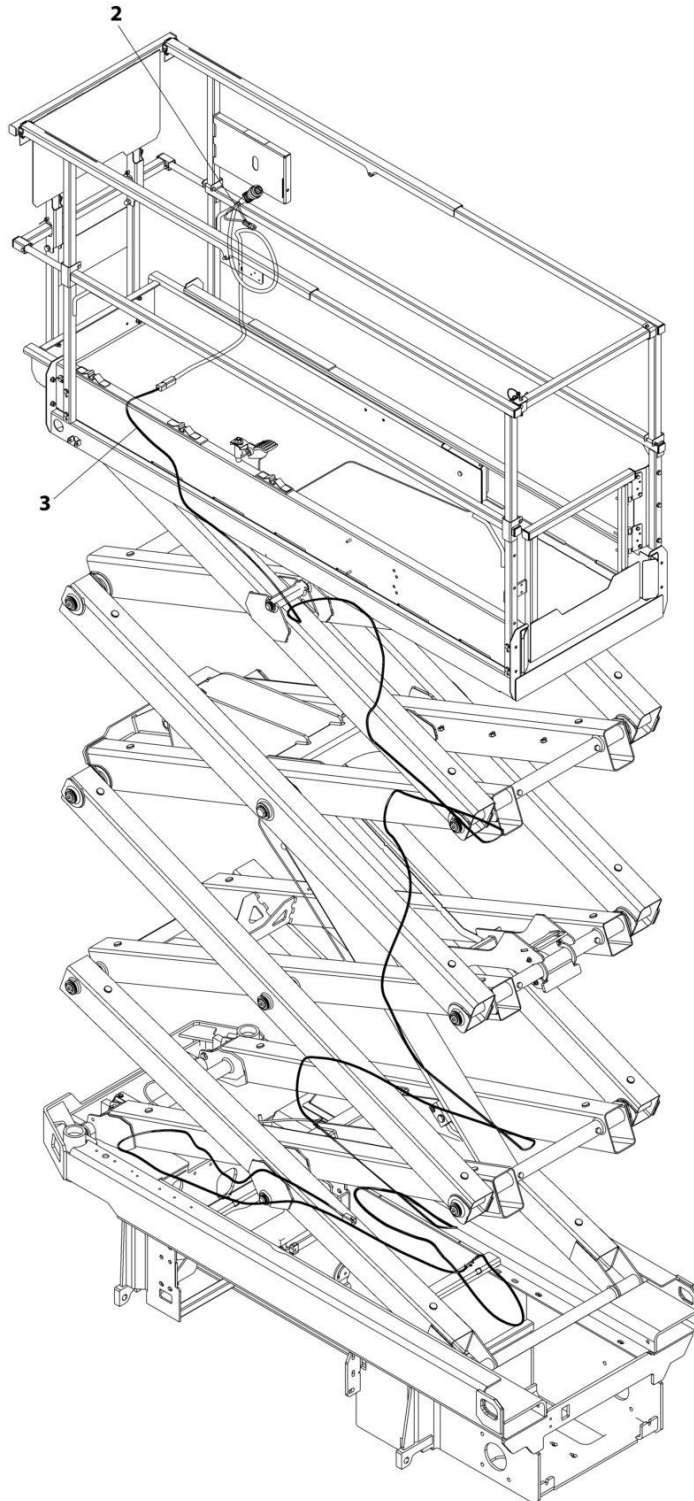
SECTION 6 - ELECTRICAL

**FIGURE 6-26. GROUND TO PLATFORM CABLE INSTALLATION - WITHOUT PLATFORM COIL CABLE
(CHINA BUILT MACHINES)**

ITEM	PART NUMBER	QTY	DESCRIPTION	REV
	1001239675	Ref	GROUND TO PLATFORM CABLE INSTALLATION - WITHOUT PLATFORM COIL CABLE	F
1	4240017	AR	Tie-Strap (Not Shown)	
2	1001200812	1	Platform Harness	
2	4460899	1	Receptacle, Female - 6 Position (To Item 3)	
2	4460464	4	Pin, Male	
2	4460943	2	Pin, Male	
2	4460754	1	Connector - 14 Position (To Console Box)	
2	4460465	8	Socket, Female	
2	4460466	6	Plug, Terminal	
3	1001237132	1	Cable Assembly - Ground to Platform	
3	4460894	1	Plug, Male - 6 Position (To Platform Harness Item 2)	
3	4460465	4	Socket, Female	
3	4460944	2	Socket, Female	
3	4460899	1	Receptacle, Female - 6 Position (To Chassis Harness)	
3	4460464	4	Pin, Male	
3	4460943	2	Pin, Male	

SECTION 6 - ELECTRICAL

FIGURE 6-27. GROUND TO PLATFORM CABLE INSTALLATION - WITHOUT PLATFORM COIL CABLE & WITH FOOTSWITCH (CHINA BUILT MACHINES)



ART_1001239677

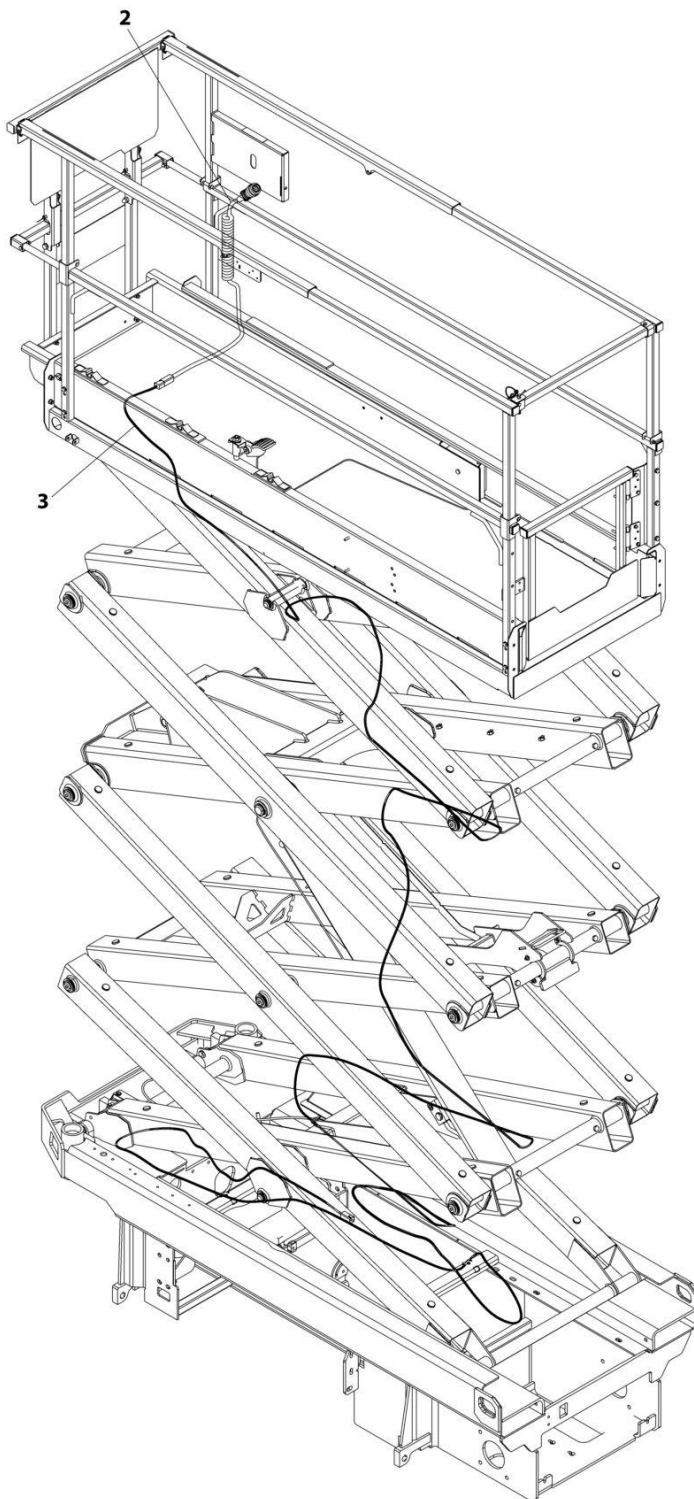
SECTION 6 - ELECTRICAL

FIGURE 6-27. GROUND TO PLATFORM CABLE INSTALLATION - WITHOUT PLATFORM COIL CABLE & WITH FOOTSWITCH (CHINA BUILT MACHINES)

ITEM	PART NUMBER	QTY	DESCRIPTION	REV
	1001239677	Ref	GROUND TO PLATFORM CABLE INSTALLATION - WITHOUT PLATFORM COIL CABLE AND WITH FOOTSWITCH	F
1	4240017	AR	Tie-Strap (Not Shown)	
2	1001223263	1	Platform Harness	
2	4460899	1	Receptacle, Female - 6 Position (To Item 3)	
2	4460464	4	Pin, Male	
2	4460943	2	Pin, Male	
2	4460754	1	Connector - 14 Position (To Console Box)	
2	4460465	8	Socket, Female	
2	4460944	2	Socket, Female	
2	4460466	4	Plug, Terminal	
2	4460891	1	Plug, Male - 2 Position (To Footswitch)	
2	4460465	2	Socket, Female	
2	4460897	1	Receptacle, Female - 2 Position (Footswitch Jumper)	
2	4460464	2	Pin, Male	
2	4460539	1	Plug, Male - 3 Position (To Overhead Switches)	
2	4460465	2	Socket, Female	
2	4460466	1	Plug, Terminal	
3	1001237132	1	Cable Assembly - Ground to Platform	
3	4460894	1	Plug, Male - 6 Position (To Platform Harness Item 2)	
3	4460465	4	Socket, Female	
3	4460944	2	Socket, Female	
3	4460899	1	Receptacle, Female - 6 Position (To Chassis Harness)	
3	4460464	4	Pin, Male	
3	4460943	2	Pin, Male	

SECTION 6 - ELECTRICAL

FIGURE 6-28. GROUND TO PLATFORM CABLE INSTALLATION - WITH PLATFORM COIL CABLE
(CHINA BUILT MACHINES)



ART_1001239676

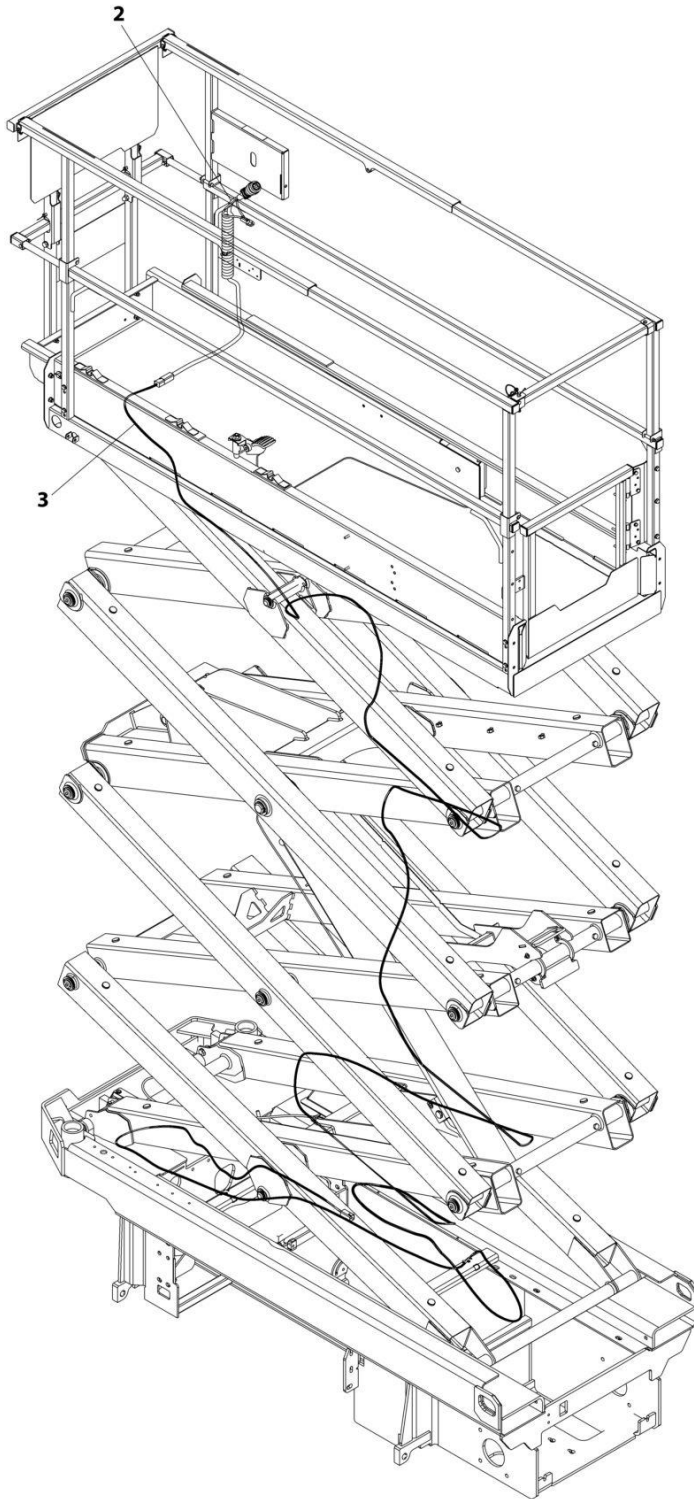
SECTION 6 - ELECTRICAL

**FIGURE 6-28. GROUND TO PLATFORM CABLE INSTALLATION - WITH PLATFORM COIL CABLE
(CHINA BUILT MACHINES)**

ITEM	PART NUMBER	QTY	DESCRIPTION	REV
	1001239676	Ref	GROUND TO PLATFORM CABLE INSTALLATION - WITH PLATFORM COIL CABLE	F
1	4240017	AR	Tie-Strap (Not Shown)	
2	1001202184	1	Platform Harness	
2	4460899	1	Receptacle, Female - 6 Position (To Item 3)	
2	4460464	4	Pin, Male	
2	4460943	2	Pin, Male	
2	4460754	1	Connector - 14 Position (To Console Box)	
2	4460465	8	Socket, Female	
2	4460466	6	Plug, Terminal	
3	1001237132	1	Cable Assembly - Ground to Platform	
3	4460894	1	Plug, Male - 6 Position (To Platform Harness Item 2)	
3	4460465	4	Socket, Female	
3	4460944	2	Socket, Female	
3	4460899	1	Receptacle, Female - 6 Position (To Chassis Harness)	
3	4460464	4	Pin, Male	
3	4460943	2	Pin, Male	

SECTION 6 - ELECTRICAL

FIGURE 6-29. GROUND TO PLATFORM CABLE INSTALLATION - WITH PLATFORM COIL CABLE & FOOTSWITCH (CHINA BUILT MACHINES)



ART_1001239678

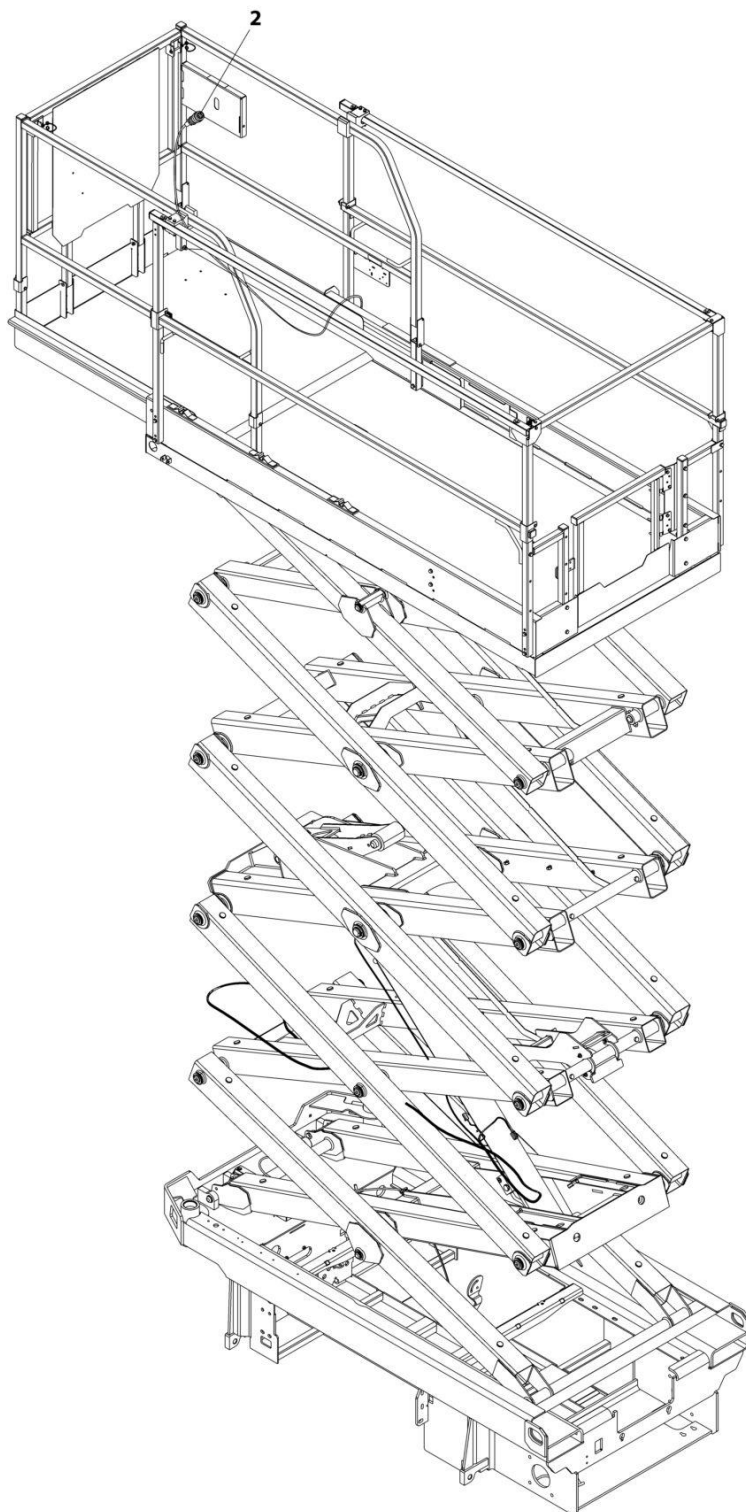
SECTION 6 - ELECTRICAL

FIGURE 6-29. GROUND TO PLATFORM CABLE INSTALLATION - WITH PLATFORM COIL CABLE & FOOTSWITCH (CHINA BUILT MACHINES)

ITEM	PART NUMBER	QTY	DESCRIPTION	REV
	1001239678	Ref	GROUND TO PLATFORM CABLE INSTALLATION - WITH PLATFORM COIL CABLE AND FOOTSWITCH	F
1	4240017	AR	Tie-Strap (Not Shown)	
2	1001223262	1	Platform Harness	
2	4460899	1	Receptacle, Female - 6 Position (To Item 3)	
2	4460464	4	Pin, Male	
2	4460943	2	Pin, Male	
2	4460754	1	Connector - 14 Position (To Console Box)	
2	4460465	8	Socket, Female	
2	4460944	2	Socket, Female	
2	4460466	4	Plug, Terminal	
2	4460891	1	Plug, Male - 2 Position (To Footswitch)	
2	4460465	2	Socket, Female	
2	4460897	1	Receptacle, Female - 2 Position (Footswitch Jumper)	
2	4460464	2	Pin, Male	
2	4460539	1	Plug, Male - 3 Position (To Overhead Switches)	
2	4460465	2	Socket, Female	
2	4460466	1	Plug, Terminal	
3	1001237132	1	Cable Assembly - Ground to Platform	
3	4460894	1	Plug, Male - 6 Position (To Platform Harness Item 2)	
3	4460465	4	Socket, Female	
3	4460944	2	Socket, Female	
3	4460899	1	Receptacle, Female - 6 Position (To Chassis Harness)	
3	4460464	4	Pin, Male	
3	4460943	2	Pin, Male	

SECTION 6 - ELECTRICAL

FIGURE 6-30. GROUND TO PLATFORM CABLE INSTALLATION - PLATFORM STRAIGHT CABLE ONLY (USA AND EUROPE BUILT MACHINES)



ART_1001223650

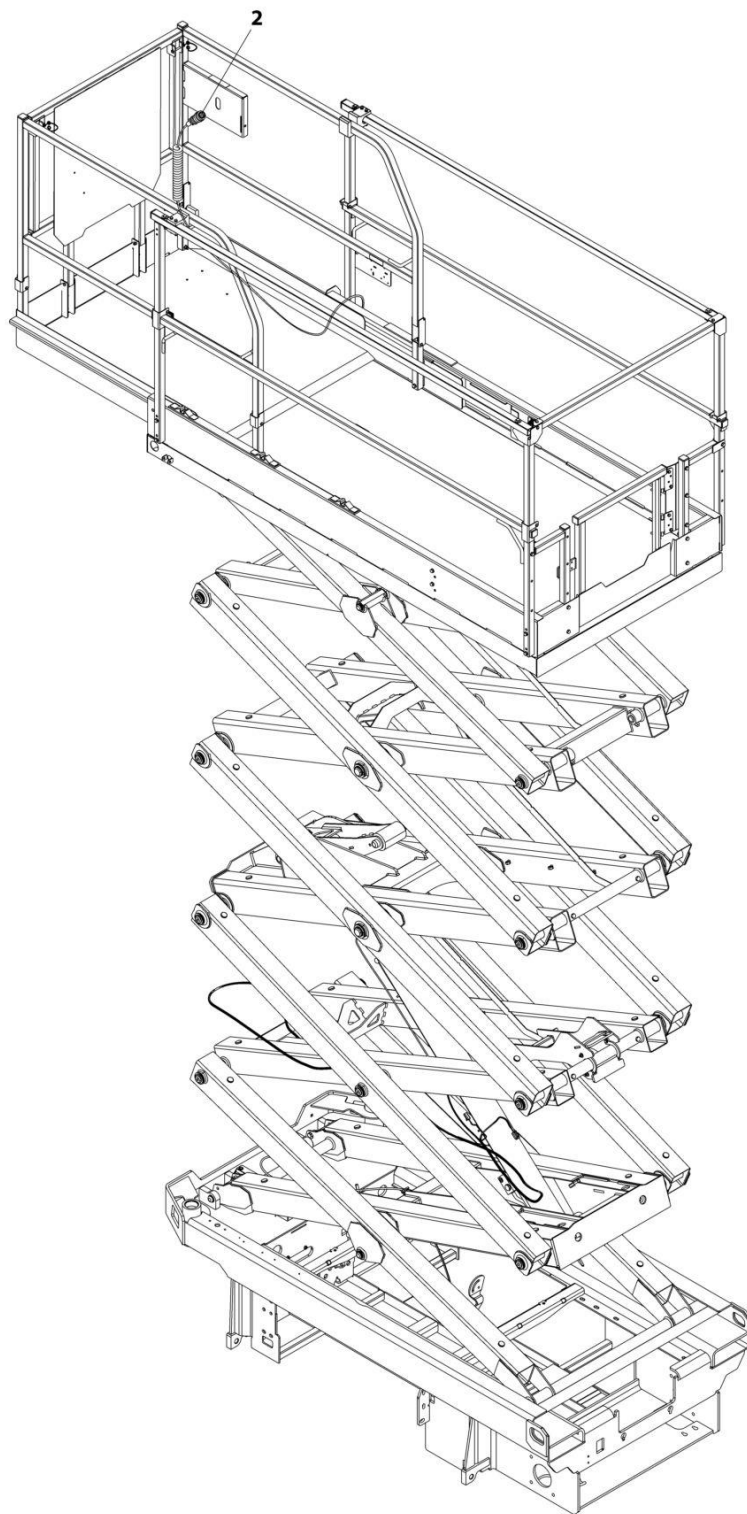
SECTION 6 - ELECTRICAL

FIGURE 6-30. GROUND TO PLATFORM CABLE INSTALLATION - PLATFORM STRAIGHT CABLE ONLY (USA AND EUROPE BUILT MACHINES)

ITEM	PART NUMBER	QTY	DESCRIPTION	REV
	1001223650	Ref	GROUND TO PLATFORM CABLE INSTALLATION	A
1	4240017	AR	Tie-Strap (Not Shown)	
2	1001200812	1	Platform Harness	
2	4460899	1	Receptacle, Female - 6 position (To Platform/AC Cable Connector)	
2	4460464	4	Pin, Male	
2	4460943	2	Pin, Male	
2	4460754	1	Connector - 14 Position (To Console Box)	
2	4460465	8	Socket, Female	
2	4460466	6	Plug, Terminal	

SECTION 6 - ELECTRICAL

FIGURE 6-31. GROUND TO PLATFORM CABLE INSTALLATION - PLATFORM COIL CABLE ONLY
(USA AND EUROPE BUILT MACHINES)



ART_1001223651

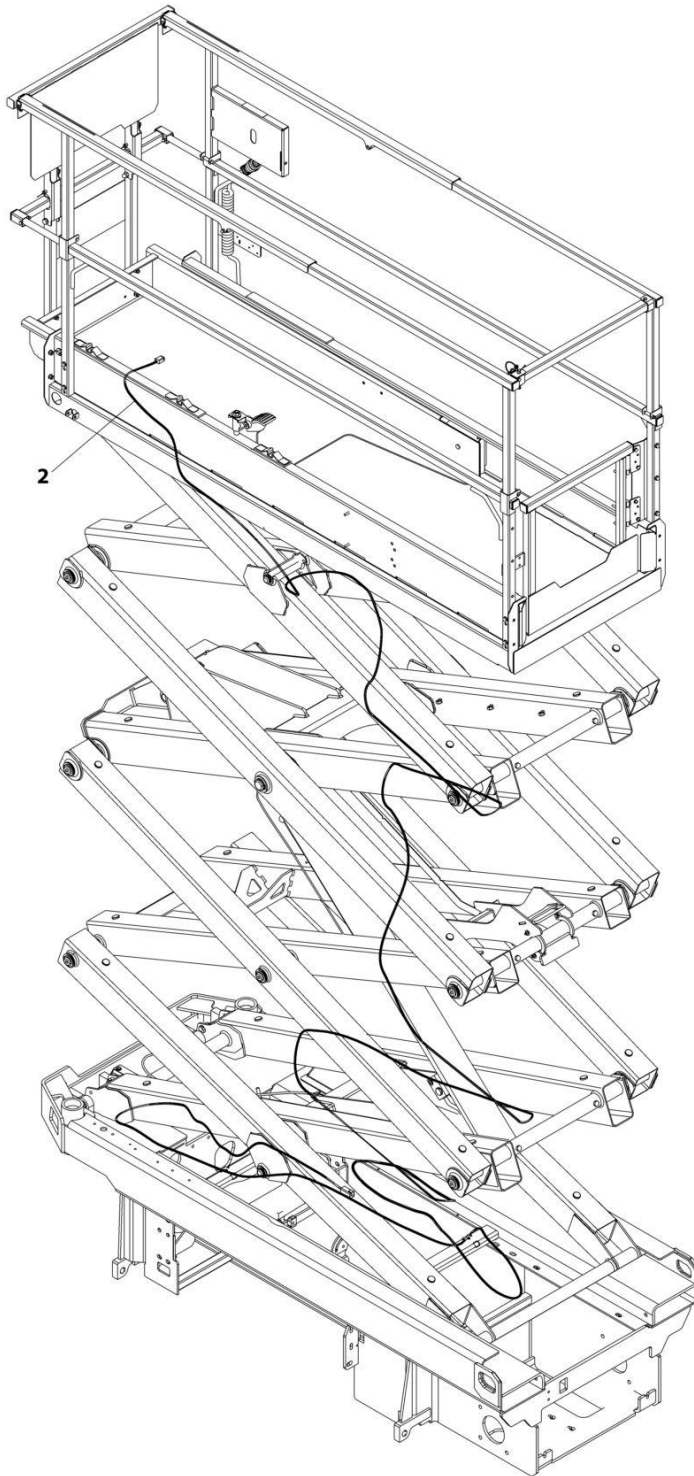
SECTION 6 - ELECTRICAL

**FIGURE 6-31. GROUND TO PLATFORM CABLE INSTALLATION - PLATFORM COIL CABLE ONLY
(USA AND EUROPE BUILT MACHINES)**

ITEM	PART NUMBER	QTY	DESCRIPTION	REV
	1001223651	Ref	GROUND TO PLATFORM CABLE INSTALLATION	A
1	4240017	AR	Tie-Strap (Not Shown)	
2	1001202184	1	Platform Harness	
2	4460899	1	Receptacle, Female - 6 position (To Platform/AC Cable Connector)	
2	4460464	4	Pin, Male	
2	4460943	2	Pin, Male	
2	4460754	1	Connector - 14 Position (To Console Box)	
2	4460465	8	Socket, Female	
2	4460466	6	Plug, Terminal	

SECTION 6 - ELECTRICAL

FIGURE 6-32. GROUND TO PLATFORM CABLE INSTALLATION - SCISSORS ARMS CABLE ONLY
(USA AND EUROPE BUILT MACHINES)



ART_1001239679

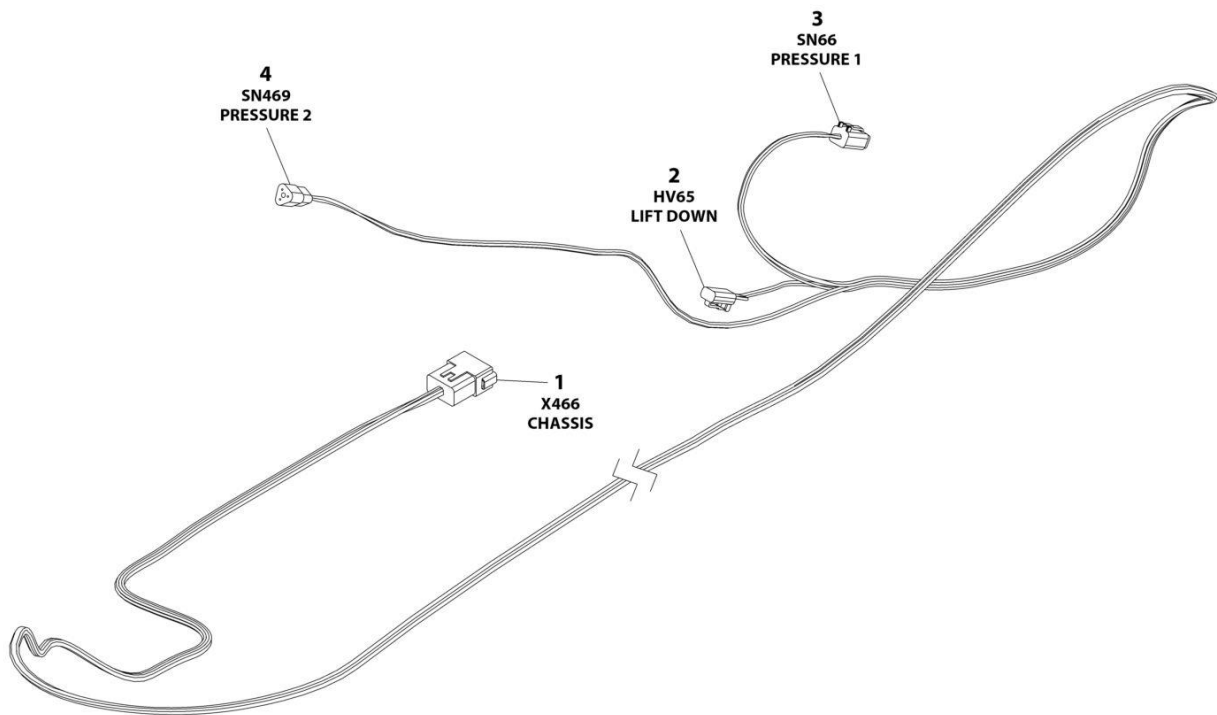
SECTION 6 - ELECTRICAL

**FIGURE 6-32. GROUND TO PLATFORM CABLE INSTALLATION - SCISSORS ARMS CABLE ONLY
(USA AND EUROPE BUILT MACHINES)**

ITEM	PART NUMBER	QTY	DESCRIPTION	REV
	1001239679	Ref	GROUND TO PLATFORM CABLE INSTALLATION	F
1	4240017	AR	Tie-Strap (Not Shown)	
2	1001237132	1	Cable Assembly - Ground to Platform	
2	4460894	1	Plug, Male - 6 Position (To Platform Harness Item 2)	
2	4460465	4	Socket, Female	
2	4460944	2	Socket, Female	
2	4460899	1	Receptacle, Female - 6 Position (To Chassis Harness)	
2	4460464	4	Pin, Male	
2	4460943	2	Pin, Male	

SECTION 6 - ELECTRICAL

FIGURE 6-33. LIFT DOWN HARNESS



ART_1001233795

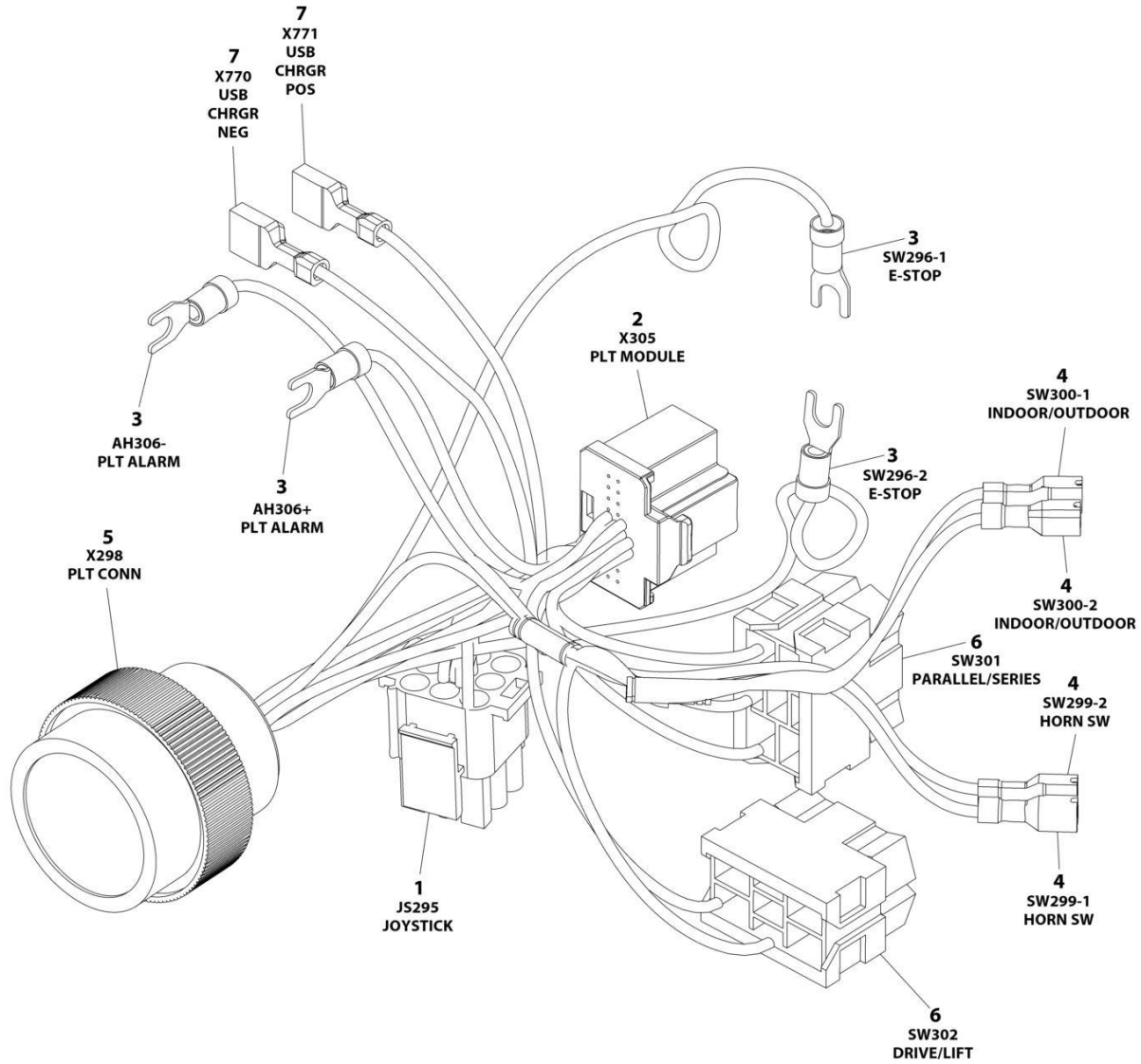
SECTION 6 - ELECTRICAL

FIGURE 6-33. LIFT DOWN HARNESS

ITEM	PART NUMBER	QTY	DESCRIPTION	REV
	1001233795	Ref	LIFT DOWN HARNESS	D
1	4460970	1	Receptacle, Female - 12 Position	
1	4460464	9	Pin, Male	
1	4460466	3	Plug, Terminal	
2	4460891	1	Plug, Male - 4 Position	
2	4460465	2	Socket, Female	
3	4460884	1	Plug, Male - 4 Position	
3	4460465	4	Socket, Female	
4	4460539	1	Plug, Male - 3 Position	
4	4460465	3	Socket, Female	

SECTION 6 - ELECTRICAL

FIGURE 6-34. PLATFORM CONTROL BOX HARNESS



ART_1001200819

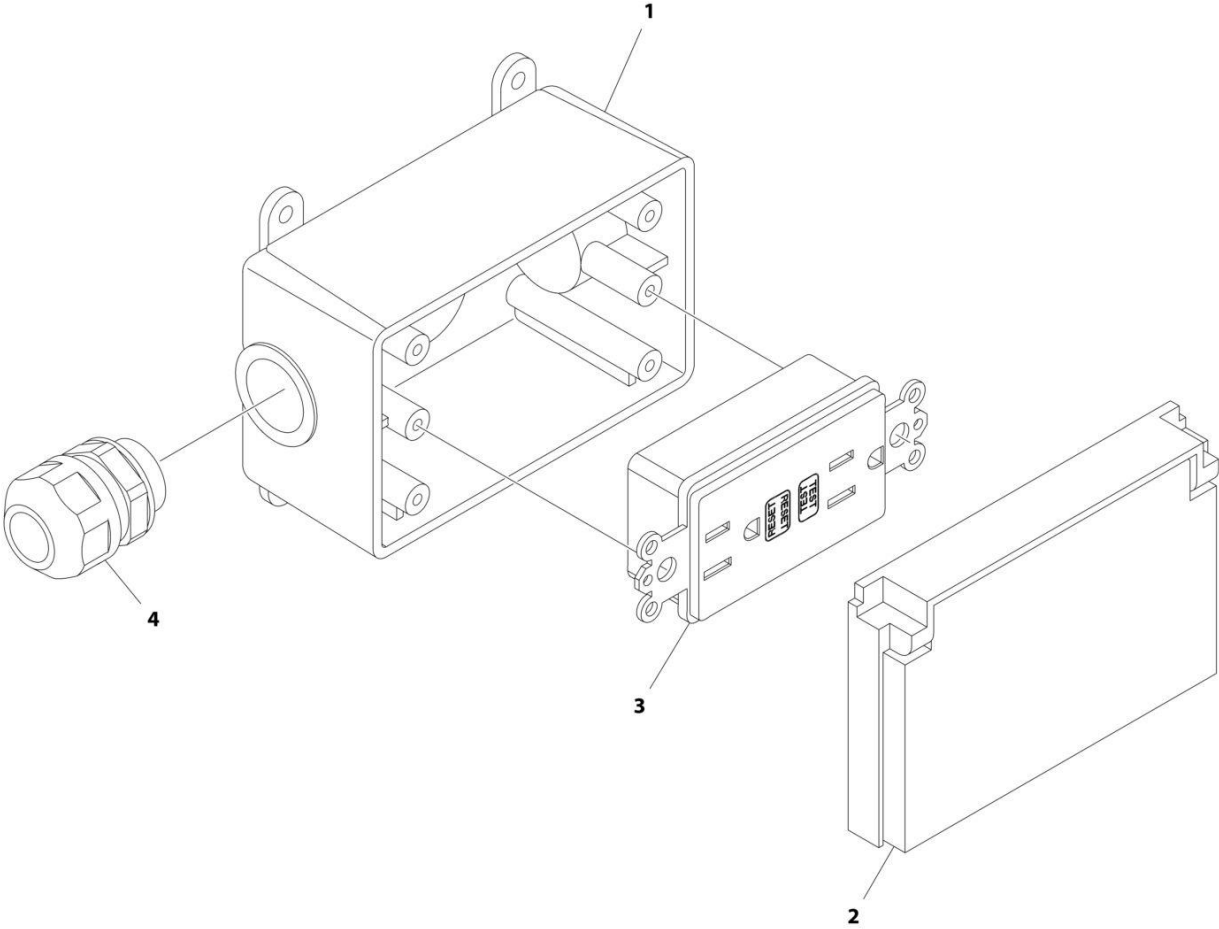
SECTION 6 - ELECTRICAL

FIGURE 6-34. PLATFORM CONTROL BOX HARNESS

ITEM	PART NUMBER	QTY	DESCRIPTION	REV
	1001200819	Ref	PLATFORM CONTROL BOX HARNESS	E
1	4460265	1	Plug, Male - 9 Position	
1	4460267	6	Pin, Male	
2	1001212036	1	Connector - 20 Position	
2	1001212035	16	Terminal	
3	4460183	4	Terminal, Fork	
4	1001201885	4	Terminal with Cover	
5	4461016	1	Connector - 14 Position	
5	4460464	8	Pin, Male	
5	4460466	6	Plug, Terminal	
6	4460418	2	Connector - 6 Position	
6	1001159186	5	Terminal	
7	1001194421	2	Terminal	

SECTION 6 - ELECTRICAL

FIGURE 6-35. RECEPTACLE BOX KIT - 110V GFI



ART_2902431

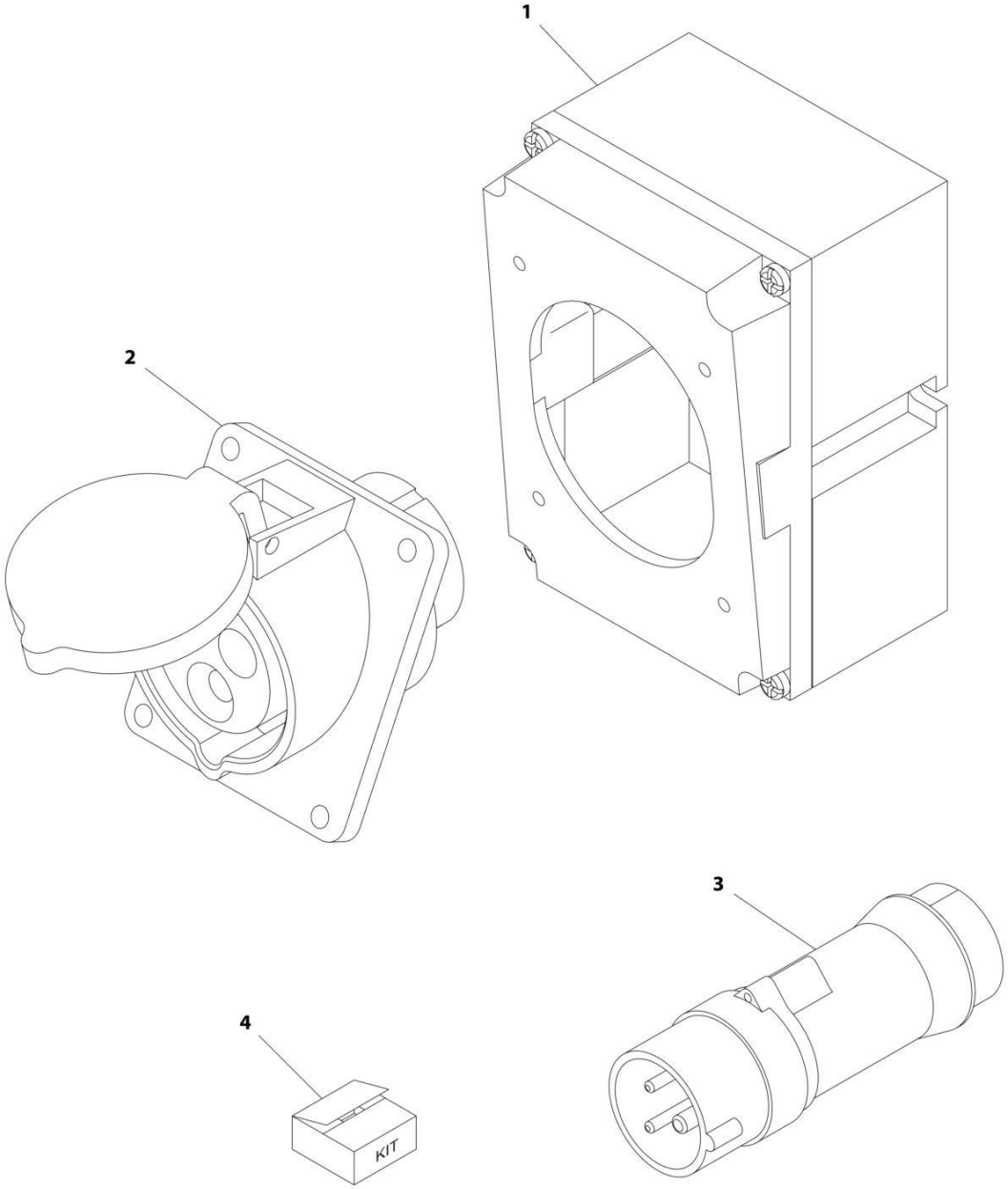
SECTION 6 - ELECTRICAL

FIGURE 6-35. RECEPTACLE BOX KIT - 110V GFI

ITEM	PART NUMBER	QTY	DESCRIPTION	REV
	2902431	Ref	RECEPTACLE BOX KIT - 110V GFI	D
1	0861731	1	Box, Receptacle	
2	1671207	1	Cover, Receptacle	
3	4460346	1	Receptacle	
4	4460662	1	Connector, Strain Relief	

SECTION 6 - ELECTRICAL

FIGURE 6-36. RECEPTACLE BOX KIT - 110V IEC YELLOW (CE SPEC)



ART_0275217

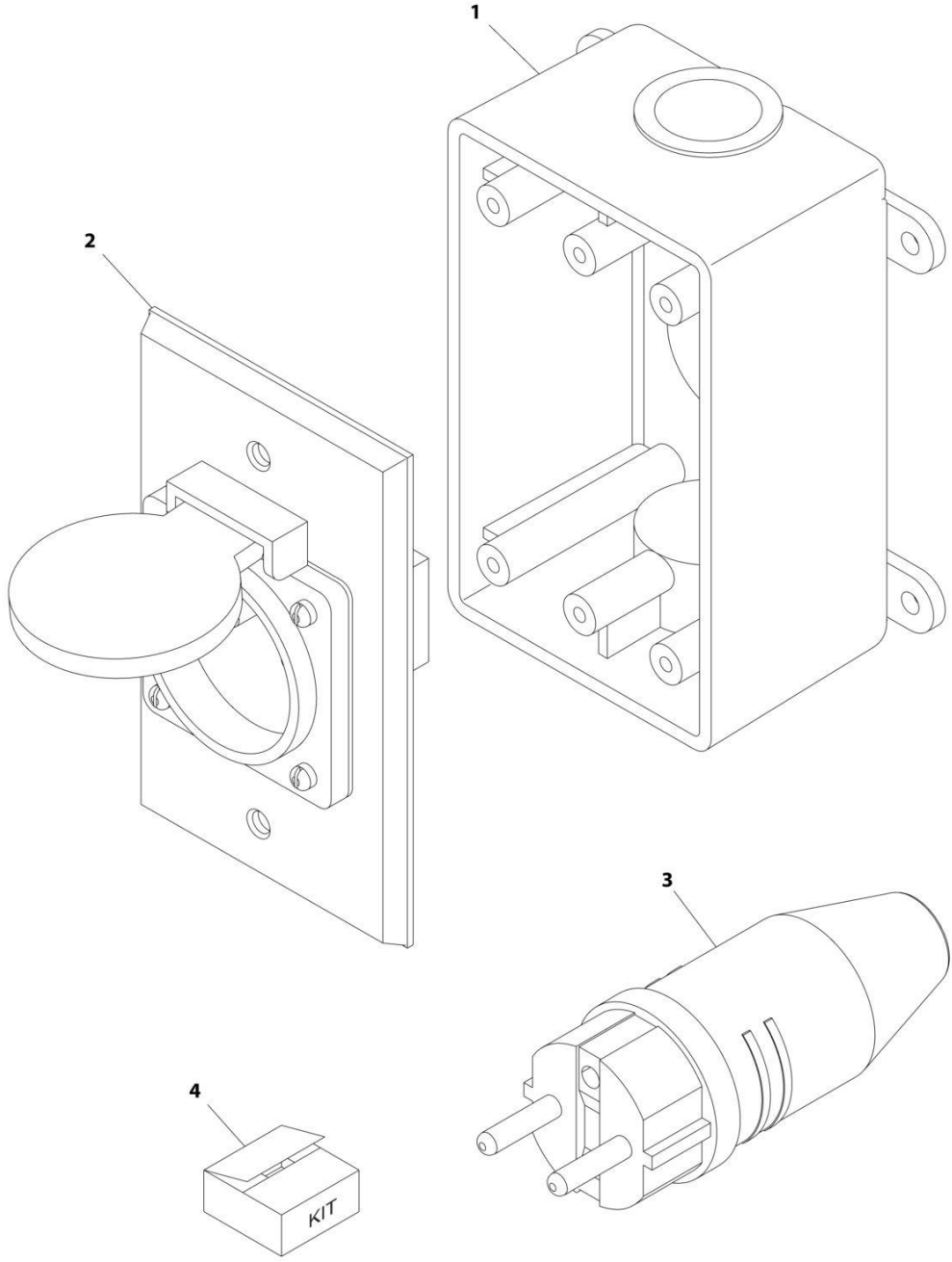
SECTION 6 - ELECTRICAL

FIGURE 6-36. RECEPTACLE BOX KIT - 110V IEC YELLOW (CE SPEC)

ITEM	PART NUMBER	QTY	DESCRIPTION	REV
	0275217	Ref	RECEPTACLE BOX KIT - 220V IEC BLUE	B
1	0861781	1	Box, Switch	
2	4461201	1	Receptacle	
3	4461199	1	Plug, Male	
4	1001100342	1	Plug and Socket Kit (Includes Items 1-3 and Female Plug p/n 4461200)	

SECTION 6 - ELECTRICAL

FIGURE 6-37. RECEPTACLE BOX KIT - 220V CEE7 POST GROUND (CE SPEC)



ART_0275452-C

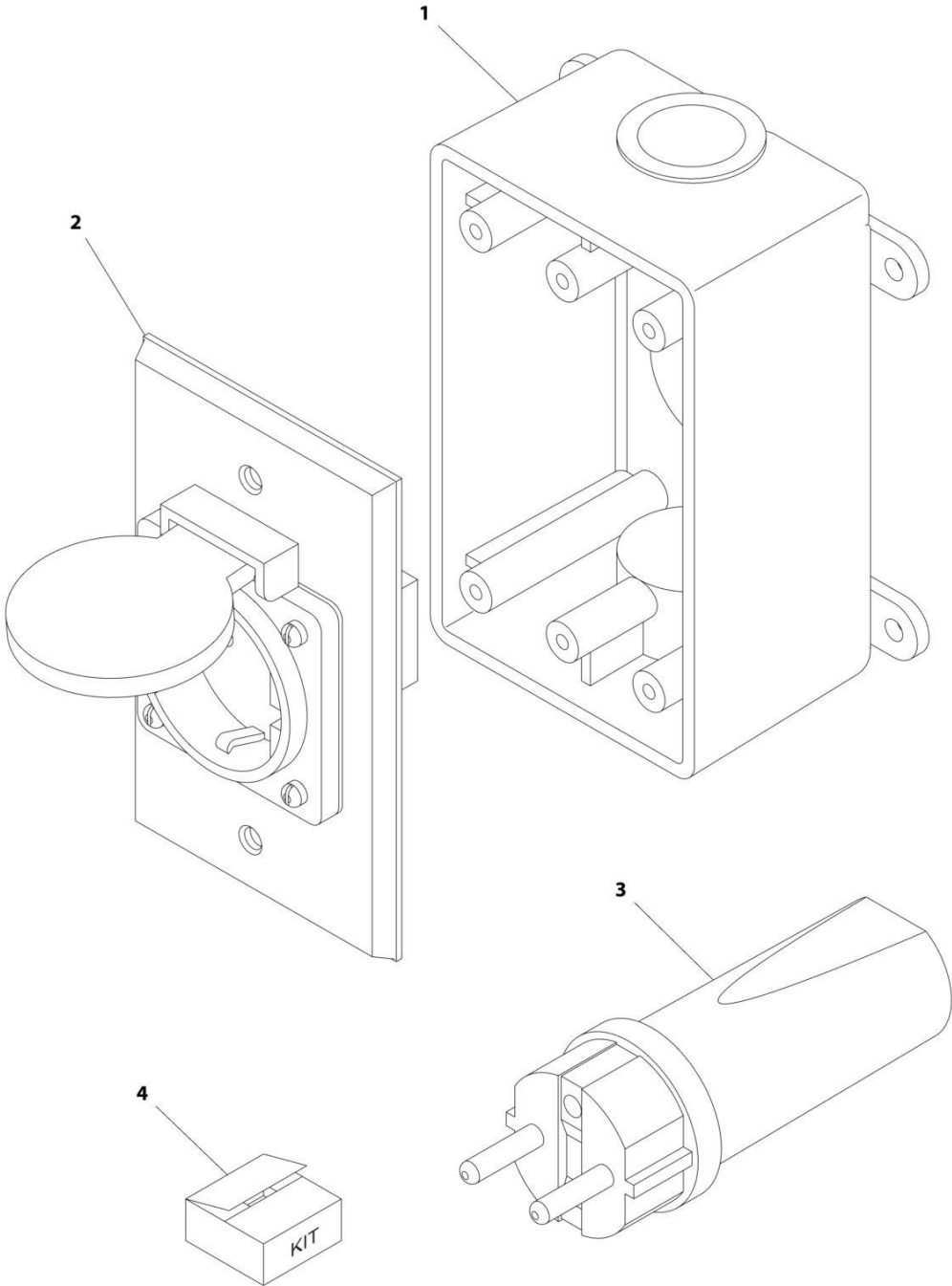
SECTION 6 - ELECTRICAL

FIGURE 6-37. RECEPTACLE BOX KIT - 220V CEE7 POST GROUND (CE SPEC)

ITEM	PART NUMBER	QTY	DESCRIPTION	REV
	0275452	Ref	RECEPTACLE BOX KIT - 220V CEE7 POST GROUND 2IN X 4IN BOX	C
1	0861731	1	Box, Switch	
2	4461244	1	Receptacle	
3	4461205	1	Plug, Male	
4	1001100345	1	Plug and Socket Kit (Includes Items 1-3 and Female Plug p/n 4461203)	

SECTION 6 - ELECTRICAL

FIGURE 6-38. RECEPTACLE BOX KIT - 220V CEE7 SIDE GROUND (CE SPEC)



ART_0275453

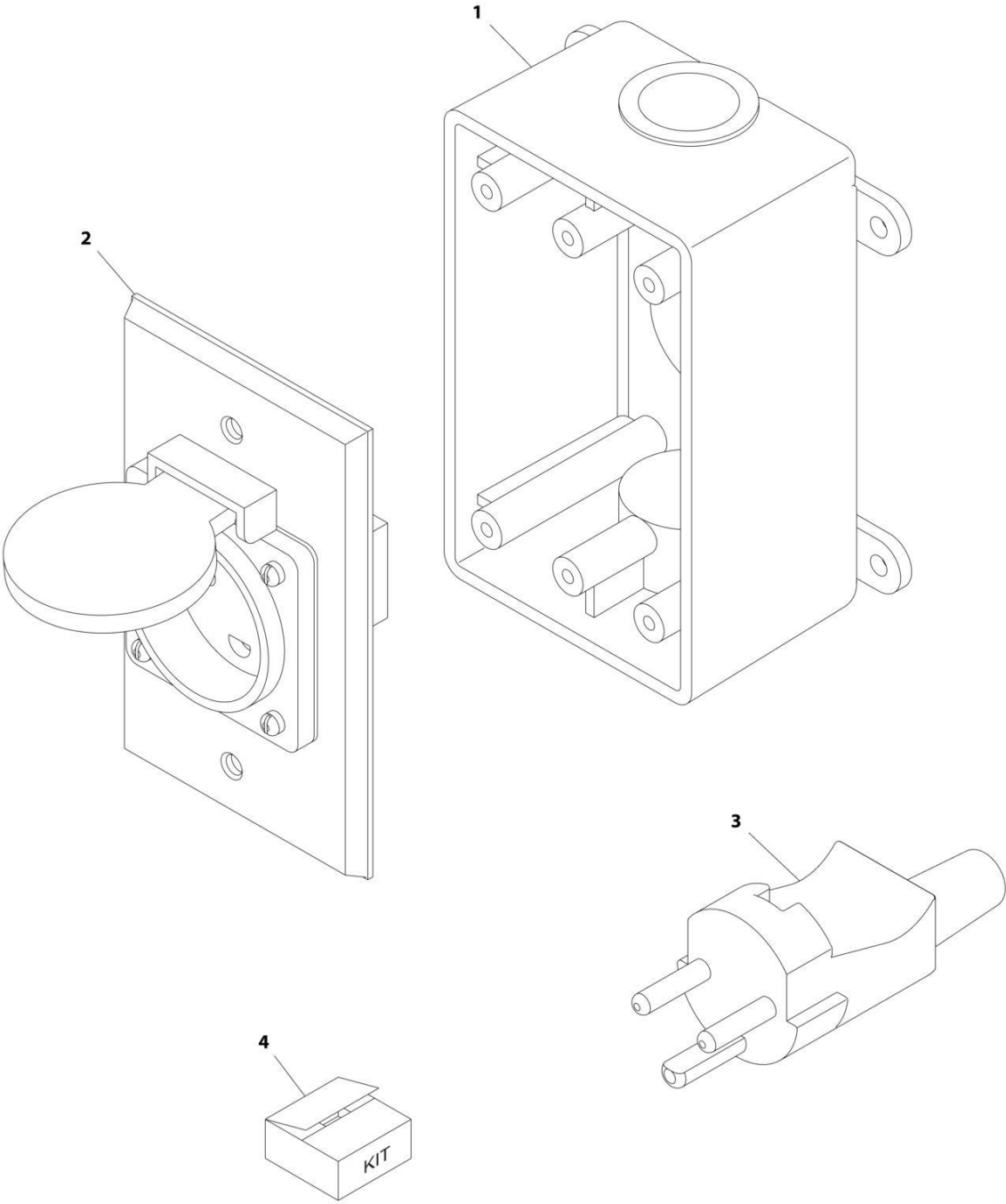
SECTION 6 - ELECTRICAL

FIGURE 6-38. RECEPTACLE BOX KIT - 220V CEE7 SIDE GROUND (CE SPEC)

ITEM	PART NUMBER	QTY	DESCRIPTION	REV
	0275453	Ref	RECEPTACLE BOX KIT - 220V CEE7 SIDE GROUND	B
1	0861731	1	Box, Switch	
2	4461245	1	Receptacle	
3	4461205	1	Plug, Male	
4	1001100347	1	Plug and Socket Kit (Includes Items 1-3 and Female Plug p/n 4461206)	

SECTION 6 - ELECTRICAL

FIGURE 6-39. RECEPTACLE BOX KIT - 220V AFSINT 107 (CE SPEC)



ART_0275454

SECTION 6 - ELECTRICAL

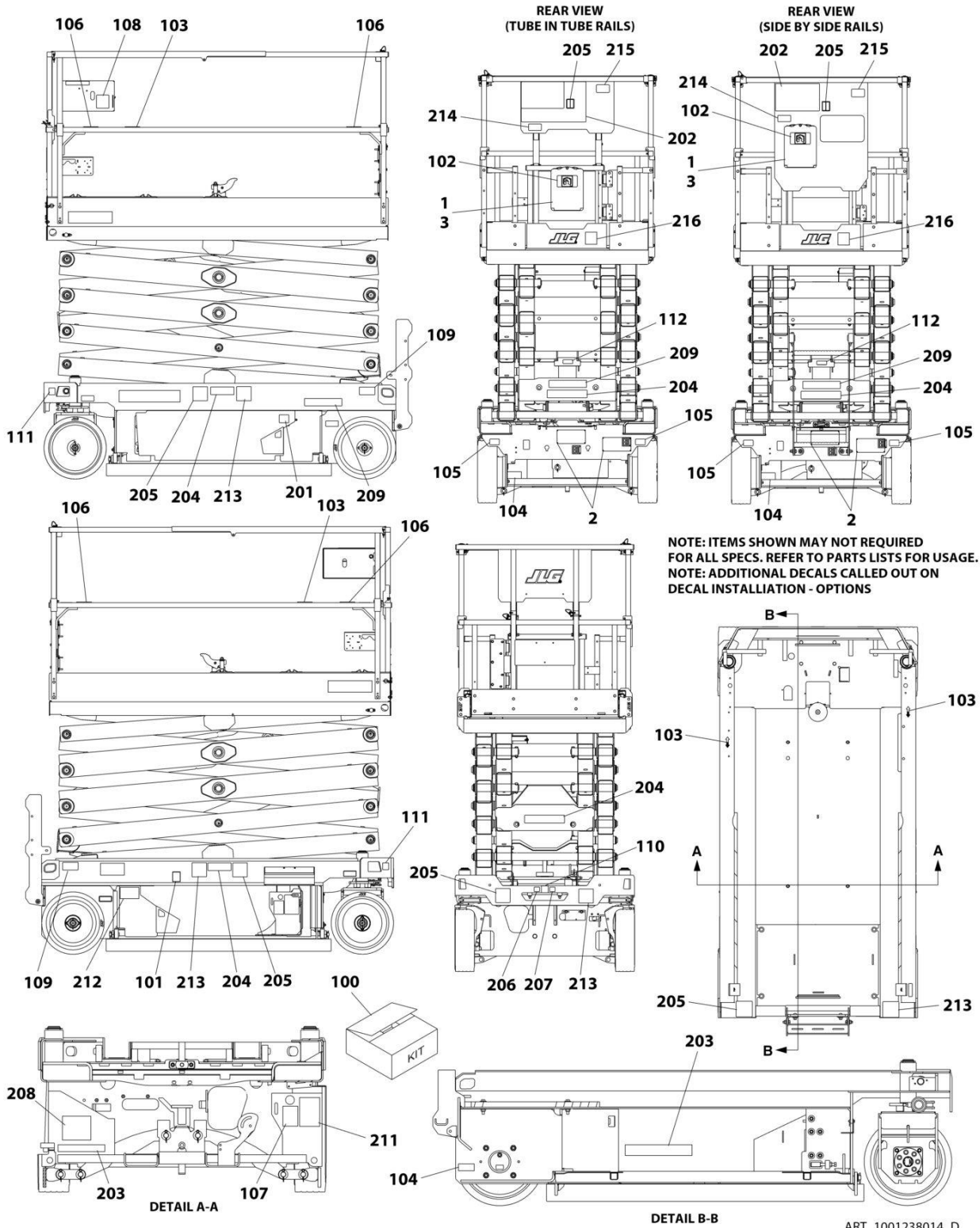
FIGURE 6-39. RECEPTACLE BOX KIT - 220V AFSINT 107 (CE SPEC)

ITEM	PART NUMBER	QTY	DESCRIPTION	REV
	0275454	Ref	RECEPTACLE BOX KIT - 220V AFSINT 107	B
1	0861731	1	Box, Switch	
2	4461246	1	Receptacle	
3	4461249	1	Plug, Male	
4	1001100346	1	Plug and Socket Kit (Includes Items 1-3 and Female Plug p/n 4461250)	

SECTION 7 - DECALS

SECTION 7 - DECALS

FIGURE 7-1. DECAL INSTALLATION (ANSI SPECS)



ART_1001238014_D

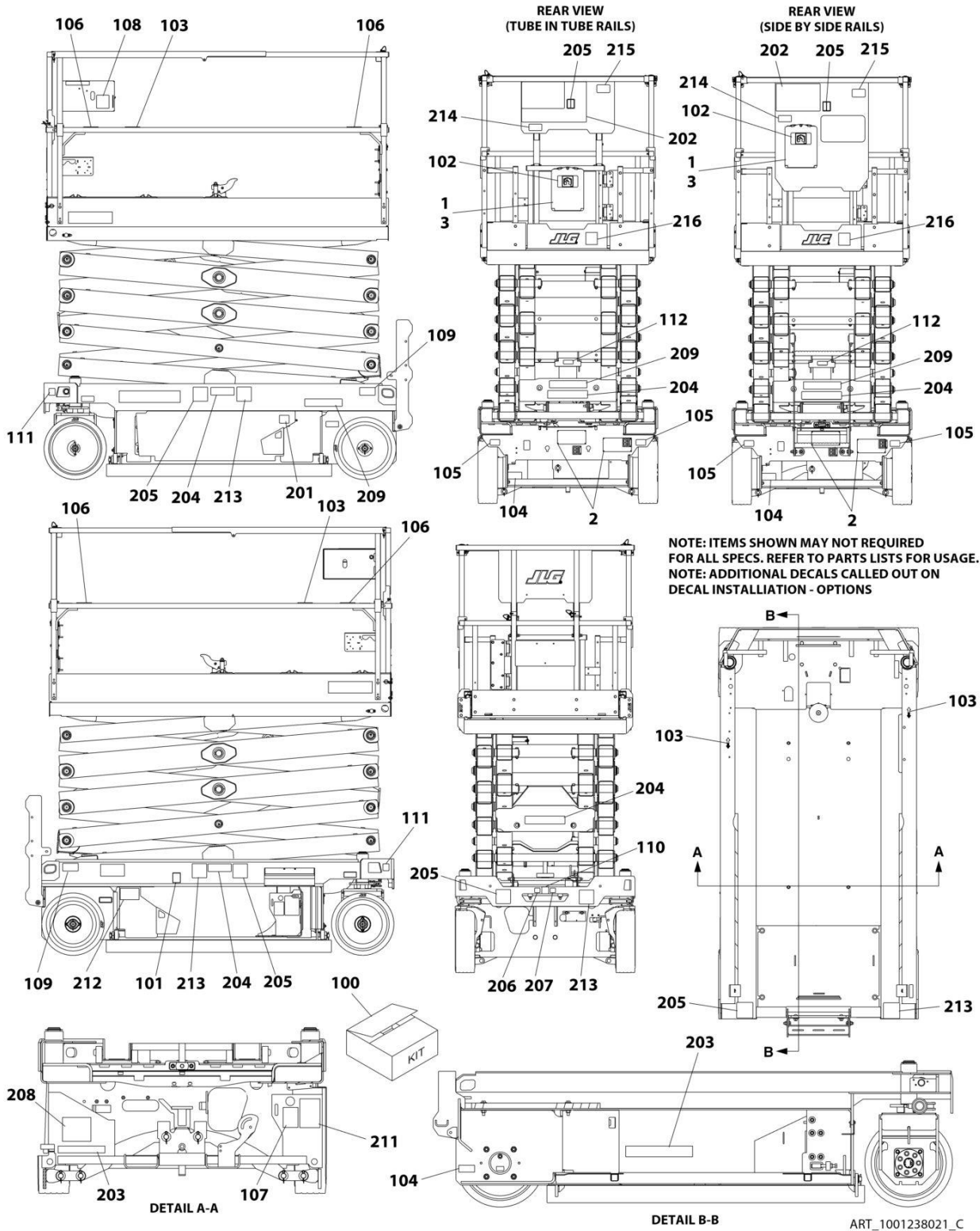
SECTION 7 - DECALS

FIGURE 7-1. DECAL INSTALLATION (ANSI SPECS)

ITEM	PART NUMBER	QTY	DESCRIPTION	REV
	1001238014	Ref	DECAL INSTALLATION (ENGLISH LANGUAGE)	D
	1001237749	Ref	DECAL REFERENCE CHART	H
1	2080040	3	Fastener	
2	2080057	4	Fastener	
3	8990147	1	Holder, Manual	
100	1001239270	1	Master Decal Kit	D
101	1701504	1	Decal - Hydraulic Oil	
102	1701640	1	Decal - Manual	
103	1703819	4	Decal - Direction Arrow	
104	1001248126	1	Decal - Manual Descent Instructions	
105	1704016	2	Decal - Fork Lift	
106	1704277	4	Decal - Lanyard Attach	
107	1704412	1	Decal - Hydraulic Oil	
108	1001132359	1	Decal - Control Box Locate	
109	1001162864	2	Decal - Lift Point/Tie Down	
110	1001212290	1	Decal - Tie Down	
111	1001212291	2	Decal - Lifting Lug	
112	1001237899	1	Decal - Arms Prop	
201	1702155	1	Decal - Battery Disconnect	
202	1703816	1	Decal - Danger/Warning	
203	1001146794	1	Decal - Battery/Charger Service	
204	1001211777	4	Decal - Crushing Hazard	
205	1001211779	4	Decal - Electrocution	
206	1001212292	1	Decal - No Lifting	
207	1001212293	1	Decal - No Forklift	
208	1001237538	1	Decal - Battery Spacer	
209	1703813	2	Decal - Warning Battery Ventilation	
211	1001131270	1	Decal - Patent	
212	1001223055	1	Decal - Yearly Inspection	
214	1001228370	1	Decal - ICES	
215	1001231801	1	Decal - Warning Prop 65	

SECTION 7 - DECALS

FIGURE 7-2. DECAL INSTALLATION (AUSTRALIAN SPECS)



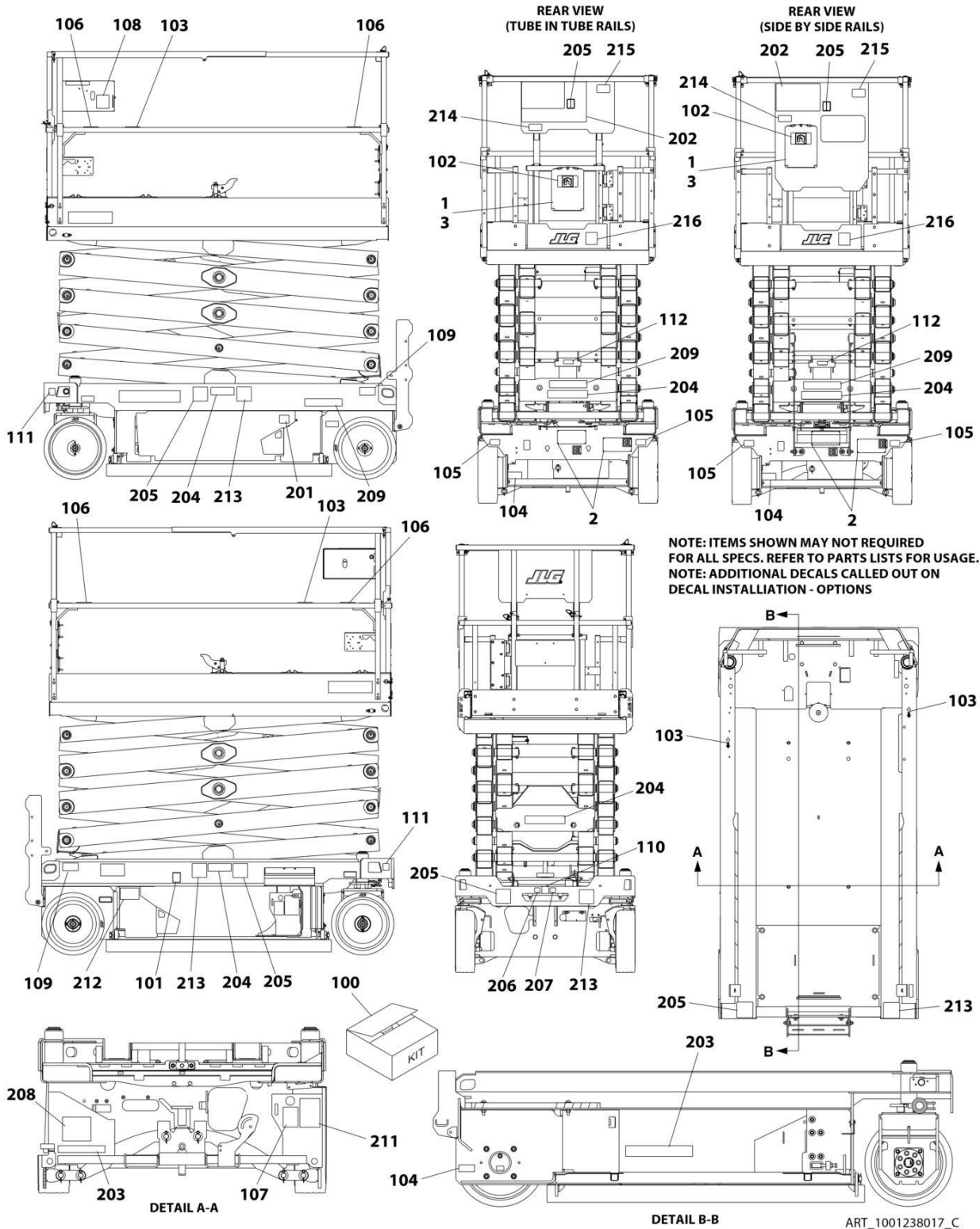
SECTION 7 - DECALS

FIGURE 7-2. DECAL INSTALLATION (AUSTRALIAN SPECS)

ITEM	PART NUMBER	QTY	DESCRIPTION	REV
	1001238021	Ref	DECAL INSTALLATION (ENGLISH LANGUAGE)	C
	1001237749	Ref	DECAL REFERENCE CHART	H
1	2080040	3	Fasteners	
2	2080057	4	Fasteners	
3	8990147	1	Holder, Manual	
100	1001239270	1	Master Decal Kit	D
101	1701504	1	Decal - Hydraulic Oil	
102	1701640	1	Decal - Manual	
103	1703819	4	Decal - Direction Arrow	
104	1001248126	1	Decal - Manual Descent Instructions	
105	1704016	2	Decal - Fork Lift	
106	1704277	4	Decal - Lanyard Attach Graphic	
107	1704412	1	Decal - Hydraulic Oil	
108	1001132359	1	Decal - Control Box Locate	
109	1001162864	2	Decal - Lift Point/Tie Down	
110	1001212290	1	Decal - Tie Down	
111	1001212291	2	Decal - Lifting Lug	
112	1001237899	1	Decal - Arms Prop	
201	1702155	1	Decal - Battery Disconnect	
203	1001146794	1	Decal - Battery/Charger Service	
204	1705673	4	Decal - Crushing	
205	1705671	5	Decal - Electrocution	
206	1001212292	1	Decal - No Lifting	
207	1001212293	1	Decal - No Forklift	
208	1001237538	1	Decal - Battery Spacer	
209	1705670	2	Decal - Fire Hazard	

SECTION 7 - DECALS

FIGURE 7-3. DECAL INSTALLATION (BRAZIL SPECS)



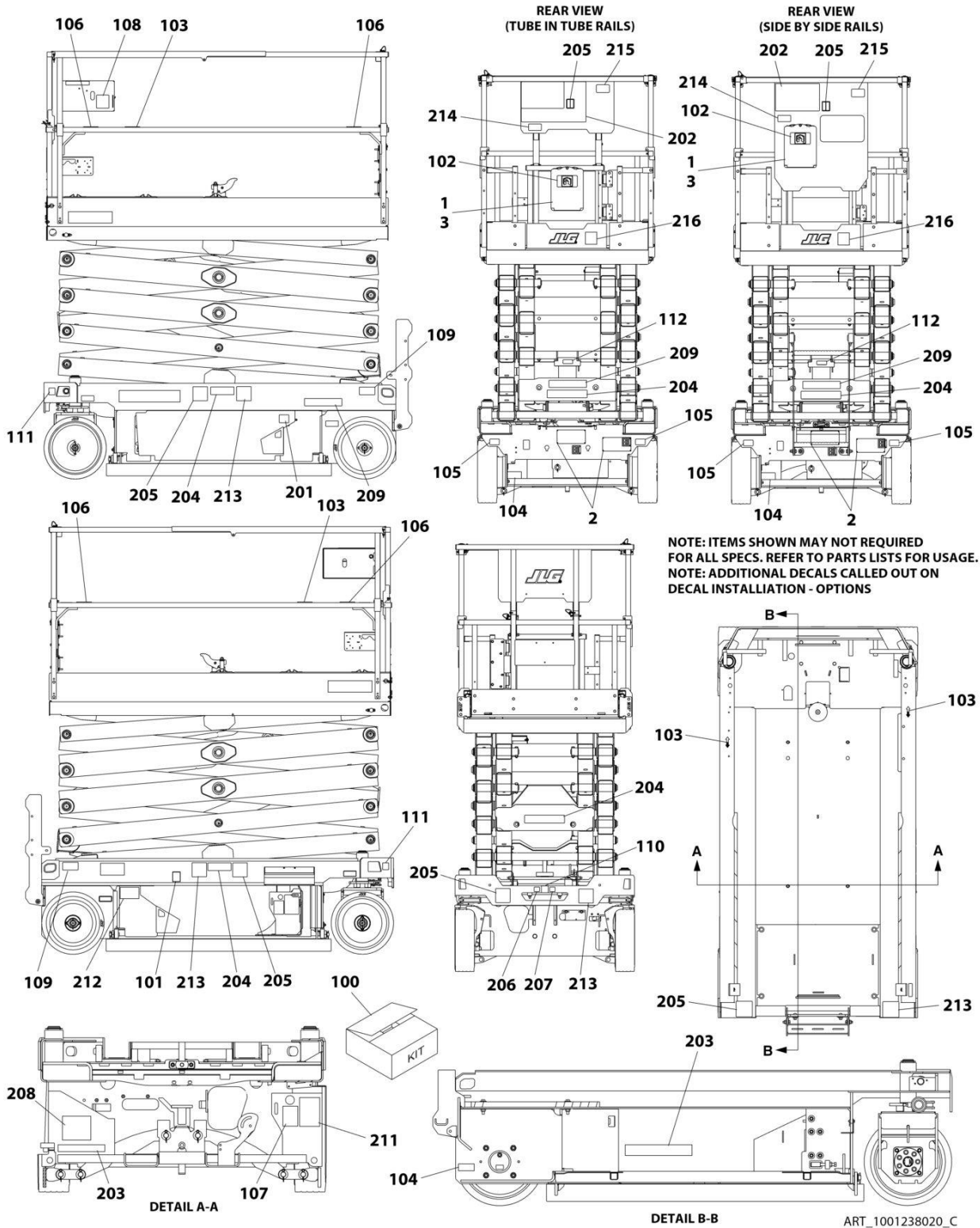
SECTION 7 - DECALS

FIGURE 7-3. DECAL INSTALLATION (BRAZIL SPECS)

ITEM	PART NUMBER	QTY	DESCRIPTION	REV
	1001238017	Ref	DECAL INSTALLATION (SPANISH/PORTUGUESE LANGUAGE)	C
	1001237749	Ref	DECAL REFERENCE CHART	H
1	2080040	3	Fastener	
2	2080057	4	Fastener	
3	8990147	1	Holder, Manual	
100	1001239270	1	Master Decal Kit	D
101	1701504	1	Decal - Hydraulic Oil	
102	1701640	1	Decal - Manual	
103	1703819	4	Decal - Direction Arrow	
104	1001248126	1	Decal - Manual Descent Instructions	
105	1704016	2	Decal - Fork Lift	
106	1704277	4	Decal - Lanyard Attach	
107	1704412	1	Decal - Hydraulic Oil	
108	1001132359	1	Decal - Control Box Locate	
109	1001162864	2	Decal - Lift Point/Tie Down	
110	1001212290	1	Decal - Tie Down	
111	1001212291	2	Decal - Lifting Lug	
112	1001237899	1	Decal - Arms Prop	
201	1702155	1	Decal - Battery Disconnect	
202	1704699	1	Decal - Danger/Warning	
203	1001146794	1	Decal - Battery/Charger Service	
204	1001216650	4	Decal - Crushing Hazard	
205	1001215748	4	Decal - Electrocution	
206	1001212292	1	Decal - No Lifting	
207	1001212293	1	Decal - No Forklift	
208	1001237538	1	Decal - Battery Spacer	
209	1704341	2	Decal - Warning Battery Ventilation	
212	1001224052	1	Decal - Yearly Inspection	
213	1001216648	4	Decal - Danger Electrocution	

SECTION 7 - DECALS

FIGURE 7-4. DECAL INSTALLATION (CE SPECS)



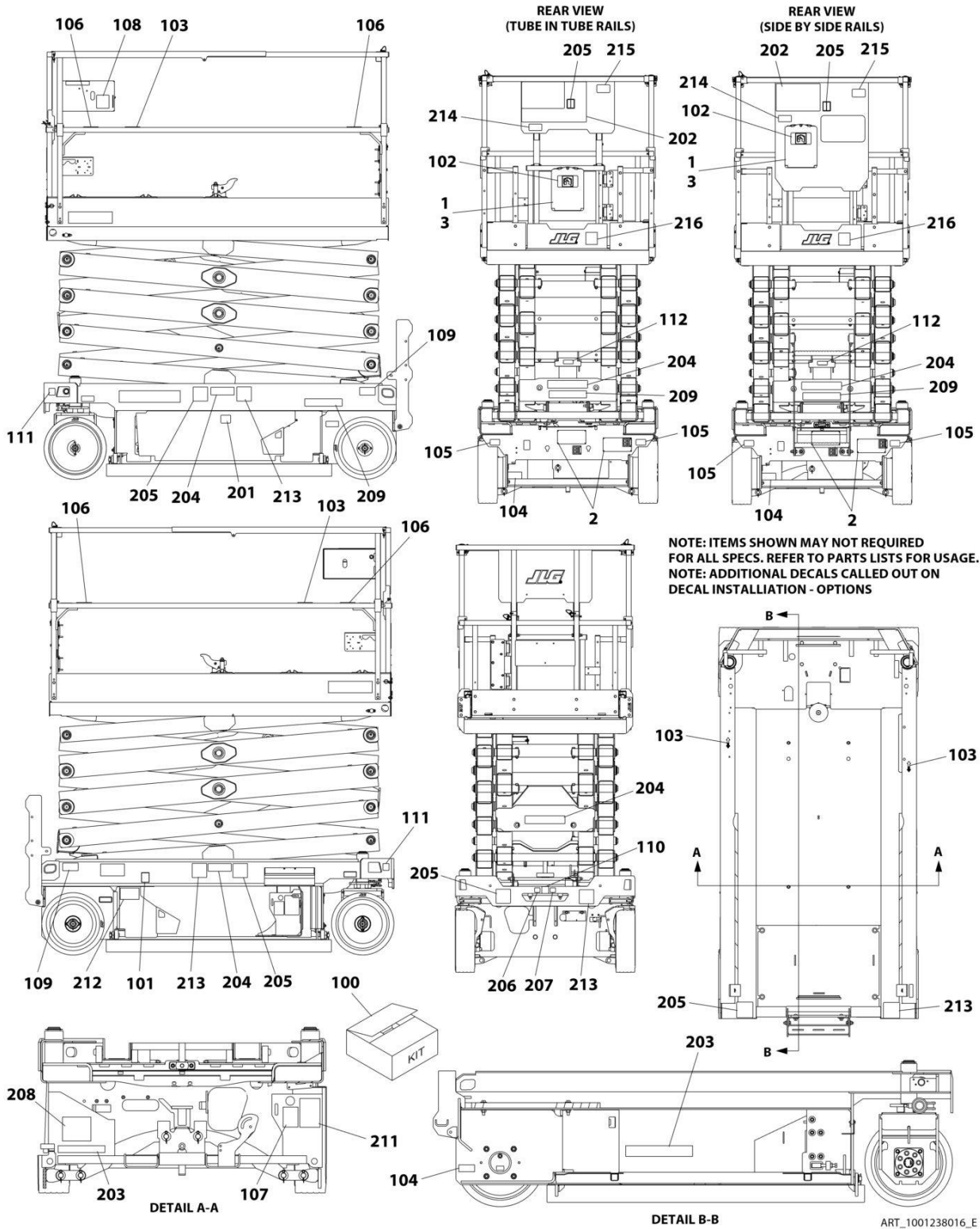
SECTION 7 - DECALS

FIGURE 7-4. DECAL INSTALLATION (CE SPECS)

ITEM	PART NUMBER	QTY	DESCRIPTION	REV
	1001238020	Ref	DECAL INSTALLATION (ENGLISH LANGUAGE)	C
	1001237749	Ref	DECAL REFERENCE CHART	H
1	2080040	3	Fastener	
2	2080057	4	Fastener	
3	8990147	1	Holder, Manual	
100	1001239270	1	Master Decal Kit	D
101	1701504	1	Decal - Hydraulic Oil	
102	1701640	1	Decal - Manual	
103	1703819	4	Decal - Direction Arrow	
104	1001248126	1	Decal - Manual Descent Instructions	
105	1704016	2	Decal - Fork Lift	
106	1704277	4	Decal - Lanyard Attach	
107	1704412	1	Decal - Hydraulic Oil	
108	1001132359	1	Decal - Control Box Locate	
109	1001162864	2	Decal - Lift Point/Tie Down	
110	1001212290	1	Decal - Tie Down	
111	1001212291	2	Decal - Lifting Lug	
112	1001237899	1	Decal - Arms Prop	
201	1702155	1	Decal - Battery Disconnect	
203	1001146795	1	Decal - Battery/Charger Service	
204	1705673	4	Decal - Crushing	
205	1705671	5	Decal - Electrocution	
206	1001212292	1	Decal - No Lifting	
207	1001212293	1	Decal - No Forklift	
208	1001237538	1	Decal - Battery Spacer	
209	1705670	2	Decal - Fire Hazard	

SECTION 7 - DECALS

FIGURE 7-5. DECAL INSTALLATION (CHINA SPECS)



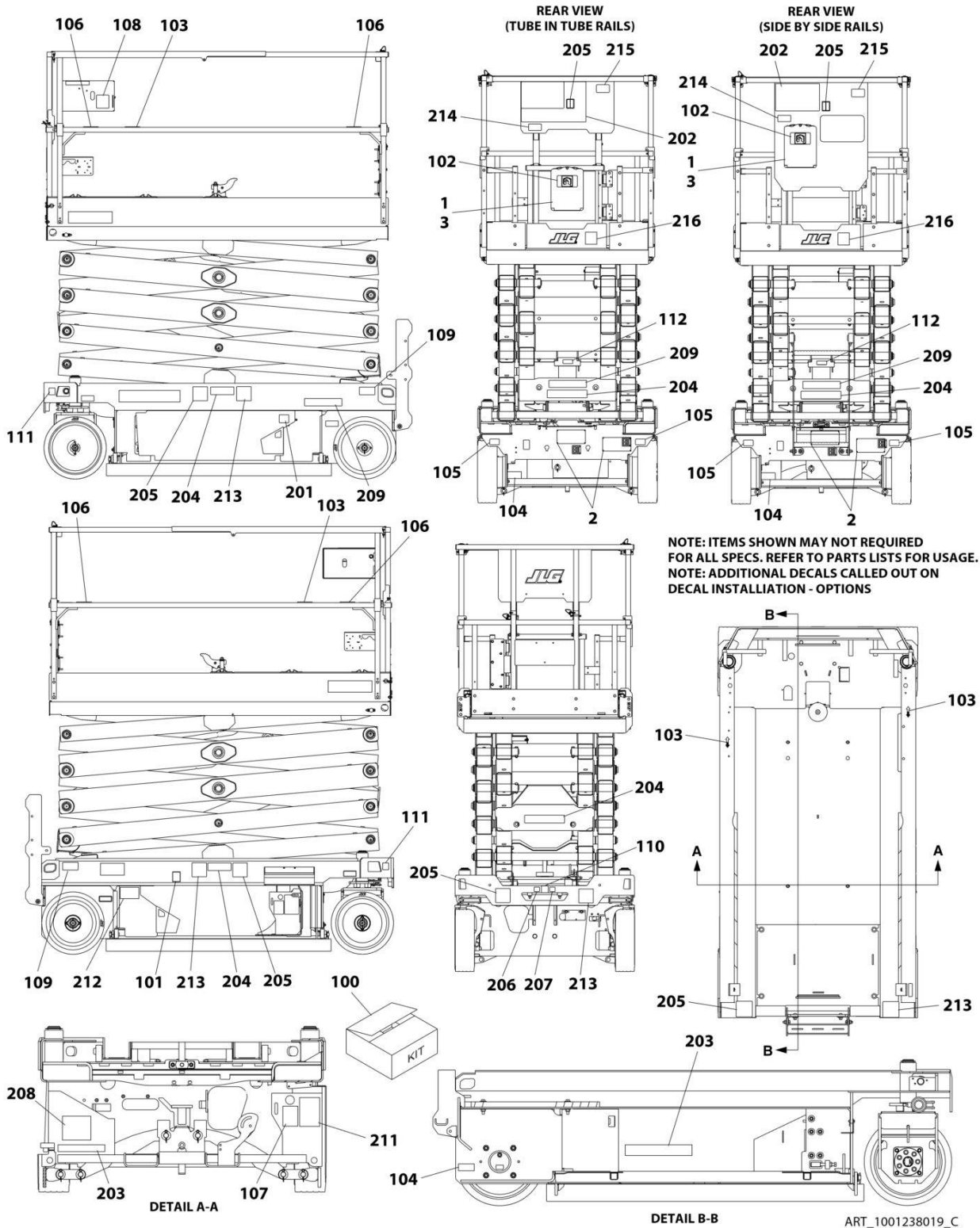
SECTION 7 - DECALS

FIGURE 7-5. DECAL INSTALLATION (CHINA SPECS)

ITEM	PART NUMBER	QTY	DESCRIPTION	REV
	1001238016	Ref	DECAL INSTALLATION (ENGLISH/CHINESE LANGUAGE)	E
	1001237749	Ref	DECAL REFERENCE CHART	H
1	2080040	3	Fastener	
2	2080057	4	Fastener	
3	8990147	1	Holder, Manual	
100	1001239270	1	Master Decal Kit	D
101	1701504	1	Decal - Hydraulic Oil	
102	1701640	1	Decal - Manual	
103	1703819	4	Decal - Direction Arrow	
104	1001248126	1	Decal - Manual Descent Instructions	
105	1704016	2	Decal - Fork Lift	
106	1704277	4	Decal - Lanyard Attach	
107	1704412	1	Decal - Hydraulic Oil	
108	1001132359	1	Decal - Control Box Locate	
109	1001162864	2	Decal - Lift Point/Tie Down	
110	1001212290	1	Decal - Tie Down	
111	1001212291	2	Decal - Lifting Lug	
112	1001237899	1	Decal - Arms Prop	
201	1702155	1	Decal - Battery Disconnect	
202	1705195	1	Decal - Danger/Warning	
203	1001146794	1	Decal - Battery/Charger Service	
204	1001215752	4	Decal - Crushing Hazard	
205	1001211779	4	Decal - Electrocution	
206	1001212292	1	Decal - No Lifting	
207	1001212293	1	Decal - No Forklift	
208	1001237538	1	Decal - Battery Spacer	
209	1704344	2	Decal - Warning Battery Ventilation	
212	1001224051	1	Decal - Yearly Inspection	
213	1001215747	4	Decal - Danger Electrocution	
216	1001244298	1	Decal - Wechat QR Code	

SECTION 7 - DECALS

FIGURE 7-6. DECAL INSTALLATION (CSA SPECS)



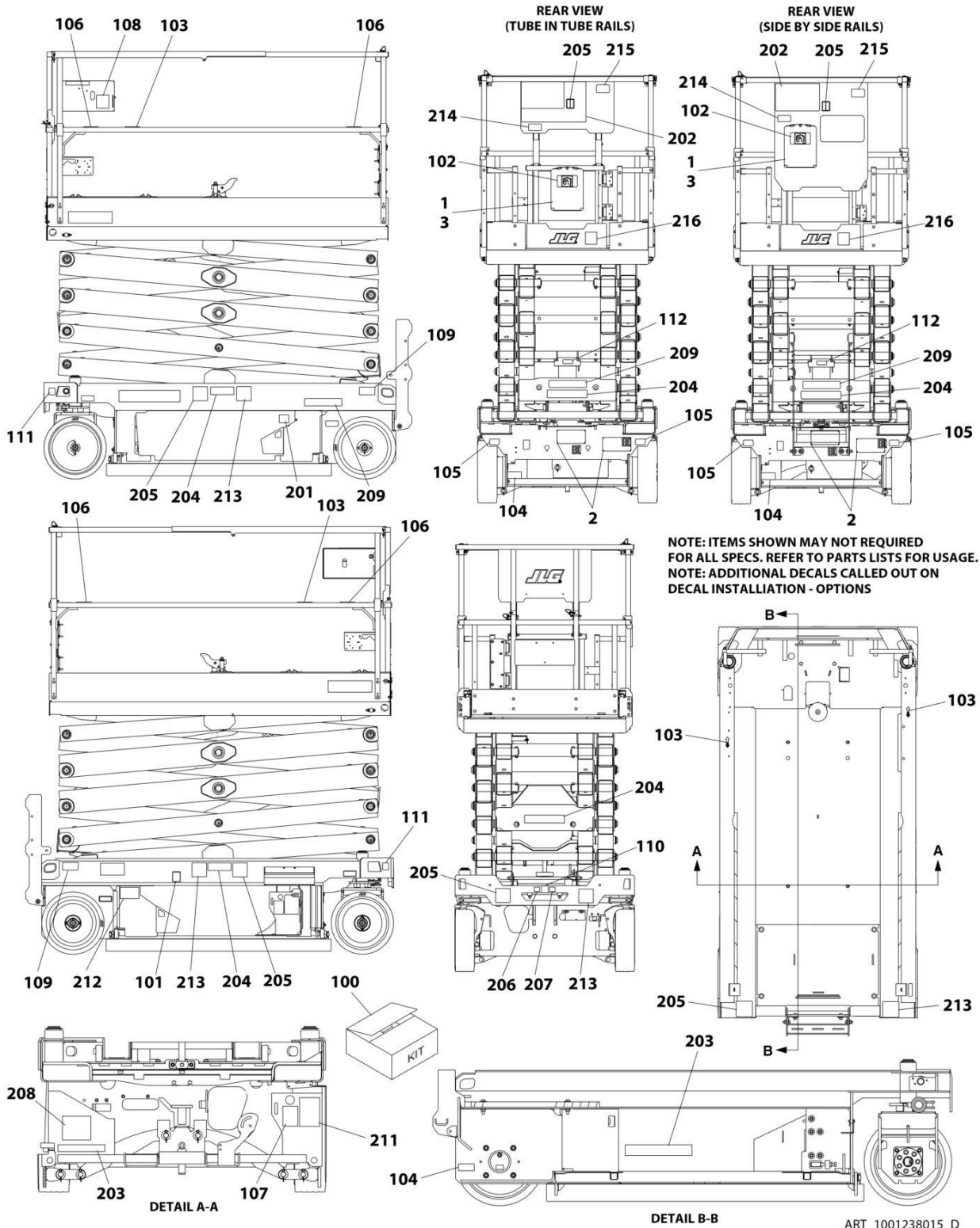
SECTION 7 - DECALS

FIGURE 7-6. DECAL INSTALLATION (CSA SPECS)

ITEM	PART NUMBER	QTY	DESCRIPTION	REV
	1001238019	Ref	DECAL INSTALLATION (ENGLISH/FRENCH LANGUAGE)	C
	1001237749	Ref	DECAL REFERENCE CHART	F
1	2080040	3	Fastener	
2	2080057	4	Fastener	
3	8990147	1	Holder, Manual	
100	1001239270	1	Master Decal Kit	D
101	1701504	1	Decal - Hydraulic Oil	
102	1701640	1	Decal - Manual	
103	1703819	4	Decal - Direction Arrow	
104	1001248126	1	Decal - Manual Descent Instructions	
105	1704016	2	Decal - Fork Lift	
106	1704277	4	Decal - Lanyard Attach	
107	1704412	1	Decal - Hydraulic Oil	
108	1001132359	1	Decal - Control Box Locate	
109	1001162864	2	Decal - Lift Point/Tie Down	
110	1001212290	1	Decal - Tie Down	
111	1001212291	2	Decal - Lifting Lug	
112	1001237899	1	Decal - Arms Prop	
201	1702155	1	Decal - Battery Disconnect	
202	1704684	1	Decal - Danger/Warning	
203	1001146794	1	Decal - Battery/Charger Service	
204	1705311	4	Decal - Crushing Hazard	
205	1001211779	4	Decal - Electrocution	
206	1001212292	1	Decal - No Lifting	
207	1001212293	1	Decal - No Forklift	
208	1001237538	2	Decal - Battery Spacer	
209	1704340	1	Decal - Warning Battery Ventilation	
211	1001131270	1	Decal - Patent	
212	1001223971	1	Decal - Yearly Inspection	
213	1001215749	4	Decal - Danger Electrocution	
214	1001228370	1	Decal - ICES	
215	1001231801	1	Decal - Warning Prop 65	

SECTION 7 - DECALS

FIGURE 7-7. DECAL INSTALLATION (KOREAN SPECS)



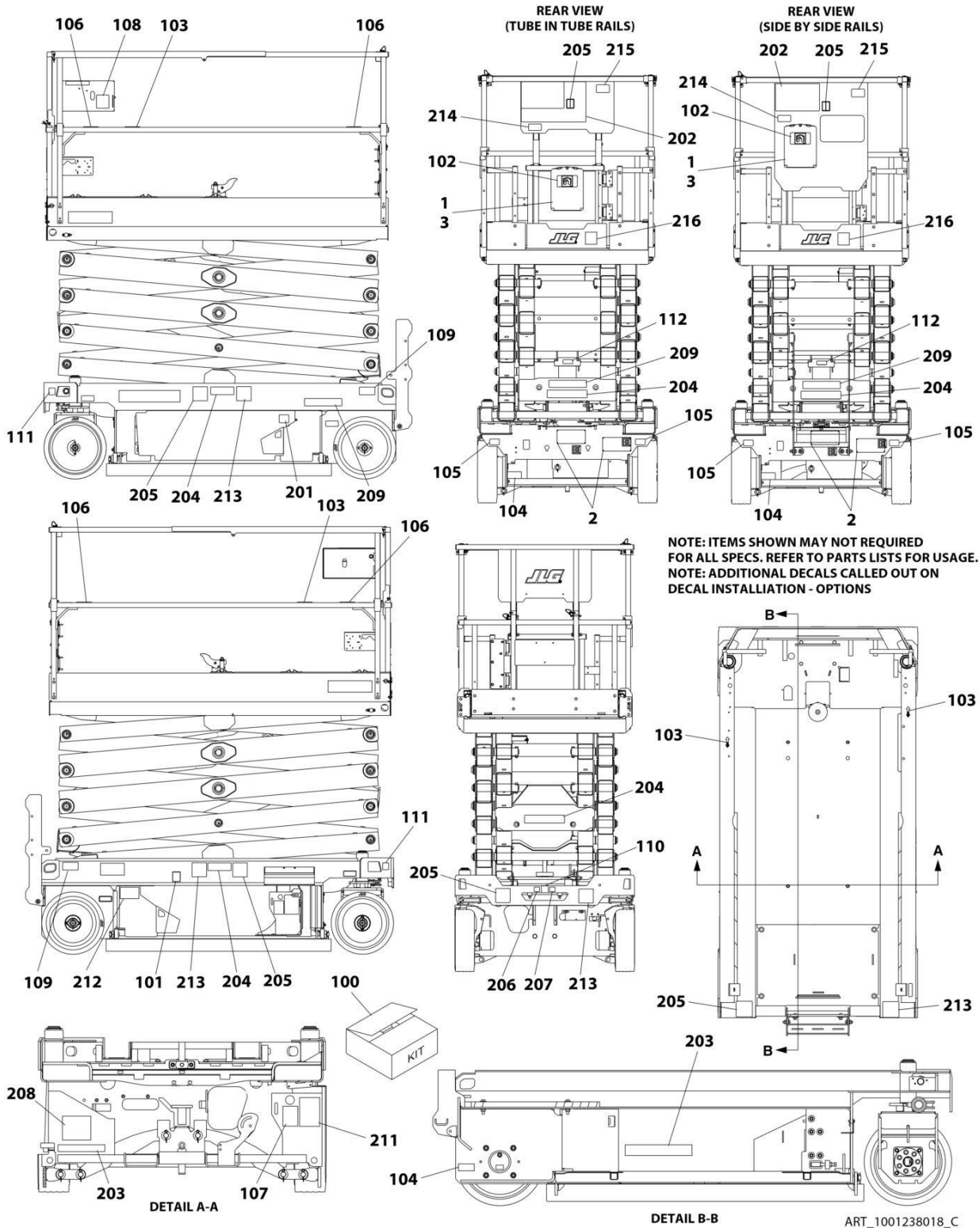
SECTION 7 - DECALS

FIGURE 7-7. DECAL INSTALLATION (KOREAN SPECS)

ITEM	PART NUMBER	QTY	DESCRIPTION	REV
	1001238015	Ref	DECAL INSTALLATION (ENGLISH/KOREAN LANGUAGES)	D
	1001237749	Ref	DECAL REFERENCE CHART	H
1	2080040	3	Fastener	
2	2080057	4	Fastener	
3	8990147	1	Holder, Manual	
100	1001239270	1	Master Decal Kit	D
101	1701504	1	Decal - Hydraulic Oil	
102	1701640	1	Decal - Manual	
103	1703819	4	Decal - Direction Arrow	
104	1001248126	1	Decal - Manual Descent Instructions	
105	1704016	2	Decal - Fork Lift	
106	1704277	4	Decal - Lanyard Attach	
107	1704412	1	Decal - Hydraulic Oil	
108	1001132359	1	Decal - Control Box Locate	
109	1001162864	2	Decal - Lift Point/Tie Down	
110	1001212290	1	Decal - Tie Down	
111	1001212291	2	Decal - Lifting Lug	
112	1001237899	1	Decal - Arms Prop	
201	1702155	1	Decal - Battery Disconnect	
202	1001162115	1	Decal - Danger/Warning	
203	1001146794	1	Decal - Battery/Charger Service	
204	1001215751	4	Decal - Crushing Hazard	
205	1001211779	4	Decal - Electrocution	
206	1001212292	1	Decal - No Lifting	
207	1001212293	1	Decal - No Forklift	
208	1001237538	1	Decal - Battery Spacer	
209	1707022	2	Decal - Warning Battery Ventilation	
212	1001224048	1	Decal - Yearly Inspection	
213	1001215750	4	Decal - Danger Electrocution	

SECTION 7 - DECALS

FIGURE 7-8. DECAL INSTALLATION (LATIN AMERICAN SPECS)



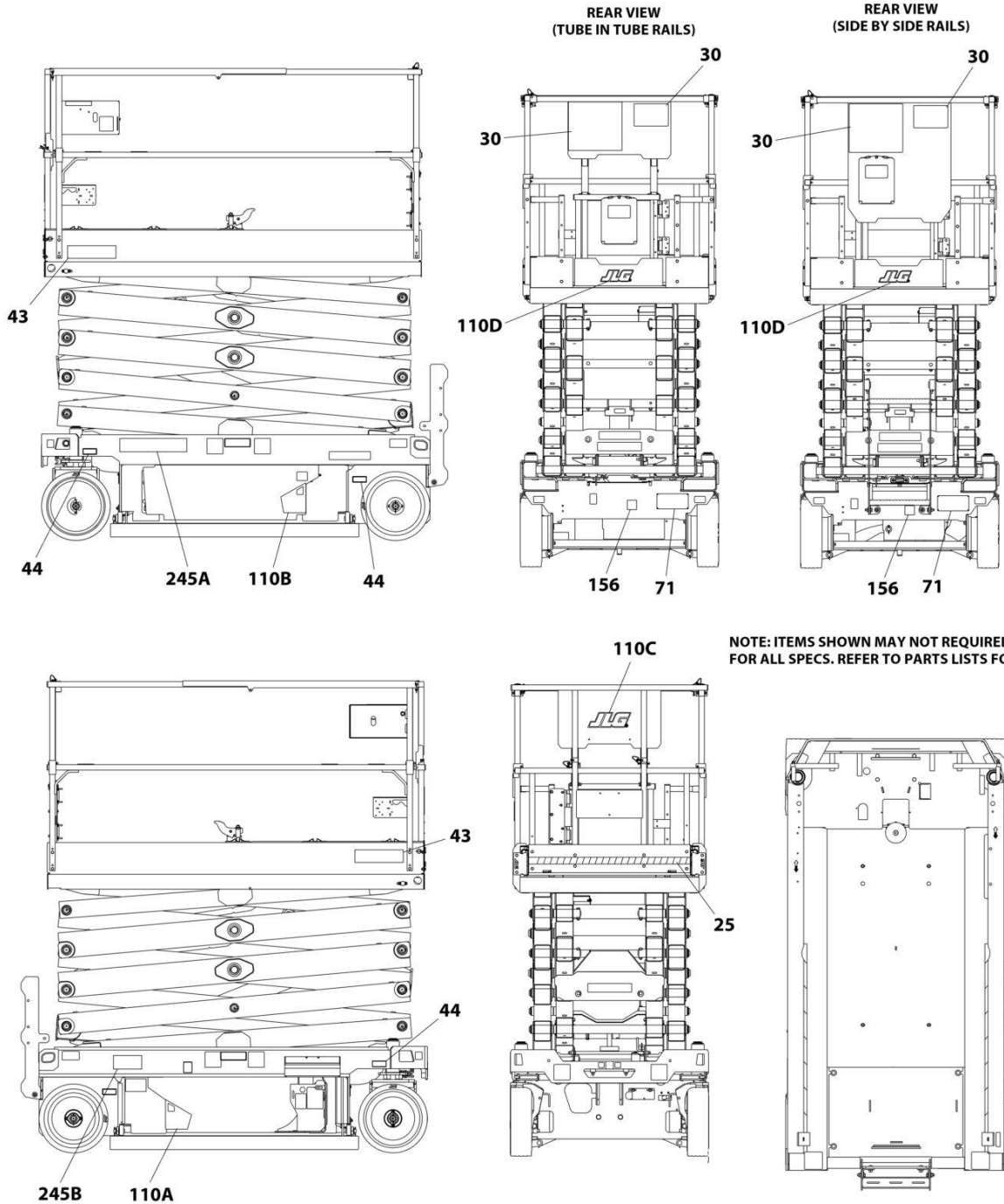
SECTION 7 - DECALS

FIGURE 7-8. DECAL INSTALLATION (LATIN AMERICAN SPECS)

ITEM	PART NUMBER	QTY	DESCRIPTION	REV
	1001238018	Ref	DECAL INSTALLATION (ENGLISH/SPANISH LANGUAGES)	C
	1001237749	Ref	DECAL REFERENCE CHART	F
1	2080040	3	Fastener	
2	2080057	4	Fastener	
3	8990147	1	Holder, Manual	
100	1001239270	1	Master Decal Kit	D
101	1701504	1	Decal - Hydraulic Oil	
102	1701640	1	Decal - Manual	
103	1703819	4	Decal - Direction Arrow	
104	1001248126	1	Decal - Manual Descent Instructions	
105	1704016	2	Decal - Fork Lift	
106	1704277	4	Decal - Lanyard Attach	
107	1704412	1	Decal - Hydraulic Oil	
108	1001132359	1	Decal - Control Box Locate	
109	1001162864	2	Decal - Lift Point/Tie Down	
110	1001212290	1	Decal - Tie Down	
111	1001212291	2	Decal - Lifting Lug	
112	1001237899	1	Decal - Arms Prop	
201	1702155	1	Decal - Battery Disconnect	
202	1704691	1	Decal - Danger/Warning	
203	1001146794	1	Decal - Battery/Charger Service	
204	1705316	4	Decal - Crushing Hazard	
205	1001211779	4	Decal - Electrocution	
206	1001212292	1	Decal - No Lifting	
207	1001212293	1	Decal - No Forklift	
208	1001237538	1	Decal - Battery Spacer	
209	1704339	2	Decal - Warning Battery Ventilation	
212	1001224049	1	Decal - Yearly Inspection	
213	1001215748	4	Decal - Danger Electrocution	

SECTION 7 - DECALS

FIGURE 7-9. DECAL INSTALLATIONS - OPTIONS



ART_DECAL_OPTIONS

SECTION 7 - DECALS

FIGURE 7-9. DECAL INSTALLATIONS - OPTIONS

ITEM	PART NUMBER	QTY	DESCRIPTION	REV
		Ref	DECAL INSTALLATION - OPTIONS:	
25	1001209906	Ref	Corner Stripes Installation	
25	4420051	30 in/ 75 cm	Tape, Safety	
30		Ref	Decal - Capacity Options	
30	1001239684	1	Decal - Capacity (507 LB/ 230 KG)	
30	1001244506	Ref	Decal - Capacity (with Dual Languages)	
30	1001239684	1	Decal - Capacity (507 LB/ 230 KG)	
30	1001216865	1	Plate, Decal Mounting (Not Shown)	
30	1001248681	1	Decal - Capacity (507 LB/ 230 KG) (Indoor Only) (Australian Specs)	
30	1001269706	1	Decal - Capacity (507 LB/ 230 KG) (Japanese Specs)	
30	1001269726	1	Decal - Capacity (507 LB/ 230 KG) (Korean Specs)	
43	1001264283	2	Decal - Model Designation - ES2632	
44	1706310	4	Decal - Maximum Tire Load	
71	See Note	NSS	Decal - Manufacturing Serial Number (Note: Not Available for Purchase)	
110	1001263940	Ref	JLG Decal Installation	A
110A	1001264281	1	Decal - Door (RH)	
110B	1001264282	1	Decal - Door (LH)	
110C	1001256675	1	Decal - JLG	
110D	1001256676	1	Decal - JLG	
156	1001173703	1	Decal - EAC (Russian/CIS Specs)	
245	1001236984	Ref	Decal Installation - ClearSky	B
245A	1001116208	1	Decal - ClearSky	
245B	1001120989	1	Decal - Radio Frequency	

SECTION 8 - RECOMMENDED SERVICE PARTS STOCK

SECTION 8 - RECOMMENDED SERVICE PARTS STOCK

SECTION 8 - RECOMMENDED SERVICE PARTS STOCK

FIGURE 8-1. RECOMMENDED SERVICE PARTS STOCK

ITEM	PART NUMBER	QTY	DESCRIPTION	REV
		Ref	Note: The following list will service one machine (built to current production per date on the front cover) with emergency repair parts which can be installed in the field. Parts from the list should be replaced when inventory is depleted to keep service parts stock supplied. For further information, contact your JLG dealer or the JLG Industries Parts Department.	
		Ref	STANDARD PARTS	
	3740150	1	Relay	
	4360328	1	Switch, Toggle	
	4360387	1	Switch, Push Button	
	4360469	1	Switch, Key	
	2860030	1	Key, Replacement	
	4360475	1	Switch, Mushroom	
	3080007	1	Magnet, Latch	
	1600402	1	Controller, Drive/Steer	
	4360345	1	Switch, Toggle	
	1001226749	1	Switch, Push Button	
	1001196634	2	Fues -2Amp	
	8229242	2	Fuse 5Amp	
	8229244	2	Fuse 15 Amp	
	8229234	2	Fuse 10 Amp	
		Ref	VARIABLE PARTS	
	1001203871	1	Switch, Roller	
	1001186466	1	Sensor, Tilt	
	1001200629	1	Module, Control	
	1001268506	1	Module, System	
	1001238392	1	Keypad (Access Control)	
	1001245293	1	Module, Mobile COntrol	
	4360336	1	Switch, Toggle (Machines with Inverter)	
	1001146963	1	Sensor, Angle	
	1001225164	1	Sensor, Pressure Transducer	
	1001235104	1	Sensor, Pressure Transducer	
	1001228112	1	Module, Platform	
	1001228191	1	Breaker 10Amp/30mAmp (Australian Specs Machines)	
	1001181045	1	Breaker 30mAmp/16Amp (CE Specs Machines)	
	1001189171	1	Breaker 30mAmp (CE Specs Machines)	
	1001189172	1	Breaker 16Amp Double (CE Specs Machines)	

SECTION 9 - SPECIAL OPTIONS

SECTION 9 - SPECIAL OPTIONS

FIGURE 9-1. SPECIAL OPTIONS/ACCESSORIES/KITS

ITEM	PART NUMBER	QTY	DESCRIPTION	REV
		Ref	Note: This list is to accommodate machines ordered with special equipment. Options may not be applicable to all models. For more specific parts information contact the JLG Parts Department.	
		Ref	MISCELLANEOUS SPECIAL OPTIONS/ACCESSORIES/KITS	
	1001236903	Ref	Antivandalism Package (Factory Installed)	
	1001249639	Ref	Antivandalism Add-on Kit (Dealer Installed)	
	1001255597	Ref	Battery Charger - Can (With Communication Port) Add-on Kit (Dealer Installed)	
		Ref	ClearSky Installation Options (Factory Installed):	
	1001229107	Ref	ClearSky Installation - 3-Wire (ANSI & CSA Specs)	
	1001233237	Ref	ClearSky Installation - 3-Wire (ANSI Export & CE Specs)	
	1001251146	Ref	ClearSky Installation - 3G Canbus (ANSI, ANSI Export, Australian, CE & CSA Specs)	
	1001251144	Ref	ClearSky Installation - 4G Canbus (All Specs except China Specs)	
	1001246531	Ref	ClearSky Installation - 4G Canbus (China Specs)	
		Ref	ClearSky Add-on Kit Options (Dealer Installed):	
	1001265376	Ref	ClearSky Add-on Kit - Canbus (ANSI, ANSI Export & CSA Specs) (Dealer Installed):	
	1001237257	Ref	ClearSky Add-on Kit - Canbus (ANSI Export & CE Specs) (Dealer Installed):	
	1001248502	Ref	ClearSky Add-on Kit - Canbus (Australian Specs) (Dealer Installed):	
	1001248503	Ref	ClearSky Add-on Kit - Canbus (China Specs) (Dealer Installed):	
	1001248689	Ref	ClearSky Add-on Kit - Access Control (Dealer Installed):	
		Ref	Decal Kit Options:	
	1001239270	Ref	Decal Kit - Master	
	1001256831	Ref	Drive Motor Covers installation	
		Ref	Electrical Connector Kits	
	1001148902	Ref	Amp/Tyco Electrical Connector Kit	
	1001148903	Ref	Deutsch DT Electrical Connector Kit	
	1001148904	Ref	Deutsch HD Electrical Connector Kit	
	1001148905	Ref	Packard Electrical Connector Kit	
	1001148906	Ref	Various Electrical Connector Kit	
	1001263968	Ref	European Subassembly Kit	
	1001218728	Ref	Fire Extinguisher Installation	
	1001248843	Ref	Foot Latch Add-on Kit (Dealer Installed)	
	1001208061	Ref	Footswitch Installation (Japanese & Korean Specs Only)	
	1001220933	Ref	Height Restrictor Switch Installation	
	1001249638	Ref	Inverter Add-on Kit (Dealer Installed)	
	1001250532	Ref	Mobile Control Add-on Kit (Dealer Installed)	
	1001229076	Ref	Noise Reduction Add-on Kit (Dealer Installed)	
	1001229728	Ref	Overhead Protection Add-on Kit (Dealer Installed)	
	1001270721	Ref	Pipe Racks Add-on Kit (Dealer Installed)	
	1001269651	Ref	Platform Control Box Cover Add-on Kit (Dealer Installed)	
	1001225790	Ref	Platform Extension Handles Add-on Kit (Dealer Installed)	
	1001262557	Ref	Platform Self Closing Gate Add-on Kit (Dealer Installed)	
	1001262558	Ref	Platform Self Closing Gate Add-on Kit (Dealer Installed)	
	1001224583	Ref	Service Kits List	

U

SECTION 9 - SPECIAL OPTIONS

ITEM	PART NUMBER	QTY	DESCRIPTION	REV
	1001254721	Ref	SkySense Level 1 Add-on Kit (Dealer Installed)	
	1001254542	Ref	SkySense Level 2 Add-on Kit (Dealer Installed)	
	1001255883	Ref	SkySense Level 1 Installation (Factory Installed)	
	1001255669	Ref	SkySense Level 2 Installation (Factory Installed)	
	1001249229	Ref	Strobe (Single) Light Add-on Kit (Dealer Installed)	
	1001249230	Ref	Strobe (Dual) Light Add-on Kit (Dealer Installed)	
		Ref	Tools for Service	
	2901443	1	Analyzer Kit	
	1001232474	1	Benchtop Harness	
	8896941	1	Wire Stripper	
	7002821	1	Wire Crimper (To install wire ends to wires)	
	7002823	1	Pin/Socket Extractor - Universal (To Remove Pins/Sockets from Connectors)	
	4460467	1	Extractor - 16-18 Gauge (For Removal Pins/Sockets from Deutsch Connectors)	
	4460510	1	Extractor - 12-14 Gauge (For Removal of Pins/Sockets from Deutsch Connectors)	
	7002822	1	Screwdriver, Potentiometer (To Adjust Drive Controllers)	
	7016654	1	Screwdriver, Magnetic	
	7004275	1	Seal Installation Tool - 1in	
	7004276	1	Seal Installation Tool - 1-1/2in	
	7002826	1	Seal Installation Tool - 2in	
	1001269646	Ref	Tool Tray/Work Surface Add-on Kit (Dealer Installed)	
	1001262959	Ref	Voltage Regulator Re-Location Add-on Kit (Dealler Installed)	

PART NUMBER INDEX

SECTION 9 - SPECIAL OPTIONS

0100011.....11, 17, 21, 25, 27, 29, 31, 45, 75, 89, 91, 93	1001096138..... 169	1001148905 222	1001207974..... 147, 151, 153, 155, 157, 159
0100051.....65, 67, 69, 71	1001097150..... 133, 137	1001148906 222	1001208061.....222
0140030.....99, 101	1001100342..... 191	1001151629 165	1001208852.....89
0140043.....53, 57	1001100345..... 193	1001152483 141	1001209482..... 125, 127, 141
0275216.....121	1001100346..... 197	1001153785 11	1001209596.....99, 101
0275217.....123, 191	1001100347..... 195	1001154378 91, 93	1001209682.....53, 55
0275452.....125, 193	1001101540..... 73	1001156186 91	1001209776..... 121, 123, 129, 139
0275453.....127, 195	1001102258..... 119, 121, 123, 125, 127, 129, 131, 133, 135	1001157547 73	1001209906.....217
0275454.....129, 197	1001102349..... 19	1001159186 73, 165, 187	1001210064.....89
0440259.....11, 115	1001102351..... 19	1001162115 213	1001210079.....59
0440263.....21	1001102353..... 19	1001162864 201, 203, 205, 207, 209, 211, 213, 215	1001210302.....91, 93
0440264.....81	1001102354..... 19	1001162886 165	1001210440.....73
0440265.....81	1001102489..... 147, 149, 151, 153, 155, 157, 161, 163	1001162887 61, 165	1001210446.....93
0480100.....107	1001102771..... 145	1001163340 61, 165	1001210447.....93
0630580.....23	1001103012..... 166	1001170310 51	1001210458.....91, 93
0630587.....53, 57, 73	1001103471..... 133, 159	1001173703 217	1001210586.....91, 93
0630613.....75, 83	1001104498..... 166	1001176626 101	1001210605.....73
0681610.....11	1001108581..... 51	1001179447 11, 115	1001210878.....73
0700412.....53, 57	1001110302..... 21	1001181045 139, 220	1001210879.....73
0700610.....80	1001112112..... 69	1001182806 37	1001210881.....73
0700612.....21, 25, 31, 61, 80	1001114466..... 23	1001186466 25, 220	1001210882.....73
0700616.....109	1001116208..... 217	1001187587 91, 93	1001210963.....91, 93
0700617.....53, 55	1001116733..... 169	1001187816 135	1001211777.....201
0700621.....95	1001116812. 59, 61, 145, 165	1001188116 135	1001211779..... 201, 209, 211, 213, 215
0700814.....80, 121, 123, 125, 127, 129, 133, 159	1001118274..... 59, 61	1001189171 141, 220	1001212291..... 201, 203, 205, 207, 209, 211, 213, 215
0700815.....21	1001118812..... 59, 143	1001189172 141, 220	1001212292..... 201, 203, 205, 207, 209, 211, 213, 215
0700817.....75, 107	1001120204..... 121, 123, 125, 127, 129	1001192401 59, 166	1001212293..... 201, 203, 205, 207, 209, 211, 213, 215
0700818.....91, 93, 95	1001120205..... 139, 141	1001194421 166, 187	1001213838.....89
0700819.....87, 97	1001120989..... 217	1001196589 166	1001213886.....99
0700820.....91	1001125483..... 73	1001196634 145, 220	1001214217.....25
0700823.....21	1001125677 59, 143, 166	1001196635 61	1001214229..... 107
0700835.....99, 101	1001125927..... 137	1001197396 11	1001214347.....71
0701012.....11	1001128888..... 80	1001200629 .. 53, 55, 220	1001214526.....21
0701015.....75, 80	1001130220 ... 27, 29, 31, 41, 53, 55, 80, 99, 101	1001200631 53, 55	1001214528.....21
0701019.....83, 109	1001130590..... 53, 55	1001200632 63	1001214534.....21
0701021.....80	1001131270..... 201, 211	1001200812 171, 179	1001214810.....75
0701024.....83	1001132358..... 99, 101	1001200819 99, 101, 187	1001215216.....35
0711219.....17	1001132359..... 201, 203, 205, 207, 209, 211, 213, 215	1001201885 165, 187	1001215747.....209
0760408.....119, 121, 123, 125, 127, 129, 135	1001132361..... 99, 101	1001202184 175, 181	1001215748..... 205, 215
0760608.....93	1001134280..... 159	1001202987 21	1001215749.....211
0760610.....41, 53, 55, 73, 97, 99, 101, 133	1001134821..... 97	1001203869 21	1001215750.....213
0760612.....27, 29, 37, 53, 55	1001136757..... 73	1001203870 21	1001215751.....213
0760810.....61, 89, 91	1001137675..... 80, 89	1001203871 21, 220	1001215752.....209
0760812.....53, 55, 59, 89	1001142173..... 73	1001203872 21	1001215762.....53, 55
0760827.....11	1001142174..... 73	1001204495 37	1001215953.....21
0761008.....45	1001143009..... 73	1001205345 80	1001216180.....67
0761012.....45	1001143010..... 73	1001205409 61, 165	1001216648.....205
0761014.....89	1001144147 .. 59, 61, 143	1001205411 165	1001216650.....205
0761015.....39	1001144295..... 166	1001205412 165	1001216823.....95
0761019.....93	1001144296..... 166	1001205422 89	1001216865.....217
0761221.....75	1001146794 201, 203, 205, 209, 211, 213, 215	1001205424 89	1001217059.....25
0861731 189, 193, 195, 197	1001146795 207	1001205430 89	
0861781.....191	1001146963 80, 220	1001205498 31	
0861880.....139	1001148902..... 222	1001205751 11	
0962006.....113	1001148903..... 222	1001206225 93	
1001047064.....99, 101	1001148904..... 222	1001206226 93	
1001091102.....21, 33, 35, 53, 57		1001206995 29	
		1001207009 27	
		1001207293 63	
		1001207494 53, 55	
		1001207970 149	
		1001207973 161	

SECTION 9 - SPECIAL OPTIONS

1001217164 139, 141	1001234006..... 91, 93	1001238135..... 135	1001248126 201, 203, 205, 207, 209, 211, 213, 215
1001217842 169	1001234007..... 91, 93	1001238198..... 121, 123, 125, 127, 129, 133	1001248502 222
1001217843 169	1001234141..... 93	1001238392..... 59, 220	1001248503 222
1001218285 99, 101	1001234142..... 93	1001238684..... 80	1001248631 147
1001218307 21	1001234204..... 80	1001239224..... 33, 35	1001248632 149
1001218573 75	1001234384..... 87	1001239269..... 65, 67, 69, 71	1001248634 163
1001218728 222	1001234385..... 89	1001239270..... 201, 203, 205, 207, 209, 211, 213, 215, 222	1001248681 217
1001220409 97	1001234386..... 93	1001239479..... 80	1001248689 222
1001220410 97	1001234387..... 91	1001239661..... 33, 35	1001248768 61
1001220893 99, 101	1001234407..... 89	1001239674..... 83	1001248773 59
1001220933 222	1001234797..... 21	1001239675..... 171	1001248843 222
1001220995 97	1001234798..... 21	1001239676..... 175	1001249229 223
1001221244 109	1001234842..... 39	1001239677..... 173	1001249230 223
1001221275 109	1001234858..... 75	1001239678..... 177	1001249638 222
1001221276 109	1001234862..... 75	1001239679..... 183	1001249639 222
1001221949 163	1001235104..... 80, 220	1001239684..... 217	1001249668 69, 71
1001222587 95	1001235286..... 91	1001239892..... 83	1001250532 222
1001222914 109	1001235498..... 107	1001239894..... 83	1001251144 222
1001223055 201	1001235509..... 107	1001239925..... 80	1001251146 222
1001223262 177	1001235555..... 87	1001239926..... 87	1001253800 105
1001223263 173	1001235559..... 53, 55	1001239927..... 80	1001253952 27
1001223650 179	1001235941..... 107	1001239928..... 80	1001254027 .. 27, 59, 143
1001223651 181	1001235955..... 39	1001239929..... 80	1001254028 27, 145
1001223971 211	1001236139..... 27, 29, 31	1001239930..... 80	1001254542 223
1001224048 213	1001236269..... 80	1001239931..... 80	1001254721 223
1001224049 215	1001236486..... 80	1001241352..... 83	1001254904 47
1001224051 209	1001236487..... 80	1001241353..... 83	1001255597 222
1001224052 205	1001236488..... 80	1001241358..... 83	1001255669 223
1001224583 222	1001236621..... 107	1001241737..... 81	1001255883 223
1001225164 80, 220	1001236623..... 93	1001241738..... 81	1001255934 .. 53, 57, 169
1001225790 222	1001236624..... 91	1001241739..... 81	1001256130 17
1001226277 109	1001236849..... 21	1001241740..... 81	1001256327 ... 65, 67, 69, 71
1001226423 17	1001236903..... 222	1001241741..... 81	1001256328 ... 65, 67, 69, 71
1001226749 99, 101, 220	1001236984..... 217	1001241742..... 81	1001256329 ... 65, 67, 69, 71
1001226791 80	1001237132..... 171, 173, 175, 177, 183	1001241743..... 81	1001256642 27
1001226901 109	1001237257..... 222	1001241744..... 81	1001256643 29, 31
1001227219 159	1001237400..... 119	1001242539..... 33, 35	1001256675 217
1001227267 133, 159	1001237401..... 131	1001242697 33	1001256676 217
1001227268 133	1001237538..... 201, 203, 205, 207, 209, 211, 213, 215	1001242990..... 35	1001256694 53
1001227269 137	1001237707..... 39	1001243232..... 65, 67, 69, 71	1001256704 11
1001227728 109	1001237708..... 39	1001243233..... 65, 67, 69, 71	1001256744 73
1001227855 21	1001237737..... 21	1001243781..... 21	1001256746 73
1001228112 99, 101, 220	1001237749..... 201, 203, 205, 207, 209, 211, 213, 215	1001244298..... 209	1001256831 222
1001228184 109	1001237824..... 80	1001244323..... 133	1001256872 45
1001228191 137, 220	1001237855..... 41	1001244394..... 61	1001256876 53, 55
1001228370 201, 211	1001237856..... 41	1001244416..... 80, 113	1001256944 11, 14
1001228406 39	1001237899..... 201, 203, 205, 207, 209, 211, 213, 215	1001244506..... 217	1001256984 53
1001229076 222	1001238014..... 201	1001244644..... 159	1001257121 73
1001229107 222	1001238015..... 213	1001244885..... 61	1001257138 53, 55
1001229728 222	1001238016..... 209	1001244900..... 133	1001257139 53, 55
1001229732 91	1001238017..... 205	1001245293..... 61, 220	1001258356 59
1001229733 91	1001238018..... 215	1001245299..... 61	1001258498 65
1001229734 91	1001238019..... 211	1001245353..... 61	1001258691 59
1001229739 91	1001238020..... 207	1001245739..... 133, 137	1001258752 99
1001229740 91	1001238021..... 203	1001245743..... 137	1001258753 101
1001229741 91	1001238130..... 125	1001245744..... 133, 137	1001258768 157
1001229742 91	1001238131..... 127	1001245747..... 133	1001258770 155
1001229792 75	1001238132..... 129	1001246531..... 222	1001258771 151
1001230248 91	1001238133..... 121	1001246674..... 81	1001258772 153
1001230249 91	1001238134..... 123	1001247706..... 87	1001258867 99
1001231405 91		1001247707..... 80	1001258868 101
1001231801 201, 211			1001258957 101
1001232257 91			
1001232474 223			
1001232622 91			
1001233237 222			
1001233795 80, 185			

SECTION 9 - SPECIAL OPTIONS

1001259015.....11	1600402..... 99, 101, 103, 220	3290605 ... 11, 27, 29, 31, 37, 53, 55, 57, 61, 73, 80, 121, 123, 125, 127, 129	4240017.... 11, 27, 29, 31, 53, 55, 57, 61, 65, 67, 69, 71, 73, 80, 109, 119, 121, 123, 125, 127, 129, 131, 133, 135, 147, 149, 151, 153, 155, 157, 159, 163, 171, 173, 175, 177, 179, 181, 183
1001259017....65, 67, 69, 71	1671207 189	3290606 ... 91, 93, 95, 97, 109	4240018.....35, 45
1001260689.....45	1701504 ... 201, 203, 205, 207, 209, 211, 213, 215	3290801 21	4240032.....59
1001260690.....45	1701640 ... 201, 203, 205, 207, 209, 211, 213, 215	3290805 ... 11, 21, 53, 55, 75, 80, 87, 89, 107, 121, 123, 125, 127, 129, 133, 159	4240147.....21
1001260887.....51	1702155 ... 201, 203, 205, 207, 209, 211, 213, 215	3290806 ... 91, 93, 95, 97, 99, 101	4360328..... 53, 55, 220
1001261064...53, 57, 165	1703464 119, 121	3291005 ... 39, 45, 75, 83, 89	4360336..... 73, 220
1001261131105	1703813 201	3291006 83, 93, 109	4360345..... 99, 101, 220
1001262150105	1703816 201	3291007 75, 80	4360387..... 53, 55, 220
100126220145	1703819 99, 101, 201, 203, 205, 207, 209, 211, 213, 215	3291201 75	4360469..... 53, 55, 220
1001262500 11	1704016 ... 201, 203, 205, 207, 209, 211, 213, 215	3300423 19	4360475..53, 55, 99, 101, 220
100126253911	1704260 99, 101	3321402 80	4420051.....217
1001262557222	1704277 ... 201, 203, 205, 207, 209, 211, 213, 215	3331211 17	4420062.... 81, 91, 93, 99, 101, 107
1001262558222	1704339 215	3422219 93	4460019.....166
100126258151	1704340 211	3422661 107	4460042.....165
1001262655..... 99, 101	1704341 205	3423037 11	4460115.....165
1001262656..... 99	1704344 209	3423243 75	4460138.....119
1001262658 11	1704412 ... 201, 203, 205, 207, 209, 211, 213, 215	3423278 99, 101	4460183.....187
100126266745	1704684 211	3430636 21	4460226.....166
1001262959223	1704691 215	3430814 89	4460227..... 27, 165
100126325727	1704699 205	3430816 89	4460234.....109
100126325829	1705195 209	3431212 21	4460247.....165
100126325931	1705311 211	3431218 21	4460256.....165
1001263294161	1705316 215	3450302 21	4460259.....165
1001263296159	1705670 203, 207	3450303 75	4460260.....165
100126335055	1705671 203, 207	3450403 89	4460265.....187
100126335951	1705673 203, 207	3450406 19	4460267.....187
100126341967	1706310 217	3450505 21	4460315..... 119, 135
100126342069	1706679 53, 55	3520072 83, 91, 93	4460320.....166
100126342171	1707022 213	3740150 .. 53, 57, 73, 220	4460346.....189
100126342365	2080040. 89, 91, 93, 201, 203, 205, 207, 209, 211, 213, 215	3760115 80	4460418..... 73, 165, 187
100126378551	2080057 ... 201, 203, 205, 207, 209, 211, 213, 215	3760217 11	4460424.....27
1001263940217	2110404 115	3760387 80	4460464.... 35, 37, 59, 61, 73, 109, 145, 166, 169, 171, 173, 175, 177, 179, 181, 183, 185, 187
100126396757	2220371 113	3820019 95	4460465.... 33, 35, 59, 61, 109, 145, 165, 166, 171, 173, 175, 177, 179, 181, 183, 185
1001263968222	2220883 113	3841143 75, 80	4460466..59, 61, 73, 109, 143, 145, 165, 166, 171, 173, 175, 177, 179, 181, 185, 187
1001264281217	2400060 61, 145, 165	3860111 93	4460467..... 223
1001264282217	2420172 53, 55	3900364 51	4460496..... 99, 101
1001264283217	2560088 95	3900381 159	4460497..... 99, 101
1001264310....65, 67, 69, 71	2560190 95	3910804 53, 55	4460510.....223
1001265376222	2600281 91, 93	3990001 145	4460536..... 109
100126563551	2780266 17, 19	4010310 33, 35	4460539.... 166, 173, 177, 185
100126563651	2860030 53, 55, 220	4010408 97, 133	4460662.... 125, 127, 129, 189
1001268506...53, 55, 220	2901443 223	4010608 80, 91, 93	4460670.....169
1001269646223	2902431 119, 189	4010610 ... 121, 123, 125, 127, 129	4460722..... 73
1001269651222	3080007 91, 93, 220	4010616 93	4460754.... 171, 173, 175, 177, 179, 181
1001269706217	3121792 61	4010617 91, 93	4460761.....165
100126971451	3252507 ... 123, 125, 127, 129, 131, 135	4010618 91, 93	
1001269726217	3290305 33, 35	4031509 99, 101	
100126974651	3290405 ... 21, 53, 57, 73, 80, 97, 99, 101, 119, 121, 123, 125, 127, 129, 133, 135	4031511 21	
100126974751	3290505 159	4031512 80	
1001270721222	3290601 25, 133	4031708 25, 31	
1001274168105		4031710 53, 55	
100127448545, 49		4060803 99, 101	
100127455953, 55		4060906 99, 101	
100137001080		4060944 165	
100138004075		4160078 80	
100138004175		4160202 21	
100138004275		4160214 75	
1060379107			
1060908..... 137, 139, 141			
1060998..... 65, 67, 69, 71			
1062255.....59			
1321293.....27, 29, 31, 73			
1321752.....11			
1380132.....95			
1380153.....11			

SECTION 9 - SPECIAL OPTIONS

4460871 145, 169	4711800 89	70001252 103	70007616 47, 49
4460872 145	4740086 21	70001253 103	70007670 14
4460877 165	4740438 80	70001739 14	70007676 14
4460884 59, 61, 145, 165, 185	4740468 19	70003650 103	70007703 47
4460891 33, 35, 109, 145, 165, 166, 173, 177, 185	4740531 80	70003697 47	70007704 47
4460894 ... 165, 171, 173, 175, 177, 183	4811400 . 73, 97, 99, 101, 119, 121, 123, 125, 127, 129, 133, 135	70003700 49	70007705 47
4460897 . 35, 37, 73, 145, 166, 169, 173, 177	4811700 ... 37, 51, 53, 55, 57, 61, 73, 91, 93, 97, 99, 101, 121, 123, 125, 127, 129, 133	70004239 115	70007706 47
4460899 ... 171, 173, 175, 177, 179, 181, 183	4811702 ... 11, 21, 25, 27, 29, 31, 41, 53, 55, 80, 95	70004241 115	70007707 47
4460905 145, 169	4811900 ... 11, 21, 53, 55, 59, 61, 80, 87, 89, 91, 93, 95, 99, 101, 121, 123, 125, 127, 129, 133	70004585 113	70007708 47
4460932 59, 61, 145, 169	4811902 ... 21, 75, 91, 97, 107, 159	70004935 47, 49	70007782 14
4460933 59, 143, 165	4812000 ... 21, 45, 75, 80, 83, 89, 93, 109	70005236 113	70007844 15
4460943 59, 61, 143, 169, 171, 173, 175, 177, 179, 181, 183	4812002 11, 39, 75	70005419 115	70027244 113
4460944 59, 61, 143, 145, 165, 171, 173, 175, 177, 183	4812500 21	70005420 115	7002821 223
4460956 139	4831600 159	70005421 115	7002822 223
4460957 139	4846757 11	70007055 113	7002823 223
4460965 165	4891600 11	70007101 113	7002826 223
4460968 135	4923328 65, 67, 69, 71	70007102 113	7004275 223
4460970 185	4923602 17	70007103 113	7004276 223
4461016 187	5241200 17	70007104 113	7016654 223
4461023 165	70000082 103	70007105 113	7020175 ... 53, 55, 99, 101
4461196 151	70000084 103	70007106 113	7020176 ... 53, 55, 99, 101
4461199 153, 191	70000191 14	70007191 14	7024747 14
4461201 191	70000683 103	70007193 14	7024749 14
4461205 157, 193, 195	70000684 103	70007199 14	7024756 14
4461244 193	70000685 103	70007205 14	7024758 14
4461245 195	70000686 103	70007490 14	7024759 15
4461246 197	70001250 103	70007495 14	7024786 14
4461249 155, 197	70001251 103	70007541 14	7027365 103
4461257 121, 123		70007544 14	7027367 103
4461258 121, 123		70007546 14	7027765 103
4711700 99, 101		70007584 47, 49	7027766 103
		70007587 47	8229234 169, 220
		70007588 47, 49	8229242 166, 220
		70007589 47, 49	8229244 166, 220
		70007590 47, 49	8405204 51
		70007591 47	8405402 51
		70007612 47, 49	8750015 11
		70007613 47, 49	8896941 223
		70007614 49	8990147 ... 201, 203, 205, 207, 209, 211, 213, 215
		70007615 49	



**Corporate Office
JLG Industries, Inc.
1 JLG Drive
McConnellsburg, PA 17233-9533 USA
☎ (717) 485-5161 (Corporate)
☎ (877) 554-5438 (Customer Support)
📠 (717) 485-6417**

**Visit our website for JLG Worldwide Locations.
www.jlg.com**



OSHKOSH™