



Illustrated Parts Manual

***Model
ES3246***

**PVC
2010**

**P/N
31219060
February 1, 2022 - Rev D**

ANSI

CE



AS/NZS



An Oshkosh Corporation Company

REVISION LOG

NOTES:

NOTE: Country of Assembly - The R Scissor Lifts are assembled by JLG Industries in the following countries: USA or China or Europe. Refer to the Serial Number Tag to identify the country of assembly. R Scissors assembled in USA will have a serial number prefix of 02 (i.e. 02XXXXXXXX), R Scissors manufactured in China will have a serial number prefix of B2 (i.e. B2XXXXXXXX), and R Scissors manufactured in Europe will have a serial number prefix of 12 (i.e. 12XXXXXXXX) or E2 (i.e. E2XXXXXXXX)

REVISION LOG:

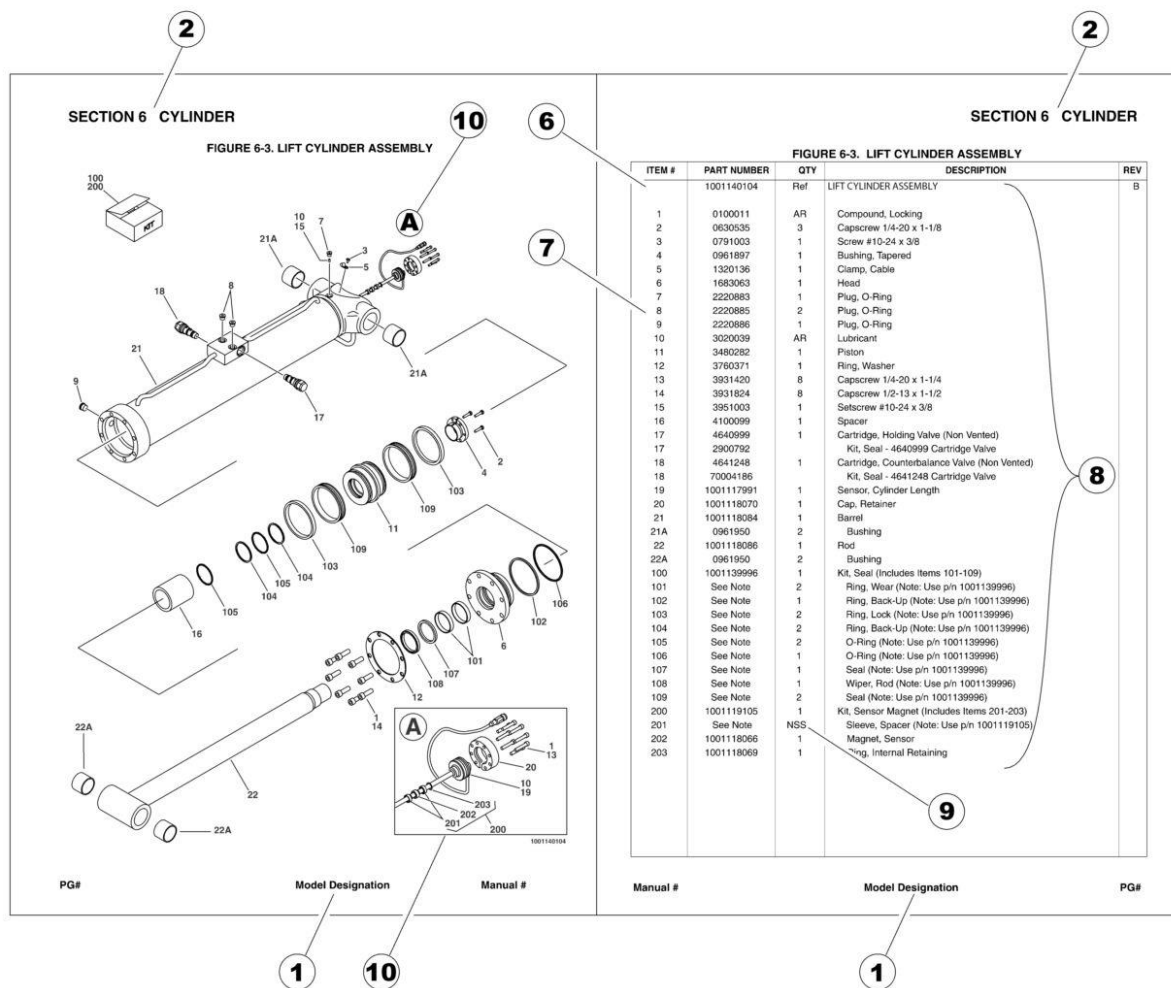
October 1, 2020 - A - Original Issue of Manual (Edited to B/M1001380000 Rev U and 1001263969 Rev A)

March 15, 2021 - B - Revised Manual (Edited to B/M 1001380000 Rev W and 1001263969 Rev A)

September 1, 2021 - C - Revised Manual (Edited to B/M 1001380000 Rev Y and 1001263969 Rev A)

February 1, 2022 - D - Revised Manual (Edited to B/M 1001380000 Rev Y and 1001263969 Rev A)

GENERAL INFORMATION



1) MACHINE IDENTIFICATION

Machines are identified by model and in some cases a combination of models, serial number (SN) or regional standard (i.e ANSI, CE, CSA). Components may also be identified by SN or manufacturer. Common components that may be identified by these characteristics are engines and hydraulic components.

2) PARTS MANUAL ORGANIZATION

Product information in this manual is organized under section titles. Frame, Cylinder, Hydraulic and Electrical are a few examples. Each section is organized by figure and page number. The information within the Figure is then organized by item number, part number, description and corresponding illustration (s).

3) TABLE OF CONTENTS (NOT SHOWN)

A table of contents is found toward the beginning of the manual. Figure number, description and page number are provided for quick reference to the page containing the related information.

4) RECOMMENDED SPARE PARTS (NOT SHOWN)

The Recommended Spare Parts List, located near the end of the manual, reference most frequently used maintenance parts.

5) PART NUMBER INDEX (NOT SHOWN)

A numerical index listing all part numbers and the corresponding page number(s) appears at the back of the manual.

GENERAL INFORMATION

6) NON-SERVICED PARTS

In some instances, it is necessary to display non-serviced parts, assemblies or installations. In the case of assemblies and installations there will be a Ref in the Qty. column. In case of parts that are not available for service within assemblies or components, there will be a NSS (Not Sold Separately) or NLA (No Longer Available) listed in the Qty. column of the manual.

7) PARTS LIST ITEM NUMBERS

Numbers shown in the item# column correspond to numbers used in the associated illustration (s). Item numbers which are missing from the sequence in the parts list are not used on that page.

8) INDENTED PARTS DESCRIPTION

An indented part description is included in the item under which it is indented.

9) ABBREVIATION AND SYMBOLS

AC.....	Alternating Current	L.....	Liter
ADE.....	Advanced Design Electronics	LB(LBS).....	Pounds
AG.....	Agricultural	LCD.....	Liquid Crystal Display
ANSI.....	American National Standards Institute	LED.....	Light Emitting Diodes
AR.....	As Required	LH.....	Left Hand
ASSY.....	Assembly	LRC.....	Low Rated Countries
AUS.....	Australia	LSS.....	Load Sensing System
AUX.....	Auxiliary	M(m).....	Metric/Meter
AWG.....	American Wire Gauge	MM(mm).....	Milimeter
B/M.....	Bill of Material	mA.....	Miliamps
CAC.....	Charge Air Cooler	NLA.....	No Longer Available
CE.....	European Conformity	NPT.....	National Pipe Threads
CCW.....	Counter Clockwise	NSS.....	Not Sold Separately
CM.....	Centimeter	OD.....	Outside Diameter
CW.....	Clockwise	ORB.....	O-Ring Boss
CSA.....	Canadian Standards Association	ORFS.....	O-Ring Face Seal
CYL.....	Cylinder	OZ (oz).....	Ounces
DIA.....	Diameter	PG.....	Page
DC.....	Direct Current	PN.....	Part Number
DEF.....	Diesel Exhaust Fluid	QT(qt.).....	Quarts
EMS.....	Emergency Stop	QTY.....	Quantity
ENG.....	Engine	REF.....	Reference
FT(ft).....	Feet	REV.....	Revision Level
GA(Ga).....	Gauge	RH.....	Right Hand
HRC.....	High Rated Countries	SAE.....	Society of Automotive Engineers
HVAC.....	Heating, Ventilating, and Air Conditioning	SN.....	Serial Number
HYD.....	Hydraulic	SPEC(S).....	Specifications
Hz.....	Hertz	T/T.....	Turntable
ID.....	Inside Diameter	UGM.....	Universal Ground Module
IN.....	inches	V.....	Volts
ISO.....	International Organization for Standards	W.....	Watts
JIC.....	Joint Industry Council	#.....	Number
KG.....	Kilogram		

10) ILLUSTRATION REFERENCE LETTERS

When necessary, illustrations may contain reference letters that are intended to track information (i. e. hoses, harnesses) from one point to another or to track visual enlargement of components to show details that may be located in another area on the illustration.

Note: Due to continuous product improvements, JLG Industries, Inc. reserves the right to make specification changes without prior notification. Contact JLG Industries, Inc. for updated information.

TABLE OF CONTENTS

SECTION 1 - FRAME.....	11
FIGURE 1-1. DRIVE MOTOR AND STEER INSTALLATION.....	12
FIGURE 1-2. DRIVE MOTOR ASSEMBLY	14
FIGURE 1-3. REAR WHEEL HUB INSTALLATION	18
FIGURE 1-4. HUB ASSEMBLY - REAR.....	20
FIGURE 1-5. POTHOLE PROTECTION SYSTEM INSTALLATION	22
FIGURE 1-6. TIRE AND WHEEL INSTALLATION	24
FIGURE 1-7. TILT SENSOR INSTALLATION.....	26
FIGURE 1-8. BATTERY CHARGER INSTALLATION - DELTA-Q.....	28
FIGURE 1-9. BATTERY CHARGER INSTALLATION - EAGLE PERFORMANCE	30
FIGURE 1-10. BATTERY CHARGER INSTALLATION - GREEN POWER.....	32
FIGURE 1-11. STROBE LIGHT INSTALLATION - SINGLE (AMBER) (WITH GUARD).....	34
FIGURE 1-12. STROBE LIGHT INSTALLATION - DUAL (AMBER) (WITH GUARD).....	36
FIGURE 1-13. ALARM INSTALLATION (AMBIENT/WHITE NOISE)	38
FIGURE 1-14. LADDER INSTALLATION.....	40
FIGURE 1-15. FRAME COVERS INSTALLATION.....	42
SECTION 2 - GROUND CONTROLS	45
FIGURE 2-1. PUMP/MOTOR/TANK AND HOSES INSTALLATION	46
FIGURE 2-2. PUMP/MOTOR/TANK ASSEMBLY (Prior to SN B200072826, Prior to SN M200050043, Prior to SN 1200037775).....	48
FIGURE 2-3. PUMP/MOTOR/TANK ASSEMBLY (SN B200072826 to Present, SN M200050043 to Present, SN 1200037775 to Present).....	50
FIGURE 2-4. CLEANGUARD INSTALLATION.....	52
FIGURE 2-5. ELECTRICAL COMPONENTS INSTALLATION (MEXICO AND CHINA BUILT MACHINES).....	54
FIGURE 2-6. ELECTRICAL COMPONENTS INSTALLATION - #1 (EUROPEAN BUILT MACHINES)	56
FIGURE 2-7. ELECTRICAL COMPONENTS INSTALLATION - #2 (EUROPEAN BUILT MACHINES)	58
FIGURE 2-8. ACCESS CONTROL KEYPAD INSTALLATION.....	60
FIGURE 2-9. MOBILE CONTROL INSTALLATION.....	62
FIGURE 2-10. MDI INSTALLATION.....	64
FIGURE 2-11. BATTERIES INSTALLATION - STANDARD BATTERIES (CHINA BUILT MACHINES).....	66
FIGURE 2-12. BATTERIES INSTALLATION - STANDARD BATTERIES (MEXICO AND EUROPEAN BUILT MACHINES).....	68
FIGURE 2-13. BATTERIES INSTALLATION - AGM BATTERIES	70
FIGURE 2-14. BATTERIES INSTALLATION - AGM EVCG BATTERIES	72
FIGURE 2-15. INVERTER INSTALLATION (OPTIONAL).....	74
FIGURE 2-16. DOORS INSTALLATION	76
SECTION 3 - SCISSORS ARMS	79
FIGURE 3-1. SCISSORS ARMS INSTALLATION (ALL SPECS EXCEPT CHINA).....	80
FIGURE 3-2. SCISSORS ARMS INSTALLATION (CHINA SPECS) (Prior to SN B200071904).....	84
FIGURE 3-3. SCISSORS ARMS INSTALLATION (CHINA SPECS) (SN B200071904 to Present)	88
FIGURE 3-4. SCISSORS ARMS INSTALLATION (CHINA SPECS) (ALL MACHINES STARTING SN G2).....	92
FIGURE 3-5. ARMS GUARD INSTALLATION	96
SECTION 4 - PLATFORM.....	99
FIGURE 4-1. PLATFORM INSTALLATION (ALL SPECS EXCEPT CHINA).....	100
FIGURE 4-2. PLATFORM INSTALLATION (CHINA SPEC) (Prior to SN B200071904).....	102
FIGURE 4-3. PLATFORM INSTALLATION (CHINA SPEC) (SN B200071904 to Present)	104
FIGURE 4-4. PLATFORM INSTALLATION (CHINA SPEC) (ALL MACHINES STARTING SN G2)	106
FIGURE 4-5. PLATFORM EXTENSION INSTALLATION (ALL SPECS EXCEPT CHINA)	108
FIGURE 4-6. PLATFORM EXTENSION INSTALLATION (CHINA SPECS) (Prior to SN B200071904).....	110
FIGURE 4-7. PLATFORM EXTENSION INSTALLATION (CHINA SPECS) (SN B200071904 to Present)	112
FIGURE 4-8. PLATFORM EXTENSION INSTALLATION (CHINA SPECS) (ALL MACHINES STARTING SN G2)	114
FIGURE 4-9. RAILS INSTALLATION (TUBE IN TUBE) (ALL SPECS)	116
FIGURE 4-10. RAILS INSTALLATION (SIDE BY SIDE) (ALL SPECS EXCEPT CHINA)	118
FIGURE 4-11. RAILS INSTALLATION (SIDE BY SIDE) (CHINA SPECS) (Prior to SN B200071904).....	120
FIGURE 4-12. RAILS INSTALLATION (SIDE BY SIDE) (CHINA SPECS) (SN B200071904 to Present)	122
FIGURE 4-13. RAILS INSTALLATION (SIDE BY SIDE) (CHINA SPECS) (ALL MACHINES STARTING SN G2)	124
FIGURE 4-14. EXTENSION HANDLES INSTALLATION (OPTIONAL).....	126
FIGURE 4-15. GATE LATCH INSTALLATION - OPTIONAL.....	128
FIGURE 4-16. PLATFORM CONSOLE INSTALLATION.....	130
FIGURE 4-17. DRIVE/STEER CONTROLLER ASSEMBLY	132
FIGURE 4-18. USB/PHONE CRADLE INSTALLATION.....	134

TABLE OF CONTENTS

FIGURE 4-19. PIPE RACKS INSTALLATION (TUBE IN TUBE RAILS) (OPTIONAL).....	136
FIGURE 4-20. PIPE RACKS INSTALLATION (SIDE BY SIDE RAILS) (OPTIONAL).....	138
FIGURE 4-21. OVERHEAD PROTECTION INSTALLATION (KOREAN SPECS).....	140
SECTION 5 - CYLINDER.....	143
FIGURE 5-1. STEER CYLINDER ASSEMBLY.....	144
FIGURE 5-2. LIFT CYLINDER ASSEMBLY.....	146
SECTION 6 - ELECTRICAL.....	149
FIGURE 6-1. AC BOX AT PLATFORM INSTALLATION - 110V GFI (ALL SPECS EXCEPT AUSTRALIAN & CE SPECS).....	150
FIGURE 6-2. AC BOX AT PLATFORM INSTALLATION - 110V IEC YELLOW (CE SPECS).....	152
FIGURE 6-3. AC BOX AT PLATFORM INSTALLATION - 220V IEC BLUE (CE SPECS).....	154
FIGURE 6-4. AC BOX AT PLATFORM INSTALLATION - 220V CEE7 POST GROUND (CE SPECS).....	156
FIGURE 6-5. AC BOX AT PLATFORM INSTALLATION - 220V CEE7 SIDE GROUND (CE SPECS).....	158
FIGURE 6-6. AC BOX AT PLATFORM INSTALLATION - 220V AFSINT 107 (CE SPECS).....	160
FIGURE 6-7. AC BOX AT PLATFORM INSTALLATION - 220V LOCALLY SUPPLIED.....	162
FIGURE 6-8. AC BOX AT PLATFORM INSTALLATION - 220V (AUSTRALIAN SPECS).....	164
FIGURE 6-9. AC BOX AT PLATFORM INSTALLATION - 220V CHINA PLUG (CHINA SPECS).....	166
FIGURE 6-10. BREAKER BOX KIT (AUSTRALIAN SPEC).....	168
FIGURE 6-11. BREAKER BOX KIT WITH 1 DOUBLE BREAKER (CE SPECS).....	170
FIGURE 6-12. BREAKER BOX KIT WITH 3 BREAKERS (CE SPECS).....	172
FIGURE 6-13. CAN SPLICE HARNESS (CHARGER WITH COMMUNICATION PORT).....	174
FIGURE 6-14. CHARGER HARNESS (CHARGER WITH COMMUNICATION PORT) (PVC2004).....	176
FIGURE 6-15. CHARGER PLUG INSTALLATION - CUSTOMER SUPPLIED PLUG (ALL SPECS).....	178
FIGURE 6-16. CHARGER PLUG INSTALLATION - 110V PLUG (ANSI, ANSI EXPORT & CSA SPECS).....	180
FIGURE 6-17. CHARGER PLUG INSTALLATION - 110V IEC YELLOW PLUG (CE SPECS).....	182
FIGURE 6-18. CHARGER PLUG INSTALLATION - 220V IEC BLUE PLUG (CE SPECS).....	184
FIGURE 6-19. CHARGER PLUG INSTALLATION - 220V AFSINT 107 PLUG (CE SPECS).....	186
FIGURE 6-20. CHARGER PLUG INSTALLATION - 220V CEE7 PLUG (CE SPECS).....	188
FIGURE 6-21. CHARGER PLUG INSTALLATION (AUSTRALIAN PLUG).....	190
FIGURE 6-22. CHARGER PLUG INSTALLATION (CHINA PLUG).....	192
FIGURE 6-23. CHARGER PLUG INSTALLATION (KOREAN PLUG).....	194
FIGURE 6-24. CHASSIS HARNESS.....	196
FIGURE 6-25. DRIVE HARNESS.....	200
FIGURE 6-26. GROUND TO PLATFORM CABLE INSTALLATION - WITHOUT PLATFORM COIL CABLE (CHINA AND MEXICO BUILT MACHINES).....	202
FIGURE 6-27. GROUND TO PLATFORM CABLE INSTALLATION - WITHOUT PLATFORM COIL CABLE & WITH FOOTSWITCH (CHINA BUILT MACHINES).....	204
FIGURE 6-28. GROUND TO PLATFORM CABLE INSTALLATION - WITH PLATFORM COIL CABLE (CHINA AND MEXICO BUILT MACHINES).....	206
FIGURE 6-29. GROUND TO PLATFORM CABLE INSTALLATION - WITH PLATFORM COIL CABLE & FOOTSWITCH (CHINA BUILT MACHINES).....	208
FIGURE 6-30. GROUND TO PLATFORM CABLE INSTALLATION - PLATFORM STRAIGHT CABLE ONLY (EUROPEAN BUILT MACHINES).....	210
FIGURE 6-31. GROUND TO PLATFORM CABLE INSTALLATION - P.....	212
FIGURE 6-32. GROUND TO PLATFORM CABLE INSTALLATION - SCISSORS ARMS CABLE ONLY (EUROPEAN BUILT MACHINES).....	214
FIGURE 6-33. LIFT DOWN HARNESS.....	216
FIGURE 6-34. PLATFORM CONTROL BOX HARNESS.....	218
FIGURE 6-35. RECEPTACLE BOX KIT - 110V GFI.....	220
FIGURE 6-36. RECEPTACLE BOX KIT - 110V IEC YELLOW (CE SPEC).....	222
FIGURE 6-37. RECEPTACLE BOX KIT - 220V CEE7 POST GROUND (CE SPEC).....	224
FIGURE 6-38. RECEPTACLE BOX KIT - 220V CEE7 SIDE GROUND (CE SPEC).....	226
FIGURE 6-39. RECEPTACLE BOX KIT - 220V AFSINT 107 (CE SPEC).....	228
SECTION 7 - DECALS.....	231
FIGURE 7-1. DECAL INSTALLATION (ANSI SPECS).....	232
FIGURE 7-2. DECAL INSTALLATION (AUSTRALIAN SPECS).....	234
FIGURE 7-3. DECAL INSTALLATION (BRAZIL SPECS).....	236
FIGURE 7-4. DECAL INSTALLATION (CE SPECS).....	238
FIGURE 7-5. DECAL INSTALLATION (CHINA SPECS).....	240
FIGURE 7-6. DECAL INSTALLATION (CSA SPECS).....	242
FIGURE 7-7. DECAL INSTALLATION (KOREAN SPECS).....	244
FIGURE 7-8. DECAL INSTALLATION (LATIN AMERICAN SPECS).....	246

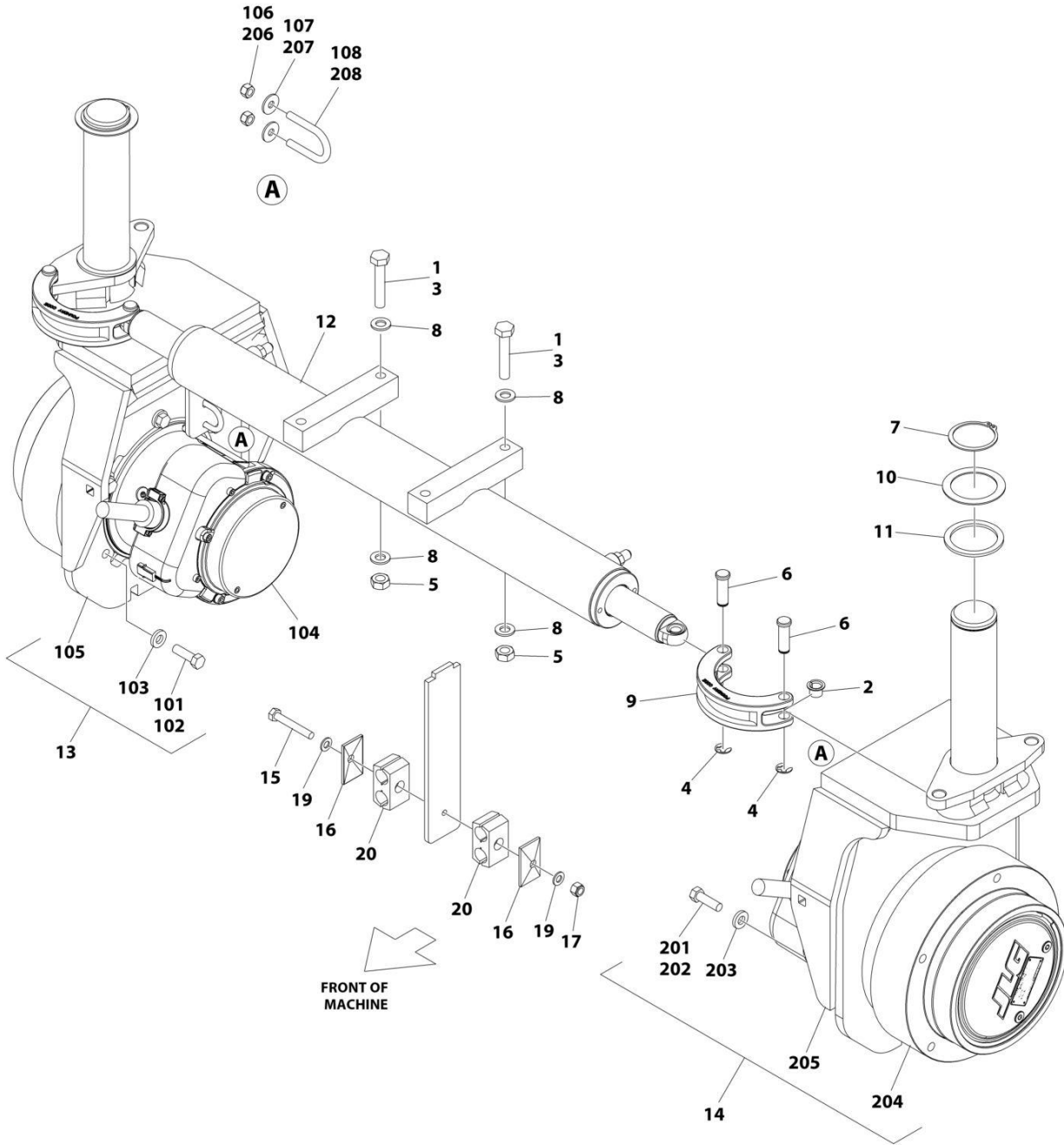
TABLE OF CONTENTS

FIGURE 7-9. DECAL INSTALLATIONS - OPTIONS	248
SECTION 8 - RECOMMENDED SERVICE PARTS STOCK	251
FIGURE 8-1. RECOMMENDED SERVICE PARTS STOCK	252
SECTION 9 - SPECIAL OPTIONS	253
FIGURE 9-1. SPECIAL OPTIONS	254
PART NUMBER INDEX	257

SECTION 1 - FRAME

SECTION 1 - FRAME

FIGURE 1-1. DRIVE MOTOR AND STEER INSTALLATION



ART_1001260650

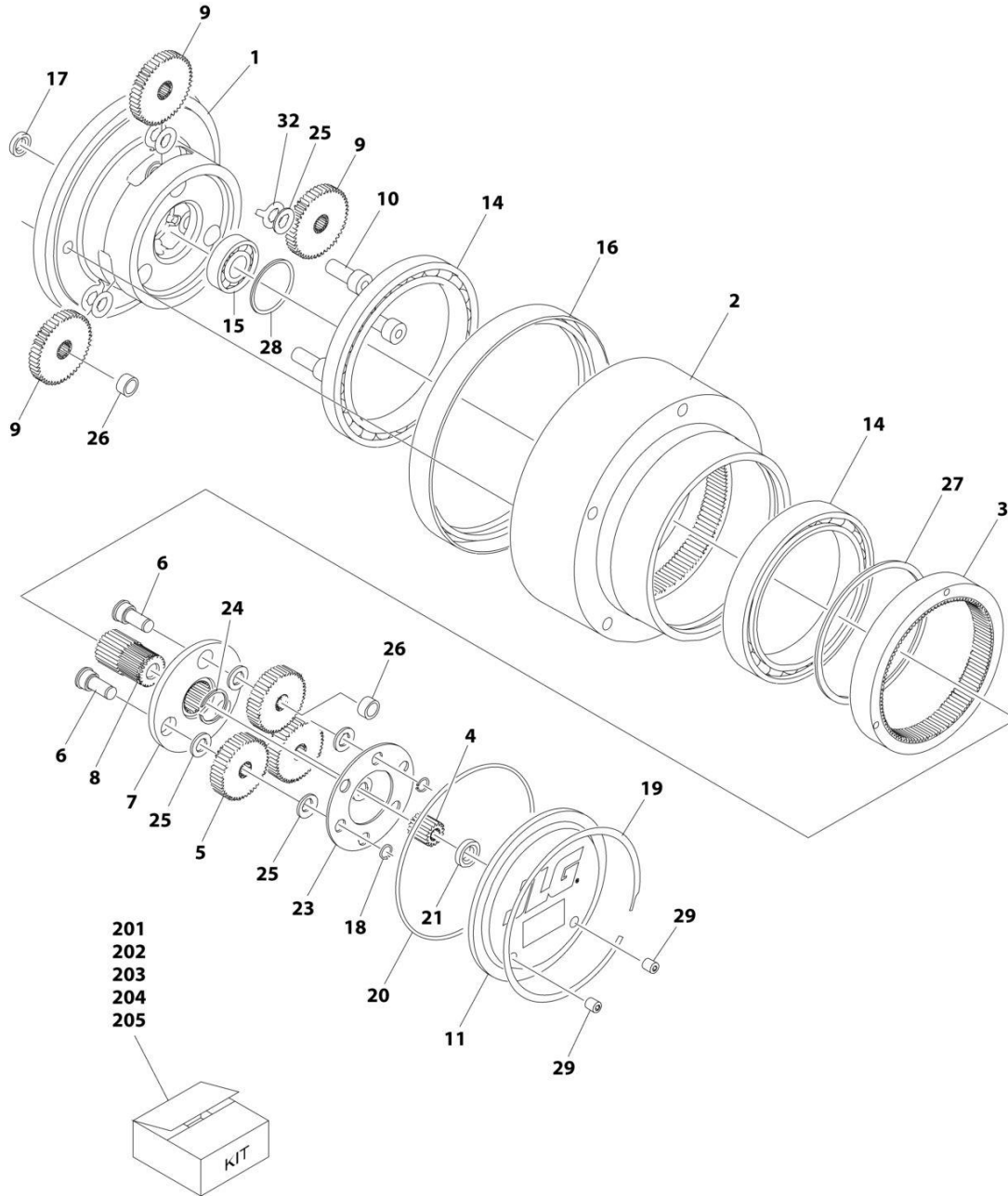
SECTION 1 - FRAME

FIGURE 1-1. DRIVE MOTOR AND STEER INSTALLATION

ITEM	PART NUMBER	QTY	DESCRIPTION	REV
	1001260650	Ref	DRIVE MOTOR AND STEER INSTALLATION	B
1	0100011	AR	Compound, Locking	
2	0440259	2	Bearing	
3	0761019	4	Bolt M10 x 55	
4	1380153	4	E-Clip	
5	3291001	4	Nut M10	
6	3423037	4	Pin	
7	3760217	2	Ring, Retaining	
8	4812000	8	Washer M10	
9	4846757	2	Lug, Steering	
10	1001197396	2	Washer	
11	1001205751	2	Washer, Thrust	
12	1001233449	1	Steer Cylinder Assembly (See Separate Breakdown in CYLINDER Section)	
13	1001262500	1	Motor/Spindle Assembly (See item 101-108 for Breakdown)	
14	1001262658	1	Motor/Spindle Assembly (See item 201-208 for Breakdown)	
15	0700819	3	Bolt M8 x 55	
16	1321752	3	Cover, Clamp	
17	3290805	3	Nut M8	
18	4240017	AR	Tie-Strap (Not Shown)	
19	4811900	6	Washer M8	
20	8750015	3	Clamp	
	1001262500	Ref	MOTOR/SPINDLE ASSEMBLY	D
101	0100011	AR	Compound, Locking	
102	0681610	6	Bolt 3/8 x 1-1/4 Grade 8	
103	4891600	6	Washer 3/8	
104	1001256944	1	Drive Motor Assembly (See Separate Breakdown in this Section)	
105	1001262539	1	Spindle	
106	3290605	2	Nut M6	
107	4811702	2	Washer M6	
108	1001259015	1	U-Bolt	
	1001262658	Ref	MOTOR/SPINDLE ASSEMBLY	D
201	0100011	AR	Compound, Locking	
202	0681610	6	Bolt 3/8 x 1-1/4 Grade 8	
203	4891600	6	Washer 3/8	
204	1001256944	1	Drive Motor Assembly (See Separate Breakdown in this Section)	
205	1001262539	1	Spindle	
206	3290605	2	Nut M6	
207	4811702	2	Washer M6	
208	1001259015	1	U-Bolt	

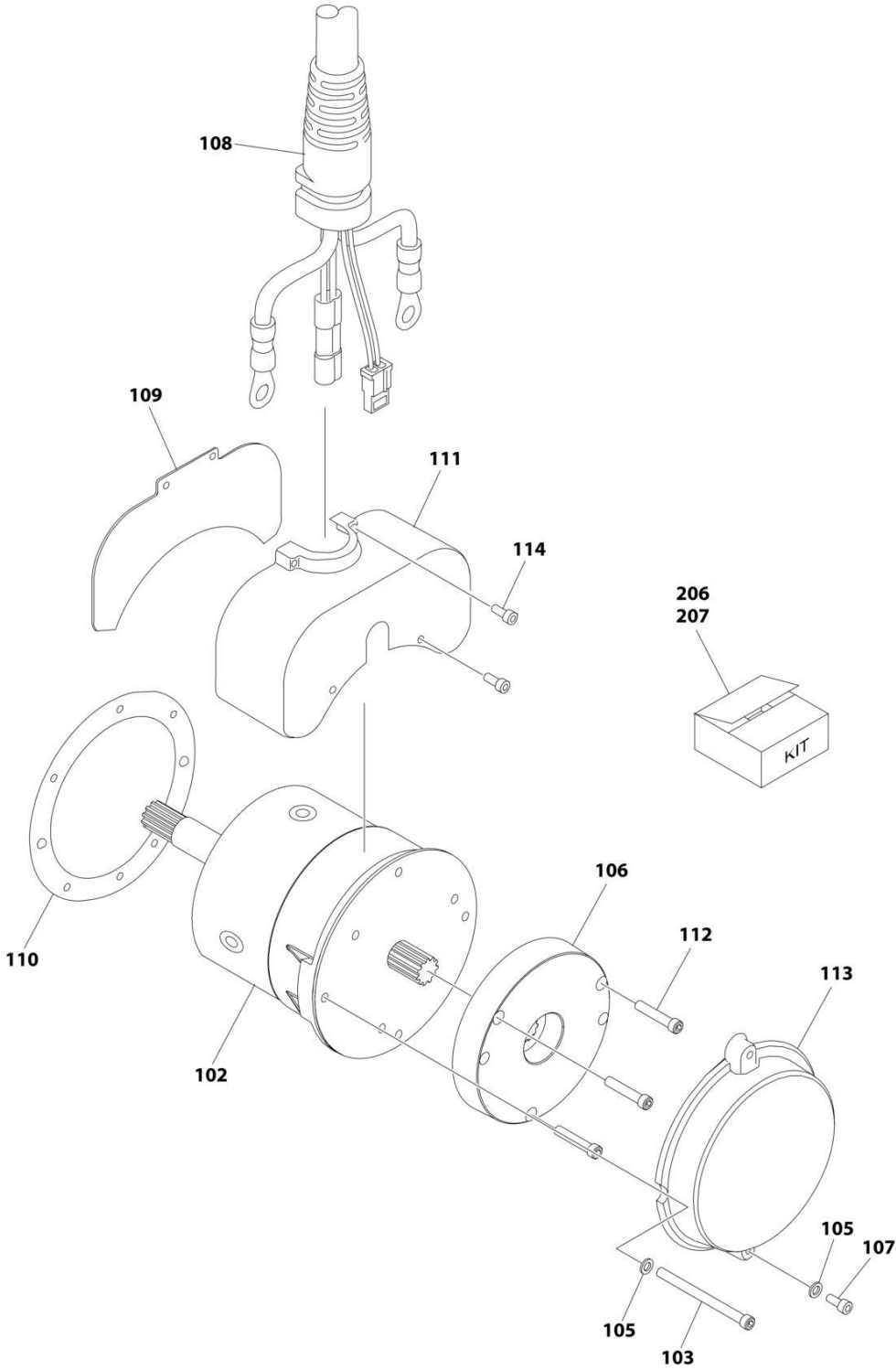
SECTION 1 - FRAME

FIGURE 1-2. DRIVE MOTOR ASSEMBLY



ART_1001256944_10F2

SECTION 1 - FRAME



ART_1001256944_20F2

SECTION 1 - FRAME

FIGURE 1-2. DRIVE MOTOR ASSEMBLY

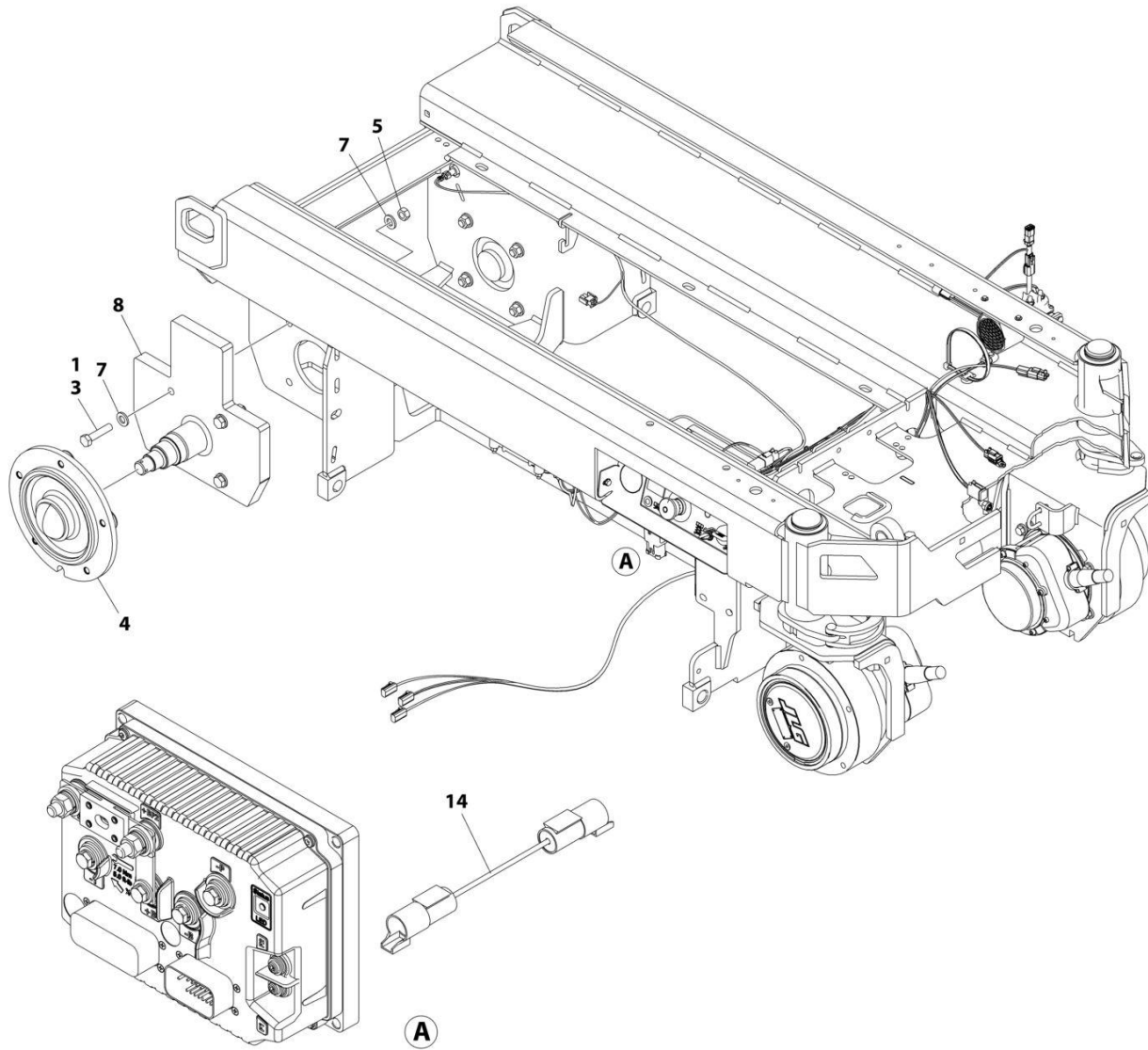
ITEM	PART NUMBER	QTY	DESCRIPTION	REV
	1001256944	Ref	DRIVE MOTOR ASSEMBLY	D
		Ref	HUB ASSEMBLY	
1	See Note	NSS	Spindle (Note: Purchase Complete Assembly)	
2	See Note	NSS	Hub (Note: Use Item 203)	
3	See Note	NSS	Ring, Input (Note: Use Item 204)	
4	See Note	NSS	Gear, Input Sun (Note: Use Item 202)	
5	70007490	3	Gear, Input Planet (Includes Item 26)	
6	See Note	NSS	Pin, Planet Gear (Note: Use Item 202)	
7	See Note	NSS	Carrier (Note: Use Item 202)	
8	See Note	NSS	Gear, Output Sun (Note: Use Item 202)	
9	70007193	3	Gear, Output Planet (Includes Item 26) (Note: Included in Item 205)	
10	70007199	3	Pin, Output Planet (Note: Included in Item 205)	
11	See Note	NSS	Cover (Note: Use Item 201)	
14	70007541	2	Bearing, Main (Note: Included in Items 203 or 204 or 205)	
15	See Note	NSS	Bearing , Shaft (Note: Use Item 205)	
16	70001739	1	Seal, Lip (Note: Included in Items 203)	
17	7024786	1	Seal, Lip	
18	See Note	NSS	Ring, Retaining (Note: Use Item 202)	
19	See Note	NSS	Ring, Retaining (Note: Use Item 201)	
20	70000191	1	O-Ring (Note: Included in Items 201 or 202 or 203 or 204 or 205)	
21	See Note	NSS	Washer, Thrust (Note: Use Item 201)	
23	See Note	NSS	Plate, Thrust (Note: Use Item 202)	
24	See Note	NSS	Ring, Retaining (Note: Use Item 202)	
25	See Note	NSS	Washer, Thrust (Note: Use Item 202)	
26	See Note	NSS	Bushing (Note: Use Item 202 or 205)	
27	70007544	1	Ring, Retaining (Note: Included in Items 203 or 204 or 205)	
28	See Note	NSS	Ring, Retaining (Note: Use Item 205)	
29	See Note	NSS	Plug (Note: Use Item 201)	
32	70007205	3	Washer, Tanged (Note: Included in Item 205)	
		Ref	BRAKE AND MOTOR	
102	70007782	1	Motor Electric	
103	70007495	2	Bolt M6 x 100	
103		Ref	Bolt M6 x 140	
105	70007546	4	Washer 1/4	
106	See Note	NSS	Brake, Input (Note: Use Item 206)	
107	70007191	2	Bolt M6 x 20	
108	70007676	1	Harness, Motor	
109	See Note	NSS	Plate, Cover (Note: Use Item 207)	
110	See Note	NSS	Gasket (Note: Use Item 207)	
111	See Note	NSS	Cover (Note: Use Item 207)	
112	See Note	NSS	Capscrew (Note: Use Item 206)	
113	See Note	NSS	Cover (Note: Use Item 207)	
114	See Note	NSS	Capscrew (Note: Use Item 207)	
		Ref	KIT OPTIONS	
201	7024747	1	Cover Kit - Hub (Includes Items 11, 19, 20, 21 & 29)	
202	7024749	1	Input Carrier Kit (Includes Items 4-8, 18, 20 & 23-26)	
203	7024756	1	Hub Kit (Includes Items 2, 16, 20, 27 & Qty 1 of Item 14)	
204	7024758	1	Input Ring Kit (Includes Items 3, 14, 20 & 27)	
205	70007670	1	Carrier Kit (Includes Items 9, 10, 14, 15, 20, 26-28 & 32)	

SECTION 1 - FRAME

ITEM	PART NUMBER	QTY	DESCRIPTION	REV
206	7024759	1	Brake Kit (Includes Items 106, 112 and O-Ring)	
207	70007844	1	Cover Kit - Electric Motor (Includes Items 107, 109, 110, 111, 113 & 114)	

SECTION 1 - FRAME

FIGURE 1-3. REAR WHEEL HUB INSTALLATION



ART_1001256130_F

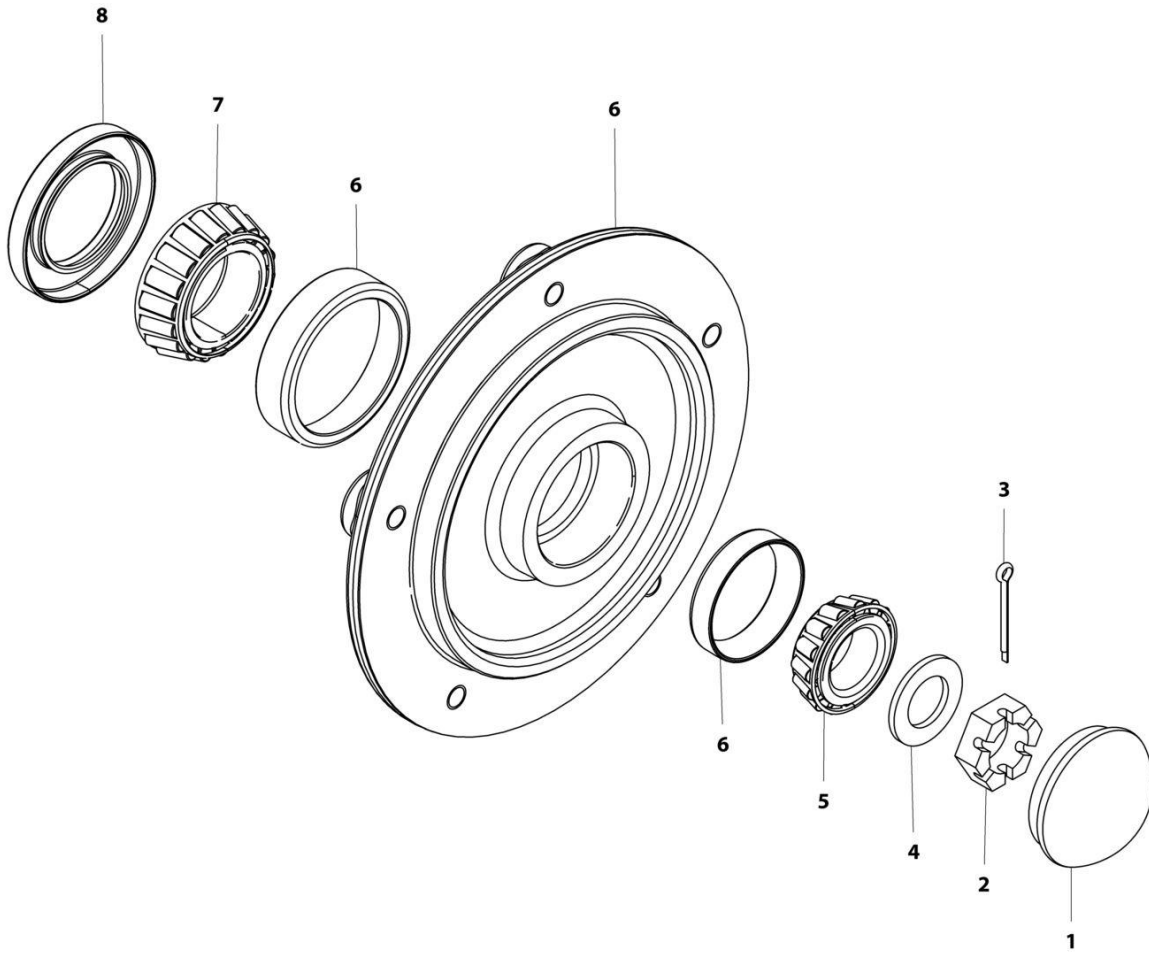
SECTION 1 - FRAME

FIGURE 1-3. REAR WHEEL HUB INSTALLATION

ITEM	PART NUMBER	QTY	DESCRIPTION	REV
	1001256130	Ref	REAR WHEEL HUB INSTALLATION	F
1	0100011	AR	Compound, Locking	
3	0711219	8	Bolt M12 x 55	
4	2780266	2	Hub Assembly - Rear (See Separate Breakdown in this Section)	
5	3331211	8	Nut M12	
7	5241200	16	Washer M12	
8	1001226423	2	Spindle Rear	
14	4923602	1	Harness, Field Wire Connection	

SECTION 1 - FRAME

FIGURE 1-4. HUB ASSEMBLY - REAR



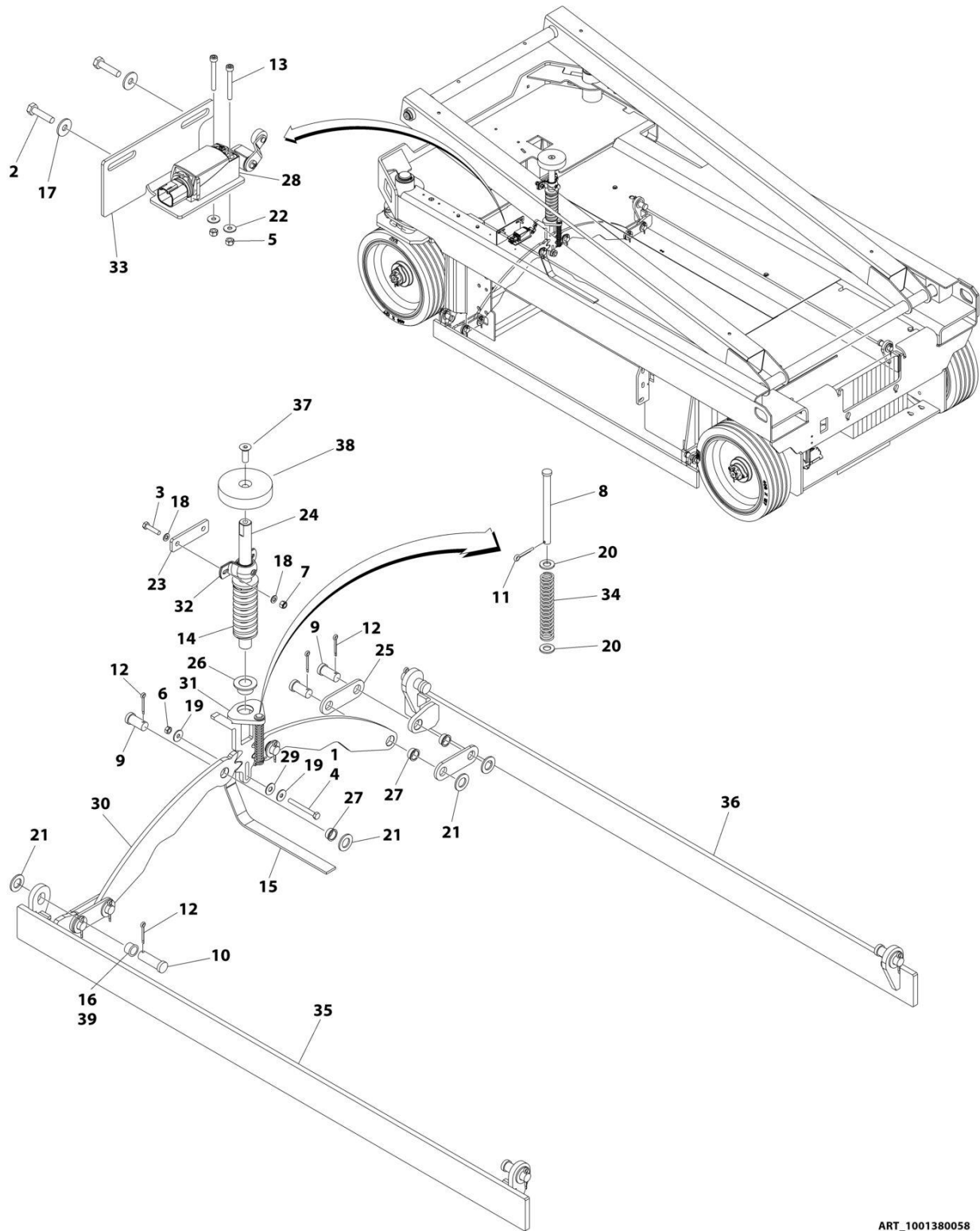
ART_2780266

FIGURE 1-4. HUB ASSEMBLY - REAR

ITEM	PART NUMBER	QTY	DESCRIPTION	REV
	2780266	Ref	HUB ASSEMBLY - REAR	E
1	1001102354	1	Cap, Dust (was p/n 7012524)	
2	3300423	1	Nut, Slotted (was p/n 7010641)	
3	3450406	1	Pin, Cotter 2 x 3/16 (was p/n 7010642)	
4	4740468	1	Washer (was p/n 7019697)	
5	1001102351	1	Bearing, Cone - Outer (was p/n 7026185)	
6	See Note	NSS	Hub (Note: Purchase Complete Assembly p/n 2780266)	
7	1001102353	1	Bearing, Cone - Inner (was p/n 7026183)	
8	1001102349	1	Seal (was p/n 7026184)	

SECTION 1 - FRAME

FIGURE 1-5. POTHOLE PROTECTION SYSTEM INSTALLATION



ART_1001380058

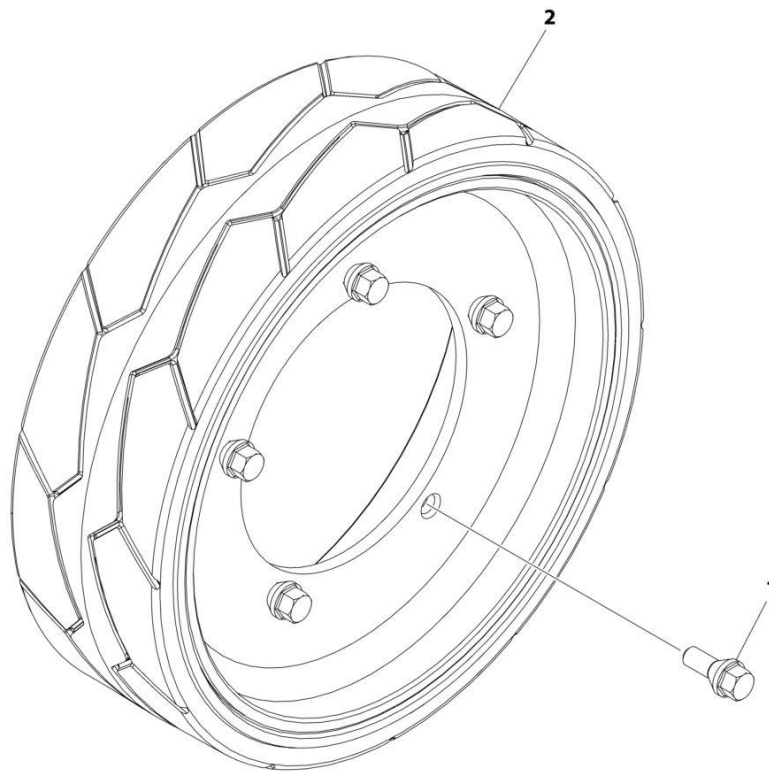
SECTION 1 - FRAME

FIGURE 1-5. POTHOLE PROTECTION SYSTEM INSTALLATION

ITEM	PART NUMBER	QTY	DESCRIPTION	REV
	1001380058	Ref	POTHOLE PROTECTION SYSTEM INSTALLATION	D
1	0100011	AR	Compound, Locking	
2	0700612	2	Bolt M6 x 25	
3	0700815	2	Bolt M8 x 35	
4	0700823	1	Bolt M8 x 75	
5	3290405	2	Nut M4	
6	3290801	1	Nut M8	
7	3290805	2	Nut M8	
8	3430636	1	Pin	
9	3431212	6	Pin	
10	3431218	4	Pin	
11	3450403	1	Pin, Cotter 1/8 x 3/4	
12	3450505	10	Pin, Cotter 5/32 x 1/2	
13	4031511	2	Capscrew M4 x 35	
14	4160202	1	Spring	
15	4240147	1	Strap, Anti-Static	
16	4740086	NLA	Washer (Use Item 39)	
17	4811702	2	Washer M6	
18	4811900	4	Washer M8	
19	4811902	2	Washer M8	
20	4812000	2	Washer M10	
21	4812500	10	Washer M20	
22	1001091102	2	Washer M4	
23	1001202987	1	Plate, Mounting	
24	1001214528	1	Actuator (Upper) (Cylindrical Shaft Machined at Top - as Shown)	
24	1001202988	1	Actuator (Upper) (Full Length Cylindrical Shaft - Not Shown)	
25	1001202999	4	Link	
26	1001203869	1	Bearing	
27	1001203870	6	Bearing	
28	1001203871	1	Switch, Limit	
29	1001203872	1	Washer	
30	1001213597	2	Plate, Pinion	
31	1001214526	1	Actuator (Lower)	
32	1001215953	1	Bearing	
33	1001218307	1	Plate, Sensor Mounting	
34	1001227855	1	Spring	
35	1001234797	1	Bar (LH)	
36	1001234798	1	Bar (RH)	
37	1001110302	1	Screw M12 x 35	
38	1001214534	1	Pad	
39	0440263	4	Bearing, Flange	

SECTION 1 - FRAME

FIGURE 1-6. TIRE AND WHEEL INSTALLATION



ART_1001256694

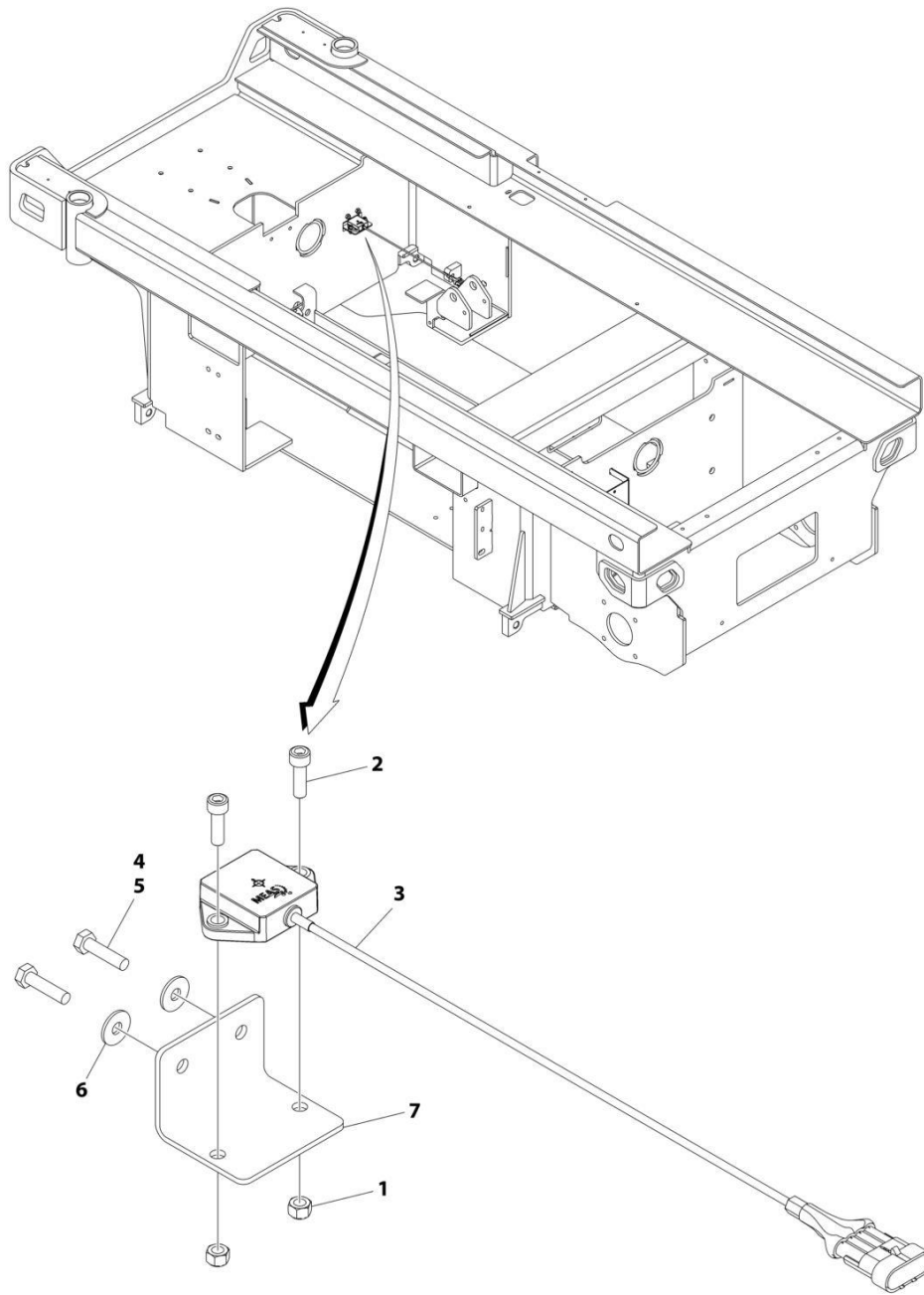
SECTION 1 - FRAME

FIGURE 1-6. TIRE AND WHEEL INSTALLATION

ITEM	PART NUMBER	QTY	DESCRIPTION	REV
	1001256694	Ref	TIRE AND WHEEL ASSEMBLY	A
1	0630580	20	Bolt	
2	1001114466	4	Tire, 125 x 406	

SECTION 1 - FRAME

FIGURE 1-7. TILT SENSOR INSTALLATION



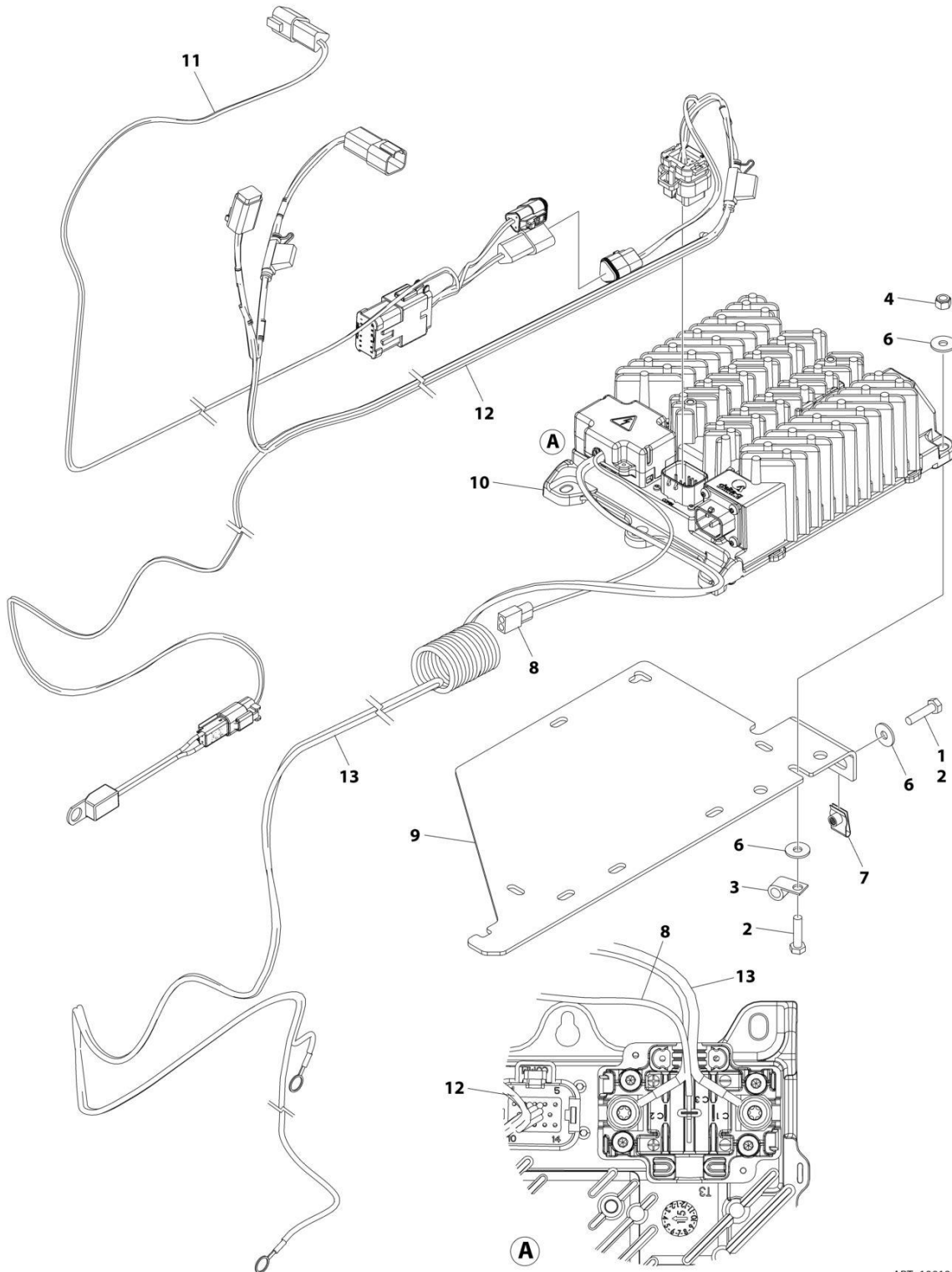
ART_1001214217

FIGURE 1-7. TILT SENSOR INSTALLATION

ITEM	PART NUMBER	QTY	DESCRIPTION	REV
	1001214217	Ref	TILT SENSOR INSTALLATION	D
1	3290601	2	Nut M6	
2	4031708	2	Capscrew M6 x 20	
3	1001186466	1	Sensor, Tilt	
4	0100011	AR	Compound, Locking	
5	0700612	2	Bolt M6 x 25	
6	4811702	2	Washer M6	
7	1001217059	1	Plate, Mounting	

SECTION 1 - FRAME

FIGURE 1-8. BATTERY CHARGER INSTALLATION - DELTA-Q



ART_1001263257

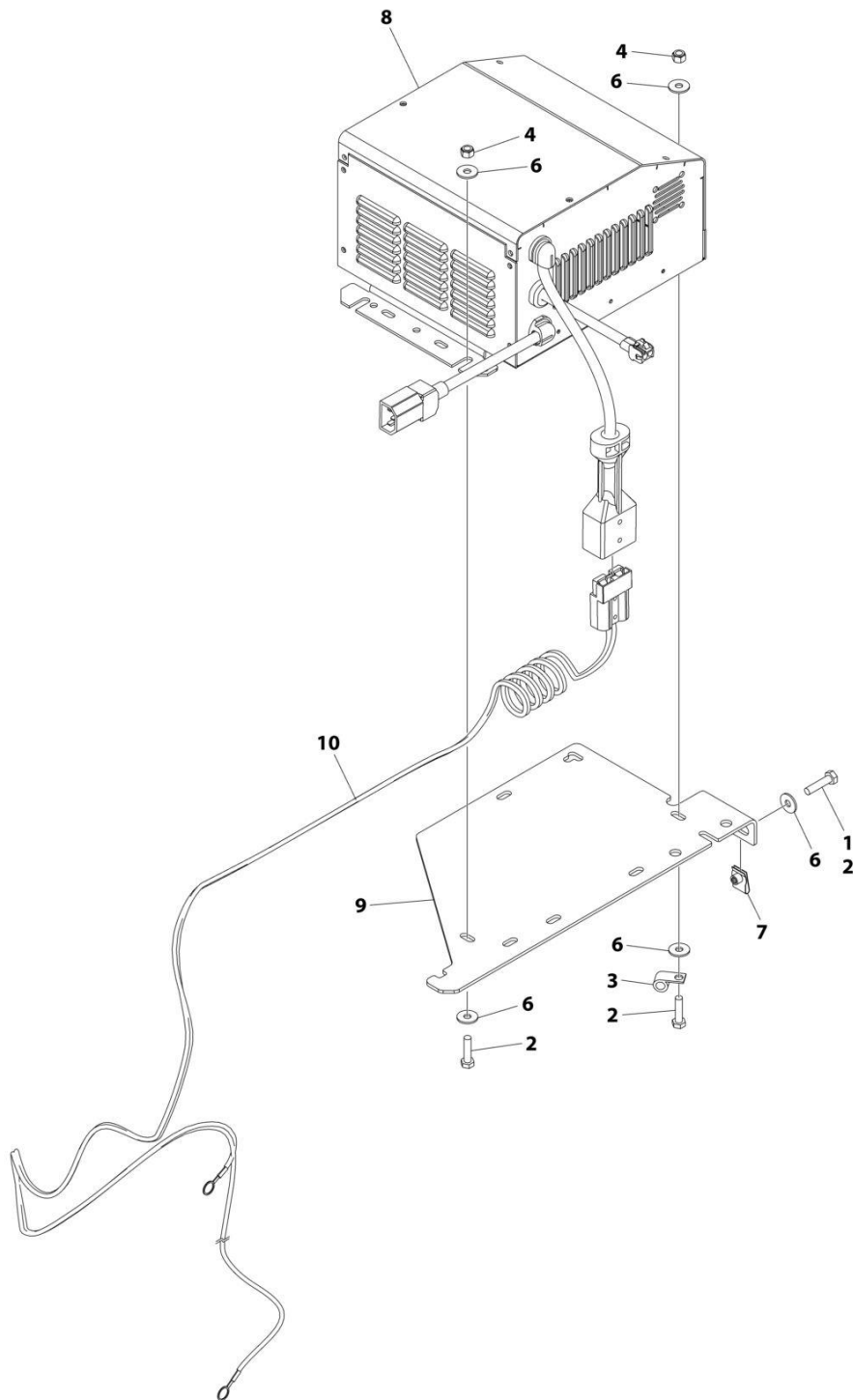
SECTION 1 - FRAME

FIGURE 1-8. BATTERY CHARGER INSTALLATION - DELTA-Q

ITEM	PART NUMBER	QTY	DESCRIPTION	REV
	1001263257	Ref	BATTERY CHARGER INSTALLATION - DELTA-Q	A
1	0100011	AR	Compound, Locking	
2	0760612	5	Bolt M6 x 25	
3	1321293	1	Clamp	
4	3290605	3	Nut M6	
5	4240017	AR	Tie-Strap (Not Shown)	
6	4811702	8	Washer M6	
7	1001130220	2	Nut, Tinnerman M6	
8	1001207009	1	Charger Interlock Harness	
8	4460424	1	Receptacle, Female - 2 Position	
8	4460227	2	Pin, Male	
9	1001236139	1	Bracket	
10	1001253952	1	Charger, Battery - Delta-Q	
11	1001254027	1	Can Splice Harness (See Separate Breakdown in ELECTRICAL Section)	
12	1001254028	1	Charger To Battery Harness (See Separate Breakdown in ELECTRICAL Section)	
13	1001256642	1	Battery Charger to DC Connection Cable	

SECTION 1 - FRAME

FIGURE 1-9. BATTERY CHARGER INSTALLATION - EAGLE PERFORMANCE



ART_1001263258

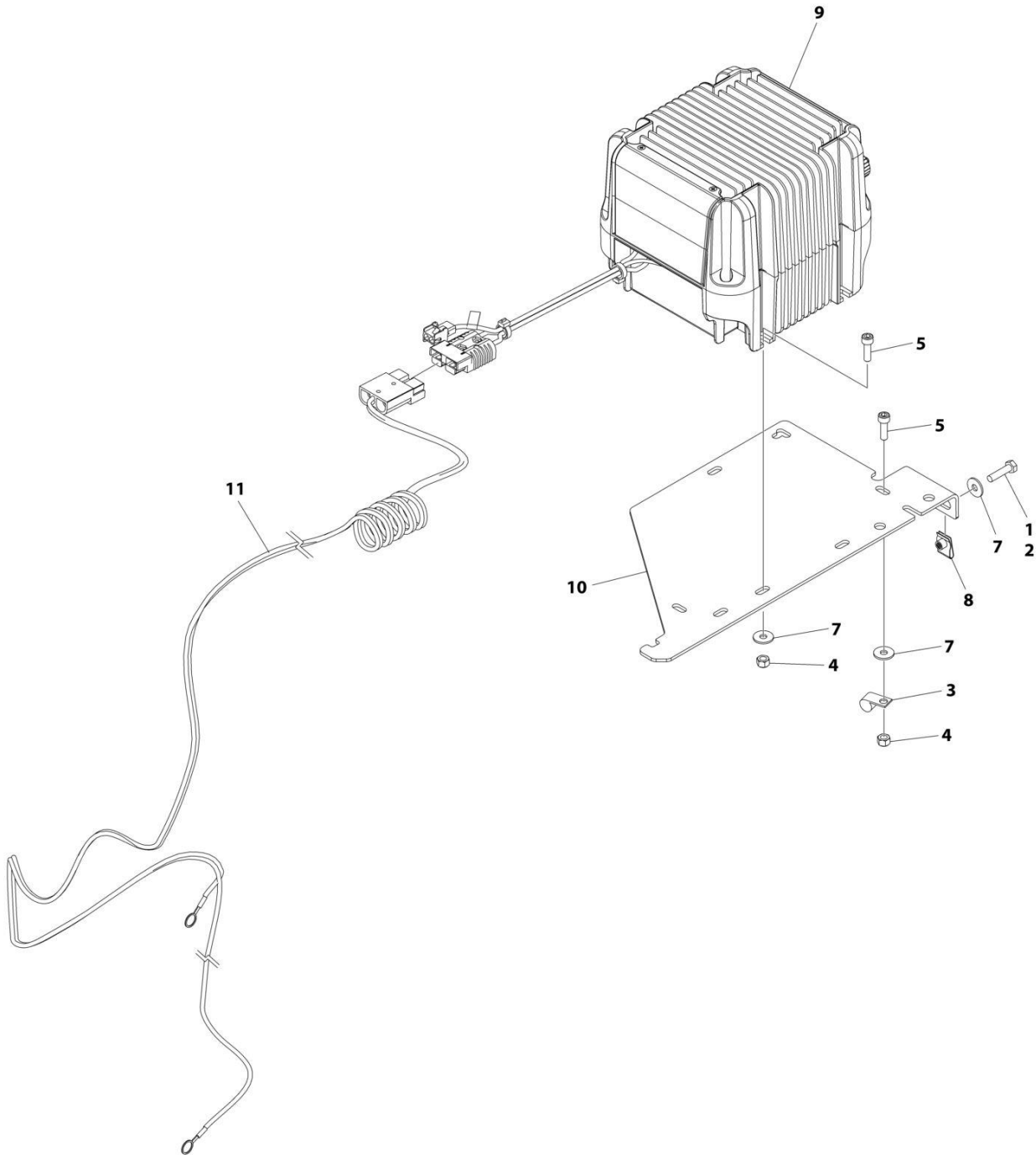
SECTION 1 - FRAME

FIGURE 1-9. BATTERY CHARGER INSTALLATION - EAGLE PERFORMANCE

ITEM	PART NUMBER	QTY	DESCRIPTION	REV
	1001263258	Ref	BATTERY CHARGER INSTALLATION - EAGLE PERFORMANCE	A
1	0100011	AR	Compound, Locking	
2	0760612	5	Bolt M6 x 20	
3	1321293	1	Clamp	
4	3290605	3	Nut M6	
5	4240017	AR	Tie-Strap (Not Shown)	
6	4811702	8	Washer M6	
7	1001130220	2	Nut, Tinnerman M6	
8	1001206995	1	Charger, Battery - Eagle Performance	
9	1001236139	1	Bracket	
10	1001256643	1	Charger DC Connection Harness	

SECTION 1 - FRAME

FIGURE 1-10. BATTERY CHARGER INSTALLATION - GREEN POWER



ART_1001263259

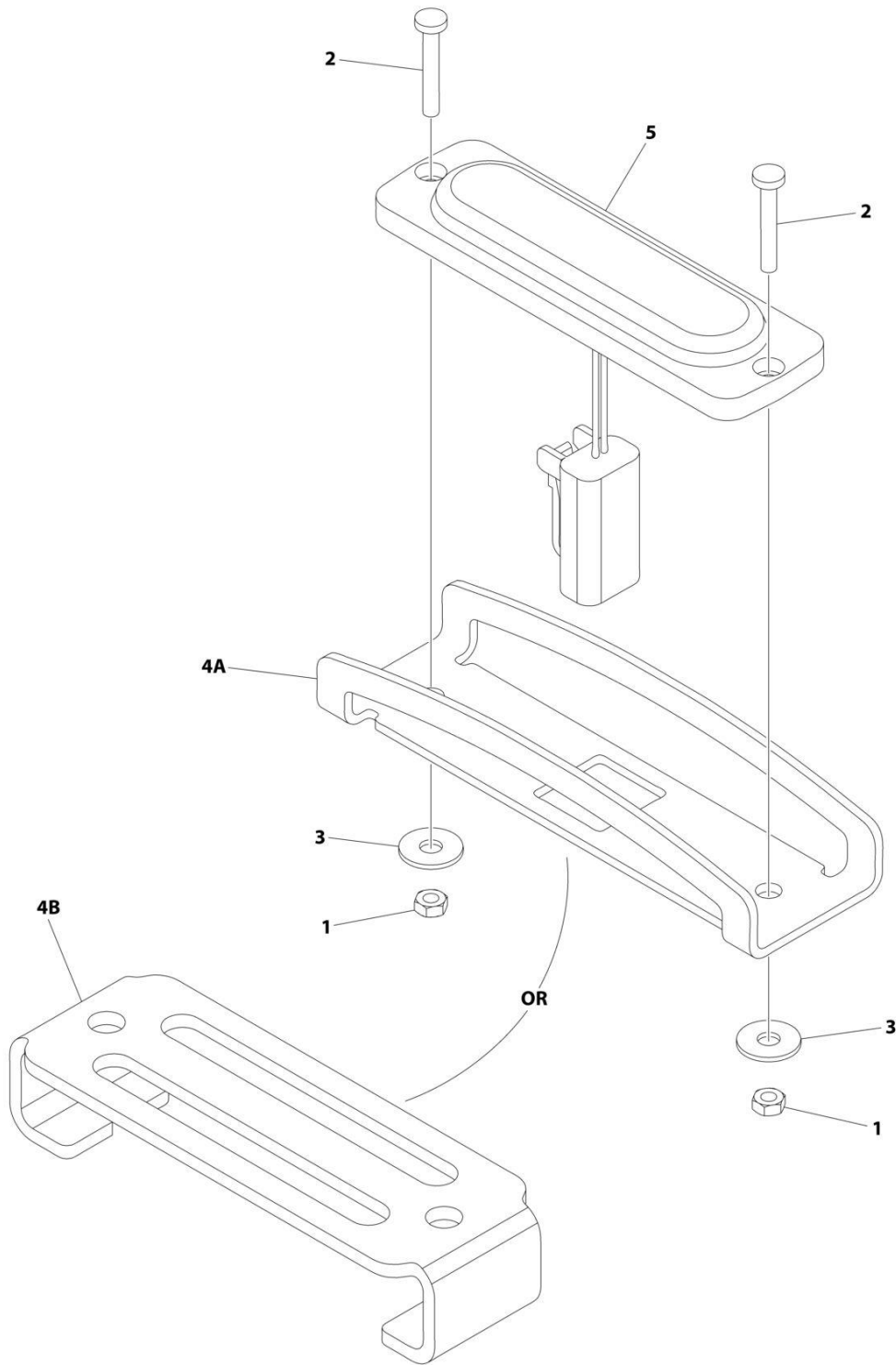
SECTION 1 - FRAME

FIGURE 1-10. BATTERY CHARGER INSTALLATION - GREEN POWER

ITEM	PART NUMBER	QTY	DESCRIPTION	REV
	1001263259	Ref	BATTERY CHARGER INSTALLATION - GREEN POWER	A
1	0100011	AR	Compound, Locking	
2	0700612	2	Bolt M6 x 25	
3	1321293	1	Clamp, Cable	
4	3290605	4	Nut M6	
5	4031708	4	Capscrew M6 x 20	
6	4240017	AR	Tie-Strap (Not Shown)	
7	4811702	6	Washer M6	
8	1001130220	2	Nut, Tinnerman M6	
9	1001205598	1	Charger, Battery Green Power	
10	1001236139	1	Bracket	
11	1001256643	1	Charger DC Connection Harness	

SECTION 1 - FRAME

FIGURE 1-11. STROBE LIGHT INSTALLATION - SINGLE (AMBER) (WITH GUARD)



ART_1001242697

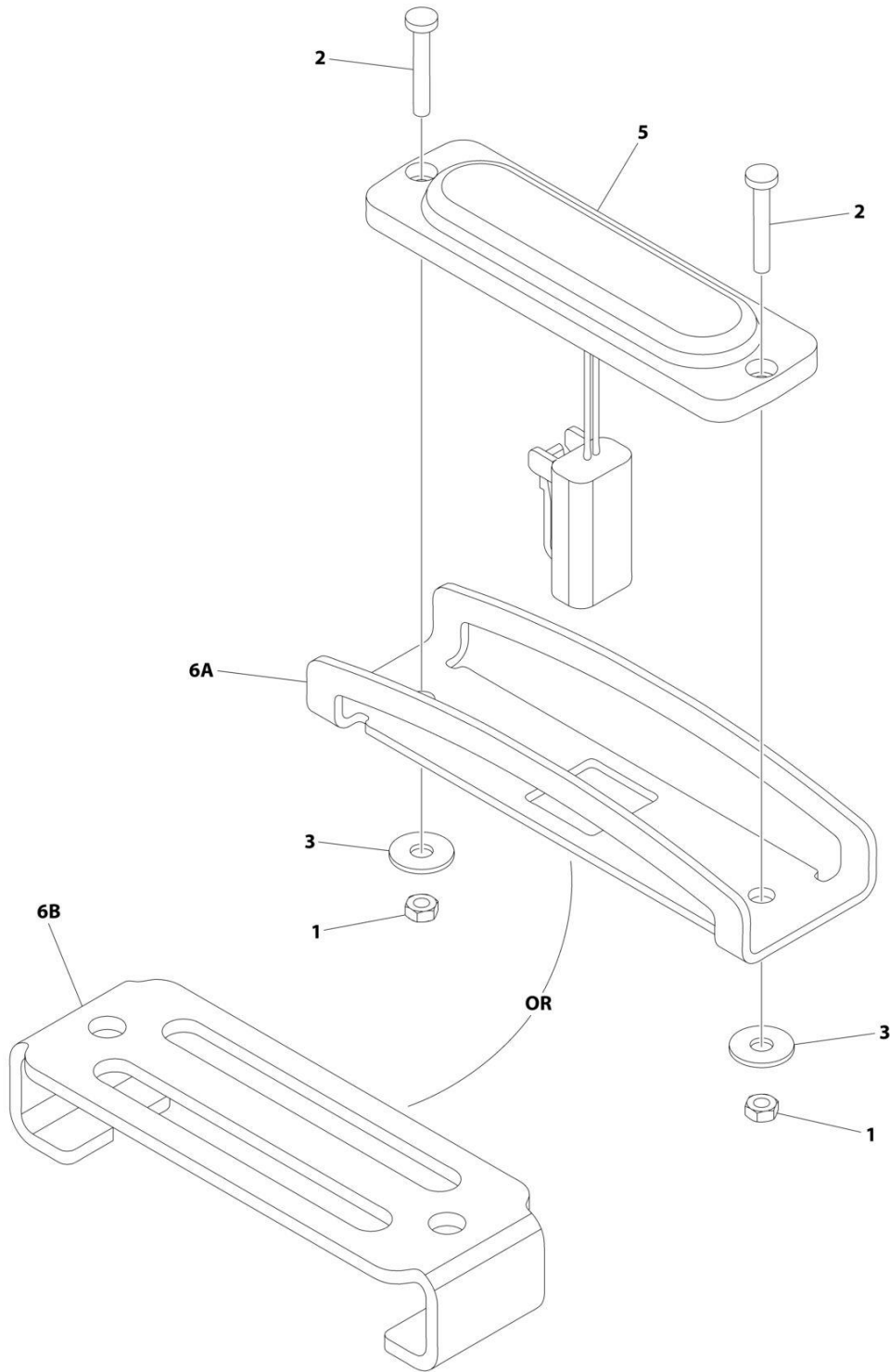
SECTION 1 - FRAME

FIGURE 1-11. STROBE LIGHT INSTALLATION - SINGLE (AMBER) (WITH GUARD)

ITEM	PART NUMBER	QTY	DESCRIPTION	REV
	1001242697	Ref	STROBE LIGHT INSTALLATION - SINGLE (AMBER) (WITH GUARD)	D
1	3290305	2	Nut M3	
2	4010310	2	Screw M3 x 20	
3	1001091102	2	Washer M4	
4A	1001242539	1	Guard	
4B	1001239661	1	Cover	
5	1001239224	1	Light, Strobe	
5	4460891	1	Plug, Male - 2 Position	
5	4460465	2	Socket, Female	

SECTION 1 - FRAME

FIGURE 1-12. STROBE LIGHT INSTALLATION - DUAL (AMBER) (WITH GUARD)



ART_1001242990

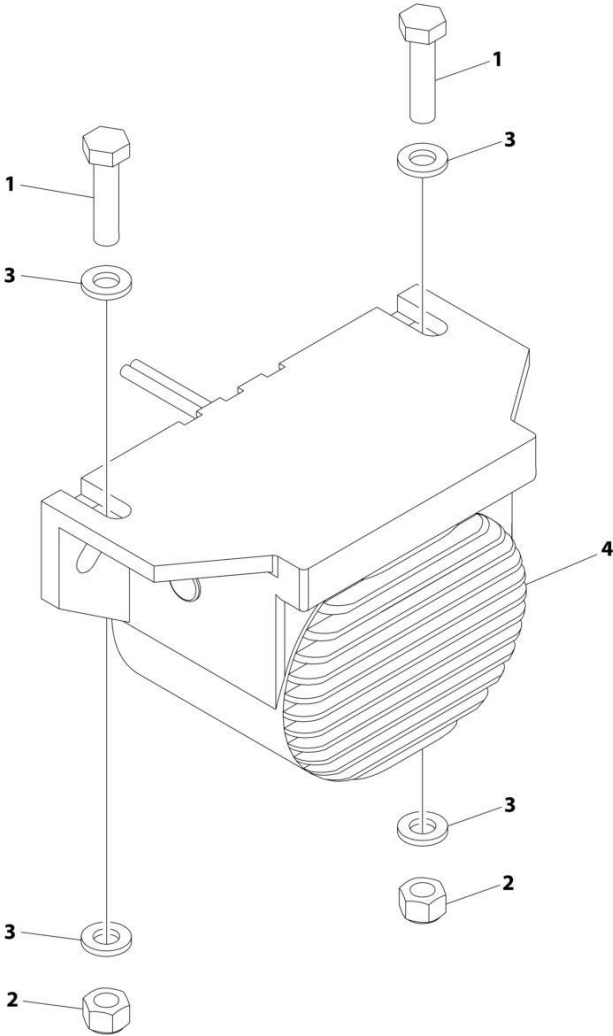
SECTION 1 - FRAME

FIGURE 1-12. STROBE LIGHT INSTALLATION - DUAL (AMBER) (WITH GUARD)

ITEM	PART NUMBER	QTY	DESCRIPTION	REV
	1001242990	Ref	STROBE LIGHT INSTALLATION - DUAL (AMBER) (WITH GUARD)	D
1	3290305	4	Nut M3	
2	4010310	4	Screw M3 x 20	
3	1001091102	4	Washer M4	
4	1001215216	1	Strobe Light Jumper Harness (Not Shown)	
4	4460897	2	Receptacle, Female - 2 Position	
4	4460464	4	Pin, Male	
4	4460891	1	Plug, Male - 2 Position	
4	4460465	2	Socket, Female	
5	1001239224	2	Light, Strobe	
5	4460891	1	Plug, Male - 2 Position	
5	4460465	2	Socket, Female	
6A	1001242539	2	Guard	
6B	1001239661	2	Cover	
7	4240018	AR	Tie-Strap (Not Shown)	

SECTION 1 - FRAME

FIGURE 1-13. ALARM INSTALLATION (AMBIENT/WHITE NOISE)



ART_1001204495

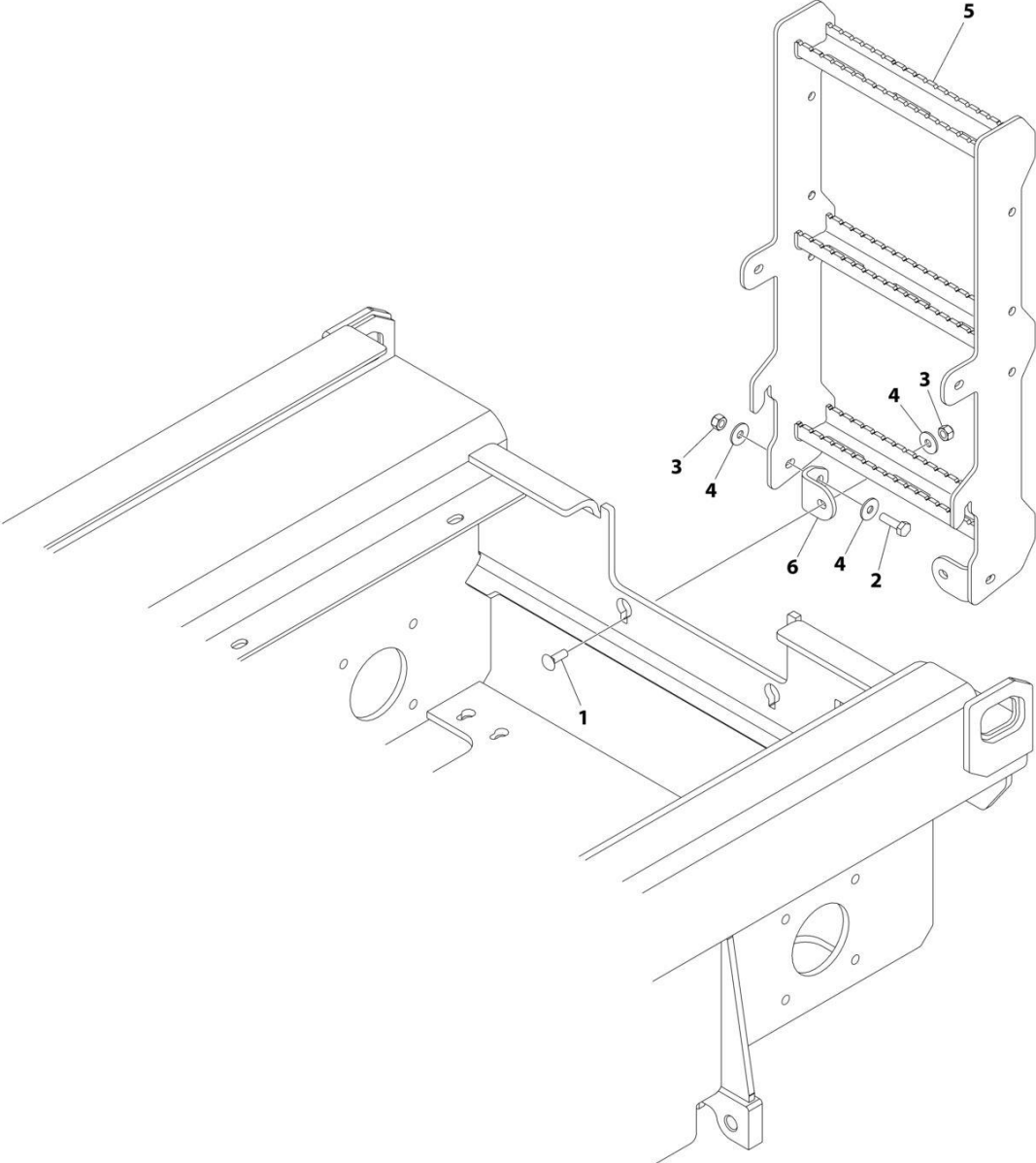
SECTION 1 - FRAME

FIGURE 1-13. ALARM INSTALLATION (AMBIENT/WHITE NOISE)

ITEM	PART NUMBER	QTY	DESCRIPTION	REV
	1001204495	Ref	ALARM INSTALLATION (AMBIENT/WHITE NOISE)	B
1	0760612	2	Bolt M6 x 25	
2	3290605	2	Nut M6	
3	4811700	4	Washer M6	
4	1001182806	1	Alarm	
4	4460897	1	Receptacle, Female - 2 Position	
4	4460464	2	Pin, Male	

SECTION 1 - FRAME

FIGURE 1-14. LADDER INSTALLATION



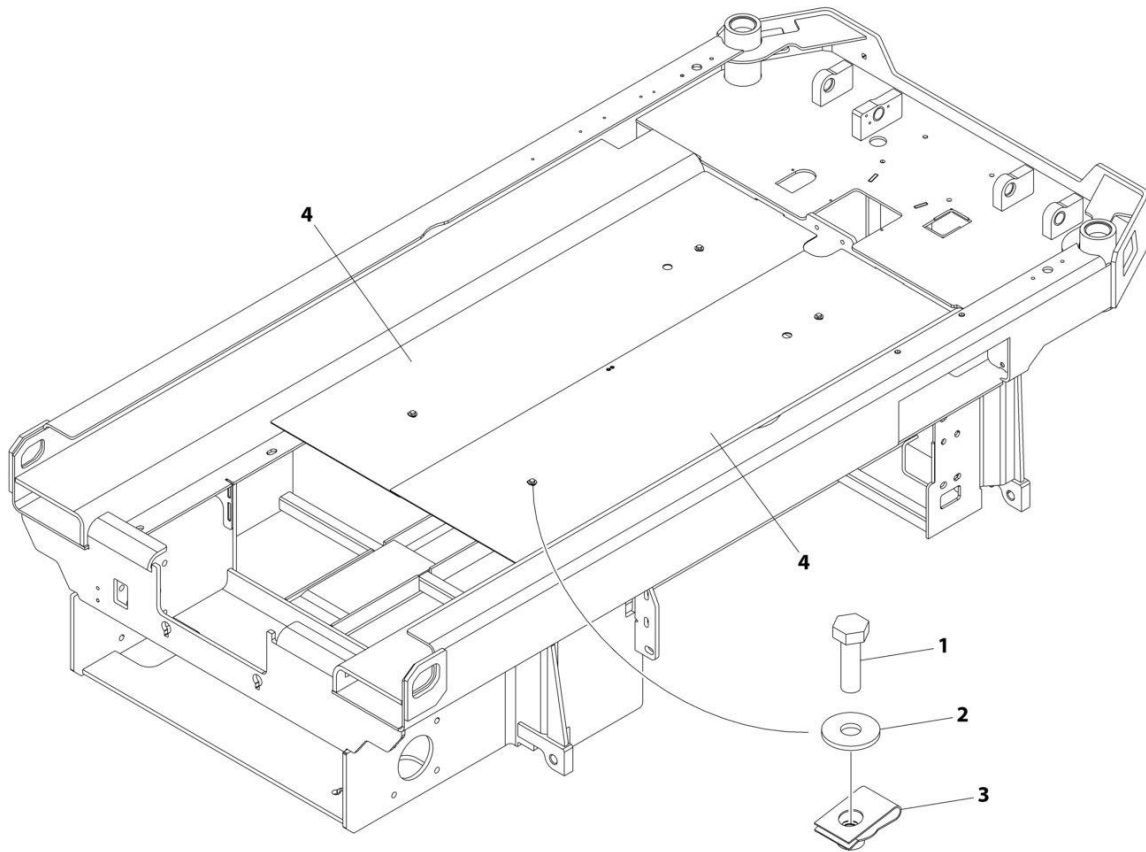
ART_1001234317

FIGURE 1-14. LADDER INSTALLATION

ITEM	PART NUMBER	QTY	DESCRIPTION	REV
	1001234317	Ref	LADDER INSTALLATION	A
1	0630613	2	Bolt M10 x 30	
2	0761015	2	Bolt M10 x 35	
3	3291005	4	Nut M10	
4	4812002	6	Washer M10	
5	1001234842	1	Ladder	
6	1001235955	2	Bracket	

SECTION 1 - FRAME

FIGURE 1-15. FRAME COVERS INSTALLATION



ART_1001236968

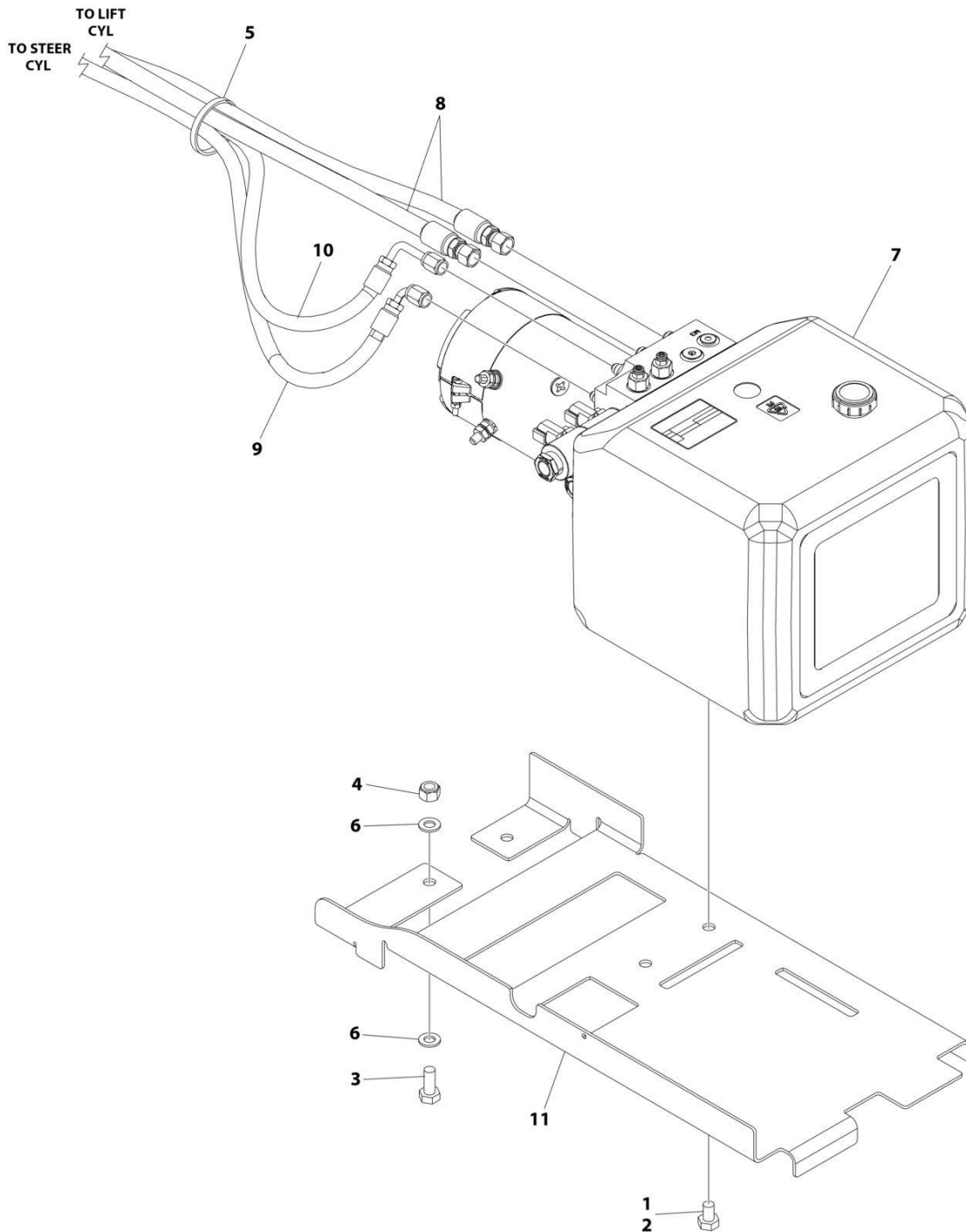
FIGURE 1-15. FRAME COVERS INSTALLATION

ITEM	PART NUMBER	QTY	DESCRIPTION	REV
	1001236968	Ref	FRAME COVERS INSTALLATION	A
1	0760610	4	Bolt M6 x 20	
2	4811702	4	Washer M6	
3	1001130220	4	Nut, Tinnerman M6	
4	1001236531	2	Cover	

SECTION 2 - GROUND CONTROLS

SECTION 2 - GROUND CONTROLS

FIGURE 2-1. PUMP/MOTOR/TANK AND HOSES INSTALLATION



ART_1001260651

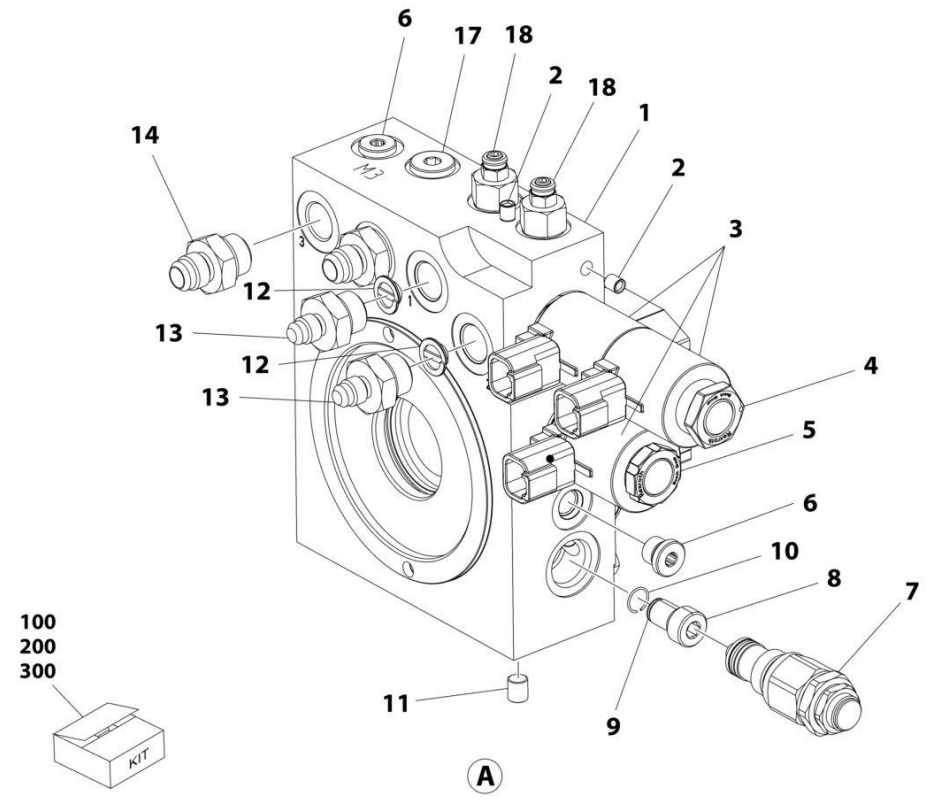
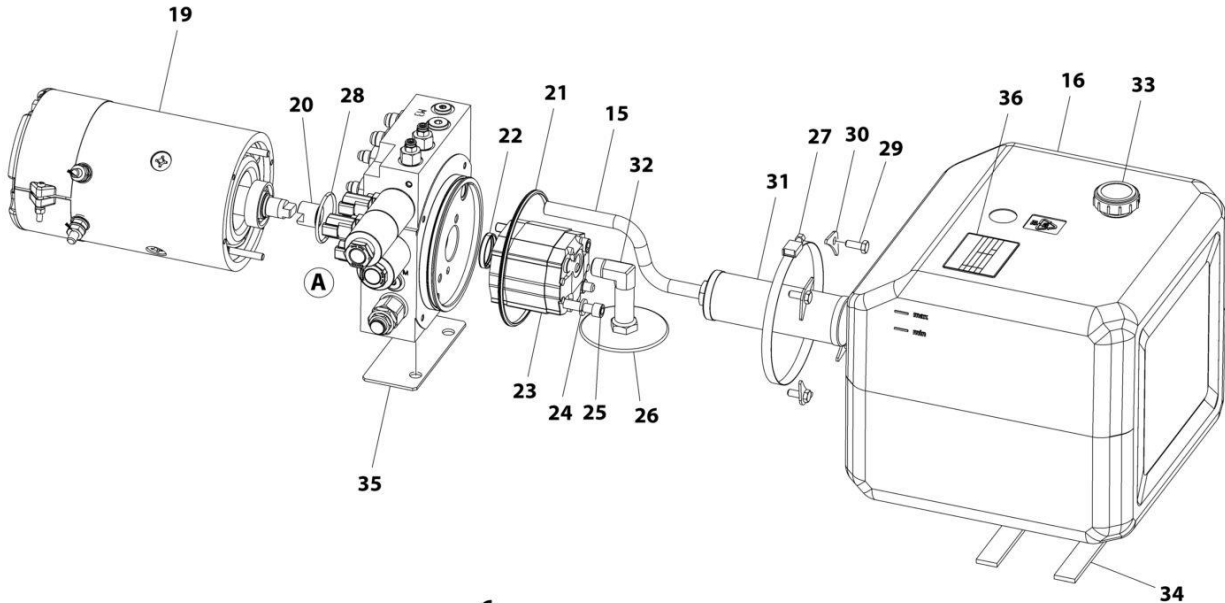
SECTION 2 - GROUND CONTROLS

FIGURE 2-1. PUMP/MOTOR/TANK AND HOSES INSTALLATION

ITEM	PART NUMBER	QTY	DESCRIPTION	REV
	1001260651	Ref	PUMP/MOTOR/TANK AND HOSES INSTALLATION	C
1	0100011	AR	Compound, Locking	
2	0761008	2	Bolt M10 x 16	
3	0761012	2	Bolt M10 x 25	
4	3291005	2	Nut M10	
5	4240018	AR	Tie-Strap	
6	4812000	4	Washer M10	
7	1001274485	1	Pump/Motor/Tank Assembly (See Separate Breakdown in this Section)	
8	1001260691	2	Hose	
9	1001260692	1	Hose	
10	1001260693	1	Hose	
11	1001262201	1	Bracket	

SECTION 2 - GROUND CONTROLS

FIGURE 2-2. PUMP/MOTOR/TANK ASSEMBLY (Prior to SN B200072826, Prior to SN M200050043, Prior to SN 1200037775)



ART_1001254904

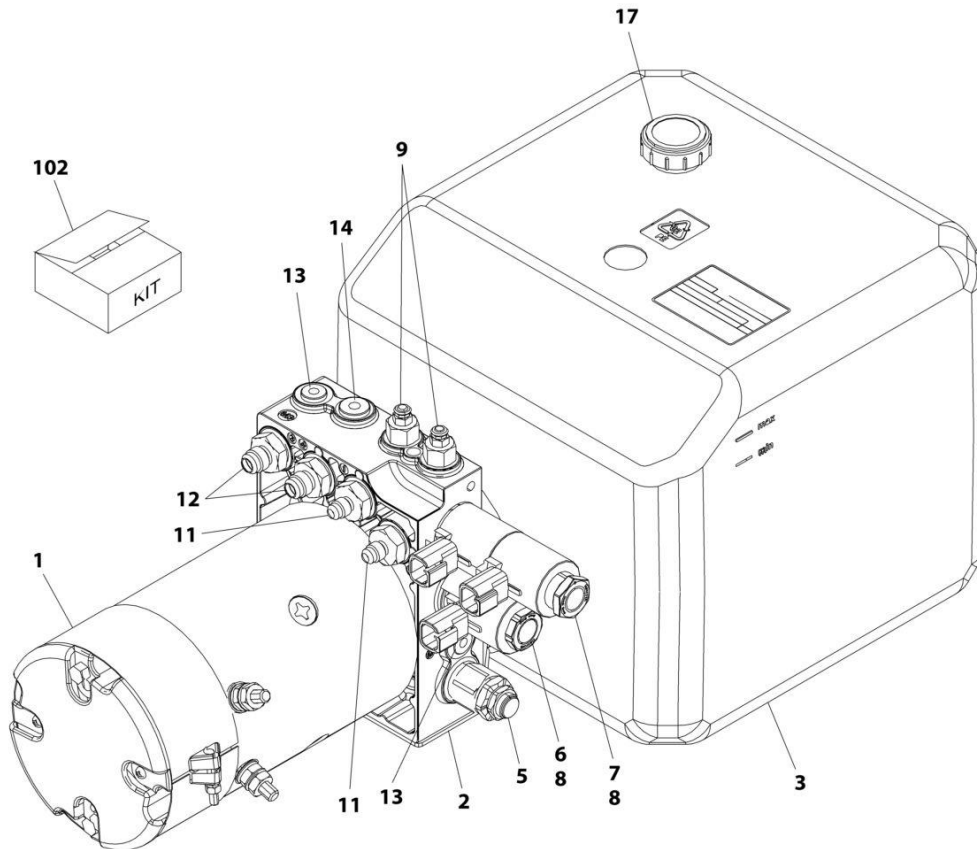
SECTION 2 - GROUND CONTROLS

FIGURE 2-2. PUMP/MOTOR/TANK ASSEMBLY (Prior to SN B200072826, Prior to SN M200050043, Prior to SN 1200037775)

ITEM	PART NUMBER	QTY	DESCRIPTION	REV
	1001254904	Ref	PUMP/MOTOR/TANK ASSEMBLY	D
1		Ref	Manifold	
2		Ref	Plug	
3	70007590	3	Coil	
4	70007589	1	Cartridge, Solenoid Valve (Less Coil)	
5	70007588	1	Cartridge, Solenoid Valve (Less Coil)	
6	See Note	NSS	Plug (Note: Use Item 200)	
7	70007587	1	Cartridge, Valve	
8	See Note	NSS	Fitting (Note: Use Item 200)	
9	See Note	NSS	Filter 500 Micron (Note: Use Item 200)	
10	70007703	1	Ring, Sealing	
11	See Note	NSS	Plug (Note: Purchase Complete Assembly)	
12	See Note	NSS	Filter 400 Micron (Note: Use Item 200)	
13	See Note	NSS	Fitting, Straight JIC (Note: Use Item 200)	
14	See Note	NSS	Fitting, Straight JIC (Note: Use Item 200)	
15	70003697	1	Tube, Return	
16	See Note	NSS	Tank (Note: Use Item 100)	
17	See Note	NSS	Plug (Note: Use Item 200)	
18	70007591	2	Cartridge, Valve	
19	70007584	1	Motor, Replacement	
20	70007704	1	Coupling (Motor to Pump)	
21	See Note	NSS	Seal (Tank to Manifold) (Note: Use Item 100)	
22	70007705	1	Bushing, Pump	
23	See Note	NSS	Pump (Note: Use Item 300)	
24	See Note	NSS	Washer (Note: Use Item 300)	
25	See Note	NSS	Capscrew M8 x 80 (Note: Use Item 300)	
26	70007706	1	Filter, Suction	
27	See Note	NSS	Clamp/Strap (Note: Use Item 100)	
28	70007707	1	Ring, Sealing	
29	See Note	NSS	Bolt M6 x 16 (Note: Use Item 100)	
30	See Note	NSS	Bracket (Note: Use Item 100)	
31	70004935	1	Fitting, Return	
32	70007708	1	Fitting, 90	
33	See Note	NSS	Cap, Filler (Note: Use Item 100)	
34	See Note	NSS	Pad (Note: Use Item 100)	
35	See Note	NSS	Plate (Note: Purchase Complete Assembly)	
36	See Note	NSS	Decal - Identification (Note: Purchase Complete Assembly)	
100	70007612	1	Tank Kit (Includes Items 16, 21, 27, 29, 30, 33 & 34)	
200	70007613	1	Filter & Fitting Kit (Includes Items 6, 8, 9, 12, 13, 14 & 17)	
300	70007616	1	Pump Kit (Includes Items 23-25)	

SECTION 2 - GROUND CONTROLS

FIGURE 2-3. PUMP/MOTOR/TANK ASSEMBLY (SN B200072826 to Present, SN M200050043 to Present, SN 1200037775 to Present)



ART_1001274485

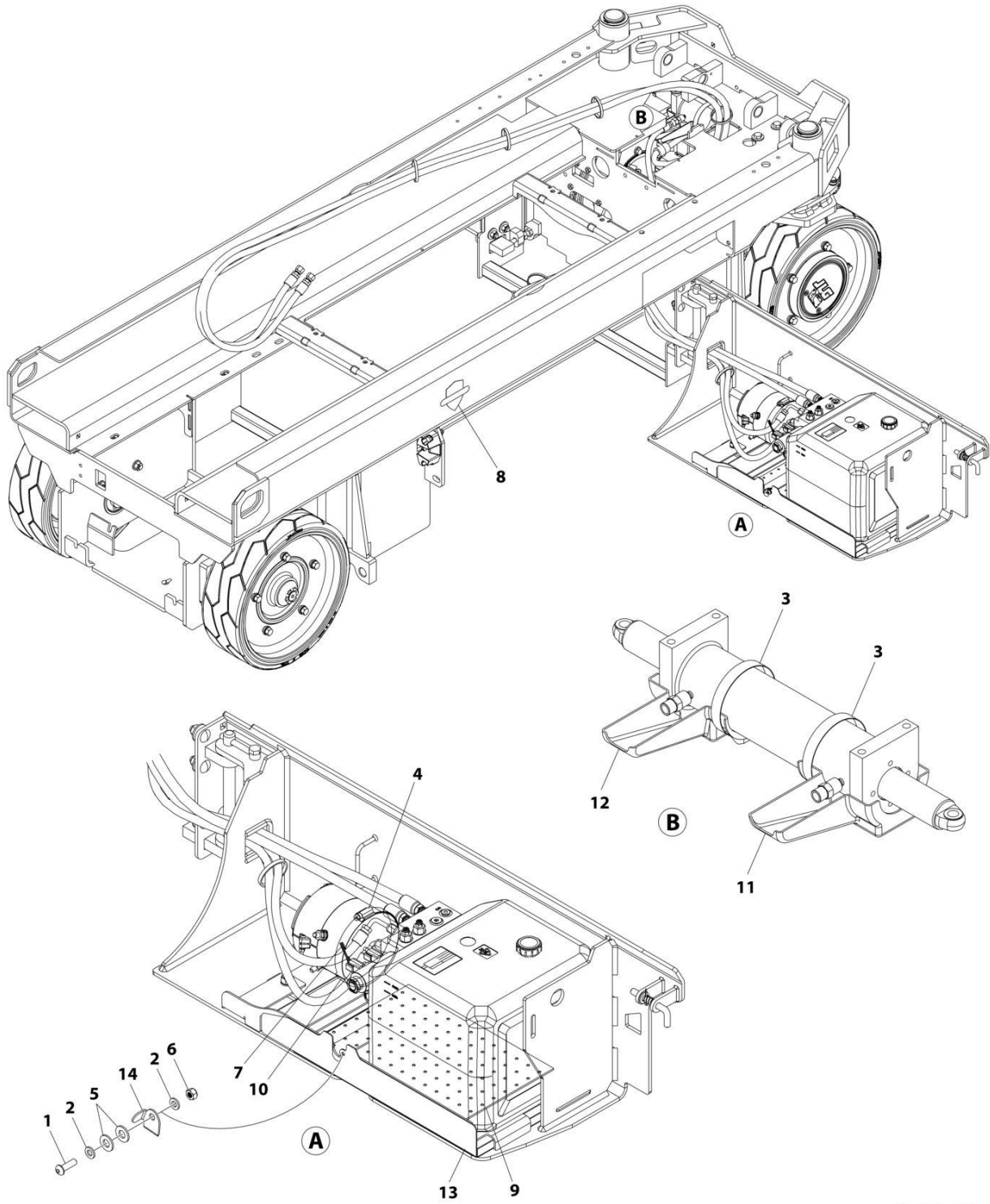
SECTION 2 - GROUND CONTROLS

FIGURE 2-3. PUMP/MOTOR/TANK ASSEMBLY (SN B200072826 to Present, SN M200050043 to Present, SN 1200037775 to Present)

ITEM	PART NUMBER	QTY	DESCRIPTION	REV
	1001274485	Ref	PUMP/MOTOR/TANK ASSEMBLY	A
1	70007584	1	Motor, Replacement	
2	See Note	1	Manifold	
3	70007612	1	Tank Kit (Includes Tank, Tie-Strap, Bracket, Support and Hardware)	
4	See Note	1	Filter - 500 Micro (Not Shown - Located Inside Tank Area) (Note: Use Item 102)	
5	70007614	1	Valve, Cartridge (Relief)	
6	70007588	1	Valve, Solenoid Cartridge (Less Coil)	
7	70007589	1	Valve, Solenoid Cartridge (Less Coil)	
8	70007590	3	Coil	
9	70007615	2	Valve, Cartridge	
10	See Note	2	Screen, Screw-in - 400 Micro (Not Shown - Located Inside Tank Area) (Note: Use Item 102)	
11	See Note	2	Fitting, Straight JIC/UNF (Note: Use Item 102)	
12	See Note	2	Fitting, Straight JIC/UNF (Note: Use Item 102)	
13	See Note	2	Plug 7/16 (Note: Use Item 102)	
14	See Note	1	Plug 1/4 (Note: Use Item 102)	
15	70004935	1	Filter, Return (20 Micron) (Not Shown - Located Inside Tank Area)	
16	70007616	1	Pump Kit (Includes Pump & Hardware) (Not Shown - Located Inside Tank Area)	
17	70003700	1	Cap, Oil Fill	
102	70007613	1	Filter & Fitting Kit (Includes Items 4, & 10-14)	

SECTION 2 - GROUND CONTROLS

FIGURE 2-4. CLEANGUARD INSTALLATION



ART_1001269714

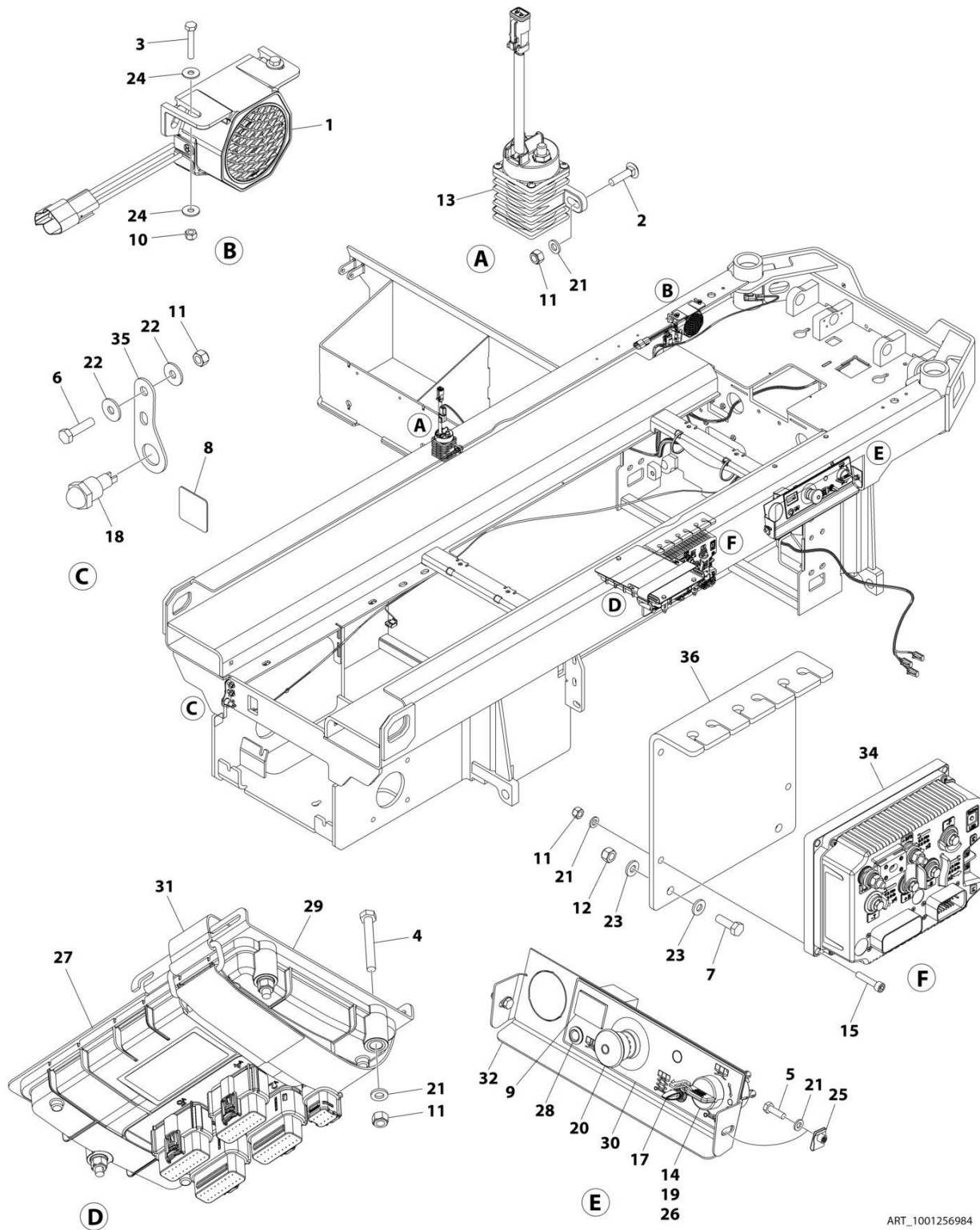
SECTION 2 - GROUND CONTROLS

FIGURE 2-4. CLEANGUARD INSTALLATION

ITEM	PART NUMBER	QTY	DESCRIPTION	REV
	1001269714	Ref	CLEANGUARD INSTALLATION	B
1	3900364	1	Screw M6 x 20	
2	4811700	2	Washer M6	
3	8405204	2	Clamp	
4	8405402	1	Clamp	
5	1001108581	2	Washer M8	
6	1001170310	1	Nut M6	
7	1001260887	2	Plate, Diverting	
8	1001262581	1	Decal - Clean Guard	
9	1001263359	1	Pad	
10	1001263785	1	Pad	
11	1001265635	1	Tray (LH)	
12	1001265636	1	Tray (RH)	
13	1001269746	1	Tray	
14	1001269747	1	Plate, Stopper	

SECTION 2 - GROUND CONTROLS

FIGURE 2-5. ELECTRICAL COMPONENTS INSTALLATION (MEXICO AND CHINA BUILT MACHINES)



ART_1001256984

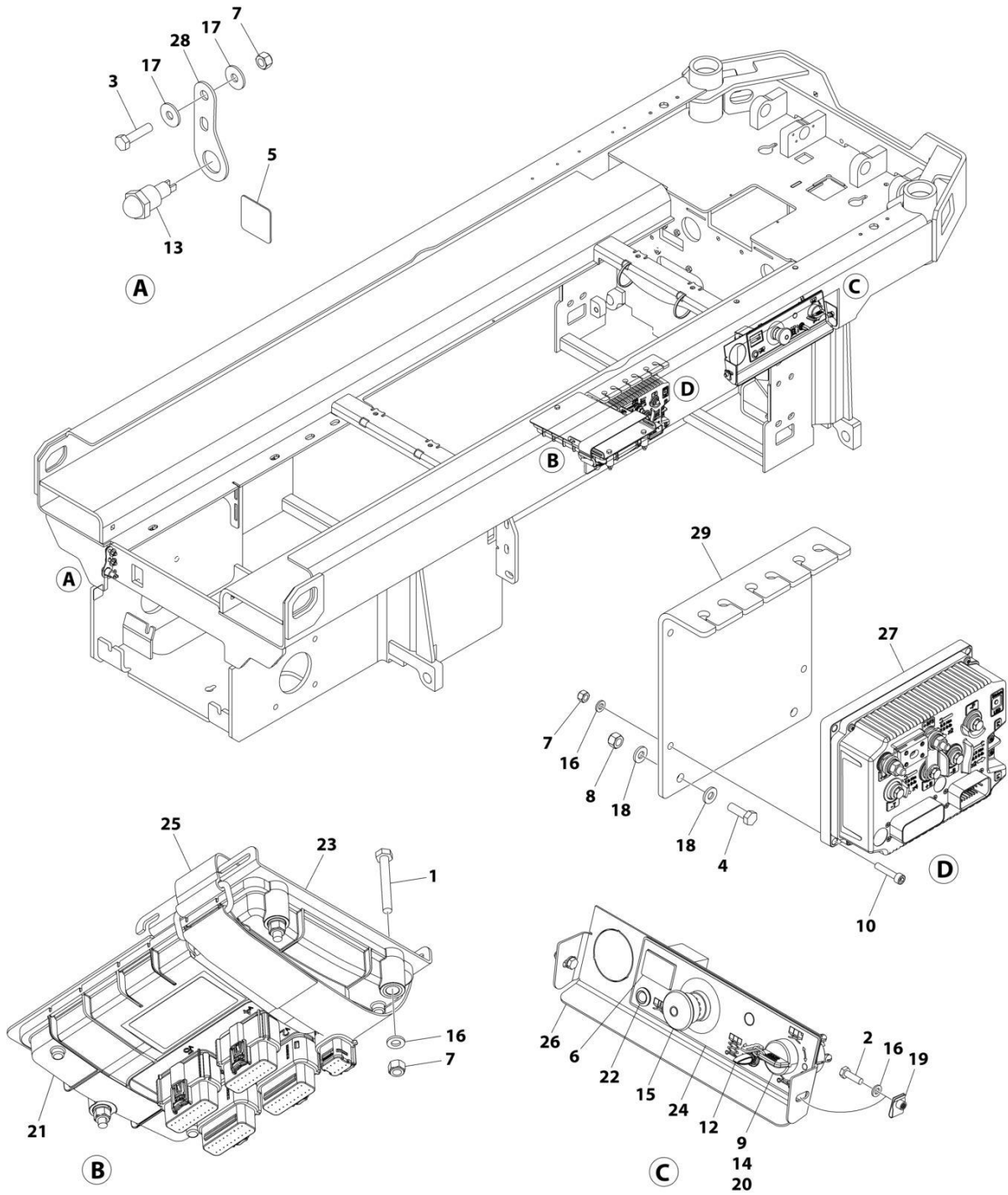
SECTION 2 - GROUND CONTROLS

FIGURE 2-5. ELECTRICAL COMPONENTS INSTALLATION (MEXICO AND CHINA BUILT MACHINES)

ITEM	PART NUMBER	QTY	DESCRIPTION	REV
	1001256984	Ref	ELECTRICAL COMPONENTS INSTALLATION	D
1	0140043	1	Alarm	
2	0630587	2	Bolt M6 x 25	
3	0700412	2	Bolt M4 x 25	
4	0700617	3	Bolt M6 x 45	
5	0760610	2	Bolt M6 x 20	
6	0760612	2	Bolt M6 x 25	
7	0760812	2	Bolt M8 x 25	
8	1706679	1	Decal - Brake Release	
9	2420172	1	Hourmeter	
10	3290405	2	Nut M4	
11	3290605	11	Nut M6	
12	3290805	2	Nut M8	
13	3740150	1	Relay	
14	3910804	3	Screw #8 x 1/4	
15	4031710	4	Capscrew M6 x 30	
16	4240017	AR	Tie-Strap (Not Shown)	
17	4360328	1	Switch, Toggle	
18	4360387	1	Switch, Push Button	
19	4360469	1	Switch, Key	
19	2860030	1 Set	Key, Replacement	
20	4360475	1	Switch, Emergency Stop (Metal)	
20	7020175	1	Cap	
20	7020176	1	Block, Contact	
20	1001274559	1	Switch, Emergency Stop (Plastic)	
21	4811700	11	Washer M6	
22	4811702	4	Washer M6	
23	4811900	4	Washer M8	
24	1001091102	4	Washer M4	
25	1001130220	2	Nut, Tinnerman M6	
26	1001130590	1	Plate, Key Switch	
27	1001200629	1	Module, Control (Note: Re-calibration Required when Replaced)	
28	1001200631	1	Light, Indicator	
29	1001207494	1	Bracket	
30	1001209682	1	Decal - Ground Control	
31	1001215762	1	Strap, Cinch	
32	1001235559	1	Support	
33	1001255934	1	Drive Harness (Not Shown - See Separate Breakdown in ELECTRICAL Section)	
34	See Note	Ref	Module, System (Note: Identify PN on Label Before Purchasing. Re-calibration Required when Replaced)	
34	1001256876	1	Module, System (Note: Re-calibration Required when Replaced)	
34	1001268506	1	Module, System (Note: Re-calibration Required when Replaced)	
35	1001257138	1	Bracket	
36	1001257139	1	Bracket	
37	1001261064	1	Chassis Harness (Not Shown - See Separate Breakdown in ELECTRICAL Section)	

SECTION 2 - GROUND CONTROLS

FIGURE 2-6. ELECTRICAL COMPONENTS INSTALLATION - #1 (EUROPEAN BUILT MACHINES)



ART_1001263350

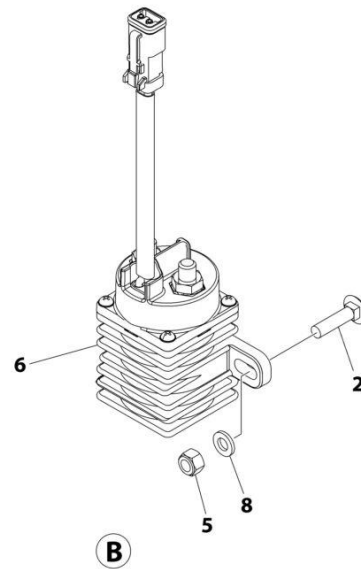
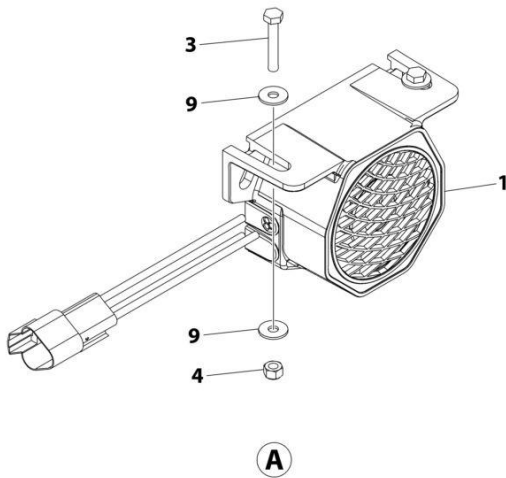
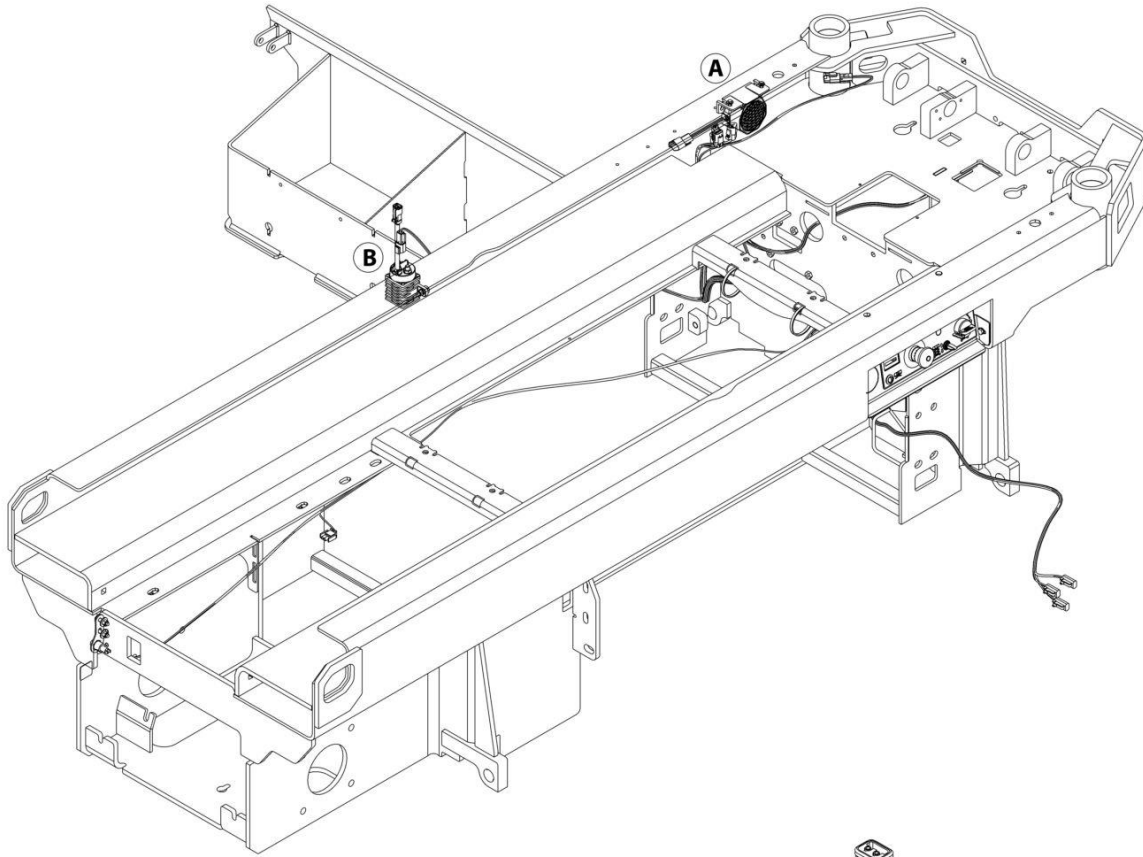
SECTION 2 - GROUND CONTROLS

FIGURE 2-6. ELECTRICAL COMPONENTS INSTALLATION - #1 (EUROPEAN BUILT MACHINES)

ITEM	PART NUMBER	QTY	DESCRIPTION	REV
	1001263350	Ref	ELECTRICAL COMPONENTS INSTALLATION	C
1	0700617	3	Bolt M6 x 45	
2	0760610	2	Bolt M6 x 20	
3	0760612	2	Bolt M6 x 25	
4	0760812	2	Bolt M8 x 25	
5	1706679	1	Decal - Brake Release	
6	2420172	1	Hourmeter	
7	3290605	9	Nut M6	
8	3290805	2	Nut M8	
9	3910804	3	Screw #8 x 1/4	
10	4031710	4	Capscrew M6 x 30	
11	4240017	AR	Tie-Strap (Not Shown)	
12	4360328	1	Switch, Toggle	
13	4360387	1	Switch, Push Button	
14	4360469	1	Switch, Key	
14	2860030	1 Set	Key, Replacement	
15	4360475	1	Switch, Emergency Stop (Metal)	
15	7020175	1	Cap	
15	7020176	1	Block, Contact	
15	1001274559	1	Switch, Emergency Stop (Plastic)	
16	4811700	9	Washer M6	
17	4811702	4	Washer M6	
18	4811900	4	Washer M8	
19	1001130220	2	Nut, Tinnerman M6	
20	1001130590	1	Plate, Key Switch	
21	1001200629	1	Module, Control (Note: Re-calibration Required when Replaced)	
22	1001200631	1	Lamp	
23	1001207494	1	Bracket	
24	1001209682	1	Decal - Ground Control	
25	1001215762	1	Strap, Cinch	
26	1001235559	1	Support	
27	See Note	Ref	Module, System (Note: Identify PN on Label Before Ordering. Re-Calibration Required when Replaced)	
27	1001256876	1	Module, System (Note: Re-Calibration Required when Replaced)	
27	1001268506	1	Module, System (Note: Re-Calibration Required when Replaced)	
28	1001257138	1	Bracket	
29	1001257139	1	Bracket	

SECTION 2 - GROUND CONTROLS

FIGURE 2-7. ELECTRICAL COMPONENTS INSTALLATION - #2 (EUROPEAN BUILT MACHINES)



ART_1001263967

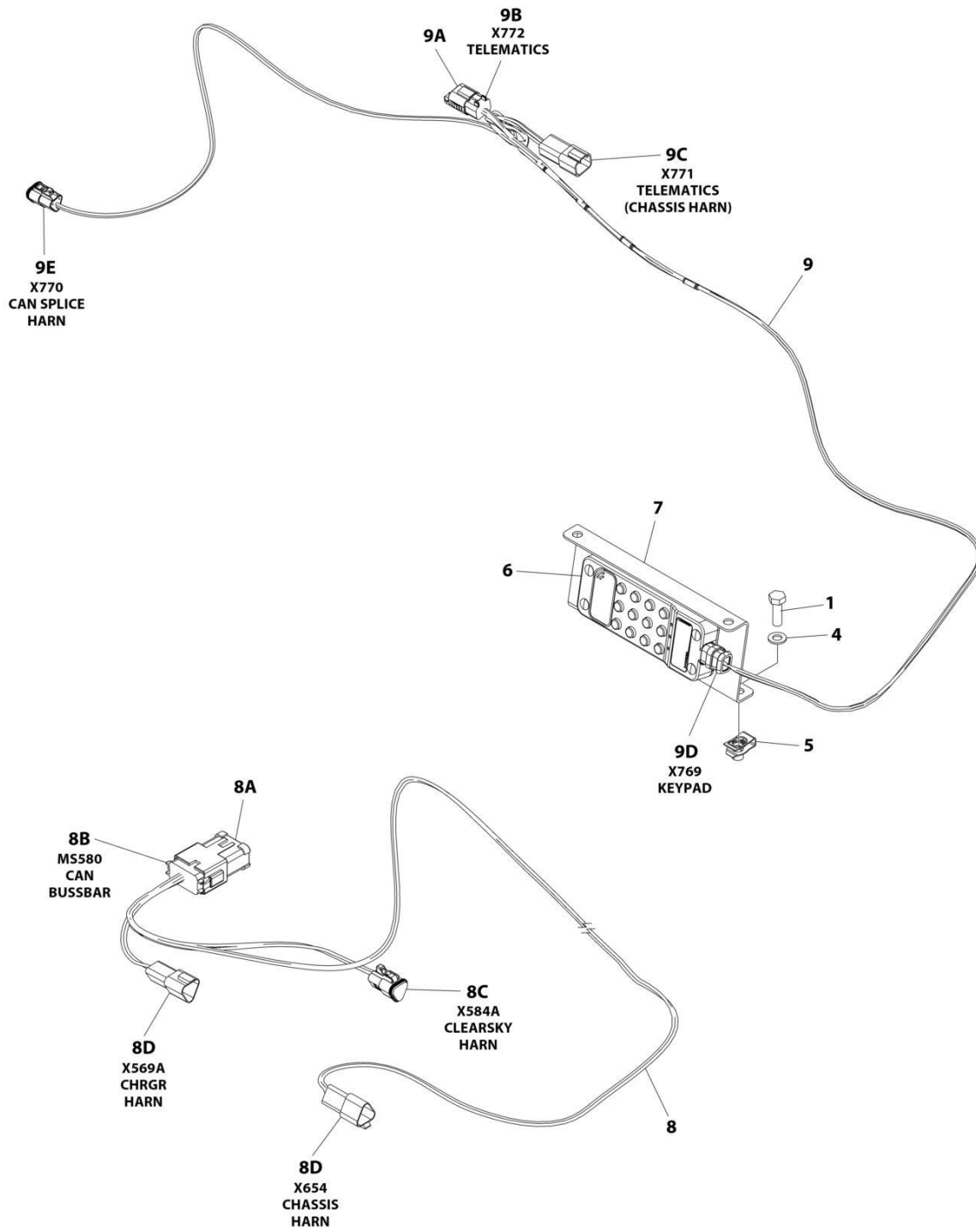
SECTION 2 - GROUND CONTROLS

FIGURE 2-7. ELECTRICAL COMPONENTS INSTALLATION - #2 (EUROPEAN BUILT MACHINES)

ITEM	PART NUMBER	QTY	DESCRIPTION	REV
	1001263967	Ref	ELECTRICAL COMPONENTS INSTALLATION	A
1	0140043	1	Alarm	
2	0630587	2	Bolt M6 x 25	
3	0700412	2	Bolt M4 x 25	
4	3290405	2	Nut M4	
5	3290605	2	Nut M6	
6	3740150	1	Relay	
7	4240017	AR	Tie-Strap (Not Shown)	
8	4811700	2	Washer M6	
9	1001091102	4	Washer M4	
10	1001255934	1	Drive Harness (Not Shown - See Separate Breakdown in ELECTRICAL Section)	
11	1001261064	1	Chassis Harness (Not Shown - See Separate Breakdown in ELECTRICAL Section)	

SECTION 2 - GROUND CONTROLS

FIGURE 2-8. ACCESS CONTROL KEYPAD INSTALLATION



ART_1001258356

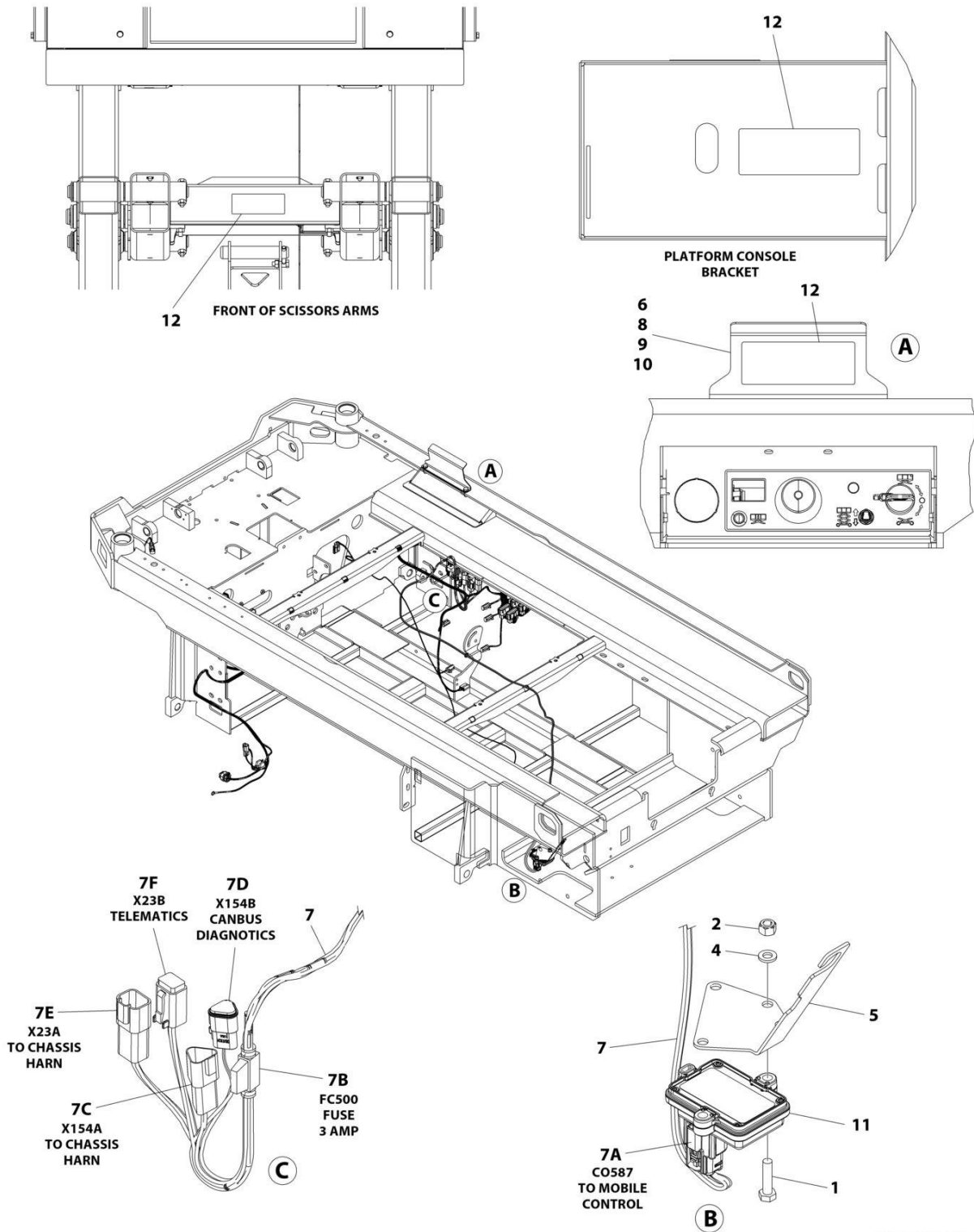
SECTION 2 - GROUND CONTROLS

FIGURE 2-8. ACCESS CONTROL KEYPAD INSTALLATION

ITEM	PART NUMBER	QTY	DESCRIPTION	REV
	1001258356	Ref	ACCESS CONTROL KEYPAD INSTALLATION	A
1	0760812	2	Bolt, M8 x 25	
2	1062255	AR	Tie-Strap (Not Shown)	
3	4240032	AR	Tie-Strap (Not Shown)	
4	4811900	2	Washer M8	
5	1001118274	2	Nut, Tinnerman	
6	1001238392	1	Keypad	
7	1001248773	1	Bracket	
8	1001254027	1	Access Control Keypad Can Splice Harness	
8A	1001125677	AR	Connector, Bus Bar - 12 Position	
8B	4460933	1	Plug, Male - 12 Position	
8B	4460944	6	Socket, Female	
8B	4460466	6	Plug, Terminal	
8C	1001118812	1	Plug, Male - 3 Position	
8C	4460944	2	Socket, Female	
8C	4460466	1	Plug, Terminal	
8D	1001144147	2	Receptacle, Female - 3 Position	
8D	4460943	4	Pin, Male	
8D	4460466	2	Plug, Terminal	
9	1001258691	1	Access Control Keypad Harness	
9A	1001192401	1	Dustcap	
9B	4460884	1	Plug, Male - 4 Position	
9B	4460465	4	Socket, Female	
9C	4460932	1	Receptacle, Female - 4 Position	
9C	4460464	4	Pin, Male	
9D	1001210079	1	Plug, Male - 4 Position	
9D	4460465	2	Socket, Female	
9D	4460944	2	Socket, Female	
9E	1001116812	1	Plug, Male - 3 Position	
9E	4460944	2	Socket, Female	
9E	4460466	1	Plug, Terminal	

SECTION 2 - GROUND CONTROLS

FIGURE 2-9. MOBILE CONTROL INSTALLATION



ART_1001245353

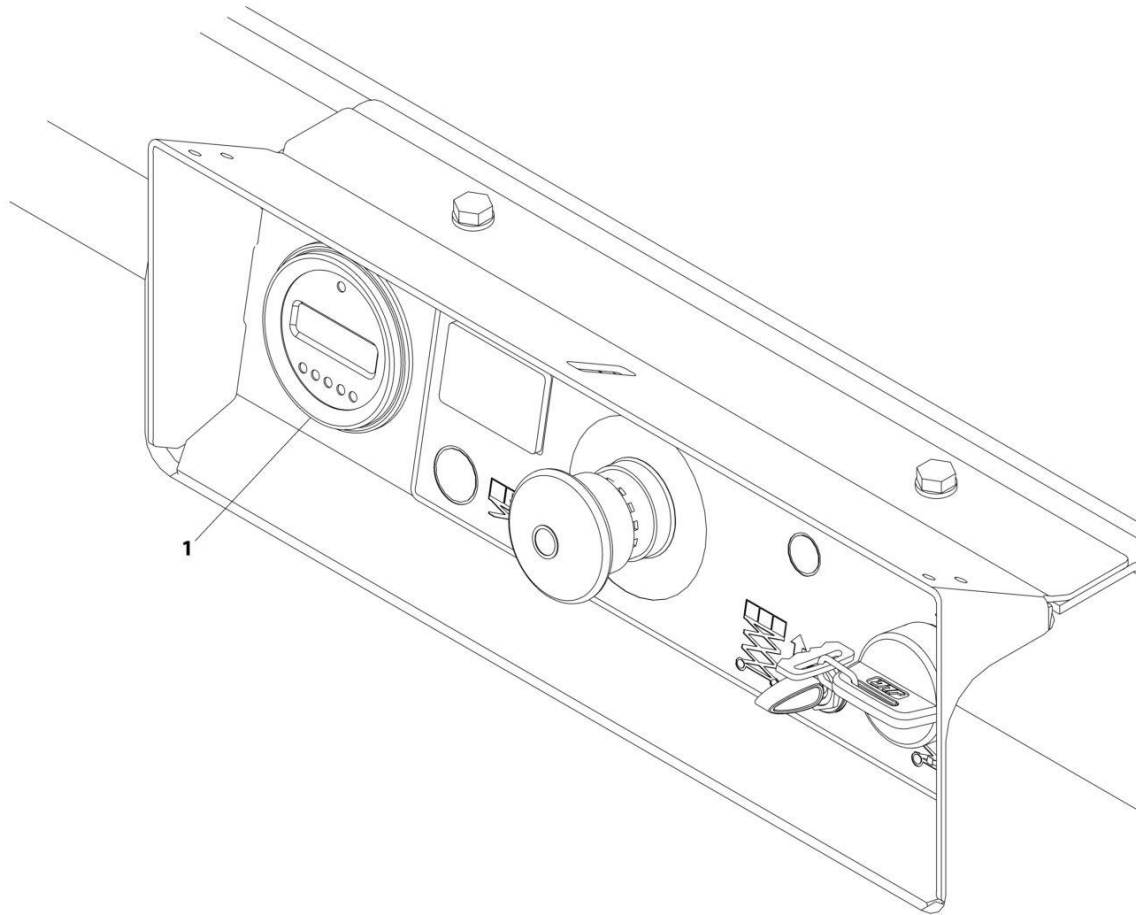
SECTION 2 - GROUND CONTROLS

FIGURE 2-9. MOBILE CONTROL INSTALLATION

ITEM	PART NUMBER	QTY	DESCRIPTION	REV
	1001245353	Ref	MOBILE CONTROL INSTALLATION	C
1	0700612	2	Bolt M6 x 25	
2	3290605	2	Nut M6	
3	4240017	AR	Tie-Strap (Not Shown)	
4	4811700	2	Washer M6	
5	1001244394	1	Bracket, Module	
6	1001244885	1	Plate, Decal	
7	1001245299	1	Mobile Control Harness	
7A	1001205409	1	Connector - 8 Position	
7A	1001162887	4	Terminal	
7A	1001163340	4	Plug, Terminal	
7B	2400060	1	Fuseholder with Cap	
7B	1001196635	1	Fuse 3 Amp	
7C	1001144147	1	Receptacle, Female - 3 Position	
7C	4460943	2	Pin, Male	
7C	4460466	1	Plug, Terminal	
7D	1001116812	1	Plug, Male - 3 Position	
7D	4460944	2	Socket, Female	
7D	4460466	1	Plug, Terminal	
7E	4460932	1	Receptacle, Female - 4 Position	
7E	4460464	4	Pin, Terminal	
7F	4460884	1	Pin, Male	
7F	4460465	4	Socket, Female	
8	0760810	2	Bolt M8 x 20	
9	4811900	2	Washer M8	
10	1001118274	2	Nut Tinnerman M8	
11	1001245293	1	Control, Mobile	
12	1001248768	3	Decal, Mobile Control	
13	3121792	1	Manual, Mobile Control (Not Shown)	

SECTION 2 - GROUND CONTROLS

FIGURE 2-10. MDI INSTALLATION



ART_1001207293

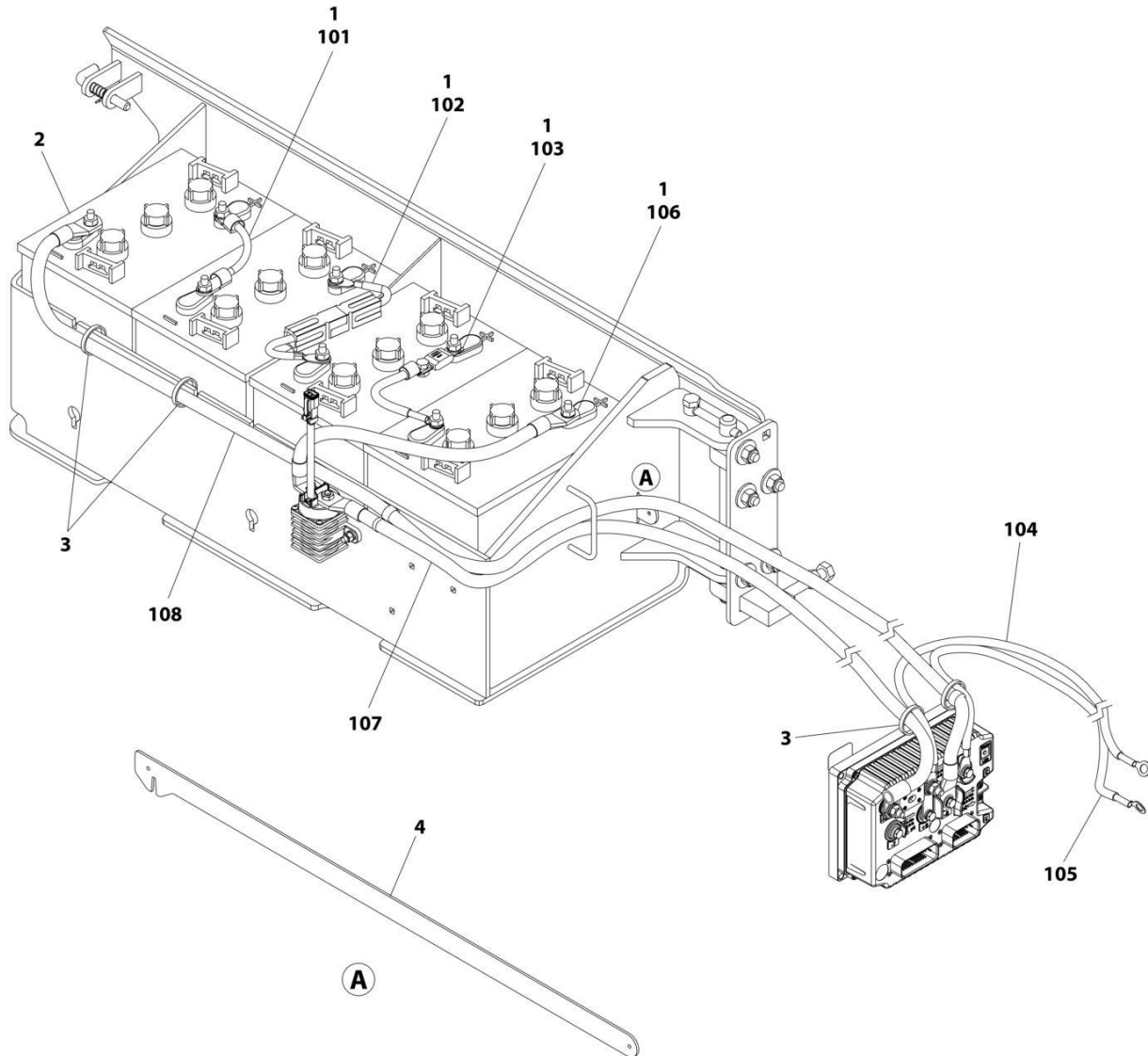
SECTION 2 - GROUND CONTROLS

FIGURE 2-10. MDI INSTALLATION

ITEM	PART NUMBER	QTY	DESCRIPTION	REV
1	1001207293 1001200632	Ref 1	MDI INSTALLATION Gauge, MDI	B

SECTION 2 - GROUND CONTROLS

FIGURE 2-11. BATTERIES INSTALLATION - STANDARD BATTERIES (CHINA BUILT MACHINES)



ART_1001263002

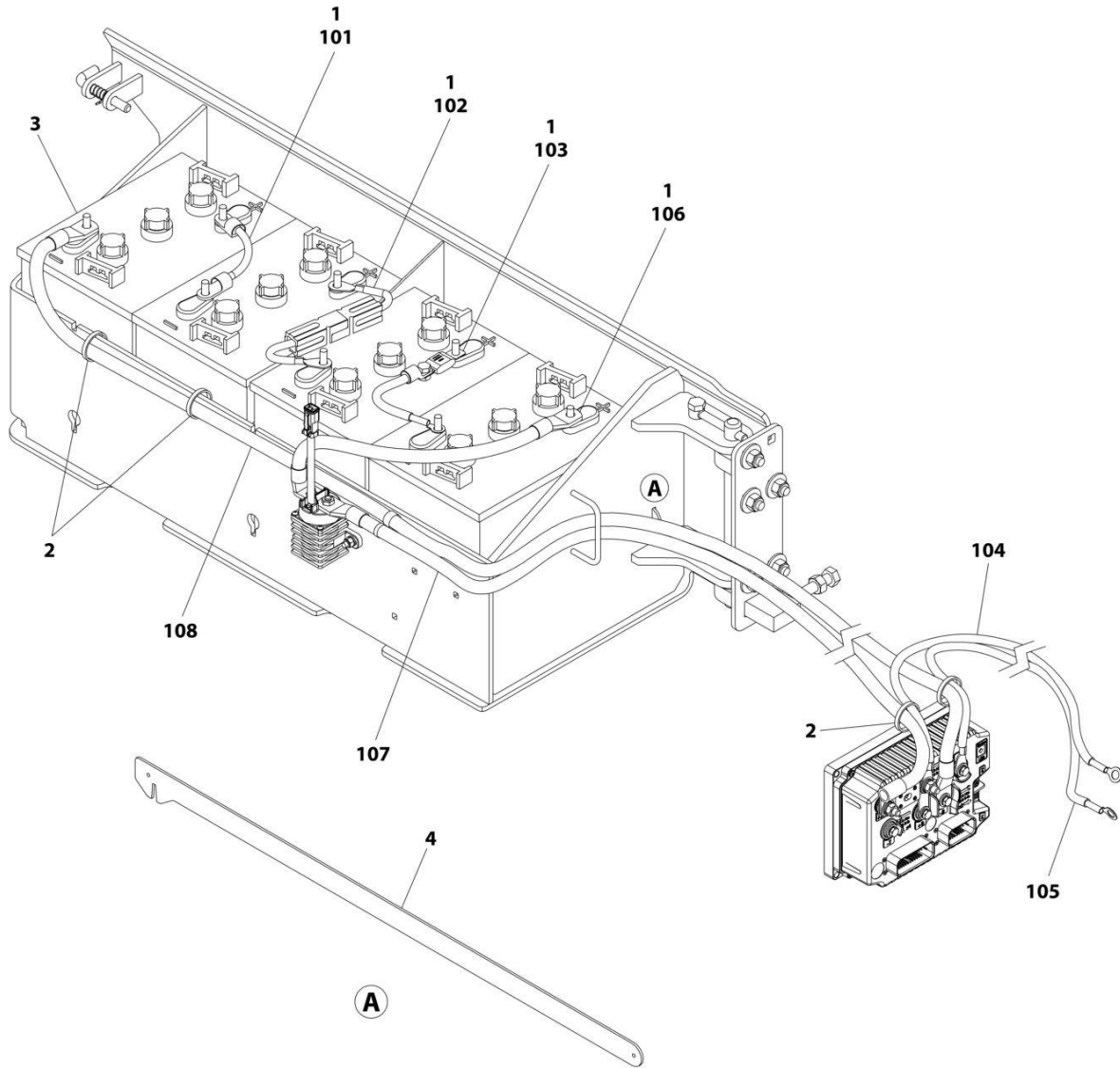
SECTION 2 - GROUND CONTROLS

FIGURE 2-11. BATTERIES INSTALLATION - STANDARD BATTERIES (CHINA BUILT MACHINES)

ITEM	PART NUMBER	QTY	DESCRIPTION	REV
	1001263002	Ref	BATTERIES INSTALLATION - STANDARD BATTERIES	C
1	0100051	AR	Grease, Terminal	
2	1001258498	4	Battery	
3	4240017	AR	Tie-Strap	
4	1001239269	1	Bar	
100	1001262094	1	Cable, Electrical Kit	
101	1060998	1	Cable, Positive to Negative	
102	4923328	1	Cable, Positive to Negative	
103	1001264310	1	Cable, Battery Fuse	
104	1001243232	1	Cable, Pump Positive	
105	1001243233	1	Cable, Pump Negative	
106	1001259017	1	Cable, Battery to Contactor	
107	1001262092	1	Cable, Contactor to Module B+	
108	1001262093	1	Cable, Battery- to Module B-	

SECTION 2 - GROUND CONTROLS

FIGURE 2-12. BATTERIES INSTALLATION - STANDARD BATTERIES (MAXICO AND EUROPEAN BUILT MACHINES)



ART_1001262995

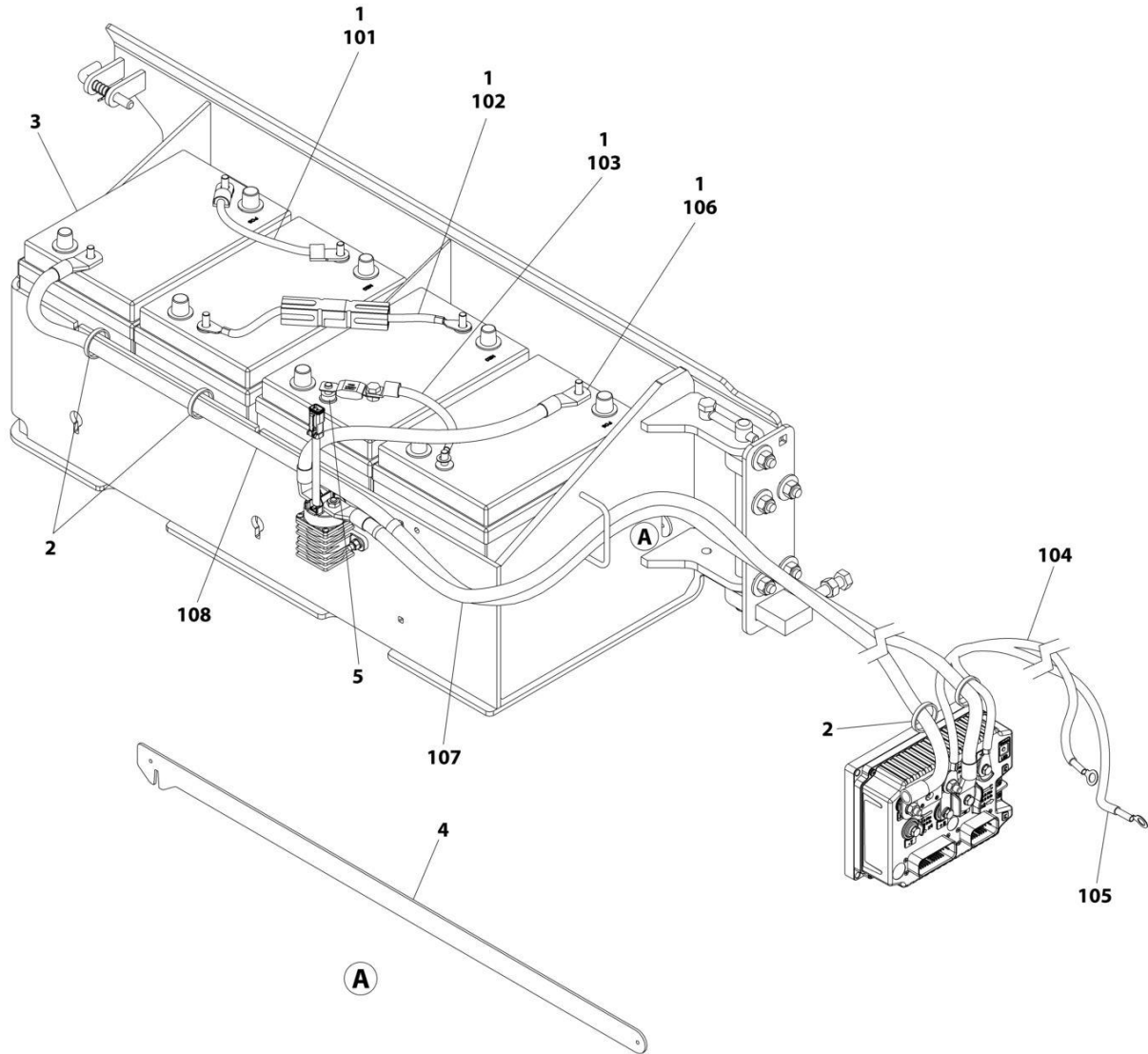
SECTION 2 - GROUND CONTROLS

FIGURE 2-12. BATTERIES INSTALLATION - STANDARD BATTERIES (MAXICO AND EUROPEAN BUILT MACHINES)

ITEM	PART NUMBER	QTY	DESCRIPTION	REV
	1001262995	Ref	BATTERIES INSTALLATION - STANDARD BATTERIES	B
1	0100051	AR	Grease, Terminal	
2	4240017	AR	Tie-Strap	
3	1001216180	4	Battery	
4	1001239269	1	Bar	
100	1001262094	1	Cable, Electrical Kit	
101	1060998	1	Cable, Positive to Negative	
102	4923328	1	Cable, Positive to Negative	
103	1001264310	1	Cable, Battery Fuse	
104	1001243232	1	Cable, Pump Positive	
105	1001243233	1	Cable, Pump Negative	
106	1001259017	1	Cable, Battery to Contactor	
107	1001262092	1	Cable, Contactor to Module B+	
108	1001262093	1	Cable, Battery- to Module B-	

SECTION 2 - GROUND CONTROLS

FIGURE 2-13. BATTERIES INSTALLATION - AGM BATTERIES



ART_1001262998

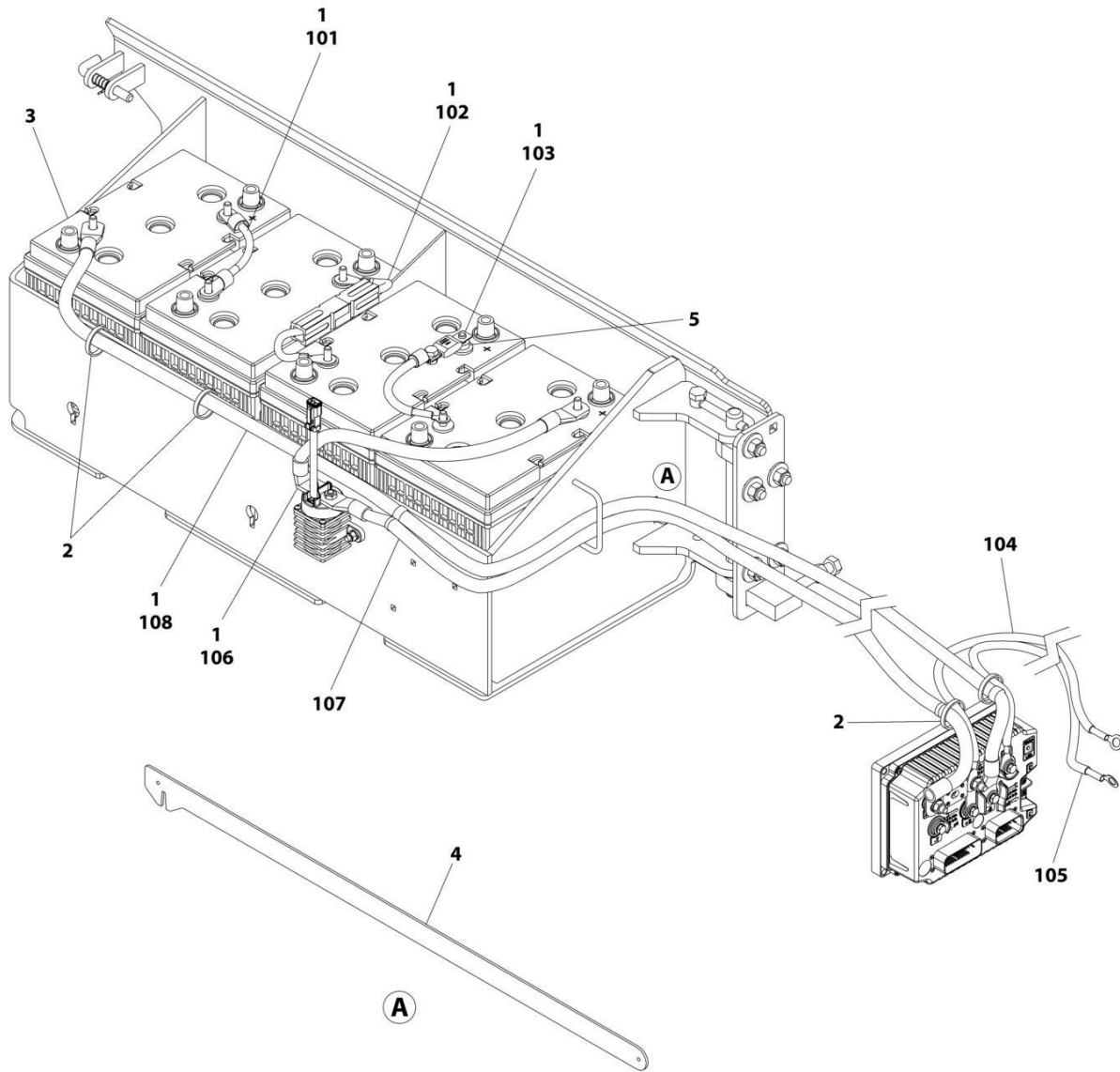
SECTION 2 - GROUND CONTROLS

FIGURE 2-13. BATTERIES INSTALLATION - AGM BATTERIES

ITEM	PART NUMBER	QTY	DESCRIPTION	REV
	1001262998	Ref	BATTERIES INSTALLATION - AGM BATTERIES	B
1	0100051	AR	Grease, Terminal	
2	4240017	AR	Tie-Strap	
3	1001112112	4	Battery	
4	1001239269	1	Bar	
5	1001249668	1	Washer	
100	1001262094	1	Cable, Electrical Kit	
101	1060998	1	Cable, Positive to Negative	
102	4923328	1	Cable, Positive to Negative	
103	1001264310	1	Cable, Battery Fuse	
104	1001243232	1	Cable, Pump Positive	
105	1001243233	1	Cable, Pump Negative	
106	1001259017	1	Cable, Battery to Contactor	
107	1001262092	1	Cable, Contactor to Module B+	
108	1001262093	1	Cable, Battery- to Module B-	

SECTION 2 - GROUND CONTROLS

FIGURE 2-14. BATTERIES INSTALLATION - AGM EVCG BATTERIES



ART_1001262999

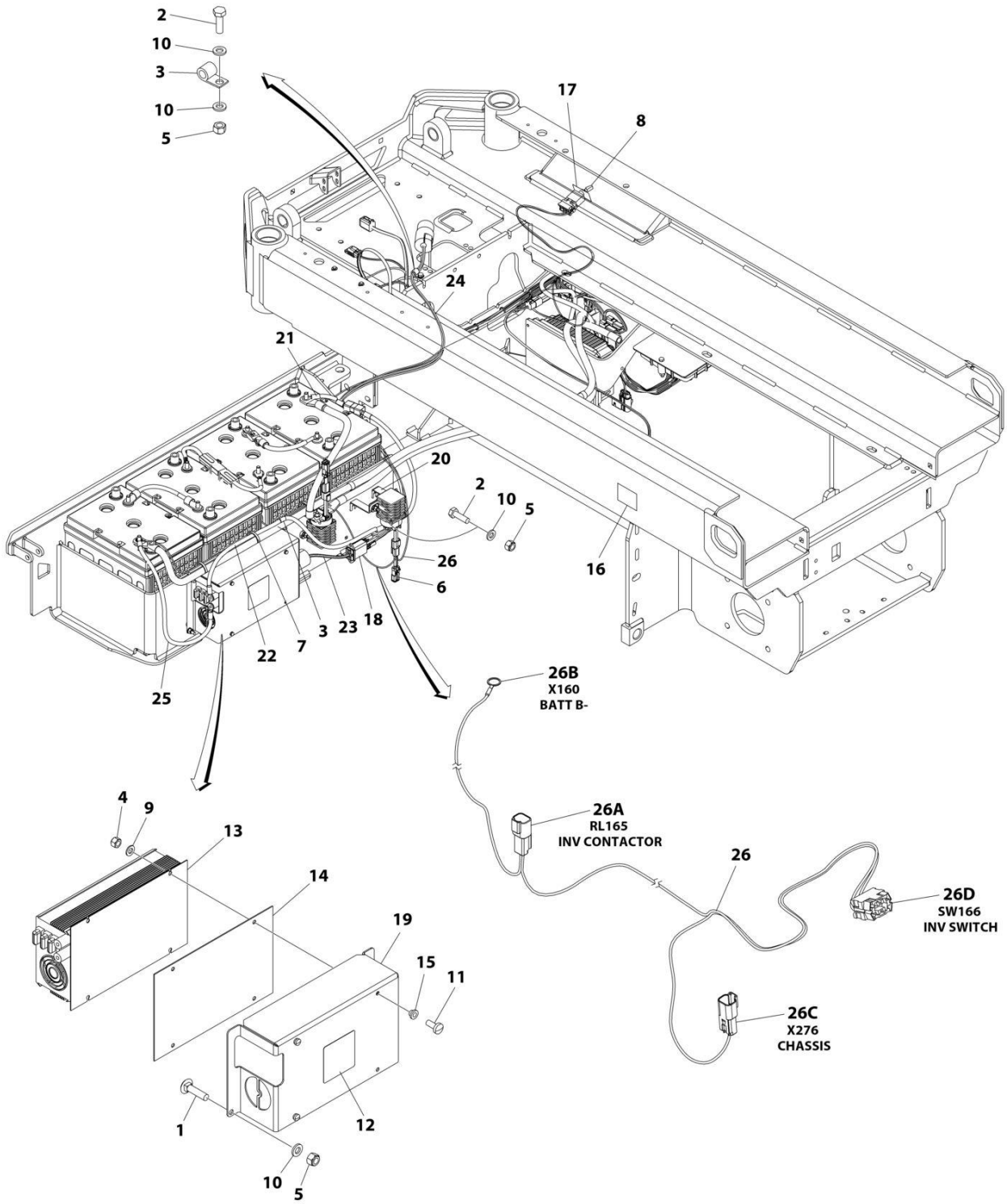
SECTION 2 - GROUND CONTROLS

FIGURE 2-14. BATTERIES INSTALLATION - AGM EVCG BATTERIES

ITEM	PART NUMBER	QTY	DESCRIPTION	REV
	1001262999	Ref	BATTERIES INSTALLATION - AGM EVCG BATTERIES	B
1	0100051	AR	Grease, Terminal	
2	4240017	AR	Tie-Strap	
3	1001214347	4	Battery	
4	1001239269	1	Bar	
5	1001249668	1	Washer	
100	1001262094	1	Cable, Electrical Kit	
101	1060998	1	Cable, Positive to Negative	
102	4923328	1	Cable, Positive to Negative	
103	1001264310	1	Cable, Battery Fuse	
104	1001243232	1	Cable, Pump Positive	
105	1001243233	1	Cable, Pump Negative	
106	1001259017	1	Cable, Battery to Contactor	
107	1001262092	1	Cable, Contactor to Module B+	
108	1001262093	1	Cable, Battery- to Module B-	

SECTION 2 - GROUND CONTROLS

FIGURE 2-15. INVERTER INSTALLATION (OPTIONAL)



ART_1001257121

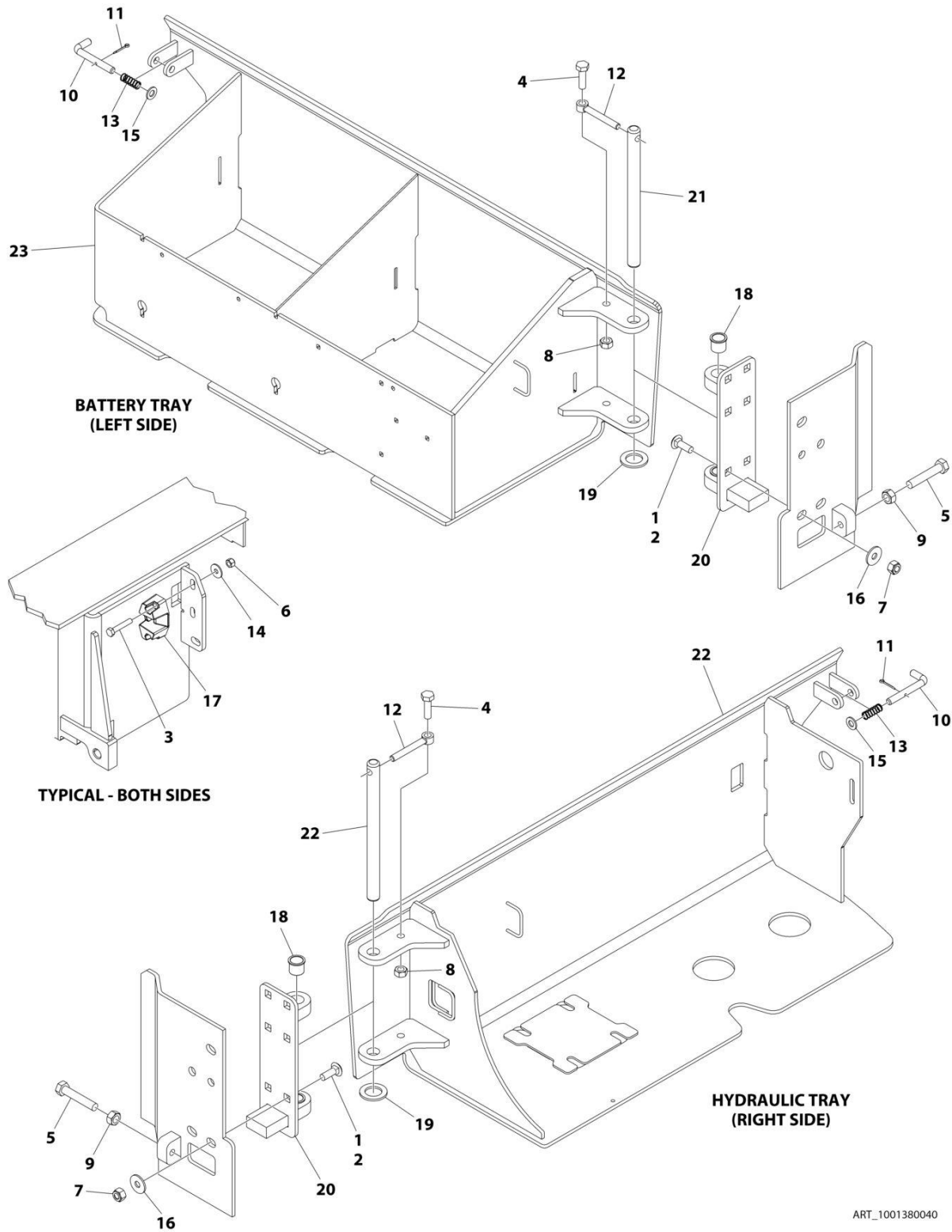
SECTION 2 - GROUND CONTROLS

FIGURE 2-15. INVERTER INSTALLATION (OPTIONAL)

ITEM	PART NUMBER	QTY	DESCRIPTION	REV
	1001257121	Ref	INVERTER INSTALLATION (OPTIONAL)	B
1	0630587	4	Bolt M6 x 25	
2	0760610	3	Bolt M6 x 20	
3	1321293	2	Clamp	
4	3290405	3	Nut M4	
5	3290605	7	Nut M6	
6	3740150	1	Relay	
8	4240017	AR	Tie-Strap	
9	4360336	1	Switch, Toggle	
10	4811400	3	Washer M4	
11	4811700	8	Washer M6	
7	1001101540	3	Screw M4 x 14	
12	1001125483	1	Decal - Pressure Wash	
13	1001136757	1	Inverter	
14	1001142173	1	Insulate	
15	1001142174	3	Washer 1/8	
16	1001143009	1	Decal - Inverter	
17	1001143010	1	Decal - On/Off Inverter	
18	1001157547	1	Filter, AC	
19	1001210440	1	Support	
20	1001210605	1	Support	
21	1001210878	1	Cable, Battery + to Inverter Contactor	
22	1001210879	1	Cable, Inverter Contactor to Inverter +	
23	1001210881	1	Cable, Inverter to AC Filter	
24	1001210882	1	Cable, AC Filter to AC Plug	
25	1001256744	1	Cable, Pump Control B- to Inverter-	
26	1001256746	1	Harness, Inverter	C
26A	4460897	1	Connector	
26A	4460464	2	Terminal	
26B	4460722	1	Connector	
26C	4460897	1	Connector	
26C	4460464	1	Terminal	
26C	4460466	1	Terminal	
26D	4460418	1	Connector	
26D	1001159186	2	Terminal	

SECTION 2 - GROUND CONTROLS

FIGURE 2-16. DOORS INSTALLATION



ART_1001380040

SECTION 2 - GROUND CONTROLS

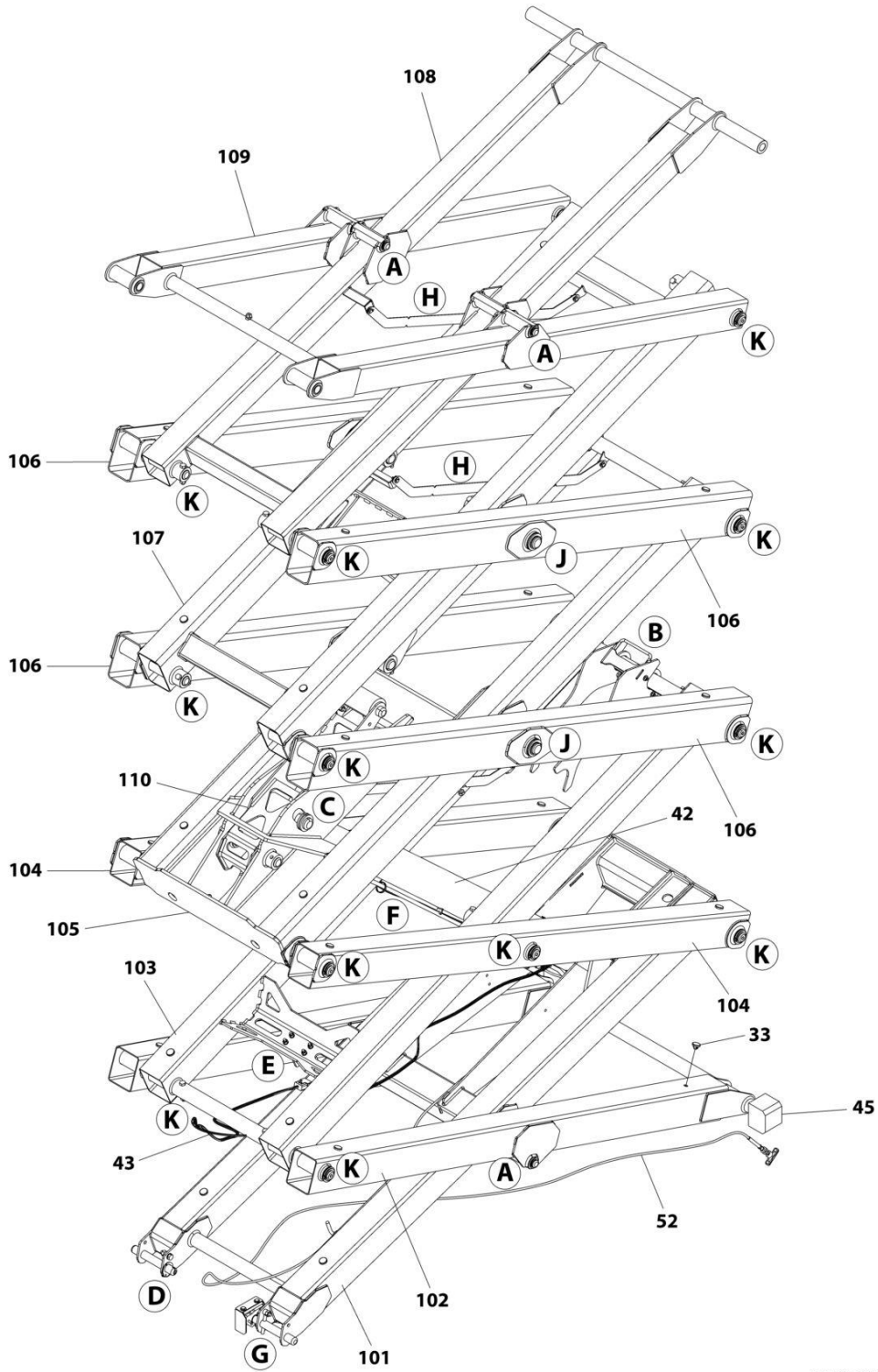
FIGURE 2-16. DOORS INSTALLATION

ITEM	PART NUMBER	QTY	DESCRIPTION	REV
	1001380040	Ref	DOORS INSTALLATION	B
1	0100011	AR	Compound, Locking	
2	0630613	10	Bolt M10 x 30	
3	0700817	4	Bolt M8 x 45	
4	0701015	2	Bolt M10 x 35	
5	0761221	2	Bolt M12 x 65	
6	3290805	4	Nut M8	
7	3291005	10	Nut M10	
8	3291007	2	Nut M10	
9	3291201	2	Nut M12	
10	3423243	2	Pin	
11	3450303	2	Pin, Cotter 3/32 x 3/4	
12	3841143	2	Keeper, Pin	
13	4160214	2	Spring	
14	4811902	4	Washer M8	
15	4812000	AR	Washer M10	
16	4812002	10	Washer M10	
17	1001214810	2	Support	
18	1001218573	4	Bearing	
19	1001229792	2	Washer	
20	1001234858	2	Hinge	
21	1001234862	2	Pin	
22	1001380041	1	Tray, Hydraulic	
23	1001380042	1	Tray, Battery	

SECTION 3 - SCISSORS ARMS

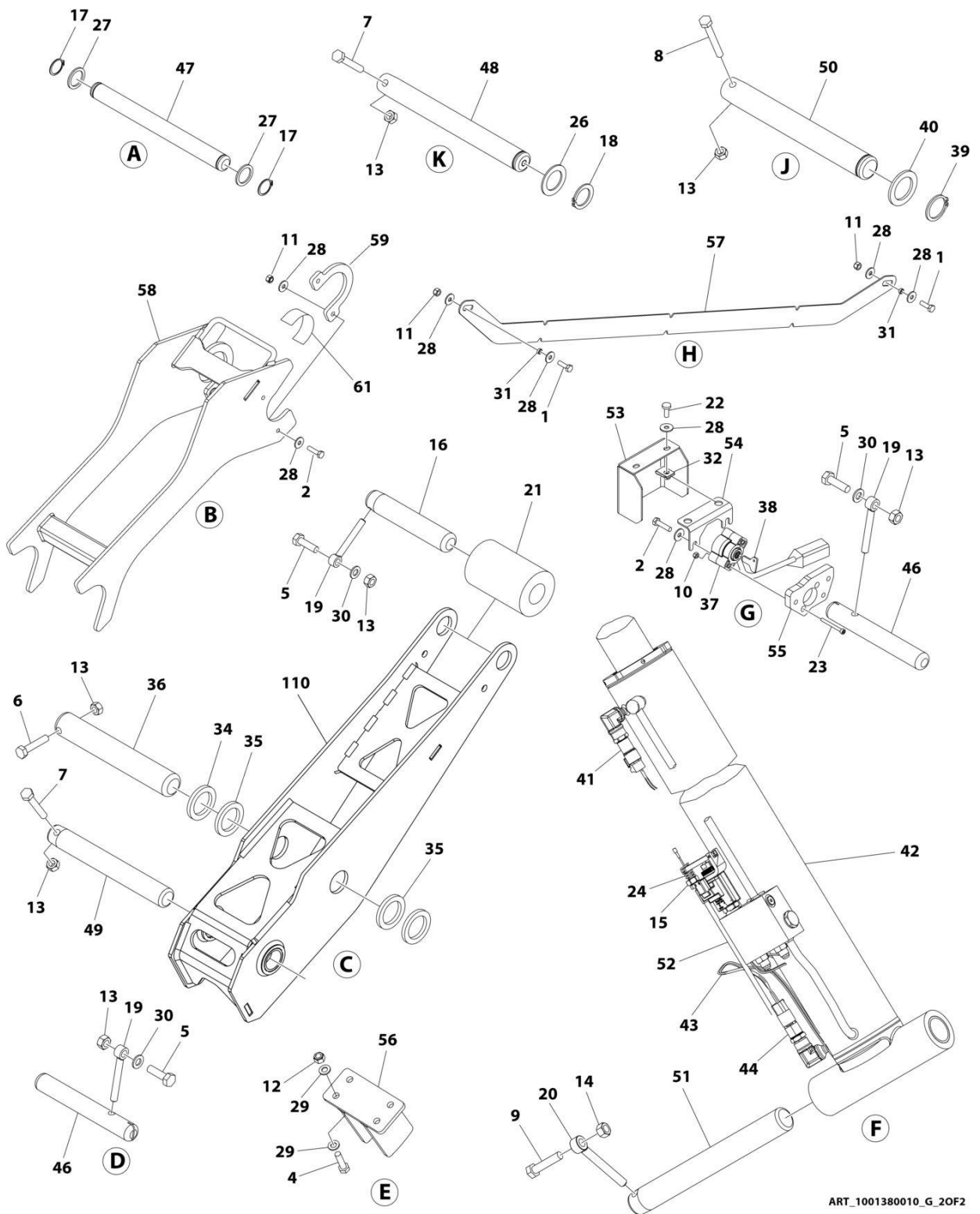
SECTION 3 - SCISSORS ARMS

FIGURE 3-1. SCISSORS ARMS INSTALLATION (ALL SPECS EXCEPT CHINA)



ART_1001380010_G_10F2

SECTION 3 - SCISSORS ARMS



ART_1001380010_G_20F2

SECTION 3 - SCISSORS ARMS

FIGURE 3-1. SCISSORS ARMS INSTALLATION (ALL SPECS EXCEPT CHINA)

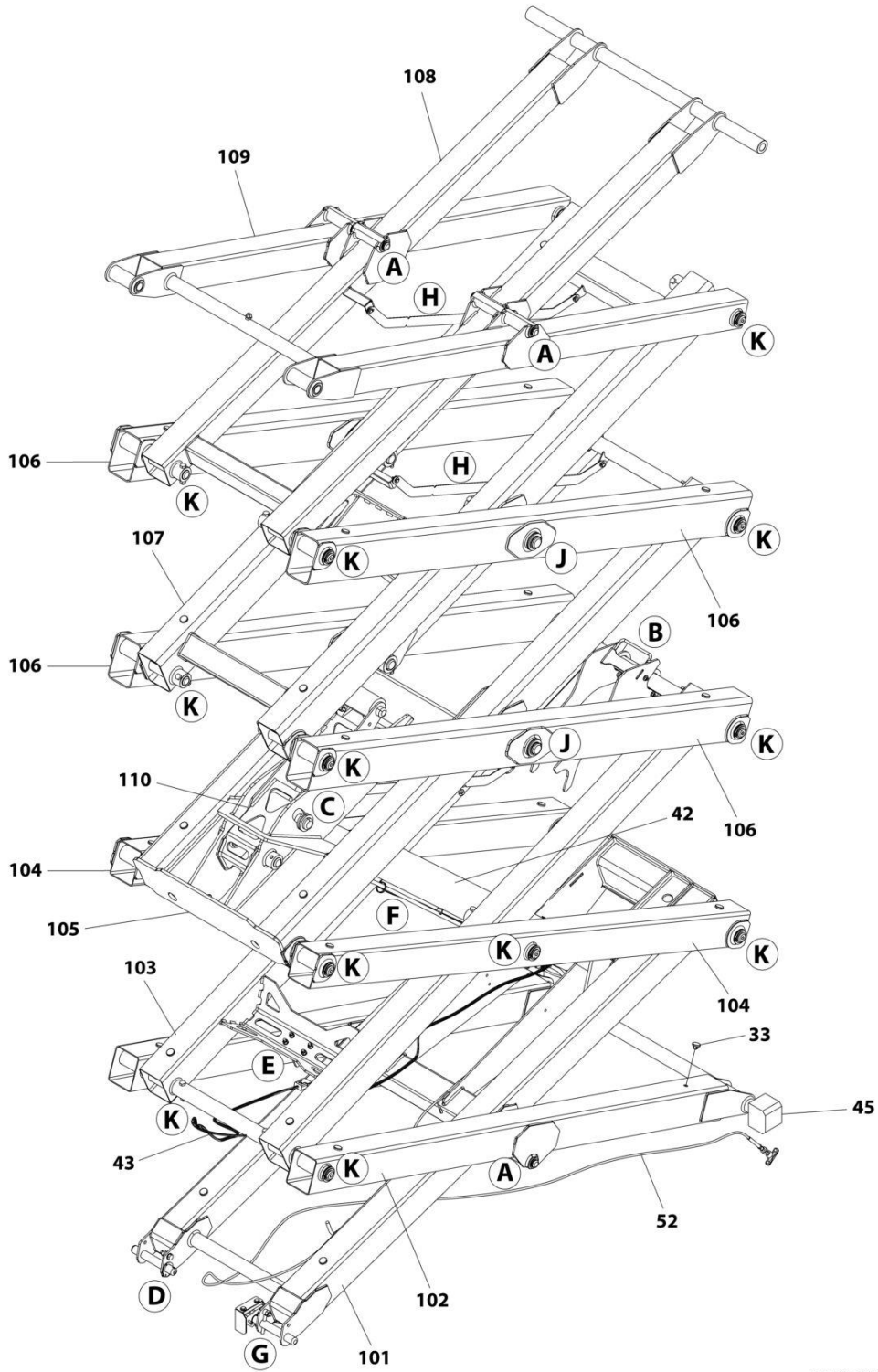
ITEM	PART NUMBER	QTY	DESCRIPTION	REV
	1001380010	Ref	SCISSORS ARMS INSTALLATION	G
1	0700610	6	Bolt M6 x 20	
2	0700612	7	Bolt M6 x 25	
4	0700814	4	Bolt M8 x 30	
5	0701015	3	Bolt M10 x 35	
6	0701018	1	Bolt M10 x 50	
7	0701021	19	Bolt M10 x 65	
8	0701024	4	Bolt M10 x 80	
9	0701219	1	Bolt M12 x 55	
10	3290405	2	Nut M4	
11	3290605	10	Nut M6	
12	3290805	4	Nut M8	
13	3291007	27	Nut M10	
14	3291207	1	Nut M12	
15	3321402	1	Nut 1/4	
16	3422998	1	Pin	
17	3760115	8	Ring, Retaining	
18	3760387	18	Ring, Retaining	
19	3841143	3	Keeper, Pin	
20	3841203	1	Keeper, Pin	
21	3860104	1	Roller	
22	4010608	2	Screw M6 x 16	
23	4031512	2	Capscrew M4 x 40	
24	4160078	1	Spring	
25	4240017	AR	Tie-Strap (Not Shown)	
26	4740438	18	Washer	
27	4740531	8	Washer	
28	4811702	25	Washer M6	
29	4811900	8	Washer M8	
30	4812000	3	Washer M10	
31	1001128888	6	Washer	
32	1001130220	2	Nut Tinnerman M6	
33	1001137675	32	Bumper	
34	1001139000	1	Plate	
35	1001139002	2	Pad	
36	1001139003	1	Pin	
37	1001146963	1	Sensor, Angle	
38	1001205345	1	Key (Steel)	
38	1001234204	1	Key (Aluminun)	
39	1001214689	4	Ring, Retaining	
40	1001217457	4	Washer	
41	1001225164	1	Sensor, Pressure Transducer	
42	1001244417	1	Lift Cylinder Assembly (See Separate Breakdown in CYLINDER Section)	
43	1001233795	1	Lift Down Harness (See Separate Breakdown in ELECTRICAL Section)	
44	1001235104	1	Sensor, Pressure Transducer	
45	1001247707	1	Block, Side	
46	1001236165	2	Pin	
47	1001236167	4	Pin	

SECTION 3 - SCISSORS ARMS

ITEM	PART NUMBER	QTY	DESCRIPTION	REV
48	1001236169	18	Pin	
49	1001236170	1	Pin	
50	1001236171	4	Pin	
51	1001236172	1	Pin	
52	1001236269	1	Cable, Manual Descent	
53	1001236486	1	Cover	
54	1001236487	1	Plate	
55	1001236488	1	Plate	
56	1001243348	1	Adapter	
57	1001237824	3	Plate	
58	1001238684	1	Arm, Prop	
59	1001239479	2	Plate	
61	4420062	15 in/ 37cm	Tape	
100	1001236348	1	Arm Kit	
101	1001241662	1	Arm - Inner 1	
101	0440264	4	Bearing (Not Shown)	
102	1001241663	1	Arm - Outer 1	
102	0440264	4	Bearing - 1 ID (Not Shown)	
102	0440265	4	Bearing - 1-1/4 ID (Not Shown)	
103	1001241664	1	Arm - Inner 2	
104	1001241665	1	Arm - Outer 2	
104	0440265	6	Bearing (Not Shown)	
105	1001241666	1	Arm - Inner 3	
106	1001241667	2	Arm - Outer 3 and Outer 4	
106	0440265	4	Bearing - 1-1/4 ID (Not Shown)	
106	0962272	4	Bearing - 1-1/2 ID (Not Shown)	
107	1001241668	1	Arm - Inner 4	
108	1001241669	1	Arm - Inner 5	
108	0440264	4	Bearing (Not Shown)	
109	1001241670	1	Arm - Outer 5	
109	0440264	4	Bearing - 1 ID (Not Shown)	
109	0440265	4	Bearing - 1-1/4 ID (Not Shown)	
110	1001241671	1	Kicker	
110	0440265	2	Bearing (Not Shown)	

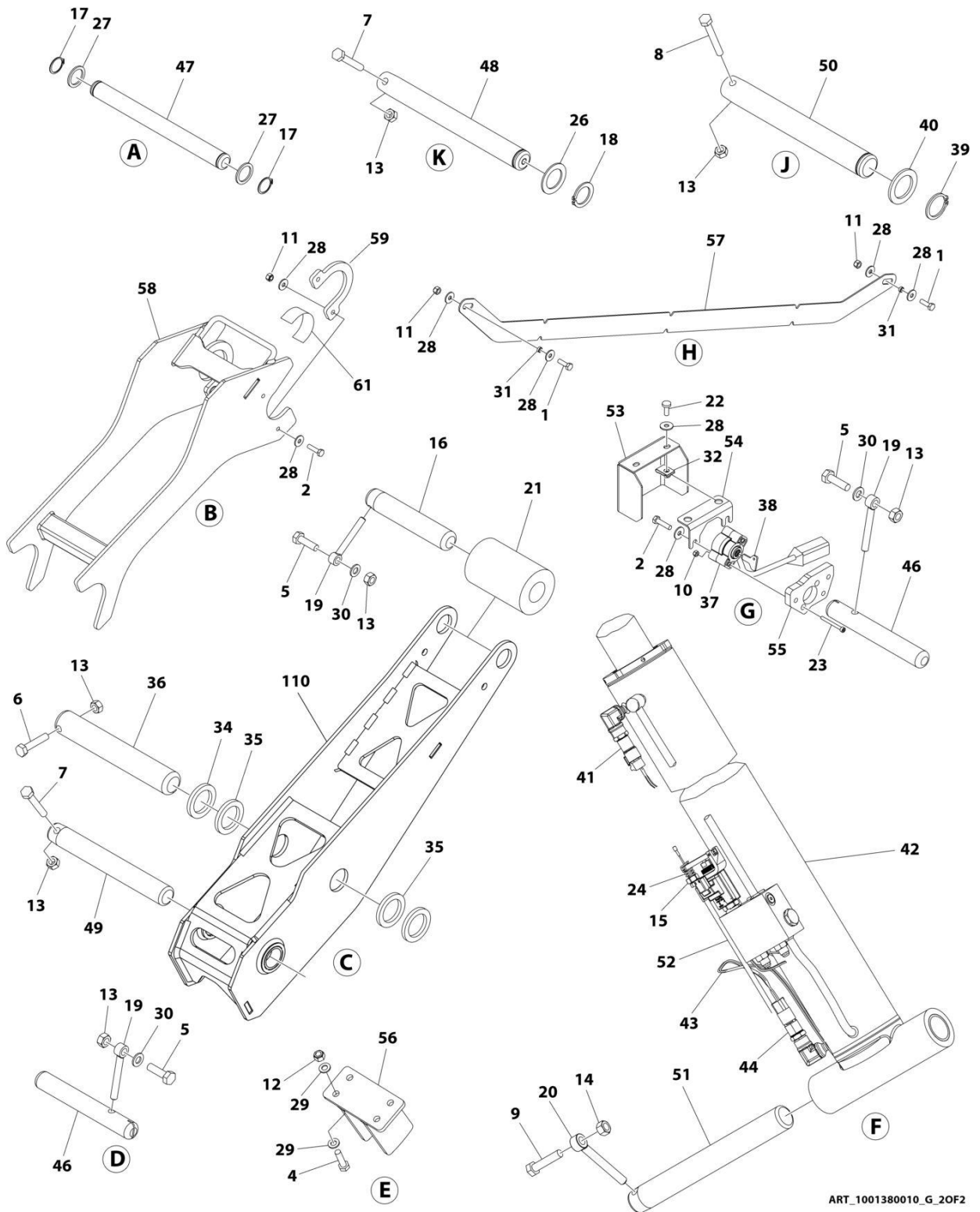
SECTION 3 - SCISSORS ARMS

FIGURE 3-2. SCISSORS ARMS INSTALLATION (CHINA SPECS) (Prior to SN B200071904)



ART_1001380010_G_10F2

SECTION 3 - SCISSORS ARMS



ART_1001380010_G_20F2

SECTION 3 - SCISSORS ARMS

FIGURE 3-2. SCISSORS ARMS INSTALLATION (CHINA SPECS) (Prior to SN B200071904)

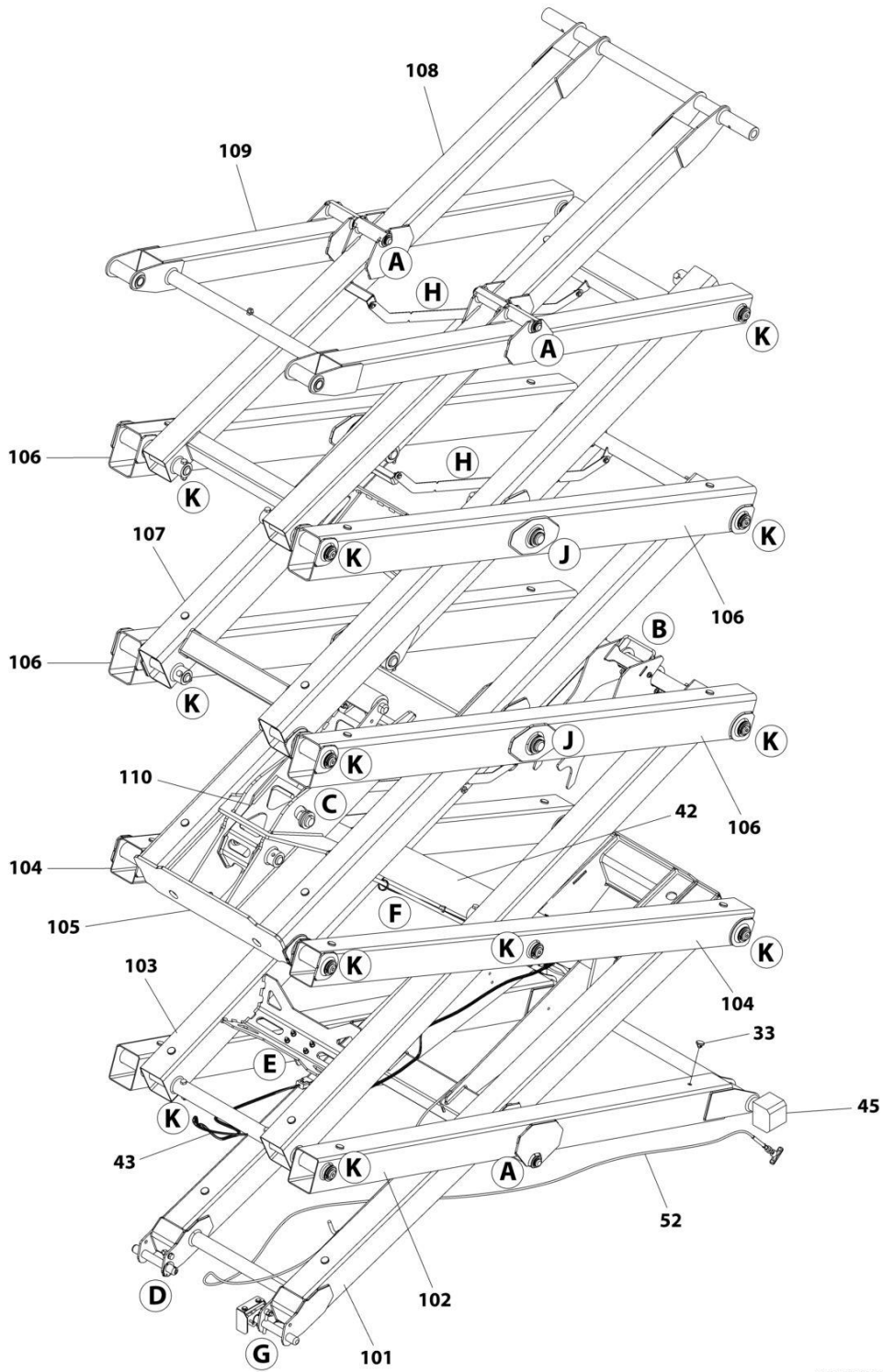
ITEM	PART NUMBER	QTY	DESCRIPTION	REV
	1001380010	Ref	SCISSORS ARMS INSTALLATION	G
1	0700610	6	Bolt M6 x 20	
2	0700612	7	Bolt M6 x 25	
4	0700814	4	Bolt M8 x 30	
5	0701015	3	Bolt M10 x 35	
6	0701018	1	Bolt M10 x 50	
7	0701021	19	Bolt M10 x 65	
8	0701024	4	Bolt M10 x 80	
9	0701219	1	Bolt M12 x 55	
10	3290405	2	Nut M4	
11	3290605	10	Nut M6	
12	3290805	4	Nut M8	
13	3291007	27	Nut M10	
14	3291207	1	Nut M12	
15	3321402	1	Nut 1/4	
16	3422998	1	Pin	
17	3760115	8	Ring, Retaining	
18	3760387	18	Ring, Retaining	
19	3841143	3	Keeper, Pin	
20	3841203	1	Keeper, Pin	
21	3860104	1	Roller	
22	4010608	2	Screw M6 x 16	
23	4031512	2	Capscrew M4 x 40	
24	4160078	1	Spring	
25	4240017	AR	Tie-Strap (Not Shown)	
26	4740438	18	Washer	
27	4740531	8	Washer	
28	4811702	25	Washer M6	
29	4811900	8	Washer M8	
30	4812000	3	Washer M10	
31	1001128888	6	Washer	
32	1001130220	2	Nut Tinnerman M6	
33	1001137675	32	Bumper	
34	1001139000	1	Plate	
35	1001139002	2	Pad	
36	1001139003	1	Pin	
37	1001146963	1	Sensor, Angle	
38	1001205345	1	Key (Steel)	
38	1001234204	1	Key (Aluminun)	
39	1001214689	4	Ring, Retaining	
40	1001217457	4	Washer	
41	1001225164	1	Sensor, Pressure Transducer	
42	1001244417	1	Lift Cylinder Assembly (See Separate Breakdown in CYLINDER Section)	
43	1001233795	1	Lift Down Harness (See Separate Breakdown in ELECTRICAL Section)	
44	1001235104	1	Sensor, Pressure Transducer	
45	1001247707	1	Block, Side	
46	1001236165	2	Pin	
47	1001236167	4	Pin	

SECTION 3 - SCISSORS ARMS

ITEM	PART NUMBER	QTY	DESCRIPTION	REV
48	1001236169	18	Pin	
49	1001236170	1	Pin	
50	1001236171	4	Pin	
51	1001236172	1	Pin	
52	1001236269	1	Cable, Manual Descent	
53	1001236486	1	Cover	
54	1001236487	1	Plate	
55	1001236488	1	Plate	
56	1001243348	1	Adapter	
57	1001237824	3	Plate	
58	1001238684	1	Arm, Prop	
59	1001239479	2	Plate	
61	4420062	15 in/ 37cm	Tape	
100	1001236348	1	Arm Kit	
101	1001241662	1	Arm - Inner 1	
101	0440264	4	Bearing (Not Shown)	
102	1001241663	1	Arm - Outer 1	
102	0440264	4	Bearing - 1 ID (Not Shown)	
102	0440265	4	Bearing - 1-1/4 ID (Not Shown)	
103	1001241664	1	Arm - Inner 2	
104	1001241665	1	Arm - Outer 2	
104	0440265	6	Bearing (Not Shown)	
105	1001241666	1	Arm - Inner 3	
106	1001241667	2	Arm - Outer 3 and Outer 4	
106	0440265	4	Bearing - 1-1/4 ID (Not Shown)	
106	0962272	4	Bearing - 1-1/2 ID (Not Shown)	
107	1001241668	1	Arm - Inner 4	
108	1001241669	1	Arm - Inner 5	
108	0440264	4	Bearing (Not Shown)	
109	1001241670	1	Arm - Outer 5	
109	0440264	4	Bearing - 1 ID (Not Shown)	
109	0440265	4	Bearing - 1-1/4 ID (Not Shown)	
110	1001241671	1	Kicker	
110	0440265	2	Bearing (Not Shown)	

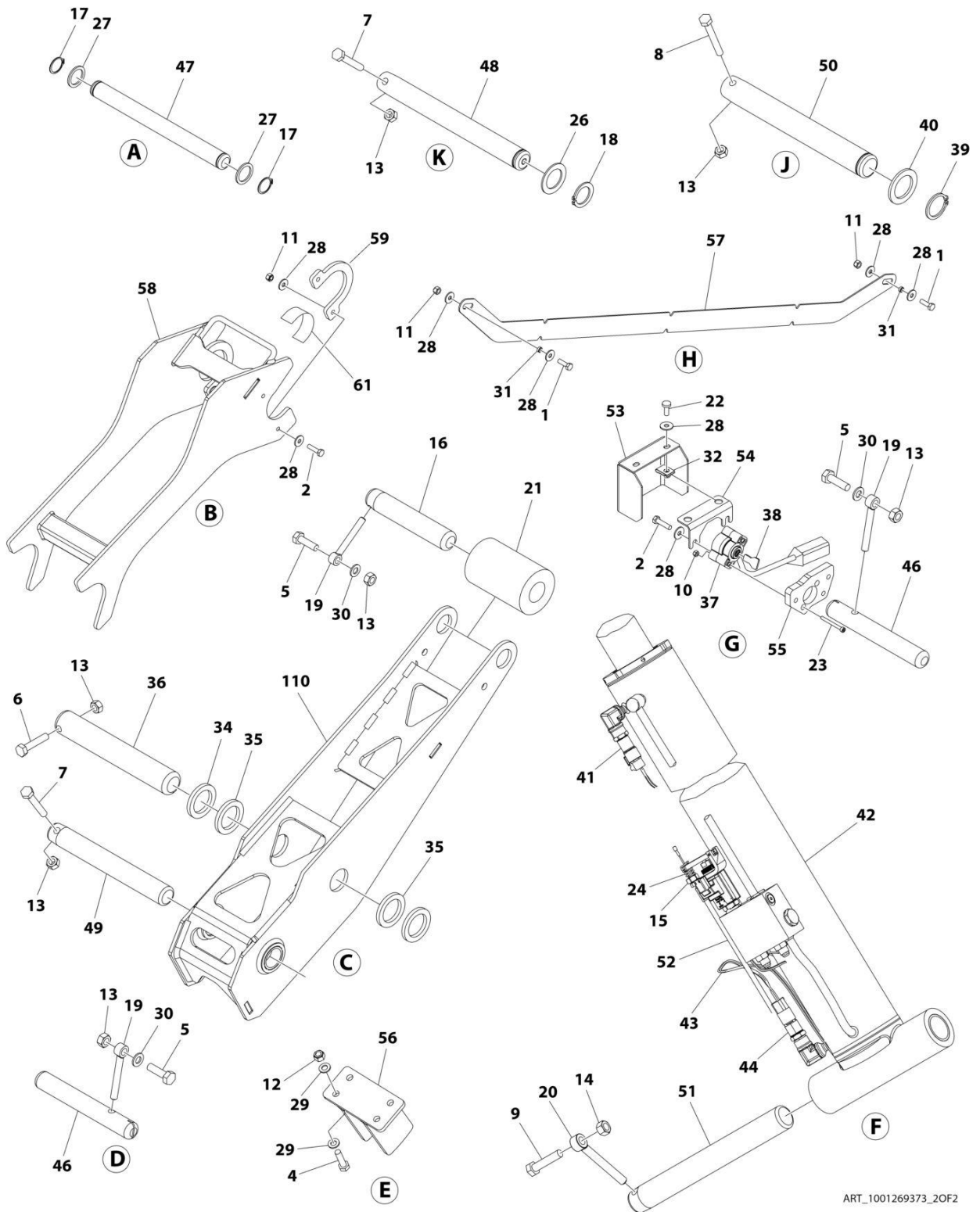
SECTION 3 - SCISSORS ARMS

FIGURE 3-3. SCISSORS ARMS INSTALLATION (CHINA SPECS) (SN B200071904 to Present)



ART_1001269373_1OF2

SECTION 3 - SCISSORS ARMS



ART_1001269373_2OF2

SECTION 3 - SCISSORS ARMS

FIGURE 3-3. SCISSORS ARMS INSTALLATION (CHINA SPECS) (SN B200071904 to Present)

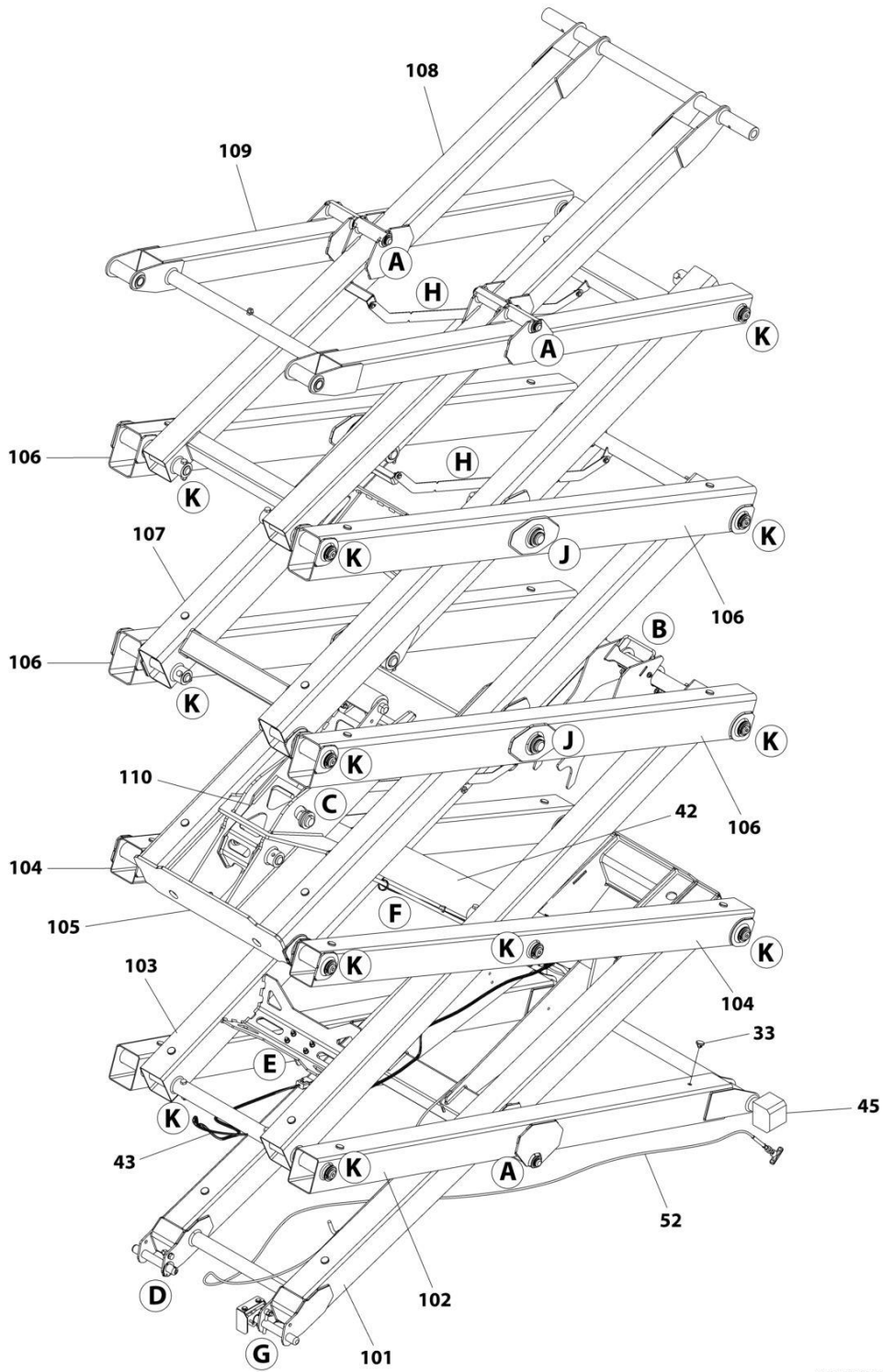
ITEM	PART NUMBER	QTY	DESCRIPTION	REV
	1001269373	Ref	SCISSORS ARMS INSTALLATION	A
1	0700610	6	Bolt M6 x 20	
2	0700612	7	Bolt M6 x 25	
4	0700814	4	Bolt M8 x 30	
5	0701015	3	Bolt M10 x 35	
6	0701018	1	Bolt M10 x 50	
7	0701021	19	Bolt M10 x 65	
8	0701024	4	Bolt M10 x 80	
9	0701219	1	Bolt M12 x 55	
10	3290405	2	Nut M4	
11	3290605	10	Nut M6	
12	3290805	4	Nut M8	
13	3291007	27	Nut M10	
14	3291207	1	Nut M12	
15	3321402	1	Nut 1/4	
16	3422998	1	Pin	
17	3760115	8	Ring, Retaining	
18	3760387	18	Ring, Retaining	
19	3841143	3	Keeper, Pin	
20	3841203	1	Keeper, Pin	
21	3860104	1	Roller	
22	4010608	2	Screw M6 x 16	
23	4031512	2	Capscrew M4 x 40	
24	4160078	1	Spring	
25	4240017	AR	Tie-Strap (Not Shown)	
26	4740438	18	Washer	
27	4740531	8	Washer	
28	4811702	25	Washer M6	
29	4811900	8	Washer M8	
30	4812000	3	Washer M10	
31	1001128888	6	Washer	
32	1001130220	2	Nut Tinnerman M6	
33	1001137675	32	Bumper	
34	1001139000	1	Plate	
35	1001139002	2	Pad	
36	1001139003	1	Pin	
37	1001146963	1	Sensor, Angle	
38	1001205345	1	Key	
39	1001214689	4	Ring, Retaining	
40	1001217457	4	Washer	
41	1001225164	1	Sensor, Pressure Transducer	
42	1001244417	1	Lift Cylinder Assembly (See Separate Breakdown in CYLINDER Section)	
43	1001233795	1	Lift Down Harness (See Separate Breakdown in ELECTRICAL Section)	
44	1001235104	1	Sensor, Pressure Transducer	
45	1001247707	1	Block, Side	
46	1001236165	2	Pin	
47	1001236167	4	Pin	
48	1001236169	18	Pin	

SECTION 3 - SCISSORS ARMS

ITEM	PART NUMBER	QTY	DESCRIPTION	REV
49	1001236170	1	Pin	
50	1001236171	4	Pin	
51	1001236172	1	Pin	
52	1001236269	1	Cable, Manual Descent	
53	1001236486	1	Cover	
54	1001236487	1	Plate	
55	1001236488	1	Plate	
56	1001243348	1	Adapter	
57	1001237824	3	Plate	
58	1001238684	1	Arm, Prop	
59	1001239479	2	Plate	
100	1001269838	1	Arm Kit	
101	1001241662	1	Arm - Inner 1	
101	0440264	4	Bearing (Not Shown)	
102	1001241663	1	Arm - Outer 1	
102	0440264	4	Bearing - 1 ID (Not Shown)	
102	0440265	4	Bearing - 1-1/4 ID (Not Shown)	
103	1001241664	1	Arm - Inner 2	
104	1001241665	1	Arm - Outer 2	
104	0440265	6	Bearing - 1-1/4 ID (Not Shown)	
105	1001241666	1	Arm - Inner 3	
106	1001241667	2	Arm - Outer 3 and Outer 4	
106	0440265	4	Bearing - 1-1/4 ID (Not Shown)	
106	0962272	4	Bearing - 1-1/2 ID (Not Shown)	
107	1001241668	1	Arm - Inner 4	
108	1001269377	1	Arm - Inner 5	
108	0440264	4	Bearing (Not Shown)	
109	1001241670	1	Arm - Outer 5	
109	0440264	4	Bearing - 1 ID (Not Shown)	
109	0440265	4	Bearing - 1-1/4 ID (Not Shown)	
110	1001241671	1	Kicker	
110	0440265	2	Bearing (Not Shown)	

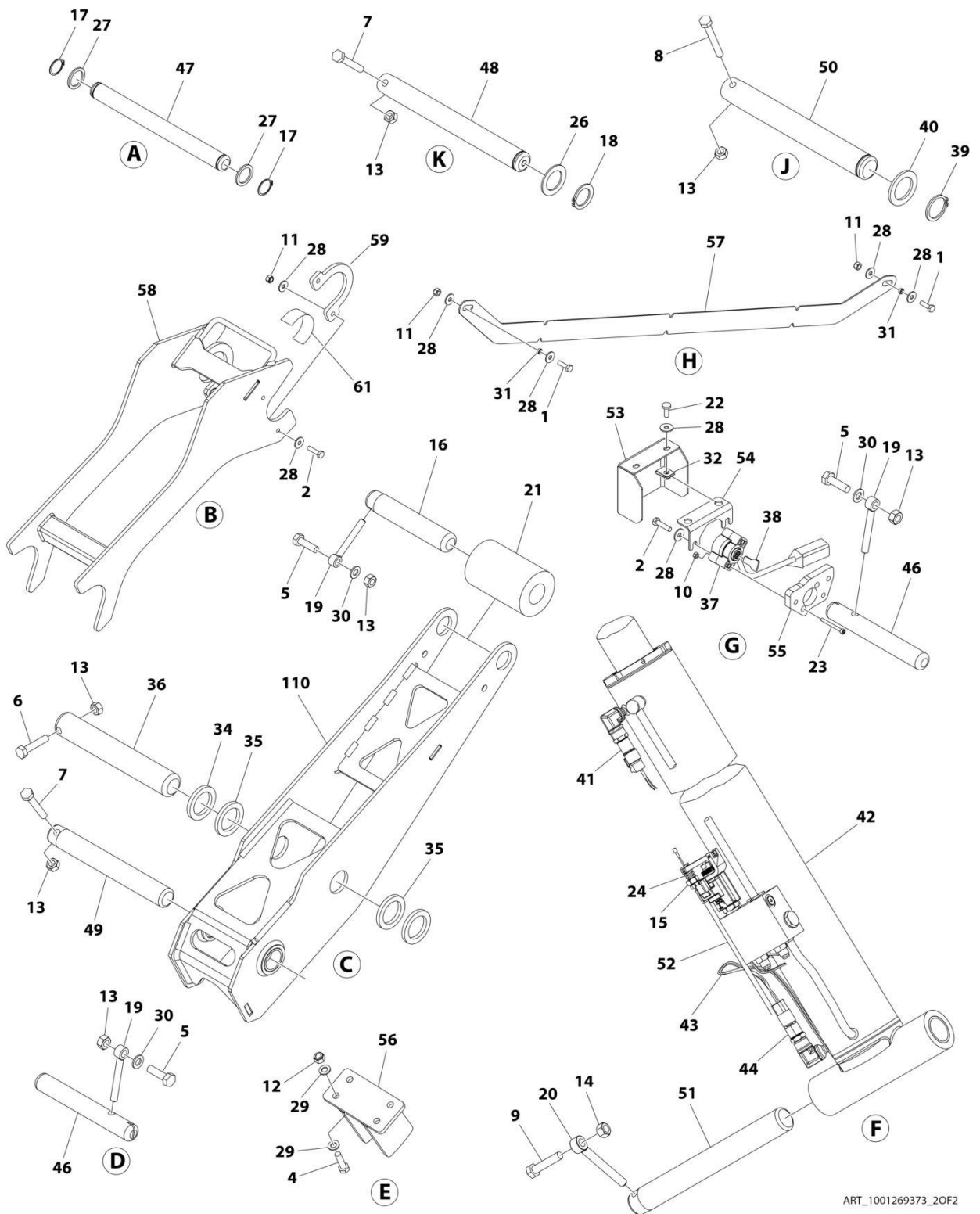
SECTION 3 - SCISSORS ARMS

FIGURE 3-4. SCISSORS ARMS INSTALLATION (CHINA SPECS) (ALL MACHINES STARTING SN G2)



ART_1001269373_1OF2

SECTION 3 - SCISSORS ARMS



ART_1001269373_20F2

SECTION 3 - SCISSORS ARMS

FIGURE 3-4. SCISSORS ARMS INSTALLATION (CHINA SPECS (ALL MACHINES STARTING SN G2))

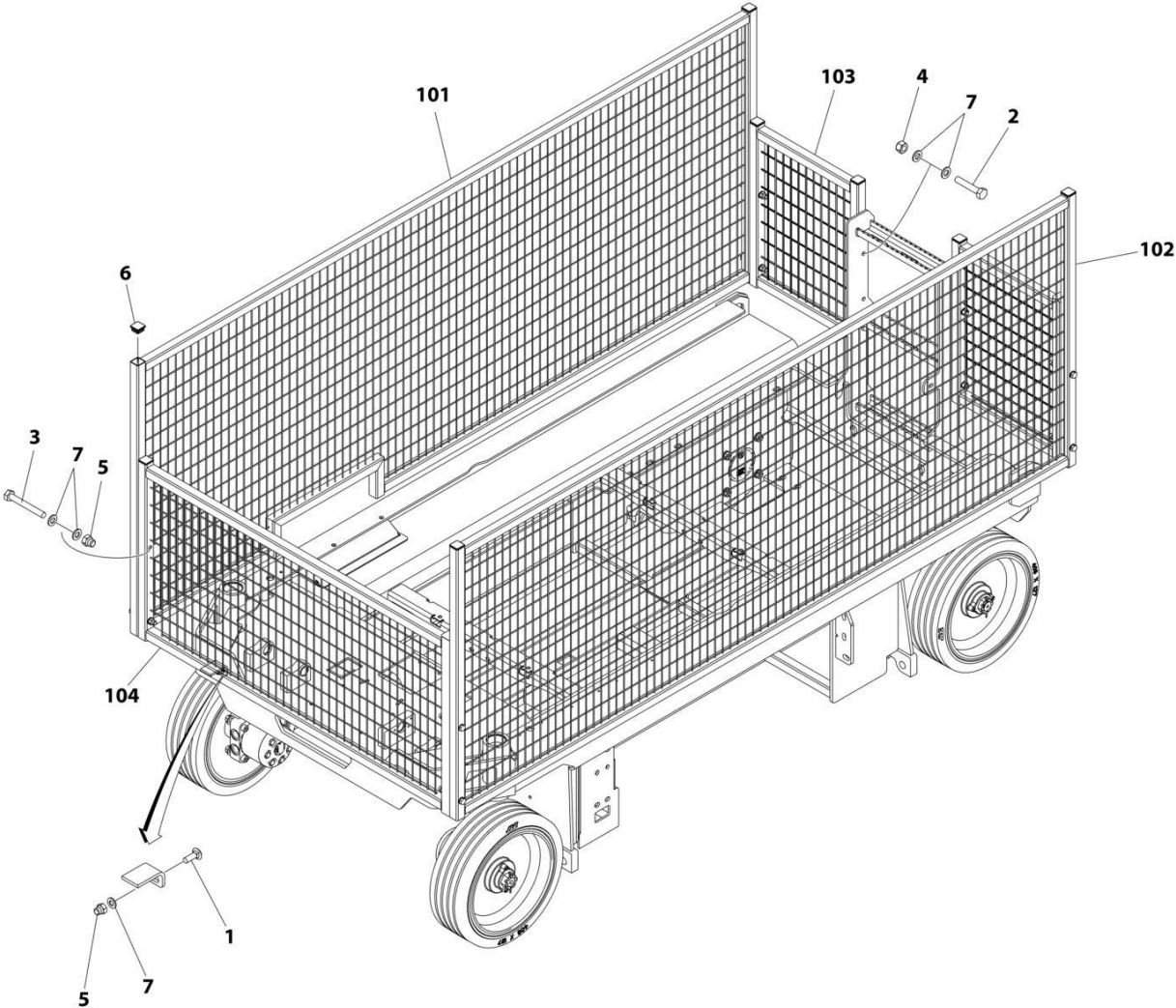
ITEM	PART NUMBER	QTY	DESCRIPTION	REV
	1001269373	Ref	SCISSORS ARMS INSTALLATION	A
1	0700610	6	Bolt M6 x 20	
2	0700612	7	Bolt M6 x 25	
4	0700814	4	Bolt M8 x 30	
5	0701015	3	Bolt M10 x 35	
6	0701018	1	Bolt M10 x 50	
7	0701021	19	Bolt M10 x 65	
8	0701024	4	Bolt M10 x 80	
9	0701219	1	Bolt M12 x 55	
10	3290405	2	Nut M4	
11	3290605	10	Nut M6	
12	3290805	4	Nut M8	
13	3291007	27	Nut M10	
14	3291207	1	Nut M12	
15	3321402	1	Nut 1/4	
16	3422998	1	Pin	
17	3760115	8	Ring, Retaining	
18	3760387	18	Ring, Retaining	
19	3841143	3	Keeper, Pin	
20	3841203	1	Keeper, Pin	
21	3860104	1	Roller	
22	4010608	2	Screw M6 x 16	
23	4031512	2	Capscrew M4 x 40	
24	4160078	1	Spring	
25	4240017	AR	Tie-Strap (Not Shown)	
26	4740438	18	Washer	
27	4740531	8	Washer	
28	4811702	25	Washer M6	
29	4811900	8	Washer M8	
30	4812000	3	Washer M10	
31	1001128888	6	Washer	
32	1001130220	2	Nut Tinnerman M6	
33	1001137675	32	Bumper	
34	1001139000	1	Plate	
35	1001139002	2	Pad	
36	1001139003	1	Pin	
37	1001146963	1	Sensor, Angle	
38	1001205345	1	Key	
39	1001214689	4	Ring, Retaining	
40	1001217457	4	Washer	
41	1001225164	1	Sensor, Pressure Transducer	
42	1001244417	1	Lift Cylinder Assembly (See Separate Breakdown in CYLINDER Section)	
43	1001233795	1	Lift Down Harness (See Separate Breakdown in ELECTRICAL Section)	
44	1001235104	1	Sensor, Pressure Transducer	
45	1001247707	1	Block, Side	
46	1001236165	2	Pin	
47	1001236167	4	Pin	
48	1001236169	18	Pin	

SECTION 3 - SCISSORS ARMS

ITEM	PART NUMBER	QTY	DESCRIPTION	REV
49	1001236170	1	Pin	
50	1001236171	4	Pin	
51	1001236172	1	Pin	
52	1001236269	1	Cable, Manual Descent	
53	1001236486	1	Cover	
54	1001236487	1	Plate	
55	1001236488	1	Plate	
56	1001243348	1	Adapter	
57	1001237824	3	Plate	
58	1001238684	1	Arm, Prop	
59	1001239479	2	Plate	
100	1001269838	1	Arm Kit	
101	1001241662	1	Arm - Inner 1	
101	0440264	4	Bearing (Not Shown)	
102	1001241663	1	Arm - Outer 1	
102	0440264	4	Bearing - 1 ID (Not Shown)	
102	0440265	4	Bearing - 1-1/4 ID (Not Shown)	
103	1001241664	1	Arm - Inner 2	
104	1001241665	1	Arm - Outer 2	
104	0440265	6	Bearing - 1-1/4 ID (Not Shown)	
105	1001241666	1	Arm - Inner 3	
106	1001241667	2	Arm - Outer 3 and Outer 4	
106	0440265	4	Bearing - 1-1/4 ID (Not Shown)	
106	0962272	4	Bearing - 1-1/2 ID (Not Shown)	
107	1001241668	1	Arm - Inner 4	
108	1001269377	1	Arm - Inner 5	
108	0440264	4	Bearing (Not Shown)	
109	1001241670	1	Arm - Outer 5	
109	0440264	4	Bearing - 1 ID (Not Shown)	
109	0440265	4	Bearing - 1-1/4 ID (Not Shown)	
110	1001241671	1	Kicker	
110	0440265	2	Bearing (Not Shown)	

SECTION 3 - SCISSORS ARMS

FIGURE 3-5. ARMS GUARD INSTALLATION



ART_1001380024

SECTION 3 - SCISSORS ARMS

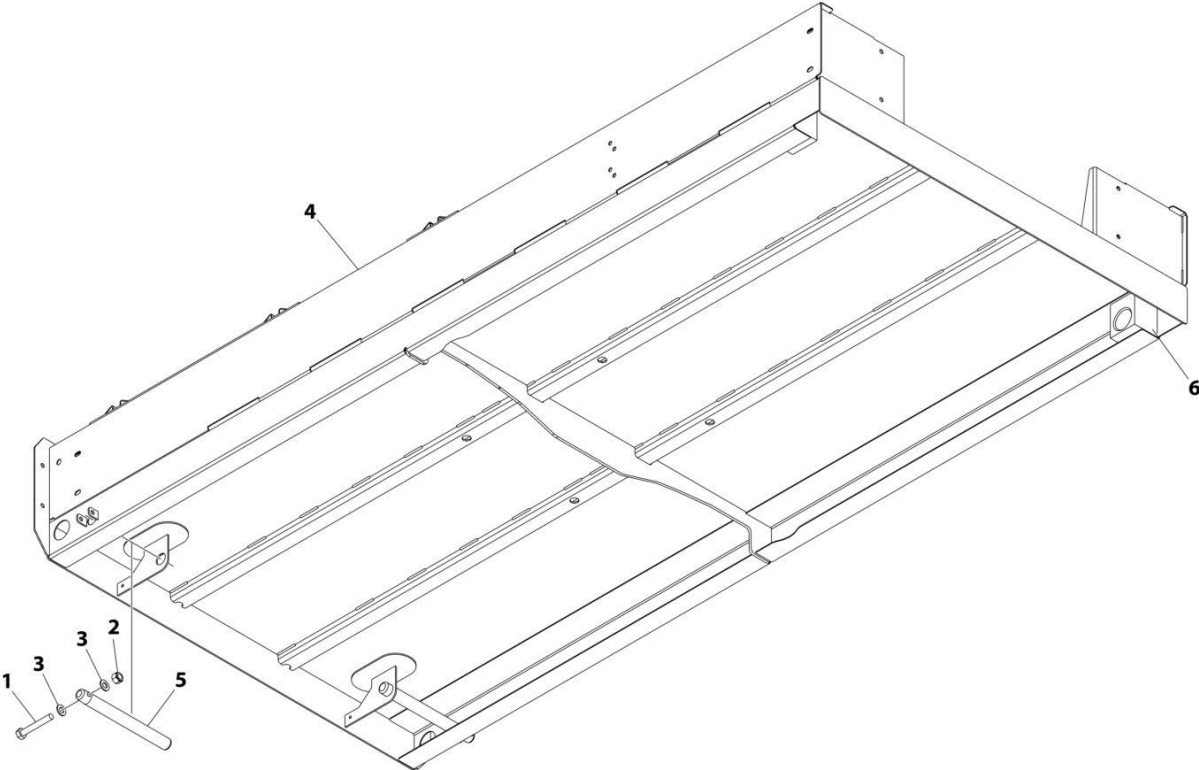
FIGURE 3-5. ARMS GUARD INSTALLATION

ITEM	PART NUMBER	QTY	DESCRIPTION	REV
	1001380024	Ref	ARM GUARD INSTALLATION	A
1	0630613	2	Bolt M10 x 30	
2	0701019	4	Bolt M10 x 55	
3	0701024	8	Bolt M10 x 80	
4	3291005	4	Nut M10	
5	3291006	10	Nut M10	
6	3520072	10	Plug	
7	4812000	26	Washer M10	
100	1001239943	1	Arm Guard Kit (Not Shown)	
101	1001239892	1	Guard, Arm (RH)	
102	1001239894	1	Guard, Arm (LH)	
103	1001239899	2	Guard, Arm (Rear)	
104	1001239904	1	Guard, Arm (Front)	

SECTION 4 - PLATFORM

SECTION 4 - PLATFORM

FIGURE 4-1. PLATFORM INSTALLATION (ALL SPECS EXCEPT CHINA)



ART_1001234380_C

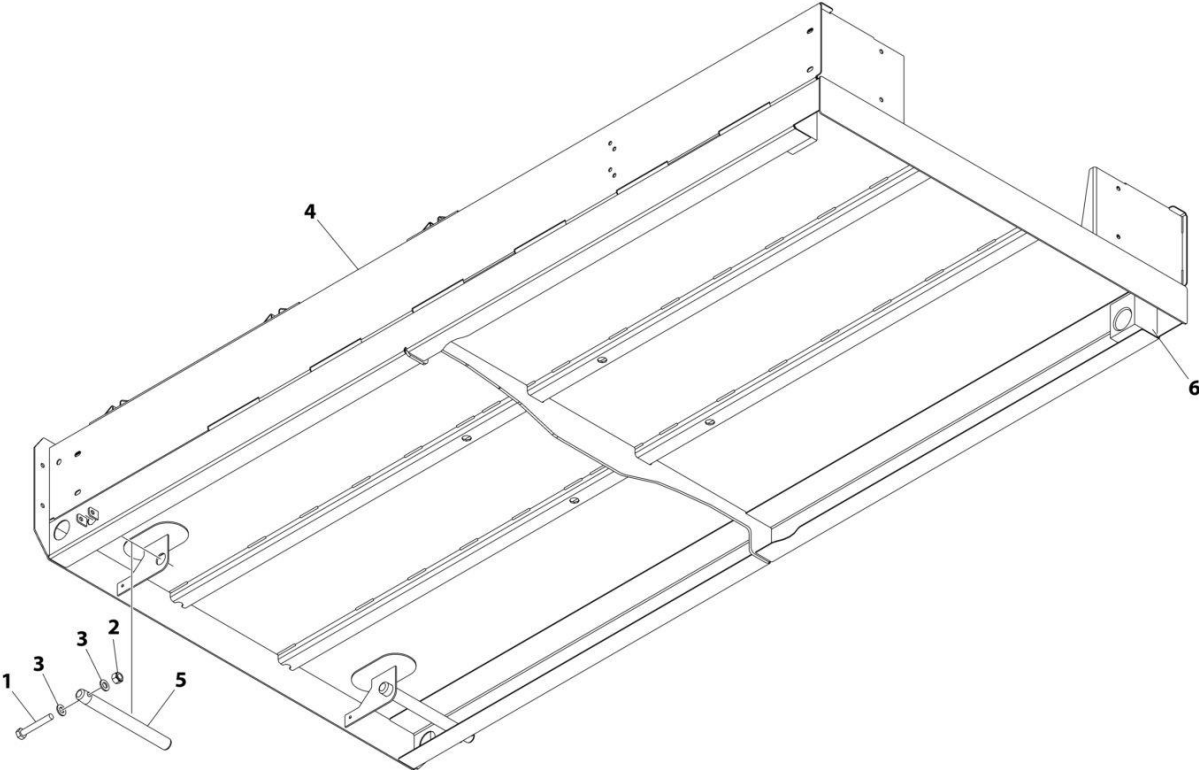
SECTION 4 - PLATFORM

FIGURE 4-1. PLATFORM INSTALLATION (ALL SPECS EXCEPT CHINA)

ITEM	PART NUMBER	QTY	DESCRIPTION	REV
	1001234380	Ref	PLATFORM INSTALLATION	C
1	0700819	2	Bolt M8 x 55	
2	3290805	2	Nut M8	
3	4811900	4	Washer M8	
4	1001234336	1	Platform	
5	1001235590	2	Pin	
6	1001247706	2	Block, Slide	

SECTION 4 - PLATFORM

FIGURE 4-2. PLATFORM INSTALLATION (CHINA SPEC) (Prior to SN B200071904)



ART_1001234380_C

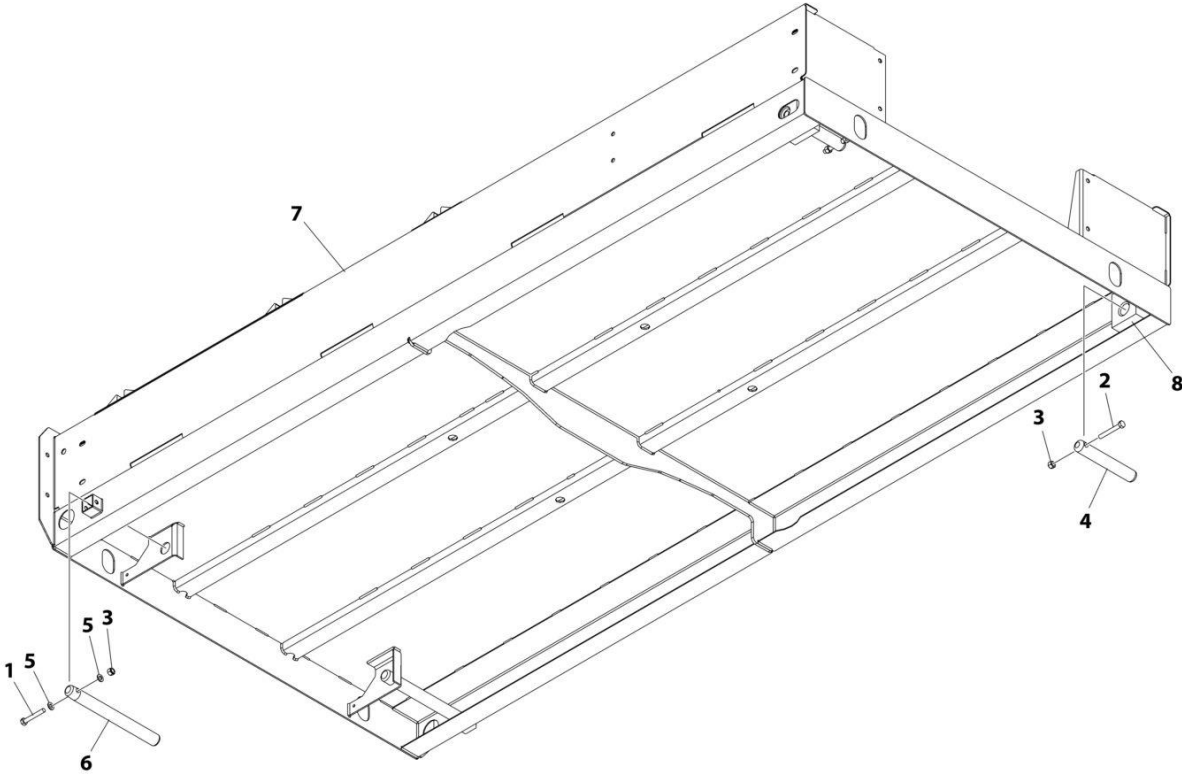
SECTION 4 - PLATFORM

FIGURE 4-2. PLATFORM INSTALLATION (CHINA SPEC) (Prior to SN B200071904)

ITEM	PART NUMBER	QTY	DESCRIPTION	REV
	1001234380	Ref	PLATFORM INSTALLATION	C
1	0700819	2	Bolt M8 x 55	
2	3290805	2	Nut M8	
3	4811900	4	Washer M8	
4	1001234336	1	Platform	
5	1001235590	2	Pin	
6	1001247706	2	Block, Slide	

SECTION 4 - PLATFORM

FIGURE 4-3. PLATFORM INSTALLATION (CHINA SPEC) (SN B200071904 to Present)



ART_1001269286

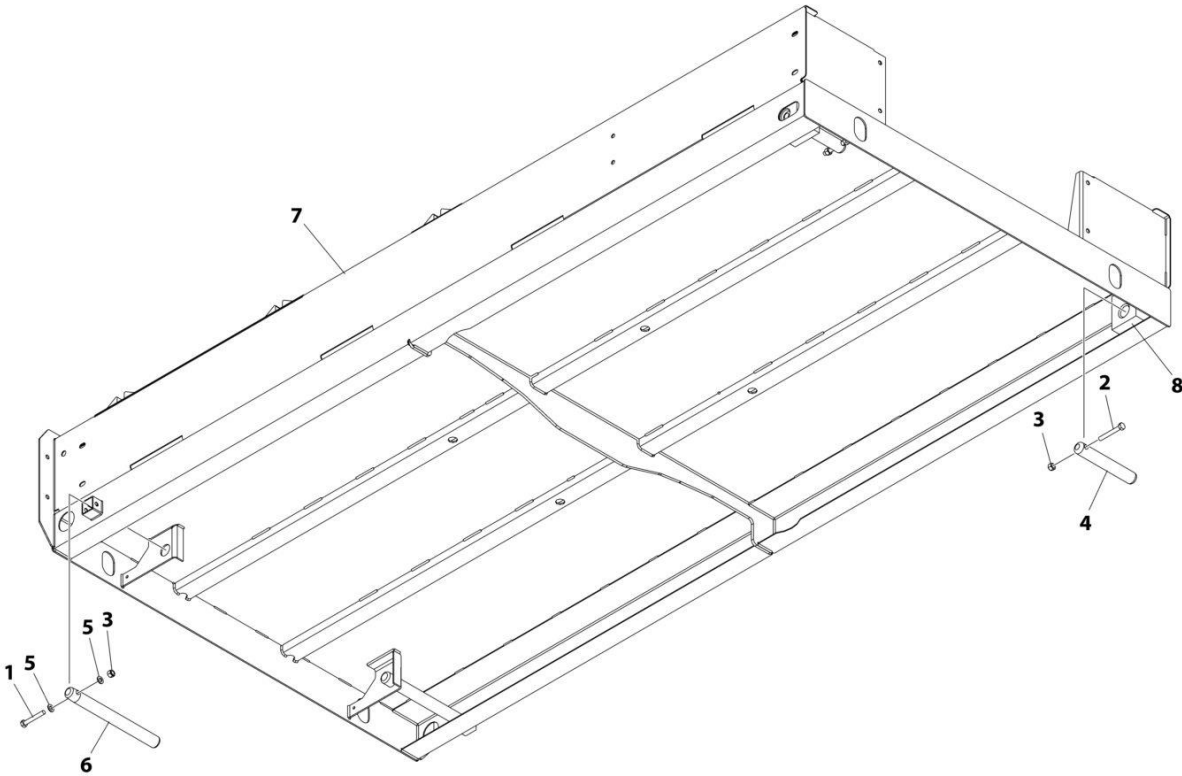
SECTION 4 - PLATFORM

FIGURE 4-3. PLATFORM INSTALLATION (CHINA SPEC) (SN B200071904 to Present)

ITEM	PART NUMBER	QTY	DESCRIPTION	REV
	1001269286	Ref	PLATFORM INSTALLATION	A
1	0700819	2	Bolt M8 x 55	
2	0700820	2	Bolt M8 x 60	
3	3290805	4	Nut M8	
4	3422426	2	Pin	
5	4811900	4	Washer M8	
6	1001235590	2	Pin	
7	1001269279	1	Platform	
8	1001269401	2	Block, Side	

SECTION 4 - PLATFORM

FIGURE 4-4. PLATFORM INSTALLATION (CHINA SPEC) (ALL MACHINES STARTING SN G2)



ART_1001269286

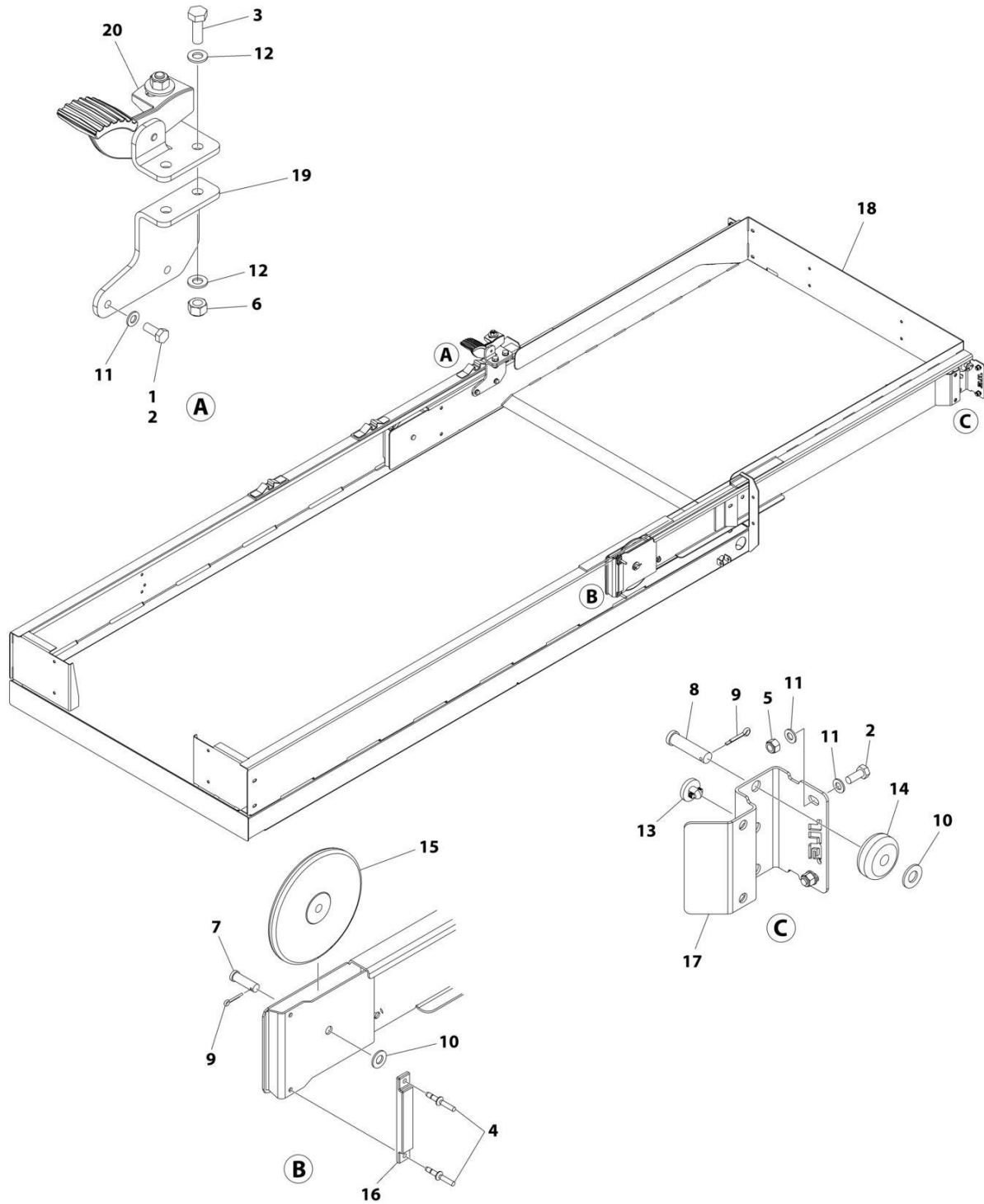
SECTION 4 - PLATFORM

FIGURE 4-4. PLATFORM INSTALLATION (CHINA SPEC) (ALL MACHINES STARTING SN G2)

ITEM	PART NUMBER	QTY	DESCRIPTION	REV
	1001269286	Ref	PLATFORM INSTALLATION	A
1	0700819	2	Bolt M8 x 55	
2	0700820	2	Bolt M8 x 60	
3	3290805	4	Nut M8	
4	3422426	2	Pin	
5	4811900	4	Washer M8	
6	1001235590	2	Pin	
7	1001269279	1	Platform	
8	1001269401	2	Block, Side	

SECTION 4 - PLATFORM

FIGURE 4-5. PLATFORM EXTENSION INSTALLATION (ALL SPECS EXCEPT CHINA)



ART_1001234381

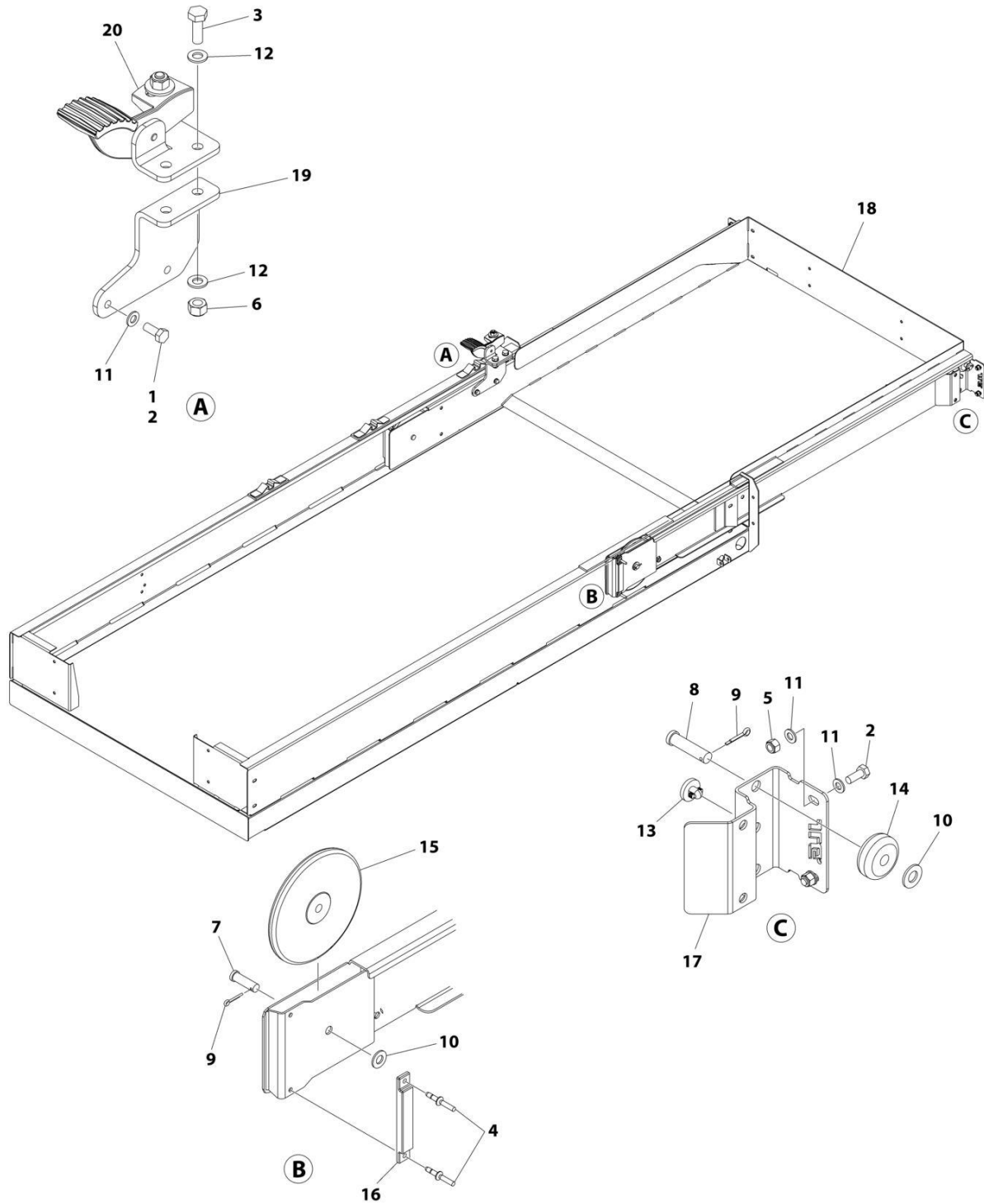
SECTION 4 - PLATFORM

FIGURE 4-5. PLATFORM EXTENSION INSTALLATION (ALL SPECS EXCEPT CHINA)

ITEM	PART NUMBER	QTY	DESCRIPTION	REV
	1001234381	Ref	PLATFORM EXTENSION INSTALLATION	C
1	0100011	AR	Compound, Locking	
2	0760810	6	Bolt M8 x 20	
3	0761014	2	Bolt M10 x 30	
4	2080040	4	Fastener	
5	3290805	4	Nut M8	
6	3291005	2	Nut M10	
7	3430813	2	Pin	
8	3430816	2	Pin	
9	3450403	4	Pin, Cotter	
10	4711800	4	Washer 1/2	
11	4811900	10	Washer M8	
12	4812000	4	Washer M10	
13	1001137675	2	Bumper	
14	1001205422	2	Roller (Front)	
15	1001205430	2	Roller (Rear)	
16	1001208852	2	Pad	
17	1001210064	2	Support	
18	1001213470	1	Extension, Platform	
19	1001213838	1	Latch Assembly	
20	1001234407	1	Bracket	

SECTION 4 - PLATFORM

FIGURE 4-6. PLATFORM EXTENSION INSTALLATION (CHINA SPECS) (Prior to SN B200071904)



ART_1001234381

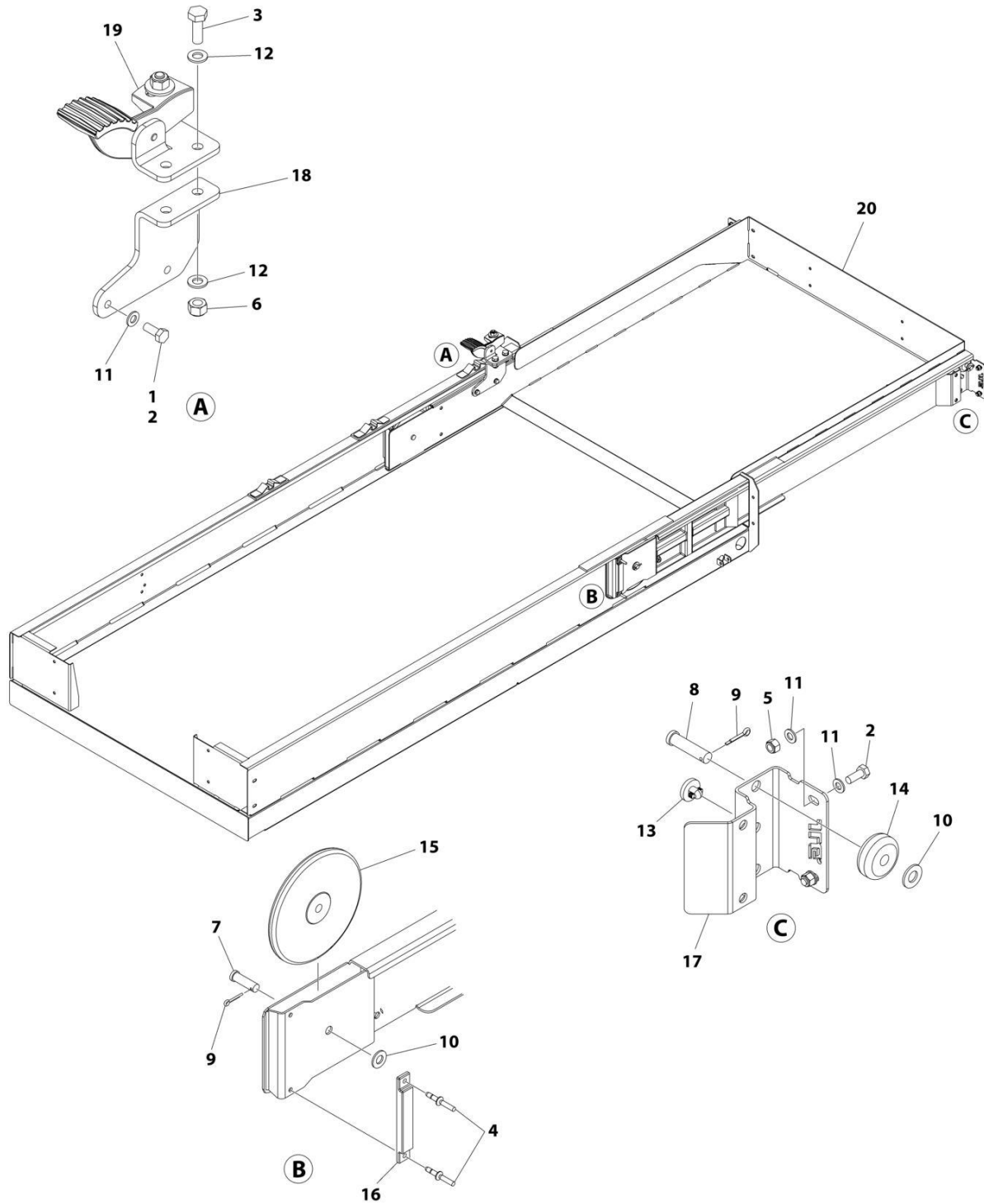
SECTION 4 - PLATFORM

FIGURE 4-6. PLATFORM EXTENSION INSTALLATION (CHINA SPECS) (Prior to SN B200071904)

ITEM	PART NUMBER	QTY	DESCRIPTION	REV
	1001234381	Ref	PLATFORM EXTENSION INSTALLATION	C
1	0100011	AR	Compound, Locking	
2	0760810	6	Bolt M8 x 20	
3	0761014	2	Bolt M10 x 30	
4	2080040	4	Fastener	
5	3290805	4	Nut M8	
6	3291005	2	Nut M10	
7	3430813	2	Pin	
8	3430816	2	Pin	
9	3450403	4	Pin, Cotter	
10	4711800	4	Washer 1/2	
11	4811900	10	Washer M8	
12	4812000	4	Washer M10	
13	1001137675	2	Bumper	
14	1001205422	2	Roller (Front)	
15	1001205430	2	Roller (Rear)	
16	1001208852	2	Pad	
17	1001210064	2	Support	
18	1001213470	1	Extension, Platform	
19	1001213838	1	Latch Assembly	
20	1001234407	1	Bracket	

SECTION 4 - PLATFORM

FIGURE 4-7. PLATFORM EXTENSION INSTALLATION (CHINA SPECS) (SN B200071904 to Present)



ART_1001269288

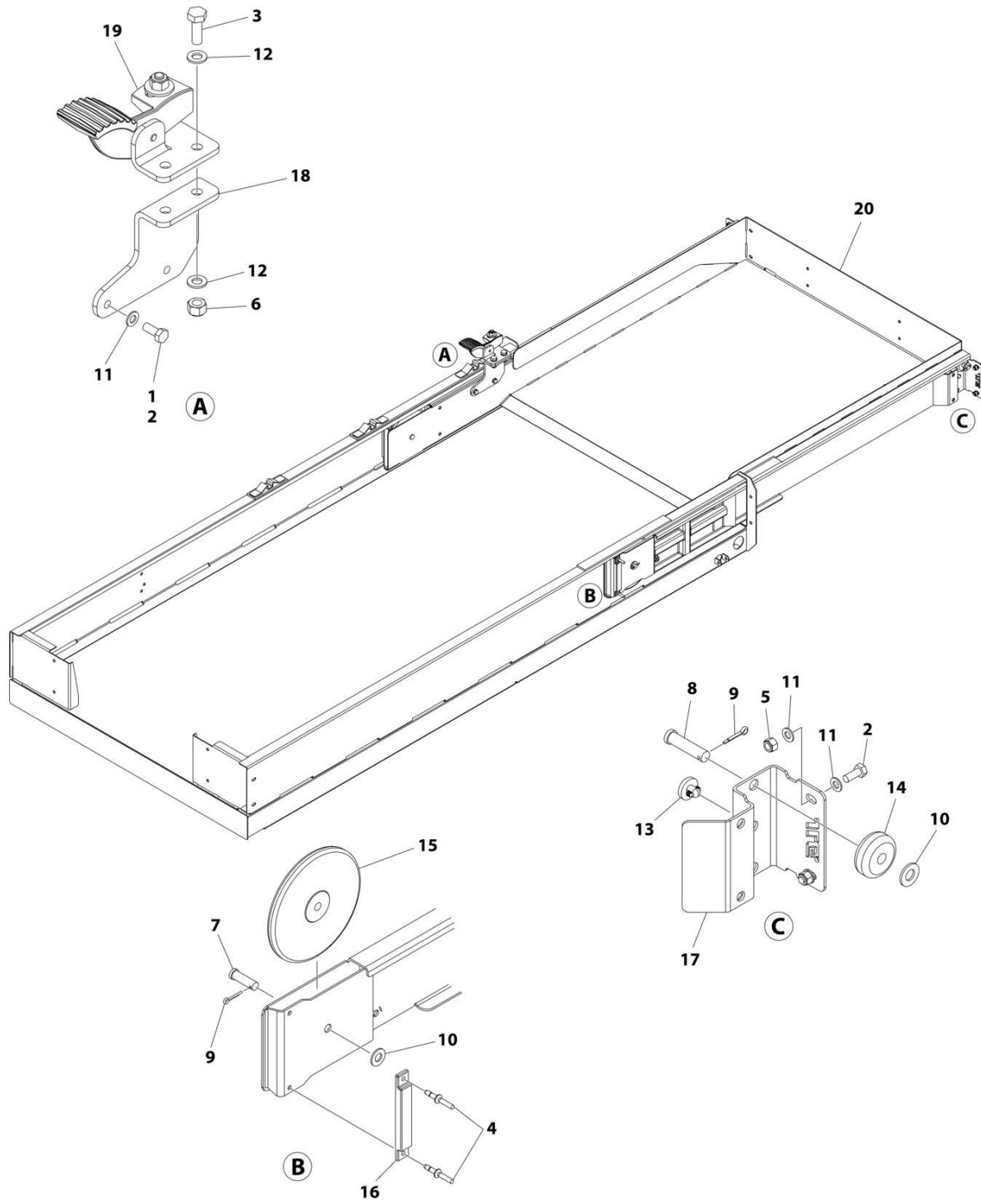
SECTION 4 - PLATFORM

FIGURE 4-7. PLATFORM EXTENSION INSTALLATION (CHINA SPECS) (SN B200071904 to Present)

ITEM	PART NUMBER	QTY	DESCRIPTION	REV
	1001269288	Ref	PLATFORM EXTENSION INSTALLATION	A
1	0100011	AR	Compound, Locking	
2	0760810	6	Bolt M8 x 20	
3	0761014	2	Bolt M10 x 30	
4	2080040	4	Fastener	
5	3290805	4	Nut M8	
6	3291005	2	Nut M10	
7	3430813	2	Pin	
8	3430816	2	Pin	
9	3450403	4	Pin, Cotter	
10	4711800	4	Washer 1/2	
11	4811900	10	Washer M8	
12	4812000	4	Washer M10	
13	1001137675	2	Bumper	
14	1001205422	2	Roller (Front)	
15	1001205430	2	Roller (Rear)	
16	1001208852	2	Pad	
17	1001210064	2	Support	
18	1001213838	1	Latch Assembly	
19	1001234407	1	Bracket	
20	1001269236	1	Extension, Platform	

SECTION 4 - PLATFORM

FIGURE 4-8. PLATFORM EXTENSION INSTALLATION (CHINA SPECS) (ALL MACHINES STARTING SN G2)



ART_1001269288

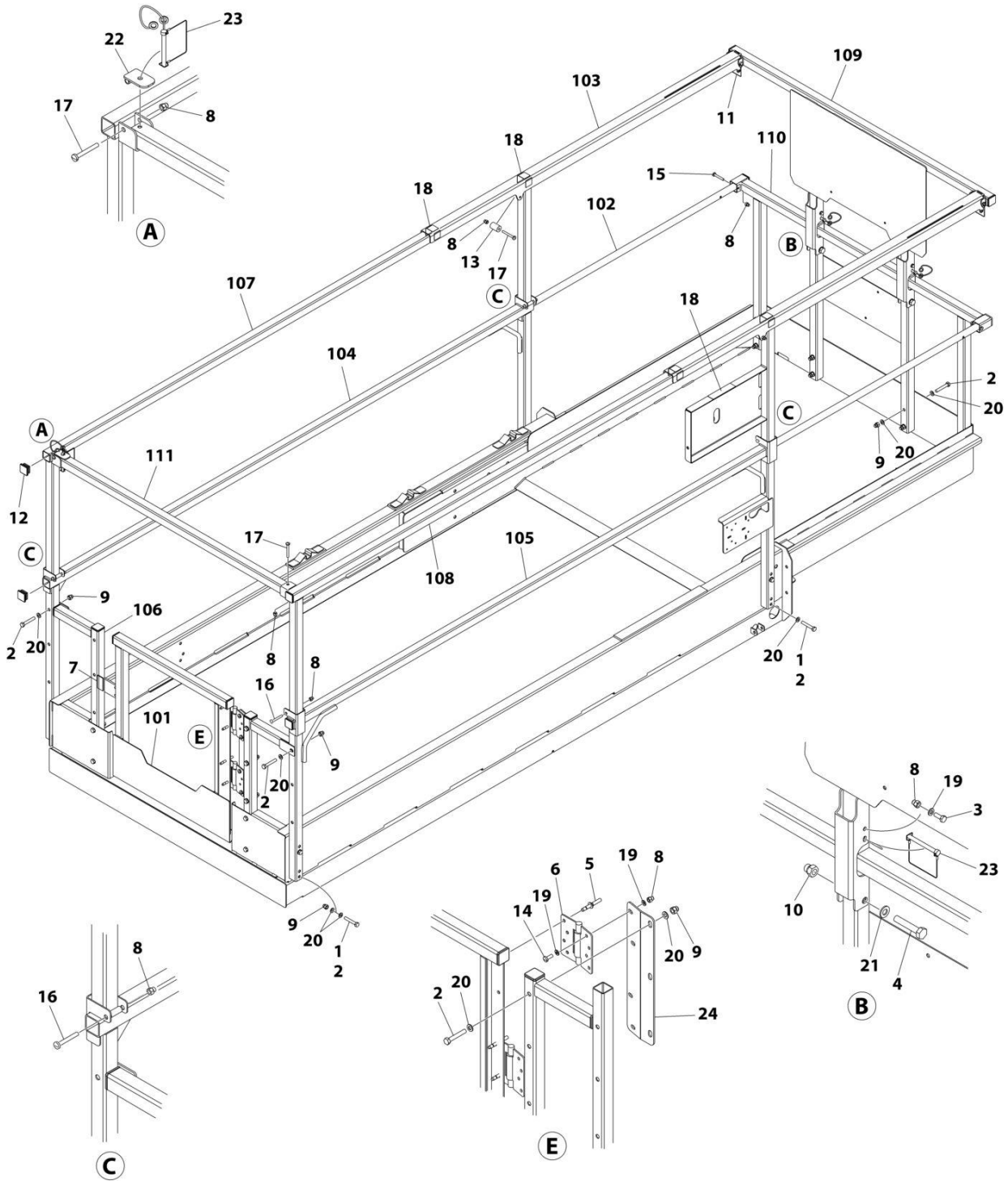
SECTION 4 - PLATFORM

FIGURE 4-8. PLATFORM EXTENSION INSTALLATION (CHINA SPECS) (ALL MACHINES STARTING SN G2)

ITEM	PART NUMBER	QTY	DESCRIPTION	REV
	1001269288	Ref	PLATFORM EXTENSION INSTALLATION	A
1	0100011	AR	Compound, Locking	
2	0760810	6	Bolt M8 x 20	
3	0761014	2	Bolt M10 x 30	
4	2080040	4	Fastener	
5	3290805	4	Nut M8	
6	3291005	2	Nut M10	
7	3430813	2	Pin	
8	3430816	2	Pin	
9	3450403	4	Pin, Cotter	
10	4711800	4	Washer 1/2	
11	4811900	10	Washer M8	
12	4812000	4	Washer M10	
13	1001137675	2	Bumper	
14	1001205422	2	Roller (Front)	
15	1001205430	2	Roller (Rear)	
16	1001208852	2	Pad	
17	1001210064	2	Support	
18	1001213838	1	Latch Assembly	
19	1001234407	1	Bracket	
20	1001269236	1	Extension, Platform	

SECTION 4 - PLATFORM

FIGURE 4-9. RAILS INSTALLATION (TUBE IN TUBE) (ALL SPECS)



ART_1001234382

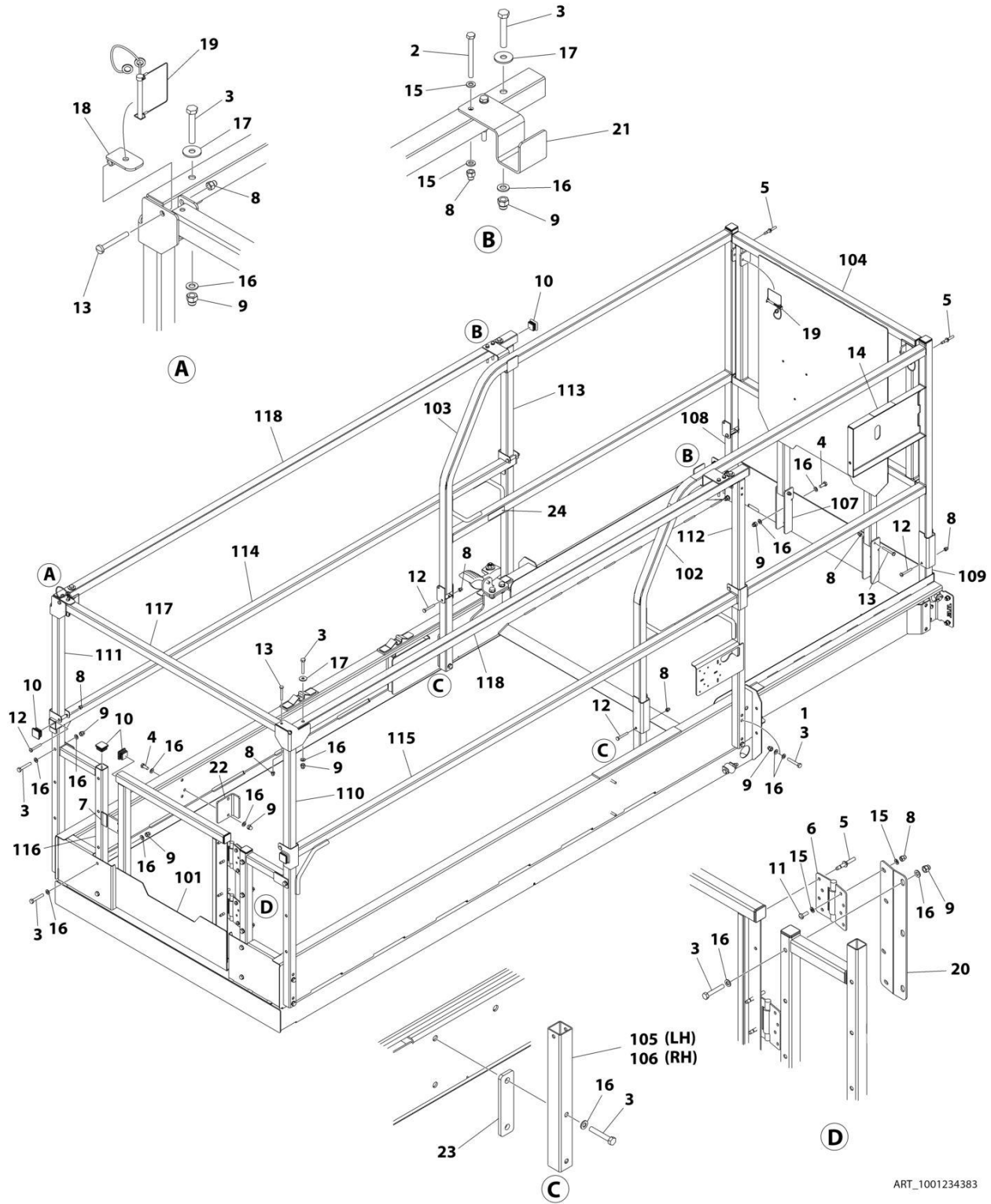
SECTION 4 - PLATFORM

FIGURE 4-9. RAILS INSTALLATION (TUBE IN TUBE) (ALL SPECS)

ITEM	PART NUMBER	QTY	DESCRIPTION	REV
	1001234382	Ref	RAILS INSTALLATION (TUBE IN TUBE)	D
1	0100011	AR	Compound, Locking	
2	0700818	25	Bolt M8 x 50	
3	0760608	2	Bolt M6 x 16	
4	0761019	2	Bolt M10 x 55	
5	2080040	4	Fastener	
6	2600281	2	Hinge	
7	3080007	1	Magnet, Gate	
8	3290606	16	Nut M6	
9	3290806	21	Nut M8	
10	3291006	2	Nut M10	
11	3422219	2	Pin, Snap	
12	3520072	14	Plug	
13	3860111	2	Roller	
14	4010608	4	Screw M6 x 16	
15	4010616	2	Screw M6 x 40	
16	4010617	4	Screw M6 x 45	
17	4010618	4	Screw M6 x 50	
18	4420062	16 in/ 40cm	Tape	
19	4811700	10	Washer M6	
20	4811900	50	Washer M8	
21	4812000	2	Washer M10	
22	1001154378	1	Bracket	
23	1001187587	3	Pin, Snap with Lanyard	
24	1001210586	1	Support	
100	1001235959	1	Rail Kit (Not Shown)	
101	1001210302	1	Gate	
102	1001213415	2	Rod, Extension MID	
103	1001213416	2	Rail, Extension Top	
104	1001234006	1	Rail, Side MID (LH)	
105	1001234007	1	Rail, Side MID (RH)	
106	1001234008	2	Rail, Rear	
107	1001234141	1	Rail, Side Top (LH)	
108	1001234142	1	Rail, Side Top (RH)	
109	1001234266	1	Rail, Extension Top Front	
110	1001234267	1	Rail, Extension MID Front	
111	1001234268	1	Tube, Rear Top	

SECTION 4 - PLATFORM

FIGURE 4-10. RAILS INSTALLATION (SIDE BY SIDE) (ALL SPECS EXCEPT CHINA)



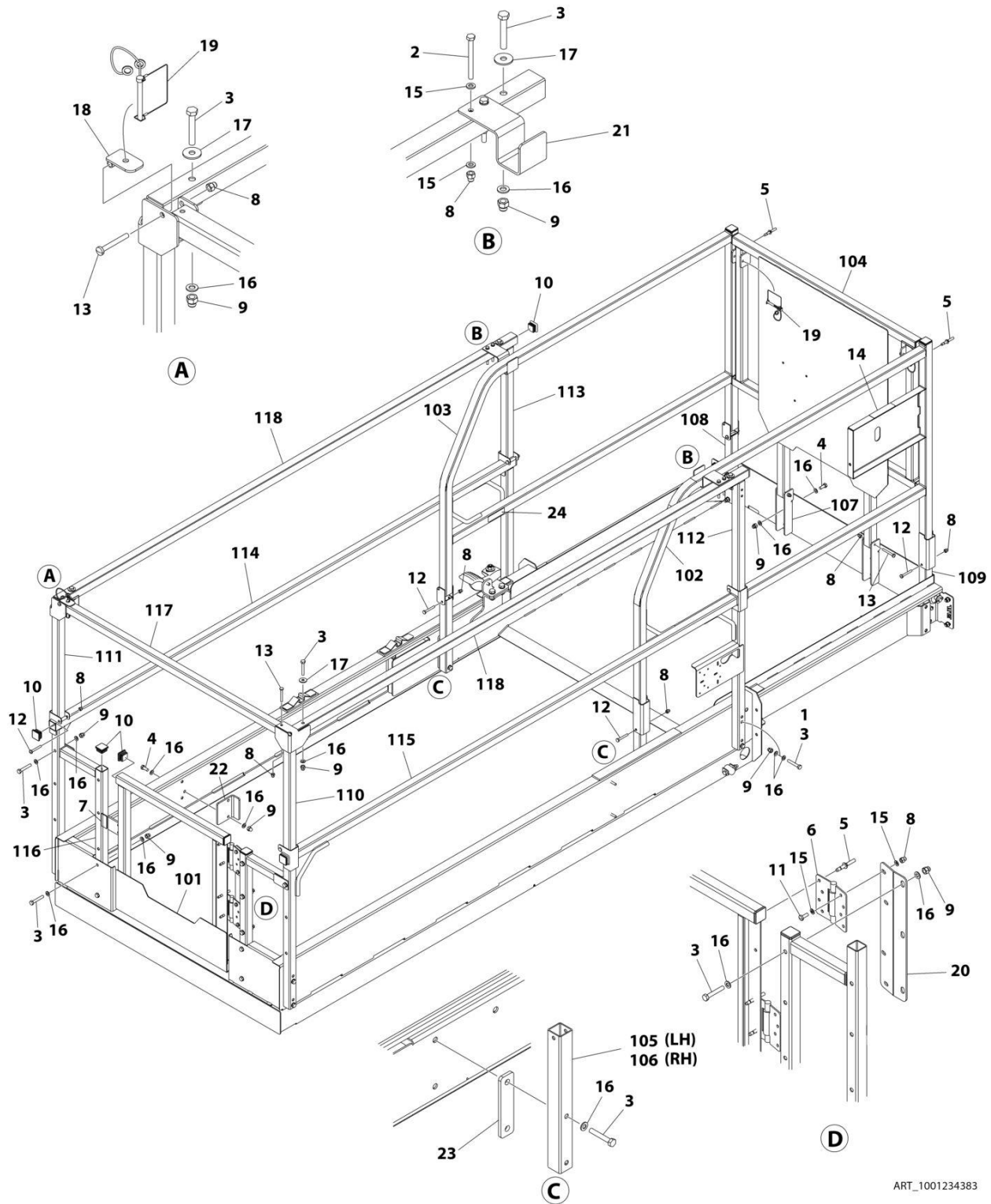
SECTION 4 - PLATFORM

FIGURE 4-10. RAILS INSTALLATION (SIDE BY SIDE) (ALL SPECS EXCEPT CHINA)

ITEM	PART NUMBER	QTY	DESCRIPTION	REV
	1001234383	Ref	RAILS INSTALLATION (SIDE BY SIDE)	G
1	0100011	AR	Compound, Locking	
2	0700621	AR	Bolt M6 x 65	
2	0700618	AR	Bolt M6 x 50	
3	0700818	29	Bolt M8 x 50	
4	0760810	6	Bolt M8 x 20	
5	2080040	6	Fastener	
6	2600281	2	Hinge	
7	3080007	1	Magnet, Gate	
8	3290606	20	Nut M6	
9	3290806	31	Nut M8	
10	3520072	18	Plug	
11	4010608	4	Screw M6 x 16	
12	4010617	8	Screw M6 x 45	
13	4010618	4	Screw M6 x 50	
14	4420062	4 in/ 10cm	Tape	
15	4811700	16	Washer M6	
16	4811900	66	Washer M8	
17	4811902	4	Washer M8	
18	1001154378	1	Bracket	
19	1001187587	3	Pin, Snap with Lanyard	
20	1001210586	1	Support	
21	1001237911	2	Bracket	
22	1001232622	1	Bracket	
23	1001235287	2	Plate	
24	1704277	2	Decal - Lanyard Attach Graphic	
100	1001235960	1	Rail Kit (Not Shown)	
101	1001210302	1	Gate	
102	1001213915	1	Rail, Extension Side (RH)	
103	1001213916	1	Rail, Extension Side (LH)	
104	1001213931	1	Rail, Extension Front	
105	1001222861	1	Tube Rail (Lower LH)	
106	1001222869	1	Tube Rail (Lower RH)	
107	1001223053	2	Bracket	
108	1001223165	1	Tube, Extension (Lower LH)	
109	1001223166	1	Tube, Extension (Lower RH)	
110	1001229739	1	Rail Rear (Upper RH)	
111	1001229740	1	Rail Rear (Upper LH)	
112	1001229741	1	Rail Front (Upper RH)	
113	1001229742	1	Rail Front (Upper LH)	
114	1001234006	1	Rail Rear (Lower LH)	
115	1001234007	1	Rail Rear (Lower RH)	
116	1001234008	2	Rail, Gate Mount	
117	1001234268	1	Tube, Rear Top	
118	1001235286	2	Rail, Side Top	

SECTION 4 - PLATFORM

FIGURE 4-11. RAILS INSTALLATION (SIDE BY SIDE) (CHINA SPECS) (Prior to SN B200071904)



ART_1001234383

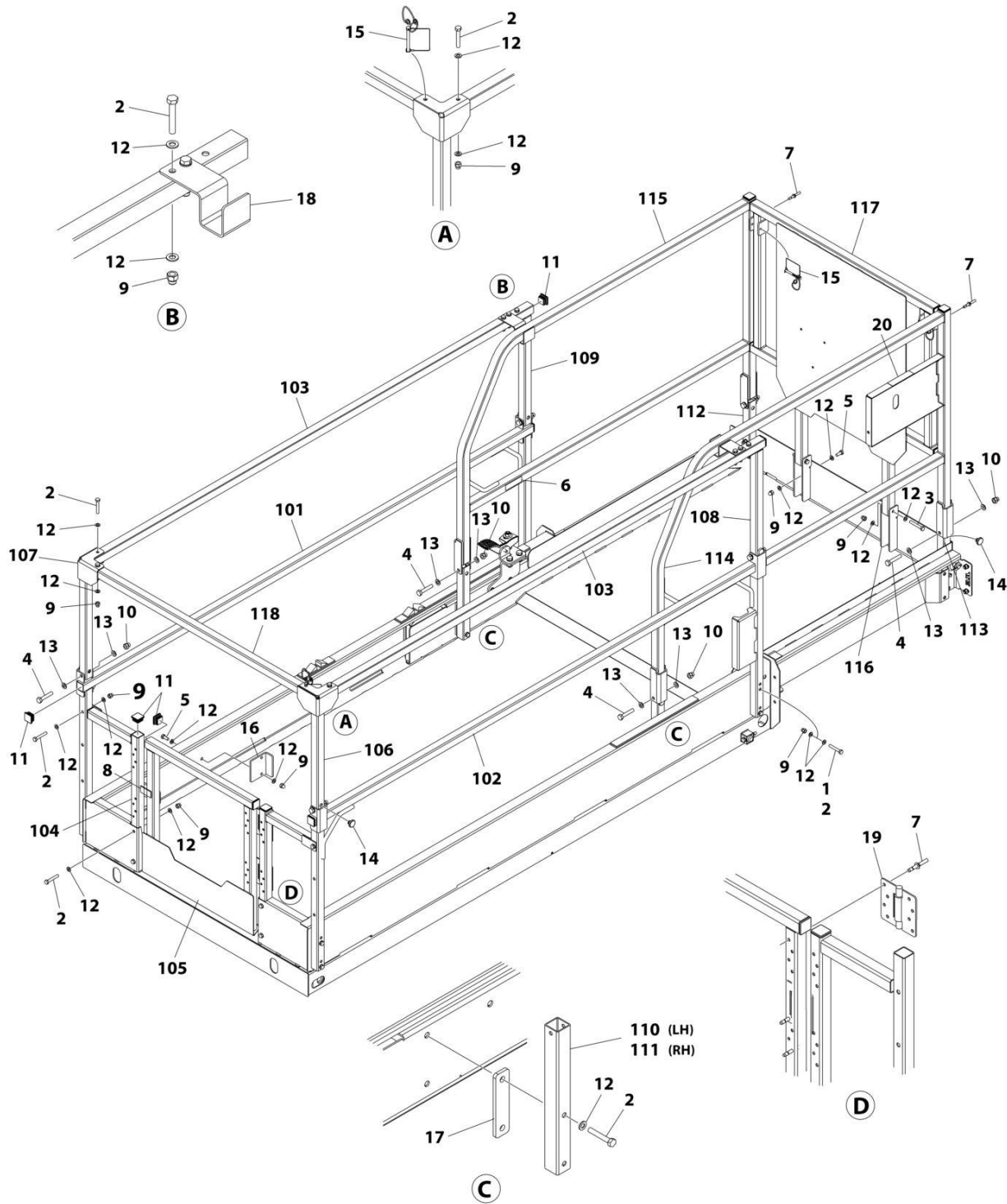
SECTION 4 - PLATFORM

FIGURE 4-11. RAILS INSTALLATION (SIDE BY SIDE) (CHINA SPECS) (Prior to SN B200071904)

ITEM	PART NUMBER	QTY	DESCRIPTION	REV
	1001234383	Ref	RAILS INSTALLATION (SIDE BY SIDE)	G
1	0100011	AR	Compound, Locking	
2	0700621	AR	Bolt M6 x 65	
2	0700618	AR	Bolt M6 x 50	
3	0700818	29	Bolt M8 x 50	
4	0760810	6	Bolt M8 x 20	
5	2080040	6	Fastener	
6	2600281	2	Hinge	
7	3080007	1	Magnet, Gate	
8	3290606	20	Nut M6	
9	3290806	31	Nut M8	
10	3520072	18	Plug	
11	4010608	4	Screw M6 x 16	
12	4010617	8	Screw M6 x 45	
13	4010618	4	Screw M6 x 50	
14	4420062	4 in/ 10cm	Tape	
15	4811700	16	Washer M6	
16	4811900	66	Washer M8	
17	4811902	4	Washer M8	
18	1001154378	1	Bracket	
19	1001187587	3	Pin, Snap with Lanyard	
20	1001210586	1	Support	
21	1001237911	2	Bracket	
22	1001232622	1	Bracket	
23	1001235287	2	Plate	
24	1704277	2	Decal - Lanyard Attach Graphic	
100	1001235960	1	Rail Kit (Not Shown)	
101	1001210302	1	Gate	
102	1001213915	1	Rail, Extension Side (RH)	
103	1001213916	1	Rail, Extension Side (LH)	
104	1001213931	1	Rail, Extension Front	
105	1001222861	1	Tube Rail (Lower LH)	
106	1001222869	1	Tube Rail (Lower RH)	
107	1001223053	2	Bracket	
108	1001223165	1	Tube, Extension (Lower LH)	
109	1001223166	1	Tube, Extension (Lower RH)	
110	1001229739	1	Rail Rear (Upper RH)	
111	1001229740	1	Rail Rear (Upper LH)	
112	1001229741	1	Rail Front (Upper RH)	
113	1001229742	1	Rail Front (Upper LH)	
114	1001234006	1	Rail Rear (Lower LH)	
115	1001234007	1	Rail Rear (Lower RH)	
116	1001234008	2	Rail, Gate Mount	
117	1001234268	1	Tube, Rear Top	
118	1001235286	2	Rail, Side Top	

SECTION 4 - PLATFORM

FIGURE 4-12. RAILS INSTALLATION (SIDE BY SIDE) (CHINA SPECS) (SN B200071904 to Present)



ART_1001269287

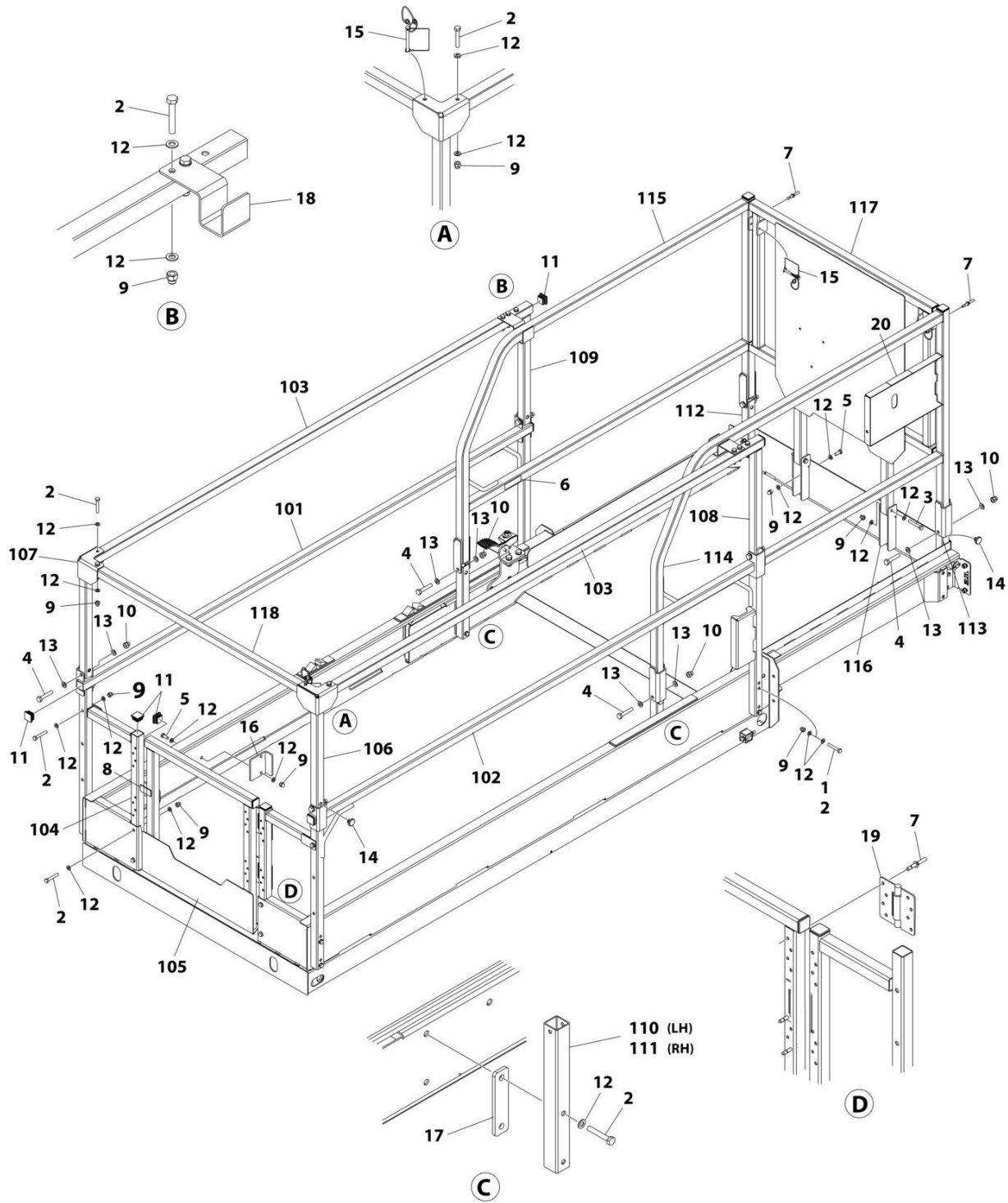
SECTION 4 - PLATFORM

FIGURE 4-12. RAILS INSTALLATION (SIDE BY SIDE) (CHINA SPECS) (SN B200071904 to Present)

ITEM	PART NUMBER	QTY	DESCRIPTION	REV
	1001269287	Ref	RAILS INSTALLATION (SIDE BY SIDE)	A
1	0100011	AR	Compound, Locking	
2	0700818	31	Bolt M8 x 50	
3	0700819	2	Bolt M8 x 55	
4	0701019	8	Bolt M10 x 55	
5	0760810	6	Bolt M8 x 20	
6	1704277	2	Decal - Lanyard Attached Graphic	
7	2080040	18	Fastener	
8	3080007	1	Magnet, Gate	
9	3290806	35	Nut M8	
10	3291006	8	Nut M10	
11	3520072	18	Plug	
12	4811900	78	Washer M8	
13	4812000	16	Washer M10	
14	1001137675	8	Bumper	
15	1001187587	3	Pin, Snap With Lanyard	
16	1001232622	1	Bracket	
17	1001235287	2	Plate	
18	1001269701	2	Bracket	
19	2600281	2	Hinge	
20	4420062	4 in\10cm	Tape	
100	1001270276	1	Rail Kit (Not Shown)	
101	1001269291	1	Rail Rear (Lower LH)	
102	1001269292	1	Rail Rear (Lower RH)	
103	1001269293	2	Rail, Side Top	
104	1001269477	2	Rail, Gate Mount	
105	1001269496	1	Gate	
106	1001269585	1	Rail Rear (Upper RH)	
107	1001269586	1	Rail Rear (Upper LH)	
108	1001269587	1	Rail Front (Upper RH)	
109	1001269588	1	Rail Front (Upper LH)	
110	1001269590	1	Tube Rail (Lower LH)	
111	1001269591	1	Tube Rail (Lower RH)	
112	1001269592	1	Tube Extension (Lower LH)	
113	1001269593	1	Tube Extension (Lower RH)	
114	1001269594	1	Rail, Extension Side (RH)	
115	1001269595	1	Rail, Extension Side (LH)	
116	1001269598	2	Bracket	
117	1001269600	1	Rail, Extension Front	
118	1001269656	1	Tube, Rear Top	

SECTION 4 - PLATFORM

FIGURE 4-13. RAILS INSTALLATION (SIDE BY SIDE) (CHINA SPECS) (ALL MACHINES STARTING SN G2)



ART_1001269287

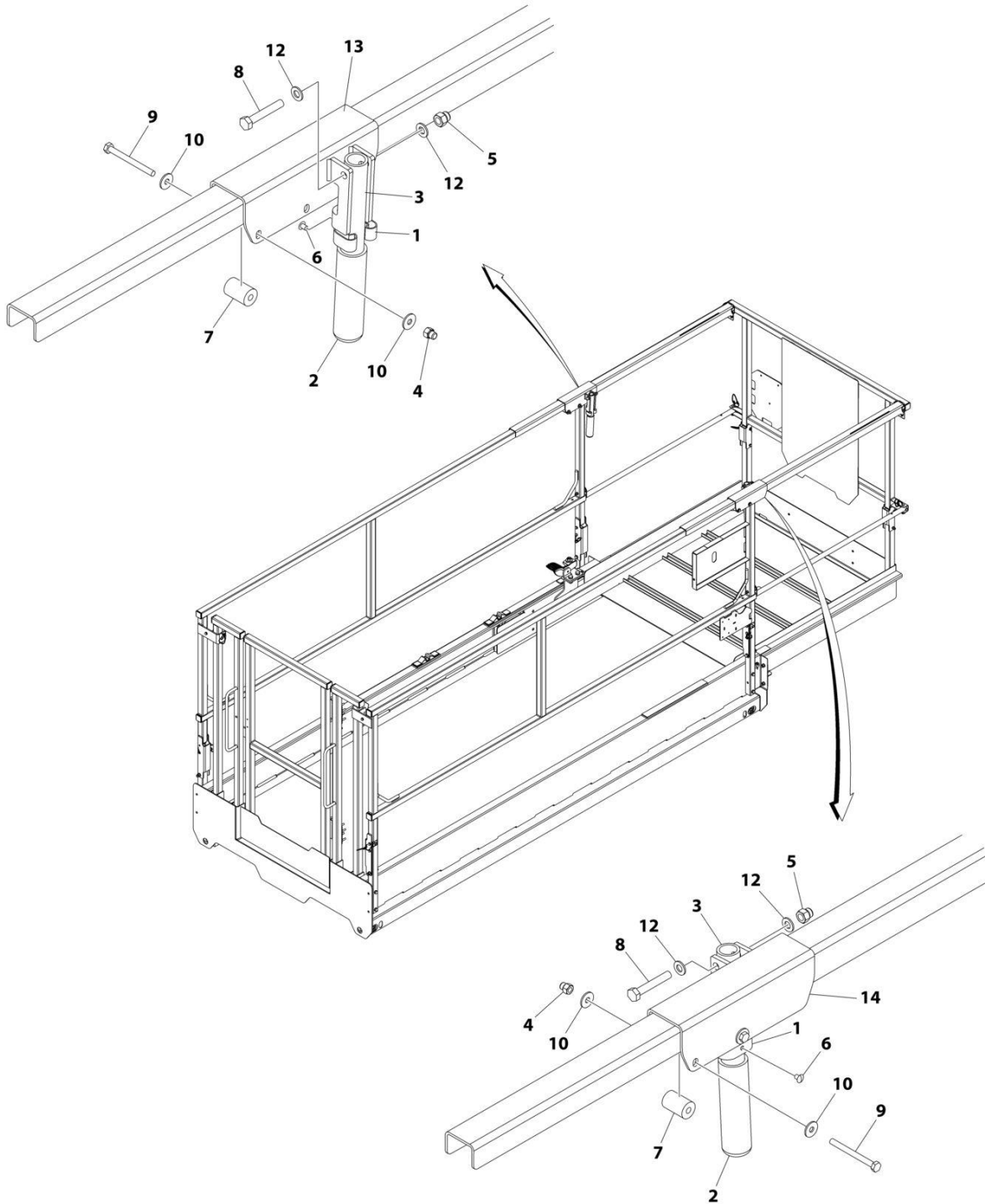
SECTION 4 - PLATFORM

FIGURE 4-13. RAILS INSTALLATION (SIDE BY SIDE) (CHINA SPECS) (ALL MACHINES STARTING SN G2)

ITEM	PART NUMBER	QTY	DESCRIPTION	REV
	1001269287	Ref	RAILS INSTALLATION (SIDE BY SIDE)	A
1	0100011	AR	Compound, Locking	
2	0700818	31	Bolt M8 x 50	
3	0700819	2	Bolt M8 x 55	
4	0701019	8	Bolt M10 x 55	
5	0760810	6	Bolt M8 x 20	
6	1704277	2	Decal - Lanyard Attached Graphic	
7	2080040	18	Fastener	
8	3080007	1	Magnet, Gate	
9	3290806	35	Nut M8	
10	3291006	8	Nut M10	
11	3520072	18	Plug	
12	4811900	78	Washer M8	
13	4812000	16	Washer M10	
14	1001137675	8	Bumper	
15	1001187587	3	Pin, Snap With Lanyard	
16	1001232622	1	Bracket	
17	1001235287	2	Plate	
18	1001269701	2	Bracket	
19	2600281	2	Hinge	
20	4420062	4 in\10cm	Tape	
100	1001270276	1	Rail Kit (Not Shown)	
101	1001269291	1	Rail Rear (Lower LH)	
102	1001269292	1	Rail Rear (Lower RH)	
103	1001269293	2	Rail, Side Top	
104	1001269477	2	Rail, Gate Mount	
105	1001269496	1	Gate	
106	1001269585	1	Rail Rear (Upper RH)	
107	1001269586	1	Rail Rear (Upper LH)	
108	1001269587	1	Rail Front (Upper RH)	
109	1001269588	1	Rail Front (Upper LH)	
110	1001269590	1	Tube Rail (Lower LH)	
111	1001269591	1	Tube Rail (Lower RH)	
112	1001269592	1	Tube Extension (Lower LH)	
113	1001269593	1	Tube Extension (Lower RH)	
114	1001269594	1	Rail, Extension Side (RH)	
115	1001269595	1	Rail, Extension Side (LH)	
116	1001269598	2	Bracket	
117	1001269600	1	Rail, Extension Front	
118	1001269656	1	Tube, Rear Top	

SECTION 4 - PLATFORM

FIGURE 4-14. EXTENSION HANDLES INSTALLATION (OPTIONAL)



ART_1001215446_E

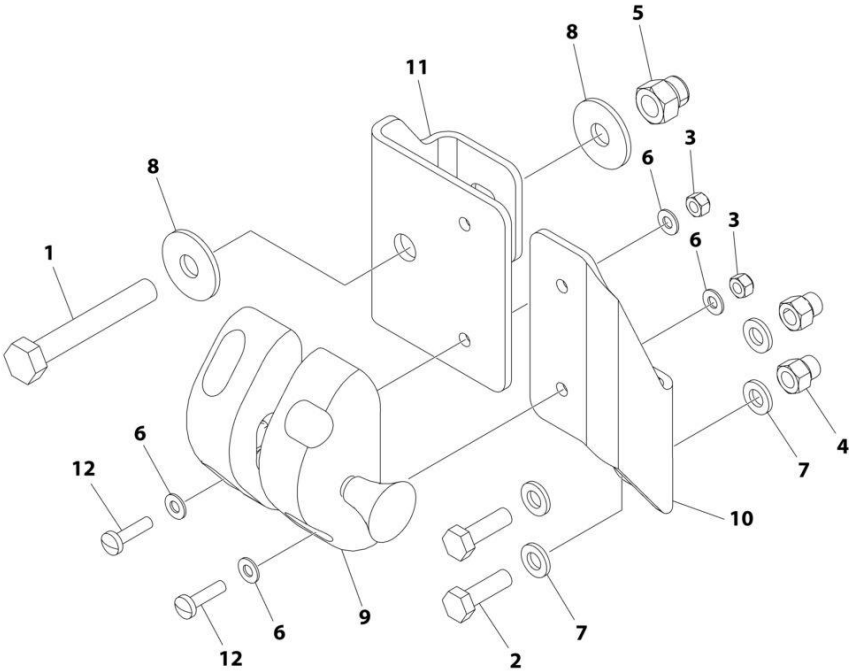
SECTION 4 - PLATFORM

FIGURE 4-14. EXTENSION HANDLES INSTALLATION (OPTIONAL)

ITEM	PART NUMBER	QTY	DESCRIPTION	REV
	1001215446	Ref	EXTENSION HANDLES INSTALLATION (OPTIONAL)	E
1	1380132	2	Clip	
2	2560088	2	Grip	
3	2560190	2	Handle	
4	3290606	2	Nut M6	
5	3290806	2	Nut M8	
6	3820019	2	Rivet	
7	3860111	2	Roller	
8	0700818	AR	Bolt M8 x 50	
9	0700621	AR	Bolt M6 x 65	
10	4811702	AR	Washer M6	
12	4811900	AR	Washer M8	
13	1001235560	1	Bracket (LH)	
14	1001235561	1	Bracket (RH)	

SECTION 4 - PLATFORM

FIGURE 4-15. GATE LATCH INSTALLATION - OPTIONAL



ART_1001220995

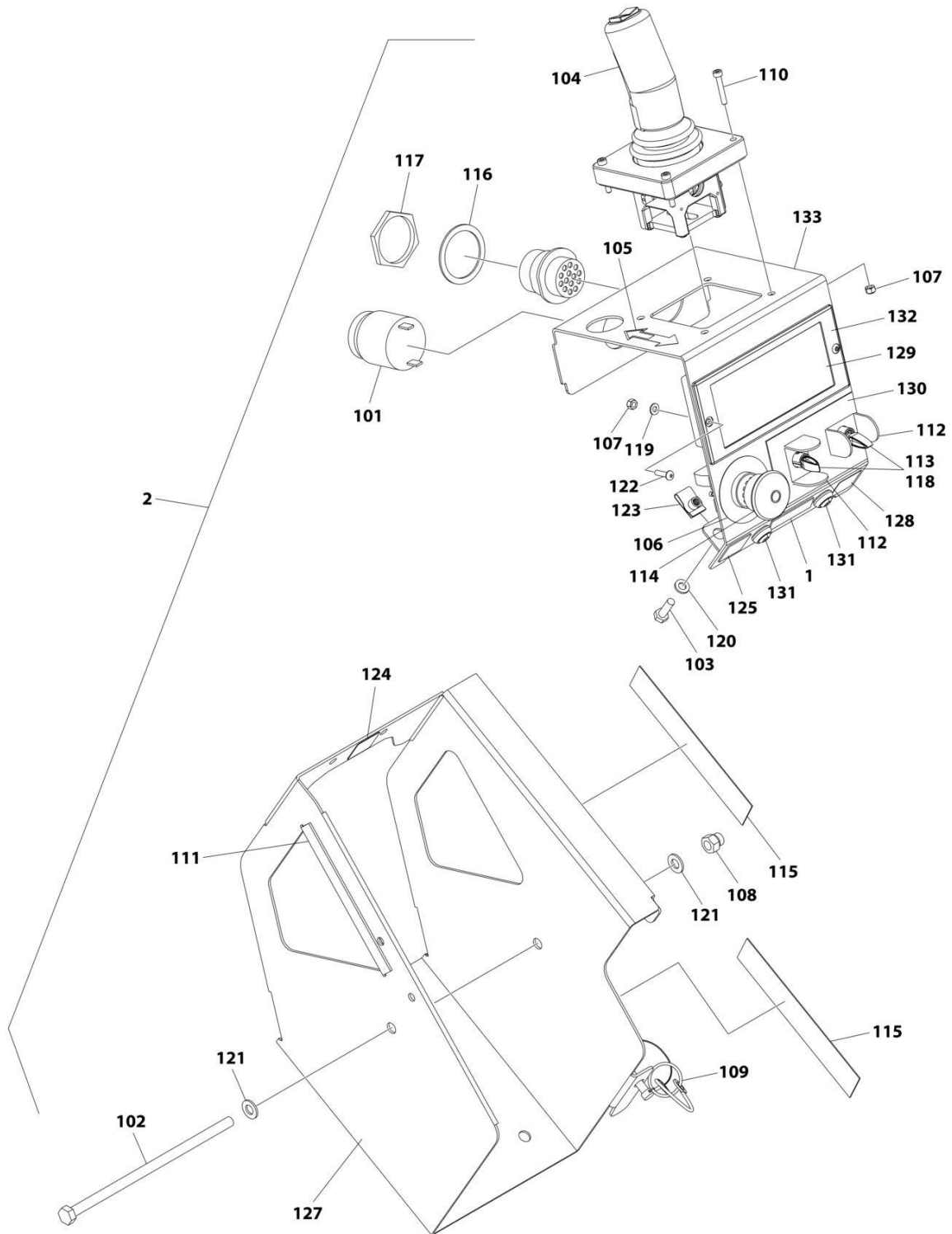
SECTION 4 - PLATFORM

FIGURE 4-15. GATE LATCH INSTALLATION - OPTIONAL

ITEM	PART NUMBER	QTY	DESCRIPTION	REV
	1001220995	Ref	GATE LATCH INSTALLATION	B
1	0700819	1	Bolt M8 x 55	
2	0760610	2	Bolt M6 x 20	
3	3290405	4	Nut M4	
4	3290606	2	Nut M6	
5	3290806	1	Nut M8	
6	4811400	8	Washer M4	
7	4811700	4	Washer M6	
8	4811902	2	Washer M8	
9	1001134821	1	Latch	
10	1001220409	1	Mount	
11	1001220410	1	Plate	
12	4010408	4	Screw M4 x 16	

SECTION 4 - PLATFORM

FIGURE 4-16. PLATFORM CONSOLE INSTALLATION



ART_1001258752

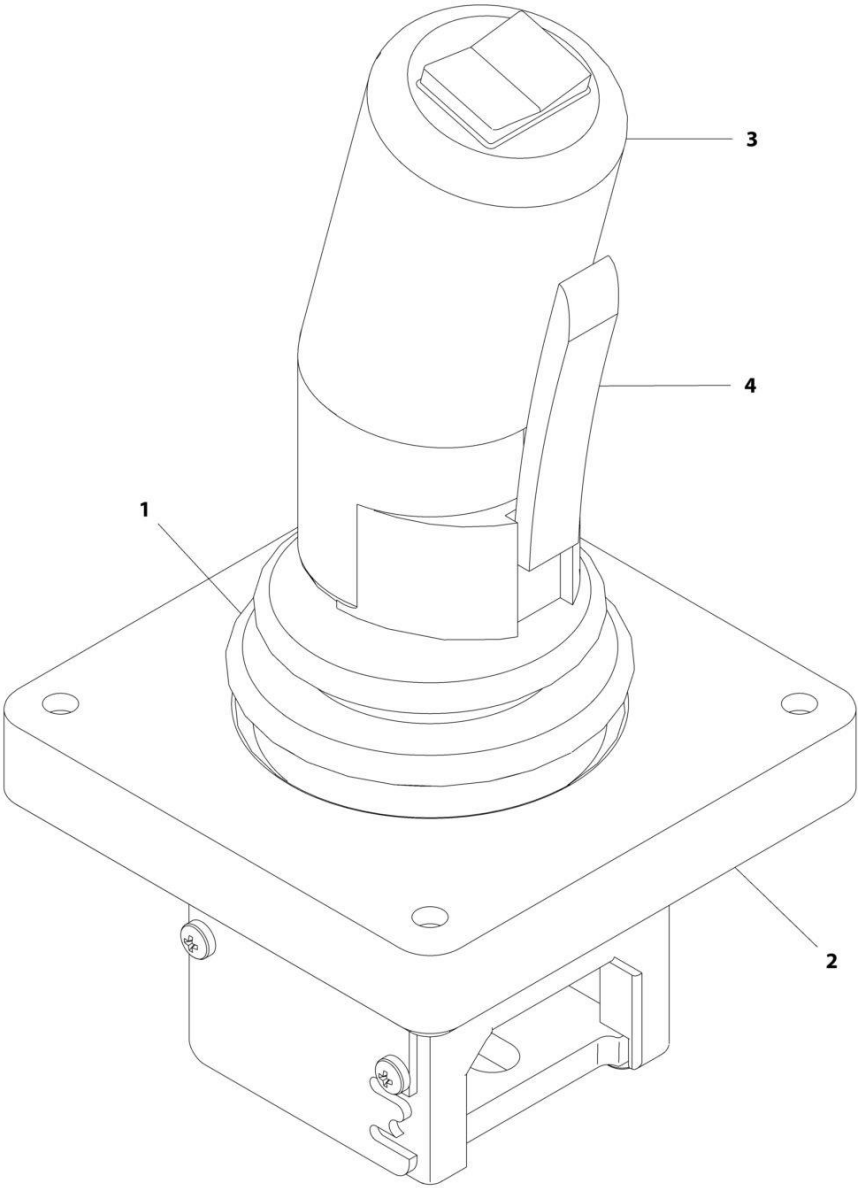
SECTION 4 - PLATFORM

FIGURE 4-16. PLATFORM CONSOLE INSTALLATION

ITEM	PART NUMBER	QTY	DESCRIPTION	REV
	1001258752	Ref	PLATFORM CONSOLE INSTALLATION	C
1	1001258867	1	Decal - ES1932/ES2632/ES3246	
2	1001262656	1	Platform Console Assembly	B
101	0140030	1	Alarm	
102	0700835	1	Bolt M8 x 180	
103	0760610	2	Bolt M6 x 20	
104	1600402	1	Controller Assembly (See Separate Breakdown in this Section)	
105	1703819	1	Decal - Arrow	
106	1704260	1	Decal - Emergency Stop	
107	3290405	6	Nut M4	
108	3290806	1	Nut M8	
109	3423278	1	Pin, Snap with Lanyard	
110	4031509	4	Capscrew M4 x 25	
111	4060803	6 in /14cm	Flex-Trim	
112	4060906	2	Guard, Switch	
113	4360345	2	Switch, Toggle	
114	4360475	1	Switch, Emergency Stop	
114	7020175	1	Cap	
114	7020176	1	Block, Contact	
115	4420062	12 in/ 30cm	Tape	
116	4460496	1	Washer, Terminal	
117	4460497	1	Nut, Terminal	
118	4711700	2	Washer 7/16	
119	4811400	2	Washer M4	
120	4811700	2	Washer M6	
121	4811900	2	Washer M8	
122	1001047064	2	Screw (Socket Head)	
123	1001130220	2	Nut, Tinnerman M6	
124	1001132358	1	Decal - Steer	
125	1001132361	1	Decal - Horn	
126	1001200819	1	Platform Control Box Harness (Not Shown - See Separate Breakdown in ELECTRICAL Section)	
127	1001209596	1	Plate, Box (Outside)	
128	1001213886	1	Decal - Indoor/Outdoor	
129	1001218285	1	Decal - Platform Control	
130	1001220893	1	Decal - Lift/Drive Function	
131	1001226749	2	Switch - Push Button	
132	1001228112	1	Module, Platform Control	
133	1001262655	1	Plate, Box (Inside)	

SECTION 4 - PLATFORM

FIGURE 4-17. DRIVE/STEER CONTROLLER ASSEMBLY



ART_1600402

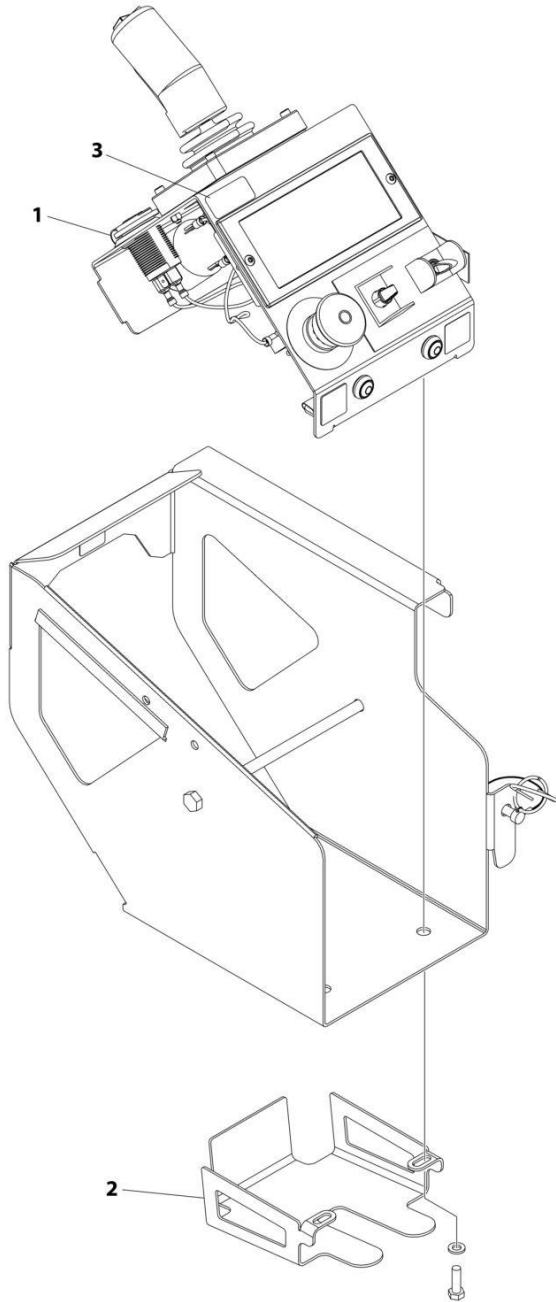
SECTION 4 - PLATFORM

FIGURE 4-17. DRIVE/STEER CONTROLLER ASSEMBLY

ITEM	PART NUMBER	QTY	DESCRIPTION	REV
	1600402	Ref	DRIVE/STEER CONTROLLER ASSEMBLY	A
1	70001250	1	Boot, Panel	
2	70001252	1	Gasket, Mounting	
2	70001251	1	Bezel, Mounting	
3	70003650	1	Handle Repair Kit (Includes handle gasket, item#4 push button and item #4 lever installed in front handle half, back handle half, top actuator, boot and hardware.)	
3	70000084	1	Cap, Rubber	
3	70000082	1	Microswitch	
3	7027766	1	Ring, Retaining	
3	7027365	1	Actuator, Handle	
3	70001253	1	Gasket, Handle	
3	70000683	4	Washer, Neoprene	
3	70000685	2	Spacer, Plastic	
3	70000686	2	Screw (Top)	
3	70000684	2	Screw (Bottom)	
4	7027367	1	Switch, Push Button	
4	7027765	1	Lever, Enable	

SECTION 4 - PLATFORM

FIGURE 4-18. USB/PHONE CRADLE INSTALLATION



ART_1001262150

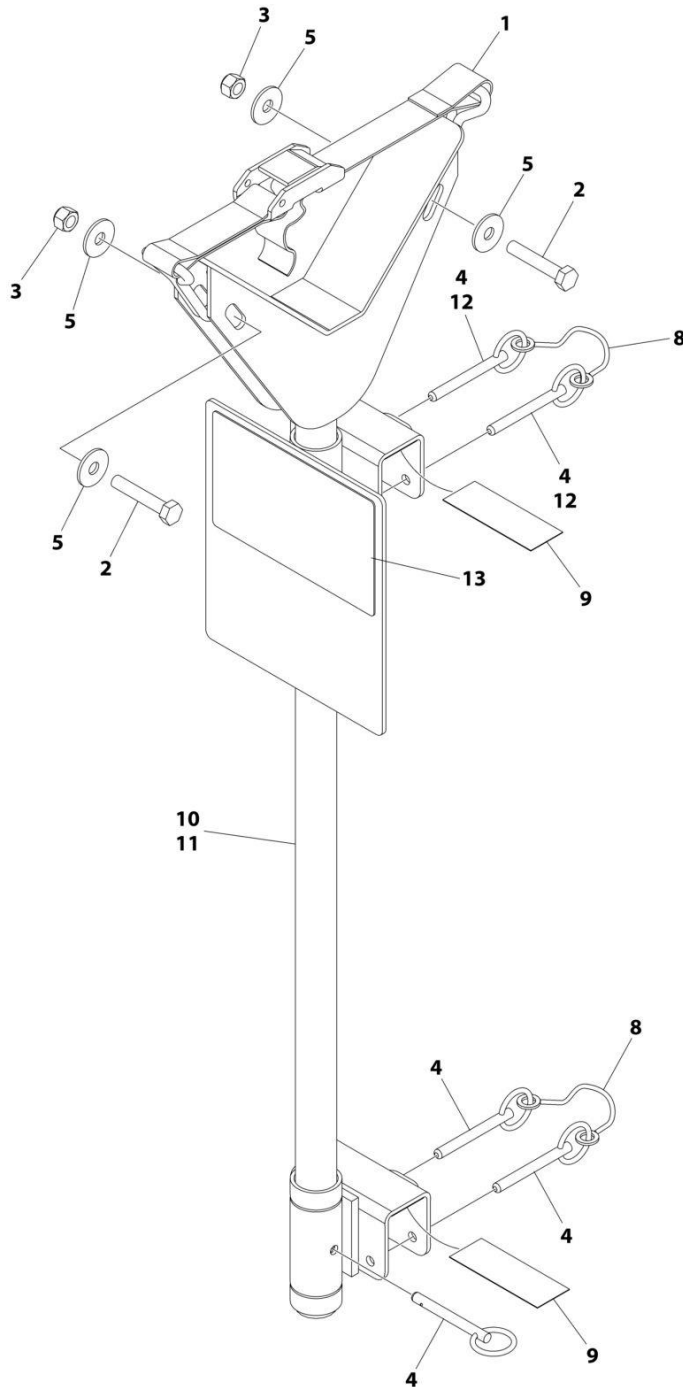
SECTION 4 - PLATFORM

FIGURE 4-18. USB/PHONE CRADLE INSTALLATION

ITEM	PART NUMBER	QTY	DESCRIPTION	REV
	1001262150	Ref	USB/PHONE CRADLE INSTALLATION	B
1	1001253800	1	Terminal, USB Receptacle	
2	1001261131	1	Bracket, Phone	
3	1001274168	1	Decal, USB Charge	

SECTION 4 - PLATFORM

FIGURE 4-19. PIPE RACKS INSTALLATION (TUBE IN TUBE RAILS) (OPTIONAL)



ART_1001214229_B

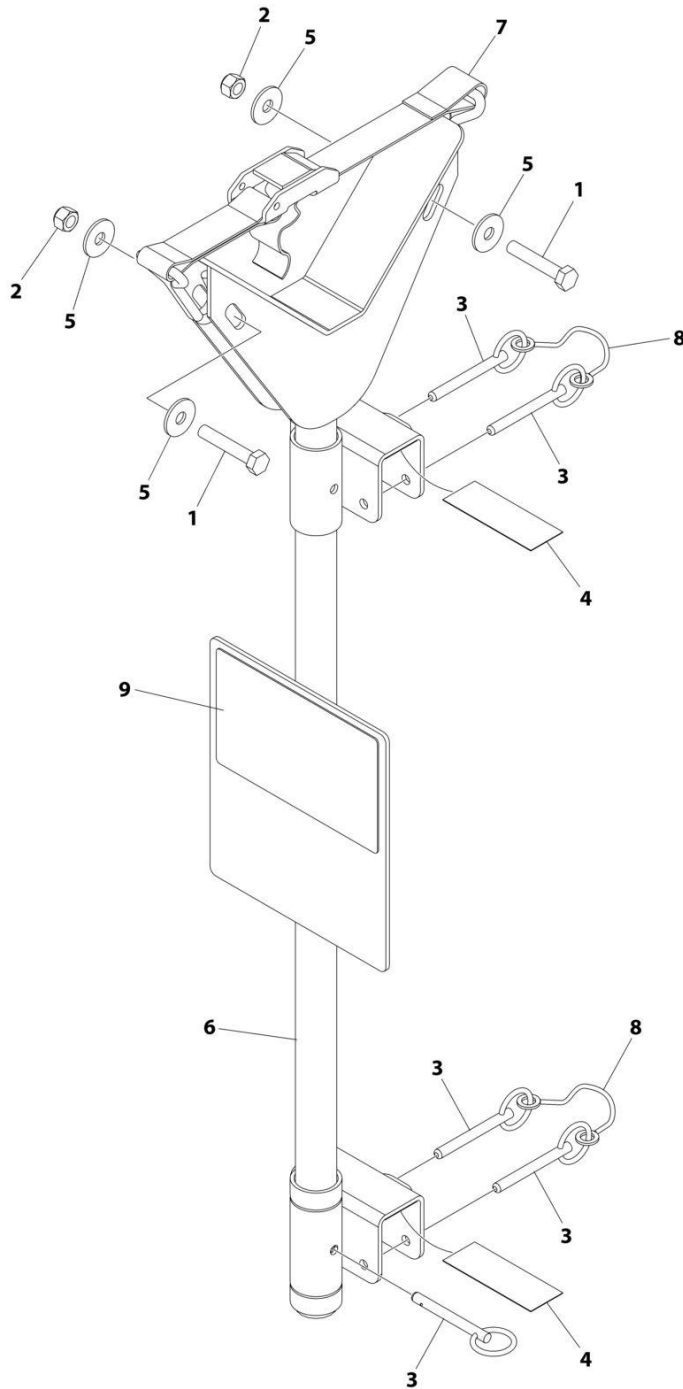
SECTION 4 - PLATFORM

FIGURE 4-19. PIPE RACKS INSTALLATION (TUBE IN TUBE RAILS) (OPTIONAL)

ITEM	PART NUMBER	QTY	DESCRIPTION	REV
	1001214229	Ref	PIPE RACKS INSTALLATION (SIDE BY SIDE RAILS) (OPTIONAL)	B
1	0480100	2	Strap	
2	0700817	4	Bolt M8 x 45	
3	3290805	4	Nut M8	
4	3422661	AR	Pin	
5	4811902	8	Washer M6	
8	1060379	4	Lanyard	
9	4420062	AR	Tape	
10	1001235498	1	Rack, Tube (Rear)	
11	1001235509	1	Rack, Tube (Front)	
12	1001235941	2	Pin	
13	1001236621	2	Decal - Pipe Rack Capacity	

SECTION 4 - PLATFORM

FIGURE 4-20. PIPE RACKS INSTALLATION (SIDE BY SIDE RAILS) (OPTIONAL)



ART_1001235849

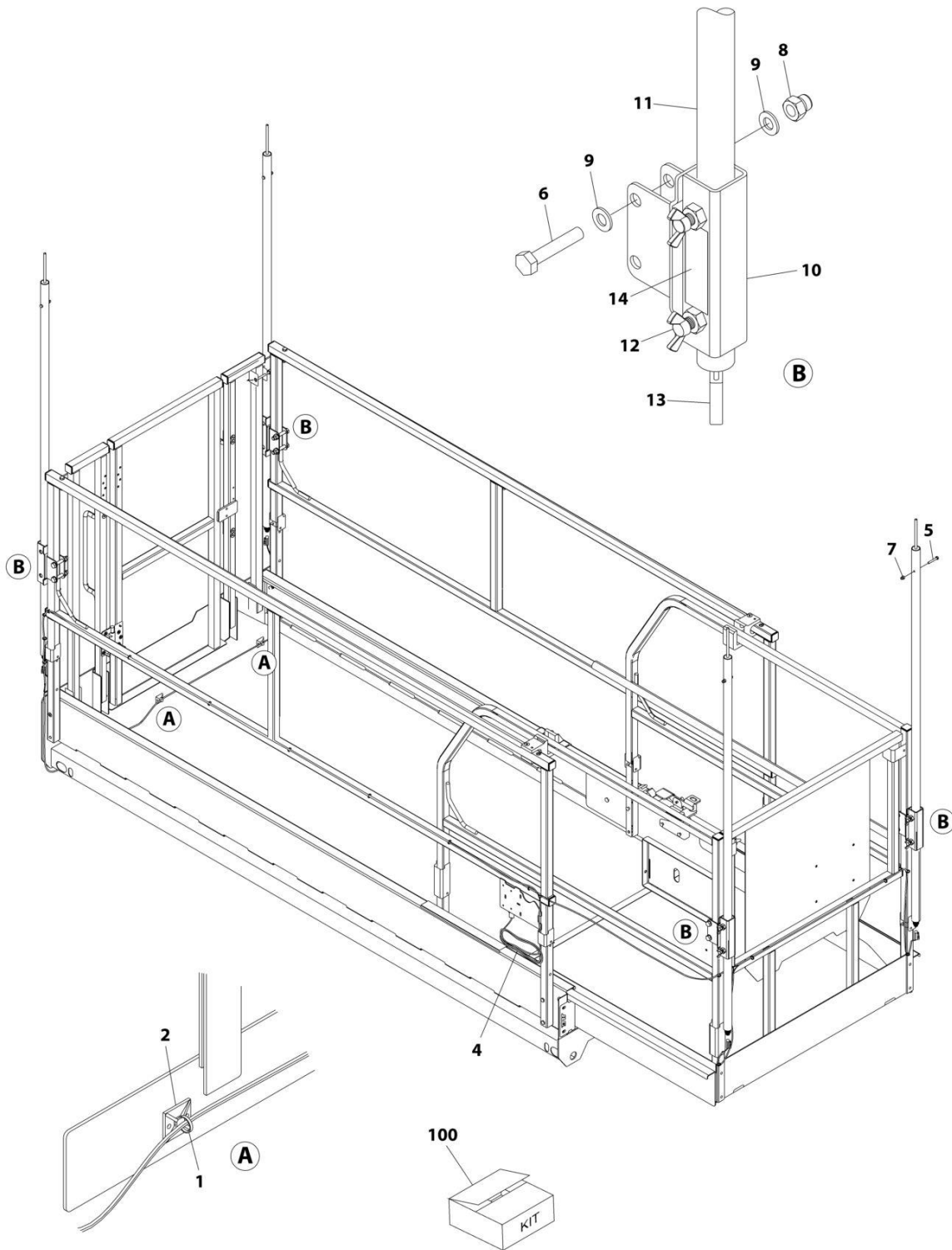
SECTION 4 - PLATFORM

FIGURE 4-20. PIPE RACKS INSTALLATION (SIDE BY SIDE RAILS) (OPTIONAL)

ITEM	PART NUMBER	QTY	DESCRIPTION	REV
	1001235849	Ref	PIPE RACKS INSTALLATION (OPTIONAL)	A
1	0700817	4	Bolt M8 x 45	
2	3290805	4	Nut M8	
3	3422661	10	Pin	
4	4420062	AR	Tape	
5	4811902	8	Washer M6	
6	1001235498	2	Rack, Tube	
7	0480100	2	Strap	
8	1060379	4	Lanyard	
9	1001236621	2	Decal - Tube Rack Capacity	

SECTION 4 - PLATFORM

FIGURE 4-21. OVERHEAD PROTECTION INSTALLATION (KOREAN SPECS)



ART_1001226901

SECTION 4 - PLATFORM

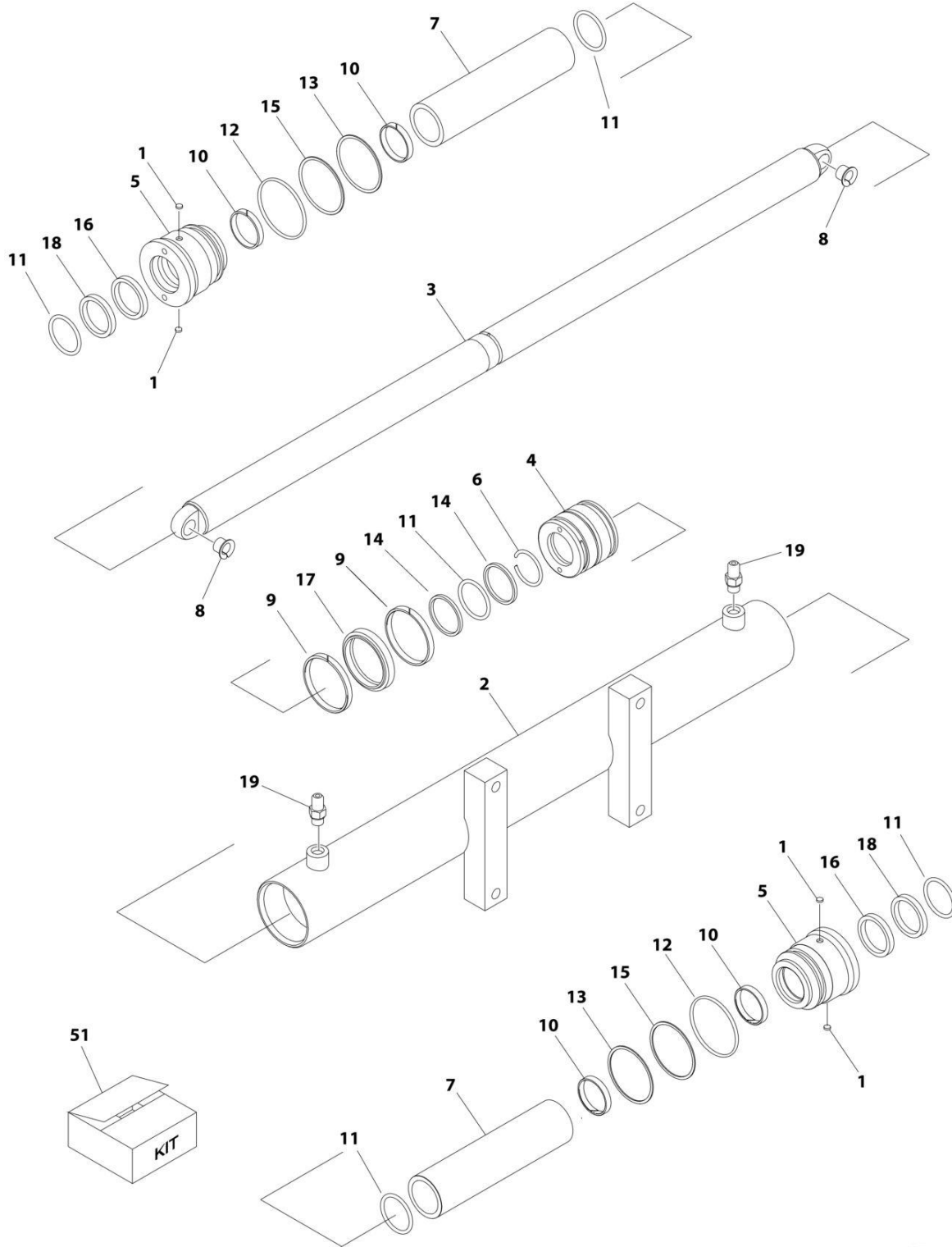
FIGURE 4-21. OVERHEAD PROTECTION INSTALLATION (KOREAN SPECS)

ITEM	PART NUMBER	QTY	DESCRIPTION	REV
	1001226901	Ref	OVERHEAD PROTECTION INSTALLATION (KOREAN SPECS)	A
1	4240017	AR	Tie-Strap	
2	4460234	2	Mount, Tie-Strap	
4	1001227728	1	Overhead Protection Harness	A
4	4460891	4	Plug, Male - 2 Position (X503-X506)	
4	4460465	8	Socket, Female	
4	4460536	1	Receptacle, Female - 3 Position (X507)	
4	4460464	2	Pin, Male	
4	4460466	1	Plug, Terminal	
5	0700616	4	Bolt M6 x 40	
6	0701019	8	Bolt M10 x 55	
7	3290606	4	Nut M6	
8	3291006	8	Nut M10	
9	4812000	16	Washer M10	
10	1001221275	4	Bracket	
11	1001221276	4	Tube	
12	1001222914	8	Thumb Screw	
13	1001226277	4	Switch, Overhead Protection	
14	1001228184	1	Decal - Overhaed Protection Weight	
100	1001221244	1	Overhead Protection Kit (Includes Items 5-14)	

SECTION 5 - CYLINDER

SECTION 5 - CYLINDER

FIGURE 5-1. STEER CYLINDER ASSEMBLY



ART_1001233449

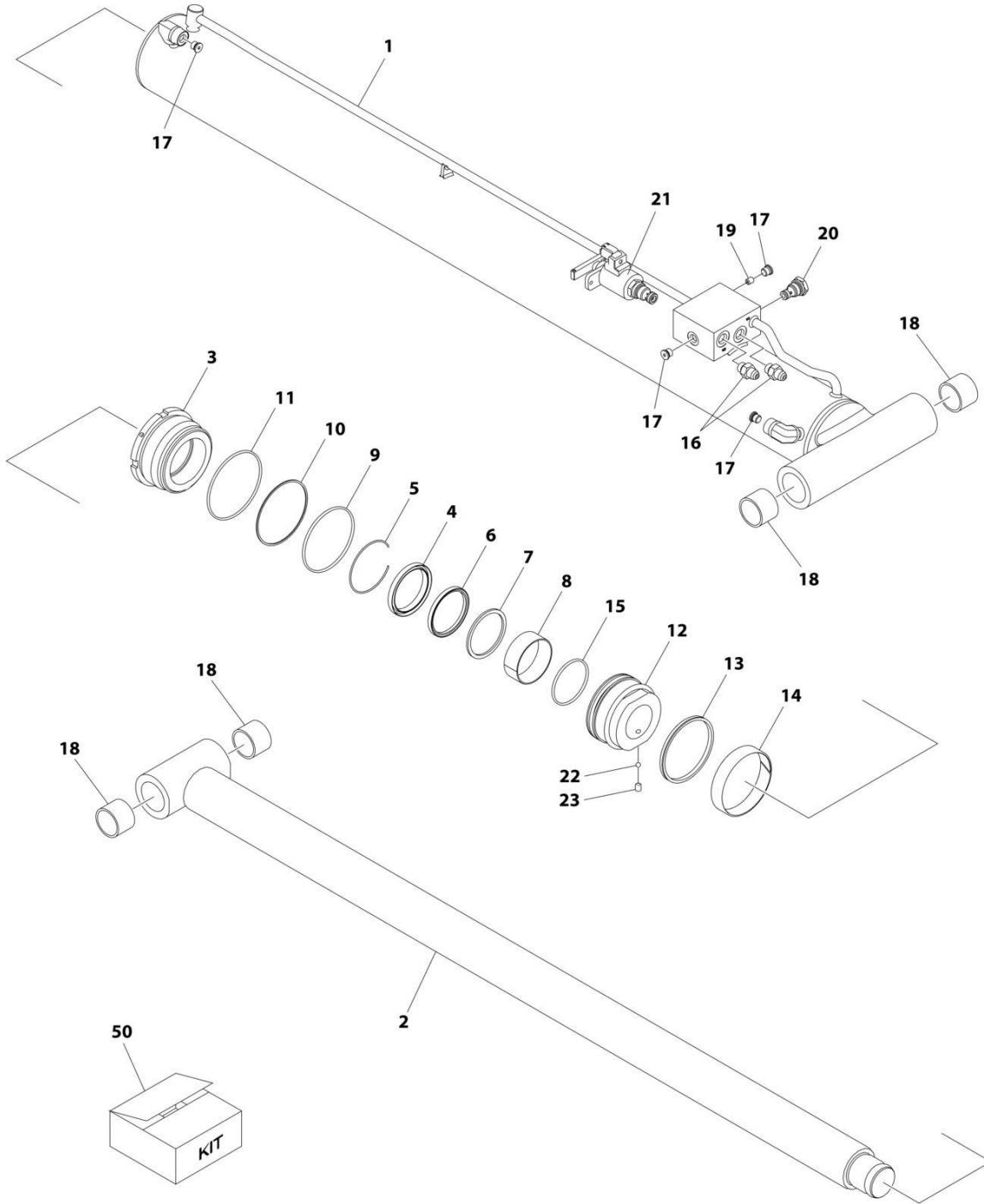
SECTION 5 - CYLINDER

FIGURE 5-1. STEER CYLINDER ASSEMBLY

ITEM	PART NUMBER	QTY	DESCRIPTION	REV
	1001233449	Ref	STEER CYLINDER ASSEMBLY	C
		Ref	Note: Original Cylinder May Have Been Replaced with Service Replacement. Identify PN Stamped on Cylinder Before Ordering Parts.	
1	70003636	4	Lock	
2	See Note	NSS	Barrel (Note: Purchase Complete Assembly)	
3	70007074	1	Rod	
4	70007075	1	Piston	
5	70007076	2	Head	
6	70007077	1	Ring	
7	70007078	2	Spacer	
8	0440259	2	Bearing	
9	See Note	NSS	Ring, Wear (Note: Use Item 51)	
10	See Note	NSS	Ring, Wear (Note: Use Item 51)	
11	See Note	NSS	O-Ring (Note: Use Item 51)	
12	See Note	NSS	O-Ring (Note: Use Item 51)	
13	See Note	NSS	O-Ring (Note: Use Item 51)	
14	See Note	NSS	Ring, Back-Up (Note: Use Item 51)	
15	See Note	NSS	Ring, Back-Up (Note: Use Item 51)	
16	See Note	NSS	Seal (Note: Use Item 51)	
17	See Note	NSS	Seal, Stop (Not Shown) (Note: Use Item 51)	
18	See Note	NSS	Wiper (Note: Use Item 51)	
19	70007079	2	Fitting, Straight	
51	70007080	1	Seal Kit - 1001233449 Cylinder (Includes Items 9-18)	

SECTION 5 - CYLINDER

FIGURE 5-2. LIFT CYLINDER ASSEMBLY



ART_1001244417

SECTION 5 - CYLINDER

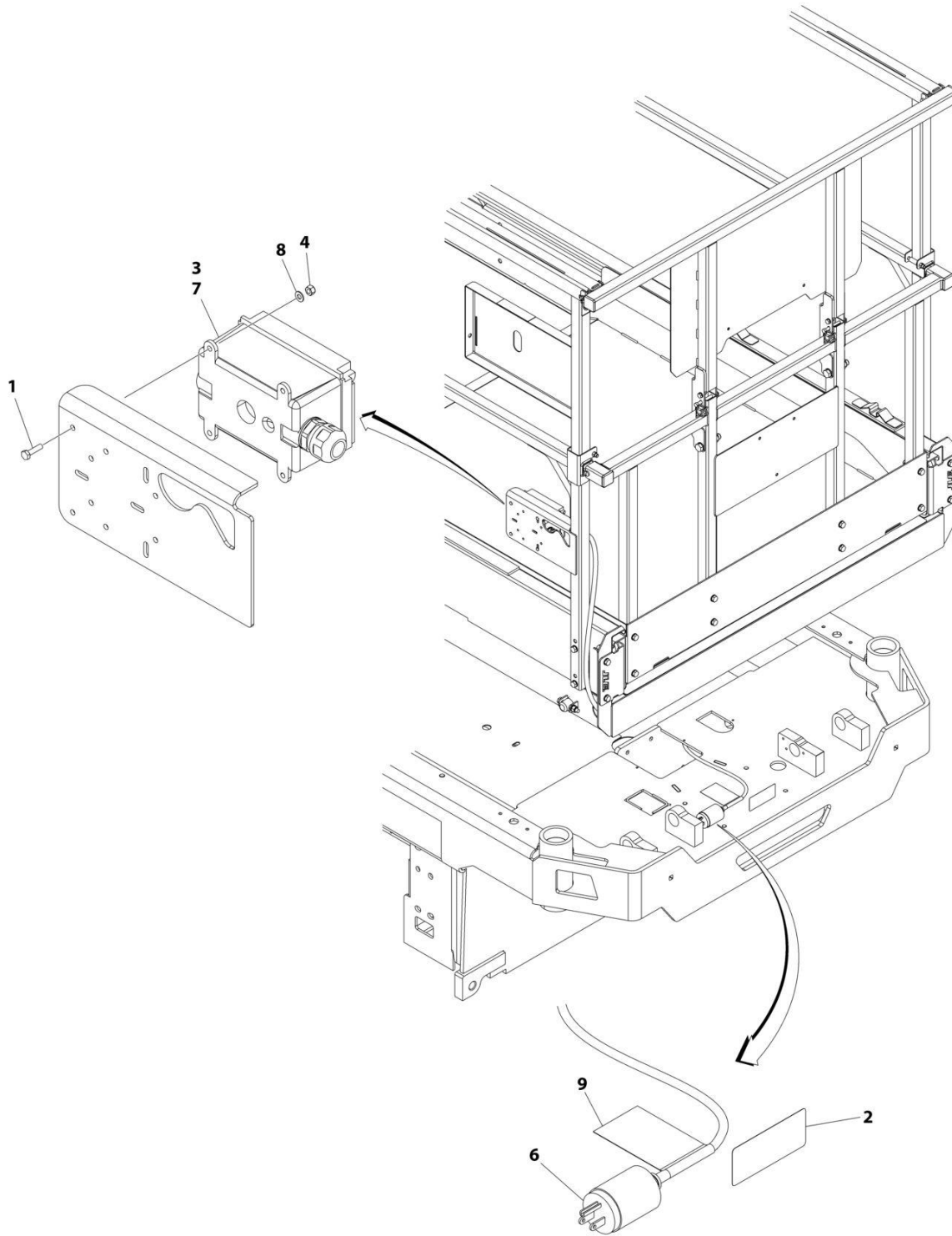
FIGURE 5-2. LIFT CYLINDER ASSEMBLY

ITEM	PART NUMBER	QTY	DESCRIPTION	REV
	1001244417	Ref	LIFT CYLINDER ASSEMBLY	C
		Ref	Note: Original Cylinder May Have Been Replaced with Service Replacement. Identify PN Stamped on Cylinder Before Ordering Parts.	
1	See Note:	NSS	Barrel (Note: Purchase Complete Part)	
2	70007050	1	Rod	
3	70007051	1	Head	
4	See Note	NSS	Wiper (Note: Use Item 50)	
5	70050795	1	Ring, Retaining	
6	See Note	NSS	Seal, Rod (Note: Use Item 50)	
7	See Note	NSS	Ring, Back-up (Note: Use Item 50)	
8	70007052	1	Bearing	
9	See Note	NSS	O-Ring (Note: Use Item 50)	
10	See Note	NSS	Ring, Back-up (Note: Use Item 50)	
11	See Note	NSS	O-Ring (Note: Use Item 50)	
12	70007053	1	Piston	
13	See Note	NSS	Seal, Piston (Note: Use Item 50)	
14	See Note	NSS	Ring, Wear (Note: Use Item 50)	
15	See Note	NSS	O-Ring (Note: Use Item 50)	
16	70007054	2	Fitting	
17	2220883	4	Plug	
18	0961948	4	Bearing	
19	70007055	1	Orifice	
20	70004585	1	Cartridge, Valve	
21	70005236	1	Cartridge, Solenoid Valve	
22	70022564	1	Ball	
23	70023369	1	Setscrew	
50	70007056	1	Seal Kit - 1001244417 Cylinder (Includes Items 4, 6, 7, 9-11 & 13-15)	

SECTION 6 - ELECTRICAL

SECTION 6 - ELECTRICAL

FIGURE 6-1. AC BOX AT PLATFORM INSTALLATION - 110V GFI (ALL SPECS EXCEPT AUSTRALIAN & CE SPECS)



ART_1001237400

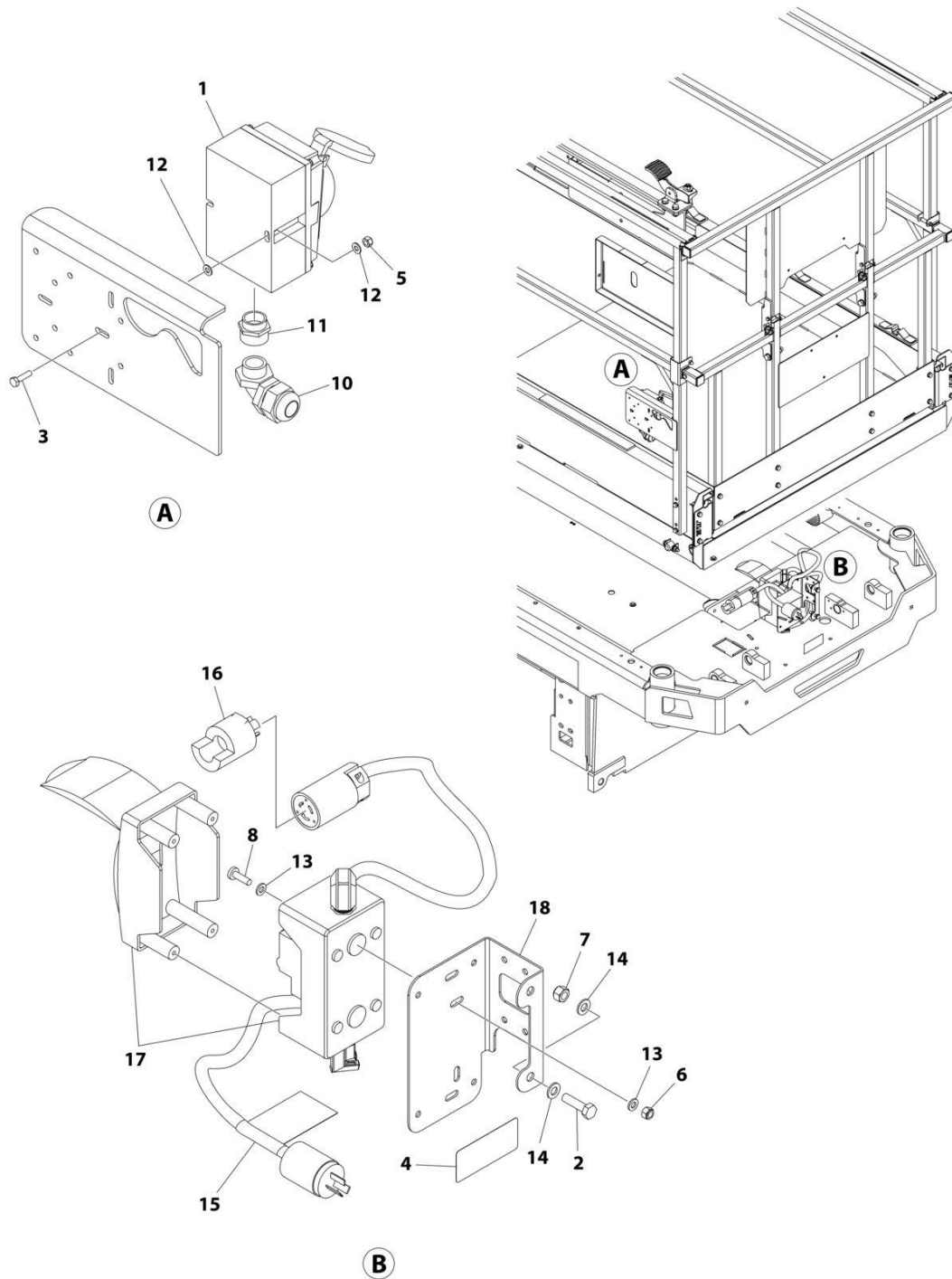
SECTION 6 - ELECTRICAL

FIGURE 6-1. AC BOX AT PLATFORM INSTALLATION - 110V GFI (ALL SPECS EXCEPT AUSTRALIAN & CE SPECS)

ITEM	PART NUMBER	QTY	DESCRIPTION	REV
	1001237400	Ref	AC BOX AT PLATFORM INSTALLATION - 110V GFI	C
1	0760408	4	Bolt M4 x 16	
2	1703464	1	Decal - AC Power	
3	2902431	1	Receptacle Box Kit (See Separate Breakdown in this Section)	
4	3290405	4	Nut M4	
5	4240017	AR	Tie-Strap (Not Shown)	
6	4460138	1	Plug, Male - AC	
7	4460315	1	Terminal	
8	4811400	4	Washer M4	
9	1001102258	1	Decal - AC Label	

SECTION 6 - ELECTRICAL

FIGURE 6-2. AC BOX AT PLATFORM INSTALLATION - 110V IEC YELLOW (CE SPECS)



ART_1001238133

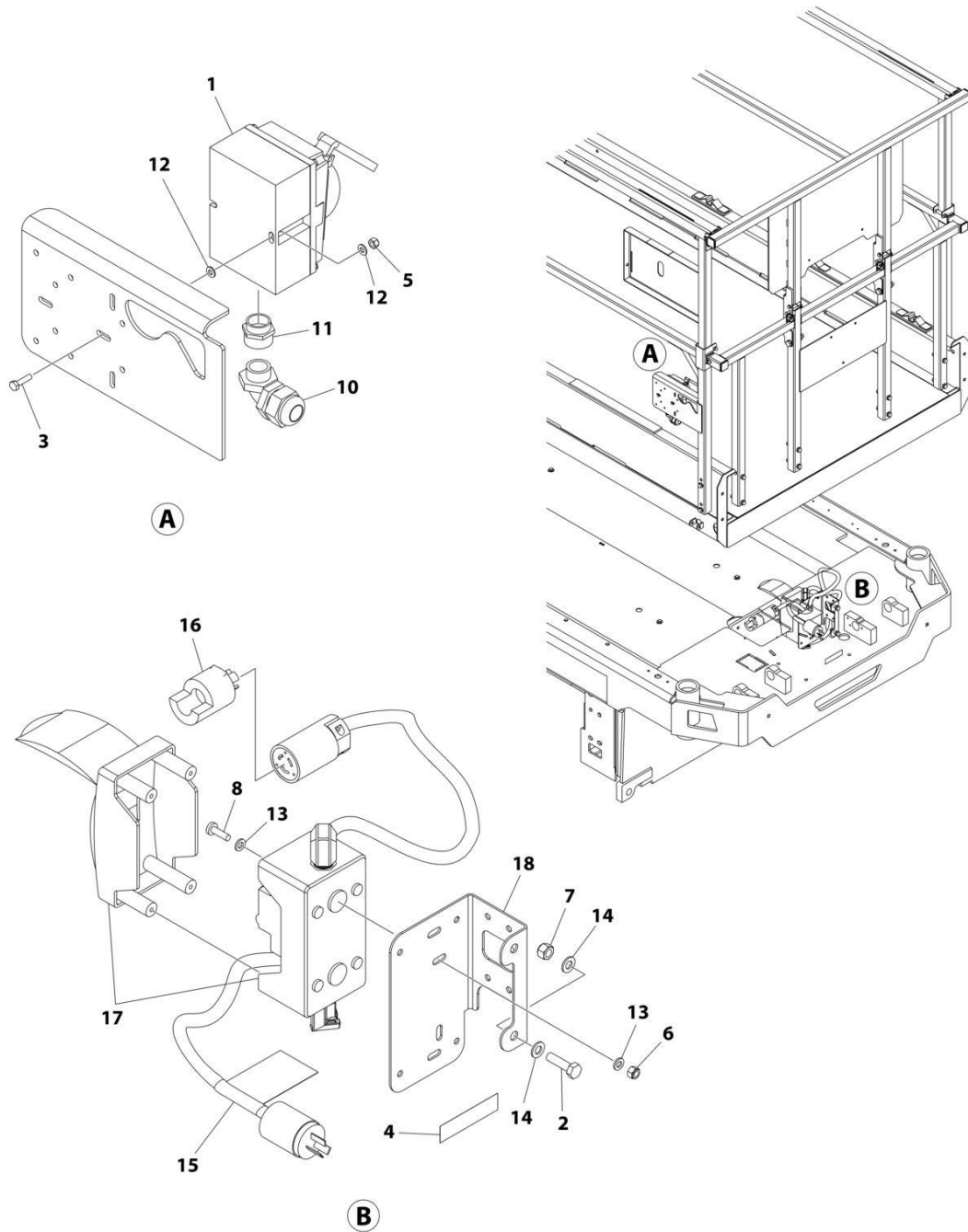
SECTION 6 - ELECTRICAL

FIGURE 6-2. AC BOX AT PLATFORM INSTALLATION - 110V IEC YELLOW (CE SPECS)

ITEM	PART NUMBER	QTY	DESCRIPTION	REV
	1001238133	Ref	AC BOX AT PLATFORM INSTALLATION - 110V IEC YELLOW	B
1	0275216	1	Receptacle Box Kit - 110V IEC Yellow (See Separate Breakdown in this Section)	
2	0700814	2	Bolt M8 x 30	
3	0760408	2	Bolt M4 x 16	
4	1703464	1	Decal - AC Power	
5	3290405	2	Nut M4	
6	3290605	2	Nut M6	
7	3290805	2	Nut M8	
8	4010610	2	Screw M6 x 20	
9	4240017	AR	Tie-Strap (Not Shown)	
10	4461257	1	Connector, Strain Relief	
11	4461258	1	Connector, Adapter	
12	4811400	4	Washer M4	
13	4811700	4	Washer M6	
14	4811900	4	Washer M8	
15	1001102258	1	Decal - AC Label	
16	1001120204	1	Plug, Male Twist	
17	1001209776	1	Breaker Box Kit (See Separate Breakdown in this Section)	
18	1001238198	1	Bracket	

SECTION 6 - ELECTRICAL

FIGURE 6-3. AC BOX AT PLATFORM INSTALLATION - 220V IEC BLUE (CE SPECS)



ART_1001238134

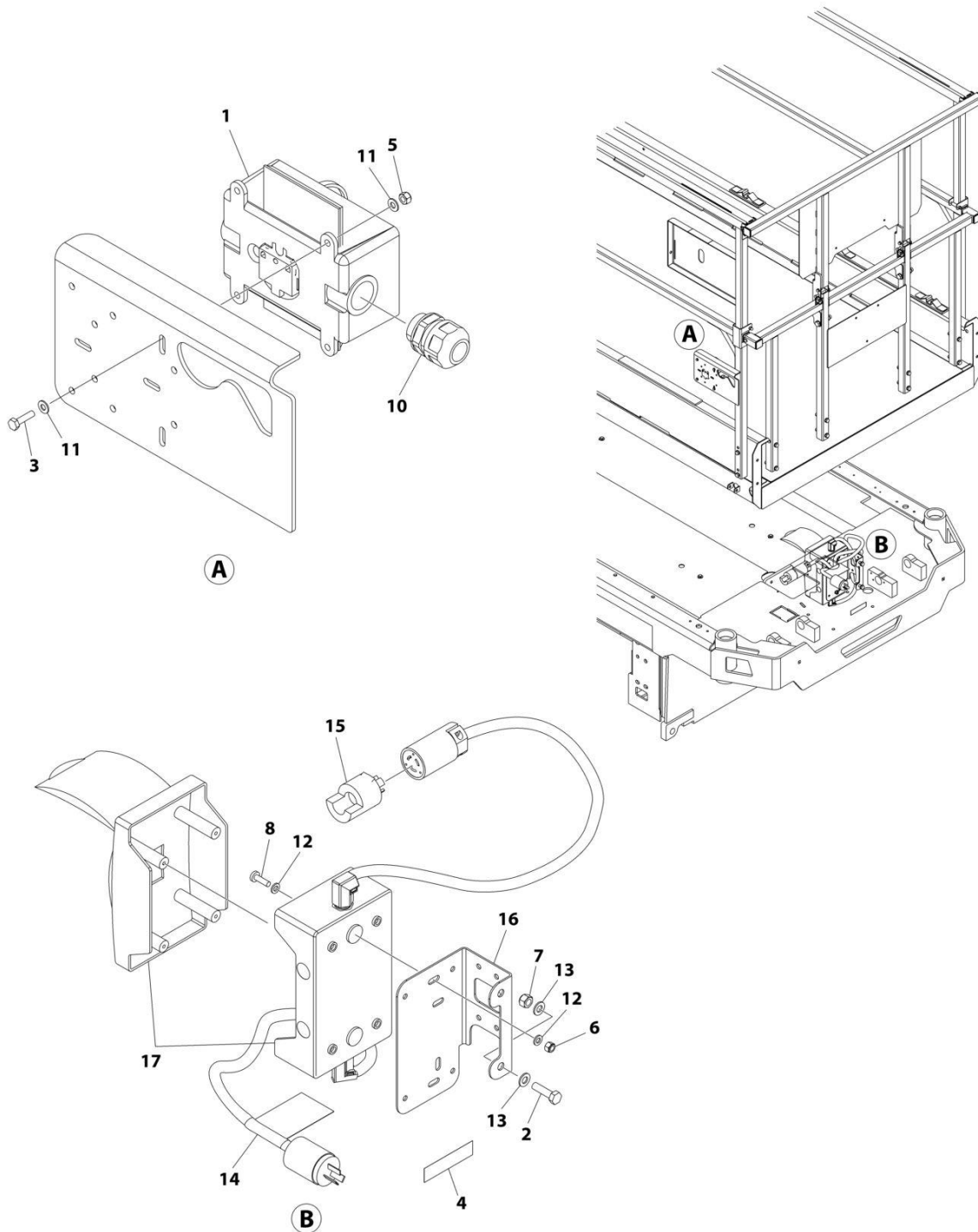
SECTION 6 - ELECTRICAL

FIGURE 6-3. AC BOX AT PLATFORM INSTALLATION - 220V IEC BLUE (CE SPECS)

ITEM	PART NUMBER	QTY	DESCRIPTION	REV
	1001238134	Ref	AC BOX AT PLATFORM INSTALLATION - 220V IEC BLUE	A
1	0275217	1	Receptacle Box Kit - 220V IEC Blue (See Separate Breakdown in this Section)	
2	0700814	2	Bolt M8 x 30	
3	0760408	2	Bolt M4 x 16	
4	3252507	1	Decal - AC Power	
5	3290405	2	Nut M4	
6	3290605	2	Nut M6	
7	3290805	2	Nut M8	
8	4010610	2	Screw M6 x 20	
9	4240017	AR	Tie-Strap (Not Shown)	
10	4461257	1	Connector, Strain Relief	
11	4461258	1	Connector, Adapter	
12	4811400	4	Washer M4	
13	4811700	4	Washer M6	
14	4811900	4	Washer M8	
15	1001102258	1	Decal - AC Label	
16	1001120204	1	Plug, Male Twist	
17	1001209776	1	Breaker Box Kit (See Separate Breakdown in this Section)	
18	1001238198	1	Bracket	

SECTION 6 - ELECTRICAL

FIGURE 6-4. AC BOX AT PLATFORM INSTALLATION - 220V CEE7 POST GROUND (CE SPECS)



ART_1001238130

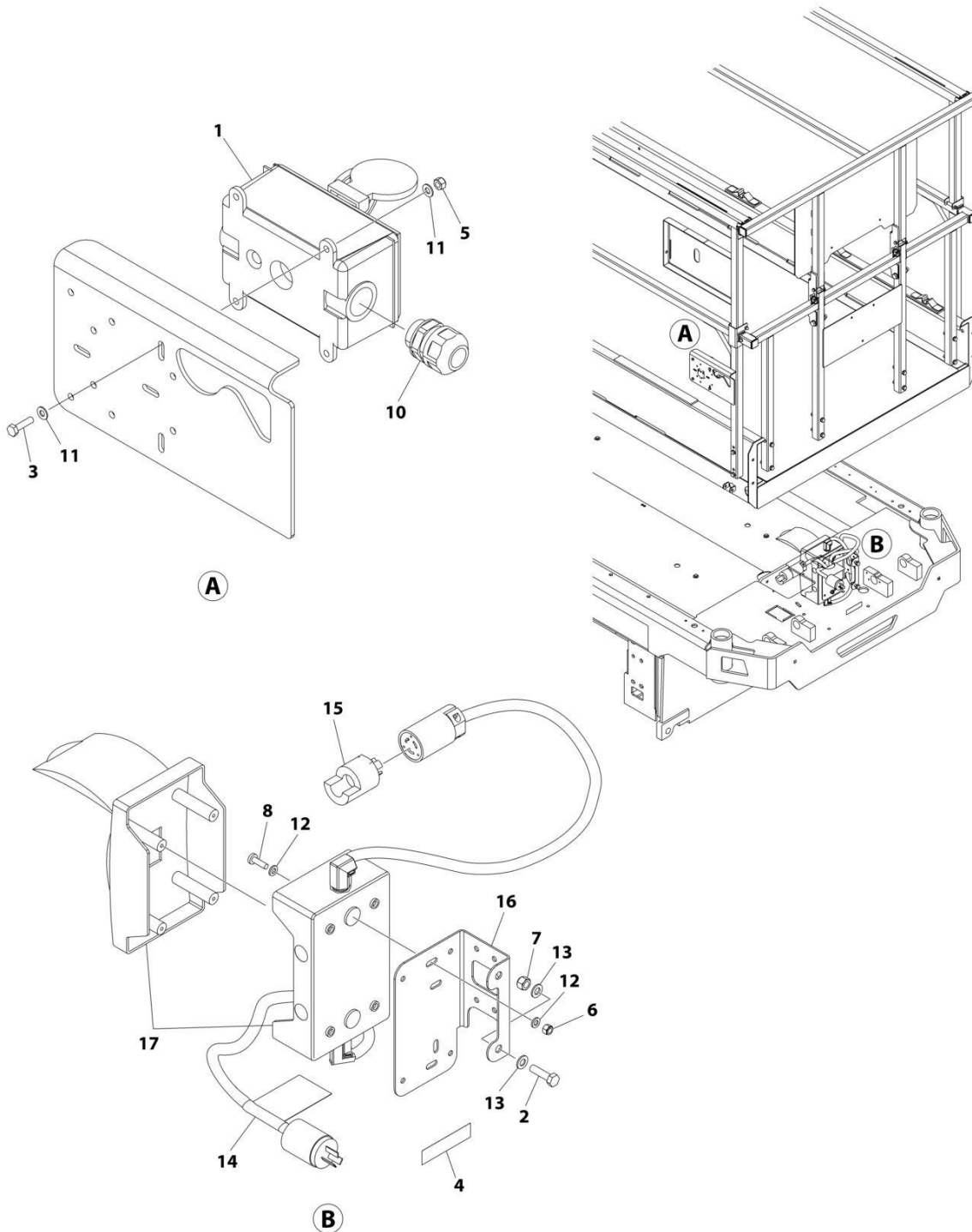
SECTION 6 - ELECTRICAL

FIGURE 6-4. AC BOX AT PLATFORM INSTALLATION - 220V CEE7 POST GROUND (CE SPECS)

ITEM	PART NUMBER	QTY	DESCRIPTION	REV
	1001238130	Ref	AC BOX AT PLATFORM INSTALLATION - 220V CEE7 POST GROUND	B
1	0275452	1	Receptacle Box Kit - 220V CEE7 Post Ground (See Separate Breakdown in this Section)	
2	0700814	2	Screw M8 x 30	
3	0760408	4	Bolt M4 x 16	
4	3252507	1	Decal - AC Power	
5	3290405	4	Nut M4	
6	3290605	2	Nut M6	
7	3290805	2	Nut M8	
8	4010610	2	Screw M6 x 20	
9	4240017	AR	Tie-Strap (Not Shown)	
10	4460662	1	Connector, Strain Relief	
11	4811400	8	Washer M4	
12	4811700	4	Washer M6	
13	4811900	4	Washer M8	
14	1001102258	1	Decal - AC Label	
15	1001120204	1	Plug, Male Twist	
16	1001238198	1	Bracket	
17	1001209482	1	Breaker Box Kit (See Separate Breakdown in this Section)	

SECTION 6 - ELECTRICAL

FIGURE 6-5. AC BOX AT PLATFORM INSTALLATION - 220V CEE7 SIDE GROUND (CE SPECS)



ART_1001238131

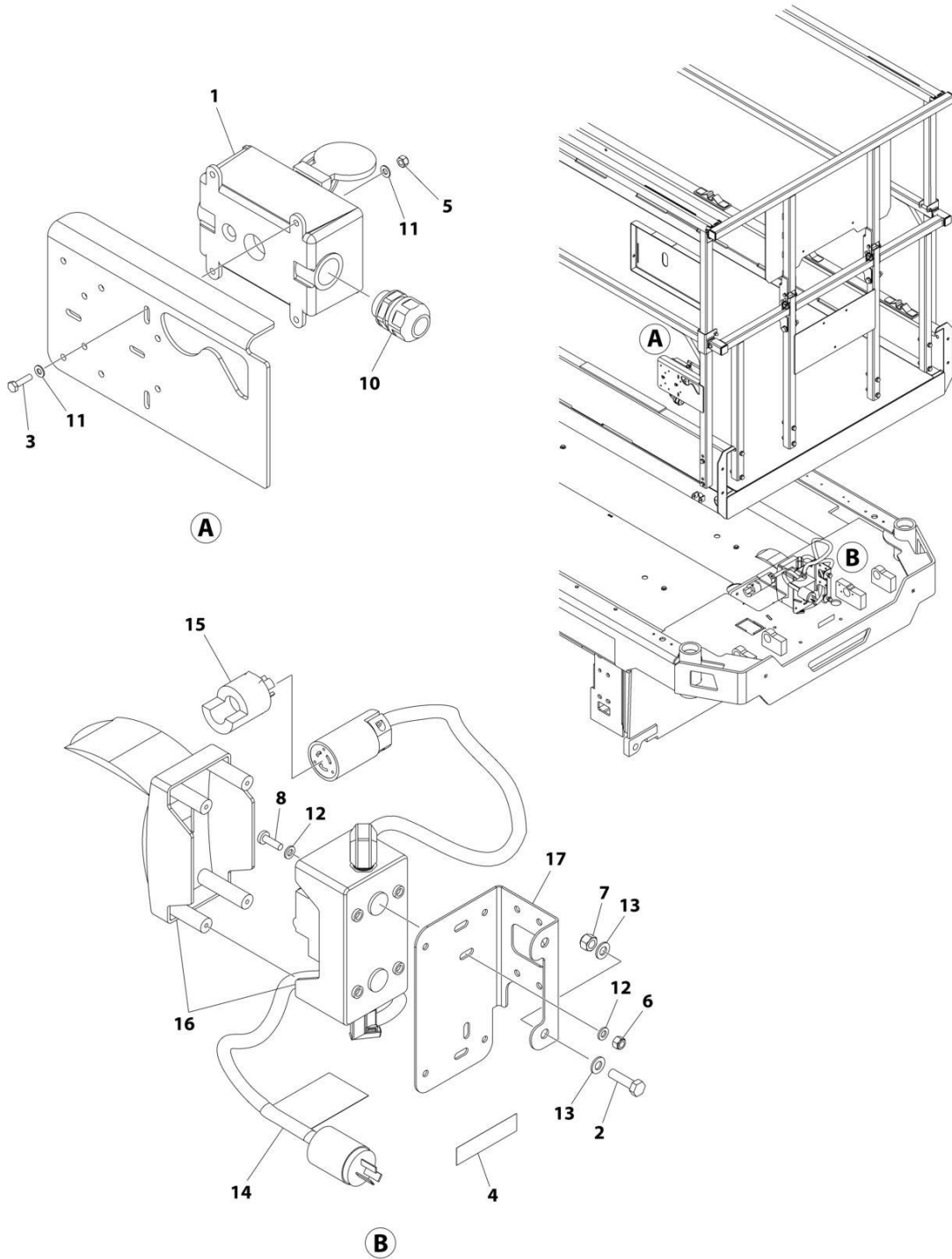
SECTION 6 - ELECTRICAL

FIGURE 6-5. AC BOX AT PLATFORM INSTALLATION - 220V CEE7 SIDE GROUND (CE SPECS)

ITEM	PART NUMBER	QTY	DESCRIPTION	REV
	1001238131	Ref	AC BOX AT PLATFORM INSTALLATION - 220V CEE7 SIDE GROUND	B
1	0275453	1	Receptacle Box Kit - 220V CEE7 Side Ground (See Separate Breakdown in this Section)	
2	0700814	2	Bolt M8 x 30	
3	0760408	4	Bolt M4 x 16	
4	3252507	1	Decal - AC Power	
5	3290405	4	Nut M4	
6	3290605	2	Nut M6	
7	3290805	2	Nut M8	
8	4010610	2	Screw M6 x 20	
9	4240017	AR	Tie-Strap (Not Shown)	
10	4460662	1	Connector, Strain Relief	
11	4811400	8	Washer M4	
12	4811700	4	Washer M6	
13	4811900	4	Washer M8	
14	1001102258	1	Decal - AC Label	
15	1001120204	1	Plug, Male Twist	
16	1001238198	1	Bracket	
17	1001209482	1	Breaker Box Kit (See Separate Breakdown in this Section)	

SECTION 6 - ELECTRICAL

FIGURE 6-6. AC BOX AT PLATFORM INSTALLATION - 220V AFSINT 107 (CE SPECS)



ART_1001238132

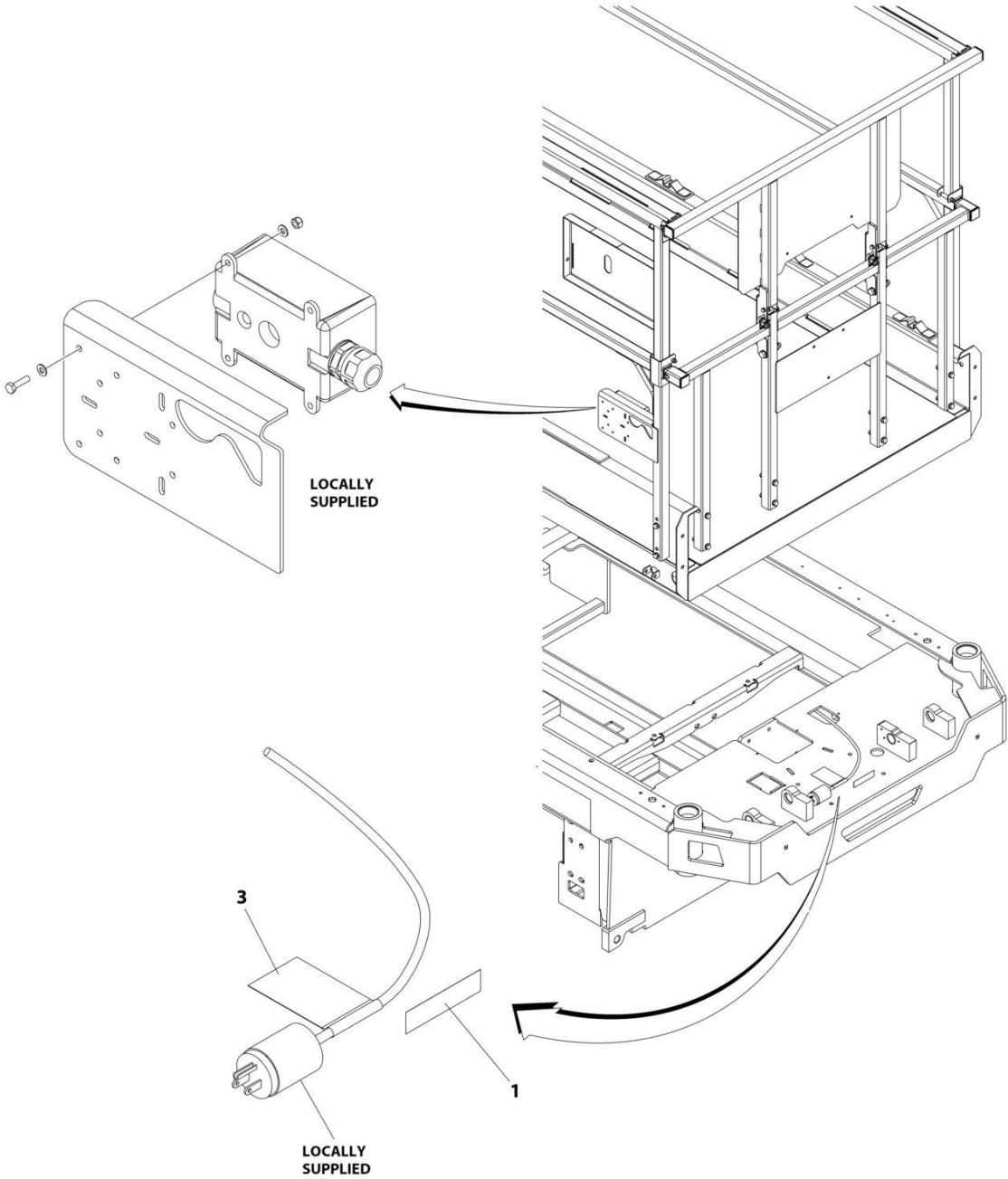
SECTION 6 - ELECTRICAL

FIGURE 6-6. AC BOX AT PLATFORM INSTALLATION - 220V AFSINT 107 (CE SPECS)

ITEM	PART NUMBER	QTY	DESCRIPTION	REV
	1001238132	Ref	AC BOX AT PLATFORM INSTALLATION - 220V AFSINT 107	B
1	0275454	1	Receptacle Box Kit - 220V AFSINT 107 (See Separate Breakdown in this Section)	
2	0700814	2	Bolt M8 x 30	
3	0760408	4	Bolt M4 x 16	
4	3252507	1	Decal - AC Power	
5	3290405	4	Nut M4	
6	3290605	2	Nut M6	
7	3290805	2	Nut M8	
8	4010610	2	Screw M6 x 20	
9	4240017	AR	Tie-Strap (Not Shown)	
10	4460662	1	Connector, Strain Relief	
11	4811400	8	Washer M4	
12	4811700	4	Washer M6	
13	4811900	4	Washer M8	
14	1001102258	1	Decal - AC Label	
15	1001120204	1	Plug, Male Twist	
16	1001209776	1	Breaker Box Kit (See Separate Breakdown in this Section)	
17	1001238198	1	Bracket	

SECTION 6 - ELECTRICAL

FIGURE 6-7. AC BOX AT PLATFORM INSTALLATION - 220V LOCALLY SUPPLIED



ART_1001237401

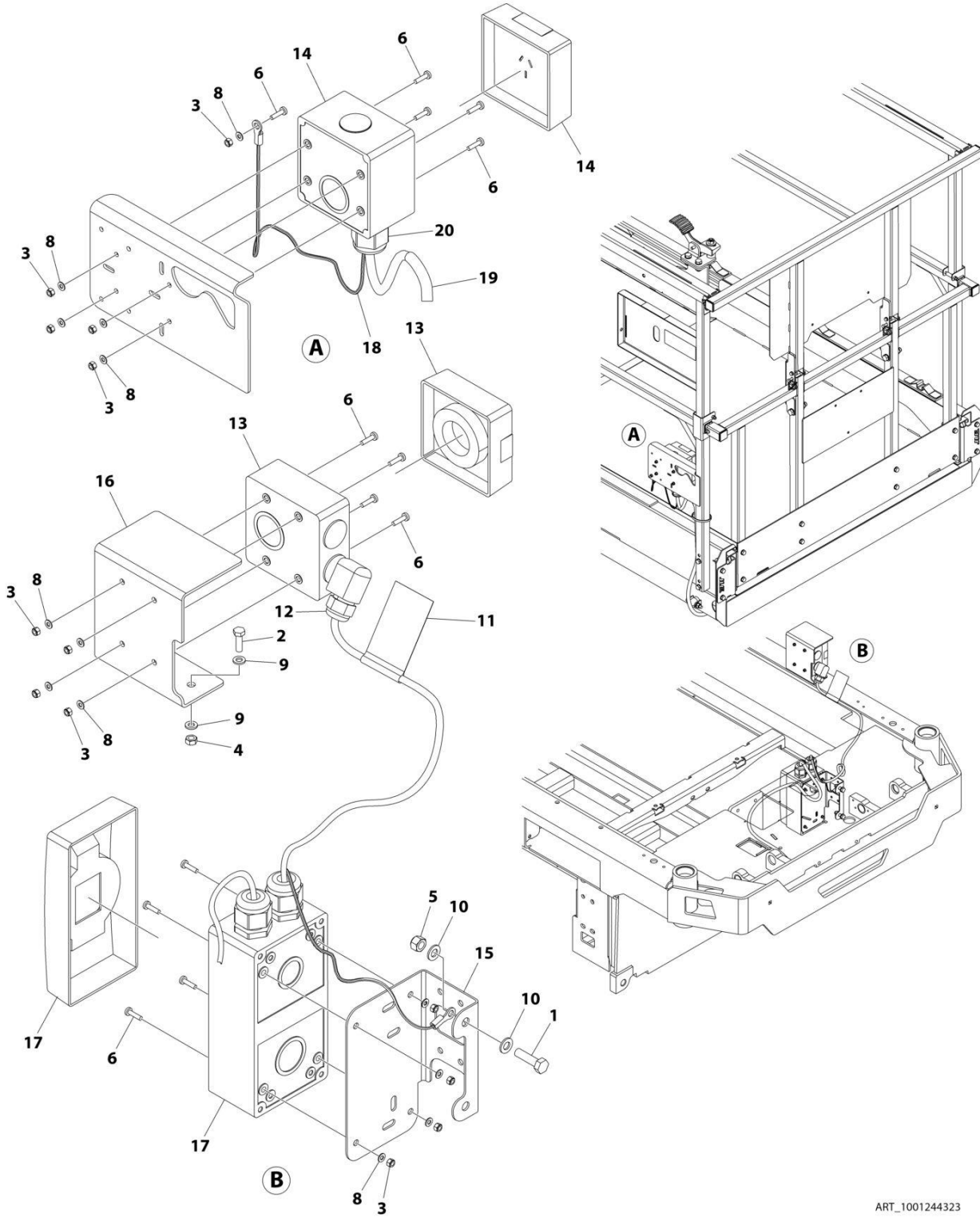
SECTION 6 - ELECTRICAL

FIGURE 6-7. AC BOX AT PLATFORM INSTALLATION - 220V LOCALLY SUPPLIED

ITEM	PART NUMBER	QTY	DESCRIPTION	REV
	1001237401	Ref	AC BOX AT PLATFORM INSTALLATION - 220V LOCALLY SUPPLIED COMPONENTS (ALL SPECS)	C
1	3252507	1	Decal - 220 Volt	
2	4240017	AR	Tie-Strap (Not Shown)	
3	1001102258	1	Decal - AC Label	

SECTION 6 - ELECTRICAL

FIGURE 6-8. AC BOX AT PLATFORM INSTALLATION - 220V (AUSTRALIAN SPECS)



ART_1001244323

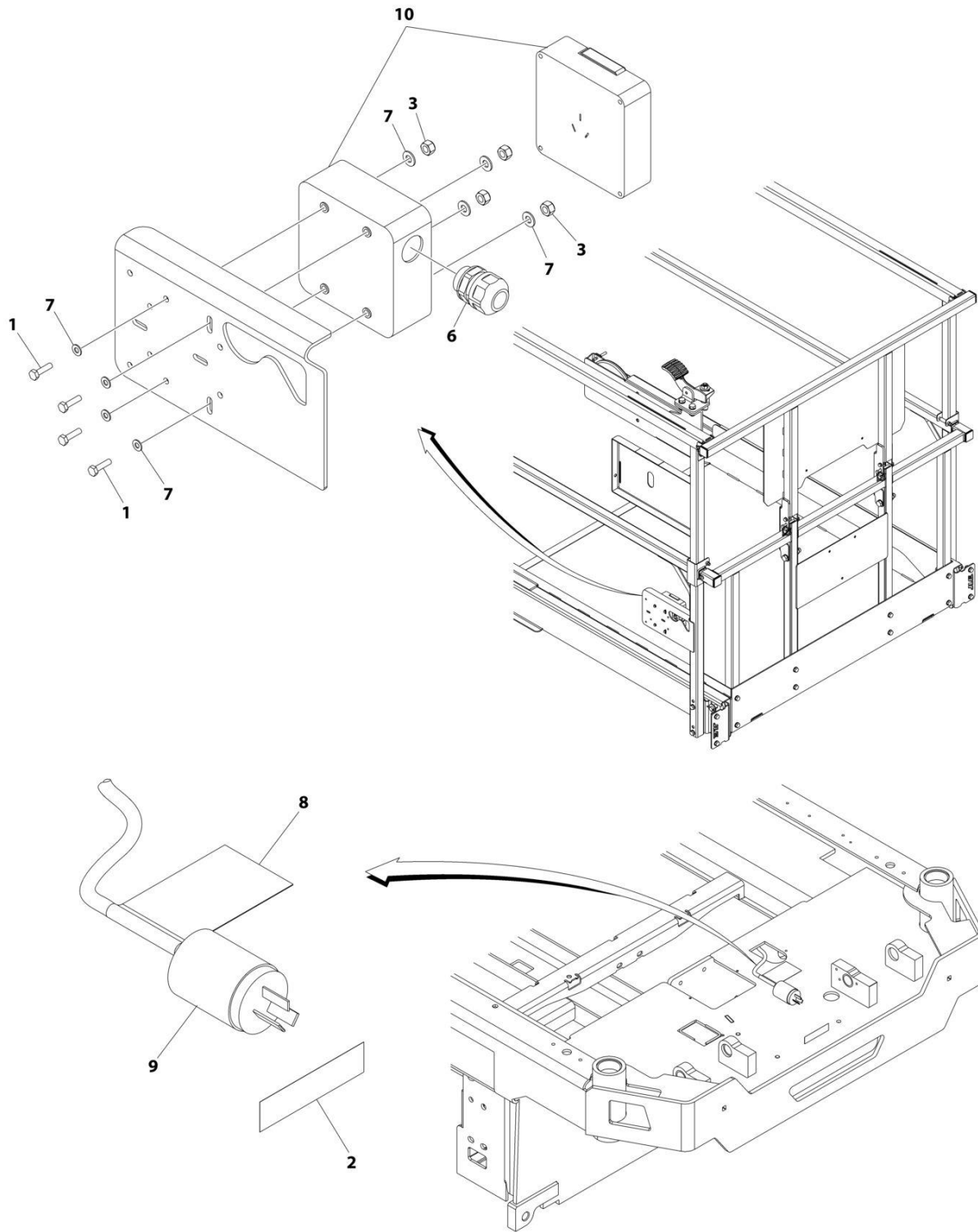
SECTION 6 - ELECTRICAL

FIGURE 6-8. AC BOX AT PLATFORM INSTALLATION - 220V (AUSTRALIAN SPECS)

ITEM	PART NUMBER	QTY	DESCRIPTION	REV
	1001244323	Ref	AC BOX AT PLATFORM INSTALLATION - 220V (AUSTRALIAN SPECS)	B
1	0700814	2	Bolt M8 x 30	
2	0760610	2	Bolt M6 x 20	
3	3290405	13	Nut M4	
4	3290601	2	Nut M6	
5	3290805	2	Nut M8	
6	4010408	13	Screw M4 x 16	
7	4240017	AR	Tie-Strap (Not Shown)	
8	4811400	13	Washer M4	
9	4811700	4	Washer M6	
10	4811900	4	Washer M8	
11	1001102258	1	Decal - AC Label	
12	1001103471	1	Connector Strain Relief 90	
13	1001227267	1	Receptacle Australian - 230V	
14	1001227268	1	Receptacle Australian - 230V	
15	1001238198	1	Bracket	
16	1001244900	1	Bracket	
17	1001245739	1	Box and Breaker Electrical Assembly (See Separate Breakdown in this Section)	
18	1001245744	1	Earth/Ground Link Harness	
19	1001245747	1	Conduit	
20	1001097150	1	Terminal	

SECTION 6 - ELECTRICAL

FIGURE 6-9. AC BOX AT PLATFORM INSTALLATION - 220V CHINA PLUG (CHINA SPECS)



ART_1001238135

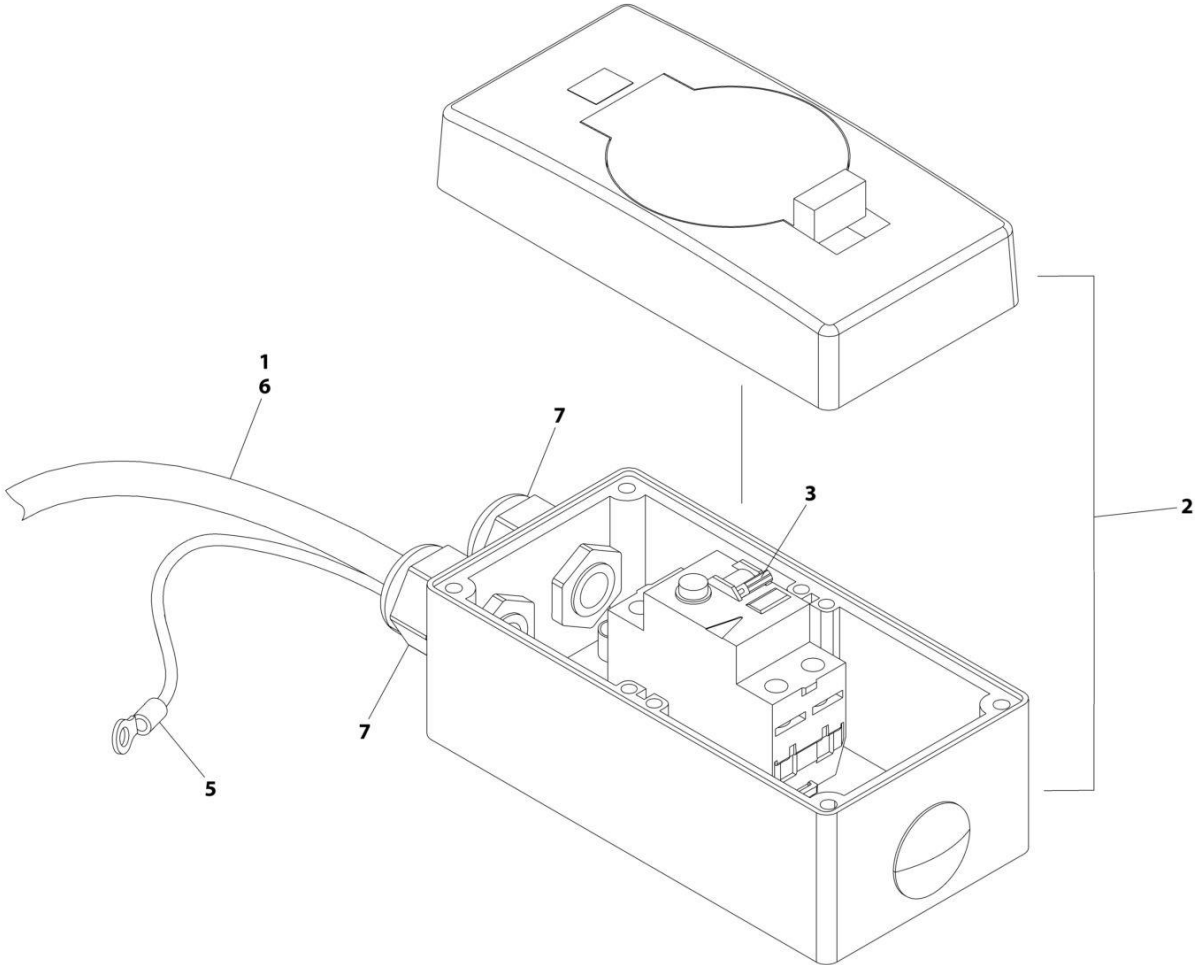
SECTION 6 - ELECTRICAL

FIGURE 6-9. AC BOX AT PLATFORM INSTALLATION - 220V CHINA PLUG (CHINA SPECS)

ITEM	PART NUMBER	QTY	DESCRIPTION	REV
	1001238135	Ref	AC BOX AT PLATFORM INSTALLATION - 220V CHINA PLUG (CHINA SPECS)	A
1	0760408	4	Bolt M4 x 16	
2	3252507	1	Decal - 220 Volt	
3	3290405	4	Nut M4	
4	4240017	AR	Tie-Strap (Not Shown)	
5	4460315	1	Terminal (Not Shown)	
6	4460968	1	Connector, Strain Relief	
7	4811400	8	Washer M4	
8	1001102258	1	Decal - AC Label	
9	1001187816	1	Plug	
10	1001188116	1	Box	

SECTION 6 - ELECTRICAL

FIGURE 6-10. BREAKER BOX KIT (AUSTRALIAN SPEC)



ART_1001245739

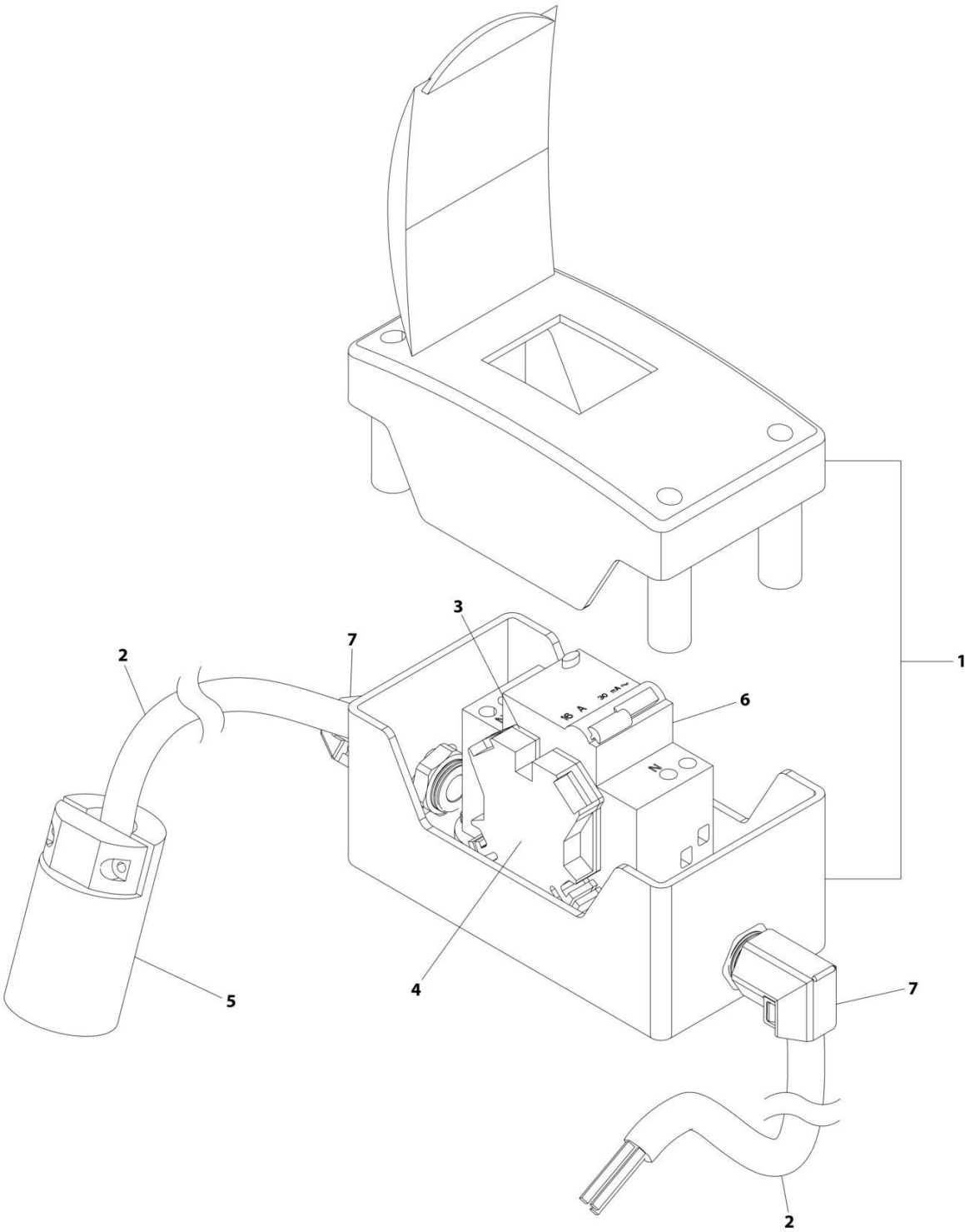
SECTION 6 - ELECTRICAL

FIGURE 6-10. BREAKER BOX KIT (AUSTRALIAN SPEC)

ITEM	PART NUMBER	QTY	DESCRIPTION	REV
1	1001245739	Ref	BREAKER BOX KIT	B
	1060908	825 mm/ 32.5in	Cable	
2	1001227269	1	Enclosure	
3	1001228191	1	Breaker	
4	1001245743	1	Terminal (Not Shown)	
5	1001245744	1	Earth/Ground Link Harness	
6	1001125927	1	Conduit	
7	1001097150	2	Connector	

SECTION 6 - ELECTRICAL

FIGURE 6-11. BREAKER BOX KIT WITH 1 DOUBLE BREAKER (CE SPECS)



ART_1001209776

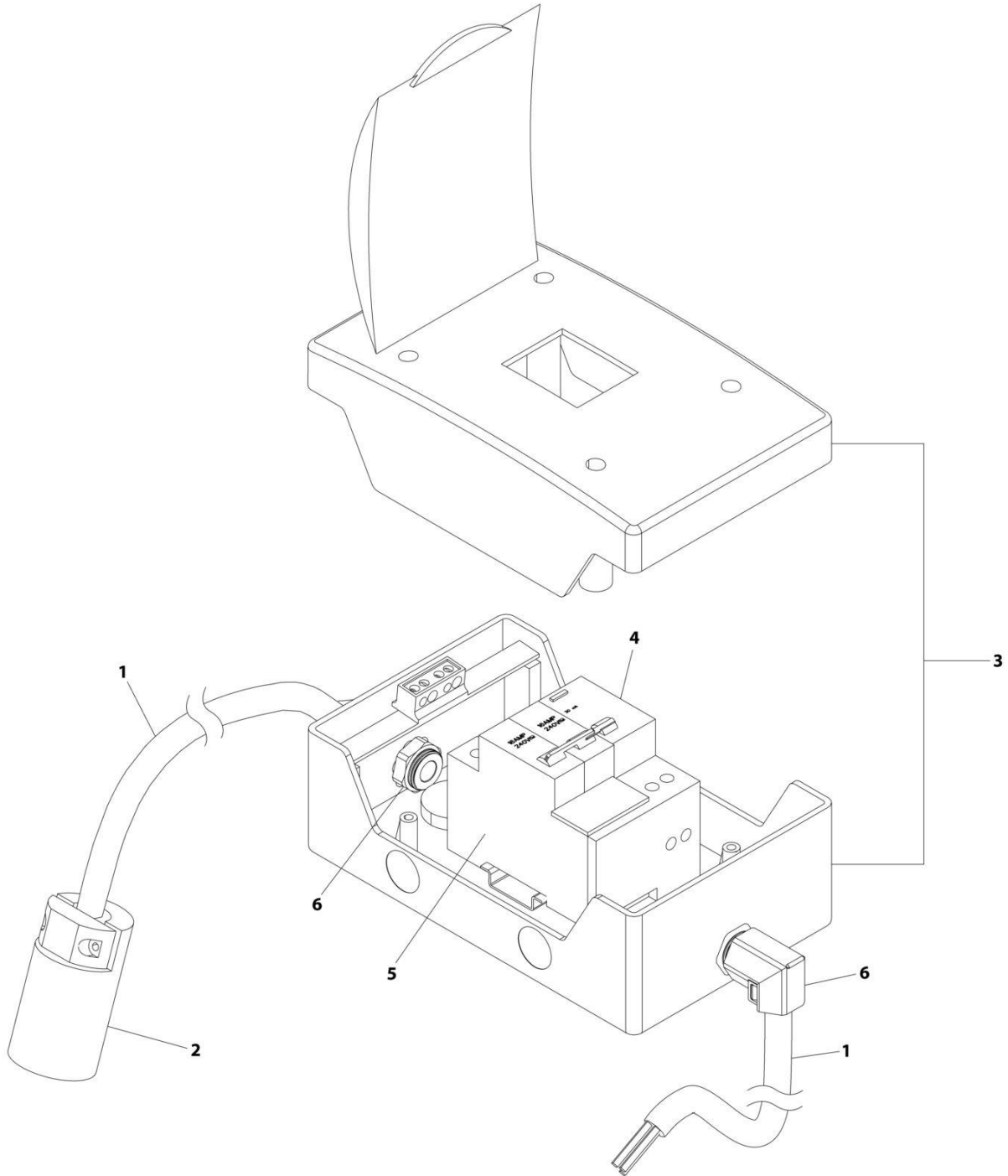
SECTION 6 - ELECTRICAL

FIGURE 6-11. BREAKER BOX KIT WITH 1 DOUBLE BREAKER (CE SPECS)

ITEM	PART NUMBER	QTY	DESCRIPTION	REV
	1001209776	Ref	BREAKER BOX KIT WITH 1 DOUBLE BREAKER	F
1	0861880	1	Box	
2	1060908	126 in /3.2m	Cable, 12/3	
3	4460956	1	Barrier, Terminal	
4	4460957	1	Block, Terminal	
5	1001120205	1	Connector, Female Twist	
6	1001181045	1	Breaker 30mAmp/16 Amp	
7	1001217164	2	Connector, Strain Relief 90	

SECTION 6 - ELECTRICAL

FIGURE 6-12. BREAKER BOX KIT WITH 3 BREAKERS (CE SPECS)



ART_1001209482

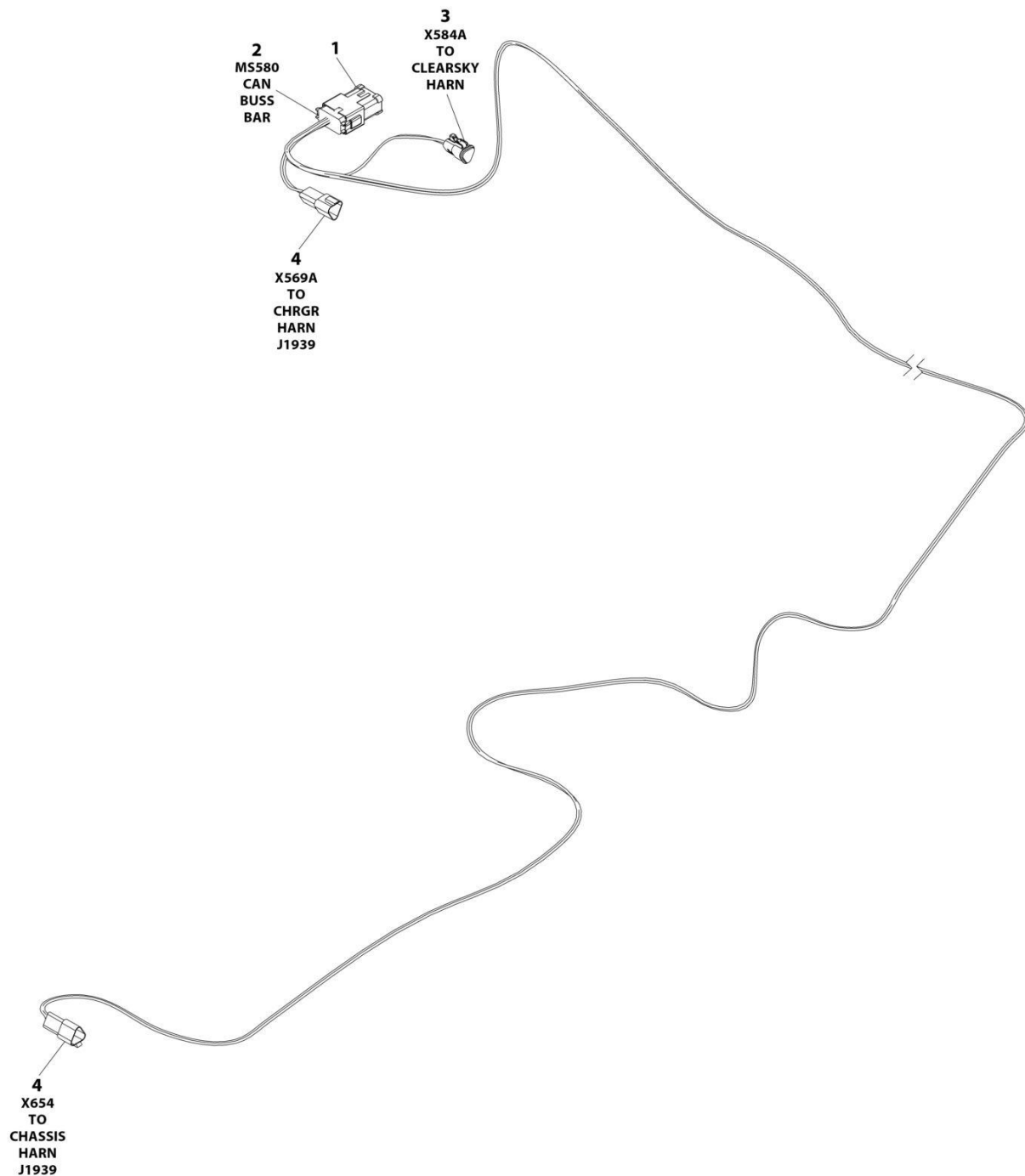
SECTION 6 - ELECTRICAL

FIGURE 6-12. BREAKER BOX KIT WITH 3 BREAKERS (CE SPECS)

ITEM	PART NUMBER	QTY	DESCRIPTION	REV
1	1001209482	Ref	BREAKER BOX KIT WITH 3 BREAKERS	G
	1060908	126 in /3.2m	Cable, 12/3	
2	1001120205	1	Connector, Female Twist	
3	1001152483	1	Box	
4	1001189171	1	Breaker, 30mAmp	
5	1001189172	1	Breaker 16 Amp, Double	
6	1001217164	2	Connector, Strain Relief 90	

SECTION 6 - ELECTRICAL

FIGURE 6-13. CAN SPLICE HARNESS (CHARGER WITH COMMUNICATION PORT)



ART_1001254027

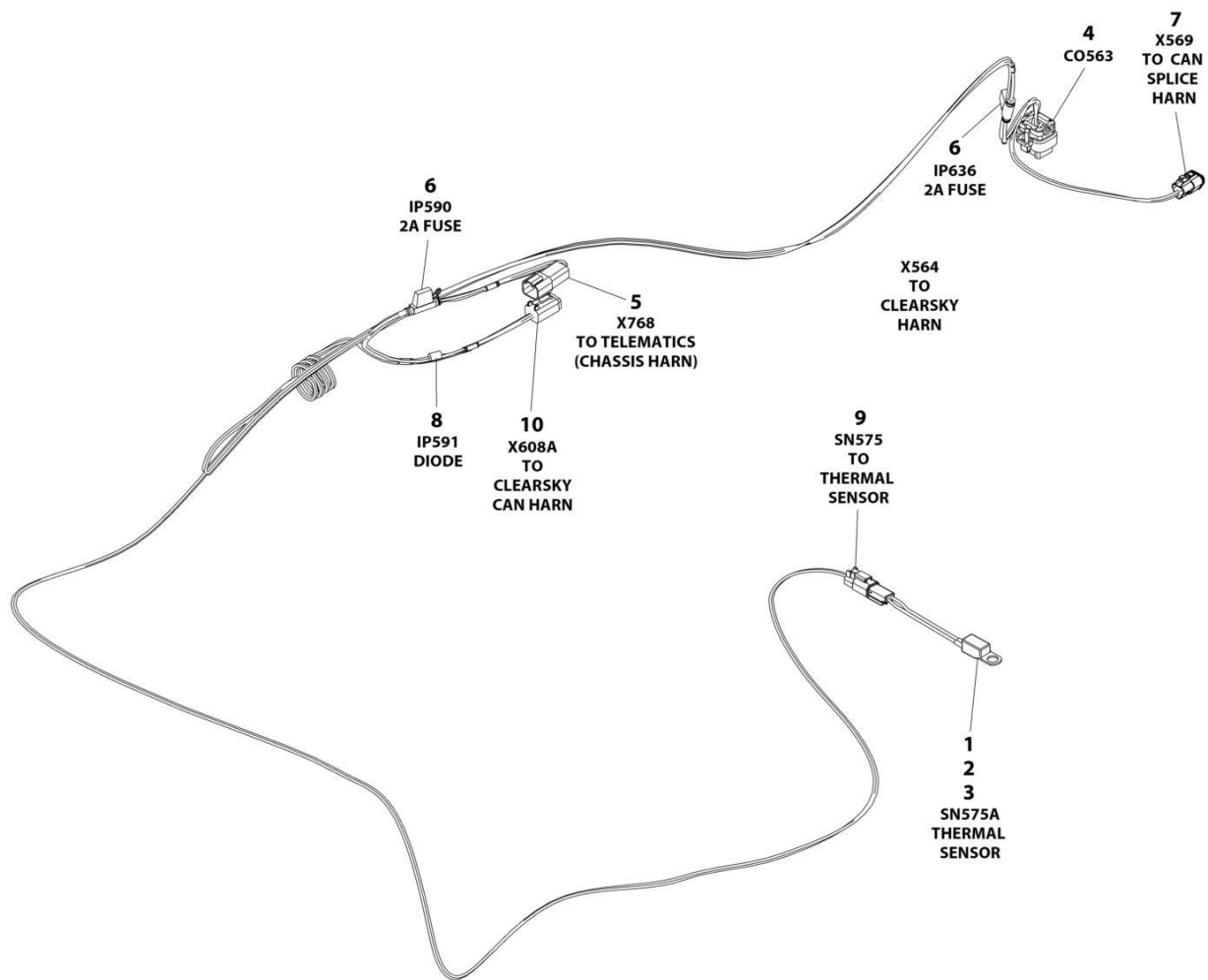
SECTION 6 - ELECTRICAL

FIGURE 6-13. CAN SPLICE HARNESS (CHARGER WITH COMMUNICATION PORT)

ITEM	PART NUMBER	QTY	DESCRIPTION	REV
	1001254027	Ref	CAN SPLICE HARNESS	A
1	1001125677	1	Connector, Bus Bar - 12 Position	
2	4460933	1	Plug, Male - 12 Position	
2	4460944	6	Socket, Female	
2	4460466	6	Plug, Terminal	
3	1001118812	1	Plug, Male - 3 Position	
3	4460944	2	Socket, Female	
3	4460466	1	Plug, Terminal	
4	1001144147	2	Receptacle, Female - 3 Position	
4	4460943	4	Pin, Male	
4	4460466	2	Plug, Terminal	

SECTION 6 - ELECTRICAL

FIGURE 6-14. CHARGER HARNESS (CHARGER WITH COMMUNICATION PORT) (PVC2004)



ART_1001254028_C

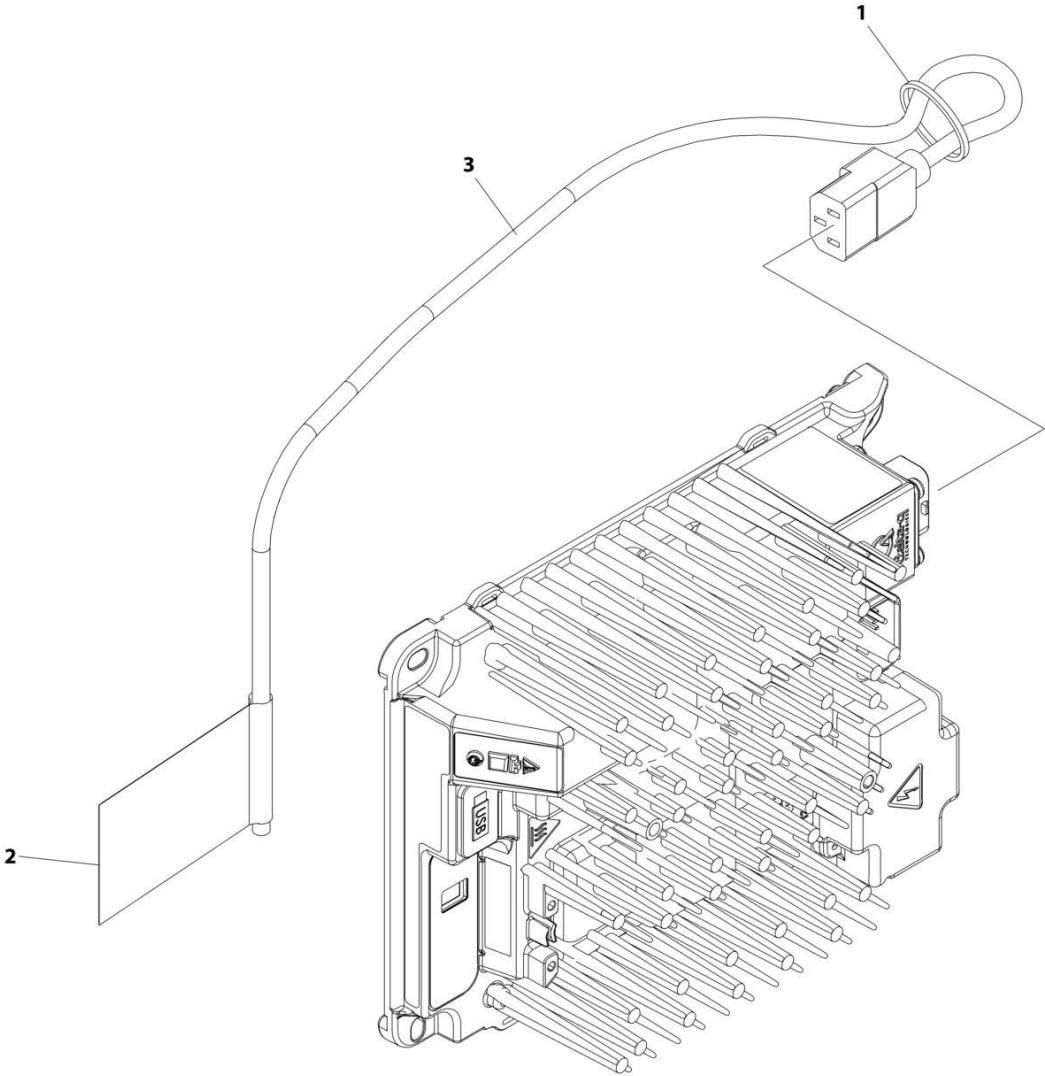
SECTION 6 - ELECTRICAL

FIGURE 6-14. CHARGER HARNESS (CHARGER WITH COMMUNICATION PORT) (PVC2004)

ITEM	PART NUMBER	QTY	DESCRIPTION	REV
	1001254028	Ref	CHARGER HARNESS	C
1	4460464	2	Pin, Male	
2	4460897	1	Receptacle, Female - 2 Position	
3	1001102771	1	Sensor, Temperature	
4	4460872	1	Connector - 14 Position	
4	4460871	6	Terminal	
4	4460905	8	Plug, Terminal	
5	4460932	1	Receptacle, Female - 4 Position	
5	4460464	1	Pin, Male	
6	2400060	2	Fuseholder With Cover	
6	1001196634	2	Fuse 2A	
7	1001116812	1	Plug, Male - 3 Position	
7	4460944	2	Socket, Female	
7	4460466	1	Plug, Terminal	
8	3990001	1	Diode	
9	4460891	1	Plug, Male - 2 Position	
9	4460465	2	Socket, Female	
10	4460884	1	Plug, Male - 4 Position	
10	4460465	4	Socket, Female	

SECTION 6 - ELECTRICAL

FIGURE 6-15. CHARGER PLUG INSTALLATION - CUSTOMER SUPPLIED PLUG (ALL SPECS)



ART_1001248631

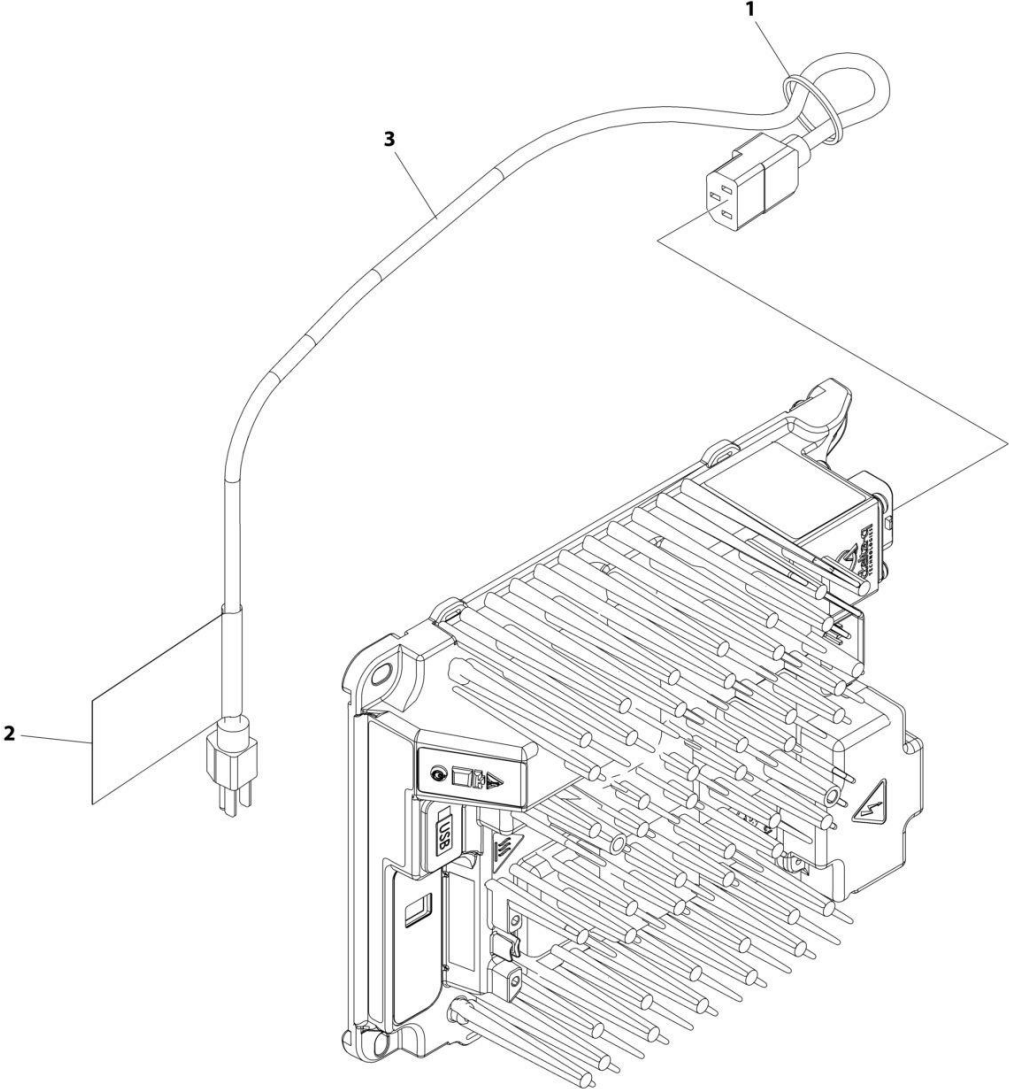
SECTION 6 - ELECTRICAL

FIGURE 6-15. CHARGER PLUG INSTALLATION - CUSTOMER SUPPLIED PLUG (ALL SPECS)

ITEM	PART NUMBER	QTY	DESCRIPTION	REV
	1001248631	Ref	CHARGER PLUG INSTALLATION	B
1	4240017	AR	Tie-Strap	
2	1001102489	1	Decal - Charger	
3	1001207974	1	Cable, Charger Plug (No Plug)	

SECTION 6 - ELECTRICAL

FIGURE 6-16. CHARGER PLUG INSTALLATION - 110V PLUG (ANSI, ANSI EXPORT & CSA SPECS)



ART_1001248632

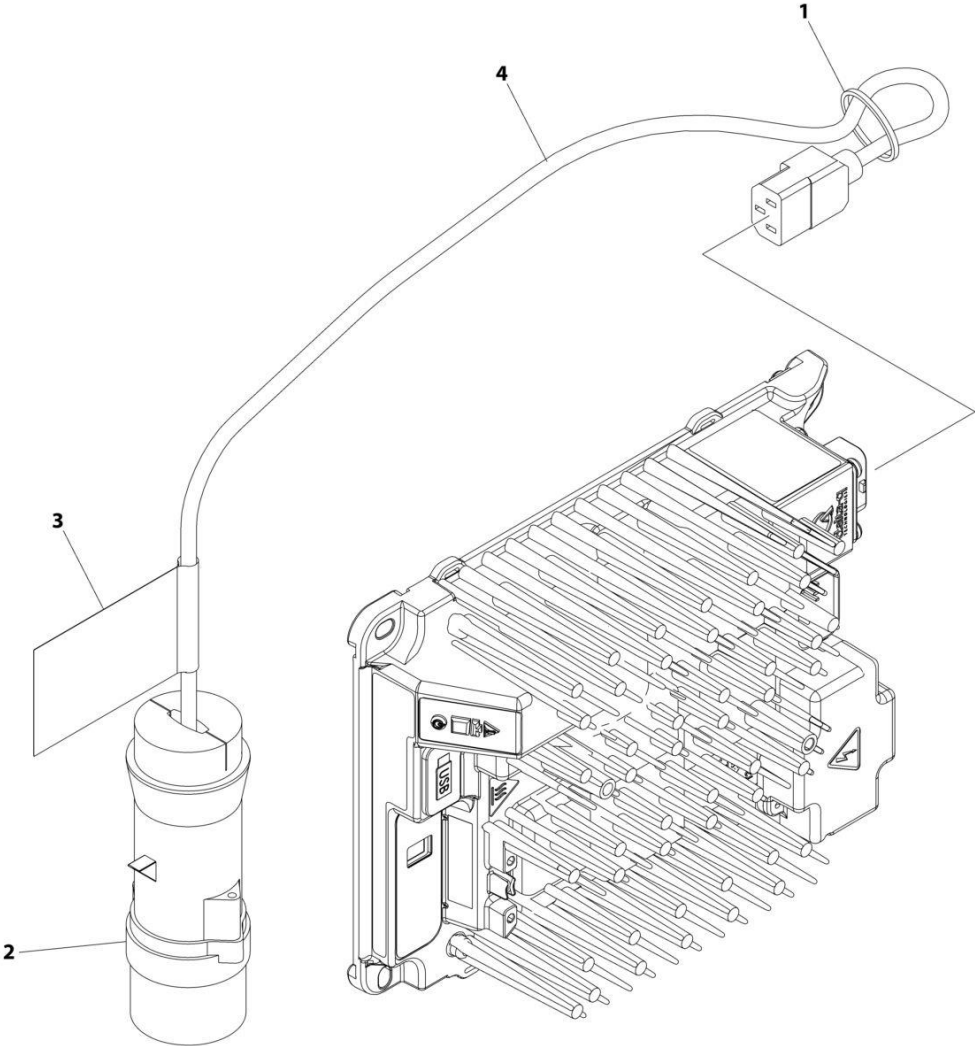
SECTION 6 - ELECTRICAL

FIGURE 6-16. CHARGER PLUG INSTALLATION - 110V PLUG (ANSI, ANSI EXPORT & CSA SPECS)

ITEM	PART NUMBER	QTY	DESCRIPTION	REV
	1001248632	Ref	CHARGER PLUG INSTALLATION	B
1	4240017	AR	Tie-Strap	
2	1001102489	1	Decal - Charger	
3	1001207970	1	Cable, Charger Plug	

SECTION 6 - ELECTRICAL

FIGURE 6-17. CHARGER PLUG INSTALLATION - 110V IEC YELLOW PLUG (CE SPECS)



ART_1001258771

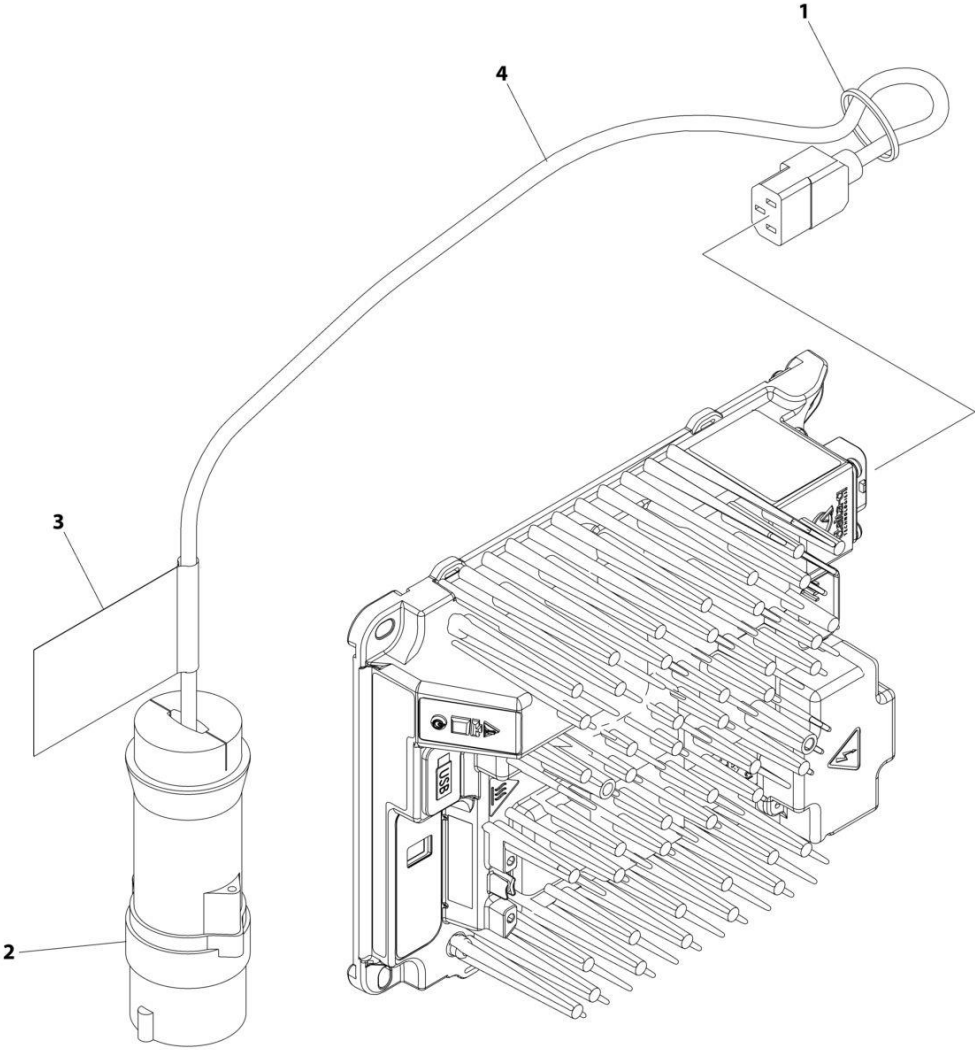
SECTION 6 - ELECTRICAL

FIGURE 6-17. CHARGER PLUG INSTALLATION - 110V IEC YELLOW PLUG (CE SPECS)

ITEM	PART NUMBER	QTY	DESCRIPTION	REV
	1001258771	Ref	CHARGER PLUG INSTALLATION	A
1	4240017	AR	Tie-Strap	
2	4461196	1	Terminal	
3	1001102489	1	Decal - Charger	
4	1001207974	1	Cable, Charger Plug (No Plug)	

SECTION 6 - ELECTRICAL

FIGURE 6-18. CHARGER PLUG INSTALLATION - 220V IEC BLUE PLUG (CE SPECS)



ART_1001258772

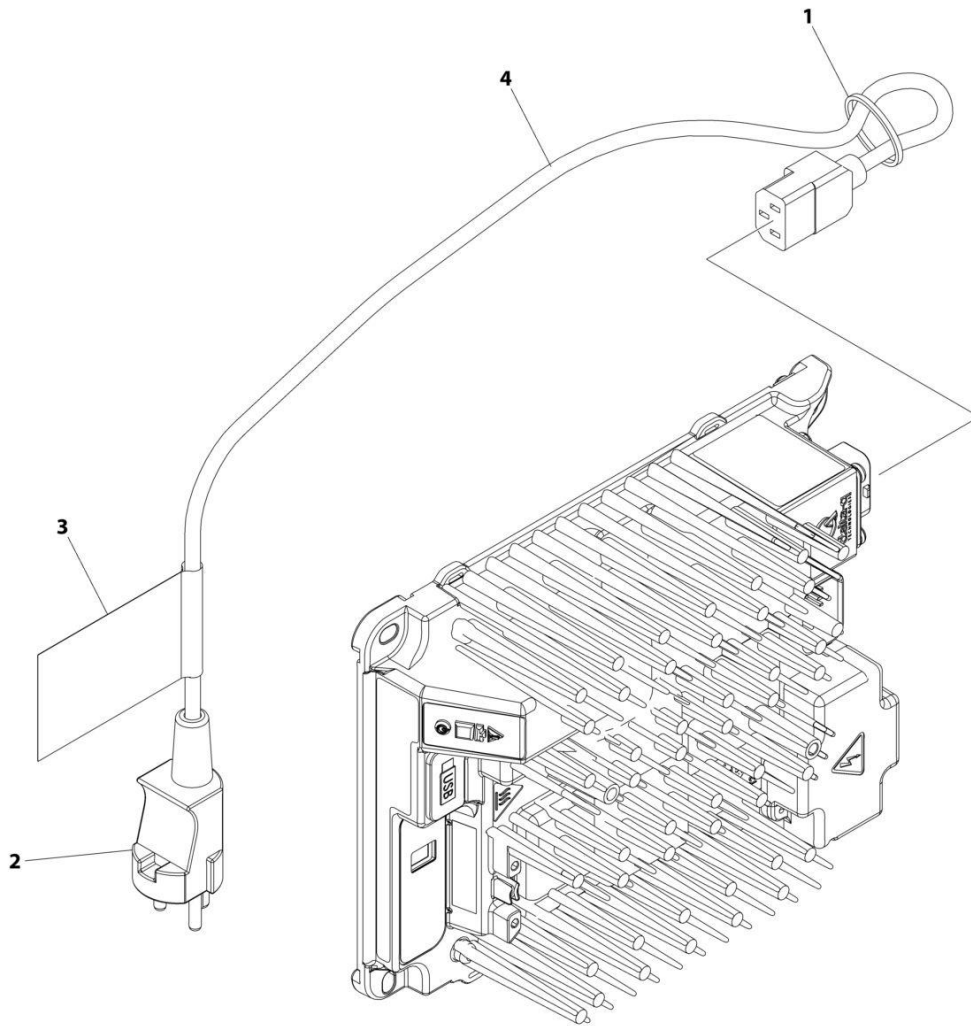
SECTION 6 - ELECTRICAL

FIGURE 6-18. CHARGER PLUG INSTALLATION - 220V IEC BLUE PLUG (CE SPECS)

ITEM	PART NUMBER	QTY	DESCRIPTION	REV
	1001258772	Ref	CHARGER PLUG INSTALLATION	A
1	4240017	AR	Tie-Strap	
2	4461199	1	Terminal	
3	1001102489	1	Decal - Charger	
4	1001207974	1	Cable, Charger Plug (No Plug)	

SECTION 6 - ELECTRICAL

FIGURE 6-19. CHARGER PLUG INSTALLATION - 220V AFSINT 107 PLUG (CE SPECS)



ART_1001258770

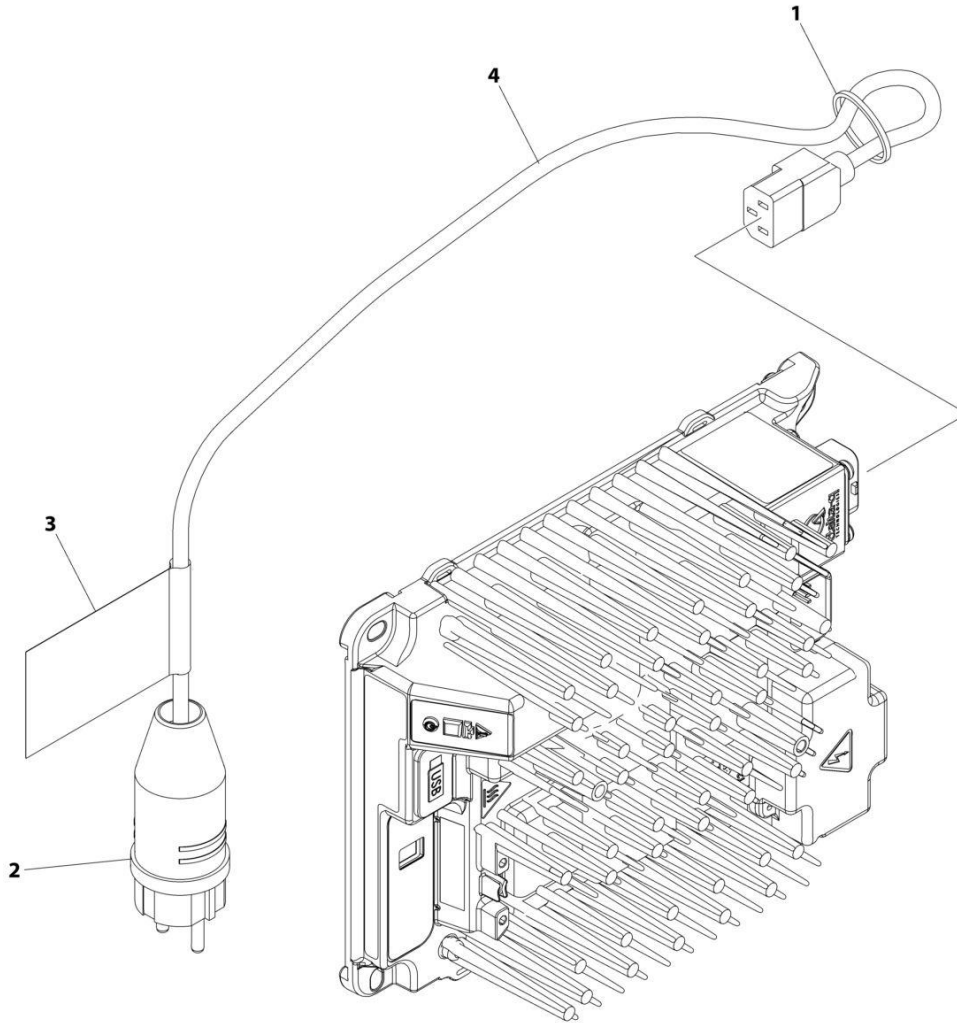
SECTION 6 - ELECTRICAL

FIGURE 6-19. CHARGER PLUG INSTALLATION - 220V AFSINT 107 PLUG (CE SPECS)

ITEM	PART NUMBER	QTY	DESCRIPTION	REV
	1001258770	Ref	CHARGER PLUG INSTALLATION	A
1	4240017	AR	Tie-Strap	
2	4461249	1	Terminal	
3	1001102489	1	Decal - Charger	
4	1001207974	1	Cable, Charger Plug (No Plug)	

SECTION 6 - ELECTRICAL

FIGURE 6-20. CHARGER PLUG INSTALLATION - 220V CEE7 PLUG (CE SPECS)



ART_1001258768

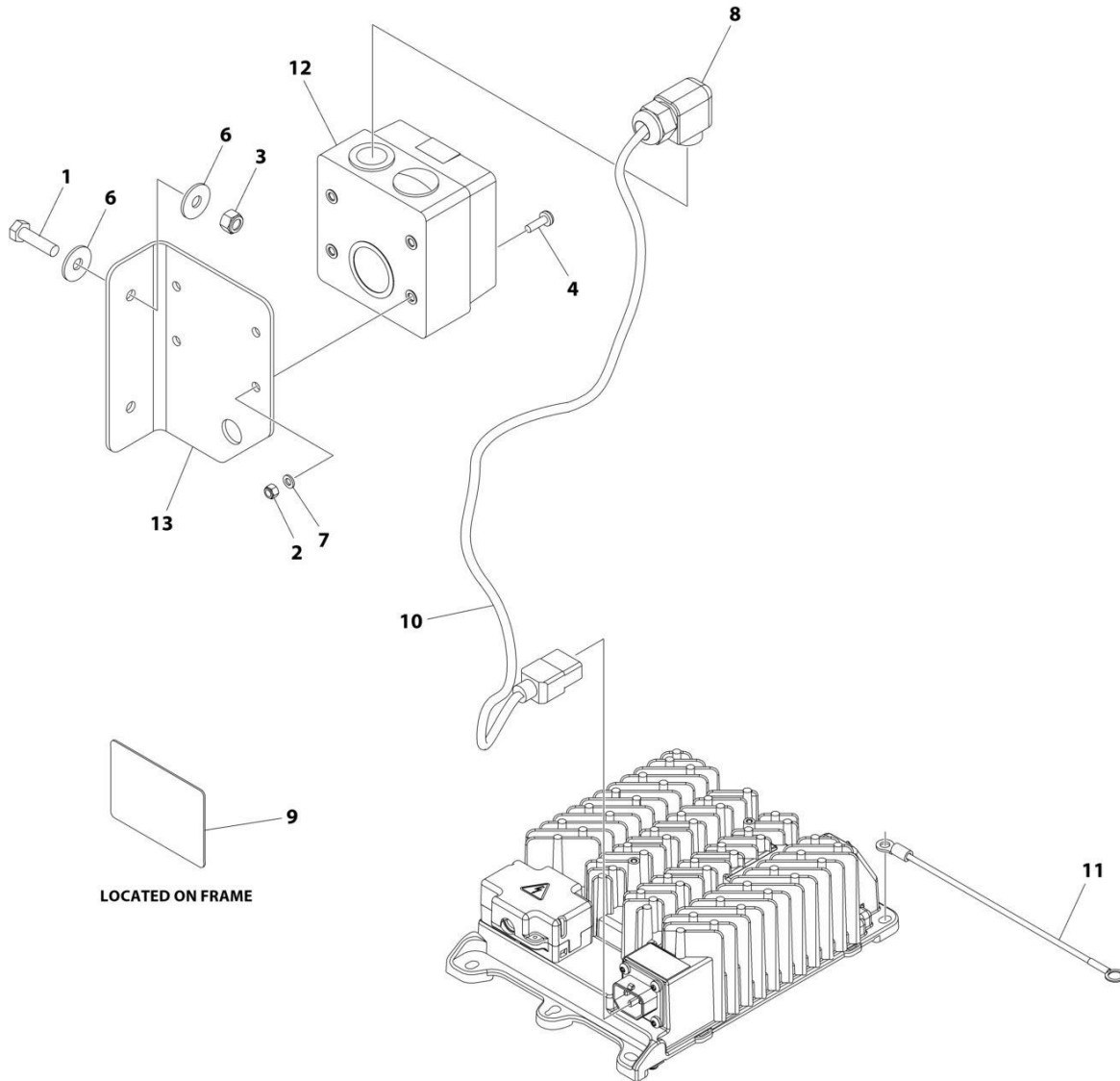
SECTION 6 - ELECTRICAL

FIGURE 6-20. CHARGER PLUG INSTALLATION - 220V CEE7 PLUG (CE SPECS)

ITEM	PART NUMBER	QTY	DESCRIPTION	REV
	1001258768	Ref	CHARGER PLUG INSTALLATION	A
1	4240017	AR	Tie-Strap	
2	4461205	1	Terminal	
3	1001102489	1	Decal - Charger	
4	1001207974	1	Cable, Charger Plug (No Plug)	

SECTION 6 - ELECTRICAL

FIGURE 6-21. CHARGER PLUG INSTALLATION (AUSTRALIAN PLUG)



ART_1001263295

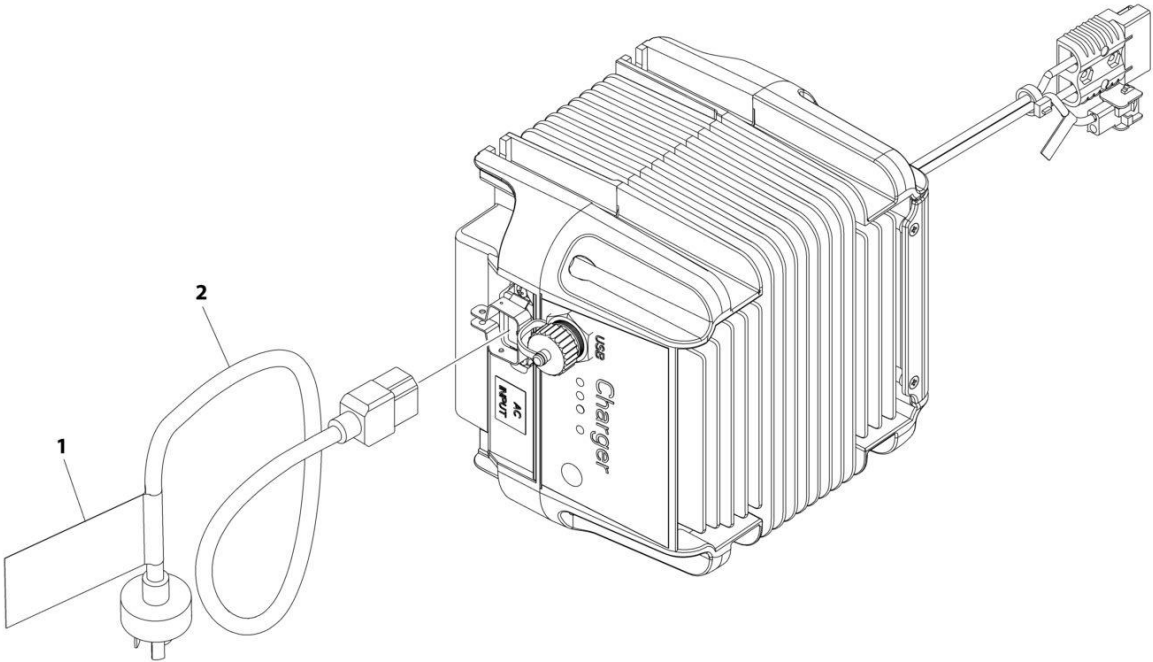
SECTION 6 - ELECTRICAL

FIGURE 6-21. CHARGER PLUG INSTALLATION (AUSTRALIAN PLUG)

ITEM	PART NUMBER	QTY	DESCRIPTION	REV
	1001263295	Ref	CHARGER PLUG INSTALLATION	A
1	0700814	2	Bolt M8 x 30	
2	3290505	4	Nut M5	
3	3290805	2	Nut M8	
4	3900381	4	Screw M5 x 16	
5	4240017	AR	Tie Strap (Not Shown)	
6	4811902	4	Washer M8	
7	4831600	4	Washer M5	
8	1001103471	1	Connector Strain Relief 90	
9	1001134280	1	Decal - Charger	
10	1001207974	1	Cable, Charger AC Input	
11	1001227219	1	Ground Harness	
12	1001227267	1	Receptacle Australian - 230V	
13	1001249890	1	Bracket	

SECTION 6 - ELECTRICAL

FIGURE 6-22. CHARGER PLUG INSTALLATION (CHINA PLUG)



ART_1001263294

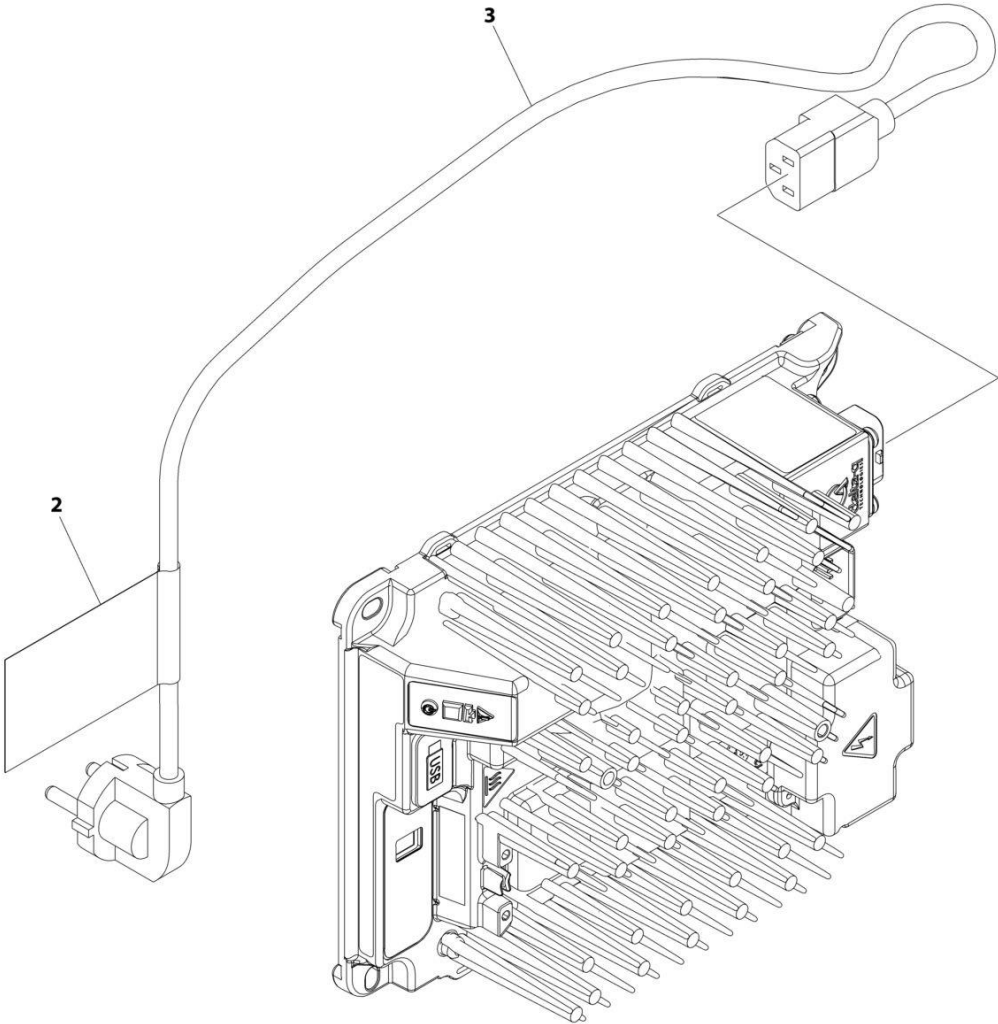
SECTION 6 - ELECTRICAL

FIGURE 6-22. CHARGER PLUG INSTALLATION (CHINA PLUG)

ITEM	PART NUMBER	QTY	DESCRIPTION	REV
	1001263294	Ref	CHARGER PLUG INSTALLATION	A
1	1001102489	1	Decal - Charger Label	
2	1001207973	1	Cable, Charger AC Input	

SECTION 6 - ELECTRICAL

FIGURE 6-23. CHARGER PLUG INSTALLATION (KOREAN PLUG)



ART_1001248634

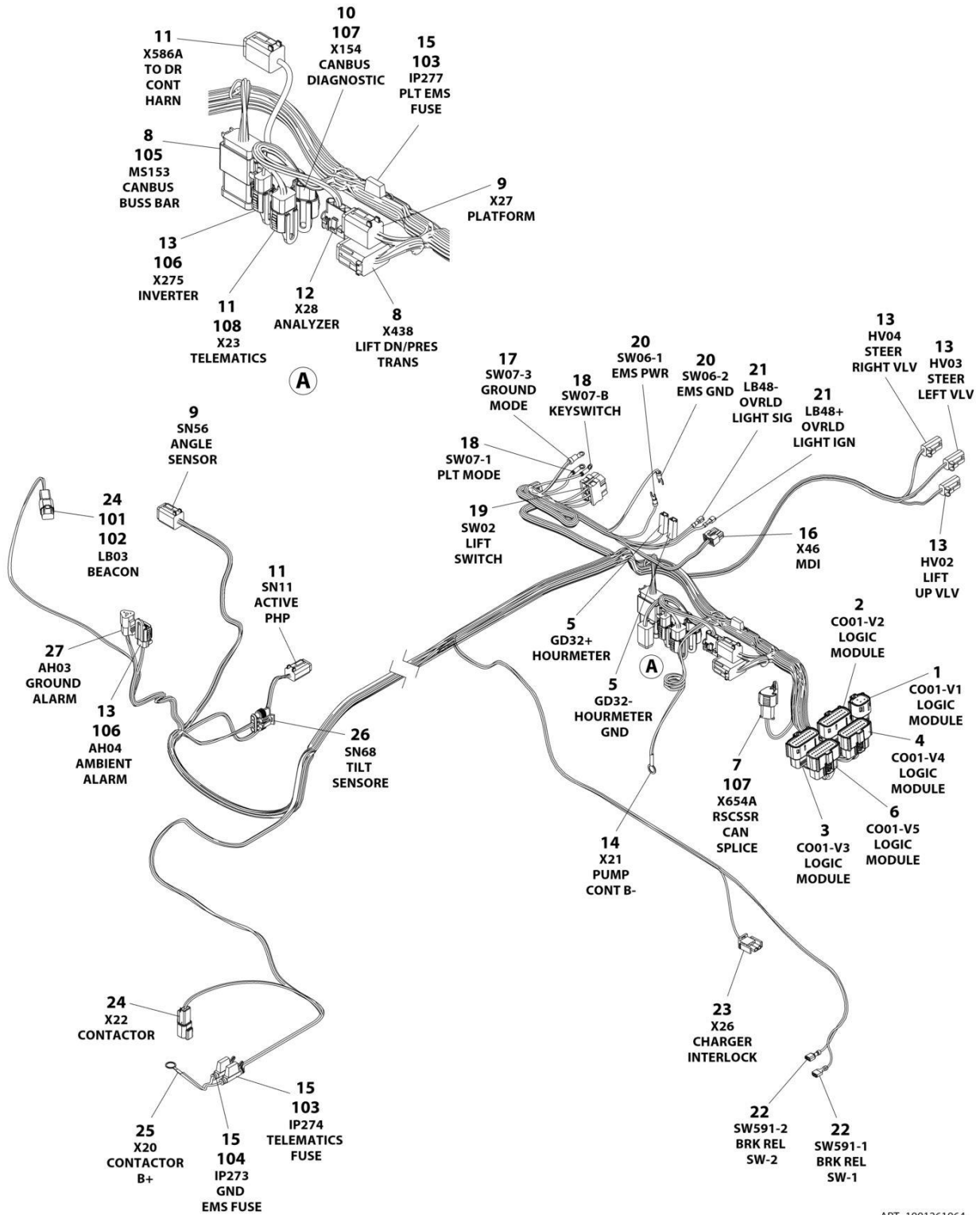
SECTION 6 - ELECTRICAL

FIGURE 6-23. CHARGER PLUG INSTALLATION (KOREAN PLUG)

ITEM	PART NUMBER	QTY	DESCRIPTION	REV
	1001248634	Ref	CHARGER PLUG INSTALLATION	A
1	4240017	AR	Tie-Strap (Not Shown)	
2	1001102489	1	Decal - Charger Label	
3	1001221949	1	Cable, Charger AC Input	

SECTION 6 - ELECTRICAL

FIGURE 6-24. CHASSIS HARNESS



ART_1001261064

SECTION 6 - ELECTRICAL

FIGURE 6-24. CHASSIS HARNESS

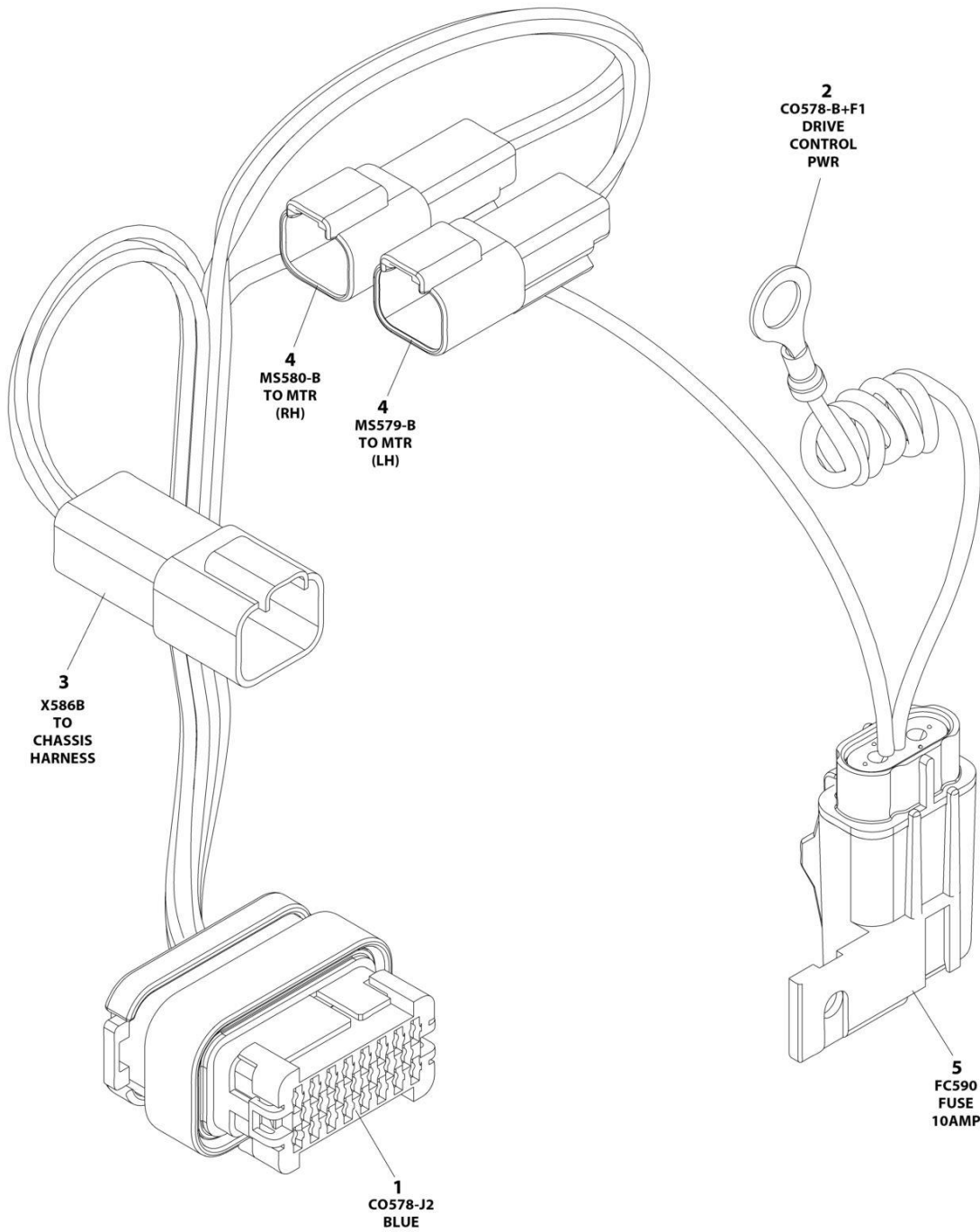
ITEM	PART NUMBER	QTY	DESCRIPTION	REV
	1001261064	Ref	CHASSIS HARNESS	B
1	1001205409	1	Connector - 8 Position	
1	1001162887	8	Terminal	
2	1001205410	1	Connector - 20 Position	
2	1001162887	13	Terminal	
2	1001163340	7	Plug, Terminal	
3	1001162886	1	Connector - 20 Position	
3	1001162887	16	Terminal	
3	1001163340	4	Plug, Terminal	
4	1001205411	1	Connector - 20 Position	
4	1001162887	16	Terminal	
4	1001163340	4	Plug, Terminal	
5	4460260	4	Cover, Terminal	
5	4460259	4	Terminal	
6	1001205412	1	Connector - 20 Position	
6	1001162887	14	Terminal	
6	1001163340	6	Plug, Terminal	
7	4460965	1	Plug, Male - 3 Position	
7	4460944	2	Socket, Female	
7	4460466	1	Plug, Terminal	
8	4460933	2	Plug, Male - 12 Position	
8	4460465	10	Socket, Female	
8	4460944	12	Socket, Female	
8	4460466	2	Plug, Terminal	
9	4460894	2	Plug, Male - 6 Position	
9	4460465	8	Socket, Female	
9	4460944	2	Socket, Female	
9	4460466	2	Plug, Terminal	
10	1001116812	1	Receptacle, Female - 3 Position	
10	4060944	2	Socket, Female	
10	4460466	1	Plug, Terminal	
11	4460884	3	Plug, Male - 4 Position	
11	4460465	10	Socket, Female	
11	4460944	2	Socket, Female	
12	4460761	1	Plug, Male - 4 Position	
12	4460227	4	Socket, Female	
13	4460891	5	Plug, Male - 2 Position	
13	4460465	9	Socket, Female	
13	4460466	1	Plug, Terminal	
14	4460256	2	Terminal	
15	2400060	3	Holder/Cover, Fuse	
16	1001151629	1	Plug, Male - 8 Position	
16	4461023	2	Terminal	
16	4460877	2	Terminal	
17	4460042	1	Terminal, Ring	
18	4460247	2	Terminal, Ring	
19	4460418	1	Connector - 6 Position	
19	1001159186	3	Terminal	
20	4460115	1	Terminal, Ring	
21	1001201885	2	Terminal	

SECTION 6 - ELECTRICAL

ITEM	PART NUMBER	QTY	DESCRIPTION	REV
22	1001194421	2	Terminal	
23	4460320	1	Plug, Male - 2 Position	
23	4460226	1	Socket, Female	
24	4460897	2	Receptacle, Female - 2 Position	
24	4460464	4	Pin, Male	
25	4460019	1	Terminal, Ring	
26	1001103012	1	Plug, Male - 4 Position	
26	1001196589	4	Terminal	
26	1001104498	4	Seal Terminal	
27	4460539	1	Plug, Male - 3 Position	
27	4460465	3	Socket, Female	
101	4460466	2	Plug, Terminal	
102	4460891	1	Plug, Male - 4 Position	
103	8229242	2	Fuse 5 Amp	
104	8229244	1	Fuse, 15 Amp	
105	1001125677	1	Connector, Bussbar	
106	1001144295	2	Cap - 2 Position	
107	1001144296	2	Cap - 3 Position	
108	1001192401	1	Cap, Dust	

SECTION 6 - ELECTRICAL

FIGURE 6-25. DRIVE HARNESS



ART_1001255934

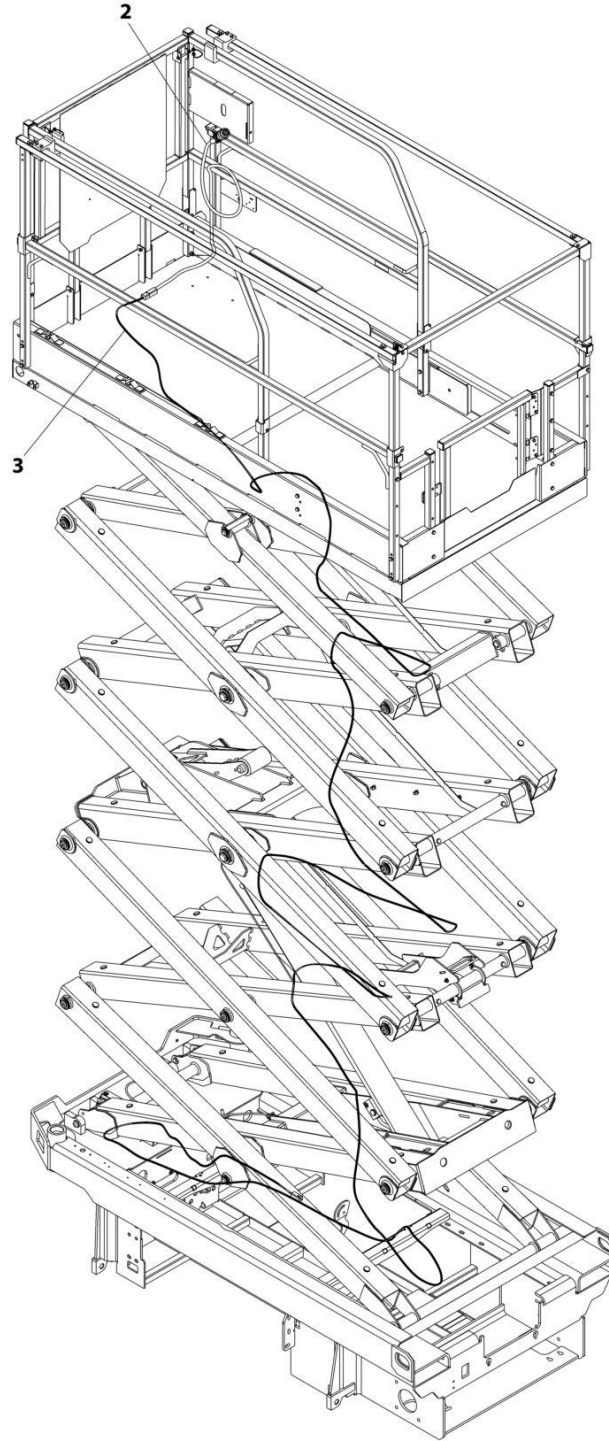
SECTION 6 - ELECTRICAL

FIGURE 6-25. DRIVE HARNESS

ITEM	PART NUMBER	QTY	DESCRIPTION	REV
	1001255934	Ref	DRIVE HARNESS	E
1	1001096138	1	Connector - 23 Position	
1	4460871	9	Terminal	
1	4460905	14	Plug, Terminal	
2	4460670	1	Terminal, Ring	
3	4460932	1	Receptacle, Female - 4 Position	
3	4460943	2	Pin, Male	
3	4460464	2	Pin, Male	
4	4460897	2	Receptacle, Female - 2 Position	
4	4460464	4	Pin, Male	
5	1001217843	1	Fuseholder with Cap	
5	1001217842	1	Cap, Cover	
5	8229234	1	Fuse - 10Amp	
5	1001116733	2	Terminal	

SECTION 6 - ELECTRICAL

FIGURE 6-26. GROUND TO PLATFORM CABLE INSTALLATION - WITHOUT PLATFORM COIL CABLE
(CHINA AND MEXICO BUILT MACHINES)



ART_1001234093

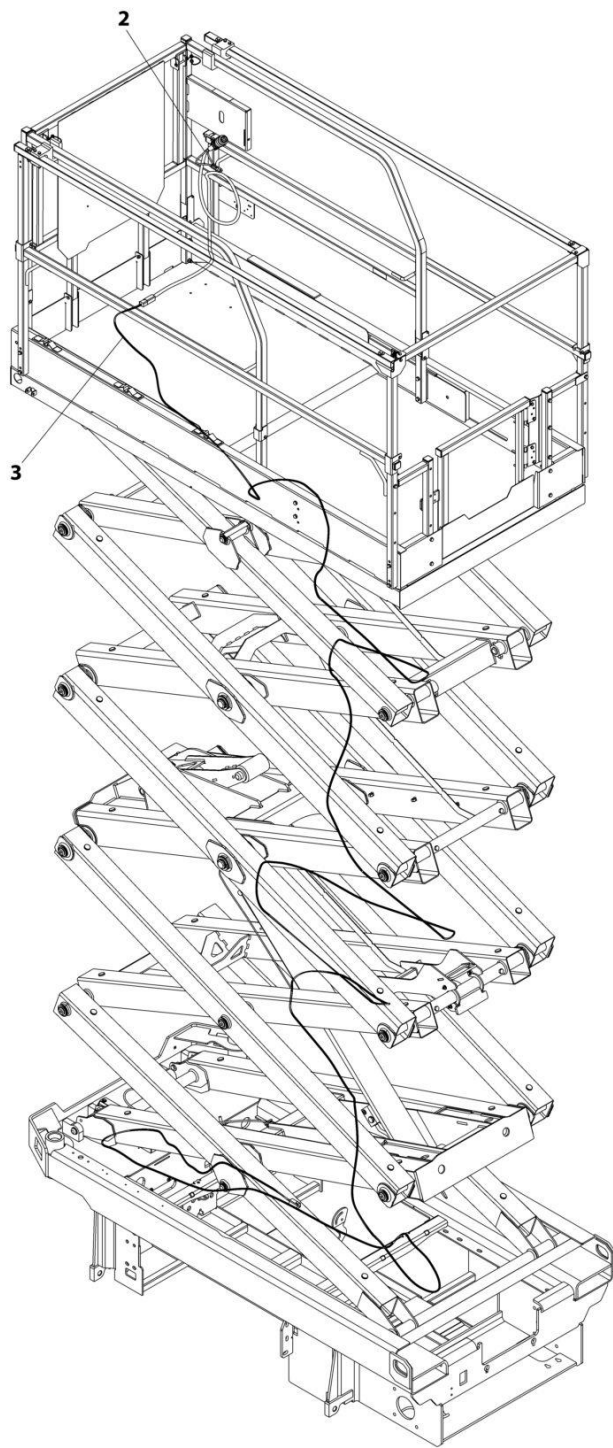
SECTION 6 - ELECTRICAL

**FIGURE 6-26. GROUND TO PLATFORM CABLE INSTALLATION - WITHOUT PLATFORM COIL CABLE
(CHINA AND MEXICO BUILT MACHINES)**

ITEM	PART NUMBER	QTY	DESCRIPTION	REV
	1001234093	Ref	GROUND TO PLATFORM CABLE INSTALLATION - WITHOUT PLATFORM COIL CABLE	A
1	4240017	AR	Tie-Strap (Not Shown)	
2	1001200812	1	Platform Harness	
2	4460899	1	Receptacle, Female - 6 Position (To Item 3)	
2	4460464	4	Pin, Male	
2	4460943	2	Pin, Male	
2	4460754	1	Connector - 14 Position (To Console Box)	
2	4460465	8	Socket, Female	
2	4460466	6	Plug, Terminal	
3	1001234631	1	Cable Assembly - Ground to Platform	
3	4460894	1	Plug, Male - 6 Position (To Platform Harness Item 2)	
3	4460465	4	Socket, Female	
3	4460944	2	Socket, Female	
3	4460899	1	Receptacle, Female - 6 Position (To Chassis Harness)	
3	4460464	4	Pin, Male	
3	4460943	2	Pin, Male	

SECTION 6 - ELECTRICAL

FIGURE 6-27. GROUND TO PLATFORM CABLE INSTALLATION - WITHOUT PLATFORM COIL CABLE & WITH FOOTSWITCH (CHINA BUILT MACHINES)



ART_1001234095

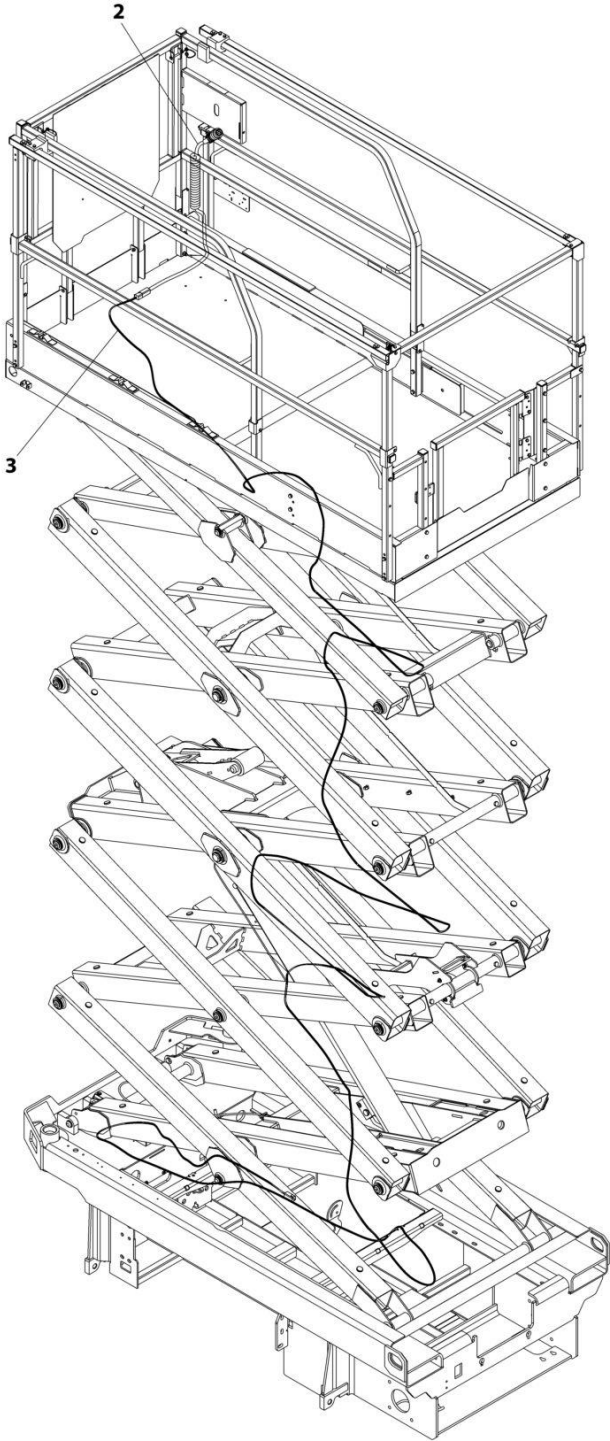
SECTION 6 - ELECTRICAL

**FIGURE 6-27. GROUND TO PLATFORM CABLE INSTALLATION - WITHOUT PLATFORM COIL CABLE
& WITH FOOTSWITCH (CHINA BUILT MACHINES)**

ITEM	PART NUMBER	QTY	DESCRIPTION	REV
	1001234095	Ref	GROUND TO PLATFORM CABLE INSTALLATION - WITHOUT PLATFORM COIL CABLE AND WITH FOOTSWITCH	A
1	4240017	AR	Tie-Strap (Not Shown)	
2	1001223263	1	Platform Harness	
2	4460899	1	Receptacle, Female - 6 Position (To Item 3)	
2	4460464	4	Pin, Male	
2	4460943	2	Pin, Male	
2	4460754	1	Connector - 14 Position (To Console Box)	
2	4460465	8	Socket, Female	
2	4460944	2	Socket, Female	
2	4460466	4	Plug, Terminal	
2	4460891	1	Plug, Male - 2 Position (To Footswitch)	
2	4460465	2	Socket, Female	
2	4460897	1	Receptacle, Female - 2 Position (Footswitch Jumper)	
2	4460464	2	Pin, Male	
2	4460539	1	Plug, Male - 3 Position (To Overhead Switches)	
2	4460465	2	Socket, Female	
2	4460466	1	Plug, Terminal	
3	1001234631	1	Cable Assembly - Ground to Platform	
3	4460894	1	Plug, Male - 6 Position (To Platform Harness Item 2)	
3	4460465	4	Socket, Female	
3	4460944	2	Socket, Female	
3	4460899	1	Receptacle, Female - 6 Position (To Chassis Harness)	
3	4460464	4	Pin, Male	
3	4460943	2	Pin, Male	

SECTION 6 - ELECTRICAL

**FIGURE 6-28. GROUND TO PLATFORM CABLE INSTALLATION - WITH PLATFORM COIL CABLE
(CHINA AND MEXICO BUILT MACHINES)**



ART_1001234094

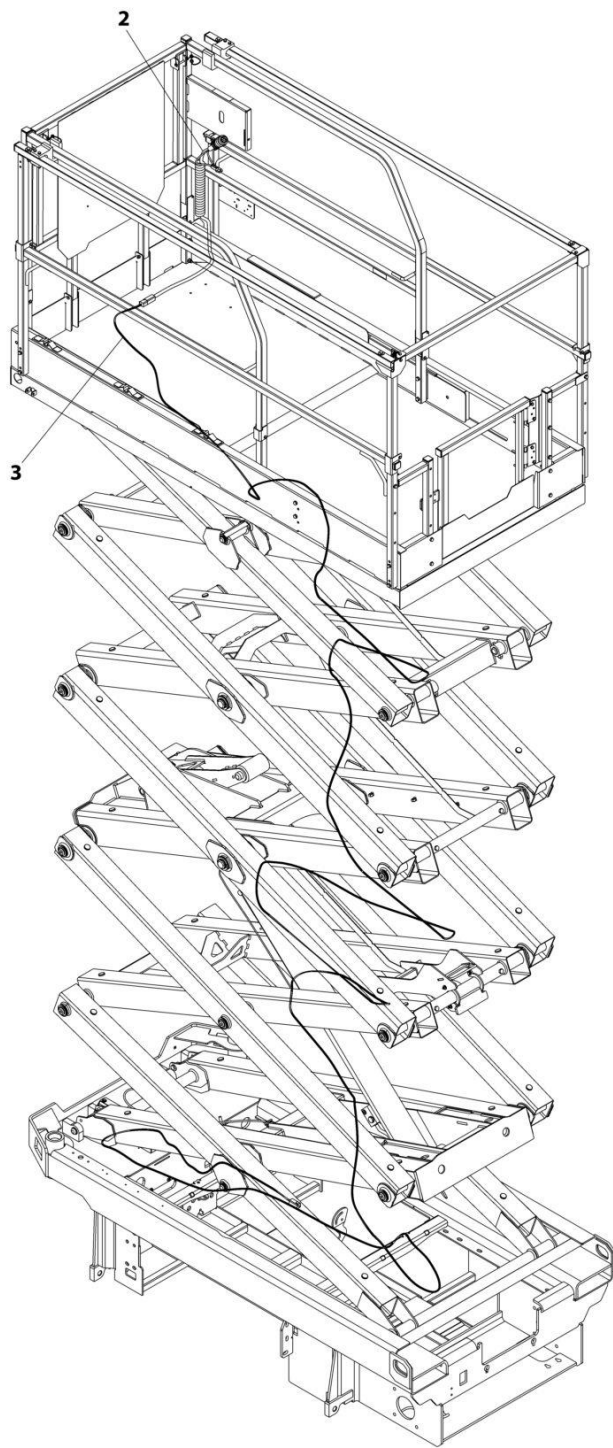
SECTION 6 - ELECTRICAL

**FIGURE 6-28. GROUND TO PLATFORM CABLE INSTALLATION - WITH PLATFORM COIL CABLE
(CHINA AND MEXICO BUILT MACHINES)**

ITEM	PART NUMBER	QTY	DESCRIPTION	REV
	1001234094	Ref	GROUND TO PLATFORM CABLE INSTALLATION - WITH PLATFORM COIL CABLE	A
1	4240017	AR	Tie-Strap (Not Shown)	
2	1001202184	1	Platform Harness	
2	4460899	1	Receptacle, Female - 6 Position (To Item 3)	
2	4460464	4	Pin, Male	
2	4460943	2	Pin, Male	
2	4460754	1	Connector - 14 Position (To Console Box)	
2	4460465	8	Socket, Female	
2	4460466	6	Plug, Terminal	
3	1001234631	1	Cable Assembly - Ground to Platform	
3	4460894	1	Plug, Male - 6 Position (To Platform Harness Item 2)	
3	4460465	4	Socket, Female	
3	4460944	2	Socket, Female	
3	4460899	1	Receptacle, Female - 6 Position (To Chassis Harness)	
3	4460464	4	Pin, Male	
3	4460943	2	Pin, Male	

SECTION 6 - ELECTRICAL

FIGURE 6-29. GROUND TO PLATFORM CABLE INSTALLATION - WITH PLATFORM COIL CABLE & FOOTSWITCH (CHINA BUILT MACHINES)



ART_1001234096

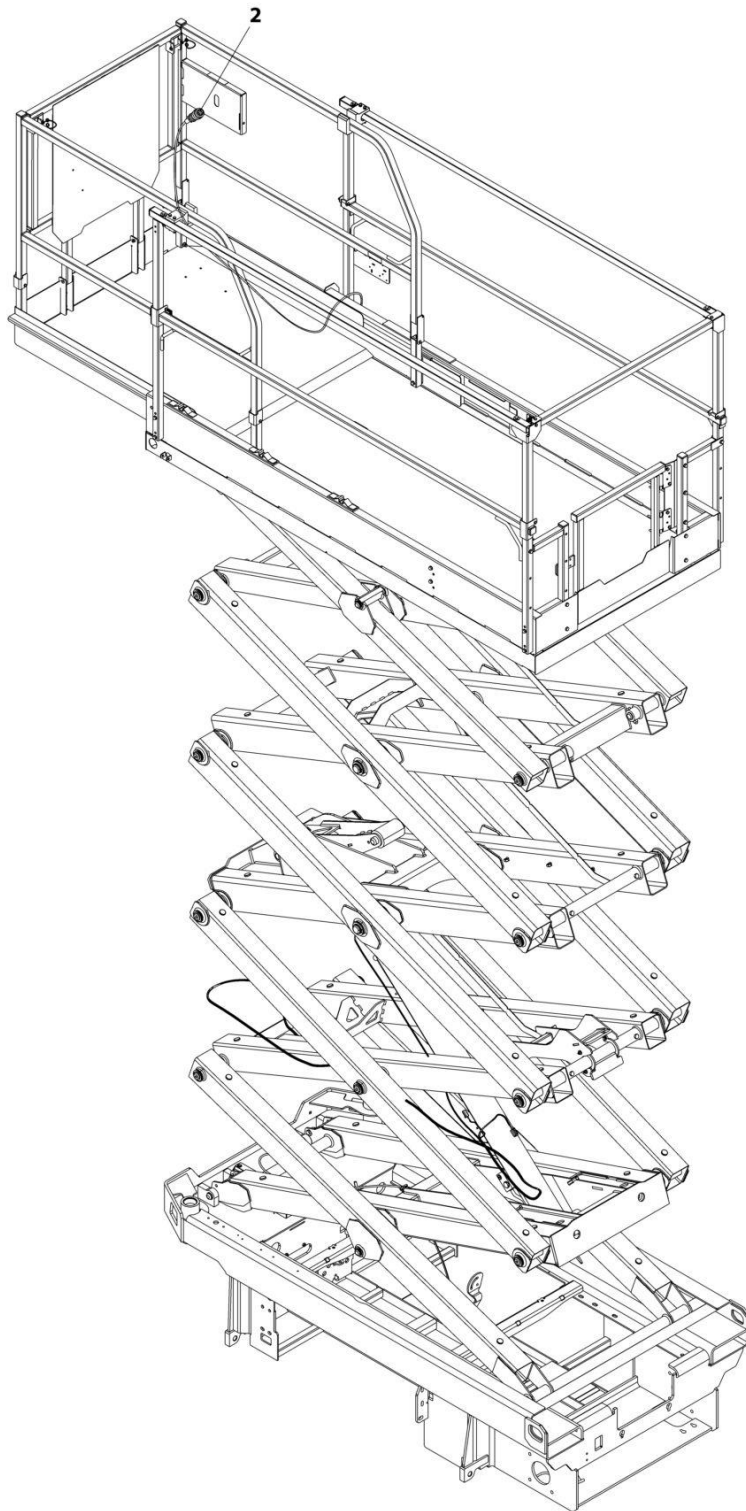
SECTION 6 - ELECTRICAL

FIGURE 6-29. GROUND TO PLATFORM CABLE INSTALLATION - WITH PLATFORM COIL CABLE & FOOTSWITCH (CHINA BUILT MACHINES)

ITEM	PART NUMBER	QTY	DESCRIPTION	REV
	1001234096	Ref	GROUND TO PLATFORM CABLE INSTALLATION - WITH PLATFORM COIL CABLE AND FOOTSWITCH	A
1	4240017	AR	Tie-Strap (Not Shown)	
2	1001223262	1	Platform Harness	
2	4460899	1	Receptacle, Female - 6 Position (To Item 3)	
2	4460464	4	Pin, Male	
2	4460943	2	Pin, Male	
2	4460754	1	Connector - 14 Position (To Console Box)	
2	4460465	8	Socket, Female	
2	4460944	2	Socket, Female	
2	4460466	4	Plug, Terminal	
2	4460891	1	Plug, Male - 2 Position (To Footswitch)	
2	4460465	2	Socket, Female	
2	4460897	1	Receptacle, Female - 2 Position (Footswitch Jumper)	
2	4460464	2	Pin, Male	
2	4460539	1	Plug, Male - 3 Position (To Overhead Switches)	
2	4460465	2	Socket, Female	
2	4460466	1	Plug, Terminal	
3	1001234631	1	Cable Assembly - Ground to Platform	
3	4460894	1	Plug, Male - 6 Position (To Platform Harness Item 2)	
3	4460465	4	Socket, Female	
3	4460944	2	Socket, Female	
3	4460899	1	Receptacle, Female - 6 Position (To Chassis Harness)	
3	4460464	4	Pin, Male	
3	4460943	2	Pin, Male	

SECTION 6 - ELECTRICAL

FIGURE 6-30. GROUND TO PLATFORM CABLE INSTALLATION - PLATFORM STRAIGHT CABLE ONLY (EUROPEAN BUILT MACHINES)



ART_1001223650

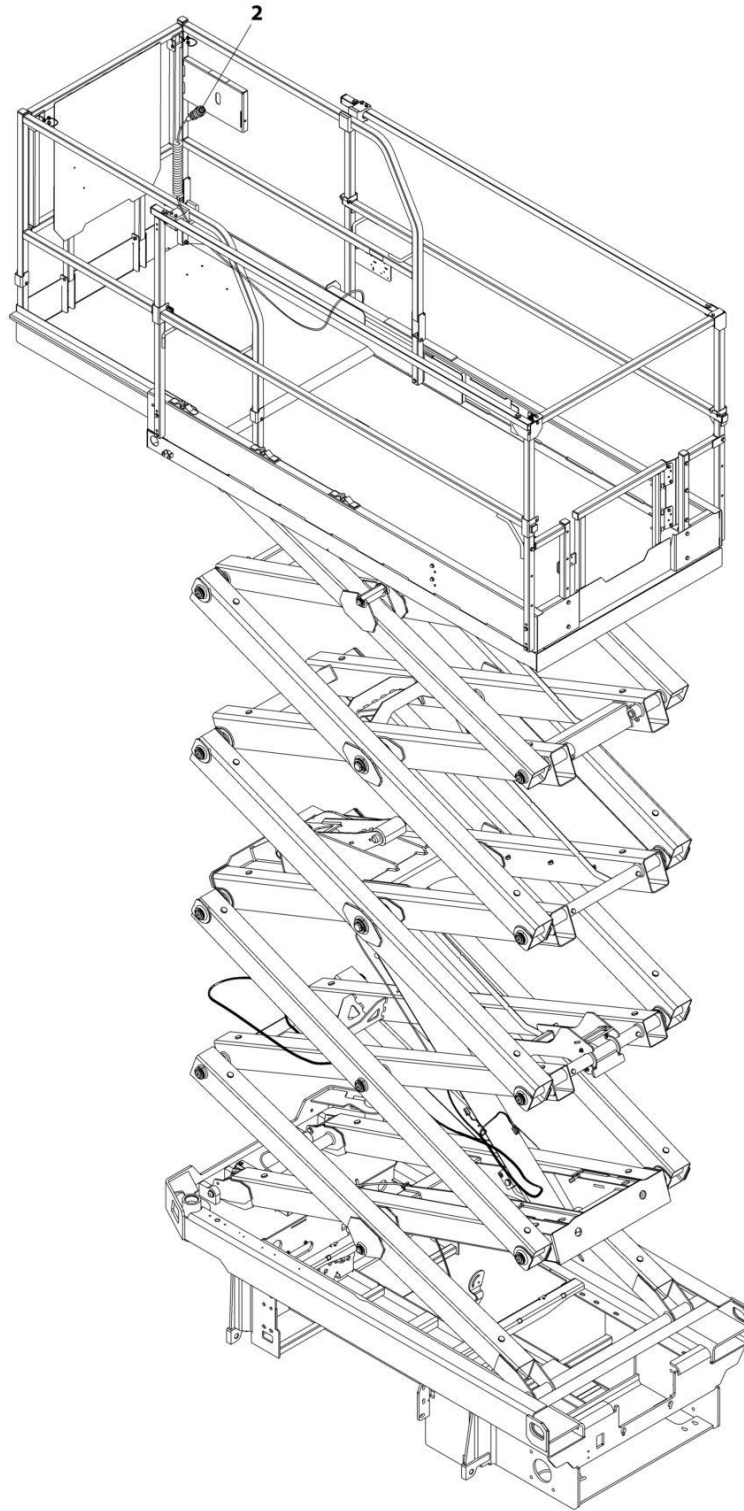
SECTION 6 - ELECTRICAL

FIGURE 6-30. GROUND TO PLATFORM CABLE INSTALLATION - PLATFORM STRAIGHT CABLE ONLY (EUROPEAN BUILT MACHINES)

ITEM	PART NUMBER	QTY	DESCRIPTION	REV
	1001223650	Ref	GROUND TO PLATFORM CABLE INSTALLATION	A
1	4240017	AR	Tie-Strap (Not Shown)	
2	1001200812	1	Platform Harness	
2	4460899	1	Receptacle, Female - 6 position (To Platform/AC Cable Connector)	
2	4460464	4	Pin, Male	
2	4460943	2	Pin, Male	
2	4460754	1	Connector - 14 Position (To Console Box)	
2	4460465	8	Socket, Female	
2	4460466	6	Plug, Terminal	

SECTION 6 - ELECTRICAL

FIGURE 6-31. GROUND TO PLATFORM CABLE INSTALLATION - P



ART_1001223651

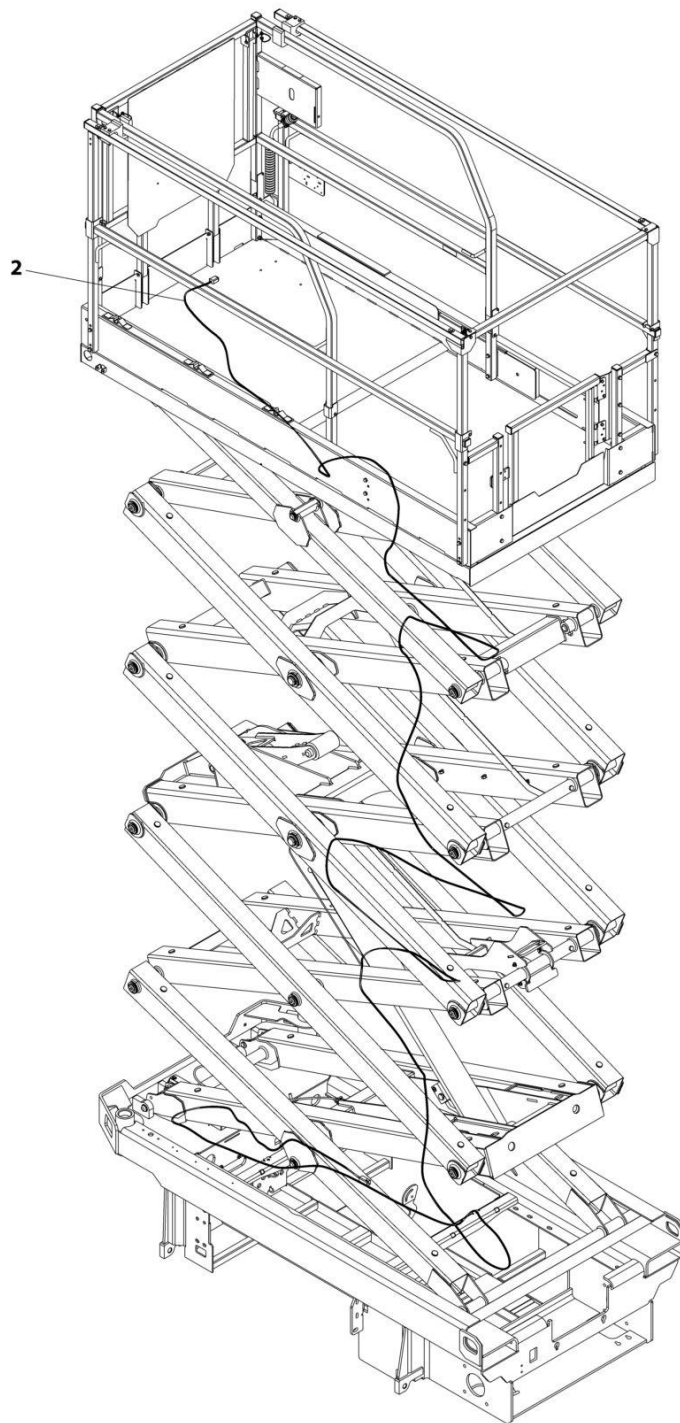
SECTION 6 - ELECTRICAL

FIGURE 6-31. GROUND TO PLATFORM CABLE INSTALLATION - P

ITEM	PART NUMBER	QTY	DESCRIPTION	REV
	1001223651	Ref	GROUND TO PLATFORM CABLE INSTALLATION	A
1	4240017	AR	Tie-Strap (Not Shown)	
2	1001202184	1	Platform Harness	
2	4460899	1	Receptacle, Female - 6 position (To Platform/AC Cable Connector)	
2	4460464	4	Pin, Male	
2	4460943	2	Pin, Male	
2	4460754	1	Connector - 14 Position (To Console Box)	
2	4460465	8	Socket, Female	
2	4460466	6	Plug, Terminal	

SECTION 6 - ELECTRICAL

FIGURE 6-32. GROUND TO PLATFORM CABLE INSTALLATION - SCISSORS ARMS CABLE ONLY
(EUROPEAN BUILT MACHINES)



ART_1001239389

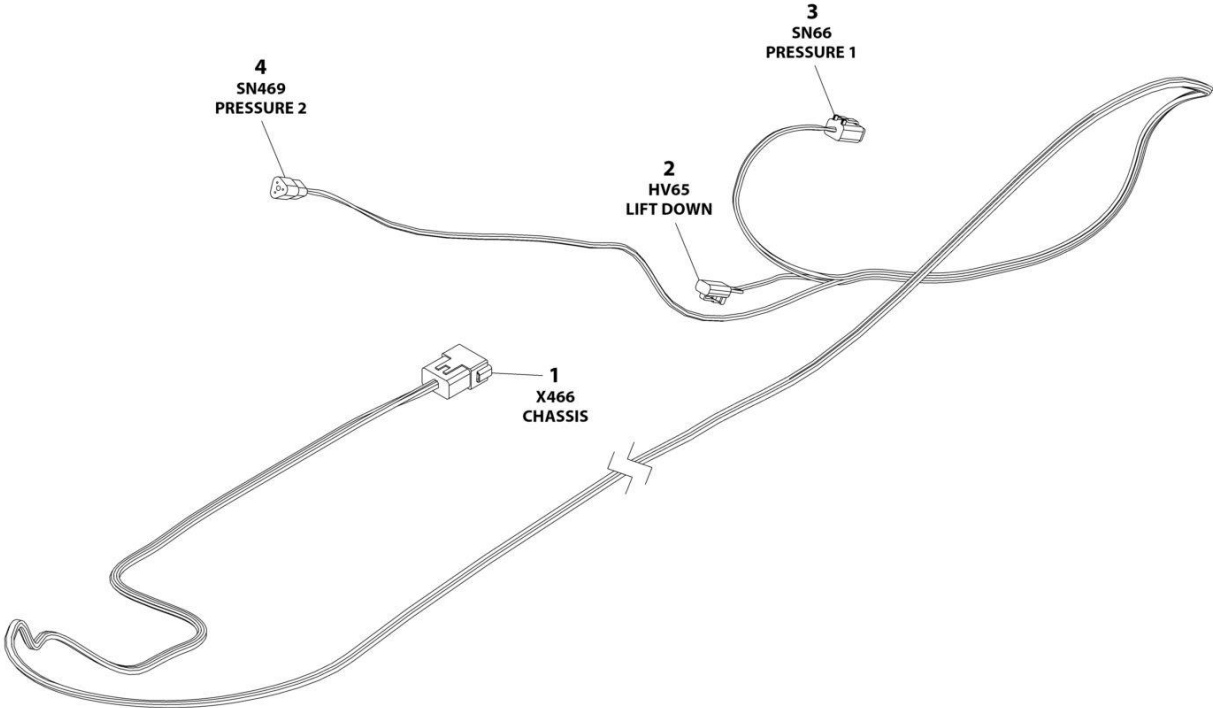
SECTION 6 - ELECTRICAL

**FIGURE 6-32. GROUND TO PLATFORM CABLE INSTALLATION - SCISSORS ARMS CABLE ONLY
(EUROPEAN BUILT MACHINES)**

ITEM	PART NUMBER	QTY	DESCRIPTION	REV
	1001239389	Ref	GROUND TO PLATFORM CABLE INSTALLATION	A
1	4240017	AR	Tie-Strap (Not Shown)	
2	1001234631	1	Cable Assembly - Ground to Platform	
2	4460894	1	Plug, Male - 6 Position (To Platform Harness Item 2)	
2	4460465	4	Socket, Female	
2	4460944	2	Socket, Female	
2	4460899	1	Receptacle, Female - 6 Position (To Chassis Harness)	
2	4460464	4	Pin, Male	
2	4460943	2	Pin, Male	

SECTION 6 - ELECTRICAL

FIGURE 6-33. LIFT DOWN HARNESS



ART_1001233795

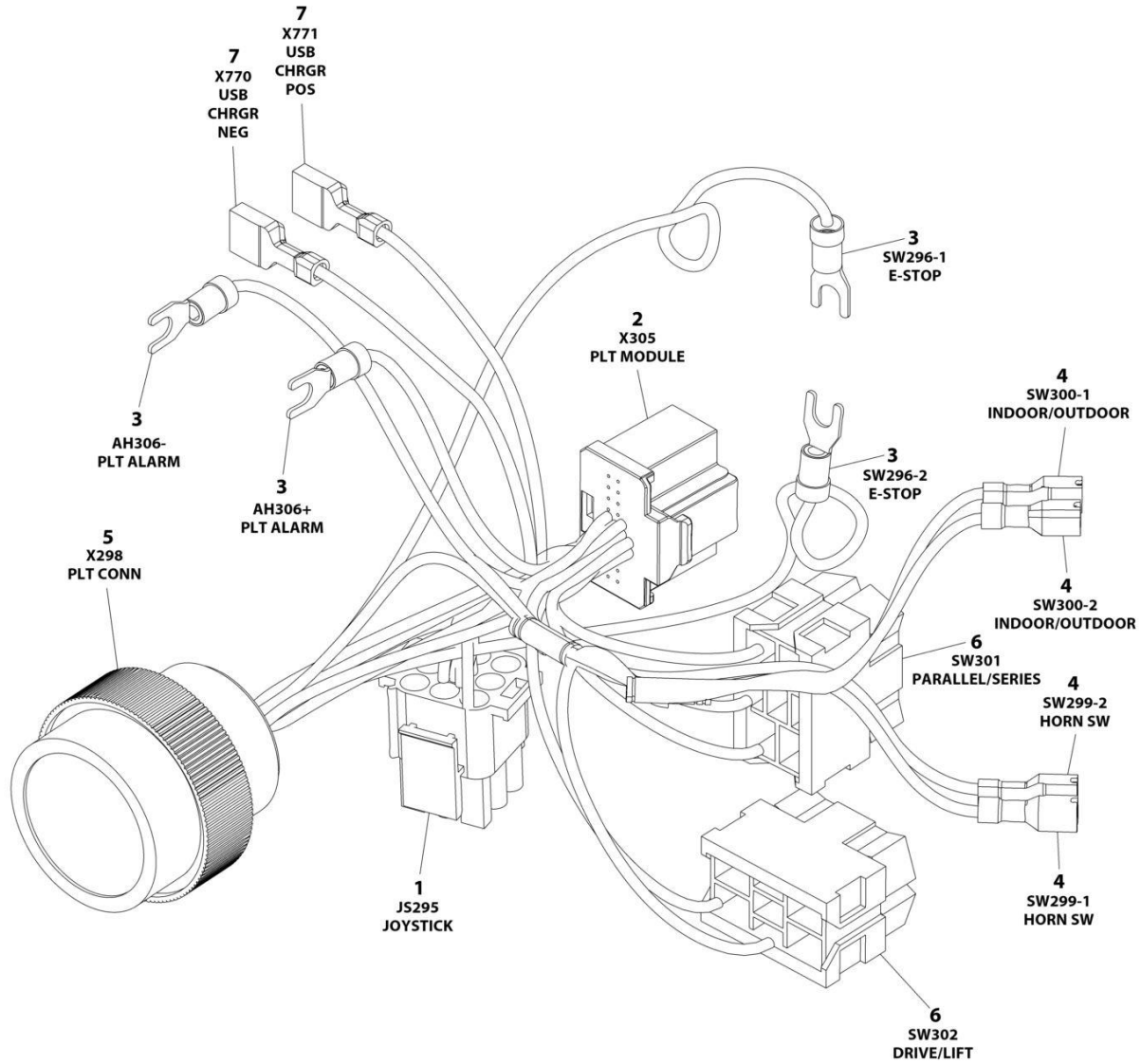
SECTION 6 - ELECTRICAL

FIGURE 6-33. LIFT DOWN HARNESS

ITEM	PART NUMBER	QTY	DESCRIPTION	REV
	1001233795	Ref	LIFT DOWN HARNESS	D
1	4460970	1	Receptacle, Female - 12 Position	
1	4460464	9	Pin, Male	
1	4460466	3	Plug, Terminal	
2	4460891	1	Plug, Male - 4 Position	
2	4460465	2	Socket, Female	
3	4460884	1	Plug, Male - 4 Position	
3	4460465	4	Socket, Female	
4	4460539	1	Plug, Male - 3 Position	
4	4460465	3	Socket, Female	

SECTION 6 - ELECTRICAL

FIGURE 6-34. PLATFORM CONTROL BOX HARNESS



ART_1001200819

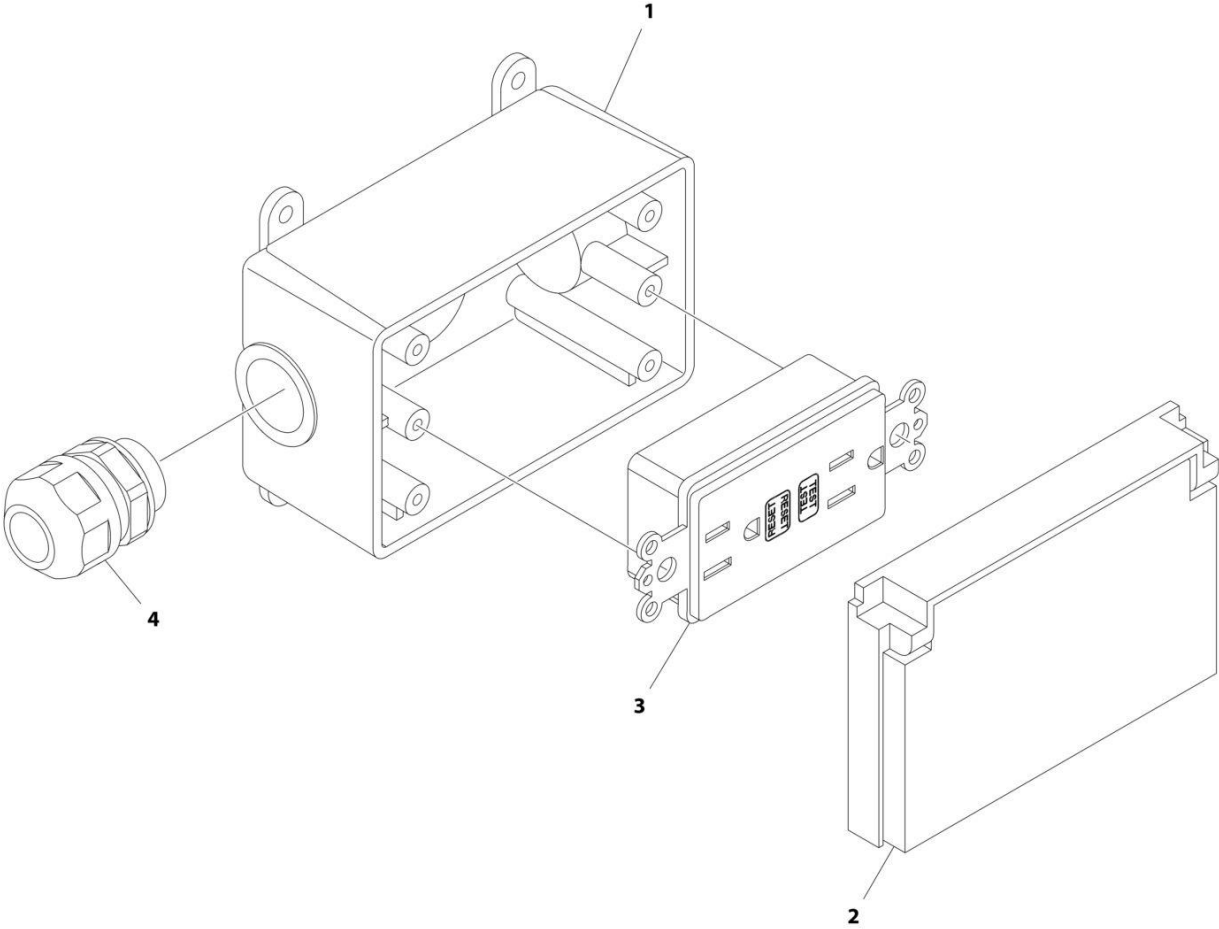
SECTION 6 - ELECTRICAL

FIGURE 6-34. PLATFORM CONTROL BOX HARNESS

ITEM	PART NUMBER	QTY	DESCRIPTION	REV
	1001200819	Ref	PLATFORM CONTROL BOX HARNESS	E
1	4460265	1	Plug, Male - 9 Position	
1	4460267	6	Pin, Male	
2	1001212036	1	Connector - 20 Position	
2	1001212035	16	Terminal	
3	4460183	4	Terminal, Fork	
4	1001201885	4	Terminal with Cover	
5	4461016	1	Connector - 14 Position	
5	4460464	8	Pin, Male	
5	4460466	6	Plug, Terminal	
6	4460418	2	Connector - 6 Position	
6	1001159186	5	Terminal	
7	1001194421	2	Terminal	

SECTION 6 - ELECTRICAL

FIGURE 6-35. RECEPTACLE BOX KIT - 110V GFI



ART_2902431

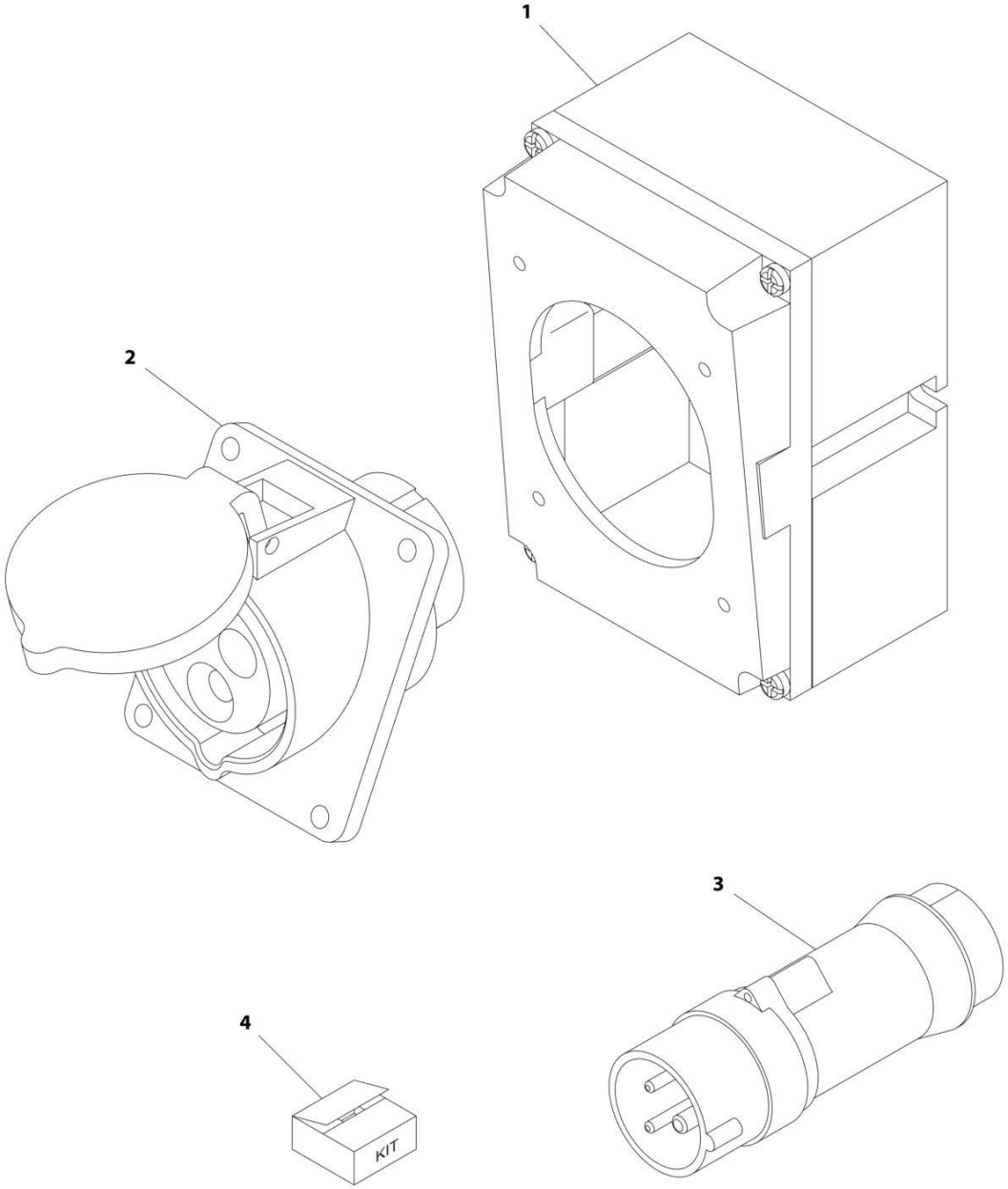
SECTION 6 - ELECTRICAL

FIGURE 6-35. RECEPTACLE BOX KIT - 110V GFI

ITEM	PART NUMBER	QTY	DESCRIPTION	REV
	2902431	Ref	RECEPTACLE BOX KIT - 110V GFI	D
1	0861731	1	Box, Receptacle	
2	1671207	1	Cover, Receptacle	
3	4460346	1	Receptacle	
4	4460662	1	Connector, Strain Relief	

SECTION 6 - ELECTRICAL

FIGURE 6-36. RECEPTACLE BOX KIT - 110V IEC YELLOW (CE SPEC)



ART_0275217

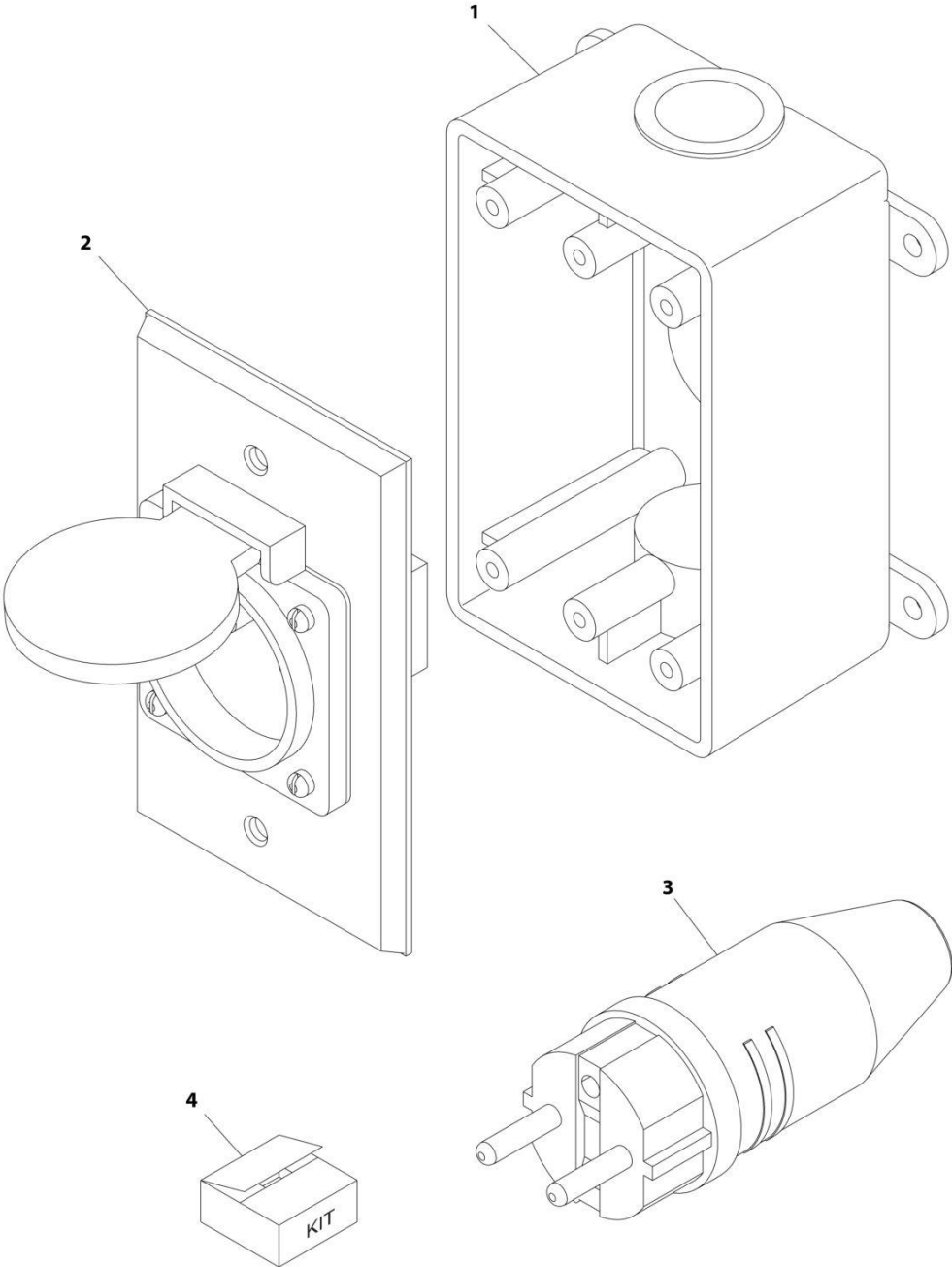
SECTION 6 - ELECTRICAL

FIGURE 6-36. RECEPTACLE BOX KIT - 110V IEC YELLOW (CE SPEC)

ITEM	PART NUMBER	QTY	DESCRIPTION	REV
	0275217	Ref	RECEPTACLE BOX KIT - 220V IEC BLUE	B
1	0861781	1	Box, Switch	
2	4461201	1	Receptacle	
3	4461199	1	Plug, Male	
4	1001100342	1	Plug and Socket Kit (Includes Items 1-3 and Female Plug p/n 4461200)	

SECTION 6 - ELECTRICAL

FIGURE 6-37. RECEPTACLE BOX KIT - 220V CEE7 POST GROUND (CE SPEC)



ART_0275452-C

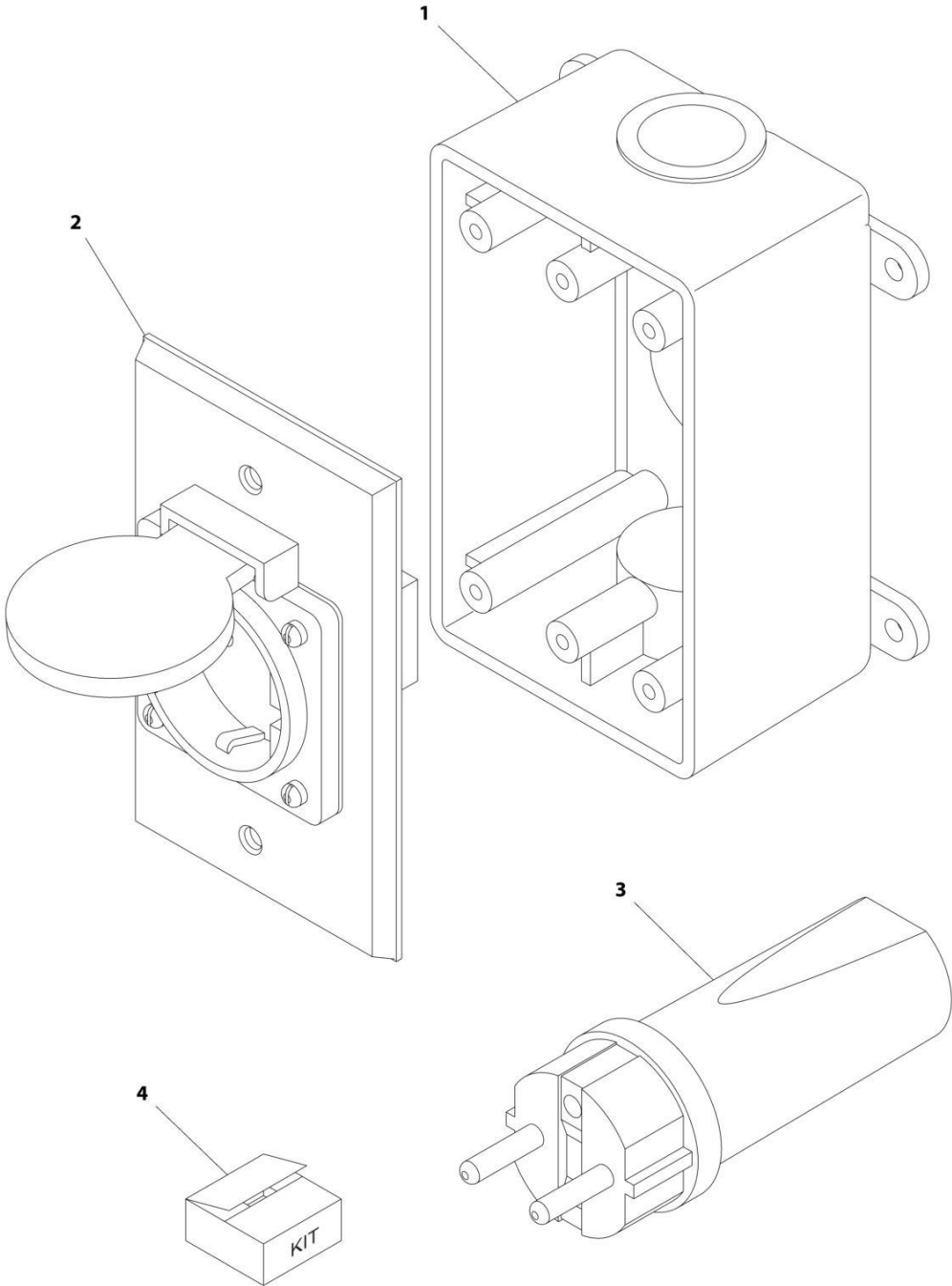
SECTION 6 - ELECTRICAL

FIGURE 6-37. RECEPTACLE BOX KIT - 220V CEE7 POST GROUND (CE SPEC)

ITEM	PART NUMBER	QTY	DESCRIPTION	REV
	0275452	Ref	RECEPTACLE BOX KIT - 220V CEE7 POST GROUND 2IN X 4IN BOX	C
1	0861731	1	Box, Switch	
2	4461244	1	Receptacle	
3	4461205	1	Plug, Male	
4	1001100345	1	Plug and Socket Kit (Includes Items 1-3 and Female Plug p/n 4461203)	

SECTION 6 - ELECTRICAL

FIGURE 6-38. RECEPTACLE BOX KIT - 220V CEE7 SIDE GROUND (CE SPEC)



ART_0275453

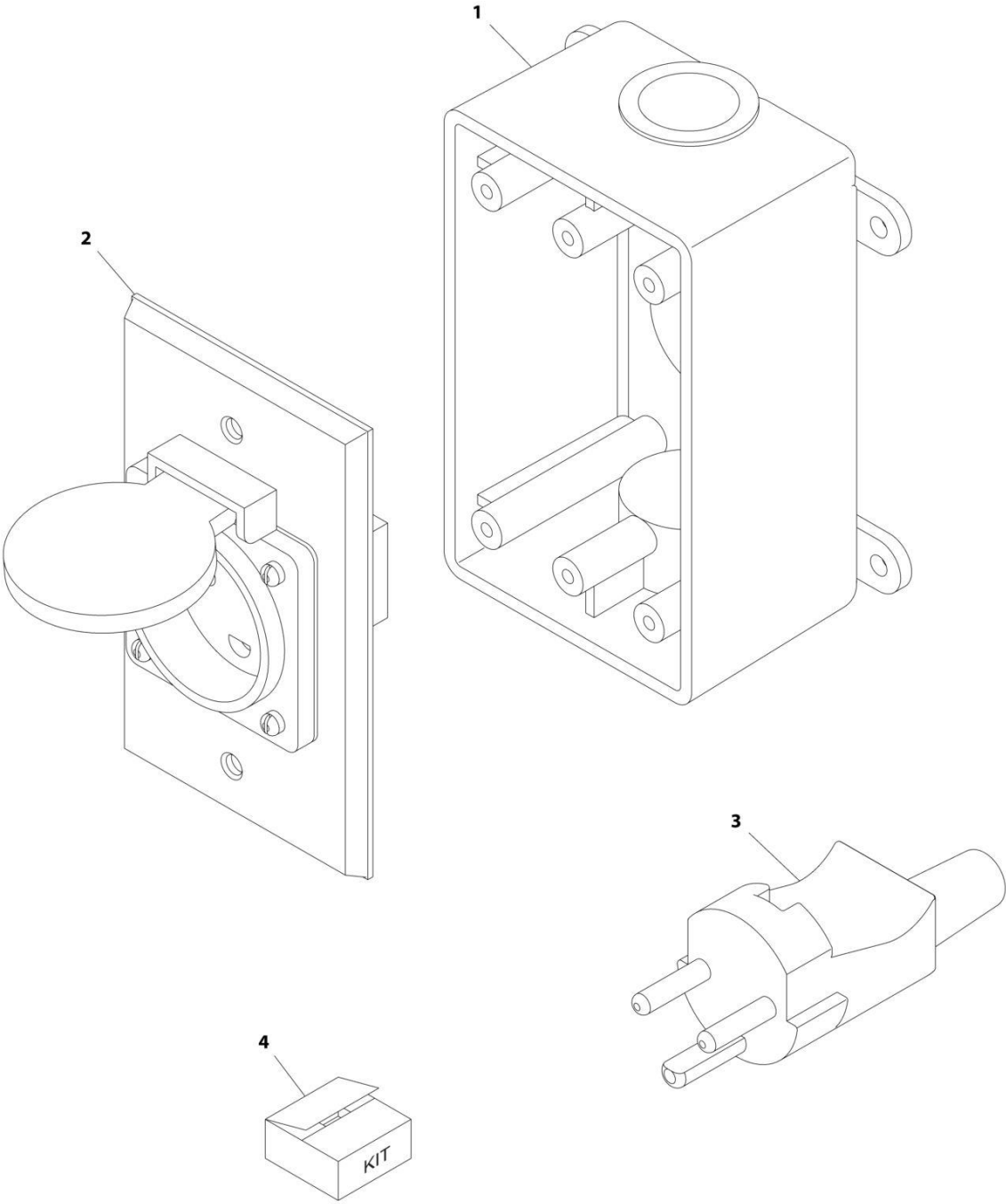
SECTION 6 - ELECTRICAL

FIGURE 6-38. RECEPTACLE BOX KIT - 220V CEE7 SIDE GROUND (CE SPEC)

ITEM	PART NUMBER	QTY	DESCRIPTION	REV
	0275453	Ref	RECEPTACLE BOX KIT - 220V CEE7 SIDE GROUND	B
1	0861731	1	Box, Switch	
2	4461245	1	Receptacle	
3	4461205	1	Plug, Male	
4	1001100347	1	Plug and Socket Kit (Includes Items 1-3 and Female Plug p/n 4461206)	

SECTION 6 - ELECTRICAL

FIGURE 6-39. RECEPTACLE BOX KIT - 220V AFSINT 107 (CE SPEC)



ART_0275454

SECTION 6 - ELECTRICAL

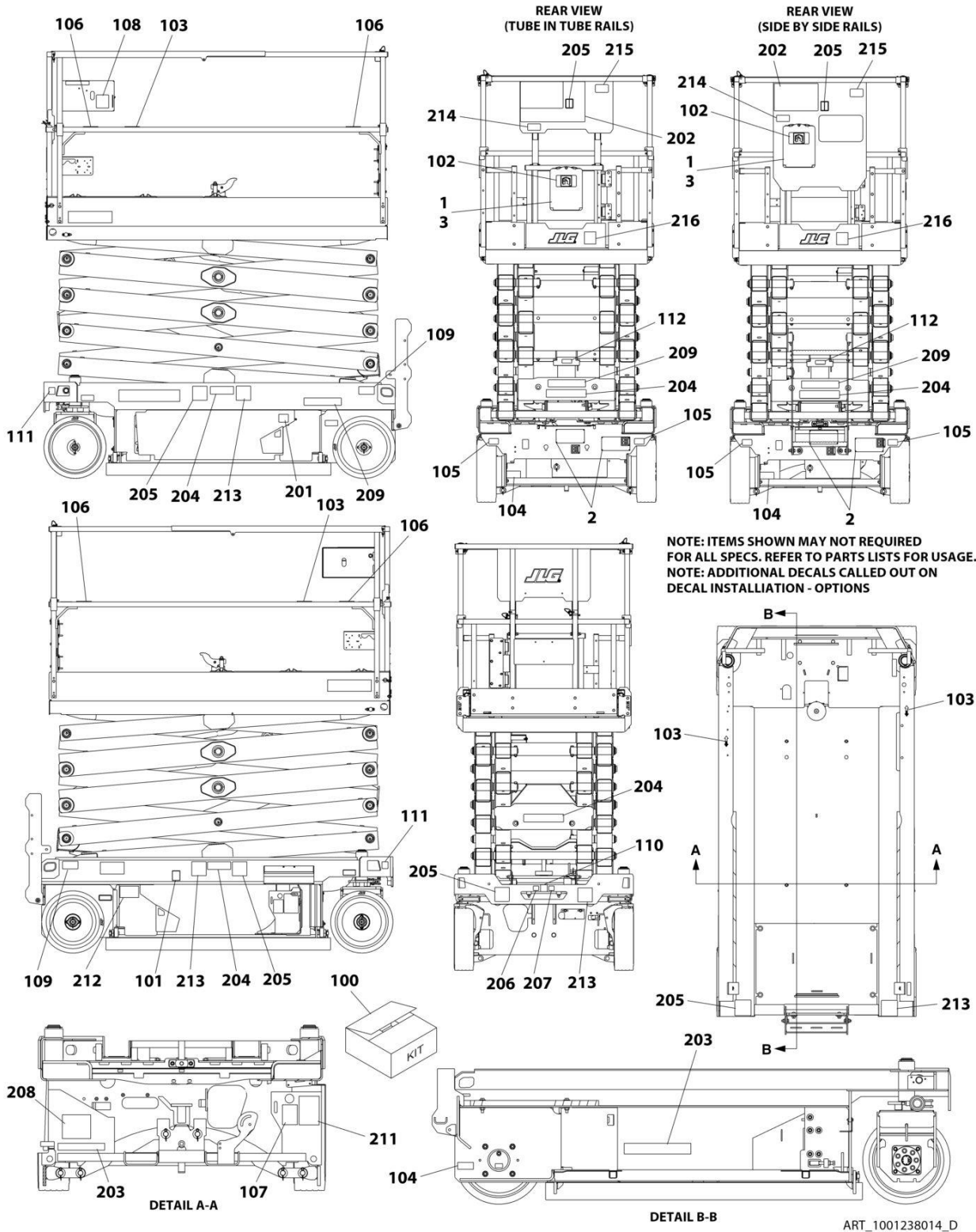
FIGURE 6-39. RECEPTACLE BOX KIT - 220V AFSINT 107 (CE SPEC)

ITEM	PART NUMBER	QTY	DESCRIPTION	REV
	0275454	Ref	RECEPTACLE BOX KIT - 220V AFSINT 107	B
1	0861731	1	Box, Switch	
2	4461246	1	Receptacle	
3	4461249	1	Plug, Male	
4	1001100346	1	Plug and Socket Kit (Includes Items 1-3 and Female Plug p/n 4461250)	

SECTION 7 - DECALS

SECTION 7 - DECALS

FIGURE 7-1. DECAL INSTALLATION (ANSI SPECS)



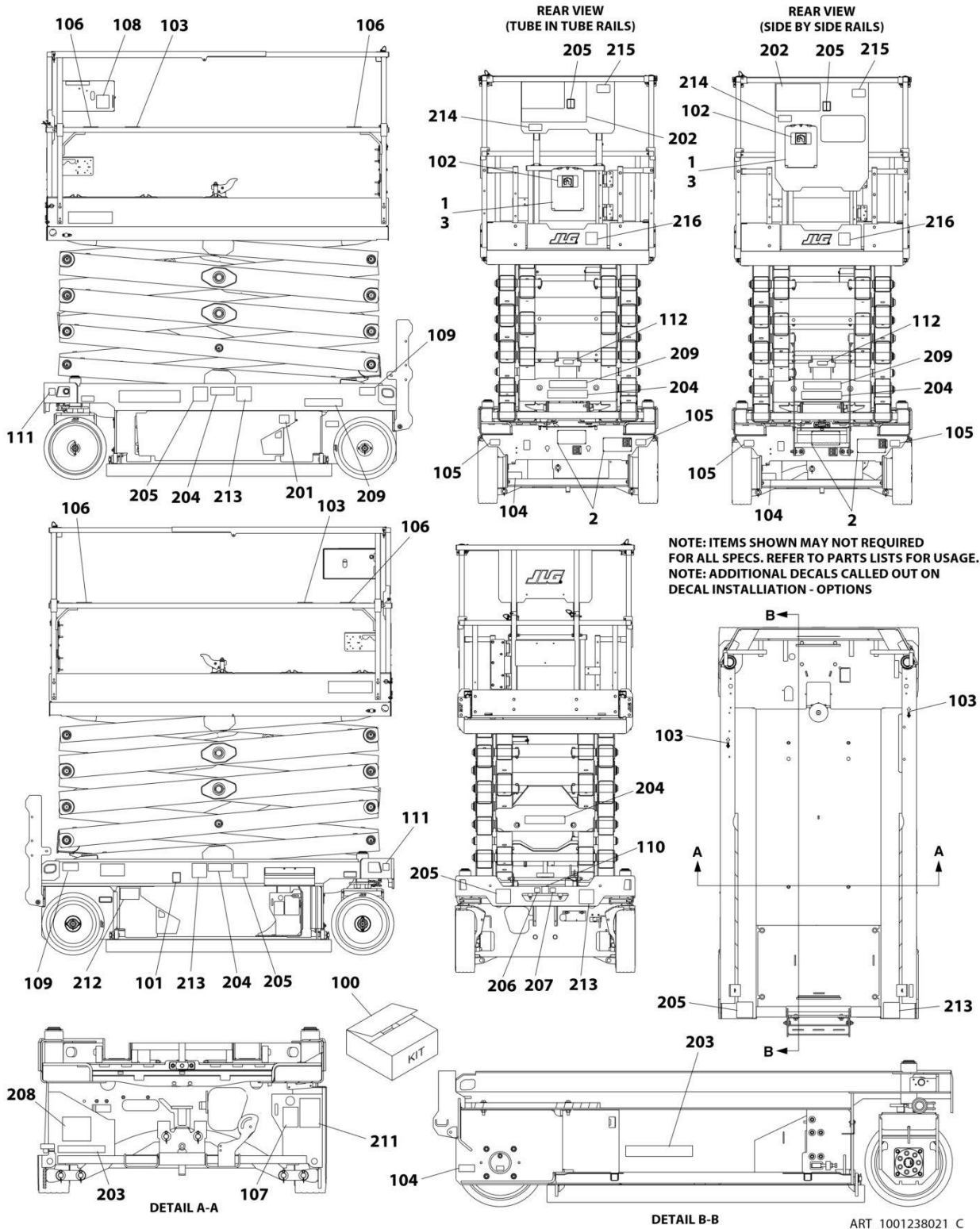
SECTION 7 - DECALS

FIGURE 7-1. DECAL INSTALLATION (ANSI SPECS)

ITEM	PART NUMBER	QTY	DESCRIPTION	REV
	1001238014	Ref	DECAL INSTALLATION (ENGLISH LANGUAGE)	D
	1001237749	Ref	DECAL REFERENCE CHART	H
1	2080040	3	Fastener	
2	2080057	4	Fastener	
3	8990147	1	Holder, Manual	
100	1001239270	1	Master Decal Kit	D
101	1701504	1	Decal - Hydraulic Oil	
102	1701640	1	Decal - Manual	
103	1703819	4	Decal - Direction Arrow	
104	1001248126	1	Decal - Manual Descent Instructions	
105	1704016	2	Decal - Fork Lift	
106	1704277	4	Decal - Lanyard Attach	
107	1704412	1	Decal - Hydraulic Oil	
108	1001132359	1	Decal - Control Box Locate	
109	1001162864	2	Decal - Lift Point/Tie Down	
110	1001212290	1	Decal - Tie Down	
111	1001212291	2	Decal - Lifting Lug	
112	1001237899	1	Decal - Arms Prop	
201	1702155	1	Decal - Battery Disconnect	
202	1703816	1	Decal - Danger/Warning	
203	1001146794	1	Decal - Battery/Charger Service	
204	1001211777	4	Decal - Crushing Hazard	
205	1001211779	4	Decal - Electrocution	
206	1001212292	1	Decal - No Lifting	
207	1001212293	1	Decal - No Forklift	
208	1001237538	1	Decal - Battery Spacer	
209	1703813	2	Decal - Warning Battery Ventilation	
211	1001131270	1	Decal - Patent	
212	1001223055	1	Decal - Yearly Inspection	
214	1001228370	1	Decal - ICES	
215	1001231801	1	Decal - Warning Prop 65	

SECTION 7 - DECALS

FIGURE 7-2. DECAL INSTALLATION (AUSTRALIAN SPECS)



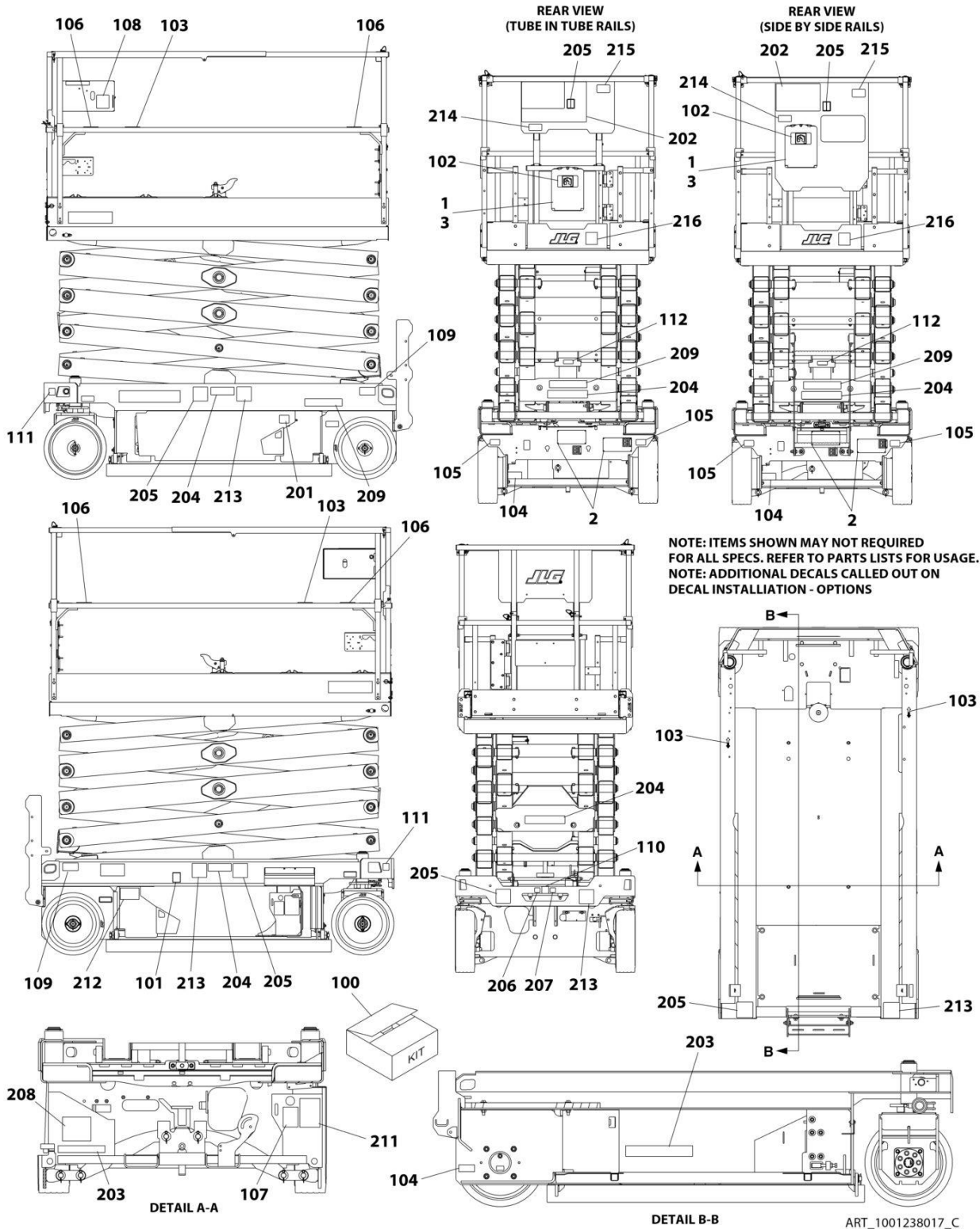
SECTION 7 - DECALS

FIGURE 7-2. DECAL INSTALLATION (AUSTRALIAN SPECS)

ITEM	PART NUMBER	QTY	DESCRIPTION	REV
	1001238021	Ref	DECAL INSTALLATION (ENGLISH LANGUAGE)	C
	1001237749	Ref	DECAL REFERENCE CHART	H
1	2080040	3	Fasteners	
2	2080057	4	Fasteners	
3	8990147	1	Holder, Manual	
100	1001239270	1	Master Decal Kit	D
101	1701504	1	Decal - Hydraulic Oil	
102	1701640	1	Decal - Manual	
103	1703819	4	Decal - Direction Arrow	
104	1001248126	1	Decal - Manual Descent Instructions	
105	1704016	2	Decal - Fork Lift	
106	1704277	4	Decal - Lanyard Attach Graphic	
107	1704412	1	Decal - Hydraulic Oil	
108	1001132359	1	Decal - Control Box Locate	
109	1001162864	2	Decal - Lift Point/Tie Down	
110	1001212290	1	Decal - Tie Down	
111	1001212291	2	Decal - Lifting Lug	
112	1001237899	1	Decal - Arms Prop	
201	1702155	1	Decal - Battery Disconnect	
203	1001146794	1	Decal - Battery/Charger Service	
204	1705673	4	Decal - Crushing	
205	1705671	5	Decal - Electrocution	
206	1001212292	1	Decal - No Lifting	
207	1001212293	1	Decal - No Forklift	
208	1001237538	1	Decal - Battery Spacer	
209	1705670	2	Decal - Fire Hazard	

SECTION 7 - DECALS

FIGURE 7-3. DECAL INSTALLATION (BRAZIL SPECS)



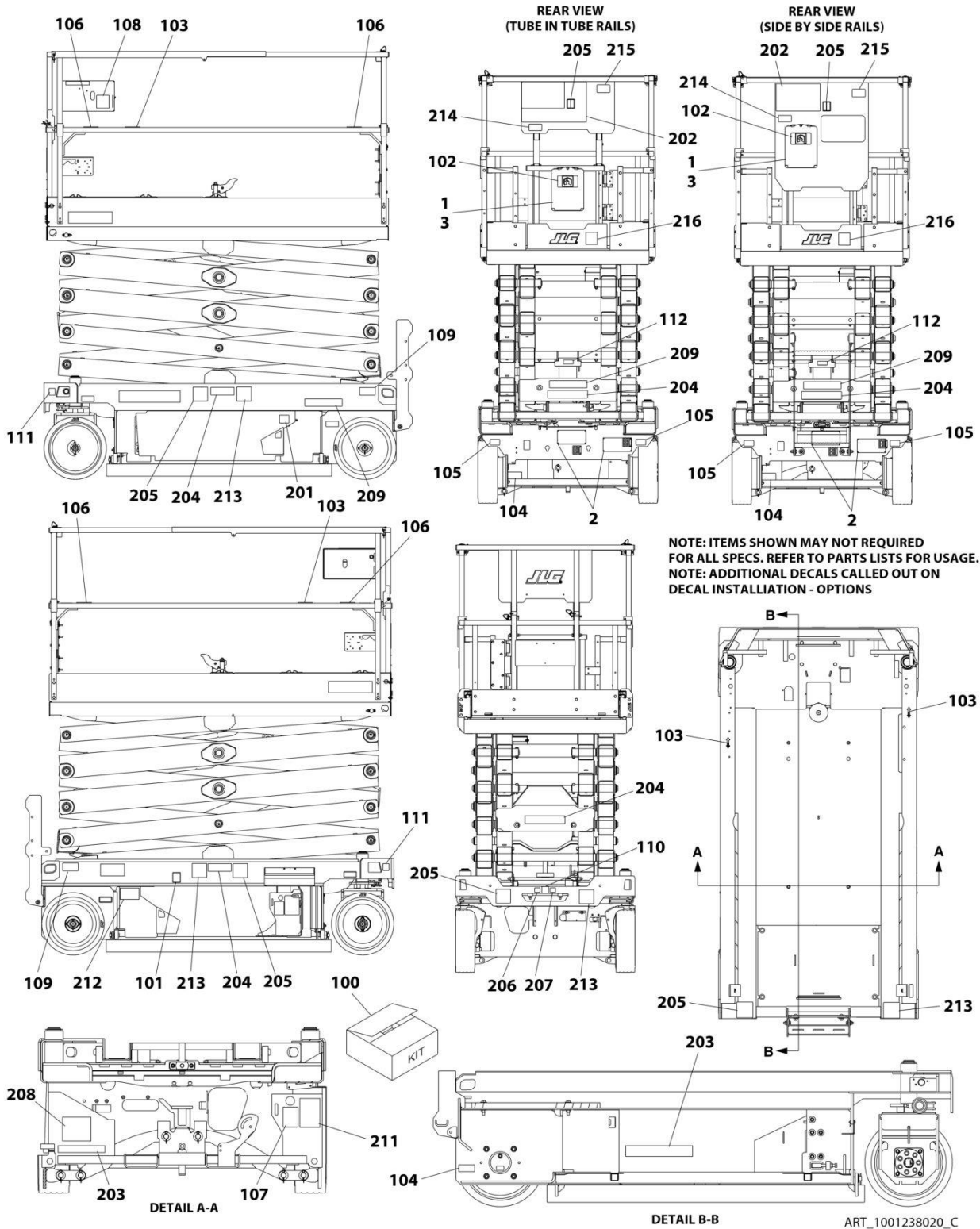
SECTION 7 - DECALS

FIGURE 7-3. DECAL INSTALLATION (BRAZIL SPECS)

ITEM	PART NUMBER	QTY	DESCRIPTION	REV
	1001238017	Ref	DECAL INSTALLATION (SPANISH/PORTUGUESE LANGUAGE)	C
	1001237749	Ref	DECAL REFERENCE CHART	H
1	2080040	3	Fastener	
2	2080057	4	Fastener	
3	8990147	1	Holder, Manual	
100	1001239270	1	Master Decal Kit	D
101	1701504	1	Decal - Hydraulic Oil	
102	1701640	1	Decal - Manual	
103	1703819	4	Decal - Direction Arrow	
104	1001248126	1	Decal - Manual Descent Instructions	
105	1704016	2	Decal - Fork Lift	
106	1704277	4	Decal - Lanyard Attach	
107	1704412	1	Decal - Hydraulic Oil	
108	1001132359	1	Decal - Control Box Locate	
109	1001162864	2	Decal - Lift Point/Tie Down	
110	1001212290	1	Decal - Tie Down	
111	1001212291	2	Decal - Lifting Lug	
112	1001237899	1	Decal - Arms Prop	
201	1702155	1	Decal - Battery Disconnect	
202	1704699	1	Decal - Danger/Warning	
203	1001146794	1	Decal - Battery/Charger Service	
204	1001216650	4	Decal - Crushing Hazard	
205	1001215748	4	Decal - Electrocution	
206	1001212292	1	Decal - No Lifting	
207	1001212293	1	Decal - No Forklift	
208	1001237538	1	Decal - Battery Spacer	
209	1704341	2	Decal - Warning Battery Ventilation	
212	1001224052	1	Decal - Yearly Inspection	
213	1001216648	4	Decal - Danger Electrocution	

SECTION 7 - DECALS

FIGURE 7-4. DECAL INSTALLATION (CE SPECS)



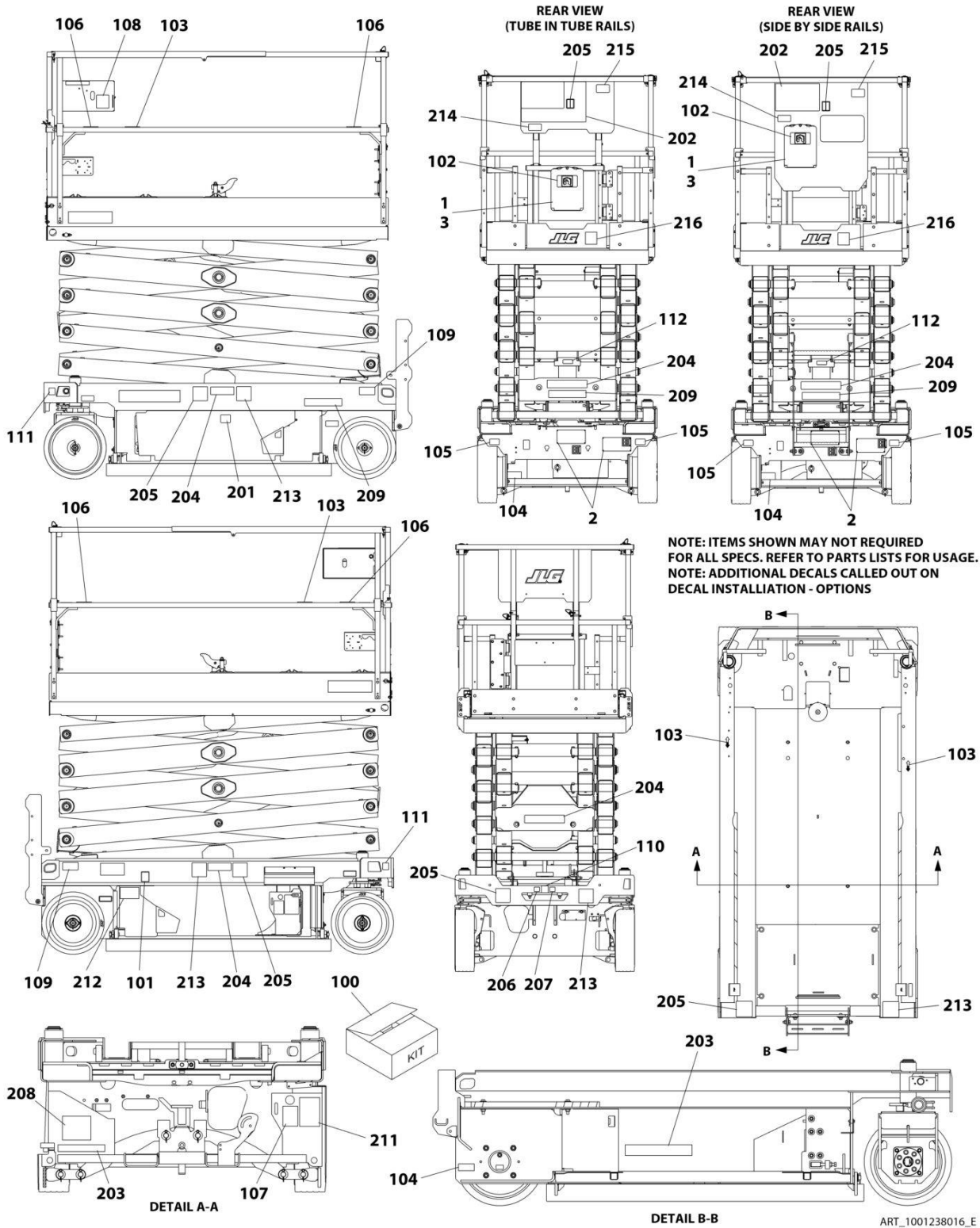
SECTION 7 - DECALS

FIGURE 7-4. DECAL INSTALLATION (CE SPECS)

ITEM	PART NUMBER	QTY	DESCRIPTION	REV
	1001238020	Ref	DECAL INSTALLATION (ENGLISH LANGUAGE)	C
	1001237749	Ref	DECAL REFERENCE CHART	H
1	2080040	3	Fastener	
2	2080057	4	Fastener	
3	8990147	1	Holder, Manual	
100	1001239270	1	Master Decal Kit	D
101	1701504	1	Decal - Hydraulic Oil	
102	1701640	1	Decal - Manual	
103	1703819	4	Decal - Direction Arrow	
104	1001248126	1	Decal - Manual Descent Instructions	
105	1704016	2	Decal - Fork Lift	
106	1704277	4	Decal - Lanyard Attach	
107	1704412	1	Decal - Hydraulic Oil	
108	1001132359	1	Decal - Control Box Locate	
109	1001162864	2	Decal - Lift Point/Tie Down	
110	1001212290	1	Decal - Tie Down	
111	1001212291	2	Decal - Lifting Lug	
112	1001237899	1	Decal - Arms Prop	
201	1702155	1	Decal - Battery Disconnect	
203	1001146795	1	Decal - Battery/Charger Service	
204	1705673	4	Decal - Crushing	
205	1705671	5	Decal - Electrocution	
206	1001212292	1	Decal - No Lifting	
207	1001212293	1	Decal - No Forklift	
208	1001237538	1	Decal - Battery Spacer	
209	1705670	2	Decal - Fire Hazard	

SECTION 7 - DECALS

FIGURE 7-5. DECAL INSTALLATION (CHINA SPECS)



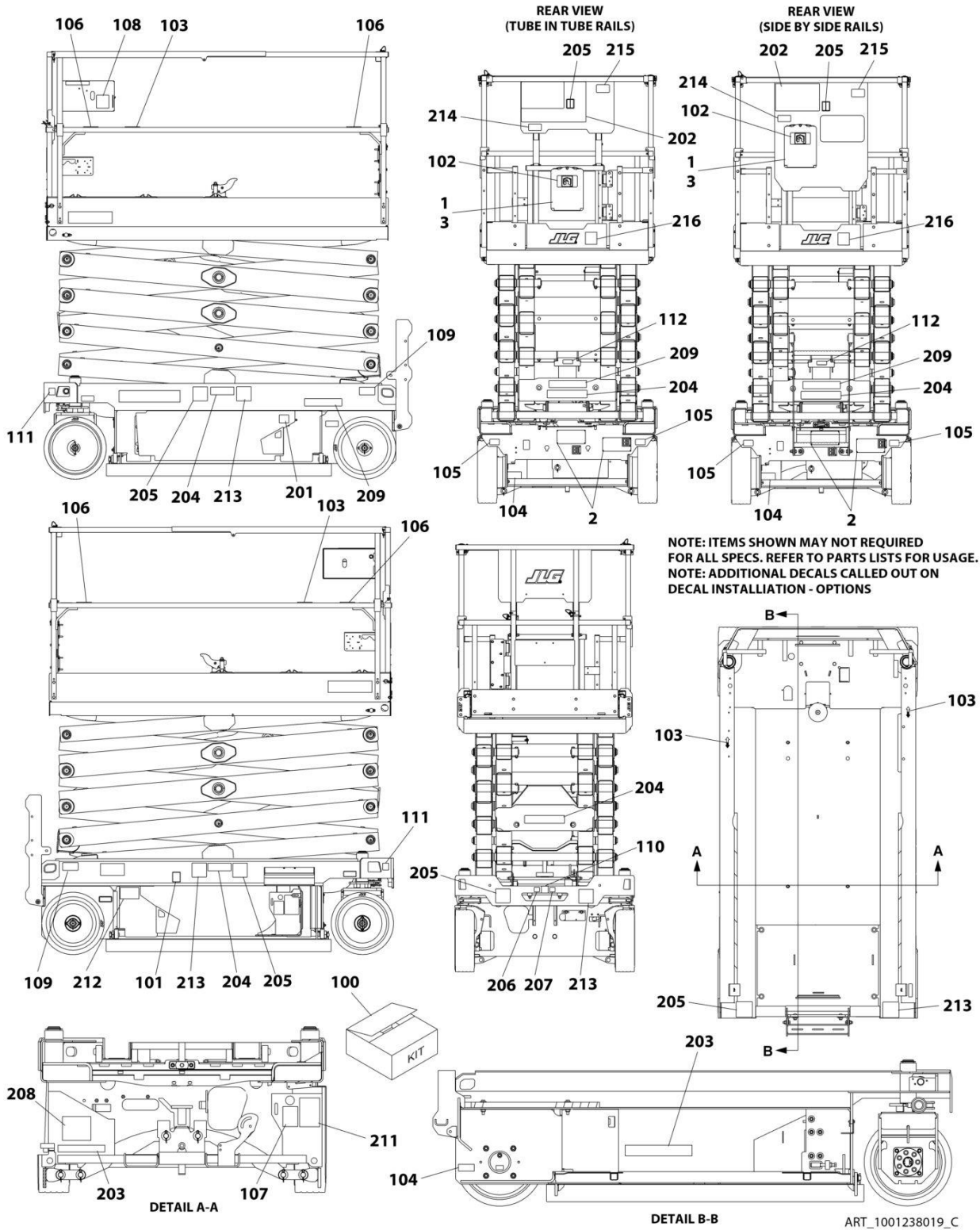
SECTION 7 - DECALS

FIGURE 7-5. DECAL INSTALLATION (CHINA SPECS)

ITEM	PART NUMBER	QTY	DESCRIPTION	REV
	1001238016	Ref	DECAL INSTALLATION (ENGLISH/CHINESE LANGUAGE)	E
	1001237749	Ref	DECAL REFERENCE CHART	H
1	2080040	3	Fastener	
2	2080057	4	Fastener	
3	8990147	1	Holder, Manual	
100	1001239270	1	Master Decal Kit	D
101	1701504	1	Decal - Hydraulic Oil	
102	1701640	1	Decal - Manual	
103	1703819	4	Decal - Direction Arrow	
104	1001248126	1	Decal - Manual Descent Instructions	
105	1704016	2	Decal - Fork Lift	
106	1704277	4	Decal - Lanyard Attach	
107	1704412	1	Decal - Hydraulic Oil	
108	1001132359	1	Decal - Control Box Locate	
109	1001162864	2	Decal - Lift Point/Tie Down	
110	1001212290	1	Decal - Tie Down	
111	1001212291	2	Decal - Lifting Lug	
112	1001237899	1	Decal - Arms Prop	
201	1702155	1	Decal - Battery Disconnect	
202	1705195	1	Decal - Danger/Warning	
203	1001146794	1	Decal - Battery/Charger Service	
204	1001215752	4	Decal - Crushing Hazard	
205	1001211779	4	Decal - Electrocution	
206	1001212292	1	Decal - No Lifting	
207	1001212293	1	Decal - No Forklift	
208	1001237538	1	Decal - Battery Spacer	
209	1704344	2	Decal - Warning Battery Ventilation	
212	1001224051	1	Decal - Yearly Inspection	
213	1001215747	4	Decal - Danger Electrocution	
216	1001244298	1	Decal - Wechat QR Code	

SECTION 7 - DECALS

FIGURE 7-6. DECAL INSTALLATION (CSA SPECS)



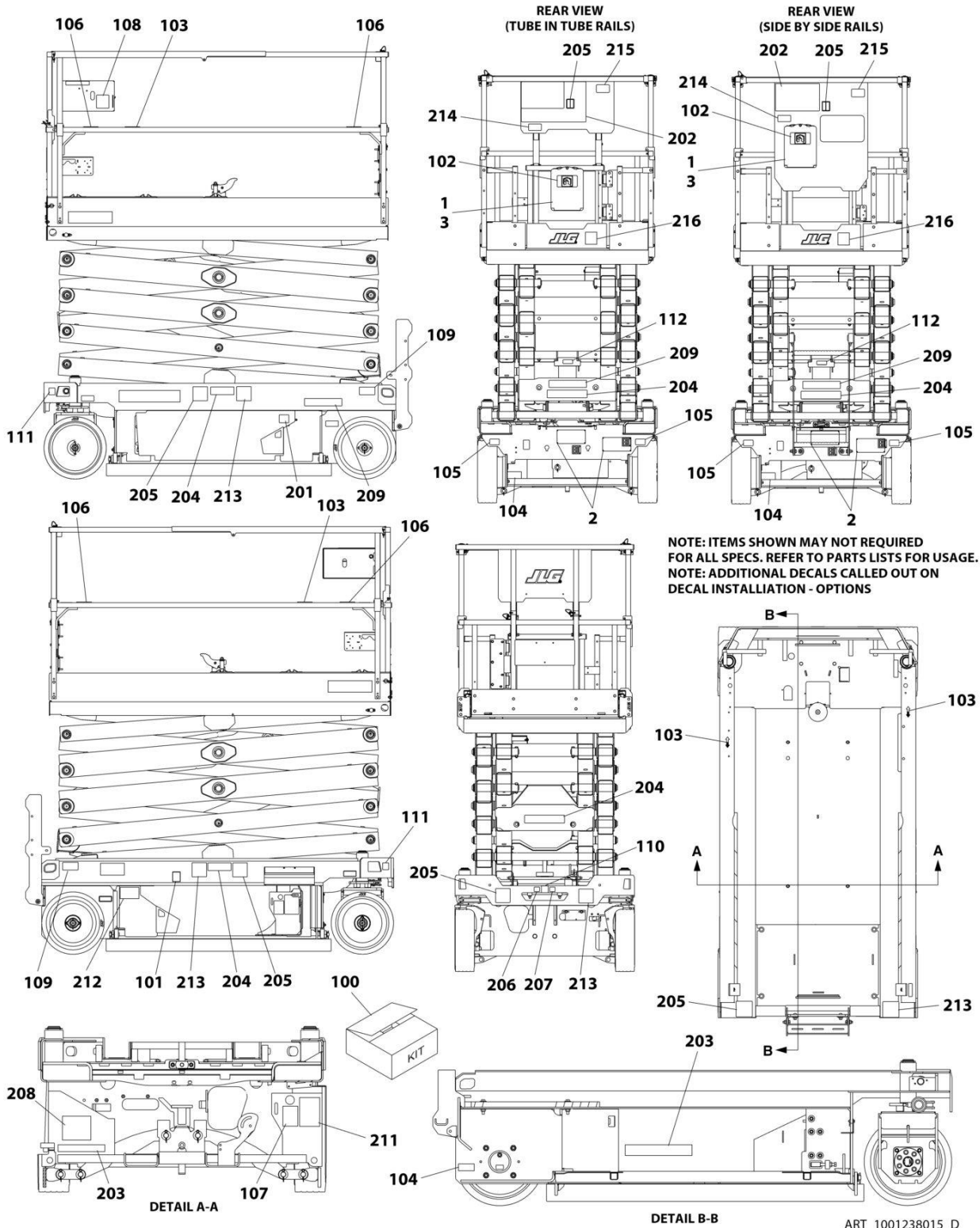
SECTION 7 - DECALS

FIGURE 7-6. DECAL INSTALLATION (CSA SPECS)

ITEM	PART NUMBER	QTY	DESCRIPTION	REV
	1001238019	Ref	DECAL INSTALLATION (ENGLISH/FRENCH LANGUAGE)	C
	1001237749	Ref	DECAL REFERENCE CHART	F
1	2080040	3	Fastener	
2	2080057	4	Fastener	
3	8990147	1	Holder, Manual	
100	1001239270	1	Master Decal Kit	D
101	1701504	1	Decal - Hydraulic Oil	
102	1701640	1	Decal - Manual	
103	1703819	4	Decal - Direction Arrow	
104	1001248126	1	Decal - Manual Descent Instructions	
105	1704016	2	Decal - Fork Lift	
106	1704277	4	Decal - Lanyard Attach	
107	1704412	1	Decal - Hydraulic Oil	
108	1001132359	1	Decal - Control Box Locate	
109	1001162864	2	Decal - Lift Point/Tie Down	
110	1001212290	1	Decal - Tie Down	
111	1001212291	2	Decal - Lifting Lug	
112	1001237899	1	Decal - Arms Prop	
201	1702155	1	Decal - Battery Disconnect	
202	1704684	1	Decal - Danger/Warning	
203	1001146794	1	Decal - Battery/Charger Service	
204	1705311	4	Decal - Crushing Hazard	
205	1001211779	4	Decal - Electrocution	
206	1001212292	1	Decal - No Lifting	
207	1001212293	1	Decal - No Forklift	
208	1001237538	2	Decal - Battery Spacer	
209	1704340	1	Decal - Warning Battery Ventilation	
211	1001131270	1	Decal - Patent	
212	1001223971	1	Decal - Yearly Inspection	
213	1001215749	4	Decal - Danger Electrocution	
214	1001228370	1	Decal - ICES	
215	1001231801	1	Decal - Warning Prop 65	

SECTION 7 - DECALS

FIGURE 7-7. DECAL INSTALLATION (KOREAN SPECS)



ART_1001238015_D

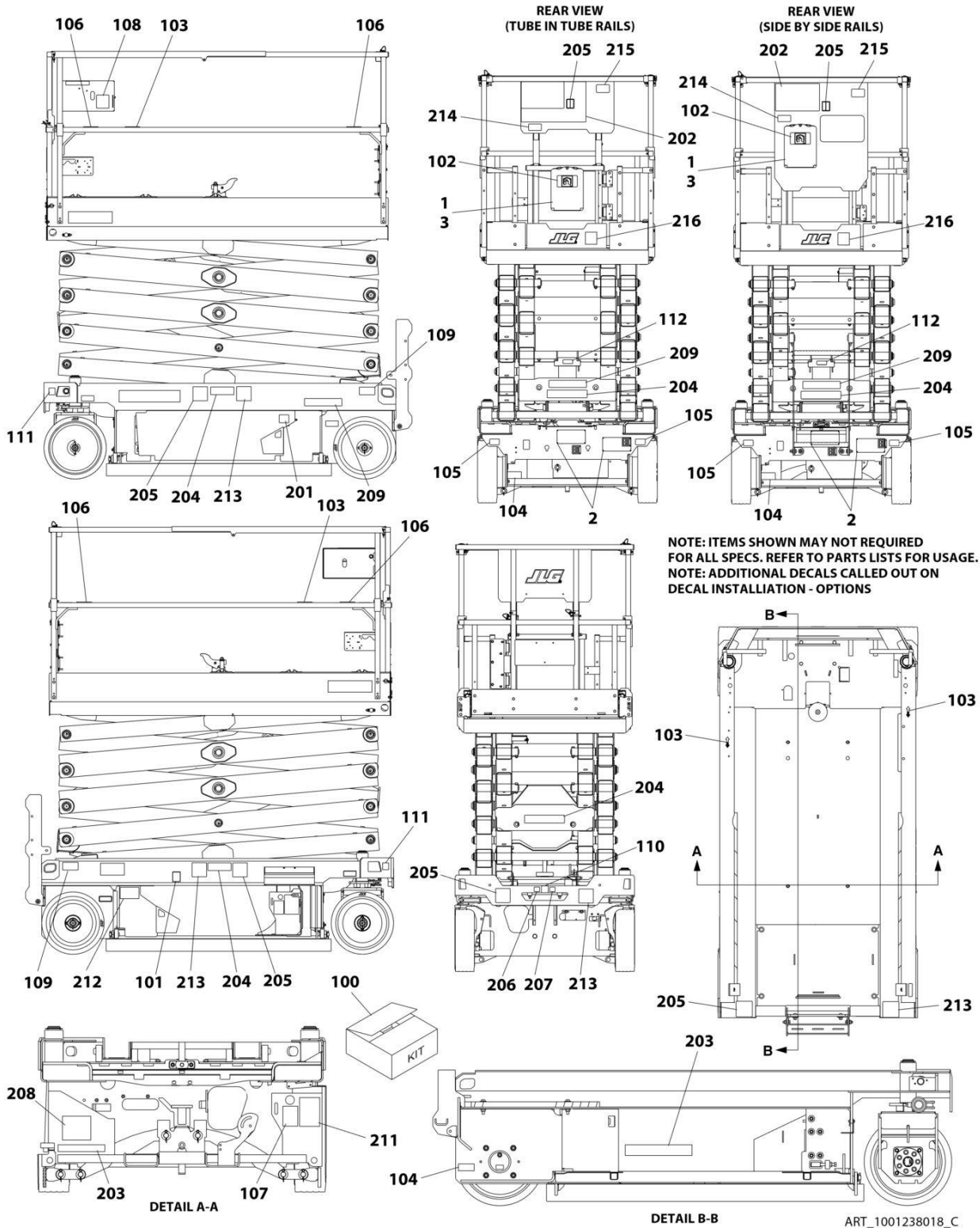
SECTION 7 - DECALS

FIGURE 7-7. DECAL INSTALLATION (KOREAN SPECS)

ITEM	PART NUMBER	QTY	DESCRIPTION	REV
	1001238015	Ref	DECAL INSTALLATION (ENGLISH/KOREAN LANGUAGES)	D
	1001237749	Ref	DECAL REFERENCE CHART	H
1	2080040	3	Fastener	
2	2080057	4	Fastener	
3	8990147	1	Holder, Manual	
100	1001239270	1	Master Decal Kit	D
101	1701504	1	Decal - Hydraulic Oil	
102	1701640	1	Decal - Manual	
103	1703819	4	Decal - Direction Arrow	
104	1001248126	1	Decal - Manual Descent Instructions	
105	1704016	2	Decal - Fork Lift	
106	1704277	4	Decal - Lanyard Attach	
107	1704412	1	Decal - Hydraulic Oil	
108	1001132359	1	Decal - Control Box Locate	
109	1001162864	2	Decal - Lift Point/Tie Down	
110	1001212290	1	Decal - Tie Down	
111	1001212291	2	Decal - Lifting Lug	
112	1001237899	1	Decal - Arms Prop	
201	1702155	1	Decal - Battery Disconnect	
202	1001162115	1	Decal - Danger/Warning	
203	1001146794	1	Decal - Battery/Charger Service	
204	1001215751	4	Decal - Crushing Hazard	
205	1001211779	4	Decal - Electrocution	
206	1001212292	1	Decal - No Lifting	
207	1001212293	1	Decal - No Forklift	
208	1001237538	1	Decal - Battery Spacer	
209	1707022	2	Decal - Warning Battery Ventilation	
212	1001224048	1	Decal - Yearly Inspection	
213	1001215750	4	Decal - Danger Electrocution	

SECTION 7 - DECALS

FIGURE 7-8. DECAL INSTALLATION (LATIN AMERICAN SPECS)



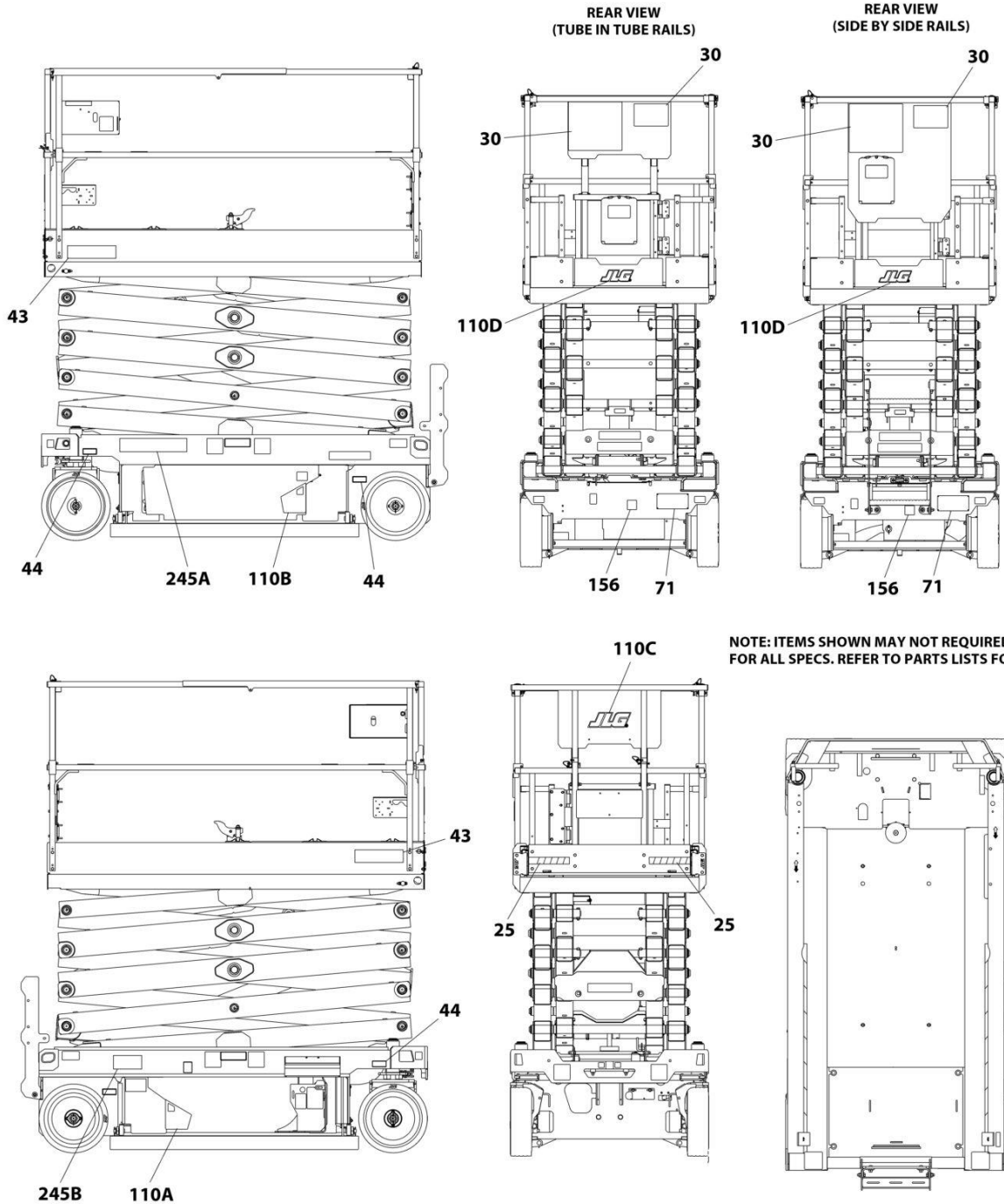
SECTION 7 - DECALS

FIGURE 7-8. DECAL INSTALLATION (LATIN AMERICAN SPECS)

ITEM	PART NUMBER	QTY	DESCRIPTION	REV
	1001238018	Ref	DECAL INSTALLATION (ENGLISH/SPANISH LANGUAGES)	C
	1001237749	Ref	DECAL REFERENCE CHART	F
1	2080040	3	Fastener	
2	2080057	4	Fastener	
3	8990147	1	Holder, Manual	
100	1001239270	1	Master Decal Kit	D
101	1701504	1	Decal - Hydraulic Oil	
102	1701640	1	Decal - Manual	
103	1703819	4	Decal - Direction Arrow	
104	1001248126	1	Decal - Manual Descent Instructions	
105	1704016	2	Decal - Fork Lift	
106	1704277	4	Decal - Lanyard Attach	
107	1704412	1	Decal - Hydraulic Oil	
108	1001132359	1	Decal - Control Box Locate	
109	1001162864	2	Decal - Lift Point/Tie Down	
110	1001212290	1	Decal - Tie Down	
111	1001212291	2	Decal - Lifting Lug	
112	1001237899	1	Decal - Arms Prop	
201	1702155	1	Decal - Battery Disconnect	
202	1704691	1	Decal - Danger/Warning	
203	1001146794	1	Decal - Battery/Charger Service	
204	1705316	4	Decal - Crushing Hazard	
205	1001211779	4	Decal - Electrocution	
206	1001212292	1	Decal - No Lifting	
207	1001212293	1	Decal - No Forklift	
208	1001237538	1	Decal - Battery Spacer	
209	1704339	2	Decal - Warning Battery Ventilation	
212	1001224049	1	Decal - Yearly Inspection	
213	1001215748	4	Decal - Danger Electrocution	

SECTION 7 - DECALS

FIGURE 7-9. DECAL INSTALLATIONS - OPTIONS



ART_DECAL OPTIONS

SECTION 7 - DECALS

FIGURE 7-9. DECAL INSTALLATIONS - OPTIONS

ITEM	PART NUMBER	QTY	DESCRIPTION	REV
		Ref	DECAL INSTALLATION - OPTIONS:	
25	1001217894	Ref	Corner Stripes Installation	C
25	4420051	44 in/ 110cm	Tape, Safety	
30		Ref	Decal - Capacity Options	
30	1001237115	1	Decal - Capacity (705 LB/ 320 KG)	
30	1001245409	1	Decal - Capacity (with Dual Languages)	
30	1001237115	1	Decal - Capacity (705 LB/ 320 KG)	
30	1001216865	1	Plate, Decal Mounting (Not Shown)	
30	1001249042	1	Decal - Capacity (705 LB/ 320 KG) (Australian Specs)	
30	1001269705	1	Decal - Capacity (705 LB/ 320 KG) (Japanese Specs)	
43	1001264284	2	Decal - Model Designation - ES3246	
44	1706312	4	Decal - Maximum Tire Load	
71	See Note	NSS	Decal - Manufacturing Serial Number (Note: Not Available for Purchase)	
110	1001263940	Ref	JLG Decal Installation	A
110A	1001264281	1	Decal - Door (RH)	
110B	1001264282	1	Decal - Door (LH)	
110C	1001256675	1	Decal - JLG	
110D	1001256676	1	Decal - JLG	
156	1001173703	1	Decal - EAC (Russian/CIS Specs)	
245	1001236984	Ref	Decal Installation - ClearSky	B
245A	1001116208	1	Decal - ClearSky	
245B	1001120989	1	Decal - Radio Frequency	

SECTION 8 - RECOMMENDED SERVICE PARTS STOCK

SECTION 8 - RECOMMENDED SERVICE PARTS STOCK

SECTION 8 - RECOMMENDED SERVICE PARTS STOCK

FIGURE 8-1. RECOMMENDED SERVICE PARTS STOCK

ITEM	PART NUMBER	QTY	DESCRIPTION	REV
		Ref	Note: The following list will service one machine (built to current production per date on the front cover) with emergency repair parts which can be installed in the field. Parts from the list should be replaced when inventory is depleted to keep service parts stock supplied. For further information, contact your JLG dealer or the JLG Industries Parts Department.	
		Ref	STANDARD PARTS	
	3740150	1	Relay	
	4360328	1	Switch, Toggle	
	4360387	1	Switch, Push Button	
	4360469	1	Switch, Key	
	2860030	1	Key, Replacement	
	4360475	1	Switch, Mushroom	
	3080007	1	Magnet, Latch	
	1600402	1	Controller, Drive/Steer	
	4360345	1	Switch, Toggle	
	1001226749	1	Switch, Push Button	
	1001196634	2	Fuse 2Amp	
	8229242	2	Fuse 5Amp	
	8229244	2	Fuse 15 Amp	
	8229234	2	Fuse 10 Amp	
		Ref	VARIABLE PARTS	
	1001203871	1	Switch, Roller	
	1001186466	1	Sensor, Tilt	
	1001200629	1	Module, Control	
	1001268506	1	Module, System	
	1001245293	1	Control Module	
	1001146963	1	Sensor, Angle	
	1001225164	1	Sensor, Pressure Transducer	
	1001235104	1	Sensor, Pressure Transducer	
	1001228112	1	Module, Platform	
	1001226277	1	Switch, Overhead Protection (Korean Specs)	
	1001228191	1	Breaker (Australian Specs Machines)	
	1001181045	1	Breaker 30mAmp/16Amp (CE Specs Machines)	
	1001189171	1	Breaker 30mAmp (CE Specs Machines)	
	1001189172	1	Breaker 16Amp Double (CE Specs Machines)	

SECTION 9 - SPECIAL OPTIONS

SECTION 9 - SPECIAL OPTIONS

FIGURE 9-1. SPECIAL OPTIONS

ITEM	PART NUMBER	QTY	DESCRIPTION	REV
		Ref	Note: This list is to accommodate machines ordered with special equipment. Options may not be applicable to all models. For more specific parts information contact the JLG Parts Department.	
		Ref	SPECIAL OPTIONS	
	1001236903	Ref	Antivandalism Package (Factory Installed)	
	1001249639	Ref	Antivandalism Add-on Kit (Dealer Installed)	
	1001255597	Ref	Battery Charger - CAN (With Communication Port) Add-on Kit	
		Ref	ClearSky Installation Options (Factory Installed):	
	1001229107	Ref	ClearSky Installation - 3-Wire (ANSI & CSA Specs)	
	1001233237	Ref	ClearSky Installation - 3-Wire (ANSI Export & CE Specs)	
	1001251146	Ref	ClearSky Installation - 3G Canbus (ANSI, ANSI Export, Australian, CE & CSA Specs)	
	1001251144	Ref	ClearSky Installation - 4G Canbus (All Specs except China Specs)	
	1001246531	Ref	ClearSky Installation - 4G Canbus (China Specs)	
		Ref	ClearSky Add-on Kit Options (Dealer Installed):	
	1001265376	Ref	ClearSky Add-on Kit - Canbus (ANSI, ANSI Export & CSA Specs) (Dealer Installed):	
	1001237257	Ref	ClearSky Add-on Kit - Canbus (ANSI Export & CE Specs) (Dealer Installed):	
	1001248502	Ref	ClearSky Add-on Kit - Canbus (Australian Specs) (Dealer Installed):	
	1001248503	Ref	ClearSky Add-on Kit - Canbus (China Specs) (Dealer Installed):	
	1001248689	Ref	ClearSky Add-on Kit - Access Control (Dealer Installed):	
		Ref	Decal Kit Options:	
	1001239270	Ref	Decal Kit - Master	
	1001256831	Ref	Drive Motor Covers installation	
		Ref	Electrical Connector Kits	
	1001148902	Ref	Amp/Tyco Electrical Connector Kit	
	1001148903	Ref	Deutsch DT Electrical Connector Kit	
	1001148904	Ref	Deutsch HD Electrical Connector Kit	
	1001148905	Ref	Packard Electrical Connector Kit	
	1001148906	Ref	Various Electrical Connector Kit	
	1001263969	Ref	European Subassembly Kit	A
	1001218728	Ref	Fire Extinguisher Installation	
	1001248843	Ref	Foot Latch Add-on Kit (Dealer Installed)	
	1001236547	Ref	Footswitch Installation (Japanese & Korean Specs Only)	
	1001220933	Ref	Height Restrictor Switch Installation	
	1001249638	Ref	Inverter Add-on Kit (Dealer Installed)	
	1001250532	Ref	Mobile Control Add-on Kit (Dealer Installed)	
	1001269651	Ref	Platform Control Box Cover Add-on Kit (Dealer Installed)	
	1001231309	Ref	Platform Extension Handles Add-on Kit (Dealer Installed)	
	1001262557	Ref	Platform Self Closing Gate Add-on Kit (Dealer Installed)	
	1001262558	Ref	Platform Self Closing Gate Add-on Kit (Dealer Installed)	
	1001224583	Ref	Service Kits List	U
	1001254721	Ref	SkySense Level 1 Add-on Kit (Dealer Installed)	
	1001254542	Ref	SkySense Level 2 Add-on Kit (Dealer Installed)	
	1001255669	Ref	SkySense Level 1 Installation (Factory Installed)	
	1001255883	Ref	SkySense Level 2 Installation (Factory Installed)	

SECTION 9 - SPECIAL OPTIONS

ITEM	PART NUMBER	QTY	DESCRIPTION	REV
	1001249229	Ref	Strobe (Single) Light Add-on Kit (Dealer Installed)	
	1001249326	Ref	Strobe (Dual) Light Add-on Kit (Dealer Installed)	
		Ref	Tools for Service	
	2901443	1	Analyzer Kit	
	1001232474	1	Benchtop Harness	
	8896941	1	Wire Stripper	
	7002821	1	Wire Crimper (To install wire ends to wires)	
	7002823	1	Pin/Socket Extractor - Universal (To Remove Pins/Sockets from Connectors)	
	4460467	1	Extractor - 16-18 Gauge (For Removal Pins/Sockets from Deutsch Connectors)	
	4460510	1	Extractor - 12-14 Gauge (For Removal of Pins/Sockets from Deutsch Connectors)	
	7002822	1	Screwdriver, Potentiometer (To Adjust Drive Controllers)	
	7016654	1	Screwdriver, Magnetic	
	7004275	1	Seal Installation Tool - 1in	
	7004276	1	Seal Installation Tool - 1-1/2in	
	7002826	1	Seal Installation Tool - 2in	
	1001269646	Ref	Tool Tray/Work Surface Add-on Kit (Dealer Installed)	
	1001262959	Ref	Voltage Regulator Re-Location Add-on Kit	

PART NUMBER INDEX

SECTION 9 - SPECIAL OPTIONS

0100011.....13, 19, 23, 27, 29, 31, 33, 47, 77, 109, 111, 113, 115, 117, 119, 121, 123, 125	0761015..... 41	1001137675 ... 82, 86, 90, 94, 109, 111, 113, 115, 123, 125	1001203869.....23
0100051.....67, 69, 71, 73	0761019..... 13, 117	1001139000 ... 82, 86, 90, 94	1001203870.....23
0140030.....131	0761221..... 77	1001139002 ... 82, 86, 90, 94	1001203871.....23, 252
0140043.....55, 59	0861731 ... 221, 225, 227, 229	1001139003 ... 82, 86, 90, 94	1001203872.....23
0275216.....153	0861781 223	1001142173 75	1001204495.....39
0275217.....155, 223	0861880 171	1001142174 75	1001205345.... 82, 86, 90, 94
0275452.....157, 225	0961948 147	1001143009 75	1001205409.....63, 197
0275453.....159, 227	0962272 ... 83, 87, 91, 95	1001143010 75	1001205410.....197
0275454.....161, 229	1001047064 131	1001144147 .. 61, 63, 175	1001205411.....197
0440259.....13, 145	1001091102 ... 23, 35, 37, 55, 59	1001144295 198	1001205412.....197
0440263.....23	1001096138 201	1001146794 233, 235, 237, 241, 243, 245, 247	1001205422.....109, 111, 113, 115
0440264.... 83, 87, 91, 95	1001097150 165, 169	1001146795 239	1001205430.....109, 111, 113, 115
0440265.... 83, 87, 91, 95	1001100342 223	1001146963 ... 82, 86, 90, 94, 252	1001205598.....33
0480100.....137, 139	1001100345 225	1001148902 254	1001205751.....13
0630580.....25	1001100346 229	1001148903 254	1001206995.....31
0630587.....55, 59, 75	1001100347 227	1001148904 254	1001207009.....29
0630613.....41, 77, 97	1001101540 75	1001148905 254	1001207293.....65
0681610.....13	1001102258 151, 153, 155, 157, 159, 161, 163, 165, 167	1001148906 254	1001207494.....55, 57
0700412.....55, 59	1001102349 21	1001151629 197	1001207970.....181
0700610.... 82, 86, 90, 94	1001102351 21	1001152483 173	1001207973.....193
0700612.... 23, 27, 33, 63, 82, 86, 90, 94	1001102353 21	1001154378 117, 119, 121	1001207974.....179, 183, 185, 187, 189, 191
0700616.....141	1001102354 21	1001157547 75	1001208852.....109, 111, 113, 115
0700617.....55, 57	1001102489 179, 181, 183, 185, 187, 189, 193, 195	1001159186 75, 197, 219	1001209482.....157, 159, 173
0700618.....119, 121	1001102771 177	1001162115 245	1001209596.....131
0700621.... 119, 121, 127	1001103012 198	1001162864 233, 235, 237, 239, 241, 243, 245, 247	1001209682.....55, 57
0700814.... 82, 86, 90, 94, 153, 155, 157, 159, 161, 165, 191	1001103471 165, 191	1001162886 197	1001209776.....153, 155, 161, 171
0700815.....23	1001104498 198	1001163340 63, 197	1001210064.....109, 111, 113, 115
0700817.....77, 137, 139	1001108581 53	1001170310 53	1001210079.....61
0700818.... 117, 119, 121, 123, 125, 127	1001110302 23	1001173703 249	1001210302.....117, 119, 121
0700819.....13, 101, 103, 105, 107, 123, 125, 129	1001112112 71	1001181045 171, 252	1001210440.....75
0700820.....105, 107	1001114466 25	1001182806 39	1001210586.....117, 119, 121
0700823.....23	1001116208 249	1001182806 39	1001210605.....75
0700835.....131	1001116733 201	1001186466 27, 252	1001210878.....75
0701015.... 77, 82, 86, 90, 94	1001116812 . 61, 63, 177, 197	1001187587 117, 119, 121, 123, 125	1001210879.....75
0701018.... 82, 86, 90, 94	1001118274 61, 63	1001187816 167	1001210881.....75
0701019.... 97, 123, 125, 141	1001118812 61, 175	1001188116 167	1001210882.....75
0701021.... 82, 86, 90, 94	1001120204 153, 155, 157, 159, 161	1001189171 173, 252	1001211777.....233
0701024.... 82, 86, 90, 94, 97	1001120205 171, 173	1001189172 173, 252	1001211779.....233, 241, 243, 245, 247
0701219.... 82, 86, 90, 94	1001120989 249	1001192401 61, 198	1001212035.....219
0711219.....19	1001125483 75	1001194421 198, 219	1001212036.....219
0760408.... 151, 153, 155, 157, 159, 161, 167	1001125677 61, 175, 198	1001196589 198	1001212290.....233, 235, 237, 239, 241, 243, 245, 247
0760608.....117	1001125927 169	1001196634 177, 252	1001212291.....233, 235, 237, 239, 241, 243, 245, 247
0760610.... 43, 55, 57, 75, 129, 131, 165	1001128888 ... 82, 86, 90, 94	1001196635 63	1001212292.....233, 235, 237, 239, 241, 243, 245, 247
0760612.... 29, 31, 39, 55, 57	1001130220 ... 29, 31, 33, 43, 55, 57, 82, 86, 90, 94, 131	1001197396 13	1001212293.....233, 235, 237, 239, 241, 243, 245, 247
0760810.....63, 109, 111, 113, 115, 119, 121, 123, 125	1001130590 55, 57	1001200629 .. 55, 57, 252	1001213415.....117
0760812.....55, 57, 61	1001131270 233, 243	1001200631 55, 57	1001213416.....117
0761008.....47	1001132358 131	1001200632 65	1001213470.....109, 111
0761012.....47	1001132359 233, 235, 237, 239, 241, 243, 245, 247	1001200812 203, 211	
0761014.... 109, 111, 113, 115	1001132361 131	1001200819 131, 219	
	1001134280 191	1001201885 197, 219	
	1001134821 129	1001202184 207, 213	
	1001136757 75	1001202987 23	
		1001202988 23	
		1001202999 23	

SECTION 9 - SPECIAL OPTIONS

1001213597 23	1001225164.... 82, 86, 90, 94, 252	1001235287 119, 121, 123, 125	1001238131 159
1001213838 109, 111, 113, 115	1001226277 141, 252	1001235498 137, 139	1001238132 161
1001213886 131	1001226423 19	1001235509 137	1001238133 153
1001213915 119, 121	1001226749 131, 252	1001235559 55, 57	1001238134 155
1001213916 119, 121	1001226901 141	1001235560 127	1001238135 167
1001213931 119, 121	1001227219 191	1001235561 127	1001238198 153, 155, 157, 159, 161, 165
1001214217 27	1001227267 165, 191	1001235590 101, 103, 105, 107	1001238392 61
1001214229 137	1001227268 165	1001235849 139	1001238684 ... 83, 87, 91, 95
1001214347 73	1001227269 169	1001235941 137	1001239224 35, 37
1001214526 23	1001227728 141	1001235955 41	1001239269 ... 67, 69, 71, 73
1001214528 23	1001227855 23	1001235959 117	1001239270 233, 235, 237, 239, 241, 243, 245, 247, 254
1001214534 23	1001228112 131, 252	1001235960 119, 121	1001239389 215
1001214689 ... 82, 86, 90, 94	1001228184 141	1001236139 29, 31, 33	1001239479 ... 83, 87, 91, 95
1001214810 77	1001228191 169, 252	1001236165 82, 86, 90, 94	1001239661 35, 37
1001215216 37	1001228370 233, 243	1001236167 82, 86, 90, 94	1001239892 97
1001215446 127	1001229107 254	1001236169 83, 87, 90, 94	1001239894 97
1001215446 127	1001229739 119, 121	1001236170 83, 87, 91, 95	1001239899 97
1001215747 241	1001229740 119, 121	1001236171 83, 87, 91, 95	1001239904 97
1001215748 237, 247	1001229741 119, 121	1001236172 83, 87, 91, 95	1001239943 97
1001215749 243	1001229742 119, 121	1001236269 83, 87, 91, 95	1001241662 ... 83, 87, 91, 95
1001215750 245	1001229792 77	1001236348 83, 87	1001241663 ... 83, 87, 91, 95
1001215751 245	1001231309 254	1001236486 83, 87, 91, 95	1001241664 ... 83, 87, 91, 95
1001215752 241	1001231801 233, 243	1001236487 83, 87, 91, 95	1001241665 ... 83, 87, 91, 95
1001215762 55, 57	1001232474 255	1001236488 83, 87, 91, 95	1001241666 ... 83, 87, 91, 95
1001215953 23	1001232622 119, 121, 123, 125	1001236531 43	1001241667 ... 83, 87, 91, 95
1001216180 69	1001233237 254	1001236547 254	1001241668 ... 83, 87, 91, 95
1001216648 237	1001233449 13, 145	1001236621 137, 139	1001241669 83, 87
1001216650 237	1001233795 82, 86, 90, 94, 217	1001236903 254	1001241670 ... 83, 87, 91, 95
1001216865 249	1001234006 117, 119, 121	1001236968 43	1001241671 ... 83, 87, 91, 95
1001217059 27	1001234007 117, 119, 121	1001236984 249	1001242539 35, 37
1001217164 171, 173	1001234008 117, 119, 121	1001237115 249	1001242697 35
1001217457 ... 82, 86, 90, 94	1001234093 203	1001237257 254	1001242990 37
1001217842 201	1001234094 207	1001237400 151	1001243232 ... 67, 69, 71, 73
1001217843 201	1001234095 205	1001237401 163	1001243233 ... 67, 69, 71, 73
1001217894 249	1001234096 209	1001237538 233, 235, 237, 239, 241, 243, 245, 247	1001243348 ... 83, 87, 91, 95
1001218285 131	1001234141 117	1001237749 233, 235, 237, 239, 241, 243, 245, 247	1001244298 241
1001218307 23	1001234142 117	1001237824 83, 87, 91, 95	1001244323 165
1001218573 77	1001234204 82, 86	1001237899 233, 235, 237, 239, 241, 243, 245, 247	1001245293 63, 252
1001218728 254	1001234266 117	1001238015 245	1001245299 63
1001220409 129	1001234267 117	1001238016 241	1001245353 63
1001220410 129	1001234268 117, 119, 121	1001238017 237	1001245409 249
1001220893 131	1001234317 41	1001238018 247	1001245739 165, 169
1001220933 254	1001234336 101, 103	1001238019 243	1001245743 169
1001220995 129	1001234380 101, 103	1001238020 239	1001245744 165, 169
1001221244 141	1001234381 109, 111	1001238021 235	
1001221275 141	1001234382 117	1001238130 157	
1001221276 141	1001234383 119, 121		
1001221949 195	1001234407 109, 111, 113, 115		
1001222861 119, 121	1001234631 203, 205, 207, 209, 215		
1001222869 119, 121	1001234797 23		
1001222914 141	1001234798 23		
1001223053 119, 121	1001234842 41		
1001223055 233	1001234858 77		
1001223165 119, 121	1001234862 77		
1001223166 119, 121	1001235104 82, 86, 90, 94, 252		
1001223262 209	1001235286 119, 121		
1001223263 205			
1001223650 211			
1001223651 213			
1001223971 243			
1001224048 245			
1001224049 247			
1001224051 241			
1001224052 237			
1001224583 254			

SECTION 9 - SPECIAL OPTIONS

1001245747.....165	1001260691.....47	1001269593.....123, 125	1706312.....249
1001246531.....254	1001260692.....47	1001269594.....123, 125	1706679.....55, 57
1001247706.....101, 103	1001260693.....47	1001269595.....123, 125	1707022.....245
1001247707....82, 86, 90, 94	1001260887.....53	1001269598.....123, 125	2080040....109, 111, 113, 115, 117, 119, 121, 123, 125, 233, 235, 237, 239, 241, 243, 245, 247
1001248126.....233, 235, 237, 239, 241, 243, 245, 247	1001261064..55, 59, 197	1001269600.....123, 125	2080057....233, 235, 237, 239, 241, 243, 245, 247
1001248502.....254	1001261131.....135	1001269646.....255	2220883.....147
1001248503.....254	1001262092...67, 69, 71, 73	1001269651.....254	2400060.....63, 177, 197
1001248631.....179	1001262093...67, 69, 71, 73	1001269656.....123, 125	2420172.....55, 57
1001248632.....181	1001262094...67, 69, 71, 73	1001269701.....123, 125	2560088.....127
1001248634.....195	1001262150.....135	1001269705.....249	2560190.....127
1001248689.....254	1001262201.....47	1001269714.....53	2600281....117, 119, 121, 123, 125
1001248768.....63	1001262201.....47	1001269746.....53	2780266.....19, 21
1001248773.....61	1001262500.....13	1001269747.....53	2860030.....55, 57, 252
1001248843.....254	1001262539.....13	1001269838.....91, 95	2901443.....255
1001249042.....249	1001262557.....254	1001270276.....123, 125	2902431.....151, 221
1001249229.....255	1001262558.....254	1001274168.....135	3080007....117, 119, 121, 123, 125, 252
1001249326.....255	1001262581.....53	1001274485.....47, 51	3121792.....63
1001249638.....254	1001262655.....131	1001274559.....55, 57	3252507....155, 157, 159, 161, 163, 167
1001249639.....254	1001262656.....131	1001380010.....82, 86	3290305.....35, 37
1001249668.....71, 73	1001262658.....13	1001380024.....97	3290405....23, 55, 59, 75, 82, 86, 90, 94, 129, 131, 151, 153, 155, 157, 159, 161, 165, 167
1001249890.....191	1001262959.....255	1001380040.....77	3290505.....191
1001250532.....254	1001262995.....69	1001380041.....77	3290601.....27, 165
1001251144.....254	1001262998.....71	1001380042.....77	3290605....13, 29, 31, 33, 39, 55, 57, 59, 63, 75, 82, 86, 90, 94, 153, 155, 157, 159, 161
1001251146.....254	1001262999.....73	1001380058.....23	3290606....117, 119, 121, 127, 129, 141
1001253800.....135	1001263002.....67	1060379.....137, 139	3290801.....23
1001253952.....29	1001263257.....29	1060908....169, 171, 173	3290805....13, 23, 55, 57, 77, 82, 86, 90, 94, 101, 103, 105, 107, 109, 111, 113, 115, 137, 139, 153, 155, 157, 159, 161, 165, 191
1001254027...29, 61, 175	1001263258.....31	1060998....67, 69, 71, 73	3290806....117, 119, 121, 123, 125, 127, 129, 131
1001254028.....29, 177	1001263259.....33	1062255.....61	3291001.....13
1001254542.....254	1001263294.....193	1321293....29, 31, 33, 75	3291005....41, 47, 77, 97, 109, 111, 113, 115
1001254721.....254	1001263295.....191	1321752.....13	3291006....97, 117, 123, 125, 141
1001254904.....49	1001263299.....191	1380132.....127	3291007....77, 82, 86, 90, 94
1001255597.....254	1001263350.....57	1380153.....13	3291201.....77
1001255669.....254	1001263359.....53	1600402....131, 133, 252	3291207....82, 86, 90, 94
1001255883.....254	1001263359.....53	1671207.....221	3300423.....21
1001255934...55, 59, 201	1001263785.....53	1701504...233, 235, 237, 239, 241, 243, 245, 247	3321402....82, 86, 90, 94
1001256130.....19	1001263940.....249	1701640...233, 235, 237, 239, 241, 243, 245, 247	3331211.....19
1001256642.....29	1001263967.....59	1702155...233, 235, 237, 239, 241, 243, 245, 247	3422219.....117
1001256643.....31, 33	1001263969.....254	1703464.....151, 153	3422426.....105, 107
1001256675.....249	1001264281.....249	1703813.....233	3422661.....137, 139
1001256676.....249	1001264282.....249	1703816.....233	3422998....82, 86, 90, 94
1001256694.....25	1001264284.....249	1703819...131, 233, 235, 237, 239, 241, 243, 245, 247	3423037.....13
1001256744.....75	1001264310...67, 69, 71, 73	1704016...233, 235, 237, 239, 241, 243, 245, 247	3423243.....77
1001256746.....75	1001265376.....254	1704260.....131	3423278.....131
1001256831.....254	1001265635.....53	1704277...119, 121, 123, 125, 233, 235, 237, 239, 241, 243, 245, 247	
1001256876.....55, 57	1001265636.....53	1704339.....247	
1001256944.....13, 16	1001268506..55, 57, 252	1704340.....243	
1001256984.....55	1001269236.....113, 115	1704341.....237	
1001257121.....75	1001269279.....105, 107	1704344.....241	
1001257138.....55, 57	1001269286.....105, 107	1704412...233, 235, 237, 239, 241, 243, 245, 247	
1001257139.....55, 57	1001269287.....123, 125	1704684.....243	
1001258356.....61	1001269288.....113, 115	1704691.....247	
1001258498.....67	1001269291.....123, 125	1704699.....237	
1001258691.....61	1001269292.....123, 125	1705195.....241	
1001258752.....131	1001269293.....123, 125	1705311.....243	
1001258768.....189	1001269373.....90, 94	1705316.....247	
1001258770.....187	1001269377.....91, 95	1705670.....235, 239	
1001258771.....183	1001269401.....105, 107	1705671.....235, 239	
1001258772.....185	1001269477.....123, 125	1705673.....235, 239	
1001258867.....131	1001269496.....123, 125		
1001259015.....13	1001269585.....123, 125		
1001259017....67, 69, 71, 73	1001269586.....123, 125		
1001260650.....13	1001269587.....123, 125		
1001260651.....47	1001269588.....123, 125		
	1001269590.....123, 125		
	1001269591.....123, 125		
	1001269592.....123, 125		

SECTION 9 - SPECIAL OPTIONS

3430636	23	4420062 83, 87, 117, 119, 121, 123, 125, 131, 137, 139	4460944 61, 63, 175, 177, 197, 203, 205, 207, 209, 215	70001252	133
3430813 ... 109, 111, 113, 115		4460019	4460956	70001253	133
3430816 ... 109, 111, 113, 115		4460042	4460957	70001739	16
3431212	23	4460115	4460965	70003636	145
3431218	23	4460138	4460968	70003650	133
3450303	77	4460183	4460970	70003697	49
3450403 23, 109, 111, 113, 115		4460226	4461016	70003700	51
3450406	21	4460227	4461023	70004585	147
3450505	23	4460234	4461196	70004935	49, 51
3520072 97, 117, 119, 121, 123, 125		4460247	4461199	70005236	147
3740150 .. 55, 59, 75, 252		4460256	4461201	70007050	147
3760115 82, 86, 90, 94		4460259	4461205 189, 225, 227	70007051	147
3760217	13	4460260	4461244	70007052	147
3760387 82, 86, 90, 94		4460265	4461245	70007053	147
3820019	127	4460267	4461246	70007054	147
3841143 ... 77, 82, 86, 90, 94		4460315	4461249	70007055	147
3841203 82, 86, 90, 94		4460315	4461257	70007056	147
3860104 82, 86, 90, 94		4460320	4461258	70007074	145
3860111	117, 127	4460346	4461258	70007075	145
3900364	53	4460418 75, 197, 219	4711700	70007076	145
3900381	191	4460424	4711800 109, 111, 113, 115	70007077	145
3910804	55, 57	4460464 ... 37, 39, 61, 63, 75, 141, 177, 198, 201, 203, 205, 207, 209, 211, 213, 215, 217, 219	4740086	70007078	145
3990001	177	4460465 ... 35, 37, 61, 63, 141, 177, 197, 198, 203, 205, 207, 209, 211, 213, 215, 217	4740438 82, 86, 90, 94	70007079	145
4010310	35, 37	4460466 . 61, 63, 75, 141, 175, 177, 197, 198, 203, 205, 207, 209, 211, 213, 217, 219	4740468	70007080	145
4010408	129, 165	4460467	4740531 82, 86, 90, 94	70007191	16
4010608 ... 82, 86, 90, 94, 117, 119, 121		4460496	4811400 75, 129, 131, 151, 153, 155, 157, 159, 161, 165, 167	70007193	16
4010610 ... 153, 155, 157, 159, 161		4460497	4811700 39, 53, 55, 57, 59, 63, 75, 117, 119, 121, 129, 131, 153, 155, 157, 159, 161, 165	70007199	16
4010616	117	4460510	4811702 13, 23, 27, 29, 31, 33, 43, 55, 57, 82, 86, 90, 94, 127	70007205	16
4010617 117, 119, 121		4460536	4811900 13, 23, 55, 57, 61, 63, 82, 86, 90, 94, 101, 103, 105, 107, 109, 111, 113, 115, 117, 119, 121, 123, 125, 127, 131, 153, 155, 157, 159, 161, 165	70007490	16
4010618 117, 119, 121		4460539 ... 198, 205, 209, 217	4811902 23, 77, 119, 121, 129, 137, 139, 191	70007495	16
4031509	131	4460662 ... 157, 159, 161, 221	4812000 13, 23, 47, 77, 82, 86, 90, 94, 97, 109, 111, 113, 115, 117, 123, 125, 141	70007541	16
4031511	23	4460670	4812002	70007544	16
4031512 82, 86, 90, 94		4460722	4812500	70007546	16
4031708	27, 33	4460754 ... 203, 205, 207, 209, 211, 213	4831600	70007584	49, 51
4031710	55, 57	4460761	4846757	70007587	49
4060803	131	4460871	4891600	70007588	49, 51
4060906	131	4460872	4923328 67, 69, 71, 73	70007589	49, 51
4060944	197	4460877	4923602	70007590	49, 51
4160078 82, 86, 90, 94		4460884 61, 63, 177, 197, 217	5241200	70007591	49
4160202	23	4460891 35, 37, 141, 177, 197, 198, 205, 209, 217	70000082	70007612	49, 51
4160214	77	4460894 ... 197, 203, 205, 207, 209, 215	70000084	70007613	49, 51
4240017 ... 13, 29, 31, 33, 55, 57, 59, 63, 67, 69, 71, 73, 75, 82, 86, 90, 94, 141, 151, 153, 155, 157, 159, 161, 163, 165, 167, 179, 181, 183, 185, 187, 189, 191, 195, 203, 205, 207, 209, 211, 213, 215		4460897 . 37, 39, 75, 177, 198, 201, 205, 209	70000191	70007614	51
4240018	37, 47	4460899 ... 203, 205, 207, 209, 211, 213, 215	70000683	70007615	51
4240032	61	4460905	70000684	70007616	49, 51
4240147	23	4460932 61, 63, 177, 201	70000685	70007670	16
4360328	55, 57, 252	4460933	70000686	70007676	16
4360336	75	4460943 61, 63, 175, 201, 203, 205, 207, 209, 211, 213, 215	70001250	70007703	49
4360345	131, 252		70001251	70007704	49
4360387	55, 57, 252			70007705	49
4360469	55, 57, 252			70007706	49
4360475 55, 57, 131, 252				70007707	49
4420051	249			70007708	49

SECTION 9 - SPECIAL OPTIONS

7024749.....	16	7027365.....	133	8229242.....	198, 252	8896941.....	255
7024756.....	16	7027367.....	133	8229244.....	198, 252	8990147....	233, 235, 237,
7024758.....	16	7027765.....	133	8405204.....	53	239, 241, 243, 245, 247	
7024759.....	17	7027766.....	133	8405402.....	53		
7024786.....	16	8229234.....	201, 252	8750015.....	13		



**Corporate Office
JLG Industries, Inc.
1 JLG Drive
McConnellsburg, PA 17233-9533 USA
☎ (717) 485-5161 (Corporate)
☎ (877) 554-5438 (Customer Support)
📠 (717) 485-6417**

**Visit our website for JLG Worldwide Locations.
www.jlg.com**



OSHKOSH™