



# Illustrated Parts Manual

***Model  
RT5394***

**PVC  
2104**

**P/N  
31217447**

**September 1, 2021 - Rev B**

**ANSI**

**CE**



**UK  
CA**

**AS/NZS**



An Oshkosh Corporation Company



## **REVISION LOG**

**April 2, 2021 - A - Original Issue of Manual (Edited to 1001275394 Rev B)**

**September 1, 2021 - B - Revised Manual (Edited to 1001275394 Rev B)**

# GENERAL INFORMATION



## 1) MACHINE IDENTIFICATION

Machines are identified by model and in some cases a combination of models, serial number (SN) or regional standard (i.e ANSI, CE, CSA). Components may also be identified by SN or manufacturer. Common components that may be identified by these characteristics are engines and hydraulic components.

## 2) PARTS MANUAL ORGANIZATION

Product information in this manual is organized under section titles. Frame, Cylinder, Hydraulic and Electrical are a few examples. Each section is organized by figure and page number. The information within the Figure is then organized by item number, part number, description and corresponding illustration (s).

## 3) TABLE OF CONTENTS (NOT SHOWN)

A table of contents is found toward the beginning of the manual. Figure number, description and page number are provided for quick reference to the page containing the related information.

## 4) RECOMMENDED SPARE PARTS (NOT SHOWN)

The Recommended Spare Parts List, located near the end of the manual, reference most frequently used maintenance parts.

## 5) PART NUMBER INDEX (NOT SHOWN)

A numerical index listing all part numbers and the corresponding page number(s) appears at the back of the manual.

# GENERAL INFORMATION

## 6) NON-SERVICED PARTS

In some instances, it is necessary to display non-serviced parts, assemblies or installations. In the case of assemblies and installations there will be a Ref in the Qty. column. In case of parts that are not available for service within assemblies or components, there will be a NSS (Not Sold Separately) or NLA (No Longer Available) listed in the Qty. column of the manual.

## 7) PARTS LIST ITEM NUMBERS

Numbers shown in the item# column correspond to numbers used in the associated illustration (s). Item numbers which are missing from the sequence in the parts list are not used on that page.

## 8) INDENTED PARTS DESCRIPTION

An indented part description is included in the item under which it is indented.

## 9) ABBREVIATION AND SYMBOLS

AC.....	Alternating Current	L.....	Liter
ADE.....	Advanced Design Electronics	LB(LBS).....	Pounds
AG.....	Agricultural	LCD.....	Liquid Crystal Display
ANSI.....	American National Standards Institute	LED.....	Light Emitting Diodes
AR.....	As Required	LH.....	Left Hand
ASSY.....	Assembly	LRC.....	Low Rated Countries
AUS.....	Australia	LSS.....	Load Sensing System
AUX.....	Auxiliary	M(m).....	Metric/Meter
AWG.....	American Wire Gauge	MM(mm).....	Milimeter
B/M.....	Bill of Material	mA.....	Miliamps
CAC.....	Charge Air Cooler	NLA.....	No Longer Available
CE.....	European Conformity	NPT.....	National Pipe Threads
CCW.....	Counter Clockwise	NSS.....	Not Sold Separately
CM.....	Centimeter	OD.....	Outside Diameter
CW.....	Clockwise	ORB.....	O-Ring Boss
CSA.....	Canadian Standards Association	ORFS.....	O-Ring Face Seal
CYL.....	Cylinder	OZ (oz).....	Ounces
DIA.....	Diameter	PG.....	Page
DC.....	Direct Current	PN.....	Part Number
DEF.....	Diesel Exhaust Fluid	QT(qt.).....	Quarts
EMS.....	Emergency Stop	QTY.....	Quantity
ENG.....	Engine	REF.....	Reference
FT(ft).....	Feet	REV.....	Revision Level
GA(Ga).....	Gauge	RH.....	Right Hand
HRC.....	High Rated Countries	SAE.....	Society of Automotive Engineers
HVAC.....	Heating, Ventilating, and Air Conditioning	SN.....	Serial Number
HYD.....	Hydraulic	SPEC(S).....	Specifications
Hz.....	Hertz	T/T.....	Turntable
ID.....	Inside Diameter	UGM.....	Universal Ground Module
IN.....	inches	V.....	Volts
ISO.....	International Organization for Standards	W.....	Watts
JIC.....	Joint Industry Council	#.....	Number
KG.....	Kilogram		

## 10) ILLUSTRATION REFERENCE LETTERS

When necessary, illustrations may contain reference letters that are intended to track information (i. e. hoses, harnesses) from one point to another or to track visual enlargement of components to show details that may be located in another area on the illustration.

*Note: Due to continuous product improvements, JLG Industries, Inc. reserves the right to make specification changes without prior notification. Contact JLG Industries, Inc. for updated information.*



# TABLE OF CONTENTS

SECTION 1 - FRAME.....	11
FIGURE 1-1. AXLE INSTALLATION - FIXED.....	12
FIGURE 1-2. AXLE INSTALLATION - OSCILLATING.....	14
FIGURE 1-3. STEER INSTALLATION.....	16
FIGURE 1-4. WHEEL DRIVE INSTALLATION.....	18
FIGURE 1-5. DRIVE HUB ASSEMBLY - FRONT.....	20
FIGURE 1-6. DRIVE HUB AND BRAKE ASSEMBLY - REAR.....	22
FIGURE 1-7. DRIVE MOTOR ASSEMBLY.....	26
FIGURE 1-8. TIRE AND WHEEL INSTALLATION - 12 X 16.5 FOAM FILLED.....	28
FIGURE 1-9. TIRE AND WHEEL INSTALLATION - 12 X 16.5 FOAM FILLED NON-MARKING.....	30
FIGURE 1-10. TIRE AND WHEEL INSTALLATION - IN395/45/D20 FOAM FILLED.....	32
FIGURE 1-11. TIRE AND WHEEL INSTALLATION - IN395/45/D20 FOAM FILLED NON-MARKING.....	34
FIGURE 1-12. BEACON LIGHT INSTALLATION - OPTIONAL.....	36
FIGURE 1-13. LEVELING JACKS INSTALLATION.....	38
FIGURE 1-14. LEVELING JACKS ASSEMBLY.....	40
FIGURE 1-15. LEVELING JACKS VALVE ASSEMBLY.....	42
SECTION 2 - GROUND CONTROLS.....	45
FIGURE 2-1. VALVE INSTALLATION.....	46
FIGURE 2-2. MAIN VALVE ASSEMBLY.....	48
FIGURE 2-3. FLOW DIVIDER VALVE ASSEMBLY.....	50
FIGURE 2-4. TANKS & HORN INSTALLATION - DIESEL.....	52
FIGURE 2-5. TANKS AND HORN INSTALLATION - GASOLINE.....	54
FIGURE 2-6. HYDRAULIC TANK ASSEMBLY.....	56
FIGURE 2-7. ELECTRICAL COMPONENTS INSTALLATION - DIESEL.....	58
FIGURE 2-8. ELECTRICAL COMPONENTS INSTALLATION - KUBOTA GASOLINE.....	60
FIGURE 2-9. GROUND CONTROL BOX ASSEMBLY - KUBOTA DIESEL.....	62
FIGURE 2-10. GROUND CONTROL BOX ASSEMBLY - KUBOTA GASOLINE.....	64
FIGURE 2-11. MOTION ALARM INSTALLATION.....	66
FIGURE 2-12. WHITE NOISE ALARM INSTALLATION.....	68
FIGURE 2-13. HOODS AND LADDERS INSTALLATION.....	70
SECTION 3 - ENGINE.....	75
FIGURE 3-1. ENGINE INSTALLATION - KUBOTA DIESEL T4F.....	76
FIGURE 3-2. ENGINE AND PUMP SUB-ASSEMBLY - KUBOTA DIESEL T4F.....	80
FIGURE 3-3. ENGINE ASSEMBLY - KUBOTA DIESEL T4F.....	82
FIGURE 3-4. ENGINE INSTALLATION - KUBOTA DIESEL T4F WITH GENERATOR.....	86
FIGURE 3-5. ENGINE AND PUMP SUB-ASSEMBLY - KUBOTA DIESEL T4F WITH GENERATOR.....	90
FIGURE 3-6. ENGINE ASSEMBLY - KUBOTA DIESEL T4F WITH GENERATOR.....	92
FIGURE 3-7. ENGINE COMPONENTS - KUBOTA DIESEL T4F.....	96
FIGURE 3-8. ENGINE INSTALLATION - KUBOTA GASOLINE.....	100
FIGURE 3-9. ENGINE AND PUMP SUB-ASSEMBLY - KUBOTA GASOLINE.....	104
FIGURE 3-10. ENGINE ASSEMBLY - KUBOTA GASOLINE.....	106
FIGURE 3-11. ENGINE INSTALLATION - KUBOTA GASOLINE WITH GENERATOR.....	110
FIGURE 3-12. ENGINE AND PUMP SUB-ASSEMBLY - KUBOTA GASOLINE WITH GENERATOR.....	114

# TABLE OF CONTENTS

FIGURE 3-13. ENGINE ASSEMBLY - KUBOTA GASOLINE WITH GENERATOR.....	116
FIGURE 3-14. ENGINE COMPONENTS - KUBOTA GASOLINE .....	120
FIGURE 3-15. FUEL/WATER SEPARATOR ASSEMBLY - DIESEL ENGINES .....	124
FIGURE 3-16. COUPLING KIT - DIESEL ENGINES .....	126
FIGURE 3-17. COUPLING KIT - GASOLINE ENGINES.....	128
FIGURE 3-18. PISTON PUMP ASSEMBLY.....	130
FIGURE 3-19. FAN GUARD INSTALLATION - KUBOTA .....	134
FIGURE 3-20. SPARK ARRESTOR MUFFLER - OPTIONAL (GASOLINE ENGINES).....	136
FIGURE 3-21. GENERATOR INSTALLATION - 4000W (KUBOTA DIESEL STAGE III) .....	138
FIGURE 3-22. GENERATOR INSTALLATION - 4000W (KUBOTA DIESEL T4F).....	142
FIGURE 3-23. GENERATOR INSTALLATION - 4000W (KUBOTA GASOLINE) (DUAL FUEL).....	146
FIGURE 3-24. GENERATOR INSTALLATION - 7500W (KUBOTA DIESEL STAGE III) .....	150
FIGURE 3-25. GENERATOR INSTALLATION - 7500W (KUBOTA DIESEL T4F).....	154
FIGURE 3-26. GENERATOR INSTALLATION - 7500W (KUBOTA GASOLINE) (DUAL FUEL).....	158
FIGURE 3-27. JUNCTION BOX ASSEMBLY - 4000W GENERATOR (ALL SPECS EXCEPT AUSTRALIAN, CE & UK CA SPECS).....	162
FIGURE 3-28. JUNCTION BOX ASSEMBLY - 7500W GENERATOR (ALL SPECS EXCEPT AUSTRALIAN, CE & UK CA SPECS).....	164
FIGURE 3-29. JUNCTION BOX ASSEMBLY - 4000W/7500W GENERATOR (AUSTRALIAN, CE & UK CA SPECS) .....	166
SECTION 4 - SCISSORS ARMS.....	169
FIGURE 4-1. SCISSORS ARMS ASSEMBLY .....	170
FIGURE 4-2. SCISSORS ARMS INSTALLATION WITH AC CABLE.....	176
FIGURE 4-3. SCISSORS ARMS INSTALLATION WITH GENERATOR.....	178
FIGURE 4-4. ARM GUARDS INSTALLATION.....	180
SECTION 5 - PLATFORM.....	183
FIGURE 5-1. PLATFORM WITH SINGLE EXTENTION INSTALLATION .....	184
FIGURE 5-2. PLATFORM WITH DUAL EXTENSION INSTALLATION .....	186
FIGURE 5-3. RAIL INSTALLATION - PLATFORM WITH SINGLE EXTENSION.....	188
FIGURE 5-4. RAIL INSTALLATION - PLATFORM WITH DUAL EXTENSION .....	192
FIGURE 5-5. PLATFORM CONSOLE BOX INSTALLATION - DIESEL MACHINES.....	196
FIGURE 5-6. PLATFORM CONSOLE BOX INSTALLATION - GASOLINE MACHINES .....	198
FIGURE 5-7. CONTROLLER ASSEMBLY.....	200
FIGURE 5-8. PLATFORM MODULE INSTALLATION .....	202
FIGURE 5-9. PIPE RACK INSTALLATION .....	204
FIGURE 5-10. SKYWELDER INSTALLATION (OPTIONAL) (ANSI SPECS) .....	206
FIGURE 5-11. SKYWELDER INSTALLATION (OPTIONAL) (CE & UK CA SPECS) .....	208
FIGURE 5-12. WELDER ASSEMBLY .....	210
FIGURE 5-13. WORKSTATION INSTALLATION (OPTIONAL) .....	212
SECTION 6 - CYLINDER.....	215
FIGURE 6-1. AXLE LOCKOUT CYLINDER ASSEMBLY.....	216
FIGURE 6-2. LOWER LIFT CYLINDER .....	218
FIGURE 6-3. UPPER LIFT CYLINDER.....	220
FIGURE 6-4. LEVELING JACK CYLINDER ASSEMBLY.....	222
FIGURE 6-5. STEER CYLINDER ASSEMBLY .....	224



# TABLE OF CONTENTS

SECTION 7 - HYDRAULIC .....	227
FIGURE 7-1. HYDRAULIC DIAGRAM - FIXED AXLE.....	228
FIGURE 7-2. HYDRAULIC DIAGRAM - OSCILLATING AXLE.....	236
FIGURE 7-3. HYDRAULIC DIAGRAM - SCISSOR ARMS.....	246
SECTION 8 - ELECTRICAL.....	249
FIGURE 8-1. AC BOX AT PLATFORM INSTALLATION - 110V GFI (ANSI, ANSI EXPORT, CHINA, CSA AND JAPANESE SPECS) .....	250
FIGURE 8-2. BOX AT PLATFORM INSTALLATION - 220V (ANSI EXPORT, CSA, CHINA AND JAPANESE SPECS) .....	252
FIGURE 8-3. AC BOX AT PLATFORM INSTALLATION - 110V IEC YELLOW (CE & UK CA SPEC) .....	254
FIGURE 8-4. AC BOX AT PLATFORM INSTALLATION - 220V IEC BLUE (CE & UK CA SPEC).....	256
FIGURE 8-5. AC BOX AT PLATFORM INSTALLATION - 220V AFSINT107 (CE & UK CA SPEC) .....	258
FIGURE 8-6. AC BOX AT PLATFORM INSTALLATION - 220V CEE7 POST GROUND WITH 2X4 BOX (CE & UK CA SPEC) .....	260
FIGURE 8-7. AC BOX AT PLATFORM INSTALLATION - 220V CEE7 POST GROUND WITH 70X70 BOX (CE & UK CA SPEC) .....	262
FIGURE 8-8. AC BOX AT PLATFORM INSTALLATION - 220V CEE7 SIDE GROUND WITH 2X4 BOX (CE & UK CA SPEC)..	264
FIGURE 8-9. AC BOX AT PLATFORM INSTALLATION - 220V CEE7 SIDE GROUND WITH 70X70 BOX (CE & UK CA SPEC) .....	266
FIGURE 8-10. BATTERY CABLE KIT - DIESEL ENGINES .....	268
FIGURE 8-11. BATTERY CABLE KIT - GASOLINE ENGINES.....	270
FIGURE 8-12. BREAKER BOX KIT - SINGLE DOUBLE POLE BREAKER .....	272
FIGURE 8-13. CHASSIS HARNESS .....	274
FIGURE 8-14. DUAL FUEL HARNESS .....	276
FIGURE 8-15. ENGINE HARNESS - KUBOTA DIESEL .....	280
FIGURE 8-16. ENGINE HARNESS - KUBOTA GASOLINE .....	284
FIGURE 8-17. GENERATOR CONTROL HARNESS - 4000W GENERATOR (GENERATOR TO CONTROL BOX).....	288
FIGURE 8-18. GENERATOR CONTROL HARNESS - 4000W GENERATOR (CONTROL BOX TO GENERATOR CONTROL).....	290
FIGURE 8-19. GENERATOR CONTROL HARNESS - 7500W GENERATOR (GENERATOR TO CONTROL BOX).....	292
FIGURE 8-20. GENERATOR CONTROL HARNESS - 7500W GENERATOR (CONTROL BOX TO GENERATOR CONTROL).....	294
FIGURE 8-21. GROUND CONTROL BOX HARNESS - LOWER.....	296
FIGURE 8-22. GROUND CONTROL BOX HARNESS - UPPER .....	298
FIGURE 8-23. GROUND TO LOWER AUXILIARY HOLDING VALVE HARNESS .....	300
FIGURE 8-24. GROUND TO UPPER AUXILIARY HOLDING VALVE HARNESS .....	302
FIGURE 8-25. GROUND TO LOWER LIFT CYLINDER HARNESS .....	304
FIGURE 8-26. GROUND TO UPPER LIFT CYLINDER HARNESS .....	306
FIGURE 8-27. GROUND TO PLATFORM HARNESS .....	308
FIGURE 8-28. HYDRAULIC COMPARTMENT HARNESS .....	310
FIGURE 8-29. LEVELING JACK HARNESS .....	312
FIGURE 8-30. LSS HARNESS.....	314
FIGURE 8-31. OSCILLATING AXLE HARNESS.....	316
FIGURE 8-32. PLATFORM CONTROL BOX HARNESS .....	318
FIGURE 8-33. PLATFORM MODULE HARNESS.....	320
FIGURE 8-34. RECEPTACLE ASSEMBLY (MACHINES WITH GENERATORS) (ALL SPECS EXCEPT AUSTRALIAN, CE & UK CA SPEC).....	322
FIGURE 8-35. RECEPTACLE BOX KIT - 110V GFI.....	324
FIGURE 8-36. RECEPTACLE BOX KIT - 110V IEC YELLOW.....	326
FIGURE 8-37. RECEPTACLE BOX KIT - 220V IEC BLUE .....	328

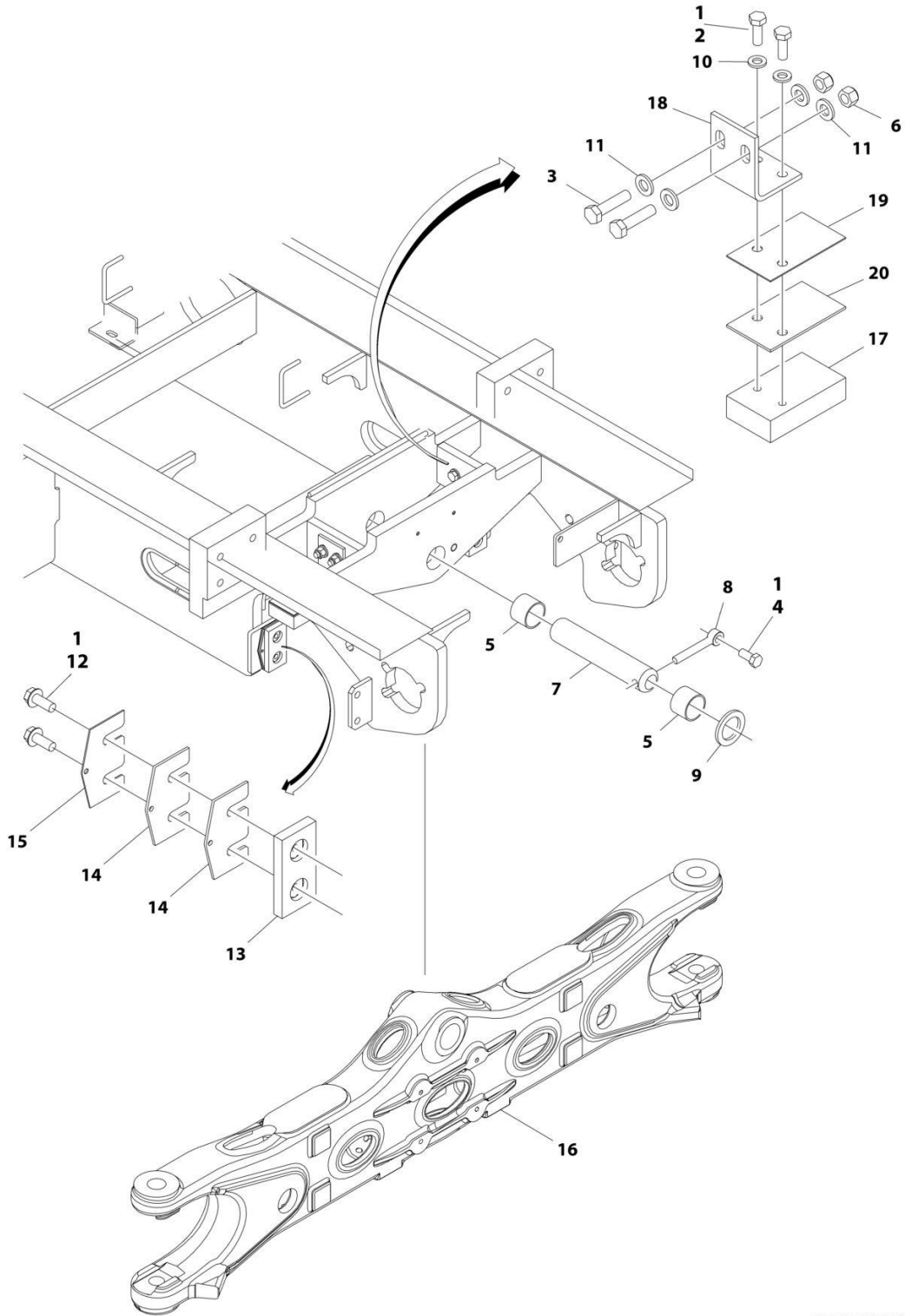
# TABLE OF CONTENTS

FIGURE 8-38. RECEPTACLE BOX KIT - 220V AFSINT 107 (CE & UK CA SPEC) .....	330
FIGURE 8-39. RECEPTACLE BOX KIT - 220V CEE7 SIDE GROUND.....	332
FIGURE 8-40. RECEPTACLE BOX KIT - 220V CEE7 POST GROUND (CE & UK CA SPEC).....	334
FIGURE 8-41. RECEPTACLE BOX KIT - 220V CEE7 POST GROUND 70MM X 70MM BOX (CE & UK CA SPEC) .....	336
FIGURE 8-42. SCISSORS ARMS GUARD HARNESS.....	338
SECTION 9 - DECALS .....	341
FIGURE 9-1. DECAL INSTALLATION - ANSI AND ANSI EXPORT SPECS (ENGLISH).....	342
FIGURE 9-2. DECAL INSTALLATION - AUSTRALIAN AND JAPANESE SPECS .....	344
FIGURE 9-3. DECAL INSTALLATION - BRAZIL SPECS (SPANISH/PORTUGUESE) .....	346
FIGURE 9-4. DECAL INSTALLATION - CE & UK CA SPEC .....	348
FIGURE 9-5. DECAL INSTALLATION - CHINESE SPECS (ENGLISH/CHINESE) .....	350
FIGURE 9-6. DECAL INSTALLATION - CSA (ENGLISH/FRENCH).....	352
FIGURE 9-7. DECAL INSTALLATION - KOREAN SPECS (ENGLISH/KOREAN).....	354
FIGURE 9-8. DECAL INSTALLATION - LATIN AMERICAN SPECS (ENGLISH/SPANISH) .....	356
FIGURE 9-9. DECAL INSTALLATION - OPTIONS.....	358
SECTION 10 - RECOMMENDED SERVICE PARTS STOCK .....	361
FIGURE 10-1. RECOMMENDED SERVICE PARTS STOCK.....	362
SECTION 11 - SPECIAL OPTIONS/ACCESSORIES/KITS .....	365
FIGURE 11-1. SPECIAL OPTIONS/ACCESSORIES/KITS.....	366
PART NUMBER INDEX.....	369

**SECTION 1 - FRAME**

# SECTION 1 - FRAME

## FIGURE 1-1. AXLE INSTALLATION - FIXED



ART\_100117745

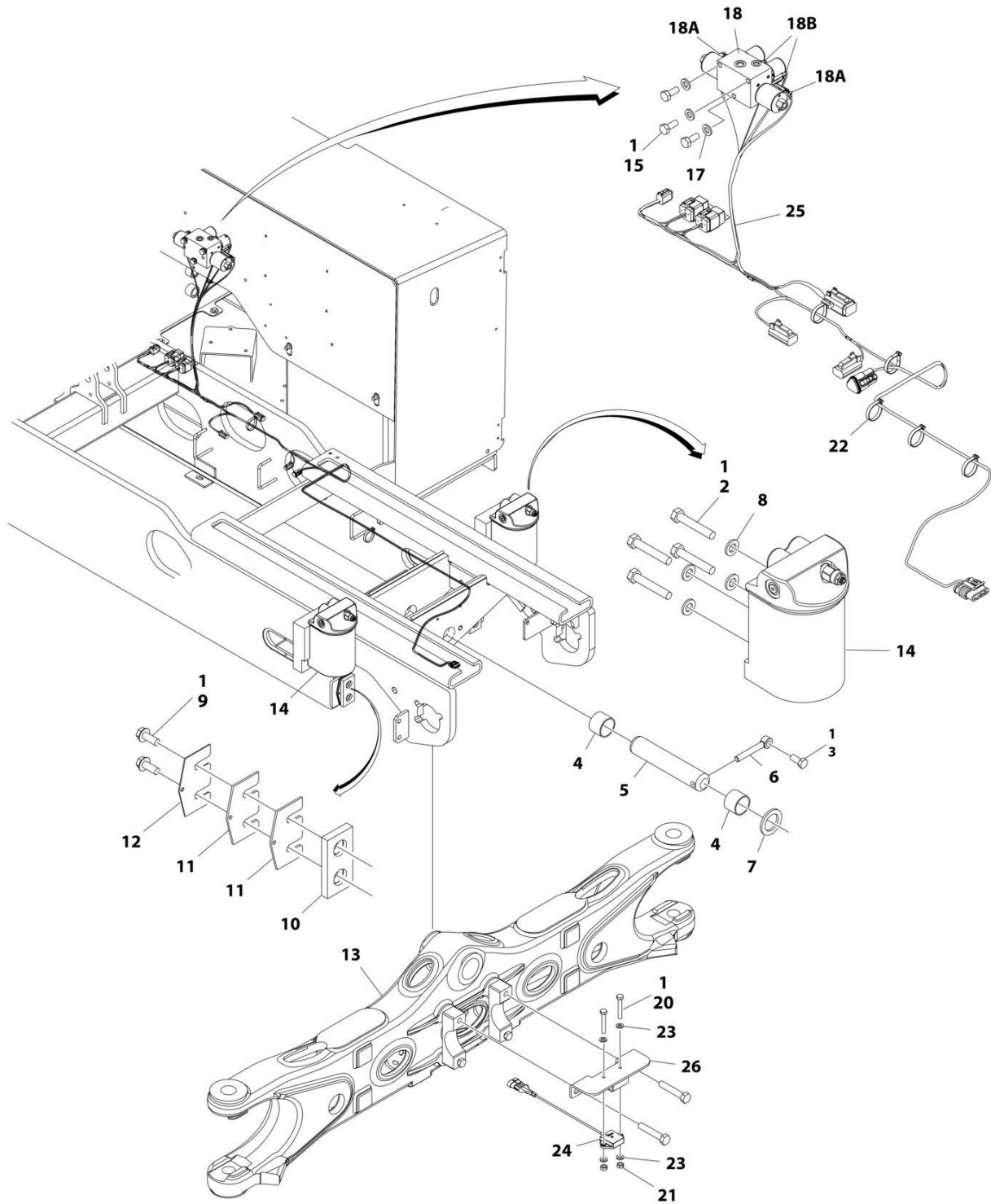
# SECTION 1 - FRAME

## FIGURE 1-1. AXLE INSTALLATION - FIXED

ITEM	PART NUMBER	QTY	DESCRIPTION	REV
	1001177745	Ref	AXLE INSTALLATION - FIXED	A
1	0100011	AR	Compound, Locking	
2	0701014	4	Bolt M10 x 30	
3	0701218	4	Bolt M12 x 50	
4	0761615	1	Bolt M16 x 35	
5	0961950	2	Bearing	
6	3291205	4	Nut M12	
7	3422592	1	Pin	
8	3841258	1	Keeper, Pin	
9	4740158	1	Washer	
10	5241000	4	Washer M10	
11	5241200	8	Washer M12	
12	5251012	4	Bolt M10 x 25	
13	1001118511	2	Pad, Wear	
14	1001118518	4	Shim 11Ga	
15	1001118519	2	Shim 16Ga	
16	1001162995	1	Axle	
17	1001180307	2	Block	
18	1001180309	2	Bracket	
19	1001180315	2	Shim .06	
20	1001180316	2	Shim .12	

# SECTION 1 - FRAME

## FIGURE 1-2. AXLE INSTALLATION - OSCILLATING



ART\_1001177749

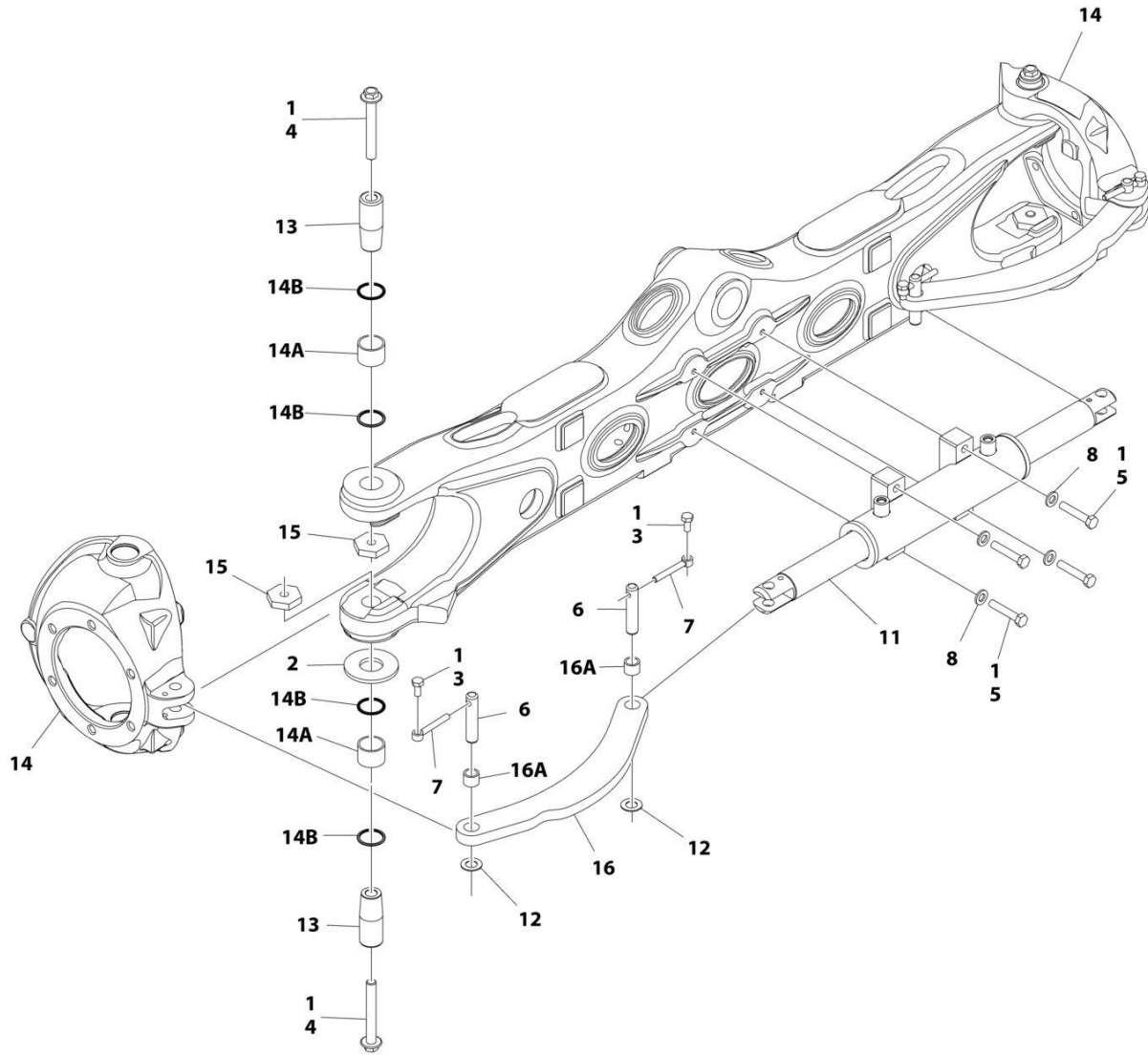
# SECTION 1 - FRAME

## FIGURE 1-2. AXLE INSTALLATION - OSCILLATING

ITEM	PART NUMBER	QTY	DESCRIPTION	REV
	1001177749	Ref	AXLE INSTALLATION - OSCILLATING	F
1	0100011	AR	Compound, Locking	
2	0701222	8	Bolt M12 x 70	
3	0761615	1	Bolt M16 x 35	
4	0961950	2	Bearing	
5	3422592	1	Pin	
6	3841258	1	Keeper, Pin	
7	4740158	1	Washer	
8	5241200	8	Washer M12	
9	5251012	4	Bolt M10 x 25	
10	1001118511	2	Pad, Wear	
11	1001118518	4	Shim 11Ga	
12	1001118519	2	Shim 16Ga	
13	1001162995	1	Axle	
14	1001163580	2	Axle Lockout Cylinder Assembly (See Separate Breakdown in CYLINDER SECTION)	
15	0701012	3	Bolt M10 x 25	
17	5241000	3	Washer M10	
18	1001191201	1	Axle Lockout Valve Assembly	
18A	7012910	2	Cartridge, Solenoid Less Coil	
18A	2900708	2	Seal Kit - 7012910 Valve	
18A	70003977	2	Nut, Coil	
18A	70050516	2	Coil	
18B	70005163	2	Cartridge, Solenoid Less Coil	
18B	70005164	2	Seat Kit - 70005163 Valve	
18B	7022390	2	Nut, Coil	
18B	70002963	2	Coil	
20	0700616	2	Bolt M6 x 40	
21	3290601	2	Nut M6	
22	4240018	5	Tie-Strap	
23	4811700	4	Washer M6	
24	1001186467	1	Sensor, Dual Axis	
25	1001187601	1	Oscillating Axle Harness (See Separate Breakdown in ELECTRICAL SECTION)	
26	1001187695	1	Bracket	

# SECTION 1 - FRAME

## FIGURE 1-3. STEER INSTALLATION



ART\_1001177747



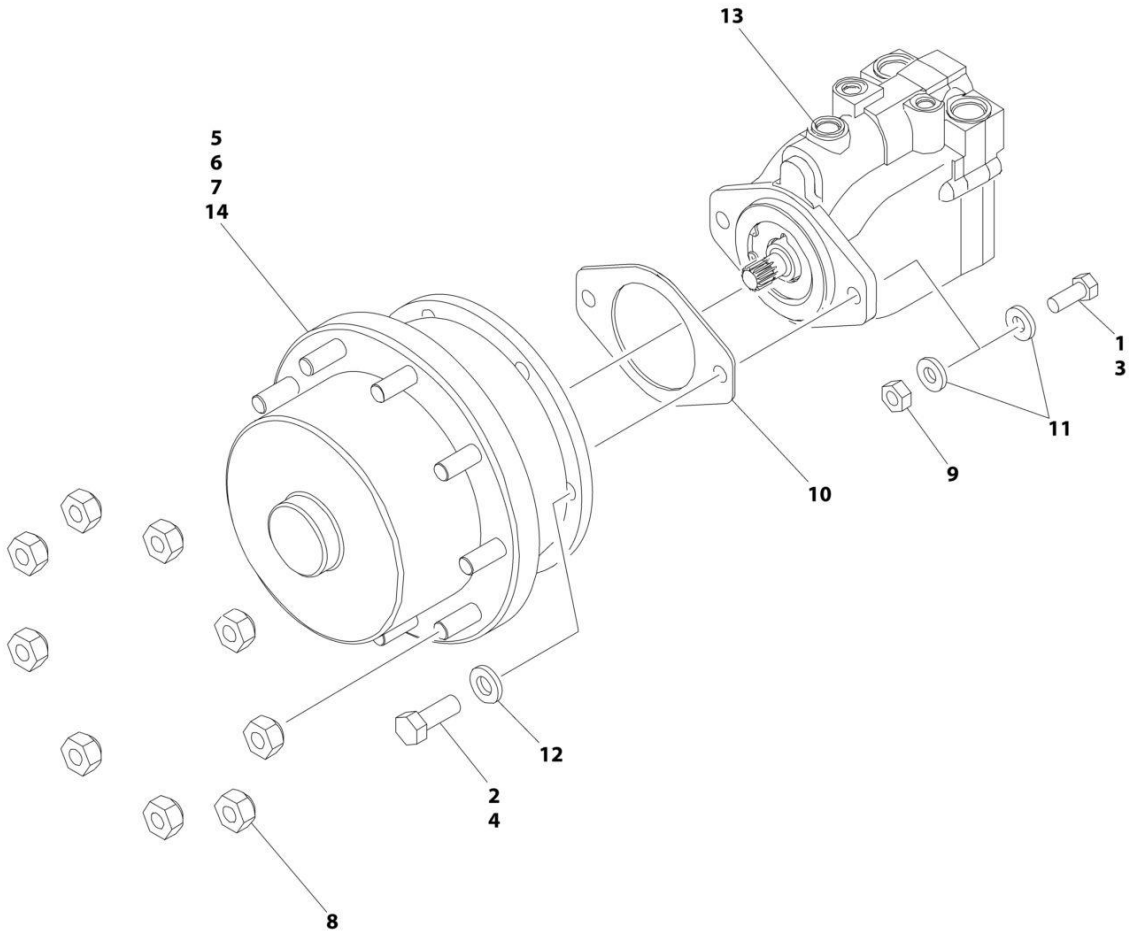
# SECTION 1 - FRAME

## FIGURE 1-3. STEER INSTALLATION

ITEM	PART NUMBER	QTY	DESCRIPTION	REV
	1001177747	Ref	STEER INSTALLATION	D
1	0100011	AR	Compound, Locking	
2	1001233139	2	Washer, Thrust	
3	0761011	4	Bolt M10 x 22	
4	1001190368	4	Bolt M16 x 120	
5	0711221	4	Bolt M12 x 65	
6	3423304	4	Pin, Pivot	
7	3841143	4	Keeper, Pin	
8	5241200	4	Washer M12	
11	1001163178	1	Steer Cylinder Assembly (See Separate Breakdown in CYLINDER SECTION)	
12	4740086	4	Washer	
13	1001163405	4	Kingpin	
14	1001163715	2	Spindle Assembly	
14A	0961948	2	Bearing	
14B	1001163716	4	Seal	
15	1001176848	4	Nut M16	
16	1001179256	2	Tie-Rod	
16A	1001164209	2	Bearing	

# SECTION 1 - FRAME

## FIGURE 1-4. WHEEL DRIVE INSTALLATION



ART\_1001102804

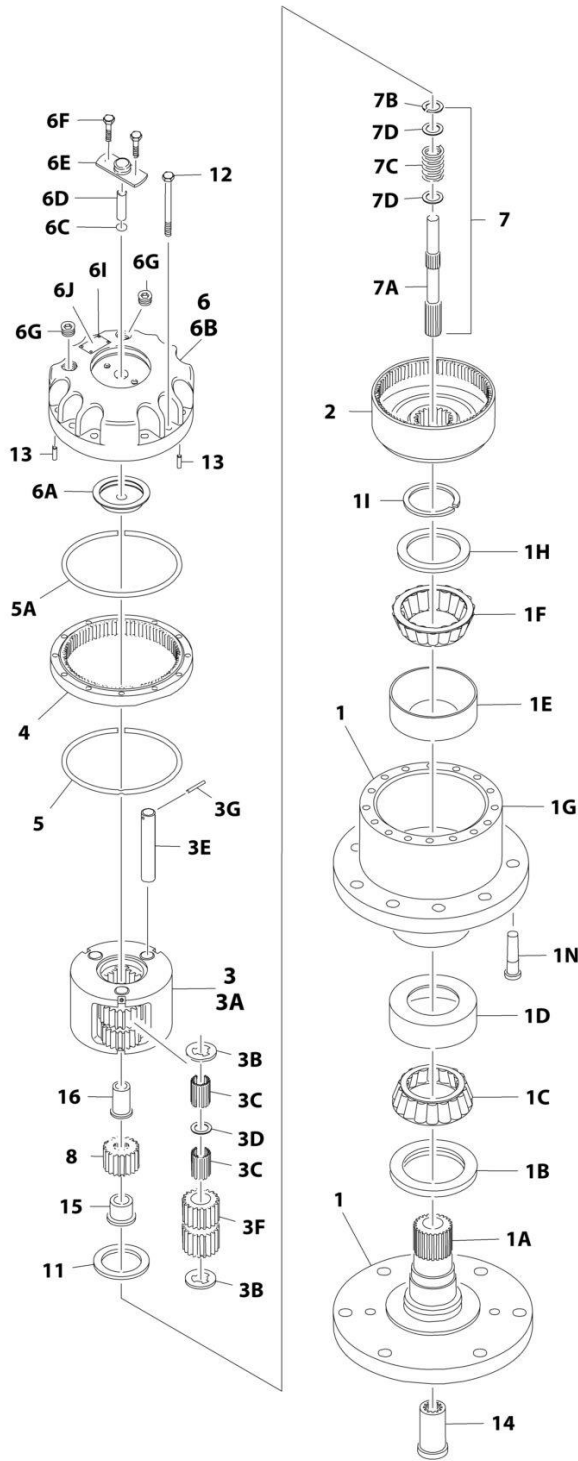
## SECTION 1 - FRAME

**FIGURE 1-4. WHEEL DRIVE INSTALLATION**

ITEM	PART NUMBER	QTY	DESCRIPTION	REV
	1001102804	Ref	WHEEL DRIVE INSTALLATION	H
1	0100011	AR	Compound, Locking	
2	0100019	AR	Compound, Locking	
3	0681810	4	Bolt 1/2 x 1-1/4	
4	0682014	24	Bolt 5/8 x 1-3/4	
6	2780267	2	Drive Hub with Brake Assembly (Rear) (See Separate Breakdown in this Section)	
7	2780268	2	Drive Hub without Brake Assembly (Front) (See Separate Breakdown in this Section)	
8	3300106	36	Lugnut	
9	3311801	4	Nut 1/2	
10	3960526	4	Gasket	
11	4891800	8	Washer 1/2	
12	4892000	24	Washer 5/8	
13	1001102805	4	Drive Motor Assembly (See Separate Breakdown in this Section)	

# SECTION 1 - FRAME

## FIGURE 1-5. DRIVE HUB ASSEMBLY - FRONT



ART\_2780268

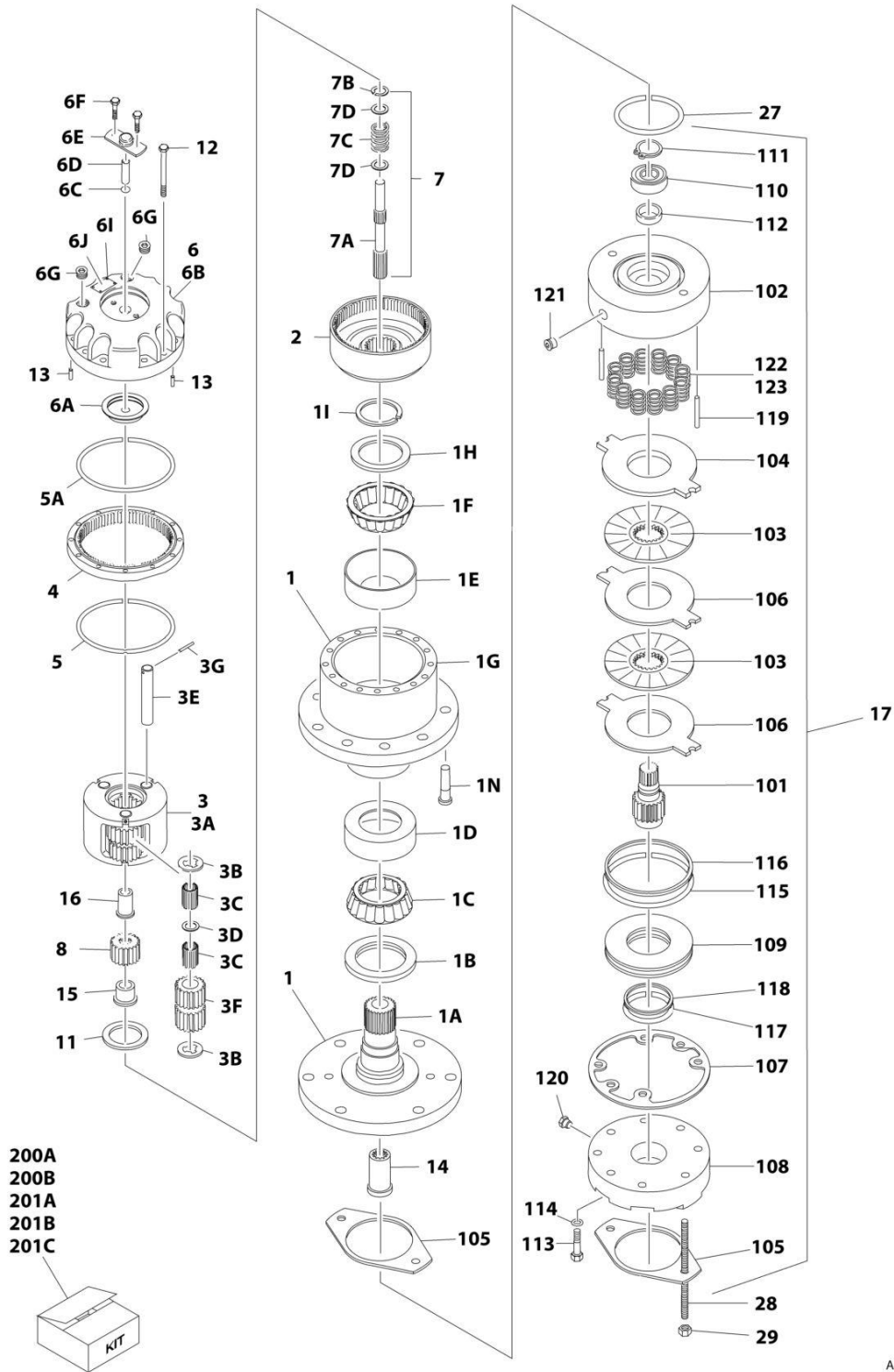
# SECTION 1 - FRAME

## FIGURE 1-5. DRIVE HUB ASSEMBLY - FRONT

ITEM	PART NUMBER	QTY	DESCRIPTION	REV
	2780268	Ref	DRIVE HUB ASSEMBLY - FRONT	F
1	See Note	1	Spindle/Housing Assembly (Note: Purchase Individual Components)	
1A	7017059	1	Spindle	
1B	7001998	1	Seal	
1C	7010429	1	Cone, Bearing (Includes Item 1D)	
1D	7010429	1	Cup, Bearing (Includes Item 1C)	
1E	7000257	1	Cup, Bearing	
1F	7000258	1	Cone, Bearing	
1G	7007601	1	Housing/Ring Gear	
1H	7000232	1	Washer, Thrust	
1I	7000229	1	Ring, Retaining	
1N	7007640	9	Stud, Wheel	
2	7000246	1	Gear, Internal	
3	7024712	1	Carrier Assembly	
3A	See Note	1	Carrier (Note: Use Item 3)	
3B	See Note	6	Ring, Retaining (Note: Use Item 3)	
3C	See Note	AR	Bearing, Needle (Note: Use Item 3)	
3D	See Note	3	Washer, Thrust (Note: Use Item 3)	
3E	See Note	3	Shaft, Planet (Note: Use Item 3)	
3F	See Note	3	Gear, Planet (Note: Use Item 3)	
3G	See Note	3	Roll Pin (Note: Use Item 3)	
4	7000248	1	Ring Gear	
5	7000230	1	O-Ring	
5A	7017070	1	O-Ring	
6	70001349	1	Cover Assembly Kit	
6A	See Note	1	Spacer, Thrust (Note: Use Item 6)	
6B	See Note	1	Plate, Cover (Note: Use Item 6)	
6C	See Note	1	O-Ring (Note: Use Item 6)	
6D	See Note	1	Rod, Disconnect (Note: Use Item 6)	
6E	See Note	1	Cap, Disengage (Note: Use Item 6)	
6F	See Note	2	Bolt (Note: Use Item 6)	
6G	See Note	1	Plug, Pipe (Note: Use Item 6)	
6I	See Note	4	Rivet (Note: Not Available for Purchase)	
6J	See Note	1	Plate, ID (Note: Not Available for Purchase)	
7		Ref	Input Shaft Assembly	
7A	7024714	1	Shaft	
7B	7000261	1	Ring, Retaining	
7C	7000262	1	Spring	
7D	7000263	2	Spacer, Thrust	
8	7024713	1	Gear, Sun	
11	7000253	1	Washer, Thrust	
12	7017067	12	Bolt	
13	7017080	4	Pin, Dowel	
14	7000206	1	Coupling	
15	7024715	1	Spacer, Input	
16	7024716	1	Spacer, Input	

# SECTION 1 - FRAME

## FIGURE 1-6. DRIVE HUB AND BRAKE ASSEMBLY - REAR



# SECTION 1 - FRAME

## FIGURE 1-6. DRIVE HUB AND BRAKE ASSEMBLY - REAR

ITEM	PART NUMBER	QTY	DESCRIPTION	REV
	2780267	Ref	DRIVE HUB AND BRAKE ASSEMBLY - REAR	I
1	See Note	1	Spindle/Housing Assembly (Note: Purchase Individual Components)	
1A	7017059	1	Spindle	
1B	7001998	1	Seal	
1C	7010429	1	Cone, Bearing (Includes Item 1D)	
1D	7010429	1	Cup, Bearing (Includes Item 1C)	
1E	7000257	1	Cup, Bearing	
1F	7000258	1	Cone, Bearing	
1G	7007601	1	Housing/Ring Gear	
1H	7000232	1	Washer, Thrust	
1I	7000229	1	Ring, Retaining	
1N	7007640	9	Stud, Wheel	
2	7000246	1	Gear, Internal	
3	7024712	1	Carrier Assembly	
3A	See Note	1	Carrier (Note: Use Item 3)	
3B	See Note	6	Ring, Retaining (Note: Use Item 3)	
3C	See Note	AR	Bearing, Needle (Note: Use Item 3)	
3D	See Note	3	Washer, Thrust (Note: Use Item 3)	
3E	See Note	3	Shaft, Planet (Note: Use Item 3)	
3F	See Note	3	Gear, Planet (Note: Use Item 3)	
3G	See Note	3	Roll Pin (Note: Use Item 3)	
4	7000248	1	Ring Gear	
5	7000230	1	O-Ring	
5A	7017070	1	O-Ring	
6	70001349	1	Cover Assembly Kit	
6A	See Note	1	Spacer, Thrust (Note: Use Item 6)	
6B	See Note	1	Plate, Cover (Note: Use Item 6)	
6C	See Note	1	O-Ring (Note: Use Item 6)	
6D	See Note	1	Rod, Disconnect (Note: Use Item 6)	
6E	See Note	1	Cap, Disengage (Note: Use Item 6)	
6F	See Note	2	Bolt (Note: Use Item 6)	
6G	See Note	1	Plug, Pipe (Note: Use Item 6)	
6I	See Note	4	Rivet (Note: Not Available for Purchase)	
6J	See Note	1	Plate, ID (Note: Not Available for Purchase)	
7		Ref	Input Shaft Assembly	
7A	7024714	1	Shaft	
7B	7000261	1	Ring, Retaining	
7C	7000262	1	Spring	
7D	7000263	2	Spacer, Thrust	
8	7024713	1	Gear, Sun	
11	7000253	1	Washer, Thrust	
12	7017067	12	Bolt	
13	7017080	4	Pin, Dowel	
14	7000206	1	Coupling	
15	7024715	1	Spacer, Input	
16	7024716	1	Spacer, Input	
17	7024182	1	Brake Assembly (See Items 101-123 for Breakdown)	
27	7024705	1	O-Ring	
28	7024717	2	Rod, Threaded	

## SECTION 1 - FRAME

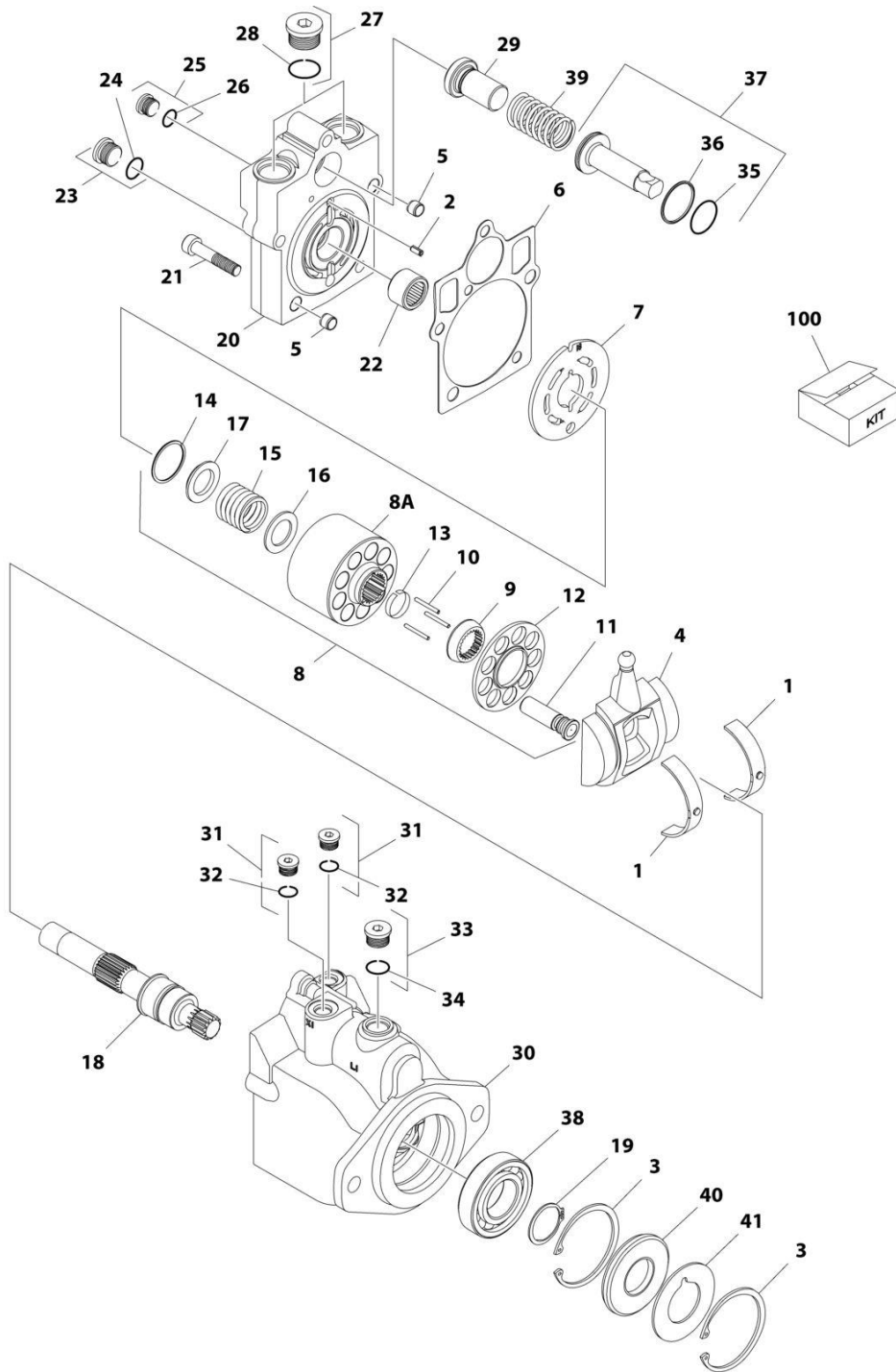
ITEM	PART NUMBER	QTY	DESCRIPTION	REV
29	7024718	2	Nut 1/2in-13NC	
	7024182	Ref	BRAKE ASSEMBLY	
101	7024189	1	Shaft	
102	See Note	1	Housing (Note: Use Item 17)	
103	See Note	2	Plate, Friction (Note: Use Item 201B)	
104	See Note	1	Plate, Pressure (Note: Use Item 201B)	
105	7000731	2	Gasket	
106	See Note	2	Plate, Outer (Note: Use Item 201B)	
107	See Note	1	Gasket (Note: Use Item 200A, 201B or 201C)	
108	7024191	1	Cylinder	
109	7024192	1	Piston	
110	See Note	1	Bearing, Ball (Note: Use Item 201C)	
111	See Note	1	Ring, Retaining (Note: Use Item 201C)	
112	See Note	1	Seal, Shaft (Note: Use Item 201C)	
113	See Note	6	Capscrew (Note: Use Item 17)	
114	See Note	6	Lockwasher (Note: Use Item 17)	
115	See Note	1	O-Ring (Note: Use Item 200B)	
116	See Note	1	Ring, Back-up (Note: Use Item 200B)	
117	See Note	1	O-Ring (Note: Use Item 200B)	
118	See Note	1	Ring, Back-up (Note: Use Item 200B)	
119	7024190	2	Pin, Dowel	
120	See Note	1	Plug (Note: Use Item 17)	
121	See Note	2	Plug (Note: Use Item 17)	
122	See Note	12	Spring Kit (Natural) (Note: Use Item 201A)	
123	See Note	2	Spring Kit (Blue) (Note: Use Item 201A)	
		Ref	Kit Options	
200		Ref	Seal Kit Options:	
200A	See Note	1	Hub Seal Kit (Note: Purchase Individual Components)	
200B	7024194	1	Brake Seal Kit (Includes Items 105, 107 & 115-118)	
201		Ref	Repair Kit Options:	
201A	7024196	1	Brake Spring Kit (Includes 12 Natural Colored and 2 Blue Colored Springs Items 122 & 123)	
201B	7024193	1	Brake Friction Disc Kit (Includes Items 103, 104, 106 & 107)	
201C	7024197	1	Brake Bearing Kit (Includes Items 107 & 110-112)	





# SECTION 1 - FRAME

## FIGURE 1-7. DRIVE MOTOR ASSEMBLY



ART\_1001102805

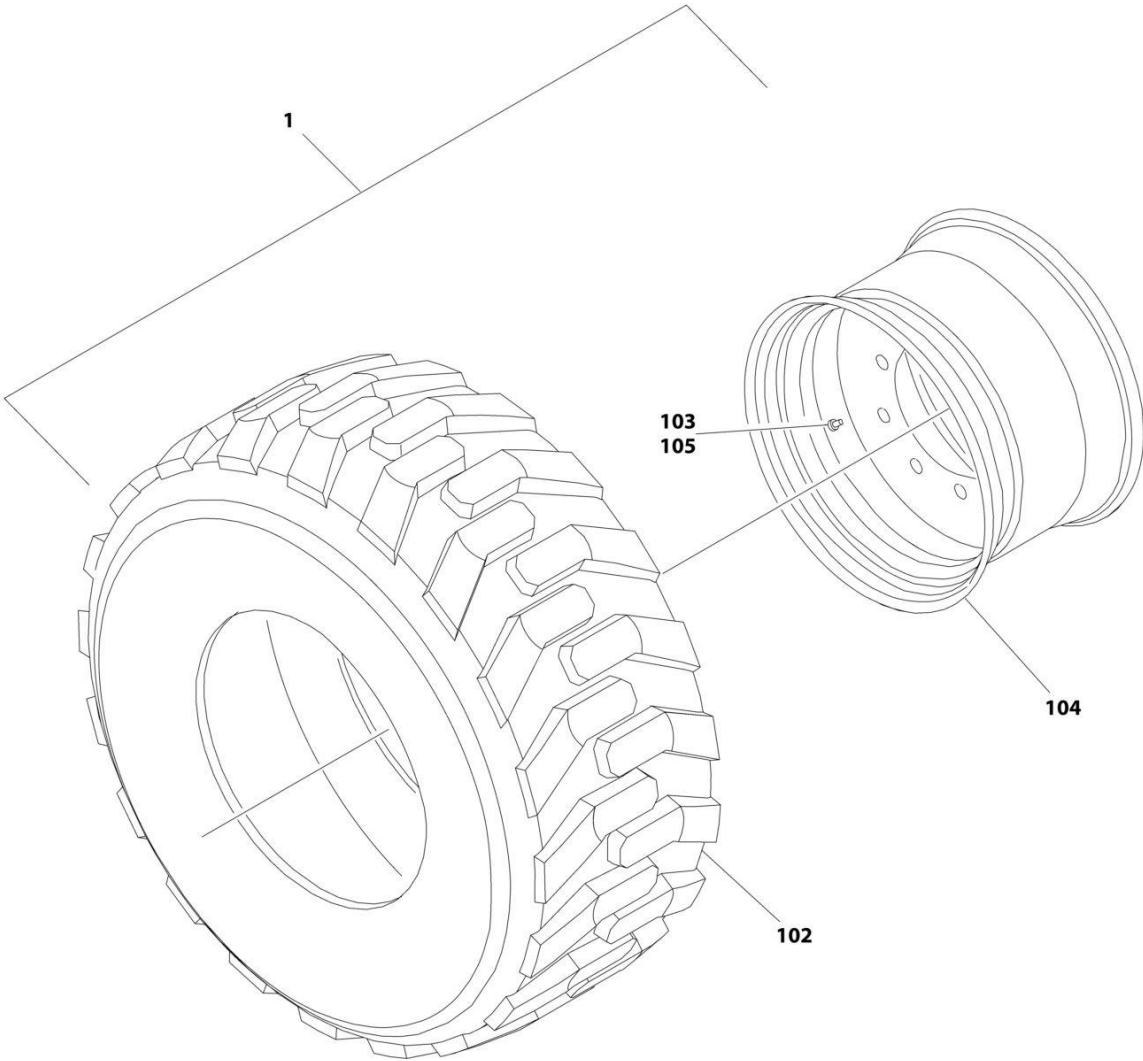
# SECTION 1 - FRAME

## FIGURE 1-7. DRIVE MOTOR ASSEMBLY

ITEM	PART NUMBER	QTY	DESCRIPTION	REV
	1001102805	Ref	DRIVE MOTOR ASSEMBLY	D
1	7022302	2	Bearing, Journal	
2	7007446	1	Pin	
3	7007438	2	Ring, Retaining	
4	7022305	1	Swash Plate	
5	See Note	2	Pin (Note: Not Available for Purchase)	
6	See Note	1	Gasket (Note: Use Item 100)	
7	7024862	1	Plate, Valve	
8	7023907	1	Cylinder Block Kit (Includes Items 8A & 9-17)	
8A	See Note	1	Block, Cylinder (Note: Use Item 8)	
9	7021277	1	Guide, Slipper Retainer	
10	7021275	3	Pin, Slipper Hold Down	
11	See Note	9	Piston Assembly (Note: Use Item 8)	
12	7021276	1	Retainer, Hold Down Pin	
13	7022310	1	Retainer, Slipper	
14	7022311	1	Ring, Retaining	
15	7022312	1	Spring	
16	7024868	1	Washer	
17	7022314	1	Retainer, Spring	
18	7023910	1	Shaft	
19	7007439	1	Ring, Retaining	
20	70000797	1	Cap, End - Axial	
21	7022368	5	Screw	
22	7021249	1	Bearing, Needle	
23	2220886	1	Plug (Includes Item 24)	
24	See Note	1	O-Ring (Note: Use Item 23 or 100)	
25	2220883	1	Plug (Includes Item 26)	
26	See Note	1	O-Ring (Note: Use Item 25 or 100)	
27	7027419	2	Plug (Includes Item 28)	
28	See Note	2	O-Ring (Note: Use Item 27 or 100)	
29	7022369	1	Seat, Spring	
30	70001932	1	Housing	
31	2220883	2	Plug (Includes Item 32)	
32	See Note	2	O-Ring (Note: Use Item 31 or 100)	
33	2220886	1	Plug (Includes Item 34)	
34	See Note	1	O-Ring (Note: Use Item 33 or 100)	
35	See Note	1	O-Ring (Note: Use Item 37 or 100)	
36	See Note	1	Ring, Seal (Note: Use Item 37 or 100)	
37	7024854	1	Piston, Servo (Includes Items 35 & 36)	
38	7007437	1	Bearing	
39	7022326	1	Spring	
40	See Note	1	Seal, Lip (Note: Use Item 100)	
41	7022371	1	Washer, Support	
100	7022328	1	Seal Kit (Includes Items 6, 24, 26, 28, 32, 34, 35, 36 & 40)	

**SECTION 1 - FRAME**

**FIGURE 1-8. TIRE AND WHEEL INSTALLATION - 12 X 16.5 FOAM FILLED**



ART\_0270092

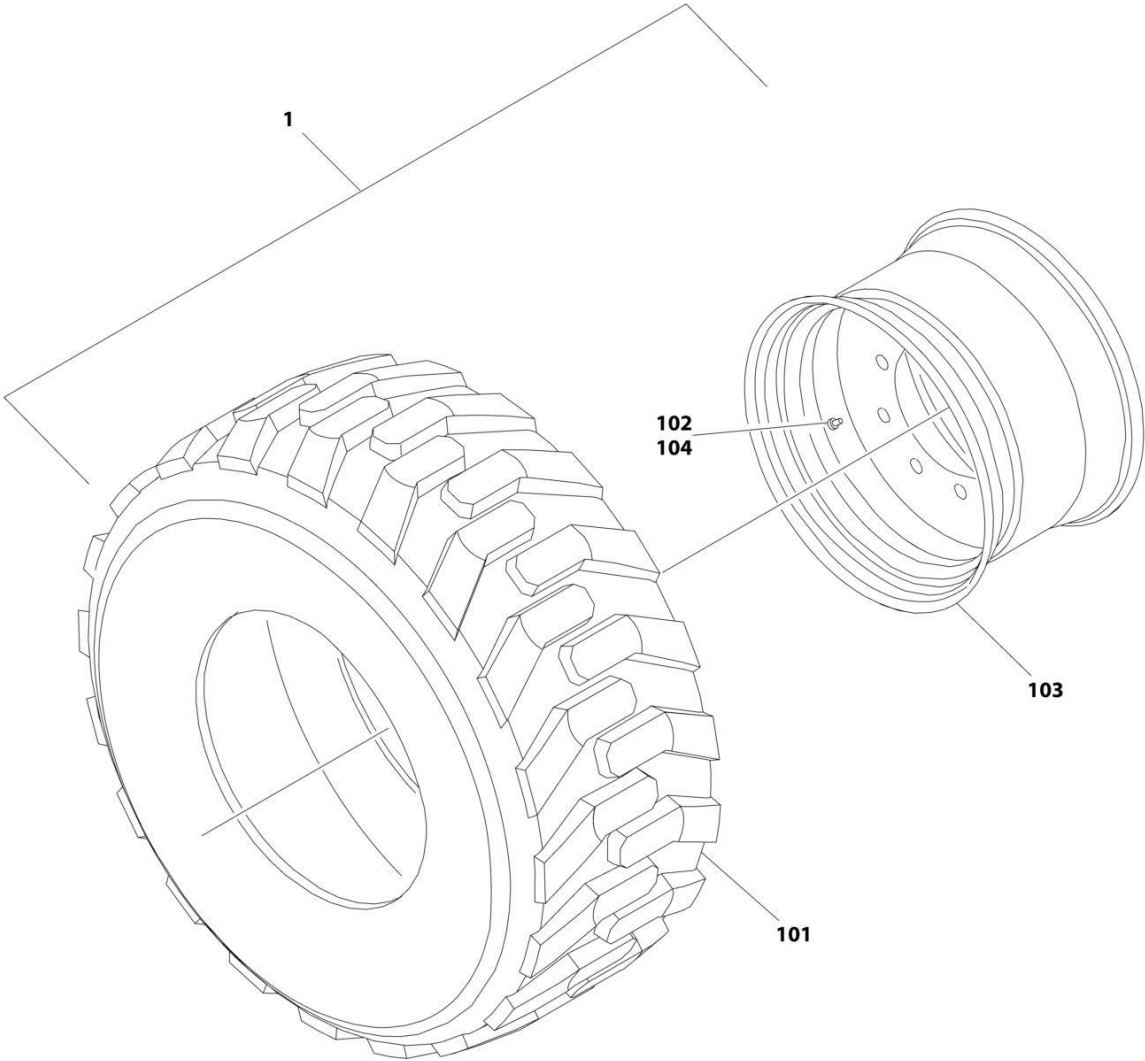
**SECTION 1 - FRAME**

**FIGURE 1-8. TIRE AND WHEEL INSTALLATION - 12 X 16.5 FOAM FILLED**

ITEM	PART NUMBER	QTY	DESCRIPTION	REV
	0270092	Ref	TIRE AND WHEEL INSTALLATION - 12 X 16.5 FOAM FILLED	C
		Ref	Note: Assemblies may require ballast/foam filling to manufacturer's specifications prior to installing on a machine. Refer to Operation and Safety or Service and Maintenance Manuals. Purchase individual tire and/or rim only if able to foam fill tire and wheel assembly, otherwise, purchase complete assembly.	
1	1001148865	2	Tire and Wheel Assembly - 12 x 16.5 (RH Side)	G
1	1001148866	2	Tire and Wheel Assembly - 12 x 16.5 (LH Side)	G
102	4520216	4	Tire - 12 x 16.5	
103	4641122	4	Valve	
104	1001147274	4	Rim, Wheel	
105	1001149953	4	Cap, Valve Stem	

**SECTION 1 - FRAME**

**FIGURE 1-9. TIRE AND WHEEL INSTALLATION - 12 X 16.5 FOAM FILLED NON-MARKING**



ART\_0270653

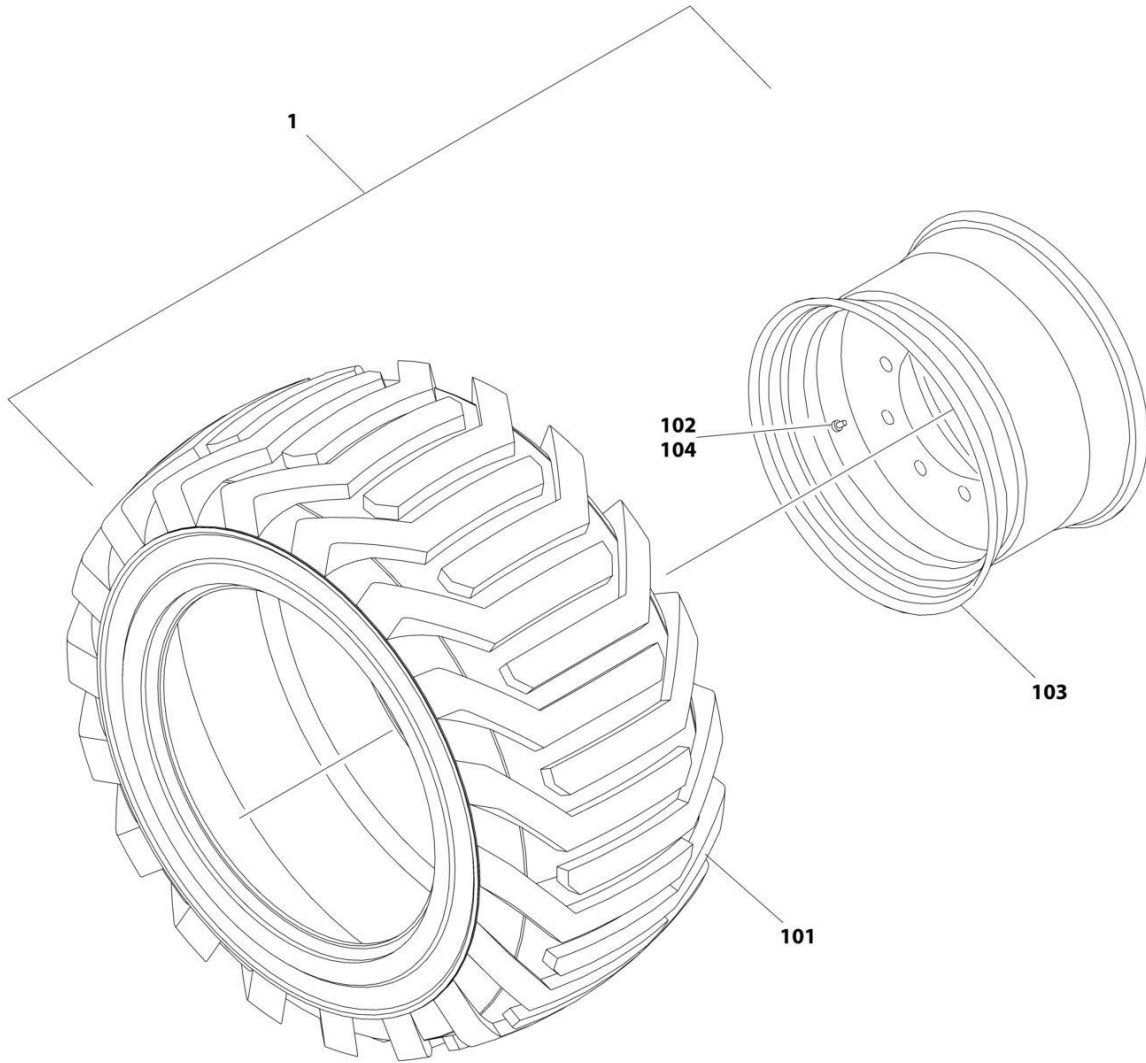
## SECTION 1 - FRAME

**FIGURE 1-9. TIRE AND WHEEL INSTALLATION - 12 X 16.5 FOAM FILLED NON-MARKING**

ITEM	PART NUMBER	QTY	DESCRIPTION	REV
	0270653	Ref	TIRE AND WHEEL INSTALLATION - 12 X 16.5 FOAM FILLED	B
		Ref	Note: Assemblies may require ballast/foam filling to manufacturer's specifications prior to installing on a machine. Refer to Operation and Safety or Service and Maintenance Manuals. Purchase individual tire and/or rim only if able to foam fill tire and wheel assembly, otherwise, purchase complete assembly.	
1	1001148869	1	Tire and Wheel Assembly - Right Side	H
1	1001148870	1	Tire and Wheel Assembly - Left Side	H
101	4520240	1	Tire 12 x 16.5 Non-Marking	
102	4641122	1	Valve	
103	1001147274	1	Rim, Wheel	
104	1001149953	1	Cap, Valve Stem	

# SECTION 1 - FRAME

FIGURE 1-10. TIRE AND WHEEL INSTALLATION - IN395/45/D20 FOAM FILLED



ART\_1001179171



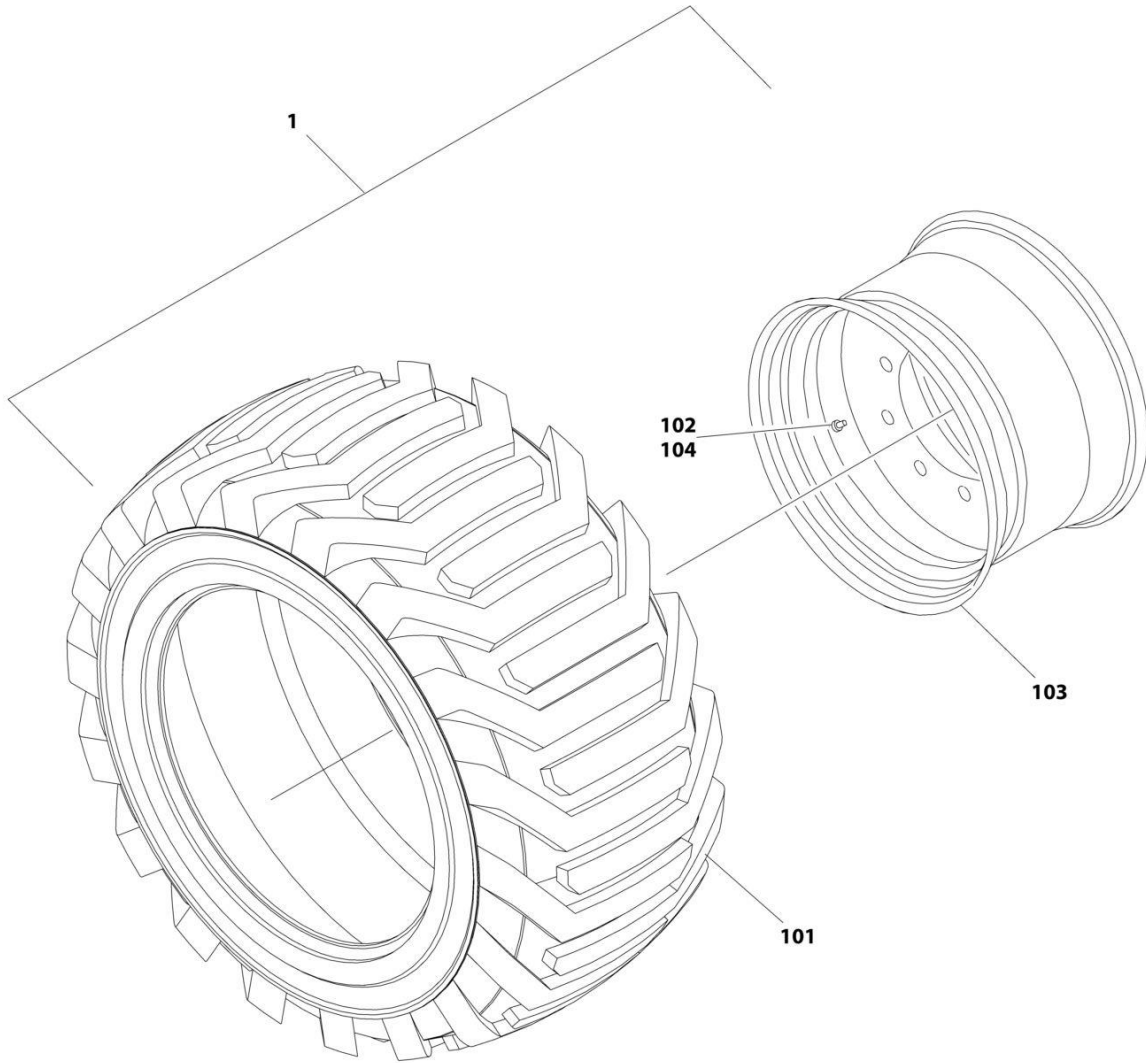
## SECTION 1 - FRAME

**FIGURE 1-10. TIRE AND WHEEL INSTALLATION - IN395/45/D20 FOAM FILLED**

ITEM	PART NUMBER	QTY	DESCRIPTION	REV
	1001179171	Ref	TIRE AND WHEEL INSTALLATION - IN395/45/D20 FOAM FILLED	A
		Ref	Note: Assemblies may require ballast/foam filling to manufacturer's specifications prior to installing on a machine. Refer to Operation and Safety or Service and Maintenance Manuals. Purchase individual tire and/or rim only if able to foam fill tire and wheel assembly, otherwise, purchase complete assembly.	
1	1001179173	2	Tire and Wheel Assembly - IN395/45/D20 Non-Marking (RH Side)	B
1	1001179172	2	Tire and Wheel Assembly - IN395/45/D20 Non-Marking (LH Side)	B
101	1001179175	4	Tire IN395/45/D20	
102	4641122	4	Valve	
103	1001179174	4	Rim, Wheel	
104	1001149953	4	Cap, Valve Stem	

# SECTION 1 - FRAME

FIGURE 1-11. TIRE AND WHEEL INSTALLATION - IN395/45/D20 FOAM FILLED NON-MARKING



ART\_1001179956

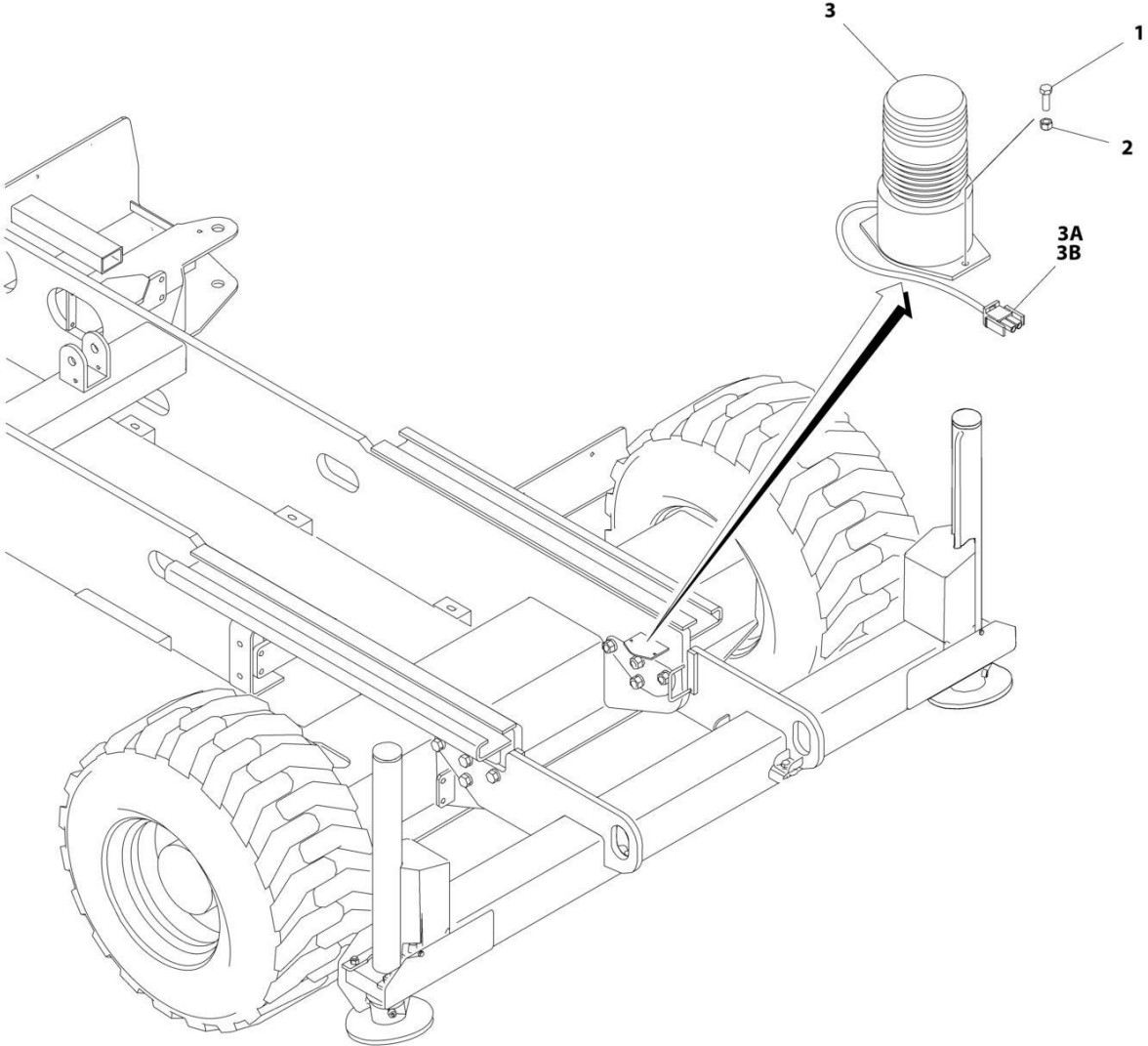
## SECTION 1 - FRAME

**FIGURE 1-11. TIRE AND WHEEL INSTALLATION - IN395/45/D20 FOAM FILLED NON-MARKING**

ITEM	PART NUMBER	QTY	DESCRIPTION	REV
	1001179956	Ref	TIRE AND WHEEL INSTALLATION - IN395/45/D20 FOAM FILLED NON-MARKING	A
		Ref	Note: Assemblies may require ballast/foam filling to manufacturer's specifications prior to installing on a machine. Refer to Operation and Safety or Service and Maintenance Manuals. Purchase individual tire and/or rim only if able to foam fill tire and wheel assembly, otherwise, purchase complete assembly.	
1	1001179958	2	Tire and Wheel Assembly - IN395/45/D20 Non-Marking (RH Side)	B
1	1001179957	2	Tire and Wheel Assembly - IN395/45/D20 Non-Marking (LH Side)	B
101	1001179959	4	Tire IN395/45/D20 Non-Marking	
102	4641122	4	Valve	
103	1001179174	4	Rim, Wheel	
104	1001149953	4	Cap, Valve Stem	

**SECTION 1 - FRAME**

**FIGURE 1-12. BEACON LIGHT INSTALLATION - OPTIONAL**



ART\_1001205340

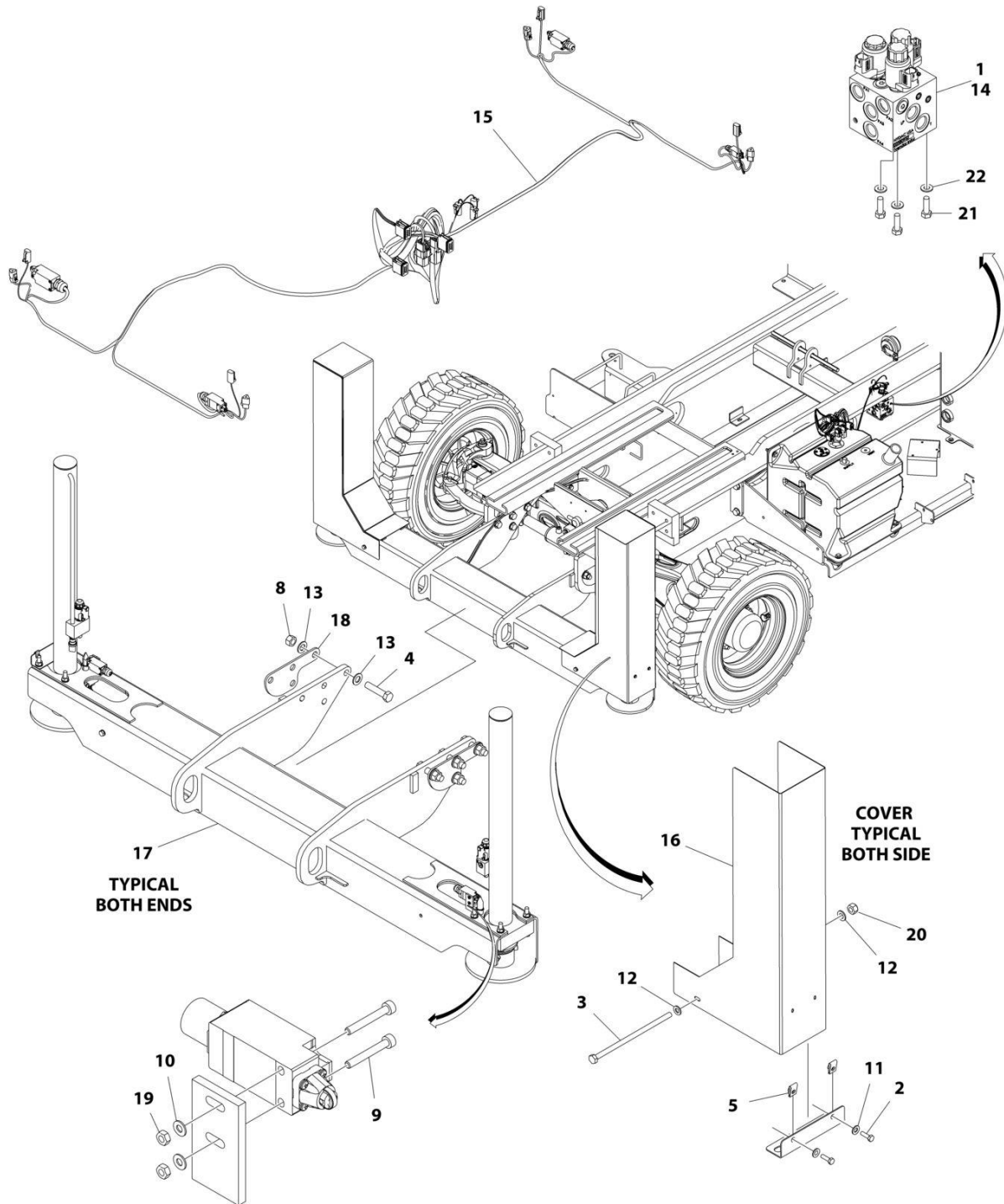
## SECTION 1 - FRAME

### FIGURE 1-12. BEACON LIGHT INSTALLATION - OPTIONAL

ITEM	PART NUMBER	QTY	DESCRIPTION	REV
	1001205340	Ref	BEACON LIGHT INSTALLATION - OPTIONAL	A
1	0760508	2	Bolt, M5 X 16	
2	3290505	2	Nut, Lock M5 X 0.8	
3	1001205343	1	Beacon Light Assembly	
3	2920146	1	Beacon Light (Amber)	
3	7016319	1	Bulb, Replacement	
3	7016372	1	Len, Replacement	
3A	4460320	1	Plug, Male - 2 Position	
3B	4460267	2	Terminal	

# SECTION 1 - FRAME

## FIGURE 1-13. LEVELING JACKS INSTALLATION



ART\_1001178866

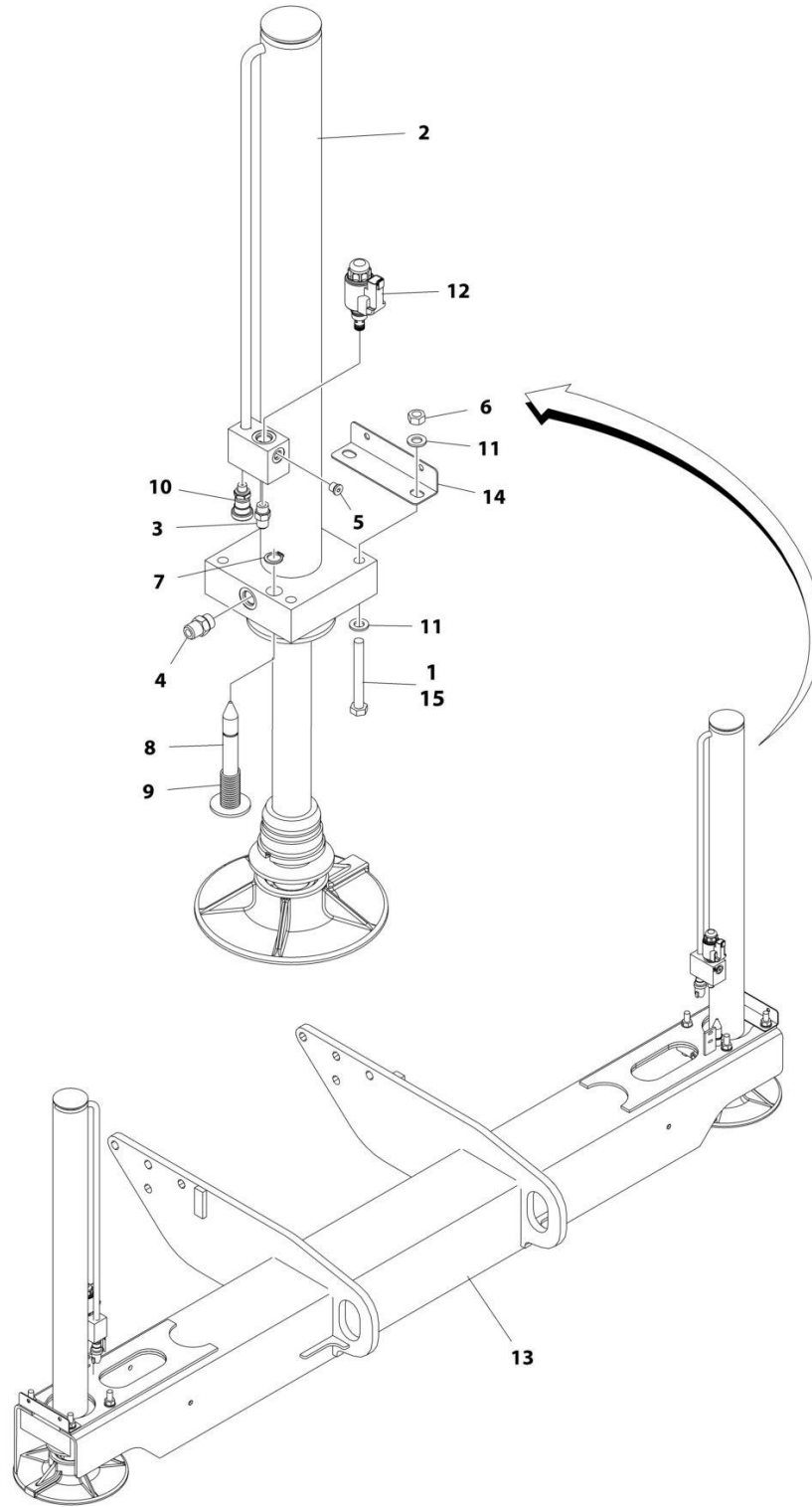
# SECTION 1 - FRAME

## FIGURE 1-13. LEVELING JACKS INSTALLATION

ITEM	PART NUMBER	QTY	DESCRIPTION	REV
	1001178866	Ref	LEVELING JACKS INSTALLATION	I
1	0100011	AR	Compound, Locking	
2	0700610	8	Bolt M6 x 20	
3	0701039	4	Bolt M10 x 220	
4	0712026	16	Bolt M20 x 90	
5	1001130220	8	Nut, Tinnerman M6	
8	3332017	16	Nut M20	
9	4031510	8	Capscrew M4 x 30	
10	4811400	8	Washer M4	
11	4811900	AR	Washer M8	
11	4811702	AR	Washer M6	
12	4812000	8	Washer M10	
13	5242000	32	Washer M20	
14	1001217108	1	Leveling Jack Valve Assembly (See Separate Breakdown in this Section)	
15	1001103801	1	Leveling Jack Harness (See Separate Breakdown in ELECTRICAL SECTION)	
16	1001179200	4	Cover	
17	1001182971	2	Leveling Jack Assembly (See Separate Breakdown in this Section)	
18	1001183328	4	Plate	
19	3290401	8	Nut M4	
20	3291005	4	Nut M10	
21	0641508	3	Bolt 5/16 x 1	
22	4711500	3	Washer 5/16	

# SECTION 1 - FRAME

## FIGURE 1-14. LEVELING JACKS ASSEMBLY



ART\_1001182971\_E



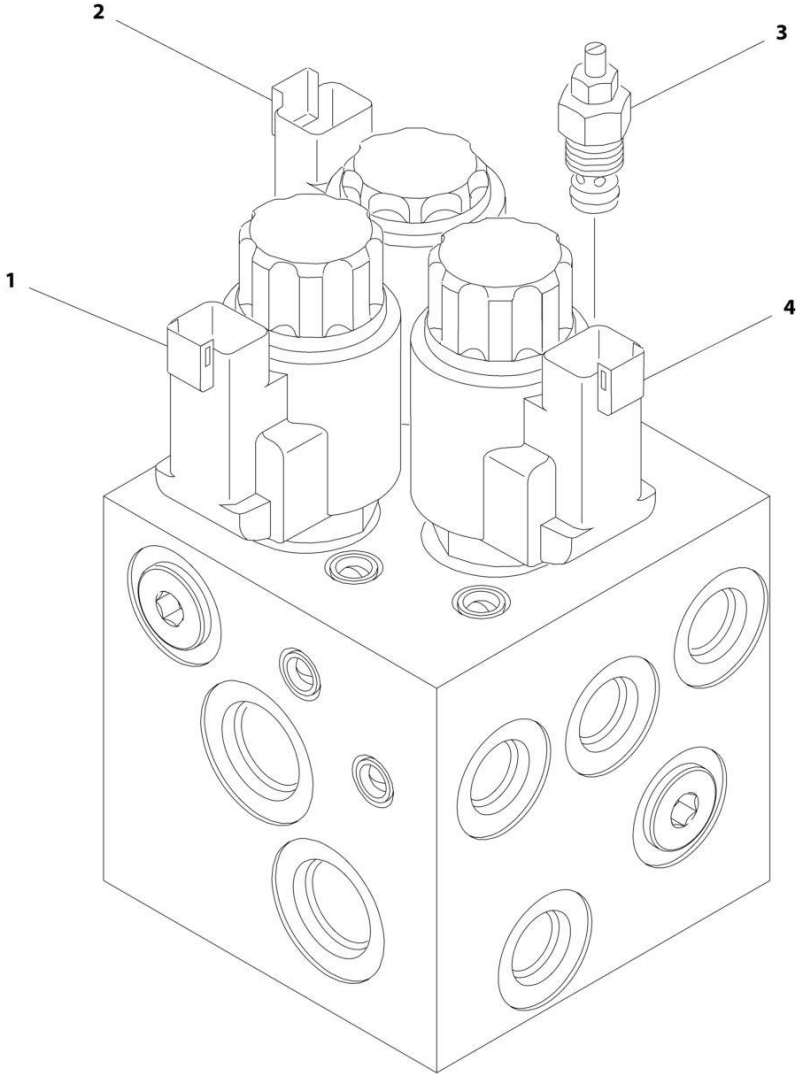
## SECTION 1 - FRAME

**FIGURE 1-14. LEVELING JACKS ASSEMBLY**

ITEM	PART NUMBER	QTY	DESCRIPTION	REV
	1001182971	Ref	LEVELING JACKS ASSEMBLY	E
1	0761227	8	Bolt M12 x 100	
2	1001231261	2	Jack Cylinder Assembly (See Separate Breakdown in CYLINDER SECTION)	
3	2220371	2	Fitting, Straight JIC/ORB	
4	2220373	2	Fitting, Straight JIC/ORB	
5	2220883	2	Plug	
6	3331211	8	Nut M12	
7	3760348	2	Ring, Retaining	
8	3841564	2	Rod	
9	4160116	2	Spring	
10	4360518	2	Transducer, Pressure	
11	4812100	16	Washer M12	
12	1001103761	2	Cartridge, Solenoid Valve	
12	7024502	2	Seal Kit - 1001103761 Valve (1 Per Cartridge)	
12	70001965	2	Coil (1 Per Cartridge)	
12	7024506	2	Coil Nut Kit (1 Per Cartridge)	
13	1001179911	1	Frame, Jack	
14	1001191325	2	Bracket	
15	0100011	AR	Compound, Locking	

**SECTION 1 - FRAME**

**FIGURE 1-15. LEVELING JACKS VALVE ASSEMBLY**



ART\_1001217108

## SECTION 1 - FRAME

**FIGURE 1-15. LEVELING JACKS VALVE ASSEMBLY**

ITEM	PART NUMBER	QTY	DESCRIPTION	REV
	1001217108	Ref	LEVELING JACKS VALVE ASSEMBLY	B
1	7024497	1	Cartridge without Coil (Retract)	
1	7024502	1	Seal Kit - 7024497 Cartridge	
1	70001965	1	Coil	
1	7024506	1	Coil Nut Kit	
2	7024498	1	Cartridge without Coil (Extend)	
2	7024503	1	Seal Kit - 7024498 Cartridge	
2	70001965	1	Coil	
2	7024507	1	Coil Nut Kit	
3	70006292	1	Cartridge (Thermal Relief)	
3	7024504	1	Seal Kit - 70006292 Cartridge	
4	7024500	1	Cartridge without Coil	
4	7024505	1	Seal Kit - 7024500 Cartridge	
4	70001965	1	Coil	
4	7024506	1	Coil Nut Kit	

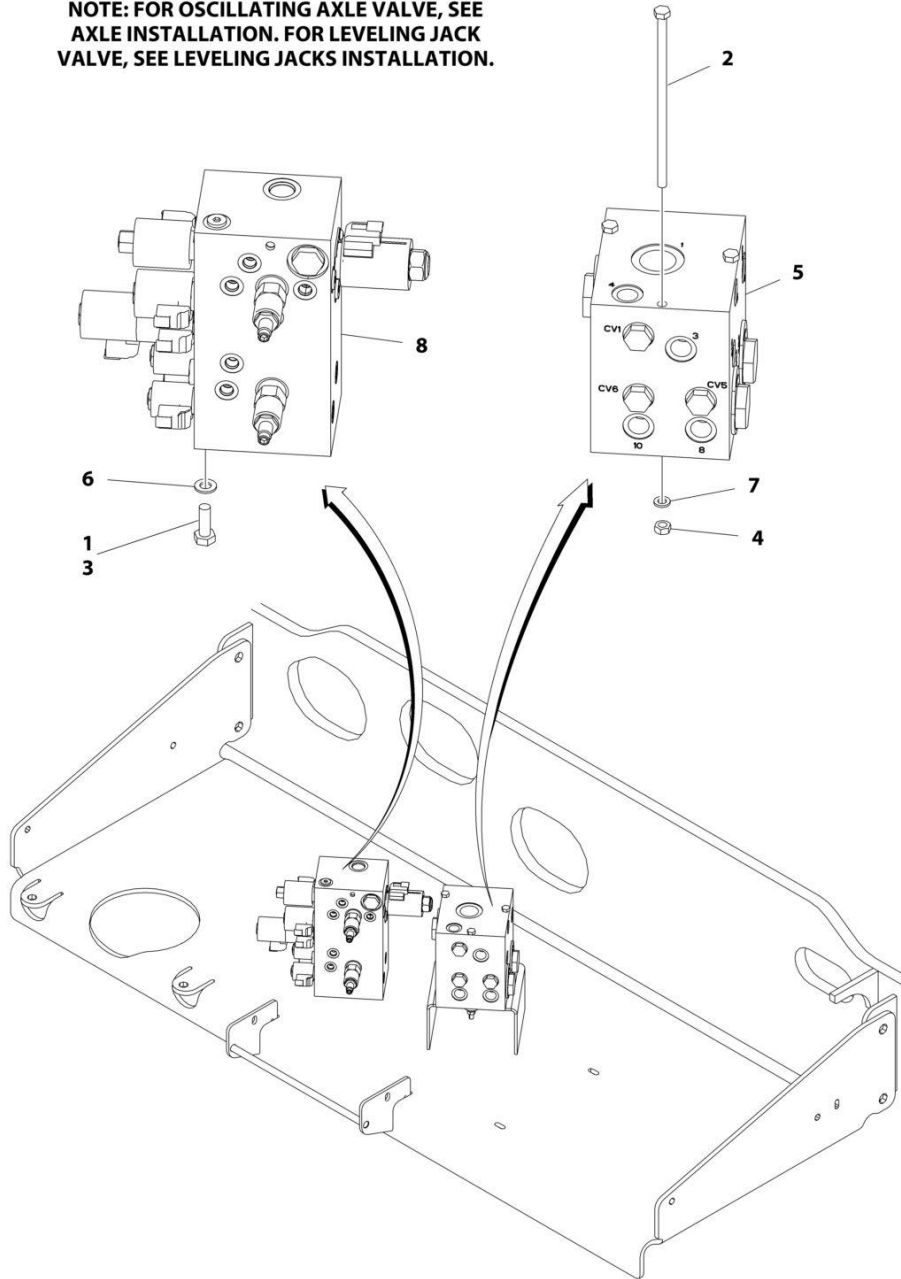


**SECTION 2 - GROUND CONTROLS**

# SECTION 2 - GROUND CONTROLS

## FIGURE 2-1. VALVE INSTALLATION

**NOTE: FOR OSCILLATING AXLE VALVE, SEE AXLE INSTALLATION. FOR LEVELING JACK VALVE, SEE LEVELING JACKS INSTALLATION.**



ART\_1001178489

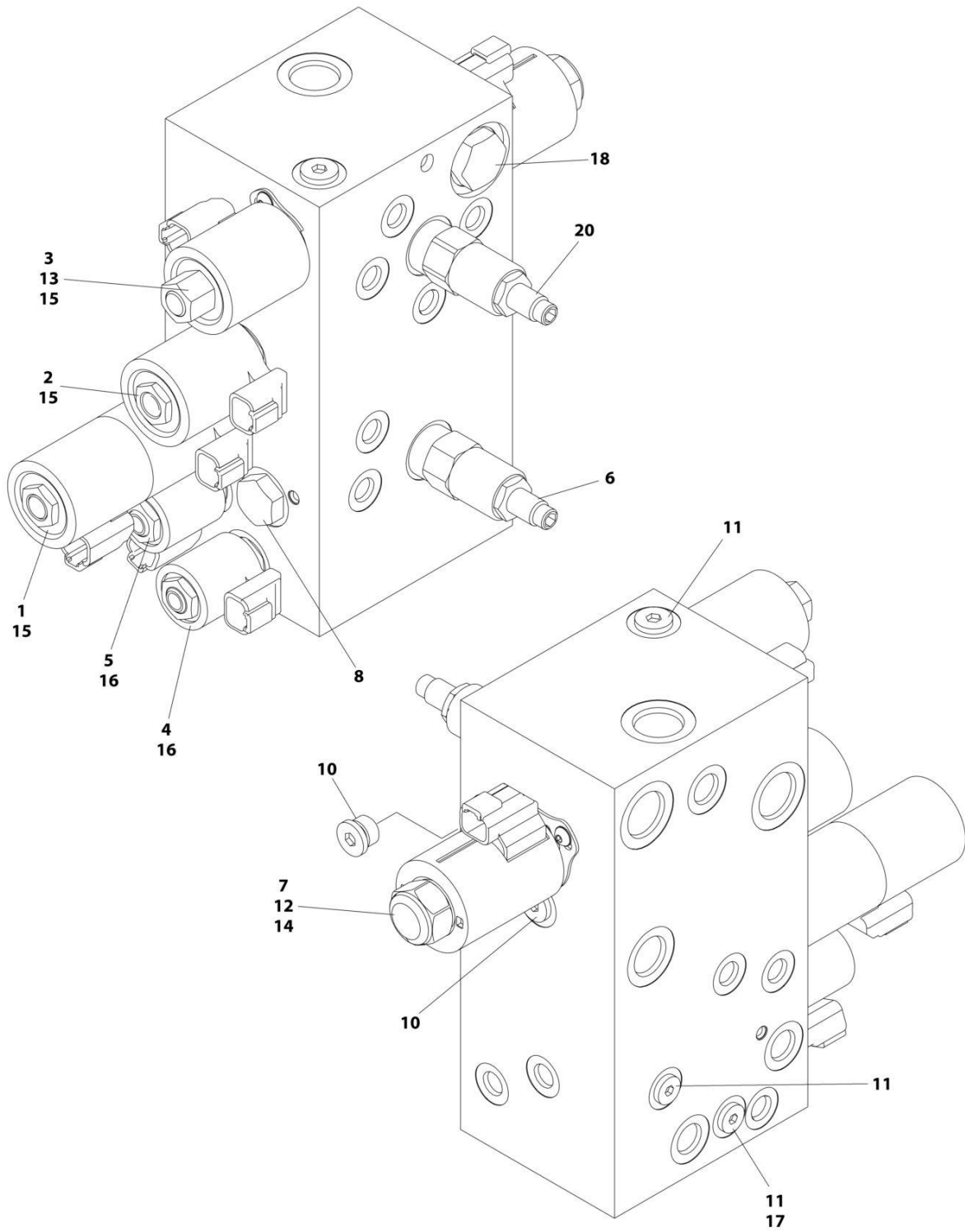
## SECTION 2 - GROUND CONTROLS

### FIGURE 2-1. VALVE INSTALLATION

ITEM	PART NUMBER	QTY	DESCRIPTION	REV
	1001178489	Ref	VALVE INSTALLATION	D
1	0100011	AR	Compound, Locking	
2	0700836	3	Bolt M8 x 190	
3	0771014	4	Bolt M10 x 30	
4	3290801	3	Nut M8	
5	4641303	1	Flow Divider Valve Assembly (See Separate Breakdown in this Section)	
6	4812000	4	Washer M10	
7	4831900	3	Washer M8	
8	1001234828	1	Main Valve Assembly (See Separate Breakdown in this Section)	

# SECTION 2 - GROUND CONTROLS

## FIGURE 2-2. MAIN VALVE ASSEMBLY



ART\_1001234828\_C



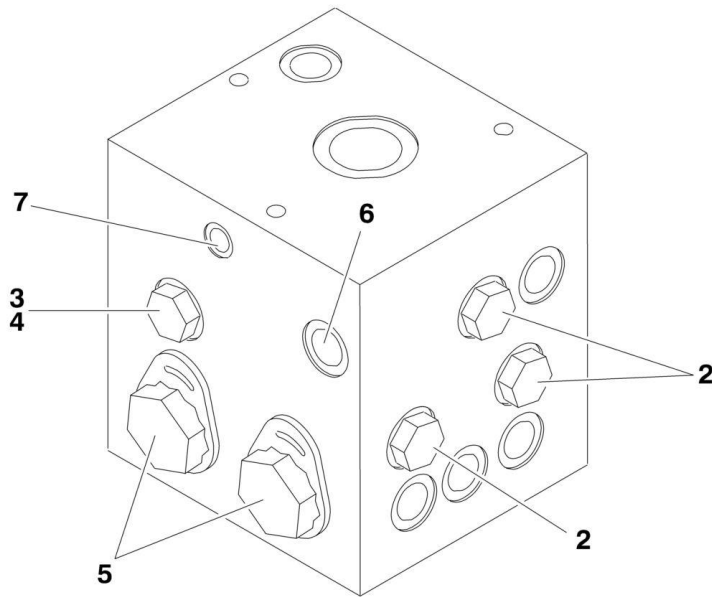
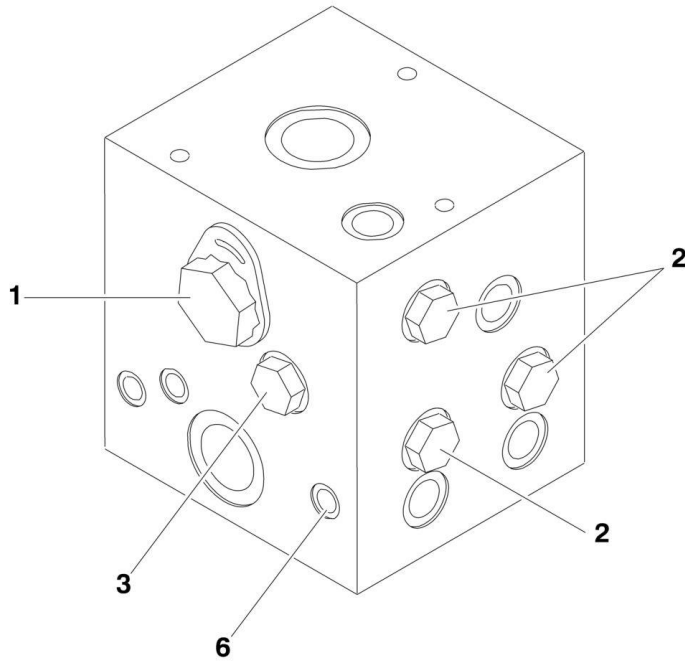
## SECTION 2 - GROUND CONTROLS

### FIGURE 2-2. MAIN VALVE ASSEMBLY

ITEM	PART NUMBER	QTY	DESCRIPTION	REV
	1001234828	Ref	MAIN VALVE ASSEMBLY	C
1	70005449	1	Cartridge, Solenoid Less Coil (Steer)	
1	70005073	1	Seal Kit - 70005449 Valve	
1	70003024	1	Spacer, Coil	
1	7022390	1	Nut, Coil	
2	70005448	1	Cartridge, Solenoid Less Coil (Lift Up)	
2	70004580	1	Seal Kit - 70005448 Valve	
2	7022390	1	Nut, Coil	
3	70005069	1	Cartridge, Solenoid Less Coil (Main Dump)	
3	7022399	1	Seal Kit - 70005069 Valve	
3	70003977	1	Nut, Coil	
4	70005167	1	Cartridge, Solenoid Less Coil	
4	7023900	1	Seal Kit - 70005167 Valve	
4	7022390	1	Nut, Coil	
5	70005167	1	Cartridge, Solenoid Less Coil	
5	7023900	1	Seal Kit - 70005167 Valve	
5	7022390	1	Nut, Coil	
6	70007036	1	Cartridge, Relief Valve	
6	7023936	1	Seal Kit - 70007036 Valve	
7	70006786	1	Cartridge, Solenoid Less Coil	
7	7012925	1	Seal Kit - 70006786 Valve	
8	7022398	1	Cartridge, Valve (Load Shuttle)	
8	7023900	1	Seal Kit - 7022398 Valve	
10	2220885	3	Plug	
11	2220883	2	Plug	
12	70005725	1	Lock Down Kit	
13	70005724	1	Lock Down Kit	
14	70003789	1	Coil	
15	70001967	4	Coil	
16	70001977	2	Coil	
17	70004883	1	Orifice	
18	70005100	1	Cartridge, Check Valve	
18	7022399	1	Seal Kit - 70005100 Valve	
20	70005165	1	Cartridge, Relief Valve	
20	7022399	1	Seal Kit - 70005165 Valve	

# SECTION 2 - GROUND CONTROLS

## FIGURE 2-3. FLOW DIVIDER VALVE ASSEMBLY



ART\_4641303

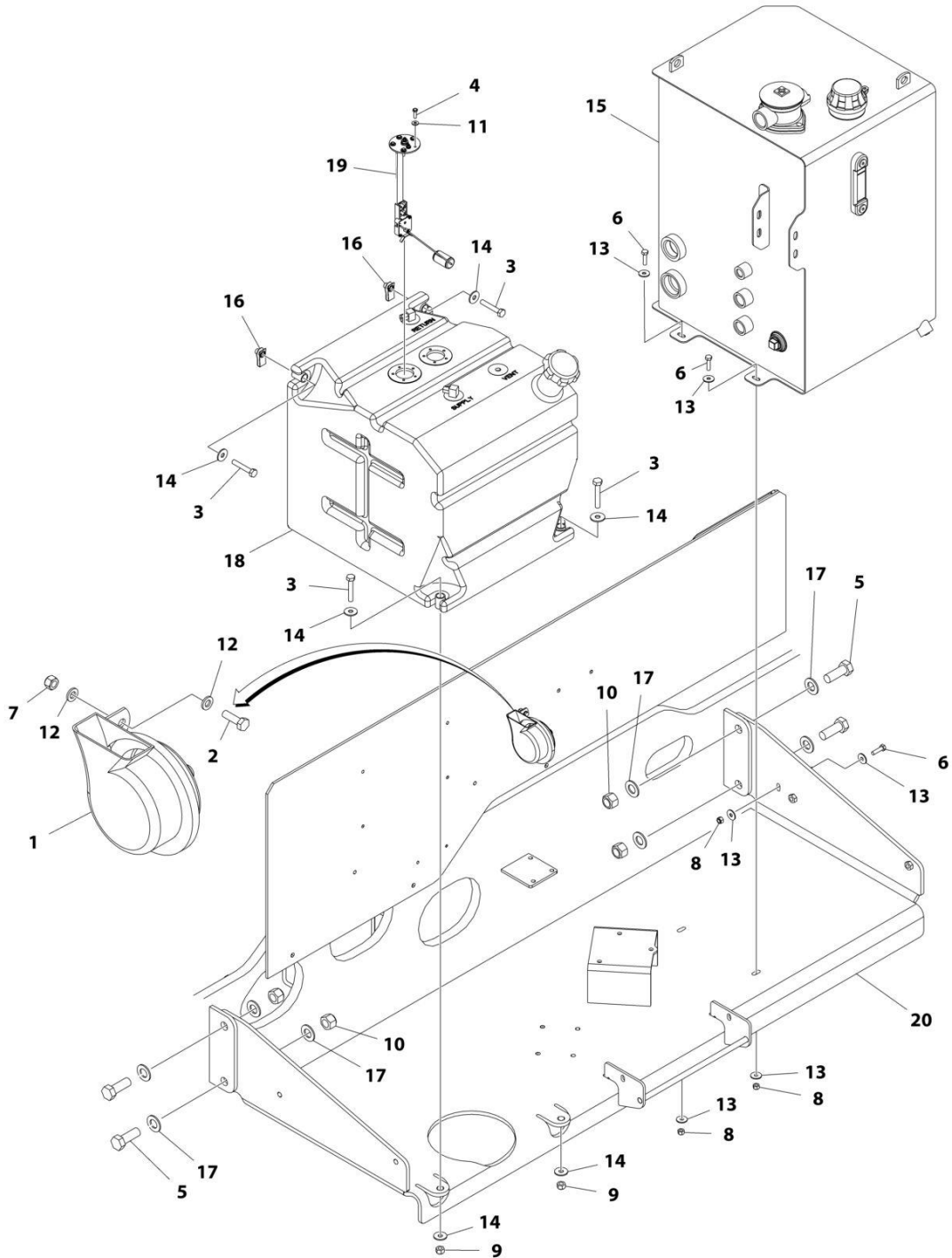
## SECTION 2 - GROUND CONTROLS

### FIGURE 2-3. FLOW DIVIDER VALVE ASSEMBLY

ITEM	PART NUMBER	QTY	DESCRIPTION	REV
	4641303	Ref	FLOW DIVIDER VALVE ASSEMBLY	C
1	7023933	1	Cartridge, Flow Divider	
1	7021625	1	Seal Kit - 7023933 Cartridge	
2	7022397	6	Cartridge, Check	
2	7022399	6	Seal Kit - 7022397 Cartridge	
3	7021639	2	Cartridge, Check Valves	
3	2900756	2	Seal Kit - 7022398 Cartridge	
4	7024881	1	Piston, Pilot	
5	7023917	2	Cartridge, Flow Divider	
5	7021625	2	Seal Kit - 7023917 Cartridge	
6	70003935	2	Orifice	
7	70003936	1	Orifice	

# SECTION 2 - GROUND CONTROLS

## FIGURE 2-4. TANKS & HORN INSTALLATION - DIESEL



ART\_1001177751

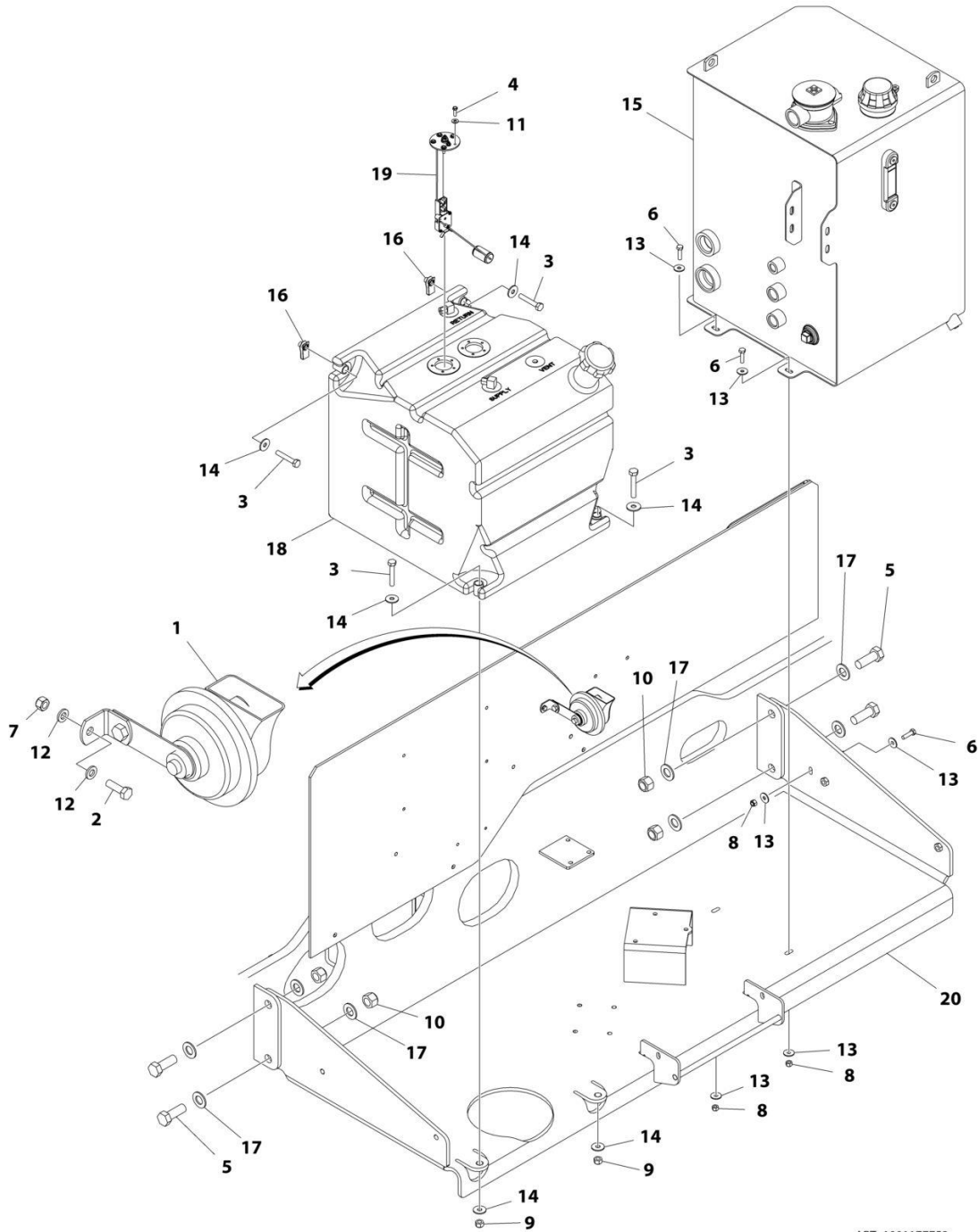
## SECTION 2 - GROUND CONTROLS

**FIGURE 2-4. TANKS & HORN INSTALLATION - DIESEL**

ITEM	PART NUMBER	QTY	DESCRIPTION	REV
	1001177751	Ref	TANKS AND HORN INSTALLATION - DIESEL	E
1	0140001	1	Horn	
2	0700610	1	Bolt M6 x 20	
3	0701020	4	Bolt M10 x 60	
4	0731005	5	Screw, #10 x 5/8	
5	0762019	4	Bolt M20 x 55	
6	0760814	3	Bolt M8 x 30	
7	3290605	1	Nut M6	
8	3290805	3	Nut M8	
9	3291005	2	Nut M10	
10	3292005	4	Nut M20	
11	4751000	5	Washer #10	
12	4811700	2	Washer M6	
13	4811902	6	Washer M8	
14	4812002	6	Washer M10	
15	1001102823	1	Hydraulic Tank Assembly (See Separate Breakdown in this Section)	
16	1001118972	2	Nut Tinnerman M10	
17	5242000	8	Washer M20	
18	1001163418	1	Fuel Tank Assembly	
18	1001193336	1	Cap, Fuel	
18	70004794	1	Tube, Pick-up	
19	1001231195	1	Sensor, Fuel Level	
20	1001181554	1	Tray	

# SECTION 2 - GROUND CONTROLS

## FIGURE 2-5. TANKS AND HORN INSTALLATION - GASOLINE



ART\_100117752

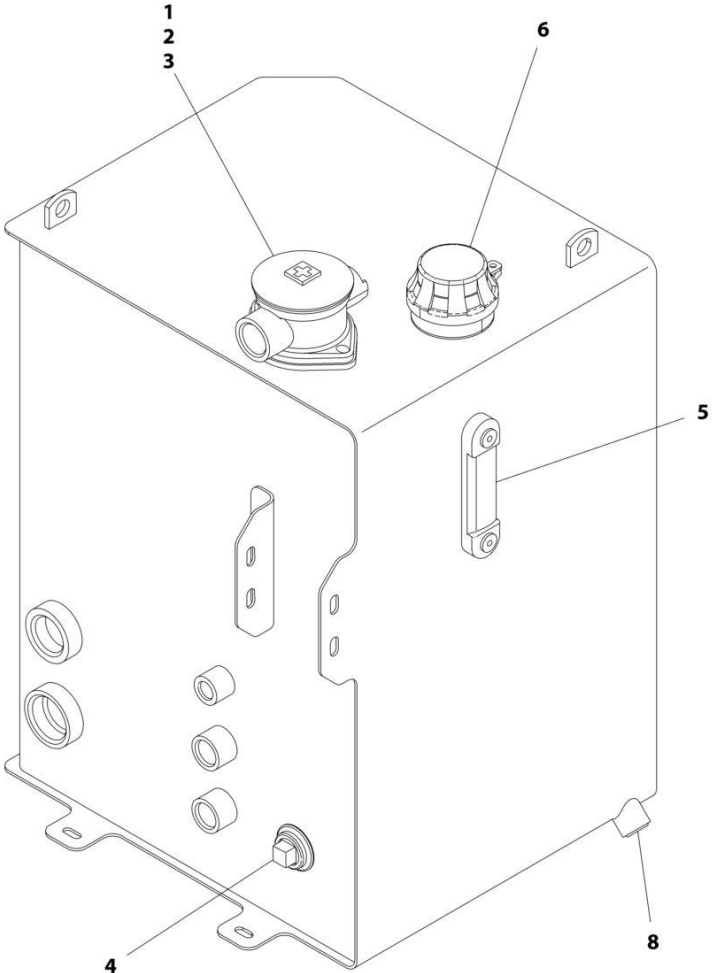
## SECTION 2 - GROUND CONTROLS

**FIGURE 2-5. TANKS AND HORN INSTALLATION - GASOLINE**

ITEM	PART NUMBER	QTY	DESCRIPTION	REV
	1001177752	Ref	TANKS AND HORN INSTALLATION - GASOLINE	E
1	0140001	1	Horn	
2	0700610	1	Bolt M6 x 20	
3	0701020	4	Bolt M10 x 60	
4	0731005	5	Screw, #10 x 5/8	
5	0762019	4	Bolt M20 x 55	
6	0760814	3	Bolt M8 x 30	
7	3290605	1	Nut M6	
8	3290805	3	Nut M8	
9	3291005	2	Nut M10	
10	3292005	4	Nut M20	
11	4751000	5	Washer #10	
12	4811700	2	Washer M6	
13	4811902	6	Washer M8	
14	4812002	6	Washer M10	
15	1001102823	1	Hydraulic Tank Assembly (See Separate Breakdown in this Section)	
16	1001118972	2	Nut Tinnerman M10	
17	5242000	8	Washer M20	
18	1001206896	1	Fuel Tank Assembly	
18	1001211336	1	Cap, Fuel	
18	70004794	1	Tube, Pick-up	
19	1001231195	1	Sensor, Fuel Level	
20	1001181554	1	Tray	

**SECTION 2 - GROUND CONTROLS**

**FIGURE 2-6. HYDRAULIC TANK ASSEMBLY**



ART\_1001102823



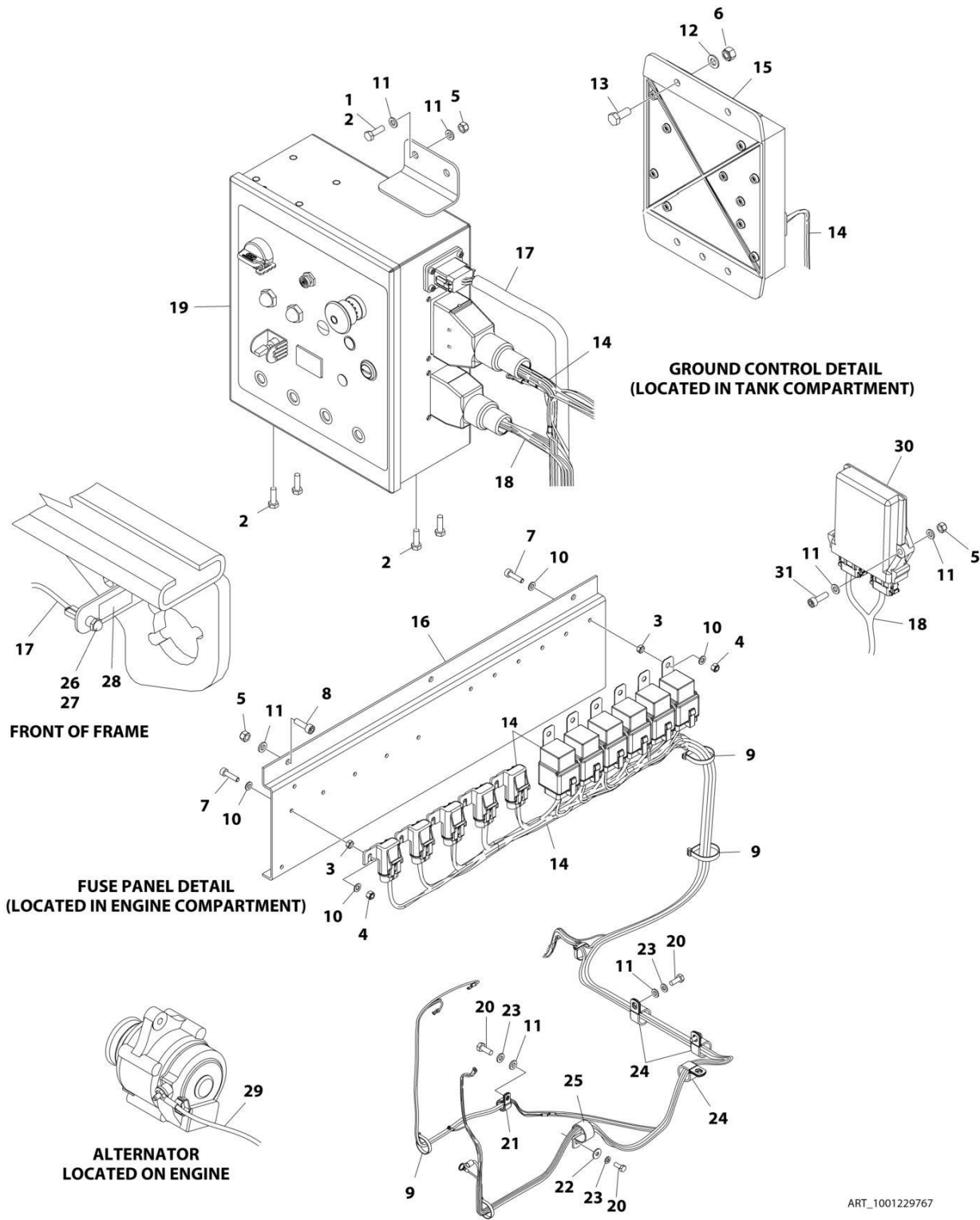
## SECTION 2 - GROUND CONTROLS

### FIGURE 2-6. HYDRAULIC TANK ASSEMBLY

ITEM	PART NUMBER	QTY	DESCRIPTION	REV
	1001102823	Ref	HYDRAULIC TANK ASSEMBLY	C
1	70001959	1	Filter, Return	
1	70001960	1	Element, Filter	
1	70002768	1	Spring, Return Filter Assembly	
2	7023306	1	Seal Between Filter Cover and Head	
3	7023347	1	Gasket Between Tank and Filter Flange	
4	7024446	1	Plug, Magnetic 1in NPT	
5	7024441	1	Gauge, Fluid Level	
6	70002113	1	Breather/Fill Cap	
7	See Note	2	Strainer (Note: Not a serviceable Item per Vendor) (Not Shown)	
8	70002112	1	Plug, Magnetic	

# SECTION 2 - GROUND CONTROLS

## FIGURE 2-7. ELECTRICAL COMPONENTS INSTALLATION - DIESEL



ART\_1001229767

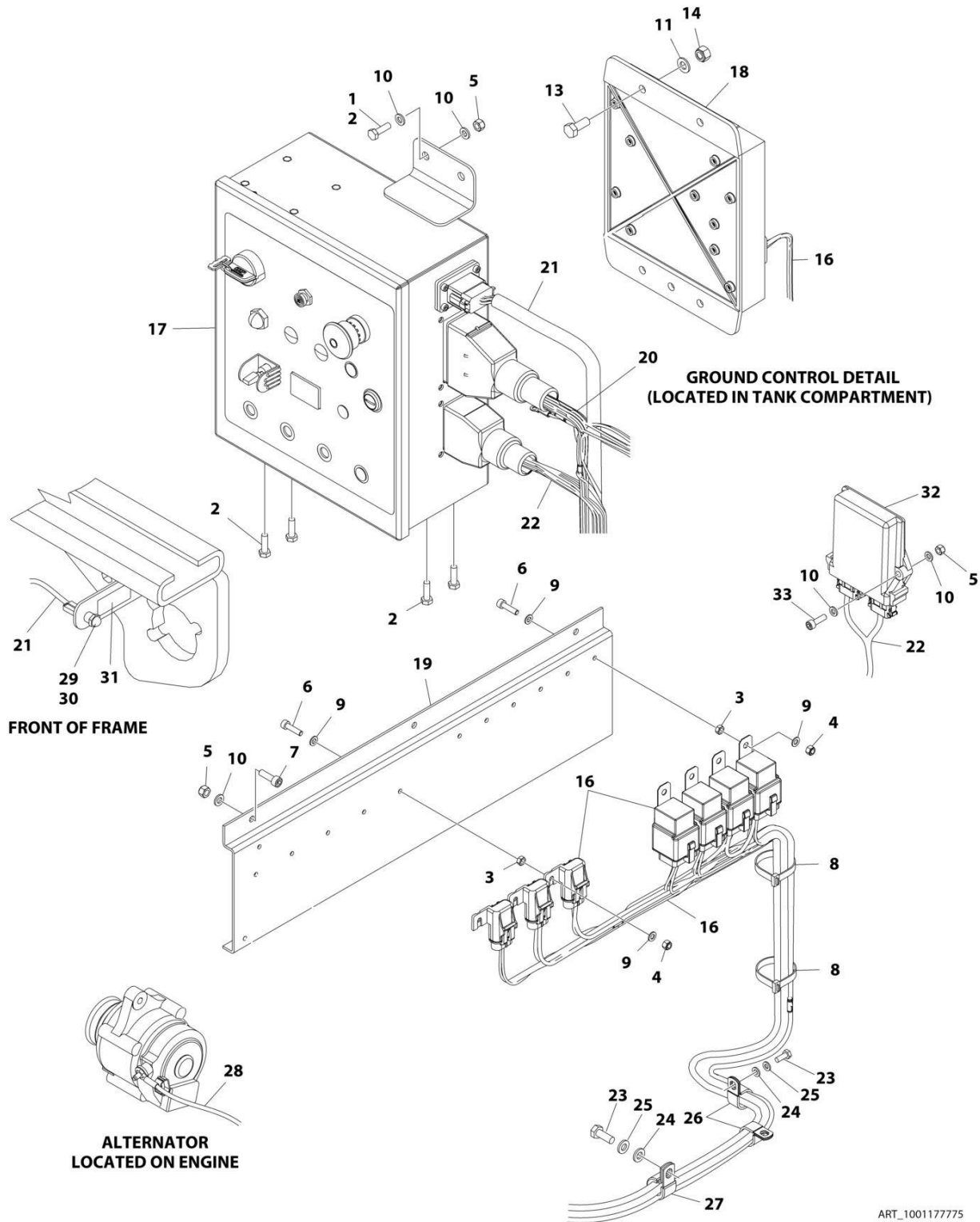
## SECTION 2 - GROUND CONTROLS

**FIGURE 2-7. ELECTRICAL COMPONENTS INSTALLATION - DIESEL**

ITEM	PART NUMBER	QTY	DESCRIPTION	REV
	1001229767	Ref	ELECTRICAL COMPONENTS INSTALLATION - DIESEL	G
1	0100011	AR	Compound, Locking	
2	0760610	6	Bolt M6 x 20	
3	3290501	11	Nut M5	
4	3290505	11	Nut M5	
5	3290605	7	Nut M6	
6	3290805	4	Nut M8	
7	4031608	11	Bolt M5 x 20	
8	4031708	3	Bolt M6 x 20	
9	4240018	17	Tie-Strap	
10	4811600	22	Washer M5	
11	4811700	14	Washer M6	
12	4811900	4	Washer M8	
13	0760810001	4	Capscrew M8 x 20	
14	1001244348	1	Engine Harness - Diesel (See Separate Breakdown in ELECTRICAL SECTION)	
15	1001182481	1	Module, Control (Note: Re-calibration Required when Replaced)	
16	1001185125	1	Plate, Mounting	
17	1001222025	1	Hydraulic Compartment Harness (See Separate Breakdown in ELECTRICAL SECTION)	
18	1001236270	1	Chassis Harness (See Separate Breakdown in ELECTRICAL SECTION)	
19	1001236353	1	Ground Box Assembly (See Separate Breakdown in this Section)	
20	0760608	4	Bolt M6 x 16	
21	1320041	1	Clamp	
22	4811702	1	Washer M6	
23	4831700	4	Washer M6	
24	1001100319	3	Hose Clip M10	
25	1320095	1	Clamp	
26	4360387	1	Switch, Push Button	
27	1001176469	1	Shroud, Switch	
28	1001226116	1	Decal - Manual Descent Instruction	
29	1001234069	1	Harness, Fusible Link	
30	1001234736	1	Module, Control - Hydraulics (Note: Re-calibration Required when Replaced)	
31	4031711	2	Capscrew M6 x 35	

# SECTION 2 - GROUND CONTROLS

## FIGURE 2-8. ELECTRICAL COMPONENTS INSTALLATION - KUBOTA GASOLINE



ART\_100117775

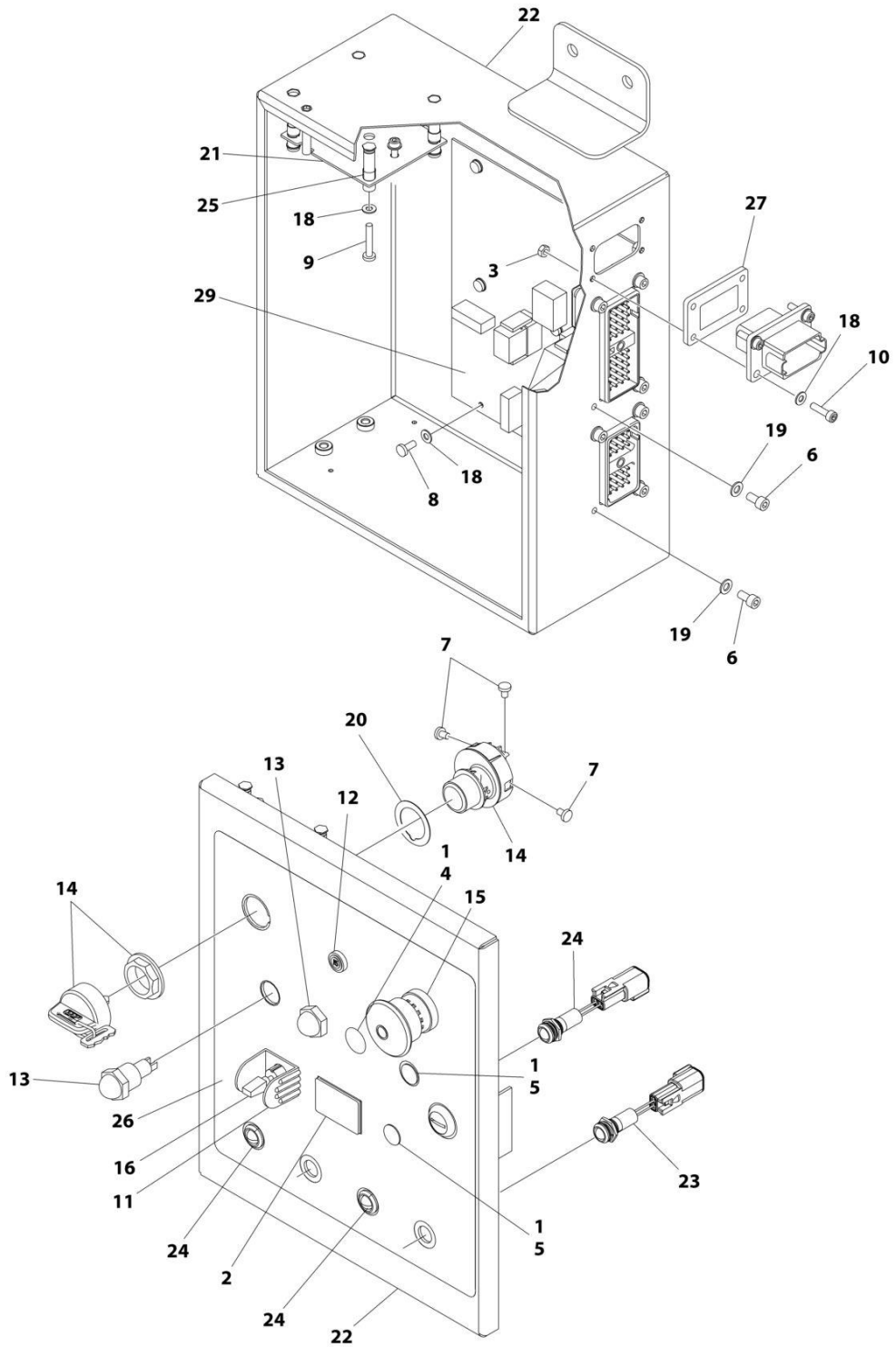
## SECTION 2 - GROUND CONTROLS

**FIGURE 2-8. ELECTRICAL COMPONENTS INSTALLATION - KUBOTA GASOLINE**

ITEM	PART NUMBER	QTY	DESCRIPTION	REV
	1001177775	Ref	ELECTRICAL COMPONENTS INSTALLATION - KUBOTA GASOLINE	J
1	0100011	AR	Compound, Locking	
2	0760610	6	Bolt M6 x 20	
3	3290501	AR	Nut M5	
4	3290505	AR	Nut M5	
5	3290605	5	Nut M6	
6	4031608	AR	Capscrew M5 x 20	
7	4031708	3	Capscrew M6 x 20	
8	4240018	21	Tie-Strap	
9	4811600	AR	Washer M5	
10	4811700	7	Washer M6	
11	4811900	4	Washer M8	
13	0760810001	4	Bolt M8 x 20	
14	1001102433	4	Nut M8	
16	1001244349	1	Engine Harness - Gasoline (See Separate Breakdown in ELECTRICAL SECTION)	
17	1001236430	1	Ground Control Box Assembly (See Separate Breakdown in this Section)	
18	1001182481	1	Module, Control (Note: Re-calibration Required when Replaced)	
19	1001185125	1	Plate, Mounting	
20	1001236380	1	Dual Fuel Harness (See Separate Breakdown in ELECTRICAL SECTION)	
21	1001222025	1	Hydraulic Compartment Harness (See Separate Breakdown in ELECTRICAL SECTION)	
22	1001236270	1	Chassis Harness (See Separate Breakdown in ELECTRICAL SECTION)	
23	0760608	2	Bolt M6 x 16	
24	4811702	2	Washer M6	
25	4831700	2	Washer M6	
26	1001100319	AR	Hose Clip M10	
27	1320095	AR	Clamp	
28	1001234069	1	Harness, Fusible Link	
29	4360387	1	Switch, Push Button	
30	1001176469	1	Shroud, Switch	
31	1001226116	1	Decal - Manual Descent Instructions	
32	1001234736	1	Module, Control - Hydraulics (Note: Re-calibration Required when Replaced)	
33	4031711	AR	Capscrew M6 x 35	

# SECTION 2 - GROUND CONTROLS

## FIGURE 2-9. GROUND CONTROL BOX ASSEMBLY - KUBOTA DIESEL



ART\_1001236353

## SECTION 2 - GROUND CONTROLS

**FIGURE 2-9. GROUND CONTROL BOX ASSEMBLY - KUBOTA DIESEL**

ITEM	PART NUMBER	QTY	DESCRIPTION	REV
	1001236353	Ref	GROUND CONTROL BOX ASSEMBLY - KUBOTA DIESEL	D
1	0100009	AR	Sealant	
2	2420172	1	Gauge	
3	3290405	4	Nut M4	
4	3520026	1	Plug, Hole	
5	3520028	2	Plug, Hole	
6	3900300	8	Capscrew	
7	4010403	4	Screw M4 x 6	
8	4010405	4	Screw M4 x 10	
9	4010412	4	Screw M4 x 24	
10	4031507	4	Capscrew M4 x 16	
11	4060802	1	Guard, Switch	
12	4360070	1	Breaker, Circuit 15Amp	
13	4360387	2	Switch, Push Button	
14	4360469	1	Switch, Key	
14	2860030	1 set	Key, Replacement	
15	1001274559	1	Switch, Emergency Stop (Plastic)	
15	4360475	1	Switch, Emergency Stop (Metal)	
15	7020175	1	Cap	
15	7020176	1	Block, Contact	
16	4360524	1	Switch, Toggle	
17	4460234	8	Mount, Tie-Strap (Not Shown)	
18	4811400	12	Washer M4	
19	4811600	8	Washer M5	
20	4070987	5	Shim, .063	
21	1001181330	1	Sensor	
21	See Note	1	Connector - 4 Position (Note: Not Available for Purchase)	
21	See Note	4	Terminal (Note: Not Available for Purchase)	
22	1001181711	1	Box, Ground Control	
22	1001165791	1	Hinge	
22	1001166257	1	Latch	
23	1001182680	1	LED Light with Connector (Red)	
24	1001182681	3	LED Light with Connector (Yellow)	
25	1001184730	4	Washer, Nylon	
26	1001189773	1	Decal, Ground Control	
27	1001190002	1	Seal, Connector	
28	1001227353	1	Ground Control Box Harness - Upper (Not Shown) (See Separate Breakdown in ELECTRICAL SECTION)	
29	1001234735	1	Module, Ground Control (Note: Re-calibration Required when Replaced)	
30	1001236153	1	Ground Control Box Harness - Lower (Not Shown) (See Separate Breakdown in ELECTRICAL SECTION)	





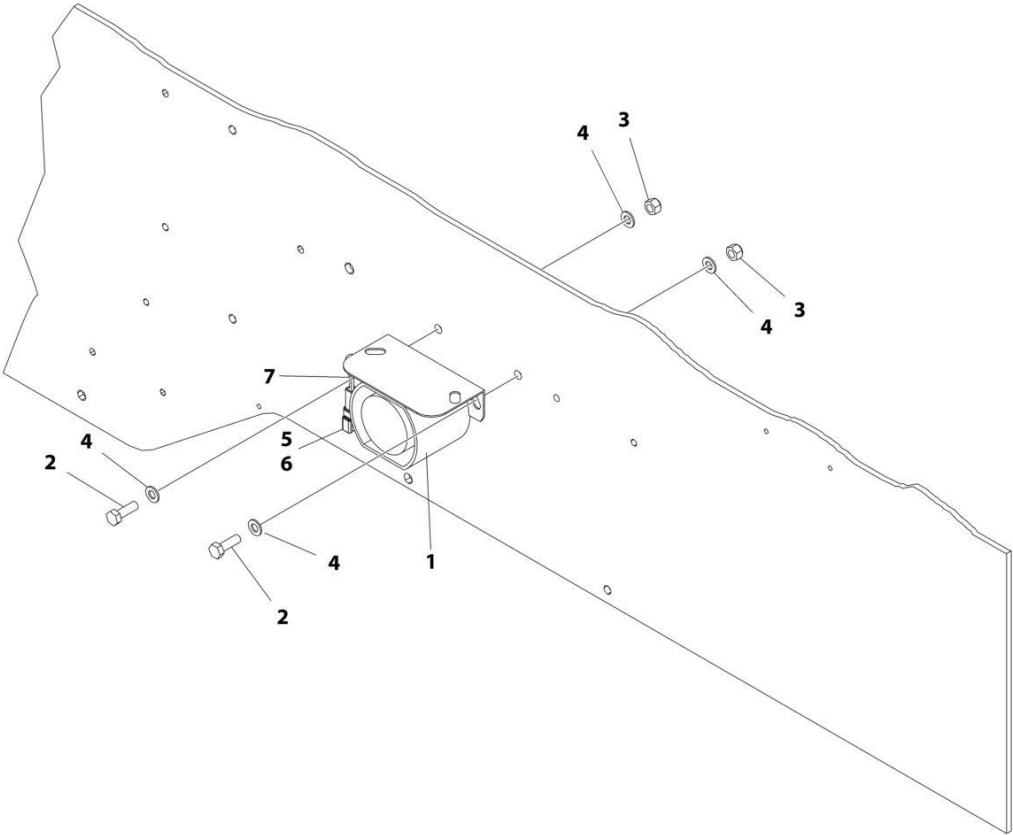
## SECTION 2 - GROUND CONTROLS

**FIGURE 2-10. GROUND CONTROL BOX ASSEMBLY - KUBOTA GASOLINE**

ITEM	PART NUMBER	QTY	DESCRIPTION	REV
	1001236430	Ref	GROUND CONTROL BOX ASSEMBLY - KUBOTA GASOLINE	D
1	0100009	AR	Sealant	
2	2420172	1	Gauge	
3	3290405	4	Nut M4	
4	3520026	2	Plug, Hole	
5	3520028	2	Plug, Hole	
6	3900300	8	Capscrew	
7	4010403	4	Screw M4 x 6	
8	4010405	4	Screw M4 x 10	
9	4010412	4	Screw M4 x 24	
10	4031507	4	Capscrew M4 x 16	
11	4060802	1	Guard, Switch	
12	4070987	AR	Shim, .015	
13	4360070	1	Breaker, Circuit 15Amp	
14	4360387	1	Switch, Push Button	
15	4360469	1	Switch, Key	
15	2860030	1 set	Key, Replacement	
16	1001274559	1	Switch, Emergency Stop (Plastic)	
16	4360475	1	Switch, Emergency Stop (Metal)	
16	7020175	1	Cap	
16	7020176	1	Block, Contact	
17	4360524	1	Switch, Toggle	
18	4460234	AR	Mount, Tie-Strap (Not Shown)	
19	4811400	12	Washer M4	
20	4811600	8	Washer M5	
21	1001181330	1	Sensor	
21	See Note	1	Connector - 4 Position (Note: Not Available for Purchase)	
21	See Note	4	Terminal (Note: Not Available for Purchase)	
22	1001181711	1	Box, Ground Control	
22	1001165791	1	Hinge	
22	1001166257	1	Latch	
23	1001182680	1	LED Light with Connector (Red)	
24	1001182681	3	LED Light with Connector (Yellow)	
25	1001184730	4	Washer, Nylon	
26	1001189773	1	Decal - Ground Control	
27	1001190002	1	Seal, Connector	
28	1001227353	1	Ground Control Box Harness - Upper (Not Shown) (See Separate Breakdown in ELECTRICAL SECTION)	
29	1001234735	1	Module, Ground Control (Note: Re-calibration Required when Replaced)	
30	1001236153	1	Ground Control Box Harness - Lower (Not Shown) (See Separate Breakdown in ELECTRICAL SECTION)	

# SECTION 2 - GROUND CONTROLS

## FIGURE 2-11. MOTION ALARM INSTALLATION



ART\_1001191641

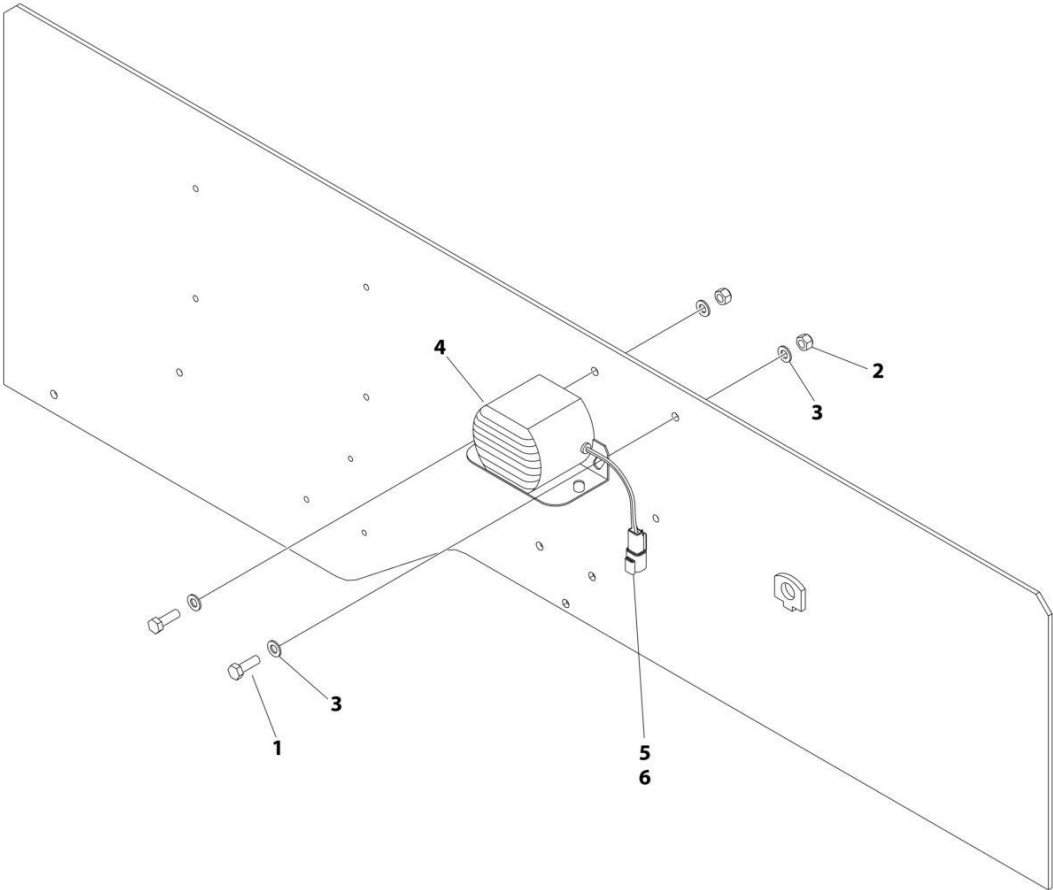
## SECTION 2 - GROUND CONTROLS

### FIGURE 2-11. MOTION ALARM INSTALLATION

ITEM	PART NUMBER	QTY	DESCRIPTION	REV
	1001191641	Ref	MOTION ALARM INSTALLATION	C
1	0140032	1	Alarm	
2	0770812	2	Bolt M8 x 25	
3	3290805	2	Nut M8	
4	4811900	4	Washer M8	
5	4460464	2	Pin, Male	
6	4460897	1	Connector - 2 Position	
7	1001175012	AR	Conduit	

# SECTION 2 - GROUND CONTROLS

FIGURE 2-12. WHITE NOISE ALARM INSTALLATION



ART\_1001219108

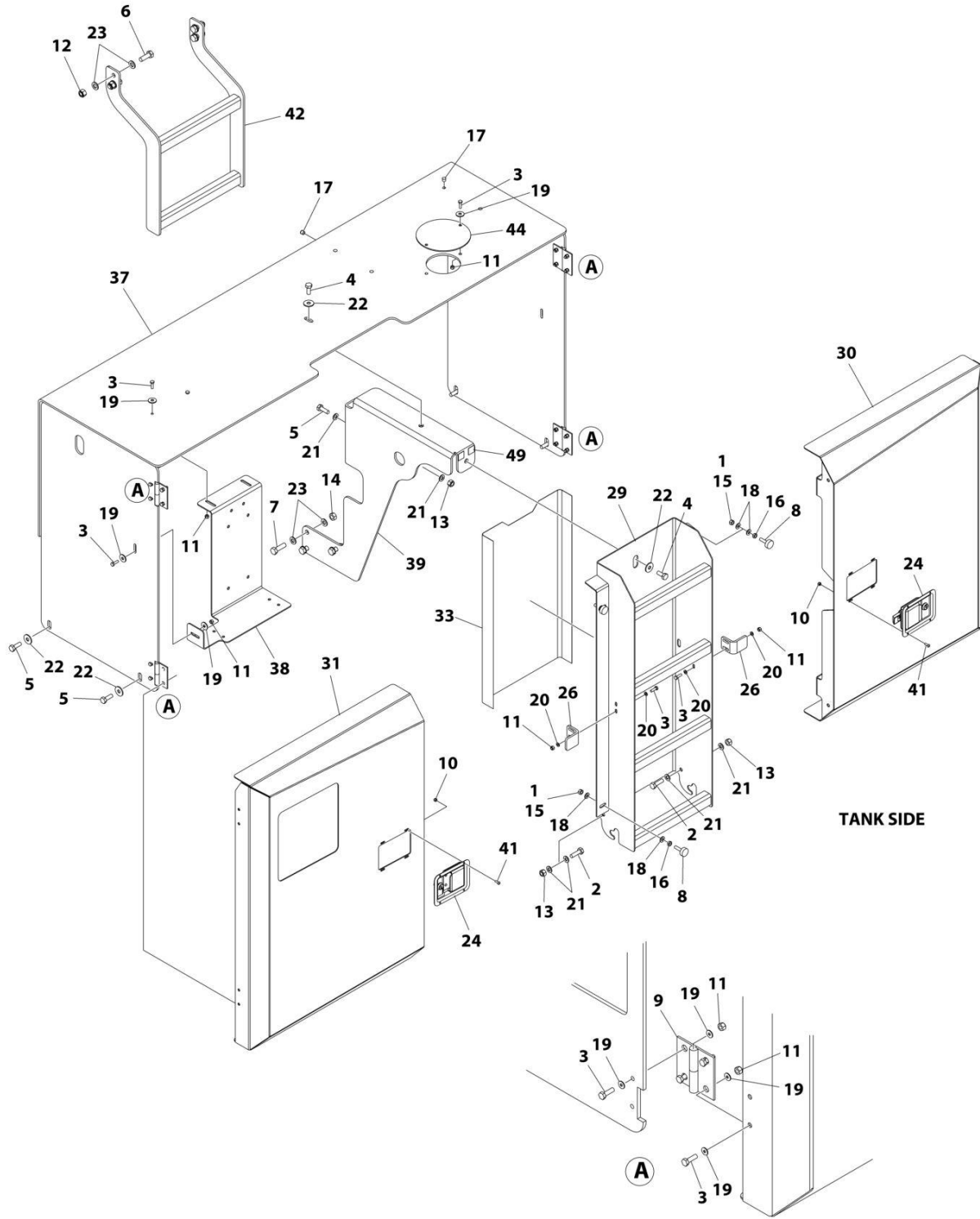
## SECTION 2 - GROUND CONTROLS

FIGURE 2-12. WHITE NOISE ALARM INSTALLATION

ITEM	PART NUMBER	QTY	DESCRIPTION	REV
	1001219108	Ref	WHITE NOISE ALARM INSTALLATION	A
1	0760612	2	Bolt M6 x 25	
2	3290605	2	Nut M6	
3	4811702	4	Washer M6	
4	1001182806	1	Alarm, White Noise	
5	4460897	1	Connector - 2 Position	
6	4460464	2	Pin, Male	

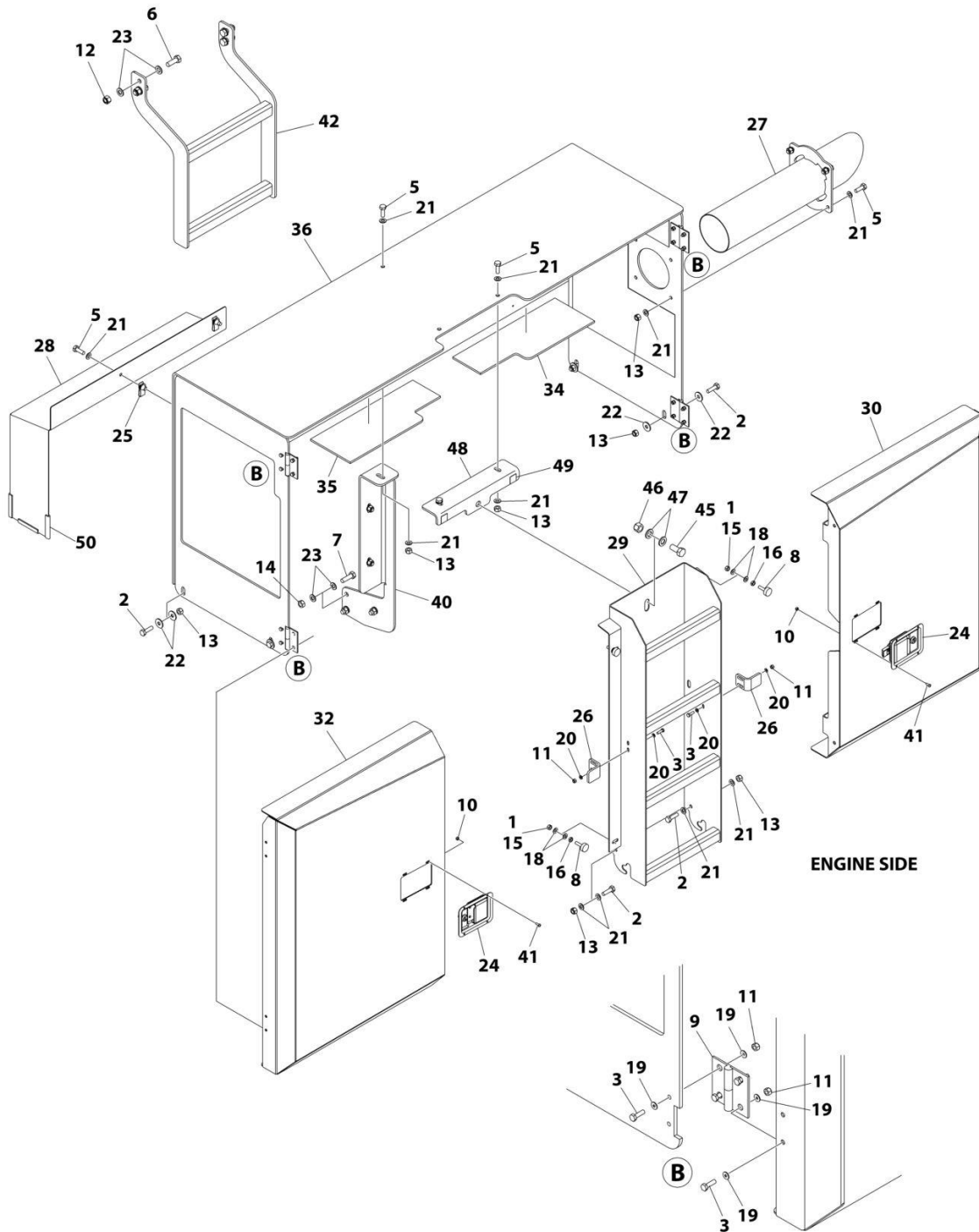
# SECTION 2 - GROUND CONTROLS

## FIGURE 2-13. HOODS AND LADDERS INSTALLATION



ART\_1001233738\_I\_10F2

# SECTION 2 - GROUND CONTROLS



ART\_1001233738\_L\_20F2

## SECTION 2 - GROUND CONTROLS

FIGURE 2-13. HOODS AND LADDERS INSTALLATION

ITEM	PART NUMBER	QTY	DESCRIPTION	REV
	1001233738	Ref	HOODS INSTALLATION	I
1	0100011	AR	Compound, Locking	
2	0701015	8	Bolt M10 x 35	
3	0760610	45	Bolt M6 x 20	
4	0761012	2	Bolt M10 x 25	
5	0761014	16	Bolt M10 x 30	
6	0761215	8	Bolt M12 x 35	
7	0761216	6	Bolt M12 x 40	
8	0940049	8	Stop, Hood	
9	2600216	8	Hinge	
10	3290505	16	Nut M5	
11	3290605	45	Nut M6	
12	3291205	8	Nut M12	
13	3291005	18	Nut M10	
14	3291201	6	Nut M12	
15	3311501	8	Nut 5/16	
16	3311502	8	Nut 5/16	
17	3520060	6	Plug 3/8	
18	4711500	16	Washer 5/16	
19	4811700	72	Washer M6	
20	4811702	18	Washer M6	
21	4812000	30	Washer M10	
22	4812002	14	Washer M10	
23	4812100	28	Washer M12	
24	1001257454	4	Latch	
25	1001118972	2	Nut Tinnerman M10	
26	1001181116	4	Bracket	
27	1001183416	1	Tube, Exhaust	
28	1001183727	1	Shield, Generator	
29	1001204140	2	Ladder	
30	1001258390	2	Door, Less Latch	
31	1001258391	1	Door, Less Latch	
32	1001258392	1	Door, Less Latch	
33	1001238471	1	Insulate	
34	1001225257	1	Insulate	
35	1001225258	1	Insulate	
36	1001233544	1	Shield Cover, Engine Side	
37	1001233549	1	Shield Cover, Hydraulic Side	
38	1001233554	1	Mount	
39	1001233576	1	Bracket	
40	1001237910	1	Bracket	
41	1001234348	16	Screw M5 x 16 Grade 10.9	
42	1001273292	2	Ladder	
43	4812200	16	Washer M14	
44	1001226221	1	Plate	
45	0761615	1	Bolt M16 x 35	
46	3291605	1	Nut M16	
47	4812300	2	Washer M16	
48	1001237909	1	Bracket	



## SECTION 2 - GROUND CONTROLS

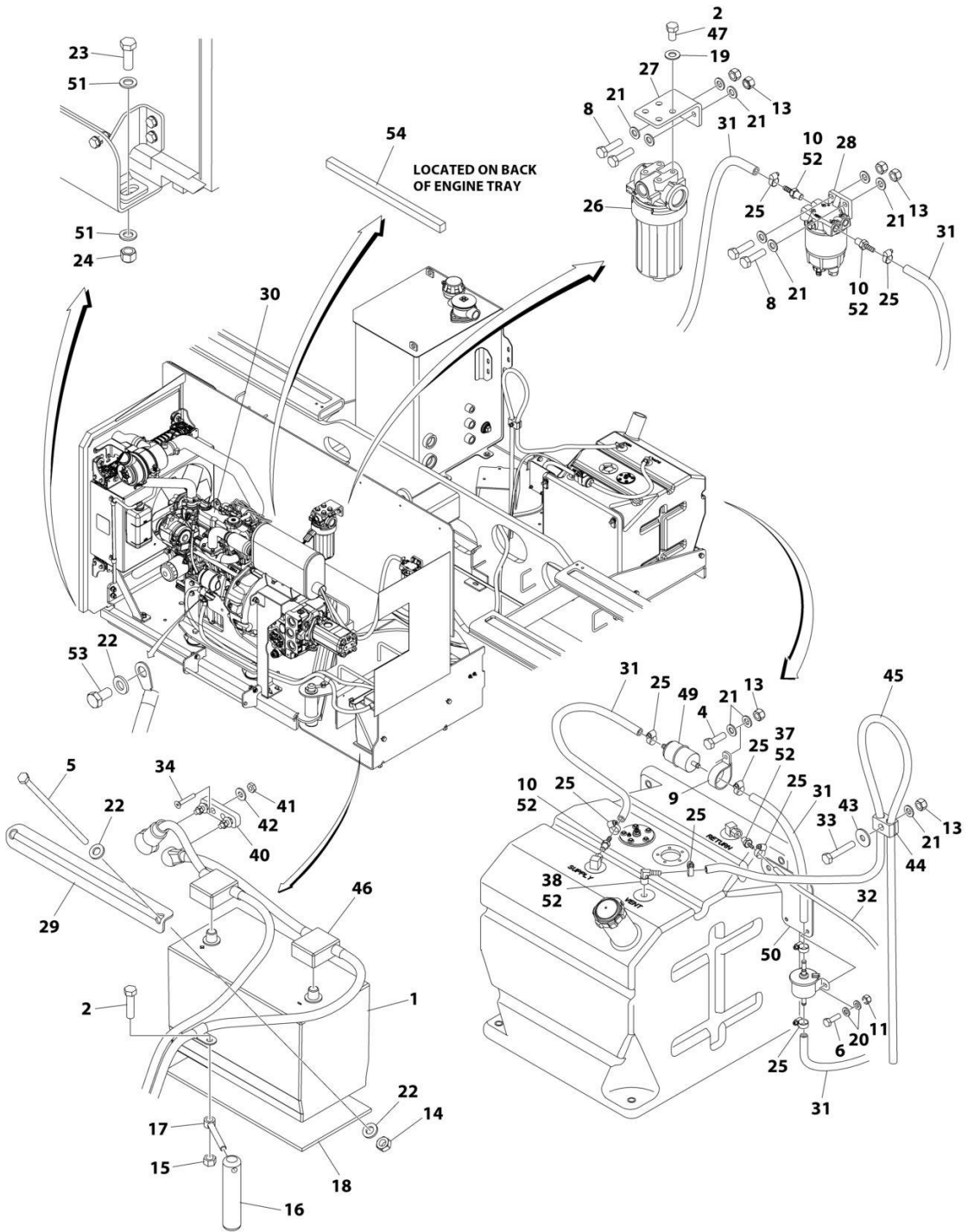
ITEM	PART NUMBER	QTY	DESCRIPTION	REV
49	4420062	7.1 in/180mm	Tape	
50	4060803	9.4 in/240mm	Flex-Trim	



**SECTION 3 - ENGINE**

# SECTION 3 - ENGINE

## FIGURE 3-1. ENGINE INSTALLATION - KUBOTA DIESEL T4F



ART\_1001177786\_L

## SECTION 3 - ENGINE

**FIGURE 3-1. ENGINE INSTALLATION - KUBOTA DIESEL T4F**

ITEM	PART NUMBER	QTY	DESCRIPTION	REV
	1001177786	Ref	ENGINE INSTALLATION - KUBOTA DIESEL T4F	L
1	0400075	1	Battery	
2	0761010	3	Bolt M10 x 20	
3	0641612	1	Bolt 3/8 x 1-1/2	
4	0700812	1	Bolt M8 x 25	
5	0701047	2	Bolt M10 x 300	
6	0760610	2	Bolt M8 x 20	
8	0760814	4	Bolt M8 x 30	
9	1320265	1	Clamp	
10	2180348	3	Fitting, NPT/Barbed	
11	3290605	2	Nut M6	
13	3290805	6	Nut M8	
14	3291001	2	Nut M10	
15	3311605	1	Nut 3/8	
16	3422669	1	Pin	
17	3841143	1	Keeper, Pin	
18	3980007	1	Seat, Battery	
19	4812000	3	Washer M10	
20	4811700	4	Washer M6	
21	4811900	11	Washer M8	
22	5241000	5	Washer M10	
23	0761617	1	Bolt M16 x 45	
24	3291605	1	Nut M16	
25	8405009	11	Clamp	
26	1001208874	1	Filter, Charge Pump	
26	70010383	1	Element, Filter	
27	1001194836	1	Bracket, Charge Pump	
28	1001190609	1	Fuel/Water Separator Assembly (See Separate Breakdown in this Section)	
29	1001184065	1	Bracket, Hold Down	
30	1001238776	1	Engine and Pump Sub-Assembly (See Separate Breakdown in this Section)	
31	2720058	14.5 ft / 4.4m	Hose	
32	2720271	9.3 ft / 2.8m	Hose	
33	0700817	1	Bolt M8 x 45	
34	0741010	2	Screw #10 x 1-1/4	
37	2180666	1	Fitting, NPT/Barbed	
38	2220313	1	Fitting, 90° NPTF/Barbed	
40	2400044	1	Fuse, Mounting Block	
41	3300408	2	Nut	
42	4711400	2	Washer 1/4	
43	4811902	1	Washer M8	
44	8750014	1	Clamp	
45	1001165035	5.5 ft / 1.7m	Hose	
46	1001186428	1	Battery Cable Kit - Diesel (See Separate Breakdown in ELECTRICAL SECTION)	
47	0100011	AR	Compound, Locking	
49	1001190545	1	Strainer, Fuel	

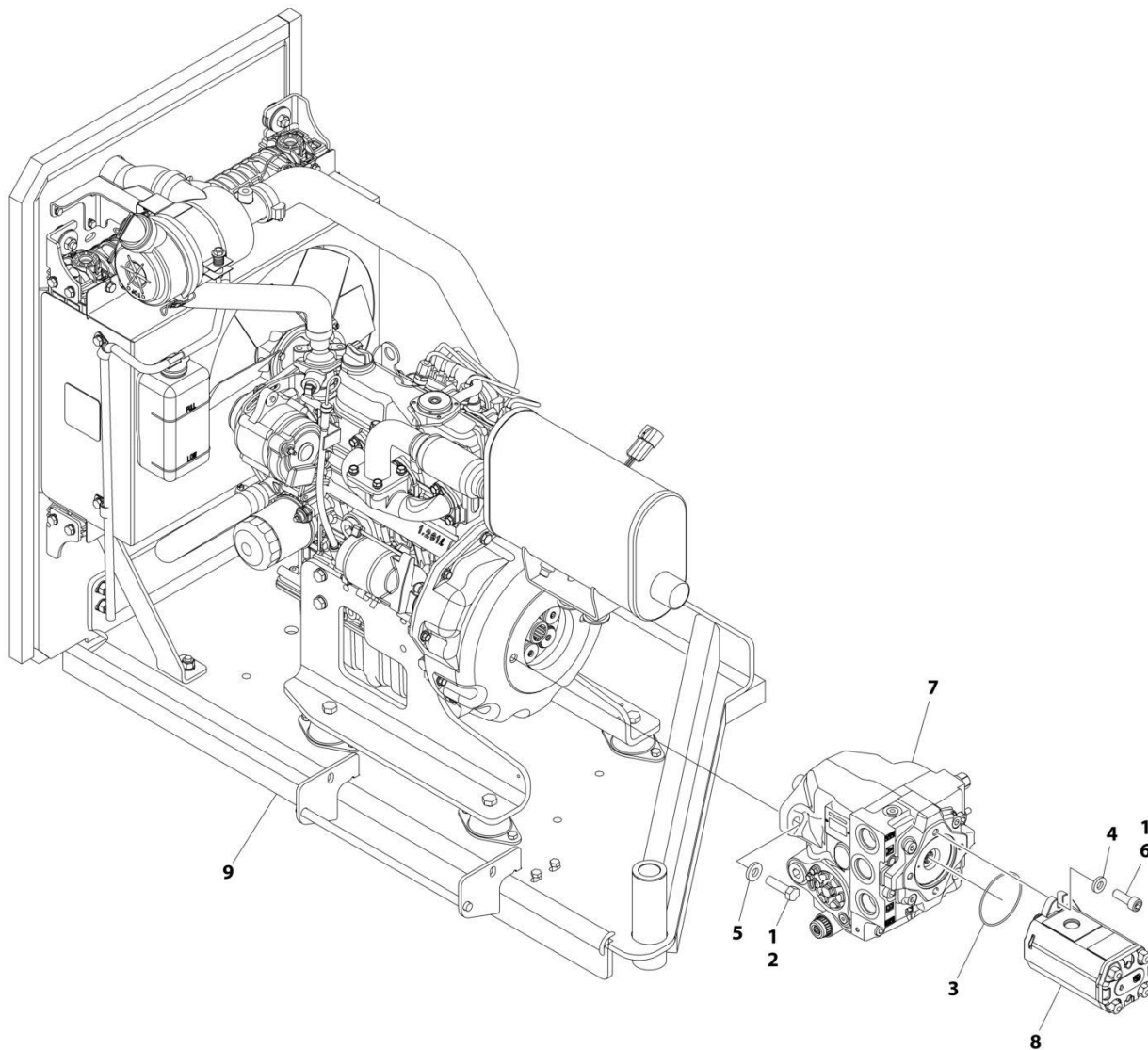
## SECTION 3 - ENGINE

ITEM	PART NUMBER	QTY	DESCRIPTION	REV
50	1001191146	1	Bracket	
51	4812300	2	Washer M6	
52	0100020	AR	Sealant	
53	8303511	1	Capscrew M10 x 20	
54	1001183421	1	Foam, Baffle	



# SECTION 3 - ENGINE

## FIGURE 3-2. ENGINE AND PUMP SUB-ASSEMBLY - KUBOTA DIESEL T4F



ART\_1001238776



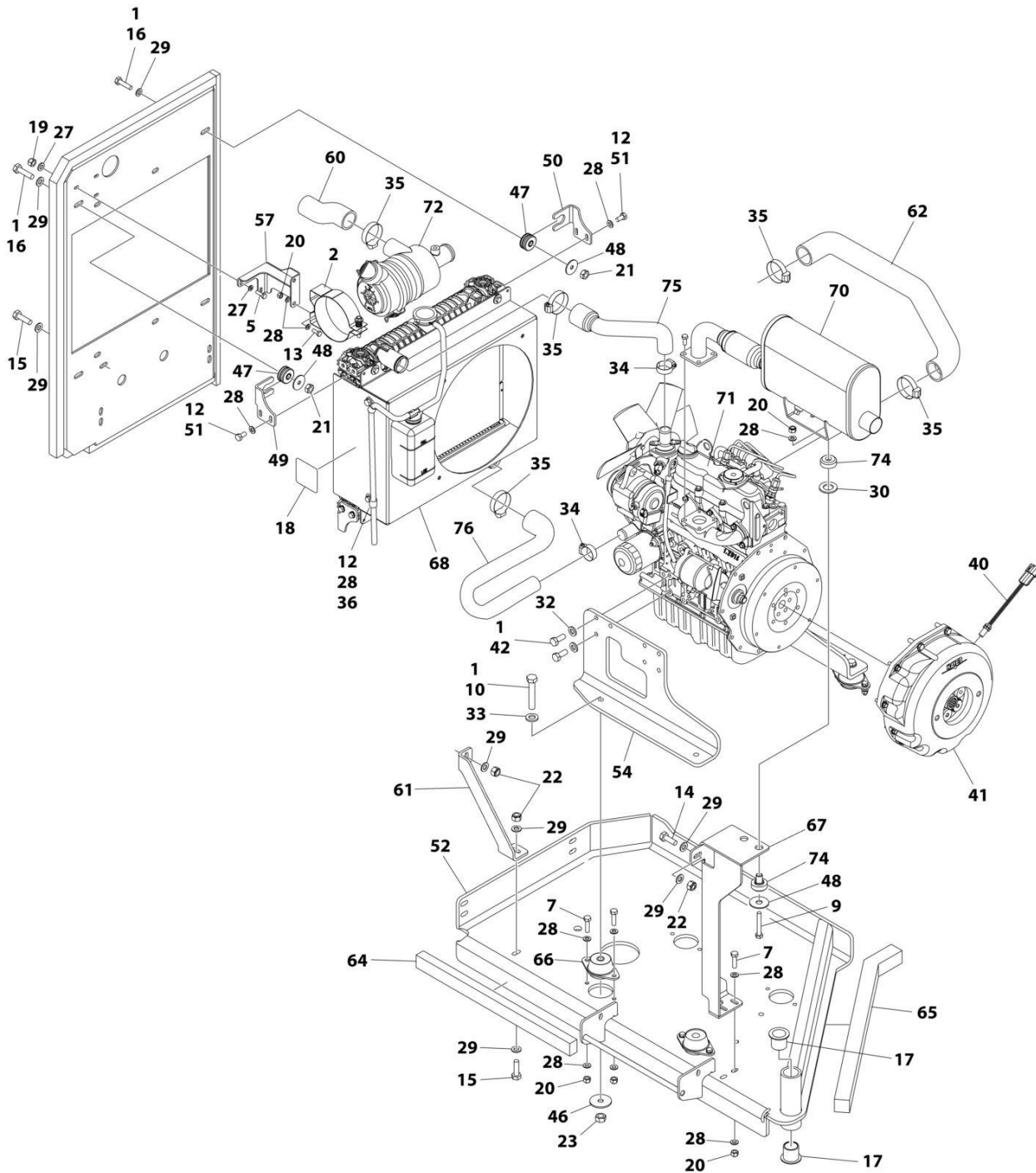
## SECTION 3 - ENGINE

**FIGURE 3-2. ENGINE AND PUMP SUB-ASSEMBLY - KUBOTA DIESEL T4F**

ITEM	PART NUMBER	QTY	DESCRIPTION	REV
	1001238776	Ref	ENGINE AND PUMP SUB-ASSEMBLY - KUBOTA DIESEL T4F	D
1	0100011	AR	Compound, Locking	
2	0641814	2	Bolt 1/2 x 1-3/4	
3	3790152	1	O-Ring	
4	4891600	2	Washer 3/8	
5	4891800	2	Washer 1/2	
6	83191040	2	Capscrew M10 x 30	
7	1001101331	1	Piston Pump Assembly (See Separate Breakdown in this Section)	
8	1001239200	1	Gear Pump Assembly	
8	7023929	1	Seal Kit - 1001239200 Pump (Note: Seal Kit is only service component available)	
9	1001238775	1	Engine Assembly - Kubota Diesel T4F (See Separate Breakdown in this Section)	

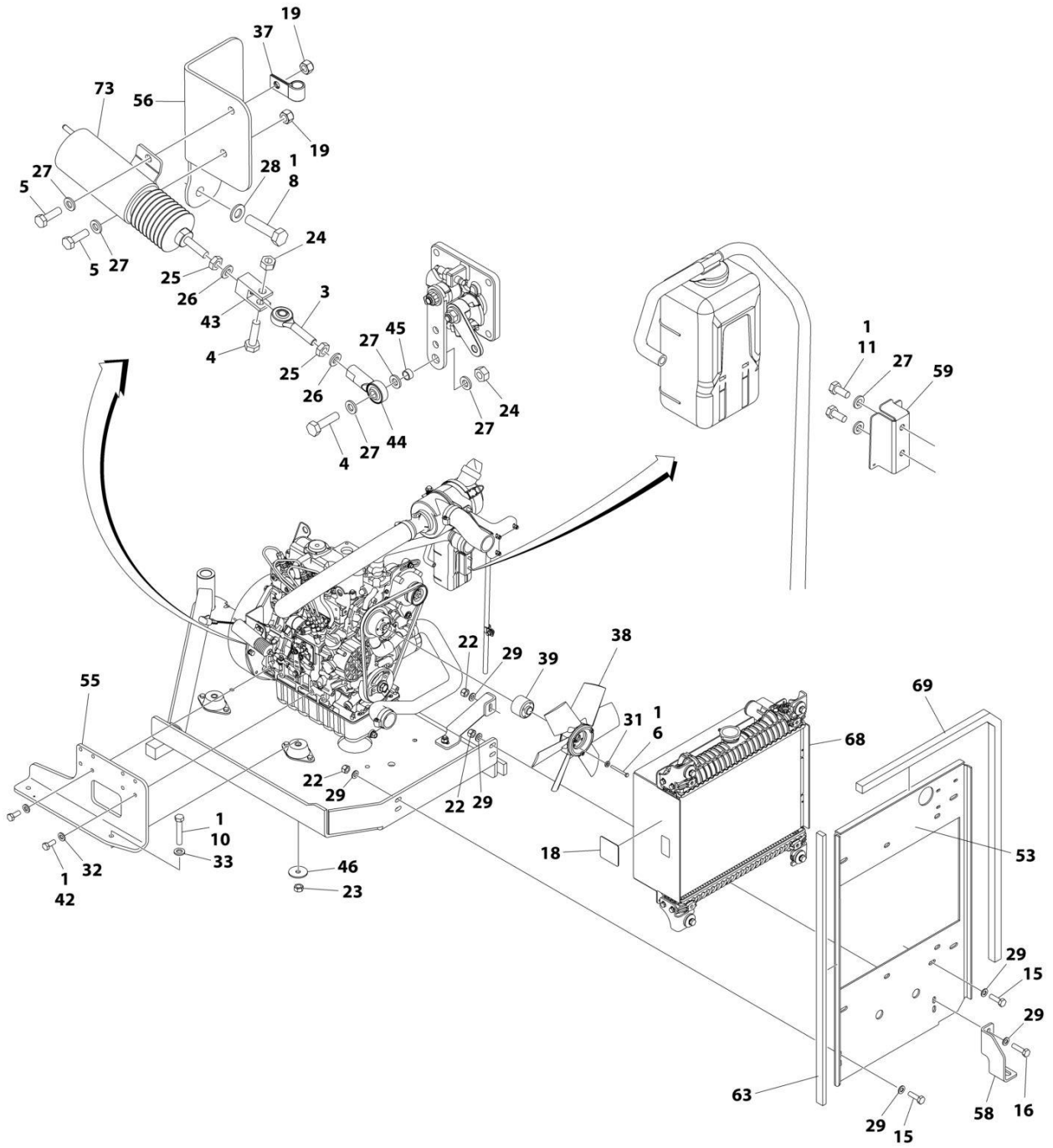
# SECTION 3 - ENGINE

## FIGURE 3-3. ENGINE ASSEMBLY - KUBOTA DIESEL T4F



ART\_1001238775\_10F2\_B

# SECTION 3 - ENGINE



ART\_1001238775\_2OF2\_B

## SECTION 3 - ENGINE

FIGURE 3-3. ENGINE ASSEMBLY - KUBOTA DIESEL T4F

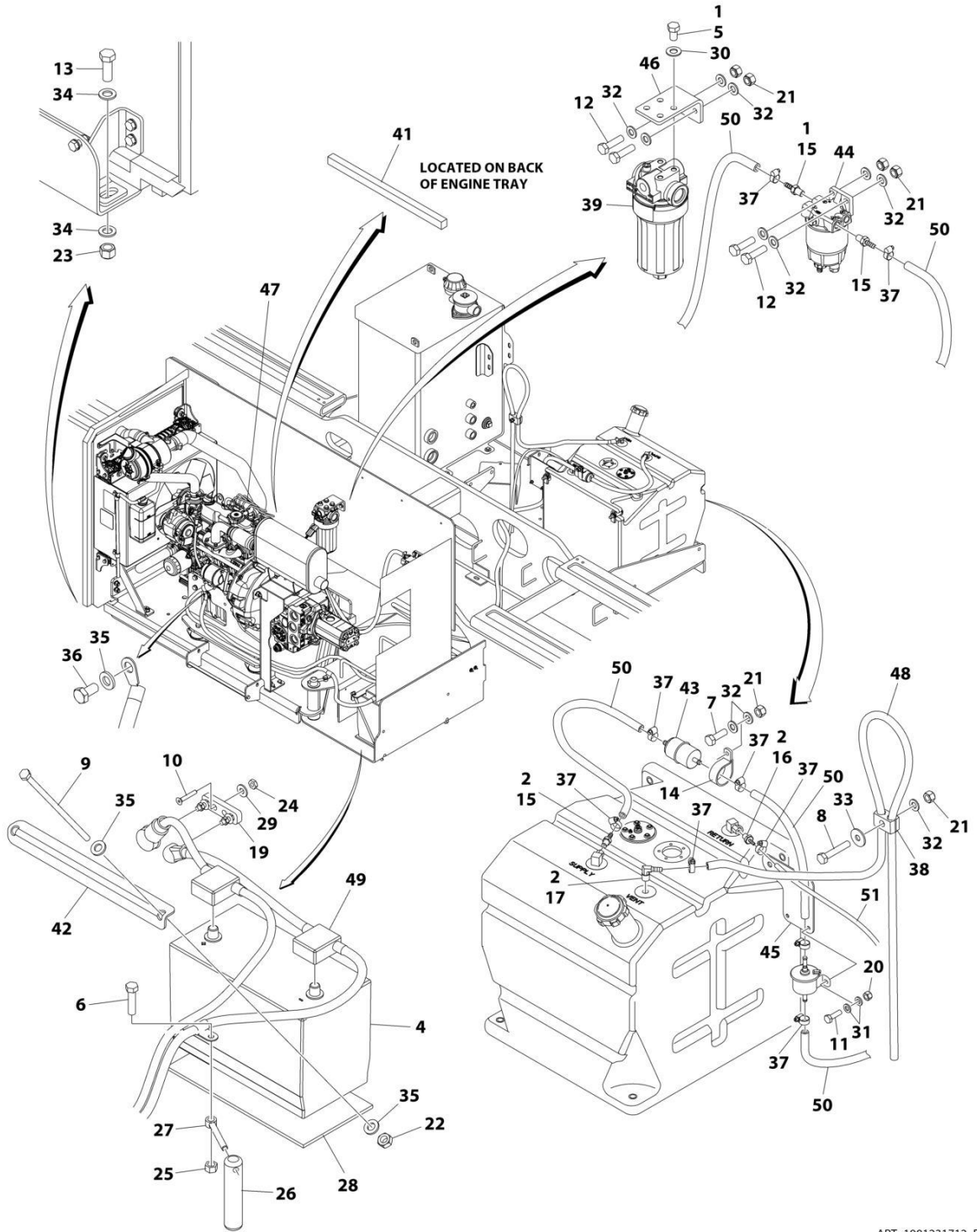
ITEM	PART NUMBER	QTY	DESCRIPTION	REV
	1001238775	Ref	ENGINE ASSEMBLY - KUBOTA DIESEL T4F	B
1	0100011	AR	Compound, Locking	
2	0340045	1	Band, Mounting	
3	0440334	1	Bearing	
4	0641408	2	Bolt 1/4 x 1	
5	0700610	5	Bolt M6 x 20	
6	0700620	4	Bolt M6 x 60	
7	0700814	10	Bolt M8 x 30	
8	0700815	2	Bolt M8 x 35	
9	0700819	2	Bolt M8 x 55	
10	0701222	4	Bolt M12 x 70	
11	0760607	2	Bolt M6 x 14	
12	0760608	10	Bolt M6 x 16	
13	0760810	AR	Bolt M8 x 20	
14	0761014	1	Bolt M10 x 30	
15	0761015	4	Bolt M10 x 35	
16	0761016	6	Bolt M10 x 40	
17	0961986	2	Bearing, Flange	
18	1703162	2	Decal - Fan Blade	
19	3290605	5	Nut M6	
20	3290805	14	Nut M8	
21	3291001	4	Nut M10	
22	3291005	7	Nut M10	
23	3291201	4	Nut M12	
24	3311405	2	Nut 1/4	
25	3321402	2	Nut 1/4	
26	4761400	2	Washer 1/4	
27	4811700	13	Washer M6	
28	4811900	38	Washer M8	
29	4812000	18	Washer M10	
30	4812500	2	Washer M20	
31	5240600	4	Washer M6	
32	5241000	8	Washer M10	
33	5241200	4	Washer M12	
34	8405101	2	Clamp	
35	8405104	5	Clamp	
36	85941016	2	Clamp	
37	90021705	1	Clamp, Support	
38	1001118538	1	Fan	
39	1001118539	1	Fan, Spacer	
40	1001118580	1	Sensor, Speed	
41	1001118675	1	Housing, Coupling Kit (See Separate Breakdown in this Section)	
42	1001118746	8	Bolt M10 x 25	
43	1001118881	1	Clevis, Linkage	
44	1001118925	1	Bearing	
45	1001128888	1	Washer	
46	1001168018	4	Washer	
47	1001169054	4	Isolator, Radiator	
48	1001169138	6	Pad	
49	1001169967	2	Bracket, Radiator	

## SECTION 3 - ENGINE

ITEM	PART NUMBER	QTY	DESCRIPTION	REV
50	1001170035	2	Bracket, Radiator	
51	1001180620	AR	Compound, Locking	
52	1001181649	1	Tray, Engine	
53	1001181658	1	Plate, Radiator Mounting	
54	1001182976	1	Mount, Engine (LH)	
55	1001182977	1	Mount, Engine (RH)	
56	1001182979	1	Bracket, Throttle Cylinder	
57	1001182980	1	Bracket, Air Cleaner	
58	1001182981	1	Bracket, Tray	
59	1001182982	1	Mount	
60	1001182983	1	Tube, Intake	
61	1001182984	1	Bracket, Support	
62	1001182987	1	Tube, Air Intake	
63	1001247403	1	Foam, Baffle	
64	1001183424	1	Foam, Baffle	
65	1001184066	1	Foam, Baffle	
66	1001187235	4	Mount, Motor	
67	1001195600	1	Bracket, Muffler	
68	1001220957	1	Radiator & Shroud Assembly	
68	1001198726	1	Radiator	
68	70007502	1	Valve, Drain	
68	1001220959	1	Shroud	
69	1001227285	1	Seal	
70	1001234950	1	Muffler	
71	1001238770	1	Engine Components - Kubota Diesel T4F (See Separate Breakdown in this Section)	
72	1001118280	1	Air Filter Assembly	
72	7015004	2	Element	
73	1001118582	1	Actuator, Throttle	
74	1001125248	2	Mount, Engine	
75	1001182978	1	Tube, Inlet	
76	1001182985	1	Tube, Outlet	

# SECTION 3 - ENGINE

## FIGURE 3-4. ENGINE INSTALLATION - KUBOTA DIESEL T4F WITH GENERATOR



ART\_1001231712\_E

## SECTION 3 - ENGINE

**FIGURE 3-4. ENGINE INSTALLATION - KUBOTA DIESEL T4F WITH GENERATOR**

ITEM	PART NUMBER	QTY	DESCRIPTION	REV
	1001231712	Ref	ENGINE INSTALLATION - KUBOTA DIESEL T4F	E
1	0100011	AR	Compound, Locking	
2	0100020	AR	Sealant	
4	0400075	1	Battery	
5	0641605	4	Bolt 3/8 x 5/8	
5	0761010	3	Bolt M10 x 20	
6	0641612	1	Bolt 3/8 x 1-1/2	
7	0700812	1	Bolt M8 x 25	
8	0700817	1	Bolt M8 x 45	
9	0701047	2	Bolt M10 x 300	
10	0741010	2	Screw #10 x 1-1/4	
11	0760610	2	Bolt M8 x 20	
12	0760814	4	Bolt M8 x 30	
13	0761617	1	Bolt M16 x 45	
14	1320265	1	Clamp	
15	2180348	3	Fitting, NPT/Barbed	
16	2180666	1	Fitting, NPT/Barbed	
17	2220313	1	Fitting, 90° NPTF/Barbed	
19	2400044	1	Fuse, Mounting Block	
20	3290605	2	Nut M6	
21	3290805	6	Nut M8	
22	3291001	2	Nut M10	
23	3291605	1	Nut M16	
24	3300408	2	Nut	
25	3311605	1	Nut 3/8	
26	3422669	1	Pin	
27	3841143	1	Keeper, Pin	
28	3980007	1	Seat, Battery	
29	4711400	2	Washer 1/4	
30	4711600	4	Washer 3/8	
30	4812000	3	Washer M10	
31	4811700	4	Washer M6	
32	4811900	11	Washer M8	
33	4811902	1	Washer M8	
34	4812300	2	Washer M6	
35	5241000	5	Washer M10	
36	8303511	1	Capscrew M10 x 20	
37	8405009	11	Clamp	
38	8750014	1	Clamp	
39	70010383	1	Element, Filter	
41	1001183421	1	Foam, Baffle	
42	1001184065	1	Bracket, Hold Down	
43	1001190545	1	Strainer, Fuel	
44	1001190609	1	Fuel/Water Separator Assembly (See Separate Breakdown in this Section)	
45	1001191146	1	Bracket	
46	1001194836	1	Bracket	
48	1001165035	5.5 ft/ 1.7m	Hose	

## SECTION 3 - ENGINE

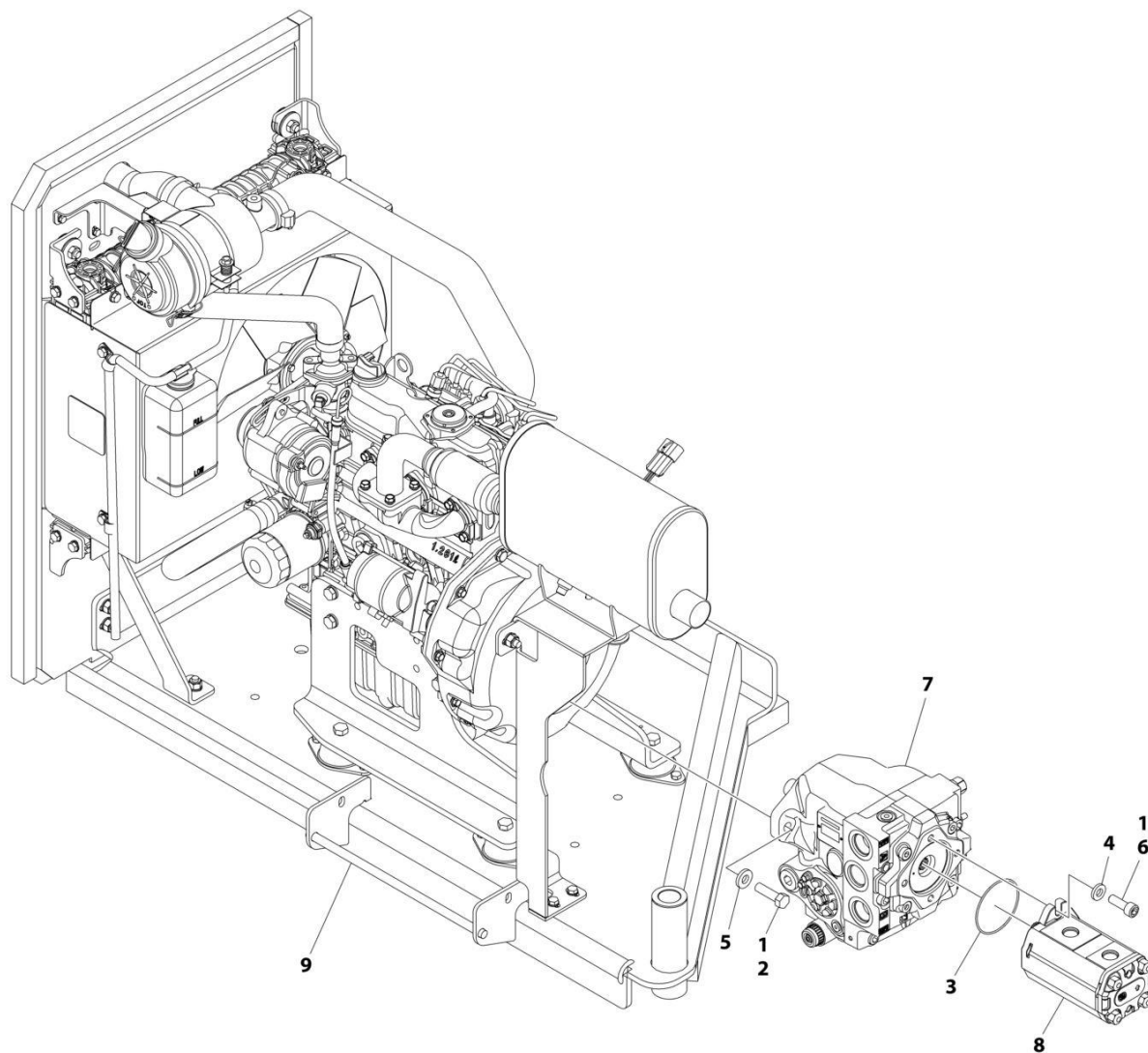
ITEM	PART NUMBER	QTY	DESCRIPTION	REV
49	1001186428	1	Battery Cable Kit - Diesel (See Separate Breakdown in ELECTRICAL SECTION)	
50	2720058	14.5 ft/ 4.4m	Hose	
51	2720271	18 ft/ 5.4m	Hose	





# SECTION 3 - ENGINE

FIGURE 3-5. ENGINE AND PUMP SUB-ASSEMBLY - KUBOTA DIESEL T4F WITH GENERATOR



ART\_1001238778

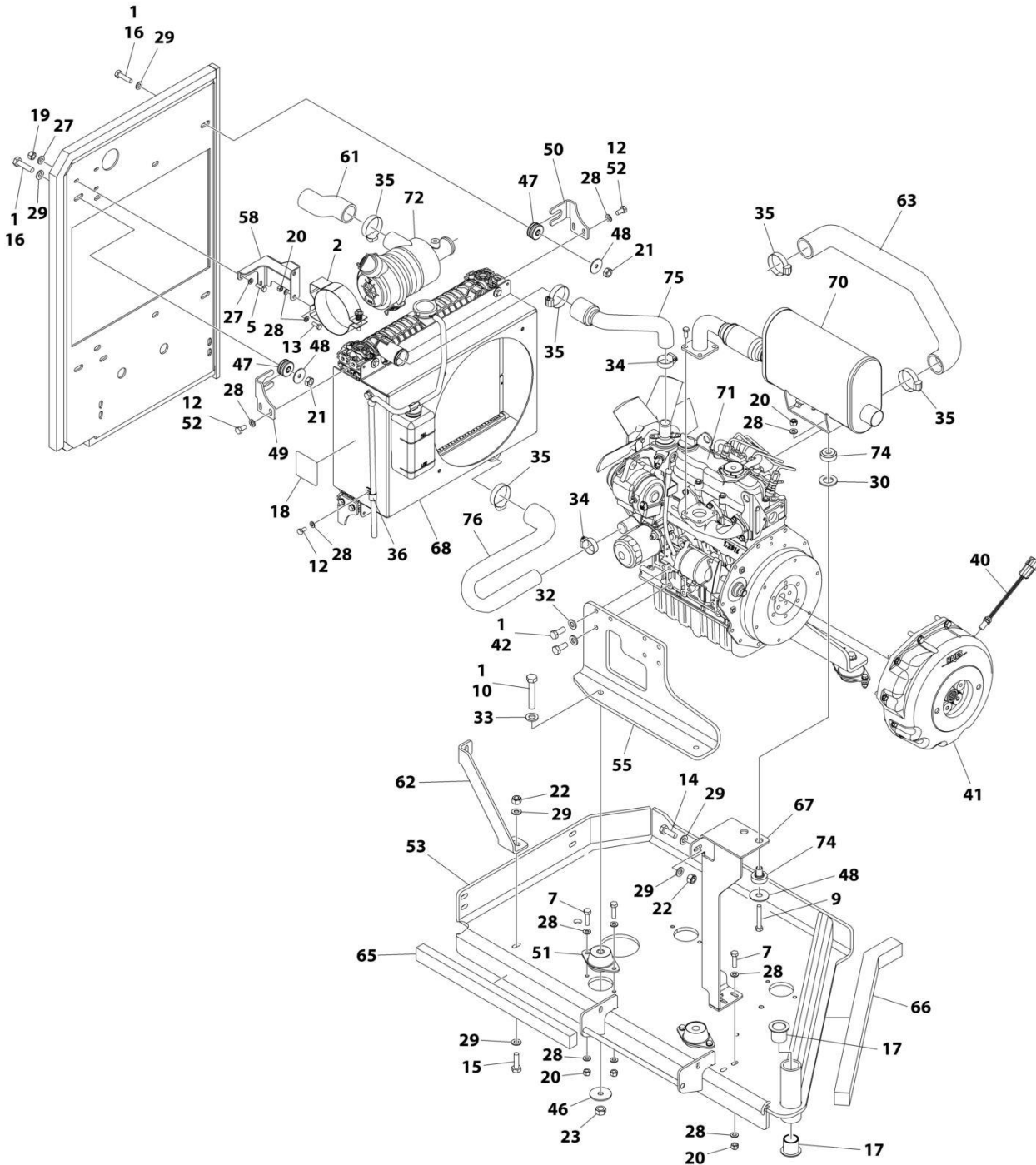
## SECTION 3 - ENGINE

**FIGURE 3-5. ENGINE AND PUMP SUB-ASSEMBLY - KUBOTA DIESEL T4F WITH GENERATOR**

ITEM	PART NUMBER	QTY	DESCRIPTION	REV
	1001238778	Ref	ENGINE AND PUMP SUB-ASSEMBLY - KUBOTA DIESEL T4F	C
1	0100011	AR	Compound, Locking	
2	0641814	2	Bolt 1/2 x 1-3/4	
3	3790152	1	O-Ring	
4	4891600	2	Washer 3/8	
5	4891800	2	Washer 1/2	
6	83191040	2	Capscrew M10 x 30	
7	1001101331	1	Piston Pump Assembly (See Separate Breakdown in this Section)	
8	1001239200	1	Gear Pump Assembly	
8	7023929	1	Seal Kit - 1001239200 Pump (Note: Seal Kit is only service component available)	
9	1001238777	1	Engine Assembly - Kubota Diesel T4F (See Separate Breakdown in this Section)	

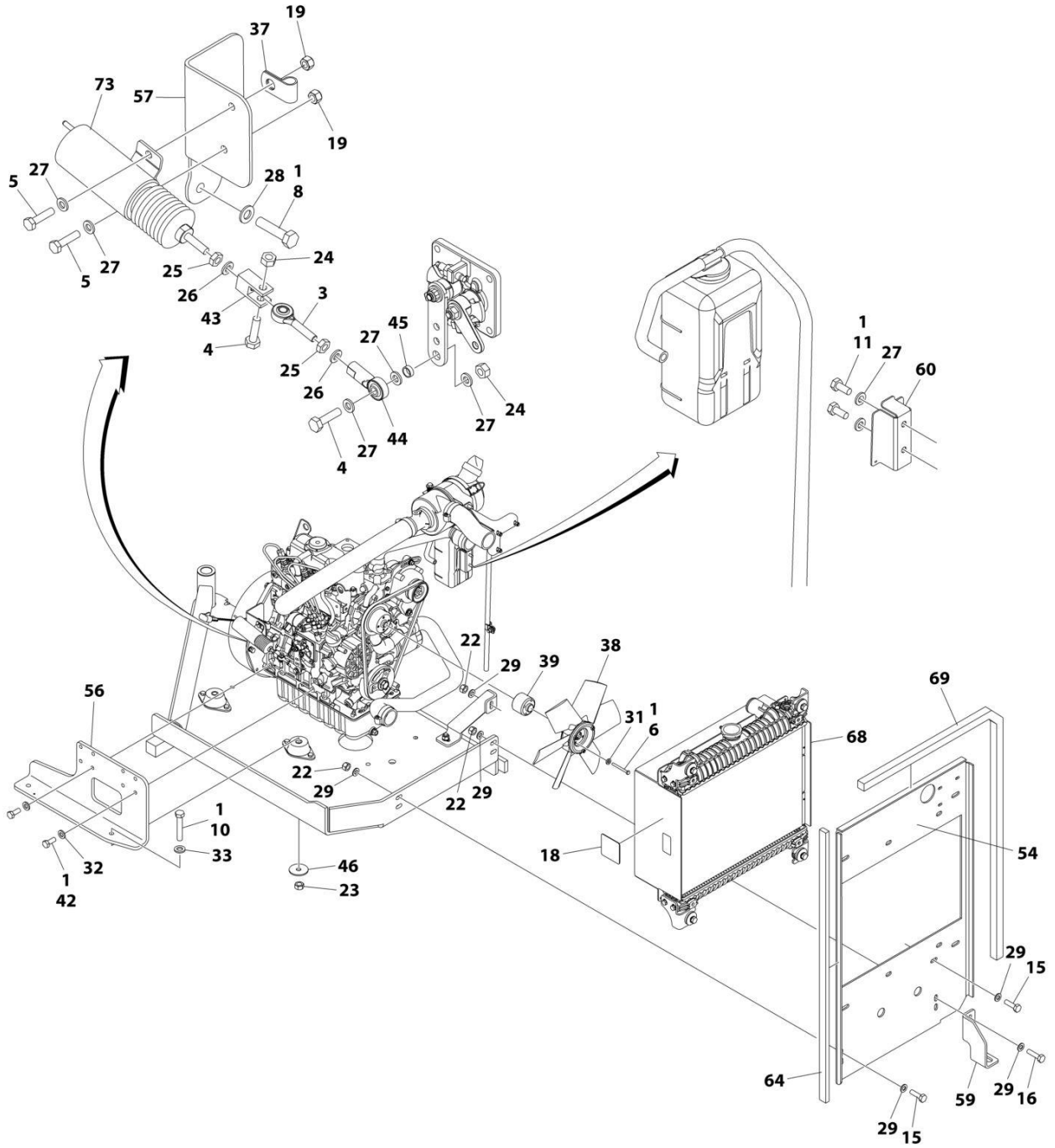
# SECTION 3 - ENGINE

## FIGURE 3-6. ENGINE ASSEMBLY - KUBOTA DIESEL T4F WITH GENERATOR



ART\_1001238777\_TOF2\_B

# SECTION 3 - ENGINE



ART\_1001238777\_20F2\_B

## SECTION 3 - ENGINE

FIGURE 3-6. ENGINE ASSEMBLY - KUBOTA DIESEL T4F WITH GENERATOR

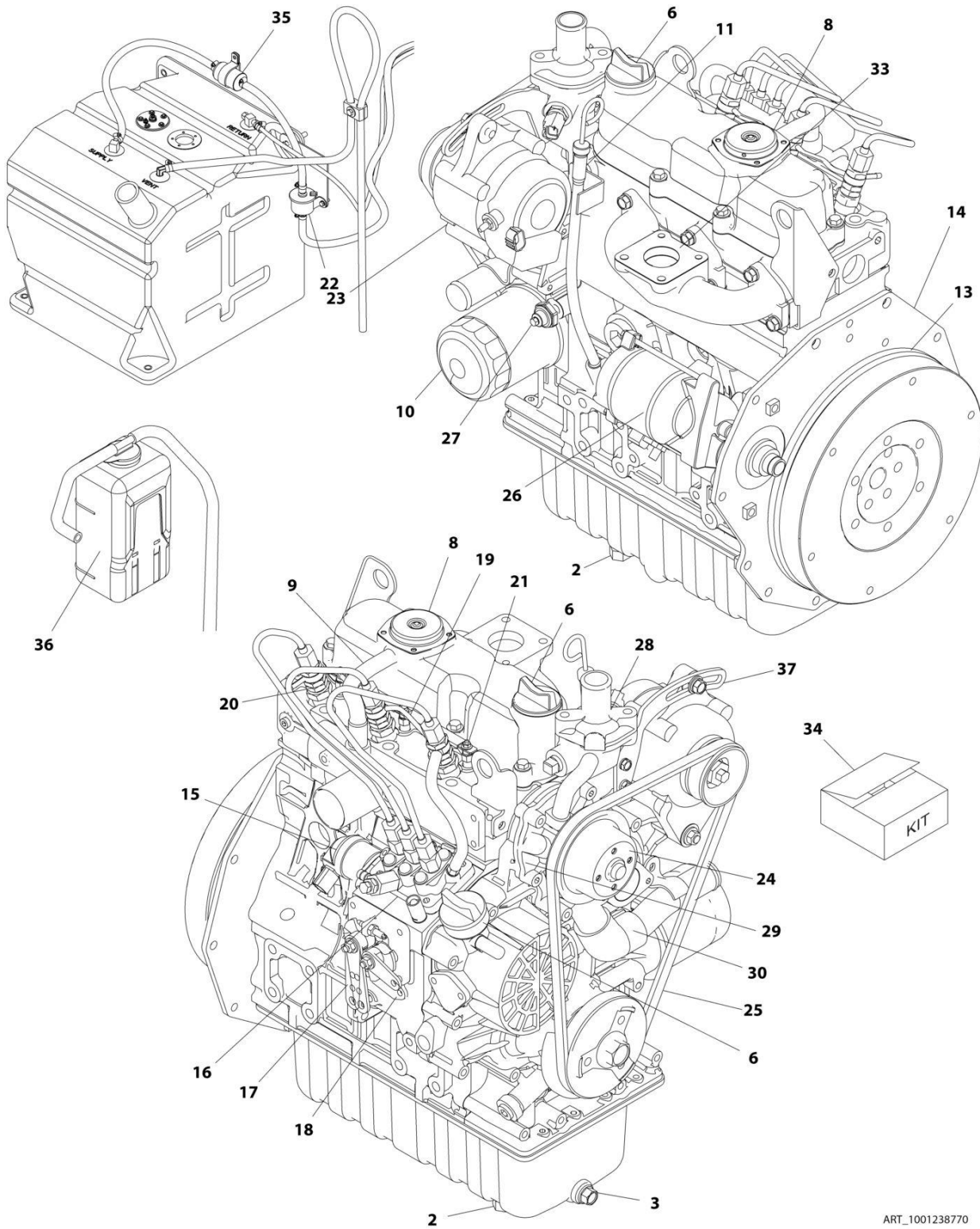
ITEM	PART NUMBER	QTY	DESCRIPTION	REV
	1001238777	Ref	ENGINE ASSEMBLY - KUBOTA DIESEL T4F	B
1	0100011	AR	Compound, Locking	
2	0340045	1	Band, Mounting	
3	0440334	1	Bearing	
4	0641408	2	Bolt 1/4 x 1	
5	0700610	5	Bolt M6 x 20	
6	0700620	4	Bolt M6 x 60	
7	0700814	10	Bolt M8	
8	0700815	2	Bolt M8 x 35	
9	0700819	2	Bolt M8 x 55	
10	0701222	4	Bolt M12 x 70	
11	0760607	2	Bolt M6 x 14	
12	0760808	10	Bolt M8 x 16	
13	0760810	2	Bolt M8 x 20	
14	0761014	1	Bolt M10 x 30	
15	0761015	4	Bolt M10 x 35	
16	0761016	6	Bolt M10 x 40	
17	0961986	2	Bearing, Flange	
18	1703162	2	Decal - Fan Blade	
19	3290605	5	Nut M6	
20	3290805	14	Nut M8	
21	3291001	4	Nut M10	
22	3291005	7	Nut M10	
23	3291201	4	Nut M12	
24	3311405	2	Nut 1/4	
25	3321402	2	Nut 1/4	
26	4761400	2	Washer 1/4	
27	4811700	13	Washer M6	
28	4811900	38	Washer M8	
29	4812000	18	Washer M10	
30	4812500	2	Washer M20	
31	5240600	4	Washer M6	
32	5241000	8	Washer M10	
33	5241200	4	Washer M12	
34	8405101	2	Clamp	
35	8405104	5	Clamp	
36	85941016	2	Clamp	
37	90021705	1	Clamp, Support	
38	1001118538	1	Fan	
39	1001118539	1	Spacer, Fan	
40	1001118580	1	Sensor, Speed	
41	1001118675	1	Coupling Kit (See Separate Breakdown in this Section)	
42	1001118746	8	Bolt M10 x 25	
43	1001118881	1	Clevis, Linkage	
44	1001118925	1	Bearing	
45	1001128888	1	Washer	
46	1001168018	4	Washer	
47	1001169054	4	Isolator, Radiator	
48	1001169138	6	Pad	
49	1001169967	2	Bracket, Radiator	

## SECTION 3 - ENGINE

ITEM	PART NUMBER	QTY	DESCRIPTION	REV
50	1001170035	2	Bracket, Radiator	
51	1001175509	4	Mount, Motor	
52	1001180620	AR	Compound, Locking	
53	1001181649	1	Tray, Engine	
54	1001181658	1	Plate, Radiator Mounting	
55	1001182976	1	Mount, Engine (LH)	
56	1001182977	1	Mount, Engine (RH)	
57	1001182979	1	Bracket, Throttle Cylinder	
58	1001182980	1	Bracket, Air Cleaner	
59	1001182981	1	Bracket, Tray	
60	1001182982	1	Mount	
61	1001182983	1	Tube, Intake	
62	1001182984	1	Bracket, Support	
63	1001182987	1	Tube, Air Intake	
64	1001247403	1	Foam, Baffle	
65	1001183424	1	Foam, Baffle	
66	1001184066	1	Foam, Baffle	
67	1001195600	1	Bracket, Muffler	
68	1001220957	1	Radiator & Shroud Assembly	
68	1001198726	1	Radiator	
68	70007502	1	Valve, Drain	
68	1001220959	1	Shroud	
69	1001227285	1	Seal	
70	1001234950	1	Muffler	
71	1001238770	1	Engine Components - Kubota Diesel T4F (See Separate Breakdown in this Section)	
72	1001118280	1	Air Filter Assembly	
72	7015004	2	Element	
73	1001118582	1	Actuator, Throttle	
74	1001125248	2	Mount, Engine	
75	1001182978	1	Tube, Inlet	
76	1001182985	1	Tube, Outlet	

# SECTION 3 - ENGINE

## FIGURE 3-7. ENGINE COMPONENTS - KUBOTA DIESEL T4F



ART\_1001238770



## SECTION 3 - ENGINE

**FIGURE 3-7. ENGINE COMPONENTS - KUBOTA DIESEL T4F**

ITEM	PART NUMBER	QTY	DESCRIPTION	REV
	1001238770	Ref	ENGINE COMPONENTS - KUBOTA DIESEL T4F	A
1	70004524	1	Drain (Not Shown)	
2	7023154	1	Plug, Drain	
2	70002315	1	Seal, Plug	
3	70004525	1	Plug, Drain	
3	70004526	1	Gasket	
4	70005220	1	Gasket, Cylinder Head (Not Shown)	
5	7017922	1	Seal, Front Main (Not Shown)	
6	70002318	2	Cap, Oil Fill	
6	70004311	2	O-Ring	
7	70005221	1	Gasket, Valve Cover (Not Shown)	
8	70003060	1	Comp Valve, Breather	
8	70003061	1	Cover, Breather	
8	7017934	4	Screw	
9	70002316	1	Pipe, Water Return	
9	70002317	1	Tube, Breather	
9	70004530	1	Clamp, Hose	
9	70004531	1	Band, Pipe	
10	70004395	1	Filter, Oil	
11	70005222	1	Dipstick	
11	70005223	1	Tube, Dipstick	
12	7017928	1	Seal, Rear Main (Not Shown)	
13	70005224	1	Gear, Ring	
14	70002419	1	Plate, Rear End	
15	7025479	1	Solenoid, Stop	
16	7023164	1	Pump, Injection	
16	70002319	1	Shim, Injection	
16	70002320	1	Shim, Injection	
16	70002321	1	Shim, Injection Pump	
16	70002322	1	Shim, Injection Pump	
16	70002323	1	Shim, Injection Pump	
16	7017945	1	Joint, Eye	
17	70004396	1	Control, Speed	
17	70004397	1	Gasket	
18	7023165	1	Gasket	
19	70004536	1	Pipe, Over Flow	
19	70004537	1	Screw, Air Bleeder	
19	70004538	1	Gasket	
19	70004539	1	Pipe, Over Flow	
20	70004399	3	Holder, Nozzle	
20	70004540	3	Nut	
20	7023167	3	Gasket	
20	7023168	3	Seal, Heat	
21	70004398	3	Plug, Glow	
21	70004544	1	Cord, Glow Plug	
22	70005228	1	Electric Fuel Feed Pump	
23	70006661	1	Alternator - 60Amp	
24	7023140	1	Pulley, Fan	
25	70006665	1	V-Belt	
26	7023144	1	Starter	

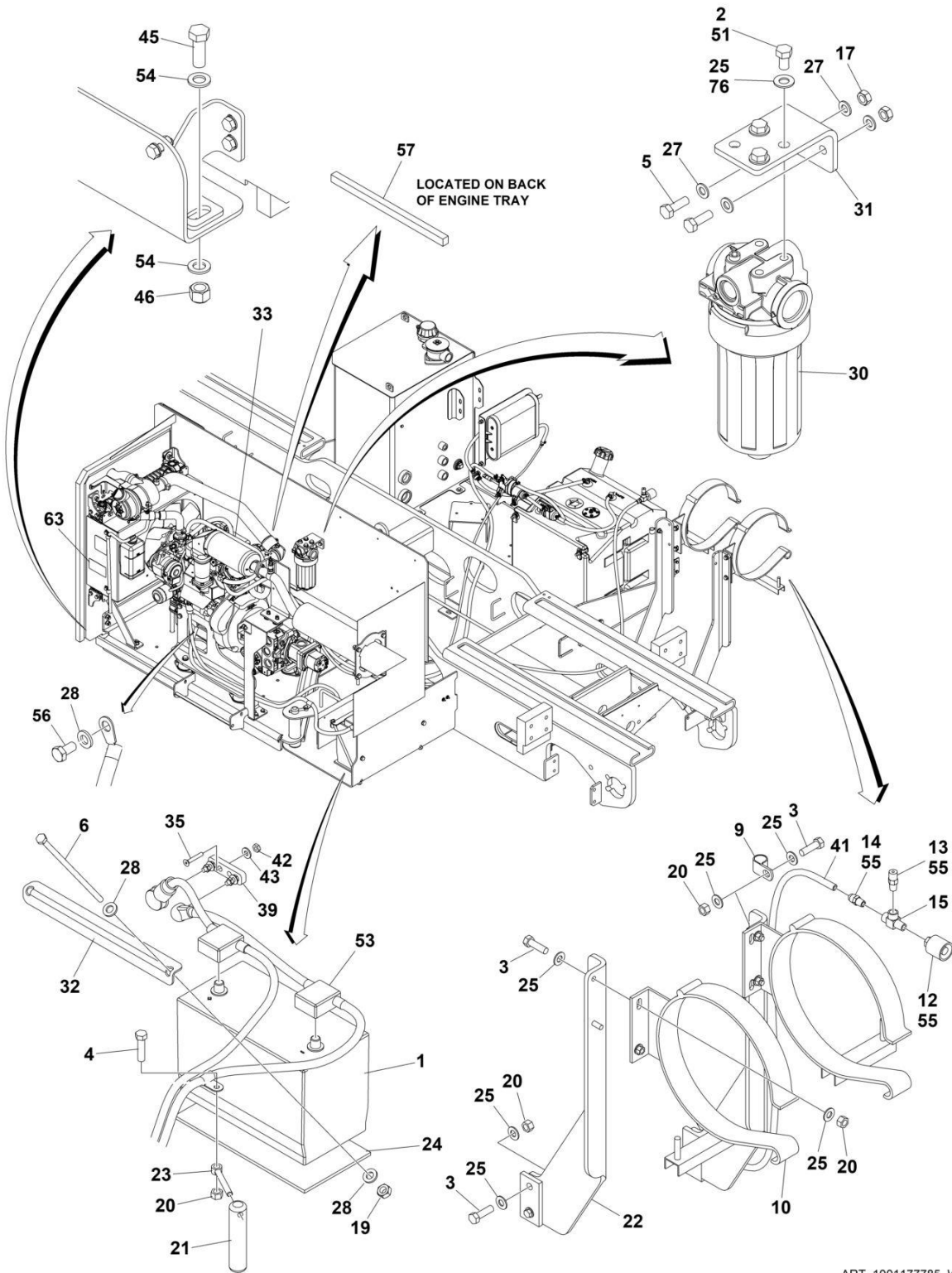
## SECTION 3 - ENGINE

ITEM	PART NUMBER	QTY	DESCRIPTION	REV
27	7017901	1	Switch, Oil	
28	70004829	1	Pipe, Water Return	
28	7023145	1	Gasket, Flange	
28	7017958	1	Hose, Water Return	
28	7023170	1	Thermostat	
28	70002326	1	Gasket, Thermostat	
28	70003064	1	Sensor, Water Temperature	
28	70003063	1	Washer, Seal	
29	70002327	1	Pump, Water	
29	70002328	1	Gasket, Water Pump	
30	7017963	1	Pipe, Water	
30	70002330	1	Pipe, Water	
31	7023149	1	Gasket, Inlet Manifold (Not Shown)	
32	7023148	1	Gasket, Exhaust Manifold (Not Shown)	
33	7023124	1	Gasket (Muffler)	
33	70004415	4	Bolt, Sems	
34	70005226	1	Upper Gasket Kit	
34	70005227	1	Lower Gasket Kit	
35	7017992	1	Fuel Filter	
36	70005229	1	Tank, Coolant Reserve	
37	70006664	1	Arm, Adjustment	



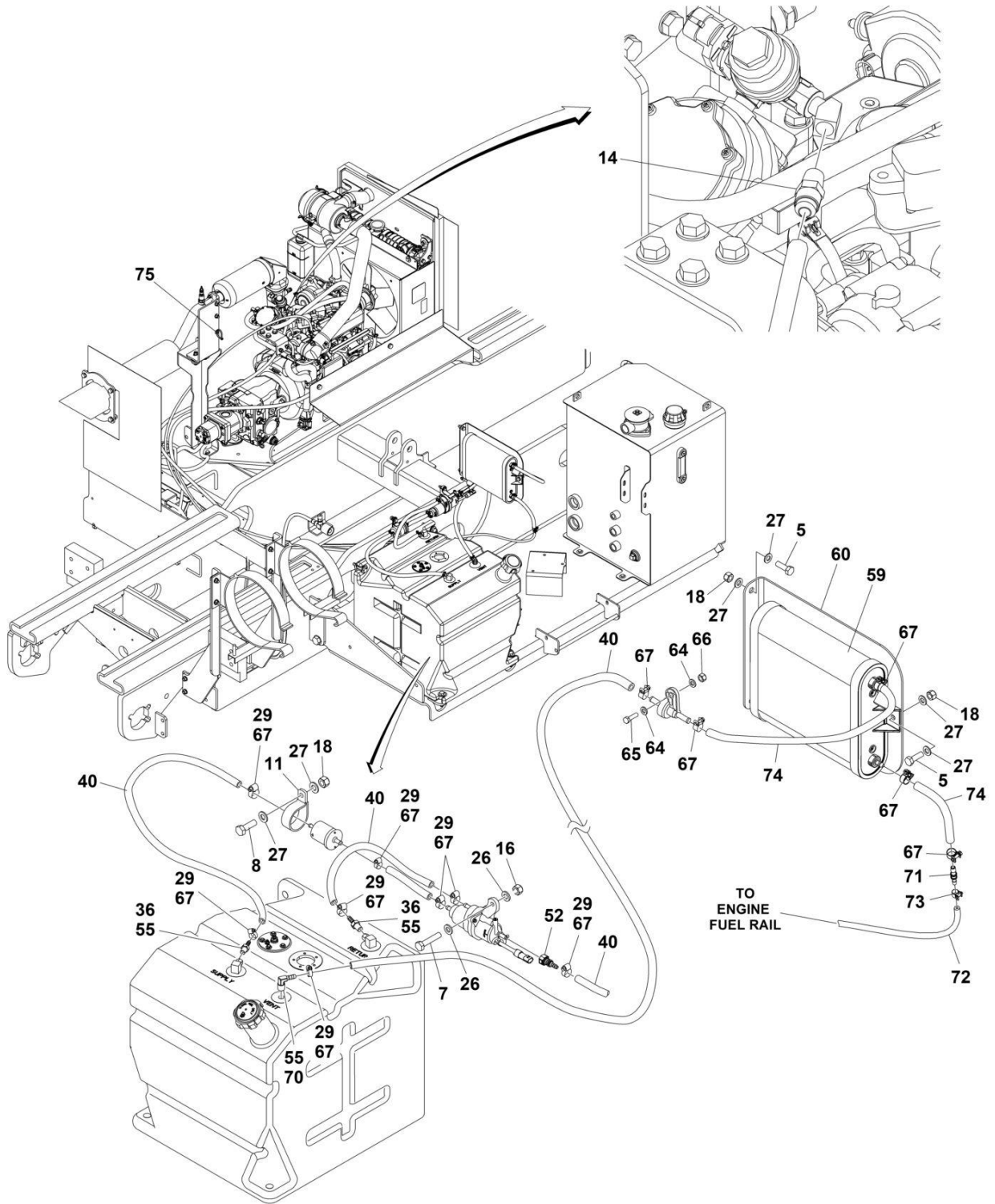
# SECTION 3 - ENGINE

## FIGURE 3-8. ENGINE INSTALLATION - KUBOTA GASOLINE



ART\_100117785\_W\_10F2

# SECTION 3 - ENGINE



ART\_100117785\_W\_20F2

## SECTION 3 - ENGINE

**FIGURE 3-8. ENGINE INSTALLATION - KUBOTA GASOLINE**

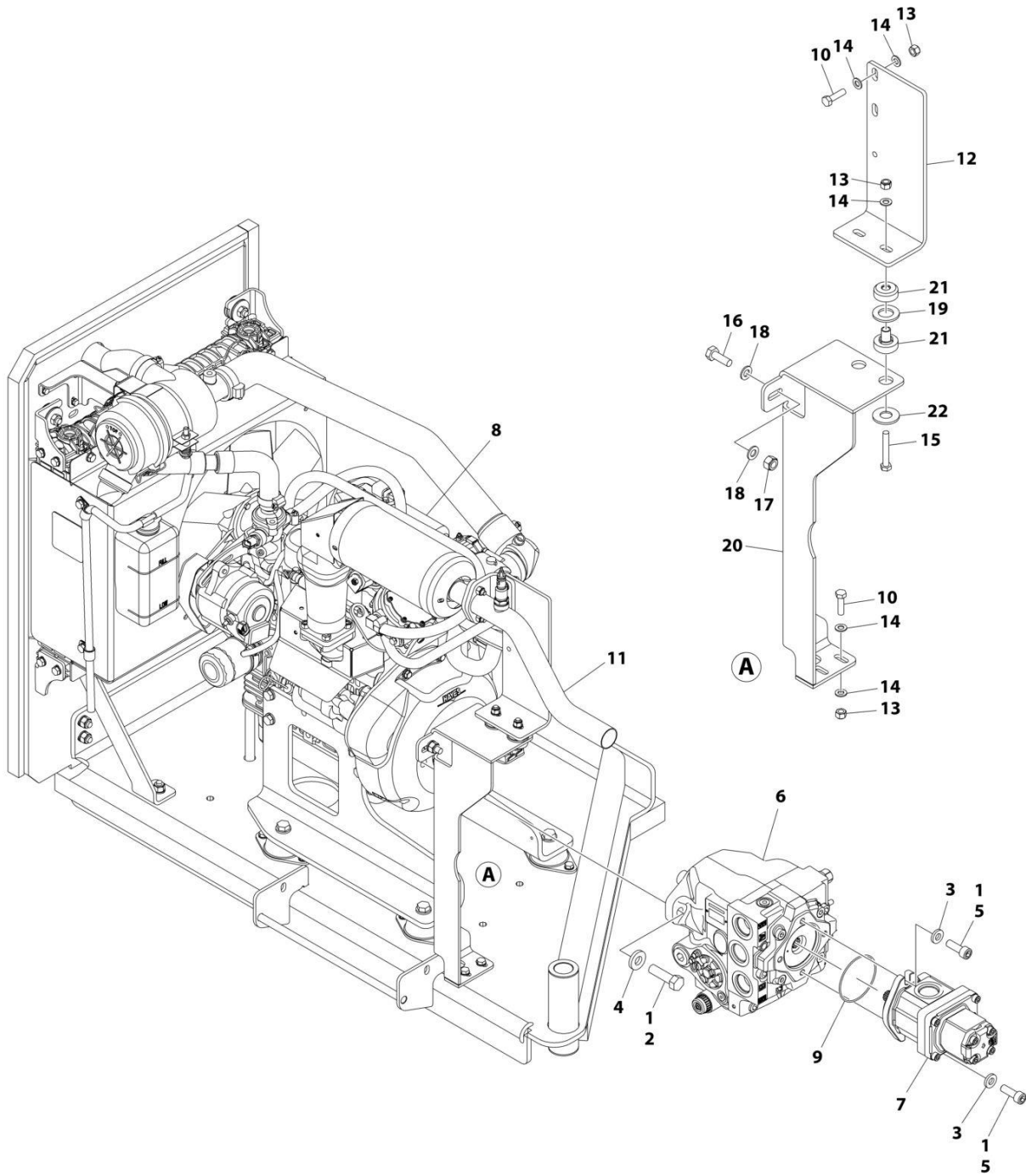
ITEM	PART NUMBER	QTY	DESCRIPTION	REV
	1001177785	Ref	ENGINE INSTALLATION - KUBOTA GASOLINE	W
1	0400075	1	Battery	
2	0761010	AR	Bolt M10 x 20	
3	0641610	9	Bolt 3/8 x 1-1/4	
4	0641612	1	Bolt 3/8 x 1-1/2	
5	0700812	AR	Bolt M8 x 25	
6	0701047	2	Bolt M10 x 300	
7	0760614	3	Bolt M6 x 30	
8	0760812	AR	Bolt M8 x 25	
9	1320061	1	Clamp	
10	1320220	1	LP Clamp Kit	
11	1320265	1	Clamp	
12	2180387	1	Fitting, Tank Connector	
13	2180389	1	Fitting, Relief Valve - LP	
14	2180418	2	Fitting	
15	2220290	1	Fitting, Tee	
16	3290605	3	Nut M6	
17	3290801	2	Nut M8	
18	3290805	AR	Nut M8	
19	3291001	2	Nut M10	
20	3311605	10	Nut 3/8	
21	3422669	1	Pin	
22	3573440	2	Plate, Mounting	
23	3841143	1	Keeper Pin	
24	3980007	1	Seat, Battery	
25	4711600	AR	Washer 3/8	
26	4811700	6	Washer M6	
27	4811900	AR	Washer M8	
28	5241000	5	Washer M10	
29	8405009	AR	Clamp	
30	1001208874	1	Filter, Charge Pump	
30	70010383	1	Element, Filter	
31	1001194836	1	Bracket	
32	1001184065	1	Bracket, Hold Down	
33	1001184653	1	Engine and Pump Sub-Assembly (See Separate Breakdown in this Section)	
35	0741010	2	Screw #10 x 1-1/4	
36	2180348	2	Fitting, NPT/Barbed	
39	2400044	1	Block, Fuse Mounting	
40	1001300357	15.7 ft/ 4.8m	Hose	
41	2720611	1	Hose	
42	3300408	2	Nut	
43	4711400	2	Washer 1/4	
45	0761617	1	Bolt M16 x 45	
46	3291605	1	Nut M16	
51	0100011	AR	Compound, Locking	
52	1001174093	1	Coupling, Quick Connect	
53	1001186429	1	Battery Cable Kit (See Separate Breakdown in ELECTRICAL SECTION)	

## SECTION 3 - ENGINE

ITEM	PART NUMBER	QTY	DESCRIPTION	REV
54	4812300	2	Washer M16	
55	0100020	AR	Sealant	
56	8303511	1	Capscrew M10 x 20	
57	1001183421	1	Foam, Baffle	
59	1001225420	1	Canister, Carbon	
60	1001225421	1	Bracket	
63	1001262941	1	Decal - EPA Evaporation 2020 Standards	
63	1001274101	1	Decal - EPA Evaporation 2021 Standards	
63	1001288395	1	Decal - EPA Evaporation 2022 Standards	
63	1001299769	1	Decal - EPA Evaporation 2023 Standards	
64	4811600	AR	Washer M5	
65	0760512	AR	Bolt M5 x 25	
66	3290505	AR	Nut M5	
67	1001174486	14	Clamp	
70	2221176	1	Fitting, 90	
71	1001131391	1	Coupling, Fuel Line	
72	1001129256	9.3 ft/ 2.8m	Hose	
73	1001185585	2	Clamp, Hose	
74	1001129255	2.5 ft/ .8m	Hose	
75	1001146588	AR	Tie-Strap	
76	4812000	AR	Washer M10	

# SECTION 3 - ENGINE

## FIGURE 3-9. ENGINE AND PUMP SUB-ASSEMBLY - KUBOTA GASOLINE



ART\_1001184653



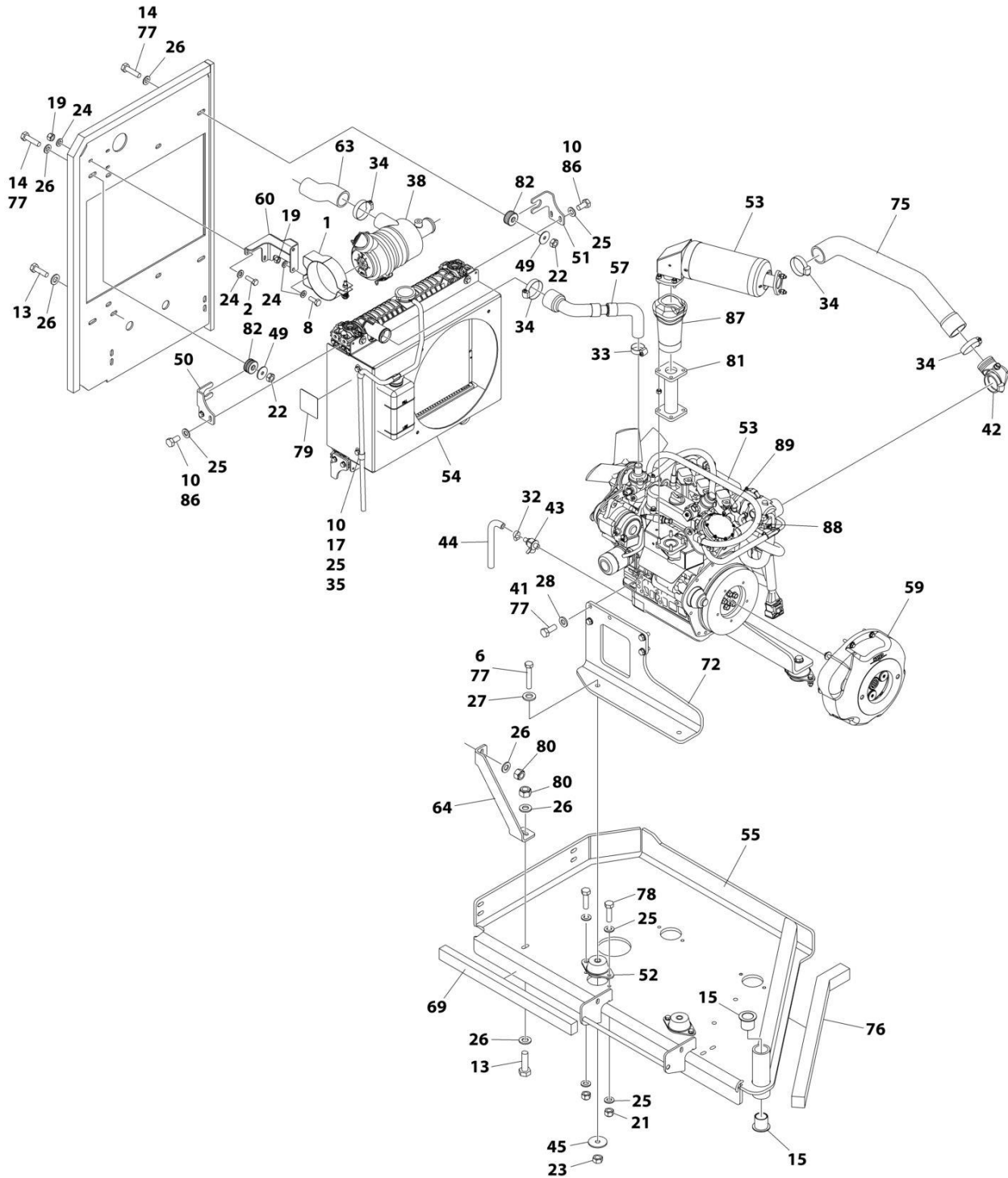
## SECTION 3 - ENGINE

**FIGURE 3-9. ENGINE AND PUMP SUB-ASSEMBLY - KUBOTA GASOLINE**

ITEM	PART NUMBER	QTY	DESCRIPTION	REV
	1001184653	Ref	ENGINE AND PUMP SUB-ASSEMBLY - KUBOTA GASOLINE	F
1	0100011	AR	Compound, Locking	
2	0641814	2	Bolt 1/2 x 1-3/4	
3	4891600	AR	Washer 3/8	
4	4891800	2	Washer 1/2	
5	83191040	2	Capscrew M10 x 30	
6	1001101331	1	Piston Pump Assembly (See Separate Breakdown in this Section)	
7	1001217291	1	Gear Pump Assembly	
7	70002861	1	Seal Kit - 1001217291 Pump (Note: Seal Kit is only service component available)	
8	1001184654	1	Engine Assembly - Kubota Gasoline (See Separate Breakdown in this Section)	
9	3790152	1	O-Ring	
10	0700814	AR	Bolt M8 x 30	
11	1001186833	1	Tube, Exhaust	
12	1001226420	1	Bracket, Exhaust	
13	3290805	AR	Nut M8	
14	4811900	AR	Washer M8	
15	0700819	AR	Bolt M8 x 55	
16	0761014	AR	Bolt M10 x 30	
17	3291005	AR	Nut M10	
18	4812000	AR	Washer M10	
19	4812500	AR	Washer M20	
20	1001195600	1	Bracket	
21	1001125248	1	Mount	
22	1001169138	2	Pad	

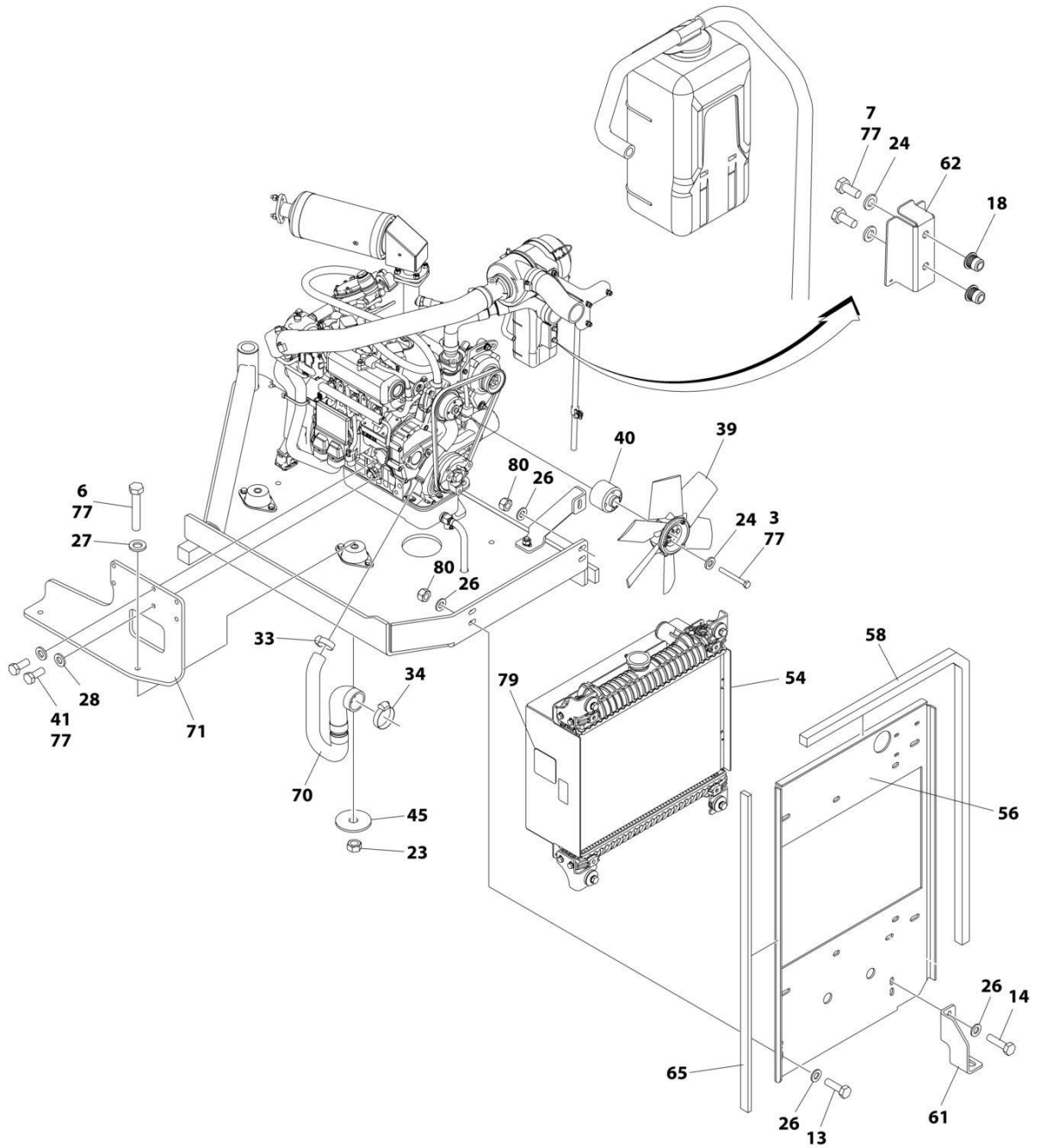
# SECTION 3 - ENGINE

## FIGURE 3-10. ENGINE ASSEMBLY - KUBOTA GASOLINE



ART\_1001184654\_10F2\_M

# SECTION 3 - ENGINE



ART\_1001184654\_20F2\_M

## SECTION 3 - ENGINE

FIGURE 3-10. ENGINE ASSEMBLY - KUBOTA GASOLINE

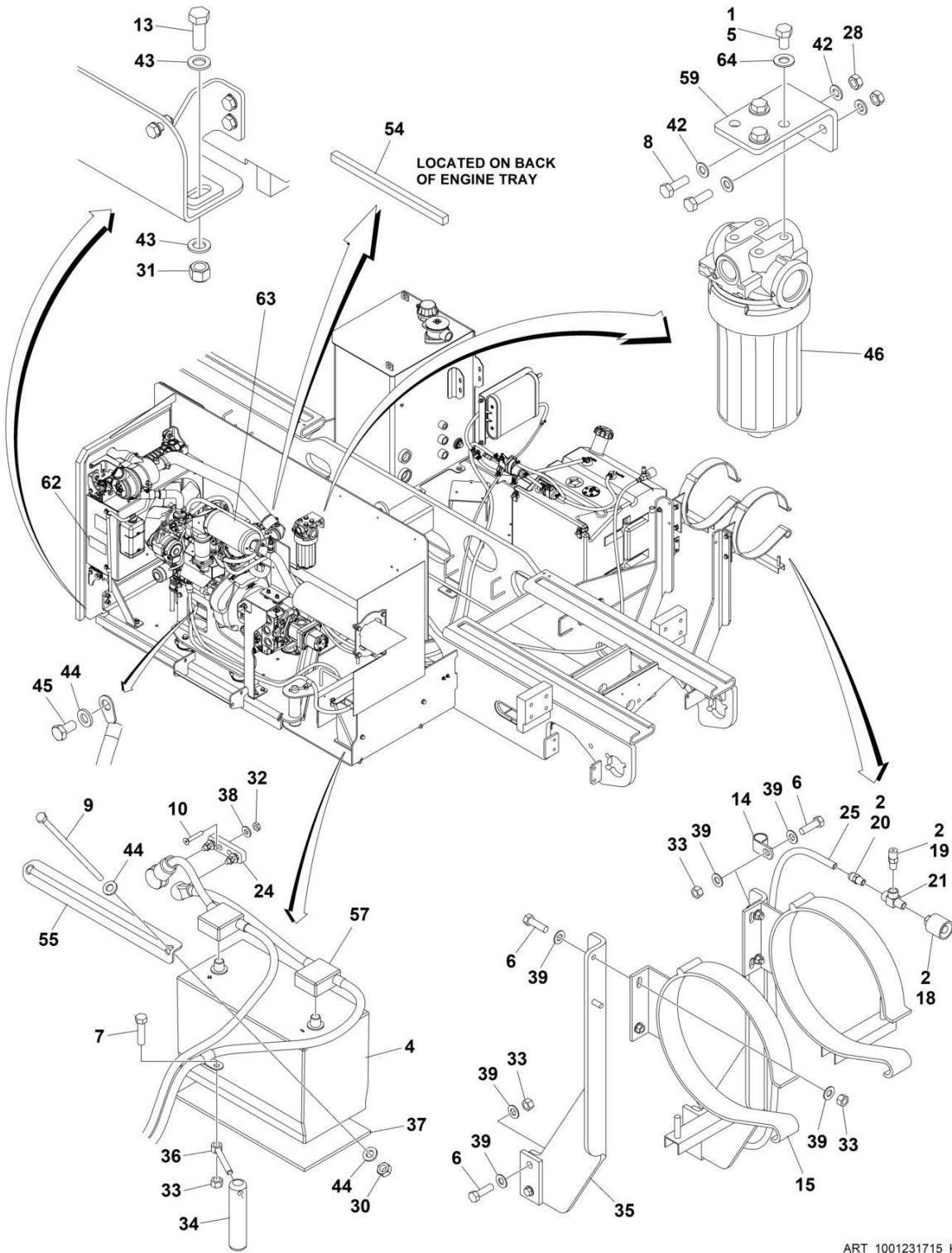
ITEM	PART NUMBER	QTY	DESCRIPTION	REV
	1001184654	Ref	ENGINE ASSEMBLY - KUBOTA GASOLINE	M
1	0340045	1	Band, Mounting	
2	0700610	3	Bolt M6 x 20	
3	0700619	4	Bolt M6 x 55	
6	0701222	4	Bolt M12 x 70	
7	0760607	2	Bolt M6 x 14	
8	0760608	AR	Bolt M6 x 16	
10	0760808	10	Bolt M8 x 16	
11	0760815	AR	Bolt M8 x 35	
13	0761015	4	Bolt M10 x 35	
14	0761016	6	Bolt M10 x 40	
15	0961986	2	Bearing, Flange	
17	1001191832	AR	Nut M8	
18	1001178636	AR	Nut M6	
19	3290605	AR	Nut M6	
21	3290805	AR	Nut M8	
22	3291001	4	Nut M10	
23	3291201	4	Nut M12	
24	4811700	AR	Washer M6	
25	4811900	AR	Washer M8	
26	4812000	16	Washer M10	
27	5241200	4	Washer M12	
28	5241000	8	Washer M10	
32	8405009	1	Clamp	
33	8405101	2	Clamp	
34	8405104	5	Clamp	
35	85941016	2	Clamp	
38	1001118280	1	Air Filter Assembly	
38	7015004	2	Element	
38	7015005	1	Cover Assembly	
38	1340069	1	Valve, Vacuator	
39	1001118538	1	Fan	
40	1001118539	1	Fan, Spacer	
41	1001118746	8	Bolt M10 x 25	
42	1001146043	1	Elbow	
43	1001161497	1	Valve Oil Drain	
44	1001165035	1	Hose	
45	1001168018	4	Washer	
49	1001169138	4	Pad	
50	1001169967	2	Bracket, Radiator	
51	1001170035	2	Bracket, Radiator	
52	1001187235	4	Mount, Motor	
53	1001224493	1	Engine Components - Kubota Gasoline (See Separate Breakdown in this Section)	
54	1001220957	1	Radiator & Shroud Assembly	
54	1001198726	1	Radiator	
54	70007502	1	Valve, Drain	
54	1001220959	1	Shroud	
55	1001181649	1	Tray, Engine	
56	1001181658	1	Plate, Radiator Mounting	

## SECTION 3 - ENGINE

ITEM	PART NUMBER	QTY	DESCRIPTION	REV
57	1001181659	1	Hose, Radiator (Upper)	
58	1001181739	1	Seal	
59	1001181829	1	Coupling Kit - Gasoline Engines (See Separate Breakdown in this Section)	
60	1001182980	1	Bracket, Air Cleaner	
61	1001182981	1	Bracket, Tray	
62	1001182982	1	Mount	
63	1001182983	1	Tube, Intake	
64	1001182984	1	Bracket, Support	
65	1001247403	1	Foam, Baffle	
69	1001183424	1	Foam, Baffle	
70	1001183427	1	Tube, Coolant	
71	1001183428	1	Mount, Engine (RH)	
72	1001183429	1	Mount, Engine (LH)	
75	1001184064	1	Tube, Intake	
76	1001184066	1	Foam, Baffle	
77	0100011	AR	Compound, Locking	
78	0700814	8	Bolt, M8 x 30	
79	1703162	2	Decal - Fan Blade	
80	3291005	6	Nut M10	
81	1001213847	1	Tube, Exhaust	
82	1001169054	4	Isolator, Radiator	
86	1001180620	AR	Compound, Locking	
87	1001210708	1	Sleeve, Insulation	
88	1001181625	50 in/ 127cm	Hose	
89	8410013	4	Clamp	

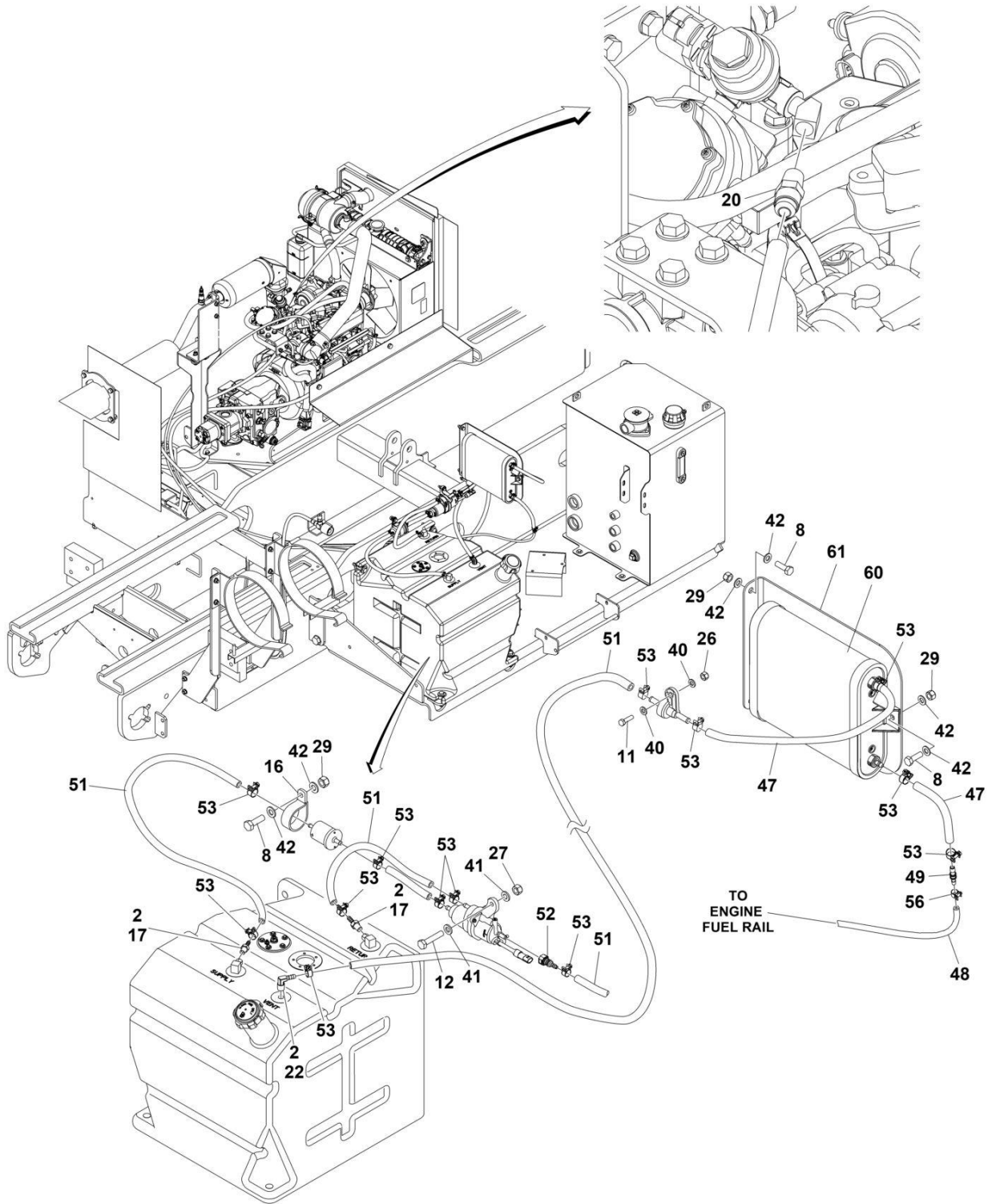
# SECTION 3 - ENGINE

## FIGURE 3-11. ENGINE INSTALLATION - KUBOTA GASOLINE WITH GENERATOR



ART\_1001231715\_K\_10F2

# SECTION 3 - ENGINE



ART\_1001231715\_K\_2OF2

## SECTION 3 - ENGINE

FIGURE 3-11. ENGINE INSTALLATION - KUBOTA GASOLINE WITH GENERATOR

ITEM	PART NUMBER	QTY	DESCRIPTION	REV
	1001231715	Ref	ENGINE INSTALLATION - KUBOTA GASOLINE	K
1	0100011	AR	Compound, Locking	
2	0100020	AR	Sealant	
4	0400075	1	Battery	
5	0761010	3	Bolt M10 x 20	
6	0641610	9	Bolt 3/8 x 1-1/4	
7	0641612	1	Bolt 3/8 x 1-1/2	
8	0700812	7	Bolt M8 x 25	
9	0701047	2	Bolt M10 x 300	
10	0741010	2	Screw 10 x 1-1/4	
11	0760512	1	Bolt M5 x 25	
12	0760614	3	Bolt M6 x 30	
13	0761617	1	Bolt M16 x 45	
14	1320061	1	Clamp	
15	1320220	1	LP Clamp Kit	
15	4400420	1	Tank, LP - Steel (Not Shown)	
15	4400275	1	Tank, LP - Aluminum (Not Shown)	
16	1320265	1	Clamp	
17	2180348	2	Fitting, NPT/Barbed	
18	2180387	1	Fitting, Tank Connector	
19	2180389	1	Fitting, Relief Valve - LP	
20	2180418	2	Fitting	
21	2220290	1	Fitting, Tee	
22	2221176	1	Fitting, 90	
24	2400044	1	Block, Fuse Mounting	
25	2720611	1	Hose	
26	3290505	1	Nut M5	
27	3290605	3	Nut M6	
28	3290801	2	Nut M8	
29	3290805	5	Nut M8	
30	3291001	2	Nut M10	
31	3291605	1	Nut M16	
32	3300408	2	Nut	
33	3311605	10	Nut 3/8	
34	3422669	1	Pin	
35	3573440	2	Plate, Mounting	
36	3841143	1	Keeper Pin	
37	3980007	1	Seat, Battery	
38	4711400	2	Washer 1/4	
39	4711600	AR	Washer 3/8	
40	4811600	2	Washer M5	
41	4811700	6	Washer M6	
42	4811900	14	Washer M8	
43	4812300	2	Washer M16	
44	5241000	5	Washer M10	
45	8303511	1	Capscrew M10 x 20	
46	1001208874	1	Filter, Charge Pump	
46	70010383	1	Element (Includes O-Ring)	
47	1001129255	30 in/ 75 cm	Hose	

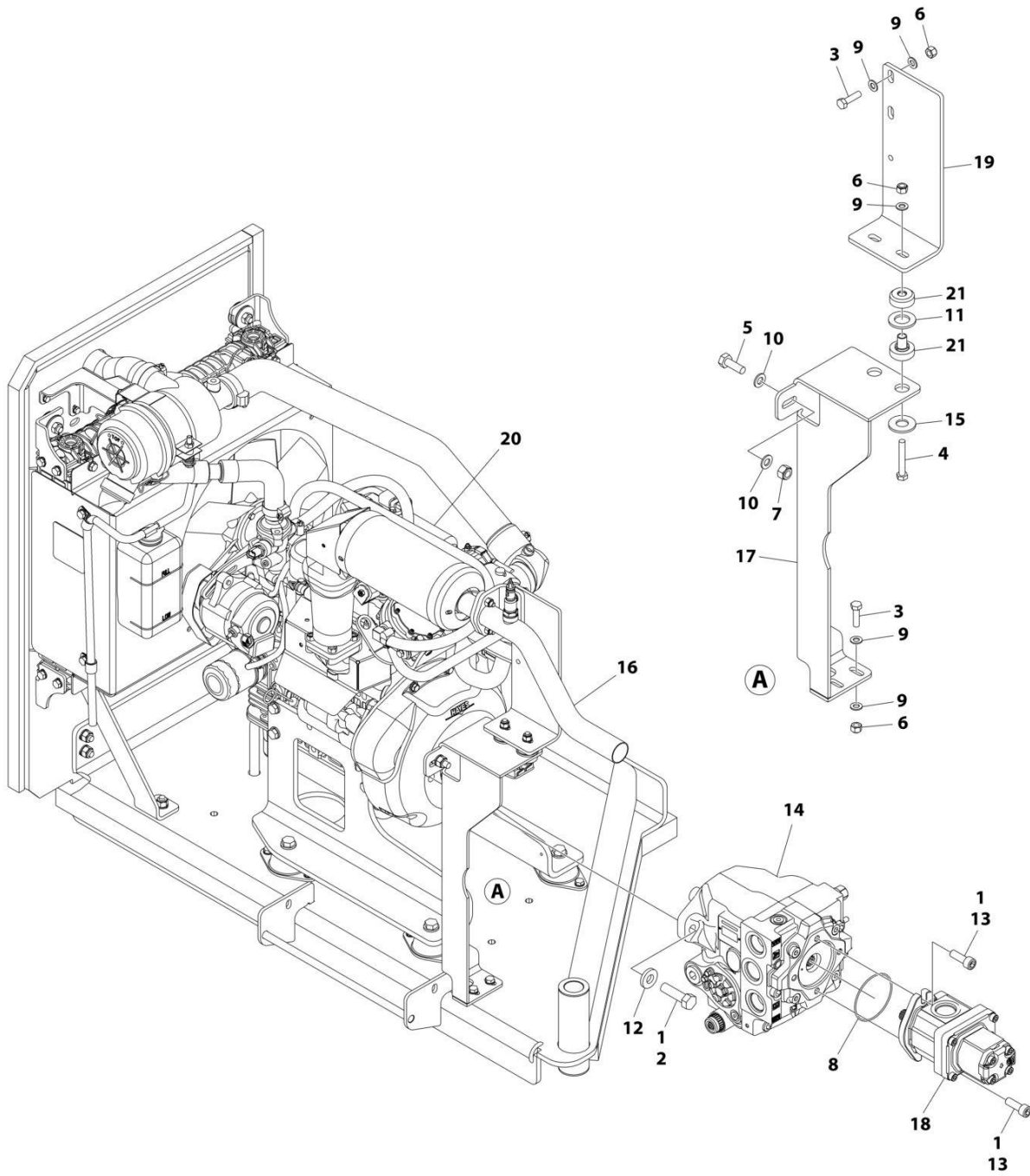


## SECTION 3 - ENGINE

ITEM	PART NUMBER	QTY	DESCRIPTION	REV
48	1001129256	9.5 ft/ 2.8m	Hose	
49	1001131391	1	Coupling, Fuel Line	
50	1001146588	1	Tie-Strap	
51	1001300357	16 ft/ 4.8m	Hose	
52	1001174093	1	Coupling, Quick Connect	
53	1001174486	14	Clamp	
54	1001183421	1	Foam, Baffle	
55	1001184065	1	Bracket, Hold Down	
56	1001185585	2	Clamp, Hose	
57	1001186429	1	Battery Cable Kit (See Separate Breakdown in ELECTRICAL SECTION)	
59	1001194836	1	Bracket	
60	1001225420	1	Canister, Carbon	
61	1001225421	1	Bracket	
62	1001262941	1	Decal - EPA Evaporation 2020 Standards	
62	1001274101	1	Decal - EPA Evaporation 2021 Standards	
62	1001288395	1	Decal - EPA Evaporation 2022 Standards	
62	1001299769	1	Decal - EPA Evaporation 2023 Standards	
63	1001231716	1	Engine and Pump Sub-Assembly (See Separate Breakdown in this Section)	
64	4812000	3	Washer M10	

# SECTION 3 - ENGINE

## FIGURE 3-12. ENGINE AND PUMP SUB-ASSEMBLY - KUBOTA GASOLINE WITH GENERATOR



ART\_1001231716

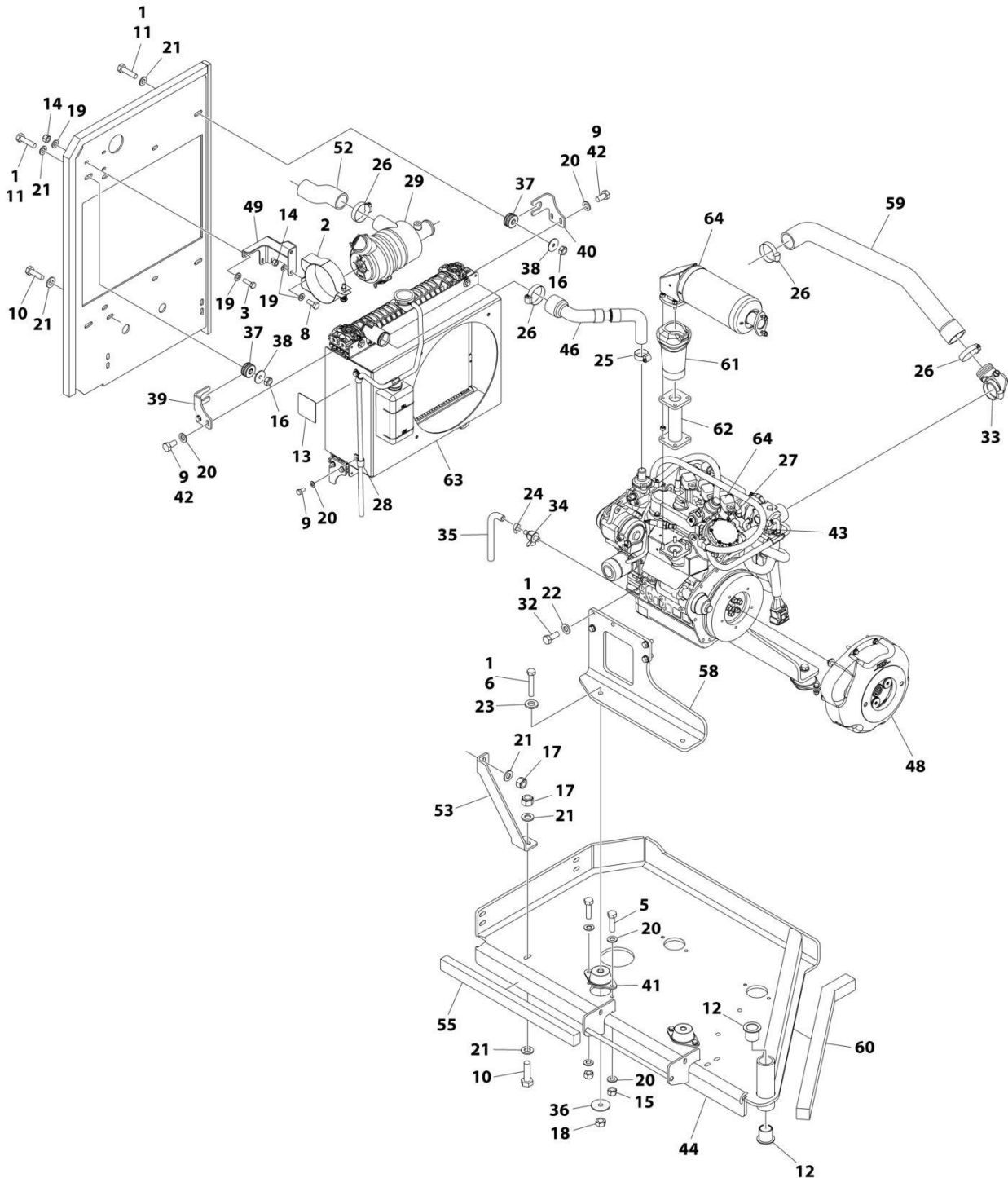
## SECTION 3 - ENGINE

**FIGURE 3-12. ENGINE AND PUMP SUB-ASSEMBLY - KUBOTA GASOLINE WITH GENERATOR**

ITEM	PART NUMBER	QTY	DESCRIPTION	REV
	1001231716	Ref	ENGINE AND PUMP SUB-ASSEMBLY - KUBOTA GASOLINE	B
1	0100011	AR	Compound, Locking	
2	0641814	2	Bolt 1/2 x 1-3/4	
3	0700814	4	Bolt M8 x 30	
4	0700819	2	Bolt M8 x 55	
5	0761014	1	Bolt M10 x 30	
6	3290805	6	Nut M8	
7	3291005	1	Nut M10	
8	3790152	1	O-Ring	
9	4811900	10	Washer M8	
10	4812000	2	Washer M10	
11	4812500	2	Washer M20	
12	4891800	2	Washer 1/2	
13	83191040	2	Capscrew M10 x 30	
14	1001101331	1	Piston Pump Assembly (See Separate Breakdown in this Section)	
15	1001169138	2	Pad	
16	1001186833	1	Tube, Exhaust	
17	1001195600	1	Bracket	
18	1001217291	1	Gear Pump Assembly	
18	70002861	1	Seal Kit - 1001217291 Pump (Note: Seal Kit is only service component available)	
19	1001226420	1	Bracket, Exhaust	
20	1001231717	1	Engine Assembly - Kubota Gasoline (See Separate Breakdown in this Section)	
21	1001125248	2	Mount	

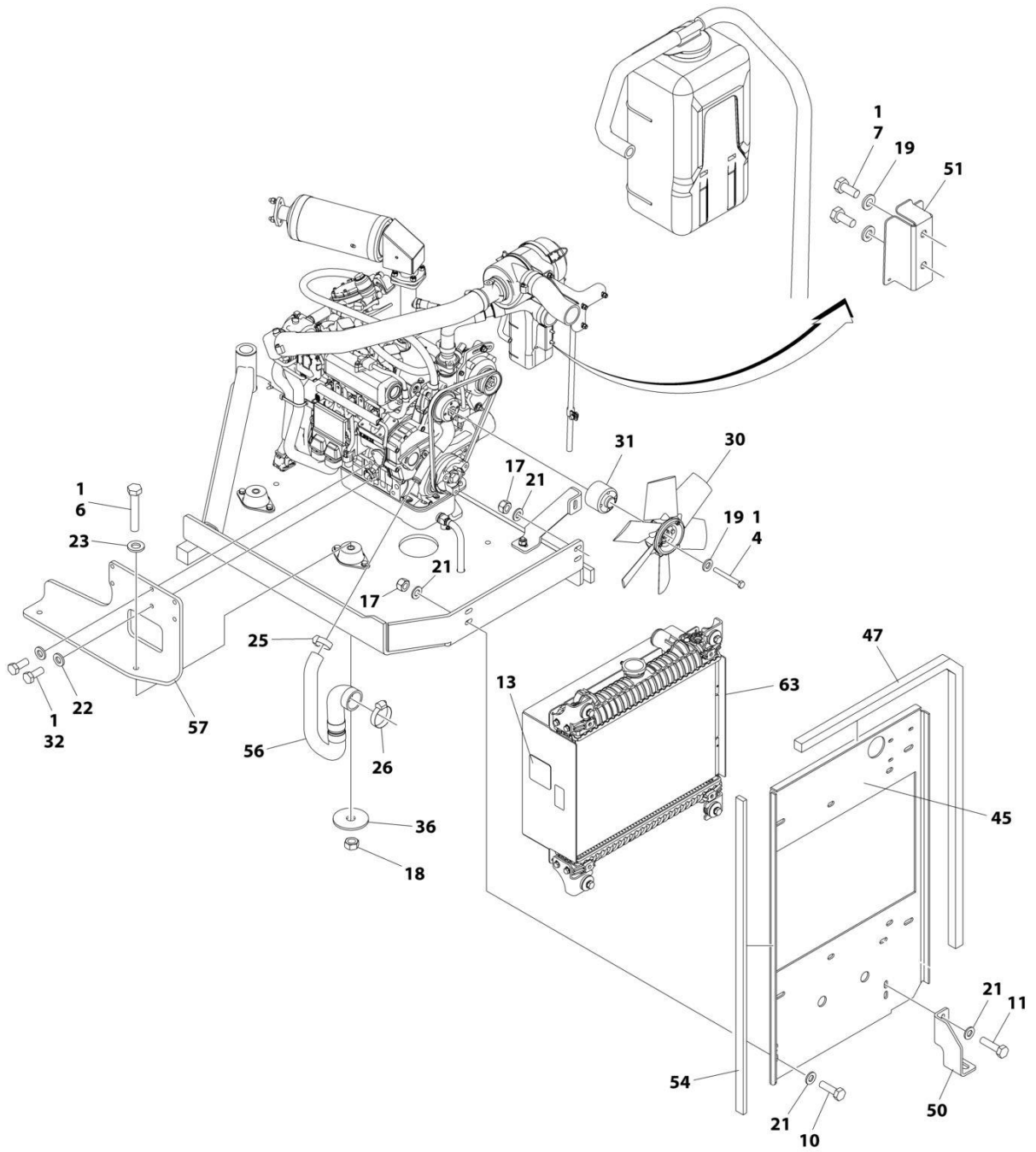
# SECTION 3 - ENGINE

## FIGURE 3-13. ENGINE ASSEMBLY - KUBOTA GASOLINE WITH GENERATOR



ART\_1001231717\_10F2\_B

# SECTION 3 - ENGINE



ART\_1001231717\_20F2\_B

## SECTION 3 - ENGINE

FIGURE 3-13. ENGINE ASSEMBLY - KUBOTA GASOLINE WITH GENERATOR

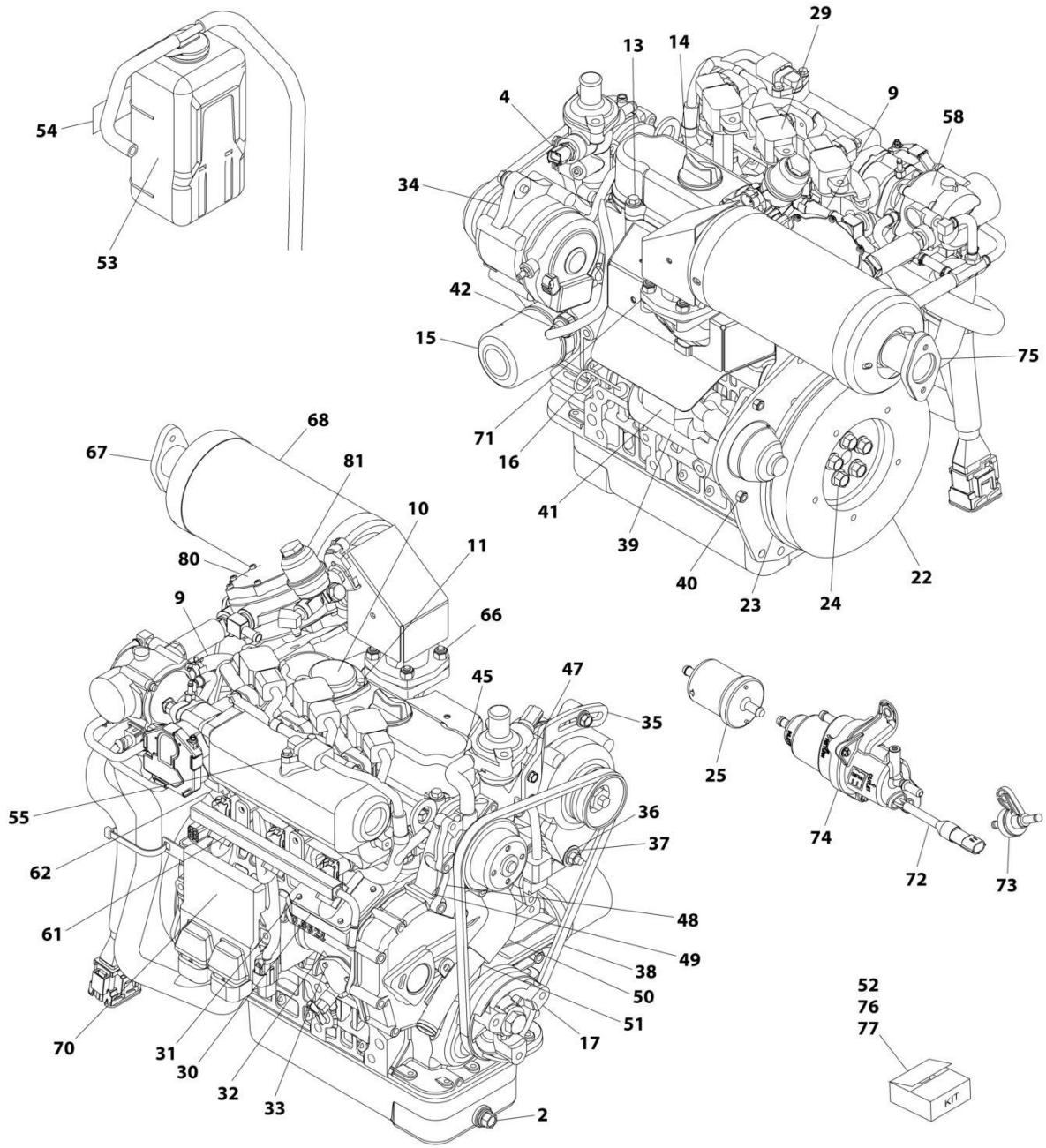
ITEM	PART NUMBER	QTY	DESCRIPTION	REV
	1001231717	Ref	ENGINE ASSEMBLY - KUBOTA GASOLINE	B
1	0100011	AR	Compound, Locking	
2	0340045	1	Band, Mounting	
3	0700610	3	Bolt M6 x 20	
4	0700619	4	Bolt M6 x 55	
5	0700814	8	Bolt M8 x 30	
6	0701222	4	Bolt M12 x 70	
7	0760607	2	Bolt M6 x 14	
8	0760608	2	Bolt M6 x 16	
9	0760808	10	Bolt M8 x 16	
10	0761015	4	Bolt M10 x 35	
11	0761016	6	Bolt M10 x 40	
12	0961986	2	Bearing, Flange	
13	1703162	2	Decal - Fan Blade	
14	3290605	5	Nut M6	
15	3290805	8	Nut M8	
16	3291001	4	Nut M10	
17	3291005	6	Nut M10	
18	3291201	4	Nut M12	
19	4811700	16	Washer M6	
20	4811900	26	Washer M8	
21	4812000	16	Washer M10	
22	5241000	8	Washer M10	
23	5241200	4	Washer M12	
24	8405009	1	Clamp	
25	8405101	2	Clamp	
26	8405104	5	Clamp	
27	8410013	4	Clamp	
28	85941016	2	Clamp	
29	1001118280	1	Air Filter Assembly	
29	7015004	2	Element	
29	7015005	1	Cover Assembly	
29	1340069	1	Valve, Vacuator	
30	1001118538	1	Fan	
31	1001118539	1	Fan, Spacer	
32	1001118746	8	Bolt M10 x 25	
33	1001146043	1	Elbow	
34	1001161497	1	Valve Oil Drain	
35	1001165035	1	Hose	
36	1001168018	4	Washer	
37	1001169054	4	Isolator, Radiator	
38	1001169138	4	Pad	
39	1001169967	2	Bracket, Radiator	
40	1001170035	2	Bracket, Radiator	
41	1001175509	4	Mount, Motor	
42	1001180620	AR	Compound, Locking	
43	1001181625	50 in/ 127cm	Hose	
44	1001181649	1	Tray, Engine	
45	1001181658	1	Plate, Radiator Mounting	

## SECTION 3 - ENGINE

ITEM	PART NUMBER	QTY	DESCRIPTION	REV
46	1001181659	1	Hose, Radiator (Upper)	
47	1001181739	1	Seal	
48	1001181829	1	Coupling Kit - Gasoline Engines (See Separate Breakdown in this Section)	
49	1001182980	1	Bracket, Air Cleaner	
50	1001182981	1	Bracket, Tray	
51	1001182982	1	Mount	
52	1001182983	1	Tube, Intake	
53	1001182984	1	Bracket, Support	
54	1001247403	1	Foam, Baffle	
55	1001183424	1	Foam, Baffle	
56	1001183427	1	Tube, Coolant	
57	1001183428	1	Mount, Engine (RH)	
58	1001183429	1	Mount, Engine (LH)	
59	1001184064	1	Tube, Intake	
60	1001184066	1	Foam, Baffle	
61	1001210708	1	Sleeve, Insulation	
62	1001213847	1	Tube, Exhaust	
63	1001220957	1	Radiator & Shroud Assembly	
63	1001198726	1	Radiator	
63	70007502	1	Valve, Drain	
63	1001220959	1	Shroud	
64	1001224493	1	Engine Components - Kubota Gasoline (See Separate Breakdown in this Section)	

# SECTION 3 - ENGINE

## FIGURE 3-14. ENGINE COMPONENTS - KUBOTA GASOLINE



ART\_1001224493



## SECTION 3 - ENGINE

**FIGURE 3-14. ENGINE COMPONENTS - KUBOTA GASOLINE**

ITEM	PART NUMBER	QTY	DESCRIPTION	REV
	1001224493	Ref	ENGINE COMPONENTS - KUBOTA GASOLINE	C
1	70004524	1	Drain (Not Shown)	
2	70004525	1	Plug, Drain	
2	70004526	1	Gasket	
3	7017906	2	Bolt (Not Shown)	
4	70005726	1	Sensor, Water Temperature	
4	70005727	1	Gasket	
5	70005728	1	Gasket, Head (Not Shown)	
6	7017914	1	Joint, Pipe (Not Shown)	
7	70005729	1	Seal, Oil (Not Shown)	
8	70005730	1	Sensor, Revolution (Not Shown)	
9	7017959	2	Band, Pipe	
10	70005731	1	O-Ring, Breather	
10	70005732	1	Cover, Breather	
11	7017934	4	Screw	
12	70005733	1	Gasket, Head Cover (Not Shown)	
13	70004831	4	Bolt	
14	70002318	1	Plug, Oil Filler	
14	70004311	1	O-Ring	
15	7017980	1	Filter, Oil	
16	70005734	1	Gauge, Oil	
17	70004294	1	Pump, Oil	
17	70004295	1	Gasket, Oil	
18	70004296	1	Key, Feather (Not Shown)	
19	7017982	1	Gasket, Bearing Case (Not Shown)	
20	7017983	1	Seal, Oil (Not Shown)	
21	7017984	1	Gasket, Case Cover (Not Shown)	
22	70005735	1	Gear, Ring	
23	70005736	1	Rotor	
24	70004834	5	Bolt	
25	7017992	1	Fuel, Filter	
26	70005737	1	Sensor, Stick (Not Shown)	
27	70005738	1	Holder, Sensor (Not Shown)	
28	70005739	3	Spark Plug (Not Shown)	
29	70005740	3	Coil, Ignition	
30	7017986	1	Gasket	
31	70004538	2	Packing	
32	7017995	1	Gasket, Fuel Pump	
33	70004848	2	Bolt	
34	70006661	1	Alternator - 60Amp	
35	70006662	1	Bracket, Adjustment	
36	70004557	1	Washer	
37	70004558	1	Washer, Spring Lock	
38	7023107	1	V-Belt	
39	70005743	1	Starter	
40	70005329	5	Nut	
41	70005744	1	Magnetic, Switch	
42	70005745	1	Switch, Oil Pressure	
43	70004829	1	Pipe, Water Return (Not Shown)	
44	70004306	1	Gasket, Water Flange (Not Shown)	

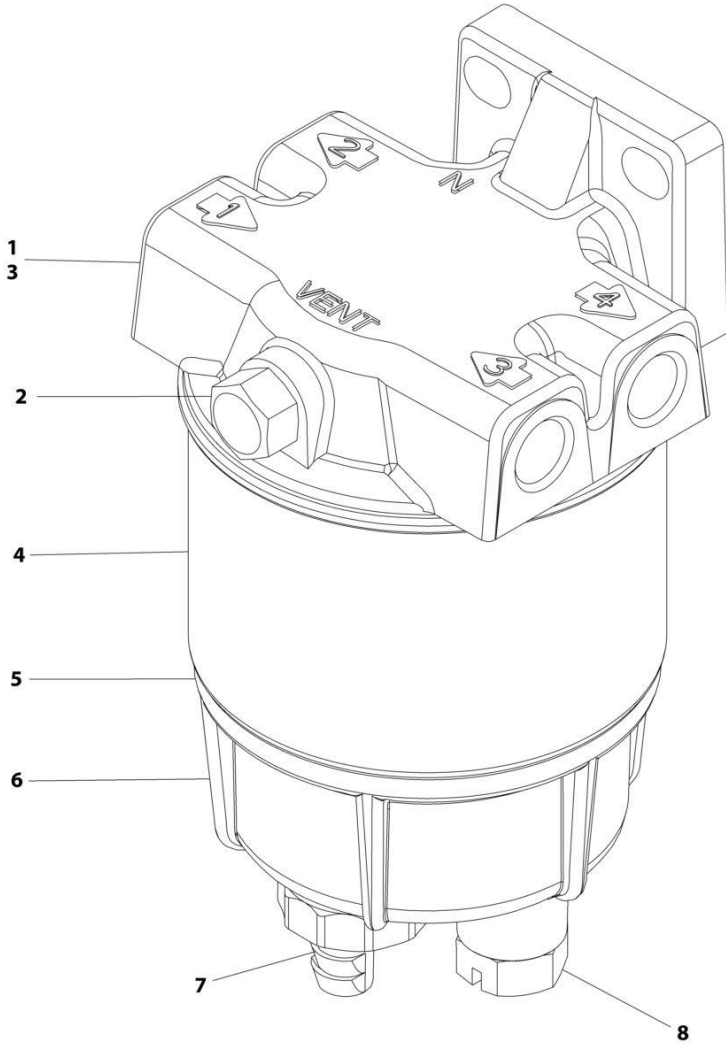
## SECTION 3 - ENGINE

ITEM	PART NUMBER	QTY	DESCRIPTION	REV
45	70004851	1	Pipe, Water Return	
46	7023170	1	Thermostat (Not Shown)	
47	70002326	1	Gasket, Thermostat	
48	70004853	1	Pump, Water	
49	70004854	1	Gasket, Water Pump	
50	70004912	1	Hose, Water	
51	70004913	2	Band, Pipe	
52	70005229	1	Coolant Tank Kit	
53	4400498	1	Tank, Coolant	
54	70004401	1	Decal - Instruction	
55	70005746	1	Sensor (TMAP)	
56	70005747	1	O-Ring (Not Shown)	
57	7017994	2	Gasket, Air Cleaner (Not Shown)	
58	70005748	1	Mixer	
59	70004537	1	Screw, Air Bleeder (Not Shown)	
60	70005749	1	Gasket, In-Manifold (Not Shown)	
61	70005750	1	Rail, Fuel Ignition	
62	70005751	3	Injector	
63	70005752	1	Gasket, Exhaust Manifold (Not Shown)	
64	70005753	3	Bolt, Stud (Not Shown)	
65	70005327	6	Nut (Not Shown)	
66	70005754	4	Bolt, Stud	
67	70005755	1	Muffler	
68	70005756	1	Cover, Muffler	
69	70005757	1	Harness, Wire (ECU) (Not Shown)	
70	70005758	1	Module, Engine Control (ECU)	
71	70005759	2	Gasket, Muffler	
72	70005760	2	Sensor, O2	
73	70005762	1	Valve, 2 Way	
74	70005761	1	Pump, Fuel	
75	70005763	1	Gasket, Muffler	
76	70005764	1	Upper Gasket Kit	
77	70005765	1	Lower Gasket Kit	
78	70005766	1	Cable Assembly (ECOM) (Not Shown)	
79	70005767	1	Adapter (ECOM) (Not Shown)	
80	70005768	1	Regulator	
81	70005769	1	Valve, Lockoff	



**SECTION 3 - ENGINE**

**FIGURE 3-15. FUEL/WATER SEPARATOR ASSEMBLY - DIESEL ENGINES**



ART\_1001190609

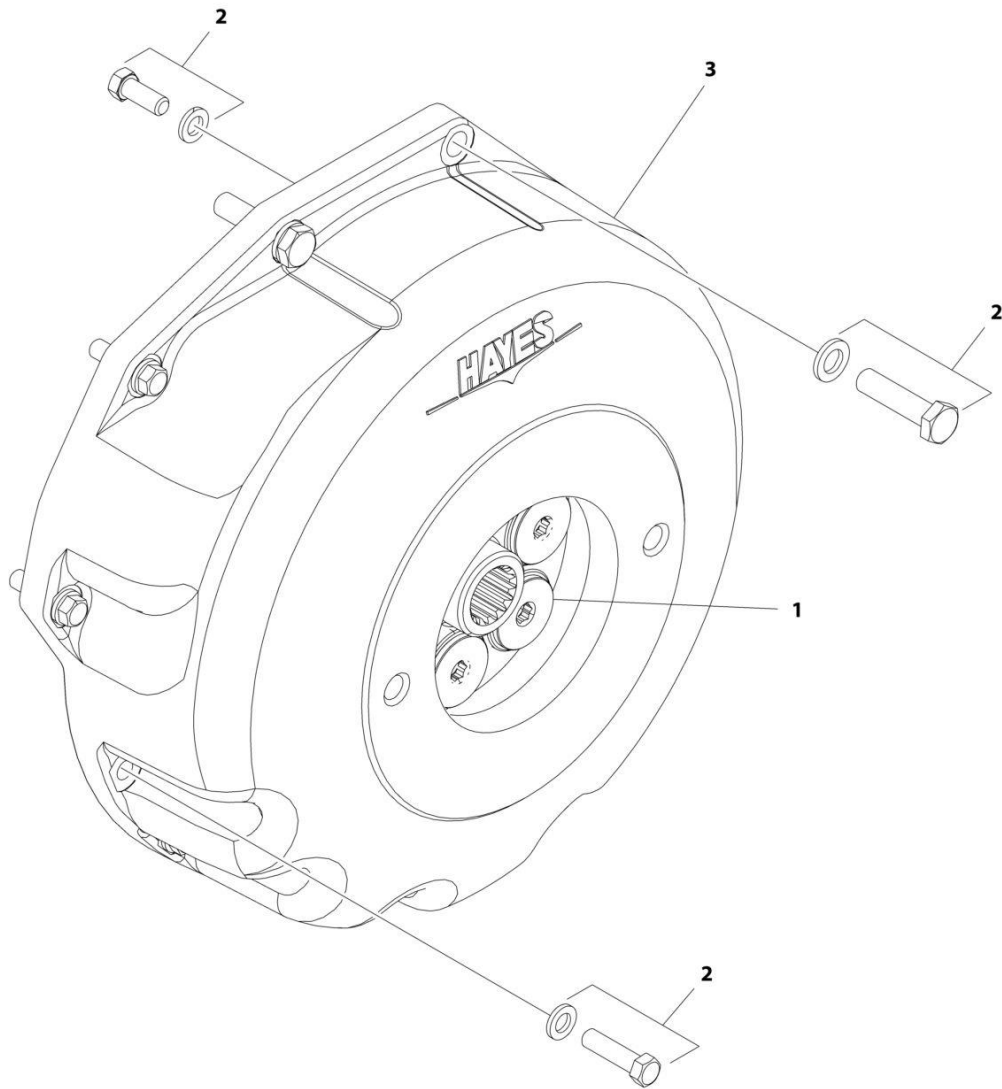
## SECTION 3 - ENGINE

**FIGURE 3-15. FUEL/WATER SEPARATOR ASSEMBLY - DIESEL ENGINES**

ITEM	PART NUMBER	QTY	DESCRIPTION	REV
	1001190609	Ref	FUEL/WATER SEPARATOR ASSEMBLY - DIESEL ENGINES	B
1	70005293	1	Head, Mounting	
2	70005294	1	Plug	
3	70005295	1	Gasket, Head	
4	70005296	1	Element	
5	70005297	1	O-Ring	
6	70002901	1	Bowl	
7	70004070	1	Drain, Self Venting	
8	70004069	1	Plug	

# SECTION 3 - ENGINE

## FIGURE 3-16. COUPLING KIT - DIESEL ENGINES



ART\_1001118675

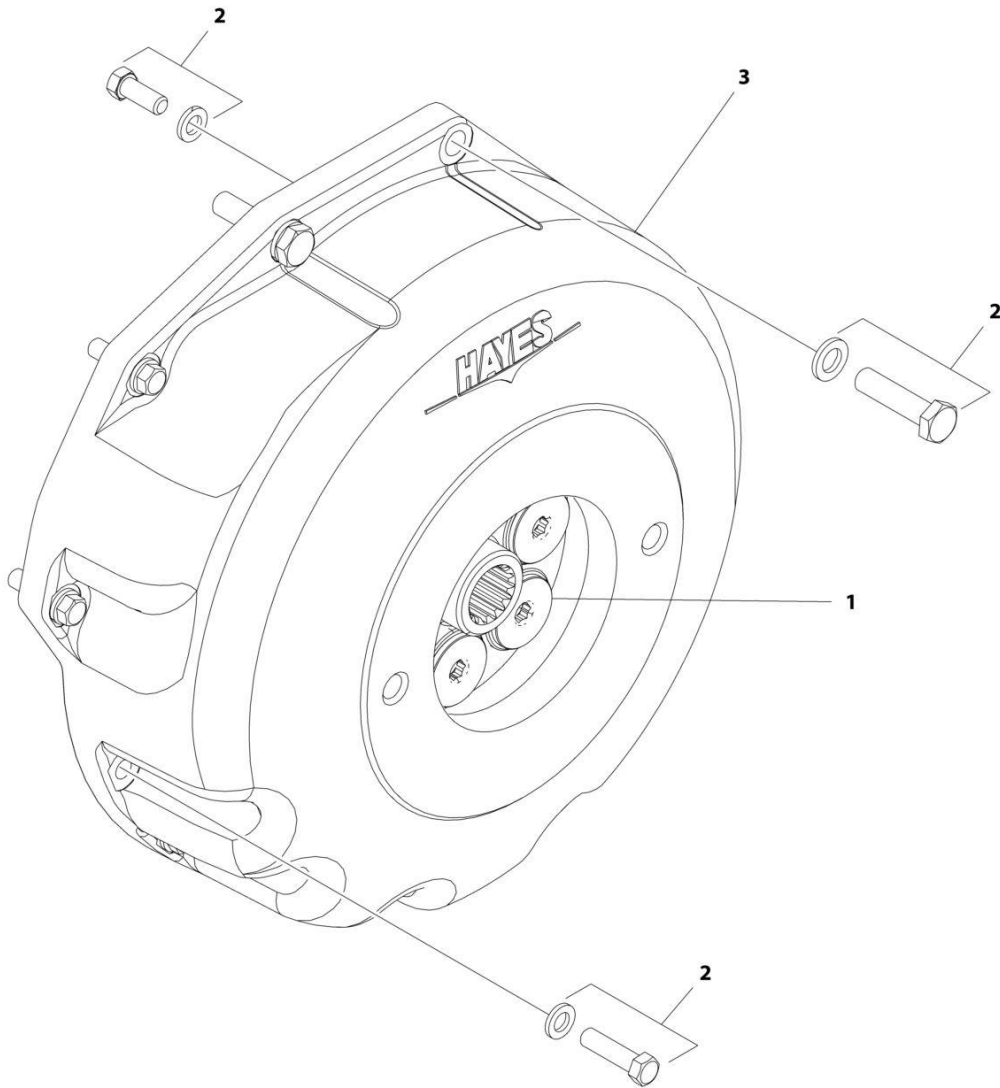
## SECTION 3 - ENGINE

### FIGURE 3-16. COUPLING KIT - DIESEL ENGINES

ITEM	PART NUMBER	QTY	DESCRIPTION	REV
	1001118675	Ref	COUPLING KIT - DIESEL ENGINES	A
1	70001933	1	Coupling Assembly	
2	70005453	1	Bolt Kit	
3	See Note	NSS	Housing (Note: Use p/n 1001118675)	

# SECTION 3 - ENGINE

## FIGURE 3-17. COUPLING KIT - GASOLINE ENGINES



ART\_1001181829



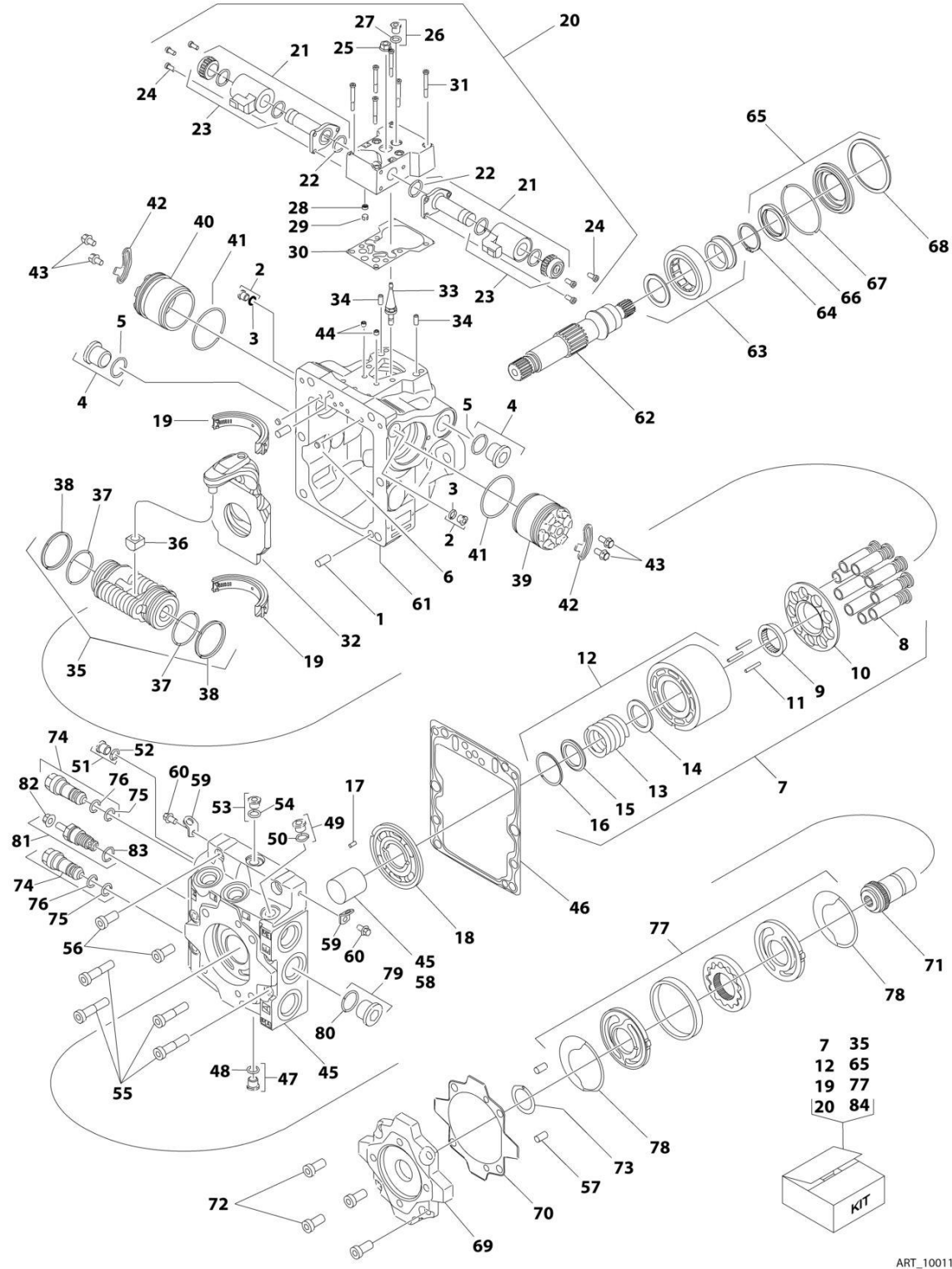
## SECTION 3 - ENGINE

### FIGURE 3-17. COUPLING KIT - GASOLINE ENGINES

ITEM	PART NUMBER	QTY	DESCRIPTION	REV
	1001181829	Ref	COUPLING KIT - GASOLINE ENGINES	B
1	70005455	1	Coupling Assembly	
2	70005454	1	Bolt Kit	
3	See Note	NSS	Housing (Note: Use p/n 1001181829)	

# SECTION 3 - ENGINE

## FIGURE 3-18. PISTON PUMP ASSEMBLY



ART\_1001101331

## SECTION 3 - ENGINE

### FIGURE 3-18. PISTON PUMP ASSEMBLY

ITEM	PART NUMBER	QTY	DESCRIPTION	REV
	1001101331	Ref	PISTON PUMP ASSEMBLY	E
1	70002132	2	Pin	
2	70002133	2	Plug Assembly (Includes Item 3)	
3	7007207	2	O-Ring (Part of Item 2)	
4	7007419	2	Plug Assembly (Includes Item 5)	
5	7007418	2	O-Ring (Part of Item 4)	
6	70002134	2	Screen	
7	70002135	1	Cylinder Block Kit (Includes Items 8-16)	
8	70002136	1	Piston Assembly Kit (Includes Qty 9 Piston Assemblies) (Part of Item 7)	
9	70002137	1	Guide, Slipper Retainer (Part of Item 7)	
10	70002138	1	Retainer, Slipper (Part of Item 7)	
11	7021275	3	Pin, Slipper Retainer Hold Down (Part of Item 7)	
12	70002143	1	Cylinder Block Assembly (Includes Items 13-16) (Part of Item 7)	
13	70002139	1	Spring (Part of Item 12)	
14	70002140	1	Washer (Part of Item 12)	
15	70002141	1	Washer (Part of Item 12)	
16	70002142	1	Ring, Retaining (Part of Item 12)	
17	7007446	1	Pin	
18	70002144	1	Plate, CW Valve	
19	70002145	1	Swash Plate Bearing Kit (Includes Qty 2 Bearings)	
20	70002146	1	EDC Kit (Includes Items 21-31)	
21	70002147	2	Solenoid Valve Assembly (Includes Item 22 & 23) (Part of Item 20)	
22	70002148	2	O-Ring (1 Per Valve Assembly) (Part of Item 21)	
23	70002149	2	Coil, Nut and Seals Kit (1 Per Valve Assembly) (Part of Item 21)	
24	70002150	6	Screw (Part of Item 20)	
25	7022301	1	Nut, Seal (Part of Item 20)	
26	70002151	1	Plug Assembly (Part of Item 20) (Includes Item 27)	
27	7007207	1	O-Ring (Part of Item 26)	
28	70002134	1	Screen (Part of Item 20)	
29	70002153	1	Ring, Locking (Part of Item 20)	
30	70002154	1	Gasket, Control (Part of Item 20)	
31	70002156	6	Capscrew (Part of Item 20)	
32	70002152	1	Swash Plate	
33	70002155	1	Link, Swash Plate	
34	70002157	2	Pin, Dowel	
35	70002158	1	Servo Piston Assembly (Includes Items 36-38)	
36	70002159	1	Block, Slider (Part of Item 35)	
37	70002160	2	O-Ring (Part of Item 35)	
38	70002161	2	Ring, Piston (Part of Item 35)	
39	70002162	1	Cylinder, Servo	
40	70002162	1	Cylinder, Servo	
41	70002163	2	O-Ring	
42	70002164	2	Plate, Locking	
43	70002165	4	Screw	
44	70002166	2	Orifice	
45	70002167	1	Cap, End (Includes Item 58)	
46	70002168	1	Gasket, End Cap	
47	70002158	1	Plug Assembly (Includes Item 48)	

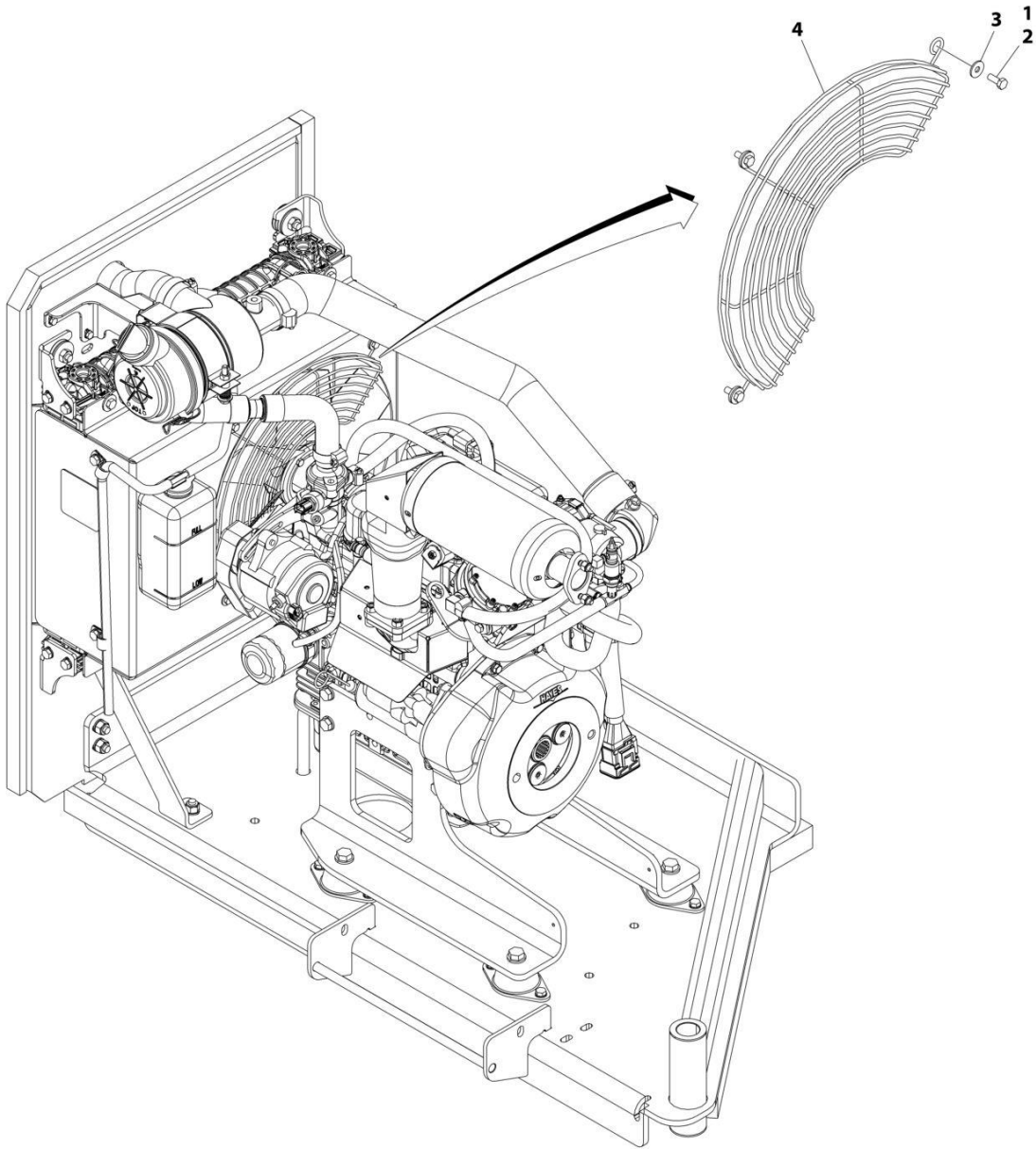
## SECTION 3 - ENGINE

ITEM	PART NUMBER	QTY	DESCRIPTION	REV
48	7021256	1	O-Ring (Part of Item 47)	
49	70001958	1	Plug Assembly (Includes Item 50)	
50	7021256	1	O-Ring (Part of Item 49)	
51	70001958	1	Plug Assembly (Includes Item 52)	
52	7021256	1	O-Ring (Part of Item 51)	
53	70001958	1	Plug Assembly (Includes Item 54)	
54	7021256	1	O-Ring (Part of Item 53)	
55	70002169	4	Capscrew	
56	70002170	2	Capscrew	
57	70002132	2	Pin	
58	70002172	1	Bearing, Journal (Part of Item 45)	
59	7022340	2	Bracket, Lifting	
60	70002165	2	Screw	
61	See Note	1	Housing (Note: Purchase p/n 1001101331)	
62	70002175	1	Shaft	
63	70002176	1	Ball Bearing Kit	
64	70007439	1	Ring, Retaining	
65	70002174	1	Shaft Seal Kit (Includes Items 66-68) (Note: This is a universal kit and will contain extra pieces that are not used on this pump assembly.)	
66	70002177	1	Seal, Lip	
67	70002178	1	O-Ring	
68	70002179	1	Ring, Retaining	
69	70002180	1	Adapter	
70	70002181	1	Seal, Adapter	
71	70002182	1	Coupling	
72	70002185	4	Capscrew	
73	70002186	1	Plate, Thrust	
74	70002188	2	High Pressure Relief Valve Cartridge Assembly (Includes Item 75 & 76)	
75	70002187	2	O-Ring (1 Per Cartridge) (Part of Item 74)	
76	7007415	2	O-Ring (1 Per Cartridge) (Part of Item 74)	
77	70002189	1	Charge Pump Kit (Includes Item 78)	
78	70002190	2	Ring, Seal (Part of Item 77)	
79	7023964	1	Plug Assembly (Includes Item 80)	
80	7007415	1	O-Ring (Part of Item 79)	
81	70002191	1	Charge Relief Valve Cartridge Assembly (Includes Item 82 & 83)	
82	70002187	1	Nut, Seal (Part of Item 81)	
83	7007415	1	O-Ring (Part of Item 81)	
84	70002192	1	Overhaul Seal Kit (Includes Items 3, 5, 22, 27, 30, 37, 38, 41, 48, 50, 52, 54, 66, 67, 70, 75, 76, 78, 82 & 83)	



# SECTION 3 - ENGINE

## FIGURE 3-19. FAN GUARD INSTALLATION - KUBOTA



ART\_1001220614

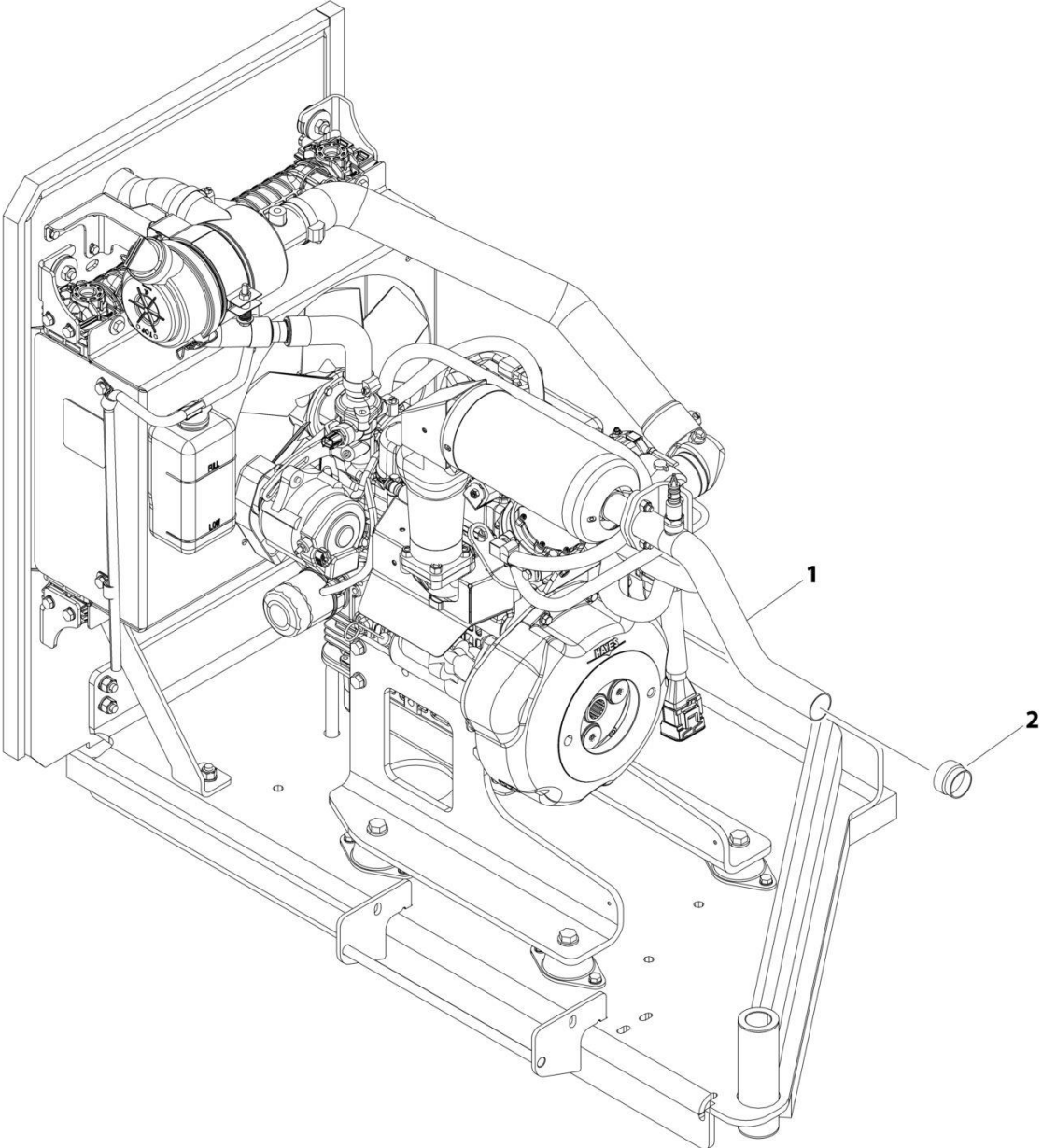
## SECTION 3 - ENGINE

### FIGURE 3-19. FAN GUARD INSTALLATION - KUBOTA

ITEM	PART NUMBER	QTY	DESCRIPTION	REV
	1001220614	Ref	FAN GUARD INSTALLATION - KUBOTA	A
1	0100011	AR	Compound, Locking	
2	0760608	3	Bolt M6 x 16	
3	4811702	3	Washer M6	
4	1001220613	1	Shroud, Fan Guard	

**SECTION 3 - ENGINE**

**FIGURE 3-20. SPARK ARRESTOR MUFFLER - OPTIONAL (GASOLINE ENGINES)**



ART\_1001187703



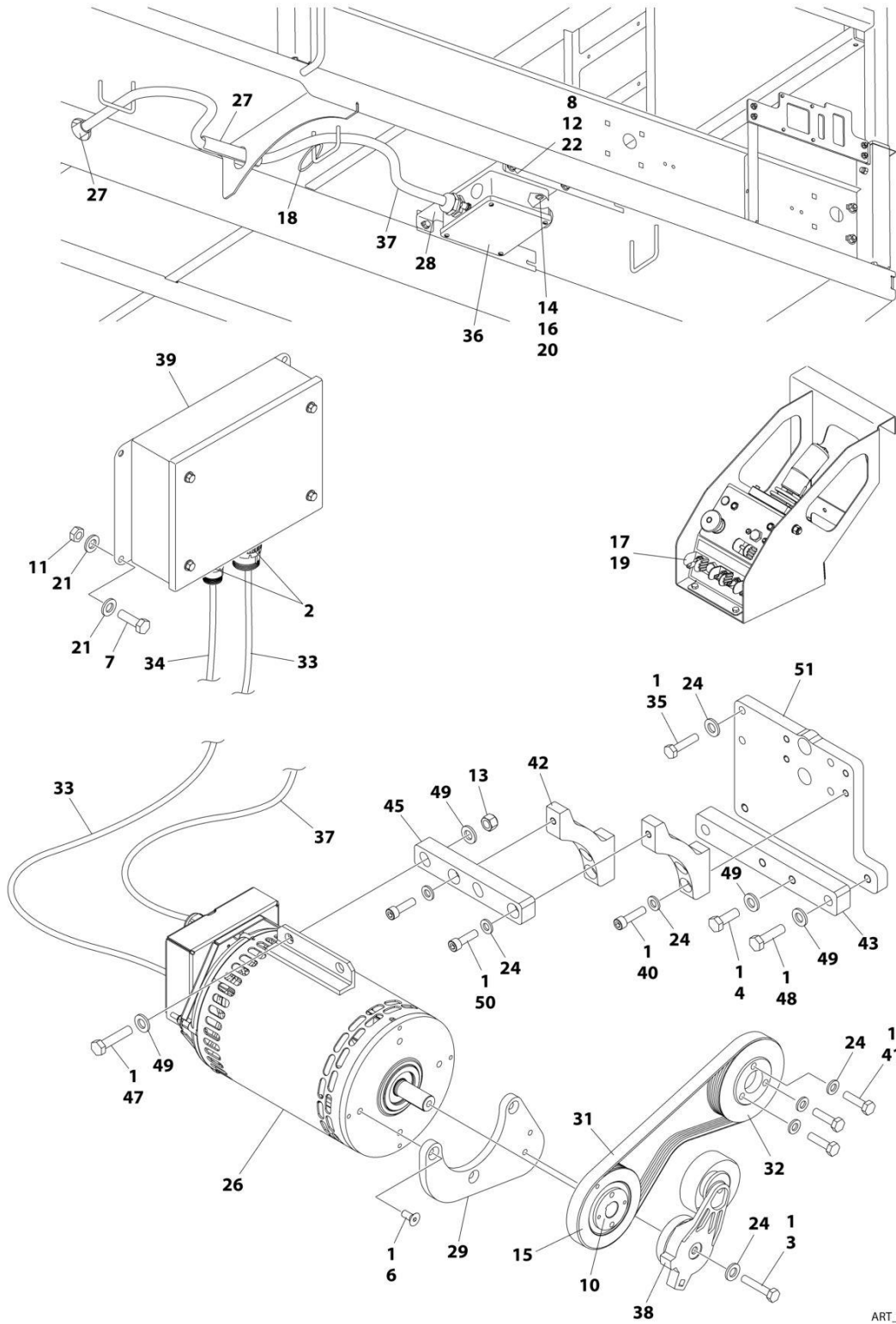
## SECTION 3 - ENGINE

**FIGURE 3-20. SPARK ARRESTOR MUFFLER - OPTIONAL (GASOLINE ENGINES)**

ITEM	PART NUMBER	QTY	DESCRIPTION	REV
	1001187703	Ref	SPARK ARRESTOR MUFFLER - OPTIONAL (GASOLINE ENGINES)	A
1	1001219775	1	Arrestor, Spark	
2	1001219826	1	Pipe, Exhaust	

# SECTION 3 - ENGINE

## FIGURE 3-21. GENERATOR INSTALLATION - 4000W (KUBOTA DIESEL STAGE III)



ART\_1001181217\_G

## SECTION 3 - ENGINE

**FIGURE 3-21. GENERATOR INSTALLATION - 4000W (KUBOTA DIESEL STAGE III)**

ITEM	PART NUMBER	QTY	DESCRIPTION	REV
	1001181217	Ref	GENERATOR INSTALLATION - 4000W (KUBOTA DIESEL STAGE III)	G
1	0100011	AR	Compound, Locking	
2	0100048	AR	Grease, Silicone (Apply to Contactor Connector)	
3	0701019	1	Bolt M10 x 55	
4	0701215	2	Bolt M12 x 35	
6	0741607	3	Bolt 3/8-16 x .88	
7	0760610	4	Bolt M6 x 20	
8	0780810	4	Bolt M8 x 20	
10	0962520	1	Bushing, Taper	
11	3290605	4	Nut M6	
12	3290805	4	Nut M8	
13	3291201	2	Nut M12	
14	3311005	4	Nut #10	
15	3580318	1	Pulley, Generator	
16	3931016	4	Screw #10 x 1	
17	4060802	1	Guard, Switch	
18	4240017	2	Tie Strap	
19	4360482	1	Switch, Toggle	
20	4751000	4	Washer #10	
21	4811700	8	Washer M6	
22	4811900	4	Washer M8	
24	5241000	AR	Washer M10	
26	1001140347	1	Generator Assembly	
26	70003709	1	Ring, Retaining (External)	
26	70003708	1	Ring, Retaining (Internal)	
26	70001966	1	Bearing	
26	70004092	1	Endbell (Shaft End)	
26	70004099	1	Key	
26	70004676	1	Rotor	
26	70004686	1	Stator	
26	70004678	1	Endbell (Rear)	
26	70004679	1	Cover, Endbell (Rear)	
26	70004680	1	Enclosure, Wiring	
26	70004681	1	Cover, Enclosure	
26	70004682	1	Switch, Reset (Located on Enclosure Cover)	
26	70004683	1	Connector, Strain Relief (Located on Enclosure Cover)	
26	4460224	1	Receptacle, Female - 6 Position (Connects to Harness)	
26	4460268	1	Pin, Male (Connects to Harness)	
26	4460807	6	Seal, Pin (Connects to Harness)	
26	4460808	1	Seal, Interface (Connects to Harness)	
27	1001151080	2	Conduit, Split Poly	
28	1001166732	1	Support	
29	1001184162	1	Bracket	
31	1001244939	1	Belt	
32	1001244937	1	Pulley	
33	1001236444	1	Harness, 4000W Generator Control - Generator to Control Box (See Separate Breakdown in ELECTRICAL Section)	
34	1001186826	1	Harness, 4000W Generator Control - Control Box to Generator Control (See Separate Breakdown in ELECTRICAL Section)	

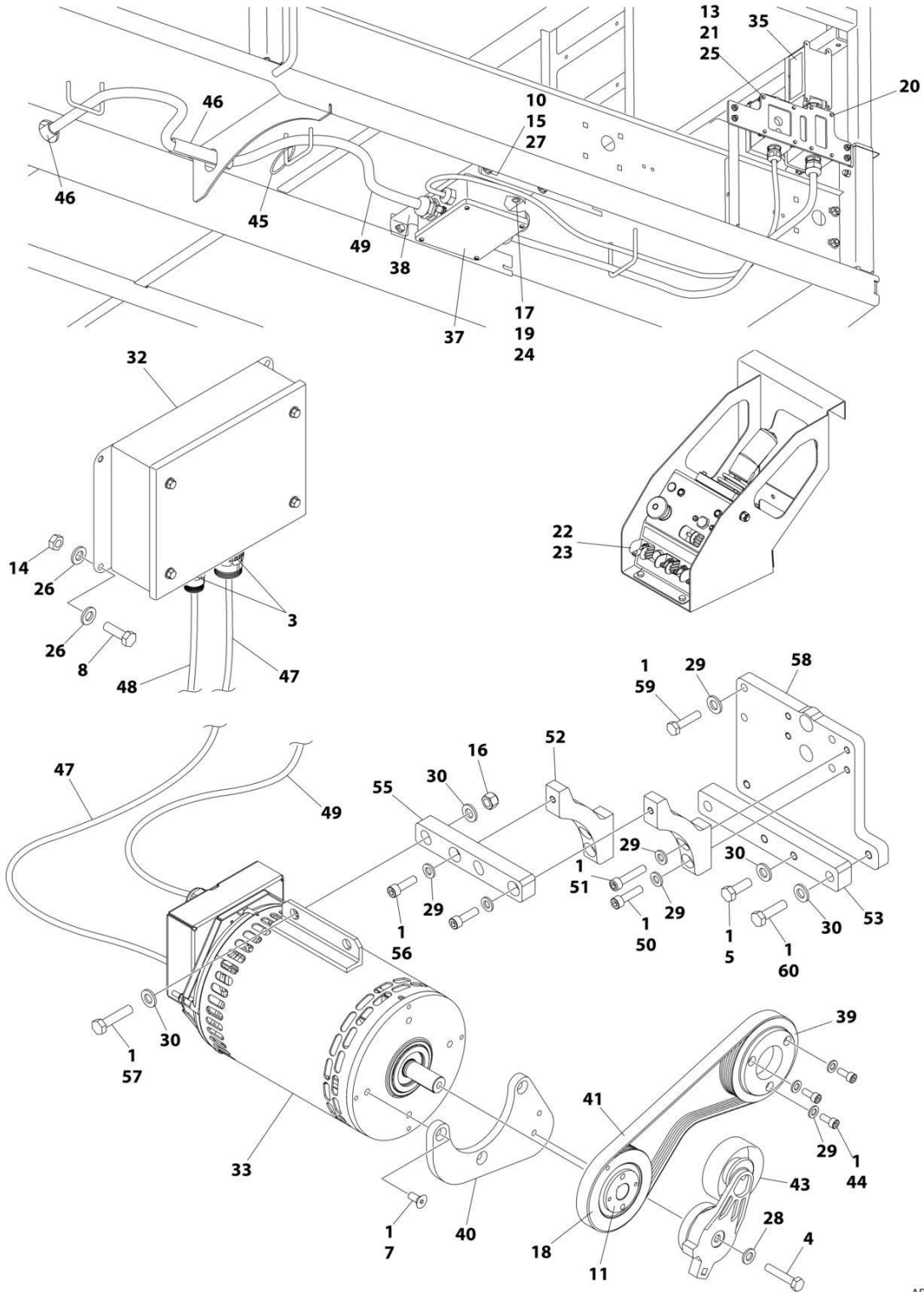
## SECTION 3 - ENGINE

ITEM	PART NUMBER	QTY	DESCRIPTION	REV
35	1001207285	AR	Bolt M10 x 45	
36	1001187197	1	Junction Box Assembly - 4000W Generator(Australian, CE & UK CA Specs) (See Separate Breakdown in this Section)	
37	1001236445	1	Cable, Electrical 10/4	
38	3580317	1	Pulley, Belt Tensioner	
39	1001138566	1	Box, Generator Control 4000W Generator 50Hz	
39	70006552	1	Capacitor	
39	70006553	1	Relay	
40	5272012	AR	Bolt M10 x 40	
41	1001119929	AR	Bolt M10 x 35	
42	1001202532	2	Generator Arm Mount Bracket	
43	1001208340	1	Generator Bracket	
45	1001202536	1	Plate	
46	4032014	AR	Bolt M10 x 50	
47	0701219	AR	Bolt M12 x 55	
48	0701217	AR	Bolt M12 x 45	
49	5241200	AR	Washer M12	
50	5272011	AR	Bolt M10 x 35	
51	1001208339	1	Generator Mount Bracket	



# SECTION 3 - ENGINE

## FIGURE 3-22. GENERATOR INSTALLATION - 4000W (KUBOTA DIESEL T4F)



ART\_100117770

## SECTION 3 - ENGINE

**FIGURE 3-22. GENERATOR INSTALLATION - 4000W (KUBOTA DIESEL T4F)**

ITEM	PART NUMBER	QTY	DESCRIPTION	REV
	1001177770	Ref	GENERATOR INSTALLATION - 4000W (KUBOTA DIESEL T4F)	H
1	0100011	AR	Compound, Locking	
3	0100048	AR	Grease, Silicone (Apply to Contactor Connector)	
4	0701019	1	Bolt M10 x 55	
5	0701215	2	Bolt M12 x 35	
7	0741607	3	Bolt 3/8 x .88	
8	0760610	4	Bolt M6 x 20	
10	0780810	4	Bolt M8 x 20	
11	0962520	1	Bushing, Taper	
13	3290405	4	Nut M4	
14	3290605	4	Nut M6	
15	3290805	4	Nut M8	
16	3291201	2	Nut M12	
17	3311005	4	Nut #10	
18	3580318	1	Pulley, Generator	
19	3931016	4	Screw #10 x 1	
20	3940804	4	Self, Tapping	
21	4010408	4	Screw M4 x 16	
22	4060802	1	Guard, Switch	
23	4360482	1	Switch, Toggle	
24	4751000	4	Washer #10	
25	4811400	4	Washer M4	
26	4811700	8	Washer M6	
27	4811900	4	Washer M8	
28	4812000	1	Washer M10	
29	5241000	AR	Washer M10	
30	5241200	AR	Washer M12	
32	1001138566	1	Box, Generator Control (4000W Generator - 60Hz)	
32	70006552	1	Capacitor	
32	70006553	1	Relay	
33	1001140346	1	Generator Assembly	
33	70003709	1	Ring, Retaining (External)	
33	70003708	1	Ring, Retaining (Internal)	
33	70001966	1	Bearing	
33	70004092	1	Endbell (Shaft End)	
33	70004099	1	Key	
33	70004676	1	Rotor	
33	70004687	1	Stator	
33	70004678	1	Endbell (Rear)	
33	70004679	1	Cover, Endbell (Rear)	
33	70004680	1	Enclosure, Wiring	
33	70004685	1	Cover, Enclosure	
33	70004682	1	Switch, Reset (Located on Enclosure Cover)	
33	70004098	1	Connector, Strain Relief (Located on Enclosure Cover)	
33	4460224	1	Receptacle, Female - 6 Position (Connects to Harness	
33	4460268	1	Pin, Male (Connects to Harness)	
33	4460807	6	Seal, Pin (Connects to Harness)	
33	4460808	1	Seal, Interface (Connects to Harness)	
35	1001187092	1	Platform Receptacle Assembly (See Separate Breakdown in ELECTRICAL SECTION)	

## SECTION 3 - ENGINE

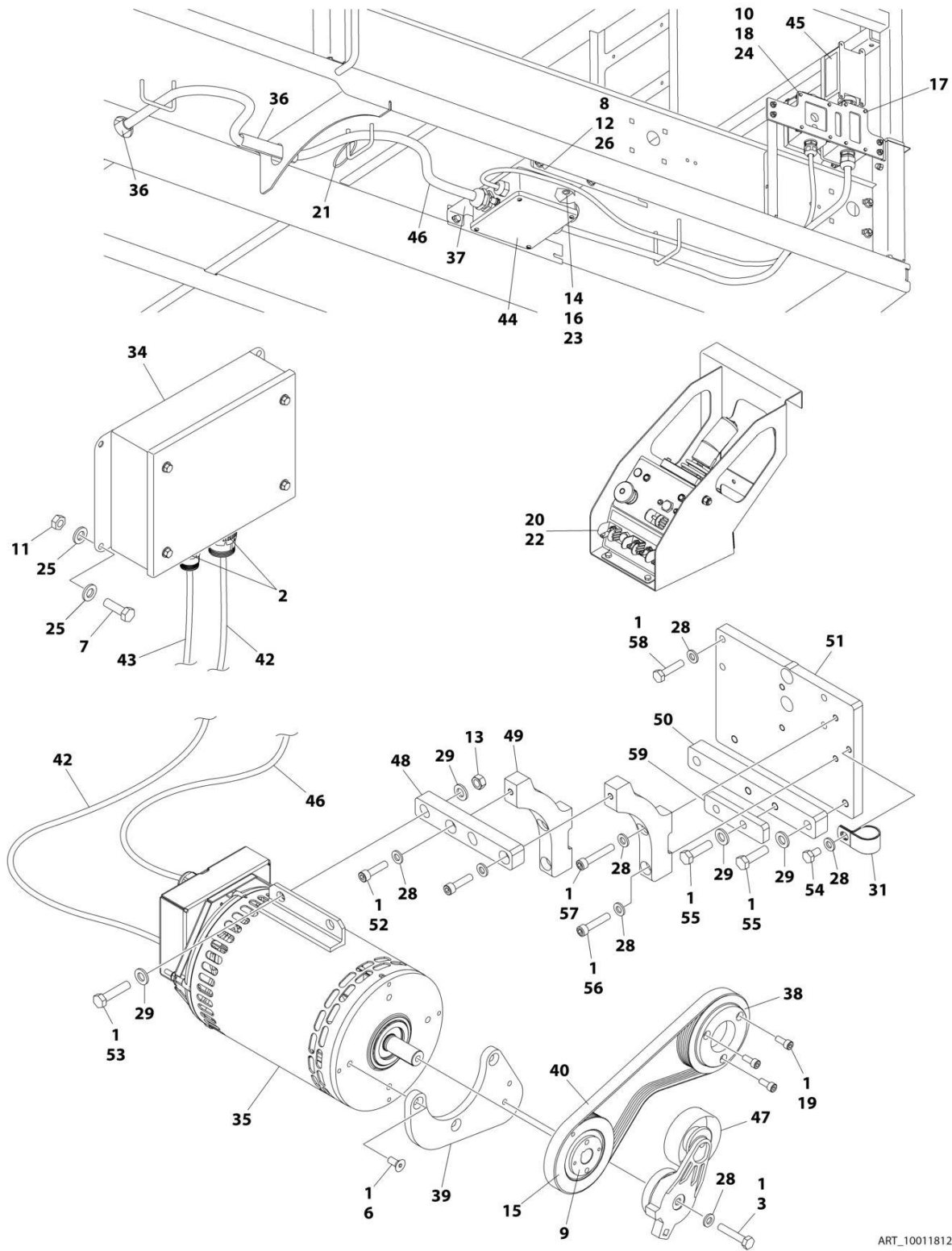
ITEM	PART NUMBER	QTY	DESCRIPTION	REV
37	1001186828	1	Junction Box Assembly - 4000W Generator (All Specs Except Australian, CE & UK CA Specs) (See Separate Breakdown in this Section)	
38	1001166732	1	Support	
39	1001183726	1	Pulley	
40	1001184162	1	Bracket	
41	1001184235	1	Belt	
43	3580317	1	Pulley, Belt Tensioner	
44	1001186919	3	Bolt M10 x 40	
45	4240017	2	Tie Strap	
46	1001151080	2	Conduit, Split Poly	
47	1001236444	1	Harness, 4000W Generator Control - Generator to Control Box (See Separate Breakdown in ELECTRICAL SECTION)	
48	1001186826	1	Harness, 4000W Generator Control - Control Box to Generator Control (See Separate Breakdown in ELECTRICAL SECTION)	
49	1001236445	1	Cable, Electrical 10/4	
50	5272012	AR	Bolt M10 x 40	
51	4032014	AR	Bolt M10 x 50	
52	1001202532	2	Generator Arm Mount Bracket	
53	1001208340	1	Generator Bracket	
55	1001202536	1	Plate	
56	5272011	AR	Bolt M10 x 35	
57	0701219	AR	Bolt M12 x 55	
58	1001208339	1	Generator Mount Bracket	
59	1001207285	AR	Bolt M10 x 45 Grade 10.9	
60	0701217	AR	Bolt M12 x 45	





# SECTION 3 - ENGINE

## FIGURE 3-23. GENERATOR INSTALLATION - 4000W (KUBOTA GASOLINE) (DUAL FUEL)



ART\_1001181216

## SECTION 3 - ENGINE

**FIGURE 3-23. GENERATOR INSTALLATION - 4000W (KUBOTA GASOLINE) (DUAL FUEL)**

ITEM	PART NUMBER	QTY	DESCRIPTION	REV
	1001181216	Ref	GENERATOR INSTALLATION - 4000W (KUBOTA GASOLINE) (DUAL FUEL)	G
1	0100011	AR	Compound, Locking	
2	0100048	AR	Grease, Silicone (Apply to Contactor Connector)	
3	0701019	1	Bolt M10 x 55	
6	0741607	3	Bolt 3/8 x .88	
7	0760610	4	Bolt M6 x 20	
8	0780810	4	Bolt M8 x 20	
9	0962520	1	Bushing, Taper	
10	3290405	4	Nut M4	
11	3290605	4	Nut M6	
12	3290805	4	Nut M8	
13	3291201	AR	Nut M12	
14	3311005	4	Nut #10	
15	3580318	1	Pulley, Generator	
16	3931016	4	Screw #10 x 1	
17	3940804	4	Self, Tapping	
18	4010408	4	Screw M4 x 16	
19	4031908	3	Bolt M8 x 20	
20	4060802	1	Guard, Switch	
21	4240017	2	Tie Strap	
22	4360482	1	Switch, Toggle	
23	4751000	4	Washer #10	
24	4811400	4	Washer M4	
25	4811700	8	Washer M6	
26	4811900	4	Washer M8	
28	5241000	AR	Washer M10	
29	5241200	AR	Washer M12	
31	8406302	1	Clamp	
34	1001138566	1	Box, Generator Control (4000W Generator - 60Hz)	
34	70006552	1	Capacitor	
34	70006553	1	Relay	
35	1001140346	1	Generator Assembly	
35	70003709	1	Ring, Retaining (External)	
35	70003708	1	Ring, Retaining (Internal)	
35	70001966	1	Bearing	
35	70004092	1	Endbell (Shaft End)	
35	70004099	1	Key	
35	70004676	1	Rotor	
35	70004687	1	Stator	
35	70004678	1	Endbell (Rear)	
35	70004679	1	Cover, Endbell (Rear)	
35	70004680	1	Enclosure, Wiring	
35	70004685	1	Cover, Enclosure	
35	70004682	1	Switch, Reset (Located on Enclosure Cover)	
35	70004098	1	Connector, Strain Relief (Located on Enclosure Cover)	
35	4460224	1	Receptacle, Female - 6 Position (Connects to Harness)	
35	4460268	1	Pin, Male (Connects to Harness)	
35	4460807	6	Seal, Pin (Connects to Harness)	
35	4460808	1	Seal, Interface (Connects to Harness)	

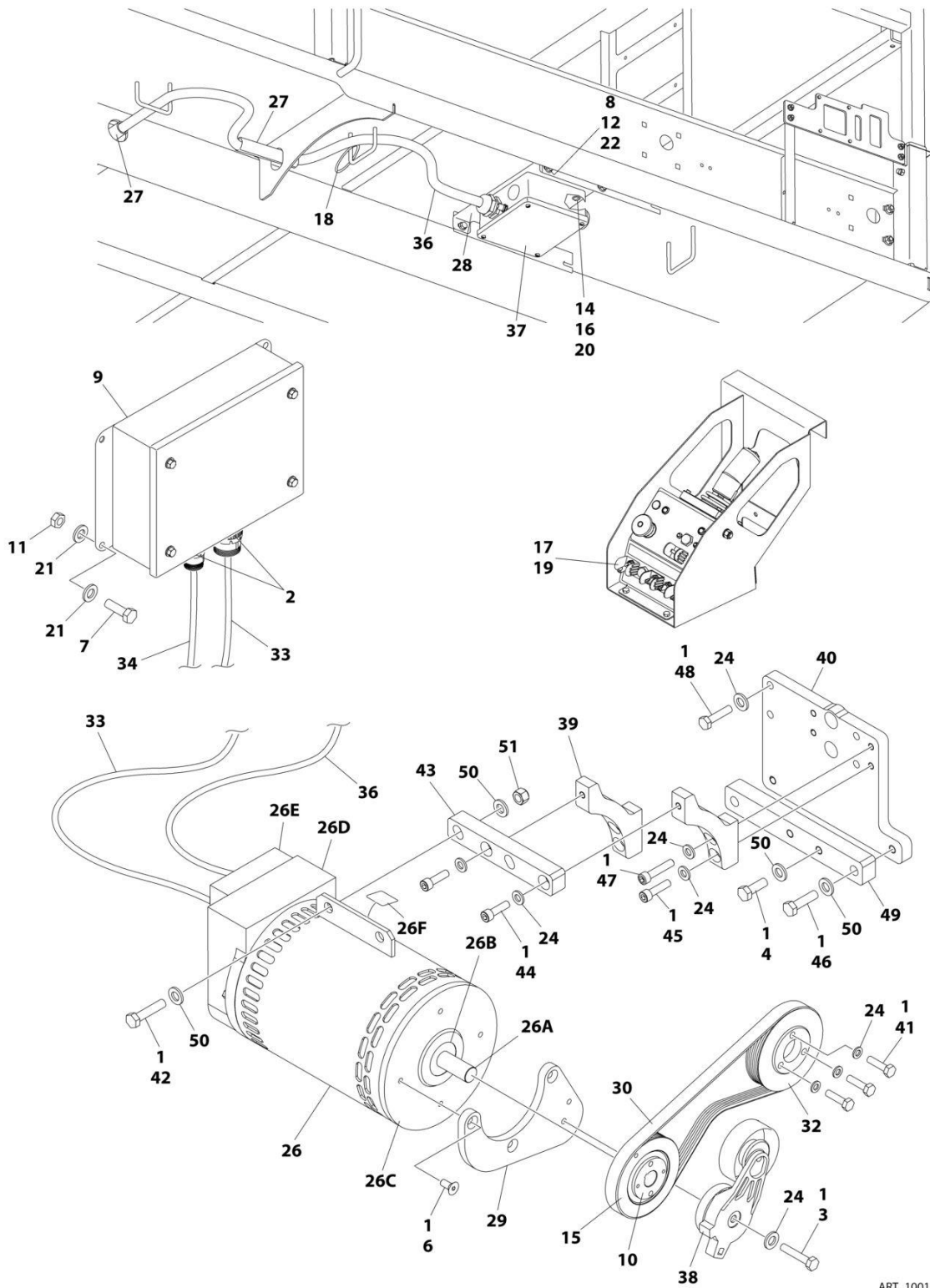
## SECTION 3 - ENGINE

ITEM	PART NUMBER	QTY	DESCRIPTION	REV
36	1001151080	2	Conduit, Split Poly	
37	1001166732	1	Support	
38	1001181211	1	Pulley	
39	1001184162	1	Bracket	
40	1001184163	1	Belt	
42	1001236444	1	Harness, 4000W Generator Control - Generator to Control Box (See Separate Breakdown in ELECTRICAL SECTION)	
43	1001186826	1	Harness, 4000W Generator Control - Control Box to Generator Control (See Separate Breakdown in ELECTRICAL SECTION)	
44	1001186828	1	Junction Box Assembly - 4000W Generator (All Specs Except Australian, CE & UK CA Specs) (See Separate Breakdown in this Section)	
45	1001187092	1	Platform Receptacle Assembly (See Separate Breakdown in ELECTRICAL SECTION)	
46	1001236445	1	Cable, Electrical 10/4	
47	3580317	1	Belt	
48	1001202759	1	Plate	
49	1001202760	2	Generator Arm Mount Bracket	
50	1001208340	1	Generator Bracket	
51	1001202764	1	Plate	
52	5272012	AR	Bolt M10 x 40	
53	0701219	AR	Bolt M12 x 55	
54	0761009	AR	Bolt M10 x 18	
55	0701217	AR	Bolt M12 x 45	
56	4032014	AR	Bolt M10 x 50	
57	4032016	AR	Bolt M10 x 60	
58	1001207285	AR	Bolt M10 x 45 Grade 10.9	
59	1001210645	1	Plate	



# SECTION 3 - ENGINE

## FIGURE 3-24. GENERATOR INSTALLATION - 7500W (KUBOTA DIESEL STAGE III)



ART\_1001181140\_H

## SECTION 3 - ENGINE

**FIGURE 3-24. GENERATOR INSTALLATION - 7500W (KUBOTA DIESEL STAGE III)**

ITEM	PART NUMBER	QTY	DESCRIPTION	REV
	1001181140	Ref	GENERATOR INSTALLATION - 7500W (KUBOTA DIESEL STAGE III)	H
1	0100011	AR	Compound, Locking	
2	0100048	AR	Grease, Silicone (Apply to Contactor Connector)	
3	0701019	1	Bolt M10 x 55	
4	0701215	2	Bolt M12 x 35	
6	0741607	3	Bolt 3/8 x .88	
7	0760610	4	Bolt M6 x 20	
8	0780810	4	Bolt M8 x 20	
9	0861572	1	Box, Generator Control 7500W Generator 50Hz	
10	0962520	1	Bushing, Taper	
11	3290605	4	Nut M6	
12	3290805	4	Nut M8	
14	3311005	4	Nut #10	
15	3580318	1	Pulley, Generator	
16	3931016	4	Screw #10 x 1	
17	4060802	1	Guard, Switch	
18	4240017	2	Tie Strap	
19	4360482	1	Switch, Toggle	
20	4751000	4	Washer #10	
21	4811700	8	Washer M6	
22	4811900	4	Washer M8	
24	5241000	AR	Washer M10	
26	1001212223	1	Generator Assembly	A
26	70001100	1	Rotor (Includes p/n 70001384 & 70000863) (Not Shown)	
26	70001384	1	Bearing, Ball Radial (Not Shown)	
26	70000863	1	Fan (Not Shown)	
26	70006093	1	Stator (Not Shown)	
26	70002297	1	Stud	
26	70003631	1	Brushholder Assembly (Not Shown) (was p/n 7024484)	
26A	70004099	1	Key	
26B	70001966	1	Bearing, Ball Radial (Located in Belt Tensioner Endbell)	
26B	70003708	1	Ring, Internal Retaining (Located in Belt Tensioner Endbell)	
26B	70003709	1	Ring, External Retaining (Located in Belt Tensioner Endbell)	
26C	70004092	1	Endbell, Belt Tensioner	
26D	70004094	1	Endbell, Brush Block	
26E	70006094	1	Shroud	
26E	70002291	1	Insulator, Endbell	
26E	7027799	1	Block, Connector 6 Position (Not Shown)	
26E	70002460	1	Nut, Brass (Attaches p/n 7027799 to Cover) (Not Shown)	
26E	70006095	1	Breaker, Circuit 30Amp	
26E	70006096	1	Boot, Breaker	
26E	7026626	1	Connector, 6 Position (Includes Seal) (Not Shown)	
26E	7026597	1	Connector, with Leads (Not Shown)	
26E	70004098	1	Clamp, Cable	
26E	70006097	1	Plate, End Panel	
26E	70001974	1	Decal - Terminal Connections	
26F	70001973	1	Decal - Warning Moving Parts	
27	1001151080	2	Conduit, Split Poly	
28	1001166732	1	Support	

## SECTION 3 - ENGINE

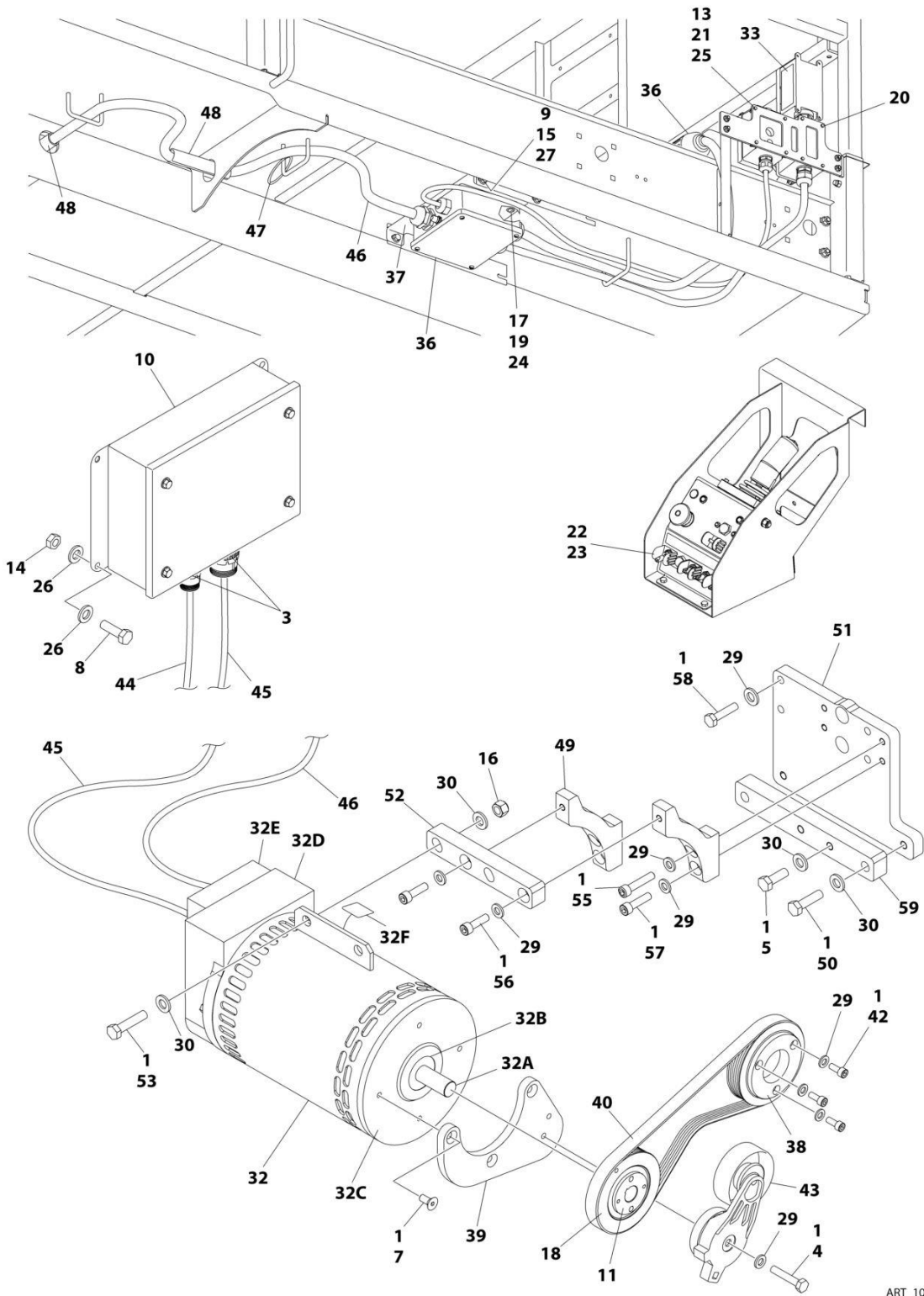
ITEM	PART NUMBER	QTY	DESCRIPTION	REV
29	1001184162	1	Bracket	
30	1001244939	1	Belt	
32	1001244937	1	Pulley	
33	1001236442	1	Harness, 7500W Generator Control - Generator to Generator Control Box (See Separate Breakdown in ELECTRICAL SECTION)	
34	1001186822	1	Harness, 7500W Generator Control - Generator Control Box to Generator Control (See Separate Breakdown in ELECTRICAL SECTION)	
36	1001236443	1	Cable, Electrical 8/5	
37	1001187197	1	Junction Box Assembly - 7500W Generator (Australian, CE & UK CA Specs) (See Separate Breakdown in this Section)	
38	3580317	1	Pulley, Belt Tensioner	
39	1001202532	2	Generator Arm Mount Bracket	
40	1001208339	1	Generator Mount Bracket	
41	1001119929	AR	Bolt M10 x 35	
42	0701219	AR	Bolt M12 x 55	
43	1001202536	1	Plate	
44	5272011	AR	Bolt M10 x 35	
45	5272012	AR	Bolt M10 x 40	
46	0701217	AR	Bolt M12 x 45	
47	4032014	AR	Bolt M10 x 50	
48	1001207285	AR	Bolt M10 x 45 Grade 10.9	
49	1001208340	1	Generator Bracket	
50	5241200	8	Washer M12	
51	3291201	2	Nut M12	
52	0760606	AR	Bolt M6 x 12 (Not Shown)	
53	4871700	AR	Washer M6 (Not Shown)	





# SECTION 3 - ENGINE

## FIGURE 3-25. GENERATOR INSTALLATION - 7500W (KUBOTA DIESEL T4F)



ART\_100117767

## SECTION 3 - ENGINE

**FIGURE 3-25. GENERATOR INSTALLATION - 7500W (KUBOTA DIESEL T4F)**

ITEM	PART NUMBER	QTY	DESCRIPTION	REV
	1001177767	Ref	GENERATOR INSTALLATION - 7500W (KUBOTA DIESEL T4F)	I
1	0100011	AR	Compound, Locking	
3	0100048	AR	Grease, Silicone (Apply to Contactor Connector)	
4	0701019	1	Bolt M10 x 55	
5	0701215	2	Bolt M12 x 35	
7	0741607	3	Bolt 3/8 x .88	
8	0760610	4	Bolt M6 x 20	
9	0780810	4	Bolt M8 x 20	
10	0861538	1	Box, Generator Control (7500W Generator - 60Hz)	
11	0962520	1	Bushing, Taper	
13	3290405	4	Nut M4	
14	3290605	4	Nut M6	
15	3290805	4	Nut M8	
16	3291201	AR	Nut M12	
17	3311005	4	Nut #10	
18	3580318	1	Pulley, Generator	
19	3931016	4	Screw #10 x 1	
20	3940804	4	Self, Tapping	
21	4010408	4	Screw M4 x 16	
22	4060802	1	Guard, Switch	
23	4360482	1	Switch, Toggle	
24	4751000	4	Washer #10	
25	4811400	4	Washer M4	
26	4811700	8	Washer M6	
27	4811900	4	Washer M8	
29	5241000	AR	Washer M10	
30	5241200	AR	Washer M12	
32	1001212223	1	Generator Assembly	A
32	70001100	1	Rotor (Includes p/n 70001384 & 70000863) (Not Shown)	
32	70001384	1	Bearing, Ball Radial (Not Shown)	
32	70000863	1	Fan (Not Shown)	
32	70006093	1	Stator (Not Shown)	
32	70002297	1	Stud	
32	70003631	1	Brushholder Assembly (Not Shown) (was p/n 7024484)	
32A	70004099	1	Key	
32B	70001966	1	Bearing, Ball Radial (Located in Belt Tensioner Endbell)	
32B	70003708	1	Ring, Internal Retaining (Located in Belt Tensioner Endbell)	
32B	70003709	1	Ring, External Retaining (Located in Belt Tensioner Endbell)	
32C	70004092	1	Endbell, Belt Tensioner	
32D	70004094	1	Endbell, Brush Block	
32E	70006094	1	Shroud	
32E	70002291	1	Insulator, Endbell	
32E	7027799	1	Block, Connector 6 Position (Not Shown)	
32E	70002460	1	Nut, Brass (Attaches p/n 7027799 to Cover) (Not Shown)	
32E	70006095	1	Breaker, Circuit 30Amp	
32E	70006096	1	Boot, Breaker (Not Shown)	
32E	7026626	1	Connector, 6 Position (Includes Seal) (Not Shown)	
32E	7026597	1	Connector, with Leads (Not Shown)	
32E	70004098	1	Clamp, Cable	
32E	70006097	1	Plate, End Panel	

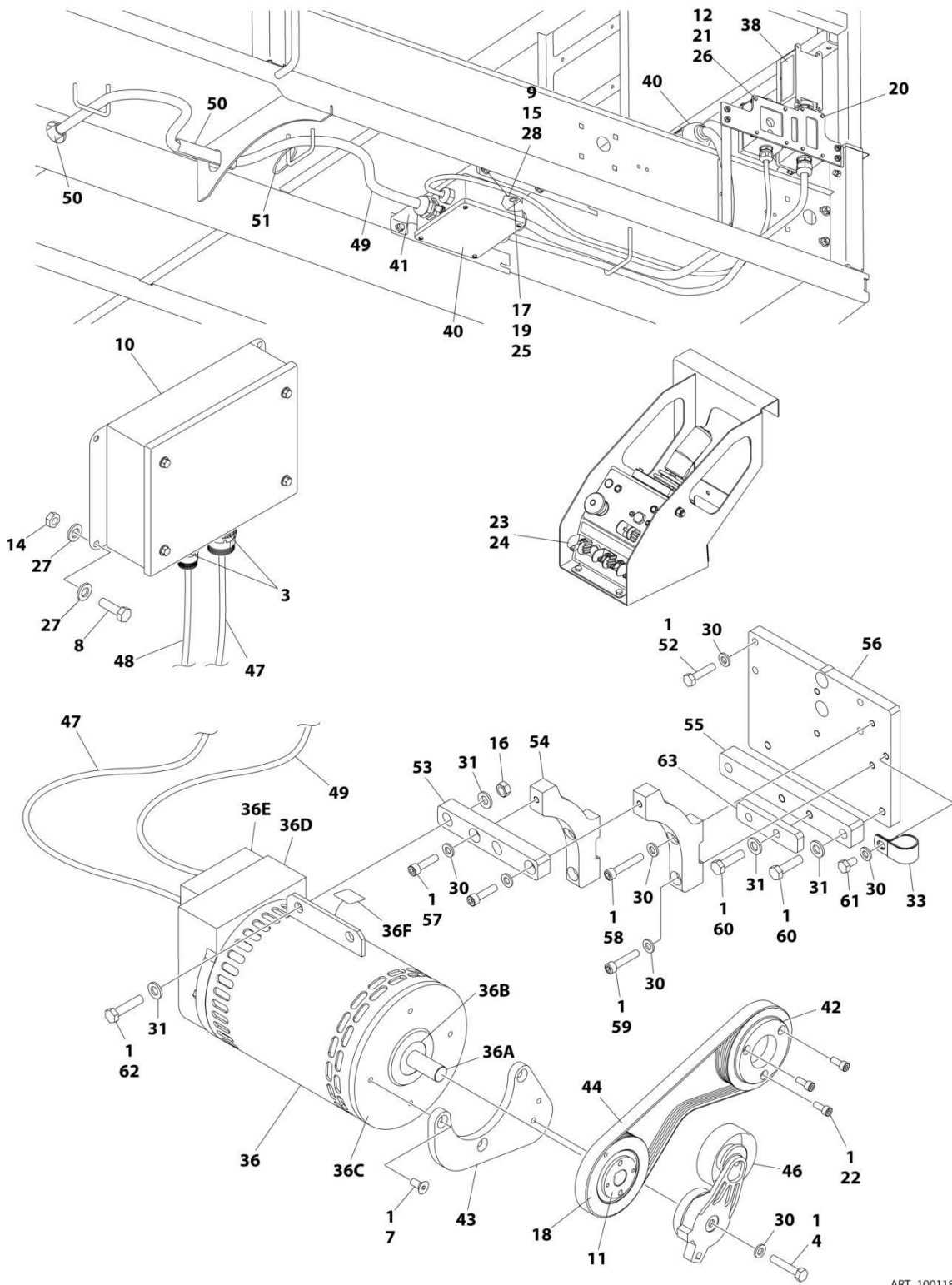
## SECTION 3 - ENGINE

ITEM	PART NUMBER	QTY	DESCRIPTION	REV
32E	70001974	1	Decal - Terminal Connections	
32F	70001973	1	Decal - Warning Moving Parts	
33	1001187092	1	Platform Receptacle Assembly (See Separate Breakdown in ELECTRICAL SECTION)	
36	1001187228	1	Junction Box Assembly - 7500W Generator (All Specs Except Australian, CE & UK CA Specs) (See Separate Breakdown in this Section)	
37	1001166732	1	Support	
38	1001183726	1	Pulley	
39	1001184162	1	Bracket	
40	1001184235	1	Belt	
42	1001186919	3	Bolt M10 x 40	
43	3580317	1	Pulley, Belt Tensioner	
44	1001186822	1	Harness, 7500W Generator Control - Generator Control Box to Generator Control (See Separate Breakdown in ELECTRICAL SECTION)	
45	1001236442	1	Harness, 7500W Generator Control - Generator to Generator Control Box (See Separate Breakdown in ELECTRICAL SECTION)	
46	1001236443	1	Cable, Electrical 8/5	
47	4240017	2	Tie Strap	
48	1001151080	2	Conduit, Split Poly	
49	1001202532	2	Generator Arm Mount Bracket	
50	0701217	AR	Bolt M12 x 45	
51	1001208339	1	Generator Mount Bracket	
52	1001202536	1	Plate	
53	0701219	AR	Bolt M12 x 55	
55	4032014	AR	Bolt M10 x 50	
56	5272011	AR	Bolt M10 x 35	
57	5272012	AR	Bolt M10 x 40	
58	1001207285	AR	Bolt M10 x 45 Grade 10.9	
59	1001208340	1	Generator Bracket	
60	0760606	AR	Bolt M6 x 12 (Not Shown)	
61	4871700	AR	Washer M6 (Not Shown)	



# SECTION 3 - ENGINE

## FIGURE 3-26. GENERATOR INSTALLATION - 7500W (KUBOTA GASOLINE) (DUAL FUEL)



ART\_1001181141

## SECTION 3 - ENGINE

**FIGURE 3-26. GENERATOR INSTALLATION - 7500W (KUBOTA GASOLINE) (DUAL FUEL)**

ITEM	PART NUMBER	QTY	DESCRIPTION	REV
	1001181141	Ref	GENERATOR INSTALLATION - 7500W (KUBOTA GASOLINE) (DUAL FUEL)	J
1	0100011	AR	Compound, Locking	
3	0100048	AR	Grease, Silicone (Apply to Contactor Connector)	
4	0701019	1	Bolt M10 x 55	
7	0741607	3	Bolt 3/8 x .88	
8	0760610	4	Bolt M6 x 20	
9	0780810	4	Bolt M8 x 20	
10	0861538	1	Box, Generator Control (7500W Generator - 60Hz)	
11	0962520	1	Bushing, Taper	
13	3290405	4	Nut M4	
14	3290605	4	Nut M6	
15	3290805	4	Nut M8	
16	3291201	AR	Nut M12	
17	3311005	4	Nut #10	
18	3580318	1	Pulley, Generator	
19	3931016	4	Screw #10 x 1	
20	3940804	4	Self, Tapping	
21	4010408	4	Screw M4 x 16	
22	4031908	3	Bolt M8 x 20	
23	4060802	1	Guard, Switch	
24	4360482	1	Switch, Toggle	
25	4751000	4	Washer #10	
26	4811400	4	Washer M4	
27	4811700	8	Washer M6	
28	4811900	4	Washer M8	
30	5241000	AR	Washer M10	
31	5241200	AR	Washer M12	
33	8406302	1	Clamp	
36	1001212223	1	Generator Assembly	A
36	70001100	1	Rotor (Includes p/n 70001384 & 70000863) (Not Shown)	
36	70001384	1	Bearing, Ball Radial (Not Shown)	
36	70000863	1	Fan (Not Shown)	
36	70006093	1	Stator (Not Shown)	
36	70002297	1	Stud	
36	70003631	1	Brushholder Assembly (Not Shown) (was p/n 7024484)	
36A	70004099	1	Key	
36B	70001966	1	Bearing, Ball Radial (Located in Belt Tensioner Endbell)	
36B	70003708	1	Ring, Internal Retaining (Located in Belt Tensioner Endbell)	
36B	70003709	1	Ring, External Retaining (Located in Belt Tensioner Endbell)	
36C	70004092	1	Endbell, Belt Tensioner	
36D	70004094	1	Endbell, Brush Block	
36E	70006094	1	Shroud	
36E	70002291	1	Insulator, Endbell	
36E	7027799	1	Block, Connector 6 Position (Not Shown)	
36E	70002460	1	Nut, Brass (Attaches p/n 7027799 to Cover) (Not Shown)	
36E	70006095	1	Breaker, Circuit 30Amp	
36E	70006096	1	Boot, Breaker (Not Shown)	
36E	7026626	1	Connector, 6 Position (Includes Seal) (Not Shown)	
36E	7026597	1	Connector, with Leads (Not Shown)	

## SECTION 3 - ENGINE

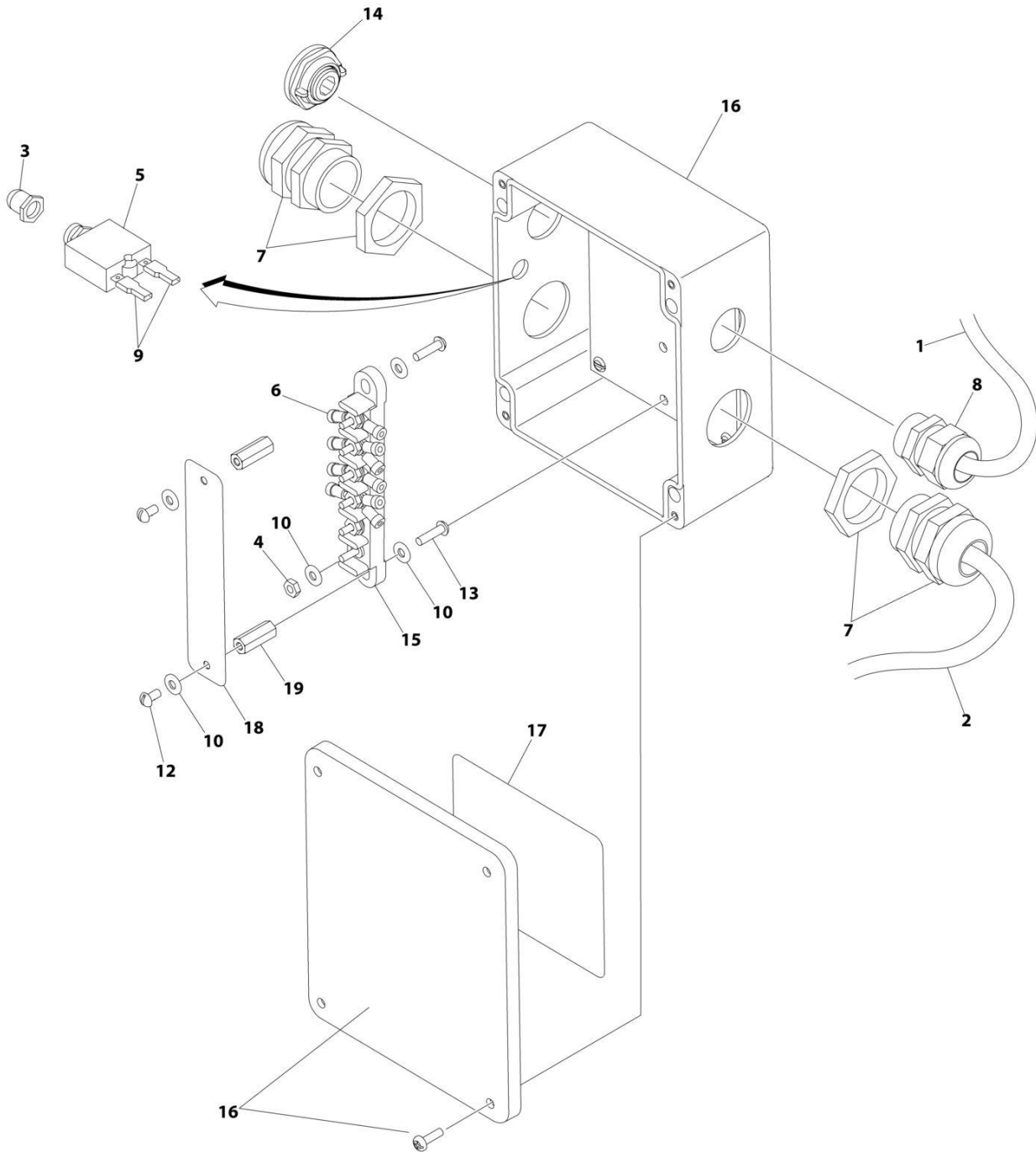
ITEM	PART NUMBER	QTY	DESCRIPTION	REV
36E	70004098	1	Clamp, Cable	
36E	70006097	1	Plate, End Panel	
36E	70001974	1	Decal - Terminal Connections	
36F	70001973	1	Decal - Warning Moving Parts	
38	1001187092	1	Platform Receptacle Assembly (See Separate Breakdown in ELECTRICAL SECTION)	
40	1001187228	1	Junction Box Assembly - 7500W Generator (All Specs Except Australian, CE & UK CA Specs) (See Separate Breakdown in this Section)	
41	1001166732	1	Support	
42	1001181211	1	Pulley	
43	1001184162	1	Bracket	
44	1001184163	1	Belt	
46	3580317	1	Pulley, Belt Tensioner	
47	1001236442	1	Harness, 7500W Generator Control - Generator to Generator Control Box (See Separate Breakdown in ELECTRICAL SECTION)	
48	1001186822	1	Harness, 7500W Generator Control - Generator Control Box to Generator Control (See Separate Breakdown in ELECTRICAL SECTION)	
49	1001236443	1	Cable, Electrical 8/5	
50	1001151080	2	Conduit, Split Poly	
51	4240017	2	Tie Strap	
52	1001207285	AR	Bolt M10 x 45 Grade 10.9	
53	1001202759	1	Plate	
54	1001202760	2	Generator Arm Mount Bracket	
55	1001208340	1	Generator Bracket	
56	1001202764	1	Plate	
57	5272012	AR	Bolt M10 x 40	
58	4032016	AR	Bolt M10 x 60	
59	4032014	AR	Bolt M10 x 50	
60	0701217	AR	Bolt M12 x 45	
61	0761009	AR	Bolt M10 x 18	
62	0701219	AR	Bolt M12 x 55	
63	1001210645	1	Plate	
64	0760606	AR	Bolt M6 x 12 (Not Shown)	
65	4871700	AR	Washer M6 (Not Shown)	





# SECTION 3 - ENGINE

FIGURE 3-27. JUNCTION BOX ASSEMBLY - 4000W GENERATOR (ALL SPECS EXCEPT AUSTRALIAN, CE & UK CA SPECS)



ART\_1001186828

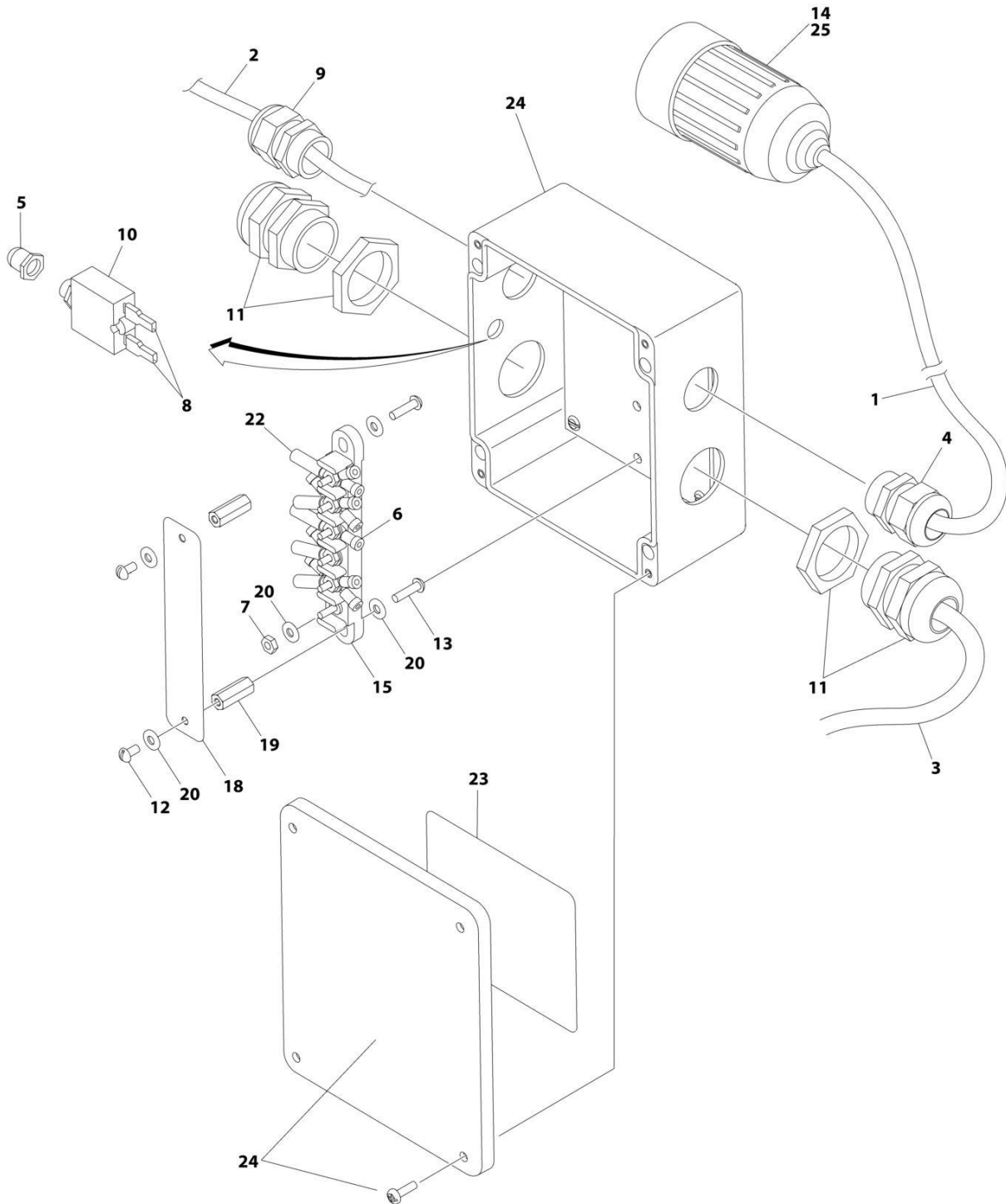
## SECTION 3 - ENGINE

**FIGURE 3-27. JUNCTION BOX ASSEMBLY - 4000W GENERATOR (ALL SPECS EXCEPT AUSTRALIAN, CE & UK CA SPECS)**

ITEM	PART NUMBER	QTY	DESCRIPTION	REV
	1001186828	Ref	JUNCTION BOX ASSEMBLY - 4000W GENERATOR	B
1	1060494	6.8 ft/ 2m	Cable, Electrical - 12/3	
2	1060708	6.8 ft/ 2m	Cable, Electrical - 10/3	
3	3300396	1	Cover, Fuse	
4	3311001	6	Nut, #10-24	
5	4360070	1	Circuit Breaker - 15Amp	
6	4460068	10	Terminal	
7	4460426	2	Connector, Strain Relief	
8	4460425	1	Strain Relief, Terminal	
9	4460483	2	Terminal	
10	4711000	10	Washer, #10	
12	10702077	2	Screw, #10-32 X 3/8	
13	10702082	2	Screw, #10-32 X 3/4	
14	1001152525	1	Plug	
15	1001157520	1	Block, Terminal - 6 Pole	
16	1001157521	1	Box, Junction	
17	1001195517	1	Decal - Wiring Schematic	
18	1001158007	1	Cover	
19	1001158008	2	Stand-Off	

# SECTION 3 - ENGINE

FIGURE 3-28. JUNCTION BOX ASSEMBLY - 7500W GENERATOR (ALL SPECS EXCEPT AUSTRALIAN, CE & UK CA SPECS)



ART\_1001187228

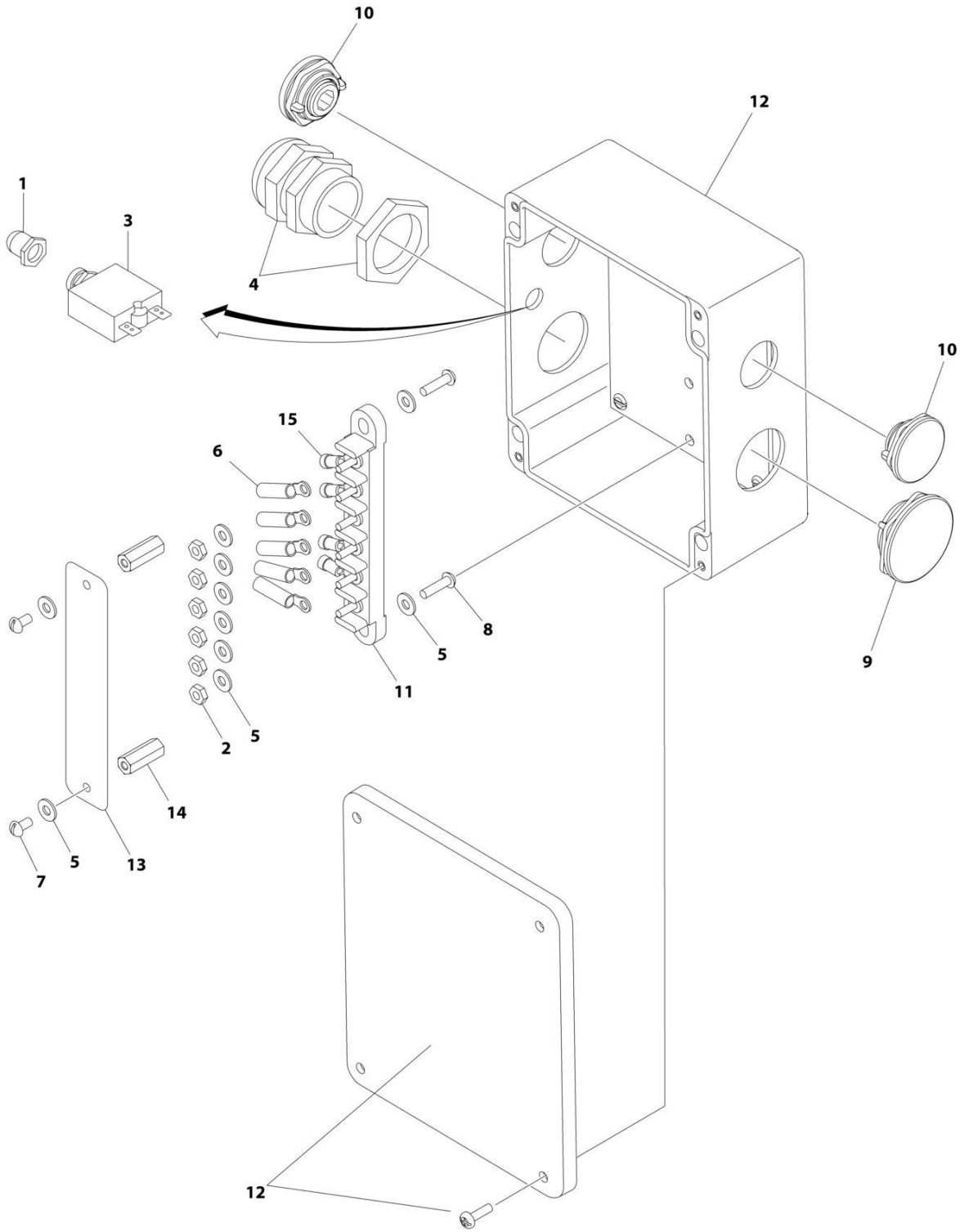
## SECTION 3 - ENGINE

**FIGURE 3-28. JUNCTION BOX ASSEMBLY - 7500W GENERATOR (ALL SPECS EXCEPT AUSTRALIAN, CE & UK CA SPECS)**

ITEM	PART NUMBER	QTY	DESCRIPTION	REV
	1001187228	Ref	JUNCTION BOX ASSEMBLY - 7500W GENERATOR	A
1	1060343	6.8 ft/ 2m	Cable, Electrical - 10/4	
2	1060494	6.8 ft/ 2m	Cable, Electrical - 12/3	
3	1060708	6.8 ft/ 2m	Cable, Electrical - 10/3	
4	1321692	1	Strain Relief, Terminal	
5	3300396	1	Cover, Fuse	
6	4460068	10	Terminal	
7	3311001	6	Nut, #10-24	
8	4460483	2	Terminal	
9	4460425	1	Strain Relief, Terminal	
10	4360070	1	Circuit Breaker - 15Amp	
11	4460426	2	Connector, Strain Relief	
12	10702077	2	Screw, #10-32 X 3/8	
13	10702082	2	Screw, #10-32 X 3/4	
14	4460963	1	Connector, Turnlock	
15	1001157520	1	Block, Terminal - 6 Pole	
18	1001158007	1	Cover	
19	1001158008	2	Stand-Off	
20	4711000	10	Washer, #10	
22	8220022	5	Terminal, #10 Stud	
23	1001157528	1	Decal - Wiring Schematic	
24	1001187232	1	Box, Junction	
25	1671092	1	Cover, Connector	

# SECTION 3 - ENGINE

FIGURE 3-29. JUNCTION BOX ASSEMBLY - 4000W/7500W GENERATOR (AUSTRALIAN, CE & UK CA SPECS)



ART\_1001187197

## SECTION 3 - ENGINE

**FIGURE 3-29. JUNCTION BOX ASSEMBLY - 4000W/7500W GENERATOR (AUSTRALIAN, CE & UK CA SPECS)**

ITEM	PART NUMBER	QTY	DESCRIPTION	REV
	1001187197	Ref	JUNCTION BOX ASSEMBLY - 4000W/7500W GENERATOR	A
1	3300396	1	Cover, Fuse	
2	3311001	6	Nut, #10-24	
3	4360070	1	Circuit Breaker - 15Amp	
4	4460426	1	Connector, Strain Relief	
5	4711000	10	Washer, #10	
6	8220022	5	Terminal, #10 Stud	
7	10702077	2	Screw, #10-32 X 3/8	
8	10702082	2	Screw, #10-32 X 3/4	
9	1001148648	1	Plug	
10	1001152525	2	Plug	
11	1001157520	1	Block, Terminal - 6 Pole	
12	1001157521	1	Box, Junction	
13	1001158007	1	Cover	
14	1001158008	2	Stand-Off	
15	4460068	4	Terminal	

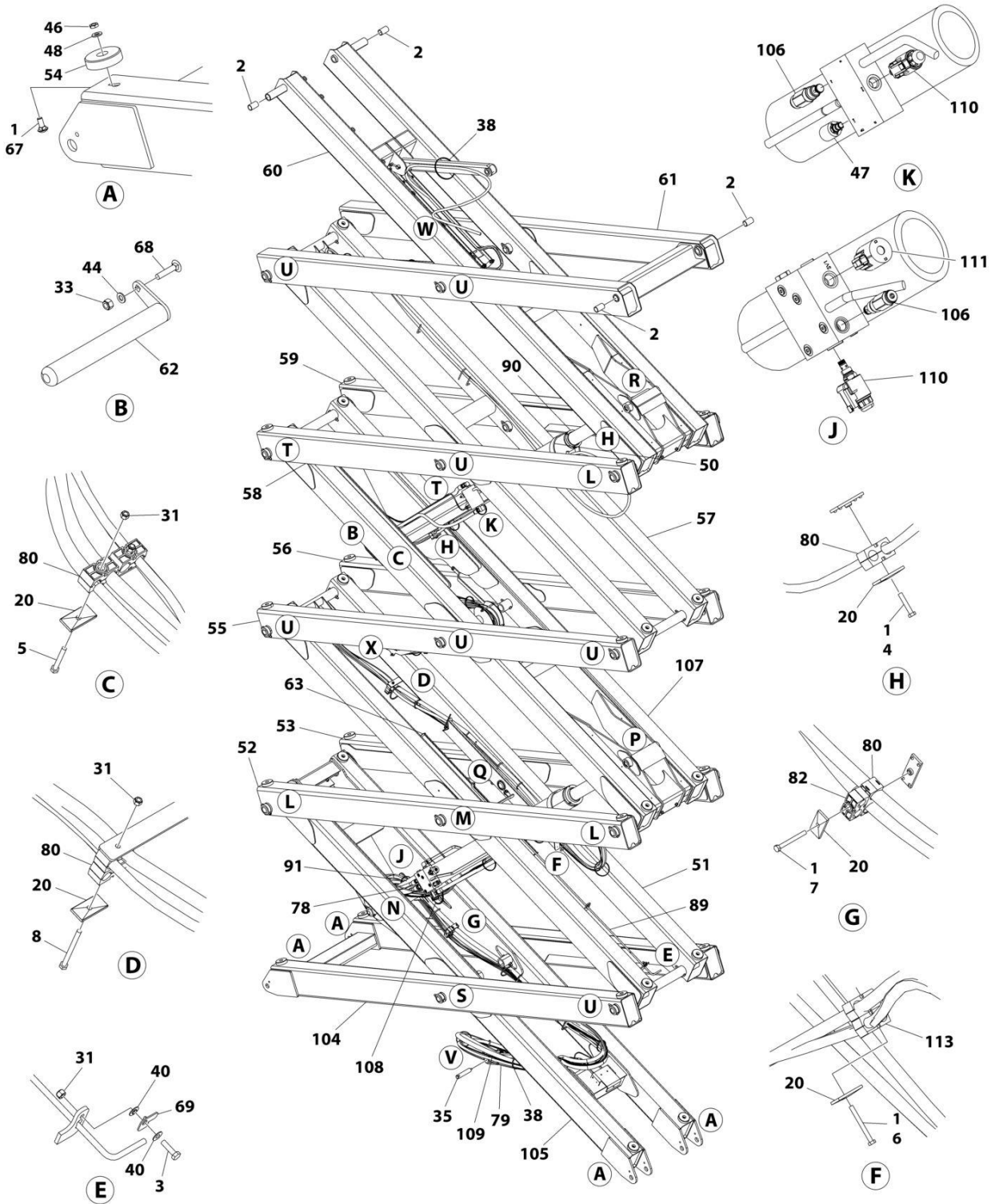




**SECTION 4 - SCISSORS ARMS**

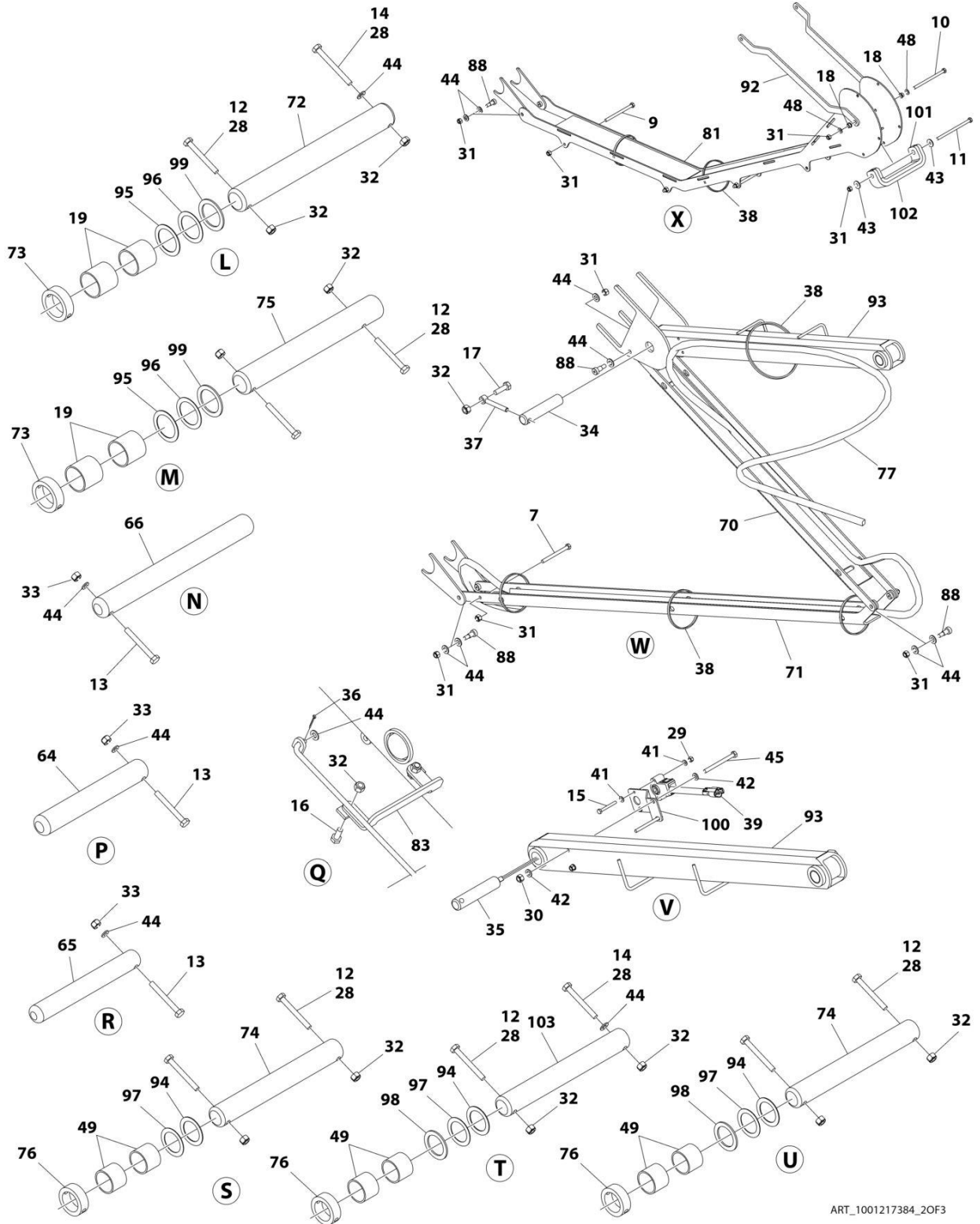
# SECTION 4 - SCISSORS ARMS

## FIGURE 4-1. SCISSORS ARMS ASSEMBLY



ART\_1001217384\_10F3

# SECTION 4 - SCISSORS ARMS



ART\_1001217384\_2OF3

# SECTION 4 - SCISSORS ARMS

## FIGURE 4-1. SCISSORS ARMS ASSEMBLY

ITEM	PART NUMBER	QTY	DESCRIPTION	REV
	1001217384	Ref	SCISSORS ARMS ASSEMBLY	H
1	0100011	AR	Compound, Locking	
2	0440250	4	Bearing	
3	0700814	1	Bolt M8 x 30	
4	0700817	2	Bolt M8 x 45	
5	0700820	2	Bolt M8 x 60	
6	0700824	1	Bolt M8 x 80	
7	0700826	2	Bolt M8 x 90	
8	0700827	1	Bolt M8 x 100	
9	0700828	6	Bolt M8 x 110	
10	0700830	1	Bolt M8 x 130	
11	0700831	1	Bolt M8 x 140	
12	0711025	44	Bolt M10 x 85	
13	0711026	3	Bolt M10 x 90	
14	0711027	8	Bolt M10 x 100	
15	0760415	2	Bolt M4 x 35	
16	0761012	2	Bolt M10 x 25	
17	0771015	2	Bolt M10 x 35	
18	0962031	2	Bushing, Flange	
19	0962036	16	Bushing	
20	1309435	7	Cover, Clamp	
28	3020039	AR	Lubricant	
29	3290405	2	Nut M4	
30	3290605	2	Nut M6	
31	3290805	23	Nut M8	
32	3291005	56	Nut M10	
33	3331017	4	Nut M10	
34	3422943	2	Pin, Link Pivot	
35	3422963	1	Pin, Link Attach	
36	3450304	1	Pin, Cotter 3/32 x 1	
37	3841143	2	Keeper, Pin	
38	4240018	39	Tie-Strap	
39	4360500	1	Switch, Rotary Angle Sensor	
40	4740455	2	Washer	
41	4811400	4	Washer M4	
42	4811700	4	Washer M6	
43	4811902	2	Washer M8	
44	4812000	31	Washer M10	
45	1001096653	2	Bolt M6 x 70	
46	1001102433	32	Nut M8	
47	1001148972	1	Valve, Solenoid Cartridge	
47	70002401	1	Cartridge Less Coil	
47	7017496	1	Seal Kit - 70002401 & 1001148972 Valve	
47	70003788	1	Coil	
48	1001108588	36	Washer M8	
49	1001118665	36	Bearing	
50	1001143645	2	Strap, Cinch	
51	1001181375	1	Arm, Inner 2	
52	1001181384	1	Arm, Outer 2 (RH)	
53	1001181385	1	Arm, Outer 2 (LH)	

## SECTION 4 - SCISSORS ARMS

ITEM	PART NUMBER	QTY	DESCRIPTION	REV
54	1001181436	32	Bumper	
55	1001181476	1	Arm, Outer 3 (RH)	
56	1001181477	1	Arm, Outer 3 (LH)	
57	1001181479	1	Arm, Inner 4	
58	1001181481	1	Arm, Outer 4 (RH)	
59	1001181482	1	Arm, Outer 4 (LH)	
60	1001181485	1	Arm, Inner 5	
61	1001181486	1	Arm, Outer 5	
62	1001184019	1	Pin	
63	1001185315	2	Prop, Safety	
63	0962224	2	Bearing (1 per Prop)	
64	1001185704	1	Pin	
65	1001185705	1	Pin	
66	1001185706	1	Pin	
67	1001186235	32	Bolt M8 x 20	
68	1001186551	1	Bolt M10 x 50	
69	1001186900	1	Plate, Rod Keeper	
70	1001187185	1	Carrier, Cable	
71	1001187186	1	Channel, Cable Carrier	
72	1001188000	6	Pin	
73	1001188001	8	Collar	
74	1001188345	16	Pin	
75	1001188348	2	Pin	
76	1001188351	18	Collar	
77	1001236865	1	Ground to Platform Harness (See Separate Breakdown in ELECTRICAL SECTION)	
78	1001190522	1	Ground to Lower Lift Cylinder Harness (See Separate Breakdown in ELECTRICAL SECTION)	
79	1001190524	1	Ground to Upper Lift Cylinder Harness (See Separate Breakdown in ELECTRICAL SECTION)	
80	1001191629	7	Clamp	
81	1001191722	1	Plate, Cable Tray	
82	1001191838	1	Clamp	
83	1001193040	1	Bracket	
88	1001193296	10	Bolt M8 x 14	
89	1001193386	1	Rod, Prop Actuator	
90	1001225369	1	Lift Cylinder Assembly - Upper (See Separate Breakdown in CYLINDER SECTION)	
91	1001234703	1	Lift Cylinder Assembly - Lower (See Separate Breakdown in CYLINDER SECTION)	
92	1001194393	2	Plate, Cable Tray	
93	1001195209	2	Link	
93	0962474	4	Bushing	
94	1001197395	AR	Washer	
95	1001197396	AR	Washer	
96	1001197397	AR	Washer	
97	1001197398	AR	Washer	
98	1001197404	AR	Washer	
99	1001197405	AR	Washer	
100	1001202520	1	Bracket, Switch	
101	1001209406	1	Plate	
102	1001209407	1	Bumper	

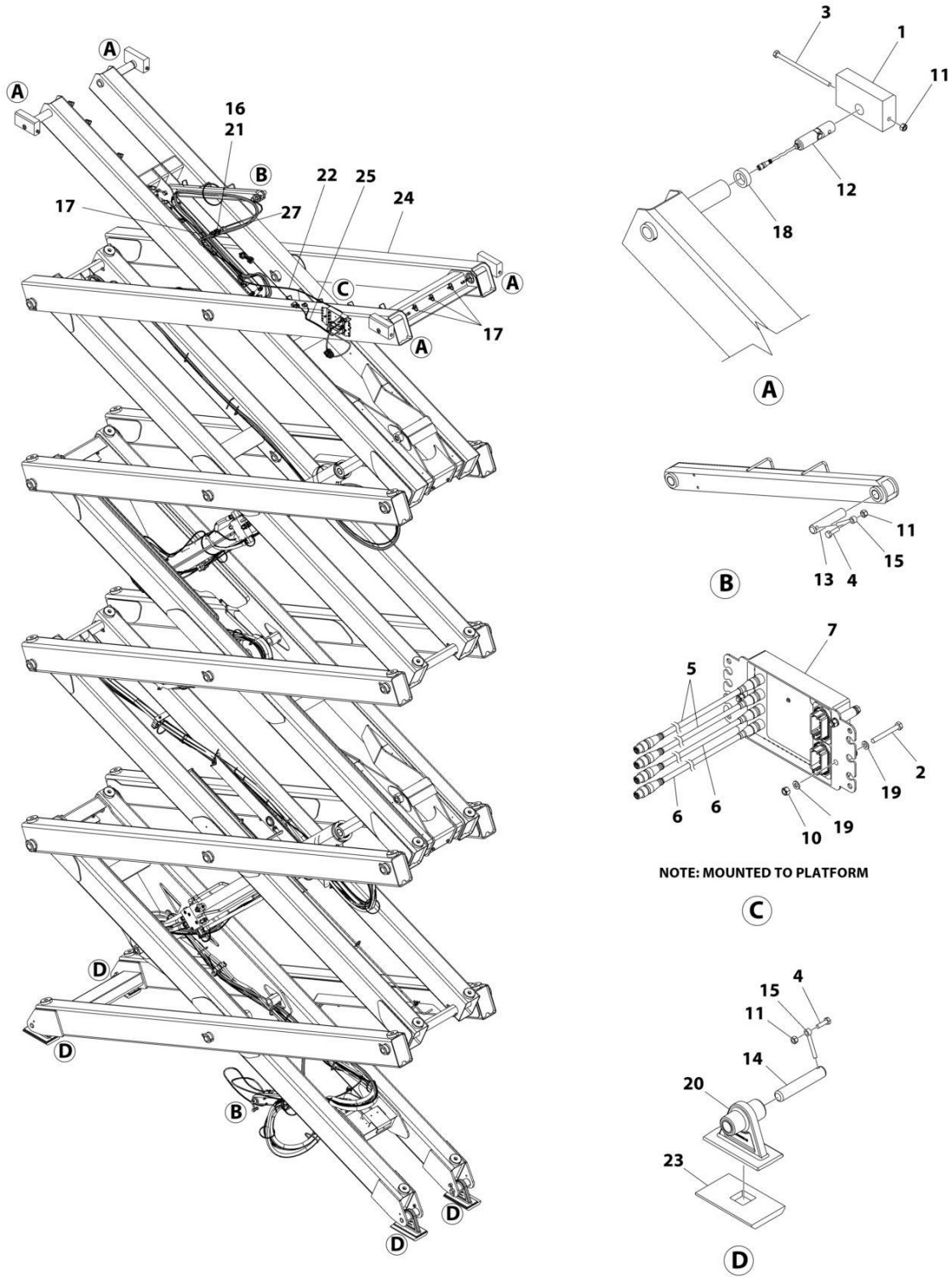
## SECTION 4 - SCISSORS ARMS

ITEM	PART NUMBER	QTY	DESCRIPTION	REV
103	1001217300	2	Pin	
104	1001217381	1	Arm, Outer 1	
105	1001217382	1	Arm, Inner 1	
106	1001217888	1	Valve, Cartridge	
106	7024808	1	Seal Kit - 1001217888 Valve	
107	1001218504	1	Arm, Inner 3	
108	1001222343	1	Ground to Auxilary Lower Holding Valve Harness (See Separate Breakdown in ELECTRICAL SECTION)	
109	1001222344	1	Ground to Auxilary Upper Holding Valve Harness (See Separate Breakdown in ELECTRICAL SECTION)	
110	1001103761	2	Valve, Solenoid Cartridge	
110	7024497	1	Cartridge Less Coil	
110	7024502	1	Seal Kit - 1001103761 & 7024497 Valve	
110	70001965	1	Coil	
110	7024506	1	Nut Kit - Coil	
111	1001206625	1	Valve, Solenoid Cartridge	
111	70006104	1	Cartridge Less Coil	
111	70006105	1	Seal Kit - 1001206625 & 70006104 Valve	
111	70005788	1	Coil	
111	7022390	1	Nut Coil	
113	80933216	2	Clamp	



# SECTION 4 - SCISSORS ARMS

## FIGURE 4-2. SCISSORS ARMS INSTALLATION WITH AC CABLE



ART\_1001237516\_F



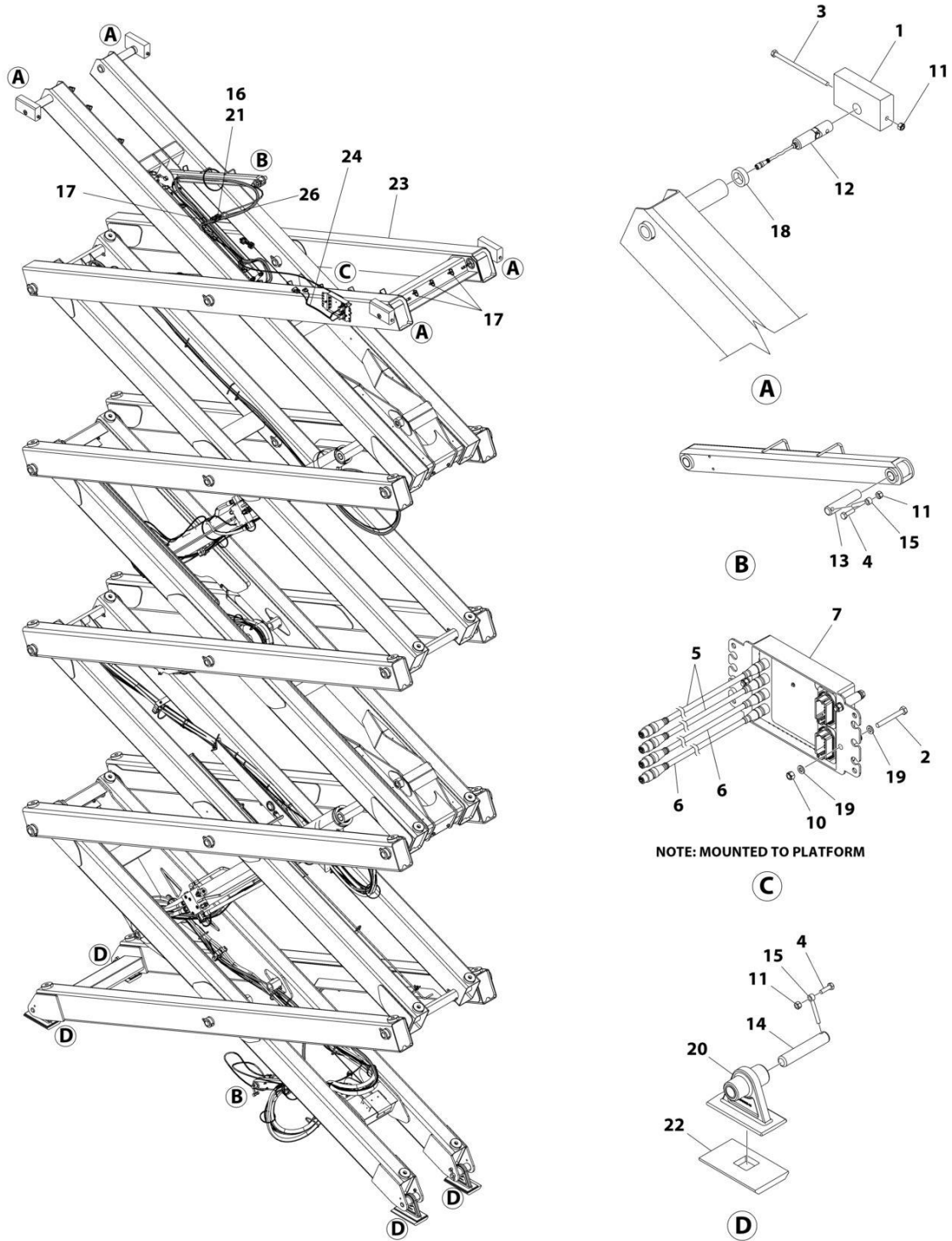
## SECTION 4 - SCISSORS ARMS

**FIGURE 4-2. SCISSORS ARMS INSTALLATION WITH AC CABLE**

ITEM	PART NUMBER	QTY	DESCRIPTION	REV
	1001237516	Ref	SCISSORS ARMS INSTALLATION	F
1	0561489	4	Block, Slide	
2	0700618	3	Bolt M6 x 50	
3	0701037	4	Bolt M10 x 200	
4	0771015	6	Bolt M10 x 35	
5	1061020	2	Cable (5 FT/1.5 M Length)	
6	1061021	2	Cable (10 FT/3 M Length)	
7	1600387	1	Module, Control - LSS	
10	3290605	3	Nut M6	
11	3291005	10	Nut M10	
12	3422938	4	Pin	
13	3422943	1	Pin	
14	3422961	4	Pin	
15	3841143	6	Keeper, Pin	
16	4240018	14	Tie-Strap	
17	4240033	19	Tie-Strap	
18	4568295	4	Tube, Spacer	
19	4811700	6	Washer M6	
20	1001099623	4	Slider	
20	0440234	8	Bearing (2 per Slider)	
21	1001130781	3	Conduit	
22	1001178759	1	Cable, AC	
23	1001181501	4	Pad, Slide	
24	1001217384	1	Scissors Arms Assembly (See Separate Breakdown in this Section)	
25	1001226830	1	LSS Harness (See Separate Breakdown in ELECTRICAL Section)	
26	4460234	16	Mount, Tie-Strap (Not Shown)	
27	1001244865	1	Grommet	

# SECTION 4 - SCISSORS ARMS

## FIGURE 4-3. SCISSORS ARMS INSTALLATION WITH GENERATOR



ART\_1001237515\_F

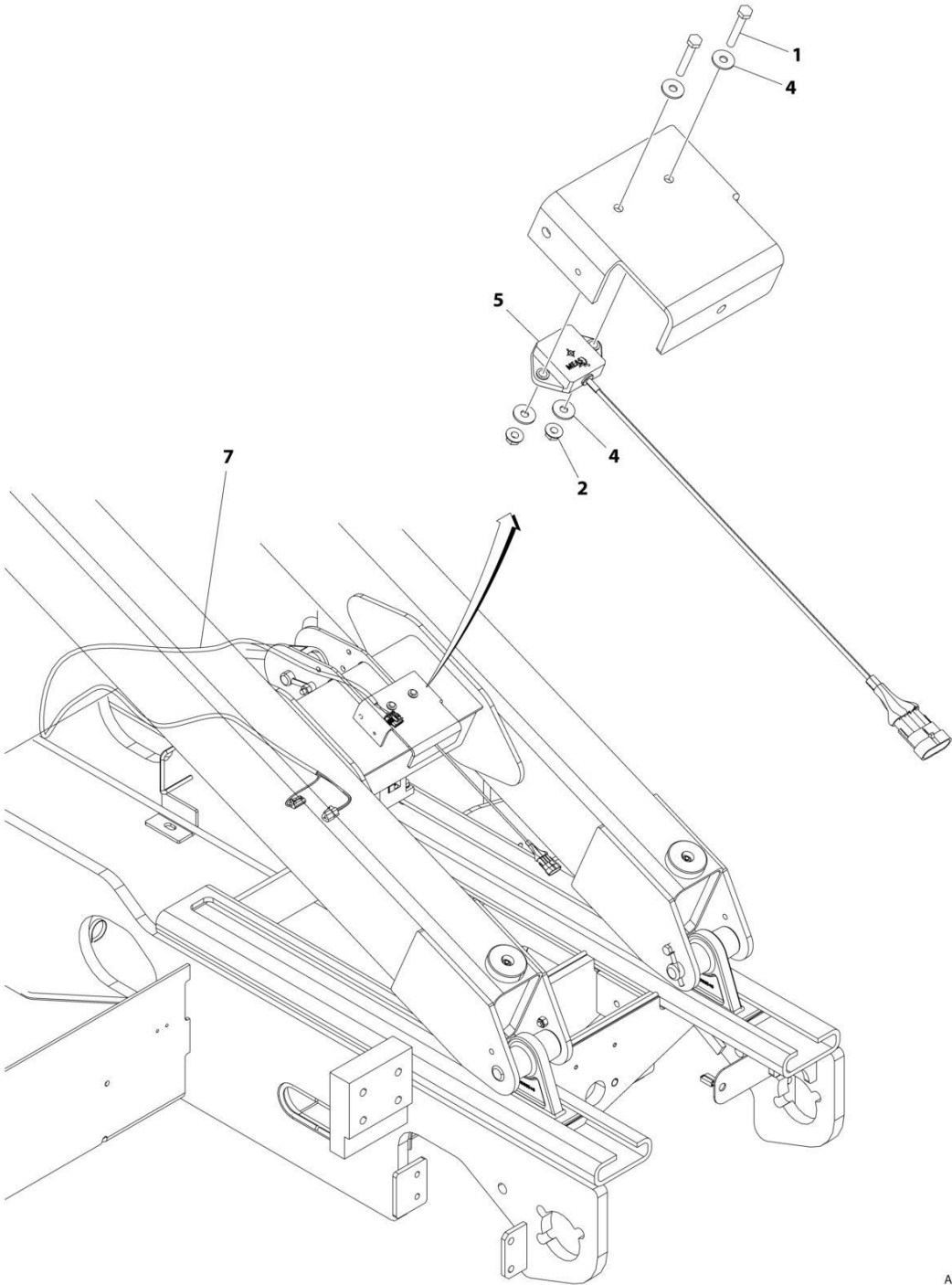
## SECTION 4 - SCISSORS ARMS

**FIGURE 4-3. SCISSORS ARMS INSTALLATION WITH GENERATOR**

ITEM	PART NUMBER	QTY	DESCRIPTION	REV
	1001237515	Ref	SCISSORS ARMS INSTALLATION	F
1	0561489	4	Block, Slide	
2	0700618	3	Bolt M6 x 50	
3	0701037	4	Bolt M10 x 200	
4	0771015	6	Bolt M10 x 35	
5	1061020	2	Cable (5 FT/1.5 M Length)	
6	1061021	2	Cable (10 FT/3 M Length)	
7	1600387	1	Module, Control - LSS	
10	3290605	3	Nut M6	
11	3291005	10	Nut M10	
12	3422938	4	Pin	
13	3422943	1	Pin	
14	3422961	4	Pin	
15	3841143	6	Keeper, Pin	
16	4240018	10	Tie-Strap	
17	4240033	19	Tie-Strap	
18	4568295	4	Tube, Spacer	
19	4811700	6	Washer M6	
20	1001099623	4	Slider	
20	0440234	8	Bearing (2 per Slider)	
21	1001130781	2	Conduit	
22	1001181501	4	Pad, Slide	
23	1001217384	1	Scissors Arms Assembly (See Separate Breakdown in this Section)	
24	1001226830	1	LSS Harness (See Separate Breakdown in ELECTRICAL Section)	
25	4460234	16	Mount, Tie-Strap (Not Shown)	
26	1001244865	1	Grommet	

**SECTION 4 - SCISSORS ARMS**

**FIGURE 4-4. ARM GUARDS INSTALLATION**



ART\_1001231784

## SECTION 4 - SCISSORS ARMS

### FIGURE 4-4. ARM GUARDS INSTALLATION

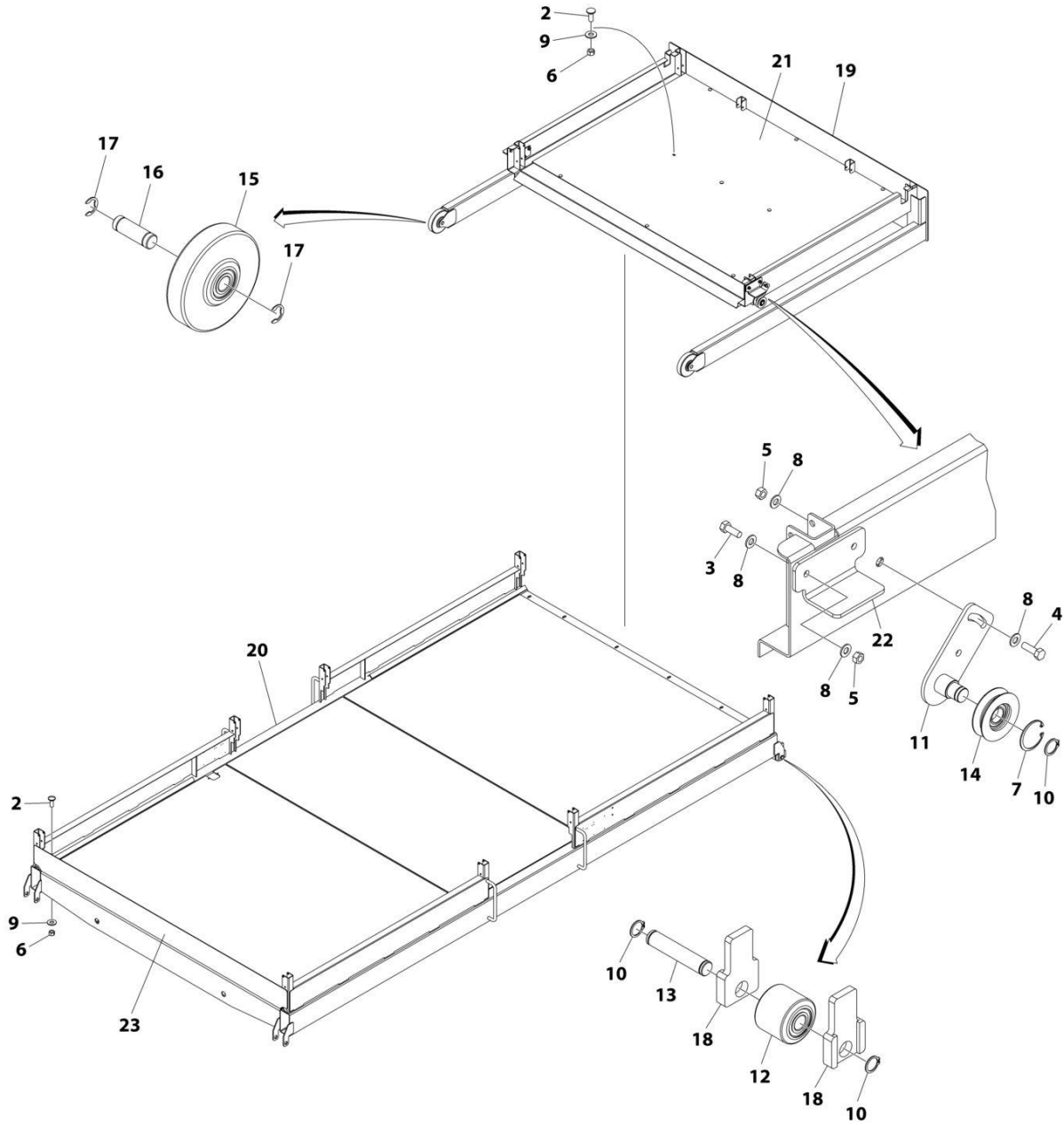
ITEM	PART NUMBER	QTY	DESCRIPTION	REV
	1001231784	Ref	ARM GUARDS INSTALLATION	E
1	0700616	2	Bolt M6 x 40	
2	3290605	2	Nut M6	
3	4240018	12	Tie-Strap (Not Shown)	
4	4811702	4	Washer M6	
5	1001187857	1	Sensor, Dual Axis	
7	1001244347	1	Scissors Arms Guard Harness (See Separate Breakdown in ELECTRICAL SECTION)	



**SECTION 5 - PLATFORM**

# SECTION 5 - PLATFORM

## FIGURE 5-1. PLATFORM WITH SINGLE EXTENTION INSTALLATION



ART\_1001205640



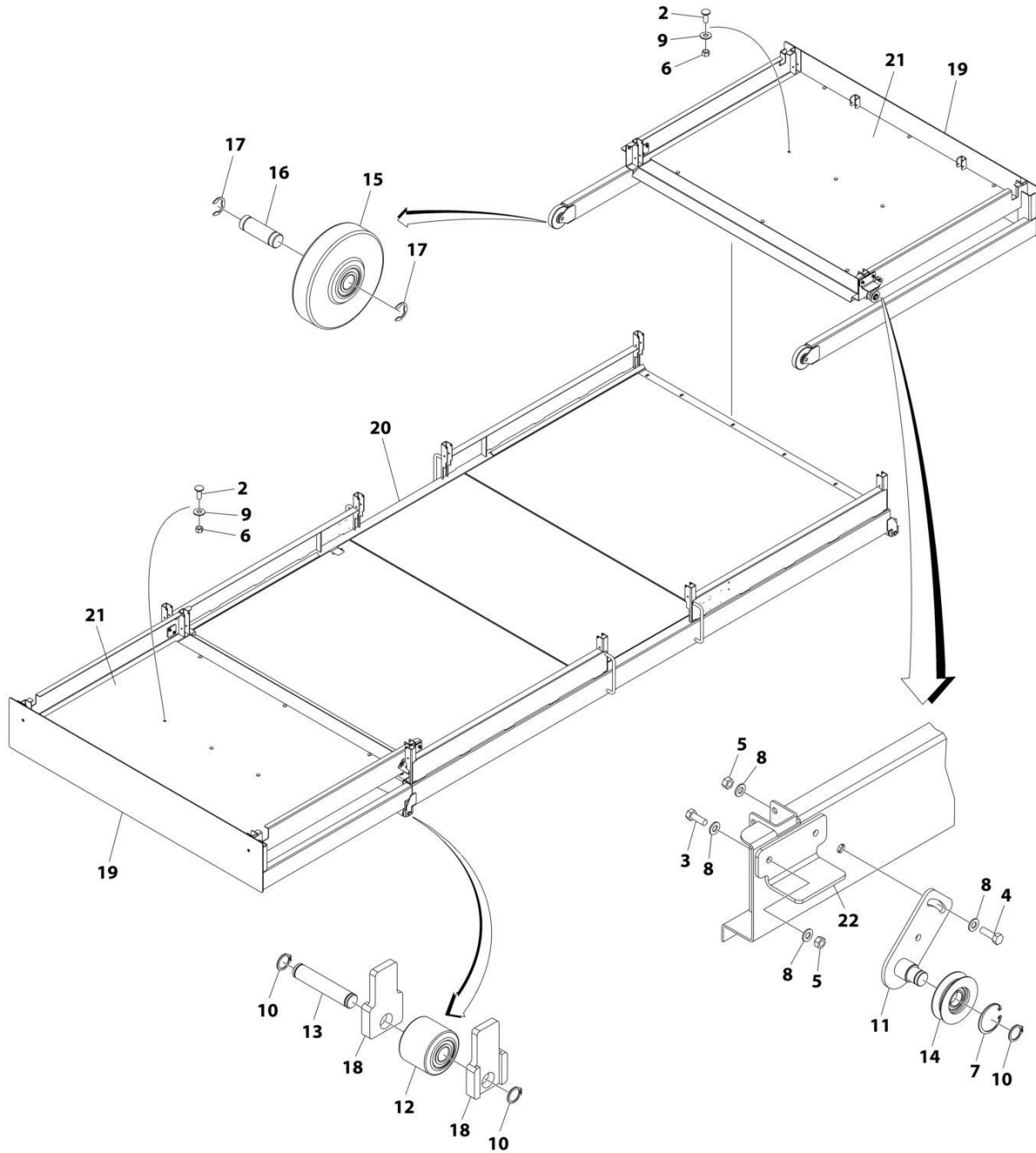
## SECTION 5 - PLATFORM

**FIGURE 5-1. PLATFORM WITH SINGLE EXTENTION INSTALLATION**

ITEM	PART NUMBER	QTY	DESCRIPTION	REV
	1001205640	Ref	PLATFORM WITH SINGLE EXTENSION INSTALLATION	H
2	0630485	15	Bolt	
3	0641507	4	Bolt 5/16 x 7/8	
4	0641508	4	Bolt 5/16 x 1	
5	3311505	8	Nut 5/16	
6	3311601	15	Nut 3/8	
7	3760257	2	Ring, Retaining	
8	4711500	16	Washer 5/16	
9	4751600	15	Washer 3/8	
10	1001149581	6	Ring, Retaining	
11	1001166729	2	Plate, Mounting	
12	1001167269	2	Roller	
13	1001210278	2	Pin	
14	1001167272	2	Roller	
15	1001167274	2	Roller	
16	1001167275	2	Pin	
17	1001167696	4	Clip	
18	1001215224	4	Bumper	
19	1001205642	1	Extension, Platform	
20	1001205643	1	Platform	
21	1001205765	1	Plate, Floor	
22	1001205896	2	Plate, Stop	
23	1001206182	1	Kickplate	

# SECTION 5 - PLATFORM

## FIGURE 5-2. PLATFORM WITH DUAL EXTENSION INSTALLATION



ART\_1001205638

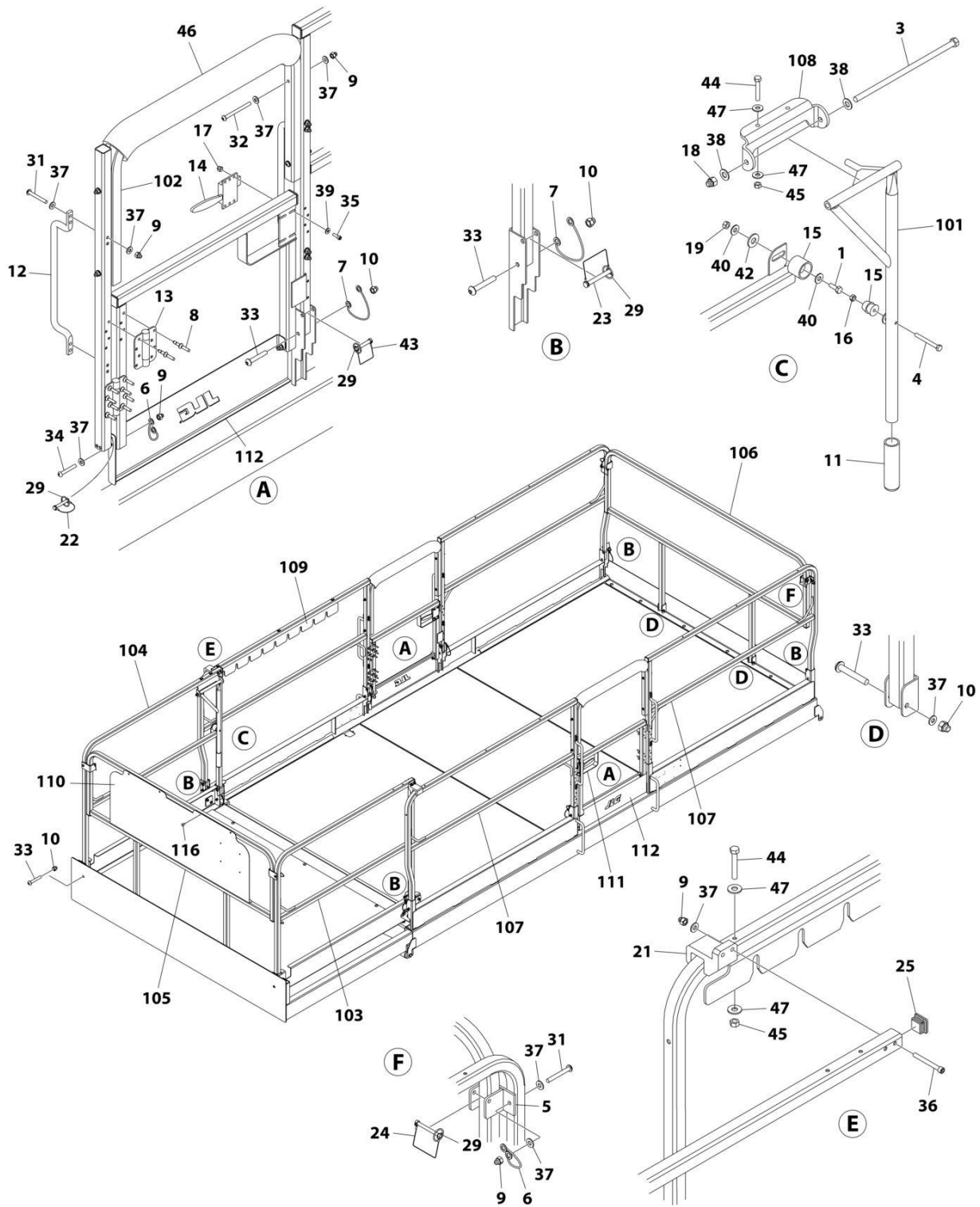
## SECTION 5 - PLATFORM

**FIGURE 5-2. PLATFORM WITH DUAL EXTENSION INSTALLATION**

ITEM	PART NUMBER	QTY	DESCRIPTION	REV
	1001205638	Ref	PLATFORM (12.6FT/3.84M LENGTH) WITH DUAL EXTENSION INSTALLATION	H
2	0630485	18	Bolt	
3	0641507	8	Bolt 5/16 x 7/8	
4	0641508	8	Bolt 5/16 x 1	
5	3311505	16	Nut 5/16	
6	3311601	18	Nut 3/8	
7	3760257	4	Ring, Retaining	
8	4711500	32	Washer 5/16	
9	4751600	18	Washer 3/8	
10	1001149581	12	Ring, Retaining	
11	1001166729	4	Plate, Mounting	
12	1001167269	4	Roller	
13	1001210278	4	Pin	
14	1001167272	4	Roller	
15	1001167274	4	Roller	
16	1001167275	4	Pin	
17	1001167696	8	Clip	
18	1001215224	8	Bumper	
19	1001205642	2	Extension, Platform	
20	1001205643	1	Platform	
21	1001205765	2	Plate, Floor	
22	1001205896	4	Plate, Stop	

# SECTION 5 - PLATFORM

## FIGURE 5-3. RAIL INSTALLATION - PLATFORM WITH SINGLE EXTENSION



ART\_1001206190

## SECTION 5 - PLATFORM

**FIGURE 5-3. RAIL INSTALLATION - PLATFORM WITH SINGLE EXTENSION**

ITEM	PART NUMBER	QTY	DESCRIPTION	REV
	1001206190	Ref	RAIL INSTALLATION - PLATFORM WITH SINGLE EXTENSION	F
1	0641406	1	Bolt 1/4 x 3/4	
3	0641676	1	Bolt 3/8 x 9-1/2	
4	0700619	1	Bolt M6 x 55	
5	0901870	4	Bracket	
6	1060379	6	Lanyard	
7	1060808	10	Lanyard	
8	2080040	32	Fastener	
9	2080063	36	Nut 1/4	
10	2080064	16	Nut 5/16	
11	2560088	1	Grip, Handle	
12	2560176	4	Handle	
13	2600285	4	Hinge	
14	2940074	2	Latch	
15	2940127	1	Latch	
16	3290601	1	Nut M6	
17	3300432	8	Nut #10	
18	3300467	1	Nut 3/8	
19	3311405	1	Nut 1/4	
21	3340937	2	Pad, Rail Slide	
22	3421453	2	Pin, Snap	
23	3421565	6	Pin, Snap	
24	3422219	4	Pin, Snap	
25	3520072	14	Plug	
29	3760170	16	Ring, Split	
31	3900318	20	Screw 1/4 x 2	
32	3900319	8	Screw 1/4 x 3	
33	3900323	16	Screw 5/16 x 2	
34	3911428	4	Screw 1/4 x 1-3/4	
35	3931010	8	Capscrew #10 x 5/8	
36	3931436	4	Capscrew 1/4 x 2-1/4	
37	4711400	70	Washer 1/4	
38	4711600	2	Washer 3/8	
39	4751000	8	Washer #10	
40	4751400	2	Washer 1/4	
42	4751600	1	Washer 3/8	
43	1001145292	4	Pin, Snap	
44	0641516	5	Bolt 5/16 x 2	
45	3311505	5	Nut 5/16	
46	3340612	36 in/ 90cm	Cover	
47	4751500	10	Washer 5/16	
100	1001206065	1	Rail Kit (Not Shown)	
101	2560172	1	Handle (RH)	
102	3641452	2	Rail, Door	
103	4846532	1	Rail, Extension (LH)	
104	4846537	1	Rail, Extension (RH)	
105	1001167055	1	Rail, Extension (Front)	
106	1001167058	1	Rail (Rear)	
107	1001213495	4	Rail	

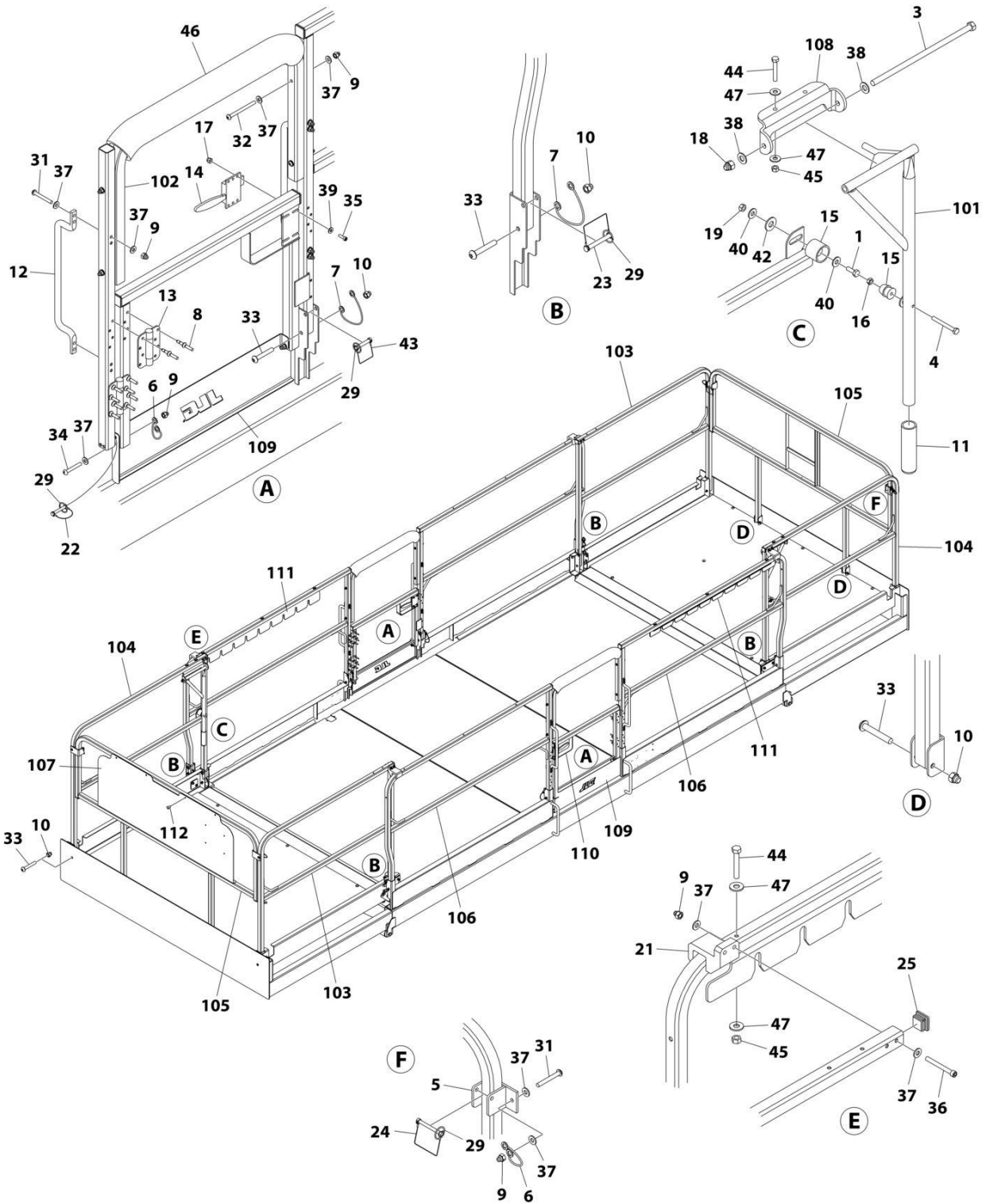
## SECTION 5 - PLATFORM

ITEM	PART NUMBER	QTY	DESCRIPTION	REV
108	3537609	1	Plate, Pivot	
109	1001206025	1	Plate, Latch	
110	3571862	1	Plate, Placard	
111	4846570	2	Gate	
112	3573472	2	Kickplate	
116	3820020	7	Rivet	



# SECTION 5 - PLATFORM

## FIGURE 5-4. RAIL INSTALLATION - PLATFORM WITH DUAL EXTENSION



ART\_1001206097



## SECTION 5 - PLATFORM

**FIGURE 5-4. RAIL INSTALLATION - PLATFORM WITH DUAL EXTENSION**

ITEM	PART NUMBER	QTY	DESCRIPTION	REV
	1001206097	Ref	RAIL INSTALLATION - 12.6FT/3.84M LENGTH PLATFORM WITH DUAL EXTENSION	E
1	0641406	2	Bolt 1/4 x 3/4	
3	0641676	2	Bolt 3/8 x 9-1/2	
4	0700619	2	Bolt M6 x 55	
5	0901870	4	Bracket	
6	1060379	6	Lanyard	
7	1060808	12	Lanyard	
8	2080040	32	Fastener	
9	2080063	40	Nut 1/4	
10	2080064	20	Nut 5/16	
11	2560088	2	Grip, Handle	
12	2560176	4	Handle	
13	2600285	4	Hinge	
14	2940074	2	Latch	
15	2940127	2	Latch	
16	3290601	2	Nut M6	
17	3300432	8	Nut #10	
18	3300467	2	Nut 3/8	
19	3311405	2	Nut 1/4	
21	3340937	4	Pad, Rail Slide	
22	3421453	2	Pin, Snap	
23	3421565	8	Pin, Snap	
24	3422219	4	Pin, Snap	
25	3520072	16	Plug	
29	3760170	18	Ring, Split	
31	3900318	20	Screw 1/4 x 2	
32	3900319	8	Screw 1/4 x 3	
33	3900323	20	Screw 5/16 x 2	
34	3911428	4	Screw 1/4 x 1-3/4	
35	3931010	8	Capscrew #10 x 5/8	
36	3931436	8	Capscrew 1/4 x 2-1/4	
37	4711400	78	Washer 1/4	
38	4711600	4	Washer 3/8	
39	4751000	8	Washer #10	
40	4751400	4	Washer 1/4	
42	4751600	2	Washer 3/8	
43	1001145292	4	Pin, Snap	
44	0641516	10	Bolt 5/16 x 2	
45	3311505	10	Nut 5/16	
46	3340612	36 in/ 90cm	Cover	
47	4751500	20	Washer 5/16	
100	1001206009	1	Rail Kit (Not Shown)	
101	2560172	2	Handle (RH)	
102	3641452	2	Rail, Door	
103	4846532	2	Rail, Extension (LH)	
104	4846537	2	Rail, Extension (RH)	
105	1001167055	2	Rail, Extension (Front)	
106	1001213495	4	Rail	

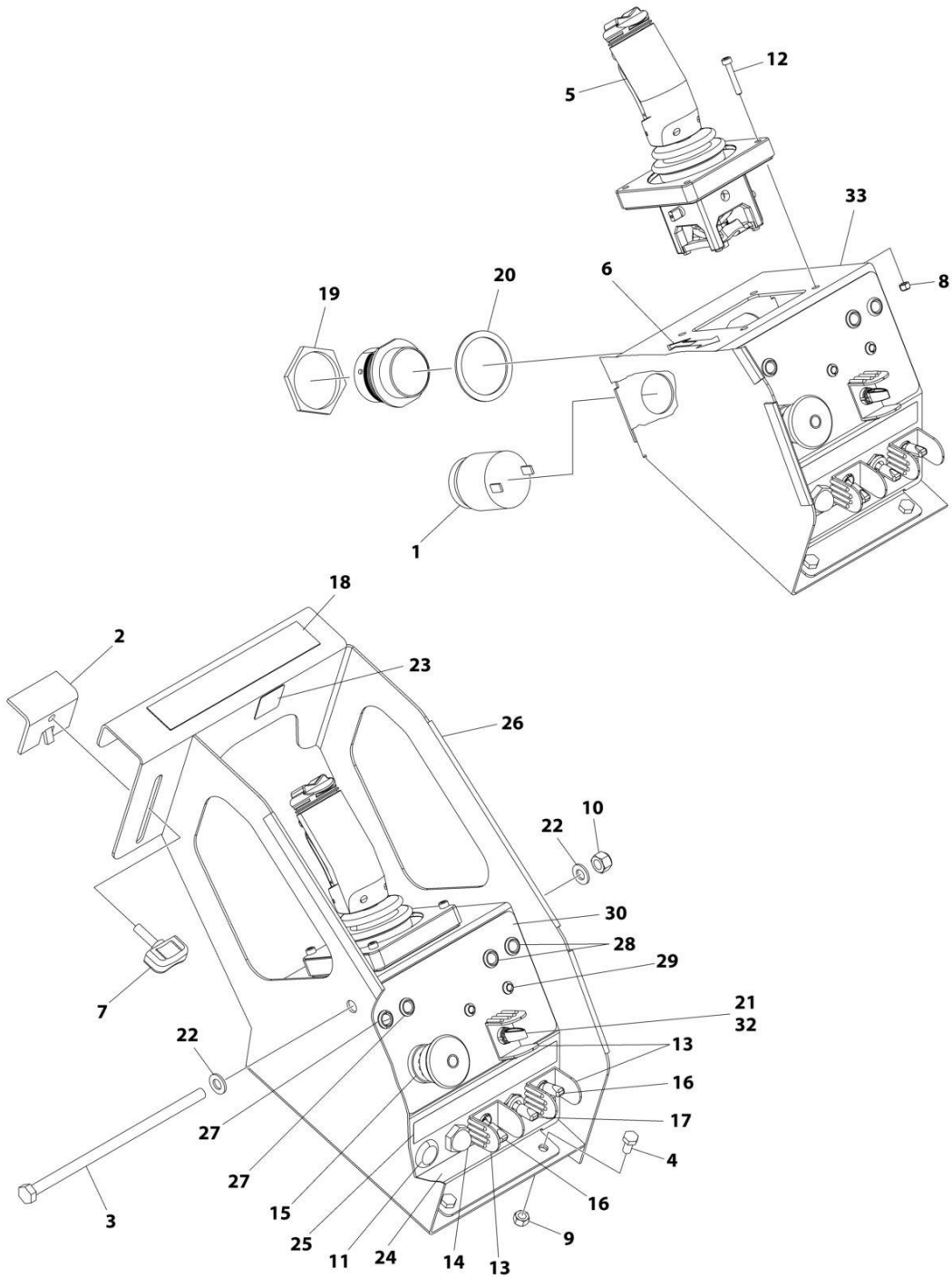
## SECTION 5 - PLATFORM

ITEM	PART NUMBER	QTY	DESCRIPTION	REV
107	3571862	1	Plate, Placard	
108	3537609	2	Plate, Pivot	
109	3573472	2	Kickplate	
110	4846570	2	Gate	
111	1001206025	2	Plate, Latch	
112	3820020	7	Rivet	



# SECTION 5 - PLATFORM

## FIGURE 5-5. PLATFORM CONSOLE BOX INSTALLATION - DIESEL MACHINES



ART\_1001236264\_G

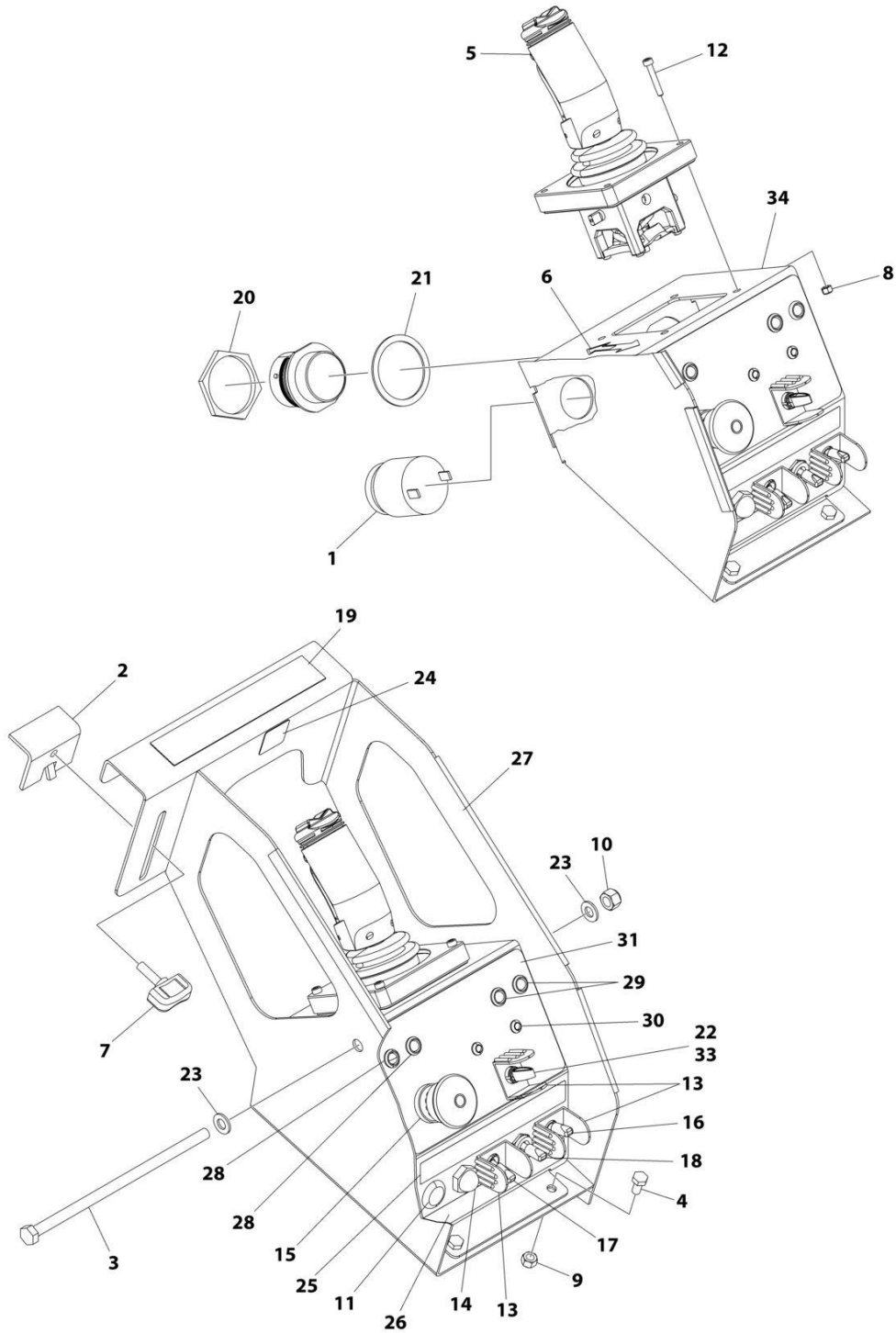
## SECTION 5 - PLATFORM

**FIGURE 5-5. PLATFORM CONSOLE BOX INSTALLATION - DIESEL MACHINES**

ITEM	PART NUMBER	QTY	DESCRIPTION	REV
	1001236264	Ref	PLATFORM CONSOLE BOX INSTALLATION - DIESEL MACHINES	G
1	0140030	1	Alarm	
2	0181847	1	Angle, Clamp	
3	0700835	1	Bolt M8 x 180	
4	0760606	3	Bolt M6 x 12	
5	1001247682	1	Drive/Steer Controller Assembly (See Separate Breakdown in this Section)	
6	1703819	1	Decal - Direction Arrow	
7	2560141	1	Thumbscrew	
8	3290405	4	Nut M4	
9	3290605	3	Nut M6	
10	3290805	1	Nut M8	
11	1001226421	1	Plug	
12	4031509	4	Capscrew M4 x 25	
13	4060802	3	Guard, Switch	
14	4360387	1	Switch, Push Button	
15	1001274559	1	Switch, Emergency Stop (Plastic)	
15	4360475	1	Switch, Emergency Stop (Metal)	
15	7020175	1	Cap	
15	7020176	1	Block, Contact	
16	4360483	2	Switch, Toggle	
17	4360525	1	Switch, Toggle	
18	4420076	3	Tape	
19	4460470	1	Nut, Terminal	
20	4460471	1	Washer, Terminal	
21	4711700	2	Washer 7/16	
22	4811900	2	Washer M8	
23	1001132358	1	Decal - Steer	
24	1001181622	1	Decal - Platform Diesel	
25	1001181623	1	Decal - Platform Diesel	
26	1001190270	1	Bracket	
27	1001190472	2	Lamp, LED with Harness	
28	1001190473	2	Lamp, LED with Harness	
29	1001190474	2	Lamp, LED with Harness	
30	1001236199	1	Decal - Platform Function	
31	1001236230	1	Platform Box Harness (Not Shown - See Separate Breakdown in ELECTRICAL SECTION)	
32	1001236560	1	Switch, Toggle	
33	1001235922	1	Plate	

# SECTION 5 - PLATFORM

## FIGURE 5-6. PLATFORM CONSOLE BOX INSTALLATION - GASOLINE MACHINES



ART\_1001236265\_G

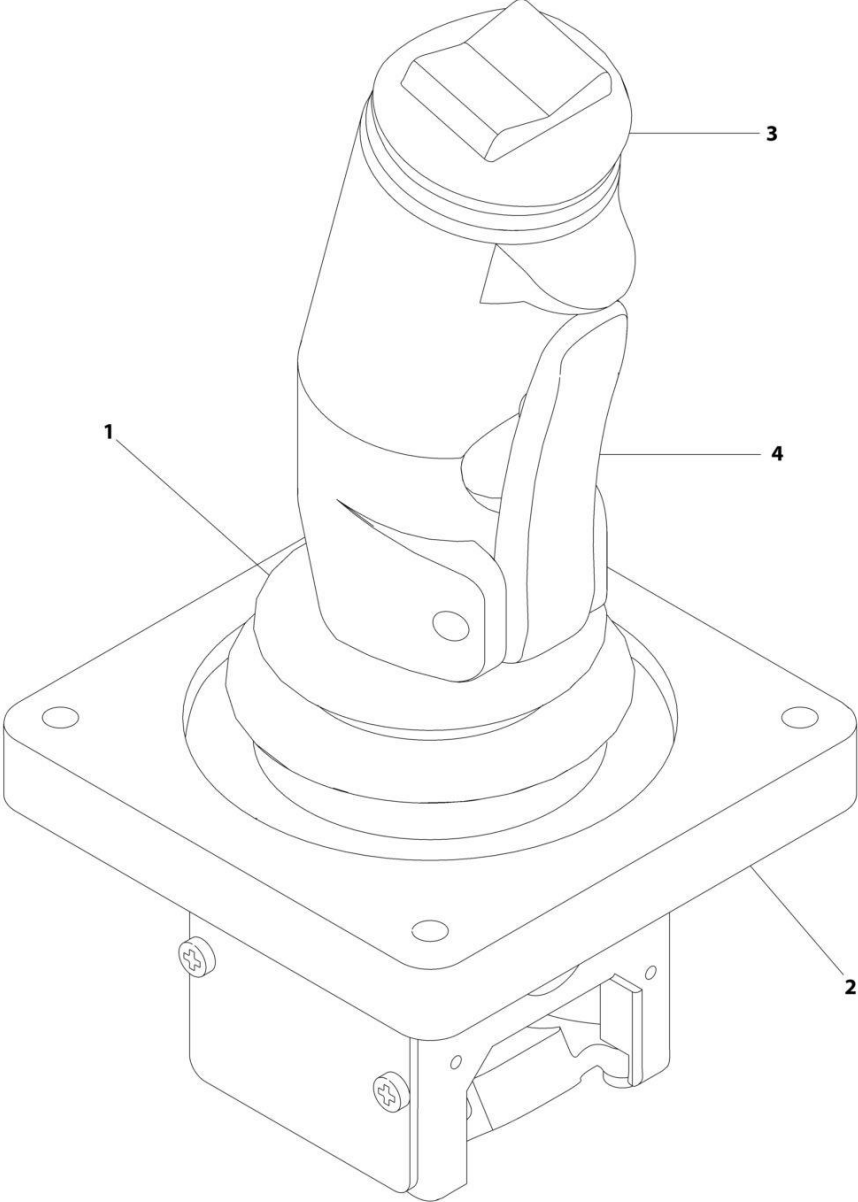
## SECTION 5 - PLATFORM

**FIGURE 5-6. PLATFORM CONSOLE BOX INSTALLATION - GASOLINE MACHINES**

ITEM	PART NUMBER	QTY	DESCRIPTION	REV
	1001236265	Ref	PLATFORM CONSOLE BOX INSTALLATION - GASOLINE MACHINES	G
1	0140030	1	Alarm	
2	0181847	1	Angle, Clamp	
3	0700835	1	Bolt M8 x 180	
4	0760606	3	Bolt M6 x 12	
5	1001247682	1	Drive/Steer Controller Assembly (See Separate Breakdown in this Section)	
6	1703819	1	Decal - Direction Arrow	
7	2560141	1	Thumbscrew	
8	3290405	4	Nut M4	
9	3290605	3	Nut M6	
10	3290805	1	Nut M8	
11	1001226421	1	Plug	
12	4031509	4	Capscrew M4 x 25	
13	4060802	3	Guard, Switch	
14	4360387	1	Switch, Push Button	
15	1001274559	1	Switch, Emergency Stop (Plastic)	
15	4360475	1	Switch, Emergency Stop (Metal)	
15	7020175	1	Cap	
15	7020176	1	Block, Contact	
16	4360482	1	Switch, Toggle	
17	4360483	1	Switch, Toggle	
18	4360525	1	Switch, Toggle	
19	4420076	3	Tape	
20	4460470	1	Nut, Terminal	
21	4460471	1	Washer, Terminal	
22	4711700	2	Washer 7/16	
23	4811900	2	Washer M8	
24	1001132358	1	Decal - Steer	
25	1001181626	1	Decal - Platform Dual Fuel	
26	1001181627	1	Decal - Platform Dual Fuel	
27	1001190270	1	Bracket	
28	1001190472	2	Lamp, LED with Harness	
29	1001190473	2	Lamp, LED with Harness	
30	1001190474	2	Lamp, LED with Harness	
31	1001236199	1	Decal - Platform Function	
32	1001236230	1	Platform Box Harness (Not Shown - See Separate Breakdown in ELECTRICAL SECTION)	
33	1001236560	1	Switch, Toggle	
34	1001235922	1	Plate	

**SECTION 5 - PLATFORM**

**FIGURE 5-7. CONTROLLER ASSEMBLY**



ART\_1001247682



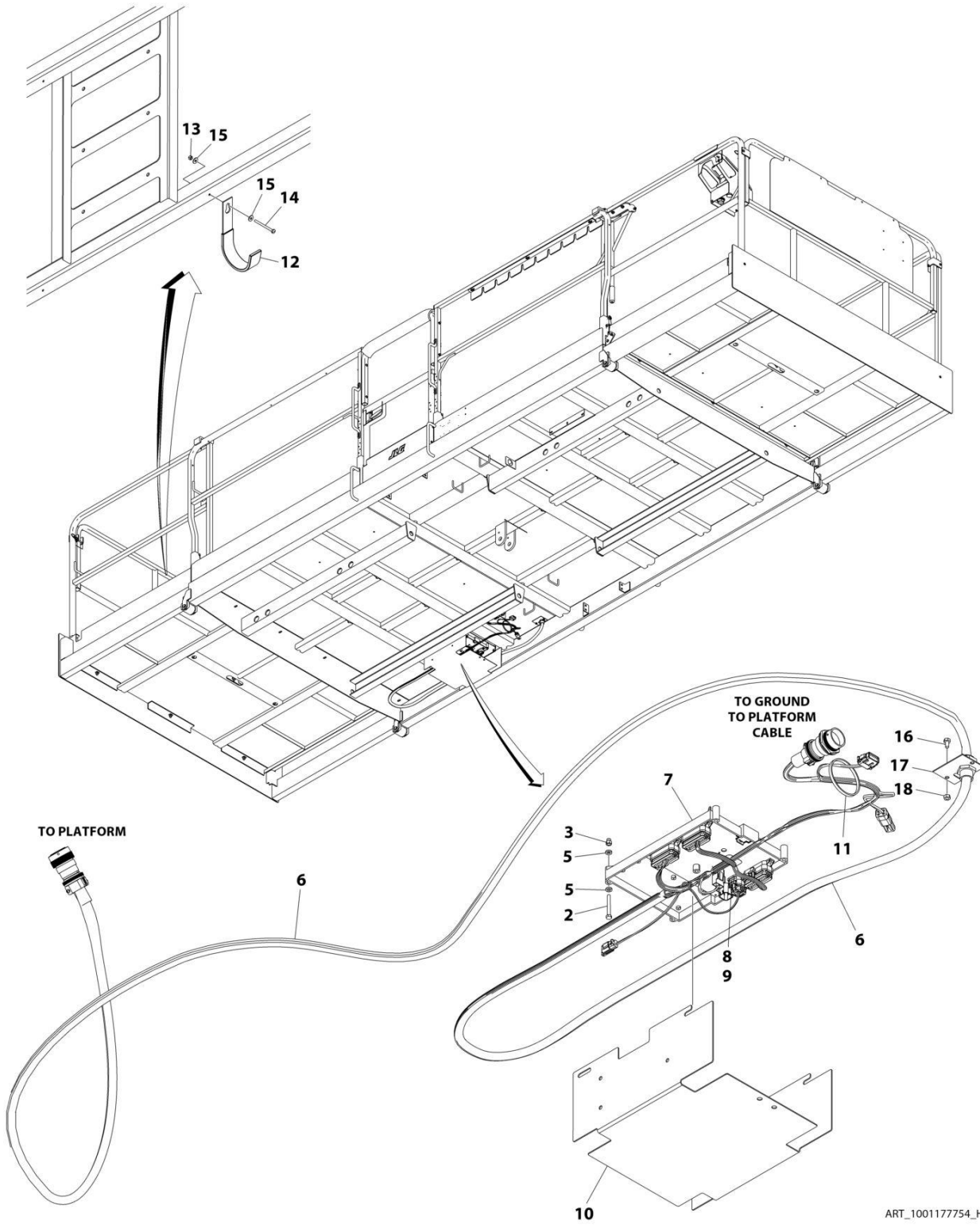
## SECTION 5 - PLATFORM

### FIGURE 5-7. CONTROLLER ASSEMBLY

ITEM	PART NUMBER	QTY	DESCRIPTION	REV
	1001247682	Ref	DRIVE/STEER CONTROLLER ASSEMBLY (LCD)	B
1	70001250	1	Boot, Panel	
2	70001252	1	Gasket, Mounting	
2	70001251	1	Bezel, Mounting	
3	70007506	1	Handle Repair Kit (Includes handle gasket, item#4 push button and item #4 lever installed in front handle half, back handle half, top actuator, boot and hardware.)	
3	70000084	1	Cap, Rubber	
3	70000082	1	Microswitch	
3	7027766	1	Ring, Retaining	
3	7027365	1	Actuator, Handle	
3	70001253	1	Gasket, Handle	
3	70000683	4	Washer, Neoprene	
3	70000685	2	Spacer, Plastic	
3	70000686	2	Screw (Top)	
3	70000684	2	Screw (Bottom)	
4	7027367	1	Switch, Push Button	
4	7027765	1	Lever, Enable	

# SECTION 5 - PLATFORM

## FIGURE 5-8. PLATFORM MODULE INSTALLATION



ART\_1001177754\_H

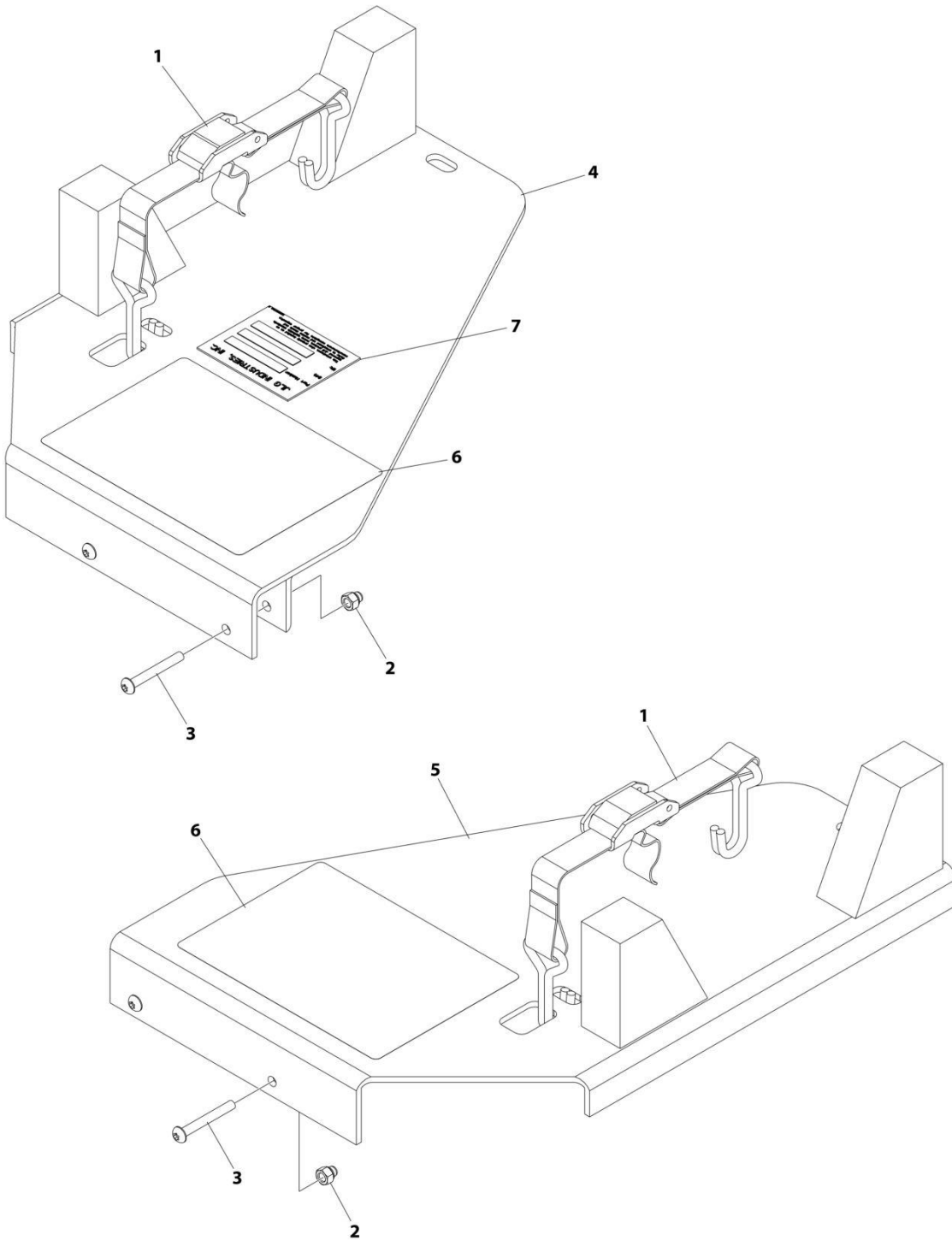
## SECTION 5 - PLATFORM

**FIGURE 5-8. PLATFORM MODULE INSTALLATION**

ITEM	PART NUMBER	QTY	DESCRIPTION	REV
	1001177754	Ref	PLATFORM MODULE INSTALLATION	H
1	0100011	AR	Compound, Locking (Not Shown)	
2	0760618	4	Bolt M6 x 50	
3	3290606	4	Nut M6	
3	3290607	4	Nut M6	
4	4240033	10	Tie-Strap (Not Shown)	
5	5240600	8	Washer M6	
6	1001236163	1	Platform Module to Console Box Harness (See Separate Breakdown in ELECTRICAL Section)	
7	1001235098	1	Module, Platform (Note: Re-calibration Required when Replaced)	
8	4460905	8	Plug, Terminal	
9	1001116946	1	Connector - 8 Position	
10	1001237058	1	Bracket	
11	4240018	AR	Tie-Strap	
12	2700100	1	Hook	
13	3290405	AR	Nut M4	
14	4010418	AR	Bolt M4 x 50	
15	1001091102	AR	Washer M4	
16	0641404	2	Bolt 1/4 x 1/2	
17	1670988	1	Cover	
18	3311405	2	Nut 1/4	

# SECTION 5 - PLATFORM

## FIGURE 5-9. PIPE RACK INSTALLATION



ART\_1001273290

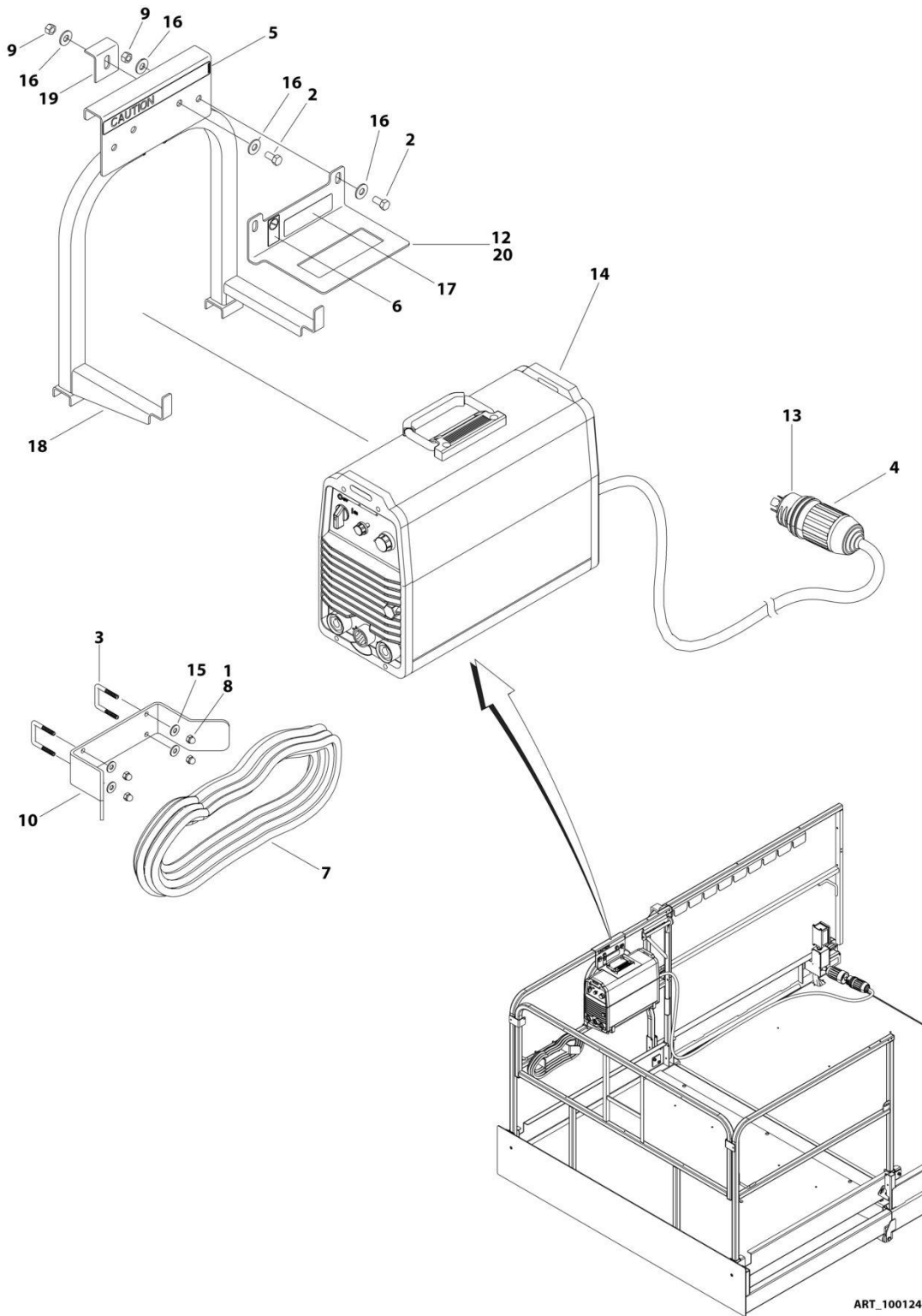
## SECTION 5 - PLATFORM

### FIGURE 5-9. PIPE RACK INSTALLATION

ITEM	PART NUMBER	QTY	DESCRIPTION	REV
	1001273290	Ref	PIPE RACK INSTALLATION	B
1	0480100	2	Belt, Tie Down	
2	2080063	4	Nut 1/4	
3	3900318	4	Screw 1/4 x 2	
4	4845441	1	Support, Pipe Rack	
5	4845442	1	Support, Pipe Rack	
6	1001293137	2	Decal - Pipe Rack Capacity	
7	See Note	NSS	Decal - Accessory (Note: Not Available for Purchase)	

# SECTION 5 - PLATFORM

## FIGURE 5-10. SKYWELDER INSTALLATION (OPTIONAL) (ANSI SPECS)



ART\_1001245845

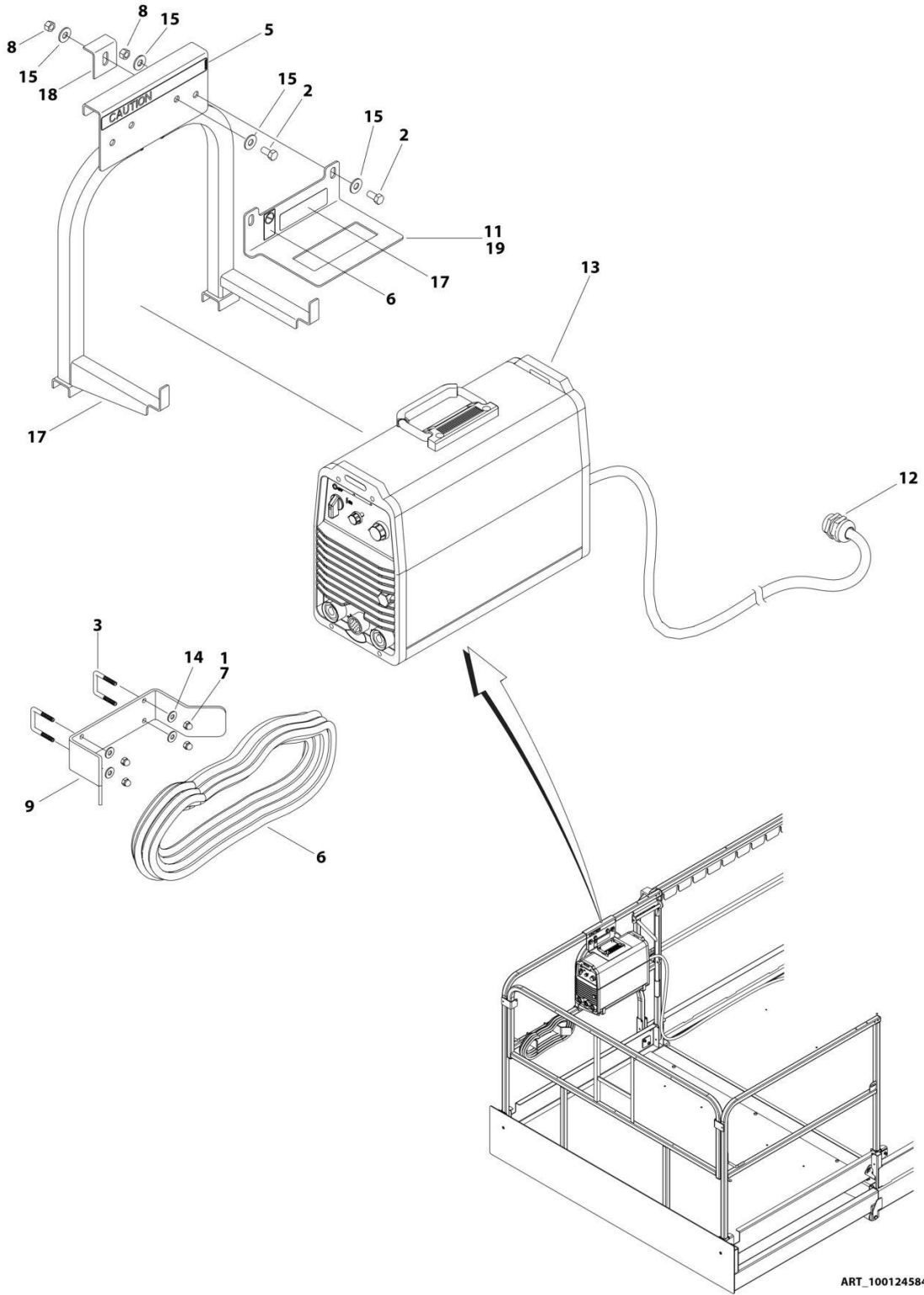
## SECTION 5 - PLATFORM

**FIGURE 5-10. SKYWELDER INSTALLATION (OPTIONAL) (ANSI SPECS)**

ITEM	PART NUMBER	QTY	DESCRIPTION	REV
	1001245845	Ref	SKYWELDER INSTALLATION	A
1	0100011	AR	Compound, Locking	
2	0641606	4	Bolt 3/8 x 3/4	
3	1320302	2	Clamp	
4	1671093	1	Cover, Plug	
5	1702868	1	Decal - No Hands	
6	1705305	1	Decal - Weld Lead	
7	2902217	1	Weld Leads Kit	
8	3300151	4	Nut 1/4	
9	3311605	4	Nut 3/8	
10	3573400	1	Plate	
11	4240099	AR	Tie-Strap (Not Shown)	
12	4420037	AR	Tape	
13	4460962	1	Plug, Male Twistlock	
14	4530028	1	Welder Assembly (See Separate Breakdown in this Section)	
15	4751400	4	Washer 1/4	
16	4751600	8	Washer 3/8	
17	1001228988	1	Decal - Weight	
18	1001245681	1	Support	
19	1001245996	2	Bracket	
20	1001246080	1	Bracket	

# SECTION 5 - PLATFORM

## FIGURE 5-11. SKYWELDER INSTALLATION (OPTIONAL) (CE & UK CA SPECS)



ART\_1001245846



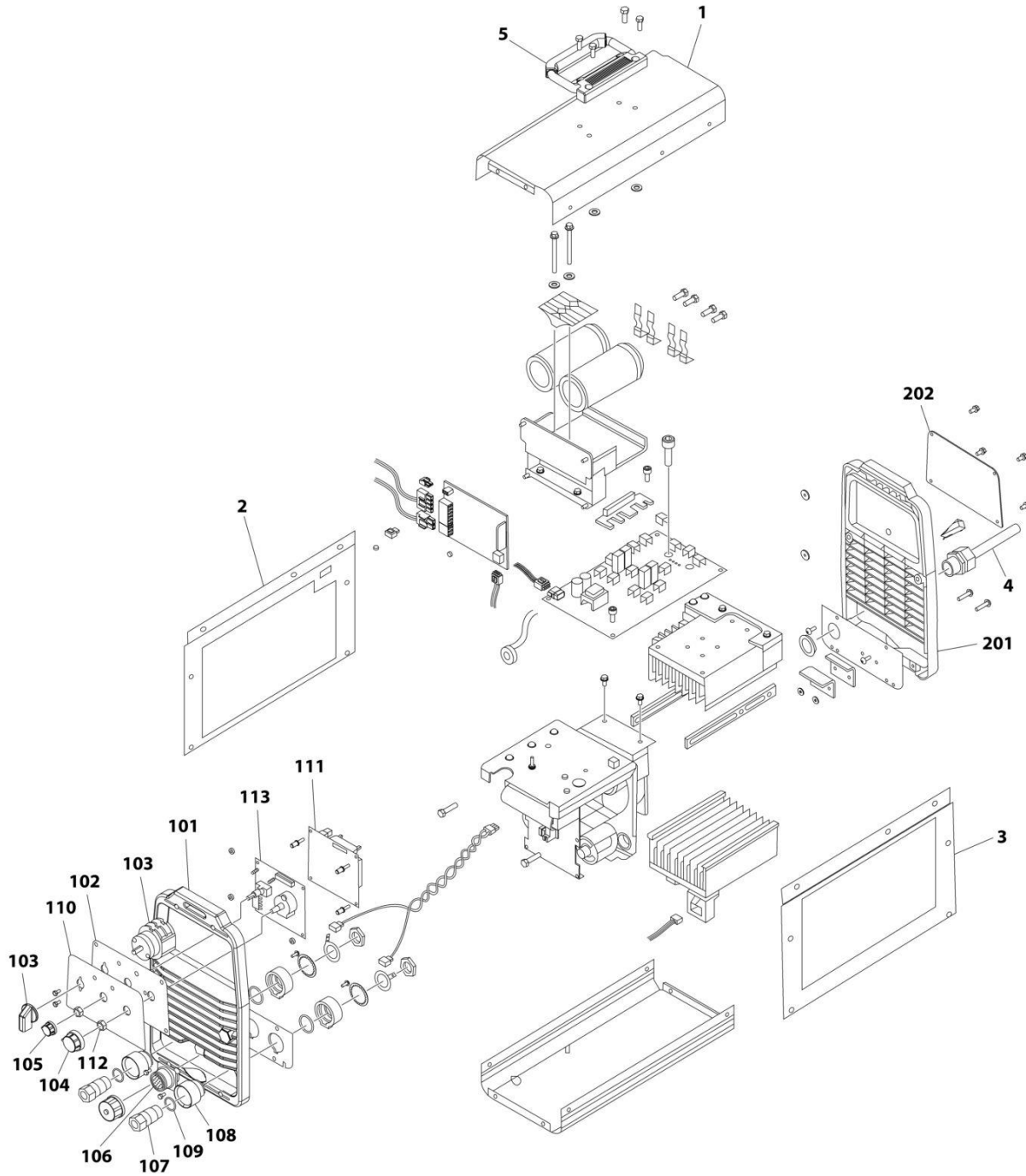
## SECTION 5 - PLATFORM

**FIGURE 5-11. SKYWELDER INSTALLATION (OPTIONAL) (CE & UK CA SPECS)**

ITEM	PART NUMBER	QTY	DESCRIPTION	REV
	1001245846	Ref	SKYWELDER INSTALLATION	A
1	0100011	AR	Compound, Locking	
2	0641606	4	Bolt 3/8 x 3/4	
3	1320302	2	Clamp	
4	1702868	1	Decal - No Hands	
5	1705305	1	Decal - Weld Lead	
6	2902217	1	Weld Leads Kit	
7	3300151	4	Nut 1/4	
8	3311605	4	Nut 3/8	
9	3573400	1	Plate	
10	4240099	AR	Tie-Strap (Not Shown)	
11	4420037	AR	Tape	
12	4460426	1	Connector, Strain Relief	
13	4530028	1	Welder Assembly (See Separate Breakdown in this Section)	
14	4751400	4	Washer 1/4	
15	4751600	8	Washer 3/8	
16	1001228988	1	Decal - Weight	
17	1001245681	1	Support	
18	1001245996	2	Bracket	
19	1001246080	1	Bracket	

# SECTION 5 - PLATFORM

## FIGURE 5-12. WELDER ASSEMBLY



ART\_4530028

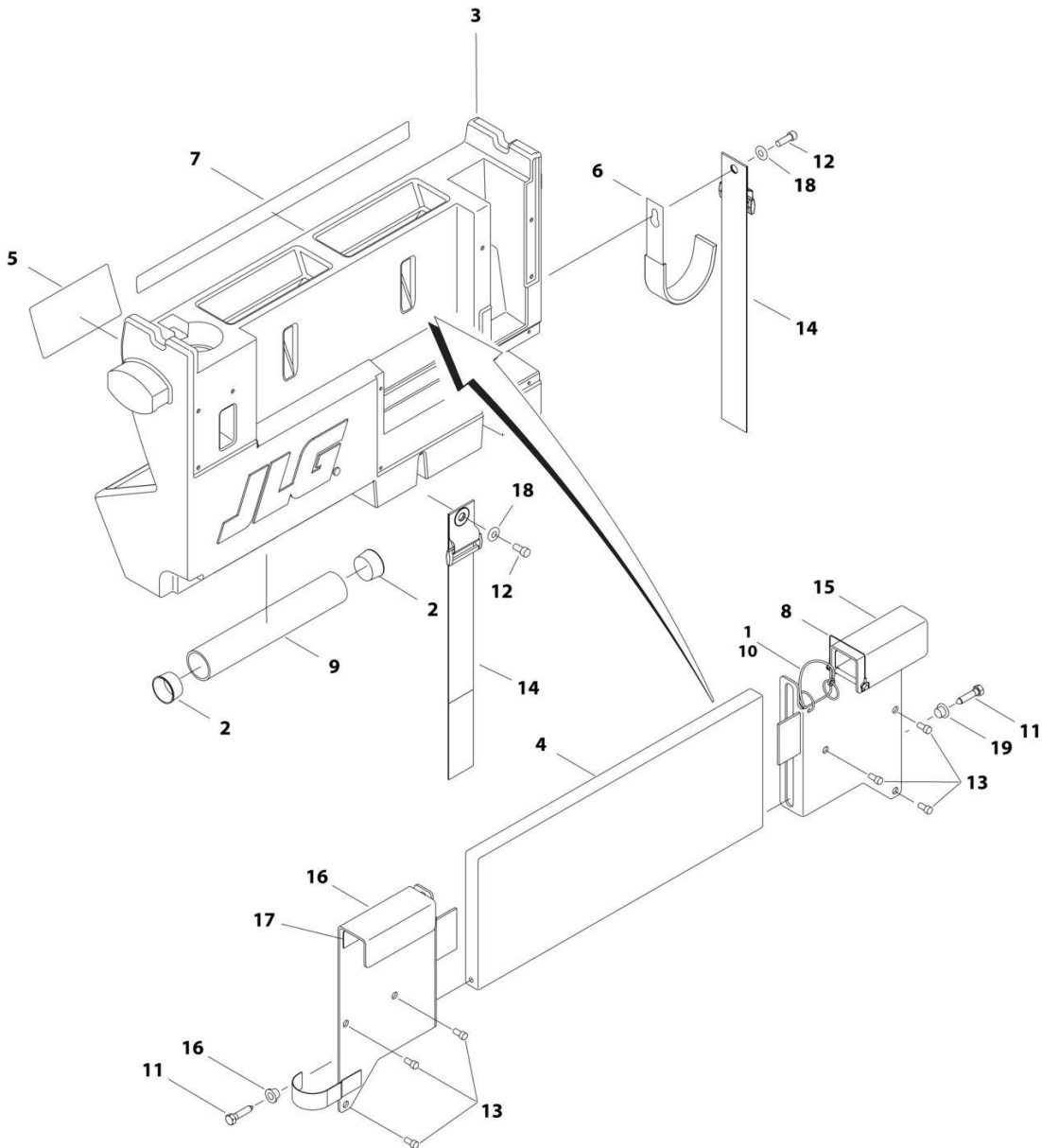
## SECTION 5 - PLATFORM

### FIGURE 5-12. WELDER ASSEMBLY

ITEM	PART NUMBER	QTY	DESCRIPTION	REV
	4530028	Ref	WELDER ASSEMBLY	B
		Ref	Note: For Other Components, contact your Miller Welder Dealer.	
1	7027773	1	Cover, Top	
1	7027774	1	Decal - Static Precautionary Warning	
2	See Note	NSS	Panel, LH Side (Note: Part of Item 1. Purchase Item 1)	
3	See Note	NSS	Panel, RH Side (Note: Part of Item 1. Purchase Item 1)	
4	7024467	1	Cable, Power	
4	7027775	1	Decal - Electrical Shock Warning (Not Shown)	
5	7027776	1	Handle, Carrying	
101	7024462	1	Panel, Front	
102	7024463	1	Panel, Console	
103	7024469	1	Switch with Lead	
104	7024470	1	Knob	
105	7024471	1	Knob	
106	7024472	1	Receptacle with Leads and Plugs	
107	7024473	2	Receptacle, Twistlock Female	
108	7024474	2	Insulator	
109	7024475	2	O-Ring	
110	7027777	1	Nameplate	
111	7027779	1	Circuit Card Assembly (Process Control)	
112	7024478	2	Nut	
113	7027778	1	Circuit Card Assembly (Operator Interface)	
201	7024462	1	Panel, Rear	
202	7027780	1	Panel, Cover	

# SECTION 5 - PLATFORM

## FIGURE 5-13. WORKSTATION INSTALLATION (OPTIONAL)



ART\_0274260\_C

## SECTION 5 - PLATFORM

**FIGURE 5-13. WORKSTATION INSTALLATION (OPTIONAL)**

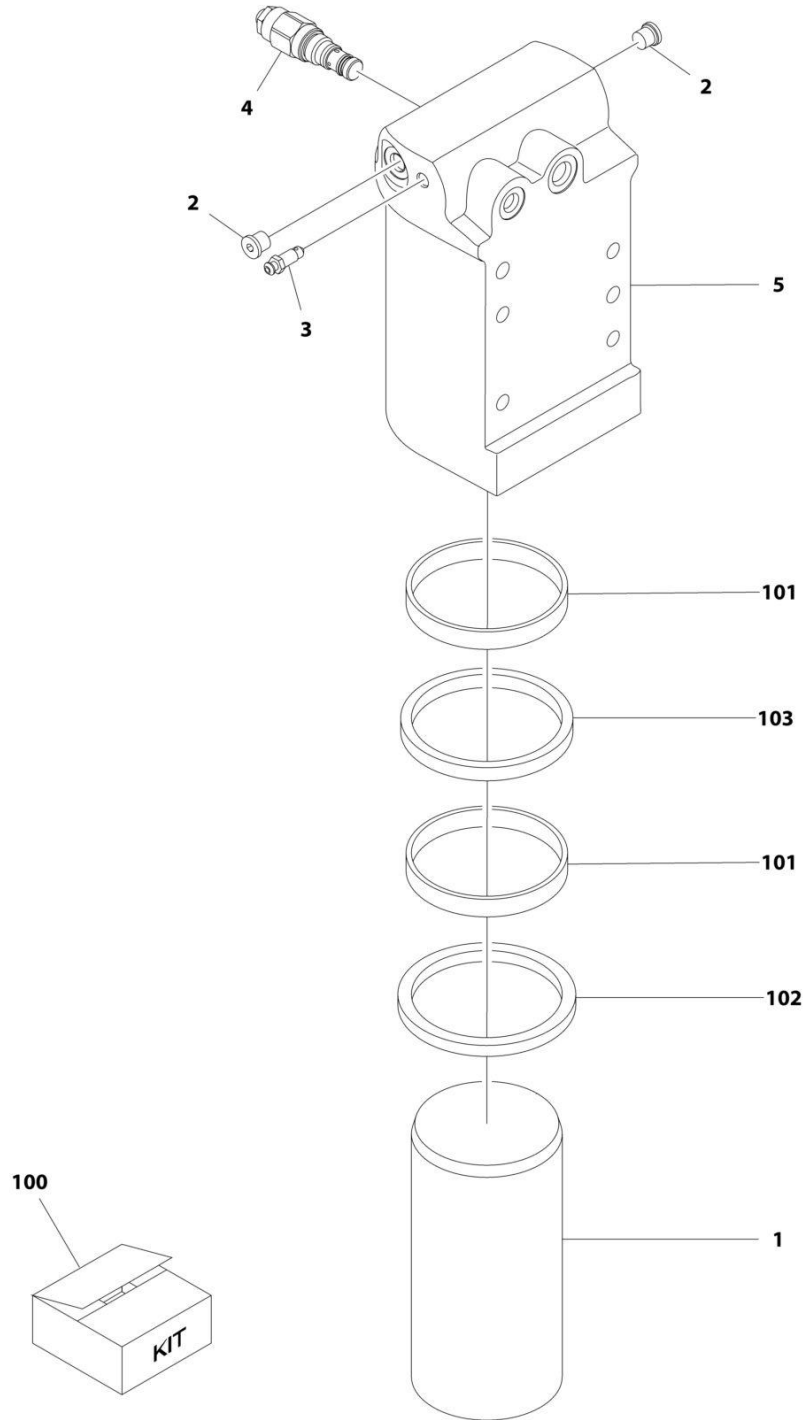
ITEM	PART NUMBER	QTY	DESCRIPTION	REV
	0274260	Ref	WORKSTATION INSTALLATION - REFERENCE CHART	C
	1001246392	Ref	WORKSTATION INSTALLATION (OPTIONAL)	B
1	1060379	1	Cable, Lanyard	
2	1120555	2	Cap, Manual Storage	
3	1580023	1	Container	
4	1580024	1	Tray	
5	1705997	1	Decal - Workstation	
6	2700100	1	Hook, Hanger	
7	1001246395	1	Decal - Workstation Kit	
8	3422219	1	Pin	
9	3460334	1	PVC Pipe	
10	3760170	2	Ring	
11	3900355	2	Screw 5/16 x 1-1/2	
12	3931412	2	Bolt 1/4 x 3/4	
13	3931508	6	Bolt 5/16 x 1/2	
14	4240003	2	Strap	
15	4340853	1	Mount, RH Channel	
16	4340854	1	Mount, LH Channel	
17	4420062	3 ft/0.9m	Tape	
18	4711400	2	Washer 1/4	
19	4740480	2	Insert, Plastic	



**SECTION 6 - CYLINDER**

# SECTION 6 - CYLINDER

## FIGURE 6-1. AXLE LOCKOUT CYLINDER ASSEMBLY



ART\_1001163580



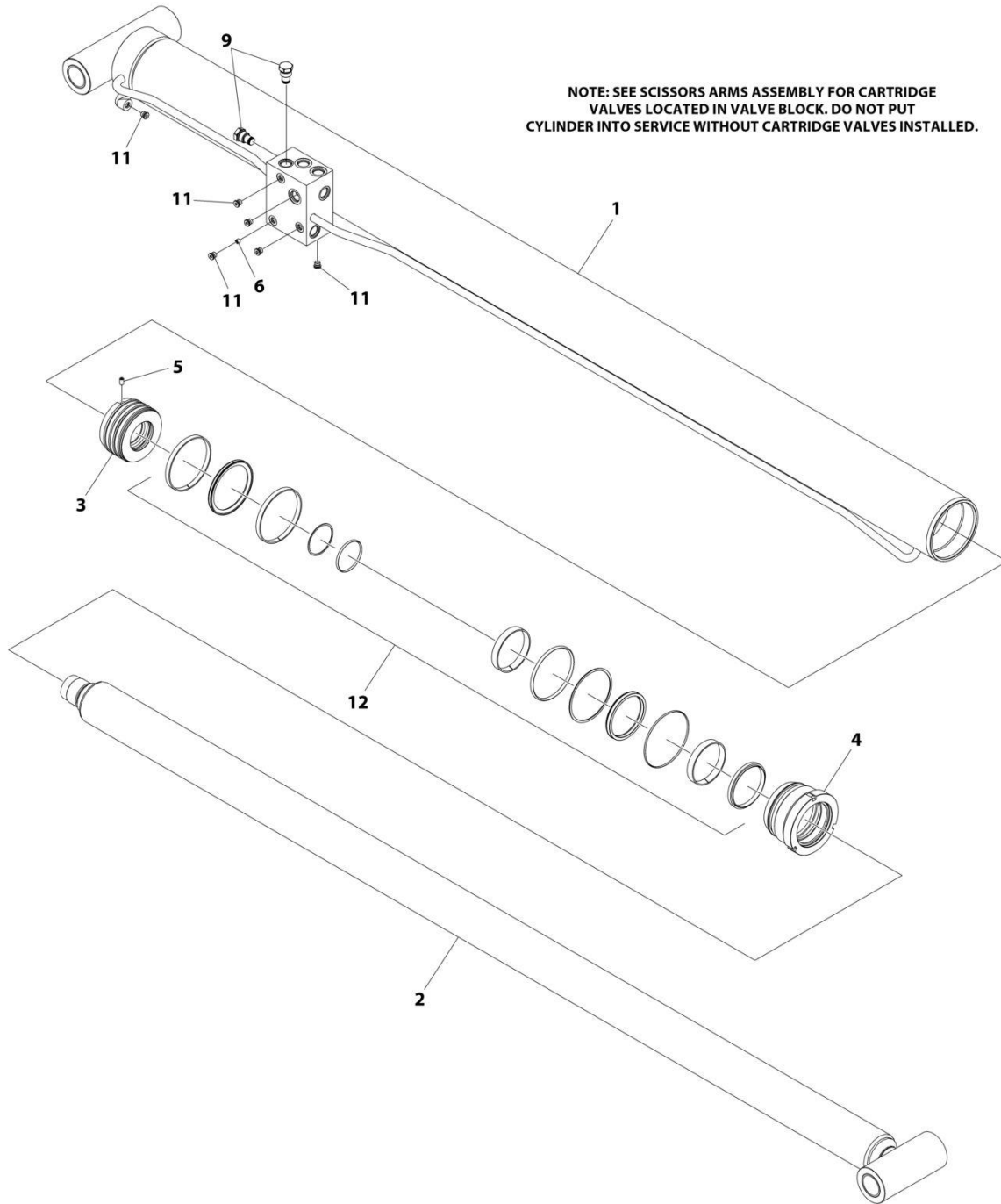
## SECTION 6 - CYLINDER

**FIGURE 6-1. AXLE LOCKOUT CYLINDER ASSEMBLY**

ITEM	PART NUMBER	QTY	DESCRIPTION	REV
	1001163580	Ref	AXLE LOCKOUT CYLINDER ASSEMBLY	1
		Ref	Note: Original Cylinder May Have Been Replaced with Service Replacement. Identify PN Stamped on Cylinder Before Ordering Parts.	
1	1684290	1	Rod	
2	2220883	2	Plug #4	
3	4640858	1	Valve, Bleeder	
4	1001117372	1	Cartridge, Valve	
4	70002842	1	Seal Kit - 1001117372 Valve	
5	1001164817	1	Barrel	
100	2902266	NLA	Seal Kit - 1001163590 Cylinder (Includes Items 101-103)	
101	See Note	NSS	Ring, Wear (Note: Use Item 100)	
102	See Note	NSS	Seal (Note: Use Item 100)	
103	See Note	NSS	Wiper (Note: Use Item 100)	

# SECTION 6 - CYLINDER

## FIGURE 6-2. LOWER LIFT CYLINDER



ART\_1001234703

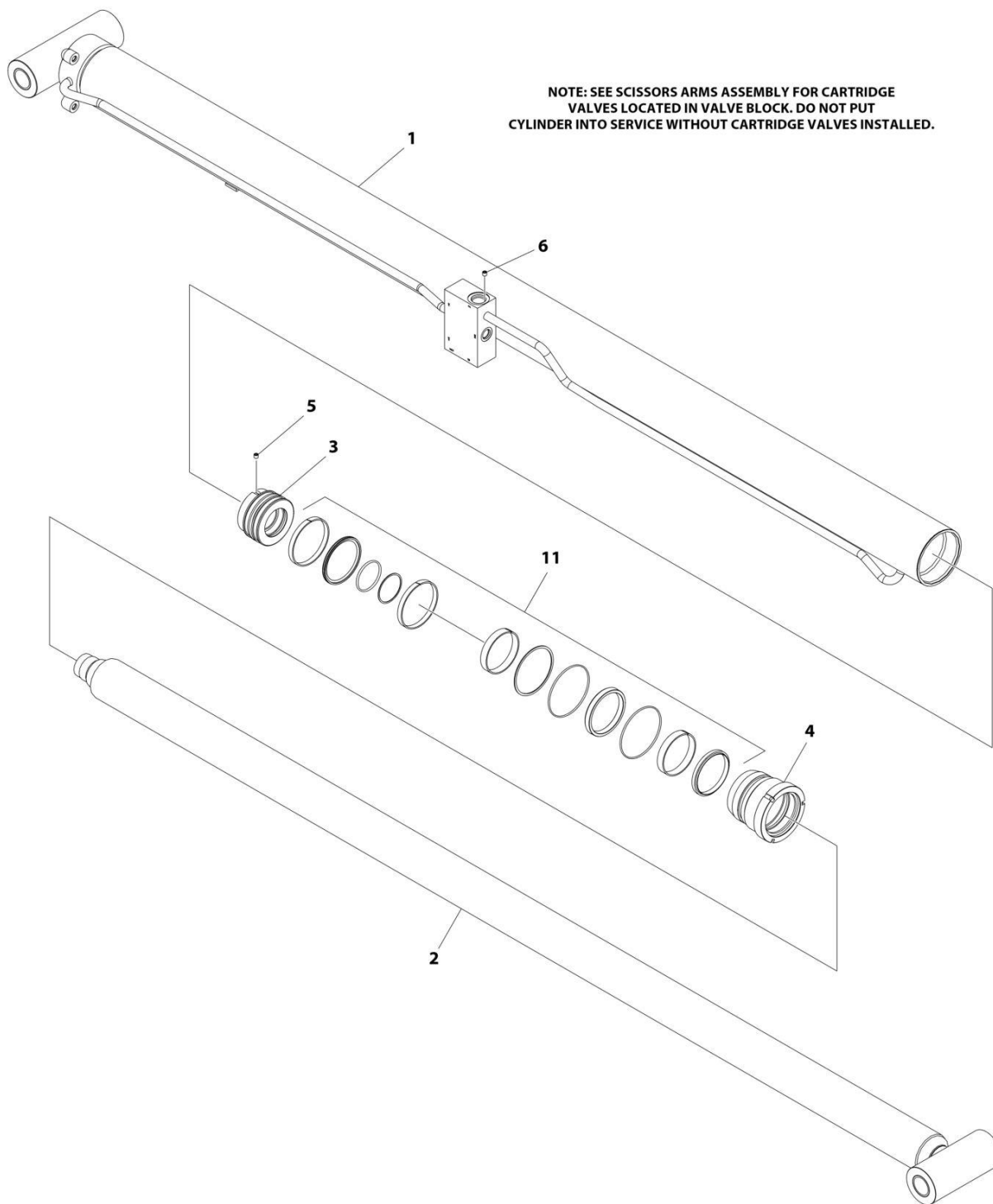
## SECTION 6 - CYLINDER

**FIGURE 6-2. LOWER LIFT CYLINDER**

ITEM	PART NUMBER	QTY	DESCRIPTION	REV
	1001234703	Ref	LOWER LIFT CYLINDER	E
		Ref	Note: Original Cylinder May Have Been Replaced with Service Replacement. Identify PN Stamped on Cylinder Before Ordering Parts.	
1	See Note	NSS	Barrel (Note: Use p/n 1001234703)	
2	70005383	1	Rod	
3	70005381	1	Piston	
4	70005382	1	Head	
5	70020438	1	Screw	
6	70006844	1	Orifice	
9	1001132208	2	Valve, Check	
9	7017496	2	Seal Kit - 1001132208 Valve (1 per Cartridge)	
11	2220883	6	Plug	
12	70005380	1	Seal Kit - 1001234703 Cylinder	

# SECTION 6 - CYLINDER

## FIGURE 6-3. UPPER LIFT CYLINDER



NOTE: SEE SCISSORS ARMS ASSEMBLY FOR CARTRIDGE VALVES LOCATED IN VALVE BLOCK. DO NOT PUT CYLINDER INTO SERVICE WITHOUT CARTRIDGE VALVES INSTALLED.

ART\_1001225369

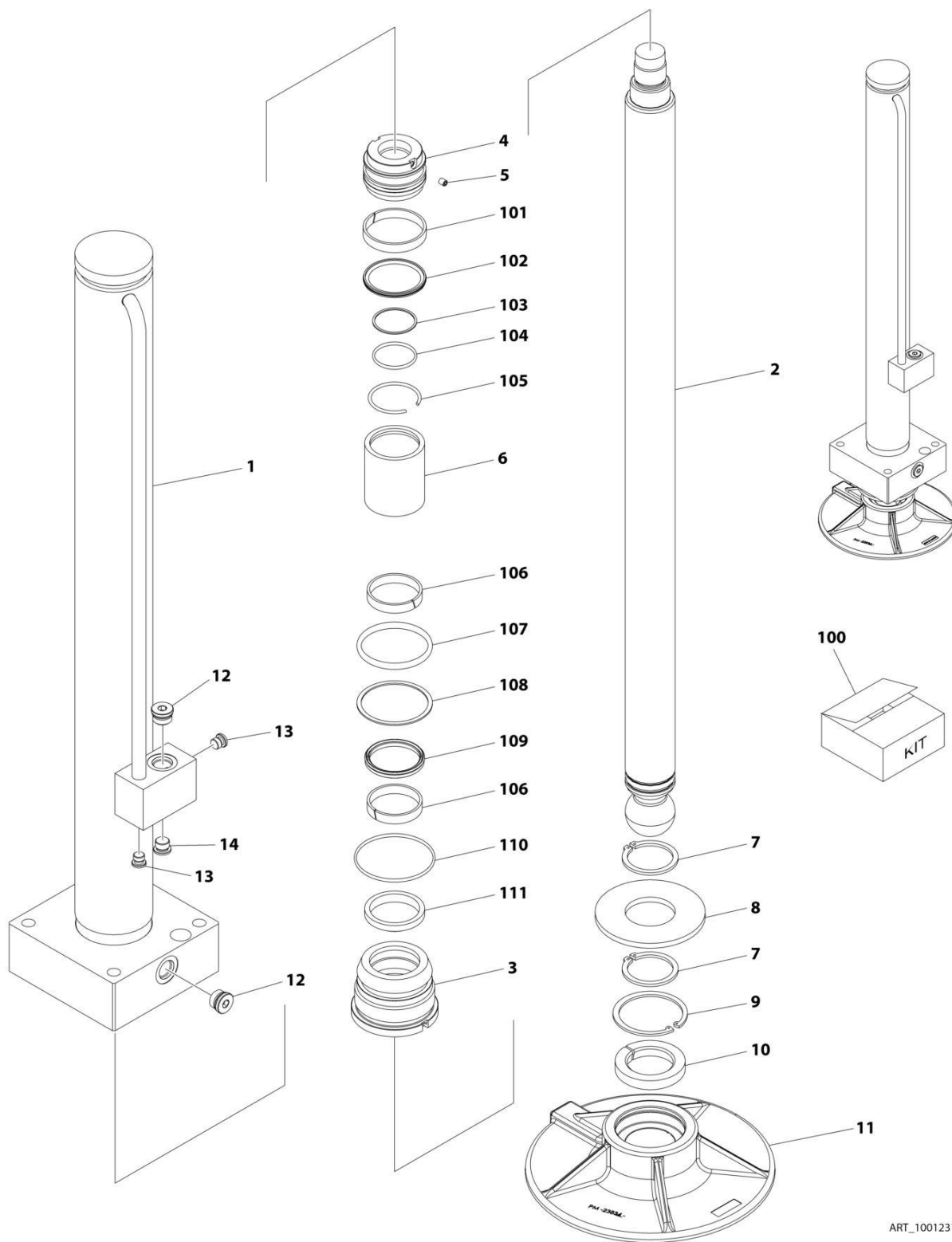
## SECTION 6 - CYLINDER

**FIGURE 6-3. UPPER LIFT CYLINDER**

ITEM	PART NUMBER	QTY	DESCRIPTION	REV
	1001225369	Ref	UPPER LIFT CYLINDER	B
		Ref	Note: Original Cylinder May Have Been Replaced with Service Replacement. Identify PN Stamped on Cylinder Before Ordering Parts.	
1	See Note	NSS	Barrel (Note: Use p/n 1001225369)	
2	70005378	1	Rod	
3	70005376	1	Piston	
4	70005377	1	Head	
5	70023915	1	Screw	
6	70006843	1	Orifice	
11	70005375	1	Seal Kit - 1001225369 Cylinder	

# SECTION 6 - CYLINDER

## FIGURE 6-4. LEVELING JACK CYLINDER ASSEMBLY



ART\_1001231261

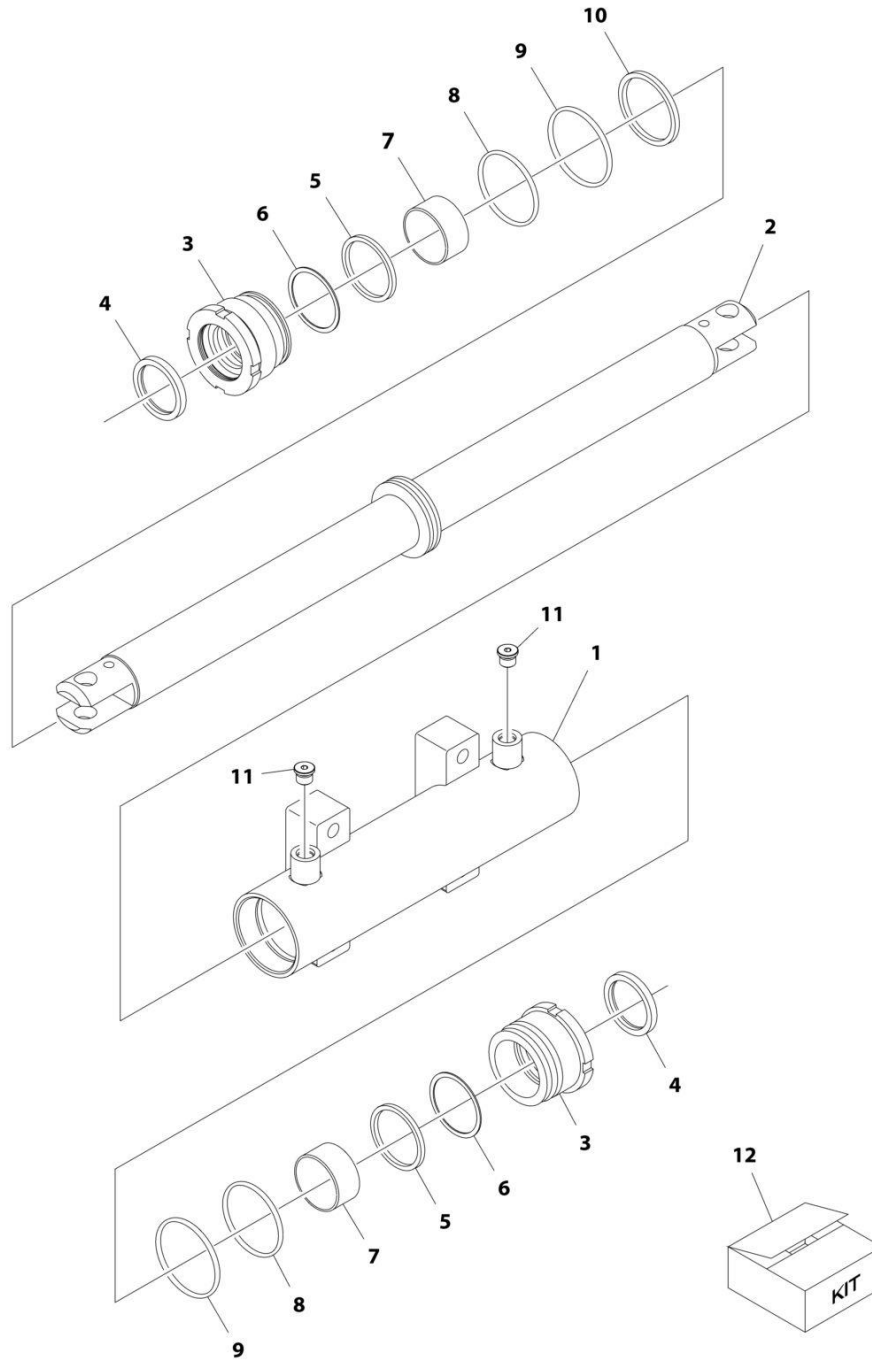
## SECTION 6 - CYLINDER

**FIGURE 6-4. LEVELING JACK CYLINDER ASSEMBLY**

ITEM	PART NUMBER	QTY	DESCRIPTION	REV
	1001231261	Ref	LEVELING JACK CYLINDER ASSEMBLY	B
		Ref	Note: Original Cylinder May Have Been Replaced with Service Replacement. Identify PN Stamped on Cylinder Before Ordering Parts.	
1	See Note	NSS	Barrel (Note: Use p/n 1001231261)	
2	70007045	1	Rod	
3	70026417	1	Head	
4	70007044	1	Piston	
5	70023915	1	Screw	
6	70007043	1	Spacer	
7	70007042	2	Ring, Retaining	
8	70007041	1	Plate, Jack	
9	70007040	1	Ring, Retaining	
10	70007039	1	Half Shell	
11	70007038	1	Pad, Jack	
12	2220886	2	Plug	
13	2220887	2	Plug	
14	2220885	1	Plug	
100	70007037	1	Seal Kit - 1001231261 Cylinder (Includes Items 101-111)	
101	See Note	NSS	Ring, Wear (Note: Use Item 100)	
102	See Note	NSS	Seal (Note: Use Item 100)	
103	See Note	NSS	Ring, Back-up (Note: Use Item 100)	
104	See Note	NSS	O-Ring (Note: Use Item 100)	
105	See Note	NSS	Ring, Snap (Note: Use Item 100)	
106	See Note	NSS	Ring, Wear (Note: Use Item 100)	
107	See Note	NSS	O-Ring (Note: Use Item 100)	
108	See Note	NSS	Ring, Back-up (Note: Use Item 100)	
109	See Note	NSS	Seal (Note: Use Item 100)	
110	See Note	NSS	O-Ring (Note: Use Item 100)	
111	See Note	NSS	Wiper (Note: Use Item 100)	

# SECTION 6 - CYLINDER

## FIGURE 6-5. STEER CYLINDER ASSEMBLY



ART\_1001163178



## SECTION 6 - CYLINDER

**FIGURE 6-5. STEER CYLINDER ASSEMBLY**

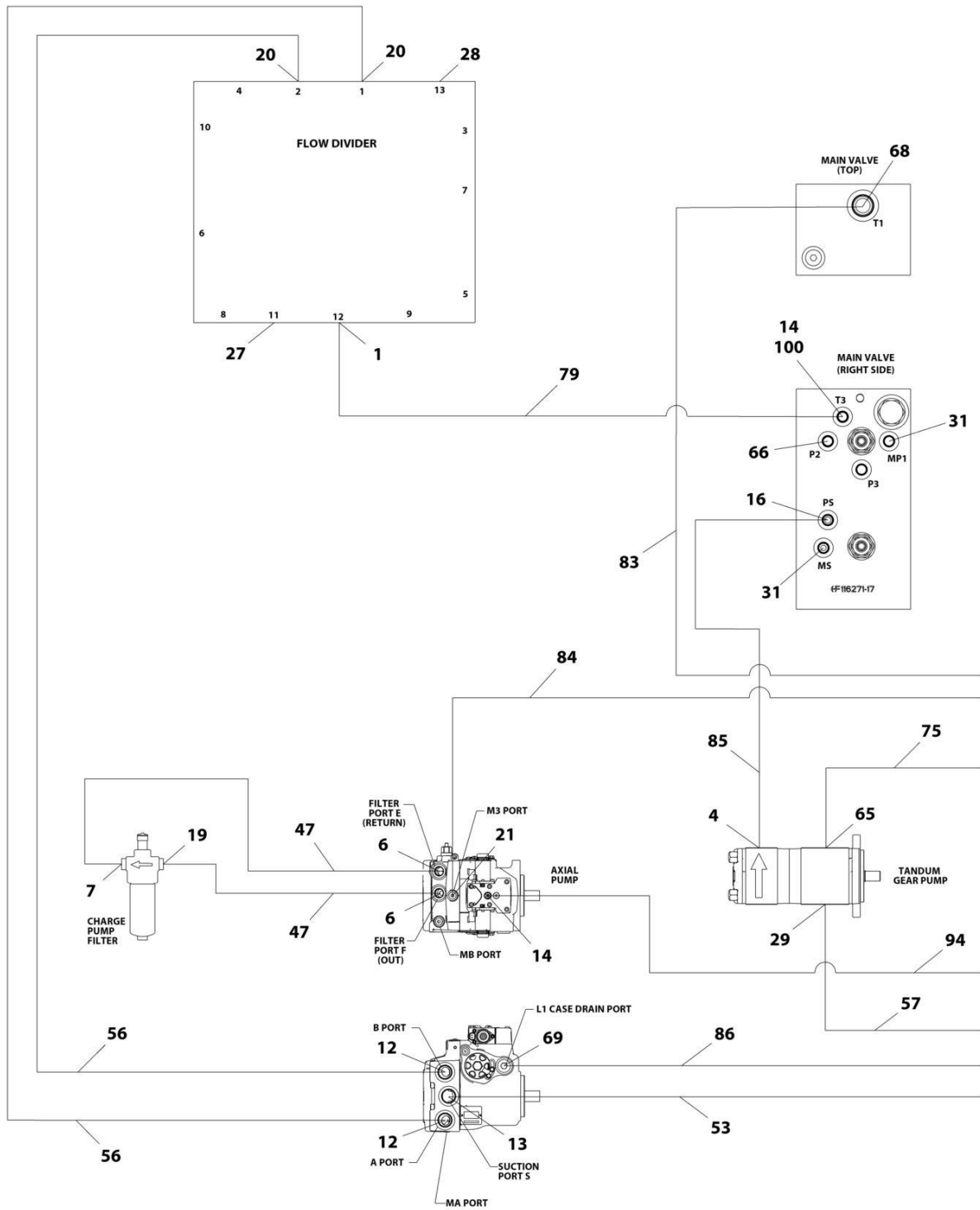
ITEM	PART NUMBER	QTY	DESCRIPTION	REV
	1001163178	Ref	STEER CYLINDER ASSEMBLY	E
		Ref	Note: Original Cylinder May Have Been Replaced with Service Replacement. Identify PN Stamped on Cylinder Before Ordering Parts.	
1	70005150	1	Barrel	
2	70005151	1	Rod	
3	70005152	2	Head	
4	See Note	NSS	Wiper (Note: Use Item 12)	
5	See Note	NSS	Seal, Rod (Note: Use Item 12)	
6	See Note	NSS	Ring, Back-up (Note: Use Item 12)	
7	70005153	2	Bearing, Dry	
8	See Note	NSS	O-Ring (Note: Use Item 12)	
9	See Note	NSS	O-Ring (Note: Use Item 12)	
10	See Note	NSS	Seal, Piston (Note: Use Item 12)	
11	See Note	2	Plug 9/16 (Note: Not Available for Purchase)	
12	70005154	1	Seal Kit - 1001163178 Cylinder (Includes Items 4-6 & 8-10)	



**SECTION 7 - HYDRAULIC**

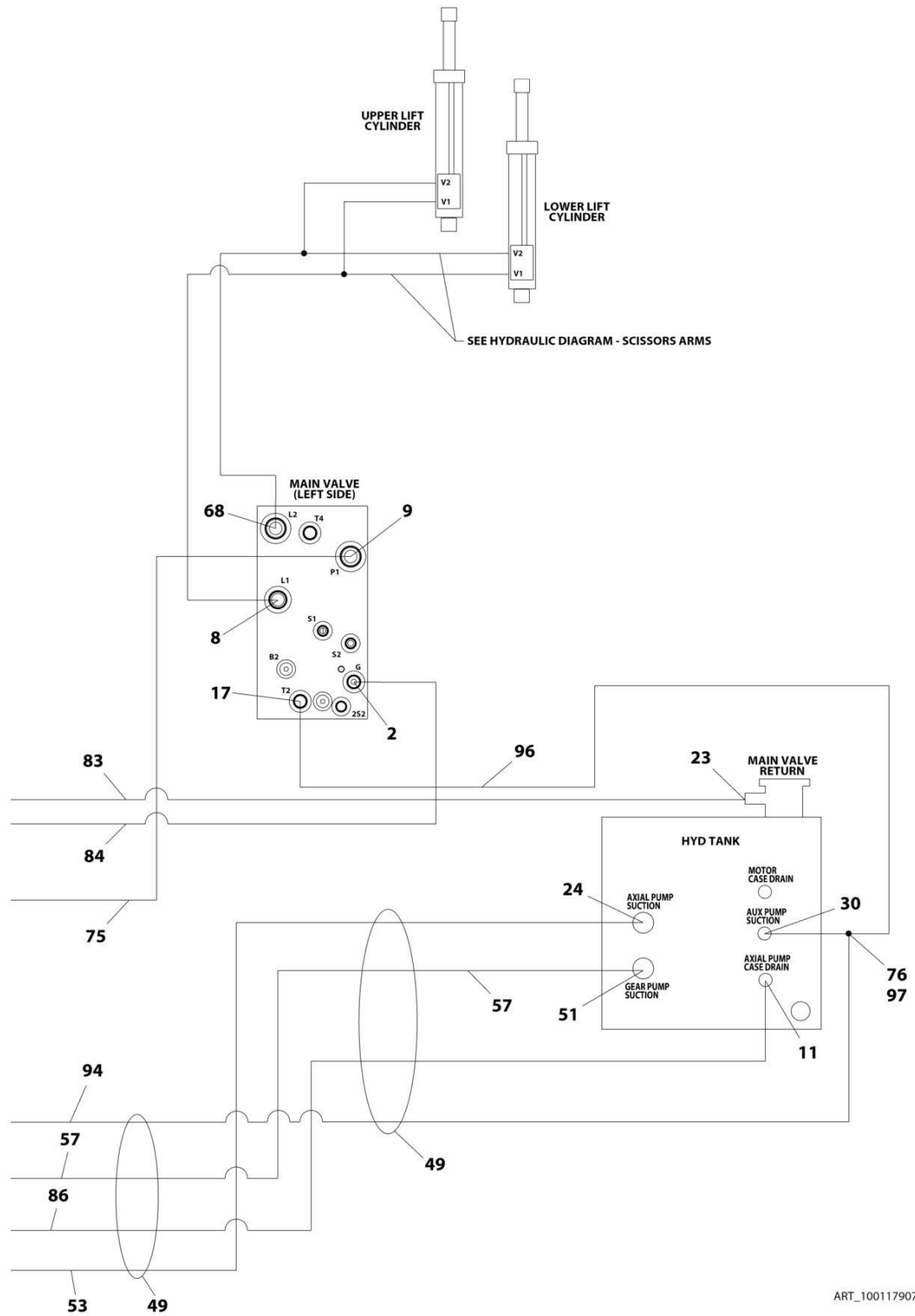
# SECTION 7 - HYDRAULIC

## FIGURE 7-1. HYDRAULIC DIAGRAM - FIXED AXLE



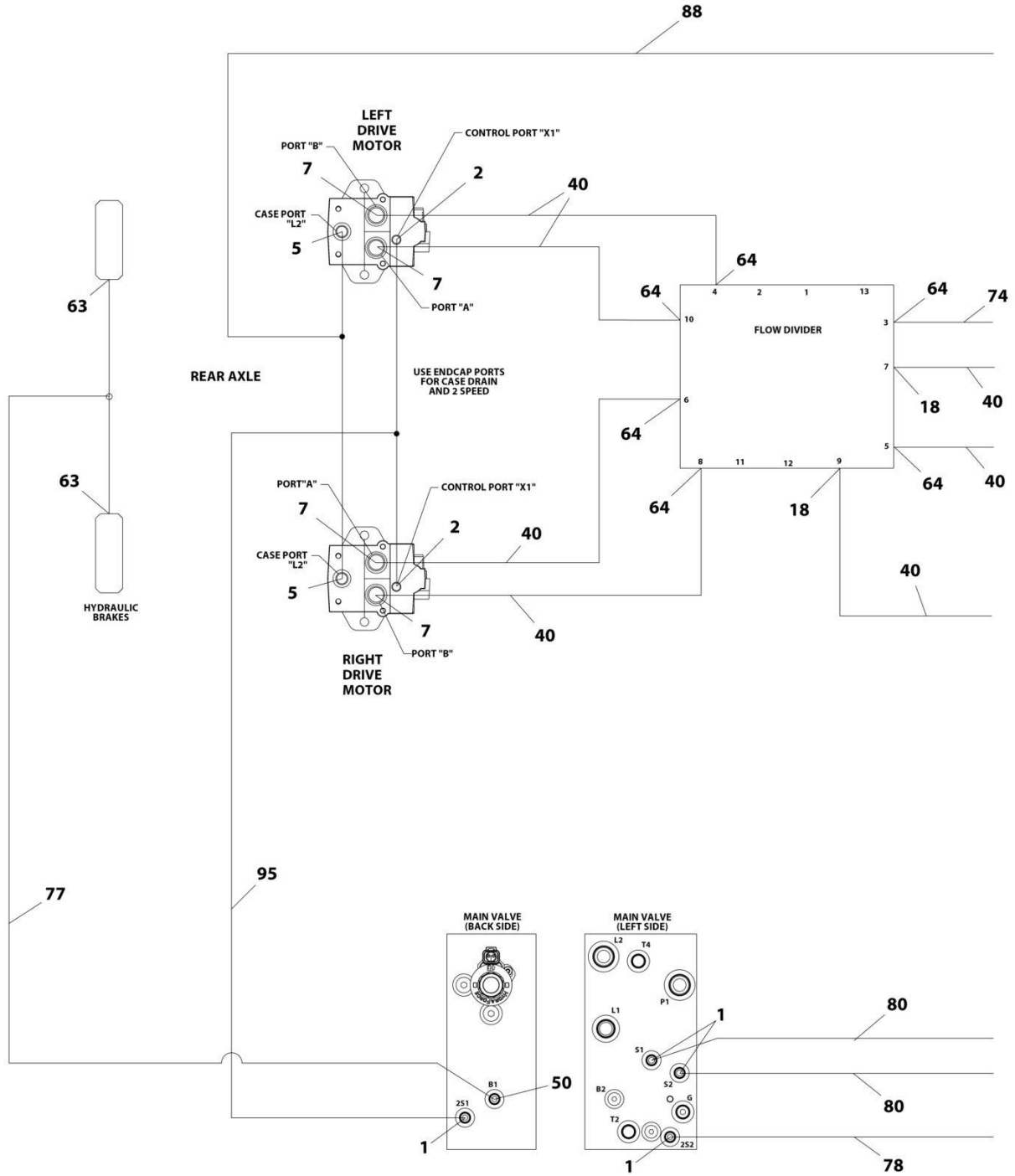
ART\_1001179071\_10F5

# SECTION 7 - HYDRAULIC



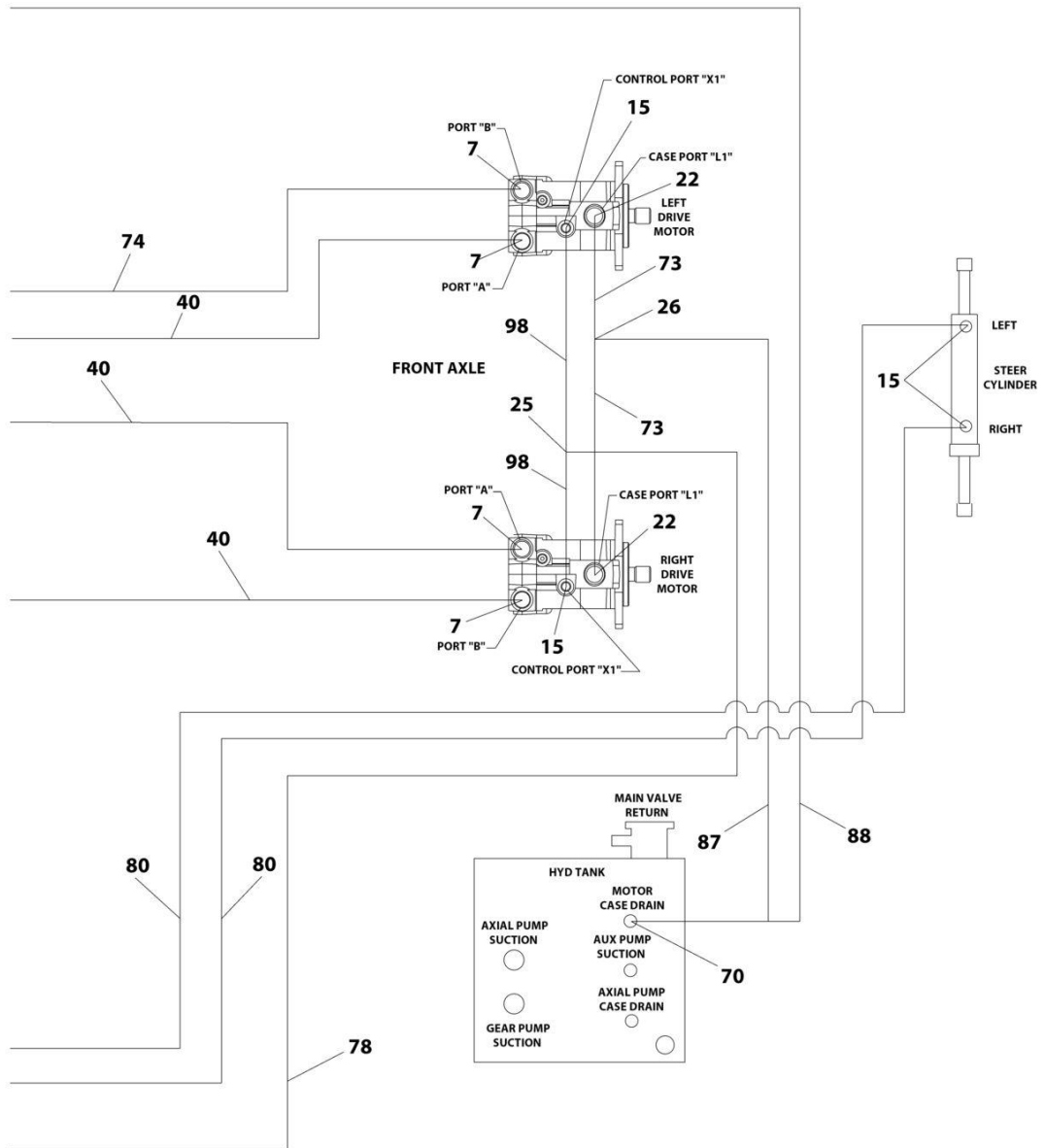
ART\_1001179071\_20F5

# SECTION 7 - HYDRAULIC



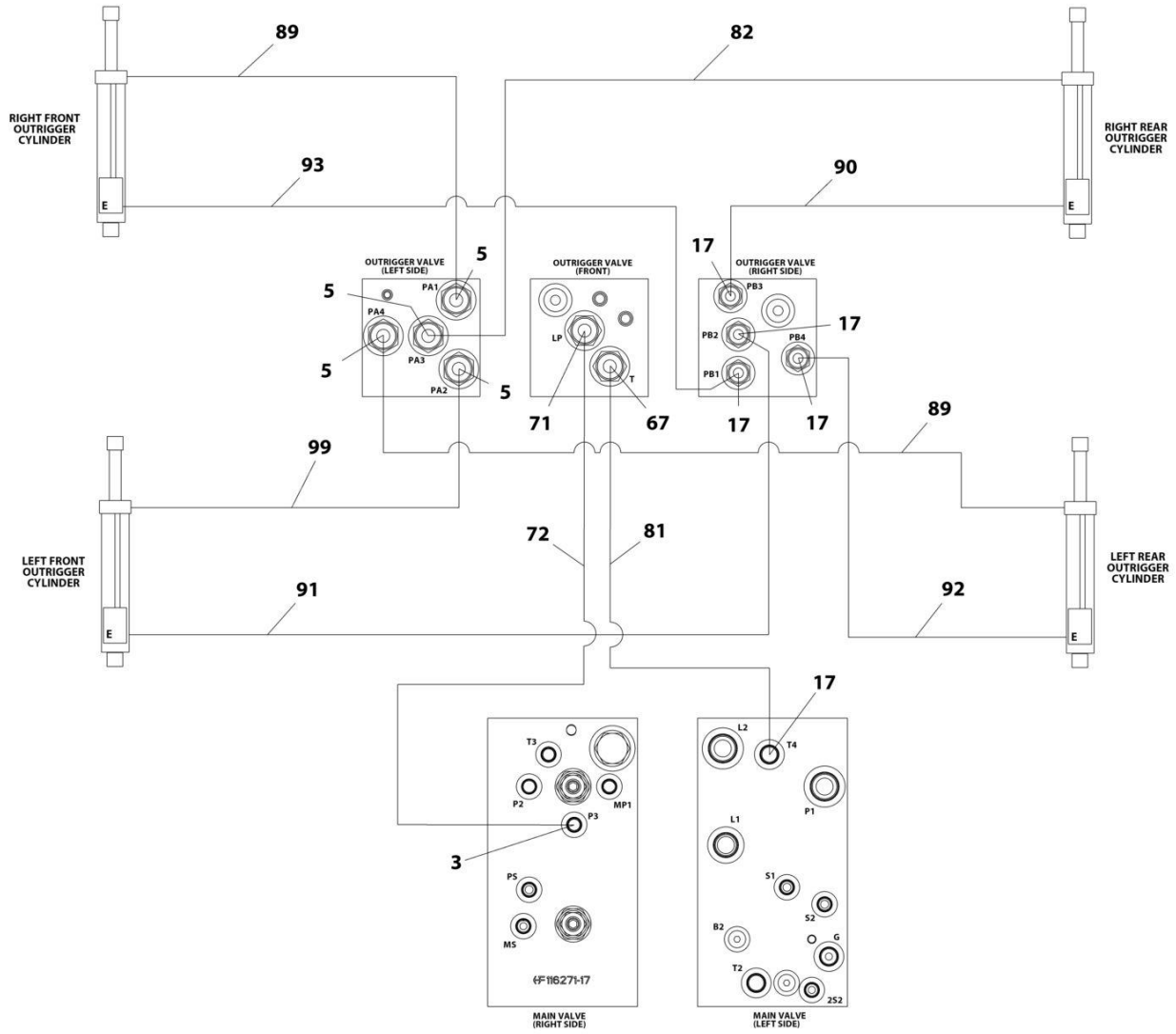
ART\_1001179071\_30F5

# SECTION 7 - HYDRAULIC



ART\_1001179071\_40F5

# SECTION 7 - HYDRAULIC



ART\_1001179071\_SOF5



## SECTION 7 - HYDRAULIC

### FIGURE 7-1. HYDRAULIC DIAGRAM - FIXED AXLE

ITEM	PART NUMBER	QTY	DESCRIPTION	REV
	1001179071	Ref	HYDRAULIC DIAGRAM - FIXED AXLE	H
1	2220415	5	Fitting, Straight JIC/ORB	
2	2220582	3	Fitting, Straight JIC/ORB	
3	2220603	1	Fitting, Straight JIC/ORB	
4	2220497	1	Fitting, Straight JIC/ORB	
5	2220373	6	Fitting, Straight JIC/ORB	
6	2110810	2	Fitting, Straight ORFS/ORB	
7	2110812	9	Fitting, Straight ORFS/ORB	
8	2220852	1	Fitting, Straight JIC/ORB	
9	2111010	1	Fitting, Straight ORFS/ORB	
11	2220578	1	Fitting, 90 JIC/ORB	
12	2111216	2	Fitting, Straight ORFS/ORB	
13	2112016	1	Fitting, Straight ORFS/ORB	
14	2220466	AR	Fitting, 90 JIC/ORB	
15	2221040	4	Fitting, 45 JIC/ORB	
16	2220775	1	Fitting, 90 JIC/ORB	
17	2220371	6	Fitting, Straight JIC/ORB	
18	2110808	2	Fitting, Straight ORFS/ORB	
19	2130812	1	Fitting, 90 ORFS/ORB	
20	2131216	2	Fitting, 90 ORFS/ORB	
21	2220472	1	Fitting, 90 JIC/ORB	
22	2220500	2	Fitting, 45 JIC/ORB	
23	2220435	1	Fitting, Straight JIC/ORB	
24	2152020	1	Fitting, 45 ORFS/ORB	
25	2220504	1	Fitting, Tee JIC/JIC/JIC	
26	2220362	1	Fitting, Tee FL/FL/FL	
27	2220237	1	Plug ORB	
28	2220238	1	Plug ORB	
29	2220479	1	Fitting, Straight JIC/ORB	
30	2220577	1	Fitting, Straight JIC/ORB	
31	2221086	2	Fitting, Test	
40	2753791	7	Hose	
47	2754244	2	Hose	
49	4061032	AR	Shield	
50	2110404	1	Fitting, Straight ORFS/ORB	
51	8760351	1	Fitting, 45 JIC/ORB	
53	1001104581	1	Hose	
56	1001107924	2	Hose	
57	1001108128	1	Hose	
63	2130404	2	Fitting, 90 ORFS/ORB	
64	2130808	6	Fitting, 90 ORFS/ORB	
65	2131010	1	Fitting, 90 ORFS/ORB	
66	2220235	1	Fitting	
67	2220372	1	Fitting, Straight JIC/ORB	
68	2220408	2	Fitting, Straight JIC/ORB	
69	2220451	1	Fitting, Straight JIC/ORB	
70	2220602	1	Fitting, Tee JIC/ORB/JIC	
71	2220628	1	Fitting, 90 JIC/ORB	
72	2716703	1	Hose	
73	2716705	2	Hose	

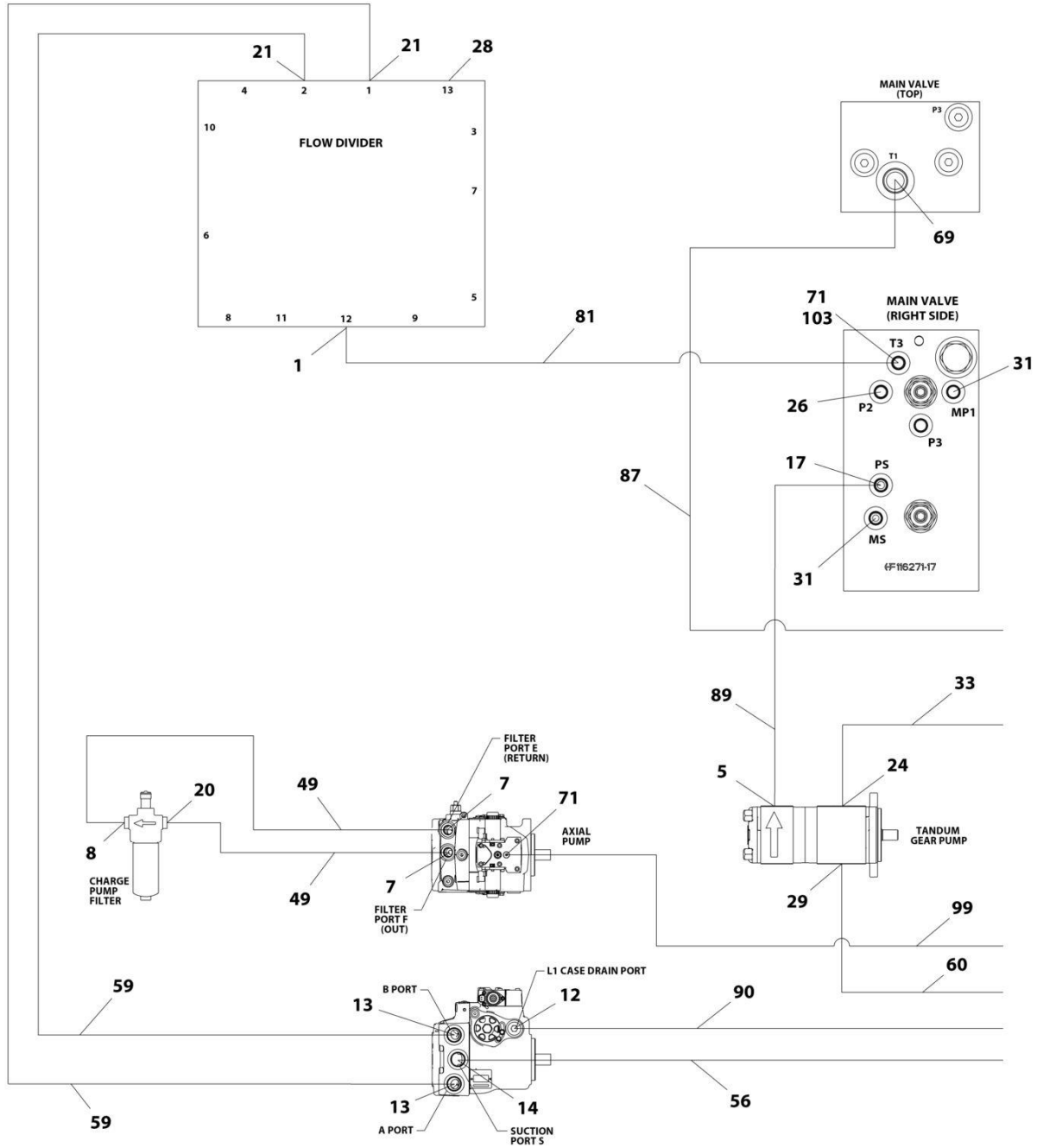
## SECTION 7 - HYDRAULIC

ITEM	PART NUMBER	QTY	DESCRIPTION	REV
74	2753970	1	Hose	
75	2753798	1	Hose	
76	8760268	1	Fitting, 90 JIC/FSJIC	
77	1001104589	1	Hose	
78	1001108477	1	Hose	
79	1001151351	1	Hose	
80	1001158199	2	Hose	
81	1001158246	1	Hose	
82	1001182051	1	Hose	
83	1001194378	1	Hose	
84	1001194379	1	Hose	
85	1001194380	1	Hose	
86	1001194381	1	Hose	
87	1001194382	1	Hose	
88	1001194383	1	Hose	
89	1001194384	2	Hose	
90	1001194385	1	Hose	
91	1001194386	1	Hose	
92	1001194387	1	Hose	
93	1001194388	1	Hose	
94	1001194390	1	Hose	
95	1001194391	1	Hose	
96	2752485	1	Hose	
97	2220635	1	Fitting, Tee JIC/JIC/JIC	
98	1001151354	2	Hose	
99	1001205920	1	Hose	
100	2220502	AR	Fitting, 45 JIC/ORB	



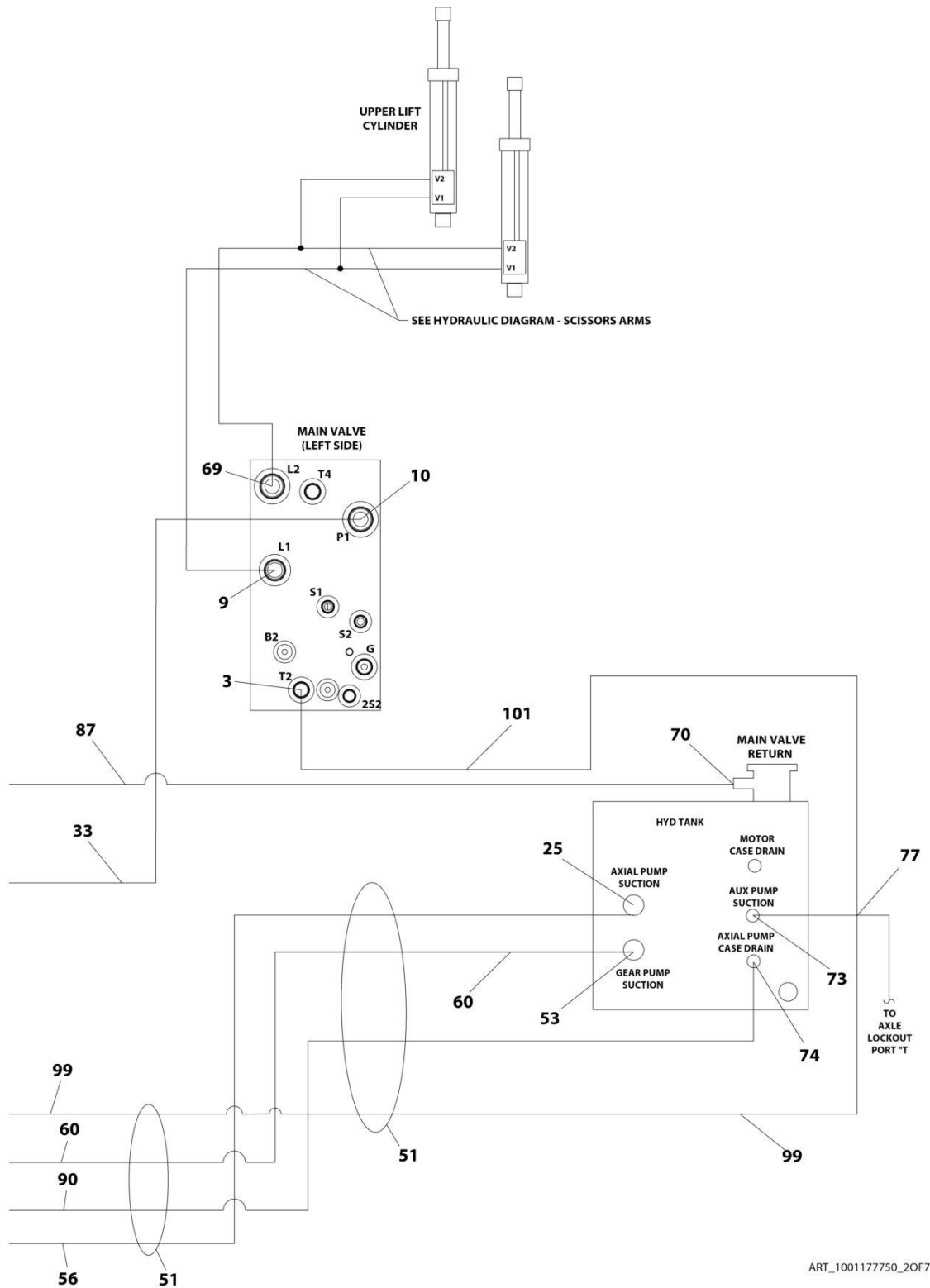
# SECTION 7 - HYDRAULIC

## FIGURE 7-2. HYDRAULIC DIAGRAM - OSCILLATING AXLE

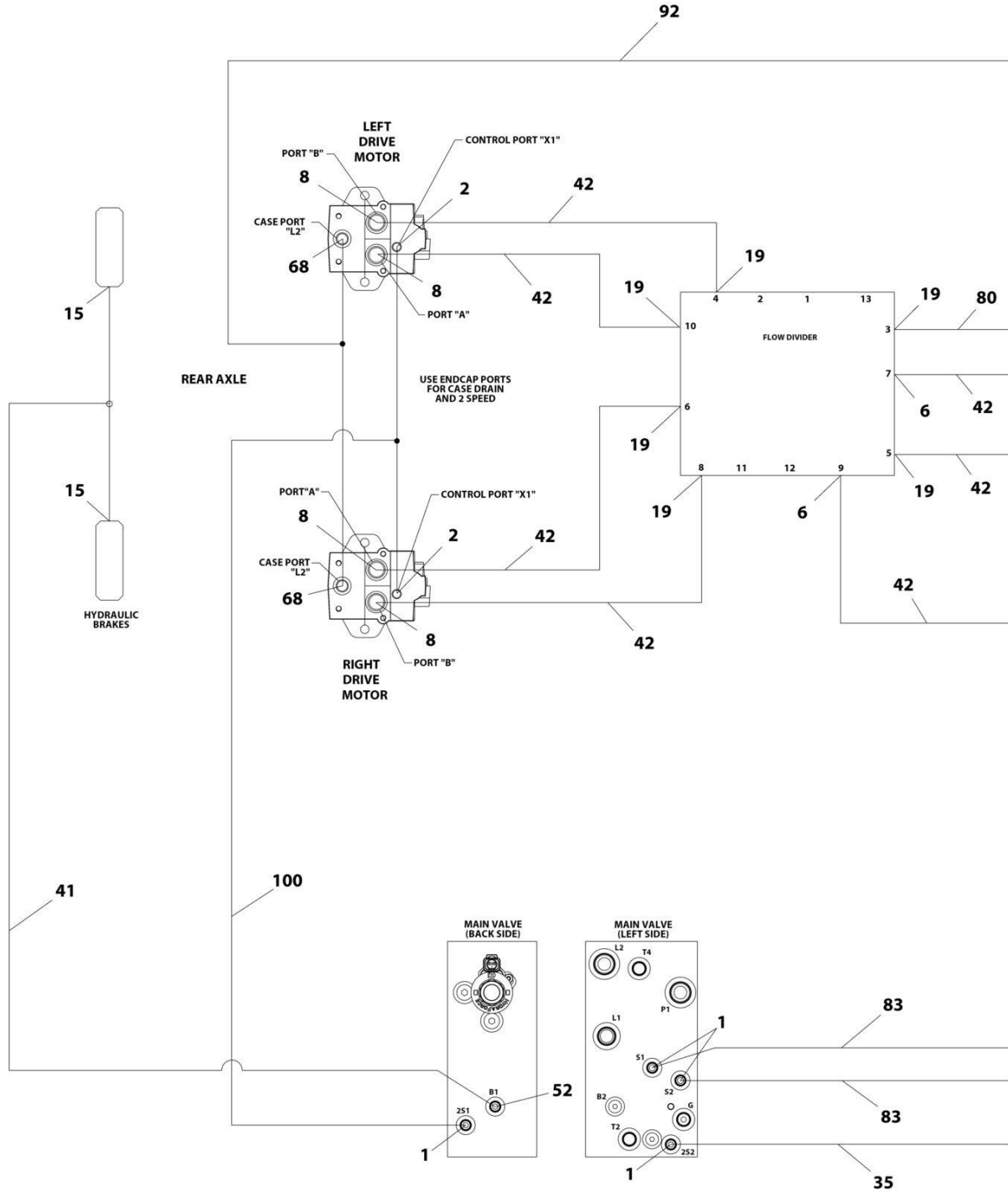


ART\_1001177750\_10F7

# SECTION 7 - HYDRAULIC

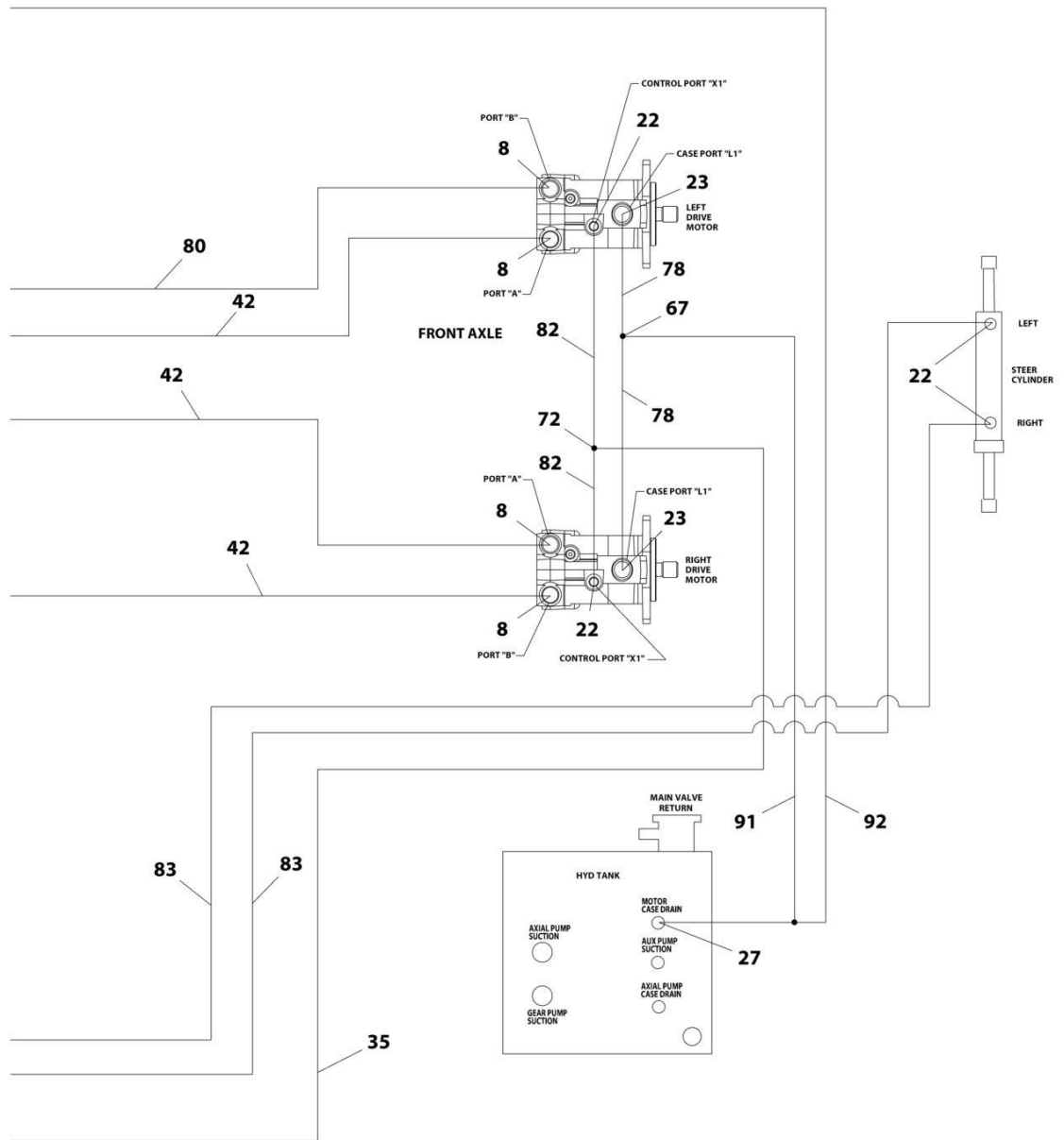


# SECTION 7 - HYDRAULIC



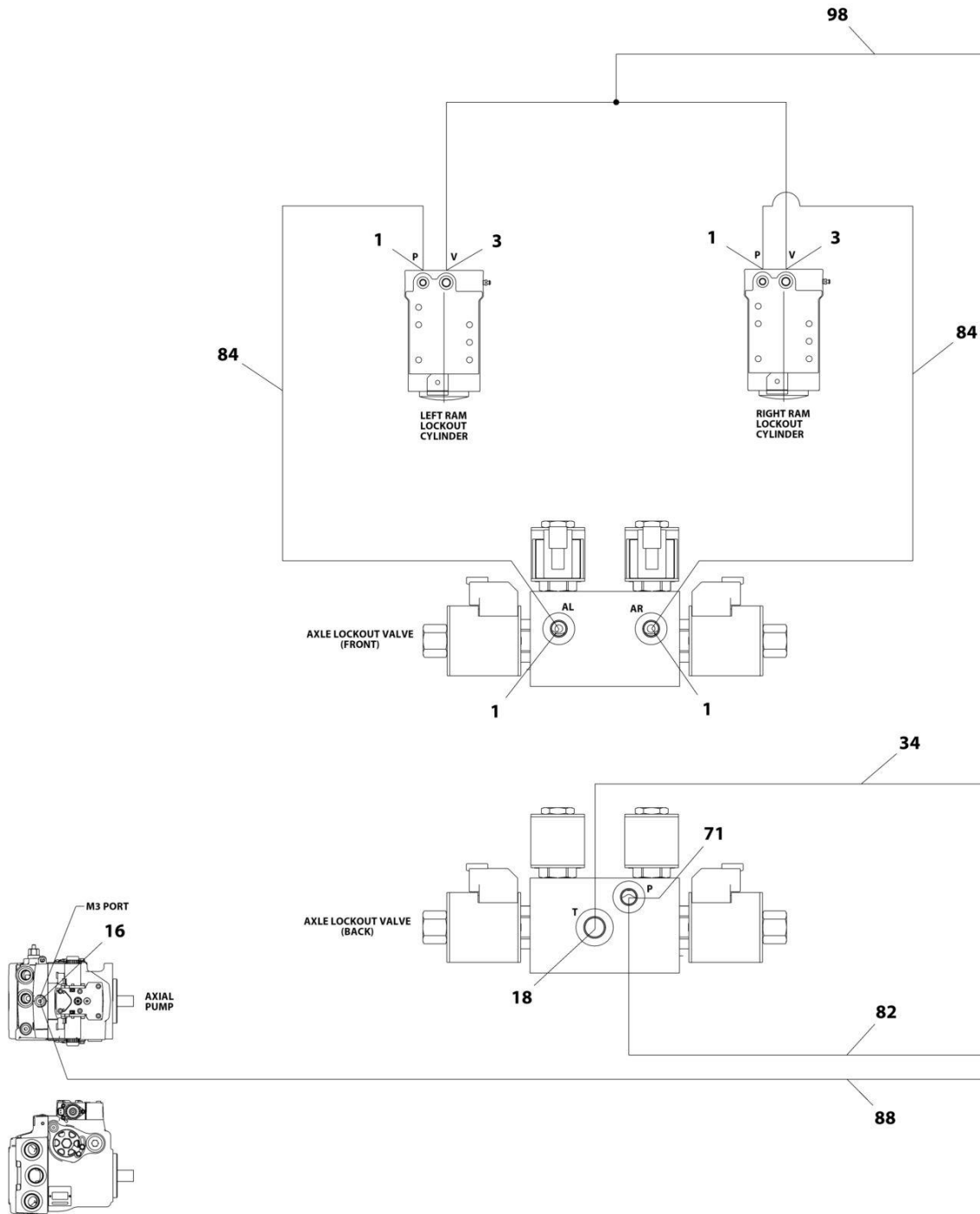
ART\_1001177750\_30F7

# SECTION 7 - HYDRAULIC



ART\_1001177750\_4OF7

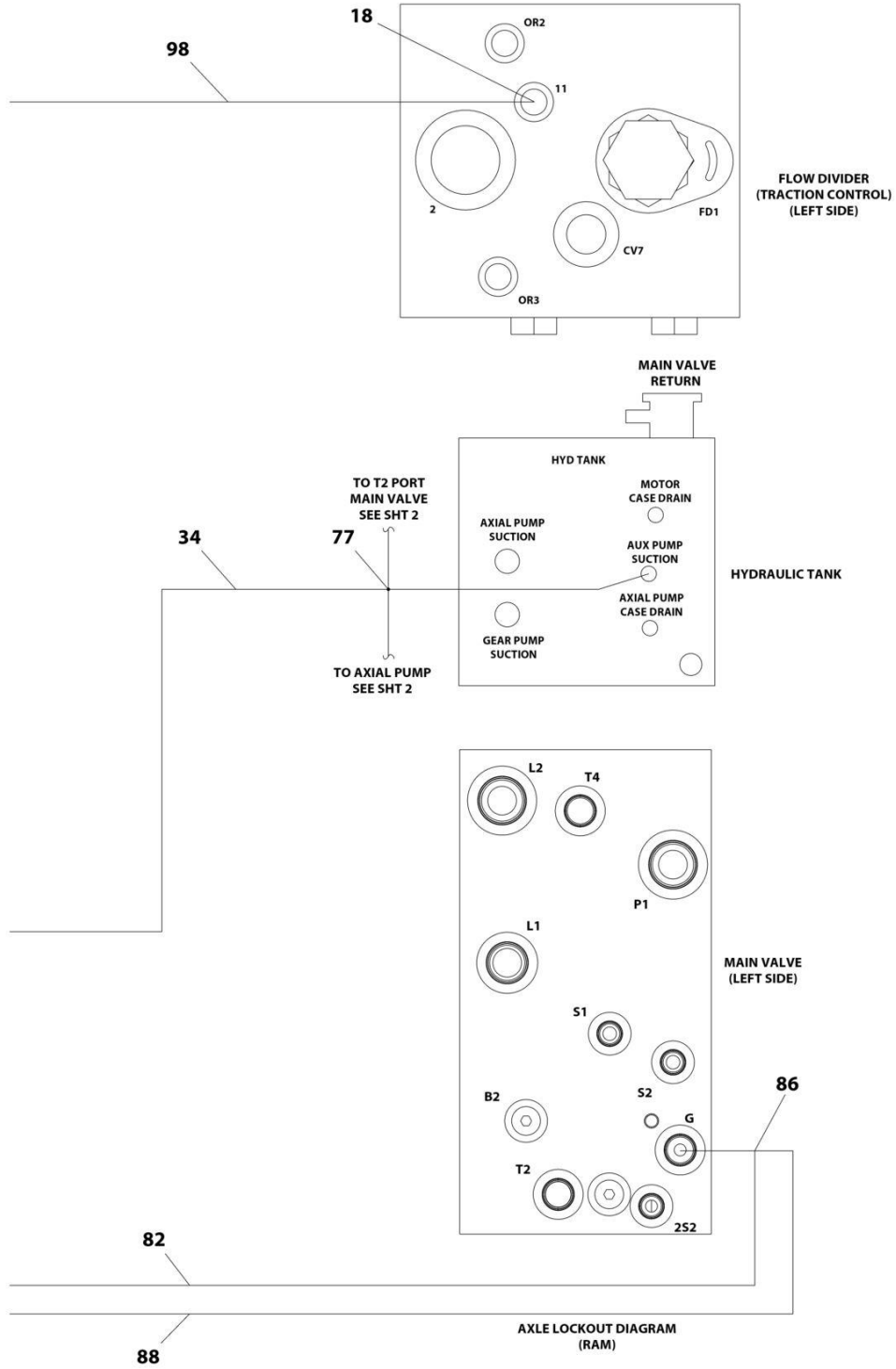
# SECTION 7 - HYDRAULIC



ART\_1001177750\_50F7

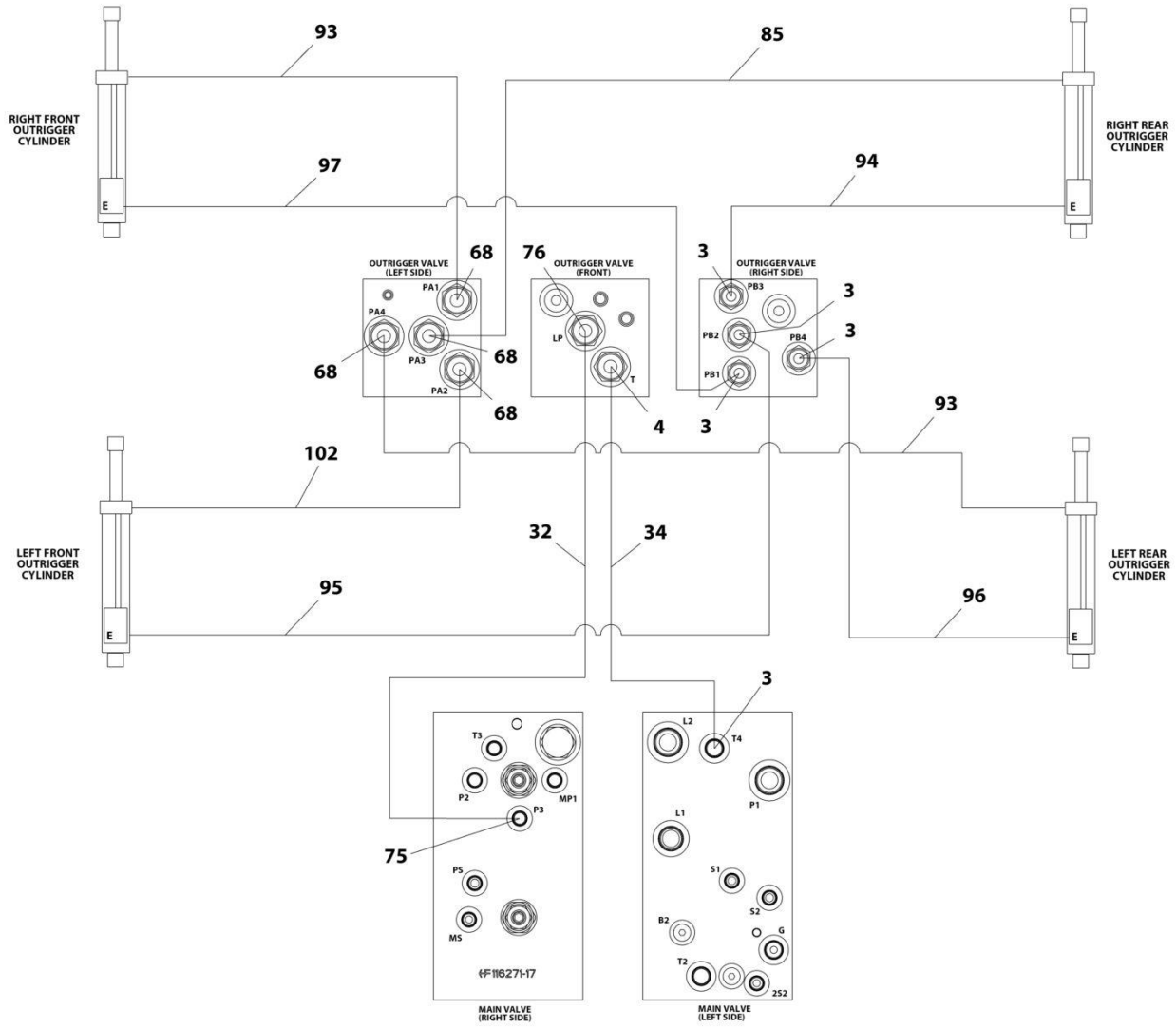


# SECTION 7 - HYDRAULIC



ART\_1001177750\_GOF7

# SECTION 7 - HYDRAULIC



ART\_1001177750\_7OF7

## SECTION 7 - HYDRAULIC

### FIGURE 7-2. HYDRAULIC DIAGRAM - OSCILATING AXLE

ITEM	PART NUMBER	QTY	DESCRIPTION	REV
	1001177750	Ref	HYDRAULIC DIAGRAM - OSCILLATING AXLE	J
1	2220415	9	Fitting, Straight JIC/ORB	
2	2220582	2	Fitting, Straight JIC/ORB	
3	2220371	8	Fitting, Straight JIC/ORB	
4	2220372	1	Fitting, Straight JIC/ORB	
5	2220497	1	Fitting, Straight JIC/ORB	
6	2110808	2	Fitting, Straight ORFS/ORB	
7	2110810	2	Fitting, Straight ORFS/ORB	
8	2110812	9	Fitting, Straight ORFS/ORB	
9	2220852	1	Fitting, Straight JIC/ORB	
10	2111010	1	Fitting, Straight ORFS/ORB	
12	2220451	1	Fitting, Straight JIC/ORB	
13	2111216	2	Fitting, Straight ORFS/ORB	
14	2112016	1	Fitting, Straight ORFS/ORB	
15	2130404	2	Fitting, 90 ORFS/ORB	
16	2220472	1	Fitting, 90 JIC/ORB	
17	2220775	1	Fitting, 90 JIC/ORB	
18	2220473	2	Fitting, 90 JIC/ORB	
19	2130808	6	Fitting, 90 ORFS/ORB	
20	2130812	1	Fitting, 90 ORFS/ORB	
21	2131216	2	Fitting, 90 ORFS/ORB	
22	2221040	4	Fitting, 45 JIC/ORB	
23	2220500	2	Fitting, 45 JIC/ORB	
24	2131010	1	Fitting, 90 ORFS/ORB	
25	2152020	1	Fitting, 45 ORFS/ORB	
26	2220235	1	Fitting	
27	2220602	1	Fitting, Tee JIC/ORB/JIC	
28	2220238	1	Plug ORB	
29	2220479	1	Fitting, Straight JIC/ORB	
31	2221086	2	Fitting, Test	
32	2716703	1	Hose	
33	2753798	1	Hose	
34	1001158246	2	Hose	
35	1001108477	1	Hose	
41	1001104589	1	Hose	
42	2753791	7	Hose	
49	2754244	2	Hose	
51	4061032	AR	Shield	
52	2110404	1	Fitting, Straight ORFS/ORB	
53	8760351	1	Fitting, 45 ORFS/ORB	
56	1001104581	1	Hose	
59	1001107924	2	Hose	
60	1001108128	1	Hose	
67	2220362	1	Fitting, Tee FL/FL/FL	
68	2220373	6	Fitting, Straight JIC/ORB	
69	2220408	2	Fitting, Straight JIC/ORB	
70	2220435	1	Fitting, Straight JIC/ORB	
71	2220466	AR	Fitting, 90 JIC/ORB	
72	2220504	1	Fitting, Tee JIC/JIC/JIC	
73	2220577	1	Fitting, Straight JIC/ORB	

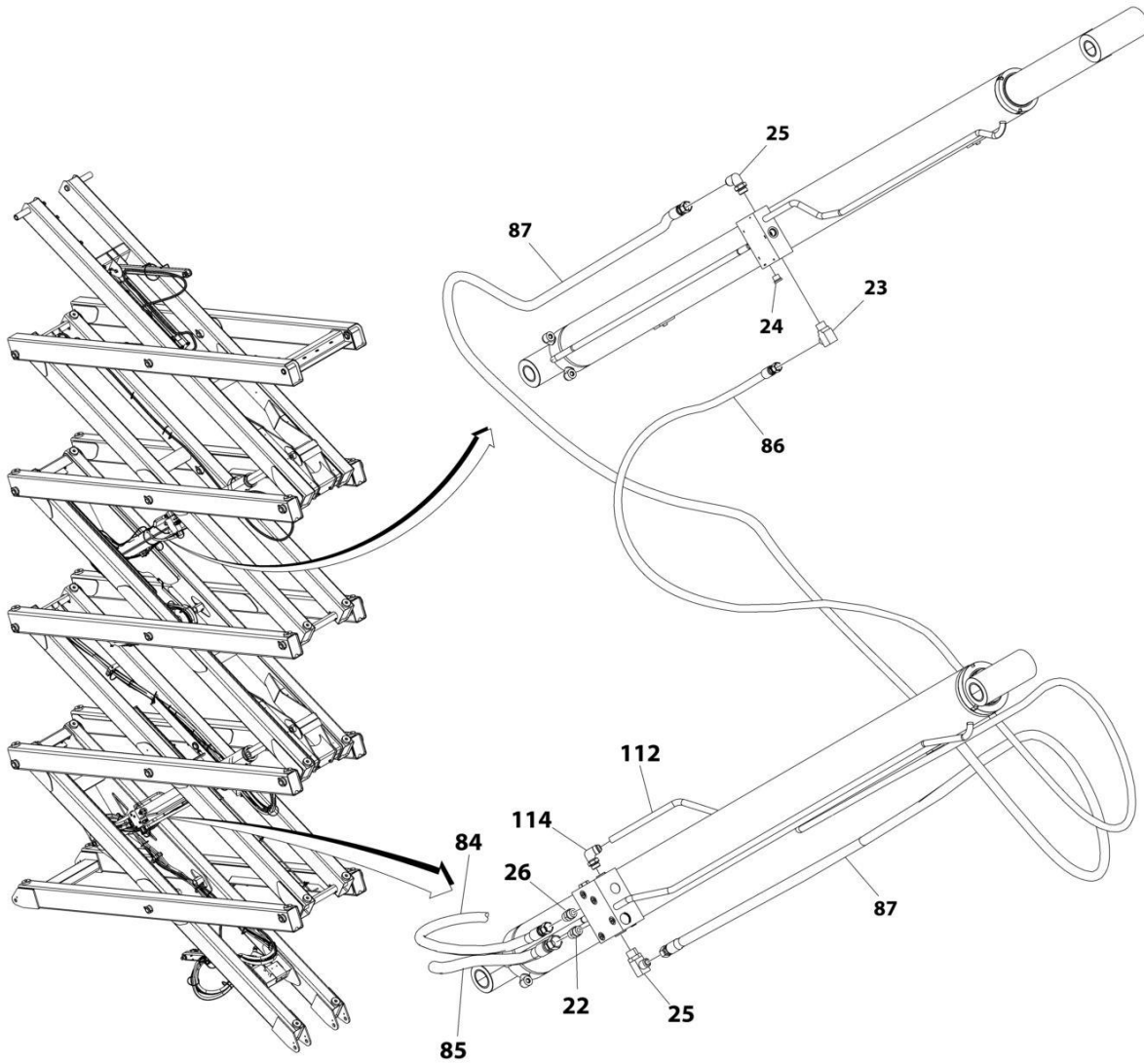
## SECTION 7 - HYDRAULIC

ITEM	PART NUMBER	QTY	DESCRIPTION	REV
74	2220578	1	Fitting, 90 JIC/ORB	
75	2220603	1	Fitting, Straight JIC/ORB	
76	2220628	1	Fitting, 90 JIC/ORB	
77	2220635	2	Fitting, Tee JIC/JIC/JIC	
78	2716705	2	Hose	
80	2753970	1	Hose	
81	1001151351	1	Hose	
82	1001151354	3	Hose	
83	1001158199	2	Hose	
84	1001173043	2	Hose	
85	1001182051	1	Hose	
86	1001193988	1	Fitting, Tee JIC/ORB/JIC	
87	1001194378	1	Hose	
88	1001194379	1	Hose	
89	1001194380	1	Hose	
90	1001194381	1	Hose	
91	1001194382	1	Hose	
92	1001194383	1	Hose	
93	1001194384	2	Hose	
94	1001194385	1	Hose	
95	1001194386	1	Hose	
96	1001194387	1	Hose	
97	1001194388	1	Hose	
98	1001194389	1	Hose	
99	1001194390	1	Hose	
100	1001194391	1	Hose	
101	2752485	1	Hose	
102	1001205920	1	Hose	
103	2220502	AR	Fitting, 45 JIC/ORB	



# SECTION 7 - HYDRAULIC

## FIGURE 7-3. HYDRAULIC DIAGRAM - SCISSOR ARMS



ART\_1001217384\_30F3

## SECTION 7 - HYDRAULIC

### FIGURE 7-3. HYDRAULIC DIAGRAM - SCISSOR ARMS

ITEM	PART NUMBER	QTY	DESCRIPTION	REV
	1001217384	Ref	SCISSOR ARMS ASSEMBLY - HYDRAULIC	G
22	2220408	1	Fitting, Straight JIC/ORB	
23	2220671	1	Fitting, 90 JIC/ORB	
24	2220883	1	Plug	
25	2220906	2	Fitting, 90 JIC/ORB	
26	2220947	1	Fitting, Straight JIC/ORB	
84	1001193174	1	Hose	
85	1001193179	1	Hose	
86	1001236307	1	Hose	
87	1001236306	1	Hose	
112	1001237837	1	Tube	
114	2221036	1	Fitting, 90 JIC/ORB	

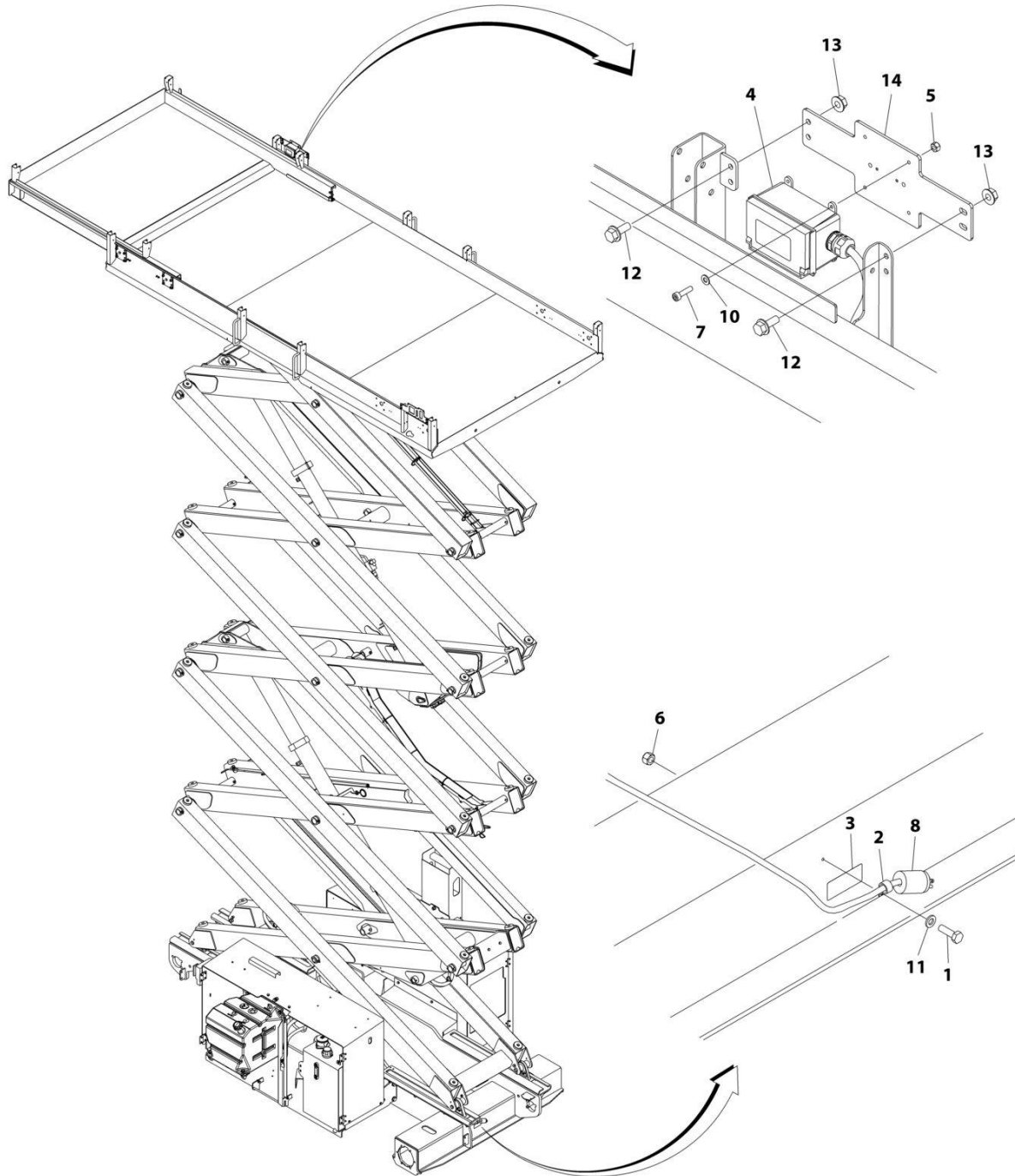




**SECTION 8 - ELECTRICAL**

# SECTION 8 - ELECTRICAL

FIGURE 8-1. AC BOX AT PLATFORM INSTALLATION - 110V GFI (ANSI, ANSI EXPORT, CHINA, CSA AND JAPANESE SPECS)



ART\_1001207511

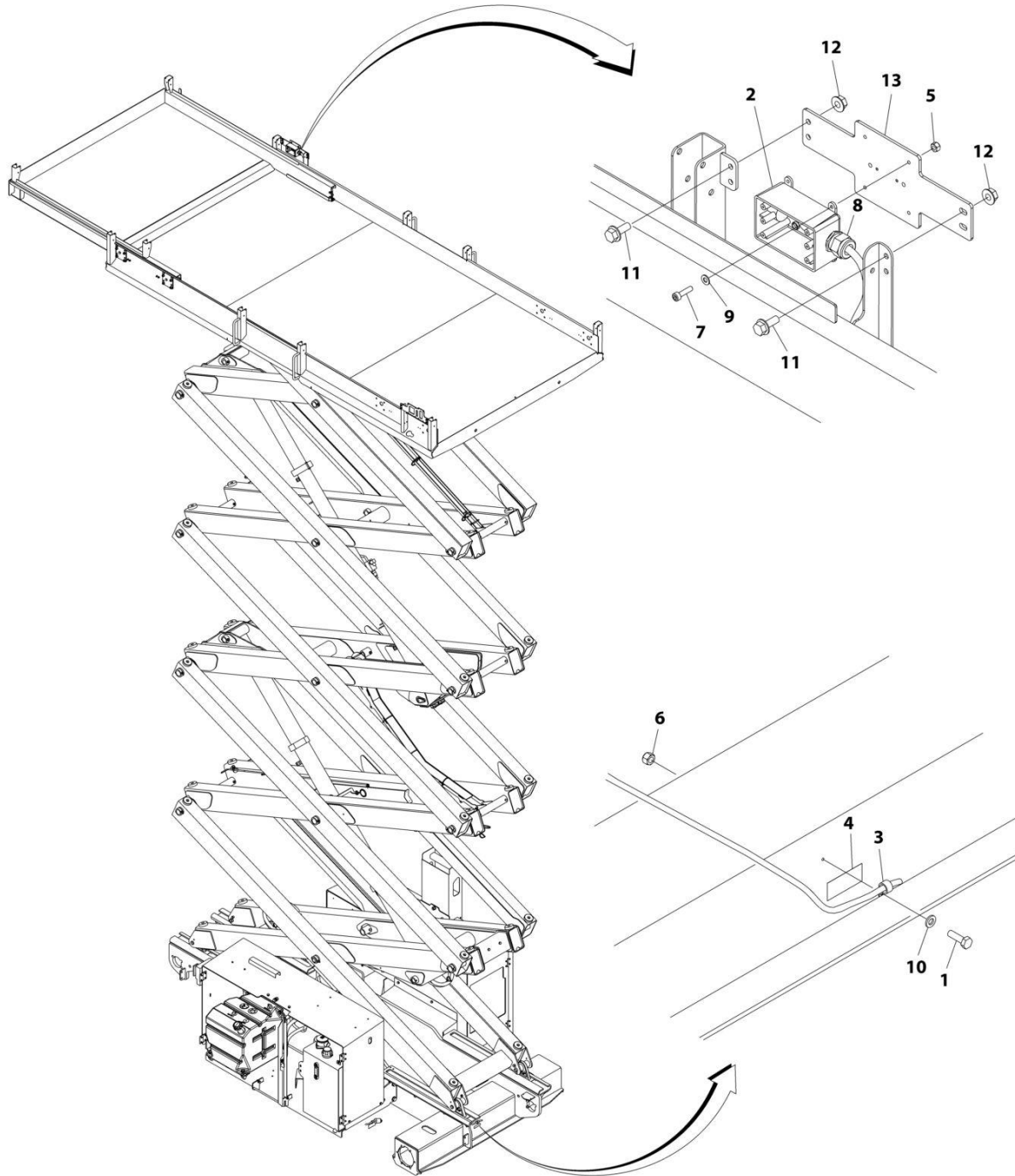
## SECTION 8 - ELECTRICAL

**FIGURE 8-1. AC BOX AT PLATFORM INSTALLATION - 110V GFI (ANSI, ANSI EXPORT, CHINA, CSA AND JAPANESE SPECS)**

ITEM	PART NUMBER	QTY	DESCRIPTION	REV
	1001207511	Ref	AC BOX AT PLATFORM INSTALLATION - 110V GFI	A
1	0760610	1	Bolt M6 x 20	
2	1320224	1	Clamp	
3	1703464	1	Decal - AC Power	
4	2902431	1	Receptacle Box Kit (See Separate Breakdown in this Section)	
5	3290405	4	Nut M4	
6	3290605	1	Nut M6	
7	4031507	4	Bolt M4 x 16	
8	4460138	1	Plug	
9	4460315	3	Terminal (Not Shown)	
10	4811400	4	Washer M4	
11	4811700	1	Washer M6	
12	0780608	4	Bolt M6 x 16	
13	5260600	4	Nut M6	
14	1001207520	1	Bracket	

# SECTION 8 - ELECTRICAL

## FIGURE 8-2. BOX AT PLATFORM INSTALLATION - 220V (ANSI EXPORT, CSA, CHINA AND JAPANESE SPECS)



ART\_1001207512

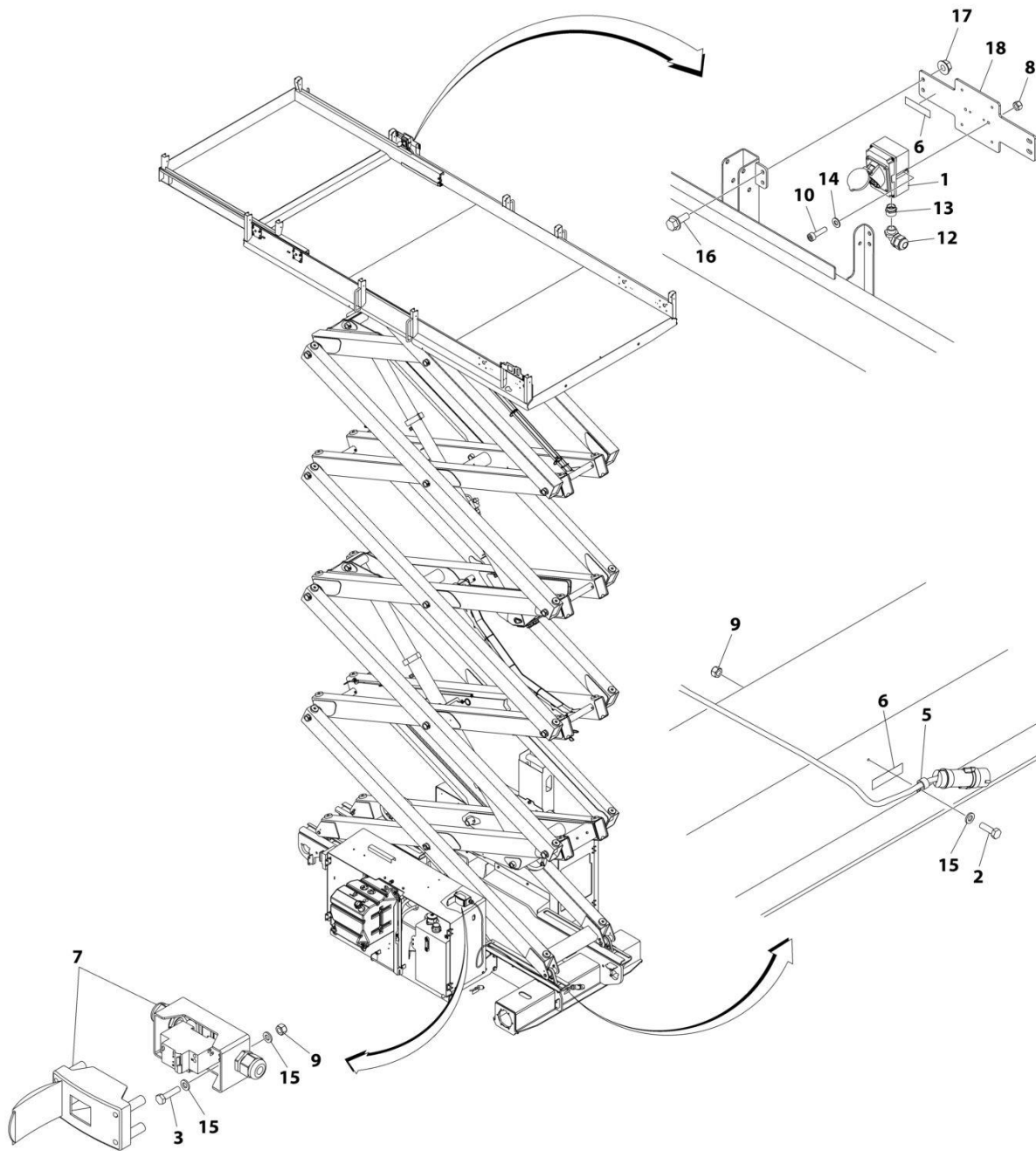
## SECTION 8 - ELECTRICAL

**FIGURE 8-2. BOX AT PLATFORM INSTALLATION - 220V (ANSI EXPORT, CSA, CHINA AND JAPANESE SPECS)**

ITEM	PART NUMBER	QTY	DESCRIPTION	REV
	1001207512	Ref	AC BOX AT PLATFORM INSTALLATION - 220V	A
1	0760610	1	Bolt M6 x 20	
2	0861731	1	Box, Receptacle	
3	1320224	1	Clamp	
4	3252507	1	Decal - 220 Volt	
5	3290405	4	Nut M4	
6	3290605	1	Nut M6	
7	4031507	4	Bolt M4 x 16	
8	4460071	1	Connector, Strain Relief	
9	4811400	4	Washer M4	
10	4811700	1	Washer M6	
11	0780608	4	Bolt M6 x 16	
12	5260600	4	Nut M6	
13	1001207520	1	Bracket	

# SECTION 8 - ELECTRICAL

FIGURE 8-3. AC BOX AT PLATFORM INSTALLATION - 110V IEC YELLOW (CE & UK CA SPEC)



ART\_1001207516\_B

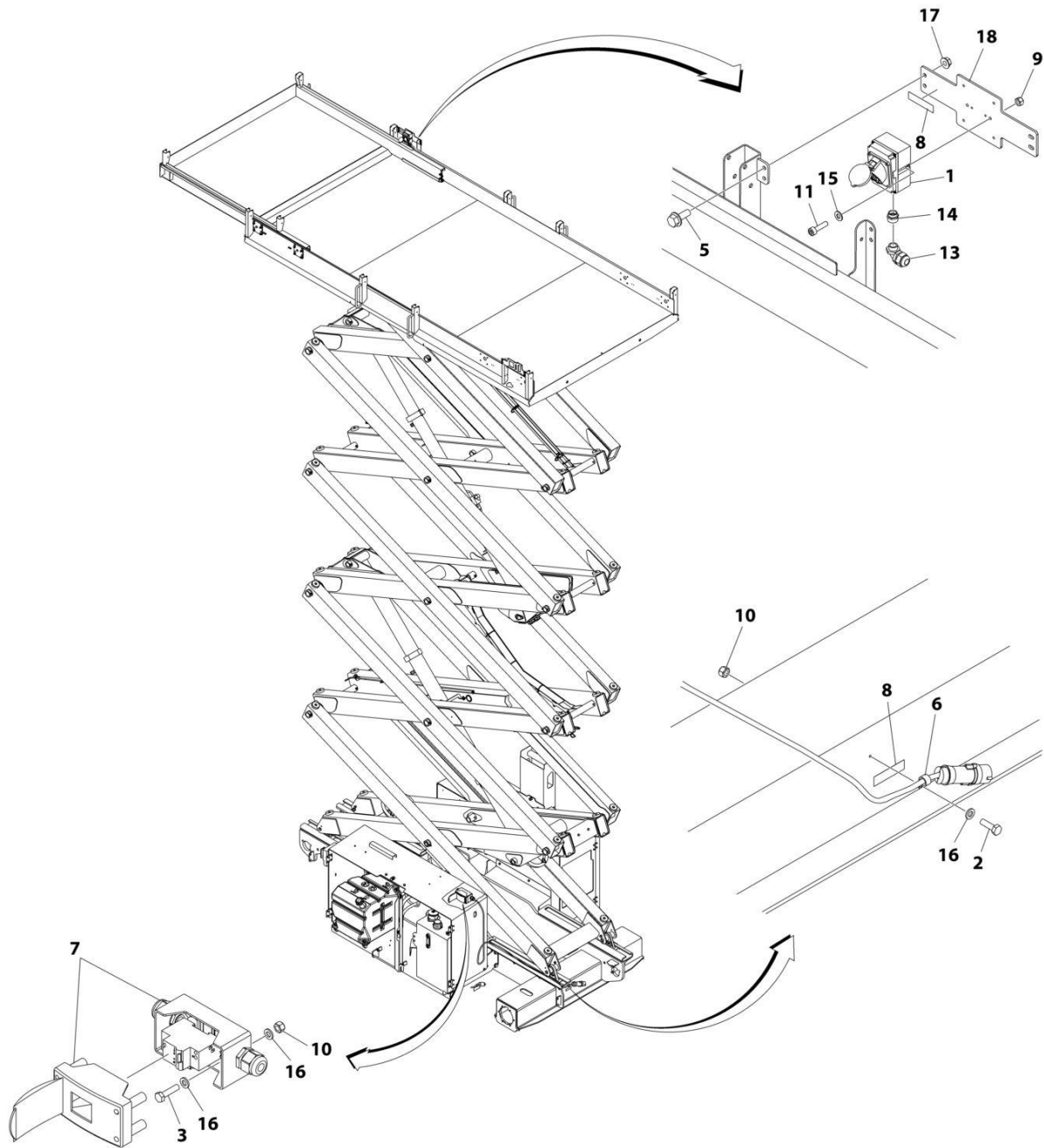
## SECTION 8 - ELECTRICAL

**FIGURE 8-3. AC BOX AT PLATFORM INSTALLATION - 110V IEC YELLOW (CE & UK CA SPEC)**

ITEM	PART NUMBER	QTY	DESCRIPTION	REV
	1001207516	Ref	AC BOX AT PLATFORM INSTALLATION - 110V IEC YELLOW	B
1	0275216	1	Receptacle Box Kit (See Separate Breakdown in this Section)	
2	0760610	1	Bolt M6 x 20	
3	0760612	2	Bolt M6 x 25	
5	1320224	1	Clamp	
6	1705325	2	Decal - 110 Volt	
7	1001096070	1	Breaker Box Kit (See Separate Breakdown in this Section)	
8	3290405	2	Nut M4	
9	3290605	3	Nut M6	
10	4031507	2	Bolt M4 x 16	
12	4461257	1	Connector, Strain Relief	
13	4461258	1	Connector, Adapter	
14	4811400	2	Washer M4	
15	4811700	5	Washer M6	
16	0780608	4	Bolt M6 x 16	
17	5260600	4	Nut M6	
18	1001207520	1	Bracket	

# SECTION 8 - ELECTRICAL

## FIGURE 8-4. AC BOX AT PLATFORM INSTALLATION - 220V IEC BLUE (CE & UK CA SPEC)



ART\_1001209298\_B



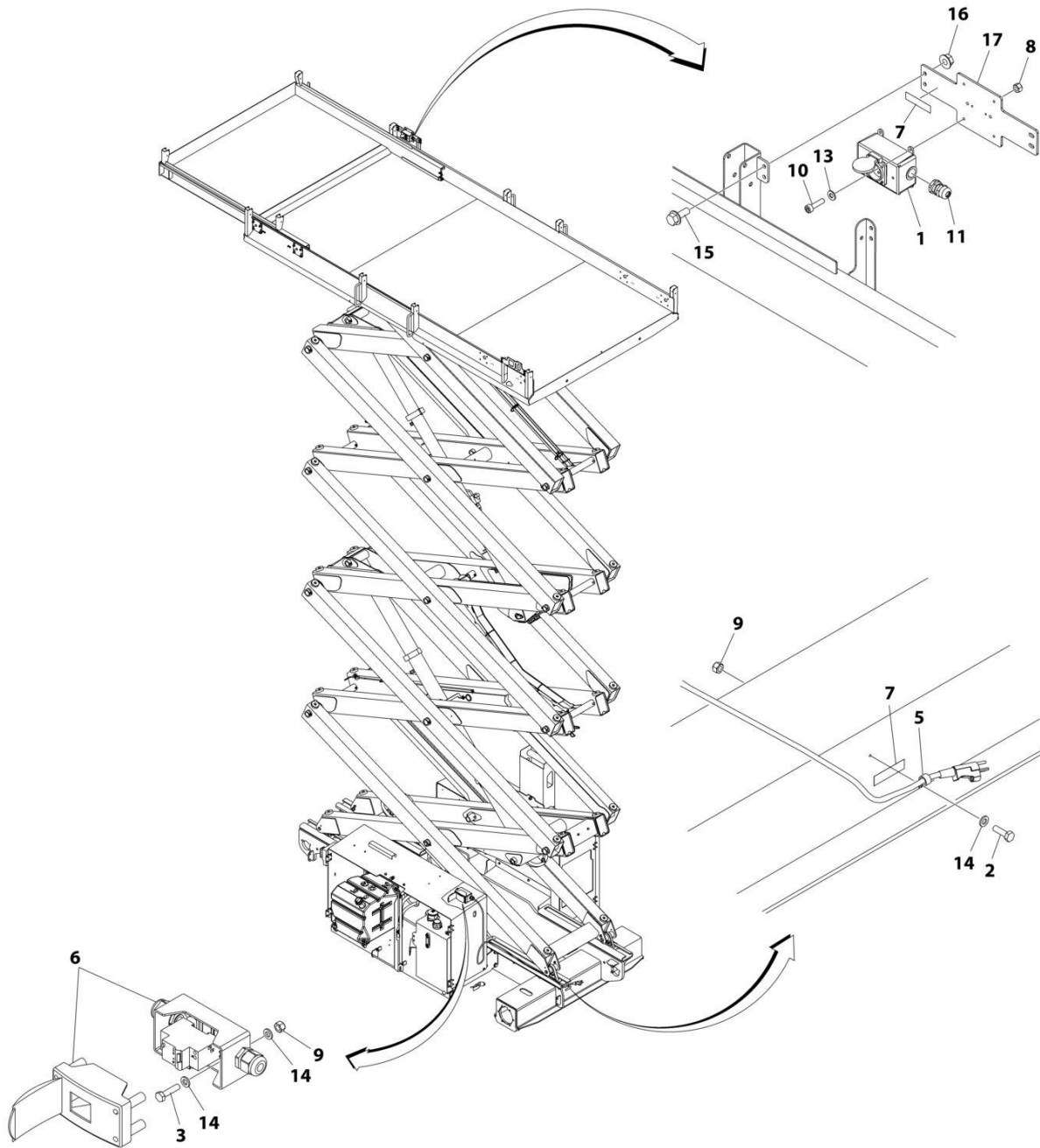
## SECTION 8 - ELECTRICAL

**FIGURE 8-4. AC BOX AT PLATFORM INSTALLATION - 220V IEC BLUE (CE & UK CA SPEC)**

ITEM	PART NUMBER	QTY	DESCRIPTION	REV
	1001209298	Ref	AC BOX AT PLATFORM INSTALLATION - 220V IEC BLUE	B
1	0275217	1	Receptacle Box Kit (See Separate Breakdown in this Section)	
2	0760610	1	Bolt M6 x 20	
3	0760612	2	Bolt M6 x 25	
5	0780608	4	Bolt M6 x 16	
6	1320224	1	Clamp	
7	1001096070	1	Breaker Box Kit (See Separate Breakdown in this Section)	
8	3252507	2	Decal - 220 Volt	
9	3290405	2	Nut M4	
10	3290605	3	Nut M6	
11	4031507	2	Bolt M4 x 16	
13	4461257	1	Connector, Strain Relief	
14	4461258	1	Connector, Adapter	
15	4811400	2	Washer M4	
16	4811700	5	Washer M6	
17	5260600	4	Nut M6	
18	1001207520	1	Bracket	

# SECTION 8 - ELECTRICAL

FIGURE 8-5. AC BOX AT PLATFORM INSTALLATION - 220V AFSINT107 (CE & UK CA SPEC)



ART\_1001207521\_B

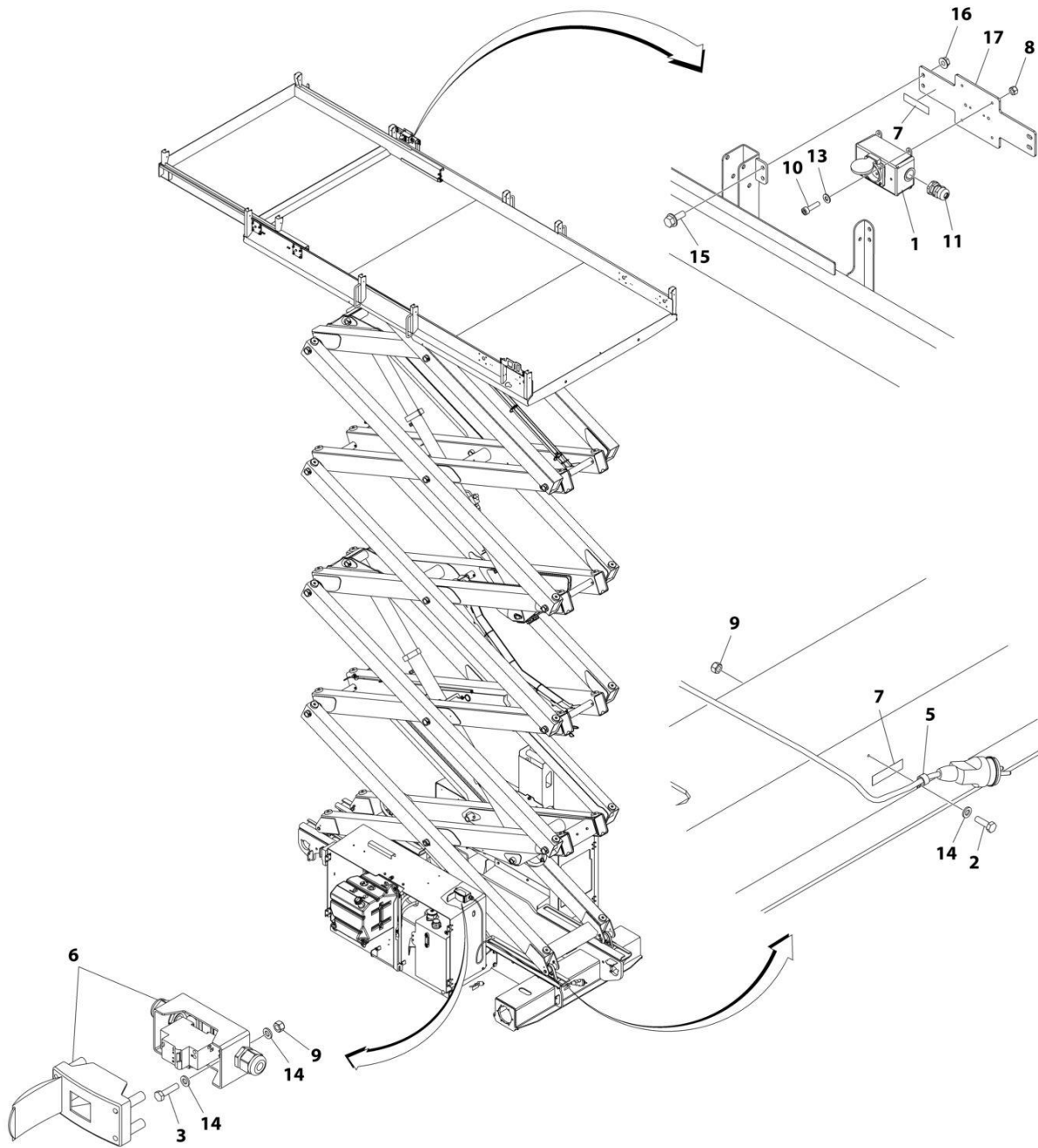
## SECTION 8 - ELECTRICAL

**FIGURE 8-5. AC BOX AT PLATFORM INSTALLATION - 220V AFSINT107 (CE & UK CA SPEC)**

ITEM	PART NUMBER	QTY	DESCRIPTION	REV
	1001207521	Ref	AC BOX AT PLATFORM INSTALLATION - 220V AFSINT107	B
1	0275454	1	Receptacle Box Kit (See Separate Breakdown in this Section)	
2	0760610	1	Bolt M6 x 20	
3	0760612	2	Bolt M6 x 25	
5	1320224	1	Clamp	
6	1001096070	1	Breaker Box Kit (See Separate Breakdown in this Section)	
7	3252507	2	Decal - 220 Volt	
8	3290405	4	Nut M4	
9	3290605	3	Nut M6	
10	4031507	4	Bolt M4 x 16	
11	4460968	1	Connector, Strain Relief	
13	4811400	4	Washer M4	
14	4811700	5	Washer M6	
15	0780608	4	Bolt M6 x 16	
16	5260600	4	Nut M6	
17	1001207520	1	Bracket	

# SECTION 8 - ELECTRICAL

FIGURE 8-6. AC BOX AT PLATFORM INSTALLATION - 220V CEE7 POST GROUND WITH 2X4 BOX (CE & UK CA SPEC)



ART\_1001207514\_C

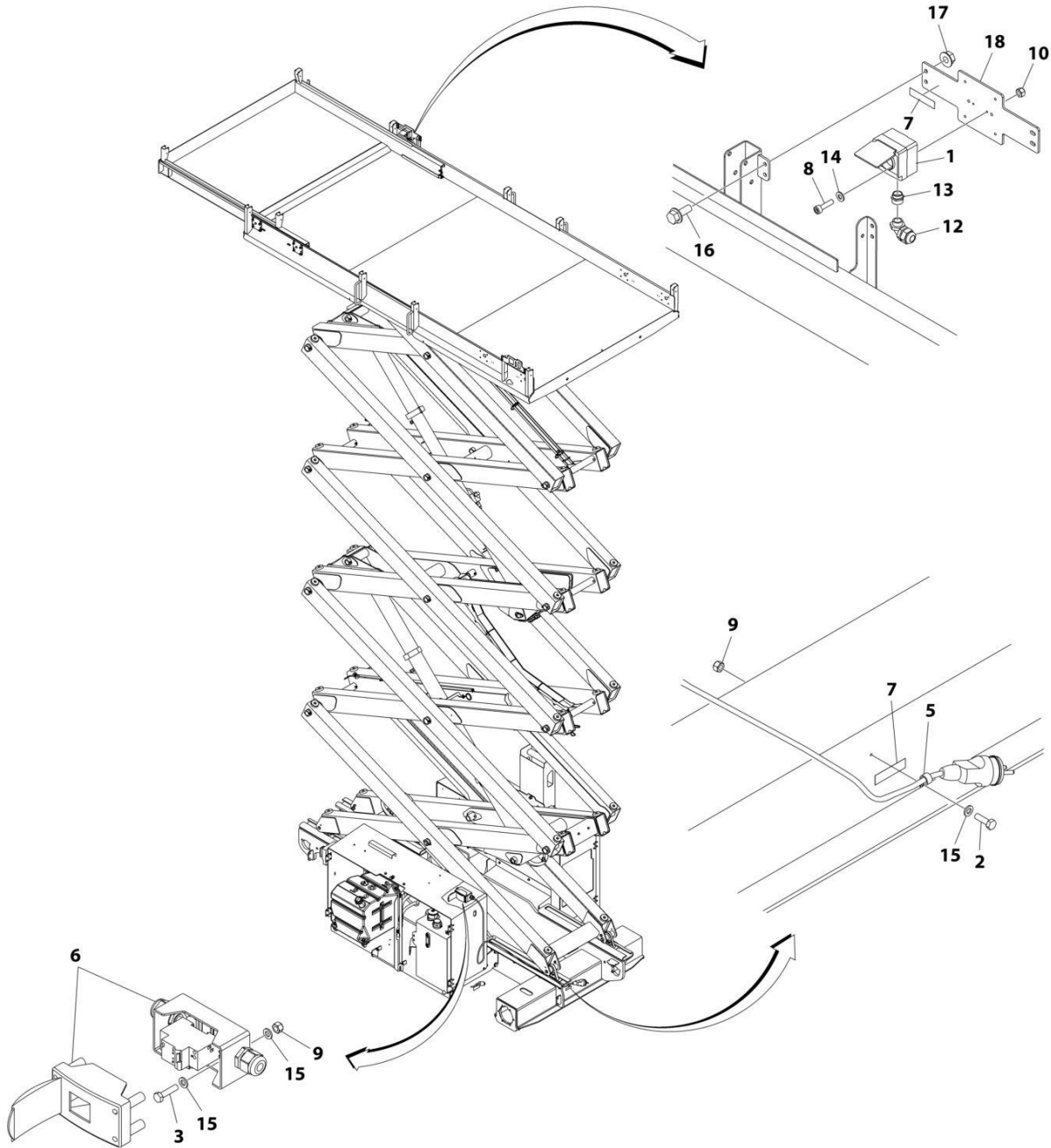
## SECTION 8 - ELECTRICAL

**FIGURE 8-6. AC BOX AT PLATFORM INSTALLATION - 220V CEE7 POST GROUND WITH 2X4 BOX  
(CE & UK CA SPEC)**

ITEM	PART NUMBER	QTY	DESCRIPTION	REV
	1001207514	Ref	AC BOX AT PLATFORM INSTALLATION - 220V CEE7 POST GROUND WITH 2X4 BOX	C
1	0275452	1	Receptacle Box Kit (See Separate Breakdown in this Section)	
2	0760610	1	Bolt M6 x 20	
3	0760612	2	Bolt M6 x 25	
5	1320224	1	Clamp	
6	1001096070	1	Breaker Box Kit (See Separate Breakdown in this Section)	
7	3252507	2	Decal - 220 Volt	
8	3290405	4	Nut M4	
9	3290605	3	Nut M6	
10	4031507	4	Bolt M4 x 16	
11	4460968	1	Connector, Strain Relief	
13	4811400	4	Washer M4	
14	4811700	5	Washer M6	
15	0780608	4	Bolt M6 x 16	
16	5260600	4	Nut M6	
17	1001207520	1	Bracket	

# SECTION 8 - ELECTRICAL

FIGURE 8-7. AC BOX AT PLATFORM INSTALLATION - 220V CEE7 POST GROUND WITH 70X70 BOX  
(CE & UK CA SPEC)



ART\_1001207518\_C

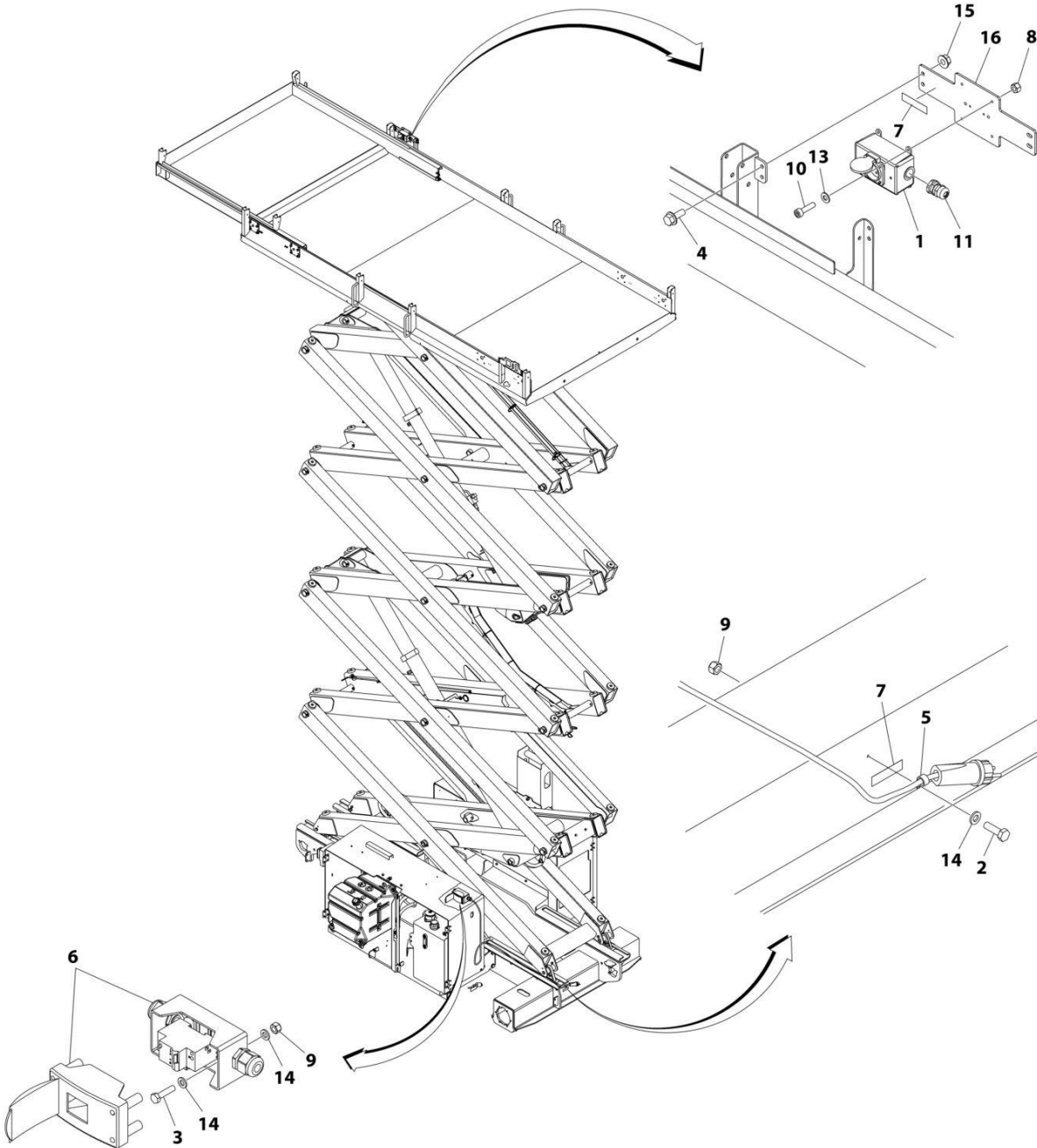
## SECTION 8 - ELECTRICAL

**FIGURE 8-7. AC BOX AT PLATFORM INSTALLATION - 220V CEE7 POST GROUND WITH 70X70 BOX  
(CE & UK CA SPEC)**

ITEM	PART NUMBER	QTY	DESCRIPTION	REV
	1001207518	Ref	AC BOX AT PLATFORM INSTALLATION - 220V CEE7 POST GROUND WITH 70X70 BOX	C
1	0275218	1	Receptacle Box Kit (See Separate Breakdown in this Section)	
2	0760610	1	Bolt M6 x 20	
3	0760612	2	Bolt M6 x 25	
5	1320224	1	Clamp	
6	1001096070	1	Breaker Box Kit (See Separate Breakdown in this Section)	
7	3252507	2	Decal - 220 Volt	
8	3290405	2	Nut M4	
9	3290605	3	Nut M6	
10	4031507	2	Bolt M4 x 16	
12	4461257	1	Connector, Strain Relief	
13	4461258	1	Connector, Adapter	
14	4811400	2	Washer M4	
15	4811700	5	Washer M6	
16	0780608	4	Bolt M6 x 16	
17	5260600	4	Nut M6	
18	1001207520	1	Bracket	

# SECTION 8 - ELECTRICAL

FIGURE 8-8. AC BOX AT PLATFORM INSTALLATION - 220V CEE7 SIDE GROUND WITH 2X4 BOX (CE & UK CA SPEC)



ART\_1001207515\_B



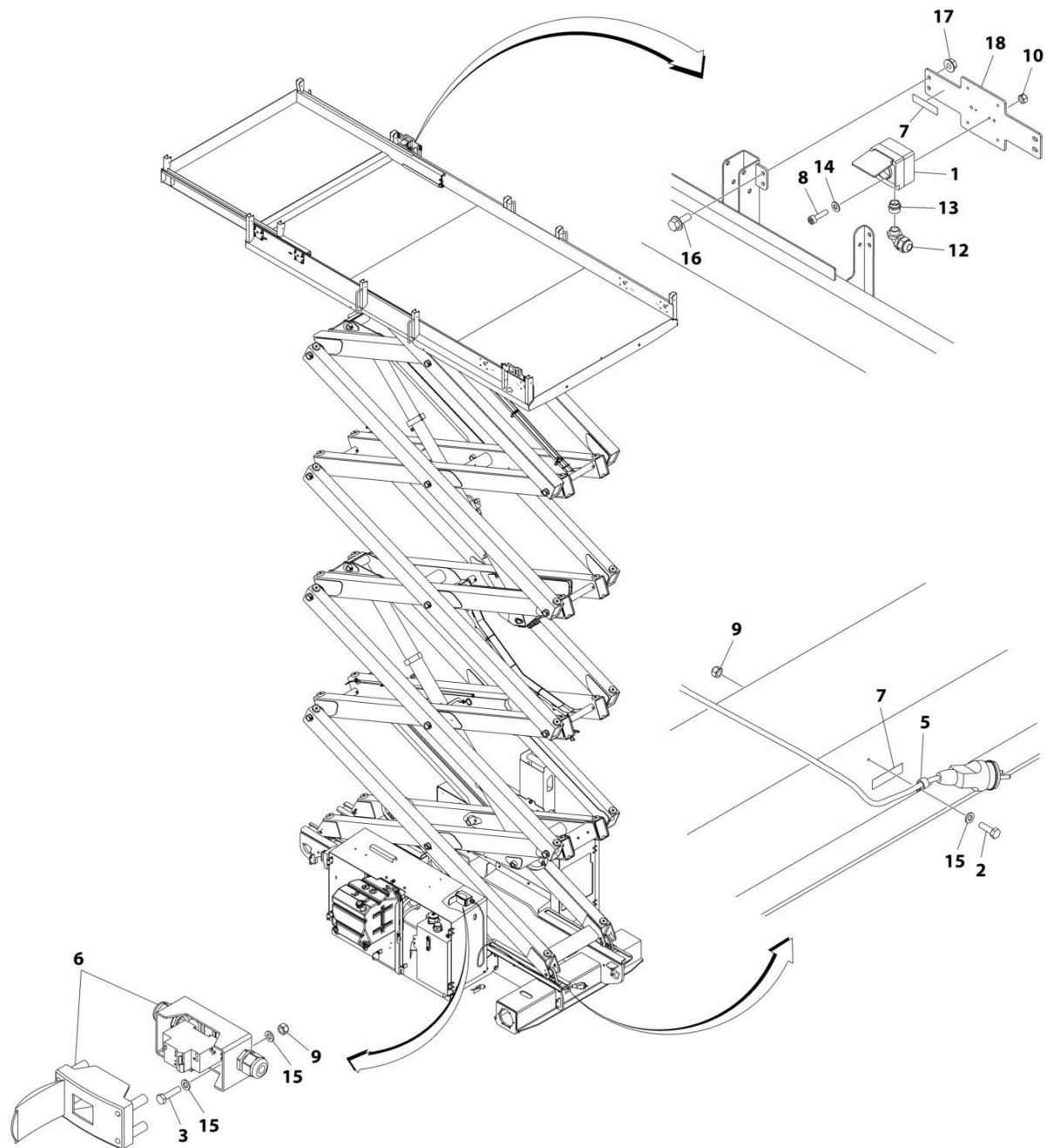
## SECTION 8 - ELECTRICAL

**FIGURE 8-8. AC BOX AT PLATFORM INSTALLATION - 220V CEE7 SIDE GROUND WITH 2X4 BOX  
(CE & UK CA SPEC)**

ITEM	PART NUMBER	QTY	DESCRIPTION	REV
	1001207515	Ref	AC BOX AT PLATFORM INSTALLATION - 220V CEE7 SIDE GROUND WITH 2X4 BOX	B
1	0275453	1	Receptacle Box Kit (See Separate Breakdown in this Section)	
2	0760610	1	Bolt M6 x 20	
3	0760612	2	Bolt M6 x 25	
4	0780608	4	Bolt M6 x 16	
5	1320224	1	Clamp	
6	1001096070	1	Breaker Box Kit (See Separate Breakdown in this Section)	
7	3252507	2	Decal - 220 Volt	
8	3290405	4	Nut M4	
9	3290605	3	Nut M6	
10	4031507	4	Bolt M4 x 16	
11	4460968	1	Connector, Strain Relief	
13	4811400	4	Washer M4	
14	4811700	5	Washer M6	
15	5260600	4	Nut M6	
16	1001207520	1	Bracket	

# SECTION 8 - ELECTRICAL

## FIGURE 8-9. AC BOX AT PLATFORM INSTALLATION - 220V CEE7 SIDE GROUND WITH 70X70 BOX (CE & UK CA SPEC)



ART\_1001207519\_B

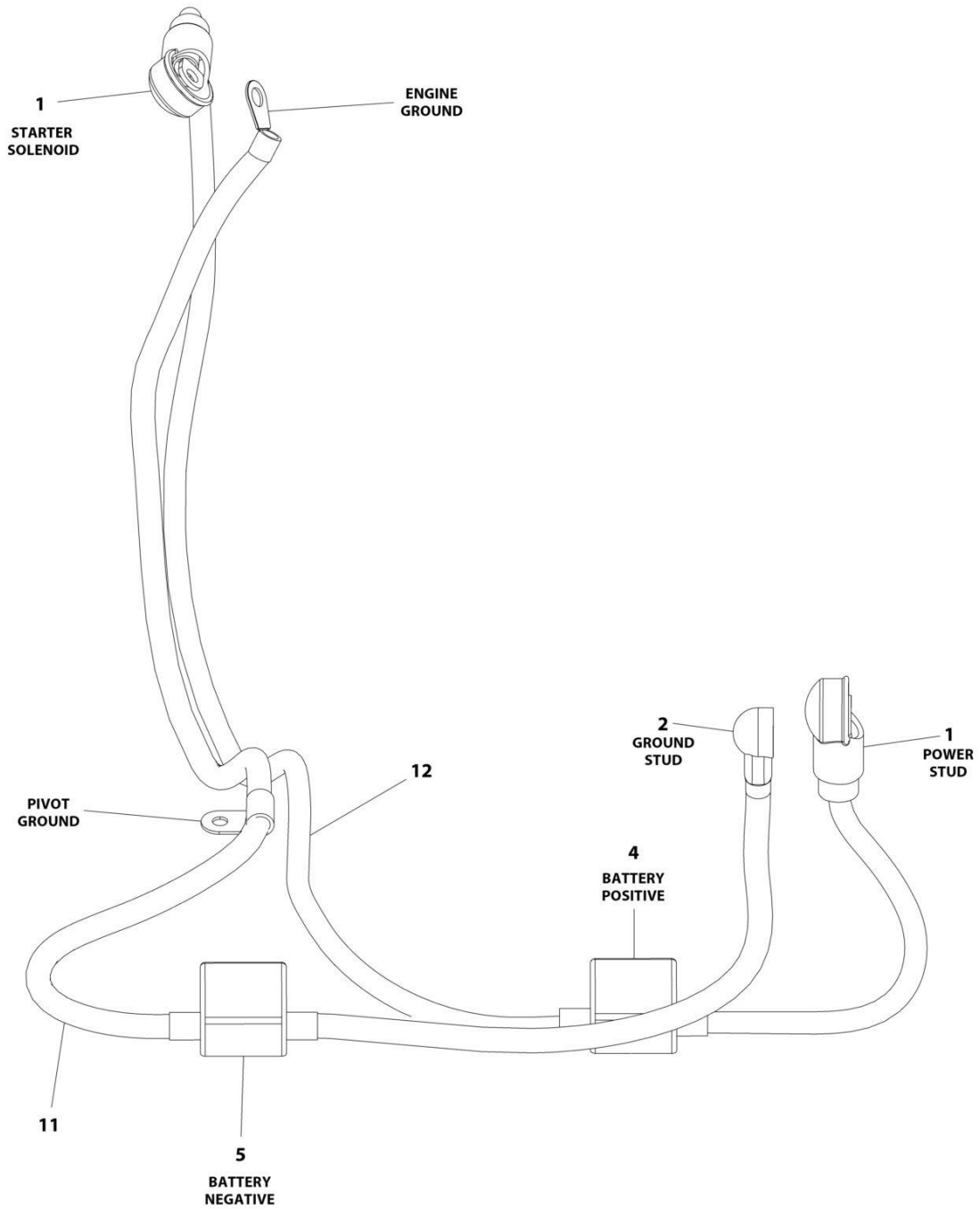
## SECTION 8 - ELECTRICAL

**FIGURE 8-9. AC BOX AT PLATFORM INSTALLATION - 220V CEE7 SIDE GROUND WITH 70X70 BOX  
(CE & UK CA SPEC)**

ITEM	PART NUMBER	QTY	DESCRIPTION	REV
	1001207519	Ref	AC BOX AT PLATFORM INSTALLATION - 220V CEE7 SIDE GROUND WITH 70X70 BOX	B
1	0275219	1	Receptacle Box Kit (See Separate Breakdown in this Section)	
2	0760610	1	Bolt M6 x 20	
3	0760612	2	Bolt M6 x 25	
5	1320224	1	Clamp	
6	1001096070	1	Breaker Box Kit (See Separate Breakdown in this Section)	
7	3252507	2	Decal - 220 Volt	
8	3290405	2	Nut M4	
9	3290605	3	Nut M6	
10	4031507	2	Bolt M4 x 16	
12	4461257	1	Connector, Strain Relief	
13	4461258	1	Connector, Adapter	
14	4811400	2	Washer M4	
15	4811700	5	Washer M6	
16	0780608	4	Bolt M6 x 16	
17	5260600	4	Nut M6	
18	1001207520	1	Bracket	

# SECTION 8 - ELECTRICAL

## FIGURE 8-10. BATTERY CABLE KIT - DIESEL ENGINES



ART\_1001186428

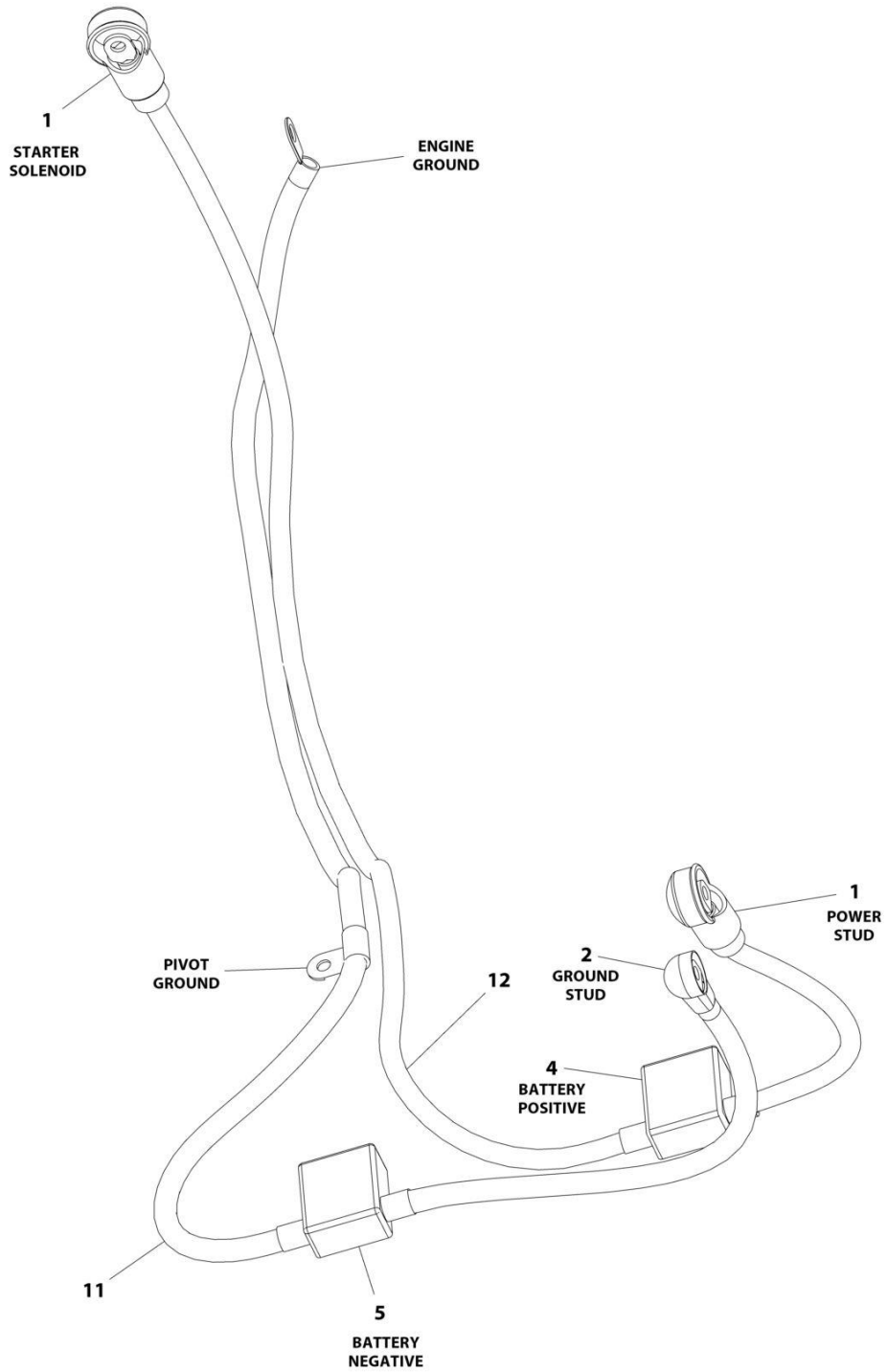
## SECTION 8 - ELECTRICAL

### FIGURE 8-10. BATTERY CABLE KIT - DIESEL ENGINES

ITEM	PART NUMBER	QTY	DESCRIPTION	REV
	1001186428	Ref	BATTERY CABLE KIT - DIESEL ENGINES	E
1	0840052	2	Boot	
2	1001098765	1	Boot	
4	1001186483	1	Boot	
5	1001186484	1	Boot	
11	70009008	1	Cable, Negative	
12	70009009	1	Cable, Positive	

# SECTION 8 - ELECTRICAL

## FIGURE 8-11. BATTERY CABLE KIT - GASOLINE ENGINES



ART\_1001186429

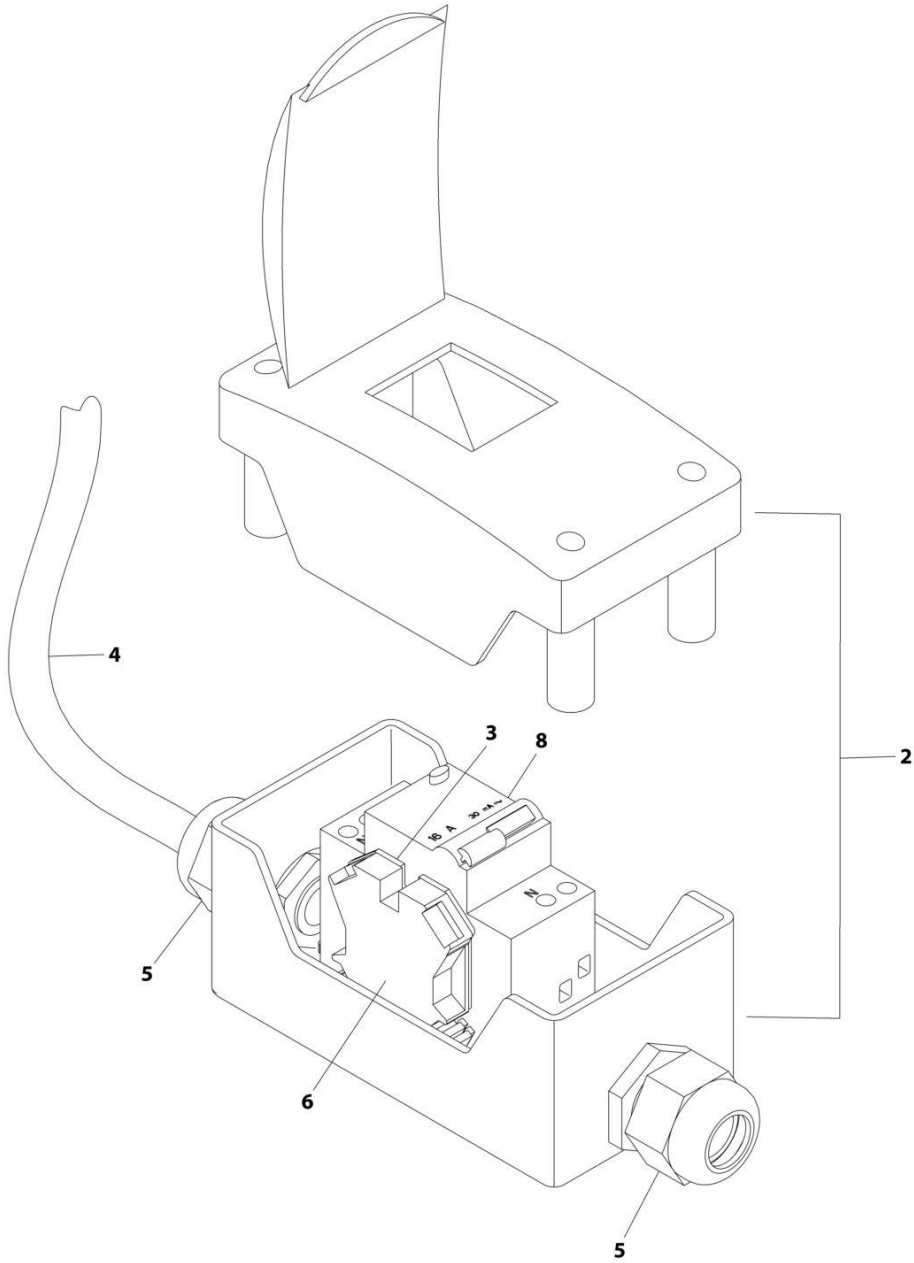
## SECTION 8 - ELECTRICAL

### FIGURE 8-11. BATTERY CABLE KIT - GASOLINE ENGINES

ITEM	PART NUMBER	QTY	DESCRIPTION	REV
	1001186429	Ref	BATTERY CABLE KIT - GASOLINE ENGINES	C
1	0840052	2	Boot	
2	1001098765	1	Boot	
4	1001186483	1	Boot	
5	1001186484	1	Boot	
11	70009010	1	Cable, Negative	
12	70009011	1	Cable, Positive	

**SECTION 8 - ELECTRICAL**

**FIGURE 8-12. BREAKER BOX KIT - SINGLE DOUBLE POLE BREAKER**



ART\_1001096070\_E



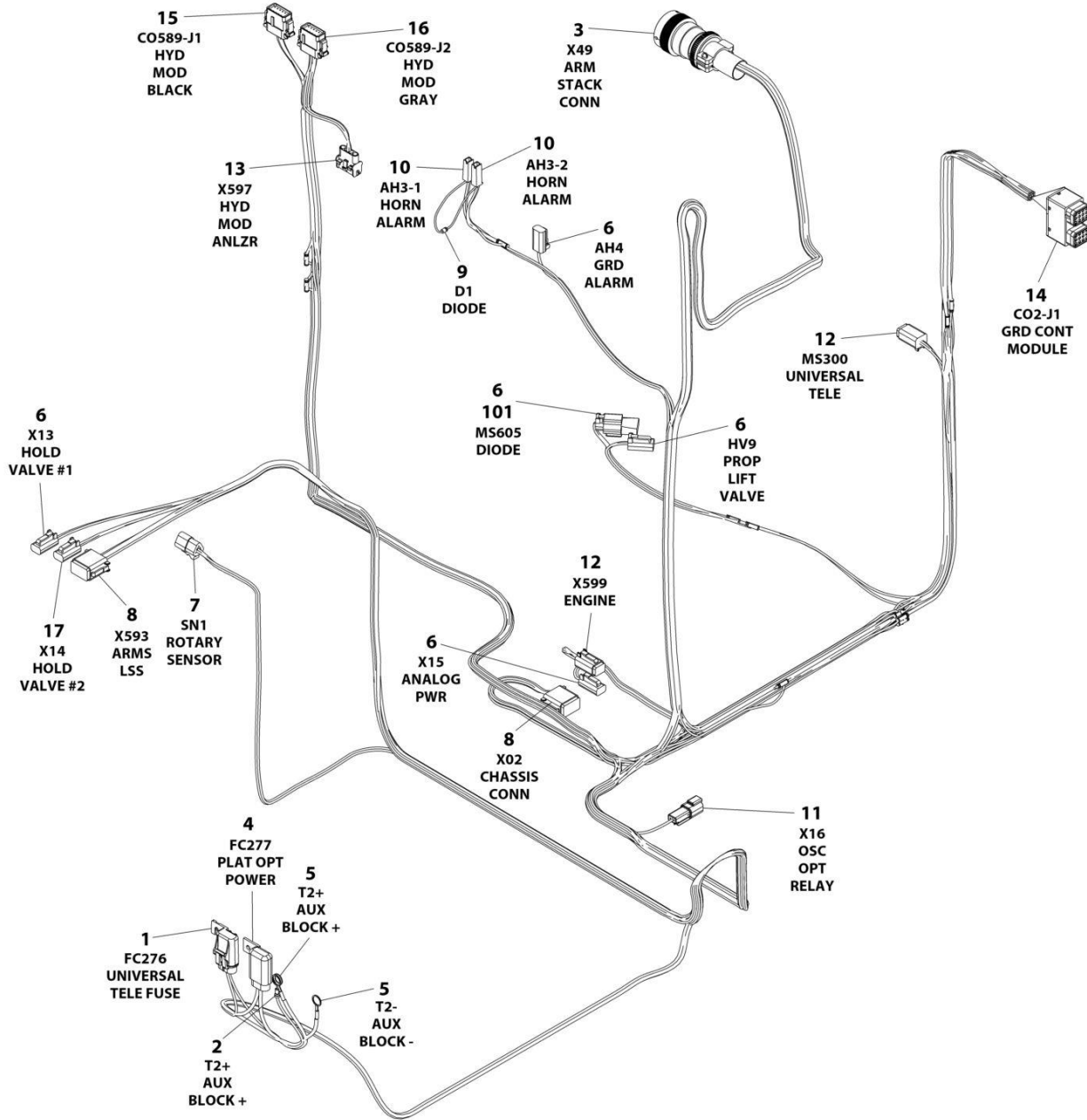
## SECTION 8 - ELECTRICAL

**FIGURE 8-12. BREAKER BOX KIT - SINGLE DOUBLE POLE BREAKER**

ITEM	PART NUMBER	QTY	DESCRIPTION	REV
	1001096070	Ref	BREAKER BOX KIT	E
2	0861880	1	Box	
3	4460956	1	Barrier, Terminal Block End	
4	1060908	12 ft/ 3.6m	Cable, 12/3	
5	1001097150	2	Connector, Strain Relief	
6	4460957	1	Block, Terminal	
8	1001181045	1	Breaker, 16Amp	

# SECTION 8 - ELECTRICAL

## FIGURE 8-13. CHASSIS HARNESS



ART\_1001236270\_C

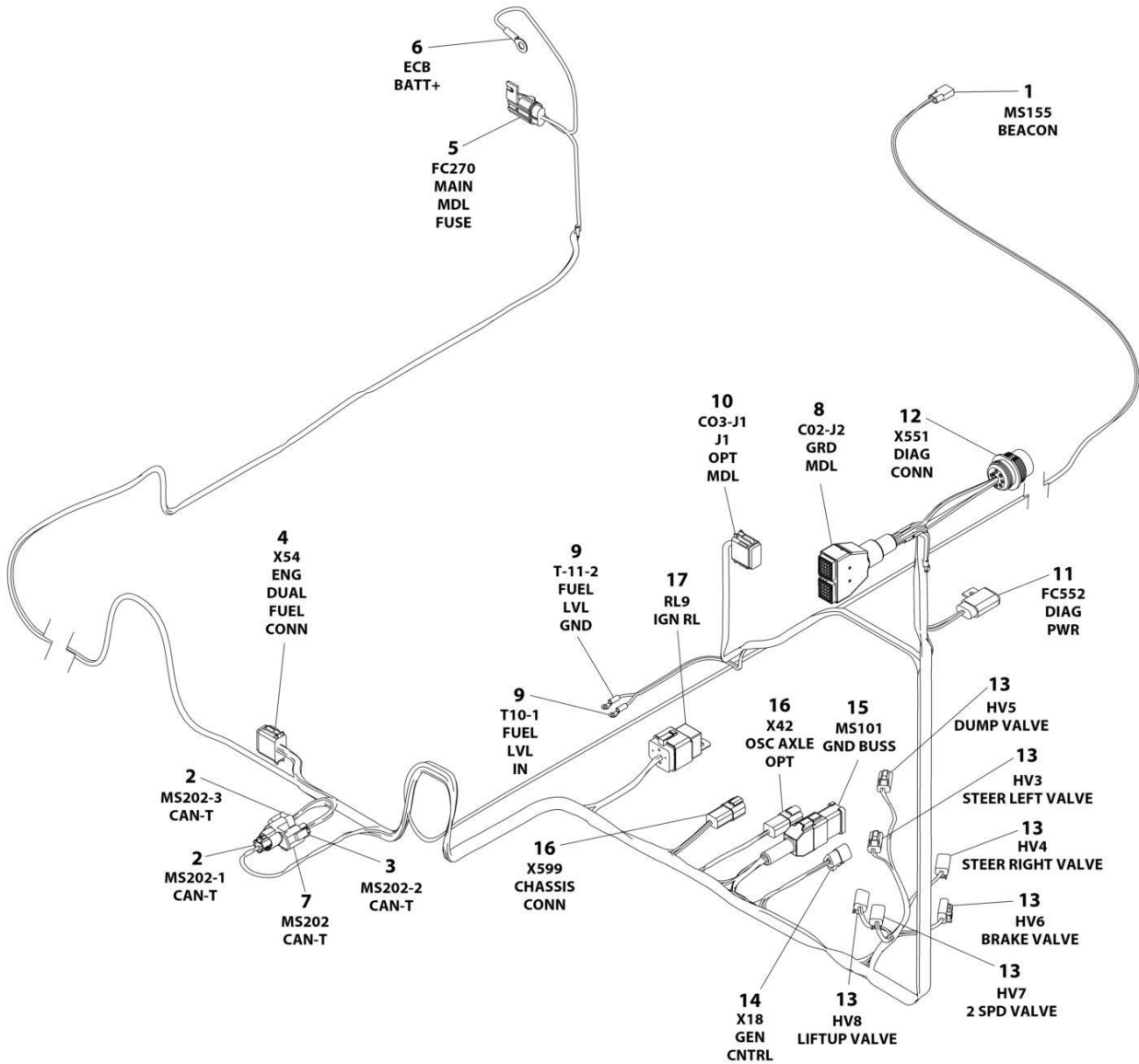
## SECTION 8 - ELECTRICAL

### FIGURE 8-13. CHASSIS HARNESS

ITEM	PART NUMBER	QTY	DESCRIPTION	REV
	1001236270	Ref	CHASSIS HARNESS	C
1	1001117078	1	Fuseholder with 5 Amp Fuse	
1	See Note	NSS	Fuse - 5 Amp (Note: Purchase Locally)	
1	1001116733	2	Terminal	
2	4460670	1	Terminal, Ring	
3	1001116926	1	Connector - 24 Position	
3	4460465	4	Socket, Female	
3	4460509	4	Socket, Female	
3	4460944	3	Socket, Female	
3	4460466	10	Plug, Terminal	
4	1001117023	1	Fuseholder with 10 Amp Fuse	
4	See Note	NSS	Fuse - 10 Amp (Note: Purchase Locally)	
4	1001116752	2	Terminal	
5	4460019	2	Terminal, Ring	
6	4460891	5	Plug, Male - 2 Position	
6	4460465	10	Socket, Female	
7	4460539	1	Plug, Male - 3 Position	
7	4460465	3	Socket, Female	
8	4460930	2	Connector - 8 Position	
8	4460465	13	Socket, Female	
8	4460466	3	Plug, Terminal	
9	3990010	1	Diode	
10	4460260	2	Cover, Terminal	
10	4460259	4	Terminal	
11	4460897	1	Receptacle, Female - 2 Position	
11	4460464	1	Pin, Male	
11	4460466	1	Plug, Terminal	
12	4460884	2	Plug, Male - 4 Position	
12	4460465	8	Socket, Female	
12	1001192401	1	Cover, Dust	
13	4460761	1	Receptacle, Female - 4 Position	
13	4460267	1	Pin, Male	
14	4460812	1	Connector - 24 Position	
14	4460465	14	Socket, Female	
14	4460942	2	Socket, Female	
14	4460944	3	Socket, Female	
14	4460466	5	Plug, Terminal	
14	0840056	1	Boot	
15	1001116808	1	Connector - 12 Position	
15	4460928	6	Terminal	
15	4460518	6	Plug, Terminal	
16	1001116774	1	Connector - 12 Position	
16	4460928	9	Terminal	
16	4460518	3	Plug, Terminal	
17	4460897	1	Plug, Male - 2 Position	
17	4460464	2	Socket, Female	
101	1001116816	1	Connector, Diode	

# SECTION 8 - ELECTRICAL

## FIGURE 8-14. DUAL FUEL HARNESS



ART\_1001236380

## SECTION 8 - ELECTRICAL

### FIGURE 8-14. DUAL FUEL HARNESS

ITEM	PART NUMBER	QTY	DESCRIPTION	REV
	1001236380	Ref	DUAL FUEL HARNESS	A
1	4460424	1	Plug, Male - 2 Position	
1	4460268	2	Socket, Female	
2	1001116812	2	Plug, Male - 3 Position	
2	4460944	6	Socket, Female	
3	4460539	1	Plug, Male - 3 Position	
3	4460944	3	Socket, Female	
4	4460933	1	Connector - 12 Position	
4	4460465	8	Socket, Female	
4	4460944	3	Socket, Female	
4	4460942	1	Socket, Female	
5	1001117069	1	Fuseholder with 20 Amp Fuse	
5	See Note	1	Fuse - 20 Amp (Note: Purchase Locally)	
5	1001116752	2	Terminal	
6	8220045	1	Terminal, Ring	
7	4460945	1	Receptacle - 3 Way	
8	4460814	1	Connector - 40 Position	
8	4460466	15	Plug, Terminal	
8	4460944	3	Socket, Female	
8	4460465	22	Socket, Female	
8	0840057	1	Boot	
9	8220007	2	Terminal, Ring	
10	4460933	1	Plug, Male - 12 Position	
10	4460465	2	Socket, Female	
10	4460944	3	Socket, Female	
10	4460466	7	Plug, Terminal	
10	1001174455	1	Boot	
11	1001117023	1	Fuseholder with 10 Amp Fuse	
11	See Note	1	Fuse - 10 Amp (Note: Purchase Locally)	
11	1001116733	2	Terminal	
12	1001112612	1	Connector - 9 Position	
12	4460464	3	Pin, Male	
12	4460943	3	Pin, Male	
12	4460466	3	Plug, Terminal	
13	4460891	6	Plug, Male	
13	4460465	12	Socket, Female	
14	4460539	1	Plug, Male - 3 Position	
14	4460465	3	Socket, Female	
14	4460536	1	Receptacle, Female - 3 Position	
14	4460466	3	Plug, Terminal	
15	4460836	1	Plug, Male - 12 Position	
15	4460465	10	Socket, Female	
15	4460466	2	Plug, Terminal	
15	4460837	1	Receptacle, Female - 12 Position	
16	4460932	2	Receptacle, Female - 4 Position	
16	4460464	7	Socket, Female	
16	4460466	1	Plug, Terminal	
16	4460884	1	Plug, Male - 4 Position	
16	4460466	4	Plug, Terminal	
17	1001117025	1	Relay and Receptacle	

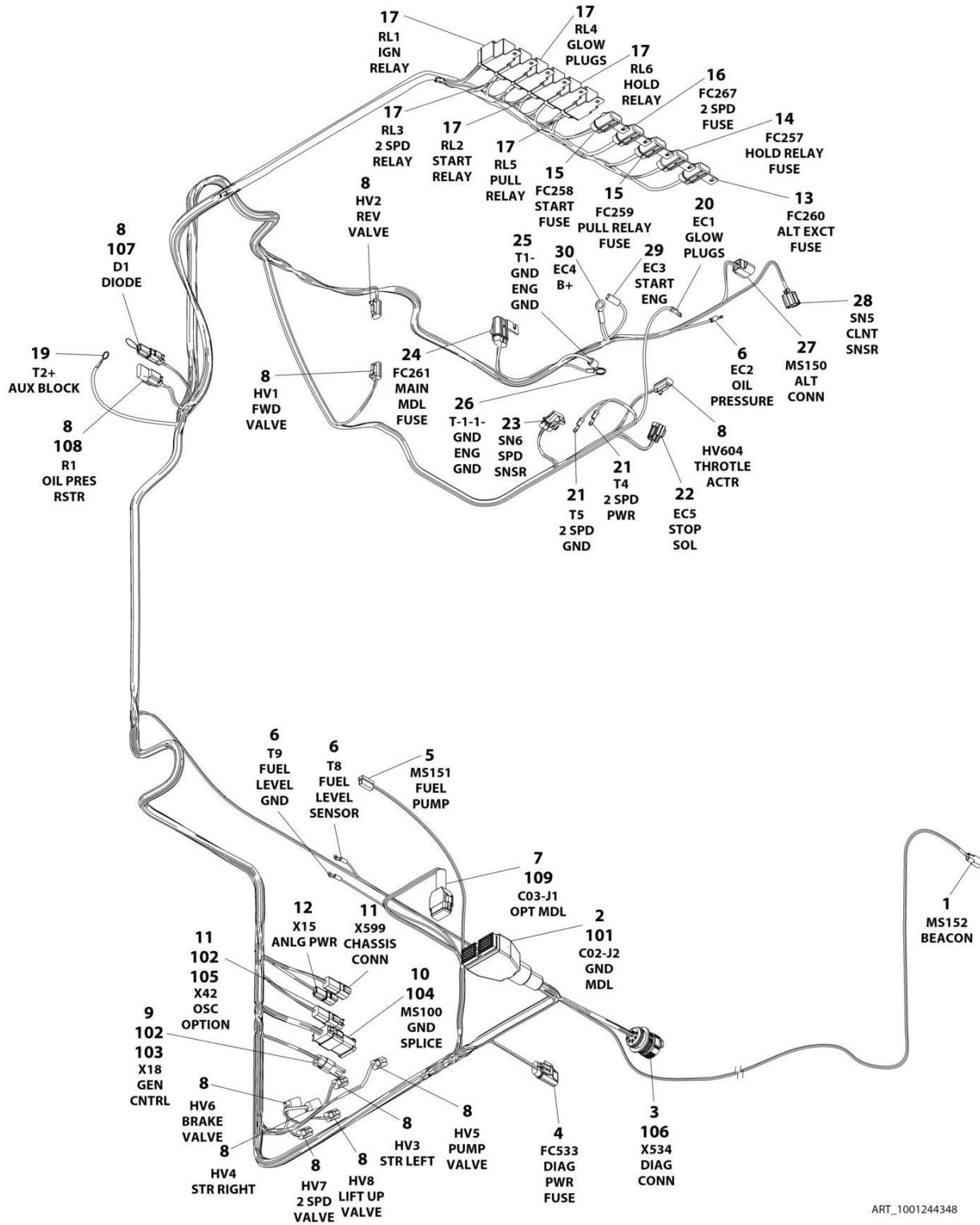
## SECTION 8 - ELECTRICAL

ITEM	PART NUMBER	QTY	DESCRIPTION	REV
17	3740080	1	Relay	
17	1001116732	2	Terminal	
17	1001116734	2	Terminal	



# SECTION 8 - ELECTRICAL

## FIGURE 8-15. ENGINE HARNESS - KUBOTA DIESEL



ART\_1001244348



## SECTION 8 - ELECTRICAL

### FIGURE 8-15. ENGINE HARNESS - KUBOTA DIESEL

ITEM	PART NUMBER	QTY	DESCRIPTION	REV
	1001244348	Ref	ENGINE HARNESS - KUBOTA DIESEL	D
1	4460424	1	Plug, Male - 2 Position	
1	4460268	2	Socket, Female	
2	4460814	1	Connector - 40 Position	
2	4460465	28	Socket, Female	
2	4460942	1	Socket, Female	
2	4460944	3	Socket, Female	
2	4460466	8	Plug, Terminal	
3	1001112612	1	Connector - 9 Position	
3	4460464	3	Pin, Male	
3	4460943	3	Pin, Male	
3	4460466	3	Plug, Terminal	
4	1001117078	1	Fuseholder with 5 Amp Fuse	
4	See Note	1	Fuse - 5 Amp (Note: Purchase Locally)	
4	1001116733	2	Terminal	
5	1001118744	1	Connector - 2 Position	
5	1001118745	2	Terminal	
6	4460247	2	Terminal, Ring	
7	4460933	1	Plug, Male - 12 Position	
7	4460465	2	Socket, Female	
7	4460944	3	Socket, Female	
7	4460466	7	Plug Terminal	
8	4460891	11	Plug, Male - 2 Position	
8	4460465	22	Socket, Female	
9	4460539	1	Plug, Male - 3 Position	
9	4460465	3	Socket, Female	
10	4460836	1	Plug, Male - 12 Position	
10	4460465	12	Socket, Female	
11	4460932	2	Receptacle, Female - 4 Position	
11	4460464	7	Pin, Male	
11	4460466	1	Plug, Terminal	
12	4460897	1	Receptacle, Female - 2 Position	
12	4460464	2	Pin, Male	
13	1001117069	1	Fuseholder with 20 Amp Fuse and Mounting Bracket	
13	See Note	1	Fuse - 20 Amp (Note: Purchase Locally)	
13	1001116733	2	Terminal	
14	1001117077	1	Fuseholder with 4 Amp Fuse and Mounting Bracket	
14	See Note	1	Fuse - 4 Amp (Note: Purchase Locally)	
14	1001116733	1	Terminal	
14	1001116752	1	Terminal	
15	1001118938	2	Fuseholder with 40 Amp Fuse and Mounting Bracket	
15	See Note	2	Fuse - 40 Amp (Note: Purchase Locally)	
15	1001116752	4	Terminal	
16	1001117070	1	Fuseholder with 30 Amp Fuse and Mounting Bracket	
16	See Note	1	Fuse - 30 Amp (Note: Purchase Locally)	
16	1001116752	2	Terminal	
17	1001266832	6	Relay with Connector	
17	3740080	6	Relay	
17	1001116734	11	Terminal	
17	1001116732	12	Terminal	

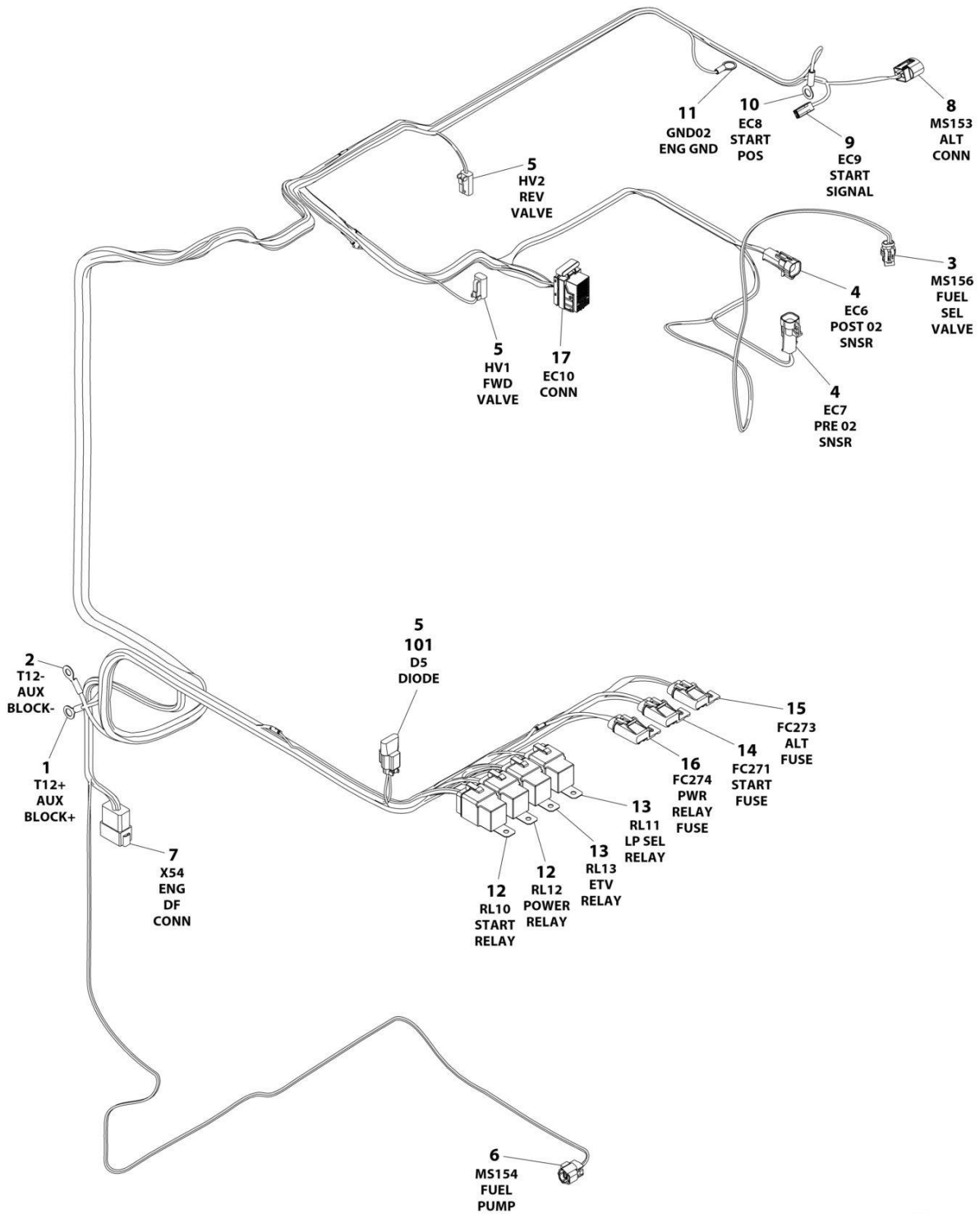
## SECTION 8 - ELECTRICAL

ITEM	PART NUMBER	QTY	DESCRIPTION	REV
17	1001116733	1	Terminal	
17	1001128128	1	Plug, Terminal	
19	4460019	2	Terminal, Ring	
20	4460142	1	Terminal, Ring	
21	4460042	2	Terminal, Ring	
22	1001223432	1	Connector - 2 Position	
22	1001223795	2	Terminal	
22	1001223796	2	Seal, Terminal	
23	1001117055	1	Plug, Male - 3 Position	
23	4460746	2	Terminal	
24	1001117069	1	Fuseholder with 10 Amp Fuse and Mounting Bracket	
24	See Note	1	Fuse - 10 Amp (Note: Purchase Locally)	
24	1001116752	2	Terminal	
25	8220029	1	Terminal	
26	8220111	1	Terminal, Ring	
27	1001125748	1	Connector - 3 Position	
27	1001125773	2	Terminal	
27	1001129773	1	Terminal	
27		Ref	Seal, Terminal	
28	1001118657	1	Connector - 2 Position	
28	1001118658	2	Terminal	
29	1001118743	1	Housing, Terminal	
29	1001230488	1	Terminal	
30	8220164	1	Terminal, Ring	
101	0840057	1	Boot	
102	4460466	7	Plug, Terminal	
103	4460536	1	Receptacle, Female - 3 Position	
104	4460837	1	Connector, Bussbar	
105	4460884	1	Plug, Male	
106	1001106736	1	Dust Cap	
107	1001116816	3	Receptacle, Female - 2 Position with Diode (at D1, D2 & D3)	
108	1001195684	1	Receptacle, Female - 2 Position with Resistor (at R1)	
109	1001174455	1	Boot	



# SECTION 8 - ELECTRICAL

## FIGURE 8-16. ENGINE HARNESS - KUBOTA GASOLINE



ART\_1001244349

## SECTION 8 - ELECTRICAL

### FIGURE 8-16. ENGINE HARNESS - KUBOTA GASOLINE

ITEM	PART NUMBER	QTY	DESCRIPTION	REV
	1001244349	Ref	ENGINE HARNESS - KUBOTA GASOLINE	E
1	8220164	1	Terminal, Ring	
2	8220045	1	Terminal, Ring	
3	4461118	1	Plug, Male - 2 Position	
3	1001107854	2	Terminal	
3	1001116763	2	Seal	
4	1001184722	2	Receptacle, Female - 4 Position	
4	1001116749	8	Terminal	
4	4460608	8	Seal	
5	4460891	3	Plug, Male - 2 Position	
5	4460465	6	Socket, Female	
6	1001184832	1	Connector - 2 Position	
6	1001118658	2	Terminal	
6	1001205250	2	Seal	
7	4460970	1	Connector - 12 Position	
7	4460464	8	Pin, Male	
7	4460943	3	Pin, Male	
7	4460941	1	Pin, Male	
8	1001125748	1	Connector - 3 Position	
8	1001125773	3	Terminal	
8	1001129772	2	Seal	
9	1001184768	1	Housing, Terminal	
9	1001184769	1	Terminal	
10	1001117110	1	Terminal, Ring	
11	8220111	1	Terminal, Ring	
12	1001265084	2	Relay with Connector	
12	3740080	2	Relay	
12	1001116752	4	Terminal	
12	1001116732	4	Terminal	
13	1001117025	2	Relay with Connector	
13	3740080	2	Relay	
13	1001116733	4	Terminal	
13	1001116732	4	Terminal	
14	1001118938	1	Fuseholder with 40 Amp Fuse and Mounting Bracket	
14	See Note	1	Fuse - 40 Amp (Note: Purchase Locally)	
14	1001116752	2	Terminal	
15	1001117078	1	Fuseholder with 5 Amp Fuse and Mounting Bracket	
15	See Note	1	Fuse - 5 Amp (Note: Purchase Locally)	
15	1001116732	AR	Terminal	
16	1001117070	1	Fuseholder with 30 Amp Fuse and Mounting Bracket	
16	See Note	1	Fuse - 30 Amp (Note: Purchase Locally)	
16	1001116752	2	Terminal	
17	1001184705	1	Connector - 42 Position	
17	1001187455	4	Terminal	
17	1001184718	4	Terminal	
17	1001166702	1	Terminal	
17	1001184716	10	Terminal	
17	1001184717	2	Terminal	
17	4461054	4	Seal	
17	1001167690	5	Seal	

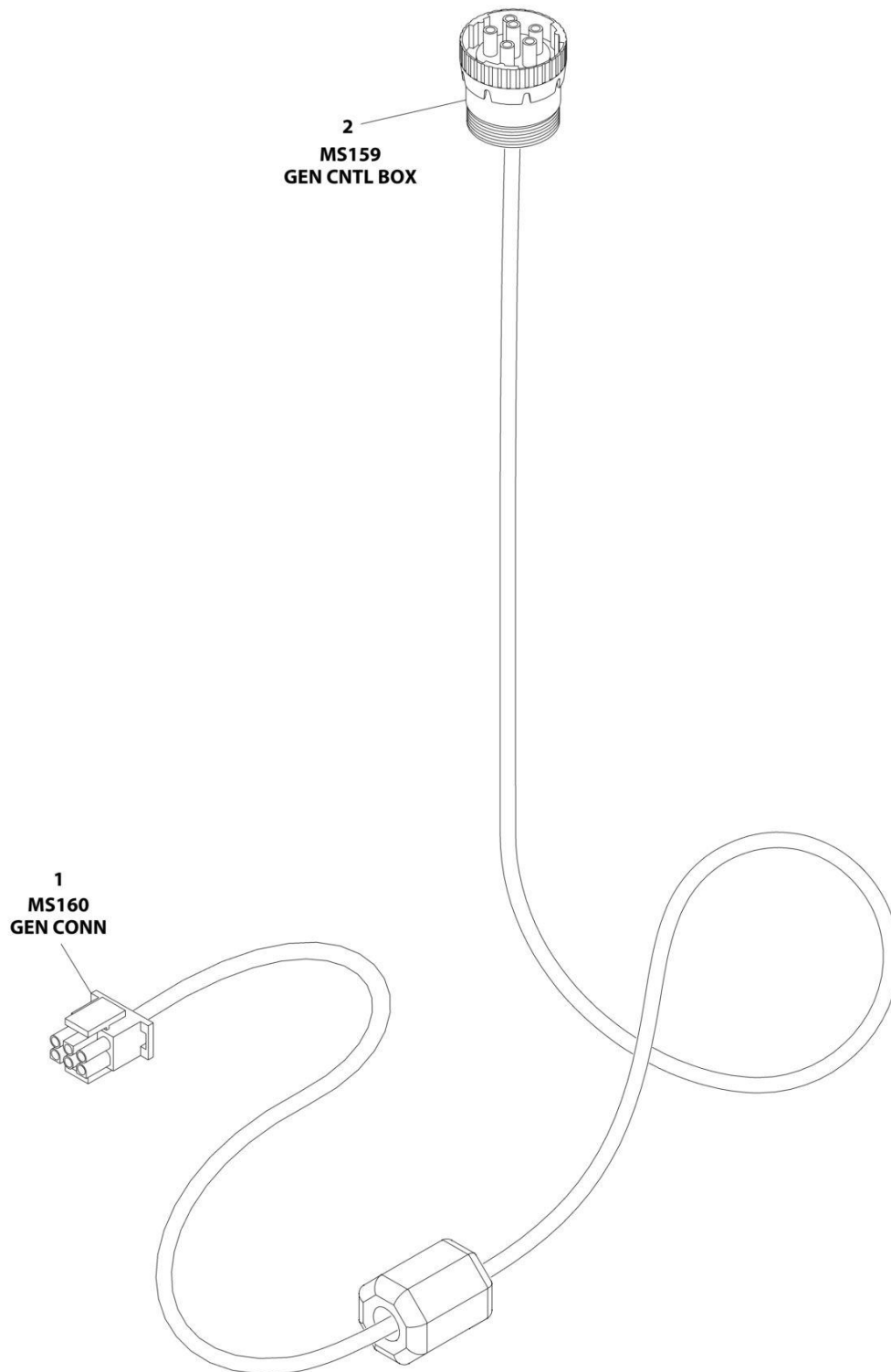
## SECTION 8 - ELECTRICAL

ITEM	PART NUMBER	QTY	DESCRIPTION	REV
17	1001126393	12	Seal	
101	1001118616	1	Receptacle, Female with Diode	



## SECTION 8 - ELECTRICAL

FIGURE 8-17. GENERATOR CONTROL HARNESS - 4000W GENERATOR (GENERATOR TO CONTROL BOX)



ART\_1001236444



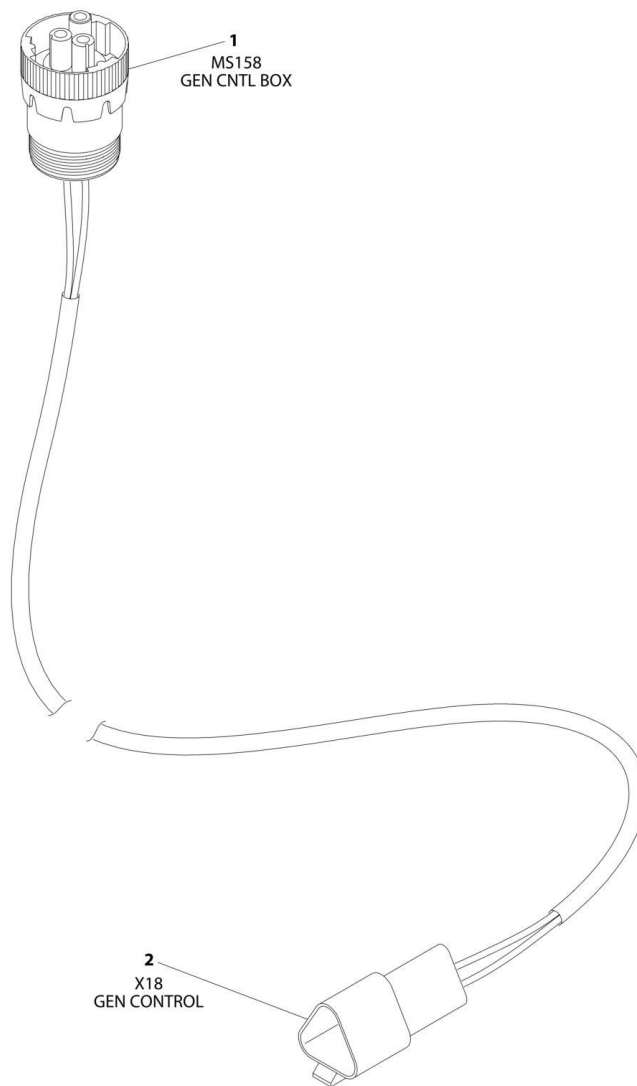
## SECTION 8 - ELECTRICAL

**FIGURE 8-17. GENERATOR CONTROL HARNESS - 4000W GENERATOR (GENERATOR TO CONTROL BOX)**

ITEM	PART NUMBER	QTY	DESCRIPTION	REV
	1001236444	Ref	GENERATOR CONTROL HARNESS - 4000W GENERATOR (GENERATOR TO CONTROL BOX)	A
1	4460225	1	Plug, Male - 6 Position	
1	4460268	2	Socket, Female	
1	4460808	1	Seal, Connector	
1	4460807	1	Seal, Terminal	
2	77363233	1	Connector - 6 Position	
2	4460465	2	Socket, Female	
2	4460466	4	Plug, Terminal	

## SECTION 8 - ELECTRICAL

FIGURE 8-18. GENERATOR CONTROL HARNESS - 4000W GENERATOR (CONTROL BOX TO GENERATOR CONTROL)



ART\_1001186826

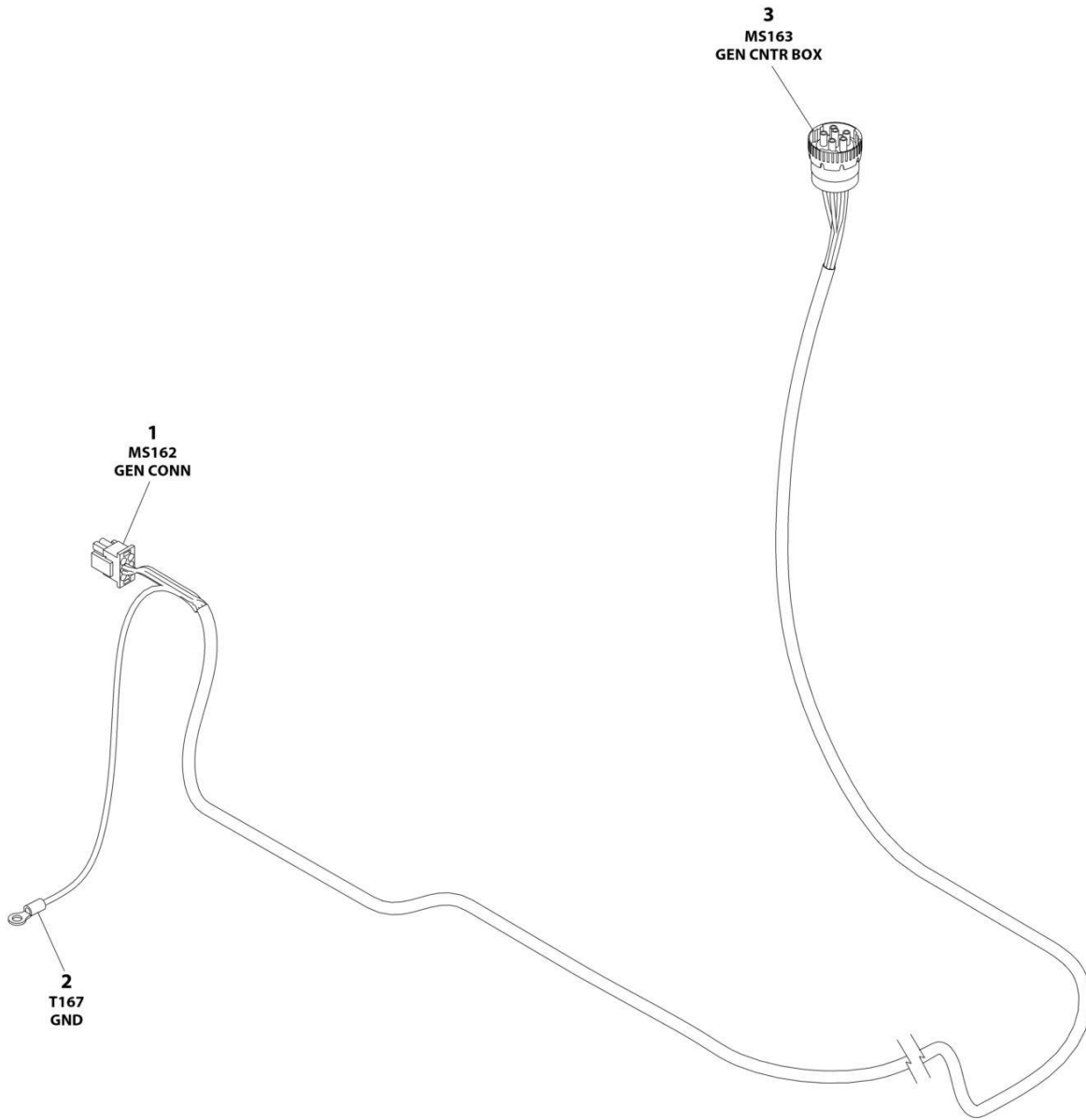
## SECTION 8 - ELECTRICAL

**FIGURE 8-18. GENERATOR CONTROL HARNESS - 4000W GENERATOR (CONTROL BOX TO GENERATOR CONTROL)**

ITEM	PART NUMBER	QTY	DESCRIPTION	REV
	1001186826	Ref	GENERATOR CONTROL HARNESS - 4000W GENERATOR (CONTROL BOX TO GENERATOR CONTROL)	C
1	4460967	1	Connector - 3 Position	
1	4460465	2	Socket, Female	
1	4460466	1	Plug, Terminal	
2	4460536	1	Receptacle, Female - 3 Position	
2	4460464	2	Pin, Male	
2	4460466	1	Plug, Terminal	

# SECTION 8 - ELECTRICAL

FIGURE 8-19. GENERATOR CONTROL HARNESS - 7500W GENERATOR (GENERATOR TO CONTROL BOX)



ART\_1001236442

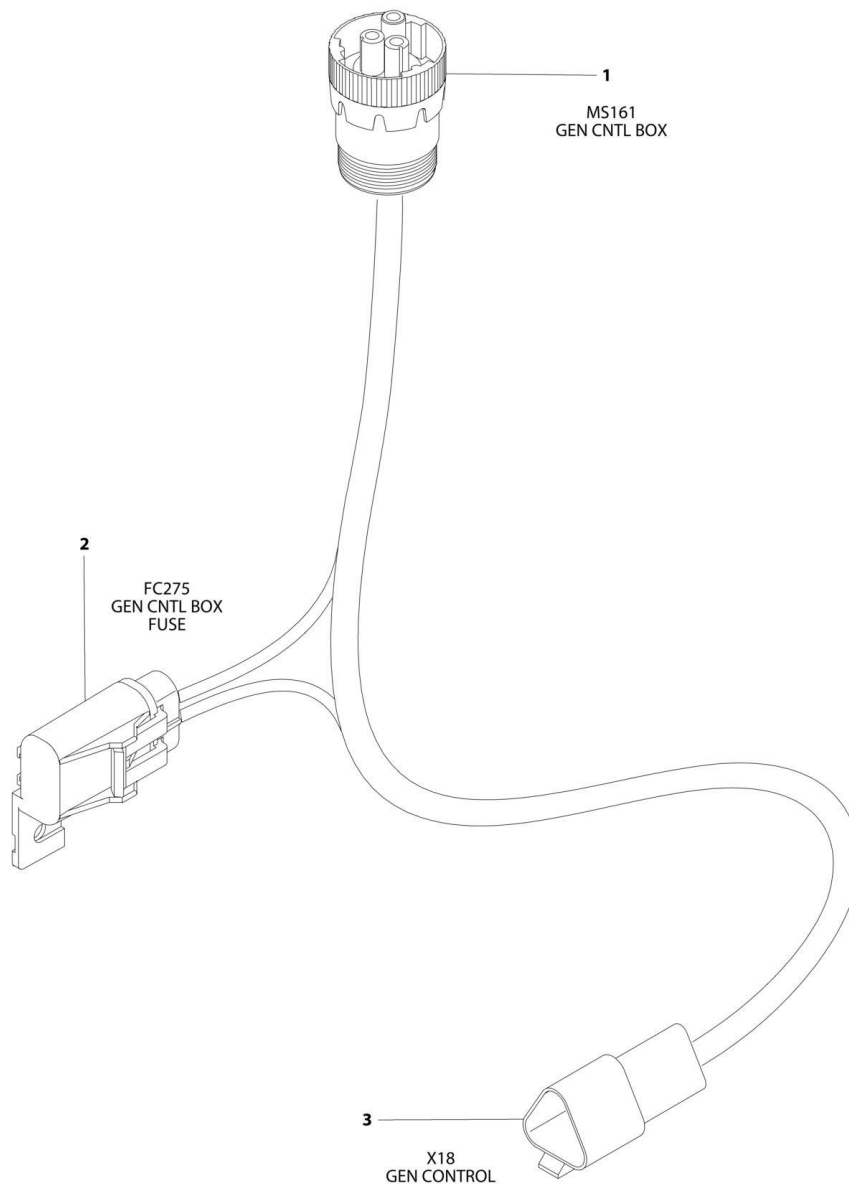
## SECTION 8 - ELECTRICAL

**FIGURE 8-19. GENERATOR CONTROL HARNESS - 7500W GENERATOR (GENERATOR TO CONTROL BOX)**

ITEM	PART NUMBER	QTY	DESCRIPTION	REV
	1001236442	Ref	GENERATOR CONTROL HARNESS - 7500W	A
1	4460225	1	Plug, Male - 6 Position	
1	4460808	1	Seal, Terminal	
1	4460268	6	Socket, Female	
2	4460043	1	Terminal, Ring	
3	77363233	1	Connector - 6 Position	
3	4460465	6	Socket, Female	

## SECTION 8 - ELECTRICAL

FIGURE 8-20. GENERATOR CONTROL HARNESS - 7500W GENERATOR (CONTROL BOX TO GENERATOR CONTROL)



ART\_1001186822

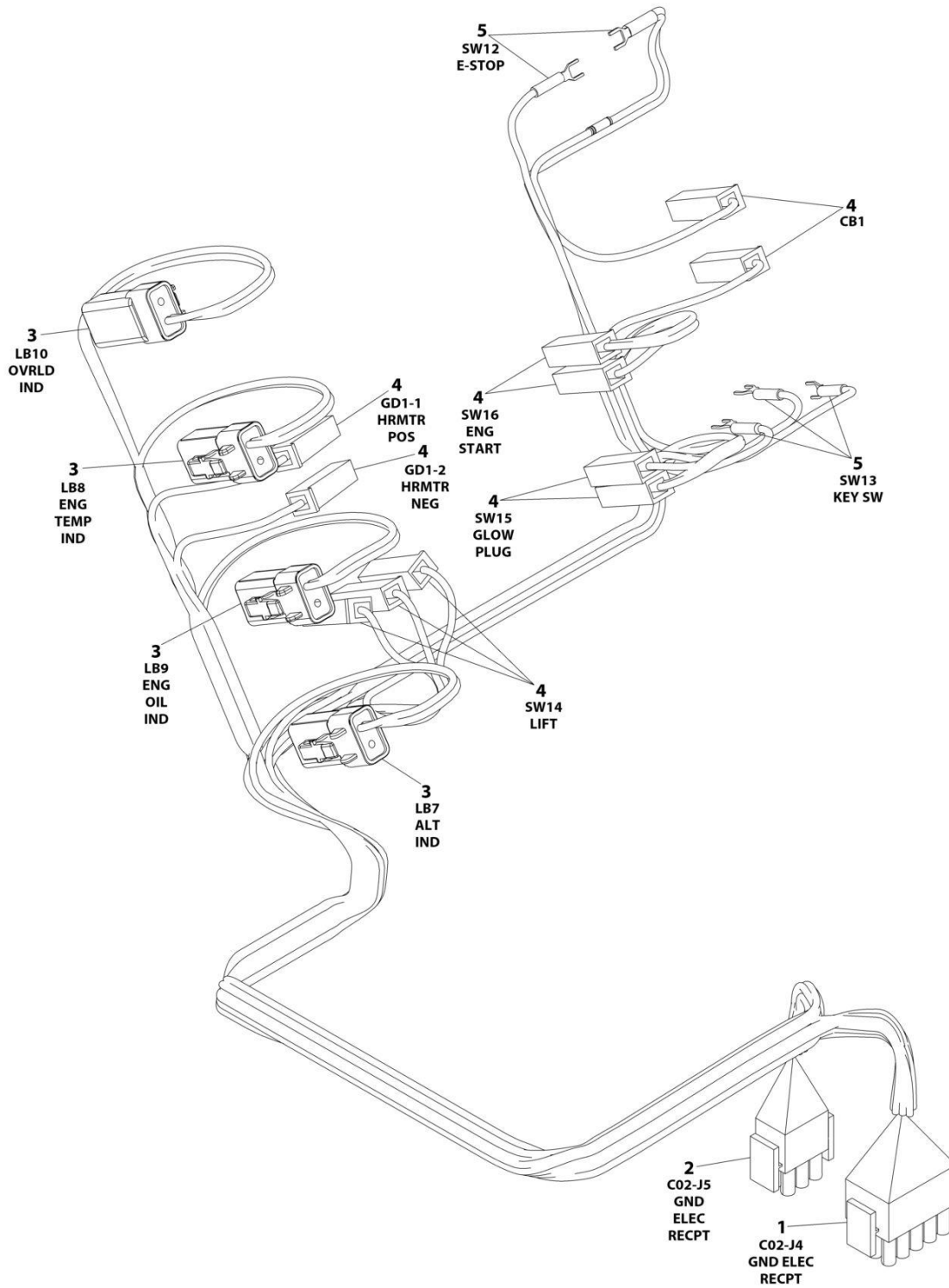
## SECTION 8 - ELECTRICAL

**FIGURE 8-20. GENERATOR CONTROL HARNESS - 7500W GENERATOR (CONTROL BOX TO GENERATOR CONTROL)**

ITEM	PART NUMBER	QTY	DESCRIPTION	REV
	1001186822	Ref	GENERATOR CONTROL HARNESS - 7500W GENERATOR (CONTROL BOX TO GENERATOR CONTROL)	D
1	4460967	1	Connector	
1	4460465	3	Socket, Female	
2	1001117078	1	Connector - 2 Position	
2	1001116733	2	Terminal, Female	
3	4460536	1	Receptacle, Female - 3 Position	
3	4460464	3	Pin, Male	

# SECTION 8 - ELECTRICAL

## FIGURE 8-21. GROUND CONTROL BOX HARNESS - LOWER



ART\_1001236153



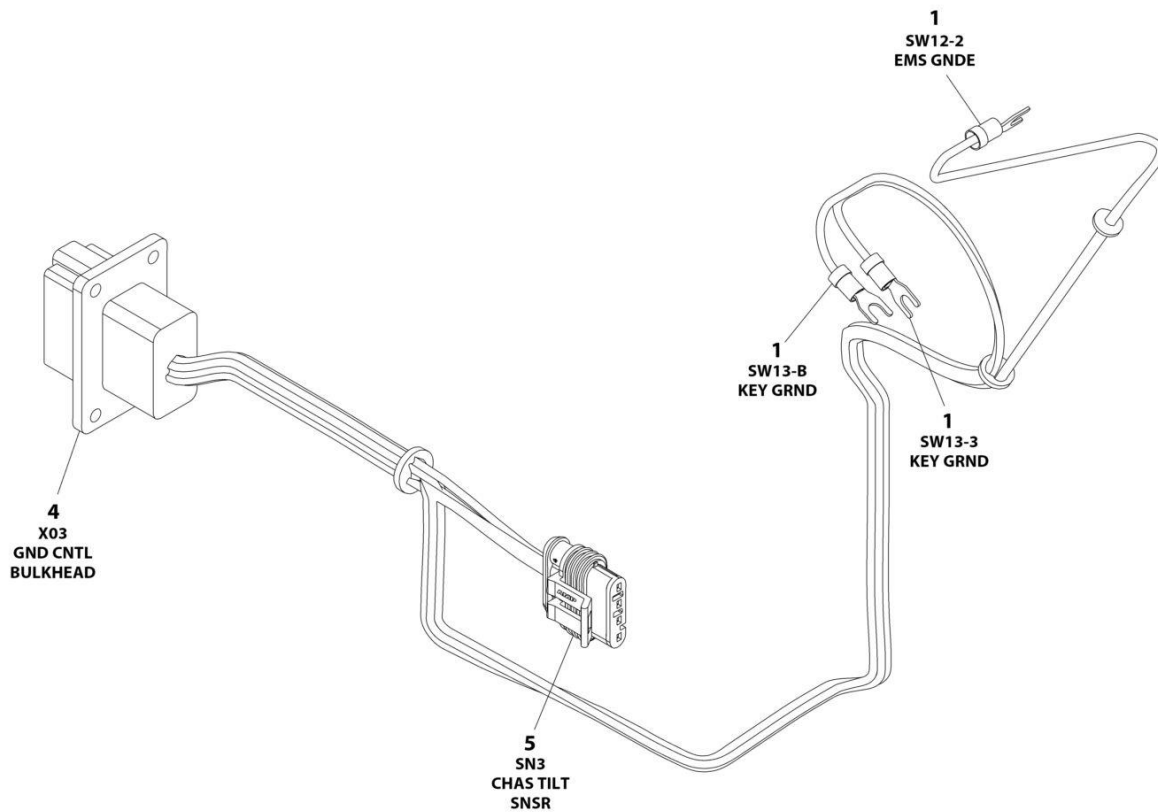
## SECTION 8 - ELECTRICAL

### FIGURE 8-21. GROUND CONTROL BOX HARNESS - LOWER

ITEM	PART NUMBER	QTY	DESCRIPTION	REV
	1001236153	Ref	GROUND CONTROL BOX HARNESS - LOWER	B
1	4460434	1	Connector - 15 Position	
1	4460268	11	Socket, Female	
2	4460225	1	Connector - 6 Position	
2	4460268	6	Socket, Female	
3	1001126245	4	Receptacle, Female - 2 Position	
3	4460928	8	Socket, Female	
4	4460260	11	Cover, Terminal	
4	4460259	11	Terminal	
5	4460183	4	Terminal, Fork	
5	4460115	2	Terminal, Fork	

# SECTION 8 - ELECTRICAL

## FIGURE 8-22. GROUND CONTROL BOX HARNESS - UPPER



ART\_1001227353

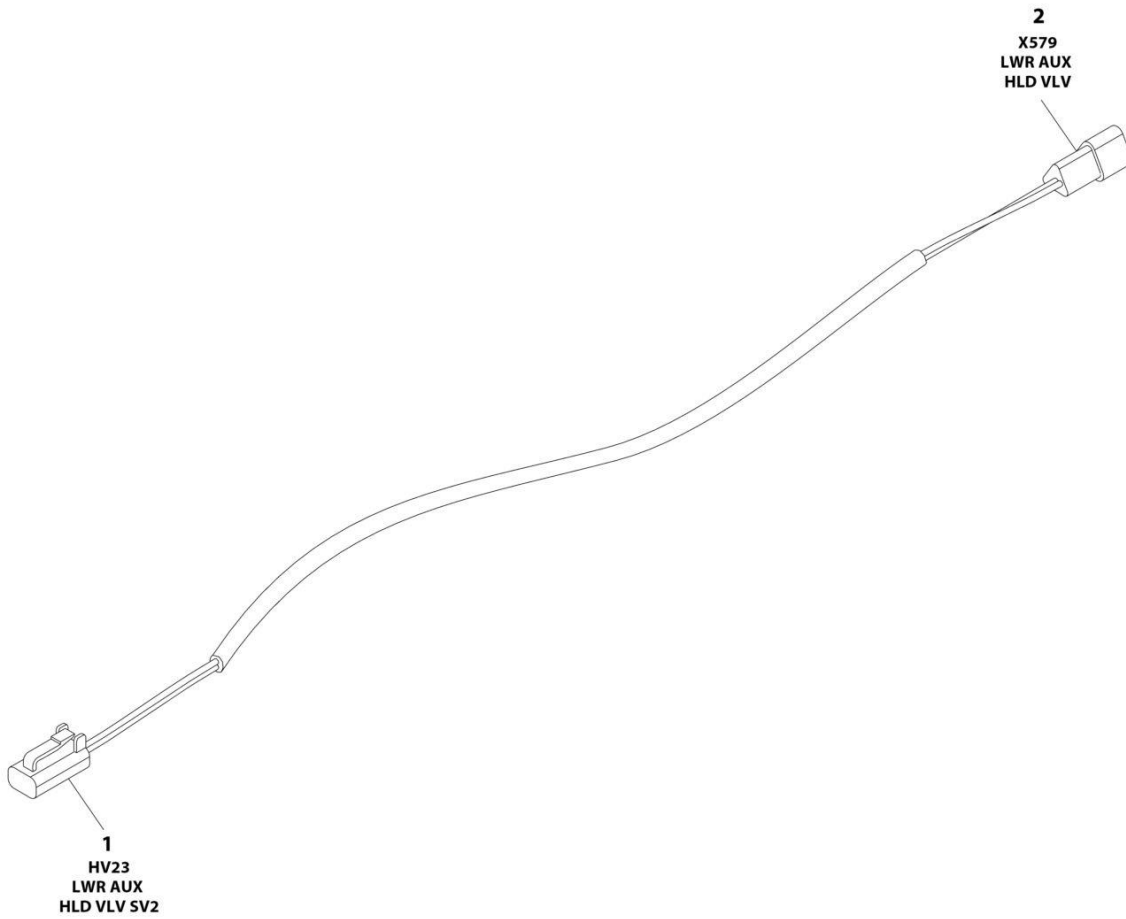
## SECTION 8 - ELECTRICAL

### FIGURE 8-22. GROUND CONTROL BOX HARNESS - UPPER

ITEM	PART NUMBER	QTY	DESCRIPTION	REV
	1001227353	Ref	GROUND CONTROL BOX HARNESS - UPPER	A
1	4460183	3	Terminal, Fork	
4	4460939	1	Connector - 12 Position	
4	4460464	5	Pin, Male	
4	4460943	2	Pin, Male	
4	4460466	5	Plug, Terminal	
5	1001103012	1	Plug, Male - 4 Position	
5	1001107854	4	Terminal	
5	1001104498	4	Seal	

# SECTION 8 - ELECTRICAL

## FIGURE 8-23. GROUND TO LOWER AUXILIARY HOLDING VALVE HARNESS



ART\_1001222343

## SECTION 8 - ELECTRICAL

### FIGURE 8-23. GROUND TO LOWER AUXILIARY HOLDING VALVE HARNESS

ITEM	PART NUMBER	QTY	DESCRIPTION	REV
	1001222343	Ref	GROUND TO LOWER AUXILIARY HOLDING VALVE HARNESS	B
1	4460891	1	Plug, Male - 2 Position	
1	4460465	2	Socket, Female	
2	4460536	1	Receptacle, Female - 3 Position	
2	4460464	2	Pin, Male	
2	4460466	1	Plug, Terminal	

**SECTION 8 - ELECTRICAL**

**FIGURE 8-24. GROUND TO UPPER AUXILIARY HOLDING VALVE HARNESS**



ART\_1001222344

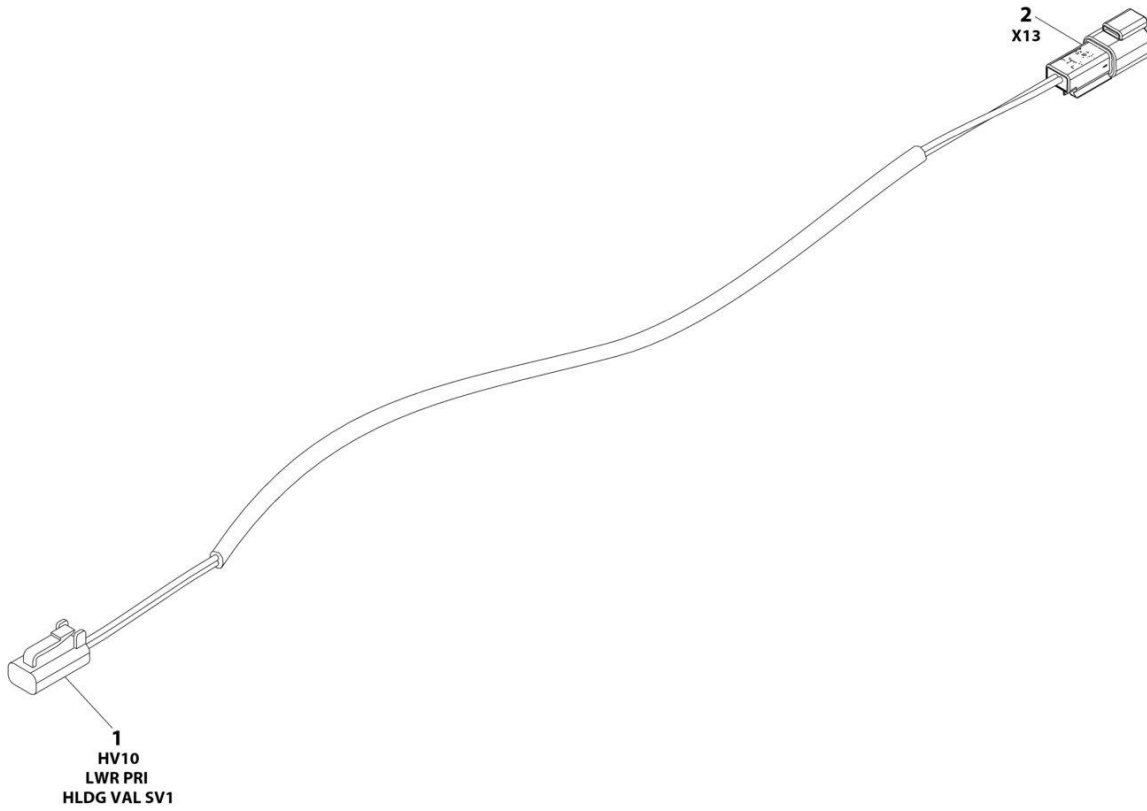
## SECTION 8 - ELECTRICAL

**FIGURE 8-24. GROUND TO UPPER AUXILIARY HOLDING VALVE HARNESS**

ITEM	PART NUMBER	QTY	DESCRIPTION	REV
	1001222344	Ref	GROUND TO UPPER AUXILIARY HOLDING VALVE HARNESS	B
1	4460891	1	Plug, Male - 2 Position	
1	4460465	2	Socket, Female	
2	4460539	1	Plug, Male - 3 Position	
2	4460465	2	Socket, Female	
2	4460466	1	Plug, Terminal	

# SECTION 8 - ELECTRICAL

## FIGURE 8-25. GROUND TO LOWER LIFT CYLINDER HARNESS



ART\_1001190522



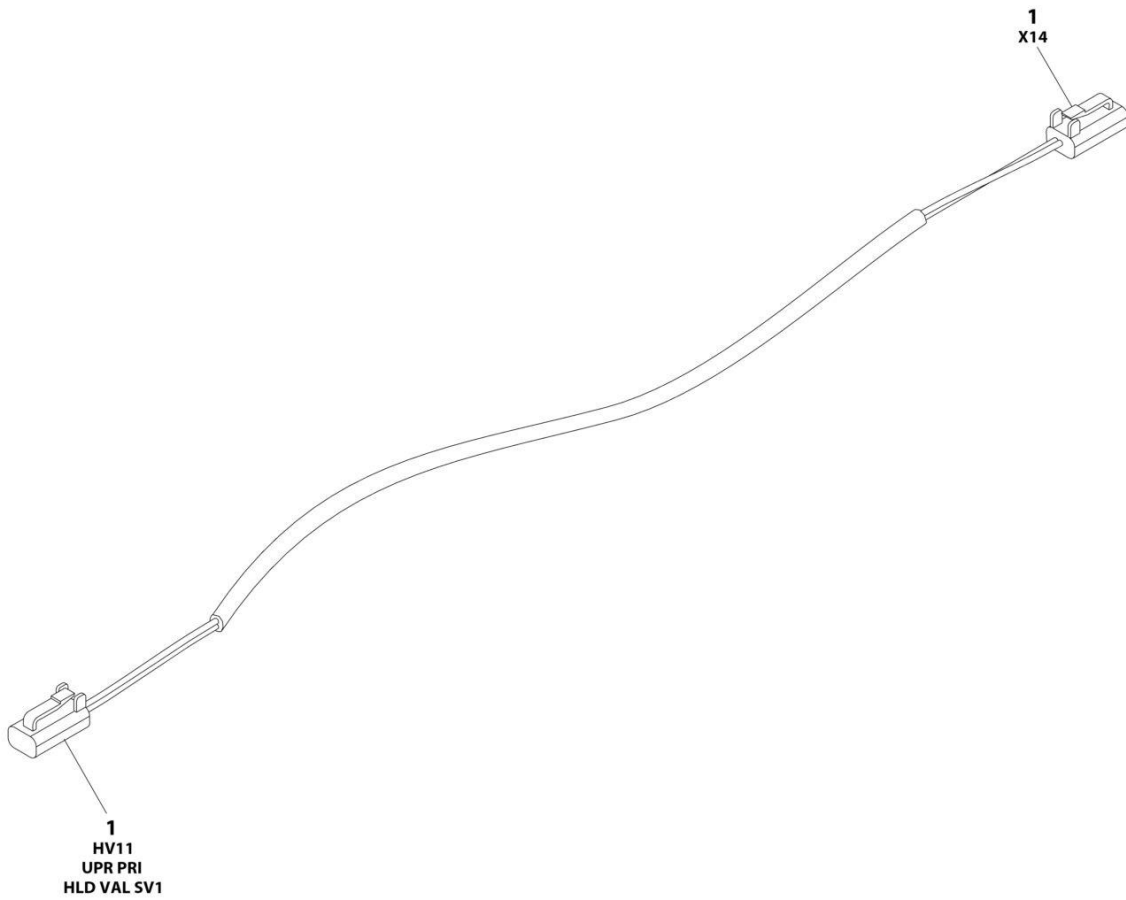
## SECTION 8 - ELECTRICAL

### FIGURE 8-25. GROUND TO LOWER LIFT CYLINDER HARNESS

ITEM	PART NUMBER	QTY	DESCRIPTION	REV
	1001190522	Ref	GROUND TO LOWER LIFT CYLINDER HARNESS	C
1	4460891	1	Plug, Male - 2 Position	
1	4460465	2	Socket, Female	
2	4460897	1	Receptacle, Female - 2 Position	
2	4460464	2	Pin, Male	

# SECTION 8 - ELECTRICAL

## FIGURE 8-26. GROUND TO UPPER LIFT CYLINDER HARNESS



ART\_1001190524

## SECTION 8 - ELECTRICAL

### FIGURE 8-26. GROUND TO UPPER LIFT CYLINDER HARNESS

ITEM	PART NUMBER	QTY	DESCRIPTION	REV
	1001190524	Ref	GROUND TO UPPER LIFT CYLINDER HARNESS	C
1	4460891	2	Plug, Male - 2 Position	
1	4460465	4	Socket, Female	

# SECTION 8 - ELECTRICAL

## FIGURE 8-27. GROUND TO PLATFORM HARNESS



ART\_1001236865

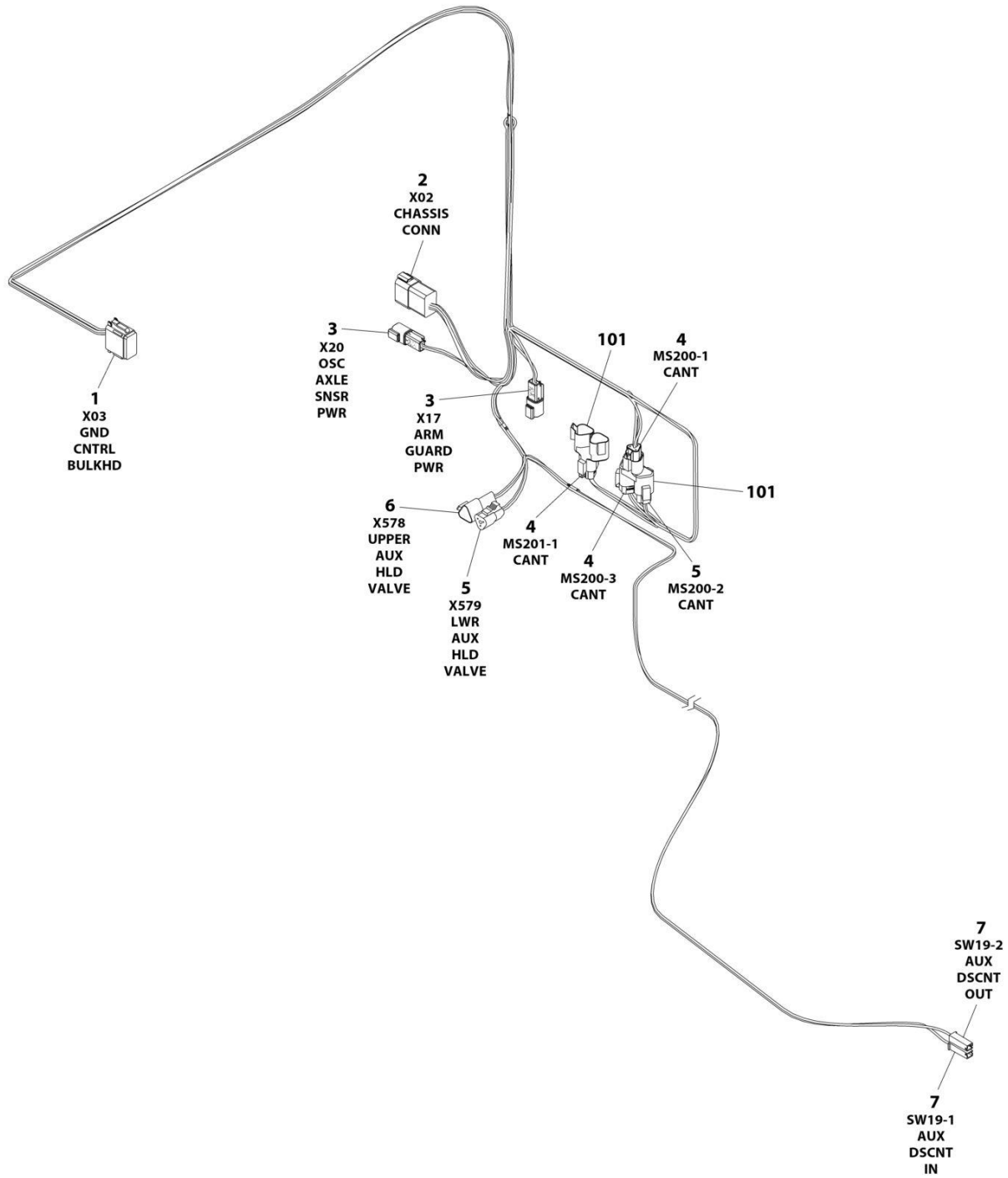
## SECTION 8 - ELECTRICAL

### FIGURE 8-27. GROUND TO PLATFORM HARNESS

ITEM	PART NUMBER	QTY	DESCRIPTION	REV
	1001236865	Ref	GROUND TO PLATFORM HARNESS	A
1	1001116926	1	Connector - 21 Position	
1	4460465	8	Socket, Female	
1	4460509	4	Socket, Female	
1	4460944	2	Socket, Female	
1	4460466	7	Plug, Terminal	
2	1001116930	1	Connector - 21 Position	
2	4460464	8	Pin, Male	
2	4460508	4	Pin, Male	
2	4460943	2	Pin, Male	
2	4460466	7	Plug, Terminal	

# SECTION 8 - ELECTRICAL

## FIGURE 8-28. HYDRAULIC COMPARTMENT HARNESS



ART\_1001222025

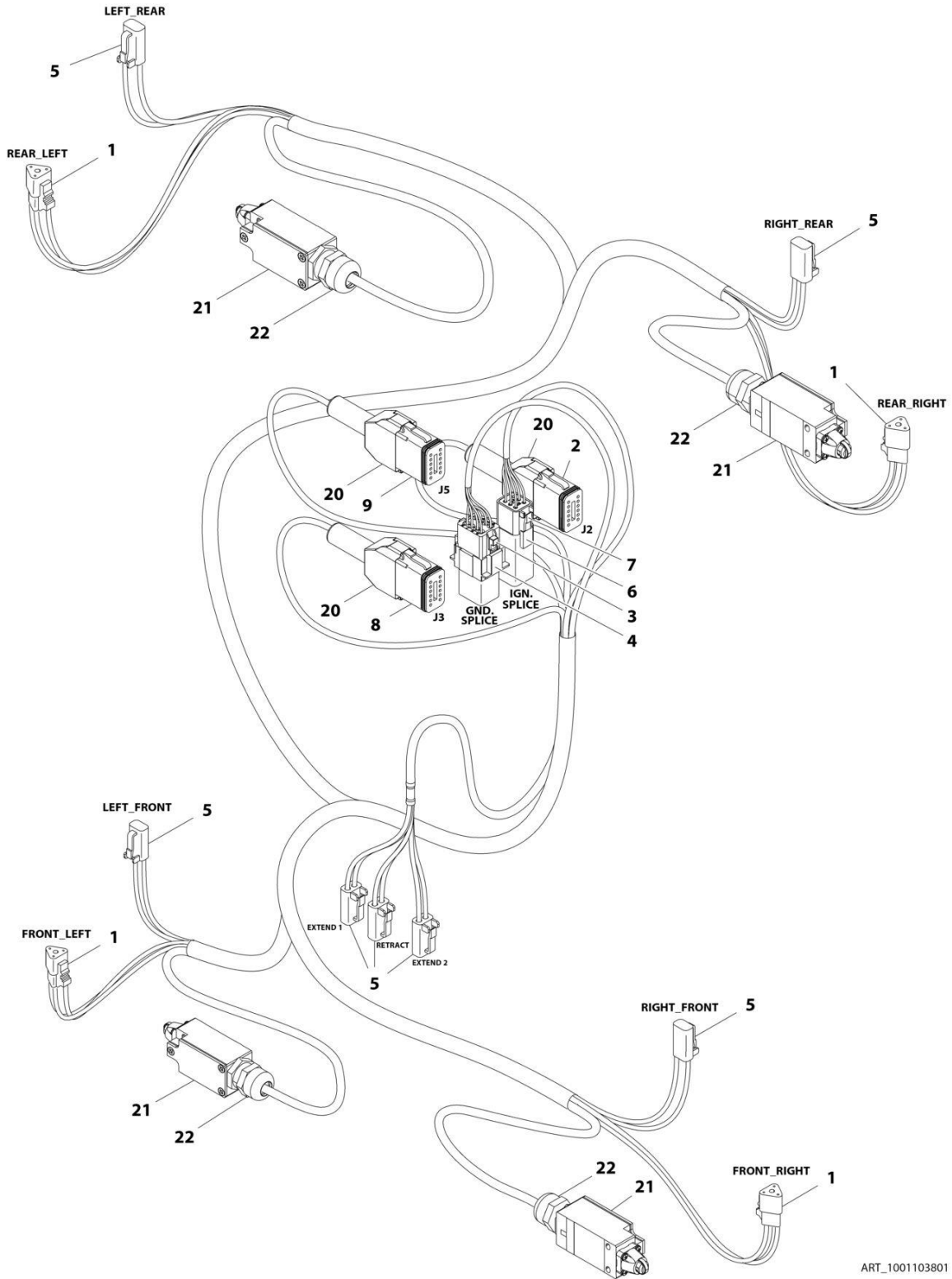
## SECTION 8 - ELECTRICAL

### FIGURE 8-28. HYDRAULIC COMPARTMENT HARNESS

ITEM	PART NUMBER	QTY	DESCRIPTION	REV
	1001222025	Ref	HYDRAULIC COMPARTMENT HARNESS	A
1	4460933	1	Plug, Male - 12 Position	
1	4460465	4	Socket, Female	
1	4460944	2	Socket, Female	
1	4460466	6	Plug, Terminal	
2	4460931	1	Receptacle, Female - 8 Position	
2	4460464	3	Pin, Male	
2	4460943	3	Pin, Male	
2	4460466	2	Plug, Terminal	
3	4460897	2	Receptacle, Female - 2 Position	
3	4460464	4	Pin, Male	
4	1001116812	3	Plug, Male - 3 Position	
4	4460944	9	Socket, Female	
5	4460539	2	Plug, Male - 3 Position	
5	4460944	6	Terminal	
6	4460536	1	Receptacle, Female - 3 Position	
6	4460464	2	Pin, Male	
6	4460466	1	Plug, Terminal	
7	4460260	2	Holder, Terminal	
7	4460259	2	Terminal	
101	4460945	2	Receptacle - 3 Way	

# SECTION 8 - ELECTRICAL

## FIGURE 8-29. LEVELING JACK HARNESS



ART\_1001103801



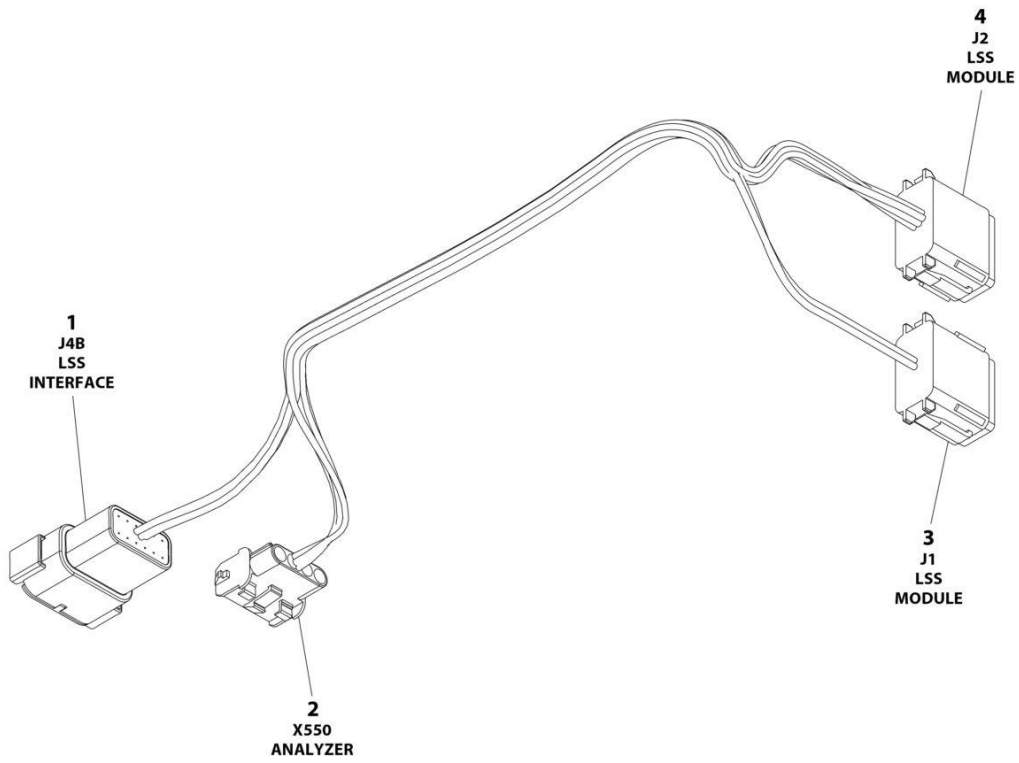
## SECTION 8 - ELECTRICAL

### FIGURE 8-29. LEVELING JACK HARNESS

ITEM	PART NUMBER	QTY	DESCRIPTION	REV
	1001103801	Ref	LEVELING JACK HARNESS	D
1	4460539	4	Connector - 3 Position	
1	4460465	12	Socket, Female	
2	4460836	1	Connector - 12 Position	
2	4460465	7	Socket, Female	
2	4460466	5	Plug	
3	4460851	1	Connector - 8 Position	
3	4460465	8	Socket, Female	
4	4460852	1	Connector, Buss Bar - 8 Position	
5	4460891	7	Connector - 2 Position	
5	4460465	14	Socket, Female	
6	4460892	1	Terminal, Buss Bar - 6 Position	
7	4460894	1	Connector - 6 Position	
7	4460465	6	Socket, Female	
8	4460934	1	Connector - 12 Position	
8	4460465	12	Socket, Female	
9	4460935	1	Connector - 12 Position	
9	4460465	5	Socket, Female	
9	4460466	7	Plug	
20	0840055	3	Boot	
21	4360548	4	Switch, Limit	
22	4460968	4	Connector, Strain Relief	

# SECTION 8 - ELECTRICAL

## FIGURE 8-30. LSS HARNESS



ART\_1001226830

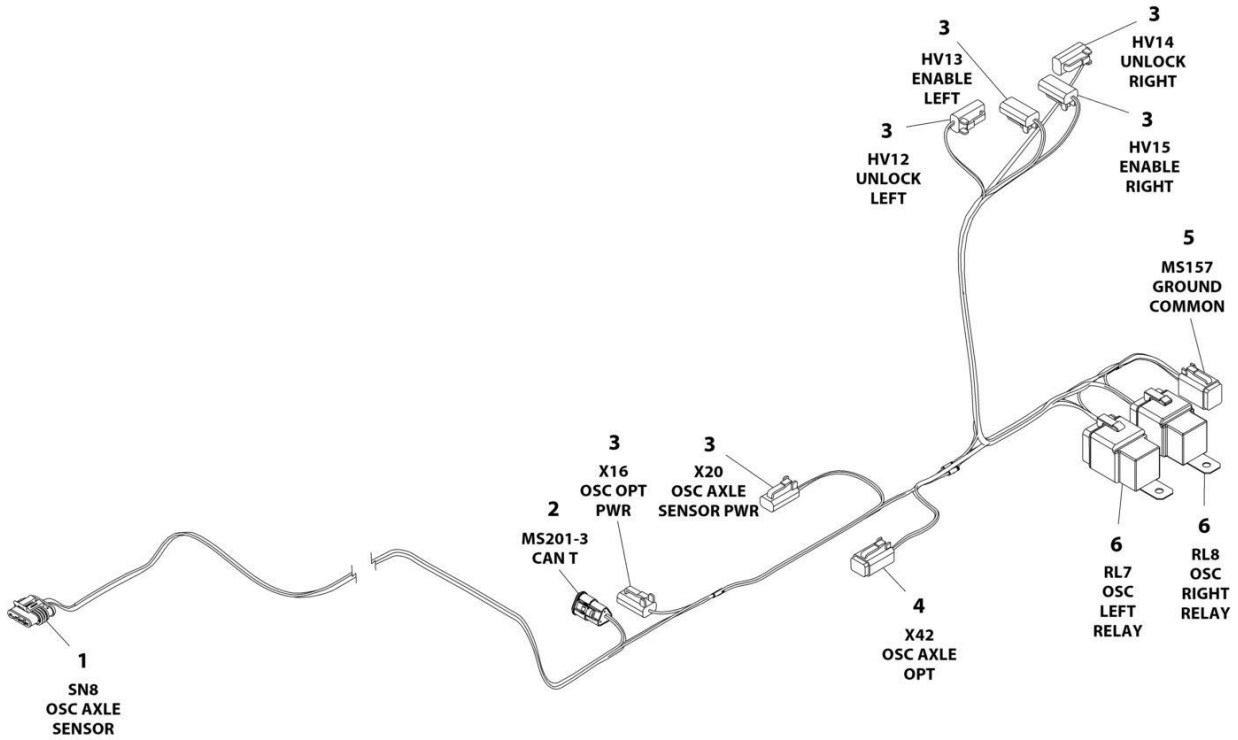
## SECTION 8 - ELECTRICAL

### FIGURE 8-30. LSS HARNESS

ITEM	PART NUMBER	QTY	DESCRIPTION	REV
	1001226830	Ref	LSS HARNESS	A
1	1001132170	1	Connector - 12 Position	
1	4460929	2	Pin, Male	
1	4460917	2	Pin, Male	
1	4460518	8	Plug, Terminal	
2	4460761	1	Receptacle, Female - 4 Position	
2	4460294	4	Pin, Male	
3	4460933	1	Connector - 12 Position	
3	4460465	2	Socket, Female	
3	4460466	10	Plug, Terminal	
4	4460836	1	Connector - 12 Position	
4	4460465	5	Socket, Female	
4	4460944	2	Socket, Female	
4	4460466	5	Plug, Terminal	

# SECTION 8 - ELECTRICAL

## FIGURE 8-31. OSCILLATING AXLE HARNESS



ART\_1001187601

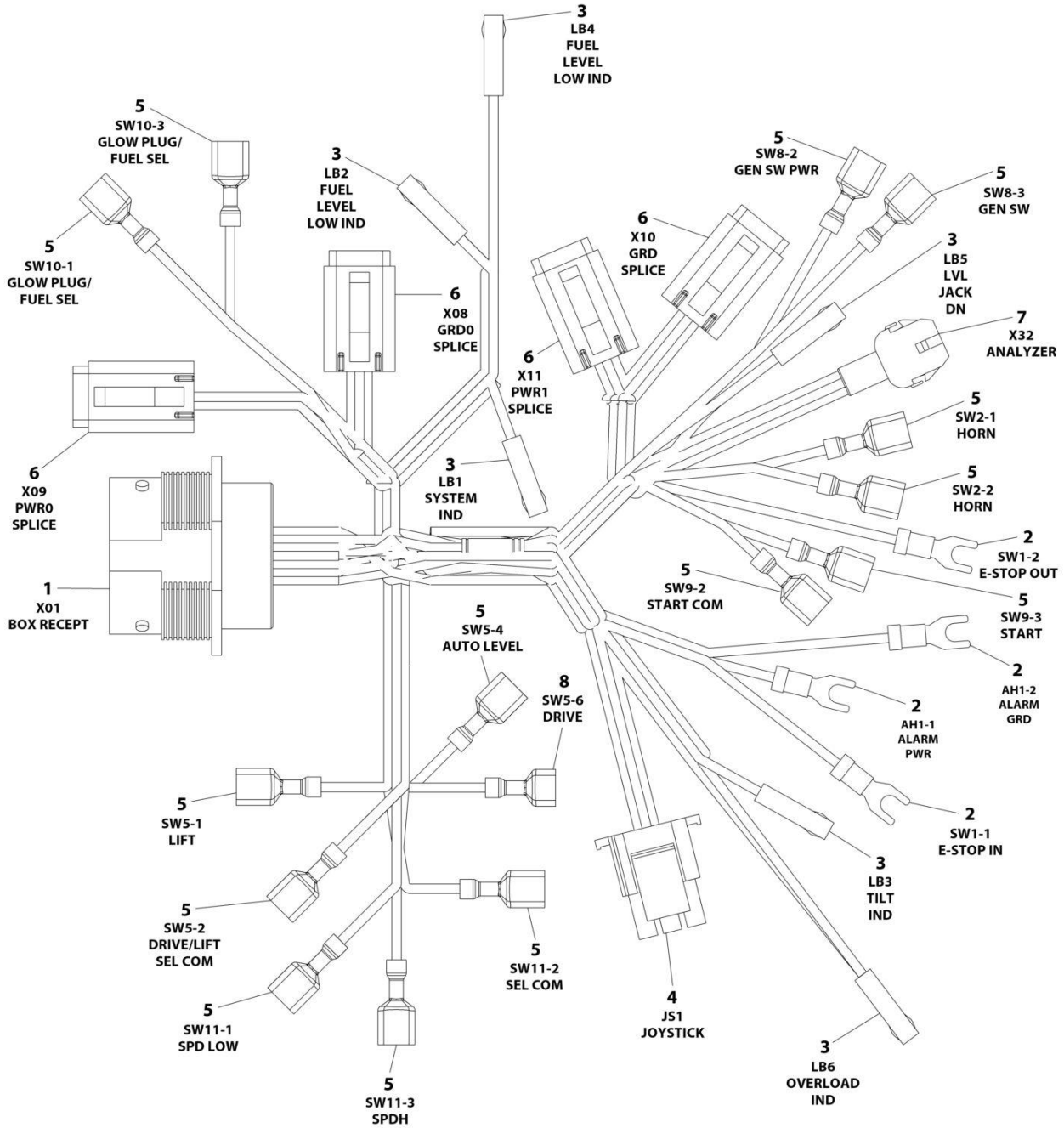
## SECTION 8 - ELECTRICAL

### FIGURE 8-31. OSCILLATING AXLE HARNESS

ITEM	PART NUMBER	QTY	DESCRIPTION	REV
	1001187601	Ref	OSCILLATING AXLE HARNESS	C
1	1001103012	1	Connector - 4 Position	
1	1001107854	4	Socket, Female	
1	1001104498	4	Seal	
2	1001116812	1	Connector - 3 Position	
2	4460944	3	Socket, Female	
3	4460891	6	Connector - 2 Position	
3	4460465	11	Socket, Female	
3	4460466	1	Plug, Terminal	
4	4460884	1	Connector - 4 Position	
4	4460465	3	Socket, Female	
4	4460466	1	Plug, Terminal	
5	4460894	1	Connector - 6 Position	
5	4460465	6	Socket, Female	
6	1001117025	2	Connector, Relay	
6	4460375	8	Terminal	

# SECTION 8 - ELECTRICAL

## FIGURE 8-32. PLATFORM CONTROL BOX HARNESS



ART\_1001236230

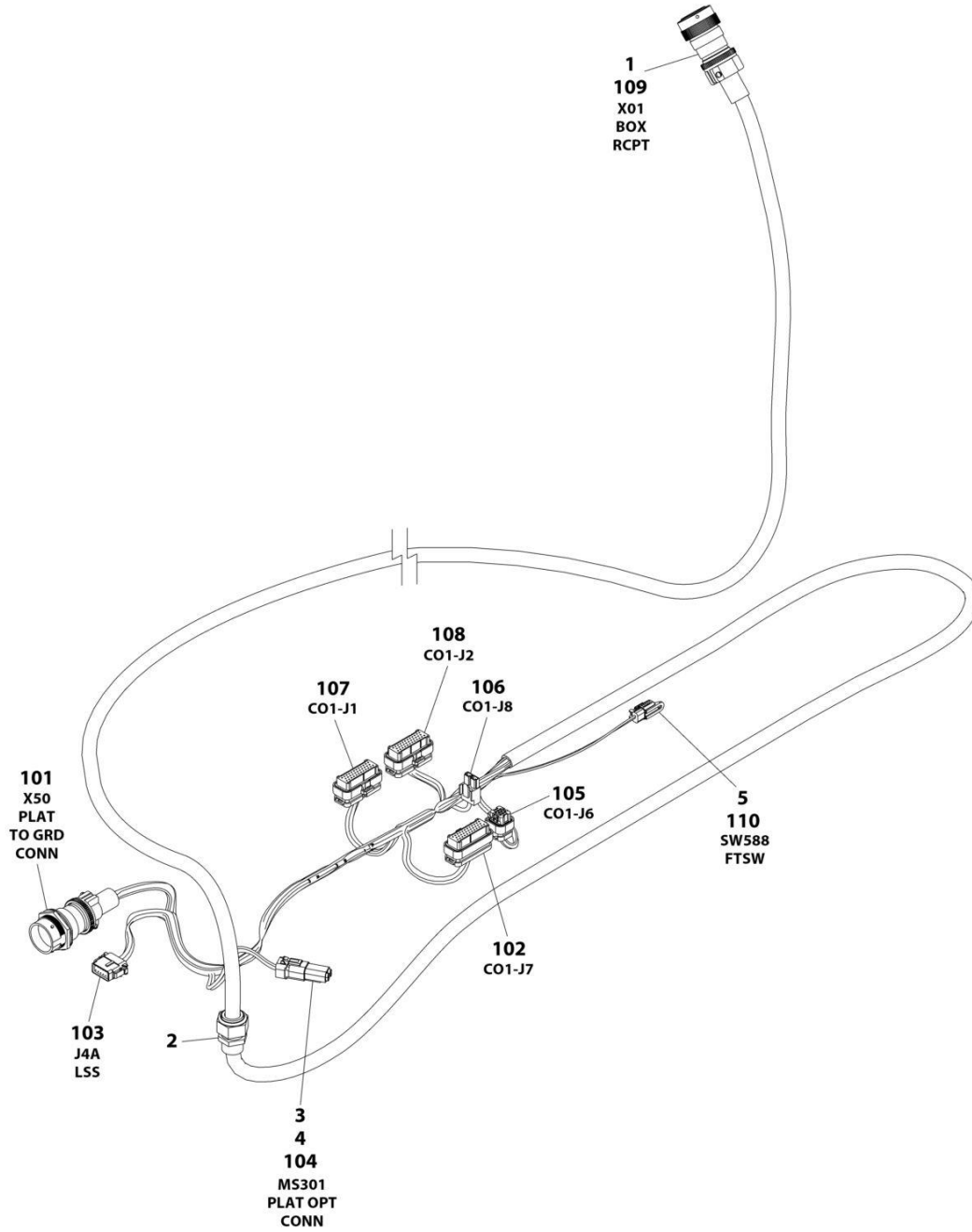
## SECTION 8 - ELECTRICAL

**FIGURE 8-32. PLATFORM CONTROL BOX HARNESS**

ITEM	PART NUMBER	QTY	DESCRIPTION	REV
	1001236230	Ref	PLATFORM CONSOLE BOX HARNESS	C
1	1001116934	1	Connector - 31 Position	
1	4460464	31	Pin, Male	
2	4460183	4	Terminal, Fork	
3	1001190469	6	Connector - 2 Position	
3	1001190471	12	Terminal	
4	4460265	1	Plug, Male - 9 Position	
4	4460267	7	Terminal	
5	1001194421	13	Terminal	
6	4460894	4	Plug, Male - 6 Position	
6	4460465	20	Socket, Female	
6	4460466	4	Plug, Terminal	
6	4460892	4	Bussbar	
7	4460761	1	Plug, Male - 4 Position	
7	4460267	4	Terminal	
8	1001194221	1	Terminal	

# SECTION 8 - ELECTRICAL

## FIGURE 8-33. PLATFORM MODULE HARNESS



ART\_1001236163



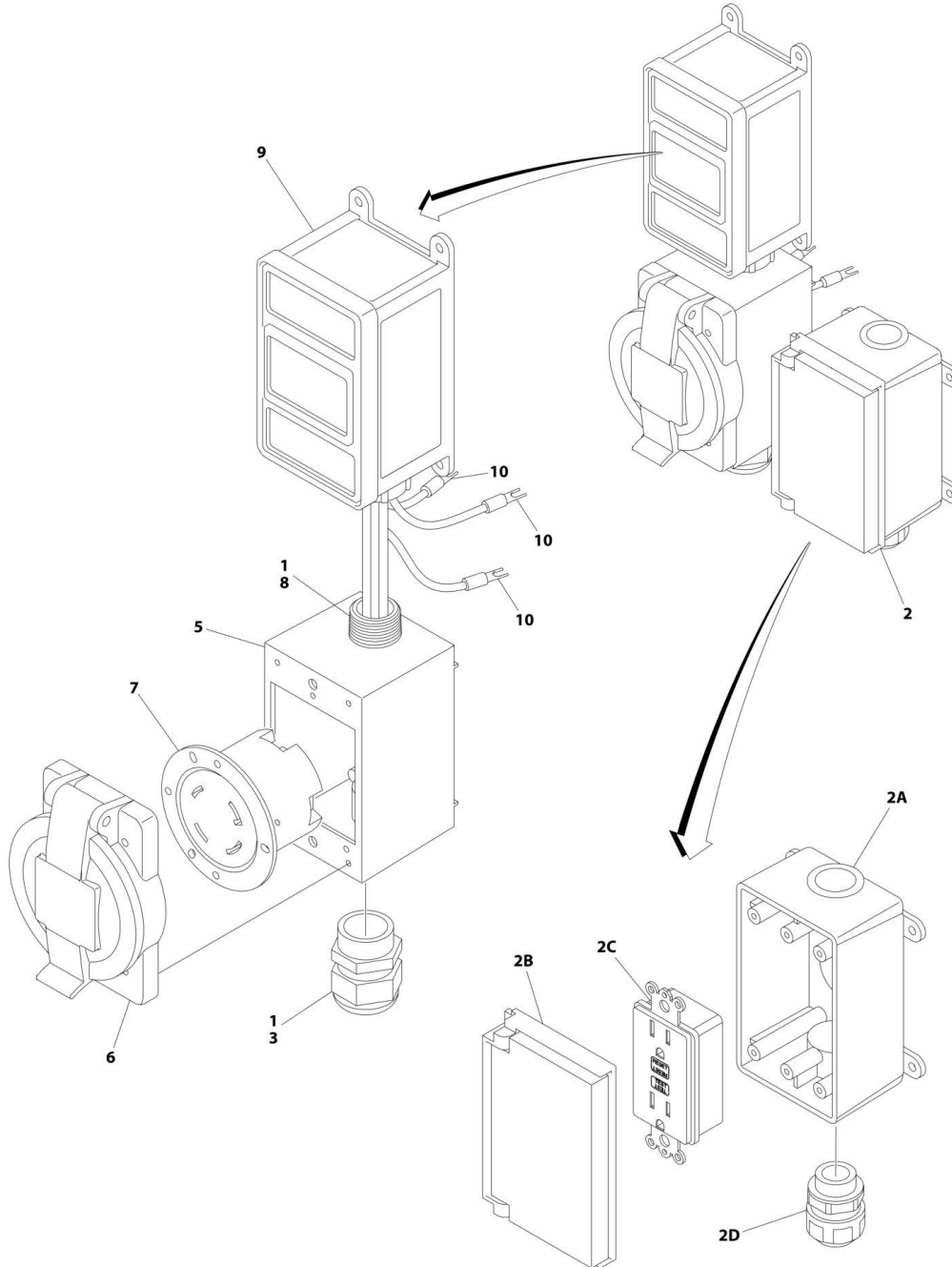
## SECTION 8 - ELECTRICAL

### FIGURE 8-33. PLATFORM MODULE HARNESS

ITEM	PART NUMBER	QTY	DESCRIPTION	REV
	1001236163	Ref	PLATFORM MODULE HARNESS	B
1	2820031	AR	Heatshrink	
2	4460051	1	Connector, Strain Relief	
3	4460466	4	Plug, Terminal	
4	1001116811	1	Receptacle, Female - 4 Position	
5	1001144295	1	Cap, Female - 2 Position	
101	1001116930	1	Connector - 21 Position	
101	4460508	4	Pin, Male	
101	4460464	6	Pin, Male	
101	4460466	11	Plug, Terminal	
102	4460873	1	Connector - 35 Position	
102	4460871	10	Socket, Female	
102	4460905	25	Plug, Terminal	
103	1001116808	1	Plug, Male - 12 Position	
103	4460928	2	Socket, Female	
103	4460918	2	Socket, Female	
103	4460518	8	Plug, Terminal	
104	1001116810	1	Plug, Male - 4 Position	
104	4460509	2	Socket, Female	
104	4460466	2	Plug, Terminal	
105	1001113961	1	Connector - 8 Position	
105	4460871	2	Socket, Female	
105	4460905	6	Plug, Terminal	
106	4460879	1	Plug, Male - 2 Position	
106	4461271	2	Socket, Female	
107	4460874	1	Connector - 35 Position	
107	4460871	12	Socket, Female	
107	4460905	23	Plug, Terminal	
108	4460876	1	Connector - 35 Position	
108	4460871	15	Socket, Female	
108	4460905	20	Plug, Terminal	
109	1001195123	1	Connector - 31 Position	
109	4460465	31	Socket, Female	
110	4460891	1	Plug, Male - 2 Position	
110	4460465	2	Socket, Female	

# SECTION 8 - ELECTRICAL

FIGURE 8-34. RECEPTACLE ASSEMBLY (MACHINES WITH GENERATORS) (ALL SPECS EXCEPT AUSTRALIAN, CE & UK CA SPEC)



ART\_1001187092

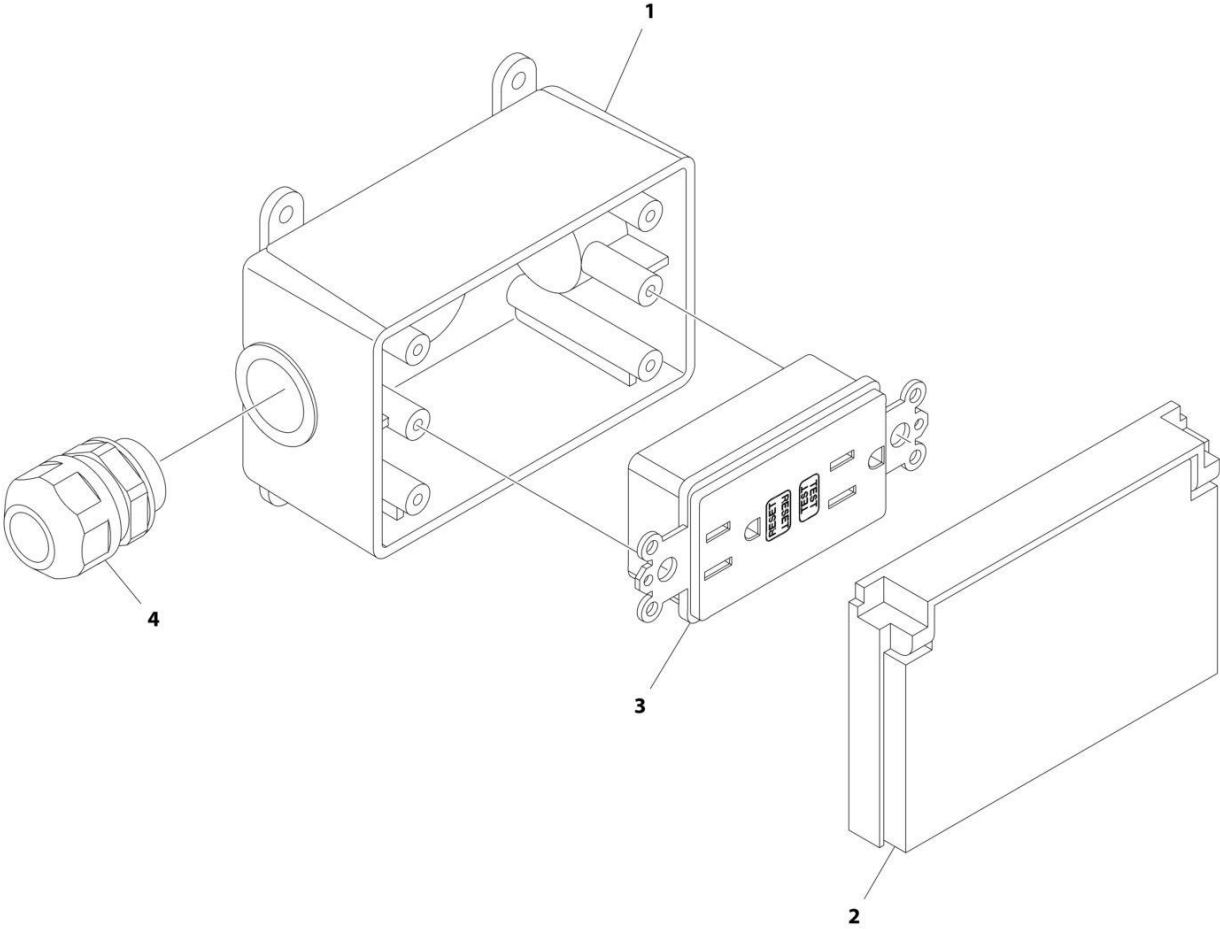
## SECTION 8 - ELECTRICAL

**FIGURE 8-34. RECEPTACLE ASSEMBLY (MACHINES WITH GENERATORS) (ALL SPECS EXCEPT AUSTRALIAN, CE & UK CA SPEC)**

ITEM	PART NUMBER	QTY	DESCRIPTION	REV
	1001187092	Ref	RECEPTACLE ASSEMBLY	D
1	0100020	AR	Sealant, Pipe	
2	2902431	1	Receptacle Box Kit	
2A	0861731	1	Box	
2B	1671207	1	Cover	
2C	4460346	1	Receptacle	
2D	4460662	1	Connector, Strain Relief	
3	4460612	1	Connector, Strain Relief	
4	1001099670	2	Terminal (Not Shown)	
5	1001148675	1	Box	
6	1001148676	1	Cover, Receptacle	
7	1001148907	1	Connector, Receptacle - 240V	
8	1001159119	1	Conduit	
9	1001159118	1	Breaker, GFCI 30A - 240V	
10	4460315	3	Terminal	

**SECTION 8 - ELECTRICAL**

**FIGURE 8-35. RECEPTACLE BOX KIT - 110V GFI**



ART\_2902431

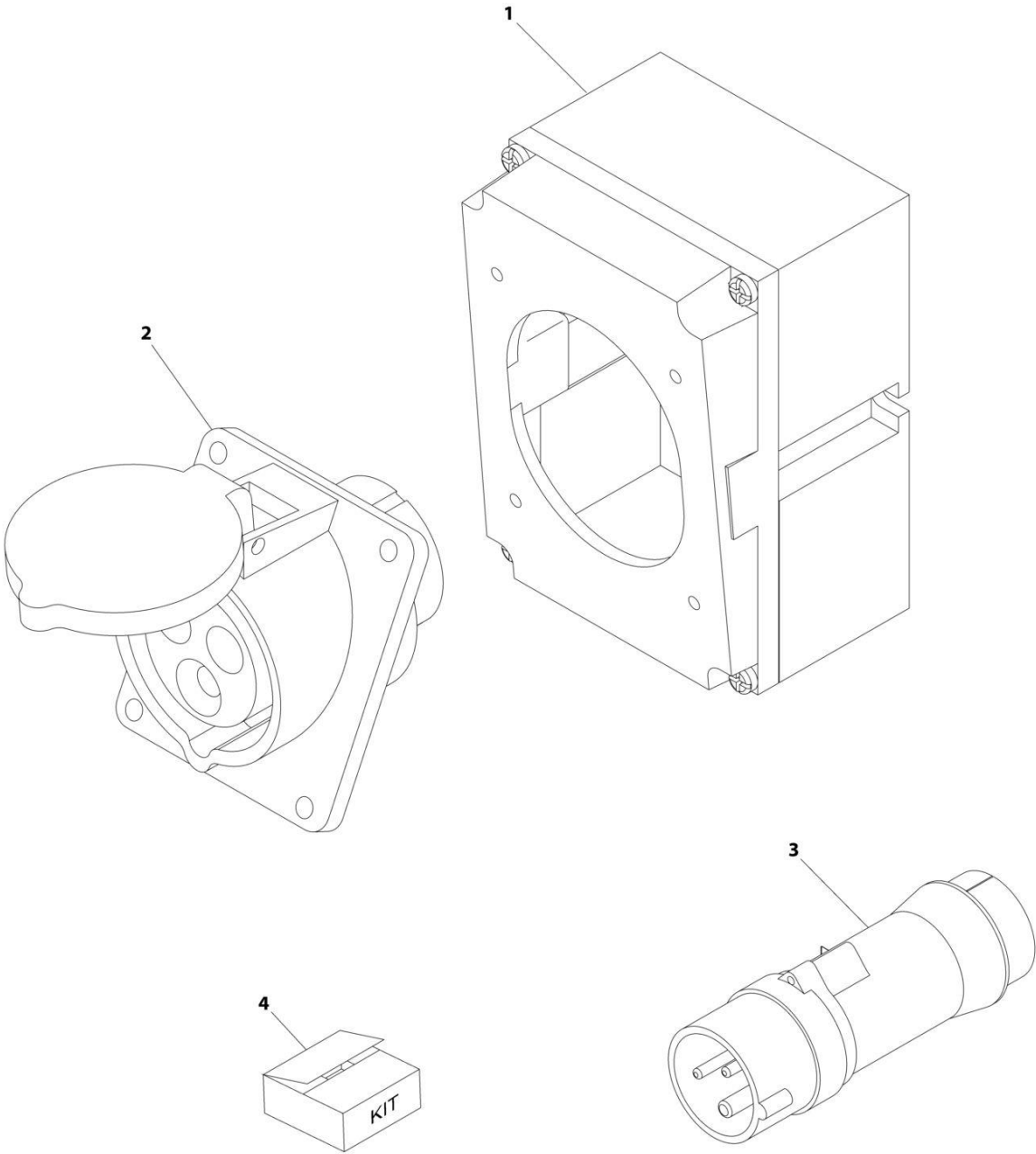
## SECTION 8 - ELECTRICAL

### FIGURE 8-35. RECEPTACLE BOX KIT - 110V GFI

ITEM	PART NUMBER	QTY	DESCRIPTION	REV
	2902431	Ref	RECEPTACLE BOX KIT - 110V GFI	D
1	0861731	1	Box, Receptacle	
2	1671207	1	Cover, Receptacle	
3	4460346	1	Receptacle	
4	4460662	1	Connector, Strain Relief	

**SECTION 8 - ELECTRICAL**

**FIGURE 8-36. RECEPTACLE BOX KIT - 110V IEC YELLOW**



ART\_0275216

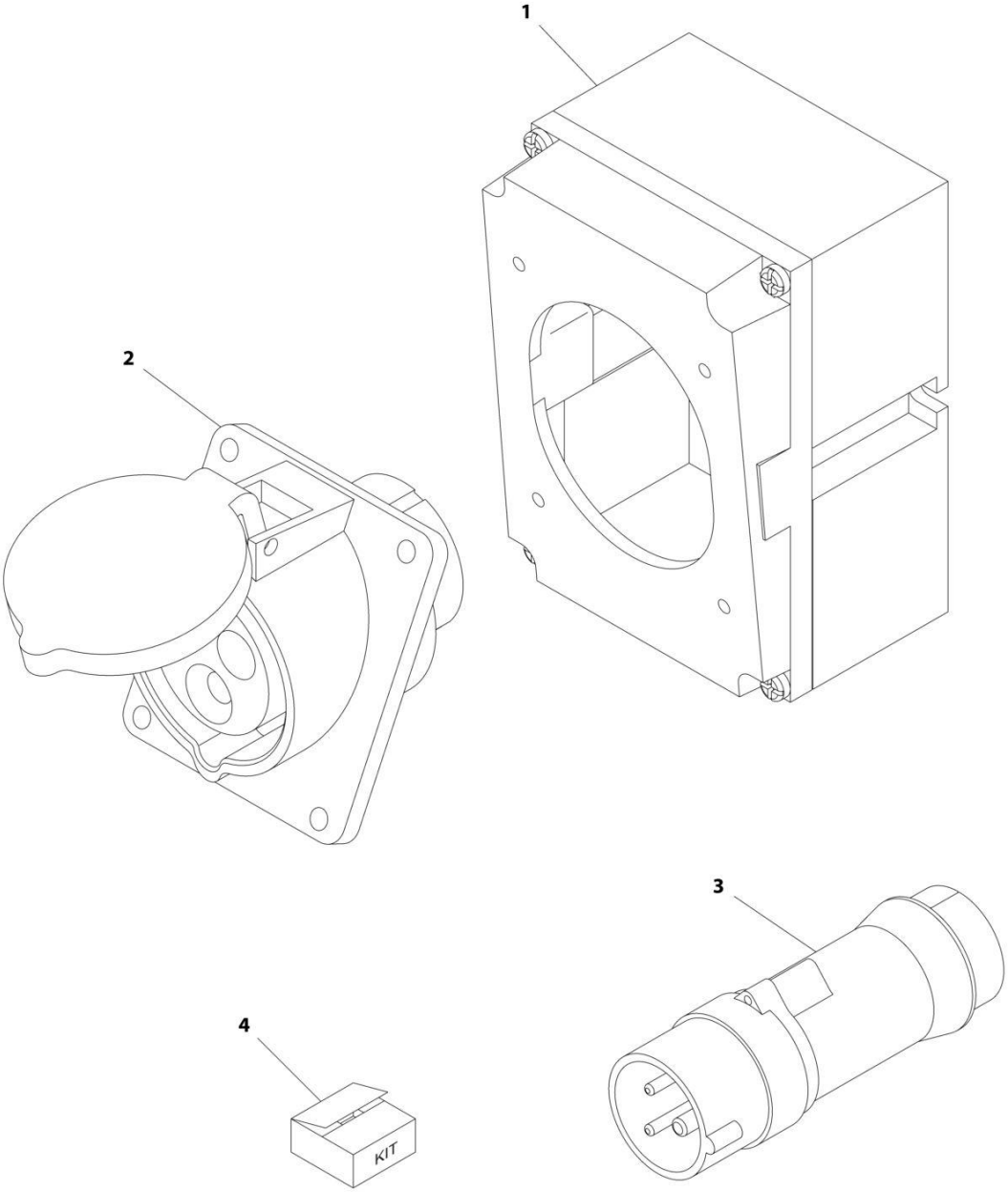
## SECTION 8 - ELECTRICAL

### FIGURE 8-36. RECEPTACLE BOX KIT - 110V IEC YELLOW

ITEM	PART NUMBER	QTY	DESCRIPTION	REV
	0275216	Ref	RECEPTACLE BOX KIT - 110V IEC YELLOW	B
1	0861781	1	Box, Switch	
2	4461198	1	Receptacle	
3	4461196	1	Plug, Male	
4	1001100341	1	Plug and Socket Kit (Includes Items 1-3 and Female Plug p/n 4461197)	

**SECTION 8 - ELECTRICAL**

**FIGURE 8-37. RECEPTACLE BOX KIT - 220V IEC BLUE**



ART\_0275217



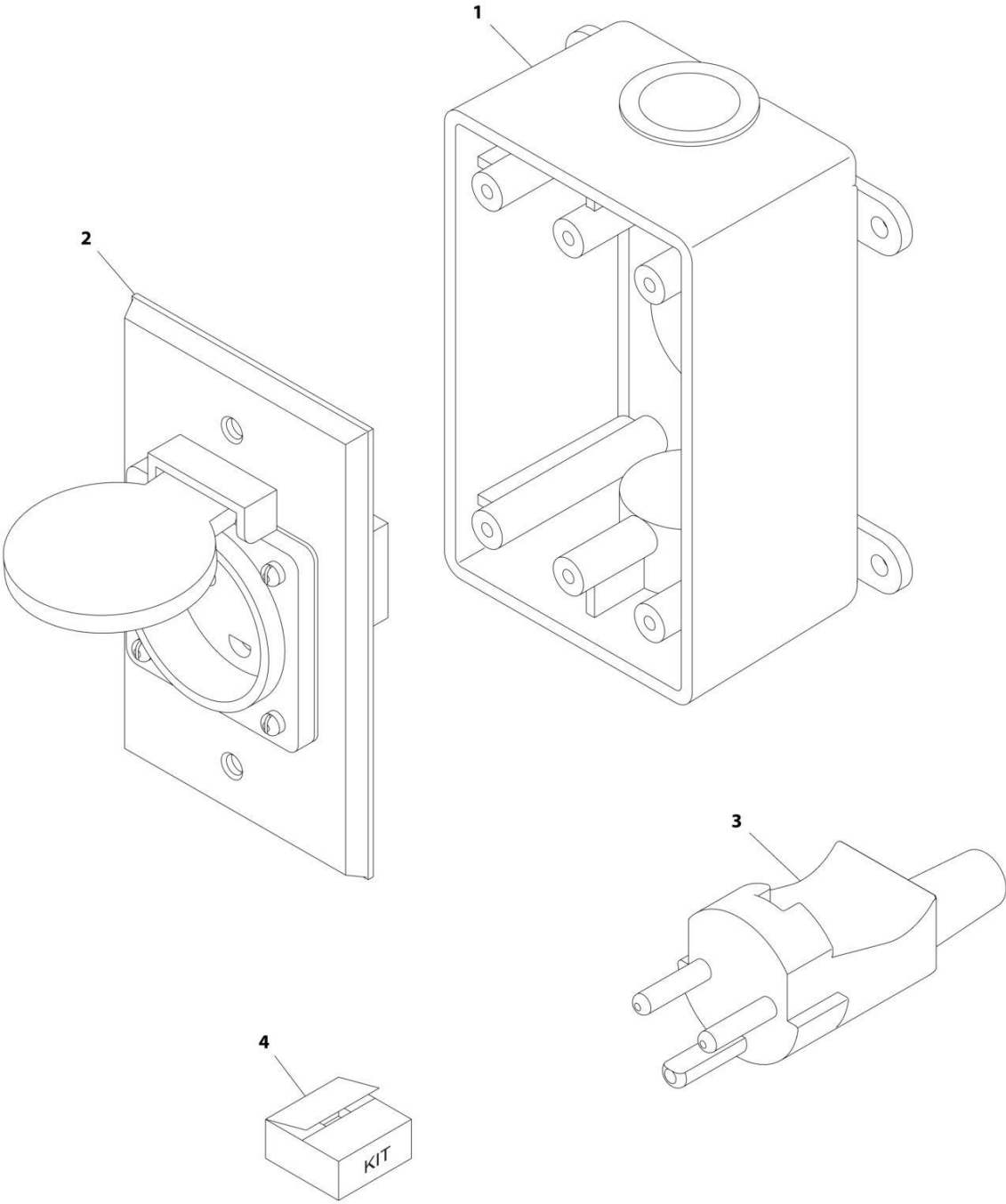
## SECTION 8 - ELECTRICAL

### FIGURE 8-37. RECEPTACLE BOX KIT - 220V IEC BLUE

ITEM	PART NUMBER	QTY	DESCRIPTION	REV
	0275217	Ref	RECEPTACLE BOX KIT - 220V IEC BLUE	B
1	0861781	1	Box, Switch	
2	4461201	1	Receptacle	
3	4461199	1	Plug, Male	
4	1001100342	1	Plug and Socket Kit (Includes Items 1-3 and Female Plug p/n 4461200)	

**SECTION 8 - ELECTRICAL**

**FIGURE 8-38. RECEPTACLE BOX KIT - 220V AFSINT 107 (CE & UK CA SPEC)**



ART\_0275454

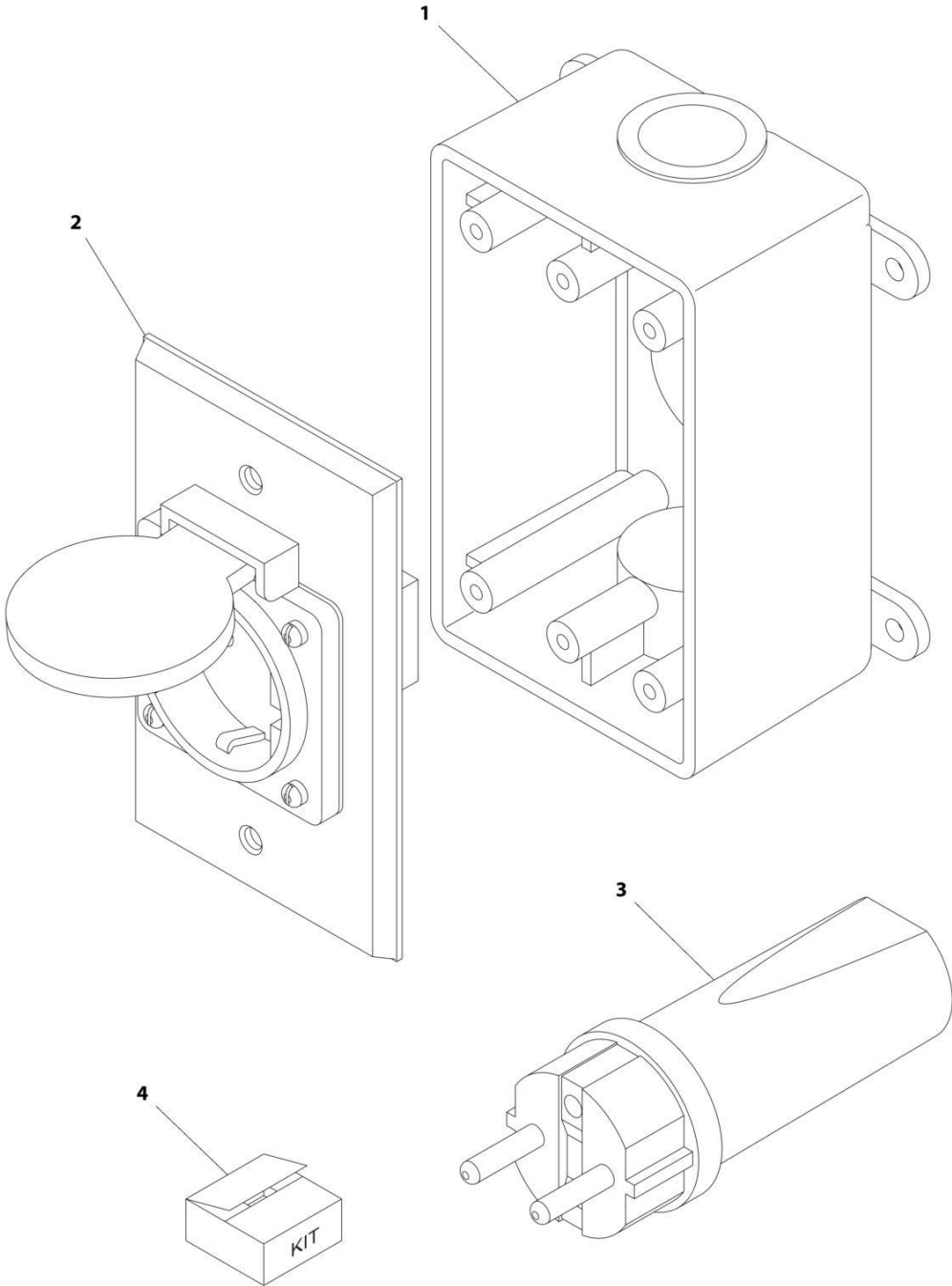
## SECTION 8 - ELECTRICAL

**FIGURE 8-38. RECEPTACLE BOX KIT - 220V AFSINT 107 (CE & UK CA SPEC)**

ITEM	PART NUMBER	QTY	DESCRIPTION	REV
	0275454	Ref	RECEPTACLE BOX KIT - 220V AFSINT 107	B
1	0861731	1	Box, Switch	
2	4461246	1	Receptacle	
3	4461249	1	Plug, Male	
4	1001100346	1	Plug and Socket Kit (Includes Items 1-3 and Female Plug p/n 4461250)	

**SECTION 8 - ELECTRICAL**

**FIGURE 8-39. RECEPTACLE BOX KIT - 220V CEE7 SIDE GROUND**



ART\_0275453

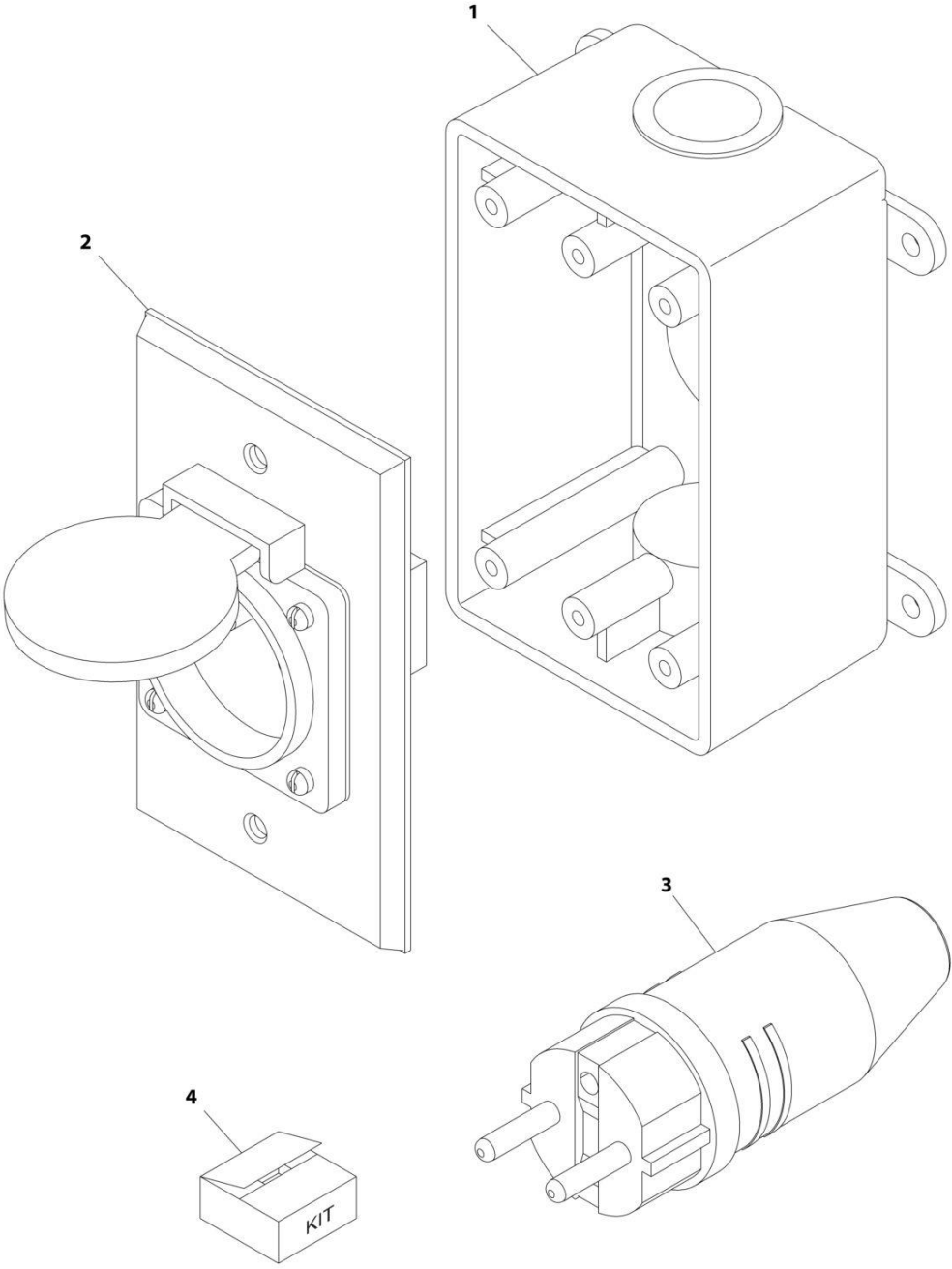
## SECTION 8 - ELECTRICAL

### FIGURE 8-39. RECEPTACLE BOX KIT - 220V CEE7 SIDE GROUND

ITEM	PART NUMBER	QTY	DESCRIPTION	REV
	0275453	Ref	RECEPTACLE BOX KIT - 220V CEE7 SIDE GROUND	B
1	0861731	1	Box, Switch	
2	4461245	1	Receptacle	
3	4461205	1	Plug, Male	
4	1001100347	1	Plug and Socket Kit (Includes Items 1-3 and Female Plug p/n 4461206)	

**SECTION 8 - ELECTRICAL**

**FIGURE 8-40. RECEPTACLE BOX KIT - 220V CEE7 POST GROUND (CE & UK CA SPEC)**



ART\_0275452-C

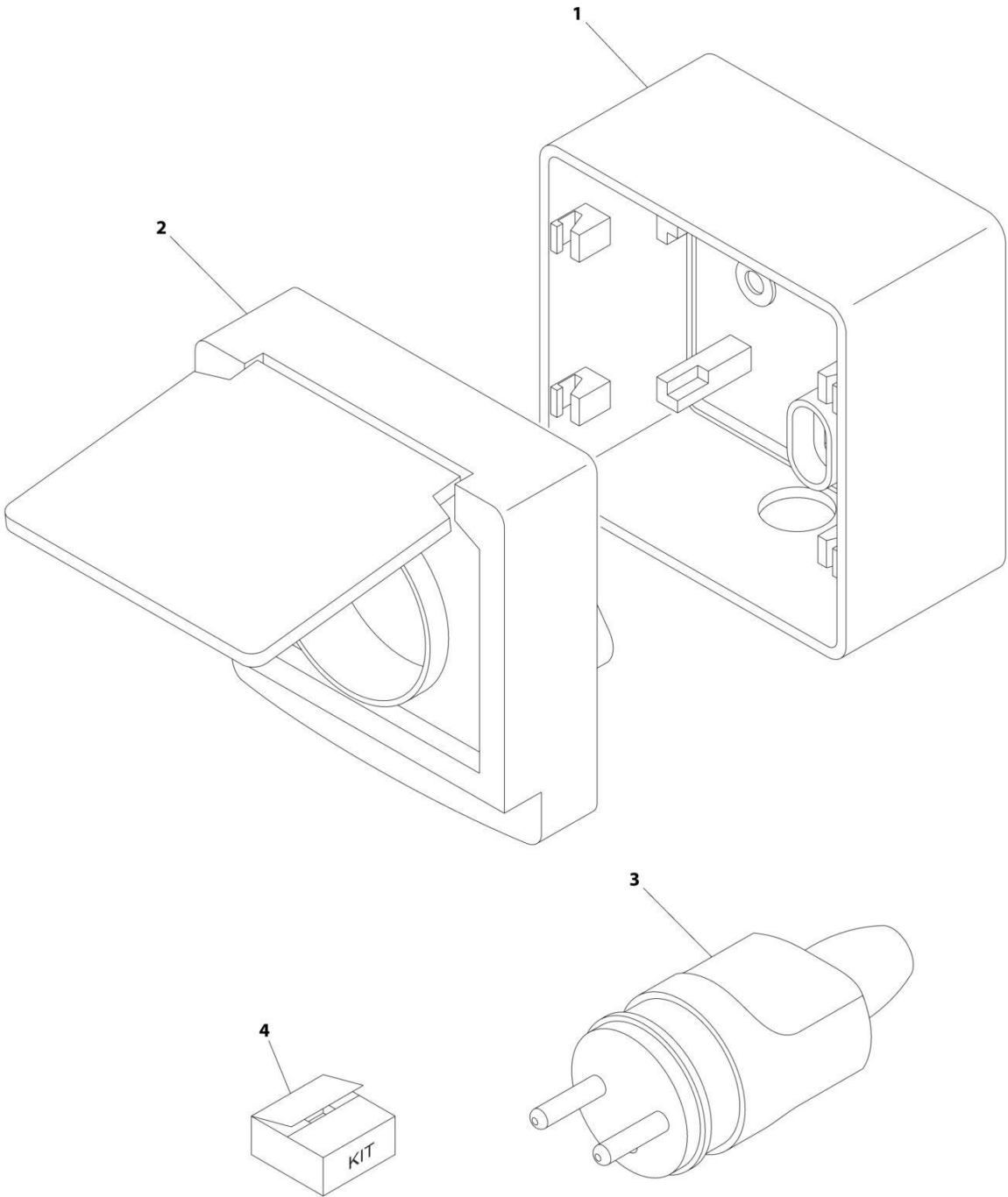
## SECTION 8 - ELECTRICAL

**FIGURE 8-40. RECEPTACLE BOX KIT - 220V CEE7 POST GROUND (CE & UK CA SPEC)**

ITEM	PART NUMBER	QTY	DESCRIPTION	REV
	0275452	Ref	RECEPTACLE BOX KIT - 220V CEE7 POST GROUND 2IN X 4IN BOX	C
1	0861731	1	Box, Switch	
2	4461244	1	Receptacle	
3	4461205	1	Plug, Male	
4	1001100345	1	Plug and Socket Kit (Includes Items 1-3 and Female Plug p/n 4461203)	

**SECTION 8 - ELECTRICAL**

**FIGURE 8-41. RECEPTACLE BOX KIT - 220V CEE7 POST GROUND 70MM X 70MM BOX (CE & UK CA SPEC)**



ART\_0275218



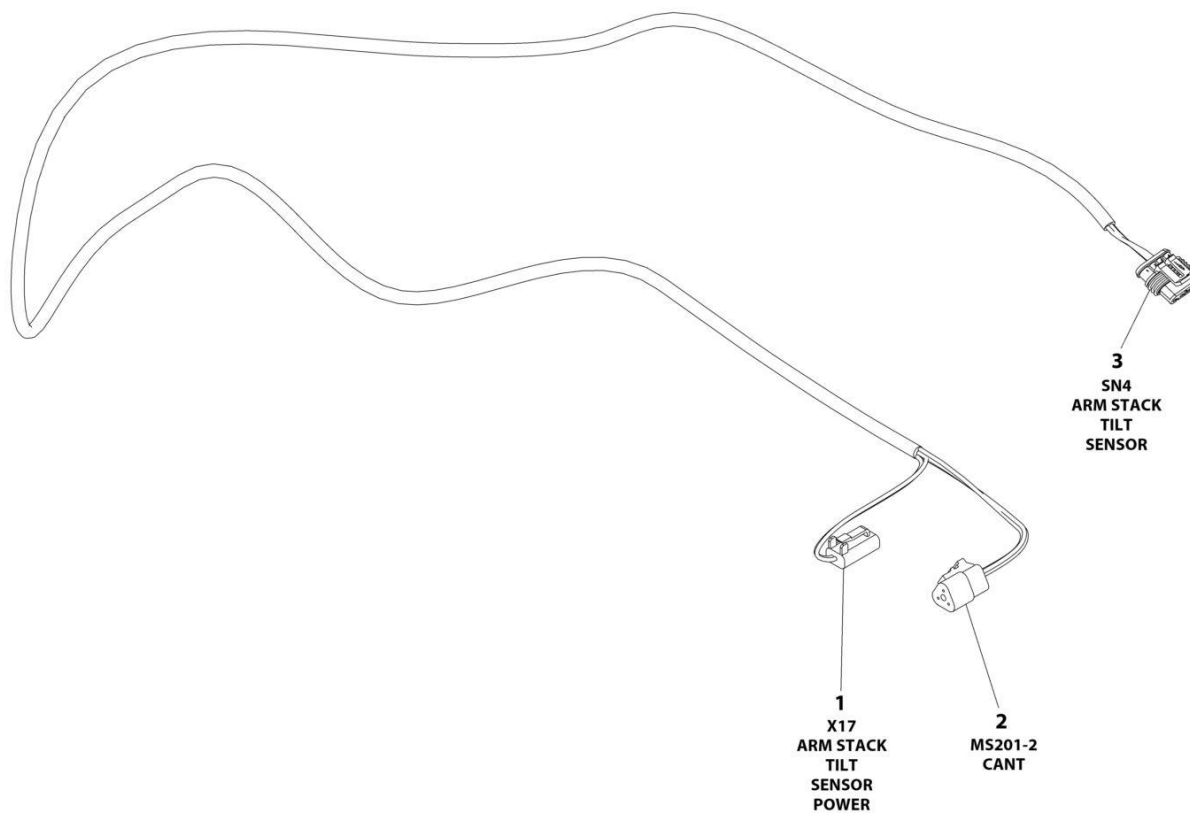
## SECTION 8 - ELECTRICAL

**FIGURE 8-41. RECEPTACLE BOX KIT - 220V CEE7 POST GROUND 70MM X 70MM BOX (CE & UK CA SPEC)**

ITEM	PART NUMBER	QTY	DESCRIPTION	REV
	0275218	Ref	RECEPTACLE BOX KIT - 220V CEE7 POST GROUND 70X70 BOX	C
1	1001141967	1	Box, Switch	
2	1001141968	1	Receptacle	
3	4461205	1	Plug, Male	
4	1001141971	1	Plug and Socket Kit (Includes Items 1-3 and Female Plug p/n 4461206)	

# SECTION 8 - ELECTRICAL

## FIGURE 8-42. SCISSORS ARMS GUARD HARNESS



ART\_1001244347

## SECTION 8 - ELECTRICAL

### FIGURE 8-42. SCISSORS ARMS GUARD HARNESS

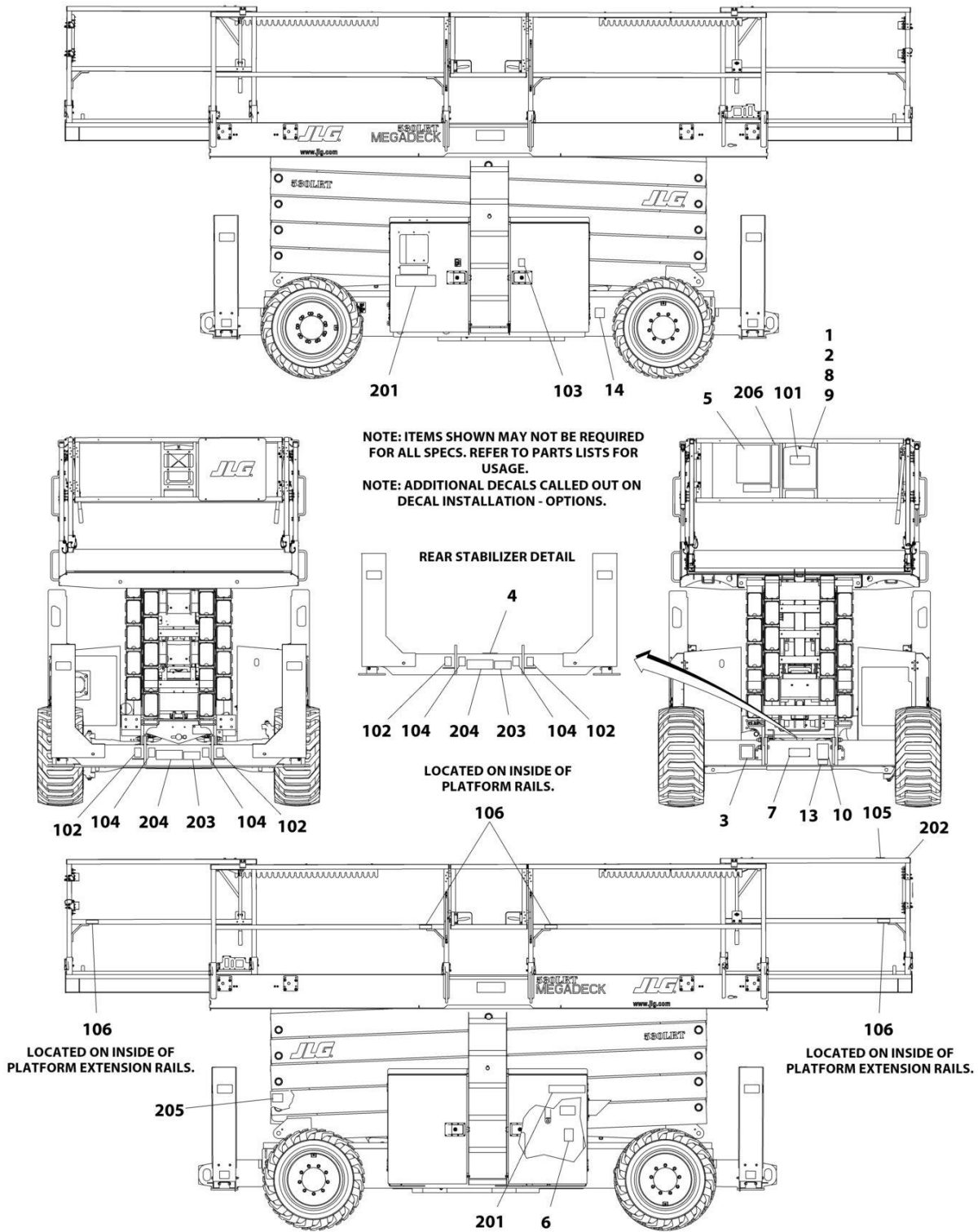
ITEM	PART NUMBER	QTY	DESCRIPTION	REV
	1001244347	Ref	SCISSORS ARMS GUARD HARNESS	B
1	4460891	1	Plug, Male - 2 Position	
1	4460465	2	Socket, Female	
2	4460539	1	Plug, Male - 3 Position	
2	4460944	3	Socket, Female	
3	1001103012	1	Connector - 4 Position	
3	1001107854	4	Socket, Female	



**SECTION 9 - DECALS**

# SECTION 9 - DECALS

## FIGURE 9-1. DECAL INSTALLATION - ANSI AND ANSI EXPORT SPECS (ENGLISH)



ART\_1001187668\_D

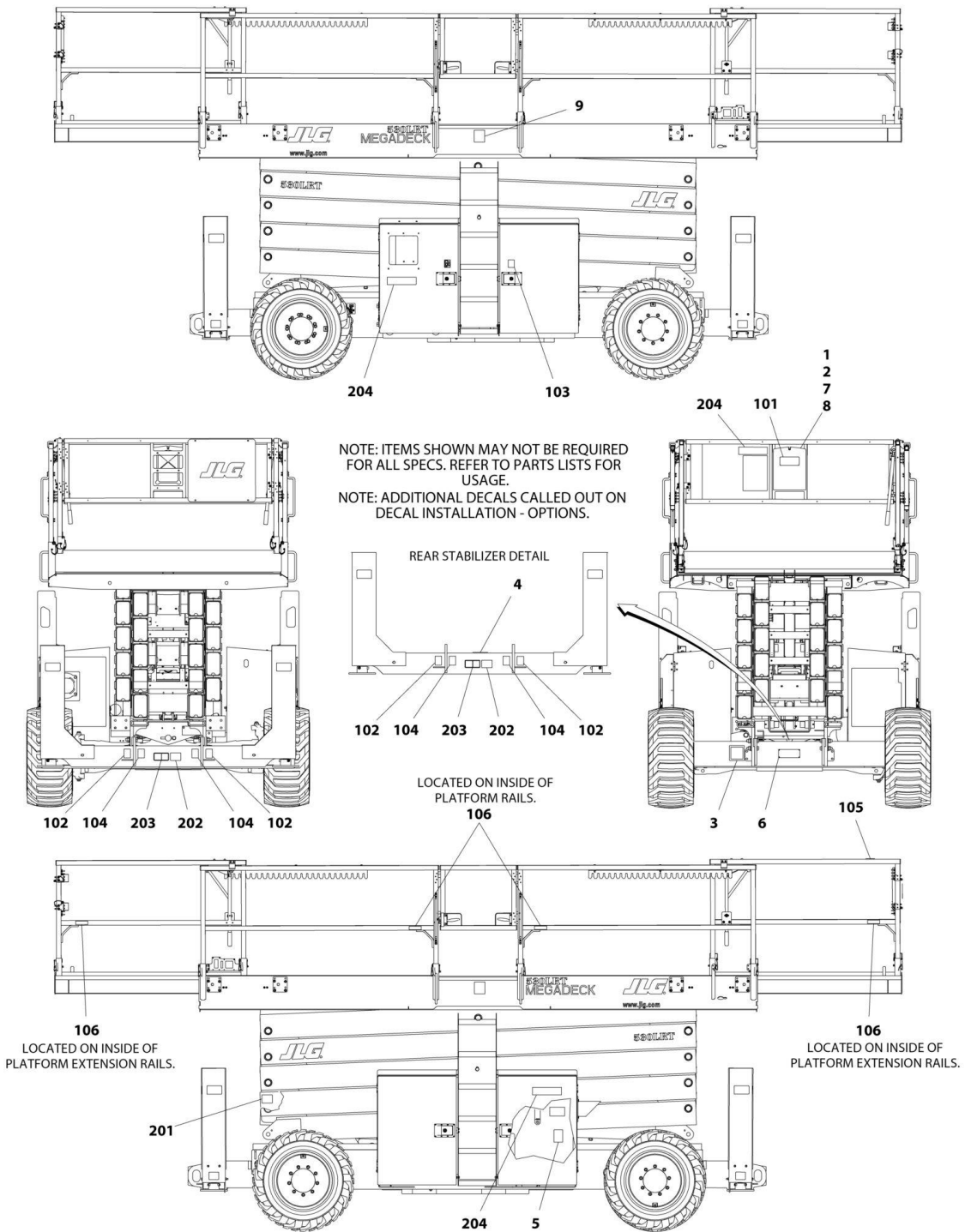
## SECTION 9 - DECALS

**FIGURE 9-1. DECAL INSTALLATION - ANSI AND ANSI EXPORT SPECS (ENGLISH)**

ITEM	PART NUMBER	QTY	DESCRIPTION	REV
	1001187668	Ref	DECAL INSTALLATION	D
		Ref	Note: See DECAL INSTALLATION - OPTIONS for additional decals.	
1	0760610	4	Bolt, M6 X 20	
2	0860520	1	Box, Manual Storage	
3	See Note	NSS	Decal - Bar Code (Note: Not Available for Purchase)	
4	1703687	2	Decal - Directional Arrow	
5	1703816	1	Decal - Danger/Warning	
6	1704412	1	Decal - Hydraulic Oil	
7	2080057	4	Fastener	
8	3290605	4	Nut, Lock M6	
9	4811700	8	Washer, M6	
10	1001131270	1	Decal - Patent	
13	1001223453	1	Decal - ICES	
14	1001223055	1	Decal - Yearly Inspection	
101	1701509	1	Decal - Manual	
102	1703811	1	Decal - Lifting Lug	
103	1703812	1	Decal - Hydraulic Oil	
104	1703814	1	Decal - Tie Down	
105	1703819	1	Decal - Directional Arrow	
106	1704277	1	Decal - Lanyard Attach	
201	1703818	1	Decal - Danger Electrocution/Warning Crushing	
202	1703821	1	Decal - Control Box Location	
203	1703823	1	Decal - Danger/Electrocution Hazard	
204	1704432	1	Decal - Warning Crushing	
205	1705019	1	Decal - Safety Prop	
206	1001192853	1	Decal - Legend	

# SECTION 9 - DECALS

## FIGURE 9-2. DECAL INSTALLATION - AUSTRALIAN AND JAPANESE SPECS



ART\_1001203770



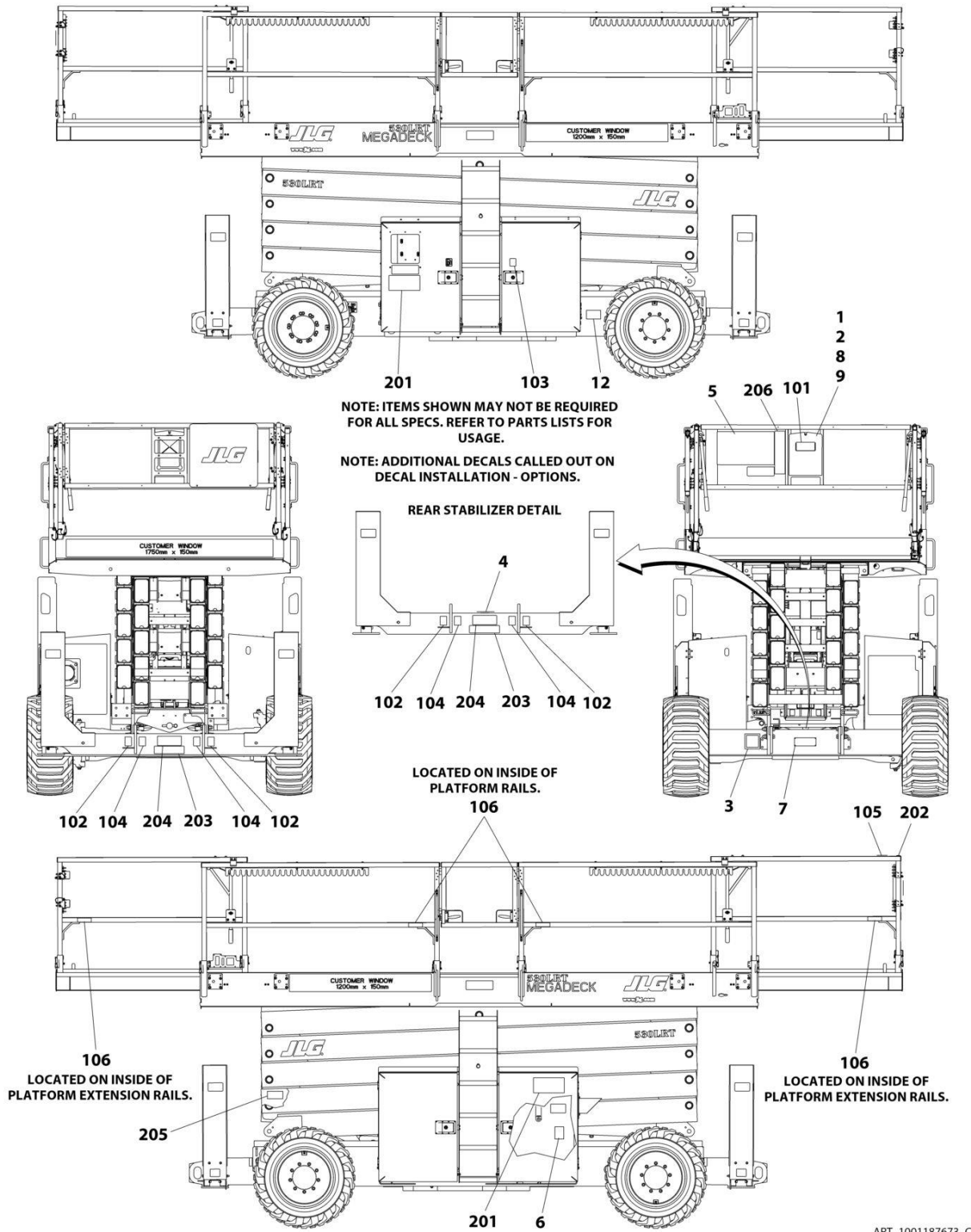
## SECTION 9 - DECALS

**FIGURE 9-2. DECAL INSTALLATION - AUSTRALIAN AND JAPANESE SPECS**

ITEM	PART NUMBER	QTY	DESCRIPTION	REV
	1001203770	Ref	DECAL INSTALLATION	D
		Ref	Note: See DECAL INSTALLATION - OPTIONS for additional decals.	
1	0760610	4	Bolt, M6 X 20	
2	0860520	1	Box, Manual Storage	
3	See Note	NSS	Decal - Bar Code (Note: Not Available for Purchase)	
4	1703687	2	Decal - Directional Arrow	
5	1704412	1	Decal - Hydraulic Oil	
6	2080057	4	Fastener	
7	3290605	4	Nut, Lock M6	
8	4811700	8	Washer, M6	
9	1001191526	2	Decal - Sound Power Level	
101	1701509	1	Decal - Manual	
102	1703811	1	Decal - Lifting Lug	
103	1703812	1	Decal - Hydraulic Oil	
104	1703814	1	Decal - Tie Down	
105	1703819	1	Decal - Directional Arrow	
106	1704277	1	Decal - Lanyard Attach	
201	1705019	1	Decal - Safety Prop	
202	1705372	1	Decal - Head Crushing	
203	1705671	1	Decal - Electrocution	
204	1706338	1	Decal - Electrocution/Crushing	

# SECTION 9 - DECALS

## FIGURE 9-3. DECAL INSTALLATION - BRAZIL SPECS (SPANISH/PORTUGUESE)



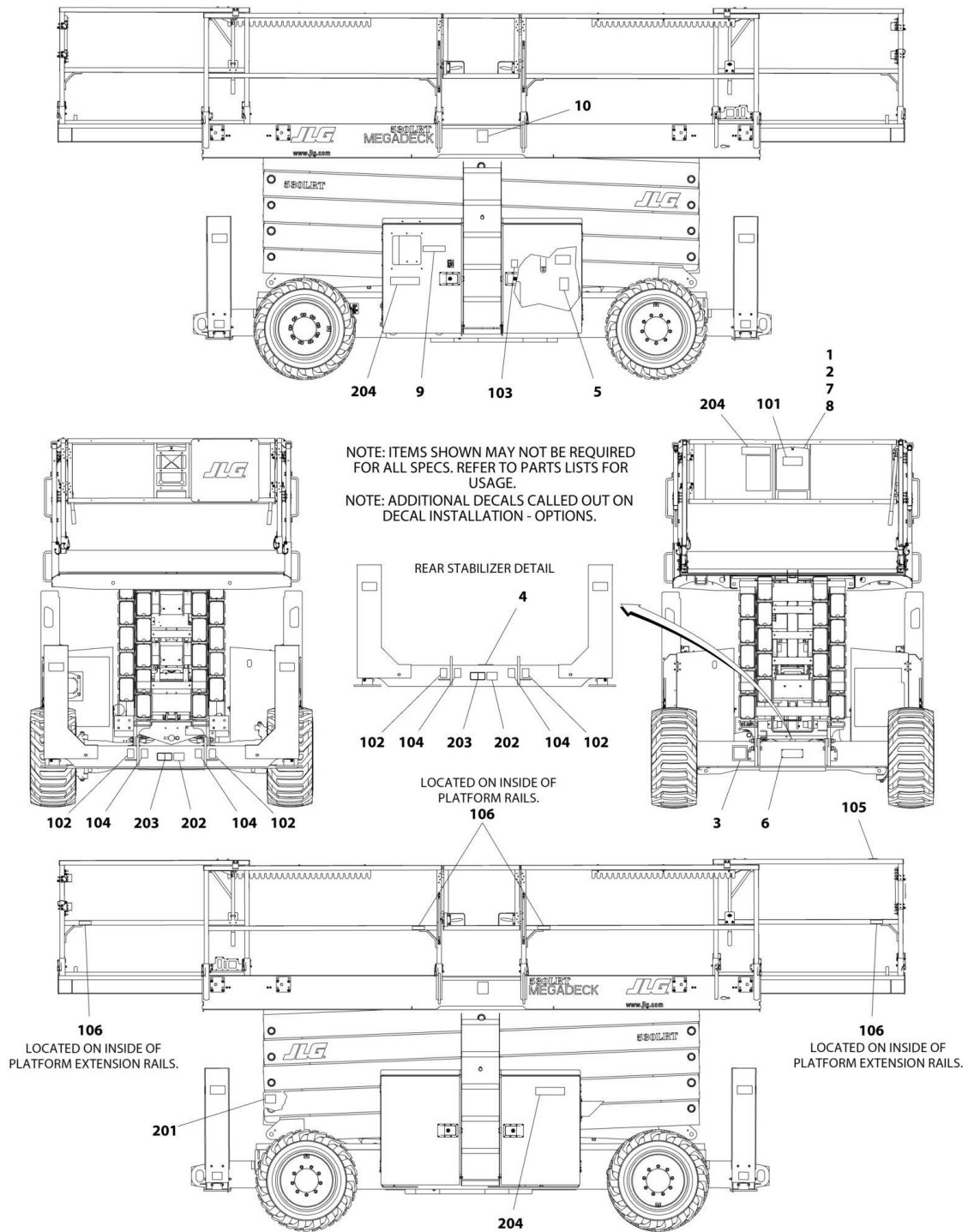
## SECTION 9 - DECALS

**FIGURE 9-3. DECAL INSTALLATION - BRAZIL SPECS (SPANISH/PORTUGUESE)**

ITEM	PART NUMBER	QTY	DESCRIPTION	REV
	1001187673	Ref	DECAL INSTALLATION	C
		Ref	Note: See DECAL INSTALLATION - OPTIONS for additional decals.	
1	0760610	4	Bolt M6 x 20	
2	0860520	1	Box, Manual Storage	
3	See Note	NSS	Decal - Bar Code (Note: Not Available for Purchase)	
4	1703687	2	Decal - Directional Arrow	
5	1704699	1	Decal - Danger/Warning	
6	1704412	1	Decal - Hydraulic Oil	
7	2080057	4	Fastener	
8	3290605	4	Nut M6	
9	4811700	8	Washer M6	
12	1001224052	1	Decal - Yearly Inspection	
101	1701509	1	Decal - Manual	
102	1703811	1	Decal - Lifting Lug	
103	1703812	1	Decal - Hydraulic Oil	
104	1703814	1	Decal - Tie Down	
105	1703819	1	Decal - Directional Arrow	
106	1704277	1	Decal - Lanyard Attach	
201	1704701	1	Decal - Danger Electrocution/Warning Crushing	
202	1704702	1	Decal - Control Box Location	
203	1705043	1	Decal - Danger/Electrocution Hazard	
204	1705318	1	Decal - Warning Crushing	
205	1705019	1	Decal - Safety Prop	
206	1001203077	1	Decal - Legend	

# SECTION 9 - DECALS

## FIGURE 9-4. DECAL INSTALLATION - CE & UK CA SPEC



ART\_1001187670

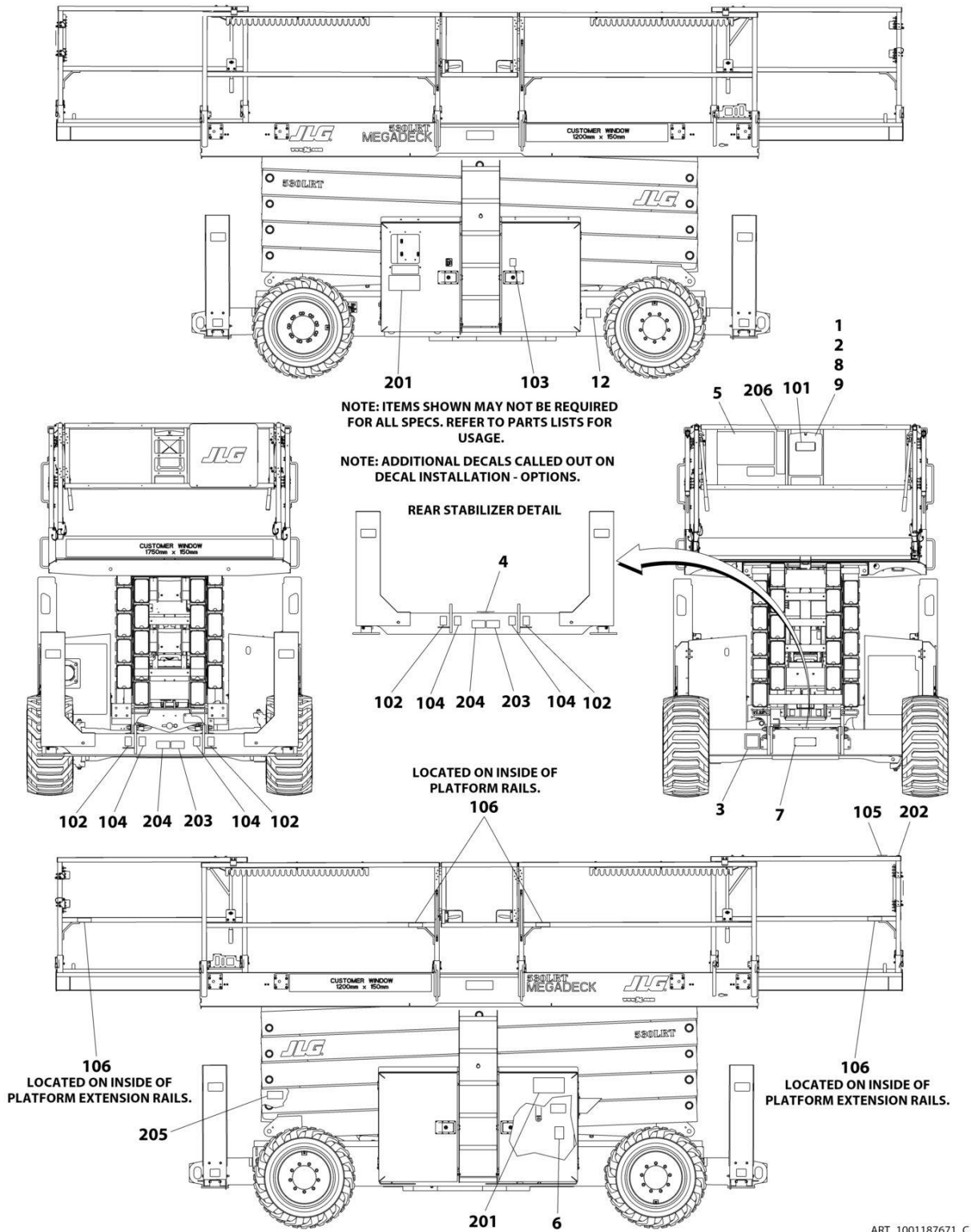
## SECTION 9 - DECALS

**FIGURE 9-4. DECAL INSTALLATION - CE & UK CA SPEC**

ITEM	PART NUMBER	QTY	DESCRIPTION	REV
	1001187670	Ref	DECAL INSTALLATION	F
		Ref	Note: See DECAL INSTALLATION - OPTIONS for additional decals.	
1	0760610	4	Bolt, M6 X 20	
2	0860520	1	Box, Manual Storage	
3	See Note	1	Decal - Bar Code (Note: Not Available for Purchase)	
4	1703687	2	Decal - Directional Arrow	
5	1704412	1	Decal - Hydraulic Oil	
6	2080057	4	Fastener	
7	3290605	4	Nut, Lock M6	
8	4811700	8	Washer, M6	
9	1001197634	1	Decal - MSSO Operation	
10	80463053	2	Decal - Sound Power Level	
101	1701509	1	Decal - Manual	
102	1703811	1	Decal - Lifting Lugs	
103	1703812	1	Decal - Hydraulic Oil	
104	1703814	1	Decal - Tie Down	
105	1703819	1	Decal - Directional Arrow	
106	1704277	1	Decal - Lanyard Attach	
201	1705019	1	Decal - Safety Prop	
202	1705372	1	Decal - Head Crushing	
203	1705671	1	Decal - Electrocution	
204	1706338	1	Decal - Electrocution/Crushing	

# SECTION 9 - DECALS

## FIGURE 9-5. DECAL INSTALLATION - CHINESE SPECS (ENGLISH/CHINESE)



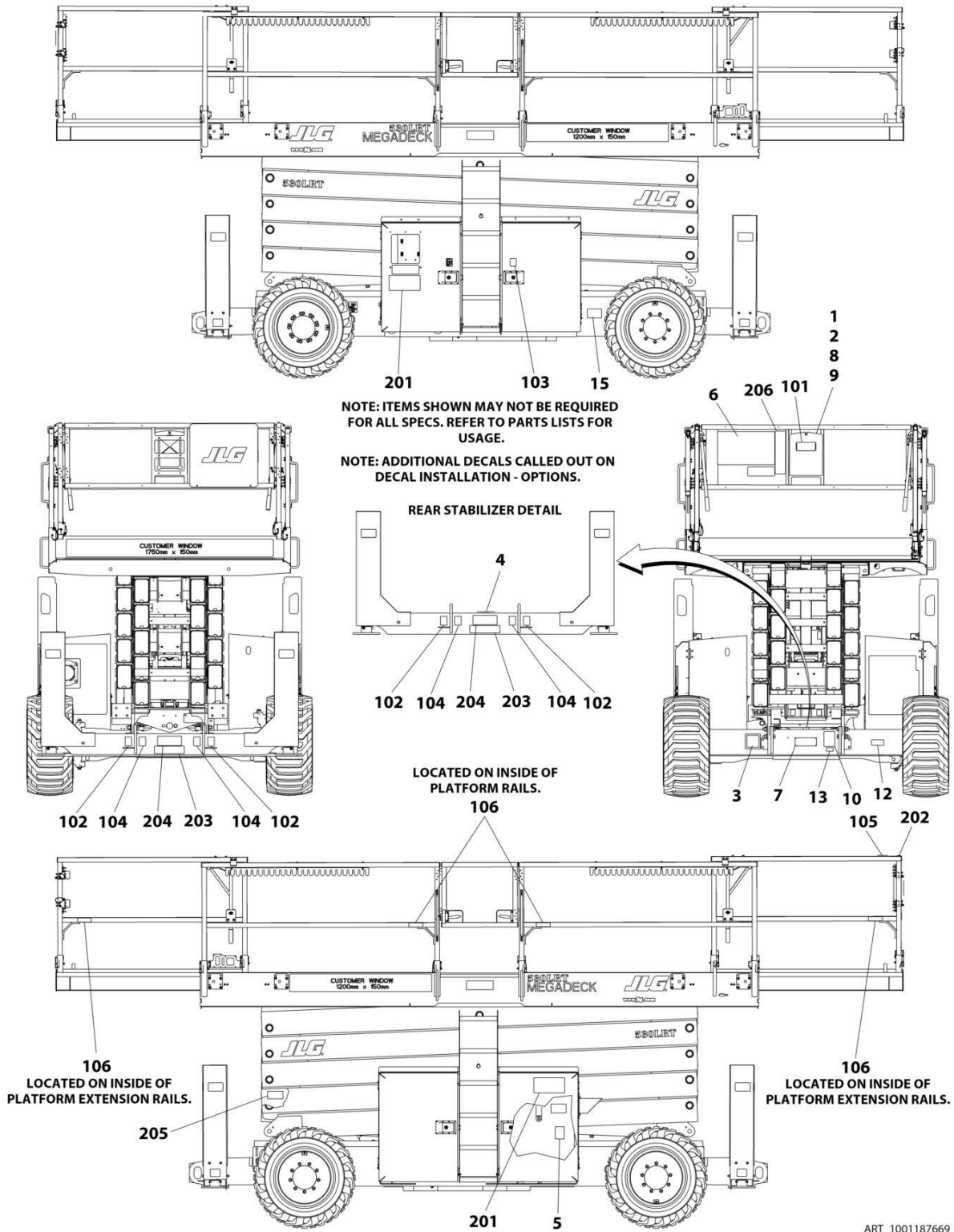
## SECTION 9 - DECALS

**FIGURE 9-5. DECAL INSTALLATION - CHINESE SPECS (ENGLISH/CHINESE)**

ITEM	PART NUMBER	QTY	DESCRIPTION	REV
	1001187671	Ref	DECAL INSTALLATION	C
		Ref	Note: See DECAL INSTALLATION - OPTIONS for additional decals.	
1	0760610	4	Bolt M6 x 20	
2	0860520	1	Box, Manual Storage	
3	See Note	NSS	Decal - Bar Code (Note: Not Available for Purchase)	
4	1703687	2	Decal - Directional Arrow	
5	1705195	1	Decal - Danger/Warning	
6	1704412	1	Decal - Hydraulic Oil	
7	2080057	4	Fastener	
8	3290605	4	Nut M6	
9	4811700	8	Washer M6	
12	1001224050	1	Decal - Yearly Inspection	
101	1701509	1	Decal - Manual	
102	1703811	1	Decal - Lifting Lug	
103	1703812	1	Decal - Hydraulic Oil	
104	1703814	1	Decal - Tie Down	
105	1703819	1	Decal - Directional Arrow	
106	1704277	1	Decal - Lanyard Attach	
201	1705193	1	Decal - Danger Electrocution/Warning Crushing	
202	1705194	1	Decal - Control Box Location	
203	1705944	1	Decal - Danger/Electrocution Hazard	
204	1705943	1	Decal - Warning Crushing	
205	1705019	1	Decal - Safety Prop	
206	1001192853	1	Decal - Legend	

# SECTION 9 - DECALS

## FIGURE 9-6. DECAL INSTALLATION - CSA (ENGLISH/FRENCH)





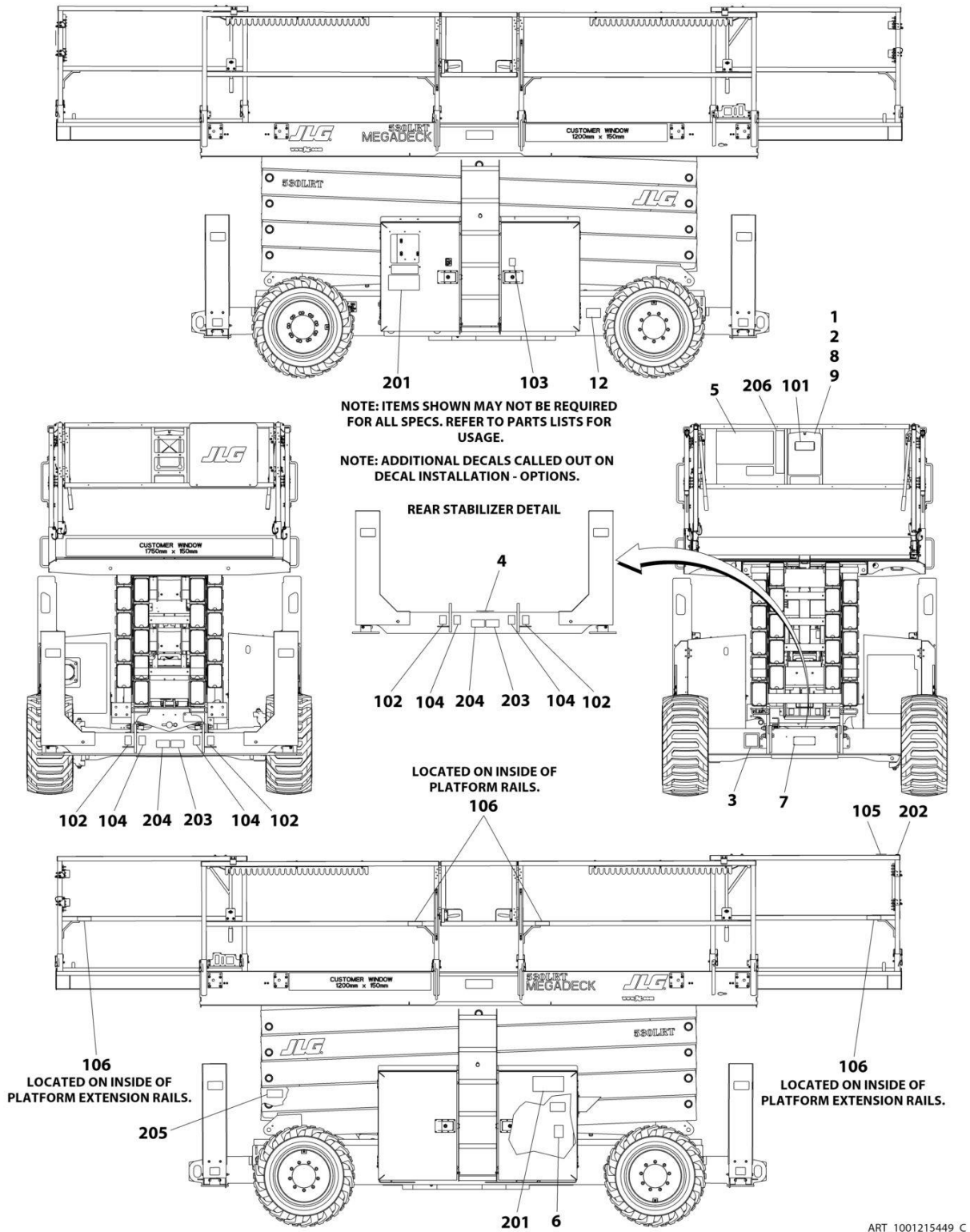
## SECTION 9 - DECALS

**FIGURE 9-6. DECAL INSTALLATION - CSA (ENGLISH/FRENCH)**

ITEM	PART NUMBER	QTY	DESCRIPTION	REV
	1001187669	Ref	DECAL INSTALLATION	D
		Ref	Note: See DECAL INSTALLATION - OPTIONS for additional decals.	
1	0760610	4	Bolt M6 x 20	
2	0860520	1	Box, Manual Storage	
3	See Note	NSS	Decal - Bar Code (Note: Not Available for Purchase)	
4	1703687	2	Decal - Directional Arrow	
5	1704412	1	Decal - Hydraulic Oil	
6	1704684	1	Decal - Danger/Warning	
7	2080057	4	Fastener	
8	3290605	4	Nut M6	
9	4811700	8	Washer M6	
10	1001131270	1	Decal - Patent	
12	1705303	1	Decal - CSA	
13	1001223453	1	Decal - ICES	
15	1001223971	1	Decal - Yearly Inspection	
101	1701509	1	Decal - Manual	
102	1703811	1	Decal - Lifting Lug	
103	1703812	1	Decal - Hydraulic Oil	
104	1703814	1	Decal - Tie Down	
105	1703819	1	Decal - Directional Arrow	
106	1704277	1	Decal - Lanyard Attach	
201	1704686	1	Decal - Danger Electrocution/Warning Crushing	
202	1704687	1	Decal - Control Box Location	
203	1705040	1	Decal - Danger/Electrocution Hazard	
204	1705311	1	Decal - Warning Crushing	
205	1705019	1	Decal - Safety Prop	
206	1001203075	1	Decal - Legend	

# SECTION 9 - DECALS

## FIGURE 9-7. DECAL INSTALLATION - KOREAN SPECS (ENGLISH/KOREAN)



ART\_1001215449\_C

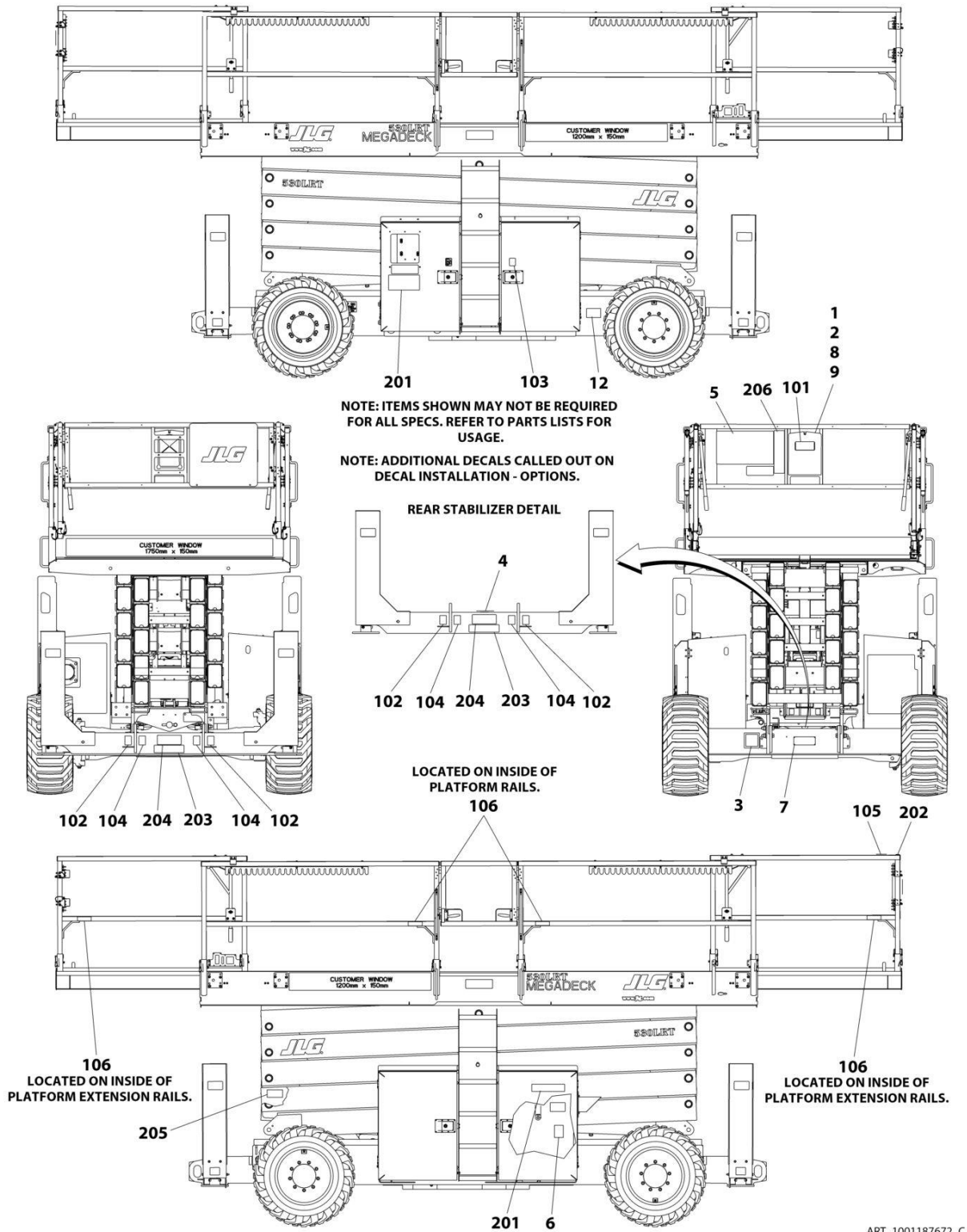
## SECTION 9 - DECALS

**FIGURE 9-7. DECAL INSTALLATION - KOREAN SPECS (ENGLISH/KOREAN)**

ITEM	PART NUMBER	QTY	DESCRIPTION	REV
	1001215449	Ref	DECAL INSTALLATION	C
		Ref	Note: See DECAL INSTALLATION - OPTIONS for additional decals.	
1	0760610	4	Bolt, M6 X 20	
2	0860520	1	Box, Manual Storage	
3	See Note	NSS	Decal - Bar Code (Note: Not Available for Purchase)	
4	1703687	2	Decal - Directional Arrow	
5	1001162115	1	Decal - Danger/Warning	
6	1704412	1	Decal - Hydraulic Oil	
7	2080057	4	Fastener	
8	3290605	4	Nut, Lock M6	
9	4811700	8	Washer, M6	
12	1001224048	1	Decal - Yearly Inspection	
101	1701509	1	Decal - Manual	
102	1703811	1	Decal - Lifting Lug	
103	1703812	1	Decal - Hydraulic Oil	
104	1703814	1	Decal - Tie Down	
105	1703819	1	Decal - Directional Arrow	
106	1704277	1	Decal - Lanyard Attach	
201	1001162111	1	Decal - Danger Electrocution/Warning Crushing	
202	1001162112	1	Decal - Control Box Location	
203	1001162114	1	Decal - Danger/Electrocution Hazard	
204	1001162113	1	Decal - Warning Crushing	
205	1705019	1	Decal - Safety Prop	
206	1001162110	1	Decal - Legend	

# SECTION 9 - DECALS

## FIGURE 9-8. DECAL INSTALLATION - LATIN AMERICAN SPECS (ENGLISH/SPANISH)



ART\_1001187672\_C

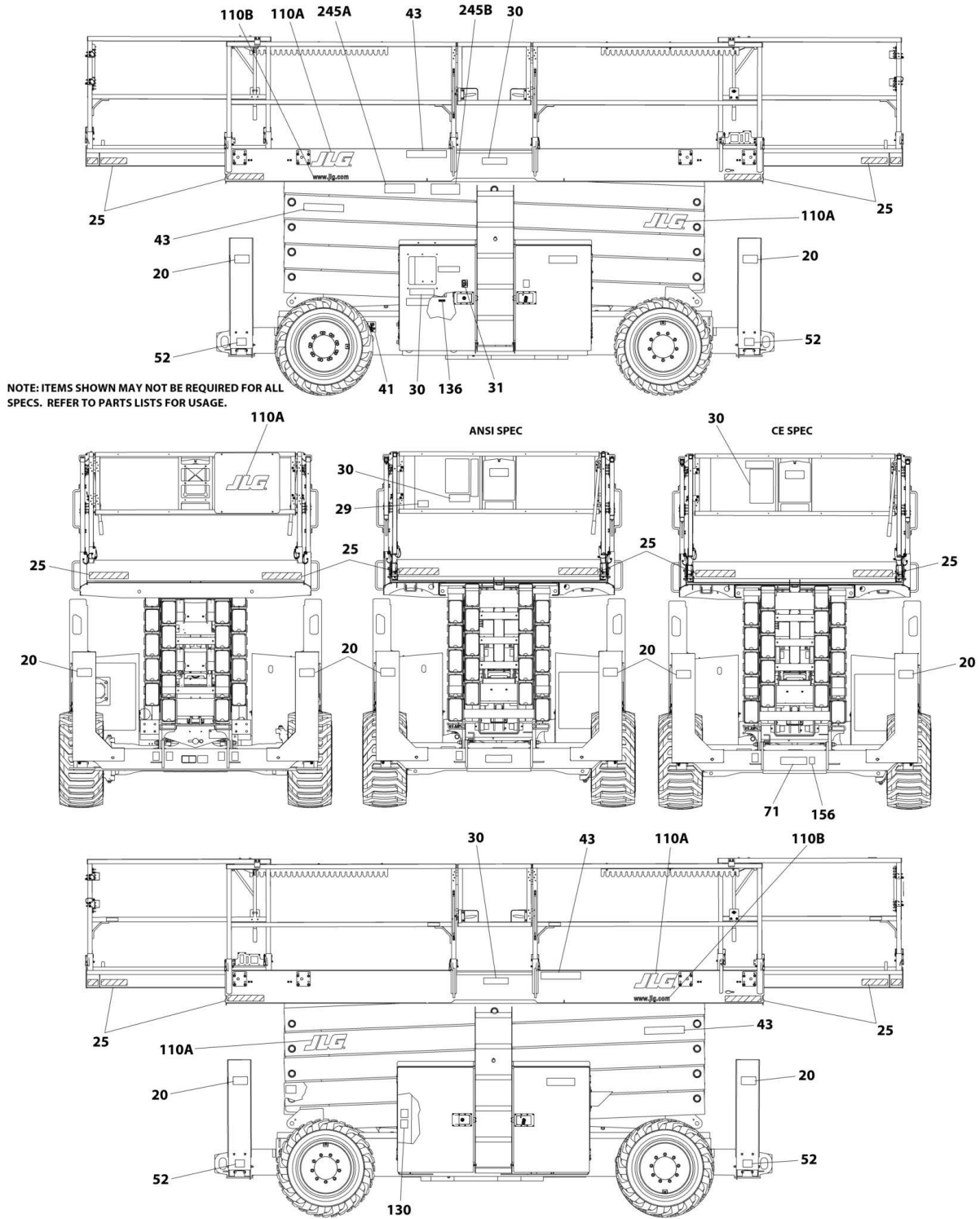
## SECTION 9 - DECALS

**FIGURE 9-8. DECAL INSTALLATION - LATIN AMERICAN SPECS (ENGLISH/SPANISH)**

ITEM	PART NUMBER	QTY	DESCRIPTION	REV
	1001187672	Ref	DECAL INSTALLATION	C
		Ref	Note: See DECAL INSTALLATION - OPTIONS for additional decals.	
1	0760610	4	Bolt M6 x 20	
2	0860520	1	Box, Manual Storage	
3	See Note	NSS	Decal - Bar Code (Note: Not Available for Purchase)	
4	1703687	2	Decal - Directional Arrow	
5	1704691	1	Decal - Danger/Warning	
6	1704412	1	Decal - Hydraulic Oil	
7	2080057	4	Fastener	
8	3290605	4	Nut M6	
9	4811700	8	Washer M6	
12	1001224049	1	Decal - Yearly Inspection	
101	1701509	1	Decal - Manual	
102	1703811	1	Decal - Lifting Lug	
103	1703812	1	Decal - Hydraulic Oil	
104	1703814	1	Decal - Tie Down	
105	1703819	1	Decal - Directional Arrow	
106	1704277	1	Decal - Lanyard Attach	
201	1704693	1	Decal - Danger Electrocution/Warning Crushing	
202	1704694	1	Decal - Control Box Location	
203	1705041	1	Decal - Danger/Electrocution Hazard	
204	1705316	1	Decal - Warning Crushing	
205	1705019	1	Decal - Safety Prop	
206	1001203076	1	Decal - Legend	

# SECTION 9 - DECALS

## FIGURE 9-9. DECAL INSTALLATION - OPTIONS



ART\_DECAL\_OPTIONS

## SECTION 9 - DECALS

**FIGURE 9-9. DECAL INSTALLATION - OPTIONS**

ITEM	PART NUMBER	QTY	DESCRIPTION	REV
		Ref	DECAL INSTALLATION - REFERENCE CHART	
	1001275394	1	DECAL INSTALLATION - OPTIONS	C
20	1701214	8	Decal - Outrigger Warning (ANSI, ANSI Export, China and CSA Specs) (English)	
20	1701785	8	Decal - Outrigger Warning (Australian, CE, Japanese & UK CA Specs) (English)	
20	1704698	8	Decal - Outrigger Warning (Brazilian Spec) (Spanish/Portuguese)	
20	1704690	8	Decal - Outrigger Warning (CSA Specs) (English/French)	
20	1001215447	8	Decal - Outrigger Warning (Korean Specs) (English/Korean)	
20	1704697	8	Decal - Outrigger Warning (Latin American Spec) (English/Spanish)	
25	1001187701	Ref	Decal - Warning Stripes Installation (Single Deck Extension)	A
25	1001192381	Ref	Decal - Warning Stripes Installation (Dual Deck Extension)	A
25	4420051	10 ft/ 3.1m	Tape, Safety (Single Deck Extension)	
25	4420051	12 ft/ 3.7m	Tape, Safety (Dual Deck Extension)	
29	1001231801	1	Decal - Warning Prop 65 (ANSI Specs)	
30	1001269878	4	Decal - Capacity 1500lbs/680kg (With Single Deck Extension) (All Specs Except Australian, CE & UK CA Specs)	
30	1001202974	1	Decal - Capacity 680kg (With Single Deck Extension) (Australian, CE & UK CA Specs)	
30	1001269879	4	Decal - Capacity 1500lbs/680kg (With Dual Deck Extension) (All Specs Except Australian, CE & UK CA Specs)	
30	1001191733	1	Decal - Capacity 680kg (With Dual Deck Extension) (Australian, CE & UK CA Specs)	
31	1701505	1	Decal - Fuel (Diesel)	
31	1701542	1	Decal - Fuel (Dual Fuel)	
41	1700818	1	Decal - LP Gas (ANSI, ANSI Export and CSA Specs) (English)	
41	1702720	1	Decal - LP Gas (ANSI Export Specs) (Spanish)	
41	1704271	1	Decal - LP Gas (CSA Spec) (English/French)	
43	1001264309	4	Decal - Model RT5394	
52	1001191735	4	Decal - Max Tire load	
71	See Note	NSS	Nameplate - Manufacturer Serial Number (Note: Not Available for Purchase)	
110	1001220567	Ref	JLG Logo Decal Installation	A
110A	1702773	5	Decal - JLG	
110B	1704885	2	Decal - Website	
130	1704972	1	Decal - Warning Explosion/Fire (English) (ANSI and ANSI Export Specs)	
130	1706098	1	Decal - Warning Explosion/Fire (Pictogram) (Australian, CE, Japanese & UK CA Spec)	
130	1706059	1	Decal - Warning Explosion/Fire (English/Portuguese) (Brazil Specs)	
130	1706060	1	Decal - Warning Explosion/Fire (English/Chinese) (China Specs)	
130	1706064	1	Decal - Warning Explosion/Fire (English/French) (CSA Specs)	
130	1706063	1	Decal - Warning Explosion/Fire (English/Spanish) (Latin American Specs)	
136	1001125387	1	Decal - Ultra Low Sulfur Fuel (ANSI, CSA and Japanese Specs) (Kubota T4F Only)	
136	1001139654	1	Decal - Ultra Low Sulfur Fuel (CE & UK CA Specs) (ISO)	
156	1001214029	Ref	EAC Decal Installation (Russian/CIS Specs)	A
156	1001173703	1	Decal - EAC	

## SECTION 9 - DECALS

ITEM	PART NUMBER	QTY	DESCRIPTION	REV
245	1001229700	Ref	Decal - ClearSky Telematics Installation	
245A	1001116208	1	Decal - ClearSky	
245B	1001120989	1	Decal - Radio Frequency Device	



**SECTION 10 - RECOMMENDED SERVICE PARTS STOCK**

**SECTION 10 - RECOMMENDED SERVICE PARTS STOCK**

# SECTION 10 - RECOMMENDED SERVICE PARTS STOCK

FIGURE 10-1. RECOMMENDED SERVICE PARTS STOCK

ITEM	PART NUMBER	QTY	DESCRIPTION	REV
		Ref	Note: The following list will service one machine (built to current production per date on the front cover) with emergency repair parts which can be installed in the field. Parts from the list should be replaced when inventory is depleted to keep service parts stock supplied. For further information, contact your JLG dealer or the JLG Industries Parts Department.	
	70006095	1	Breaker 30AMP (Generator)	
	4360070	1	Breaker, Circuit 15Amp (Ground Control)	
	1001159118	1	Breaker, GFCI 30A - 240V (Machines with Receptacle Assembly)	
	1001181045	1	Breaker, 30mA/16Amp (CE & UK CA Spec Machines)	
	70002113	1	Breather, Hydraulic Tank	
	70050516	1	Coil (Axle Lockout Valve)	
	70002963	1	Coil (Axle Lockout Valve)	
	70003789	1	Coil (Main Control Valve)	
	70001965	1	Coil (Lift Cylinder)	
	70001967	1	Coil (Main Control Valve)	
	70001977	1	Coil (Main Control Valve)	
	70003788	1	Coil (Lift Cylinder)	
	70005788	1	Coil (Lift Cylinder)	
	1001247682	1	Controller Assembly (Platform Box)	
	70010383	12	Element, Charge Filter	
	70001960	12	Element, Return Filter	
		Ref	<b>Engine - Diesel Engine</b>	
	7015004	12	Element, Air Cleaner (Diesel Engines)	
	70005296	12	Element, Fuel/Water Separator (Diesel Engines)	
	7017992	12	Filter, Fuel (Diesel Engines)	
	70004395	12	Filter, Oil (Diesel Engines)	
		Ref	<b>Engine - Gasoline Engine</b>	
	7015004	12	Element, Air Cleaner (Gasoline Engines)	
	7017992	12	Filter, Fuel (Gasoline Engines)	
	7017980	12	Filter, Oil (Gasoline Engines)	
	70005758	1	Module, Engine Control (ECU) (Gasoline Engines)	
	2860030	1	Key, Replacement (Ground Control)	
	2940074	1	Latch (Platform)	
	1001182481	1	Module, Control (Kubota Engines)	
	1001234736	1	Module, Control - Hydraulics	
	1600387	1	Module, Control - LSS	
	1001234735	1	Module, Ground Control	
	1001235098	1	Module, Platform Control	
	3740080	1	Relay (Engine)	
	1001187857	1	Sensor, Dual Axis (Arm Guards)	
	1001181330	1	Sensor, (Ground Controls)	
	4360475	1	Switch, Emergency Stop (Ground Controls & Platform Box)	
	4360469	1	Switch, Key (Ground Control)	
	4360548	1	Switch, Limit (Leveling Jacks)	
	4360387	1	Switch, Push Button (Ground Controls & Platform Box)	
	4360500	1	Switch, Rotary Angle Sensor	
	4360483	1	Switch, Toggle (Platform Box)	
	4360525	1	Switch, Toggle (Platform Box)	

## SECTION 10 - RECOMMENDED SERVICE PARTS STOCK

ITEM	PART NUMBER	QTY	DESCRIPTION	REV
	4360524	1	Switch, Toggle (Ground Controls)	
	1001236560	1	Switch, Toggle (Platform Box)	
	4360482	1	Switch, Toggle (Machines with Generator)	
	4360482	1	Switch, Toggle (All Gasoline Machines)	



**SECTION 11 - SPECIAL OPTIONS/ACCESSORIES/KITS**

**SECTION 11 - SPECIAL OPTIONS/ACCESSORIES/KITS**

# SECTION 11 - SPECIAL OPTIONS/ACCESSORIES/KITS

FIGURE 11-1. SPECIAL OPTIONS/ACCESSORIES/KITS

ITEM	PART NUMBER	QTY	DESCRIPTION	REV
		Ref	Note: This list is to accommodate machines ordered with special equipment. Options may not be applicable to all models. For more specific parts information contact JLG Parts Department.	
		Ref	SPECIAL OPTIONS/ACCESSORIES/KITS	
	1001273291	Ref	Airline Installation (Factory Installed)	
	1001215967	Ref	Airline Add-on Kit (Dealer Installed)	
	1001234565	Ref	Cable Routing Add-on Kit	
		Ref	ClearSky Telematic Installation (Factory Installed) Options:	
	1001236021	Ref	ClearSky Canbus Connection Installation (Factory Installed) (ANSI & CSA Specs)	
	1001236869	Ref	ClearSky Canbus Connection Installation (Factory Installed) (ANSI Export, CE & UK CA Specs)	
	1001246528	Ref	ClearSky Canbus Connection Installation (Factory Installed) (Australian Spec)	
	1001246529	Ref	ClearSky Canbus Connection Installation (Factory Installed) (Chinese Spec)	
	1001229107	Ref	ClearSky 3 Wire Connection Installation (Factory Installed) (ANSI and CSA Specs)	
	1001233237	Ref	ClearSky 3 Wire Connection Installation (Factory Installed) (ANSI Export, CE & UK CA Specs)	
		Ref	ClearSky Telematic Add-on Kit (Dealer Installed) Options:	
	1001265374	Ref	ClearSky Canbus Connection Add-on Kit (Dealer Installed) (ANSI & CSA Specs)	
	1001247539	Ref	ClearSky Canbus Connection Add-on Kit (Dealer Installed) (Australian Specs)	
	1001247788	Ref	ClearSky Canbus Connection Add-on Kit (Dealer Installed) (China Specs)	
	1001230504	Ref	ClearSky 3 Wire Connection Add-on Kit (Dealer Installed) (ANSI and CSA Specs)	
	1001234102	Ref	ClearSky 3 Wire Connection Add-on Kit (Dealer Installed) (ANSI Export, CE & UK CA Specs)	
	1001243580	Ref	ClearSky Telematics Access Control Add-on Kit (ANSI, ANSI Export, CE, CSA & UK CA Specs)	
	1001265379	Ref	ClearSky Telematics Access Control Add-on Kit – Single Can (ANSI Specs)	
	1001243186	Ref	ClearSky Telematics Access Control Add-on Kit – Single Can (CE & UK CA Specs)	
	1001177763	Ref	Cold Weather Package Installation - 120V (Diesel Engine) (Factory Installed)	
	1001215968	Ref	Cold Weather Package Add-on Kit - 120V (Diesel Engine) (Dealer Installed)	
	1001206739	Ref	Cold Weather Package Installation - 120V (Gas Engine) (Factory Installed)	
	1001188785	Ref	Cold Weather Package Installation - 240V (Diesel Engine) (Factory Installed)	
	1001215969	Ref	Cold Weather Package Add-on Kit - 240V (Diesel Engine) (Dealer Installed)	
	1001191737	Ref	Container Shipment Preparation	
		Ref	Decal Kits:	
	1001194829	Ref	Decal Kit - Country Spec (ANSI Spec)	
	1001194831	Ref	Decal Kit - Country Spec (Australian, CE, Japanese & UK CA Specs)	
	1001194834	Ref	Decal Kit - Country Spec (Brazil Specs)	

## SECTION 11 - SPECIAL OPTIONS/ACCESSORIES/KITS

ITEM	PART NUMBER	QTY	DESCRIPTION	REV
	1001214131	Ref	Decal Kit - Country Spec (Chinese Specs)	
	1001194830	Ref	Decal Kit - Country Spec (CSA Specs)	
	1001162116	Ref	Decal Kit - Country Spec (Korean Specs)	
	1001203076	Ref	Decal Kit - Country Spec (Latin American Specs)	
	1001193323	Ref	Decal Kit - Master (Standard Decal)	
	1001233631	Ref	Door Bumpers Kit (Dealer Installed)	
	1001233818	Ref	Door Retention Kit (Dealer Installed)	
		Ref	Electrical Connector Kits	
	1001148902	Ref	Electrical Connector Kit - Amp/Tyco Electrical Connectors	
	1001148903	Ref	Electrical Connector Kit - Deutsch DT Electrical Connectors	
	1001148904	Ref	Electrical Connector Kit - Deutsch HD Electrical Connectors	
	1001148905	Ref	Electrical Connector Kit - Packard Electrical Connectors	
	1001148906	Ref	Electrical Connector Kit - Various Electrical Connectors	
	1001253708	Ref	Fan and Pulley Guard Add-on Kit (Australian Specs) (Dealer Installed)	
	1001218620	Ref	Filter Kit (Diesel Engines)	
	1001175145	Ref	Fire Extinguisher Installation	
	1001233321	Ref	Footswitch Installation (Korean Specs Only) (Factory Installed)	
	1001234575	Ref	Footswitch Add-on Kit (Korean Specs Only) (Dealer Installed)	
	1001202749	Ref	Fuel Cap Cover Installation (Black) (Note: Lock p/n 1001102157 must be Purchased Separately)	
	1001191395	Ref	Fuel Cap Cover Installation (Green) (Diesel Machines) (Note: Lock p/n 1001102157 must be Purchased Separately)	
	1001191394	Ref	Fuel Cap Cover Installation (Red) (Gas Machines) (Note: Lock p/n 1001102157 must be Purchased Separately)	
	1001234904	Ref	Fuselink Kit (Dealer Installed)	
		Ref	Generator Add-on Kit Options:	
	1001215964	Ref	Generator Add-on Kit - 4000W 50Hz (Diesel Engines) (Dealer Installed)	
	1001215962	Ref	Generator Add-on Kit - 4000W 60Hz (Diesel Engines) (Dealer Installed)	
	1001215963	Ref	Generator Add-on Kit - 4000W 60Hz (Gas Engines) (Dealer Installed)	
	1001215961	Ref	Generator Add-on Kit - 7500W SkyPower 50Hz (Diesel Engines) (Dealer Installed)	
	1001215959	Ref	Generator Add-on Kit - 7500W SkyPower 60Hz (Diesel Engines) (Dealer Installed)	
	1001215960	Ref	Generator Add-on Kit - 7500W SkyPower 60Hz (Gas Engines) (Dealer Installed)	
	1001110509	Ref	Ground Control Box Cover Installation	
	1001187700	Ref	Headlights and Taillights Installation (Factory Installed)	
	1001215971	Ref	Headlights and Taillights Add-on Kit (Dealer Installed)	
	1001238487	Ref	Material Rack Installation (Single Deck Extension) (Factory Installed)	
	1001238484	Ref	Material Tray Add-on Kit (Single Deck Extension) (Dealer Installed)	
	1001236785	Ref	Material Rack Installation (Dual Deck Extension) (Factory Installed)	
	1001231858	Ref	Material Tray Add-on Kit - Dual Deck Extension (Dealer Installed)	
	1001199441	Ref	Oil Cooler Installation (Factory Installed)	
	1001215972	Ref	Oil Cooler Add-on Kit (Dealer Installed)	
	1001215970	Ref	Pipe Racks Add-on Kit	
	1001234258	Ref	Platform Bearing Spacers Kit (Dealer Installed)	
	1001241633	Ref	Platform Console Box Cover Add-on Kit (Dealer Installed)	

## SECTION 11 - SPECIAL OPTIONS/ACCESSORIES/KITS

ITEM	PART NUMBER	QTY	DESCRIPTION	REV
	1001197983	Ref	Platform Lanyard Attach Installation	R
	1001187699	Ref	Platform Lights Installation - Flood Lights (Nite - Bright) (Factory Installed)	
	1001215966	Ref	Platform Lights Add-on Kit - Flood Lights (Dealer Installed)	
	1001187698	Ref	Platform Lights Installation - Worklights (Factory Installed)	
	1001215965	Ref	Platform Lights Add-on Kit - Worklights (Dealer Installed)	
	1001215958	Ref	Service Kits/Tools	
		Ref	Tools for Service	
	7002821	1	Crimper, Wire	
	7002823	1	Pin Extractor - Universal (For Electrical Connectors with Pins and Sockets)	
	4460510	1	Pin Extractor - 12-14 Gauge (For Removal of Pin/Sockets from Deutsch Connectors)	
	4460467	1	Pin Extractor - 16-18 Gauge (For Removal of Pin/Sockets from Deutsch Connectors)	
	7016654	1	Screwdriver, Magnetic	
	7002822	1	Screwdriver, Potentiometer	
	7004275	1	Seal Tool 1in (For Cylinders)	
	7004276	1	Seal Tool 1-1/2in (For Cylinders)	
	7002828	1	Stripper, Wire	



## SECTION 11 - SPECIAL OPTIONS/ACCESSORIES/KITS

### PART NUMBER INDEX

## SECTION 11 - SPECIAL OPTIONS/ACCESSORIES/KITS

0100009.....63, 65	0700830.....172	0761615.....13, 15, 72	1001108477.....234, 243
0100011....13, 15, 17, 19, 39, 41, 47, 59, 61, 72, 77, 81, 84, 87, 91, 94, 102, 105, 109, 112, 115, 118, 135, 139, 143, 147, 151, 155, 159, 172, 203, 207, 209	0700831.....172	0761617 77, 87, 102, 112	1001108588.....172
0100019.....19	0700835.....197, 199	0762019.....53, 55	1001110509.....367
010002078, 87, 103, 112, 323	0700836.....47	0770812.....67	1001112612.....277, 281
0100048....139, 143, 147, 151, 155, 159	0701012.....15	0771014.....47	1001113961.....321
0140001.....53, 55	0701014.....13	0771015 ....172, 177, 179	1001116208.....360
0140030.....197, 199	0701015.....72	0780608 ...251, 253, 255, 257, 259, 261, 263, 265, 267	1001116732.....278, 281, 285
0140032.....67	0701019...139, 143, 147, 151, 155, 159	0780810 ...139, 143, 147, 151, 155, 159	1001116733.....275, 277, 281, 282, 285, 295
0181847.....197, 199	0701020.....53, 55	0840052.....269, 271	1001116734.....278, 281
0270092.....29	0701037.....177, 179	0840055.....313	1001116749.....285
0270653.....31	0701039.....39	0840056.....275	1001116752.....275, 277, 281, 282, 285
0274260.....213	0701047.77, 87, 102, 112	0840057.....277, 282	1001116763.....285
0275216.....255, 327	0701215...139, 143, 151, 155	0860520 ...343, 345, 347, 349, 351, 353, 355, 357	1001116774.....275
0275217.....257, 329	0701217...140, 144, 148, 152, 156, 160	0861538.....155, 159	1001116808.....275, 321
0275218.....263, 337	0701218.....13	0861572.....151	1001116810.....321
0275219.....267	0701219...140, 144, 148, 152, 156, 160	0861731 ...253, 323, 325, 331, 333, 335	1001116811.....321
0275452.....261, 335	0701222 .15, 84, 94, 108, 118	0861781.....327, 329	1001116812.....277, 311, 317
0275453.....265, 333	0711025.....172	0861880.....273	1001116816.....275, 282
0275454.....259, 331	0711026.....172	0901870.....189, 193	1001116926.....275, 309
0340045.84, 94, 108, 118	0711027.....172	0940049.....72	1001116930.....309, 321
0400075.77, 87, 102, 112	0711221.....17	0961948.....17	1001116934.....319
0440234.....177, 179	0712026.....39	0961950.....13, 15	1001116946.....203
0440250.....172	0731005.....53, 55	0961986 84, 94, 108, 118	1001117023.....275, 277
0440334.....84, 94	0741010.77, 87, 102, 112	0962031.....172	1001117025.....277, 285, 317
0480100.....205	0741607...139, 143, 147, 151, 155, 159	0962036.....172	1001117055.....282
0561489.....177, 179	0760415.....172	0962224.....173	1001117069.....277, 281, 282
0630485.....185, 187	0760508.....37	0962474.....173	1001117070.....281, 285
0641404.....203	0760512.....103, 112	0962520 ...139, 143, 147, 151, 155, 159	1001117077.....281
0641406.....189, 193	0760606...152, 156, 160, 197, 199	1001091102.....203	1001117078.....275, 281, 285, 295
0641408.....84, 94	0760607.84, 94, 108, 118	1001096070 ....255, 257, 259, 261, 263, 265, 267, 273	1001117110.....285
0641507.....185, 187	0760608.59, 61, 84, 108, 118, 135	1001096653.....172	1001117372.....217
0641508.....39, 185, 187	0760610...59, 61, 72, 77, 87, 139, 143, 147, 151, 155, 159, 251, 253, 255, 257, 259, 261, 263, 265, 267, 343, 345, 347, 349, 351, 353, 355, 357	1001097150.....273	1001118280..85, 95, 108, 118
0641516.....189, 193	0760612.....69, 255, 257, 259, 261, 263, 265, 267	1001098765.....269, 271	1001118511.....13, 15
0641605.....87	0760614.....102, 112	1001099623.....177, 179	1001118518.....13, 15
0641606.....207, 209	0760618.....203	1001099670.....323	1001118519.....13, 15
0641610.....102, 112	0760808.....94, 108, 118	1001100319.....59, 61	1001118538..84, 94, 108, 118
0641612.77, 87, 102, 112	0760810.....84, 94	1001100341.....327	1001118539..84, 94, 108, 118
0641676.....189, 193	0760810001.....59, 61	1001100342.....329	1001118580.....84, 94
0641814.81, 91, 105, 115	0760812.....102	1001100345.....335	1001118582.....85, 95
0681810.....19	0760814....53, 55, 77, 87	1001100346.....331	1001118616.....286
0682014.....19	0760815.....108	1001100347.....333	1001118657.....282
0700610....39, 53, 55, 84, 94, 108, 118	0761009.....148, 160	1001101331 .81, 91, 105, 115, 131	1001118658.....282, 285
0700616.....15, 181	0761010.77, 87, 102, 112	1001102433.....61, 172	1001118665.....172
0700618.....177, 179	0761011.....17	1001102804.....19	1001118675...84, 94, 127
0700619....108, 118, 189, 193	0761012.....72, 172	1001102805.....19, 27	1001118743.....282
0700620.....84, 94	0761014 .72, 84, 94, 105, 115	1001102823 ....53, 55, 57	1001118744.....281
0700812.77, 87, 102, 112	0761015.84, 94, 108, 118	1001103012 ....299, 317, 339	1001118745.....281
070081484, 94, 105, 109, 115, 118, 172	0761016.84, 94, 108, 118	1001103761.....41, 174	1001118746..84, 94, 108, 118
0700815.....84, 94	0761215.....72	1001103801.....39, 313	1001118881.....84, 94
0700817.....77, 87, 172	0761216.....72	1001104498.....299, 317	1001118925.....84, 94
0700819.84, 94, 105, 115	0761227.....41	1001104581.....233, 243	1001118938.....281, 285
0700820.....172		1001104589.....234, 243	1001118972.....53, 55, 72
0700824.....172		1001106736.....282	1001119929.....140, 152
0700826.....172		1001107854.....285, 299, 317, 339	1001120989.....360
0700827.....172		1001107924.....233, 243	1001125248..85, 95, 105, 115
0700828.....172		1001108128.....233, 243	

## SECTION 11 - SPECIAL OPTIONS/ACCESSORIES/KITS

1001125387 ..... 359	1001162110.....355	1001178759.....177	1001182980 . 85, 95, 109, 119
1001125748 ..... 282, 285	1001162111.....355	1001178866.....39	1001182981 . 85, 95, 109, 119
1001125773 ..... 282, 285	1001162112.....355	1001179071.....233	1001182982 . 85, 95, 109, 119
1001126245 ..... 297	1001162113.....355	1001179171.....33	1001182983 . 85, 95, 109, 119
1001126393 ..... 286	1001162114.....355	1001179172.....33	1001182984 . 85, 95, 109, 119
1001128128 ..... 282	1001162115.....355	1001179173.....33	1001182985 ..... 85, 95
1001128888 ..... 84, 94	1001162116.....367	1001179174.....33, 35	1001182987 ..... 85, 95
1001129255 ..... 103, 112	1001162995..... 13, 15	1001179175.....33	1001183328 ..... 39
1001129256 ..... 103, 113	1001163178..... 17, 225	1001179200.....39	1001183416 ..... 72
1001129772 ..... 285	1001163405..... 17	1001179256.....17	1001183421 . 78, 87, 103, 113
1001129773 ..... 282	1001163418..... 53	1001179911.....41	1001183424 . 85, 95, 109, 119
1001130220 ..... 39	1001163580..... 15, 217	1001179956.....35	1001183427 ..... 109, 119
1001130781 ..... 177, 179	1001163715..... 17	1001179957.....35	1001183428 ..... 109, 119
1001131270 ..... 343, 353	1001163716..... 17	1001179958.....35	1001183429 ..... 109, 119
1001131391 ..... 103, 113	1001164209..... 17	1001179959.....35	1001183726 ..... 144, 156
1001132170 ..... 315	1001164817.....217	1001180307.....13	1001183727 ..... 72
1001132208 ..... 219	1001165035.. 77, 87, 108, 118	1001180309.....13	1001184019 ..... 173
1001132358 ..... 197, 199	1001165791..... 63, 65	1001180315.....13	1001184064 ..... 109, 119
1001138566 ..... 140, 143, 147	1001166257..... 63, 65	1001180316.....13	1001184065 . 77, 87, 102, 113
1001139654 ..... 359	1001166702.....285	1001180620.. 85, 95, 109, 118	1001184066 . 85, 95, 109, 119
1001140346 ..... 143, 147	1001166729..... 185, 187	1001181045.....273, 362	1001184162 ..... 139, 144, 148, 152, 156, 160
1001140347 ..... 139	1001166732..... 139, 144, 148, 151, 156, 160	1001181116.....72	1001184163 ..... 148, 160
1001141967 ..... 337	1001167055..... 189, 193	1001181140.....151	1001184235 ..... 144, 156
1001141968 ..... 337	1001167058..... 189	1001181141.....159	1001184653 ..... 102, 105
1001141971 ..... 337	1001167269..... 185, 187	1001181211..... 148, 160	1001184654 ..... 105, 108
1001143645 ..... 172	1001167272..... 185, 187	1001181216.....147	1001184705 ..... 285
1001144295 ..... 321	1001167274..... 185, 187	1001181217.....139	1001184716 ..... 285
1001145292 ..... 189, 193	1001167275..... 185, 187	1001181330...63, 65, 362	1001184717 ..... 285
1001146043 ..... 108, 118	1001167690.....285	1001181375.....172	1001184718 ..... 285
1001146588 ..... 103, 113	1001167696..... 185, 187	1001181384.....172	1001184722 ..... 285
1001147274 ..... 29, 31	1001168018.. 84, 94, 108, 118	1001181385.....172	1001184730 ..... 63, 65
1001148648 ..... 167	1001169054.. 84, 94, 109, 118	1001181436.....173	1001184768 ..... 285
1001148675 ..... 323	1001169138.. 84, 94, 105, 108, 115, 118	1001181476.....173	1001184769 ..... 285
1001148676 ..... 323	1001169967.. 84, 94, 108, 118	1001181477.....173	1001184832 ..... 285
1001148865 ..... 29	1001170035.. 85, 95, 108, 118	1001181479.....173	1001185125 ..... 59, 61
1001148866 ..... 29	1001173043..... 244	1001181481.....173	1001185315 ..... 173
1001148869 ..... 31	1001173703.....359	1001181482.....173	1001185585 ..... 103, 113
1001148870 ..... 31	1001174093..... 102, 113	1001181485.....173	1001185704 ..... 173
1001148902 ..... 367	1001174455.....277, 282	1001181486.....173	1001185705 ..... 173
1001148903 ..... 367	1001174486..... 103, 113	1001181501..... 177, 179	1001185706 ..... 173
1001148904 ..... 367	1001175012..... 67	1001181554.....53, 55	1001186235 ..... 173
1001148905 ..... 367	1001175145.....367	1001181622.....197	1001186428 .. 77, 88, 269
1001148906 ..... 367	1001175509..... 95, 118	1001181623.....197	1001186429 ..... 102, 113, 271
1001148907 ..... 323	1001176469.....59, 61	1001181625..... 109, 118	1001186467 ..... 15
1001148972 ..... 172	1001176848..... 17	1001181626.....199	1001186483 ..... 269, 271
1001149581 ..... 185, 187	1001177745..... 13	1001181627.....199	1001186484 ..... 269, 271
1001149953 ... 29, 31, 33, 35	1001177747..... 17	1001181649.. 85, 95, 108, 118	1001186551 ..... 173
1001151080 ..... 139, 144, 148, 151, 156, 160	1001177749..... 15	1001181658.. 85, 95, 108, 118	1001186822 ..... 152, 156, 160, 295
1001151351 ..... 234, 244	1001177750.....243	1001181659..... 109, 119	1001186826 ..... 139, 144, 148, 291
1001151354 ..... 234, 244	1001177751..... 53	1001181711.....63, 65	1001186828 ..... 144, 148, 163
1001152525 ..... 163, 167	1001177752..... 55	1001181739..... 109, 119	1001186833 ..... 105, 115
1001157520 ..... 163, 165, 167	1001177754.....203	1001181829..... 109, 119, 129	1001186900 ..... 173
1001157521 ..... 163, 167	1001177755..... 55	1001182051.....234, 244	1001186919 ..... 144, 156
1001157528 ..... 165	1001177763.....366	1001182481...59, 61, 362	
1001158007 ..... 163, 165, 167	1001177767.....155	1001182680.....63, 65	
1001158008 ..... 163, 165, 167	1001177770.....143	1001182681.....63, 65	
1001158199 ..... 234, 244	1001177775..... 61	1001182806.....69	
1001158246 ..... 234, 243	1001177785..... 102	1001182971.....39, 41	
1001159118 ..... 323, 362	1001177786..... 77	1001182976.....85, 95	
1001159119 ..... 323	1001178489.....47	1001182977.....85, 95	
1001161497 ..... 108, 118	1001178636..... 108	1001182978.....85, 95	
		1001182979.....85, 95	

## SECTION 11 - SPECIAL OPTIONS/ACCESSORIES/KITS

1001187092.....143, 148, 156, 160, 323	1001193386 ..... 173	1001206009 ..... 193	1001218620.....367
1001187185..... 173	1001193988 ..... 244	1001206025 ..... 190, 194	1001219108.....69
1001187186..... 173	1001194221 ..... 319	1001206065 ..... 189	1001219775..... 137
1001187197.....140, 152, 167	1001194378 ..... 234, 244	1001206097 ..... 193	1001219826..... 137
1001187228.....156, 160, 165	1001194379 ..... 234, 244	1001206182 ..... 185	1001220567..... 359
1001187232..... 165	1001194380 ..... 234, 244	1001206190 ..... 189	1001220613..... 135
1001187235.....85, 108	1001194381 ..... 234, 244	1001206625 ..... 174	1001220614..... 135
1001187455.....285	1001194382 ..... 234, 244	1001206739 ..... 366	1001220957..85, 95, 108, 119
1001187601..... 15, 317	1001194383 ..... 234, 244	1001206896 ..... 55	1001220959..85, 95, 108, 119
1001187668.....343	1001194384 ..... 234, 244	1001207285 ..... 140, 144, 148, 152, 156, 160	1001222025...59, 61, 311
1001187669.....353	1001194385 ..... 234, 244	1001207511 ..... 251	1001222343..... 174, 301
1001187670.....349	1001194386 ..... 234, 244	1001207512 ..... 253	1001222344..... 174, 303
1001187671.....351	1001194387 ..... 234, 244	1001207514 ..... 261	1001223055..... 343
1001187672.....357	1001194388 ..... 234, 244	1001207515 ..... 265	1001223432..... 282
1001187673.....347	1001194389 ..... 244	1001207516 ..... 255	1001223453.....343, 353
1001187695..... 15	1001194390 ..... 234, 244	1001207518 ..... 263	1001223795.....282
1001187698.....368	1001194391 ..... 234, 244	1001207519 ..... 267	1001223796.....282
1001187699.....368	1001194393 ..... 173	1001207520 ..... 251, 253, 255, 257, 259, 261, 263, 265, 267	1001223971..... 353
1001187700.....367	1001194421 ..... 319	1001207521 ..... 259	1001224048..... 355
1001187701.....359	1001194829 ..... 366	1001208339 ..... 140, 144, 152, 156	1001224049..... 357
1001187703.....137	1001194830 ..... 367	1001208340 ..... 140, 144, 148, 152, 156, 160	1001224050..... 351
1001187857..... 181, 362	1001194831 ..... 366	1001208340 ..... 140, 144, 148, 152, 156, 160	1001224052..... 347
1001188000..... 173	1001194834 ..... 366	1001208874 77, 102, 112	1001224493..... 108, 119, 121
1001188001..... 173	1001194836 . 77, 87, 102, 113	1001209298 ..... 257	1001225257..... 72
1001188345..... 173	1001195123 ..... 321	1001209406 ..... 173	1001225258..... 72
1001188348..... 173	1001195209 ..... 173	1001209407 ..... 173	1001225369..... 173, 221
1001188351..... 173	1001195517 ..... 163	1001210278 ..... 185, 187	1001225420..... 103, 113
1001188785.....366	1001195600 . 85, 95, 105, 115	1001210645 ..... 148, 160	1001226116.....59, 61
1001189773.....63, 65	1001195684 ..... 282	1001210708 ..... 109, 119	1001226221..... 72
1001190002.....63, 65	1001197395 ..... 173	1001211336 ..... 55	1001226420..... 105, 115
1001190270..... 197, 199	1001197396 ..... 173	1001212223 ..... 151, 155, 159	1001226421..... 197, 199
1001190368..... 17	1001197397 ..... 173	1001213495 ..... 189, 193	1001226830..... 177, 179, 315
1001190469.....319	1001197398 ..... 173	1001213847 ..... 109, 119	1001227285.....85, 95
1001190471.....319	1001197404 ..... 173	1001214029 ..... 359	1001227353...63, 65, 299
1001190472..... 197, 199	1001197405 ..... 173	1001214131 ..... 367	1001228988..... 207, 209
1001190473..... 197, 199	1001197634 ..... 349	1001215224 ..... 185, 187	1001229107.....366
1001190474..... 197, 199	1001197983 ..... 368	1001215447 ..... 359	1001229700..... 360
1001190522..... 173, 305	1001198726 . 85, 95, 108, 119	1001215449 ..... 355	1001229767..... 59
1001190524..... 173, 307	1001199441 ..... 367	1001215958 ..... 368	1001230488.....282
1001190545.....77, 87	1001202520 ..... 173	1001215959 ..... 367	1001230504..... 366
1001190609...77, 87, 125	1001202532 ..... 140, 144, 152, 156	1001215960 ..... 367	1001231195.....53, 55
1001191146.....78, 87	1001202536 ..... 140, 144, 152, 156	1001215961 ..... 367	1001231261.....41, 223
1001191201..... 15	1001202749 ..... 367	1001215962 ..... 367	1001231712..... 87
1001191325.....41	1001202759 ..... 148, 160	1001215963 ..... 367	1001231715..... 112
1001191394.....367	1001202760 ..... 148, 160	1001215964 ..... 367	1001231716..... 113, 115
1001191395.....367	1001202764 ..... 148, 160	1001215965 ..... 368	1001231717..... 115, 118
1001191526.....345	1001202974 ..... 359	1001215966 ..... 368	1001231784..... 181
1001191629..... 173	1001203075 ..... 353	1001215967 ..... 366	1001231801..... 359
1001191641.....67	1001203076 ..... 357, 367	1001215968 ..... 366	1001231858.....367
1001191722 ..... 173	1001203077 ..... 347	1001215969 ..... 366	1001233139..... 17
1001191733.....359	1001203770 ..... 345	1001215970 ..... 367	1001233237..... 366
1001191735.....359	1001204140 ..... 72	1001215971 ..... 367	1001233321..... 367
1001191737 ..... 366	1001205250 ..... 285	1001215972 ..... 367	1001233544..... 72
1001191832..... 108	1001205340 ..... 37	1001217108 ..... 39, 43	1001233549..... 72
1001191838..... 173	1001205343 ..... 37	1001217291 ..... 105, 115	1001233554..... 72
1001192381 ..... 359	1001205638 ..... 187	1001217300 ..... 174	1001233576..... 72
1001192401 ..... 275	1001205640 ..... 185	1001217381 ..... 174	1001233631..... 367
1001192853.....343, 351	1001205642 ..... 185, 187	1001217382 ..... 174	1001233738..... 72
1001193040..... 173	1001205643 ..... 185, 187	1001217384 ..... 172, 177, 179, 247	1001233818..... 367
1001193174.....247	1001205765 ..... 185, 187	1001217888 ..... 174	1001234069.....59, 61
1001193179.....247	1001205896 ..... 185, 187	1001218504 ..... 174	1001234102..... 366
1001193296..... 173	1001205920 ..... 234, 244		1001234258..... 367
1001193323.....367			
1001193336.....53			

## SECTION 11 - SPECIAL OPTIONS/ACCESSORIES/KITS

1001234348 .....	72	1001246392.....	213	1701505.....	359	1706064.....	359
1001234565 .....	366	1001246395.....	213	1701509....	343, 345, 347, 349, 351, 353, 355, 357	1706098 .....	359
1001234575 .....	367	1001246528.....	366	1701542.....	359	1706338 .....	345, 349
1001234703 .....	173, 219	1001246529.....	366	1701785.....	359	2080040 .....	189, 193
1001234735 ..	63, 65, 362	1001247403..	85, 95, 109, 119	1702720.....	359	2080057 ...	343, 345, 347, 349, 351, 353, 355, 357
1001234736 ..	59, 61, 362	1001247539.....	366	1702773.....	359	2080063 ....	189, 193, 205
1001234828 .....	47, 49	1001247682.....	197, 199, 201, 362	1702868.....	207, 209	2080064 .....	189, 193
1001234904 .....	367	1001247788.....	366	1703162.84, 94, 109, 118		2110404 .....	233, 243
1001234950 .....	85, 95	1001253708.....	367	1703464.....	251	2110808 .....	233, 243
1001235098 .....	203, 362	1001257454.....	72	1703687....	343, 345, 347, 349, 351, 353, 355, 357	2110810 .....	233, 243
1001235922 .....	197, 199	1001258390.....	72	1703811....	343, 345, 347, 349, 351, 353, 355, 357	2110812 .....	233, 243
1001236021 .....	366	1001258391.....	72	1703812....	343, 345, 347, 349, 351, 353, 355, 357	2111010 .....	233, 243
1001236153 ..	63, 65, 297	1001262941.....	103, 113	1703814....	343, 345, 347, 349, 351, 353, 355, 357	2111216 .....	233, 243
1001236163 .....	203, 321	1001264309.....	359	1703816.....	343	2112016 .....	233, 243
1001236199 .....	197, 199	1001265084.....	285	1703818.....	343	2130404 .....	233, 243
1001236230 .....	197, 199, 319	1001265374.....	366	1703818.....	343	2130808 .....	233, 243
1001236264 .....	197	1001265379.....	366	1703819....	197, 199, 343, 345, 347, 349, 351, 353, 355, 357	2130812 .....	233, 243
1001236265 .....	199	1001266832.....	281	1704271.....	359	2131010 .....	233, 243
1001236270 ..	59, 61, 275	1001269878.....	359	1704277....	343, 345, 347, 349, 351, 353, 355, 357	2131216 .....	233, 243
1001236306 .....	247	1001269879.....	359	1704412....	343, 345, 347, 349, 351, 353, 355, 357	2152020 .....	233, 243
1001236307 .....	247	1001273290.....	205	1704432.....	343	2180348.77, 87, 102, 112	
1001236353 .....	59, 63	1001273291.....	366	1704684.....	353	2180387 .....	102, 112
1001236380 .....	61, 277	1001273292.....	72	1704686.....	353	2180389 .....	102, 112
1001236430 .....	61, 65	1001274101.....	103, 113	1704687.....	353	2180418 .....	102, 112
1001236442 .....	152, 156, 160, 293	1001274559..	63, 65, 197, 199	1704690.....	359	2180666 .....	77, 87
1001236443 .....	152, 156, 160	1001275394.....	359	1704691.....	357	2220235 .....	233, 243
1001236444 .....	139, 144, 148, 289	1001288395.....	103, 113	1704693.....	357	2220237 .....	233
1001236445 .....	140, 144, 148	1001293137.....	205	1704694.....	357	2220238 .....	233, 243
1001236560 .....	197, 199, 363	1001299769.....	103, 113	1704697.....	359	2220290 .....	102, 112
1001236785 .....	367	1001300357.....	102, 113	1704698.....	359	2220313 .....	77, 87
1001236865 .....	173, 309	1060343 .....	165	1704699.....	347	2220362 .....	233, 243
1001236869 .....	366	1060379 ....	189, 193, 213	1704701.....	347	2220371 .....	41, 233, 243
1001237058 .....	203	1060494 .....	163, 165	1704702.....	347	2220372 .....	233, 243
1001237515 .....	179	1060708 .....	163, 165	1704702.....	347	2220373 .....	41, 233, 243
1001237516 .....	177	1060808 .....	189, 193	1704702.....	347	2220408 ....	233, 243, 247
1001237837 .....	247	1060908 .....	273	1704702.....	347	2220415 .....	233, 243
1001237909 .....	72	1061020 .....	177, 179	1704702.....	347	2220435 .....	233, 243
1001237910 .....	72	1061021 .....	177, 179	1704702.....	347	2220451 .....	233, 243
1001238471 .....	72	10702077 ..	163, 165, 167	1704702.....	347	2220466 .....	233, 243
1001238484 .....	367	10702082 ..	163, 165, 167	1704702.....	347	2220472 .....	233, 243
1001238487 .....	367	1120555 .....	213	1704702.....	347	2220473 .....	243
1001238770 ....	85, 95, 97	1309435 .....	172	1704702.....	347	2220479 .....	233, 243
1001238775 .....	81, 84	1320041 .....	59	1704702.....	347	2220497 .....	233, 243
1001238776 .....	77, 81	1320061 .....	102, 112	1704702.....	347	2220500 .....	233, 243
1001238777 .....	91, 94	1320095 .....	59, 61	1704702.....	347	2220502 .....	234, 244
1001238778 .....	91	1320220 .....	102, 112	1704702.....	347	2220504 .....	233, 243
1001239200 .....	81, 91	1320224 ...	251, 253, 255, 257, 259, 261, 263, 265, 267	1704702.....	347	2220577 .....	233, 243
1001241633 .....	367	1320265 77, 87, 102, 112		1704702.....	347	2220578 .....	233, 244
1001243186 .....	366	1320302 .....	207, 209	1704702.....	347	2220582 .....	233, 243
1001243580 .....	366	1321692 .....	165	1704702.....	347	2220602 .....	233, 243
1001244347 .....	181, 339	1340069 .....	108, 118	1704702.....	347	2220603 .....	233, 244
1001244348 .....	59, 281	1580023 .....	213	1704702.....	347	2220628 .....	233, 244
1001244349 .....	61, 285	1580024 .....	213	1704702.....	347	2220635 .....	234, 244
1001244865 .....	177, 179	1600387 ....	177, 179, 362	1704702.....	347	2220671 .....	247
1001244937 .....	139, 152	1670988 .....	203	1704702.....	347	2220775 .....	233, 243
1001244939 .....	139, 152	1671092 .....	165	1704702.....	347	2220852 .....	233, 243
1001245681 .....	207, 209	1671093 .....	207	1704702.....	347	2220883. 27, 41, 49, 217, 219, 247	
1001245845 .....	207	1671207 .....	323, 325	1704702.....	347	2220885 .....	49, 223
1001245846 .....	209	1684290 .....	217	1704702.....	347	2220886 .....	27, 223
1001245996 .....	207, 209	1700818 .....	359	1704702.....	347	2220887 .....	223
1001246080 .....	207, 209	1701214 .....	359	1704702.....	347	2220906 .....	247
				1705019....	343, 345, 347, 349, 351, 353, 355, 357	2220947 .....	247
				1705040.....	353	2221036 .....	247
				1705041.....	357	2221040 .....	233, 243
				1705043.....	347	2221086 .....	233, 243
				1705193.....	351		
				1705194.....	351		
				1705195.....	351		
				1705303.....	353		
				1705305.....	207, 209		
				1705311.....	353		
				1705316.....	357		
				1705318.....	347		
				1705325.....	255		
				1705372.....	345, 349		
				1705671.....	345, 349		
				1705943.....	351		
				1705944.....	351		
				1705997.....	213		
				1706059.....	359		
				1706060.....	359		
				1706063.....	359		

## SECTION 11 - SPECIAL OPTIONS/ACCESSORIES/KITS

2221176.....	103, 112	3291005 ...	39, 53, 55, 72,	3820020 .....	190, 194	4360518.....	41
2400044.77, 87, 102, 112		84, 94, 105, 109, 115,		3841143 .17, 77, 87, 102,		4360524.....	63, 65, 363
2420172.....	63, 65	118, 172, 177, 179		112, 172, 177, 179		4360525.....	197, 199, 362
2560088.....	189, 193	3291201 .72, 84, 94, 108,		3841258 .....	13, 15	4360548.....	313, 362
2560141.....	197, 199	118, 139, 143, 147,		3841564 .....	41	4400275.....	112
2560172.....	189, 193	152, 155, 159		3900300 .....	63, 65	4400420.....	112
2560176.....	189, 193	3291205 .....	13, 72	3900318 ....	189, 193, 205	4400498.....	122
2600216.....	72	3291605 .72, 77, 87, 102,		3900319 .....	189, 193	4420037.....	207, 209
2600285.....	189, 193	112		3900323 .....	189, 193	4420051.....	359
2700100.....	203, 213	3292005 .....	53, 55	3900355 .....	213	4420062.....	73, 213
2716703.....	233, 243	3300106 .....	19	3911428 .....	189, 193	4420076.....	197, 199
2716705.....	233, 244	3300151 .....	207, 209	3931010 .....	189, 193	4460019.....	275, 282
2720058.....	77, 88	3300396 ....	163, 165, 167	3931016 ...	139, 143, 147,	4460042.....	282
2720271.....	77, 88	3300408.77, 87, 102, 112		151, 155, 159		4460043.....	293
2720611.....	102, 112	3300432 .....	189, 193	3931412 .....	213	4460051.....	321
2752485.....	234, 244	3300467 .....	189, 193	3931436 .....	189, 193	4460068.....	163, 165, 167
2753791.....	233, 243	3311001 ....	163, 165, 167	3931508 .....	213	4460071.....	253
2753798.....	234, 243	3311005 ...	139, 143, 147,	3940804 ...	143, 147, 155,	4460115.....	297
2753970.....	234, 244	151, 155, 159		159		4460138.....	251
2754244.....	233, 243	3311405.84, 94, 189, 193,		3960526 .....	19	4460142.....	282
2780267.....	19, 23	203		3980007 77, 87, 102, 112		4460183.....	297, 299, 319
2780268.....	19, 21	3311501 .....	72	3990010 .....	275	4460224.....	139, 143, 147
2820031.....	321	3311502 .....	72	4010403 .....	63, 65	4460225.....	289, 293, 297
2860030.....	63, 65, 362	3311505 ...	185, 187, 189,	4010405 .....	63, 65	4460234.63, 65, 177, 179	
2900708.....	15	193		4010408 ...	143, 147, 155,	4460247.....	281
2900756.....	51	3311601 .....	185, 187	159		4460259.....	275, 297, 311
2902217.....	207, 209	3311605.77, 87, 102, 112,		4010412 .....	63, 65	4460260.....	275, 297, 311
2902266.....	217	207, 209		4010418 .....	203	4460265.....	319
2902431.....	251, 323, 325	3311801 .....	19	4031507.63, 65, 251, 253,		4460267.....	37, 275, 319
2920146.....	37	3321402 .....	84, 94	255, 257, 259, 261,		4460268.....	139, 143, 147,
2940074.....	189, 193, 362	3331017 .....	172	263, 265, 267		277, 281, 289, 293, 297	
2940127.....	189, 193	3331211 .....	41	4031509 .....	197, 199	4460294.....	315
3020039.....	172	3332017 .....	39	4031510 .....	39	4460315.....	251, 323
3252507....	253, 257, 259,	3340612 .....	189, 193	4031608 .....	59, 61	4460320.....	37
261, 263, 265, 267		3340937 .....	189, 193	4031708 .....	59, 61	4460346.....	323, 325
3290401.....	39	3421453 .....	189, 193	4031711 .....	59, 61	4460375.....	317
3290405.63, 65, 143, 147,		3421565 .....	189, 193	4031908 .....	147, 159	4460424.....	277, 281
155, 159, 172, 197,		3422219 ....	189, 193, 213	4032014 ...	140, 144, 148,	4460425.....	163, 165
199, 203, 251, 253,		3422592 .....	13, 15	152, 156, 160		4460426....	163, 165, 167,
255, 257, 259, 261,		3422669.77, 87, 102, 112		4032016 .....	148, 160	209	
263, 265, 267		3422938 .....	177, 179	4060802.63, 65, 139, 143,		4460434.....	297
3290501.....	59, 61	3422943 ....	172, 177, 179	147, 151, 155, 159,		4460464.67, 69, 275, 277,	
3290505....	37, 59, 61, 72,	3422961 .....	177, 179	197, 199		281, 285, 291, 295,	
103, 112		3422963 .....	172	4060803 .....	73	299, 301, 305, 309,	
3290601.....	15, 189, 193	3423304 .....	17	4061032 .....	233, 243	311, 319, 321	
3290605....	53, 55, 59, 61,	3450304 .....	172	4070987 .....	63, 65	4460465....	275, 277, 281,
69, 72, 77, 84, 87, 94,		3460334 .....	213	4160116 .....	41	285, 289, 291, 293,	
102, 108, 112, 118,		3520026 .....	63, 65	4240003 .....	213	295, 301, 303, 305,	
139, 143, 147, 151,		3520028 .....	63, 65	4240017 ...	139, 144, 147,	307, 309, 311, 313,	
155, 159, 172, 177,		3520060 .....	72	151, 156, 160		315, 317, 319, 321, 339	
179, 181, 197, 199,		3520072 .....	189, 193	4240018 .15, 59, 61, 172,		4460466....	275, 277, 281,
251, 253, 255, 257,		3537609 .....	190, 194	177, 179, 181, 203		282, 289, 291, 299,	
259, 261, 263, 265,		3571862 .....	190, 194	4240033 ....	177, 179, 203	301, 303, 309, 311,	
267, 343, 345, 347,		3573400 .....	207, 209	4240099 .....	207, 209	313, 315, 317, 319, 321	
349, 351, 353, 355, 357		3573440 .....	102, 112	4340853 .....	213	4460467.....	368
3290606.....	203	3573472 .....	190, 194	4340854 .....	213	4460470.....	197, 199
3290607.....	203	3580317 ...	140, 144, 148,	4360070.63, 65, 163, 165,		4460471.....	197, 199
3290801.....	47, 102, 112	152, 156, 160		167, 362		4460483.....	163, 165
3290805....	53, 55, 59, 67,	3580318 ...	139, 143, 147,	4360387 ...	59, 61, 63, 65,	4460508.....	309, 321
77, 84, 87, 94, 102,		151, 155, 159		197, 199, 362		4460509....	275, 309, 321
105, 108, 112, 115,		3641452 .....	189, 193	4360469 .....	63, 65, 362	4460510.....	368
118, 139, 143, 147,		3740080 ...	278, 281, 285,	4360475.63, 65, 197, 199,		4460518....	275, 315, 321
151, 155, 159, 172,		362		362		4460536....	277, 282, 291,
197, 199		3760170 ....	189, 193, 213	4360482 ...	139, 143, 147,	295, 301, 311	
3291001....	77, 84, 87, 94,	3760257 .....	185, 187	151, 155, 159, 199, 363		4460539....	275, 277, 281,
102, 108, 112, 118		3760348 .....	41	4360483 ....	197, 199, 362	303, 311, 313, 339	
		3790152.81, 91, 105, 115		4360500 .....	172, 362	4460608.....	285

## SECTION 11 - SPECIAL OPTIONS/ACCESSORIES/KITS

4460612 ..... 323	4461246 ..... 331	4812300..72, 78, 87, 103, 112	70002136 ..... 131
4460662 ..... 323, 325	4461249 ..... 331	4812500.84, 94, 105, 115	70002137 ..... 131
4460670 ..... 275	4461257 ... 255, 257, 263, 267	4831700.....59, 61	70002138 ..... 131
4460746 ..... 282	4461258 ... 255, 257, 263, 267	4831900.....47	70002139 ..... 131
4460761 .... 275, 315, 319	4461271 ..... 321	4845441.....205	70002140 ..... 131
4460807 ... 139, 143, 147, 289	4520216 ..... 29	4845442.....205	70002141 ..... 131
4460808 ... 139, 143, 147, 289, 293	4530028 .... 207, 209, 211	4846532.....189, 193	70002142 ..... 131
4460812 ..... 275	4568295 ..... 177, 179	4846537.....189, 193	70002143 ..... 131
4460814 ..... 277, 281	4640858 ..... 217	4846570.....190, 194	70002144 ..... 131
4460836 ... 277, 281, 313, 315	4641122 .... 29, 31, 33, 35	4871700.....152, 156, 160	70002145 ..... 131
4460837 ..... 277, 282	4641303 ..... 47, 51	4891600.....81, 91, 105	70002146 ..... 131
4460851 ..... 313	4711000 .... 163, 165, 167	4891800..19, 81, 91, 105, 115	70002147 ..... 131
4460852 ..... 313	4711400 77, 87, 102, 112, 189, 193, 213	4892000.....19	70002148 ..... 131
4460871 ..... 321	4711500 39, 72, 185, 187	5240600.....84, 94, 203	70002149 ..... 131
4460873 ..... 321	4711600 .... 87, 102, 112, 189, 193	5241000....13, 15, 77, 84, 87, 94, 102, 108, 112, 118, 139, 143, 147, 151, 155, 159	70002150 ..... 131
4460874 ..... 321	4711700 ..... 197, 199	5241200....13, 15, 17, 84, 94, 108, 118, 140, 143, 147, 152, 155, 159	70002151 ..... 131
4460876 ..... 321	4740086 ..... 17	5242000.....39, 53, 55	70002152 ..... 131
4460879 ..... 321	4740158 ..... 13, 15	5251012.....13, 15	70002153 ..... 131
4460884 ... 275, 277, 282, 317	4740455 ..... 172	5260600....251, 253, 255, 257, 259, 261, 263, 265, 267	70002154 ..... 131
4460891 ... 275, 277, 281, 285, 301, 303, 305, 307, 313, 317, 321, 339	4740480 ..... 213	5272011....140, 144, 152, 156	70002155 ..... 131
4460892 ..... 313, 319	4751000 53, 55, 139, 143, 147, 151, 155, 159, 189, 193	5272012....140, 144, 148, 152, 156, 160	70002156 ..... 131
4460894 .... 313, 317, 319	4751400 ... 189, 193, 207, 209	70000082.....201	70002157 ..... 131
4460897 67, 69, 275, 281, 305, 311	4751500 ..... 189, 193	70000084.....201	70002158 ..... 131
4460905 ..... 203, 321	4751600 ... 185, 187, 189, 193, 207, 209	70000683.....201	70002159 ..... 131
4460917 ..... 315	4761400 ..... 84, 94	70000684.....201	70002160 ..... 131
4460918 ..... 321	4811400 . 39, 63, 65, 143, 147, 155, 159, 172, 251, 253, 255, 257, 259, 261, 263, 265, 267	70000685.....201	70002161 ..... 131
4460928 .... 275, 297, 321	4811600 ... 59, 61, 63, 65, 103, 112	70000686.....201	70002162 ..... 131
4460929 ..... 315	4811700 ... 15, 53, 55, 59, 61, 72, 77, 84, 87, 94, 102, 108, 112, 118, 139, 143, 147, 151, 155, 159, 172, 177, 179, 251, 253, 255, 257, 259, 261, 263, 265, 267, 343, 345, 347, 349, 351, 353, 355, 357	70000797.....27	70002163 ..... 131
4460930 ..... 275	4811700 ... 15, 53, 55, 59, 61, 72, 77, 84, 87, 94, 102, 108, 112, 118, 139, 143, 147, 151, 155, 159, 172, 177, 179, 251, 253, 255, 257, 259, 261, 263, 265, 267, 343, 345, 347, 349, 351, 353, 355, 357	70000863...151, 155, 159	70002164 ..... 131
4460931 ..... 311	4811700 ... 15, 53, 55, 59, 61, 72, 77, 84, 87, 94, 102, 108, 112, 118, 139, 143, 147, 151, 155, 159, 172, 177, 179, 251, 253, 255, 257, 259, 261, 263, 265, 267, 343, 345, 347, 349, 351, 353, 355, 357	70001100...151, 155, 159	70002165 ..... 131, 132
4460932 ..... 277, 281	4811900 ... 39, 59, 61, 67, 77, 84, 87, 94, 102, 105, 108, 112, 115, 118, 139, 143, 147, 151, 155, 159, 197, 199	70001250.....201	70002166 ..... 131
4460933 ... 277, 281, 311, 315	4811900 ... 39, 59, 61, 67, 77, 84, 87, 94, 102, 105, 108, 112, 115, 118, 139, 143, 147, 151, 155, 159, 197, 199	70001251.....201	70002167 ..... 131
4460934 ..... 313	4811902 ... 53, 55, 77, 87, 172	70001252.....201	70002168 ..... 131
4460935 ..... 313	4812000 ... 39, 47, 72, 77, 84, 87, 94, 103, 105, 108, 113, 115, 118, 143, 172	70001253.....201	70002169 ..... 132
4460939 ..... 299	4812002 ..... 53, 55, 72	70001349.....21, 23	70002170 ..... 132
4460941 ..... 285	4812100 ..... 41, 72	70001384...151, 155, 159	70002172 ..... 132
4460942 .... 275, 277, 281	4812200 ..... 72	70001932.....27	70002174 ..... 132
4460943 ... 277, 281, 285, 299, 309, 311		70001933.....127	70002175 ..... 132
4460944 ... 275, 277, 281, 309, 311, 315, 317, 339		70001958.....132	70002176 ..... 132
4460945 ..... 277, 311		70001959.....57	70002177 ..... 132
4460956 ..... 273		70001960.....57, 362	70002178 ..... 132
4460957 ..... 273		70001965.....41, 43, 174, 362	70002179 ..... 132
4460962 ..... 207		70001966..139, 143, 147, 151, 155, 159	70002180 ..... 132
4460963 ..... 165		70001967.....49, 362	70002181 ..... 132
4460967 ..... 291, 295		70001973...151, 156, 160	70002182 ..... 132
4460968 ... 259, 261, 265, 313		70001974...151, 156, 160	70002185 ..... 132
4460970 ..... 285		70001977.....49, 362	70002186 ..... 132
4461054 ..... 285		7000206.....21, 23	70002187 ..... 132
4461118 ..... 285		70002112.....57	70002188 ..... 132
4461196 ..... 327		70002113.....57, 362	70002189 ..... 132
4461198 ..... 327		70002132.....131, 132	70002190 ..... 132
4461199 ..... 329		70002133.....131	70002192 ..... 132
4461201 ..... 329		70002134.....131	7000229 ..... 21, 23
4461205 .... 333, 335, 337		70002135.....131	70002291..151, 155, 159
4461244 ..... 335			70002297..151, 155, 159
4461245 ..... 333			7000230 ..... 21, 23

## SECTION 11 - SPECIAL OPTIONS/ACCESSORIES/KITS

70002326.....	98, 122	70004557.....	121	70005726.....	121	70007042.....	223
70002327.....	98	70004558.....	121	70005727.....	121	70007043.....	223
70002328.....	98	70004580.....	49	70005728.....	121	70007044.....	223
70002330.....	98	70004676..	139, 143, 147	70005729.....	121	70007045.....	223
70002401.....	172	70004678..	139, 143, 147	70005730.....	121	7000731.....	24
70002419.....	97	70004679..	139, 143, 147	70005731.....	121	70007439.....	132
7000246.....	21, 23	70004680..	139, 143, 147	70005732.....	121	70007502.....	85, 95, 108, 119
70002460... 151, 155, 159		70004681.....	139	70005733.....	121	70007506.....	201
7000248.....	21, 23	70004682..	139, 143, 147	70005734.....	121	70009008.....	269
7000253.....	21, 23	70004683.....	139	70005735.....	121	70009009.....	269
7000257.....	21, 23	70004685.....	143, 147	70005736.....	121	70009010.....	271
7000258.....	21, 23	70004686.....	139	70005737.....	121	70009011.....	271
7000261.....	21, 23	70004687.....	143, 147	70005738.....	121	70010383.....	77, 87, 102, 112, 362
7000262.....	21, 23	70004794.....	53, 55	70005739.....	121	7001998.....	21, 23
7000263.....	21, 23	70004829.....	98, 121	70005740.....	121	70020438.....	219
70002768.....	57	70004831.....	121	70005743.....	121	70023915.....	221, 223
70002842.....	217	70004834.....	121	70005744.....	121	70026417.....	223
70002861.....	105, 115	70004848.....	121	70005745.....	121	7002821.....	368
70002901.....	125	70004851.....	122	70005746.....	122	7002822.....	368
70002963.....	15, 362	70004853.....	122	70005747.....	122	7002823.....	368
70003024.....	49	70004854.....	122	70005748.....	122	7002828.....	368
70003060.....	97	70004883.....	49	70005749.....	122	7004275.....	368
70003061.....	97	70004912.....	122	70005750.....	122	7004276.....	368
70003063.....	98	70004913.....	122	70005751.....	122	70050516.....	15, 362
70003064.....	98	70005069.....	49	70005752.....	122	7007207.....	131
70003631... 151, 155, 159		70005073.....	49	70005753.....	122	7007415.....	132
70003708.. 139, 143, 147, 151, 155, 159		70005100.....	49	70005754.....	122	7007418.....	131
70003709.. 139, 143, 147, 151, 155, 159		70005150.....	225	70005755.....	122	7007419.....	131
70003788.....	172, 362	70005151.....	225	70005756.....	122	7007437.....	27
70003789.....	49, 362	70005152.....	225	70005757.....	122	7007438.....	27
70003935.....	51	70005153.....	225	70005758.....	122, 362	7007439.....	27
70003936.....	51	70005154.....	225	70005759.....	122	7007446.....	27, 131
70003977.....	15, 49	70005163.....	15	70005760.....	122	7007601.....	21, 23
70004069.....	125	70005164.....	15	70005761.....	122	7007640.....	21, 23
70004070.....	125	70005165.....	49	70005762.....	122	7010429.....	21, 23
70004092.. 139, 143, 147, 151, 155, 159		70005167.....	49	70005763.....	122	7012910.....	15
70004094... 151, 155, 159		70005220.....	97	70005764.....	122	7012925.....	49
70004098.. 143, 147, 151, 155, 160		70005221.....	97	70005765.....	122	701500485, 95, 108, 118, 362	
70004099.. 139, 143, 147, 151, 155, 159		70005222.....	97	70005766.....	122	7015005.....	108, 118
70004294.....	121	70005223.....	97	70005767.....	122	7016319.....	37
70004295.....	121	70005224.....	97	70005768.....	122	7016372.....	37
70004296.....	121	70005226.....	98	70005769.....	122	7016654.....	368
70004306.....	121	70005227.....	98	70005788.....	174, 362	7017059.....	21, 23
70004311.....	97, 121	70005228.....	97	70006093..	151, 155, 159	7017067.....	21, 23
70004395.....	97, 362	70005229.....	98, 122	70006094..	151, 155, 159	7017070.....	21, 23
70004396.....	97	70005293.....	125	70006095..	151, 155, 159, 362	7017080.....	21, 23
70004397.....	97	70005294.....	125	70006096..	151, 155, 159	7017496.....	172, 219
70004398.....	97	70005295.....	125	70006097..	151, 155, 160	7017901.....	98
70004399.....	97	70005296.....	125, 362	70006104.....	174	7017906.....	121
70004401.....	122	70005297.....	125	70006105.....	174	7017914.....	121
70004415.....	98	70005327.....	122	70006292.....	43	7017922.....	97
70004524.....	97, 121	70005329.....	121	70006552..	140, 143, 147	7017928.....	97
70004525.....	97, 121	70005375.....	221	70006553..	140, 143, 147	7017934.....	97, 121
70004526.....	97, 121	70005376.....	221	70006661.....	97, 121	7017945.....	97
70004530.....	97	70005377.....	221	70006662.....	121	7017958.....	98
70004531.....	97	70005378.....	221	70006664.....	98	7017959.....	121
70004536.....	97	70005380.....	219	70006665.....	97	7017963.....	98
70004537.....	97, 122	70005381.....	219	70006786.....	49	7017980.....	121, 362
70004538.....	97, 121	70005382.....	219	70006843.....	221	7017982.....	121
70004539.....	97	70005383.....	219	70006844.....	219	7017983.....	121
70004540.....	97	70005448.....	49	70007036.....	49	7017984.....	121
70004544.....	97	70005449.....	49	70007037.....	223	7017986.....	121
		70005453.....	127	70007038.....	223	7017992.....	98, 121, 362
		70005454.....	129	70007039.....	223	7017994.....	122
		70005455.....	129	70007040.....	223		
		70005724.....	49	70007041.....	223		
		70005725.....	49				



## SECTION 11 - SPECIAL OPTIONS/ACCESSORIES/KITS

7017995 .....	121	7023154 .....	97	7024473.....	211	7027773.....	211
7020175 63, 65, 197, 199		7023164 .....	97	7024474.....	211	7027774.....	211
7020176 63, 65, 197, 199		7023165 .....	97	7024475.....	211	7027775.....	211
7021249 .....	27	7023167 .....	97	7024478.....	211	7027776.....	211
7021256 .....	132	7023168 .....	97	7024497.....	43, 174	7027777 .....	211
7021275 .....	27, 131	7023170 .....	98, 122	7024498.....	43	7027778 .....	211
7021276 .....	27	7023306 .....	57	7024500.....	43	7027779 .....	211
7021277 .....	27	7023347 .....	57	7024502.....	41, 43, 174	7027780 .....	211
7021625 .....	51	7023900 .....	49	7024503.....	43	7027799....	151, 155, 159
7021639 .....	51	7023907 .....	27	7024504.....	43	77363233 .....	289, 293
7022301 .....	131	7023910 .....	27	7024505.....	43	80463053 .....	349
7022302 .....	27	7023917 .....	51	7024506.....	41, 43, 174	80933216 .....	174
7022305 .....	27	7023929 .....	81, 91	7024507.....	43	8220007 .....	277
7022310 .....	27	7023933 .....	51	7024705.....	23	8220022 .....	165, 167
7022311 .....	27	7023936 .....	49	7024712.....	21, 23	8220029 .....	282
7022312 .....	27	7023964 .....	132	7024713.....	21, 23	8220045 .....	277, 285
7022314 .....	27	7024182 .....	23, 24	7024714.....	21, 23	8220111 .....	282, 285
7022326 .....	27	7024189 .....	24	7024715.....	21, 23	8220164 .....	282, 285
7022328 .....	27	7024190 .....	24	7024716.....	21, 23	8303511.78, 87, 103, 112	
7022340 .....	132	7024191 .....	24	7024717.....	23	83191040.....	81, 91, 105, 115
7022368 .....	27	7024192 .....	24	7024718.....	24	840500977, 87, 102, 108, 118	
7022369 .....	27	7024193 .....	24	7024808.....	174	8405101.84, 94, 108, 118	
7022371 .....	27	7024194 .....	24	7024854.....	27	8405104.84, 94, 108, 118	
7022390 .....	15, 49, 174	7024196 .....	24	7024862.....	27	8406302 .....	147, 159
7022397 .....	51	7024197 .....	24	7024868.....	27	8410013 .....	109, 118
7022398 .....	49	7024441 .....	57	7024881.....	51	85941016.....	84, 94, 108, 118
7022399 .....	49, 51	7024446 .....	57	7025479.....	97	8750014 .....	77, 87
7023107 .....	121	7024462 .....	211	7026597.....	151, 155, 159	8760268 .....	234
7023124 .....	98	7024463 .....	211	7026626.....	151, 155, 159	8760351 .....	233, 243
7023140 .....	97	7024467 .....	211	7027365.....	201	90021705.....	84, 94
7023144 .....	97	7024469 .....	211	7027367.....	201		
7023145 .....	98	7024470 .....	211	7027419.....	27		
7023148 .....	98	7024471 .....	211	7027765.....	201		
7023149 .....	98	7024472 .....	211	7027766.....	201		



**Corporate Office  
JLG Industries, Inc.  
1 JLG Drive  
McConnellsburg, PA 17233-9533 USA  
☎ (717) 485-5161 (Corporate)  
☎ (877) 554-5438 (Customer Support)  
📠 (717) 485-6417**

**Visit our website for JLG Worldwide Locations.  
[www.jlg.com](http://www.jlg.com)**



**OSHKOSH™**