



Illustrated Parts Manual

Model AE1932

**PVC
2104**

**P/N
31217450**

September 1, 2021 - Rev B

ANSI

CE



**UK
CA**

AS/NZS



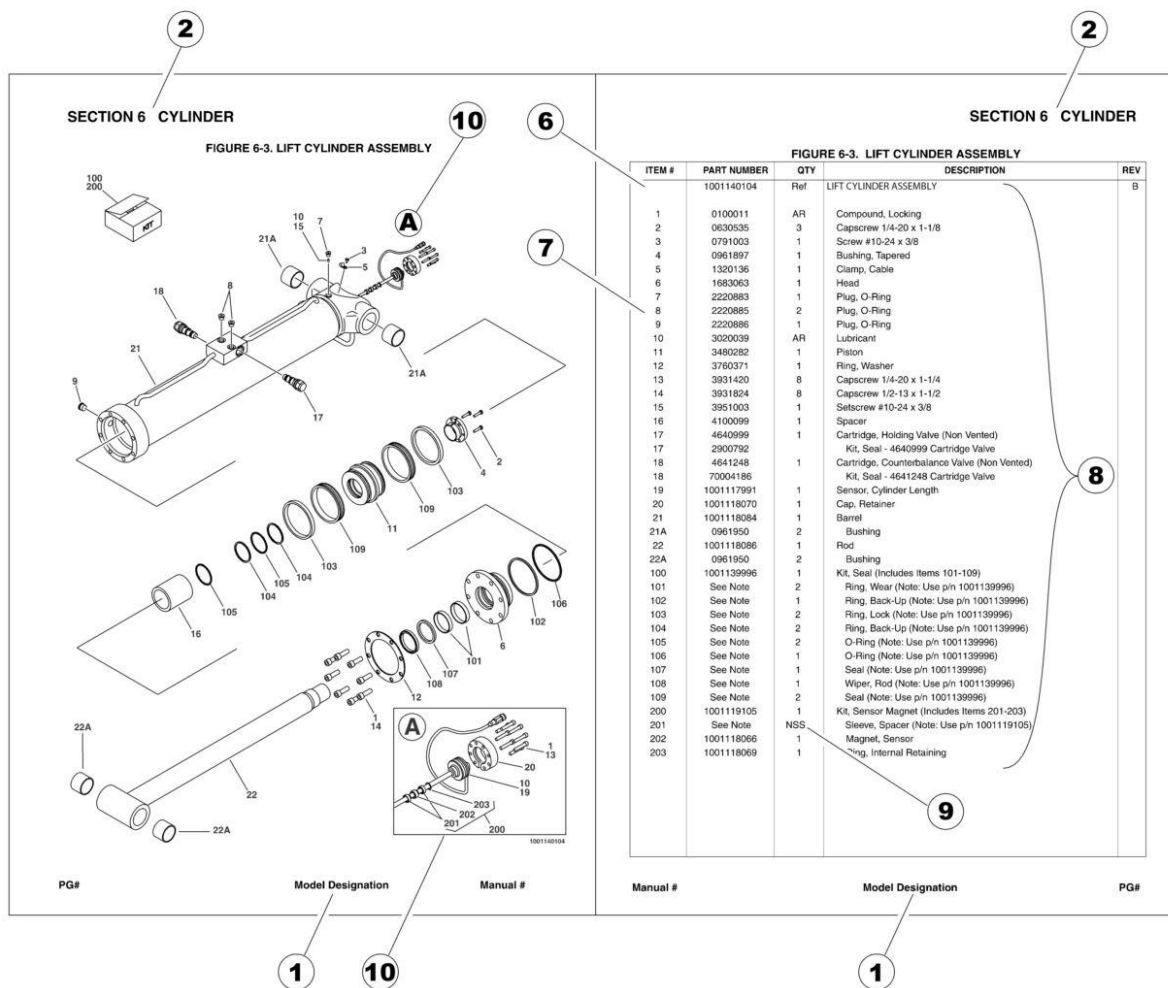
An Oshkosh Corporation Company

REVISION LOG

April 2, 2021 - A - Original Issue of Manual (Edited to 1001290000 Rev H)

September 1, 2021 - B - Revised Manual (Edited to 1001290000 Rev H)

GENERAL INFORMATION



1) MACHINE IDENTIFICATION

Machines are identified by model and in some cases a combination of models, serial number (SN) or regional standard (i.e ANSI, CE, CSA). Components may also be identified by SN or manufacturer. Common components that may be identified by these characteristics are engines and hydraulic components.

2) PARTS MANUAL ORGANIZATION

Product information in this manual is organized under section titles. Frame, Cylinder, Hydraulic and Electrical are a few examples. Each section is organized by figure and page number. The information within the Figure is then organized by item number, part number, description and corresponding illustration (s).

3) TABLE OF CONTENTS (NOT SHOWN)

A table of contents is found toward the beginning of the manual. Figure number, description and page number are provided for quick reference to the page containing the related information.

4) RECOMMENDED SPARE PARTS (NOT SHOWN)

The Recommended Spare Parts List, located near the end of the manual, reference most frequently used maintenance parts.

5) PART NUMBER INDEX (NOT SHOWN)

A numerical index listing all part numbers and the corresponding page number(s) appears at the back of the manual.

GENERAL INFORMATION

6) NON-SERVICED PARTS

In some instances, it is necessary to display non-serviced parts, assemblies or installations. In the case of assemblies and installations there will be a Ref in the Qty. column. In case of parts that are not available for service within assemblies or components, there will be a NSS (Not Sold Separately) or NLA (No Longer Available) listed in the Qty. column of the manual.

7) PARTS LIST ITEM NUMBERS

Numbers shown in the item# column correspond to numbers used in the associated illustration (s). Item numbers which are missing from the sequence in the parts list are not used on that page.

8) INDENTED PARTS DESCRIPTION

An indented part description is included in the item under which it is indented.

9) ABBREVIATION AND SYMBOLS

AC.....	Alternating Current	L.....	Liter
ADE.....	Advanced Design Electronics	LB(LBS).....	Pounds
AG.....	Agricultural	LCD.....	Liquid Crystal Display
ANSI.....	American National Standards Institute	LED.....	Light Emitting Diodes
AR.....	As Required	LH.....	Left Hand
ASSY.....	Assembly	LRC.....	Low Rated Countries
AUS.....	Australia	LSS.....	Load Sensing System
AUX.....	Auxiliary	M(m).....	Metric/Meter
AWG.....	American Wire Gauge	MM(mm).....	Milimeter
B/M.....	Bill of Material	mA.....	Miliamps
CAC.....	Charge Air Cooler	NLA.....	No Longer Available
CE.....	European Conformity	NPT.....	National Pipe Threads
CCW.....	Counter Clockwise	NSS.....	Not Sold Separately
CM.....	Centimeter	OD.....	Outside Diameter
CW.....	Clockwise	ORB.....	O-Ring Boss
CSA.....	Canadian Standards Association	ORFS.....	O-Ring Face Seal
CYL.....	Cylinder	OZ (oz).....	Ounces
DIA.....	Diameter	PG.....	Page
DC.....	Direct Current	PN.....	Part Number
DEF.....	Diesel Exhaust Fluid	QT(qt.).....	Quarts
EMS.....	Emergency Stop	QTY.....	Quantity
ENG.....	Engine	REF.....	Reference
FT(ft).....	Feet	REV.....	Revision Level
GA(Ga).....	Gauge	RH.....	Right Hand
HRC.....	High Rated Countries	SAE.....	Society of Automotive Engineers
HVAC.....	Heating, Ventilating, and Air Conditioning	SN.....	Serial Number
HYD.....	Hydraulic	SPEC(S).....	Specifications
Hz.....	Hertz	T/T.....	Turntable
ID.....	Inside Diameter	UGM.....	Universal Ground Module
IN.....	inches	V.....	Volts
ISO.....	International Organization for Standards	W.....	Watts
JIC.....	Joint Industry Council	#.....	Number
KG.....	Kilogram		

10) ILLUSTRATION REFERENCE LETTERS

When necessary, illustrations may contain reference letters that are intended to track information (i. e. hoses, harnesses) from one point to another or to track visual enlargement of components to show details that may be located in another area on the illustration.

Note: Due to continuous product improvements, JLG Industries, Inc. reserves the right to make specification changes without prior notification. Contact JLG Industries, Inc. for updated information.

TABLE OF CONTENTS

SECTION 1 - FRAME.....	9
FIGURE 1-1. STEERING INSTALLATION	10
FIGURE 1-2. DRIVE/BRAKE INSTALLATION.....	12
FIGURE 1-3. DRIVE MOTOR ASSEMBLY.....	14
FIGURE 1-4. MOTOR COVERS INSTALLATION	16
FIGURE 1-5. HUB ASSEMBLY - REAR	18
FIGURE 1-6. TIRE AND WHEEL INSTALLATION	20
FIGURE 1-7. POTHOLE PROTECTION INSTALLATION	22
FIGURE 1-8. TILT SENSOR INSTALLATION	24
FIGURE 1-9. BATTERY CHARGER INSTALLATION - 650W.....	26
FIGURE 1-10. BATTERY CHARGER INSTALLATION - 900W.....	28
FIGURE 1-11. STROBE LIGHT INSTALLATION – SINGLE (AMBER) (WITH GUARD).....	30
FIGURE 1-12. STROBE LIGHT INSTALLATION – DUAL (AMBER) (WITH GUARD)	32
FIGURE 1-13. ALARM INSTALLATION (AMBIENT/WHITE NOISE) (OPTIONAL)	34
FIGURE 1-14. LADDER INSTALLATION	36
FIGURE 1-15. FRAME COVERS INSTALLATION	38
SECTION 2 - GROUND CONTROLS	41
FIGURE 2-1. ELECTRICAL COMPONENTS INSTALLATION	42
FIGURE 2-2. MOBILE CONTROL INSTALLATION.....	44
FIGURE 2-3. BATTERY INSTALLATION (LI-ION - DISC)	46
FIGURE 2-4. BATTERY INSTALLATION (LI-ION - HEATER) (Prior to SN M200049114).....	48
FIGURE 2-5. BATTERY INSTALLATION (LI-ION - HEATER) (SN M200049114 to Present)	50
FIGURE 2-6. INVERTER INSTALLATION (OPTIONAL)	52
FIGURE 2-7. DOORS INSTALLATION	54
SECTION 3 - SCISSORS ARMS	57
FIGURE 3-1. SCISSORS ARMS INSTALLATION.....	58
FIGURE 3-2. LIFT ACTUATOR ASSEMBLY.....	62
FIGURE 3-3. ARM GUARD INSTALLATION.....	64
SECTION 4 - PLATFORM.....	67
FIGURE 4-1. PLATFORM AND LSS INSTALLATION.....	68
FIGURE 4-2. PLATFORM INSTALLATION	70
FIGURE 4-3. PLATFORM EXTENSION INSTALLATION	72
FIGURE 4-4. RAILS INSTALLATION - FIXED RAILS (AUSTRALIAN & JAPANESE SPECS)	74
FIGURE 4-5. RAILS INSTALLATION - QUIK ACCESS (ANSI & JAPANESE SPECS).....	76
FIGURE 4-6. RAILS INSTALLATION - QUIK FOLD-DOWN (ANSI, ANSI EXPORT, CSA & JAPANESE SPECS).....	80
FIGURE 4-7. RAILS INSTALLATION - STANDARD FOLD-DOWN RAILS (AUSTRALIAN, CE, JAPANESE & UK CA SPECS) ..	82
FIGURE 4-8. RAIL INSTALLATION.....	84
FIGURE 4-9. HANDLE EXTENSION INSTALLATION (OPTIONAL)	88
FIGURE 4-10. PLATFORM CONSOLE ASSEMBLY (LED).....	90
FIGURE 4-11. PLATFORM BOX ASSEMBLY (LCD)	92
FIGURE 4-12. DRIVE/STEER CONTROLLER ASSEMBLY (LED)	94
FIGURE 4-13. DRIVE/STEER CONTROLLER ASSEMBLY (LCD)	96
FIGURE 4-14. USB/PHONE CRADLE INSTALLATION	98
FIGURE 4-15. PANEL CARRIER INSTALLATION (ALL SPECS EXCEPT JAPANESE SPECS)	100
FIGURE 4-16. SKYSENSE LEVEL 1.....	102
SECTION 5 - ELECTRICAL	105
FIGURE 5-1. AC BOX AT PLATFORM INSTALLATION - 110V GFI (ALL SPECS EXCEPT AUSTRALIAN, CE & UK CA SPECS)	106
FIGURE 5-2. AC BOX AT PLATFORM INSTALLATION - 110V IEC YELLOW (CE & UK CA SPECS)	108
FIGURE 5-3. AC BOX AT PLATFORM INSTALLATION - 220V IEC BLUE (CE & UK CA SPECS).....	110
FIGURE 5-4. AC BOX AT PLATFORM INSTALLATION - 220V CEE7 POST GROUND (CE & UK CA SPECS).....	112
FIGURE 5-5. AC BOX AT PLATFORM INSTALLATION - 220V CEE7 SIDE GROUND (CE & UK CA SPECS)	114
FIGURE 5-6. AC BOX AT PLATFORM INSTALLATION - 220V AFSINT 107 (CE & UK CA SPECS)	116
FIGURE 5-7. AC BOX AT PLATFORM INSTALLATION - 220V LOCALLY SUPPLIED COMPONENTS (ALL SPECS)	118
FIGURE 5-8. AC BOX AT PLATFORM INSTALLATION - 220V AUSTRALIAN PLUG (AUSTRALIAN SPECS).....	120
FIGURE 5-9. AC BOX AT PLATFORM INSTALLATION - 220V (CHINA SPECS).....	122
FIGURE 5-10. BREAKER BOX KIT (AUSTRALIAN SPECS).....	124

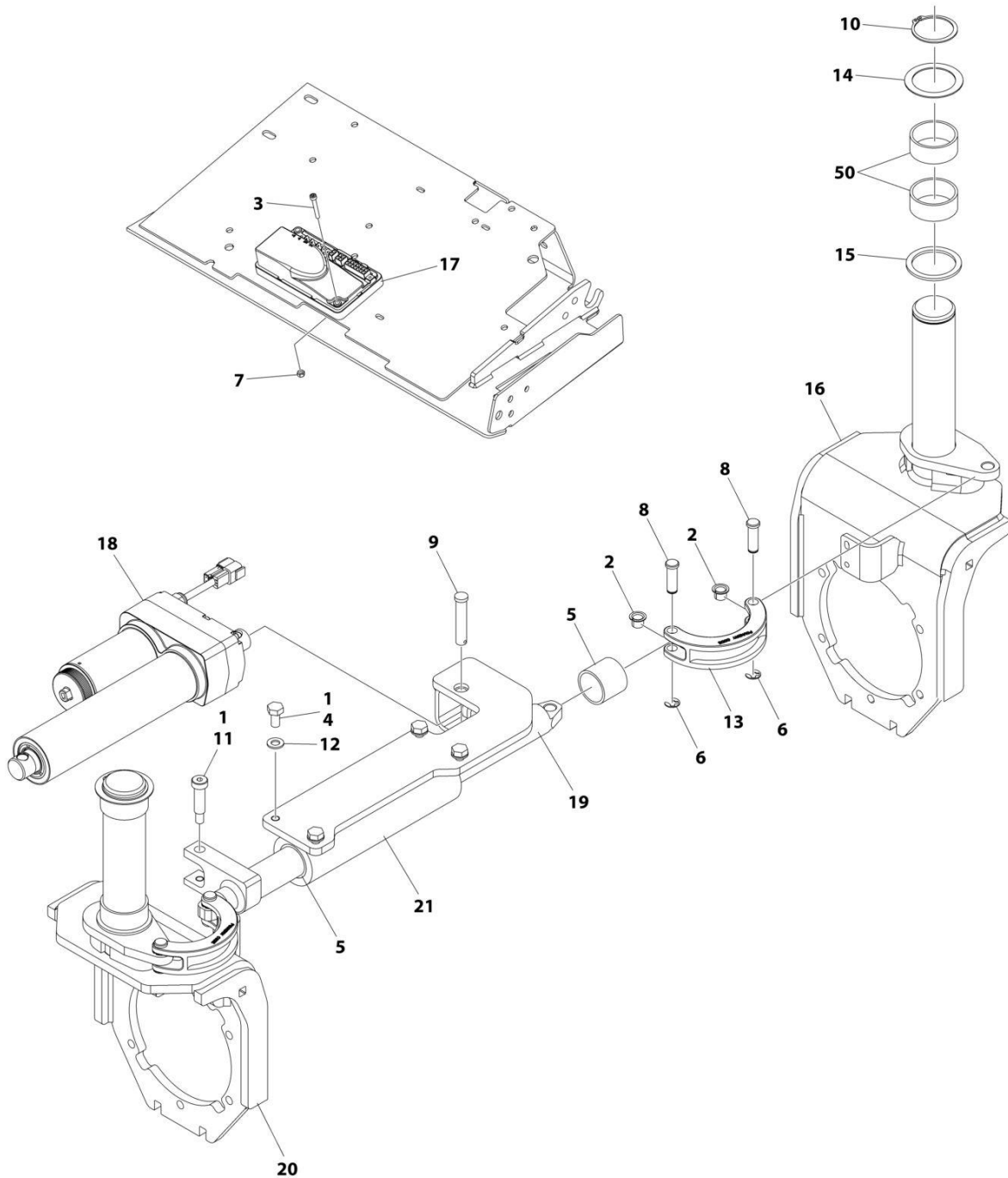
TABLE OF CONTENTS

FIGURE 5-11. BREAKER BOX KIT WITH 1 DOUBLE BREAKER (CE & UK CA SPECS).....	126
FIGURE 5-12. BREAKER BOX KIT WITH 3 BREAKERS (CE & UK CA SPECS).....	128
FIGURE 5-13. CHARGER PLUG INSTALLATION (LOCALLY SUPPLIED PLUG) (ALL SPECS EXCEPT ANSI & AUSTRALIAN SPECS).....	130
FIGURE 5-14. CHARGER PLUG INSTALLATION (110V PLUG) (ANSI & CSA SPECS).....	132
FIGURE 5-15. CHARGER PLUG INSTALLATION (AUSTRALIAN PLUG) (AUSTRALIAN SPECS).....	134
FIGURE 5-16. CHARGER PLUG INSTALLATION (110V IEC YELLOW PLUG) (CE & UK CA SPECS).....	136
FIGURE 5-17. CHARGER PLUG INSTALLATION (220V IEC BLUE PLUG) (CE & UK CA SPECS).....	138
FIGURE 5-18. CHARGER PLUG INSTALLATION (220V CEE7 PLUG) (CE & UK CA SPECS).....	140
FIGURE 5-19. CHARGER PLUG INSTALLATION (220V AFSINT107 PLUG) (CE & UK CA SPECS).....	142
FIGURE 5-20. CHASSIS HARNESS.....	144
FIGURE 5-21. GROUND TO PLATFORM CABLE INSTALLATION - WITHOUT PLATFORM COIL CABLE (ALL SPECS EXCEPT JAPANESE SPECS).....	148
FIGURE 5-22. GROUND TO PLATFORM CABLE INSTALLATION - WITH PLATFORM COIL CABLE (ALL SPECS EXCEPT JAPANESE SPECS).....	150
FIGURE 5-23. GROUND TO PLATFORM CABLE INSTALLATION - WITHOUT PLATFORM COIL CABLE & WITH FOOTSWITCH (JAPANESE SPECS).....	152
FIGURE 5-24. GROUND TO PLATFORM CABLE INSTALLATION - WITH PLATFORM COIL CABLE & WITH FOOTSWITCH (JAPANESE SPECS).....	154
FIGURE 5-25. LSS HARNESS.....	156
FIGURE 5-26. PLATFORM BOX HARNESS (LED PLATFORM BOX).....	158
FIGURE 5-27. PLATFORM BOX HARNESS (LCD BOX).....	160
FIGURE 5-28. RECEPTACLE BOX KIT - 110V GFI.....	162
FIGURE 5-29. RECEPTACLE BOX KIT - 110V IEC YELLOW (CE & UK CA SPEC).....	164
FIGURE 5-30. RECEPTACLE BOX KIT - 220V IEC BLUE (CE & UK CA SPEC).....	166
FIGURE 5-31. RECEPTACLE BOX KIT - 220V CEE7 POST GROUND (CE & UK CA SPEC).....	168
FIGURE 5-32. RECEPTACLE BOX KIT - 220V CEE7 SIDE GROUND (CE & UK CA SPEC).....	170
FIGURE 5-33. RECEPTACLE BOX KIT - 220V AFSINT 107 (CE & UK CA SPEC).....	172
FIGURE 5-34. HARNESS, BATTERY HEATER.....	174
SECTION 6 - DECALS.....	177
FIGURE 6-1. DECALS INSTALLATION - ANSI SPECS (ENGLISH LANGUAGE).....	178
FIGURE 6-2. DECALS INSTALLATION - AUSTRALIAN/CE/JAPANESE/UK CA SPECS (ENGLISH LANGUAGE).....	180
FIGURE 6-3. DECALS INSTALLATION - BRAZIL SPECS (SPANISH/PORTUGUESE LANGUAGES).....	182
FIGURE 6-4. DECALS INSTALLATION - CHINA SPECS (CHINA/ENGLISH LANGUAGES).....	184
FIGURE 6-5. DECALS INSTALLATION - CSA SPECS (FRENCH/ENGLISH LANGUAGES).....	186
FIGURE 6-6. DECALS INSTALLATION - KOREAN SPECS (KOREAN/ENGLISH LANGUAGES).....	188
FIGURE 6-7. DECALS INSTALLATION - LATIN AMERICAN SPECS (SPANISH/ENGLISH LANGUAGES).....	190
FIGURE 6-8. DECAL INSTALLATION - OPTIONS.....	192
SECTION 7 - RECOMMENDED SERVICE PARTS STOCK.....	195
FIGURE 7-1. RECOMMENDED SERVICE PARTS STOCK.....	196
SECTION 8 - SPECIAL OPTIONS/ACCESSORIES/KITS.....	197
FIGURE 8-1. SPECIAL OPTIONS/ACCESSORIES/KITS.....	198
PART NUMBER INDEX.....	199

SECTION 1 - FRAME

SECTION 1 - FRAME

FIGURE 1-1. STEERING INSTALLATION



ART_1001249286

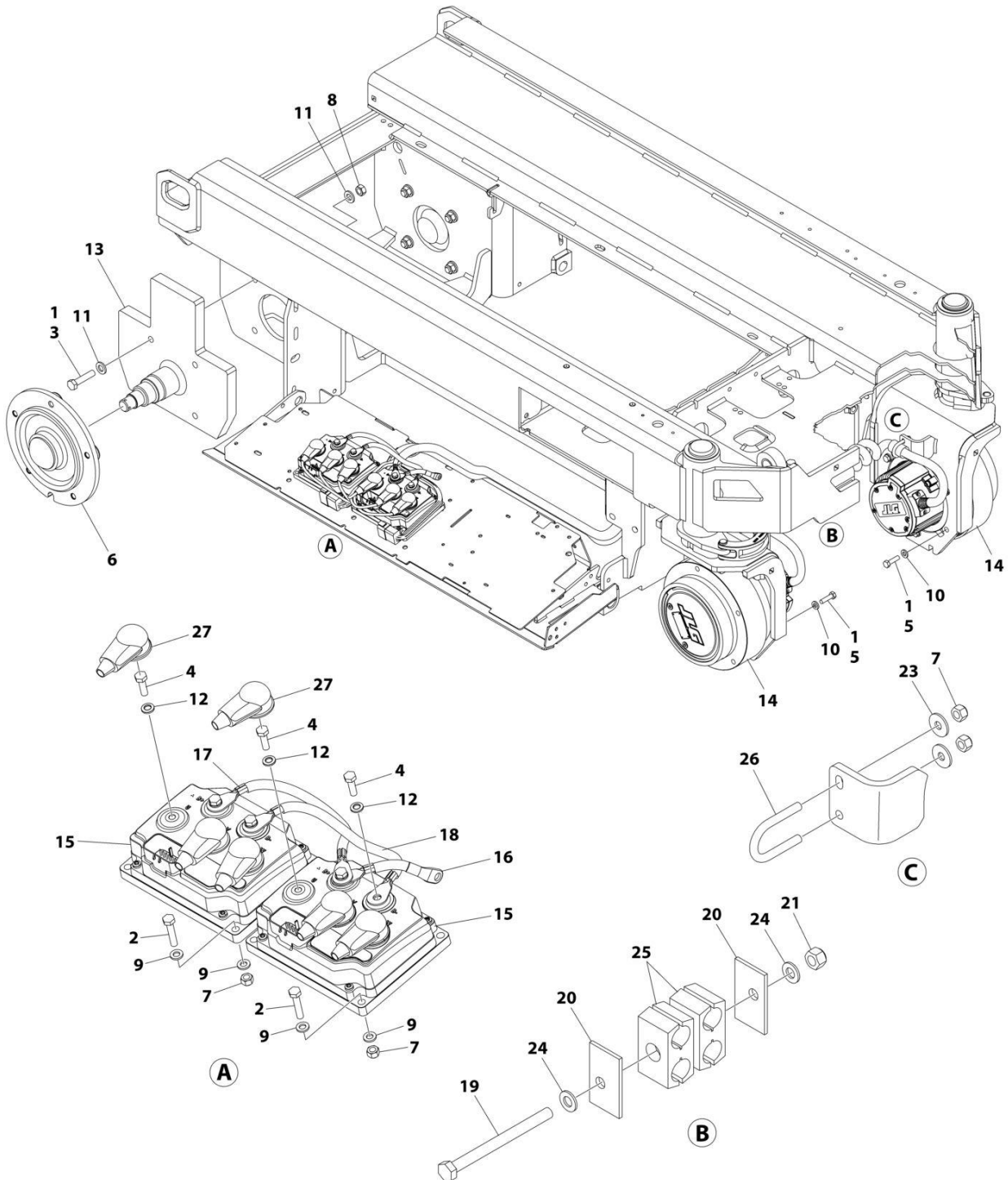
SECTION 1 - FRAME

FIGURE 1-1. STEERING INSTALLATION

ITEM	PART NUMBER	QTY	DESCRIPTION	REV
	1001249286	Ref	STEERING INSTALLATION	D
1	0100011	AR	Compound, Locking	
2	0440259	4	Bearing	
3	4031510	2	Capscrew M4 x 30	
4	0761010	4	Bolt M10 x 20	
5	0962272	2	Bearing	
6	1380153	4	E-Clip	
7	3290405	2	Nut M4	
8	3423037	4	Pin	
9	3430820	1	Pin	
10	3760217	2	Ring, Retaining	
11	3900270	1	Screw 1/2 x 1 - 1/2	
12	4812000	4	Washer M10	
13	4846757	2	Lug, Steering	
14	1001197396	2	Washer	
15	1001205751	2	Washer, Thrust	
16	1001226487	1	Spindle (LH)	
17	1001248118	1	Module, Steer (Note: Recalibrate Required When Replaced)	
18	1001248311	1	Steer Actuator Assembly (No Service Parts Available - Purchase Complete Assembly)	
19	1001249295	1	Link, Drag	
20	1001250162	1	Spindle (RH)	
21	1001250316	1	Bracket	
50	1001153785	4	Bearing (Part of Frame)	

SECTION 1 - FRAME

FIGURE 1-2. DRIVE/BRAKE INSTALLATION



ART_1001248195

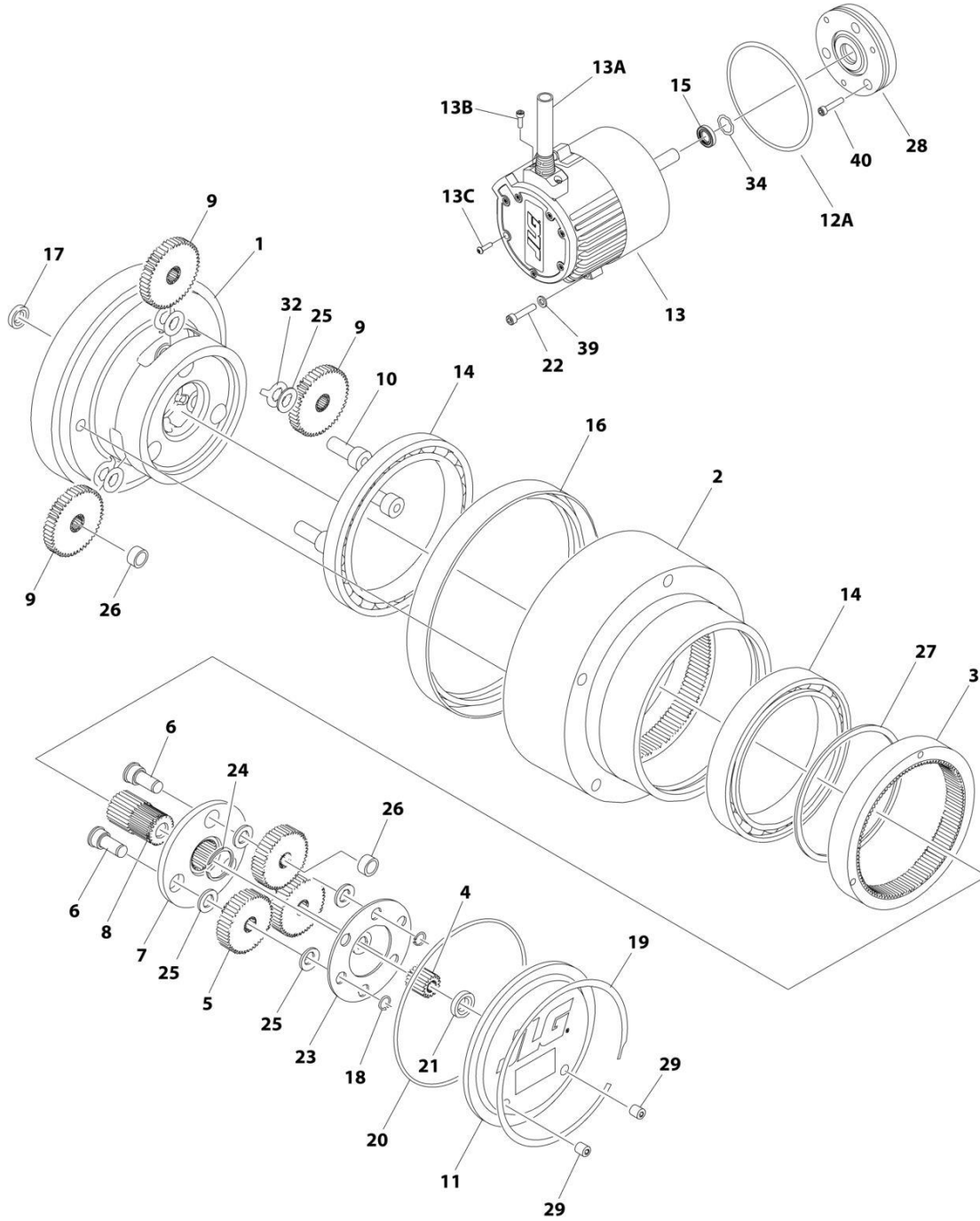
SECTION 1 - FRAME

FIGURE 1-2. DRIVE/BRAKE INSTALLATION

ITEM	PART NUMBER	QTY	DESCRIPTION	REV
	1001248195	Ref	DRIVE/BRAKE INSTALLATION	D
1	0100011	AR	Compound, Locking	
2	0700614	4	Bolt M6 x 30	
3	0711219	8	Bolt M12 x 55	
4	0760610	10	Bolt M6 x 20	
5	0770814	12	Bolt M8 x 30	
6	2780266	2	Assembly, Rear Hub (See Separate Breakdown in this Section)	
7	3290605	8	Nut M6	
8	3331211	8	Nut M12	
9	4811700	8	Washer M6	
10	5240800	12	Washer M8	
11	5241200	16	Washer M12	
12	1001210966	10	Washer	
13	1001226423	2	Spindle	
14	1001246733	2	Drive Motor Assembly (See Separate Breakdown in this Section)	
15	1001248114	2	Module, Drive (Note: Recalibrate Required When Replaced)	
16	1001250426	1	Cable, Battery Positive Contactor	
17	1001250427	1	Cable, Battery Positive	
18	1001250428	1	Cable, Battery Negative	
19	0760827	1	Bolt M8 x 100	
20	1321752	2	Clamp	
21	3290805	1	Nut M8	
22	4240017	AR	Tie-Strap (Not Shown)	
23	4811702	4	Washer M6	
24	4811900	2	Washer M8	
25	8750014	2	Clamp	
26	1001259015	2	U-Bolt M6	
27	1001266450	6	Boot	

SECTION 1 - FRAME

FIGURE 1-3. DRIVE MOTOR ASSEMBLY



ART_1001246733

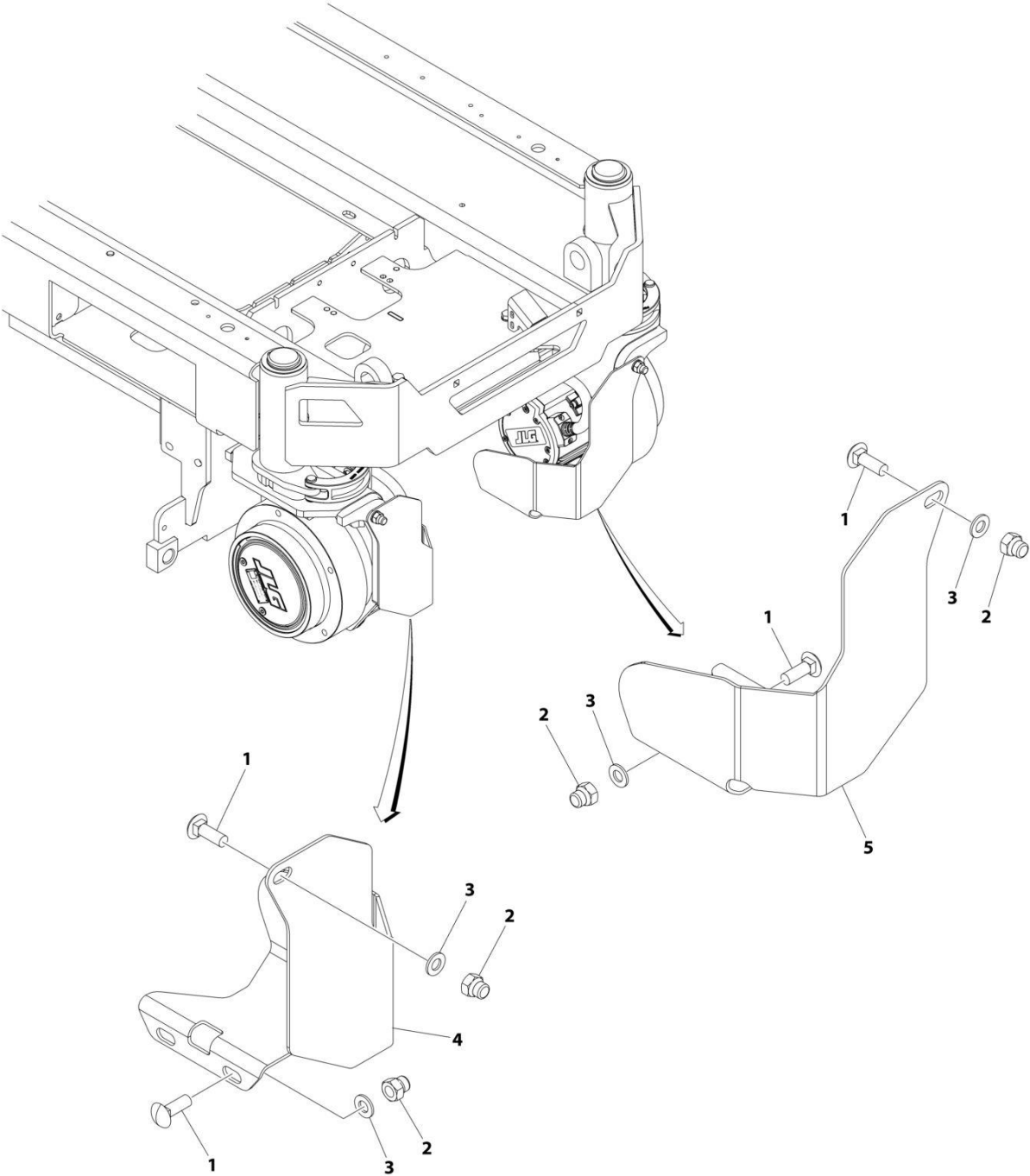
SECTION 1 - FRAME

FIGURE 1-3. DRIVE MOTOR ASSEMBLY

ITEM	PART NUMBER	QTY	DESCRIPTION	REV
	1001246733	Ref	DRIVE MOTOR ASSEMBLY	F
		Ref	HUB ASSEMBLY	
1	See Note	NSS	Spindle / Carrier (Note : Use Pin 1001246733)	
2	See Note	NSS	Hub (Note : Use Pin 1001246733)	
3	70007494	1	Ring, Input	
4	70007491	3	Gear, Input Sun	
5	70007490	3	Gear, Input Planet (Includes Item 26)	
6	70007196	3	Pin, Planet Gear	
7	70007492	1	Carrier	
8	70007195	1	Gear, Output Sun	
9	70007193	3	Gear, Output Planet (Includes Item 26)	
10	70007199	3	Pin, Output Planet	
11	70007538	1	Cover	
12A	70007551	1	O-Ring	
12B	70007545	1	Washer, Thrust (Not Shown)	
13	70007552	1	Motor	
13A	70007553	1	Cable, Electric	
13B	70007549	1	Capscrew M5 x 16	
13C	See Note	NSS	Capscrew M5 x 10	
14	70007541	2	Bearing, Main	
15		Ref	Bearing, Shaft	
16	70001739	1	Seal, Lip	
17	70007542	1	Seal, Lip	
18	70007204	3	Ring, Retaining	
19	70007543	1	Ring, Retaining	
20	70000191	1	O-Ring	
21	70007540	1	Washer, Thrust	
22	70007550	2	Capscrew M6 x 30	
23	70007207	1	Plate, Thrust	
24	70007203	1	Ring, Retaining	
25	70007206	9	Washer, Thrust	
26	70007201	6	Bushing	
27	70007544	1	Ring, Retaining	
28	70007548	1	Brake, Input	
29	70007539	2	Plug	
32	70007205	3	Washer, Tanged	
34	70007547	1	Washer, Wavey	
39	70007546	2	Washer M6	
40		Ref	Bolt M5 x 25	

SECTION 1 - FRAME

FIGURE 1-4. MOTOR COVERS INSTALLATION



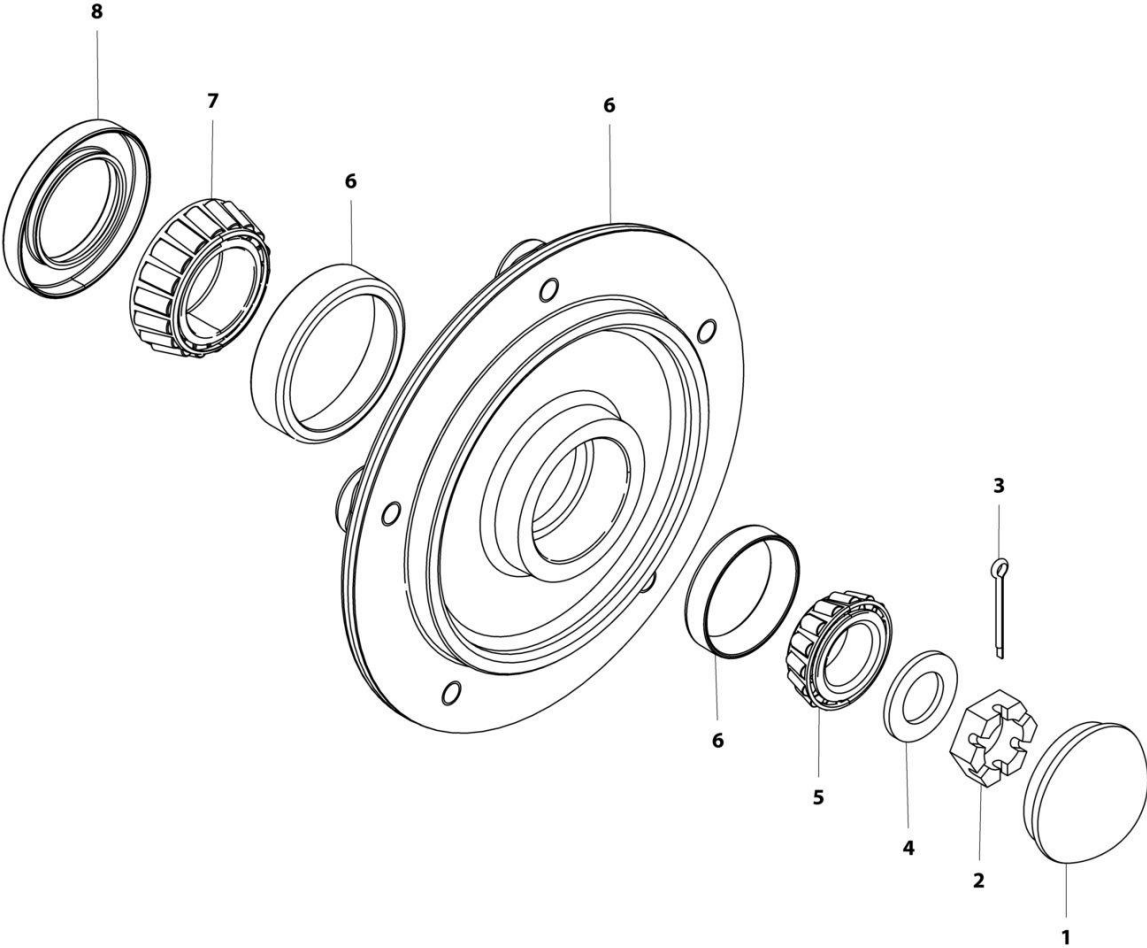
ART_1001251532

FIGURE 1-4. MOTOR COVERS INSTALLATION

ITEM	PART NUMBER	QTY	DESCRIPTION	REV
	1001251532	Ref	MOTOR COVERS INSTALLATION	A
1	0630613	6	Bolt M10 x 30	
2	3291006	6	Nut M10	
3	4812000	6	Washer M10	
4	1001251531	1	Cover Motor (RH)	
5	1001251620	1	Cover Motor (LH)	

SECTION 1 - FRAME

FIGURE 1-5. HUB ASSEMBLY - REAR



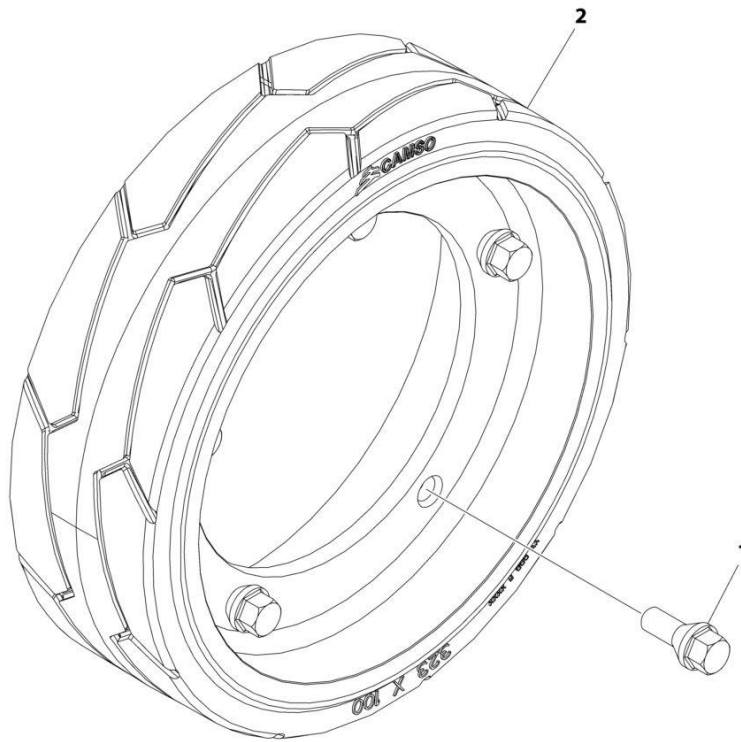
ART_2780266

FIGURE 1-5. HUB ASSEMBLY - REAR

ITEM	PART NUMBER	QTY	DESCRIPTION	REV
	2780266	Ref	HUB ASSEMBLY - REAR	E
1	1001102354	1	Cap, Dust (was p/n 7012524)	
2	3300423	1	Nut, Slotted (was p/n 7010641)	
3	3450406	1	Pin, Cotter 2 x 3/16 (was p/n 7010642)	
4	4740468	1	Washer (was p/n 7019697)	
5	1001102351	1	Bearing, Cone - Outer (was p/n 7026185)	
6	See Note	NSS	Hub (Note: Purchase Complete Assembly p/n 2780266)	
7	1001102353	1	Bearing, Cone - Inner (was p/n 7026183)	
8	1001102349	1	Seal (was p/n 7026184)	

SECTION 1 - FRAME

FIGURE 1-6. TIRE AND WHEEL INSTALLATION



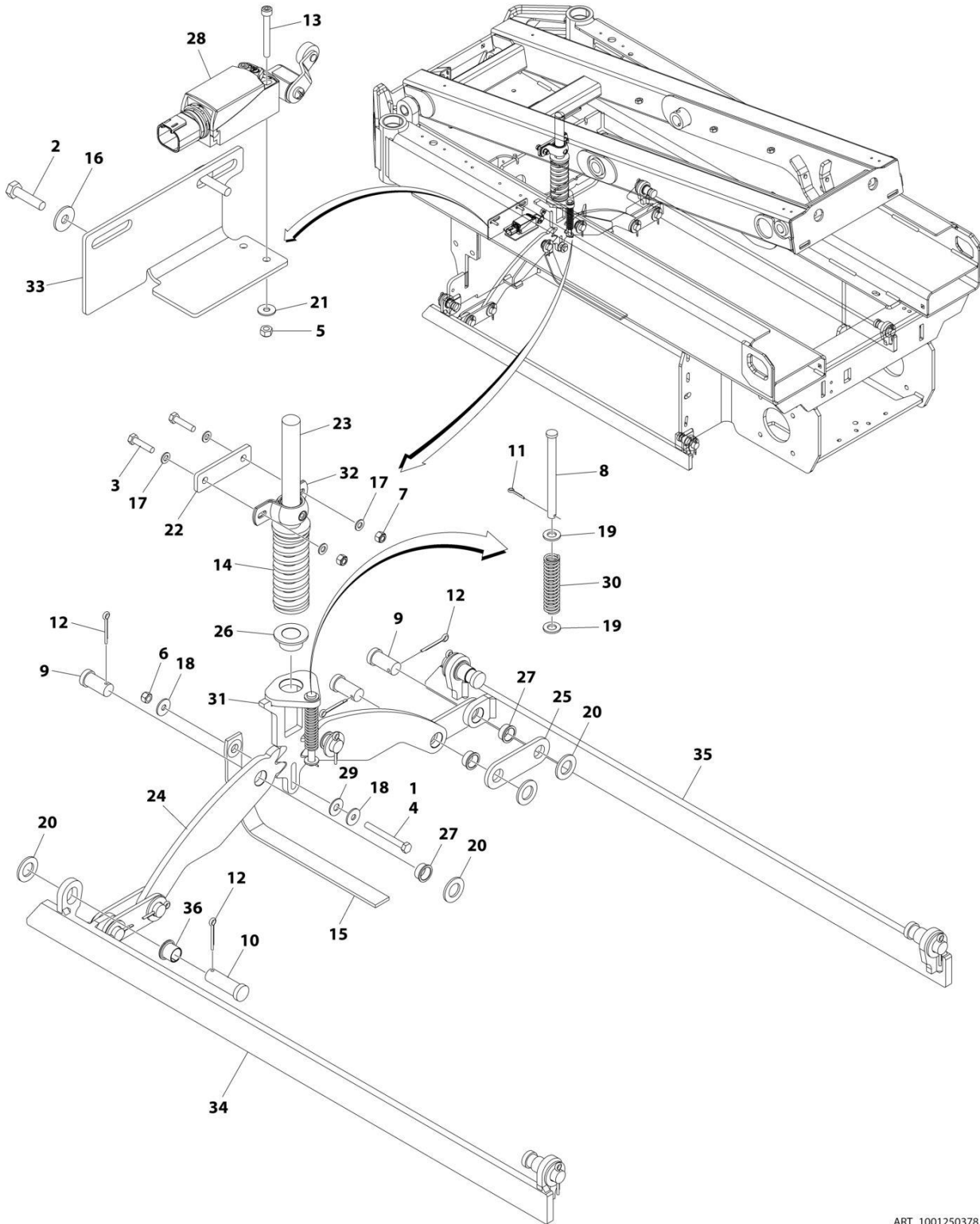
ART_1001248612

FIGURE 1-6. TIRE AND WHEEL INSTALLATION

ITEM	PART NUMBER	QTY	DESCRIPTION	REV
	1001248612	Ref	TIRE AND WHEEL ASSEMBLY	B
1	0630580	20	Bolt	
2	1001114467	4	Tire, 100 x 323	

SECTION 1 - FRAME

FIGURE 1-7. POTHOLE PROTECTION INSTALLATION



ART_1001250378

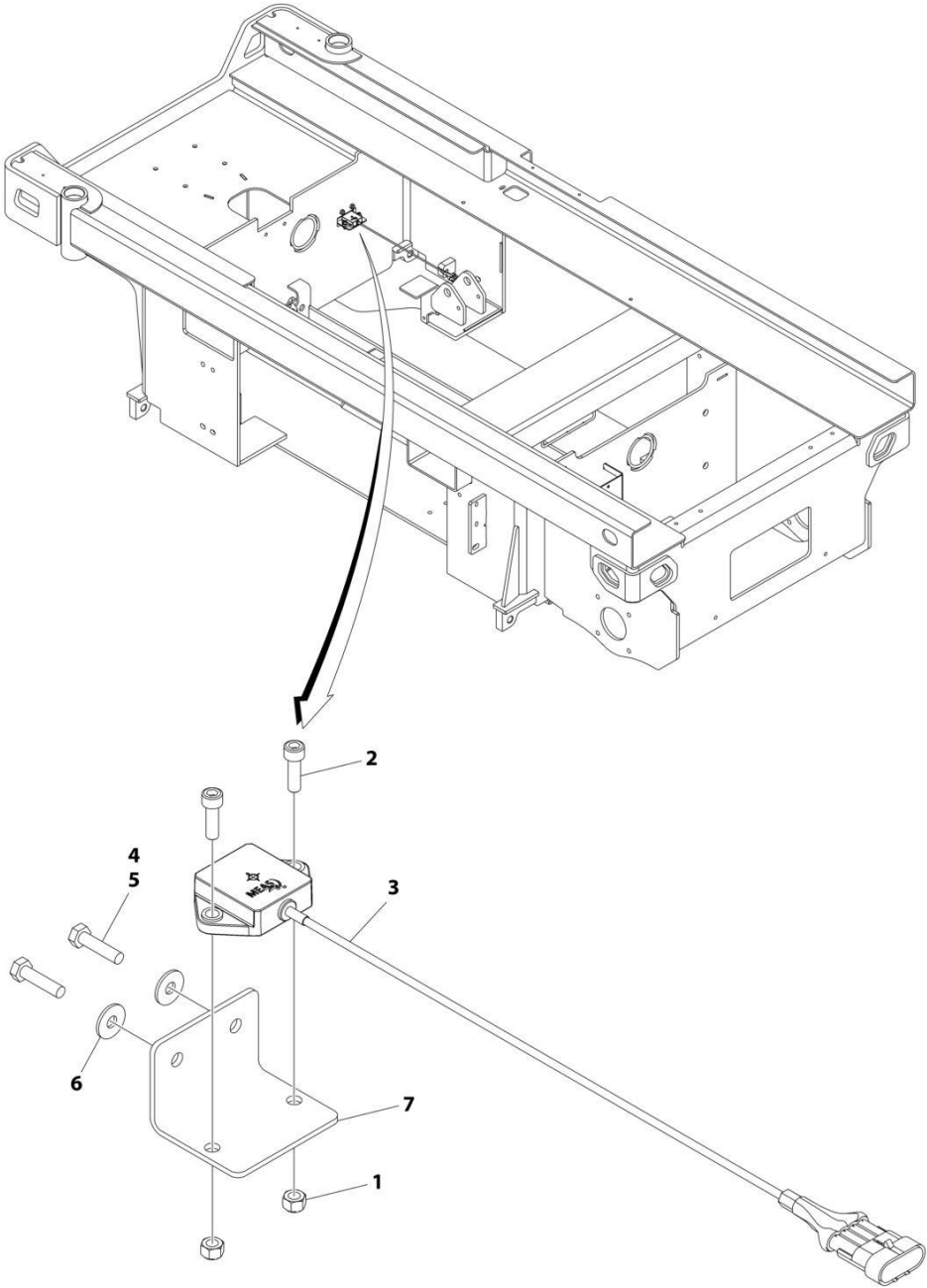
SECTION 1 - FRAME

FIGURE 1-7. POTHOLE PROTECTION INSTALLATION

ITEM	PART NUMBER	QTY	DESCRIPTION	REV
	1001250378	Ref	POTHOLE PROTECTION INSTALLATION	B
1	0100011	AR	Compound, Locking	
2	0700612	2	Bolt M6 x 25	
3	0700815	2	Bolt M8 x 35	
4	0700823	1	Bolt M8 x 75	
5	3290405	2	Nut M4	
6	3290801	1	Nut M8	
7	3290805	2	Nut M8	
8	3430636	1	Pin	
9	3431212	6	Pin	
10	3431218	4	Pin	
11	3450302	1	Pin, Cotter 7/8 x 1/2	
12	3450505	10	Pin, Cotter 5/32 x 1/2	
13	4031511	2	Capscrew M4 x 35	
14	4160202	1	Spring	
15	4240147	1	Strap, Anti-Static	
16	4811702	2	Washer M6	
17	4811900	4	Washer M8	
18	4811902	2	Washer M8	
19	4812000	2	Washer M10	
20	4812500	10	Washer M20	
21	1001091102	2	Washer M4	
22	1001202987	1	Plate, Mounting	
23	1001202988	1	Actuator (Upper)	
24	1001202994	2	Plate, Pinion	
25	1001202999	4	Link	
26	1001203869	1	Bearing	
27	1001203870	6	Bearing	
28	1001203871	1	Switch, Limit	
29	1001203872	1	Washer 3/8	
30	1001212068	1	Spring	
31	1001214526	1	Actuator (Lower)	
32	1001215953	1	Bearing	
33	1001218307	1	Plate, Sensor Mount	
34	1001251436	1	Bar (LH)	
35	1001251437	1	Bar (RH)	
36	0440263	4	Bearing	

SECTION 1 - FRAME

FIGURE 1-8. TILT SENSOR INSTALLATION



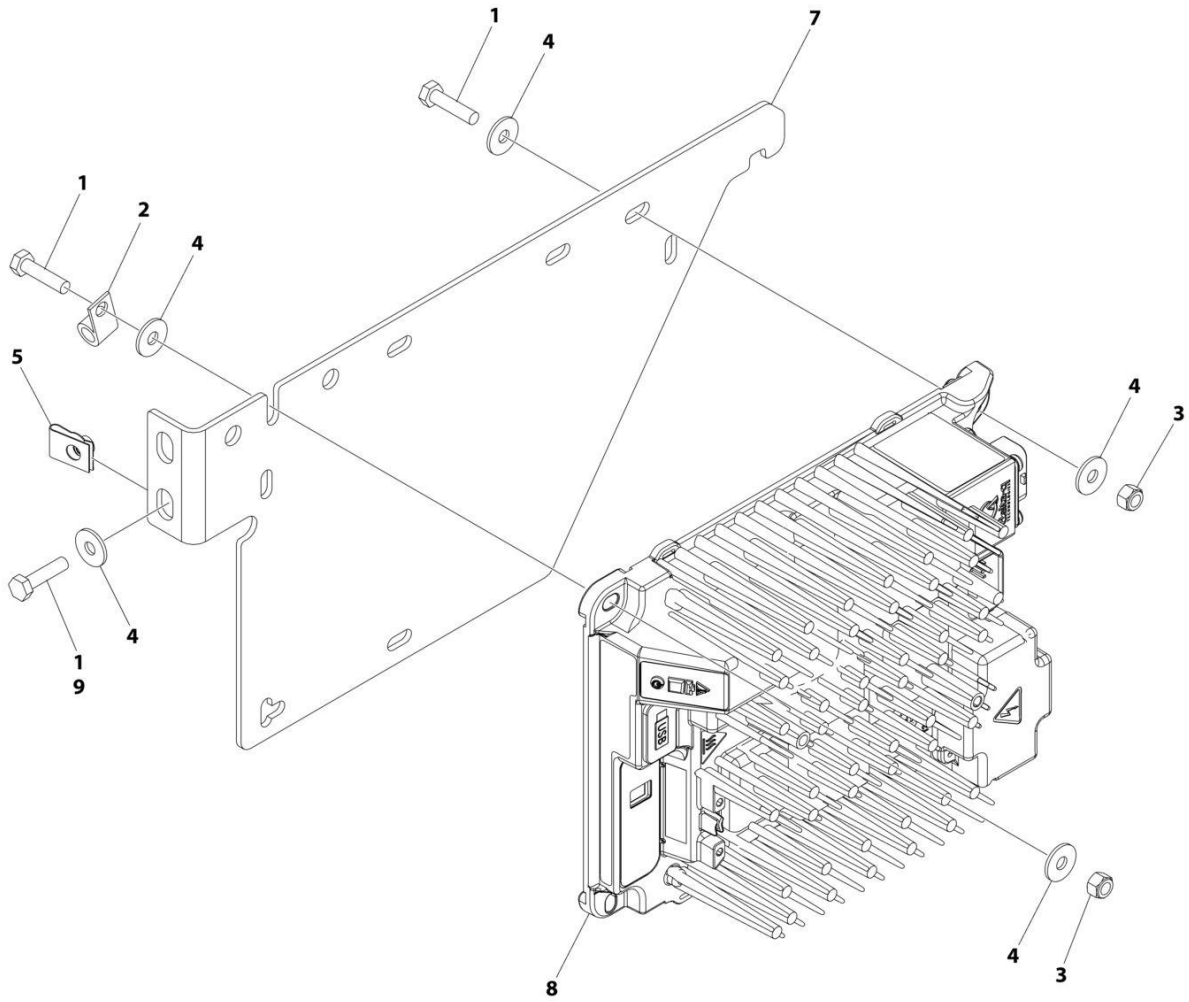
ART_1001214217

FIGURE 1-8. TILT SENSOR INSTALLATION

ITEM	PART NUMBER	QTY	DESCRIPTION	REV
	1001214217	Ref	TILT SENSOR INSTALLATION	C
1	3290601	2	Nut M6	
2	4031708	2	Capscrew M6 x 20	
3	1001186466	1	Sensor, Tilt	
4	0100011	AR	Compound, Locking	
5	0700612	2	Bolt M6 x 25	
6	4811702	2	Washer M6	
7	1001217059	1	Plate, Mounting	

SECTION 1 - FRAME

FIGURE 1-9. BATTERY CHARGER INSTALLATION - 650W



ART_1001248604

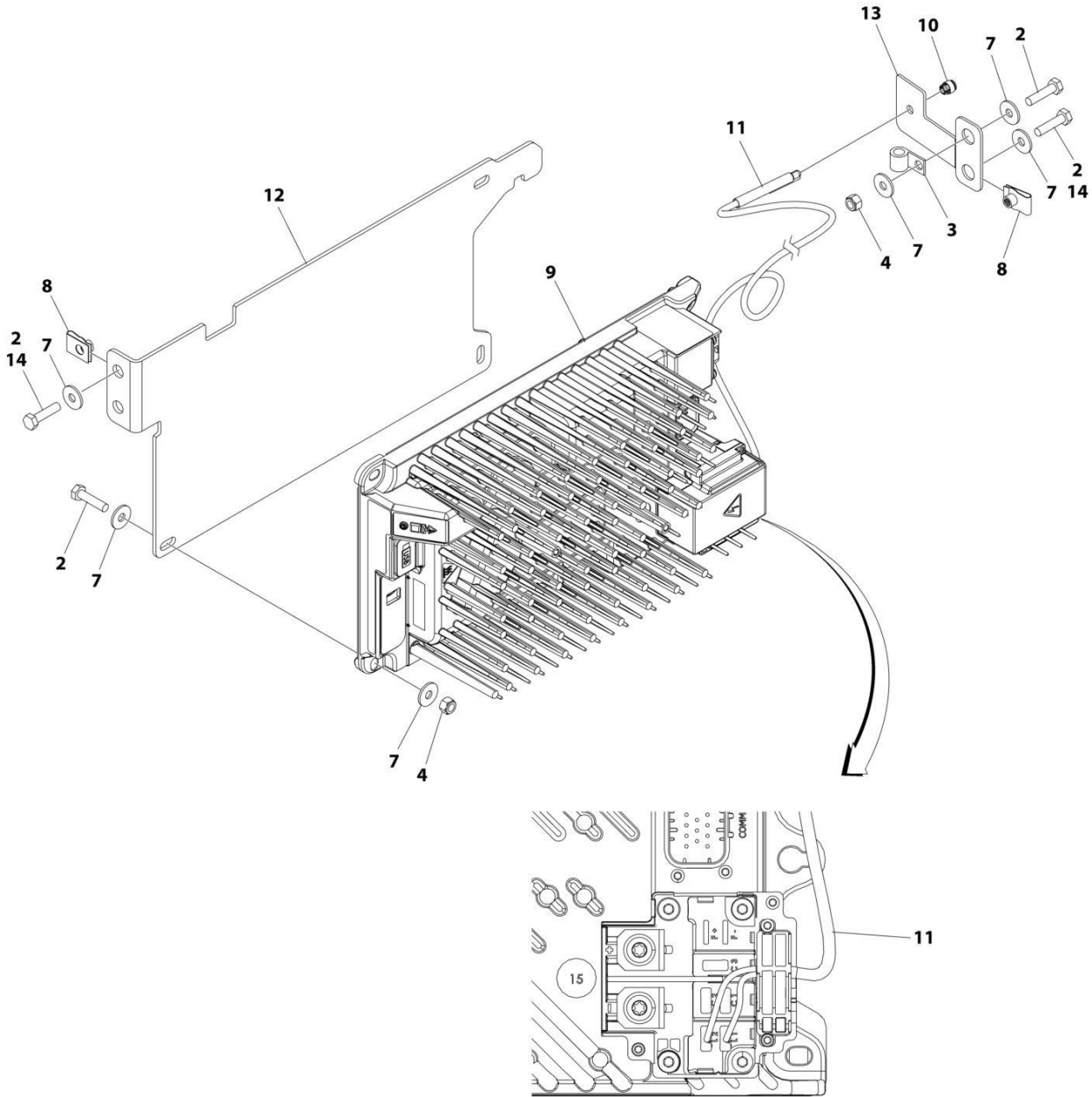
SECTION 1 - FRAME

FIGURE 1-9. BATTERY CHARGER INSTALLATION - 650W

ITEM	PART NUMBER	QTY	DESCRIPTION	REV
	1001248604	Ref	BATTERY CHARGER INSTALLATION - 650W	D
1	0760612	5	Bolt M6 x 25	
2	1321293	1	Clamp	
3	3290605	3	Nut M6	
4	4811702	8	Washer M6	
5	1001130220	2	Nut, Tinnerman M6	
7	1001236139	1	Bracket	
8	1001248123	1	Charger	
9	0100011	AR	Compound, Locking	

SECTION 1 - FRAME

FIGURE 1-10. BATTERY CHARGER INSTALLATION - 900W



ART_1001248605

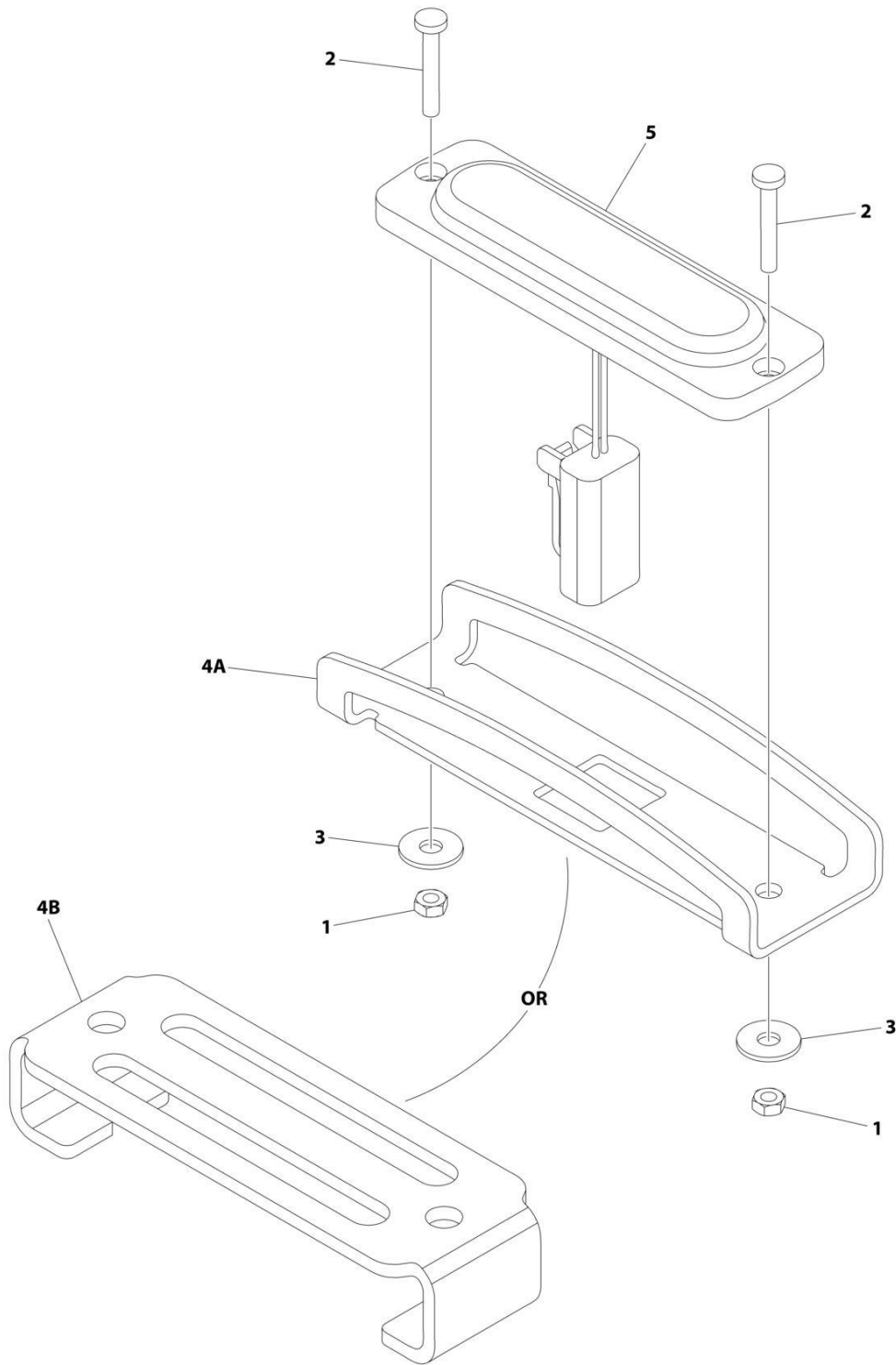
SECTION 1 - FRAME

FIGURE 1-10. BATTERY CHARGER INSTALLATION - 900W

ITEM	PART NUMBER	QTY	DESCRIPTION	REV
	1001248605	Ref	BATTERY CHARGER INSTALLATION - 900W	D
2	0760612	7	Bolt M6 x 25	
3	1321293	1	Clamp	
4	3290605	4	Nut M6	
5	4240017	AR	Tie-Strap (Not Shown)	
7	4811702	11	Washer M6	
8	1001130220	3	Nut, Tinnerman M6	
9	1001248124	1	Charger	
10	1001250886	1	Housing, LED	
11	1001250937	1	Cable, LED	
12	1001256281	1	Bracket	
13	1001258500	1	Bracket	
14	0100011	AR	Compound, Locking	

SECTION 1 - FRAME

FIGURE 1-11. STROBE LIGHT INSTALLATION – SINGLE (AMBER) (WITH GUARD)



ART_1001242697

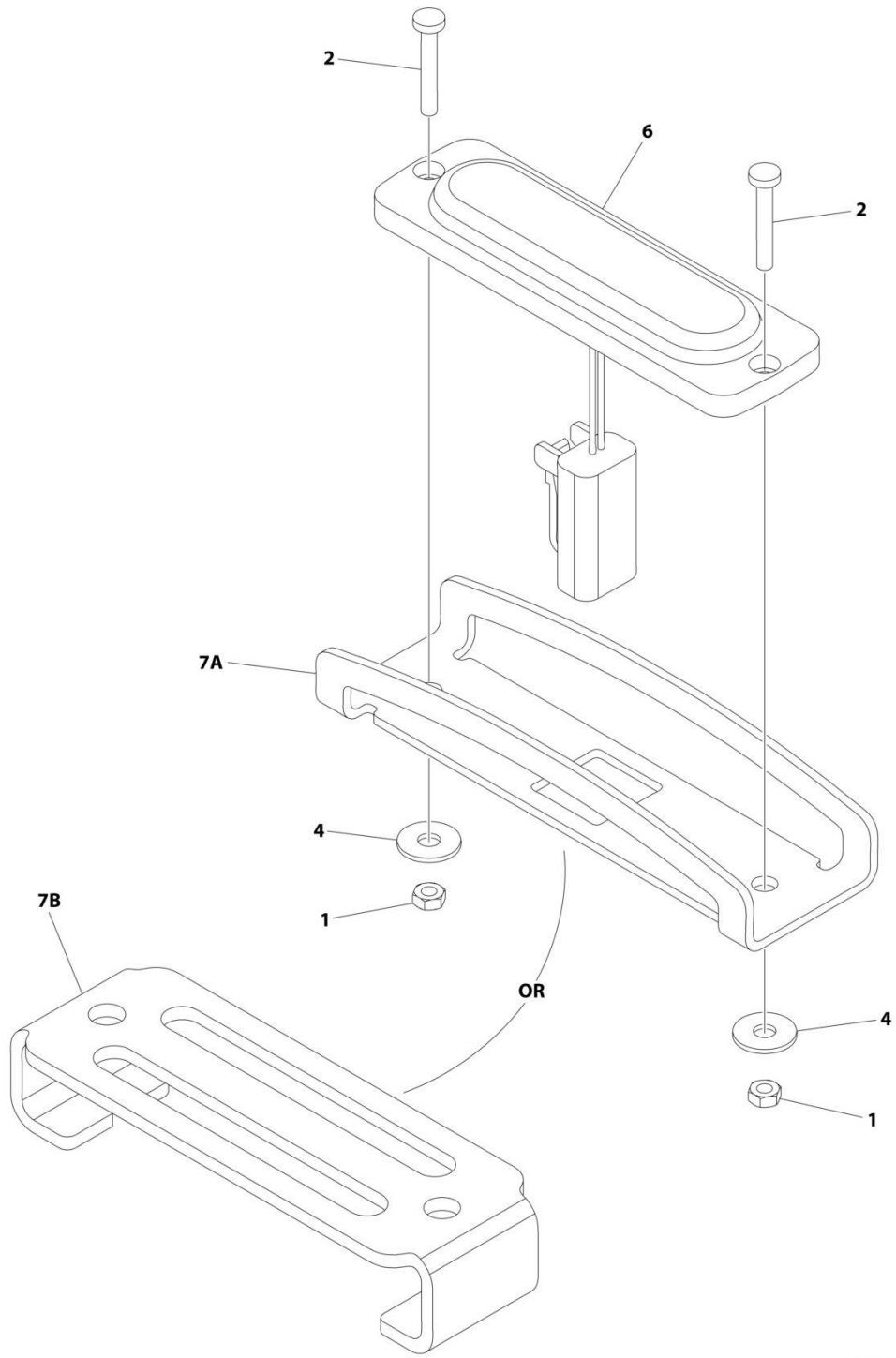
SECTION 1 - FRAME

FIGURE 1-11. STROBE LIGHT INSTALLATION – SINGLE (AMBER) (WITH GUARD)

ITEM	PART NUMBER	QTY	DESCRIPTION	REV
	1001242697	Ref	STROBE LIGHT INSTALLATION - SINGLE (AMBER) (WITH GUARD)	D
1	3290305	2	Nut M3	
2	4010310	2	Screw M3 x 20	
3	1001091102	2	Washer M4	
4A	1001242539	1	Guard	
4B	1001239661	1	Cover	
5	1001239224	1	Light, Strobe	
5	4460891	1	Plug, Male - 2 Position	
5	4460465	2	Socket, Female	

SECTION 1 - FRAME

FIGURE 1-12. STROBE LIGHT INSTALLATION – DUAL (AMBER) (WITH GUARD)



ART_1001247862

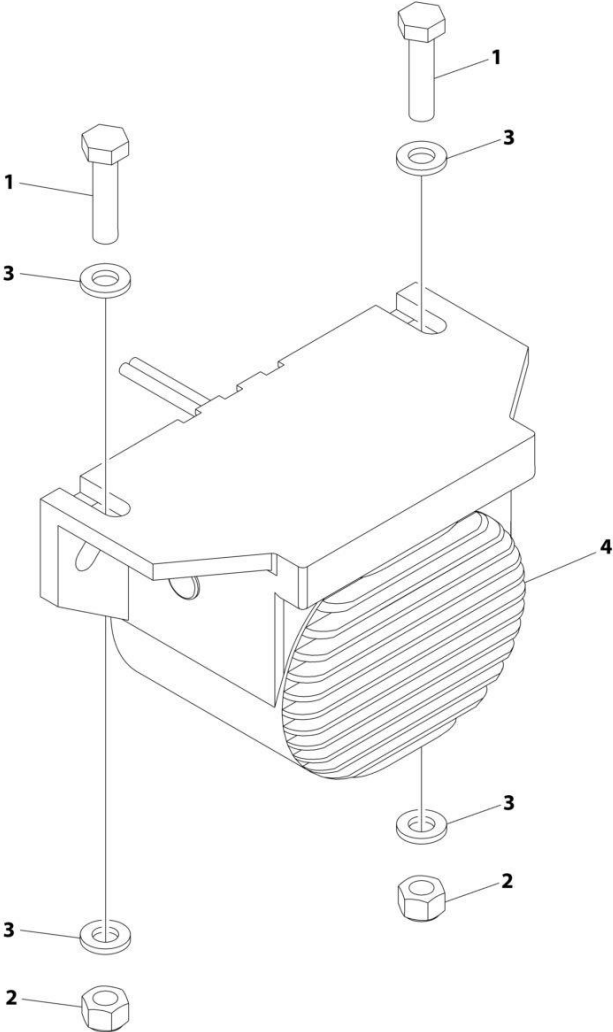
SECTION 1 - FRAME

FIGURE 1-12. STROBE LIGHT INSTALLATION – DUAL (AMBER) (WITH GUARD)

ITEM	PART NUMBER	QTY	DESCRIPTION	REV
	1001247862	Ref	STROBE LIGHT INSTALLATION - DUAL (AMBER) (WITH GUARD)	C
1	3290305	4	Nut M3	
2	4010310	4	Screw M3 x 20	
3	4240018	AR	Tie-Strap (Not Shown)	
4	1001091102	4	Washer M4	
5	1001201707	1	Strobe Light Jumper Harness (Not Shown)	
6	1001239224	2	Light, Strobe	
6	4460891	1	Plug, Male - 2 Position	
6	4460465	2	Socket, Female	
7A	1001242539	2	Guard	
7B	1001239661	2	Cover	

SECTION 1 - FRAME

FIGURE 1-13. ALARM INSTALLATION (AMBIENT/WHITE NOISE) (OPTIONAL)



ART_1001204495

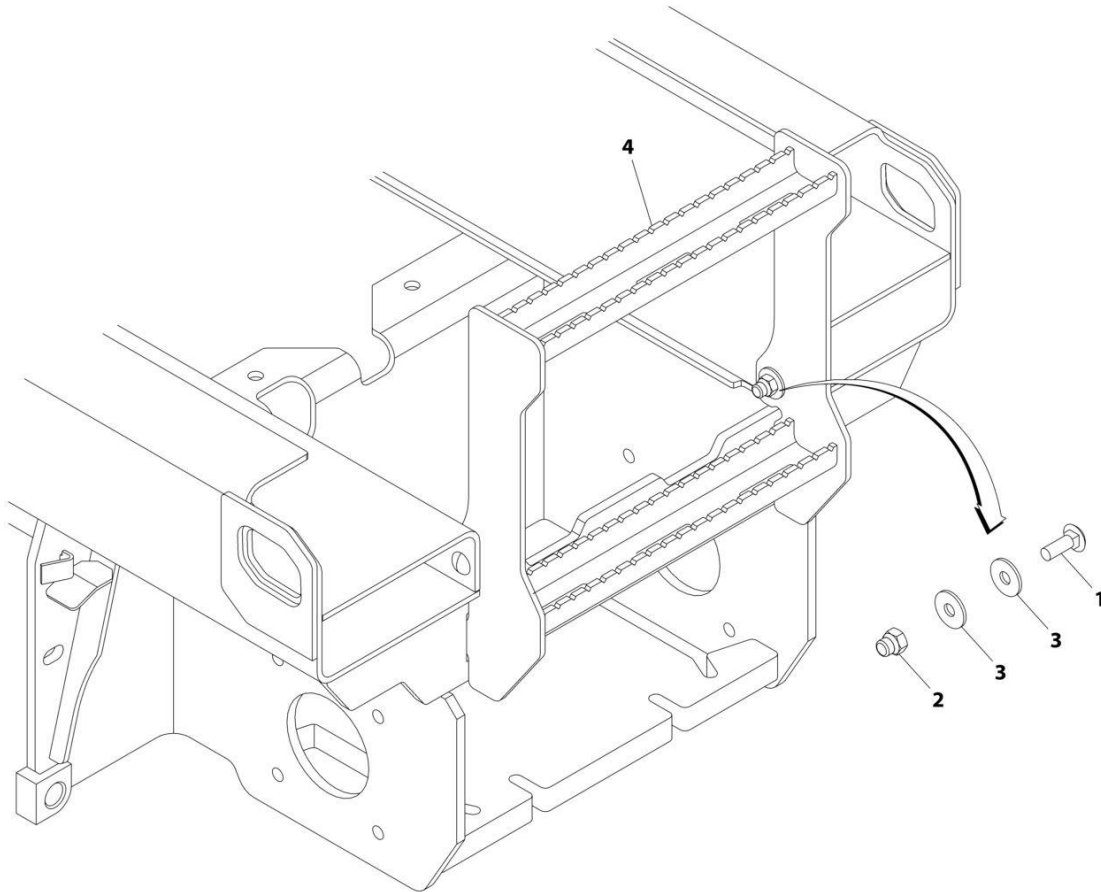
SECTION 1 - FRAME

FIGURE 1-13. ALARM INSTALLATION (AMBIENT/WHITE NOISE) (OPTIONAL)

ITEM	PART NUMBER	QTY	DESCRIPTION	REV
	1001204495	Ref	ALARM INSTALLATION (AMBIENT/WHITE NOISE)	B
1	0760612	2	Bolt M6 x 25	
2	3290605	2	Nut M6	
3	4811700	4	Washer M6	
4	1001182806	1	Alarm	
4	4460897	1	Receptacle, Female - 2 Position	
4	4460464	2	Pin, Male	

SECTION 1 - FRAME

FIGURE 1-14. LADDER INSTALLATION



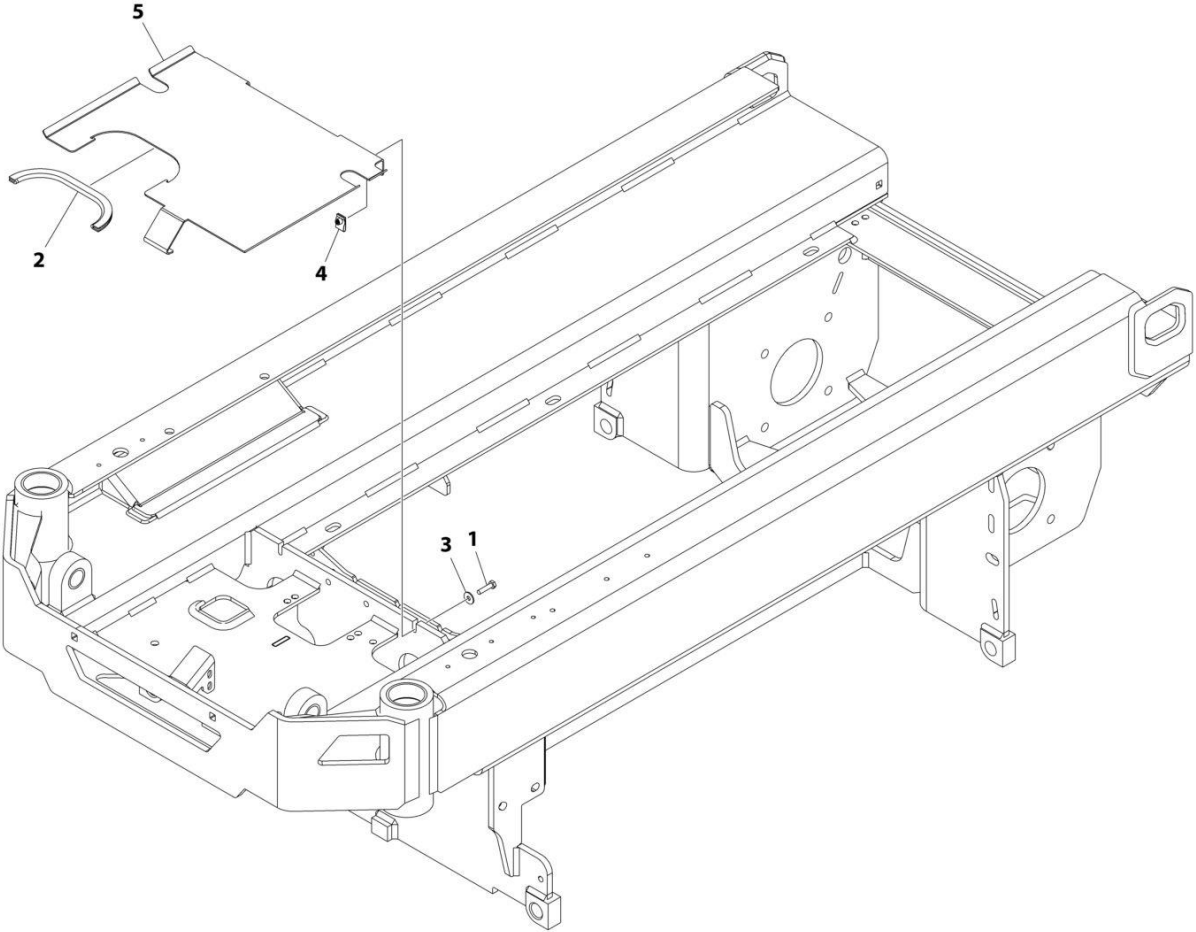
ART_1001203453

FIGURE 1-14. LADDER INSTALLATION

ITEM	PART NUMBER	QTY	DESCRIPTION	REV
	1001203453	Ref	LADDER INSTALLATION	C
1	0630613	2	Bolt M10 x 30	
2	3291006	2	Nut M10	
3	4812002	AR	Washer M10	
4	1001203457	1	Ladder	

SECTION 1 - FRAME

FIGURE 1-15. FRAME COVERS INSTALLATION



ART_1001250431

SECTION 1 - FRAME

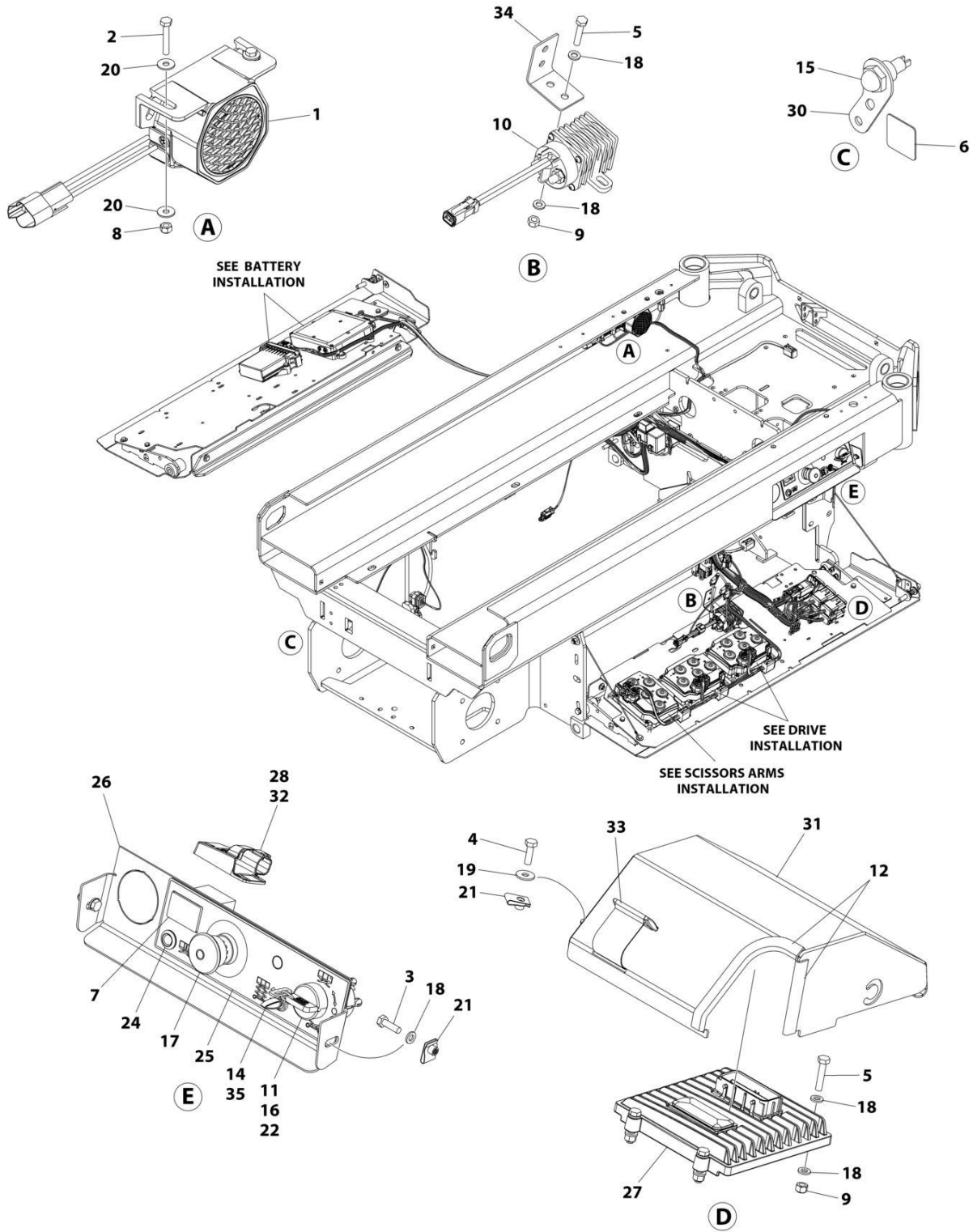
FIGURE 1-15. FRAME COVERS INSTALLATION

ITEM	PART NUMBER	QTY	DESCRIPTION	REV
	1001250431	Ref	FRAME COVERS INSTALLATION	A
1	0700612	2	Bolt M6 x 25	
2	4060803	12.99 in /33cm	Flex-Trim	
3	4811702	2	Washer M6	
4	1001130220	2	Nut, Tinnerman M6	
5	1001227966	1	Cover	

SECTION 2 - GROUND CONTROLS

SECTION 2 - GROUND CONTROLS

FIGURE 2-1. ELECTRICAL COMPONENTS INSTALLATION



ART_1001248494

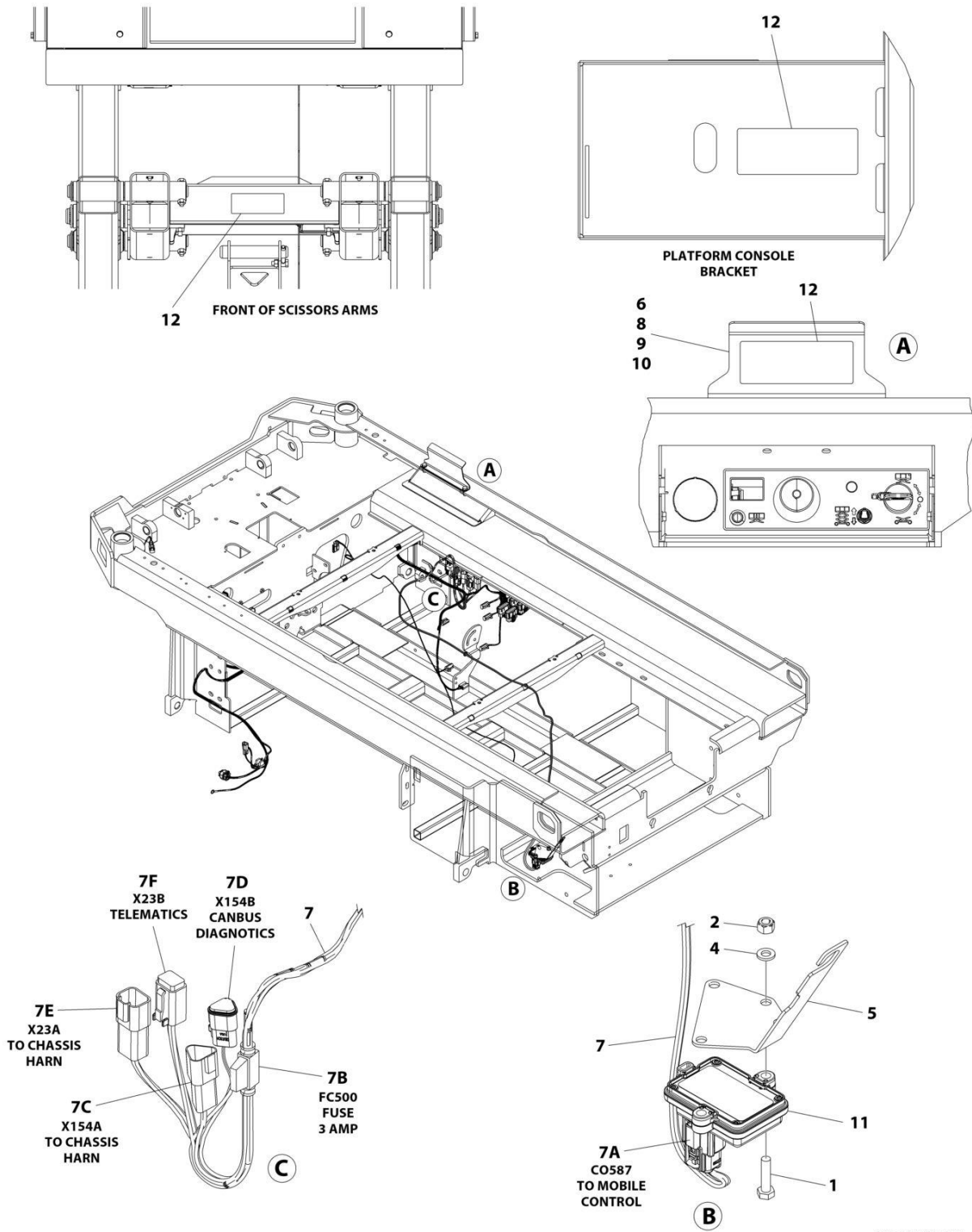
SECTION 2 - GROUND CONTROLS

FIGURE 2-1. ELECTRICAL COMPONENTS INSTALLATION

ITEM	PART NUMBER	QTY	DESCRIPTION	REV
	1001248494	Ref	ELECTRICAL COMPONENTS INSTALLATION	C
1	0140043	1	Alarm	
2	0700412	2	Bolt M4 x 25	
3	0760608	2	Bolt M6 x 16	
4	0760610	1	Bolt M6 x 20	
5	0760614	4	Bolt M6 x 30	
6	1706679	1	Decal - Brake Release	
7	2420172	1	Hourmeter	
8	3290405	2	Nut M4	
9	3290605	4	Nut M6	
10	3740150	1	Relay	
11	3910804	3	Screw 8 x 1/4	
12	4060803	9 in/ 23 cm	Flex-Trim	
13	4240017	AR	Tie-Strap (Not Shown)	
14	4360328	1	Switch, Toggle	
15	4360387	1	Switch, Push Button	
16	4360469	1	Switch, Key	
16	2860030	1 Set	Key, Replacement	
17	4360475	1	Switch, Emergency Stop	
17	7020176	1	Block, Contact	
17	7020175	1	Cap	
18	4811700	10	Washer M6	
19	4811702	1	Washer M6	
20	1001091102	4	Washer M4	
21	1001130220	3	Nut, Tinnerman M6	
22	1001130590	1	Plate	
23	1001187781	1	Tie-Strap (Not Shown)	
24	1001200631	1	Lamp, LED (Red)	
25	1001209682	1	Decal - Ground Control	
26	1001235559	1	Support	
27	1001260950	1	Module, Logic (Note: Recalibration Required When Replace)	
28	1001249432	1	Module, Control (Note: Recalibration Required When Replace)	
29	1001256217	1	Chassis Harness (Not Shown - See Separate Breakdown in ELECTRICAL Section)	
30	1001257138	1	Bracket	
31	1001258517	1	Cover	
32	1001217088	2 in/ 5 cm	Tape	
33	1001261076	1	Strap, Cinch	
34	1001266708	1	Bracket	
35	0100048	AR	Grease, Dielectric	

SECTION 2 - GROUND CONTROLS

FIGURE 2-2. MOBILE CONTROL INSTALLATION



ART_1001245353

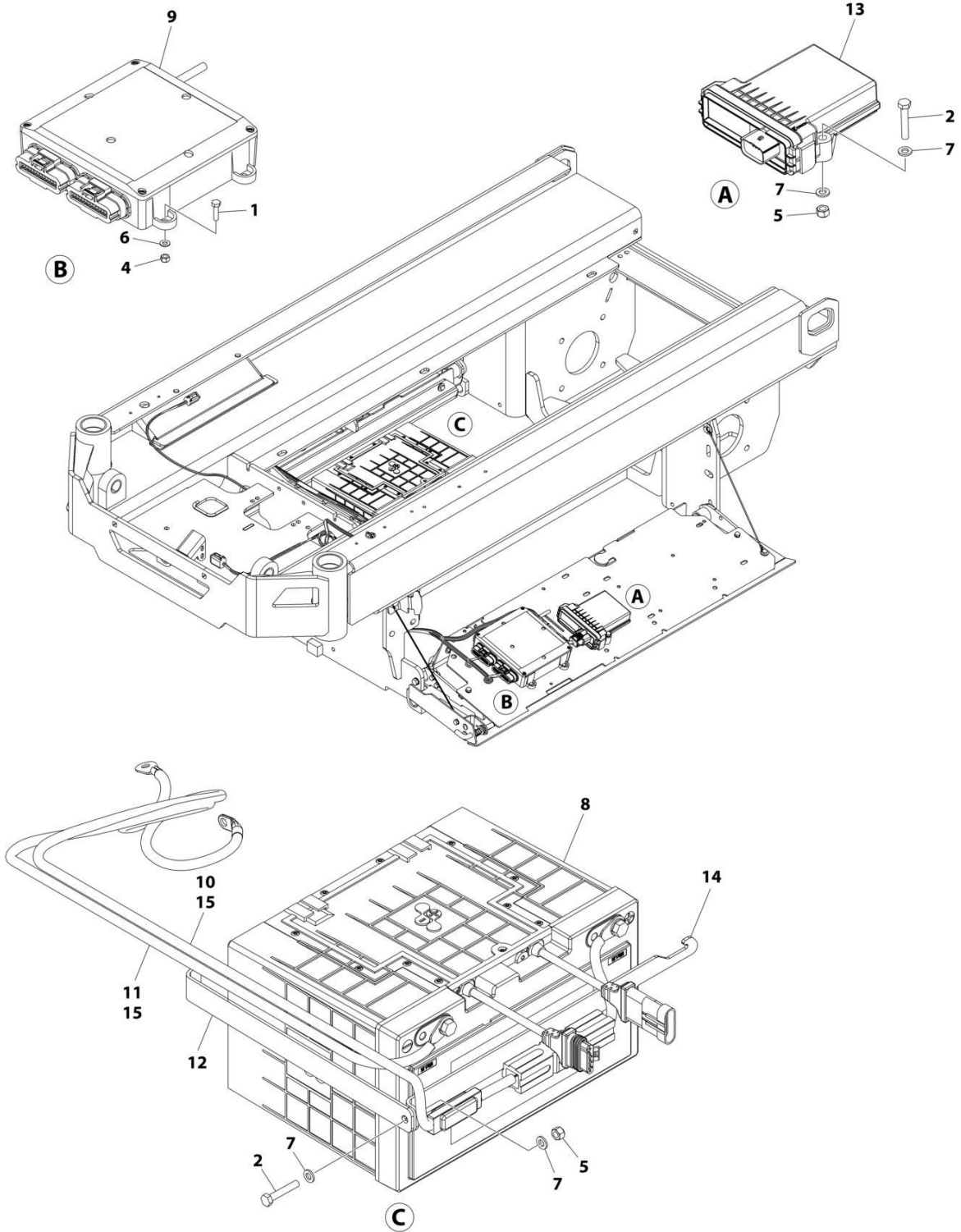
SECTION 2 - GROUND CONTROLS

FIGURE 2-2. MOBILE CONTROL INSTALLATION

ITEM	PART NUMBER	QTY	DESCRIPTION	REV
	1001245353	Ref	MOBILE CONTROL INSTALLATION	C
1	0700612	2	Bolt M6 x 25	
2	3290605	2	Nut M6	
3	4240017	AR	Tie-Strap (Not Shown)	
4	4811700	2	Washer M6	
5	1001244394	1	Bracket, Module	
6	1001244885	1	Plate, Decal	
7	1001245299	1	Mobile Control Harness	
7A	1001205409	1	Connector - 8 Position	
7A	1001162887	4	Terminal	
7A	1001163340	4	Plug, Terminal	
7B	2400060	1	Fuseholder with Cap	
7B	1001196635	1	Fuse 3 Amp	
7C	1001144147	1	Receptacle, Female - 3 Position	
7C	4460943	2	Pin, Male	
7C	4460466	1	Plug, Terminal	
7D	1001116812	1	Plug, Male - 3 Position	
7D	4460944	2	Socket, Female	
7D	4460466	1	Plug, Terminal	
7E	4460932	1	Receptacle, Female - 4 Position	
7E	4460464	4	Pin, Terminal	
7F	4460884	1	Pin, Male	
7F	4460465	4	Socket, Female	
8	0760810	2	Bolt M8 x 20	
9	4811900	2	Washer M8	
10	1001118274	2	Nut Tinnerman M8	
11	1001245293	1	Control, Mobile	
12	1001248768	3	Decal, Mobile Control	
13	3121792	1	Manual, Mobile Control (Not Shown)	

SECTION 2 - GROUND CONTROLS

FIGURE 2-3. BATTERY INSTALLATION (LI-ION - DISC)



ART_1001248629

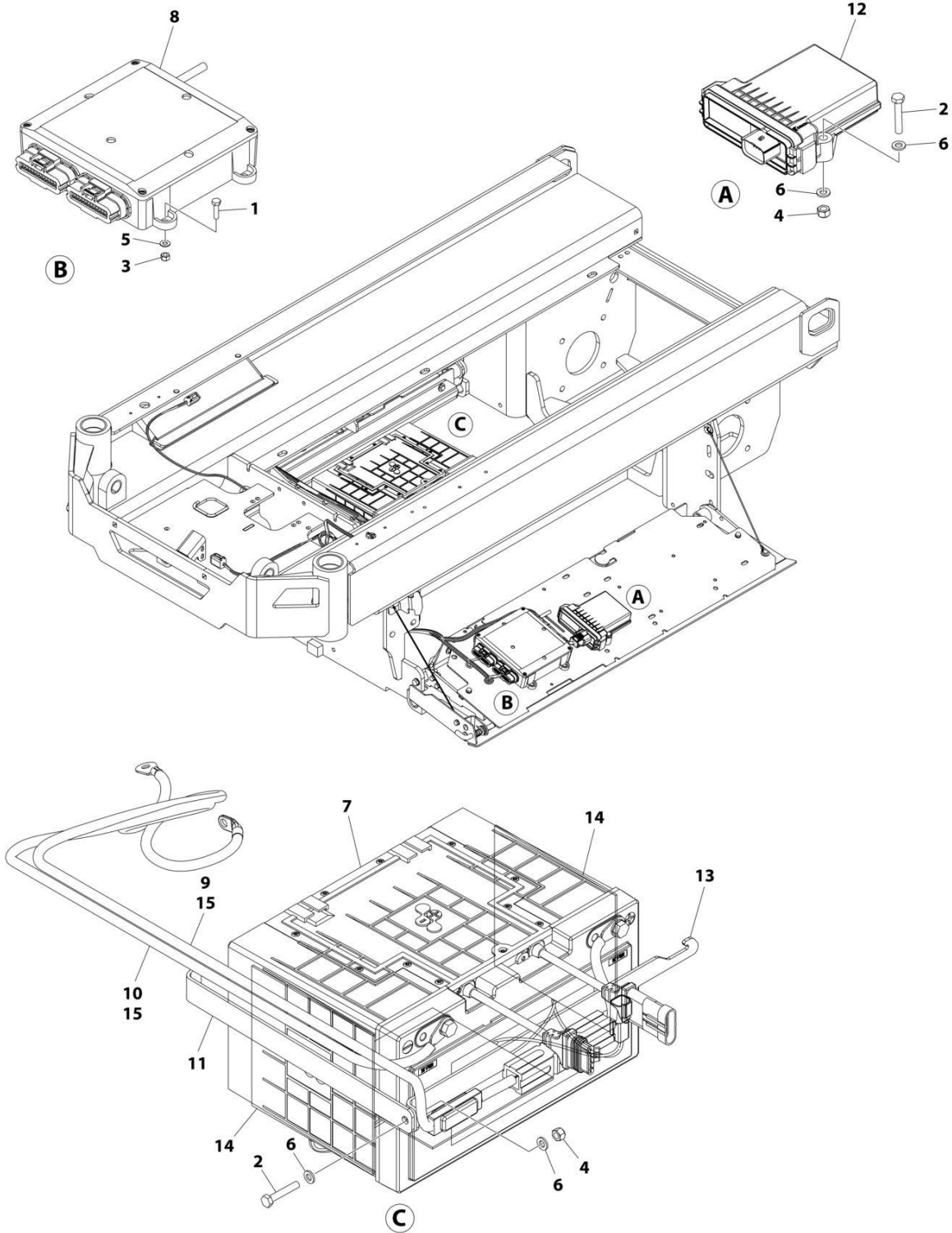
SECTION 2 - GROUND CONTROLS

FIGURE 2-3. BATTERY INSTALLATION (LI-ION - DISC)

ITEM	PART NUMBER	QTY	DESCRIPTION	REV
	1001248629	Ref	BATTERY INSTALLATION (LI-ION - DISC)	D
1	0760408	4	Bolt M4 x 16	
2	0760615	3	Bolt M6 x 35	
4	3290405	4	Nut M4	
5	3290605	3	Nut M6	
6	4811400	4	Washer M4	
7	4811700	6	Washer M6	
8	1001248119	1	Battery	
9	1001248135	1	Module, BMS (Note: Recalibration Required When Replaced)	
10	1001250424	1	Cable, Battery (Disc)	
11	1001250425	1	Cable, Battery (Negative)	
12	1001255337	1	Bracket, Tie Down	
13	1001255592	1	Module, Wake-Up (Note: Recalibration Required When Replaced)	
14	1001256664	1	Hook, Tie Down	
15	0100051	AR	Grease, Terminal	

SECTION 2 - GROUND CONTROLS

FIGURE 2-4. BATTERY INSTALLATION (LI-ION - HEATER) (Prior to SN M200049114)



ART_1001248493

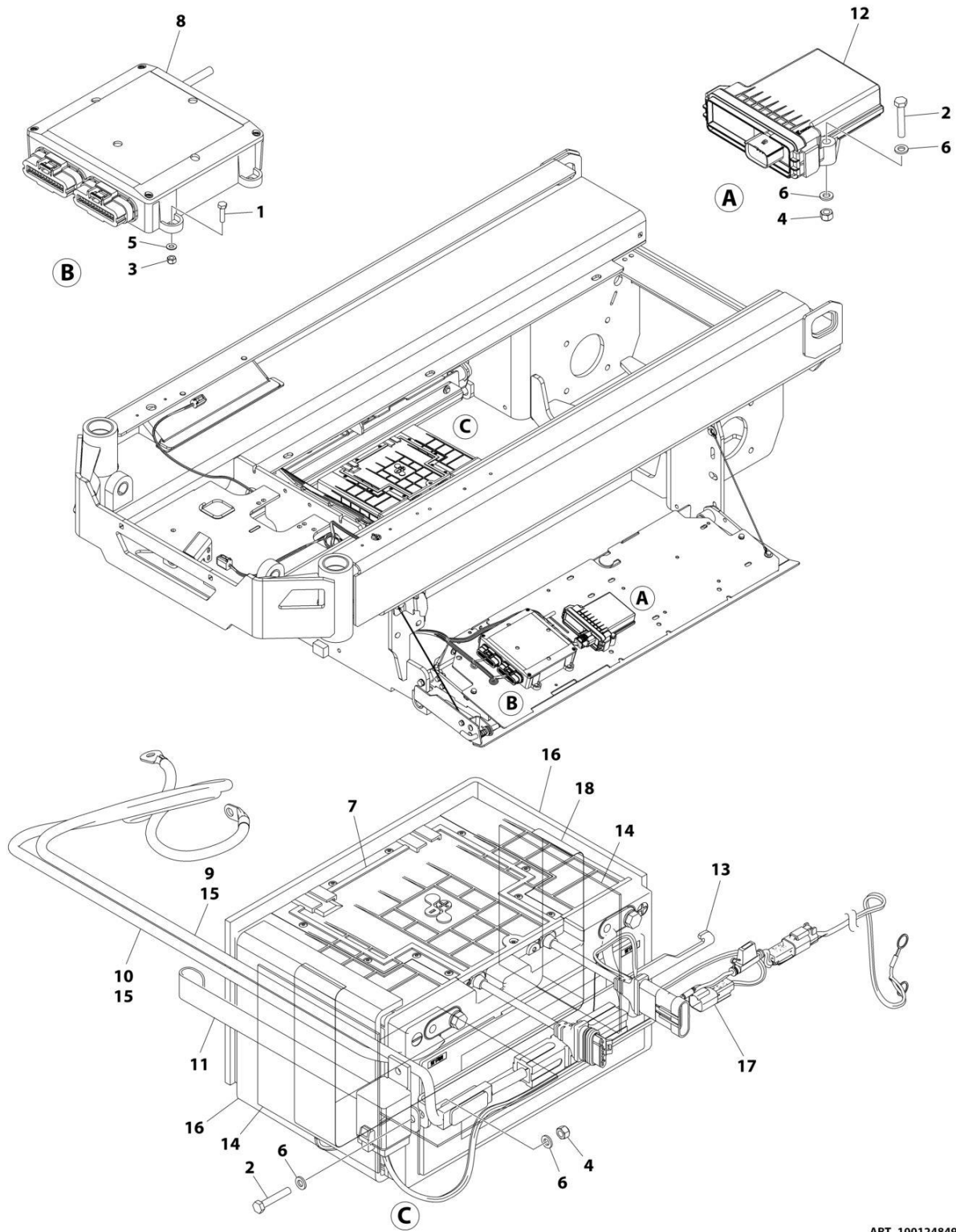
SECTION 2 - GROUND CONTROLS

FIGURE 2-4. BATTERY INSTALLATION (LI-ION - HEATER) (Prior to SN M200049114)

ITEM	PART NUMBER	QTY	DESCRIPTION	REV
	1001248493	Ref	BATTERY INSTALLATION (LI-ION - HEATER)	B
1	0760408	4	Bolt M4 x 16	
2	0760615	3	Bolt M6 x 35	
3	3290405	4	Nut M4	
4	3290605	3	Nut M6	
5	4811400	4	Washer M4	
6	4811700	6	Washer M6	
7	1001248119	1	Battery	
8	1001248135	1	Module, BMS (Note: Recalibration required When Replaced)	
9	1001250424	1	Cable, Battery (Disc)	
10	1001250425	1	Cable, Battery (Negative)	
11	1001255337	1	Bracket, Tie Down	
12	1001255592	1	Module, Wake-Up (Note: Recalibration required When Replaced)	
13	1001256664	1	Hook, Tie Down	
14	1001259232	1	Heater, Battery	
15	0100051	AR	Grease, Terminal	

SECTION 2 - GROUND CONTROLS

FIGURE 2-5. BATTERY INSTALLATION (LI-ION - HEATER) (SN M200049114 to Present)



ART_1001248493_D

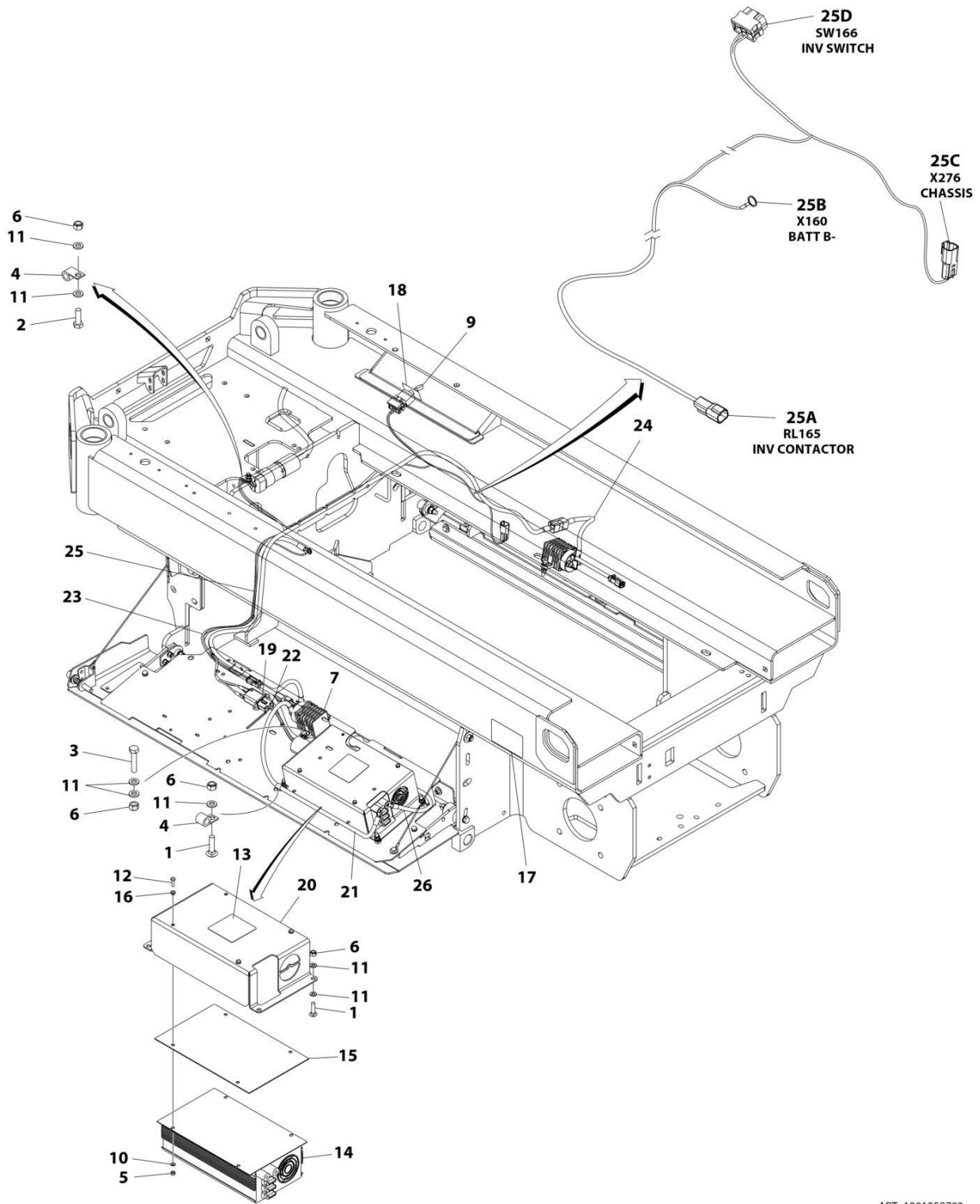
SECTION 2 - GROUND CONTROLS

FIGURE 2-5. BATTERY INSTALLATION (LI-ION - HEATER) (SN M200049114 to Present)

ITEM	PART NUMBER	QTY	DESCRIPTION	REV
	1001248493	Ref	BATTERY INSTALLATION (LI-ION - HEATER)	D
1	0760408	4	Bolt M4 x 16	
2	0760615	3	Bolt M6 x 35	
3	3290405	4	Nut M4	
4	3290605	3	Nut M6	
5	4811400	4	Washer M4	
6	4811700	6	Washer M6	
7	1001248119	1	Battery	
8	1001248135	1	Module, BMS (Note: Recalibration required When Replaced)	
9	1001250424	1	Cable, Battery (Disc)	
10	1001250425	1	Cable, Battery (Negative)	
11	1001274361	1	Bracket, Tie Down	
12	1001255592	1	Module, Wake-Up (Note: Recalibration required When Replaced)	
13	1001256664	1	Hook, Tie Down	
14	1001259232	1	Heater, Battery	
15	0100051	AR	Grease, Terminal	
16	1001274327	2	Insulate, Battery Heater	
17	1001274356	1	Harness, Battery Heater (See Separate Breakdown in ELECTRICAL Section)	
18	1001277304	2.16 ft /0.66m	Tape	

SECTION 2 - GROUND CONTROLS

FIGURE 2-6. INVERTER INSTALLATION (OPTIONAL)



ART_1001258792

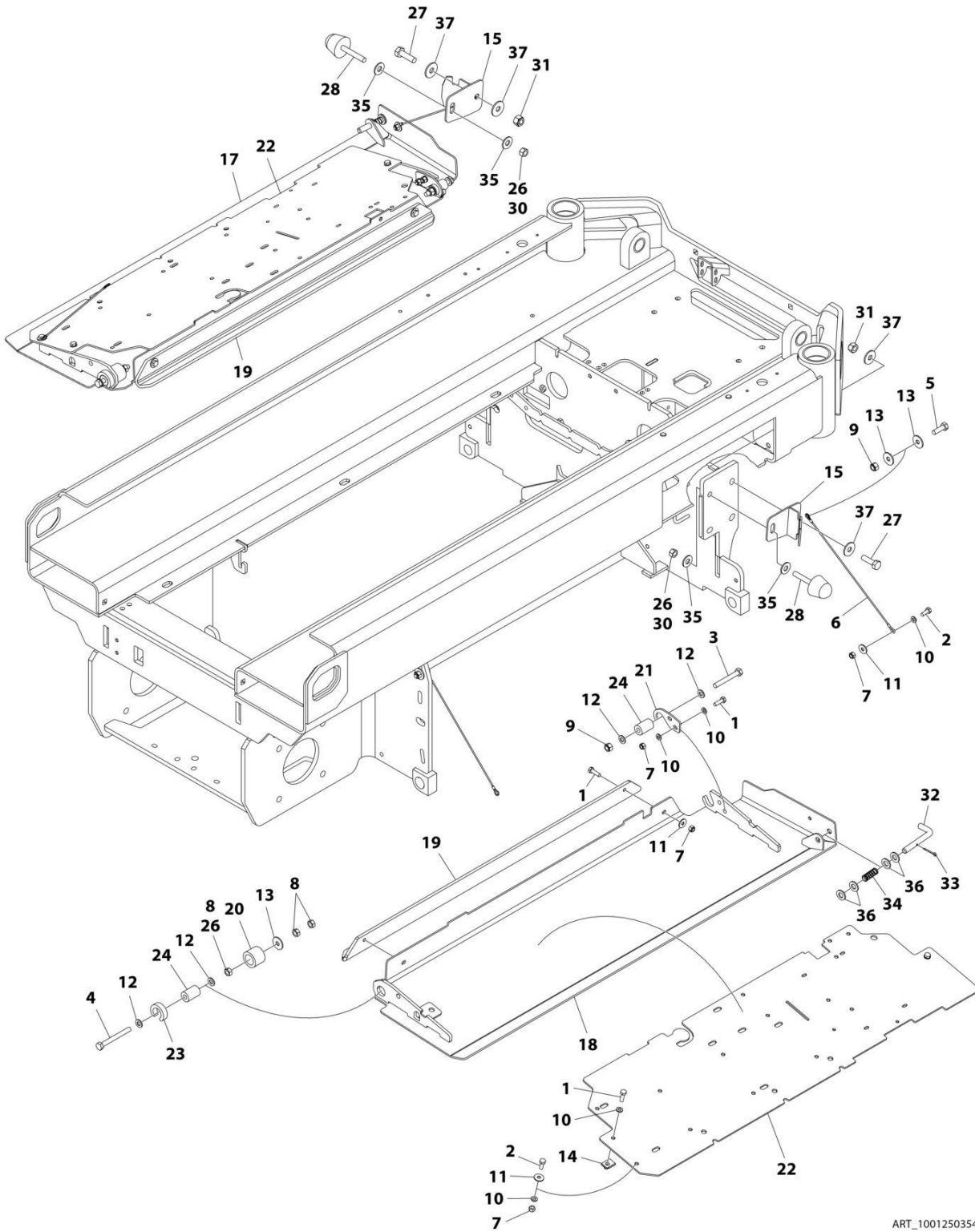
SECTION 2 - GROUND CONTROLS

FIGURE 2-6. INVERTER INSTALLATION (OPTIONAL)

ITEM	PART NUMBER	QTY	DESCRIPTION	REV
	1001258792	Ref	INVERTER INSTALLATION (OPTIONAL)	D
1	0760612	4	Bolt M6 x 25	
2	0760610	1	Bolt M6 x 20	
3	0760614	2	Bolt M6 x 30	
4	1321293	3	Clamp	
5	3290405	3	Nut M4	
6	3290605	7	Nut M6	
7	3740150	1	Relay	
8	4240017	AR	Tie-Strap (Not Shown)	
9	4360336	1	Switch, Toggle	
10	4811400	3	Washer M4	
11	4811700	14	Washer M6	
12	1001101540	3	Screw M4 x 14	
13	1001125483	1	Decal - Pressure Wash	
14	1001136757	1	Inverter	
15	1001142173	1	Insulate	
16	1001142174	3	Washer 1/8	
17	1001143009	1	Decal - Inverter	
18	1001143010	1	Decal - On/Off Inverter	
19	1001157547	1	Filter, AC	
20	1001210440	1	Support	
21	1001210879	1	Cable, Inverter Contactor to Inverter +	
22	1001210881	1	Cable, Inverter to AC Filter	
23	1001210882	1	Cable, AC Filter to AC Plug	
24	1001259036	1	Cable, Battery+ to Inverter Contactor	
25	1001259037	1	Harness, Inverter	
25A	4460897	1	Connector	
25A	4460464	2	Terminal	
25B	4460722	1	Connector	
25C	4460897	1	Connector	
25C	4460464	1	Terminal	
25C	4460466	1	Terminal	
25D	4460418	1	Connector	
25D	1001159186	2	Terminal	
26	1001259038	1	Cable, Battery to inverter	

SECTION 2 - GROUND CONTROLS

FIGURE 2-7. DOORS INSTALLATION



ART_1001250354

SECTION 2 - GROUND CONTROLS

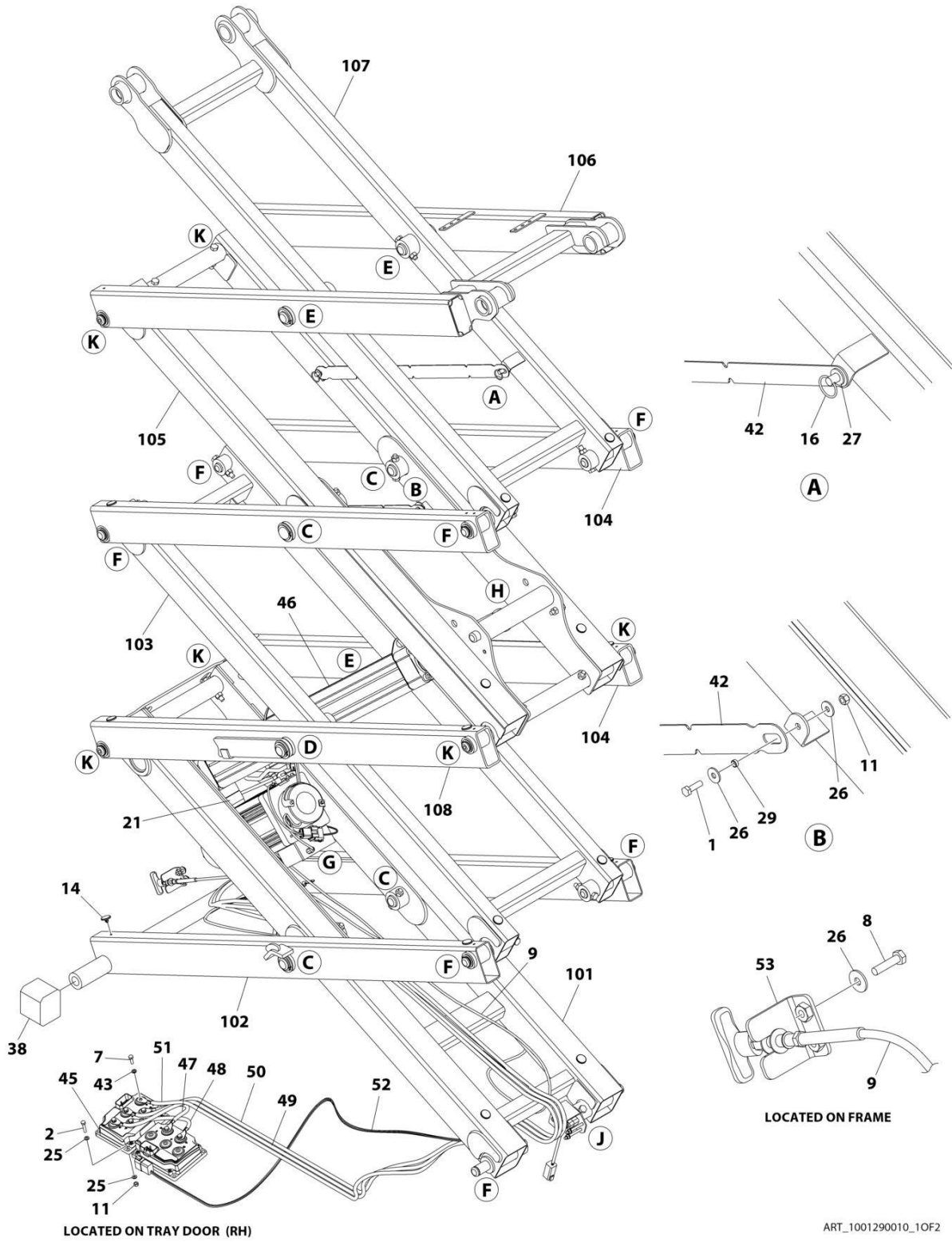
FIGURE 2-7. DOORS INSTALLATION

ITEM	PART NUMBER	QTY	DESCRIPTION	REV
	1001250354	Ref	DOORS INSTALLATION	D
1	0700610	12	Bolt M6 x 20	
2	0760608	4	Bolt M6 x 16	
3	0760820	2	Bolt M8 x 60	
4	0760823	2	Bolt M8 x 75	
5	0760812	2	Bolt M8 x 25	
6	1060799	4	Lanyard	
7	3290605	12	Nut M6	
8	3290801	6	Nut M8	
9	3290805	4	Nut M8	
10	4811700	16	Washer M6	
11	4811702	12	Washer M6	
12	4811900	8	Washer M8	
13	4811902	6	Washer M8	
14	1001130220	4	Nut, Tinnerman M6	
15	1001266168	2	Support	
17	1001267365	1	Door (LH)	
18	1001267364	1	Door (RH)	
19	1001254171	2	Plate, Filler	
20	1001254278	2	Sleeve	
21	1001254346	2	Bracket	
22	1001254382	2	Plate	
23	1001254383	2	Plate, Spacer	
24	1001255595	4	Sleeve, Spacer	
26	0100011	AR	Compound, Locking	
27	0701015	2	Bolt M10 x 35	
28	0940071	2	Bumper	
30	3271601	2	Nut 3/8 Grd 8	
31	3291005	2	Nut M10	
32	3423243	2	Pin	
33	3450303	2	Pin, Cotter 3/32 x 3/4	
34	4160214	2	Spring	
35	4751600	4	Washer 3/8	
36	4812000	8	Washer M10	
37	4812002	4	Washer M10	

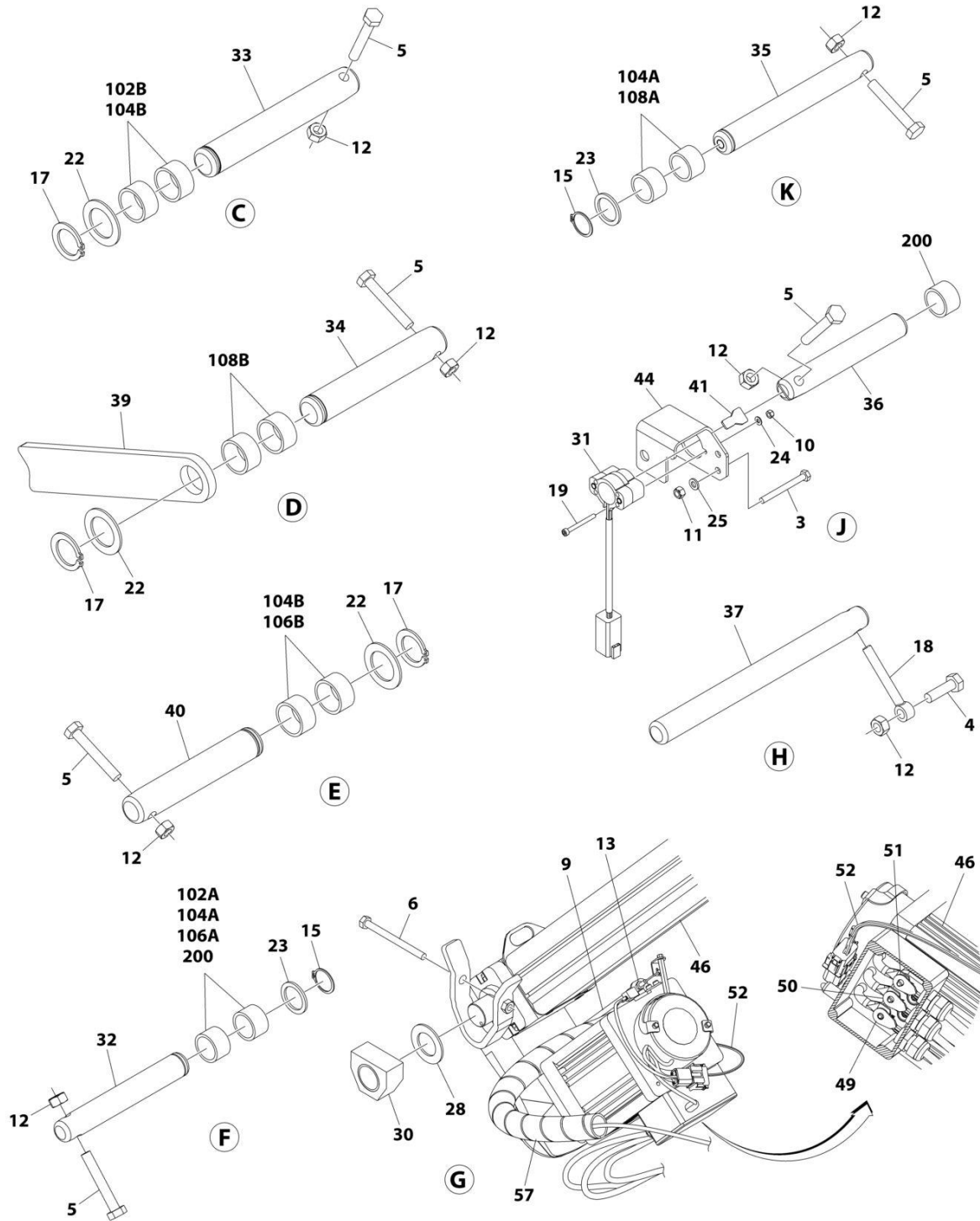
SECTION 3 - SCISSORS ARMS

SECTION 3 - SCISSORS ARMS

FIGURE 3-1. SCISSORS ARMS INSTALLATION



SECTION 3 - SCISSORS ARMS



ART_1001290010_2OF2

SECTION 3 - SCISSORS ARMS

FIGURE 3-1. SCISSORS ARMS INSTALLATION

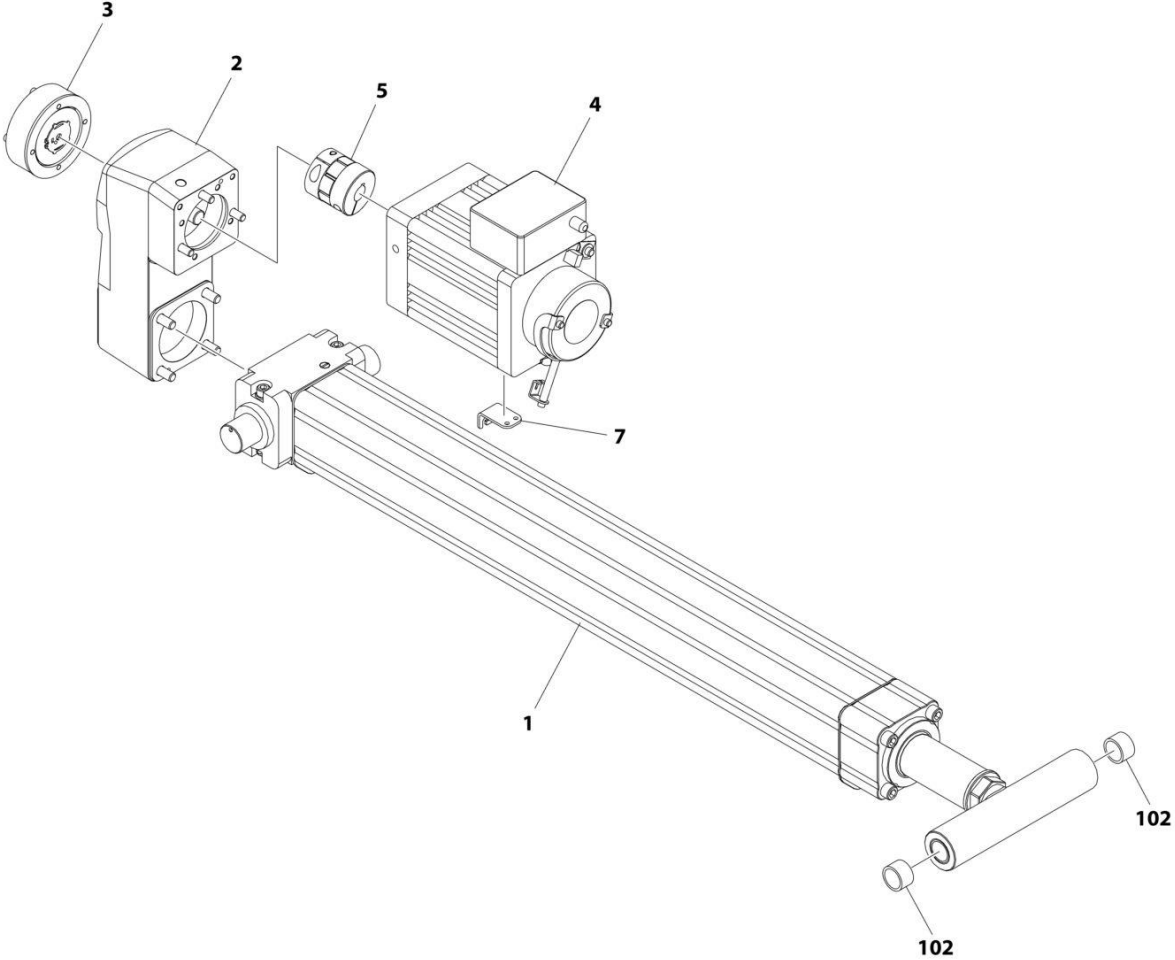
ITEM	PART NUMBER	QTY	DESCRIPTION	REV
	1001290010	Ref	SCISSORS ARMS INSTALLATION	G
1	0700610	1	Bolt M6 x 20	
2	0700614	2	Bolt M6 x 30	
3	0700620	2	Bolt M6 x 60	
4	0701015	1	Bolt M10 x 35	
5	0701021	22	Bolt M10 x 65	
6	0701029	2	Bolt M10 x 120	
7	0760610	5	Bolt M6 x 20	
8	0760612	2	Bolt M6 x 25	
9	1061034	1	Cable, Manual Descent	
9	7020218	1	T-Handle (1/4 Threads)	
9	70001878	1	T-Handle (M5 Threads)	
10	3290405	2	Nut, Lock M4	
11	3290605	5	Nut, Lock M6	
12	3291007	23	Nut, Lock M10	
13	3321402	2	Nut 1/4	
14	3340962	26	Pad	
15	3760115	12	Ring, Retaining	
16	3760170	3	Ring	
17	3760387	8	Ring, Retaining	
18	3841143	1	Keeper, Pin	
19	4031512	2	Capscrew M4 x 40	
20	4240017	AR	Tie-Strap (Not Shown)	
21	4420062	AR	Tape	
22	4740438	8	Washer	
23	4740531	12	Washer	
24	4811400	2	Washer M4	
25	4811700	6	Washer M6	
26	4811702	4	Washer M6	
27	4812000	3	Washer M10	
28	1001092865	2	Washer Thrust	
29	1001128888	1	Washer	
30	1001130912	2	Bearing	
30	0961948	2	Bearing	
31	1001146963	1	Sensor, Angle	
31	4460899	1	Receptacle, Female - 6 Position	
31	4460464	6	Pin, Male	
32	1001203443	7	Pin	
33	1001203444	4	Pin	
34	1001203445	1	Pin	
35	1001203446	6	Pin	
36	1001203447	1	Pin	
37	1001203448	1	Pin	
38	1001204311	2	Block, Slide	
39	1001204312	1	Prop	
40	1001204994	3	Pin	
41	1001234204	1	Key, Angle Sensor	
42	1001206487	2	Support	
43	1001210966	5	Washer	
44	1001231268	1	Mount, Sensor	

SECTION 3 - SCISSORS ARMS

ITEM	PART NUMBER	QTY	DESCRIPTION	REV
45	1001248114	1	Module, Lift (Note: Recalibration required When Replaced)	
46	1001248121	1	Lift Actuator Assembly (See Separate Breakdown in this Section)	
47	1001250427	1	Cable, Battery (Positive)	
48	1001250428	1	Cable, Battery (Negative)	
49	1001250503	1	Cable, Lift (W)	
50	1001250522	1	Cable, Lift (V)	
51	1001250523	1	Cable, Lift (U)	
52	1001250524	1	Cable, Logic	
52	4460931	1	Receptacle, Female - 8 Position (MS21-B)	
52	4460464	7	Pin, Male	
52	4460466	1	Plug, Terminal	
52	4460930	1	Plug, Male - 8 Position (MS21 - C Lift Actuator)	
52	4460465	8	Socket, Female	
53	1001253153	1	Mount, Manual Descent	
54	1001258379	4	Tie-Strap (Not Shown)	
57	1001272281	AR	Wrap, Cable	
100	1001290011	1	Arm Kit (Not Shown)	
101	1001248724	1	Arm, Inboard (Bottom)	
102	1001248727	1	Arm, Outboard (Bottom)	
102A	0440264	4	Bearing	
102B	0440265	4	Bearing	
103	1001248728	1	Arm, Inboard (Lower Mid)	
104	1001248730	3	Arm, Outboard (Lower Mid - Less Prop/Upper Mid)	
104A	0440264	4	Bearing	
104B	0440265	2	Bearing	
105	1001248731	1	Arm, Inboard (Upper Mid)	
106	1001248733	1	Arm, Outboard (Top)	
106A	0440264	4	Bearing	
106B	0440265	4	Bearing	
107	1001248734	1	Arm, Inboard (Top)	
108	1001249149	1	Arm, Outboard (Lower Mid With Prop)	
108A	0440264	4	Bearing	
108B	0440264	2	Bearing	
200	1001134289	2	Bearing (Part of Frame)	

SECTION 3 - SCISSORS ARMS

FIGURE 3-2. LIFT ACTUATOR ASSEMBLY



ART_1001248121

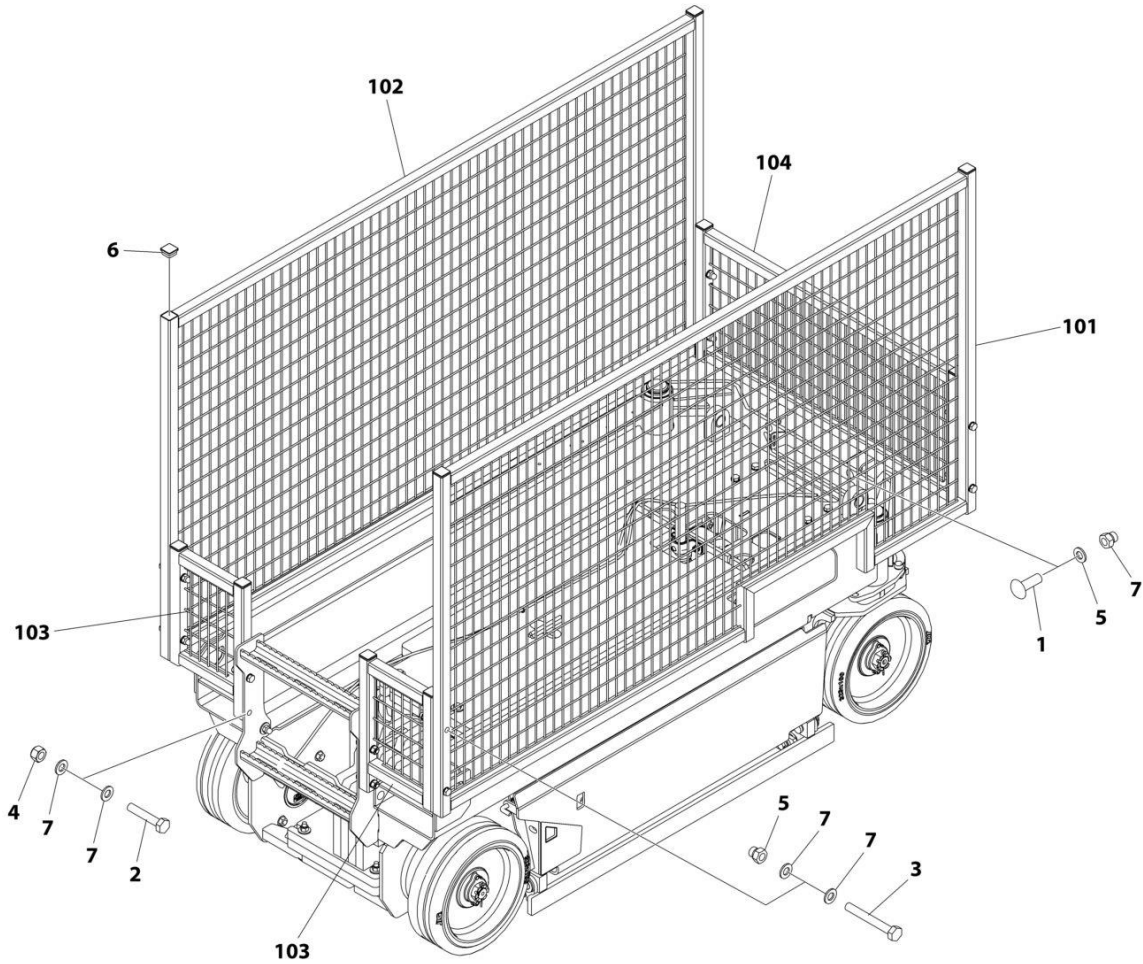
SECTION 3 - SCISSORS ARMS

FIGURE 3-2. LIFT ACTUATOR ASSEMBLY

ITEM	PART NUMBER	QTY	DESCRIPTION	REV
	1001248121	Ref	LIFT ACTUATOR ASSEMBLY	H
1	70007532	Ref	Actuator	
2	70007533	Ref	Gearbox	
3	70007534	Ref	Brake	
4	70007535	Ref	Motor	
5	70007536	Ref	Clutch/Coupling	
7	1001273882	Ref	Bracket, Manual Descent	
102	0962292	2	Bearing	

SECTION 3 - SCISSORS ARMS

FIGURE 3-3. ARM GUARD INSTALLATION



ART_1001224623

SECTION 3 - SCISSORS ARMS

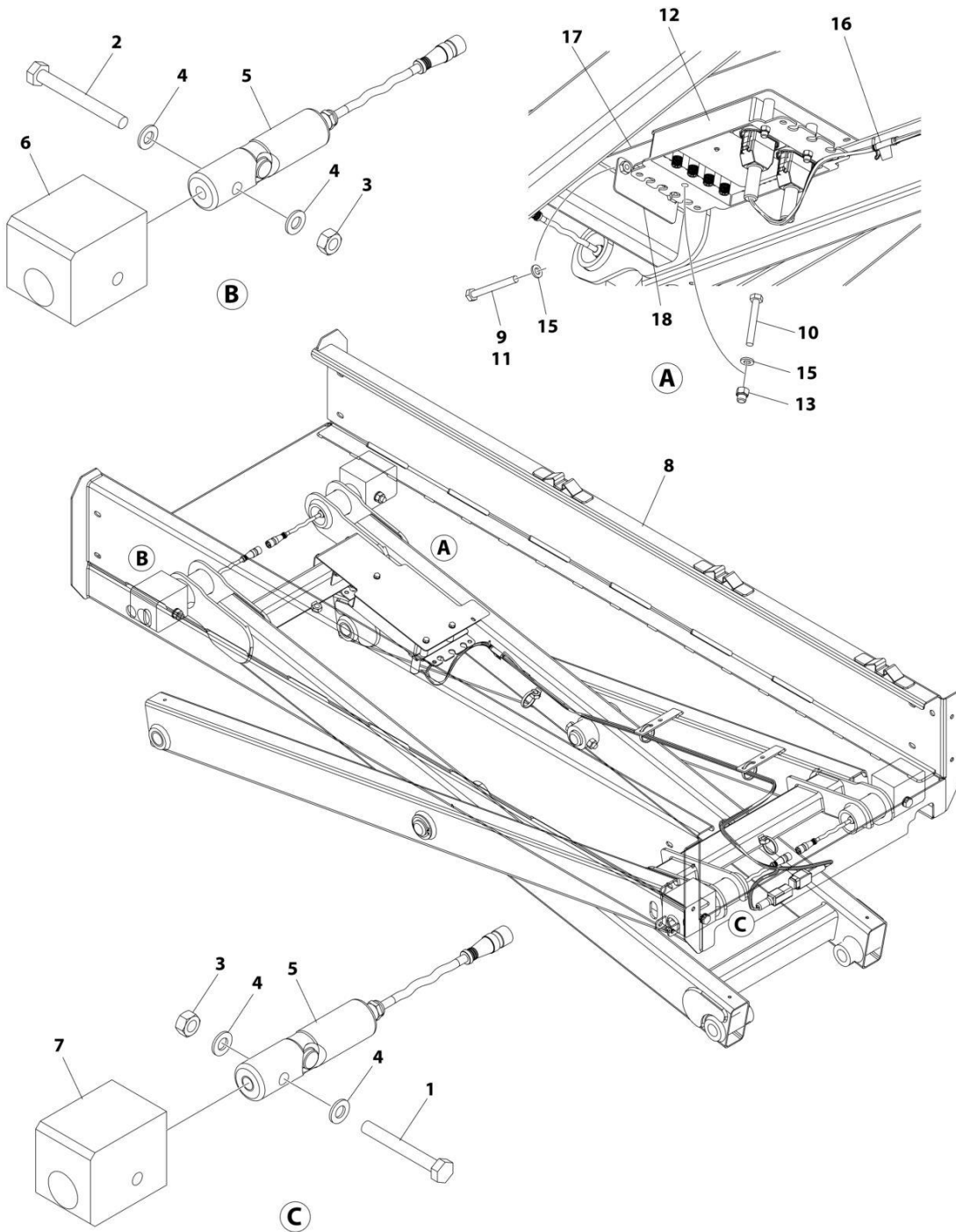
FIGURE 3-3. ARM GUARD INSTALLATION

ITEM	PART NUMBER	QTY	DESCRIPTION	REV
	1001224623	Ref	ARM GUARD INSTALLATION	A
1	0630613	2	Bolt M10 x 30	
2	0701019	4	Bolt M10 x 55	
3	0701024	8	Bolt M10 x 80	
4	3291005	4	Nut M10	
5	3291006	10	Nut M10	
6	3520072	10	Plug	
7	4812000	26	Washer M10	
8	1001224622	1	Arm Guard Kit	
101	1001224604	1	Guard, Arm (RH)	
102	1001224608	1	Guard, Arm (LH)	
103	1001224614	2	Guard, Arm (Rear)	
104	1001224620	1	Guard, Arm (Front)	

SECTION 4 - PLATFORM

SECTION 4 - PLATFORM

FIGURE 4-1. PLATFORM AND LSS INSTALLATION



ART_1001260768

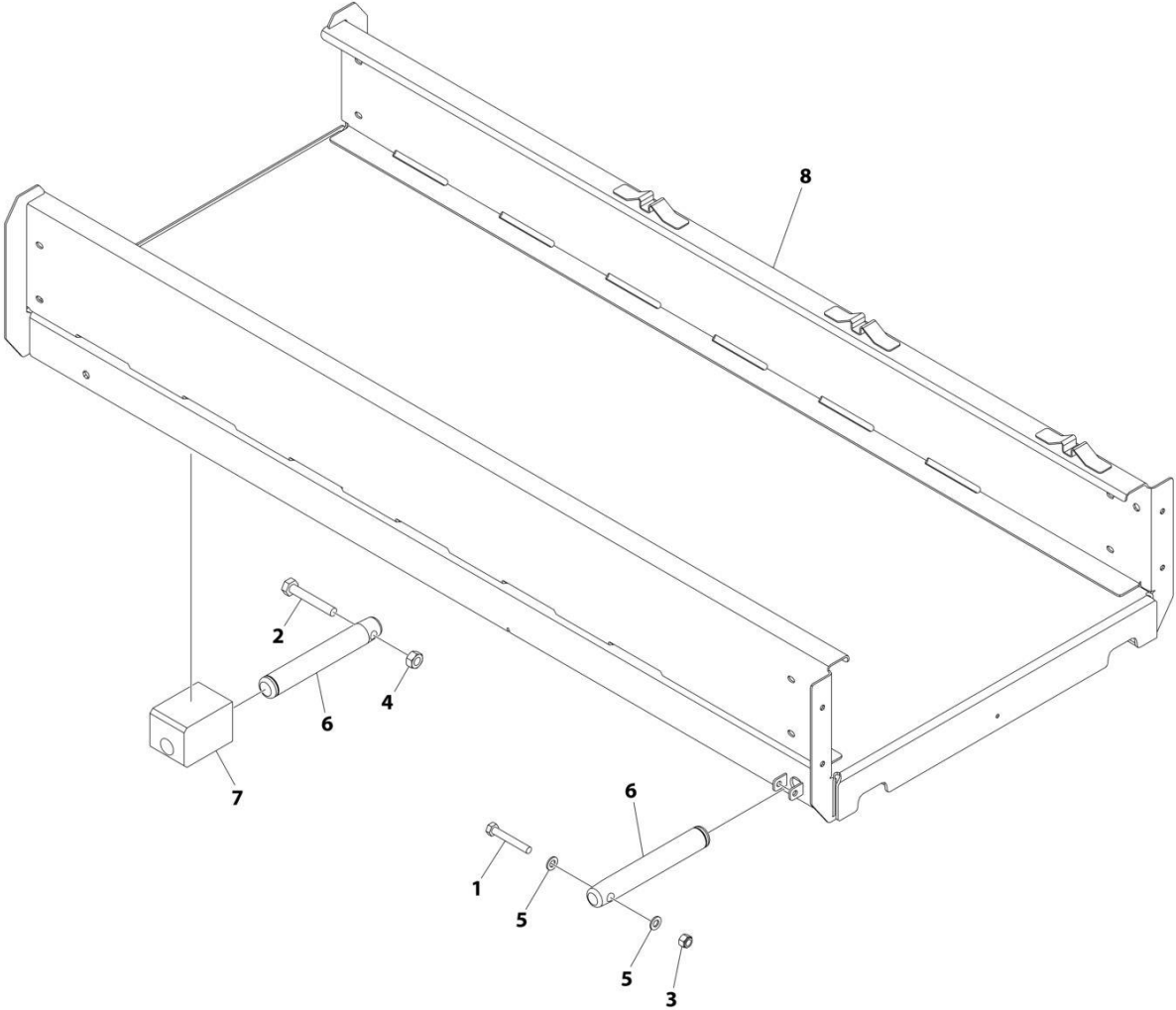
SECTION 4 - PLATFORM

FIGURE 4-1. PLATFORM AND LSS INSTALLATION

ITEM	PART NUMBER	QTY	DESCRIPTION	REV
	1001260768	Ref	PLATFORM & LSS INSTALLATION	E
1	0701024	2	Bolt M10 x 80	
2	0701026	2	Bolt M10 x 90	
3	3291007	4	Nut M10	
4	4812000	8	Washer M10	
5	3422938	4	Pin	
6	1001265527	2	Block, Slide (Rear)	
7	1001265528	2	Block, Slide (Front)	
8	1001260636	1	Platform	
9	0100011	AR	Compound, Locking	
10	0700617	3	Bolt M6 x 45	
11	0700619	2	Bolt M6 x 55	
12	1600387	1	Module, Platform Load Sense	
13	3290606	3	Nut M6	
14	4240017	AR	Tie-Strap (Not Shown)	
15	4811700	5	Washer M6	
16	1001263450	1	Harness, LSS (See Separate Breakdown in ELECTRICAL Section)	
17	1001263568	1	Bracket	
18	1001263570	1	Support	

SECTION 4 - PLATFORM

FIGURE 4-2. PLATFORM INSTALLATION



ART_1001205709_C

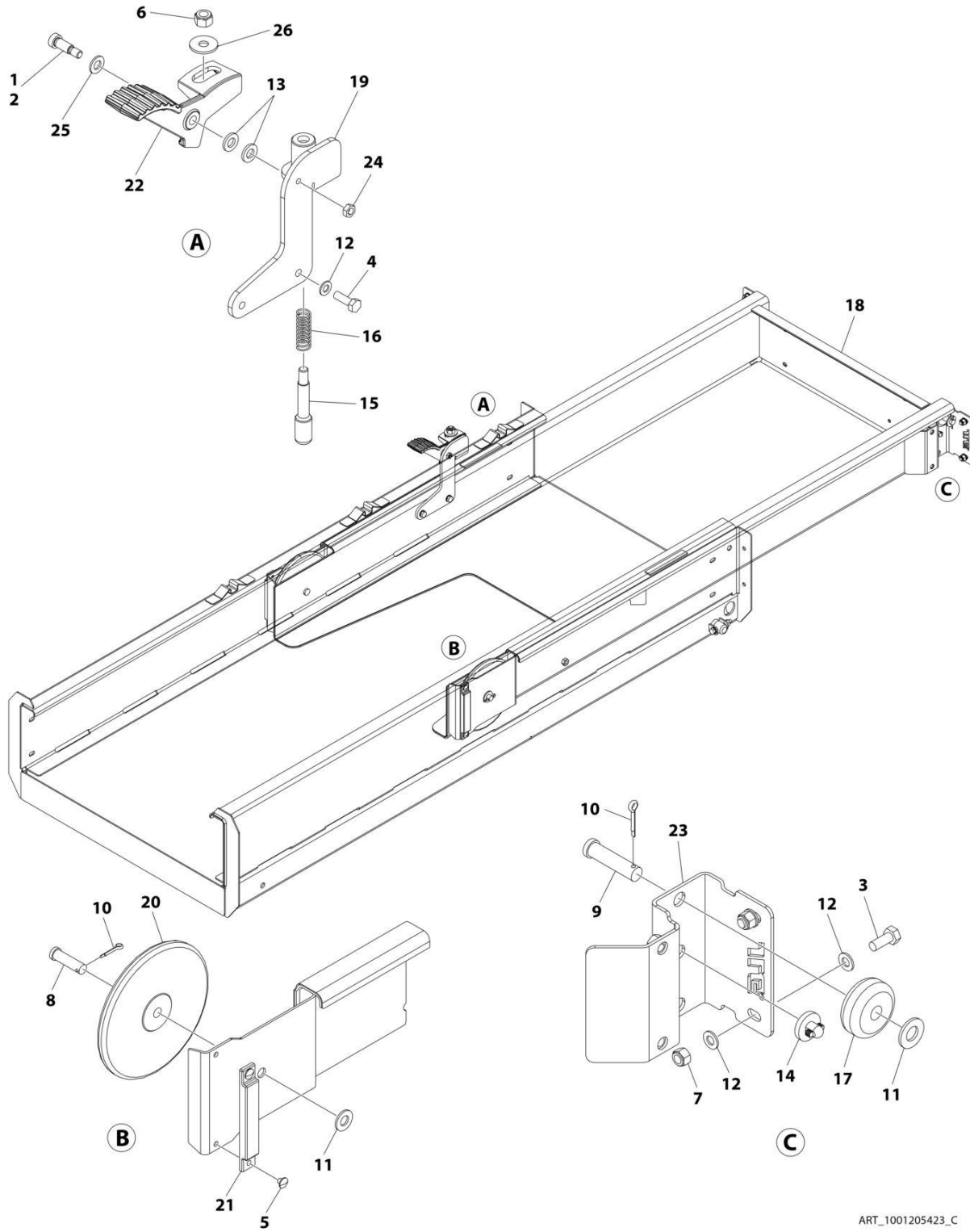
SECTION 4 - PLATFORM

FIGURE 4-2. PLATFORM INSTALLATION

ITEM	PART NUMBER	QTY	DESCRIPTION	REV
	1001205709	Ref	PLATFORM INSTALLATION	C
1	0700819	2	Bolt M8 x 55	
2	0701021	2	Bolt M10 x 65	
3	3290805	2	Nut M8	
4	3291007	2	Nut M10	
5	4811900	4	Washer M8	
6	1001203443	4	Pin	
7	1001205156	2	Block, Slide	
8	1001235541	1	Platform	

SECTION 4 - PLATFORM

FIGURE 4-3. PLATFORM EXTENSION INSTALLATION



ART_1001205423_C

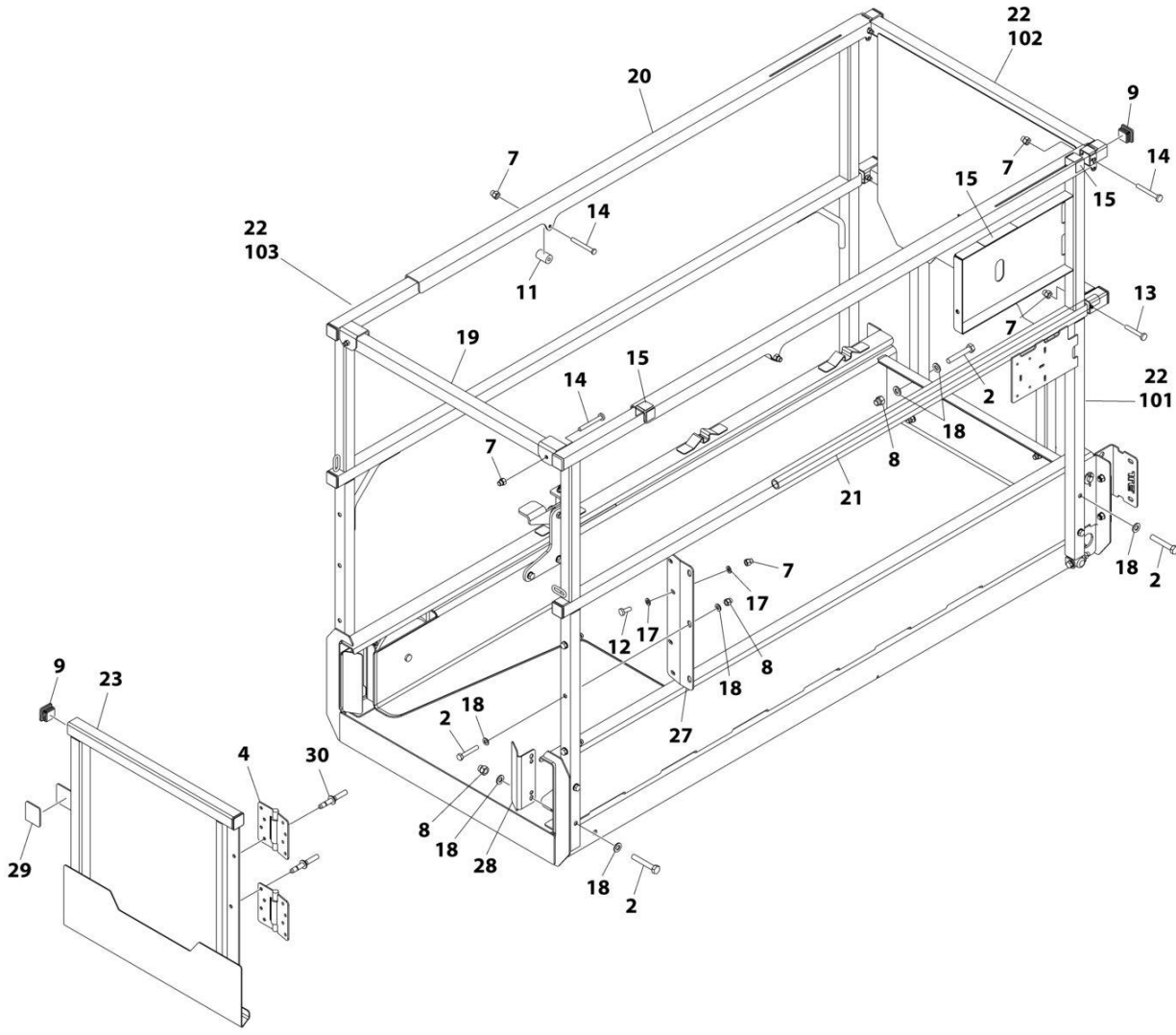
SECTION 4 - PLATFORM

FIGURE 4-3. PLATFORM EXTENSION INSTALLATION

ITEM	PART NUMBER	QTY	DESCRIPTION	REV
	1001205423	Ref	PLATFORM EXTENSION INSTALLATION	C
1	0100011	AR	Compound, Locking	
2	0630183	1	Screw 3/8 x 1	
3	0760810	4	Bolt M8 x 20	
4	0760812	2	Bolt M8 x 25	
5	2080040	4	Fastener	
6	3290605	AR	Nut M6	
6	3291005	AR	Nut M10	
7	3290805	4	Nut M8	
8	3430814	2	Pin	
9	3430816	2	Pin	
10	3450403	4	Pin, Cotter 1/8 x 3/4	
11	4711800	4	Washer 1/2	
12	4811900	11	Washer M8	
13	5241000	5	Washer M10	
14	1001137675	2	Bumper	
15	1001221476	1	Rod	
16	1001221475	1	Spring	
17	1001205422	2	Roller (Front)	
18	1001205424	1	Extension, Platform	
19	1001236129	1	Bracket	
20	1001205430	2	Roller (Rear)	
21	1001208852	2	Pad	
22	1001217043	1	Plate	
23	1001210064	2	Support	
24	3311502	1	Nut 5/16	
25	4812000	AR	Washer M10	
26	4812002	AR	Washer M10	

SECTION 4 - PLATFORM

FIGURE 4-4. RAILS INSTALLATION - FIXED RAILS (AUSTRALIAN & JAPANESE SPECS)



ART_1001207806_F

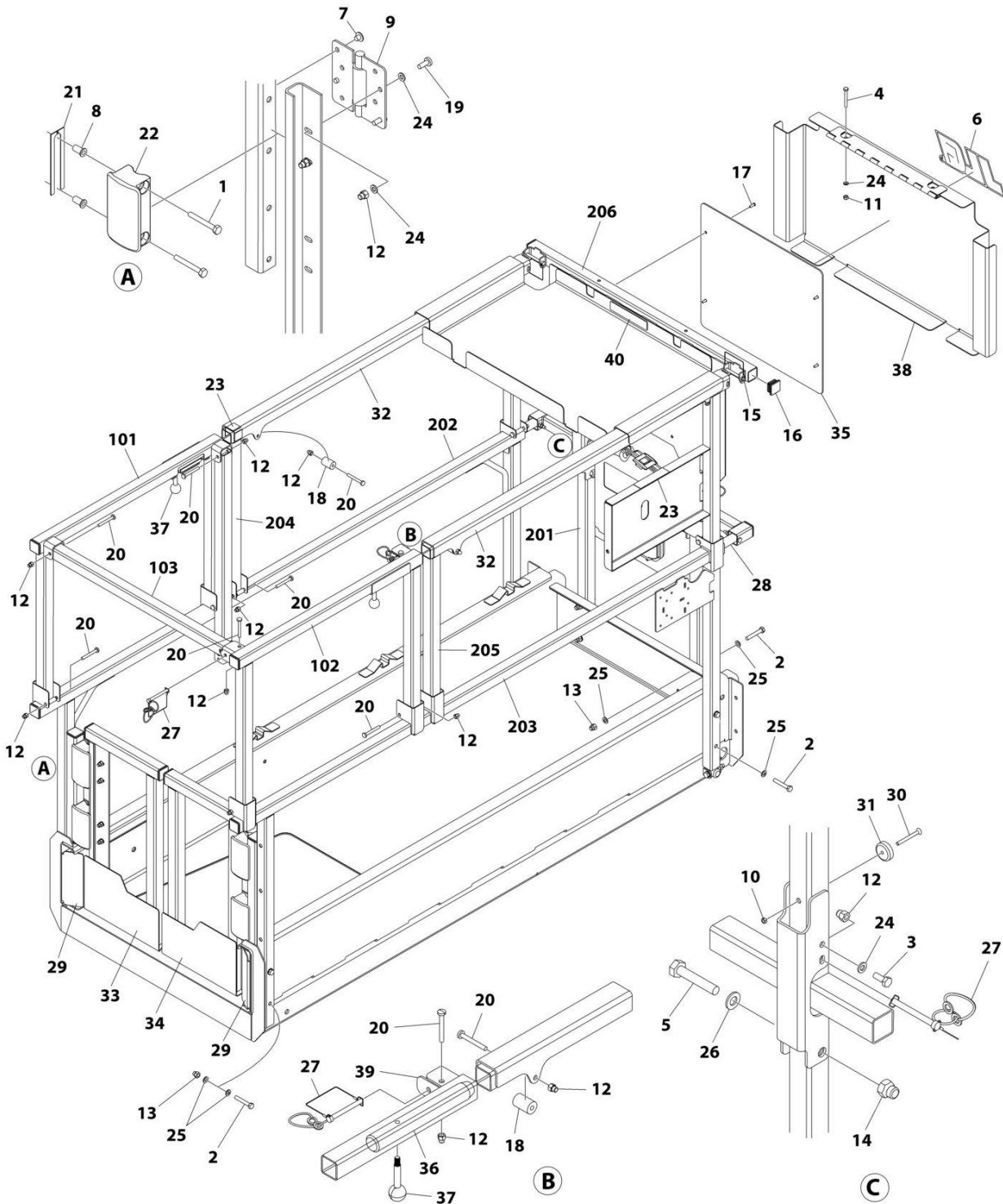
SECTION 4 - PLATFORM

FIGURE 4-4. RAILS INSTALLATION - FIXED RAILS (AUSTRALIAN & JAPANESE SPECS)

ITEM	PART NUMBER	QTY	DESCRIPTION	REV
	1001207806	Ref	RAILS INSTALLATION - FIXED RAILS/GATE ENTRY (INSIDE TUBE SLIDER)	F
2	0700818	15	Bolt M8 x 50	
4	2600281	2	Hinge	
7	3290606	12	Nut M6	
8	3290806	11	Nut M8	
9	3520072	10	Plug	
11	3860111	2	Roller	
12	4010608	4	Screw M6 x 16	
13	4010616	2	Screw M6 x 40	
14	4010618	6	Screw M6 x 50	
15	4420062	1.3 ft/ 40cm	Tape	
17	4811700	8	Washer M6	
18	4811900	28	Washer M8	
19	1001206224	1	Tube (Rear)	
20	1001206225	2	Rail, Top Slide	
21	1001206226	2	Rod	
22	1001206228	1	Rail Kit - Fixed Rails (See Items 101-103 for Breakdown))	
23	1001210302	1	Gate	
27	1001210586	1	Plate, Gate Hinge	
28	1001210963	2	Cover	
29	3080007	1	Magnet, Latch	
30	2080040	4	Fastener	
	1001206228	Ref	RAIL KIT - FIXED RAILS	G
101	1001206207	1	Rail, Side	
102	1001206217	1	Rail, Front	
103	1001206222	1	Rail, Side	

SECTION 4 - PLATFORM

FIGURE 4-5. RAILS INSTALLATION - QUIK ACCESS (ANSI & JAPANESE SPECS)



ART_1001249082

SECTION 4 - PLATFORM

FIGURE 4-5. RAILS INSTALLATION - QUIK ACCESS (ANSI & JAPANESE SPECS)

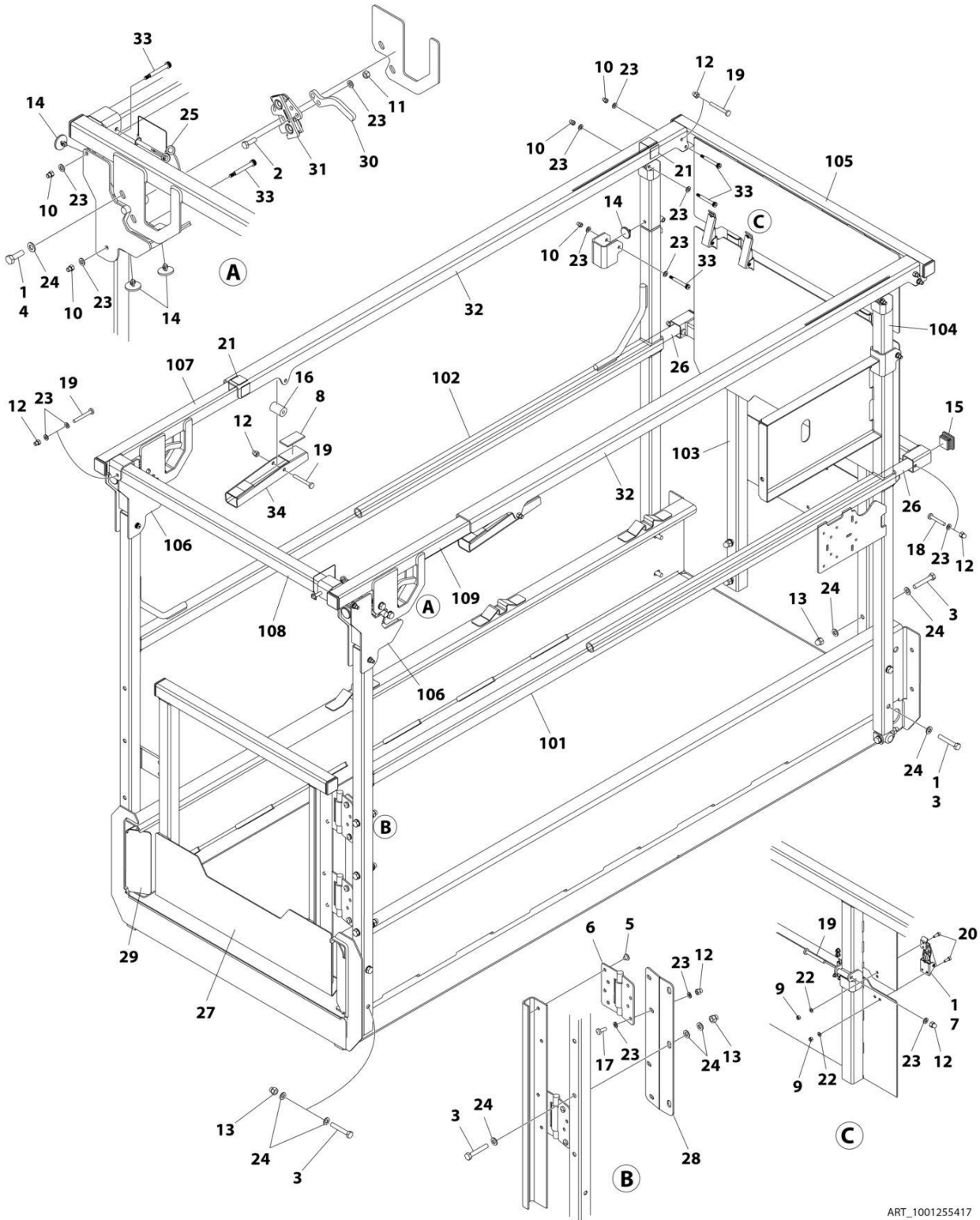
ITEM	PART NUMBER	QTY	DESCRIPTION	REV
	1001249082	Ref	RAILS INSTALLATION - FOLD-DOWN RAILS/GATE ENTRY	C
1	0641416	8	Bolt 1/4 x 2	
2	0700818	12	Bolt M8 x 50	
3	0760608	2	Bolt M6 x 16	
4	0760618	2	Bolt M6 x 50	
5	0761019	2	Bolt M10 x 55	
6	1001256675	1	Decal - JLG	
7	2080040	8	Fastener	
8	2080043	8	Rivnut	
9	2600281	4	Hinge	
10	3290501	2	Nut M5	
11	3290605	2	Nut M6	
12	3290606	26	Nut M6	
13	3290806	8	Nut M8	
14	3291006	2	Nut M10	
15	3422219	2	Pin	
16	3520072	16	Plug	
17	3820032	4	Rivet	
18	3860111	2	Roller	
19	4010608	8	Screw M6 x 16	
20	4010618	16	Screw M6 x 50	
21	4071095	AR	Shim	
22	4220309	4	Stop	
23	4420062	1.5 ft /0.46m	Tape	
24	4811700	20	Washer M6	
25	4811900	20	Washer M8	
26	4812000	2	Washer M10	
27	1001187587	4	Pin	
28	1001206226	2	Rod	
29	1001210963	2	Cover (LH)	
30	1001234395	2	Bolt M5 x 50	
31	1001243528	2	Magnet	
32	1001249114	2	Rail (Upper Slide)	
33	1001251383	1	Gate (Right)	
34	1001251388	1	Gate (Left)	
35	1001254825	1	Panel	
36	1001256471	2	Rail (Platform Extension)	
37	1001257890	2	Knob	
38	1001258528	1	Plate	
39	1001258704	2	Bracket	
40	1001261040	1	Decal - Max Capacity	
100	1001258617	1	Rail Narrow Access Kit (Not Shown)	A
101	1001249109	1	Rail (Upper Left)	
102	1001249111	1	Rail (Upper Right)	
103	1001258620	2	Tube (Drop Bar)	
200	1001258618	1	Rail Narrow Access Kit (Not Shown)	A
201	1001210446	1	Rail (Lower Extension)	
202	1001249096	1	Rail (Lower Left)	
203	1001249107	1	Rail (Lower Right)	

SECTION 4 - PLATFORM

ITEM	PART NUMBER	QTY	DESCRIPTION	REV
204	1001249110	1	Rail (Upper Left)	
205	1001249112	1	Rail (Upper Right)	
206	1001258411	1	Rail (Upper Extension)	

SECTION 4 - PLATFORM

FIGURE 4-6. RAILS INSTALLATION - QUIK FOLD-DOWN (ANSI, ANSI EXPORT, CSA & JAPANESE SPECS)



ART_1001255417

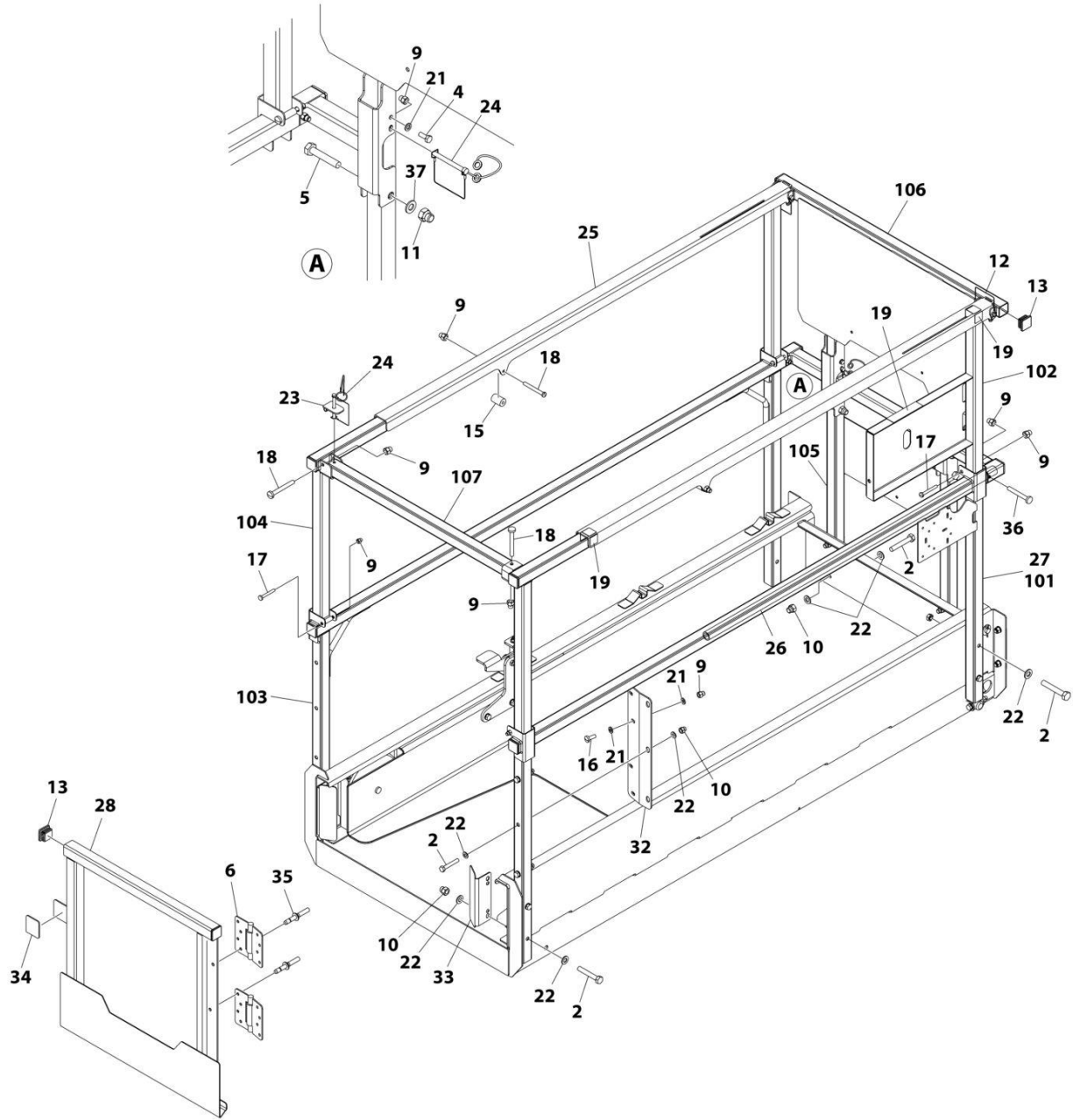
SECTION 4 - PLATFORM

FIGURE 4-6. RAILS INSTALLATION - QUIK FOLD-DOWN (ANSI, ANSI EXPORT, CSA & JAPANESE SPECS)

ITEM	PART NUMBER	QTY	DESCRIPTION	REV
	1001255417	Ref	RAILS INSTALLATION - FOLD-DOWN RAILS/GATE ENTRY (QUIK FOLD) (INSIDE TUBE SLIDER)	E
1	0100011	AR	Compound, Locking	
2	0700610	4	Bolt M6 x 20	
3	0700818	15	Bolt M8 x 50	
4	0700812	4	Bolt M8 x 25	
5	2080040	4	Fastener	
6	2600281	2	Hinge	
7	2940129	2	Latch	
8	3080007	3	Magnet	
9	3290405	8	Nut M4	
10	3290506	10	Nut M5	
11	3290605	4	Nut M6	
12	3290606	13	Nut M6	
13	3290806	11	Nut M8	
14	3340962	8	Pad	
15	3520072	10	Plug	
16	3860111	2	Roller	
17	4010608	4	Screw M6 x 16	
18	4010616	2	Screw M6 x 40	
19	4010618	7	Screw M6 x 50	
20	4031506	8	Bolt M4 x 12	
21	4420062	1.3 ft /40cm	Tape	
22	4811400	8	Washer M4	
23	4811700	38	Washer M6	
24	4811900	33	Washer M8	
25	1001187587	1	Pin	
26	1001206226	2	Rod	
27	1001210302	1	Gate	
28	1001210586	1	Plate, Gate Hinge	
29	1001210963	2	Cover	
30	1001259102	1	Plate, Latch Trigger	
31	1001255470	1	Latch Assembly	
32	1001255505	2	Rail, Top Slide	
33	1001256657	10	Bolt M6 x 40	
34	1001261149	2	Handle	
100	1001255420	1	Rail Kit (Not Shown)	D
101	1001255421	1	Rail (Right Platform)	
102	1001255428	1	Rail (Left Platform)	
103	1001255430	1	Rail (Platform Extension)	
104	1001255442	2	Tube (Rail Hinge)	
105	1001255457	1	Rail (Upper Extension)	
106	1001259105	2	Rail (Latch Assembly)	
107	1001259106	1	Rail (Upper)	
108	1001255491	1	Tube (Upper Extension)	
109	1001259107	1	Rail (Upper)	

SECTION 4 - PLATFORM

FIGURE 4-7. RAILS INSTALLATION - STANDARD FOLD-DOWN RAILS (AUSTRALIAN, CE, JAPANESE & UK CA SPECS)



ART_1001207807_E

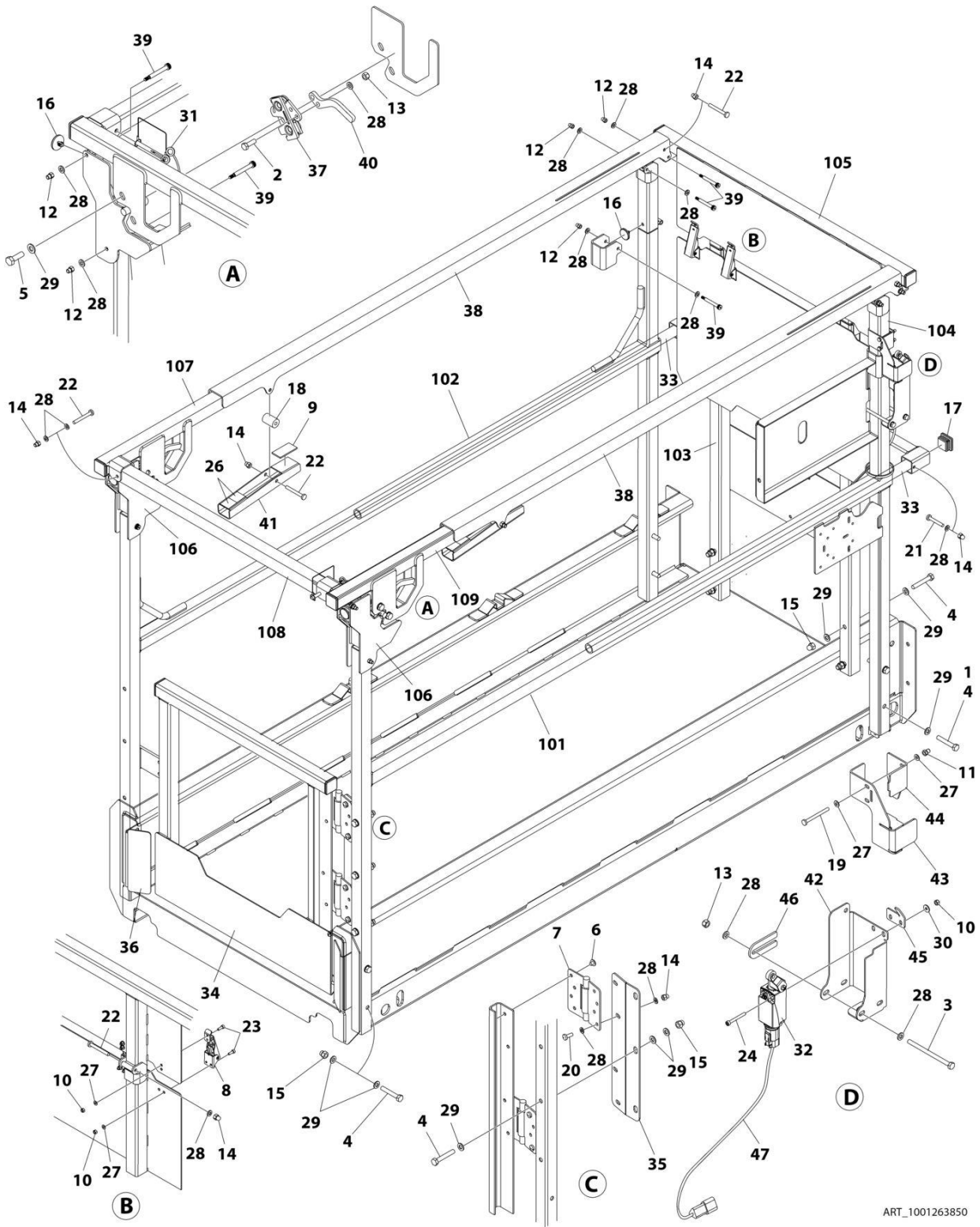
SECTION 4 - PLATFORM

FIGURE 4-7. RAILS INSTALLATION - STANDARD FOLD-DOWN RAILS (AUSTRALIAN, CE, JAPANESE & UK CA SPECS)

ITEM	PART NUMBER	QTY	DESCRIPTION	REV
	1001207807	Ref	RAILS INSTALLATION - FOLD-DOWN RAILS/GATE ENTRY (INSIDE TUBE SLIDER)	E
2	0700818	15	Bolt M8 x 50	
4	0760608	2	Bolt M6 x 16	
5	0761019	2	Bolt M10 x 55	
6	2600281	2	Hinge	
9	3290606	16	Nut M6	
10	3290806	11	Nut M8	
11	3291006	2	Nut M10	
12	3422219	2	Pin	
13	3520072	10	Plug	
15	3860111	2	Roller	
16	4010608	4	Screw M6 x 16	
17	4010617	4	Screw M6 x 45	
18	4010618	4	Screw M6 x 50	
19	4420062	1.3 ft/ 40cm	Tape	
21	4811700	10	Washer M6	
22	4811900	26	Washer M8	
23	1001154378	1	Bracket	
24	1001187587	3	Pin	
25	1001206225	2	Rail, Top Slide	
26	1001206226	2	Rod	
27	1001208073	1	Rail Kit - Fold-Down Rails (Includes Items 101-107)	
28	1001210302	1	Gate	
32	1001210586	1	Plate, Gate Hinge	
33	1001210963	2	Cover	
34	3080007	1	Magnet	
35	2080040	4	Fastener	
36	4010616	4	Screw M6 x 40	
37	4812000	2	Washer M10	
101	1001210442	1	Rail - Lower (Right)	
102	1001210443	1	Rail - Upper (Right)	
103	1001210444	1	Rail - Lower (Left)	
104	1001210445	1	Rail - Upper (Left)	
105	1001210446	1	Rail - Extension Lower (Front)	
106	1001210447	1	Rail - Extension Upper (Front)	
107	1001210458	1	Rail (Rear)	

SECTION 4 - PLATFORM

FIGURE 4-8. RAIL INSTALLATION



ART_1001263850

SECTION 4 - PLATFORM

FIGURE 4-8. RAIL INSTALLATION

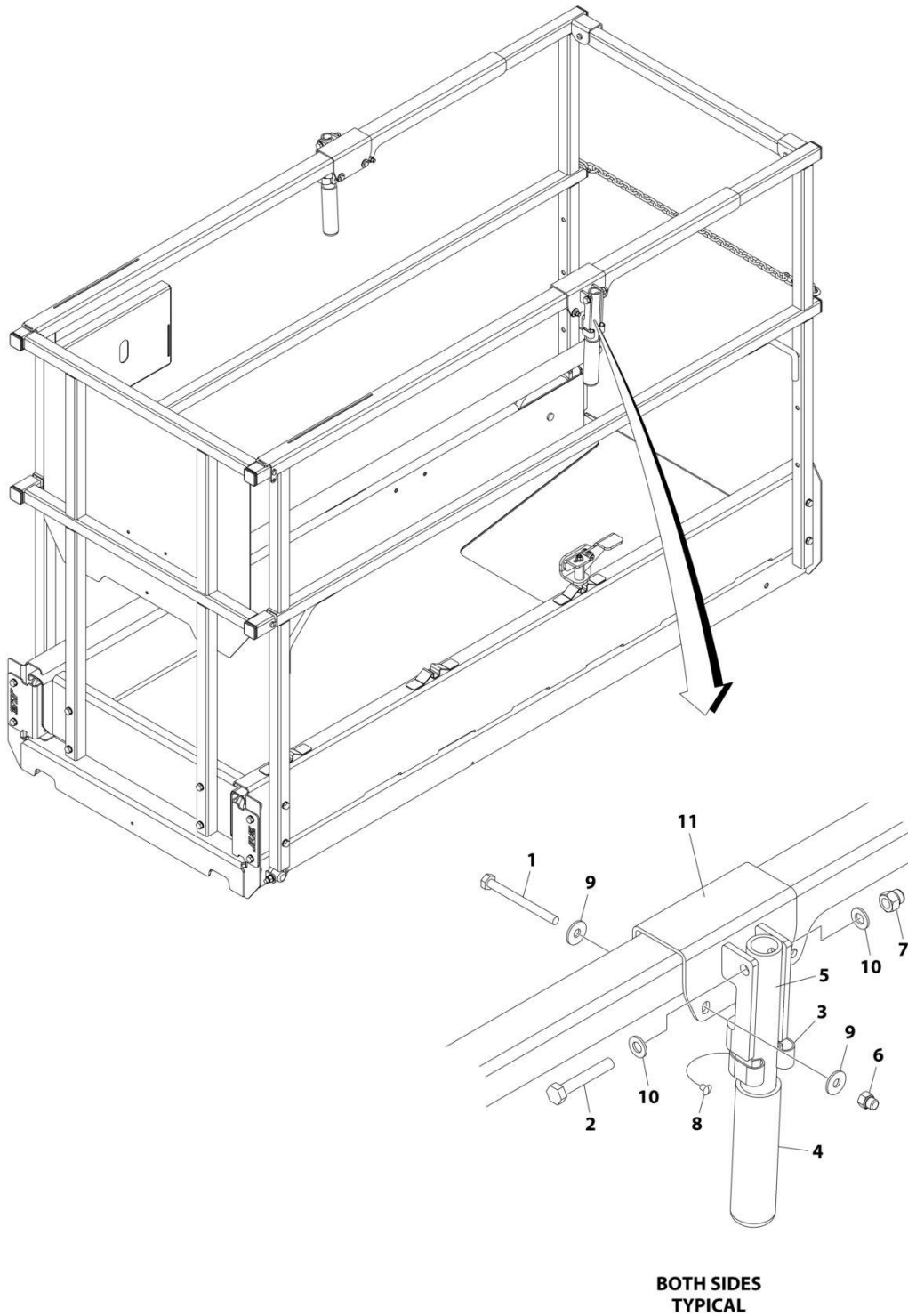
ITEM	PART NUMBER	QTY	DESCRIPTION	REV
	1001263850	Ref	RAIL INSTALLATION	C
1	0100011	AR	Compound, Locking	
2	0700610	4	Bolt M6 x 20	
3	0700626	2	Bolt M6 x 90	
4	0700818	15	Bolt M8 x 50	
5	0760812	4	Bolt M8 x 25	
6	2080040	4	Fastener	
7	2600281	2	Hinge	
8	2940129	2	Latch	
9	3080007	3	Magnet Gate	
10	3290405	10	Nut M4	
11	3290406	2	Nut M4	
12	3290506	10	Nut M5	
13	3290605	6	Nut M6	
14	3290606	13	Nut M6	
15	3290806	11	Nut M8	
16	3340962	8	Pad	
17	3520072	10	Plug	
18	3860111	2	Roller	
19	4010417	2	Screw M4 x 45	
20	4010608	4	Screw M6 x 16	
21	4010616	2	Screw M6 x 40	
22	4010618	7	Screw M6 x 50	
23	4031506	8	Capscrew M4 x 12	
24	4031511	2	Capscrew M4 x 35	
25	4240017	AR	Tie-Strap (Not Shown)	
26	4420062	16 in /40 cm	Tape	
27	4811400	12	Washer M4	
28	4811700	42	Washer M6	
29	4811900	33	Washer M8	
30	1001091102	2	Washer M4	
31	1001187587	1	Pin With Lanyard	
32	1001203871	1	Switch, Limit	
33	1001206226	2	Rod	
34	1001210302	1	Gate	
35	1001210586	1	Support	
36	1001210963	2	Cover	
37	1001255470	2	Latch	
38	1001255505	2	Rail (Top Outer)	
39	1001256657	10	Bolt M6 x 40	
40	1001259102	2	Plate, Latch	
41	1001261149	2	Handle, Lock	
42	1001263805	1	Mount	
43	1001279476	1	Plate	
44	1001279477	1	Clamp	
45	1001263808	1	Guard	
46	1001264079	1	Shim	
47	1001264110	1	Harness, Quick FD Rail Switch	
47	4460844	1	Plug, Male - 4 Position (SN238 - Rail Switch)	

SECTION 4 - PLATFORM

ITEM	PART NUMBER	QTY	DESCRIPTION	REV
47	4460465	3	Socket, Female	
47	4460466	1	Plug Terminal	
47	4460536	1	Receptacle, Female - 4 Position (SW475 - Platform Cable Connector)	
47	4460464	3	Pin, Male	
47	4460466	1	Plug, Terminal	
100	1001255420	Ref	Rail Kit (Not Shown)	
101	1001255421	1	Rail (RH)	
102	1001255428	1	Rail (LH)	
103	1001255430	1	Rail (Extension Front Lower)	
104	1001255442	2	Rail (Front)	
105	1001255457	1	Rail (Extension Front Upper)	
106	1001259105	2	Latch	
107	1001259106	1	Rail (Top Inner RH)	
108	1001255491	1	Tube (Extension Top)	
109	1001259107	1	Rail (Top Inner LH)	

SECTION 4 - PLATFORM

FIGURE 4-9. HANDLE EXTENSION INSTALLATION (OPTIONAL)



ART_1001222587

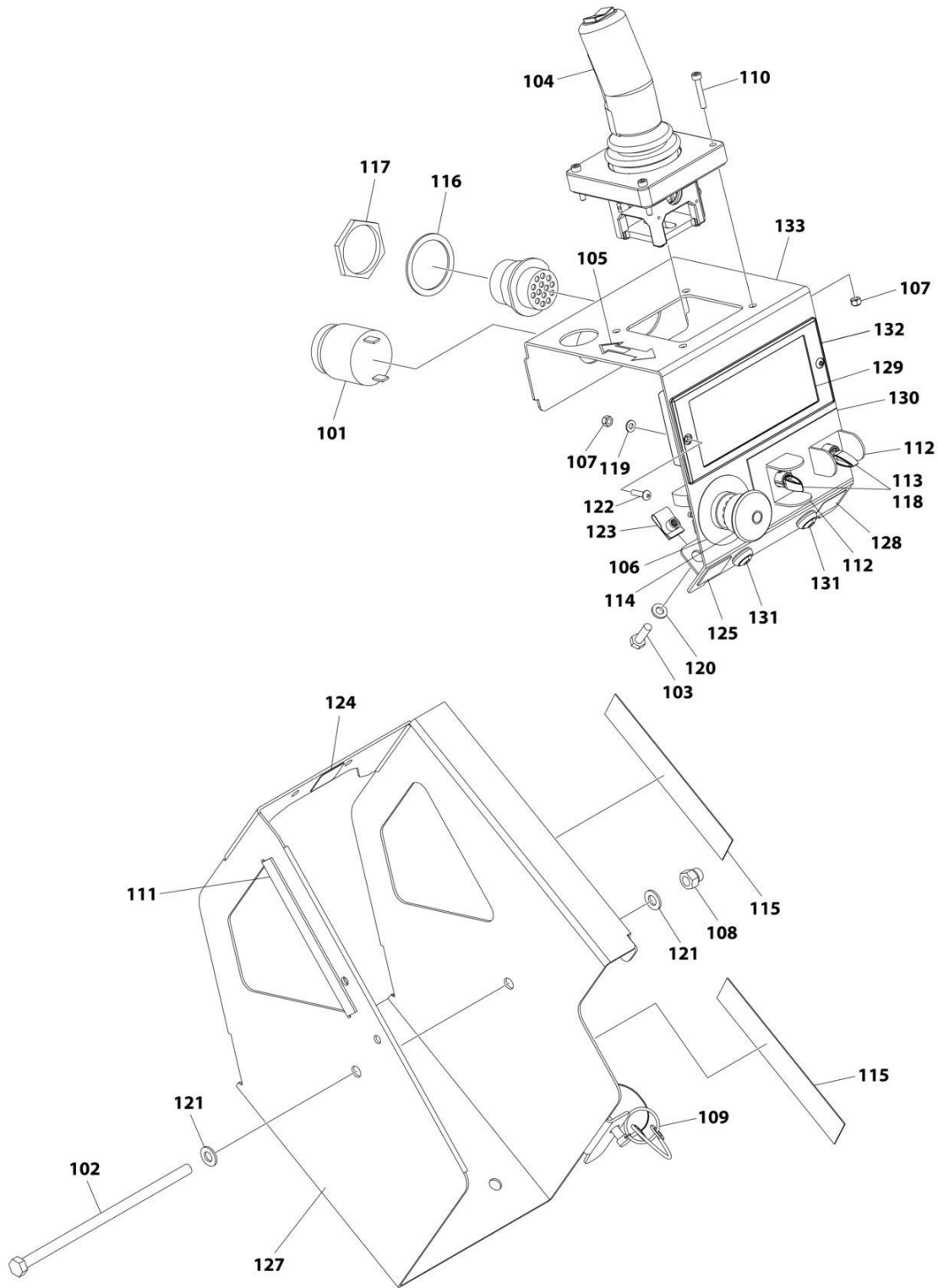
SECTION 4 - PLATFORM

FIGURE 4-9. HANDLE EXTENSION INSTALLATION (OPTIONAL)

ITEM	PART NUMBER	QTY	DESCRIPTION	REV
	1001222587	Ref	HANDLE EXTENSION INSTALLATION (OPTIONAL)	B
1	0700621	4	Bolt M6 x 65	
2	0700818	2	Bolt M8 x 50	
3	1380132	2	Clip	
4	2560088	2	Grip, Handle	
5	2560190	2	Handle	
6	3290606	2	Nut M6	
7	3290806	2	Nut M8	
8	3820019	2	Rivet	
9	4811702	8	Washer M6	
10	4811900	4	Washer M8	
11	1001216823	2	Bracket	

SECTION 4 - PLATFORM

FIGURE 4-10. PLATFORM CONSOLE ASSEMBLY (LED)



ART_1001262656

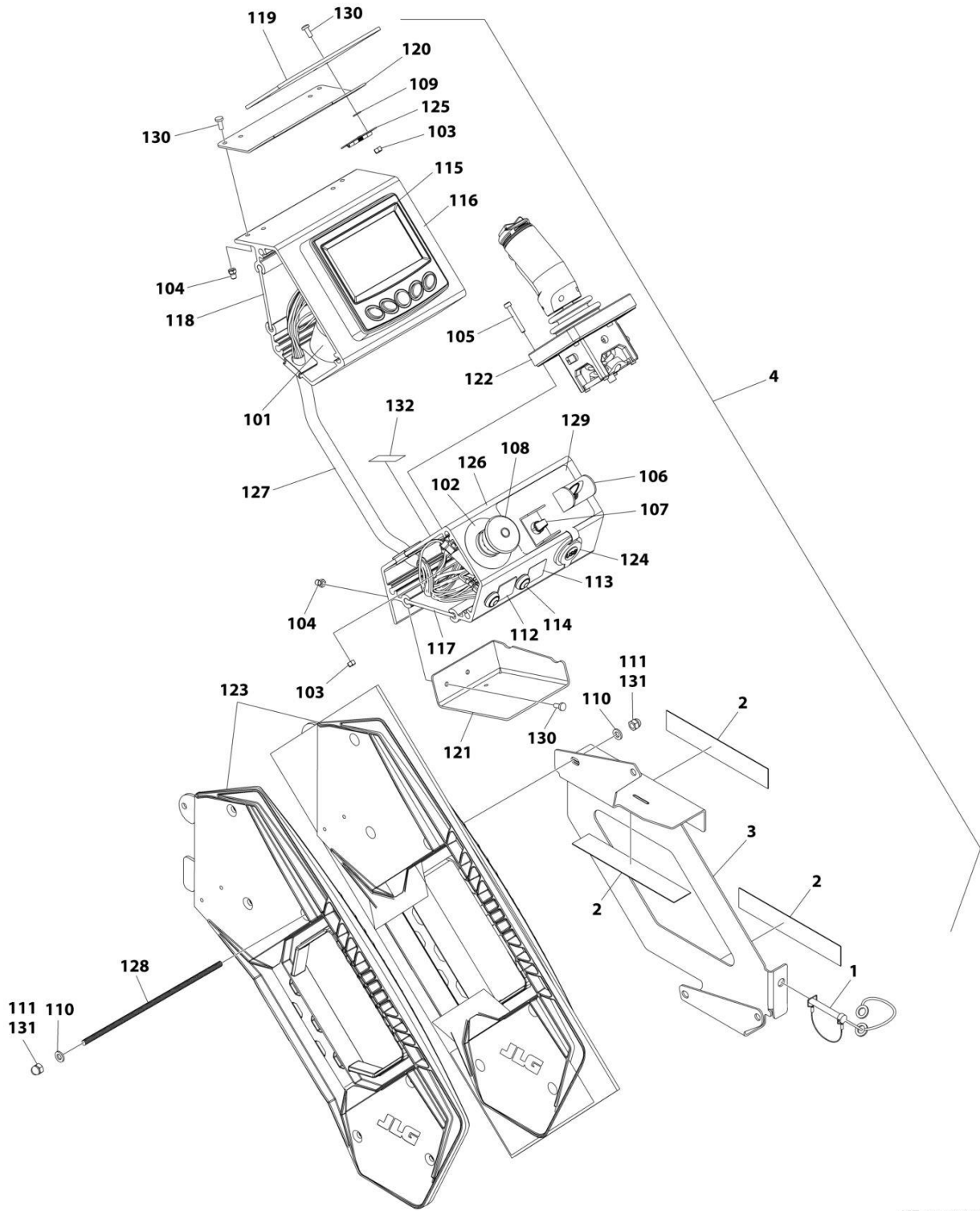
SECTION 4 - PLATFORM

FIGURE 4-10. PLATFORM CONSOLE ASSEMBLY (LED)

ITEM	PART NUMBER	QTY	DESCRIPTION	REV
	1001262656	Ref	PLATFORM CONSOLE ASSEMBLY	B
101	0140030	1	Alarm	
102	0700835	1	Bolt M8 x 180	
103	0760610	2	Bolt M6 x 20	
104	1600402	1	Controller Assembly (See Separate Breakdown in this Section)	
105	1703819	1	Decal - Arrow	
106	1704260	1	Decal - Emergency Stop	
107	3290405	6	Nut M4	
108	3290806	1	Nut M8	
109	3423278	1	Pin, Snap with Lanyard	
110	4031509	4	Capscrew M4 x 25	
111	4060803	6 in /14cm	Flex-Trim	
112	4060906	2	Guard, Switch	
113	4360345	2	Switch, Toggle	
114	4360475	1	Switch, Emergency Stop	
114	7020175	1	Cap	
114	7020176	1	Block, Contact	
115	4420062	12 in/ 30cm	Tape	
116	4460496	1	Washer, Terminal	
117	4460497	1	Nut, Terminal	
118	4711700	2	Washer 7/16	
119	4811400	2	Washer M4	
120	4811700	2	Washer M6	
121	4811900	2	Washer M8	
122	1001047064	2	Screw (Socket Head)	
123	1001130220	2	Nut, Tinnerman M6	
124	1001132358	1	Decal - Steer	
125	1001132361	1	Decal - Horn	
126	1001200819	1	Platform Control Box Harness (Not Shown - See Separate Breakdown in ELECTRICAL Section)	
127	1001209596	1	Plate, Box (Outside)	
128	1001213886	1	Decal - Indoor/Outdoor	
129	1001218285	1	Decal - Platform Control	
130	1001220893	1	Decal - Lift/Drive Function	
131	1001226749	2	Switch - Push Button	
132	1001228112	1	Module, Platform Control	
133	1001262655	1	Plate, Box (Inside)	

SECTION 4 - PLATFORM

FIGURE 4-11. PLATFORM BOX ASSEMBLY (LCD)



ART_1001290161

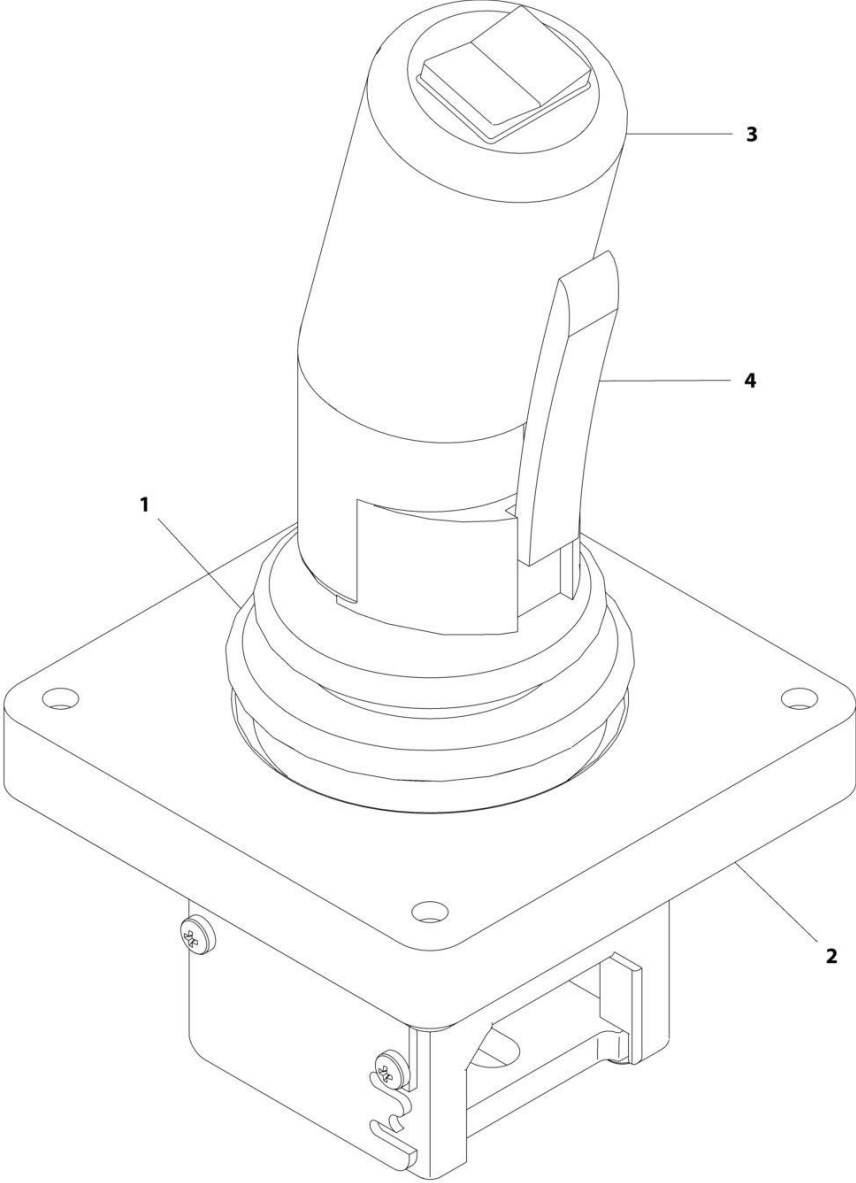
SECTION 4 - PLATFORM

FIGURE 4-11. PLATFORM BOX ASSEMBLY (LCD)

ITEM	PART NUMBER	QTY	DESCRIPTION	REV
	1001290161	Ref	PLATFORM BOX ASSEMBLY (LCD)	B
1	3423278	1	Pin	
2	4420062	17 in/ 43cm	Tape	
3	1001255439	1	Mount	
4	1001290016	1	Platform Box Assembly	D
101	0140030	1	Alarm	
102	1704260	1	Decal - Emergency Stop	
103	3290405	12	Nut M4	
104	3290406	6	Nut M4	
105	4031510	4	Capscrew M4 x 30	
106	4060906	2	Guard, Switch	
107	4360345	2	Switch, Toggle	
108	4360475	1	Switch, Emergency Stop	
108	7020175	1	Cap	
108	7020176	1	Block, Contact	
109	4811400	4	Washer M4	
110	4811700	12	Washer M6	
111	1001108603	12	Nut M6	
112	1001132361	1	Decal - Horn	
113	1001213886	1	Decal - Indoor/Outdoor	
114	1001226749	2	Switch - Push Button	
115	1001244932	1	Control - Display (Note: Recalibration Required When Replaced)	
116	1001246584	1	Housing (Upper)	
117	1001246863	1	Cover (Lower)	
118	1001246864	1	Cover (Upper)	
119	1001246979	1	Shield, Display	
120	1001247313	1	Mount, Shield	
121	1001247443	1	Holder, Phone	
122	1001247682	1	Drive/Steer Controller (See Separate Breakdown in this Section)	
123	1001249259	2	Panel, Side	
124	1001253800	1	Receptacle, USB	
125	1001254119	2	Hinge	
126	1001254555	1	Channel, Cross Section	
127	1001254686	1	Harness, Platform Box (See Separate Breakdown in ELECTRICAL Section)	
128	1001255461	6	Stud, M6 x 205	
129	1001256219	1	Decal - Lift/Drive Function	
130	4010405002	14	Screw, M4 x 10	
131	0100011	AR	Compound, Locking	
132	1703819	1	Decal - Direction Arrow	

SECTION 4 - PLATFORM

FIGURE 4-12. DRIVE/STEER CONTROLLER ASSEMBLY (LED)



ART_1600402

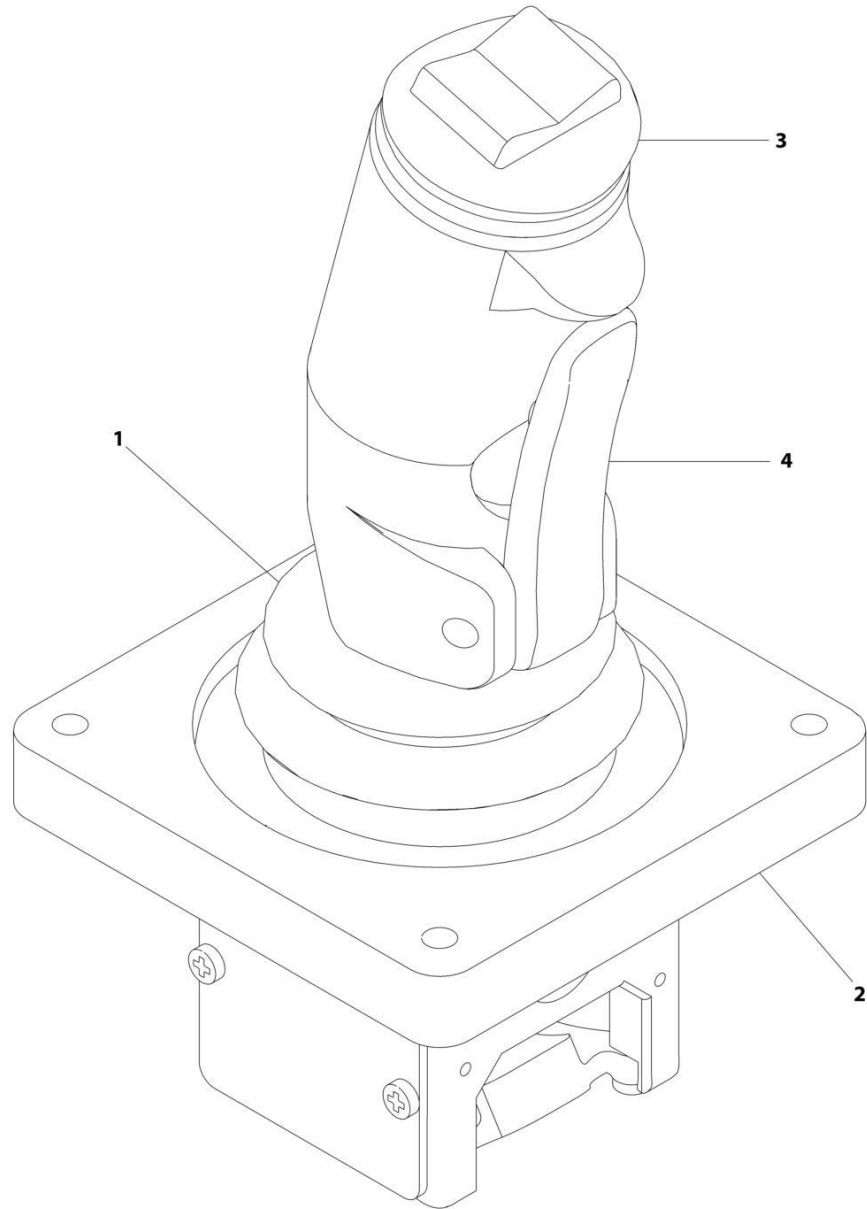
SECTION 4 - PLATFORM

FIGURE 4-12. DRIVE/STEER CONTROLLER ASSEMBLY (LED)

ITEM	PART NUMBER	QTY	DESCRIPTION	REV
	1600402	Ref	DRIVE/STEER CONTROLLER ASSEMBLY	A
1	70001250	1	Boot, Panel	
2	70001252	1	Gasket, Mounting	
2	70001251	1	Bezel, Mounting	
3	70003650	1	Handle Repair Kit (Includes handle gasket, item#4 push button and item #4 lever installed in front handle half, back handle half, top actuator, boot and hardware.)	
3	70000084	1	Cap, Rubber	
3	70000082	1	Microswitch	
3	7027766	1	Ring, Retaining	
3	7027365	1	Actuator, Handle	
3	70001253	1	Gasket, Handle	
3	70000683	4	Washer, Neoprene	
3	70000685	2	Spacer, Plastic	
3	70000686	2	Screw (Top)	
3	70000684	2	Screw (Bottom)	
4	7027367	1	Switch, Push Button	
4	7027765	1	Lever, Enable	

SECTION 4 - PLATFORM

FIGURE 4-13. DRIVE/STEER CONTROLLER ASSEMBLY (LCD)



ART_1001247682

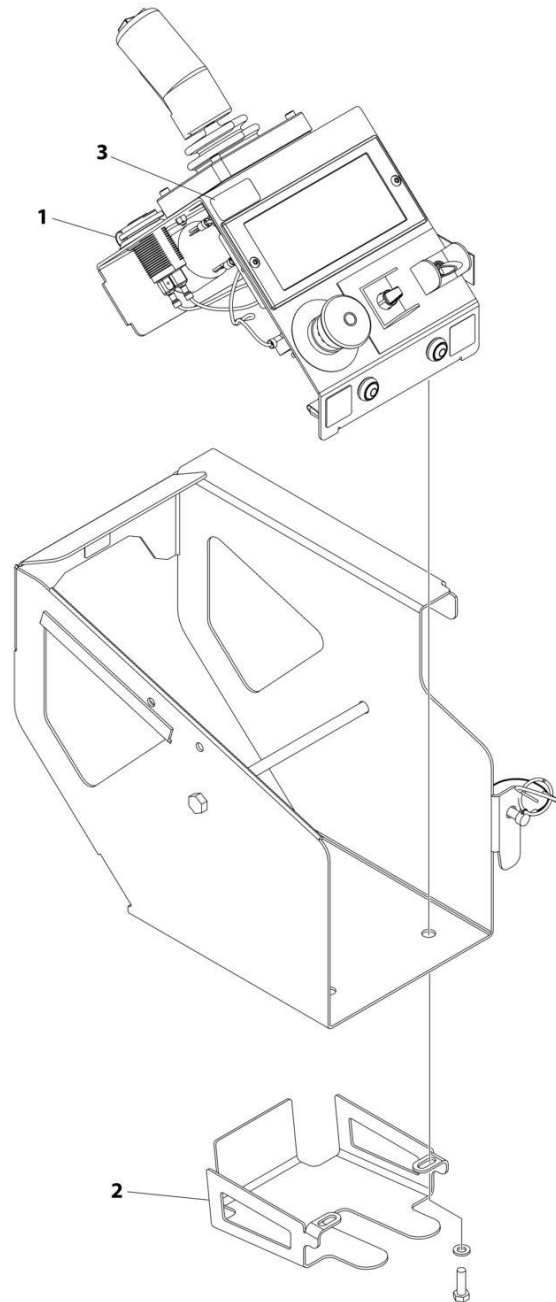
SECTION 4 - PLATFORM

FIGURE 4-13. DRIVE/STEER CONTROLLER ASSEMBLY (LCD)

ITEM	PART NUMBER	QTY	DESCRIPTION	REV
	1001247682	Ref	DRIVE/STEER CONTROLLER ASSEMBLY (LCD)	B
1	70001250	1	Boot, Panel	
2	70001252	1	Gasket, Mounting	
2	70001251	1	Bezel, Mounting	
3	70007506	1	Handle Repair Kit (Includes handle gasket, item#4 push button and item #4 lever installed in front handle half, back handle half, top actuator, boot and hardware.)	
3	70000084	1	Cap, Rubber	
3	70000082	1	Microswitch	
3	7027766	1	Ring, Retaining	
3	7027365	1	Actuator, Handle	
3	70001253	1	Gasket, Handle	
3	70000683	4	Washer, Neoprene	
3	70000685	2	Spacer, Plastic	
3	70000686	2	Screw (Top)	
3	70000684	2	Screw (Bottom)	
4	7027367	1	Switch, Push Button	
4	7027765	1	Lever, Enable	

SECTION 4 - PLATFORM

FIGURE 4-14. USB/PHONE CRADLE INSTALLATION



ART_1001262150

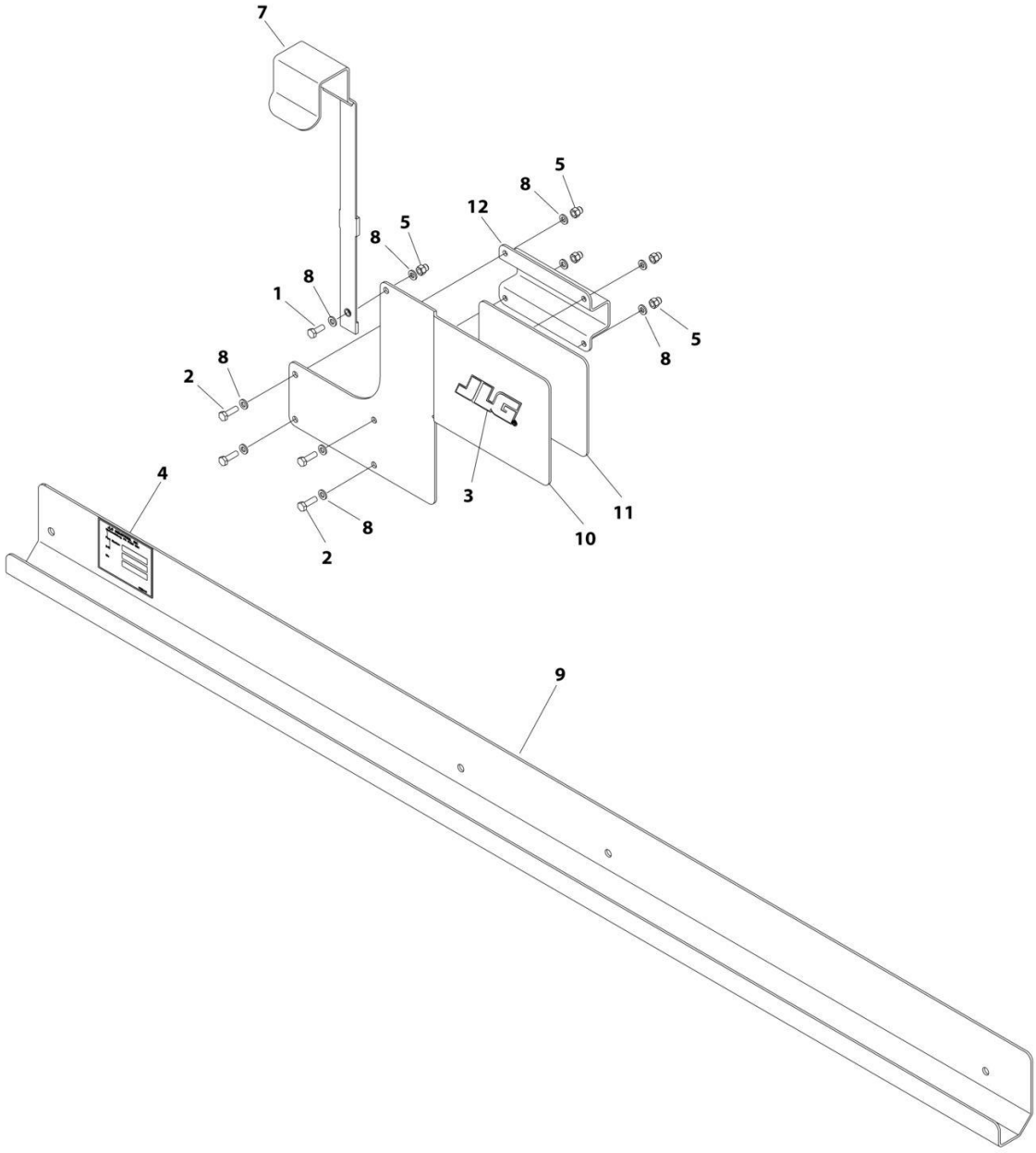
SECTION 4 - PLATFORM

FIGURE 4-14. USB/PHONE CRADLE INSTALLATION

ITEM	PART NUMBER	QTY	DESCRIPTION	REV
	1001262150	Ref	USB/PHONE CRADLE INSTALLATION	B
1	1001253800	1	Terminal, USB Receptacle	
2	1001261131	1	Bracket, Phone	
3	1001274168	1	Decal, USB Charge	

SECTION 4 - PLATFORM

FIGURE 4-15. PANEL CARRIER INSTALLATION (ALL SPECS EXCEPT JAPANESE SPECS)



ART_1001235924

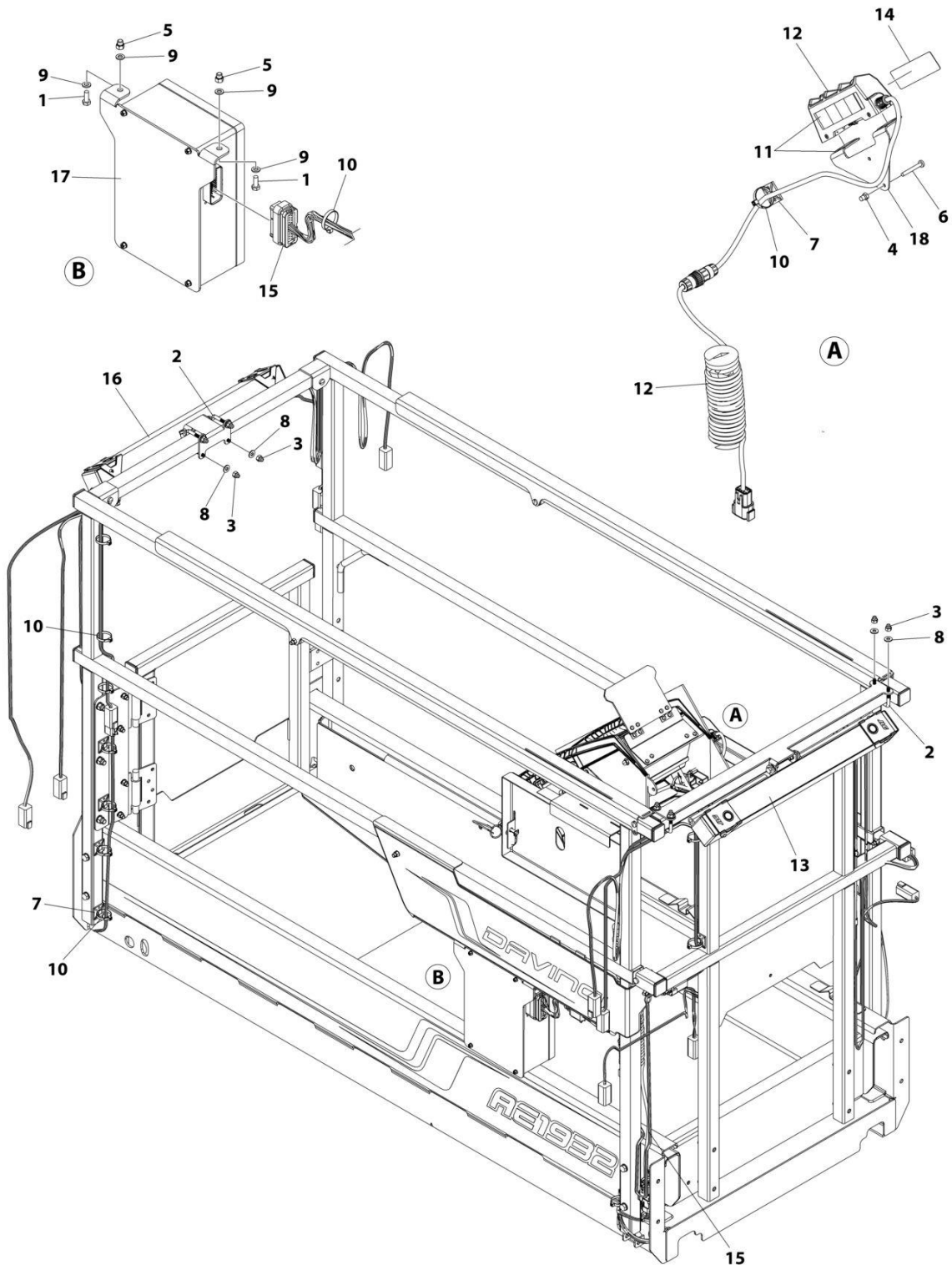
SECTION 4 - PLATFORM

FIGURE 4-15. PANEL CARRIER INSTALLATION (ALL SPECS EXCEPT JAPANESE SPECS)

ITEM	PART NUMBER	QTY	DESCRIPTION	REV
	1001235924	Ref	PANEL CARRIER INSTALLATION	B
1	0760608	1	Bolt M6 x 16	
2	0760610	4	Bolt M6 x 20	
3	1702010	1	Decal - JLG	
4	See Note	NSS	Nameplate - Accessory SN (Note: Not Available for Purchase)	
5	3290606	5	Nut M6	
6	3574505	1	Plate	
7	4240165	1	Strap	
8	4811700	10	Washer M6	
9	1001235536	1	Channel	
10	1001235863	1	Plate	
11	1001236507	1	Decal – Panel Carrier Capacity	
12	4420037	6 in /15cm	Tape	

SECTION 4 - PLATFORM

FIGURE 4-16. SKYSENSE LEVEL 1



ART_1001271186

SECTION 4 - PLATFORM

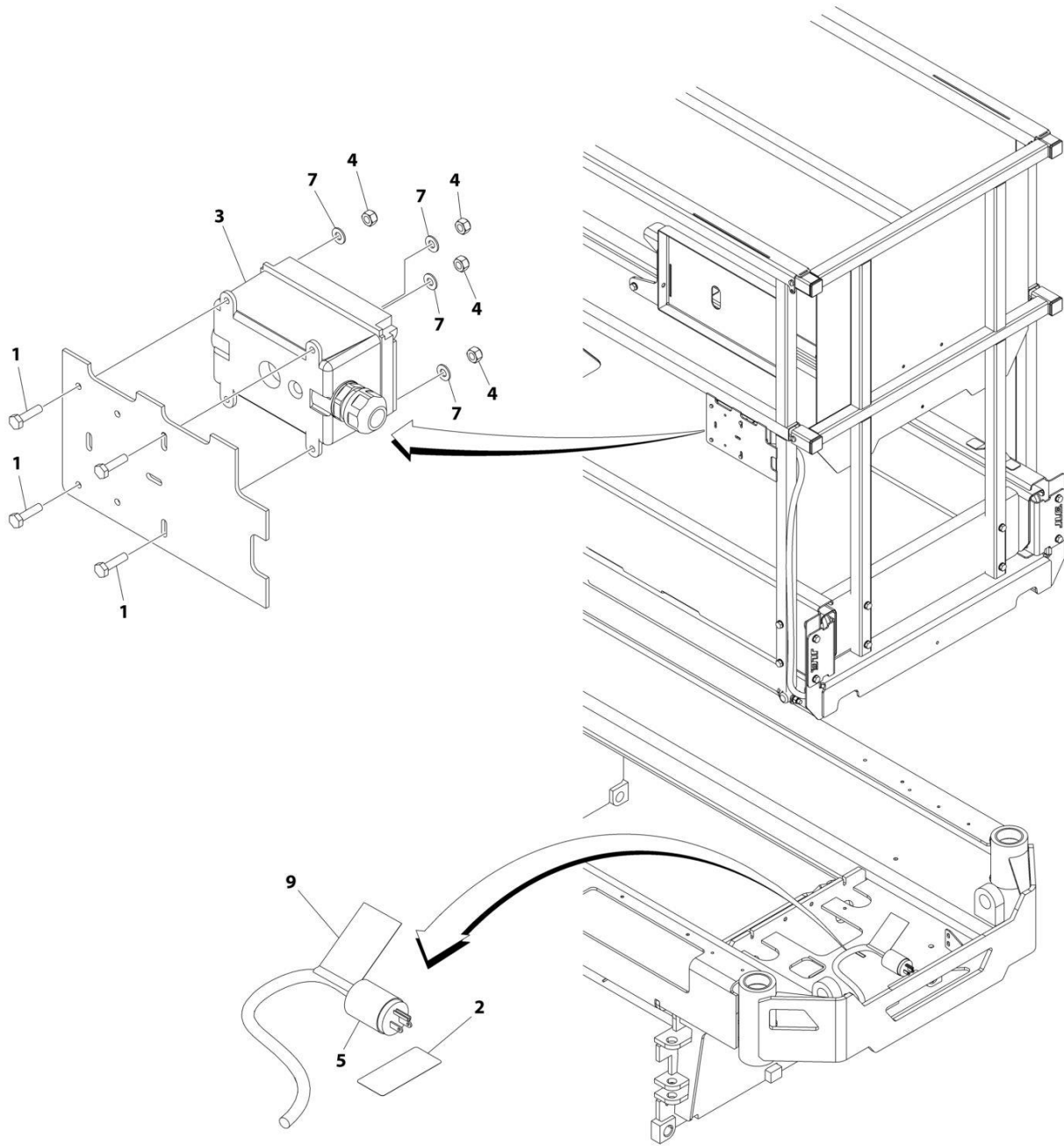
FIGURE 4-16. SKYSENSE LEVEL 1

ITEM	PART NUMBER	QTY	DESCRIPTION	REV
	1001271186	Ref	SKYSENSE, LEVEL 1	A
1	0700608	2	Bolt M6 x 16	
2	1320302	4	U-Clamp	
3	2080063	8	Nut 1/4	
4	3290406	2	Nut M4	
5	3290606	2	Nut M6	
6	4010414	2	Screw, M4 x 30	
7	4460234	AR	Terminal	
8	4711400	8	Washer 1/4	
9	4811700	4	Washer M6	
10	86683122	AR	Tie-Strap	
11	1001217088	0.5 ft /150mm	Tape, 2-Sided	
12	1001239824	1	Housing, Scissor	
13	1001255074	1	Tube, SkySense	
14	1001255165	1	Decal - Danger, Crushing and Power Line SkySense	
15	1001255507	1	Harness, SkySense	
16	1001258755	1	Tube, SkySense	
17	1001270870	1	Box Assembly	
17	1001261153	1	Decal - Weight	
18	1001271185	1	Bracket, Scissor	

SECTION 5 - ELECTRICAL

SECTION 5 - ELECTRICAL

FIGURE 5-1. AC BOX AT PLATFORM INSTALLATION - 110V GFI (ALL SPECS EXCEPT AUSTRALIAN, CE & UK CA SPECS)



ART_1001208930

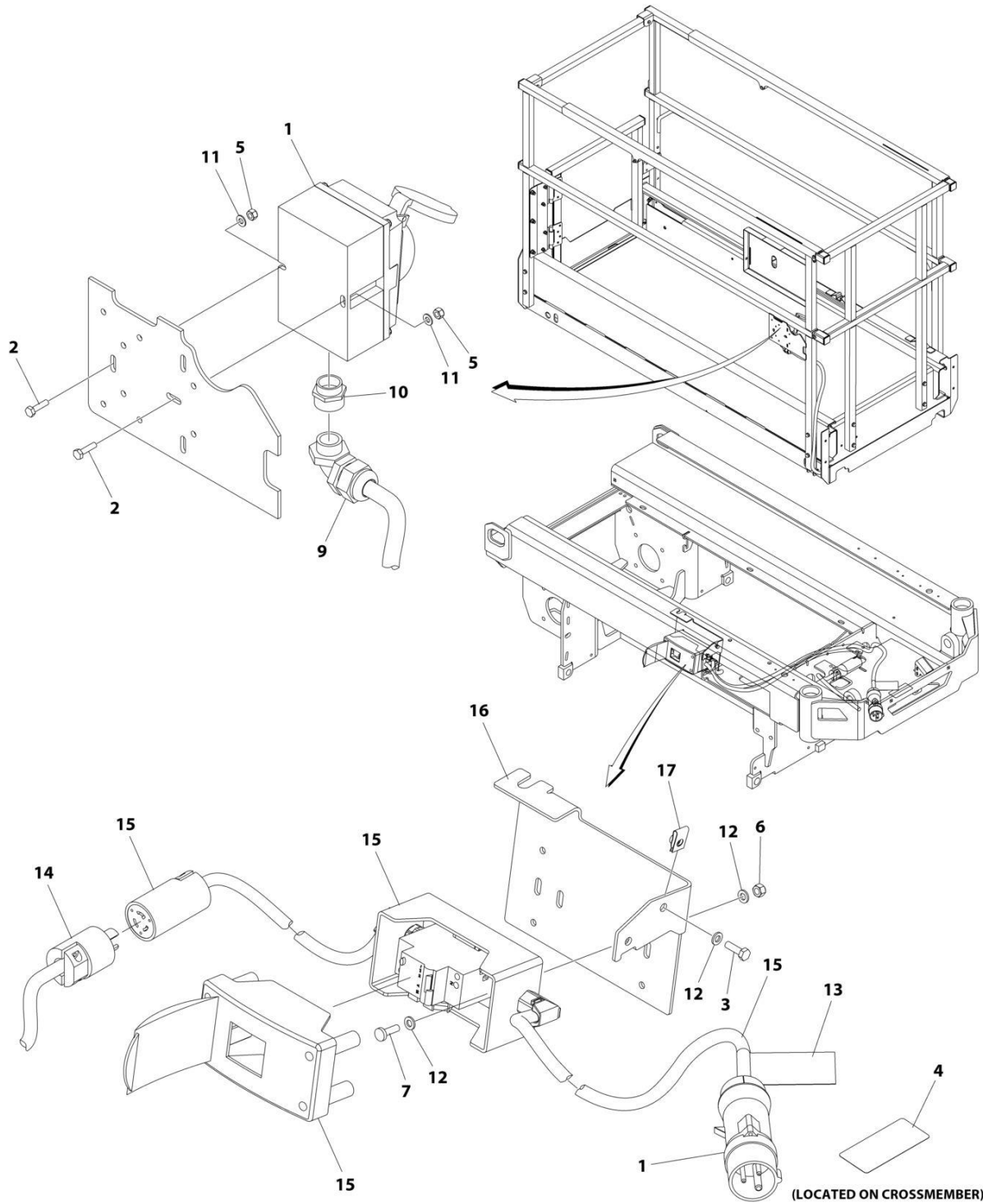
SECTION 5 - ELECTRICAL

FIGURE 5-1. AC BOX AT PLATFORM INSTALLATION - 110V GFI (ALL SPECS EXCEPT AUSTRALIAN, CE & UK CA SPECS)

ITEM	PART NUMBER	QTY	DESCRIPTION	REV
	1001208930	Ref	AC BOX AT PLATFORM INSTALLATION - 110V GFI	C
1	0760408	4	Bolt M4 x 16	
2	1703464	1	Decal - AC Power	
3	2902431	1	Receptacle Box Kit (See Separate Breakdown in this Section)	
4	3290405	4	Nut M4	
5	4460138	1	Plug, Male - AC	
6	4460315	1	Terminal (Not Shown)	
7	4811400	4	Washer M4	
9	1001102258	1	Decal - AC Label	
10	4240017	AR	Tie-Strap (Not Shown)	

SECTION 5 - ELECTRICAL

FIGURE 5-2. AC BOX AT PLATFORM INSTALLATION - 110V IEC YELLOW (CE & UK CA SPECS)



ART_1001248622

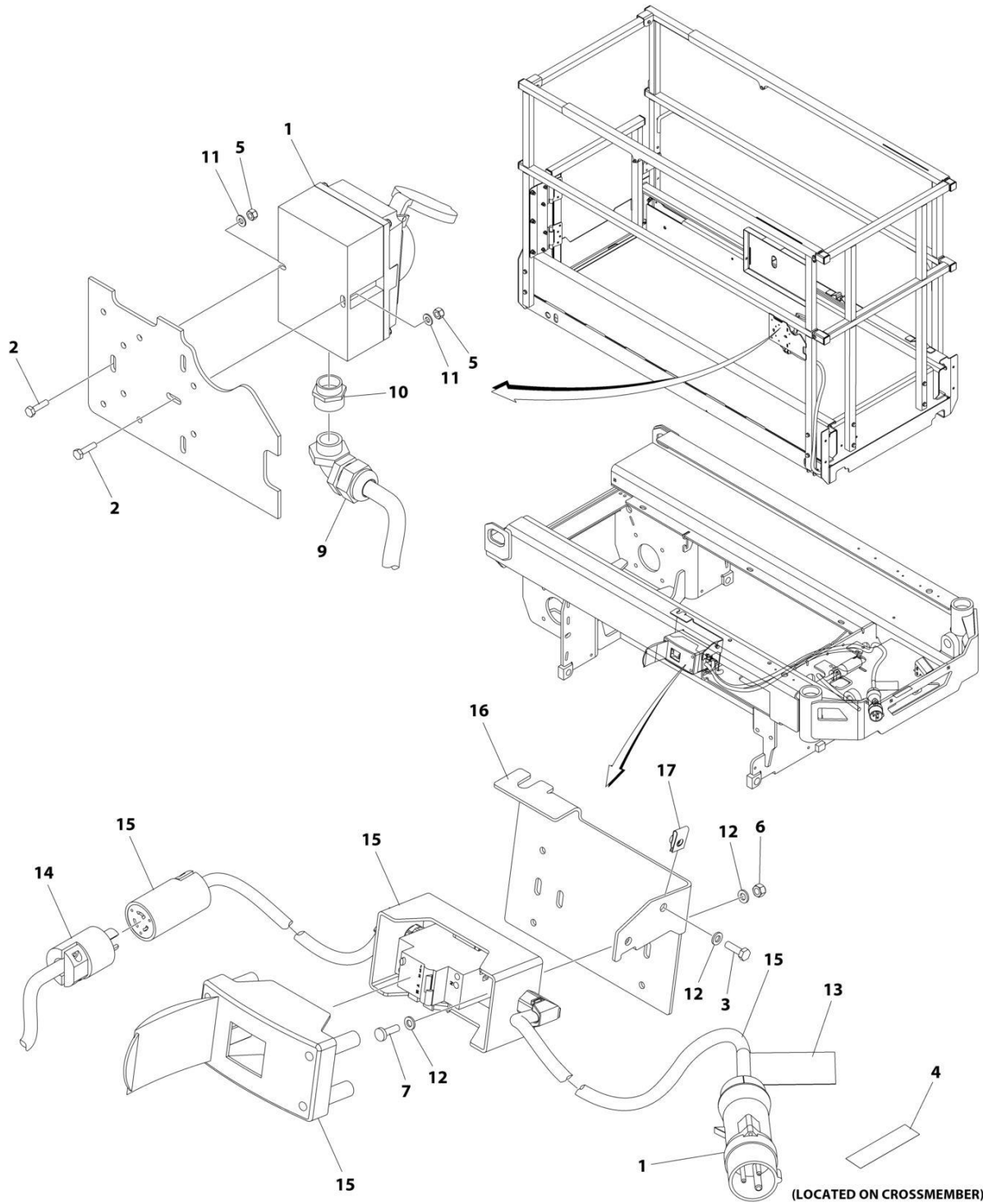
SECTION 5 - ELECTRICAL

FIGURE 5-2. AC BOX AT PLATFORM INSTALLATION - 110V IEC YELLOW (CE & UK CA SPECS)

ITEM	PART NUMBER	QTY	DESCRIPTION	REV
	1001248622	Ref	AC BOX AT PLATFORM INSTALLATION - 110V IEC YELLOW	C
1	0275216	1	Receptacle Box Kit - 110V IEC Yellow (See Separate Breakdown in this Section)	
2	0760408	2	Bolt M4 x 16	
3	0760610	2	Bolt M6 x 20	
4	1703464	1	Decal - AC Power	
5	3290405	2	Nut M4	
6	3290605	2	Nut M6	
7	4010610	2	Screw M6 x 20	
8	4240017	AR	Tie-Strap (Not Shown)	
9	4461257	1	Connector, Strain Relief	
10	4461258	1	Connector, Adapter	
11	4811400	2	Washer M4	
12	4811700	6	Washer M6	
13	1001102258	1	Decal - AC Label	
14	1001120204	1	Plug, Male Twist	
15	1001209776	1	Breaker Box Kit (See Separate Breakdown in this Section)	
16	1001256525	1	Bracket	
17	1001130220	2	Nut, Tinnerman M6	

SECTION 5 - ELECTRICAL

FIGURE 5-3. AC BOX AT PLATFORM INSTALLATION - 220V IEC BLUE (CE & UK CA SPECS)



ART_1001248623

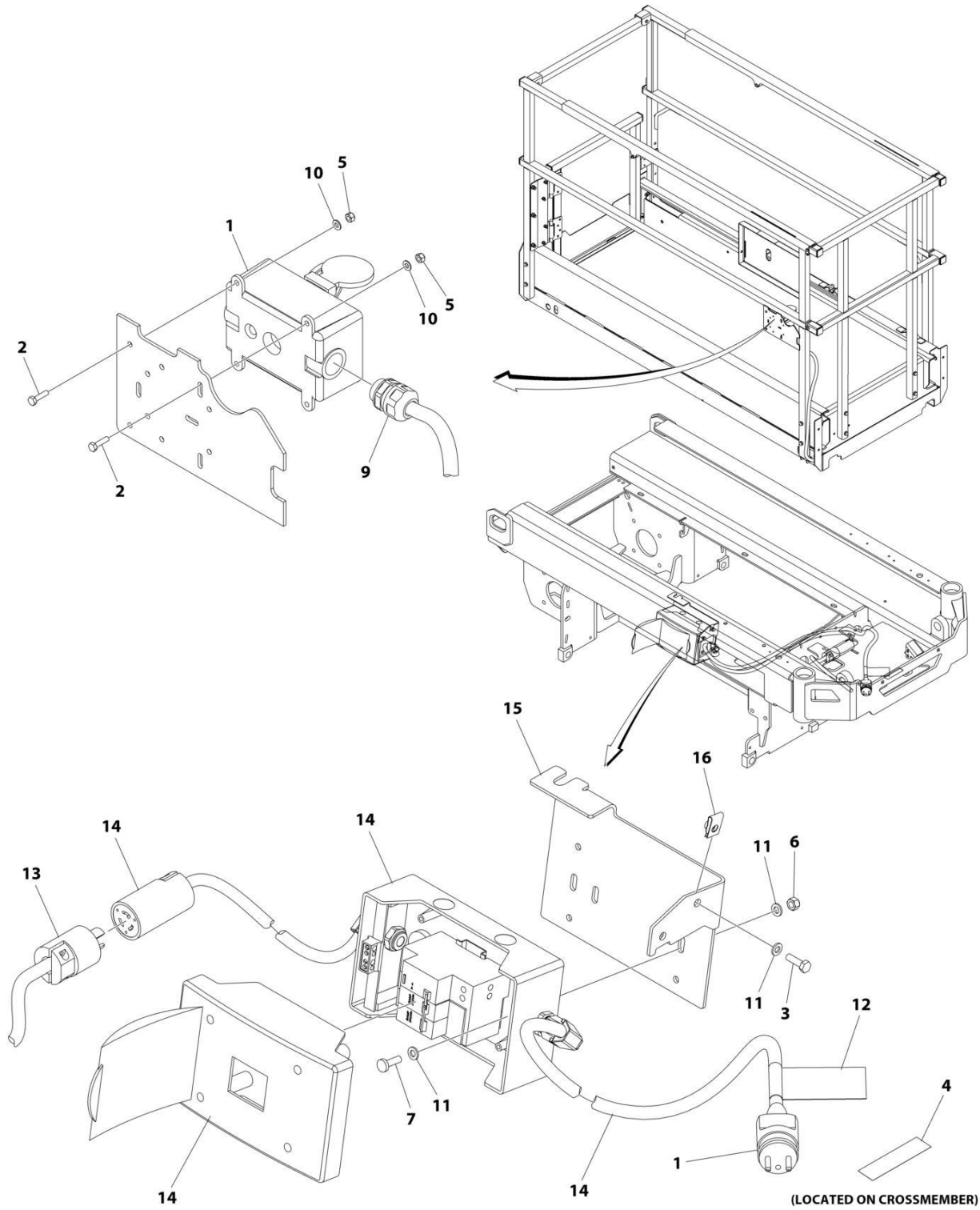
SECTION 5 - ELECTRICAL

FIGURE 5-3. AC BOX AT PLATFORM INSTALLATION - 220V IEC BLUE (CE & UK CA SPECS)

ITEM	PART NUMBER	QTY	DESCRIPTION	REV
	1001248623	Ref	AC BOX AT PLATFORM INSTALLATION - 220V IEC BLUE	C
1	0275217	1	Receptacle Box Kit - 220V IEC Blue (See Separate Breakdown in this Section)	
2	0760408	2	Bolt M4 x 16	
3	0760610	2	Bolt M6 x 20	
4	3252507	1	Decal - AC Power	
5	3290405	2	Nut M4	
6	3290605	2	Nut M6	
7	4010610	2	Screw M6 x 20	
8	4240017	AR	Tie-Strap (Not Shown)	
9	4461257	1	Connector, Strain Relief	
10	4461258	1	Connector, Adapter	
11	4811400	2	Washer M4	
12	4811700	6	Washer M6	
13	1001102258	1	Decal - AC Label	
14	1001120204	1	Plug, Male Twist	
15	1001209776	1	Breaker Box Kit (See Separate Breakdown in this Section)	
16	1001256525	1	Bracket	
17	1001130220	2	Nut, Tinnerman M6	

SECTION 5 - ELECTRICAL

FIGURE 5-4. AC BOX AT PLATFORM INSTALLATION - 220V CEE7 POST GROUND (CE & UK CA SPECS)



ART_1001248619

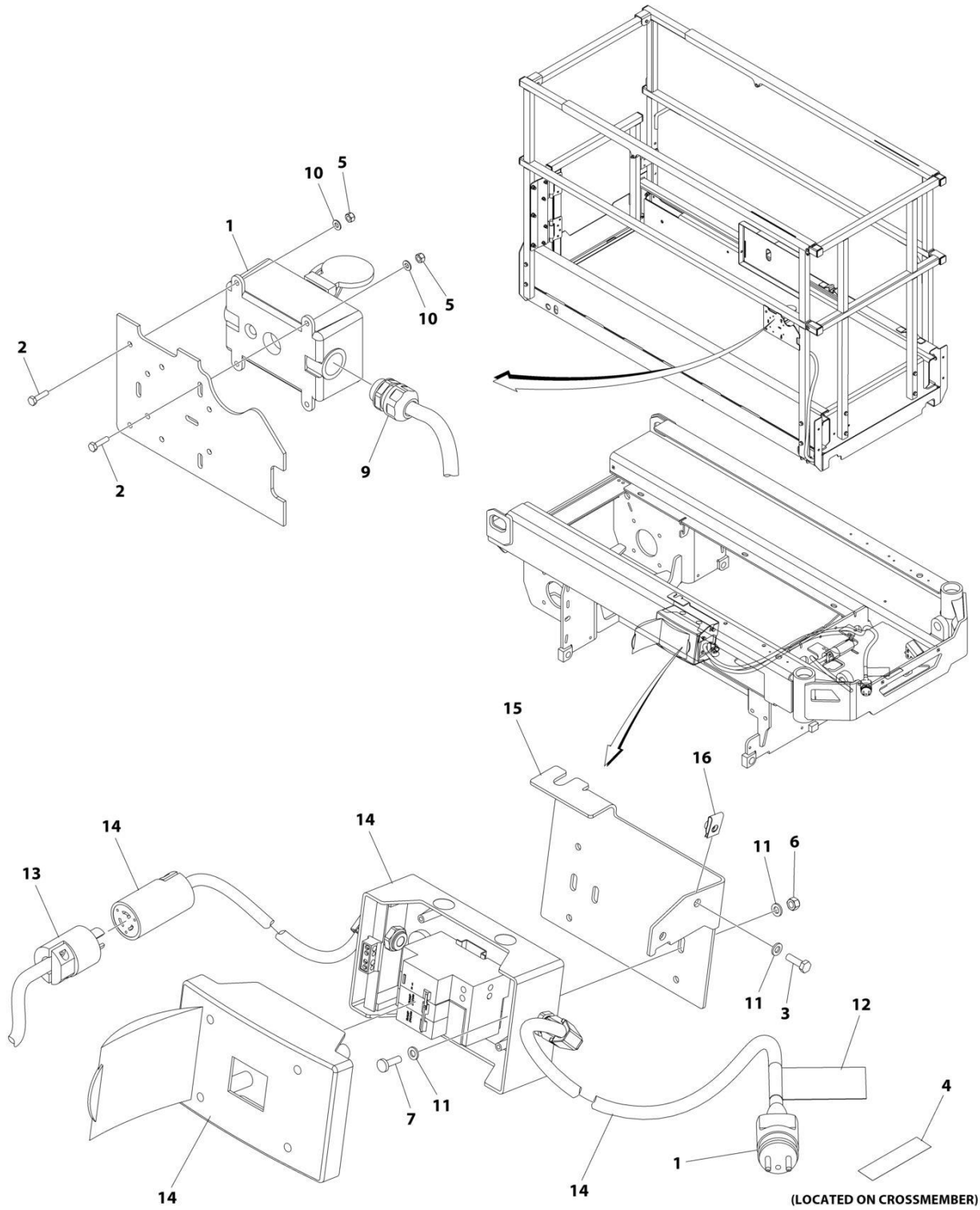
SECTION 5 - ELECTRICAL

FIGURE 5-4. AC BOX AT PLATFORM INSTALLATION - 220V CEE7 POST GROUND (CE & UK CA SPECS)

ITEM	PART NUMBER	QTY	DESCRIPTION	REV
	1001248619	Ref	AC BOX AT PLATFORM INSTALLATION - 220V CEE7 POST GROUND	C
1	0275452	1	Receptacle Box Kit - 220V CEE7 Post Ground (See Separate Breakdown in this Section)	
2	0760408	4	Bolt M4 x 16	
3	0760610	2	Bolt M6 x 20	
4	3252507	1	Decal - AC Power	
5	3290405	4	Nut M4	
6	3290605	2	Nut M6	
7	4010610	2	Screw M6 x 20	
8	4240017	AR	Tie-Strap (Not Shown)	
9	4460662	1	Connector, Strain Relief	
10	4811400	4	Washer M4	
11	4811700	6	Washer M6	
12	1001102258	1	Decal - AC Label	
13	1001120204	1	Plug, Male Twist	
14	1001209482	1	Breaker Box Kit (See Separate Breakdown in this Section)	
15	1001256525	1	Bracket	
16	1001130220	2	Nut, Tinnerman M6	

SECTION 5 - ELECTRICAL

FIGURE 5-5. AC BOX AT PLATFORM INSTALLATION - 220V CEE7 SIDE GROUND (CE & UK CA SPECS)



ART_1001248620

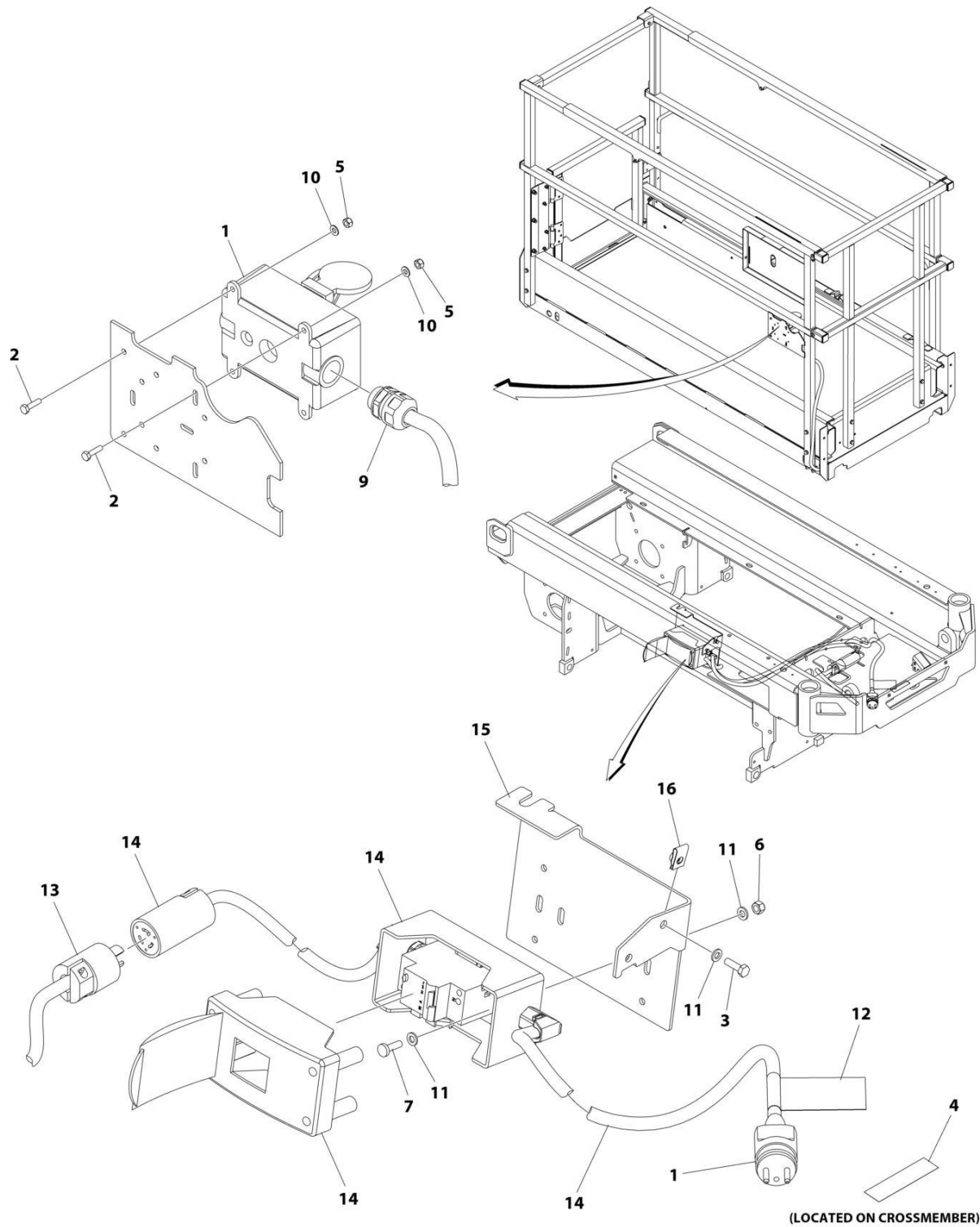
SECTION 5 - ELECTRICAL

FIGURE 5-5. AC BOX AT PLATFORM INSTALLATION - 220V CEE7 SIDE GROUND (CE & UK CA SPECS)

ITEM	PART NUMBER	QTY	DESCRIPTION	REV
	1001248620	Ref	AC BOX AT PLATFORM INSTALLATION - 220V CEE7 SIDE GROUND	C
1	0275453	1	Receptacle Box Kit - 220V CEE7 Side Ground (See Separate Breakdown in this Section)	
2	0760408	4	Bolt M4 x 16	
3	0760610	2	Bolt M6 x 20	
4	3252507	1	Decal - AC Power	
5	3290405	4	Nut M4	
6	3290605	2	Nut M6	
7	4010610	2	Screw M6 x 20	
8	4240017	AR	Tie-Strap (Not Shown)	
9	4460662	1	Connector, Strain Relief	
10	4811400	4	Washer M4	
11	4811700	6	Washer M6	
12	1001102258	1	Decal - AC Label	
13	1001120204	1	Plug, Male Twist	
14	1001209482	1	Breaker Box Kit (See Separate Breakdown in this Section)	
15	1001256525	1	Bracket	
16	1001130220	2	Nut, Tinnerman M6	

SECTION 5 - ELECTRICAL

FIGURE 5-6. AC BOX AT PLATFORM INSTALLATION - 220V AFSINT 107 (CE & UK CA SPECS)



ART_1001248621

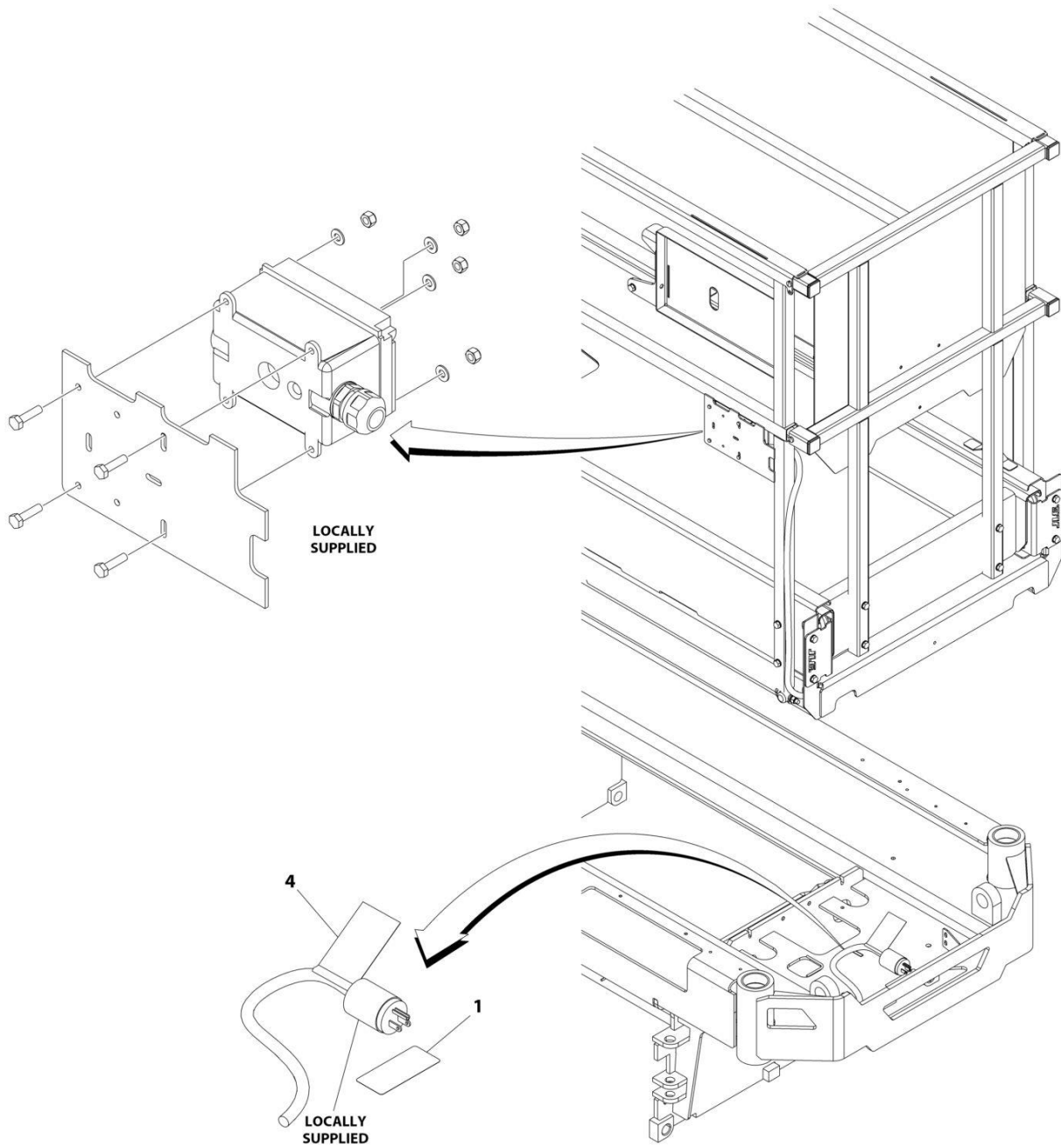
SECTION 5 - ELECTRICAL

FIGURE 5-6. AC BOX AT PLATFORM INSTALLATION - 220V AFSINT 107 (CE & UK CA SPECS)

ITEM	PART NUMBER	QTY	DESCRIPTION	REV
	1001248621	Ref	AC BOX AT PLATFORM INSTALLATION - 220V AFSINT 107	C
1	0275454	1	Receptacle Box Kit - 220V AFSINT 107 (See Separate Breakdown in this Section)	
2	0760408	4	Bolt M4 x 16	
3	0760610	2	Bolt M6 x 20	
4	3252507	1	Decal - AC Power	
5	3290405	4	Nut M4	
6	3290605	2	Nut M6	
7	4010610	2	Screw M6 x 20	
8	4240017	AR	Tie-Strap (Not Shown)	
9	4460662	1	Connector, Strain Relief	
10	4811400	4	Washer M4	
11	4811700	6	Washer M6	
12	1001102258	1	Decal - AC Label	
13	1001120204	1	Plug, Male Twist	
14	1001209776	1	Breaker Box Kit (See Separate Breakdown in this Section)	
15	1001256525	1	Bracket	
16	1001130220	2	Nut, Tinnerman M6	

SECTION 5 - ELECTRICAL

FIGURE 5-7. AC BOX AT PLATFORM INSTALLATION - 220V LOCALLY SUPPLIED COMPONENTS (ALL SPECS)



ART_1001208931

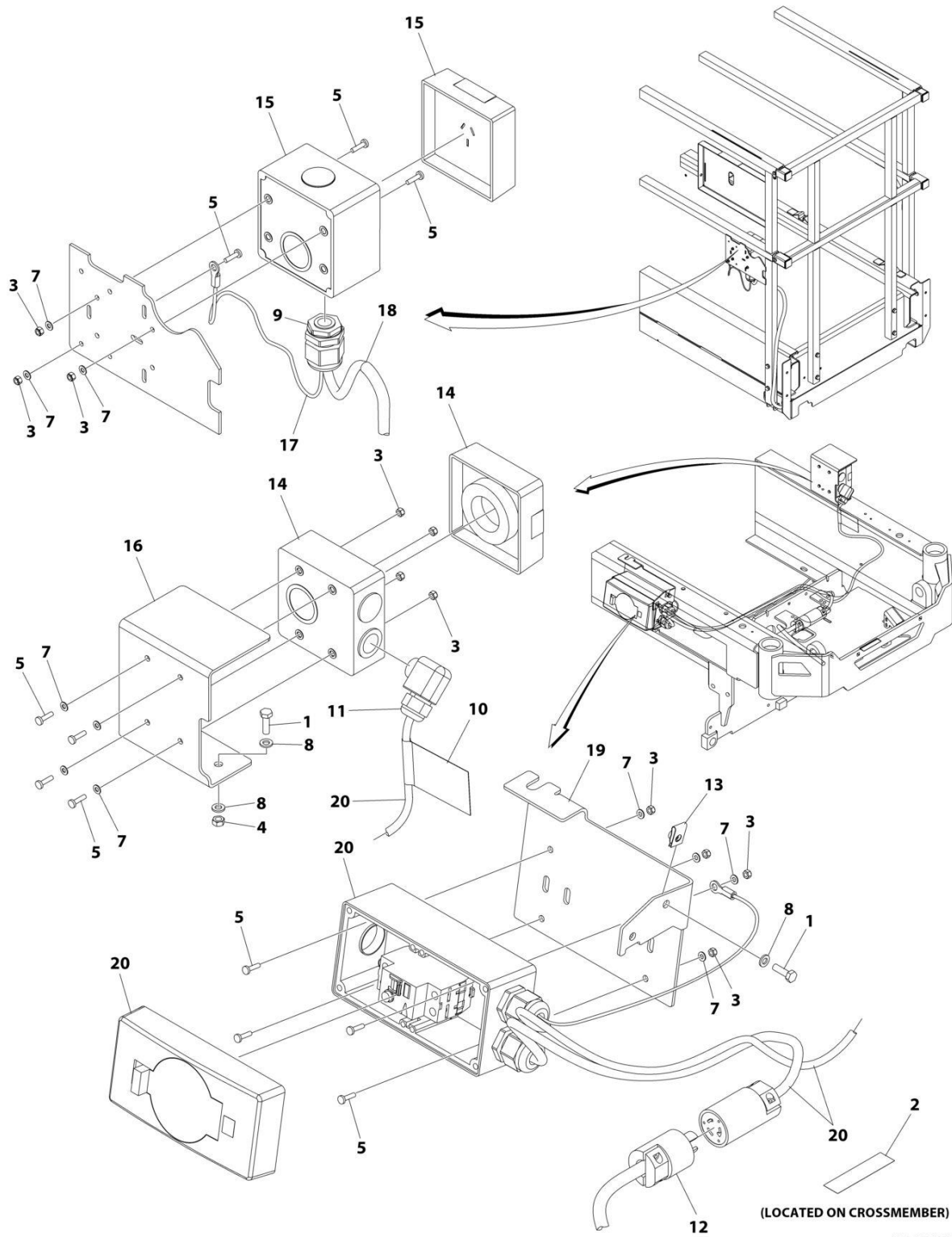
SECTION 5 - ELECTRICAL

**FIGURE 5-7. AC BOX AT PLATFORM INSTALLATION - 220V LOCALLY SUPPLIED COMPONENTS
(ALL SPECS)**

ITEM	PART NUMBER	QTY	DESCRIPTION	REV
	1001208931	Ref	AC BOX AT PLATFORM INSTALLATION - 220V LOCALLY SUPPLIED COMPONENTS	C
1	3252507	1	Decal - 220 Volt	
4	1001102258	1	Decal - AC Label	
5	4240017	AR	Tie-Strap (Not Shown)	

SECTION 5 - ELECTRICAL

FIGURE 5-8. AC BOX AT PLATFORM INSTALLATION - 220V AUSTRALIAN PLUG (AUSTRALIAN SPECS)



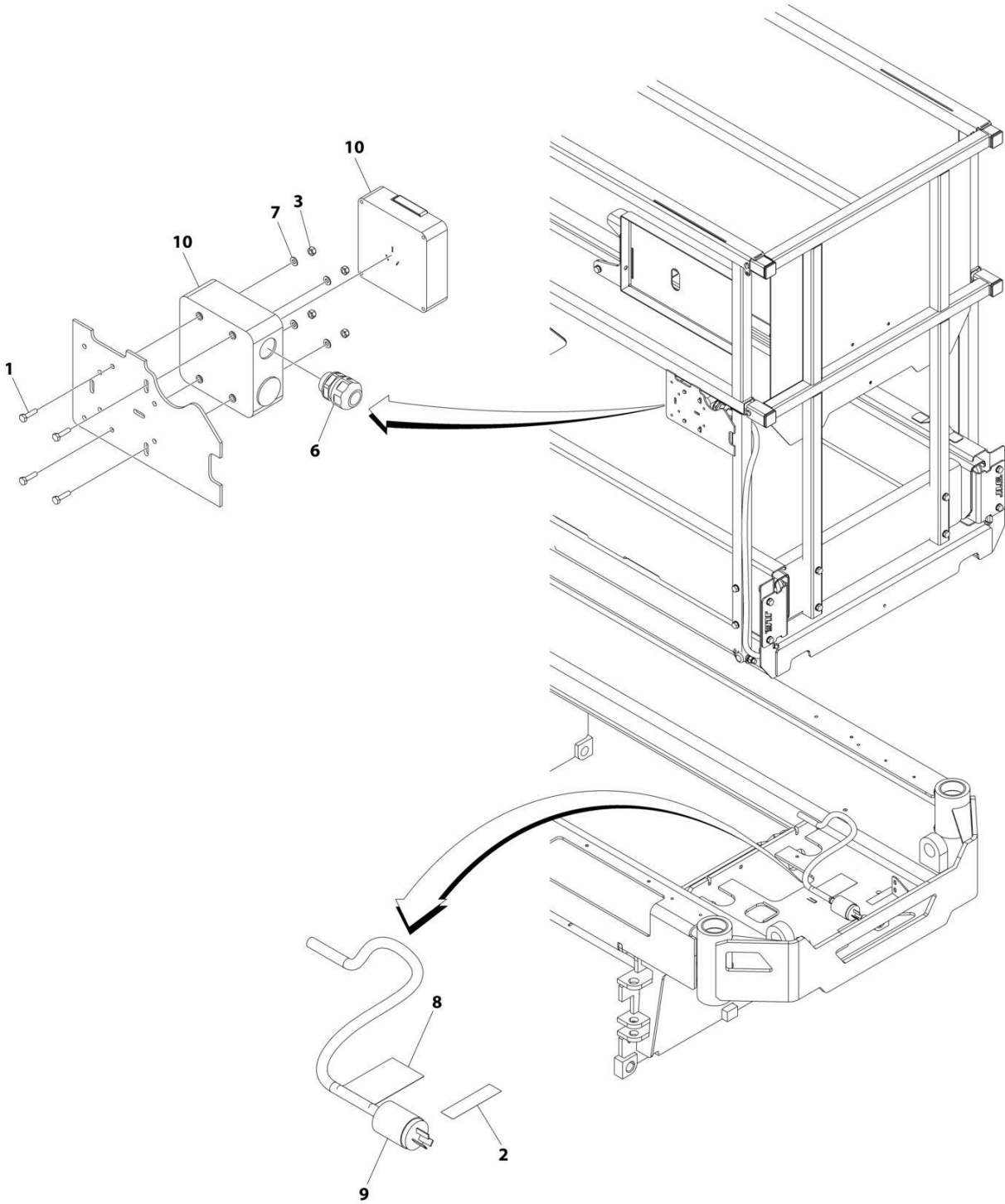
SECTION 5 - ELECTRICAL

FIGURE 5-8. AC BOX AT PLATFORM INSTALLATION - 220V AUSTRALIAN PLUG (AUSTRALIAN SPECS)

ITEM	PART NUMBER	QTY	DESCRIPTION	REV
	1001256719	Ref	AC BOX AT PLATFORM INSTALLATION - 220V AUSTRALIAN PLUG	B
1	0760610	4	Bolt, M6X20	
2	3252507	1	Decal - 220 Volt	
3	3290405	13	Nut M4	
4	3290601	2	Nut M6	
5	4010408	13	Drive M4 x 16	
6	4240017	AR	Tie-Strap (Not Shown)	
7	4811400	13	Washer M4	
8	4811700	6	Washer M6	
9	1001097150	1	Connector, Strain Relief	
10	1001102258	1	Decal - AC	
11	1001103471	1	Connector, Strain Relief 90	
12	1001120204	1	Plug, Male	
13	1001130220	2	Nut, Tinnerman M6	
14	1001227267	1	Inlet Socket/Box Assembly	
15	1001227268	1	Outlet Socket/Box Assembly	
16	1001244900	1	Bracket	
17	1001245744	1	Harness, Earth/Ground	
18	1001245747	1	Conduit	
19	1001256525	1	Bracket	
20	1001262465	1	Breaker Box Kit (See Separate Breakdown in this Section)	

SECTION 5 - ELECTRICAL

FIGURE 5-9. AC BOX AT PLATFORM INSTALLATION - 220V (CHINA SPECS)



ART_1001248624

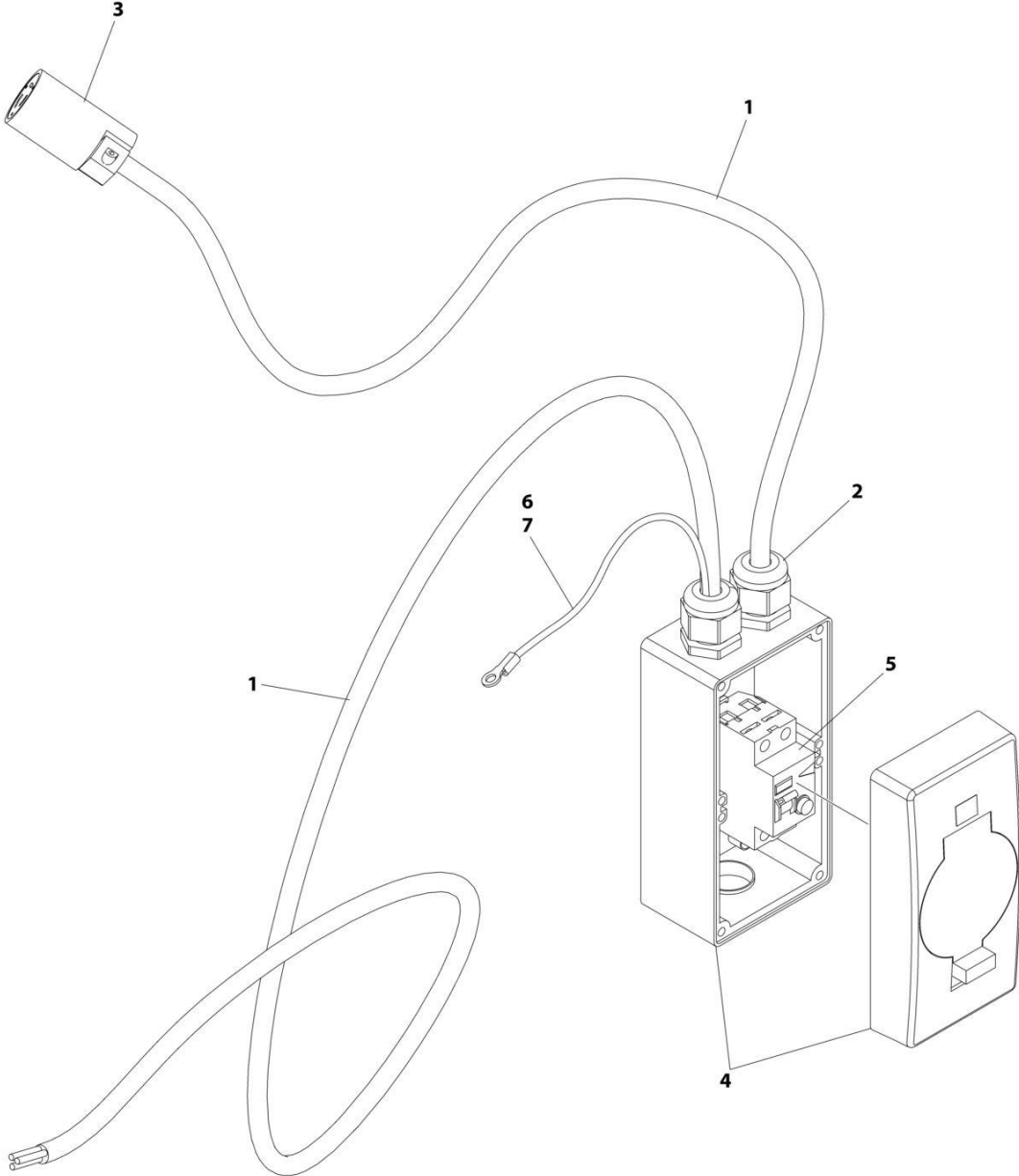
SECTION 5 - ELECTRICAL

FIGURE 5-9. AC BOX AT PLATFORM INSTALLATION - 220V (CHINA SPECS)

ITEM	PART NUMBER	QTY	DESCRIPTION	REV
	1001248624	Ref	AC BOX AT PLATFORM INSTALLATION - 220V (CHINA SPECS)	B
1	0760408	4	Bolt M4 x 16	
2	3252507	1	Decal - AC Power	
3	3290405	4	Nut M4	
4	4240017	AR	Tie-Strap (Not Shown)	
5	4460315	1	Terminal (Not Shown)	
6	4460968	1	Connector, Strain Relief	
7	4811400	4	Washer M4	
8	1001102258	1	Decal - AC Label	
9	1001187816	1	Plug, Male - AC	
10	1001188116	1	Receptacle Box	

SECTION 5 - ELECTRICAL

FIGURE 5-10. BREAKER BOX KIT (AUSTRALIAN SPECS)



ART_1001262465

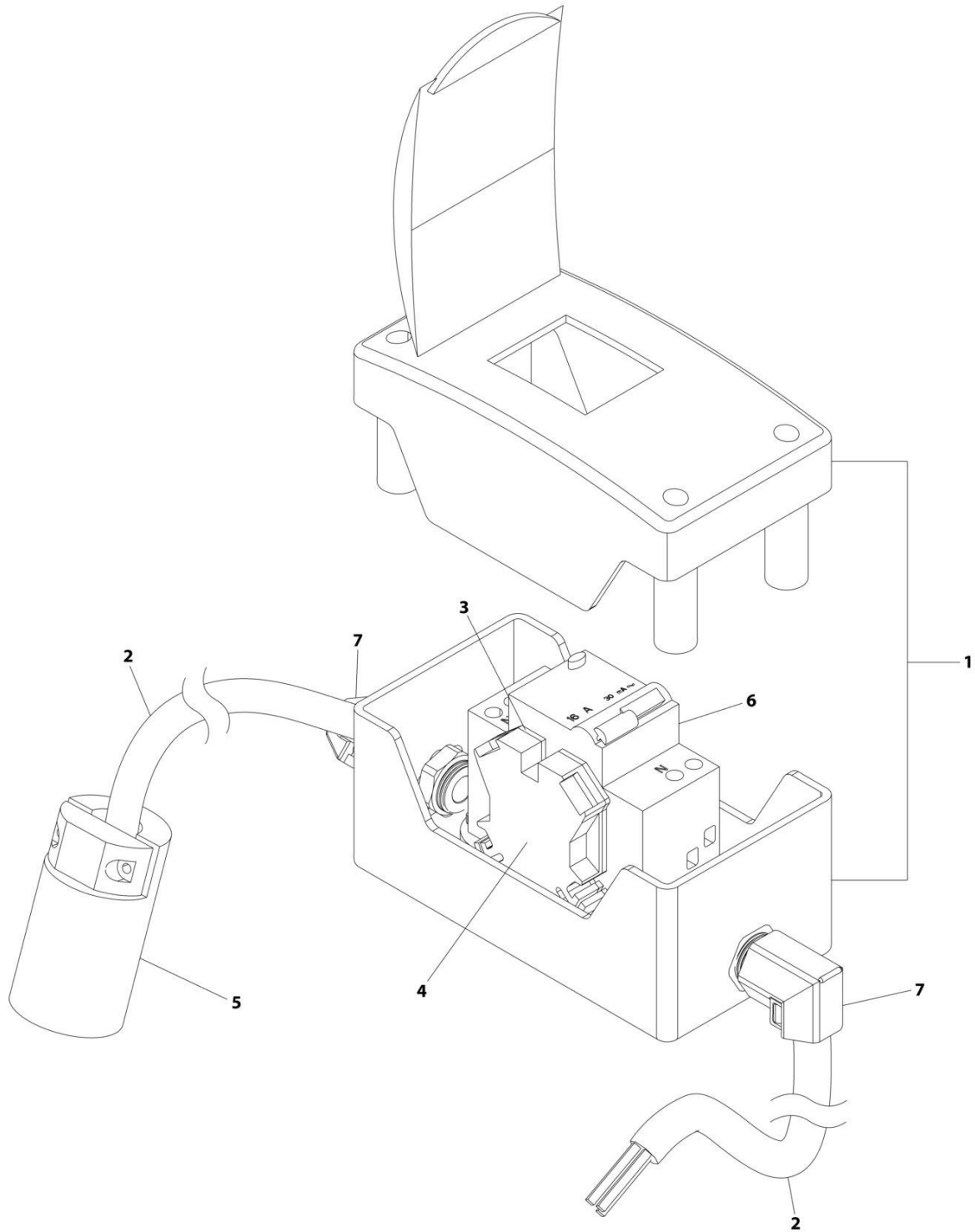
SECTION 5 - ELECTRICAL

FIGURE 5-10. BREAKER BOX KIT (AUSTRALIAN SPECS)

ITEM	PART NUMBER	QTY	DESCRIPTION	REV
1	1001262465	Ref	BREAKER BOX KIT	B
	1060908	144 in /3.65m	Cable, 12/3	
2	1001097150	2	Connector, Strain Relief	
3	1001120205	1	Connector, Female Twist	
4	1001227269	1	Box	
5	1001228191	1	Breaker, 10A-30mA Double Pole	
6	1001245743	1	Block, Terminal	
7	1001245744	1	Harness, Ground/Earth	

SECTION 5 - ELECTRICAL

FIGURE 5-11. BREAKER BOX KIT WITH 1 DOUBLE BREAKER (CE & UK CA SPECS)



ART_1001209776

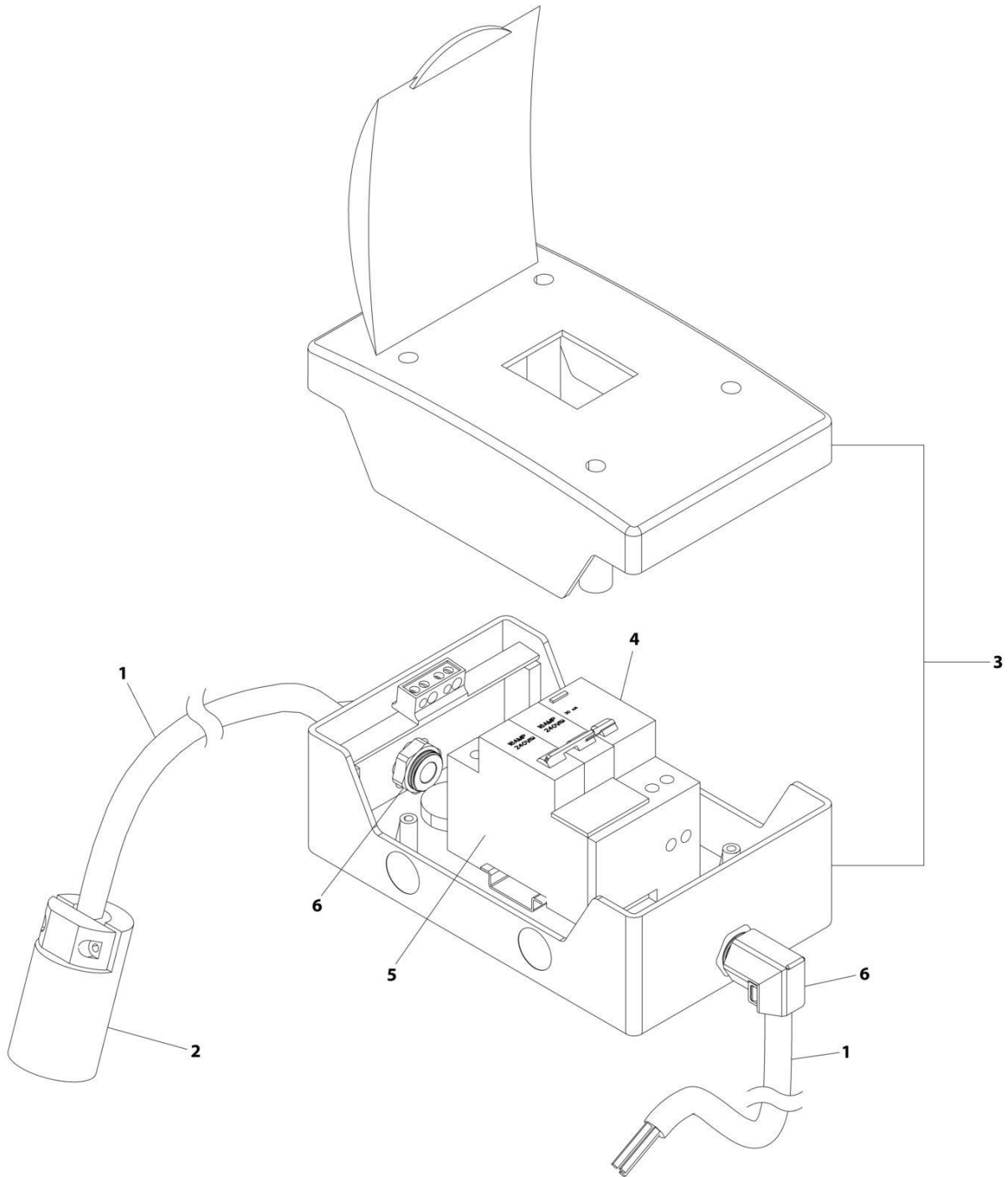
SECTION 5 - ELECTRICAL

FIGURE 5-11. BREAKER BOX KIT WITH 1 DOUBLE BREAKER (CE & UK CA SPECS)

ITEM	PART NUMBER	QTY	DESCRIPTION	REV
	1001209776	Ref	BREAKER BOX KIT WITH 1 DOUBLE BREAKER	F
1	0861880	1	Box	
2	1060908	126 in /3.2m	Cable, 12/3	
3	4460956	1	Barrier, Terminal	
4	4460957	1	Block, Terminal	
5	1001120205	1	Connector, Female Twist	
6	1001181045	1	Breaker 30mAmp/16 Amp	
7	1001217164	2	Connector, Strain Relief 90	

SECTION 5 - ELECTRICAL

FIGURE 5-12. BREAKER BOX KIT WITH 3 BREAKERS (CE & UK CA SPECS)



ART_1001209482

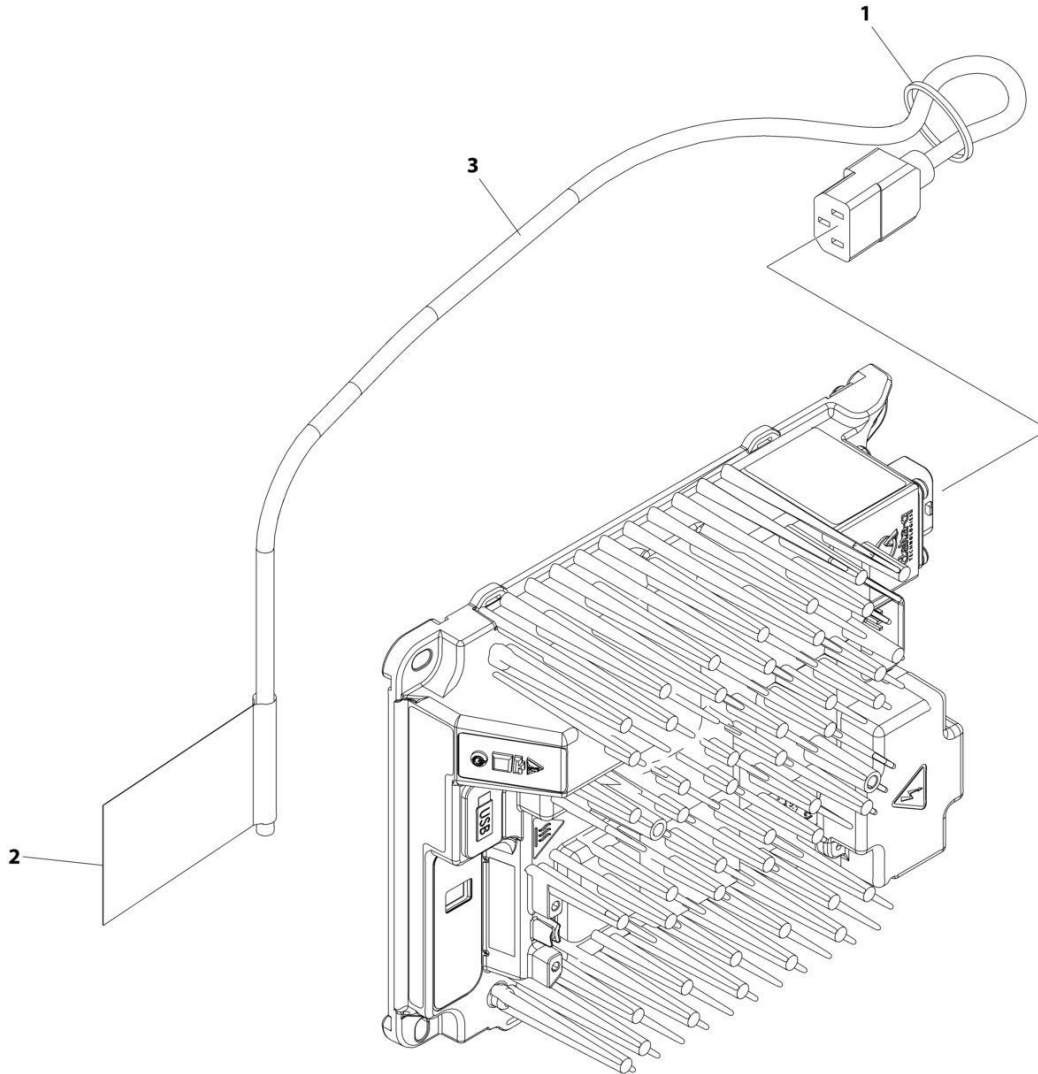
SECTION 5 - ELECTRICAL

FIGURE 5-12. BREAKER BOX KIT WITH 3 BREAKERS (CE & UK CA SPECS)

ITEM	PART NUMBER	QTY	DESCRIPTION	REV
1	1001209482	Ref	BREAKER BOX KIT WITH 3 BREAKERS	G
	1060908	126 in /3.2m	Cable, 12/3	
2	1001120205	1	Connector, Female Twist	
3	1001152483	1	Box	
4	1001189171	1	Breaker, 30mAmp	
5	1001189172	1	Breaker 16 Amp, Double	
6	1001217164	2	Connector, Strain Relief 90	

SECTION 5 - ELECTRICAL

FIGURE 5-13. CHARGER PLUG INSTALLATION (LOCALLY SUPPLIED PLUG) (ALL SPECS EXCEPT ANSI & AUSTRALIAN SPECS)



ART_1001248631

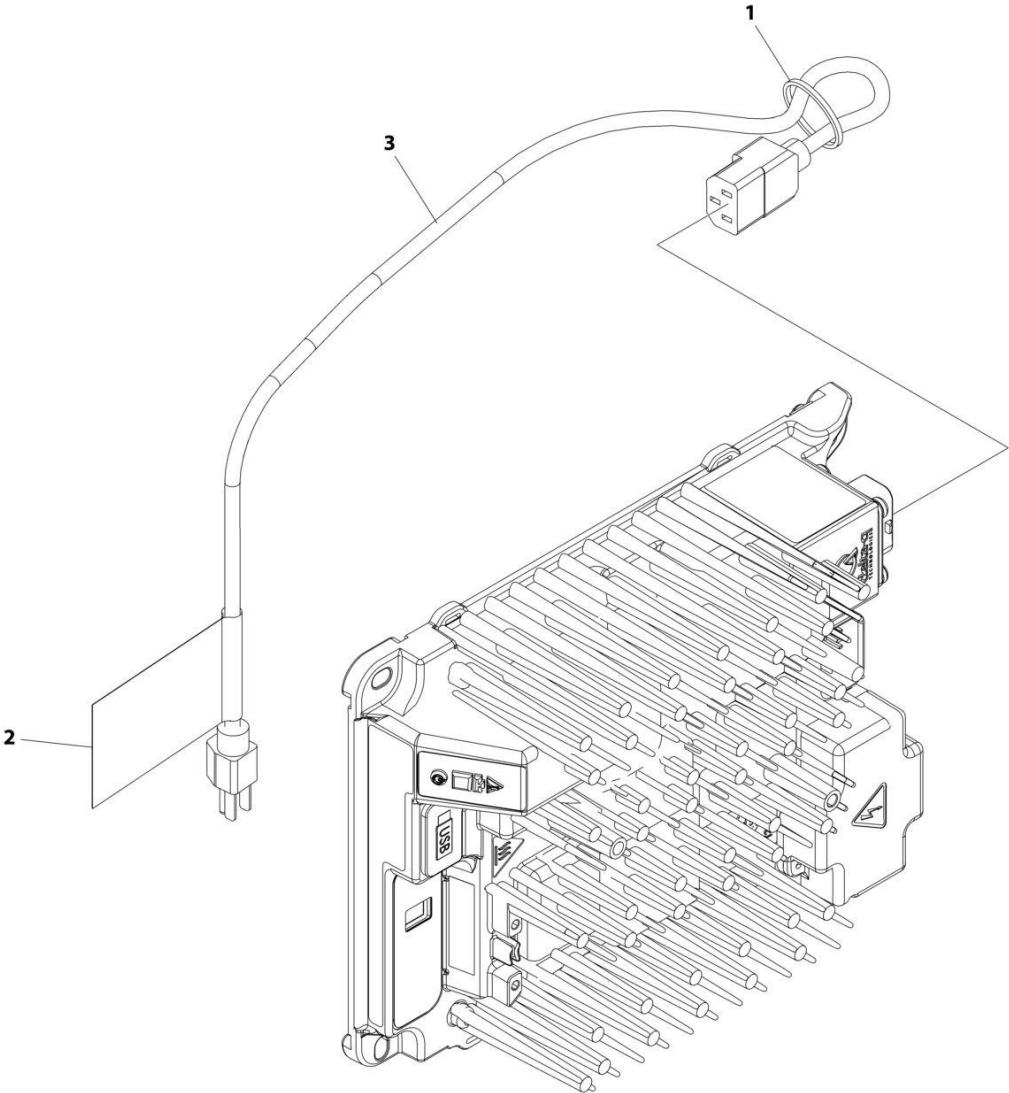
SECTION 5 - ELECTRICAL

FIGURE 5-13. CHARGER PLUG INSTALLATION (LOCALLY SUPPLIED PLUG) (ALL SPECS EXCEPT ANSI & AUSTRALIAN SPECS)

ITEM	PART NUMBER	QTY	DESCRIPTION	REV
	1001248631	Ref	CHARGER PLUG INSTALLATION	B
1	4240017	AR	Tie-Strap	
2	1001102489	1	Decal - Charger	
3	1001207974	1	Cable, Charger Plug (No Plug)	

SECTION 5 - ELECTRICAL

FIGURE 5-14. CHARGER PLUG INSTALLATION (110V PLUG) (ANSI & CSA SPECS)



ART_1001248632

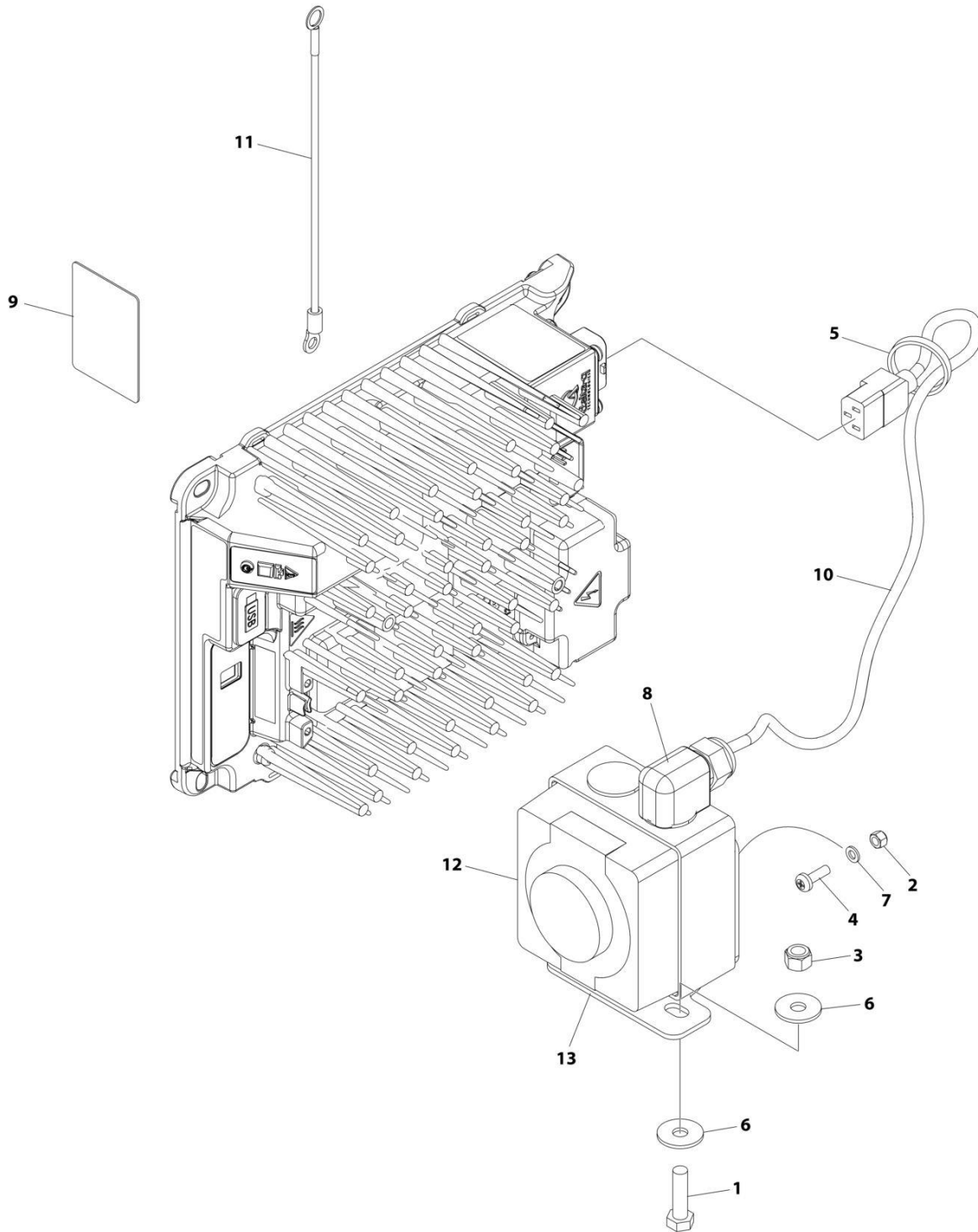
SECTION 5 - ELECTRICAL

FIGURE 5-14. CHARGER PLUG INSTALLATION (110V PLUG) (ANSI & CSA SPECS)

ITEM	PART NUMBER	QTY	DESCRIPTION	REV
	1001248632	Ref	CHARGER PLUG INSTALLATION	B
1	4240017	AR	Tie-Strap	
2	1001102489	1	Decal - Charger	
3	1001207970	1	Cable, Charger Plug	

SECTION 5 - ELECTRICAL

FIGURE 5-15. CHARGER PLUG INSTALLATION (AUSTRALIAN PLUG) (AUSTRALIAN SPECS)



ART_1001248633

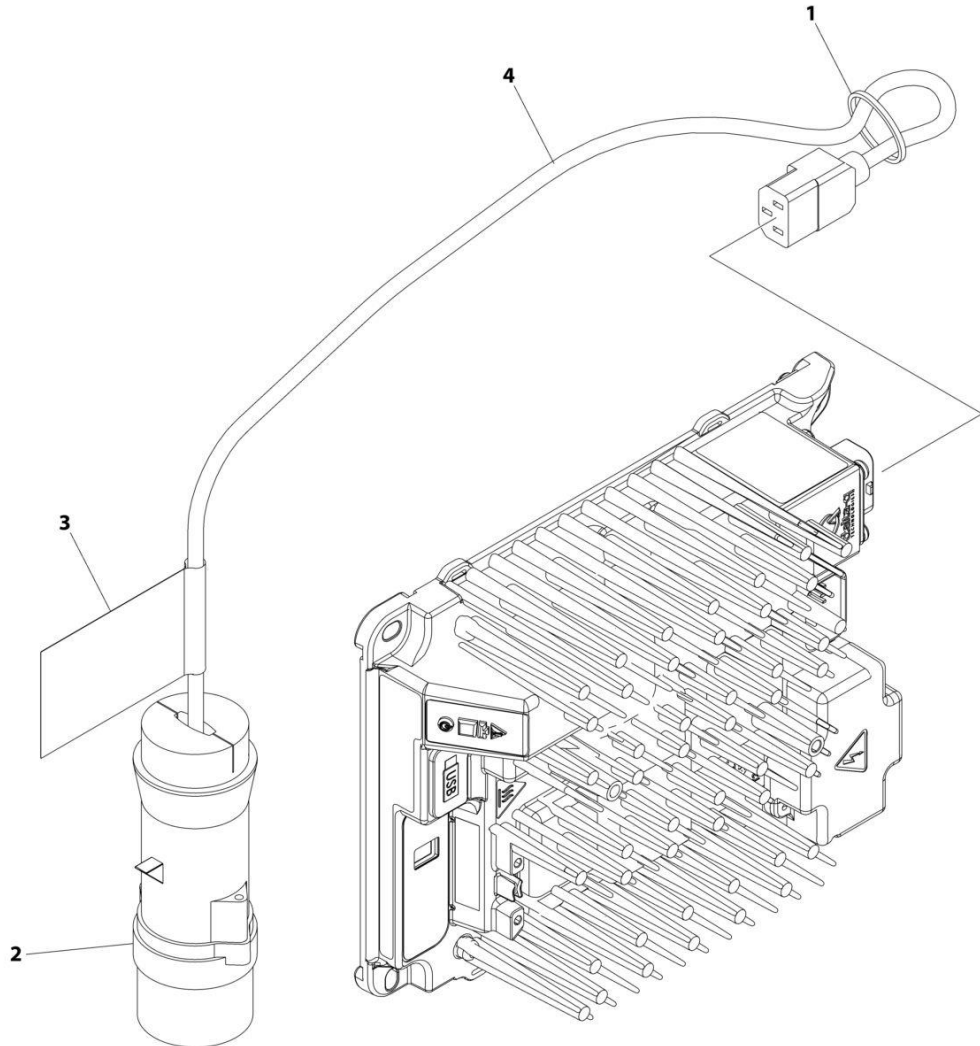
SECTION 5 - ELECTRICAL

FIGURE 5-15. CHARGER PLUG INSTALLATION (AUSTRALIAN PLUG) (AUSTRALIAN SPECS)

ITEM	PART NUMBER	QTY	DESCRIPTION	REV
	1001248633	Ref	CHARGER PLUG INSTALLATION	B
1	0700814	2	Bolt M8 x 30	
2	3290505	4	Nut M5	
3	3290805	2	Nut M8	
4	3900381	4	Screw M5 x 16	
5	4240017	AR	Tie-Strap	
6	4811902	4	Washer M8	
7	4831600	4	Lockwasher M5	
8	1001103471	1	Connector, Strain Relief 90	
9	1001134280	1	Decal - Charger	
10	1001207974	1	Cable, Charger Plug (No Plug)	
11	1001227219	1	Harness, Earth/Ground	
12	1001227267	1	Inlet Socket/Box Assembly	
13	1001256503	1	Bracket	

SECTION 5 - ELECTRICAL

FIGURE 5-16. CHARGER PLUG INSTALLATION (110V IEC YELLOW PLUG) (CE & UK CA SPECS)



ART_1001258771

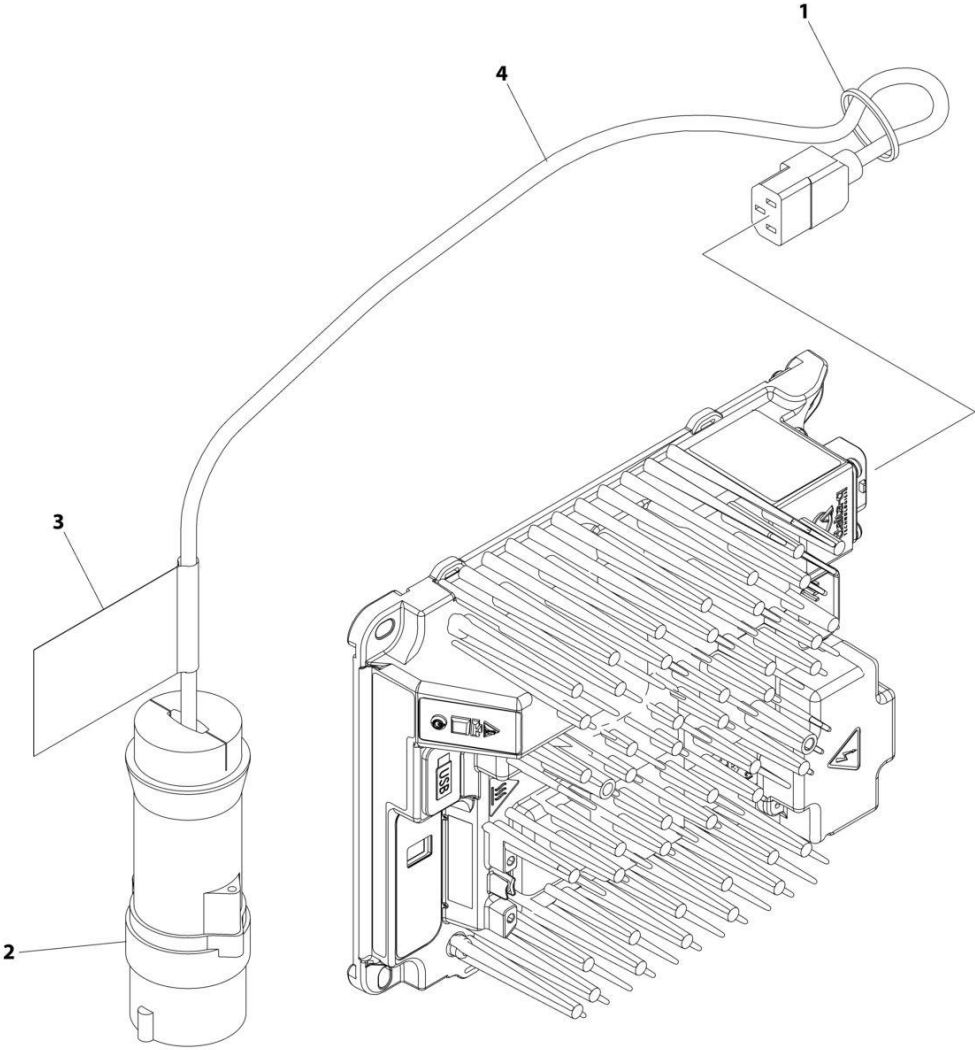
SECTION 5 - ELECTRICAL

FIGURE 5-16. CHARGER PLUG INSTALLATION (110V IEC YELLOW PLUG) (CE & UK CA SPECS)

ITEM	PART NUMBER	QTY	DESCRIPTION	REV
	1001258771	Ref	CHARGER PLUG INSTALLATION	A
1	4240017	AR	Tie-Strap	
2	4461196	1	Terminal	
3	1001102489	1	Decal - Charger	
4	1001207974	1	Cable, Charger Plug (No Plug)	

SECTION 5 - ELECTRICAL

FIGURE 5-17. CHARGER PLUG INSTALLATION (220V IEC BLUE PLUG) (CE & UK CA SPECS)



ART_1001258772

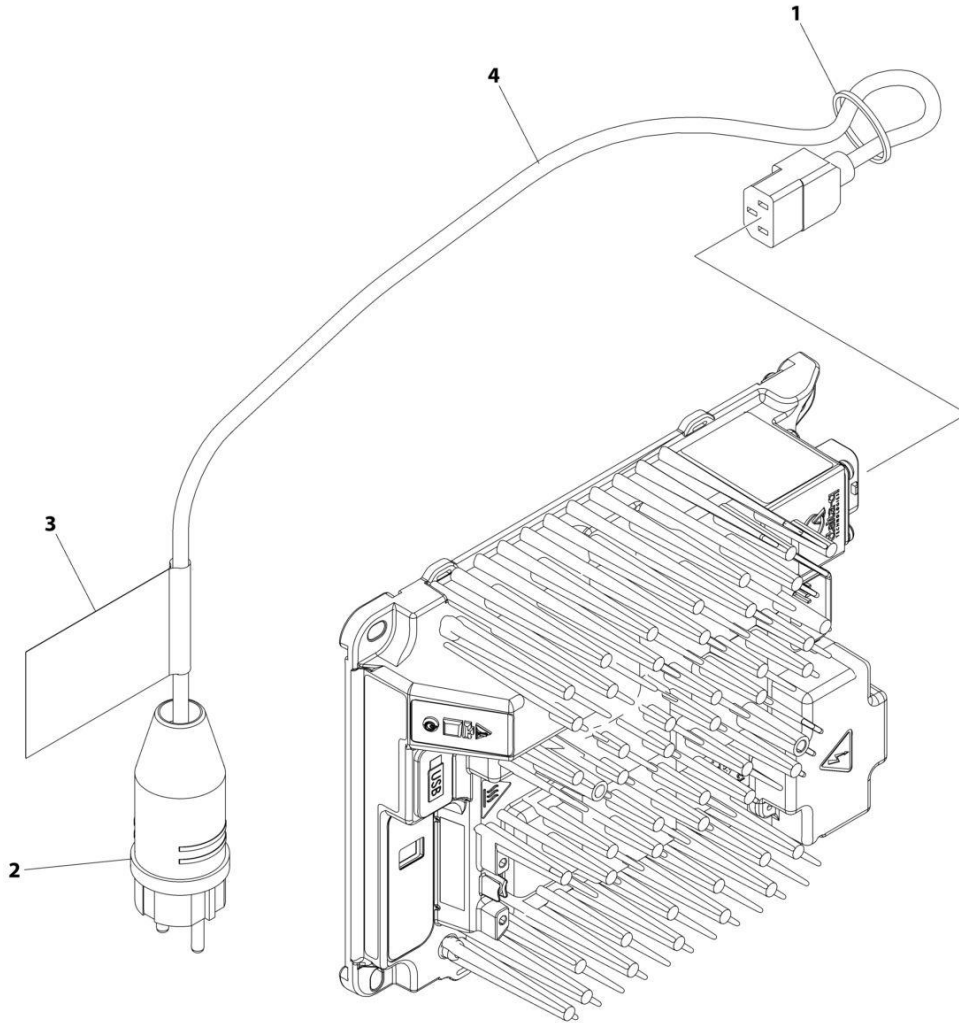
SECTION 5 - ELECTRICAL

FIGURE 5-17. CHARGER PLUG INSTALLATION (220V IEC BLUE PLUG) (CE & UK CA SPECS)

ITEM	PART NUMBER	QTY	DESCRIPTION	REV
	1001258772	Ref	CHARGER PLUG INSTALLATION	A
1	4240017	AR	Tie-Strap	
2	4461199	1	Terminal	
3	1001102489	1	Decal - Charger	
4	1001207974	1	Cable, Charger Plug (No Plug)	

SECTION 5 - ELECTRICAL

FIGURE 5-18. CHARGER PLUG INSTALLATION (220V CEE7 PLUG) (CE & UK CA SPECS)



ART_1001258768

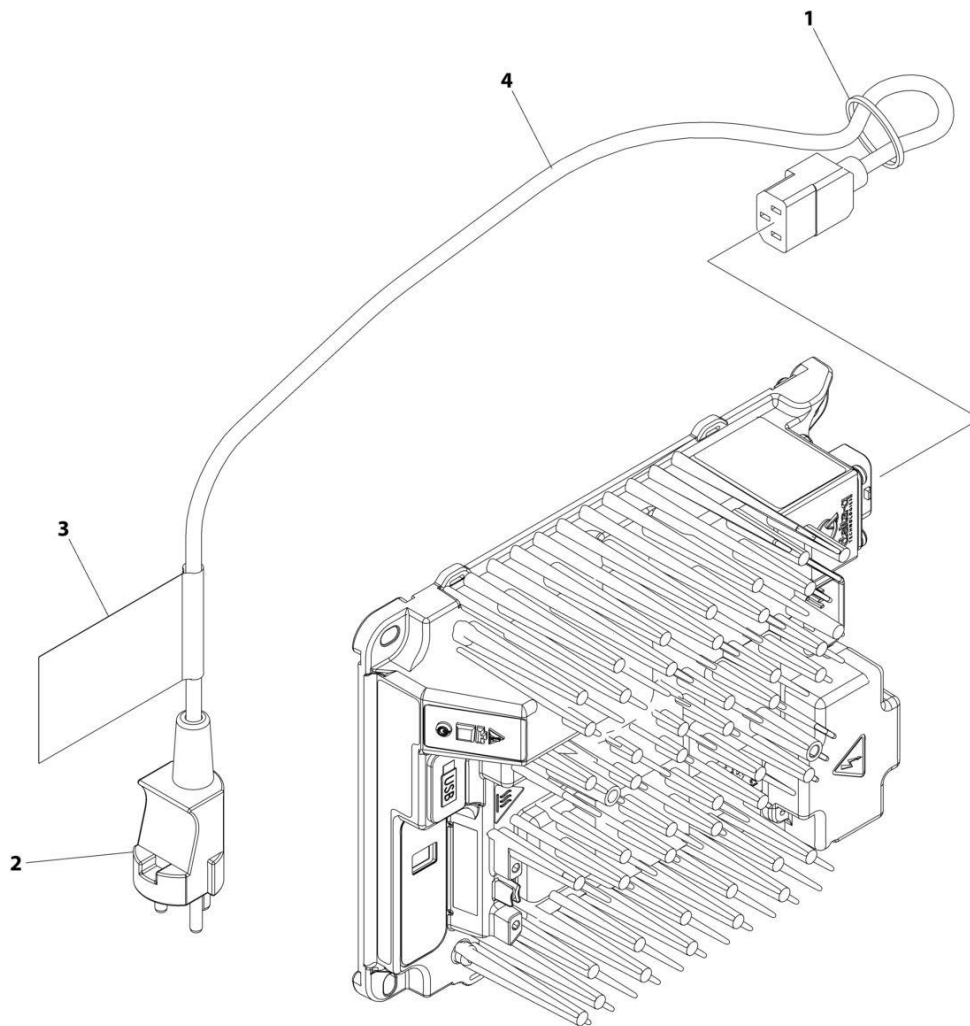
SECTION 5 - ELECTRICAL

FIGURE 5-18. CHARGER PLUG INSTALLATION (220V CEE7 PLUG) (CE & UK CA SPECS)

ITEM	PART NUMBER	QTY	DESCRIPTION	REV
	1001258768	Ref	CHARGER PLUG INSTALLATION	A
1	4240017	AR	Tie-Strap	
2	4461205	1	Terminal	
3	1001102489	1	Decal - Charger	
4	1001207974	1	Cable, Charger Plug (No Plug)	

SECTION 5 - ELECTRICAL

FIGURE 5-19. CHARGER PLUG INSTALLATION (220V AFSINT107 PLUG) (CE & UK CA SPECS)



ART_1001258770

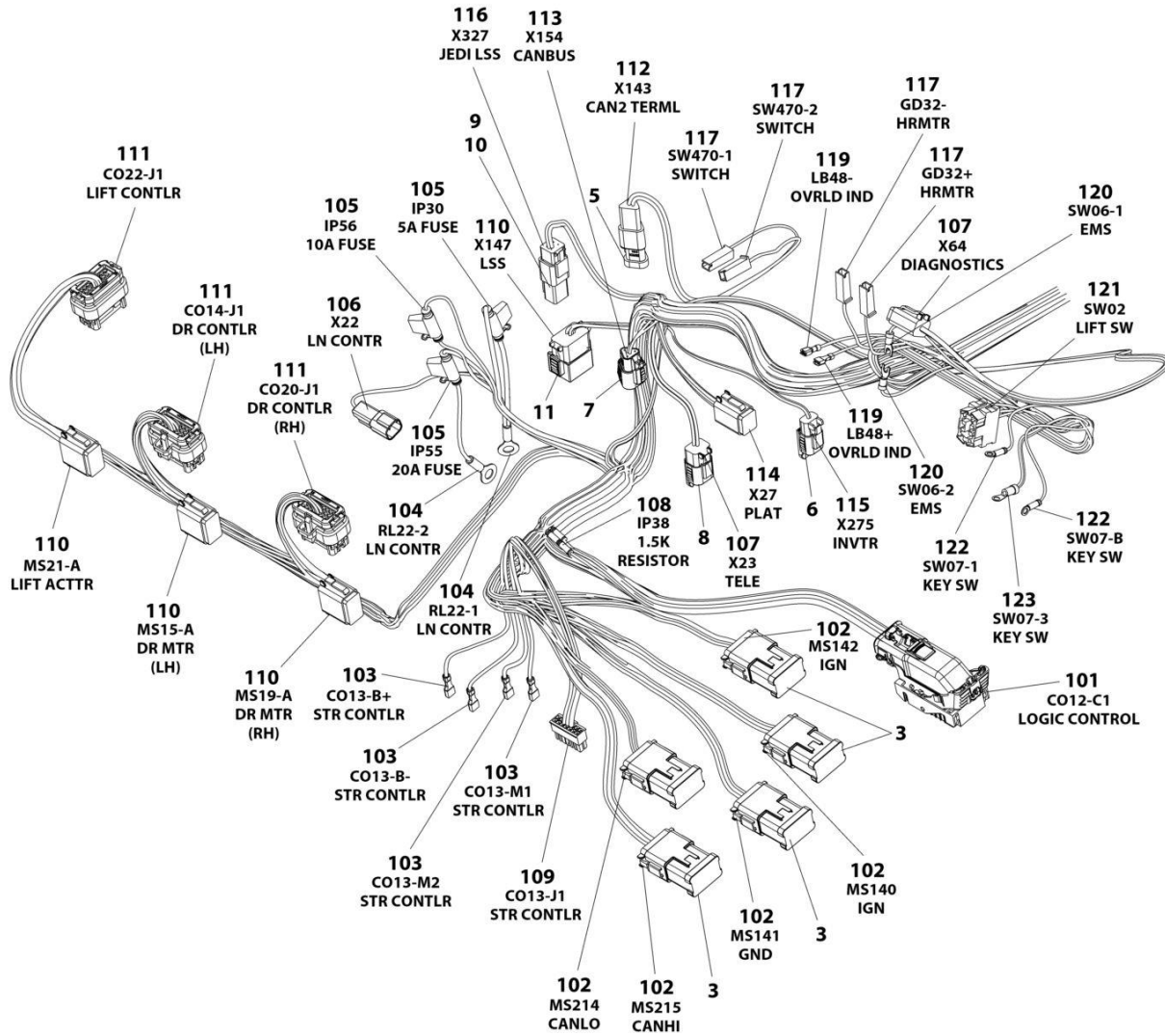
SECTION 5 - ELECTRICAL

FIGURE 5-19. CHARGER PLUG INSTALLATION (220V AFSINT107 PLUG) (CE & UK CA SPECS)

ITEM	PART NUMBER	QTY	DESCRIPTION	REV
	1001258770	Ref	CHARGER PLUG INSTALLATION	A
1	4240017	AR	Tie-Strap	
2	4461249	1	Terminal	
3	1001102489	1	Decal - Charger	
4	1001207974	1	Cable, Charger Plug (No Plug)	

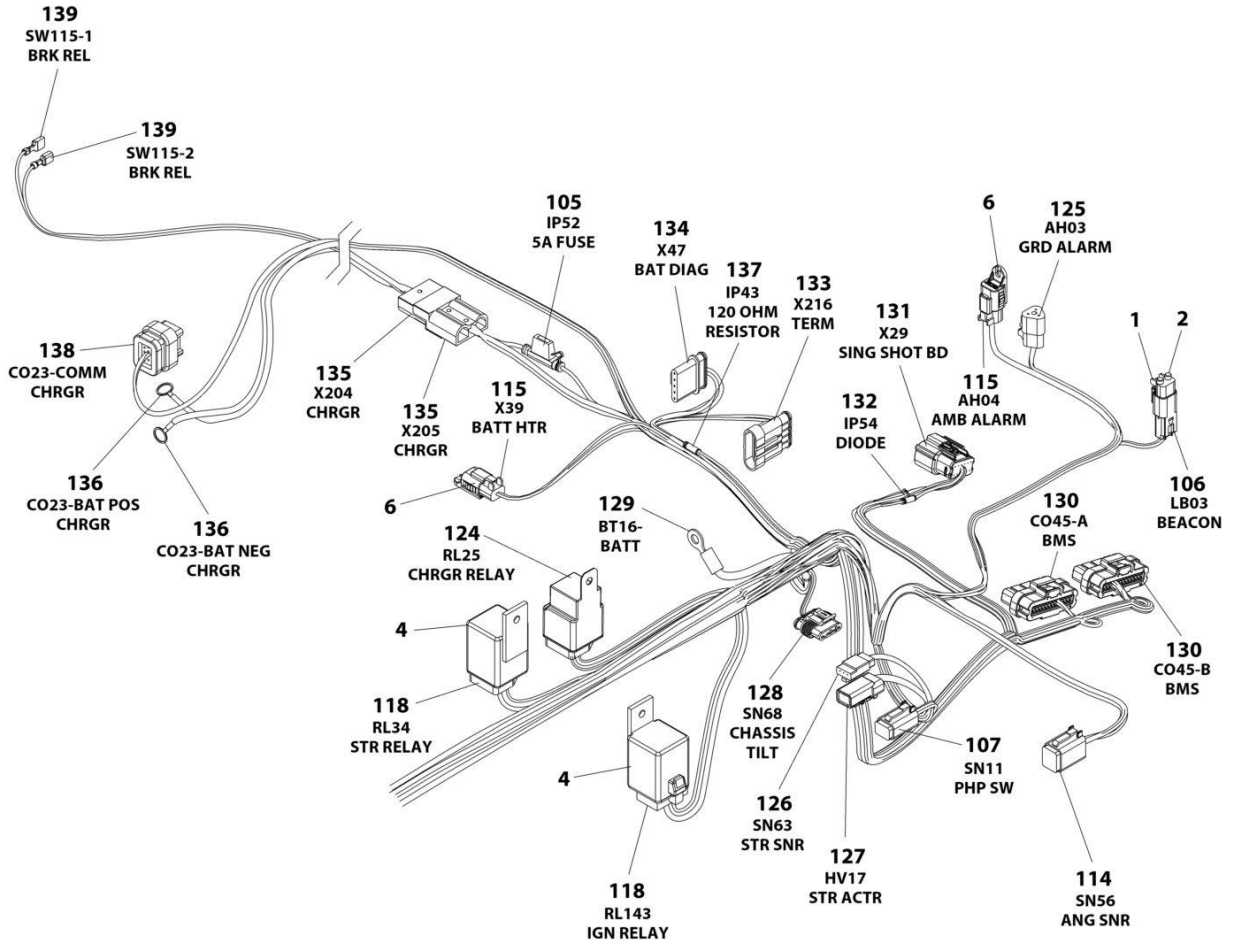
SECTION 5 - ELECTRICAL

FIGURE 5-20. CHASSIS HARNESS



ART_1001256217_1OF2

SECTION 5 - ELECTRICAL



ART_1001256217_20F2

SECTION 5 - ELECTRICAL

FIGURE 5-20. CHASSIS HARNESS

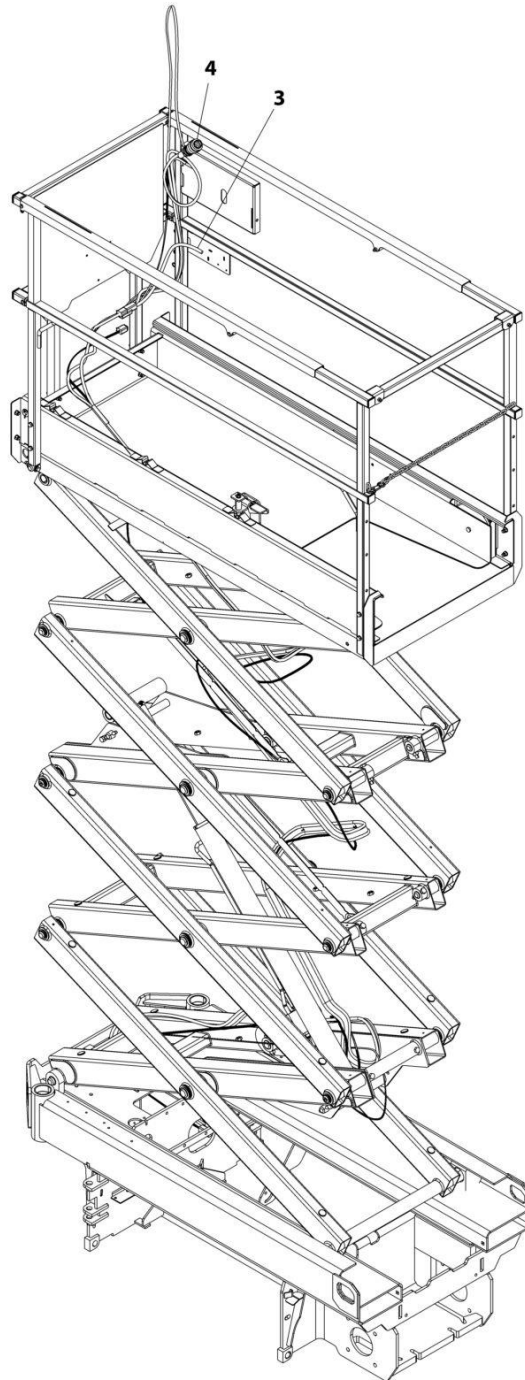
ITEM	PART NUMBER	QTY	DESCRIPTION	REV
	1001256217	Ref	CHASSIS HARNESS	E
1	4460891	1	Plug, Male - 2 Position	
2	4460466	2	Plug, Terminal	
3	4460837	5	Bussbar	
4	1001097347	2	Relay	
5	1001116815	1	Plug, Male - 3 Position	
6	1001144295	3	Cap, Dust	
7	1001142960	1	Cap, Dust	
8	1001192401	1	Cap, Dust	
9	4460518	4	Plug, Terminal	
10	4461076	1	Receptacle, Female - 4 Position	
11	1001244462	1	Cap, Dust	
101	1001248683	1	Connector - 66 Position	
101	1001249070	31	Terminal	
101	1001249071	2	Terminal	
101	1001249072	2	Seal	
101	1001249077	33	Plug, Terminal	
102	4460836	5	Plug, Male - 12 Position	
102	4460465	55	Socket, Female	
102	4460466	5	Plug, Terminal	
103	8220051	4	Terminal	
104	8220045	2	Terminal, Ring	
105	2400060	4	Fuseholder with Cover	
105	8229242	2	Fuse 5Amp	
105	80983191	1	Fuse 10Amp	
105	8229246	1	Fuse 20Amp	
106	4460897	2	Receptacle, Female - 2 Position	
106	4460464	4	Pin, Male	
107	4460884	3	Plug, Male - 4 Position	
107	4460465	10	Socket, Female	
107	4460944	2	Socket, Female	
108		Ref	Resistor 1.5K	
109	4460920	1	Connector - 14 Position	
109	4460877	5	Terminal	
110	4460930	4	Plug, Male - 8 Position	
110	4460465	28	Socket, Female	
110	4460466	4	Plug, Terminal	
111	1001116994	3	Connector - 23 Position	
111	4460871	40	Terminal	
111	4460905	29	Plug, Terminal	
112	1001144147	1	Receptacle, Female - 3 Position	
112	4460943	2	Pin, Male	
112	4460466	1	Plug, Terminal	
113	1001116812	1	Plug, Male - 3 Position	
113	4460944	2	Socket, Female	
113	4460466	1	Plug, Terminal	
114	4460894	2	Plug, Male - 6 Position	
114	4460465	10	Socket, Female	
114	4460944	2	Socket, Female	
115	4460891	3	Plug, Male - 2 Position	

SECTION 5 - ELECTRICAL

ITEM	PART NUMBER	QTY	DESCRIPTION	REV
115	4460465	5	Socket, Female	
115	4460466	1	Plug, Terminal	
116	4461077	1	Connector - 4 Position	
116	4460928	4	Terminal	
117	4460260	4	Cover, Terminal	
117	4460259	4	Terminal	
118	1001117057	2	Connector, Relay	
118	1001116732	8	Terminal	
119	1001201885	2	Terminal	
120	4460183	2	Terminal	
121	4460418	1	Connector, Switch	
121	1001159186	3	Terminal	
122	4460247	2	Terminal	
123	4460042	1	Terminal	
123		Ref	Resistor 3K	
124	1001118282	1	Connector, Relay	
124	1001116734	2	Terminal	
124	1001116732	2	Terminal	
124	1001128128	1	Plug, Terminal	
125	4460539	1	Plug, Male - 3 Position	
125	4460465	3	Socket, Female	
126	4460911	1	Connector - 3 Position	
126	1001116694	3	Terminal	
127	4461018	1	Connector - 2 Position	
127	4460509	2	Terminal	
128	1001103012	1	Connector - 4 Position	
128	1001196589	4	Terminal	
128	1001104498	4	Seal, Terminal	
129	1001117107	1	Terminal, Ring	
130	1001249069	2	Connector - 26 Position	
130		Ref	Terminal	
130		Ref	Plug, Terminal	
131	1001255772	1	Connector - 12 Position	
131	1001162887	7	Terminal	
131	1001163340	5	Plug, Terminal	
132	260092	1	Diode	
133	4461229	1	Connector - 5 Position	
133	1001237213	2	Terminal	
133	1001104498	2	Seal, Terminal	
133	1001116698	3	Plug, Terminal	
134	4461128	1	Connector - 5 Position	
134	1001196589	1	Terminal	
134	1001107854	4	Terminal	
134	1001104498	5	Seal, Terminal	
135	4460648	2	Connector, Anderson	
136	4460019	2	Terminal	
137		Ref	Resistor 120 OHM	
138	4460872	1	Connector - 14 Position	
138	4460871	2	Terminal	
138	4460905	12	Plug, Terminal	
139	1001194421	2	Terminal	

SECTION 5 - ELECTRICAL

FIGURE 5-21. GROUND TO PLATFORM CABLE INSTALLATION - WITHOUT PLATFORM COIL CABLE
(ALL SPECS EXCEPT JAPANESE SPECS)



ART_1001201087

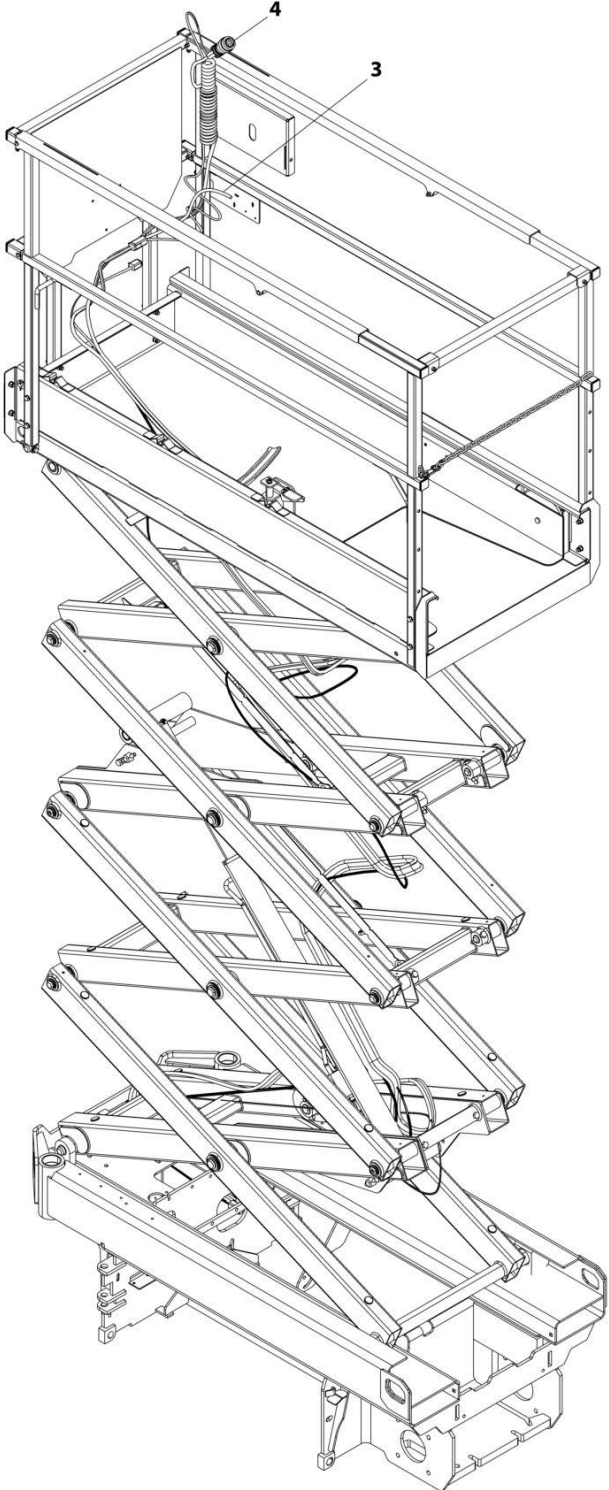
SECTION 5 - ELECTRICAL

**FIGURE 5-21. GROUND TO PLATFORM CABLE INSTALLATION - WITHOUT PLATFORM COIL CABLE
(ALL SPECS EXCEPT JAPANESE SPECS)**

ITEM	PART NUMBER	QTY	DESCRIPTION	REV
	1001201087	Ref	GROUND TO PLATFORM CABLE INSTALLATION	E
1	4240017	AR	Tie-Strap (Not Shown)	
3	1001200811	1	Cable Assembly - Ground to Platform	
3	4460894	1	Plug, Male - 6 Position (To Platform Harness Item 4)	
3	4460465	4	Socket, Female	
3	4460944	2	Socket, Female	
3	4460899	1	Receptacle, Female - 6 Position (To Chassis Harness)	
3	4460464	4	Pin, Male	
3	4460943	2	Pin, Male	
4	1001200812	1	Platform Harness	
4	4460899	1	Receptacle, Female - 6 Position (To Item 3)	
4	4460464	4	Pin, Male	
4	4460943	2	Pin, Male	
4	4460754	1	Connector - 14 Position (To Console Box)	
4	4460465	8	Socket, Female	
4	4460466	6	Plug, Terminal	

SECTION 5 - ELECTRICAL

**FIGURE 5-22. GROUND TO PLATFORM CABLE INSTALLATION - WITH PLATFORM COIL CABLE
(ALL SPECS EXCEPT JAPANESE SPECS)**



ART_1001203630

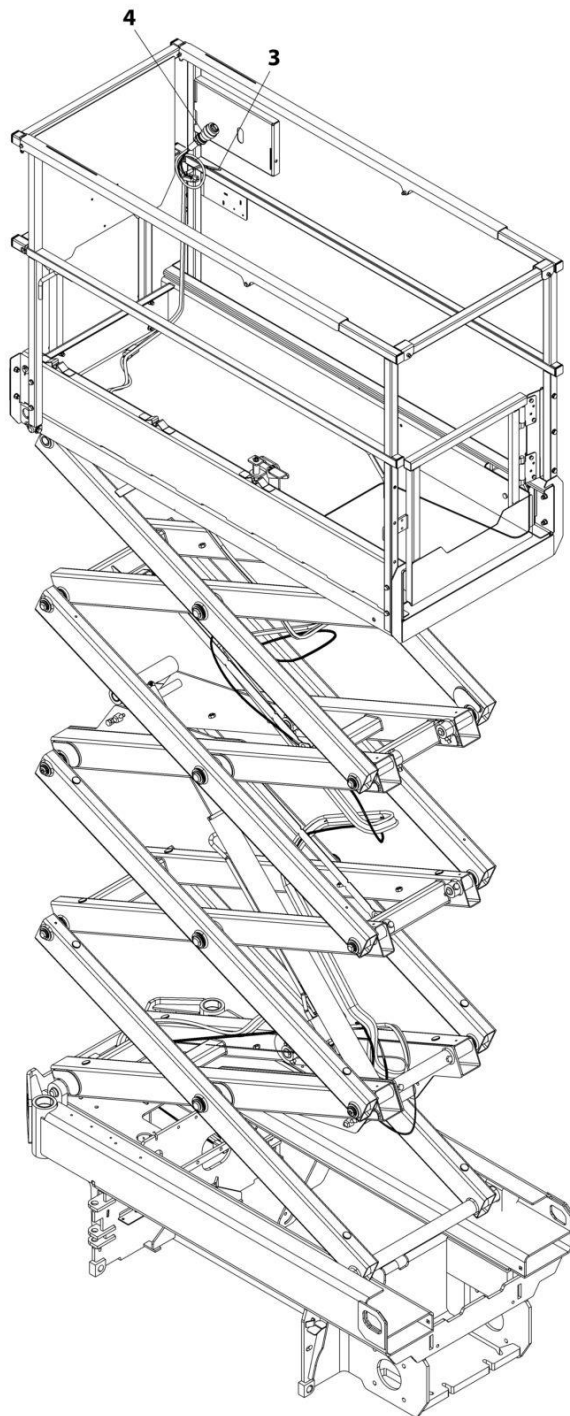
SECTION 5 - ELECTRICAL

**FIGURE 5-22. GROUND TO PLATFORM CABLE INSTALLATION - WITH PLATFORM COIL CABLE
(ALL SPECS EXCEPT JAPANESE SPECS)**

ITEM	PART NUMBER	QTY	DESCRIPTION	REV
	1001203630	Ref	GROUND TO PLATFORM CABLE INSTALLATION	E
1	4240017	AR	Tie-Strap (Not Shown)	
3	1001200811	1	Cable Assembly - Ground to Platform	
3	4460894	1	Plug, Male - 6 Position (To Platform Harness Item 4)	
3	4460465	4	Socket, Female	
3	4460944	2	Socket, Female	
3	4460899	1	Receptacle, Female - 6 Position (To Chassis Harness)	
3	4460464	4	Pin, Male	
3	4460943	2	Pin, Male	
4	1001202184	1	Platform Harness	
4	4460899	1	Receptacle, Female - 6 Position (To Item 3)	
4	4460464	4	Pin, Male	
4	4460943	2	Pin, Male	
4	4460754	1	Connector - 14 Position (To Console Box)	
4	4460465	8	Socket, Female	
4	4460466	6	Plug, Terminal	

SECTION 5 - ELECTRICAL

FIGURE 5-23. GROUND TO PLATFORM CABLE INSTALLATION - WITHOUT PLATFORM COIL CABLE & WITH FOOTSWITCH (JAPANESE SPECS)



ART_1001201129_F

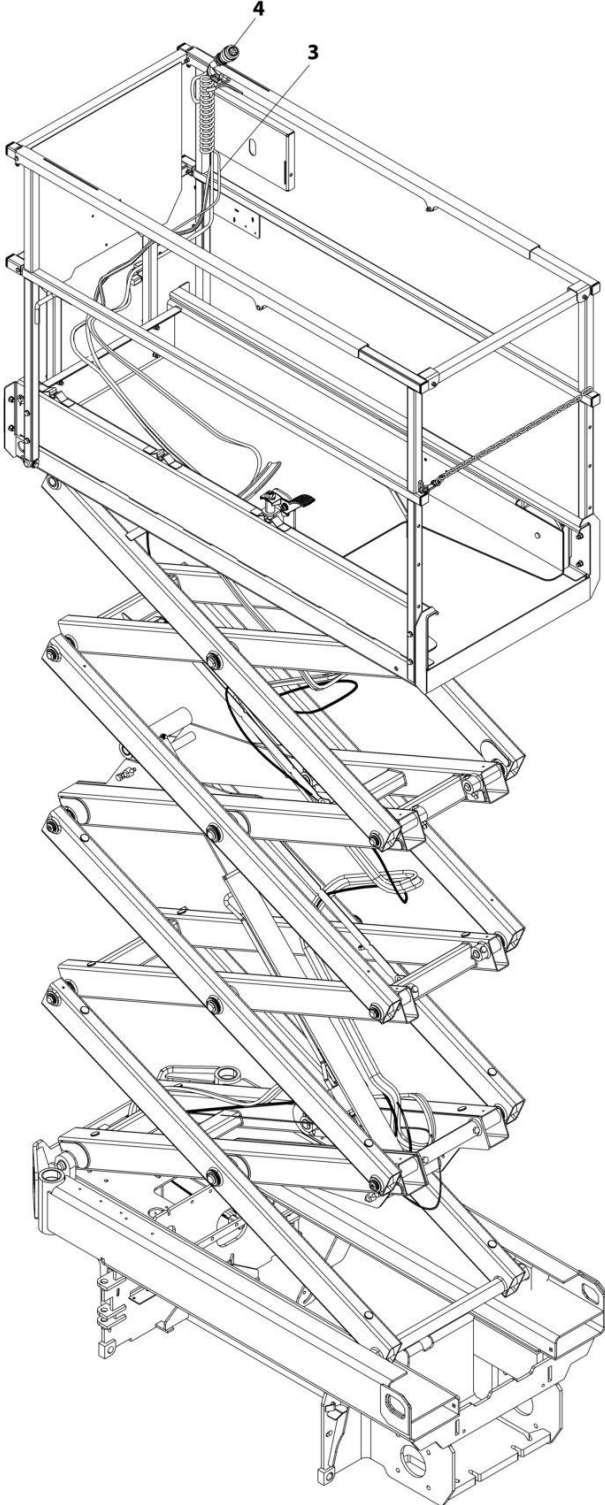
SECTION 5 - ELECTRICAL

**FIGURE 5-23. GROUND TO PLATFORM CABLE INSTALLATION - WITHOUT PLATFORM COIL CABLE
& WITH FOOTSWITCH (JAPANESE SPECS)**

ITEM	PART NUMBER	QTY	DESCRIPTION	REV
	1001201129	Ref	GROUND TO PLATFORM CABLE INSTALLATION	F
		Ref	Note: Only Available on Japanese Specs.	
1	4240017	AR	Tie-Strap (Not Shown)	
3	1001200811	1	Cable Assembly - Ground to Platform	
3	4460894	1	Plug, Male - 6 Position (To Platform Harness Item 4)	
3	4460465	4	Socket, Female	
3	4460944	2	Socket, Female	
3	4460899	1	Receptacle, Female - 6 Position (To Chassis Harness)	
3	4460464	4	Pin, Male	
3	4460943	2	Pin, Male	
4	1001223263	1	Platform Harness	
4	4460899	1	Receptacle, Female - 6 Position (To Item 3)	
4	4460464	4	Pin, Male	
4	4460943	2	Pin, Male	
4	4460754	1	Connector - 14 Position (To Console Box)	
4	4460465	8	Socket, Female	
4	4460944	2	Socket, Female	
4	4460466	4	Plug, Terminal	
4	4460891	1	Plug, Male - 2 Position (To Footswitch)	
4	4460465	2	Socket, Female	
4	4460897	1	Receptacle, Female - 2 Position (Footswitch Jumper)	
4	4460464	2	Pin, Male	
4	4460539	1	Plug, Male - 3 Position (To Overhead Switches)	
4	4460465	2	Socket, Female	
4	4460466	1	Plug, Terminal	

SECTION 5 - ELECTRICAL

FIGURE 5-24. GROUND TO PLATFORM CABLE INSTALLATION - WITH PLATFORM COIL CABLE & WITH FOOTSWITCH (JAPANESE SPECS)



ART_1001203631_F

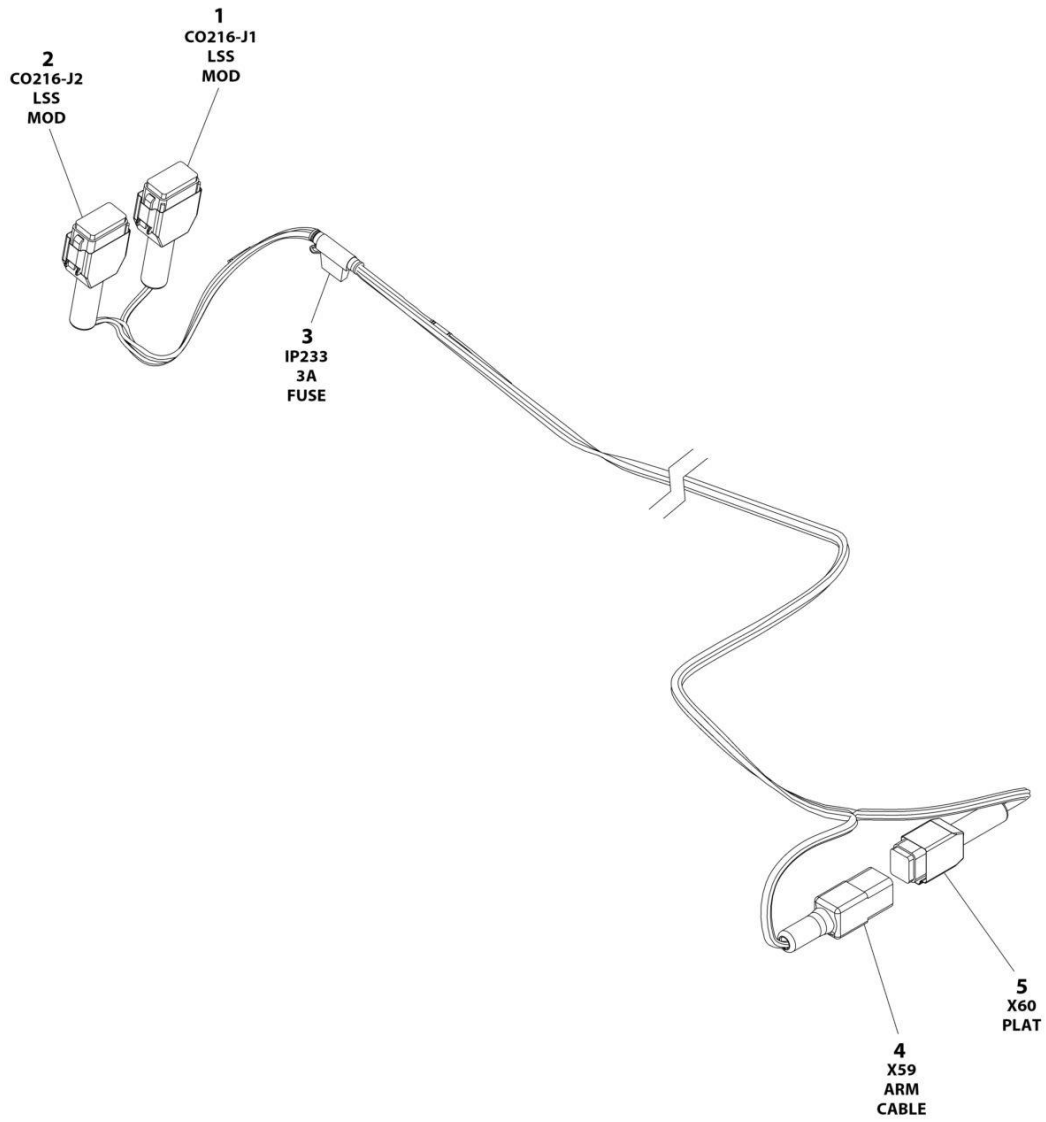
SECTION 5 - ELECTRICAL

FIGURE 5-24. GROUND TO PLATFORM CABLE INSTALLATION - WITH PLATFORM COIL CABLE & WITH FOOTSWITCH (JAPANESE SPECS)

ITEM	PART NUMBER	QTY	DESCRIPTION	REV
	1001203631	Ref	GROUND TO PLATFORM CABLE INSTALLATION	F
		Ref	Note: Only Available on Japanese Specs.	
1	4240017	AR	Tie-Strap (Not Shown)	
3	1001200811	1	Cable Assembly - Ground to Platform	
3	4460894	1	Plug, Male - 6 Position (To Platform Harness Item 4)	
3	4460465	4	Socket, Female	
3	4460944	2	Socket, Female	
3	4460899	1	Receptacle, Female - 6 Position (To Chassis Harness)	
3	4460464	4	Pin, Male	
3	4460943	2	Pin, Male	
4	1001223262	1	Platform Harness	
4	4460899	1	Receptacle, Female - 6 Position (To Item 3)	
4	4460464	4	Pin, Male	
4	4460943	2	Pin, Male	
4	4460754	1	Connector - 14 Position (To Console Box)	
4	4460465	8	Socket, Female	
4	4460944	2	Socket, Female	
4	4460466	4	Plug, Terminal	
4	4460891	1	Plug, Male - 2 Position (To Footswitch)	
4	4460465	2	Socket, Female	
4	4460897	1	Receptacle, Female - 2 Position (Footswitch Jumper)	
4	4460464	2	Pin, Male	
4	4460539	1	Plug, Male - 3 Position (To Overhead Switches)	
4	4460465	2	Socket, Female	
4	4460466	1	Plug, Terminal	

SECTION 5 - ELECTRICAL

FIGURE 5-25. LSS HARNESS



ART_1001263450

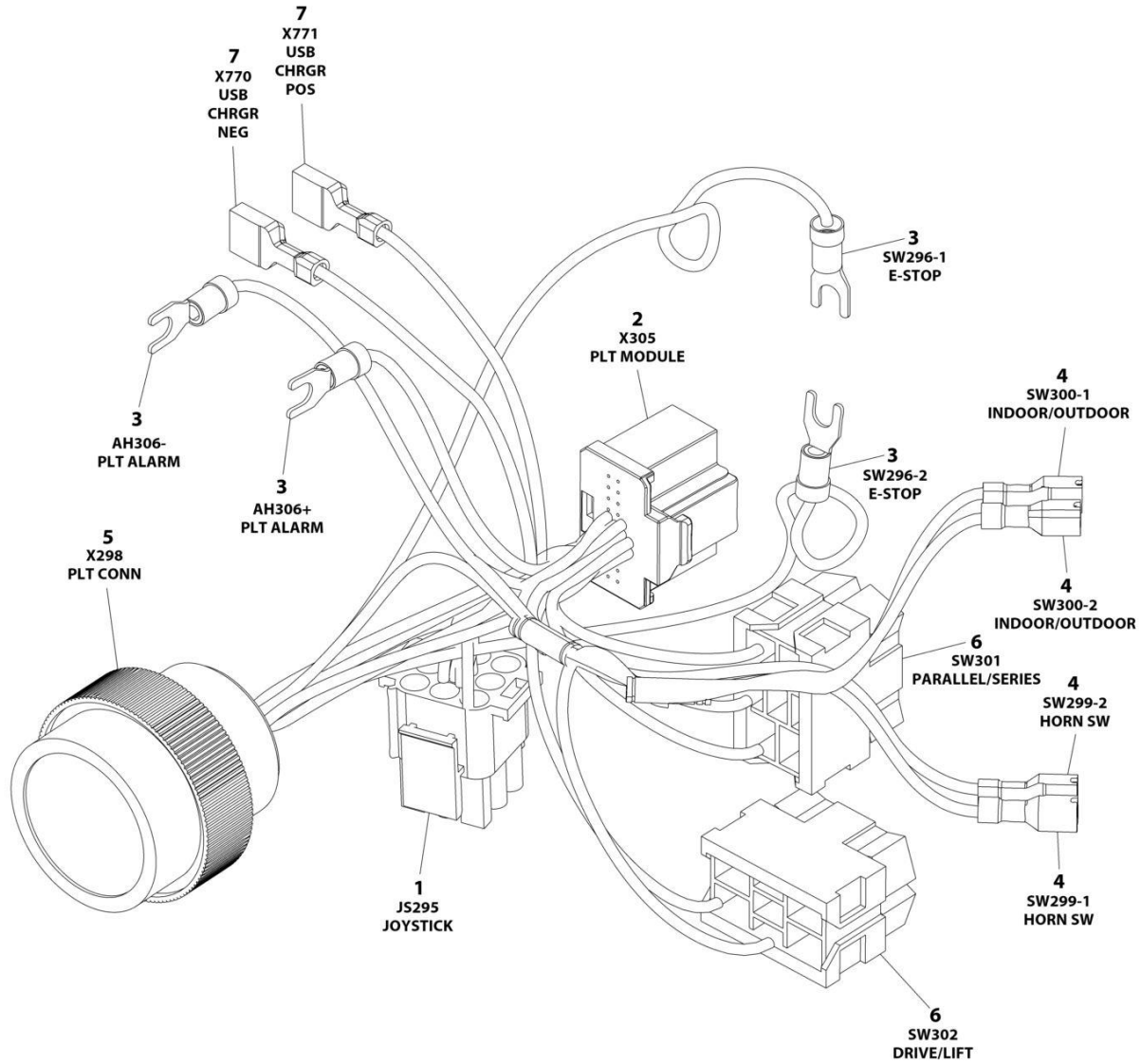
SECTION 5 - ELECTRICAL

FIGURE 5-25. LSS HARNESS

ITEM	PART NUMBER	QTY	DESCRIPTION	REV
	1001263450	Ref	LSS HARNESS	A
1	4460933	1	Connector - 12 Position	
1	4460465	3	Socket, Female	
1	4460466	9	Plug, Terminal	
1	0840055	1	Boot	
2	4460836	1	Connector - 12 Position	
2	4460944	4	Socket, Female	
2	4460466	8	Plug, Terminal	
2	0840055	1	Boot	
3	2400060	1	Fuseholder with Cover	
3	1001196838	1	Fuse 3Amp	
4	4460899	1	Receptacle, Female - 6 Position	
4	4460464	4	Pin, Male	
4	4460943	2	Pin, Male	
4	1001100164	1	Boot	
5	4460894	1	Plug, Male - 6 Position	
5	4460465	4	Socket, Female	
5	4460944	2	Socket, Female	
5	0840059	1	Boot	

SECTION 5 - ELECTRICAL

FIGURE 5-26. PLATFORM BOX HARNESS (LED PLATFORM BOX)



ART_1001200819

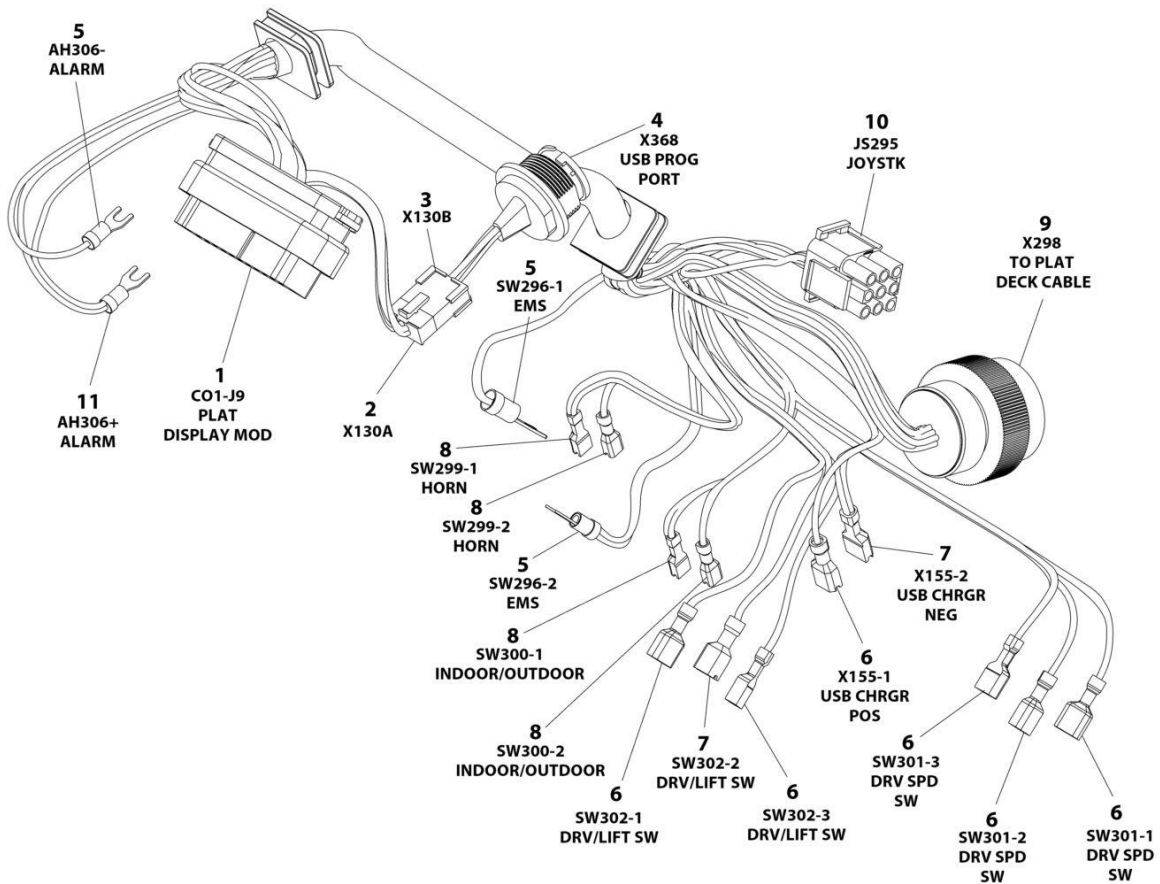
SECTION 5 - ELECTRICAL

FIGURE 5-26. PLATFORM BOX HARNESS (LED PLATFORM BOX)

ITEM	PART NUMBER	QTY	DESCRIPTION	REV
	1001200819	Ref	PLATFORM CONTROL BOX HARNESS	E
1	4460265	1	Plug, Male - 9 Position	
1	4460267	6	Pin, Male	
2	1001212036	1	Connector - 20 Position	
2	1001212035	16	Terminal	
3	4460183	4	Terminal, Fork	
4	1001201885	4	Terminal with Cover	
5	4461016	1	Connector - 14 Position	
5	4460464	8	Pin, Male	
5	4460466	6	Plug, Terminal	
6	4460418	2	Connector - 6 Position	
6	1001159186	5	Terminal	
7	1001194421	2	Terminal	

SECTION 5 - ELECTRICAL

FIGURE 5-27. PLATFORM BOX HARNESS (LCD BOX)



ART_1001254686

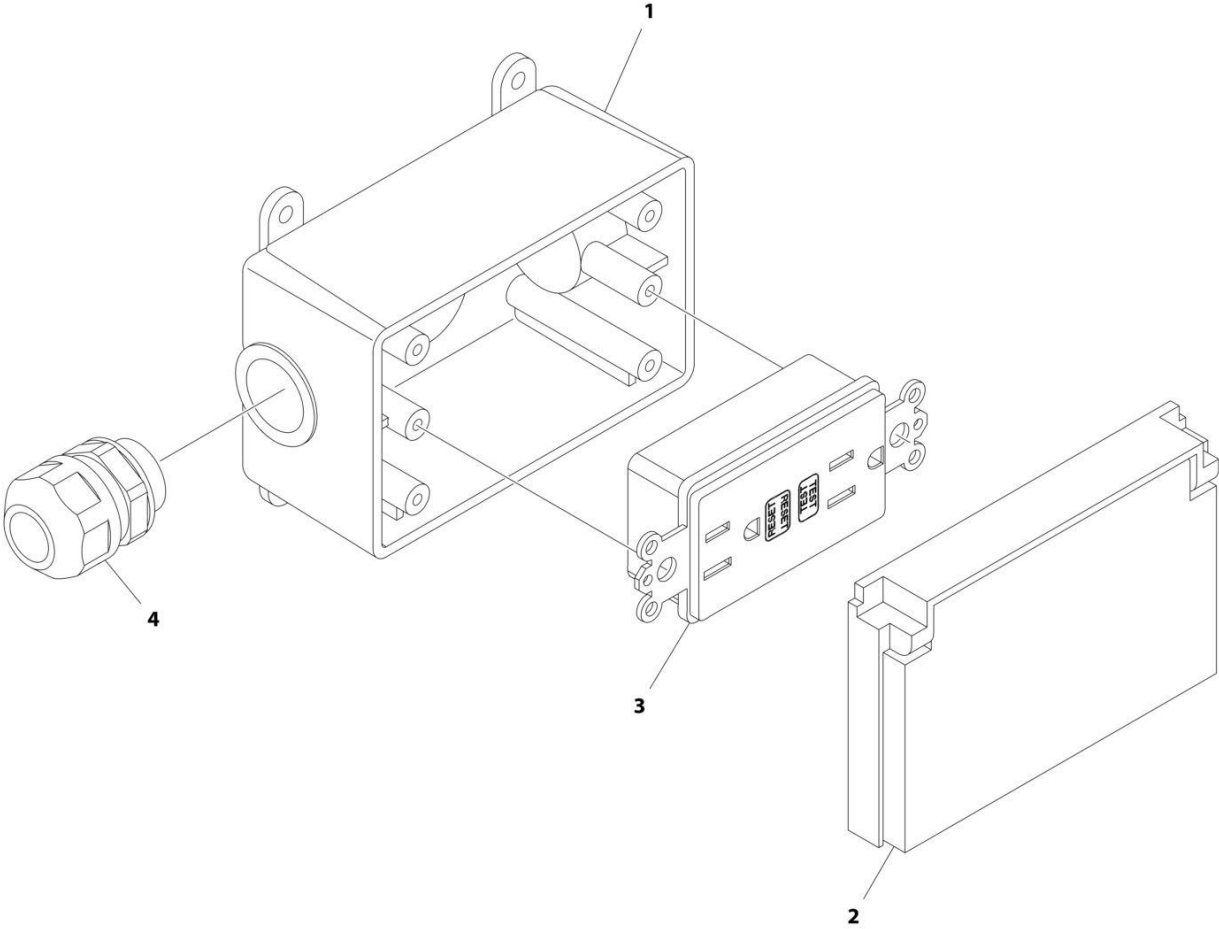
SECTION 5 - ELECTRICAL

FIGURE 5-27. PLATFORM BOX HARNESS (LCD BOX)

ITEM	PART NUMBER	QTY	DESCRIPTION	REV
	1001254686	Ref	PLATFORM CONTROL BOX HARNESS	D
1	4460873	1	Connector - 35 Position	
1	4460871	27	Terminal	
1	4460905	8	Plug, Terminal	
2	1001150735	1	Connector - 10 Position	
2	1001150899	5	Terminal	
3	1001248133	1	Connector - 10 Position	
3	1001248132	5	Terminal	
4	1001246823	1	Connector - 5 Position (With Sealing Cap)	
5	4460183	3	Terminal, Fork	
6	1001194421	6	Terminal	
7	8220051	2	Terminal	
8	1001201885	4	Terminal with Cover	
9	4461016	1	Connector - 14 Position	
9	4460464	12	Pin, Male	
9	4460944	2	Pin, Male	
10	4460265	1	Connector - 9 Position	
10	4460227	7	Terminal	
11	4460144	1	Terminal, Fork	

SECTION 5 - ELECTRICAL

FIGURE 5-28. RECEPTACLE BOX KIT - 110V GFI



ART_2902431

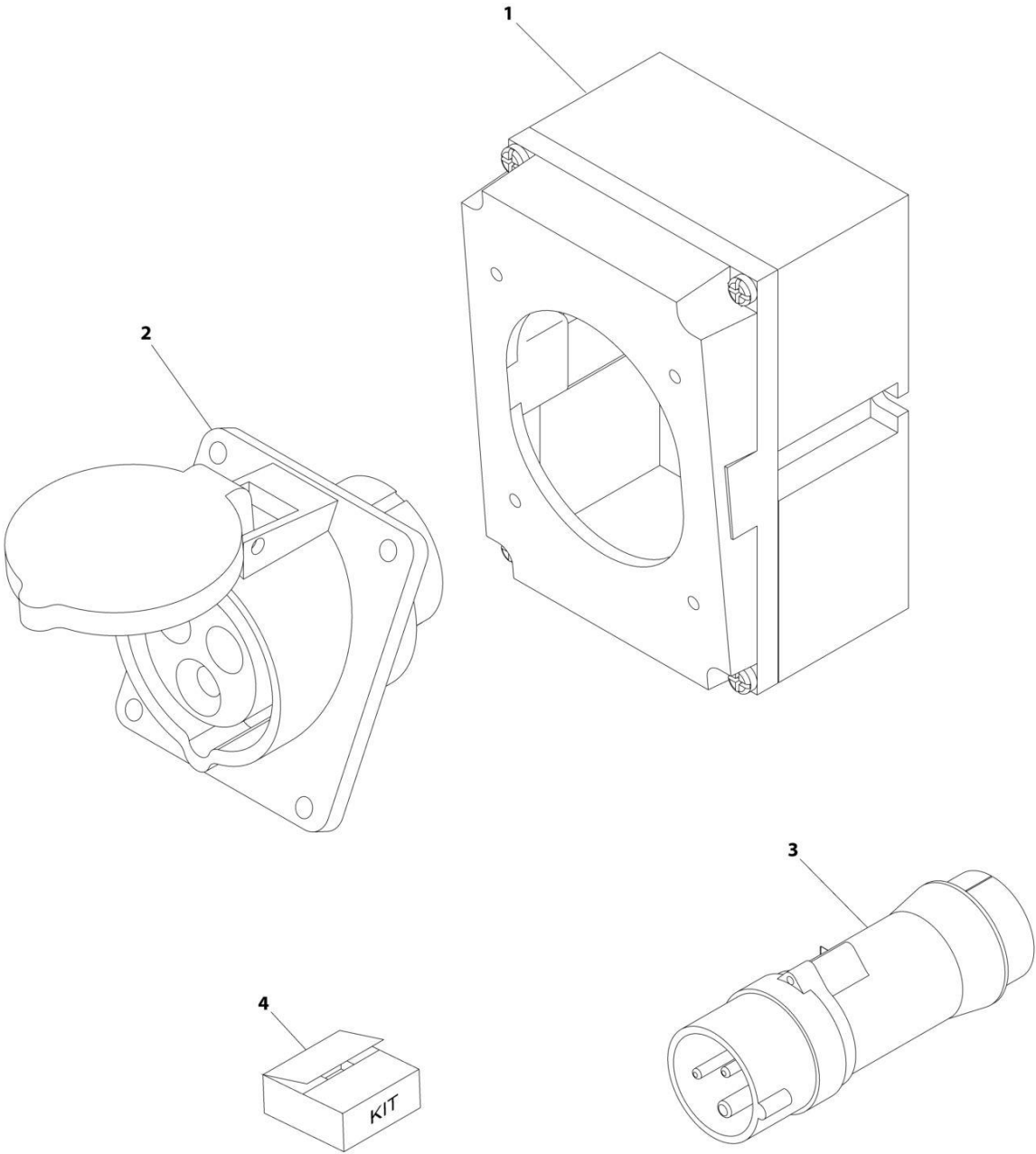
SECTION 5 - ELECTRICAL

FIGURE 5-28. RECEPTACLE BOX KIT - 110V GFI

ITEM	PART NUMBER	QTY	DESCRIPTION	REV
	2902431	Ref	RECEPTACLE BOX KIT - 110V GFI	D
1	0861731	1	Box, Receptacle	
2	1671207	1	Cover, Receptacle	
3	4460346	1	Receptacle	
4	4460662	1	Connector, Strain Relief	

SECTION 5 - ELECTRICAL

FIGURE 5-29. RECEPTACLE BOX KIT - 110V IEC YELLOW (CE & UK CA SPEC)



ART_0275216

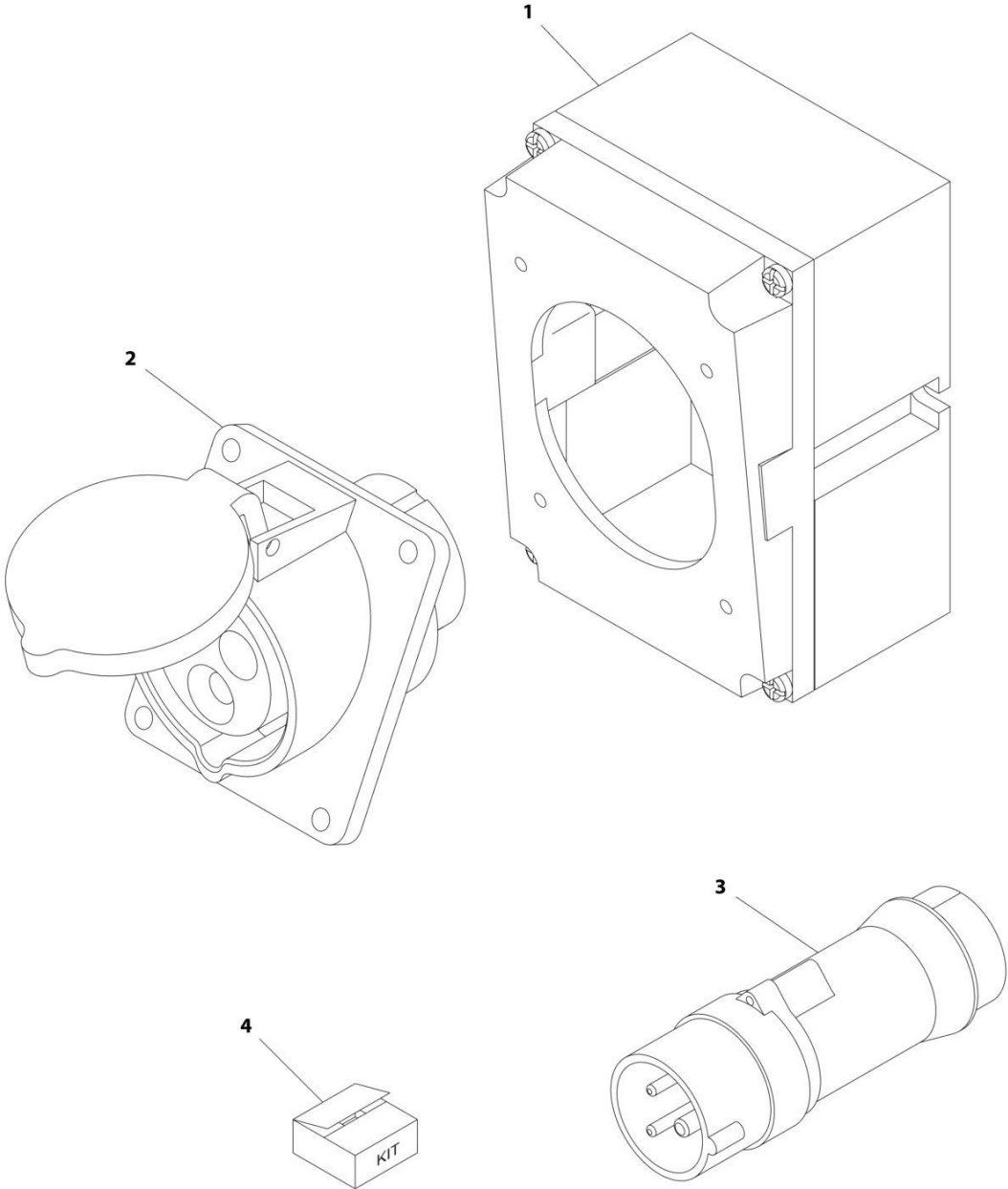
SECTION 5 - ELECTRICAL

FIGURE 5-29. RECEPTACLE BOX KIT - 110V IEC YELLOW (CE & UK CA SPEC)

ITEM	PART NUMBER	QTY	DESCRIPTION	REV
	0275216	Ref	RECEPTACLE BOX KIT - 110V IEC YELLOW	B
1	0861781	1	Box, Switch	
2	4461198	1	Receptacle	
3	4461196	1	Plug, Male	
4	1001100341	1	Plug and Socket Kit (Includes Items 1-3 and Female Plug p/n 4461197)	

SECTION 5 - ELECTRICAL

FIGURE 5-30. RECEPTACLE BOX KIT - 220V IEC BLUE (CE & UK CA SPEC)



ART_0275217

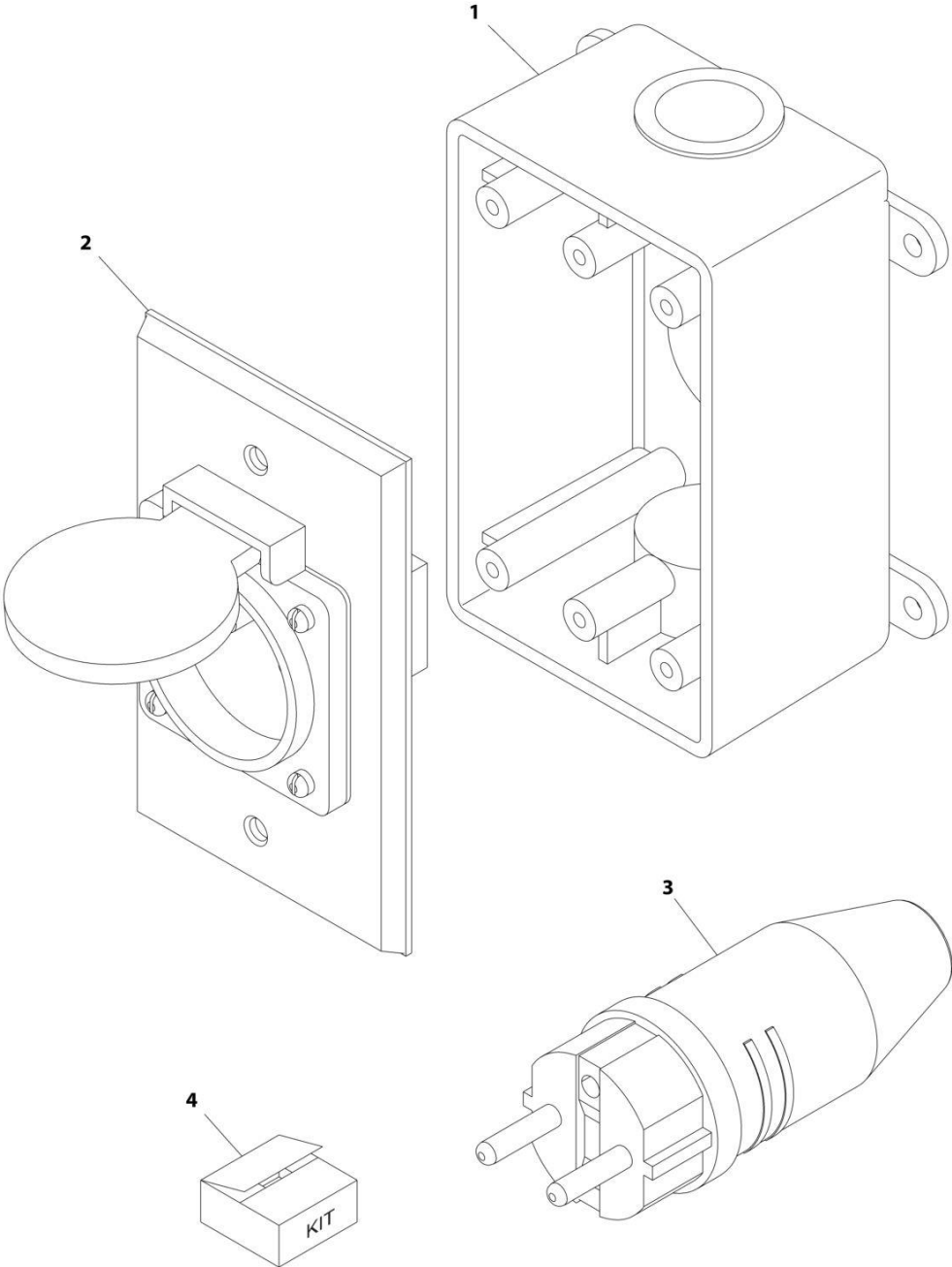
SECTION 5 - ELECTRICAL

FIGURE 5-30. RECEPTACLE BOX KIT - 220V IEC BLUE (CE & UK CA SPEC)

ITEM	PART NUMBER	QTY	DESCRIPTION	REV
	0275217	Ref	RECEPTACLE BOX KIT - 220V IEC BLUE	B
1	0861781	1	Box, Switch	
2	4461201	1	Receptacle	
3	4461199	1	Plug, Male	
4	1001100342	1	Plug and Socket Kit (Includes Items 1-3 and Female Plug p/n 4461200)	

SECTION 5 - ELECTRICAL

FIGURE 5-31. RECEPTACLE BOX KIT - 220V CEE7 POST GROUND (CE & UK CA SPEC)



ART_0275452-C

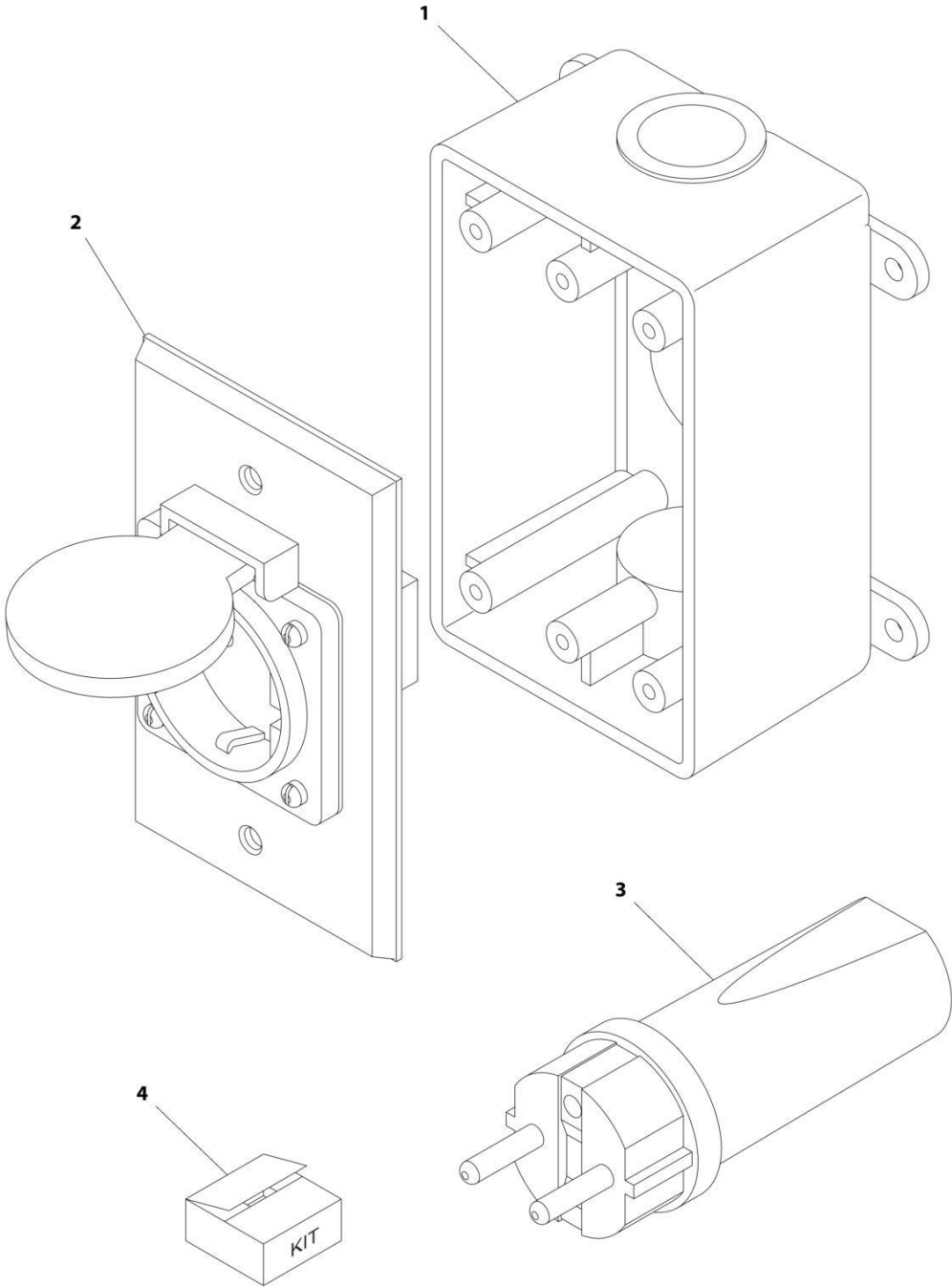
SECTION 5 - ELECTRICAL

FIGURE 5-31. RECEPTACLE BOX KIT - 220V CEE7 POST GROUND (CE & UK CA SPEC)

ITEM	PART NUMBER	QTY	DESCRIPTION	REV
	0275452	Ref	RECEPTACLE BOX KIT - 220V CEE7 POST GROUND 2IN X 4IN BOX	C
1	0861731	1	Box, Switch	
2	4461244	1	Receptacle	
3	4461205	1	Plug, Male	
4	1001100345	1	Plug and Socket Kit (Includes Items 1-3 and Female Plug p/n 4461203)	

SECTION 5 - ELECTRICAL

FIGURE 5-32. RECEPTACLE BOX KIT - 220V CEE7 SIDE GROUND (CE & UK CA SPEC)



ART_0275453

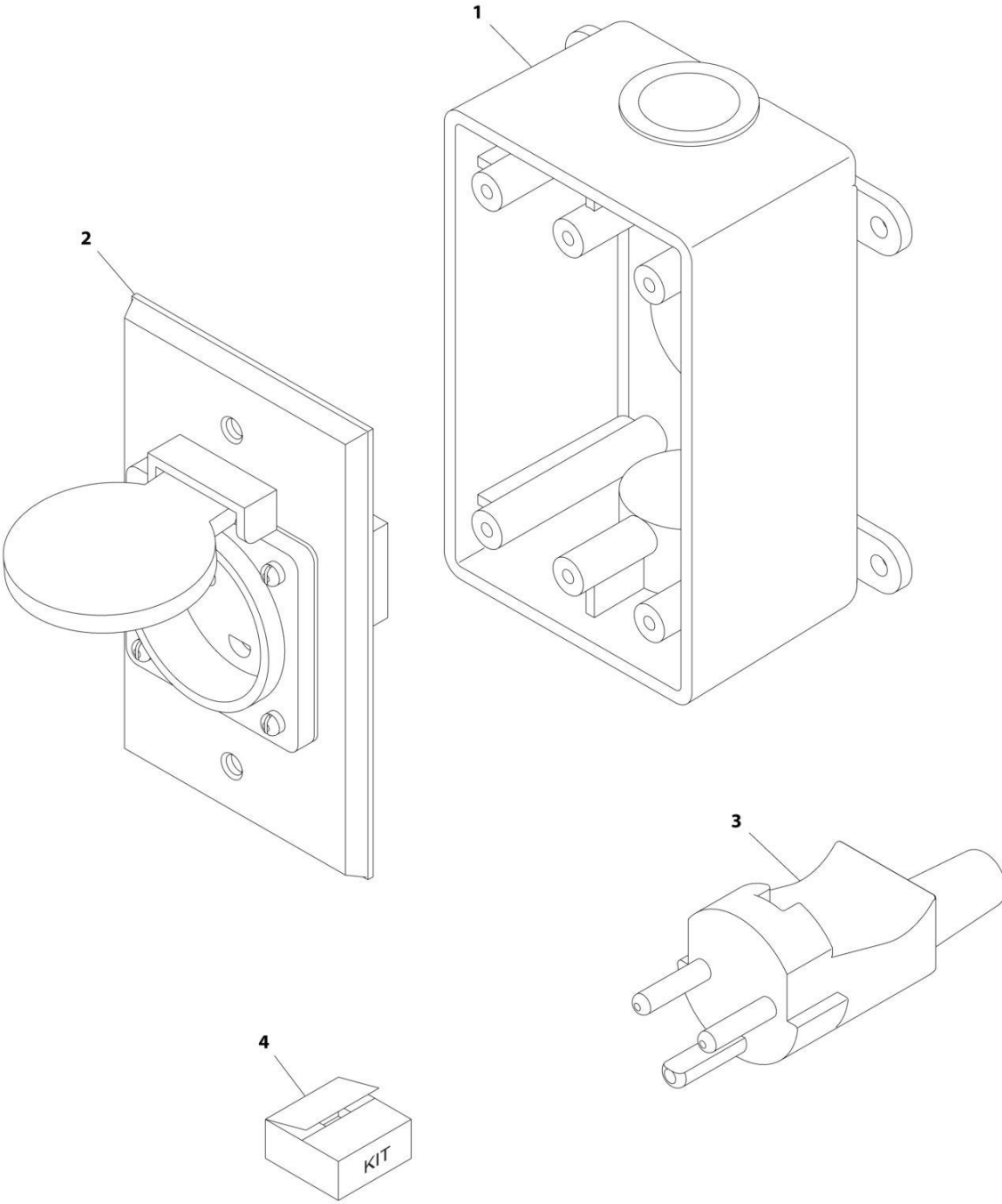
SECTION 5 - ELECTRICAL

FIGURE 5-32. RECEPTACLE BOX KIT - 220V CEE7 SIDE GROUND (CE & UK CA SPEC)

ITEM	PART NUMBER	QTY	DESCRIPTION	REV
	0275453	Ref	RECEPTACLE BOX KIT - 220V CEE7 SIDE GROUND	B
1	0861731	1	Box, Switch	
2	4461245	1	Receptacle	
3	4461205	1	Plug, Male	
4	1001100347	1	Plug and Socket Kit (Includes Items 1-3 and Female Plug p/n 4461206)	

SECTION 5 - ELECTRICAL

FIGURE 5-33. RECEPTACLE BOX KIT - 220V AFSINT 107 (CE & UK CA SPEC)



ART_0275454

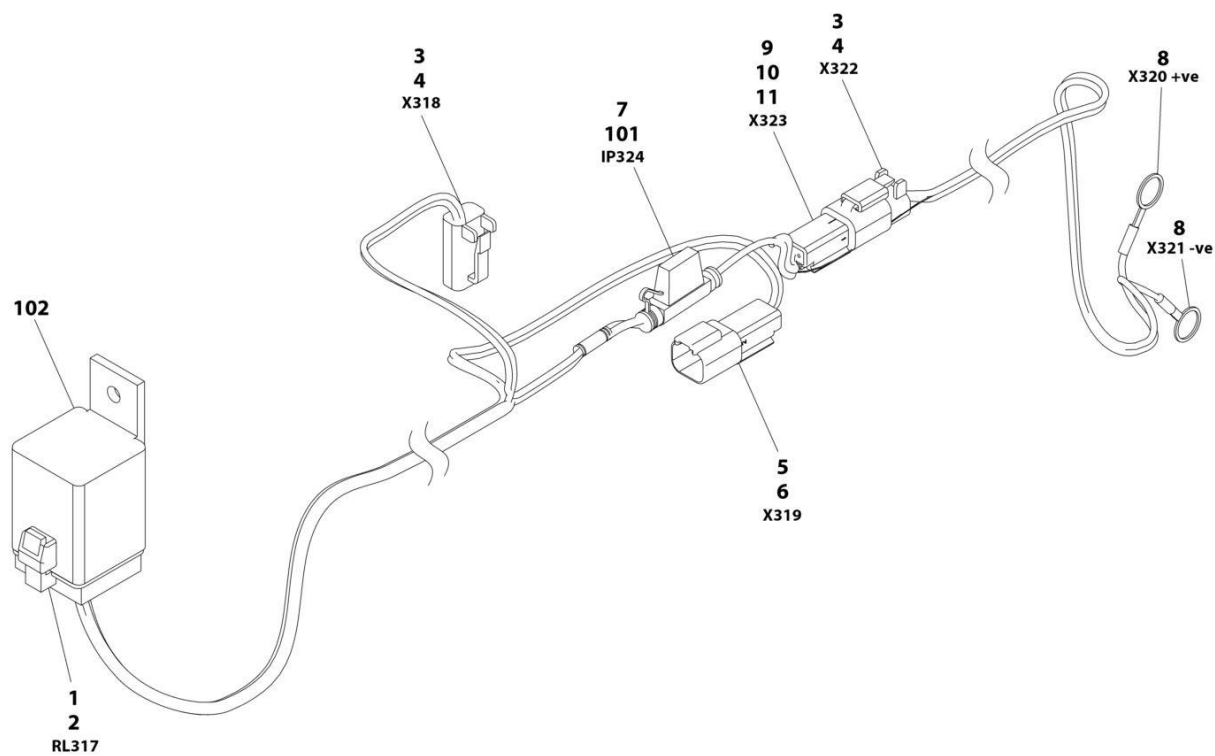
SECTION 5 - ELECTRICAL

FIGURE 5-33. RECEPTACLE BOX KIT - 220V AFSINT 107 (CE & UK CA SPEC)

ITEM	PART NUMBER	QTY	DESCRIPTION	REV
	0275454	Ref	RECEPTACLE BOX KIT - 220V AFSINT 107	B
1	0861731	1	Box, Switch	
2	4461246	1	Receptacle	
3	4461249	1	Plug, Male	
4	1001100346	1	Plug and Socket Kit (Includes Items 1-3 and Female Plug p/n 4461250)	

SECTION 5 - ELECTRICAL

FIGURE 5-34. HARNESS, BATTERY HEATER



ART_1001274356

SECTION 5 - ELECTRICAL

FIGURE 5-34. HARNESS, BATTERY HEATER

ITEM	PART NUMBER	QTY	DESCRIPTION	REV
	1001274356	Ref	HARNESS, BATTERY HEATER	B
1	1001117057	1	Connector, Relay	
2	1001116732	4	Terminal	
3	4460891	2	Plug, Male - 2 Position	
4	4460465	4	Socket, Female	
5	4460897	1	Receptacle, Female - 2 Position	
6	4460464	2	Pin, Male	
7	2400060	1	Fuseholder with Cover	
8	4460722	2	Connector	
9	4460897	1	Connector	
10	4460941	1	Contact	
11	4460464	1	Pin, Male	
101	8229242	1	Fuse	
102	1001097347	1	Relay	

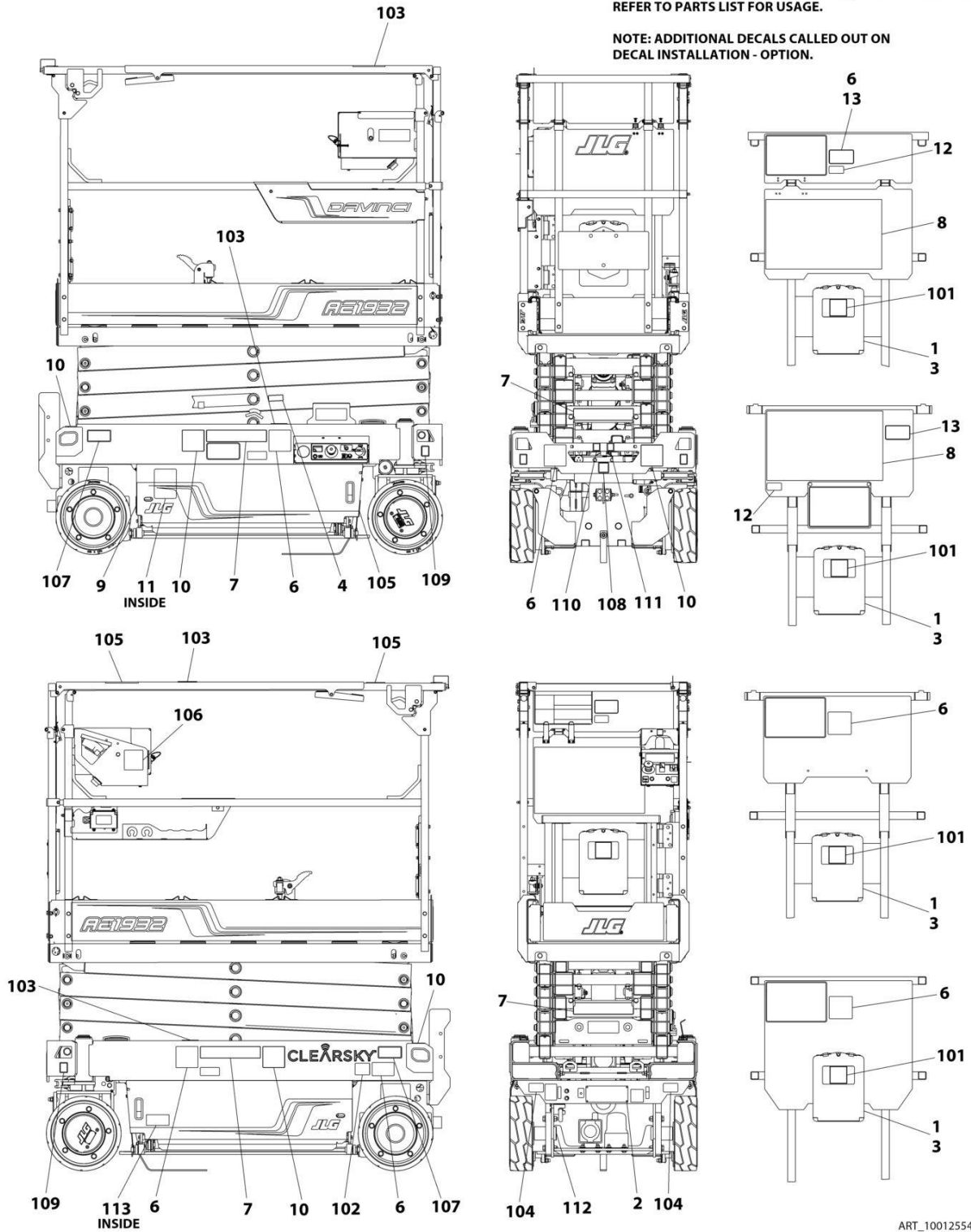
SECTION 6 - DECALS

SECTION 6 - DECALS

FIGURE 6-1. DECALS INSTALLATION - ANSI SPECS (ENGLISH LANGUAGE)

NOTE: ITEMS SHOWN MAY NOT BE REQUIRED FOR ALL SPECS. REFER TO PARTS LIST FOR USAGE.

NOTE: ADDITIONAL DECALS CALLED OUT ON DECAL INSTALLATION - OPTION.



ART_1001255492

SECTION 6 - DECALS

FIGURE 6-1. DECALS INSTALLATION - ANSI SPECS (ENGLISH LANGUAGE)

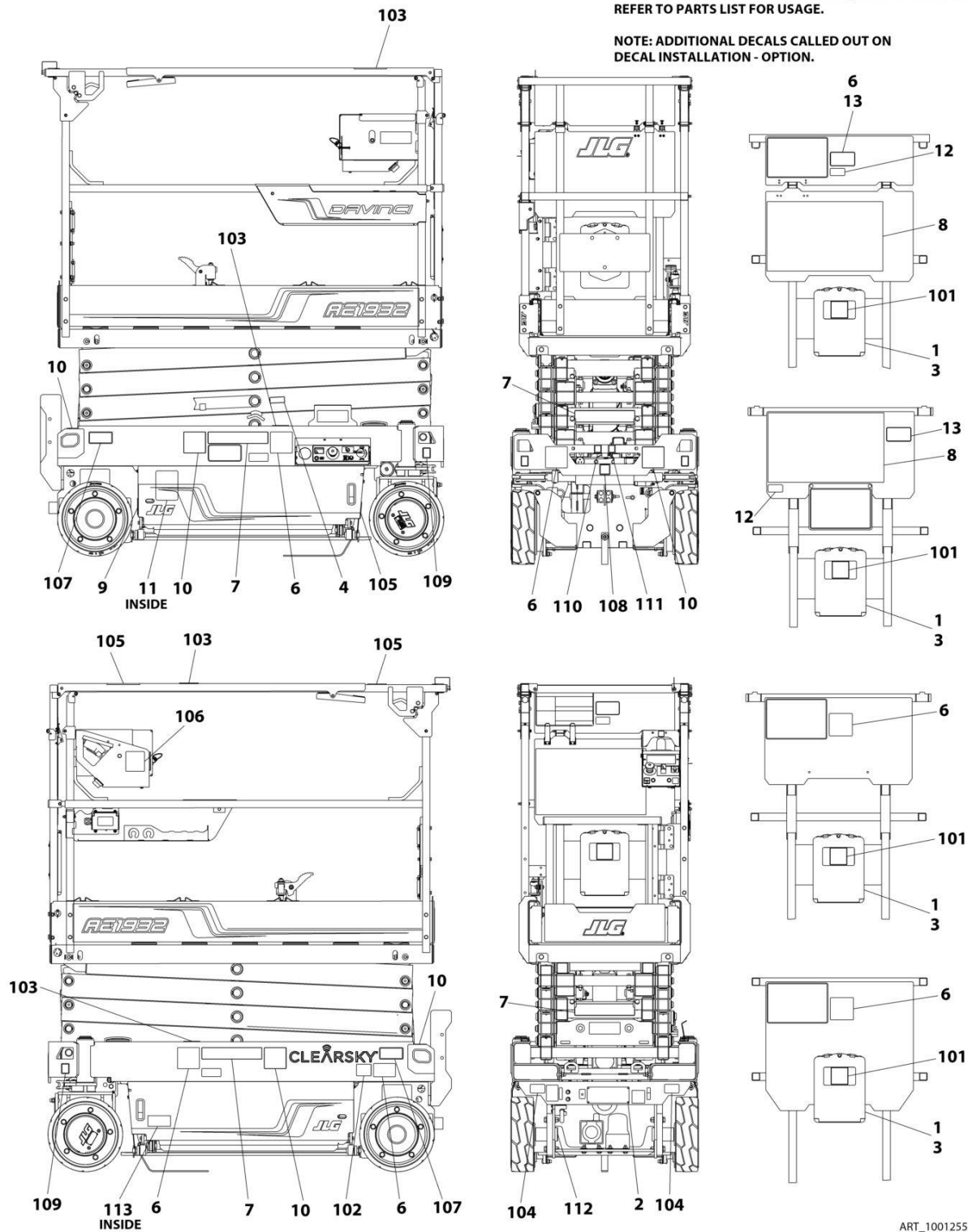
ITEM	PART NUMBER	QTY	DESCRIPTION	REV
	1001255492	Ref	DECALS INSTALLATION	D
1	2080040	3	Fastener	
2	2080057	4	Fastener	
3	8990147	1	Holder - Manual	
4	1001220430	1	Decal - Safety Prop	
6	1001211779	4	Decal - Electrocution	
7	1001211777	4	Decal - Crushing Hazard	
8	1703816	1	Decal - Danger/Warning	
9	1001223055	1	Decal - Yearly Inspection	
11	1001131270	1	Decal - Patent	
12	1001228370	1	Decal - ICES	
13	1001231801	1	Decal - Warning Prop 65	
100	1001257607	Ref	Decal Kit - Master (Not Shown - Includes items 101-113)	D
101	1701640	1	Decal - Manual	
102	1702155	1	Decal - Battery Disconnect	
103	1703819	4	Decal - Direction Arrow	
104	1704016	2	Decal - Fork Lift	
105	1704277	2	Decal - Lanyard Attach	
106	1001132359	1	Decal - Control Box Locate	
107	1001162864	2	Decal - Lift Point/Tie Down	
108	1001212290	1	Decal - Tie Down	
109	1001212291	2	Decal - Lifting Lug	
110	1001212292	1	Decal - No Lifting	
111	1001212293	1	Decal - No Forklift	
112	1001248126	1	Decal - Manual Descent	
113	1001261105	1	Decal - Battery/Charger Service	

SECTION 6 - DECALS

FIGURE 6-2. DECALS INSTALLATION - AUSTRALIAN/CE/JAPANESE/UK CA SPECS (ENGLISH LANGUAGE)

NOTE: ITEMS SHOWN MAY NOT BE REQUIRED FOR ALL SPECS. REFER TO PARTS LIST FOR USAGE.

NOTE: ADDITIONAL DECALS CALLED OUT ON DECAL INSTALLATION - OPTION.



ART_1001255498

SECTION 6 - DECALS

FIGURE 6-2. DECALS INSTALLATION - AUSTRALIAN/CE/JAPANESE/UK CA SPECS (ENGLISH LANGUAGE)

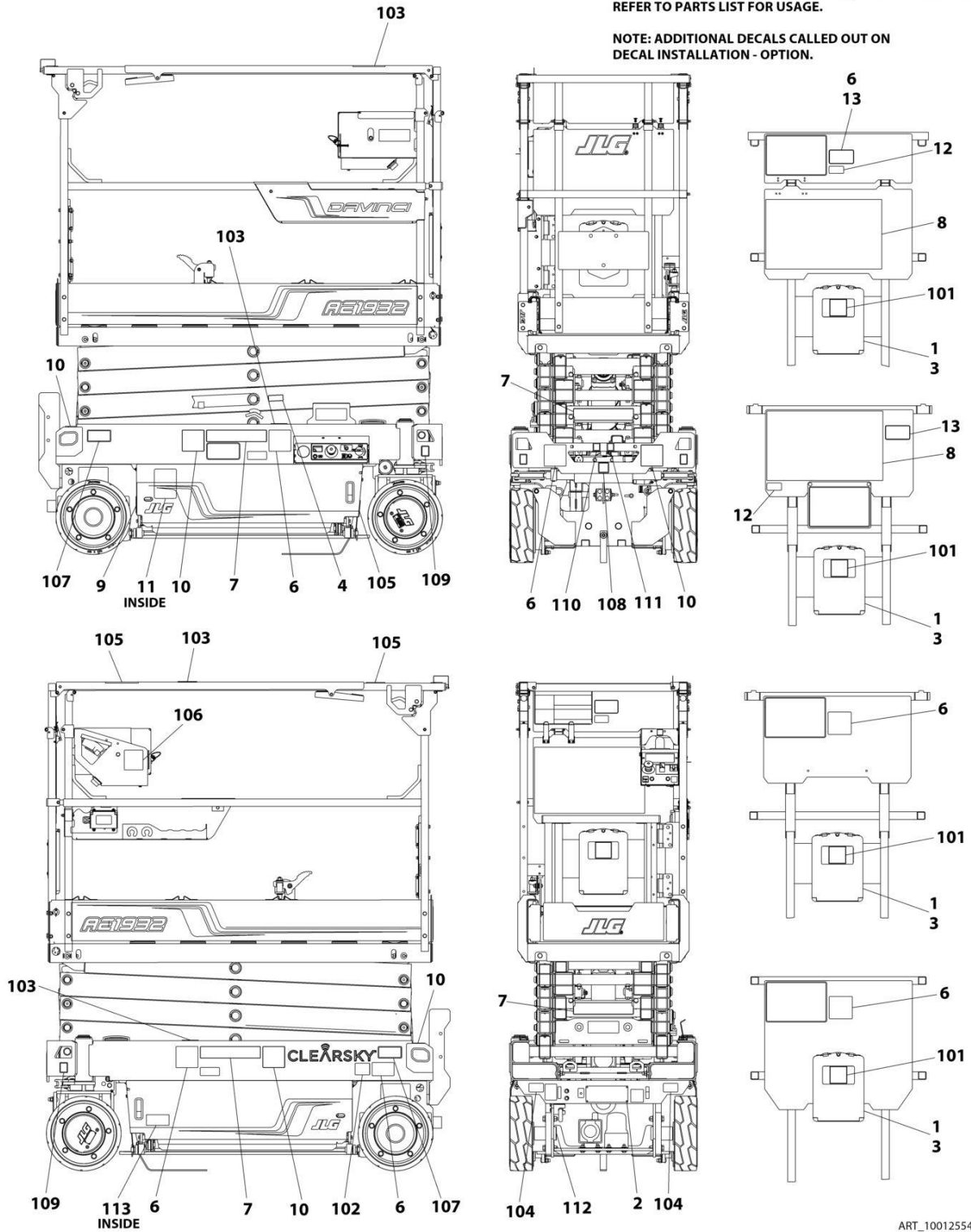
ITEM	PART NUMBER	QTY	DESCRIPTION	REV
	1001255498	Ref	DECALS INSTALLATION	D
1	2080040	3	Fastener	
2	2080057	4	Fastener	
3	8990147	1	Holder - Manual	
4	1001220430	1	Decal - Safety Prop	
6	1001219171	5	Decal - Electrocution	
7	1001219172	4	Decal - Crushing	
100	1001257607	Ref	Decal Kit - Master (Not Shown - Includes items 101-113)	D
101	1701640	1	Decal - Manual	
102	1702155	1	Decal - Battery Disconnect	
103	1703819	4	Decal - Direction Arrow	
104	1704016	2	Decal - Fork Lift	
105	1704277	2	Decal - Lanyard Attach	
106	1001132359	1	Decal - Control Box Locate	
107	1001162864	2	Decal - Lift Point/Tie Down	
108	1001212290	1	Decal - Tie Down	
109	1001212291	2	Decal - Lifting Lug	
110	1001212292	1	Decal - No Lifting	
111	1001212293	1	Decal - No Forklift	
112	1001248126	1	Decal - Manual Descent	
113	1001261105	1	Decal - Battery/Charger Service	

SECTION 6 - DECALS

FIGURE 6-3. DECALS INSTALLATION - BRAZIL SPECS (SPANISH/PORTUGUESE LANGUAGES)

NOTE: ITEMS SHOWN MAY NOT BE REQUIRED FOR ALL SPECS. REFER TO PARTS LIST FOR USAGE.

NOTE: ADDITIONAL DECALS CALLED OUT ON DECAL INSTALLATION - OPTION.



ART_1001255495

SECTION 6 - DECALS

FIGURE 6-3. DECALS INSTALLATION - BRAZIL SPECS (SPANISH/PORTUGUESE LANGUAGES)

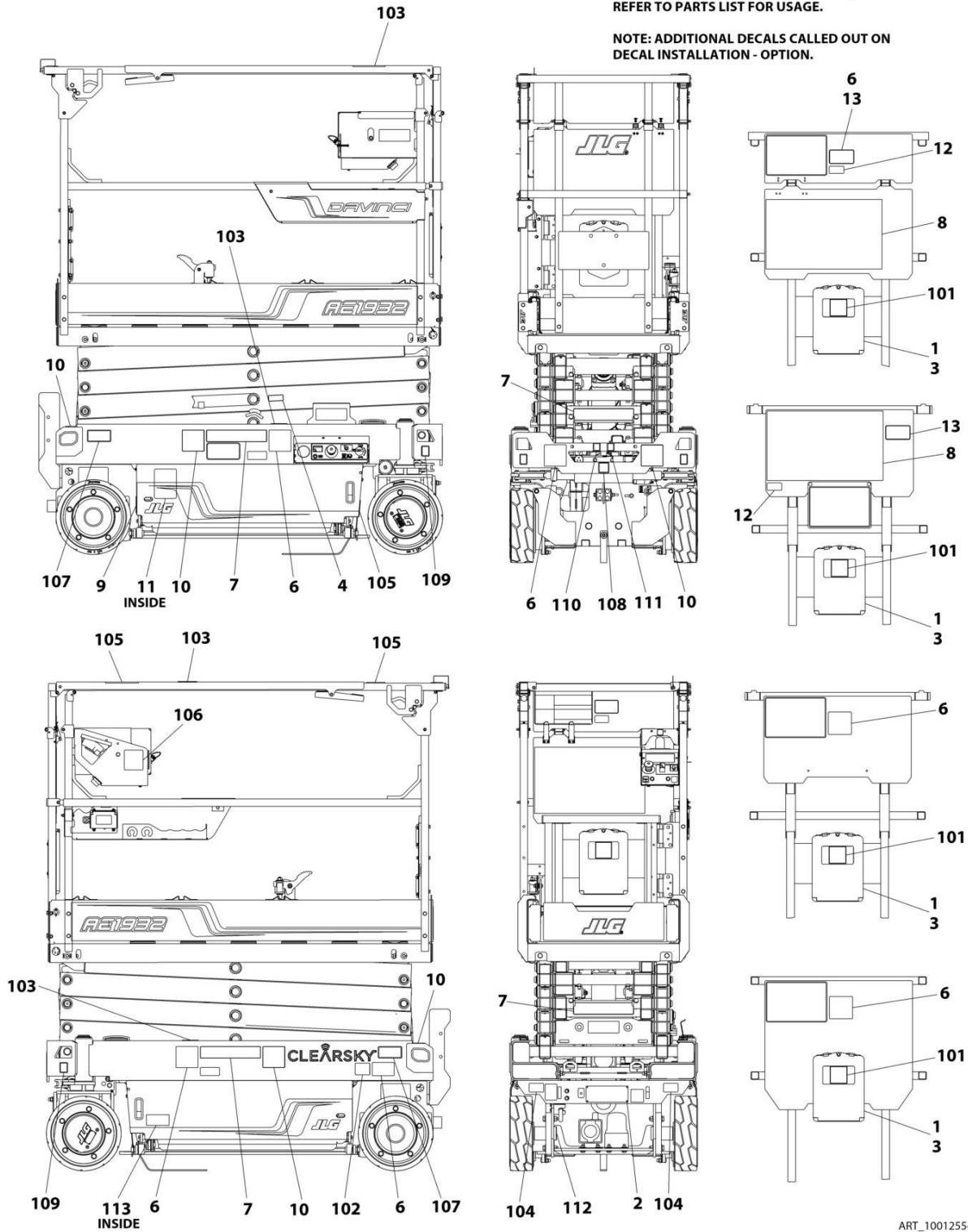
ITEM	PART NUMBER	QTY	DESCRIPTION	REV
	1001255495	Ref	DECALS INSTALLATION	C
1	2080040	3	Fastener	
2	2080057	4	Fastener	
3	8990147	1	Holder - Manual	
4	1001220430	1	Decal - Safety Prop	
6	1001215748	4	Decal - Electrocutation	
7	1001216650	4	Decal - Crushing	
8	1704699	1	Decal - Danger/Warning	
9	1001224052	1	Decal - Yearly Inspection	
10	1001216648	4	Decal - Electrocutation	
100	1001257607	Ref	Decal Kit - Master (Not Shown - Includes items 101-113)	D
101	1701640	1	Decal - Manual	
102	1702155	1	Decal - Battery Disconnect	
103	1703819	4	Decal - Direction Arrow	
104	1704016	2	Decal - Fork Lift	
105	1704277	2	Decal - Lanyard Attach	
106	1001132359	1	Decal - Control Box Locate	
107	1001162864	2	Decal - Lift Point/Tie Down	
108	1001212290	1	Decal - Tie Down	
109	1001212291	2	Decal - Lifting Lug	
110	1001212292	1	Decal - No Lifting	
111	1001212293	1	Decal - No Forklift	
112	1001248126	1	Decal - Manual Descent	
113	1001261105	1	Decal - Battery/Charger Service	

SECTION 6 - DECALS

FIGURE 6-4. DECALS INSTALLATION - CHINA SPECS (CHINA/ENGLISH LANGUAGES)

NOTE: ITEMS SHOWN MAY NOT BE REQUIRED FOR ALL SPECS. REFER TO PARTS LIST FOR USAGE.

NOTE: ADDITIONAL DECALS CALLED OUT ON DECAL INSTALLATION - OPTION.



ART_1001255494

SECTION 6 - DECALS

FIGURE 6-4. DECALS INSTALLATION - CHINA SPECS (CHINA/ENGLISH LANGUAGES)

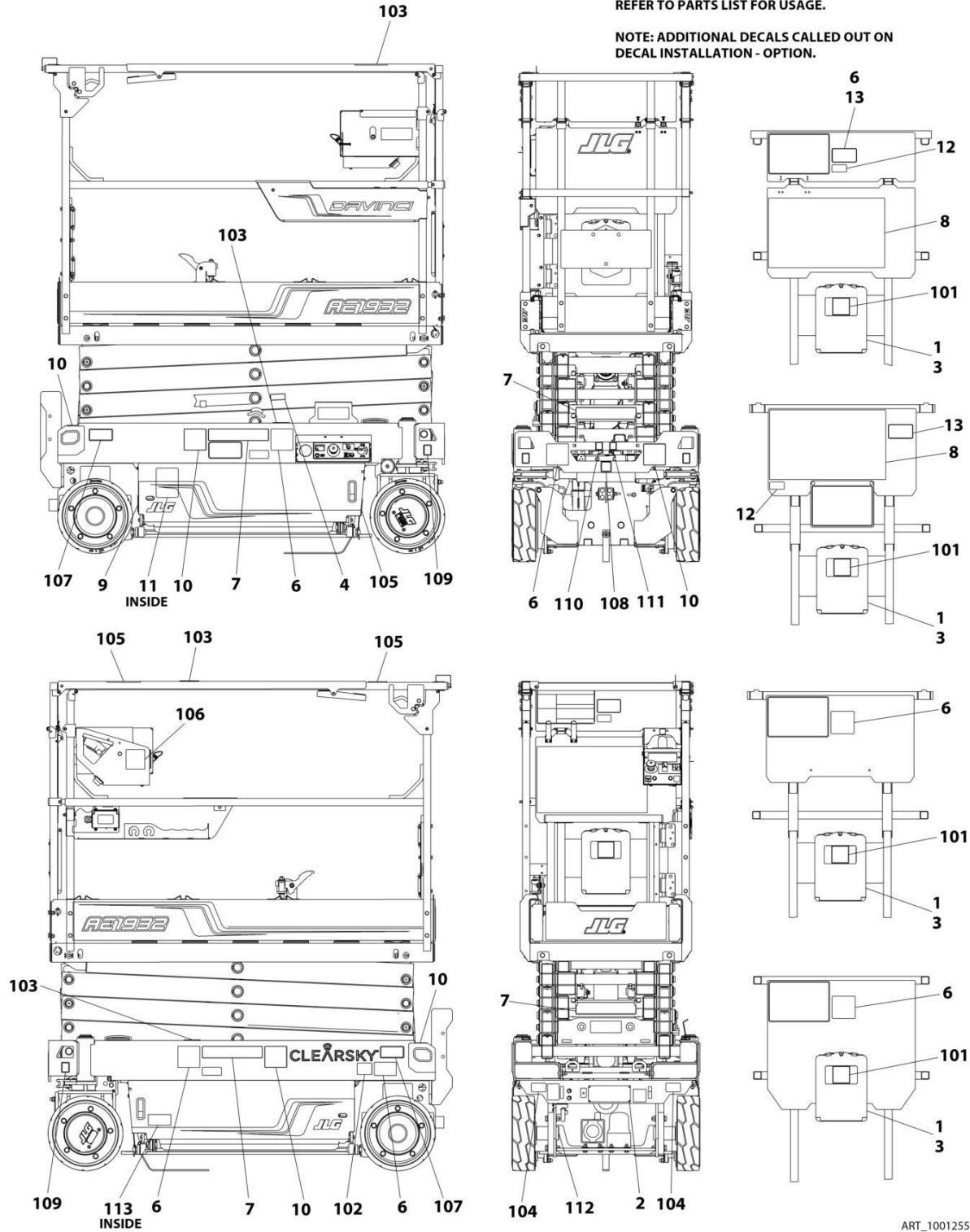
ITEM	PART NUMBER	QTY	DESCRIPTION	REV
	1001255494	Ref	DECALS INSTALLATION	A
1	2080040	3	Fastener	
2	2080057	4	Fastener	
3	8990147	1	Holder - Manual	
4	1001220430	1	Decal - Safety Prop	
6	1001211779	4	Decal - Electrocution	
7	1001215752	4	Decal - Crushing	
8	1705195	1	Decal - Danger/Warning	
9	1001224051	1	Decal - Yearly Inspection	
10	1001215747	4	Decal - Electrocution	
100	1001257607	Ref	Decal Kit - Master (Not Shown - Includes items 101-113)	D
101	1701640	1	Decal - Manual	
102	1702155	1	Decal - Battery Disconnect	
103	1703819	4	Decal - Direction Arrow	
104	1704016	2	Decal - Fork Lift	
105	1704277	2	Decal - Lanyard Attach	
106	1001132359	1	Decal - Control Box Locate	
107	1001162864	2	Decal - Lift Point/Tie Down	
108	1001212290	1	Decal - Tie Down	
109	1001212291	2	Decal - Lifting Lug	
110	1001212292	1	Decal - No Lifting	
111	1001212293	1	Decal - No Forklift	
112	1001248126	1	Decal - Manual Descent	
113	1001261105	1	Decal - Battery/Charger Service	

SECTION 6 - DECALS

FIGURE 6-5. DECALS INSTALLATION - CSA SPECS (FRENCH/ENGLISH LANGUAGES)

NOTE: ITEMS SHOWN MAY NOT BE REQUIRED FOR ALL SPECS. REFER TO PARTS LIST FOR USAGE.

NOTE: ADDITIONAL DECALS CALLED OUT ON DECAL INSTALLATION - OPTION.



ART_1001255497

SECTION 6 - DECALS

FIGURE 6-5. DECALS INSTALLATION - CSA SPECS (FRENCH/ENGLISH LANGUAGES)

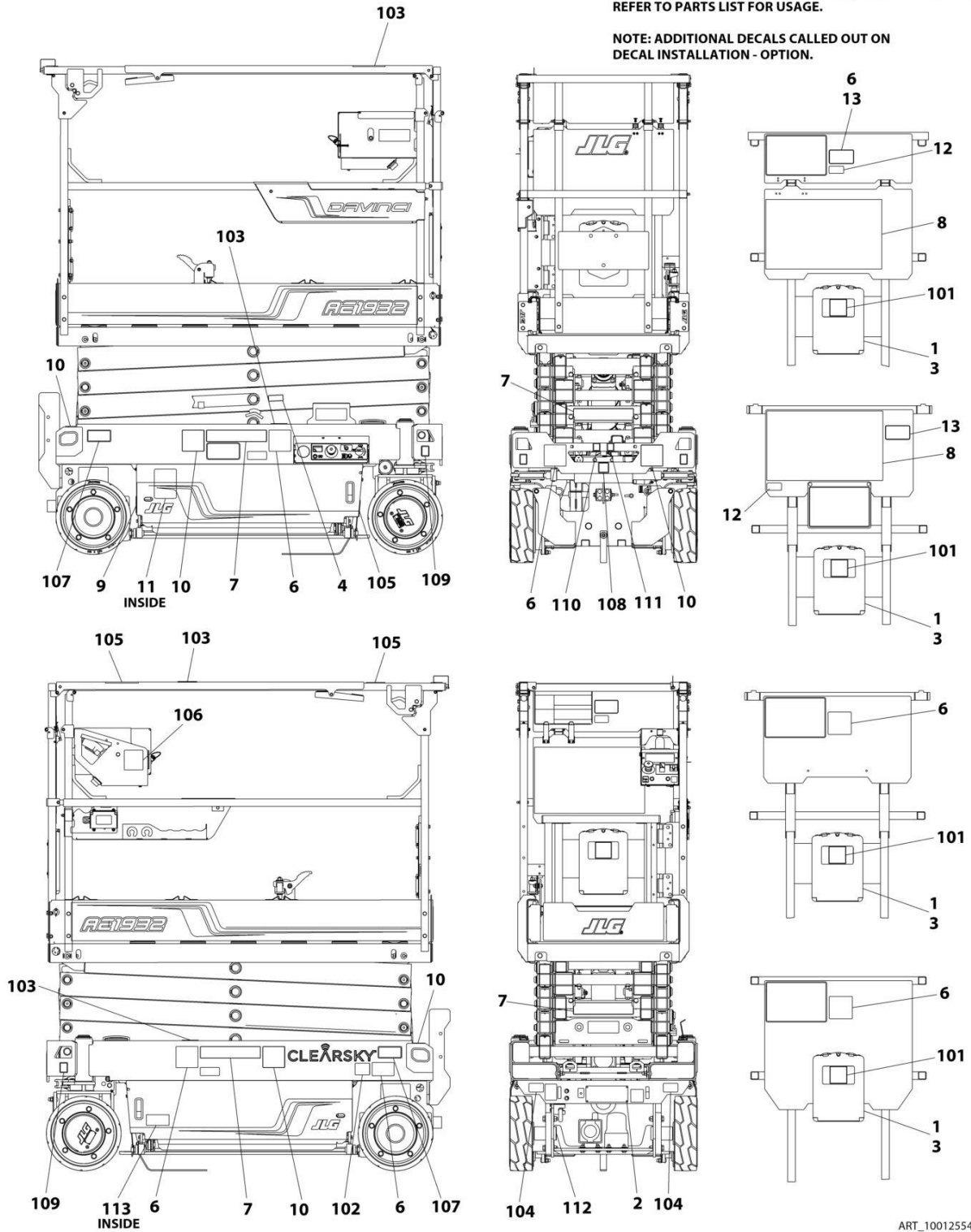
ITEM	PART NUMBER	QTY	DESCRIPTION	REV
	1001255497	Ref	DECALS INSTALLATION	C
1	2080040	3	Fastener	
2	2080057	4	Fastener	
3	8990147	1	Holder - Manual	
4	1001220430	1	Decal - Safety Prop	
6	1001211779	4	Decal - Electrocution	
7	1001215755	4	Decal - Crushing	
8	1704684	1	Decal - Danger/Warning	
9	1001223971	1	Decal - Yearly Inspection	
10	1001215749	4	Decal - Electrocution	
11	1001131270	1	Decal - Patent	
12	1001228370	1	Decal - ICES	
13	1001231801	1	Decal - Warning Prop 65	
100	1001257607	Ref	Decal Kit - Master (Not Shown - Includes items 101-113)	D
101	1701640	1	Decal - Manual	
102	1702155	1	Decal - Battery Disconnect	
103	1703819	4	Decal - Direction Arrow	
104	1704016	2	Decal - Fork Lift	
105	1704277	2	Decal - Lanyard Attach	
106	1001132359	1	Decal - Control Box Locate	
107	1001162864	2	Decal - Lift Point/Tie Down	
108	1001212290	1	Decal - Tie Down	
109	1001212291	2	Decal - Lifting Lug	
110	1001212292	1	Decal - No Lifting	
111	1001212293	1	Decal - No Forklift	
112	1001248126	1	Decal - Manual Descent	
113	1001261105	1	Decal - Battery/Charger Service	

SECTION 6 - DECALS

FIGURE 6-6. DECALS INSTALLATION - KOREAN SPECS (KOREAN/ENGLISH LANGUAGES)

NOTE: ITEMS SHOWN MAY NOT BE REQUIRED FOR ALL SPECS. REFER TO PARTS LIST FOR USAGE.

NOTE: ADDITIONAL DECALS CALLED OUT ON DECAL INSTALLATION - OPTION.



ART_1001255493

SECTION 6 - DECALS

FIGURE 6-6. DECALS INSTALLATION - KOREAN SPECS (KOREAN/ENGLISH LANGUAGES)

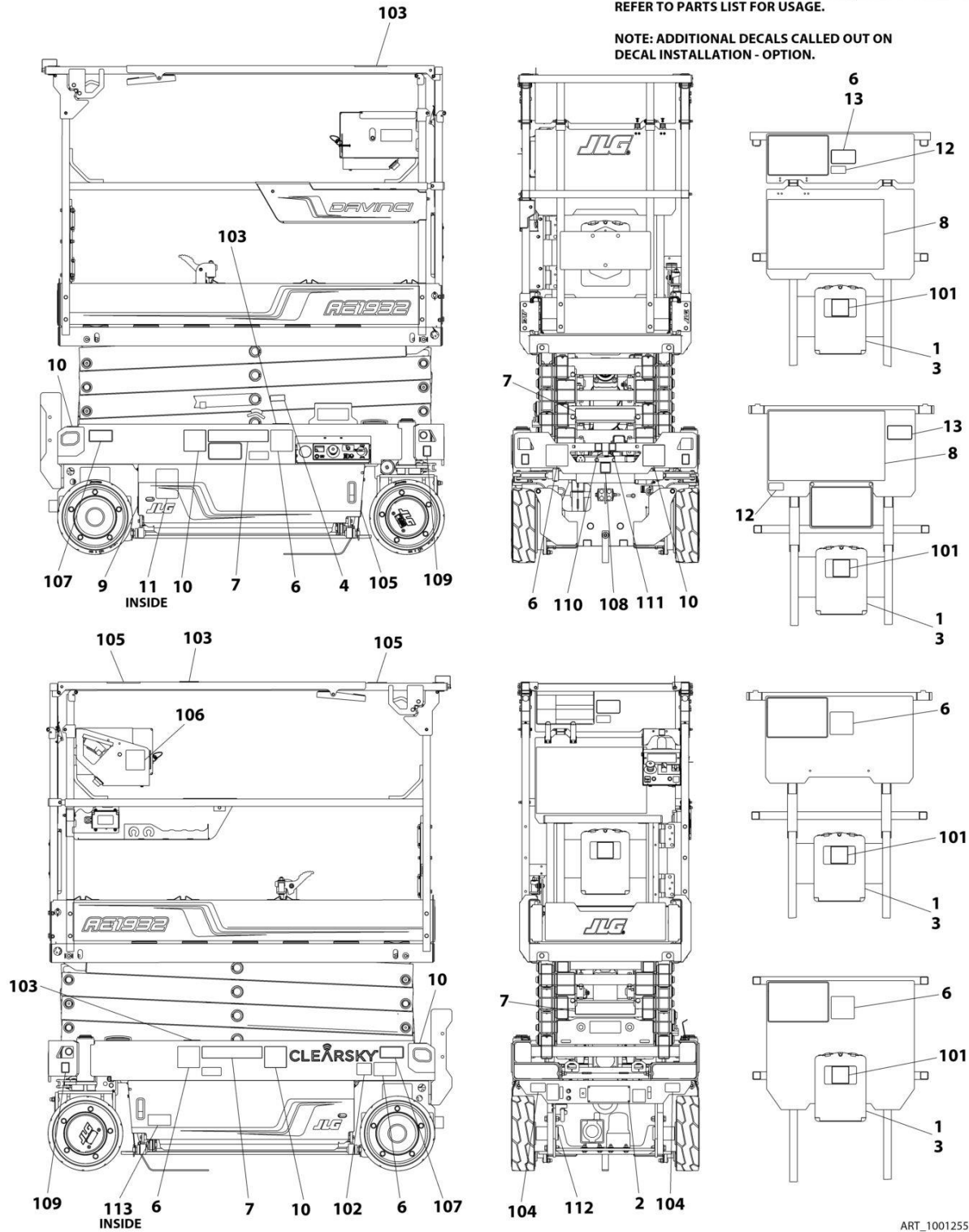
ITEM	PART NUMBER	QTY	DESCRIPTION	REV
	1001255493	Ref	DECALS INSTALLATION	A
1	2080040	3	Fastener	
2	2080057	4	Fastener	
3	8990147	1	Holder - Manual	
4	1001220430	1	Decal - Safety Prop	
6	1001211779	4	Decal - Electrocution	
7	1001215751	4	Decal - Crushing	
8	1001162115	1	Decal - Danger/Warning	
9	1001224048	1	Decal - Yearly Inspection	
10	1001215750	4	Decal - Electrocution	
100	1001257607	Ref	Decal Kit - Master (Not Shown - Includes items 101-113)	D
101	1701640	1	Decal - Manual	
102	1702155	1	Decal - Battery Disconnect	
103	1703819	4	Decal - Direction Arrow	
104	1704016	2	Decal - Fork Lift	
105	1704277	2	Decal - Lanyard Attach	
106	1001132359	1	Decal - Control Box Locate	
107	1001162864	2	Decal - Lift Point/Tie Down	
108	1001212290	1	Decal - Tie Down	
109	1001212291	2	Decal - Lifting Lug	
110	1001212292	1	Decal - No Lifting	
111	1001212293	1	Decal - No Forklift	
112	1001248126	1	Decal - Manual Descent	
113	1001261105	1	Decal - Battery/Charger Service	

SECTION 6 - DECALS

FIGURE 6-7. DECALS INSTALLATION - LATIN AMERICAN SPECS (SPANISH/ENGLISH LANGUAGES)

NOTE: ITEMS SHOWN MAY NOT BE REQUIRED FOR ALL SPECS. REFER TO PARTS LIST FOR USAGE.

NOTE: ADDITIONAL DECALS CALLED OUT ON DECAL INSTALLATION - OPTION.



ART_1001255496

SECTION 6 - DECALS

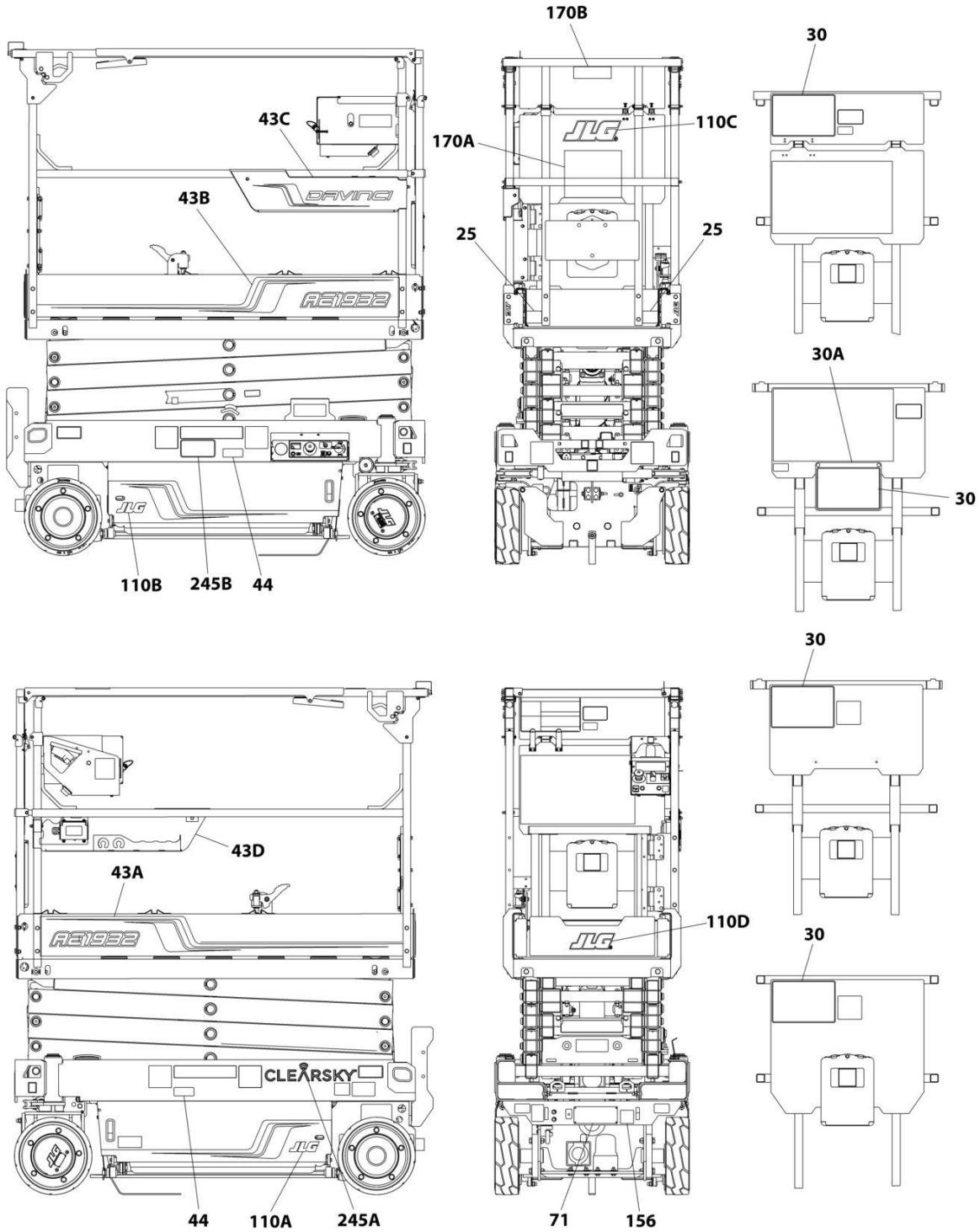
FIGURE 6-7. DECALS INSTALLATION - LATIN AMERICAN SPECS (SPANISH/ENGLISH LANGUAGES)

ITEM	PART NUMBER	QTY	DESCRIPTION	REV
	1001255496	Ref	DECALS INSTALLATION	C
1	2080040	3	Fastener	
2	2080057	4	Fastener	
3	8990147	1	Holder - Manual	
4	1001220430	1	Decal - Safety Prop	
6	1001211779	4	Decal - Electrocution	
7	1001215754	4	Decal - Crushing	
8	1704691	1	Decal - Danger/Warning	
9	1001224049	1	Decal - Yearly Inspection	
10	1001215748	4	Decal - Electrocution	
100	1001257607	Ref	Decal Kit - Master (Not Shown - Includes items 101-113)	D
101	1701640	1	Decal - Manual	
102	1702155	1	Decal - Battery Disconnect	
103	1703819	4	Decal - Direction Arrow	
104	1704016	2	Decal - Fork Lift	
105	1704277	2	Decal - Lanyard Attach	
106	1001132359	1	Decal - Control Box Locate	
107	1001162864	2	Decal - Lift Point/Tie Down	
108	1001212290	1	Decal - Tie Down	
109	1001212291	2	Decal - Lifting Lug	
110	1001212292	1	Decal - No Lifting	
111	1001212293	1	Decal - No Forklift	
112	1001248126	1	Decal - Manual Descent	
113	1001261105	1	Decal - Battery/Charger Service	

SECTION 6 - DECALS

FIGURE 6-8. DECAL INSTALLATION - OPTIONS

NOTE: ITEMS SHOWN MAY NOT BE REQUIRED FOR ALL SPECS.
REFER TO PARTS LIST FOR USAGE.



ART_DECAL_OPTIONS

SECTION 6 - DECALS

FIGURE 6-8. DECAL INSTALLATION - OPTIONS

ITEM	PART NUMBER	QTY	DESCRIPTION	REV
		Ref	DECAL INSTALLATION - OPTIONS	
25	1001209906	Ref	Corner Stripes Installation	
25	4420051	2.5 ft /75cm	Tape, Safety	
30		Ref	Decal - Capacity without Plate	
30	1001257609	1	Decal - Capacity (606LB/275KG) (All Specs)	
30	1001263249	Ref	Decal - Capacity with Plate (Australian, CE, Japanese & UK CA Specs)	
30	1001257609	1	Decal - Capacity (606LB/275KG) (Australian, CE, Japanese & UK CA Specs)	
30A	1001216865	1	Plate, Mounting (Australian, CE, Japanese & UK CA Specs)	
43	1001248628	Ref	Decal & Tool Tray Installation	A
43A	1001255474	1	Decal - Model Designation (LH)	
43B	1001262648	1	Decal - Model Designation (RH)	
43C	1001262649	1	Decal - Tray	
43D	1001262651	1	Tray - Tool	
44	1705648	4	Decal - Maximum Tire Load	
71	See Note	NSS	Decal - Manufacturers Serial Number (Note: Not Available for Purchase)	
110	1001258891	Ref	JLG Logo Decals Installation	A
110	1001265592	Ref	Power Tower Logo Decals Installation	A
110A	1001255475	1	Decal - Strips with JLG Logo	
110A	1001265588	1	Decal - Strips without Logo	
110B	1001255476	1	Decal - Strips with JLG Logo	
110B	1001265589	1	Decal - Strips without Logo	
110C	1001256675	1	Decal - JLG	
110C	1001271160	1	Decal - Power Tower	
110D	1001256676	1	Decal - JLG	
110D	1001271160	1	Decal - Power Tower	
156	1001173703	1	Decal - EAC (Russian/CIS Specs)	
170		Ref	Panel Decal Installation - Options	
170	1001259249	Ref	Panel Decal Installation (ANSI Specs)	A
170	1001259250	Ref	Panel Decal Installation (Japanese Specs)	A
170A	1703816	1	Decal - Danger/Warning (ANSI Specs)	
170A	1001219171	1	Decal - Electrocution (Japanese Specs)	
170B	1001263999	1	Decal - Capacity (606LB/275KG)	
245	1001236984	Ref	Clearsky Decals Installation	B
245A	1001116208	1	Decal - Clearsky	
245B	1001120989	1	Decal - Radio Frequency	

SECTION 7 - RECOMMENDED SERVICE PARTS STOCK

SECTION 7 - RECOMMENDED SERVICE PARTS STOCK

SECTION 7 - RECOMMENDED SERVICE PARTS STOCK

FIGURE 7-1. RECOMMENDED SERVICE PARTS STOCK

ITEM	PART NUMBER	QTY	DESCRIPTION	REV
		Ref	Note: The following list will service one machine (built to current production per date on the front cover) with emergency repair parts which can be installed in the field. Parts from the list should be replaced when inventory is depleted to keep service parts stock supplied. For further information, contact your JLG dealer or the JLG Industries Parts Department.	
	1001228191	1	Breaker, Circuit (Australian Specs)	
	1001189172	1	Breaker, Circuit - 16 Amp (CE & UK CA Specs)	
	1001189171	1	Breaker, Circuit - 30MAmp(CE & UK CA Specs)	
	1001181045	1	Breaker, Circuit - 30mAmp/16Amp Double Breaker (CE & UK CA Specs)	
	1001247682	1	Controller (LCD Platform Console Box)	
	1600402	1	Controller (LED Platform Console Box)	
	80983191	2	Fuse - 10 Amp	
	8229246	2	Fuse - 20 Amp	
	1001196838	2	Fuse - 3 Amp	
	8229242	2	Fuse - 5 Amp	
	2860030	1	Key, Replacement	
	4360469	1	Keyswitch	
	1001248135	1	Module - BMS	
	1001249432	1	Module - Control	
	1001248114	1	Module - Drive	
	1001248114	1	Module - Lift	
	1001260950	1	Module - Logic	
	1001244932	1	Module - Platform Console Box (LCD Platform Console Box)	
	1001228112	1	Module - Platform Console Box (LED Platform Console Box)	
	1001248118	1	Module - Steer	
	1001255592	1	Module - Wake-up	
	3740150	1	Relay	
	1001146963	1	Sensor - Arm Angle	
	1001186466	1	Sensor, Tilt	
	4360475	1	Switch, Emergency Stop	
	1001203871	1	Switch, Limit (Pothole Protection)	
	4360387	1	Switch, Push Button	
	1001226749	1	Switch, Push Button	
	4360328	1	Switch, Toggle	
	4360345	1	Switch, Toggle	

SECTION 8 - SPECIAL OPTIONS/ACCESSORIES/KITS

SECTION 8 - SPECIAL OPTIONS/ACCESSORIES/KITS

SECTION 8 - SPECIAL OPTIONS/ACCESSORIES/KITS

FIGURE 8-1. SPECIAL OPTIONS/ACCESSORIES/KITS

ITEM	PART NUMBER	QTY	DESCRIPTION	REV
		Ref	Note: This list is to accommodate machines ordered with special equipment. Options may not be applicable to all models. For more specific parts information contact the JLG Parts Department.	
		Ref	SPECIAL OPTIONS/ACCESSORIES/KITS	
	1001248630	Ref	Anti-Vandalism Package (LCD Platform Box) (Factory Installed)	
	1001236903	Ref	Anti-Vandalism Package (LED Platform Box) (Factory Installed)	
	1001249639	Ref	Anti-Vandalism Package Add-on Kit (Dealer Installed)	
	1001249229	Ref	Beacon Single Light Add-on Kit (Dealer Installed)	
	1001249326	Ref	Beacon Dual Light Add-on Kit (Dealer Installed)	
		Ref	ClearSky Installation (Factory Installed) Options:	
	1001264435	Ref	ClearSky Installation - Canbus (ANSI & CSA Specs)	
	1001264436	Ref	ClearSky Installation - Canbus (ANSI Export, CE & UK CA Specs)	
	1001264437	Ref	ClearSky Installation - Canbus (Australian Specs)	
	1001229107	Ref	ClearSky Installation - 3-Wire (ANSI & CSA Specs)	
	1001233237	Ref	ClearSky Installation - 3-Wire (ANSI Export, CE & UK CA Specs)	
		Ref	Electrical Connector Kits	
	1001148902	Ref	Amp/Tyco Electrical Connector Kit	
	1001148903	Ref	Deutsch DT Electrical Connector Kit	
	1001148904	Ref	Deutsch HD Electrical Connector Kit	
	1001148905	Ref	Packard Electrical Connector Kit	
	1001148906	Ref	Various Electrical Connector Kit	
	1001208061	Ref	Footswitch Installation (ANSI Export & Japanese Specs Only)	
	1001220933	Ref	Height Restrictor Switch Installation	
	1001269704	Ref	Hostile Environment Package (Kingpins)	
	1001250532	Ref	Mobile Control Add-on Kit (Dealer Installed)	
	1001269651	Ref	Platform Box Cover Kit (Dealer Installed)	
	1001225790	Ref	Platform Extension Deployment Handles Add-on Kit (Dealer Installed)	
	1001224583	Ref	Service Kits List	U
	1001270653	Ref	SkySense Level 1 Installation (Factory Installed)	
	1001273993	Ref	SkySense Level 1 Add-on Kit (Dealer Installed)	
		Ref	Tools for Service	
	2901443	1	Analyzer Kit	
	1001232474	1	Benchtop Harness	
	8896941	1	Wire Stripper	
	7002821	1	Wire Crimper (To install wire ends to wires)	
	7002823	1	Pin/Socket Extractor - Universal (To Remove Pins/Sockets from Connectors)	
	4460467	1	Extractor - 16-18 Gauge (For Removal Pins/Sockets from Deutsch Connectors)	
	4460510	1	Extractor - 12-14 Gauge (For Removal of Pins/Sockets from Deutsch Connectors)	
	7002822	1	Screwdriver, Potentiometer (To Adjust Drive Controllers)	
	7016654	1	Screwdriver, Magnetic	
	7004275	1	Seal Installation Tool - 1in	
	7004276	1	Seal Installation Tool - 1-1/2in	
	7002826	1	Seal Installation Tool - 2in	

SECTION 8 - SPECIAL OPTIONS/ACCESSORIES/KITS

PART NUMBER INDEX

SECTION 8 - SPECIAL OPTIONS/ACCESSORIES/KITS

0100011.....11, 13, 23, 25, 27, 29, 55, 69, 73, 81, 85, 93	0840055..... 157	1001132359 179, 181, 183, 185, 187, 189, 191	1001203444..... 60
0100048.....43	0840059..... 157	1001132361 91, 93	1001203445..... 60
0100051.....47, 49, 51	0861731 ... 163, 169, 171, 173	1001134280 135	1001203446..... 60
0140030..... 91, 93	0861781165, 167	1001134289 61	1001203447..... 60
0140043.....43	0861880 127	1001136757 53	1001203448..... 60
0275216..... 109, 165	0940071 55	1001137675 73	1001203453..... 37
0275217..... 111, 167	0961948 60	1001142173 53	1001203457..... 37
0275452..... 113, 169	0962272 11	1001142174 53	1001203630..... 151
0275453..... 115, 171	0962292 63	1001142960 146	1001203869..... 23
0275454..... 117, 173	1001047064 91	1001143009 53	1001203870..... 23
0440259..... 11	1001091102... 23, 31, 33, 43, 85	1001143010 53	1001203871... 23, 85, 196
0440263.....23	1001092865 60	1001144147 45, 146	1001203872..... 23
0440264.....61	1001097150121, 125	1001144295 146	1001204311..... 60
0440265.....61	1001097347146, 175	1001146963 60, 196	1001204312..... 60
0630183.....73	1001100164 157	1001148902 198	1001204495..... 35
0630580.....21	1001100341 165	1001148903 198	1001204994..... 60
0630613..... 17, 37, 65	1001100342 167	1001148904 198	1001205156..... 71
0641416.....77	1001100342 167	1001148905 198	1001205409..... 45
0700412.....43	1001100345 169	1001148906 198	1001205422..... 73
0700608.....103	1001100346 173	1001150735 161	1001205423..... 73
0700610.....55, 60, 81, 85	1001100347 171	1001150899 161	1001205424..... 73
0700612.....23, 25, 39, 45	1001101540 53	1001152483 129	1001205430..... 73
0700614..... 13, 60	1001102258..... 107, 109, 111, 113, 115, 117, 119, 121, 123	1001153785 11	1001205709..... 71
0700617.....69	1001102349 19	1001154378 83	1001205751..... 11
0700619.....69	1001102351 19	1001157547 53	1001206207..... 75
0700620.....60	1001102353 19	1001159186 53, 147, 159	1001206217..... 75
0700621.....89	1001102354 19	1001162115 189	1001206222..... 75
0700626.....85	1001102489..... 131, 133, 137, 139, 141, 143	1001162864 179, 181, 183, 185, 187, 189, 191	1001206224..... 75
0700812.....81	1001103012 147	1001162887 45, 147	1001206226.... 75, 77, 81, 83, 85
0700814.....135	1001103471121, 135	1001163340 45, 147	1001206228..... 75
0700815.....23	1001104498 147	1001173703 193	1001206487..... 60
0700818...75, 77, 81, 83, 85, 89	1001107854 147	1001181045 127, 196	1001207806..... 75
0700819.....71	1001108603 93	1001182806 35	1001207807..... 83
0700823.....23	1001114467 21	1001186466 25, 196	1001207807..... 133
0700835.....91	1001116208 193	1001187587 ... 77, 81, 83, 85	1001207970..... 133
0701015.....55, 60	1001116694 147	1001187781 43	1001207974..... 131, 135, 137, 139, 141, 143
0701019.....65	1001116698 147	1001187816 123	1001208061..... 198
0701021.....60, 71	1001116732147, 175	1001188116 123	1001208073..... 83
0701024.....65, 69	1001116734 147	1001189171 129, 196	1001208852..... 73
0701026.....69	100111681245, 146	1001189172 129, 196	1001208930..... 107
0701029.....60	1001116815 146	1001192401 146	1001208931..... 119
0711219.....13	1001116994 146	1001194421 147, 159, 161	1001209482..... 113, 115, 129
0760408...47, 49, 51, 107, 109, 111, 113, 115, 117, 123	1001117057147, 175	1001196589 147	1001209596..... 91
0760608...43, 55, 77, 83, 101	1001117107 147	1001196635 45	1001209682..... 43
0760610...13, 43, 53, 60, 91, 101, 109, 111, 113, 115, 117, 121	1001118274 45	1001196838 157, 196	1001209776..... 109, 111, 117, 127
0760612...27, 29, 35, 53, 60	1001118282 147	1001197396 11	1001209906..... 193
0760614.....43, 53	1001120204 109, 111, 113, 115, 117, 121	1001200631 43	1001210064..... 73
0760615.....47, 49, 51	1001120205 125, 127, 129	1001200811 149, 151, 153, 155	1001210302.... 75, 81, 83, 85
0760618.....77	1001120989 193	1001200812 149	1001210440..... 53
0760810.....45, 73	1001125483 53	1001200819 91, 159	1001210442..... 83
0760812.....55, 73, 85	1001128128 147	1001201087 149	1001210443..... 83
0760820.....55	1001128888 60	1001201129 153	1001210444..... 83
0760823.....55	1001130220... 27, 29, 39, 43, 55, 91, 109, 111, 113, 115, 117, 121	1001201707 33	1001210445..... 83
0760827.....13	1001130590 43	1001201885 147, 159, 161	1001210446..... 77, 83
0761010.....11	1001130912 60	1001202184 151	1001210447..... 83
0761019.....77, 83	1001131270179, 187	1001202987 23	1001210458..... 83
0770814.....13	1001132358 91	1001202988 23	1001210586... 75, 81, 83, 85
		1001202994 23	1001210879..... 53
		1001202999 23	1001210881..... 53
		1001203443 60, 71	

SECTION 8 - SPECIAL OPTIONS/ACCESSORIES/KITS

1001210882..... 53	1001226749... 91, 93, 196	1001248311.....11	1001251436..... 23
1001210963 ... 75, 77, 81, 83, 85	1001227219..... 135	1001248493.....49, 51	1001251437..... 23
1001210966..... 13, 60	1001227267..... 121, 135	1001248494.....43	1001251531..... 17
1001211777..... 179	1001227268..... 121	1001248604.....27	1001251532..... 17
1001211779..... 179, 185, 187, 189, 191	1001227269..... 125	1001248605.....29	1001251620..... 17
1001212035..... 159	1001227966..... 39	1001248612.....21	1001253153..... 61
1001212036..... 159	1001228112..... 91, 196	1001248619.....113	1001253800.....93, 99
1001212068..... 23	1001228191..... 125, 196	1001248620.....115	1001254119..... 93
1001212290..... 179, 181, 183, 185, 187, 189, 191	1001228370..... 179, 187	1001248621.....117	1001254171..... 55
1001212291..... 179, 181, 183, 185, 187, 189, 191	1001229107..... 198	1001248622.....109	1001254278..... 55
1001212292..... 179, 181, 183, 185, 187, 189, 191	1001231268..... 60	1001248623.....111	1001254346..... 55
1001212293..... 179, 181, 183, 185, 187, 189, 191	1001231801..... 179, 187	1001248624.....123	1001254382..... 55
1001213886..... 91, 93	1001232474..... 198	1001248628.....193	1001254383..... 55
1001214217..... 25	1001233237..... 198	1001248629.....47	1001254555..... 93
1001214526..... 23	1001234204..... 60	1001248630.....198	1001254686.....93, 161
1001215747..... 185	1001234395.....77	1001248631.....131	1001254825..... 77
1001215748..... 183, 191	1001235536..... 101	1001248632.....133	1001255074..... 103
1001215749..... 187	1001235541..... 71	1001248633.....135	1001255165..... 103
1001215750..... 189	1001235559..... 43	1001248683.....146	1001255337.....47, 49
1001215751..... 189	1001235863..... 101	1001248724.....61	1001255417..... 81
1001215752..... 185	1001235924..... 101	1001248727.....61	1001255420.....81, 86
1001215754..... 191	1001236129..... 73	1001248728.....61	1001255421.....81, 86
1001215755..... 187	1001236139..... 27	1001248730.....61	1001255428.....81, 86
1001215953..... 23	1001236507..... 101	1001248731.....61	1001255430.....81, 86
1001216648..... 183	1001236903..... 198	1001248733.....61	1001255439..... 93
1001216650..... 183	1001236984..... 193	1001248734.....61	1001255442.....81, 86
1001216823..... 89	1001237213..... 147	1001248768.....45	1001255457.....81, 86
1001216865..... 193	1001239224..... 31, 33	1001249069.....147	1001255461..... 93
1001217043..... 73	1001239661..... 31, 33	1001249070.....146	1001255470.....81, 85
1001217059..... 25	1001239824..... 103	1001249071.....146	1001255474..... 193
1001217088..... 43, 103	1001242539..... 31, 33	1001249072.....146	1001255475..... 193
1001217164..... 127, 129	1001242697..... 31	1001249077.....146	1001255476..... 193
1001218285..... 91	1001243528..... 77	1001249082.....77	1001255491.....81, 86
1001218307..... 23	1001244394..... 45	1001249096.....77	1001255492..... 179
1001219171..... 181, 193	1001244462..... 146	1001249107.....77	1001255493..... 189
1001219172..... 181	1001244885..... 45	1001249109.....77	1001255494..... 185
1001220430..... 179, 181, 183, 185, 187, 189, 191	1001244900..... 121	1001249110.....78	1001255495..... 183
1001220893..... 91	1001244932..... 93, 196	1001249111.....77	1001255496..... 191
1001220933..... 198	1001245293..... 45	1001249112.....78	1001255497..... 187
1001221475..... 73	1001245299..... 45	1001249114.....77	1001255498..... 181
1001221476..... 73	1001245353..... 45	1001249149.....61	1001255505.....81, 85
1001222587..... 89	1001245743..... 125	1001249229.....198	1001255507..... 103
1001223055..... 179	1001245744..... 121, 125	1001249259.....93	1001255592... 47, 49, 51, 196
1001223262..... 155	1001245747..... 121	1001249286.....11	1001255595..... 55
1001223263..... 153	1001246584..... 93	1001249295.....11	1001255772..... 147
1001223971..... 187	1001246733..... 13, 15	1001249326.....198	1001256217.....43, 146
1001224048..... 189	1001246823..... 161	1001249432.....43, 196	1001256219..... 93
1001224049..... 191	1001246863..... 93	1001249639.....198	1001256281..... 29
1001224051..... 185	1001246864..... 93	1001250162.....11	1001256471..... 77
1001224052..... 183	1001246979..... 93	1001250316.....11	1001256503..... 135
1001224583..... 198	1001247313..... 93	1001250354.....55	1001256525..... 109, 111, 113, 115, 117, 121
1001224604..... 65	1001247443..... 93	1001250378.....23	1001256657.....81, 85
1001224608..... 65	1001247682... 93, 97, 196	1001250424...47, 49, 51	1001256664...47, 49, 51
1001224614..... 65	1001247862..... 33	1001250425...47, 49, 51	1001256675.....77, 193
1001224620..... 65	1001248114... 13, 61, 196	1001250426..... 13	1001256676..... 193
1001224622..... 65	1001248118..... 11, 196	1001250427..... 13, 61	1001256719..... 121
1001224623..... 65	1001248119... 47, 49, 51	1001250428..... 13, 61	1001257138..... 43
1001225790..... 198	1001248121..... 61, 63	1001250431.....39	1001257607.... 179, 181, 183, 185, 187, 189, 191
1001226423..... 13	1001248123..... 27	1001250503.....61	1001257609..... 193
1001226487..... 11	1001248124..... 29	1001250522.....61	1001257890..... 77
	1001248126..... 179, 181, 183, 185, 187, 189, 191	1001250523.....61	1001258379..... 61
	1001248132..... 161	1001250524.....61	1001258411..... 78
	1001248133..... 161	1001250532.....198	1001258500..... 29
	1001248135... 47, 49, 51, 196	1001250886.....29	1001258517..... 43
	1001248195..... 13	1001250937.....29	
		1001251383.....77	
		1001251388.....77	

SECTION 8 - SPECIAL OPTIONS/ACCESSORIES/KITS

1001258528.....77	1001271160..... 193	2940129..... 81, 85	3910804.....43
1001258617.....77	1001271185..... 103	3080007 ... 75, 81, 83, 85	4010310.....31, 33
1001258618.....77	1001271186..... 103	3121792..... 45	4010405002.....93
1001258620.....77	1001272281..... 61	3252507 ... 111, 113, 115, 117, 119, 121, 123	4010408.....121
1001258704.....77	1001273882..... 63	3271601..... 55	4010414.....103
1001258755.....103	1001273993..... 198	3290305..... 31, 33	4010417.....85
1001258768.....141	1001274168..... 99	3290405 ... 11, 23, 43, 47, 49, 51, 53, 60, 81, 85, 91, 93, 107, 109, 111, 113, 115, 117, 121, 123	4010608....75, 77, 81, 83, 85
1001258770.....143	1001274327..... 51	3290406 85, 93, 103	4010610....109, 111, 113, 115, 117
1001258771.....137	1001274356.....51, 175	3290501..... 77	4010616....75, 81, 83, 85
1001258772.....139	1001274361..... 51	3290505..... 135	4010617.....83
1001258792.....53	1001277304..... 51	3290506..... 81, 85	4010618....75, 77, 81, 83, 85
1001258891.....193	1001279476..... 85	3290601..... 25, 121	4031506.....81, 85
1001259015.....13	1001279477..... 85	3290605 ... 13, 27, 29, 35, 43, 45, 47, 49, 51, 53, 55, 60, 73, 77, 81, 85, 109, 111, 113, 115, 117	4031509.....91
1001259036.....53	1001290010..... 60	3290606 ... 69, 75, 77, 81, 83, 85, 89, 101, 103	4031510..... 11, 93
1001259037.....53	1001290011..... 61	3290801..... 23, 55	4031511.....23, 85
1001259038.....53	1001290016..... 93	3290805 ... 13, 23, 55, 71, 73, 135	4031512.....60
1001259102.....81, 85	1001290161..... 93	3290806 ... 75, 77, 81, 83, 85, 89, 91	4031708.....25
1001259105.....81, 86	1060799..... 55	3291005..... 55, 65, 73	4060803.....39, 43, 91
1001259106.....81, 86	1060908125, 127, 129	3291006 ... 17, 37, 65, 77, 83	4060906.....91, 93
1001259107.....81, 86	1061034..... 60	3291007..... 60, 69, 71	4071095.....77
1001259232.....49, 51	1320302..... 103	3300423..... 19	4160202.....23
1001259249.....193	1321293.....27, 29, 53	3311502..... 73	4160214.....55
1001259250.....193	1321752..... 13	3321402.....60	4220309.....77
1001260636.....69	1380132..... 89	3331211..... 13	4240017....13, 29, 43, 45, 53, 60, 69, 85, 107, 109, 111, 113, 115, 117, 119, 121, 123, 131, 133, 135, 137, 139, 141, 143, 149, 151, 153, 155
1001260768.....69	1380153..... 11	3340962..... 60, 81, 85	4240018.....33
1001260950.....43, 196	1600387..... 69	3422219..... 77, 83	4240147.....23
1001261040.....77	1600402.....91, 95, 196	3422938.....69	4240165.....101
1001261076.....43	1671207..... 163	3423037..... 11	4360328.....43, 196
1001261105.....179, 181, 183, 185, 187, 189, 191	1701640... 179, 181, 183, 185, 187, 189, 191	3423243..... 55	4360336.....53
1001261131.....99	1702010..... 101	3423278..... 91, 93	4360345.....91, 93, 196
1001261149.....81, 85	1702155... 179, 181, 183, 185, 187, 189, 191	3430636..... 23	4360387.....43, 196
1001261153.....103	1703464.....107, 109	3430814..... 73	4360469.....43, 196
1001262150.....99	1703816.....179, 193	3430816..... 73	4360475...43, 91, 93, 196
1001262465.....121, 125	170381991, 93, 179, 181, 183, 185, 187, 189, 191	3430820..... 11	4420037.....101
1001262648.....193	1704016... 179, 181, 183, 185, 187, 189, 191	3431212.....23	4420051.....193
1001262649.....193	1704260.....91, 93	3431218..... 23	4420062....60, 75, 77, 81, 83, 85, 91, 93
1001262651.....193	1704277 ... 179, 181, 183, 185, 187, 189, 191	3450302..... 23	4460019.....147
1001262655.....91	1704684..... 187	3450303..... 55	4460042.....147
1001262656.....91	1704691..... 191	3450403..... 73	4460138.....107
1001263249.....193	1704699..... 183	3450406..... 19	4460144.....161
1001263450.....69, 157	1705195..... 185	3450505..... 23	4460183....147, 159, 161
1001263568.....69	1705648..... 193	3520072 ... 65, 75, 77, 81, 83, 85	4460227.....161
1001263570.....69	1706679..... 43	3574505..... 101	4460234.....103
1001263805.....85	2080040 ... 73, 75, 77, 81, 83, 85, 179, 181, 183, 185, 187, 189, 191	3740150..... 43, 53, 196	4460247.....147
1001263808.....85	2080057 ... 179, 181, 183, 185, 187, 189, 191	3760115..... 60	4460259.....147
1001263850.....85	2080063..... 103	3760170..... 60	4460260.....147
1001263999.....193	2400060....45, 146, 157, 175	3760217..... 11	4460265.....159, 161
1001264079.....85	2420172..... 43	3760387.....60	4460267.....159
1001264110.....85	2560088..... 89	3820019..... 89	4460315.....107, 123
1001264435.....198	2560190..... 89	3820032..... 77	4460346.....163
1001264436.....198	2600281 ... 75, 77, 81, 83, 85	3841143..... 60	4460418.....53, 147, 159
1001264437.....198	260092..... 147	3860111 ... 75, 77, 81, 83, 85	4460464....35, 45, 53, 60, 61, 86, 146, 149, 151, 153, 155, 157, 159, 161, 175
1001265527.....69	2780266.....13, 19	3900270..... 11	
1001265528.....69	2860030.....43, 196	3900381..... 135	
1001265588.....193	2901443..... 198		
1001265589.....193	2902431.....107, 163		
1001265592.....193			
1001266168.....55			
1001266450.....13			
1001266708.....43			
1001267364.....55			
1001267365.....55			
1001269651.....198			
1001269704.....198			
1001270653.....198			
1001270870.....103			

SECTION 8 - SPECIAL OPTIONS/ACCESSORIES/KITS

4460465 ... 31, 33, 45, 61, 86, 146, 147, 149, 151, 153, 155, 157, 175	4460941..... 175	4811900.... 13, 23, 45, 55, 71, 73, 75, 77, 81, 83, 85, 89, 91	70007534..... 63
4460466 ... 45, 53, 61, 86, 146, 147, 149, 151, 153, 155, 157, 159	4460943..... 45, 146, 149, 151, 153, 155, 157	4811902..... 23, 55, 135	70007535..... 63
4460467 198	4460944..... 45, 146, 149, 151, 153, 155, 157, 161	4812000.... 11, 17, 23, 55, 60, 65, 69, 73, 77, 83	70007536..... 63
4460496 91	4460956..... 127	4812002..... 37, 55, 73	70007538..... 15
4460497 91	4460957..... 127	4812500..... 23	70007539..... 15
4460509 147	4460968..... 123	4831600..... 135	70007540..... 15
4460510 198	4461016..... 159, 161	4846757..... 11	70007541..... 15
4460518 146	4461018..... 147	5240800..... 13	70007542..... 15
4460536 86	4461076..... 146	5241000..... 73	70007543..... 15
4460539 147, 153, 155	4461077..... 147	5241200..... 13	70007544..... 15
4460648 147	4461128..... 147	70000082..... 95, 97	70007545..... 15
4460662 ... 113, 115, 117, 163	4461196..... 137, 165	70000084..... 95, 97	70007546..... 15
4460722 53, 175	4461198..... 165	70000191..... 15	70007547..... 15
4460754 ... 149, 151, 153, 155	4461199..... 139, 167	70000683..... 95, 97	70007548..... 15
4460836 146, 157	4461201..... 167	70000684..... 95, 97	70007549..... 15
4460837 146	4461205.... 141, 169, 171	70000685..... 95, 97	70007550..... 15
4460844 85	4461229..... 147	70000686..... 95, 97	70007551..... 15
4460871 ... 146, 147, 161	4461244..... 169	70001250..... 95, 97	70007552..... 15
4460872 147	4461245..... 171	70001251..... 95, 97	70007553..... 15
4460873 161	4461246..... 173	70001252..... 95, 97	7002821 198
4460877 146	4461249..... 143, 173	70001253..... 95, 97	7002822 198
4460884 45, 146	4461257..... 109, 111	70001739..... 15	7002823 198
446089131, 33, 146, 153, 155, 175	4461258..... 109, 111	70001878..... 60	7002826 198
4460894 ... 146, 149, 151, 153, 155, 157	4711400..... 103	70003650..... 95	7004275 198
446089735, 53, 146, 153, 155, 175	4711700..... 91	70007193..... 15	7004276 198
4460899 60, 149, 151, 153, 155, 157	4711800..... 73	70007195..... 15	7016654 198
4460905 146, 147, 161	4740438..... 60	70007196..... 15	7020175 43, 91, 93
4460911 147	4740468..... 19	70007199..... 15	7020176 43, 91, 93
4460920 146	4740531..... 60	70007201..... 15	7020218 60
4460928 147	4751600..... 55	70007203..... 15	7027365 95, 97
4460930 61, 146	4811400... 47, 49, 51, 53, 60, 81, 85, 91, 93, 107, 109, 111, 113, 115, 117, 121, 123	70007204..... 15	7027367 95, 97
4460931 61	4811700... 13, 35, 43, 45, 47, 49, 51, 53, 55, 60, 69, 75, 77, 81, 83, 85, 91, 93, 101, 103, 109, 111, 113, 115, 117, 121	70007205..... 15	7027765 95, 97
4460932 45	4811702... 13, 23, 25, 27, 29, 39, 43, 55, 60, 89	70007206..... 15	7027766 95, 97
4460933 157		70007207..... 15	80983191 146, 196
		70007490..... 15	8220045 146
		70007491..... 15	8220051 146, 161
		70007492..... 15	8229242 146, 175, 196
		70007494..... 15	8229246 146, 196
		70007506..... 97	86683122 103
		70007532..... 63	8750014 13
		70007533..... 63	8896941 198
			8990147 ... 179, 181, 183, 185, 187, 189, 191



**Corporate Office
JLG Industries, Inc.
1 JLG Drive
McConnellsburg, PA 17233-9533 USA
☎ (717) 485-5161 (Corporate)
☎ (877) 554-5438 (Customer Support)
📠 (717) 485-6417**

**Visit our website for JLG Worldwide Locations.
www.jlg.com**



OSHKOSH™