



Illustrated Parts Manual

Models
RT3394
RT4394

PVC
2110

P/N
31219127
February 5, 2024 - Rev B

ANSI

CE



UK
CA

AS/NZS

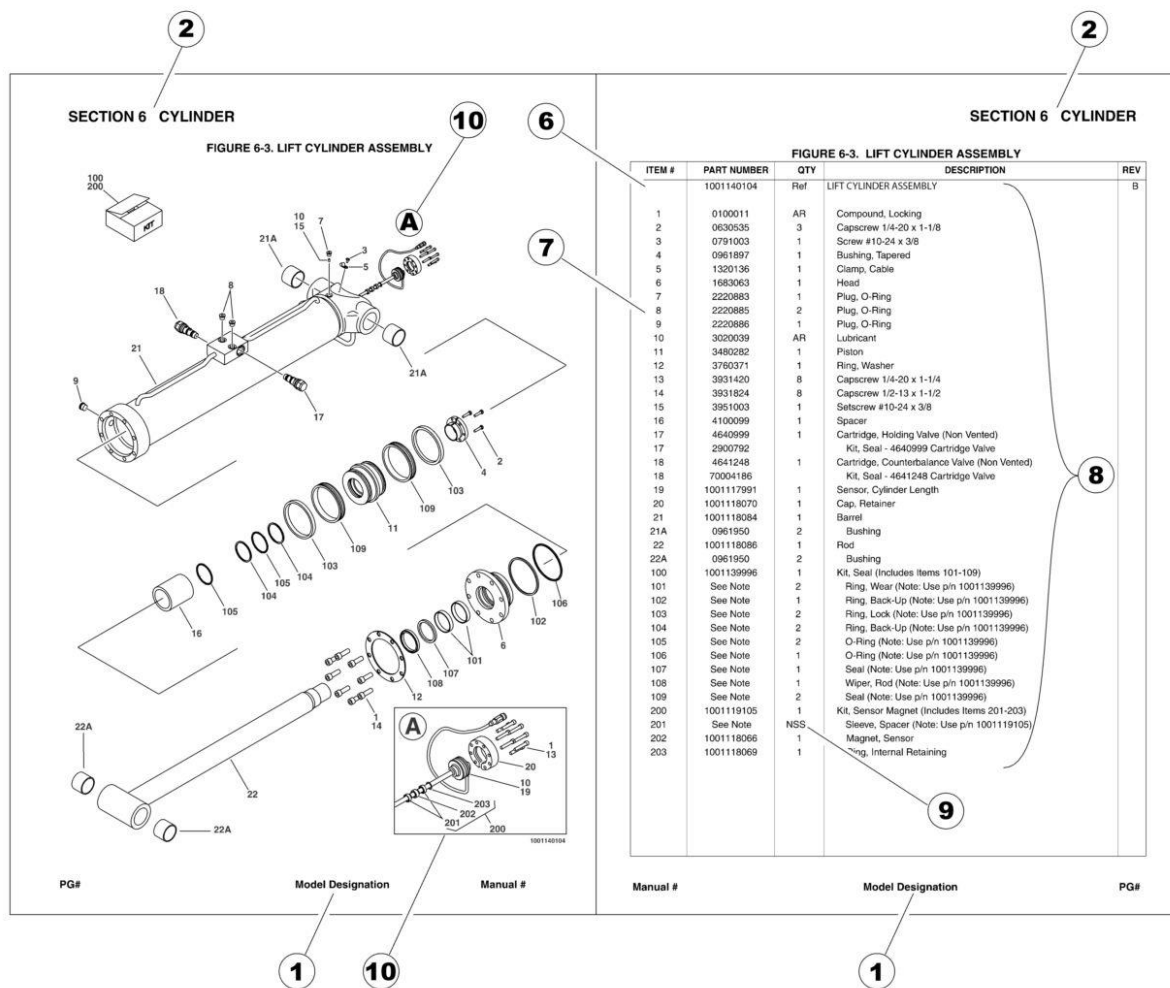


An Oshkosh Corporation Company

REVISION LOG

October 1, 2021 - A - Original Issue of Manual (Edited to 1001264334 Rev F)
February 5, 2024 - B - Revised Manual (Edited to 1001264334 Rev F)

GENERAL INFORMATION



1) MACHINE IDENTIFICATION

Machines are identified by model and in some cases a combination of models, serial number (SN) or regional standard (i.e ANSI, CE, CSA). Components may also be identified by SN or manufacturer. Common components that may be identified by these characteristics are engines and hydraulic components.

2) PARTS MANUAL ORGANIZATION

Product information in this manual is organized under section titles. Frame, Cylinder, Hydraulic and Electrical are a few examples. Each section is organized by figure and page number. The information within the Figure is then organized by item number, part number, description and corresponding illustration (s).

3) TABLE OF CONTENTS (NOT SHOWN)

A table of contents is found toward the beginning of the manual. Figure number, description and page number are provided for quick reference to the page containing the related information.

4) RECOMMENDED SPARE PARTS (NOT SHOWN)

The Recommended Spare Parts List, located near the end of the manual, reference most frequently used maintenance parts.

5) PART NUMBER INDEX (NOT SHOWN)

A numerical index listing all part numbers and the corresponding page number(s) appears at the back of the manual.

GENERAL INFORMATION

6) NON-SERVICED PARTS

In some instances, it is necessary to display non-serviced parts, assemblies or installations. In the case of assemblies and installations there will be a Ref in the Qty. column. In case of parts that are not available for service within assemblies or components, there will be a NSS (Not Sold Separately) or NLA (No Longer Available) listed in the Qty. column of the manual.

7) PARTS LIST ITEM NUMBERS

Numbers shown in the item# column correspond to numbers used in the associated illustration (s). Item numbers which are missing from the sequence in the parts list are not used on that page.

8) INDENTED PARTS DESCRIPTION

An indented part description is included in the item under which it is indented.

9) ABBREVIATION AND SYMBOLS

AC.....	Alternating Current	L.....	Liter
ADE.....	Advanced Design Electronics	LB(LBS).....	Pounds
AG.....	Agricultural	LCD.....	Liquid Crystal Display
ANSI.....	American National Standards Institute	LED.....	Light Emitting Diodes
AR.....	As Required	LH.....	Left Hand
ASSY.....	Assembly	LRC.....	Low Rated Countries
AUS.....	Australia	LSS.....	Load Sensing System
AUX.....	Auxiliary	M(m).....	Metric/Meter
AWG.....	American Wire Gauge	MM(mm).....	Milimeter
B/M.....	Bill of Material	mA.....	Miliamps
CAC.....	Charge Air Cooler	NLA.....	No Longer Available
CE.....	European Conformity	NPT.....	National Pipe Threads
CCW.....	Counter Clockwise	NSS.....	Not Sold Separately
CM.....	Centimeter	OD.....	Outside Diameter
CW.....	Clockwise	ORB.....	O-Ring Boss
CSA.....	Canadian Standards Association	ORFS.....	O-Ring Face Seal
CYL.....	Cylinder	OZ (oz).....	Ounces
DIA.....	Diameter	PG.....	Page
DC.....	Direct Current	PN.....	Part Number
DEF.....	Diesel Exhaust Fluid	QT(qt.).....	Quarts
EMS.....	Emergency Stop	QTY.....	Quantity
ENG.....	Engine	REF.....	Reference
FT(ft).....	Feet	REV.....	Revision Level
GA(Ga).....	Gauge	RH.....	Right Hand
HRC.....	High Rated Countries	SAE.....	Society of Automotive Engineers
HVAC.....	Heating, Ventilating, and Air Conditioning	SN.....	Serial Number
HYD.....	Hydraulic	SPEC(S).....	Specifications
Hz.....	Hertz	T/T.....	Turntable
ID.....	Inside Diameter	UGM.....	Universal Ground Module
IN.....	inches	V.....	Volts
ISO.....	International Organization for Standards	W.....	Watts
JIC.....	Joint Industry Council	#.....	Number
KG.....	Kilogram		

10) ILLUSTRATION REFERENCE LETTERS

When necessary, illustrations may contain reference letters that are intended to track information (i. e. hoses, harnesses) from one point to another or to track visual enlargement of components to show details that may be located in another area on the illustration.

Note: Due to continuous product improvements, JLG Industries, Inc. reserves the right to make specification changes without prior notification. Contact JLG Industries, Inc. for updated information.

TABLE OF CONTENTS

SECTION 1 - FRAME.....	11
FIGURE 1-1. AXLE INSTALLATION	12
FIGURE 1-2. STEER INSTALLATION (ALL SPECS EXCEPT CE AND JAPANESE SPECS)	14
FIGURE 1-3. STEER INSTALLTION (CE, JAPANESE & UK CA SPECS).....	16
FIGURE 1-4. DRIVE/BRAKE INSTALLATION	18
FIGURE 1-5. DRIVE HUB ASSEMBLY - FRONT.....	20
FIGURE 1-6. DRIVE HUB AND BRAKE ASSEMBLY - REAR	22
FIGURE 1-7. DRIVE MOTOR ASSEMBLY	26
FIGURE 1-8. TIRE AND WHEEL INSTALLATION - 12 X 16.5 FOAM FILLED (AVAILABLE ON ALL SPECS).....	28
FIGURE 1-9. TIRE AND WHEEL INSTALLATION - 12 X 16.5 FOAM-FILLED NON MARKING	30
FIGURE 1-10. TIRE AND WHEEL INSTALLATION - 33/16LL X 16.1 FOAM-FILLED	32
FIGURE 1-11. TIRE AND WHEEL INSTALLATION - 33/1550-16.5 FOAM-FILLED	34
FIGURE 1-12. TIRE AND WHEEL INSTALLATION - IN315/55D20 FOAM-FILLED	36
FIGURE 1-13. STROBE LIGHT INSTALLATION (AMBER)	38
FIGURE 1-14. LEVELING JACKS INSTALLATION.....	40
FIGURE 1-15. LEVELING JACKS ASSEMBLY.....	42
FIGURE 1-16. LEVELING JACKS VALVE ASSEMBLY	44
SECTION 2 - GROUND CONTROLS	47
FIGURE 2-1. VALVES INSTALLATION (ALL SPECS EXCEPT CE AND JAPANESE SPECS)	48
FIGURE 2-2. VALVES INSTALLATION (CE, JAPANESE & UK CA SPECS)	50
FIGURE 2-3. MAIN VALVE ASSEMBLY (ALL SPECS EXCEPT CE, JAPANESE & UK CA SPECS)	52
FIGURE 2-4. MAIN VALVE ASSEMBLY (CE, JAPANESE & UK CA SPECS).....	54
FIGURE 2-5. FLOW DIVIDER VALVE ASSEMBLY	56
FIGURE 2-6. TANKS AND HORN INSTALLATION (DIESEL MACHINES).....	58
FIGURE 2-7. TANKS AND HORN INSTALLATION (GAS MACHINES).....	60
FIGURE 2-8. HYDRAULIC TANK ASSEMBLY.....	62
FIGURE 2-9. GROUND CONTROL BOX ASSEMBLY (DIESEL MACHINES).....	64
FIGURE 2-10. GROUND CONTROL BOX ASSEMBLY (GAS MACHINES).....	66
FIGURE 2-11. MOTION ALARM INSTALLATION	68
FIGURE 2-12. HOODS AND LADDERS INSTALLATION (RT3394).....	70
FIGURE 2-13. HOODS AND LADDERS INSTALLATION (RT4394).....	74
SECTION 3 - ENGINE	79
FIGURE 3-1. ENGINE INSTALLATION - KUBOTA DIESEL T4F	80
FIGURE 3-2. ENGINE AND PUMP SUB-ASSEMBLY - KUBOTA DIESEL E4B	84
FIGURE 3-3. ENGINE ASSEMBLY - KUBOTA DIESEL E4B.....	86
FIGURE 3-4. ENGINE INSTALLATION - KUBOTA DIESEL STAGE T4F WITH GENERATOR	90
FIGURE 3-5. ENGINE AND PUMP SUB-ASSEMBLY - KUBOTA DIESEL E4B WITH GENERATOR.....	94
FIGURE 3-6. ENGINE ASSEMBLY - KUBOTA DIESEL E4B WITH GENERATOR.....	96
FIGURE 3-7. ENGINE COMPONENTS - KUBOTA DIESEL E4B	100
FIGURE 3-8. ENGINE INSTALLATION - KUBOTA GASOLINE.....	104
FIGURE 3-9. ENGINE AND PUMP SUB-ASSEMBLY - KUBOTA GASOLINE	108
FIGURE 3-10. ENGINE ASSEMBLY - KUBOTA GASOLINE.....	110
FIGURE 3-11. ENGINE INSTALLATION - KUBOTA GASOLINE WITH GENERATOR	114

TABLE OF CONTENTS

FIGURE 3-12. ENGINE AND PUMP SUB-ASSEMBLY - KUBOTA GASOLINE WITH GENERATOR	118
FIGURE 3-13. ENGINE ASSEMBLY - KUBOTA GASOLINE WITH GENERATOR.....	120
FIGURE 3-14. ENGINE COMPONENTS - KUBOTA GASOLINE	124
FIGURE 3-15. FUEL/WATER SEPARATOR ASSEMBLY - DIESEL ENGINES	128
FIGURE 3-16. COUPLING KIT - DIESEL ENGINES	130
FIGURE 3-17. COUPLING KIT - GASOLINE ENGINES.....	132
FIGURE 3-18. PISTON PUMP ASSEMBLY.....	134
FIGURE 3-19. 7500W GENERATOR INSTALLATION - 50HZ (KUBOTA DIESEL)	138
FIGURE 3-20. 7500W GENERATOR INSTALLATION - 60HZ (KUBOTA DIESEL)	142
FIGURE 3-21. 7500W GENERATOR INSTALLATION - 60HZ (KUBOTA GASOLINE)	146
SECTION 4 - SCISSORS ARMS.....	151
FIGURE 4-1. SCISSORS ARMS INSTALLATION (RT3394)	152
FIGURE 4-2. SCISSORS ARMS ASSEMBLY (RT3394)	154
FIGURE 4-3. SCISSORS ARMS INSTALLATION - WITH GENERATOR (RT3394)	160
FIGURE 4-4. SCISSORS ARMS ASSEMBLY - WITH GENERATOR (RT3394)	162
FIGURE 4-5. SCISSORS ARMS INSTALLATION (RT4394)	168
FIGURE 4-6. SCISSORS ARMS ASSEMBLY (RT4394)	170
FIGURE 4-7. SCISSORS ARMS INSTALLATION - WITH GENERATOR (RT4394)	176
FIGURE 4-8. SCISSORS ARMS ASSEMBLY - WITH GENERATOR (RT4394)	178
SECTION 5 - PLATFORM.....	183
FIGURE 5-1. PLATFORM MOUNT INSTALLATION (LSS)	184
FIGURE 5-2. PLATFORM WITH SINGLE EXTENSION INSTALLATION.....	186
FIGURE 5-3. PLATFORM (12.6FT/3.84M LENGTH) WITH DUAL EXTENSION INSTALLATION	188
FIGURE 5-4. RAIL INSTALLATION - PLATFORM WITH SINGLE EXTENSION.....	190
FIGURE 5-5. RAIL INSTALLATION - 12.6FT/3.84M LENGTH PLATFORM WITH DUAL EXTENSION.....	194
FIGURE 5-6. PLATFORM CONSOLE BOX INSTALLATION - DIESEL MACHINES (WITHOUT LEVELING JACKS).....	198
FIGURE 5-7. PLATFORM CONSOLE BOX INSTALLATION - DIESEL MACHINES (WITH LEVELING JACKS)	200
FIGURE 5-8. PLATFORM CONSOLE BOX INSTALLATION - GASOLINE MACHINES (WITHOUT LEVELING JACKS)	202
FIGURE 5-9. PLATFORM CONSOLE BOX INSTALLATION - GASOLINE MACHINES (WITH LEVELING JACKS).....	204
FIGURE 5-10. DRIVE/STEER CONTROLLER ASSEMBLY	206
FIGURE 5-11. PLATFORM MODULE INSTALLATION (LSS)	208
FIGURE 5-12. PIPE RACKS INSTALLATION (OPTIONAL)	210
FIGURE 5-13. WELDER ASSEMBLY	212
FIGURE 5-14. WORKSTATION INSTALLATION (OPTIONAL)	214
SECTION 6 - CYLINDER.....	217
FIGURE 6-1. AXLE LOCKOUT CYLINDER ASSEMBLY.....	218
FIGURE 6-2. LEVELING JACK CYLINDER ASSEMBLY.....	220
FIGURE 6-3. LIFT CYLINDER ASSEMBLY	222
FIGURE 6-4. STEER CYLINDER ASSEMBLY	224
SECTION 7 - HYDRAULIC.....	227
FIGURE 7-1. HYDRAULIC DIAGRAM - LEVELING JACKS.....	228
FIGURE 7-2. HYDRAULIC DIAGRAM - STANDARD (ALL SPECS EXCEPT CE, JAPANESE & UK CA SPECS)	230
FIGURE 7-3. HYDRAULIC DIAGRAM - STANDARD (CE, JAPANESE & UK CA SPECS).....	234

TABLE OF CONTENTS

SECTION 8 - ELECTRICAL	239
FIGURE 8-1. AC BOX AT PLATFORM INSTALLATION - 110V GFI (ALL SPECS EXCEPT AUSTRALIAN, CE & UK CA SPECS)	240
FIGURE 8-2. AC BOX AT PLATFORM INSTALLATION - 220V (PLUG AND RECEPTACLE SUPPLY LOCALLY) (ALL SPECS EXCEPT AUSTRALIAN, CE & UK CA SPECS)	242
FIGURE 8-3. AC BOX AT PLATFORM INSTALLATION - 220V (PLUG AND RECEPTACLE BOX SUPPLY LOCALLY) (ALL SPECS EXCEPT JAPANESE SPECS)	244
FIGURE 8-4. AC BOX AT PLATFORM INSTALLATION - 110V IEC YELLOW (CE & UK CA SPECS)	246
FIGURE 8-5. AC BOX AT PLATFORM INSTALLATION - 220V IEC BLUE (CE & UK CA SPECS)	248
FIGURE 8-6. AC BOX AT PLATFORM INSTALLATION - 220V AFSINT 107 (CE & UK CA SPECS)	250
FIGURE 8-7. AC BOX AT PLATFORM INSTALLATION - 220V CEE7 POST GROUND 2X4 BOX (CE & UK CA SPECS)	252
FIGURE 8-8. AC BOX AT PLATFORM INSTALLATION - 220V CEE7 POST GROUND 70X70 BOX (CE & UK CA SPECS)	254
FIGURE 8-9. AC BOX AT PLATFORM INSTALLATION - 220V CEE7 SIDE GROUND 2X4 BOX (CE & UK CA SPECS)	256
FIGURE 8-10. AC BOX AT PLATFORM INSTALLATION - 220V CEE7 SIDE GROUND 70X70 BOX (CE & UK CA SPECS) ...	258
FIGURE 8-11. BATTERY CABLE KIT	260
FIGURE 8-12. BREAKER BOX KIT	262
FIGURE 8-13. CHASSIS HARNESS	264
FIGURE 8-14. ENGINE HARNESS - KUBOTA DIESEL	268
FIGURE 8-15. ENGINE HARNESS - KUBOTA GASOLINE	272
FIGURE 8-16. GENERATOR HARNESS - 7500W.....	276
FIGURE 8-17. GROUND CONTROL BOX HARNESS (LOWER)	278
FIGURE 8-18. GROUND CONTROL BOX HARNESS (UPPER)	280
FIGURE 8-19. GROUND TO PLATFORM HARNESS (RT3394)	282
FIGURE 8-20. GROUND TO PLATFORM HARNESS (RT4394)	284
FIGURE 8-21. LEVELING JACKS HARNESS.....	286
FIGURE 8-22. LSS HARNESS.....	288
FIGURE 8-23. PLATFORM CONTROL BOX HARNESS	290
FIGURE 8-24. PLATFORM MODULE HARNESS	292
FIGURE 8-25. RECEPTACLE BOX KIT - 110V GFI.....	294
FIGURE 8-26. RECEPTACLE BOX KIT - 110V IEC YELLOW (CE & UK CA SPEC)	296
FIGURE 8-27. RECEPTACLE BOX KIT - 220V IEC BLUE (CE & UK CA SPEC)	298
FIGURE 8-28. RECEPTACLE BOX KIT - 220V AFSINT 107 (CE & UK CA SPEC).....	300
FIGURE 8-29. RECEPTACLE BOX KIT - 220V CEE7 POST GROUND (CE & UK CA SPEC)	302
FIGURE 8-30. RECEPTACLE BOX KIT - 220V CEE7 POST GROUND 70X70 BOX (CE & UK CA SPEC)	304
FIGURE 8-31. RECEPTACLE BOX KIT - 220V CEE7 SIDE GROUND (CE & UK CA SPEC).....	306
FIGURE 8-32. RECEPTACLE BOX KIT - 220V CEE7 SIDE GROUND 70X70 BOX (CE & UK CA SPEC).....	308
FIGURE 8-33. RECEPTACLE/BREAKER BOX ASSEMBLY - 220V GFI.....	310
SECTION 9 - DECALS.....	313
FIGURE 9-1. DECAL INSTALLATION - ANSI AND ANSI EXPORT SPECS (ENGLISH)	314
FIGURE 9-2. DECAL INSTALLATION - AUSTRALIAN, CE, JAPANESE & UK CA SPEC (ENGLISH)	316
FIGURE 9-3. DECAL INSTALLATION - BRAZIL SPECS (SPANISH/PORTUGUESE).....	318
FIGURE 9-4. DECAL INSTALLATION - CHINESE SPECS (ENGLISH/CHINESE)	320
FIGURE 9-5. DECAL INSTALLATION - CSA SPECS (ENGLISH/FRENCH)	322
FIGURE 9-6. DECAL INSTALLATION - KOREAN SPECS (ENGLISH/KOREAN)	324
FIGURE 9-7. DECAL INSTALLATION - LATIN AMERICAN SPECS (ENGLISH/SPANISH).....	326

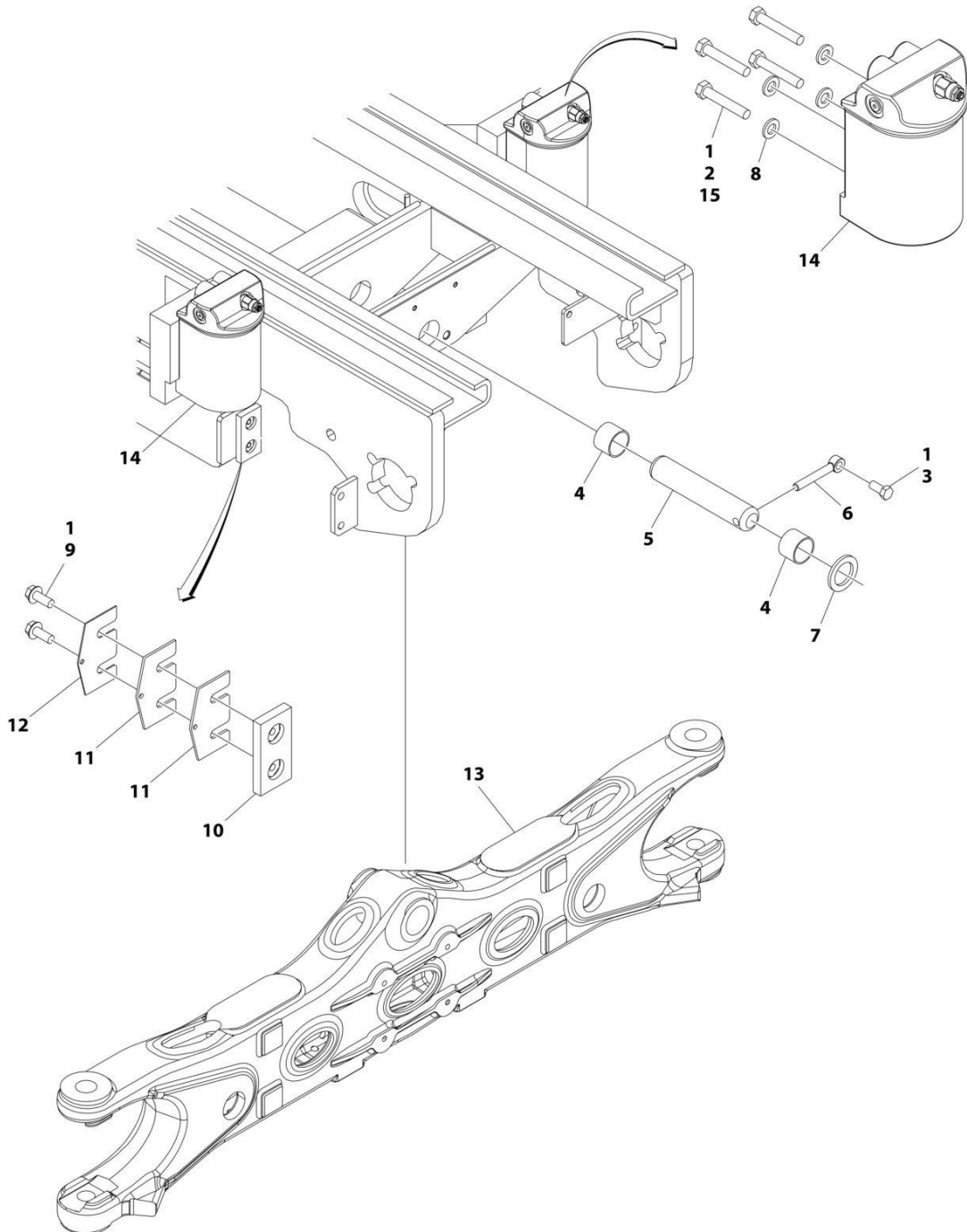
TABLE OF CONTENTS

FIGURE 9-8. DECAL INSTALLATION - OPTIONS.....	328
SECTION 10 - RECOMMENDED SERVICE PARTS STOCK.....	331
FIGURE 10-1. RECOMMENDED SERVICE PARTS STOCK.....	332
SECTION 11 - SPECIAL OPTIONS/ACCESSORIES/KITS.....	335
FIGURE 11-1. SPECIAL OPTIONS/ACCESSORIES/KITS.....	336
PART NUMBER INDEX.....	339

SECTION 1 - FRAME

SECTION 1 - FRAME

FIGURE 1-1. AXLE INSTALLATION



ART_1001204606

SECTION 1 - FRAME

FIGURE 1-1. AXLE INSTALLATION

ITEM	PART NUMBER	QTY	DESCRIPTION	REV
	1001204606	Ref	AXLE INSTALLATION	B
1	0100011	AR	Compound, Locking	
2	0701222	8	Bolt M12 x 70	
3	0642012	1	Bolt 5/8 x 1-1/2	
4	0961950	2	Bearing	
5	3422592	1	Pin	
6	3841258	1	Keeper, Pin	
7	4740158	1	Washer	
8	5241200	8	Washer M12	
9	5251012	4	Bolt M10 x 25	
10	1001118511	2	Pad	
11	1001118518	4	Shim, 11GA	
12	1001118519	2	Shim, 16GA	
13	1001162995	1	Axle	
14	1001163580	2	Axle Lockout Cylinder Assembly (See Separate Breakdown in CYLINDER SECTION)	
15	0100038	AR	Primer, Locking	

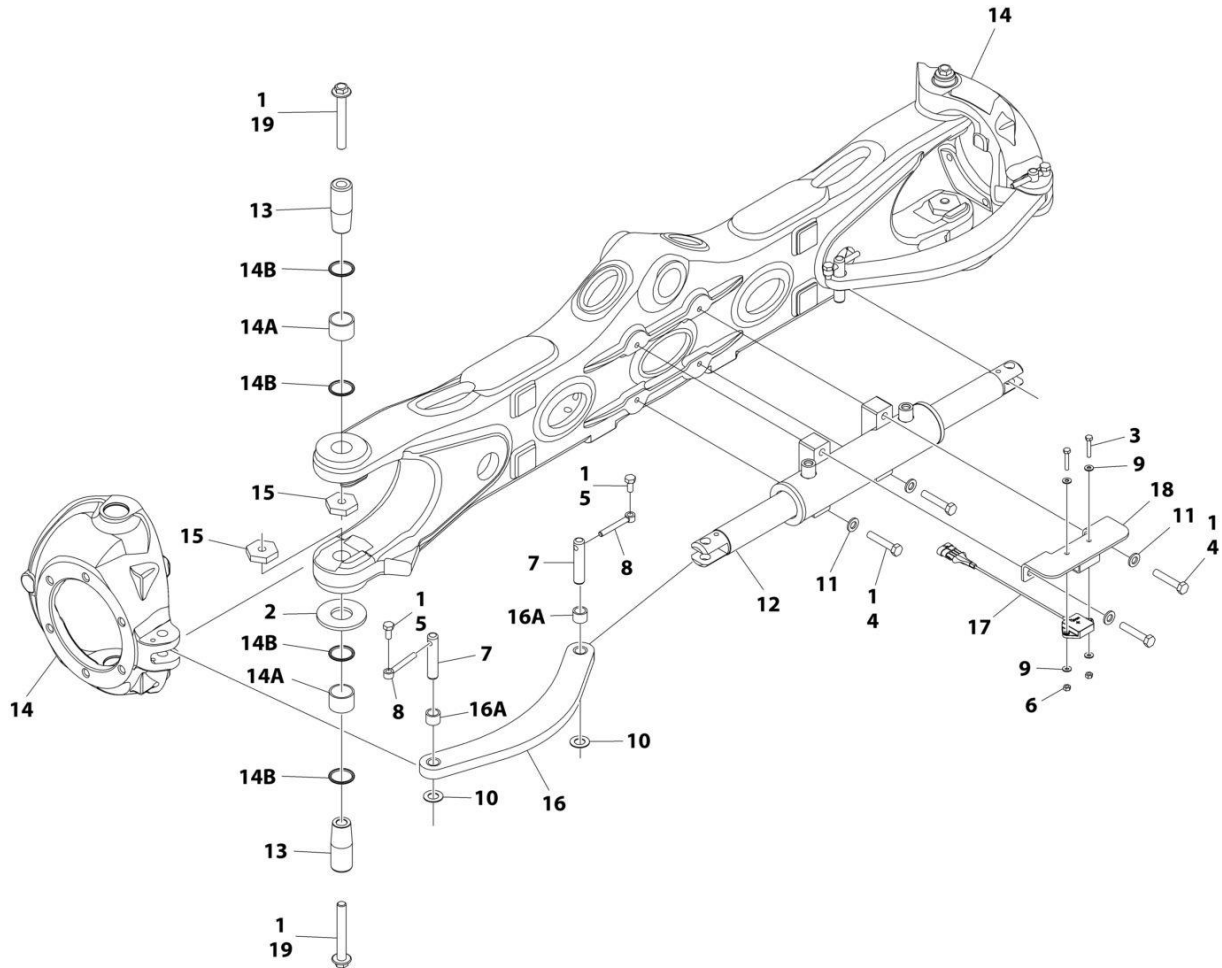
SECTION 1 - FRAME

FIGURE 1-2. STEER INSTALLATION (ALL SPECS EXCEPT CE AND JAPANESE SPECS)

ITEM	PART NUMBER	QTY	DESCRIPTION	REV
	1001204611	Ref	STEER INSTALLATION	B
1	0100011	AR	Compound, Locking	
2	0440271	2	Bearing	
3	0711221	4	Bolt M12 x 65	
4	0761011	4	Bolt M10 x 22	
5	3423304	4	Pin	
6	3841143	4	Keeper, Pin	
7	4740086	4	Washer	
8	5241200	4	Washer M12	
9	1001163178	1	Steer Cylinder Assembly (See Separate Breakdown in CYLINDER SECTION)	
10	1001163405	4	Kingpin	
11	1001163715	2	Spindle	
11A	0961948	4	Bearing (2 Per Spindle)	
11B	1001163716	8	Seal (4 Per Spindle)	
12	1001176848	4	Nut M16	
13	1001163179	2	Link, Tierod	
13A	1001164209	4	Bearing (2 Per Link)	
14	1001190368	4	Bolt M16 x 120	

SECTION 1 - FRAME

FIGURE 1-3. STEER INSTALLTION (CE, JAPANESE & UK CA SPECS)



ART_1001204612

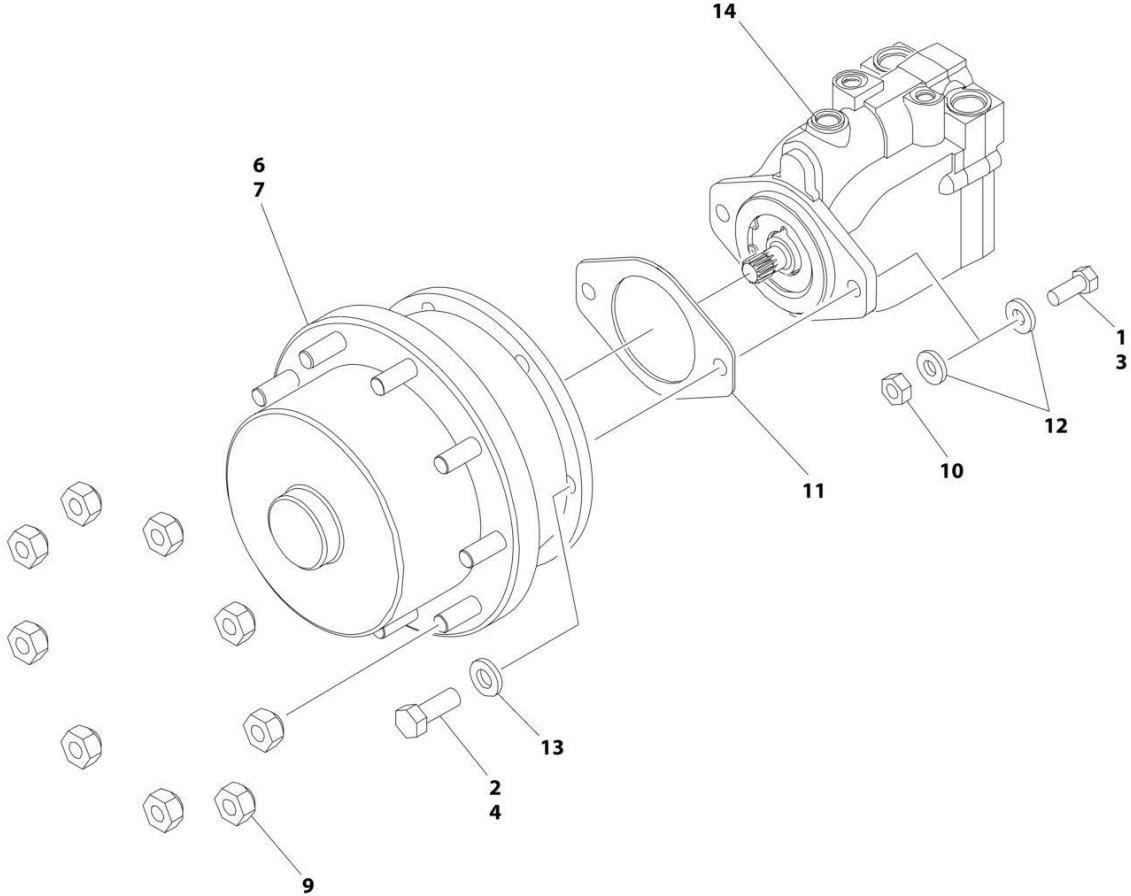
SECTION 1 - FRAME

FIGURE 1-3. STEER INSTALLTION (CE, JAPANESE & UK CA SPECS)

ITEM	PART NUMBER	QTY	DESCRIPTION	REV
	1001204612	Ref	STEER INSTALLATION	C
1	0100011	AR	Compound, Locking	
2	0440271	2	Bearing	
3	0641412	2	Bolt 1/4 x 1-1/2	
4	0711221	4	Bolt M12 x 65	
5	0761011	4	Bolt M10 x 22	
6	3311405	2	Nut 1/4	
7	3423304	4	Pin	
8	3841143	4	Keeper, Pin	
9	4711400	4	Washer 1/4	
10	4740086	4	Washer	
11	5241200	4	Washer M12	
12	1001163178	1	Steer Cylinder Assembly (See Separate Breakdown in CYLINDER SECTION)	
13	1001163405	4	Kingpin	
14	1001163715	2	Spindle	
14A	0961948	4	Bearing (2 Per Spindle)	
14B	1001163716	8	Seal (4 Per Spindle)	
15	1001176848	4	Nut M16	
16	1001163179	2	Link, Tierod	
16A	1001164209	4	Bearing (2 Per Link)	
17	1001186467	1	Sensor, Dual Axis	
17	See Note	NSS	Receptacle, Female - 4 Position (Note: Not Available for Purchase)	
17	See Note	NSS	Terminal (Note: Not Available for Purchase)	
18	1001187695	1	Bracket	
19	1001190368	4	Bolt M16 x 120	

SECTION 1 - FRAME

FIGURE 1-4. DRIVE/BRAKE INSTALLATION



ART_1001204613_C

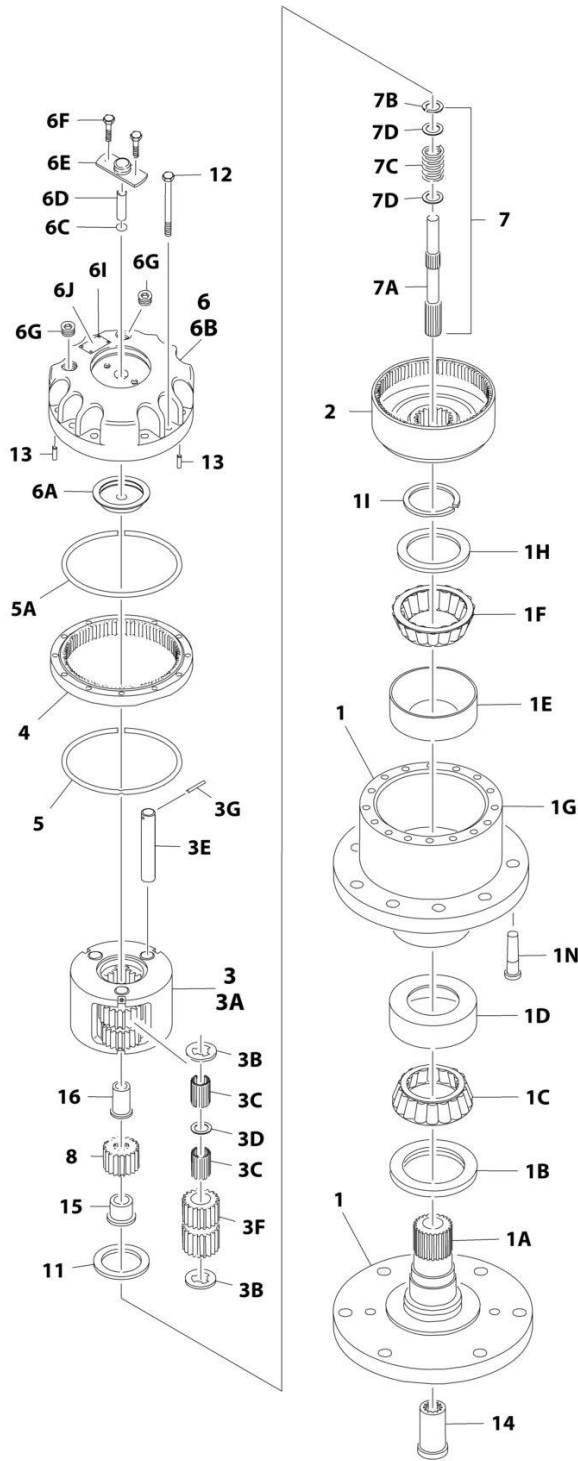
SECTION 1 - FRAME

FIGURE 1-4. DRIVE/BRAKE INSTALLATION

ITEM	PART NUMBER	QTY	DESCRIPTION	REV
	1001204613	Ref	DRIVE/BRAKE INSTALLATION	C
1	0100011	AR	Compound, Locking	
2	0100019	AR	Compound, Locking	
3	0681810	4	Bolt 1/2 x 1-1/4	
4	0682014	24	Bolt 5/8 x 1-3/4	
6	2780267	2	Drive Hub with Brake Assembly (Rear) (See Separate Breakdown in this Section)	
7	2780268	2	Drive Hub without Brake Assembly (Front) (See Separate Breakdown in this Section)	
9	3300106	36	Lugnut	
10	3311801	4	Nut 1/2	
11	3960526	4	Gasket	
12	4891800	8	Washer 1/2	
13	4892000	24	Washer 5/8	
14	1001102805	4	Drive Motor Assembly (See Separate Breakdown in this Section)	

SECTION 1 - FRAME

FIGURE 1-5. DRIVE HUB ASSEMBLY - FRONT



ART_2780268

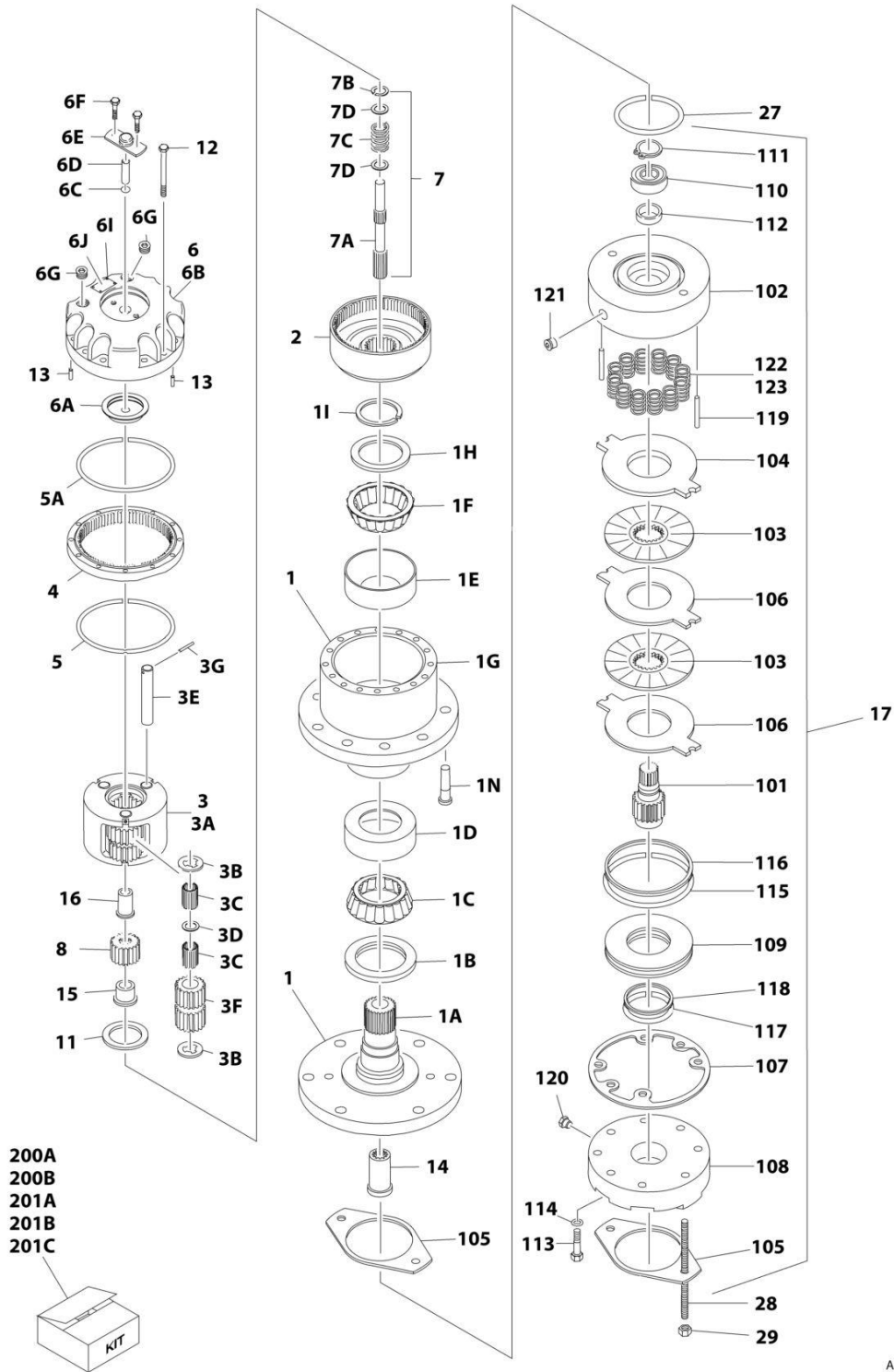
SECTION 1 - FRAME

FIGURE 1-5. DRIVE HUB ASSEMBLY - FRONT

ITEM	PART NUMBER	QTY	DESCRIPTION	REV
	2780268	Ref	DRIVE HUB ASSEMBLY - FRONT	F
1	See Note	1	Spindle/Housing Assembly (Note: Purchase Individual Components)	
1A	7017059	1	Spindle	
1B	7001998	1	Seal	
1C	7010429	1	Cone, Bearing (Includes Item 1D)	
1D	7010429	1	Cup, Bearing (Includes Item 1C)	
1E	7000257	1	Cup, Bearing	
1F	7000258	1	Cone, Bearing	
1G	7007601	1	Housing/Ring Gear	
1H	7000232	1	Washer, Thrust	
1I	7000229	1	Ring, Retaining	
1N	7007640	9	Stud, Wheel	
2	7000246	1	Gear, Internal	
3	7024712	1	Carrier Assembly	
3A	See Note	1	Carrier (Note: Use Item 3)	
3B	See Note	6	Ring, Retaining (Note: Use Item 3)	
3C	See Note	AR	Bearing, Needle (Note: Use Item 3)	
3D	See Note	3	Washer, Thrust (Note: Use Item 3)	
3E	See Note	3	Shaft, Planet (Note: Use Item 3)	
3F	See Note	3	Gear, Planet (Note: Use Item 3)	
3G	See Note	3	Roll Pin (Note: Use Item 3)	
4	7000248	1	Ring Gear	
5	7000230	1	O-Ring	
5A	7017070	1	O-Ring	
6	70001349	1	Cover Assembly Kit	
6A	See Note	1	Spacer, Thrust (Note: Use Item 6)	
6B	See Note	1	Plate, Cover (Note: Use Item 6)	
6C	See Note	1	O-Ring (Note: Use Item 6)	
6D	See Note	1	Rod, Disconnect (Note: Use Item 6)	
6E	See Note	1	Cap, Disengage (Note: Use Item 6)	
6F	See Note	2	Bolt (Note: Use Item 6)	
6G	See Note	1	Plug, Pipe (Note: Use Item 6)	
6I	See Note	4	Rivet (Note: Not Available for Purchase)	
6J	See Note	1	Plate, ID (Note: Not Available for Purchase)	
7		Ref	Input Shaft Assembly	
7A	7024714	1	Shaft	
7B	7000261	1	Ring, Retaining	
7C	7000262	1	Spring	
7D	7000263	2	Spacer, Thrust	
8	7024713	1	Gear, Sun	
11	7000253	1	Washer, Thrust	
12	7017067	12	Bolt	
13	7017080	4	Pin, Dowel	
14	7000206	1	Coupling	
15	7024715	1	Spacer, Input	
16	7024716	1	Spacer, Input	

SECTION 1 - FRAME

FIGURE 1-6. DRIVE HUB AND BRAKE ASSEMBLY - REAR



SECTION 1 - FRAME

FIGURE 1-6. DRIVE HUB AND BRAKE ASSEMBLY - REAR

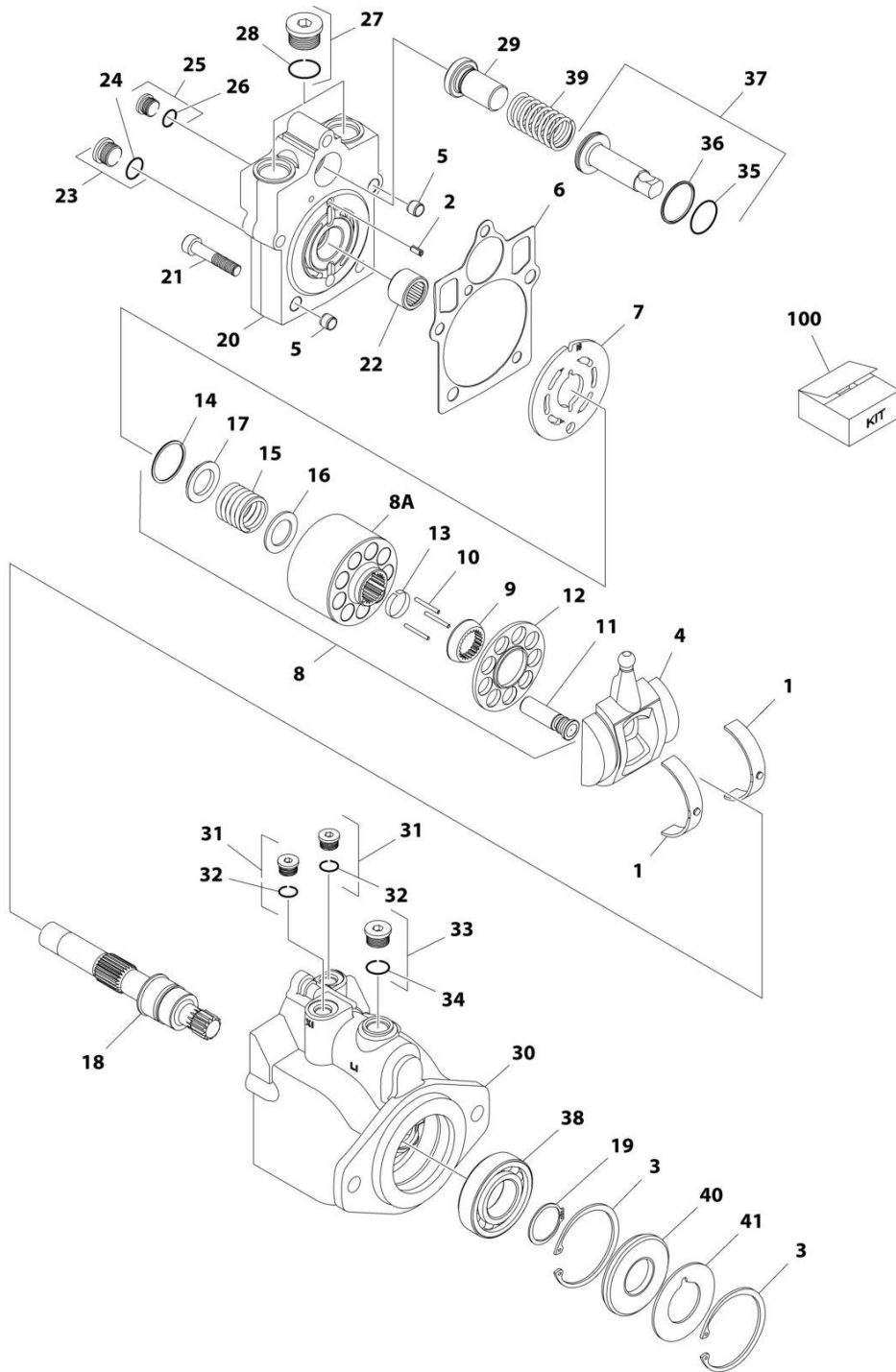
ITEM	PART NUMBER	QTY	DESCRIPTION	REV
	2780267	Ref	DRIVE HUB AND BRAKE ASSEMBLY - REAR	I
1	See Note	1	Spindle/Housing Assembly (Note: Purchase Individual Components)	
1A	7017059	1	Spindle	
1B	7001998	1	Seal	
1C	7010429	1	Cone, Bearing (Includes Item 1D)	
1D	7010429	1	Cup, Bearing (Includes Item 1C)	
1E	7000257	1	Cup, Bearing	
1F	7000258	1	Cone, Bearing	
1G	7007601	1	Housing/Ring Gear	
1H	7000232	1	Washer, Thrust	
1I	7000229	1	Ring, Retaining	
1N	7007640	9	Stud, Wheel	
2	7000246	1	Gear, Internal	
3	7024712	1	Carrier Assembly	
3A	See Note	1	Carrier (Note: Use Item 3)	
3B	See Note	6	Ring, Retaining (Note: Use Item 3)	
3C	See Note	AR	Bearing, Needle (Note: Use Item 3)	
3D	See Note	3	Washer, Thrust (Note: Use Item 3)	
3E	See Note	3	Shaft, Planet (Note: Use Item 3)	
3F	See Note	3	Gear, Planet (Note: Use Item 3)	
3G	See Note	3	Roll Pin (Note: Use Item 3)	
4	7000248	1	Ring Gear	
5	7000230	1	O-Ring	
5A	7017070	1	O-Ring	
6	70001349	1	Cover Assembly Kit	
6A	See Note	1	Spacer, Thrust (Note: Use Item 6)	
6B	See Note	1	Plate, Cover (Note: Use Item 6)	
6C	See Note	1	O-Ring (Note: Use Item 6)	
6D	See Note	1	Rod, Disconnect (Note: Use Item 6)	
6E	See Note	1	Cap, Disengage (Note: Use Item 6)	
6F	See Note	2	Bolt (Note: Use Item 6)	
6G	See Note	1	Plug, Pipe (Note: Use Item 6)	
6I	See Note	4	Rivet (Note: Not Available for Purchase)	
6J	See Note	1	Plate, ID (Note: Not Available for Purchase)	
7		Ref	Input Shaft Assembly	
7A	7024714	1	Shaft	
7B	7000261	1	Ring, Retaining	
7C	7000262	1	Spring	
7D	7000263	2	Spacer, Thrust	
8	7024713	1	Gear, Sun	
11	7000253	1	Washer, Thrust	
12	7017067	12	Bolt	
13	7017080	4	Pin, Dowel	
14	7000206	1	Coupling	
15	7024715	1	Spacer, Input	
16	7024716	1	Spacer, Input	
17	7024182	1	Brake Assembly (See Items 101-123 for Breakdown)	
27	7024705	1	O-Ring	
28	7024717	2	Rod, Threaded	

SECTION 1 - FRAME

ITEM	PART NUMBER	QTY	DESCRIPTION	REV
29	7024718	2	Nut 1/2in-13NC	
	7024182	Ref	BRAKE ASSEMBLY	
101	7024189	1	Shaft	
102	See Note	1	Housing (Note: Use Item 17)	
103	See Note	2	Plate, Friction (Note: Use Item 201B)	
104	See Note	1	Plate, Pressure (Note: Use Item 201B)	
105	7000731	2	Gasket	
106	See Note	2	Plate, Outer (Note: Use Item 201B)	
107	See Note	1	Gasket (Note: Use Item 200A, 201B or 201C)	
108	7024191	1	Cylinder	
109	7024192	1	Piston	
110	See Note	1	Bearing, Ball (Note: Use Item 201C)	
111	See Note	1	Ring, Retaining (Note: Use Item 201C)	
112	See Note	1	Seal, Shaft (Note: Use Item 201C)	
113	See Note	6	Capscrew (Note: Use Item 17)	
114	See Note	6	Lockwasher (Note: Use Item 17)	
115	See Note	1	O-Ring (Note: Use Item 200B)	
116	See Note	1	Ring, Back-up (Note: Use Item 200B)	
117	See Note	1	O-Ring (Note: Use Item 200B)	
118	See Note	1	Ring, Back-up (Note: Use Item 200B)	
119	7024190	2	Pin, Dowel	
120	See Note	1	Plug (Note: Use Item 17)	
121	See Note	2	Plug (Note: Use Item 17)	
122	See Note	12	Spring Kit (Natural) (Note: Use Item 201A)	
123	See Note	2	Spring Kit (Blue) (Note: Use Item 201A)	
		Ref	Kit Options	
200		Ref	Seal Kit Options:	
200A	See Note	1	Hub Seal Kit (Note: Purchase Individual Components)	
200B	7024194	1	Brake Seal Kit (Includes Items 105, 107 & 115-118)	
201		Ref	Repair Kit Options:	
201A	7024196	1	Brake Spring Kit (Includes 12 Natural Colored and 2 Blue Colored Springs Items 122 & 123)	
201B	7024193	1	Brake Friction Disc Kit (Includes Items 103, 104, 106 & 107)	
201C	7024197	1	Brake Bearing Kit (Includes Items 107 & 110-112)	

SECTION 1 - FRAME

FIGURE 1-7. DRIVE MOTOR ASSEMBLY



ART_1001102805

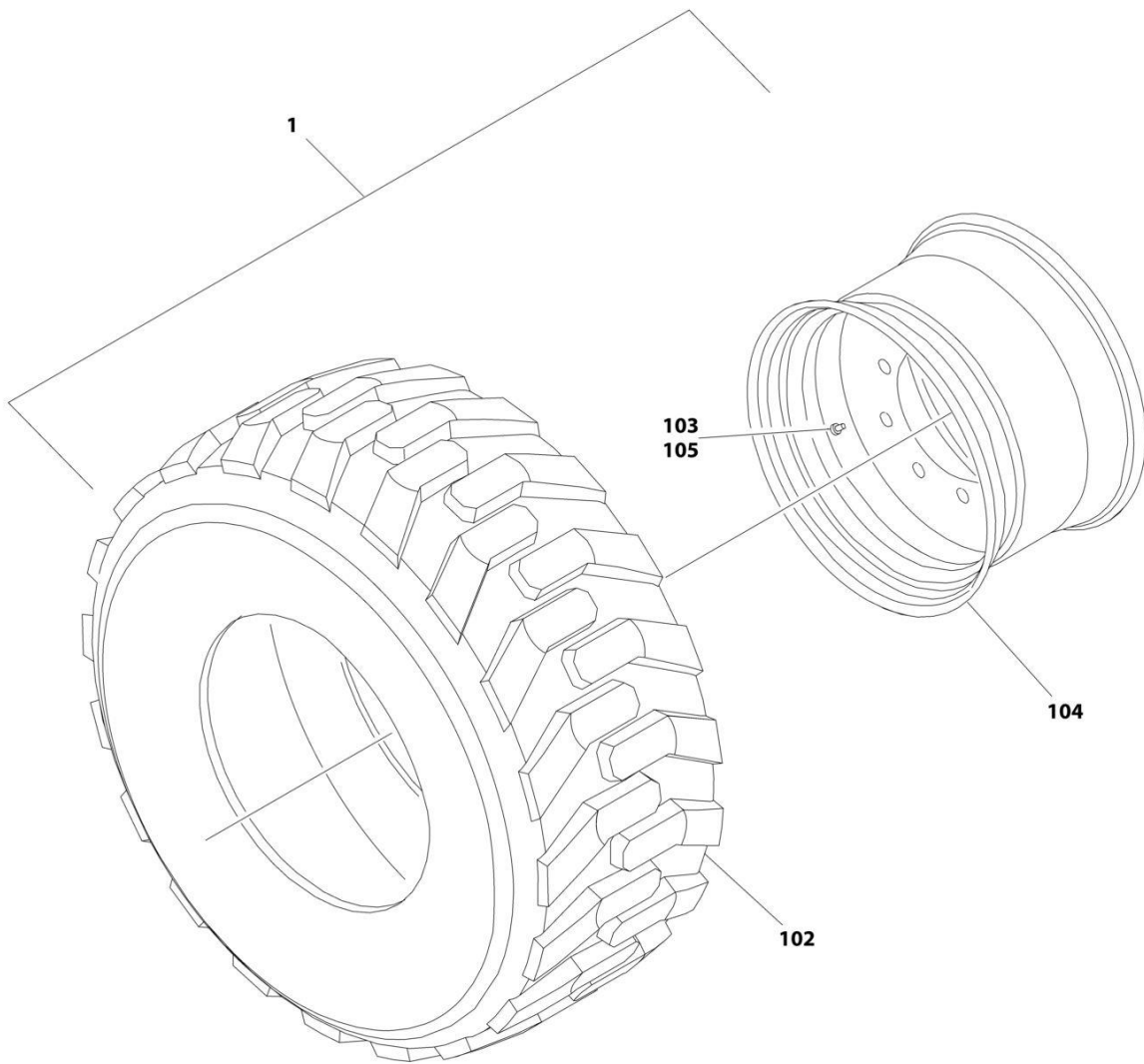
SECTION 1 - FRAME

FIGURE 1-7. DRIVE MOTOR ASSEMBLY

ITEM	PART NUMBER	QTY	DESCRIPTION	REV
	1001102805	Ref	DRIVE MOTOR ASSEMBLY	D
1	7022302	2	Bearing, Journal	
2	7007446	1	Pin	
3	7007438	2	Ring, Retaining	
4	7022305	1	Swash Plate	
5	See Note	2	Pin (Note: Not Available for Purchase)	
6	See Note	1	Gasket (Note: Use Item 100)	
7	7024862	1	Plate, Valve	
8	7023907	1	Cylinder Block Kit (Includes Items 8A & 9-17)	
8A	See Note	1	Block, Cylinder (Note: Use Item 8)	
9	7021277	1	Guide, Slipper Retainer	
10	7021275	3	Pin, Slipper Hold Down	
11	See Note	9	Piston Assembly (Note: Use Item 8)	
12	7021276	1	Retainer, Hold Down Pin	
13	7022310	1	Retainer, Slipper	
14	7022311	1	Ring, Retaining	
15	7022312	1	Spring	
16	7024868	1	Washer	
17	7022314	1	Retainer, Spring	
18	7023910	1	Shaft	
19	7007439	1	Ring, Retaining	
20	70000797	1	Cap, End - Axial	
21	7022368	5	Screw	
22	7021249	1	Bearing, Needle	
23	2220886	1	Plug (Includes Item 24)	
24	See Note	1	O-Ring (Note: Use Item 23 or 100)	
25	2220883	1	Plug (Includes Item 26)	
26	See Note	1	O-Ring (Note: Use Item 25 or 100)	
27	7027419	2	Plug (Includes Item 28)	
28	See Note	2	O-Ring (Note: Use Item 27 or 100)	
29	7022369	1	Seat, Spring	
30	70001932	1	Housing	
31	2220883	2	Plug (Includes Item 32)	
32	See Note	2	O-Ring (Note: Use Item 31 or 100)	
33	2220886	1	Plug (Includes Item 34)	
34	See Note	1	O-Ring (Note: Use Item 33 or 100)	
35	See Note	1	O-Ring (Note: Use Item 37 or 100)	
36	See Note	1	Ring, Seal (Note: Use Item 37 or 100)	
37	7024854	1	Piston, Servo (Includes Items 35 & 36)	
38	7007437	1	Bearing	
39	7022326	1	Spring	
40	See Note	1	Seal, Lip (Note: Use Item 100)	
41	7022371	1	Washer, Support	
100	7022328	1	Seal Kit (Includes Items 6, 24, 26, 28, 32, 34, 35, 36 & 40)	

SECTION 1 - FRAME

FIGURE 1-8. TIRE AND WHEEL INSTALLATION - 12 X 16.5 FOAM FILLED (AVAILABLE ON ALL SPECS)



ART_0270092

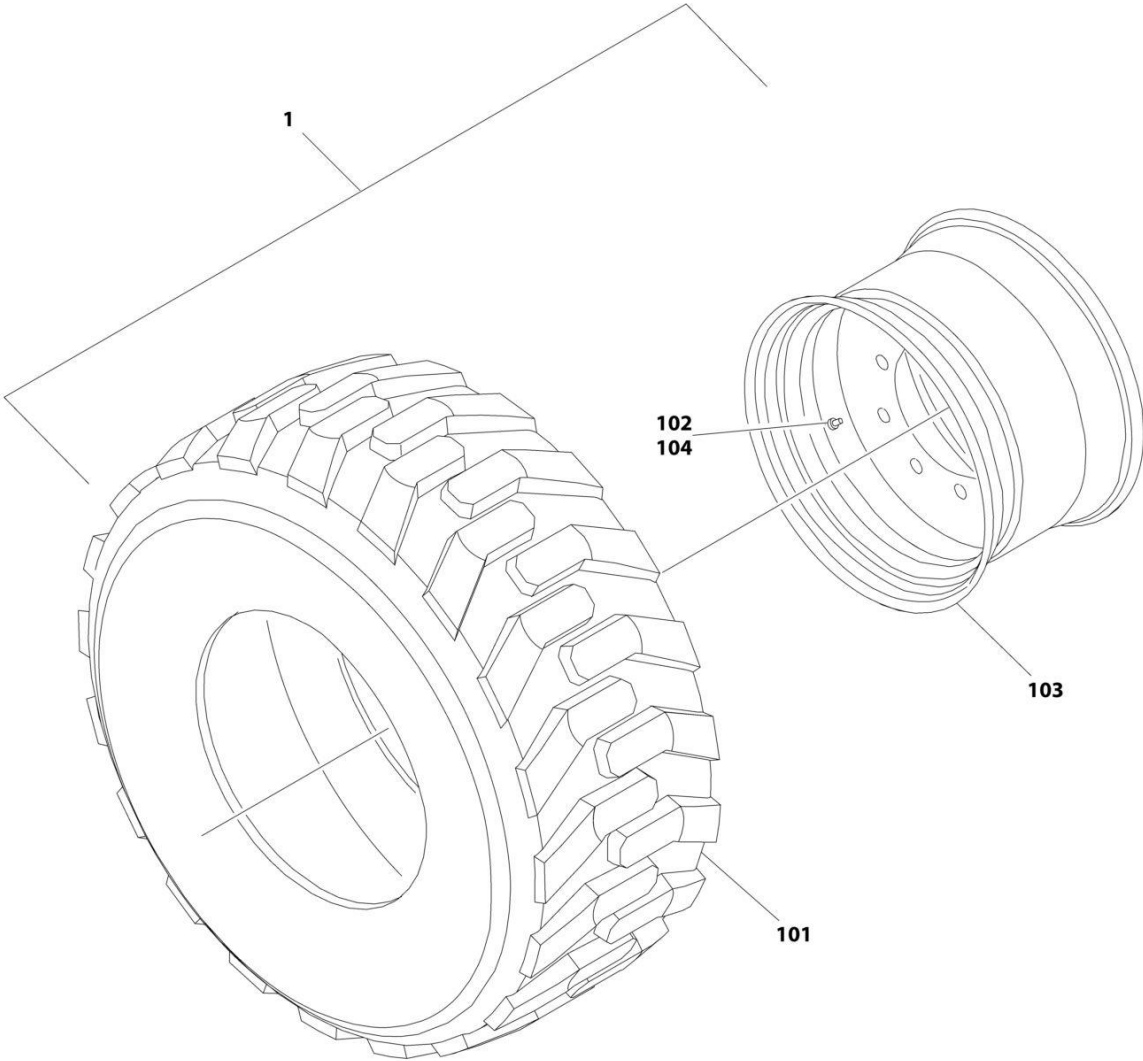
SECTION 1 - FRAME

FIGURE 1-8. TIRE AND WHEEL INSTALLATION - 12 X 16.5 FOAM FILLED (AVAILABLE ON ALL SPECS)

ITEM	PART NUMBER	QTY	DESCRIPTION	REV
	0270092	Ref Ref	TIRE AND WHEEL INSTALLATION - 12 X 16.5 FOAM FILLED Note: Assemblies may require ballast/foam filling to manufacturer's specifications prior to installing on a machine. Refer to Operation and Safety or Service and Maintenance Manuals. Purchase individual tire and/or rim only if able to foam fill tire and wheel assembly, otherwise, purchase complete assembly.	C
1	1001148865	2	Tire and Wheel Assembly - 12 x 16.5 (RH Side)	H
1	1001148866	2	Tire and Wheel Assembly - 12 x 16.5 (LH Side)	H
102	4520216	4	Tire - 12 x 16.5	
103	4641122	4	Valve	
104	1001147274	4	Rim, Wheel	
105	1001149953	4	Cap, Valve Stem	

SECTION 1 - FRAME

FIGURE 1-9. TIRE AND WHEEL INSTALLATION - 12 X 16.5 FOAM-FILLED NON MARKING



ART_0270653

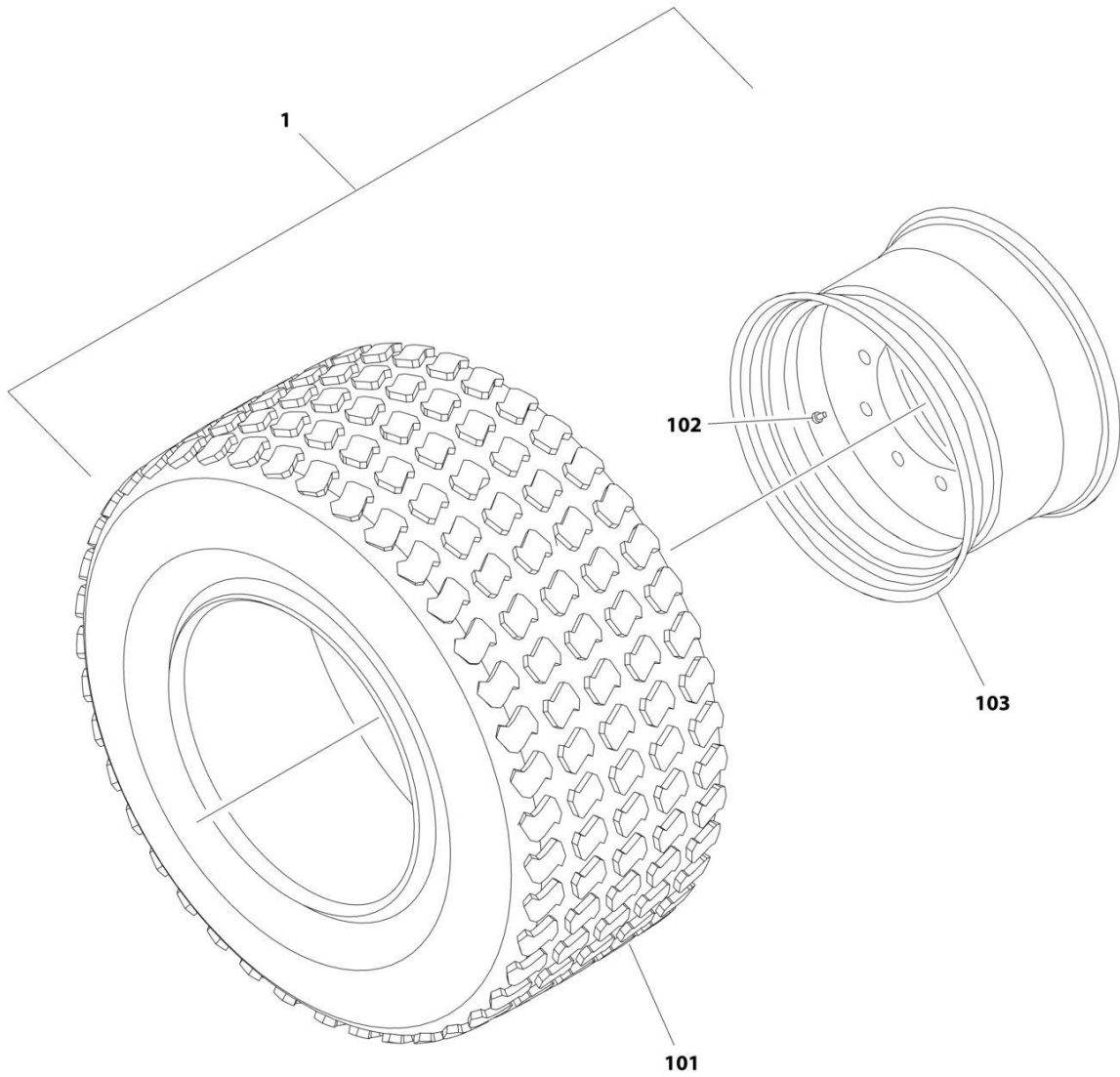
SECTION 1 - FRAME

FIGURE 1-9. TIRE AND WHEEL INSTALLATION - 12 X 16.5 FOAM-FILLED NON MARKING

ITEM	PART NUMBER	QTY	DESCRIPTION	REV
	0270653	Ref	TIRE AND WHEEL INSTALLATION - 12 X 16.5 FOAM FILLED	B
		Ref	Note: Assemblies may require ballast/foam filling to manufacturer's specifications prior to installing on a machine. Refer to Operation and Safety or Service and Maintenance Manuals. Purchase individual tire and/or rim only if able to foam fill tire and wheel assembly, otherwise, purchase complete assembly.	
1	1001148869	1	Tire and Wheel Assembly - Right Side	H
1	1001148870	1	Tire and Wheel Assembly - Left Side	H
101	4520240	1	Tire 12 x 16.5 Non-Marking	
102	4641122	1	Valve	
103	1001147274	1	Rim, Wheel	
104	1001149953	1	Cap, Valve Stem	

SECTION 1 - FRAME

FIGURE 1-10. TIRE AND WHEEL INSTALLATION - 33/16LL X 16.1 FOAM-FILLED



ART_0271785

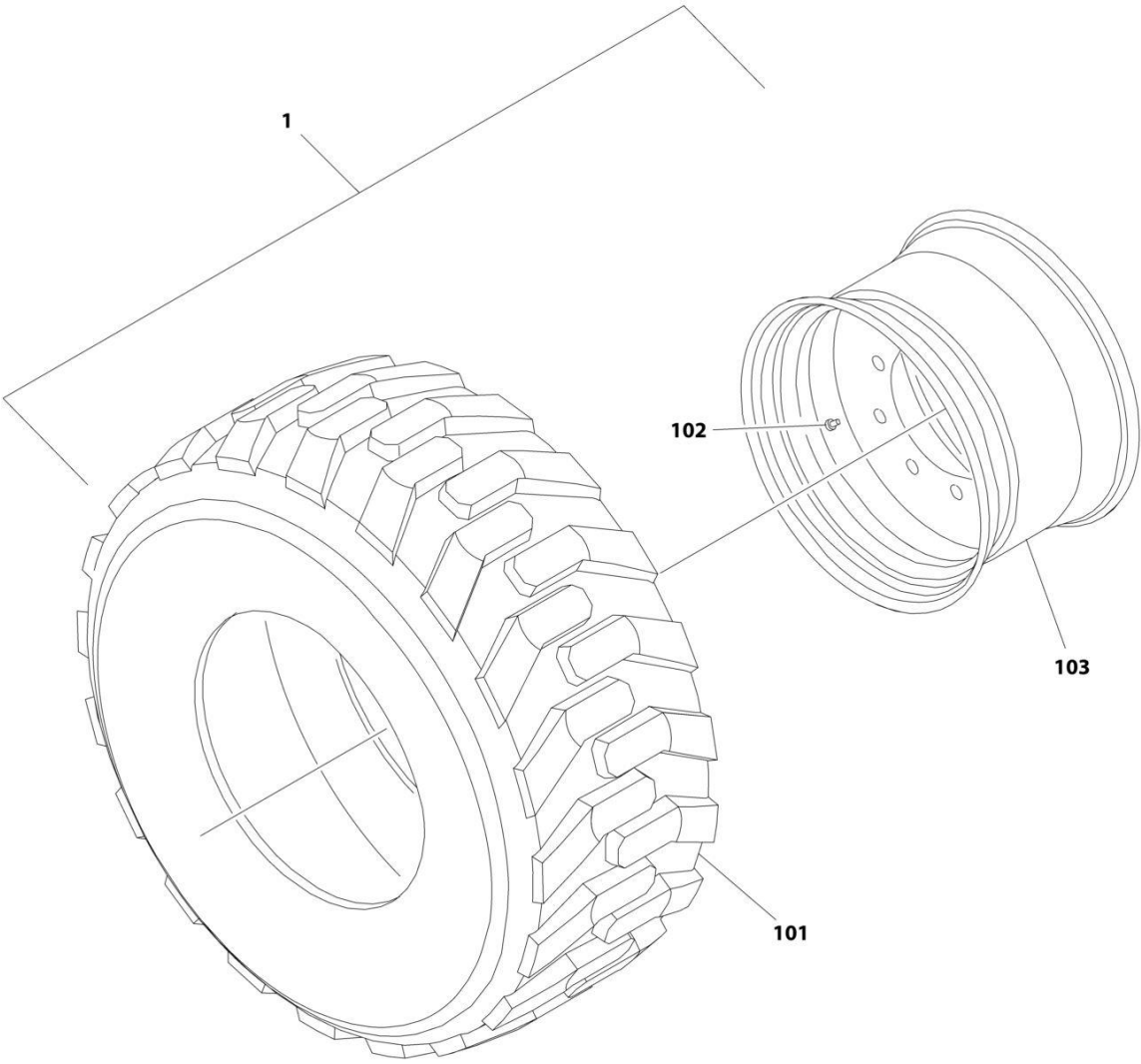
SECTION 1 - FRAME

FIGURE 1-10. TIRE AND WHEEL INSTALLATION - 33/16LL X 16.1 FOAM-FILLED

ITEM	PART NUMBER	QTY	DESCRIPTION	REV
	0271785	Ref	TIRE AND WHEEL INSTALLATION - 33/16LL X 16.1 FOAM-FILLED	B
1	0272268	4	Tire and Wheel Assembly	E
101	4520262	1	Tire, 33 x 16LL500, Sand Tire	
102	4641122	1	Valve, Air	
103	4860237	1	Rim, Wheel - 19.5 x 14	

SECTION 1 - FRAME

FIGURE 1-11. TIRE AND WHEEL INSTALLATION - 33/1550-16.5 FOAM-FILLED



ART_0271719

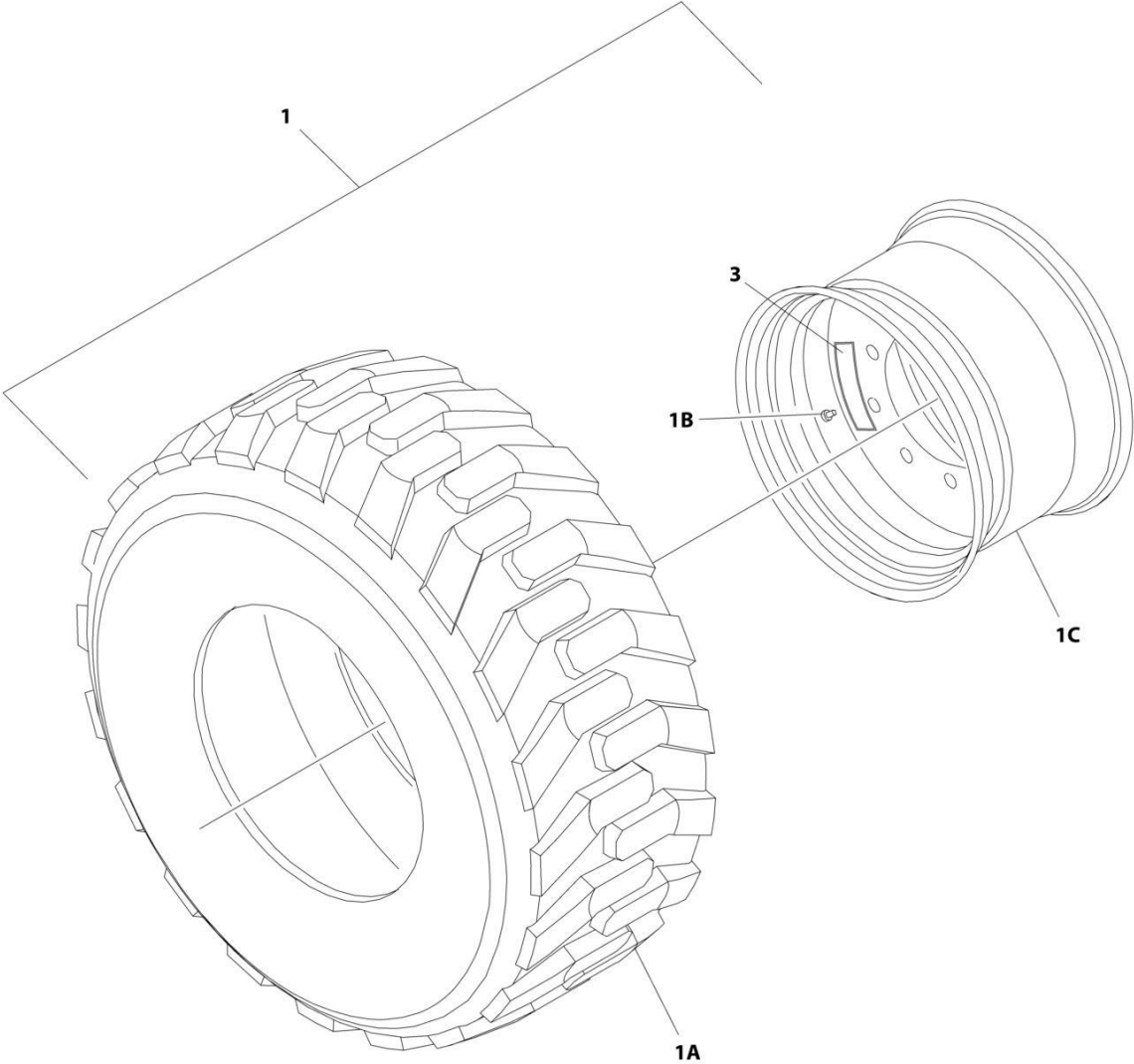
SECTION 1 - FRAME

FIGURE 1-11. TIRE AND WHEEL INSTALLATION - 33/1550-16.5 FOAM-FILLED

ITEM	PART NUMBER	QTY	DESCRIPTION	REV
	0271719	Ref	TIRE AND WHEEL INSTALLATION - 33/1550-16.5 FOAM-FILLED	B
		Ref	Note: Assemblies may require ballast/foam filling to manufacturer's specifications prior to installing on a machine. Refer to Operation and Safety or Service and Maintenance Manuals. Purchase individual tire and/or rim only if able to foam fill tire and wheel assembly, otherwise, purchase complete assembly.	
1	0258011	2	Tire and Wheel Assembly - Right Side	I
1	0258012	2	Tire and Wheel Assembly - Left Side	I
101	4520217	1	Tire, 33/1550 x 16.5, Lug Tire	
102	8786514	1	Valve, Air	
103	4860179	1	Rim, Wheel - 16.5 x 12.0	

SECTION 1 - FRAME

FIGURE 1-12. TIRE AND WHEEL INSTALLATION - IN315/55D20 FOAM-FILLED



ART_1001102196

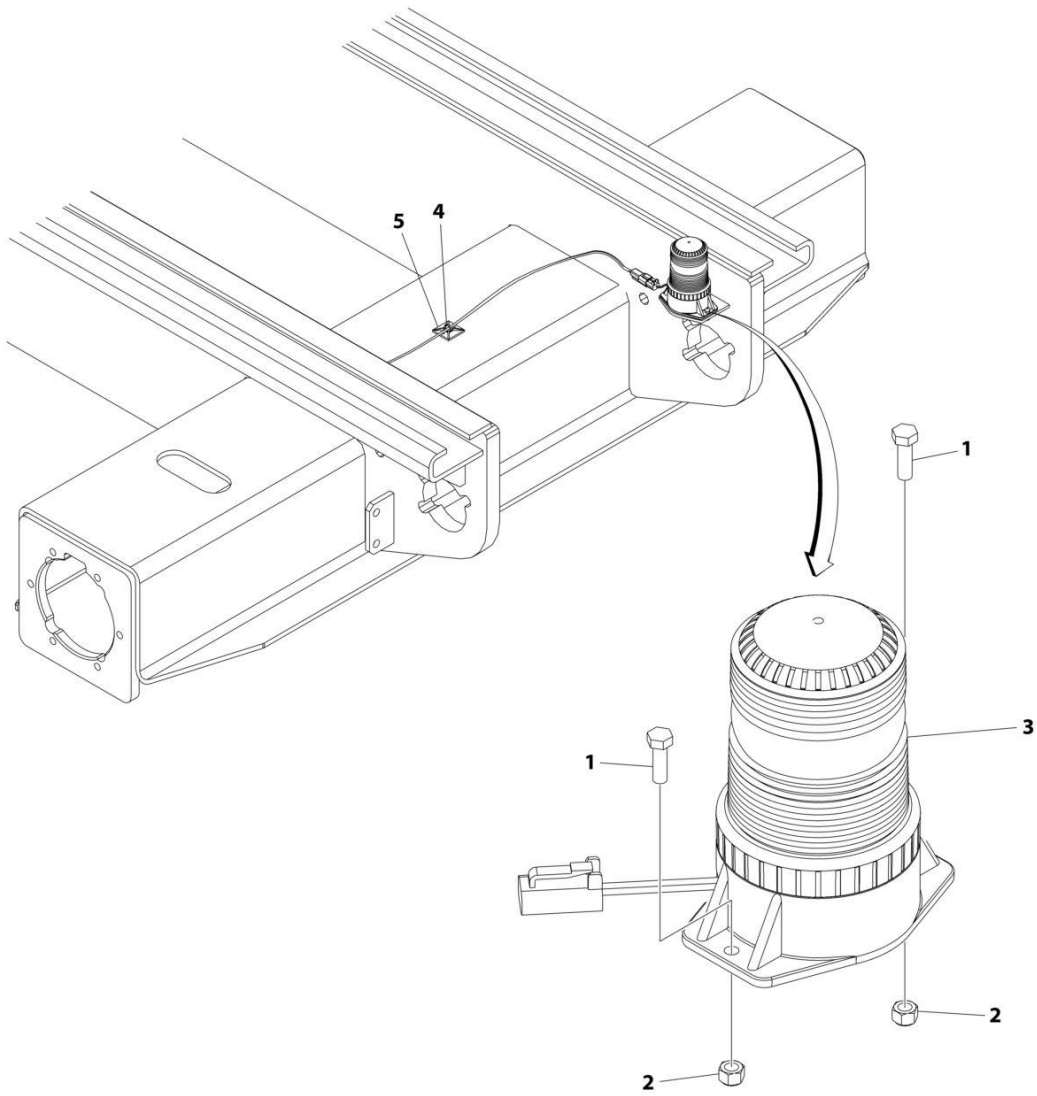
SECTION 1 - FRAME

FIGURE 1-12. TIRE AND WHEEL INSTALLATION - IN315/55D20 FOAM-FILLED

ITEM	PART NUMBER	QTY	DESCRIPTION	REV
	1001102196	Ref	TIRE AND WHEEL INSTALLATION - IN315/55D20 FOAM-FILLED	C
		Ref	Note: Assemblies may require ballast/foam filling to manufacturer's specifications prior to installing on a machine. Refer to Operation and Safety or Service and Maintenance Manuals. Purchase individual tire and/or rim only if able to foam fill tire and wheel assembly, otherwise, purchase complete assembly.	
1	1001102194	2	Tire and Wheel Assembly - Left Side	C
1	1001102195	2	Tire and Wheel Assembly - Right Side	C
1A	4520608	1	Tire, IN315/55D20, Lug Tire	
1B	4641122	1	Valve, Air	
1C	1001101511	1	Rim, Wheel - 20 x 11	
3	1001105700	4	Decal - Transport Wheel Warning	

SECTION 1 - FRAME

FIGURE 1-13. STROBE LIGHT INSTALLATION (AMBER)



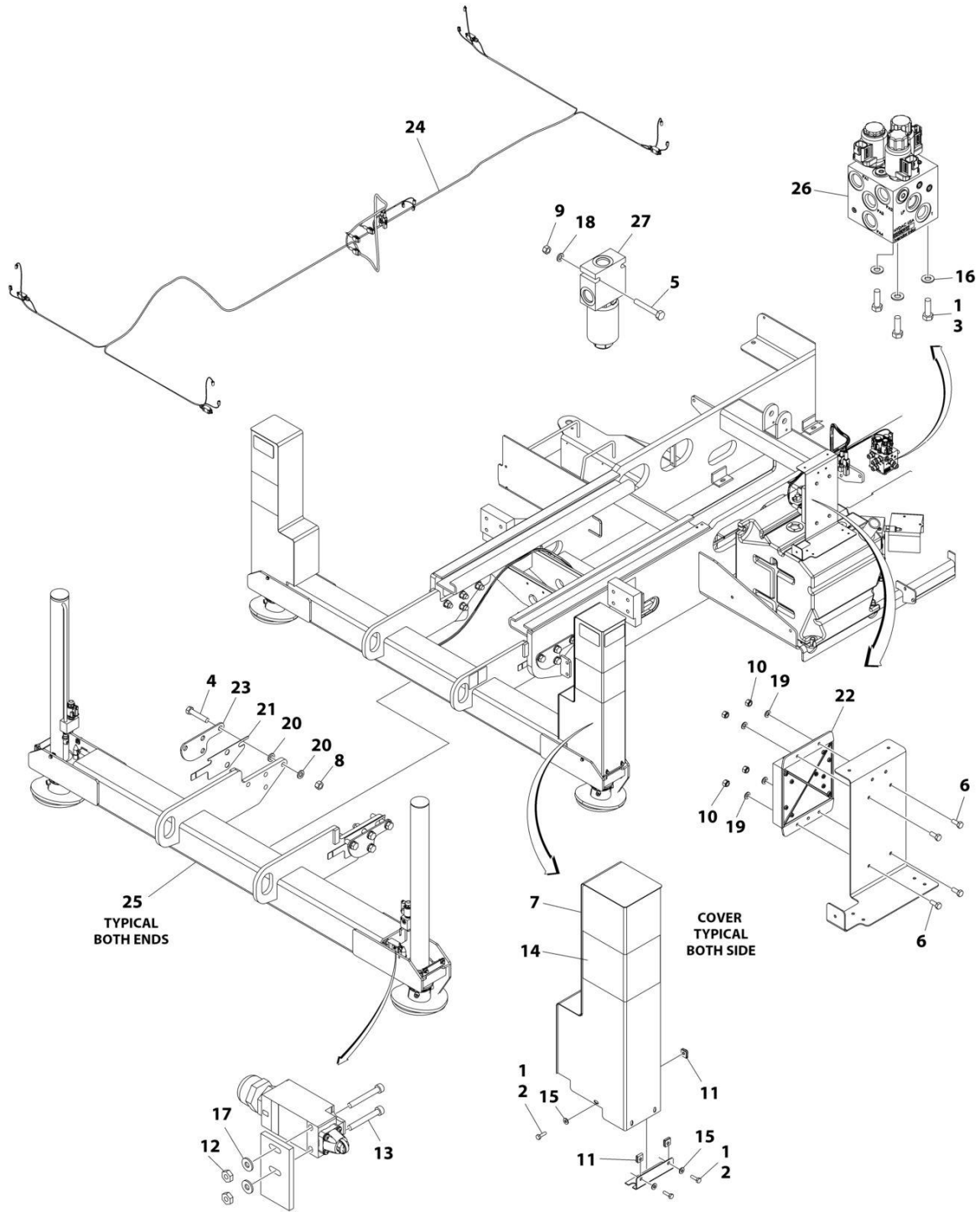
ART_1001215697

FIGURE 1-13. STROBE LIGHT INSTALLATION (AMBER)

ITEM	PART NUMBER	QTY	DESCRIPTION	REV
	1001215697	Ref	STROBE LIGHT INSTALLATION (AMBER)	B
1	0760508	2	Bolt M5 x 16	
2	3290505	2	Nut M5	
3	1001191139	1	Beacon Light Assembly	
3	4460891	1	Plug, Male - 2 Position	
3	4460465	2	Socket, Female	
4	4240032	1	Tie-Strap	
5	4460488	1	Mounting, Tie-Strap	

SECTION 1 - FRAME

FIGURE 1-14. LEVELING JACKS INSTALLATION



ART_1001237756

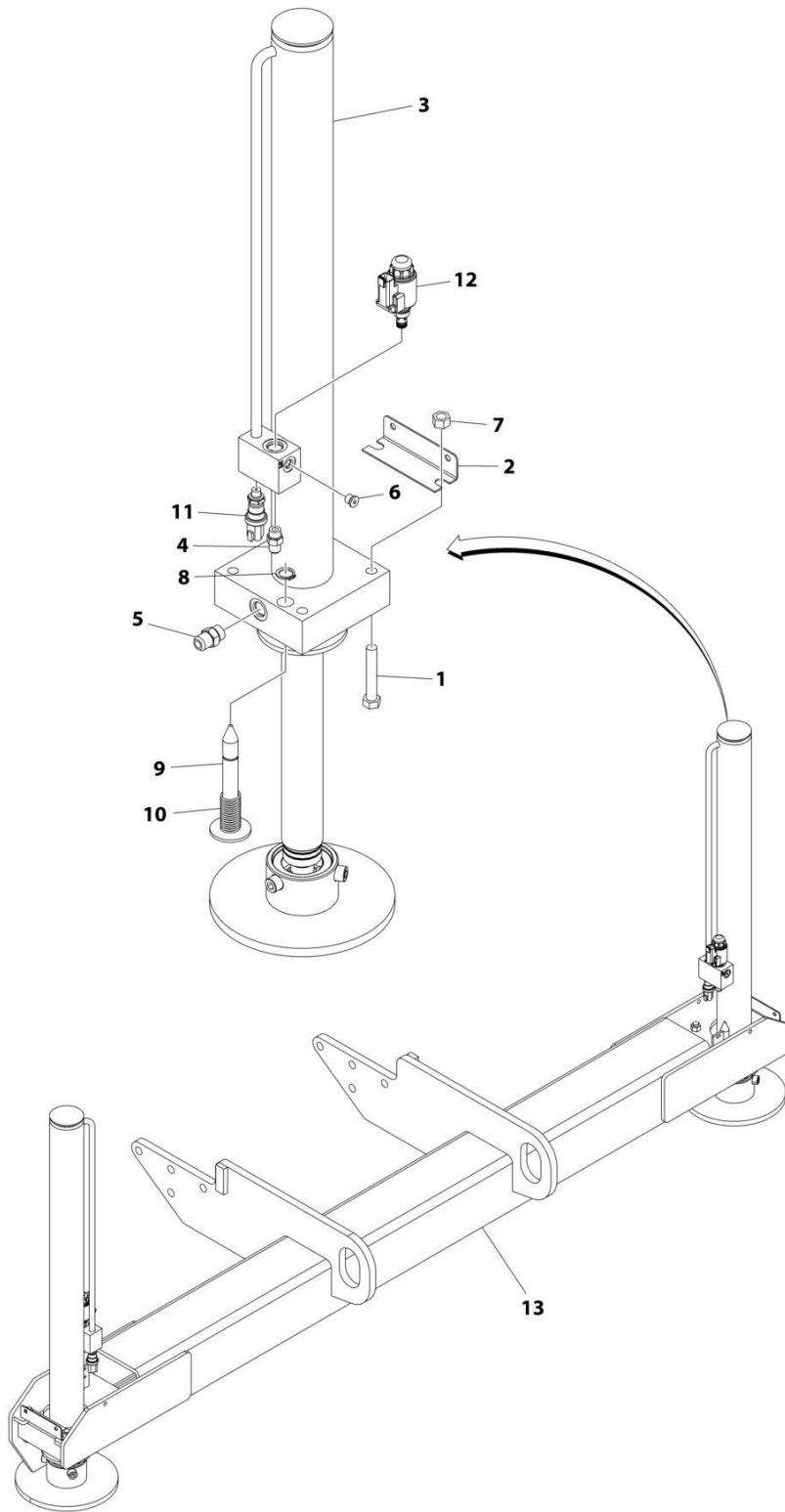
SECTION 1 - FRAME

FIGURE 1-14. LEVELING JACKS INSTALLATION

ITEM	PART NUMBER	QTY	DESCRIPTION	REV
	1001237756	Ref	LEVELING JACKS INSTALLATION	C
1	0100011	AR	Compound, Locking	
2	0641407	16	Bolt 1/4 x 7/8	
3	0641508	3	Bolt 5/16 x 1	
4	0682230	16	Bolt 3/4 x 3-3/4	
5	0760618	2	Bolt M6 x 50	
6	0760810	2	Bolt M8 x 20	
7	1671165	4	Cover	
8	3272205	16	Nut 3/4	
9	3290601	2	Nut M6	
10	3290805	4	Nut M8	
11	3300353	16	Nut, Tinnerman	
12	3310805	8	Nut #8	
13	3930820	8	Capscrew #8 x 1-1/4	
14	4420051	95 in/ 2.4m	Tape, Safety	
15	4711400	16	Washer 1/4	
16	4711500	3	Washer 5/16	
17	4750800	8	Washer #8	
18	4811700	AR	Washer M6	
19	4811900	4	Washer M8	
20	4892200	32	Washer 3/4	
21	1001166837	AR	Shim	
22	1001182481	1	Module, Jack Control	
23	1001183328	4	Plate	
24	1001210619	1	Leveling Jacks Harness (See Separate Breakdown in ELECTRICAL Section)	
25	1001214550	2	Leveling Jacks Assembly (See Separate Breakdown in this Section)	
26	1001217108	1	Leveling Jacks Valve Assembly (See Separate Breakdown in this Section)	
27	1001237453	1	Valve Assembly	
27	7023904	1	Cartridge, Valve Less Coil	
27	7012518	1	Seal Kit - 7023904 Valve	
27	70003789	1	Coil	
27	70006737	1	Nut, Coil	
27	70006738	1	Lockdown Kit	
28	1001237464	1	Leveling Jack Hydraulic Diagram (Not Shown) (See Separate Breakdown in HYDRAULIC Section)	

SECTION 1 - FRAME

FIGURE 1-15. LEVELING JACKS ASSEMBLY



ART_1001214550

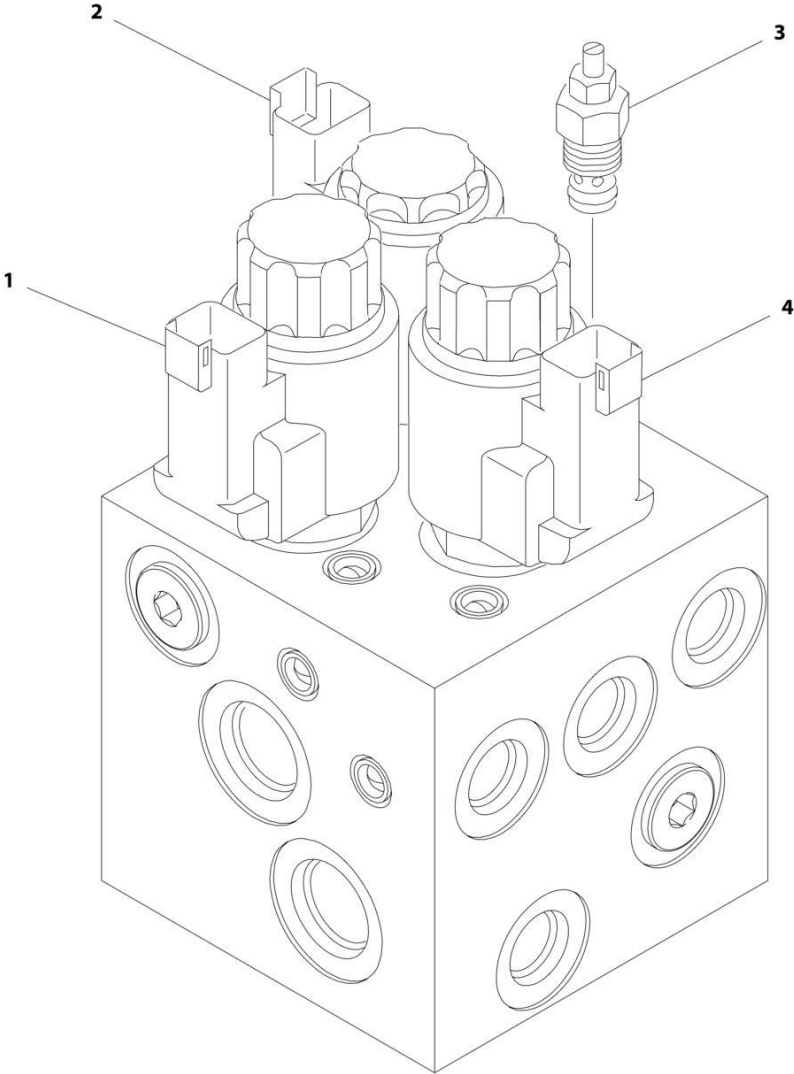
SECTION 1 - FRAME

FIGURE 1-15. LEVELING JACKS ASSEMBLY

ITEM	PART NUMBER	QTY	DESCRIPTION	REV
	1001214550	Ref	LEVELING JACKS ASSEMBLY	A
1	0641824	8	Bolt 1/2 x 3	
2	0903054	2	Bracket	
3	1684406	2	Jack Cylinder Assembly (See Separate Breakdown in CYLINDER SECTION)	
4	2220371	2	Fitting, Straight JIC/ORB	
5	2220373	2	Fitting, Straight JIC/ORB	
6	2220883	2	Plug	
7	3311805	8	Nut 1/2	
8	3760348	2	Ring, Retaining	
9	3841564	2	Rod	
10	4160116	2	Spring	
11	4360518	2	Transducer, Pressure	
12	1001103761	2	Cartridge, Solenoid Valve	
12	7024497	1	Cartridge Less Coil	
12	7024502	1	Seal Kit - 7024497 Valve	
12	70001965	1	Coil	
12	7024506	1	Nut Kit	
13	1001166176	1	Mount, Leveling Jack	

SECTION 1 - FRAME

FIGURE 1-16. LEVELING JACKS VALVE ASSEMBLY



ART_1001217108

SECTION 1 - FRAME

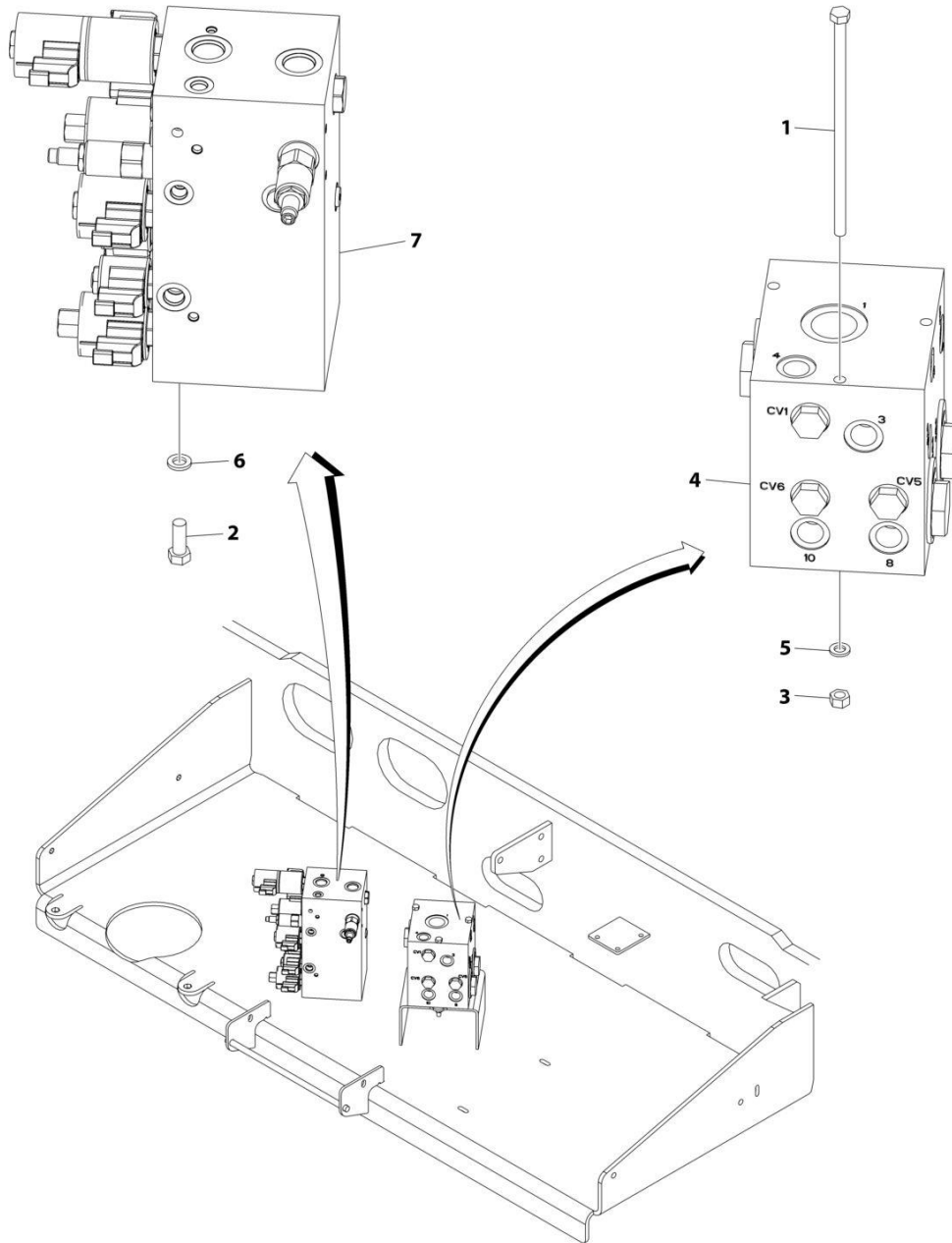
FIGURE 1-16. LEVELING JACKS VALVE ASSEMBLY

ITEM	PART NUMBER	QTY	DESCRIPTION	REV
	1001217108	Ref	LEVELING JACKS VALVE ASSEMBLY	B
1	7024497	1	Cartridge without Coil (Retract)	
1	7024502	1	Seal Kit - 7024497 Cartridge	
1	70001965	1	Coil	
1	7024506	1	Coil Nut Kit	
2	7024498	1	Cartridge without Coil (Extend)	
2	7024503	1	Seal Kit - 7024498 Cartridge	
2	70001965	1	Coil	
2	7024507	1	Coil Nut Kit	
3	70006292	1	Cartridge (Thermal Relief)	
3	7024504	1	Seal Kit - 70006292 Cartridge	
4	7024500	1	Cartridge without Coil	
4	7024505	1	Seal Kit - 7024500 Cartridge	
4	70001965	1	Coil	
4	7024506	1	Coil Nut Kit	

SECTION 2 - GROUND CONTROLS

SECTION 2 - GROUND CONTROLS

FIGURE 2-1. VALVES INSTALLATION (ALL SPECS EXCEPT CE AND JAPANESE SPECS)



ART_1001204614

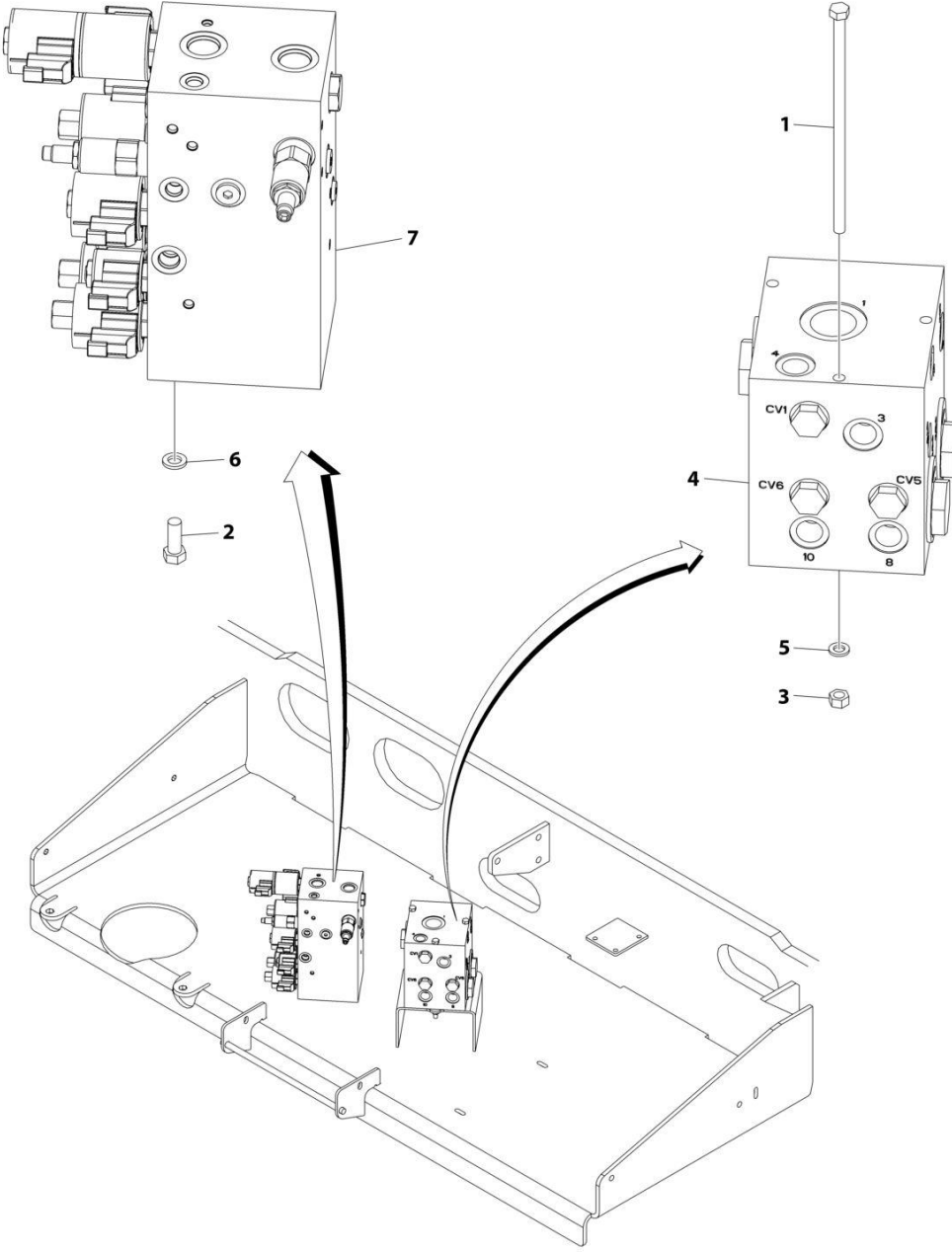
SECTION 2 - GROUND CONTROLS

FIGURE 2-1. VALVES INSTALLATION (ALL SPECS EXCEPT CE AND JAPANESE SPECS)

ITEM	PART NUMBER	QTY	DESCRIPTION	REV
	1001204614	Ref	VALVES INSTALLATION	B
1	0641560	3	Bolt 5/16 x 7-1/2	
2	0641608	4	Bolt 3/8 x 1	
3	3311501	3	Nut 5/16	
4	4641303	1	Flow Divider Valve Assembly (See Separate Breakdown in this Section)	
5	4761500	3	Washer 5/16	
6	4761600	4	Washer 3/8	
7	1001209589	1	Main Valve Assembly (See Separate Breakdown in this Section)	

SECTION 2 - GROUND CONTROLS

FIGURE 2-2. VALVES INSTALLATION (CE, JAPANESE & UK CA SPECS)



ART_1001204615

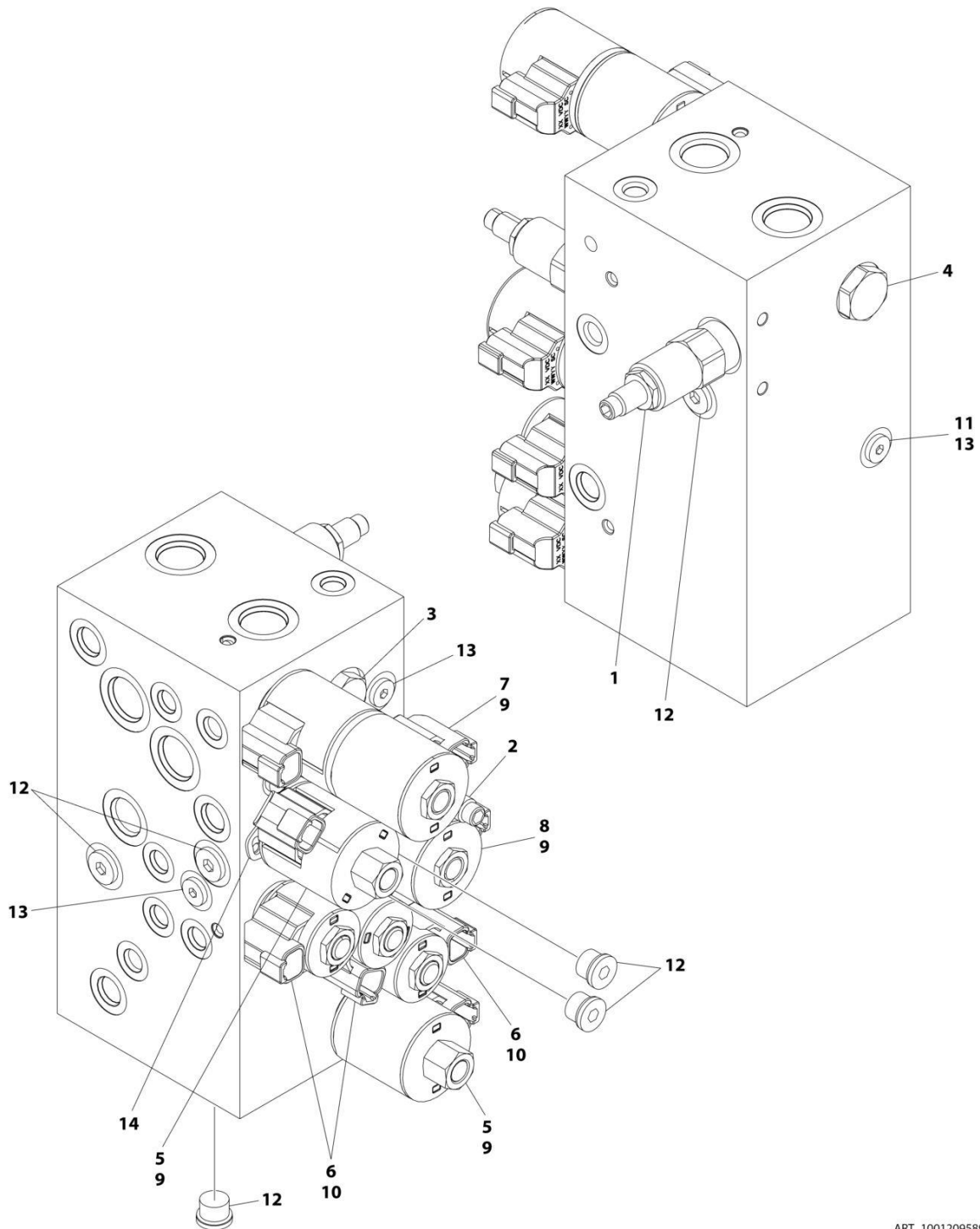
SECTION 2 - GROUND CONTROLS

FIGURE 2-2. VALVES INSTALLATION (CE, JAPANESE & UK CA SPECS)

ITEM	PART NUMBER	QTY	DESCRIPTION	REV
	1001204615	Ref	VALVES INSTALLATION	B
1	0641560	3	Bolt 5/16 x 7-1/2	
2	0641608	4	Bolt 3/8 x 1	
3	3311501	3	Nut 5/16	
4	4641303	1	Flow Divider Valve Assembly (See Separate Breakdown in this Section)	
5	4761500	3	Washer 5/16	
6	4761600	4	Washer 3/8	
7	1001205979	1	Main Valve Assembly (See Separate Breakdown in this Section)	

SECTION 2 - GROUND CONTROLS

FIGURE 2-3. MAIN VALVE ASSEMBLY (ALL SPECS EXCEPT CE, JAPANESE & UK CA SPECS)



ART_1001209589

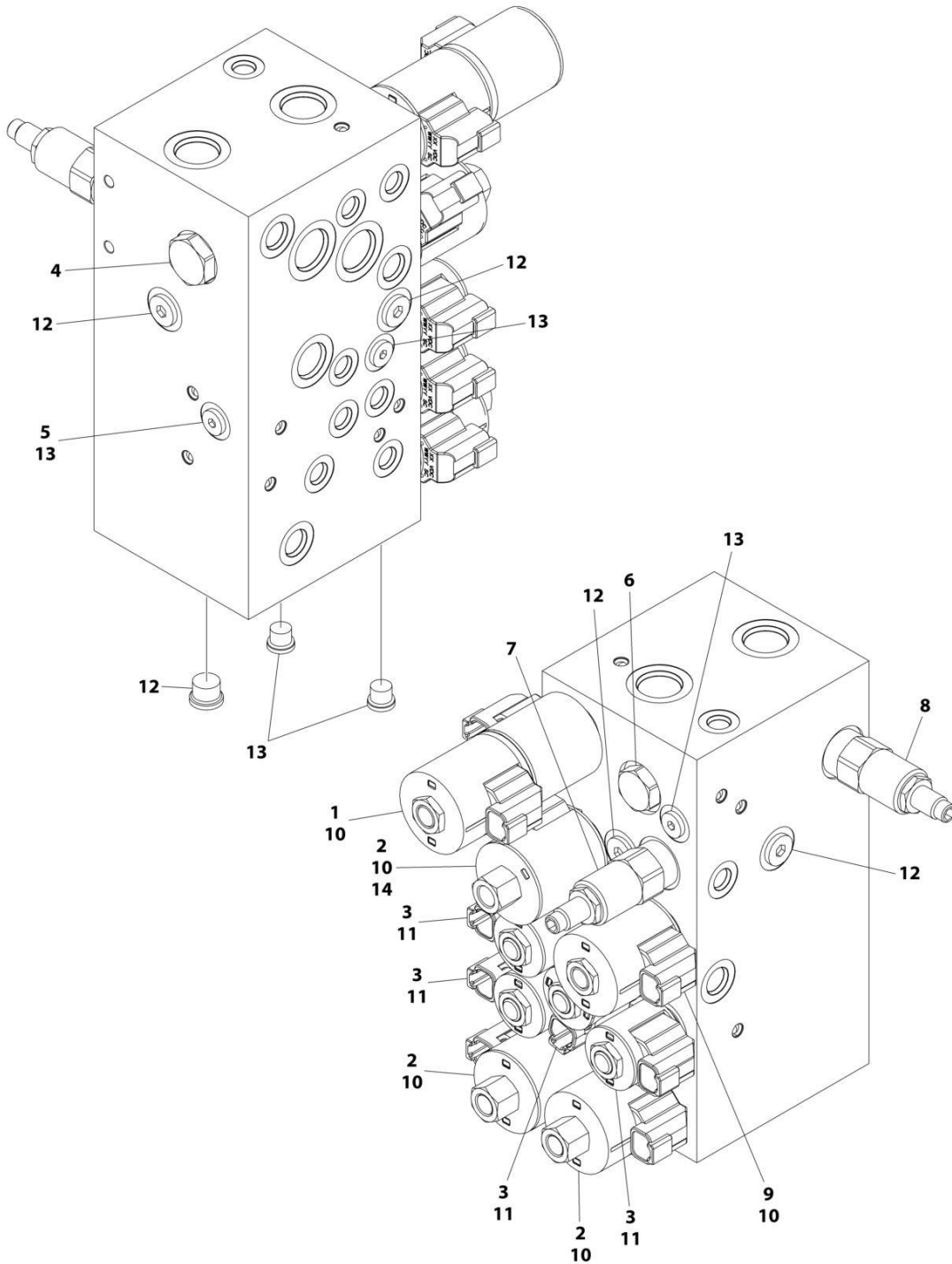
SECTION 2 - GROUND CONTROLS

FIGURE 2-3. MAIN VALVE ASSEMBLY (ALL SPECS EXCEPT CE, JAPANESE & UK CA SPECS)

ITEM	PART NUMBER	QTY	DESCRIPTION	REV
	1001209589	Ref	MAIN VALVE ASSEMBLY	D
1	70005723	1	Cartridge, Valve - Relief (Steer)	
1	7023936	1	Seal Kit - 70005723 Valve	
2	70005165	1	Cartridge, Valve - Relief	
2	7022399	1	Seal Kit - 70005165 Valve	
3	7022398	1	Cartridge, Valve - Load Shuttle	
3	7023900	1	Seal Kit - 7022398 Valve	
4	70005100	1	Cartridge, Valve - Check	
4	7022399	1	Seal Kit - 70005100 Valve	
5	70005069	2	Cartridge, Solenoid Valve	
5	7022399	2	Seal Kit - 70005069 Valve	
5	70003977	2	Nut, Coil	
6	70005167	3	Cartridge, Solenoid Valve	
6	7023900	3	Seal Kit - 70005167 Valve	
6	7022390	3	Nut, Coil	
7	70005449	1	Cartridge, Solenoid Valve	
7	70005073	1	Seal Kit - 70005449 Valve	
7	7022390	1	Nut, Coil	
7	70003024	1	Spacer Coil	
8	70005448	1	Cartridge, Solenoid Valve	
8	70004580	1	Seal Kit - 70005448 Valve	
8	7022390	1	Nut, Coil	
9	70050516	5	Coil	
10	70002963	3	Coil	
11	70004883	1	Orifice	
12	2220885	6	Plug	
13	2220883	4	Plug	
14	70005724	1	Lockdown Kit	

SECTION 2 - GROUND CONTROLS

FIGURE 2-4. MAIN VALVE ASSEMBLY (CE, JAPANESE & UK CA SPECS)



ART_1001205979

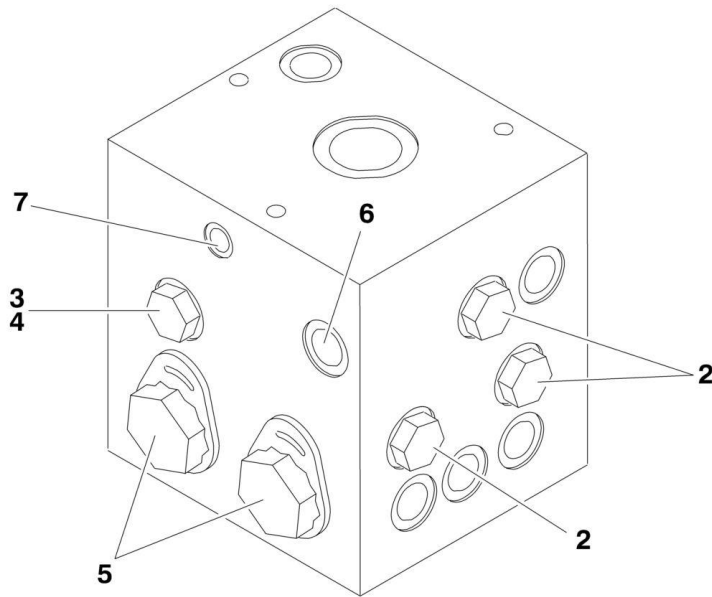
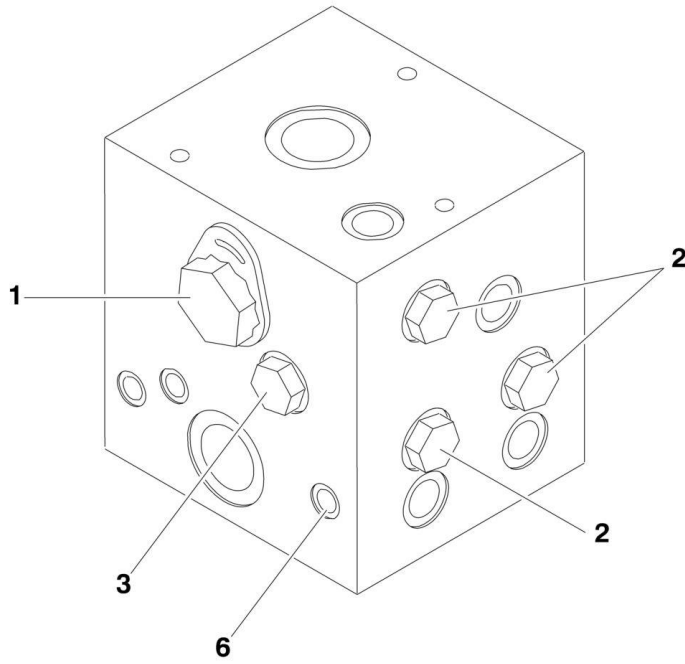
SECTION 2 - GROUND CONTROLS

FIGURE 2-4. MAIN VALVE ASSEMBLY (CE, JAPANESE & UK CA SPECS)

ITEM	PART NUMBER	QTY	DESCRIPTION	REV
	1001205979	Ref	MAIN VALVE ASSEMBLY	C
1	70005449	1	Cartridge, Solenoid Valve	
1	70005073	1	Seal Kit - 70005449 Valve	
1	7022390	1	Nut, Coil	
1	70003024	1	Spacer Coil	
2	70005069	3	Cartridge, Solenoid Valve	
2	7022399	3	Seal Kit - 70005069 Valve	
2	70003977	3	Nut, Coil	
3	70005167	4	Cartridge, Solenoid Valve	
3	7023900	4	Seal Kit - 70005167 Valve	
3	7022390	4	Nut, Coil	
4	70005100	1	Cartridge, Valve - Check	
4	7022399	1	Seal Kit - 70005100 Valve	
5	70004883	1	Orifice	
6	7022398	1	Cartridge, Valve - Load Shuttle	
6	7023900	1	Seal Kit - 7022398 Valve	
7	70005165	1	Cartridge, Valve - Relief	
7	7022399	1	Seal Kit - 70005165 Valve	
8	70005723	1	Cartridge, Valve - Relief (Steer)	
8	7023936	1	Seal Kit - 70005723 Valve	
9	70005448	1	Cartridge, Solenoid Valve	
9	70004580	1	Seal Kit - 70005448 Valve	
9	7022390	1	Nut, Coil	
10	70050516	6	Coil	
11	70002963	4	Coil	
12	2220885	6	Plug	
13	2220883	6	Plug	
14	70005724	1	Lockdown Kit	

SECTION 2 - GROUND CONTROLS

FIGURE 2-5. FLOW DIVIDER VALVE ASSEMBLY



ART_4641303

SECTION 2 - GROUND CONTROLS

FIGURE 2-5. FLOW DIVIDER VALVE ASSEMBLY

ITEM	PART NUMBER	QTY	DESCRIPTION	REV
	4641303	Ref	FLOW DIVIDER VALVE ASSEMBLY	C
1	7023933	1	Cartridge, Flow Divider	
1	7021625	1	Seal Kit - 7023933 Cartridge	
2	7022397	6	Cartridge, Check	
2	7022399	6	Seal Kit - 7022397 Cartridge	
3	7021639	2	Cartridge, Check Valves	
3	2900756	2	Seal Kit - 7022398 Cartridge	
4	7024881	1	Piston, Pilot	
5	7023917	2	Cartridge, Flow Divider	
5	7021625	2	Seal Kit - 7023917 Cartridge	
6	70003935	2	Orifice	
7	70003936	1	Orifice	

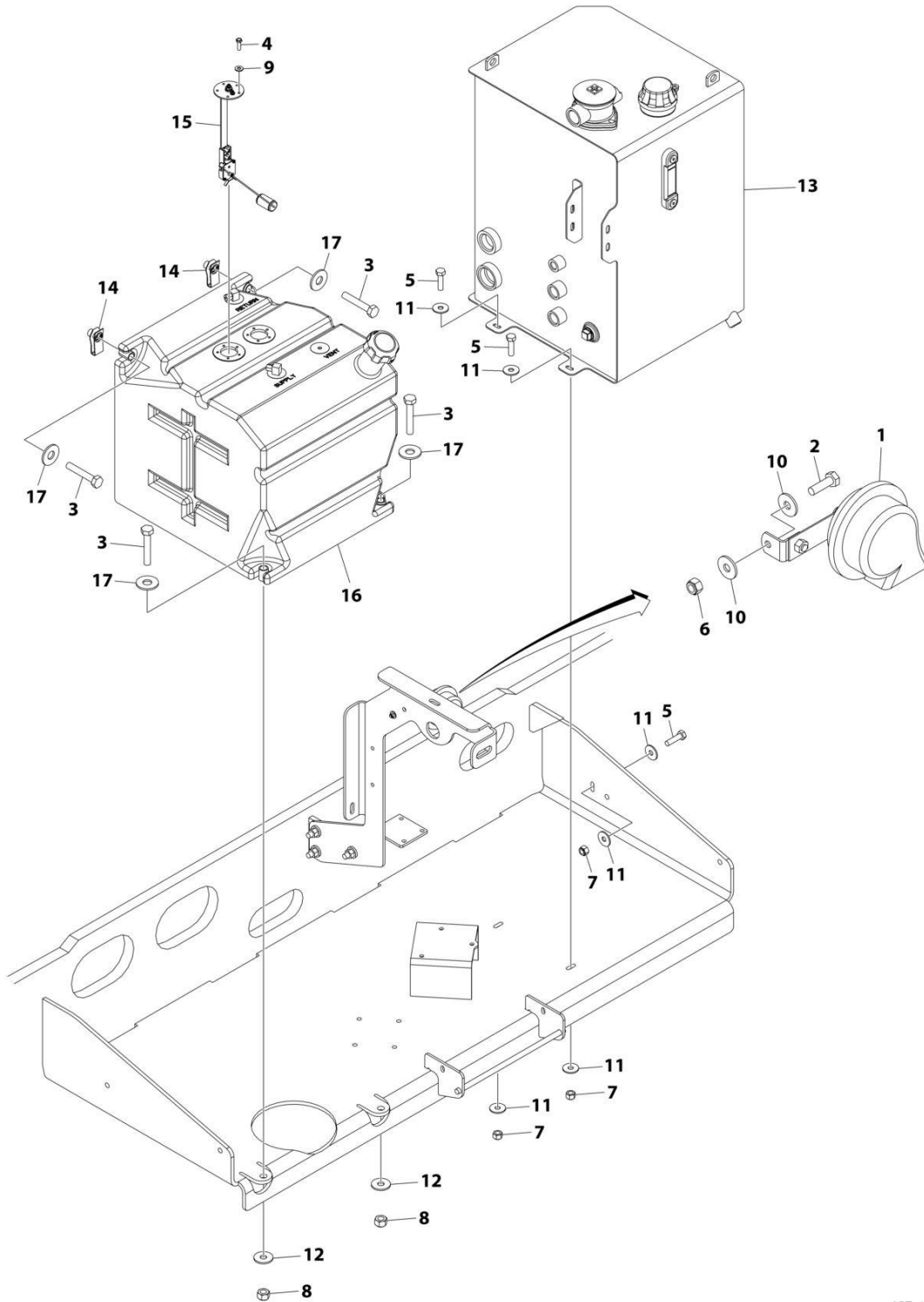
SECTION 2 - GROUND CONTROLS

FIGURE 2-6. TANKS AND HORN INSTALLATION (DIESEL MACHINES)

ITEM	PART NUMBER	QTY	DESCRIPTION	REV
	1001204617	Ref	TANKS AND HORN INSTALLATION (DIESEL MACHINES)	C
1	0140001	1	Horn	
2	0700610	1	Bolt M6 x 20	
3	0701020	4	Bolt M10 x 60	
4	0731005	5	Screw #10 x 5/8	
5	0760814	3	Bolt M8 x 30	
6	3290605	1	Nut M6	
7	3290805	3	Nut M8	
8	3291005	2	Nut M10	
9	4751000	5	Washer #10	
10	4811702	2	Washer M6	
11	4811902	6	Washer M8	
12	4812002	2	Washer M12	
13	1001102823	1	Hydraulic Tank Assembly (See Separate Breakdown in this Section)	
14	1001118972	2	Nut, Tinnerman M10	
15	1001163418	1	Fuel Tank Assembly	
15	1001193336	1	Cap, Fuel	
15	70004794	1	Tube, Pick-up	
16	1001231195	1	Sensor, Fuel Level	
17	4751800	4	Washer 1/2	

SECTION 2 - GROUND CONTROLS

FIGURE 2-7. TANKS AND HORN INSTALLATION (GAS MACHINES)



ART_1001204618_C

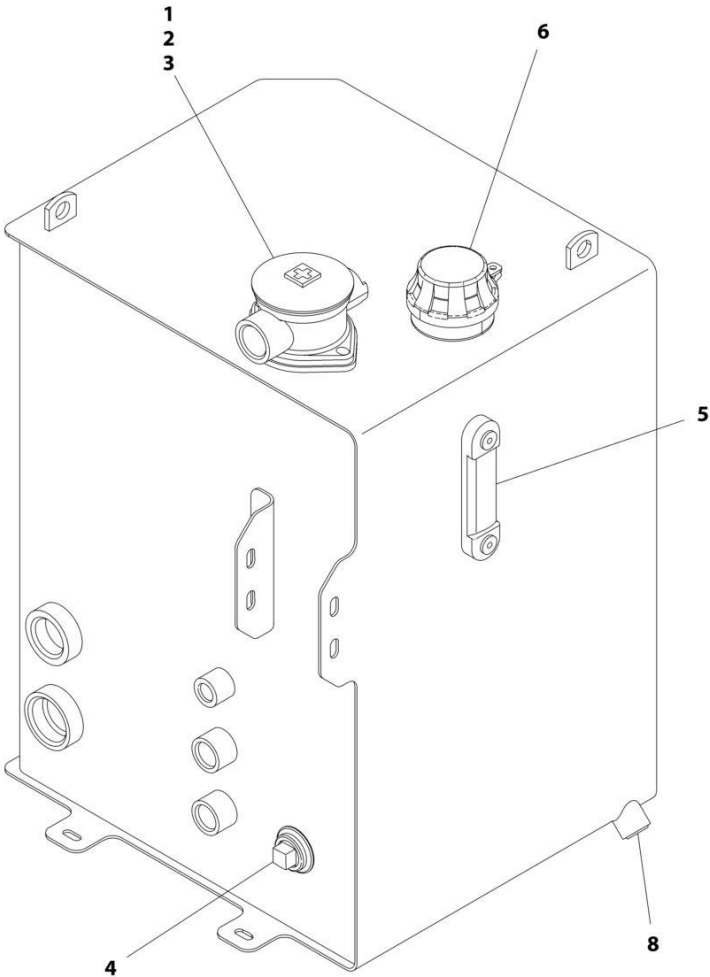
SECTION 2 - GROUND CONTROLS

FIGURE 2-7. TANKS AND HORN INSTALLATION (GAS MACHINES)

ITEM	PART NUMBER	QTY	DESCRIPTION	REV
	1001204618	Ref	TANKS AND HORN INSTALLATION (GAS MACHINES)	C
1	0140001	1	Horn	
2	0700610	1	Bolt M6 x 20	
3	0701020	4	Bolt M10 x 60	
4	0731005	5	Screw #10 x 5/8	
5	0760814	3	Bolt M8 x 30	
6	3290605	1	Nut M6	
7	3290805	3	Nut M8	
8	3291005	2	Nut M10	
9	4751000	5	Washer #10	
10	4811702	2	Washer M6	
11	4811902	6	Washer M8	
12	4812002	2	Washer M10	
13	1001102823	1	Hydraulic Tank Assembly (See Separate Breakdown in this Section)	
14	1001118972	2	Nut, Tinnerman M10	
15	1001231195	1	Sensor, Fuel Level	
16	1001206896	1	Fuel Tank Assembly	
16	1001207109	1	Cap, Fuel	
16	70004794	1	Tube, Pick-up	
17	4751800	4	Washer 1/2	

SECTION 2 - GROUND CONTROLS

FIGURE 2-8. HYDRAULIC TANK ASSEMBLY



ART_1001102823

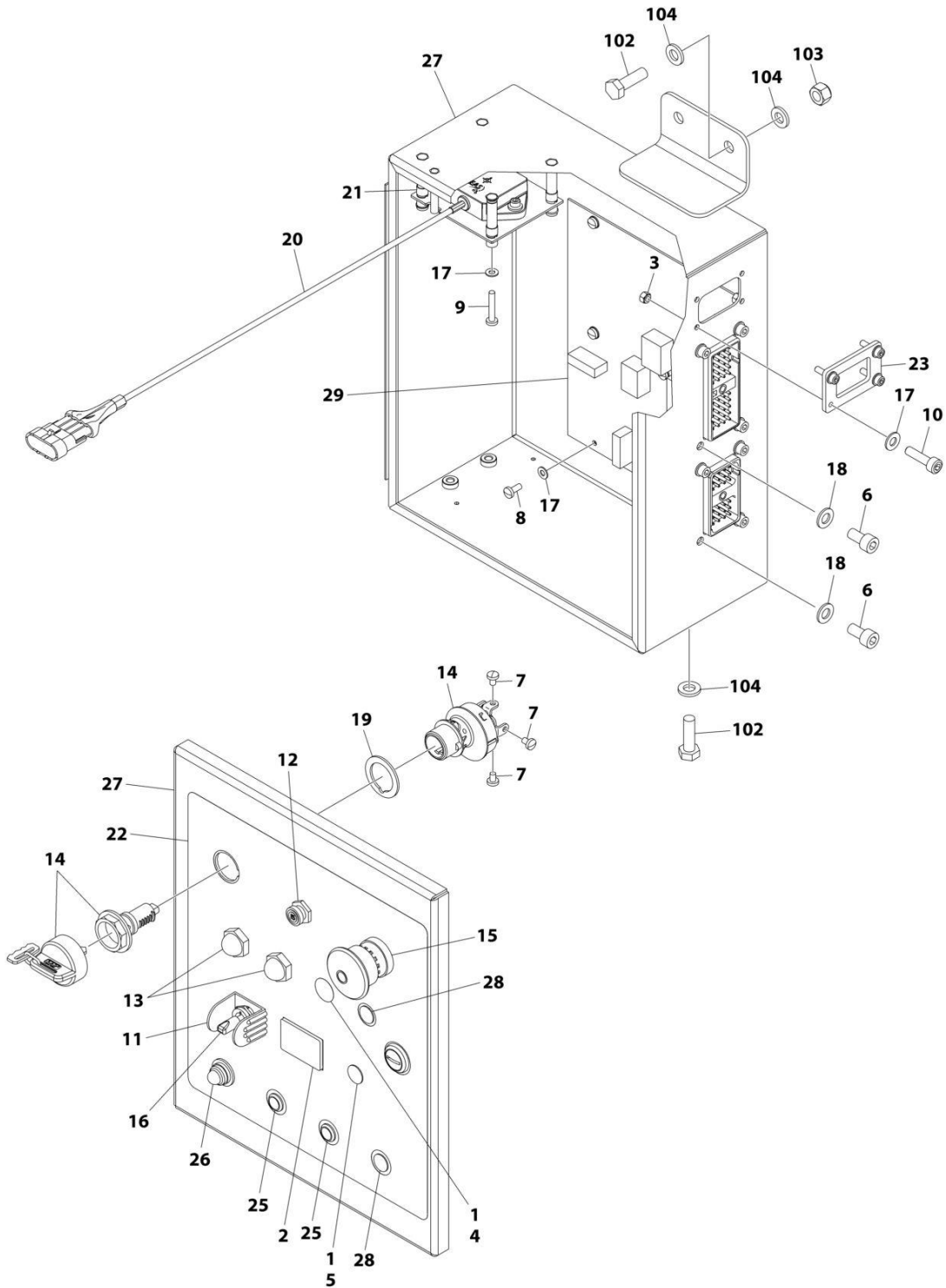
SECTION 2 - GROUND CONTROLS

FIGURE 2-8. HYDRAULIC TANK ASSEMBLY

ITEM	PART NUMBER	QTY	DESCRIPTION	REV
	1001102823	Ref	HYDRAULIC TANK ASSEMBLY	C
1	70001959	1	Filter, Return	
1	70001960	1	Element, Filter	
1	70002768	1	Spring, Return Filter Assembly	
2	7023306	1	Seal Between Filter Cover and Head	
3	7023347	1	Gasket Between Tank and Filter Flange	
4	7024446	1	Plug, Magnetic 1in NPT	
5	7024441	1	Gauge, Fluid Level	
6	70002113	1	Breather/Fill Cap	
7	See Note	2	Strainer (Note: Not a serviceable Item per Vendor) (Not Shown)	
8	70002112	1	Plug, Magnetic	

SECTION 2 - GROUND CONTROLS

FIGURE 2-9. GROUND CONTROL BOX ASSEMBLY (DIESEL MACHINES)



ART_1001236352

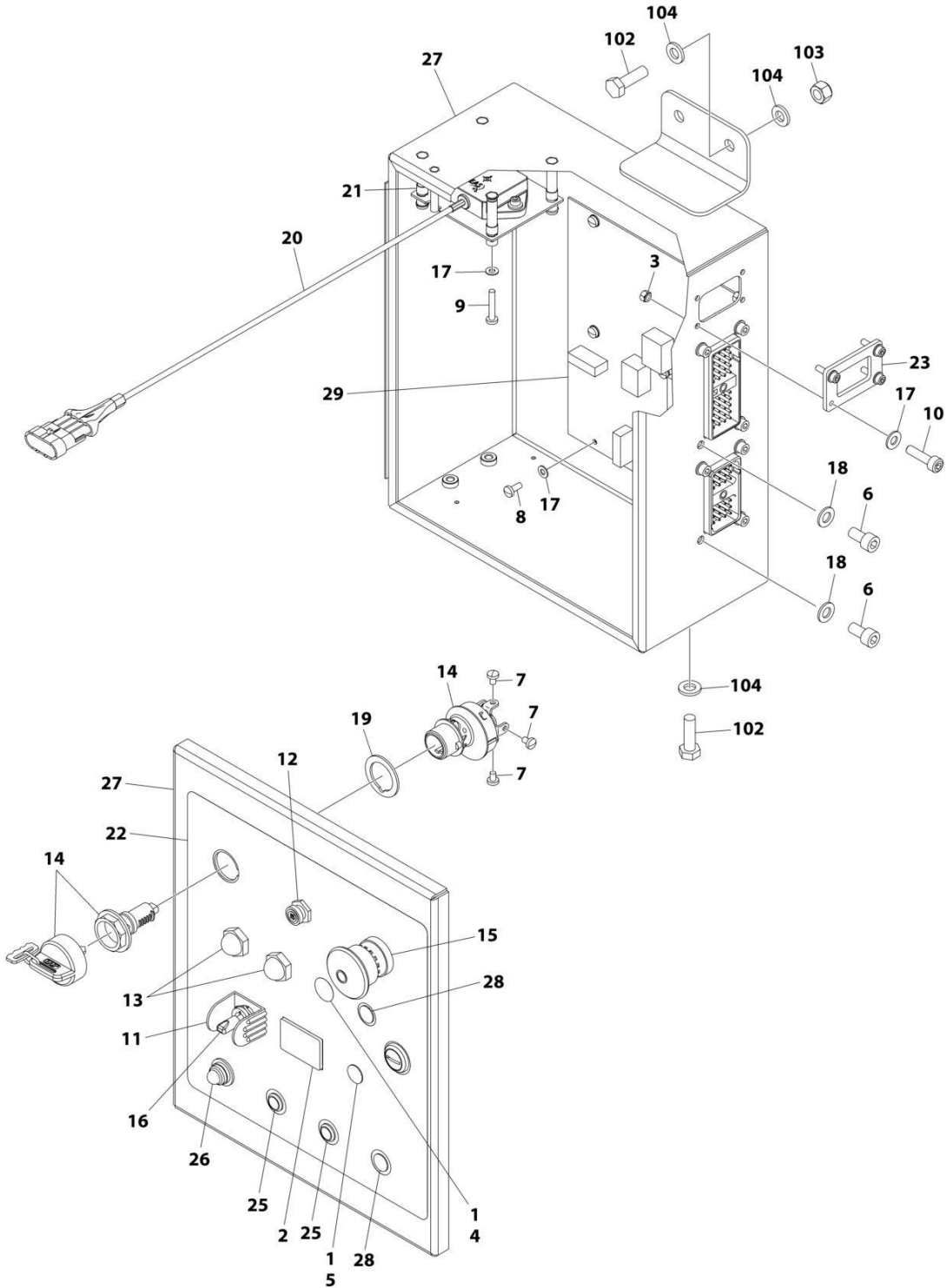
SECTION 2 - GROUND CONTROLS

FIGURE 2-9. GROUND CONTROL BOX ASSEMBLY (DIESEL MACHINES)

ITEM	PART NUMBER	QTY	DESCRIPTION	REV
	1001236352	Ref	GROUND CONTROL BOX ASSEMBLY (DIESEL MACHINES)	C
1	0100009	AR	Sealant	
2	2420172	1	Hourmeter	
3	3290405	4	Nut M4	
4	3520026	1	Plug	
5	3250028	1	Plug	
6	3900300	8	Capscrew #10 x 3/8	
7	4010403	3	Screw M4 x 6	
8	4010405	4	Screw M4 x 10	
9	4010412	4	Screw M4 x 24	
10	4031507	4	Capscrew M4 x 16	
11	4060802	1	Guard, Switch	
12	4360070	1	Breaker, Circuit 15Amp	
13	4360387	2	Switch, Push Button	
14	4360469	1	Switch Key	
14	2860030	1 Set	Key, Replacement	
15	1001274559	1	Switch, Emergency Stop (Plastic)	
15	4360475	1	Switch, Emergency Stop (Metal)	
15	7020175	1	Cap	
15	7020176	1	Block, Contact	
16	4360524	1	Switch, Toggle	
17	4811400	12	Washer M4	
18	4811600	8	Washer M5	
19	1001151393	1	Shim, Nylon .063	
20	1001181330	1	Sensor	
20	See Note	NSS	Connector - 4 Position (Note: Not Available for Purchase)	
20	See Note	NSS	Terminal (Note: Not Available for Purchase)	
21	1001184730	4	Washer	
22	1001189773	1	Decal - Ground Control	
23	1001190002	1	Seal, Connector	
24	1001214989	1	Ground Control Box Harness (Not Shown) (Upper) (See Separate Breakdown in ELECTRICAL SECTION)	
25	1001215255	2	Light, LED with Harness (Yellow)	
26	1001221687	1	Light with Harness (Yellow)	
26	2920029	1	Bulb, Light	
27	1001222169	1	Box, Ground Control	
28	1001226421	2	Plug, Hole	
29	1001234735	1	Module, Ground Control (Note: Re-calibration Required when Replaced)	
30	1001236154	1	Ground Control Box Harness (Not Shown) (Lower) (See Separate Breakdown in ELECTRICAL SECTION)	
	1001210755	Ref	GROUND CONTROL BOX INSTALLATION (DIESEL MACHINES)	C
102	0760610	6	Bolt M6 x 20	
103	3290605	2	Nut M6	
104	4811700	8	Washer M6	

SECTION 2 - GROUND CONTROLS

FIGURE 2-10. GROUND CONTROL BOX ASSEMBLY (GAS MACHINES)



ART_1001236351

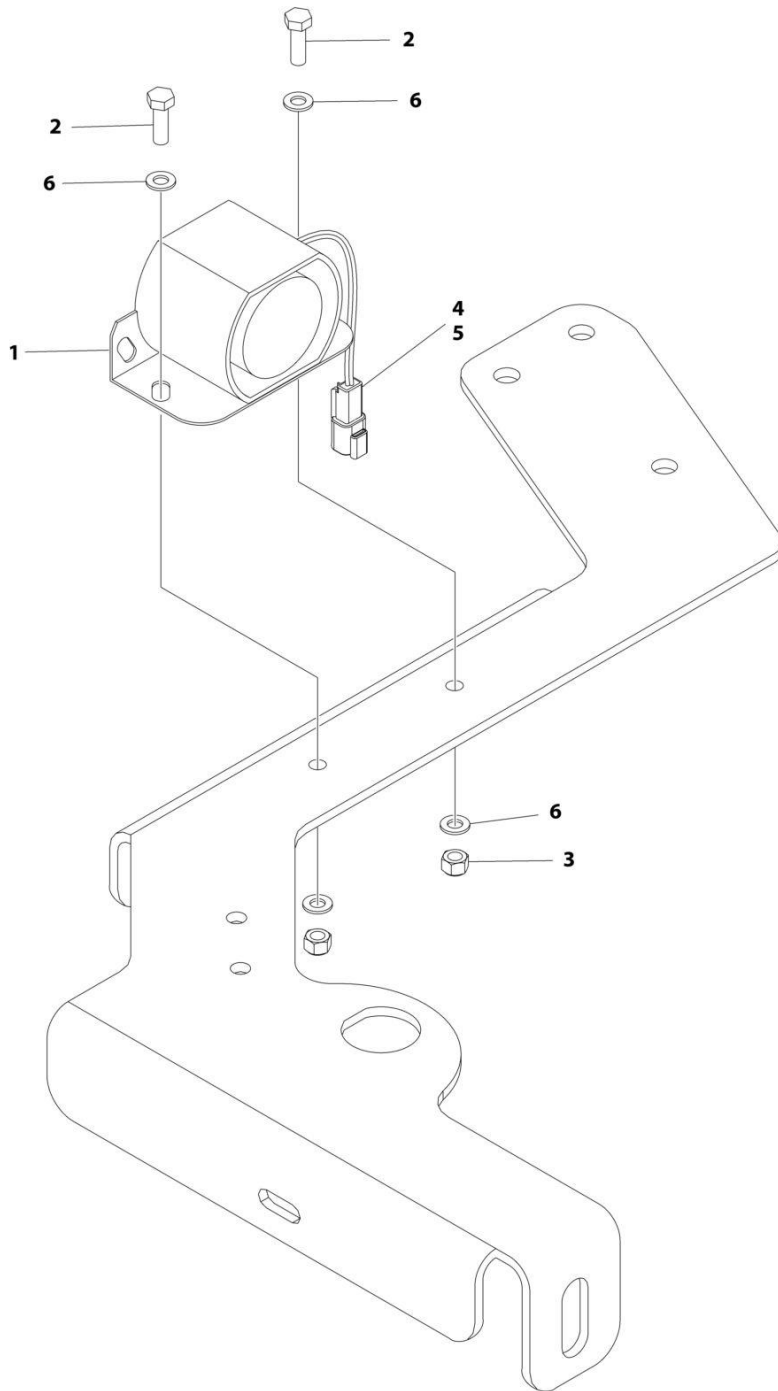
SECTION 2 - GROUND CONTROLS

FIGURE 2-10. GROUND CONTROL BOX ASSEMBLY (GAS MACHINES)

ITEM	PART NUMBER	QTY	DESCRIPTION	REV
	1001236351	Ref	GROUND CONTROL BOX ASSEMBLY (GAS MACHINES)	C
1	0100009	AR	Sealant	
2	2420172	1	Hourmeter	
3	3290405	4	Nut M4	
4	3520026	2	Plug	
5	3250028	1	Plug	
6	3900300	8	Capscrew #10 x 3/8	
7	4010403	3	Screw M4 x 6	
8	4010405	4	Screw M4 x 10	
9	4010412	4	Screw M4 x 24	
10	4031507	4	Capscrew M4 x 16	
11	4060802	1	Guard, Switch	
12	4360070	1	Breaker, Circuit 15Amp	
13	4360387	1	Switch, Push Button	
14	4360469	1	Switch Key	
14	2860030	1 Set	Key, Replacement	
15	1001274559	1	Switch, Emergency Stop (Plastic)	
15	4360475	1	Switch, Emergency Stop (Metal)	
15	7020175	1	Cap	
15	7020176	1	Block, Contact	
16	4360524	1	Switch, Toggle	
17	4811400	12	Washer M4	
18	4811600	8	Washer M5	
19	1001151393	1	Shim, Nylon .063	
20	1001181330	1	Sensor	
20	See Note	NSS	Connector - 4 Position (Note: Not Available for Purchase)	
20	See Note	NSS	Terminal (Note: Not Available for Purchase)	
21	1001184730	4	Washer	
22	1001189773	1	Decal - Ground Control	
23	1001190002	1	Seal, Connector	
24	1001214989	1	Ground Control Box Harness (Not Shown) (Upper) (See Separate Breakdown in ELECTRICAL SECTION)	
25	1001215255	2	Light, LED with Harness (Yellow)	
26	1001221687	1	Light with Harness (Yellow)	
26	2920029	1	Bulb, Light	
27	1001222169	1	Box, Ground Control	
28	1001226421	2	Plug, Hole	
29	1001234735	1	Module, Ground Control (Note: Re-calibration Required when Replaced)	
30	1001236154	1	Ground Control Box Harness (Not Shown) (Lower) (See Separate Breakdown in ELECTRICAL SECTION)	
	1001210754	Ref	GROUND CONTROL BOX INSTALLATION (DIESEL MACHINES)	C
102	0760610	6	Bolt M6 x 20	
103	3290605	2	Nut M6	
104	4811700	8	Washer M6	

SECTION 2 - GROUND CONTROLS

FIGURE 2-11. MOTION ALARM INSTALLATION



ART_1001206689

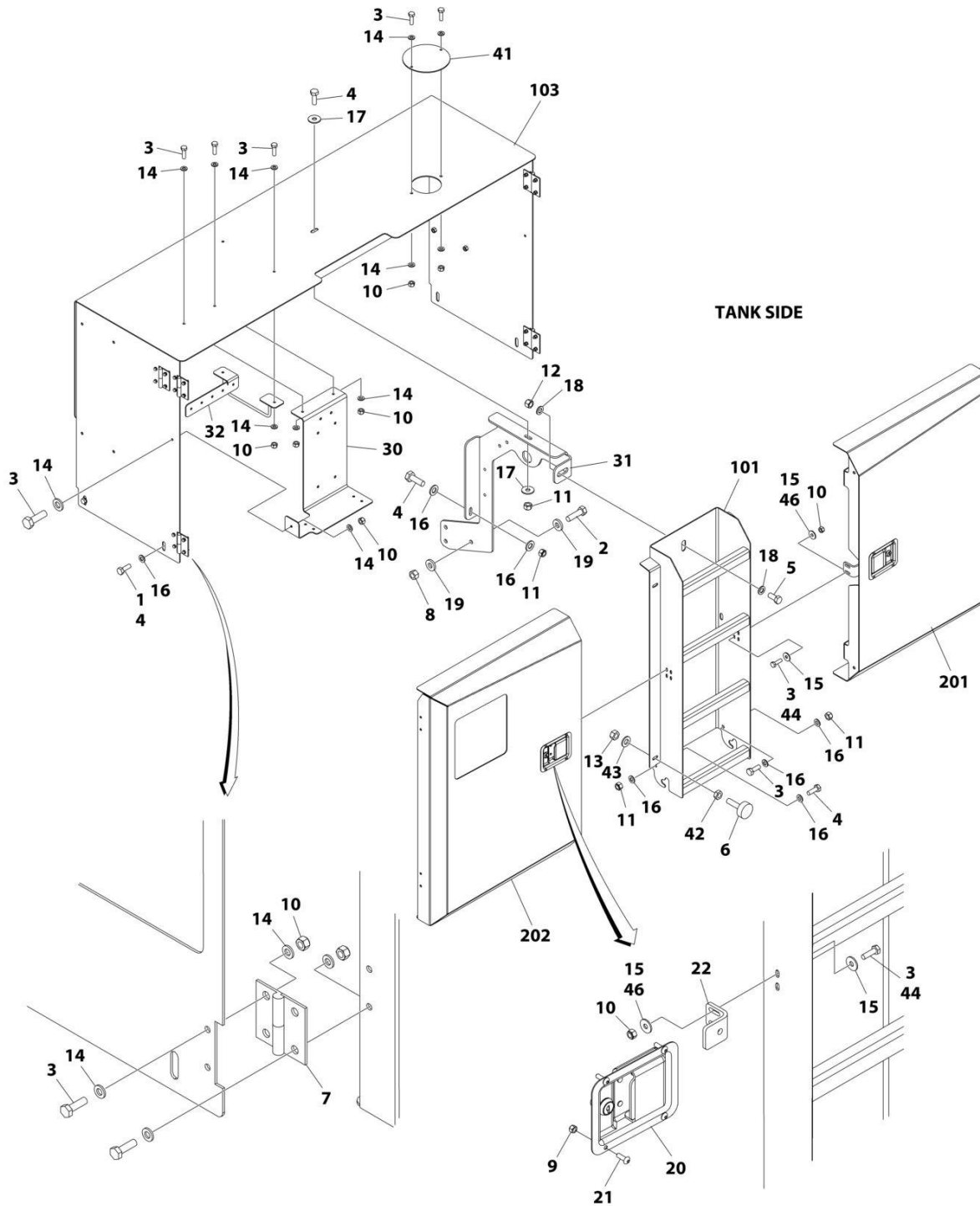
SECTION 2 - GROUND CONTROLS

FIGURE 2-11. MOTION ALARM INSTALLATION

ITEM	PART NUMBER	QTY	DESCRIPTION	REV
	1001206689	Ref	MOTION ALARM INSTALLATION	A
1	0140032	1	Alarm	
2	0770812	2	Bolt M8 x 25	
3	3290805	2	Nut M8	
4	4460464	2	Pin, Male	
5	4460897	1	Receptacle, Female - 2 Position	
6	4811900	4	Washer M8	

SECTION 2 - GROUND CONTROLS

FIGURE 2-12. HOODS AND LADDERS INSTALLATION (RT3394)



ART_1001204695_M_10F2

SECTION 2 - GROUND CONTROLS

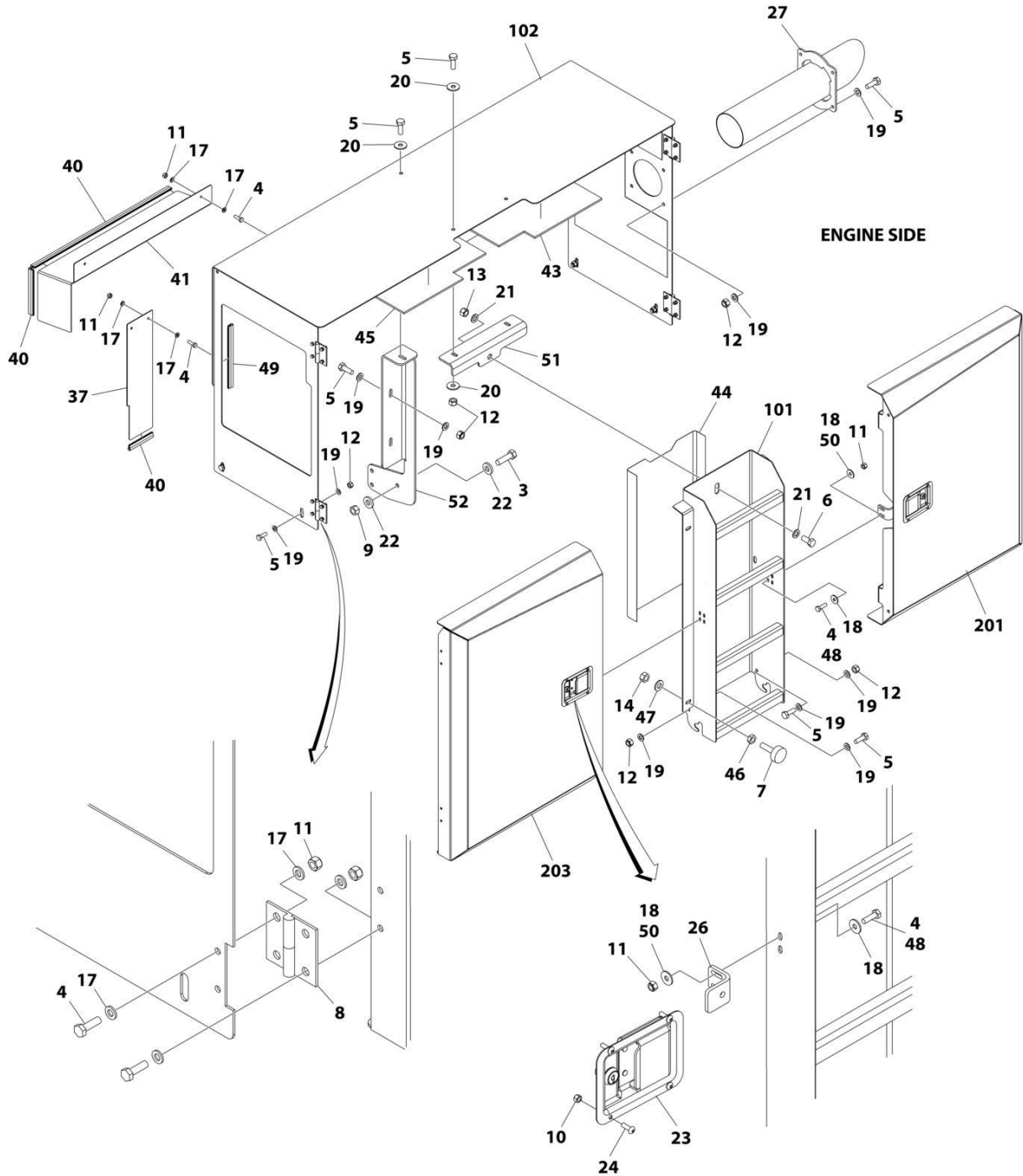
FIGURE 2-12. HOODS AND LADDERS INSTALLATION (RT3394)

ITEM	PART NUMBER	QTY	DESCRIPTION	REV
	1001204695	Ref	HOODS AND LADDERS INSTALLATION	M
1	0100011	AR	Compound, Locking	
2	0681814	6	Bolt 1/2 x 1-3/4 Grade 8	
3	0760610	43	Bolt M6 x 20	
4	0761014	23	Bolt M10 x 30	
5	0761615	2	Bolt M16 x 35	
6	0940049	8	Stopper	
7	2600216	8	Hinge	
8	3271805	6	Nut 1/2 Grade 8	
9	3290505	AR	Nut M5	
10	3290605	51	Nut M6	
11	3291005	19	Nut M10	
12	3291605	2	Nut M16	
13	3311501	8	Nut 5/16	
14	4811700	86	Washer M6	
15	4811702	16	Washer M6	
16	4812000	40	Washer M10	
17	4812002	2	Washer M10	
18	4812300	4	Washer M16	
19	4891800	12	Washer 1/2	
20	1001257454	4	Latch	
21	1001099125	AR	Screw M5 x 16 Grade 10.9	
22	1001219882	4	Bracket, Latch	
23	1001183416	1	Tube, Exhaust	
30	1001204248	1	Bracket, Ground Control Box	
31	1001204382	AR	Support, Ladder	
32	1001209208	1	Support, Harness	
33	1001218727	1	Bracket, Generator	
36	1001110433	37.2 in/ 94.5cm	Seal	
37	1001218729	1	Bracket, Generator	
38	1001225258	1	Insulate (Right)	
39	1001225257	1	Insulate (Left)	
40	1001238471	1	Insulate	
41	1001226221	1	Plate, Access	
42	3311502	8	Nut 5/16 Grade 2	
43	4711500	16	Washer 5/16	
44	0760612	8	Bolt M6 x 25	
45	4060803	7.4 in /19cm	Shield, Flex Trim	
46	5240600	AR	Washer M6	
47	1001237907	1	Bracket, Ladder Support	
48	1001237908	1	Bracket, Hood Support	
100	1001219802	1	Hood Kit	
101	1001204140	2	Ladder	
102	1001239222	1	Cover (Engine Side)	
103	1001204236	1	Cover (Tank Side)	
200	1001258394	1	Door Kit	
201	1001258390	2	Door (Rear)	
202	1001258391	1	Door (Tank Side Front)	

SECTION 2 - GROUND CONTROLS

ITEM	PART NUMBER	QTY	DESCRIPTION	REV
203	1001258392	1	Door (Engine Side Front)	

SECTION 2 - GROUND CONTROLS



ART_1001206467_M_20F2

SECTION 2 - GROUND CONTROLS

FIGURE 2-13. HOODS AND LADDERS INSTALLATION (RT4394)

ITEM	PART NUMBER	QTY	DESCRIPTION	REV
	1001206467	Ref	HOODS AND LADDERS INSTALLATION	M
1	0100011	AR	Compound, Locking	
2	0641609	8	Bolt 3/8 x 1-1/8	
3	0681814	6	Bolt 1/2 x 1-3/4 Grade 8	
4	0760610	43	Bolt M6 x 20	
5	0761014	23	Bolt M10 x 30	
6	0761615	2	Bolt M16 x 35	
7	0940049	8	Stopper	
8	2600216	8	Hinge	
9	3271805	6	Nut 1/2 Grade 8	
10	3290505	AR	Nut M5	
11	3290605	51	Nut M6	
12	3291005	19	Nut M10	
13	3291605	2	Nut M16	
14	3311501	8	Nut 5/16	
15	3311605	8	Nut 3/8	
16	4751600	16	Washer 3/8	
17	4811700	86	Washer M6	
18	4811702	16	Washer M6	
19	4812000	40	Washer M10	
20	4812002	2	Washer M10	
21	4812300	4	Washer M16	
22	4891800	12	Washer 1/2	
23	1001093383	4	Latch	
24	1001099125	AR	Screw M5 x 16 Grade 10.9	
25	1001167469	2	Ladder	
26	1001219882	4	Bracket, Latch	
27	1001183416	1	Tube, Exhaust	
34	1001204248	1	Bracket, Ground Control Box	
35	1001204382	1	Support, Ladder	
36	1001209208	1	Support, Harness	
37	1001218727	1	Bracket, Generator	
40	1001110433	37.2 in/ 94.5cm	Seal	
41	1001218729	1	Bracket, Generator	
42	1001226221	1	Plate, Access	
43	1001225258	1	Insulate (Right)	
44	1001228471	1	Insulate	
45	1001225257	1	Insulate (Left)	
46	3311502	8	Nut 5/16 Grade 2	
47	4711500	16	Washer 5/16	
48	0760612	8	Bolt M6 x 25	
49	4060803	7.4 in /19cm	Shield, Flex Trim	
50	5240600	1	Washer M6	
51	1001237907	1	Bracket, Ladder Support	
52	1001237908	1	Bracket, Hood Support	
100	1001219802	1	Hood Kit	
101	1001204140	2	Ladder	
102	1001239222	1	Cover (Engine Side)	

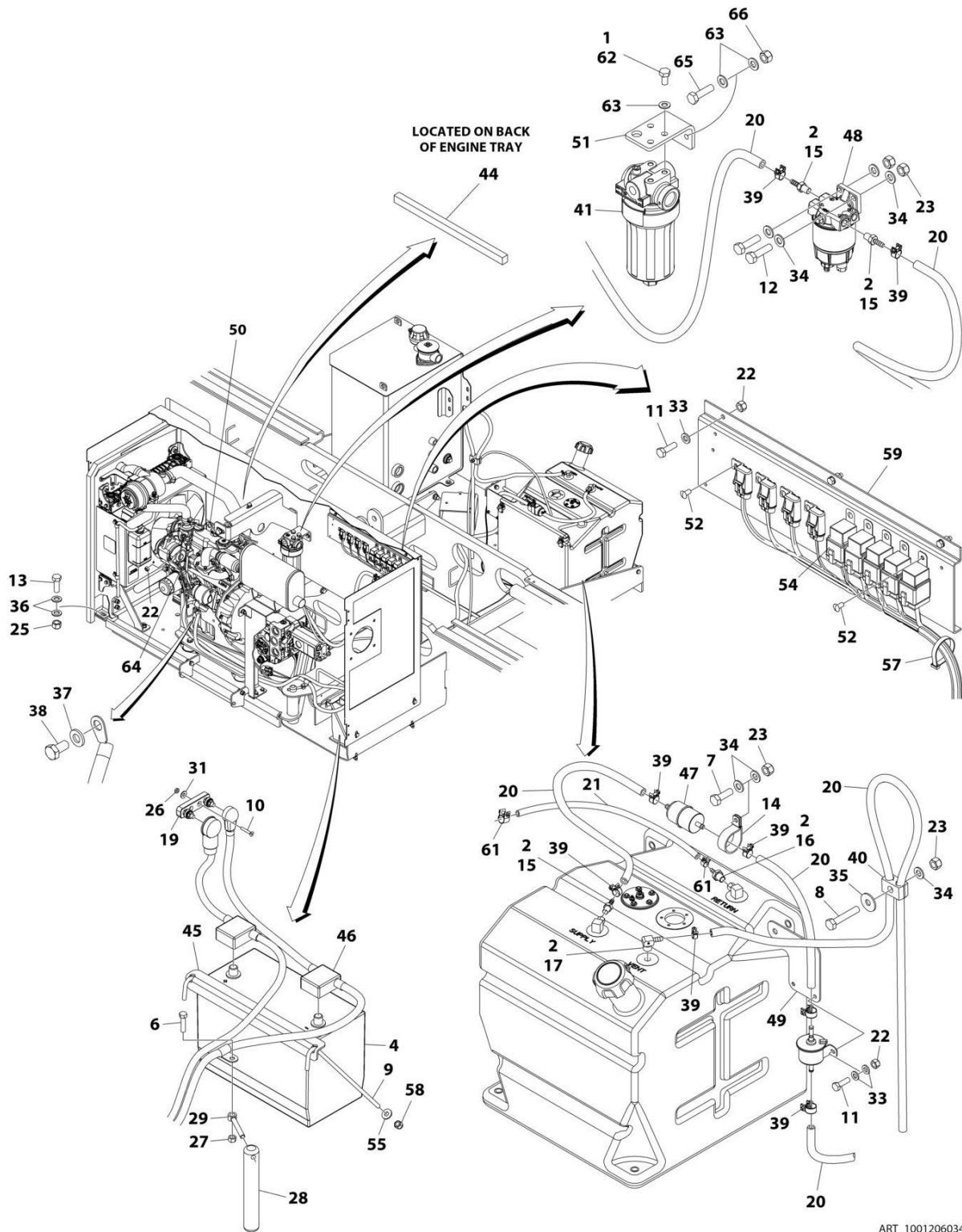
SECTION 2 - GROUND CONTROLS

ITEM	PART NUMBER	QTY	DESCRIPTION	REV
103	1001204236	1	Cover (Tank Side)	
200	1001258394	1	Door Kit	
201	1001258390	2	Door (Rear)	
202	1001258391	1	Door (Tank Side Front)	
203	1001258392	1	Door (Engine Side Front)	

SECTION 3 - ENGINE

SECTION 3 - ENGINE

FIGURE 3-1. ENGINE INSTALLATION - KUBOTA DIESEL T4F



ART_1001206034_O

SECTION 3 - ENGINE

FIGURE 3-1. ENGINE INSTALLATION - KUBOTA DIESEL T4F

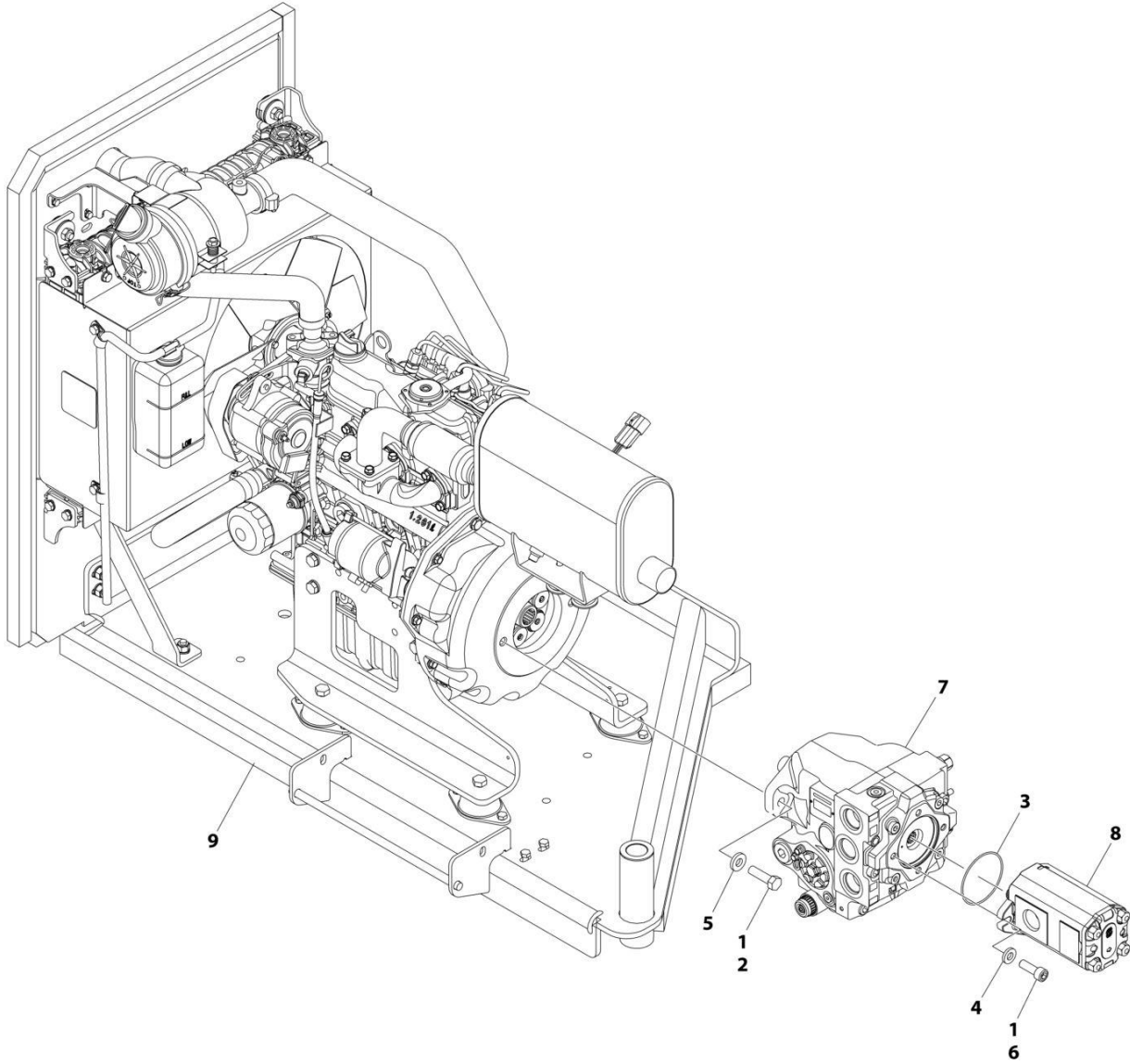
ITEM	PART NUMBER	QTY	DESCRIPTION	REV
	1001206034	Ref	ENGINE INSTALLATION - KUBOTA DIESEL T4F	O
1	0100011	AR	Compound, Locking	
2	0100020	AR	Sealant	
4	0400075	1	Battery	
6	0641612	1	Bolt 3/8 x 1-1/2	
7	0700812	1	Bolt M8 x 25	
8	0700817	1	Bolt M8 x 45	
9	1001093382	2	J-Bolt	
10	0741010	2	Screw #10 x 1-1/4	
11	0760610	5	Bolt M6 x 20	
12	0760814	2	Bolt M8 x 30	
13	0761617	1	Bolt M6 x 45	
14	1320265	1	Clamp	
15	2180348	3	Fitting, Straight NPT x Barbed	
16	2180666	1	Fitting, Straight NPT x Barbed	
17	1001208764	1	Fitting, 90 NPT x Barbed	
19	2400044	1	Block, Fuse Mounting	
20	2720058	242 in/ 6.2m	Hose	
21	2720271	136 in/ 3.5m	Hose	
22	3290605	6	Nut M6	
23	3290805	4	Nut M8	
25	3291605	1	Nut M16	
26	3300408	2	Nut	
27	3311605	1	Nut 3/8	
28	3422669	1	Pin	
29	3841143	1	Keeper, Pin	
31	4711400	2	Washer 1/4	
33	4811700	7	Washer M6	
34	4811900	7	Washer M8	
35	4811902	1	Washer M8	
36	4812300	2	Washer M16	
37	5241000	1	Washer M10	
38	8303511	1	Capscrew M10 x 20	
39	1001174486	9	Clamp	
40	8750014	1	Clamp	
41	1001208874	1	Filter, Change Pump	
41	70010383	1	Element, Filter	
44	1001183421	1	Foam, Baffle	
45	1001184065	1	Bracket, Hold Down	
46	1001186428	1	Battery Cable Kit (See Separate Breakdown in ELECTRICAL Section)	
47	1001190545	1	Filter, Fuel	
48	1001190609	1	Fuel/Water Separator Assembly - Diesel Engines (See Separate Breakdown in this Section)	
49	1001191146	1	Bracket	
50	1001238772	1	Engine and Pump Sub-Assembly – Kubota Diesel T4F (See Separate Breakdown in this Section)	
51	1001194836	1	Bracket	
52	3820020	9	Rivet	

SECTION 3 - ENGINE

ITEM	PART NUMBER	QTY	DESCRIPTION	REV
54	3740080	5	Relay	
55	4751500	2	Washer 5/16	
57	4240018	AR	Tie-Strap	
58	88521205	2	Nut 5/16	
59	1001185125	1	Plate	
60	1001236545	1	Engine Harness - Kubota Diesel T4F (Not Shown - See Separate Breakdown in ELECTRICAL Section)	
61	1001185585	2	Clamp	
62	0761010	3	Bolt M10 x 20	
63	4812000	7	Washer M10	
64	1001234069	1	Harness, Fusible Link	
65	0761014	2	Bolt M10 x 30	
66	3291005	2	Locknut M10	

SECTION 3 - ENGINE

FIGURE 3-2. ENGINE AND PUMP SUB-ASSEMBLY - KUBOTA DIESEL E4B



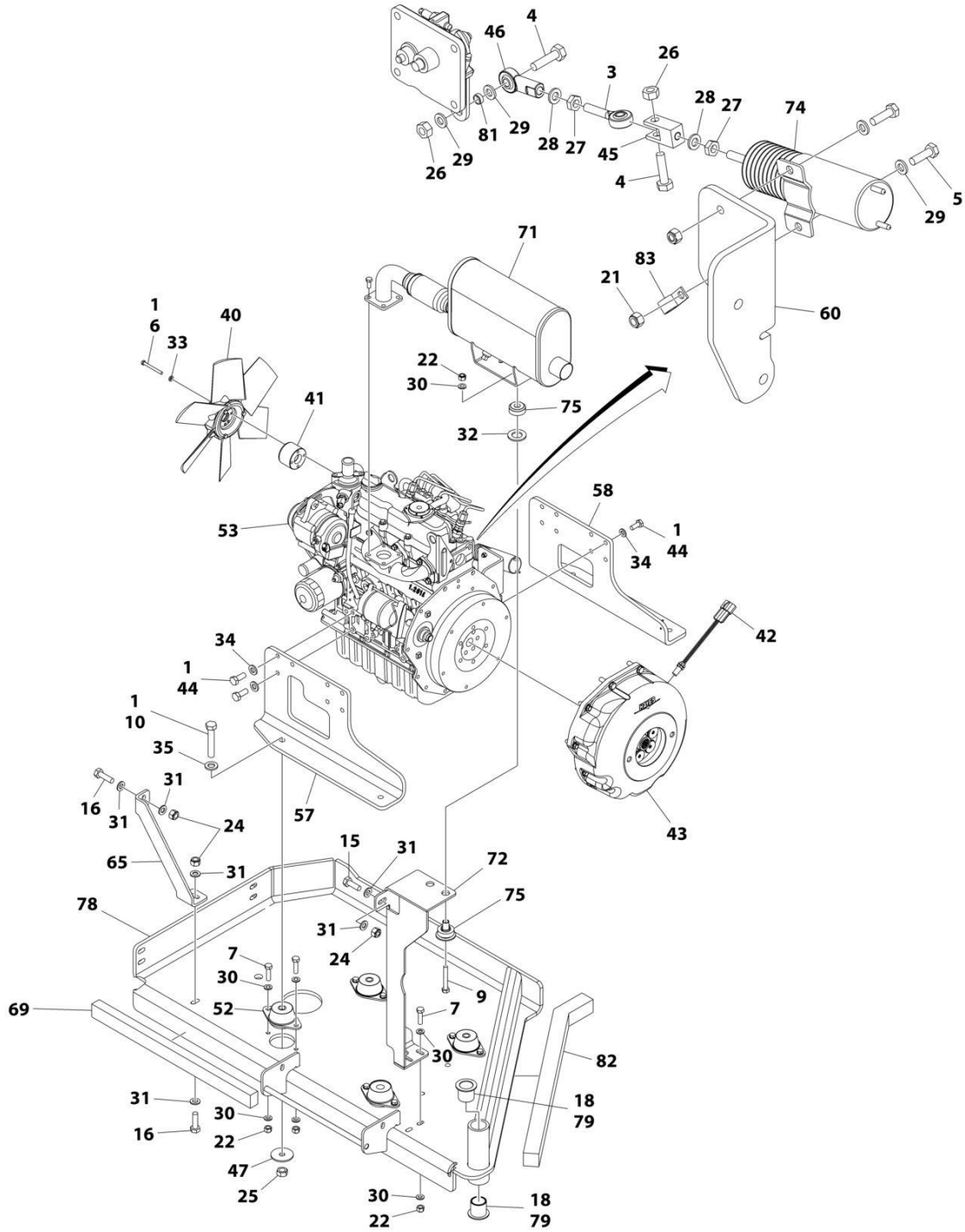
ART_1001238772

SECTION 3 - ENGINE

FIGURE 3-2. ENGINE AND PUMP SUB-ASSEMBLY - KUBOTA DIESEL E4B

ITEM	PART NUMBER	QTY	DESCRIPTION	REV
	1001238772	Ref	ENGINE AND PUMP SUB-ASSEMBLY - KUBOTA DIESEL E4B	C
1	0100011	AR	Compound, Locking	
2	0641814	2	Bolt 1/2 x 1-3/4	
3	3790152	1	O-Ring	
4	4891600	2	Washer 3/8	
5	4891800	2	Washer 1/2	
6	0761014	2	Capscrew M10 x 30	
7	1001101331	1	Piston Pump Assembly (See Separate Breakdown in this Section)	
8	1001239200	1	Gear Pump Assembly	
8	7023929	1	Seal Kit - 1001239200 Pump (Note: Seal Kit is only service component available)	
9	1001238771	1	Engine Assembly - Kubota Diesel E4B (See Separate Breakdown in this Section)	

SECTION 3 - ENGINE



ART_1001238771_2OF2

SECTION 3 - ENGINE

FIGURE 3-3. ENGINE ASSEMBLY - KUBOTA DIESEL E4B

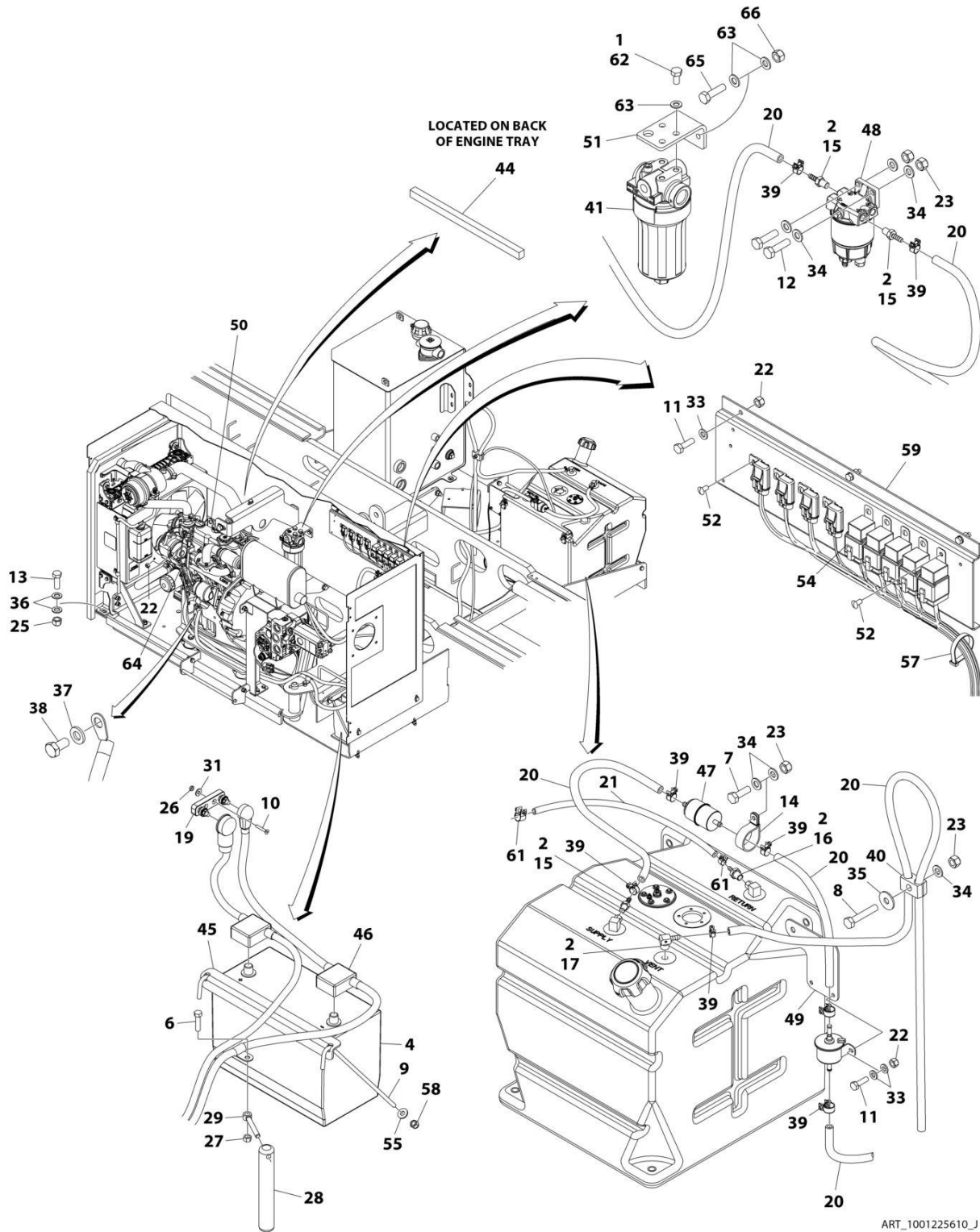
ITEM	PART NUMBER	QTY	DESCRIPTION	REV
	1001238771	Ref	ENGINE ASSEMBLY - KUBOTA DIESEL E4B	A
1	0100011	AR	Compound, Locking	
2	0340045	1	Band, Mounting	
3	0440334	1	End, Rod	
4	0641408	2	Bolt 1/4 x 1	
5	0700610	5	Bolt M6 x 20	
6	0700620	4	Bolt M6 x 60	
7	0700814	10	Bolt M8 x 30	
9	0700819	2	Bolt M8 x 55	
10	0701222	4	Bolt M12 x 70	
11	0760607	2	Bolt M6 x 14	
14	0760808	10	Bolt M8 x 16	
15	0761014	1	Bolt M10 x 30	
16	0761015	4	Bolt M10 x 35	
17	0761016	6	Bolt M10 x 40	
18	0961986	2	Bearing	
19	1703162	2	Decal - Fan Blade	
21	3290605	5	Nut M6	
22	3290805	14	Nut M8	
23	3291001	4	Nut M10	
24	3291005	7	Nut M10	
25	3291201	4	Nut M12	
26	3311405	2	Nut 1/4	
27	3321402	2	Nut 1/4	
28	4761400	2	Washer 1/4	
29	4811700	AR	Washer M6	
30	4811900	36	Washer M8	
31	4812000	18	Washer M10	
32	4812500	2	Washer M20	
33	5240600	4	Washer M6	
34	5241000	8	Washer M10	
35	5241200	4	Washer M12	
36	8405101	2	Clamp	
37	8405104	5	Clamp	
38	85941016	2	Clamp	
40	1001118538	1	Fan	
41	1001118539	1	Spacer, Fan	
42	1001118580	1	Sensor, Speed	
43	1001118675	1	Coupling Kit - Diesel Engines (See Separate Breakdown in this Section)	
44	1001118746	8	Bolt M10 x 25	
45	1001118881	1	Clevis	
46	1001118925	1	End, Rod	
47	1001168018	4	Washer	
48	1001169054	4	Isolator	
49	1001169138	AR	Pad	
50	1001169967	2	Bracket	
51	1001170035	2	Bracket	
52	1001187235	4	Mount, Motor	
53	1001238770	1	Engine, Kubota T4F (See Separate Breakdown in this Section)	

SECTION 3 - ENGINE

ITEM	PART NUMBER	QTY	DESCRIPTION	REV
54	1001220957	1	Radiator & Shroud Assembly	
54	1001198726	1	Radiator	
54	70007502	1	Valve, Drain	
54	1001220959	1	Shroud	
55	1001181658	1	Plate, Radiator	
56	1001227285	1	Seal	
57	1001182976	1	Mount, Engine (LH)	
58	1001182977	1	Mount, Engine (RH)	
59	1001182978	1	Tube, Inlet	
60	1001182979	1	Bracket, Throttle Cylinder	
61	1001182980	1	Bracket, Air Cleaner	
62	1001182981	1	Bracket	
63	1001182982	1	Mount	
64	1001182983	1	Tube, Intake	
65	1001182984	1	Bracket, Support	
66	1001182985	1	Tube, Outlet	
67	1001182987	1	Tube, Air Intake	
68	1001183420	1	Foam, Baffle	
69	1001183424	1	Foam, Baffle	
71	1001234950	1	Muffler	
72	1001195600	1	Bracket, Muffler	
73	1001118280	1	Air Filter Assembly	
73	7015004	2	Element	
73	7015005	1	Cover Assembly	
73	1340069	1	Valve, Vacuator	
74	1001118582	1	Actuator, Throttle	
75	1001125248	2	Mount, Engine	
78	1001205968	1	Tray	
79	1001180620	AR	Adhesive	
80	0760810	2	Bolt M8 x 20	
81	1001128888	1	Washer	
82	1001184066	1	Foam, Baffle	
83	1320043	1	Clamp, Cable	

SECTION 3 - ENGINE

FIGURE 3-4. ENGINE INSTALLATION - KUBOTA DIESEL STAGE T4F WITH GENERATOR



SECTION 3 - ENGINE

FIGURE 3-4. ENGINE INSTALLATION - KUBOTA DIESEL STAGE T4F WITH GENERATOR

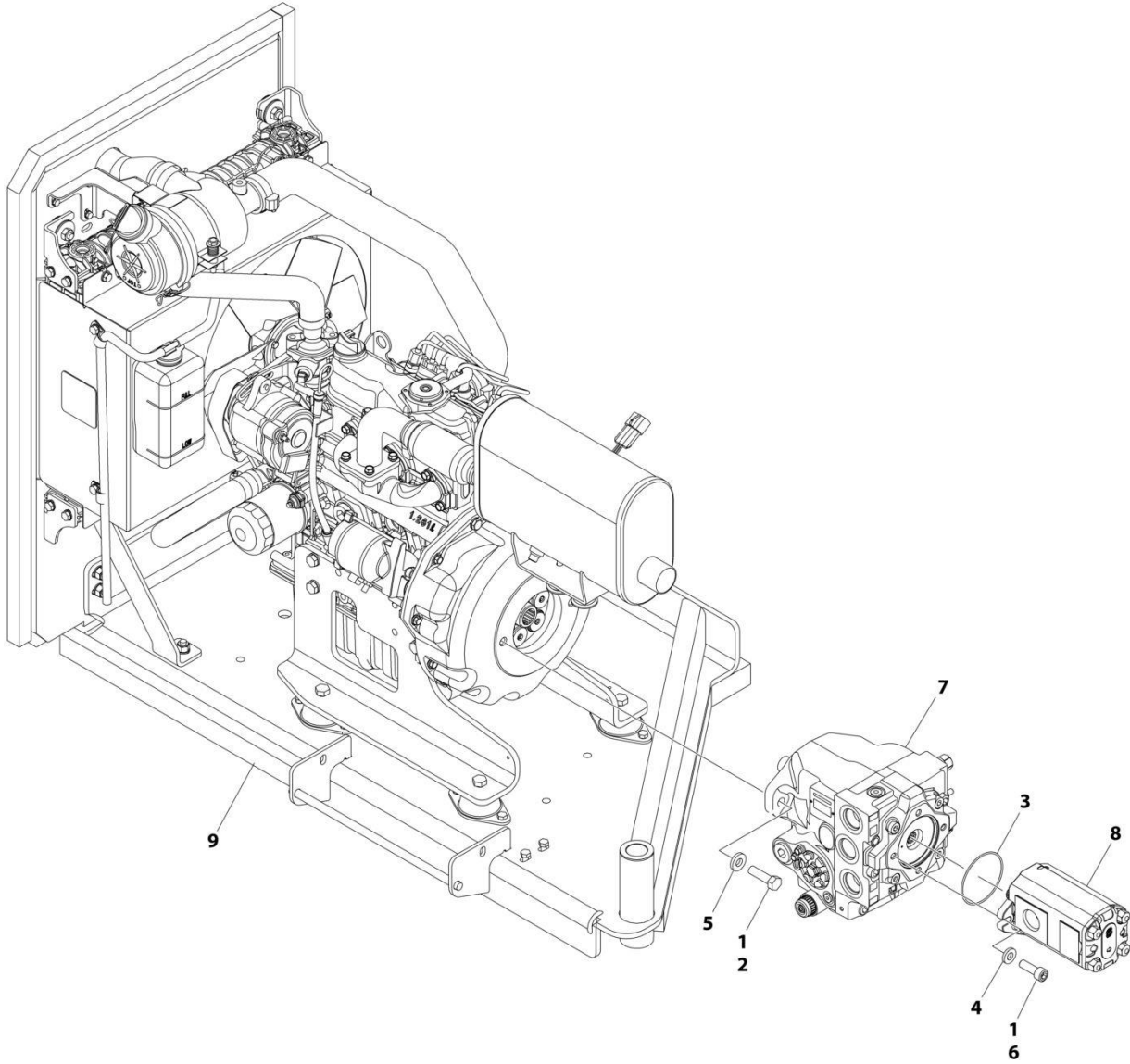
ITEM	PART NUMBER	QTY	DESCRIPTION	REV
	1001225610	Ref	ENGINE INSTALLATION - KUBOTA DIESEL T4F WITH GENERATOR	J
1	0100011	AR	Compound, Locking	
2	0100020	AR	Sealant	
4	0400075	1	Battery	
6	0641612	1	Bolt 3/8 x 1-1/2	
7	0700812	1	Bolt M8 x 25	
8	0700817	1	Bolt M8 x 45	
9	1001093382	2	J-Bolt	
10	0741010	2	Screw #10 x 1-1/4	
11	0760610	5	Bolt M6 x 20	
12	0760814	2	Bolt M8 x 30	
13	0761617	1	Bolt M6 x 45	
14	1320265	1	Clamp	
15	2180348	3	Fitting, Straight NPT x Barbed	
16	2180666	1	Fitting, Straight NPT x Barbed	
17	1001208764	1	Fitting, 90 NPT x Barbed	
19	2400044	1	Block, Fuse Mounting	
20	2720058	242 in/ 6.2m	Hose	
21	2720271	136 in/ 3.5m	Hose	
22	3290605	6	Nut M6	
23	3290805	4	Nut M8	
25	3291605	1	Nut M16	
26	3300408	2	Nut	
27	3311605	1	Nut 3/8	
28	3422669	1	Pin	
29	3841143	1	Keeper, Pin	
31	4711400	2	Washer 1/4	
33	4811700	7	Washer M6	
34	4811900	7	Washer M8	
35	4811902	1	Washer M8	
36	4812300	2	Washer M16	
37	5241000	1	Washer M10	
38	8303511	1	Capscrew M10 x 20	
39	1001174486	9	Clamp	
40	8750014	1	Clamp	
41	1001208874	1	Filter, Charge Pump	
41	70010383	1	Element, Filter	
44	1001183421	1	Foam, Baffle	
45	1001184065	1	Bracket, Hold Down	
46	1001186428	1	Battery Cable Kit (See Separate Breakdown in ELECTRICAL Section)	
47	1001190545	1	Filter, Fuel	
48	1001190609	1	Fuel/Water Separator Assembly - Diesel Engines (See Separate Breakdown in this Section)	
49	1001191146	1	Bracket	
50	1001238774	1	Engine and Pump Sub-Assembly - Kubota Diesel T4F with Generator (See Separate Breakdown in this Section)	
51	1001194836	1	Bracket	

SECTION 3 - ENGINE

ITEM	PART NUMBER	QTY	DESCRIPTION	REV
52	3820020	9	Rivet	
54	3740080	5	Relay	
55	4751500	2	Washer 5/16	
57	4240018	AR	Tie-Strap	
58	88521205	2	Nut 5/16	
59	1001185125	1	Plate	
60	1001236545	1	Engine Harness - Kubota Diesel T4F (Not Shown - See Separate Breakdown in ELECTRICAL Section)	
61	1001185585	2	Clamp	
62	0761010	3	Bolt M10 x 20	
63	4812000	7	Washer M10	
64	1001234069	1	Harness, Fusible Link	
65	0761014	2	Bolt M10 x 30	
66	3291005	2	Locknut M10	

SECTION 3 - ENGINE

FIGURE 3-5. ENGINE AND PUMP SUB-ASSEMBLY - KUBOTA DIESEL E4B WITH GENERATOR



ART_1001238774

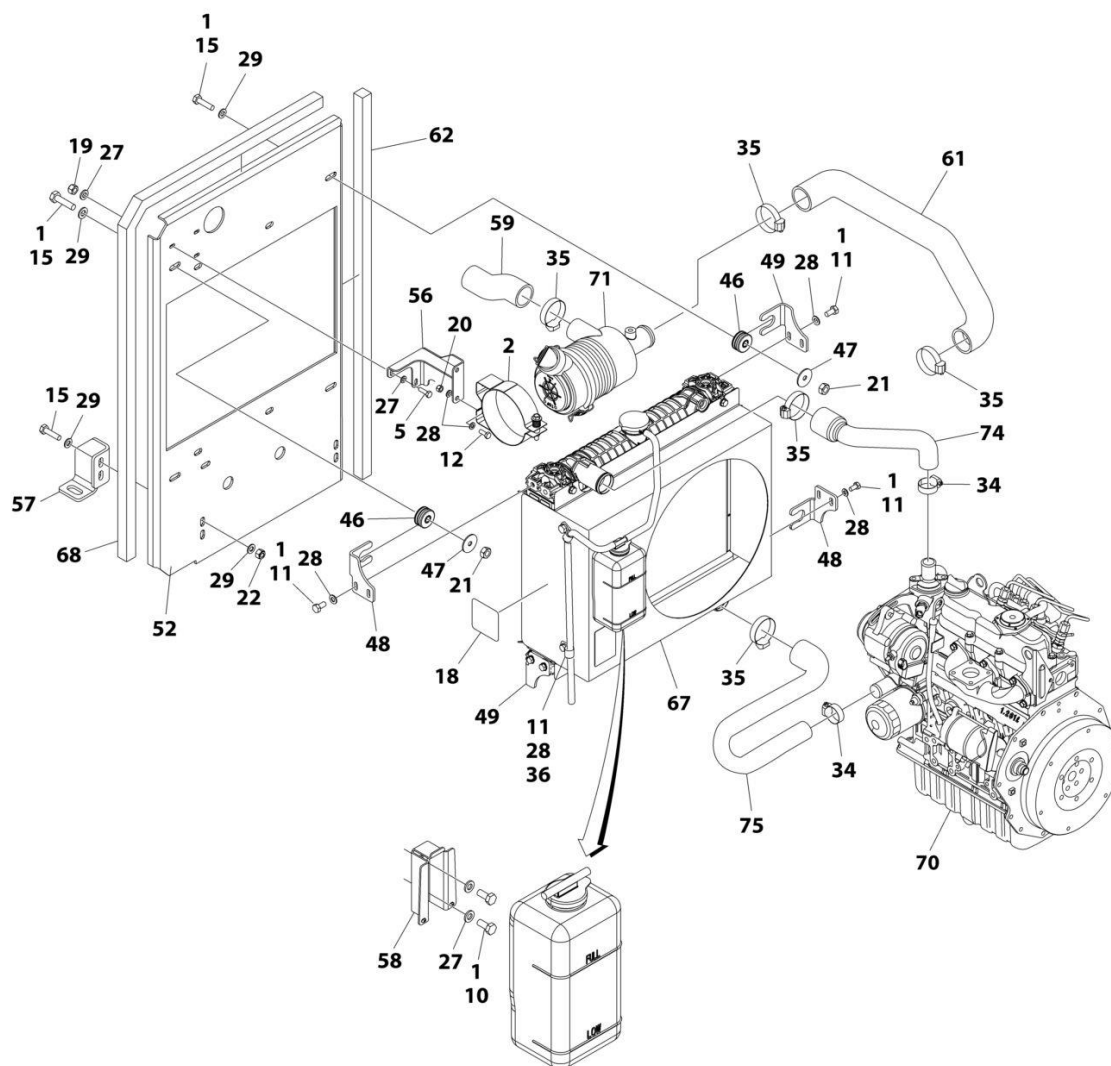
SECTION 3 - ENGINE

FIGURE 3-5. ENGINE AND PUMP SUB-ASSEMBLY - KUBOTA DIESEL E4B WITH GENERATOR

ITEM	PART NUMBER	QTY	DESCRIPTION	REV
	1001238774	Ref	ENGINE AND PUMP SUB-ASSEMBLY - KUBOTA DIESEL E4B WITH GENERATOR	C
1	0100011	AR	Compound, Locking	
2	0641814	2	Bolt 1/2 x 1-3/4	
3	3790152	1	O-Ring	
4	4891600	2	Washer 3/8	
5	4891800	2	Washer 1/2	
6	0761014	2	Capscrew M10 x 30	
7	1001101331	1	Piston Pump Assembly (See Separate Breakdown in this Section)	
8	1001239200	1	Gear Pump Assembly	
8	7023929	1	Seal Kit – 1001239200 Pump (Note: Seal Kit is only service component available)	
9	1001238773	1	Engine Assembly - Kubota Diesel E4B with Generator (See Separate Breakdown in this Section)	

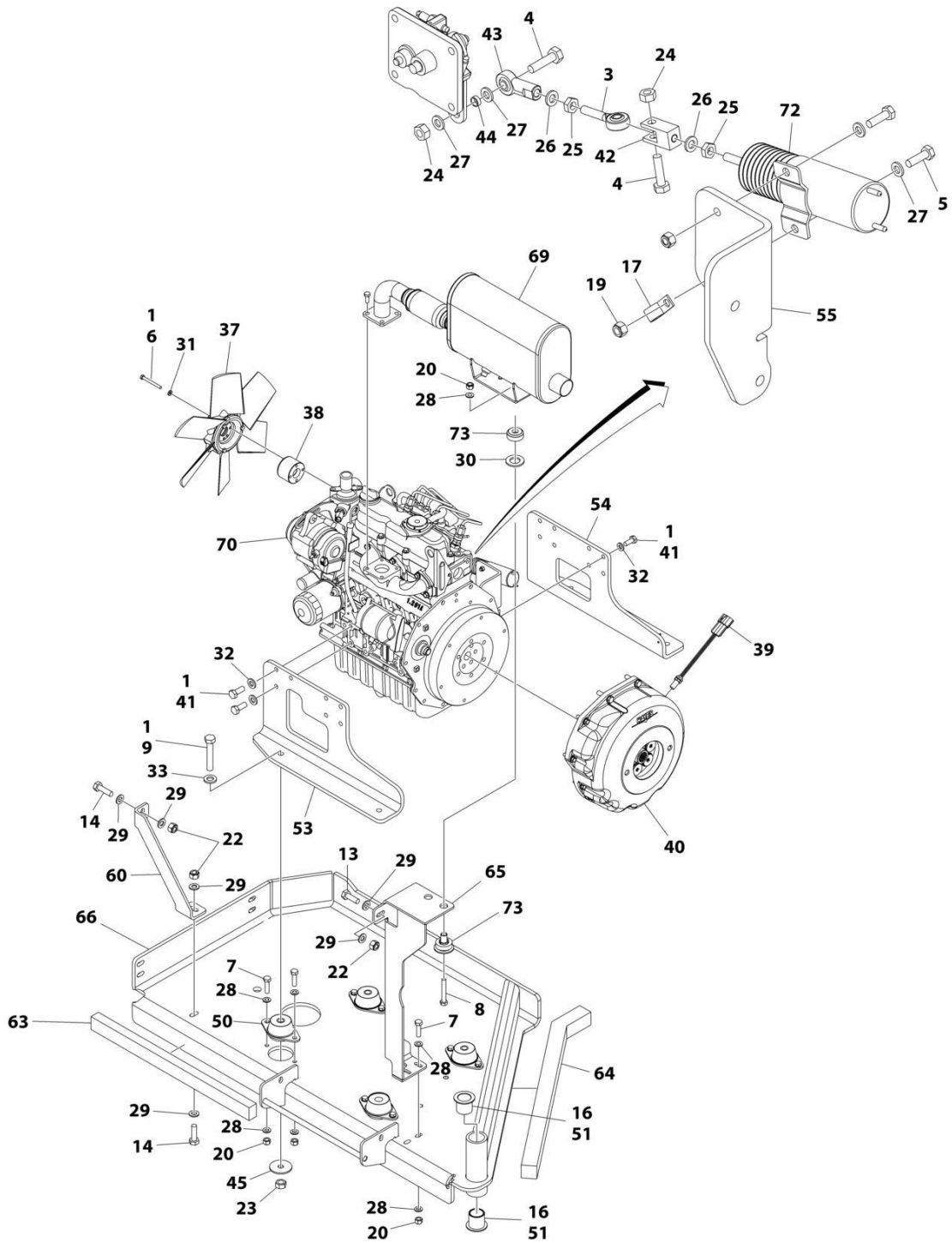
SECTION 3 - ENGINE

FIGURE 3-6. ENGINE ASSEMBLY - KUBOTA DIESEL E4B WITH GENERATOR



ART_1001238773_10F2

SECTION 3 - ENGINE



ART_1001238773_2OF2

SECTION 3 - ENGINE

FIGURE 3-6. ENGINE ASSEMBLY - KUBOTA DIESEL E4B WITH GENERATOR

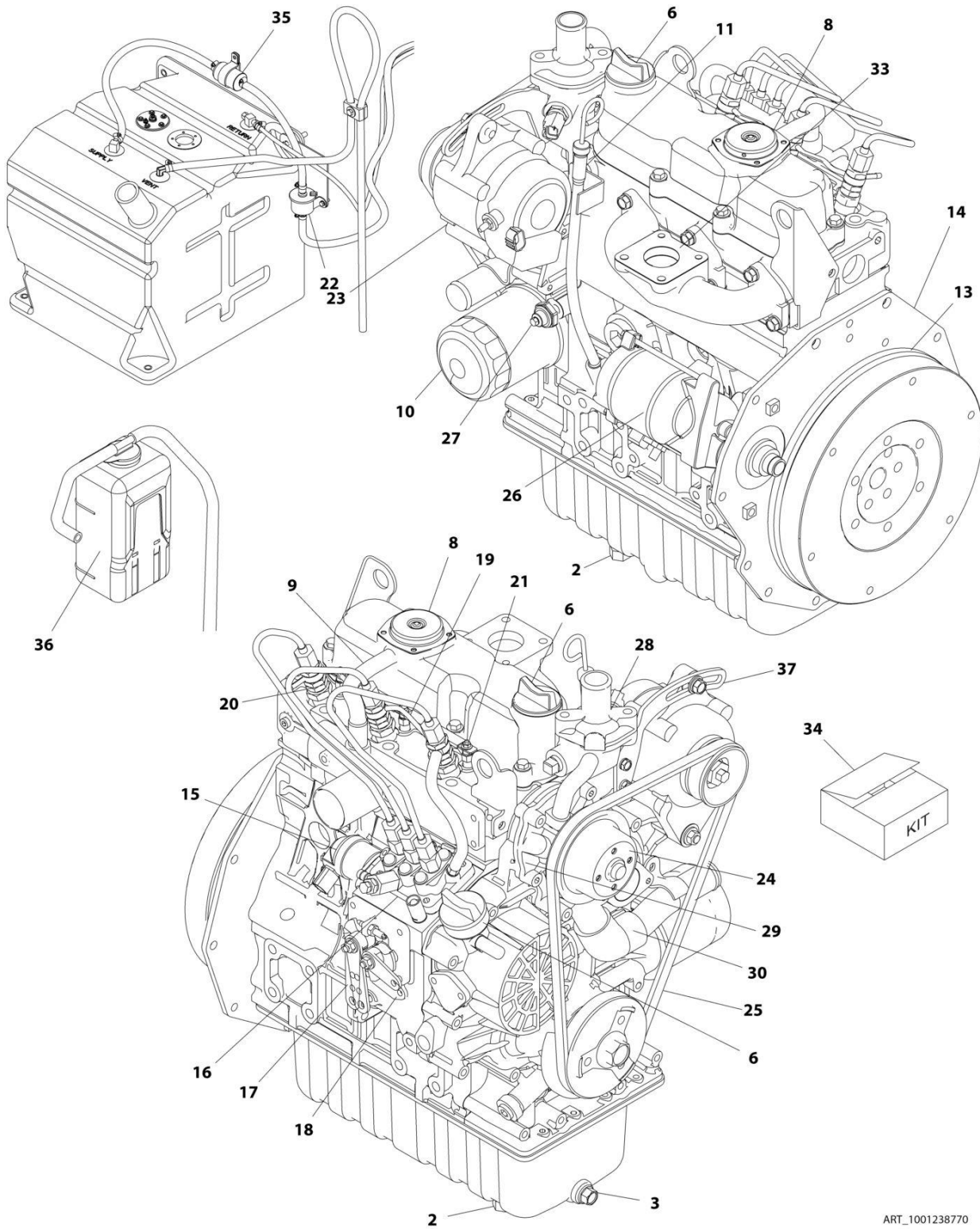
ITEM	PART NUMBER	QTY	DESCRIPTION	REV
	1001238773	Ref	ENGINE ASSEMBLY - KUBOTA DIESEL E4B WITH GENERATOR	A
1	0100011	AR	Compound, Locking	
2	0340045	1	Band, Mounting	
3	0440334	1	End, Rod	
4	0641408	2	Bolt 1/4 x 1	
5	0700610	5	Bolt M6 x 20	
6	0700620	4	Bolt M6 x 60	
7	0700814	10	Bolt M8 x 30	
8	0700819	2	Bolt M8 x 55	
9	0701222	4	Bolt M12 x 70	
10	0760607	2	Bolt M6 x 14	
11	0760808	10	Bolt M8 x 16	
12	0760810	2	Bolt M8 x 20	
13	0761014	1	Bolt M10 x 30	
14	0761015	4	Bolt M10 x 35	
15	0761016	6	Bolt M10 x 40	
16	0961986	2	Bearing	
17	1320043	1	Clamp, Cable	
18	1703162	2	Decal - Fan Blade	
19	3290605	5	Nut M6	
20	3290805	14	Nut M8	
21	3291001	4	Nut M10	
22	3291005	7	Nut M10	
23	3291201	4	Nut M12	
24	3311405	2	Nut 1/4	
25	3321402	2	Nut 1/4	
26	4761400	2	Washer 1/4	
27	4811700	13	Washer M6	
28	4811900	36	Washer M8	
29	4812000	18	Washer M10	
30	4812500	2	Washer M20	
31	5240600	4	Washer M6	
32	5241000	8	Washer M10	
33	5241200	4	Washer M12	
34	8405101	2	Clamp	
35	8405104	5	Clamp	
36	85941016	2	Clamp	
37	1001118538	1	Fan	
38	1001118539	1	Spacer, Fan	
39	1001118580	1	Sensor, Speed	
40	1001118675	1	Coupling Kit - Diesel Engines (See Separate Breakdown in this Section)	
41	1001118746	8	Bolt M10 x 25	
42	1001118881	1	Clevis	
43	1001118925	1	End, Rod	
44	1001128888	1	Washer	
45	1001168018	4	Washer	
46	1001169054	4	Isolator	
47	1001169138	6	Pad	
48	1001169967	2	Bracket	

SECTION 3 - ENGINE

ITEM	PART NUMBER	QTY	DESCRIPTION	REV
49	1001170035	2	Bracket	
50	1001175509	4	Mount, Engine	
51	1001180620	1	Adhesive	
52	1001181658	1	Plate, Radiator	
53	1001182976	1	Mount, Engine (LH)	
54	1001182977	1	Mount, Engine (RH)	
55	1001182979	1	Bracket, Throttle Cylinder	
56	1001182980	1	Bracket, Air Cleaner	
57	1001182981	1	Bracket	
58	1001182982	1	Mount	
59	1001182983	1	Tube, Intake	
60	1001182984	1	Bracket, Support	
61	1001182987	1	Tube, Air Intake	
62	1001183420	1	Foam, Baffle	
63	1001183424	1	Foam, Baffle	
64	1001184066	1	Foam, Baffle	
65	1001195600	1	Bracket, Muffler	
66	1001205968	1	Tray	
67	1001220957	1	Radiator & Shroud Assembly	
67	1001198726	1	Radiator	
67	70007502	1	Valve, Drain	
67	1001220959	1	Shroud	
68	1001227285	1	Seal	
69	1001234950	1	Muffler	
70	1001238770	1	Engine, Kubota T4F (See Separate Breakdown in this Section)	
71	1001118280	1	Air Filter Assembly	
71	7015004	1	Element	
71	7015005	1	Cover Assembly	
71	1340069	1	Valve, Vacuator	
72	1001118582	1	Actuator, Throttle	
73	1001125248	2	Mount, Engine	
74	1001182978	1	Tube, Inlet	
75	1001182985	1	Tube, Outlet	

SECTION 3 - ENGINE

FIGURE 3-7. ENGINE COMPONENTS - KUBOTA DIESEL E4B



ART_1001238770

SECTION 3 - ENGINE

FIGURE 3-7. ENGINE COMPONENTS - KUBOTA DIESEL E4B

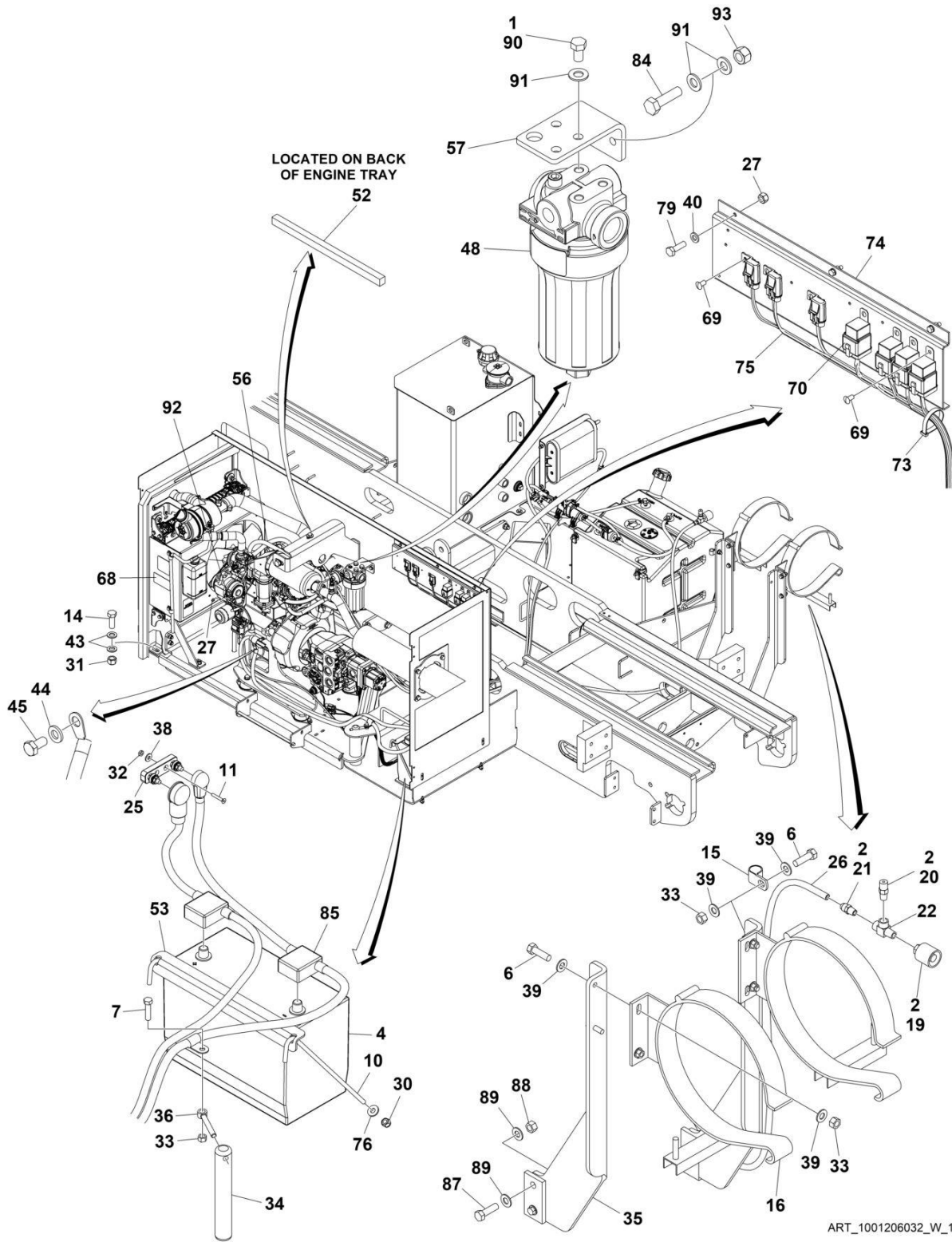
ITEM	PART NUMBER	QTY	DESCRIPTION	REV
	1001238770	Ref	ENGINE COMPONENTS - KUBOTA DIESEL T4F	A
1	70004524	1	Drain (Not Shown)	
2	7023154	1	Plug, Drain	
2	70002315	1	Seal, Plug	
3	70004525	1	Plug, Drain	
3	70004526	1	Gasket	
4	70005220	1	Gasket, Cylinder Head (Not Shown)	
5	7017922	1	Seal, Front Main (Not Shown)	
6	70002318	2	Cap, Oil Fill	
6	70004311	2	O-Ring	
7	70005221	1	Gasket, Valve Cover (Not Shown)	
8	70003060	1	Comp Valve, Breather	
8	70003061	1	Cover, Breather	
8	7017934	4	Screw	
9	70002316	1	Pipe, Water Return	
9	70002317	1	Tube, Breather	
9	70004530	1	Clamp, Hose	
9	70004531	1	Band, Pipe	
10	70004395	1	Filter, Oil	
11	70005222	1	Dipstick	
11	70005223	1	Tube, Dipstick	
12	7017928	1	Seal, Rear Main (Not Shown)	
13	70005224	1	Gear, Ring	
14	70002419	1	Plate, Rear End	
15	7025479	1	Solenoid, Stop	
16	7023164	1	Pump, Injection	
16	70002319	1	Shim, Injection	
16	70002320	1	Shim, Injection	
16	70002321	1	Shim, Injection Pump	
16	70002322	1	Shim, Injection Pump	
16	70002323	1	Shim, Injection Pump	
16	7017945	1	Joint, Eye	
17	70004396	1	Control, Speed	
17	70004397	1	Gasket	
18	7023165	1	Gasket	
19	70004536	1	Pipe, Over Flow	
19	70004537	1	Screw, Air Bleeder	
19	70004538	1	Gasket	
19	70004539	1	Pipe, Over Flow	
20	70004399	3	Holder, Nozzle	
20	70004540	3	Nut	
20	7023167	3	Gasket	
20	7023168	3	Seal, Heat	
21	70004398	3	Plug, Glow	
21	70004544	1	Cord, Glow Plug	
22	70005228	1	Electric Fuel Feed Pump	
23	70006661	1	Alternator - 60Amp	
24	7023140	1	Pulley, Fan	
25	70006665	1	V-Belt	
26	7023144	1	Starter	

SECTION 3 - ENGINE

ITEM	PART NUMBER	QTY	DESCRIPTION	REV
27	7017901	1	Switch, Oil	
28	70004829	1	Pipe, Water Return	
28	7023145	1	Gasket, Flange	
28	7017958	1	Hose, Water Return	
28	7023170	1	Thermostat	
28	70002326	1	Gasket, Thermostat	
28	70003064	1	Sensor, Water Temperature	
28	70003063	1	Washer, Seal	
29	70002327	1	Pump, Water	
29	70002328	1	Gasket, Water Pump	
30	7017963	1	Pipe, Water	
30	70002330	1	Pipe, Water	
31	7023149	1	Gasket, Inlet Manifold (Not Shown)	
32	7023148	1	Gasket, Exhaust Manifold (Not Shown)	
33	7023124	1	Gasket (Muffler)	
33	70004415	4	Bolt, Sems	
34	70005226	1	Upper Gasket Kit	
34	70005227	1	Lower Gasket Kit	
35	7017992	1	Fuel Filter	
36	70005229	1	Tank, Coolant Reserve	
37	70006664	1	Arm, Adjustment	

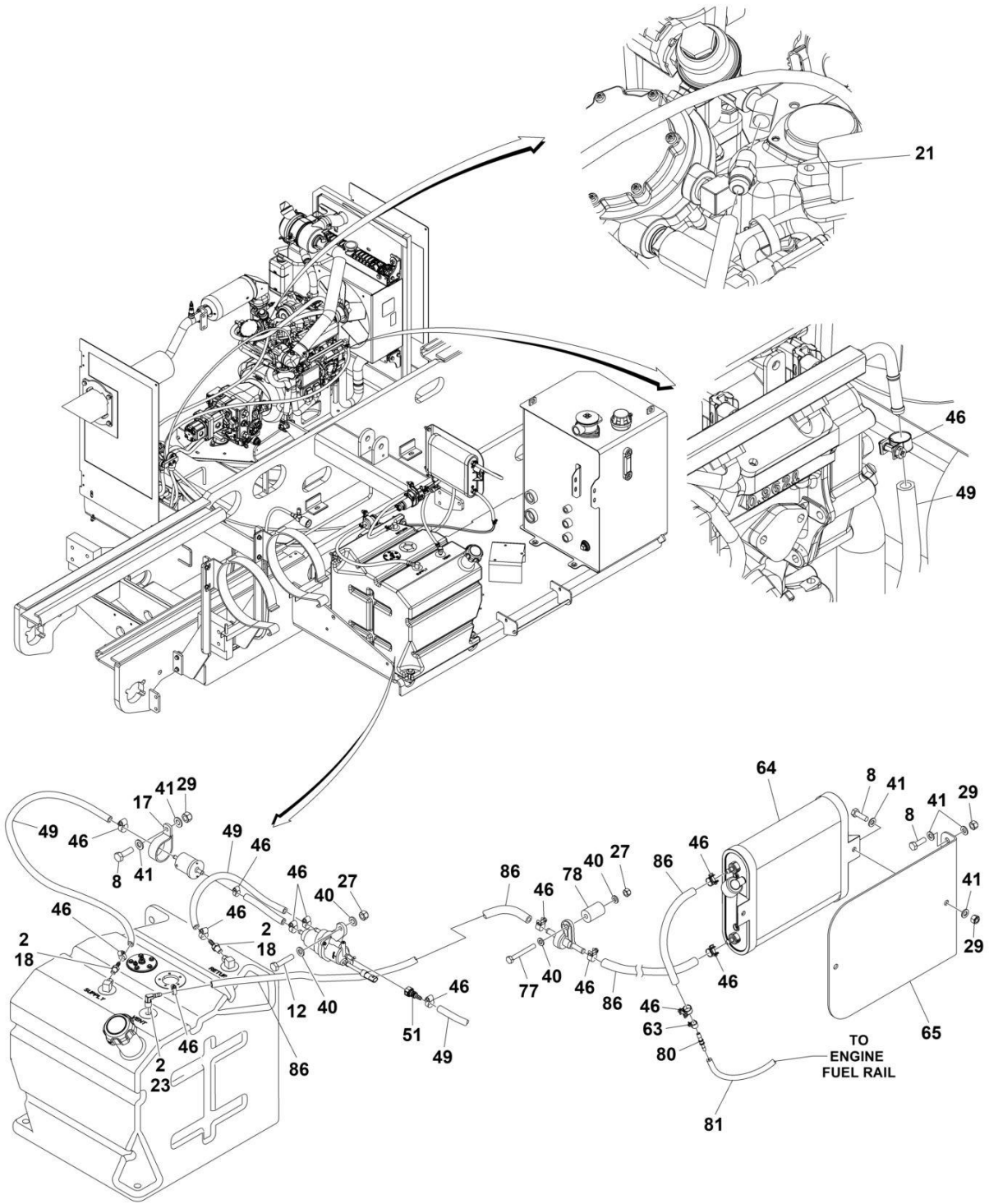
SECTION 3 - ENGINE

FIGURE 3-8. ENGINE INSTALLATION - KUBOTA GASOLINE



ART_1001206032_W_10F2

SECTION 3 - ENGINE



ART_1001206032_W_2OF2

SECTION 3 - ENGINE

FIGURE 3-8. ENGINE INSTALLATION - KUBOTA GASOLINE

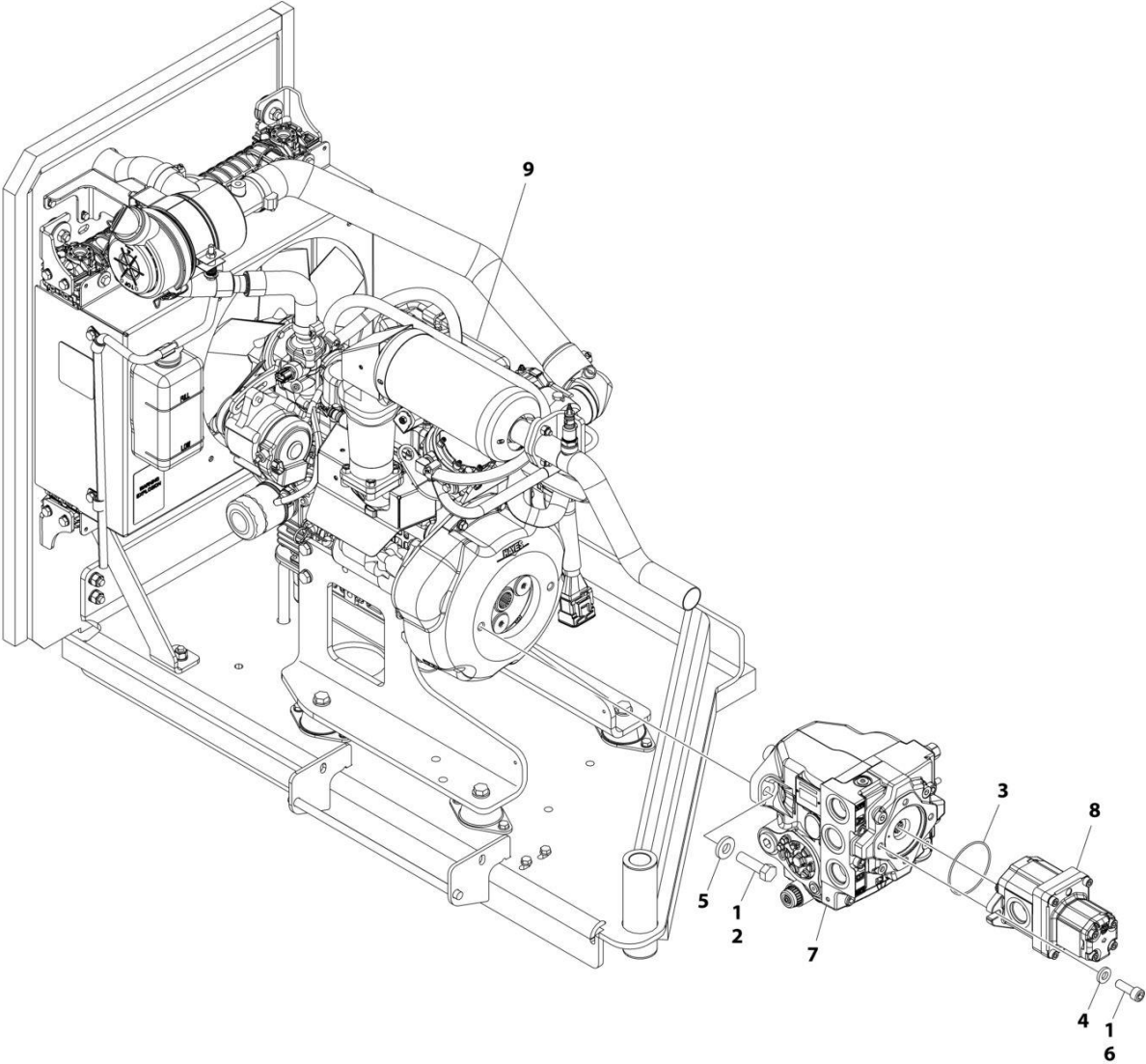
ITEM	PART NUMBER	QTY	DESCRIPTION	REV
	1001206032	Ref	ENGINE INSTALLATION - KUBOTA GASOLINE	W
1	0100011	AR	Compound, Locking	
2	0100020	AR	Sealant	
4	0400075	1	Battery	
6	0641610	5	Bolt 3/8 x 1-1/4	
7	0641612	1	Bolt 3/8 x 1-1/2	
8	0700812	5	Bolt M8 x 25	
10	1001093382	2	J-Bolt	
11	0741010	2	Screw #10 x 1-1/4	
12	0760614	3	Bolt M6 x30	
14	0761617	1	Bolt M16 x 45	
15	1320061	1	Clamp	
16	1320220	1	LP Clamp Kit	
17	1320265	1	Clamp	
18	2180348	2	Fitting, Straight NPT x Barbed	
19	2180387	1	Fitting, Tank Connector	
20	2180389	1	Fitting, Relief Valve	
21	2180418	2	Fitting, Straight	
22	2220290	1	Fitting, Tee	
23	2221176	1	Fitting, 90 NPT x Barbed	
25	2400044	1	Block, Fuse Mounting	
26	2720611	1	Hose	
27	3290605	8	Nut M6	
29	3290805	5	Nut M8	
30	88521205	2	Nut 5/16	
31	3291605	1	Nut M16	
32	3300408	2	Nut	
33	3311605	6	Nut 3/8	
34	3422669	1	Pin	
35	3573440	2	Plate, LP Tank Mount	
36	3841143	1	Keeper, Pin	
38	4711400	2	Washer 1/4	
39	4711600	10	Washer 3/8	
40	4811700	11	Washer M6	
41	4811900	10	Washer M8	
43	4812300	2	Washer M16	
44	5241000	1	Washer M10	
45	8303511	1	Capscrew M10 x 20	
46	1001174486	14	Clamp	
48	1001208874	1	Filter, Charge Pump	
48	70010383	1	Element, Filter	
49	1001300357	14 ft / 5 m	Hose	
51	1001174093	1	Coupling, Quick Connect	
52	1001183421	1	Foam, Baffle	
53	1001184065	1	Bracket, Hold Down	
56	1001206049	1	Engine and Pump Sub-Assembly - Kubota Gasoline (See Separate Breakdown in this Section)	
57	1001194836	1	Bracket	
63	1001185585	2	Clamp	
64	1001225420	1	Filter, Carbon Canister	

SECTION 3 - ENGINE

ITEM	PART NUMBER	QTY	DESCRIPTION	REV
65	1001225421	1	Bracket	
68	1001262941	1	Decal - EPA Evaporation 2020 Standards	
68	1001274101	1	Decal - EPA Evaporation 2021 Standards	
68	1001288395	1	Decal - EPA Evaporation 2022 Standards	
68	1001299769	1	Decal - EPA Evaporation 2023 Standards	
69	3820020	7	Rivet	
70	3740080	4	Relay	
73	4240018	AR	Tie-Strap	
74	1001185125	1	Plate	
75	1001236546	1	Engine Harness - Kubota Gasoline (See Separate Breakdown in ELECTRICAL Section)	
76	4751500	2	Washer 5/16	
77	0700618	1	Bolt M6 x 50	
78	3860111	1	Roller	
79	0760610	3	Bolt M6 x 20	
80	1001131391	1	Fitting, Coupling	
81	1001129256	10 ft / 3 m	Hose	
83	1001146588	1	Tie-Strap (Not Shown)	
84	0760814	2	Bolt M8 x 30	
85	1001186428	1	Battery Cable Kit (See Separate Breakdown in ELECTRICAL Section)	
86	1001129255	5 ft / 2 m	Hose	
87	0641812	4	Bolt 1/2 x 1-1/2	
88	3311801	4	Nut 1/2	
89	4711800	8	Washer 1/2	
90	0761010	3	Bolt M10 x 20	
91	4812000	7	Washer M10	
92	1001234069	1	Harness, Fusible Link	
93	3291005	2	Lock Nut M10	

SECTION 3 - ENGINE

FIGURE 3-9. ENGINE AND PUMP SUB-ASSEMBLY - KUBOTA GASOLINE



ART_1001206049

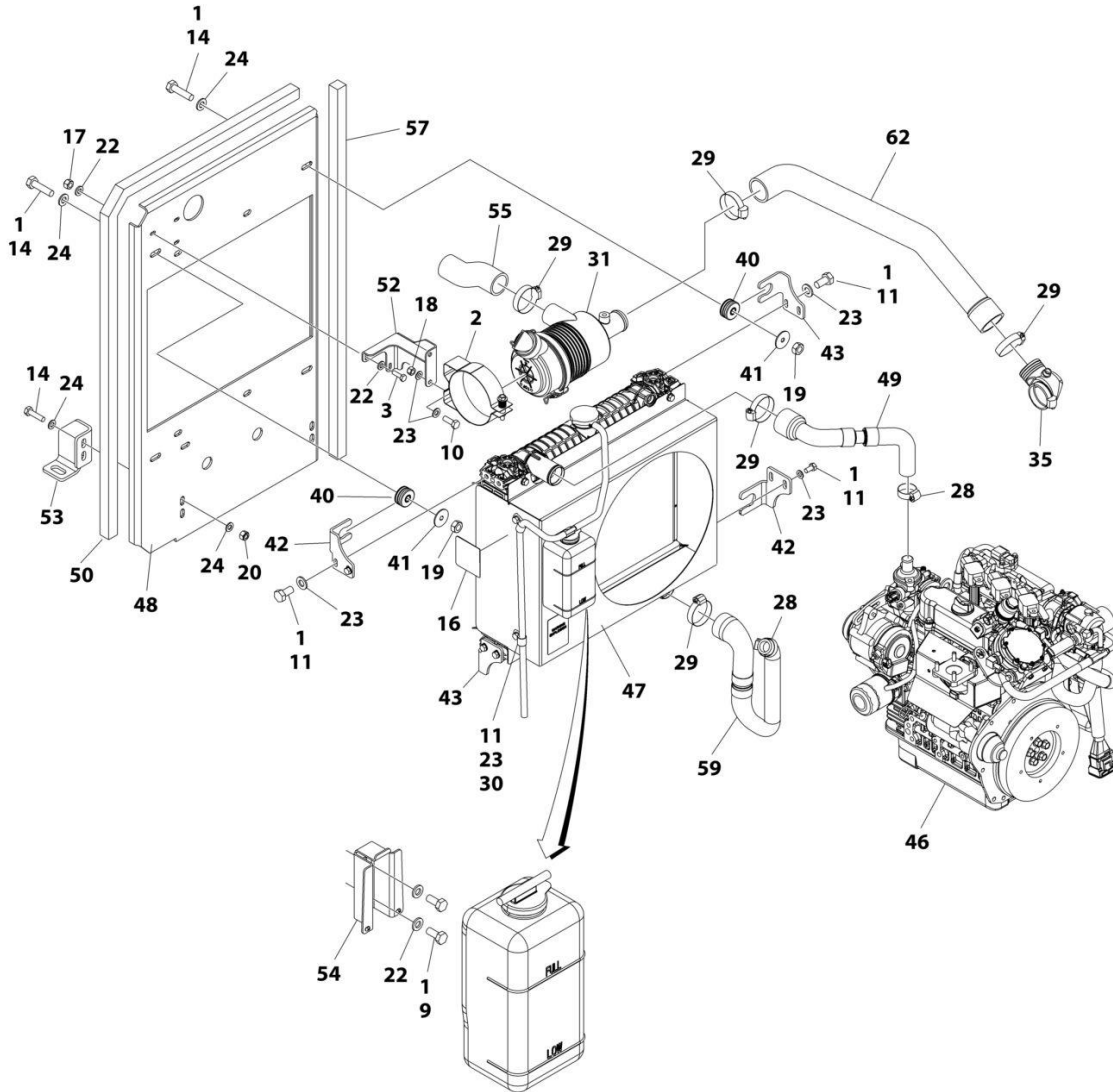
SECTION 3 - ENGINE

FIGURE 3-9. ENGINE AND PUMP SUB-ASSEMBLY - KUBOTA GASOLINE

ITEM	PART NUMBER	QTY	DESCRIPTION	REV
	1001206049	Ref	ENGINE AND PUMP SUB-ASSEMBLY - KUBOTA GASOLINE	F
1	0100011	AR	Compound, Locking	
2	0641814	2	Bolt 1/2 x 1-3/4	
3	3790152	1	O-Ring	
4	4711600	2	Washer 3/8	
5	4891800	2	Washer 1/2	
6	83191040	2	Capscrew M10 x 30	
7	1001101331	1	Piston Pump Assembly (See Separate Breakdown in this Section)	
8	1001217291	1	Gear Pump Assembly	
8	70002861	1	Seal Kit - 1001217291 Pump (Note: Seal Kit is only service component available)	
9	1001205973	1	Engine Assembly - Kubota Gasoline (See Separate Breakdown in this Section)	

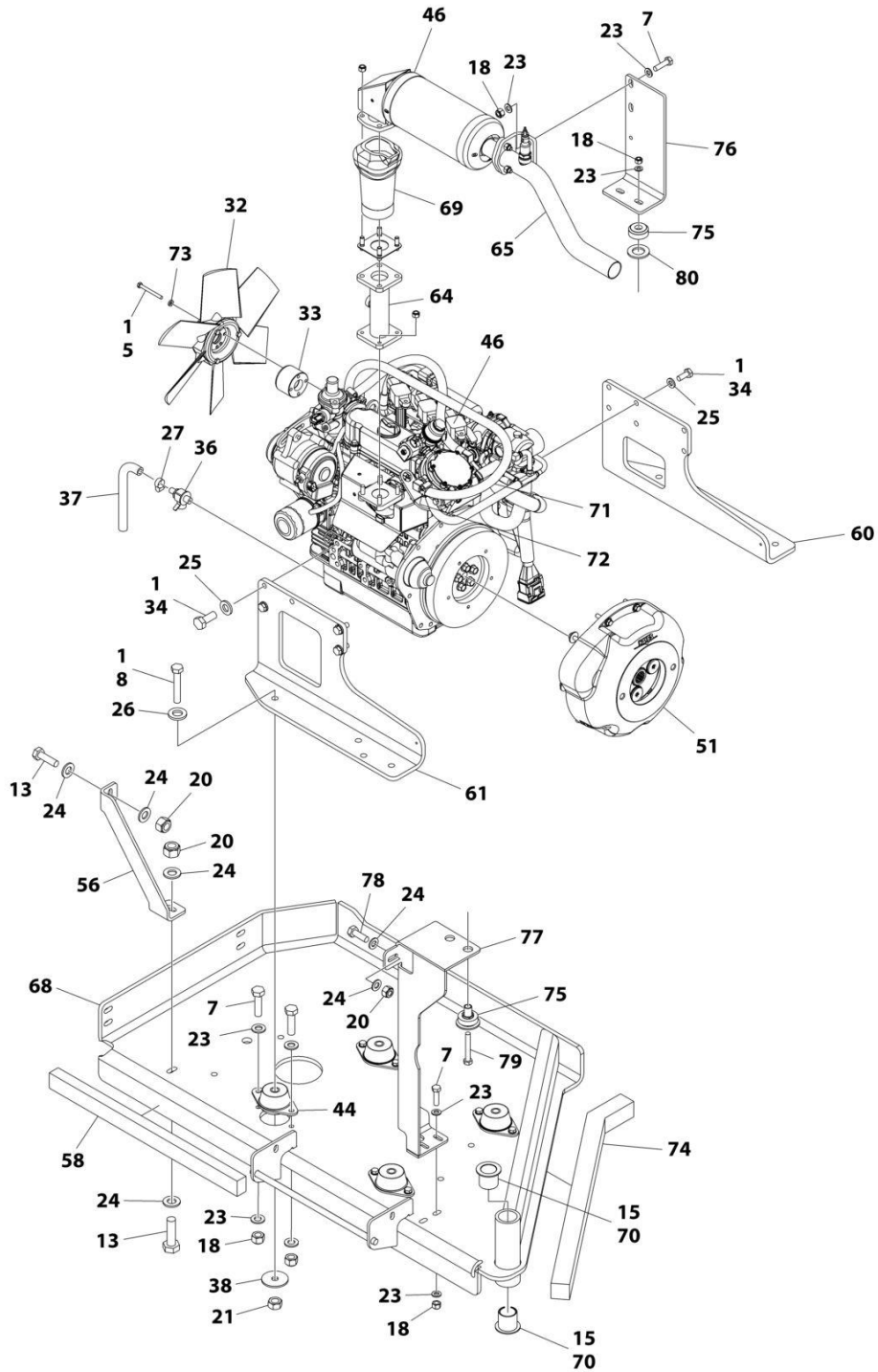
SECTION 3 - ENGINE

FIGURE 3-10. ENGINE ASSEMBLY - KUBOTA GASOLINE



ART_1001205973_10F2

SECTION 3 - ENGINE



ART_1001205973_2OF2

SECTION 3 - ENGINE

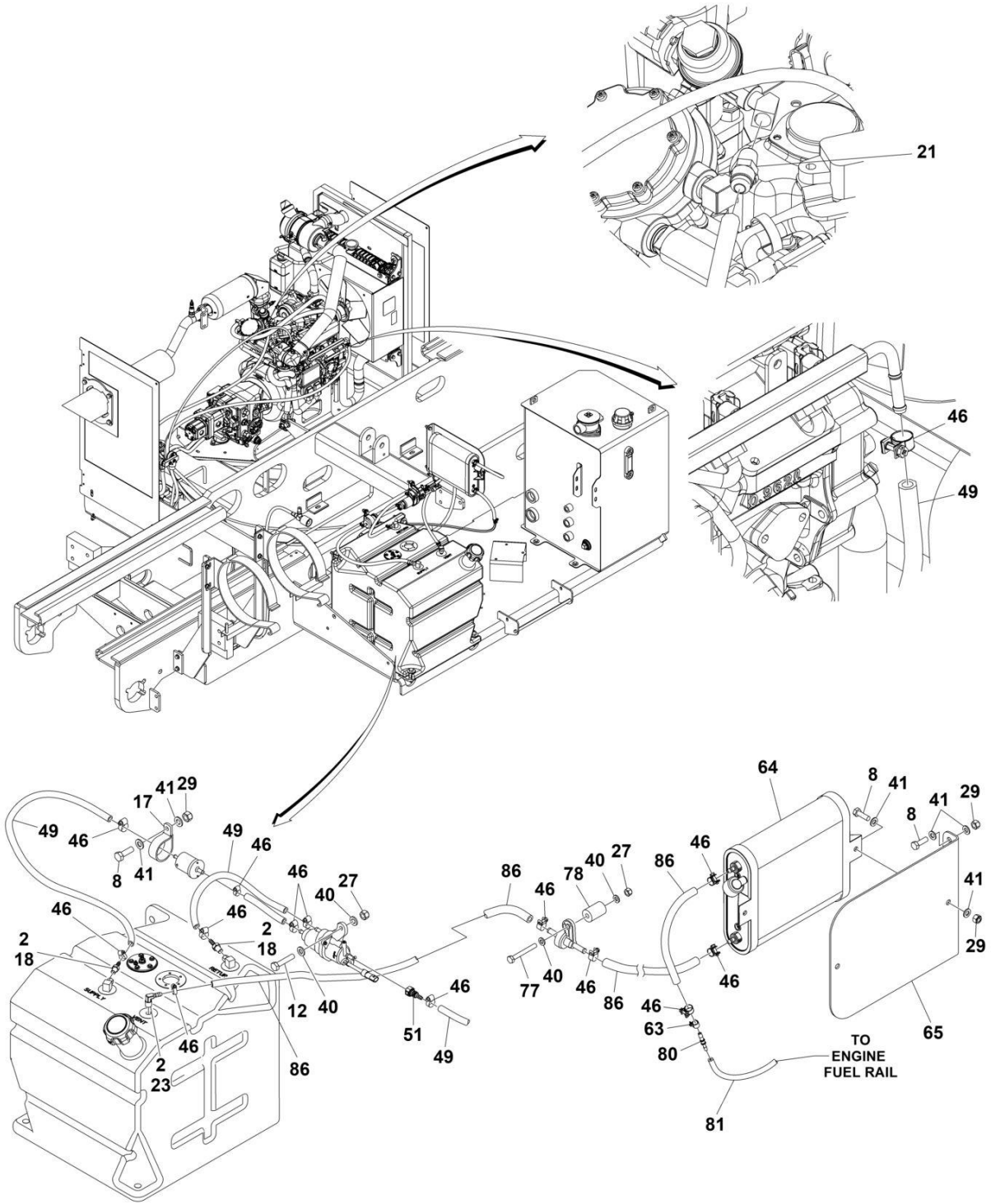
FIGURE 3-10. ENGINE ASSEMBLY - KUBOTA GASOLINE

ITEM	PART NUMBER	QTY	DESCRIPTION	REV
	1001205973	Ref	ENGINE ASSEMBLY - KUBOTA GASOLINE	H
1	0100011	AR	Compound, Locking	
2	0340045	1	Band, Mounting	
3	0700610	3	Bolt M6 x 20	
5	0700620	4	Bolt M6 x 60	
7	0700814	12	Bolt M8 x 30	
8	0701222	4	Bolt M12 x 70	
9	0760607	2	Bolt M6 x 14	
10	0760810	2	Bolt M8 x 20	
11	0760808	8	Bolt M8 x 16	
13	0761015	4	Bolt M10 x 35	
14	0761016	6	Bolt M10 x 40	
15	0961986	2	Bearing	
16	1703162	2	Decal - Fan Blade	
17	3290605	3	Nut M6	
18	3290805	16	Nut M8	
19	3291001	4	Nut M10	
20	3291005	7	Nut M10	
21	3291201	4	Nut M12	
22	4811700	8	Washer M6	
23	4811900	40	Washer M8	
24	4812000	18	Washer M10	
25	5241000	8	Washer M10	
26	5241200	4	Washer M12	
27	8405009	1	Clamp	
28	8405101	2	Clamp	
29	8405104	5	Clamp	
30	85941016	2	Clamp	
31	1001118280	1	Air Filter Assembly	
31	7015004	2	Element	
31	7015005	1	Cover Assembly	
31	1340069	1	Valve, Vacuator	
32	1001118538	1	Fan	
33	1001118539	1	Spacer, Fan	
34	1001118746	8	Bolt M10 x 25	
35	1001146043	1	Coupling, 90	
36	1001161497	1	Valve, Oil Drain	
37	1001165035	8 in/ 20cm	Hose	
38	1001168018	4	Washer	
40	1001169054	4	Isolator	
41	1001169138	6	Pad	
42	1001169967	2	Bracket	
43	1001170035	2	Bracket	
44	1001187235	4	Mount, Motor	
46	1001224493	1	Engine, Kubota Gasoline (See Separate Breakdown in this Section)	
47	1001220957	1	Radiator & Shroud Assembly	
47	1001198726	1	Radiator	
47	70007502	1	Valve, Drain	
47	1001220959	1	Shroud	

SECTION 3 - ENGINE

ITEM	PART NUMBER	QTY	DESCRIPTION	REV
48	1001181658	1	Plate, Radiator	
49	1001181659	1	Hose, Radiator (Upper)	
50	1001227285	1	Seal	
51	1001181829	1	Coupling Kit - Gasoline Engines (See Separate Breakdown in this Section)	
52	1001182980	1	Bracket	
53	1001182981	1	Bracket	
54	1001182982	1	Mount	
55	1001182983	1	Tube, Intake	
56	1001182984	1	Support	
57	1001183420	1	Foam, Baffle	
58	1001183424	1	Foam, Baffle	
59	1001183427	1	Tube, Coolant	
60	1001183428	1	Mount, Engine (RH)	
61	1001215543	1	Mount, Engine (LH)	
62	1001184064	1	Tube, Intake	
64	1001213847	1	Tube, Exhaust	
65	1001186833	1	Tube, Exhaust	
68	1001205968	1	Tray	
69	1001210708	1	Insulate, Exhaust	
70	0100062	AR	Adhesive	
71	1001181625	50 in/ 127cm	Hose	
72	8410013	4	Clamp	
73	5240600	4	Washer M6	
74	1001184066	1	Foam, Baffle	
75	1001125248	2	Mount, Engine	
76	1001226420	1	Support	
77	1001195600	1	Bracket, Muffler	
78	0761014	1	Bolt M10 x 30	
79	0700819	2	Bolt M8 x 55	
80	4812500	2	Washer M20	

SECTION 3 - ENGINE



ART_1001225626_P_2OF2

SECTION 3 - ENGINE

FIGURE 3-11. ENGINE INSTALLATION - KUBOTA GASOLINE WITH GENERATOR

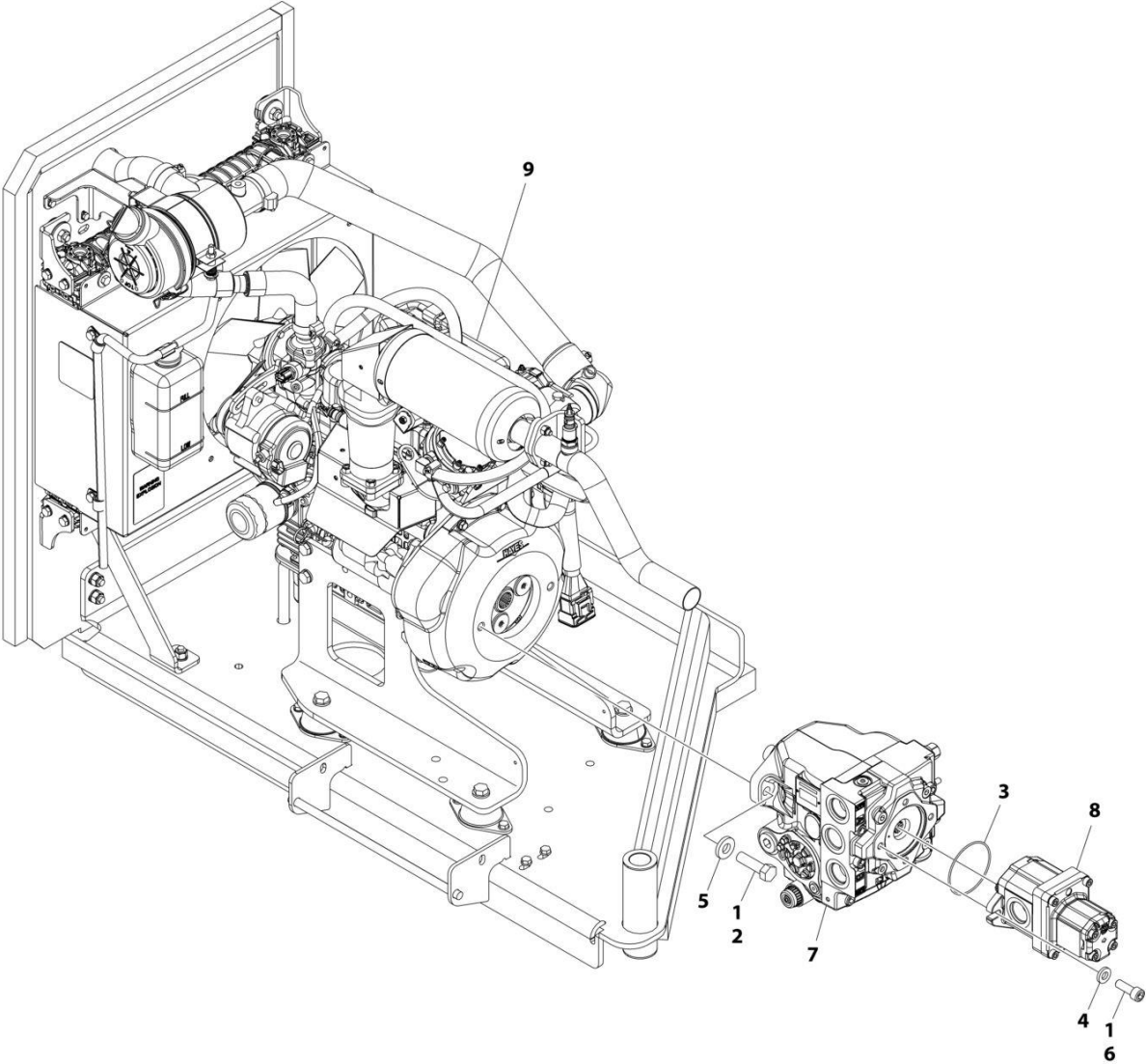
ITEM	PART NUMBER	QTY	DESCRIPTION	REV
	1001225626	Ref	ENGINE INSTALLATION - KUBOTA GASOLINE WITH GENERATOR	P
1	0100011	AR	Compound, Locking	
2	0100020	AR	Sealant	
4	0400075	1	Battery	
6	0641610	5	Bolt 3/8 x 1-1/4	
7	0641612	1	Bolt 3/8 x 1-1/2	
8	0700812	5	Bolt M8 x 25	
10	1001093382	2	J-Bolt	
11	0741010	2	Screw #10 x 1-1/4	
12	0760614	3	Bolt M6 x 30	
14	0761617	1	Bolt M16 x 45	
15	1320061	1	Clamp	
16	1320220	1	LP Clamp Kit	
16	4400420	1	Tank, LP - Steel (Not Shown)	
16	4400275	1	Tank, LP - Aluminum (Not Shown)	
17	1320265	1	Clamp	
18	2180348	2	Fitting, Straight NPT x Barbed	
19	2180387	1	Fitting, Tank Connector	
20	2180389	1	Fitting, Relief Valve	
21	2180418	2	Fitting, Straight	
22	2220290	1	Fitting, Tee	
23	2221176	1	Fitting, 90 NPT x Barbed	
25	2400044	1	Block, Fuse Mounting	
26	2720611	1	Hose	
27	3290605	8	Nut M6	
29	3290805	5	Nut M8	
30	88521205	2	Nut 5/16	
31	3291605	1	Nut M16	
32	3300408	2	Nut	
33	3311605	6	Nut 3/8	
34	3422669	1	Pin	
35	3573440	2	Plate, LP Tank Mount	
36	3841143	1	Keeper, Pin	
38	4711400	2	Washer 1/4	
39	4711600	10	Washer 3/8	
40	4811700	11	Washer M6	
41	4811900	10	Washer M8	
43	4812300	2	Washer M16	
44	5241000	1	Washer M10	
45	8303511	1	Capscrew M10 x 20	
46	1001174486	14	Clamp	
48	1001208874	1	Filter, Charge Pump	
48	70010383	1	Element, Filter	
49	1001300357	14 ft / 5 m	Hose	
51	1001174093	1	Coupling, Quick Connect	
52	1001183421	1	Foam, Baffle	
53	1001184065	1	Bracket, Hold Down	
56	1001225627	1	Engine and Pump Sub-Assembly - Kubota Gasoline with Generator (See Separate Breakdown in this Section)	

SECTION 3 - ENGINE

ITEM	PART NUMBER	QTY	DESCRIPTION	REV
57	1001194836	1	Bracket	
63	1001185585	2	Clamp	
64	1001225420	1	Filter, Carbon Canister	
65	1001225421	1	Bracket	
68	1001262941	1	Decal - EPA Evaporation 2020 Standards	
68	1001274101	1	Decal - EPA Evaporation 2021 Standards	
68	1001288395	1	Decal - EPA Evaporation 2022 Standards	
68	1001299769	1	Decal - EPA Evaporation 2023 Standards	
69	3820020	7	Rivet	
70	3740080	4	Relay	
73	4240018	AR	Tie-Strap	
74	1001185125	1	Plate	
75	1001236546	1	Engine Harness - Kubota Gasoline (See Separate Breakdown in ELECTRICAL Section)	
76	4751500	2	Washer 5/16	
77	0700618	1	Bolt M6 x 50	
78	3860111	1	Roller	
79	0760610	3	Bolt M6 x 20	
80	1001131391	1	Fitting, Coupling	
81	1001129256	10 ft / 3 m	Hose	
83	1001146588	1	Tie-Strap (Not Shown)	
84	0761014	2	Bolt M10 x 30	
85	1001186428	1	Battery Cable Kit (See Separate Breakdown in ELECTRICAL Section)	
86	1001129255	5 ft / 2 m	Hose	
87	0641812	4	Bolt 1/2 x 1-1/2	
88	3311801	4	Nut 1/2	
89	4711800	8	Washer 1/2	
90	0761010	3	Bolt M10 x 20	
91	4812000	7	Washer M10	
92	1001234069	1	Harness, Fusible Link	
93	3291005	2	Locknut M10	

SECTION 3 - ENGINE

FIGURE 3-12. ENGINE AND PUMP SUB-ASSEMBLY - KUBOTA GASOLINE WITH GENERATOR



ART_1001225627

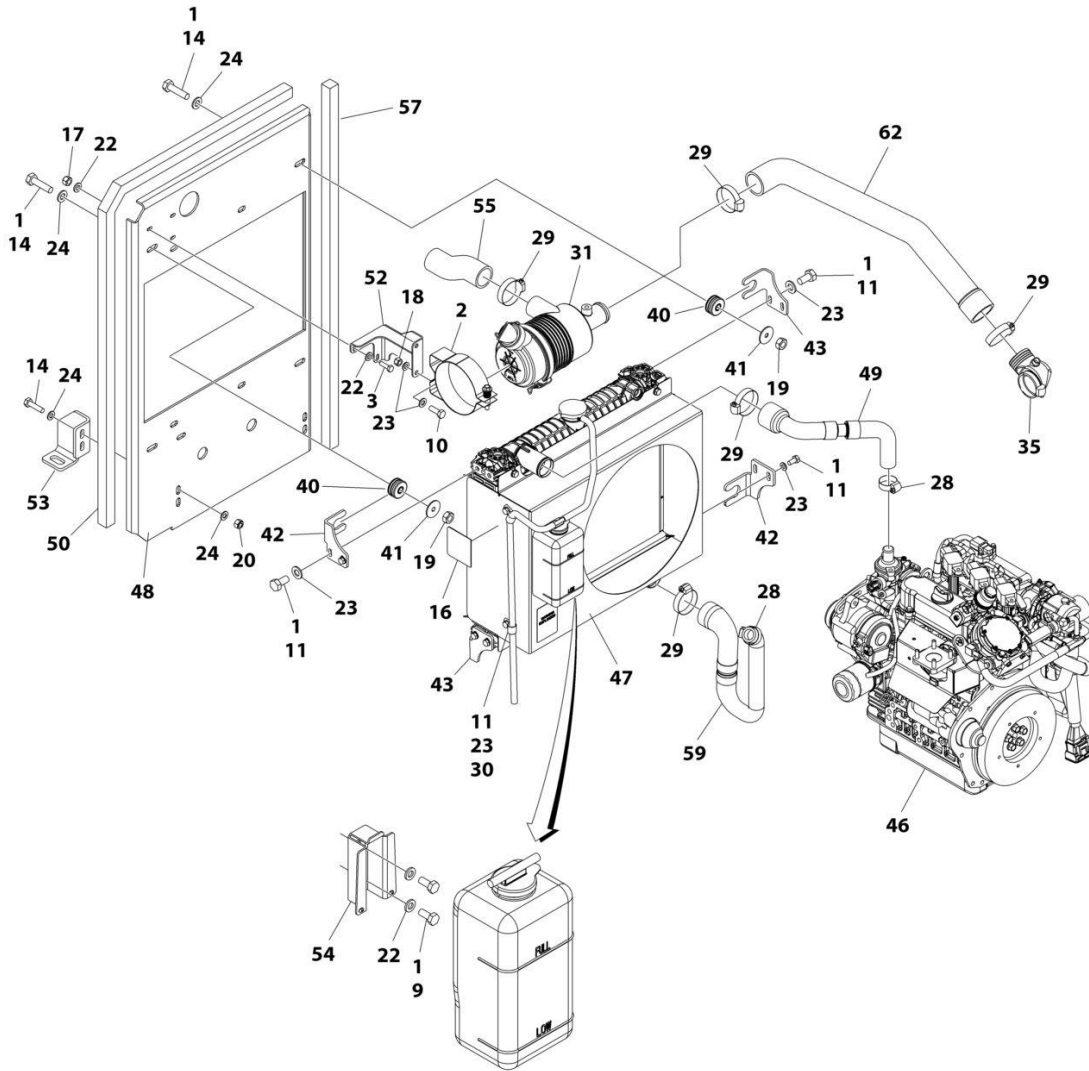
SECTION 3 - ENGINE

FIGURE 3-12. ENGINE AND PUMP SUB-ASSEMBLY - KUBOTA GASOLINE WITH GENERATOR

ITEM	PART NUMBER	QTY	DESCRIPTION	REV
	1001225627	Ref	ENGINE AND PUMP SUB-ASSEMBLY - KUBOTA GASOLINE WITH GENERATOR	C
1	0100011	AR	Compound, Locking	
2	0641814	2	Bolt 1/2 x 1-3/4	
3	3790152	1	O-Ring	
4	4711600	2	Washer 3/8	
5	4891800	2	Washer 1/2	
6	83191040	2	Capscrew M10 x 30	
7	1001101331	1	Piston Pump Assembly (See Separate Breakdown in this Section)	
8	1001217291	1	Gear Pump Assembly	
8	70002861	1	Seal Kit - 1001217291 Pump (Note: Seal Kit is only service component available)	
9	1001225628	1	Engine Assembly - Kubota Gasoline with Generator (See Separate Breakdown in this Section)	

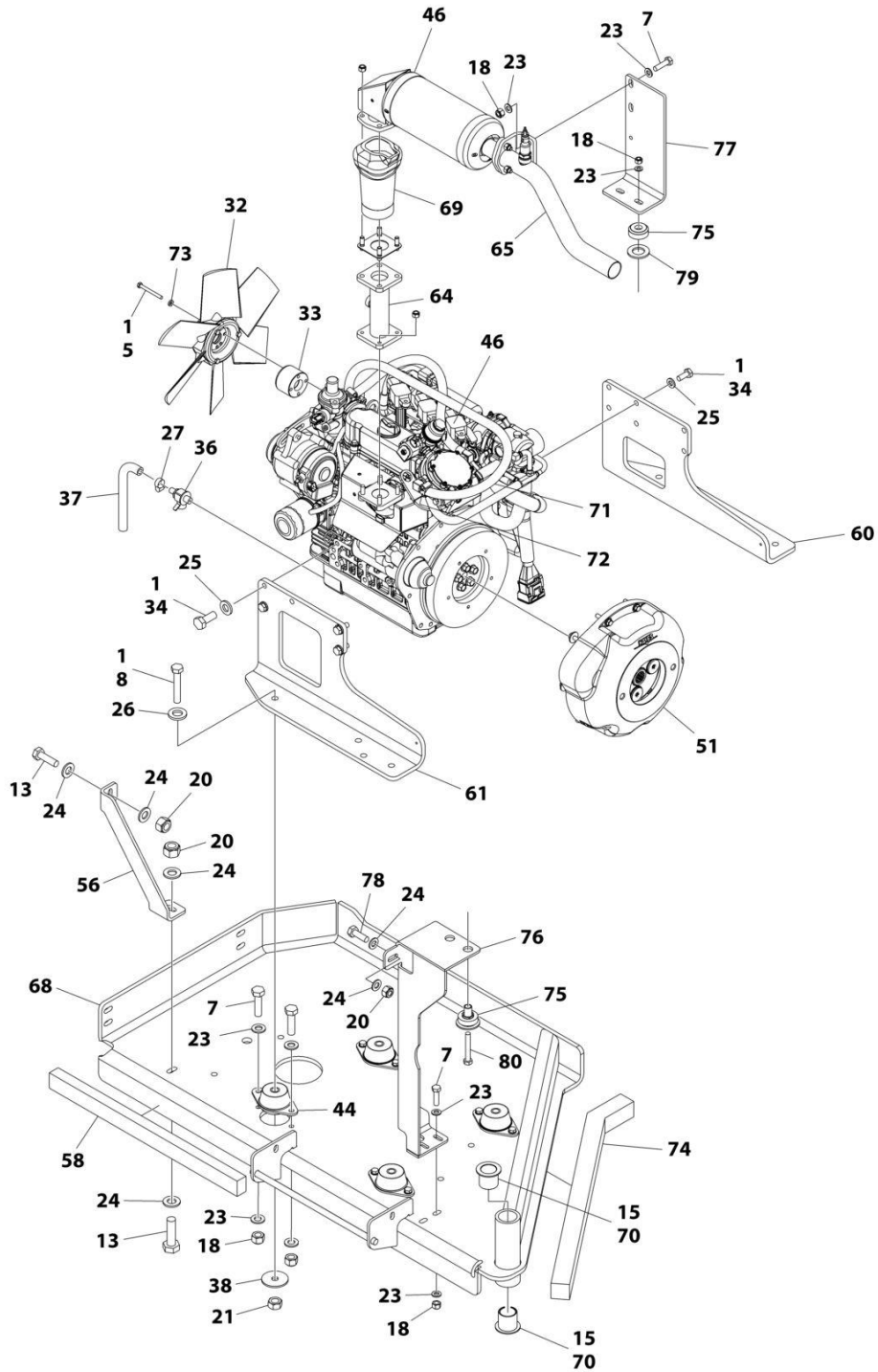
SECTION 3 - ENGINE

FIGURE 3-13. ENGINE ASSEMBLY - KUBOTA GASOLINE WITH GENERATOR



ART_1001225628_10F2

SECTION 3 - ENGINE



ART_1001225628_2OF2

SECTION 3 - ENGINE

FIGURE 3-13. ENGINE ASSEMBLY - KUBOTA GASOLINE WITH GENERATOR

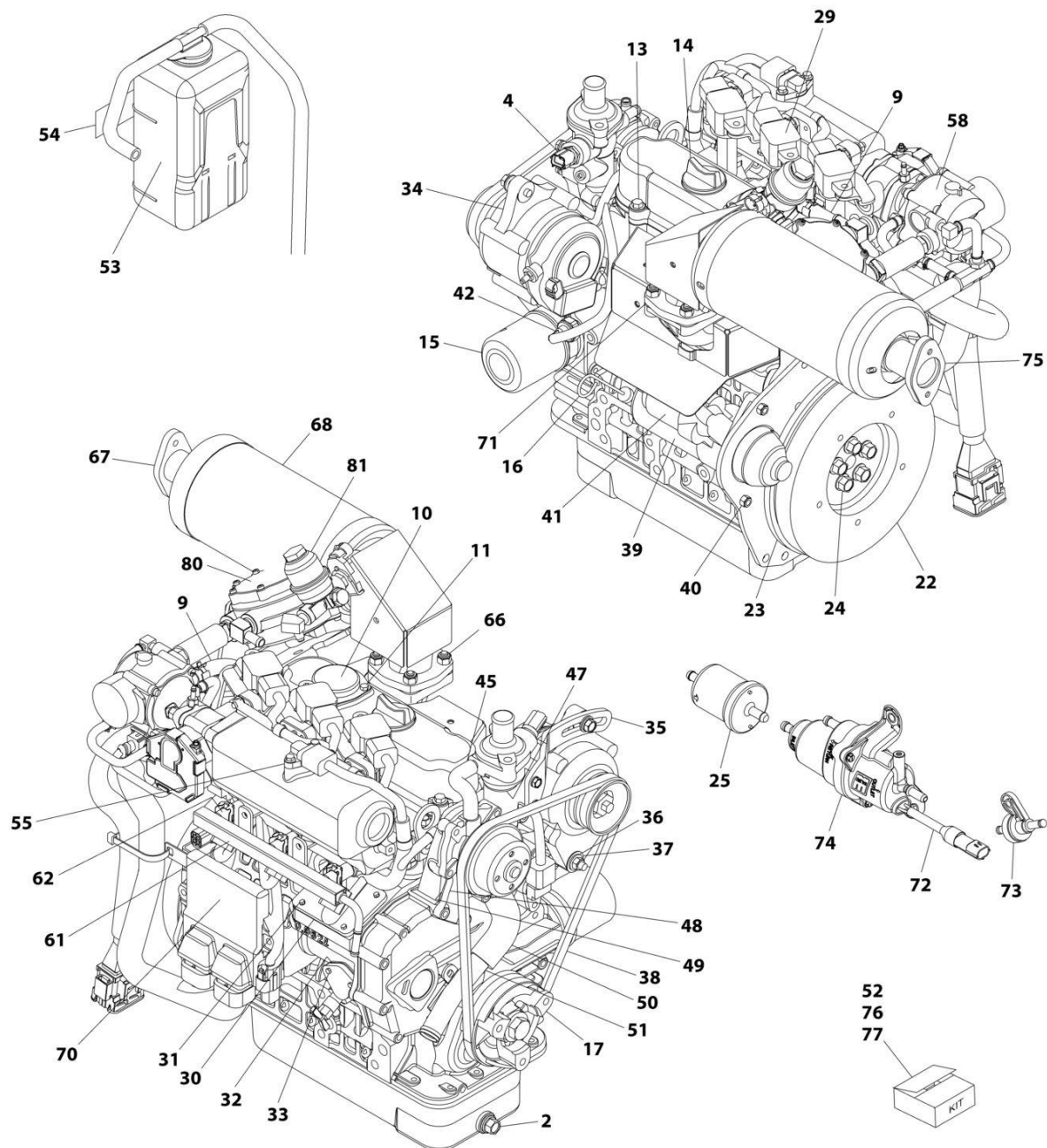
ITEM	PART NUMBER	QTY	DESCRIPTION	REV
	1001225628	Ref	ENGINE ASSEMBLY - KUBOTA GASOLINE WITH GENERATOR	D
1	0100011	AR	Compound, Locking	
2	0340045	1	Band, Mounting	
3	0700610	3	Bolt M6 x 20	
5	0700620	4	Bolt M6 x 60	
7	0700814	12	Bolt M8 x 30	
8	0701222	4	Bolt M12 x 70	
9	0760607	2	Bolt M6 x 14	
10	0760810	2	Bolt M8 x 20	
11	0760808	10	Bolt M8 x 16	
13	0761015	4	Bolt M10 x 35	
14	0761016	6	Bolt M10 x 40	
15	0961986	2	Bearing	
16	1703162	2	Decal - Fan Blade	
17	3290605	3	Nut M6	
18	3290805	16	Nut M8	
19	3291001	4	Nut M10	
20	3291005	7	Nut M10	
21	3291201	4	Nut M12	
22	4811700	8	Washer M6	
23	4811900	40	Washer M8	
24	4812000	18	Washer M10	
25	5241000	8	Washer M10	
26	5241200	4	Washer M12	
27	8405009	1	Clamp	
28	8405101	2	Clamp	
29	8405104	5	Clamp	
30	85941016	2	Clamp	
31	1001118280	1	Air Filter Assembly	
31	7015004	2	Element	
31	7015005	1	Cover Assembly	
31	1340069	1	Valve, Vacuator	
32	1001118538	1	Fan	
33	1001118539	1	Spacer, Fan	
34	1001118746	8	Bolt M10 x 25	
35	1001146043	1	Coupling, 90	
36	1001161497	1	Valve, Oil Drain	
37	1001165035	8 in/ 20cm	Hose	
38	1001168018	4	Washer	
40	1001169054	4	Isolator	
41	1001169138	AR	Pad	
42	1001169967	2	Bracket	
43	1001170035	2	Bracket	
44	1001175509	4	Mount, Motor	
46	1001224493	1	Engine, Kubota Gasoline with Generator (See Separate Breakdown in this Section)	
47	1001220957	1	Radiator & Shroud Assembly	
47	1001198726	1	Radiator	
47	70007502	1	Valve, Drain	
47	1001220959	1	Shroud	

SECTION 3 - ENGINE

ITEM	PART NUMBER	QTY	DESCRIPTION	REV
48	1001181658	1	Plate, Radiator	
49	1001181659	1	Hose, Radiator (Upper)	
50	1001227285	1	Seal	
51	1001181829	1	Coupling Kit - Gasoline Engines (See Separate Breakdown in this Section)	
52	1001182980	1	Bracket	
53	1001182981	1	Bracket	
54	1001182982	1	Mount	
55	1001182983	1	Tube, Intake	
56	1001182984	1	Support	
57	1001183420	1	Foam, Baffle	
58	1001183424	1	Foam, Baffle	
59	1001183427	1	Tube, Coolant	
60	1001183428	1	Mount, Engine (RH)	
61	1001215543	1	Mount, Engine (LH)	
62	1001184064	1	Tube, Intake	
64	1001213847	1	Tube, Exhaust	
65	1001186833	1	Tube, Exhaust	
68	1001205968	1	Tray	
69	1001210708	1	Insulate, Exhaust	
70	0100062	AR	Adhesive	
71	1001181625	50 in/ 127cm	Hose	
72	8410013	4	Clamp	
73	5240600	4	Washer M6	
74	1001184066	1	Foam, Baffle	
75	1001125248	2	Mount, Engine	
76	1001195600	1	Bracket, Muffler	
77	1001226420	1	Support	
78	0761014	1	Bolt M10 x 30	
79	4812500	2	Washer M20	
80	0700819	2	Bolt M8 x 55	

SECTION 3 - ENGINE

FIGURE 3-14. ENGINE COMPONENTS - KUBOTA GASOLINE



ART_1001224493

SECTION 3 - ENGINE

FIGURE 3-14. ENGINE COMPONENTS - KUBOTA GASOLINE

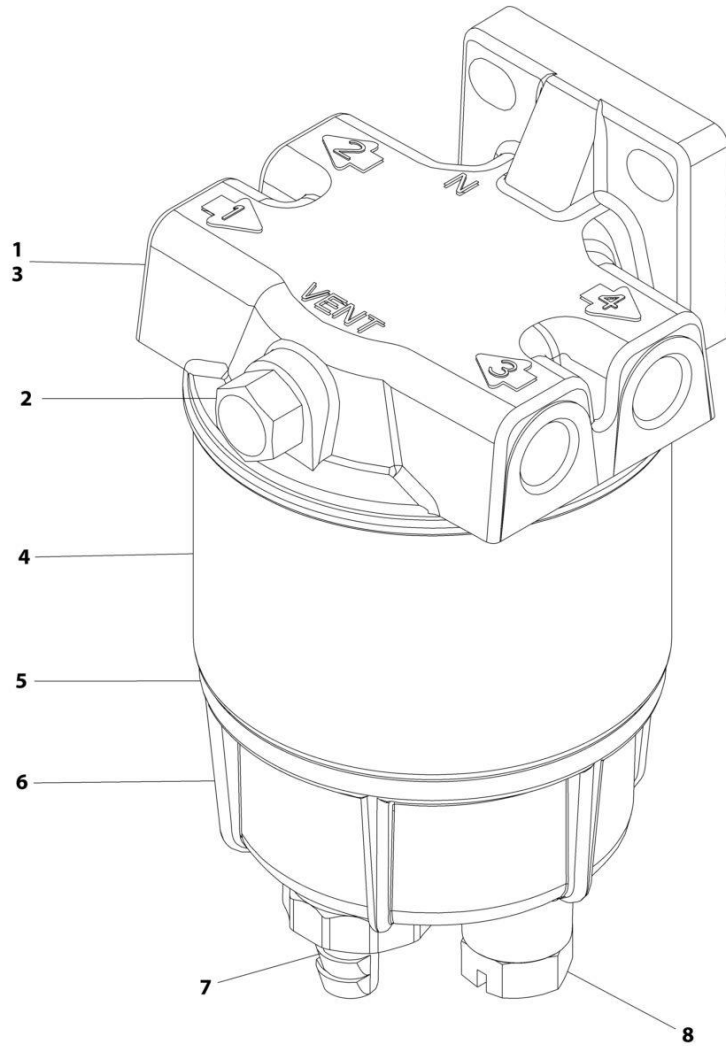
ITEM	PART NUMBER	QTY	DESCRIPTION	REV
	1001224493	Ref	ENGINE COMPONENTS - KUBOTA GASOLINE	C
1	70004524	1	Drain (Not Shown)	
2	70004525	1	Plug, Drain	
2	70004526	1	Gasket	
3	7017906	2	Bolt (Not Shown)	
4	70005726	1	Sensor, Water Temperature	
4	70005727	1	Gasket	
5	70005728	1	Gasket, Head (Not Shown)	
6	7017914	1	Joint, Pipe (Not Shown)	
7	70005729	1	Seal, Oil (Not Shown)	
8	70005730	1	Sensor, Revolution (Not Shown)	
9	7017959	2	Band, Pipe	
10	70005731	1	O-Ring, Breather	
10	70005732	1	Cover, Breather	
11	7017934	4	Screw	
12	70005733	1	Gasket, Head Cover (Not Shown)	
13	70004831	4	Bolt	
14	70002318	1	Plug, Oil Filler	
14	70004311	1	O-Ring	
15	7017980	1	Filter, Oil	
16	70005734	1	Gauge, Oil	
17	70004294	1	Pump, Oil	
17	70004295	1	Gasket, Oil	
18	70004296	1	Key, Feather (Not Shown)	
19	7017982	1	Gasket, Bearing Case (Not Shown)	
20	7017983	1	Seal, Oil (Not Shown)	
21	7017984	1	Gasket, Case Cover (Not Shown)	
22	70005735	1	Gear, Ring	
23	70005736	1	Rotor	
24	70004834	5	Bolt	
25	7017992	1	Fuel, Filter	
26	70005737	1	Sensor, Stick (Not Shown)	
27	70005738	1	Holder, Sensor (Not Shown)	
28	70005739	3	Spark Plug (Not Shown)	
29	70005740	3	Coil, Ignition	
30	7017986	1	Gasket	
31	70004538	2	Packing	
32	7017995	1	Gasket, Fuel Pump	
33	70004848	2	Bolt	
34	70006661	1	Alternator - 60Amp	
35	70006662	1	Bracket, Adjustment	
36	70004557	1	Washer	
37	70004558	1	Washer, Spring Lock	
38	7023107	1	V-Belt	
39	70005743	1	Starter	
40	70005329	5	Nut	
41	70005744	1	Magnetic, Switch	
42	70005745	1	Switch, Oil Pressure	
43	70004829	1	Pipe, Water Return (Not Shown)	
44	70004306	1	Gasket, Water Flange (Not Shown)	

SECTION 3 - ENGINE

ITEM	PART NUMBER	QTY	DESCRIPTION	REV
45	70004851	1	Pipe, Water Return	
46	7023170	1	Thermostat (Not Shown)	
47	70002326	1	Gasket, Thermostat	
48	70004853	1	Pump, Water	
49	70004854	1	Gasket, Water Pump	
50	70004912	1	Hose, Water	
51	70004913	2	Band, Pipe	
52	70005229	1	Coolant Tank Kit	
53	4400498	1	Tank, Coolant	
54	70004401	1	Decal - Instruction	
55	70005746	1	Sensor (TMAP)	
56	70005747	1	O-Ring (Not Shown)	
57	7017994	2	Gasket, Air Cleaner (Not Shown)	
58	70005748	1	Mixer	
59	70004537	1	Screw, Air Bleeder (Not Shown)	
60	70005749	1	Gasket, In-Manifold (Not Shown)	
61	70005750	1	Rail, Fuel Ignition	
62	70005751	3	Injector	
63	70005752	1	Gasket, Exhaust Manifold (Not Shown)	
64	70005753	3	Bolt, Stud (Not Shown)	
65	70005327	6	Nut (Not Shown)	
66	70005754	4	Bolt, Stud	
67	70005755	1	Muffler	
68	70005756	1	Cover, Muffler	
69	70005757	1	Harness, Wire (ECU) (Not Shown)	
70	70005758	1	Module, Engine Control (ECU)	
71	70005759	2	Gasket, Muffler	
72	70005760	2	Sensor, O2	
73	70005762	1	Valve, 2 Way	
74	70005761	1	Pump, Fuel	
75	70005763	1	Gasket, Muffler	
76	70005764	1	Upper Gasket Kit	
77	70005765	1	Lower Gasket Kit	
78	70005766	1	Cable Assembly (ECOM) (Not Shown)	
79	70005767	1	Adapter (ECOM) (Not Shown)	
80	70005768	1	Regulator	
81	70005769	1	Valve, Lockoff	

SECTION 3 - ENGINE

FIGURE 3-15. FUEL/WATER SEPARATOR ASSEMBLY - DIESEL ENGINES



ART_1001190609

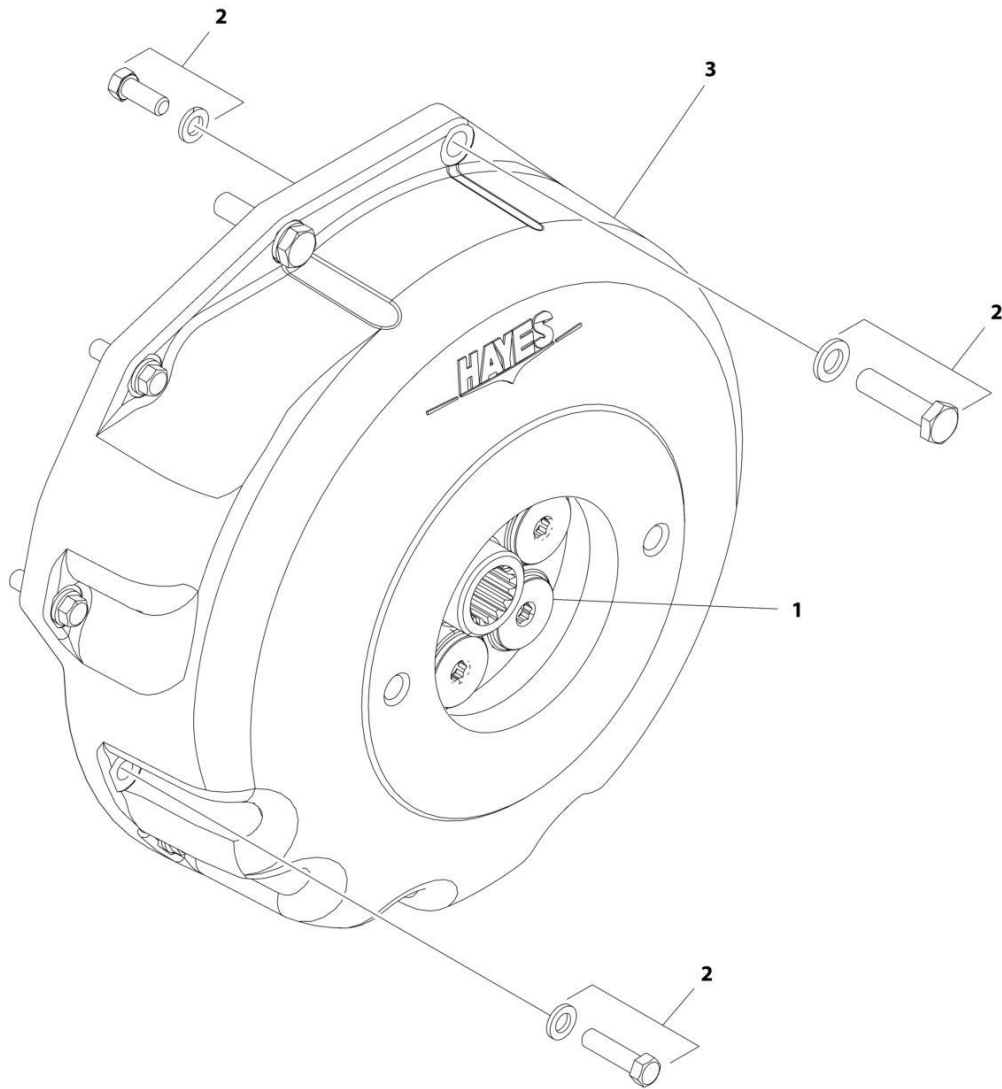
SECTION 3 - ENGINE

FIGURE 3-15. FUEL/WATER SEPARATOR ASSEMBLY - DIESEL ENGINES

ITEM	PART NUMBER	QTY	DESCRIPTION	REV
	1001190609	Ref	FUEL/WATER SEPARATOR ASSEMBLY - DIESEL ENGINES	B
1	70005293	1	Head, Mounting	
2	70005294	1	Plug	
3	70005295	1	Gasket, Head	
4	70005296	1	Element	
5	70005297	1	O-Ring	
6	70002901	1	Bowl	
7	70004070	1	Drain, Self Venting	
8	70004069	1	Plug	

SECTION 3 - ENGINE

FIGURE 3-16. COUPLING KIT - DIESEL ENGINES



ART_1001118675

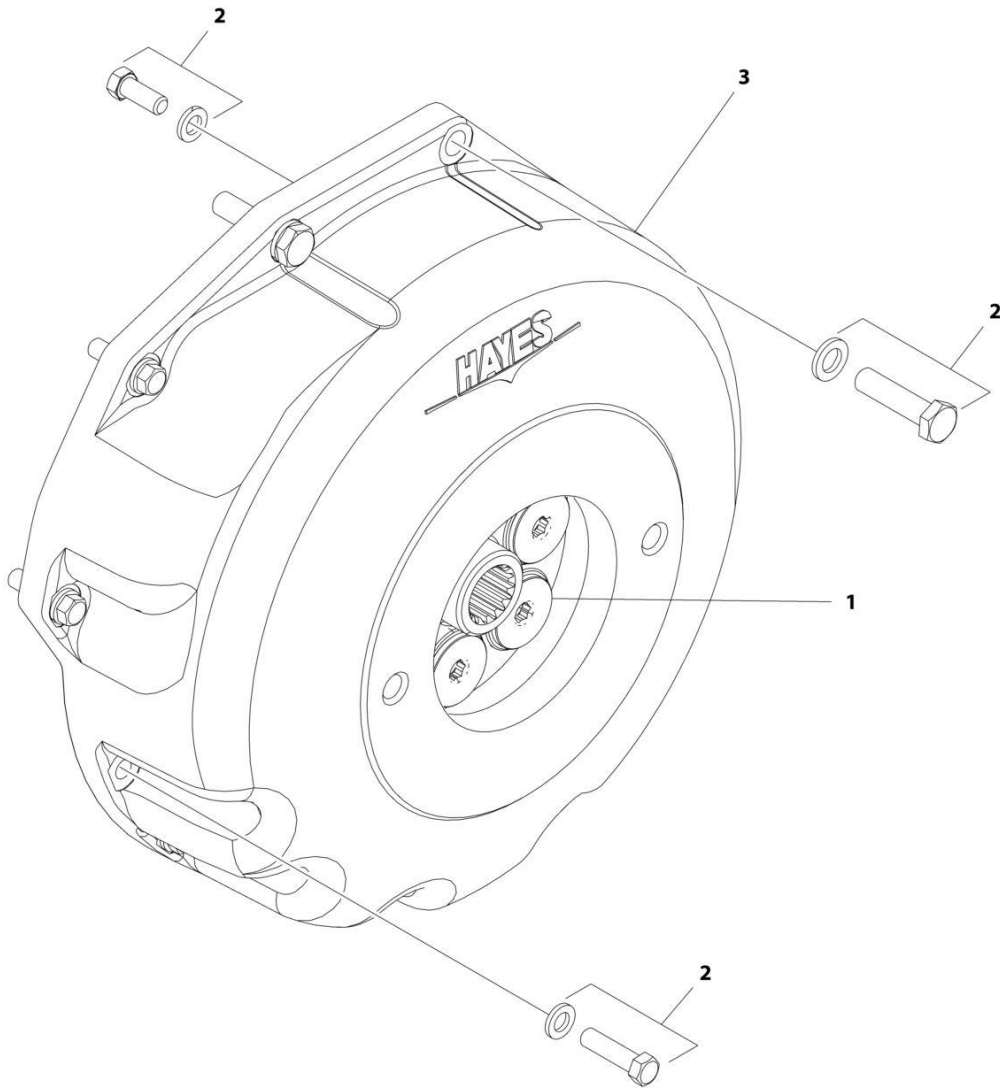
SECTION 3 - ENGINE

FIGURE 3-16. COUPLING KIT - DIESEL ENGINES

ITEM	PART NUMBER	QTY	DESCRIPTION	REV
	1001118675	Ref	COUPLING KIT - DIESEL ENGINES	A
1	70001933	1	Coupling Assembly	
2	70005453	1	Bolt Kit	
3	See Note	NSS	Housing (Note: Use p/n 1001118675)	

SECTION 3 - ENGINE

FIGURE 3-17. COUPLING KIT - GASOLINE ENGINES



ART_1001181829

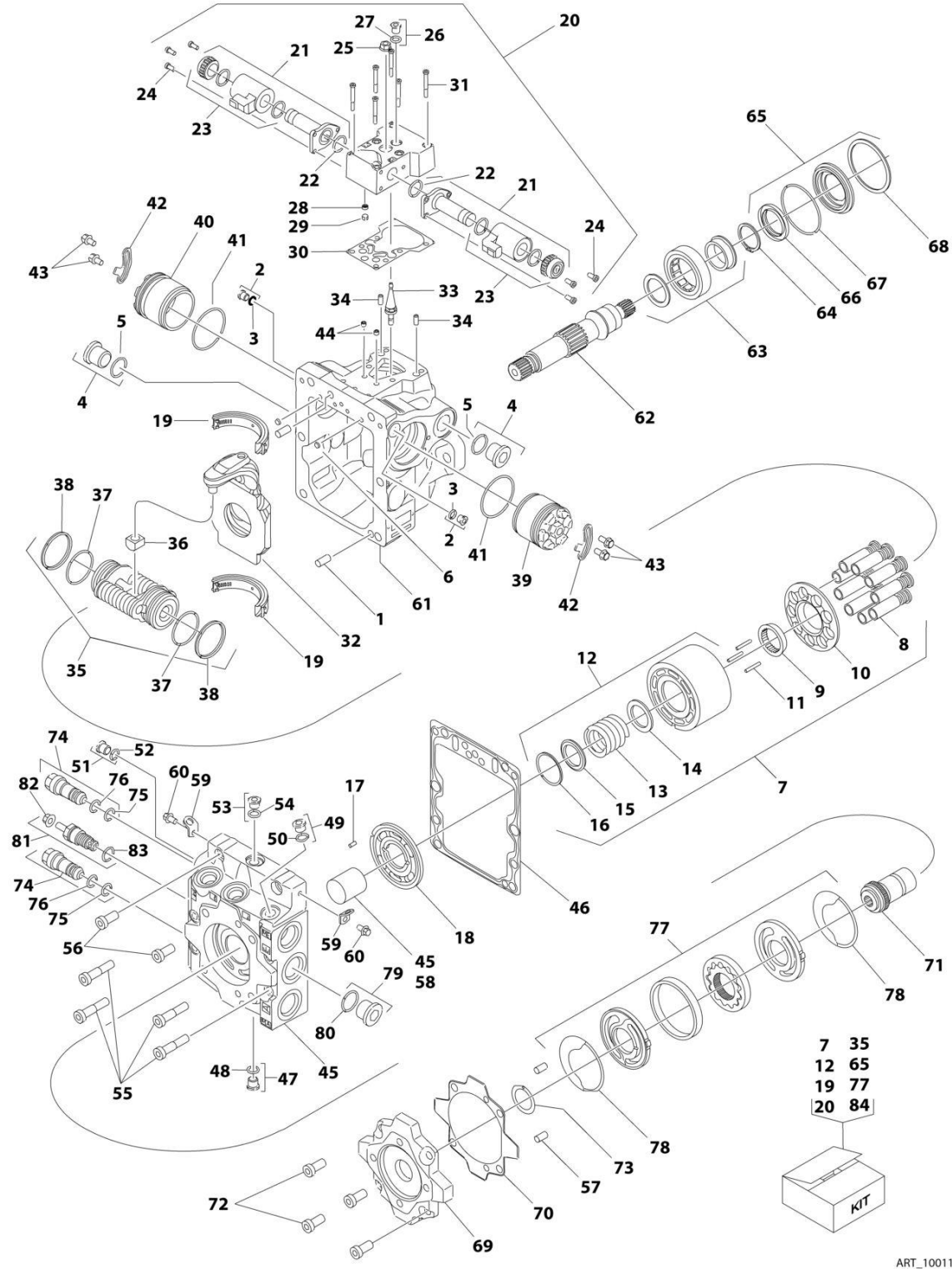
SECTION 3 - ENGINE

FIGURE 3-17. COUPLING KIT - GASOLINE ENGINES

ITEM	PART NUMBER	QTY	DESCRIPTION	REV
	1001181829	Ref	COUPLING KIT - GASOLINE ENGINES	B
1	70005455	1	Coupling Assembly	
2	70005454	1	Bolt Kit	
3	See Note	NSS	Housing (Note: Use p/n 1001181829)	

SECTION 3 - ENGINE

FIGURE 3-18. PISTON PUMP ASSEMBLY



ART_1001101331

SECTION 3 - ENGINE

FIGURE 3-18. PISTON PUMP ASSEMBLY

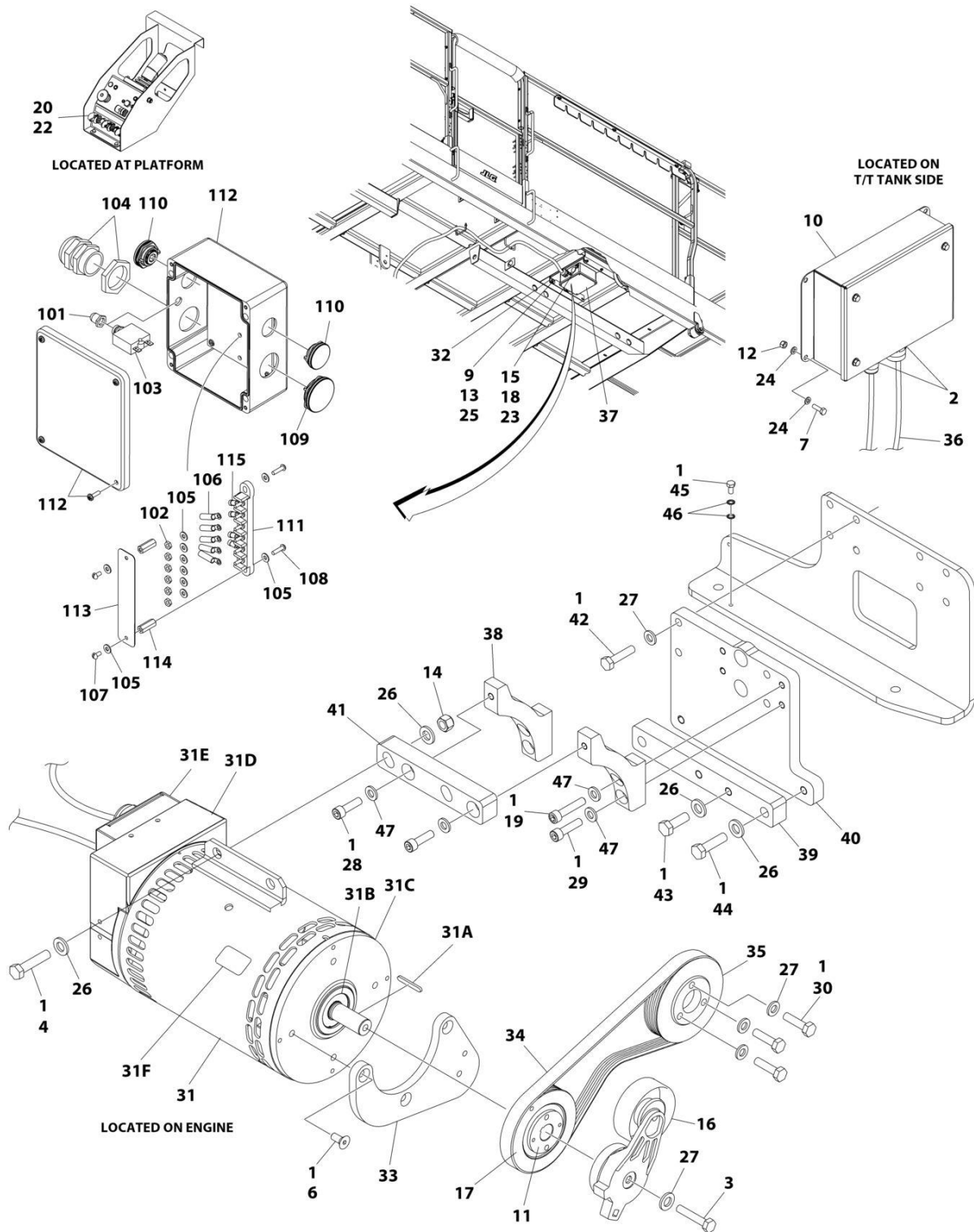
ITEM	PART NUMBER	QTY	DESCRIPTION	REV
	1001101331	Ref	PISTON PUMP ASSEMBLY	E
1	70002132	2	Pin	
2	70002133	2	Plug Assembly (Includes Item 3)	
3	7007207	2	O-Ring (Part of Item 2)	
4	7007419	2	Plug Assembly (Includes Item 5)	
5	7007418	2	O-Ring (Part of Item 4)	
6	70002134	2	Screen	
7	70002135	1	Cylinder Block Kit (Includes Items 8-16)	
8	70002136	1	Piston Assembly Kit (Includes Qty 9 Piston Assemblies) (Part of Item 7)	
9	70002137	1	Guide, Slipper Retainer (Part of Item 7)	
10	70002138	1	Retainer, Slipper (Part of Item 7)	
11	7021275	3	Pin, Slipper Retainer Hold Down (Part of Item 7)	
12	70002143	1	Cylinder Block Assembly (Includes Items 13-16) (Part of Item 7)	
13	70002139	1	Spring (Part of Item 12)	
14	70002140	1	Washer (Part of Item 12)	
15	70002141	1	Washer (Part of Item 12)	
16	70002142	1	Ring, Retaining (Part of Item 12)	
17	7007446	1	Pin	
18	70002144	1	Plate, CW Valve	
19	70002145	1	Swash Plate Bearing Kit (Includes Qty 2 Bearings)	
20	70002146	1	EDC Kit (Includes Items 21-31)	
21	70002147	2	Solenoid Valve Assembly (Includes Item 22 & 23) (Part of Item 20)	
22	70002148	2	O-Ring (1 Per Valve Assembly) (Part of Item 21)	
23	70002149	2	Coil, Nut and Seals Kit (1 Per Valve Assembly) (Part of Item 21)	
24	70002150	6	Screw (Part of Item 20)	
25	7022301	1	Nut, Seal (Part of Item 20)	
26	70002151	1	Plug Assembly (Part of Item 20) (Includes Item 27)	
27	7007207	1	O-Ring (Part of Item 26)	
28	70002134	1	Screen (Part of Item 20)	
29	70002153	1	Ring, Locking (Part of Item 20)	
30	70002154	1	Gasket, Control (Part of Item 20)	
31	70002156	6	Capscrew (Part of Item 20)	
32	70002152	1	Swash Plate	
33	70002155	1	Link, Swash Plate	
34	70002157	2	Pin, Dowel	
35	70002158	1	Servo Piston Assembly (Includes Items 36-38)	
36	70002159	1	Block, Slider (Part of Item 35)	
37	70002160	2	O-Ring (Part of Item 35)	
38	70002161	2	Ring, Piston (Part of Item 35)	
39	70002162	1	Cylinder, Servo	
40	70002162	1	Cylinder, Servo	
41	70002163	2	O-Ring	
42	70002164	2	Plate, Locking	
43	70002165	4	Screw	
44	70002166	2	Orifice	
45	70002167	1	Cap, End (Includes Item 58)	
46	70002168	1	Gasket, End Cap	
47	70002158	1	Plug Assembly (Includes Item 48)	

SECTION 3 - ENGINE

ITEM	PART NUMBER	QTY	DESCRIPTION	REV
48	7021256	1	O-Ring (Part of Item 47)	
49	70001958	1	Plug Assembly (Includes Item 50)	
50	7021256	1	O-Ring (Part of Item 49)	
51	70001958	1	Plug Assembly (Includes Item 52)	
52	7021256	1	O-Ring (Part of Item 51)	
53	70001958	1	Plug Assembly (Includes Item 54)	
54	7021256	1	O-Ring (Part of Item 53)	
55	70002169	4	Capscrew	
56	70002170	2	Capscrew	
57	70002132	2	Pin	
58	70002172	1	Bearing, Journal (Part of Item 45)	
59	7022340	2	Bracket, Lifting	
60	70002165	2	Screw	
61	See Note	1	Housing (Note: Purchase p/n 1001101331)	
62	70002175	1	Shaft	
63	70002176	1	Ball Bearing Kit	
64	70007439	1	Ring, Retaining	
65	70002174	1	Shaft Seal Kit (Includes Items 66-68) (Note: This is a universal kit and will contain extra pieces that are not used on this pump assembly.)	
66	70002177	1	Seal, Lip	
67	70002178	1	O-Ring	
68	70002179	1	Ring, Retaining	
69	70002180	1	Adapter	
70	70002181	1	Seal, Adapter	
71	70002182	1	Coupling	
72	70002185	4	Capscrew	
73	70002186	1	Plate, Thrust	
74	70002188	2	High Pressure Relief Valve Cartridge Assembly (Includes Item 75 & 76)	
75	70002187	2	O-Ring (1 Per Cartridge) (Part of Item 74)	
76	7007415	2	O-Ring (1 Per Cartridge) (Part of Item 74)	
77	70002189	1	Charge Pump Kit (Includes Item 78)	
78	70002190	2	Ring, Seal (Part of Item 77)	
79	7023964	1	Plug Assembly (Includes Item 80)	
80	7007415	1	O-Ring (Part of Item 79)	
81	70002191	1	Charge Relief Valve Cartridge Assembly (Includes Item 82 & 83)	
82	70002187	1	Nut, Seal (Part of Item 81)	
83	7007415	1	O-Ring (Part of Item 81)	
84	70002192	1	Overhaul Seal Kit (Includes Items 3, 5, 22, 27, 30, 37, 38, 41, 48, 50, 52, 54, 66, 67, 70, 75, 76, 78, 82 & 83)	

SECTION 3 - ENGINE

FIGURE 3-19. 7500W GENERATOR INSTALLATION - 50HZ (KUBOTA DIESEL)



ART_1001208752_F

SECTION 3 - ENGINE

FIGURE 3-19. 7500W GENERATOR INSTALLATION - 50HZ (KUBOTA DIESEL)

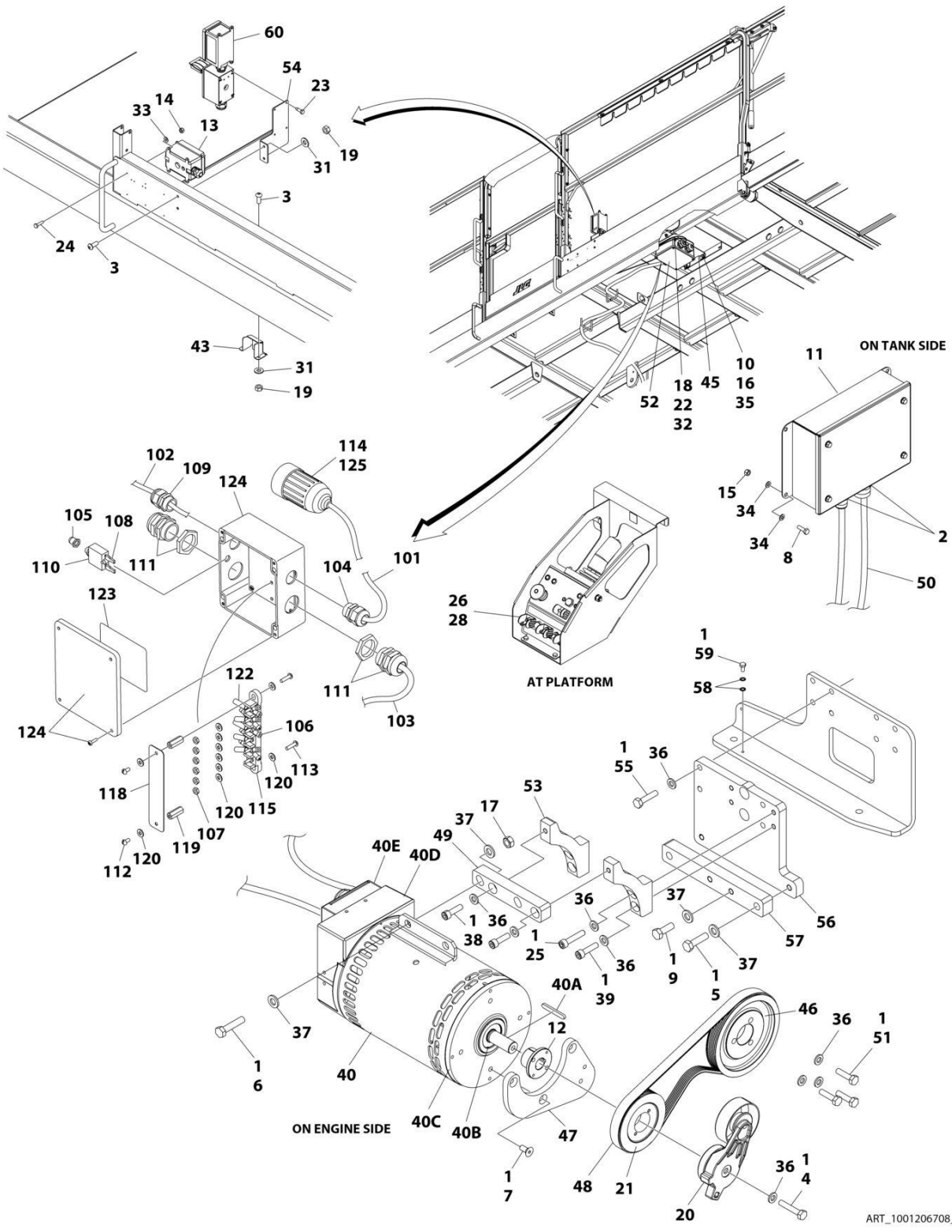
ITEM	PART NUMBER	QTY	DESCRIPTION	REV
	1001208752	Ref	75000W GENERATOR INSTALLATION - KUBOTA DIESEL STAGE III	F
1	0100011	AR	Compound, Locking	
2	0100048	AR	Grease, Silicone	
3	0701019	1	Bolt M10 x 55	
4	0701219	2	Bolt M12 x 55	
6	0741607	3	Screw 3/8 x 7/8	
7	0760610	4	Bolt M6 x 20	
9	0780810	4	Bolt M8 x 20	
10	0861572	1	Box, Generator Control	
10	7024488	1	Card, Circuit - Generator Power (Not Shown)	
10	See Note	1	Fuse (Note: Not Available - Purchase Locally)	
10	7024489	1	Card, Circuit - Control (Not Shown)	
		Ref	Note: When replacing card, rocker switch on card must be set for required application.	
10	70000619	1	Harness, Circuit Card	
11	0962520	1	Bushing, Taper	
12	3290605	4	Nut M6	
13	3290805	4	Nut M8	
14	3291201	2	Nut M12	
15	3311005	4	Nut #10	
16	3580317	1	Tensioner, Belt	
17	3580318	1	Pulley	
18	3931016	4	Capscrew #10 x 1	
19	4032014	2	Capscrew M10 x 50	
20	4060802	1	Guard, Switch	
21	4240017	AR	Tie-Strap (Not Shown)	
22	4360482	1	Switch, Toggle	
23	4751000	4	Washer #10	
24	4811700	8	Washer M6	
25	4811900	4	Washer M8	
26	5241200	8	Washer M12	
27	5241000	8	Washer M10	
28	5272011	2	Capscrew M10 x 35	
29	5272012	2	Capscrew M10 x 40	
30	1001119929	3	Bolt M10 x 35	
31	1001212223	1	Generator Assembly - 7500W	
31	70001100	1	Rotor (Includes p/n 70001384 & 70000863) (Not Shown)	
31	70001384	1	Bearing, Shaft (Rear) (Not Shown)	
31	70000863	1	Fan, Generator (Not Shown)	
31	70006093	1	Stator (Not Shown)	
31	70002297	2	Stud 1/4 x 12-7/8 (Not Shown)	
31	70003631	1	Brushholder Assembly (Not Shown) (was p/n 7024484)	
31A	70004099	1	Key	
31B	70001966	1	Bearing, Ball Radial (Located in Belt Tensioner Endbell)	
31B	70003709	1	Ring, Retaining (Small)	
31B	70003708	1	Ring, Retaining (Large)	
31C	70004092	1	Endbell, Belt Tensioner	
31D	70004094	1	Endbell, Brush Block	
31E	70006094	1	Shroud	

SECTION 3 - ENGINE

ITEM	PART NUMBER	QTY	DESCRIPTION	REV
31E	7027799	1	Block, Connector - 6 Position (Not Shown)	
31E	70002460	1	Nut, Brass (Attaches p/n 7027799 to Cover) (Not Shown)	
31E	70006095	1	Breaker, Circuit 30Amp (Not Shown)	
31E	70006096	1	Boot, Breaker (Not Shown)	
31E	7026597	1	Connector with Leads (Not Shown)	
31E	7026626	1	Connector with Pins (Not Shown)	
31E	70004098	1	Clamp, Cable (Not Shown)	
31E	70006097	1	Plate, End Panel (Not Shown)	
31E	70002291	1	Insulator, Endbell (Not Shown)	
31E	70001974	1	Decal - Terminal Connections (Not Shown)	
31F	70001973	1	Decal - Warning Moving Parts	
32	1001166732	1	Support	
33	1001184162	1	Mount, Tensioner	
34	1001244939	1	Belt	
35	1001244937	1	Pulley	
36	1001236442	1	Generator Harness - 7500W (See Separate Breakdown in ELECTRICAL SECTION)	
37	1001187197	1	Junction Box Assembly (See Items 101-115 for Breakdown)	
38	1001202532	2	Arm	
39	1001208340	1	Bar (Lower)	
40	1001208339	1	Plate, Mounting	
41	1001202536	1	Bar (Upper)	
42	1001207285	4	Bolt M10 x 45 Grade 10.9	
43	0701215	2	Bolt M12 x 35	
44	0701217	2	Bolt M12 x 45	
45	0760606	1	Bolt M6 x 12	
46	4871700	2	Washer M6	
47	4891600	6	Washer M10	
	1001187197	Ref	JUNCTION BOX ASSEMBLY	A
101	3300396	1	Cover, Fuse	
102	3311001	6	Nut #10	
103	4360070	1	Breaker, Circuit - 15Amp	
104	4460426	1	Connector, Strain Relief	
105	4711000	10	Washer #10	
106	8220022	5	Terminal, Ring	
107	10702077	2	Screw #10 x 3/8	
108	10702082	2	Screw #10 x 3/4	
109	1001148648	1	Plug	
110	1001152525	2	Plug	
111	1001157520	1	Block, Terminal - 6 Pole	
112	1001157521	1	Box, Junction	
113	1001158007	1	Cover	
114	1001158008	2	Stand-Off	
115	4460068	4	Terminal, Ring	

SECTION 3 - ENGINE

FIGURE 3-20. 7500W GENERATOR INSTALLATION - 60HZ (KUBOTA DIESEL)



SECTION 3 - ENGINE

FIGURE 3-20. 7500W GENERATOR INSTALLATION - 60HZ (KUBOTA DIESEL)

ITEM	PART NUMBER	QTY	DESCRIPTION	REV
	1001206708	Ref	7500W GENERATOR INSTALLATION - KUBOTA DIESEL T4F	G
1	0100011	AR	Compound, Locking	
2	0100048	AR	Grease, Silicone	
3	0630407	4	Screw 1/4 x 5/8	
4	0701019	1	Bolt M10 x 55	
5	0701217	2	Bolt M12 x 45	
6	0701219	2	Bolt M12 x 55	
7	0741607	3	Screw 3/8 x 7/8	
8	0760610	4	Bolt M6 x 20	
9	0701215	2	Bolt M12 x 35	
10	0780810	4	Bolt M8 x 20	
11	0861538	1	Box, Generator Control	
11	7024488	1	Card, Circuit - Generator Power (Not Shown)	
11	See Note	1	Fuse (Note: Not Available - Purchase Locally)	
11	7024489	1	Card, Circuit - Control (Not Shown)	
		Ref	Note: When replacing card, rocker switch on card must be set for required application.	
11	70000619	1	Harness, Circuit Card	
12	0962520	1	Bushing, Taper	
13	2902431	1	Receptacle Box Kit - 110V GFI (See Separate Breakdown in ELECTRICAL Section)	
14	3290405	4	Nut M4	
15	3290605	4	Nut M6	
16	3290805	4	Nut M8	
17	3291201	2	Nut M12	
18	3311005	4	Nut #10	
19	3311405	4	Nut 1/4	
20	3580317	1	Tensioner, Belt	
21	3580318	1	Pulley	
22	3931016	4	Capscrew #10 x 1	
23	3940804	4	Screw	
24	4010408	4	Screw M4 x 16	
25	4032014	2	Capscrew M10 x 50	
26	4060802	1	Guard, Switch	
27	4240017	AR	Tie-Strap (Not Shown)	
28	4360482	1	Switch, Toggle	
29	4460315	AR	Terminal (Not Shown)	
31	4711400	4	Washer 1/4	
32	4751000	4	Washer #10	
33	4811400	AR	Washer M4	
34	4811700	8	Washer M6	
35	4811900	4	Washer M8	
36	5241000	AR	Washer M10	
37	5241200	8	Washer M12	
38	5272011	2	Capscrew M10 x 35	
39	5272012	2	Capscrew M10 x 40	
40	1001212223	1	Generator Assembly - 7500W	
40	70001100	1	Rotor (Includes p/n 70001384 & 70000863) (Not Shown)	
40	70001384	1	Bearing, Shaft (Rear) (Not Shown)	
40	70000863	1	Fan, Generator (Not Shown)	

SECTION 3 - ENGINE

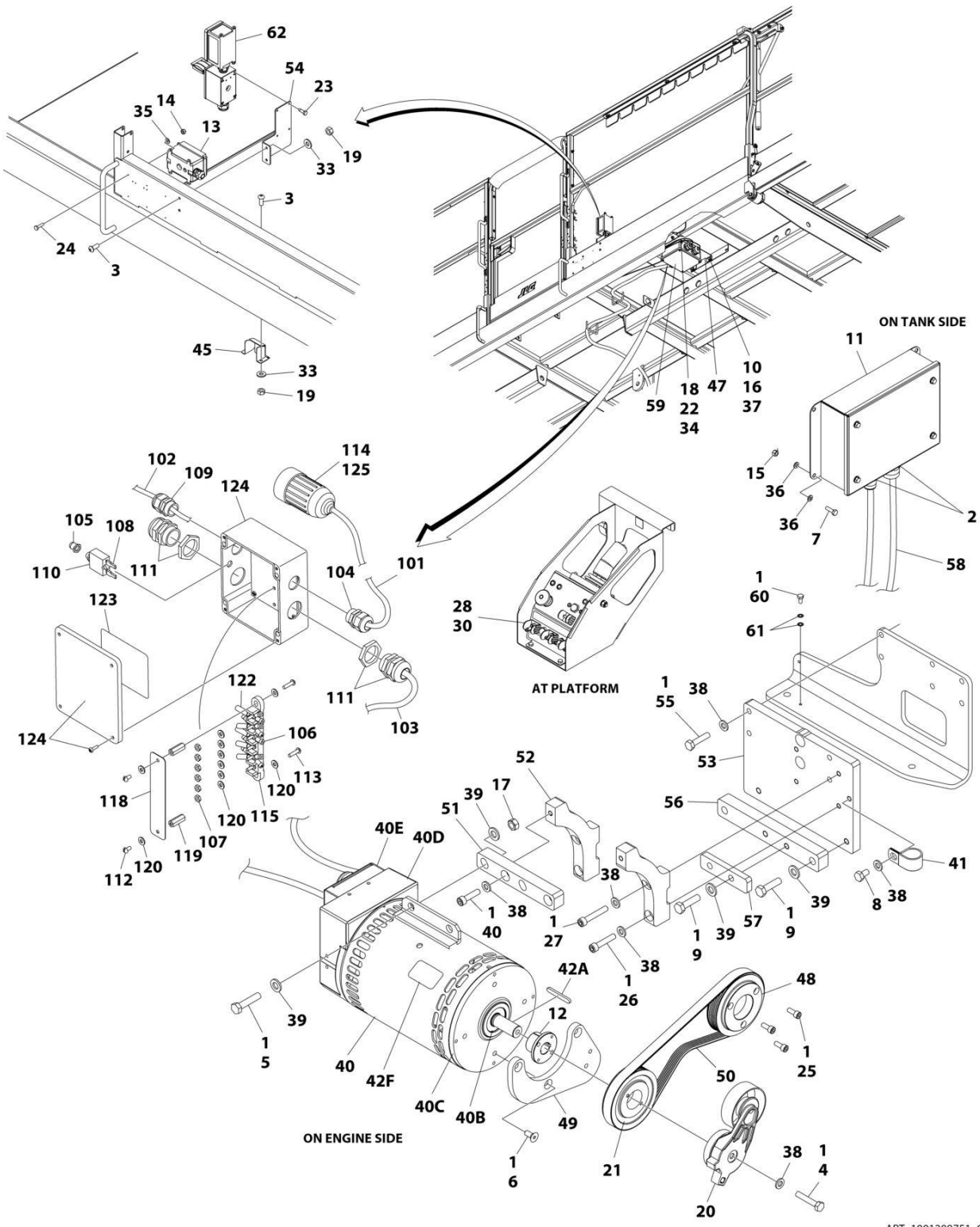
ITEM	PART NUMBER	QTY	DESCRIPTION	REV
40	70006093	1	Stator (Not Shown)	
40	70002297	2	Stud 1/4 x 12-7/8 (Not Shown)	
40	70003631	1	Brushholder Assembly (Not Shown) (was p/n 7024484)	
40A	70004099	1	Key	
40B	70001966	1	Bearing, Ball Radial (Located in Belt Tensioner Endbell)	
40B	70003709	1	Ring, Retaining (Small)	
40B	70003708	1	Ring, Retaining (Large)	
40C	70004092	1	Endbell, Belt Tensioner	
40D	70004094	1	Endbell, Brush Block	
40E	70006094	1	Shroud	
40E	7027799	1	Block, Connector - 6 Position (Not Shown)	
40E	70002460	1	Nut, Brass (Attaches p/n 7027799 to Cover) (Not Shown)	
40E	70006095	1	Breaker, Circuit 30Amp (Not Shown)	
40E	70006096	1	Boot, Breaker (Not Shown)	
40E	7026597	1	Connector with Leads (Not Shown)	
40E	7026626	1	Connector with Pins (Not Shown)	
40E	70004098	1	Clamp, Cable (Not Shown)	
40E	70006097	1	Plate, End Panel (Not Shown)	
40E	70002291	1	Insulator, Endbell (Not Shown)	
40E	70001974	1	Decal - Terminal Connections (Not Shown)	
40F	70001973	1	Decal - Warning Moving Parts	
43	1001148844	1	Support	
45	1001166732	1	Support	
46	1001183726	1	Pulley	
47	1001184162	1	Mount	
48	1001184235	1	Belt	
49	1001202536	1	Bar (Upper)	
50	1001236442	1	Generator Harness - 7500W (See Separate Breakdown in ELECTRICAL Section)	
51	1001186919	3	Bolt M10 x 40	
52	1001187228	1	Junction Box Assembly (See Items 101-125 for Breakdown)	
53	1001202532	2	Arm	
54	1001206707	1	Support	
55	1001207285	4	Bolt M10 x 45 Grade 10.9	
56	1001208339	1	Plate	
57	1001208340	1	Bar (Lower)	
58	4871700	2	Washer M6	
59	0760606	1	Bolt M6 x 12	
60	1001216162	1	Receptacle/Breaker Assembly (See Separate Breakdown in ELECTRICAL Section)	
61	4891600	1	Washer 3/8	
	1001187228	Ref	JUNCTION BOX ASSEMBLY	A
101	1060343	6.8 ft/2m	Cable, Electrical - 10/4	
102	1060494	6.8 ft/2m	Cable, Electrical - 12/3	
103	1060708	6.8 ft/2m	Cable, Electrical - 10/3	
104	1321692	1	Strain Relief, Terminal	
105	3300396	1	Cover, Fuse	
106	4460068	10	Terminal	
107	3311001	6	Nut #10	
108	4460483	2	Terminal	
109	4460425	1	Strain Relief, Terminal	
110	4360070	1	Breaker, Circuit - 15Amp	

SECTION 3 - ENGINE

ITEM	PART NUMBER	QTY	DESCRIPTION	REV
111	4460426	2	Connector, Strain Relief	
112	10702077	2	Screw #10 x 3/8	
113	10702082	2	Screw #10 x 3/4	
114	4460963	1	Connector, Turnlock	
115	1001157520	1	Block, Terminal - 6 Pole	
118	1001158007	1	Cover	
119	1001158008	2	Stand-Off	
120	4711000	10	Washer #10	
122	8220022	5	Terminal, Ring	
123	1001157528	1	Decal - Wiring Schematic	
124	1001187232	1	Box, Junction	
125	1671092	1	Cover, Connector	

SECTION 3 - ENGINE

FIGURE 3-21. 7500W GENERATOR INSTALLATION - 60HZ (KUBOTA GASOLINE)



ART_1001208751_G

SECTION 3 - ENGINE

FIGURE 3-21. 7500W GENERATOR INSTALLATION - 60HZ (KUBOTA GASOLINE)

ITEM	PART NUMBER	QTY	DESCRIPTION	REV
	1001208751	Ref	7500W GENERATOR INSTALLATION - KUBOTA GASOLINE	G
1	0100011	AR	Compound, Locking	
2	0100048	AR	Grease, Silicone	
3	0630407	4	Screw 1/4 x 5/8	
4	0701019	1	Bolt M10 x 55	
5	0701219	2	Bolt M12 x 55	
6	0741607	3	Screw 3/8 x 7/8	
7	0760610	4	Bolt M6 x 20	
8	0761009	1	Bolt M10 x 18	
9	0701217	4	Bolt M12 x 45	
10	0780810	4	Bolt M8 x 20	
11	0861538	1	Box, Generator Control	
11	7024488	1	Card, Circuit - Generator Power (Not Shown)	
11	See Note	1	Fuse (Note: Not Available - Purchase Locally)	
11	7024489	1	Card, Circuit - Control (Not Shown)	
		Ref	Note: When replacing card, rocker switch on card must be set for required application.	
11	70000619	1	Harness, Circuit Card	
12	0962520	1	Bushing, Taper	
13	2902431	1	Receptacle Box Kit - 110V GFI (See Separate Breakdown in ELECTRICAL SECTION)	
14	3290405	4	Nut M4	
15	3290605	4	Nut M6	
16	3290805	4	Nut M8	
17	3291201	2	Nut M12	
18	3311005	4	Nut #10	
19	3311405	4	Nut 1/4	
20	3580317	1	Tensioner, Belt	
21	3580318	1	Pulley	
22	3931016	4	Capscrew #10 x 1	
23	3940804	4	Screw	
24	4010408	4	Screw M4 x 16	
25	4031908	3	Cascrew M8 x 20	
26	4032014	2	Capscrew M10 x 50	
27	4032016	2	Capscrew M10 x 60	
28	4060802	1	Guard, Switch	
29	4240017	AR	Tie-Strap (Not Shown)	
30	4360482	1	Switch, Toggle	
31	4460315	3	Terminal (Not Shown)	
33	4711400	4	Washer 1/4	
34	4751000	4	Washer #10	
35	4811400	8	Washer M4	
36	4811700	8	Washer M6	
37	4811900	4	Washer M8	
38	5241000	6	Washer M10	
39	5241200	8	Washer M12	
40	5272012	2	Capscrew M10 x 40	
41	8406302	1	Clamp	
42	1001212223	1	Generator Assembly - 7500W	
42	70001100	1	Rotor (Includes p/n 70001384 & 70000863) (Not Shown)	

SECTION 3 - ENGINE

ITEM	PART NUMBER	QTY	DESCRIPTION	REV
42	70001384	1	Bearing, Shaft (Rear) (Not Shown)	
42	70000863	1	Fan, Generator (Not Shown)	
42	70006093	1	Stator (Not Shown)	
42	70002297	2	Stud 1/4 x 12-7/8 (Not Shown)	
42	70003631	1	Brushholder Assembly (Not Shown)	
42A	70004099	1	Key	
42B	70001966	1	Bearing, Ball Radial (Located in Belt Tensioner Endbell)	
42B	70003709	1	Ring, Retaining (Small)	
42B	70003708	1	Ring, Retaining (Large)	
42C	70004092	1	Endbell, Belt Tensioner	
42D	70004094	1	Endbell, Brush Block	
42E	70006094	1	Shroud	
42E	7027799	1	Block, Connector - 6 Position (Not Shown)	
42E	70002460	1	Nut, Brass (Attaches p/n 7027799 to Cover) (Not Shown)	
42E	70006095	1	Breaker, Circuit 30Amp (Not Shown)	
42E	70006096	1	Boot, Breaker (Not Shown)	
42E	7026597	1	Connector with Leads (Not Shown)	
42E	7026626	1	Connector with Pins (Not Shown)	
42E	70004098	1	Clamp, Cable (Not Shown)	
42E	70006097	1	Plate, End Panel (Not Shown)	
42E	70002291	1	Insulator, Endbell (Not Shown)	
42E	70001974	1	Decal - Terminal Connections (Not Shown)	
42F	70001973	1	Decal - Warning Moving Parts	
45	1001148844	1	Support	
47	1001166732	1	Support	
48	1001181211	1	Pulley	
49	1001184162	1	Mount	
50	1001184163	1	Belt	
51	1001202759	1	Bar (Upper)	
52	1001202760	2	Arm	
53	1001202764	1	Plate	
54	1001206707	1	Support	
55	1001207285	4	Bolt M10 x 45 Grade 10.9	
56	1001208340	1	Bar (Lower)	
57	1001210645	1	Bar	
58	1001236442	1	Generator Harness - 7500W (See Separate Breakdown in ELECTRICAL SECTION)	
59	1001187228	1	Junction Box Assembly (See Items 101-125 for Breakdown)	
60	0760606	1	Bolt M6 x 12	
61	4871700	2	Washer M6	
62	1001216162	1	Receptacle/Breaker Assembly (See Separate Breakdown in ELECTRICAL SECTION)	
63	4891600	1	Washer 3/8	
	1001187228	Ref	JUNCTION BOX ASSEMBLY	A
101	1060343	6.8 ft/2m	Cable, Electrical - 10/4	
102	1060494	6.8 ft/2m	Cable, Electrical - 12/3	
103	1060708	6.8 ft/2m	Cable, Electrical - 10/3	
104	1321692	1	Strain Relief, Terminal	
105	3300396	1	Cover, Fuse	
106	4460068	10	Terminal	
107	3311001	6	Nut #10	
108	4460483	2	Terminal	

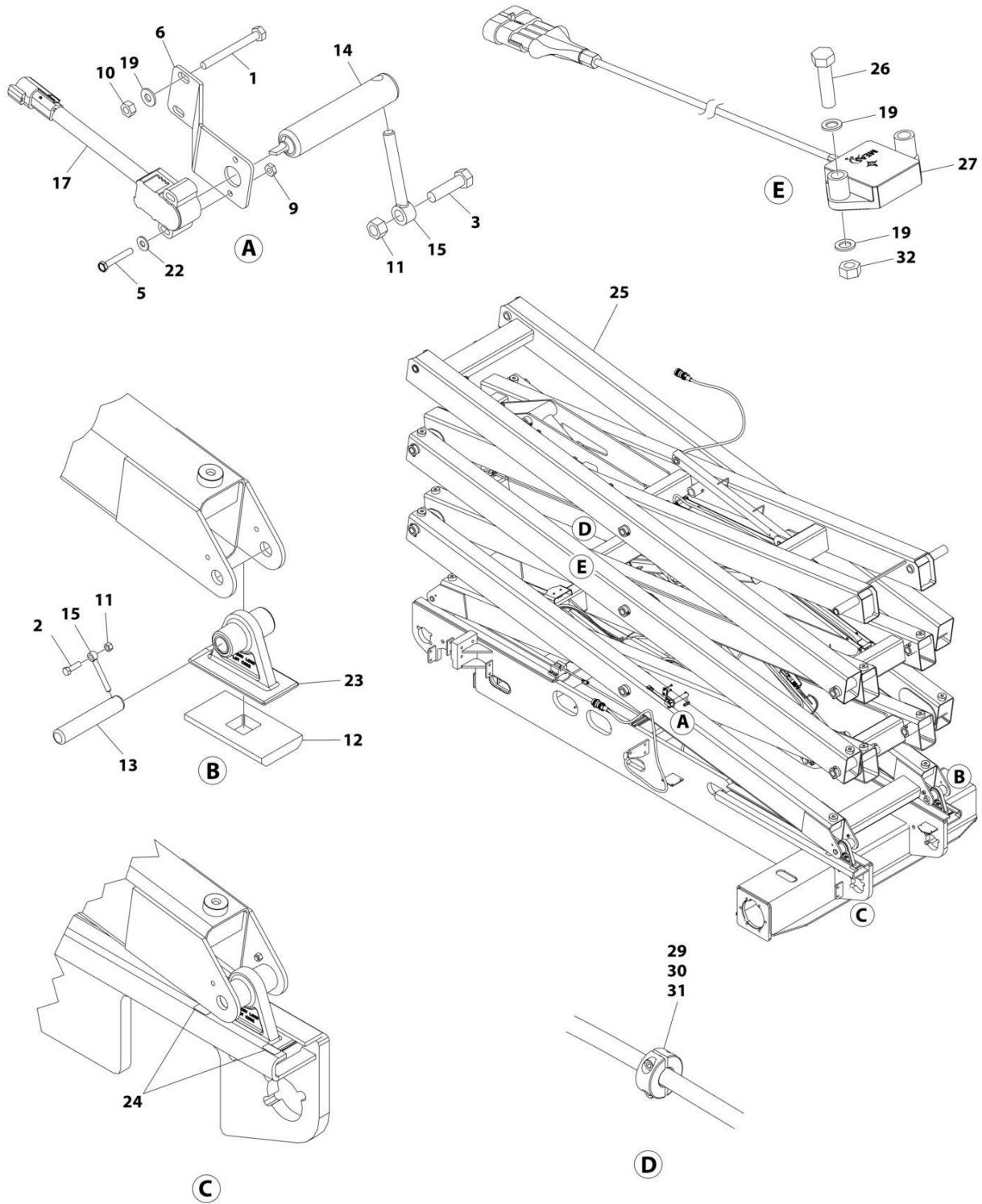
SECTION 3 - ENGINE

ITEM	PART NUMBER	QTY	DESCRIPTION	REV
109	4460425	1	Strain Relief, Terminal	
110	4360070	1	Breaker, Circuit - 15Amp	
111	4460426	2	Connector, Strain Relief	
112	10702077	2	Screw #10 x 3/8	
113	10702082	2	Screw #10 x 3/4	
114	4460963	1	Connector, Turnlock	
115	1001157520	1	Block, Terminal - 6 Pole	
118	1001158007	1	Cover	
119	1001158008	2	Stand-Off	
120	4711000	10	Washer #10	
122	8220022	5	Terminal, Ring	
123	1001157528	1	Decal - Wiring Schematic	
124	1001187232	1	Box, Junction	
125	1671092	1	Cover, Connector	

SECTION 4 - SCISSORS ARMS

SECTION 4 - SCISSORS ARMS

FIGURE 4-1. SCISSORS ARMS INSTALLATION (RT3394)



ART_1001220081_G

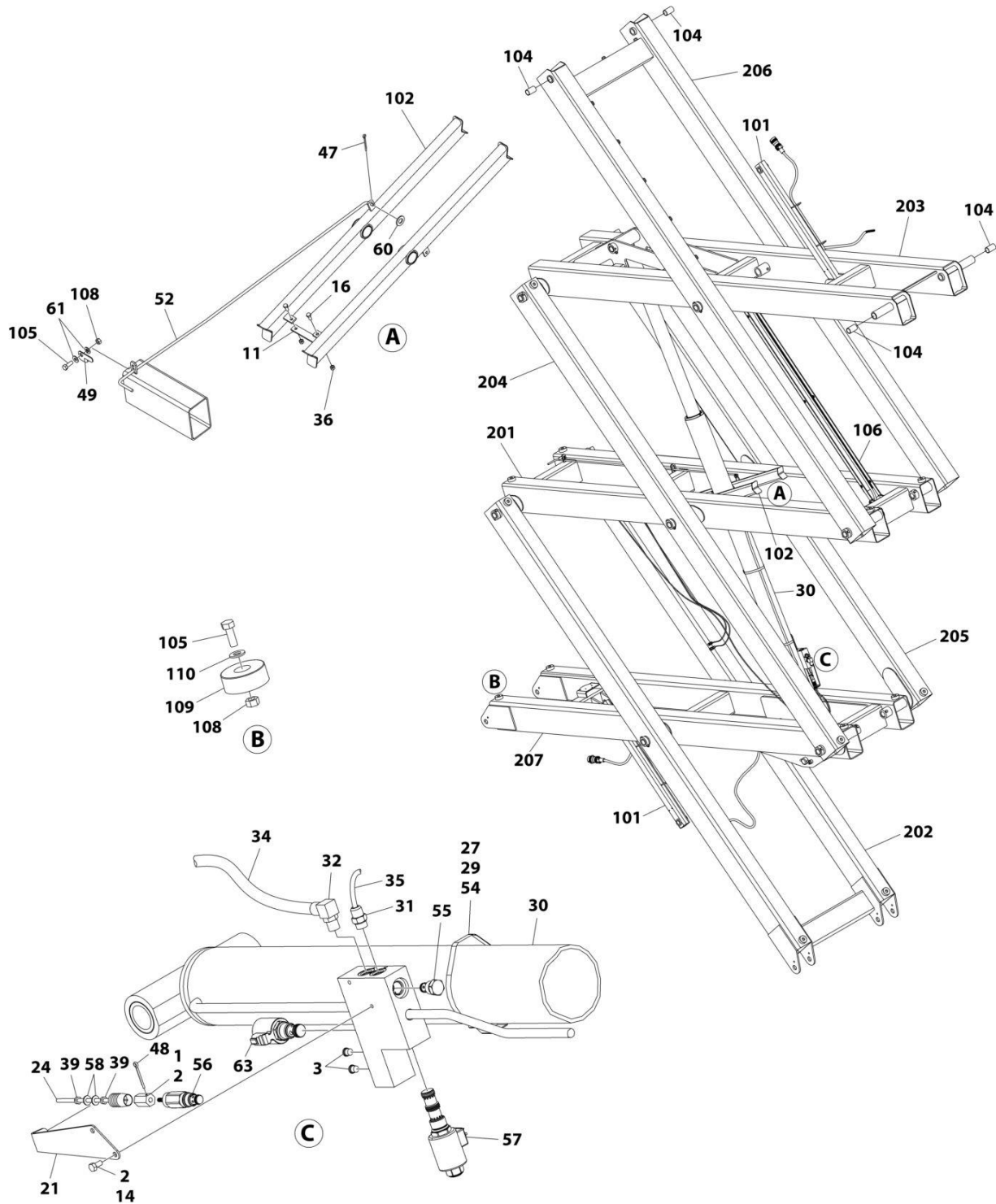
SECTION 4 - SCISSORS ARMS

FIGURE 4-1. SCISSORS ARMS INSTALLATION (RT3394)

ITEM	PART NUMBER	QTY	DESCRIPTION	REV
	1001220081	Ref	SCISSORS ARMS INSTALLATION	G
1	0641420	2	Bolt 1/4 x 2-1/2	
2	0641610	4	Bolt 3/8 x 1-1/4	
3	0641611	1	Bolt 3/8 x 1-3/8	
5	0721010	2	Screw #10 x 1-1/4	
6	0902774	1	Bracket	
9	3311005	2	Nut #10	
10	3311405	2	Nut 1/4	
11	3311605	5	Nut 3/8	
12	3340935	4	Pad	
13	3422961	4	Pin	
14	3422963	1	Pin	
15	3841143	5	Keeper, Pin	
17	4360500	1	Switch, Angle Sensor	
19	4711400	4	Washer 1/4	
22	4751000	2	Washer #10	
23	1001099623	4	Support, Slider	
24	1001125243	1	Decal - Calibration	
25	1001220082	1	Scissors Arms Assembly (See Separate Breakdown in this Section)	
26	0641412	2	Bolt 1/4 x 1-1/2	
27	1001187857	1	Sensor	
28	4240018	AR	Tie-Strap (Not Shown)	
29	0100081	AR	Adhesive	
30	1001238626	1	Clamp, Collar (2 pieces)	
31	0100035	AR	Adhesive	
32	8310382	2	Nut, Flange	

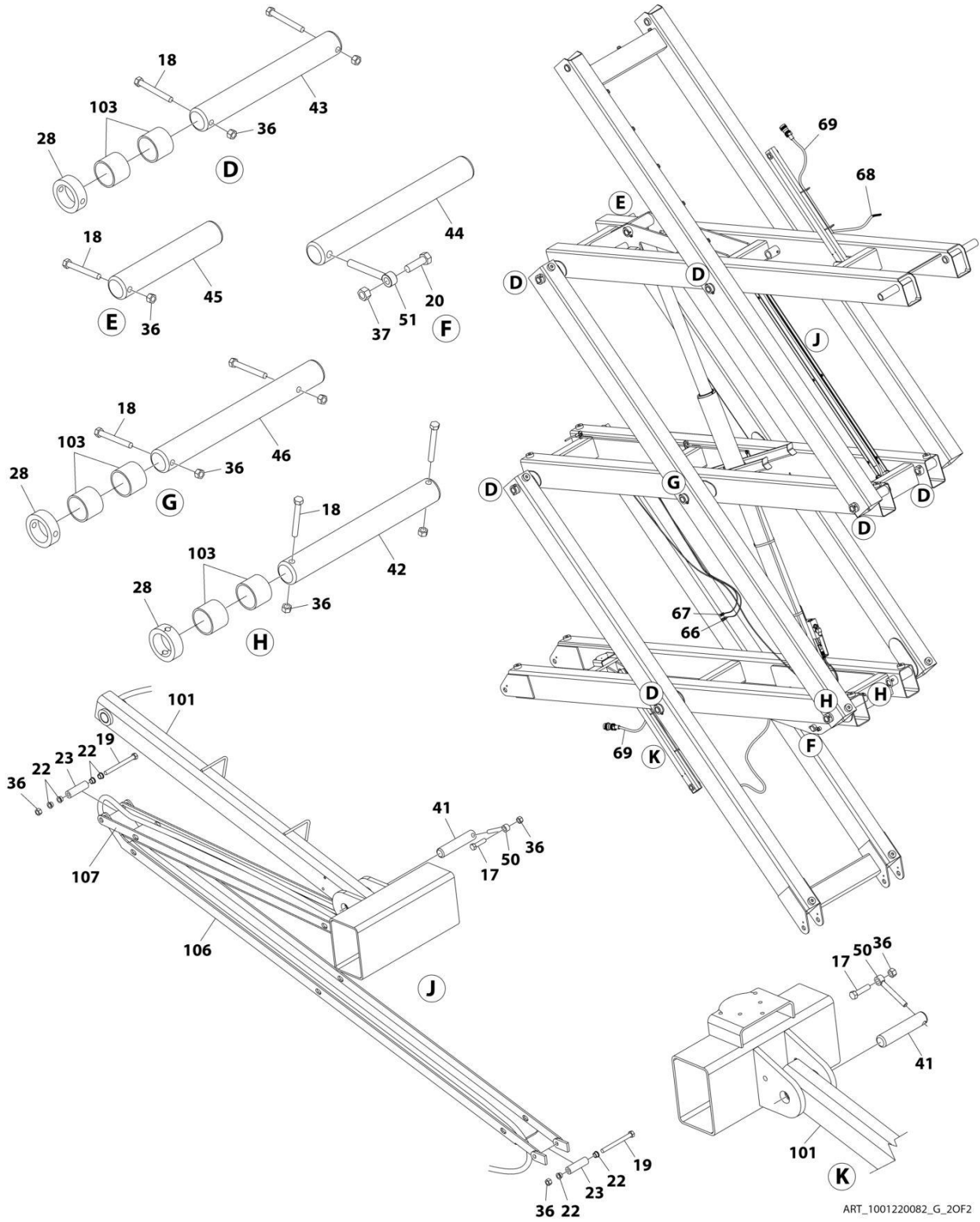
SECTION 4 - SCISSORS ARMS

FIGURE 4-2. SCISSORS ARMS ASSEMBLY (RT3394)



ART_1001220082_G_10F2

SECTION 4 - SCISSORS ARMS



ART_1001220082_G_20F2

SECTION 4 - SCISSORS ARMS

FIGURE 4-2. SCISSORS ARMS ASSEMBLY (RT3394)

ITEM	PART NUMBER	QTY	DESCRIPTION	REV
	1001220082	Ref	SCISSORS ARMS ASSEMBLY	G
1	0080190	1	Adapter, Cable	
2	0100011	AR	Compound, Locking	
3	2220883	2	Plug	
11	0363050	1	Bar, Prop	
14	0641505	2	Bolt 5/16 x 5/8	
16	0681607	2	Bolt 3/8 x 7/8	
17	0681612	2	Bolt 3/8 x 1-1/2	
18	0681624	29	Bolt 3/8 x 3	
19	0681632	3	Bolt 3/8 x 4	
20	0681813	1	Bolt 1/2 x 1-5/8	
21	0902773	1	Bracket	
22	0962031	8	Bushing	
23	0962446	3	Spacer	
24	1060929	1	Cable, Manual Descent	
24	7020218	1	Handle	
24	7019602	1	Bellows	
24	7020219	1	Washer	
27	1001216251	3	Clamp	
28	1440331	14	Collar	
29	1670995	3	Cover, Hose/Cable	
30	1001217085	1	Lift Cylinder Assembly (See Separate Breakdown in CYLINDER SECTION)	
31	2220373	1	Fitting, Straight JIC/ORB	
32	2221042	1	Fitting, 90 JIC/ORB	
34	1001216383	1	Hose	
35	1001216384	1	Hose	
36	3271605	36	Nut 3/8	
37	3271805	1	Nut 1/2	
39	3321402	2	Nut 1/4	
41	3422943	2	Pin	
42	3422944	2	Pin	
43	3422945	10	Pin	
44	3422946	1	Pin	
45	3422954	1	Pin	
46	3422965	2	Pin	
47	3450304	1	Pin 3/32 x 1	
48	3450405	1	Pin 1/8 x 1-1/4	
49	3573370	1	Plate	
50	3841143	2	Keeper, Pin	
51	3841203	1	Keeper, Pin	
52	3841556	1	Rod, Prop	
53	4240033	AR	Tie-Strap (Not Shown)	
54	4280295	18 in/ 46cm	Strip, Protector	
55	4641193	1	Cartridge, Check Valve	
55	2900756	1	Seal Kit - 4641193 Valve	
56	4641205	1	Cartridge, Holding Valve	
56	7017496	1	Seal Kit - 4641205 Valve	
57	4641254	1	Cartridge, Proportional Valve	

SECTION 4 - SCISSORS ARMS

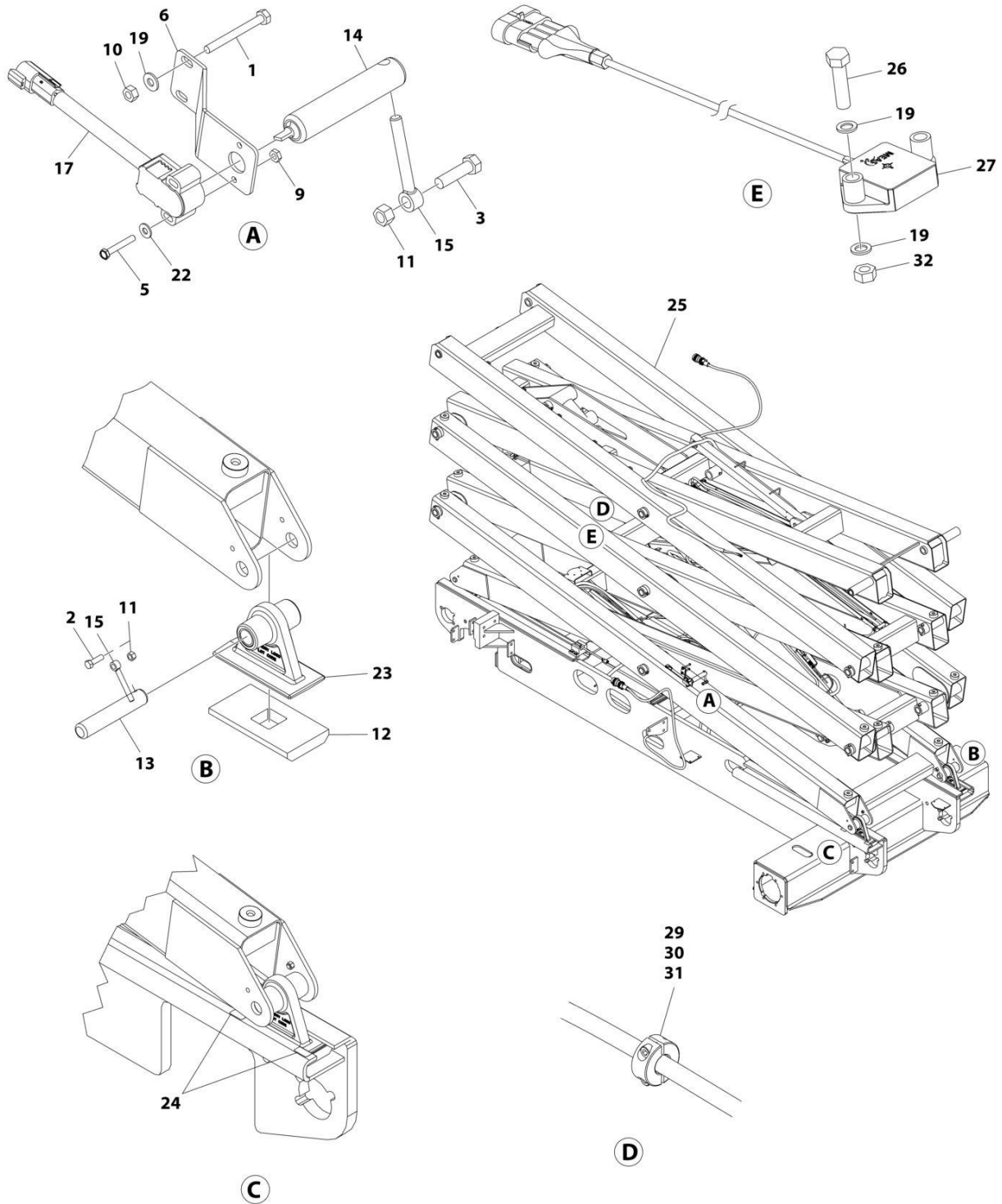
ITEM	PART NUMBER	QTY	DESCRIPTION	REV
57	7024829	1	Cartridge Less Cartridge	
57	7012925	1	Seal Kit - 7024829 & 4641254 Valves	
57	7017451	1	Coil	
58	4711400	2	Washer 1/4	
60	4711600	1	Washer 3/8	
61	4740455	2	Washer	
63	1001103760	1	Cartridge, Solenoid Valve	
63	7023923	1	Cartridge Less Cartridge	
63	7023919	1	Seal Kit - 7023923 & 1001103760 Valves	
63	70001967	1	Coil	
66	1001209182	1	Lift Cylinder Prop Harness	
66	4460499	1	Connector, DIN (HV9 - Proportional Valve)	
66	4460897	1	Receptacle, Female - 2 Position (X14B - Chassis Harness)	
66	4460464	2	Pin, Male	
67	1001209183	1	Lift Cylinder Holding Valve Harness	
67	4460891	2	Plug, Male - 2 Position (X13A - Chassis Harness & HV10 Holding Valve)	
67	4460465	4	Socket, Female	
68	1060866	1	Cable, Ground to AC Box (12/3) (Not Shown)	
69	1001209181	1	Ground to Platform Harness (See Separate Breakdown in ELECTRICAL SECTION)	
100	1001220020	1	Arms and Attach Link Kit (Not Shown)	
101	0272209	2	Link	
101	0962474	4	Bushing	
102	0272211	2	Prop, Safety	
103	0440236	28	Bearing	
104	0440250	4	Bearing	
105	0641507	17	Bolt 5/16 x 7/8	
106	1180371	1	Carrier, Cable	
107	1180372	1	Carrier, Cable	
108	3311505	17	Nut 5/16	
109	3340929	16	Pad	
110	4711500	16	Washer 5/16	
200	1001220010	1	Arms Kit (Not Shown)	
201	0200713	1	Arm, Lower Mid Inboard	
201	1001200412	6	Bushing (Not Shown)	
202	0200716	1	Arm, Lower Outboard	
202	1001200506	4	Bushing (Not Shown)	
203	0200717	1	Arm, Upper Inboard	
203	1001200401	2	Bushing - 8-1/2 Length (Not Shown)	
203	1001200402	1	Bushing - 1-1/8 Length (Not Shown)	
203	1001200412	2	Bushing - 6-1/2 Length (Not Shown)	
203	1001200510	2	Bushing - 11-1/2 Length (Not Shown)	
204	0200718	1	Arm, Lower Mid Outboard (LH)	
204	1001200506	3	Bushing (Not Shown)	
205	0200719	1	Arm, Lower Mid Outboard (RH)	
205	1001200506	3	Bushing (Not Shown)	
206	0200723	1	Arm, Upper Outboard	
206	1001200528	2	Bushing (Not Shown)	
207	1001215305	1	Arm, Lower Inboard	
207	1001200400	2	Bushing - 7-1/2 Length (Not Shown)	
207	1001200401	2	Bushing - 8-1/2 Length (Not Shown)	

SECTION 4 - SCISSORS ARMS

ITEM	PART NUMBER	QTY	DESCRIPTION	REV
207	1001200402	2	Bushing - 1-1/8 Length (Not Shown)	

SECTION 4 - SCISSORS ARMS

FIGURE 4-3. SCISSORS ARMS INSTALLATION - WITH GENERATOR (RT3394)



ART_1001220085_G

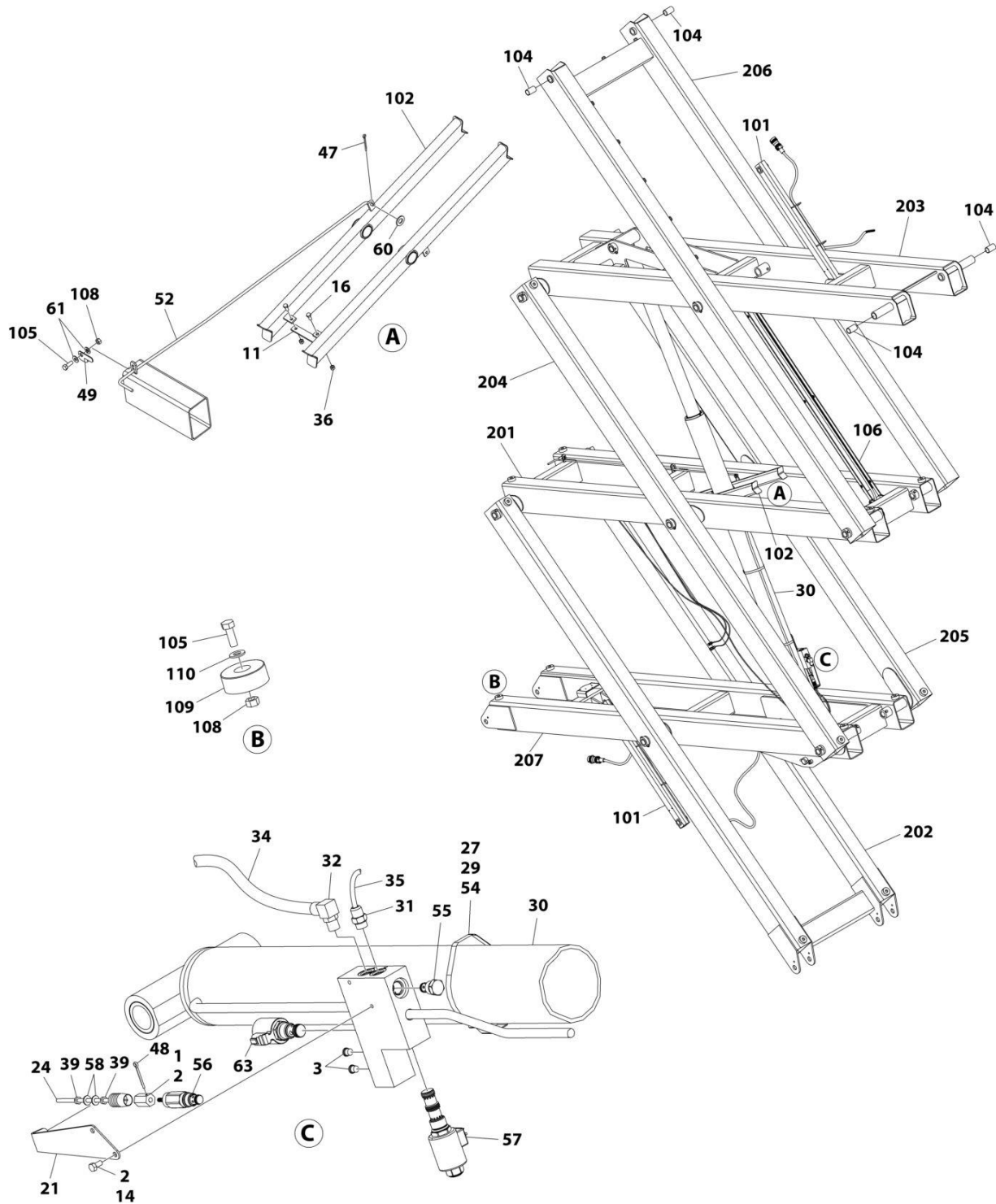
SECTION 4 - SCISSORS ARMS

FIGURE 4-3. SCISSORS ARMS INSTALLATION - WITH GENERATOR (RT3394)

ITEM	PART NUMBER	QTY	DESCRIPTION	REV
	1001220085	Ref	SCISSORS ARMS INSTALLATION - WITH GENERATOR	G
1	0641420	2	Bolt 1/4 x 2-1/2	
2	0641610	4	Bolt 3/8 x 1-1/4	
3	0641611	1	Bolt 3/8 x 1-3/8	
5	0721010	2	Screw #10 x 1-1/4	
6	0902774	1	Bracket	
9	3311005	2	Nut #10	
10	3311405	2	Nut 1/4	
11	3311605	5	Nut 3/8	
12	3340935	4	Pad	
13	3422961	4	Pin	
14	3422963	1	Pin	
15	3841143	5	Keeper, Pin	
17	4360500	1	Switch, Angle Sensor	
19	4711400	4	Washer 1/4	
22	4751000	2	Washer #10	
23	1001099623	4	Support, Slider	
24	1001125243	1	Decal - Calibration	
25	1001220087	1	Scissors Arms Assembly - with Generator (See Separate Breakdown in this Section)	
26	0641412	2	Bolt 1/4 x 1-1/2	
27	1001187857	1	Sensor	
28	4240018	AR	Tie-Strap (Not Shown)	
29	0100081	AR	Adhesive	
30	1001238626	1	Clamp, Collar (2 pieces)	
31	0100035	AR	Adhesive	
32	8310382	2	Nut, Flange	

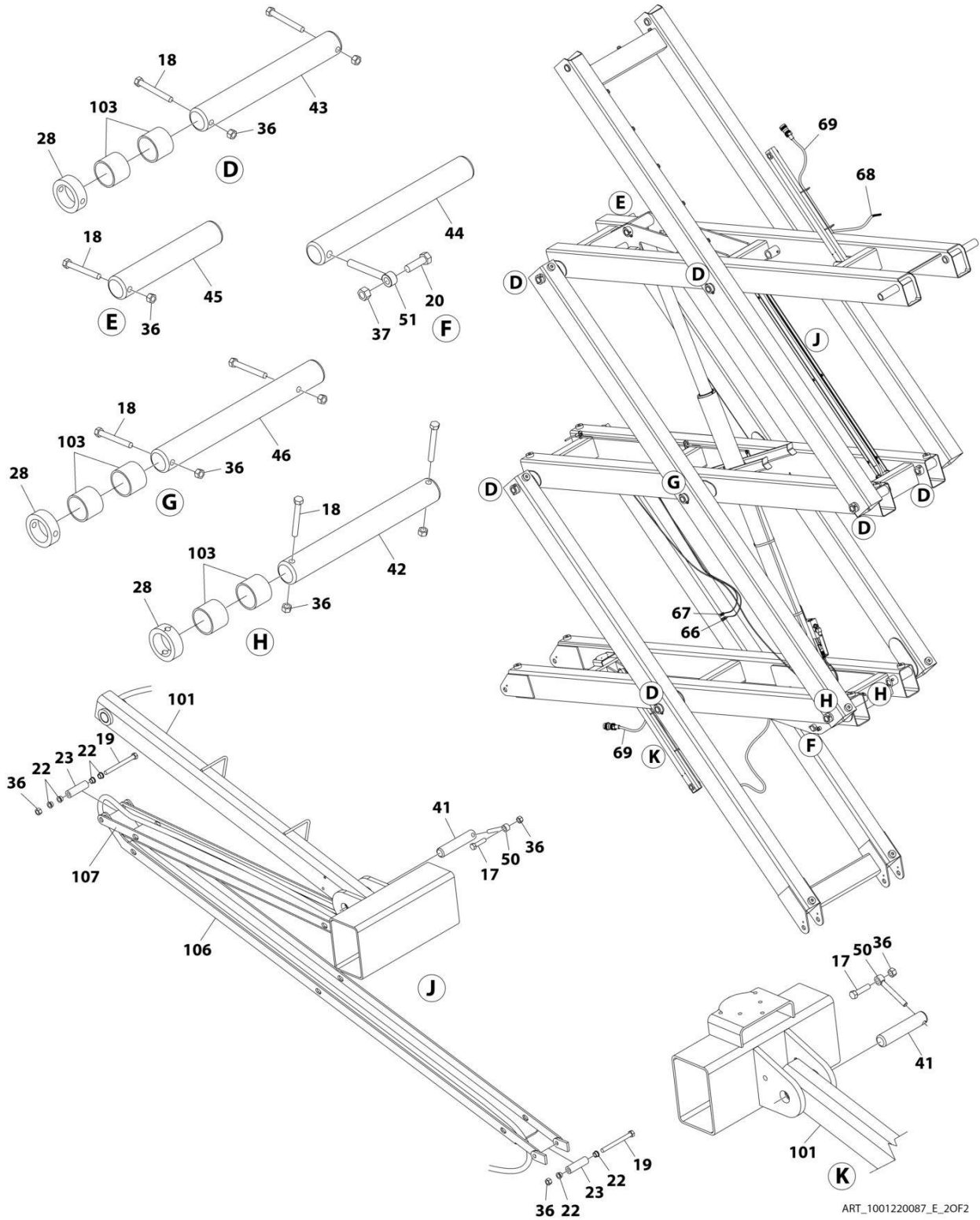
SECTION 4 - SCISSORS ARMS

FIGURE 4-4. SCISSORS ARMS ASSEMBLY - WITH GENERATOR (RT3394)



ART_1001220087_E_10F2

SECTION 4 - SCISSORS ARMS



SECTION 4 - SCISSORS ARMS

FIGURE 4-4. SCISSORS ARMS ASSEMBLY - WITH GENERATOR (RT3394)

ITEM	PART NUMBER	QTY	DESCRIPTION	REV
	1001220087	Ref	SCISSORS ARMS ASSEMBLY - WITH GENERATOR	I
1	0080190	1	Adapter, Cable	
2	0100011	AR	Compound, Locking	
3	2220883	2	Plug	
11	0363050	1	Bar, Prop	
14	0641505	2	Bolt 5/16 x 5/8	
16	0681607	2	Bolt 3/8 x 7/8	
17	0681612	2	Bolt 3/8 x 1-1/2	
18	0681624	29	Bolt 3/8 x 3	
19	0681632	3	Bolt 3/8 x 4	
20	0681813	1	Bolt 1/2 x 1-5/8	
21	0902773	1	Bracket	
22	0962031	8	Bushing	
23	0962446	3	Spacer	
24	1060929	1	Cable, Manual Descent	
24	7020218	1	Handle	
24	7019602	1	Bellows	
24	7020219	1	Washer	
27	1001216251	3	Clamp	
28	1440331	14	Collar	
29	1670995	3	Cover, Hose/Cable	
30	1001217085	1	Lift Cylinder Assembly (See Separate Breakdown in CYLINDER SECTION):	
31	2220373	1	Fitting, Straight JIC/ORB	
32	2221042	1	Fitting, 90 JIC/ORB	
34	1001216383	1	Hose	
35	1001216384	1	Hose	
36	3271605	36	Nut 3/8	
37	3271805	1	Nut 1/2	
39	3321402	2	Nut 1/4	
41	3422943	2	Pin	
42	3422944	2	Pin	
43	3422945	10	Pin	
44	3422946	1	Pin	
45	3422954	1	Pin	
46	3422965	2	Pin	
47	3450304	1	Pin 3/32 x 1	
48	3450405	1	Pin 1/8 x 1-1/4	
49	3573370	1	Plate	
50	3841143	2	Keeper, Pin	
51	3841203	1	Keeper, Pin	
52	3841556	1	Rod, Prop	
53	4240033	AR	Tie-Strap (Not Shown)	
54	4280295	18 in/ 46cm	Strip, Protector	
55	4641193	1	Cartridge, Check Valve	
55	2900756	1	Seal Kit - 4641193 Valve	
56	4641205	1	Cartridge, Holding Valve	
56	7017496	1	Seal Kit - 4641205 Valve	
57	4641254	1	Cartridge, Proportional Valve	

SECTION 4 - SCISSORS ARMS

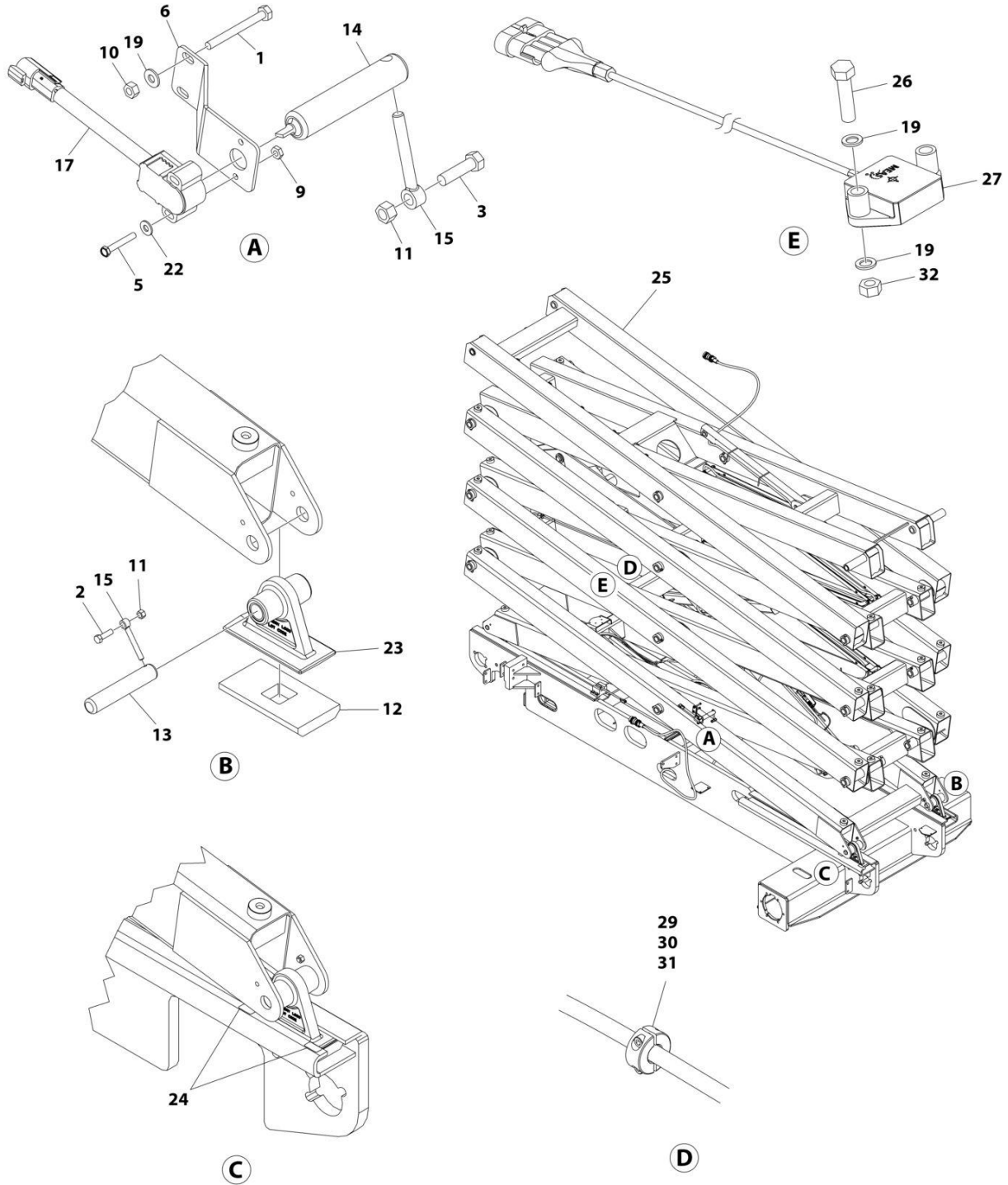
ITEM	PART NUMBER	QTY	DESCRIPTION	REV
57	7024829	1	Cartridge Less Cartridge	
57	7012925	1	Seal Kit - 7024829 & 4641254 Valves	
57	7017451	1	Coil	
58	4711400	2	Washer 1/4	
60	4711600	1	Washer 3/8	
61	4740455	2	Washer	
63	1001103760	1	Cartridge, Solenoid Valve	
63	7023923	1	Cartridge Less Cartridge	
63	7023919	1	Seal Kit - 7023923 & 1001103760 Valves	
63	70001967	1	Coil	
66	1001209182	1	Lift Cylinder Prop Harness	
66	4460499	1	Connector, DIN (HV9 - Proportional Valve)	
66	4460897	1	Receptacle, Female - 2 Position (X14B - Chassis Harness)	
66	4460464	2	Pin, Male	
67	1001209183	1	Lift Cylinder Holding Valve Harness	
67	4460891	2	Plug, Male - 2 Position (X13A - Chassis Harness & HV10 Holding Valve)	
67	4460465	4	Socket, Female	
68	1001237293	1	Cable, Generator to Platform (8/5)	
69	1001209181	1	Ground to Platform Harness - (See Separate Breakdown in ELECTRICAL SECTION)	
100	1001220020	1	Arms and Attach Link Kit (Not Shown)	
101	0272209	2	Link	
101	0962474	4	Bushing	
102	0272211	2	Prop, Safety	
103	0440236	28	Bearing	
104	0440250	4	Bearing	
105	0641507	17	Bolt 5/16 x 7/8	
106	1180371	1	Carrier, Cable	
107	1180372	1	Carrier, Cable	
108	3311505	17	Nut 5/16	
109	3340929	16	Pad	
110	4711500	16	Washer 5/16	
200	1001220010	1	Arms Kit (Not Shown)	
201	0200713	1	Arm, Lower Mid Inboard	
201	1001200412	6	Bushing (Not Shown)	
202	0200716	1	Arm, Lower Outboard	
202	1001200506	4	Bushing (Not Shown)	
203	0200717	1	Arm, Upper Inboard	
203	1001200401	2	Bushing - 8-1/2 Length (Not Shown)	
203	1001200402	1	Bushing - 1-1/8 Length (Not Shown)	
203	1001200412	2	Bushing - 6-1/2 Length (Not Shown)	
203	1001200510	2	Bushing - 11-1/2 Length (Not Shown)	
204	0200718	1	Arm, Lower Mid Outboard (LH)	
204	1001200506	3	Bushing (Not Shown)	
205	0200719	1	Arm, Lower Mid Outboard (RH)	
205	1001200506	3	Bushing (Not Shown)	
206	0200723	1	Arm, Upper Outboard	
206	1001200528	2	Bushing (Not Shown)	
207	1001215305	1	Arm, Lower Inboard	
207	1001200400	2	Bushing - 7-1/2 Length (Not Shown)	
207	1001200401	2	Bushing - 8-1/2 Length (Not Shown)	

SECTION 4 - SCISSORS ARMS

ITEM	PART NUMBER	QTY	DESCRIPTION	REV
207	1001200402	2	Bushing - 1-1/8 Length (Not Shown)	

SECTION 4 - SCISSORS ARMS

FIGURE 4-5. SCISSORS ARMS INSTALLATION (RT4394)



ART_1001220083_G

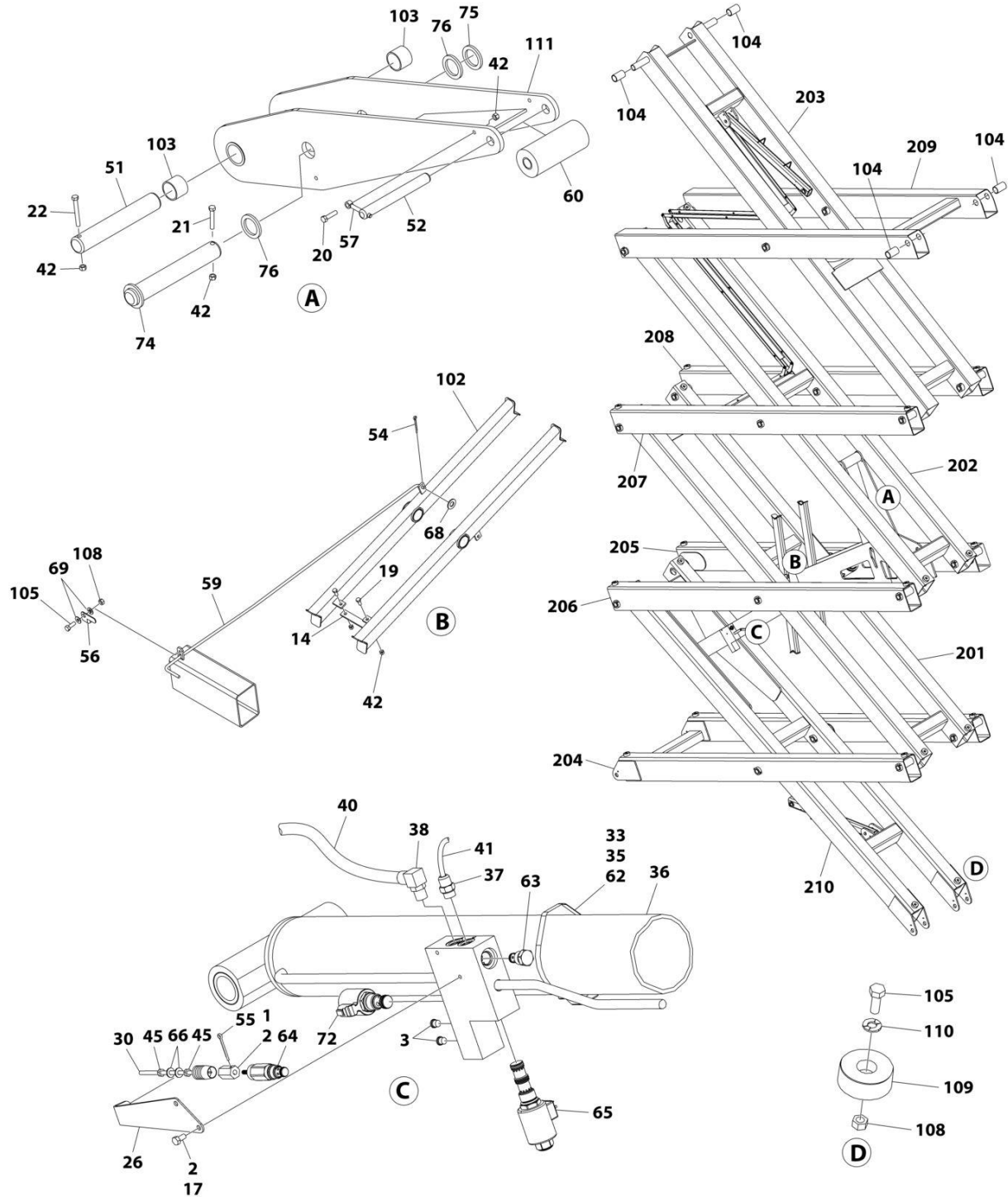
SECTION 4 - SCISSORS ARMS

FIGURE 4-5. SCISSORS ARMS INSTALLATION (RT4394)

ITEM	PART NUMBER	QTY	DESCRIPTION	REV
	1001220083	Ref	SCISSORS ARMS INSTALLATION	G
1	0641420	2	Bolt 1/4 x 2-1/2	
2	0641610	4	Bolt 3/8 x 1-1/4	
3	0641611	1	Bolt 3/8 x 1-3/8	
5	0721010	2	Screw #10 x 1-1/4	
6	0902774	1	Bracket	
9	3311005	2	Nut #10	
10	3311405	4	Nut 1/4	
11	3311605	5	Nut 3/8	
12	3340935	4	Pad	
13	3422961	4	Pin	
14	3422963	1	Pin	
15	3841143	5	Keeper, Pin	
17	4360500	1	Switch, Angle Sensor	
19	4711400	4	Washer 1/4	
20	4711600	2	Washer 3/8	
22	4751000	2	Washer #10	
23	1001099623	4	Support, Slider	
24	1001125242	1	Decal - Calibration	
25	1001220084	1	Scissors Arms Assembly (See Separate Breakdown in this Section)	
26	0641412	2	Bolt 1/4 x 1-1/2	
27	1001187857	1	Sensor	
28	4240018	AR	Tie-Strap (Not Shown)	
29	0100081	AR	Adhesive	
30	1001238626	1	Clamp, Collar (2 pieces)	
31	0100035	AR	Adhesive	
32	8310382	2	Nut, Flange	

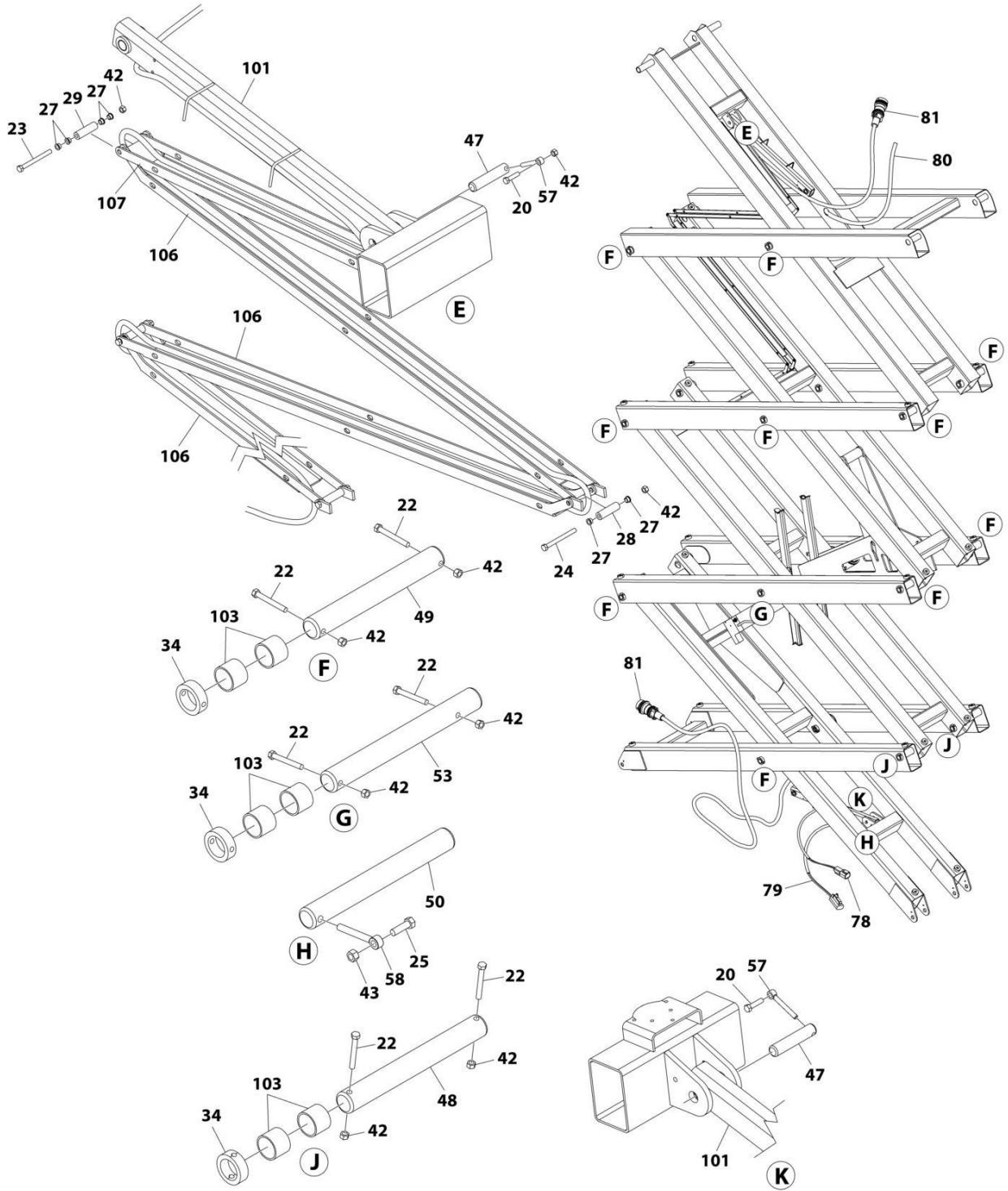
SECTION 4 - SCISSORS ARMS

FIGURE 4-6. SCISSORS ARMS ASSEMBLY (RT4394)



ART_1001220084_G_10F2

SECTION 4 - SCISSORS ARMS



ART_1001220084_G_2OF2

SECTION 4 - SCISSORS ARMS

FIGURE 4-6. SCISSORS ARMS ASSEMBLY (RT4394)

ITEM	PART NUMBER	QTY	DESCRIPTION	REV
	1001220084	Ref	SCISSORS ARMS ASSEMBLY	G
1	0080190	1	Adapter, Cable	
2	0100011	AR	Compound, Locking	
3	2220883	2	Plug	
14	0363050	1	Bar, Prop	
17	0641505	2	Bolt 5/16 x 5/8	
19	0681607	2	Bolt 3/8 x 7/8	
20	0681612	3	Bolt 3/8 x 1-1/2	
21	0681618	1	Bolt 3/8 x 2-1/4	
22	0681624	41	Bolt 3/8 x 3	
23	0681632	4	Bolt 3/8 x 4	
24	0681636	1	Bolt 3/8 x 4-1/2	
25	0681813	1	Bolt 1/2 x 1-5/8	
26	0902773	1	Bracket	
27	0962031	16	Bushing	
28	0962445	1	Spacer	
29	0962446	4	Spacer	
30	1060929	1	Cable, Manual Descent	
30	7020218	1	Handle	
30	7019602	1	Bellows	
30	7020219	1	Washer	
33	1001216251	3	Clamp	
34	1440331	20	Collar	
35	1670995	3	Cover, Hose/Cable	
36	1001217085	1	Lift Cylinder Assembly (See Separate Breakdown in CYLINDER SECTION):	
37	2220373	1	Fitting, Straight JIC/ORB	
38	2221042	1	Fitting, 90 JIC/ORB	
40	1001216383	1	Hose	
41	1001216384	1	Hose	
42	3271605	52	Nut 3/8	
43	3271805	1	Nut 1/2	
45	3321402	2	Nut 1/4	
47	3422943	2	Pin	
48	3422944	2	Pin	
49	3422945	16	Pin	
50	3422946	1	Pin	
51	3422948	1	Pin	
52	3422964	1	Pin	
53	3422965	2	Pin	
54	3450304	1	Pin 3/32 x 1	
55	3450405	1	Pin 1/8 x 1-1/4	
56	3573370	1	Plate	
57	3841143	3	Keeper, Pin	
58	3841203	1	Keeper, Pin	
59	3841556	1	Rod, Prop	
60	3860102	1	Roller	
60	0962356	2	Bearing	
61	4240033	AR	Tie-Strap (Not Shown)	

SECTION 4 - SCISSORS ARMS

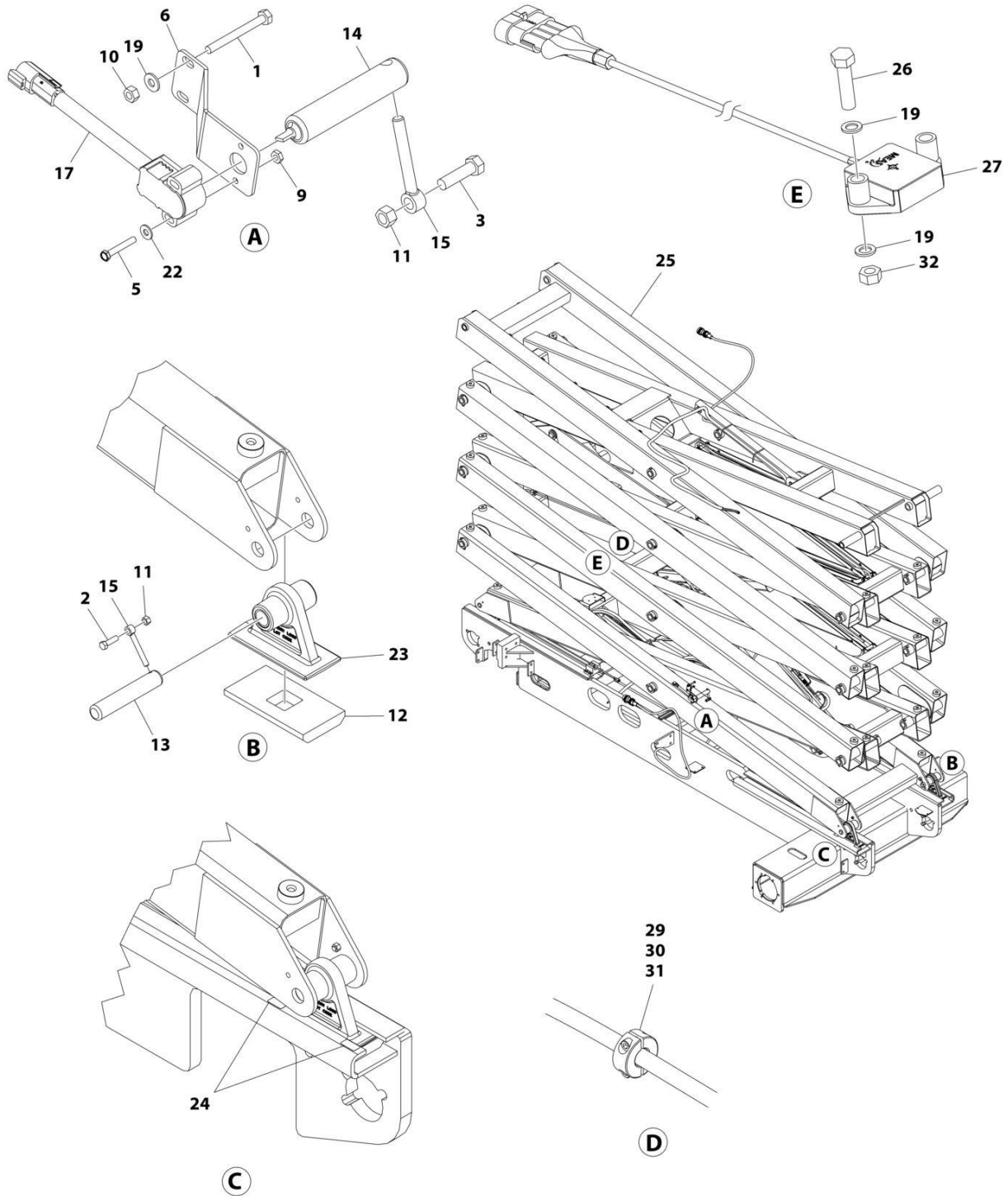
ITEM	PART NUMBER	QTY	DESCRIPTION	REV
62	4280295	18 in/ 46cm	Strip, Protector	
63	4641193	1	Cartridge, Check Valve	
63	2900756	1	Seal Kit - 4641193 Valve	
64	4641205	1	Cartridge, Holding Valve	
64	7017496	1	Seal Kit - 4641205 Valve	
65	4641254	1	Cartridge, Proportional Valve	
65	7024829	1	Cartridge Less Cartridge	
65	7012925	1	Seal Kit - 7024829 & 4641254 Valves	
65	7017451	1	Coil	
66	4711400	2	Washer 1/4	
68	4711600	1	Washer 3/8	
69	4740455	2	Washer	
72	1001103760	1	Cartridge, Solenoid Valve	
72	7023923	1	Cartridge Less Cartridge	
72	7023919	1	Seal Kit - 7023923 & 1001103760 Valves	
72	70001967	1	Coil	
74	1001174384	1	Pin	
75	1001174386	1	Plate	
76	1001174387	2	Pad	
78	1001209182	1	Lift Cylinder Prop Harness	
78	4460499	1	Connector, DIN (HV9 - Proportional Valve)	
78	4460897	1	Receptacle, Female - 2 Position (X14B - Chassis Harness)	
78	4460464	2	Pin, Male	
79	1001209183	1	Lift Cylinder Holding Valve Harness	
79	4460891	2	Plug, Male - 2 Position (X13A - Chassis Harness & HV10 Holding Valve)	
79	4460465	4	Socket, Female	
80	1060907	1	Ground to AC Box (12/3) (Not Shown)	
81	1001210080	1	Ground to Platform Harness (See Separate Breakdown in ELECTRICAL SECTION)	
100	1001220040	1	Arms and Attach Link Kit (Not Shown)	
101	0272209	2	Link	
101	0962474	4	Bushing	
102	0272211	2	Prop, Safety	
103	0440236	42	Bearing	
104	0440250	4	Bearing	
105	0641507	25	Bolt 5/16 x 7/8	
106	1180371	3	Carrier, Cable	
107	1180372	1	Carrier, Cable	
108	3311505	25	Nut 5/16	
109	3340929	24	Pad	
110	4711500	24	Washer 5/16	
111	4846460	1	Kicker	
200	1001220030	1	Arms Kit (Not Shown)	
201	0200713	1	Arm, Lower Mid Inboard	
201	1001200412	6	Bushing (Not Shown)	
202	0200714	1	Arm, Upper Mid Inboard	
202	1001200401	2	Bushing - 8-1/2 Length (Not Shown)	
202	1001200402	1	Bushing - 1-1/8 Length (Not Shown)	
202	1001200412	4	Bushing - 6-1/2 Length (Not Shown)	
203	0200715	1	Arm, Upper Inboard	

SECTION 4 - SCISSORS ARMS

ITEM	PART NUMBER	QTY	DESCRIPTION	REV
203	1001200412	4	Bushing - 6-1/2 Length (Not Shown)	
203	1001200510	2	Bushing - 11-1/2 Length (Not Shown)	
204	0200716	1	Arm, Lower Outboard	
204	1001200506	4	Bushing (Not Shown)	
205	0200718	1	Arm, Lower Mid Outboard (LH)	
205	1001200506	3	Bushing (Not Shown)	
206	0200719	1	Arm, Lower Mid Outboard (RH)	
206	1001200506	3	Bushing (Not Shown)	
207	0200720	1	Arm, Upper Mid Outboard (LH)	
207	1001200506	3	Bushing (Not Shown)	
208	0200721	1	Arm, Upper Mid Outboard (RH)	
208	1001200506	3	Bushing (Not Shown)	
209	0200722	1	Arm, Upper Outboard	
209	1001200506	4	Bushing - 2 ID (Not Shown)	
209	1001200528	2	Bushing - 1-5/16 ID (Not Shown)	
210	1001215305	1	Arm, Lower Inboard	
210	1001200400	2	Bushing - 7-1/2 Length (Not Shown)	
210	1001200401	2	Bushing - 8-1/2 Length (Not Shown)	
210	1001200402	2	Bushing - 1-1/8 Length (Not Shown)	

SECTION 4 - SCISSORS ARMS

FIGURE 4-7. SCISSORS ARMS INSTALLATION - WITH GENERATOR (RT4394)



ART_1001220088_G

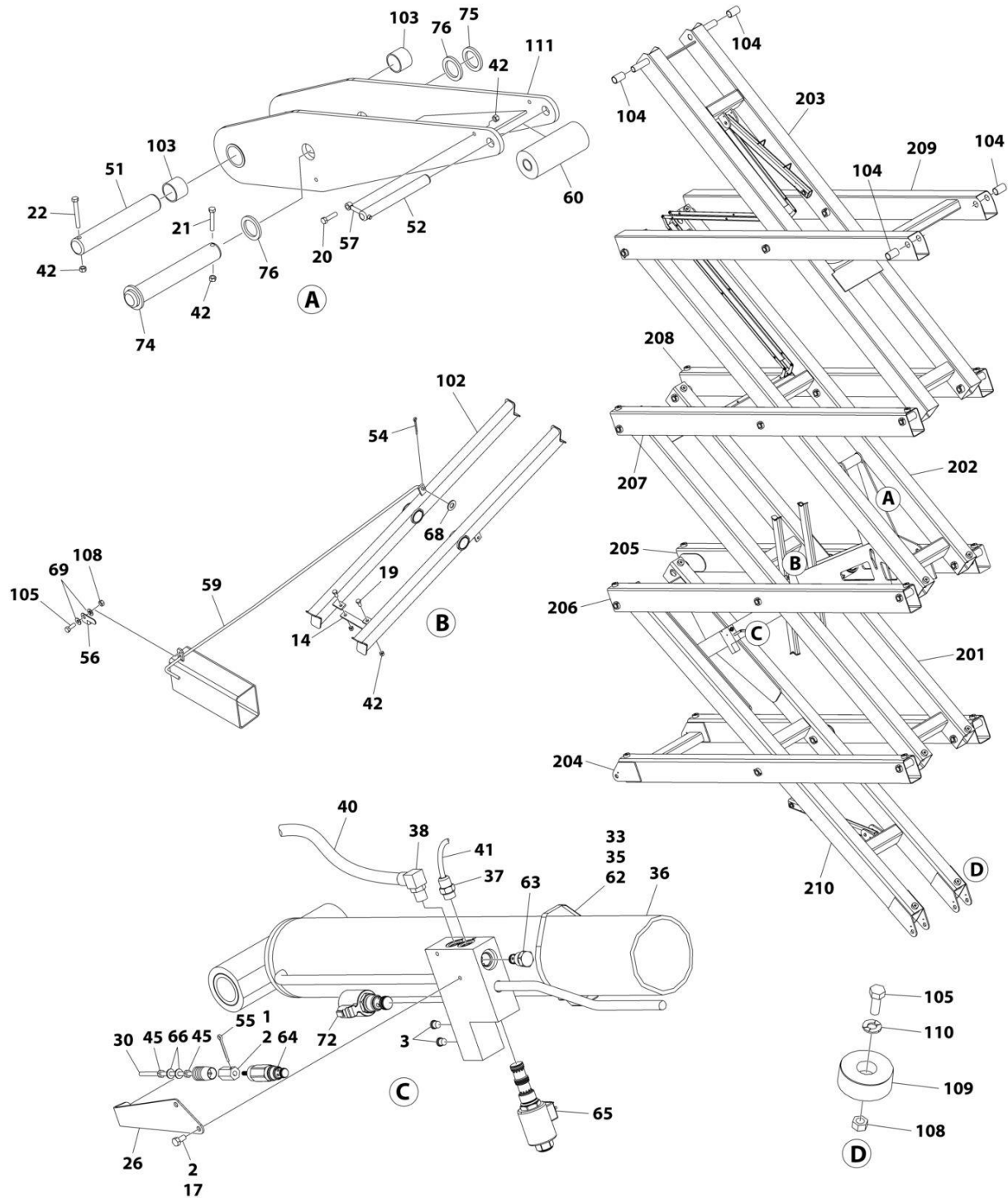
SECTION 4 - SCISSORS ARMS

FIGURE 4-7. SCISSORS ARMS INSTALLATION - WITH GENERATOR (RT4394)

ITEM	PART NUMBER	QTY	DESCRIPTION	REV
	1001220088	Ref	SCISSORS ARMS INSTALLATION - WITH GENERATOR	G
1	0641420	2	Bolt 1/4 x 2-1/2	
2	0641610	4	Bolt 3/8 x 1-1/4	
3	0641611	1	Bolt 3/8 x 1-3/8	
5	0721010	2	Screw #10 x 1-1/4	
6	0902774	1	Bracket	
9	3311005	2	Nut #10	
10	3311405	4	Nut 1/4	
11	3311605	5	Nut 3/8	
12	3340935	4	Pad	
13	3422961	4	Pin	
14	3422963	1	Pin	
15	3841143	5	Keeper, Pin	
17	4360500	1	Switch, Angle Sensor	
19	4711400	4	Washer 1/4	
22	4751000	2	Washer #10	
23	1001099623	4	Support, Slider	
24	1001125242	1	Decal - Calibration	
25	1001220089	1	Scissors Arms Assembly - with Generator (See Separate Breakdown in this Section)	
26	0641412	2	Bolt 1/4 x 1-1/2	
27	1001187857	1	Sensor	
28	4240018	AR	Tie-Strap (Not Shown)	
29	0100081	AR	Adhesive	
30	1001238626	1	Clamp, Collar (2 pieces)	
31	0100035	AR	Adhesive	
32	8310382	2	Nut, Flange	

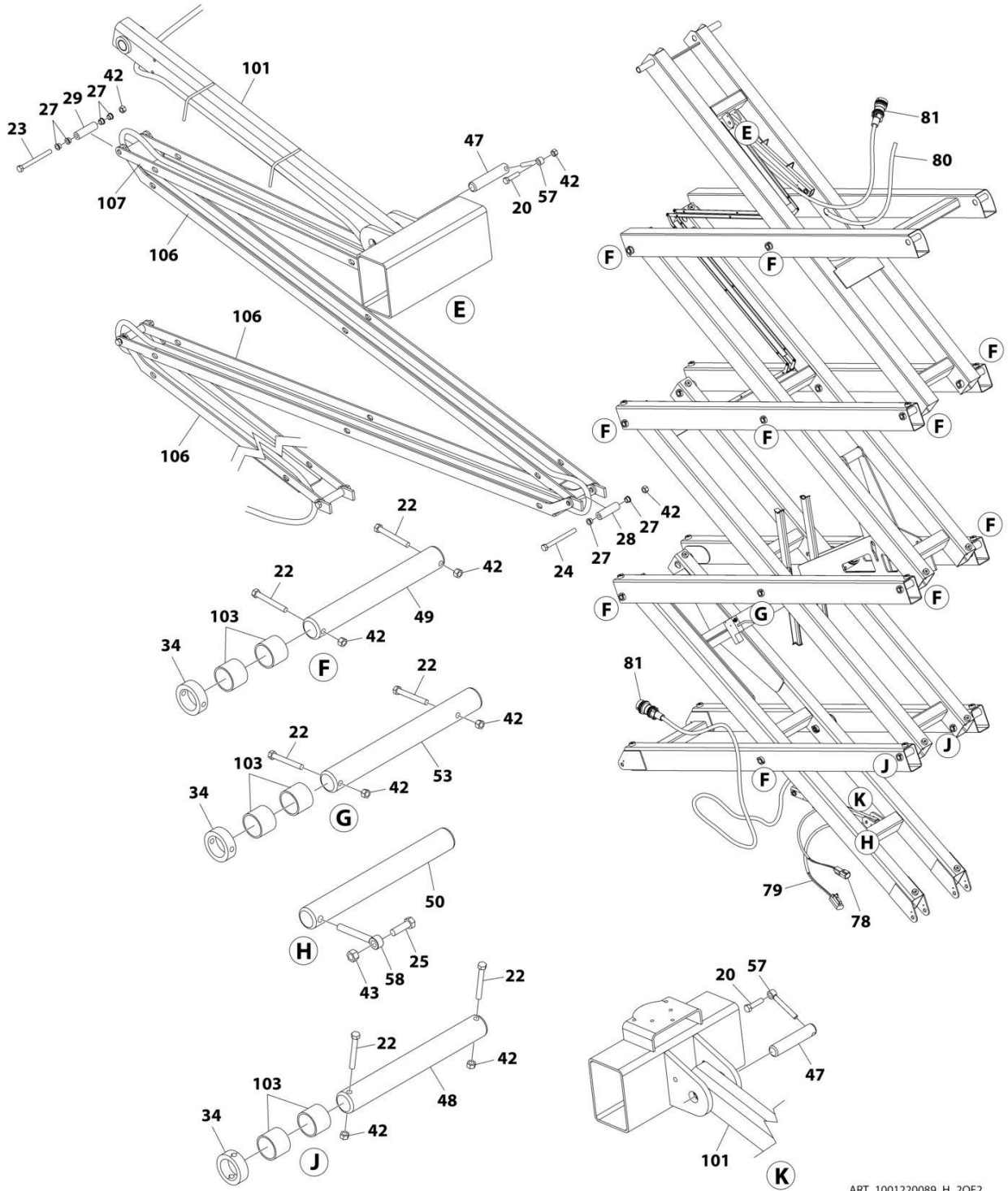
SECTION 4 - SCISSORS ARMS

FIGURE 4-8. SCISSORS ARMS ASSEMBLY - WITH GENERATOR (RT4394)



ART_1001220089_H_10F2

SECTION 4 - SCISSORS ARMS



ART_1001220089_H_20F2

SECTION 4 - SCISSORS ARMS

FIGURE 4-8. SCISSORS ARMS ASSEMBLY - WITH GENERATOR (RT4394)

ITEM	PART NUMBER	QTY	DESCRIPTION	REV
	1001220089	Ref	SCISSORS ARMS ASSEMBLY - WITH GENERATOR	H
1	0080190	1	Adapter, Cable	
2	0100011	AR	Compound, Locking	
3	2220883	2	Plug	
14	0363050	1	Bar, Prop	
17	0641505	2	Bolt 5/16 x 5/8	
19	0681607	2	Bolt 3/8 x 7/8	
20	0681612	3	Bolt 3/8 x 1-1/2	
21	0681618	1	Bolt 3/8 x 2-1/4	
22	0681624	41	Bolt 3/8 x 3	
23	0681632	4	Bolt 3/8 x 4	
24	0681636	1	Bolt 3/8 x 4-1/2	
25	0681813	1	Bolt 1/2 x 1-5/8	
26	0902773	1	Bracket	
27	0962031	16	Bushing	
28	0962445	1	Spacer	
29	0962446	4	Spacer	
30	1060929	1	Cable, Manual Descent	
30	7020218	1	Handle	
30	7019602	1	Bellows	
30	7020219	1	Washer	
33	1001216251	3	Clamp	
34	1440331	20	Collar	
35	1670995	3	Cover, Hose/Cable	
36	1001217085	1	Lift Cylinder Assembly Options (See Separate Breakdown in CYLINDER SECTION):	
37	2220373	1	Fitting, Straight JIC/ORB	
38	2221042	1	Fitting, 90 JIC/ORB	
40	1001216383	1	Hose	
41	1001216384	1	Hose	
42	3271605	52	Nut 3/8	
43	3271805	1	Nut 1/2	
45	3321402	2	Nut 1/4	
47	3422943	2	Pin	
48	3422944	2	Pin	
49	3422945	16	Pin	
50	3422946	1	Pin	
51	3422948	1	Pin	
52	3422964	1	Pin	
53	3422965	2	Pin	
54	3450304	1	Pin 3/32 x 1	
55	3450405	1	Pin 1/8 x 1-1/4	
56	3573370	1	Plate	
57	3841143	3	Keeper, Pin	
58	3841203	1	Keeper, Pin	
59	3841556	1	Rod, Prop	
60	3860102	1	Roller	
60	0962356	2	Bearing	
61	4240033	AR	Tie-Strap (Not Shown)	

SECTION 4 - SCISSORS ARMS

ITEM	PART NUMBER	QTY	DESCRIPTION	REV
62	4280295	18 in/ 46cm	Strip, Protector	
63	4641193	1	Cartridge, Check Valve	
63	2900756	1	Seal Kit - 4641193 Valve	
64	4641205	1	Cartridge, Holding Valve	
64	7017496	1	Seal Kit - 4641205 Valve	
65	4641254	1	Cartridge, Proportional Valve	
65	7024829	1	Cartridge Less Cartridge	
65	7012925	1	Seal Kit - 7024829 & 4641254 Valves	
65	7017451	1	Coil	
66	4711400	2	Washer 1/4	
68	4711600	1	Washer 3/8	
69	4740455	2	Washer	
72	1001103760	1	Cartridge, Solenoid Valve	
72	7023923	1	Cartridge Less Cartridge	
72	7023919	1	Seal Kit - 7023923 & 1001103760 Valves	
72	70001967	1	Coil	
74	1001174384	1	Pin	
75	1001174386	1	Plate	
76	1001174387	2	Pad	
78	1001209182	1	Lift Cylinder Prop Harness	
78	4460499	1	Connector, DIN (HV9 - Proportional Valve)	
78	4460897	1	Receptacle, Female - 2 Position (X14B - Chassis Harness)	
78	4460464	2	Pin, Male	
79	1001209183	1	Lift Cylinder Holding Valve Harness	
79	4460891	2	Plug, Male - 2 Position (X13A - Chassis Harness & HV10 Holding Valve)	
79	4460465	4	Socket, Female	
80	1001237292	1	Cable, Generator to Platform (8/5)	
81	1001210080	1	Ground to Platform Harness (See Separate Breakdown in ELECTRICAL SECTION)	
100	1001220040	1	Arms and Attach Link Kit (Not Shown)	
101	0272209	2	Link	
101	0962474	4	Bushing	
102	0272211	2	Prop, Safety	
103	0440236	42	Bearing	
104	0440250	4	Bearing	
105	0641507	25	Bolt 5/16 x 7/8	
106	1180371	3	Carrier, Cable	
107	1180372	1	Carrier, Cable	
108	3311505	25	Nut 5/16	
109	3340929	24	Pad	
110	4711500	24	Washer 5/16	
111	4846460	1	Kicker	
200	1001220030	1	Arms Kit (Not Shown)	
201	0200713	1	Arm, Lower Mid Inboard	
201	1001200412	6	Bushing (Not Shown)	
202	0200714	1	Arm, Upper Mid Inboard	
202	1001200401	2	Bushing - 8-1/2 Length (Not Shown)	
202	1001200402	1	Bushing - 1-1/8 Length (Not Shown)	
202	1001200412	4	Bushing - 6-1/2 Length (Not Shown)	
203	0200715	1	Arm, Upper Inboard	

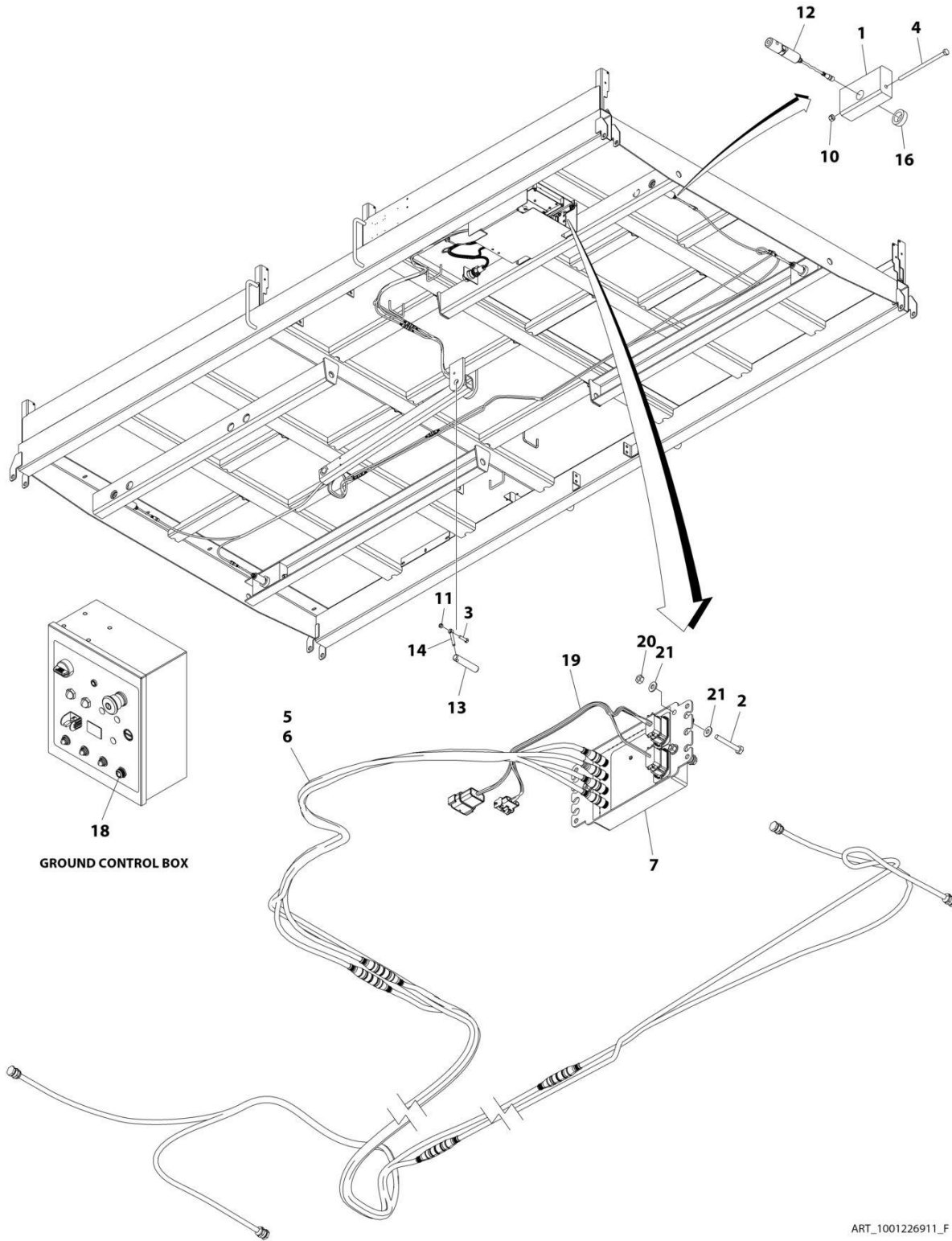
SECTION 4 - SCISSORS ARMS

ITEM	PART NUMBER	QTY	DESCRIPTION	REV
203	1001200412	4	Bushing - 6-1/2 Length (Not Shown)	
203	1001200510	2	Bushing - 11-1/2 Length (Not Shown)	
204	0200716	1	Arm, Lower Outboard	
204	1001200506	4	Bushing (Not Shown)	
205	0200718	1	Arm, Lower Mid Outboard (LH)	
205	1001200506	3	Bushing (Not Shown)	
206	0200719	1	Arm, Lower Mid Outboard (RH)	
206	1001200506	3	Bushing (Not Shown)	
207	0200720	1	Arm, Upper Mid Outboard (LH)	
207	1001200506	3	Bushing (Not Shown)	
208	0200721	1	Arm, Upper Mid Outboard (RH)	
208	1001200506	3	Bushing (Not Shown)	
209	0200722	1	Arm, Upper Outboard	
209	1001200506	4	Bushing - 2 ID (Not Shown)	
209	1001200528	2	Bushing - 1-5/16 ID (Not Shown)	
210	1001215305	1	Arm, Lower Inboard	
210	1001200400	2	Bushing - 7-1/2 Length (Not Shown)	
210	1001200401	2	Bushing - 8-1/2 Length (Not Shown)	
210	1001200402	2	Bushing - 1-1/8 Length (Not Shown)	

SECTION 5 - PLATFORM

SECTION 5 - PLATFORM

FIGURE 5-1. PLATFORM MOUNT INSTALLATION (LSS)



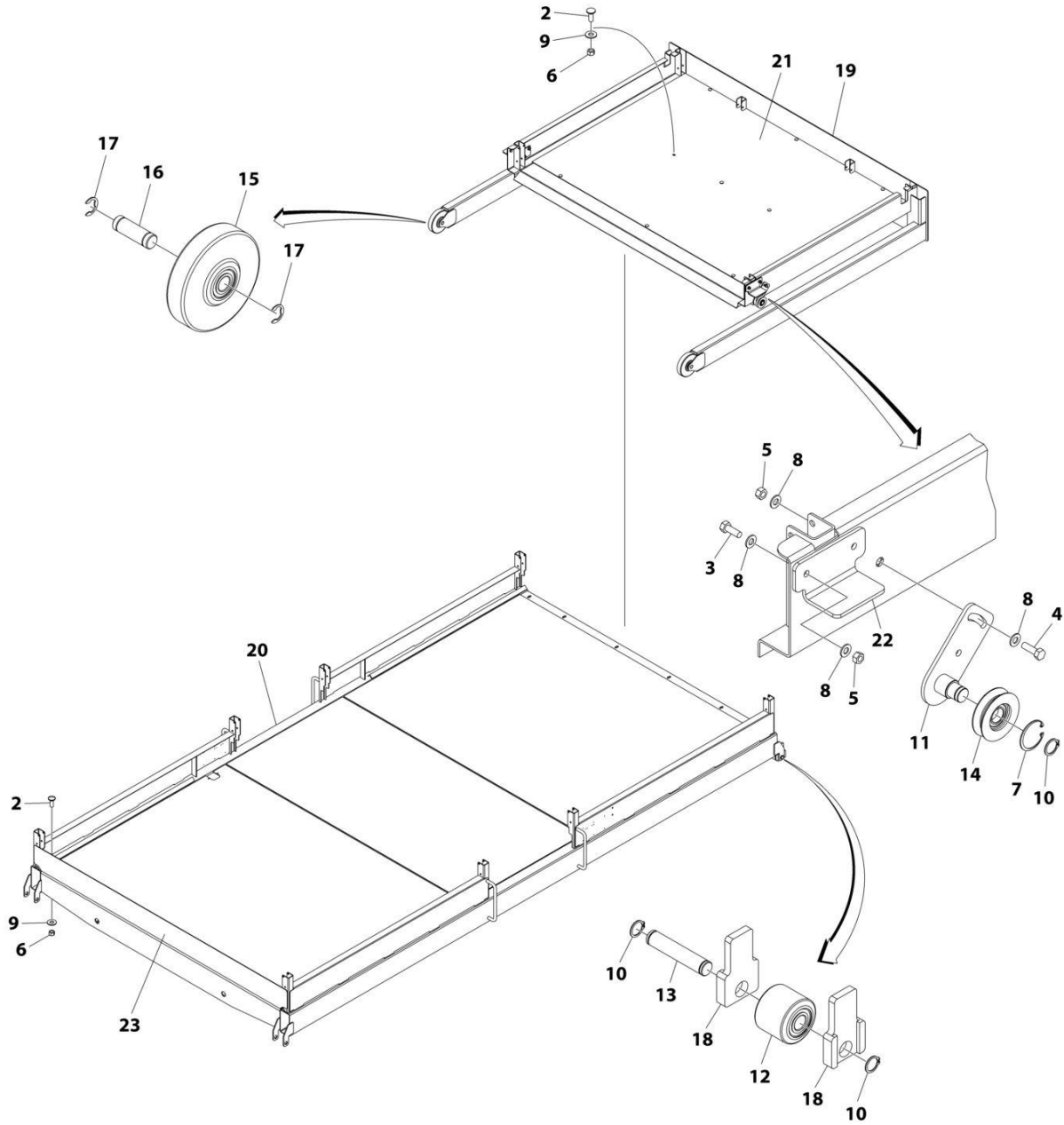
SECTION 5 - PLATFORM

FIGURE 5-1. PLATFORM MOUNT INSTALLATION (LSS)

ITEM	PART NUMBER	QTY	DESCRIPTION	REV
	1001226911	Ref	PLATFORM MOUNT INSTALLATION (LSS)	F
1	0561489	4	Block, Slide	
2	0641415	3	Bolt 1/4 x 1-7/8	
3	0641611	1	Bolt 3/8 x 1-3/8	
4	0701037	4	Bolt M10 x 200	
5	1061020	2	Cable, Sensor (1.5m Length)	
6	1061021	2	Cable, Sensor (3m Length)	
7	1600387	1	Module, LSS (Note: Re-calibration Required when Replaced)	
10	3291005	4	Nut M10	
11	3311605	1	Nut 3/8	
12	3422938	4	Pin	
13	3422943	1	Pin	
14	3841143	1	Keeper, Pin	
15	4240033	AR	Tie-Strap (Not Shown)	
16	4568295	4	Tube, Spacer	
18	1001239350	1	Lamp, LED	
19	1001226830	1	LSS Harness (See Separate Breakdown in ELECTRICAL Section)	
20	3311405	3	Nut 1/4	
21	4711400	6	Washer 1/4	

SECTION 5 - PLATFORM

FIGURE 5-2. PLATFORM WITH SINGLE EXTENSION INSTALLATION



ART_1001205640

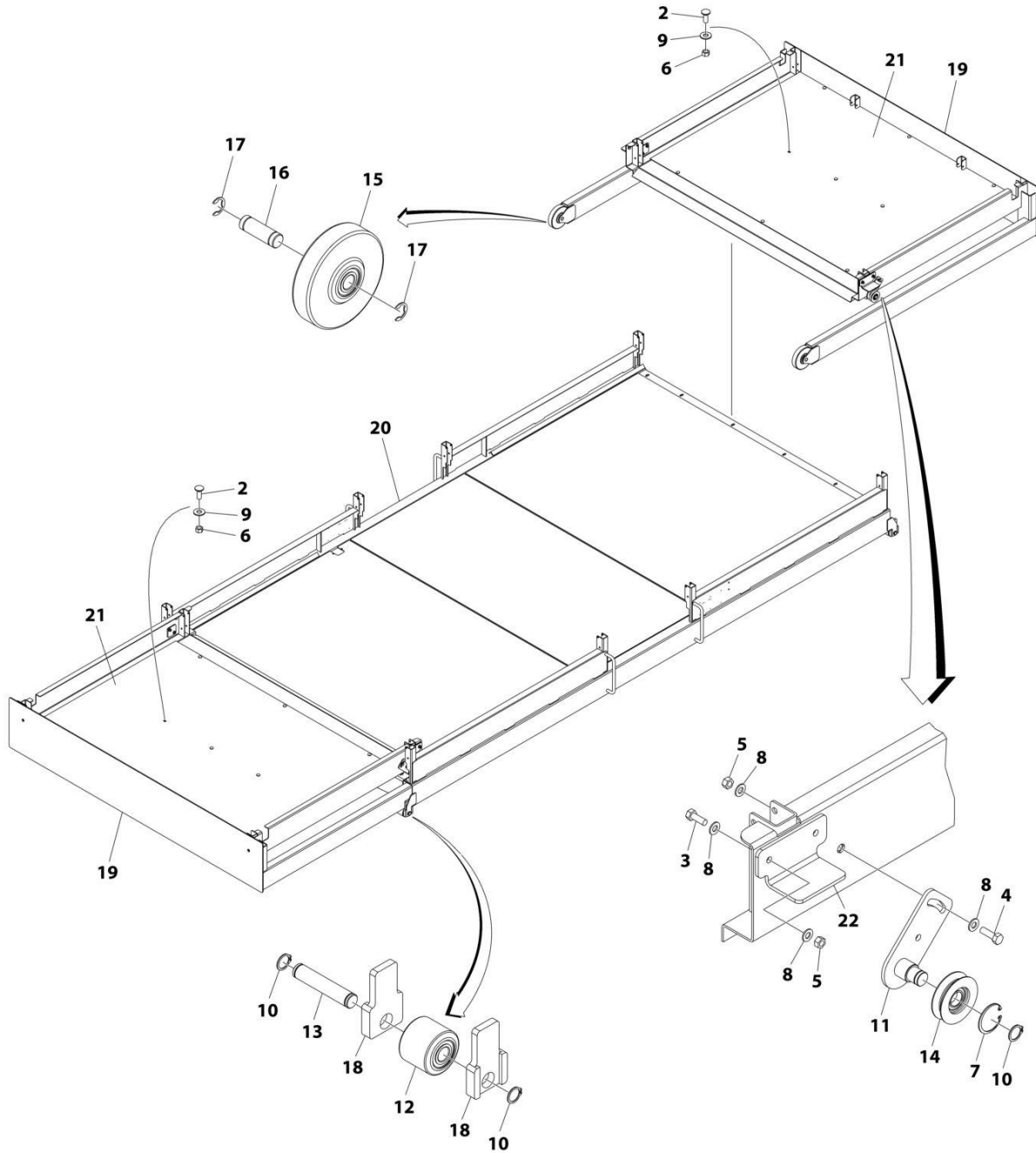
SECTION 5 - PLATFORM

FIGURE 5-2. PLATFORM WITH SINGLE EXTENSION INSTALLATION

ITEM	PART NUMBER	QTY	DESCRIPTION	REV
	1001205640	Ref	PLATFORM WITH SINGLE EXTENSION INSTALLATION	H
2	0630485	15	Bolt	
3	0641507	4	Bolt 5/16 x 7/8	
4	0641508	4	Bolt 5/16 x 1	
5	3311505	8	Nut 5/16	
6	3311601	15	Nut 3/8	
7	3760257	2	Ring, Retaining	
8	4711500	16	Washer 5/16	
9	4751600	15	Washer 3/8	
10	1001149581	6	Ring, Retaining	
11	1001166729	2	Plate, Mounting	
12	1001167269	2	Roller	
13	1001210278	2	Pin	
14	1001167272	2	Roller	
15	1001167274	2	Roller	
16	1001167275	2	Pin	
17	1001167696	4	Clip	
18	1001215224	4	Bumper	
19	1001205642	1	Extension, Platform	
20	1001205643	1	Platform	
21	1001205765	1	Plate, Floor	
22	1001205896	2	Plate, Stop	
23	1001206182	1	Kickplate	

SECTION 5 - PLATFORM

FIGURE 5-3. PLATFORM (12.6FT/3.84M LENGTH) WITH DUAL EXTENSION INSTALLATION



ART_1001205638

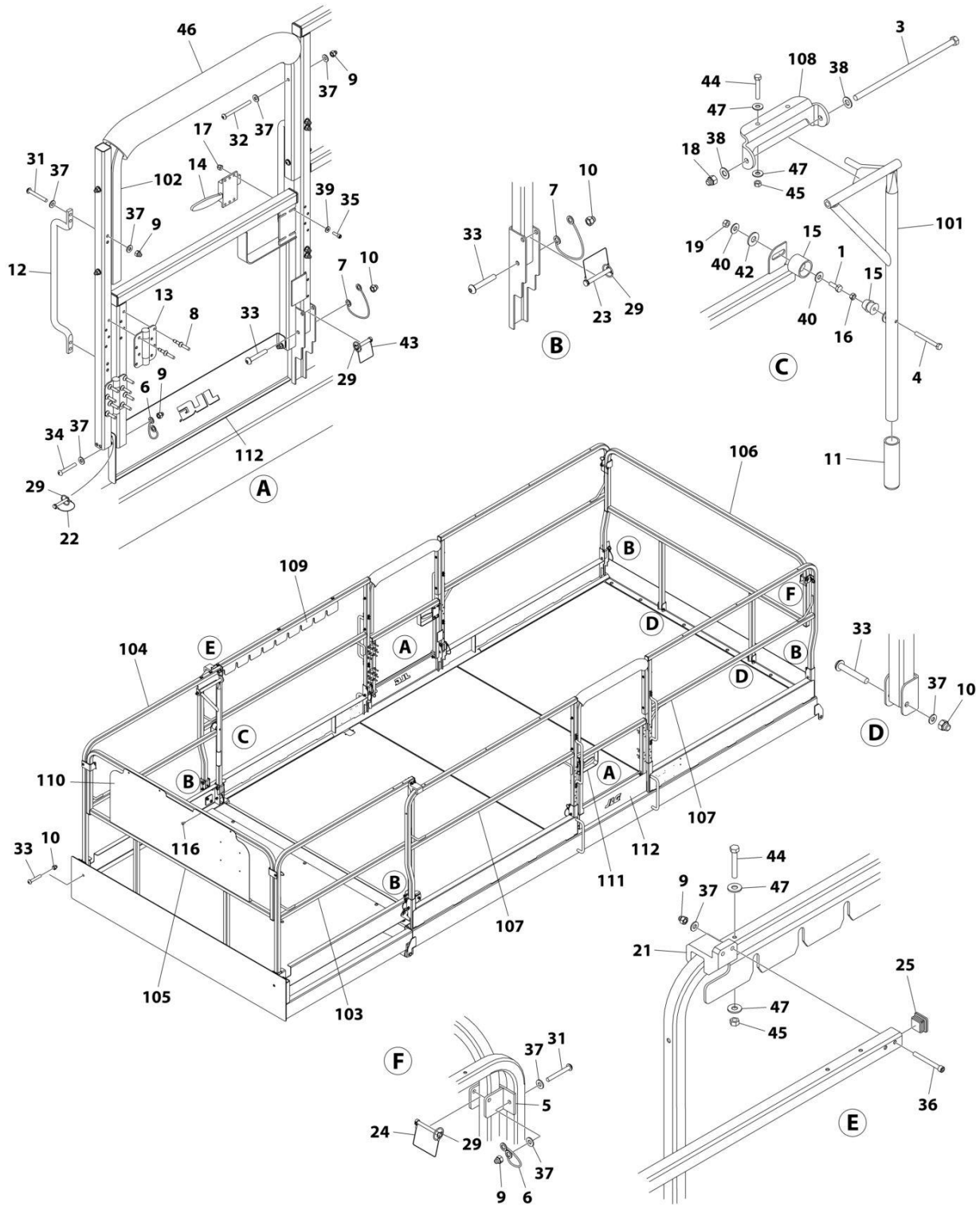
SECTION 5 - PLATFORM

FIGURE 5-3. PLATFORM (12.6FT/3.84M LENGTH) WITH DUAL EXTENSION INSTALLATION

ITEM	PART NUMBER	QTY	DESCRIPTION	REV
	1001205638	Ref	PLATFORM (12.6FT/3.84M LENGTH) WITH DUAL EXTENSION INSTALLATION	H
2	0630485	18	Bolt	
3	0641507	8	Bolt 5/16 x 7/8	
4	0641508	8	Bolt 5/16 x 1	
5	3311505	16	Nut 5/16	
6	3311601	18	Nut 3/8	
7	3760257	4	Ring, Retaining	
8	4711500	32	Washer 5/16	
9	4751600	18	Washer 3/8	
10	1001149581	12	Ring, Retaining	
11	1001166729	4	Plate, Mounting	
12	1001167269	4	Roller	
13	1001210278	4	Pin	
14	1001167272	4	Roller	
15	1001167274	4	Roller	
16	1001167275	4	Pin	
17	1001167696	8	Clip	
18	1001215224	8	Bumper	
19	1001205642	2	Extension, Platform	
20	1001205643	1	Platform	
21	1001205765	2	Plate, Floor	
22	1001205896	4	Plate, Stop	

SECTION 5 - PLATFORM

FIGURE 5-4. RAIL INSTALLATION - PLATFORM WITH SINGLE EXTENSION



ART_1001206190

SECTION 5 - PLATFORM

FIGURE 5-4. RAIL INSTALLATION - PLATFORM WITH SINGLE EXTENSION

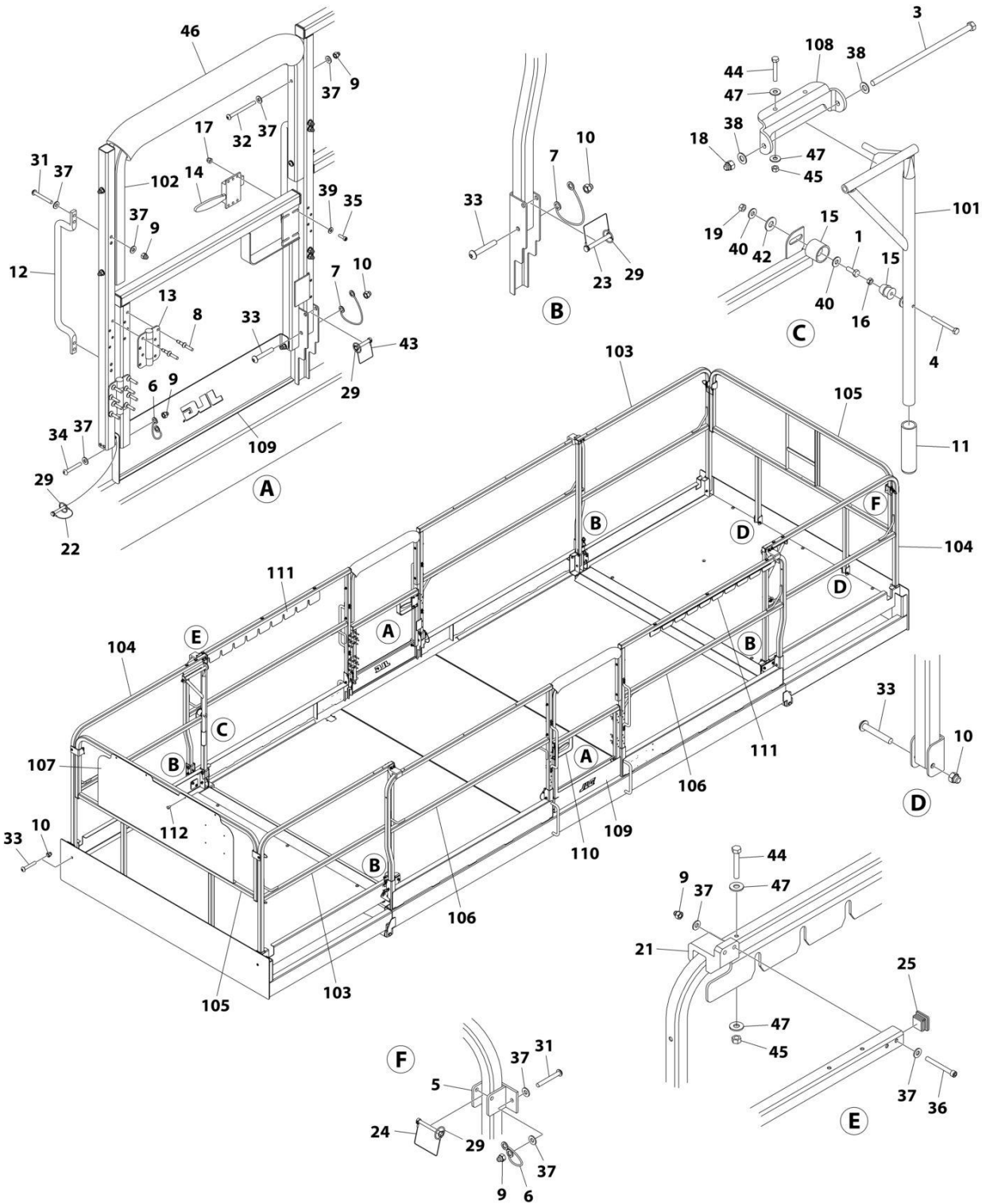
ITEM	PART NUMBER	QTY	DESCRIPTION	REV
	1001206190	Ref	RAIL INSTALLATION - PLATFORM WITH SINGLE EXTENSION	F
1	0641406	1	Bolt 1/4 x 3/4	
3	0641676	1	Bolt 3/8 x 9-1/2	
4	0700619	1	Bolt M6 x 55	
5	0901870	4	Bracket	
6	1060379	6	Lanyard	
7	1060808	10	Lanyard	
8	2080040	32	Fastener	
9	2080063	36	Nut 1/4	
10	2080064	16	Nut 5/16	
11	2560088	1	Grip, Handle	
12	2560176	4	Handle	
13	2600285	4	Hinge	
14	2940074	2	Latch	
15	2940127	1	Latch	
16	3290601	1	Nut M6	
17	3300432	8	Nut #10	
18	3300467	1	Nut 3/8	
19	3311405	1	Nut 1/4	
21	3340937	2	Pad, Rail Slide	
22	3421453	2	Pin, Snap	
23	3421565	6	Pin, Snap	
24	3422219	4	Pin, Snap	
25	3520072	14	Plug	
29	3760170	16	Ring, Split	
31	3900318	20	Screw 1/4 x 2	
32	3900319	8	Screw 1/4 x 3	
33	3900323	16	Screw 5/16 x 2	
34	3911428	4	Screw 1/4 x 1-3/4	
35	3931010	8	Capscrew #10 x 5/8	
36	3931436	4	Capscrew 1/4 x 2-1/4	
37	4711400	70	Washer 1/4	
38	4711600	2	Washer 3/8	
39	4751000	8	Washer #10	
40	4751400	2	Washer 1/4	
42	4751600	1	Washer 3/8	
43	1001145292	4	Pin, Snap	
44	0641516	5	Bolt 5/16 x 2	
45	3311505	5	Nut 5/16	
46	3340612	36 in/ 90cm	Cover	
47	4751500	10	Washer 5/16	
100	1001206065	1	Rail Kit (Not Shown)	
101	2560172	1	Handle (RH)	
102	3641452	2	Rail, Door	
103	4846532	1	Rail, Extension (LH)	
104	4846537	1	Rail, Extension (RH)	
105	1001167055	1	Rail, Extension (Front)	
106	1001167058	1	Rail (Rear)	
107	1001213495	4	Rail	

SECTION 5 - PLATFORM

ITEM	PART NUMBER	QTY	DESCRIPTION	REV
108	3537609	1	Plate, Pivot	
109	1001206025	1	Plate, Latch	
110	3571862	1	Plate, Placard	
111	4846570	2	Gate	
112	3573472	2	Kickplate	
116	3820020	7	Rivet	

SECTION 5 - PLATFORM

FIGURE 5-5. RAIL INSTALLATION - 12.6FT/3.84M LENGTH PLATFORM WITH DUAL EXTENSION



ART_1001206097

SECTION 5 - PLATFORM

FIGURE 5-5. RAIL INSTALLATION - 12.6FT/3.84M LENGTH PLATFORM WITH DUAL EXTENSION

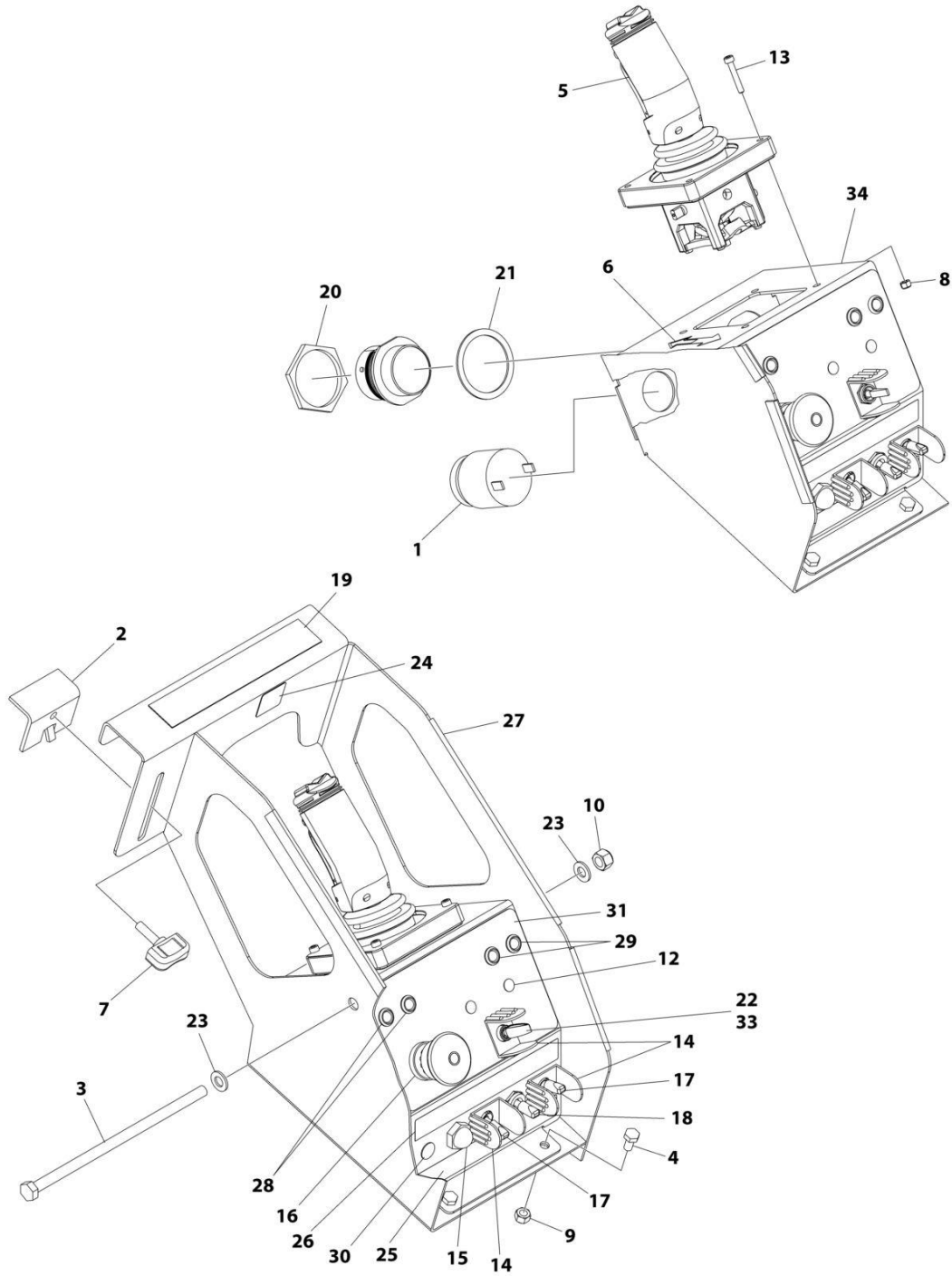
ITEM	PART NUMBER	QTY	DESCRIPTION	REV
	1001206097	Ref	RAIL INSTALLATION - 12.6FT/3.84M LENGTH PLATFORM WITH DUAL EXTENSION	E
1	0641406	2	Bolt 1/4 x 3/4	
3	0641676	2	Bolt 3/8 x 9-1/2	
4	0700619	2	Bolt M6 x 55	
5	0901870	4	Bracket	
6	1060379	6	Lanyard	
7	1060808	12	Lanyard	
8	2080040	32	Fastener	
9	2080063	40	Nut 1/4	
10	2080064	20	Nut 5/16	
11	2560088	2	Grip, Handle	
12	2560176	4	Handle	
13	2600285	4	Hinge	
14	2940074	2	Latch	
15	2940127	2	Latch	
16	3290601	2	Nut M6	
17	3300432	8	Nut #10	
18	3300467	2	Nut 3/8	
19	3311405	2	Nut 1/4	
21	3340937	4	Pad, Rail Slide	
22	3421453	2	Pin, Snap	
23	3421565	8	Pin, Snap	
24	3422219	4	Pin, Snap	
25	3520072	16	Plug	
29	3760170	18	Ring, Split	
31	3900318	20	Screw 1/4 x 2	
32	3900319	8	Screw 1/4 x 3	
33	3900323	20	Screw 5/16 x 2	
34	3911428	4	Screw 1/4 x 1-3/4	
35	3931010	8	Capscrew #10 x 5/8	
36	3931436	8	Capscrew 1/4 x 2-1/4	
37	4711400	78	Washer 1/4	
38	4711600	4	Washer 3/8	
39	4751000	8	Washer #10	
40	4751400	4	Washer 1/4	
42	4751600	2	Washer 3/8	
43	1001145292	4	Pin, Snap	
44	0641516	10	Bolt 5/16 x 2	
45	3311505	10	Nut 5/16	
46	3340612	36 in/ 90cm	Cover	
47	4751500	20	Washer 5/16	
100	1001206009	1	Rail Kit (Not Shown)	
101	2560172	2	Handle (RH)	
102	3641452	2	Rail, Door	
103	4846532	2	Rail, Extension (LH)	
104	4846537	2	Rail, Extension (RH)	
105	1001167055	2	Rail, Extension (Front)	
106	1001213495	4	Rail	

SECTION 5 - PLATFORM

ITEM	PART NUMBER	QTY	DESCRIPTION	REV
107	3571862	1	Plate, Placard	
108	3537609	2	Plate, Pivot	
109	3573472	2	Kickplate	
110	4846570	2	Gate	
111	1001206025	2	Plate, Latch	
112	3820020	7	Rivet	

SECTION 5 - PLATFORM

FIGURE 5-6. PLATFORM CONSOLE BOX INSTALLATION - DIESEL MACHINES (WITHOUT LEVELING JACKS)



ART_1001236266_H

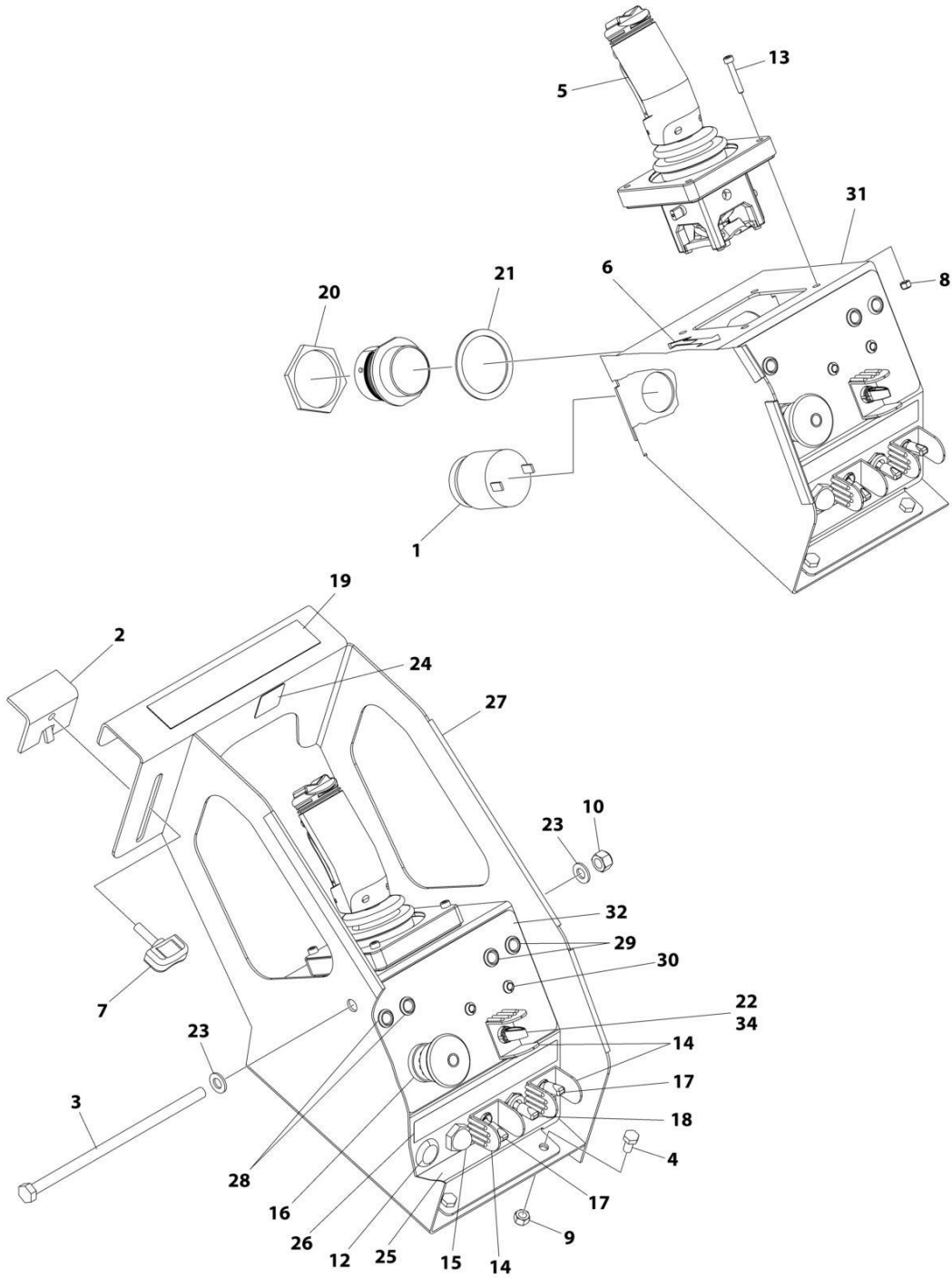
SECTION 5 - PLATFORM

FIGURE 5-6. PLATFORM CONSOLE BOX INSTALLATION - DIESEL MACHINES (WITHOUT LEVELING JACKS)

ITEM	PART NUMBER	QTY	DESCRIPTION	REV
	1001236266	Ref	PLATFORM CONSOLE BOX INSTALLATION - DIESEL MACHINES	H
1	0140030	1	Alarm	
2	0181847	1	Angle, Clamp	
3	0700835	1	Bolt M8 x 180	
4	0760606	3	Bolt M6 x 12	
5	1001247682	1	Drive/Steer Controller Assembly (See Separate Breakdown in this Section)	
6	1703819	1	Decal - Direction Arrow	
7	2560141	1	Thumbscrew	
8	3290405	4	Nut M4	
9	3290605	3	Nut M6	
10	3290805	1	Nut M8	
12	3520034	2	Plug	
13	4031509	4	Capscrew M4 x 25	
14	4060802	3	Guard, Switch	
15	4360387	1	Switch, Push Button	
16	1001274559	1	Switch, Emergency Stop (Plastic)	
16	4360475	1	Switch, Emergency Stop (Metal)	
16	7020175	1	Cap	
16	7020176	1	Block, Contact	
17	4360483	2	Switch, Toggle	
18	4360525	1	Switch, Toggle	
19	4420076	3	Tape	
20	4460470	1	Nut, Terminal	
21	4460471	1	Washer, Terminal	
22	4711700	2	Washer 7/16	
23	4811900	2	Washer M8	
24	1001132358	1	Decal - Steer	
25	1001181622	1	Decal - Platform Diesel	
26	1001181623	1	Decal - Platform Diesel	
27	1001190270	1	Bracket	
28	1001190472	2	Lamp, LED with Harness	
29	1001190473	2	Lamp, LED with Harness	
30	1001226421	1	Plug	
31	1001237754	1	Decal - Platform Function	
32	1001236230	1	Platform Box Harness (Not Shown - See Separate Breakdown in ELECTRICAL Section)	
33	1001258446	1	Switch, Toggle	
34	1001235922	1	Plate	

SECTION 5 - PLATFORM

FIGURE 5-7. PLATFORM CONSOLE BOX INSTALLATION - DIESEL MACHINES (WITH LEVELING JACKS)



ART_1001241363_F

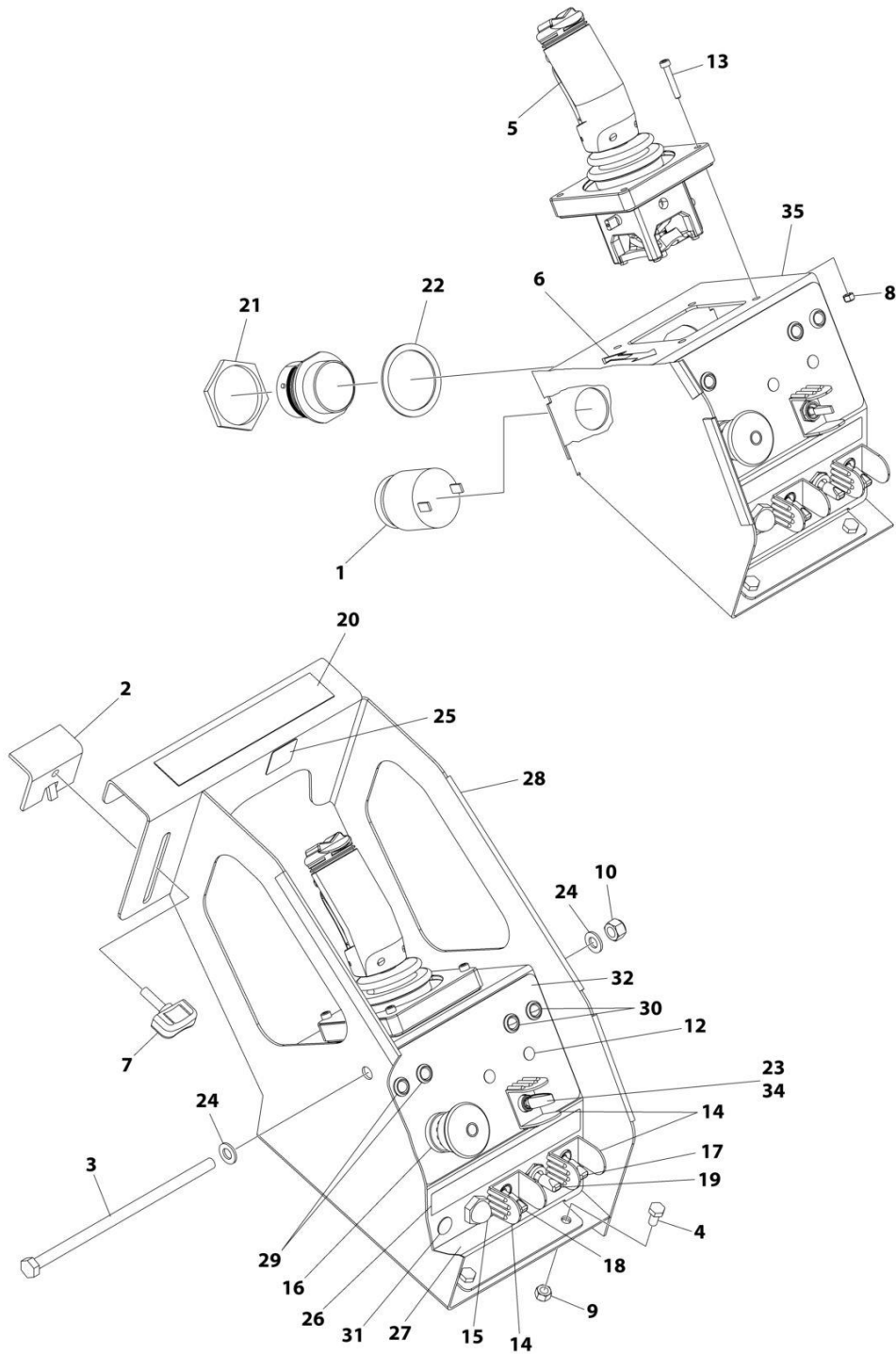
SECTION 5 - PLATFORM

FIGURE 5-7. PLATFORM CONSOLE BOX INSTALLATION - DIESEL MACHINES (WITH LEVELING JACKS)

ITEM	PART NUMBER	QTY	DESCRIPTION	REV
	1001241363	Ref	PLATFORM CONSOLE BOX INSTALLATION - DIESEL MACHINES	F
1	0140030	1	Alarm	
2	0181847	1	Angle, Clamp	
3	0700835	1	Bolt M8 x 180	
4	0760606	3	Bolt M6 x 12	
5	1001247682	1	Drive/Steer Controller Assembly (See Separate Breakdown in this Section)	
6	1703819	1	Decal - Direction Arrow	
7	2560141	1	Thumbscrew	
8	3290405	4	Nut M4	
9	3290605	3	Nut M6	
10	3290805	1	Nut M8	
12	1001226421	1	Plug	
13	4031509	4	Capscrew M4 x 25	
14	4060802	3	Guard, Switch	
15	4360387	1	Switch, Push Button	
16	1001274559	1	Switch, Emergency Stop (Plastic)	
16	4360475	1	Switch, Emergency Stop (Metal)	
16	7020175	1	Cap	
16	7020176	1	Block, Contact	
17	4360483	2	Switch, Toggle	
18	4360525	1	Switch, Toggle	
19	4420076	3	Tape	
20	4460470	1	Nut, Terminal	
21	4460471	1	Washer, Terminal	
22	4711700	2	Washer 7/16	
23	4811900	2	Washer M8	
24	1001132358	1	Decal - Steer	
25	1001181622	1	Decal - Platform Diesel	
26	1001181623	1	Decal - Platform Diesel	
27	1001190270	1	Bracket	
28	1001190472	2	Lamp, LED with Harness	
29	1001190473	2	Lamp, LED with Harness	
30	1001190474	2	Lamp, LED with Harness	
31	1001235922	1	Plate	
32	1001236199	1	Decal - Platform Function	
33	1001236230	1	Platform Box Harness (Not Shown - See Separate Breakdown in ELECTRICAL Section)	
34	1001236560	1	Switch, Toggle	

SECTION 5 - PLATFORM

FIGURE 5-8. PLATFORM CONSOLE BOX INSTALLATION - GASOLINE MACHINES (WITHOUT LEVELING JACKS)



ART_1001236267_H

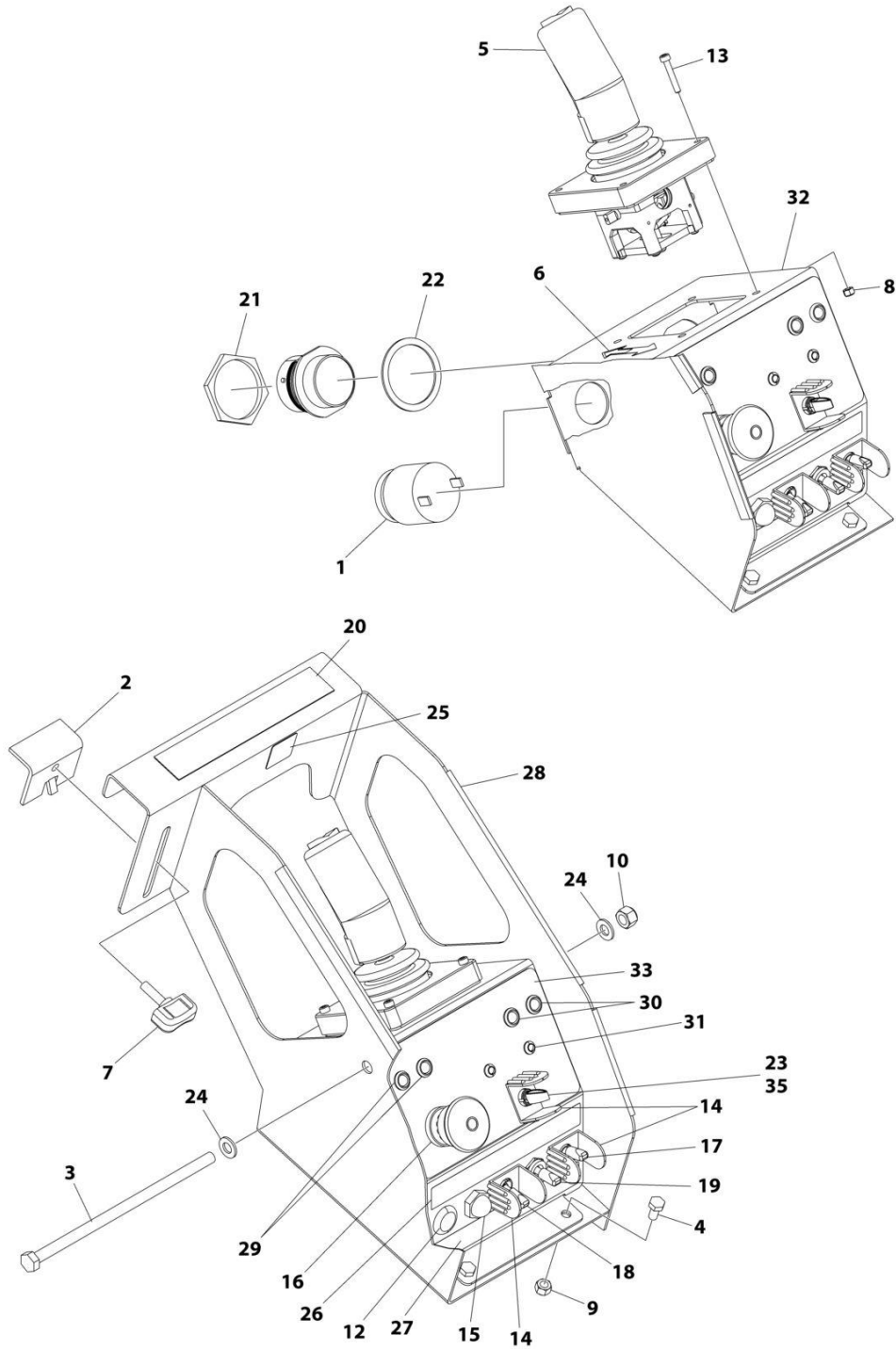
SECTION 5 - PLATFORM

FIGURE 5-8. PLATFORM CONSOLE BOX INSTALLATION - GASOLINE MACHINES (WITHOUT LEVELING JACKS)

ITEM	PART NUMBER	QTY	DESCRIPTION	REV
	1001236267	Ref	PLATFORM CONSOLE BOX INSTALLATION - GASOLINE MACHINES	H
1	0140030	1	Alarm	
2	0181847	1	Angle, Clamp	
3	0700835	1	Bolt M8 x 180	
4	0760606	3	Bolt M6 x 12	
5	1001247682	1	Drive/Steer Controller Assembly (See Separate Breakdown in this Section)	
6	1703819	1	Decal - Direction Arrow	
7	2560141	1	Thumbscrew	
8	3290405	4	Nut M4	
9	3290605	3	Nut M6	
10	3290805	1	Nut M8	
12	3520034	2	Plug	
13	4031509	4	Capscrew M4 x 25	
14	4060802	3	Guard, Switch	
15	4360387	1	Switch, Push Button	
16	1001274559	1	Switch, Emergency Stop (Plastic)	
16	4360475	1	Switch, Emergency Stop (Metal)	
16	7020175	1	Cap	
16	7020176	1	Block, Contact	
17	4360482	1	Switch, Toggle	
18	4360483	1	Switch, Toggle	
19	4360525	1	Switch, Toggle	
20	4420076	3	Tape	
21	4460470	1	Nut, Terminal	
22	4460471	1	Washer, Terminal	
23	4711700	2	Washer 7/16	
24	4811900	2	Washer M8	
25	1001132358	1	Decal - Steer	
26	1001181626	1	Decal - Platform Dual Fuel	
27	1001181627	1	Decal - Platform Dual Fuel	
28	1001190270	1	Bracket	
29	1001190472	2	Lamp, LED with Harness	
30	1001190473	2	Lamp, LED with Harness	
31	1001226421	1	Plug	
32	1001237754	1	Decal - Platform Function	
33	1001236230	1	Platform Box Harness (Not Shown - See Separate Breakdown in ELECTRICAL Section)	
34	1001258446	1	Switch, Toggle	
35	1001235922	1	Plate	

SECTION 5 - PLATFORM

FIGURE 5-9. PLATFORM CONSOLE BOX INSTALLATION - GASOLINE MACHINES (WITH LEVELING JACKS)



ART_1001241364_F

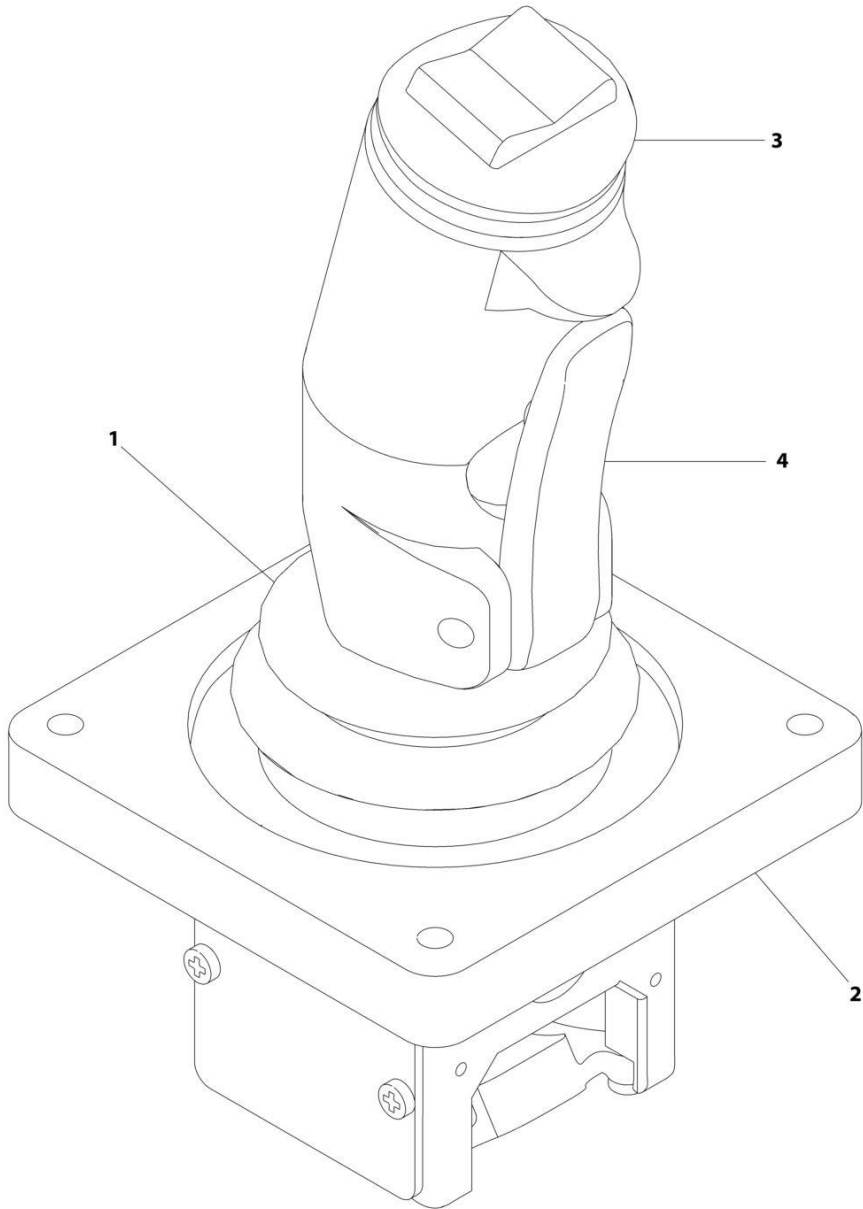
SECTION 5 - PLATFORM

FIGURE 5-9. PLATFORM CONSOLE BOX INSTALLATION - GASOLINE MACHINES (WITH LEVELING JACKS)

ITEM	PART NUMBER	QTY	DESCRIPTION	REV
	1001241364	Ref	PLATFORM CONSOLE BOX INSTALLATION - GASOLINE MACHINES	F
1	0140030	1	Alarm	
2	0181847	1	Angle, Clamp	
3	0700835	1	Bolt M8 x 180	
4	0760606	3	Bolt M6 x 12	
5	1001247682	1	Drive/Steer Controller Assembly (See Separate Breakdown in this Section)	
6	1703819	1	Decal - Direction Arrow	
7	2560141	1	Thumbscrew	
8	3290405	4	Nut M4	
9	3290605	3	Nut M6	
10	3290805	1	Nut M8	
12	1001226421	1	Plug	
13	4031509	4	Capscrew M4 x 25	
14	4060802	3	Guard, Switch	
15	4360387	1	Switch, Push Button	
16	1001274559	1	Switch, Emergency Stop (Plastic)	
16	4360475	1	Switch, Emergency Stop (Metal)	
16	7020175	1	Cap	
16	7020176	1	Block, Contact	
17	4360482	1	Switch, Toggle	
18	4360483	1	Switch, Toggle	
19	4360525	1	Switch, Toggle	
20	4420076	3	Tape	
21	4460470	1	Nut, Terminal	
22	4460471	1	Washer, Terminal	
23	4711700	2	Washer 7/16	
24	4811900	2	Washer M8	
25	1001132358	1	Decal - Steer	
26	1001181626	1	Decal - Platform Dual Fuel	
27	1001181627	1	Decal - Platform Dual Fuel	
28	1001190270	1	Bracket	
29	1001190472	2	Lamp, LED with Harness	
30	1001190473	2	Lamp, LED with Harness	
31	1001190474	2	Lamp, LED with Harness	
32	1001235922	1	Plate	
33	1001236199	1	Decal - Platform Function	
34	1001236230	1	Platform Box Harness (Not Shown - See Separate Breakdown in ELECTRICAL Section)	
35	1001236560	1	Switch, Toggle	

SECTION 5 - PLATFORM

FIGURE 5-10. DRIVE/STEER CONTROLLER ASSEMBLY



ART_1001247682

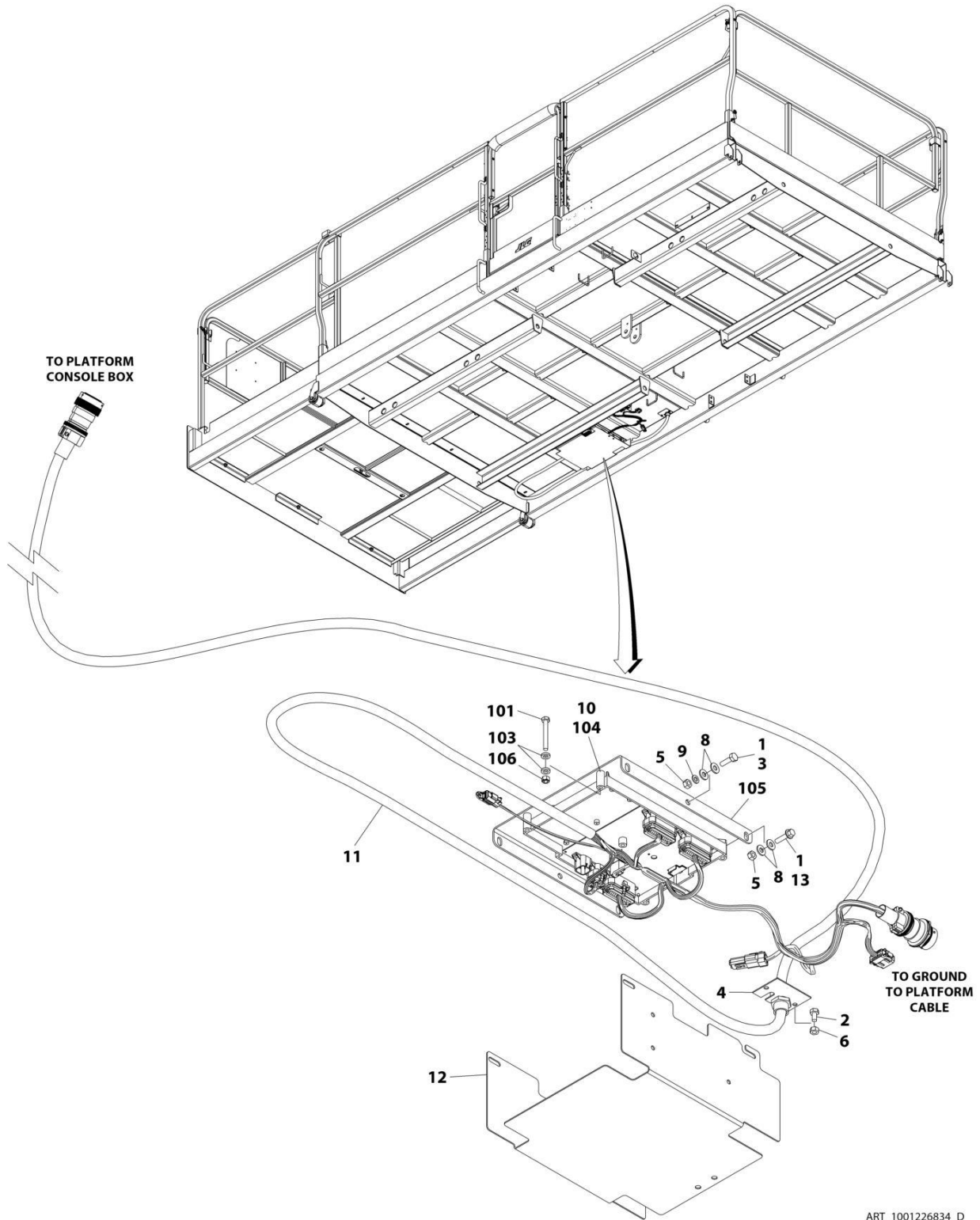
SECTION 5 - PLATFORM

FIGURE 5-10. DRIVE/STEER CONTROLLER ASSEMBLY

ITEM	PART NUMBER	QTY	DESCRIPTION	REV
	1001247682	Ref	DRIVE/STEER CONTROLLER ASSEMBLY (LCD)	B
1	70001250	1	Boot, Panel	
2	70001252	1	Gasket, Mounting	
2	70001251	1	Bezel, Mounting	
3	70007506	1	Handle Repair Kit (Includes handle gasket, item#4 push button and item #4 lever installed in front handle half, back handle half, top actuator, boot and hardware.)	
3	70000084	1	Cap, Rubber	
3	70000082	1	Microswitch	
3	7027766	1	Ring, Retaining	
3	7027365	1	Actuator, Handle	
3	70001253	1	Gasket, Handle	
3	70000683	4	Washer, Neoprene	
3	70000685	2	Spacer, Plastic	
3	70000686	2	Screw (Top)	
3	70000684	2	Screw (Bottom)	
4	7027367	1	Switch, Push Button	
4	7027765	1	Lever, Enable	

SECTION 5 - PLATFORM

FIGURE 5-11. PLATFORM MODULE INSTALLATION (LSS)



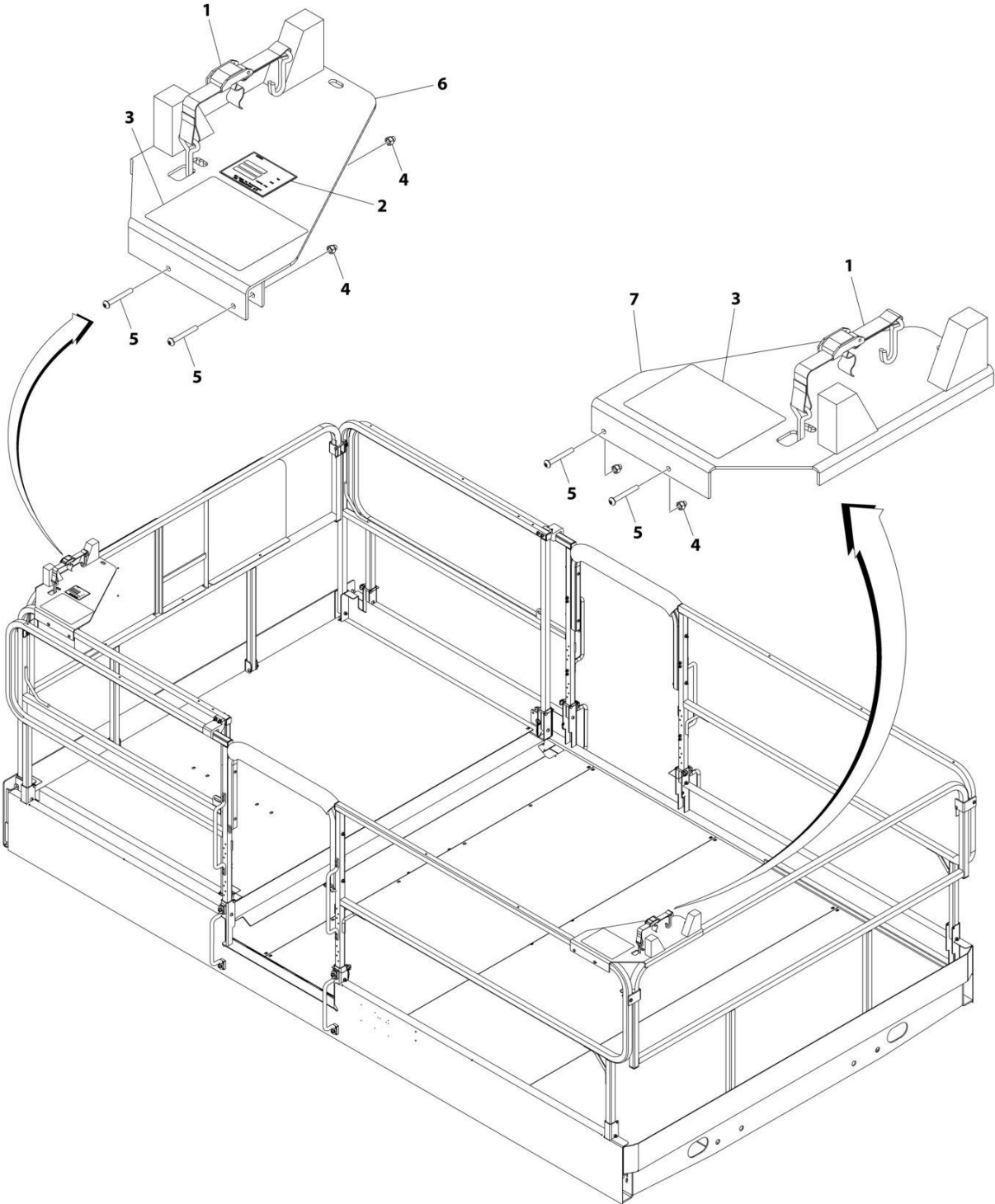
SECTION 5 - PLATFORM

FIGURE 5-11. PLATFORM MODULE INSTALLATION (LSS)

ITEM	PART NUMBER	QTY	DESCRIPTION	REV
	1001226834	Ref	PLATFORM MODULE INSTALLATION (LSS)	D
1	0100011	AR	Compound, Locking	
2	0641404	2	Bolt 1/4 x 1/2	
3	0641407	2	Bolt 1/4 x 7/8	
4	1670988	1	Cover	
5	3311401	AR	Nut 1/4	
6	3311405	AR	Nut 1/4	
7	4240033	AR	Tie-Strap (Not Shown)	
8	4711400	8	Washer 1/4	
9	4761400	AR	Washer 1/4	
10	1001206832	1	Control Module Assembly (See Items 101-106 for Breakdown)	
11	1001236163	1	Platform Module Harness (See Separate Breakdown in ELECTRICAL SECTION)	
12	1001223646	1	Cover	
13	0791408	4	Screw 1/4 x 1	
	1001206832	Ref	CONTROL MODULE ASSEMBLY	C
101	0760618	4	Bolt M6 x 50	
103	5240600	8	Washer M6	
104	1001235098	1	Module, Control - Platform (Note: Re-calibration Required when Replaced)	
105	1001194115	1	Bracket	
106	3290605	4	Nut M6	

SECTION 5 - PLATFORM

FIGURE 5-12. PIPE RACKS INSTALLATION (OPTIONAL)



ART_0272829

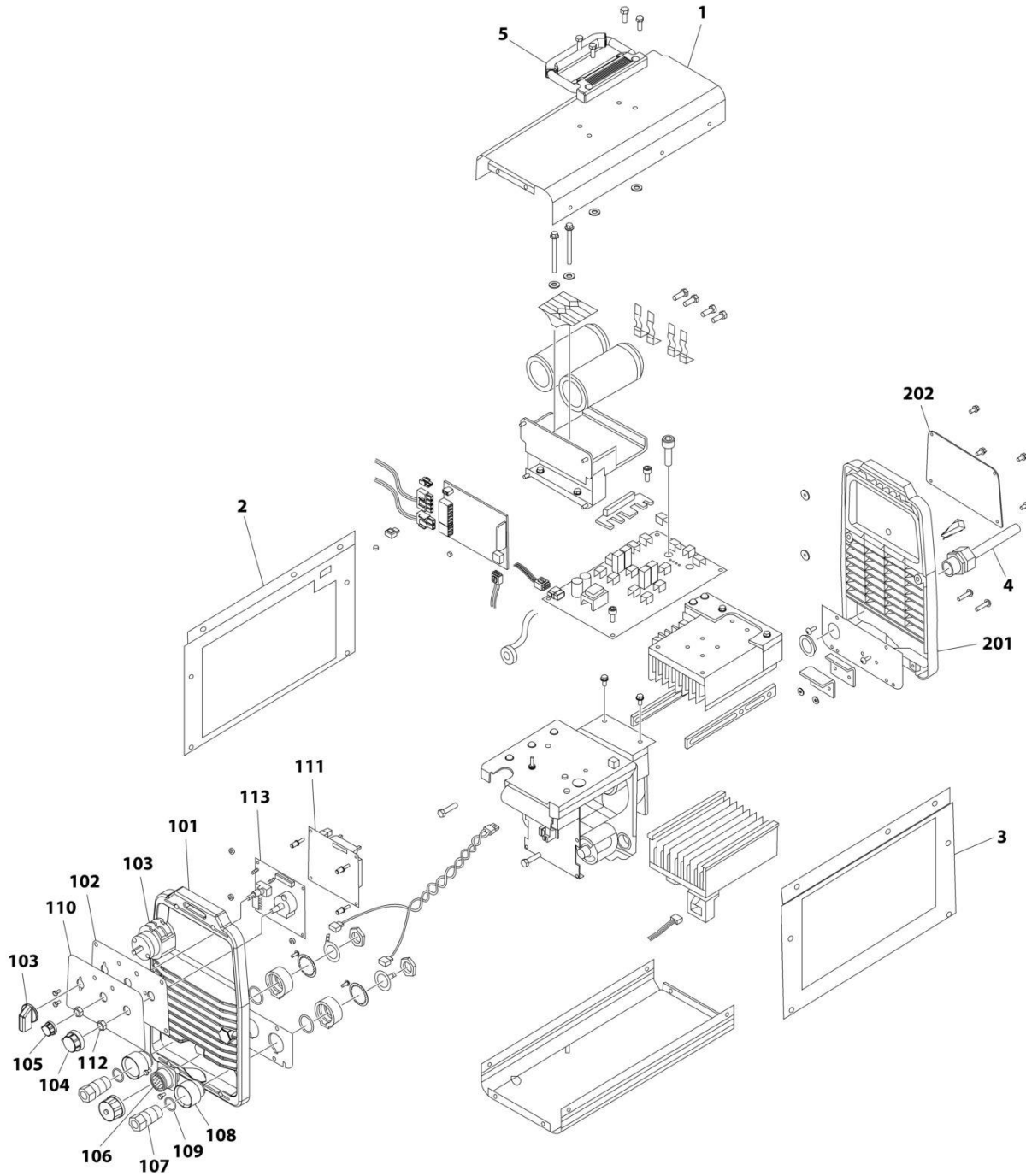
SECTION 5 - PLATFORM

FIGURE 5-12. PIPE RACKS INSTALLATION (OPTIONAL)

ITEM	PART NUMBER	QTY	DESCRIPTION	REV
	0272829	Ref	PIPE RACKS INSTALLATION (OPTIONAL)	C
1	0480100	2	Belt, Tie Down	
2	See Note	NSS	Nameplate (Note: Not Available for Purchase)	
3	1705637	2	Decal - Pipe Rack Capacity	
4	2080063	4	Fastener 1/4	
5	3900318	4	Screw 1/4 x 2	
6	4845441	1	Support, Pipe Rack	
7	4845442	1	Support, Pipe Rack	

SECTION 5 - PLATFORM

FIGURE 5-13. WELDER ASSEMBLY



ART_4530028

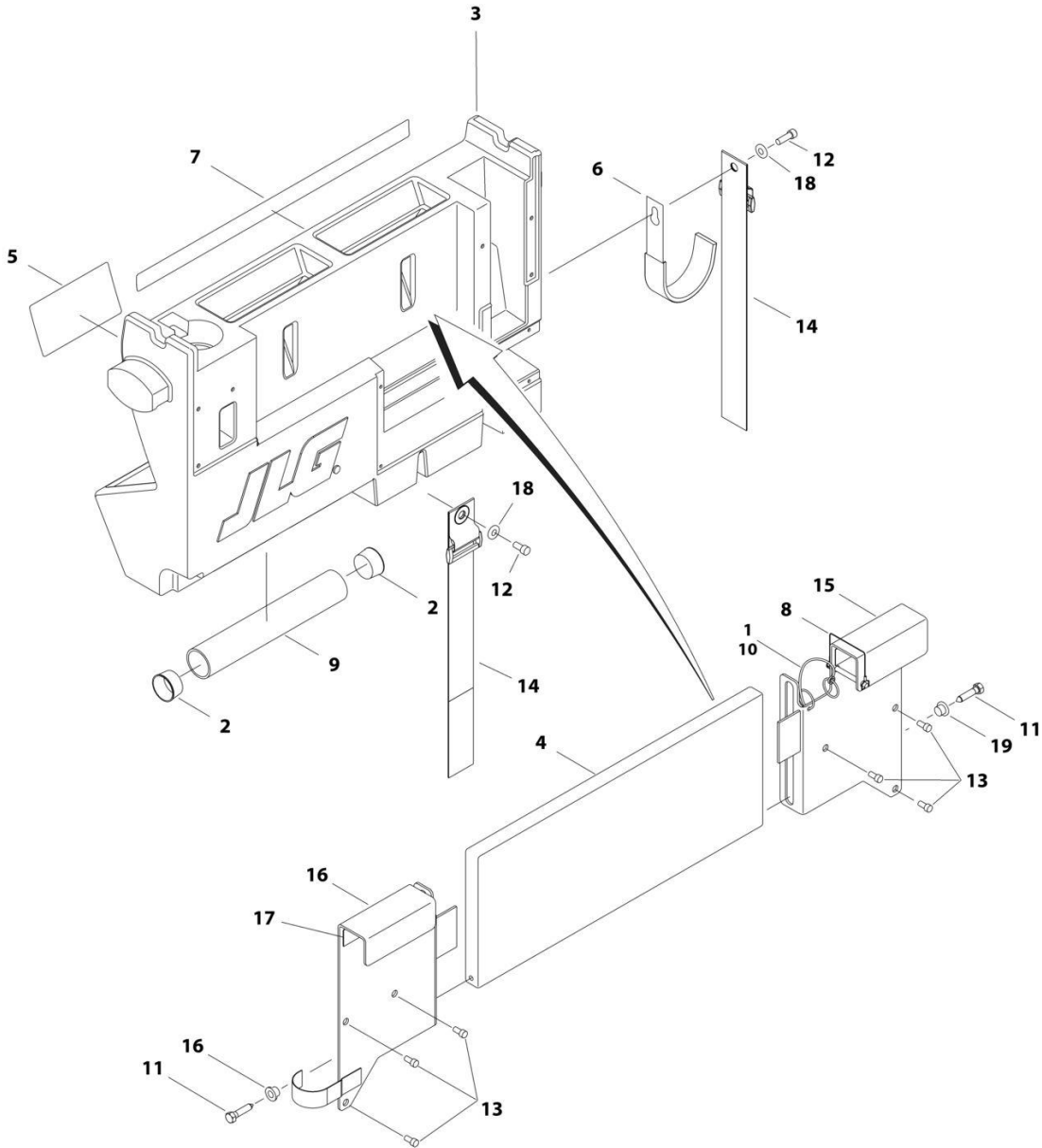
SECTION 5 - PLATFORM

FIGURE 5-13. WELDER ASSEMBLY

ITEM	PART NUMBER	QTY	DESCRIPTION	REV
	4530028	Ref	WELDER ASSEMBLY	B
		Ref	Note: For Other Components, contact your Miller Welder Dealer.	
1	7027773	1	Cover, Top	
1	7027774	1	Decal - Static Precautionary Warning	
2	See Note	NSS	Panel, LH Side (Note: Part of Item 1. Purchase Item 1)	
3	See Note	NSS	Panel, RH Side (Note: Part of Item 1. Purchase Item 1)	
4	7024467	1	Cable, Power	
4	7027775	1	Decal - Electrical Shock Warning (Not Shown)	
5	7027776	1	Handle, Carrying	
101	7024462	1	Panel, Front	
102	7024463	1	Panel, Console	
103	7024469	1	Switch with Lead	
104	7024470	1	Knob	
105	7024471	1	Knob	
106	7024472	1	Receptacle with Leads and Plugs	
107	7024473	2	Receptacle, Twistlock Female	
108	7024474	2	Insulator	
109	7024475	2	O-Ring	
110	7027777	1	Nameplate	
111	7027779	1	Circuit Card Assembly (Process Control)	
112	7024478	2	Nut	
113	7027778	1	Circuit Card Assembly (Operator Interface)	
201	7024462	1	Panel, Rear	
202	7027780	1	Panel, Cover	

SECTION 5 - PLATFORM

FIGURE 5-14. WORKSTATION INSTALLATION (OPTIONAL)



ART_0274260_C

SECTION 5 - PLATFORM

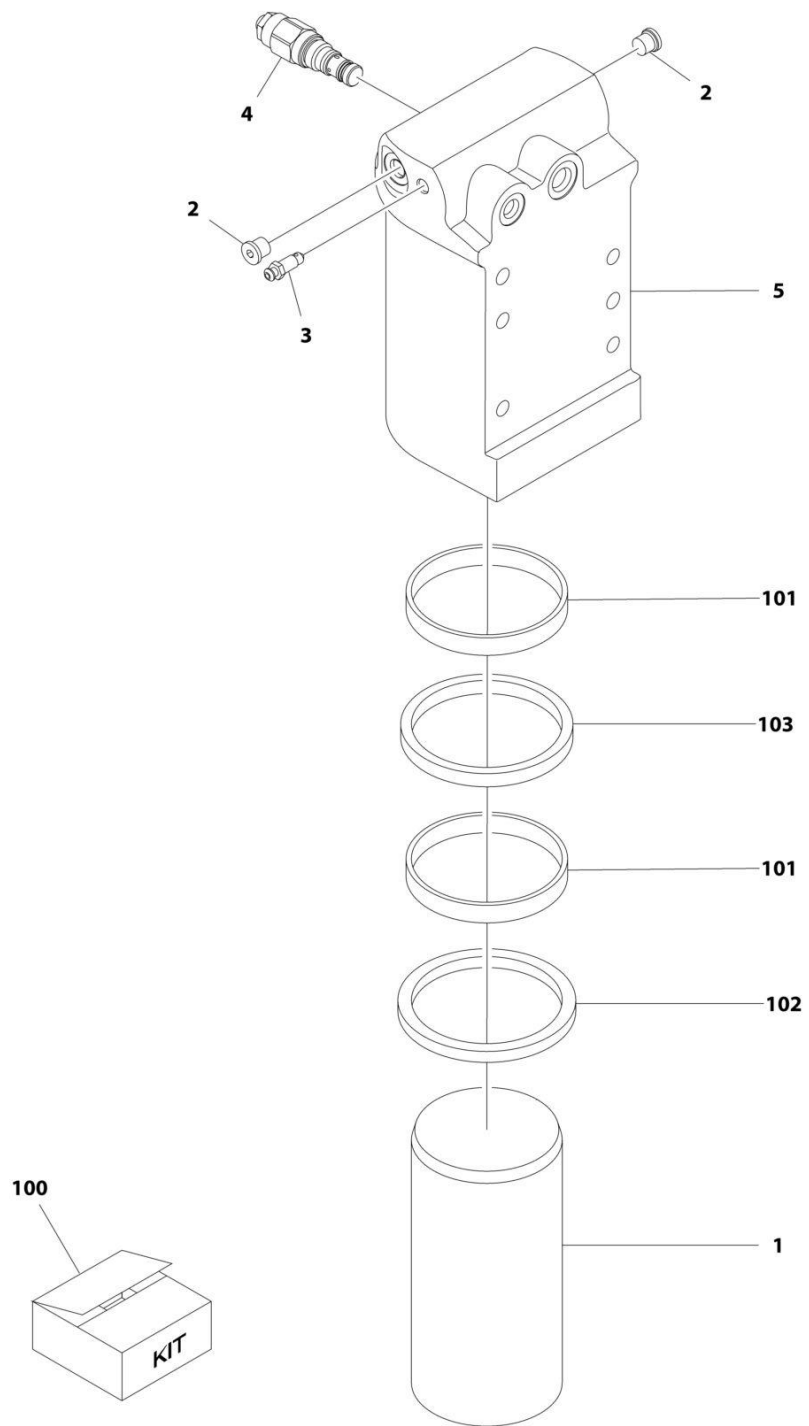
FIGURE 5-14. WORKSTATION INSTALLATION (OPTIONAL)

ITEM	PART NUMBER	QTY	DESCRIPTION	REV
	0274260	Ref	WORKSTATION INSTALLATION - REFERENCE CHART	C
	1001246392	Ref	WORKSTATION INSTALLATION (OPTIONAL)	B
1	1060379	1	Cable, Lanyard	
2	1120555	2	Cap, Manual Storage	
3	1580023	1	Container	
4	1580024	1	Tray	
5	1705997	1	Decal - Workstation	
6	2700100	1	Hook, Hanger	
7	1001246395	1	Decal - Workstation Kit	
8	3422219	1	Pin	
9	3460334	1	PVC Pipe	
10	3760170	2	Ring	
11	3900355	2	Screw 5/16 x 1-1/2	
12	3931412	2	Bolt 1/4 x 3/4	
13	3931508	6	Bolt 5/16 x 1/2	
14	4240003	2	Strap	
15	4340853	1	Mount, RH Channel	
16	4340854	1	Mount, LH Channel	
17	4420062	3 ft/0.9m	Tape	
18	4711400	2	Washer 1/4	
19	4740480	2	Insert, Plastic	

SECTION 6 - CYLINDER

SECTION 6 - CYLINDER

FIGURE 6-1. AXLE LOCKOUT CYLINDER ASSEMBLY



ART_1001163580

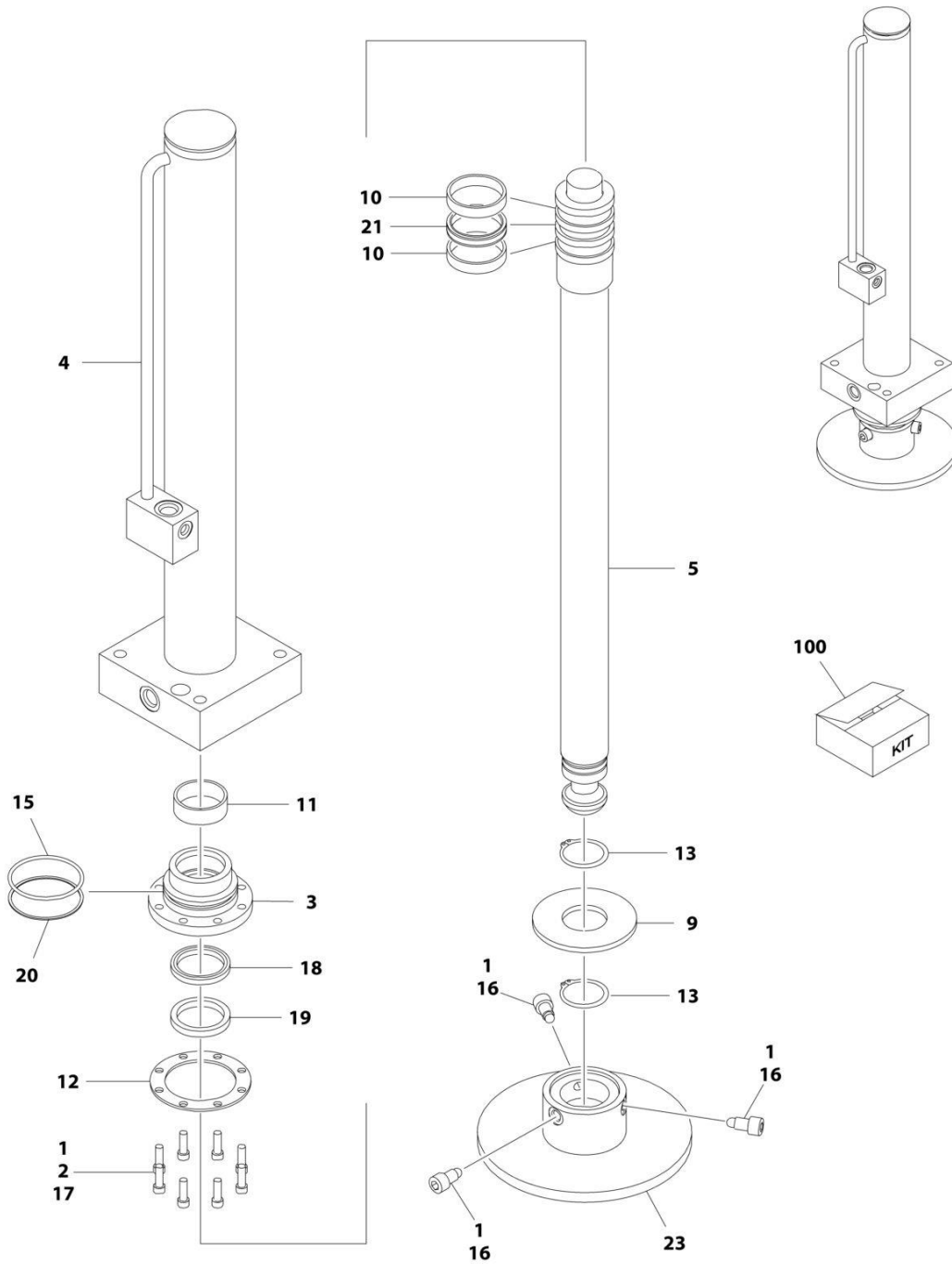
SECTION 6 - CYLINDER

FIGURE 6-1. AXLE LOCKOUT CYLINDER ASSEMBLY

ITEM	PART NUMBER	QTY	DESCRIPTION	REV
	1001163580	Ref	AXLE LOCKOUT CYLINDER ASSEMBLY	I
		Ref	Note: Original Cylinder May Have Been Replaced with Service Replacement. Identify PN Stamped on Cylinder Before Ordering Parts.	
1	1684290	1	Rod	
2	2220883	2	Plug #4	
3	4640858	1	Valve, Bleeder	
4	1001117372	1	Cartridge, Valve	
4	70002842	1	Seal Kit - 1001117372 Valve	
5	1001164817	1	Barrel	
100	2902266	NLA	Seal Kit - 1001163590 Cylinder (Includes Items 101-103)	
101	See Note	NSS	Ring, Wear (Note: Use Item 100)	
102	See Note	NSS	Seal (Note: Use Item 100)	
103	See Note	NSS	Wiper (Note: Use Item 100)	

SECTION 6 - CYLINDER

FIGURE 6-2. LEVELING JACK CYLINDER ASSEMBLY



ART_1684406-D

SECTION 6 - CYLINDER

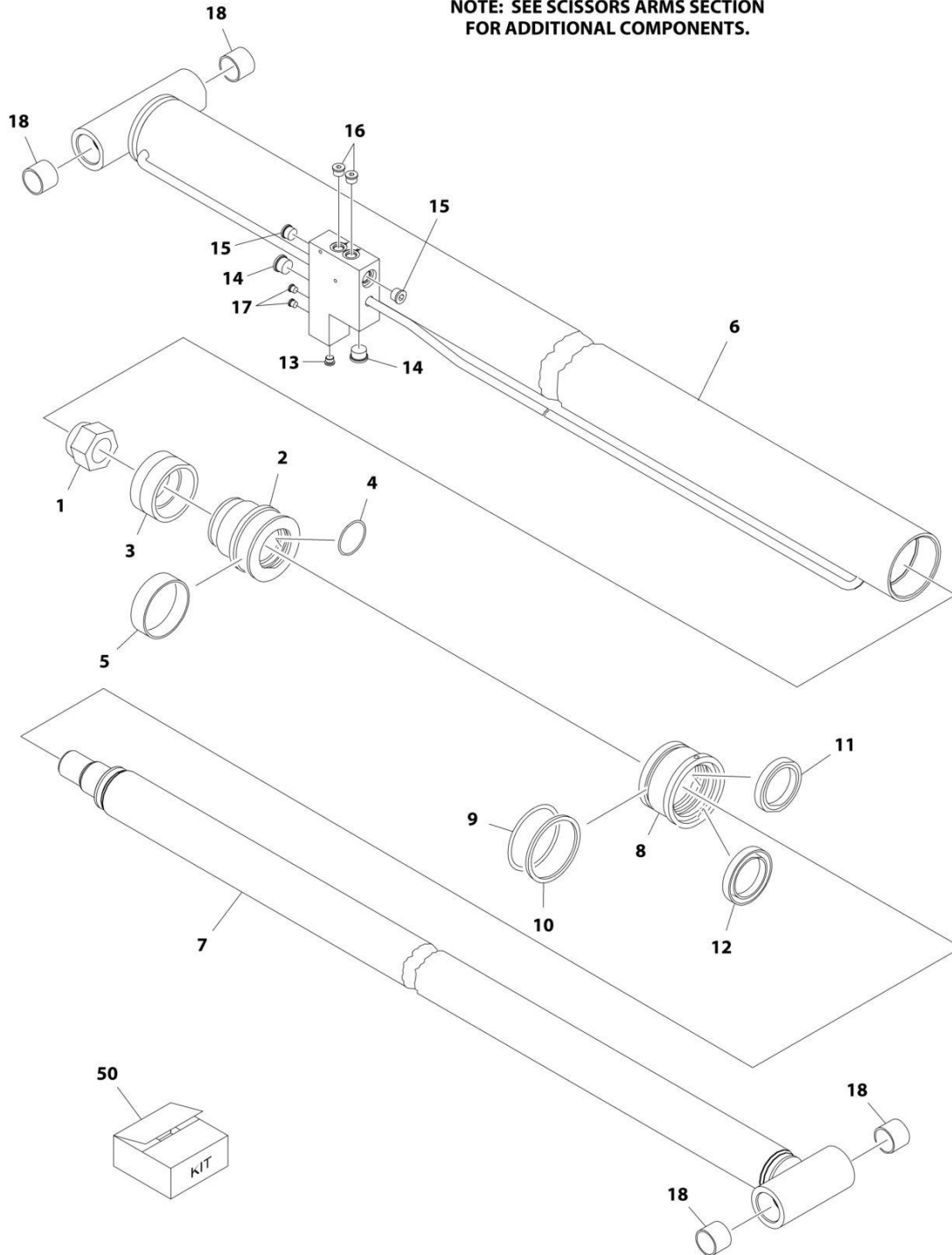
FIGURE 6-2. LEVELING JACK CYLINDER ASSEMBLY

ITEM	PART NUMBER	QTY	DESCRIPTION	REV
	1684406	Ref	LEVELING JACK CYLINDER ASSEMBLY	D
		Ref	Note: Original Cylinder May Have Been Replaced with Service Replacement. Identify PN Stamped on Cylinder Before Ordering Parts.	
1	0100011	AR	Compound, Locking	
2	0100038	AR	Primer, Locking	
3	1683054	1	Head	
4	0370018	1	Barrel	
5	3850013	1	Rod	
9	3573513	1	Plate, Jack	
10	See Note	NSS	Ring, Lock (Note: Use Item 100)	
11	See Note	NSS	Ring, Wear (Note: Use Item 100)	
12	3760368	1	Ring, Washer	
13	3760460	2	Ring, Retaining	
15	See Note	NSS	O-Ring (Note: Use Item 100)	
16	3900321	3	Screw 1/2 x 1-1/4	
17	3931516	8	Capscrew 5/16 x 1	
18	See Note	NSS	Seal (Note: Use Item 100)	
19	See Note	NSS	Wiper (Note: Use Item 100)	
20	See Note	NSS	Ring, Back-up (Note: Use Item 100)	
21	See Note	NSS	T-Seal (Note: Use Item 100)	
23	4846584	1	Pad, Jack	
100	2902182	1	Seal Kit - 1684406 Cylinder (Includes Items 10, 11, 15 & 18-21)	

SECTION 6 - CYLINDER

FIGURE 6-3. LIFT CYLINDER ASSEMBLY

NOTE: SEE SCISSORS ARMS SECTION FOR ADDITIONAL COMPONENTS.



ART_1001217085

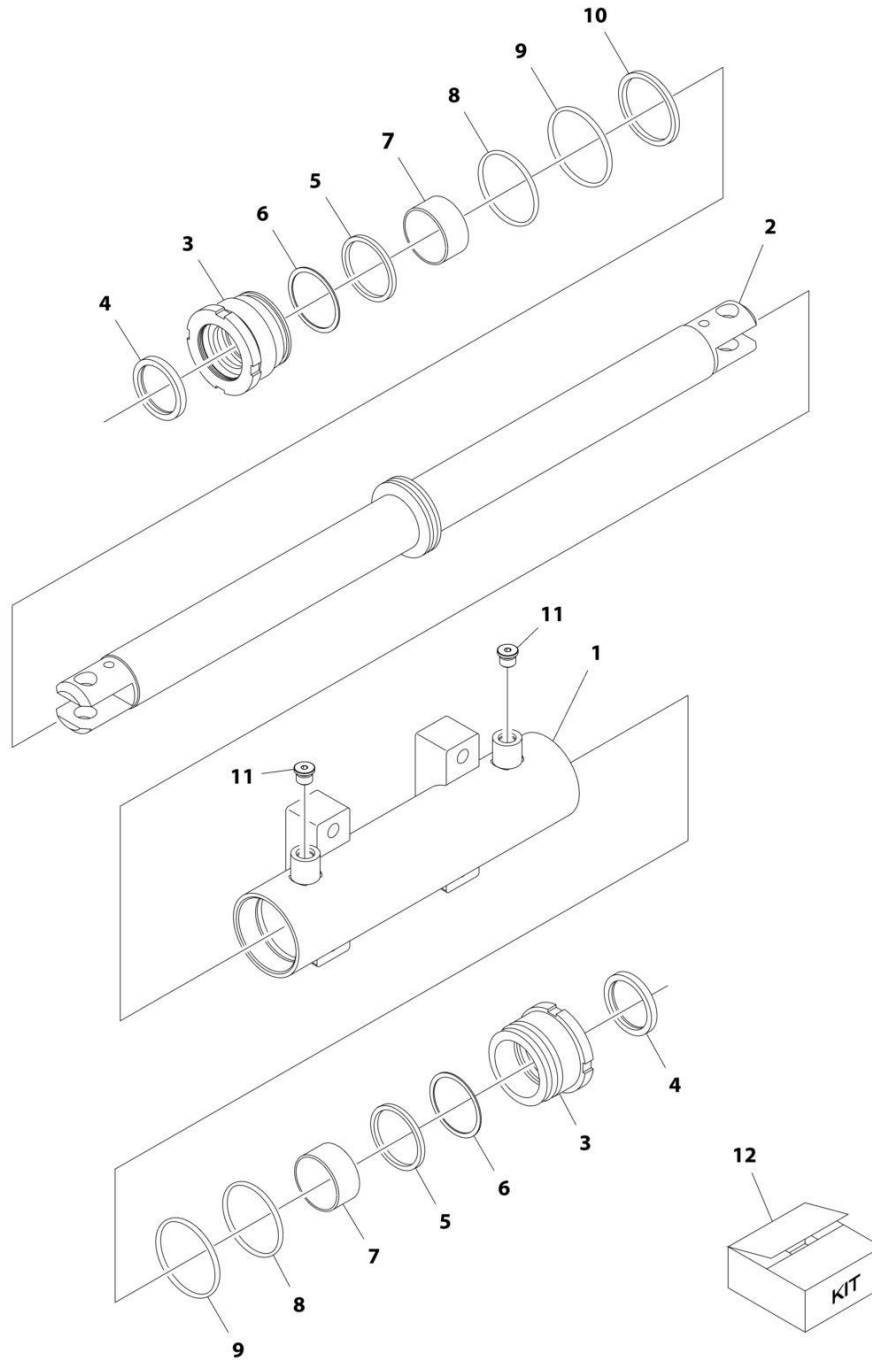
SECTION 6 - CYLINDER

FIGURE 6-3. LIFT CYLINDER ASSEMBLY

ITEM	PART NUMBER	QTY	DESCRIPTION	REV
	1001217085	Ref	LIFT CYLINDER ASSEMBLY	C
		Ref	Note: Machines were built with one of 2 cylinders. Identify cylinder by p/n stamped on valve block before ordering parts.	
1	70006285	1	Nut	
2	70006286	1	Piston	
3	See Note	NSS	Seal (Note: Use Item 50)	
4	See Note	NSS	O-Ring (Note: Use Item 50)	
5	See Note	NSS	Ring, Wear (Note: Use Item 50)	
6	70006287	1	Barrel	
7	70006288	1	Rod	
8	70006289	1	Head	
9	See Note	NSS	O-Ring (Note: Use Item 50)	
10	See Note	NSS	Ring, Back-up (Note: Use Item 50)	
11	See Note	NSS	Seal (Note: Use Item 50)	
12	See Note	NSS	Wiper (Note: Use Item 50)	
13	2220885	1	Plug #6	
14	2220888	2	Plug #12	
15	2220887	2	Plug #10	
16	2220886	2	Plug #8	
17	2220883	2	Plug #4	
18	70006290	4	Bushing	
50	70006284	1	Seal Kit - 1001217085 Cylinder (Includes Items 5-11)	

SECTION 6 - CYLINDER

FIGURE 6-4. STEER CYLINDER ASSEMBLY



ART_1001163178

SECTION 6 - CYLINDER

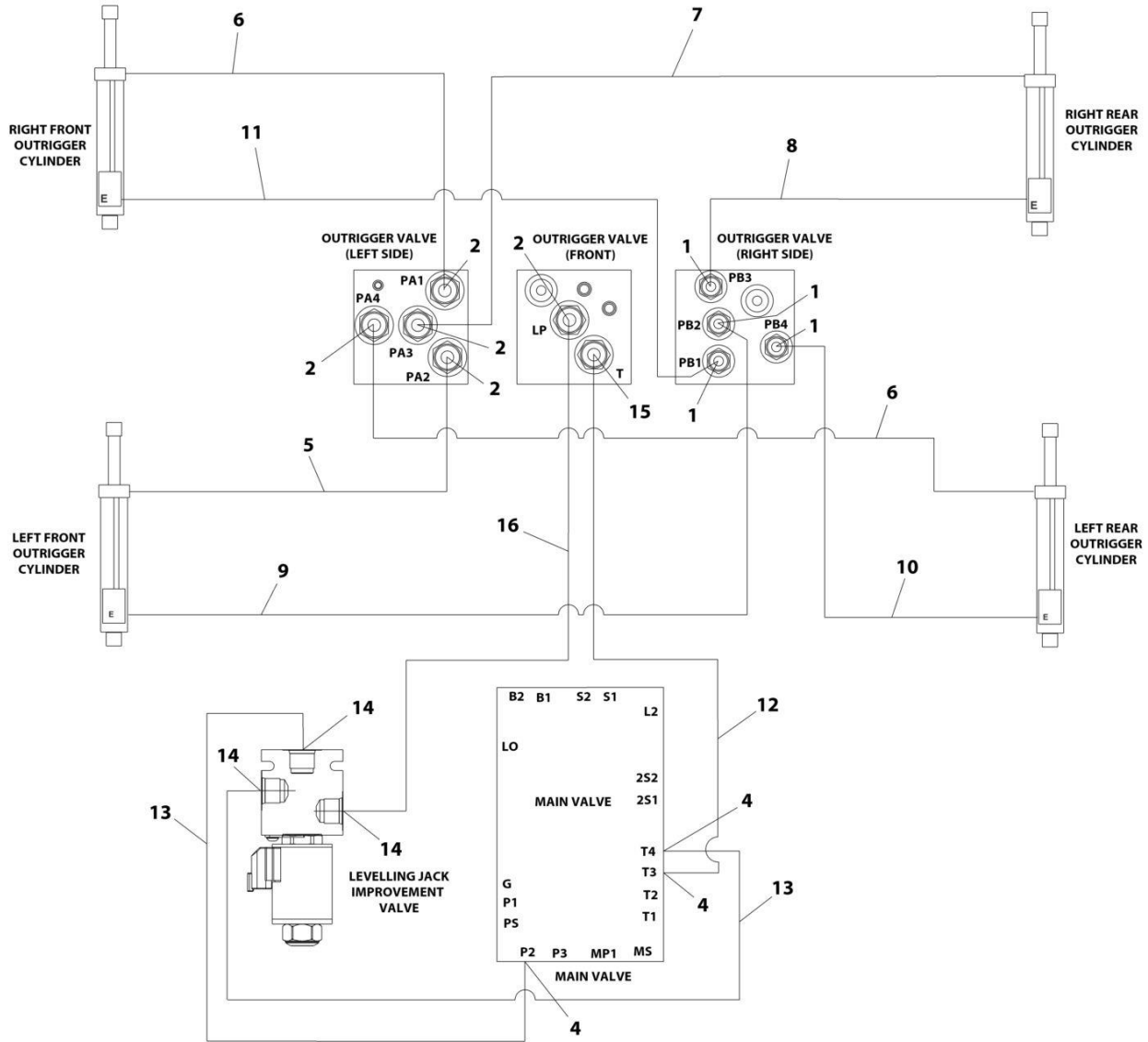
FIGURE 6-4. STEER CYLINDER ASSEMBLY

ITEM	PART NUMBER	QTY	DESCRIPTION	REV
	1001163178	Ref	STEER CYLINDER ASSEMBLY	E
		Ref	Note: Original Cylinder May Have Been Replaced with Service Replacement. Identify PN Stamped on Cylinder Before Ordering Parts.	
1	70005150	1	Barrel	
2	70005151	1	Rod	
3	70005152	2	Head	
4	See Note	NSS	Wiper (Note: Use Item 12)	
5	See Note	NSS	Seal, Rod (Note: Use Item 12)	
6	See Note	NSS	Ring, Back-up (Note: Use Item 12)	
7	70005153	2	Bearing, Dry	
8	See Note	NSS	O-Ring (Note: Use Item 12)	
9	See Note	NSS	O-Ring (Note: Use Item 12)	
10	See Note	NSS	Seal, Piston (Note: Use Item 12)	
11	See Note	2	Plug 9/16 (Note: Not Available for Purchase)	
12	70005154	1	Seal Kit - 1001163178 Cylinder (Includes Items 4-6 & 8-10)	

SECTION 7 - HYDRAULIC

SECTION 7 - HYDRAULIC

FIGURE 7-1. HYDRAULIC DIAGRAM - LEVELING JACKS



ART_1001237464

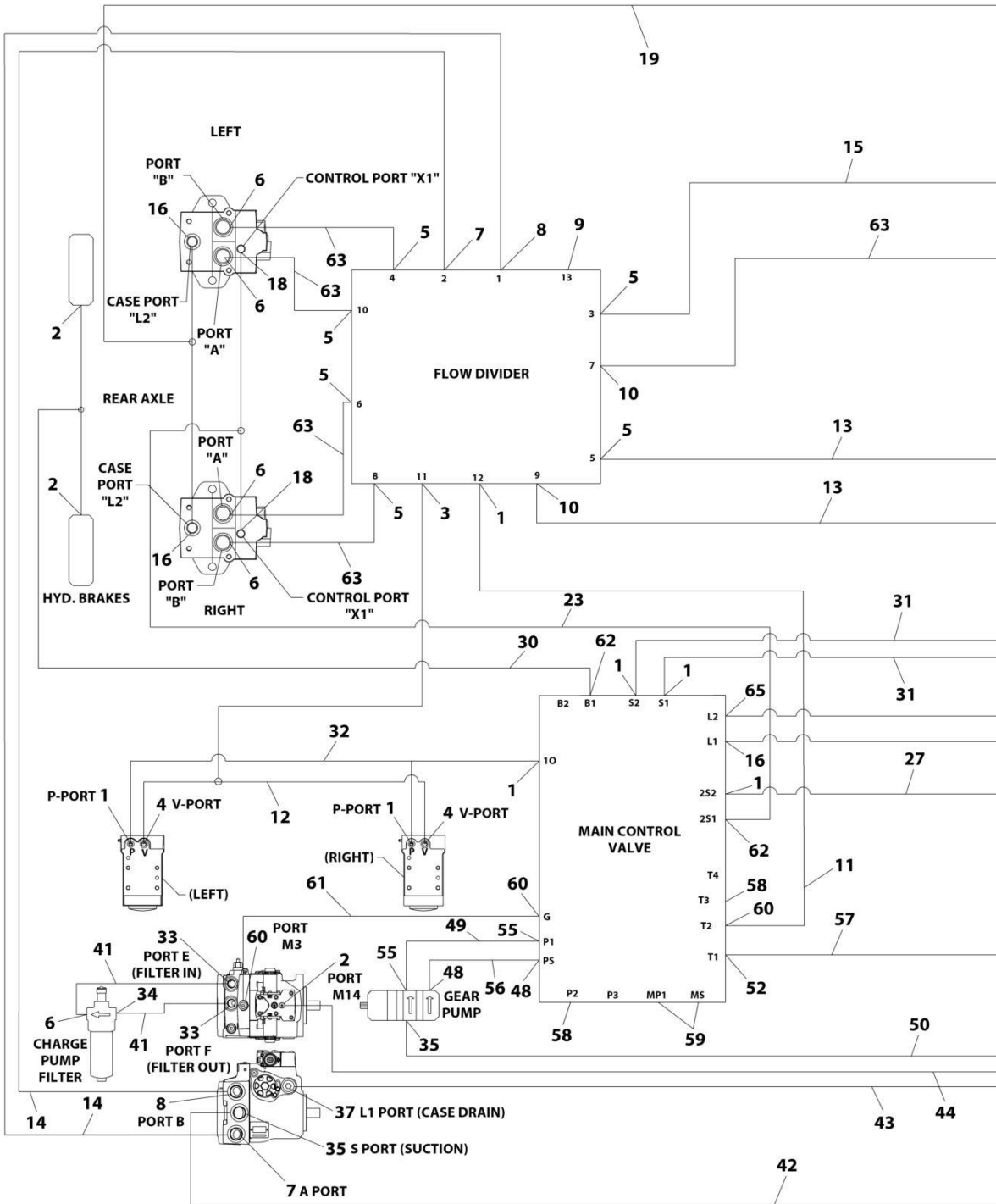
SECTION 7 - HYDRAULIC

FIGURE 7-1. HYDRAULIC DIAGRAM - LEVELING JACKS

ITEM	PART NUMBER	QTY	DESCRIPTION	REV
	1001237464	Ref	HYDRAULIC DIAGRAM - LEVELING JACKS	A
1	2220371	4	Fitting, Straight JIC/ORB	
2	2220373	5	Fitting, Straight JIC/ORB	
4	2220600	3	Fitting, Straight JIC/ORB	
5	1001214864	1	Hose	
6	1001194384	2	Hose	
7	1001121396	1	Hose	
8	1001194387	1	Hose	
9	1001194386	1	Hose	
10	1001214865	1	Hose	
11	1001194388	1	Hose	
12	1001237915	1	Hose	
13	1001237916	2	Hose	
14	2220596	3	Fitting, 90 JIC/ORB	
15	2220500	1	Fitting, 45 JIC/ORB	
16	1001239088	1	Hose	

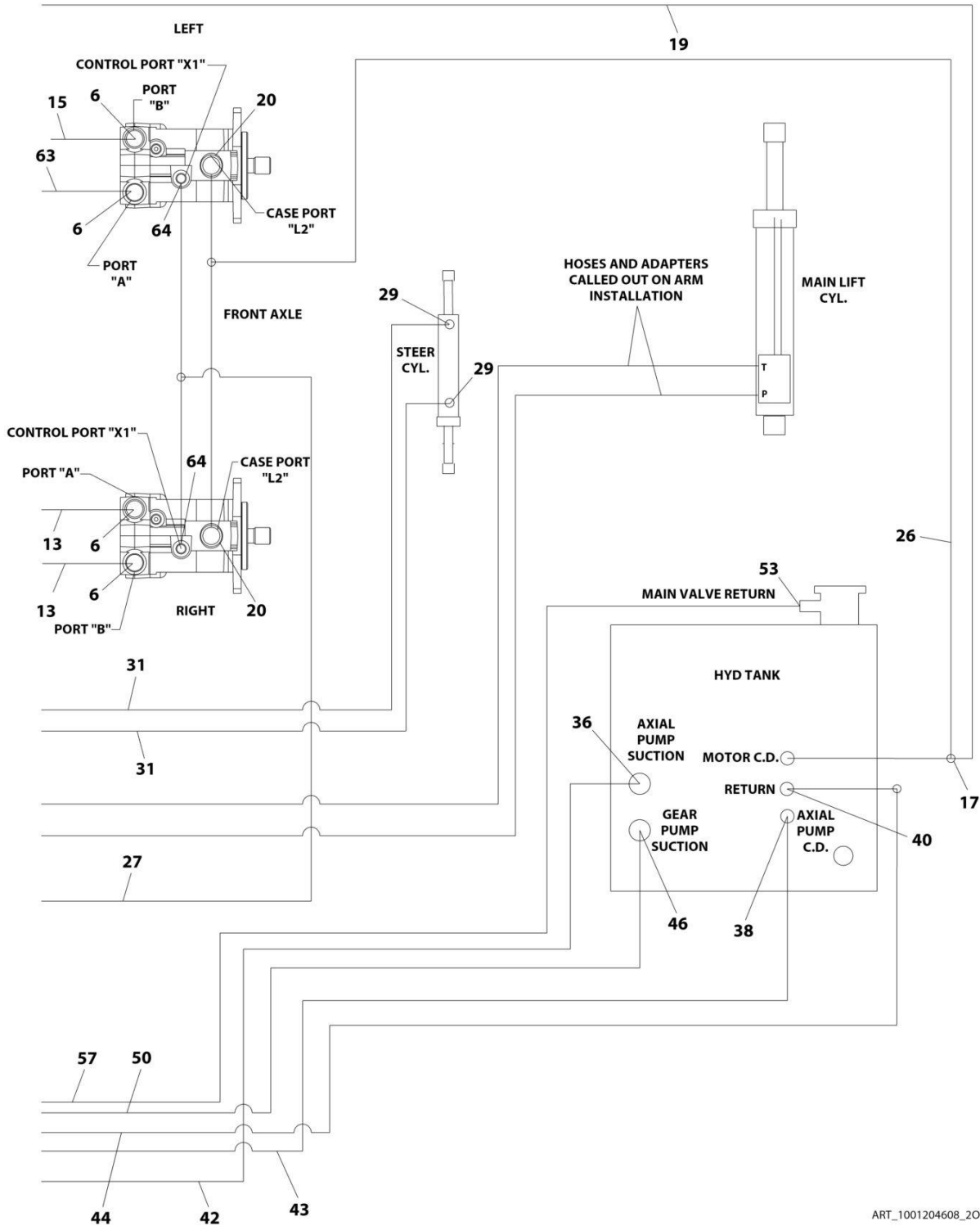
SECTION 7 - HYDRAULIC

FIGURE 7-2. HYDRAULIC DIAGRAM - STANDARD (ALL SPECS EXCEPT CE, JAPANESE & UK CA SPECS)



ART_1001204608_10F2

SECTION 7 - HYDRAULIC



ART_1001204608_2OF2

SECTION 7 - HYDRAULIC

FIGURE 7-2. HYDRAULIC DIAGRAM - STANDARD (ALL SPECS EXCEPT CE, JAPANESE & UK CA SPECS)

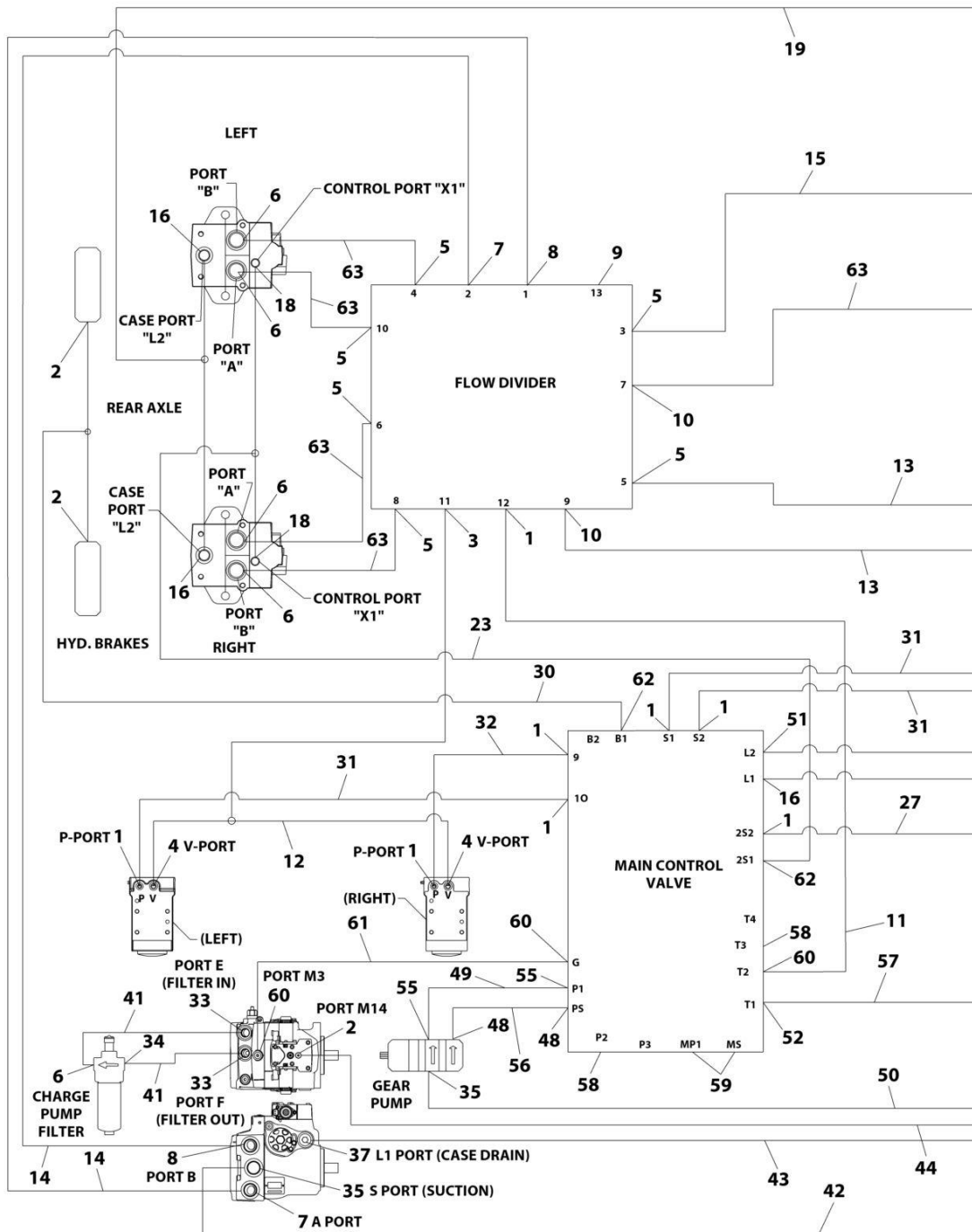
ITEM	PART NUMBER	QTY	DESCRIPTION	REV
	1001204608	Ref	HYDRAULIC DIAGRAM - STANDARD	F
1	2220415	7	Fitting, Straight JIC/ORB	
2	2220466	3	Fitting, 90 JIC/ORB	
3	2220473	1	Fitting, 90 JIC/ORB	
4	2220371	2	Fitting, Straight JIC/ORB	
5	2130808	6	Fitting, 90 ORFS/ORB	
6	2110812	9	Fitting, Straight ORFS/ORB	
7	2111216	2	Fitting, Straight ORFS/ORB	
8	2131216	2	Fitting, 90 ORFS/ORB	
9	2220238	1	Plug	
10	2110808	2	Fitting, Straight ORFS/ORB	
11	1001151351	1	Hose	
12	1001213672	1	Hose	
13	2753791	2	Hose	
14	1001213673	2	Hose	
15	2753970	1	Hose	
16	2220373	3	Fitting, Straight JIC/ORB	
17	2220602	1	Fitting, Tee JIC/ORB/JIC	
18	2220582	2	Fitting, Straight JIC/ORB	
19	1001194383	1	Hose	
20	2220500	2	Fitting, 45 JIC/ORB	
23	1001213674	1	Hose	
26	1001213684	1	Hose	
27	1001213676	1	Hose	
29	2221040	2	Fitting, 45 JIC/ORB	
30	1001213677	1	Hose	
31	1001158199	2	Hose	
32	1001213678	1	Hose	
33	2110810	2	Fitting, Straight ORFS/ORB	
34	2130812	1	Fitting, 90 ORFS/ORB	
35	2220479	2	Fitting, Straight JIC/ORB	
36	2221081	1	Fitting, 45 JIC/ORB	
37	2220451	1	Fitting, Straight JIC/ORB	
38	2220578	1	Fitting, 90 JIC/ORB	
40	2220577	1	Fitting, Straight JIC/ORB	
41	2754244	2	Hose	
42	1001213679	1	Hose	
43	1001194381	1	Hose	
44	1001213680	1	Hose	
46	8760351	1	Fitting, 45 JIC/ORB	
48	2220497	2	Fitting, Straight JIC/ORB	
49	1001146311	1	Hose	
50	1001108128	1	Hose	
52	2220408	1	Fitting, Straight JIC/ORB	
53	2220435	1	Fitting, Straight JIC/ORB	
55	2221036	2	Fitting, 90 JIC/ORB	
56	1001206648	1	Hose	
57	1001194378	1	Hose	
58	2220237	2	Plug	

SECTION 7 - HYDRAULIC

ITEM	PART NUMBER	QTY	DESCRIPTION	REV
59	2221086	2	Fitting, Test Port	
60	2220472	3	Fitting, 90 JIC/ORB	
61	2755023	1	Hose	
62	2220502	2	Fitting, 45 JIC/ORB	
63	1001213681	5	Hose	
64	2221040	2	Fitting, 45 JIC/ORB	
65	2221050	1	Fitting, 45 JIC/ORB	

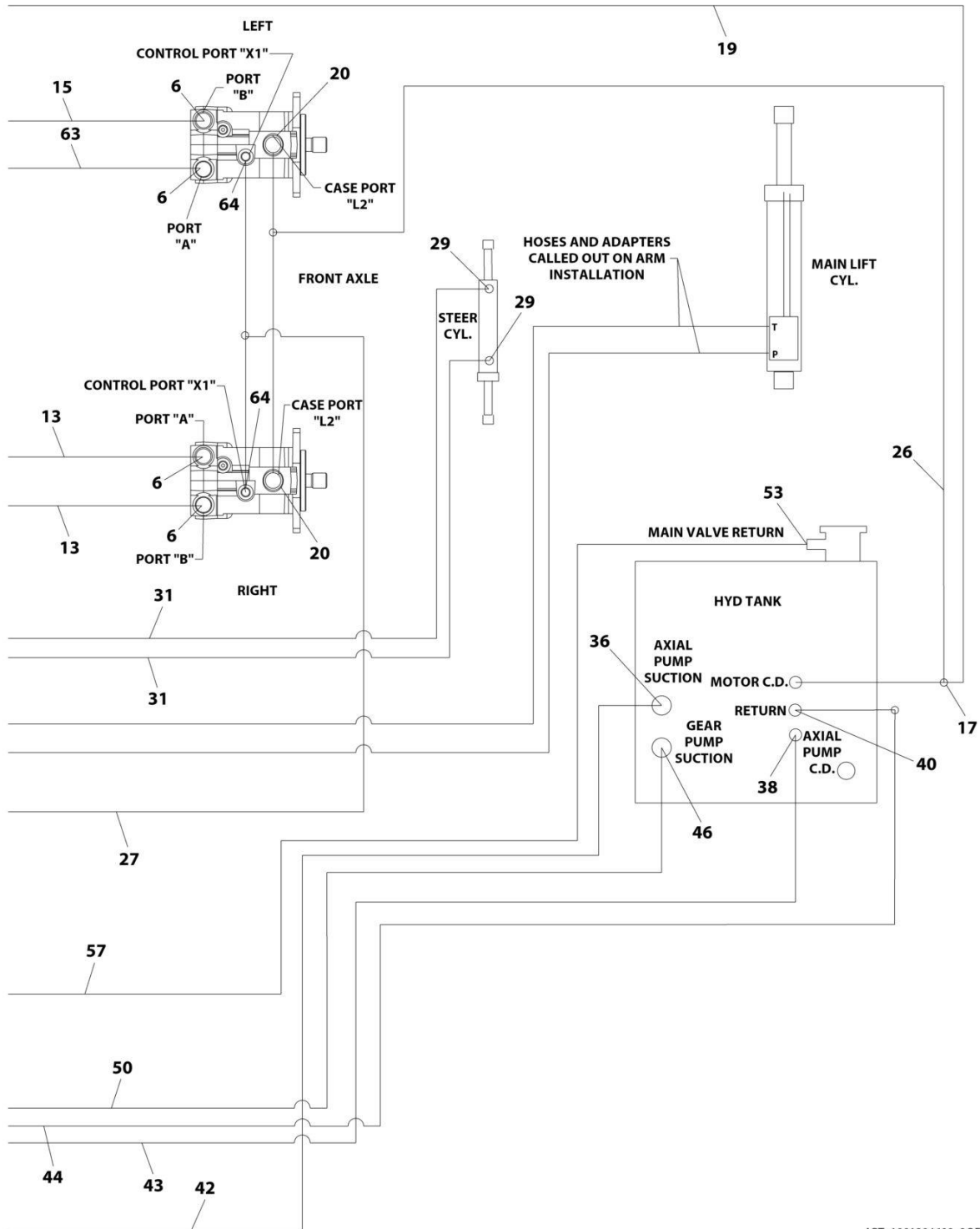
SECTION 7 - HYDRAULIC

FIGURE 7-3. HYDRAULIC DIAGRAM - STANDARD (CE, JAPANESE & UK CA SPECS)



ART_1001204609_10F2

SECTION 7 - HYDRAULIC



ART_1001204609_2OF2

SECTION 7 - HYDRAULIC

FIGURE 7-3. HYDRAULIC DIAGRAM - STANDARD (CE, JAPANESE & UK CA SPECS)

ITEM	PART NUMBER	QTY	DESCRIPTION	REV
	1001204609	Ref	HYDRAULIC DIAGRAM - STANDARD	E
1	2220415	8	Fitting, Straight JIC/ORB	
2	2220466	3	Fitting, 90 JIC/ORB	
3	2220473	1	Fitting, 90 JIC/ORB	
4	2220371	2	Fitting, Straight JIC/ORB	
5	2130808	6	Fitting, 90 ORFS/ORB	
6	2110812	9	Fitting, Straight ORFS/ORB	
7	2111216	2	Fitting, Straight ORFS/ORB	
8	2131216	2	Fitting, 90 ORFS/ORB	
9	2220238	1	Plug	
10	2110808	2	Fitting, Straight ORFS/ORB	
11	1001151351	1	Hose	
12	1001213672	1	Hose	
13	2753791	2	Hose	
14	1001213673	2	Hose	
15	2753970	1	Hose	
16	2220373	3	Fitting, Straight JIC/ORB	
17	2220602	1	Fitting, Tee JIC/ORB/JIC	
18	2220582	2	Fitting, Straight JIC/ORB	
19	1001194383	1	Hose	
20	2220500	2	Fitting, 45 JIC/ORB	
23	1001213674	1	Hose	
26	1001213684	1	Hose	
27	1001213676	1	Hose	
29	2221040	2	Fitting, 45 JIC/ORB	
30	1001213677	1	Hose	
31	1001158199	3	Hose	
32	1001173043	1	Hose	
33	2110810	2	Fitting, Straight ORFS/ORB	
34	2130812	1	Fitting, 90 ORFS/ORB	
35	2220479	2	Fitting, Straight JIC/ORB	
36	2221081	1	Fitting, 45 JIC/ORB	
37	2220451	1	Fitting, Straight JIC/ORB	
38	2220578	1	Fitting, 90 JIC/ORB	
40	2220577	1	Fitting, Straight JIC/ORB	
41	2754244	2	Hose	
42	1001213679	1	Hose	
43	1001194381	1	Hose	
44	1001213680	1	Hose	
46	8760351	1	Fitting, 45 JIC/ORB	
48	2220497	2	Fitting, Straight JIC/ORB	
49	1001146311	1	Hose	
50	1001108128	1	Hose	
51	2221050	1	Fitting, 45 JIC/ORB	
52	2220408	1	Fitting, Straight JIC/ORB	
53	2220435	1	Fitting, Straight JIC/ORB	
55	2221036	2	Fitting, 90 JIC/ORB	
56	1001206648	1	Hose	
57	1001194378	1	Hose	
58	2220237	2	Plug	

SECTION 7 - HYDRAULIC

ITEM	PART NUMBER	QTY	DESCRIPTION	REV
59	2221086	2	Fitting, Test Port	
60	2220472	3	Fitting, 90 JIC/ORB	
61	2755023	1	Hose	
62	2220502	2	Fitting, 45 JIC/ORB	
63	1001213681	5	Hose	
64	2221040	2	Fitting, 45 JIC/ORB	

SECTION 8 - ELECTRICAL

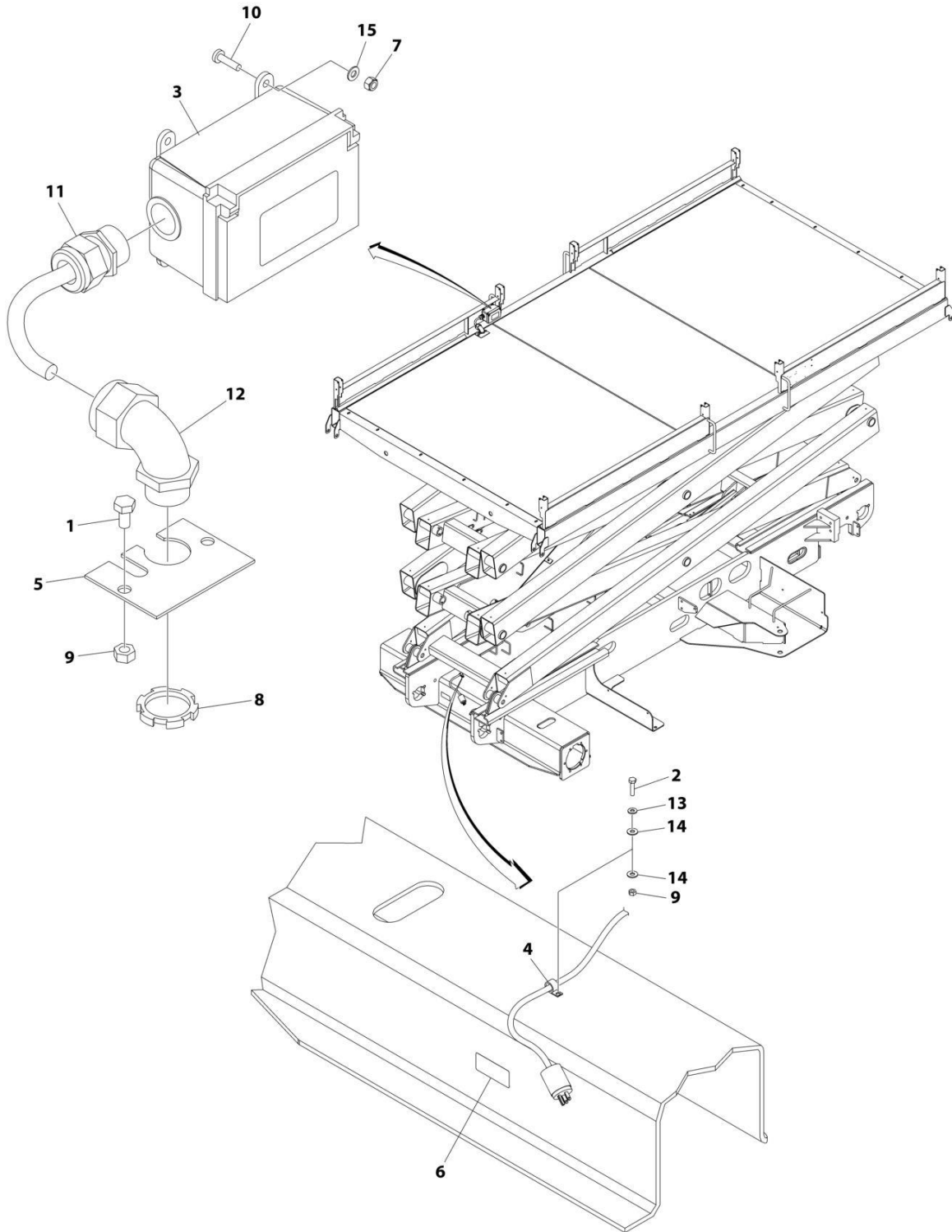
SECTION 8 - ELECTRICAL

FIGURE 8-1. AC BOX AT PLATFORM INSTALLATION - 110V GFI (ALL SPECS EXCEPT AUSTRALIAN, CE & UK CA SPECS)

ITEM	PART NUMBER	QTY	DESCRIPTION	REV
	1001206776	Ref	AC BOX AT PLATFORM INSTALLATION - 110V GFI	B
1	0641404	2	Bolt 1/4 x 1/2	
2	0641409	1	Bolt 1/4 x 1-1/8	
3	1320224	1	Clamp	
4	1670988	1	Cover	
5	1703464	1	Decal - AC Power	
6	2902431	1	Receptacle Box Kit - 110V GFI (See Separate Breakdown in this Section)	
7	3290405	4	Nut M4	
8	3300048	1	Nut 3/4	
9	3311405	3	Nut 1/4	
10	4010408	4	Screw M4 x 16	
11	4460138	1	Plug, Male	
12	4460315	3	Terminal, Spade (Not Shown)	
13	4460422	1	Connector, Strain Relief	
14	4711400	1	Washer 1/4	
15	4751400	2	Washer 1/4	
16	4811400	4	Washer M4	

SECTION 8 - ELECTRICAL

FIGURE 8-2. AC BOX AT PLATFORM INSTALLATION - 220V (PLUG AND RECEPTACLE SUPPLY LOCALLY) (ALL SPECS EXCEPT AUSTRALIAN, CE & UK CA SPECS)



ART_1001206777

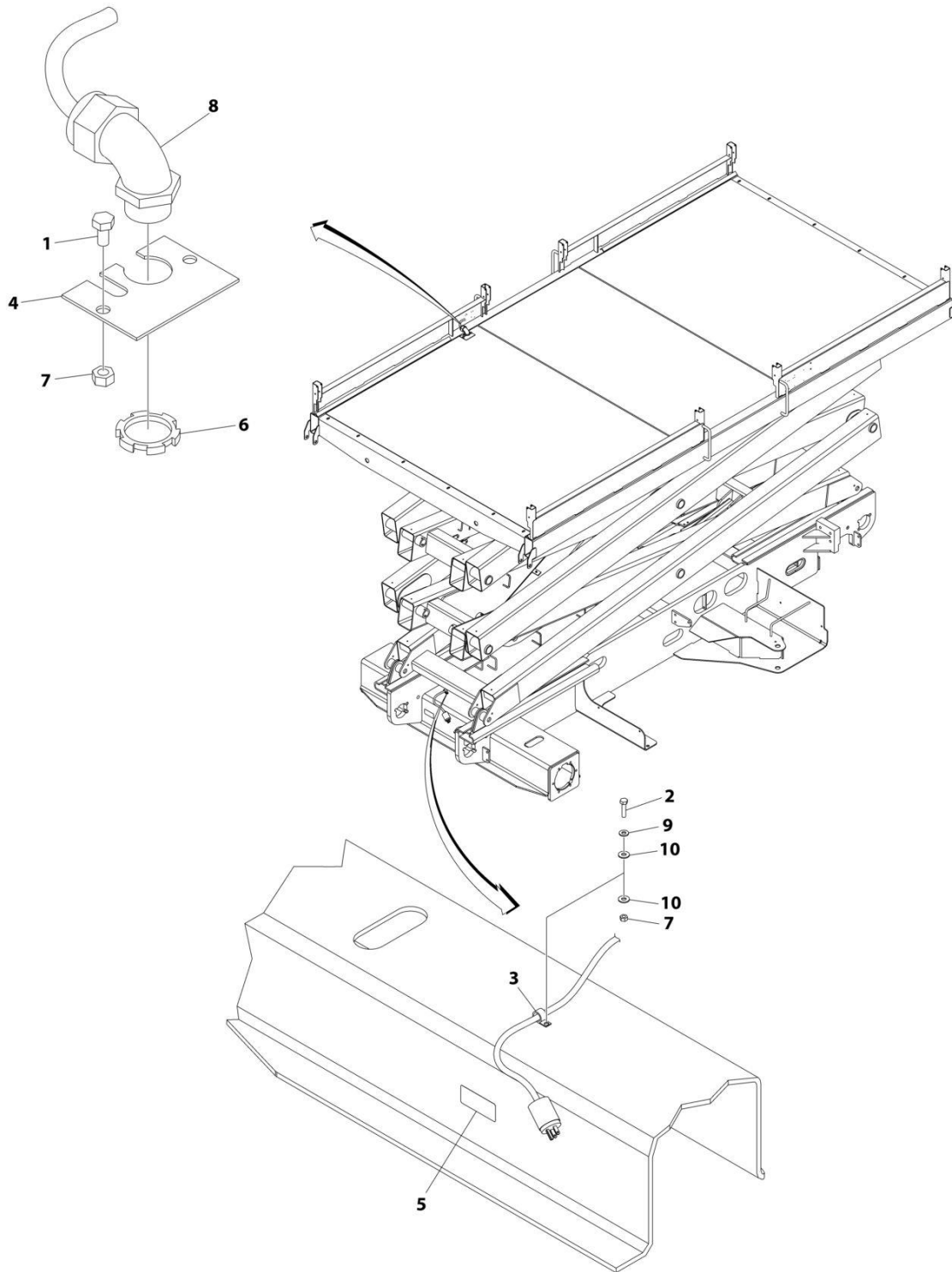
SECTION 8 - ELECTRICAL

FIGURE 8-2. AC BOX AT PLATFORM INSTALLATION - 220V (PLUG AND RECEPTACLE SUPPLY LOCALLY) (ALL SPECS EXCEPT AUSTRALIAN, CE & UK CA SPECS)

ITEM	PART NUMBER	QTY	DESCRIPTION	REV
	1001206777	Ref	AC BOX AT PLATFORM INSTALLATION - 220V	B
1	0641404	2	Bolt 1/4 x 1/2	
2	0641409	1	Bolt 1/4 x 1-1/8	
3	0861731	1	Box	
4	1320224	1	Clamp	
5	1670988	1	Cover	
6	3252507	1	Decal - 220 Volt	
7	3290405	4	Nut M4	
8	3300048	1	Nut 3/4	
9	3311405	3	Nut 1/4	
10	4010408	4	Screw M4 x 16	
11	4460071	1	Connector. Strain Relief	
12	4460422	1	Connector, Strain Relief	
13	4711400	1	Washer 1/4	
14	4751400	2	Washer 1/4	
15	4811400	4	Washer M4	

SECTION 8 - ELECTRICAL

FIGURE 8-3. AC BOX AT PLATFORM INSTALLATION - 220V (PLUG AND RECEPTACLE BOX SUPPLY LOCALLY) (ALL SPECS EXCEPT JAPANESE SPECS)



ART_1001206778

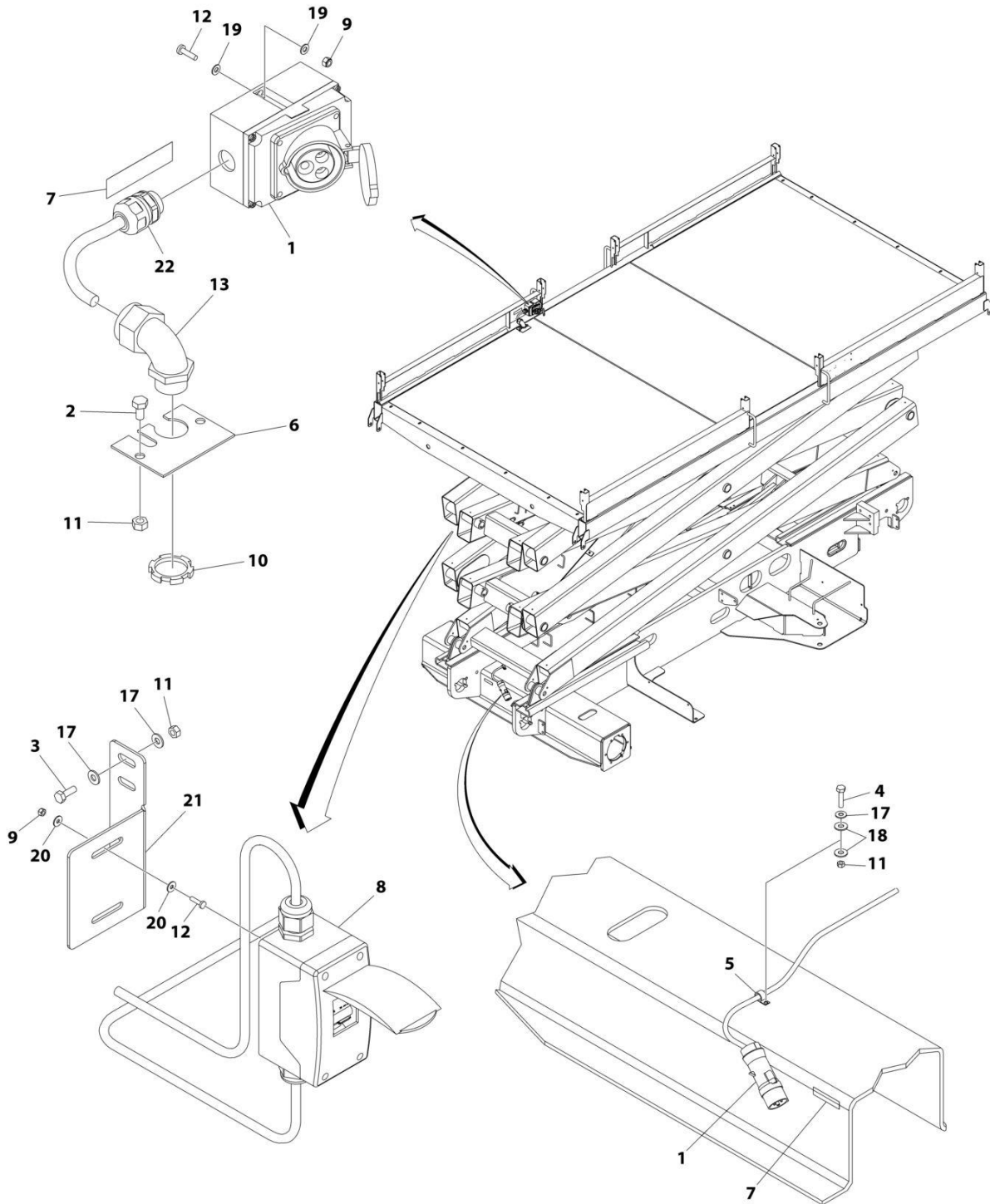
SECTION 8 - ELECTRICAL

FIGURE 8-3. AC BOX AT PLATFORM INSTALLATION - 220V (PLUG AND RECEPTACLE BOX SUPPLY LOCALLY) (ALL SPECS EXCEPT JAPANESE SPECS)

ITEM	PART NUMBER	QTY	DESCRIPTION	REV
	1001206778	Ref	AC BOX AT PLATFORM INSTALLATION - 220V	B
1	0641404	2	Bolt 1/4 x 1/2	
2	0641409	1	Bolt 1/4 x 1-1/8	
3	1320224	1	Clamp	
4	1670988	1	Cover	
5	3252507	1	Decal - 220 Volt	
6	3300048	1	Nut 3/4	
7	3311405	3	Nut 1/4	
8	4460422	1	Connector, Strain Relief	
9	4711400	1	Washer 1/4	
10	4751400	2	Washer 1/4	

SECTION 8 - ELECTRICAL

FIGURE 8-4. AC BOX AT PLATFORM INSTALLATION - 110V IEC YELLOW (CE & UK CA SPECS)



ART_1001206782_F

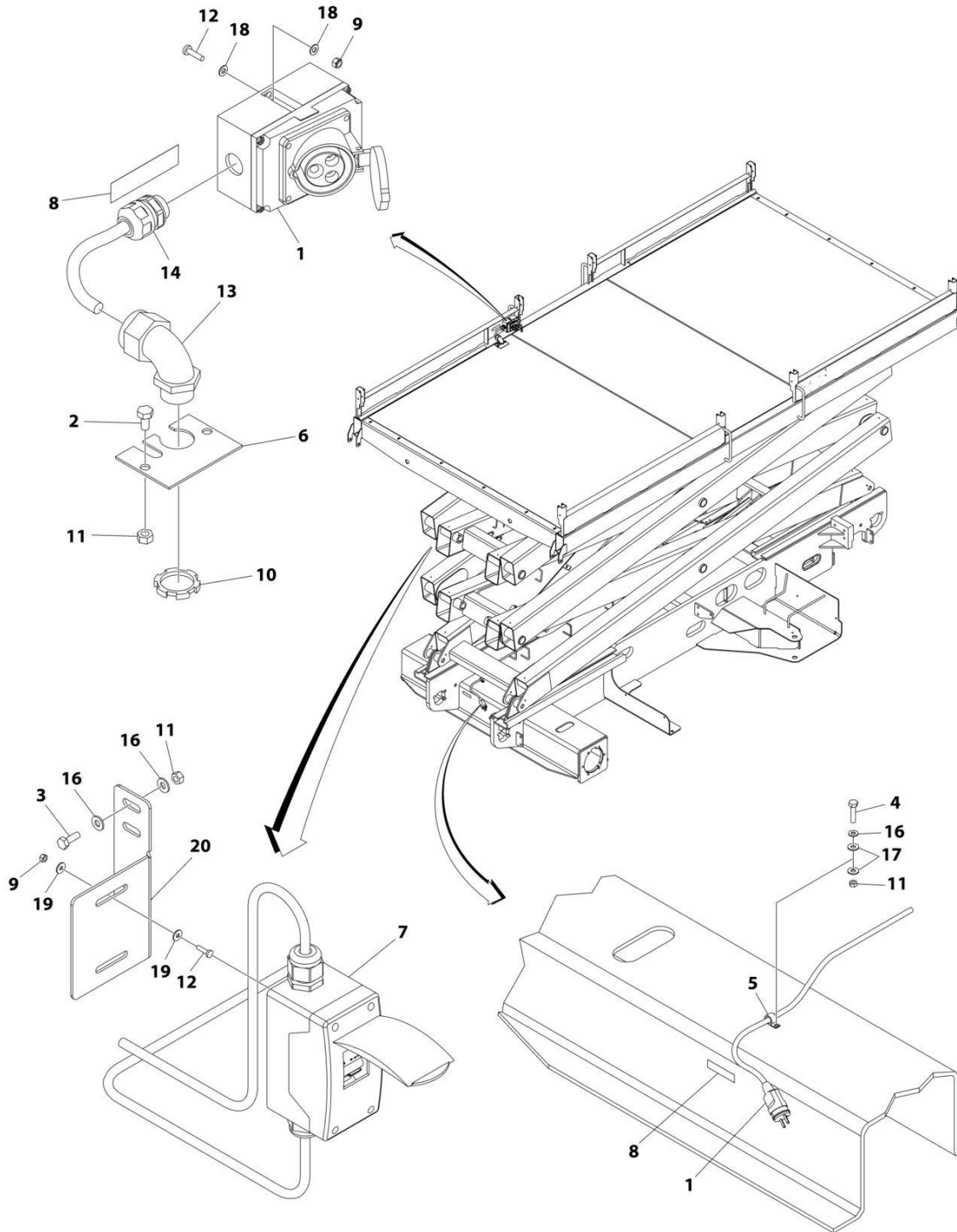
SECTION 8 - ELECTRICAL

FIGURE 8-4. AC BOX AT PLATFORM INSTALLATION - 110V IEC YELLOW (CE & UK CA SPECS)

ITEM	PART NUMBER	QTY	DESCRIPTION	REV
	1001206782	Ref	AC BOX AT PLATFORM INSTALLATION - 110V IEC YELLOW	F
1	0275216	1	Receptacle Box Kit - 110V IEC Yellow (See Separate Breakdown in this Section)	
2	0641404	2	Bolt 1/4 x 1/2	
3	0641406	2	Bolt 1/4 x 3/4	
4	0641409	1	Bolt 1/4 x 1-1/8	
5	1320224	1	Clamp	
6	1670988	1	Cover	
7	1705325	2	Decal - 110 Volt	
8	1001096070	1	Breaker Box Kit (See Separate Breakdown in this Section)	
9	3290405	4	Nut M4	
10	3300048	1	Nut 3/4	
11	3311405	5	Nut 1/4	
12	4010408	4	Screw M4 x 16	
13	4460422	1	Connector, Strain Relief	
17	4711400	5	Washer 1/4	
18	4751400	2	Washer 1/4	
19	4811400	AR	Washer M4	
20	1001091102	4	Washer M4	
21	1001206928	1	Bracket	
22	4460968	1	Connector, Strain Relief	

SECTION 8 - ELECTRICAL

FIGURE 8-5. AC BOX AT PLATFORM INSTALLATION - 220V IEC BLUE (CE & UK CA SPECS)



ART_1001206783_F

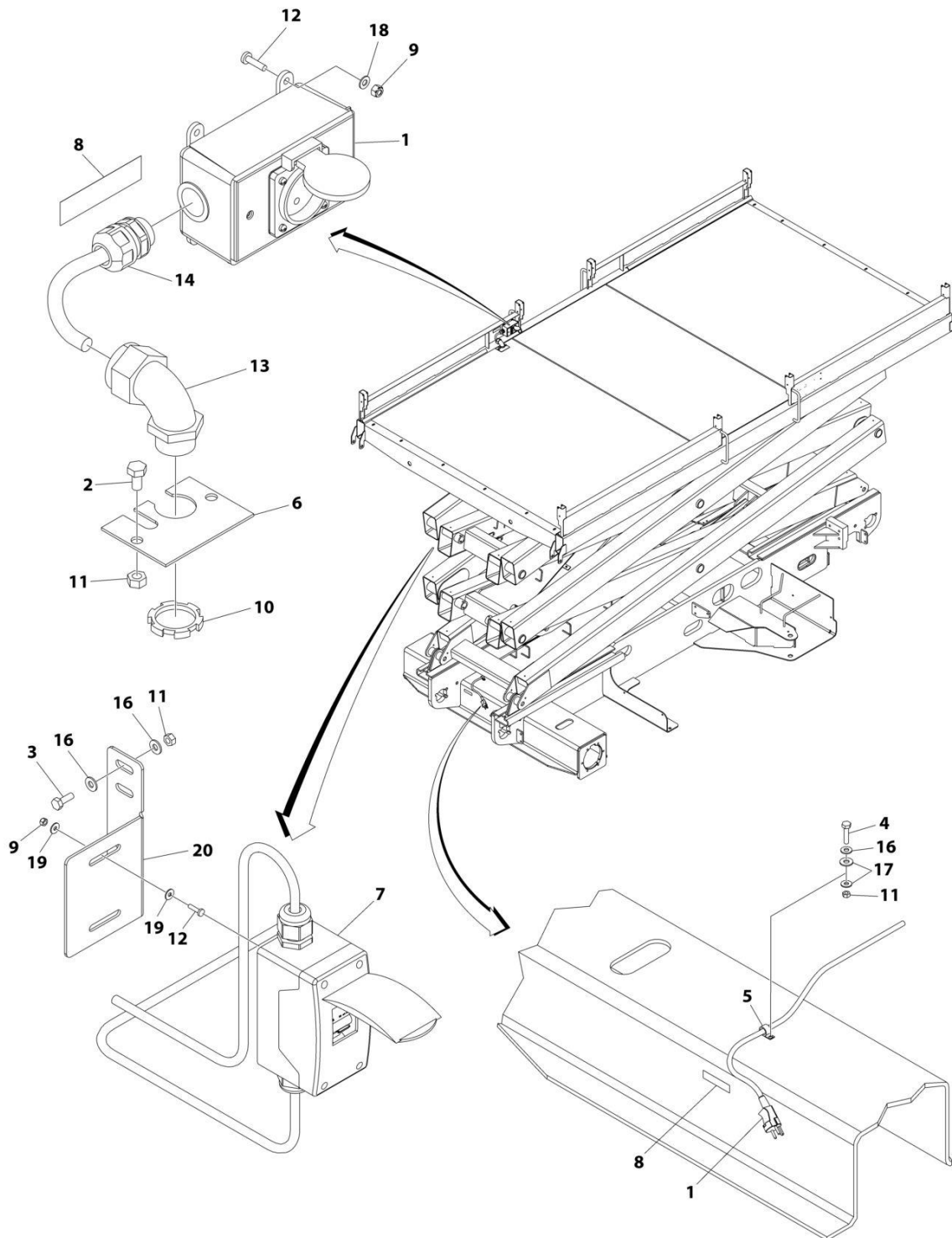
SECTION 8 - ELECTRICAL

FIGURE 8-5. AC BOX AT PLATFORM INSTALLATION - 220V IEC BLUE (CE & UK CA SPECS)

ITEM	PART NUMBER	QTY	DESCRIPTION	REV
	1001206783	Ref	AC BOX AT PLATFORM INSTALLATION - 220V IEC BLUE	F
1	0275217	1	Receptacle Box Kit - 220V IEC Blue (CE Specs) (See Separate Breakdown in this Section)	
2	0641404	2	Bolt 1/4 x 1/2	
3	0641406	2	Bolt 1/4 x 3/4	
4	0641409	1	Bolt 1/4 x 1-1/8	
5	1320224	1	Clamp	
6	1670988	1	Cover	
7	1001096070	1	Breaker Box Kit (See Separate Breakdown in this Section)	
8	3252507	2	Decal - 220 Volt	
9	3290405	4	Nut M4	
10	3300048	1	Nut 3/4	
11	3311405	5	Nut 1/4	
12	4010408	4	Screw M4 x 16	
13	4460422	1	Connector, Strain Relief	
14	4460968	1	Connector, Strain Relief	
16	4711400	5	Washer 1/4	
17	4751400	2	Washer 1/4	
18	4811400	4	Washer M4	
19	1001091102	4	Washer M4	
20	1001206928	1	Bracket	

SECTION 8 - ELECTRICAL

FIGURE 8-6. AC BOX AT PLATFORM INSTALLATION - 220V AFSINT 107 (CE & UK CA SPECS)



ART_1001206781_E

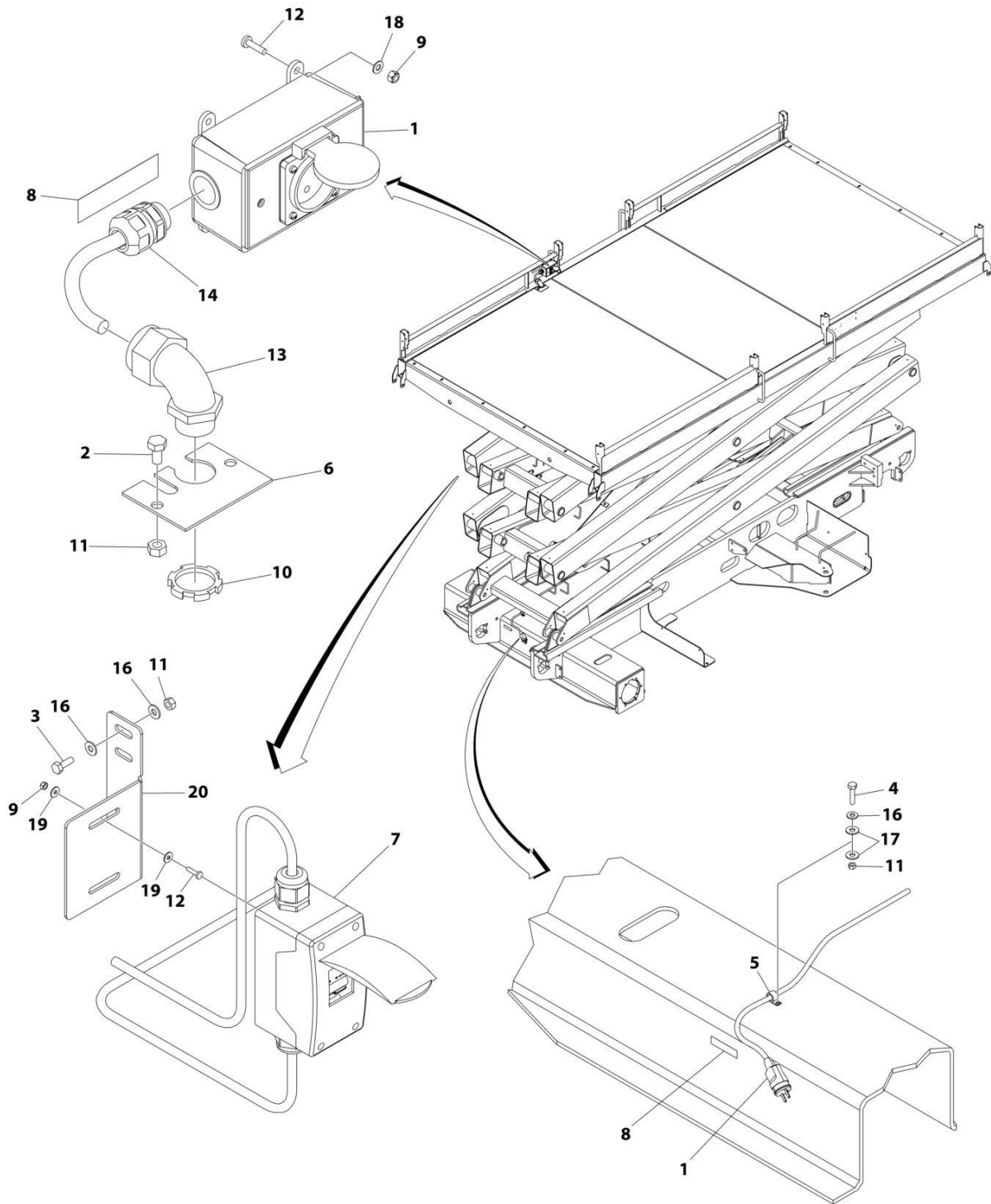
SECTION 8 - ELECTRICAL

FIGURE 8-6. AC BOX AT PLATFORM INSTALLATION - 220V AFSINT 107 (CE & UK CA SPECS)

ITEM	PART NUMBER	QTY	DESCRIPTION	REV
	1001206781	Ref	AC BOX AT PLATFORM INSTALLATION - 220V AFSINT 107	E
1	0275454	1	Receptacle Box Kit - 220V AFSINT 107 (CE Specs) (See Separate Breakdown in this Section)	
2	0641404	2	Bolt 1/4 x 1/2	
3	0641406	2	Bolt 1/4 x 3/4	
4	0641409	1	Bolt 1/4 x 1-1/8	
5	1320224	1	Clamp	
6	1670988	1	Cover	
7	1001096070	1	Breaker Box Kit (See Separate Breakdown in this Section)	
8	3252507	2	Decal - 220 Volt	
9	3290405	6	Nut M4	
10	3300048	1	Nut 3/4	
11	3311405	5	Nut 1/4	
12	4010408	6	Screw M4 x 16	
13	4460422	1	Connector, Strain Relief	
14	4460968	1	Connector, Strain Relief	
16	4711400	5	Washer 1/4	
17	4751400	2	Washer 1/4	
18	4811400	4	Washer M4	
19	1001091102	4	Washer M4	
20	1001206928	1	Bracket	

SECTION 8 - ELECTRICAL

FIGURE 8-7. AC BOX AT PLATFORM INSTALLATION - 220V CEE7 POST GROUND 2X4 BOX (CE & UK CA SPECS)



ART_1001206779_E

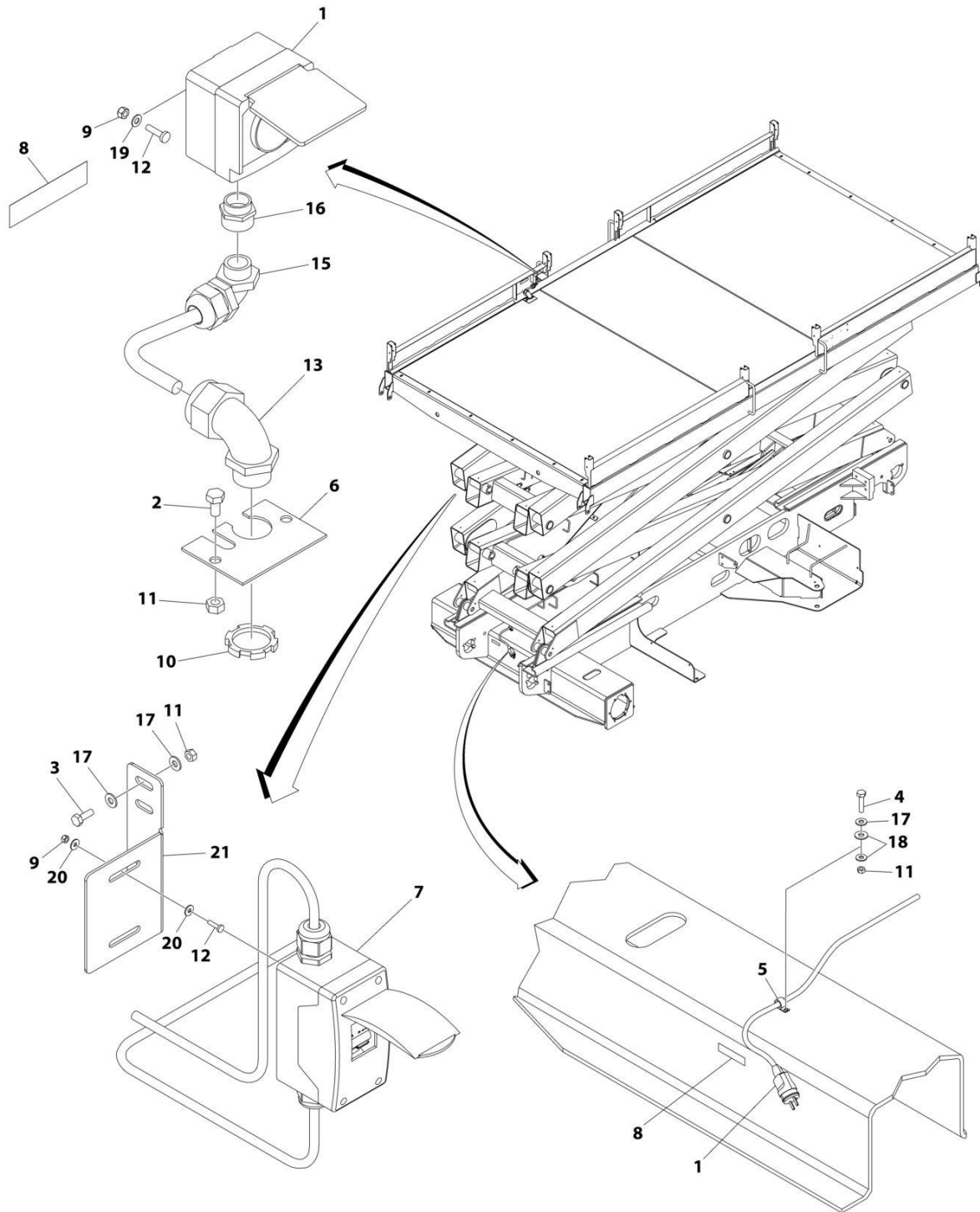
SECTION 8 - ELECTRICAL

FIGURE 8-7. AC BOX AT PLATFORM INSTALLATION - 220V CEE7 POST GROUND 2X4 BOX (CE & UK CA SPECS)

ITEM	PART NUMBER	QTY	DESCRIPTION	REV
	1001206779	Ref	AC BOX AT PLATFORM INSTALLATION - 220V CEE7 POST GROUND 2X4 BOX	E
1	0275452	1	Receptacle Box Kit - 220V CEE7 Post Ground 2X4 Box (See Separate Breakdown in this Section)	
2	0641404	2	Bolt 1/4 x 1/2	
3	0641406	2	Bolt 1/4 x 3/4	
4	0641409	1	Bolt 1/4 x 1-1/8	
5	1320224	1	Clamp	
6	1670988	1	Cover	
7	1001096070	1	Breaker Box Kit (See Separate Breakdown in this Section)	
8	3252507	2	Decal - 220 Volt	
9	3290405	6	Nut M4	
10	3300048	1	Nut 3/4	
11	3311405	5	Nut 1/4	
12	4010408	6	Screw M4 x 16	
13	4460422	1	Connector, Strain Relief	
14	4460968	1	Connector, Strain Relief	
16	4711400	5	Washer 1/4	
17	4751400	2	Washer 1/4	
18	4811400	4	Washer M4	
19	1001091102	4	Washer M4	
20	1001206928	1	Bracket	

SECTION 8 - ELECTRICAL

FIGURE 8-8. AC BOX AT PLATFORM INSTALLATION - 220V CEE7 POST GROUND 70X70 BOX (CE & UK CA SPECS)



ART_1001206784_E

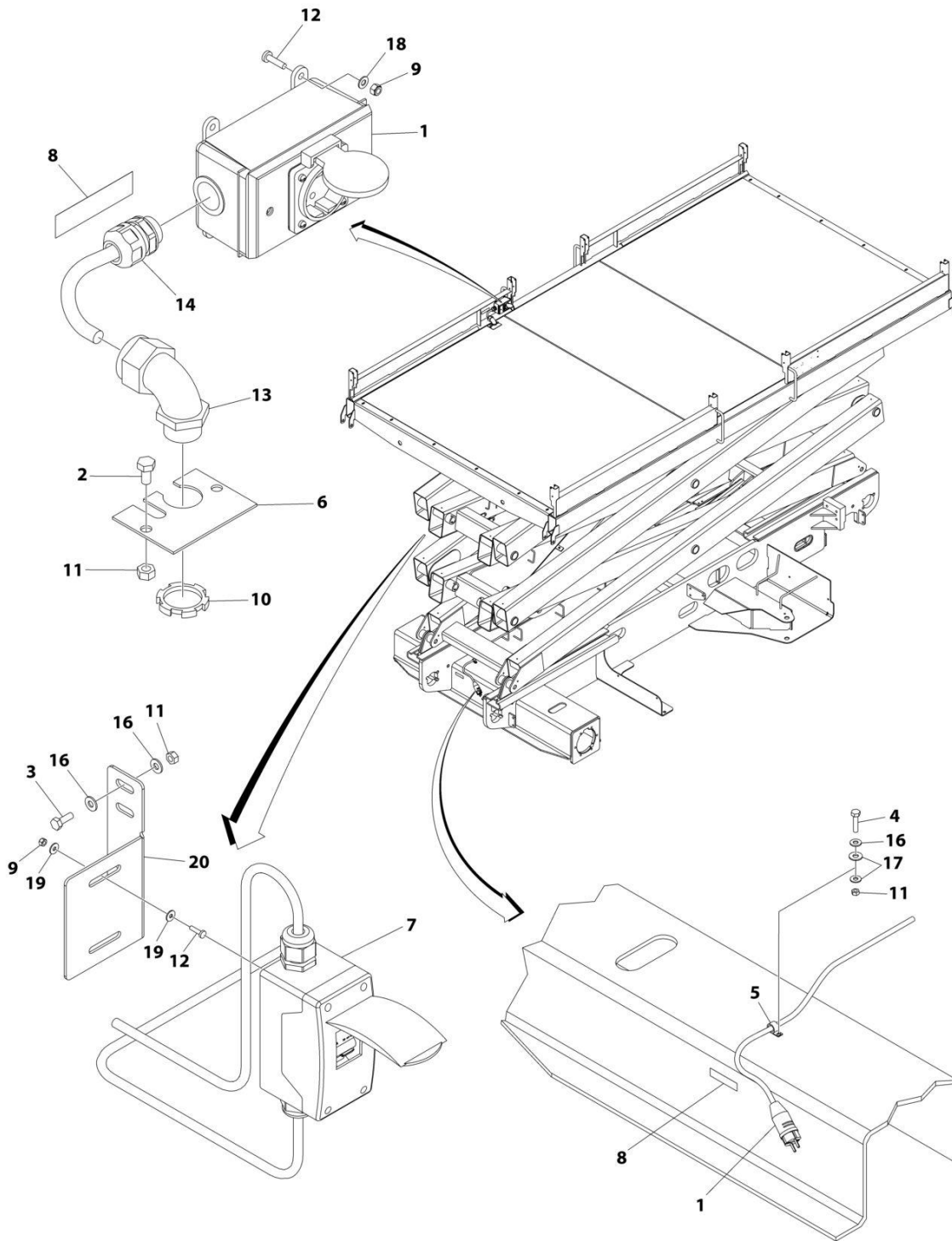
SECTION 8 - ELECTRICAL

FIGURE 8-8. AC BOX AT PLATFORM INSTALLATION - 220V CEE7 POST GROUND 70X70 BOX (CE & UK CA SPECS)

ITEM	PART NUMBER	QTY	DESCRIPTION	REV
	1001206784	Ref	AC BOX AT PLATFORM INSTALLATION - 220V CEE7 POST GROUND 70X70 BOX (CE SPECS)	E
1	0275218	1	Receptacle Box Kit - 220V CEE7 Post Ground 70X70 Box (See Separate Breakdown in this Section)	
2	0641404	2	Bolt 1/4 x 1/2	
3	0641406	2	Bolt 1/4 x 3/4	
4	0641409	1	Bolt 1/4 x 1-1/8	
5	1320224	1	Clamp	
6	1670988	1	Cover	
7	1001096070	1	Breaker Box Kit (See Separate Breakdown in this Section)	
8	3252507	2	Decal - 220 Volt	
9	3290405	4	Nut M4	
10	3300048	1	Nut 3/4	
11	3311405	5	Nut 1/4	
12	4010408	4	Screw M4 x 16	
13	4460422	1	Connector, Strain Relief	
15	4461257	1	Connector, Strain Relief	
16	4461258	1	Adapter	
17	4711400	5	Washer 1/4	
18	4751400	2	Washer 1/4	
19	4811400	2	Washer M4	
20	1001091102	4	Washer M4	
21	1001206928	1	Bracket	

SECTION 8 - ELECTRICAL

FIGURE 8-9. AC BOX AT PLATFORM INSTALLATION - 220V CEE7 SIDE GROUND 2X4 BOX (CE & UK CA SPECS)



ART_1001206780_E

SECTION 8 - ELECTRICAL

FIGURE 8-9. AC BOX AT PLATFORM INSTALLATION - 220V CEE7 SIDE GROUND 2X4 BOX (CE & UK CA SPECS)

ITEM	PART NUMBER	QTY	DESCRIPTION	REV
	1001206780	Ref	AC BOX AT PLATFORM INSTALLATION - 220V CEE7 SIDE GROUND 2X4 BOX	E
1	0275453	1	Receptacle Box Kit - 220V CEE7 Side Ground 2X4 Box (See Separate Breakdown in this Section)	
2	0641404	2	Bolt 1/4 x 1/2	
3	0641406	2	Bolt 1/4 x 3/4	
4	0641409	1	Bolt 1/4 x 1-1/8	
5	1320224	1	Clamp	
6	1670988	1	Cover	
7	1001096070	1	Breaker Box Kit (See Separate Breakdown in this Section)	
8	3252507	2	Decal - 220 Volt	
9	3290405	6	Nut M4	
10	3300048	1	Nut 3/4	
11	3311405	5	Nut 1/4	
12	4010408	6	Screw M4 x 16	
13	4460422	1	Connector, Strain Relief	
14	4460968	1	Connector, Strain Relief	
16	4711400	5	Washer 1/4	
17	4751400	2	Washer 1/4	
18	4811400	4	Washer M4	
19	1001091102	4	Washer M4	
20	1001206928	1	Bracket	

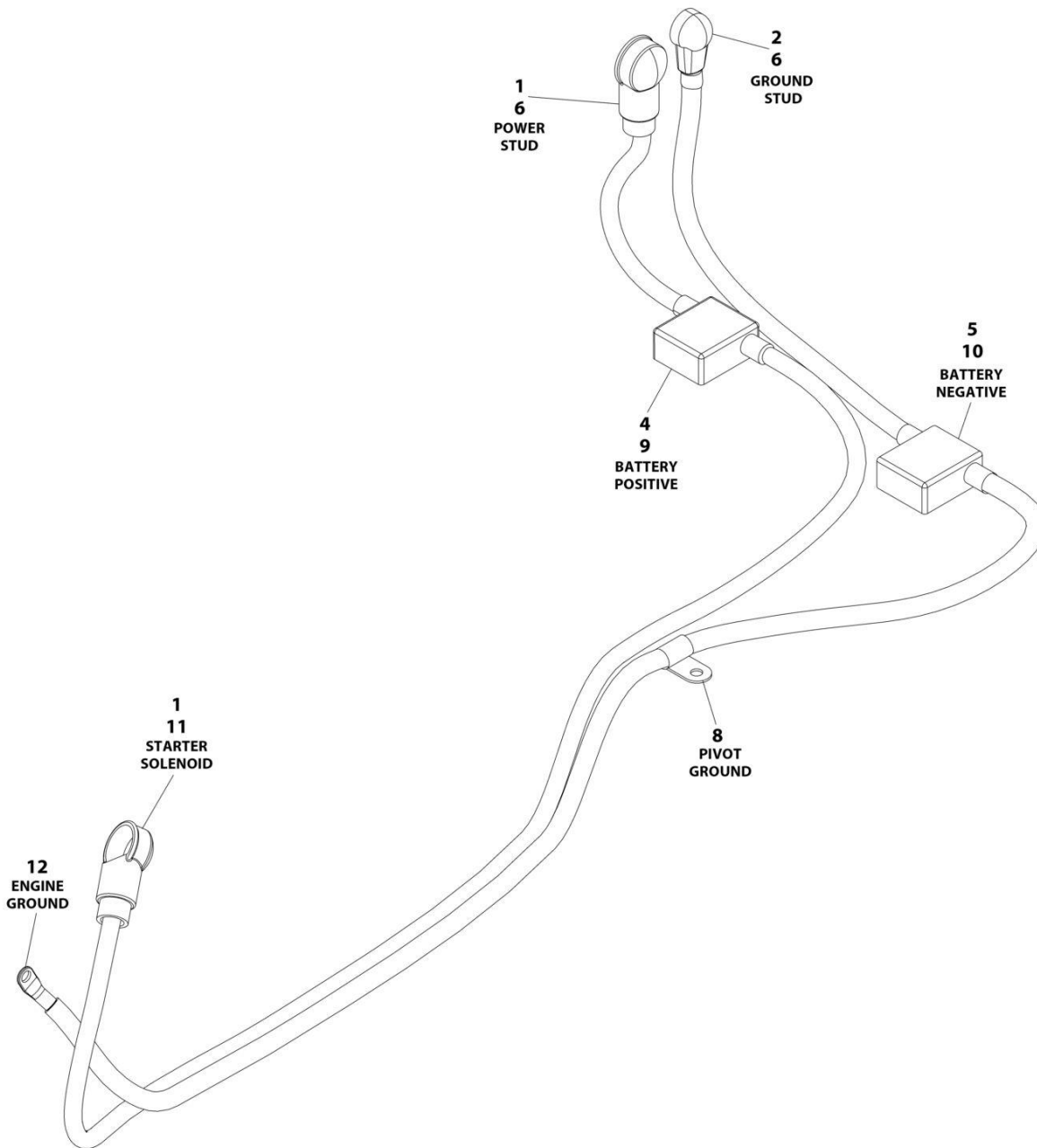
SECTION 8 - ELECTRICAL

FIGURE 8-10. AC BOX AT PLATFORM INSTALLATION - 220V CEE7 SIDE GROUND 70X70 BOX (CE & UK CA SPECS)

ITEM	PART NUMBER	QTY	DESCRIPTION	REV
	1001206785	Ref	AC BOX AT PLATFORM INSTALLATION - 220V CEE7 SIDE GROUND 70X70 BOX	E
1	0275219	1	Receptacle Box Kit - 220V CEE7 Side Ground 70X70 Box (See Separate Breakdown in this Section)	
2	0641404	2	Bolt 1/4 x 1/2	
3	0641406	2	Bolt 1/4 x 3/4	
4	0641409	1	Bolt 1/4 x 1-1/8	
5	1320224	1	Clamp	
6	1670988	1	Cover	
7	1001096070	1	Breaker Box Kit (See Separate Breakdown in this Section)	
8	3252507	2	Decal - 220 Volt	
9	3290405	4	Nut M4	
10	3300048	1	Nut 3/4	
11	3311405	5	Nut 1/4	
12	4010408	4	Screw M4 x 16	
13	4460422	1	Connector, Strain Relief	
15	4461257	1	Connector, Strain Relief	
16	4461258	1	Adapter	
17	4711400	5	Washer 1/4	
18	4751400	2	Washer 1/4	
19	4811400	2	Washer M4	
20	1001091102	4	Washer M4	
21	1001206928	1	Bracket	

SECTION 8 - ELECTRICAL

FIGURE 8-11. BATTERY CABLE KIT



ART_1001186428_E

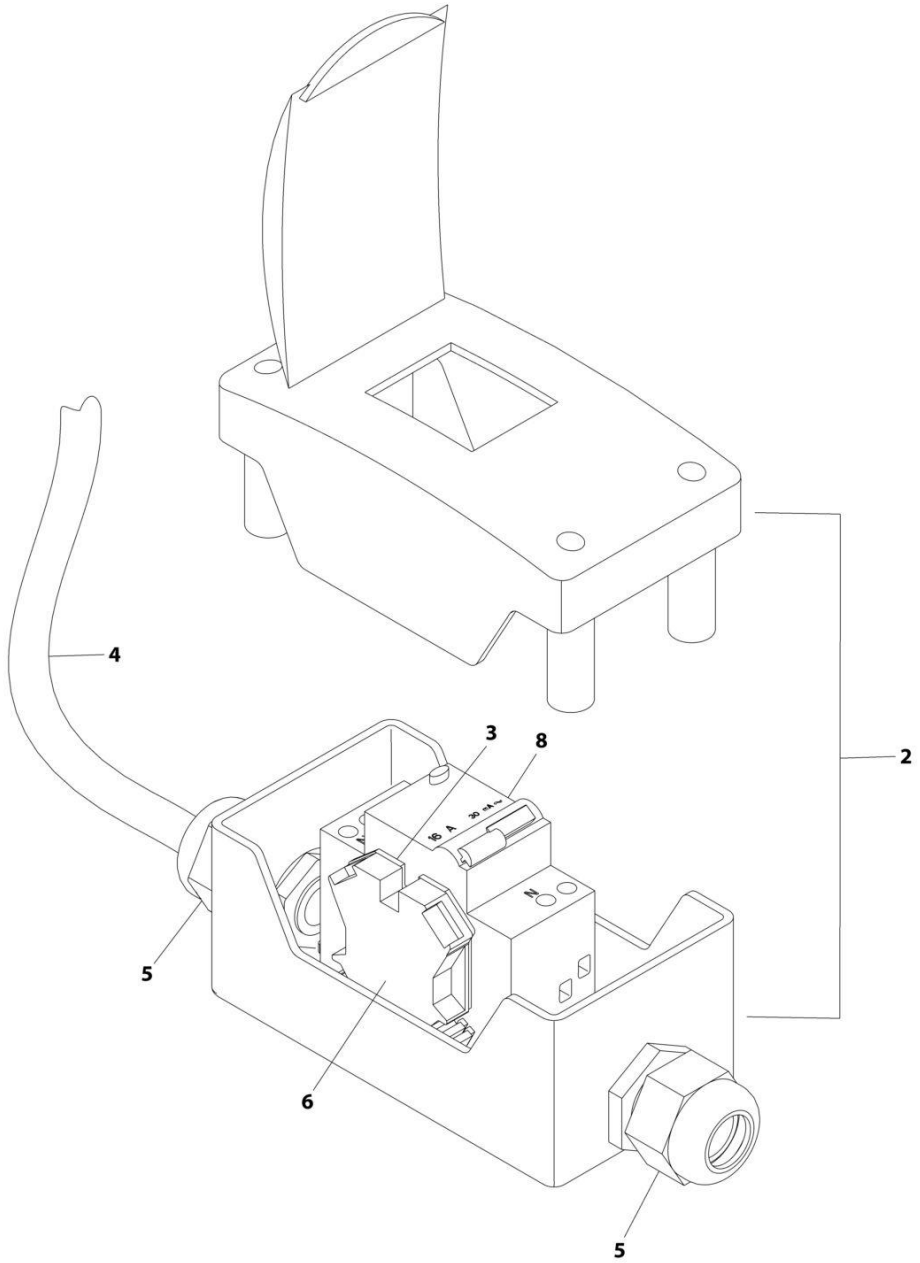
SECTION 8 - ELECTRICAL

FIGURE 8-11. BATTERY CABLE KIT

ITEM	PART NUMBER	QTY	DESCRIPTION	REV
	1001186428	Ref	BATTERY CABLE KIT	E
1	0840052	2	Boot	
2	1001098765	1	Boot	
3	1001137304	AR	Conduit (Red) (Not Shown)	
4	1001186483	1	Boot (Red)	
5	1001186484	1	Boot (Black)	
6	1001181804	2	Terminal, Ring	
8	1001186480	1	Terminal	
9	1001186481	1	Terminal, Battery +	
10	1001186482	1	Terminal, Battery -	
11	1001230006	1	Terminal, Angle 45, 5/16	
12	1001230007	1	Terminal, Angle 45, 3/8	

SECTION 8 - ELECTRICAL

FIGURE 8-12. BREAKER BOX KIT



ART_1001096070_E

SECTION 8 - ELECTRICAL

FIGURE 8-12. BREAKER BOX KIT

ITEM	PART NUMBER	QTY	DESCRIPTION	REV
	1001096070	Ref	BREAKER BOX KIT	E
2	0861880	1	Box	
3	4460956	1	Barrier, Terminal Block End	
4	1060908	12 ft/ 3.6m	Cable, 12/3	
5	1001097150	2	Connector, Strain Relief	
6	4460957	1	Block, Terminal	
8	1001181045	1	Breaker, 16Amp	

SECTION 8 - ELECTRICAL

FIGURE 8-13. CHASSIS HARNESS

ITEM	PART NUMBER	QTY	DESCRIPTION	REV
	1001236271	Ref	CHASSIS HARNESS	E
1	0840056	1	Boot	
2	0840057	1	Boot	
3	0840059	1	Boot	
4	0840061	2	Boot	
5	4460466	3	Plug, Terminal	
6	4460837	1	Bussbar - 12 Position	
7	4460852	2	Bussbar - 8 Position	
8	4460892	1	Bussbar - 6 Position	
10	4460945	1	Receptacle, 3 Way	
11	1001103013	1	Receptacle, Female - 4 Position	
12	1001106736	1	Cap, Dust	
13	1001116698	4	Plug, Terminal	
14	1001154726	1	Connector - 3 Position	
15	1001174455	2	Boot	
16	1001192401	1	Cap, Dust	
17	1001215898	1	Cap, Dust	
18	1001155806	2	Cap, Dust	
101	4460812	1	Connector - 24 Position	
101	4460465	15	Socket, Female	
101	4460944	3	Socket, Female	
101	4460942	2	Socket, Female	
101	4460466	4	Plug, Terminal	
102	4460814	1	Connector - 40 Position	
102	4460465	25	Socket, Female	
102	4460944	3	Socket, Female	
102	4460942	5	Socket, Female	
102	4460466	7	Plug, Terminal	
103	1001112612	1	Connector - 9 Position	
103	4460943	3	Pin, Male	
103	4460464	3	Pin, Male	
103	4460466	3	Plug, Terminal	
104	4460933	3	Plug, Male - 12 Position	
104	4460465	19	Socket, Female	
104	4460944	5	Socket, Female	
104	4460466	12	Plug, Terminal	
105	4460884	1	Plug, Male - 4 Position	
105	4460465	4	Socket, Female	
106	8220007	2	Terminal, Ring	
107	1001117078	2	Fuseholder with 5Amp Fuse	
107	See Note	NSS	Fuse - 5Amp ATO (Note: Purchase Locally)	
107	1001191599	2	Cover	
107	1001117019	2	Bracket	
107	1001116732	1	Terminal	
107	1001116733	1	Terminal	
108	1001117023	1	Fuseholder with 10Amp Fuse	
108	See Note	NSS	Fuse - 10Amp ATO (Note: Purchase Locally)	
108	1001191599	1	Cover	
108	1001117019	1	Bracket	
108	1001116734	2	Terminal	

SECTION 8 - ELECTRICAL

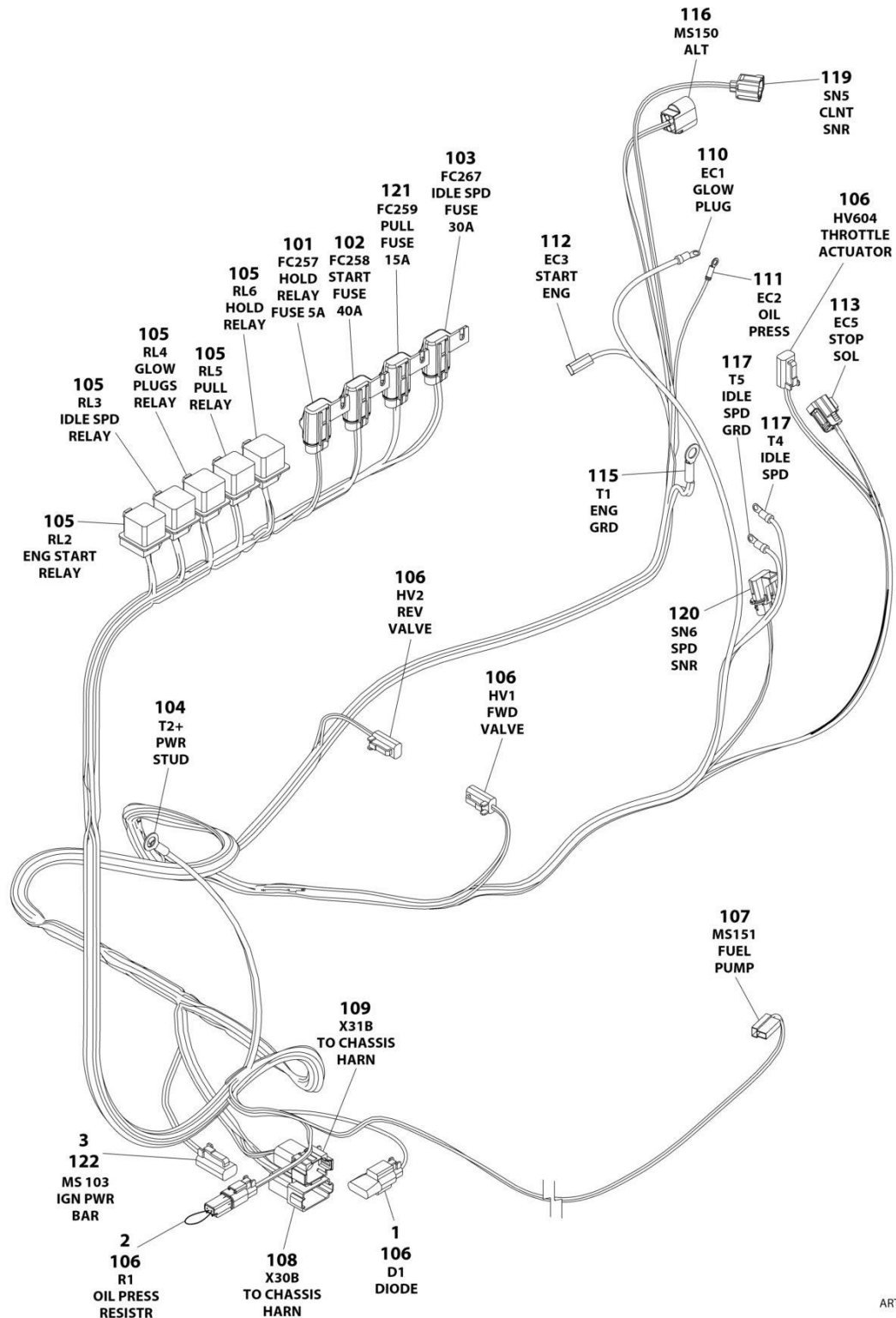
ITEM	PART NUMBER	QTY	DESCRIPTION	REV
109	1001117069	1	Fuseholder with 20Amp Fuse	
109	See Note	NSS	Fuse - 20Amp ATO (Note: Purchase Locally)	
109	1001191599	1	Cover	
109	1001117019	1	Bracket	
109	1001116734	2	Terminal	
110	4460836	1	Plug, Male - 12 Position	
110	4460465	10	Socket, Female	
110	4460466	2	Plug, Terminal	
111	4460851	3	Plug, Male - 8 Position	
111	4460465	20	Socket, Female	
111	4460944	3	Socket, Female	
111	4460466	1	Plug, Terminal	
112	4460894	1	Plug, Male - 6 Position	
112	4460465	6	Socket, Female	
113	1001201642	1	Fuseholder with 10Amp Fuse	
113	See Note	NSS	Fuse - 10Amp ATO (Note: Purchase Locally)	
113	1001191599	1	Cover	
113	See Note	NSS	Bracket (Note: Use p/n 1001201642)	
113	1001116733	2	Terminal	
114	1001117057	4	Plug, Relay	
114	1001116732	8	Terminal	
114	1001116733	8	Terminal	
115	1001116926	1	Connector - 21 Position	
115	4460465	4	Socket, Female	
115	4460944	3	Socket, Female	
115	4460509	4	Socket, Female	
115	4460466	10	Plug, Terminal	
116	4460967	1	Connector - 3 Position	
116	4460465	3	Socket, Female	
117	4460891	14	Plug, Male - 4 Position	
117	4460465	28	Socket, Female	
118	3990010	1	Diode	
119	1001116812	2	Plug, Male - 3 Position	
119	4460944	6	Socket, Female	
120	4460539	2	Plug, Male - 3 Position	
120	4460944	6	Socket, Female	
121	4460260	2	Cover, Terminal	
121	4460259	2	Terminal	
122	1001103012	2	Plug, Male - 4 Position	
122	1001107854	8	Socket, Female	
122	1001104498	4	Seal	
122	1001116763	4	Seal	
123	4460897	2	Receptacle, Female - 2 Position	
123	4460464	4	Pin, Male	
124	4460019	2	Terminal, Ring	
125	1001118938	1	Fuseholder with 40Amp Fuse	
125	See Note	NSS	Fuse - 40Amp ATO (Note: Purchase Locally)	
125	1001191599	1	Cover	
125	See Note	NSS	Bracket (Note: Use p/n 1001118938)	
125	1001116734	2	Terminal	
126	4460256	1	Terminal, Ring	

SECTION 8 - ELECTRICAL

ITEM	PART NUMBER	QTY	DESCRIPTION	REV
127	4460930	1	Plug, Male - 8 Position	
127	4460465	7	Socket, Female	
127	4460466	1	Plug, Terminal	
128	4460761	1	Receptacle, Female - 4 Position	
128	4460267	4	Pin, Male	
129	1001116808	1	Plug, Male - 12 Position	
129	1001126008	4	Terminal	
129	4460518	8	Plug, Terminal	
130	1001116774	1	Plug, Male - 12 Position	
130	1001126008	7	Terminal	
130	1001126009	2	Terminal	
130	4460518	3	Plug, Terminal	
	1001209619	Ref	CHASSIS HARNESS INSTALLATION	H
204	3740080	3	Relay	
212	1001234736	1	Module, Control	
213	1001308688	1	Ground Wire Harness (See Separate Breakdown in this Section)	

SECTION 8 - ELECTRICAL

FIGURE 8-14. ENGINE HARNESS - KUBOTA DIESEL



ART_1001236545

SECTION 8 - ELECTRICAL

FIGURE 8-14. ENGINE HARNESS - KUBOTA DIESEL

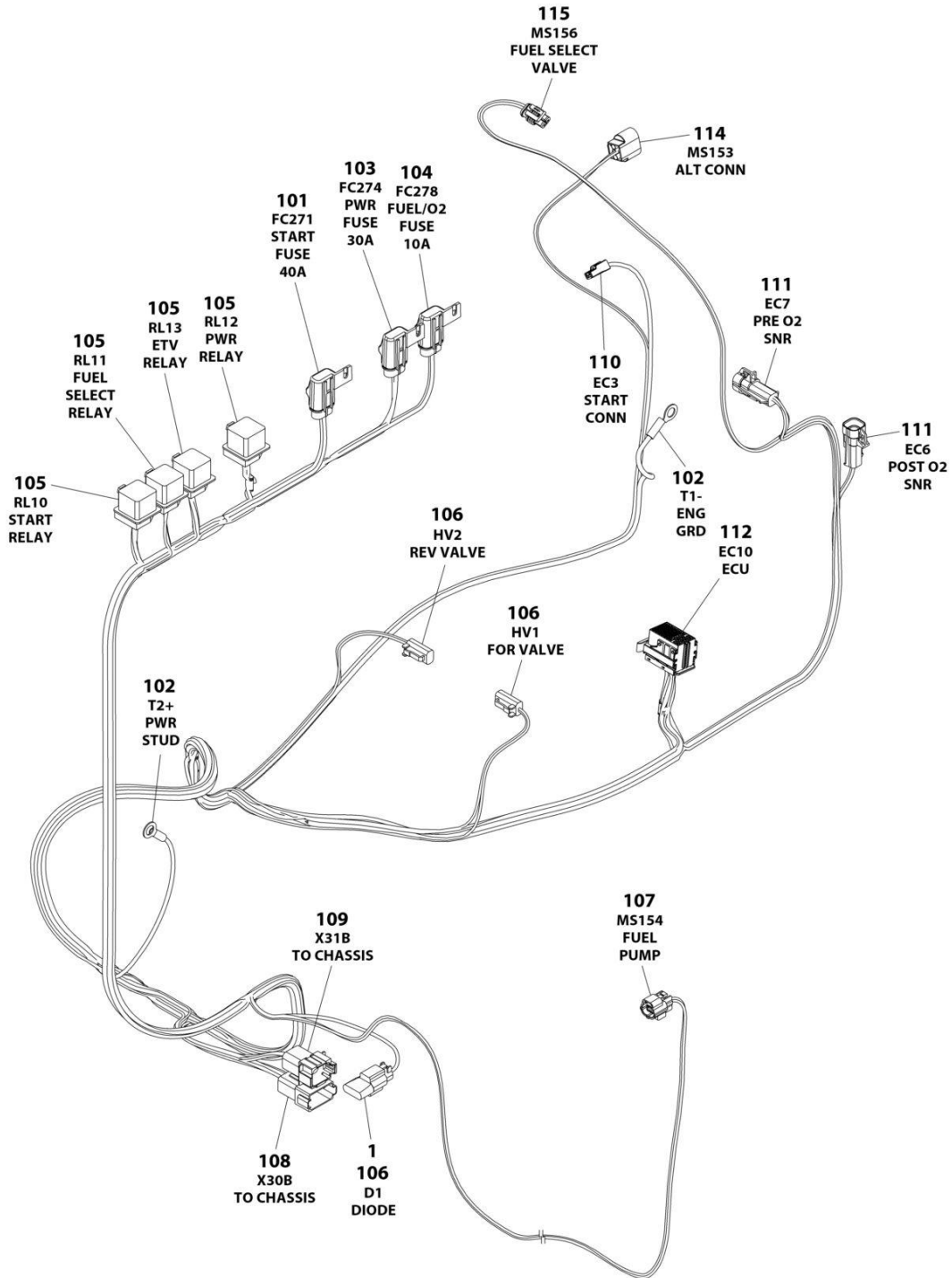
ITEM	PART NUMBER	QTY	DESCRIPTION	REV
	1001236545	Ref	ENGINE HARNESS - KUBOTA DIESEL	C
1	1001116816	3	Receptacle, Female with Diode	
2	1001195684	1	Resistor	
3	4460893	1	Terminal, 4 Position Buss Bar	
101	1001119412	1	Fuseholder with 5Amp Fuse	
101	See Note	NSS	Fuse - 5Amp ATO (Note: Purchase Locally)	
101	1001191599	1	Cover	
101	See Note	NSS	Bracket (Note: Use p/n 1001119412)	
101	1001116732	1	Terminal	
101	1001116733	1	Terminal	
102	1001118938	1	Fuseholder with 40Amp Fuse	
102	See Note	NSS	Fuse - 40Amp ATO (Note: Purchase Locally)	
102	1001191599	1	Cover	
102	See Note	NSS	Bracket (Note: Use p/n 1001118938)	
102	1001116734	2	Terminal	
103	1001117070	1	Fuseholder with 30Amp Fuse	
103	See Note	NSS	Fuse - 30Amp ATO (Note: Purchase Locally)	
103	1001191599	1	Cover	
103	See Note	NSS	Bracket (Note: Use p/n 1001117070)	
103	1001116734	2	Terminal	
104	8220164	2	Terminal, Ring	
105	1001117057	5	Plug, Relay	
105	1001116732	12	Terminal	
105	1001116734	8	Terminal	
106	4460891	6	Plug, Male - 4 Position	
106	4460465	10	Socket, Female	
106	4460942	2	Socket, Female	
107	1001118744	1	Receptacle, Female - 2 Position	
107	1001118745	2	Terminal	
108	4460970	1	Receptacle, Female - 12 Position	
108	4460464	11	Pin, Male	
108	4460941	1	Pin, Male	
109	1001116813	1	Receptacle, Female - 8 Position	
109	4460464	5	Pin, Male	
109	4460466	3	Plug, Terminal	
110	4460142	1	Terminal, Ring	
111	4460247	1	Terminal, Ring	
112	1001118743	1	Cover, Terminal	
112	1001230488	1	Terminal	
113	1001223432	1	Receptacle, Female - 2 Position	
113	1001223795	2	Terminal	
113	1001223796	2	Seal	
115	8220164	1	Terminal, Ring	
116	1001125748	1	Receptacle, Female - 2 Position	
116	1001125773	2	Terminal	
116	1001129772	2	Seal	
117	4460042	2	Terminal, Ring	
119	1001118657	1	Receptacle, Female - 2 Position	
119	1001118658	2	Terminal	
119	1001200250	2	Seal	

SECTION 8 - ELECTRICAL

ITEM	PART NUMBER	QTY	DESCRIPTION	REV
120	1001117055	1	Receptacle, Female - 2 Position	
120	4460746	2	Terminal	
120	1001175265	2	Seal	
121	1001117024	1	Fuseholder with 15Amp Fuse	
121	See Note	NSS	Fuse - 15Amp ATO (Note: Purchase Locally)	
121	1001191599	1	Cover	
121	See Note	NSS	Bracket (Note: Use p/n 1001117024)	
121	1001116734	2	Terminal	
122	4460884	1	Plug, Male - 4 Position	
122	4460465	3	Socket, Female	
122	4460466	1	Plug, Terminal	

SECTION 8 - ELECTRICAL

FIGURE 8-15. ENGINE HARNESS - KUBOTA GASOLINE



ART_1001236546

SECTION 8 - ELECTRICAL

FIGURE 8-15. ENGINE HARNESS - KUBOTA GASOLINE

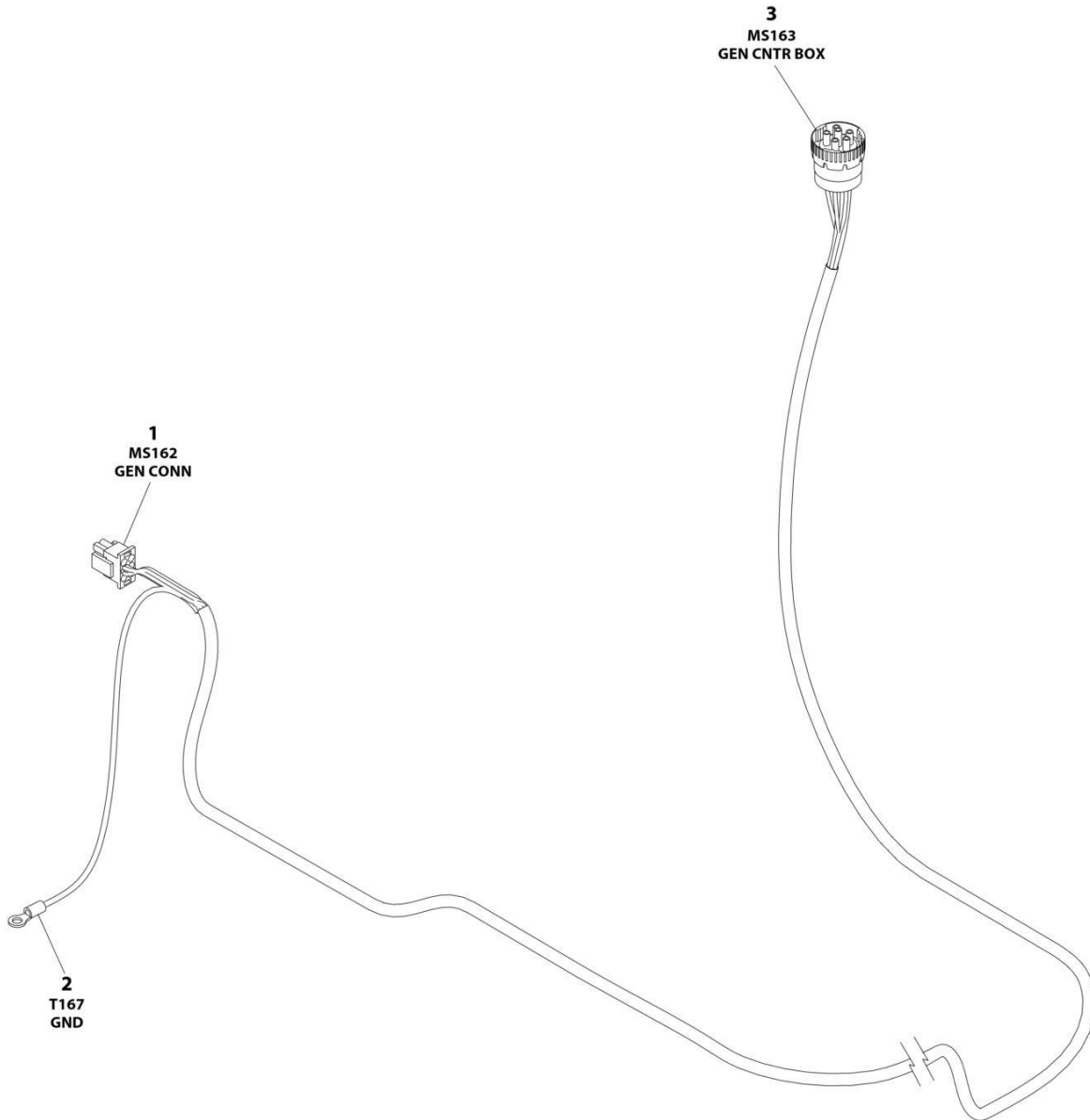
ITEM	PART NUMBER	QTY	DESCRIPTION	REV
	1001236546	Ref	ENGINE HARNESS - KUBOTA GASOLINE	C
1	1001116816	1	Receptacle, Female with Diode	
101	1001118938	1	Fuseholder with 40Amp Fuse	
101	See Note	NSS	Fuse - 40Amp ATO (Note: Purchase Locally)	
101	1001191599	1	Cover	
101	See Note	NSS	Bracket (Note: Use p/n 1001118938)	
101	1001116734	2	Terminal	
102	8220164	2	Terminal, Ring	
103	1001117070	1	Fuseholder with 30Amp Fuse	
103	See Note	NSS	Fuse - 30Amp ATO (Note: Purchase Locally)	
103	1001191599	1	Cover	
103	See Note	NSS	Bracket (Note: Use p/n 1001117070)	
103	1001116734	2	Terminal	
104	1001117023	1	Fuseholder with 10Amp Fuse	
104	See Note	NSS	Fuse - 10Amp ATO (Note: Purchase Locally)	
104	1001191599	1	Cover	
104	See Note	NSS	Bracket (Note: Use p/n 1001201642)	
104	1001116734	2	Terminal	
105	1001117057	4	Plug, Relay	
105	1001116732	6	Terminal	
105	1001116733	2	Terminal	
105	1001116734	7	Terminal	
105	1001116752	1	Terminal	
106	4460891	3	Plug, Male - 4 Position	
106	4460465	6	Socket, Female	
107	1001184832	1	Receptacle, Female - 2 Position	
107	1001118658	2	Terminal	
108	4460970	1	Receptacle, Female - 12 Position	
108	4460464	7	Pin, Male	
108	4460466	5	Plug, Terminal	
109	1001116813	1	Receptacle, Female - 8 Position	
109	4460464	1	Pin, Male	
109	4460943	3	Pin, Male	
109	4460466	4	Plug, Terminal	
110	1001184768	1	Cover, Terminal	
110	1001184769	2	Terminal	
111	4461124	2	Plug, Male - 4 Position	
111	1001116749	8	Terminal	
111	4460608	8	Seal	
112	1001184705	1	Connector - 42 Position	
112	1001187455	5	Terminal	
112	1001184716	10	Terminal	
112	1001184717	2	Terminal	
112	1001184718	4	Terminal	
112	4461054	6	Seal	
112	1001167690	3	Seal	
112	1001126393	10	Seal	
112	1001223459	2	Seal	
112	1001116691	20	Plug, Terminal	
112	1001116696	1	Plug, Terminal	

SECTION 8 - ELECTRICAL

ITEM	PART NUMBER	QTY	DESCRIPTION	REV
114	1001125748	1	Receptacle, Female - 2 Position	
114	1001125773	2	Terminal	
114	1001129772	2	Seal	
115	4461118	1	Plug, Male - 2 Position	
115	1001107854	2	Terminal	
115	1001116763	2	Seal	

SECTION 8 - ELECTRICAL

FIGURE 8-16. GENERATOR HARNESS - 7500W



ART_1001236442

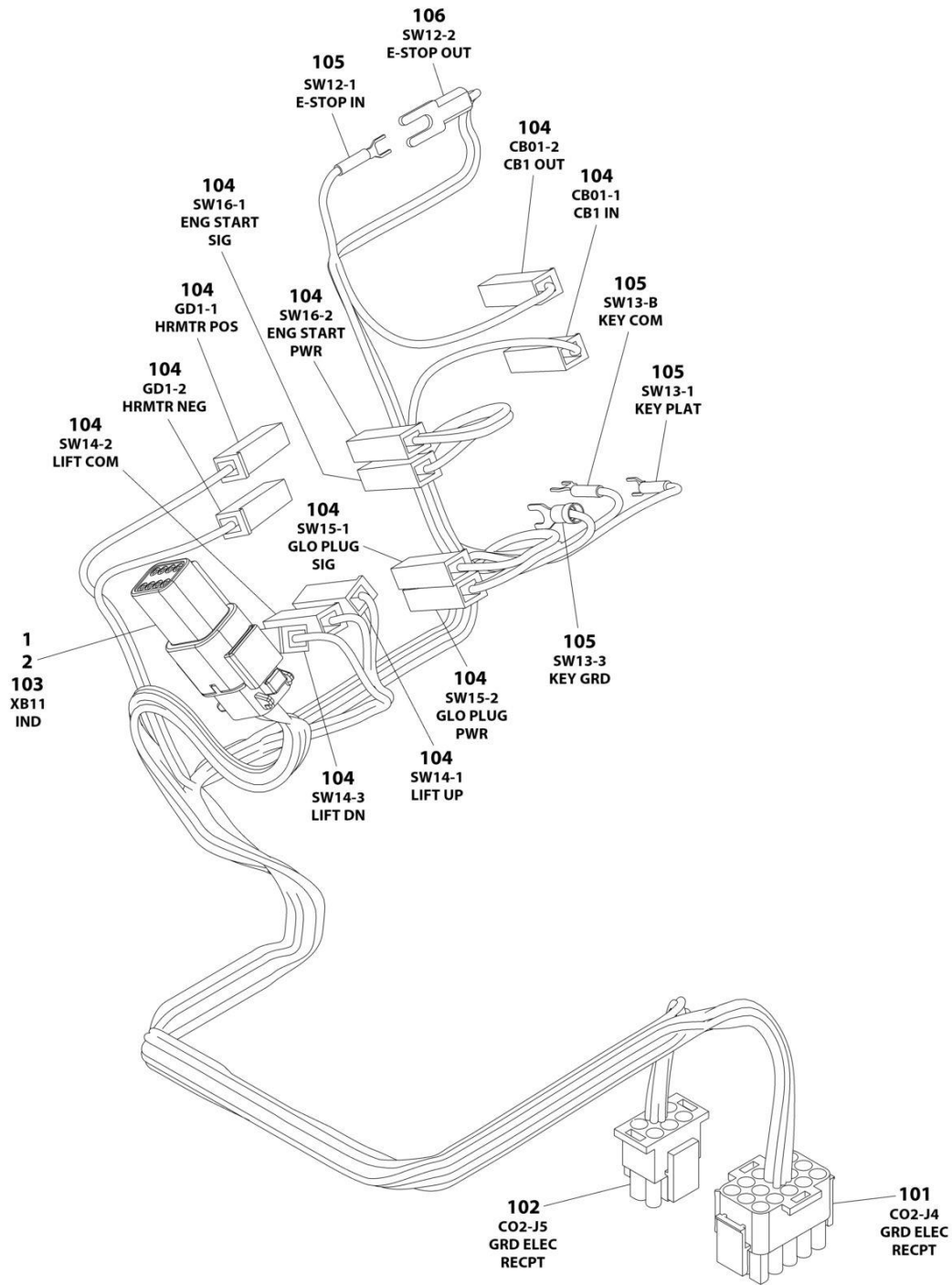
SECTION 8 - ELECTRICAL

FIGURE 8-16. GENERATOR HARNESS - 7500W

ITEM	PART NUMBER	QTY	DESCRIPTION	REV
	1001236442	Ref	GENERATOR CONTROL HARNESS - 7500W	A
1	4460225	1	Plug, Male - 6 Position	
1	4460808	1	Seal, Terminal	
1	4460268	6	Socket, Female	
2	4460043	1	Terminal, Ring	
3	77363233	1	Connector - 6 Position	
3	4460465	6	Socket, Female	

SECTION 8 - ELECTRICAL

FIGURE 8-17. GROUND CONTROL BOX HARNESS (LOWER)



ART_1001236154

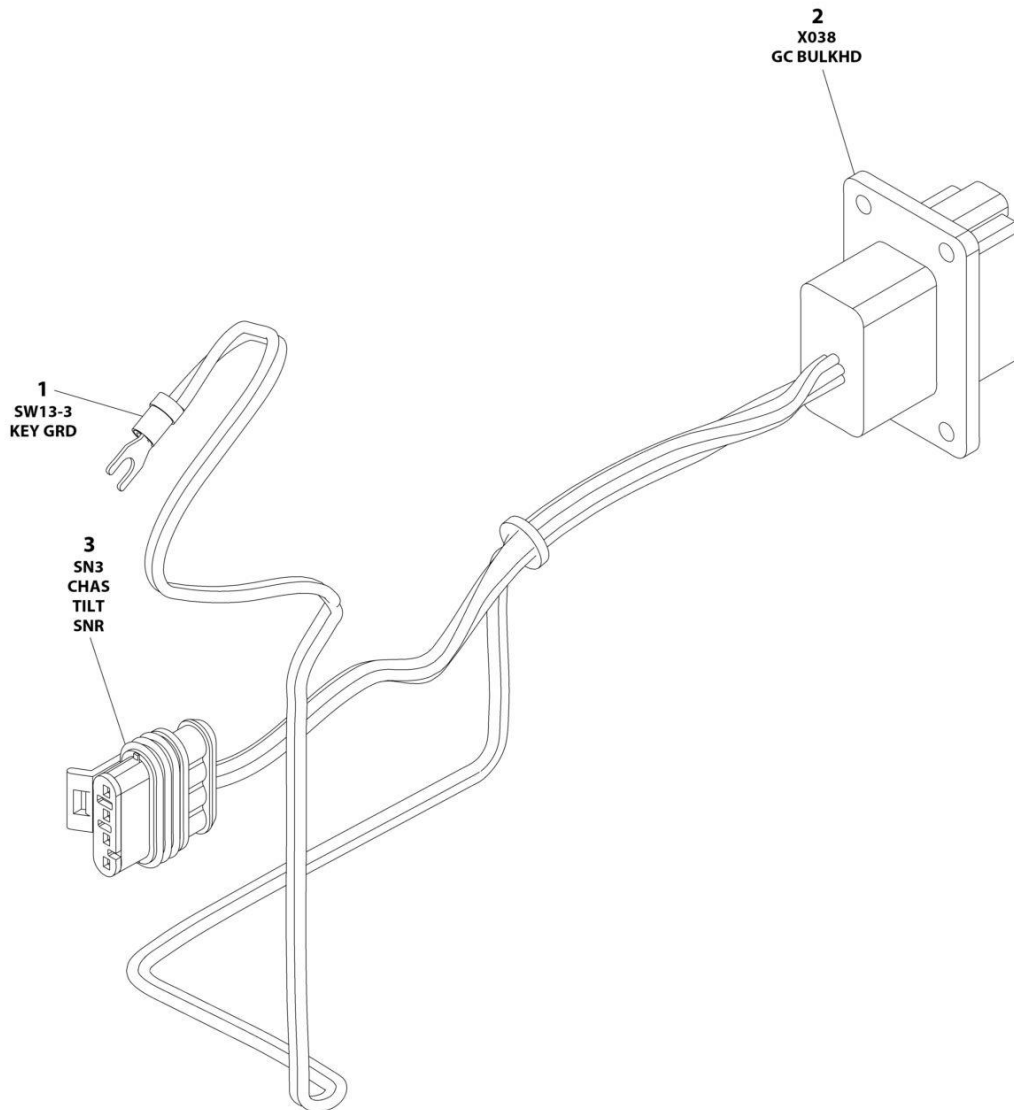
SECTION 8 - ELECTRICAL

FIGURE 8-17. GROUND CONTROL BOX HARNESS (LOWER)

ITEM	PART NUMBER	QTY	DESCRIPTION	REV
	1001236154	Ref	GROUND CONTROL BOX HARNESS (LOWER)	B
1	4460518	8	Plug, Terminal	
2	1001190578	1	Receptacle, Female - 8 Position	
101	4460434	1	Plug, Male -15 Position	
101	4460268	10	Socket, Female	
102	4460225	1	Plug, Male - 6 Position	
102	4460268	6	Socket, Female	
103	1001190577	1	Plug, Male - 8 Position	
103	4460928	8	Socket, Female	
104	4460260	11	Cover, Terminal	
104	4460259	11	Terminal	
105	4460115	4	Terminal, Fork	
106	4460144	1	Terminal, Fork	

SECTION 8 - ELECTRICAL

FIGURE 8-18. GROUND CONTROL BOX HARNESS (UPPER)



ART_1001214989

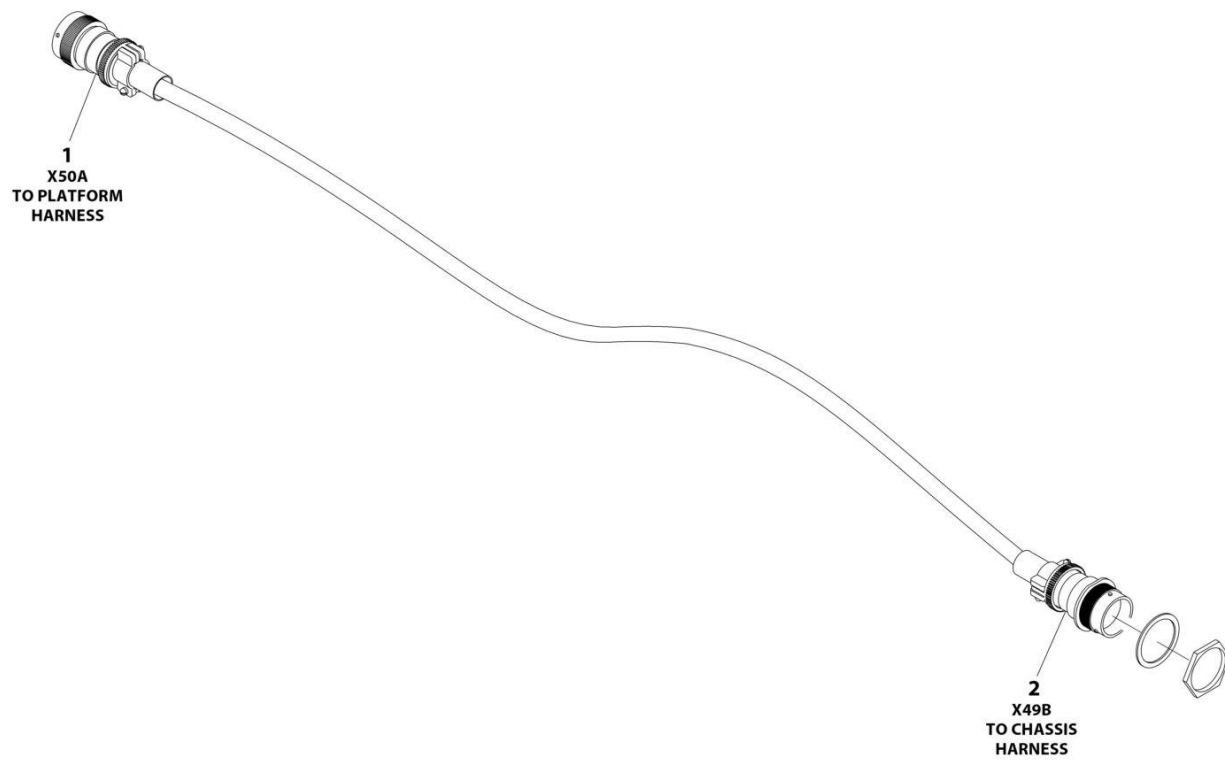
SECTION 8 - ELECTRICAL

FIGURE 8-18. GROUND CONTROL BOX HARNESS (UPPER)

ITEM	PART NUMBER	QTY	DESCRIPTION	REV
	1001214989	Ref	GROUND CONTROL BOX HARNESS (UPPER)	B
1	4460115	1	Terminal, Fork	
2	4460939	1	Receptacle, Female - 12 Position	
2	4460464	4	Pin, Male	
2	4460943	2	Pin, Male	
2	4460466	6	Plug, Terminal	
3	1001103012	1	Plug, Male - 4 Position	
3	1001107854	4	Socket, Female	
3	1001104498	4	Seal	

SECTION 8 - ELECTRICAL

FIGURE 8-19. GROUND TO PLATFORM HARNESS (RT3394)



ART_1001209181

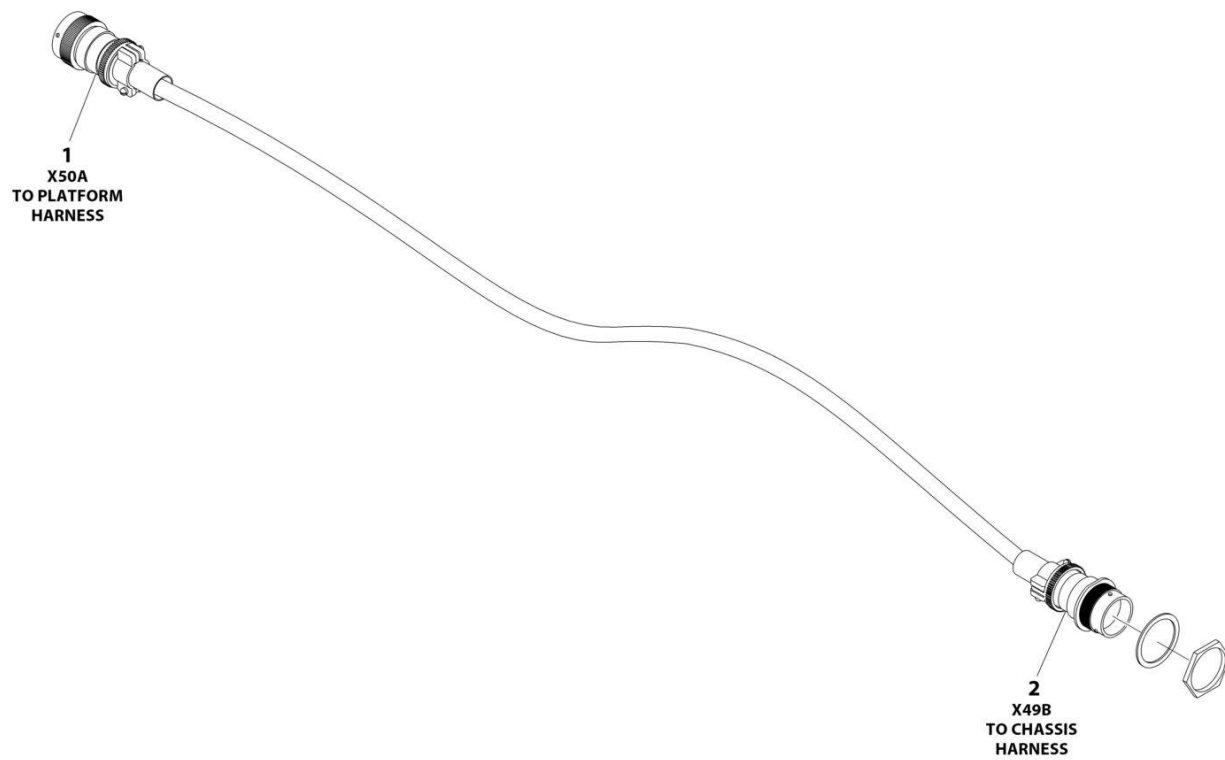
SECTION 8 - ELECTRICAL

FIGURE 8-19. GROUND TO PLATFORM HARNESS (RT3394)

ITEM	PART NUMBER	QTY	DESCRIPTION	REV
	1001209181	Ref	GROUND TO PLATFORM HARNESS	C
1	1001116926	1	Connector - 21 Position	
1	4460465	8	Socket, Female	
1	4460509	4	Socket, Female	
1	4460944	2	Socket, Female	
1	4460466	7	Plug, Terminal	
2	1001116930	1	Connector - 21 Position	
2	4460464	8	Pin, Male	
2	4460508	4	Pin, Male	
2	4460943	2	Pin, Male	
2	4460466	7	Plug, Terminal	

SECTION 8 - ELECTRICAL

FIGURE 8-20. GROUND TO PLATFORM HARNESS (RT4394)



ART_1001210080

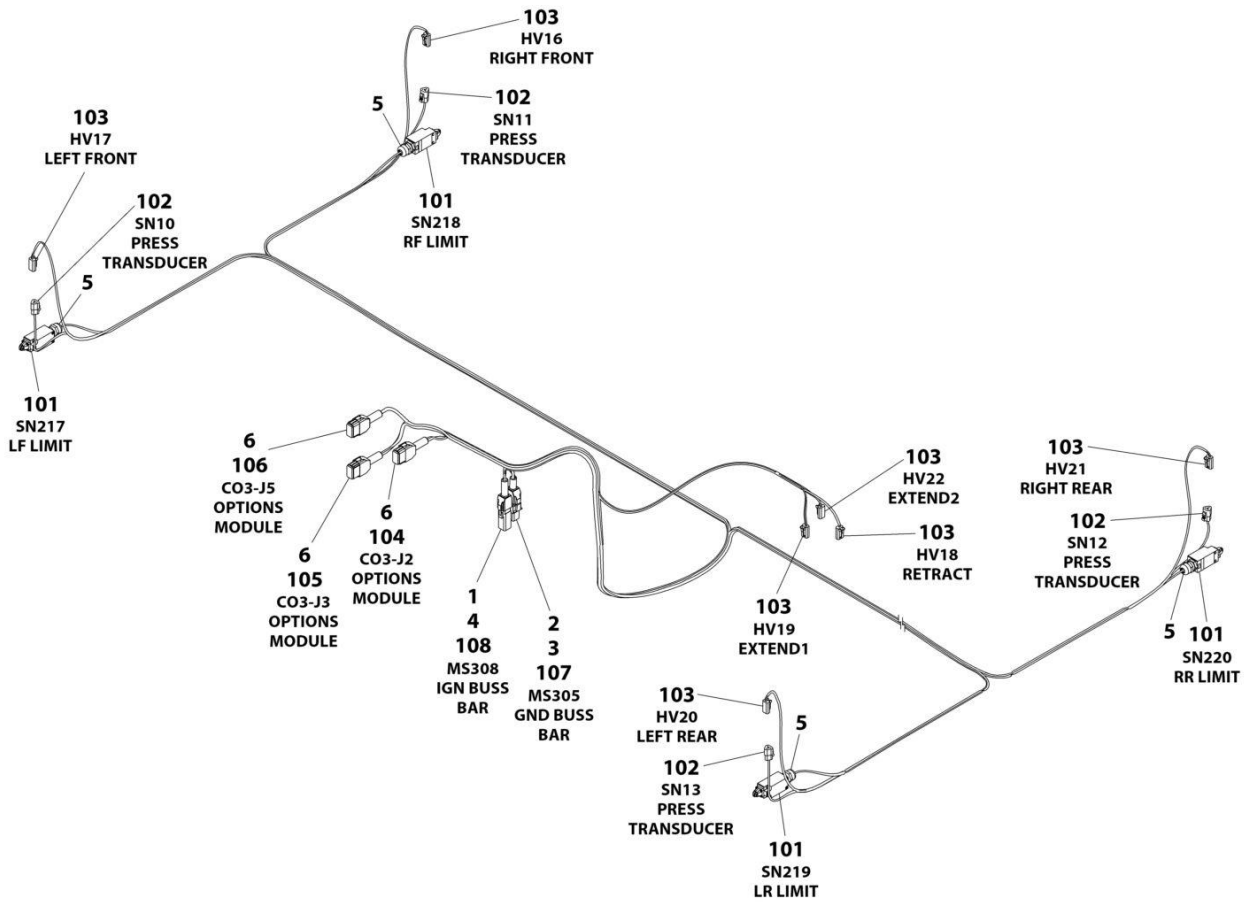
SECTION 8 - ELECTRICAL

FIGURE 8-20. GROUND TO PLATFORM HARNESS (RT4394)

ITEM	PART NUMBER	QTY	DESCRIPTION	REV
	1001210080	Ref	GROUND TO PLATFORM HARNESS	C
1	1001116926	1	Connector - 21 Position	
1	4460465	8	Socket, Female	
1	4460509	4	Socket, Female	
1	4460944	2	Socket, Female	
1	4460466	7	Plug, Terminal	
2	1001116930	1	Connector - 21 Position	
2	4460464	8	Pin, Male	
2	4460508	4	Pin, Male	
2	4460943	2	Pin, Male	
2	4460466	7	Plug, Terminal	

SECTION 8 - ELECTRICAL

FIGURE 8-21. LEVELING JACKS HARNESS



ART_1001210619_D

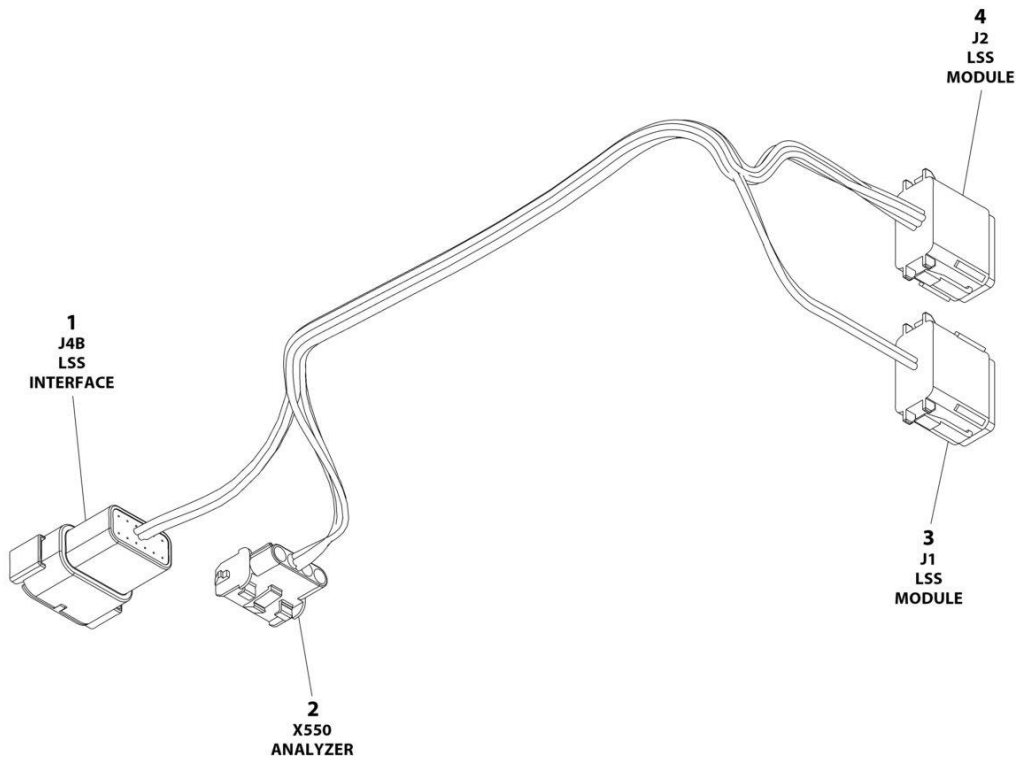
SECTION 8 - ELECTRICAL

FIGURE 8-21. LEVELING JACKS HARNESS

ITEM	PART NUMBER	QTY	DESCRIPTION	REV
	1001210619	Ref	LEVELING JACKS HARNESS	D
1	0840059	1	Boot	
2	0840061	1	Boot	
3	4460852	1	Bussbar - 8 Position	
4	4460892	1	Bussbar - 6 Position	
5	1001243778	4	Connector, Strain Relief	
6	1001174455	3	Boot	
101	4360548	4	Switch, Limit	
102	4460539	4	Plug, Male - 3 Position	
102	4460465	12	Socket, Female	
103	4460891	7	Plug, Male - 4 Position	
103	4460465	14	Socket, Female	
104	4460836	1	Plug, Male - 12 Position	
104	4460465	8	Socket, Female	
104	4460466	4	Plug, Terminal	
105	4460934	1	Plug, Male - 12 Position	
105	4460465	12	Socket, Female	
106	4460935	1	Plug, Male -12 Position	
106	4460465	5	Socket, Female	
106	4460466	7	Plug, Terminal	
107	4460851	1	Plug, Male - 8 Position	
107	4460465	8	Socket, Female	
108	4460894	1	Plug, Male - 6 Position	
108	4460465	6	Socket, Female	

SECTION 8 - ELECTRICAL

FIGURE 8-22. LSS HARNESS



ART_1001226830

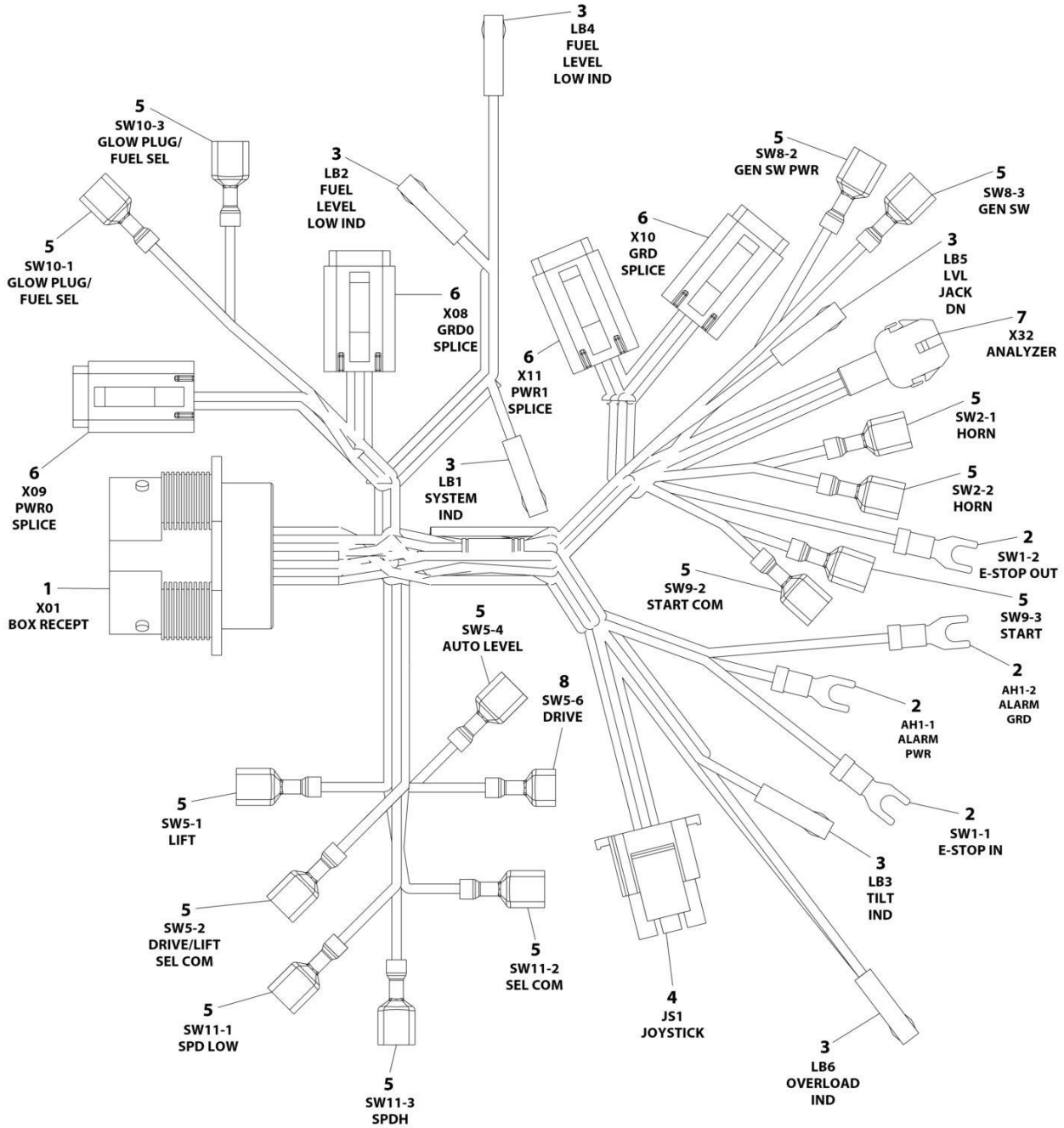
SECTION 8 - ELECTRICAL

FIGURE 8-22. LSS HARNESS

ITEM	PART NUMBER	QTY	DESCRIPTION	REV
	1001226830	Ref	LSS HARNESS	A
1	1001132170	1	Connector - 12 Position	
1	4460929	2	Pin, Male	
1	4460917	2	Pin, Male	
1	4460518	8	Plug, Terminal	
2	4460761	1	Receptacle, Female - 4 Position	
2	4460294	4	Pin, Male	
3	4460933	1	Connector - 12 Position	
3	4460465	2	Socket, Female	
3	4460466	10	Plug, Terminal	
4	4460836	1	Connector - 12 Position	
4	4460465	5	Socket, Female	
4	4460944	2	Socket, Female	
4	4460466	5	Plug, Terminal	

SECTION 8 - ELECTRICAL

FIGURE 8-23. PLATFORM CONTROL BOX HARNESS



ART_1001236230

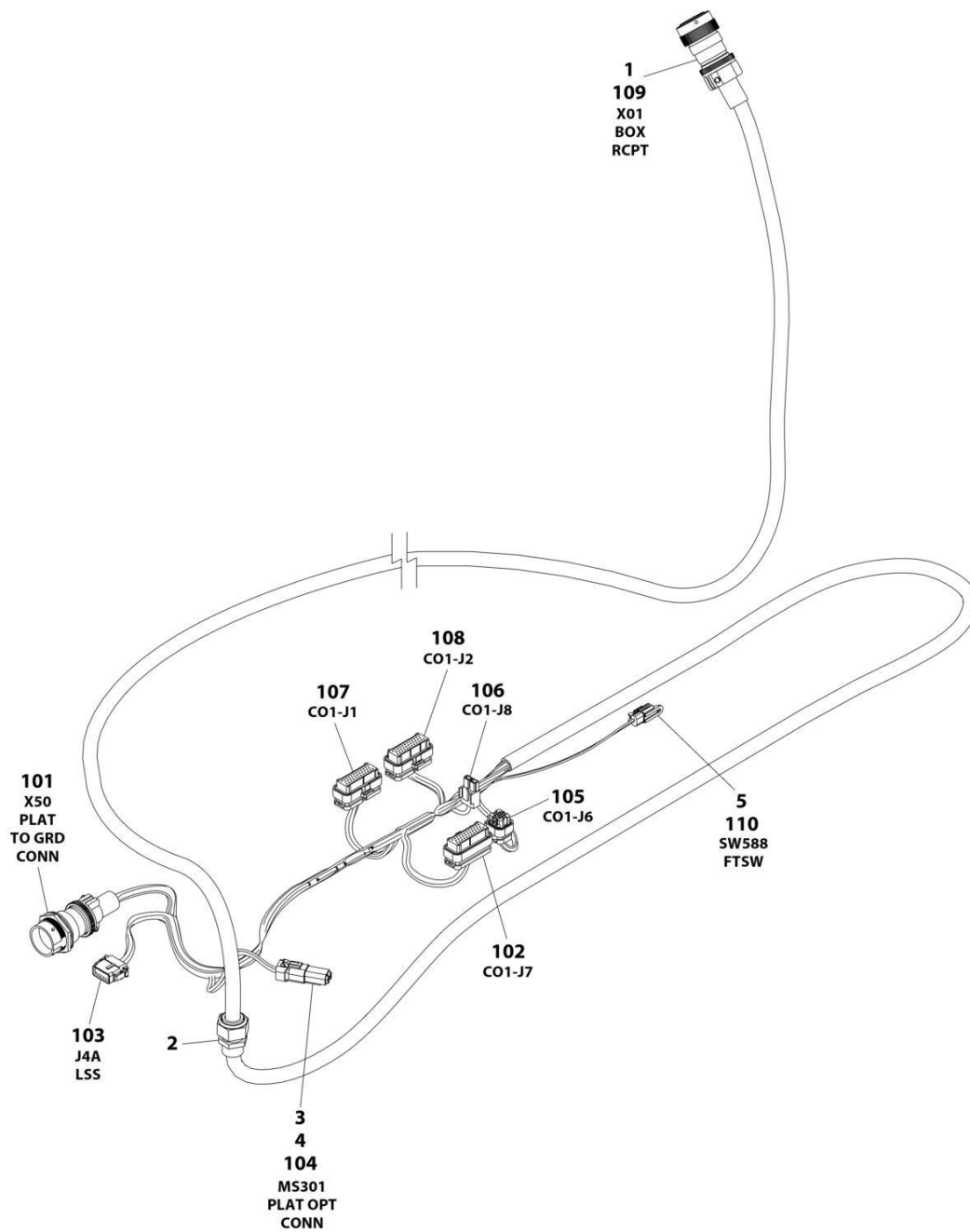
SECTION 8 - ELECTRICAL

FIGURE 8-23. PLATFORM CONTROL BOX HARNESS

ITEM	PART NUMBER	QTY	DESCRIPTION	REV
	1001236230	Ref	PLATFORM CONSOLE BOX HARNESS	C
1	1001116934	1	Connector - 31 Position	
1	4460464	31	Pin, Male	
2	4460183	4	Terminal, Fork	
3	1001190469	6	Connector - 2 Position	
3	1001190471	12	Terminal	
4	4460265	1	Plug, Male - 9 Position	
4	4460267	7	Terminal	
5	1001194421	13	Terminal	
6	4460894	4	Plug, Male - 6 Position	
6	4460465	20	Socket, Female	
6	4460466	4	Plug, Terminal	
6	4460892	4	Bussbar	
7	4460761	1	Plug, Male - 4 Position	
7	4460267	4	Terminal	
8	1001194221	1	Terminal	

SECTION 8 - ELECTRICAL

FIGURE 8-24. PLATFORM MODULE HARNESS



ART_1001236163

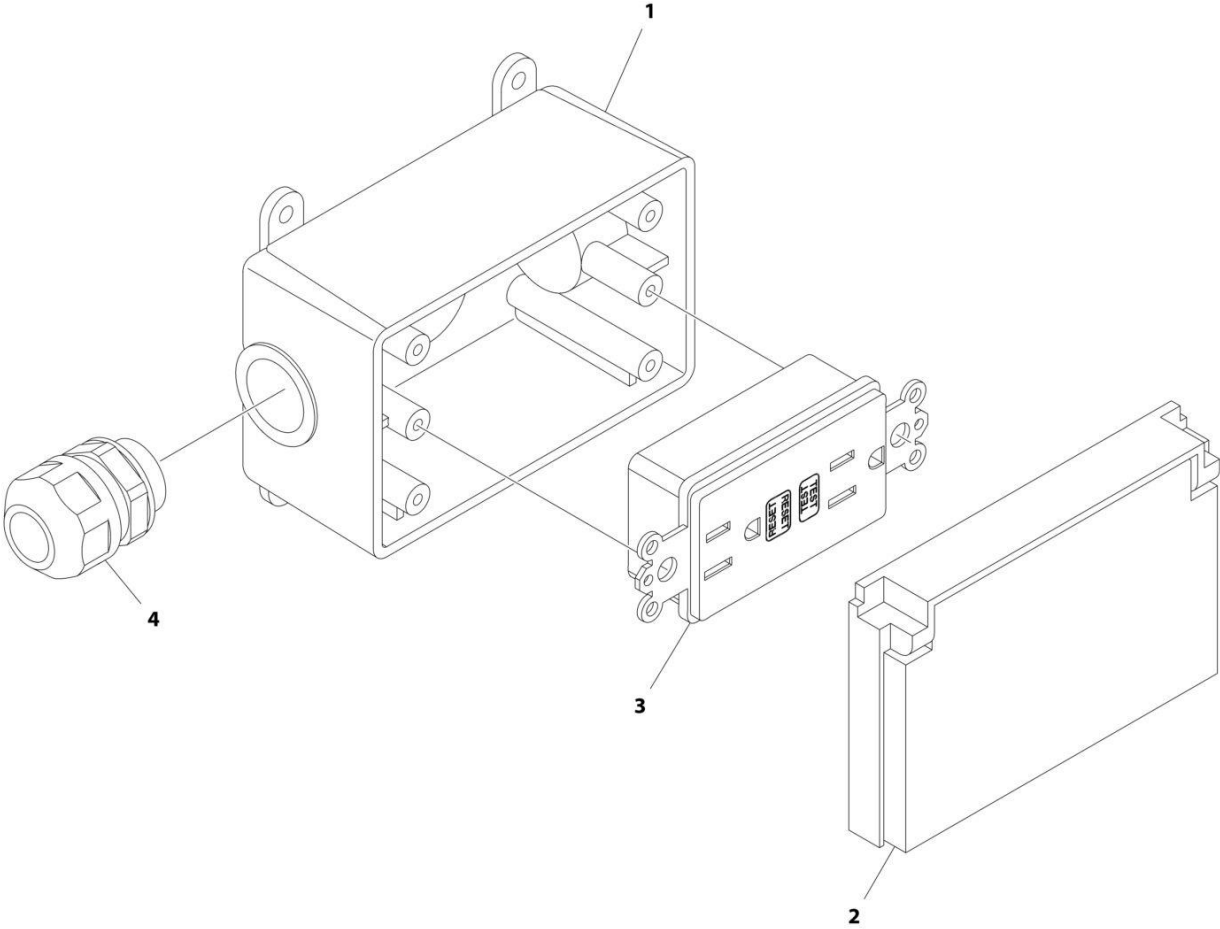
SECTION 8 - ELECTRICAL

FIGURE 8-24. PLATFORM MODULE HARNESS

ITEM	PART NUMBER	QTY	DESCRIPTION	REV
	1001236163	Ref	PLATFORM MODULE HARNESS	B
1	2820031	AR	Heatshrink	
2	4460051	1	Connector, Strain Relief	
3	4460466	4	Plug, Terminal	
4	1001116811	1	Receptacle, Female - 4 Position	
5	1001144295	1	Cap, Female - 2 Position	
101	1001116930	1	Connector - 21 Position	
101	4460508	4	Pin, Male	
101	4460464	6	Pin, Male	
101	4460466	11	Plug, Terminal	
102	4460873	1	Connector - 35 Position	
102	4460871	10	Socket, Female	
102	4460905	25	Plug, Terminal	
103	1001116808	1	Plug, Male - 12 Position	
103	4460928	2	Socket, Female	
103	4460918	2	Socket, Female	
103	4460518	8	Plug, Terminal	
104	1001116810	1	Plug, Male - 4 Position	
104	4460509	2	Socket, Female	
104	4460466	2	Plug, Terminal	
105	1001113961	1	Connector - 8 Position	
105	4460871	2	Socket, Female	
105	4460905	6	Plug, Terminal	
106	4460879	1	Plug, Male - 2 Position	
106	4461271	2	Socket, Female	
107	4460874	1	Connector - 35 Position	
107	4460871	12	Socket, Female	
107	4460905	23	Plug, Terminal	
108	4460876	1	Connector - 35 Position	
108	4460871	15	Socket, Female	
108	4460905	20	Plug, Terminal	
109	1001195123	1	Connector - 31 Position	
109	4460465	31	Socket, Female	
110	4460891	1	Plug, Male - 2 Position	
110	4460465	2	Socket, Female	

SECTION 8 - ELECTRICAL

FIGURE 8-25. RECEPTACLE BOX KIT - 110V GFI



ART_2902431

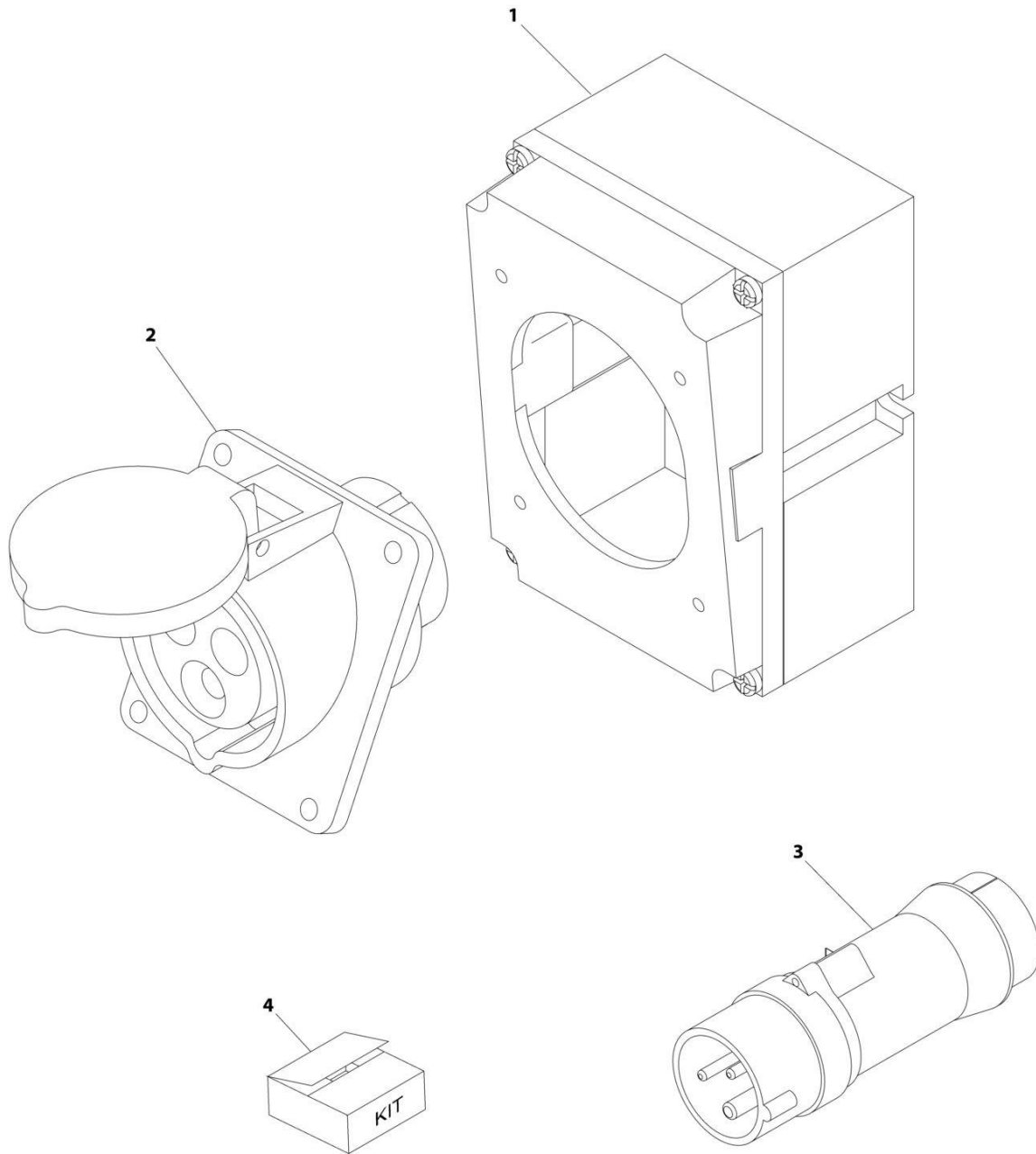
SECTION 8 - ELECTRICAL

FIGURE 8-25. RECEPTACLE BOX KIT - 110V GFI

ITEM	PART NUMBER	QTY	DESCRIPTION	REV
	2902431	Ref	RECEPTACLE BOX KIT - 110V GFI	D
1	0861731	1	Box, Receptacle	
2	1671207	1	Cover, Receptacle	
3	4460346	1	Receptacle	
4	4460662	1	Connector, Strain Relief	

SECTION 8 - ELECTRICAL

FIGURE 8-26. RECEPTACLE BOX KIT - 110V IEC YELLOW (CE & UK CA SPEC)



ART_0275216

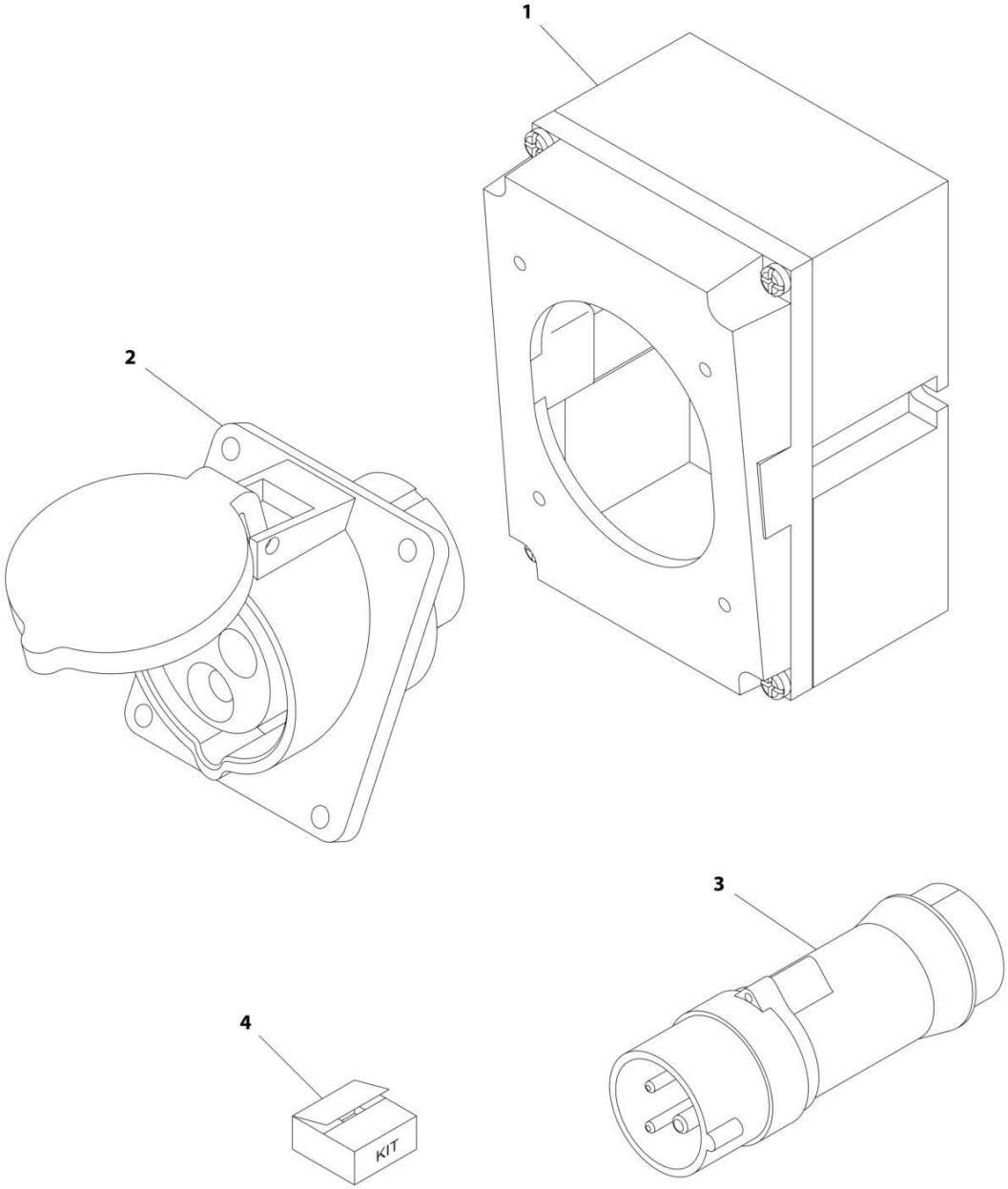
SECTION 8 - ELECTRICAL

FIGURE 8-26. RECEPTACLE BOX KIT - 110V IEC YELLOW (CE & UK CA SPEC)

ITEM	PART NUMBER	QTY	DESCRIPTION	REV
	0275216	Ref	RECEPTACLE BOX KIT - 110V IEC YELLOW	B
1	0861781	1	Box, Switch	
2	4461198	1	Receptacle	
3	4461196	1	Plug, Male	
4	1001100341	1	Plug and Socket Kit (Includes Items 1-3 and Female Plug p/n 4461197)	

SECTION 8 - ELECTRICAL

FIGURE 8-27. RECEPTACLE BOX KIT - 220V IEC BLUE (CE & UK CA SPEC)



ART_0275217

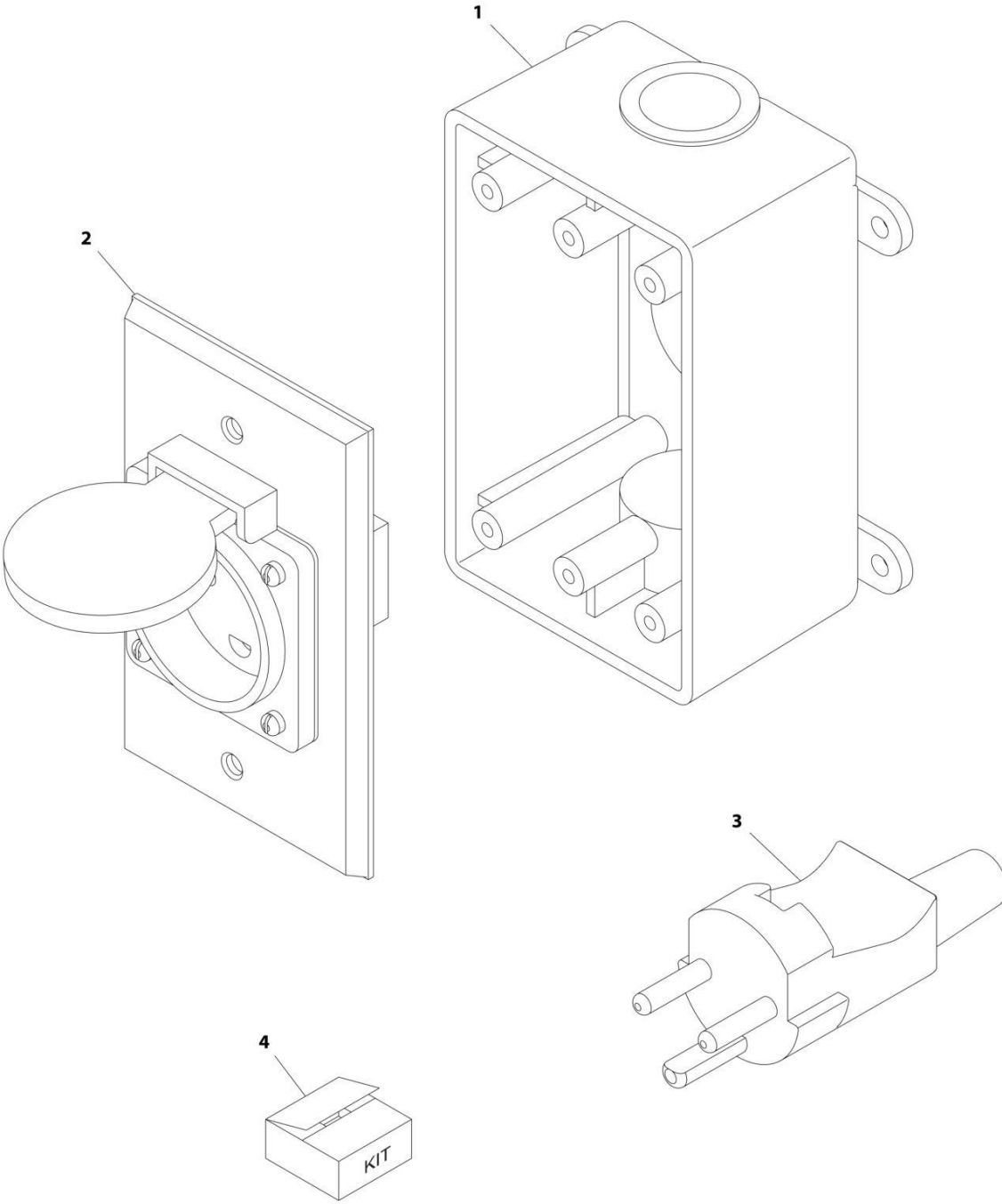
SECTION 8 - ELECTRICAL

FIGURE 8-27. RECEPTACLE BOX KIT - 220V IEC BLUE (CE & UK CA SPEC)

ITEM	PART NUMBER	QTY	DESCRIPTION	REV
	0275217	Ref	RECEPTACLE BOX KIT - 220V IEC BLUE	B
1	0861781	1	Box, Switch	
2	4461201	1	Receptacle	
3	4461199	1	Plug, Male	
4	1001100342	1	Plug and Socket Kit (Includes Items 1-3 and Female Plug p/n 4461200)	

SECTION 8 - ELECTRICAL

FIGURE 8-28. RECEPTACLE BOX KIT - 220V AFSINT 107 (CE & UK CA SPEC)



ART_0275454

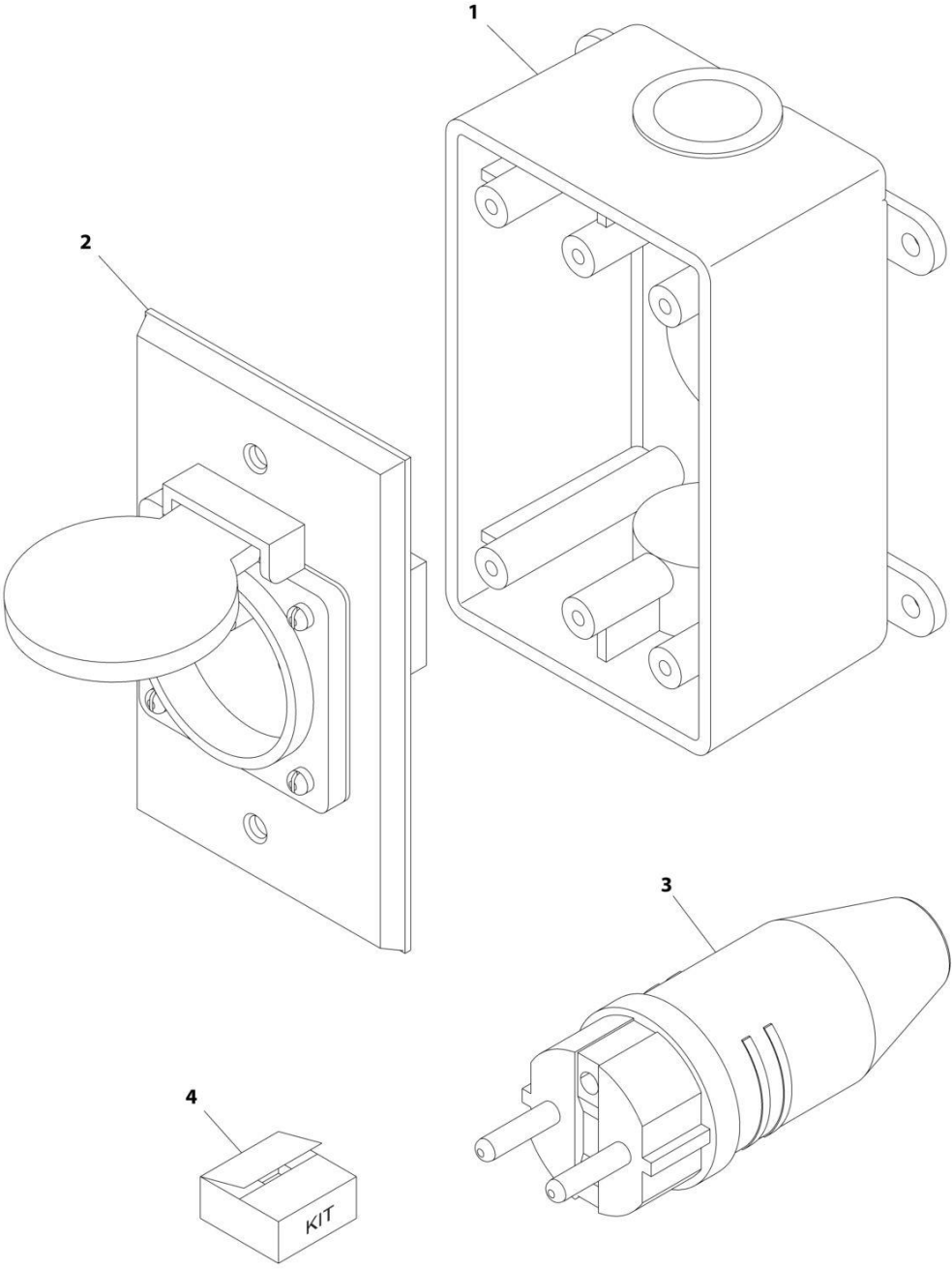
SECTION 8 - ELECTRICAL

FIGURE 8-28. RECEPTACLE BOX KIT - 220V AFSINT 107 (CE & UK CA SPEC)

ITEM	PART NUMBER	QTY	DESCRIPTION	REV
	0275454	Ref	RECEPTACLE BOX KIT - 220V AFSINT 107	B
1	0861731	1	Box, Switch	
2	4461246	1	Receptacle	
3	4461249	1	Plug, Male	
4	1001100346	1	Plug and Socket Kit (Includes Items 1-3 and Female Plug p/n 4461250)	

SECTION 8 - ELECTRICAL

FIGURE 8-29. RECEPTACLE BOX KIT - 220V CEE7 POST GROUND (CE & UK CA SPEC)



ART_0275452-C

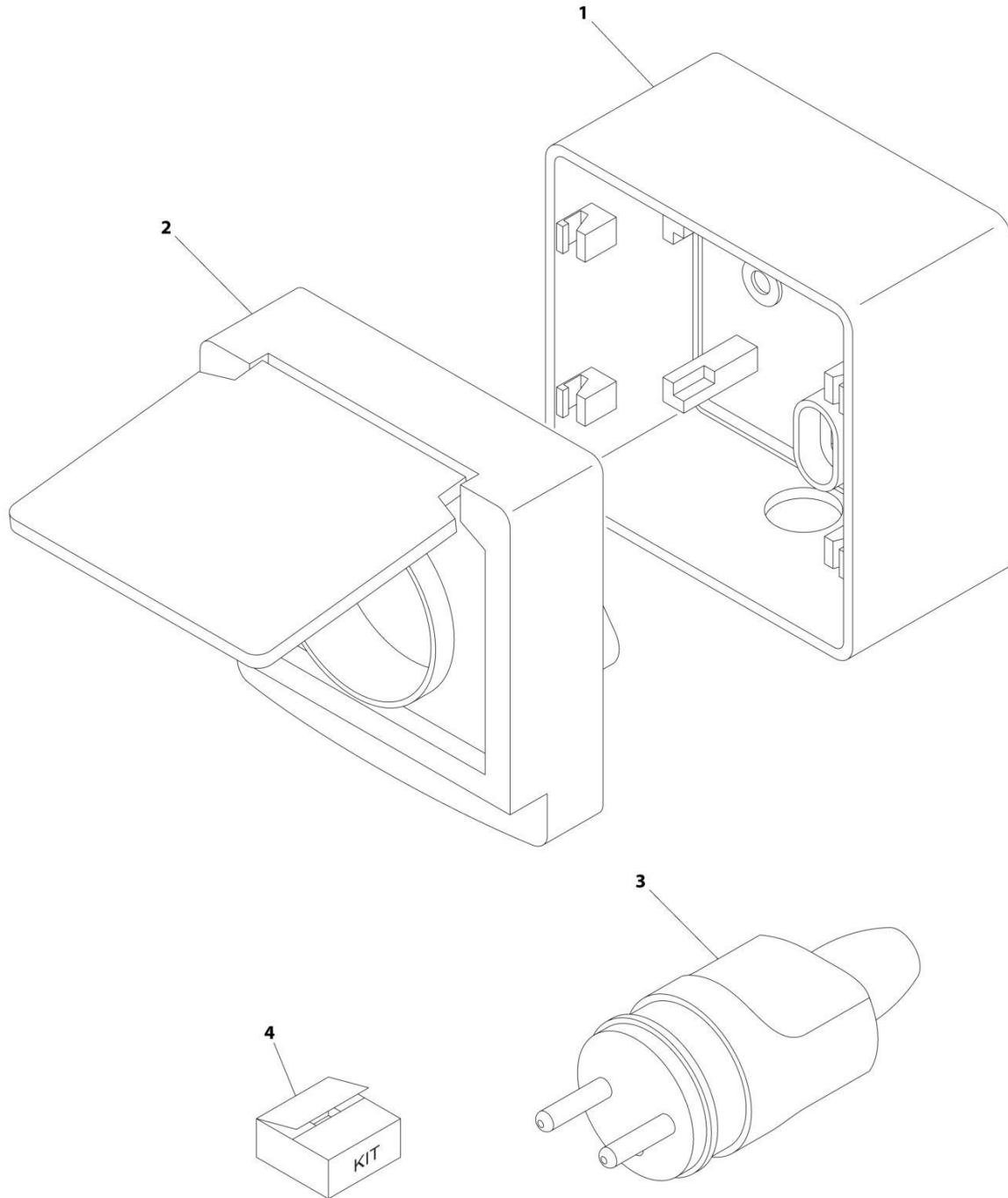
SECTION 8 - ELECTRICAL

FIGURE 8-29. RECEPTACLE BOX KIT - 220V CEE7 POST GROUND (CE & UK CA SPEC)

ITEM	PART NUMBER	QTY	DESCRIPTION	REV
	0275452	Ref	RECEPTACLE BOX KIT - 220V CEE7 POST GROUND 2IN X 4IN BOX	C
1	0861731	1	Box, Switch	
2	4461244	1	Receptacle	
3	4461205	1	Plug, Male	
4	1001100345	1	Plug and Socket Kit (Includes Items 1-3 and Female Plug p/n 4461203)	

SECTION 8 - ELECTRICAL

FIGURE 8-30. RECEPTACLE BOX KIT - 220V CEE7 POST GROUND 70X70 BOX (CE & UK CA SPEC)



ART_0275218

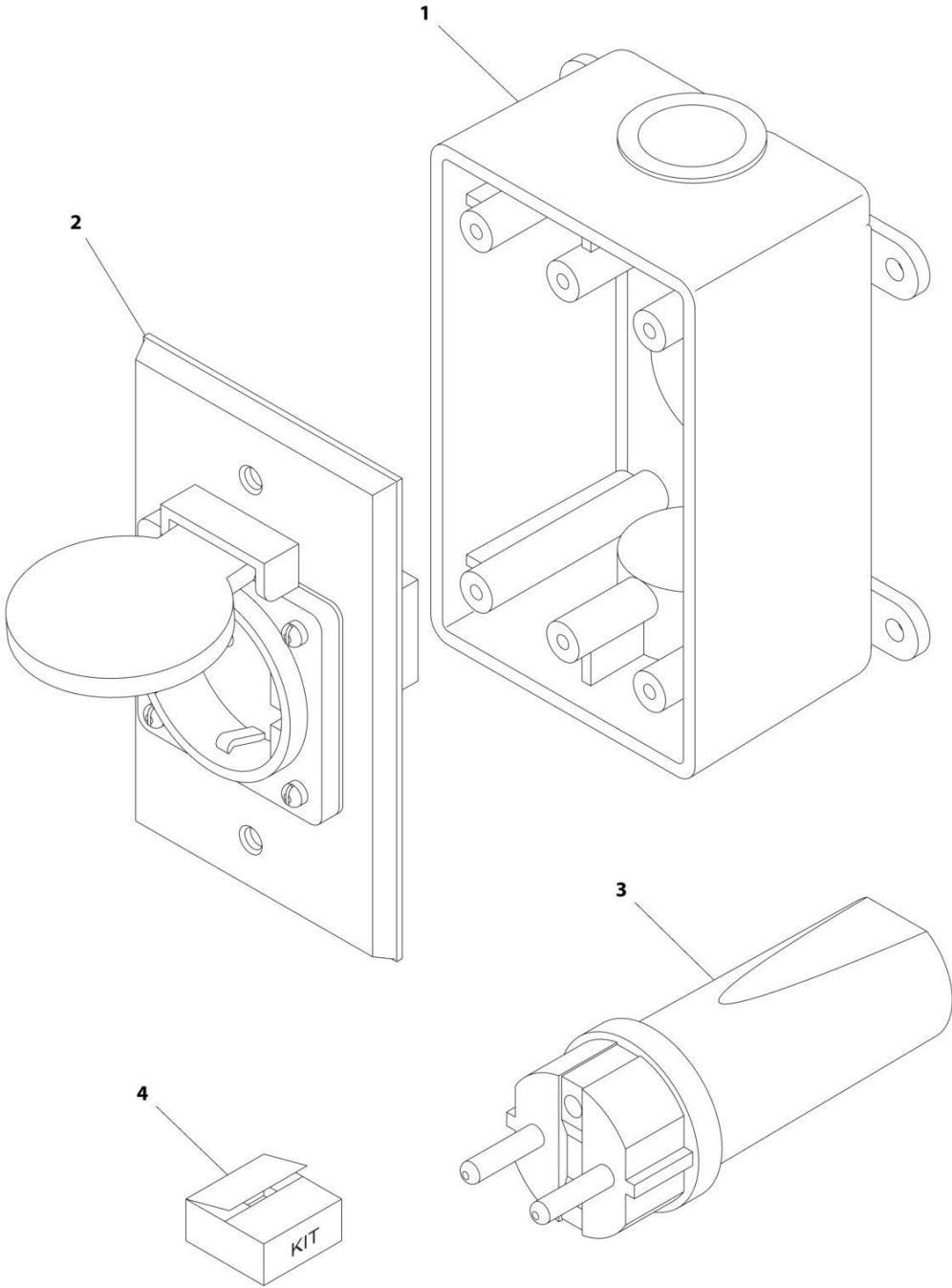
SECTION 8 - ELECTRICAL

FIGURE 8-30. RECEPTACLE BOX KIT - 220V CEE7 POST GROUND 70X70 BOX (CE & UK CA SPEC)

ITEM	PART NUMBER	QTY	DESCRIPTION	REV
	0275218	Ref	RECEPTACLE BOX KIT - 220V CEE7 POST GROUND 70X70 BOX	C
1	1001141967	1	Box, Switch	
2	1001141968	1	Receptacle	
3	4461205	1	Plug, Male	
4	1001141971	1	Plug and Socket Kit (Includes Items 1-3 and Female Plug p/n 4461206)	

SECTION 8 - ELECTRICAL

FIGURE 8-31. RECEPTACLE BOX KIT - 220V CEE7 SIDE GROUND (CE & UK CA SPEC)



ART_0275453

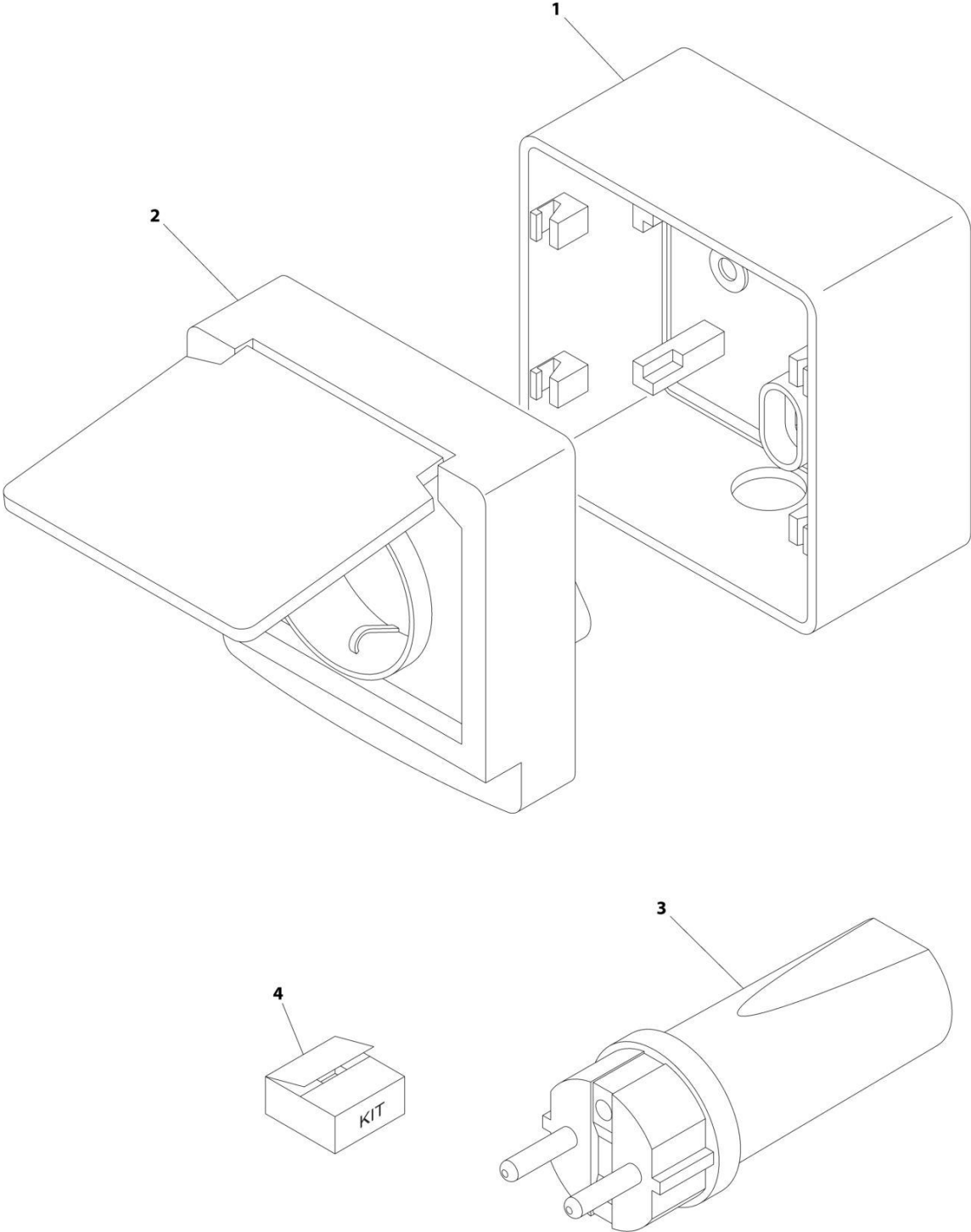
SECTION 8 - ELECTRICAL

FIGURE 8-31. RECEPTACLE BOX KIT - 220V CEE7 SIDE GROUND (CE & UK CA SPEC)

ITEM	PART NUMBER	QTY	DESCRIPTION	REV
	0275453	Ref	RECEPTACLE BOX KIT - 220V CEE7 SIDE GROUND	B
1	0861731	1	Box, Switch	
2	4461245	1	Receptacle	
3	4461205	1	Plug, Male	
4	1001100347	1	Plug and Socket Kit (Includes Items 1-3 and Female Plug p/n 4461206)	

SECTION 8 - ELECTRICAL

FIGURE 8-32. RECEPTACLE BOX KIT - 220V CEE7 SIDE GROUND 70X70 BOX (CE & UK CA SPEC)



ART_0275219

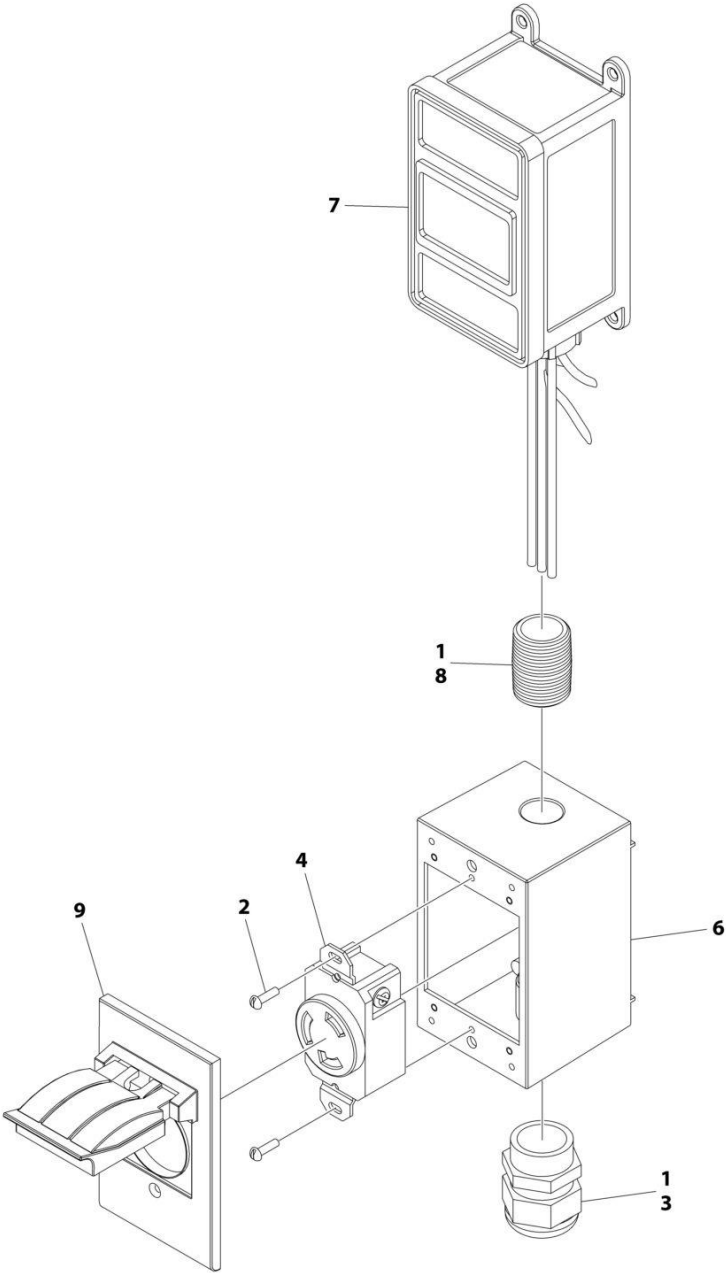
SECTION 8 - ELECTRICAL

FIGURE 8-32. RECEPTACLE BOX KIT - 220V CEE7 SIDE GROUND 70X70 BOX (CE & UK CA SPEC)

ITEM	PART NUMBER	QTY	DESCRIPTION	REV
	0275219	Ref	RECEPTACLE BOX KIT - 220V CEE7 SIDE GROUND 70MM X 70MM BOX	B
1	1001141967	1	Box, Switch	
2	1001141969	1	Receptacle	
3	4461205	1	Plug, Male	
4	1001141970	1	Plug and Socket Kit (Includes Items 1-3 and Female Plug p/n 4461206)	

SECTION 8 - ELECTRICAL

FIGURE 8-33. RECEPTACLE/BREAKER BOX ASSEMBLY - 220V GFI



ART_1001216162

SECTION 8 - ELECTRICAL

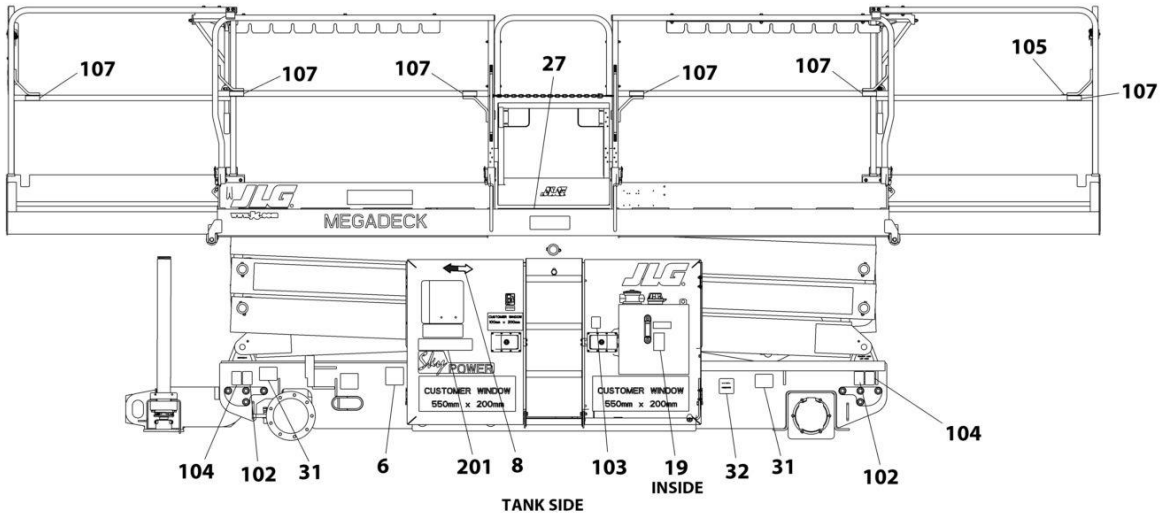
FIGURE 8-33. RECEPTACLE/BREAKER BOX ASSEMBLY - 220V GFI

ITEM	PART NUMBER	QTY	DESCRIPTION	REV
	1001216162	Ref	RECEPTACLE/BREAKER BOX ASSEMBLY - 220V GFI	A
1	0100020	AR	Sealant	
2	3910608	2	Screw #6 x 1/2	
3	4460612	1	Connector, Strain Relief	
4	4460958	1	Receptacle, Turnlok	
5	1001099670	3	Terminal, Splice (Not Shown)	
6	1001148675	1	Box, Receptacle	
7	1001159118	1	Breaker, 30A 240V	
8	1001159119	1	Fitting, Conduit	
9	1001110872	1	Cover	

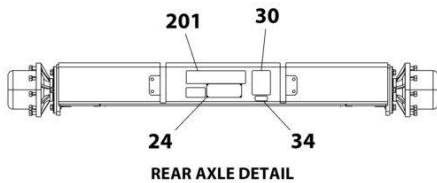
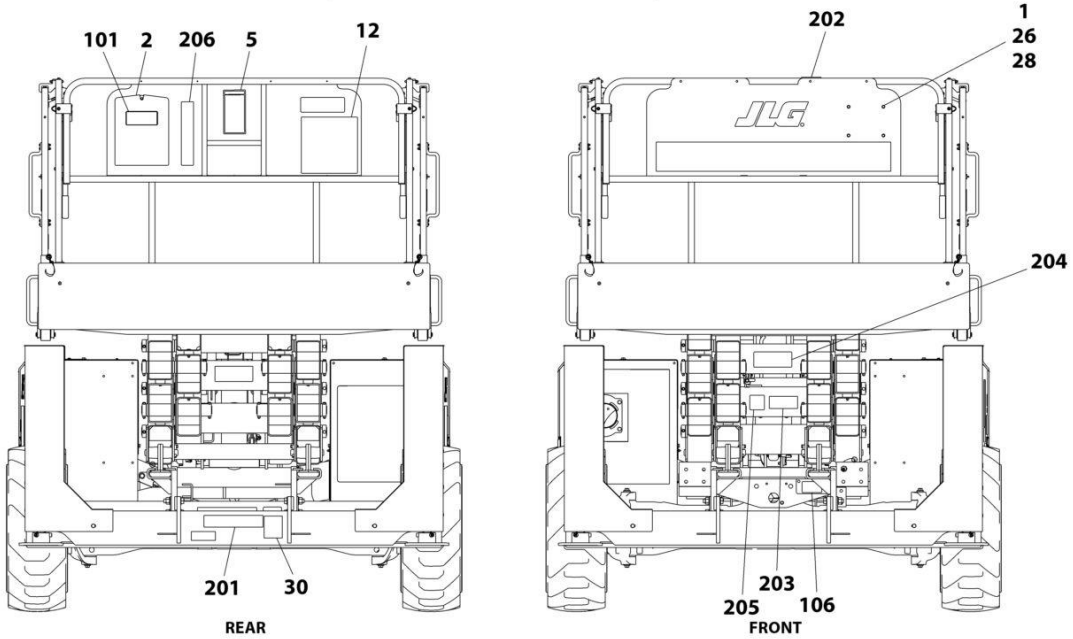
SECTION 9 - DECALS

SECTION 9 - DECALS

FIGURE 9-1. DECAL INSTALLATION - ANSI AND ANSI EXPORT SPECS (ENGLISH)



(NOTE: SOME DECALS TYPICAL BOTH SIDES)



(NOTE: ADDITIONAL DECALS CALLED OUT ON DECAL INSTALLATION - OPTIONS)

(NOTE: SOME DECALS MOVE TO LEVELING JACKS WHEN EQUIPPED)

ART_1001207678_J

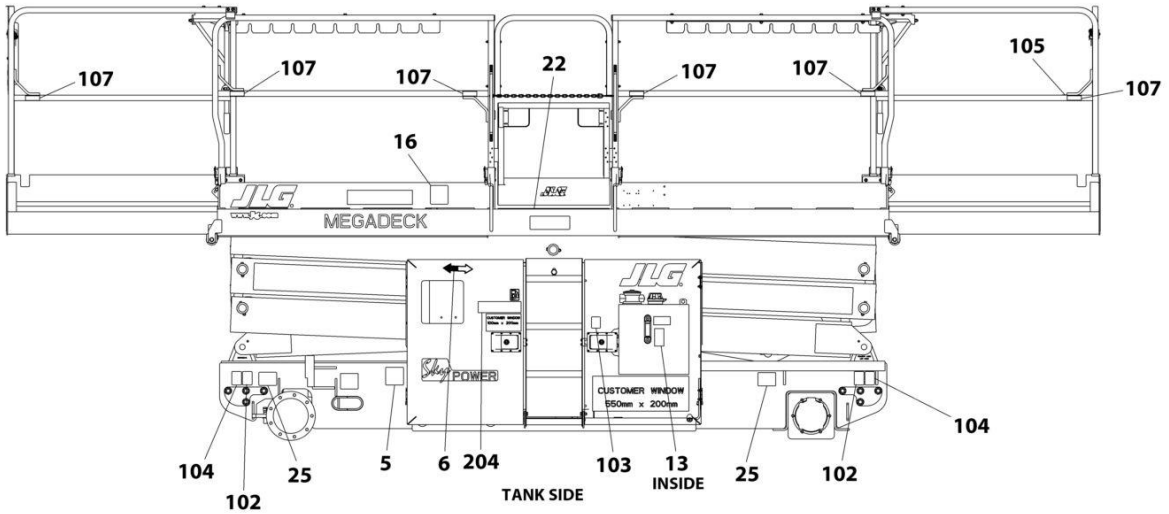
SECTION 9 - DECALS

FIGURE 9-1. DECAL INSTALLATION - ANSI AND ANSI EXPORT SPECS (ENGLISH)

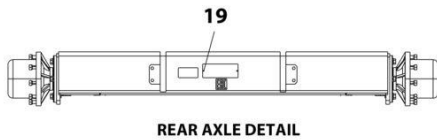
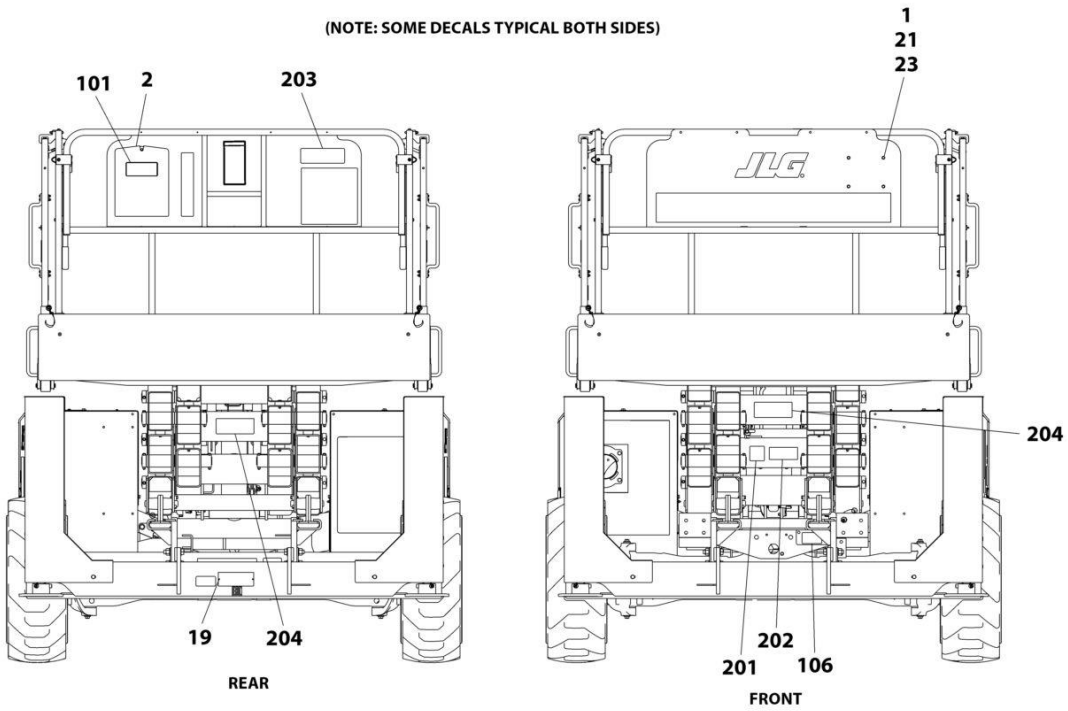
ITEM	PART NUMBER	QTY	DESCRIPTION	REV
	1001207678	Ref	DECAL INSTALLATION	J
1	0641407	4	Bolt 1/4 x 7/8	
2	0860520	1	Box, Manual Storage	
5	1705679	1	Decal - Inspection	
6	See Note	NSS	Decal - Bar Code (Note: Not Available for Purchase)	
8	1703687	2	Decal - Direction Arrow	
12	1703816	1	Decal - Danger/Warning	
19	1704412	1	Decal - Hydraulic Oil	
24	2080057	4	Fastener	
26	3311405	4	Nut 1/4	
27	4420067	48 in/1.2m	Tape, Tread	
28	4711400	8	Washer 1/4	
30	1001131270	1	Decal - Patent	
31	1703493	4	Decal - Maximum Wheel Load	
32	1001223055	1	Decal - Inspection	
34	1001223453	1	Decal - ICES	
100	1001216012	1	Master Decal Kit (Not Shown)	A
101	1701509	1	Decal - Manual	
102	1703811	4	Decal - Lifting Lug	
103	1703812	1	Decal - Hydraulic Oil	
104	1703814	4	Decal - Tie Down	
105	1703819	1	Decal - Direction Arrow	
106	1703822	1	Decal - Manual Descent Instruction	
107	1704277	12	Decal - Lanyard Attach	
200	1001216020	1	Country Specs Decal Kit - ANSI & ANSI Export (English) (Not Shown)	A
201	1703818	3	Decal - Warning	
202	1703821	1	Decal - Control Box Location	
203	1703823	1	Decal - Danger	
204	1704432	1	Decal - Warning/Danger	
205	1705019	1	Decal - Safety Prop	
206	1001192853	1	Decal - Legend	

SECTION 9 - DECALS

FIGURE 9-2. DECAL INSTALLATION - AUSTRALIAN, CE, JAPANESE & UK CA SPEC (ENGLISH)



(NOTE: SOME DECALS TYPICAL BOTH SIDES)



(NOTE: ADDITIONAL DECALS CALLED OUT ON DECAL INSTALLATION - OPTIONS)

(NOTE: SOME DECALS MOVE TO LEVELING JACKS WHEN EQUIPPED)

ART_1001207680_I

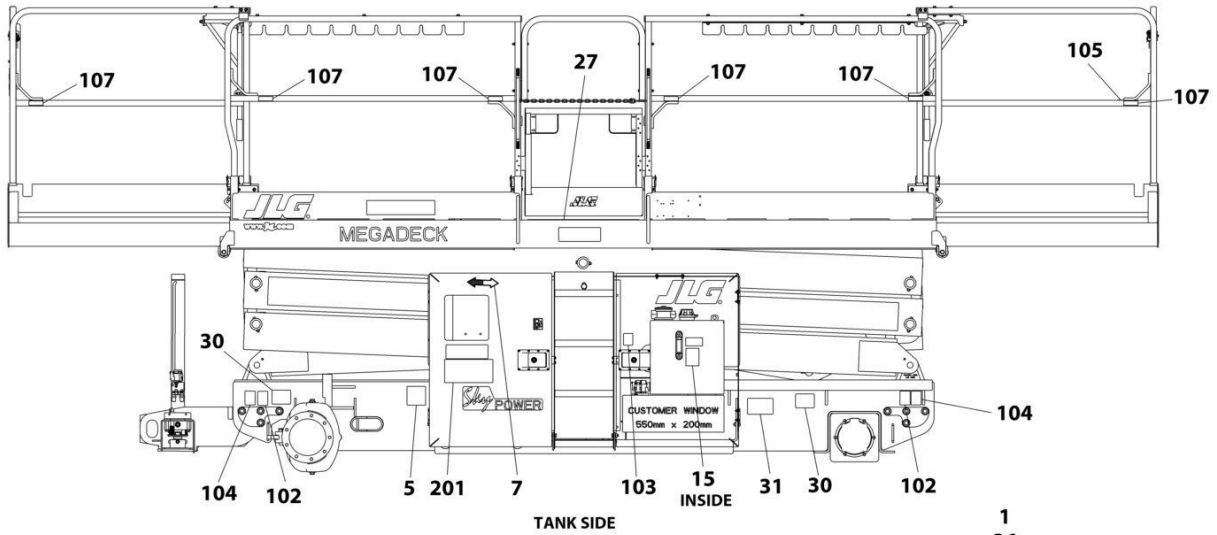
SECTION 9 - DECALS

FIGURE 9-2. DECAL INSTALLATION - AUSTRALIAN, CE, JAPANESE & UK CA SPEC (ENGLISH)

ITEM	PART NUMBER	QTY	DESCRIPTION	REV
	1001207680	Ref	DECAL INSTALLATION	I
1	0641407	4	Bolt 1/4 x 7/8	
2	0860520	1	Box, Manual Storage	
5	See Note	NSS	Decal - Bar Code (Note: Not Available for Purchase)	
6	1703687	2	Decal - Direction Arrow	
13	1704412	1	Decal - Hydraulic Oil	
16	80463053	2	Decal - Sound Power (106dB)	
19	2080057	2	Fastener	
21	3311405	4	Nut 1/4	
22	4420067	48 in/ 1.2m	Tape, Tread	
23	4711400	8	Washer 1/4	
25	1703493	4	Decal - Maximum Wheel Load	
100	1001216012	1	Master Decal Kit (Not Shown)	A
101	1701509	1	Decal - Manual	
102	1703811	4	Decal - Lifting Lug	
103	1703812	1	Decal - Hydraulic Oil	
104	1703814	4	Decal - Tie Down	
105	1703819	1	Decal - Direction Arrow	
106	1703822	1	Decal - Manual Descent Instruction	
107	1704277	12	Decal - Lanyard Attach	
200	2902498	1	Country Specs Decal Kit - Australian, CE & UK CA Specs (English) (Not Shown)	1
201	1705019	1	Decal - Safety Prop	
202	1705372	1	Decal - Warning/Danger	
203	1705671	1	Decal - Electrocutation	
204	1706338	4	Decal - Electrocutation/Crushing	

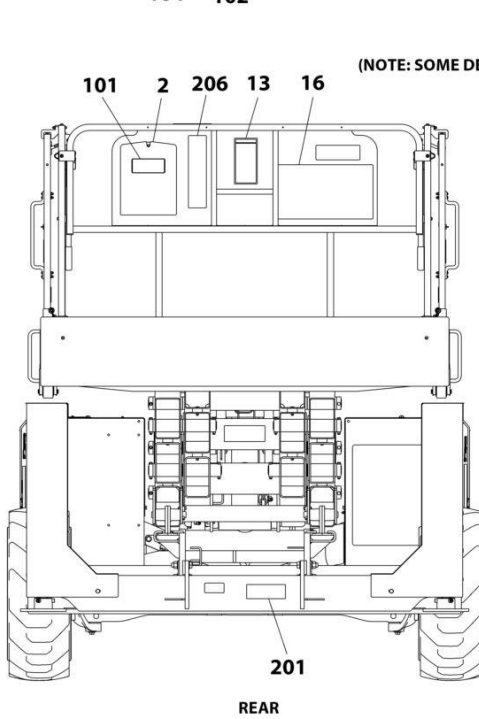
SECTION 9 - DECALS

FIGURE 9-3. DECAL INSTALLATION - BRAZIL SPECS (SPANISH/PORTUGUESE)

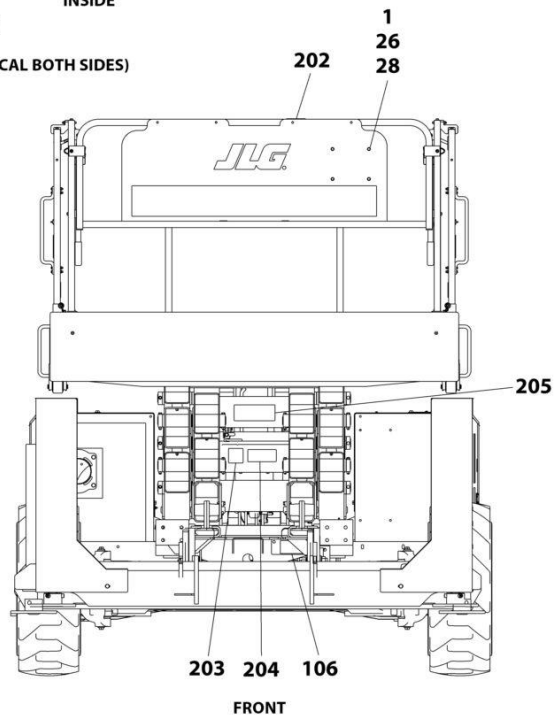


TANK SIDE

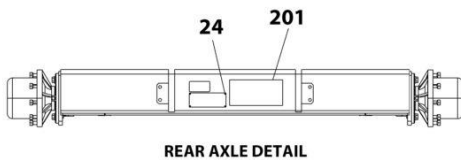
(NOTE: SOME DECALS TYPICAL BOTH SIDES)



REAR



FRONT



REAR AXLE DETAIL

(NOTE: ADDITIONAL DECALS CALLED OUT ON DECAL INSTALLATION - OPTIONS)

(NOTE: SOME DECALS MOVE TO LEVELING JACKS WHEN EQUIPPED)

ART_1001207683_G

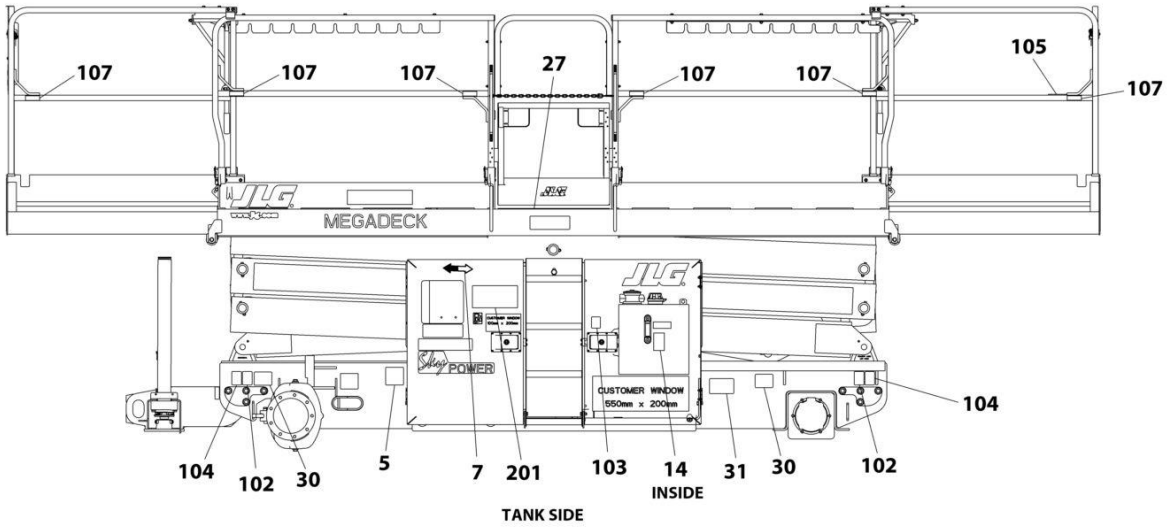
SECTION 9 - DECALS

FIGURE 9-3. DECAL INSTALLATION - BRAZIL SPECS (SPANISH/PORTUGUESE)

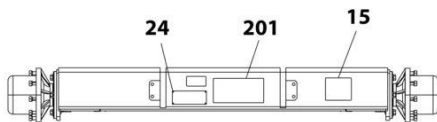
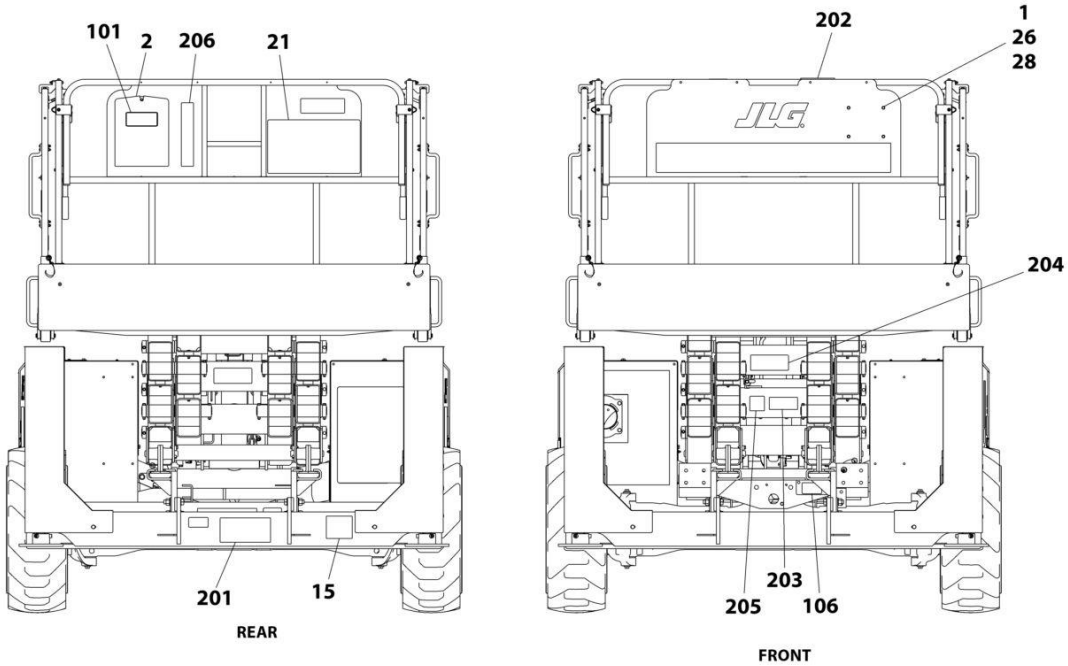
ITEM	PART NUMBER	QTY	DESCRIPTION	REV
	1001207683	Ref	DECAL INSTALLATION	G
1	0641407	4	Bolt 1/4 x 7/8	
2	0860520	1	Box, Manual Storage	
5	See Note	NSS	Decal - Bar Code (Note: Not Available for Purchase)	
7	1703687	2	Decal - Direction Arrow	
13	1705727	1	Decal - Inspection	
15	1704412	1	Decal - Hydraulic Oil	
16	1704699	1	Decal - Danger/Warning	
24	2080057	4	Fastener	
26	3311405	4	Nut 1/4	
27	4420067	48 in/1.2m	Tape, Tread	
28	4711400	8	Washer 1/4	
30	1703493	4	Decal - Maximum Wheel Load	
31	1001224052	1	Decal - Inspection	
100	1001216012	1	Master Decal Kit (Not Shown)	A
101	1701509	1	Decal - Manual	
102	1703811	4	Decal - Lifting Lug	
103	1703812	1	Decal - Hydraulic Oil	
104	1703814	4	Decal - Tie Down	
105	1703819	1	Decal - Direction Arrow	
106	1703822	1	Decal - Manual Descent Instruction	
107	1704277	12	Decal - Lanyard Attach	
200	1001216726	1	Country Specs Decal Kit - Brazil Specs (Spanish/Portuguese) (Not Shown)	A
201	1704701	3	Decal - Electrocution/Crushing	
202	1704702	1	Decal - Control Box Location	
203	1705019	1	Decal - Safety Prop	
204	1705043	1	Decal - Danger Electrical Hazard	
205	1705318	1	Decal - Warning/Crushing	
206	1001203077	1	Decal - Legend	

SECTION 9 - DECALS

FIGURE 9-4. DECAL INSTALLATION - CHINESE SPECS (ENGLISH/CHINESE)



(NOTE: SOME DECALS TYPICAL BOTH SIDES)



REAR AXLE DETAIL

(NOTE: SOME DECALS MOVE TO LEVELING JACKS WHEN EQUIPPED)

(NOTE: ADDITIONAL DECALS CALLED OUT ON DECAL INSTALLATION - OPTIONS)

ART_1001207681_G

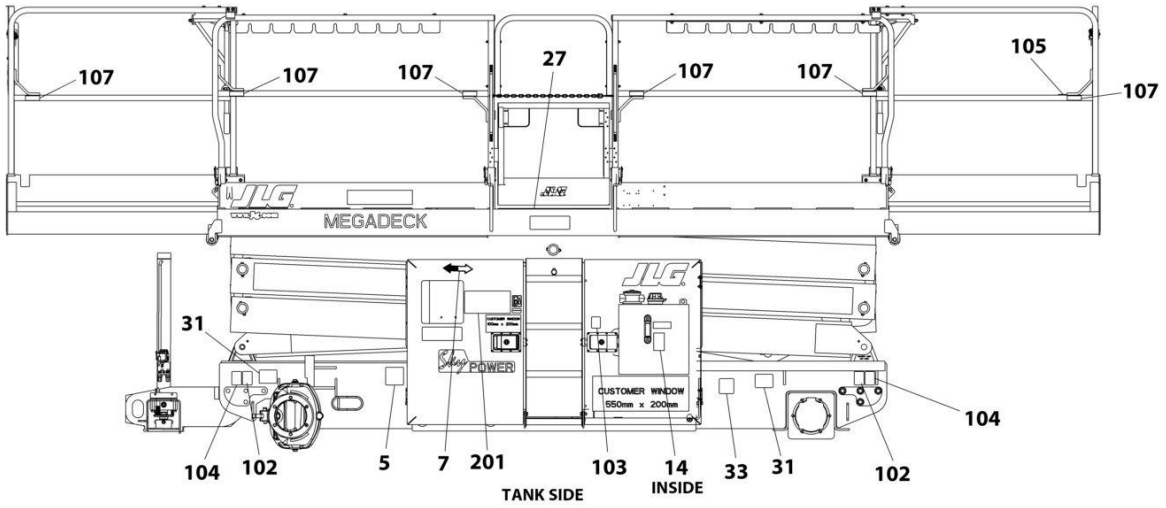
SECTION 9 - DECALS

FIGURE 9-4. DECAL INSTALLATION - CHINESE SPECS (ENGLISH/CHINESE)

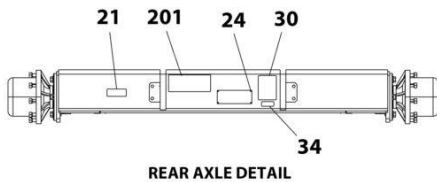
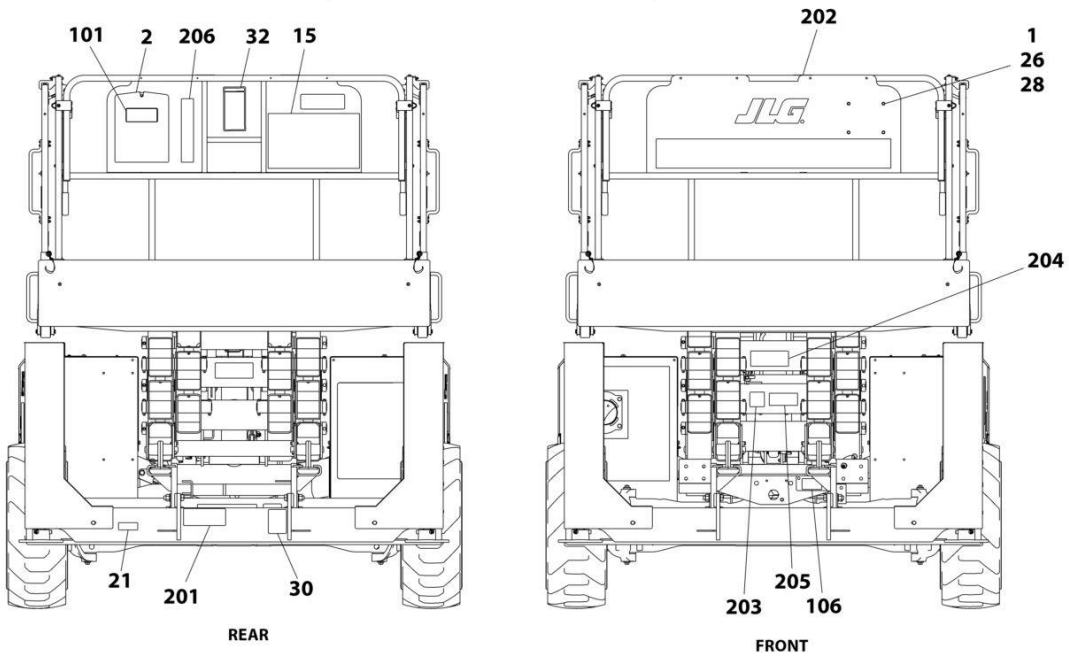
ITEM	PART NUMBER	QTY	DESCRIPTION	REV
	1001207681	Ref	DECAL INSTALLATION	G
1	0641407	4	Bolt 1/4 x 7/8	
2	0860520	1	Box, Manual Storage	
5	See Note	NSS	Decal - Bar Code (Note: Not Available for Purchase)	
7	1703687	2	Decal - Direction Arrow	
14	1704412	1	Decal - Hydraulic Oil	
15	1704607	1	Decal - Inspection	
21	1705195	1	Decal - Danger/Warning	
24	2080057	4	Fastener	
26	3311405	4	Nut 1/4	
27	4420067	48 in/1.2m	Tape, Tread	
28	4711400	8	Washer 1/4	
30	1703493	4	Decal - Maximum Wheel Load	
31	1001224050	1	Decal - Inspection	
100	1001216012	1	Master Decal Kit (Not Shown)	A
101	1701509	1	Decal - Manual	
102	1703811	4	Decal - Lifting Lug	
103	1703812	1	Decal - Hydraulic Oil	
104	1703814	4	Decal - Tie Down	
105	1703819	1	Decal - Direction Arrow	
106	1703822	1	Decal - Manual Descent Instruction	
107	1704277	12	Decal - Lanyard Attach	
200	1001217067	1	Country Specs Decal Kit - Chinese Specs (English/Chinese) (Not Shown)	A
201	1705193	3	Decal - Warning/Crushing/Danger	
202	1705194	1	Decal - Control Box Location	
203	1705944	1	Decal - Danger Electrocution	
204	1705943	1	Decal - Crushing	
205	1705019	1	Decal - Safety Prop	
206	1001192853	1	Decal - Legend	

SECTION 9 - DECALS

FIGURE 9-5. DECAL INSTALLATION - CSA SPECS (ENGLISH/FRENCH)



(NOTE: SOME DECALS TYPICAL BOTH SIDES)



(NOTE: SOME DECALS MOVE TO LEVELING JACKS WHEN EQUIPPED)

(NOTE: ADDITIONAL DECALS CALLED OUT ON DECAL INSTALLATION - OPTIONS)

ART_1001207679_1

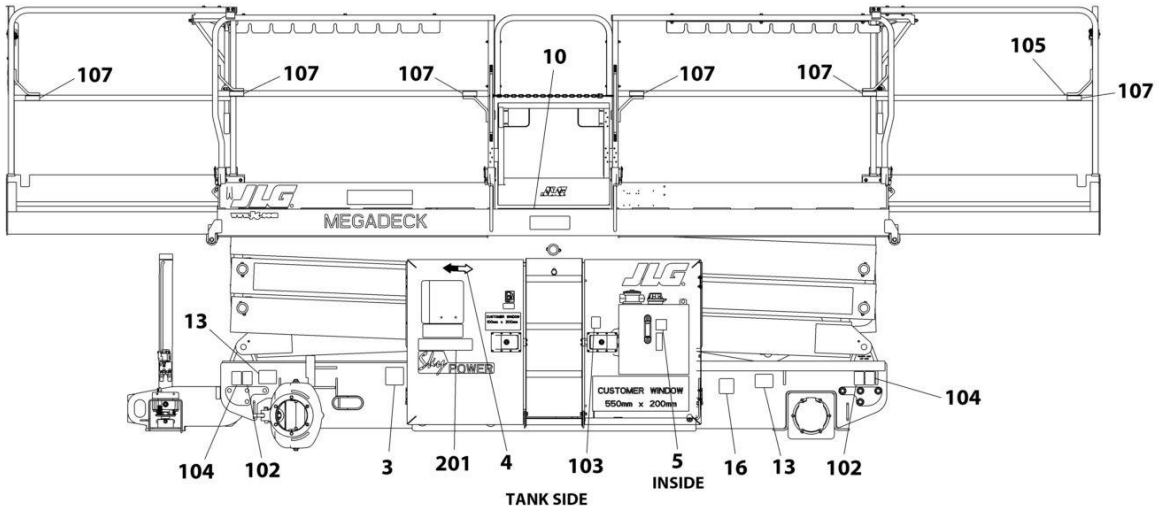
SECTION 9 - DECALS

FIGURE 9-5. DECAL INSTALLATION - CSA SPECS (ENGLISH/FRENCH)

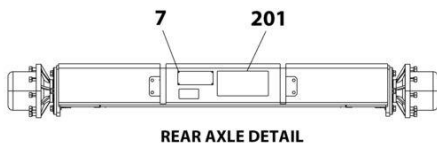
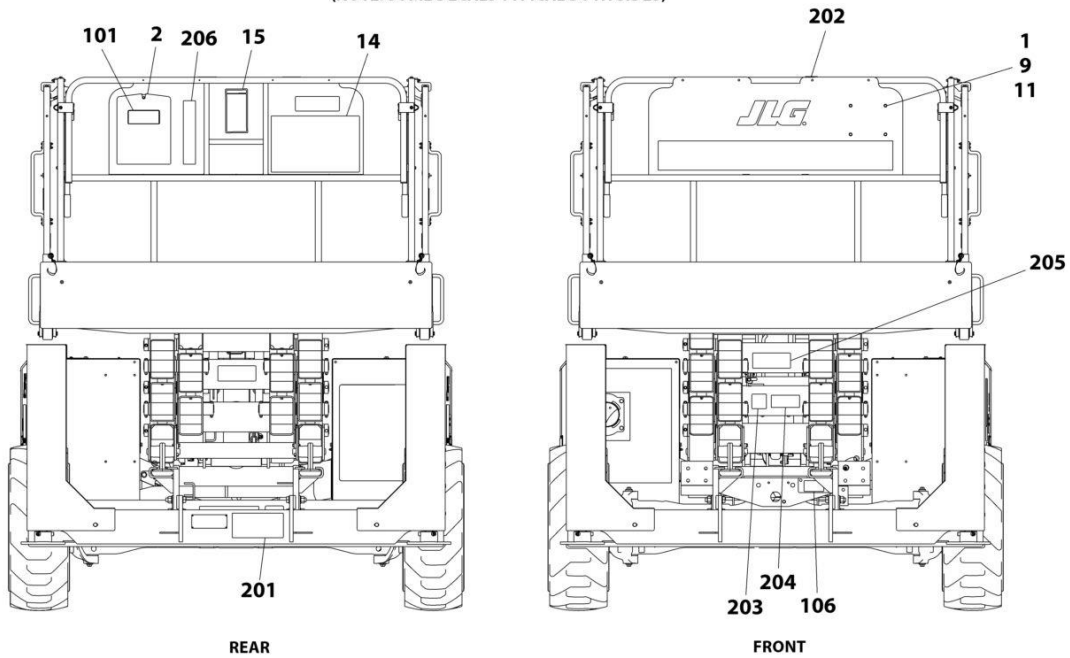
ITEM	PART NUMBER	QTY	DESCRIPTION	REV
	1001207679	Ref	DECAL INSTALLATION	I
1	0641407	1	Bolt 1/4 x 7/8	
2	0860520	1	Box, Manual Storage	
5	See Note	NSS	Decal - Bar Code (Note: Not Available for Purchase)	
7	1703687	2	Decal - Direction Arrow	
14	1704412	1	Decal - Hydraulic Oil	
15	1704684	1	Decal - Danger/Warning	
21	1705303	1	Decal - CSA	
24	2080057	4	Fastener	
26	3311405	4	Nut 1/4	
27	4420067	48 in/1.2m	Tape, Tread	
28	4711400	8	Washer 1/4	
30	1001131270	1	Decal - Patent	
31	1703493	4	Decal - Maximum Wheel Load	
32	1705679	1	Decal - Inspection	
33	1001223971	1	Decal - Inspection	
34	1001223453	1	Decal - ICES	
100	1001216012	1	Master Decal Kit (Not Shown)	A
101	1701509	1	Decal - Manual	
102	1703811	4	Decal - Lifting Lug	
103	1703812	1	Decal - Hydraulic Oil	
104	1703814	4	Decal - Tie Down	
105	1703819	1	Decal - Direction Arrow	
106	1703822	1	Decal - Manual Descent Instruction	
107	1704277	12	Decal - Lanyard Attach	
200	1001216299	1	Country Specs Decal Kit - CSA Specs (English/French) (Not Shown)	A
201	1704686	3	Decal - Warning/Crushing/Danger	
202	1704687	1	Decal - Control Box Location	
203	1705019	1	Decal - Safety Prop	
204	1705040	1	Decal - Danger Electrocution	
205	1705311	1	Decal - Crushing	
206	1001203075	1	Decal - Legend	

SECTION 9 - DECALS

FIGURE 9-6. DECAL INSTALLATION - KOREAN SPECS (ENGLISH/KOREAN)



(NOTE: SOME DECALS TYPICAL BOTH SIDES)



(NOTE: SOME DECALS MOVE TO LEVELING JACKS WHEN EQUIPPED)

(NOTE: ADDITIONAL DECALS CALLED OUT ON DECAL INSTALLATION - OPTIONS)

ART_1001216811_G

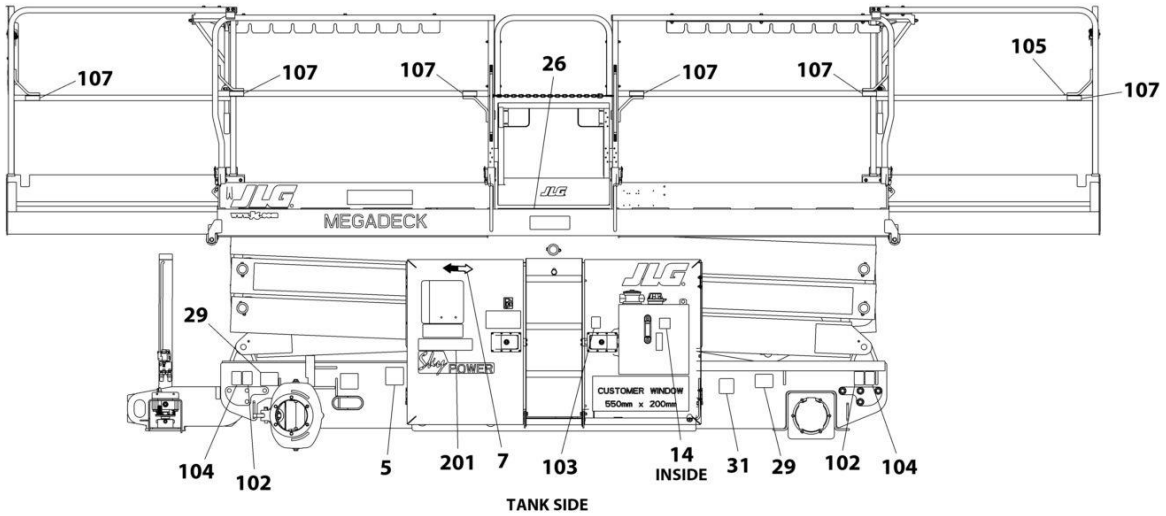
SECTION 9 - DECALS

FIGURE 9-6. DECAL INSTALLATION - KOREAN SPECS (ENGLISH/KOREAN)

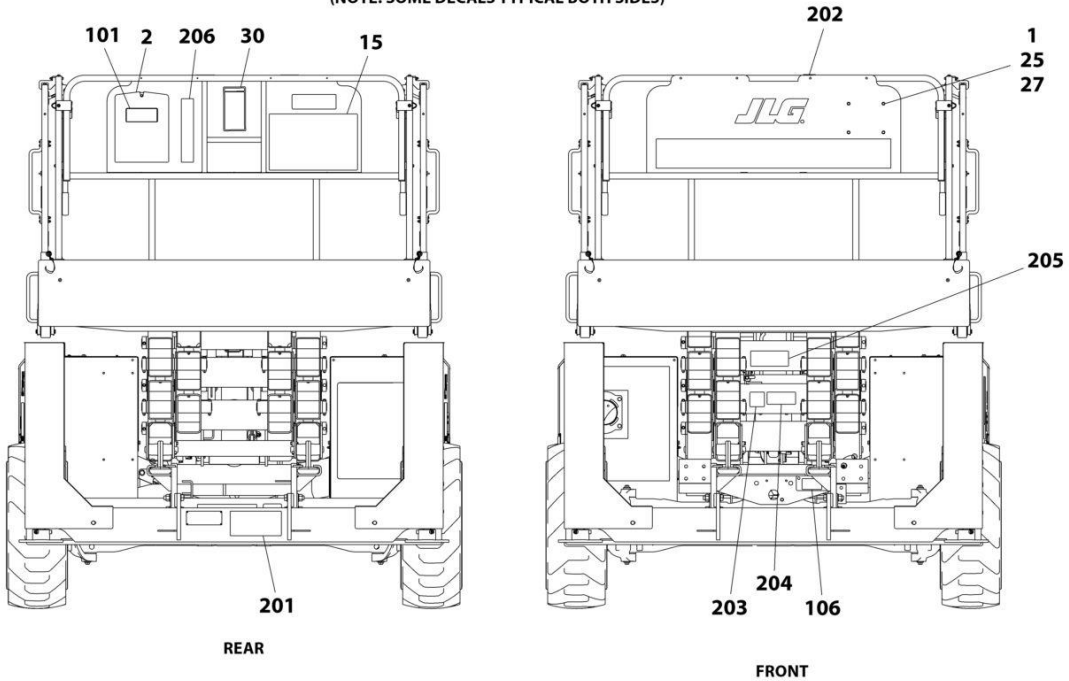
ITEM	PART NUMBER	QTY	DESCRIPTION	REV
	1001216811	Ref	DECAL INSTALLATION	G
1	0641407	4	Bolt 1/4 x 7/8	
2	0860520	1	Box, Manual Storage	
3	See Note	NSS	Decal - Bar Code (Note: Not Available for Purchase)	
4	1703687	2	Decal - Direction Arrow	
5	1704412	1	Decal - Hydraulic Oil	
7	2080057	4	Fastener	
9	3311405	4	Nut 1/4	
10	4420067	48 in/ 2 m	Tape, Tread	
11	4711400	8	Washer 1/4	
13	1703493	4	Decal - Maximum Wheel Load	
14	1001162115	1	Decal - Danger/Warning	
15	1705679	1	Decal - Inspection	
16	1001224048	1	Decal - Inspection	
100	1001216012	1	Master Decal Kit (Not Shown)	A
101	1701509	1	Decal - Manual	
102	1703811	4	Decal - Lifting Lug	
103	1703812	1	Decal - Hydraulic Oil	
104	1703814	4	Decal - Tie Down	
105	1703819	1	Decal - Direction Arrow	
106	1703822	1	Decal - Manual Descent Instruction	
107	1704277	12	Decal - Lanyard Attach	
200	1001217026	1	Country Specs Decal Kit - Korean Specs (English/Korean) (Not Shown)	A
201	1001162111	3	Decal - Warning/Crushing/Danger	
202	1001162112	1	Decal - Control Box Location	
203	1705019	1	Decal - Safety Prop	
204	1001162114	1	Decal - Danger Electrical Hazard	
205	1001162113	1	Decal - Warning/Crushing	
206	1001192853	1	Decal - Legend	

SECTION 9 - DECALS

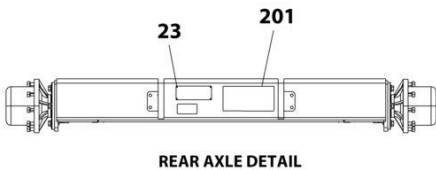
FIGURE 9-7. DECAL INSTALLATION - LATIN AMERICAN SPECS (ENGLISH/SPANISH)



(NOTE: SOME DECALS TYPICAL BOTH SIDES)



(NOTE: ADDITIONAL DECALS CALLED OUT ON DECAL INSTALLATION - OPTIONS)



(NOTE: SOME DECALS MOVE TO LEVELING JACKS WHEN EQUIPPED)

ART_1001207682_G

SECTION 9 - DECALS

FIGURE 9-7. DECAL INSTALLATION - LATIN AMERICAN SPECS (ENGLISH/SPANISH)

ITEM	PART NUMBER	QTY	DESCRIPTION	REV
	1001207682	Ref	DECAL INSTALLATION	G
1	0641407	4	Bolt 1/4 x 7/8	
2	0860520	1	Box, Manual Storage	
5	See Note	NSS	Decal - Bar Code (Note: Not Available for Purchase)	
7	1703687	2	Decal - Direction Arrow	
14	1704412	1	Decal - Hydraulic Oil	
15	1704691	1	Decal - Danger/Warning	
23	2080057	4	Fastener	
25	3311405	4	Nut 1/4	
26	4420067	48 in/1.2m	Tape, Tread	
27	4711400	8	Washer 1/4	
29	1703493	4	Decal, Maximum Wheel Load	
30	1705679	1	Decal - Inspection	
31	1001224049	1	Decal - Inspection	
100	1001216012	1	Master Decal Kit (Not Shown)	A
101	1701509	1	Decal - Manual	
102	1703811	4	Decal - Lifting Lug	
103	1703812	1	Decal - Hydraulic Oil	
104	1703814	4	Decal - Tie down	
105	1703819	1	Decal - Direction Arrow	
106	1703822	1	Decal - Manual Descent Instruction	
107	1704277	12	Decal - Lanyard Attach	
200	1001216738	1	Country Specs Decal Kit - Latin American Specs (English/Spanish) (Not Shown)	A
201	1704693	3	Decal - Warning/Crushing/Danger	
202	1704694	1	Decal - Control Box Location	
203	1705019	1	Decal - Safety Prop	
204	1705041	1	Decal - Danger Electrical Hazard	
205	1705316	1	Decal - Warning/Crushing	
206	1001203076	1	Decal - Legend	

SECTION 9 - DECALS

FIGURE 9-8. DECAL INSTALLATION - OPTIONS

ITEM	PART NUMBER	QTY	DESCRIPTION	REV
		Ref	DECAL INSTALLATION - OPTIONS	
	1001264334	Ref	DECAL INSTALLATION - REFERENCE CHART	D
20	1701214	8	Decal - Outrigger Warning (ANSI & ANSI Export Specs) (English)	
20	1701785	8	Decal - Outrigger Warning (Australian, CE, Japanese & UK CA Specs) (English)	
20	1704698	8	Decal - Outrigger Warning (Brazilian Spec) (Spanish/Portuguese)	
20	1704690	8	Decal - Outrigger Warning (CSA Specs) (English/French)	
20	1001215447	8	Decal - Outrigger Warning (Korean Specs) (English/Korean)	
20	1704697	8	Decal - Outrigger Warning (Latin American Spec) (English/Spanish)	
25	1001216420	Ref	Decal - Warning Stripes Installation (Single Deck Extension)	A
25	1001216421	Ref	Decal - Warning Stripes Installation (Dual Deck Extension)	A
25	4420051	10 ft/3.1m	Tape, Safety (Single Deck Extension)	
25	4420051	12 ft/3.7m	Tape, Safety (Dual Deck Extension)	
29	1001231801	1	Decal - Warning Prop65 (Diesel)	
30	1001269842	1	Decal - Capacity 2250lbs/1020kg (with Single Deck Extension) (All Specs Except Australian, CE & UK CA Specs) (RT3394)	
30	1705034	1	Decal - Capacity 1020kg (with Single Deck Extension) (Australian, CE & UK CA Specs) (RT3394)	
30	1001269841	1	Decal - Capacity 2000lbs/905kg (with Dual Deck Extension) (All Specs Except Australian, CE & UK CA Specs) (RT3394)	
30	1705035	1	Decal - Capacity 905kg (with Dual Deck Extension) (Australian, CE & UK CA Specs) (RT3394)	
30	1001269840	1	Decal - Capacity 1500lbs/680kg (with Single Deck Extension) (All Specs Except Australian, CE & UK CA Specs) (RT4394)	
30	1705036	1	Decal - Capacity 680kg (with Single Deck Extension) (Australian, CE & UK CA Specs) (RT4394)	
30	1001269839	1	Decal - Capacity 1250lbs/568kg (with Dual Deck Extension) (All Specs Except Australian, CE & UK CA Specs) (RT4394)	
30	1705037	1	Decal - Capacity 565kg (with Dual Deck Extension) (Australian, CE & UK CA Specs) (RT4394)	
31	1701505	1	Decal - Fuel (Diesel)	
31	1701542	1	Decal - Fuel (Dual Fuel)	
41	1700818	1	Decal - LP Gas (ANSI, ANSI Export and CSA Specs) (English)	
41	1702720	1	Decal - LP Gas (ANSI Export Specs) (Spanish)	
41	1704271	1	Decal - LP Gas (CSA Spec) (English/French)	
43	1001264307	1	Decal - Model (RT3394)	
43	1001264308	1	Decal - Model (RT4394)	
71	See Note	NSS	Nameplate - Manufacturer Serial Number (Australian, CE & UK CA Specs) (Note: Not Available for Purchase)	
110	1001170869	Ref	JLG Logo Decal Installation (Not Shown)	A
110A	1702773	5	Decal - JLG	
110B	1704885	2	Decal - Website	
130	1704972	1	Decal - Warning Explosion/Fire (English) (ANSI and ANSI Export Specs) (Not Shown - Located on Radiator Shroud)	
130	1706098	1	Decal - Warning Explosion/Fire (Pictogram) (Australian, CE, Japanese & UK CA Specs) (Not Shown - Located on Radiator Shroud)	
130	1706059	1	Decal - Warning Explosion/Fire (English/Portuguese) (Brazil Specs) (Not Shown - Located on Radiator Shroud)	
130	1706060	1	Decal - Warning Explosion/Fire (English/Chinese) (China Specs) (Not Shown - Located on Radiator Shroud)	

SECTION 9 - DECALS

ITEM	PART NUMBER	QTY	DESCRIPTION	REV
130	1706064	1	Decal - Warning Explosion/Fire (English/French) (CSA Specs) (Not Shown - Located on Radiator Shroud)	A
130	1706061	1	Decal - Warning Explosion/Fire (English/Korean) (Korean Specs) (Not Shown - Located on Radiator Shroud)	
130	1706063	1	Decal - Warning Explosion/Fire (English/Spanish) (Latin American Specs) (Not Shown - Located on Radiator Shroud)	
136	1001125387	1	Decal - Ultra Low Sulfur Fuel (ANSI, CSA & Japanese Specs) (Kubota T4F Only)	
136	1001139654	1	Decal - Ultra Low Sulfur Fuel (CE & UK CA Specs)	
156	1001214029	1	EAC Decal Installation (Russian/CIS Specs)	
156	1001173703	1	Decal - EAC	
245	1001236881	Ref	Decal Installation - ClearSky	
245A	1001116208	1	Decal - ClearSky	
245B	1001120989	1	Decal - Radio Frequency	
640	1001143852	1	Decal - Emission Compliance (Diesel Only) (ANSI Export, Australian, CE, Japanese & UK CA Specs)	

SECTION 10 - RECOMMENDED SERVICE PARTS STOCK

SECTION 10 - RECOMMENDED SERVICE PARTS STOCK

SECTION 10 - RECOMMENDED SERVICE PARTS STOCK

FIGURE 10-1. RECOMMENDED SERVICE PARTS STOCK

ITEM	PART NUMBER	QTY	DESCRIPTION	REV
		Ref	Note: The following list will service one machine (built to current production per date on the front cover) with emergency repair parts which can be installed in the field. Parts from the list should be replaced when inventory is depleted to keep service parts stock supplied. For further information, contact your JLG dealer or the JLG Industries Parts Department.	
	1001181045	1	Breaker, 16Amp (CE & UK CA Specs Machines with AC Box at Platform)	
	1001159118	1	Breaker, 30Amp (Machines with SkyPower 7500W Generator)	
	4360070	1	Breaker, Circuit (7500W Generator)	
	70006095	1	Breaker, Circuit - 30Amp (Machines with Generator)	
	70002113	1	Breather, Hydraulic Tank	
	70002963	1	Coil (Main Control Valve)	
	7017451	1	Coil (Lift Cylinder)	
	70050516	1	Coil Coil (Main Control Valve)	
	70001967	1	Coil Coil (Lift Cylinder)	
	70003789	1	Coil (Machines with Leveling Jacks)	
	70001965	1	Coil (Machines with Leveling Jacks)	
	1600402	1	Controller, Drive/Steer (Platform Box)	
	70010383	1 dz	Element, Charge Filter	
	70001960	4	Element, Return Filter	
		Ref	Engine - Diesel Engine	
	70005296	12	Element, Fuel/Water Separator Filter (Diesel Engines)	
	1001190545	12 dz	Filter, Fuel (Diesel Engines)	
	7017992	12 dz	Filter, Fuel (Diesel Engines)	
	70004395	12 dz	Filter, Oil (Diesel Engines)	
	7015004	12	Filter, Air (Diesel Engines)	
		Ref	Engine - Gasoline Engine	
	7017992	12	Filter, Fuel (Gasoline Engines)	
	7017980	12	Filter, Oil (Gasoline Engines)	
	7015004	12 dz	Filter, Air (Gasoline Engines)	
	70005758	1	Module, Engine Control (ECU) (Gasoline Engines)	
	1001225420	1 dz	Filter, Carbon Cannister (Gasoline Engines)	
	2860030	1	Key, Replacement (Ground Controls)	
	2940074	1	Latch	
	1001234736	1	Module, Control - Chassis Module	
	1001234735	1	Module, Control - Ground Control	
	1001182481	1	Module, Control - Leveling Jacks (Machines with Leveling Jacks)	
	1600387	1	Module, Control - LSS (Machines with LSS)	
	1001235098	1	Module, Control - Platform	
	3740080	1	Relay (Engine)	
	1001187857	1	Sensor (Scissors Arms)	
	4360475	1	Switch, Emergency Stop (Ground Controls & Platform Box)	
	4360469	1	Switch, Key (Ground Controls)	
	4360548	1	Switch, Limit (With Leveling Jacks)	
	4360387	1	Switch, Push Button (Platform Box)	
	4360500	1	Switch, Rotary Angle Sensor (Scissors Arms)	
	4360524	1	Switch, Toggle (Ground Controls)	
	1001258446	1	Switch, Toggle (Platform Box)	
	1001236560	1	Switch, Toggle (Platform Box)	

SECTION 10 - RECOMMENDED SERVICE PARTS STOCK

ITEM	PART NUMBER	QTY	DESCRIPTION	REV
	4360525	1	Switch, Toggle (Platform Box)	
	4360483	1	Switch, Toggle (Platform Box)	
	4360482	1	Switch, Toggle (Gas Machines) (Platform Box)	
	4360482	1	Switch, Toggle (Machines with Generator)	

SECTION 11 - SPECIAL OPTIONS/ACCESSORIES/KITS

SECTION 11 - SPECIAL OPTIONS/ACCESSORIES/KITS

SECTION 11 - SPECIAL OPTIONS/ACCESSORIES/KITS

FIGURE 11-1. SPECIAL OPTIONS/ACCESSORIES/KITS

ITEM	PART NUMBER	QTY	DESCRIPTION	REV
		Ref	Note: This list is to accommodate machines ordered with special equipment. Options may not be applicable to all models. For more specific parts information contact JLG Parts Department.	
		Ref	SPECIAL OPTIONS/ACCESSORIES/KITS	
	1001227835	Ref	Airline Add-on Kit (Dealer Installed)	
		Ref	ClearSky (Telematics) Installation (Factory Installed) Options:	
	1001276919	Ref	ClearSky (Telematics) Installation - 3 Wire	
	1001236021	Ref	ClearSky (Telematics) Installation - Canbus (ANSI and CSA Specs)	
	1001236869	Ref	ClearSky (Telematics) Installation - Canbus (ANSI Export, CE & UK CA Specs)	
	1001246528	Ref	ClearSky (Telematics) Installation – Canbus (Australian Specs)	
		Ref	ClearSky Telematic Add-on Kit (Dealer Installed) Options:	
	1001230504	Ref	ClearSky (Telematics) Installation - 3 Wire (ANSI and CSA Specs)	
	1001234102	Ref	ClearSky (Telematics) Installation - 3 Wire (ANSI Export, CE & UK CA Specs)	
	1001265374	Ref	ClearSky (Telematics) Installation - Canbus (ANSI and CSA Specs)	
	1001247539	Ref	ClearSky (Telematics) Installation - Canbus (Australian Specs)	
	1001237255	Ref	ClearSky (Telematics) Installation - Canbus (ANSI Export, CE & UK CA Specs)	
	1001247788	Ref	ClearSky (Telematics) Installation - Canbus (China Specs)	
	1001243580	Ref	ClearSky Telematics Access Control Kit (ANSI, ANSI Export, CE, CSA & UK CA Specs)	
	1001265379	Ref	ClearSky Telematics Access Control Kit – Single Can (ANSI and CSA Specs)	
	1001243186	Ref	ClearSky Telematics Access Control Kit – Single Can (CE & UK CA Specs)	
	1001276923	Ref	ClearSky Add-on Kit - GT1030 (Contact JLG for Approved Countries)	
	1001177763	Ref	Cold Weather Package - 120V (Diesel Engine)	
	1001215968	Ref	Cold Weather Package Add-on Kit - 120V (Diesel Engine)	
	1001216866	Ref	Cold Weather Package Add-on Kit - 120V (Gas Engine)	
	1001188785	Ref	Cold Weather Package - 240V (Diesel Engine)	
	1001215969	Ref	Cold Weather Package Add-on Kit - 240V (Diesel Engine)	
	1001215977	Ref	Container Shipment Preparation	
	1001241633	Ref	Control Box Cover Kit	
	1001233631	Ref	Door Bumpers Kit	
	1001233817	Ref	Door Retention Kit	
	1001254492	Ref	Drive/Steer Hardware and Software Replacement Kit	
		Ref	Electrical Connector Kits	
	1001148902	Ref	Electrical Connector Kit - Amp/Tyco Electrical Connectors	
	1001148903	Ref	Electrical Connector Kit - Deutsch DT Electrical Connectors	
	1001148904	Ref	Electrical Connector Kit - Deutsch HD Electrical Connectors	
	1001148905	Ref	Electrical Connector Kit - Packard Electrical Connectors	
	1001148906	Ref	Electrical Connector Kit - Various Electrical Connectors	
	1001253708	Ref	Fan and Pulley Guard Kit (Australian Specs)	
	1001175145	Ref	Fire Extinguisher Installation	
	1001233320	Ref	Footswitch Installation (Factory Installed) (Korean Spec Only)	
	1001234574	Ref	Footswitch Add-on Kit (Dealer Installed) (Korean Spec Only)	

SECTION 11 - SPECIAL OPTIONS/ACCESSORIES/KITS

ITEM	PART NUMBER	QTY	DESCRIPTION	REV
		Ref	Fuel Cap Cover Installation Options:	
	1001202749	Ref	Fuel Cap Cover Installation (Black) (All Specs) (Note: Lock p/n 1001102157 must be Purchased Separately)	
	1001191395	Ref	Fuel Cap Cover Installation (Green) (Diesel Machines) (ANSI, ANSI Export & CSA Specs) (Note: Lock p/n 1001102157 must be Purchased Separately)	
		Ref	Generator Add-on Kit (Dealer Installed)	
	1001227833	Ref	Generator Add-on Kit (7500W - 50Hz) (KUBOTA Stage III)	
	1001227831	Ref	Generator Add-on Kit (7500W - 60Hz) (KUBOTA T4F)	
	1001227832	Ref	Generator Add-on Kit (7500W - 60Hz) (KUBOTA Gasoline)	
	1001227836	Ref	Headlights and Taillights Add-on Kit (All Specs except CE & UK CA Specs)	
	1001227838	Ref	Machine Service Kits	Q
	1001223282	Ref	Oil Cooler Installation (Factory Installed)	
	1001227837	Ref	Oil Cooler Add-on Kit (Dealer Installed)	
		Ref	Platform Lights Options:	
	1001227834	Ref	Platform Lights Add-on Kit - Flood Lights (Dealer Installed)	
	1001234830	Ref	Platform Lights Installation – Worklights (Factory Installed)	
	1001235702	Ref	Platform Lights Installation - Worklights (Dealer Installed)	
	1001243600	Ref	Platform Portable Lights Installation	
		Ref	Platform Padding Options:	
	1001206575	Ref	Platform Padding Installation - Top Rail Only/No Switches (Single Extension)	
	1001206579	Ref	Platform Padding Installation - Top Rail Only/No Switches (Dual Extension)	
	1001206580	Ref	Platform Padding Installation - Soft Touch Switches (ANSI & ANSI Export Specs)	
	1001262561	Ref	Platform Self Closing Gate (Add-On) (Dealer Installed)	
		Ref	Rack Options:	
	1001229316	Ref	Pipe Rack Installation (Dealer Installed)	
	1001269935	Ref	Heavy Duty Pipe Rack Kit (Dealer Installed)	
	1001238488	Ref	Large Material Tray (Single Extension) (Factory Installed)	
	1001236784	Ref	Large Material Tray (Dual Extension) (Factory Installed)	
	1001231858	Ref	Material Tray Kit (Dual and Mega Deck Extension) (Dealer Installed)	
	1001238484	Ref	Material Tray Kit (Single Deck Extension) (Dealer Installed)	
	1001239226	Ref	Service Kit - Hoods	
		Ref	Tools for Service	
	7002821	Ref	Crimper, Wire	
	7002823	Ref	Pin Extractor - Universal (For Electrical Connectors with Pins and Sockets)	
	4460510	Ref	Pin Extractor - 12-14 Gauge (For Removal of Pin/Sockets from Deutsch Connectors)	
	4460467	Ref	Pin Extractor - 16-18 Gauge (For Removal of Pin/Sockets from Deutsch Connectors)	
	7016654	Ref	Screwdriver, Magnetic	
	7002822	Ref	Screwdriver, Potentiometer	
	7004275	Ref	Tools - Seal Tool 1in (For Cylinders)	
	7004276	Ref	Seal Tool 1-1/2in (For Cylinders)	
	7002828	Ref	Stripper, Wire	

SECTION 11 - SPECIAL OPTIONS/ACCESSORIES/KITS

PART NUMBER INDEX

SECTION 11 - SPECIAL OPTIONS/ACCESSORIES/KITS

0080190.... 156, 164, 172, 180	0440250... 157, 165, 173, 181	0700814 88, 98, 112, 122	0961948..... 15, 17
0100009.....65, 67	0440271 15, 17	0700817 81, 91	0961950..... 13
0100011.... 13, 15, 17, 19, 41, 72, 76, 81, 85, 88, 91, 95, 98, 106, 109, 112, 116, 119, 122, 139, 143, 147, 156, 164, 172, 180, 209, 221	0440334 88, 98	0700819 88, 98, 113, 123	0961986.88, 98, 112, 122
0100019..... 19	0480100 211	0700835 ... 199, 201, 203, 205	0962031.... 156, 164, 172, 180
0100020.81, 91, 106, 116, 311	0561489 185	0701019 139, 143, 147	0962356..... 172, 180
0100035.... 153, 161, 169, 177	0630407 143, 147	0701020 59, 61	0962445..... 172, 180
0100038..... 13, 221	0630485 187, 189	0701037 185	0962446.... 156, 164, 172, 180
0100048..... 139, 143, 147	0641404 ... 209, 241, 243, 245, 247, 249, 251, 253, 255, 257, 259	0701215 140, 143	0962474.... 157, 165, 173, 181
0100062..... 113, 123	0641406 ... 191, 195, 247, 249, 251, 253, 255, 257, 259	0701217 140, 143, 147	0962520..... 139, 143, 147
0100081.... 153, 161, 169, 177	0641407 41, 209, 315, 317, 319, 321, 323, 325, 327	0701219 139, 143, 147	1001091102..... 247, 249, 251, 253, 255, 257, 259
014000159, 61	0641408 88, 98	0701222 . 13, 88, 98, 112, 122	1001093382..81, 91, 106, 116
0140030.... 199, 201, 203, 205	0641409 ... 241, 243, 245, 247, 249, 251, 253, 255, 257, 259	0711221 15, 17	1001093383..... 76
0140032.....69	0641412 17, 153, 161, 169, 177	0721010 ... 153, 161, 169, 177	1001096070..... 247, 249, 251, 253, 255, 257, 259, 263
0181847 199, 201, 203, 205	0641415 185	0731005 59, 61	1001097150..... 263
0200713.... 157, 165, 173, 181	0641420 ... 153, 161, 169, 177	0741010 81, 91, 106, 116	1001098765..... 261
0200714..... 173, 181	0641505 ... 156, 164, 172, 180	0741607 139, 143, 147	1001099125..... 72, 76
0200715..... 173, 181	0641507 ... 157, 165, 173, 181, 187, 189	0760508 39	1001099623..... 153, 161, 169, 177
0200716.... 157, 165, 174, 182	0641508 41, 187, 189	0760606 ... 140, 144, 148, 199, 201, 203, 205	1001099670..... 311
0200717..... 157, 165	0641516 191, 195	0760607 88, 98, 112, 122	1001100341..... 297
0200718.... 157, 165, 174, 182	0641560 49, 51	0760610 ... 65, 67, 72, 76, 81, 91, 107, 117, 139, 143, 147	1001100342..... 299
0200719.... 157, 165, 174, 182	0641608 49, 51	0760810 .41, 89, 98, 112, 122	1001100345..... 303
0200720..... 174, 182	0641609 76	0760814 ... 59, 61, 81, 91, 107	1001100346..... 301
0200721..... 174, 182	0641610 ... 106, 116, 153, 161, 169, 177	0761009 147	1001100347..... 307
0200722..... 174, 182	0641611 ... 153, 161, 169, 177, 185	0761010 82, 92, 107, 117	1001101331..85, 95, 109, 119, 135
0200723..... 157, 165	0641612 .81, 91, 106, 116	0761011 15, 17	1001101511..... 37
025801135	0641612 .81, 91, 106, 116	0761014 ... 72, 76, 82, 85, 88, 92, 95, 98, 113, 117, 123	1001102194..... 37
025801235	0641676 191, 195	0761015 88, 98, 112, 122	1001102195..... 37
027009229	0641812 107, 117	0761016 88, 98, 112, 122	1001102196..... 37
027065331	0641814 .85, 95, 109, 119	0761615 72, 76	1001102805..... 19, 27
027171935	0641824 43	0761617 81, 91, 106, 116	1001102823..... 59, 61, 63
027178533	0642012 13	0770812 69	1001103012..... 266, 281
0272209.... 157, 165, 173, 181	0681607 ... 156, 164, 172, 180	0780810 139, 143, 147	1001103013..... 265
0272211.... 157, 165, 173, 181	0681612 ... 156, 164, 172, 180	0791408 209	1001103760..... 157, 165, 173, 181
0272268..... 33	0681618 172, 180	0840052 261	1001103761..... 43
0272829..... 211	0681624 ... 156, 164, 172, 180	0840056 265	1001104498..... 266, 281
0274260..... 215	0681632 ... 156, 164, 172, 180	0840057 265	1001105700..... 37
0275216..... 247, 297	0681636 172, 180	0840059 265, 287	1001106736..... 265
0275217 249, 299	0681810 19	0840061 265, 287	1001107854..... 266, 274, 281
0275218 255, 305	0681813 ... 156, 164, 172, 180	0860520 ... 315, 317, 319, 321, 323, 325, 327	1001108128..... 232, 236
0275219 259, 309	0681814 72, 76	0861538 143, 147	1001110433..... 72, 76
0275452 253, 303	0682014 19	0861572 139	1001110872..... 311
0275453 257, 307	0682230 41	0861731 ... 243, 295, 301, 303, 307	1001112612..... 265
0275454 251, 301	0700610 ... 59, 61, 88, 98, 112, 122	0861781 297, 299	1001113961..... 293
0340045.88, 98, 112, 122	0700618 107, 117	0861880 263	1001116208..... 330
0363050.... 156, 164, 172, 180	0700619 191, 195	0901870 191, 195	1001116691..... 273
0370018..... 221	0700620 .88, 98, 112, 122	0902773 ... 156, 164, 172, 180	1001116696..... 273
0400075.81, 91, 106, 116	0700812 .81, 91, 106, 116	0902774 ... 153, 161, 169, 177	1001116698..... 265
0440236.... 157, 165, 173, 181		0903054 43	1001116732..... 265, 266, 269, 273
		0940049 72, 76	1001116733..... 265, 266, 269, 273
			1001116734..... 265, 266, 269, 270, 273
			1001116749..... 273
			1001116752..... 273
			1001116763..... 266, 274

SECTION 11 - SPECIAL OPTIONS/ACCESSORIES/KITS

1001116774..... 267	1001132358..... 199, 201, 203, 205	1001166837.....41	1001183328..... 41
1001116808..... 267, 293	1001137304..... 261	1001167055..... 191, 195	1001183416..... 72, 76
1001116810..... 293	1001139654..... 330	1001167058..... 191	1001183420 . 89, 99, 113, 123
1001116811..... 293	1001141967..... 305, 309	1001167269..... 187, 189	1001183421 . 81, 91, 106, 116
1001116812..... 266	1001141968..... 305	1001167272..... 187, 189	1001183424 . 89, 99, 113, 123
1001116813..... 269, 273	1001141969..... 309	1001167274..... 187, 189	1001183427 113, 123
1001116816..... 269, 273	1001141970..... 309	1001167275..... 187, 189	1001183428 113, 123
1001116926..... 266, 283, 285	1001141971..... 305	1001167469..... 76	1001183726 144
1001116930..... 283, 285, 293	1001143852..... 330	1001167690..... 273	1001184064 113, 123
1001116934..... 291	1001144295..... 293	1001167696..... 187, 189	1001184065 . 81, 91, 106, 116
1001117019..... 265, 266	1001145292..... 191, 195	1001168018.. 88, 98, 112, 122	1001184066 . 89, 99, 113, 123
1001117023..... 265, 273	1001146043..... 112, 122	1001169054.. 88, 98, 112, 122	1001184162 140, 144, 148
1001117024..... 270	1001146311..... 232, 236	1001169138.. 88, 98, 112, 122	1001184163 148
1001117055..... 270	1001146588..... 107, 117	1001169967.. 88, 98, 112, 122	1001184235 144
1001117057..... 266, 269, 273	1001147274..... 29, 31	1001170035.. 88, 99, 112, 122	1001184705 273
1001117069..... 266	1001148648..... 140	1001170869..... 329	1001184716 273
1001117070..... 269, 273	1001148675..... 311	1001173043..... 236	1001184717 273
1001117078..... 265	1001148844..... 144, 148	1001173703..... 330	1001184718 273
1001117372..... 219	1001148865..... 29	1001174093..... 106, 116	1001184730 65, 67
1001118280 . 89, 99, 112, 122	1001148866..... 29	1001174384..... 173, 181	1001184768 273
1001118511..... 13	1001148869..... 31	1001174386..... 173, 181	1001184769 273
1001118518..... 13	1001148870..... 31	1001174387..... 173, 181	1001184832 273
1001118519..... 13	1001148902..... 336	1001174455..... 265, 287	1001185125 . 82, 92, 107, 117
1001118538 . 88, 98, 112, 122	1001148903..... 336	1001174486.. 81, 91, 106, 116	1001185585 . 82, 92, 106, 117
1001118539 . 88, 98, 112, 122	1001148904..... 336	1001175145..... 336	1001186428 . 81, 91, 107, 117, 261
1001118580..... 88, 98	1001148905..... 336	1001175265..... 270	1001186467 17
1001118582..... 89, 99	1001148906..... 336	1001175509..... 99, 122	1001186480 261
1001118657..... 269	1001149581..... 187, 189	1001176848..... 15, 17	1001186481 261
1001118658..... 269, 273	1001149953..... 29, 31	1001177763..... 336	1001186482 261
1001118675 .. 88, 98, 131	1001151351..... 232, 236	1001180620..... 89, 99	1001186483 261
1001118743..... 269	1001151393..... 65, 67	1001181045..... 263, 332	1001186484 261
1001118744..... 269	1001152525..... 140	1001181211..... 148	1001186833 113, 123
1001118745..... 269	1001154726..... 265	1001181330..... 65, 67	1001186919 144
1001118746 . 88, 98, 112, 122	1001155806..... 265	1001181622..... 199, 201	1001187197 140
1001118881..... 88, 98	1001157520..... 140, 145, 149	1001181623..... 199, 201	1001187228 144, 148
1001118925..... 88, 98	1001157521..... 140	1001181625..... 113, 123	1001187232 145, 149
1001118938 266, 269, 273	1001157528..... 145, 149	1001181626..... 203, 205	1001187235 88, 112
1001118972..... 59, 61	1001158007..... 140, 145, 149	1001181627..... 203, 205	1001187455 273
1001119412..... 269	1001158008..... 140, 145, 149	1001181658.. 89, 99, 113, 123	1001187695 17
1001119929..... 139	1001158199..... 232, 236	1001181659..... 113, 123	1001187857 153, 161, 169, 177, 332
1001120989..... 330	1001159118..... 311, 332	1001181804..... 261	1001188785 336
1001121396..... 229	1001159119..... 311	1001181829..... 113, 123, 133	1001189773 65, 67
1001125242..... 169, 177	1001161497..... 112, 122	1001182481..... 41, 332	1001190002 65, 67
1001125243..... 153, 161	1001162111..... 325	1001182976..... 89, 99	1001190270 199, 201, 203, 205
1001125248 . 89, 99, 113, 123	1001162112..... 325	1001182977..... 89, 99	1001190368 15, 17
1001125387..... 330	1001162113..... 325	1001182978..... 89, 99	1001190469 291
1001125748..... 269, 274	1001162114..... 325	1001182979..... 89, 99	1001190471 291
1001125773..... 269, 274	1001162115..... 325	1001182980.. 89, 99, 113, 123	1001190472 199, 201, 203, 205
1001126008..... 267	1001162995..... 13	1001182981.. 89, 99, 113, 123	1001190473 199, 201, 203, 205
1001126009..... 267	1001163178... 15, 17, 225	1001182982.. 89, 99, 113, 123	1001190474 201, 205
1001126393..... 273	1001163179..... 15, 17	1001182983.. 89, 99, 113, 123	1001190545 .. 81, 91, 332
1001128888..... 89, 98	1001163405..... 15, 17	1001182984.. 89, 99, 113, 123	1001190577 279
1001129255..... 107, 117	1001163418..... 59	1001182985..... 89, 99	1001190578 279
1001129256..... 107, 117	1001163580..... 13, 219	1001182987..... 89, 99	1001190609 .. 81, 91, 129
1001129772..... 269, 274	1001163715..... 15, 17		
1001131270..... 315, 323	1001163716..... 15, 17		
1001131391..... 107, 117	1001164209..... 15, 17		
1001132170..... 289	1001164817..... 219		
	1001165035..... 112, 122		
	1001166176..... 43		
	1001166729..... 187, 189		
	1001166732..... 140, 144, 148		

SECTION 11 - SPECIAL OPTIONS/ACCESSORIES/KITS

1001191139.....39	1001204695..... 72	1001209619 267	1001220010..... 157, 165
1001191146.....81, 91	1001205638..... 189	1001210080 173, 181, 285	1001220020..... 157, 165
1001191395.....337	1001205640..... 187	1001210278 187, 189	1001220030..... 173, 181
1001191599.....265, 266, 269, 270, 273	1001205642..... 187, 189	1001210619 41, 287	1001220040..... 173, 181
1001192401.....265	1001205643..... 187, 189	1001210645 148	1001220081.....153
1001192853.....315, 321, 325	1001205765..... 187, 189	1001210708 113, 123	1001220082..... 153, 156
1001193336.....59	1001205896..... 187, 189	1001210754 67	1001220083.....169
1001194115.....209	1001205968. 89, 99, 113, 123	1001210755 65	1001220084.....169, 172
1001194221.....291	1001205973..... 109, 112	1001212223 139, 143, 147	1001220085.....161
1001194378.....232, 236	1001205979..... 51, 55	1001213495 191, 195	1001220087..... 161, 164
1001194381.....232, 236	1001206009..... 195	1001213672 232, 236	1001220088.....177
1001194383.....232, 236	1001206025..... 192, 196	1001213673 232, 236	1001220089.....177, 180
1001194384.....229	1001206032..... 106	1001213674 232, 236	1001220957..89, 99, 112, 122
1001194386.....229	1001206034..... 81	1001213676 232, 236	1001220959..89, 99, 112, 122
1001194387.....229	1001206049..... 106, 109	1001213677 232, 236	1001221687.....65, 67
1001194388.....229	1001206065..... 191	1001213678 232	1001222169.....65, 67
1001194421.....291	1001206097..... 195	1001213679 232, 236	1001223055..... 315
1001194836..81, 91, 106, 117	1001206182..... 187	1001213680 232, 236	1001223282..... 337
1001195123.....293	1001206190..... 191	1001213681 233, 237	1001223432.....269
1001195600..89, 99, 113, 123	1001206467..... 76	1001213684 232, 236	1001223453..... 315, 323
1001195684.....269	1001206575..... 337	1001213847 113, 123	1001223459.....273
1001198726..89, 99, 112, 122	1001206579..... 337	1001214029 330	1001223646.....209
1001200250.....269	1001206648..... 232, 236	1001214550 41, 43	1001223795.....269
1001200400.....157, 165, 174, 182	1001206689..... 69	1001214864 229	1001223796.....269
1001200401.....157, 165, 173, 174, 181, 182	1001206707..... 144, 148	1001214865 229	1001223971..... 323
1001200402.....157, 158, 165, 166, 173, 174, 181, 182	1001206708..... 143	1001214989 .. 65, 67, 281	1001224048.....325
1001200412.....157, 165, 173, 174, 181, 182	1001206776..... 241	1001215224 187, 189	1001224049.....327
1001200506.....157, 165, 174, 182	1001206777..... 243	1001215255 65, 67	1001224050.....321
1001200510.....157, 165, 174, 182	1001206778..... 245	1001215305 157, 165, 174, 182	1001224052.....319
1001200528.....157, 165, 174, 182	1001206779..... 253	1001215447 329	1001224493..... 112, 122, 125
1001201642.....266	1001206780..... 257	1001215543 113, 123	1001225257..... 72, 76
1001202532..... 140, 144	1001206781..... 251	1001215697 39	1001225258..... 72, 76
1001202536..... 140, 144	1001206782..... 247	1001215898 265	1001225420..... 106, 117, 332
1001202749.....337	1001206783..... 249	1001215968 336	1001225421..... 107, 117
1001202759..... 148	1001206784..... 255	1001215969 336	1001225610.....91
1001202760..... 148	1001206785..... 259	1001215977 336	1001225626..... 116
1001202764..... 148	1001206832..... 209	1001216012 315, 317, 319, 321, 323, 325, 327	1001225627..... 116, 119
1001203075.....323	1001206896..... 61	1001216020 315	1001225628..... 119, 122
1001203076.....327	1001206928 247, 249, 251, 253, 255, 257, 259	1001216162 144, 148, 311	1001226221..... 72, 76
1001203077.....319	1001207109..... 61	1001216251 156, 164, 172, 180	1001226420..... 113, 123
1001204140.....72, 76	1001207285 140, 144, 148	1001216299 323	1001226421..65, 67, 199, 201, 203, 205
1001204236.....72, 77	1001207678..... 315	1001216383 156, 164, 172, 180	1001226830..... 185, 289
1001204248.....72, 76	1001207679..... 323	1001216384 156, 164, 172, 180	1001226834.....209
1001204382.....72, 76	1001207680..... 317	1001216384 156, 164, 172, 180	1001226911.....185
1001204606..... 13	1001207681..... 321	1001216420 329	1001227285..89, 99, 113, 123
1001204608.....232	1001207682..... 327	1001216421 329	1001227831.....337
1001204609.....236	1001207683..... 319	1001216726 319	1001227832.....337
1001204611..... 15	1001208339 140, 144, 148	1001216738 327	1001227833.....337
1001204612..... 17	1001208340 140, 144, 148	1001216811 325	1001227834.....337
1001204613..... 19	1001208751..... 147	1001216866 336	1001227835..... 336
1001204614.....49	1001208752..... 139	1001217026 325	1001227836.....337
1001204615.....51	1001208764..... 81, 91	1001217067 321	1001227837.....337
1001204617.....59	1001208874. 81, 91, 106, 116	1001217085 156, 164, 172, 180, 223	1001227838.....337
1001204618.....61	1001209181 157, 165, 283	1001217108 41, 45	1001228471.....76
	1001209182 157, 165, 173, 181	1001217291 109, 119	1001229316.....337
	1001209183 157, 165, 173, 181	1001218727 72, 76	1001230006.....261
	1001209208 72, 76	1001218729 72, 76	1001230007.....261
	1001209589 49, 53	1001219802 72, 76	1001230488.....269
		1001219882 72, 76	1001230504.....336
			1001231195.....59, 61
			1001231801..... 329

SECTION 11 - SPECIAL OPTIONS/ACCESSORIES/KITS

1001231858	337	1001243580.....	336	1320265.81, 91, 106, 116		1704701	319
1001233320	336	1001243600.....	337	1321692.....	144, 148	1704702	319
1001233631	336	1001243778.....	287	1340069.89, 99, 112, 122		1704885	329
1001233817	336	1001244937.....	140	1440331....	156, 164, 172, 180	1704972	329
1001234069 .	82, 92, 107, 117	1001244939.....	140	1580023.....	215	1705019...	315, 317, 319, 321, 323, 325, 327
1001234102	336	1001246392.....	215	1580024.....	215	1705034	329
1001234574	336	1001246395.....	215	1600387.....	185, 332	1705035	329
1001234735 ..	65, 67, 332	1001246528.....	336	1600402.....	332	1705036	329
1001234736	267, 332	1001247539.....	336	1670988....	209, 241, 243, 245, 247, 249, 251, 253, 255, 257, 259	1705037	329
1001234830	337	1001247682.....	199, 201, 203, 205, 207	1670995....	156, 164, 172, 180	1705040	323
1001234950	89, 99	1001247788.....	336	1671092.....	145, 149	1705041	327
1001235098	209, 332	1001253708.....	336	1671165.....	41	1705043	319
1001235702	337	1001254492.....	336	1671207.....	295	1705193	321
1001235922	199, 201, 203, 205	1001257454.....	72	1683054.....	221	1705194	321
1001236021	336	1001258390.....	72, 77	1684290.....	219	1705195	321
1001236154 ..	65, 67, 279	1001258391.....	72, 77	1684406.....	43, 221	1705303	323
1001236163	209, 293	1001258392.....	73, 77	1700818.....	329	1705311	323
1001236163	209, 293	1001258394.....	72, 77	1701214.....	329	1705316	327
1001236199	201, 205	1001258446.....	199, 203, 332	1701505.....	329	1705318	319
1001236230	199, 201, 203, 205, 291	1001262561.....	337	1701509....	315, 317, 319, 321, 323, 325, 327	1705325	247
1001236266	199	1001262941.....	107, 117	1701542.....	329	1705372	317
1001236267	203	1001264307.....	329	1701785.....	329	1705637	211
1001236271	265	1001264308.....	329	1702720.....	329	1705671	317
1001236351	67	1001264334.....	329	1702773.....	329	1705679...	315, 323, 325, 327
1001236352	65	1001265374.....	336	1703162.88, 98, 112, 122		1705727	319
1001236442	140, 144, 148, 277	1001265379.....	336	1703464.....	241	1705943	321
1001236545 ..	82, 92, 269	1001269839.....	329	1703493....	315, 317, 319, 321, 323, 325, 327	1705944	321
1001236546	107, 117, 273	1001269840.....	329	1703687....	315, 317, 319, 321, 323, 325, 327	1705997	215
1001236560	201, 205, 332	1001269841.....	329	1703811....	315, 317, 319, 321, 323, 325, 327	1706059	329
1001236784	337	1001269842.....	329	1703812....	315, 317, 319, 321, 323, 325, 327	1706060	329
1001236869	336	1001269935.....	337	1703814....	315, 317, 319, 321, 323, 325, 327	1706061	330
1001236881	330	1001274101.....	107, 117	1703816.....	315	1706063	330
1001237255	336	1001274559..	65, 67, 199, 201, 203, 205	1703818.....	315	1706064	330
1001237292	181	1001276919.....	336	1703819....	199, 201, 203, 205, 315, 317, 319, 321, 323, 325, 327	1706098	329
1001237293	165	1001276923.....	336	1703821.....	315	1706338	317
1001237453	41	1001288395.....	107, 117	1703822....	315, 317, 319, 321, 323, 325, 327	2080040	191, 195
1001237464	41, 229	1001299769.....	107, 117	1703823.....	315	2080057 ...	315, 317, 319, 321, 323, 325, 327
1001237754	199, 203	1001300357.....	106, 116	1704271.....	329	2080063	191, 195, 211
1001237756	41	1001308688.....	267	1704277....	315, 317, 319, 321, 323, 325, 327	2080064	191, 195
1001237907	72, 76	1060343	144, 148	1704412....	315, 317, 319, 321, 323, 325, 327	2110808	232, 236
1001237908	72, 76	1060379	191, 195, 215	1704432.....	315	2110810	232, 236
1001237915	229	1060494	144, 148	1704607.....	321	2110812	232, 236
1001237916	229	1060708	144, 148	1704684.....	323	2111216	232, 236
1001238471	72	1060808	191, 195	1704686.....	323	2130808	232, 236
1001238484	337	1060866	157	1704687.....	323	2130812	232, 236
1001238488	337	1060907	173	1704690.....	329	2131216	232, 236
1001238626	153, 161, 169, 177	1060908	263	1704691.....	327	2180348.81, 91, 106, 116	
1001238770 ..	88, 99, 101	1060929 ...	156, 164, 172, 180	1704693.....	327	2180387	106, 116
1001238771	85, 88	1061020	185	1704694.....	327	2180389	106, 116
1001238772	81, 85	1061021	185	1704697.....	329	2180418	106, 116
1001238773	95, 98	10702077 ..	140, 145, 149	1704699.....	327	2180666	81, 91
1001238774	91, 95	10702082 ..	140, 145, 149	1704701.....	319	2220237	232, 236
1001239088	229	1120555	215	1704702.....	319	2220238	232, 236
1001239200	85, 95	1180371 ...	157, 165, 173, 181	1704703.....	321	2220290	106, 116
1001239222	72, 76	1180372 ...	157, 165, 173, 181	1704684.....	323	2220371	43, 229, 232, 236
1001239226	337	1320043	89, 98	1704686.....	323	2220373	43, 156, 164, 172, 180, 229, 232, 236
1001239350	185	1320061	106, 116	1704687.....	323	2220408	232, 236
1001241363	201	1320220	106, 116	1704688.....	329	2220415	232, 236
1001241364	205	1320224 ...	241, 243, 245, 247, 249, 251, 253, 255, 257, 259	1704690.....	329	2220435	232, 236
1001241633	336			1704691.....	327	2220451	232, 236
1001243186	336			1704693.....	327	2220466	232, 236
				1704694.....	327	2220472	233, 237
				1704697.....	329		
				1704698.....	329		
				1704699.....	319		

SECTION 11 - SPECIAL OPTIONS/ACCESSORIES/KITS

2220473.....	232, 236	3290405 65, 67, 143, 147,	3422592	13	3900355.....	215
2220479.....	232, 236	199, 201, 203, 205,	3422669 81, 91, 106, 116		3910608.....	311
2220497.....	232, 236	241, 243, 247, 249,	3422938	185	3911428.....	191, 195
2220500.....	229, 232, 236	251, 253, 255, 257, 259	3422943 ... 156, 164, 172,		3930820.....	41
2220502.....	233, 237	3290505	180, 185		3931010.....	191, 195
2220577.....	232, 236	3290601	3422944 ... 156, 164, 172,		3931016.....	139, 143, 147
2220578.....	232, 236	3290605 ... 59, 61, 65, 67,	180		3931412.....	215
2220582.....	232, 236	72, 76, 81, 88, 91, 98,	3422945 ... 156, 164, 172,		3931436.....	191, 195
2220596.....	229	106, 112, 116, 122,	180		3931508.....	215
2220600.....	229	139, 143, 147, 199,	3422946 ... 156, 164, 172,		3931516.....	221
2220602.....	232, 236	201, 203, 205, 209	180		3940804.....	143, 147
2220883.....	27, 43, 53, 55,	3290805 ... 41, 59, 61, 69,	3422948	172, 180	3960526.....	19
156, 164, 172, 180,		81, 88, 91, 98, 106,	3422954	156, 164	3990010.....	266
219, 223		112, 116, 122, 139,	3422961 ... 153, 161, 169,		4010403.....	65, 67
2220885.....	53, 55, 223	143, 147, 199, 201,	177		4010405.....	65, 67
2220886.....	27, 223	203, 205	3422963 ... 153, 161, 169,		4010408.....	143, 147, 241,
2220887.....	223	3291001 88, 98, 112, 122	177		243, 247, 249, 251,	
2220888.....	223	3291005 ... 59, 61, 72, 76,	3422964	172, 180	253, 255, 257, 259	
2221036.....	232, 236	82, 88, 92, 98, 107,	3422965 ... 156, 164, 172,		4010412.....	65, 67
2221040.....	232, 233, 236,	112, 117, 122, 185	180		4031507.....	65, 67
237		3291201 88, 98, 112, 122,	3423304	15, 17	4031509.....	199, 201, 203,
2221042.....	156, 164, 172,	139, 143, 147	3450304 ... 156, 164, 172,		205	
180		3291605 ... 72, 76, 81, 91,	180		4031908.....	147
2221050.....	233, 236	106, 116	3450405 ... 156, 164, 172,		4032014.....	139, 143, 147
2221081.....	232, 236	3300048 ... 241, 243, 245,	180		4032016.....	147
2221086.....	233, 237	247, 249, 251, 253,	3460334	215	4060802 65, 67, 139, 143,	
2221176.....	106, 116	255, 257, 259	3520026	65, 67	147, 199, 201, 203, 205	
2400044 81, 91, 106, 116		3300106	3520034	199, 203	4060803.....	72, 76
2420172.....	65, 67	3300353	3520072	191, 195	4160116.....	43
2560088.....	191, 195	3300396 ... 140, 144, 148	3537609	192, 196	4240003.....	215
2560141 ... 199, 201, 203,		3300408 81, 91, 106, 116	3571862	192, 196	4240017 ... 139, 143, 147	
205		3300432	3573370 ... 156, 164, 172,		4240018 82, 92, 107, 117,	
2560172.....	191, 195	191, 195	180		153, 161, 169, 177	
2560176.....	191, 195	3300467	3573440	106, 116	4240032.....	39
2600216.....	72, 76	3310805	3573472	192, 196	4240033 ... 156, 164, 172,	
2600285.....	191, 195	3311001 ... 140, 144, 148	3573513	221	180, 185, 209	
2700100.....	215	3311005 ... 139, 143, 147,	3580317 ... 139, 143, 147		4280295 ... 156, 164, 173,	
2720058.....	81, 91	153, 161, 169, 177	3580318 ... 139, 143, 147		181	
2720271.....	81, 91	3311401	3641452	191, 195	4340853.....	215
2720611.....	106, 116	3311405 . 17, 88, 98, 143,	3740080 82, 92, 107, 117,		4340854.....	215
2753791.....	232, 236	147, 153, 161, 169,	267, 332		4360070 65, 67, 140, 144,	
2753970.....	232, 236	177, 185, 191, 195,	3760170 ... 191, 195, 215		149, 332	
2754244.....	232, 236	209, 241, 243, 245,	3760257	187, 189	4360387 65, 67, 199, 201,	
2755023.....	233, 237	247, 249, 251, 253,	3760348	43	203, 205, 332	
2780267.....	19, 23	255, 257, 259, 315,	3760368	221	4360469.....	65, 67, 332
2780268.....	19, 21	317, 319, 321, 323,	3760460	221	4360475 65, 67, 199, 201,	
2820031.....	293	325, 327	3790152 85, 95, 109, 119		203, 205, 332	
2860030.....	65, 67, 332	3311501 ... 49, 51, 72, 76	3820020 81, 92, 107, 117,		4360482 ... 139, 143, 147,	
2900756.....	57, 156, 164,	3311502	192, 196		203, 205, 333	
173, 181		3311505 ... 157, 165, 173,	3841143 ... 15, 17, 81, 91,		4360483 ... 199, 201, 203,	
2902182.....	221	181, 187, 189, 191, 195	106, 116, 153, 156,		205, 333	
2902266.....	219	3311601	161, 164, 169, 172,		4360500 ... 153, 161, 169,	
2902431 ... 143, 147, 241,		3311605 . 76, 81, 91, 106,	177, 180, 185		177, 332	
295		116, 153, 161, 169,	3841203 ... 156, 164, 172,		4360518.....	43
2902498.....	317	177, 185	180		4360524.....	65, 67, 332
2920029.....	65, 67	3311801	3841258	13	4360525 ... 199, 201, 203,	
2940074.....	191, 195, 332	3311805	3841556 ... 156, 164, 172,		205, 333	
2940127.....	191, 195	43	180		4360548.....	287, 332
3250028.....	65, 67	3321402 88, 98, 156, 164,	3841564	43	4400275.....	116
3252507 ... 243, 245, 249,		172, 180	3850013	221	4400420.....	116
251, 253, 255, 257, 259		3340612	3860102	172, 180	4400498.....	126
3271605 ... 156, 164, 172,		191, 195	3860111	107, 117	4420051.....	41, 329
180		3340929 ... 157, 165, 173,	3900300	65, 67	4420062.....	215
3271805 72, 76, 156, 164,		181	3900318 ... 191, 195, 211		4420067 ... 315, 317, 319,	
172, 180		3340935 ... 153, 161, 169,	3900319	191, 195	321, 323, 325, 327	
3272205.....	41	177	3900321	221	4420076 ... 199, 201, 203,	
		3340937	3900323	191, 195	205	
		191, 195				
		3421453				
		191, 195				
		3421565				
		191, 195				
		3422219 ... 191, 195, 215				

SECTION 11 - SPECIAL OPTIONS/ACCESSORIES/KITS

4460019 266	4460851 266, 287	4641193.... 156, 164, 173,	4845441 211
4460042 269	4460852 265, 287	181	4845442 211
4460043 277	4460871 293	4641205.... 156, 164, 173,	4846460 173, 181
4460051 293	4460873 293	181	4846532 191, 195
4460068 140, 144, 148	4460874 293	4641254.... 156, 164, 173,	4846537 191, 195
4460071 243	4460876 293	181	4846570 192, 196
4460115 279, 281	4460879 293	4641303..... 49, 51, 57	4846584 221
4460138 241	4460884 265, 270	4711000.... 140, 145, 149	4860179 35
4460142 269	4460891 39, 157, 165,	4711400.... 17, 41, 81, 91,	4860237 33
4460144 279	173, 181, 266, 269,	106, 116, 143, 147,	4871700 140, 144, 148
4460183 291	273, 287, 293	153, 157, 161, 165,	489160085, 95, 140, 144,
4460225 277, 279	4460892 265, 287, 291	169, 173, 177, 181,	148
4460247 269	4460893 269	185, 191, 195, 209,	4891800 ... 19, 72, 76, 85,
4460256 266	4460894 266, 287, 291	215, 241, 243, 245,	95, 109, 119
4460259 266, 279	4460897 69, 157, 165,	247, 249, 251, 253,	4892000 19
4460260 266, 279	173, 181, 266	255, 257, 259, 315,	4892200 41
4460265 291	4460905 293	317, 319, 321, 323,	5240600 ... 72, 76, 88, 98,
4460267 267, 291	4460917 289	325, 327	113, 123, 209
4460268 277, 279	4460918 293	4711500.. 41, 72, 76, 157,	5241000 ... 81, 88, 91, 98,
4460294 289	4460928 279, 293	165, 173, 181, 187, 189	106, 112, 116, 122,
4460315 143, 147, 241	4460929 289	4711600.... 106, 109, 116,	139, 143, 147
4460346 295	4460930 267	119, 157, 165, 169,	5241200 ... 13, 15, 17, 88,
4460422 ... 241, 243, 245,	4460933 265, 289	173, 181, 191, 195	98, 112, 122, 139, 143,
247, 249, 251, 253,	4460934 287	4711700.... 199, 201, 203,	147
255, 257, 259	4460935 287	205	5251012 13
4460425 144, 149	4460939 281	4711800..... 107, 117	5272011 139, 143
4460426 140, 145, 149	4460941 269	4740086..... 15, 17	5272012 139, 143, 147
4460434 279	4460942 265, 269	4740158..... 13	70000082 207
4460464 69, 157, 165,	4460943 ... 265, 273, 281,	4740455.... 157, 165, 173,	70000084 207
173, 181, 265, 266,	283, 285	181	70000619.. 139, 143, 147
269, 273, 281, 283,	4460944 ... 265, 266, 283,	4740480..... 215	70000683 207
285, 291, 293	285, 289	4750800..... 41	70000684 207
4460465 39, 157, 165,	4460945 265	475100059, 61, 139, 143,	70000685 207
173, 181, 265, 266,	4460956 263	147, 153, 161, 169,	70000686 207
267, 269, 270, 273,	4460957 263	177, 191, 195	70000797 27
277, 283, 285, 287,	4460958 311	4751400.... 191, 195, 241,	70000863.. 139, 143, 148
289, 291, 293	4460963 145, 149	243, 245, 247, 249,	70001100.. 139, 143, 147
4460466 ... 265, 266, 267,	4460967 266	251, 253, 255, 257, 259	70001250 207
269, 270, 273, 281,	4460968 ... 247, 249, 251,	475150082, 92, 107, 117,	70001251 207
283, 285, 287, 289,	253, 257	191, 195	70001252 207
291, 293	4460970 269, 273	4751600..... 76, 187, 189,	70001253 207
4460467 337	4461054 273	191, 195	70001349 21, 23
4460470 ... 199, 201, 203,	4461118 274	4751800..... 59, 61	70001384.. 139, 143, 148
205	4461124 273	4761400..... 88, 98, 209	70001932 27
4460471 ... 199, 201, 203,	4461196 297	4761500..... 49, 51	70001933 131
205	4461198 297	4761600..... 49, 51	70001958 136
4460483 144, 148	4461199 299	481140065, 67, 143, 147,	70001959 63
4460488 39	4461201 299	241, 243, 247, 249,	70001960 63, 332
4460499 ... 157, 165, 173,	4461205 ... 303, 305, 307,	251, 253, 255, 257, 259	70001965 43, 45, 332
181	309	4811600..... 65, 67	70001966.. 139, 144, 148
4460508 283, 285, 293	4461244 303	4811700.... 41, 65, 67, 72,	70001967. 157, 165, 173,
4460509 ... 266, 283, 285,	4461245 307	76, 81, 88, 91, 98, 106,	181, 332
293	4461246 301	112, 116, 122, 139,	70001973.. 140, 144, 148
4460510 337	4461249 301	143, 147	70001974.. 140, 144, 148
4460518 ... 267, 279, 289,	4461257 255, 259	4811702.... 59, 61, 72, 76	7000206 21, 23
293	4461258 255, 259	4811900.... 41, 69, 81, 88,	70002112 63
4460539 266, 287	4461271 293	91, 98, 106, 112, 116,	70002113 63, 332
4460608 273	4520216 29	122, 139, 143, 147,	70002132 135, 136
4460612 311	4520217 35	199, 201, 203, 205	70002133 135
4460662 295	4520240 31	4811902.... 59, 61, 81, 91	70002134 135
4460746 270	4520262 33	4812000.... 72, 76, 82, 88,	70002135 135
4460761 267, 289, 291	4520608 37	92, 98, 107, 112, 117,	70002136 135
4460808 277	4530028 213	122	70002137 135
4460812 265	4568295 185	4812002.... 59, 61, 72, 76	70002138 135
4460814 265	4640858 219	4812300.... 72, 76, 81, 91,	70002139 135
4460836 266, 287, 289	4641122 29, 31, 33, 37	106, 116	70002140 135
4460837 265		4812500. 88, 98, 113, 123	70002141 135

SECTION 11 - SPECIAL OPTIONS/ACCESSORIES/KITS

70002142.....	135	70002460 ..	140, 144, 148	70004913	126	70005761.....	126
70002143.....	135	7000248	21, 23	70005069	53, 55	70005762.....	126
70002144.....	135	7000253	21, 23	70005073	53, 55	70005763.....	126
70002145.....	135	7000257	21, 23	70005100	53, 55	70005764.....	126
70002146.....	135	7000258	21, 23	70005150	225	70005765.....	126
70002147.....	135	7000261	21, 23	70005151	225	70005766.....	126
70002148.....	135	7000262	21, 23	70005152	225	70005767.....	126
70002149.....	135	7000263	21, 23	70005153	225	70005768.....	126
70002150.....	135	70002768	63	70005154	225	70005769.....	126
70002151.....	135	70002842	219	70005165	53, 55	70006093... 139, 144, 148	
70002152.....	135	70002861	109, 119	70005167	53, 55	70006094... 139, 144, 148	
70002153.....	135	70002901	129	70005220	101	70006095.. 140, 144, 148,	
70002154.....	135	70002963	53, 55, 332	70005221	101	332	
70002155.....	135	70003024	53, 55	70005222	101	70006096... 140, 144, 148	
70002156.....	135	70003060	101	70005223	101	70006097... 140, 144, 148	
70002157.....	135	70003061	101	70005224	101	70006284.....	223
70002158.....	135	70003063	102	70005226	102	70006285.....	223
70002159.....	135	70003064	102	70005227	102	70006286.....	223
70002160.....	135	70003631 .. 139, 144, 148		70005228	101	70006287.....	223
70002161.....	135	70003708 .. 139, 144, 148		70005229	102, 126	70006288.....	223
70002162.....	135	70003709 .. 139, 144, 148		70005293	129	70006289.....	223
70002163.....	135	70003789	41, 332	70005294	129	70006290.....	223
70002164.....	135	70003935	57	70005295	129	70006292.....	45
70002165.....	135, 136	70003936	57	70005296	129, 332	70006661.....	101, 125
70002166.....	135	70003977	53, 55	70005297	129	70006662.....	125
70002167.....	135	70004069	129	70005327	126	70006664.....	102
70002168.....	135	70004070	129	70005329	125	70006665.....	101
70002169.....	136	70004092 .. 139, 144, 148		70005448	53, 55	70006737.....	41
70002170.....	136	70004094 .. 139, 144, 148		70005449	53, 55	70006738.....	41
70002172.....	136	70004098 .. 140, 144, 148		70005453	131	7000731.....	24
70002174.....	136	70004099 .. 139, 144, 148		70005454	133	70007439.....	136
70002175.....	136	70004294	125	70005455	133	70007502..... 89, 99, 112,	
70002176.....	136	70004295	125	70005723	53, 55	122	
70002177.....	136	70004296	125	70005724	53, 55	70007506.....	207
70002178.....	136	70004306	125	70005726	125	70010383..... 81, 91, 106,	
70002179.....	136	70004311	101, 125	70005727	125	116, 332	
70002180.....	136	70004395	101, 332	70005728	125	7001998.....	21, 23
70002181.....	136	70004396	101	70005729	125	7002821.....	337
70002182.....	136	70004397	101	70005730	125	7002822.....	337
70002185.....	136	70004398	101	70005731	125	7002823.....	337
70002186.....	136	70004399	101	70005732	125	7002828.....	337
70002187.....	136	70004401	126	70005733	125	7004275.....	337
70002188.....	136	70004415	102	70005734	125	7004276.....	337
70002189.....	136	70004524	101, 125	70005735	125	70050516..... 53, 55, 332	
70002190.....	136	70004525	101, 125	70005736	125	7007207.....	135
70002191.....	136	70004526	101, 125	70005737	125	7007415.....	136
70002192.....	136	70004530	101	70005738	125	7007418.....	135
7000229.....	21, 23	70004531	101	70005739	125	7007419.....	135
70002291... 140, 144, 148		70004536	101	70005740	125	7007437.....	27
70002297... 139, 144, 148		70004537	101, 126	70005743	125	7007438.....	27
7000230.....	21, 23	70004538	101, 125	70005744	125	7007439.....	27
70002315.....	101	70004539	101	70005745	125	7007446.....	27, 135
70002316.....	101	70004540	101	70005746	126	7007601.....	21, 23
70002317.....	101	70004544	101	70005747	126	7007640.....	21, 23
70002318.....	101, 125	70004557	125	70005748	126	7010429.....	21, 23
70002319.....	101	70004558	125	70005749	126	7012518.....	41
7000232.....	21, 23	70004580	53, 55	70005750	126	7012925.... 157, 165, 173,	
70002320.....	101	70004794	59, 61	70005751	126	181	
70002321.....	101	70004829	102, 125	70005752	126	701500489, 99, 112, 122,	
70002322.....	101	70004831	125	70005753	126	332	
70002323.....	101	70004834	125	70005754	126	7015005.89, 99, 112, 122	
70002326.....	102, 126	70004848	125	70005755	126	7016654.....	337
70002327.....	102	70004851	126	70005756	126	7017059.....	21, 23
70002328.....	102	70004853	126	70005757	126	7017067.....	21, 23
70002330.....	102	70004854	126	70005758	126, 332	7017070.....	21, 23
70002419.....	101	70004883	53, 55	70005759	126	7017080.....	21, 23
7000246.....	21, 23	70004912	126	70005760	126		

SECTION 11 - SPECIAL OPTIONS/ACCESSORIES/KITS

7017451 ... 157, 165, 173, 181, 332	7022311 27	7024190..... 24	7024868 27
7017496 ... 156, 164, 173, 181	7022312 27	7024191..... 24	7024881 57
7017901 102	7022314 27	7024192..... 24	7025479 101
7017906 125	7022326 27	7024193..... 24	7026597 140, 144, 148
7017914 125	7022328 27	7024194..... 24	7026626 140, 144, 148
7017922 101	7022340 136	7024196..... 24	7027365 207
7017928 101	7022368 27	7024197..... 24	7027367 207
7017934 101, 125	7022369 27	7024441..... 63	7027419 27
7017945 101	7022371 27	7024446..... 63	7027765 207
7017958 102	7022390 53, 55	7024462..... 213	7027766 207
7017959 125	7022397 57	7024463..... 213	7027773 213
7017963 102	7022398 53, 55	7024467..... 213	7027774 213
7017980 125, 332	7022399 53, 55, 57	7024469..... 213	7027775 213
7017982 125	7023107 125	7024470..... 213	7027776 213
7017983 125	7023124 102	7024471..... 213	7027777 213
7017984 125	7023140 101	7024472..... 213	7027778 213
7017986 125	7023144 101	7024473..... 213	7027779 213
7017992 ... 102, 125, 332	7023145 102	7024474..... 213	7027780 213
7017994 126	7023148 102	7024475..... 213	7027799 140, 144, 148
7017995 125	7023149 102	7024478..... 213	77363233 277
7019602 ... 156, 164, 172, 180	7023154 101	7024488 139, 143, 147	80463053 317
702017565, 67, 199, 201, 203, 205	7023164 101	7024489 139, 143, 147	8220007 265
702017665, 67, 199, 201, 203, 205	7023165 101	7024497 43, 45	8220022 140, 145, 149
7020218 ... 156, 164, 172, 180	7023167 101	7024498 45	8220164 269, 273
7020219 ... 156, 164, 172, 180	7023168 101	7024500 45	8303511 .81, 91, 106, 116
7021249 27	7023170 102, 126	7024502 43, 45	8310382 ... 153, 161, 169, 177
7021256 136	7023306 63	7024503 45	83191040 109, 119
7021275 27, 135	7023347 63	7024504 45	8405009 112, 122
7021276 27	7023900 53, 55	7024505 45	8405101 .88, 98, 112, 122
7021277 27	7023904 41	7024506 43, 45	8405104 .88, 98, 112, 122
7021625 57	7023907 27	7024507 45	8406302 147
7021639 57	7023910 27	7024705 23	8410013 113, 123
7022301 135	7023917 57	7024712 21, 23	85941016 88, 98, 112, 122
7022302 27	7023919 ... 157, 165, 173, 181	7024713 21, 23	8750014 81, 91
7022305 27	7023923 ... 157, 165, 173, 181	7024714 21, 23	8760351 232, 236
7022310 27	7023929 85, 95	7024715 21, 23	8786514 35
	7023933 57	7024716 21, 23	88521205 82, 92, 106, 116
	7023936 53, 55	7024717 23	
	7023964 136	7024718 24	
	7024182 23, 24	7024829 157, 165, 173, 181	
	7024189 24	7024854 27	
		7024862 27	



**Corporate Office
JLG Industries, Inc.
1 JLG Drive
McConnellsburg, PA 17233-9533 USA
☎ (717) 485-5161 (Corporate)
☎ (877) 554-5438 (Customer Support)
📠 (717) 485-6417**

**Visit our website for JLG Worldwide Locations.
www.jlg.com**



OSHKOSH™