



Illustrated Parts Manual

Model RT5394

PVC
2110

P/N
31219130
February 5, 2024 - Rev C

ANSI

CE



**UK
CA**

AS/NZS



An Oshkosh Corporation Company

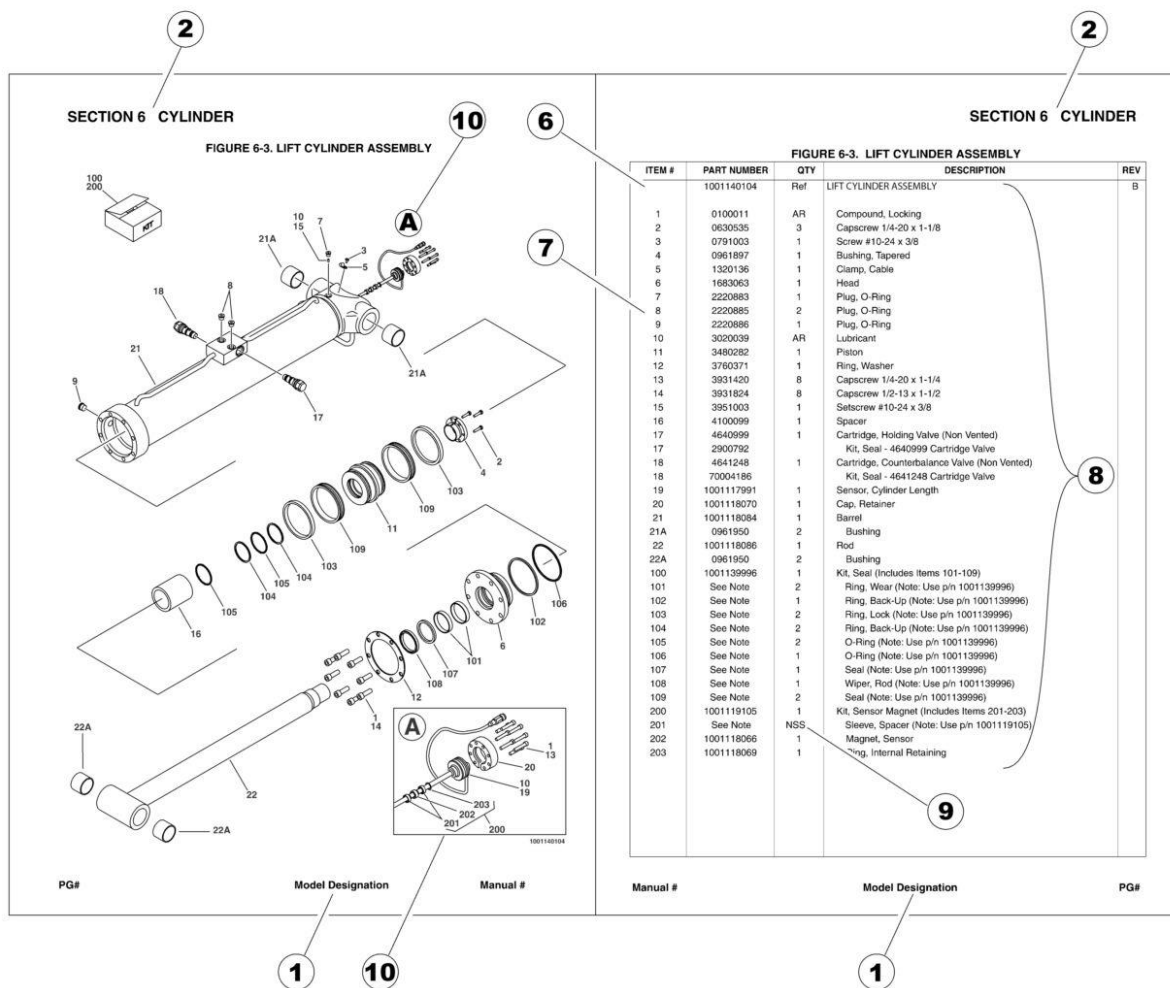
REVISION LOG

October 1, 2021 - A - Original Issue of Manual (Edited to 1001275394 Rev D)

September 1, 2022 - B - Revised Manual (Edited to 1001275394 Rev K)

February 5, 2024 - C - Revised Manual (Edited to 1001275394 Rev K)

GENERAL INFORMATION



1) MACHINE IDENTIFICATION

Machines are identified by model and in some cases a combination of models, serial number (SN) or regional standard (i.e ANSI, CE, CSA). Components may also be identified by SN or manufacturer. Common components that may be identified by these characteristics are engines and hydraulic components.

2) PARTS MANUAL ORGANIZATION

Product information in this manual is organized under section titles. Frame, Cylinder, Hydraulic and Electrical are a few examples. Each section is organized by figure and page number. The information within the Figure is then organized by item number, part number, description and corresponding illustration (s).

3) TABLE OF CONTENTS (NOT SHOWN)

A table of contents is found toward the beginning of the manual. Figure number, description and page number are provided for quick reference to the page containing the related information.

4) RECOMMENDED SPARE PARTS (NOT SHOWN)

The Recommended Spare Parts List, located near the end of the manual, reference most frequently used maintenance parts.

5) PART NUMBER INDEX (NOT SHOWN)

A numerical index listing all part numbers and the corresponding page number(s) appears at the back of the manual.

GENERAL INFORMATION

6) NON-SERVICED PARTS

In some instances, it is necessary to display non-serviced parts, assemblies or installations. In the case of assemblies and installations there will be a Ref in the Qty. column. In case of parts that are not available for service within assemblies or components, there will be a NSS (Not Sold Separately) or NLA (No Longer Available) listed in the Qty. column of the manual.

7) PARTS LIST ITEM NUMBERS

Numbers shown in the item# column correspond to numbers used in the associated illustration (s). Item numbers which are missing from the sequence in the parts list are not used on that page.

8) INDENTED PARTS DESCRIPTION

An indented part description is included in the item under which it is indented.

9) ABBREVIATION AND SYMBOLS

AC.....	Alternating Current	L.....	Liter
ADE.....	Advanced Design Electronics	LB(LBS).....	Pounds
AG.....	Agricultural	LCD.....	Liquid Crystal Display
ANSI.....	American National Standards Institute	LED.....	Light Emitting Diodes
AR.....	As Required	LH.....	Left Hand
ASSY.....	Assembly	LRC.....	Low Rated Countries
AUS.....	Australia	LSS.....	Load Sensing System
AUX.....	Auxiliary	M(m).....	Metric/Meter
AWG.....	American Wire Gauge	MM(mm).....	Milimeter
B/M.....	Bill of Material	mA.....	Miliamps
CAC.....	Charge Air Cooler	NLA.....	No Longer Available
CE.....	European Conformity	NPT.....	National Pipe Threads
CCW.....	Counter Clockwise	NSS.....	Not Sold Separately
CM.....	Centimeter	OD.....	Outside Diameter
CW.....	Clockwise	ORB.....	O-Ring Boss
CSA.....	Canadian Standards Association	ORFS.....	O-Ring Face Seal
CYL.....	Cylinder	OZ (oz).....	Ounces
DIA.....	Diameter	PG.....	Page
DC.....	Direct Current	PN.....	Part Number
DEF.....	Diesel Exhaust Fluid	QT(qt.).....	Quarts
EMS.....	Emergency Stop	QTY.....	Quantity
ENG.....	Engine	REF.....	Reference
FT(ft).....	Feet	REV.....	Revision Level
GA(Ga).....	Gauge	RH.....	Right Hand
HRC.....	High Rated Countries	SAE.....	Society of Automotive Engineers
HVAC.....	Heating, Ventilating, and Air Conditioning	SN.....	Serial Number
HYD.....	Hydraulic	SPEC(S).....	Specifications
Hz.....	Hertz	T/T.....	Turntable
ID.....	Inside Diameter	UGM.....	Universal Ground Module
IN.....	inches	V.....	Volts
ISO.....	International Organization for Standards	W.....	Watts
JIC.....	Joint Industry Council	#.....	Number
KG.....	Kilogram		

10) ILLUSTRATION REFERENCE LETTERS

When necessary, illustrations may contain reference letters that are intended to track information (i. e. hoses, harnesses) from one point to another or to track visual enlargement of components to show details that may be located in another area on the illustration.

Note: Due to continuous product improvements, JLG Industries, Inc. reserves the right to make specification changes without prior notification. Contact JLG Industries, Inc. for updated information.

TABLE OF CONTENTS

SECTION 1 - FRAME.....	11
FIGURE 1-1. AXLE INSTALLATION - FIXED.....	12
FIGURE 1-2. AXLE INSTALLATION - OSCILLATING.....	14
FIGURE 1-3. STEER INSTALLATION.....	16
FIGURE 1-4. WHEEL DRIVE INSTALLATION.....	18
FIGURE 1-5. DRIVE HUB ASSEMBLY - FRONT.....	20
FIGURE 1-6. DRIVE HUB AND BRAKE ASSEMBLY - REAR.....	22
FIGURE 1-7. DRIVE MOTOR ASSEMBLY.....	26
FIGURE 1-8. TIRE AND WHEEL INSTALLATION - 12 X 16.5 FOAM FILLED.....	28
FIGURE 1-9. TIRE AND WHEEL INSTALLATION - 12 X 16.5 FOAM FILLED NON-MARKING.....	30
FIGURE 1-10. TIRE AND WHEEL INSTALLATION - IN395/45/D20 FOAM FILLED.....	32
FIGURE 1-11. TIRE AND WHEEL INSTALLATION - IN395/45/D20 FOAM FILLED NON-MARKING.....	34
FIGURE 1-12. BEACON LIGHT INSTALLATION - OPTIONAL.....	36
FIGURE 1-13. LEVELING JACKS INSTALLATION.....	38
FIGURE 1-14. LEVELING JACKS ASSEMBLY.....	40
FIGURE 1-15. LEVELING JACKS VALVE ASSEMBLY.....	42
SECTION 2 - GROUND CONTROLS.....	45
FIGURE 2-1. VALVE INSTALLATION.....	46
FIGURE 2-2. MAIN VALVE ASSEMBLY.....	48
FIGURE 2-3. FLOW DIVIDER VALVE ASSEMBLY.....	50
FIGURE 2-4. TANKS & HORN INSTALLATION - DIESEL.....	52
FIGURE 2-5. TANKS AND HORN INSTALLATION - GASOLINE.....	54
FIGURE 2-6. HYDRAULIC TANK ASSEMBLY.....	56
FIGURE 2-7. ELECTRICAL COMPONENTS INSTALLATION - DIESEL.....	58
FIGURE 2-8. ELECTRICAL COMPONENTS INSTALLATION - KUBOTA GASOLINE.....	60
FIGURE 2-9. GROUND CONTROL BOX ASSEMBLY - KUBOTA DIESEL.....	62
FIGURE 2-10. GROUND CONTROL BOX ASSEMBLY - KUBOTA GASOLINE.....	64
FIGURE 2-11. MOTION ALARM INSTALLATION.....	66
FIGURE 2-12. WHITE NOISE ALARM INSTALLATION.....	68
FIGURE 2-13. HOODS AND LADDERS INSTALLATION.....	70
SECTION 3 - ENGINE.....	75
FIGURE 3-1. ENGINE INSTALLATION - KUBOTA DIESEL T4F.....	76
FIGURE 3-2. ENGINE AND PUMP SUB-ASSEMBLY - KUBOTA DIESEL T4F.....	80
FIGURE 3-3. ENGINE ASSEMBLY - KUBOTA DIESEL T4F.....	82
FIGURE 3-4. ENGINE INSTALLATION - KUBOTA DIESEL T4F WITH GENERATOR.....	86
FIGURE 3-5. ENGINE AND PUMP SUB-ASSEMBLY - KUBOTA DIESEL T4F WITH GENERATOR.....	90
FIGURE 3-6. ENGINE ASSEMBLY - KUBOTA DIESEL T4F WITH GENERATOR.....	92
FIGURE 3-7. ENGINE COMPONENTS - KUBOTA DIESEL T4F.....	96
FIGURE 3-8. ENGINE INSTALLATION - KUBOTA GASOLINE.....	100
FIGURE 3-9. ENGINE AND PUMP SUB-ASSEMBLY - KUBOTA GASOLINE.....	104
FIGURE 3-10. ENGINE ASSEMBLY - KUBOTA GASOLINE.....	106
FIGURE 3-11. ENGINE INSTALLATION - KUBOTA GASOLINE WITH GENERATOR.....	110
FIGURE 3-12. ENGINE AND PUMP SUB-ASSEMBLY - KUBOTA GASOLINE WITH GENERATOR.....	114
FIGURE 3-13. ENGINE ASSEMBLY - KUBOTA GASOLINE WITH GENERATOR.....	116
FIGURE 3-14. ENGINE COMPONENTS - KUBOTA GASOLINE.....	120
FIGURE 3-15. FUEL/WATER SEPARATOR ASSEMBLY - DIESEL ENGINES.....	124
FIGURE 3-16. COUPLING KIT - DIESEL ENGINES.....	126
FIGURE 3-17. COUPLING KIT - GASOLINE ENGINES.....	128
FIGURE 3-18. PISTON PUMP ASSEMBLY.....	130
FIGURE 3-19. FAN GUARD INSTALLATION - KUBOTA.....	134
FIGURE 3-20. SPARK ARRESTOR MUFFLER - OPTIONAL (GASOLINE ENGINES).....	136
FIGURE 3-21. GENERATOR INSTALLATION - 4000W (KUBOTA DIESEL STAGE III).....	138
FIGURE 3-22. GENERATOR INSTALLATION - 4000W (KUBOTA DIESEL T4F) (Prior to SN M200052012, Excluding M200047449 and M200047476).....	142
FIGURE 3-23. GENERATOR INSTALLATION - 4000W (KUBOTA DIESEL T4F) (SN M200052012 to Present, Including M200047449 and M200047476).....	146
FIGURE 3-24. GENERATOR INSTALLATION - 4000W (KUBOTA GASOLINE) (DUAL FUEL) (Prior to SN M200052012, Excluding M200047449 and M200047476).....	150
FIGURE 3-25. GENERATOR INSTALLATION - 4000W (KUBOTA GASOLINE) (DUAL FUEL) (SN M200052012 to Present, Including M200047449 and M200047476).....	154
FIGURE 3-26. GENERATOR INSTALLATION - 7500W (KUBOTA DIESEL STAGE III).....	158

TABLE OF CONTENTS

FIGURE 3-27. GENERATOR INSTALLATION - 7500W (KUBOTA DIESEL T4F) (Prior to SN M200052012, Excluding M200047449 and M200047476)	162
FIGURE 3-28. GENERATOR INSTALLATION - 7500W (KUBOTA DIESEL T4F) (SN M200052012 to Present, Including M200047449 and M200047476)	166
FIGURE 3-29. GENERATOR INSTALLATION - 7500W (KUBOTA GASOLINE) (DUAL FUEL) (Prior to SN M200052012, Excluding M200047449 and M200047476)	170
FIGURE 3-30. GENERATOR INSTALLATION - 7500W (KUBOTA GASOLINE) (DUAL FUEL) (SN M200052012 to Present, Including M200047449 and M200047476)	174
FIGURE 3-31. JUNCTION BOX ASSEMBLY - 4000W GENERATOR (ALL SPECS EXCEPT AUSTRALIAN, CE & UK CA SPECS)	178
FIGURE 3-32. JUNCTION BOX ASSEMBLY - 7500W GENERATOR (ALL SPECS EXCEPT AUSTRALIAN, CE & UK CA SPECS)	180
FIGURE 3-33. JUNCTION BOX ASSEMBLY - 4000W/7500W GENERATOR (AUSTRALIAN, CE & UK CA SPECS)	182
SECTION 4 - SCISSORS ARMS	185
FIGURE 4-1. SCISSORS ARMS ASSEMBLY	186
FIGURE 4-2. SCISSORS ARMS INSTALLATION WITH AC CABLE	192
FIGURE 4-3. SCISSORS ARMS INSTALLATION WITH GENERATOR	194
FIGURE 4-4. ARM GUARDS INSTALLATION	196
SECTION 5 - PLATFORM	199
FIGURE 5-1. PLATFORM WITH SINGLE EXTENTION INSTALLATION	200
FIGURE 5-2. PLATFORM WITH DUAL EXTENSION INSTALLATION	202
FIGURE 5-3. RAIL INSTALLATION - PLATFORM WITH SINGLE EXTENSION	204
FIGURE 5-4. RAIL INSTALLATION - PLATFORM WITH DUAL EXTENSION	208
FIGURE 5-5. PLATFORM CONSOLE BOX INSTALLATION - DIESEL MACHINES	212
FIGURE 5-6. PLATFORM CONSOLE BOX INSTALLATION - GASOLINE MACHINES	214
FIGURE 5-7. CONTROLLER ASSEMBLY	216
FIGURE 5-8. PLATFORM MODULE INSTALLATION	218
FIGURE 5-9. PIPE RACK INSTALLATION	220
FIGURE 5-10. SKYWELDER INSTALLATION (OPTIONAL) (ANSI SPECS)	222
FIGURE 5-11. SKYWELDER INSTALLATION (OPTIONAL) (CE & UK CA SPECS)	224
FIGURE 5-12. WELDER ASSEMBLY	226
FIGURE 5-13. WORKSTATION INSTALLATION (OPTIONAL)	228
SECTION 6 - CYLINDER	231
FIGURE 6-1. AXLE LOCKOUT CYLINDER ASSEMBLY	232
FIGURE 6-2. LOWER LIFT CYLINDER	234
FIGURE 6-3. UPPER LIFT CYLINDER	236
FIGURE 6-4. LEVELING JACK CYLINDER ASSEMBLY	238
FIGURE 6-5. STEER CYLINDER ASSEMBLY	240
SECTION 7 - HYDRAULIC	243
FIGURE 7-1. HYDRAULIC DIAGRAM - FIXED AXLE	244
FIGURE 7-2. HYDRAULIC DIAGRAM - OSCILLATING AXLE	252
FIGURE 7-3. HYDRAULIC DIAGRAM - SCISSOR ARMS	262
SECTION 8 - ELECTRICAL	265
FIGURE 8-1. AC BOX AT PLATFORM INSTALLATION - 110V GFI (ANSI, ANSI EXPORT, CHINA, CSA AND JAPANESE SPECS) (Prior to SN M200052012, Excluding M200047449 and M200047476)	266
FIGURE 8-2. AC BOX AT PLATFORM INSTALLATION - 110V GFI (ANSI, ANSI EXPORT, CHINA, CSA AND JAPANESE SPECS) (SN M200052012 to Present, Including M200047449 and M200047476)	268
FIGURE 8-3. BOX AT PLATFORM INSTALLATION - 220V (ANSI EXPORT, CSA, CHINA AND JAPANESE SPECS) (Prior to SN M200052012, Excluding M200047449 and M200047476)	270
FIGURE 8-4. BOX AT PLATFORM INSTALLATION - 220V (ANSI EXPORT, CSA, CHINA AND JAPANESE SPECS) (SN M200052012 to Present, Including M200047449 and M200047476)	272
FIGURE 8-5. AC BOX AT PLATFORM INSTALLATION - 110V IEC YELLOW (CE & UK CA SPEC) (Prior to SN M200052012, Excluding M200047449 and M200047476)	274
FIGURE 8-6. AC BOX AT PLATFORM INSTALLATION - 110V IEC YELLOW (CE & UK CA SPEC) (SN M200052012 to Present, Including M200047449 and M200047476)	276
FIGURE 8-7. AC BOX AT PLATFORM INSTALLATION - 220V IEC BLUE (CE & UK CA SPEC) (Prior to SN M200052012, Excluding M200047449 and M200047476)	278

TABLE OF CONTENTS

FIGURE 8-8. AC BOX AT PLATFORM INSTALLATION - 220V IEC BLUE (CE & UK CA SPEC) (SN M200052012 to Present, Including M200047449 and M200047476)	280
FIGURE 8-9. AC BOX AT PLATFORM INSTALLATION - 220V AFSINT107 (CE & UK CA SPEC) (Prior to SN M200052012, Excluding M200047449 and M200047476)	282
FIGURE 8-10. AC BOX AT PLATFORM INSTALLATION - 220V AFSINT107 (CE & UK CA SPEC) (SN M200052012 to Present, Including M200047449 and M200047476)	284
FIGURE 8-11. AC BOX AT PLATFORM INSTALLATION - 220V CEE7 POST GROUND WITH 2X4 BOX (CE & UK CA SPEC) (Prior to SN M200052012, Excluding M200047449 and M200047476)	286
FIGURE 8-12. AC BOX AT PLATFORM INSTALLATION - 220V CEE7 POST GROUND WITH 2X4 BOX (CE & UK CA SPEC) (SN M200052012 to Present, Including M200047449 and M200047476)	288
FIGURE 8-13. AC BOX AT PLATFORM INSTALLATION - 220V CEE7 POST GROUND WITH 70X70 BOX (CE & UK CA SPEC) (Prior to SN M200052012, Excluding M200047449 and M200047476)	290
FIGURE 8-14. AC BOX AT PLATFORM INSTALLATION - 220V CEE7 POST GROUND WITH 70X70 BOX (CE & UK CA SPEC) (SN M200052012 to Present, Including M200047449 and M200047476)	292
FIGURE 8-15. AC BOX AT PLATFORM INSTALLATION - 220V CEE7 SIDE GROUND WITH 2X4 BOX (CE & UK CA SPEC) (Prior to SN M200052012, Excluding M200047449 and M200047476)	294
FIGURE 8-16. AC BOX AT PLATFORM INSTALLATION - 220V CEE7 SIDE GROUND WITH 2X4 BOX (CE & UK CA SPEC) (SN M200052012 to Present, Including M200047449 and M200047476)	296
FIGURE 8-17. AC BOX AT PLATFORM INSTALLATION - 220V CEE7 SIDE GROUND WITH 70X70 BOX (CE & UK CA SPEC) (Prior to SN M200052012, Excluding M200047449 and M200047476)	298
FIGURE 8-18. AC BOX AT PLATFORM INSTALLATION - 220V CEE7 SIDE GROUND WITH 70X70 BOX (CE & UK CA SPEC) (SN M200052012 to Present, Including M200047449 and M200047476)	300
FIGURE 8-19. BATTERY CABLE KIT - DIESEL ENGINES	302
FIGURE 8-20. BATTERY CABLE KIT - GASOLINE ENGINES	304
FIGURE 8-21. BREAKER BOX KIT - SINGLE DOUBLE POLE BREAKER	306
FIGURE 8-22. CHASSIS HARNESS	308
FIGURE 8-23. DUAL FUEL HARNESS	310
FIGURE 8-24. ENGINE HARNESS - KUBOTA DIESEL	314
FIGURE 8-25. ENGINE HARNESS - KUBOTA GASOLINE	318
FIGURE 8-26. GENERATOR CONTROL HARNESS - 4000W GENERATOR (GENERATOR TO CONTROL BOX)	322
FIGURE 8-27. GENERATOR CONTROL HARNESS - 4000W GENERATOR (CONTROL BOX TO GENERATOR CONTROL)	324
FIGURE 8-28. GENERATOR CONTROL HARNESS - 7500W GENERATOR (GENERATOR TO CONTROL BOX)	326
FIGURE 8-29. GENERATOR CONTROL HARNESS - 7500W GENERATOR (CONTROL BOX TO GENERATOR CONTROL)	328
FIGURE 8-30. GROUND CONTROL BOX HARNESS - LOWER	330
FIGURE 8-31. GROUND CONTROL BOX HARNESS - UPPER	332
FIGURE 8-32. GROUND TO LOWER AUXILIARY HOLDING VALVE HARNESS	334
FIGURE 8-33. GROUND TO UPPER AUXILIARY HOLDING VALVE HARNESS	336
FIGURE 8-34. GROUND TO LOWER LIFT CYLINDER HARNESS	338
FIGURE 8-35. GROUND TO UPPER LIFT CYLINDER HARNESS	340
FIGURE 8-36. GROUND TO PLATFORM HARNESS	342
FIGURE 8-37. HYDRAULIC COMPARTMENT HARNESS	344
FIGURE 8-38. LEVELING JACK HARNESS	346
FIGURE 8-39. LSS HARNESS	348
FIGURE 8-40. OSCILLATING AXLE HARNESS	350
FIGURE 8-41. PLATFORM CONTROL BOX HARNESS	352
FIGURE 8-42. PLATFORM MODULE HARNESS	354
FIGURE 8-43. RECEPTACLE ASSEMBLY (MACHINES WITH GENERATORS) (ALL SPECS EXCEPT AUSTRALIAN, CE & UK CA SPEC)	356
FIGURE 8-44. RECEPTACLE BOX KIT - 110V GFI	358
FIGURE 8-45. RECEPTACLE BOX KIT - 110V IEC YELLOW (CE & UK CA SPEC)	360
FIGURE 8-46. RECEPTACLE BOX KIT - 220V IEC BLUE (CE & UK CA SPEC)	362
FIGURE 8-47. RECEPTACLE BOX KIT - 220V AFSINT 107 (CE & UK CA SPEC)	364
FIGURE 8-48. RECEPTACLE BOX KIT - 220V CEE7 SIDE GROUND (CE & UK CA SPEC)	366
FIGURE 8-49. RECEPTACLE BOX KIT - 220V CEE7 SIDE GROUND 70MM X 70MM BOX (CE & UK CA SPEC)	368
FIGURE 8-50. RECEPTACLE BOX KIT - 220V CEE7 POST GROUND (CE & UK CA SPEC)	370
FIGURE 8-51. RECEPTACLE BOX KIT - 220V CEE7 POST GROUND 70MM X 70MM BOX (CE & UK CA SPEC)	372
FIGURE 8-52. SCISSORS ARMS GUARD HARNESS	374
SECTION 9 - DECALS	377
FIGURE 9-1. DECAL INSTALLATION - ANSI AND ANSI EXPORT SPECS (ENGLISH)	378
FIGURE 9-2. DECAL INSTALLATION - AUSTRALIAN AND JAPANESE SPECS	380
FIGURE 9-3. DECAL INSTALLATION - BRAZIL SPECS (SPANISH/PORTUGUESE)	382
FIGURE 9-4. DECAL INSTALLATION - CE & UK CA SPEC	384
FIGURE 9-5. DECAL INSTALLATION - CHINESE SPECS (ENGLISH/CHINESE)	386
FIGURE 9-6. DECAL INSTALLATION - CSA (ENGLISH/FRENCH)	388
FIGURE 9-7. DECAL INSTALLATION - KOREAN SPECS (ENGLISH/KOREAN)	390

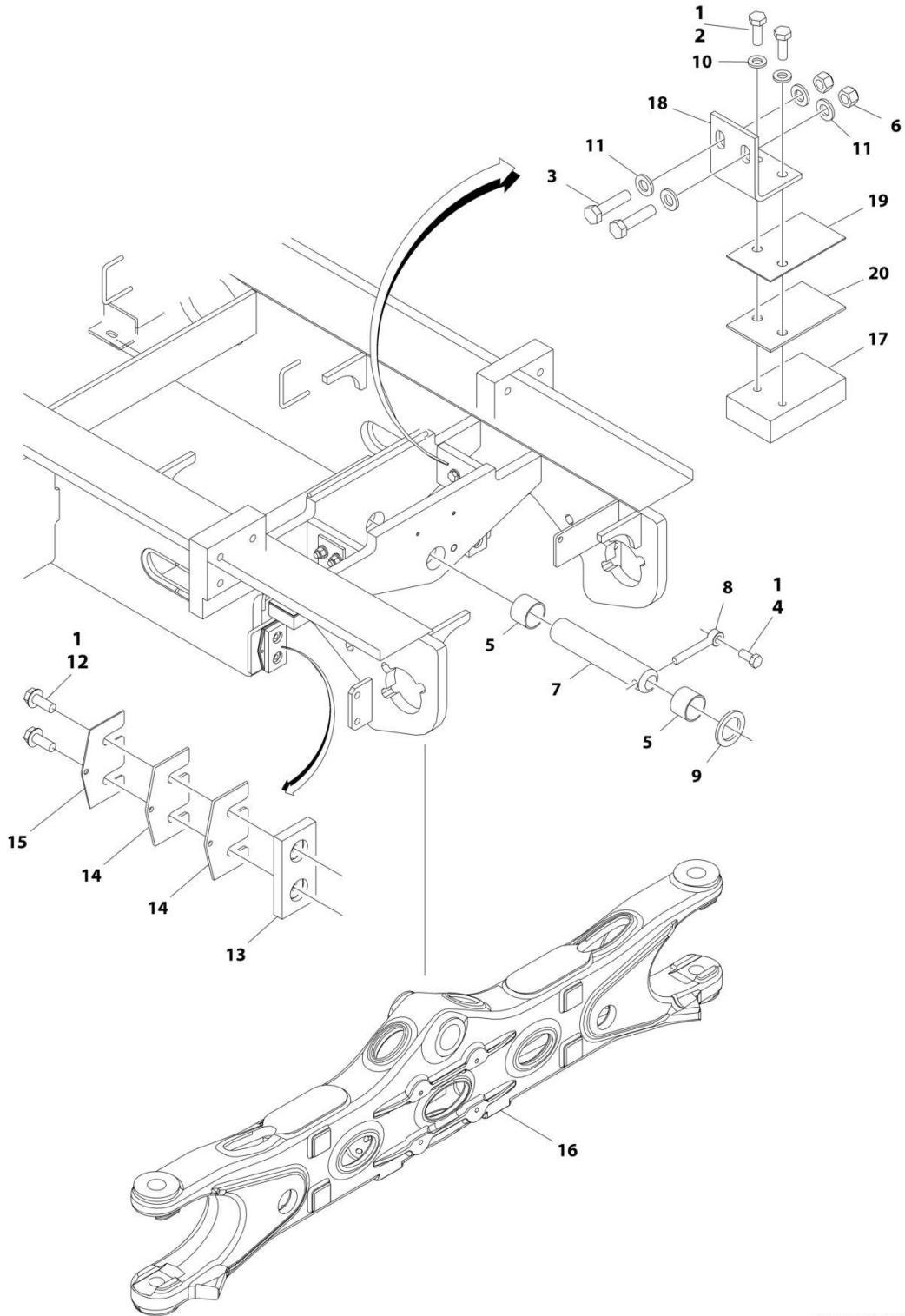
TABLE OF CONTENTS

FIGURE 9-8. DECAL INSTALLATION - LATIN AMERICAN SPECS (ENGLISH/SPANISH)	392
FIGURE 9-9. DECAL INSTALLATION - OPTIONS.....	394
SECTION 10 - RECOMMENDED SERVICE PARTS STOCK.....	397
FIGURE 10-1. RECOMMENDED SERVICE PARTS STOCK.....	398
SECTION 11 - SPECIAL OPTIONS/ACCESSORIES/KITS.....	401
FIGURE 11-1. SPECIAL OPTIONS/ACCESSORIES/KITS.....	402
PART NUMBER INDEX.....	405

SECTION 1 - FRAME

SECTION 1 - FRAME

FIGURE 1-1. AXLE INSTALLATION - FIXED



ART_1001177745

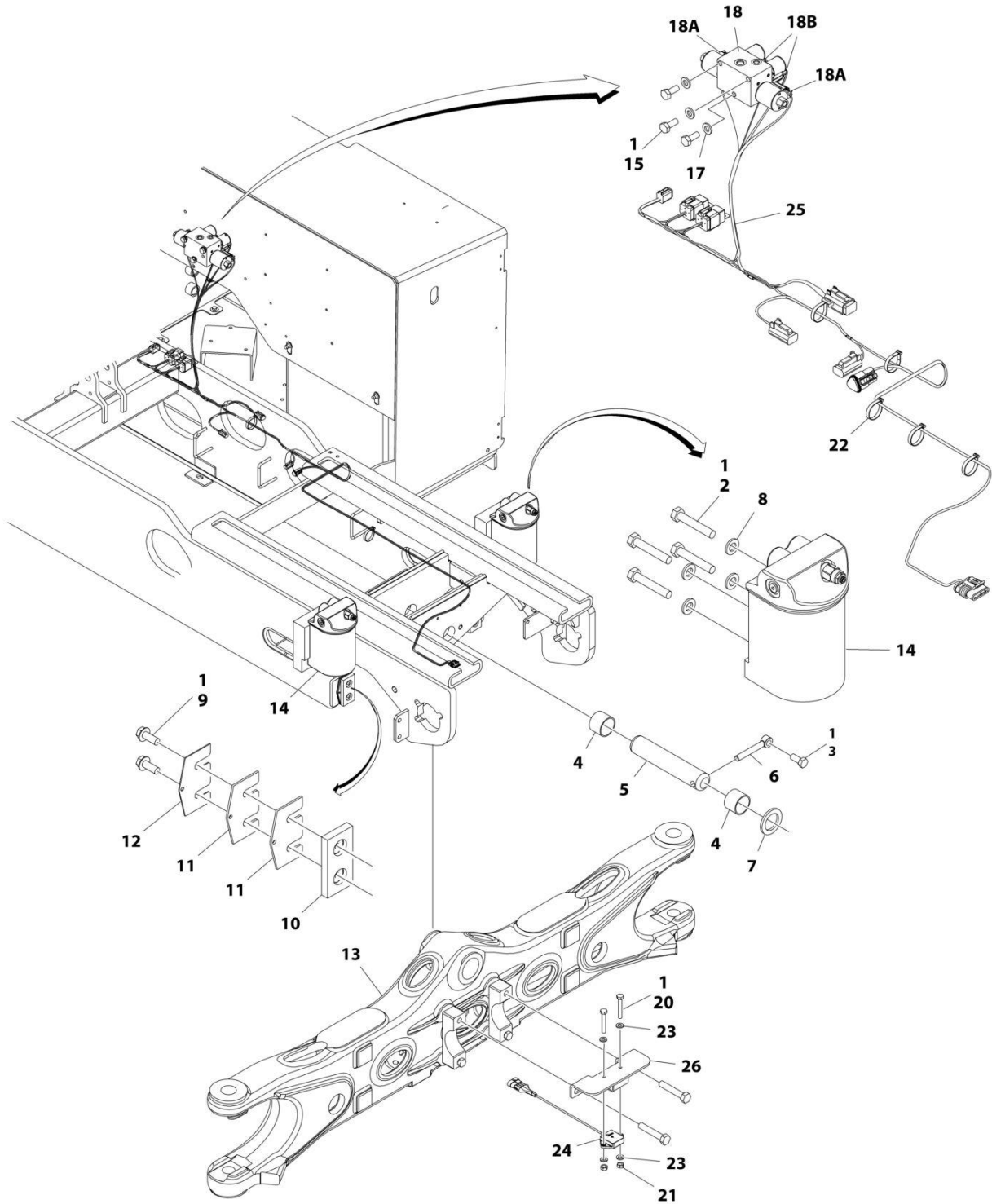
SECTION 1 - FRAME

FIGURE 1-1. AXLE INSTALLATION - FIXED

ITEM	PART NUMBER	QTY	DESCRIPTION	REV
	1001177745	Ref	AXLE INSTALLATION - FIXED	A
1	0100011	AR	Compound, Locking	
2	0701014	4	Bolt M10 x 30	
3	0701218	4	Bolt M12 x 50	
4	0761615	1	Bolt M16 x 35	
5	0961950	2	Bearing	
6	3291205	4	Nut M12	
7	3422592	1	Pin	
8	3841258	1	Keeper, Pin	
9	4740158	1	Washer	
10	5241000	4	Washer M10	
11	5241200	8	Washer M12	
12	5251012	4	Bolt M10 x 25	
13	1001118511	2	Pad, Wear	
14	1001118518	4	Shim 11Ga	
15	1001118519	2	Shim 16Ga	
16	1001162995	1	Axle	
17	1001180307	2	Block	
18	1001180309	2	Bracket	
19	1001180315	2	Shim .06	
20	1001180316	2	Shim .12	

SECTION 1 - FRAME

FIGURE 1-2. AXLE INSTALLATION - OSCILLATING



ART_1001177749

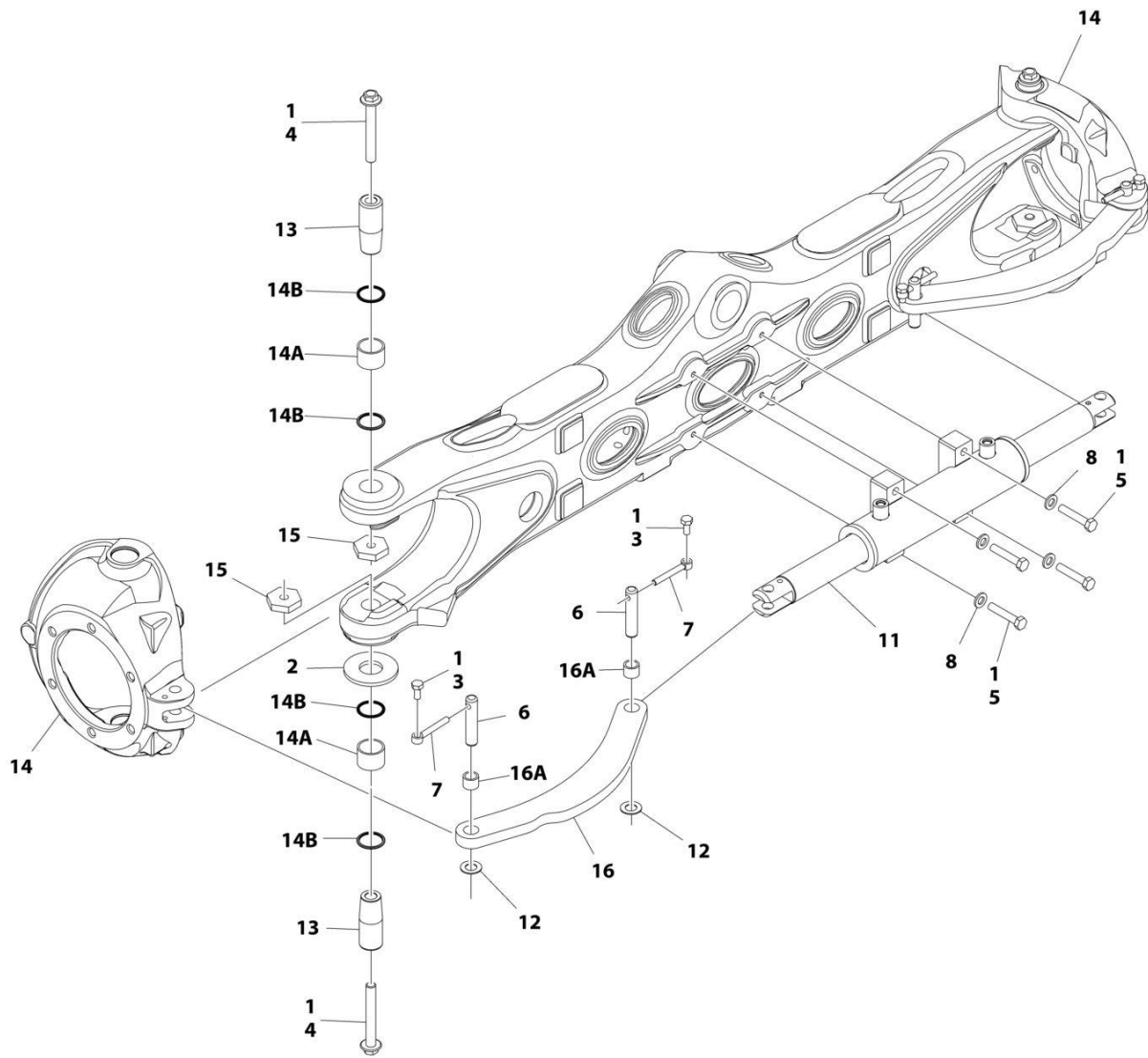
SECTION 1 - FRAME

FIGURE 1-2. AXLE INSTALLATION - OSCILLATING

ITEM	PART NUMBER	QTY	DESCRIPTION	REV
	1001177749	Ref	AXLE INSTALLATION - OSCILLATING	F
1	0100011	AR	Compound, Locking	
2	0701222	8	Bolt M12 x 70	
3	0761615	1	Bolt M16 x 35	
4	0961950	2	Bearing	
5	3422592	1	Pin	
6	3841258	1	Keeper, Pin	
7	4740158	1	Washer	
8	5241200	8	Washer M12	
9	5251012	4	Bolt M10 x 25	
10	1001118511	2	Pad, Wear	
11	1001118518	4	Shim 11Ga	
12	1001118519	2	Shim 16Ga	
13	1001162995	1	Axle	
14	1001163580	2	Axle Lockout Cylinder Assembly (See Separate Breakdown in CYLINDER SECTION)	
15	0701012	3	Bolt M10 x 25	
17	5241000	3	Washer M10	
18	1001191201	1	Axle Lockout Valve Assembly	
18A	7012910	2	Cartridge, Solenoid Less Coil	
18A	2900708	2	Seal Kit - 7012910 Valve	
18A	70003977	2	Nut, Coil	
18A	70050516	2	Coil	
18B	70005163	2	Cartridge, Solenoid Less Coil	
18B	70005164	2	Seat Kit - 70005163 Valve	
18B	7022390	2	Nut, Coil	
18B	70002963	2	Coil	
20	0700616	2	Bolt M6 x 40	
21	3290601	2	Nut M6	
22	4240018	5	Tie-Strap	
23	4811700	4	Washer M6	
24	1001186467	1	Sensor, Dual Axis	
25	1001187601	1	Oscillating Axle Harness (See Separate Breakdown in ELECTRICAL SECTION)	
26	1001187695	1	Bracket	

SECTION 1 - FRAME

FIGURE 1-3. STEER INSTALLATION



ART_1001177747

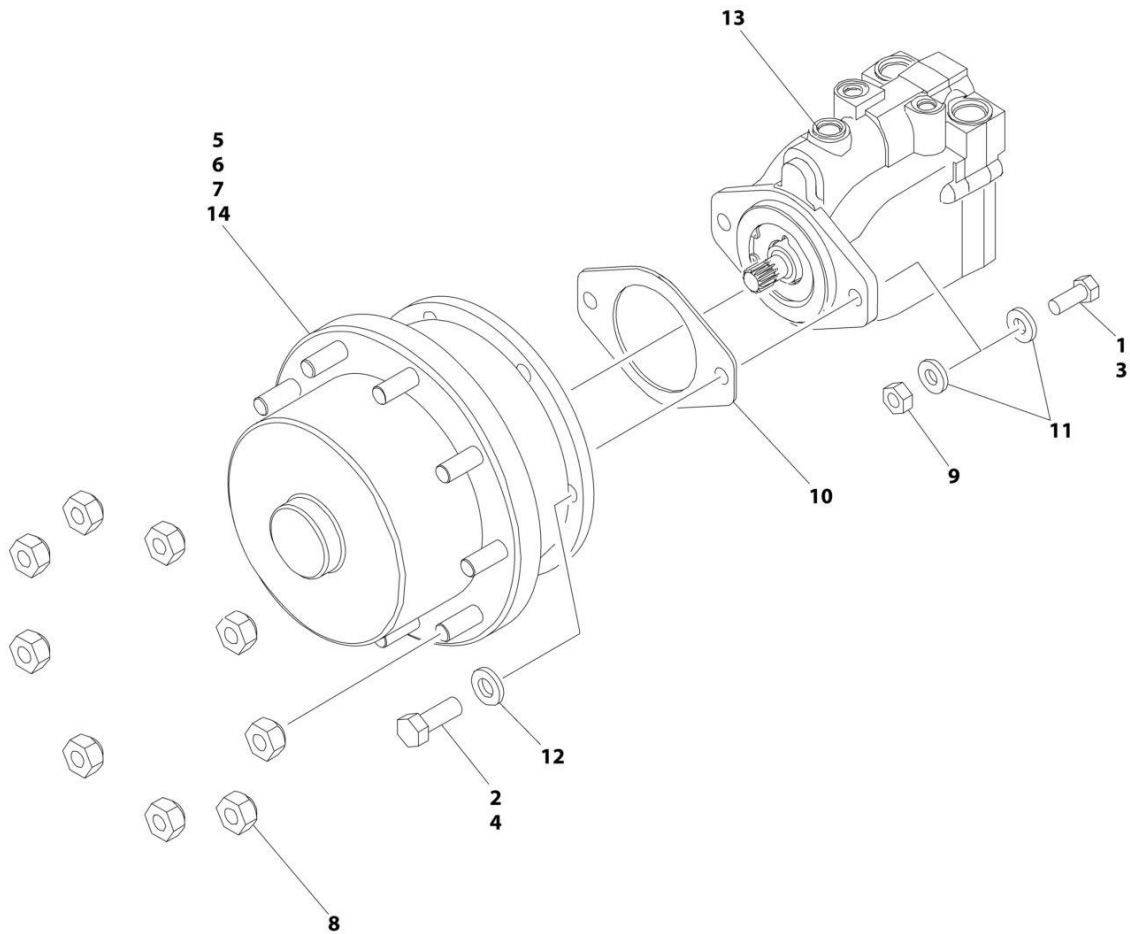
SECTION 1 - FRAME

FIGURE 1-3. STEER INSTALLATION

ITEM	PART NUMBER	QTY	DESCRIPTION	REV
	1001177747	Ref	STEER INSTALLATION	D
1	0100011	AR	Compound, Locking	
2	1001233139	2	Washer, Thrust	
3	0761011	4	Bolt M10 x 22	
4	1001190368	4	Bolt M16 x 120	
5	0711221	4	Bolt M12 x 65	
6	3423304	4	Pin, Pivot	
7	3841143	4	Keeper, Pin	
8	5241200	4	Washer M12	
11	1001163178	1	Steer Cylinder Assembly (See Separate Breakdown in CYLINDER SECTION)	
12	4740086	4	Washer	
13	1001163405	4	Kingpin	
14	1001163715	2	Spindle Assembly	
14A	0961948	2	Bearing	
14B	1001163716	4	Seal	
15	1001176848	4	Nut M16	
16	1001179256	2	Tie-Rod	
16A	1001164209	2	Bearing	

SECTION 1 - FRAME

FIGURE 1-4. WHEEL DRIVE INSTALLATION



ART_1001102804

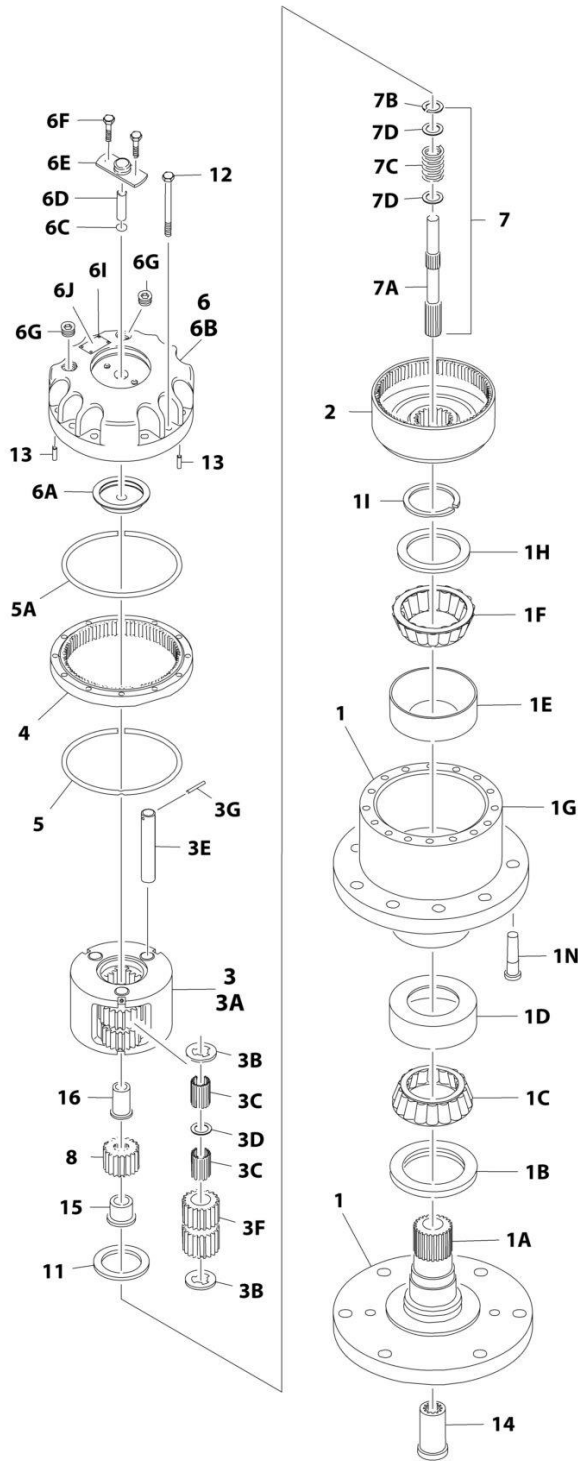
SECTION 1 - FRAME

FIGURE 1-4. WHEEL DRIVE INSTALLATION

ITEM	PART NUMBER	QTY	DESCRIPTION	REV
	1001102804	Ref	WHEEL DRIVE INSTALLATION	H
1	0100011	AR	Compound, Locking	
2	0100019	AR	Compound, Locking	
3	0681810	4	Bolt 1/2 x 1-1/4	
4	0682014	24	Bolt 5/8 x 1-3/4	
6	2780267	2	Drive Hub with Brake Assembly (Rear) (See Separate Breakdown in this Section)	
7	2780268	2	Drive Hub without Brake Assembly (Front) (See Separate Breakdown in this Section)	
8	3300106	36	Lugnut	
9	3311801	4	Nut 1/2	
10	3960526	4	Gasket	
11	4891800	8	Washer 1/2	
12	4892000	24	Washer 5/8	
13	1001102805	4	Drive Motor Assembly (See Separate Breakdown in this Section)	

SECTION 1 - FRAME

FIGURE 1-5. DRIVE HUB ASSEMBLY - FRONT



ART_2780268

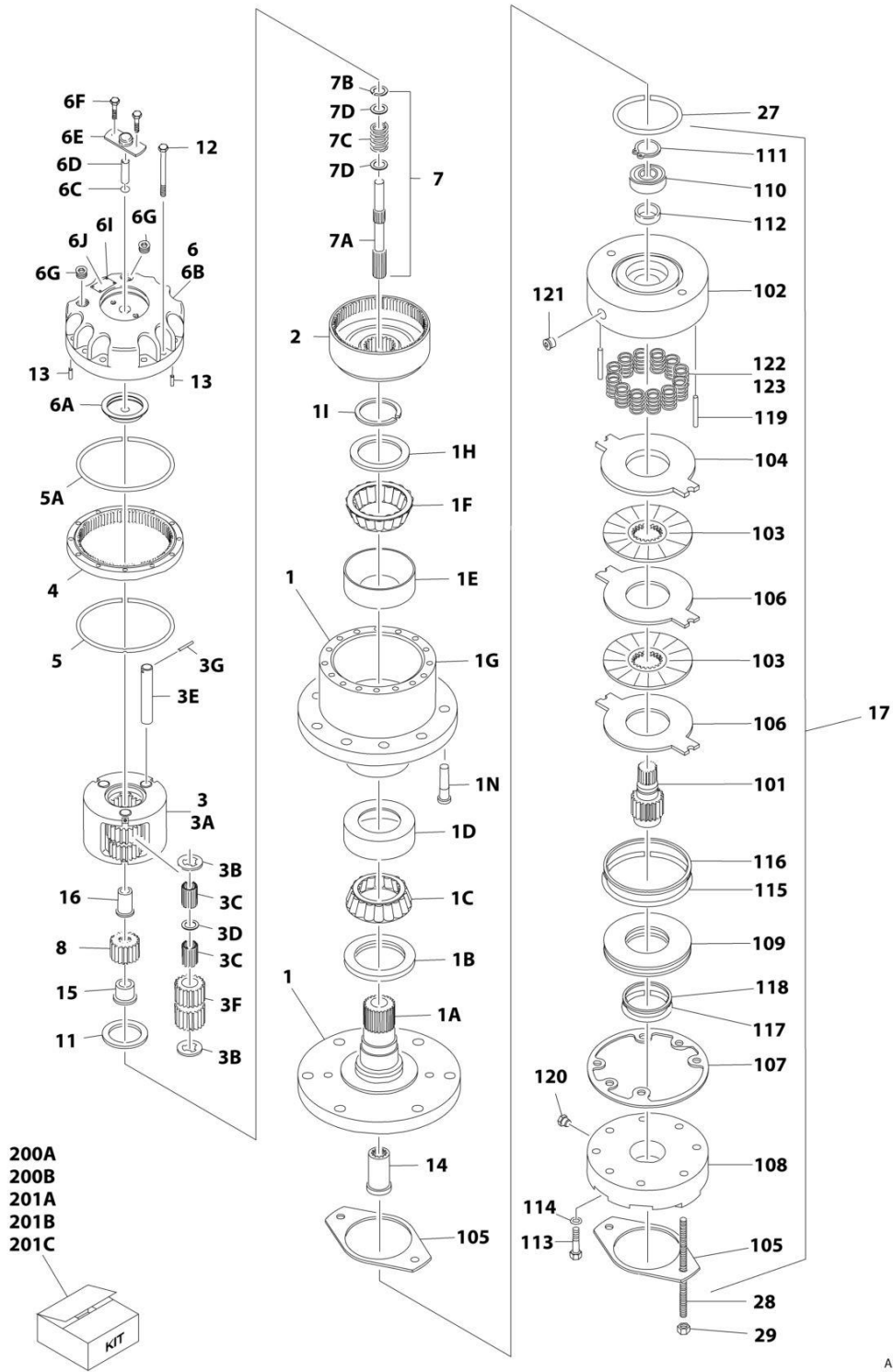
SECTION 1 - FRAME

FIGURE 1-5. DRIVE HUB ASSEMBLY - FRONT

ITEM	PART NUMBER	QTY	DESCRIPTION	REV
	2780268	Ref	DRIVE HUB ASSEMBLY - FRONT	F
1	See Note	1	Spindle/Housing Assembly (Note: Purchase Individual Components)	
1A	7017059	1	Spindle	
1B	7001998	1	Seal	
1C	7010429	1	Cone, Bearing (Includes Item 1D)	
1D	7010429	1	Cup, Bearing (Includes Item 1C)	
1E	7000257	1	Cup, Bearing	
1F	7000258	1	Cone, Bearing	
1G	7007601	1	Housing/Ring Gear	
1H	7000232	1	Washer, Thrust	
1I	7000229	1	Ring, Retaining	
1N	7007640	9	Stud, Wheel	
2	7000246	1	Gear, Internal	
3	7024712	1	Carrier Assembly	
3A	See Note	1	Carrier (Note: Use Item 3)	
3B	See Note	6	Ring, Retaining (Note: Use Item 3)	
3C	See Note	AR	Bearing, Needle (Note: Use Item 3)	
3D	See Note	3	Washer, Thrust (Note: Use Item 3)	
3E	See Note	3	Shaft, Planet (Note: Use Item 3)	
3F	See Note	3	Gear, Planet (Note: Use Item 3)	
3G	See Note	3	Roll Pin (Note: Use Item 3)	
4	7000248	1	Ring Gear	
5	7000230	1	O-Ring	
5A	7017070	1	O-Ring	
6	70001349	1	Cover Assembly Kit	
6A	See Note	1	Spacer, Thrust (Note: Use Item 6)	
6B	See Note	1	Plate, Cover (Note: Use Item 6)	
6C	See Note	1	O-Ring (Note: Use Item 6)	
6D	See Note	1	Rod, Disconnect (Note: Use Item 6)	
6E	See Note	1	Cap, Disengage (Note: Use Item 6)	
6F	See Note	2	Bolt (Note: Use Item 6)	
6G	See Note	1	Plug, Pipe (Note: Use Item 6)	
6I	See Note	4	Rivet (Note: Not Available for Purchase)	
6J	See Note	1	Plate, ID (Note: Not Available for Purchase)	
7		Ref	Input Shaft Assembly	
7A	7024714	1	Shaft	
7B	7000261	1	Ring, Retaining	
7C	7000262	1	Spring	
7D	7000263	2	Spacer, Thrust	
8	7024713	1	Gear, Sun	
11	7000253	1	Washer, Thrust	
12	7017067	12	Bolt	
13	7017080	4	Pin, Dowel	
14	7000206	1	Coupling	
15	7024715	1	Spacer, Input	
16	7024716	1	Spacer, Input	

SECTION 1 - FRAME

FIGURE 1-6. DRIVE HUB AND BRAKE ASSEMBLY - REAR



ART_2780267

SECTION 1 - FRAME

FIGURE 1-6. DRIVE HUB AND BRAKE ASSEMBLY - REAR

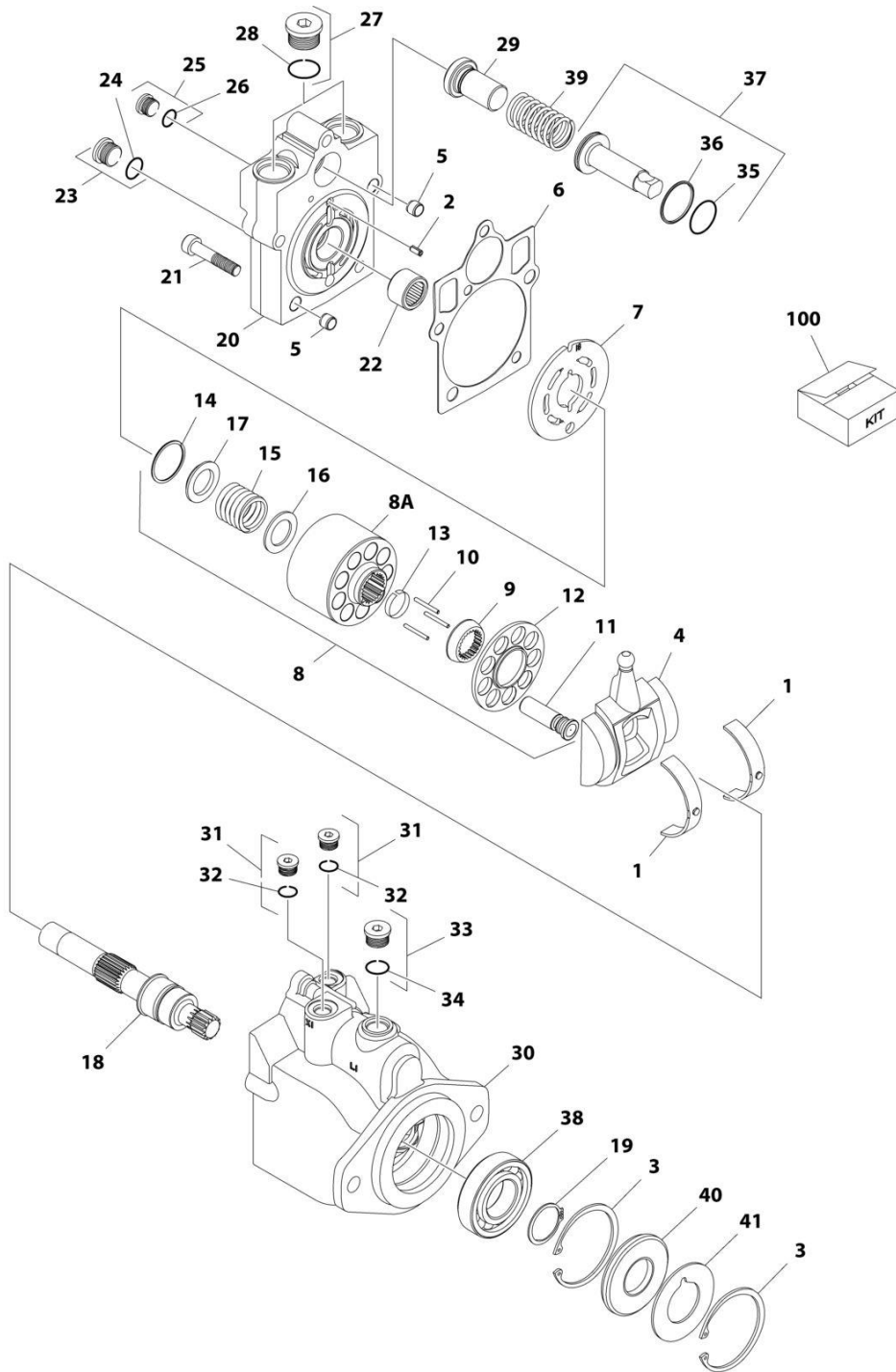
ITEM	PART NUMBER	QTY	DESCRIPTION	REV
	2780267	Ref	DRIVE HUB AND BRAKE ASSEMBLY - REAR	I
1	See Note	1	Spindle/Housing Assembly (Note: Purchase Individual Components)	
1A	7017059	1	Spindle	
1B	7001998	1	Seal	
1C	7010429	1	Cone, Bearing (Includes Item 1D)	
1D	7010429	1	Cup, Bearing (Includes Item 1C)	
1E	7000257	1	Cup, Bearing	
1F	7000258	1	Cone, Bearing	
1G	7007601	1	Housing/Ring Gear	
1H	7000232	1	Washer, Thrust	
1I	7000229	1	Ring, Retaining	
1N	7007640	9	Stud, Wheel	
2	7000246	1	Gear, Internal	
3	7024712	1	Carrier Assembly	
3A	See Note	1	Carrier (Note: Use Item 3)	
3B	See Note	6	Ring, Retaining (Note: Use Item 3)	
3C	See Note	AR	Bearing, Needle (Note: Use Item 3)	
3D	See Note	3	Washer, Thrust (Note: Use Item 3)	
3E	See Note	3	Shaft, Planet (Note: Use Item 3)	
3F	See Note	3	Gear, Planet (Note: Use Item 3)	
3G	See Note	3	Roll Pin (Note: Use Item 3)	
4	7000248	1	Ring Gear	
5	7000230	1	O-Ring	
5A	7017070	1	O-Ring	
6	70001349	1	Cover Assembly Kit	
6A	See Note	1	Spacer, Thrust (Note: Use Item 6)	
6B	See Note	1	Plate, Cover (Note: Use Item 6)	
6C	See Note	1	O-Ring (Note: Use Item 6)	
6D	See Note	1	Rod, Disconnect (Note: Use Item 6)	
6E	See Note	1	Cap, Disengage (Note: Use Item 6)	
6F	See Note	2	Bolt (Note: Use Item 6)	
6G	See Note	1	Plug, Pipe (Note: Use Item 6)	
6I	See Note	4	Rivet (Note: Not Available for Purchase)	
6J	See Note	1	Plate, ID (Note: Not Available for Purchase)	
7		Ref	Input Shaft Assembly	
7A	7024714	1	Shaft	
7B	7000261	1	Ring, Retaining	
7C	7000262	1	Spring	
7D	7000263	2	Spacer, Thrust	
8	7024713	1	Gear, Sun	
11	7000253	1	Washer, Thrust	
12	7017067	12	Bolt	
13	7017080	4	Pin, Dowel	
14	7000206	1	Coupling	
15	7024715	1	Spacer, Input	
16	7024716	1	Spacer, Input	
17	7024182	1	Brake Assembly (See Items 101-123 for Breakdown)	
27	7024705	1	O-Ring	
28	7024717	2	Rod, Threaded	

SECTION 1 - FRAME

ITEM	PART NUMBER	QTY	DESCRIPTION	REV
29	7024718	2	Nut 1/2in-13NC	
	7024182	Ref	BRAKE ASSEMBLY	
101	7024189	1	Shaft	
102	See Note	1	Housing (Note: Use Item 17)	
103	See Note	2	Plate, Friction (Note: Use Item 201B)	
104	See Note	1	Plate, Pressure (Note: Use Item 201B)	
105	7000731	2	Gasket	
106	See Note	2	Plate, Outer (Note: Use Item 201B)	
107	See Note	1	Gasket (Note: Use Item 200A, 201B or 201C)	
108	7024191	1	Cylinder	
109	7024192	1	Piston	
110	See Note	1	Bearing, Ball (Note: Use Item 201C)	
111	See Note	1	Ring, Retaining (Note: Use Item 201C)	
112	See Note	1	Seal, Shaft (Note: Use Item 201C)	
113	See Note	6	Capscrew (Note: Use Item 17)	
114	See Note	6	Lockwasher (Note: Use Item 17)	
115	See Note	1	O-Ring (Note: Use Item 200B)	
116	See Note	1	Ring, Back-up (Note: Use Item 200B)	
117	See Note	1	O-Ring (Note: Use Item 200B)	
118	See Note	1	Ring, Back-up (Note: Use Item 200B)	
119	7024190	2	Pin, Dowel	
120	See Note	1	Plug (Note: Use Item 17)	
121	See Note	2	Plug (Note: Use Item 17)	
122	See Note	12	Spring Kit (Natural) (Note: Use Item 201A)	
123	See Note	2	Spring Kit (Blue) (Note: Use Item 201A)	
		Ref	Kit Options	
200		Ref	Seal Kit Options:	
200A	See Note	1	Hub Seal Kit (Note: Purchase Individual Components)	
200B	7024194	1	Brake Seal Kit (Includes Items 105, 107 & 115-118)	
201		Ref	Repair Kit Options:	
201A	7024196	1	Brake Spring Kit (Includes 12 Natural Colored and 2 Blue Colored Springs Items 122 & 123)	
201B	7024193	1	Brake Friction Disc Kit (Includes Items 103, 104, 106 & 107)	
201C	7024197	1	Brake Bearing Kit (Includes Items 107 & 110-112)	

SECTION 1 - FRAME

FIGURE 1-7. DRIVE MOTOR ASSEMBLY



ART_1001102805

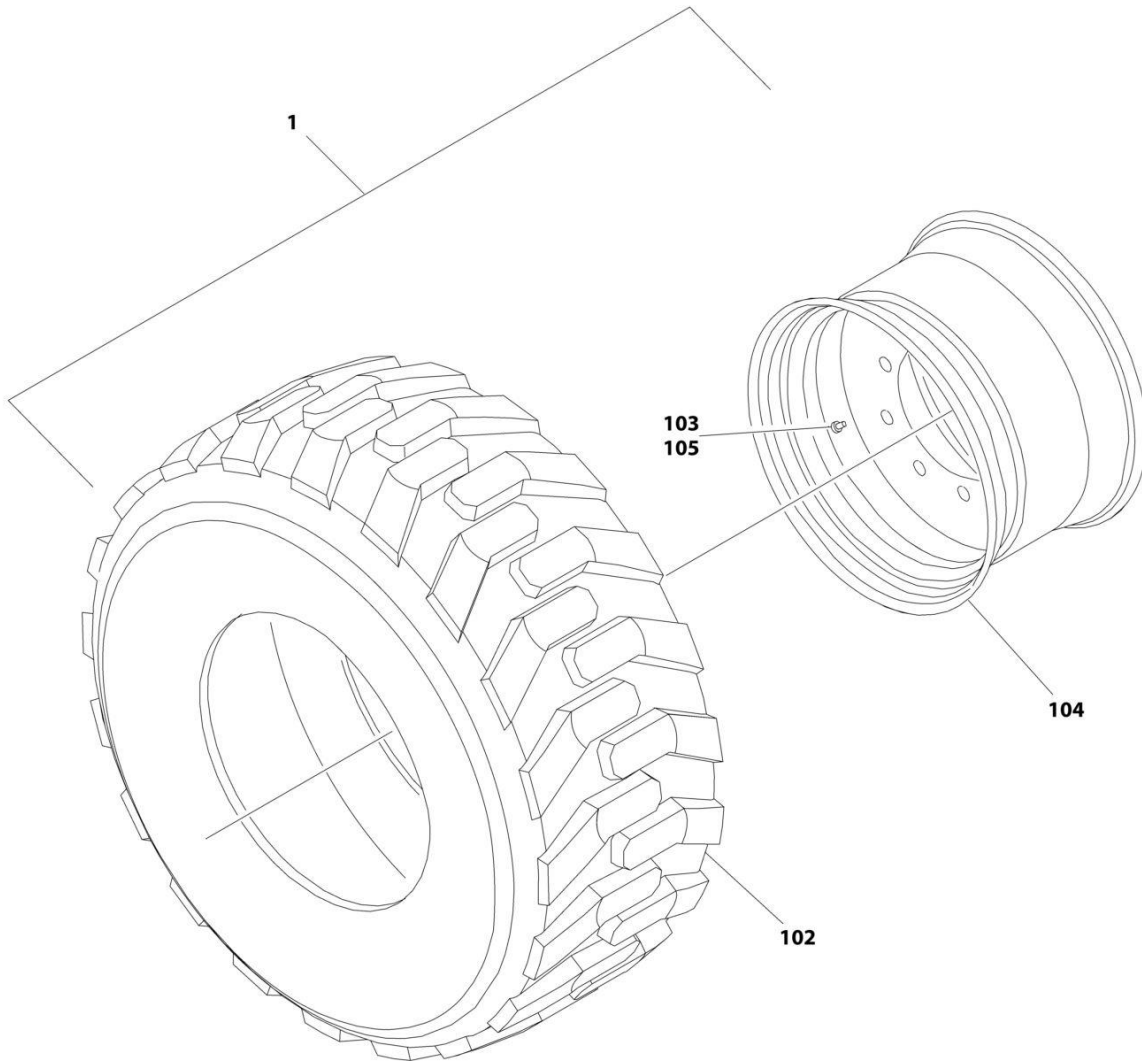
SECTION 1 - FRAME

FIGURE 1-7. DRIVE MOTOR ASSEMBLY

ITEM	PART NUMBER	QTY	DESCRIPTION	REV
	1001102805	Ref	DRIVE MOTOR ASSEMBLY	D
1	7022302	2	Bearing, Journal	
2	7007446	1	Pin	
3	7007438	2	Ring, Retaining	
4	7022305	1	Swash Plate	
5	See Note	2	Pin (Note: Not Available for Purchase)	
6	See Note	1	Gasket (Note: Use Item 100)	
7	7024862	1	Plate, Valve	
8	7023907	1	Cylinder Block Kit (Includes Items 8A & 9-17)	
8A	See Note	1	Block, Cylinder (Note: Use Item 8)	
9	7021277	1	Guide, Slipper Retainer	
10	7021275	3	Pin, Slipper Hold Down	
11	See Note	9	Piston Assembly (Note: Use Item 8)	
12	7021276	1	Retainer, Hold Down Pin	
13	7022310	1	Retainer, Slipper	
14	7022311	1	Ring, Retaining	
15	7022312	1	Spring	
16	7024868	1	Washer	
17	7022314	1	Retainer, Spring	
18	7023910	1	Shaft	
19	7007439	1	Ring, Retaining	
20	70000797	1	Cap, End - Axial	
21	7022368	5	Screw	
22	7021249	1	Bearing, Needle	
23	2220886	1	Plug (Includes Item 24)	
24	See Note	1	O-Ring (Note: Use Item 23 or 100)	
25	2220883	1	Plug (Includes Item 26)	
26	See Note	1	O-Ring (Note: Use Item 25 or 100)	
27	7027419	2	Plug (Includes Item 28)	
28	See Note	2	O-Ring (Note: Use Item 27 or 100)	
29	7022369	1	Seat, Spring	
30	70001932	1	Housing	
31	2220883	2	Plug (Includes Item 32)	
32	See Note	2	O-Ring (Note: Use Item 31 or 100)	
33	2220886	1	Plug (Includes Item 34)	
34	See Note	1	O-Ring (Note: Use Item 33 or 100)	
35	See Note	1	O-Ring (Note: Use Item 37 or 100)	
36	See Note	1	Ring, Seal (Note: Use Item 37 or 100)	
37	7024854	1	Piston, Servo (Includes Items 35 & 36)	
38	7007437	1	Bearing	
39	7022326	1	Spring	
40	See Note	1	Seal, Lip (Note: Use Item 100)	
41	7022371	1	Washer, Support	
100	7022328	1	Seal Kit (Includes Items 6, 24, 26, 28, 32, 34, 35, 36 & 40)	

SECTION 1 - FRAME

FIGURE 1-8. TIRE AND WHEEL INSTALLATION - 12 X 16.5 FOAM FILLED



ART_0270092

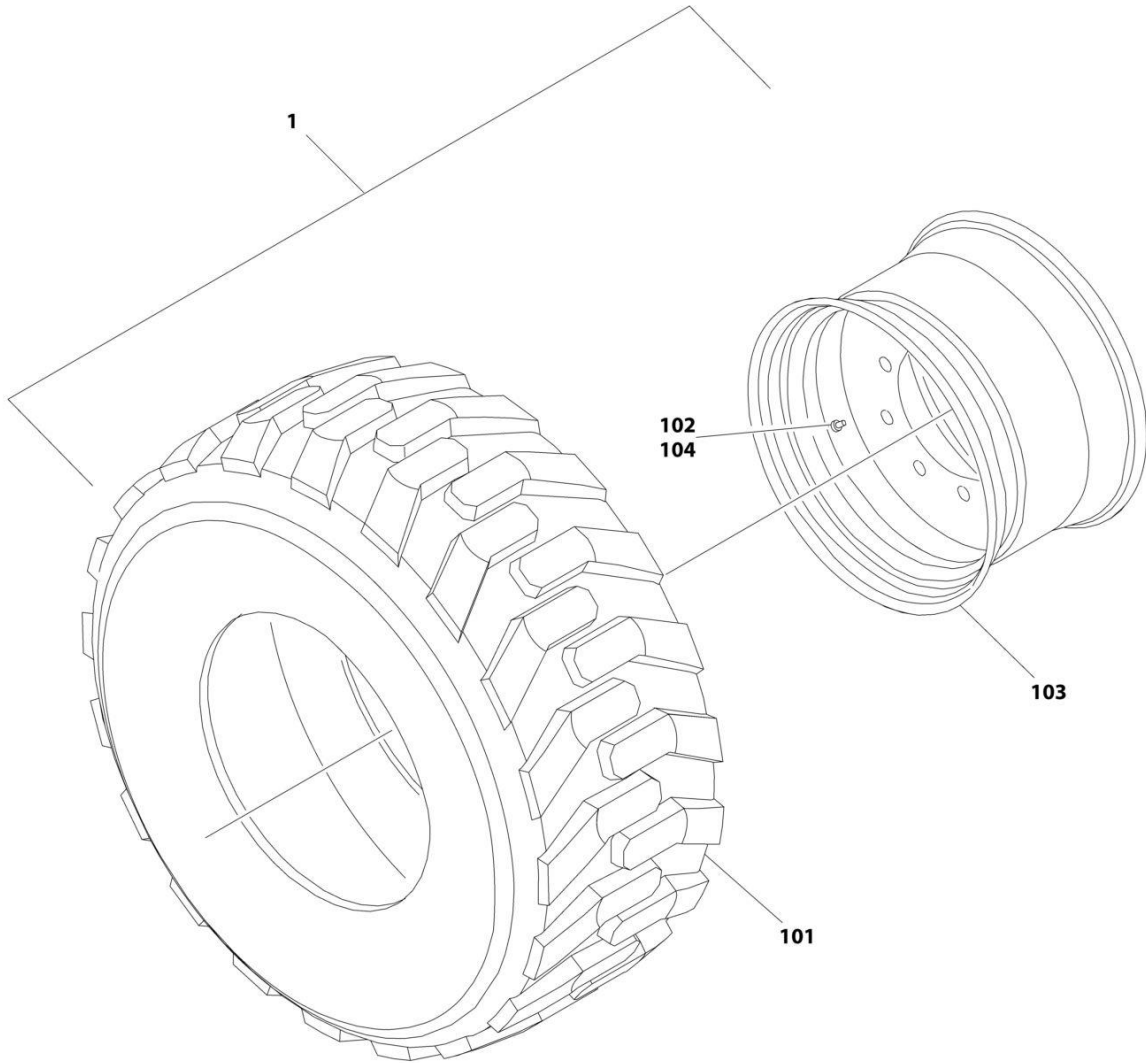
SECTION 1 - FRAME

FIGURE 1-8. TIRE AND WHEEL INSTALLATION - 12 X 16.5 FOAM FILLED

ITEM	PART NUMBER	QTY	DESCRIPTION	REV
	0270092	Ref	TIRE AND WHEEL INSTALLATION - 12 X 16.5 FOAM FILLED	C
		Ref	Note: Assemblies may require ballast/foam filling to manufacturer's specifications prior to installing on a machine. Refer to Operation and Safety or Service and Maintenance Manuals. Purchase individual tire and/or rim only if able to foam fill tire and wheel assembly, otherwise, purchase complete assembly.	
1	1001148865	2	Tire and Wheel Assembly - 12 x 16.5 (RH Side)	G
1	1001148866	2	Tire and Wheel Assembly - 12 x 16.5 (LH Side)	G
102	4520216	4	Tire - 12 x 16.5	
103	4641122	4	Valve	
104	1001147274	4	Rim, Wheel	
105	1001149953	4	Cap, Valve Stem	

SECTION 1 - FRAME

FIGURE 1-9. TIRE AND WHEEL INSTALLATION - 12 X 16.5 FOAM FILLED NON-MARKING



ART_0270653

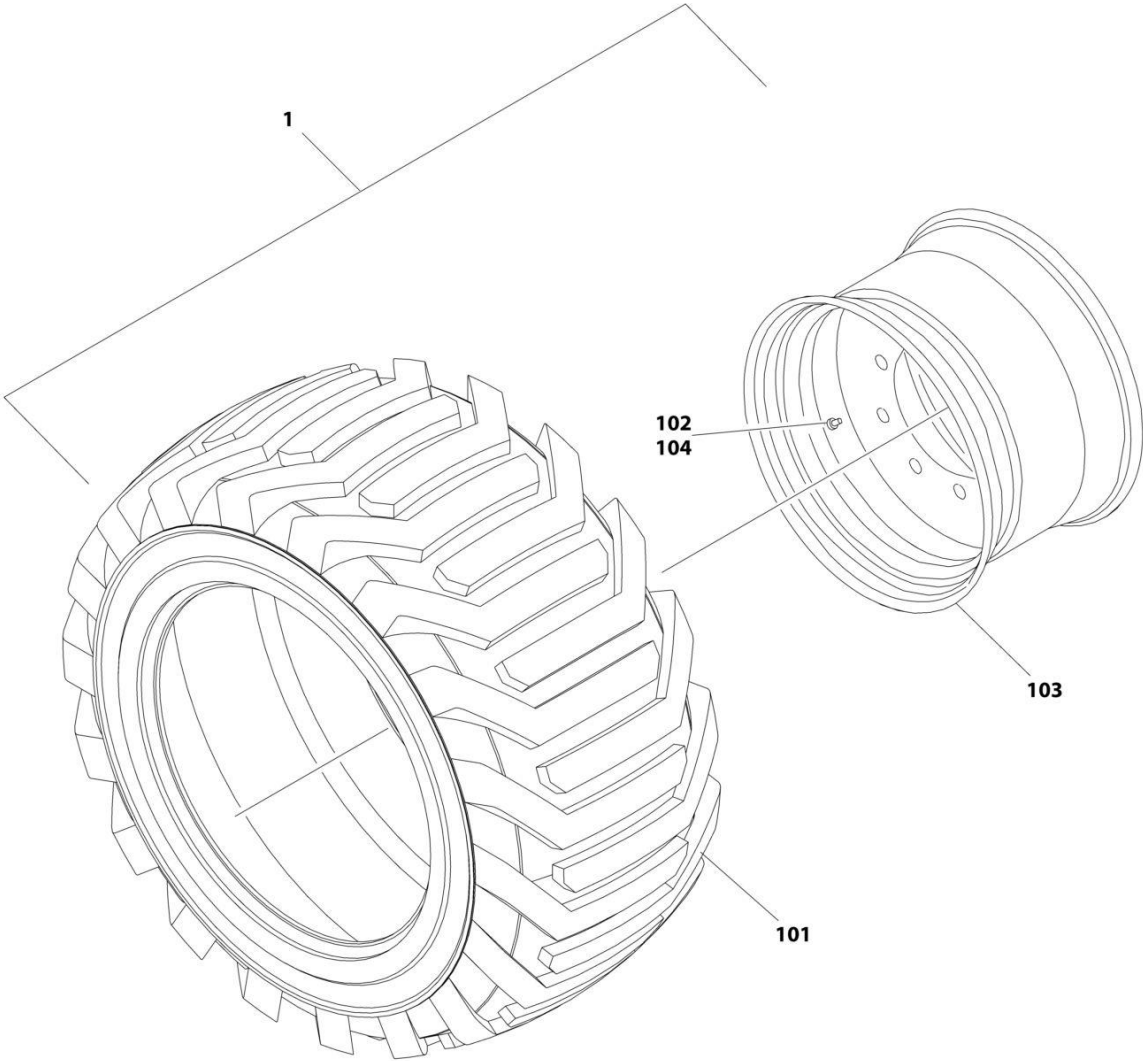
SECTION 1 - FRAME

FIGURE 1-9. TIRE AND WHEEL INSTALLATION - 12 X 16.5 FOAM FILLED NON-MARKING

ITEM	PART NUMBER	QTY	DESCRIPTION	REV
	0270653	Ref	TIRE AND WHEEL INSTALLATION - 12 X 16.5 FOAM FILLED	B
		Ref	Note: Assemblies may require ballast/foam filling to manufacturer's specifications prior to installing on a machine. Refer to Operation and Safety or Service and Maintenance Manuals. Purchase individual tire and/or rim only if able to foam fill tire and wheel assembly, otherwise, purchase complete assembly.	
1	1001148869	1	Tire and Wheel Assembly - Right Side	H
1	1001148870	1	Tire and Wheel Assembly - Left Side	H
101	4520240	1	Tire 12 x 16.5 Non-Marking	
102	4641122	1	Valve	
103	1001147274	1	Rim, Wheel	
104	1001149953	1	Cap, Valve Stem	

SECTION 1 - FRAME

FIGURE 1-10. TIRE AND WHEEL INSTALLATION - IN395/45/D20 FOAM FILLED



ART_1001179171

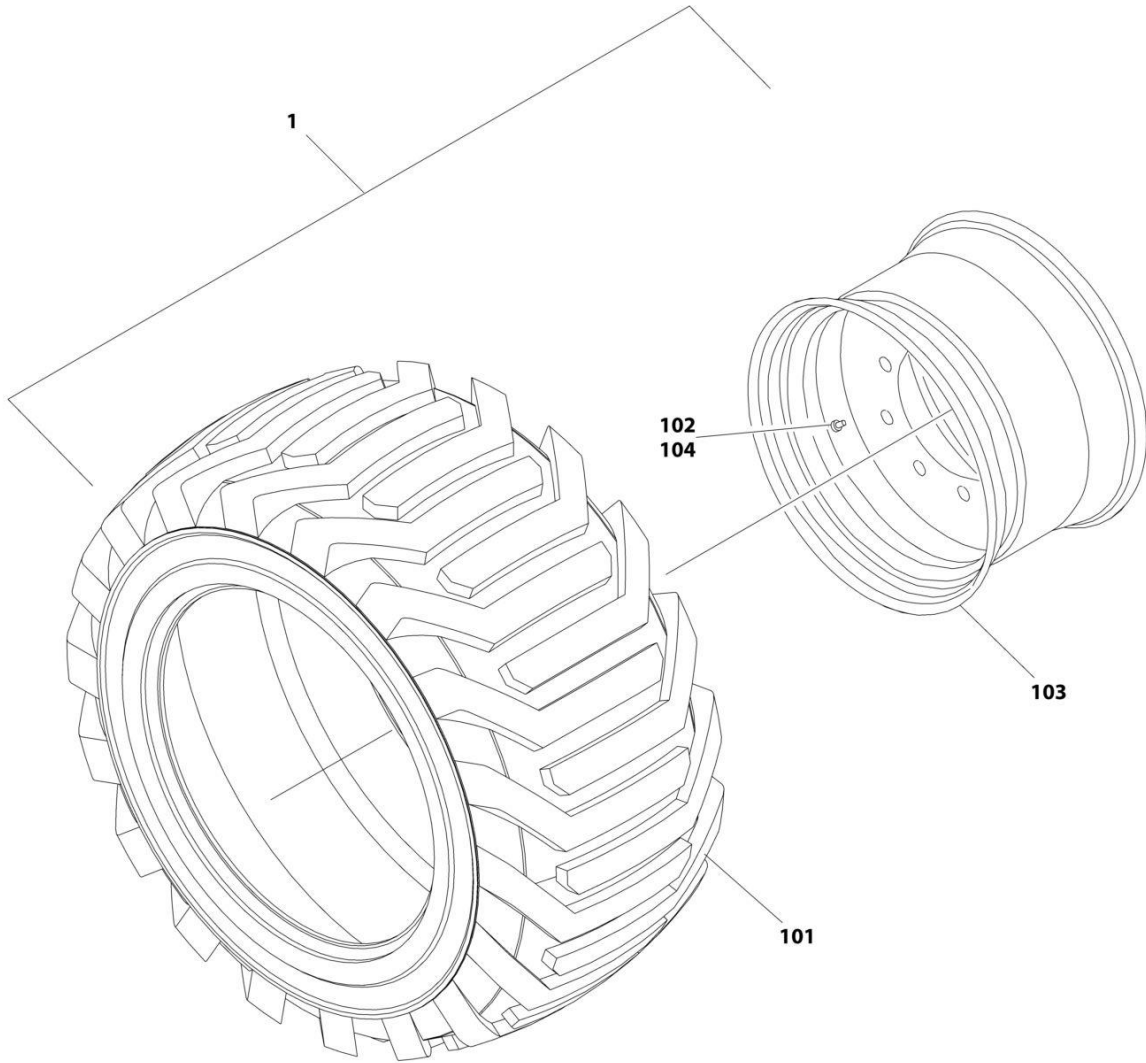
SECTION 1 - FRAME

FIGURE 1-10. TIRE AND WHEEL INSTALLATION - IN395/45/D20 FOAM FILLED

ITEM	PART NUMBER	QTY	DESCRIPTION	REV
	1001179171	Ref Ref	TIRE AND WHEEL INSTALLATION - IN395/45/D20 FOAM FILLED Note: Assemblies may require ballast/foam filling to manufacturer's specifications prior to installing on a machine. Refer to Operation and Safety or Service and Maintenance Manuals. Purchase individual tire and/or rim only if able to foam fill tire and wheel assembly, otherwise, purchase complete assembly.	A
1	1001179173	2	Tire and Wheel Assembly - IN395/45/D20 Non-Marking (RH Side)	B
1	1001179172	2	Tire and Wheel Assembly - IN395/45/D20 Non-Marking (LH Side)	B
101	1001179175	4	Tire IN395/45/D20	
102	4641122	4	Valve	
103	1001179174	4	Rim, Wheel	
104	1001149953	4	Cap, Valve Stem	

SECTION 1 - FRAME

FIGURE 1-11. TIRE AND WHEEL INSTALLATION - IN395/45/D20 FOAM FILLED NON-MARKING



ART_1001179956

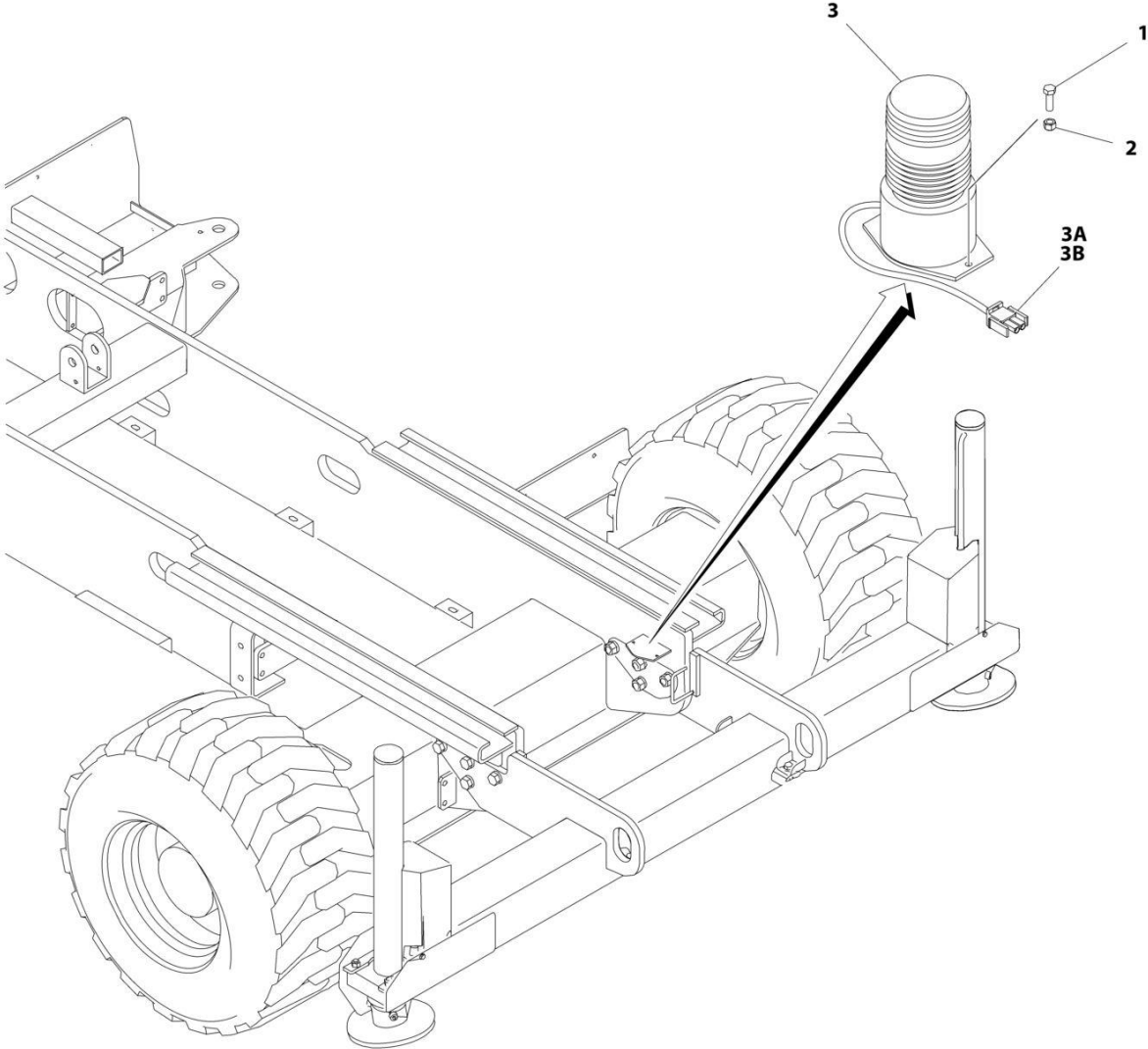
SECTION 1 - FRAME

FIGURE 1-11. TIRE AND WHEEL INSTALLATION - IN395/45/D20 FOAM FILLED NON-MARKING

ITEM	PART NUMBER	QTY	DESCRIPTION	REV
	1001179956	Ref	TIRE AND WHEEL INSTALLATION - IN395/45/D20 FOAM FILLED NON-MARKING	A
		Ref	Note: Assemblies may require ballast/foam filling to manufacturer's specifications prior to installing on a machine. Refer to Operation and Safety or Service and Maintenance Manuals. Purchase individual tire and/or rim only if able to foam fill tire and wheel assembly, otherwise, purchase complete assembly.	
1	1001179958	2	Tire and Wheel Assembly - IN395/45/D20 Non-Marking (RH Side)	B
1	1001179957	2	Tire and Wheel Assembly - IN395/45/D20 Non-Marking (LH Side)	B
101	1001179959	4	Tire IN395/45/D20 Non-Marking	
102	4641122	4	Valve	
103	1001179174	4	Rim, Wheel	
104	1001149953	4	Cap, Valve Stem	

SECTION 1 - FRAME

FIGURE 1-12. BEACON LIGHT INSTALLATION - OPTIONAL



ART_1001205340

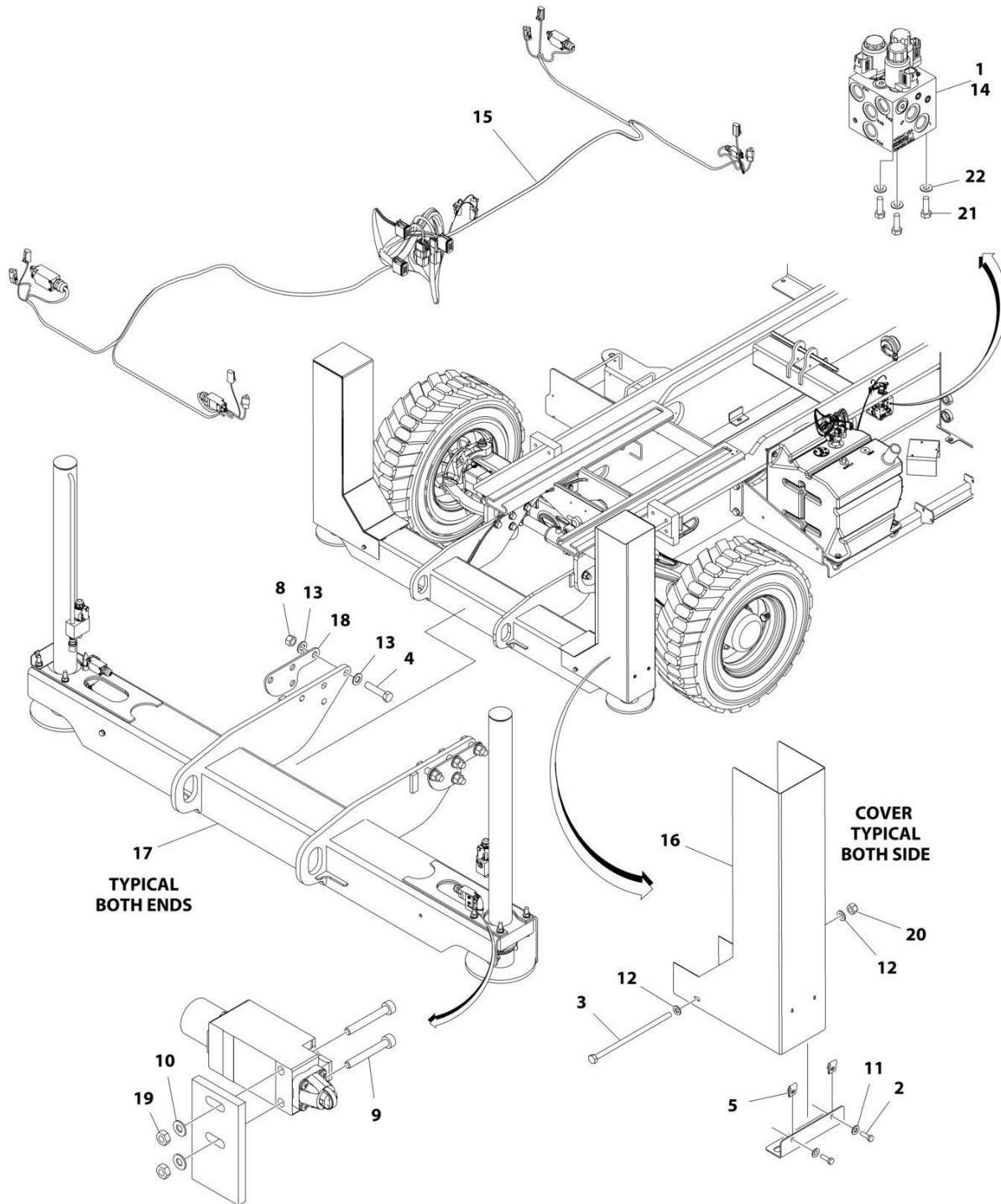
SECTION 1 - FRAME

FIGURE 1-12. BEACON LIGHT INSTALLATION - OPTIONAL

ITEM	PART NUMBER	QTY	DESCRIPTION	REV
	1001205340	Ref	BEACON LIGHT INSTALLATION - OPTIONAL	A
1	0760508	2	Bolt, M5 X 16	
2	3290505	2	Nut, Lock M5 X 0.8	
3	1001205343	1	Beacon Light Assembly	
3	2920146	1	Beacon Light (Amber)	
3	7016319	1	Bulb, Replacement	
3	7016372	1	Len, Replacement	
3A	4460320	1	Plug, Male - 2 Position	
3B	4460267	2	Terminal	

SECTION 1 - FRAME

FIGURE 1-13. LEVELING JACKS INSTALLATION



ART_1001178866

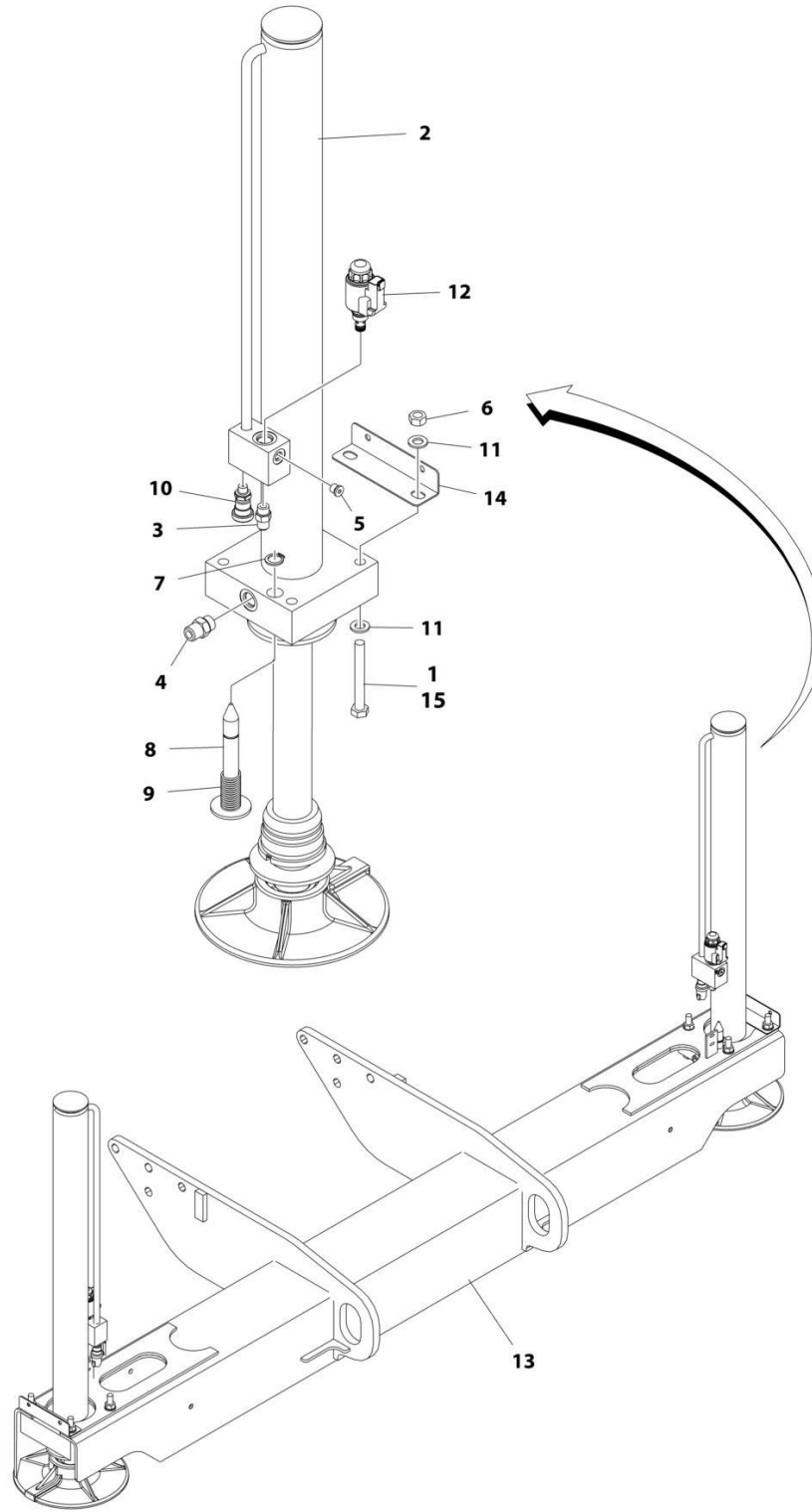
SECTION 1 - FRAME

FIGURE 1-13. LEVELING JACKS INSTALLATION

ITEM	PART NUMBER	QTY	DESCRIPTION	REV
	1001178866	Ref	LEVELING JACKS INSTALLATION	I
1	0100011	AR	Compound, Locking	
2	0700610	8	Bolt M6 x 20	
3	0701039	4	Bolt M10 x 220	
4	0712026	16	Bolt M20 x 90	
5	1001130220	8	Nut, Tinnerman M6	
8	3332017	16	Nut M20	
9	4031510	8	Capscrew M4 x 30	
10	4811400	8	Washer M4	
11	4811900	AR	Washer M8	
11	4811702	AR	Washer M6	
12	4812000	8	Washer M10	
13	5242000	32	Washer M20	
14	1001217108	1	Leveling Jack Valve Assembly (See Separate Breakdown in this Section)	
15	1001103801	1	Leveling Jack Harness (See Separate Breakdown in ELECTRICAL SECTION)	
16	1001179200	4	Cover	
17	1001182971	2	Leveling Jack Assembly (See Separate Breakdown in this Section)	
18	1001183328	4	Plate	
19	3290401	8	Nut M4	
20	3291005	4	Nut M10	
21	0641508	3	Bolt 5/16 x 1	
22	4711500	3	Washer 5/16	

SECTION 1 - FRAME

FIGURE 1-14. LEVELING JACKS ASSEMBLY



ART_1001182971_E

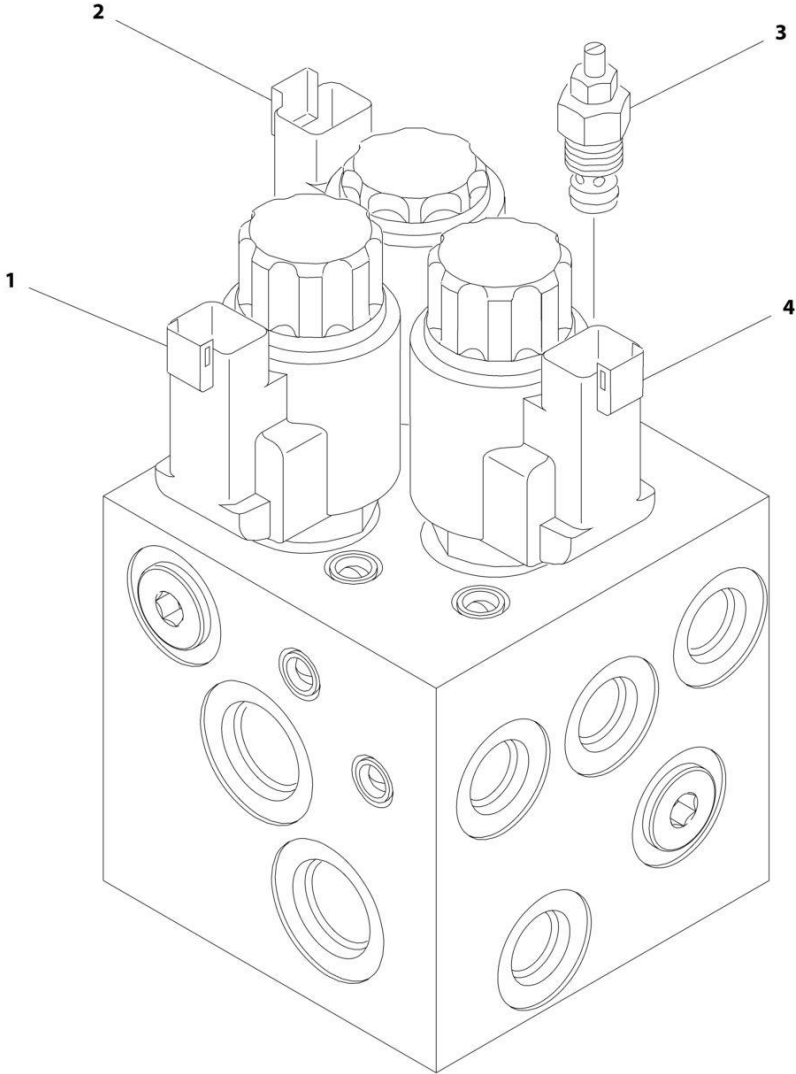
SECTION 1 - FRAME

FIGURE 1-14. LEVELING JACKS ASSEMBLY

ITEM	PART NUMBER	QTY	DESCRIPTION	REV
	1001182971	Ref	LEVELING JACKS ASSEMBLY	E
1	0761227	8	Bolt M12 x 100	
2	1001231261	2	Jack Cylinder Assembly (See Separate Breakdown in CYLINDER SECTION)	
3	2220371	2	Fitting, Straight JIC/ORB	
4	2220373	2	Fitting, Straight JIC/ORB	
5	2220883	2	Plug	
6	3331211	8	Nut M12	
7	3760348	2	Ring, Retaining	
8	3841564	2	Rod	
9	4160116	2	Spring	
10	4360518	2	Transducer, Pressure	
11	4812100	16	Washer M12	
12	1001103761	2	Cartridge, Solenoid Valve	
12	7024502	2	Seal Kit - 1001103761 Valve (1 Per Cartridge)	
12	70001965	2	Coil (1 Per Cartridge)	
12	7024506	2	Coil Nut Kit (1 Per Cartridge)	
13	1001179911	1	Frame, Jack	
14	1001191325	2	Bracket	
15	0100011	AR	Compound, Locking	

SECTION 1 - FRAME

FIGURE 1-15. LEVELING JACKS VALVE ASSEMBLY



ART_1001217108

SECTION 1 - FRAME

FIGURE 1-15. LEVELING JACKS VALVE ASSEMBLY

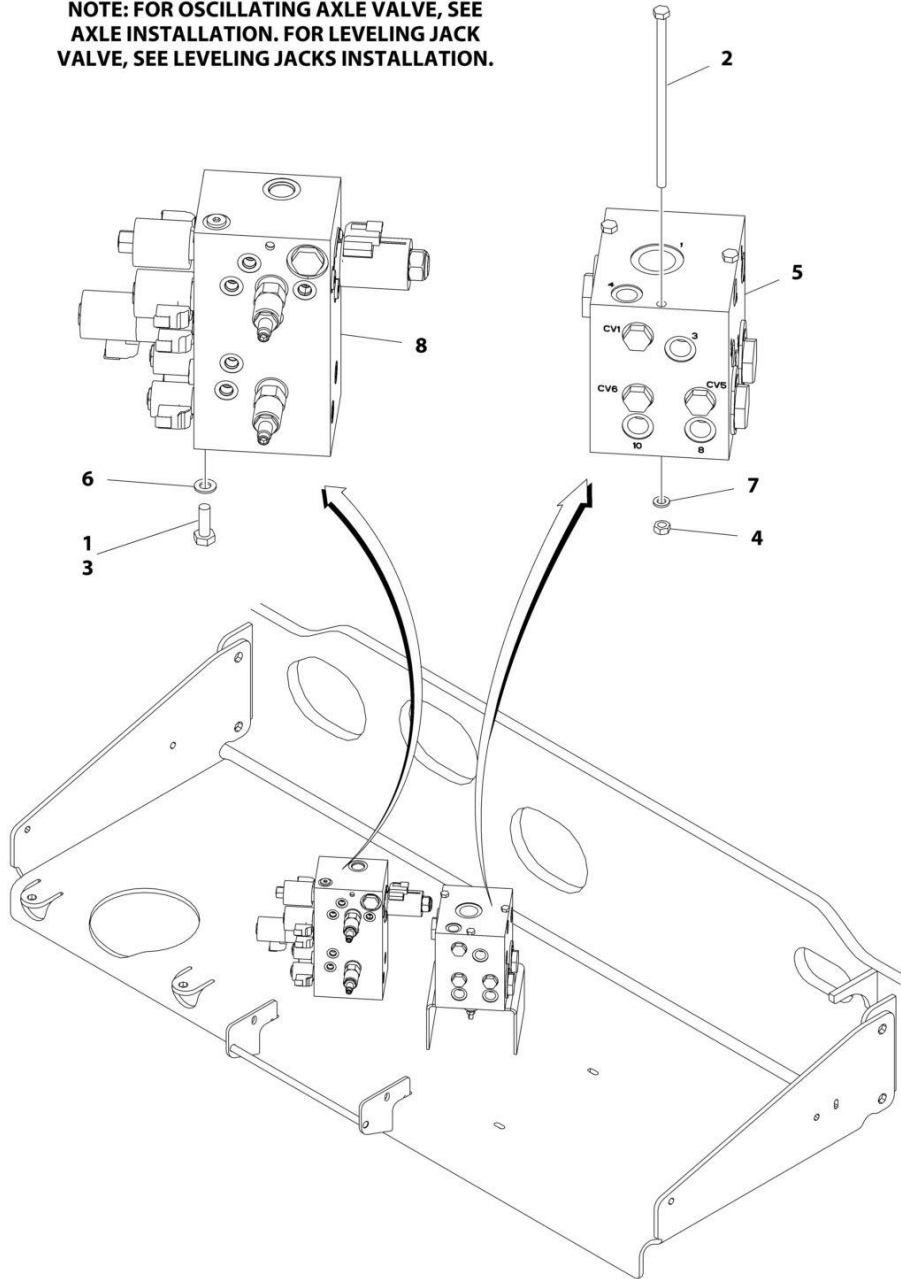
ITEM	PART NUMBER	QTY	DESCRIPTION	REV
	1001217108	Ref	LEVELING JACKS VALVE ASSEMBLY	B
1	7024497	1	Cartridge without Coil (Retract)	
1	7024502	1	Seal Kit - 7024497 Cartridge	
1	70001965	1	Coil	
1	7024506	1	Coil Nut Kit	
2	7024498	1	Cartridge without Coil (Extend)	
2	7024503	1	Seal Kit - 7024498 Cartridge	
2	70001965	1	Coil	
2	7024507	1	Coil Nut Kit	
3	70006292	1	Cartridge (Thermal Relief)	
3	7024504	1	Seal Kit - 70006292 Cartridge	
4	7024500	1	Cartridge without Coil	
4	7024505	1	Seal Kit - 7024500 Cartridge	
4	70001965	1	Coil	
4	7024506	1	Coil Nut Kit	

SECTION 2 - GROUND CONTROLS

SECTION 2 - GROUND CONTROLS

FIGURE 2-1. VALVE INSTALLATION

NOTE: FOR OSCILLATING AXLE VALVE, SEE AXLE INSTALLATION. FOR LEVELING JACK VALVE, SEE LEVELING JACKS INSTALLATION.



ART_1001178489

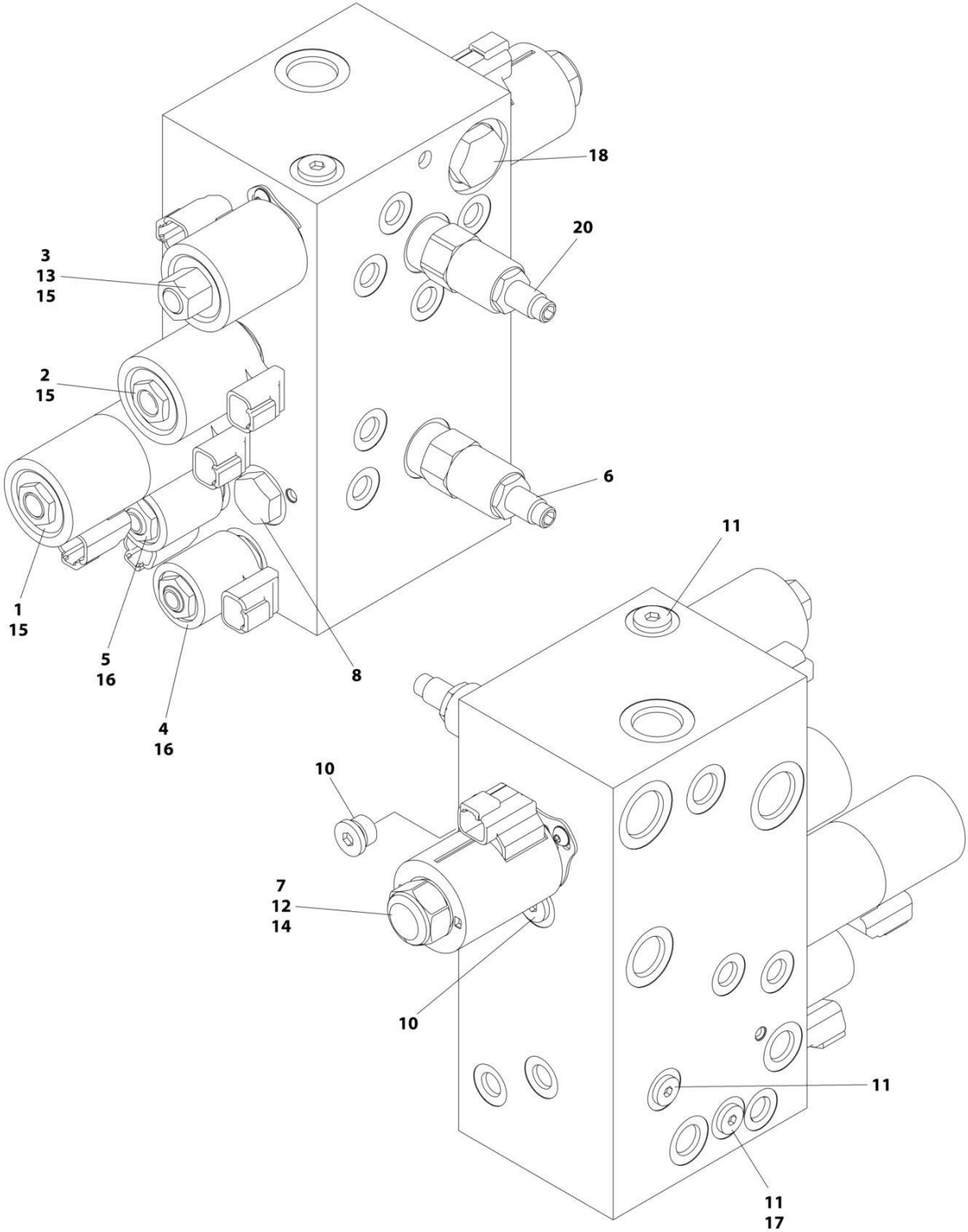
SECTION 2 - GROUND CONTROLS

FIGURE 2-1. VALVE INSTALLATION

ITEM	PART NUMBER	QTY	DESCRIPTION	REV
	1001178489	Ref	VALVE INSTALLATION	D
1	0100011	AR	Compound, Locking	
2	0700836	3	Bolt M8 x 190	
3	0771014	4	Bolt M10 x 30	
4	3290801	3	Nut M8	
5	4641303	1	Flow Divider Valve Assembly (See Separate Breakdown in this Section)	
6	4812000	4	Washer M10	
7	4831900	3	Washer M8	
8	1001234828	1	Main Valve Assembly (See Separate Breakdown in this Section)	

SECTION 2 - GROUND CONTROLS

FIGURE 2-2. MAIN VALVE ASSEMBLY



ART_1001234828_C

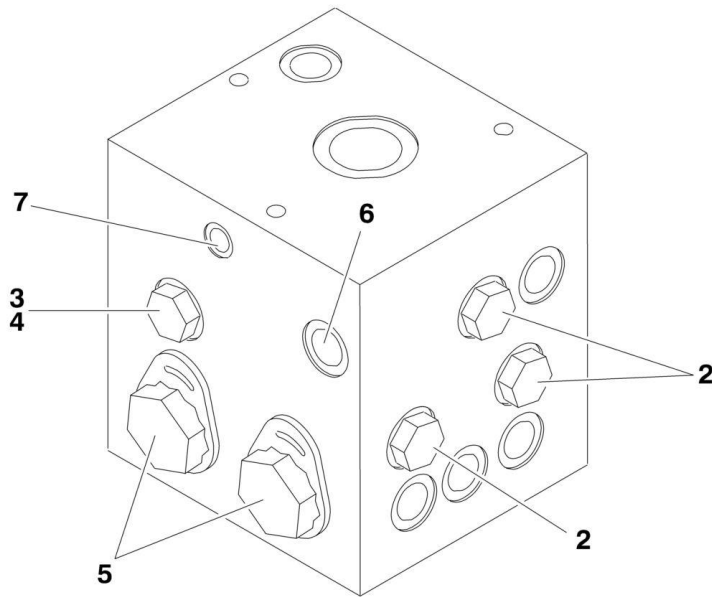
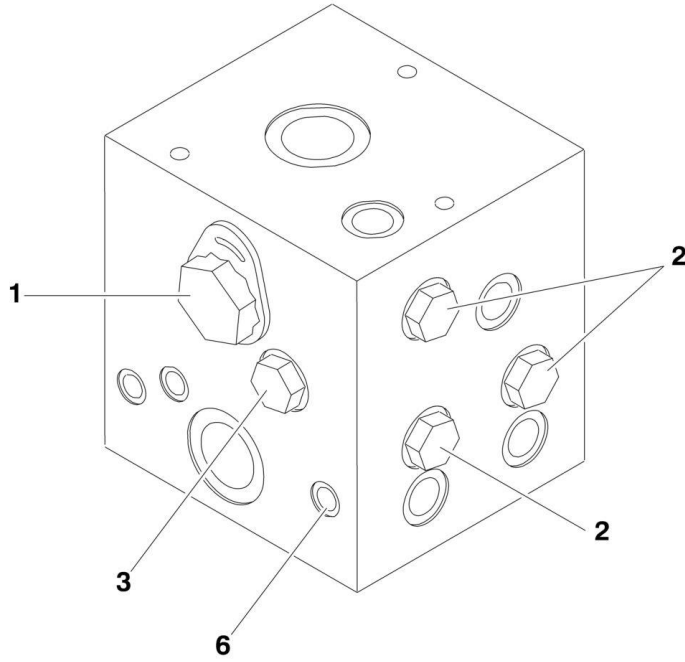
SECTION 2 - GROUND CONTROLS

FIGURE 2-2. MAIN VALVE ASSEMBLY

ITEM	PART NUMBER	QTY	DESCRIPTION	REV
	1001234828	Ref	MAIN VALVE ASSEMBLY	C
1	70005449	1	Cartridge, Solenoid Less Coil (Steer)	
1	70005073	1	Seal Kit - 70005449 Valve	
1	70003024	1	Spacer, Coil	
1	7022390	1	Nut, Coil	
2	70005448	1	Cartridge, Solenoid Less Coil (Lift Up)	
2	70004580	1	Seal Kit - 70005448 Valve	
2	7022390	1	Nut, Coil	
3	70005069	1	Cartridge, Solenoid Less Coil (Main Dump)	
3	7022399	1	Seal Kit - 70005069 Valve	
3	70003977	1	Nut, Coil	
4	70005167	1	Cartridge, Solenoid Less Coil	
4	7023900	1	Seal Kit - 70005167 Valve	
4	7022390	1	Nut, Coil	
5	70005167	1	Cartridge, Solenoid Less Coil	
5	7023900	1	Seal Kit - 70005167 Valve	
5	7022390	1	Nut, Coil	
6	70007036	1	Cartridge, Relief Valve	
6	7023936	1	Seal Kit - 70007036 Valve	
7	70006786	1	Cartridge, Solenoid Less Coil	
7	7012925	1	Seal Kit - 70006786 Valve	
8	7022398	1	Cartridge, Valve (Load Shuttle)	
8	7023900	1	Seal Kit - 7022398 Valve	
10	2220885	3	Plug	
11	2220883	2	Plug	
12	70005725	1	Lock Down Kit	
13	70005724	1	Lock Down Kit	
14	70003789	1	Coil	
15	70001967	4	Coil	
16	70001977	2	Coil	
17	70004883	1	Orifice	
18	70005100	1	Cartridge, Check Valve	
18	7022399	1	Seal Kit - 70005100 Valve	
20	70005165	1	Cartridge, Relief Valve	
20	7022399	1	Seal Kit - 70005165 Valve	

SECTION 2 - GROUND CONTROLS

FIGURE 2-3. FLOW DIVIDER VALVE ASSEMBLY



ART_4641303

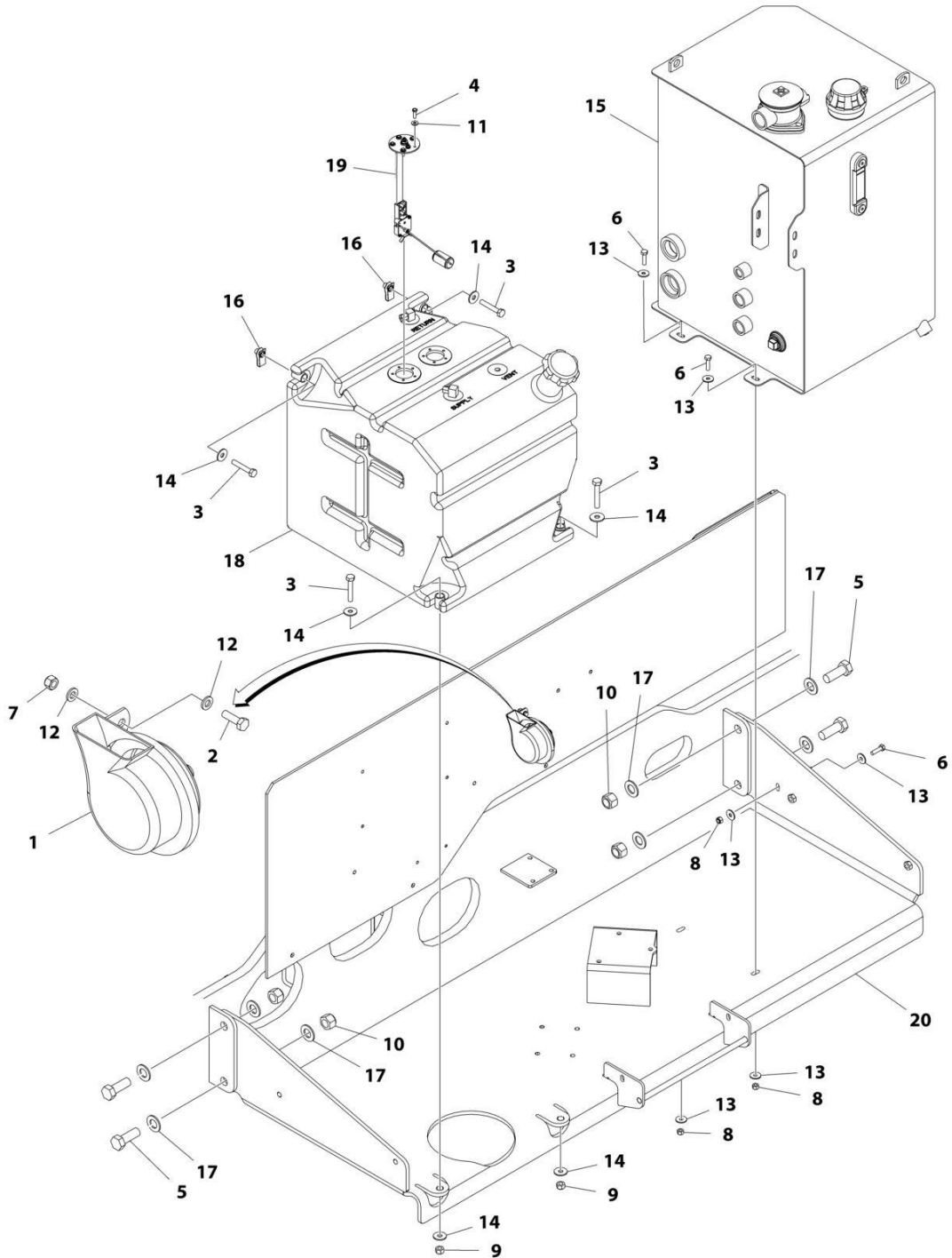
SECTION 2 - GROUND CONTROLS

FIGURE 2-3. FLOW DIVIDER VALVE ASSEMBLY

ITEM	PART NUMBER	QTY	DESCRIPTION	REV
	4641303	Ref	FLOW DIVIDER VALVE ASSEMBLY	C
1	7023933	1	Cartridge, Flow Divider	
1	7021625	1	Seal Kit - 7023933 Cartridge	
2	7022397	6	Cartridge, Check	
2	7022399	6	Seal Kit - 7022397 Cartridge	
3	7021639	2	Cartridge, Check Valves	
3	2900756	2	Seal Kit - 7022398 Cartridge	
4	7024881	1	Piston, Pilot	
5	7023917	2	Cartridge, Flow Divider	
5	7021625	2	Seal Kit - 7023917 Cartridge	
6	70003935	2	Orifice	
7	70003936	1	Orifice	

SECTION 2 - GROUND CONTROLS

FIGURE 2-4. TANKS & HORN INSTALLATION - DIESEL



ART_1001177751

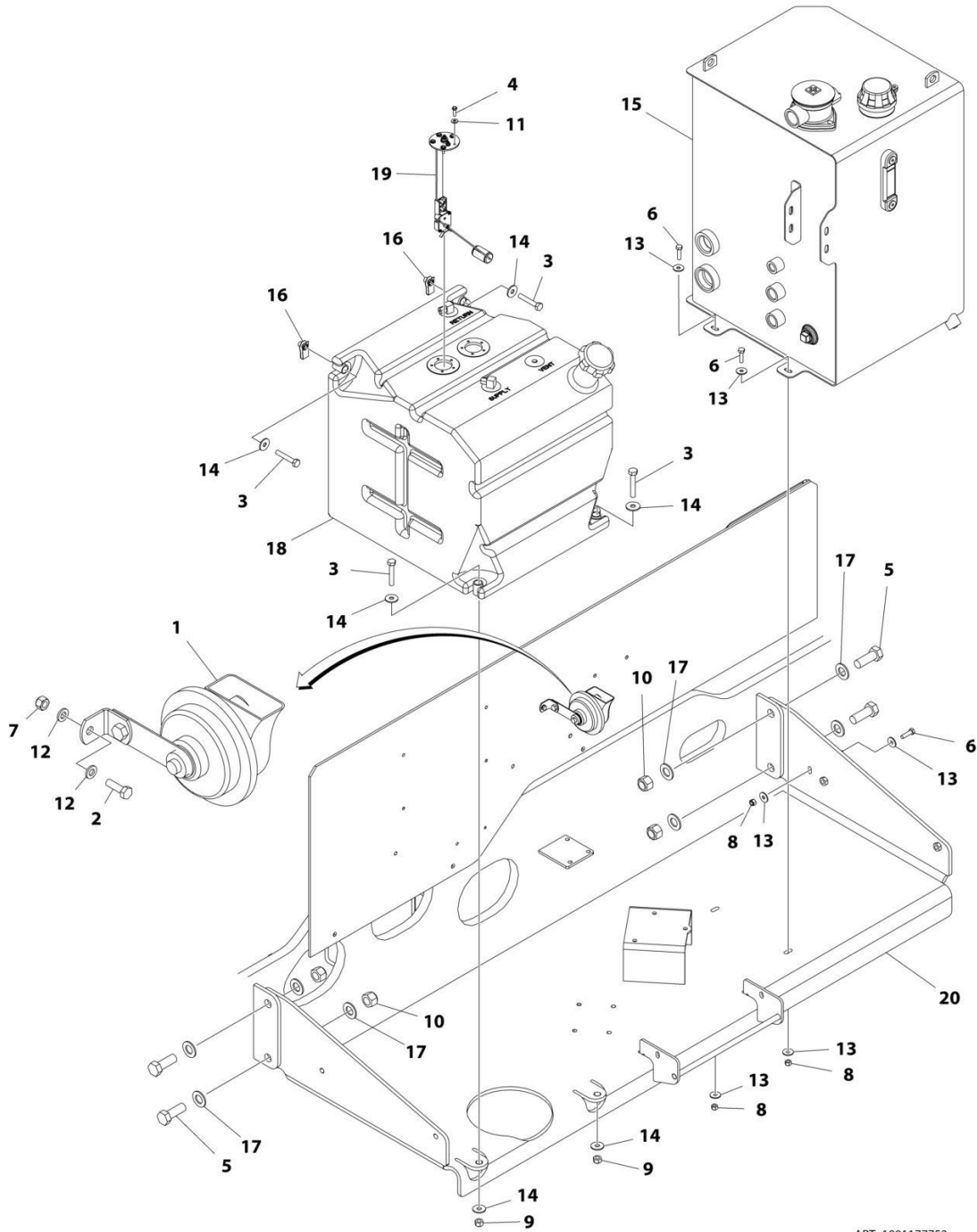
SECTION 2 - GROUND CONTROLS

FIGURE 2-4. TANKS & HORN INSTALLATION - DIESEL

ITEM	PART NUMBER	QTY	DESCRIPTION	REV
	1001177751	Ref	TANKS AND HORN INSTALLATION - DIESEL	E
1	0140001	1	Horn	
2	0700610	1	Bolt M6 x 20	
3	0701020	4	Bolt M10 x 60	
4	0731005	5	Screw, #10 x 5/8	
5	0762019	4	Bolt M20 x 55	
6	0760814	3	Bolt M8 x 30	
7	3290605	1	Nut M6	
8	3290805	3	Nut M8	
9	3291005	2	Nut M10	
10	3292005	4	Nut M20	
11	4751000	5	Washer #10	
12	4811700	2	Washer M6	
13	4811902	6	Washer M8	
14	4812002	6	Washer M10	
15	1001102823	1	Hydraulic Tank Assembly (See Separate Breakdown in this Section)	
16	1001118972	2	Nut Tinnerman M10	
17	5242000	8	Washer M20	
18	1001163418	1	Fuel Tank Assembly	
18	1001193336	1	Cap, Fuel	
18	70004794	1	Tube, Pick-up	
19	1001231195	1	Sensor, Fuel Level	
20	1001181554	1	Tray	

SECTION 2 - GROUND CONTROLS

FIGURE 2-5. TANKS AND HORN INSTALLATION - GASOLINE



ART_100117752

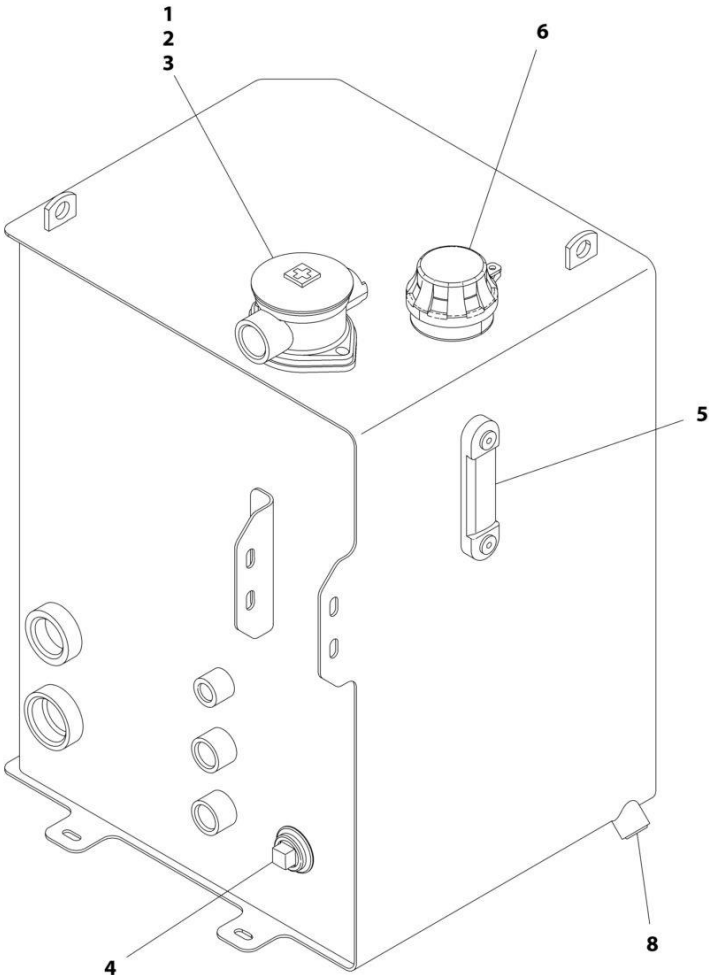
SECTION 2 - GROUND CONTROLS

FIGURE 2-5. TANKS AND HORN INSTALLATION - GASOLINE

ITEM	PART NUMBER	QTY	DESCRIPTION	REV
	1001177752	Ref	TANKS AND HORN INSTALLATION - GASOLINE	E
1	0140001	1	Horn	
2	0700610	1	Bolt M6 x 20	
3	0701020	4	Bolt M10 x 60	
4	0731005	5	Screw, #10 x 5/8	
5	0762019	4	Bolt M20 x 55	
6	0760814	3	Bolt M8 x 30	
7	3290605	1	Nut M6	
8	3290805	3	Nut M8	
9	3291005	2	Nut M10	
10	3292005	4	Nut M20	
11	4751000	5	Washer #10	
12	4811700	2	Washer M6	
13	4811902	6	Washer M8	
14	4812002	6	Washer M10	
15	1001102823	1	Hydraulic Tank Assembly (See Separate Breakdown in this Section)	
16	1001118972	2	Nut Tinnerman M10	
17	5242000	8	Washer M20	
18	1001206896	1	Fuel Tank Assembly	
18	1001211336	1	Cap, Fuel	
18	70004794	1	Tube, Pick-up	
19	1001231195	1	Sensor, Fuel Level	
20	1001181554	1	Tray	

SECTION 2 - GROUND CONTROLS

FIGURE 2-6. HYDRAULIC TANK ASSEMBLY



ART_1001102823

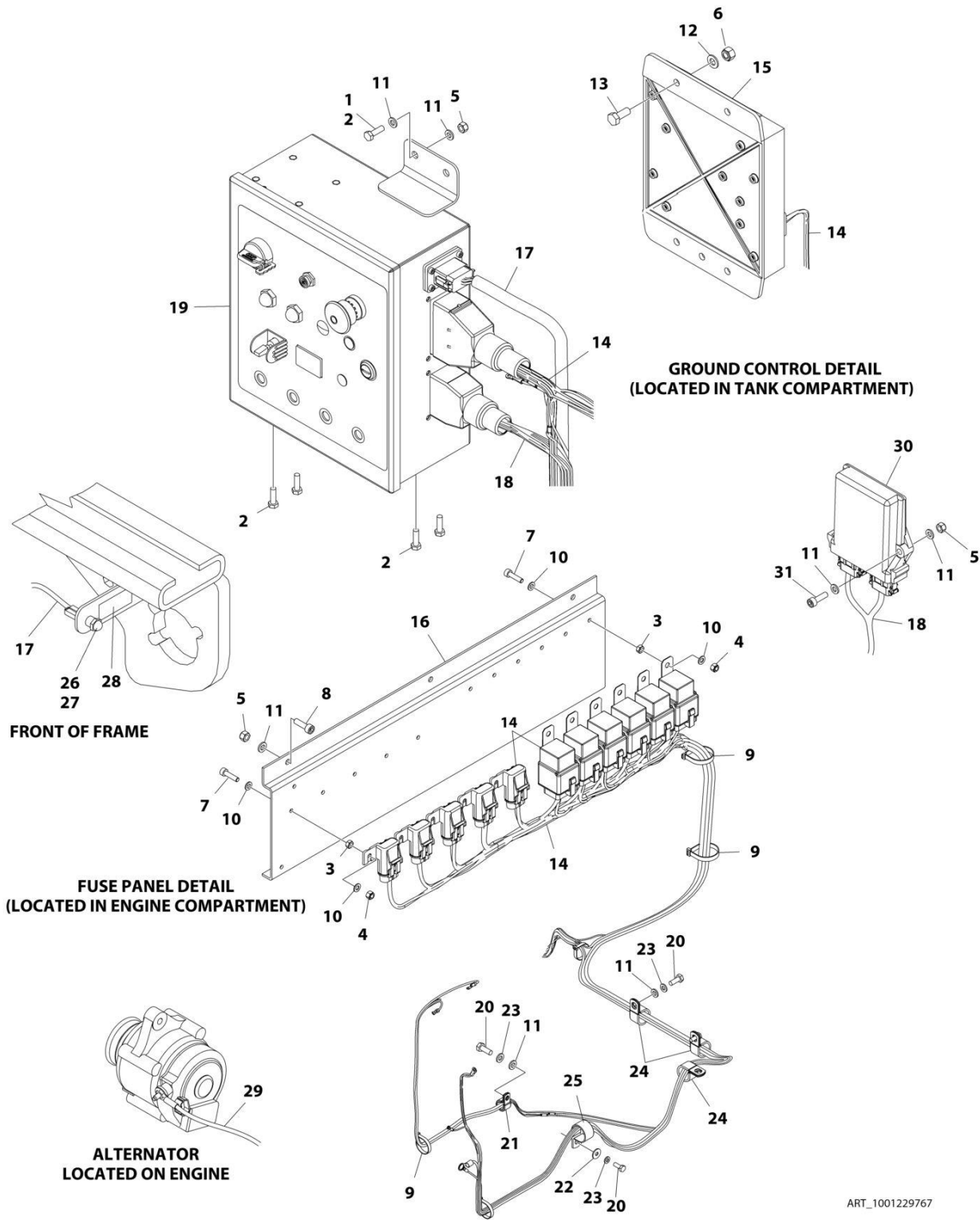
SECTION 2 - GROUND CONTROLS

FIGURE 2-6. HYDRAULIC TANK ASSEMBLY

ITEM	PART NUMBER	QTY	DESCRIPTION	REV
	1001102823	Ref	HYDRAULIC TANK ASSEMBLY	C
1	70001959	1	Filter, Return	
1	70001960	1	Element, Filter	
1	70002768	1	Spring, Return Filter Assembly	
2	7023306	1	Seal Between Filter Cover and Head	
3	7023347	1	Gasket Between Tank and Filter Flange	
4	7024446	1	Plug, Magnetic 1in NPT	
5	7024441	1	Gauge, Fluid Level	
6	70002113	1	Breather/Fill Cap	
7	See Note	2	Strainer (Note: Not a serviceable Item per Vendor) (Not Shown)	
8	70002112	1	Plug, Magnetic	

SECTION 2 - GROUND CONTROLS

FIGURE 2-7. ELECTRICAL COMPONENTS INSTALLATION - DIESEL



ART_1001229767

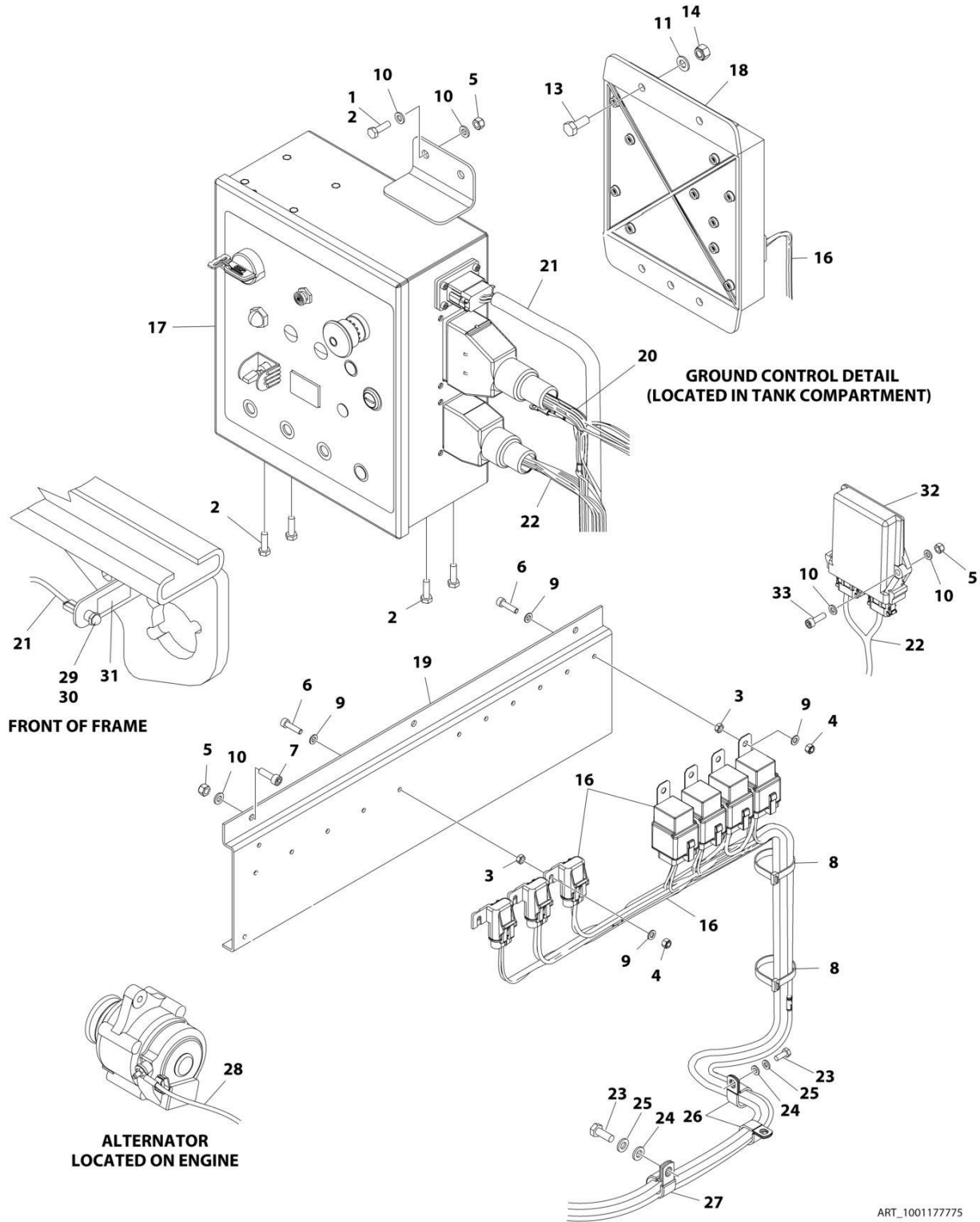
SECTION 2 - GROUND CONTROLS

FIGURE 2-7. ELECTRICAL COMPONENTS INSTALLATION - DIESEL

ITEM	PART NUMBER	QTY	DESCRIPTION	REV
	1001229767	Ref	ELECTRICAL COMPONENTS INSTALLATION - DIESEL	G
1	0100011	AR	Compound, Locking	
2	0760610	6	Bolt M6 x 20	
3	3290501	11	Nut M5	
4	3290505	11	Nut M5	
5	3290605	7	Nut M6	
6	3290805	4	Nut M8	
7	4031608	11	Bolt M5 x 20	
8	4031708	3	Bolt M6 x 20	
9	4240018	17	Tie-Strap	
10	4811600	22	Washer M5	
11	4811700	14	Washer M6	
12	4811900	4	Washer M8	
13	0760810001	4	Capscrew M8 x 20	
14	1001244348	1	Engine Harness - Diesel (See Separate Breakdown in ELECTRICAL SECTION)	
15	1001182481	1	Module, Control (Note: Re-calibration Required when Replaced)	
16	1001185125	1	Plate, Mounting	
17	1001222025	1	Hydraulic Compartment Harness (See Separate Breakdown in ELECTRICAL SECTION)	
18	1001236270	1	Chassis Harness (See Separate Breakdown in ELECTRICAL SECTION)	
19	1001236353	1	Ground Box Assembly (See Separate Breakdown in this Section)	
20	0760608	4	Bolt M6 x 16	
21	1320041	1	Clamp	
22	4811702	1	Washer M6	
23	4831700	4	Washer M6	
24	1001100319	3	Hose Clip M10	
25	1320095	1	Clamp	
26	4360387	1	Switch, Push Button	
27	1001176469	1	Shroud, Switch	
28	1001226116	1	Decal - Manual Descent Instruction	
29	1001234069	1	Harness, Fusible Link	
30	1001234736	1	Module, Control - Hydraulics (Note: Re-calibration Required when Replaced)	
31	4031711	2	Capscrew M6 x 35	

SECTION 2 - GROUND CONTROLS

FIGURE 2-8. ELECTRICAL COMPONENTS INSTALLATION - KUBOTA GASOLINE



ART_100117775

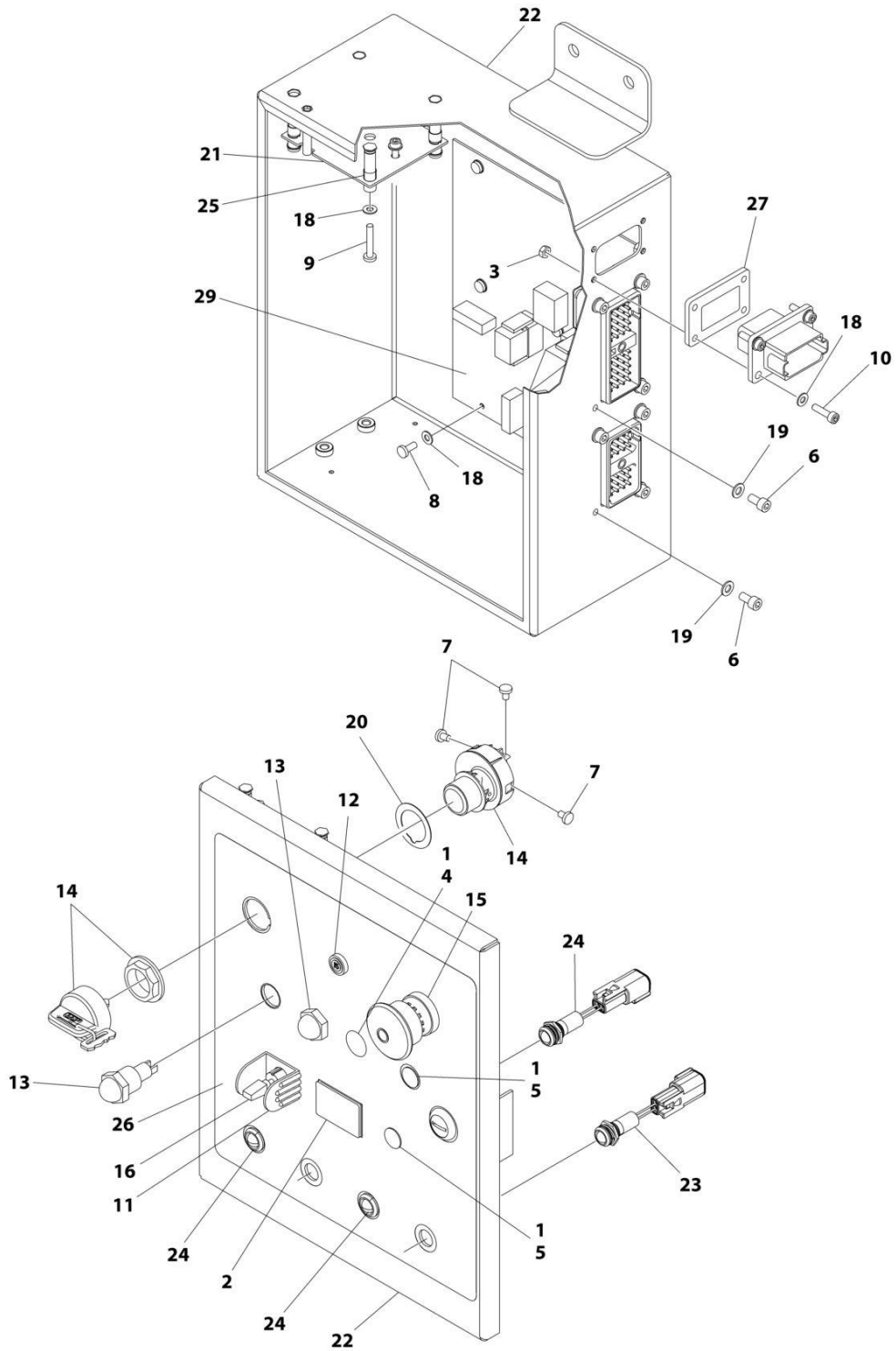
SECTION 2 - GROUND CONTROLS

FIGURE 2-8. ELECTRICAL COMPONENTS INSTALLATION - KUBOTA GASOLINE

ITEM	PART NUMBER	QTY	DESCRIPTION	REV
	1001177775	Ref	ELECTRICAL COMPONENTS INSTALLATION - KUBOTA GASOLINE	J
1	0100011	AR	Compound, Locking	
2	0760610	6	Bolt M6 x 20	
3	3290501	AR	Nut M5	
4	3290505	AR	Nut M5	
5	3290605	5	Nut M6	
6	4031608	AR	Capscrew M5 x 20	
7	4031708	3	Capscrew M6 x 20	
8	4240018	21	Tie-Strap	
9	4811600	AR	Washer M5	
10	4811700	7	Washer M6	
11	4811900	4	Washer M8	
13	0760810001	4	Bolt M8 x 20	
14	1001102433	4	Nut M8	
16	1001244349	1	Engine Harness - Gasoline (See Separate Breakdown in ELECTRICAL SECTION)	
17	1001236430	1	Ground Control Box Assembly (See Separate Breakdown in this Section)	
18	1001182481	1	Module, Control (Note: Re-calibration Required when Replaced)	
19	1001185125	1	Plate, Mounting	
20	1001236380	1	Dual Fuel Harness (See Separate Breakdown in ELECTRICAL SECTION)	
21	1001222025	1	Hydraulic Compartment Harness (See Separate Breakdown in ELECTRICAL SECTION)	
22	1001236270	1	Chassis Harness (See Separate Breakdown in ELECTRICAL SECTION)	
23	0760608	2	Bolt M6 x 16	
24	4811702	2	Washer M6	
25	4831700	2	Washer M6	
26	1001100319	AR	Hose Clip M10	
27	1320095	AR	Clamp	
28	1001234069	1	Harness, Fusible Link	
29	4360387	1	Switch, Push Button	
30	1001176469	1	Shroud, Switch	
31	1001226116	1	Decal - Manual Descent Instructions	
32	1001234736	1	Module, Control - Hydraulics (Note: Re-calibration Required when Replaced)	
33	4031711	AR	Capscrew M6 x 35	

SECTION 2 - GROUND CONTROLS

FIGURE 2-9. GROUND CONTROL BOX ASSEMBLY - KUBOTA DIESEL



ART_1001236353

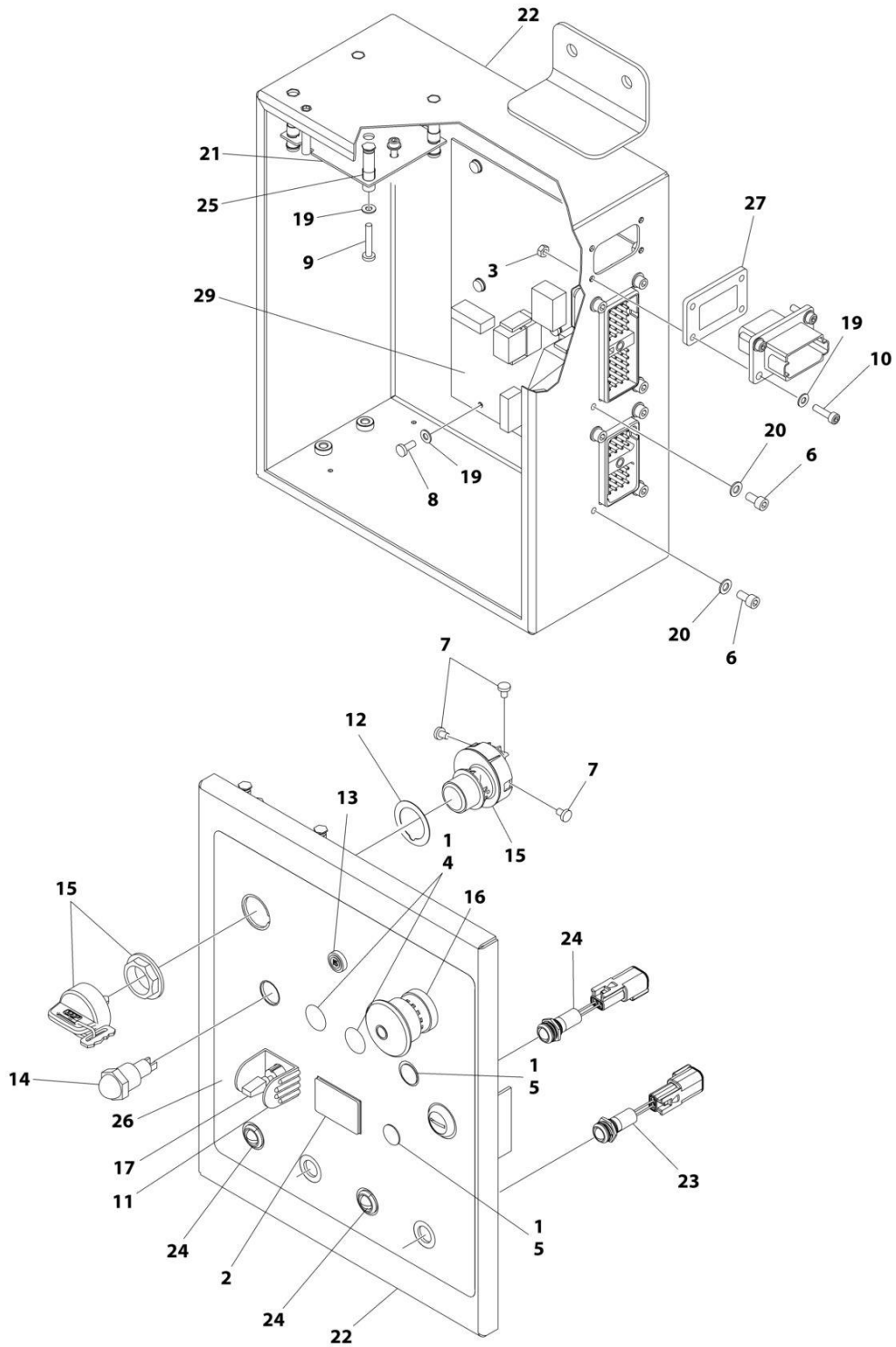
SECTION 2 - GROUND CONTROLS

FIGURE 2-9. GROUND CONTROL BOX ASSEMBLY - KUBOTA DIESEL

ITEM	PART NUMBER	QTY	DESCRIPTION	REV
	1001236353	Ref	GROUND CONTROL BOX ASSEMBLY - KUBOTA DIESEL	D
1	0100009	AR	Sealant	
2	2420172	1	Gauge	
3	3290405	4	Nut M4	
4	3520026	1	Plug, Hole	
5	3520028	2	Plug, Hole	
6	3900300	8	Capscrew	
7	4010403	4	Screw M4 x 6	
8	4010405	4	Screw M4 x 10	
9	4010412	4	Screw M4 x 24	
10	4031507	4	Capscrew M4 x 16	
11	4060802	1	Guard, Switch	
12	4360070	1	Breaker, Circuit 15Amp	
13	4360387	2	Switch, Push Button	
14	4360469	1	Switch, Key	
14	2860030	1 set	Key, Replacement	
15	1001274559	1	Switch, Emergency Stop (Plastic)	
15	4360475	1	Switch, Emergency Stop (Metal)	
15	7020175	1	Cap	
15	7020176	1	Block, Contact	
16	4360524	1	Switch, Toggle	
17	4460234	8	Mount, Tie-Strap (Not Shown)	
18	4811400	12	Washer M4	
19	4811600	8	Washer M5	
20	4070987	5	Shim, .063	
21	1001181330	1	Sensor	
21	See Note	1	Connector - 4 Position (Note: Not Available for Purchase)	
21	See Note	4	Terminal (Note: Not Available for Purchase)	
22	1001181711	1	Box, Ground Control	
22	1001165791	1	Hinge	
22	1001166257	1	Latch	
23	1001182680	1	LED Light with Connector (Red)	
24	1001182681	3	LED Light with Connector (Yellow)	
25	1001184730	4	Washer, Nylon	
26	1001189773	1	Decal, Ground Control	
27	1001190002	1	Seal, Connector	
28	1001227353	1	Ground Control Box Harness - Upper (Not Shown) (See Separate Breakdown in ELECTRICAL SECTION)	
29	1001234735	1	Module, Ground Control (Note: Re-calibration Required when Replaced)	
30	1001236153	1	Ground Control Box Harness - Lower (Not Shown) (See Separate Breakdown in ELECTRICAL SECTION)	

SECTION 2 - GROUND CONTROLS

FIGURE 2-10. GROUND CONTROL BOX ASSEMBLY - KUBOTA GASOLINE



ART_1001236430

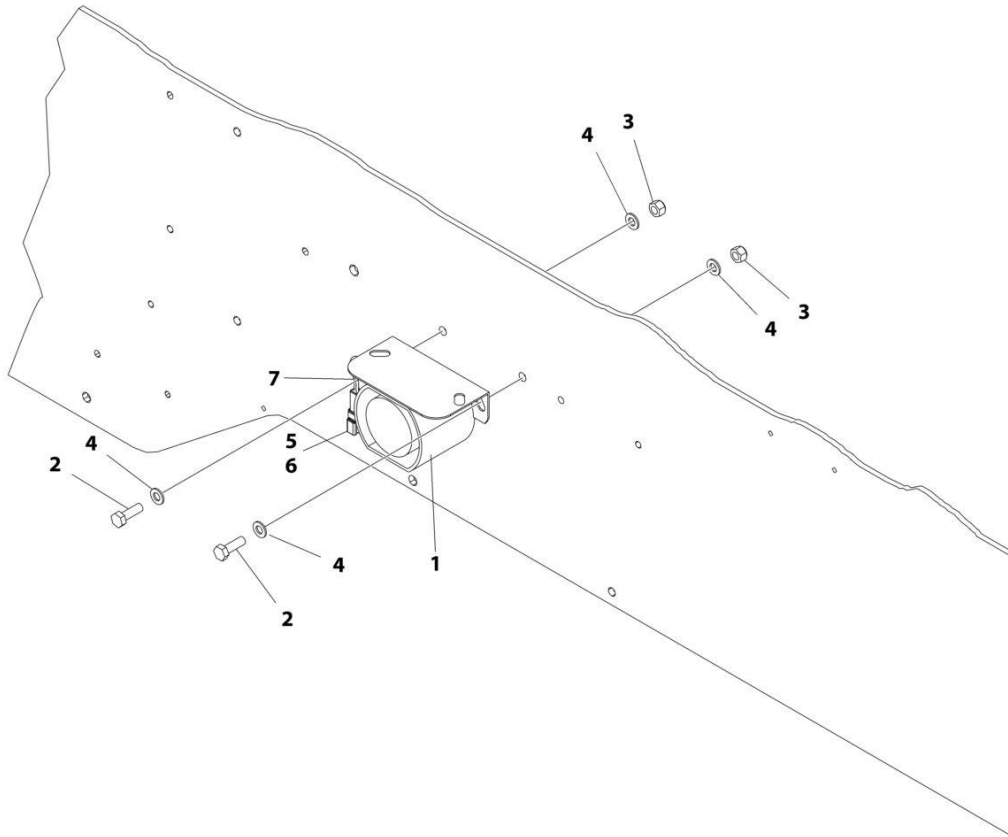
SECTION 2 - GROUND CONTROLS

FIGURE 2-10. GROUND CONTROL BOX ASSEMBLY - KUBOTA GASOLINE

ITEM	PART NUMBER	QTY	DESCRIPTION	REV
	1001236430	Ref	GROUND CONTROL BOX ASSEMBLY - KUBOTA GASOLINE	D
1	0100009	AR	Sealant	
2	2420172	1	Gauge	
3	3290405	4	Nut M4	
4	3520026	2	Plug, Hole	
5	3520028	2	Plug, Hole	
6	3900300	8	Capscrew	
7	4010403	4	Screw M4 x 6	
8	4010405	4	Screw M4 x 10	
9	4010412	4	Screw M4 x 24	
10	4031507	4	Capscrew M4 x 16	
11	4060802	1	Guard, Switch	
12	4070987	AR	Shim, .015	
13	4360070	1	Breaker, Circuit 15Amp	
14	4360387	1	Switch, Push Button	
15	4360469	1	Switch, Key	
15	2860030	1 set	Key, Replacement	
16	1001274559	1	Switch, Emergency Stop (Plastic)	
16	4360475	1	Switch, Emergency Stop (Metal)	
16	7020175	1	Cap	
16	7020176	1	Block, Contact	
17	4360524	1	Switch, Toggle	
18	4460234	AR	Mount, Tie-Strap (Not Shown)	
19	4811400	12	Washer M4	
20	4811600	8	Washer M5	
21	1001181330	1	Sensor	
21	See Note	1	Connector - 4 Position (Note: Not Available for Purchase)	
21	See Note	4	Terminal (Note: Not Available for Purchase)	
22	1001181711	1	Box, Ground Control	
22	1001165791	1	Hinge	
22	1001166257	1	Latch	
23	1001182680	1	LED Light with Connector (Red)	
24	1001182681	3	LED Light with Connector (Yellow)	
25	1001184730	4	Washer, Nylon	
26	1001189773	1	Decal - Ground Control	
27	1001190002	1	Seal, Connector	
28	1001227353	1	Ground Control Box Harness - Upper (Not Shown) (See Separate Breakdown in ELECTRICAL SECTION)	
29	1001234735	1	Module, Ground Control (Note: Re-calibration Required when Replaced)	
30	1001236153	1	Ground Control Box Harness - Lower (Not Shown) (See Separate Breakdown in ELECTRICAL SECTION)	

SECTION 2 - GROUND CONTROLS

FIGURE 2-11. MOTION ALARM INSTALLATION



ART_1001191641

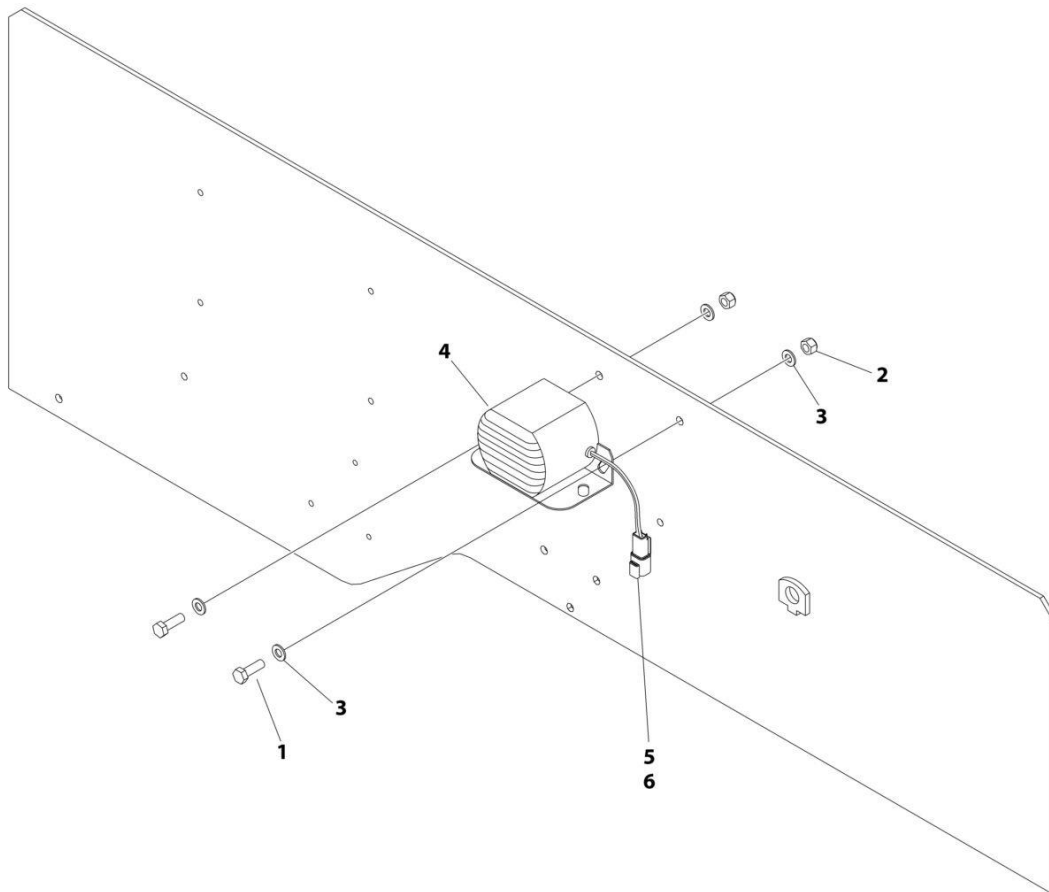
SECTION 2 - GROUND CONTROLS

FIGURE 2-11. MOTION ALARM INSTALLATION

ITEM	PART NUMBER	QTY	DESCRIPTION	REV
	1001191641	Ref	MOTION ALARM INSTALLATION	C
1	0140032	1	Alarm	
2	0770812	2	Bolt M8 x 25	
3	3290805	2	Nut M8	
4	4811900	4	Washer M8	
5	4460464	2	Pin, Male	
6	4460897	1	Connector - 2 Position	
7	1001175012	AR	Conduit	

SECTION 2 - GROUND CONTROLS

FIGURE 2-12. WHITE NOISE ALARM INSTALLATION



ART_1001219108

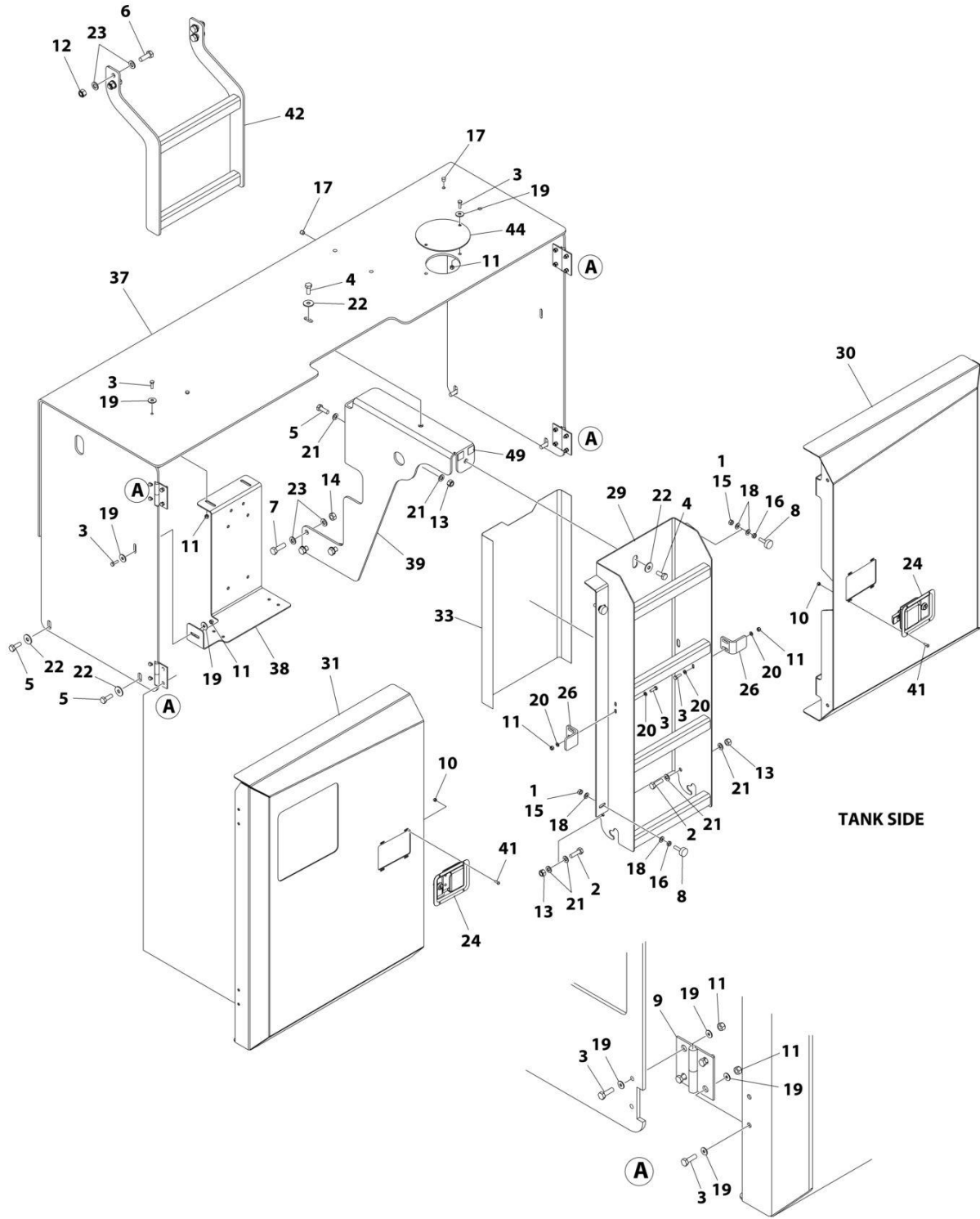
SECTION 2 - GROUND CONTROLS

FIGURE 2-12. WHITE NOISE ALARM INSTALLATION

ITEM	PART NUMBER	QTY	DESCRIPTION	REV
	1001219108	Ref	WHITE NOISE ALARM INSTALLATION	A
1	0760612	2	Bolt M6 x 25	
2	3290605	2	Nut M6	
3	4811702	4	Washer M6	
4	1001182806	1	Alarm, White Noise	
5	4460897	1	Connector - 2 Position	
6	4460464	2	Pin, Male	

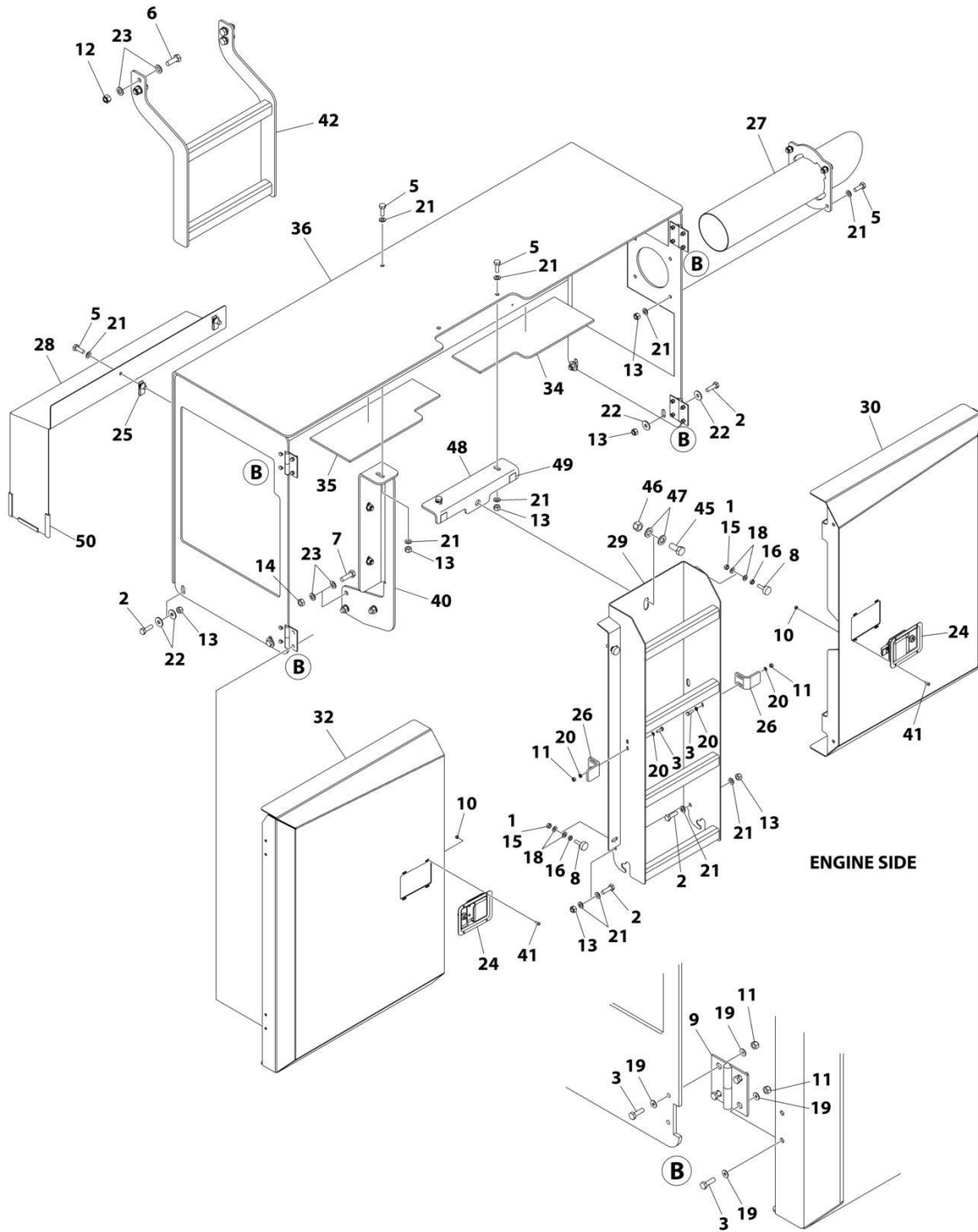
SECTION 2 - GROUND CONTROLS

FIGURE 2-13. HOODS AND LADDERS INSTALLATION



ART_1001233738_I_10F2

SECTION 2 - GROUND CONTROLS



ART_1001233738_L_20F2

SECTION 2 - GROUND CONTROLS

FIGURE 2-13. HOODS AND LADDERS INSTALLATION

ITEM	PART NUMBER	QTY	DESCRIPTION	REV
	1001233738	Ref	HOODS INSTALLATION	I
1	0100011	AR	Compound, Locking	
2	0701015	8	Bolt M10 x 35	
3	0760610	45	Bolt M6 x 20	
4	0761012	2	Bolt M10 x 25	
5	0761014	16	Bolt M10 x 30	
6	0761215	8	Bolt M12 x 35	
7	0761216	6	Bolt M12 x 40	
8	0940049	8	Stop, Hood	
9	2600216	8	Hinge	
10	3290505	16	Nut M5	
11	3290605	45	Nut M6	
12	3291205	8	Nut M12	
13	3291005	18	Nut M10	
14	3291201	6	Nut M12	
15	3311501	8	Nut 5/16	
16	3311502	8	Nut 5/16	
17	3520060	6	Plug 3/8	
18	4711500	16	Washer 5/16	
19	4811700	72	Washer M6	
20	4811702	18	Washer M6	
21	4812000	30	Washer M10	
22	4812002	14	Washer M10	
23	4812100	28	Washer M12	
24	1001257454	4	Latch	
25	1001118972	2	Nut Tinnerman M10	
26	1001181116	4	Bracket	
27	1001183416	1	Tube, Exhaust	
28	1001183727	1	Shield, Generator	
29	1001204140	2	Ladder	
30	1001258390	2	Door, Less Latch	
31	1001258391	1	Door, Less Latch	
32	1001258392	1	Door, Less Latch	
33	1001238471	1	Insulate	
34	1001225257	1	Insulate	
35	1001225258	1	Insulate	
36	1001233544	1	Shield Cover, Engine Side	
37	1001233549	1	Shield Cover, Hydraulic Side	
38	1001233554	1	Mount	
39	1001233576	1	Bracket	
40	1001237910	1	Bracket	
41	1001234348	16	Screw M5 x 16 Grade 10.9	
42	1001273292	2	Ladder	
43	4812200	16	Washer M14	
44	1001226221	1	Plate	
45	0761615	1	Bolt M16 x 35	
46	3291605	1	Nut M16	
47	4812300	2	Washer M16	
48	1001237909	1	Bracket	
49	4420062	7.1	Tape	

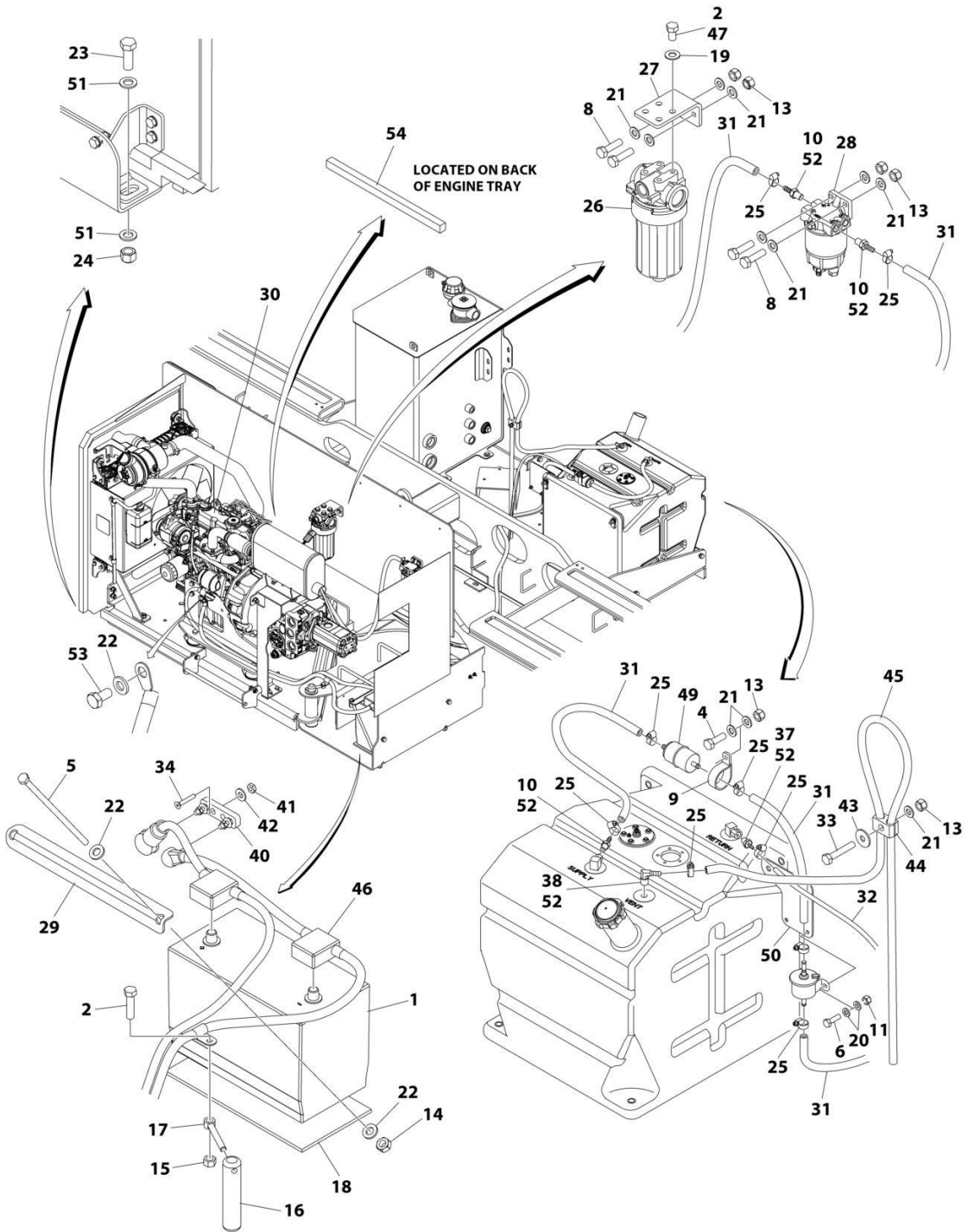
SECTION 2 - GROUND CONTROLS

ITEM	PART NUMBER	QTY	DESCRIPTION	REV
50	4060803	in/180mm 9.4 in/240mm	Flex-Trim	

SECTION 3 - ENGINE

SECTION 3 - ENGINE

FIGURE 3-1. ENGINE INSTALLATION - KUBOTA DIESEL T4F



ART_1001177786_L

SECTION 3 - ENGINE

FIGURE 3-1. ENGINE INSTALLATION - KUBOTA DIESEL T4F

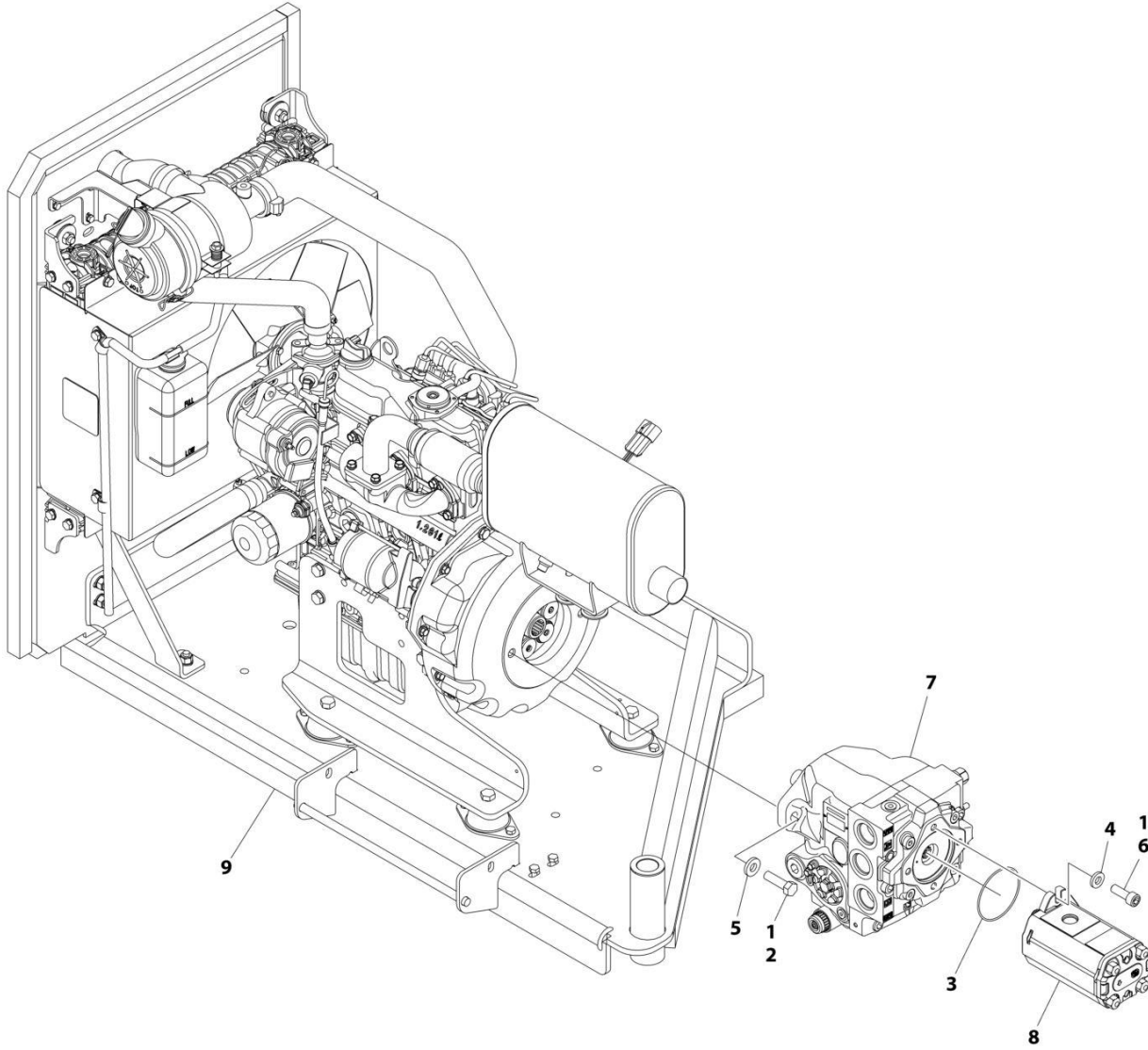
ITEM	PART NUMBER	QTY	DESCRIPTION	REV
	1001177786	Ref	ENGINE INSTALLATION - KUBOTA DIESEL T4F	L
1	0400075	1	Battery	
2	0761010	3	Bolt M10 x 20	
3	0641612	1	Bolt 3/8 x 1-1/2	
4	0700812	1	Bolt M8 x 25	
5	0701047	2	Bolt M10 x 300	
6	0760610	2	Bolt M8 x 20	
8	0760814	4	Bolt M8 x 30	
9	1320265	1	Clamp	
10	2180348	3	Fitting, NPT/Barbed	
11	3290605	2	Nut M6	
13	3290805	6	Nut M8	
14	3291001	2	Nut M10	
15	3311605	1	Nut 3/8	
16	3422669	1	Pin	
17	3841143	1	Keeper, Pin	
18	3980007	1	Seat, Battery	
19	4812000	3	Washer M10	
20	4811700	4	Washer M6	
21	4811900	11	Washer M8	
22	5241000	5	Washer M10	
23	0761617	1	Bolt M16 x 45	
24	3291605	1	Nut M16	
25	8405009	11	Clamp	
26	1001208874	1	Filter, Charge Pump	
26	70010383	1	Element, Filter	
27	1001194836	1	Bracket, Charge Pump	
28	1001190609	1	Fuel/Water Separator Assembly (See Separate Breakdown in this Section)	
29	1001184065	1	Bracket, Hold Down	
30	1001238776	1	Engine and Pump Sub-Assembly (See Separate Breakdown in this Section)	
31	2720058	14.5 ft / 4.4m	Hose	
32	2720271	9.3 ft / 2.8m	Hose	
33	0700817	1	Bolt M8 x 45	
34	0741010	2	Screw #10 x 1-1/4	
37	2180666	1	Fitting, NPT/Barbed	
38	2220313	1	Fitting, 90° NPTF/Barbed	
40	2400044	1	Fuse, Mounting Block	
41	3300408	2	Nut	
42	4711400	2	Washer 1/4	
43	4811902	1	Washer M8	
44	8750014	1	Clamp	
45	1001165035	5.5 ft / 1.7m	Hose	
46	1001186428	1	Battery Cable Kit - Diesel (See Separate Breakdown in ELECTRICAL SECTION)	
47	0100011	AR	Compound, Locking	
49	1001190545	1	Strainer, Fuel	

SECTION 3 - ENGINE

ITEM	PART NUMBER	QTY	DESCRIPTION	REV
50	1001191146	1	Bracket	
51	4812300	2	Washer M6	
52	0100020	AR	Sealant	
53	8303511	1	Capscrew M10 x 20	
54	1001183421	1	Foam, Baffle	

SECTION 3 - ENGINE

FIGURE 3-2. ENGINE AND PUMP SUB-ASSEMBLY - KUBOTA DIESEL T4F



ART_1001238776

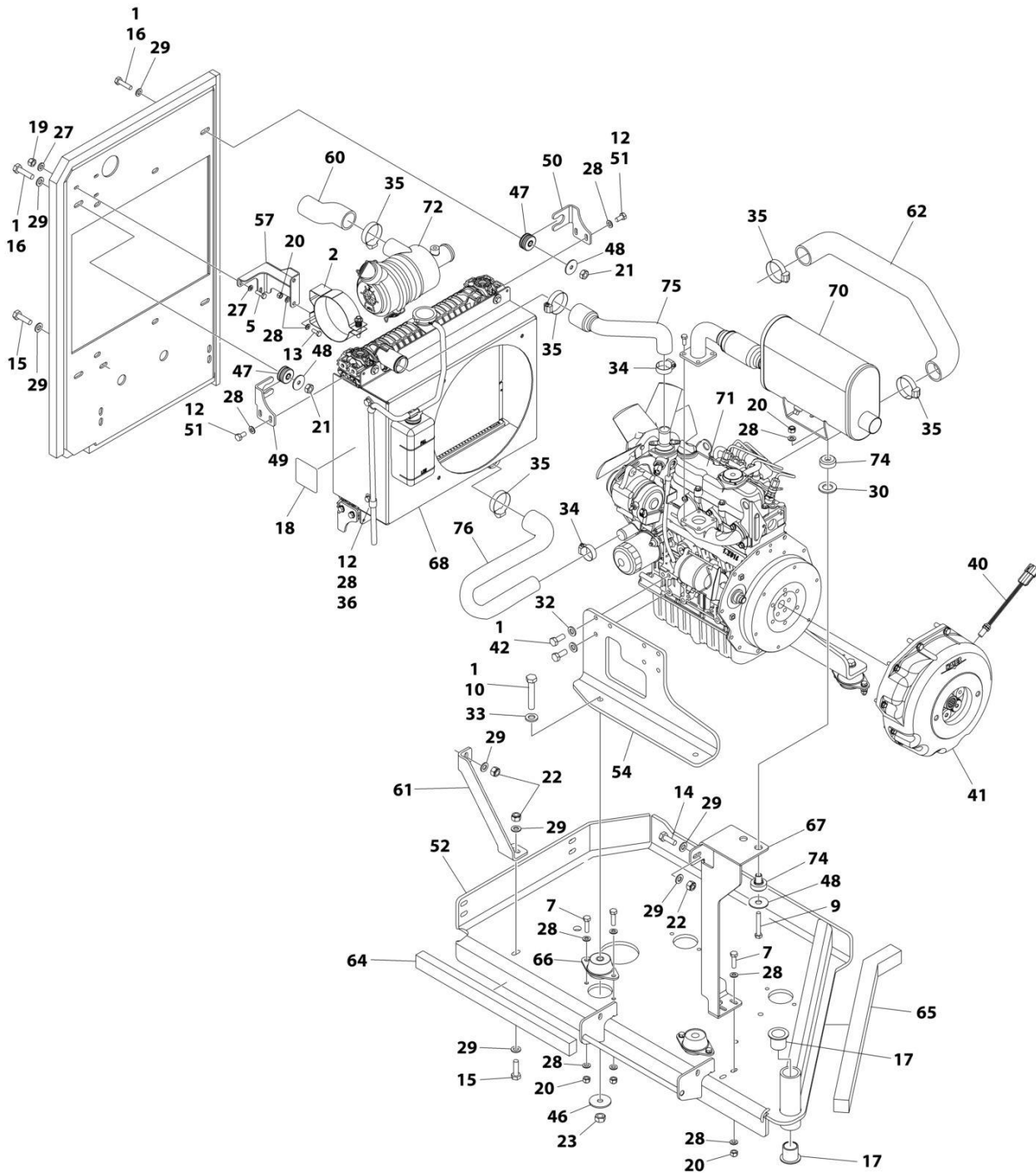
SECTION 3 - ENGINE

FIGURE 3-2. ENGINE AND PUMP SUB-ASSEMBLY - KUBOTA DIESEL T4F

ITEM	PART NUMBER	QTY	DESCRIPTION	REV
	1001238776	Ref	ENGINE AND PUMP SUB-ASSEMBLY - KUBOTA DIESEL T4F	D
1	0100011	AR	Compound, Locking	
2	0641814	2	Bolt 1/2 x 1-3/4	
3	3790152	1	O-Ring	
4	4891600	2	Washer 3/8	
5	4891800	2	Washer 1/2	
6	83191040	2	Capscrew M10 x 30	
7	1001101331	1	Piston Pump Assembly (See Separate Breakdown in this Section)	
8	1001239200	1	Gear Pump Assembly	
8	7023929	1	Seal Kit - 1001239200 Pump (Note: Seal Kit is only service component available)	
9	1001238775	1	Engine Assembly - Kubota Diesel T4F (See Separate Breakdown in this Section)	

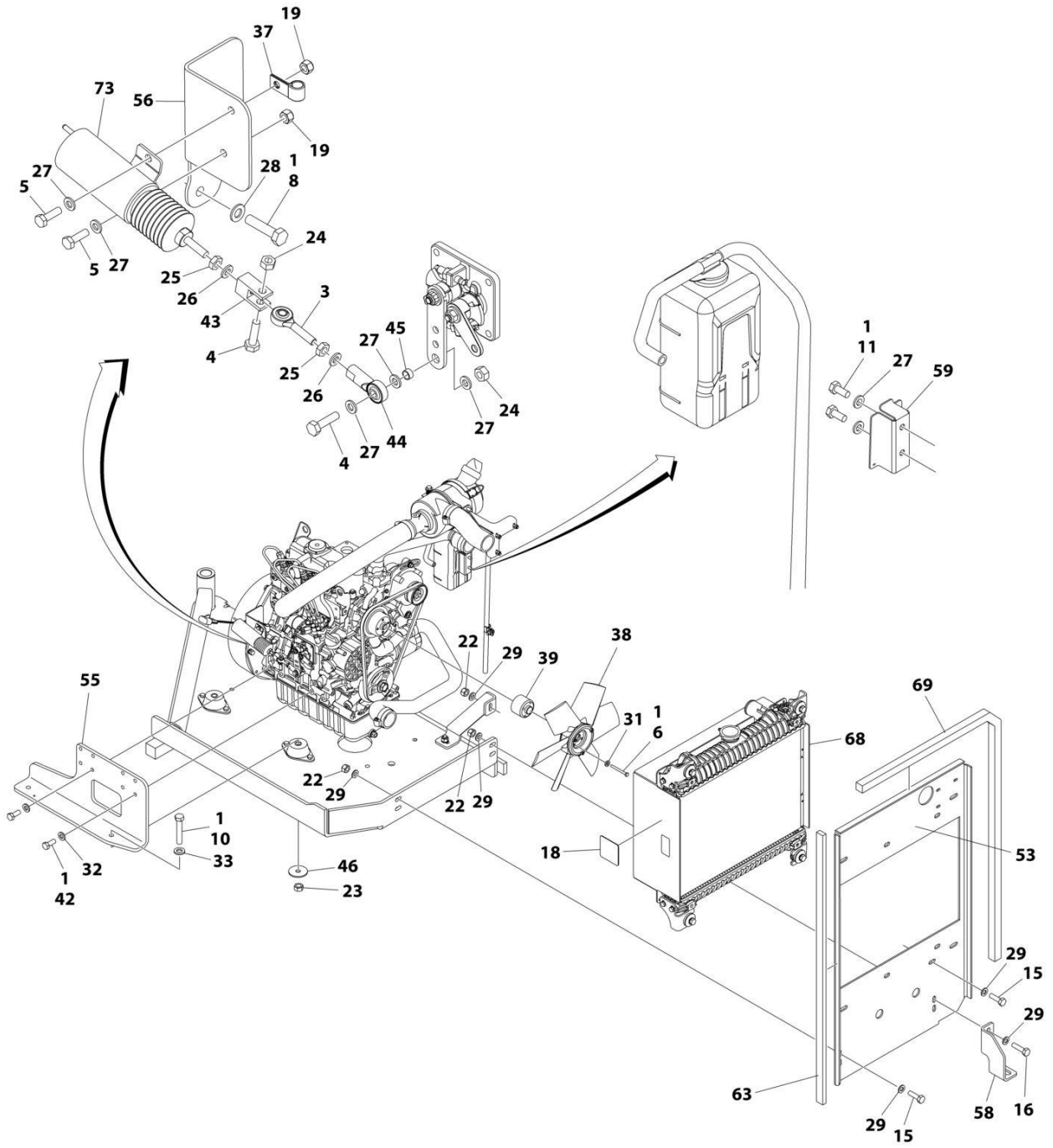
SECTION 3 - ENGINE

FIGURE 3-3. ENGINE ASSEMBLY - KUBOTA DIESEL T4F



ART_1001238775_10F2_B

SECTION 3 - ENGINE



ART_1001238775_2OF2_B

SECTION 3 - ENGINE

FIGURE 3-3. ENGINE ASSEMBLY - KUBOTA DIESEL T4F

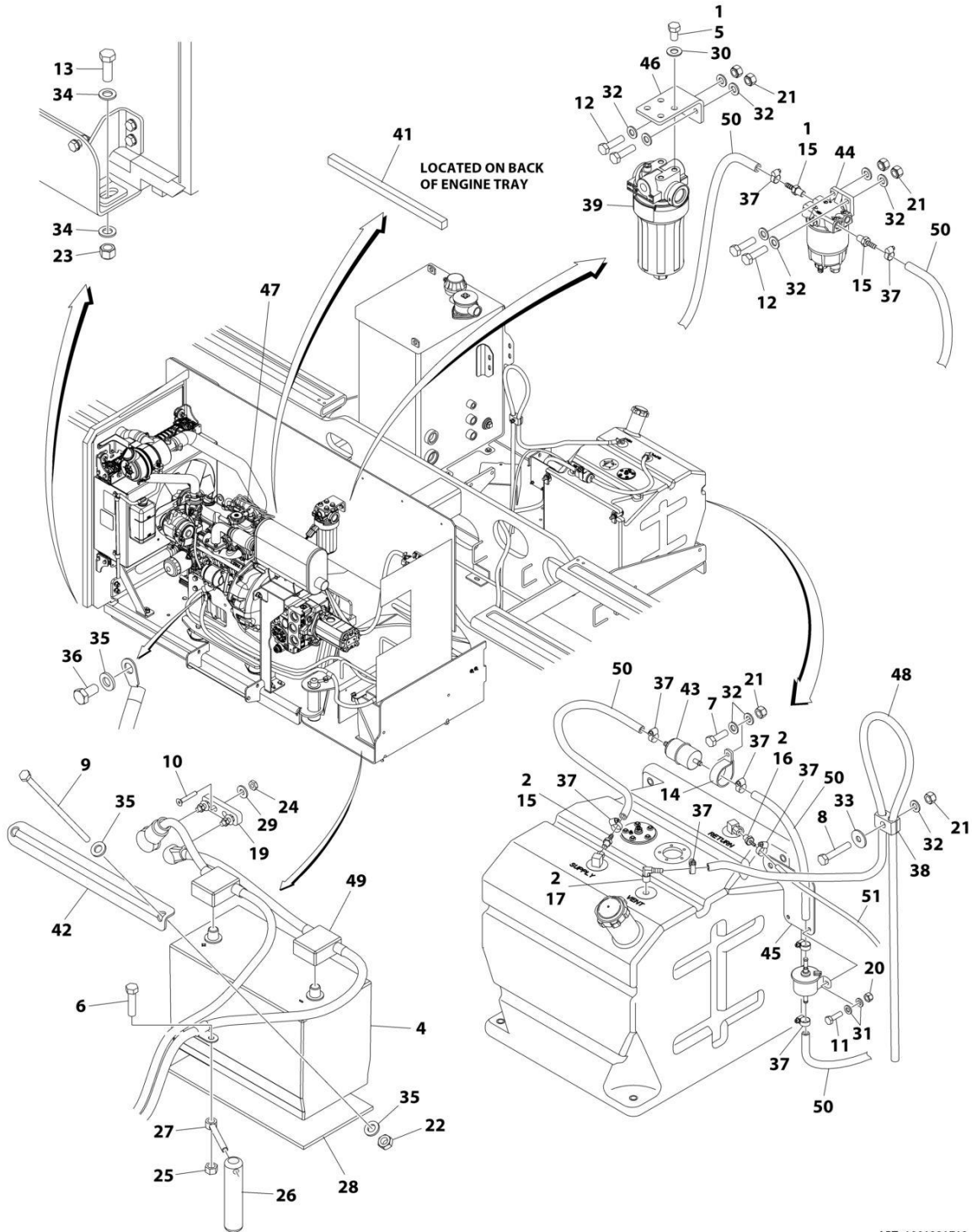
ITEM	PART NUMBER	QTY	DESCRIPTION	REV
	1001238775	Ref	ENGINE ASSEMBLY - KUBOTA DIESEL T4F	B
1	0100011	AR	Compound, Locking	
2	0340045	1	Band, Mounting	
3	0440334	1	Bearing	
4	0641408	2	Bolt 1/4 x 1	
5	0700610	5	Bolt M6 x 20	
6	0700620	4	Bolt M6 x 60	
7	0700814	10	Bolt M8 x 30	
8	0700815	2	Bolt M8 x 35	
9	0700819	2	Bolt M8 x 55	
10	0701222	4	Bolt M12 x 70	
11	0760607	2	Bolt M6 x 14	
12	0760608	10	Bolt M6 x 16	
13	0760810	AR	Bolt M8 x 20	
14	0761014	1	Bolt M10 x 30	
15	0761015	4	Bolt M10 x 35	
16	0761016	6	Bolt M10 x 40	
17	0961986	2	Bearing, Flange	
18	1703162	2	Decal - Fan Blade	
19	3290605	5	Nut M6	
20	3290805	14	Nut M8	
21	3291001	4	Nut M10	
22	3291005	7	Nut M10	
23	3291201	4	Nut M12	
24	3311405	2	Nut 1/4	
25	3321402	2	Nut 1/4	
26	4761400	2	Washer 1/4	
27	4811700	13	Washer M6	
28	4811900	38	Washer M8	
29	4812000	18	Washer M10	
30	4812500	2	Washer M20	
31	5240600	4	Washer M6	
32	5241000	8	Washer M10	
33	5241200	4	Washer M12	
34	8405101	2	Clamp	
35	8405104	5	Clamp	
36	85941016	2	Clamp	
37	90021705	1	Clamp, Support	
38	1001118538	1	Fan	
39	1001118539	1	Fan, Spacer	
40	1001118580	1	Sensor, Speed	
41	1001118675	1	Housing, Coupling Kit (See Separate Breakdown in this Section)	
42	1001118746	8	Bolt M10 x 25	
43	1001118881	1	Clevis, Linkage	
44	1001118925	1	Bearing	
45	1001128888	1	Washer	
46	1001168018	4	Washer	
47	1001169054	4	Isolator, Radiator	
48	1001169138	6	Pad	
49	1001169967	2	Bracket, Radiator	

SECTION 3 - ENGINE

ITEM	PART NUMBER	QTY	DESCRIPTION	REV
50	1001170035	2	Bracket, Radiator	
51	1001180620	AR	Compound, Locking	
52	1001181649	1	Tray, Engine	
53	1001181658	1	Plate, Radiator Mounting	
54	1001182976	1	Mount, Engine (LH)	
55	1001182977	1	Mount, Engine (RH)	
56	1001182979	1	Bracket, Throttle Cylinder	
57	1001182980	1	Bracket, Air Cleaner	
58	1001182981	1	Bracket, Tray	
59	1001182982	1	Mount	
60	1001182983	1	Tube, Intake	
61	1001182984	1	Bracket, Support	
62	1001182987	1	Tube, Air Intake	
63	1001247403	1	Foam, Baffle	
64	1001183424	1	Foam, Baffle	
65	1001184066	1	Foam, Baffle	
66	1001187235	4	Mount, Motor	
67	1001195600	1	Bracket, Muffler	
68	1001220957	1	Radiator & Shroud Assembly	
68	1001198726	1	Radiator	
68	70007502	1	Valve, Drain	
68	1001220959	1	Shroud	
69	1001227285	1	Seal	
70	1001234950	1	Muffler	
71	1001238770	1	Engine Components - Kubota Diesel T4F (See Separate Breakdown in this Section)	
72	1001118280	1	Air Filter Assembly	
72	7015004	2	Element	
73	1001118582	1	Actuator, Throttle	
74	1001125248	2	Mount, Engine	
75	1001182978	1	Tube, Inlet	
76	1001182985	1	Tube, Outlet	

SECTION 3 - ENGINE

FIGURE 3-4. ENGINE INSTALLATION - KUBOTA DIESEL T4F WITH GENERATOR



ART_1001231712_E

SECTION 3 - ENGINE

FIGURE 3-4. ENGINE INSTALLATION - KUBOTA DIESEL T4F WITH GENERATOR

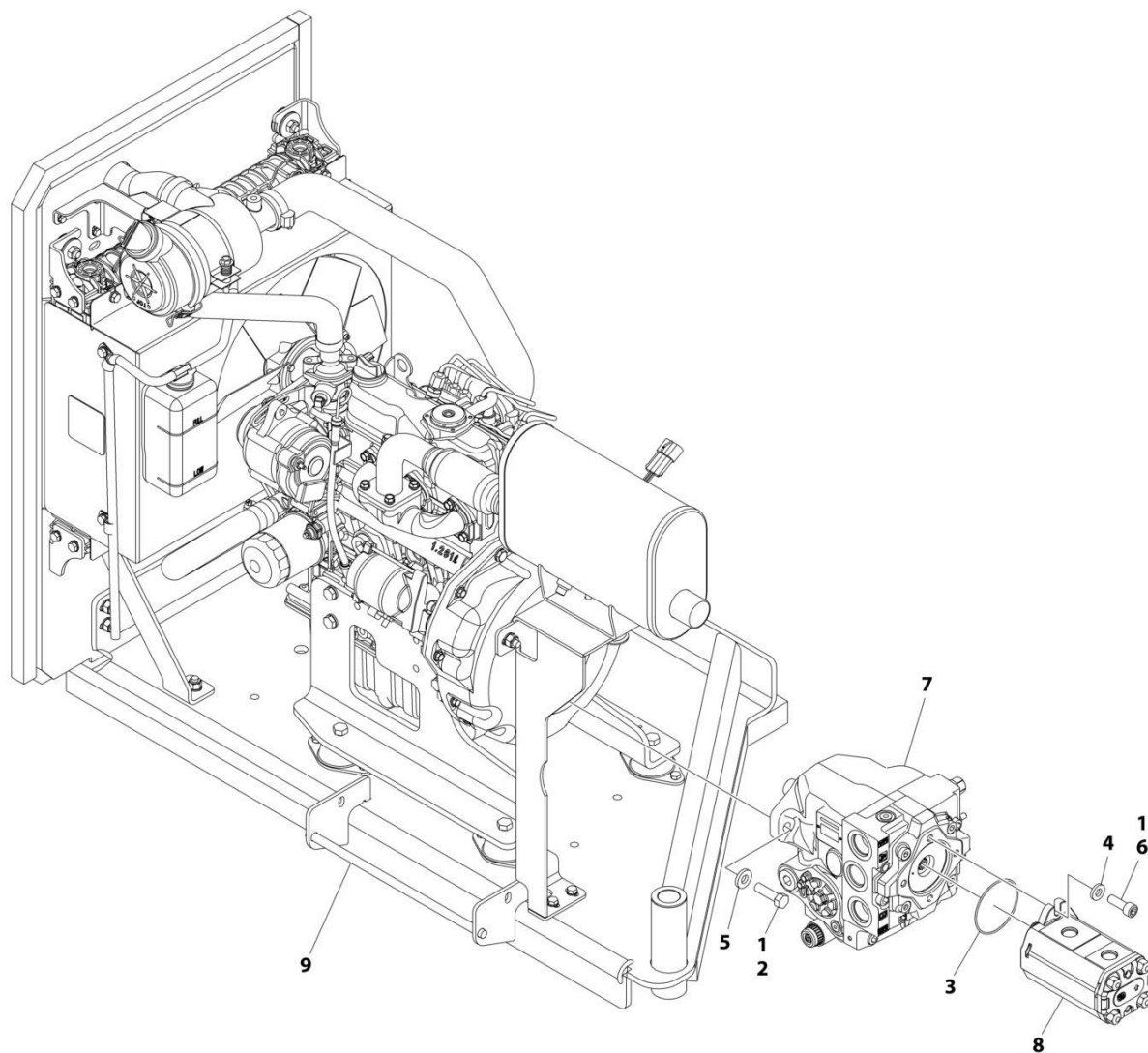
ITEM	PART NUMBER	QTY	DESCRIPTION	REV
	1001231712	Ref	ENGINE INSTALLATION - KUBOTA DIESEL T4F	E
1	0100011	AR	Compound, Locking	
2	0100020	AR	Sealant	
4	0400075	1	Battery	
5	0641605	4	Bolt 3/8 x 5/8	
5	0761010	3	Bolt M10 x 20	
6	0641612	1	Bolt 3/8 x 1-1/2	
7	0700812	1	Bolt M8 x 25	
8	0700817	1	Bolt M8 x 45	
9	0701047	2	Bolt M10 x 300	
10	0741010	2	Screw #10 x 1-1/4	
11	0760610	2	Bolt M8 x 20	
12	0760814	4	Bolt M8 x 30	
13	0761617	1	Bolt M16 x 45	
14	1320265	1	Clamp	
15	2180348	3	Fitting, NPT/Barbed	
16	2180666	1	Fitting, NPT/Barbed	
17	2220313	1	Fitting, 90° NPTF/Barbed	
19	2400044	1	Fuse, Mounting Block	
20	3290605	2	Nut M6	
21	3290805	6	Nut M8	
22	3291001	2	Nut M10	
23	3291605	1	Nut M16	
24	3300408	2	Nut	
25	3311605	1	Nut 3/8	
26	3422669	1	Pin	
27	3841143	1	Keeper, Pin	
28	3980007	1	Seat, Battery	
29	4711400	2	Washer 1/4	
30	4711600	4	Washer 3/8	
30	4812000	3	Washer M10	
31	4811700	4	Washer M6	
32	4811900	11	Washer M8	
33	4811902	1	Washer M8	
34	4812300	2	Washer M6	
35	5241000	5	Washer M10	
36	8303511	1	Capscrew M10 x 20	
37	8405009	11	Clamp	
38	8750014	1	Clamp	
39	70010383	1	Element, Filter	
41	1001183421	1	Foam, Baffle	
42	1001184065	1	Bracket, Hold Down	
43	1001190545	1	Strainer, Fuel	
44	1001190609	1	Fuel/Water Separator Assembly (See Separate Breakdown in this Section)	
45	1001191146	1	Bracket	
46	1001194836	1	Bracket	
48	1001165035	5.5 ft/ 1.7m	Hose	
49	1001186428	1	Battery Cable Kit - Diesel (See Separate Breakdown in	

SECTION 3 - ENGINE

ITEM	PART NUMBER	QTY	DESCRIPTION	REV
50	2720058	14.5 ft/ 4.4m	ELECTRICAL SECTION) Hose	
51	2720271	18 ft/ 5.4m	Hose	

SECTION 3 - ENGINE

FIGURE 3-5. ENGINE AND PUMP SUB-ASSEMBLY - KUBOTA DIESEL T4F WITH GENERATOR



ART_1001238778

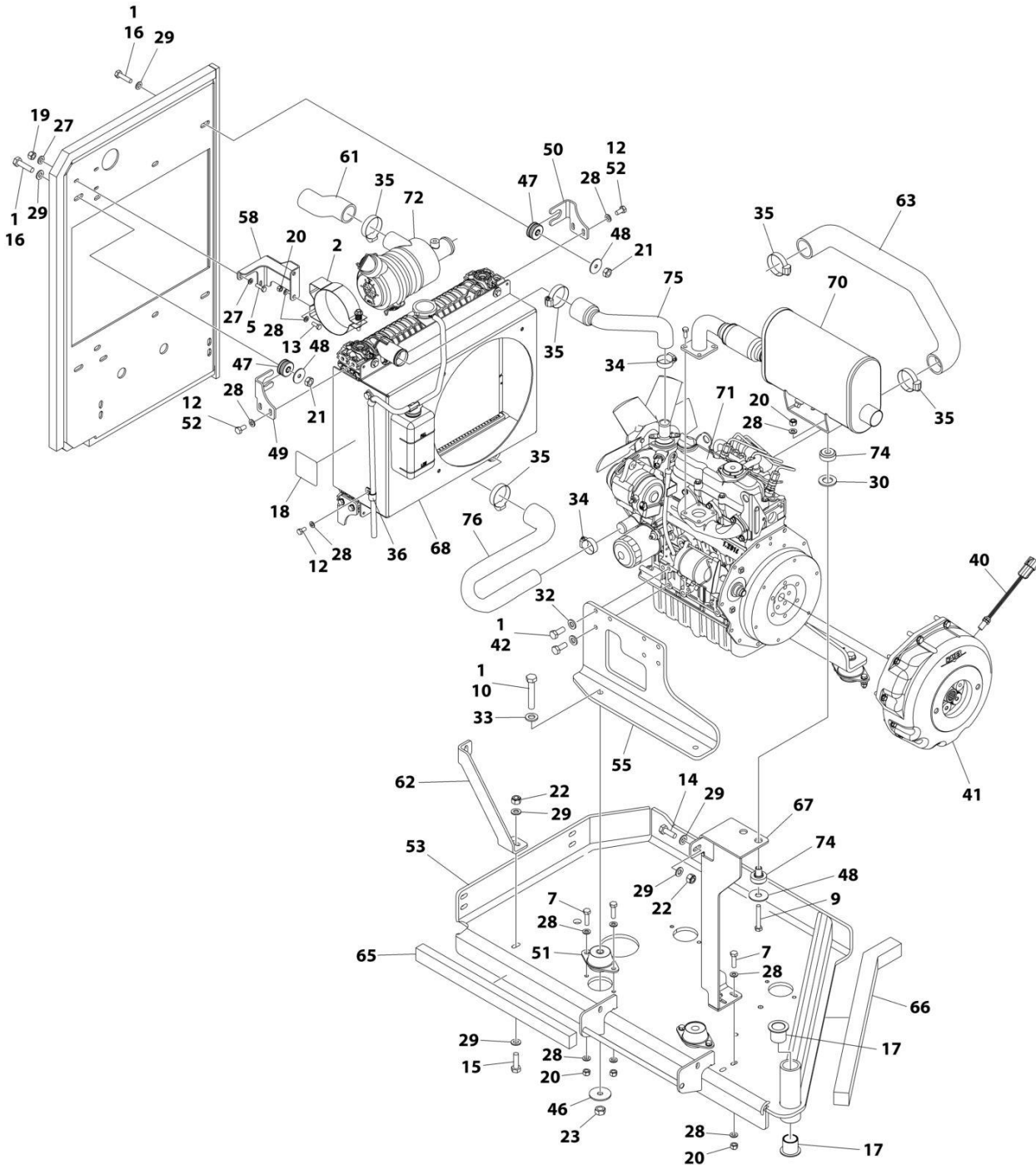
SECTION 3 - ENGINE

FIGURE 3-5. ENGINE AND PUMP SUB-ASSEMBLY - KUBOTA DIESEL T4F WITH GENERATOR

ITEM	PART NUMBER	QTY	DESCRIPTION	REV
	1001238778	Ref	ENGINE AND PUMP SUB-ASSEMBLY - KUBOTA DIESEL T4F	C
1	0100011	AR	Compound, Locking	
2	0641814	2	Bolt 1/2 x 1-3/4	
3	3790152	1	O-Ring	
4	4891600	2	Washer 3/8	
5	4891800	2	Washer 1/2	
6	83191040	2	Capscrew M10 x 30	
7	1001101331	1	Piston Pump Assembly (See Separate Breakdown in this Section)	
8	1001239200	1	Gear Pump Assembly	
8	7023929	1	Seal Kit - 1001239200 Pump (Note: Seal Kit is only service component available)	
9	1001238777	1	Engine Assembly - Kubota Diesel T4F (See Separate Breakdown in this Section)	

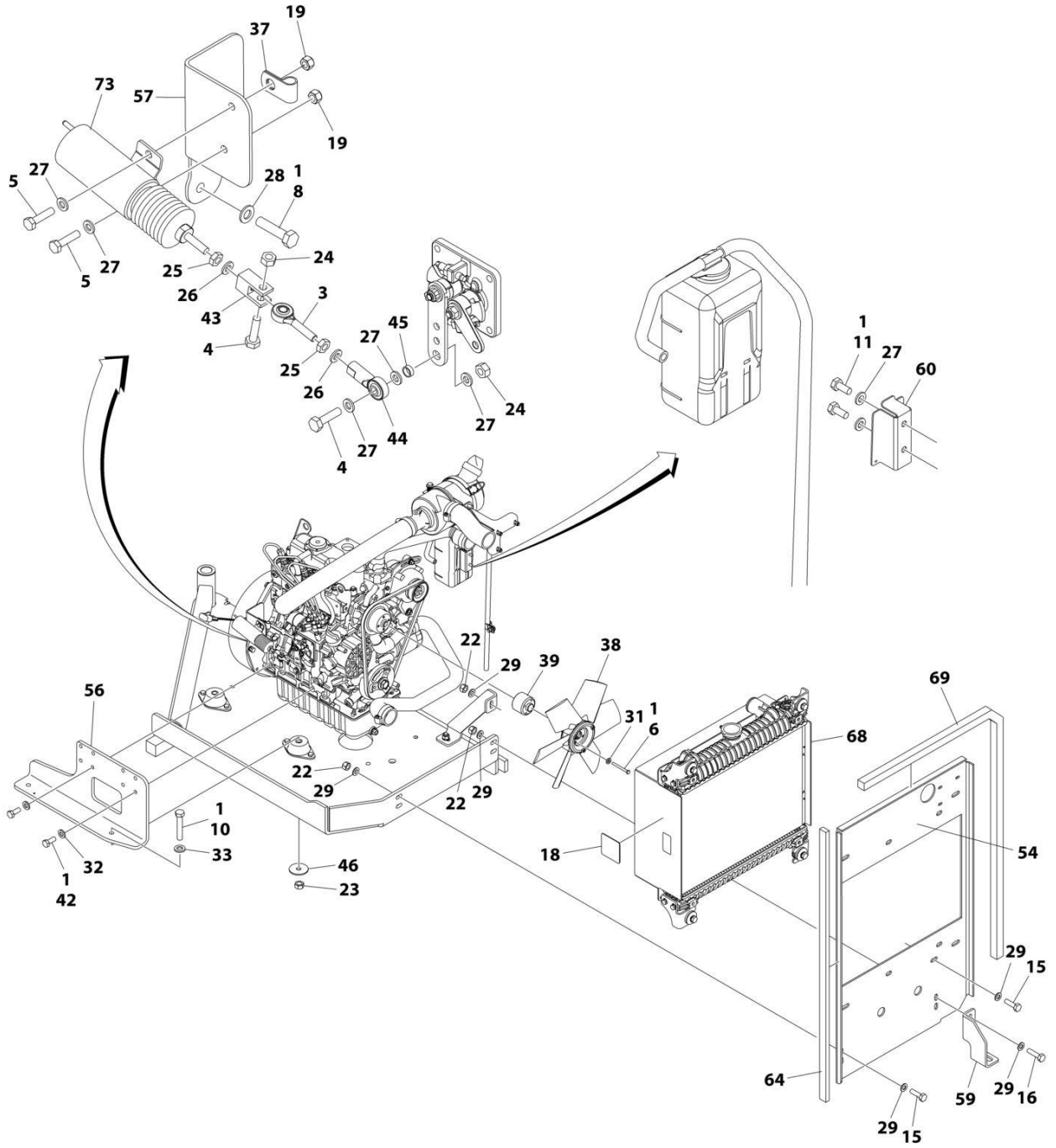
SECTION 3 - ENGINE

FIGURE 3-6. ENGINE ASSEMBLY - KUBOTA DIESEL T4F WITH GENERATOR



ART_1001238777_TOF2_B

SECTION 3 - ENGINE



ART_1001238777_20F2_B

SECTION 3 - ENGINE

FIGURE 3-6. ENGINE ASSEMBLY - KUBOTA DIESEL T4F WITH GENERATOR

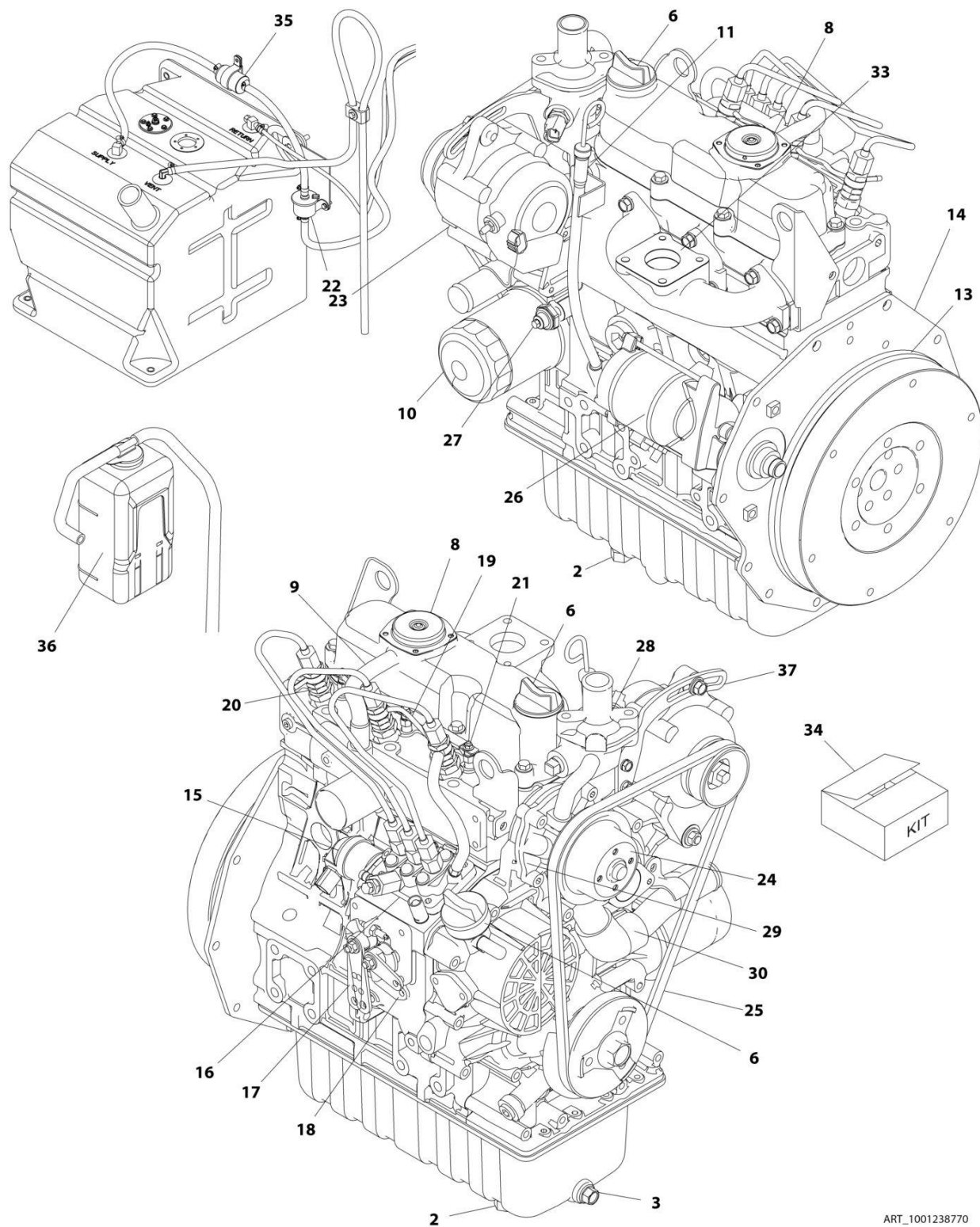
ITEM	PART NUMBER	QTY	DESCRIPTION	REV
	1001238777	Ref	ENGINE ASSEMBLY - KUBOTA DIESEL T4F	B
1	0100011	AR	Compound, Locking	
2	0340045	1	Band, Mounting	
3	0440334	1	Bearing	
4	0641408	2	Bolt 1/4 x 1	
5	0700610	5	Bolt M6 x 20	
6	0700620	4	Bolt M6 x 60	
7	0700814	10	Bolt M8	
8	0700815	2	Bolt M8 x 35	
9	0700819	2	Bolt M8 x 55	
10	0701222	4	Bolt M12 x 70	
11	0760607	2	Bolt M6 x 14	
12	0760808	10	Bolt M8 x 16	
13	0760810	2	Bolt M8 x 20	
14	0761014	1	Bolt M10 x 30	
15	0761015	4	Bolt M10 x 35	
16	0761016	6	Bolt M10 x 40	
17	0961986	2	Bearing, Flange	
18	1703162	2	Decal - Fan Blade	
19	3290605	5	Nut M6	
20	3290805	14	Nut M8	
21	3291001	4	Nut M10	
22	3291005	7	Nut M10	
23	3291201	4	Nut M12	
24	3311405	2	Nut 1/4	
25	3321402	2	Nut 1/4	
26	4761400	2	Washer 1/4	
27	4811700	13	Washer M6	
28	4811900	38	Washer M8	
29	4812000	18	Washer M10	
30	4812500	2	Washer M20	
31	5240600	4	Washer M6	
32	5241000	8	Washer M10	
33	5241200	4	Washer M12	
34	8405101	2	Clamp	
35	8405104	5	Clamp	
36	85941016	2	Clamp	
37	90021705	1	Clamp, Support	
38	1001118538	1	Fan	
39	1001118539	1	Spacer, Fan	
40	1001118580	1	Sensor, Speed	
41	1001118675	1	Coupling Kit (See Separate Breakdown in this Section)	
42	1001118746	8	Bolt M10 x 25	
43	1001118881	1	Clevis, Linkage	
44	1001118925	1	Bearing	
45	1001128888	1	Washer	
46	1001168018	4	Washer	
47	1001169054	4	Isolator, Radiator	
48	1001169138	6	Pad	
49	1001169967	2	Bracket, Radiator	

SECTION 3 - ENGINE

ITEM	PART NUMBER	QTY	DESCRIPTION	REV
50	1001170035	2	Bracket, Radiator	
51	1001175509	4	Mount, Motor	
52	1001180620	AR	Compound, Locking	
53	1001181649	1	Tray, Engine	
54	1001181658	1	Plate, Radiator Mounting	
55	1001182976	1	Mount, Engine (LH)	
56	1001182977	1	Mount, Engine (RH)	
57	1001182979	1	Bracket, Throttle Cylinder	
58	1001182980	1	Bracket, Air Cleaner	
59	1001182981	1	Bracket, Tray	
60	1001182982	1	Mount	
61	1001182983	1	Tube, Intake	
62	1001182984	1	Bracket, Support	
63	1001182987	1	Tube, Air Intake	
64	1001247403	1	Foam, Baffle	
65	1001183424	1	Foam, Baffle	
66	1001184066	1	Foam, Baffle	
67	1001195600	1	Bracket, Muffler	
68	1001220957	1	Radiator & Shroud Assembly	
68	1001198726	1	Radiator	
68	70007502	1	Valve, Drain	
68	1001220959	1	Shroud	
69	1001227285	1	Seal	
70	1001234950	1	Muffler	
71	1001238770	1	Engine Components - Kubota Diesel T4F (See Separate Breakdown in this Section)	
72	1001118280	1	Air Filter Assembly	
72	7015004	2	Element	
73	1001118582	1	Actuator, Throttle	
74	1001125248	2	Mount, Engine	
75	1001182978	1	Tube, Inlet	
76	1001182985	1	Tube, Outlet	

SECTION 3 - ENGINE

FIGURE 3-7. ENGINE COMPONENTS - KUBOTA DIESEL T4F



ART_1001238770

SECTION 3 - ENGINE

FIGURE 3-7. ENGINE COMPONENTS - KUBOTA DIESEL T4F

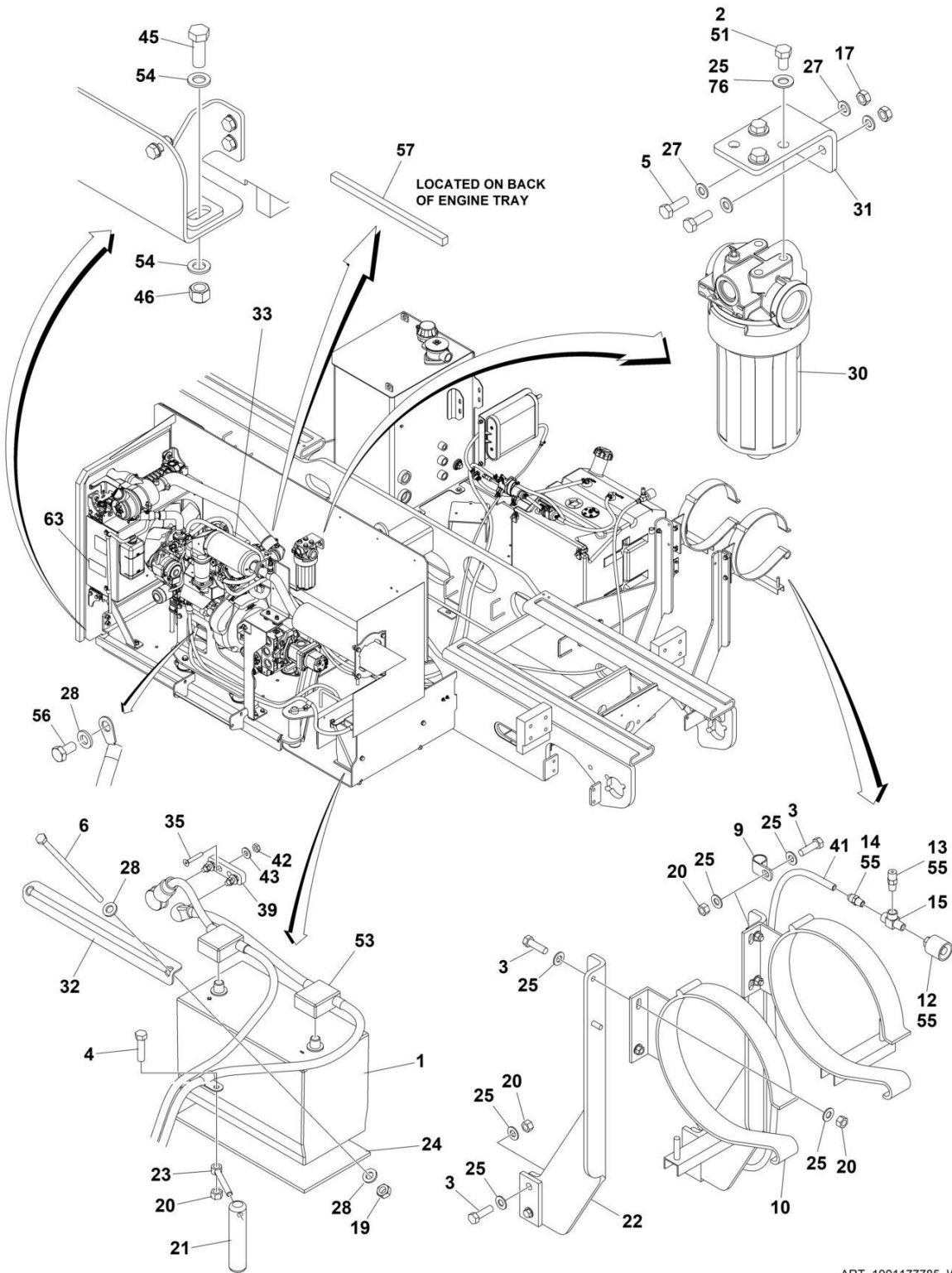
ITEM	PART NUMBER	QTY	DESCRIPTION	REV
	1001238770	Ref	ENGINE COMPONENTS - KUBOTA DIESEL T4F	A
1	70004524	1	Drain (Not Shown)	
2	7023154	1	Plug, Drain	
2	70002315	1	Seal, Plug	
3	70004525	1	Plug, Drain	
3	70004526	1	Gasket	
4	70005220	1	Gasket, Cylinder Head (Not Shown)	
5	7017922	1	Seal, Front Main (Not Shown)	
6	70002318	2	Cap, Oil Fill	
6	70004311	2	O-Ring	
7	70005221	1	Gasket, Valve Cover (Not Shown)	
8	70003060	1	Comp Valve, Breather	
8	70003061	1	Cover, Breather	
8	7017934	4	Screw	
9	70002316	1	Pipe, Water Return	
9	70002317	1	Tube, Breather	
9	70004530	1	Clamp, Hose	
9	70004531	1	Band, Pipe	
10	70004395	1	Filter, Oil	
11	70005222	1	Dipstick	
11	70005223	1	Tube, Dipstick	
12	7017928	1	Seal, Rear Main (Not Shown)	
13	70005224	1	Gear, Ring	
14	70002419	1	Plate, Rear End	
15	7025479	1	Solenoid, Stop	
16	7023164	1	Pump, Injection	
16	70002319	1	Shim, Injection	
16	70002320	1	Shim, Injection	
16	70002321	1	Shim, Injection Pump	
16	70002322	1	Shim, Injection Pump	
16	70002323	1	Shim, Injection Pump	
16	7017945	1	Joint, Eye	
17	70004396	1	Control, Speed	
17	70004397	1	Gasket	
18	7023165	1	Gasket	
19	70004536	1	Pipe, Over Flow	
19	70004537	1	Screw, Air Bleeder	
19	70004538	1	Gasket	
19	70004539	1	Pipe, Over Flow	
20	70004399	3	Holder, Nozzle	
20	70004540	3	Nut	
20	7023167	3	Gasket	
20	7023168	3	Seal, Heat	
21	70004398	3	Plug, Glow	
21	70004544	1	Cord, Glow Plug	
22	70005228	1	Electric Fuel Feed Pump	
23	70006661	1	Alternator - 60Amp	
24	7023140	1	Pulley, Fan	
25	70006665	1	V-Belt	
26	7023144	1	Starter	

SECTION 3 - ENGINE

ITEM	PART NUMBER	QTY	DESCRIPTION	REV
27	7017901	1	Switch, Oil	
28	70004829	1	Pipe, Water Return	
28	7023145	1	Gasket, Flange	
28	7017958	1	Hose, Water Return	
28	7023170	1	Thermostat	
28	70002326	1	Gasket, Thermostat	
28	70003064	1	Sensor, Water Temperature	
28	70003063	1	Washer, Seal	
29	70002327	1	Pump, Water	
29	70002328	1	Gasket, Water Pump	
30	7017963	1	Pipe, Water	
30	70002330	1	Pipe, Water	
31	7023149	1	Gasket, Inlet Manifold (Not Shown)	
32	7023148	1	Gasket, Exhaust Manifold (Not Shown)	
33	7023124	1	Gasket (Muffler)	
33	70004415	4	Bolt, Sems	
34	70005226	1	Upper Gasket Kit	
34	70005227	1	Lower Gasket Kit	
35	7017992	1	Fuel Filter	
36	70005229	1	Tank, Coolant Reserve	
37	70006664	1	Arm, Adjustment	

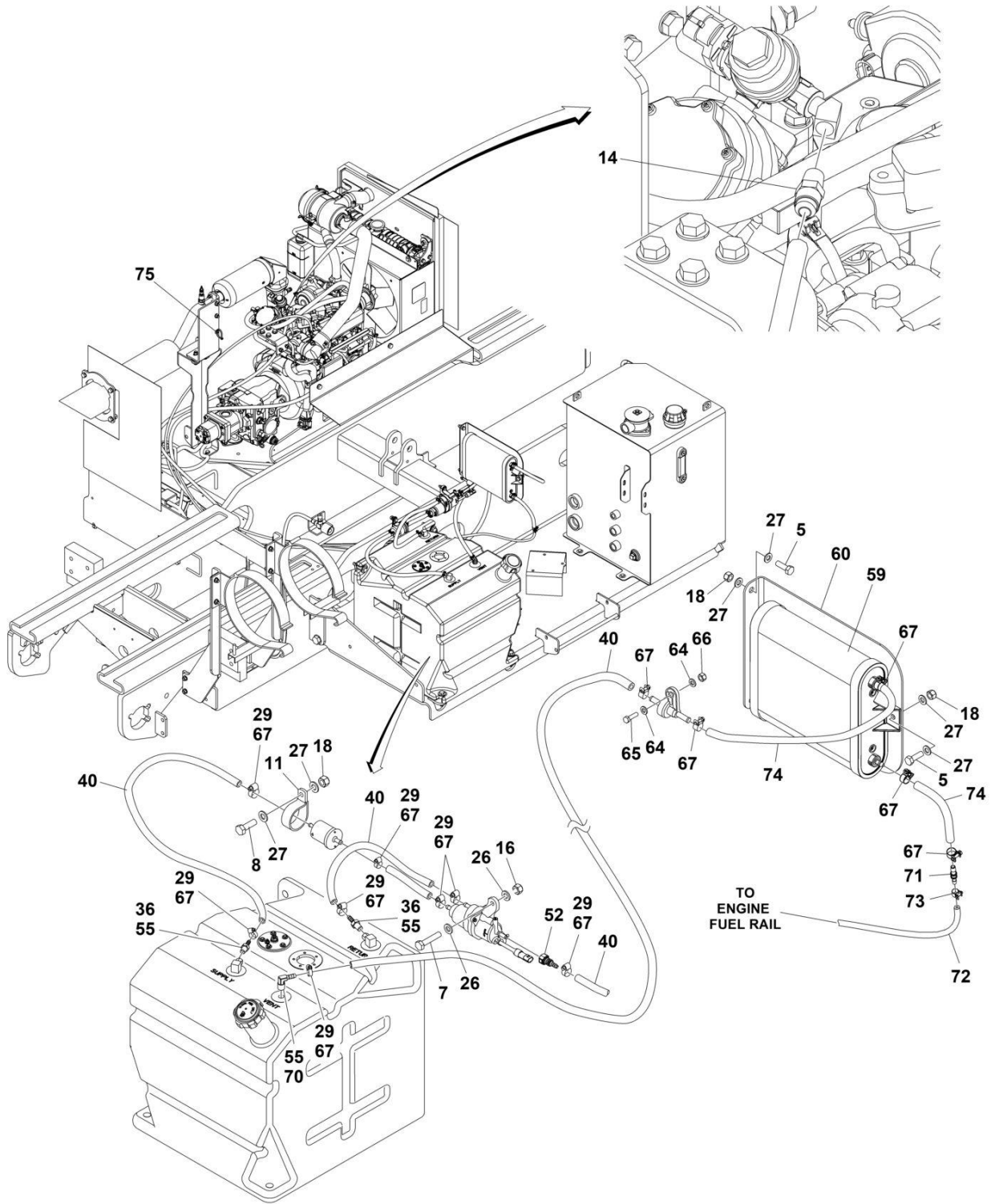
SECTION 3 - ENGINE

FIGURE 3-8. ENGINE INSTALLATION - KUBOTA GASOLINE



ART_100117785_W_10F2

SECTION 3 - ENGINE



ART_100117785_W_20F2

SECTION 3 - ENGINE

FIGURE 3-8. ENGINE INSTALLATION - KUBOTA GASOLINE

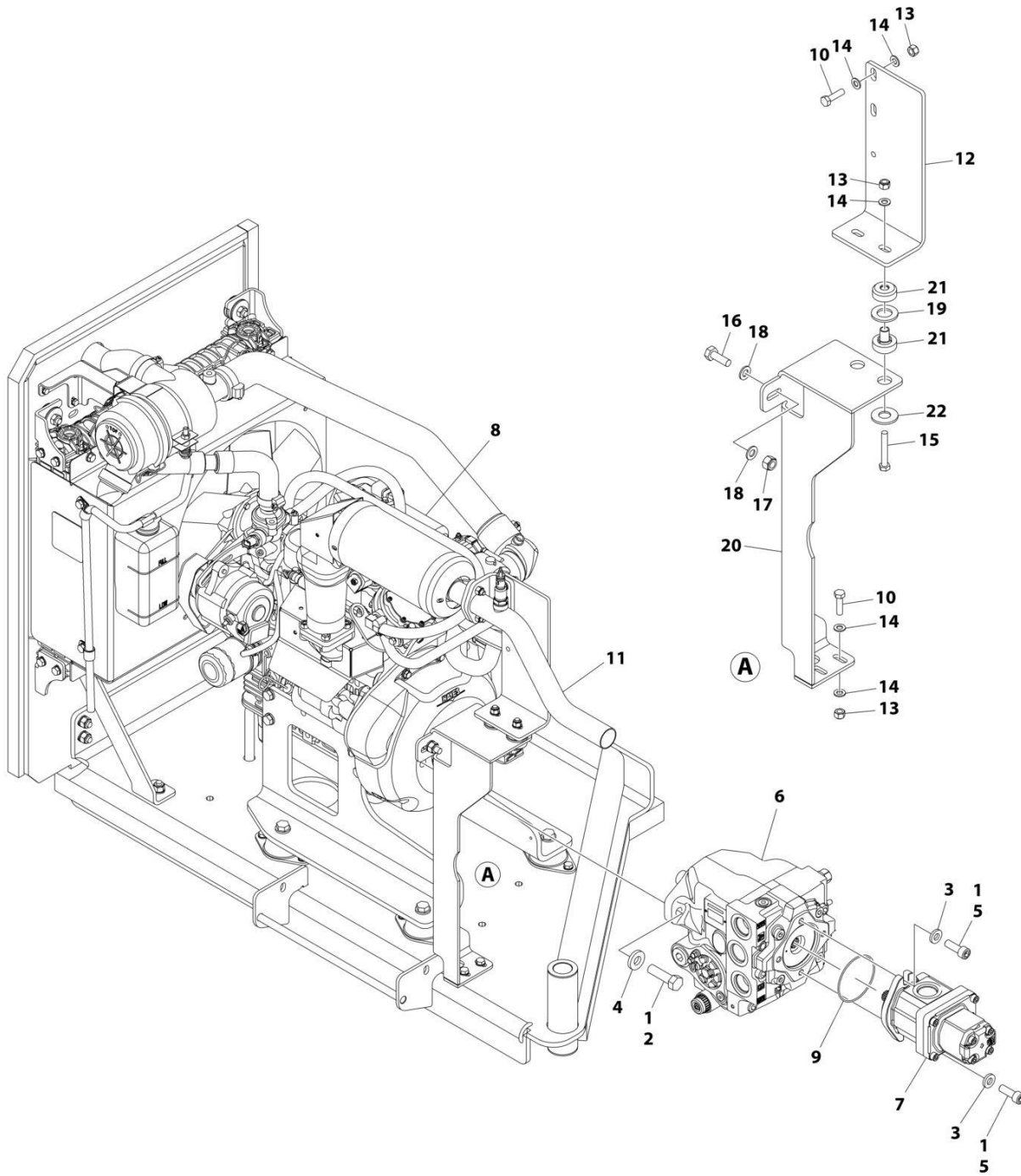
ITEM	PART NUMBER	QTY	DESCRIPTION	REV
	1001177785	Ref	ENGINE INSTALLATION - KUBOTA GASOLINE	W
1	0400075	1	Battery	
2	0761010	AR	Bolt M10 x 20	
3	0641610	9	Bolt 3/8 x 1-1/4	
4	0641612	1	Bolt 3/8 x 1-1/2	
5	0700812	AR	Bolt M8 x 25	
6	0701047	2	Bolt M10 x 300	
7	0760614	3	Bolt M6 x 30	
8	0760812	AR	Bolt M8 x 25	
9	1320061	1	Clamp	
10	1320220	1	LP Clamp Kit	
11	1320265	1	Clamp	
12	2180387	1	Fitting, Tank Connector	
13	2180389	1	Fitting, Relief Valve - LP	
14	2180418	2	Fitting	
15	2220290	1	Fitting, Tee	
16	3290605	3	Nut M6	
17	3290801	2	Nut M8	
18	3290805	AR	Nut M8	
19	3291001	2	Nut M10	
20	3311605	10	Nut 3/8	
21	3422669	1	Pin	
22	3573440	2	Plate, Mounting	
23	3841143	1	Keeper Pin	
24	3980007	1	Seat, Battery	
25	4711600	AR	Washer 3/8	
26	4811700	6	Washer M6	
27	4811900	AR	Washer M8	
28	5241000	5	Washer M10	
29	8405009	AR	Clamp	
30	1001208874	1	Filter, Charge Pump	
30	70010383	1	Element, Filter	
31	1001194836	1	Bracket	
32	1001184065	1	Bracket, Hold Down	
33	1001184653	1	Engine and Pump Sub-Assembly (See Separate Breakdown in this Section)	
35	0741010	2	Screw #10 x 1-1/4	
36	2180348	2	Fitting, NPT/Barbed	
39	2400044	1	Block, Fuse Mounting	
40	1001300357	15.7 ft/ 4.8m	Hose	
41	2720611	1	Hose	
42	3300408	2	Nut	
43	4711400	2	Washer 1/4	
45	0761617	1	Bolt M16 x 45	
46	3291605	1	Nut M16	
51	0100011	AR	Compound, Locking	
52	1001174093	1	Coupling, Quick Connect	
53	1001186429	1	Battery Cable Kit (See Separate Breakdown in ELECTRICAL SECTION)	

SECTION 3 - ENGINE

ITEM	PART NUMBER	QTY	DESCRIPTION	REV
54	4812300	2	Washer M16	
55	0100020	AR	Sealant	
56	8303511	1	Capscrew M10 x 20	
57	1001183421	1	Foam, Baffle	
59	1001225420	1	Canister, Carbon	
60	1001225421	1	Bracket	
63	1001262941	1	Decal - EPA Evaporation 2020 Standards	
63	1001274101	1	Decal - EPA Evaporation 2021 Standards	
63	1001288395	1	Decal - EPA Evaporation 2022 Standards	
63	1001299769	1	Decal - EPA Evaporation 2023 Standards	
64	4811600	AR	Washer M5	
65	0760512	AR	Bolt M5 x 25	
66	3290505	AR	Nut M5	
67	1001174486	14	Clamp	
70	2221176	1	Fitting, 90	
71	1001131391	1	Coupling, Fuel Line	
72	1001129256	9.3 ft/ 2.8m	Hose	
73	1001185585	2	Clamp, Hose	
74	1001129255	2.5 ft/ .8m	Hose	
75	1001146588	AR	Tie-Strap	
76	4812000	AR	Washer M10	

SECTION 3 - ENGINE

FIGURE 3-9. ENGINE AND PUMP SUB-ASSEMBLY - KUBOTA GASOLINE



ART_1001184653

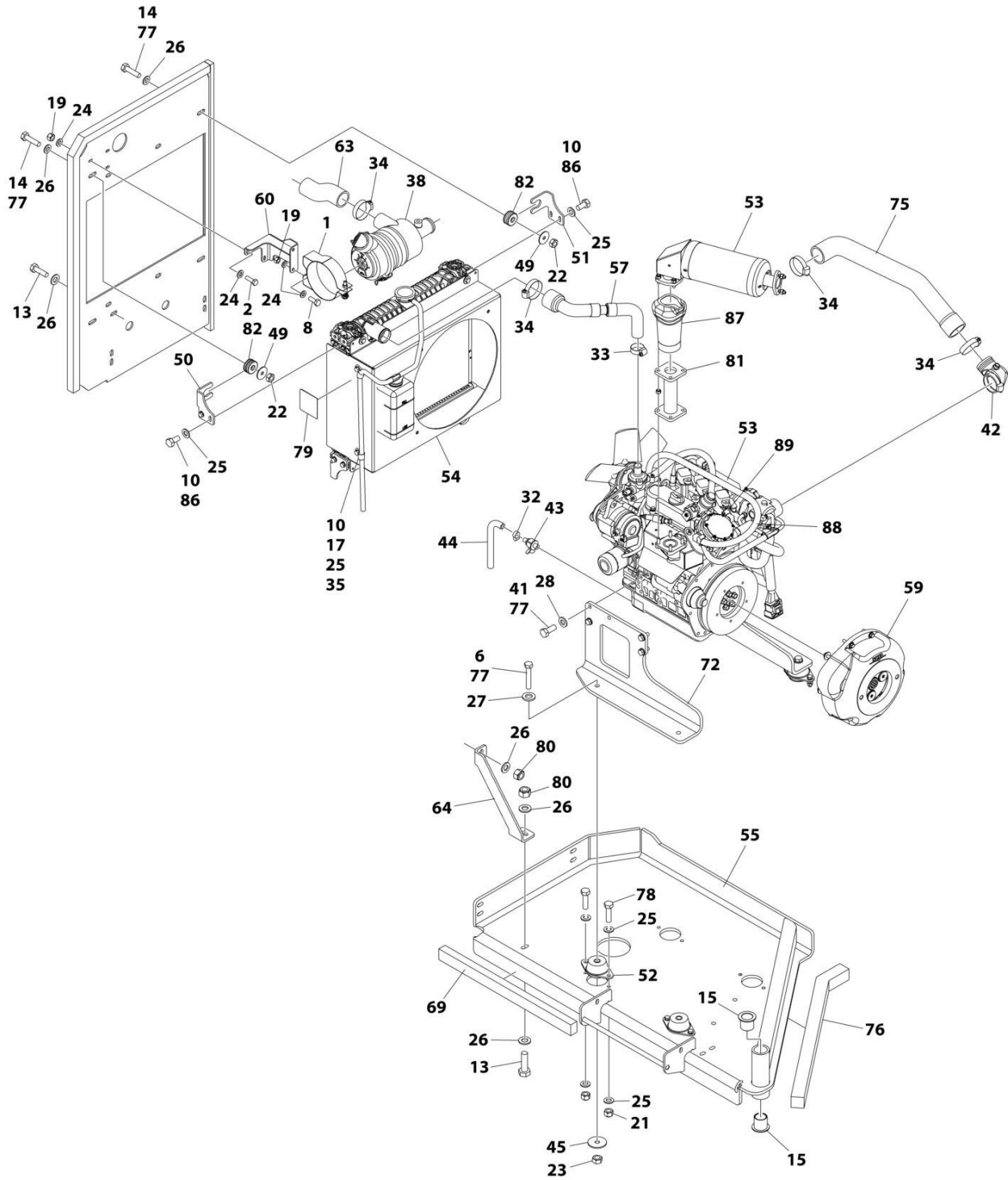
SECTION 3 - ENGINE

FIGURE 3-9. ENGINE AND PUMP SUB-ASSEMBLY - KUBOTA GASOLINE

ITEM	PART NUMBER	QTY	DESCRIPTION	REV
	1001184653	Ref	ENGINE AND PUMP SUB-ASSEMBLY - KUBOTA GASOLINE	F
1	0100011	AR	Compound, Locking	
2	0641814	2	Bolt 1/2 x 1-3/4	
3	4891600	AR	Washer 3/8	
4	4891800	2	Washer 1/2	
5	83191040	2	Capscrew M10 x 30	
6	1001101331	1	Piston Pump Assembly (See Separate Breakdown in this Section)	
7	1001217291	1	Gear Pump Assembly	
7	70002861	1	Seal Kit - 1001217291 Pump (Note: Seal Kit is only service component available)	
8	1001184654	1	Engine Assembly - Kubota Gasoline (See Separate Breakdown in this Section)	
9	3790152	1	O-Ring	
10	0700814	AR	Bolt M8 x 30	
11	1001186833	1	Tube, Exhaust	
12	1001226420	1	Bracket, Exhaust	
13	3290805	AR	Nut M8	
14	4811900	AR	Washer M8	
15	0700819	AR	Bolt M8 x 55	
16	0761014	AR	Bolt M10 x 30	
17	3291005	AR	Nut M10	
18	4812000	AR	Washer M10	
19	4812500	AR	Washer M20	
20	1001195600	1	Bracket	
21	1001125248	1	Mount	
22	1001169138	2	Pad	

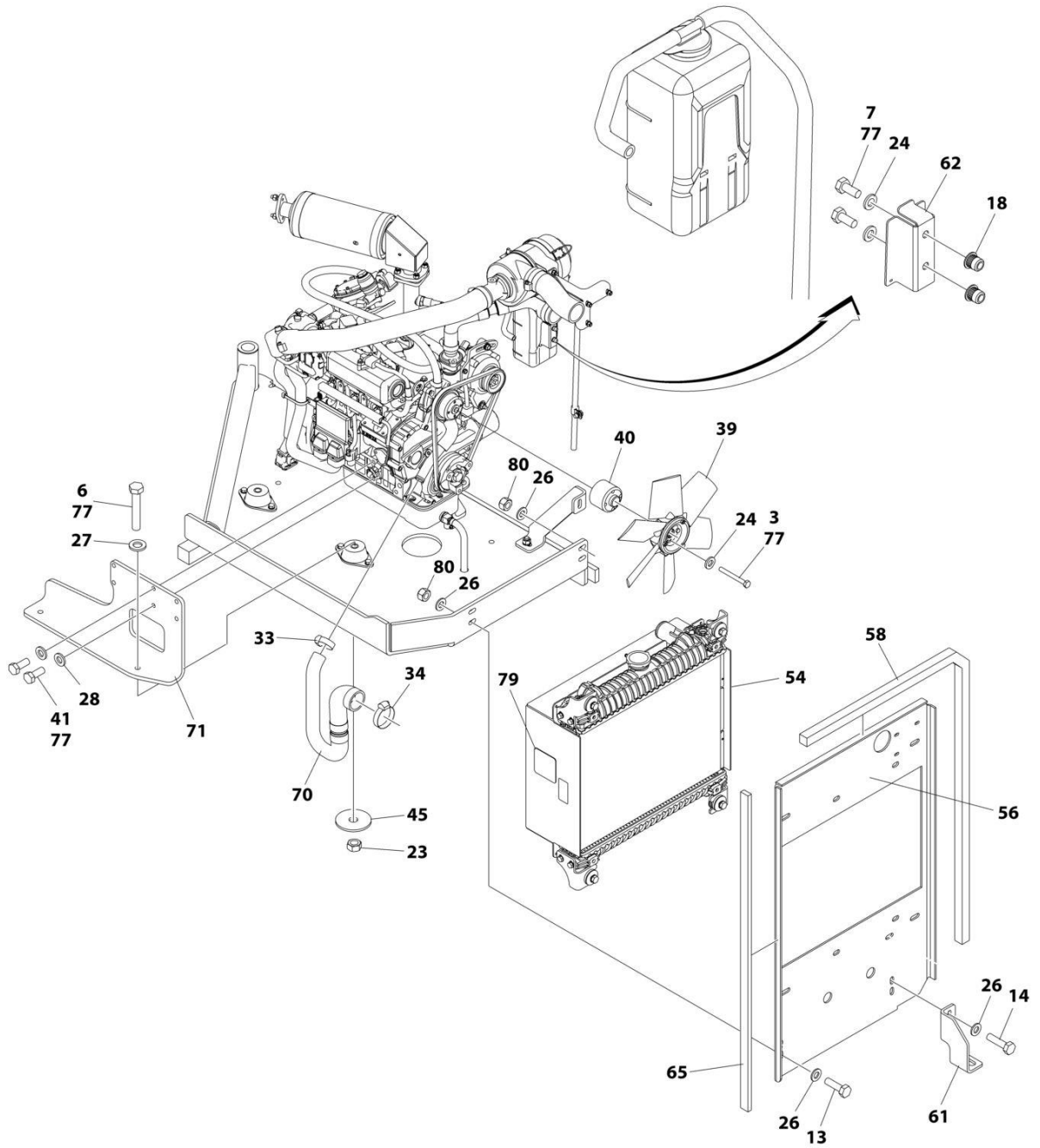
SECTION 3 - ENGINE

FIGURE 3-10. ENGINE ASSEMBLY - KUBOTA GASOLINE



ART_1001184654_10F2_M

SECTION 3 - ENGINE



ART_1001184654_2OF2_M

SECTION 3 - ENGINE

FIGURE 3-10. ENGINE ASSEMBLY - KUBOTA GASOLINE

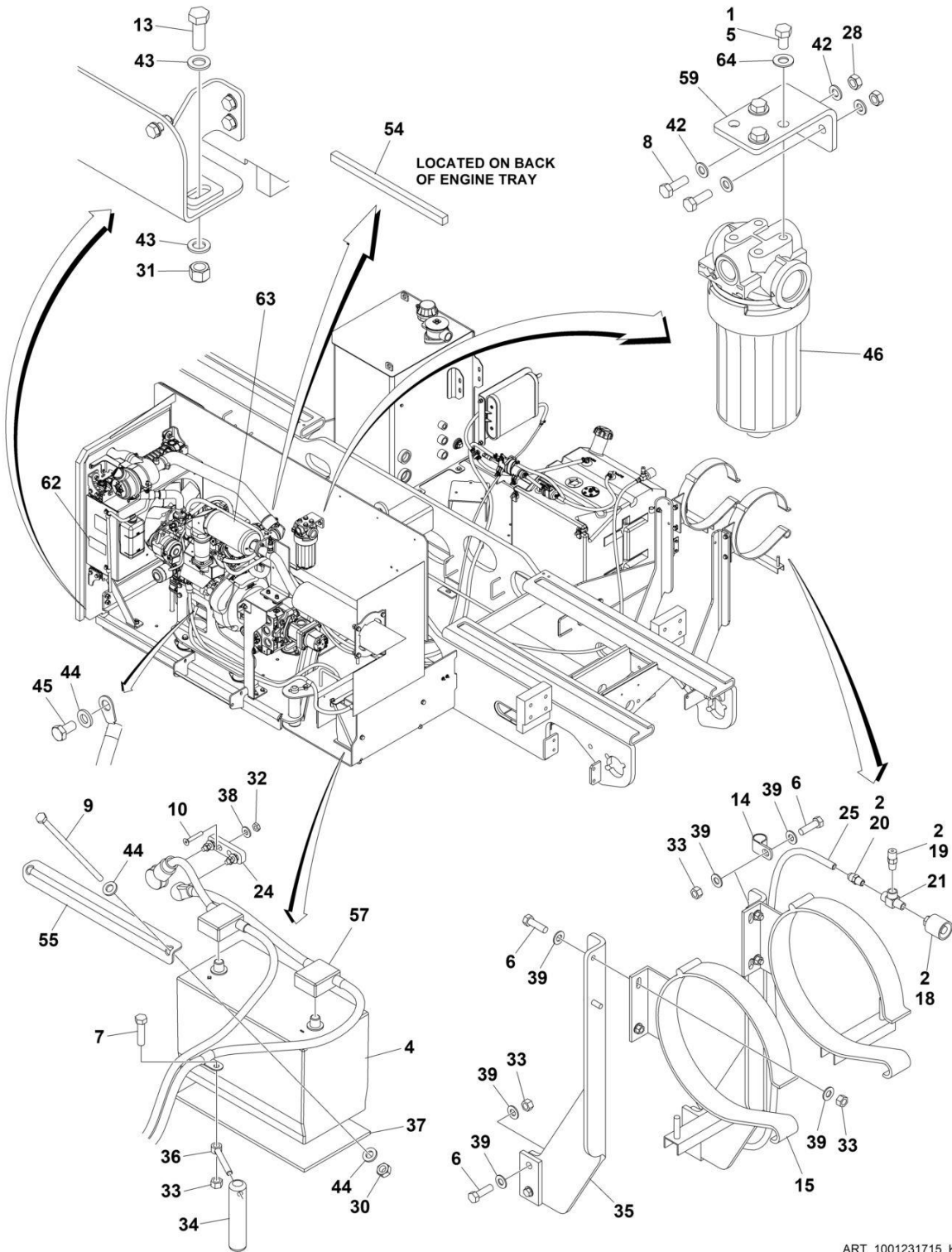
ITEM	PART NUMBER	QTY	DESCRIPTION	REV
	1001184654	Ref	ENGINE ASSEMBLY - KUBOTA GASOLINE	M
1	0340045	1	Band, Mounting	
2	0700610	3	Bolt M6 x 20	
3	0700619	4	Bolt M6 x 55	
6	0701222	4	Bolt M12 x 70	
7	0760607	2	Bolt M6 x 14	
8	0760608	AR	Bolt M6 x 16	
10	0760808	10	Bolt M8 x 16	
11	0760815	AR	Bolt M8 x 35	
13	0761015	4	Bolt M10 x 35	
14	0761016	6	Bolt M10 x 40	
15	0961986	2	Bearing, Flange	
17	1001191832	AR	Nut M8	
18	1001178636	AR	Nut M6	
19	3290605	AR	Nut M6	
21	3290805	AR	Nut M8	
22	3291001	4	Nut M10	
23	3291201	4	Nut M12	
24	4811700	AR	Washer M6	
25	4811900	AR	Washer M8	
26	4812000	16	Washer M10	
27	5241200	4	Washer M12	
28	5241000	8	Washer M10	
32	8405009	1	Clamp	
33	8405101	2	Clamp	
34	8405104	5	Clamp	
35	85941016	2	Clamp	
38	1001118280	1	Air Filter Assembly	
38	7015004	2	Element	
38	7015005	1	Cover Assembly	
38	1340069	1	Valve, Vacuator	
39	1001118538	1	Fan	
40	1001118539	1	Fan, Spacer	
41	1001118746	8	Bolt M10 x 25	
42	1001146043	1	Elbow	
43	1001161497	1	Valve Oil Drain	
44	1001165035	1	Hose	
45	1001168018	4	Washer	
49	1001169138	4	Pad	
50	1001169967	2	Bracket, Radiator	
51	1001170035	2	Bracket, Radiator	
52	1001187235	4	Mount, Motor	
53	1001224493	1	Engine Components - Kubota Gasoline (See Separate Breakdown in this Section)	
54	1001220957	1	Radiator & Shroud Assembly	
54	1001198726	1	Radiator	
54	70007502	1	Valve, Drain	
54	1001220959	1	Shroud	
55	1001181649	1	Tray, Engine	
56	1001181658	1	Plate, Radiator Mounting	

SECTION 3 - ENGINE

ITEM	PART NUMBER	QTY	DESCRIPTION	REV
57	1001181659	1	Hose, Radiator (Upper)	
58	1001181739	1	Seal	
59	1001181829	1	Coupling Kit - Gasoline Engines (See Separate Breakdown in this Section)	
60	1001182980	1	Bracket, Air Cleaner	
61	1001182981	1	Bracket, Tray	
62	1001182982	1	Mount	
63	1001182983	1	Tube, Intake	
64	1001182984	1	Bracket, Support	
65	1001247403	1	Foam, Baffle	
69	1001183424	1	Foam, Baffle	
70	1001183427	1	Tube, Coolant	
71	1001183428	1	Mount, Engine (RH)	
72	1001183429	1	Mount, Engine (LH)	
75	1001184064	1	Tube, Intake	
76	1001184066	1	Foam, Baffle	
77	0100011	AR	Compound, Locking	
78	0700814	8	Bolt, M8 x 30	
79	1703162	2	Decal - Fan Blade	
80	3291005	6	Nut M10	
81	1001213847	1	Tube, Exhaust	
82	1001169054	4	Isolator, Radiator	
86	1001180620	AR	Compound, Locking	
87	1001210708	1	Sleeve, Insulation	
88	1001181625	50 in/ 127cm	Hose	
89	8410013	4	Clamp	

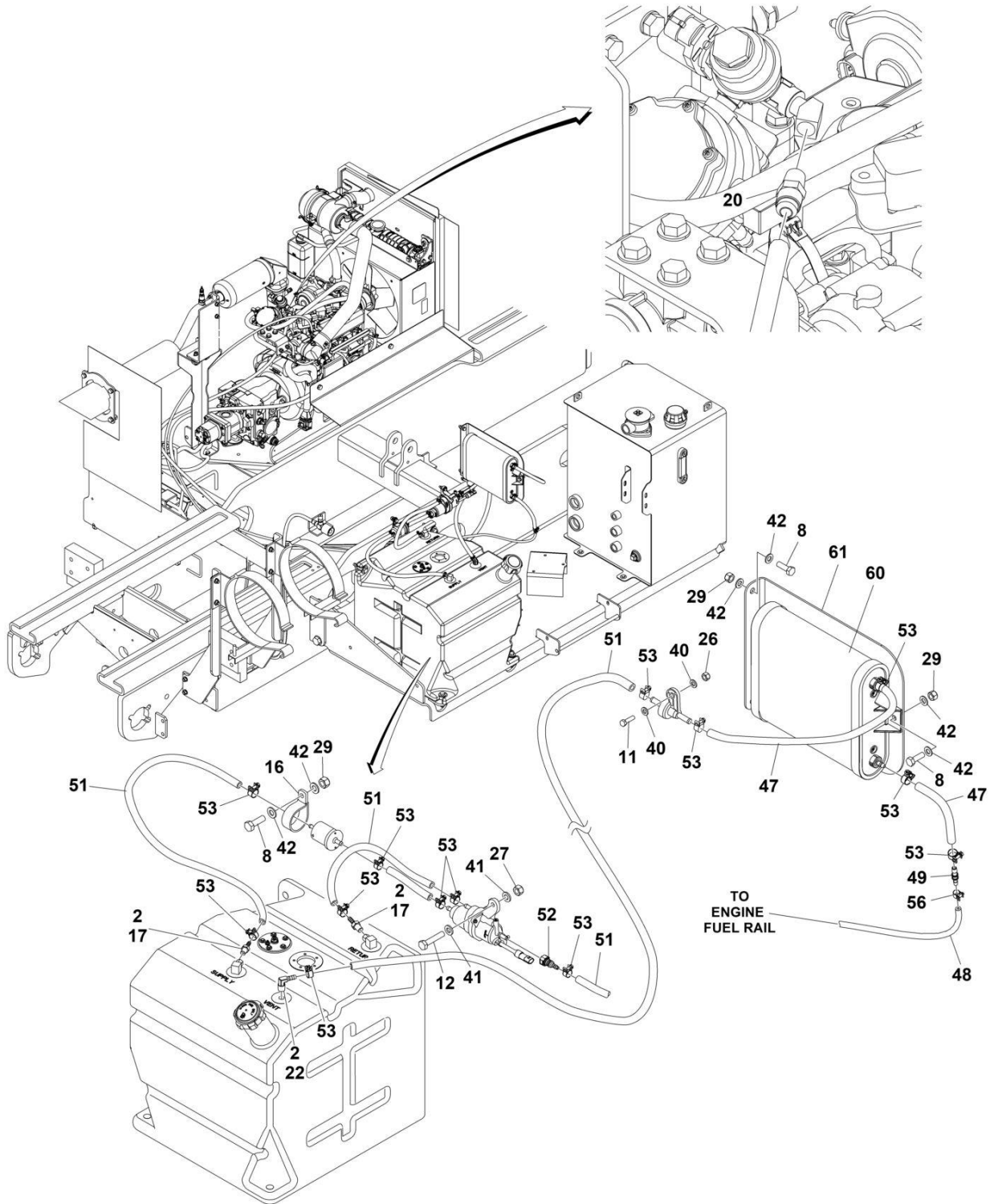
SECTION 3 - ENGINE

FIGURE 3-11. ENGINE INSTALLATION - KUBOTA GASOLINE WITH GENERATOR



ART_1001231715_K_10F2

SECTION 3 - ENGINE



ART_1001231715_K_20F2

SECTION 3 - ENGINE

FIGURE 3-11. ENGINE INSTALLATION - KUBOTA GASOLINE WITH GENERATOR

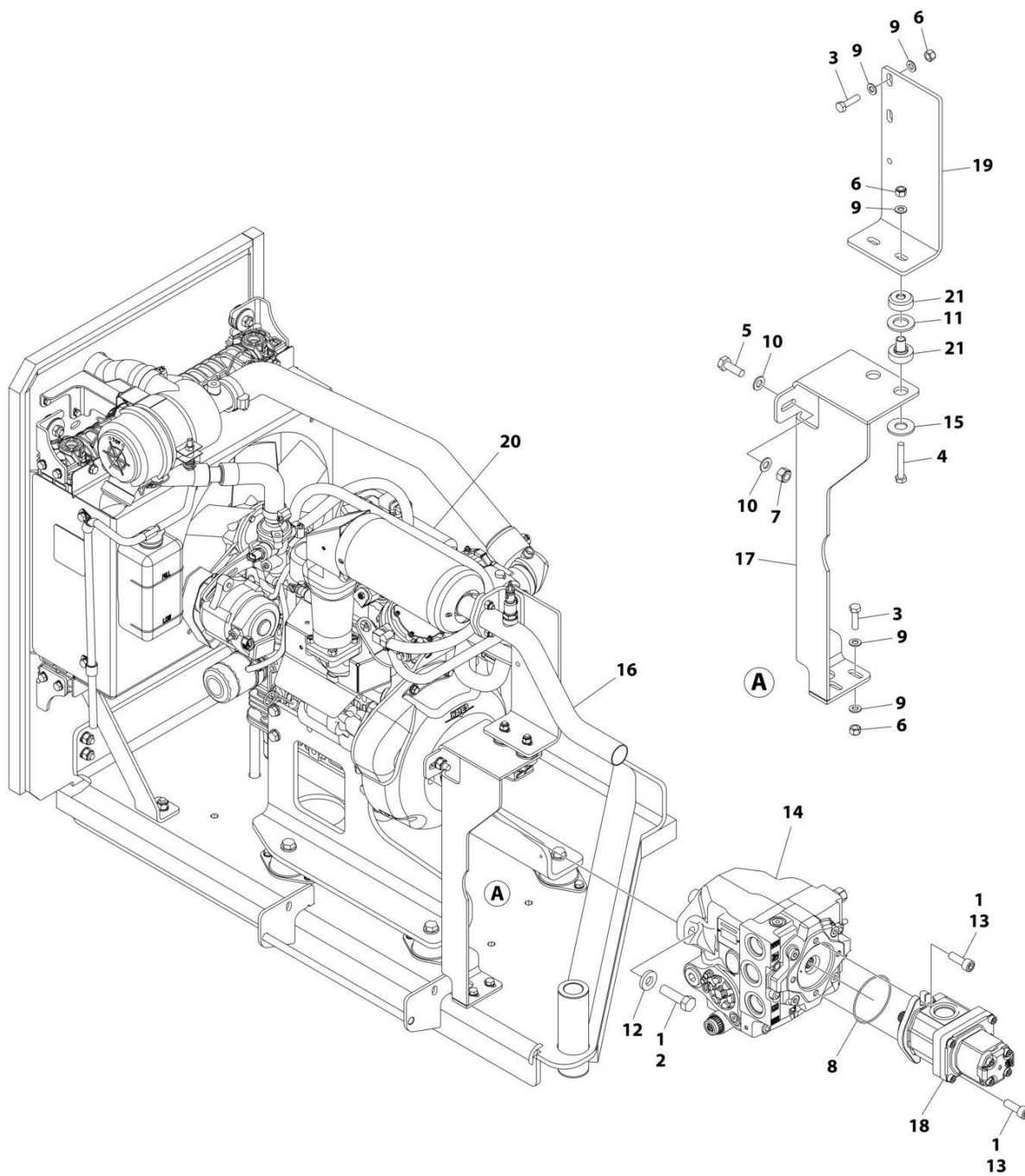
ITEM	PART NUMBER	QTY	DESCRIPTION	REV
	1001231715	Ref	ENGINE INSTALLATION - KUBOTA GASOLINE	K
1	0100011	AR	Compound, Locking	
2	0100020	AR	Sealant	
4	0400075	1	Battery	
5	0761010	3	Bolt M10 x 20	
6	0641610	9	Bolt 3/8 x 1-1/4	
7	0641612	1	Bolt 3/8 x 1-1/2	
8	0700812	7	Bolt M8 x 25	
9	0701047	2	Bolt M10 x 300	
10	0741010	2	Screw 10 x 1-1/4	
11	0760512	1	Bolt M5 x 25	
12	0760614	3	Bolt M6 x 30	
13	0761617	1	Bolt M16 x 45	
14	1320061	1	Clamp	
15	1320220	1	LP Clamp Kit	
15	4400420	1	Tank, LP - Steel (Not Shown)	
15	4400275	1	Tank, LP - Aluminum (Not Shown)	
16	1320265	1	Clamp	
17	2180348	2	Fitting, NPT/Barbed	
18	2180387	1	Fitting, Tank Connector	
19	2180389	1	Fitting, Relief Valve - LP	
20	2180418	2	Fitting	
21	2220290	1	Fitting, Tee	
22	2221176	1	Fitting, 90	
24	2400044	1	Block, Fuse Mounting	
25	2720611	1	Hose	
26	3290505	1	Nut M5	
27	3290605	3	Nut M6	
28	3290801	2	Nut M8	
29	3290805	5	Nut M8	
30	3291001	2	Nut M10	
31	3291605	1	Nut M16	
32	3300408	2	Nut	
33	3311605	10	Nut 3/8	
34	3422669	1	Pin	
35	3573440	2	Plate, Mounting	
36	3841143	1	Keeper Pin	
37	3980007	1	Seat, Battery	
38	4711400	2	Washer 1/4	
39	4711600	AR	Washer 3/8	
40	4811600	2	Washer M5	
41	4811700	6	Washer M6	
42	4811900	14	Washer M8	
43	4812300	2	Washer M16	
44	5241000	5	Washer M10	
45	8303511	1	Capscrew M10 x 20	
46	1001208874	1	Filter, Charge Pump	
46	70010383	1	Element (Includes O-Ring)	
47	1001129255	30 in/ 75 cm	Hose	

SECTION 3 - ENGINE

ITEM	PART NUMBER	QTY	DESCRIPTION	REV
48	1001129256	9.5 ft/ 2.8m	Hose	
49	1001131391	1	Coupling, Fuel Line	
50	1001146588	1	Tie-Strap	
51	1001300357	16 ft/ 4.8m	Hose	
52	1001174093	1	Coupling, Quick Connect	
53	1001174486	14	Clamp	
54	1001183421	1	Foam, Baffle	
55	1001184065	1	Bracket, Hold Down	
56	1001185585	2	Clamp, Hose	
57	1001186429	1	Battery Cable Kit (See Separate Breakdown in ELECTRICAL SECTION)	
59	1001194836	1	Bracket	
60	1001225420	1	Canister, Carbon	
61	1001225421	1	Bracket	
62	1001262941	1	Decal - EPA Evaporation 2020 Standards	
62	1001274101	1	Decal - EPA Evaporation 2021 Standards	
62	1001288395	1	Decal - EPA Evaporation 2022 Standards	
62	1001299769	1	Decal - EPA Evaporation 2023 Standards	
63	1001231716	1	Engine and Pump Sub-Assembly (See Separate Breakdown in this Section)	
64	4812000	3	Washer M10	

SECTION 3 - ENGINE

FIGURE 3-12. ENGINE AND PUMP SUB-ASSEMBLY - KUBOTA GASOLINE WITH GENERATOR



ART_1001231716

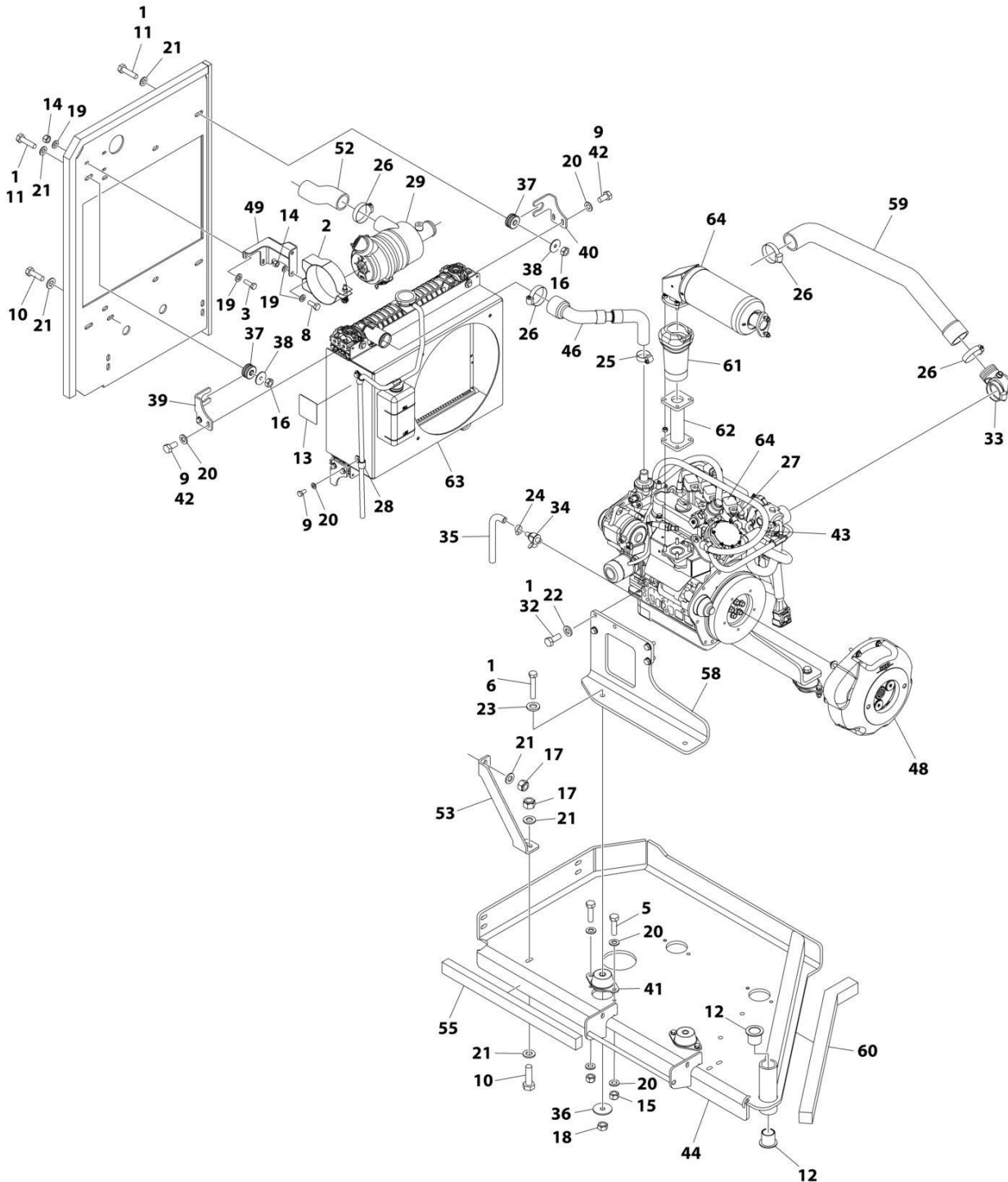
SECTION 3 - ENGINE

FIGURE 3-12. ENGINE AND PUMP SUB-ASSEMBLY - KUBOTA GASOLINE WITH GENERATOR

ITEM	PART NUMBER	QTY	DESCRIPTION	REV
	1001231716	Ref	ENGINE AND PUMP SUB-ASSEMBLY - KUBOTA GASOLINE	B
1	0100011	AR	Compound, Locking	
2	0641814	2	Bolt 1/2 x 1-3/4	
3	0700814	4	Bolt M8 x 30	
4	0700819	2	Bolt M8 x 55	
5	0761014	1	Bolt M10 x 30	
6	3290805	6	Nut M8	
7	3291005	1	Nut M10	
8	3790152	1	O-Ring	
9	4811900	10	Washer M8	
10	4812000	2	Washer M10	
11	4812500	2	Washer M20	
12	4891800	2	Washer 1/2	
13	83191040	2	Capscrew M10 x 30	
14	1001101331	1	Piston Pump Assembly (See Separate Breakdown in this Section)	
15	1001169138	2	Pad	
16	1001186833	1	Tube, Exhaust	
17	1001195600	1	Bracket	
18	1001217291	1	Gear Pump Assembly	
18	70002861	1	Seal Kit - 1001217291 Pump (Note: Seal Kit is only service component available)	
19	1001226420	1	Bracket, Exhaust	
20	1001231717	1	Engine Assembly - Kubota Gasoline (See Separate Breakdown in this Section)	
21	1001125248	2	Mount	

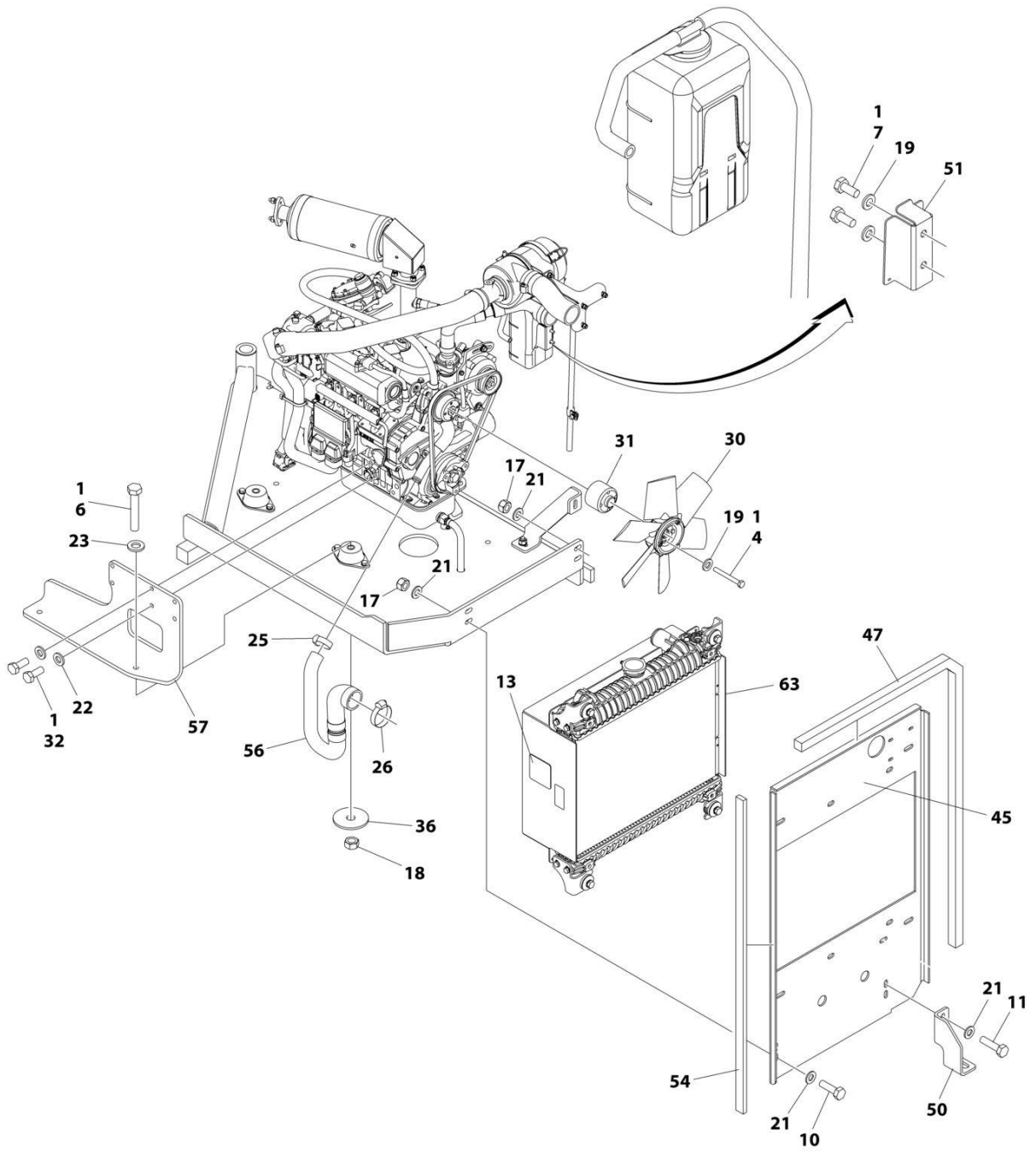
SECTION 3 - ENGINE

FIGURE 3-13. ENGINE ASSEMBLY - KUBOTA GASOLINE WITH GENERATOR



ART_1001231717_10F2_B

SECTION 3 - ENGINE



ART_1001231717_20F2_B

SECTION 3 - ENGINE

FIGURE 3-13. ENGINE ASSEMBLY - KUBOTA GASOLINE WITH GENERATOR

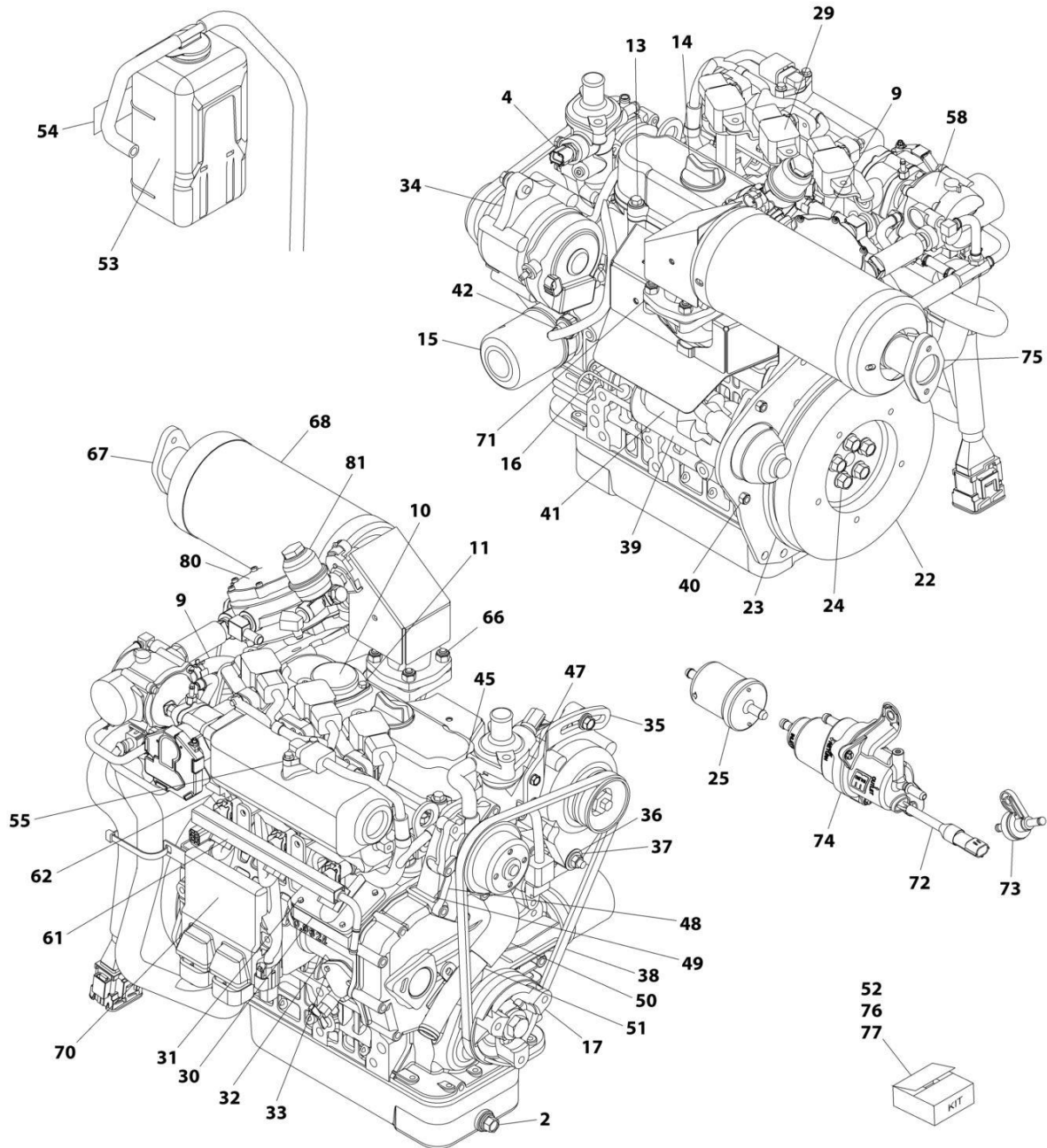
ITEM	PART NUMBER	QTY	DESCRIPTION	REV
	1001231717	Ref	ENGINE ASSEMBLY - KUBOTA GASOLINE	B
1	0100011	AR	Compound, Locking	
2	0340045	1	Band, Mounting	
3	0700610	3	Bolt M6 x 20	
4	0700619	4	Bolt M6 x 55	
5	0700814	8	Bolt M8 x 30	
6	0701222	4	Bolt M12 x 70	
7	0760607	2	Bolt M6 x 14	
8	0760608	2	Bolt M6 x 16	
9	0760808	10	Bolt M8 x 16	
10	0761015	4	Bolt M10 x 35	
11	0761016	6	Bolt M10 x 40	
12	0961986	2	Bearing, Flange	
13	1703162	2	Decal - Fan Blade	
14	3290605	5	Nut M6	
15	3290805	8	Nut M8	
16	3291001	4	Nut M10	
17	3291005	6	Nut M10	
18	3291201	4	Nut M12	
19	4811700	16	Washer M6	
20	4811900	26	Washer M8	
21	4812000	16	Washer M10	
22	5241000	8	Washer M10	
23	5241200	4	Washer M12	
24	8405009	1	Clamp	
25	8405101	2	Clamp	
26	8405104	5	Clamp	
27	8410013	4	Clamp	
28	85941016	2	Clamp	
29	1001118280	1	Air Filter Assembly	
29	7015004	2	Element	
29	7015005	1	Cover Assembly	
29	1340069	1	Valve, Vacuator	
30	1001118538	1	Fan	
31	1001118539	1	Fan, Spacer	
32	1001118746	8	Bolt M10 x 25	
33	1001146043	1	Elbow	
34	1001161497	1	Valve Oil Drain	
35	1001165035	1	Hose	
36	1001168018	4	Washer	
37	1001169054	4	Isolator, Radiator	
38	1001169138	4	Pad	
39	1001169967	2	Bracket, Radiator	
40	1001170035	2	Bracket, Radiator	
41	1001175509	4	Mount, Motor	
42	1001180620	AR	Compound, Locking	
43	1001181625	50 in/ 127cm	Hose	
44	1001181649	1	Tray, Engine	
45	1001181658	1	Plate, Radiator Mounting	

SECTION 3 - ENGINE

ITEM	PART NUMBER	QTY	DESCRIPTION	REV
46	1001181659	1	Hose, Radiator (Upper)	
47	1001181739	1	Seal	
48	1001181829	1	Coupling Kit - Gasoline Engines (See Separate Breakdown in this Section)	
49	1001182980	1	Bracket, Air Cleaner	
50	1001182981	1	Bracket, Tray	
51	1001182982	1	Mount	
52	1001182983	1	Tube, Intake	
53	1001182984	1	Bracket, Support	
54	1001247403	1	Foam, Baffle	
55	1001183424	1	Foam, Baffle	
56	1001183427	1	Tube, Coolant	
57	1001183428	1	Mount, Engine (RH)	
58	1001183429	1	Mount, Engine (LH)	
59	1001184064	1	Tube, Intake	
60	1001184066	1	Foam, Baffle	
61	1001210708	1	Sleeve, Insulation	
62	1001213847	1	Tube, Exhaust	
63	1001220957	1	Radiator & Shroud Assembly	
63	1001198726	1	Radiator	
63	70007502	1	Valve, Drain	
63	1001220959	1	Shroud	
64	1001224493	1	Engine Components - Kubota Gasoline (See Separate Breakdown in this Section)	

SECTION 3 - ENGINE

FIGURE 3-14. ENGINE COMPONENTS - KUBOTA GASOLINE



ART_1001224493

SECTION 3 - ENGINE

FIGURE 3-14. ENGINE COMPONENTS - KUBOTA GASOLINE

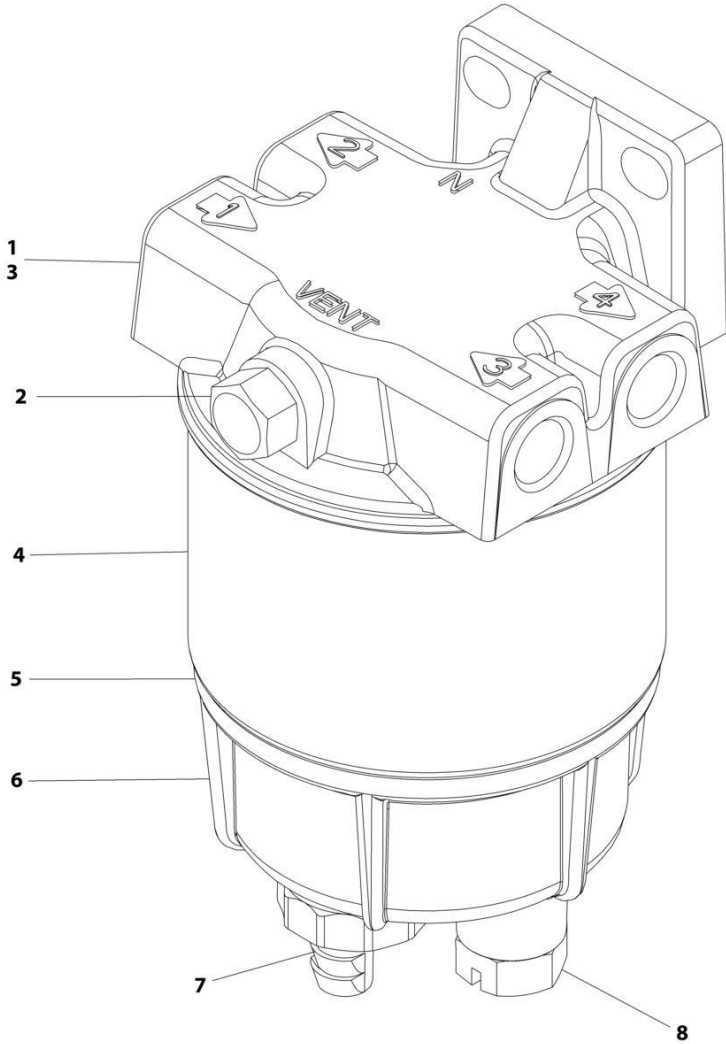
ITEM	PART NUMBER	QTY	DESCRIPTION	REV
	1001224493	Ref	ENGINE COMPONENTS - KUBOTA GASOLINE	C
1	70004524	1	Drain (Not Shown)	
2	70004525	1	Plug, Drain	
2	70004526	1	Gasket	
3	7017906	2	Bolt (Not Shown)	
4	70005726	1	Sensor, Water Temperature	
4	70005727	1	Gasket	
5	70005728	1	Gasket, Head (Not Shown)	
6	7017914	1	Joint, Pipe (Not Shown)	
7	70005729	1	Seal, Oil (Not Shown)	
8	70005730	1	Sensor, Revolution (Not Shown)	
9	7017959	2	Band, Pipe	
10	70005731	1	O-Ring, Breather	
10	70005732	1	Cover, Breather	
11	7017934	4	Screw	
12	70005733	1	Gasket, Head Cover (Not Shown)	
13	70004831	4	Bolt	
14	70002318	1	Plug, Oil Filler	
14	70004311	1	O-Ring	
15	7017980	1	Filter, Oil	
16	70005734	1	Gauge, Oil	
17	70004294	1	Pump, Oil	
17	70004295	1	Gasket, Oil	
18	70004296	1	Key, Feather (Not Shown)	
19	7017982	1	Gasket, Bearing Case (Not Shown)	
20	7017983	1	Seal, Oil (Not Shown)	
21	7017984	1	Gasket, Case Cover (Not Shown)	
22	70005735	1	Gear, Ring	
23	70005736	1	Rotor	
24	70004834	5	Bolt	
25	7017992	1	Fuel, Filter	
26	70005737	1	Sensor, Stick (Not Shown)	
27	70005738	1	Holder, Sensor (Not Shown)	
28	70005739	3	Spark Plug (Not Shown)	
29	70005740	3	Coil, Ignition	
30	7017986	1	Gasket	
31	70004538	2	Packing	
32	7017995	1	Gasket, Fuel Pump	
33	70004848	2	Bolt	
34	70006661	1	Alternator - 60Amp	
35	70006662	1	Bracket, Adjustment	
36	70004557	1	Washer	
37	70004558	1	Washer, Spring Lock	
38	7023107	1	V-Belt	
39	70005743	1	Starter	
40	70005329	5	Nut	
41	70005744	1	Magnetic, Switch	
42	70005745	1	Switch, Oil Pressure	
43	70004829	1	Pipe, Water Return (Not Shown)	
44	70004306	1	Gasket, Water Flange (Not Shown)	

SECTION 3 - ENGINE

ITEM	PART NUMBER	QTY	DESCRIPTION	REV
45	70004851	1	Pipe, Water Return	
46	7023170	1	Thermostat (Not Shown)	
47	70002326	1	Gasket, Thermostat	
48	70004853	1	Pump, Water	
49	70004854	1	Gasket, Water Pump	
50	70004912	1	Hose, Water	
51	70004913	2	Band, Pipe	
52	70005229	1	Coolant Tank Kit	
53	4400498	1	Tank, Coolant	
54	70004401	1	Decal - Instruction	
55	70005746	1	Sensor (TMAP)	
56	70005747	1	O-Ring (Not Shown)	
57	7017994	2	Gasket, Air Cleaner (Not Shown)	
58	70005748	1	Mixer	
59	70004537	1	Screw, Air Bleeder (Not Shown)	
60	70005749	1	Gasket, In-Manifold (Not Shown)	
61	70005750	1	Rail, Fuel Ignition	
62	70005751	3	Injector	
63	70005752	1	Gasket, Exhaust Manifold (Not Shown)	
64	70005753	3	Bolt, Stud (Not Shown)	
65	70005327	6	Nut (Not Shown)	
66	70005754	4	Bolt, Stud	
67	70005755	1	Muffler	
68	70005756	1	Cover, Muffler	
69	70005757	1	Harness, Wire (ECU) (Not Shown)	
70	70005758	1	Module, Engine Control (ECU)	
71	70005759	2	Gasket, Muffler	
72	70005760	2	Sensor, O2	
73	70005762	1	Valve, 2 Way	
74	70005761	1	Pump, Fuel	
75	70005763	1	Gasket, Muffler	
76	70005764	1	Upper Gasket Kit	
77	70005765	1	Lower Gasket Kit	
78	70005766	1	Cable Assembly (ECOM) (Not Shown)	
79	70005767	1	Adapter (ECOM) (Not Shown)	
80	70005768	1	Regulator	
81	70005769	1	Valve, Lockoff	

SECTION 3 - ENGINE

FIGURE 3-15. FUEL/WATER SEPARATOR ASSEMBLY - DIESEL ENGINES



ART_1001190609

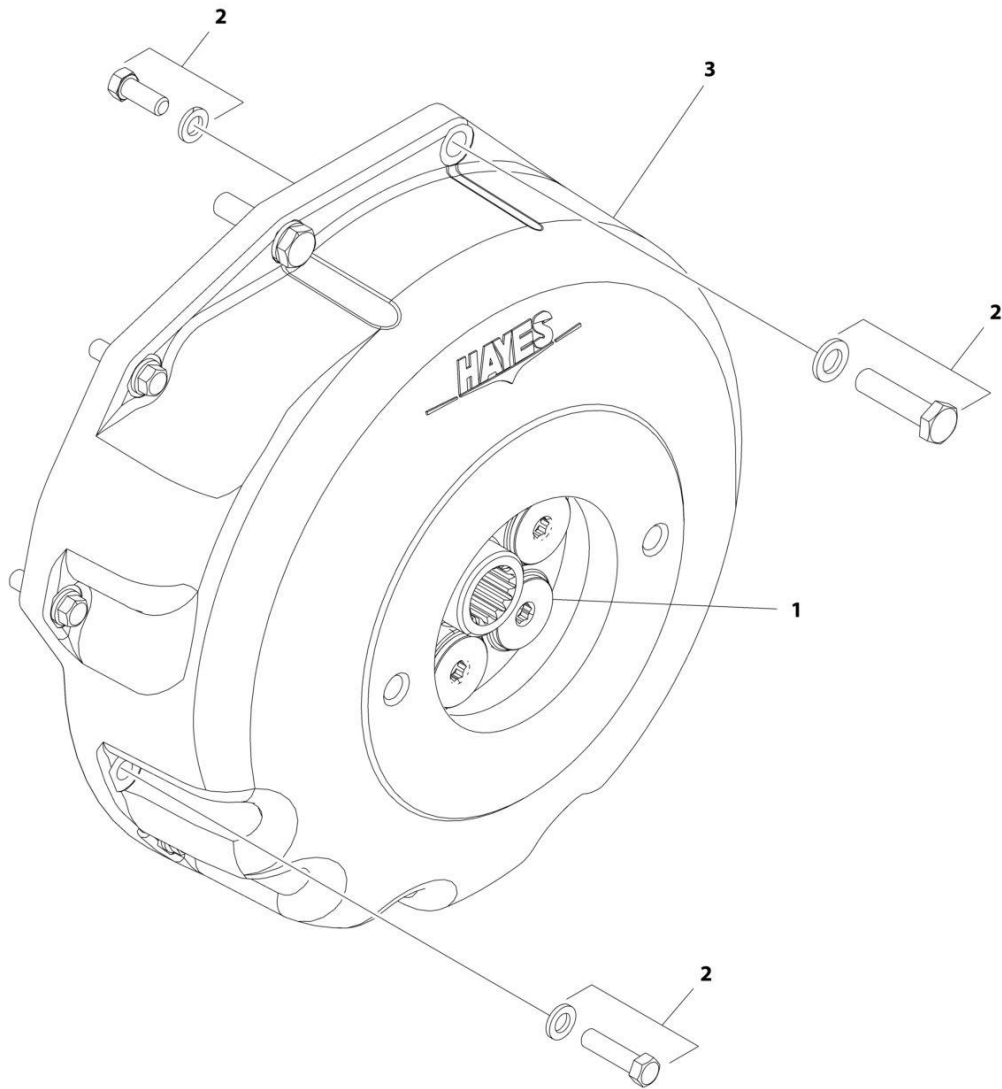
SECTION 3 - ENGINE

FIGURE 3-15. FUEL/WATER SEPARATOR ASSEMBLY - DIESEL ENGINES

ITEM	PART NUMBER	QTY	DESCRIPTION	REV
	1001190609	Ref	FUEL/WATER SEPARATOR ASSEMBLY - DIESEL ENGINES	B
1	70005293	1	Head, Mounting	
2	70005294	1	Plug	
3	70005295	1	Gasket, Head	
4	70005296	1	Element	
5	70005297	1	O-Ring	
6	70002901	1	Bowl	
7	70004070	1	Drain, Self Venting	
8	70004069	1	Plug	

SECTION 3 - ENGINE

FIGURE 3-16. COUPLING KIT - DIESEL ENGINES



ART_1001118675

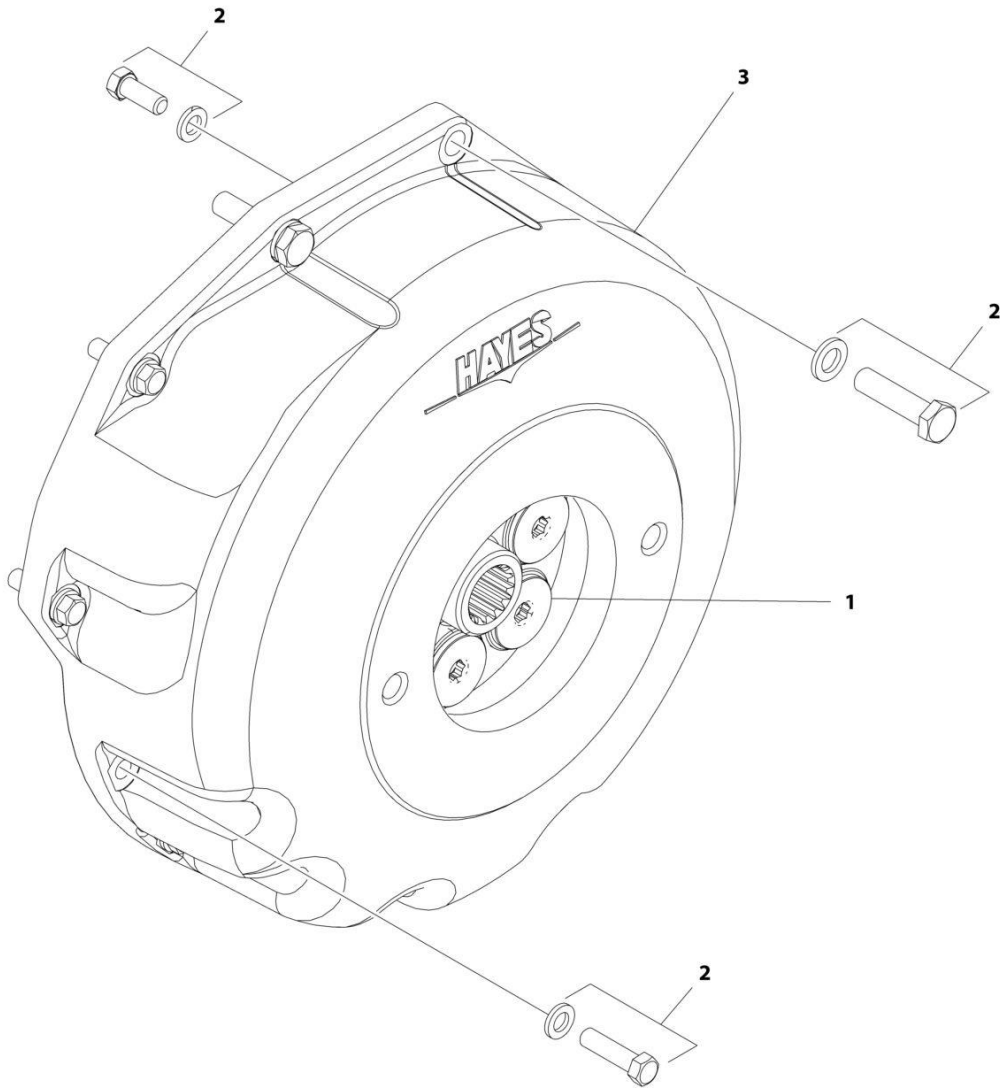
SECTION 3 - ENGINE

FIGURE 3-16. COUPLING KIT - DIESEL ENGINES

ITEM	PART NUMBER	QTY	DESCRIPTION	REV
	1001118675	Ref	COUPLING KIT - DIESEL ENGINES	A
1	70001933	1	Coupling Assembly	
2	70005453	1	Bolt Kit	
3	See Note	NSS	Housing (Note: Use p/n 1001118675)	

SECTION 3 - ENGINE

FIGURE 3-17. COUPLING KIT - GASOLINE ENGINES



ART_1001181829

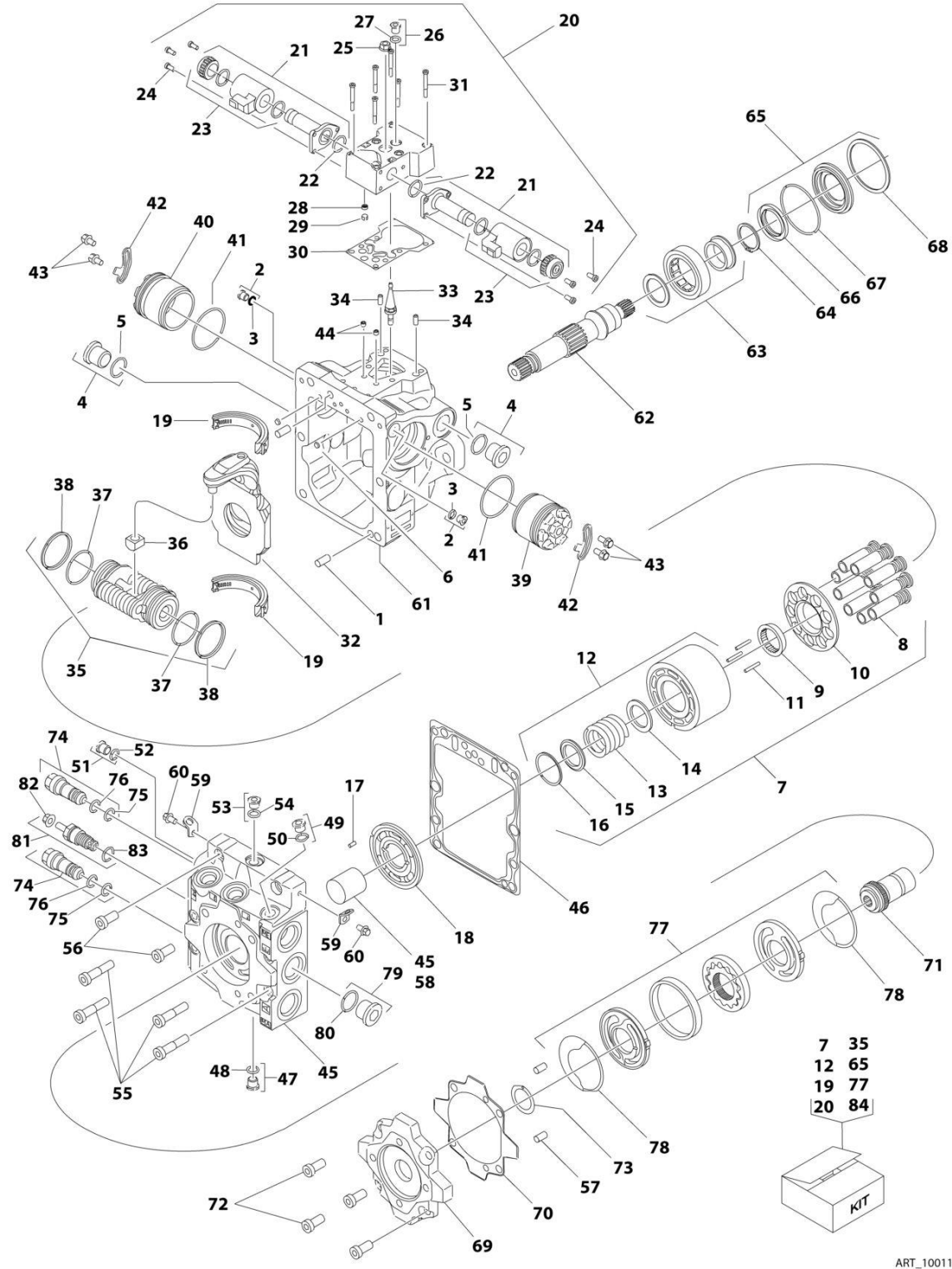
SECTION 3 - ENGINE

FIGURE 3-17. COUPLING KIT - GASOLINE ENGINES

ITEM	PART NUMBER	QTY	DESCRIPTION	REV
	1001181829	Ref	COUPLING KIT - GASOLINE ENGINES	B
1	70005455	1	Coupling Assembly	
2	70005454	1	Bolt Kit	
3	See Note	NSS	Housing (Note: Use p/n 1001181829)	

SECTION 3 - ENGINE

FIGURE 3-18. PISTON PUMP ASSEMBLY



ART_1001101331

SECTION 3 - ENGINE

FIGURE 3-18. PISTON PUMP ASSEMBLY

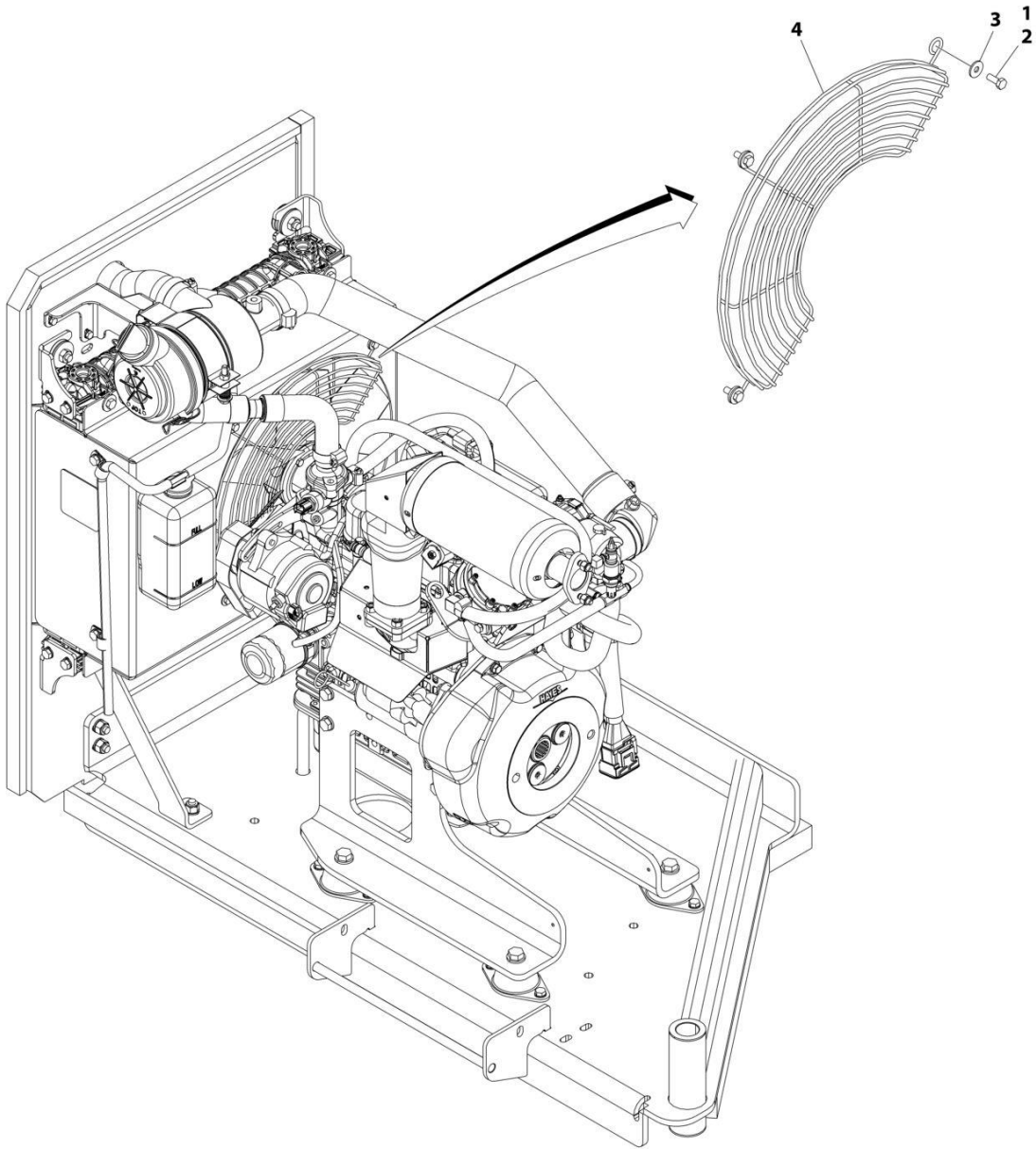
ITEM	PART NUMBER	QTY	DESCRIPTION	REV
	1001101331	Ref	PISTON PUMP ASSEMBLY	E
1	70002132	2	Pin	
2	70002133	2	Plug Assembly (Includes Item 3)	
3	7007207	2	O-Ring (Part of Item 2)	
4	7007419	2	Plug Assembly (Includes Item 5)	
5	7007418	2	O-Ring (Part of Item 4)	
6	70002134	2	Screen	
7	70002135	1	Cylinder Block Kit (Includes Items 8-16)	
8	70002136	1	Piston Assembly Kit (Includes Qty 9 Piston Assemblies) (Part of Item 7)	
9	70002137	1	Guide, Slipper Retainer (Part of Item 7)	
10	70002138	1	Retainer, Slipper (Part of Item 7)	
11	7021275	3	Pin, Slipper Retainer Hold Down (Part of Item 7)	
12	70002143	1	Cylinder Block Assembly (Includes Items 13-16) (Part of Item 7)	
13	70002139	1	Spring (Part of Item 12)	
14	70002140	1	Washer (Part of Item 12)	
15	70002141	1	Washer (Part of Item 12)	
16	70002142	1	Ring, Retaining (Part of Item 12)	
17	7007446	1	Pin	
18	70002144	1	Plate, CW Valve	
19	70002145	1	Swash Plate Bearing Kit (Includes Qty 2 Bearings)	
20	70002146	1	EDC Kit (Includes Items 21-31)	
21	70002147	2	Solenoid Valve Assembly (Includes Item 22 & 23) (Part of Item 20)	
22	70002148	2	O-Ring (1 Per Valve Assembly) (Part of Item 21)	
23	70002149	2	Coil, Nut and Seals Kit (1 Per Valve Assembly) (Part of Item 21)	
24	70002150	6	Screw (Part of Item 20)	
25	7022301	1	Nut, Seal (Part of Item 20)	
26	70002151	1	Plug Assembly (Part of Item 20) (Includes Item 27)	
27	7007207	1	O-Ring (Part of Item 26)	
28	70002134	1	Screen (Part of Item 20)	
29	70002153	1	Ring, Locking (Part of Item 20)	
30	70002154	1	Gasket, Control (Part of Item 20)	
31	70002156	6	Capscrew (Part of Item 20)	
32	70002152	1	Swash Plate	
33	70002155	1	Link, Swash Plate	
34	70002157	2	Pin, Dowel	
35	70002158	1	Servo Piston Assembly (Includes Items 36-38)	
36	70002159	1	Block, Slider (Part of Item 35)	
37	70002160	2	O-Ring (Part of Item 35)	
38	70002161	2	Ring, Piston (Part of Item 35)	
39	70002162	1	Cylinder, Servo	
40	70002162	1	Cylinder, Servo	
41	70002163	2	O-Ring	
42	70002164	2	Plate, Locking	
43	70002165	4	Screw	
44	70002166	2	Orifice	
45	70002167	1	Cap, End (Includes Item 58)	
46	70002168	1	Gasket, End Cap	
47	70002158	1	Plug Assembly (Includes Item 48)	

SECTION 3 - ENGINE

ITEM	PART NUMBER	QTY	DESCRIPTION	REV
48	7021256	1	O-Ring (Part of Item 47)	
49	70001958	1	Plug Assembly (Includes Item 50)	
50	7021256	1	O-Ring (Part of Item 49)	
51	70001958	1	Plug Assembly (Includes Item 52)	
52	7021256	1	O-Ring (Part of Item 51)	
53	70001958	1	Plug Assembly (Includes Item 54)	
54	7021256	1	O-Ring (Part of Item 53)	
55	70002169	4	Capscrew	
56	70002170	2	Capscrew	
57	70002132	2	Pin	
58	70002172	1	Bearing, Journal (Part of Item 45)	
59	7022340	2	Bracket, Lifting	
60	70002165	2	Screw	
61	See Note	1	Housing (Note: Purchase p/n 1001101331)	
62	70002175	1	Shaft	
63	70002176	1	Ball Bearing Kit	
64	70007439	1	Ring, Retaining	
65	70002174	1	Shaft Seal Kit (Includes Items 66-68) (Note: This is a universal kit and will contain extra pieces that are not used on this pump assembly.)	
66	70002177	1	Seal, Lip	
67	70002178	1	O-Ring	
68	70002179	1	Ring, Retaining	
69	70002180	1	Adapter	
70	70002181	1	Seal, Adapter	
71	70002182	1	Coupling	
72	70002185	4	Capscrew	
73	70002186	1	Plate, Thrust	
74	70002188	2	High Pressure Relief Valve Cartridge Assembly (Includes Item 75 & 76)	
75	70002187	2	O-Ring (1 Per Cartridge) (Part of Item 74)	
76	7007415	2	O-Ring (1 Per Cartridge) (Part of Item 74)	
77	70002189	1	Charge Pump Kit (Includes Item 78)	
78	70002190	2	Ring, Seal (Part of Item 77)	
79	7023964	1	Plug Assembly (Includes Item 80)	
80	7007415	1	O-Ring (Part of Item 79)	
81	70002191	1	Charge Relief Valve Cartridge Assembly (Includes Item 82 & 83)	
82	70002187	1	Nut, Seal (Part of Item 81)	
83	7007415	1	O-Ring (Part of Item 81)	
84	70002192	1	Overhaul Seal Kit (Includes Items 3, 5, 22, 27, 30, 37, 38, 41, 48, 50, 52, 54, 66, 67, 70, 75, 76, 78, 82 & 83)	

SECTION 3 - ENGINE

FIGURE 3-19. FAN GUARD INSTALLATION - KUBOTA



ART_1001220614

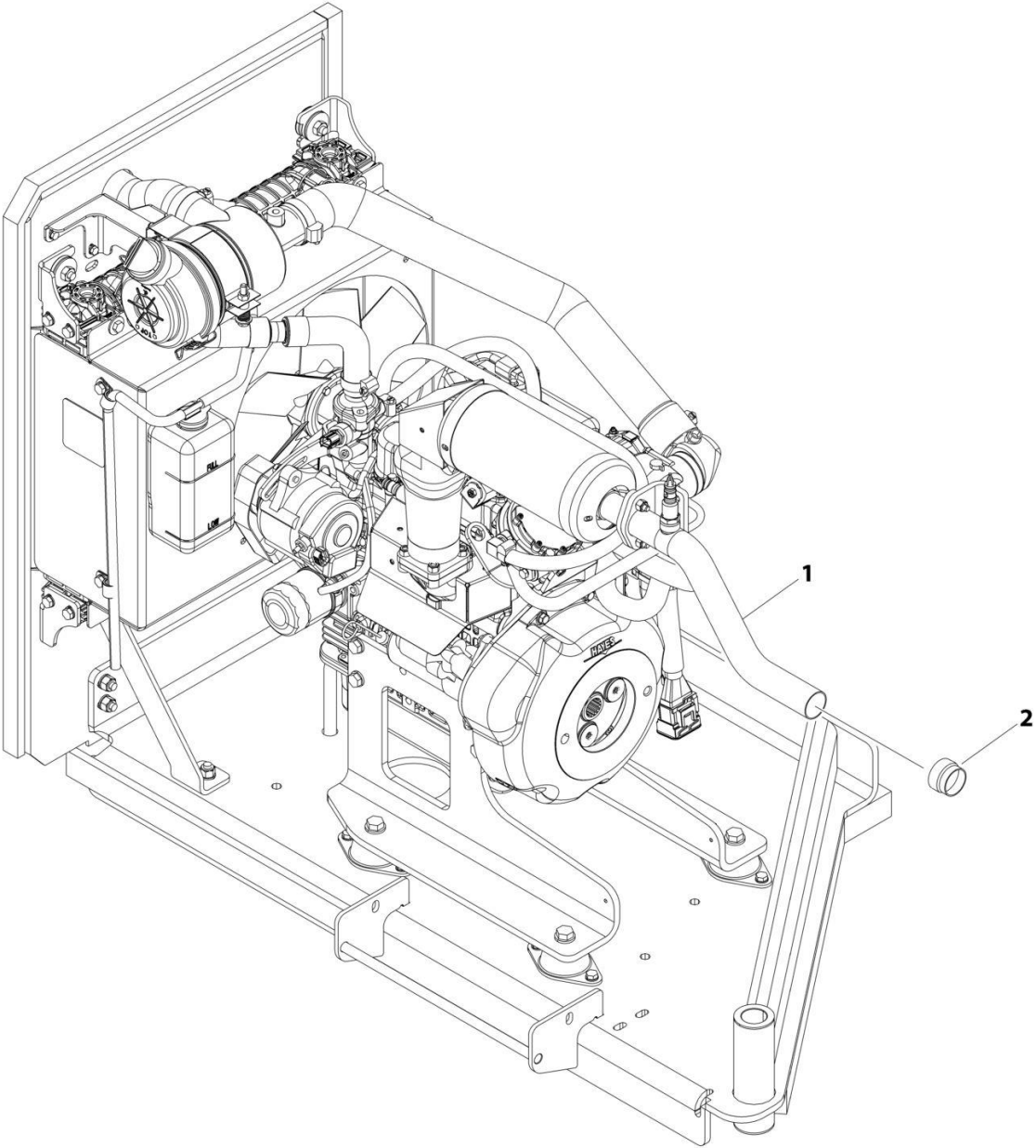
SECTION 3 - ENGINE

FIGURE 3-19. FAN GUARD INSTALLATION - KUBOTA

ITEM	PART NUMBER	QTY	DESCRIPTION	REV
	1001220614	Ref	FAN GUARD INSTALLATION - KUBOTA	A
1	0100011	AR	Compound, Locking	
2	0760608	3	Bolt M6 x 16	
3	4811702	3	Washer M6	
4	1001220613	1	Shroud, Fan Guard	

SECTION 3 - ENGINE

FIGURE 3-20. SPARK ARRESTOR MUFFLER - OPTIONAL (GASOLINE ENGINES)



ART_1001187703

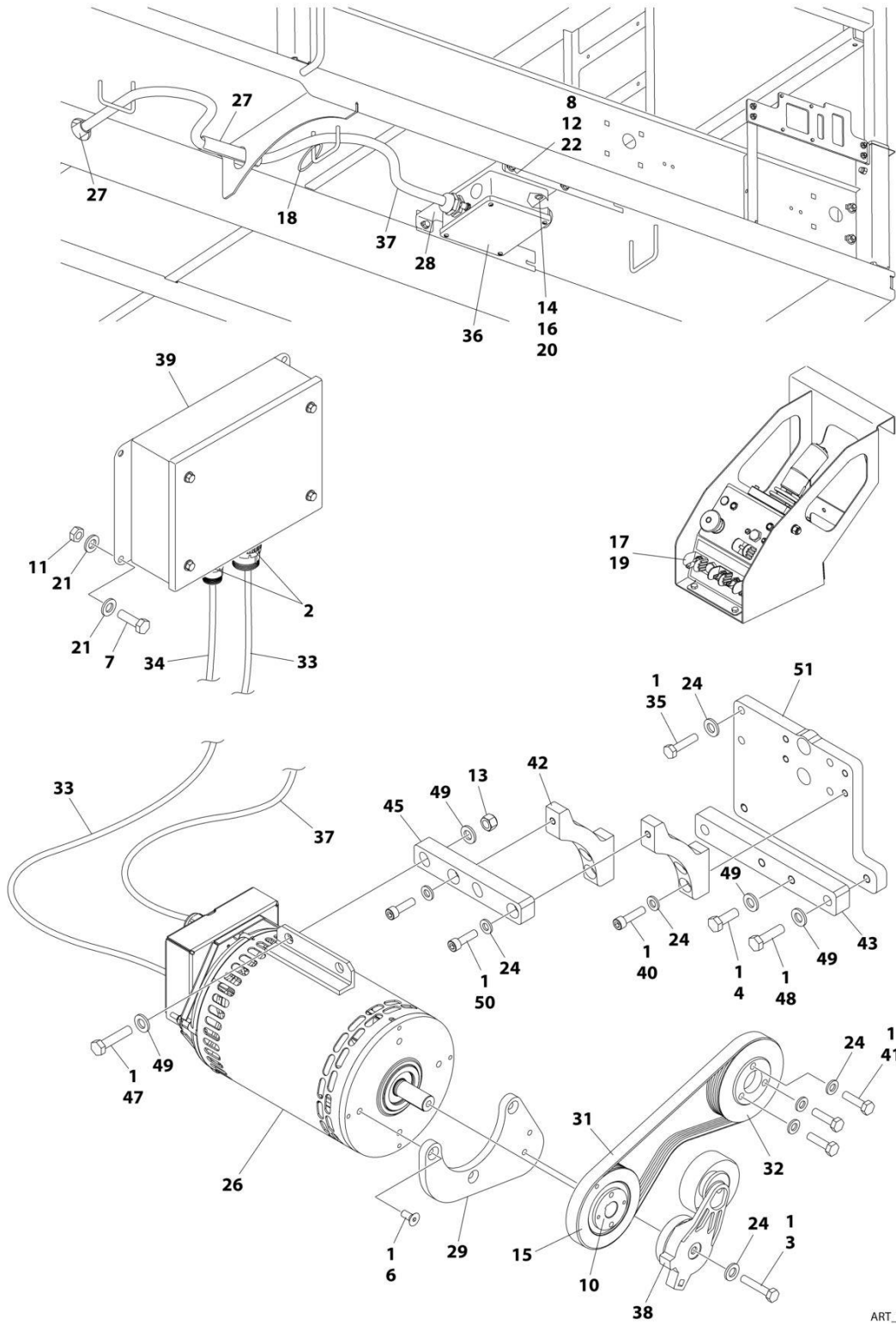
SECTION 3 - ENGINE

FIGURE 3-20. SPARK ARRESTOR MUFFLER - OPTIONAL (GASOLINE ENGINES)

ITEM	PART NUMBER	QTY	DESCRIPTION	REV
	1001187703	Ref	SPARK ARRESTOR MUFFLER - OPTIONAL (GASOLINE ENGINES)	A
1	1001219775	1	Arrestor, Spark	
2	1001219826	1	Pipe, Exhaust	

SECTION 3 - ENGINE

FIGURE 3-21. GENERATOR INSTALLATION - 4000W (KUBOTA DIESEL STAGE III)



ART_1001181217_G

SECTION 3 - ENGINE

FIGURE 3-21. GENERATOR INSTALLATION - 4000W (KUBOTA DIESEL STAGE III)

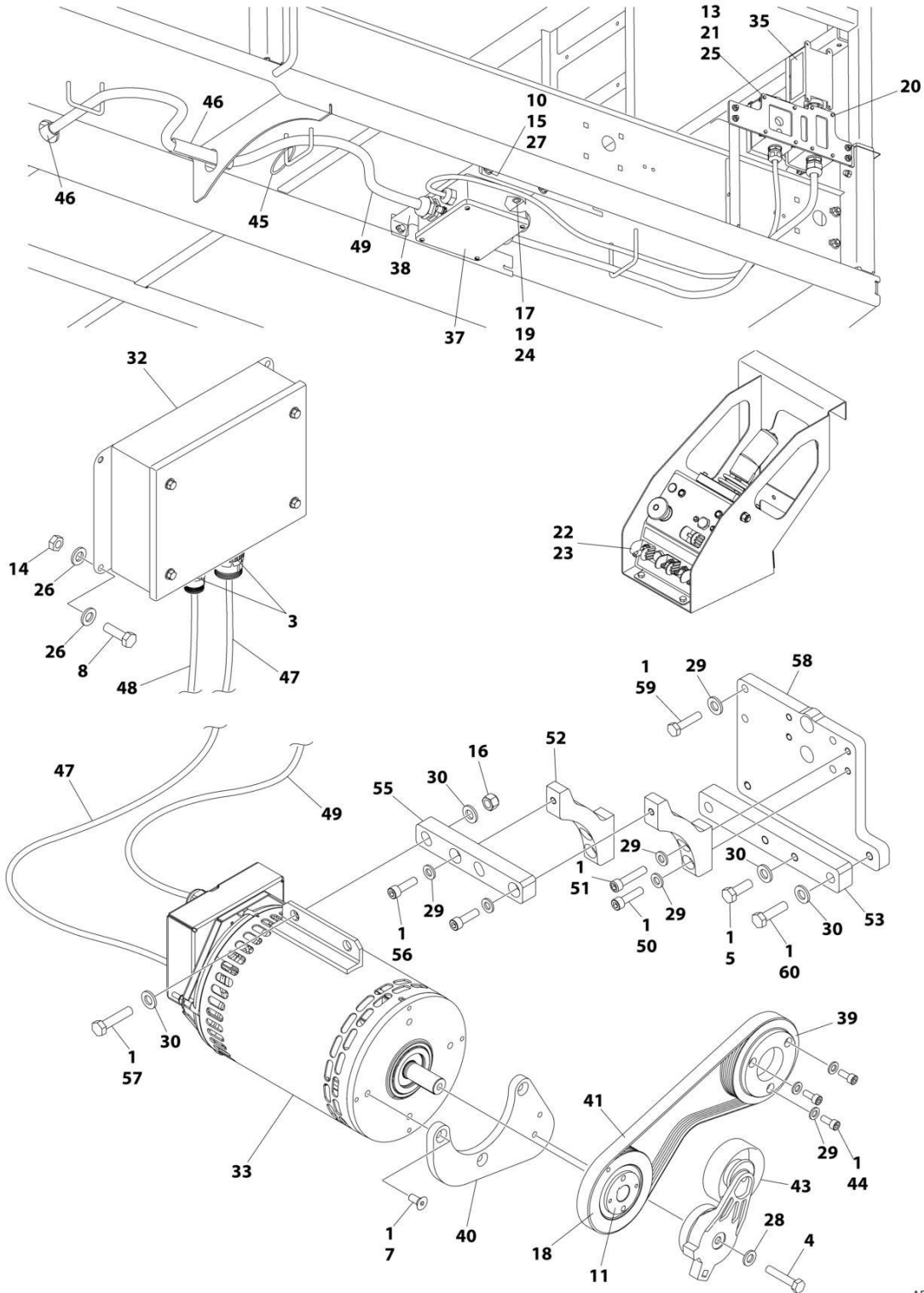
ITEM	PART NUMBER	QTY	DESCRIPTION	REV
	1001181217	Ref	GENERATOR INSTALLATION - 4000W (KUBOTA DIESEL STAGE III)	G
1	0100011	AR	Compound, Locking	
2	0100048	AR	Grease, Silicone (Apply to Contactor Connector)	
3	0701019	1	Bolt M10 x 55	
4	0701215	2	Bolt M12 x 35	
6	0741607	3	Bolt 3/8-16 x .88	
7	0760610	4	Bolt M6 x 20	
8	0780810	4	Bolt M8 x 20	
10	0962520	1	Bushing, Taper	
11	3290605	4	Nut M6	
12	3290805	4	Nut M8	
13	3291201	2	Nut M12	
14	3311005	4	Nut #10	
15	3580318	1	Pulley, Generator	
16	3931016	4	Screw #10 x 1	
17	4060802	1	Guard, Switch	
18	4240017	2	Tie Strap	
19	4360482	1	Switch, Toggle	
20	4751000	4	Washer #10	
21	4811700	8	Washer M6	
22	4811900	4	Washer M8	
24	5241000	AR	Washer M10	
26	1001140347	1	Generator Assembly	
26	70003709	1	Ring, Retaining (External)	
26	70003708	1	Ring, Retaining (Internal)	
26	70001966	1	Bearing	
26	70004092	1	Endbell (Shaft End)	
26	70004099	1	Key	
26	70004676	1	Rotor	
26	70004686	1	Stator	
26	70004678	1	Endbell (Rear)	
26	70004679	1	Cover, Endbell (Rear)	
26	70004680	1	Enclosure, Wiring	
26	70004681	1	Cover, Enclosure	
26	70004682	1	Switch, Reset (Located on Enclosure Cover)	
26	70004683	1	Connector, Strain Relief (Located on Enclosure Cover)	
26	4460224	1	Receptacle, Female - 6 Position (Connects to Harness)	
26	4460268	1	Pin, Male (Connects to Harness)	
26	4460807	6	Seal, Pin (Connects to Harness)	
26	4460808	1	Seal, Interface (Connects to Harness)	
27	1001151080	2	Conduit, Split Poly	
28	1001166732	1	Support	
29	1001184162	1	Bracket	
31	1001244939	1	Belt	
32	1001244937	1	Pulley	
33	1001236444	1	Harness, 4000W Generator Control - Generator to Control Box (See Separate Breakdown in ELECTRICAL Section)	
34	1001186826	1	Harness, 4000W Generator Control - Control Box to Generator Control (See Separate Breakdown in ELECTRICAL Section)	

SECTION 3 - ENGINE

ITEM	PART NUMBER	QTY	DESCRIPTION	REV
35	1001207285	AR	Bolt M10 x 45	
36	1001187197	1	Junction Box Assembly - 4000W Generator(Australian, CE & UK CA Specs) (See Separate Breakdown in this Section)	
37	1001236445	1	Cable, Electrical 10/4	
38	3580317	1	Pulley, Belt Tensioner	
39	1001138566	1	Box, Generator Control 4000W Generator 50Hz	
39	70006552	1	Capacitor	
39	70006553	1	Relay	
40	5272012	AR	Bolt M10 x 40	
41	1001119929	AR	Bolt M10 x 35	
42	1001202532	2	Generator Arm Mount Bracket	
43	1001208340	1	Generator Bracket	
45	1001202536	1	Plate	
46	4032014	AR	Bolt M10 x 50	
47	0701219	AR	Bolt M12 x 55	
48	0701217	AR	Bolt M12 x 45	
49	5241200	AR	Washer M12	
50	5272011	AR	Bolt M10 x 35	
51	1001208339	1	Generator Mount Bracket	

SECTION 3 - ENGINE

FIGURE 3-22. GENERATOR INSTALLATION - 4000W (KUBOTA DIESEL T4F) (Prior to SN M200052012, Excluding M200047449 and M200047476)



ART_1001177770

SECTION 3 - ENGINE

FIGURE 3-22. GENERATOR INSTALLATION - 4000W (KUBOTA DIESEL T4F) (Prior to SN M200052012, Excluding M200047449 and M200047476)

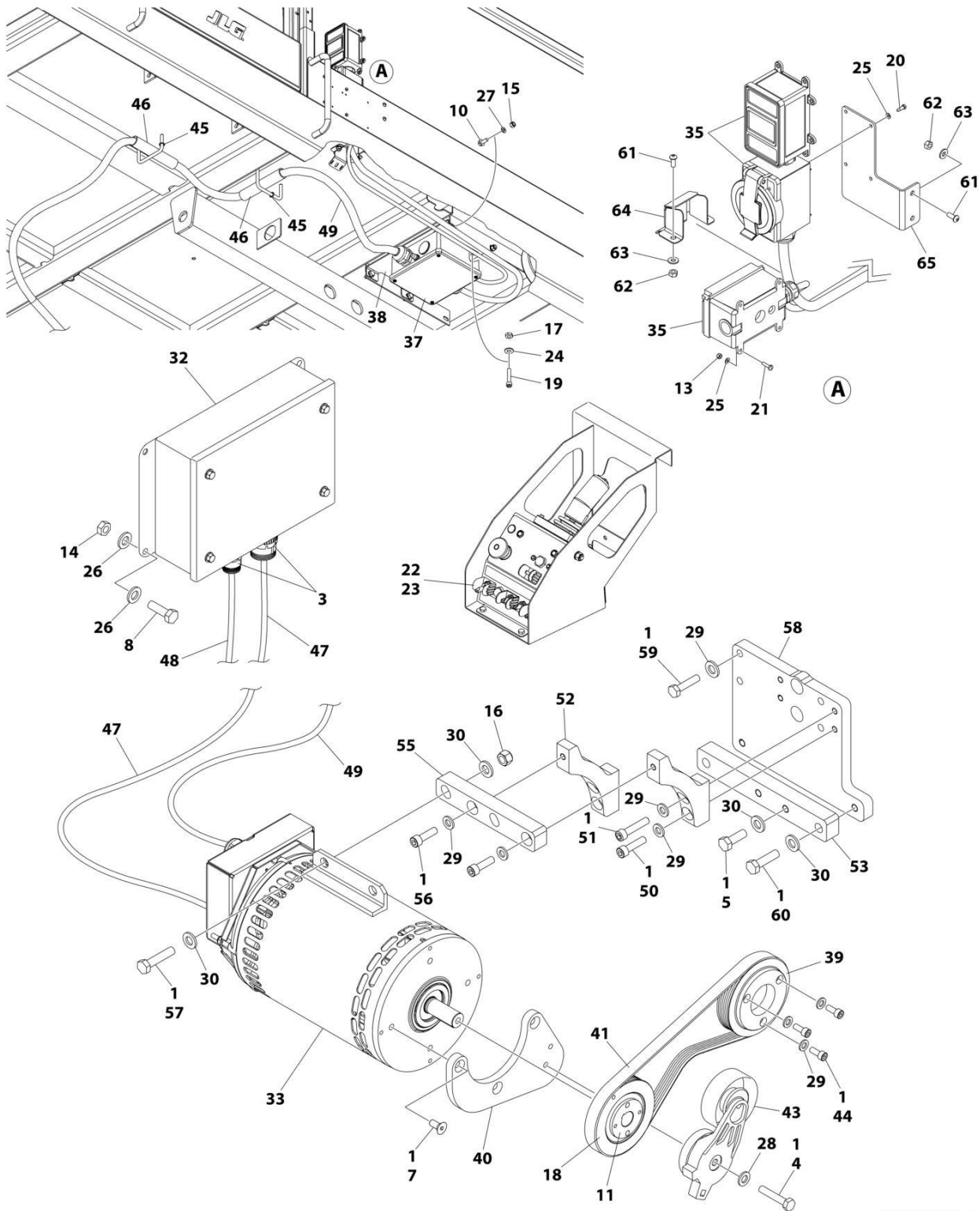
ITEM	PART NUMBER	QTY	DESCRIPTION	REV
	1001177770	Ref	GENERATOR INSTALLATION - 4000W (KUBOTA DIESEL T4F)	H
1	0100011	AR	Compound, Locking	
3	0100048	AR	Grease, Silicone (Apply to Contactor Connector)	
4	0701019	1	Bolt M10 x 55	
5	0701215	2	Bolt M12 x 35	
7	0741607	3	Bolt 3/8 x .88	
8	0760610	4	Bolt M6 x 20	
10	0780810	4	Bolt M8 x 20	
11	0962520	1	Bushing, Taper	
13	3290405	4	Nut M4	
14	3290605	4	Nut M6	
15	3290805	4	Nut M8	
16	3291201	2	Nut M12	
17	3311005	4	Nut #10	
18	3580318	1	Pulley, Generator	
19	3931016	4	Screw #10 x 1	
20	3940804	4	Self, Tapping	
21	4010408	4	Screw M4 x 16	
22	4060802	1	Guard, Switch	
23	4360482	1	Switch, Toggle	
24	4751000	4	Washer #10	
25	4811400	4	Washer M4	
26	4811700	8	Washer M6	
27	4811900	4	Washer M8	
28	4812000	1	Washer M10	
29	5241000	AR	Washer M10	
30	5241200	AR	Washer M12	
32	1001138566	1	Box, Generator Control (4000W Generator - 60Hz)	
32	70006552	1	Capacitor	
32	70006553	1	Relay	
33	1001140346	1	Generator Assembly	
33	70003709	1	Ring, Retaining (External)	
33	70003708	1	Ring, Retaining (Internal)	
33	70001966	1	Bearing	
33	70004092	1	Endbell (Shaft End)	
33	70004099	1	Key	
33	70004676	1	Rotor	
33	70004687	1	Stator	
33	70004678	1	Endbell (Rear)	
33	70004679	1	Cover, Endbell (Rear)	
33	70004680	1	Enclosure, Wiring	
33	70004685	1	Cover, Enclosure	
33	70004682	1	Switch, Reset (Located on Enclosure Cover)	
33	70004098	1	Connector, Strain Relief (Located on Enclosure Cover)	
33	4460224	1	Receptacle, Female - 6 Position (Connects to Harness	
33	4460268	1	Pin, Male (Connects to Harness)	
33	4460807	6	Seal, Pin (Connects to Harness)	
33	4460808	1	Seal, Interface (Connects to Harness)	
35	1001187092	1	Platform Receptacle Assembly (See Separate Breakdown in	

SECTION 3 - ENGINE

ITEM	PART NUMBER	QTY	DESCRIPTION	REV
			ELECTRICAL SECTION)	
37	1001186828	1	Junction Box Assembly - 4000W Generator (All Specs Except Australian, CE & UK CA Specs) (See Separate Breakdown in this Section)	
38	1001166732	1	Support	
39	1001183726	1	Pulley	
40	1001184162	1	Bracket	
41	1001184235	1	Belt	
43	3580317	1	Pulley, Belt Tensioner	
44	1001186919	3	Bolt M10 x 40	
45	4240017	2	Tie Strap	
46	1001151080	2	Conduit, Split Poly	
47	1001236444	1	Harness, 4000W Generator Control - Generator to Control Box (See Separate Breakdown in ELECTRICAL SECTION)	
48	1001186826	1	Harness, 4000W Generator Control - Control Box to Generator Control (See Separate Breakdown in ELECTRICAL SECTION)	
49	1001236445	1	Cable, Electrical 10/4	
50	5272012	AR	Bolt M10 x 40	
51	4032014	AR	Bolt M10 x 50	
52	1001202532	2	Generator Arm Mount Bracket	
53	1001208340	1	Generator Bracket	
55	1001202536	1	Plate	
56	5272011	AR	Bolt M10 x 35	
57	0701219	AR	Bolt M12 x 55	
58	1001208339	1	Generator Mount Bracket	
59	1001207285	AR	Bolt M10 x 45 Grade 10.9	
60	0701217	AR	Bolt M12 x 45	

SECTION 3 - ENGINE

FIGURE 3-23. GENERATOR INSTALLATION - 4000W (KUBOTA DIESEL T4F) (SN M200052012 to Present, Including M200047449 and M200047476)



ART_100117770_J

SECTION 3 - ENGINE

FIGURE 3-23. GENERATOR INSTALLATION - 4000W (KUBOTA DIESEL T4F) (SN M200052012 to Present, Including M200047449 and M200047476)

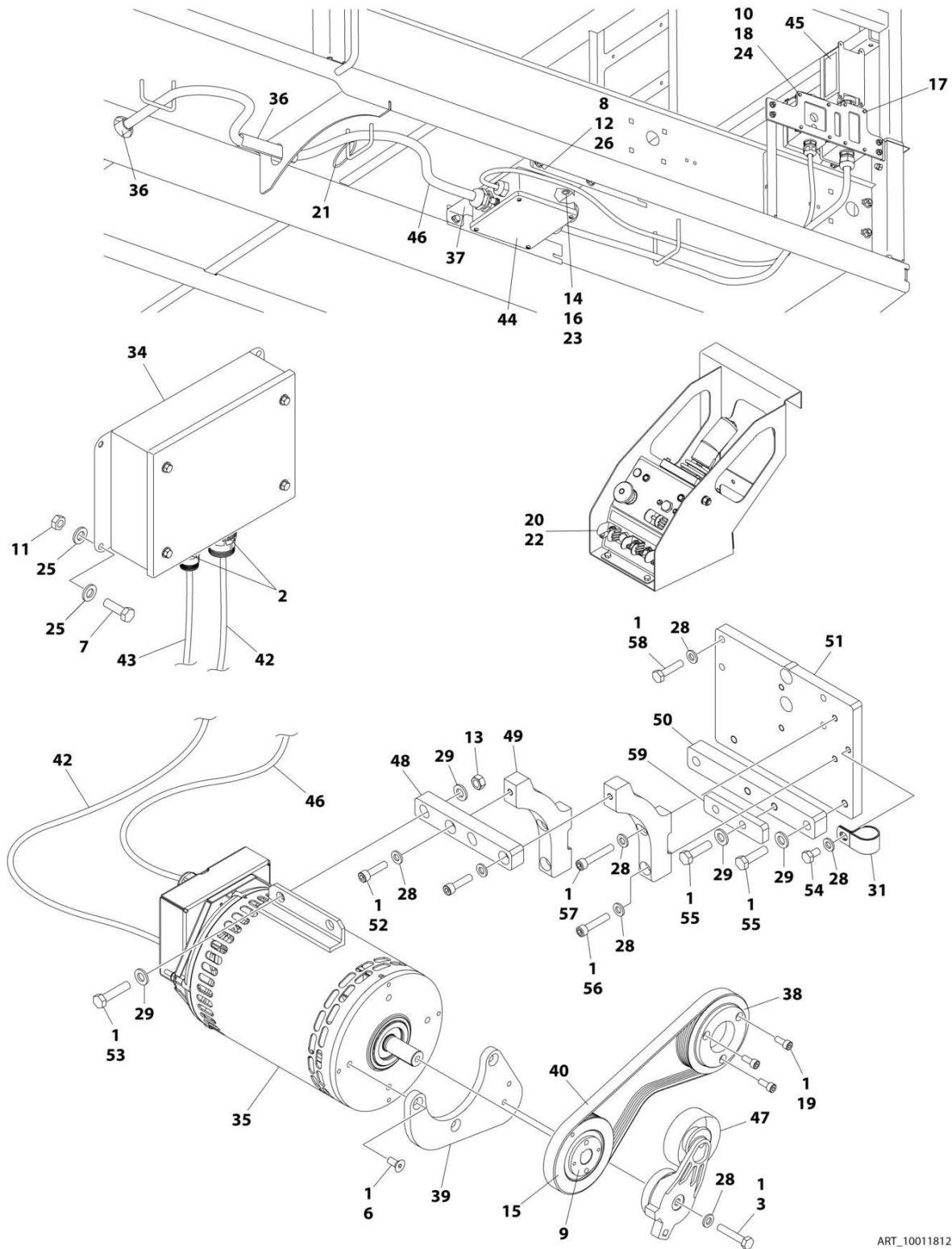
ITEM	PART NUMBER	QTY	DESCRIPTION	REV
	1001177770	Ref	GENERATOR INSTALLATION - 4000W (KUBOTA DIESEL T4F)	I
1	0100011	AR	Compound, Locking	
3	0100048	AR	Grease, Silicone (Apply to Contactor Connector)	
4	0701019	1	Bolt M10 x 55	
5	0701215	2	Bolt M12 x 35	
7	0741607	3	Bolt 3/8 x .88	
8	0760610	4	Bolt M6 x 20	
10	0780810	4	Bolt M8 x 20	
11	0962520	1	Bushing, Taper	
13	3290405	4	Nut M4	
14	3290605	4	Nut M6	
15	3290805	4	Nut M8	
16	3291201	2	Nut M12	
17	3311005	4	Nut #10	
18	3580318	1	Pulley, Generator	
19	3931016	4	Screw #10 x 1	
20	3940804	4	Self, Tapping	
21	4010408	4	Screw M4 x 16	
22	4060802	1	Guard, Switch	
23	4360482	1	Switch, Toggle	
24	4751000	4	Washer #10	
25	4811400	8	Washer M4	
26	4811700	8	Washer M6	
27	4811900	4	Washer M8	
28	4812000	1	Washer M10	
29	5241000	AR	Washer M10	
30	5241200	AR	Washer M12	
32	1001138566	1	Box, Generator Control (4000W Generator - 60Hz)	
32	70006552	1	Capacitor	
32	70006553	1	Relay	
33	1001140346	1	Generator Assembly	
33	70003709	1	Ring, Retaining (External)	
33	70003708	1	Ring, Retaining (Internal)	
33	70001966	1	Bearing	
33	70004092	1	Endbell (Shaft End)	
33	70004099	1	Key	
33	70004676	1	Rotor	
33	70004687	1	Stator	
33	70004678	1	Endbell (Rear)	
33	70004679	1	Cover, Endbell (Rear)	
33	70004680	1	Enclosure, Wiring	
33	70004685	1	Cover, Enclosure	
33	70004682	1	Switch, Reset (Located on Enclosure Cover)	
33	70004098	1	Connector, Strain Relief (Located on Enclosure Cover)	
33	4460224	1	Receptacle, Female - 6 Position (Connects to Harness	
33	4460268	1	Pin, Male (Connects to Harness)	
33	4460807	6	Seal, Pin (Connects to Harness)	
33	4460808	1	Seal, Interface (Connects to Harness)	
35	1001187092	1	Platform Receptacle Assembly (See Separate Breakdown in	

SECTION 3 - ENGINE

ITEM	PART NUMBER	QTY	DESCRIPTION	REV
			ELECTRICAL Section)	
37	1001186828	1	Junction Box Assembly - 4000W Generator (All Specs Except Australian, CE & UK CA Specs) (See Separate Breakdown in this Section)	
38	1001166732	1	Support	
39	1001183726	1	Pulley	
40	1001184162	1	Bracket	
41	1001184235	1	Belt	
43	3580317	1	Pulley, Belt Tensioner	
44	1001186919	3	Bolt M10 x 40	
45	4240017	2	Tie Strap	
46	1001151080	2	Conduit, Split Poly	
47	1001236444	1	Harness, 4000W Generator Control - Generator to Control Box (See Separate Breakdown in ELECTRICAL Section)	
48	1001186826	1	Harness, 4000W Generator Control - Control Box to Generator Control (See Separate Breakdown in ELECTRICAL Section)	
49	1001236445	1	Cable, Electrical 10/4	
50	5272012	AR	Bolt M10 x 40	
51	4032014	AR	Bolt M10 x 50	
52	1001202532	2	Generator Arm Mount Bracket	
53	1001208340	1	Generator Bracket	
55	1001202536	1	Plate	
56	5272011	AR	Bolt M10 x 35	
57	0701219	AR	Bolt M12 x 55	
58	1001208339	1	Generator Mount Bracket	
59	1001207285	AR	Bolt M10 x 45 Grade 10.9	
60	0701217	AR	Bolt M12 x 45	
61	0630407	4	Capscrew 1/4 x 5/8	
62	3311405	4	Nut, Lock 1/4	
63	4711400	4	Washer 1/4	
64	1001148844	1	Support, Cable	
65	1001206707	1	Support, Receptacle Box	

SECTION 3 - ENGINE

FIGURE 3-24. GENERATOR INSTALLATION - 4000W (KUBOTA GASOLINE) (DUAL FUEL) (Prior to SN M200052012, Excluding M200047449 and M200047476)



ART_1001181216

SECTION 3 - ENGINE

FIGURE 3-24. GENERATOR INSTALLATION - 4000W (KUBOTA GASOLINE) (DUAL FUEL) (Prior to SN M200052012, Excluding M200047449 and M200047476)

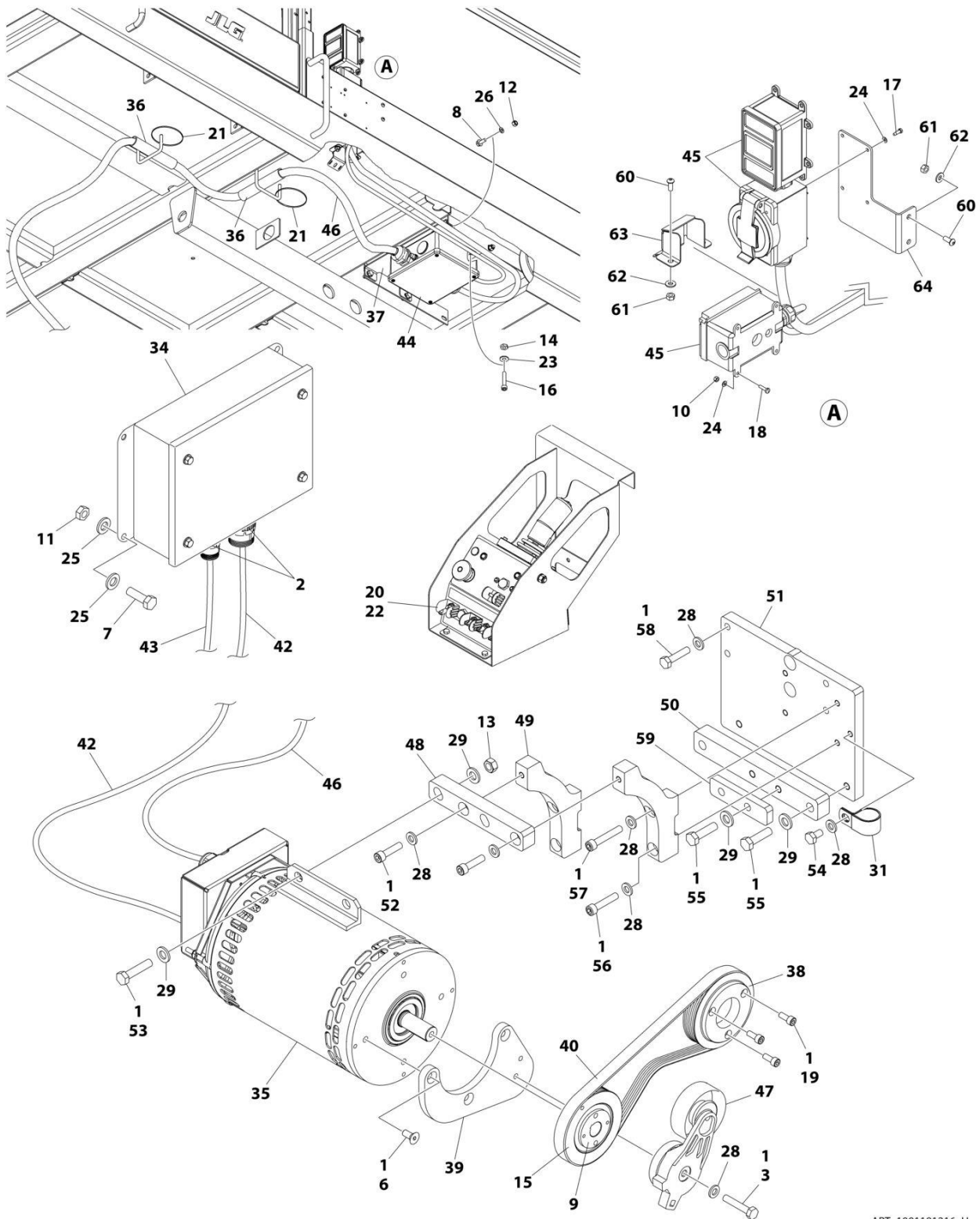
ITEM	PART NUMBER	QTY	DESCRIPTION	REV
	1001181216	Ref	GENERATOR INSTALLATION - 4000W (KUBOTA GASOLINE) (DUAL FUEL)	G
1	0100011	AR	Compound, Locking	
2	0100048	AR	Grease, Silicone (Apply to Contactor Connector)	
3	0701019	1	Bolt M10 x 55	
6	0741607	3	Bolt 3/8 x .88	
7	0760610	4	Bolt M6 x 20	
8	0780810	4	Bolt M8 x 20	
9	0962520	1	Bushing, Taper	
10	3290405	4	Nut M4	
11	3290605	4	Nut M6	
12	3290805	4	Nut M8	
13	3291201	AR	Nut M12	
14	3311005	4	Nut #10	
15	3580318	1	Pulley, Generator	
16	3931016	4	Screw #10 x 1	
17	3940804	4	Self, Tapping	
18	4010408	4	Screw M4 x 16	
19	4031908	3	Bolt M8 x 20	
20	4060802	1	Guard, Switch	
21	4240017	2	Tie Strap	
22	4360482	1	Switch, Toggle	
23	4751000	4	Washer #10	
24	4811400	4	Washer M4	
25	4811700	8	Washer M6	
26	4811900	4	Washer M8	
28	5241000	AR	Washer M10	
29	5241200	AR	Washer M12	
31	8406302	1	Clamp	
34	1001138566	1	Box, Generator Control (4000W Generator - 60Hz)	
34	70006552	1	Capacitor	
34	70006553	1	Relay	
35	1001140346	1	Generator Assembly	
35	70003709	1	Ring, Retaining (External)	
35	70003708	1	Ring, Retaining (Internal)	
35	70001966	1	Bearing	
35	70004092	1	Endbell (Shaft End)	
35	70004099	1	Key	
35	70004676	1	Rotor	
35	70004687	1	Stator	
35	70004678	1	Endbell (Rear)	
35	70004679	1	Cover, Endbell (Rear)	
35	70004680	1	Enclosure, Wiring	
35	70004685	1	Cover, Enclosure	
35	70004682	1	Switch, Reset (Located on Enclosure Cover)	
35	70004098	1	Connector, Strain Relief (Located on Enclosure Cover)	
35	4460224	1	Receptacle, Female - 6 Position (Connects to Harness)	
35	4460268	1	Pin, Male (Connects to Harness)	
35	4460807	6	Seal, Pin (Connects to Harness)	

SECTION 3 - ENGINE

ITEM	PART NUMBER	QTY	DESCRIPTION	REV
35	4460808	1	Seal, Interface (Connects to Harness)	
36	1001151080	2	Conduit, Split Poly	
37	1001166732	1	Support	
38	1001181211	1	Pulley	
39	1001184162	1	Bracket	
40	1001184163	1	Belt	
42	1001236444	1	Harness, 4000W Generator Control - Generator to Control Box (See Separate Breakdown in ELECTRICAL SECTION)	
43	1001186826	1	Harness, 4000W Generator Control - Control Box to Generator Control (See Separate Breakdown in ELECTRICAL SECTION)	
44	1001186828	1	Junction Box Assembly - 4000W Generator (All Specs Except Australian, CE & UK CA Specs) (See Separate Breakdown in this Section)	
45	1001187092	1	Platform Receptacle Assembly (See Separate Breakdown in ELECTRICAL SECTION)	
46	1001236445	1	Cable, Electrical 10/4	
47	3580317	1	Belt	
48	1001202759	1	Plate	
49	1001202760	2	Generator Arm Mount Bracket	
50	1001208340	1	Generator Bracket	
51	1001202764	1	Plate	
52	5272012	AR	Bolt M10 x 40	
53	0701219	AR	Bolt M12 x 55	
54	0761009	AR	Bolt M10 x 18	
55	0701217	AR	Bolt M12 x 45	
56	4032014	AR	Bolt M10 x 50	
57	4032016	AR	Bolt M10 x 60	
58	1001207285	AR	Bolt M10 x 45 Grade 10.9	
59	1001210645	1	Plate	

SECTION 3 - ENGINE

FIGURE 3-25. GENERATOR INSTALLATION - 4000W (KUBOTA GASOLINE) (DUAL FUEL) (SN M200052012 to Present, Including M200047449 and M200047476)



ART_1001181216_H

SECTION 3 - ENGINE

FIGURE 3-25. GENERATOR INSTALLATION - 4000W (KUBOTA GASOLINE) (DUAL FUEL) (SN M200052012 to Present, Including M200047449 and M200047476)

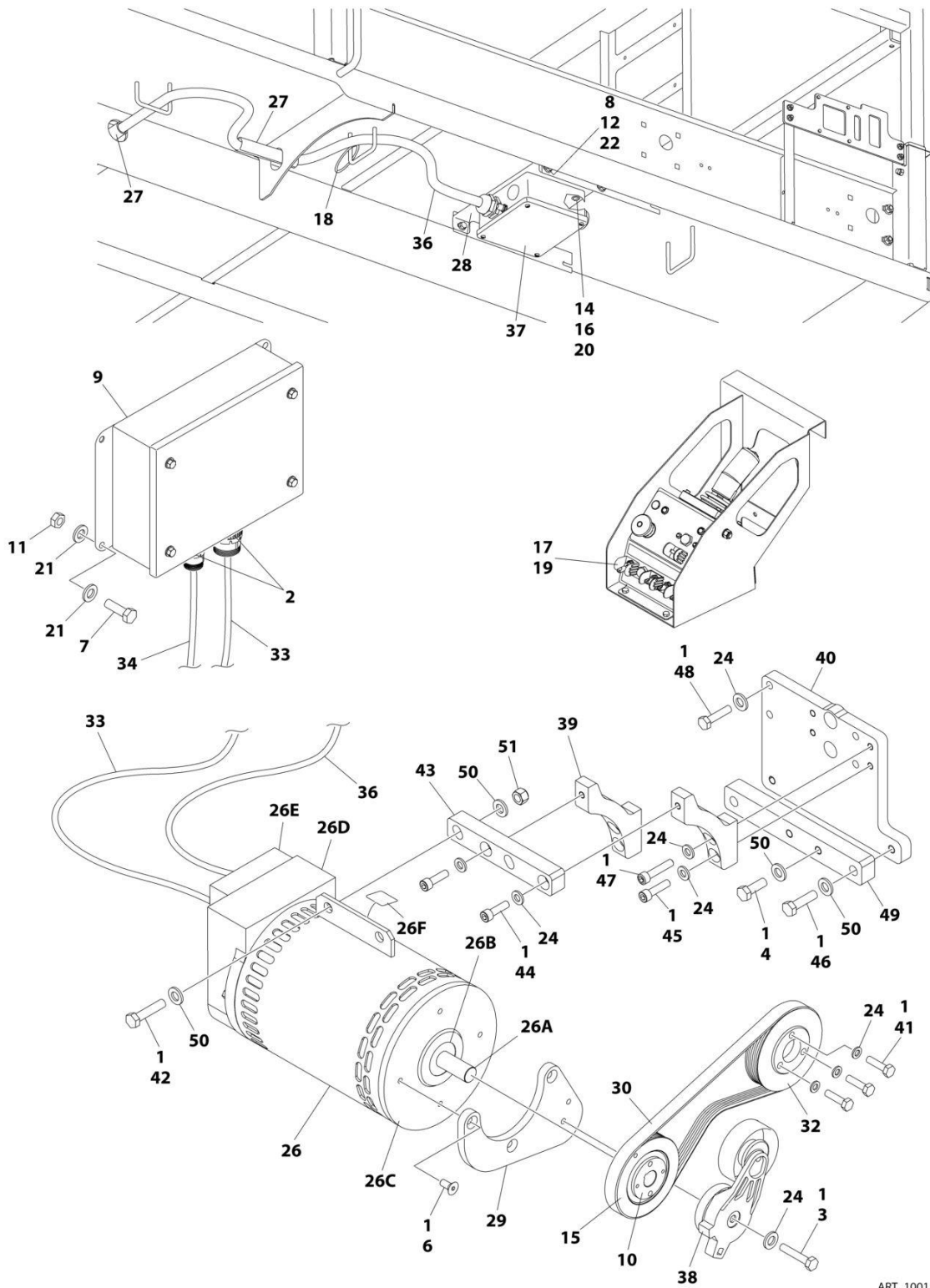
ITEM	PART NUMBER	QTY	DESCRIPTION	REV
	1001181216	Ref	GENERATOR INSTALLATION - 4000W (KUBOTA GASOLINE) (DUAL FUEL)	H
1	0100011	AR	Compound, Locking	
2	0100048	AR	Grease, Silicone (Apply to Contactor Connector)	
3	0701019	1	Bolt M10 x 55	
6	0741607	3	Bolt 3/8 x .88	
7	0760610	4	Bolt M6 x 20	
8	0780810	4	Bolt M8 x 20	
9	0962520	1	Bushing, Taper	
10	3290405	4	Nut M4	
11	3290605	4	Nut M6	
12	3290805	4	Nut M8	
13	3291201	AR	Nut M12	
14	3311005	4	Nut #10	
15	3580318	1	Pulley, Generator	
16	3931016	4	Screw #10 x 1	
17	3940804	4	Self, Tapping	
18	4010408	4	Screw M4 x 16	
19	4031908	3	Bolt M8 x 20	
20	4060802	1	Guard, Switch	
21	4240017	2	Tie Strap	
22	4360482	1	Switch, Toggle	
23	4751000	4	Washer #10	
24	4811400	8	Washer M4	
25	4811700	8	Washer M6	
26	4811900	4	Washer M8	
28	5241000	AR	Washer M10	
29	5241200	AR	Washer M12	
31	8406302	1	Clamp	
34	1001138566	1	Box, Generator Control (4000W Generator - 60Hz)	
34	70006552	1	Capacitor	
34	70006553	1	Relay	
35	1001140346	1	Generator Assembly	
35	70003709	1	Ring, Retaining (External)	
35	70003708	1	Ring, Retaining (Internal)	
35	70001966	1	Bearing	
35	70004092	1	Endbell (Shaft End)	
35	70004099	1	Key	
35	70004676	1	Rotor	
35	70004687	1	Stator	
35	70004678	1	Endbell (Rear)	
35	70004679	1	Cover, Endbell (Rear)	
35	70004680	1	Enclosure, Wiring	
35	70004685	1	Cover, Enclosure	
35	70004682	1	Switch, Reset (Located on Enclosure Cover)	
35	70004098	1	Connector, Strain Relief (Located on Enclosure Cover)	
35	4460224	1	Receptacle, Female - 6 Position (Connects to Harness)	
35	4460268	1	Pin, Male (Connects to Harness)	
35	4460807	6	Seal, Pin (Connects to Harness)	

SECTION 3 - ENGINE

ITEM	PART NUMBER	QTY	DESCRIPTION	REV
35	4460808	1	Seal, Interface (Connects to Harness)	
36	1001151080	2	Conduit, Split Poly	
37	1001166732	1	Support	
38	1001181211	1	Pulley	
39	1001184162	1	Bracket	
40	1001184163	1	Belt	
42	1001236444	1	Harness, 4000W Generator Control - Generator to Control Box (See Separate Breakdown in ELECTRICAL Section)	
43	1001186826	1	Harness, 4000W Generator Control - Control Box to Generator Control (See Separate Breakdown in ELECTRICAL Section)	
44	1001186828	1	Junction Box Assembly - 4000W Generator (All Specs Except Australian, CE & UK CA Specs) (See Separate Breakdown in this Section)	
45	1001187092	1	Platform Receptacle Assembly (See Separate Breakdown in ELECTRICAL Section)	
46	1001236445	1	Cable, Electrical 10/4	
47	3580317	1	Belt	
48	1001202759	1	Plate	
49	1001202760	2	Generator Arm Mount Bracket	
50	1001208340	1	Generator Bracket	
51	1001202764	1	Plate	
52	5272012	AR	Bolt M10 x 40	
53	0701219	AR	Bolt M12 x 55	
54	0761009	AR	Bolt M10 x 18	
55	0701217	AR	Bolt M12 x 45	
56	4032014	AR	Bolt M10 x 50	
57	4032016	AR	Bolt M10 x 60	
58	1001207285	AR	Bolt M10 x 45 Grade 10.9	
59	1001210645	1	Plate	
60	0630407	4	Capscrew 1/4 x 5/8	
61	3311405	4	Nut, Lock 1/4	
62	4711400	4	Washer 1/4	
63	1001148844	1	Support, Cable	
64	1001206707	1	Support, Receptacle Box	

SECTION 3 - ENGINE

FIGURE 3-26. GENERATOR INSTALLATION - 7500W (KUBOTA DIESEL STAGE III)



ART_1001181140_H

SECTION 3 - ENGINE

FIGURE 3-26. GENERATOR INSTALLATION - 7500W (KUBOTA DIESEL STAGE III)

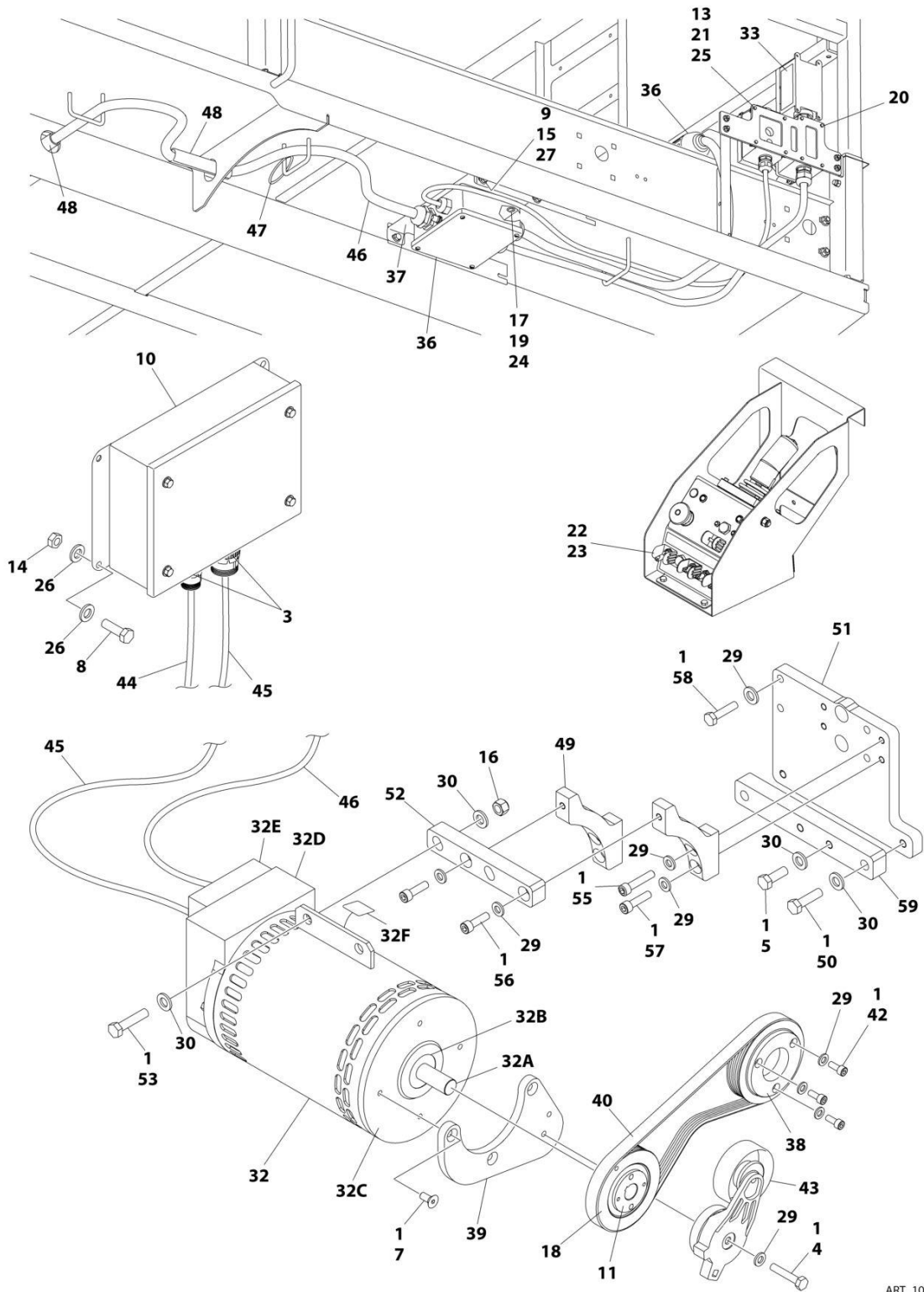
ITEM	PART NUMBER	QTY	DESCRIPTION	REV
	1001181140	Ref	GENERATOR INSTALLATION - 7500W (KUBOTA DIESEL STAGE III)	H
1	0100011	AR	Compound, Locking	
2	0100048	AR	Grease, Silicone (Apply to Contactor Connector)	
3	0701019	1	Bolt M10 x 55	
4	0701215	2	Bolt M12 x 35	
6	0741607	3	Bolt 3/8 x .88	
7	0760610	4	Bolt M6 x 20	
8	0780810	4	Bolt M8 x 20	
9	0861572	1	Box, Generator Control 7500W Generator 50Hz	
10	0962520	1	Bushing, Taper	
11	3290605	4	Nut M6	
12	3290805	4	Nut M8	
14	3311005	4	Nut #10	
15	3580318	1	Pulley, Generator	
16	3931016	4	Screw #10 x 1	
17	4060802	1	Guard, Switch	
18	4240017	2	Tie Strap	
19	4360482	1	Switch, Toggle	
20	4751000	4	Washer #10	
21	4811700	8	Washer M6	
22	4811900	4	Washer M8	
24	5241000	AR	Washer M10	
26	1001212223	1	Generator Assembly	A
26	70001100	1	Rotor (Includes p/n 70001384 & 70000863) (Not Shown)	
26	70001384	1	Bearing, Ball Radial (Not Shown)	
26	70000863	1	Fan (Not Shown)	
26	70006093	1	Stator (Not Shown)	
26	70002297	1	Stud	
26	70003631	1	Brushholder Assembly (Not Shown) (was p/n 7024484)	
26A	70004099	1	Key	
26B	70001966	1	Bearing, Ball Radial (Located in Belt Tensioner Endbell)	
26B	70003708	1	Ring, Internal Retaining (Located in Belt Tensioner Endbell)	
26B	70003709	1	Ring, External Retaining (Located in Belt Tensioner Endbell)	
26C	70004092	1	Endbell, Belt Tensioner	
26D	70004094	1	Endbell, Brush Block	
26E	70006094	1	Shroud	
26E	70002291	1	Insulator, Endbell	
26E	7027799	1	Block, Connector 6 Position (Not Shown)	
26E	70002460	1	Nut, Brass (Attaches p/n 7027799 to Cover) (Not Shown)	
26E	70006095	1	Breaker, Circuit 30Amp	
26E	70006096	1	Boot, Breaker	
26E	7026626	1	Connector, 6 Position (Includes Seal) (Not Shown)	
26E	7026597	1	Connector, with Leads (Not Shown)	
26E	70004098	1	Clamp, Cable	
26E	70006097	1	Plate, End Panel	
26E	70001974	1	Decal - Terminal Connections	
26F	70001973	1	Decal - Warning Moving Parts	
27	1001151080	2	Conduit, Split Poly	
28	1001166732	1	Support	

SECTION 3 - ENGINE

ITEM	PART NUMBER	QTY	DESCRIPTION	REV
29	1001184162	1	Bracket	
30	1001244939	1	Belt	
32	1001244937	1	Pulley	
33	1001236442	1	Harness, 7500W Generator Control - Generator to Generator Control Box (See Separate Breakdown in ELECTRICAL SECTION)	
34	1001186822	1	Harness, 7500W Generator Control - Generator Control Box to Generator Control (See Separate Breakdown in ELECTRICAL SECTION)	
36	1001236443	1	Cable, Electrical 8/5	
37	1001187197	1	Junction Box Assembly - 7500W Generator (Australian, CE & UK CA Specs) (See Separate Breakdown in this Section)	
38	3580317	1	Pulley, Belt Tensioner	
39	1001202532	2	Generator Arm Mount Bracket	
40	1001208339	1	Generator Mount Bracket	
41	1001119929	AR	Bolt M10 x 35	
42	0701219	AR	Bolt M12 x 55	
43	1001202536	1	Plate	
44	5272011	AR	Bolt M10 x 35	
45	5272012	AR	Bolt M10 x 40	
46	0701217	AR	Bolt M12 x 45	
47	4032014	AR	Bolt M10 x 50	
48	1001207285	AR	Bolt M10 x 45 Grade 10.9	
49	1001208340	1	Generator Bracket	
50	5241200	8	Washer M12	
51	3291201	2	Nut M12	
52	0760606	AR	Bolt M6 x 12 (Not Shown)	
53	4871700	AR	Washer M6 (Not Shown)	

SECTION 3 - ENGINE

FIGURE 3-27. GENERATOR INSTALLATION - 7500W (KUBOTA DIESEL T4F) (Prior to SN M200052012, Excluding M200047449 and M200047476)



ART_1001177767

SECTION 3 - ENGINE

FIGURE 3-27. GENERATOR INSTALLATION - 7500W (KUBOTA DIESEL T4F) (Prior to SN M200052012, Excluding M200047449 and M200047476)

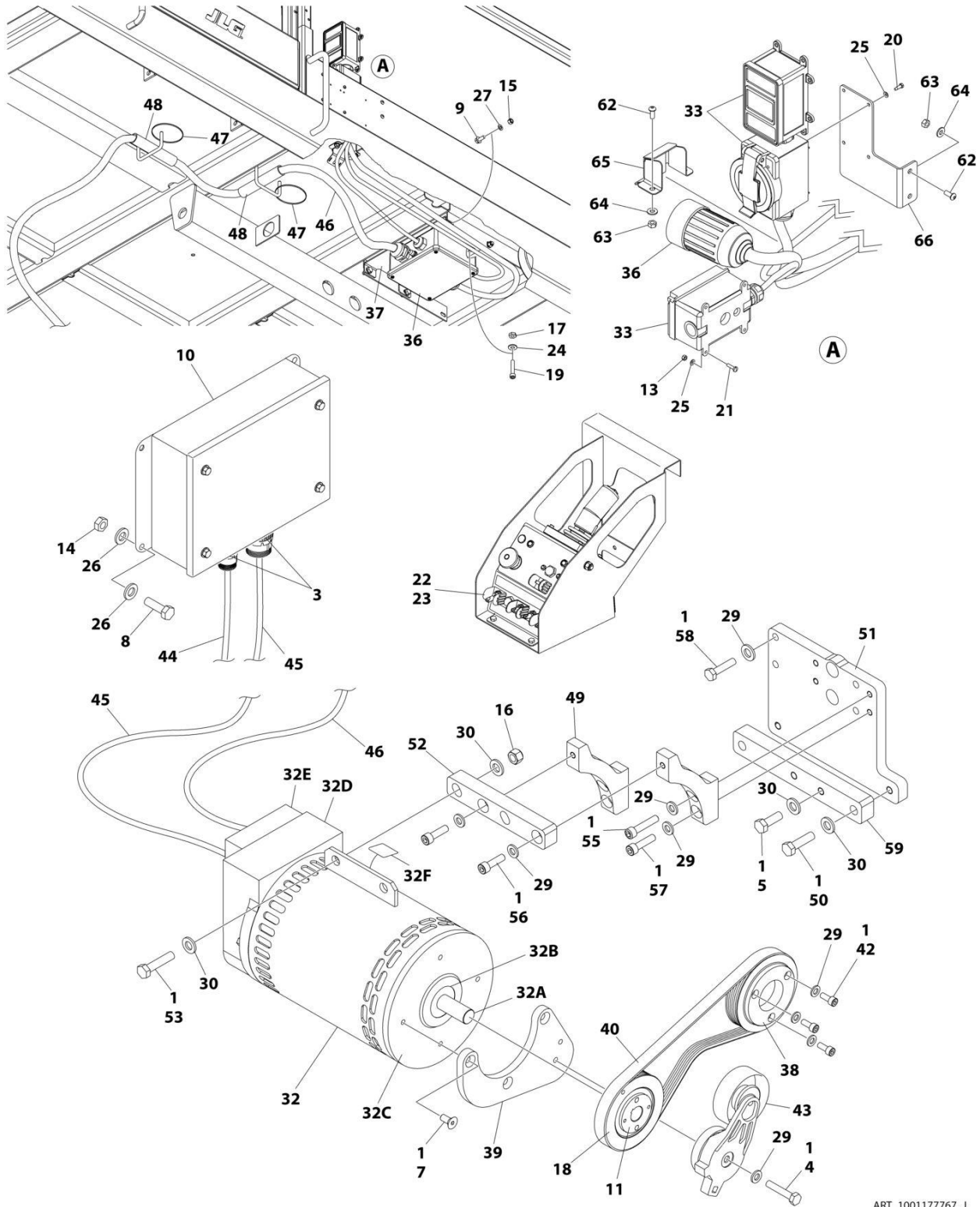
ITEM	PART NUMBER	QTY	DESCRIPTION	REV
	1001177767	Ref	GENERATOR INSTALLATION - 7500W (KUBOTA DIESEL T4F)	I
1	0100011	AR	Compound, Locking	
3	0100048	AR	Grease, Silicone (Apply to Contactor Connector)	
4	0701019	1	Bolt M10 x 55	
5	0701215	2	Bolt M12 x 35	
7	0741607	3	Bolt 3/8 x .88	
8	0760610	4	Bolt M6 x 20	
9	0780810	4	Bolt M8 x 20	
10	0861538	1	Box, Generator Control (7500W Generator - 60Hz)	
11	0962520	1	Bushing, Taper	
13	3290405	4	Nut M4	
14	3290605	4	Nut M6	
15	3290805	4	Nut M8	
16	3291201	AR	Nut M12	
17	3311005	4	Nut #10	
18	3580318	1	Pulley, Generator	
19	3931016	4	Screw #10 x 1	
20	3940804	4	Self, Tapping	
21	4010408	4	Screw M4 x 16	
22	4060802	1	Guard, Switch	
23	4360482	1	Switch, Toggle	
24	4751000	4	Washer #10	
25	4811400	4	Washer M4	
26	4811700	8	Washer M6	
27	4811900	4	Washer M8	
29	5241000	AR	Washer M10	
30	5241200	AR	Washer M12	
32	1001212223	1	Generator Assembly	A
32	70001100	1	Rotor (Includes p/n 70001384 & 70000863) (Not Shown)	
32	70001384	1	Bearing, Ball Radial (Not Shown)	
32	70000863	1	Fan (Not Shown)	
32	70006093	1	Stator (Not Shown)	
32	70002297	1	Stud	
32	70003631	1	Brushholder Assembly (Not Shown) (was p/n 7024484)	
32A	70004099	1	Key	
32B	70001966	1	Bearing, Ball Radial (Located in Belt Tensioner Endbell)	
32B	70003708	1	Ring, Internal Retaining (Located in Belt Tensioner Endbell)	
32B	70003709	1	Ring, External Retaining (Located in Belt Tensioner Endbell)	
32C	70004092	1	Endbell, Belt Tensioner	
32D	70004094	1	Endbell, Brush Block	
32E	70006094	1	Shroud	
32E	70002291	1	Insulator, Endbell	
32E	7027799	1	Block, Connector 6 Position (Not Shown)	
32E	70002460	1	Nut, Brass (Attaches p/n 7027799 to Cover) (Not Shown)	
32E	70006095	1	Breaker, Circuit 30Amp	
32E	70006096	1	Boot, Breaker (Not Shown)	
32E	7026626	1	Connector, 6 Position (Includes Seal) (Not Shown)	
32E	7026597	1	Connector, with Leads (Not Shown)	
32E	70004098	1	Clamp, Cable	

SECTION 3 - ENGINE

ITEM	PART NUMBER	QTY	DESCRIPTION	REV
32E	70006097	1	Plate, End Panel	
32E	70001974	1	Decal - Terminal Connections	
32F	70001973	1	Decal - Warning Moving Parts	
33	1001187092	1	Platform Receptacle Assembly (See Separate Breakdown in ELECTRICAL SECTION)	
36	1001187228	1	Junction Box Assembly - 7500W Generator (All Specs Except Australian, CE & UK CA Specs) (See Separate Breakdown in this Section)	
37	1001166732	1	Support	
38	1001183726	1	Pulley	
39	1001184162	1	Bracket	
40	1001184235	1	Belt	
42	1001186919	3	Bolt M10 x 40	
43	3580317	1	Pulley, Belt Tensioner	
44	1001186822	1	Harness, 7500W Generator Control - Generator Control Box to Generator Control (See Separate Breakdown in ELECTRICAL SECTION)	
45	1001236442	1	Harness, 7500W Generator Control - Generator to Generator Control Box (See Separate Breakdown in ELECTRICAL SECTION)	
46	1001236443	1	Cable, Electrical 8/5	
47	4240017	2	Tie Strap	
48	1001151080	2	Conduit, Split Poly	
49	1001202532	2	Generator Arm Mount Bracket	
50	0701217	AR	Bolt M12 x 45	
51	1001208339	1	Generator Mount Bracket	
52	1001202536	1	Plate	
53	0701219	AR	Bolt M12 x 55	
55	4032014	AR	Bolt M10 x 50	
56	5272011	AR	Bolt M10 x 35	
57	5272012	AR	Bolt M10 x 40	
58	1001207285	AR	Bolt M10 x 45 Grade 10.9	
59	1001208340	1	Generator Bracket	
60	0760606	AR	Bolt M6 x 12 (Not Shown)	
61	4871700	AR	Washer M6 (Not Shown)	

SECTION 3 - ENGINE

FIGURE 3-28. GENERATOR INSTALLATION - 7500W (KUBOTA DIESEL T4F) (SN M200052012 to Present, Including M200047449 and M200047476)



ART_100117767_J

SECTION 3 - ENGINE

FIGURE 3-28. GENERATOR INSTALLATION - 7500W (KUBOTA DIESEL T4F) (SN M200052012 to Present, Including M200047449 and M200047476)

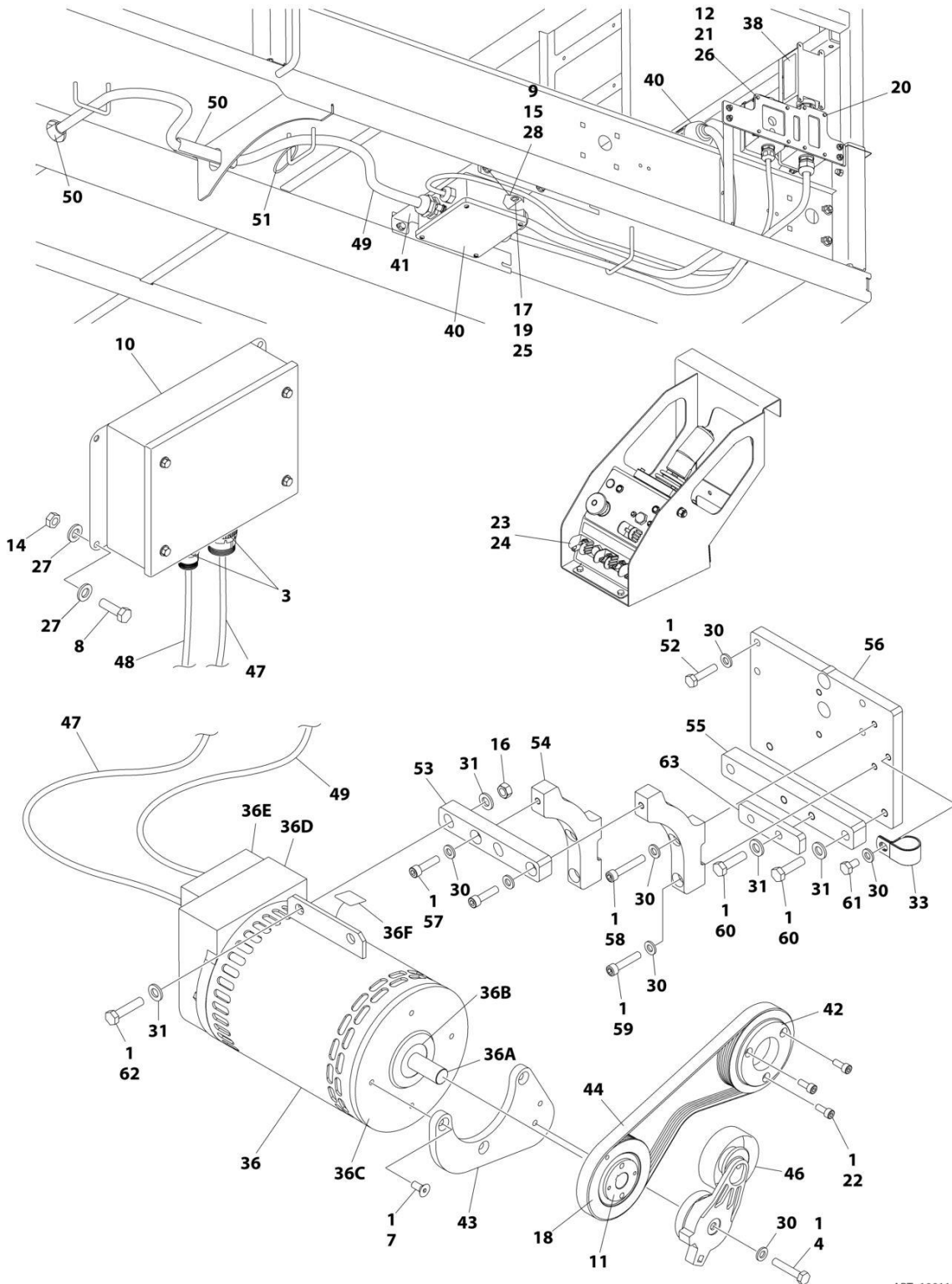
ITEM	PART NUMBER	QTY	DESCRIPTION	REV
	1001177767	Ref	GENERATOR INSTALLATION - 7500W (KUBOTA DIESEL T4F)	J
1	0100011	AR	Compound, Locking	
3	0100048	AR	Grease, Silicone (Apply to Contactor Connector)	
4	0701019	1	Bolt M10 x 55	
5	0701215	2	Bolt M12 x 35	
7	0741607	3	Bolt 3/8 x .88	
8	0760610	4	Bolt M6 x 20	
9	0780810	4	Bolt M8 x 20	
10	0861538	1	Box, Generator Control (7500W Generator - 60Hz)	
11	0962520	1	Bushing, Taper	
13	3290405	4	Nut M4	
14	3290605	4	Nut M6	
15	3290805	4	Nut M8	
16	3291201	AR	Nut M12	
17	3311005	4	Nut #10	
18	3580318	1	Pulley, Generator	
19	3931016	4	Screw #10 x 1	
20	3940804	4	Self, Tapping	
21	4010408	4	Screw M4 x 16	
22	4060802	1	Guard, Switch	
23	4360482	1	Switch, Toggle	
24	4751000	4	Washer #10	
25	4811400	8	Washer M4	
26	4811700	8	Washer M6	
27	4811900	4	Washer M8	
29	5241000	AR	Washer M10	
30	5241200	AR	Washer M12	
32	1001212223	1	Generator Assembly	A
32	70001100	1	Rotor (Includes p/n 70001384 & 70000863) (Not Shown)	
32	70001384	1	Bearing, Ball Radial (Not Shown)	
32	70000863	1	Fan (Not Shown)	
32	70006093	1	Stator (Not Shown)	
32	70002297	1	Stud	
32	70003631	1	Brushholder Assembly (Not Shown) (was p/n 7024484)	
32A	70004099	1	Key	
32B	70001966	1	Bearing, Ball Radial (Located in Belt Tensioner Endbell)	
32B	70003708	1	Ring, Internal Retaining (Located in Belt Tensioner Endbell)	
32B	70003709	1	Ring, External Retaining (Located in Belt Tensioner Endbell)	
32C	70004092	1	Endbell, Belt Tensioner	
32D	70004094	1	Endbell, Brush Block	
32E	70006094	1	Shroud	
32E	70002291	1	Insulator, Endbell	
32E	7027799	1	Block, Connector 6 Position (Not Shown)	
32E	70002460	1	Nut, Brass (Attaches p/n 7027799 to Cover) (Not Shown)	
32E	70006095	1	Breaker, Circuit 30Amp	
32E	70006096	1	Boot, Breaker (Not Shown)	
32E	7026626	1	Connector, 6 Position (Includes Seal) (Not Shown)	
32E	7026597	1	Connector, with Leads (Not Shown)	
32E	70004098	1	Clamp, Cable	

SECTION 3 - ENGINE

ITEM	PART NUMBER	QTY	DESCRIPTION	REV
32E	70006097	1	Plate, End Panel	
32E	70001974	1	Decal - Terminal Connections	
32F	70001973	1	Decal - Warning Moving Parts	
33	1001187092	1	Platform Receptacle Assembly (See Separate Breakdown in ELECTRICAL Section)	
36	1001187228	1	Junction Box Assembly - 7500W Generator (All Specs Except Australian, CE & UK CA Specs) (See Separate Breakdown in this Section)	
37	1001166732	1	Support	
38	1001183726	1	Pulley	
39	1001184162	1	Bracket	
40	1001184235	1	Belt	
42	1001186919	3	Bolt M10 x 40	
43	3580317	1	Pulley, Belt Tensioner	
44	1001186822	1	Harness, 7500W Generator Control - Generator Control Box to Generator Control (See Separate Breakdown in ELECTRICAL Section)	
45	1001236442	1	Harness, 7500W Generator Control - Generator to Generator Control Box (See Separate Breakdown in ELECTRICAL Section)	
46	1001236443	1	Cable, Electrical 8/5	
47	4240017	2	Tie Strap	
48	1001151080	2	Conduit, Split Poly	
49	1001202532	2	Generator Arm Mount Bracket	
50	0701217	AR	Bolt M12 x 45	
51	1001208339	1	Generator Mount Bracket	
52	1001202536	1	Plate	
53	0701219	AR	Bolt M12 x 55	
55	4032014	AR	Bolt M10 x 50	
56	5272011	AR	Bolt M10 x 35	
57	5272012	AR	Bolt M10 x 40	
58	1001207285	AR	Bolt M10 x 45 Grade 10.9	
59	1001208340	1	Generator Bracket	
60	0760606	AR	Bolt M6 x 12 (Not Shown)	
61	4871700	AR	Washer M6 (Not Shown)	
62	0630407	4	Capscrew 1/4 x 5/8	
63	3311405	4	Nut, Lock 1/4	
64	4711400	4	Washer 1/4	
65	1001148844	1	Support, Cable	
66	1001206707	1	Support, Receptacle Box	

SECTION 3 - ENGINE

FIGURE 3-29. GENERATOR INSTALLATION - 7500W (KUBOTA GASOLINE) (DUAL FUEL) (Prior to SN M200052012, Excluding M200047449 and M200047476)



ART_1001181141

SECTION 3 - ENGINE

FIGURE 3-29. GENERATOR INSTALLATION - 7500W (KUBOTA GASOLINE) (DUAL FUEL) (Prior to SN M200052012, Excluding M200047449 and M200047476)

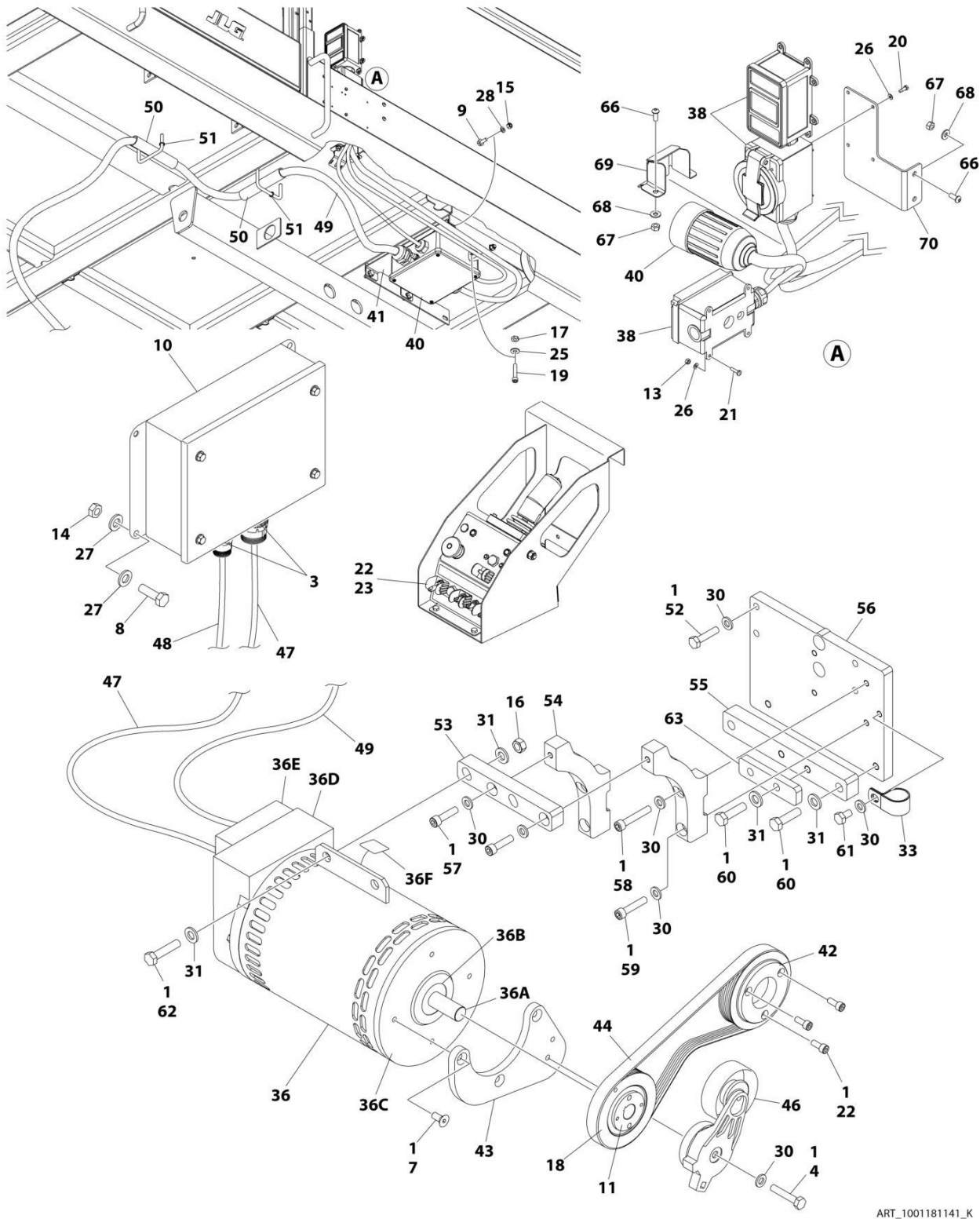
ITEM	PART NUMBER	QTY	DESCRIPTION	REV
	1001181141	Ref	GENERATOR INSTALLATION - 7500W (KUBOTA GASOLINE) (DUAL FUEL)	J
1	0100011	AR	Compound, Locking	
3	0100048	AR	Grease, Silicone (Apply to Contactor Connector)	
4	0701019	1	Bolt M10 x 55	
7	0741607	3	Bolt 3/8 x .88	
8	0760610	4	Bolt M6 x 20	
9	0780810	4	Bolt M8 x 20	
10	0861538	1	Box, Generator Control (7500W Generator - 60Hz)	
11	0962520	1	Bushing, Taper	
13	3290405	4	Nut M4	
14	3290605	4	Nut M6	
15	3290805	4	Nut M8	
16	3291201	AR	Nut M12	
17	3311005	4	Nut #10	
18	3580318	1	Pulley, Generator	
19	3931016	4	Screw #10 x 1	
20	3940804	4	Self, Tapping	
21	4010408	4	Screw M4 x 16	
22	4031908	3	Bolt M8 x 20	
23	4060802	1	Guard, Switch	
24	4360482	1	Switch, Toggle	
25	4751000	4	Washer #10	
26	4811400	4	Washer M4	
27	4811700	8	Washer M6	
28	4811900	4	Washer M8	
30	5241000	AR	Washer M10	
31	5241200	AR	Washer M12	
33	8406302	1	Clamp	
36	1001212223	1	Generator Assembly	A
36	70001100	1	Rotor (Includes p/n 70001384 & 70000863) (Not Shown)	
36	70001384	1	Bearing, Ball Radial (Not Shown)	
36	70000863	1	Fan (Not Shown)	
36	70006093	1	Stator (Not Shown)	
36	70002297	1	Stud	
36	70003631	1	Brushholder Assembly (Not Shown) (was p/n 7024484)	
36A	70004099	1	Key	
36B	70001966	1	Bearing, Ball Radial (Located in Belt Tensioner Endbell)	
36B	70003708	1	Ring, Internal Retaining (Located in Belt Tensioner Endbell)	
36B	70003709	1	Ring, External Retaining (Located in Belt Tensioner Endbell)	
36C	70004092	1	Endbell, Belt Tensioner	
36D	70004094	1	Endbell, Brush Block	
36E	70006094	1	Shroud	
36E	70002291	1	Insulator, Endbell	
36E	7027799	1	Block, Connector 6 Position (Not Shown)	
36E	70002460	1	Nut, Brass (Attaches p/n 7027799 to Cover) (Not Shown)	
36E	70006095	1	Breaker, Circuit 30Amp	
36E	70006096	1	Boot, Breaker (Not Shown)	
36E	7026626	1	Connector, 6 Position (Includes Seal) (Not Shown)	

SECTION 3 - ENGINE

ITEM	PART NUMBER	QTY	DESCRIPTION	REV
36E	7026597	1	Connector, with Leads (Not Shown)	
36E	70004098	1	Clamp, Cable	
36E	70006097	1	Plate, End Panel	
36E	70001974	1	Decal - Terminal Connections	
36F	70001973	1	Decal - Warning Moving Parts	
38	1001187092	1	Platform Receptacle Assembly (See Separate Breakdown in ELECTRICAL SECTION)	
40	1001187228	1	Junction Box Assembly - 7500W Generator (All Specs Except Australian, CE & UK CA Specs) (See Separate Breakdown in this Section)	
41	1001166732	1	Support	
42	1001181211	1	Pulley	
43	1001184162	1	Bracket	
44	1001184163	1	Belt	
46	3580317	1	Pulley, Belt Tensioner	
47	1001236442	1	Harness, 7500W Generator Control - Generator to Generator Control Box (See Separate Breakdown in ELECTRICAL SECTION)	
48	1001186822	1	Harness, 7500W Generator Control - Generator Control Box to Generator Control (See Separate Breakdown in ELECTRICAL SECTION)	
49	1001236443	1	Cable, Electrical 8/5	
50	1001151080	2	Conduit, Split Poly	
51	4240017	2	Tie Strap	
52	1001207285	AR	Bolt M10 x 45 Grade 10.9	
53	1001202759	1	Plate	
54	1001202760	2	Generator Arm Mount Bracket	
55	1001208340	1	Generator Bracket	
56	1001202764	1	Plate	
57	5272012	AR	Bolt M10 x 40	
58	4032016	AR	Bolt M10 x 60	
59	4032014	AR	Bolt M10 x 50	
60	0701217	AR	Bolt M12 x 45	
61	0761009	AR	Bolt M10 x 18	
62	0701219	AR	Bolt M12 x 55	
63	1001210645	1	Plate	
64	0760606	AR	Bolt M6 x 12 (Not Shown)	
65	4871700	AR	Washer M6 (Not Shown)	

SECTION 3 - ENGINE

FIGURE 3-30. GENERATOR INSTALLATION - 7500W (KUBOTA GASOLINE) (DUAL FUEL) (SN M200052012 to Present, Including M200047449 and M200047476)



ART_1001181141_K

SECTION 3 - ENGINE

FIGURE 3-30. GENERATOR INSTALLATION - 7500W (KUBOTA GASOLINE) (DUAL FUEL) (SN M200052012 to Present, Including M200047449 and M200047476)

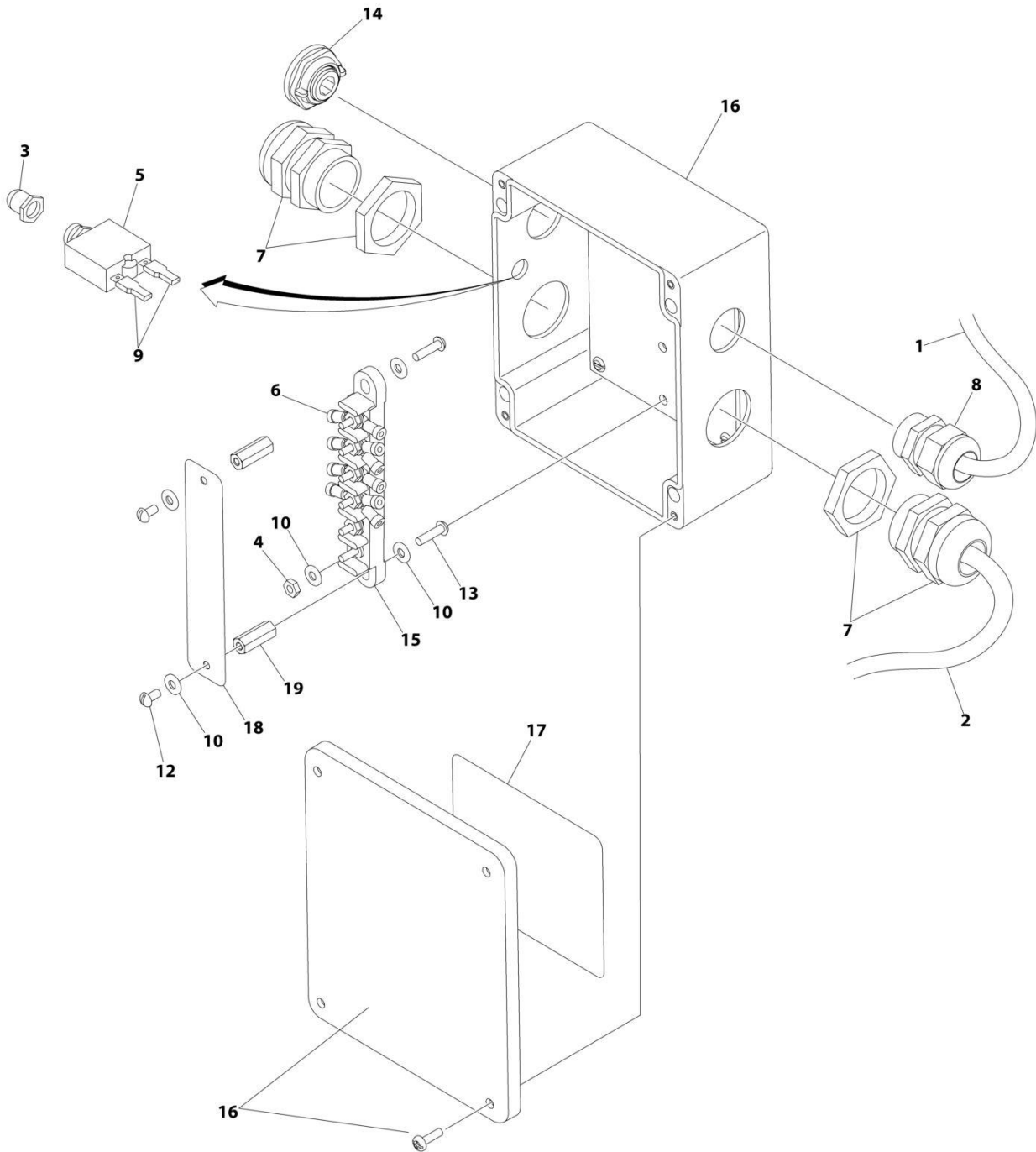
ITEM	PART NUMBER	QTY	DESCRIPTION	REV
	1001181141	Ref	GENERATOR INSTALLATION - 7500W (KUBOTA GASOLINE) (DUAL FUEL)	K
1	0100011	AR	Compound, Locking	
3	0100048	AR	Grease, Silicone (Apply to Contactor Connector)	
4	0701019	1	Bolt M10 x 55	
7	0741607	3	Bolt 3/8 x .88	
8	0760610	4	Bolt M6 x 20	
9	0780810	4	Bolt M8 x 20	
10	0861538	1	Box, Generator Control (7500W Generator - 60Hz)	
11	0962520	1	Bushing, Taper	
13	3290405	4	Nut M4	
14	3290605	4	Nut M6	
15	3290805	4	Nut M8	
16	3291201	AR	Nut M12	
17	3311005	4	Nut #10	
18	3580318	1	Pulley, Generator	
19	3931016	4	Screw #10 x 1	
20	3940804	4	Self, Tapping	
21	4010408	4	Screw M4 x 16	
22	4031908	3	Bolt M8 x 20	
23	4060802	1	Guard, Switch	
24	4360482	1	Switch, Toggle	
25	4751000	4	Washer #10	
26	4811400	8	Washer M4	
27	4811700	8	Washer M6	
28	4811900	4	Washer M8	
30	5241000	AR	Washer M10	
31	5241200	AR	Washer M12	
33	8406302	1	Clamp	
36	1001212223	1	Generator Assembly	A
36	70001100	1	Rotor (Includes p/n 70001384 & 70000863) (Not Shown)	
36	70001384	1	Bearing, Ball Radial (Not Shown)	
36	70000863	1	Fan (Not Shown)	
36	70006093	1	Stator (Not Shown)	
36	70002297	1	Stud	
36	70003631	1	Brushholder Assembly (Not Shown) (was p/n 7024484)	
36A	70004099	1	Key	
36B	70001966	1	Bearing, Ball Radial (Located in Belt Tensioner Endbell)	
36B	70003708	1	Ring, Internal Retaining (Located in Belt Tensioner Endbell)	
36B	70003709	1	Ring, External Retaining (Located in Belt Tensioner Endbell)	
36C	70004092	1	Endbell, Belt Tensioner	
36D	70004094	1	Endbell, Brush Block	
36E	70006094	1	Shroud	
36E	70002291	1	Insulator, Endbell	
36E	7027799	1	Block, Connector 6 Position (Not Shown)	
36E	70002460	1	Nut, Brass (Attaches p/n 7027799 to Cover) (Not Shown)	
36E	70006095	1	Breaker, Circuit 30Amp	
36E	70006096	1	Boot, Breaker (Not Shown)	
36E	7026626	1	Connector, 6 Position (Includes Seal) (Not Shown)	

SECTION 3 - ENGINE

ITEM	PART NUMBER	QTY	DESCRIPTION	REV
36E	7026597	1	Connector, with Leads (Not Shown)	
36E	70004098	1	Clamp, Cable	
36E	70006097	1	Plate, End Panel	
36E	70001974	1	Decal - Terminal Connections	
36F	70001973	1	Decal - Warning Moving Parts	
38	1001187092	1	Platform Receptacle Assembly (See Separate Breakdown in ELECTRICAL Section)	
40	1001187228	1	Junction Box Assembly - 7500W Generator (All Specs Except Australian, CE & UK CA Specs) (See Separate Breakdown in this Section)	
41	1001166732	1	Support	
42	1001181211	1	Pulley	
43	1001184162	1	Bracket	
44	1001184163	1	Belt	
46	3580317	1	Pulley, Belt Tensioner	
47	1001236442	1	Harness, 7500W Generator Control - Generator to Generator Control Box (See Separate Breakdown in ELECTRICAL Section)	
48	1001186822	1	Harness, 7500W Generator Control - Generator Control Box to Generator Control (See Separate Breakdown in ELECTRICAL Section)	
49	1001236443	1	Cable, Electrical 8/5	
50	1001151080	2	Conduit, Split Poly	
51	4240017	2	Tie Strap	
52	1001207285	AR	Bolt M10 x 45 Grade 10.9	
53	1001202759	1	Plate	
54	1001202760	2	Generator Arm Mount Bracket	
55	1001208340	1	Generator Bracket	
56	1001202764	1	Plate	
57	5272012	AR	Bolt M10 x 40	
58	4032016	AR	Bolt M10 x 60	
59	4032014	AR	Bolt M10 x 50	
60	0701217	AR	Bolt M12 x 45	
61	0761009	AR	Bolt M10 x 18	
62	0701219	AR	Bolt M12 x 55	
63	1001210645	1	Plate	
64	0760606	AR	Bolt M6 x 12 (Not Shown)	
65	4871700	AR	Washer M6 (Not Shown)	
66	0630407	4	Capscrew 1/4 x 5/8	
67	3311405	4	Nut, Lock 1/4	
68	4711400	4	Washer 1/4	
69	1001148844	1	Support, Cable	
70	1001206707	1	Support, Receptacle Box	

SECTION 3 - ENGINE

FIGURE 3-31. JUNCTION BOX ASSEMBLY - 4000W GENERATOR (ALL SPECS EXCEPT AUSTRALIAN, CE & UK CA SPECS)



ART_1001186828

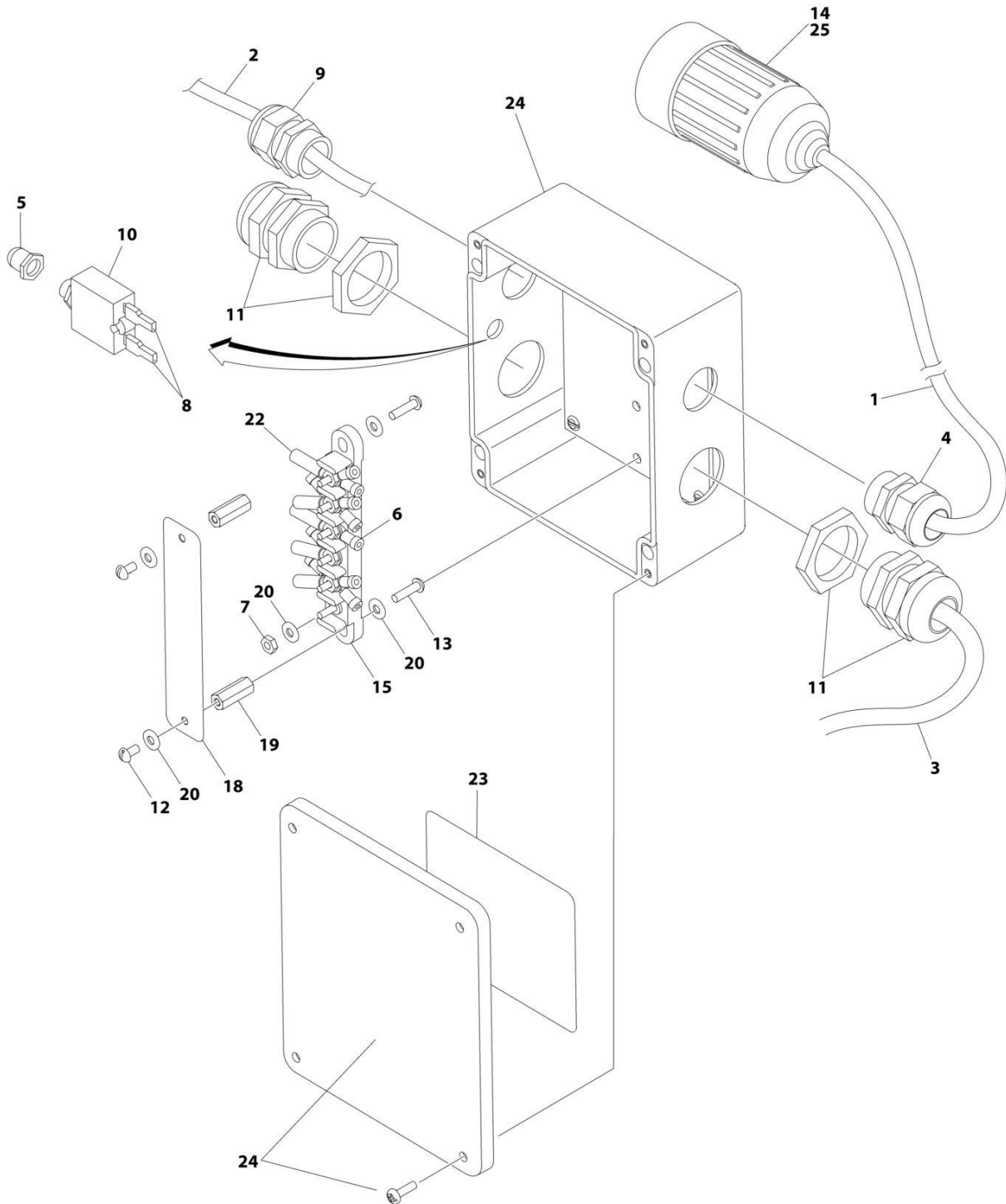
SECTION 3 - ENGINE

FIGURE 3-31. JUNCTION BOX ASSEMBLY - 4000W GENERATOR (ALL SPECS EXCEPT AUSTRALIAN, CE & UK CA SPECS)

ITEM	PART NUMBER	QTY	DESCRIPTION	REV
	1001186828	Ref	JUNCTION BOX ASSEMBLY - 4000W GENERATOR	B
1	1060494	6.8 ft/ 2m	Cable, Electrical - 12/3	
2	1060708	6.8 ft/ 2m	Cable, Electrical - 10/3	
3	3300396	1	Cover, Fuse	
4	3311001	6	Nut, #10-24	
5	4360070	1	Circuit Breaker - 15Amp	
6	4460068	10	Terminal	
7	4460426	2	Connector, Strain Relief	
8	4460425	1	Strain Relief, Terminal	
9	4460483	2	Terminal	
10	4711000	10	Washer, #10	
12	10702077	2	Screw, #10-32 X 3/8	
13	10702082	2	Screw, #10-32 X 3/4	
14	1001152525	1	Plug	
15	1001157520	1	Block, Terminal - 6 Pole	
16	1001157521	1	Box, Junction	
17	1001195517	1	Decal - Wiring Schematic	
18	1001158007	1	Cover	
19	1001158008	2	Stand-Off	

SECTION 3 - ENGINE

FIGURE 3-32. JUNCTION BOX ASSEMBLY - 7500W GENERATOR (ALL SPECS EXCEPT AUSTRALIAN, CE & UK CA SPECS)



ART_1001187228

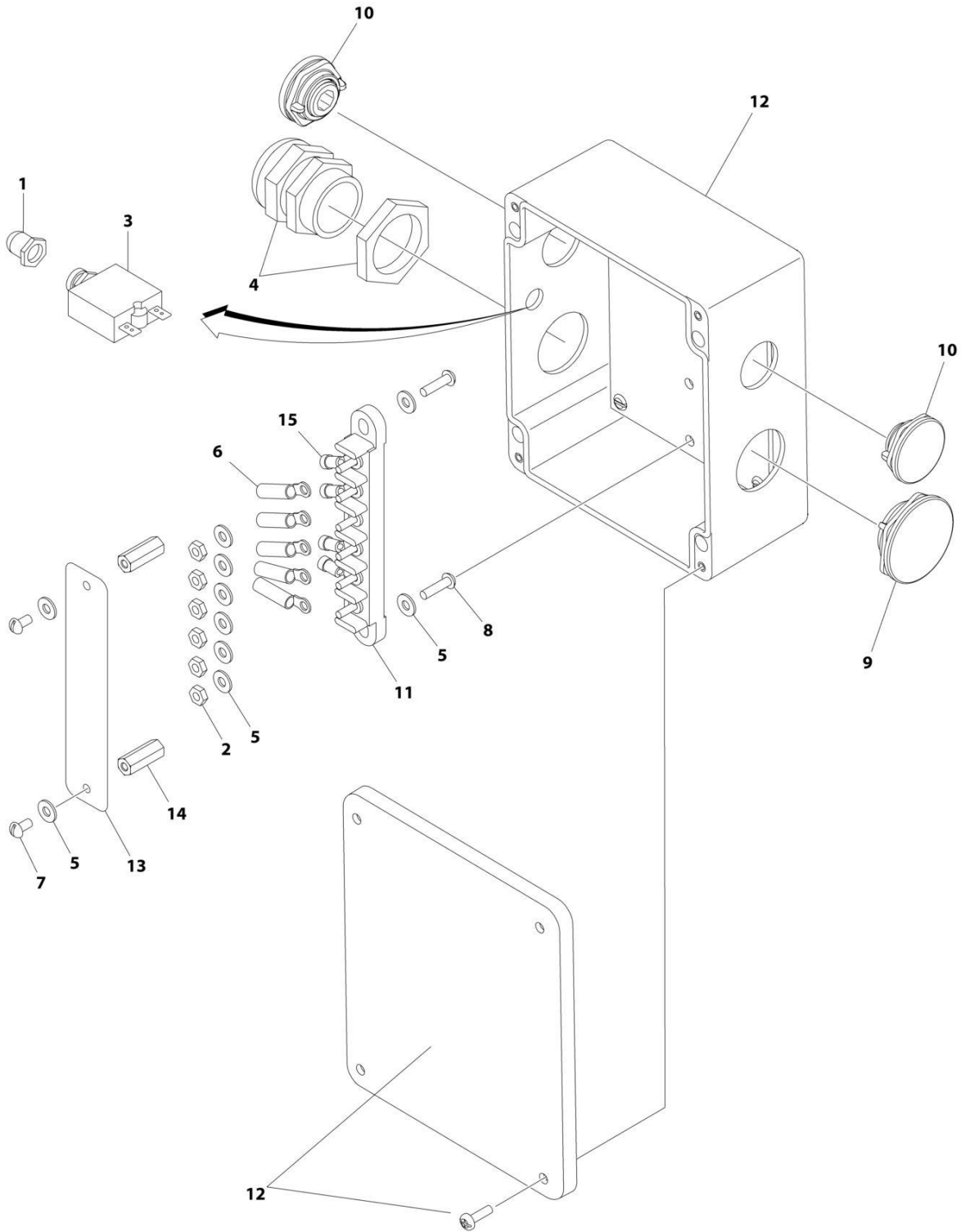
SECTION 3 - ENGINE

FIGURE 3-32. JUNCTION BOX ASSEMBLY - 7500W GENERATOR (ALL SPECS EXCEPT AUSTRALIAN, CE & UK CA SPECS)

ITEM	PART NUMBER	QTY	DESCRIPTION	REV
	1001187228	Ref	JUNCTION BOX ASSEMBLY - 7500W GENERATOR	A
1	1060343	6.8 ft/ 2m	Cable, Electrical - 10/4	
2	1060494	6.8 ft/ 2m	Cable, Electrical - 12/3	
3	1060708	6.8 ft/ 2m	Cable, Electrical - 10/3	
4	1321692	1	Strain Relief, Terminal	
5	3300396	1	Cover, Fuse	
6	4460068	10	Terminal	
7	3311001	6	Nut, #10-24	
8	4460483	2	Terminal	
9	4460425	1	Strain Relief, Terminal	
10	4360070	1	Circuit Breaker - 15Amp	
11	4460426	2	Connector, Strain Relief	
12	10702077	2	Screw, #10-32 X 3/8	
13	10702082	2	Screw, #10-32 X 3/4	
14	4460963	1	Connector, Turnlock	
15	1001157520	1	Block, Terminal - 6 Pole	
18	1001158007	1	Cover	
19	1001158008	2	Stand-Off	
20	4711000	10	Washer, #10	
22	8220022	5	Terminal, #10 Stud	
23	1001157528	1	Decal - Wiring Schematic	
24	1001187232	1	Box, Junction	
25	1671092	1	Cover, Connector	

SECTION 3 - ENGINE

FIGURE 3-33. JUNCTION BOX ASSEMBLY - 4000W/7500W GENERATOR (AUSTRALIAN, CE & UK CA SPECS)



ART_1001187197

SECTION 3 - ENGINE

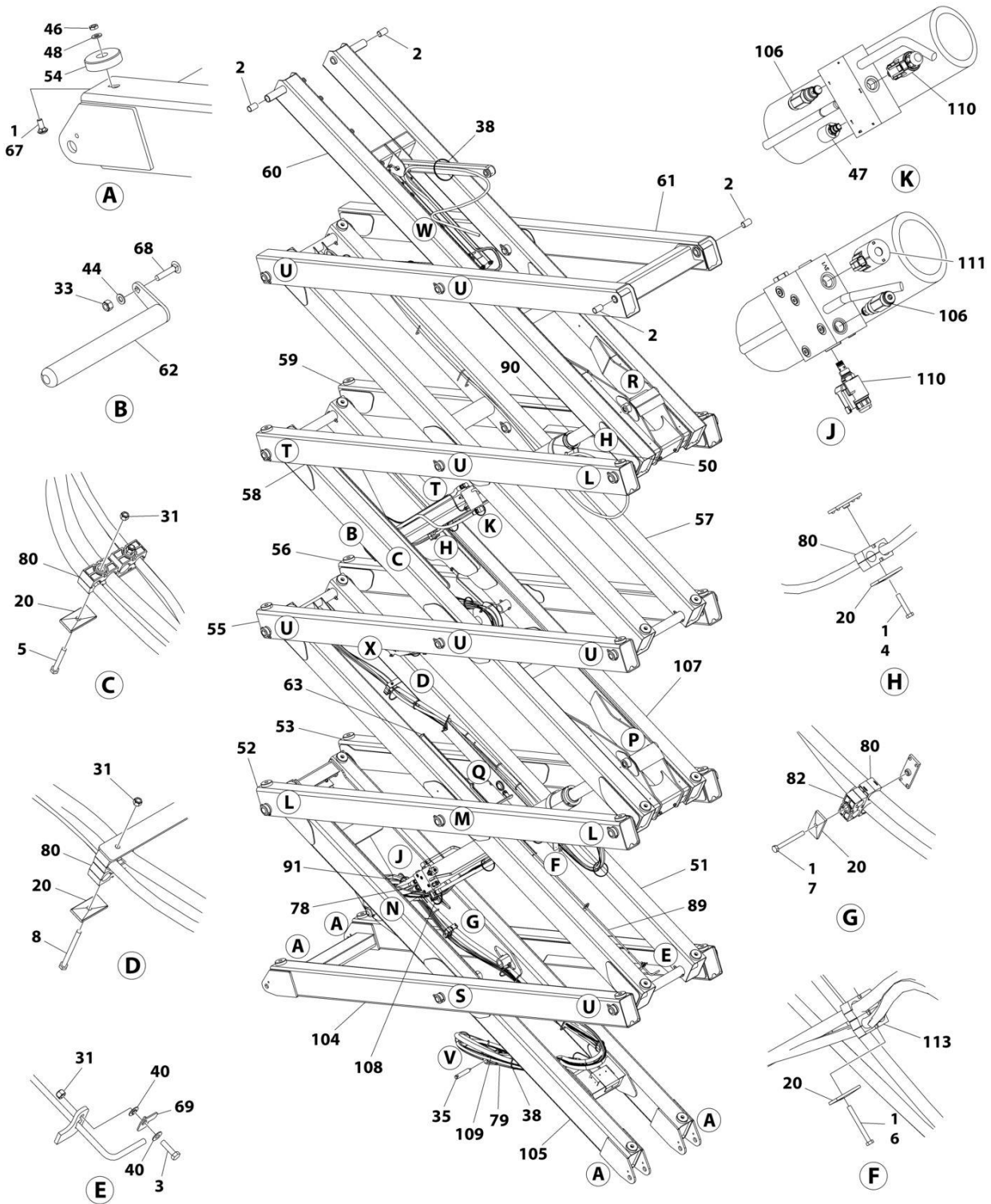
FIGURE 3-33. JUNCTION BOX ASSEMBLY - 4000W/7500W GENERATOR (AUSTRALIAN, CE & UK CA SPECS)

ITEM	PART NUMBER	QTY	DESCRIPTION	REV
	1001187197	Ref	JUNCTION BOX ASSEMBLY - 4000W/7500W GENERATOR	A
1	3300396	1	Cover, Fuse	
2	3311001	6	Nut, #10-24	
3	4360070	1	Circuit Breaker - 15Amp	
4	4460426	1	Connector, Strain Relief	
5	4711000	10	Washer, #10	
6	8220022	5	Terminal, #10 Stud	
7	10702077	2	Screw, #10-32 X 3/8	
8	10702082	2	Screw, #10-32 X 3/4	
9	1001148648	1	Plug	
10	1001152525	2	Plug	
11	1001157520	1	Block, Terminal - 6 Pole	
12	1001157521	1	Box, Junction	
13	1001158007	1	Cover	
14	1001158008	2	Stand-Off	
15	4460068	4	Terminal	

SECTION 4 - SCISSORS ARMS

SECTION 4 - SCISSORS ARMS

FIGURE 4-1. SCISSORS ARMS ASSEMBLY



ART_1001217384_10F3

SECTION 4 - SCISSORS ARMS

FIGURE 4-1. SCISSORS ARMS ASSEMBLY

ITEM	PART NUMBER	QTY	DESCRIPTION	REV
	1001217384	Ref	SCISSORS ARMS ASSEMBLY	H
1	0100011	AR	Compound, Locking	
2	0440250	4	Bearing	
3	0700814	1	Bolt M8 x 30	
4	0700817	2	Bolt M8 x 45	
5	0700820	2	Bolt M8 x 60	
6	0700824	1	Bolt M8 x 80	
7	0700826	2	Bolt M8 x 90	
8	0700827	1	Bolt M8 x 100	
9	0700828	6	Bolt M8 x 110	
10	0700830	1	Bolt M8 x 130	
11	0700831	1	Bolt M8 x 140	
12	0711025	44	Bolt M10 x 85	
13	0711026	3	Bolt M10 x 90	
14	0711027	8	Bolt M10 x 100	
15	0760415	2	Bolt M4 x 35	
16	0761012	2	Bolt M10 x 25	
17	0771015	2	Bolt M10 x 35	
18	0962031	2	Bushing, Flange	
19	0962036	16	Bushing	
20	1309435	7	Cover, Clamp	
28	3020039	AR	Lubricant	
29	3290405	2	Nut M4	
30	3290605	2	Nut M6	
31	3290805	23	Nut M8	
32	3291005	56	Nut M10	
33	3331017	4	Nut M10	
34	3422943	2	Pin, Link Pivot	
35	3422963	1	Pin, Link Attach	
36	3450304	1	Pin, Cotter 3/32 x 1	
37	3841143	2	Keeper, Pin	
38	4240018	39	Tie-Strap	
39	4360500	1	Switch, Rotary Angle Sensor	
40	4740455	2	Washer	
41	4811400	4	Washer M4	
42	4811700	4	Washer M6	
43	4811902	2	Washer M8	
44	4812000	31	Washer M10	
45	1001096653	2	Bolt M6 x 70	
46	1001102433	32	Nut M8	
47	1001148972	1	Valve, Solenoid Cartridge	
47	70002401	1	Cartridge Less Coil	
47	7017496	1	Seal Kit - 70002401 & 1001148972 Valve	
47	70003788	1	Coil	
48	1001108588	36	Washer M8	
49	1001118665	36	Bearing	
50	1001143645	2	Strap, Cinch	
51	1001181375	1	Arm, Inner 2	
52	1001181384	1	Arm, Outer 2 (RH)	
53	1001181385	1	Arm, Outer 2 (LH)	

SECTION 4 - SCISSORS ARMS

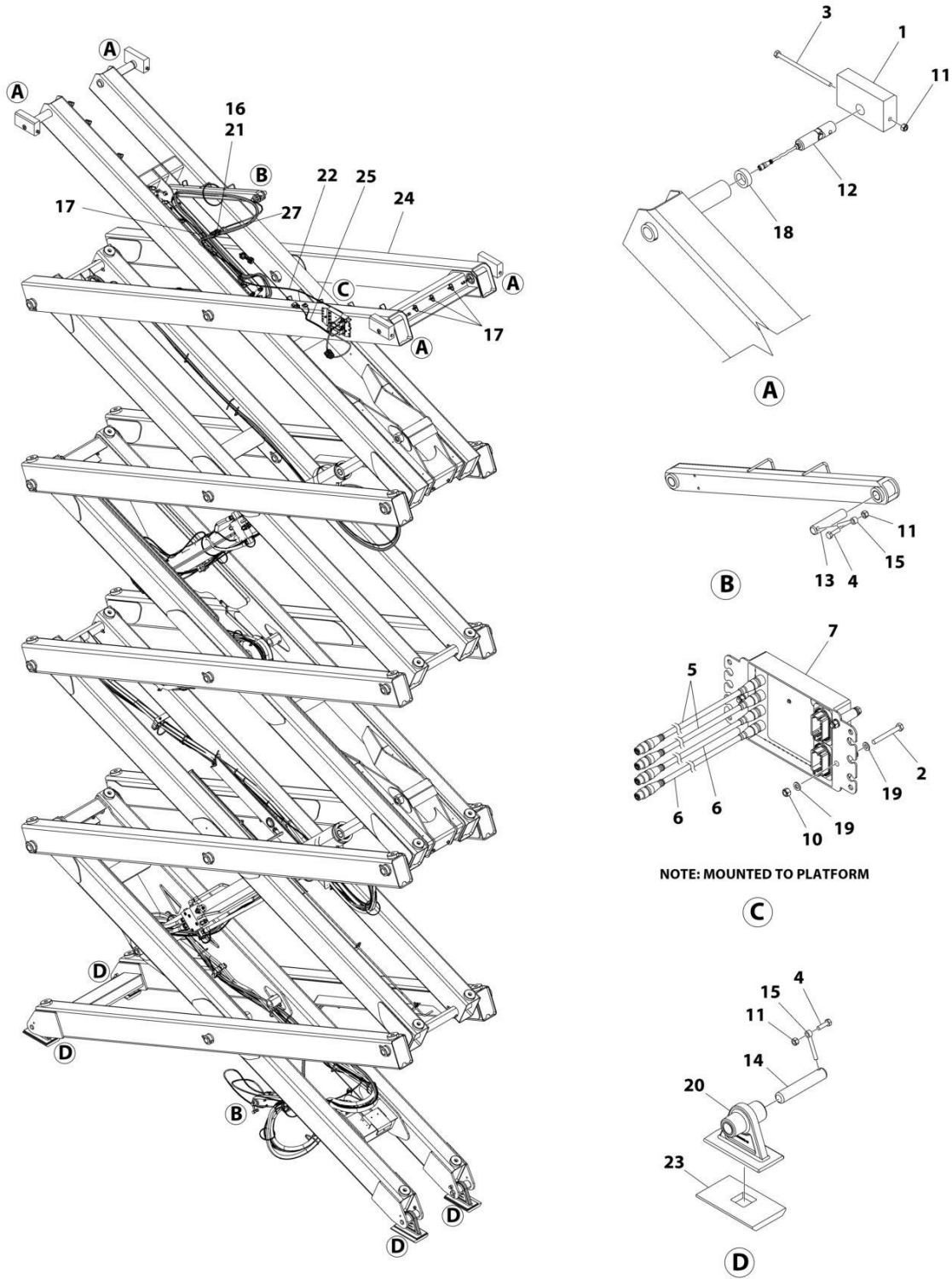
ITEM	PART NUMBER	QTY	DESCRIPTION	REV
54	1001181436	32	Bumper	
55	1001181476	1	Arm, Outer 3 (RH)	
56	1001181477	1	Arm, Outer 3 (LH)	
57	1001181479	1	Arm, Inner 4	
58	1001181481	1	Arm, Outer 4 (RH)	
59	1001181482	1	Arm, Outer 4 (LH)	
60	1001181485	1	Arm, Inner 5	
61	1001181486	1	Arm, Outer 5	
62	1001184019	1	Pin	
63	1001185315	2	Prop, Safety	
63	0962224	2	Bearing (1 per Prop)	
64	1001185704	1	Pin	
65	1001185705	1	Pin	
66	1001185706	1	Pin	
67	1001186235	32	Bolt M8 x 20	
68	1001186551	1	Bolt M10 x 50	
69	1001186900	1	Plate, Rod Keeper	
70	1001187185	1	Carrier, Cable	
71	1001187186	1	Channel, Cable Carrier	
72	1001188000	6	Pin	
73	1001188001	8	Collar	
74	1001188345	16	Pin	
75	1001188348	2	Pin	
76	1001188351	18	Collar	
77	1001236865	1	Ground to Platform Harness (See Separate Breakdown in ELECTRICAL SECTION)	
78	1001190522	1	Ground to Lower Lift Cylinder Harness (See Separate Breakdown in ELECTRICAL SECTION)	
79	1001190524	1	Ground to Upper Lift Cylinder Harness (See Separate Breakdown in ELECTRICAL SECTION)	
80	1001191629	7	Clamp	
81	1001191722	1	Plate, Cable Tray	
82	1001191838	1	Clamp	
83	1001193040	1	Bracket	
88	1001193296	10	Bolt M8 x 14	
89	1001193386	1	Rod, Prop Actuator	
90	1001225369	1	Lift Cylinder Assembly - Upper (See Separate Breakdown in CYLINDER SECTION)	
91	1001234703	1	Lift Cylinder Assembly - Lower (See Separate Breakdown in CYLINDER SECTION)	
92	1001194393	2	Plate, Cable Tray	
93	1001195209	2	Link	
93	0962474	4	Bushing	
94	1001197395	AR	Washer	
95	1001197396	AR	Washer	
96	1001197397	AR	Washer	
97	1001197398	AR	Washer	
98	1001197404	AR	Washer	
99	1001197405	AR	Washer	
100	1001202520	1	Bracket, Switch	
101	1001209406	1	Plate	
102	1001209407	1	Bumper	

SECTION 4 - SCISSORS ARMS

ITEM	PART NUMBER	QTY	DESCRIPTION	REV
103	1001217300	2	Pin	
104	1001217381	1	Arm, Outer 1	
105	1001217382	1	Arm, Inner 1	
106	1001217888	1	Valve, Cartridge	
106	7024808	1	Seal Kit - 1001217888 Valve	
107	1001218504	1	Arm, Inner 3	
108	1001222343	1	Ground to Auxilary Lower Holding Valve Harness (See Separate Breakdown in ELECTRICAL SECTION)	
109	1001222344	1	Ground to Auxilary Upper Holding Valve Harness (See Separate Breakdown in ELECTRICAL SECTION)	
110	1001103761	2	Valve, Solenoid Cartridge	
110	7024497	1	Cartridge Less Coil	
110	7024502	1	Seal Kit - 1001103761 & 7024497 Valve	
110	70001965	1	Coil	
110	7024506	1	Nut Kit - Coil	
111	1001206625	1	Valve, Solenoid Cartridge	
111	70006104	1	Cartridge Less Coil	
111	70006105	1	Seal Kit - 1001206625 & 70006104 Valve	
111	70005788	1	Coil	
111	7022390	1	Nut Coil	
113	80933216	2	Clamp	

SECTION 4 - SCISSORS ARMS

FIGURE 4-2. SCISSORS ARMS INSTALLATION WITH AC CABLE



ART_1001237516_F

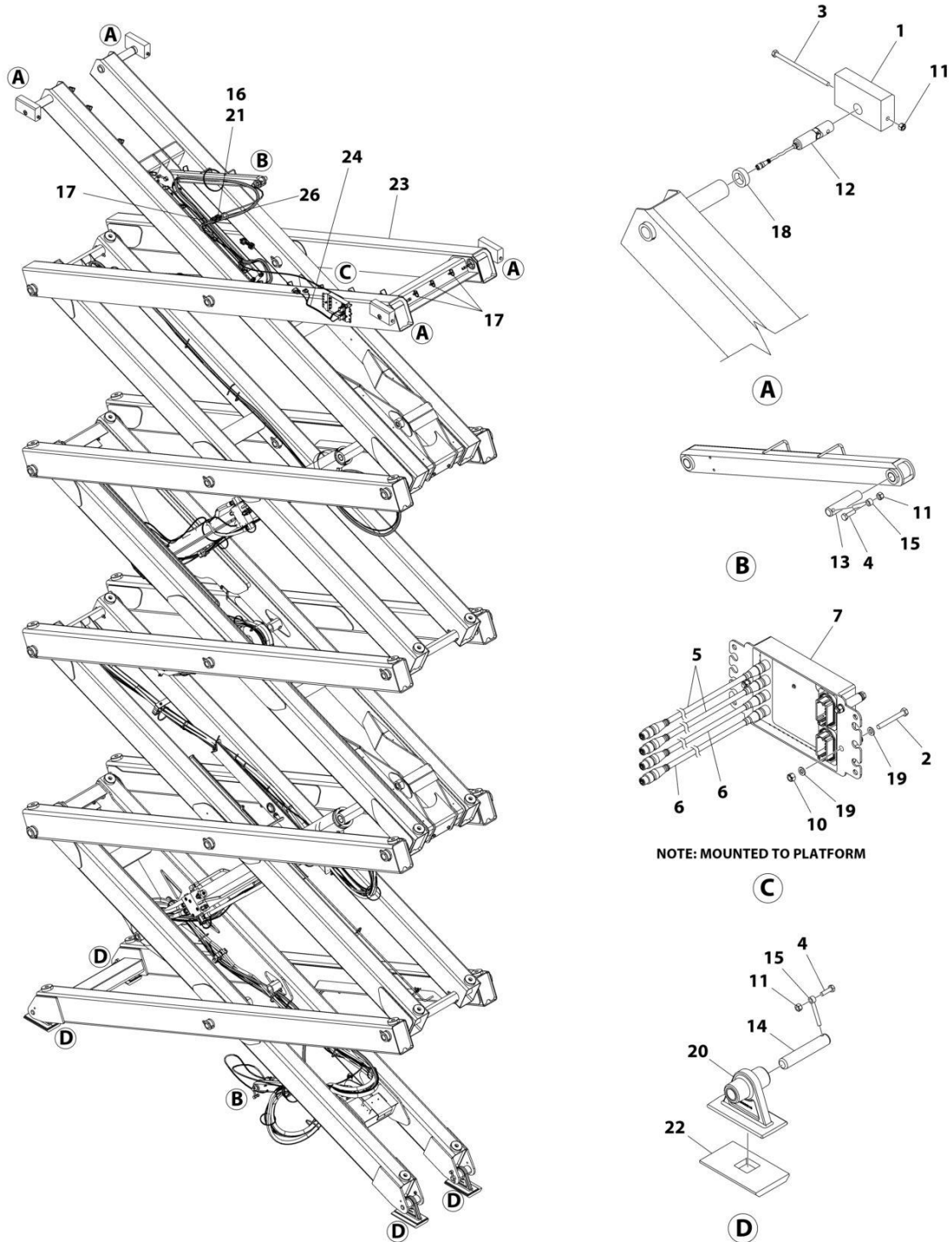
SECTION 4 - SCISSORS ARMS

FIGURE 4-2. SCISSORS ARMS INSTALLATION WITH AC CABLE

ITEM	PART NUMBER	QTY	DESCRIPTION	REV
	1001237516	Ref	SCISSORS ARMS INSTALLATION	F
1	0561489	4	Block, Slide	
2	0700618	3	Bolt M6 x 50	
3	0701037	4	Bolt M10 x 200	
4	0771015	6	Bolt M10 x 35	
5	1061020	2	Cable (5 FT/1.5 M Length)	
6	1061021	2	Cable (10 FT/3 M Length)	
7	1600387	1	Module, Control - LSS	
10	3290605	3	Nut M6	
11	3291005	10	Nut M10	
12	3422938	4	Pin	
13	3422943	1	Pin	
14	3422961	4	Pin	
15	3841143	6	Keeper, Pin	
16	4240018	14	Tie-Strap	
17	4240033	19	Tie-Strap	
18	4568295	4	Tube, Spacer	
19	4811700	6	Washer M6	
20	1001099623	4	Slider	
20	0440234	8	Bearing (2 per Slider)	
21	1001130781	3	Conduit	
22	1001178759	1	Cable, AC	
23	1001181501	4	Pad, Slide	
24	1001217384	1	Scissors Arms Assembly (See Separate Breakdown in this Section)	
25	1001226830	1	LSS Harness (See Separate Breakdown in ELECTRICAL Section)	
26	4460234	16	Mount, Tie-Strap (Not Shown)	
27	1001244865	1	Grommet	

SECTION 4 - SCISSORS ARMS

FIGURE 4-3. SCISSORS ARMS INSTALLATION WITH GENERATOR



ART_1001237515_F

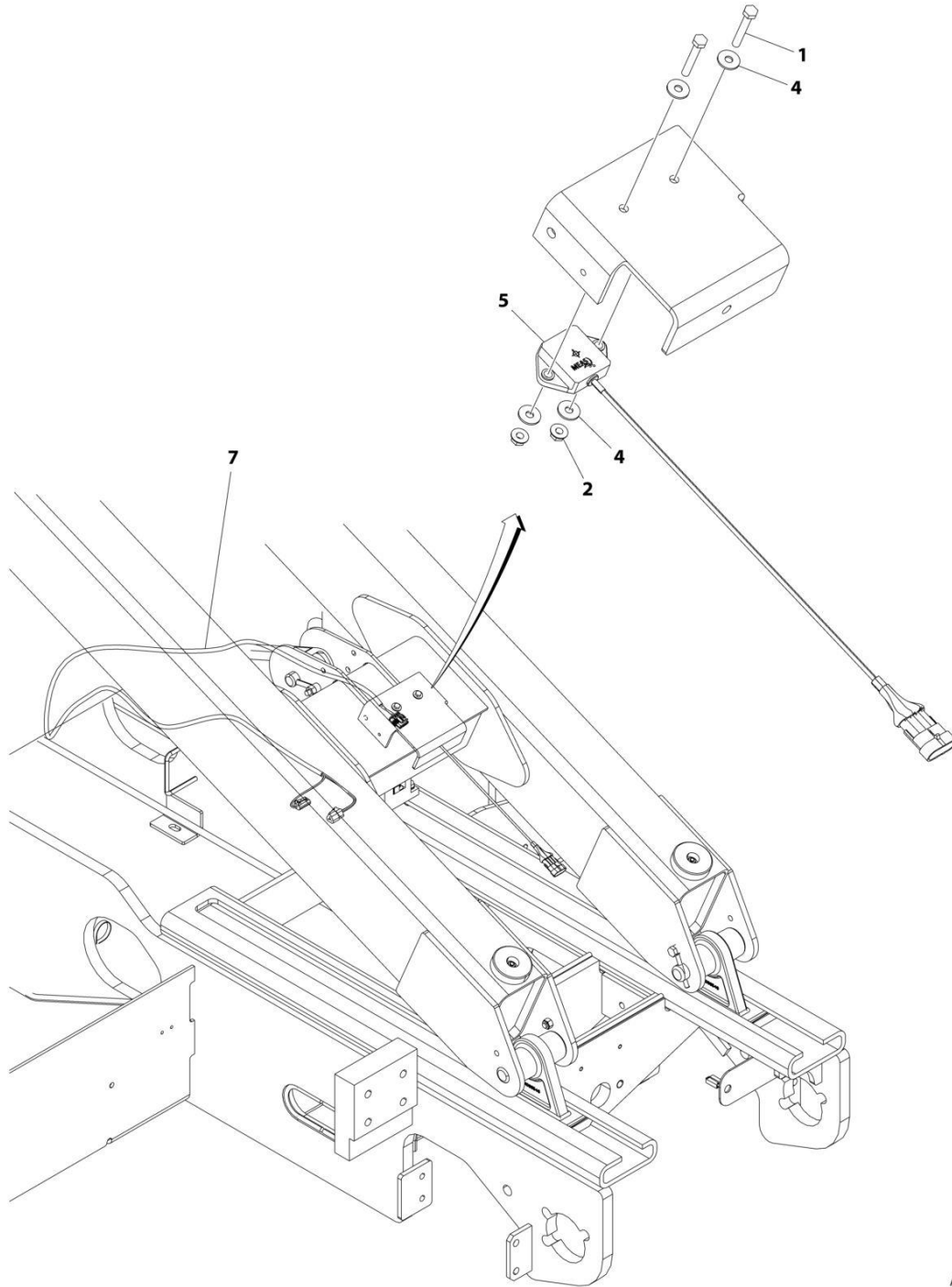
SECTION 4 - SCISSORS ARMS

FIGURE 4-3. SCISSORS ARMS INSTALLATION WITH GENERATOR

ITEM	PART NUMBER	QTY	DESCRIPTION	REV
	1001237515	Ref	SCISSORS ARMS INSTALLATION	F
1	0561489	4	Block, Slide	
2	0700618	3	Bolt M6 x 50	
3	0701037	4	Bolt M10 x 200	
4	0771015	6	Bolt M10 x 35	
5	1061020	2	Cable (5 FT/1.5 M Length)	
6	1061021	2	Cable (10 FT/3 M Length)	
7	1600387	1	Module, Control - LSS	
10	3290605	3	Nut M6	
11	3291005	10	Nut M10	
12	3422938	4	Pin	
13	3422943	1	Pin	
14	3422961	4	Pin	
15	3841143	6	Keeper, Pin	
16	4240018	10	Tie-Strap	
17	4240033	19	Tie-Strap	
18	4568295	4	Tube, Spacer	
19	4811700	6	Washer M6	
20	1001099623	4	Slider	
20	0440234	8	Bearing (2 per Slider)	
21	1001130781	2	Conduit	
22	1001181501	4	Pad, Slide	
23	1001217384	1	Scissors Arms Assembly (See Separate Breakdown in this Section)	
24	1001226830	1	LSS Harness (See Separate Breakdown in ELECTRICAL Section)	
25	4460234	16	Mount, Tie-Strap (Not Shown)	
26	1001244865	1	Grommet	

SECTION 4 - SCISSORS ARMS

FIGURE 4-4. ARM GUARDS INSTALLATION



ART_1001231784

SECTION 4 - SCISSORS ARMS

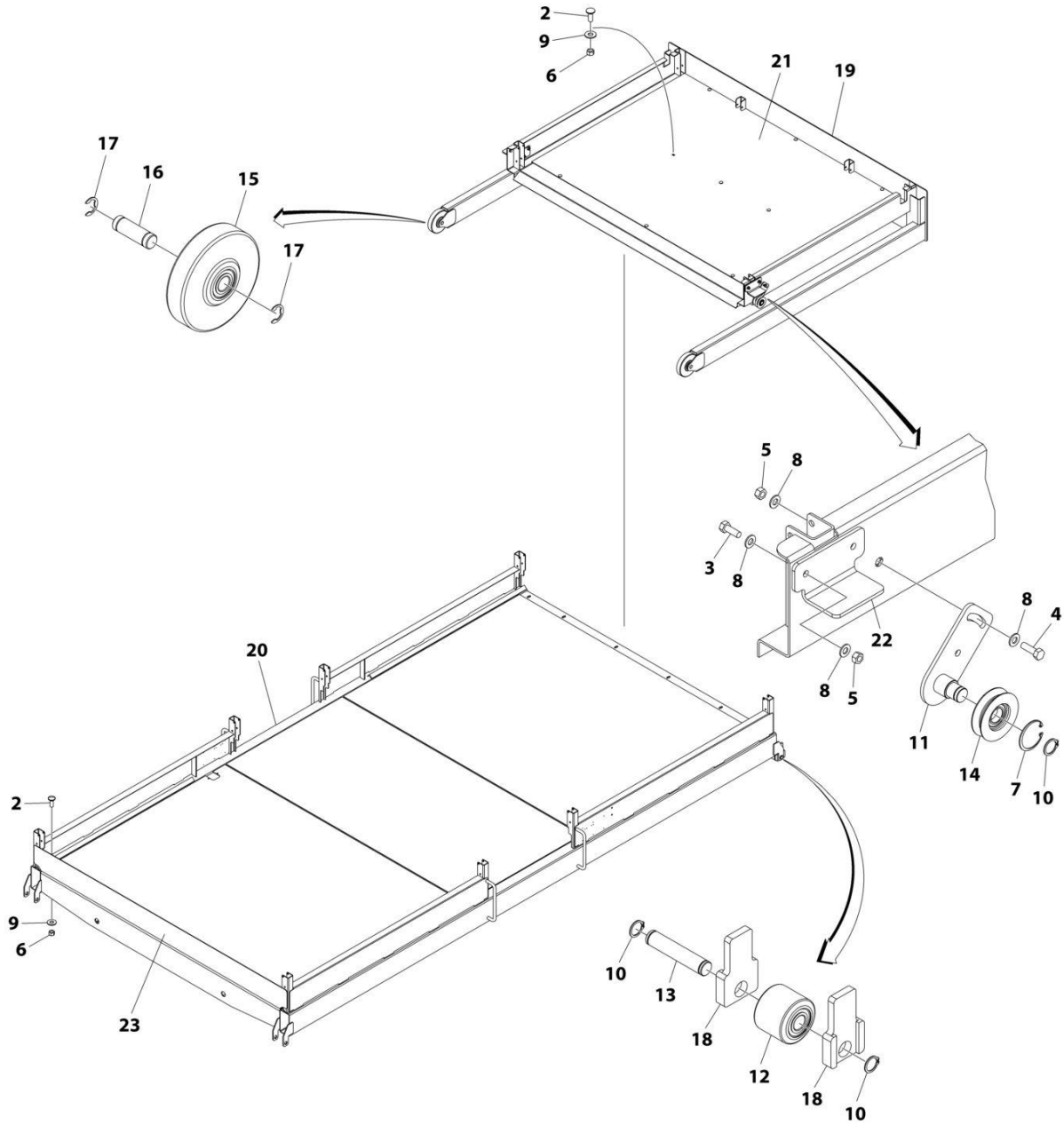
FIGURE 4-4. ARM GUARDS INSTALLATION

ITEM	PART NUMBER	QTY	DESCRIPTION	REV
	1001231784	Ref	ARM GUARDS INSTALLATION	E
1	0700616	2	Bolt M6 x 40	
2	3290605	2	Nut M6	
3	4240018	12	Tie-Strap (Not Shown)	
4	4811702	4	Washer M6	
5	1001187857	1	Sensor, Dual Axis	
7	1001244347	1	Scissors Arms Guard Harness (See Separate Breakdown in ELECTRICAL SECTION)	

SECTION 5 - PLATFORM

SECTION 5 - PLATFORM

FIGURE 5-1. PLATFORM WITH SINGLE EXTENTION INSTALLATION



ART_1001205640

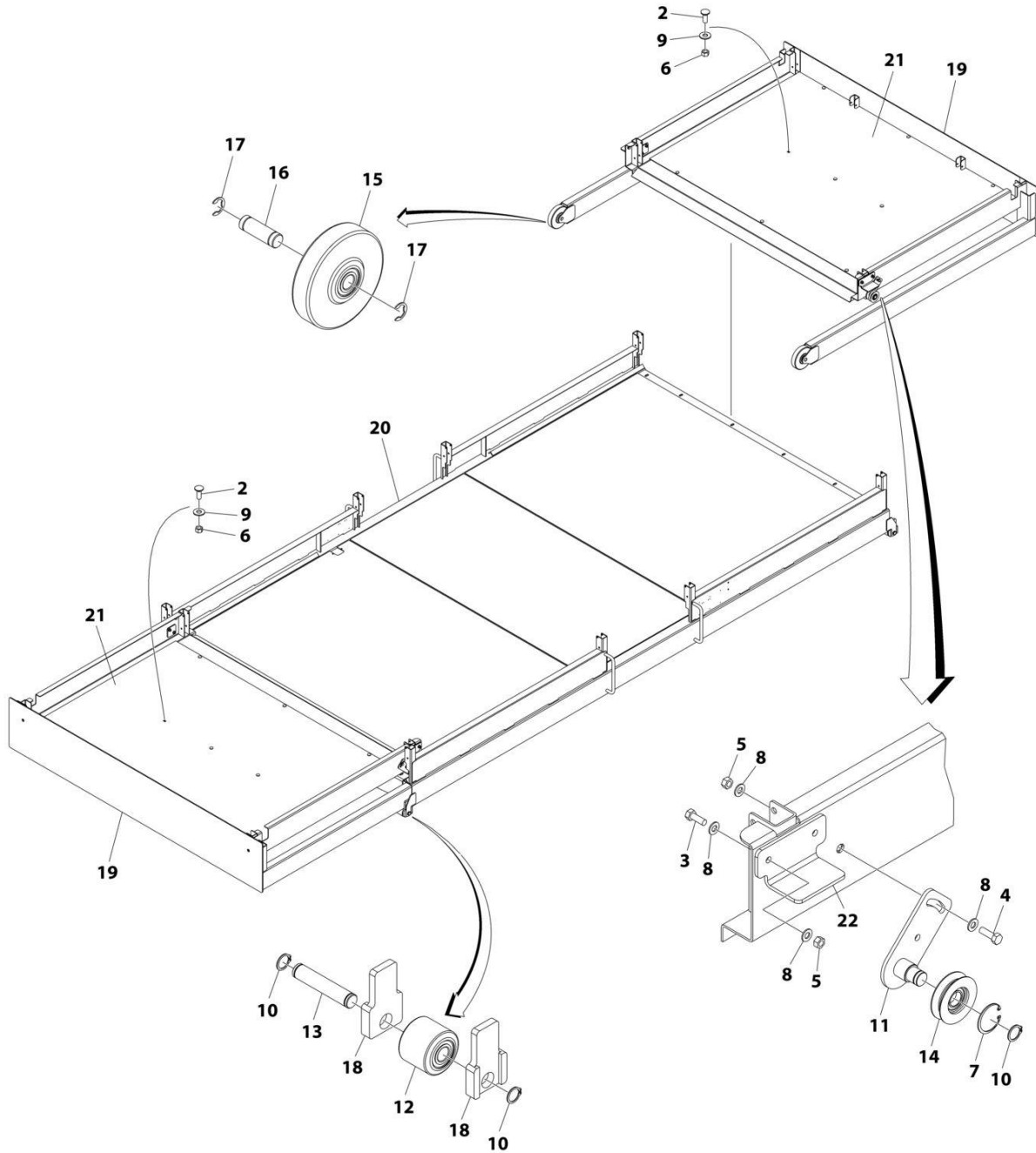
SECTION 5 - PLATFORM

FIGURE 5-1. PLATFORM WITH SINGLE EXTENTION INSTALLATION

ITEM	PART NUMBER	QTY	DESCRIPTION	REV
	1001205640	Ref	PLATFORM WITH SINGLE EXTENSION INSTALLATION	H
2	0630485	15	Bolt	
3	0641507	4	Bolt 5/16 x 7/8	
4	0641508	4	Bolt 5/16 x 1	
5	3311505	8	Nut 5/16	
6	3311601	15	Nut 3/8	
7	3760257	2	Ring, Retaining	
8	4711500	16	Washer 5/16	
9	4751600	15	Washer 3/8	
10	1001149581	6	Ring, Retaining	
11	1001166729	2	Plate, Mounting	
12	1001167269	2	Roller	
13	1001210278	2	Pin	
14	1001167272	2	Roller	
15	1001167274	2	Roller	
16	1001167275	2	Pin	
17	1001167696	4	Clip	
18	1001215224	4	Bumper	
19	1001205642	1	Extension, Platform	
20	1001205643	1	Platform	
21	1001205765	1	Plate, Floor	
22	1001205896	2	Plate, Stop	
23	1001206182	1	Kickplate	

SECTION 5 - PLATFORM

FIGURE 5-2. PLATFORM WITH DUAL EXTENSION INSTALLATION



ART_1001205638

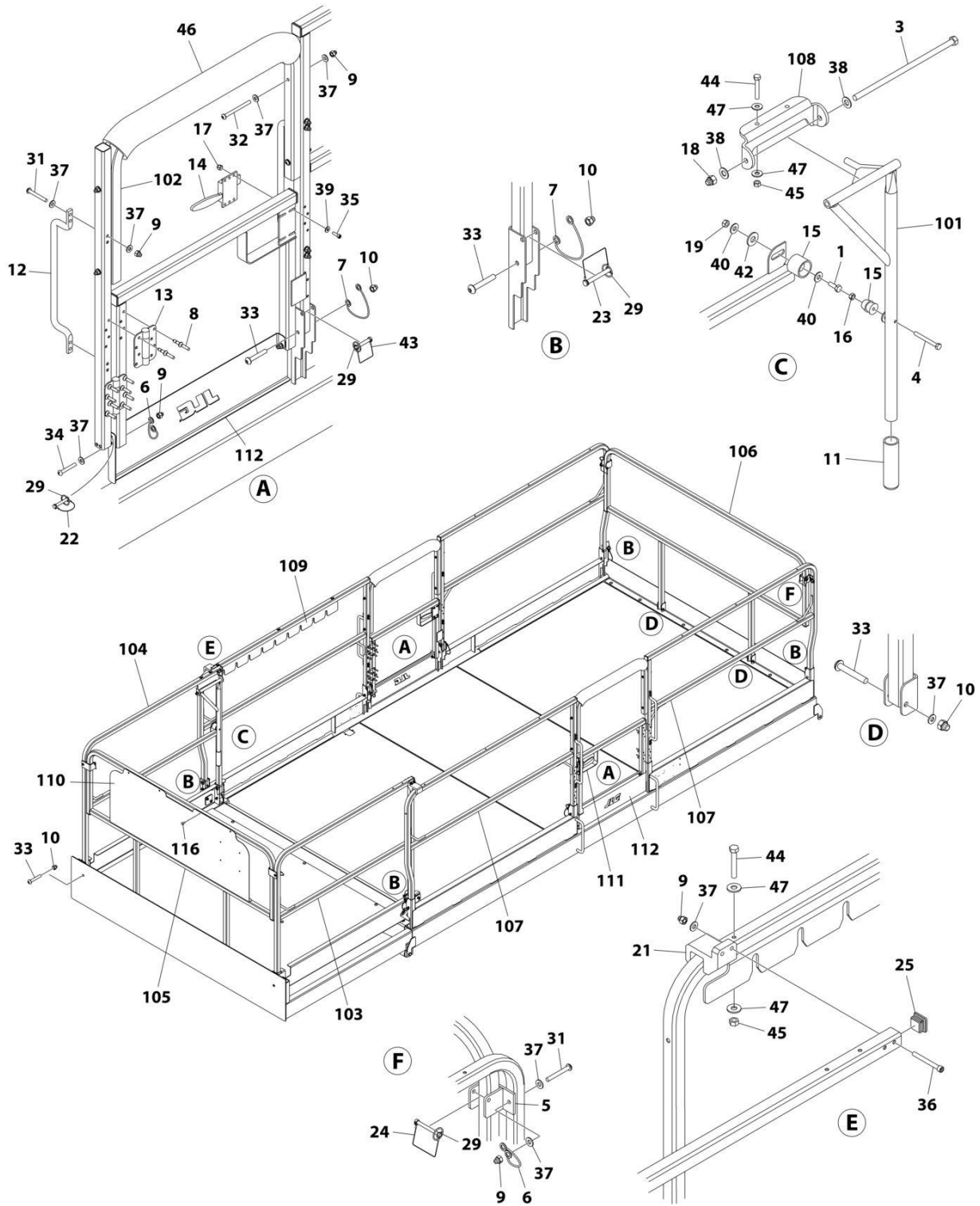
SECTION 5 - PLATFORM

FIGURE 5-2. PLATFORM WITH DUAL EXTENSION INSTALLATION

ITEM	PART NUMBER	QTY	DESCRIPTION	REV
	1001205638	Ref	PLATFORM (12.6FT/3.84M LENGTH) WITH DUAL EXTENSION INSTALLATION	H
2	0630485	18	Bolt	
3	0641507	8	Bolt 5/16 x 7/8	
4	0641508	8	Bolt 5/16 x 1	
5	3311505	16	Nut 5/16	
6	3311601	18	Nut 3/8	
7	3760257	4	Ring, Retaining	
8	4711500	32	Washer 5/16	
9	4751600	18	Washer 3/8	
10	1001149581	12	Ring, Retaining	
11	1001166729	4	Plate, Mounting	
12	1001167269	4	Roller	
13	1001210278	4	Pin	
14	1001167272	4	Roller	
15	1001167274	4	Roller	
16	1001167275	4	Pin	
17	1001167696	8	Clip	
18	1001215224	8	Bumper	
19	1001205642	2	Extension, Platform	
20	1001205643	1	Platform	
21	1001205765	2	Plate, Floor	
22	1001205896	4	Plate, Stop	

SECTION 5 - PLATFORM

FIGURE 5-3. RAIL INSTALLATION - PLATFORM WITH SINGLE EXTENSION



ART_1001206190

SECTION 5 - PLATFORM

FIGURE 5-3. RAIL INSTALLATION - PLATFORM WITH SINGLE EXTENSION

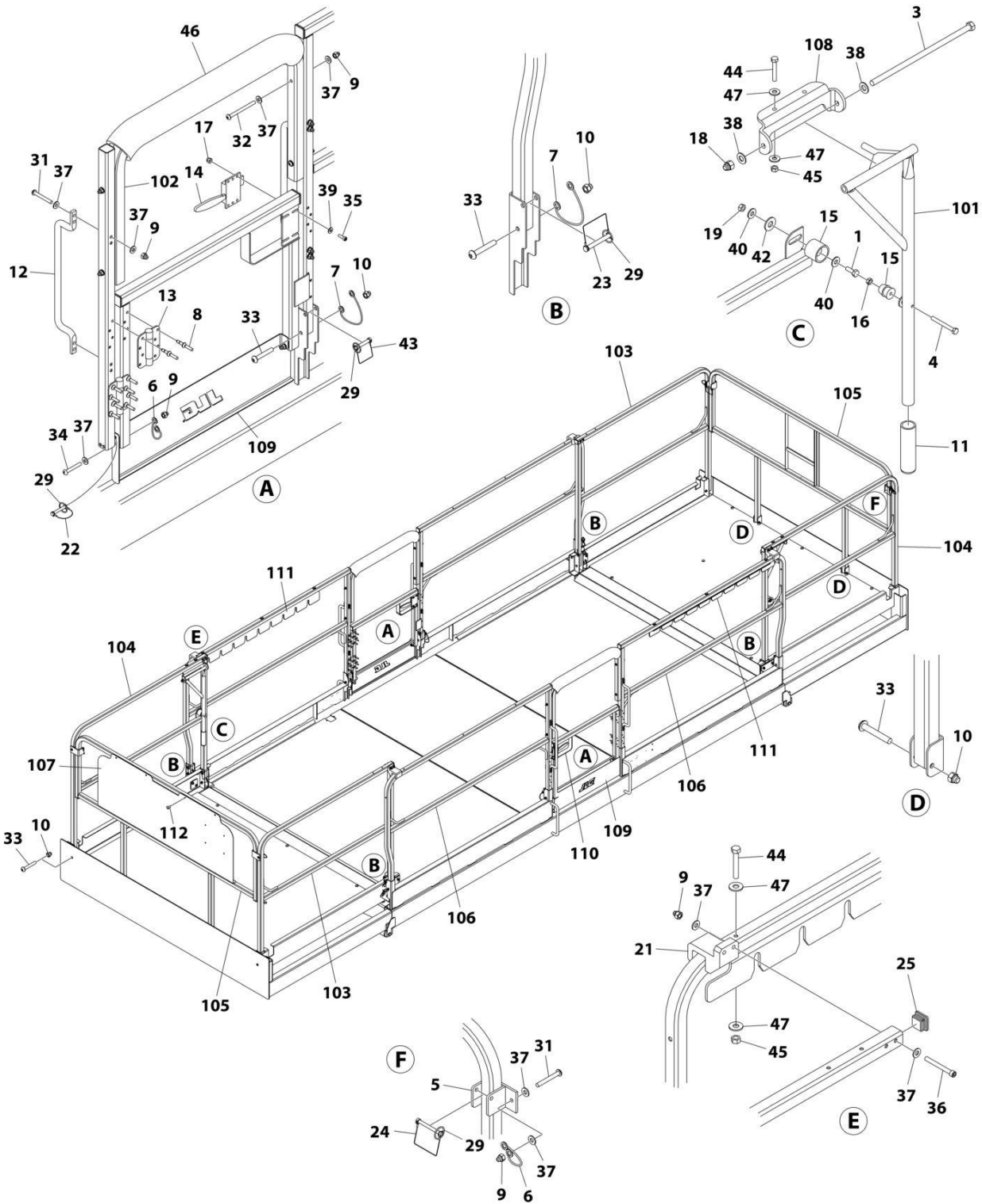
ITEM	PART NUMBER	QTY	DESCRIPTION	REV
	1001206190	Ref	RAIL INSTALLATION - PLATFORM WITH SINGLE EXTENSION	F
1	0641406	1	Bolt 1/4 x 3/4	
3	0641676	1	Bolt 3/8 x 9-1/2	
4	0700619	1	Bolt M6 x 55	
5	0901870	4	Bracket	
6	1060379	6	Lanyard	
7	1060808	10	Lanyard	
8	2080040	32	Fastener	
9	2080063	36	Nut 1/4	
10	2080064	16	Nut 5/16	
11	2560088	1	Grip, Handle	
12	2560176	4	Handle	
13	2600285	4	Hinge	
14	2940074	2	Latch	
15	2940127	1	Latch	
16	3290601	1	Nut M6	
17	3300432	8	Nut #10	
18	3300467	1	Nut 3/8	
19	3311405	1	Nut 1/4	
21	3340937	2	Pad, Rail Slide	
22	3421453	2	Pin, Snap	
23	3421565	6	Pin, Snap	
24	3422219	4	Pin, Snap	
25	3520072	14	Plug	
29	3760170	16	Ring, Split	
31	3900318	20	Screw 1/4 x 2	
32	3900319	8	Screw 1/4 x 3	
33	3900323	16	Screw 5/16 x 2	
34	3911428	4	Screw 1/4 x 1-3/4	
35	3931010	8	Capscrew #10 x 5/8	
36	3931436	4	Capscrew 1/4 x 2-1/4	
37	4711400	70	Washer 1/4	
38	4711600	2	Washer 3/8	
39	4751000	8	Washer #10	
40	4751400	2	Washer 1/4	
42	4751600	1	Washer 3/8	
43	1001145292	4	Pin, Snap	
44	0641516	5	Bolt 5/16 x 2	
45	3311505	5	Nut 5/16	
46	3340612	36 in/ 90cm	Cover	
47	4751500	10	Washer 5/16	
100	1001206065	1	Rail Kit (Not Shown)	
101	2560172	1	Handle (RH)	
102	3641452	2	Rail, Door	
103	4846532	1	Rail, Extension (LH)	
104	4846537	1	Rail, Extension (RH)	
105	1001167055	1	Rail, Extension (Front)	
106	1001167058	1	Rail (Rear)	
107	1001213495	4	Rail	

SECTION 5 - PLATFORM

ITEM	PART NUMBER	QTY	DESCRIPTION	REV
108	3537609	1	Plate, Pivot	
109	1001206025	1	Plate, Latch	
110	3571862	1	Plate, Placard	
111	4846570	2	Gate	
112	3573472	2	Kickplate	
116	3820020	7	Rivet	

SECTION 5 - PLATFORM

FIGURE 5-4. RAIL INSTALLATION - PLATFORM WITH DUAL EXTENSION



ART_1001206097

SECTION 5 - PLATFORM

FIGURE 5-4. RAIL INSTALLATION - PLATFORM WITH DUAL EXTENSION

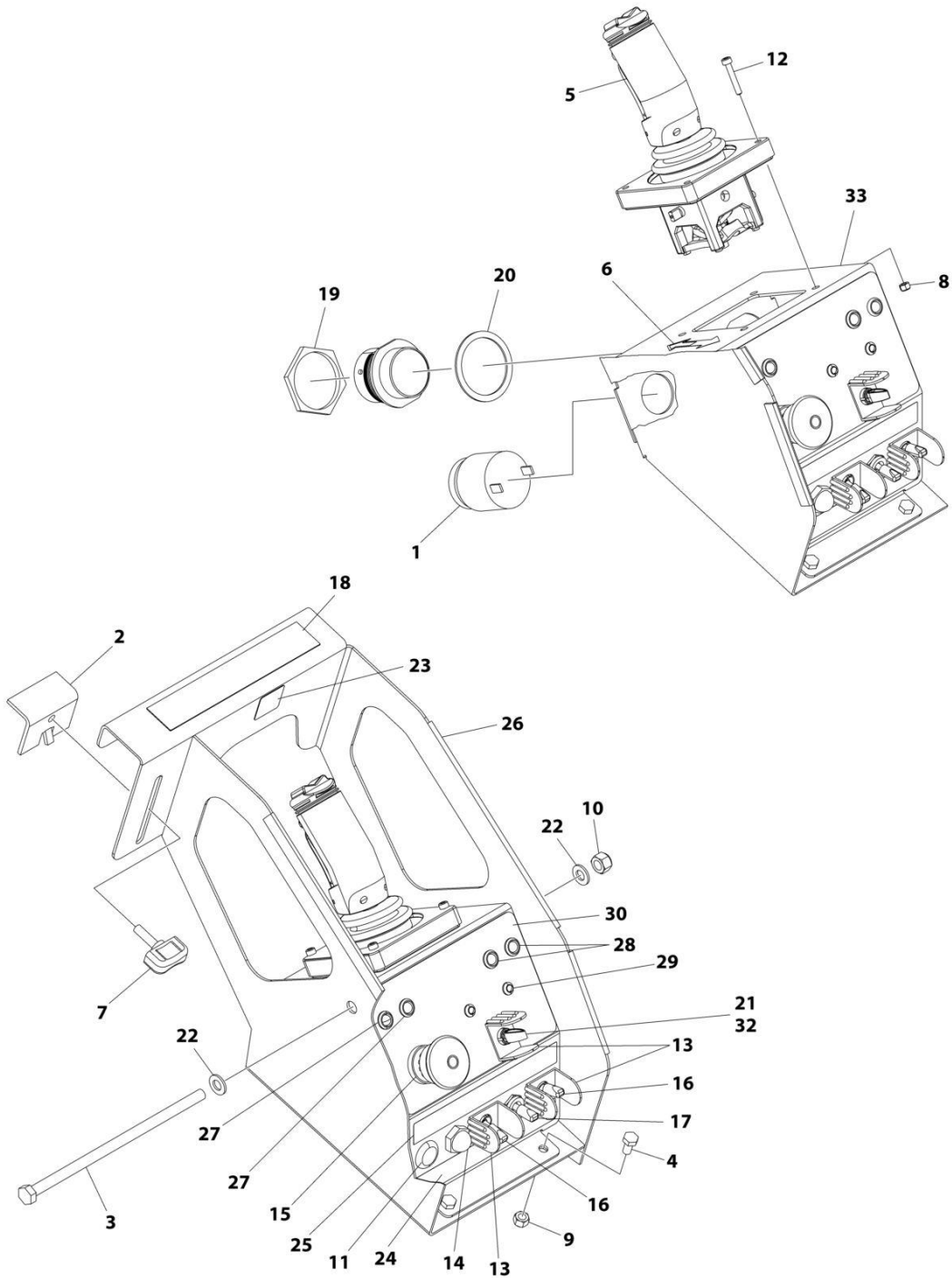
ITEM	PART NUMBER	QTY	DESCRIPTION	REV
	1001206097	Ref	RAIL INSTALLATION - 12.6FT/3.84M LENGTH PLATFORM WITH DUAL EXTENSION	E
1	0641406	2	Bolt 1/4 x 3/4	
3	0641676	2	Bolt 3/8 x 9-1/2	
4	0700619	2	Bolt M6 x 55	
5	0901870	4	Bracket	
6	1060379	6	Lanyard	
7	1060808	12	Lanyard	
8	2080040	32	Fastener	
9	2080063	40	Nut 1/4	
10	2080064	20	Nut 5/16	
11	2560088	2	Grip, Handle	
12	2560176	4	Handle	
13	2600285	4	Hinge	
14	2940074	2	Latch	
15	2940127	2	Latch	
16	3290601	2	Nut M6	
17	3300432	8	Nut #10	
18	3300467	2	Nut 3/8	
19	3311405	2	Nut 1/4	
21	3340937	4	Pad, Rail Slide	
22	3421453	2	Pin, Snap	
23	3421565	8	Pin, Snap	
24	3422219	4	Pin, Snap	
25	3520072	16	Plug	
29	3760170	18	Ring, Split	
31	3900318	20	Screw 1/4 x 2	
32	3900319	8	Screw 1/4 x 3	
33	3900323	20	Screw 5/16 x 2	
34	3911428	4	Screw 1/4 x 1-3/4	
35	3931010	8	Capscrew #10 x 5/8	
36	3931436	8	Capscrew 1/4 x 2-1/4	
37	4711400	78	Washer 1/4	
38	4711600	4	Washer 3/8	
39	4751000	8	Washer #10	
40	4751400	4	Washer 1/4	
42	4751600	2	Washer 3/8	
43	1001145292	4	Pin, Snap	
44	0641516	10	Bolt 5/16 x 2	
45	3311505	10	Nut 5/16	
46	3340612	36 in/ 90cm	Cover	
47	4751500	20	Washer 5/16	
100	1001206009	1	Rail Kit (Not Shown)	
101	2560172	2	Handle (RH)	
102	3641452	2	Rail, Door	
103	4846532	2	Rail, Extension (LH)	
104	4846537	2	Rail, Extension (RH)	
105	1001167055	2	Rail, Extension (Front)	
106	1001213495	4	Rail	

SECTION 5 - PLATFORM

ITEM	PART NUMBER	QTY	DESCRIPTION	REV
107	3571862	1	Plate, Placard	
108	3537609	2	Plate, Pivot	
109	3573472	2	Kickplate	
110	4846570	2	Gate	
111	1001206025	2	Plate, Latch	
112	3820020	7	Rivet	

SECTION 5 - PLATFORM

FIGURE 5-5. PLATFORM CONSOLE BOX INSTALLATION - DIESEL MACHINES



ART_1001236264_G

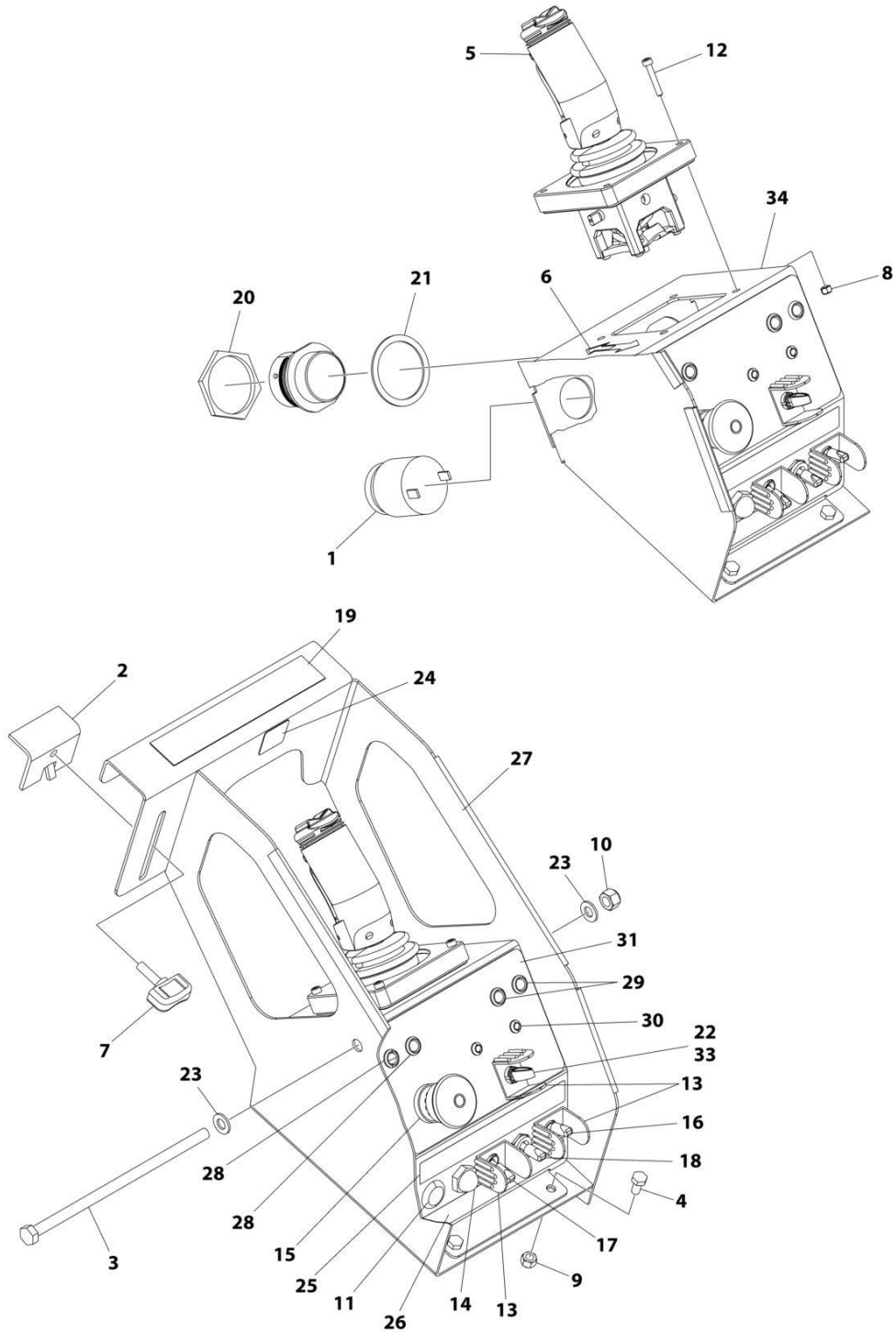
SECTION 5 - PLATFORM

FIGURE 5-5. PLATFORM CONSOLE BOX INSTALLATION - DIESEL MACHINES

ITEM	PART NUMBER	QTY	DESCRIPTION	REV
	1001236264	Ref	PLATFORM CONSOLE BOX INSTALLATION - DIESEL MACHINES	G
1	0140030	1	Alarm	
2	0181847	1	Angle, Clamp	
3	0700835	1	Bolt M8 x 180	
4	0760606	3	Bolt M6 x 12	
5	1001247682	1	Drive/Steer Controller Assembly (See Separate Breakdown in this Section)	
6	1703819	1	Decal - Direction Arrow	
7	2560141	1	Thumbscrew	
8	3290405	4	Nut M4	
9	3290605	3	Nut M6	
10	3290805	1	Nut M8	
11	1001226421	1	Plug	
12	4031509	4	Capscrew M4 x 25	
13	4060802	3	Guard, Switch	
14	4360387	1	Switch, Push Button	
15	1001274559	1	Switch, Emergency Stop (Plastic)	
15	4360475	1	Switch, Emergency Stop (Metal)	
15	7020175	1	Cap	
15	7020176	1	Block, Contact	
16	4360483	2	Switch, Toggle	
17	4360525	1	Switch, Toggle	
18	4420076	3	Tape	
19	4460470	1	Nut, Terminal	
20	4460471	1	Washer, Terminal	
21	4711700	2	Washer 7/16	
22	4811900	2	Washer M8	
23	1001132358	1	Decal - Steer	
24	1001181622	1	Decal - Platform Diesel	
25	1001181623	1	Decal - Platform Diesel	
26	1001190270	1	Bracket	
27	1001190472	2	Lamp, LED with Harness	
28	1001190473	2	Lamp, LED with Harness	
29	1001190474	2	Lamp, LED with Harness	
30	1001236199	1	Decal - Platform Function	
31	1001236230	1	Platform Box Harness (Not Shown - See Separate Breakdown in ELECTRICAL SECTION)	
32	1001236560	1	Switch, Toggle	
33	1001235922	1	Plate	

SECTION 5 - PLATFORM

FIGURE 5-6. PLATFORM CONSOLE BOX INSTALLATION - GASOLINE MACHINES



ART_1001236265_G

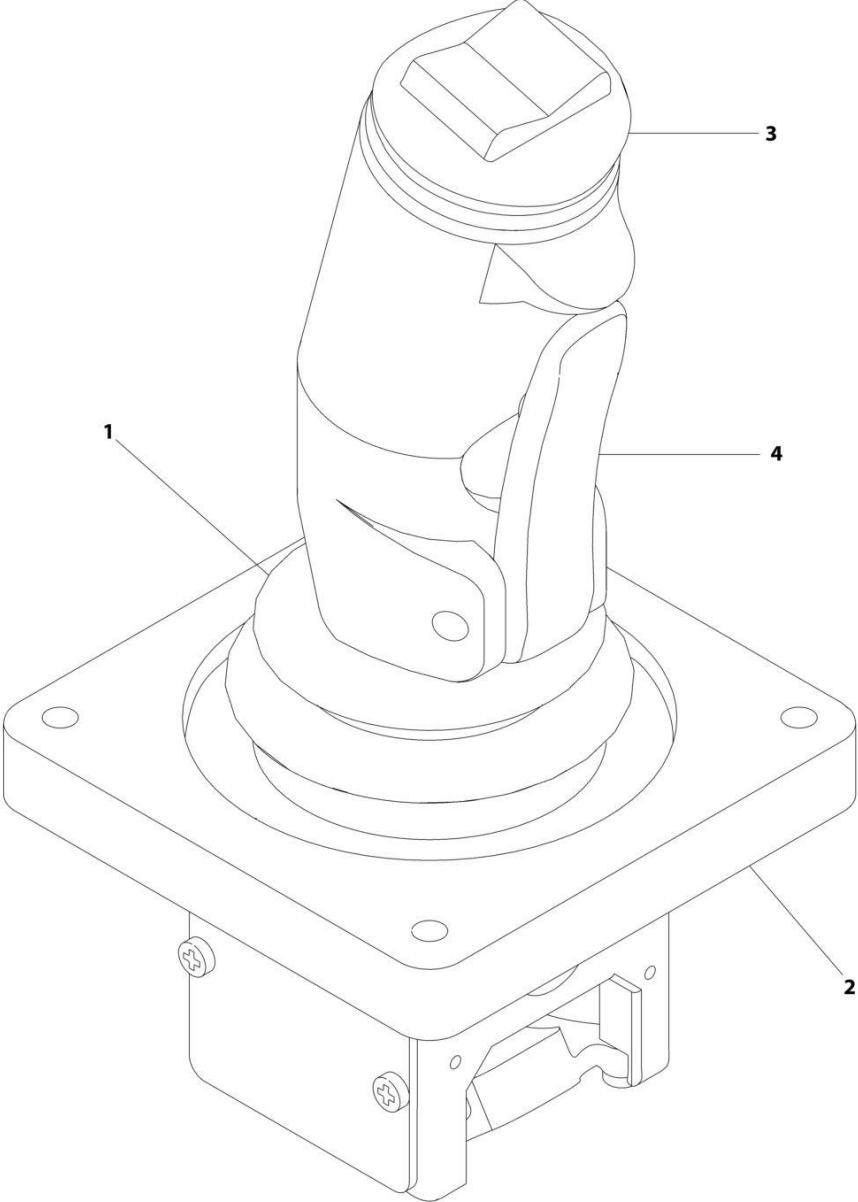
SECTION 5 - PLATFORM

FIGURE 5-6. PLATFORM CONSOLE BOX INSTALLATION - GASOLINE MACHINES

ITEM	PART NUMBER	QTY	DESCRIPTION	REV
	1001236265	Ref	PLATFORM CONSOLE BOX INSTALLATION - GASOLINE MACHINES	G
1	0140030	1	Alarm	
2	0181847	1	Angle, Clamp	
3	0700835	1	Bolt M8 x 180	
4	0760606	3	Bolt M6 x 12	
5	1001247682	1	Drive/Steer Controller Assembly (See Separate Breakdown in this Section)	
6	1703819	1	Decal - Direction Arrow	
7	2560141	1	Thumbscrew	
8	3290405	4	Nut M4	
9	3290605	3	Nut M6	
10	3290805	1	Nut M8	
11	1001226421	1	Plug	
12	4031509	4	Capscrew M4 x 25	
13	4060802	3	Guard, Switch	
14	4360387	1	Switch, Push Button	
15	1001274559	1	Switch, Emergency Stop (Plastic)	
15	4360475	1	Switch, Emergency Stop (Metal)	
15	7020175	1	Cap	
15	7020176	1	Block, Contact	
16	4360482	1	Switch, Toggle	
17	4360483	1	Switch, Toggle	
18	4360525	1	Switch, Toggle	
19	4420076	3	Tape	
20	4460470	1	Nut, Terminal	
21	4460471	1	Washer, Terminal	
22	4711700	2	Washer 7/16	
23	4811900	2	Washer M8	
24	1001132358	1	Decal - Steer	
25	1001181626	1	Decal - Platform Dual Fuel	
26	1001181627	1	Decal - Platform Dual Fuel	
27	1001190270	1	Bracket	
28	1001190472	2	Lamp, LED with Harness	
29	1001190473	2	Lamp, LED with Harness	
30	1001190474	2	Lamp, LED with Harness	
31	1001236199	1	Decal - Platform Function	
32	1001236230	1	Platform Box Harness (Not Shown - See Separate Breakdown in ELECTRICAL SECTION)	
33	1001236560	1	Switch, Toggle	
34	1001235922	1	Plate	

SECTION 5 - PLATFORM

FIGURE 5-7. CONTROLLER ASSEMBLY



ART_1001247682

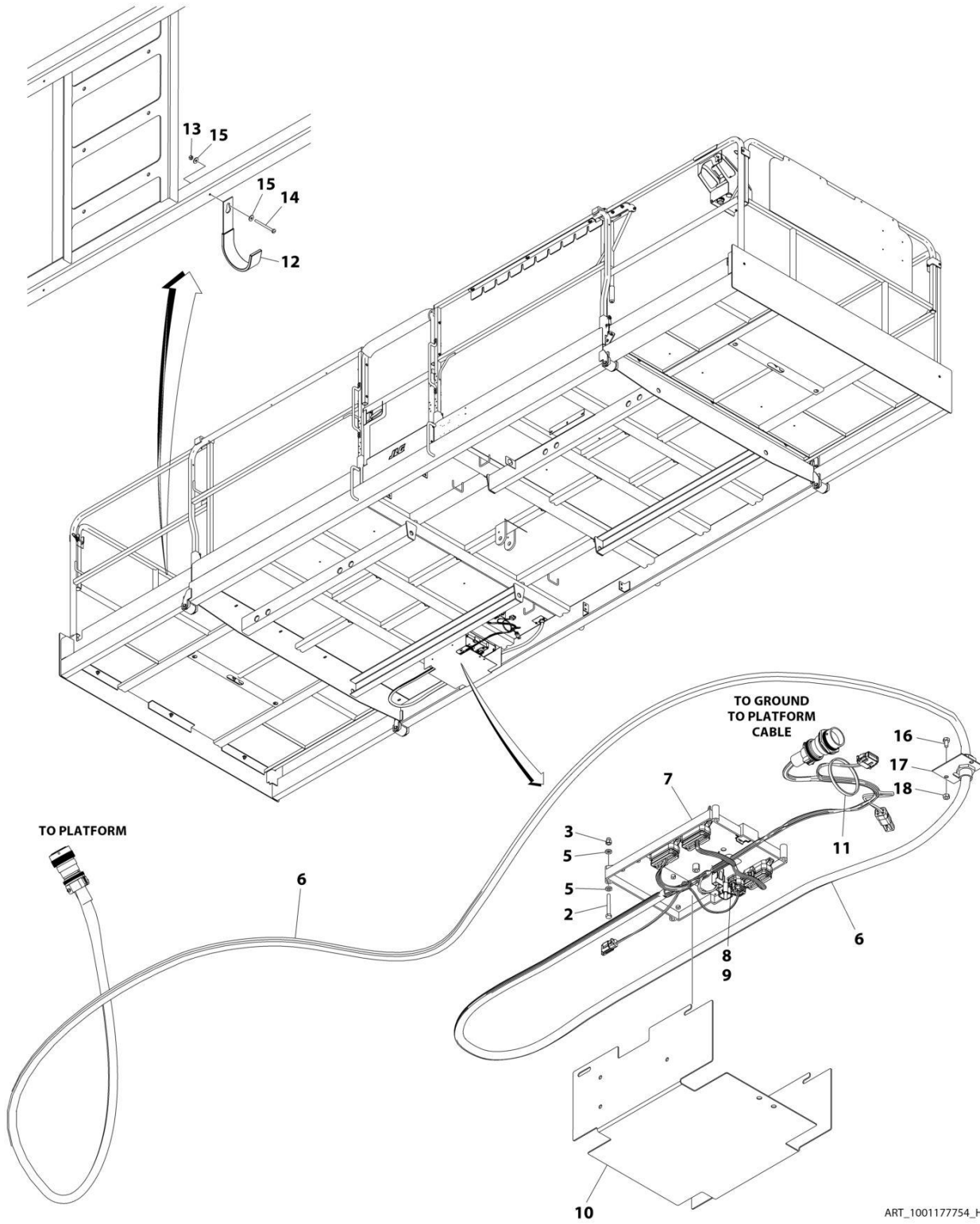
SECTION 5 - PLATFORM

FIGURE 5-7. CONTROLLER ASSEMBLY

ITEM	PART NUMBER	QTY	DESCRIPTION	REV
	1001247682	Ref	DRIVE/STEER CONTROLLER ASSEMBLY (LCD)	B
1	70001250	1	Boot, Panel	
2	70001252	1	Gasket, Mounting	
2	70001251	1	Bezel, Mounting	
3	70007506	1	Handle Repair Kit (Includes handle gasket, item#4 push button and item #4 lever installed in front handle half, back handle half, top actuator, boot and hardware.)	
3	70000084	1	Cap, Rubber	
3	70000082	1	Microswitch	
3	7027766	1	Ring, Retaining	
3	7027365	1	Actuator, Handle	
3	70001253	1	Gasket, Handle	
3	70000683	4	Washer, Neoprene	
3	70000685	2	Spacer, Plastic	
3	70000686	2	Screw (Top)	
3	70000684	2	Screw (Bottom)	
4	7027367	1	Switch, Push Button	
4	7027765	1	Lever, Enable	

SECTION 5 - PLATFORM

FIGURE 5-8. PLATFORM MODULE INSTALLATION



ART_1001177754_H

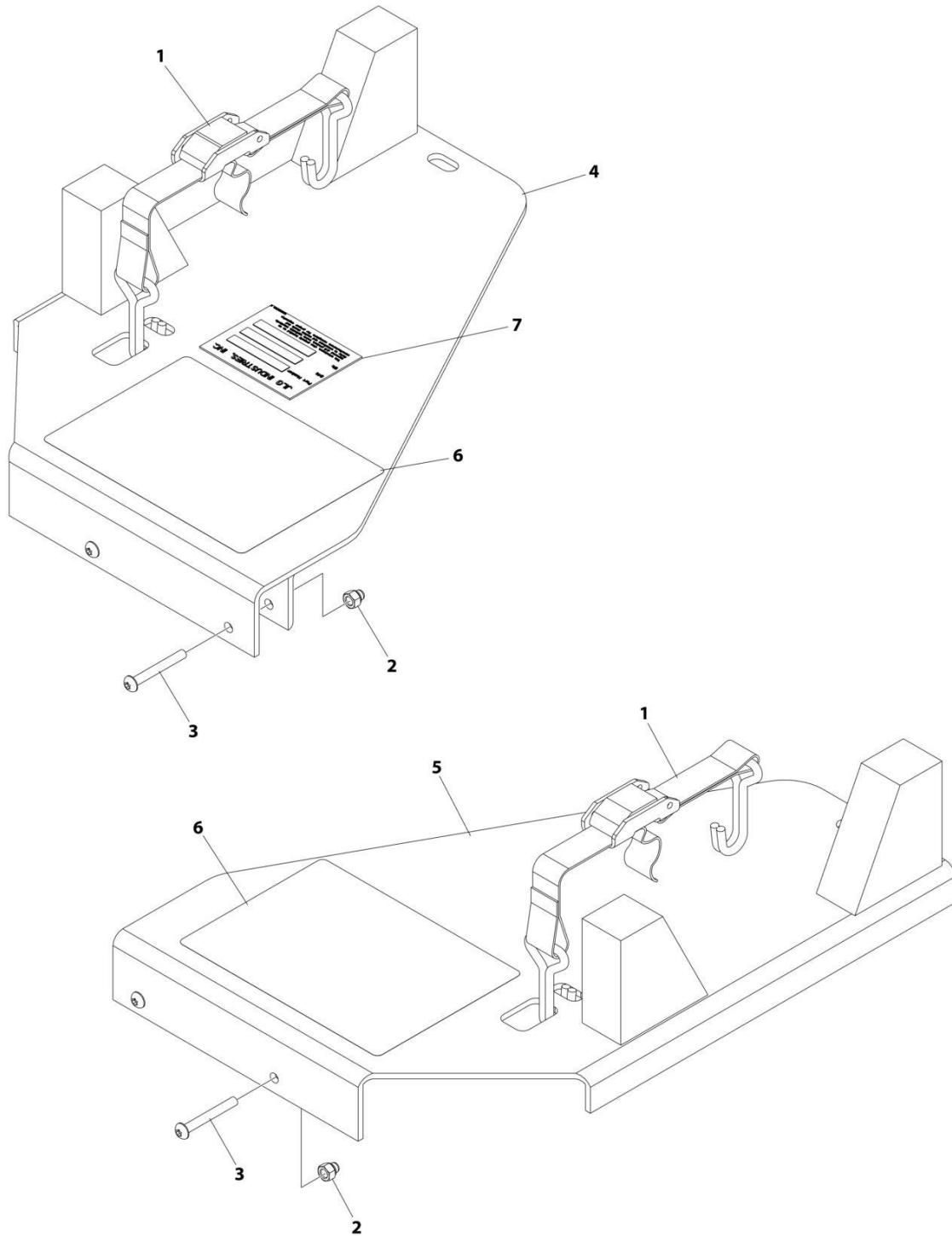
SECTION 5 - PLATFORM

FIGURE 5-8. PLATFORM MODULE INSTALLATION

ITEM	PART NUMBER	QTY	DESCRIPTION	REV
	1001177754	Ref	PLATFORM MODULE INSTALLATION	H
1	0100011	AR	Compound, Locking (Not Shown)	
2	0760618	4	Bolt M6 x 50	
3	3290606	4	Nut M6	
3	3290607	4	Nut M6	
4	4240033	10	Tie-Strap (Not Shown)	
5	5240600	8	Washer M6	
6	1001236163	1	Platform Module to Console Box Harness (See Separate Breakdown in ELECTRICAL Section)	
7	1001235098	1	Module, Platform (Note: Re-calibration Required when Replaced)	
8	4460905	8	Plug, Terminal	
9	1001116946	1	Connector - 8 Position	
10	1001237058	1	Bracket	
11	4240018	AR	Tie-Strap	
12	2700100	1	Hook	
13	3290405	AR	Nut M4	
14	4010418	AR	Bolt M4 x 50	
15	1001091102	AR	Washer M4	
16	0641404	2	Bolt 1/4 x 1/2	
17	1670988	1	Cover	
18	3311405	2	Nut 1/4	

SECTION 5 - PLATFORM

FIGURE 5-9. PIPE RACK INSTALLATION



ART_1001273290

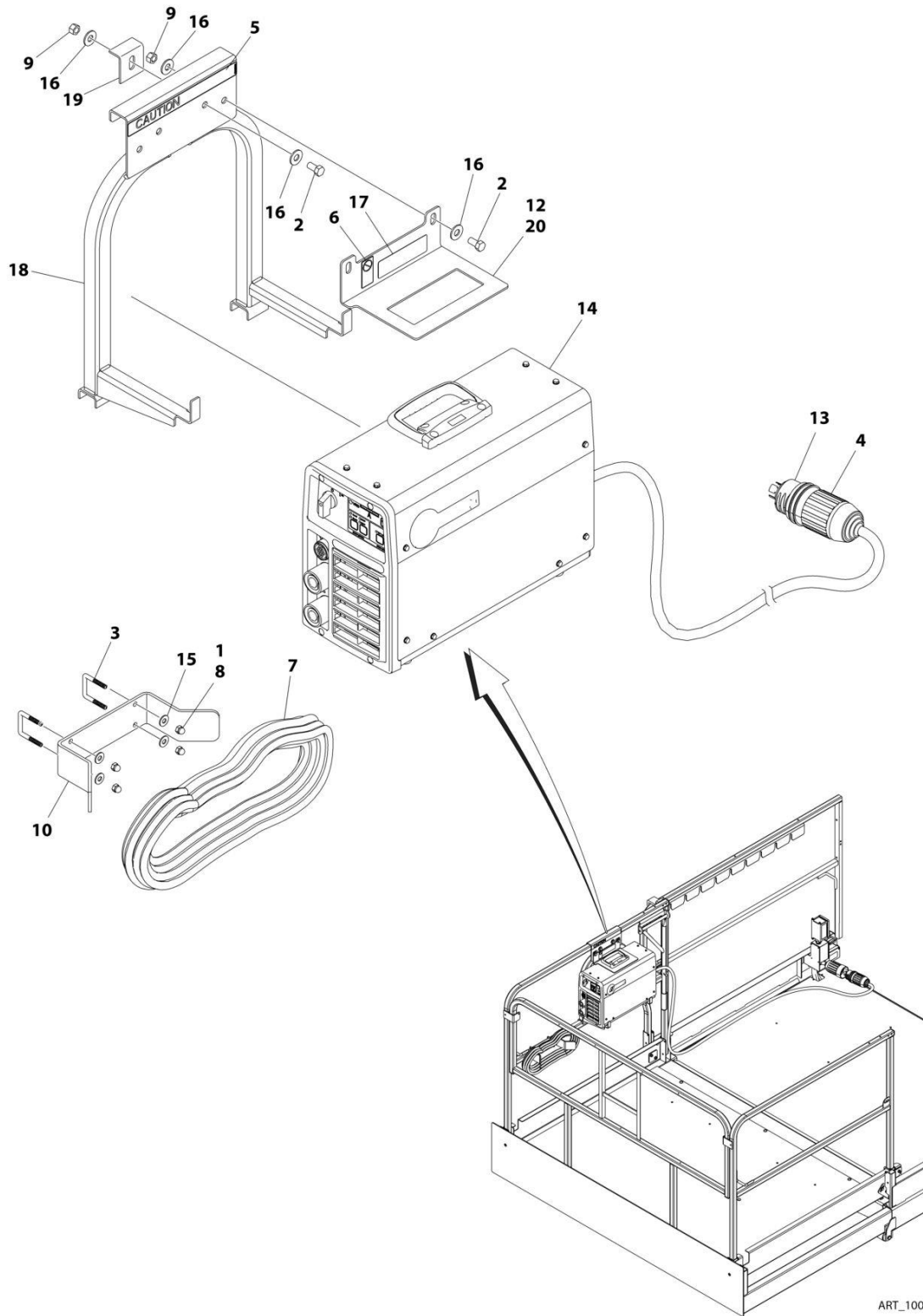
SECTION 5 - PLATFORM

FIGURE 5-9. PIPE RACK INSTALLATION

ITEM	PART NUMBER	QTY	DESCRIPTION	REV
	1001273290	Ref	PIPE RACK INSTALLATION	B
1	0480100	2	Belt, Tie Down	
2	2080063	4	Nut 1/4	
3	3900318	4	Screw 1/4 x 2	
4	4845441	1	Support, Pipe Rack	
5	4845442	1	Support, Pipe Rack	
6	1001293137	2	Decal - Pipe Rack Capacity	
7	See Note	NSS	Decal - Accessory (Note: Not Available for Purchase)	

SECTION 5 - PLATFORM

FIGURE 5-10. SKYWELDER INSTALLATION (OPTIONAL) (ANSI SPECS)



ART_1001245845_B

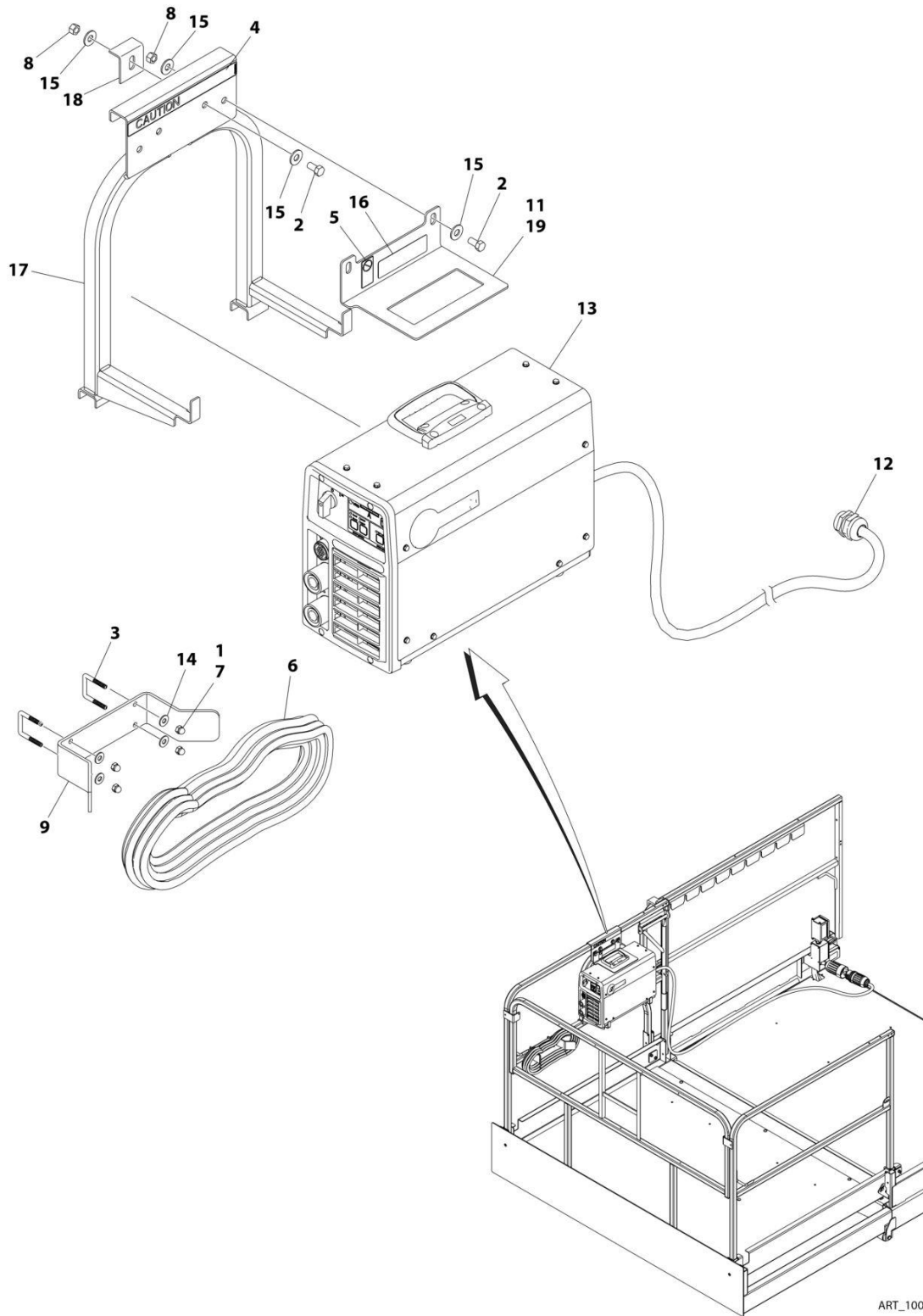
SECTION 5 - PLATFORM

FIGURE 5-10. SKYWELDER INSTALLATION (OPTIONAL) (ANSI SPECS)

ITEM	PART NUMBER	QTY	DESCRIPTION	REV
	1001245845	Ref	SKYWELDER INSTALLATION	B
1	0100011	AR	Compound, Locking	
2	0641606	4	Bolt 3/8 x 3/4	
3	1320302	2	Clamp	
4	1671093	1	Cover, Plug	
5	1702868	1	Decal - No Hands	
6	1705305	1	Decal - Weld Lead	
7	2902217	1	Weld Leads Kit	
8	3300151	4	Nut 1/4	
9	3311605	4	Nut 3/8	
10	3573400	1	Plate	
11	4240099	AR	Tie-Strap (Not Shown)	
12	4420037	AR	Tape	
13	4460962	1	Plug, Male Twistlock	
14	1001268820	1	Welder Assembly (See Separate Breakdown in this Section)	
15	4751400	4	Washer 1/4	
16	4751600	8	Washer 3/8	
17	1001228988	1	Decal - Weight	
18	1001274072	1	Support	
19	1001245996	2	Bracket	
20	1001274071	1	Bracket	

SECTION 5 - PLATFORM

FIGURE 5-11. SKYWELDER INSTALLATION (OPTIONAL) (CE & UK CA SPECS)



ART_1001245846_B

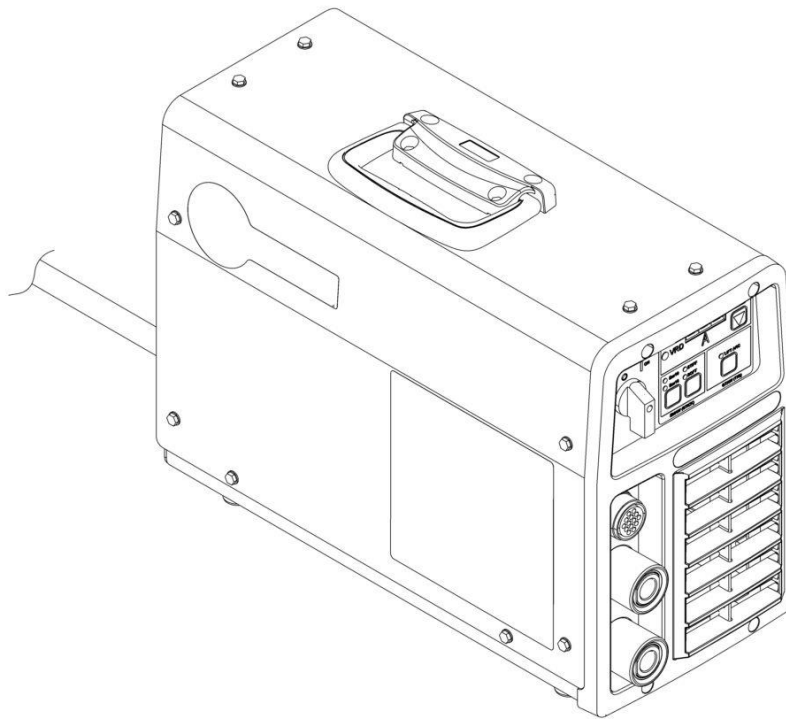
SECTION 5 - PLATFORM

FIGURE 5-11. SKYWELDER INSTALLATION (OPTIONAL) (CE & UK CA SPECS)

ITEM	PART NUMBER	QTY	DESCRIPTION	REV
	1001245846	Ref	SKYWELDER INSTALLATION	B
1	0100011	AR	Compound, Locking	
2	0641606	4	Bolt 3/8 x 3/4	
3	1320302	2	Clamp	
4	1702868	1	Decal - No Hands	
5	1705305	1	Decal - Weld Lead	
6	2902217	1	Weld Leads Kit	
7	3300151	4	Nut 1/4	
8	3311605	4	Nut 3/8	
9	3573400	1	Plate	
10	4240099	AR	Tie-Strap (Not Shown)	
11	4420037	AR	Tape	
12	4460426	1	Connector, Strain Relief	
13	1001268820	1	Welder Assembly (See Separate Breakdown in this Section)	
14	4751400	4	Washer 1/4	
15	4751600	8	Washer 3/8	
16	1001228988	1	Decal - Weight	
17	1001274072	1	Support	
18	1001245996	2	Bracket	
19	1001274071	1	Bracket	

SECTION 5 - PLATFORM

FIGURE 5-12. WELDER ASSEMBLY



ART_1001268820

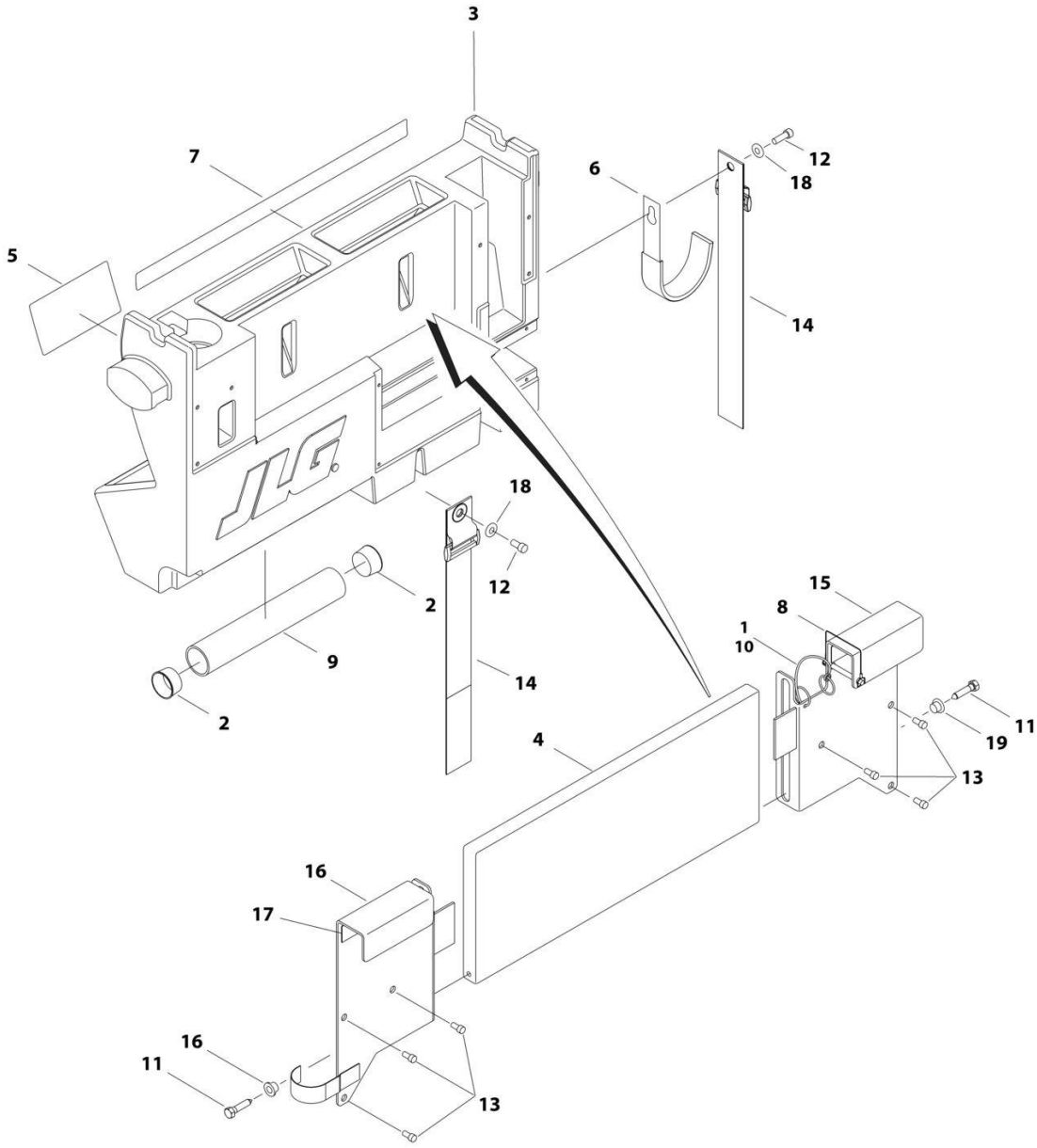
SECTION 5 - PLATFORM

FIGURE 5-12. WELDER ASSEMBLY

ITEM	PART NUMBER	QTY	DESCRIPTION	REV
	1001268820	1 Ref	WELDER ASSEMBLY Note: No Service Parts available at time of Printing.	B

SECTION 5 - PLATFORM

FIGURE 5-13. WORKSTATION INSTALLATION (OPTIONAL)



ART_0274260_C

SECTION 5 - PLATFORM

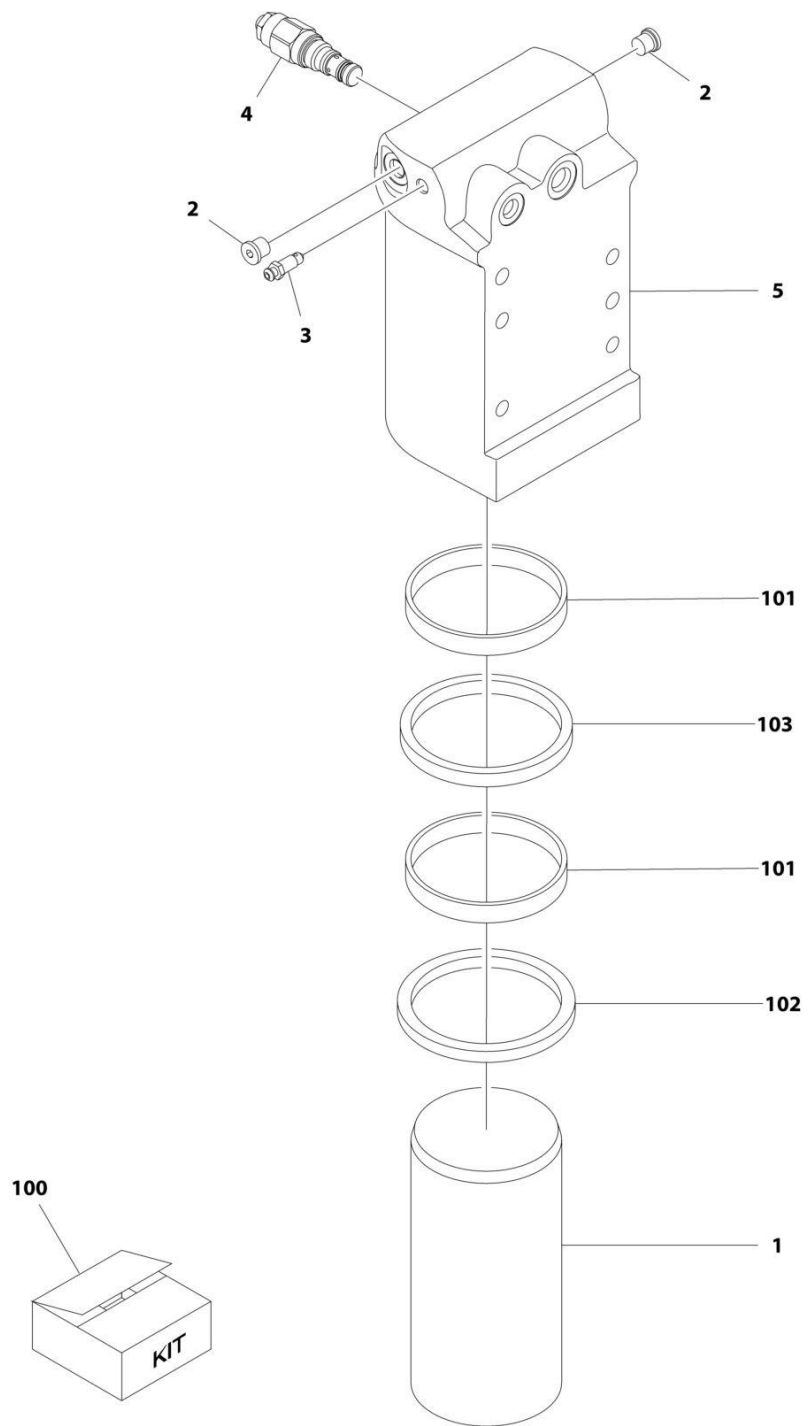
FIGURE 5-13. WORKSTATION INSTALLATION (OPTIONAL)

ITEM	PART NUMBER	QTY	DESCRIPTION	REV
	0274260	Ref	WORKSTATION INSTALLATION - REFERENCE CHART	C
	1001246392	Ref	WORKSTATION INSTALLATION (OPTIONAL)	B
1	1060379	1	Cable, Lanyard	
2	1120555	2	Cap, Manual Storage	
3	1580023	1	Container	
4	1580024	1	Tray	
5	1705997	1	Decal - Workstation	
6	2700100	1	Hook, Hanger	
7	1001246395	1	Decal - Workstation Kit	
8	3422219	1	Pin	
9	3460334	1	PVC Pipe	
10	3760170	2	Ring	
11	3900355	2	Screw 5/16 x 1-1/2	
12	3931412	2	Bolt 1/4 x 3/4	
13	3931508	6	Bolt 5/16 x 1/2	
14	4240003	2	Strap	
15	4340853	1	Mount, RH Channel	
16	4340854	1	Mount, LH Channel	
17	4420062	3 ft/0.9m	Tape	
18	4711400	2	Washer 1/4	
19	4740480	2	Insert, Plastic	

SECTION 6 - CYLINDER

SECTION 6 - CYLINDER

FIGURE 6-1. AXLE LOCKOUT CYLINDER ASSEMBLY



ART_1001163580

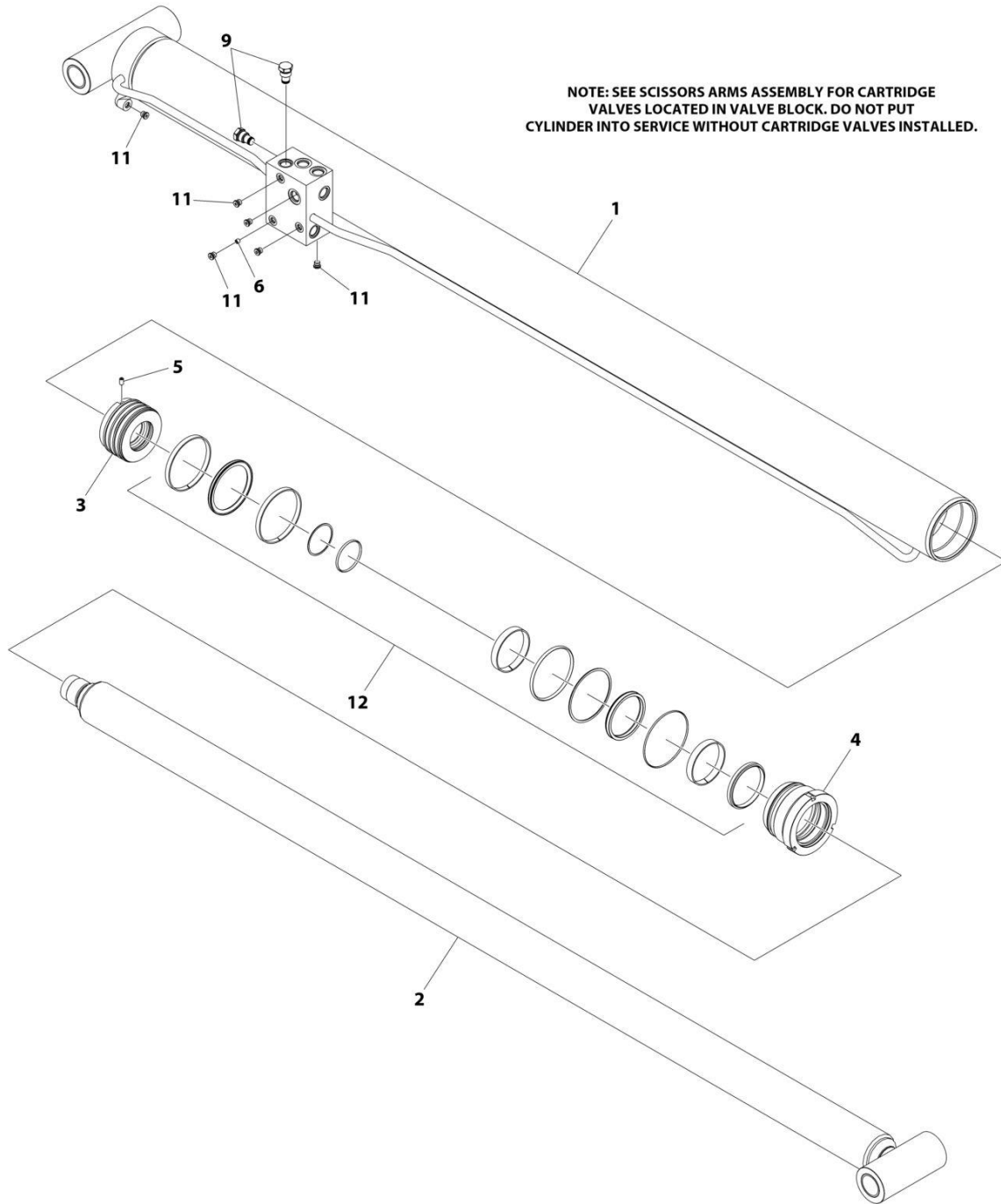
SECTION 6 - CYLINDER

FIGURE 6-1. AXLE LOCKOUT CYLINDER ASSEMBLY

ITEM	PART NUMBER	QTY	DESCRIPTION	REV
	1001163580	Ref	AXLE LOCKOUT CYLINDER ASSEMBLY	1
		Ref	Note: Original Cylinder May Have Been Replaced with Service Replacement. Identify PN Stamped on Cylinder Before Ordering Parts.	
1	1684290	1	Rod	
2	2220883	2	Plug #4	
3	4640858	1	Valve, Bleeder	
4	1001117372	1	Cartridge, Valve	
4	70002842	1	Seal Kit - 1001117372 Valve	
5	1001164817	1	Barrel	
100	2902266	NLA	Seal Kit - 1001163590 Cylinder (Includes Items 101-103)	
101	See Note	NSS	Ring, Wear (Note: Use Item 100)	
102	See Note	NSS	Seal (Note: Use Item 100)	
103	See Note	NSS	Wiper (Note: Use Item 100)	

SECTION 6 - CYLINDER

FIGURE 6-2. LOWER LIFT CYLINDER



ART_1001234703

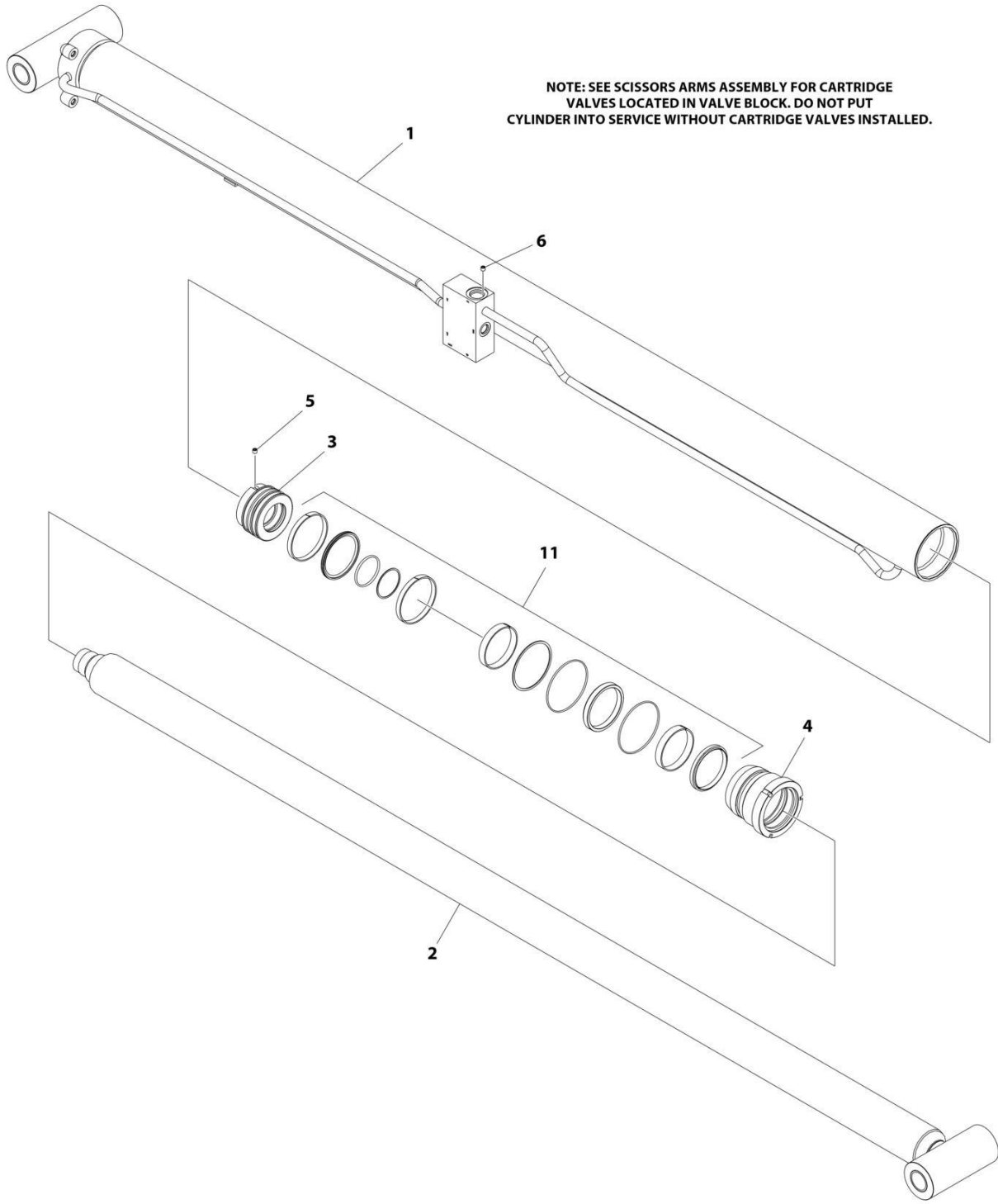
SECTION 6 - CYLINDER

FIGURE 6-2. LOWER LIFT CYLINDER

ITEM	PART NUMBER	QTY	DESCRIPTION	REV
	1001234703	Ref	LOWER LIFT CYLINDER	E
		Ref	Note: Original Cylinder May Have Been Replaced with Service Replacement. Identify PN Stamped on Cylinder Before Ordering Parts.	
1	See Note	NSS	Barrel (Note: Use p/n 1001234703)	
2	70005383	1	Rod	
3	70005381	1	Piston	
4	70005382	1	Head	
5	70020438	1	Screw	
6	70006844	1	Orifice	
9	1001132208	2	Valve, Check	
9	7017496	2	Seal Kit - 1001132208 Valve (1 per Cartridge)	
11	2220883	6	Plug	
12	70005380	1	Seal Kit - 1001234703 Cylinder	

SECTION 6 - CYLINDER

FIGURE 6-3. UPPER LIFT CYLINDER



NOTE: SEE SCISSORS ARMS ASSEMBLY FOR CARTRIDGE VALVES LOCATED IN VALVE BLOCK. DO NOT PUT CYLINDER INTO SERVICE WITHOUT CARTRIDGE VALVES INSTALLED.

ART_1001225369

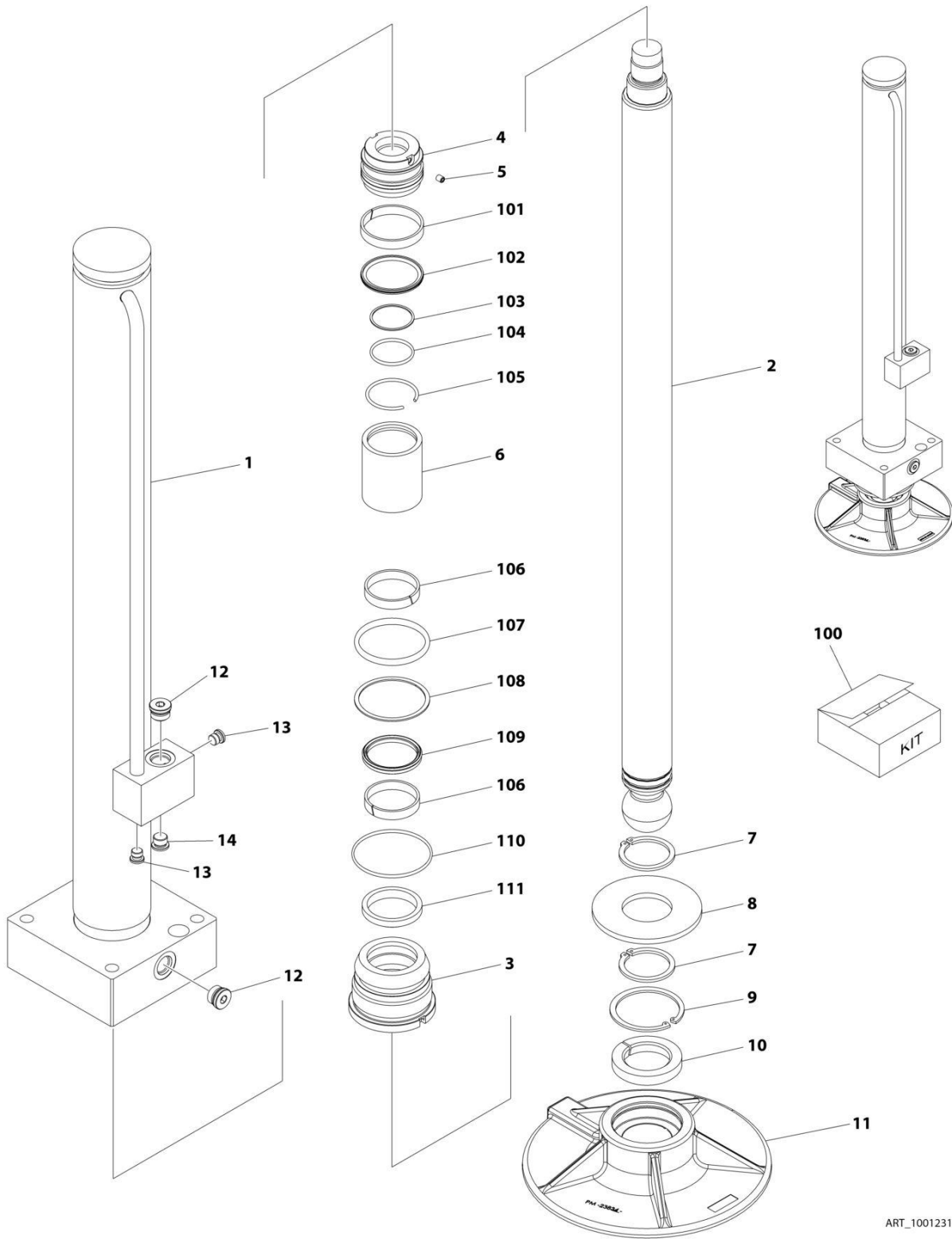
SECTION 6 - CYLINDER

FIGURE 6-3. UPPER LIFT CYLINDER

ITEM	PART NUMBER	QTY	DESCRIPTION	REV
	1001225369	Ref	UPPER LIFT CYLINDER	B
		Ref	Note: Original Cylinder May Have Been Replaced with Service Replacement. Identify PN Stamped on Cylinder Before Ordering Parts.	
1	See Note	NSS	Barrel (Note: Use p/n 1001225369)	
2	70005378	1	Rod	
3	70005376	1	Piston	
4	70005377	1	Head	
5	70023915	1	Screw	
6	70006843	1	Orifice	
11	70005375	1	Seal Kit - 1001225369 Cylinder	

SECTION 6 - CYLINDER

FIGURE 6-4. LEVELING JACK CYLINDER ASSEMBLY



ART_1001231261

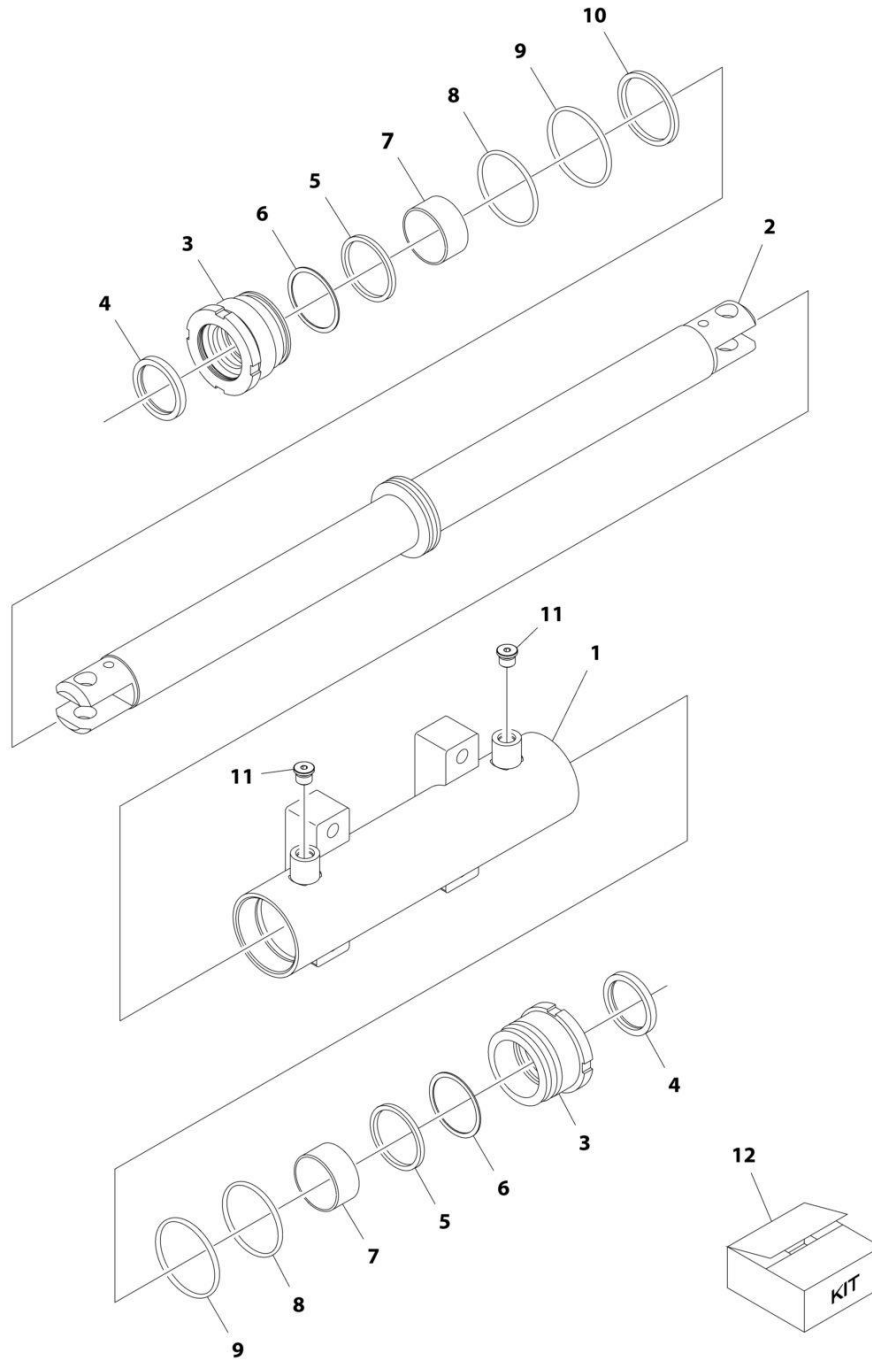
SECTION 6 - CYLINDER

FIGURE 6-4. LEVELING JACK CYLINDER ASSEMBLY

ITEM	PART NUMBER	QTY	DESCRIPTION	REV
	1001231261	Ref	LEVELING JACK CYLINDER ASSEMBLY	B
		Ref	Note: Original Cylinder May Have Been Replaced with Service Replacement. Identify PN Stamped on Cylinder Before Ordering Parts.	
1	See Note	NSS	Barrel (Note: Use p/n 1001231261)	
2	70007045	1	Rod	
3	70026417	1	Head	
4	70007044	1	Piston	
5	70023915	1	Screw	
6	70007043	1	Spacer	
7	70007042	2	Ring, Retaining	
8	70007041	1	Plate, Jack	
9	70007040	1	Ring, Retaining	
10	70007039	1	Half Shell	
11	70007038	1	Pad, Jack	
12	2220886	2	Plug	
13	2220887	2	Plug	
14	2220885	1	Plug	
100	70007037	1	Seal Kit - 1001231261 Cylinder (Includes Items 101-111)	
101	See Note	NSS	Ring, Wear (Note: Use Item 100)	
102	See Note	NSS	Seal (Note: Use Item 100)	
103	See Note	NSS	Ring, Back-up (Note: Use Item 100)	
104	See Note	NSS	O-Ring (Note: Use Item 100)	
105	See Note	NSS	Ring, Snap (Note: Use Item 100)	
106	See Note	NSS	Ring, Wear (Note: Use Item 100)	
107	See Note	NSS	O-Ring (Note: Use Item 100)	
108	See Note	NSS	Ring, Back-up (Note: Use Item 100)	
109	See Note	NSS	Seal (Note: Use Item 100)	
110	See Note	NSS	O-Ring (Note: Use Item 100)	
111	See Note	NSS	Wiper (Note: Use Item 100)	

SECTION 6 - CYLINDER

FIGURE 6-5. STEER CYLINDER ASSEMBLY



ART_1001163178

SECTION 6 - CYLINDER

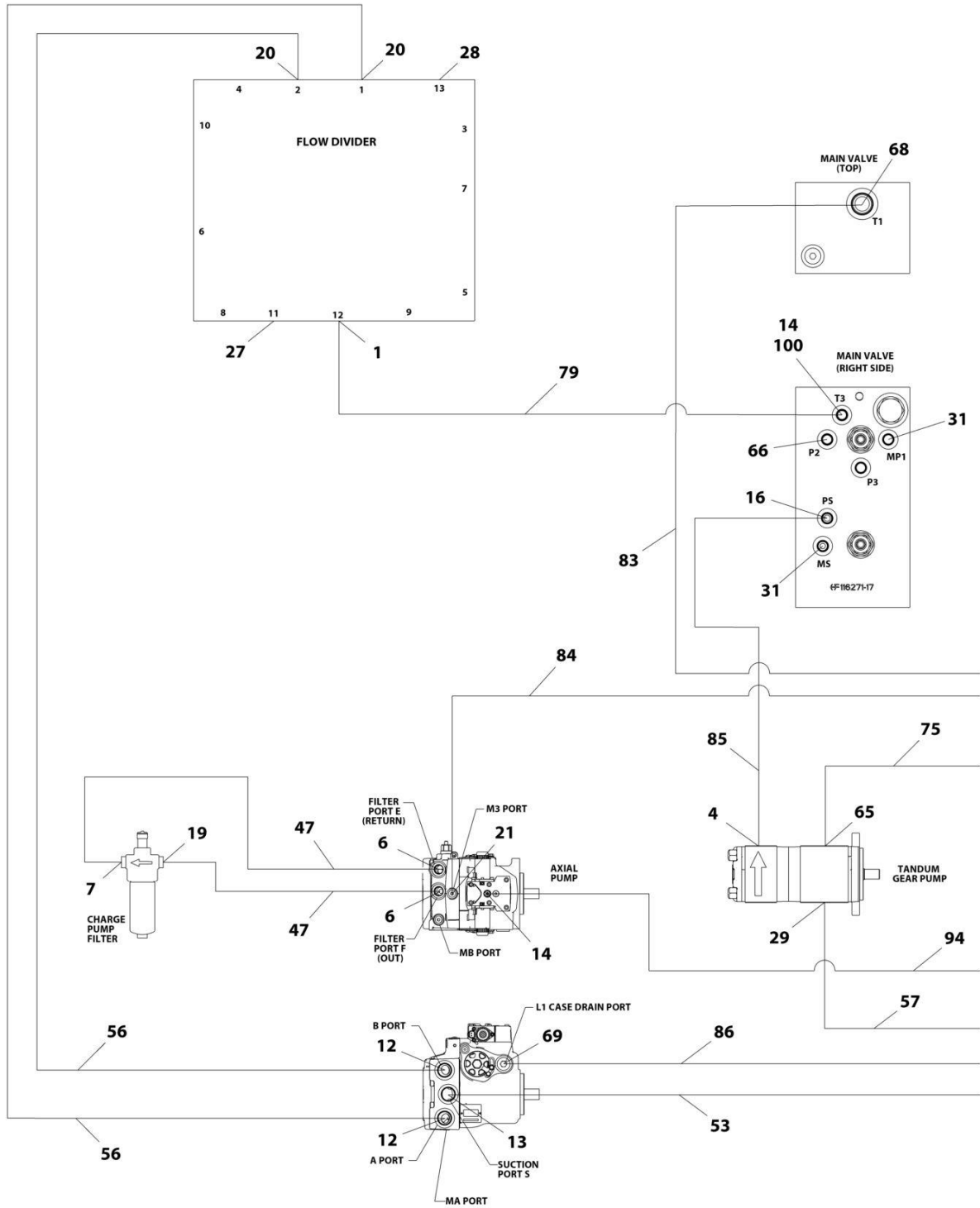
FIGURE 6-5. STEER CYLINDER ASSEMBLY

ITEM	PART NUMBER	QTY	DESCRIPTION	REV
	1001163178	Ref	STEER CYLINDER ASSEMBLY	E
		Ref	Note: Original Cylinder May Have Been Replaced with Service Replacement. Identify PN Stamped on Cylinder Before Ordering Parts.	
1	70005150	1	Barrel	
2	70005151	1	Rod	
3	70005152	2	Head	
4	See Note	NSS	Wiper (Note: Use Item 12)	
5	See Note	NSS	Seal, Rod (Note: Use Item 12)	
6	See Note	NSS	Ring, Back-up (Note: Use Item 12)	
7	70005153	2	Bearing, Dry	
8	See Note	NSS	O-Ring (Note: Use Item 12)	
9	See Note	NSS	O-Ring (Note: Use Item 12)	
10	See Note	NSS	Seal, Piston (Note: Use Item 12)	
11	See Note	2	Plug 9/16 (Note: Not Available for Purchase)	
12	70005154	1	Seal Kit - 1001163178 Cylinder (Includes Items 4-6 & 8-10)	

SECTION 7 - HYDRAULIC

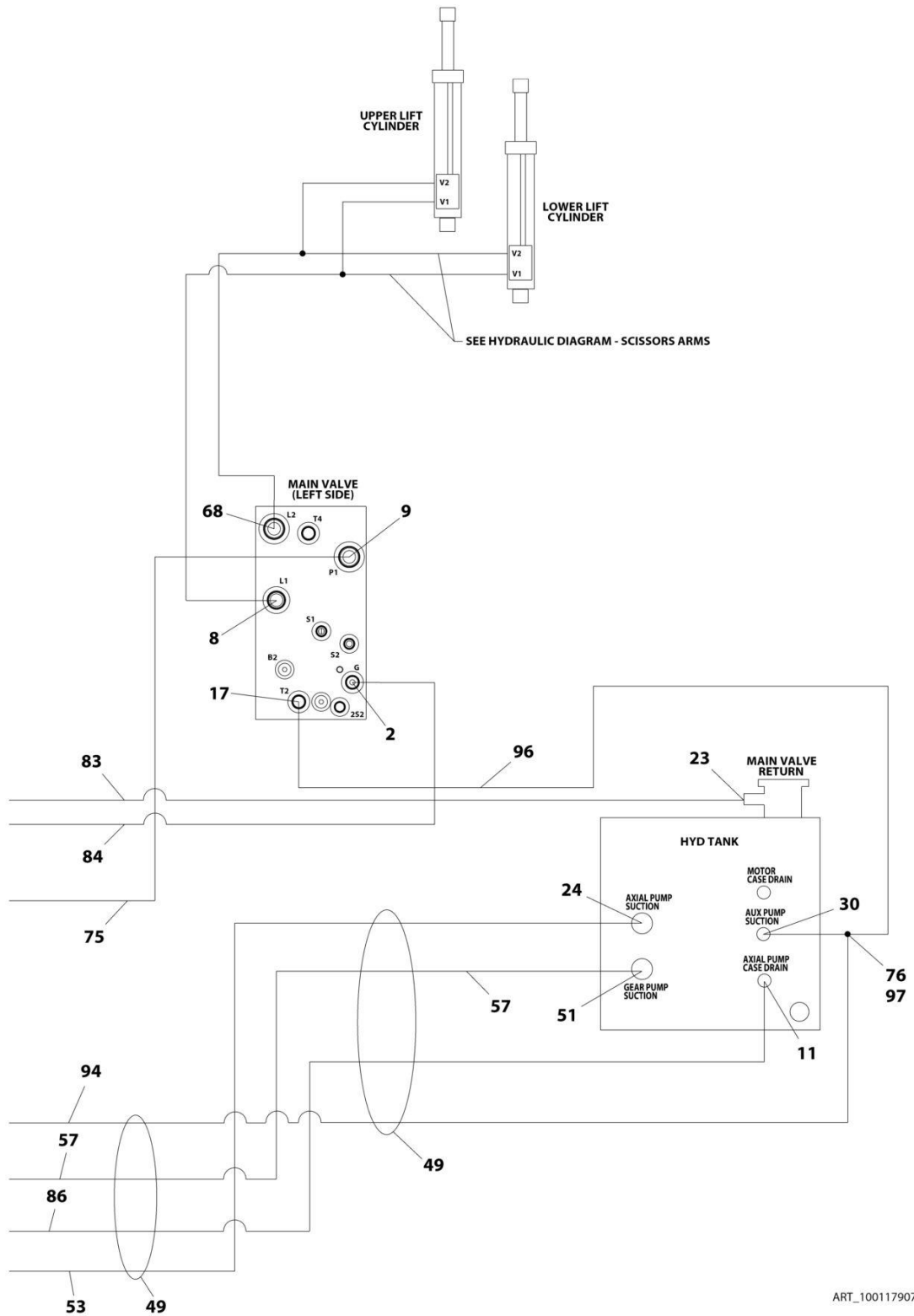
SECTION 7 - HYDRAULIC

FIGURE 7-1. HYDRAULIC DIAGRAM - FIXED AXLE



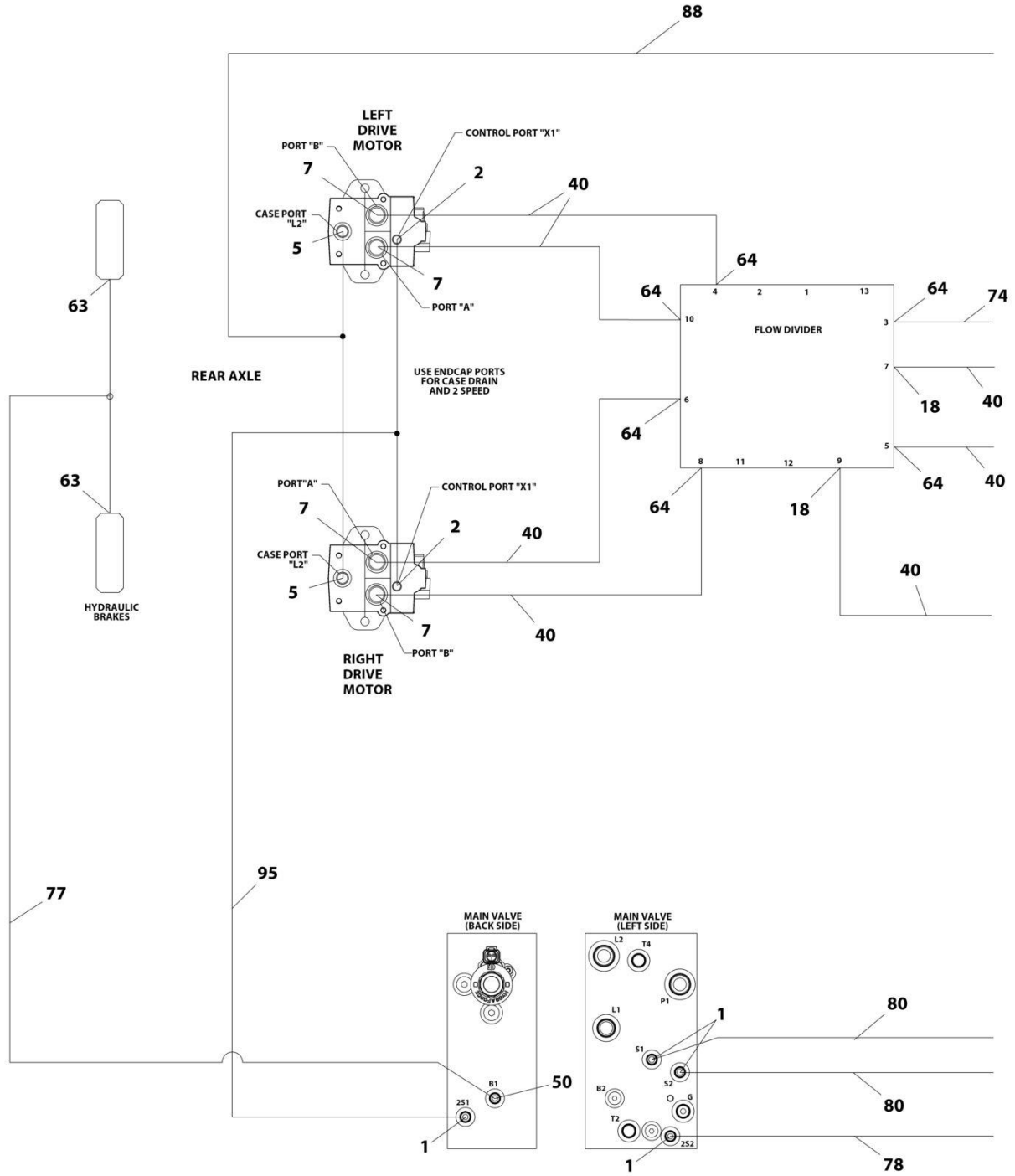
ART_1001179071_10F5

SECTION 7 - HYDRAULIC



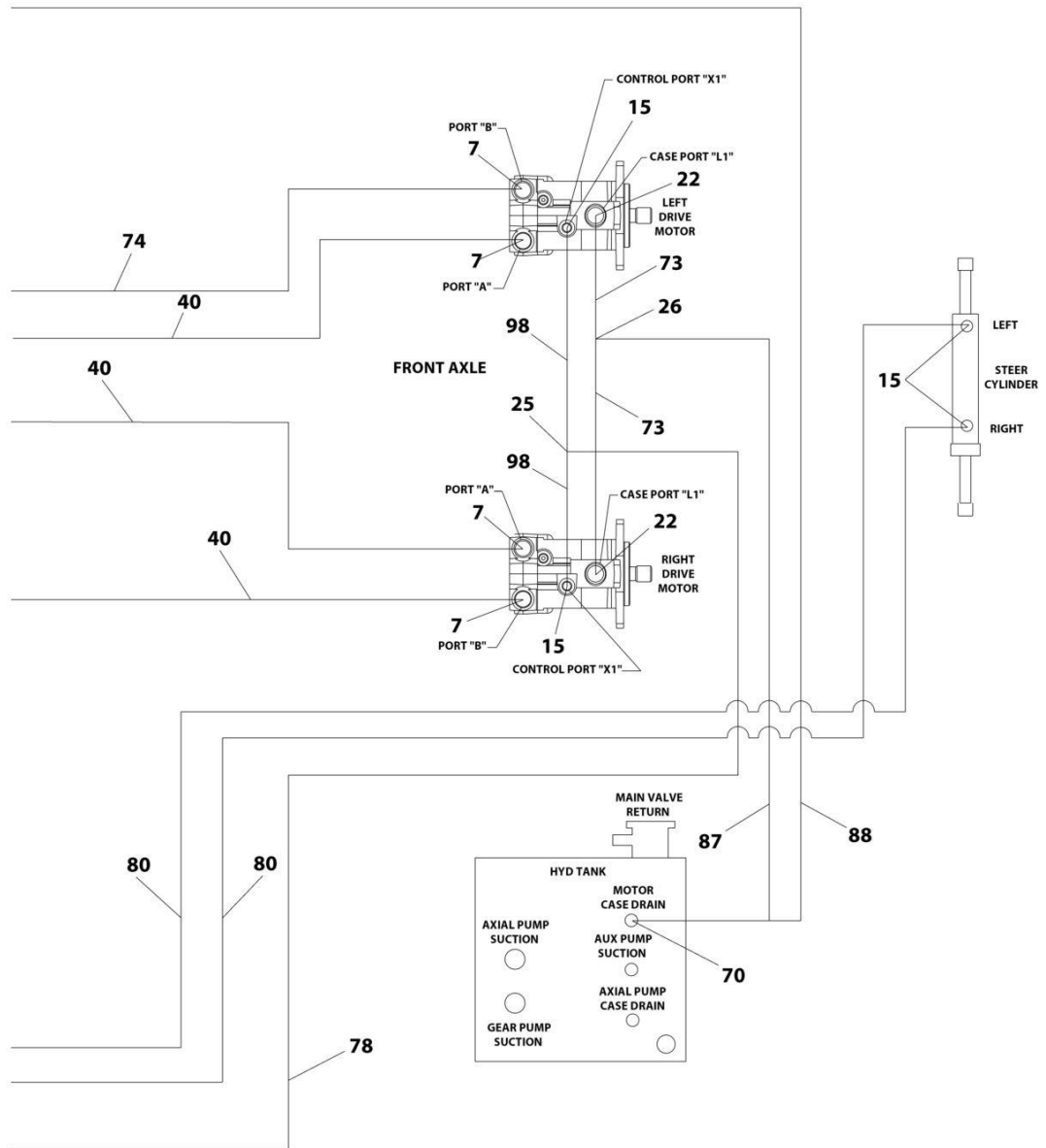
ART_1001179071_2OF5

SECTION 7 - HYDRAULIC



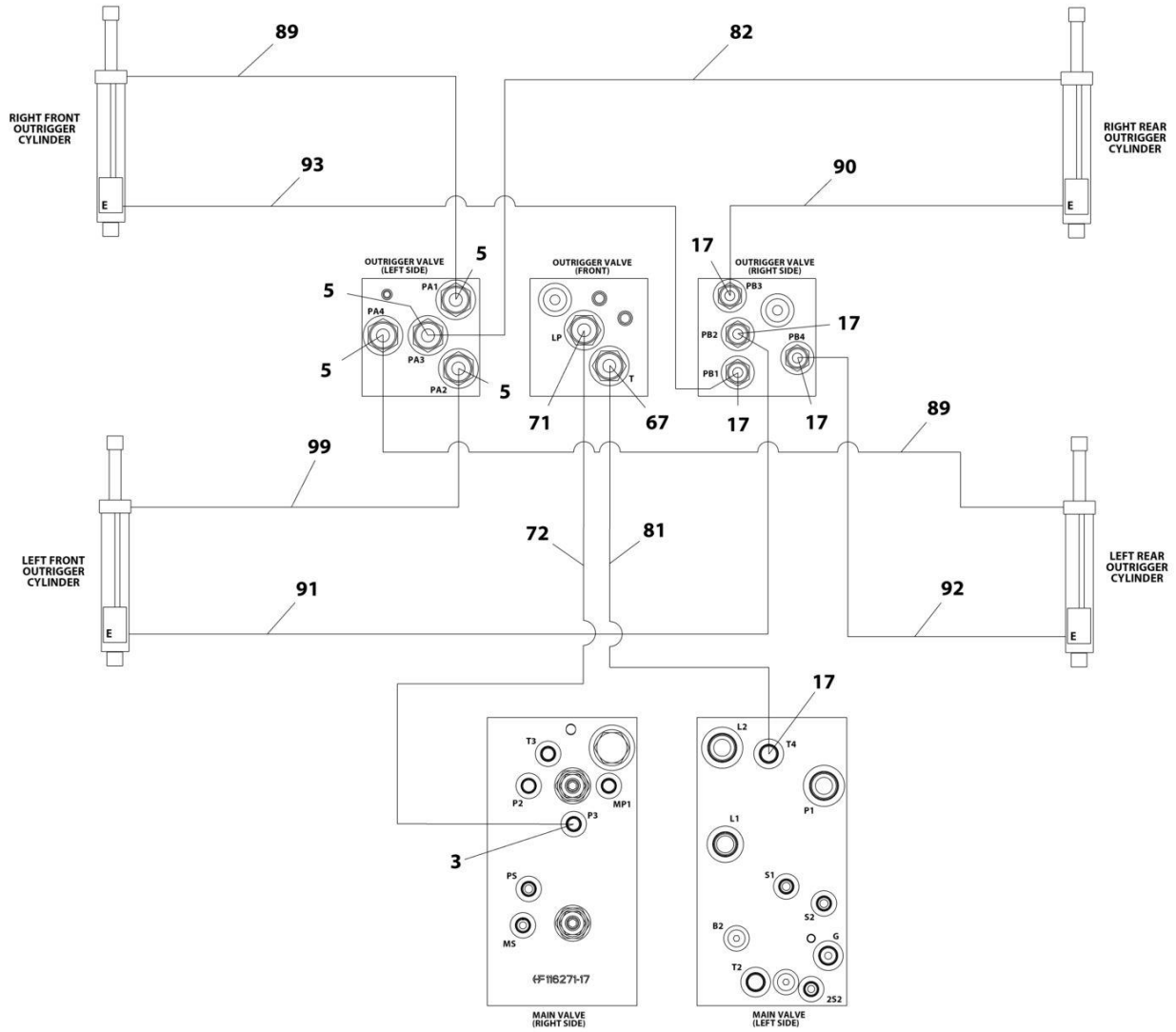
ART_1001179071_3OF5

SECTION 7 - HYDRAULIC



ART_1001179071_40F5

SECTION 7 - HYDRAULIC



ART_1001179071_SOF5

SECTION 7 - HYDRAULIC

FIGURE 7-1. HYDRAULIC DIAGRAM - FIXED AXLE

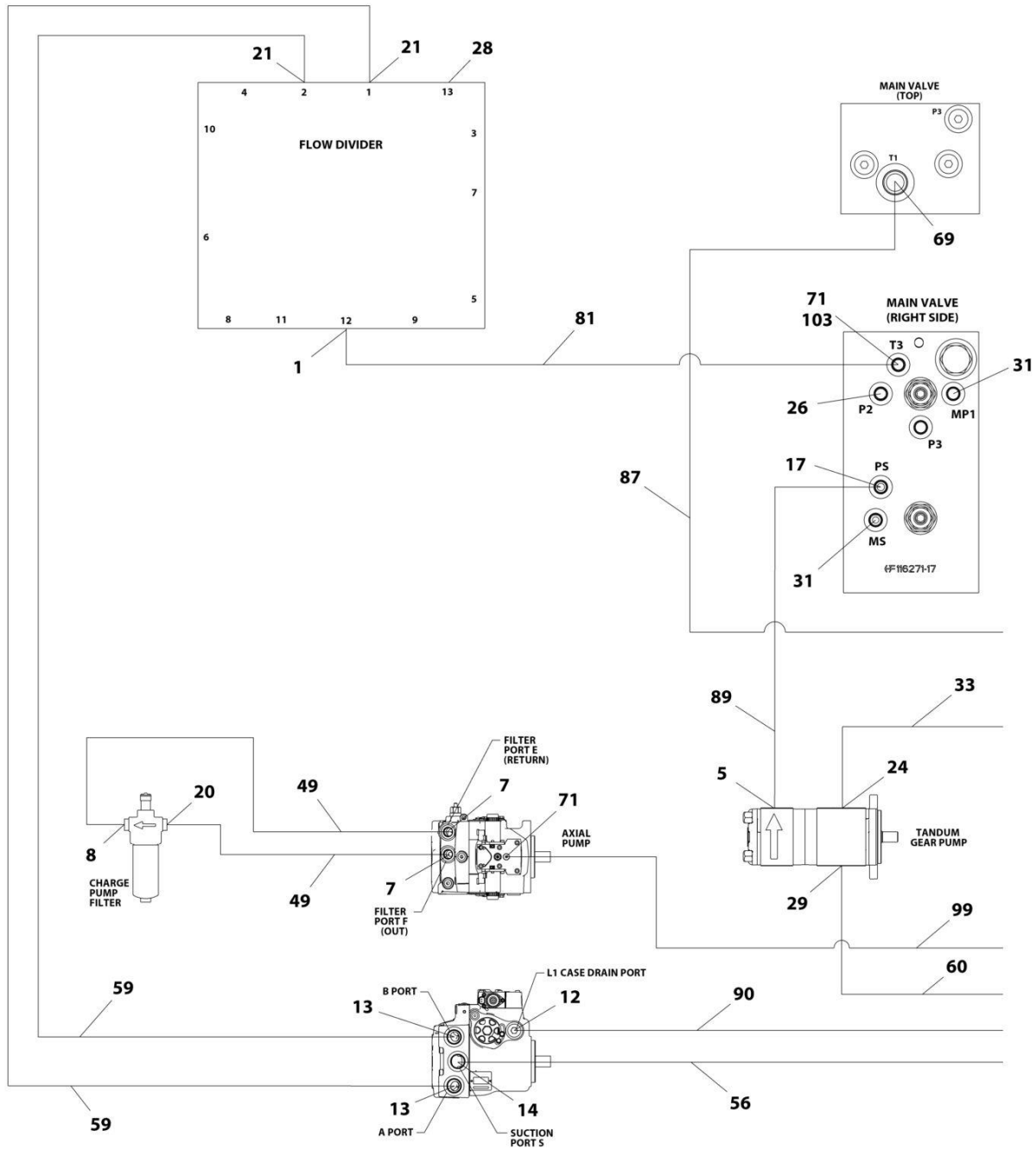
ITEM	PART NUMBER	QTY	DESCRIPTION	REV
	1001179071	Ref	HYDRAULIC DIAGRAM - FIXED AXLE	H
1	2220415	5	Fitting, Straight JIC/ORB	
2	2220582	3	Fitting, Straight JIC/ORB	
3	2220603	1	Fitting, Straight JIC/ORB	
4	2220497	1	Fitting, Straight JIC/ORB	
5	2220373	6	Fitting, Straight JIC/ORB	
6	2110810	2	Fitting, Straight ORFS/ORB	
7	2110812	9	Fitting, Straight ORFS/ORB	
8	2220852	1	Fitting, Straight JIC/ORB	
9	2111010	1	Fitting, Straight ORFS/ORB	
11	2220578	1	Fitting, 90 JIC/ORB	
12	2111216	2	Fitting, Straight ORFS/ORB	
13	2112016	1	Fitting, Straight ORFS/ORB	
14	2220466	AR	Fitting, 90 JIC/ORB	
15	2221040	4	Fitting, 45 JIC/ORB	
16	2220775	1	Fitting, 90 JIC/ORB	
17	2220371	6	Fitting, Straight JIC/ORB	
18	2110808	2	Fitting, Straight ORFS/ORB	
19	2130812	1	Fitting, 90 ORFS/ORB	
20	2131216	2	Fitting, 90 ORFS/ORB	
21	2220472	1	Fitting, 90 JIC/ORB	
22	2220500	2	Fitting, 45 JIC/ORB	
23	2220435	1	Fitting, Straight JIC/ORB	
24	2152020	1	Fitting, 45 ORFS/ORB	
25	2220504	1	Fitting, Tee JIC/JIC/JIC	
26	2220362	1	Fitting, Tee FL/FL/FL	
27	2220237	1	Plug ORB	
28	2220238	1	Plug ORB	
29	2220479	1	Fitting, Straight JIC/ORB	
30	2220577	1	Fitting, Straight JIC/ORB	
31	2221086	2	Fitting, Test	
40	2753791	7	Hose	
47	2754244	2	Hose	
49	4061032	AR	Shield	
50	2110404	1	Fitting, Straight ORFS/ORB	
51	8760351	1	Fitting, 45 JIC/ORB	
53	1001104581	1	Hose	
56	1001107924	2	Hose	
57	1001108128	1	Hose	
63	2130404	2	Fitting, 90 ORFS/ORB	
64	2130808	6	Fitting, 90 ORFS/ORB	
65	2131010	1	Fitting, 90 ORFS/ORB	
66	2220235	1	Fitting	
67	2220372	1	Fitting, Straight JIC/ORB	
68	2220408	2	Fitting, Straight JIC/ORB	
69	2220451	1	Fitting, Straight JIC/ORB	
70	2220602	1	Fitting, Tee JIC/ORB/JIC	
71	2220628	1	Fitting, 90 JIC/ORB	
72	2716703	1	Hose	
73	2716705	2	Hose	

SECTION 7 - HYDRAULIC

ITEM	PART NUMBER	QTY	DESCRIPTION	REV
74	2753970	1	Hose	
75	2753798	1	Hose	
76	8760268	1	Fitting, 90 JIC/FSJIC	
77	1001104589	1	Hose	
78	1001108477	1	Hose	
79	1001151351	1	Hose	
80	1001158199	2	Hose	
81	1001158246	1	Hose	
82	1001182051	1	Hose	
83	1001194378	1	Hose	
84	1001194379	1	Hose	
85	1001194380	1	Hose	
86	1001194381	1	Hose	
87	1001194382	1	Hose	
88	1001194383	1	Hose	
89	1001194384	2	Hose	
90	1001194385	1	Hose	
91	1001194386	1	Hose	
92	1001194387	1	Hose	
93	1001194388	1	Hose	
94	1001194390	1	Hose	
95	1001194391	1	Hose	
96	2752485	1	Hose	
97	2220635	1	Fitting, Tee JIC/JIC/JIC	
98	1001151354	2	Hose	
99	1001205920	1	Hose	
100	2220502	AR	Fitting, 45 JIC/ORB	

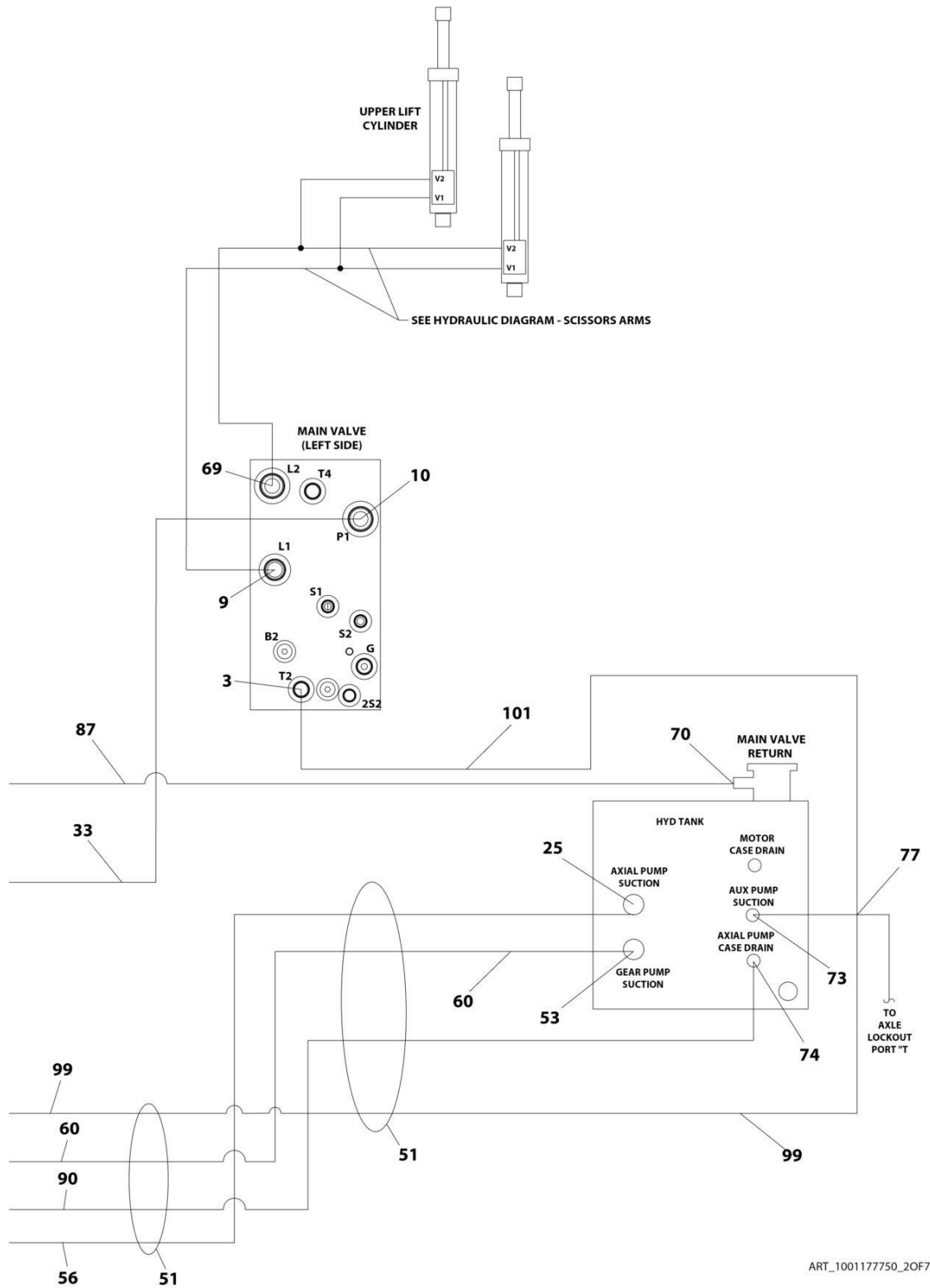
SECTION 7 - HYDRAULIC

FIGURE 7-2. HYDRAULIC DIAGRAM - OSCILLATING AXLE

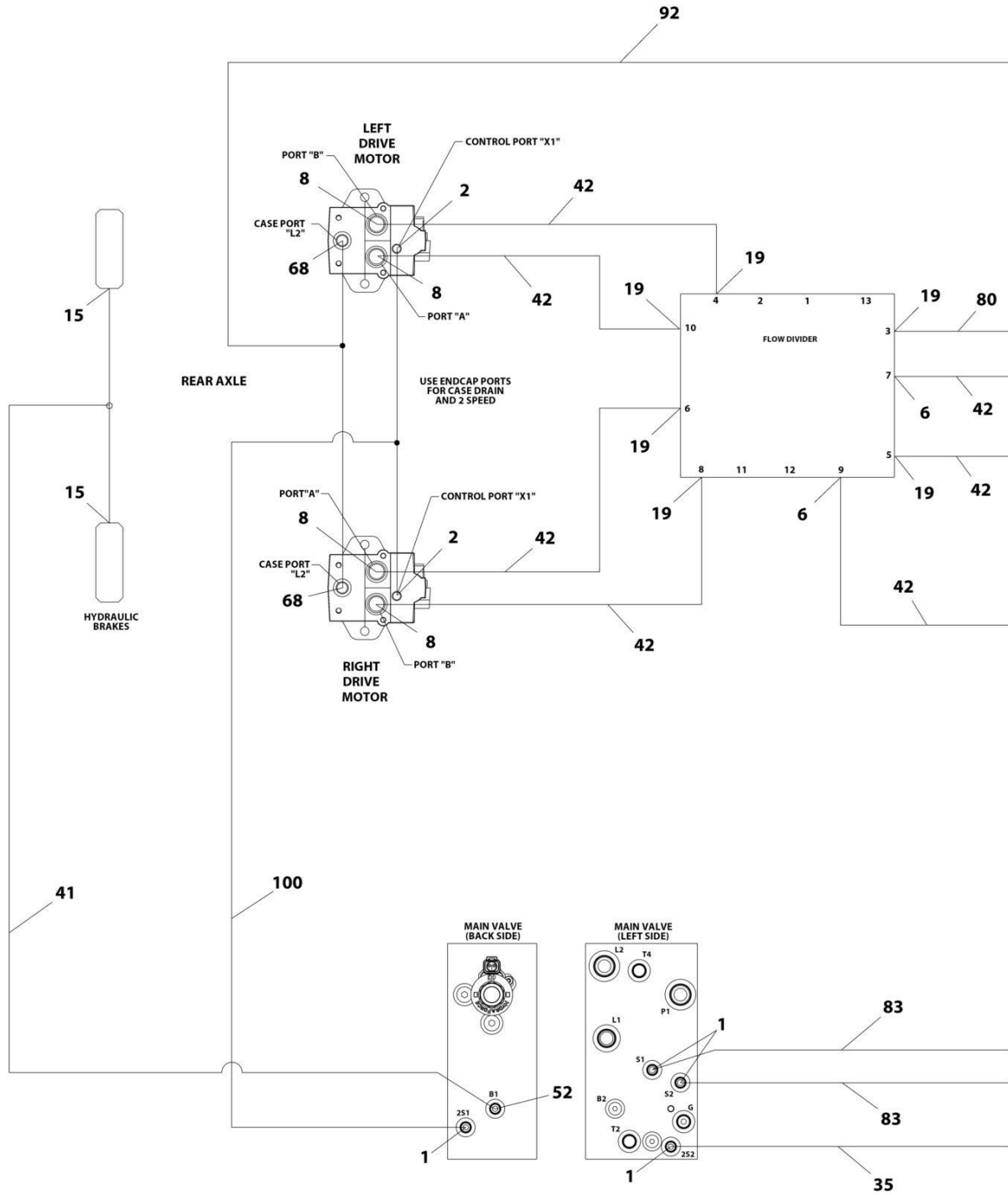


ART_1001177750_10F7

SECTION 7 - HYDRAULIC

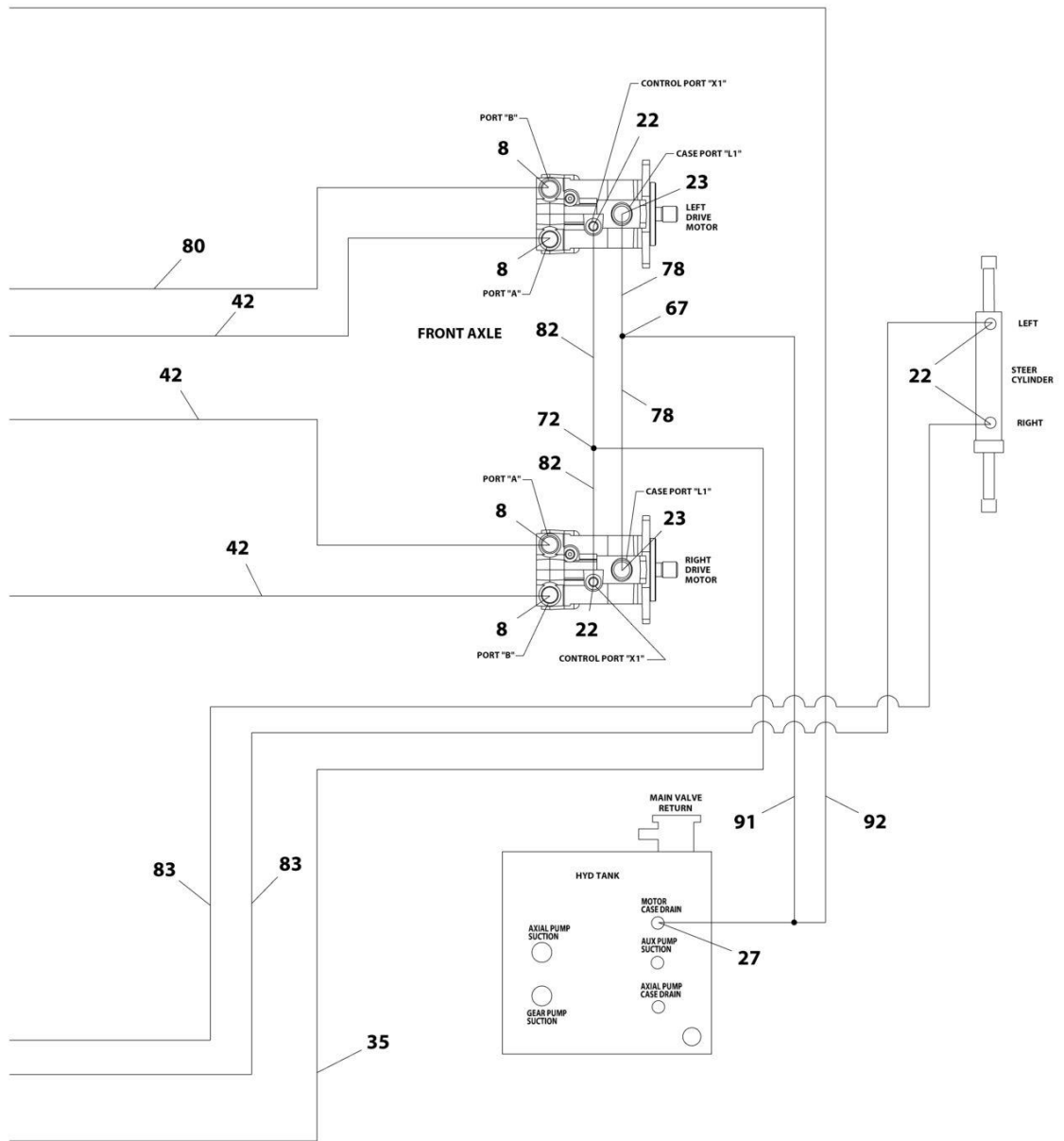


SECTION 7 - HYDRAULIC



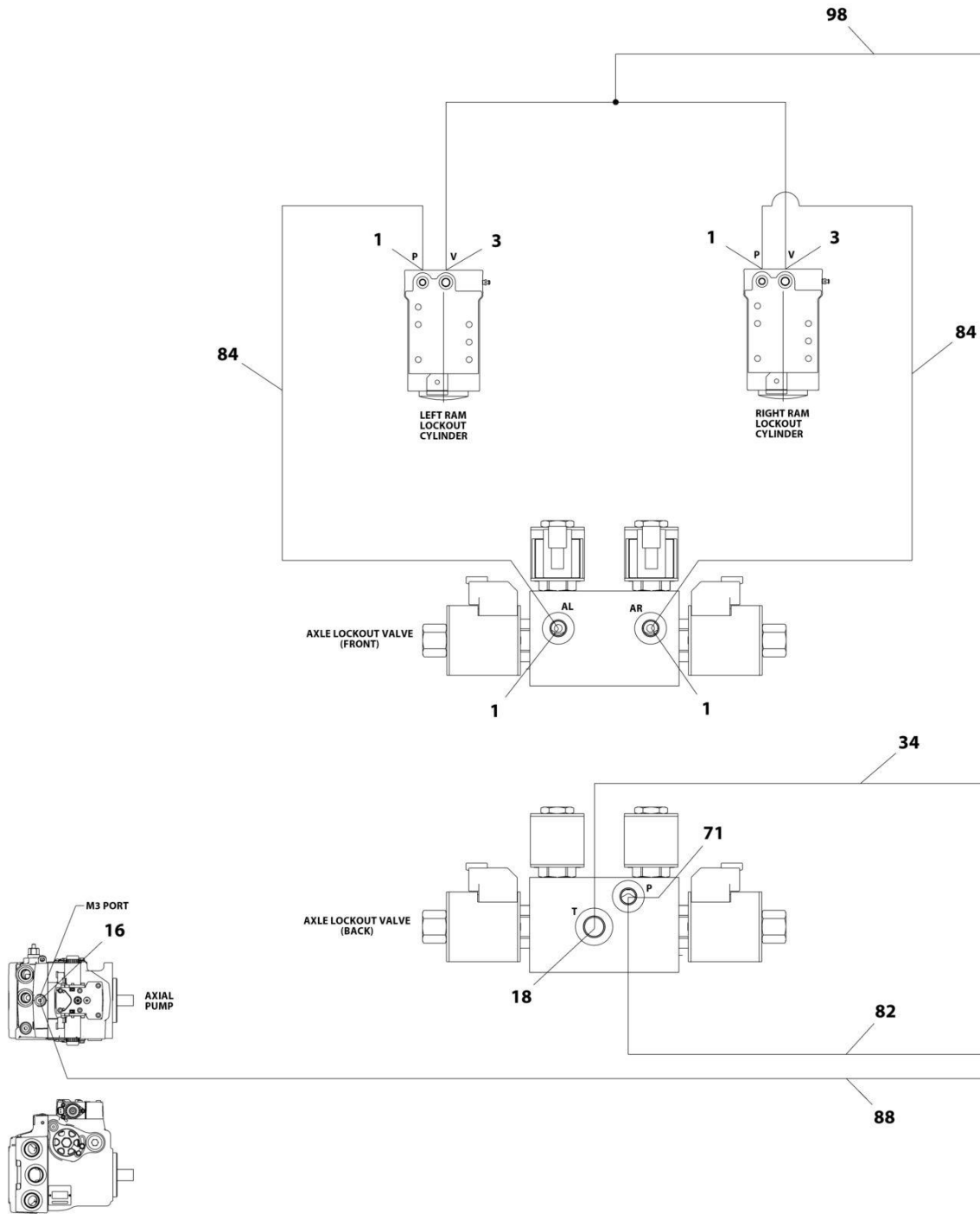
ART_100117750_30F7

SECTION 7 - HYDRAULIC



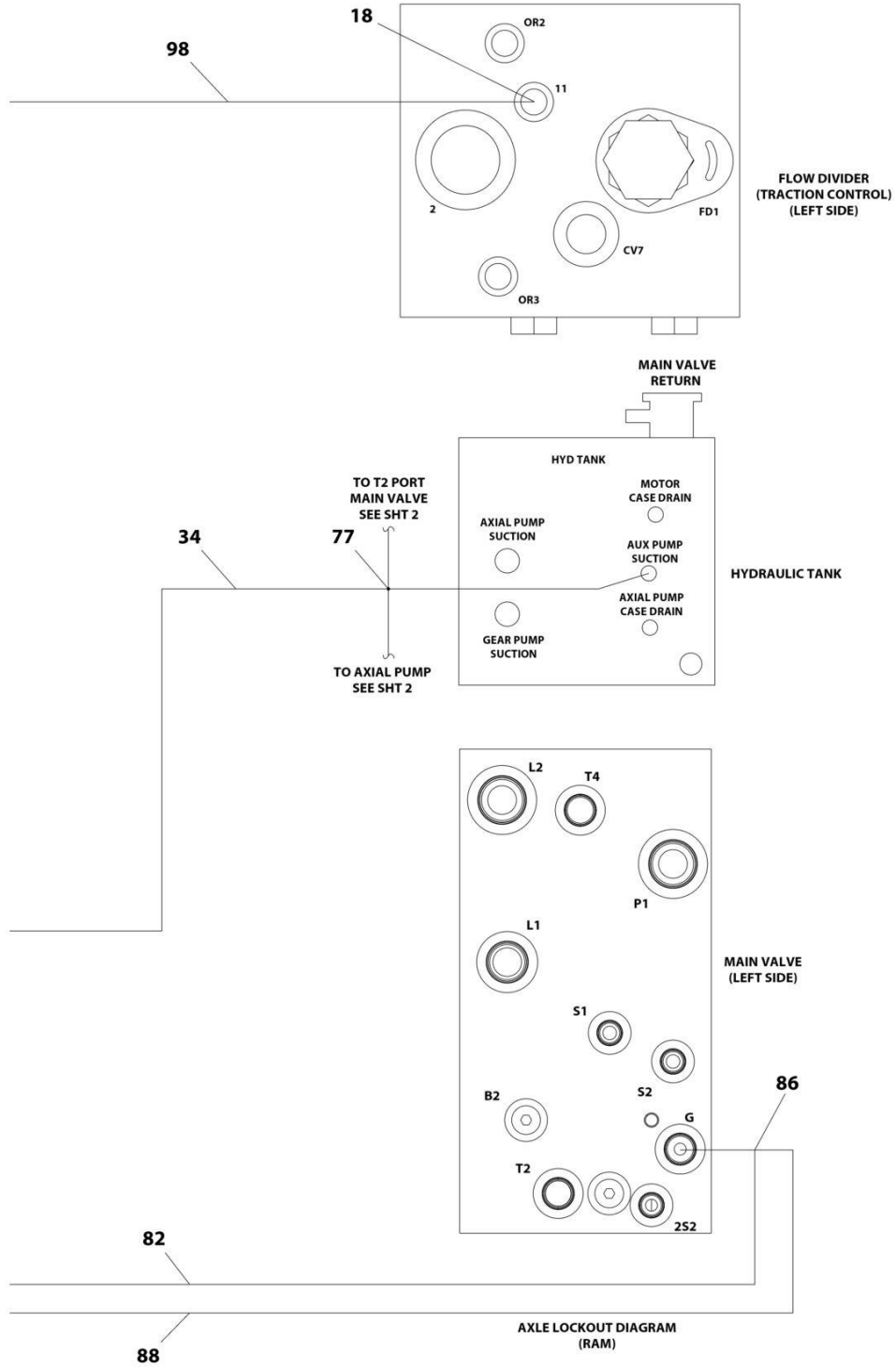
ART_1001177750_4OF7

SECTION 7 - HYDRAULIC



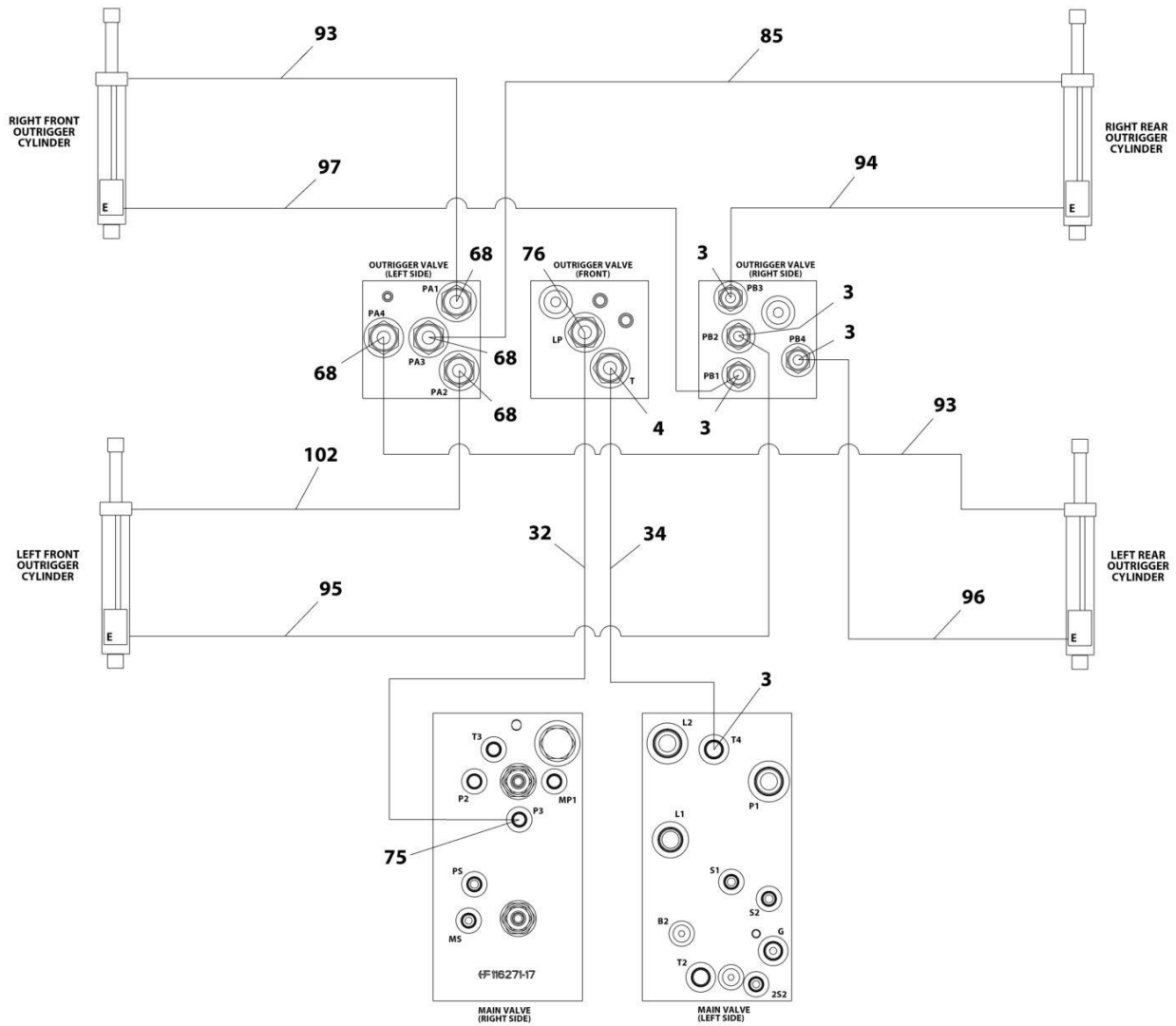
ART_100117750_5OF7

SECTION 7 - HYDRAULIC



ART_100117750_GOF7

SECTION 7 - HYDRAULIC



ART_100117750_7OF7

SECTION 7 - HYDRAULIC

FIGURE 7-2. HYDRAULIC DIAGRAM - OSCILATING AXLE

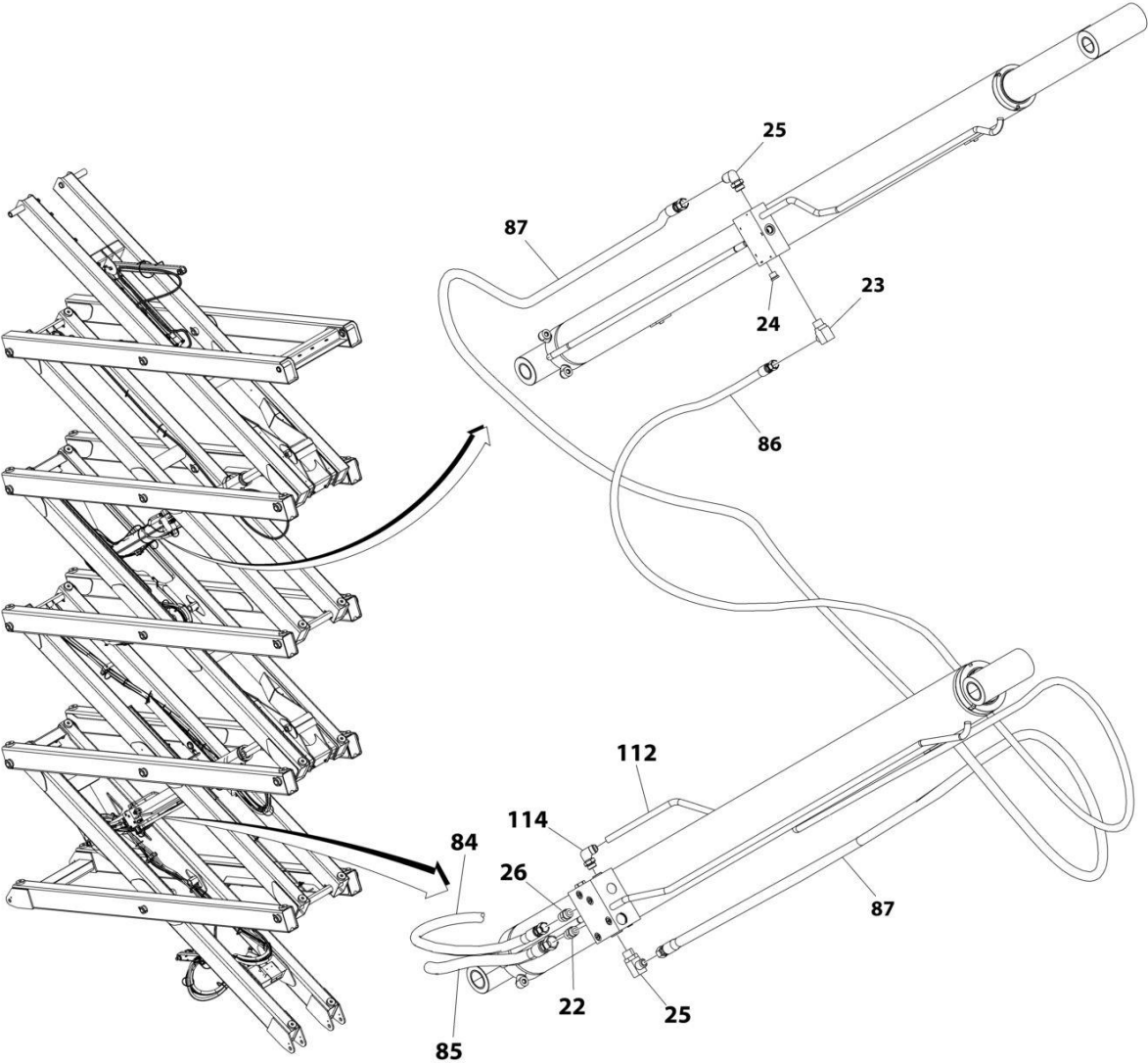
ITEM	PART NUMBER	QTY	DESCRIPTION	REV
	1001177750	Ref	HYDRAULIC DIAGRAM - OSCILLATING AXLE	J
1	2220415	9	Fitting, Straight JIC/ORB	
2	2220582	2	Fitting, Straight JIC/ORB	
3	2220371	8	Fitting, Straight JIC/ORB	
4	2220372	1	Fitting, Straight JIC/ORB	
5	2220497	1	Fitting, Straight JIC/ORB	
6	2110808	2	Fitting, Straight ORFS/ORB	
7	2110810	2	Fitting, Straight ORFS/ORB	
8	2110812	9	Fitting, Straight ORFS/ORB	
9	2220852	1	Fitting, Straight JIC/ORB	
10	2111010	1	Fitting, Straight ORFS/ORB	
12	2220451	1	Fitting, Straight JIC/ORB	
13	2111216	2	Fitting, Straight ORFS/ORB	
14	2112016	1	Fitting, Straight ORFS/ORB	
15	2130404	2	Fitting, 90 ORFS/ORB	
16	2220472	1	Fitting, 90 JIC/ORB	
17	2220775	1	Fitting, 90 JIC/ORB	
18	2220473	2	Fitting, 90 JIC/ORB	
19	2130808	6	Fitting, 90 ORFS/ORB	
20	2130812	1	Fitting, 90 ORFS/ORB	
21	2131216	2	Fitting, 90 ORFS/ORB	
22	2221040	4	Fitting, 45 JIC/ORB	
23	2220500	2	Fitting, 45 JIC/ORB	
24	2131010	1	Fitting, 90 ORFS/ORB	
25	2152020	1	Fitting, 45 ORFS/ORB	
26	2220235	1	Fitting	
27	2220602	1	Fitting, Tee JIC/ORB/JIC	
28	2220238	1	Plug ORB	
29	2220479	1	Fitting, Straight JIC/ORB	
31	2221086	2	Fitting, Test	
32	2716703	1	Hose	
33	2753798	1	Hose	
34	1001158246	2	Hose	
35	1001108477	1	Hose	
41	1001104589	1	Hose	
42	2753791	7	Hose	
49	2754244	2	Hose	
51	4061032	AR	Shield	
52	2110404	1	Fitting, Straight ORFS/ORB	
53	8760351	1	Fitting, 45 ORFS/ORB	
56	1001104581	1	Hose	
59	1001107924	2	Hose	
60	1001108128	1	Hose	
67	2220362	1	Fitting, Tee FL/FL/FL	
68	2220373	6	Fitting, Straight JIC/ORB	
69	2220408	2	Fitting, Straight JIC/ORB	
70	2220435	1	Fitting, Straight JIC/ORB	
71	2220466	AR	Fitting, 90 JIC/ORB	
72	2220504	1	Fitting, Tee JIC/JIC/JIC	
73	2220577	1	Fitting, Straight JIC/ORB	

SECTION 7 - HYDRAULIC

ITEM	PART NUMBER	QTY	DESCRIPTION	REV
74	2220578	1	Fitting, 90 JIC/ORB	
75	2220603	1	Fitting, Straight JIC/ORB	
76	2220628	1	Fitting, 90 JIC/ORB	
77	2220635	2	Fitting, Tee JIC/JIC/JIC	
78	2716705	2	Hose	
80	2753970	1	Hose	
81	1001151351	1	Hose	
82	1001151354	3	Hose	
83	1001158199	2	Hose	
84	1001173043	2	Hose	
85	1001182051	1	Hose	
86	1001193988	1	Fitting, Tee JIC/ORB/JIC	
87	1001194378	1	Hose	
88	1001194379	1	Hose	
89	1001194380	1	Hose	
90	1001194381	1	Hose	
91	1001194382	1	Hose	
92	1001194383	1	Hose	
93	1001194384	2	Hose	
94	1001194385	1	Hose	
95	1001194386	1	Hose	
96	1001194387	1	Hose	
97	1001194388	1	Hose	
98	1001194389	1	Hose	
99	1001194390	1	Hose	
100	1001194391	1	Hose	
101	2752485	1	Hose	
102	1001205920	1	Hose	
103	2220502	AR	Fitting, 45 JIC/ORB	

SECTION 7 - HYDRAULIC

FIGURE 7-3. HYDRAULIC DIAGRAM - SCISSOR ARMS



ART_1001217384_30F3

SECTION 7 - HYDRAULIC

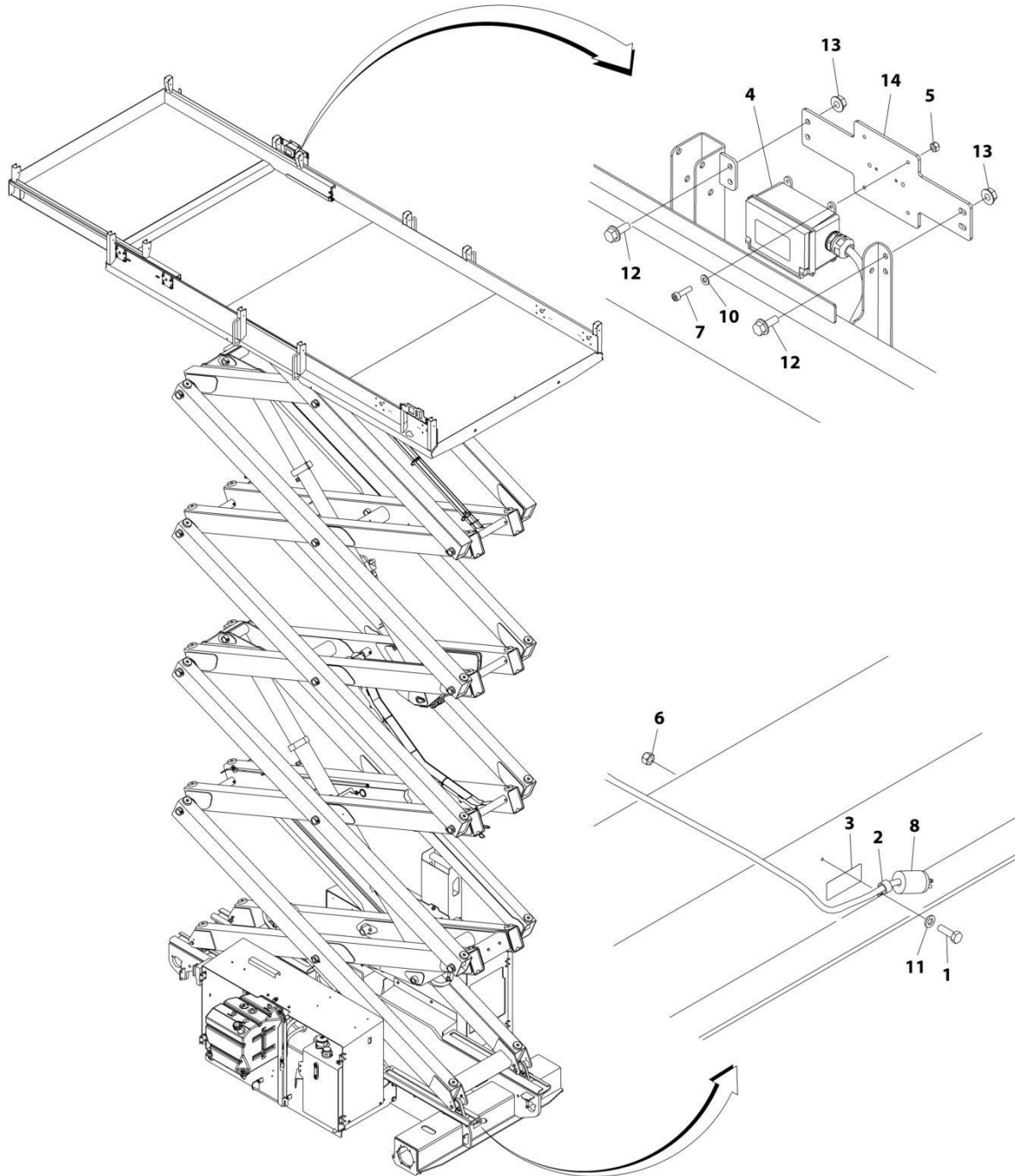
FIGURE 7-3. HYDRAULIC DIAGRAM - SCISSOR ARMS

ITEM	PART NUMBER	QTY	DESCRIPTION	REV
	1001217384	Ref	SCISSOR ARMS ASSEMBLY - HYDRAULIC	G
22	2220408	1	Fitting, Straight JIC/ORB	
23	2220671	1	Fitting, 90 JIC/ORB	
24	2220883	1	Plug	
25	2220906	2	Fitting, 90 JIC/ORB	
26	2220947	1	Fitting, Straight JIC/ORB	
84	1001193174	1	Hose	
85	1001193179	1	Hose	
86	1001236307	1	Hose	
87	1001236306	1	Hose	
112	1001237837	1	Tube	
114	2221036	1	Fitting, 90 JIC/ORB	

SECTION 8 - ELECTRICAL

SECTION 8 - ELECTRICAL

FIGURE 8-1. AC BOX AT PLATFORM INSTALLATION - 110V GFI (ANSI, ANSI EXPORT, CHINA, CSA AND JAPANESE SPECS) (Prior to SN M200052012, Excluding M200047449 and M200047476)



ART_1001207511

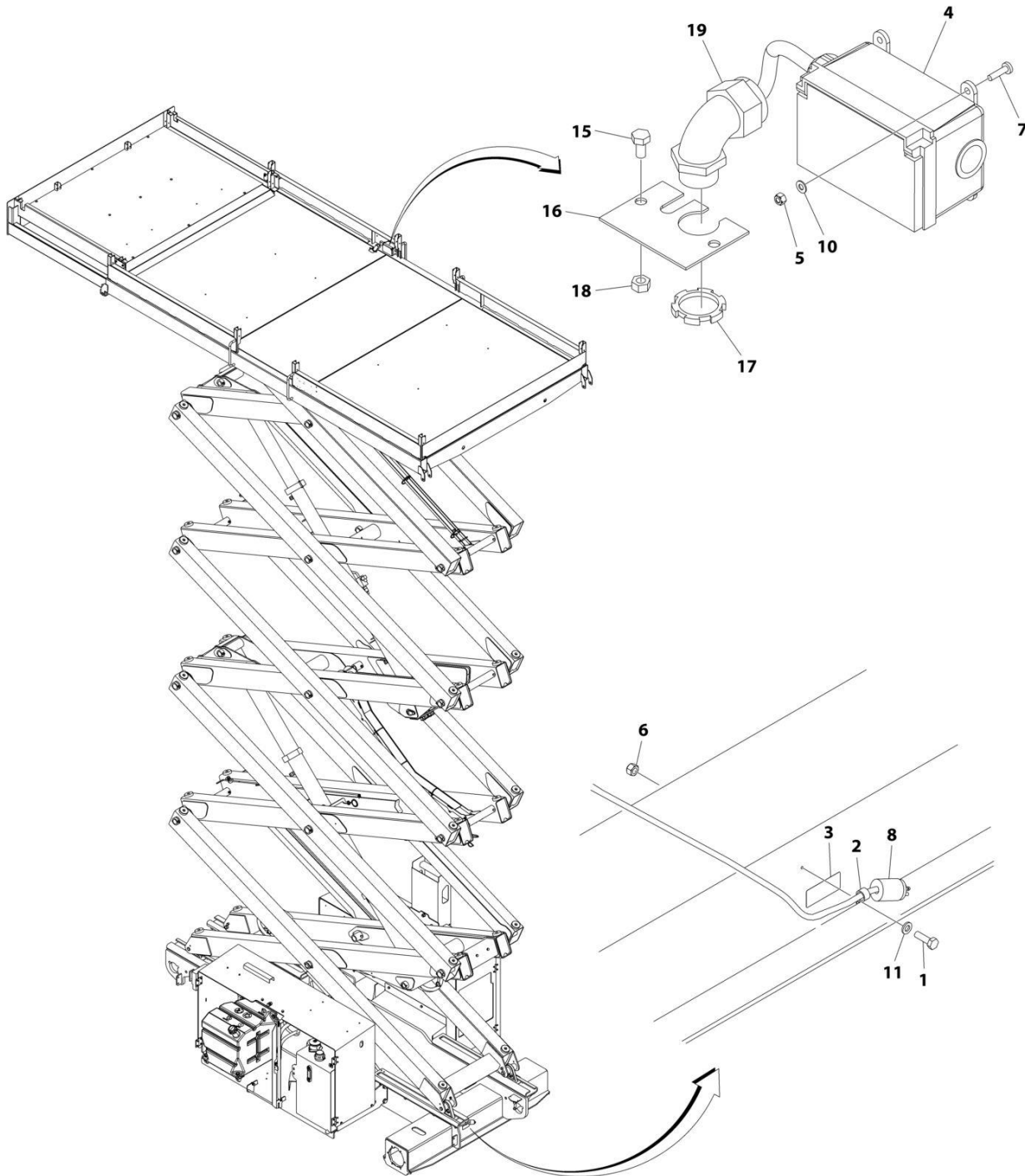
SECTION 8 - ELECTRICAL

FIGURE 8-1. AC BOX AT PLATFORM INSTALLATION - 110V GFI (ANSI, ANSI EXPORT, CHINA, CSA AND JAPANESE SPECS) (Prior to SN M200052012, Excluding M200047449 and M200047476)

ITEM	PART NUMBER	QTY	DESCRIPTION	REV
	1001207511	Ref	AC BOX AT PLATFORM INSTALLATION - 110V GFI	A
1	0760610	1	Bolt M6 x 20	
2	1320224	1	Clamp	
3	1703464	1	Decal - AC Power	
4	2902431	1	Receptacle Box Kit (See Separate Breakdown in this Section)	
5	3290405	4	Nut M4	
6	3290605	1	Nut M6	
7	4031507	4	Bolt M4 x 16	
8	4460138	1	Plug	
9	4460315	3	Terminal (Not Shown)	
10	4811400	4	Washer M4	
11	4811700	1	Washer M6	
12	0780608	4	Bolt M6 x 16	
13	5260600	4	Nut M6	
14	1001207520	1	Bracket	

SECTION 8 - ELECTRICAL

FIGURE 8-2. AC BOX AT PLATFORM INSTALLATION - 110V GFI (ANSI, ANSI EXPORT, CHINA, CSA AND JAPANESE SPECS) (SN M200052012 to Present, Including M200047449 and M200047476)



ART_1001207511_B

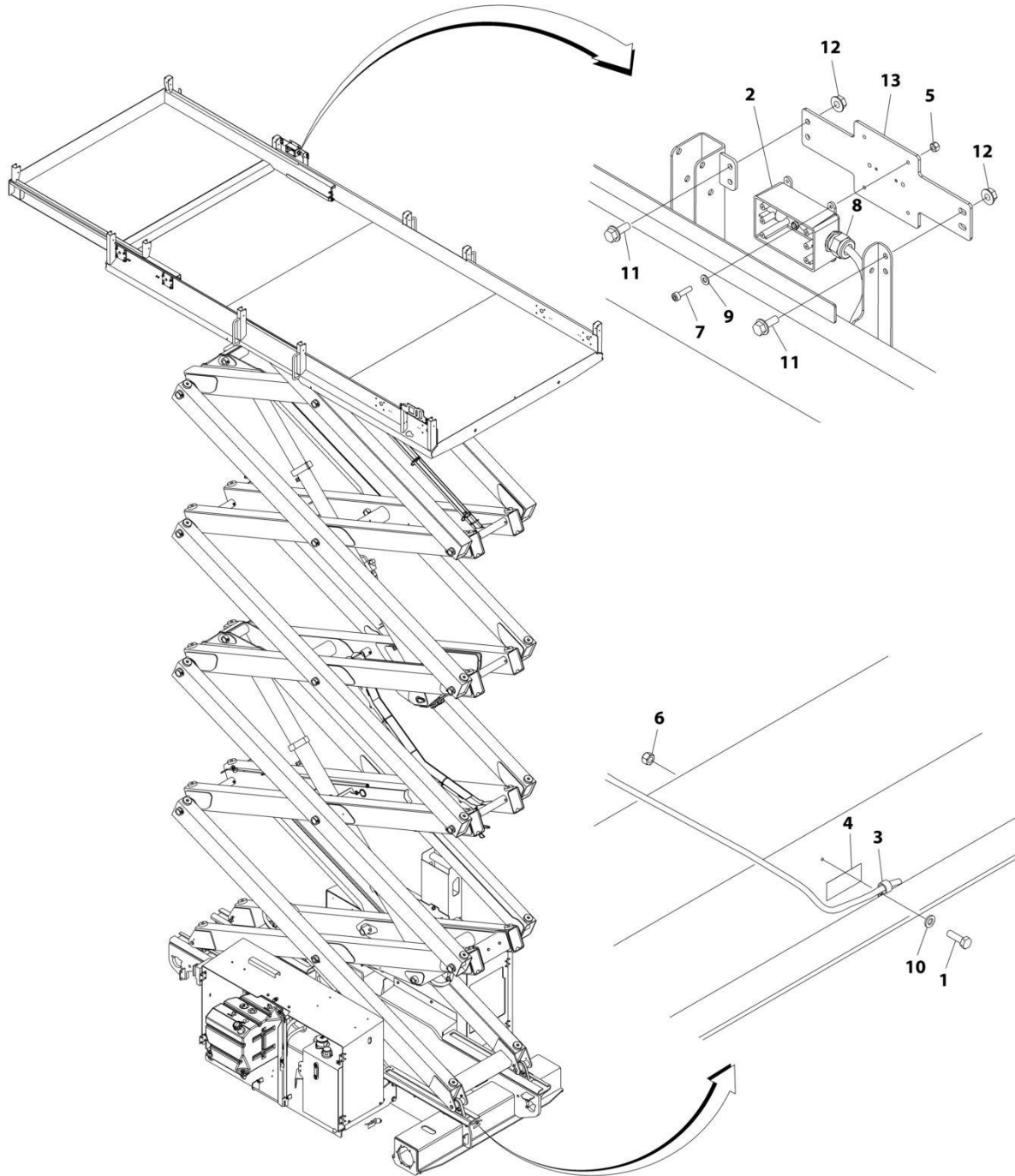
SECTION 8 - ELECTRICAL

FIGURE 8-2. AC BOX AT PLATFORM INSTALLATION - 110V GFI (ANSI, ANSI EXPORT, CHINA, CSA AND JAPANESE SPECS) (SN M200052012 to Present, Including M200047449 and M200047476)

ITEM	PART NUMBER	QTY	DESCRIPTION	REV
	1001207511	Ref	AC BOX AT PLATFORM INSTALLATION - 110V GFI	B
1	0760610	1	Bolt M6 x 20	
2	1320224	1	Clamp	
3	1703464	1	Decal - AC Power	
4	2902431	1	Receptacle Box Kit (See Separate Breakdown in this Section)	
5	3290405	4	Nut, Lock M4	
6	3290605	1	Nut, Lock M6	
7	4010408	4	Bolt M4 x 16	
8	4460138	1	Plug	
9	4460315	3	Terminal (Not Shown)	
10	4811400	4	Washer M4	
11	4811700	1	Washer M6	
15	0641404	2	Bolt 1/4 x 1/2	
16	1670988	1	Cover	
17	3300048	1	Nut, Lock 3/4	
18	3311405	2	Nut, Lock 1/4	
19	4460422	1	Conduit, Strain Relief	

SECTION 8 - ELECTRICAL

FIGURE 8-3. BOX AT PLATFORM INSTALLATION - 220V (ANSI EXPORT, CSA, CHINA AND JAPANESE SPECS) (Prior to SN M200052012, Excluding M200047449 and M200047476)



ART_1001207512

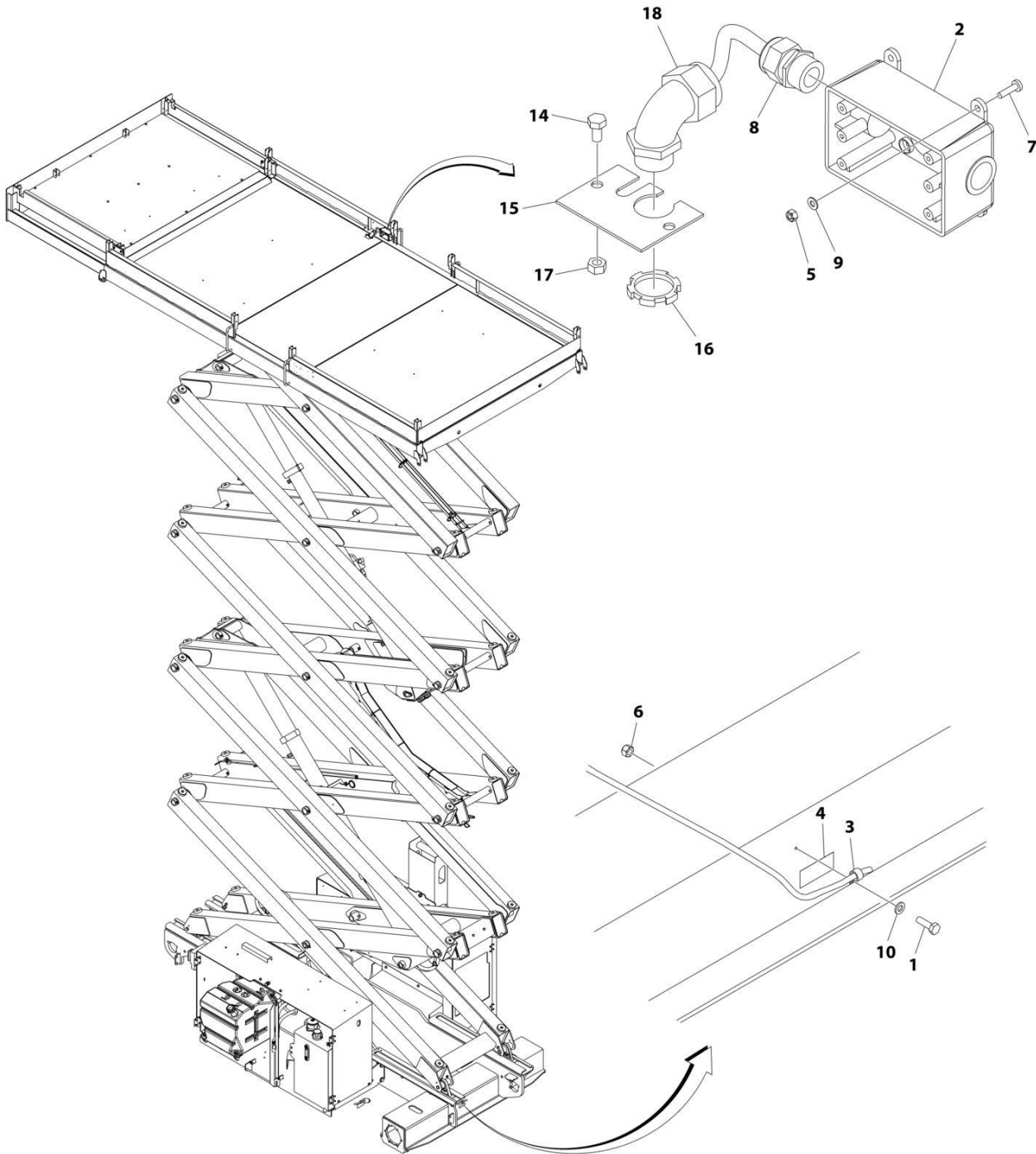
SECTION 8 - ELECTRICAL

FIGURE 8-3. BOX AT PLATFORM INSTALLATION - 220V (ANSI EXPORT, CSA, CHINA AND JAPANESE SPECS) (Prior to SN M200052012, Excluding M200047449 and M200047476)

ITEM	PART NUMBER	QTY	DESCRIPTION	REV
	1001207512	Ref	AC BOX AT PLATFORM INSTALLATION - 220V	A
1	0760610	1	Bolt M6 x 20	
2	0861731	1	Box, Receptacle	
3	1320224	1	Clamp	
4	3252507	1	Decal - 220 Volt	
5	3290405	4	Nut M4	
6	3290605	1	Nut M6	
7	4031507	4	Bolt M4 x 16	
8	4460071	1	Connector, Strain Relief	
9	4811400	4	Washer M4	
10	4811700	1	Washer M6	
11	0780608	4	Bolt M6 x 16	
12	5260600	4	Nut M6	
13	1001207520	1	Bracket	

SECTION 8 - ELECTRICAL

FIGURE 8-4. BOX AT PLATFORM INSTALLATION - 220V (ANSI EXPORT, CSA, CHINA AND JAPANESE SPECS) (SN M200052012 to Present, Including M200047449 and M200047476)



ART_1001207512_B

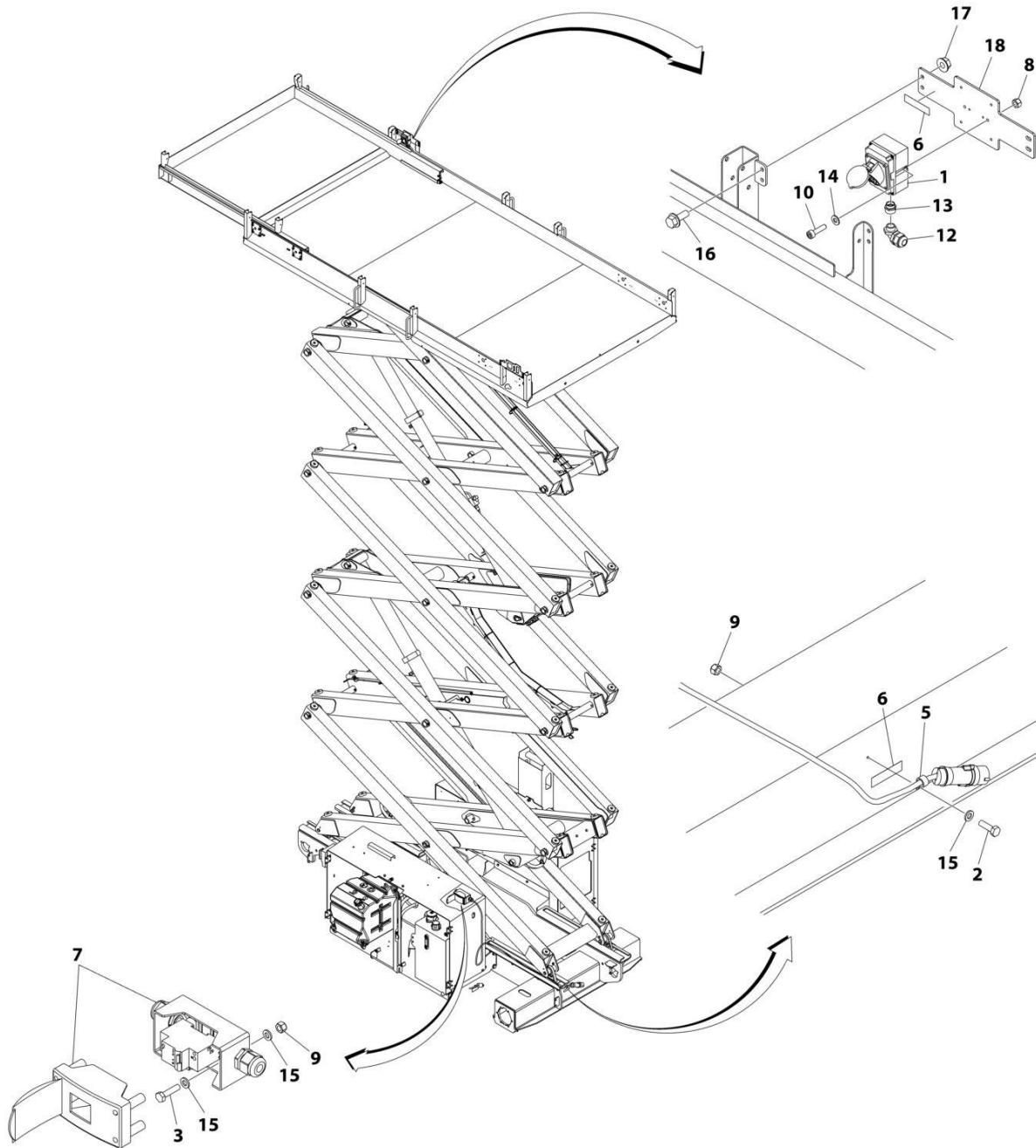
SECTION 8 - ELECTRICAL

FIGURE 8-4. BOX AT PLATFORM INSTALLATION - 220V (ANSI EXPORT, CSA, CHINA AND JAPANESE SPECS) (SN M200052012 to Present, Including M200047449 and M200047476)

ITEM	PART NUMBER	QTY	DESCRIPTION	REV
	1001207512	Ref	AC BOX AT PLATFORM INSTALLATION - 220V	B
1	0760610	1	Bolt M6 x 20	
2	0861731	1	Box, Receptacle	
3	1320224	1	Clamp	
4	3252507	1	Decal - 220 Volt	
5	3290405	4	Nut, Lock M4	
6	3290605	1	Nut, Lock M6	
7	4010408	4	Bolt M4 x 16	
8	4460071	1	Connector, Strain Relief	
9	4811400	4	Washer M4	
10	4811700	1	Washer M6	
14	0641404	2	Bolt 1/4 x 1/2	
15	1670988	1	Cover	
16	3300048	1	Nut, Lock 3/4	
17	3311405	2	Nut, Lock 1/4	
18	4460422	1	Conduit, Strain Relief	

SECTION 8 - ELECTRICAL

FIGURE 8-5. AC BOX AT PLATFORM INSTALLATION - 110V IEC YELLOW (CE & UK CA SPEC) (Prior to SN M200052012, Excluding M200047449 and M200047476)



ART_1001207516_B

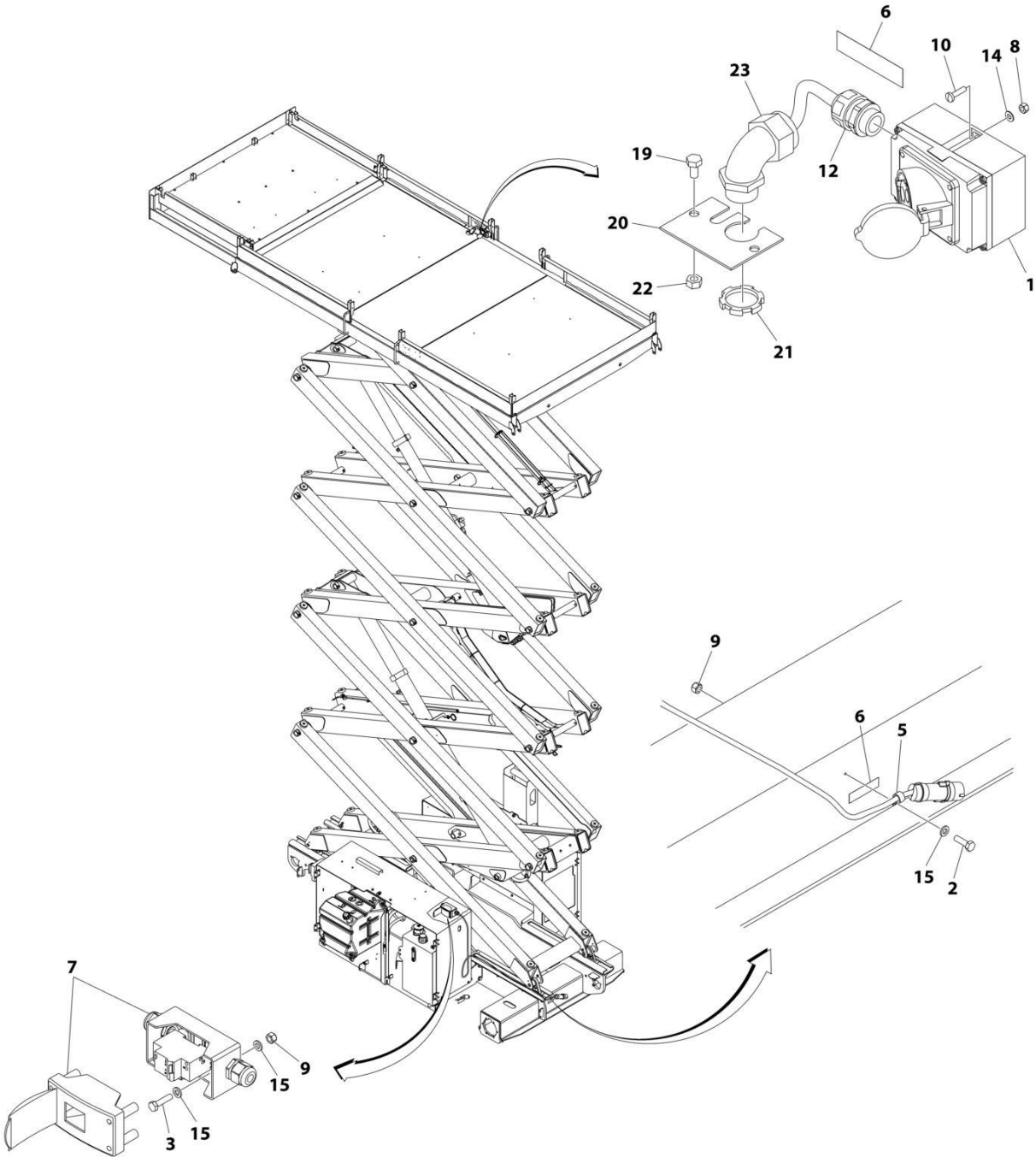
SECTION 8 - ELECTRICAL

FIGURE 8-5. AC BOX AT PLATFORM INSTALLATION - 110V IEC YELLOW (CE & UK CA SPEC) (Prior to SN M200052012, Excluding M200047449 and M200047476)

ITEM	PART NUMBER	QTY	DESCRIPTION	REV
	1001207516	Ref	AC BOX AT PLATFORM INSTALLATION - 110V IEC YELLOW	B
1	0275216	1	Receptacle Box Kit (See Separate Breakdown in this Section)	
2	0760610	1	Bolt M6 x 20	
3	0760612	2	Bolt M6 x 25	
5	1320224	1	Clamp	
6	1705325	2	Decal - 110 Volt	
7	1001096070	1	Breaker Box Kit (See Separate Breakdown in this Section)	
8	3290405	2	Nut M4	
9	3290605	3	Nut M6	
10	4031507	2	Bolt M4 x 16	
12	4461257	1	Connector, Strain Relief	
13	4461258	1	Connector, Adapter	
14	4811400	2	Washer M4	
15	4811700	5	Washer M6	
16	0780608	4	Bolt M6 x 16	
17	5260600	4	Nut M6	
18	1001207520	1	Bracket	

SECTION 8 - ELECTRICAL

FIGURE 8-6. AC BOX AT PLATFORM INSTALLATION - 110V IEC YELLOW (CE & UK CA SPEC) (SN M200052012 to Present, Including M200047449 and M200047476)



ART_1001207516_C

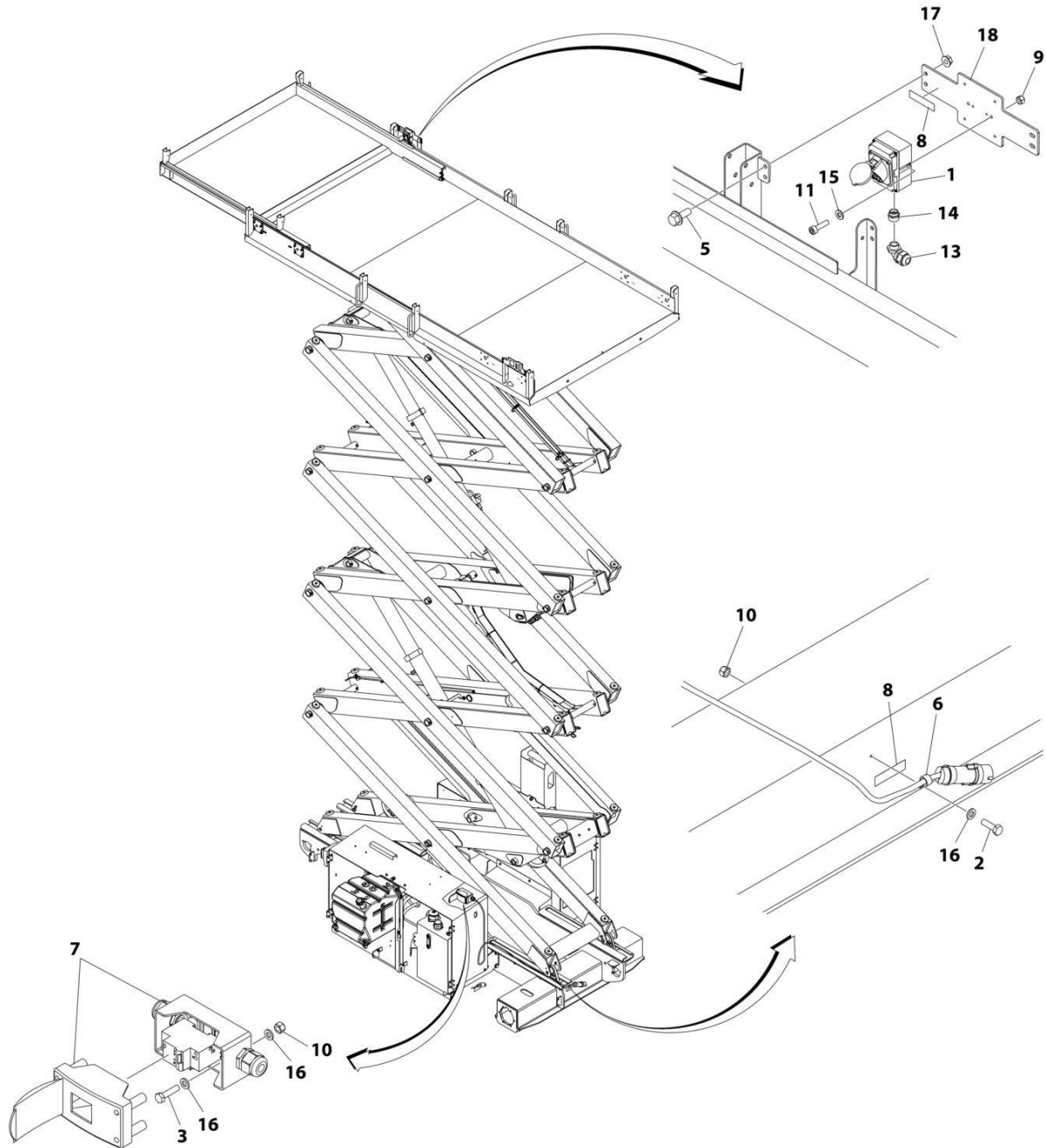
SECTION 8 - ELECTRICAL

FIGURE 8-6. AC BOX AT PLATFORM INSTALLATION - 110V IEC YELLOW (CE & UK CA SPEC) (SN M200052012 to Present, Including M200047449 and M200047476)

ITEM	PART NUMBER	QTY	DESCRIPTION	REV
	1001207516	Ref	AC BOX AT PLATFORM INSTALLATION - 110V IEC YELLOW	C
1	0275216	1	Receptacle Box Kit (See Separate Breakdown in this Section)	
2	0760610	1	Bolt M6 x 20	
3	0760612	2	Bolt M6 x 25	
5	1320224	1	Clamp	
6	1705325	2	Decal - 110 Volt	
7	1001096070	1	Breaker Box Kit (See Separate Breakdown in this Section)	
8	3290405	2	Nut, Lock M4	
9	3290605	3	Nut, Lock M6	
10	4010408	2	Bolt M4 x 16	
12	4460968	1	Connector, Strain Relief	
14	4811400	2	Washer M4	
15	4811700	5	Washer M6	
19	0641404	2	Bolt 1/4 x 1/2	
20	1670988	1	Cover	
21	3300048	1	Nut, Lock 3/4	
22	3311405	2	Nut, Lock 1/4	
23	4460422	1	Conduit, Strain Relief	

SECTION 8 - ELECTRICAL

FIGURE 8-7. AC BOX AT PLATFORM INSTALLATION - 220V IEC BLUE (CE & UK CA SPEC) (Prior to SN M200052012, Excluding M200047449 and M200047476)



ART_1001209298_B

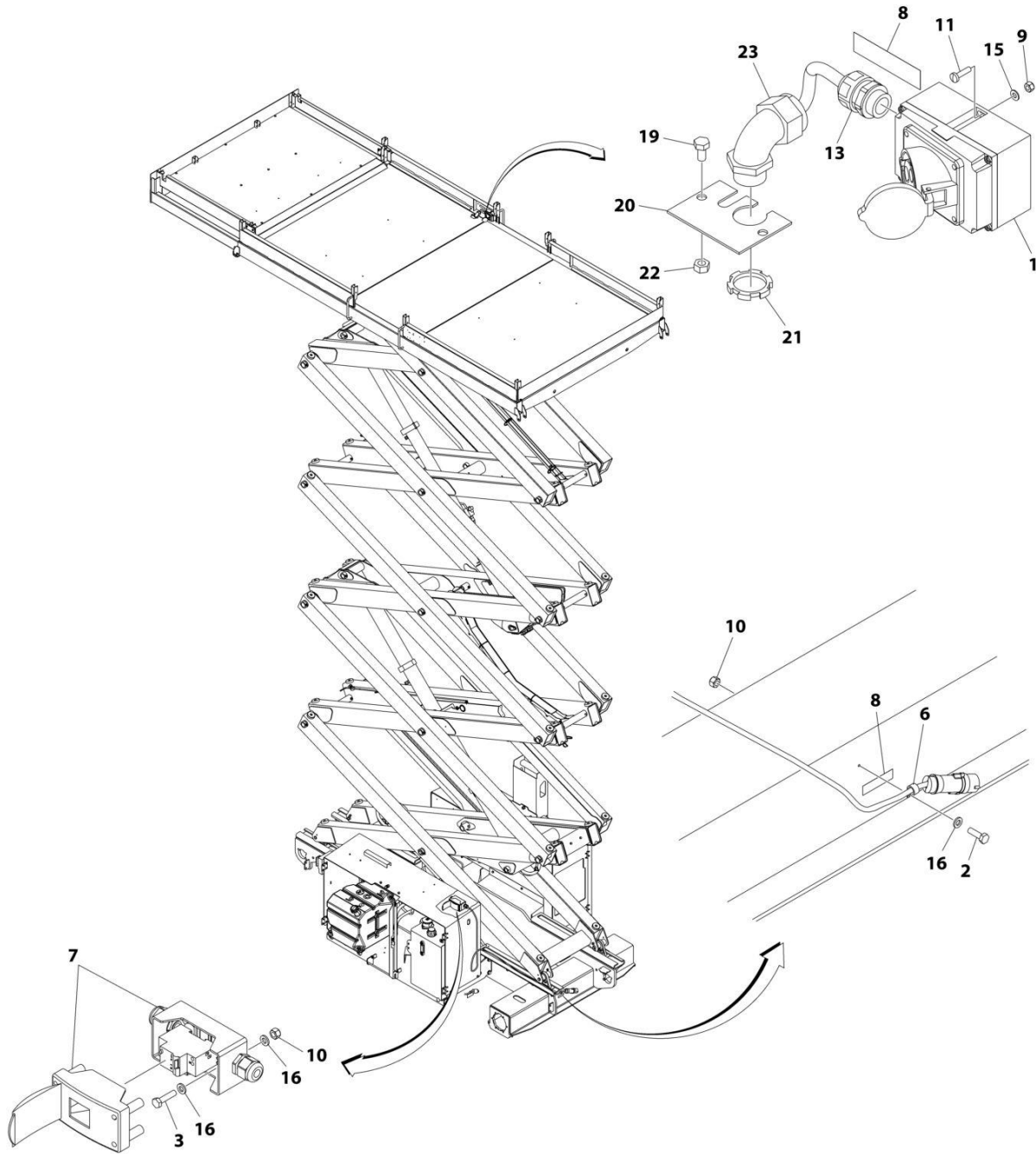
SECTION 8 - ELECTRICAL

FIGURE 8-7. AC BOX AT PLATFORM INSTALLATION - 220V IEC BLUE (CE & UK CA SPEC) (Prior to SN M200052012, Excluding M200047449 and M200047476)

ITEM	PART NUMBER	QTY	DESCRIPTION	REV
	1001209298	Ref	AC BOX AT PLATFORM INSTALLATION - 220V IEC BLUE	B
1	0275217	1	Receptacle Box Kit (See Separate Breakdown in this Section)	
2	0760610	1	Bolt M6 x 20	
3	0760612	2	Bolt M6 x 25	
5	0780608	4	Bolt M6 x 16	
6	1320224	1	Clamp	
7	1001096070	1	Breaker Box Kit (See Separate Breakdown in this Section)	
8	3252507	2	Decal - 220 Volt	
9	3290405	2	Nut M4	
10	3290605	3	Nut M6	
11	4031507	2	Bolt M4 x 16	
13	4461257	1	Connector, Strain Relief	
14	4461258	1	Connector, Adapter	
15	4811400	2	Washer M4	
16	4811700	5	Washer M6	
17	5260600	4	Nut M6	
18	1001207520	1	Bracket	

SECTION 8 - ELECTRICAL

FIGURE 8-8. AC BOX AT PLATFORM INSTALLATION - 220V IEC BLUE (CE & UK CA SPEC) (SN M200052012 to Present, Including M200047449 and M200047476)



ART_1001209298_C

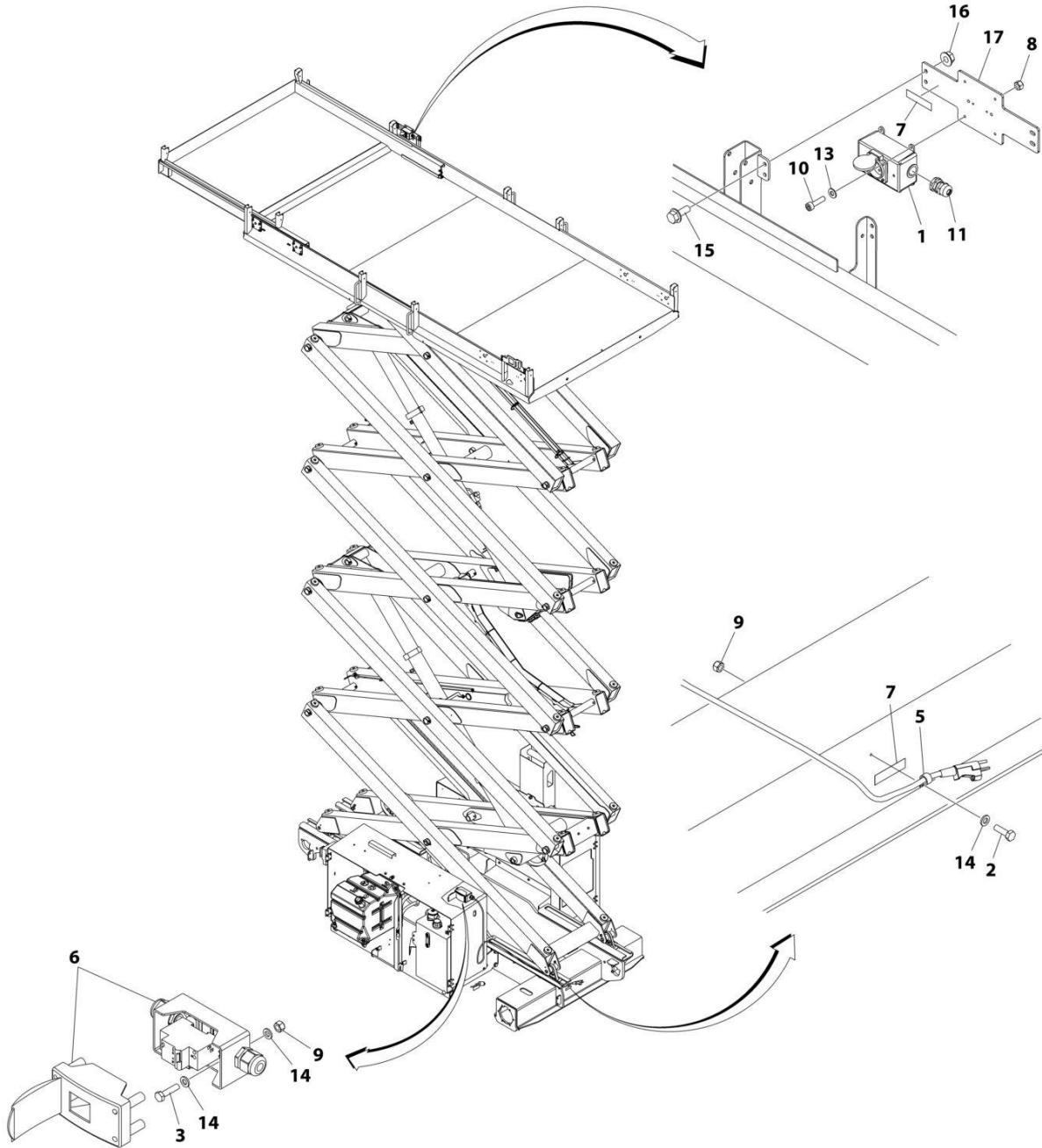
SECTION 8 - ELECTRICAL

FIGURE 8-8. AC BOX AT PLATFORM INSTALLATION - 220V IEC BLUE (CE & UK CA SPEC) (SN M200052012 to Present, Including M200047449 and M200047476)

ITEM	PART NUMBER	QTY	DESCRIPTION	REV
	1001209298	Ref	AC BOX AT PLATFORM INSTALLATION - 220V IEC BLUE	C
1	0275217	1	Receptacle Box Kit (See Separate Breakdown in this Section)	
2	0760610	1	Bolt M6 x 20	
3	0760612	2	Bolt M6 x 25	
6	1320224	1	Clamp	
7	1001096070	1	Breaker Box Kit (See Separate Breakdown in this Section)	
8	3252507	2	Decal - 220 Volt	
9	3290405	2	Nut, Lock M4	
10	3290605	3	Nut, Lock M6	
11	4010408	2	Bolt M4 x 16	
13	4460968	1	Connector, Strain Relief	
15	4811400	2	Washer M4	
16	4811700	5	Washer M6	
19	0641404	2	Bolt 1/4 x 1/2	
20	1670988	1	Cover	
21	3300048	1	Nut, Lock 3/4	
22	3311405	2	Nut, Lock 1/4	
23	4460422	1	Conduit, Strain Relief	

SECTION 8 - ELECTRICAL

FIGURE 8-9. AC BOX AT PLATFORM INSTALLATION - 220V AFSINT107 (CE & UK CA SPEC) (Prior to SN M200052012, Excluding M200047449 and M200047476)



ART_1001207521_B

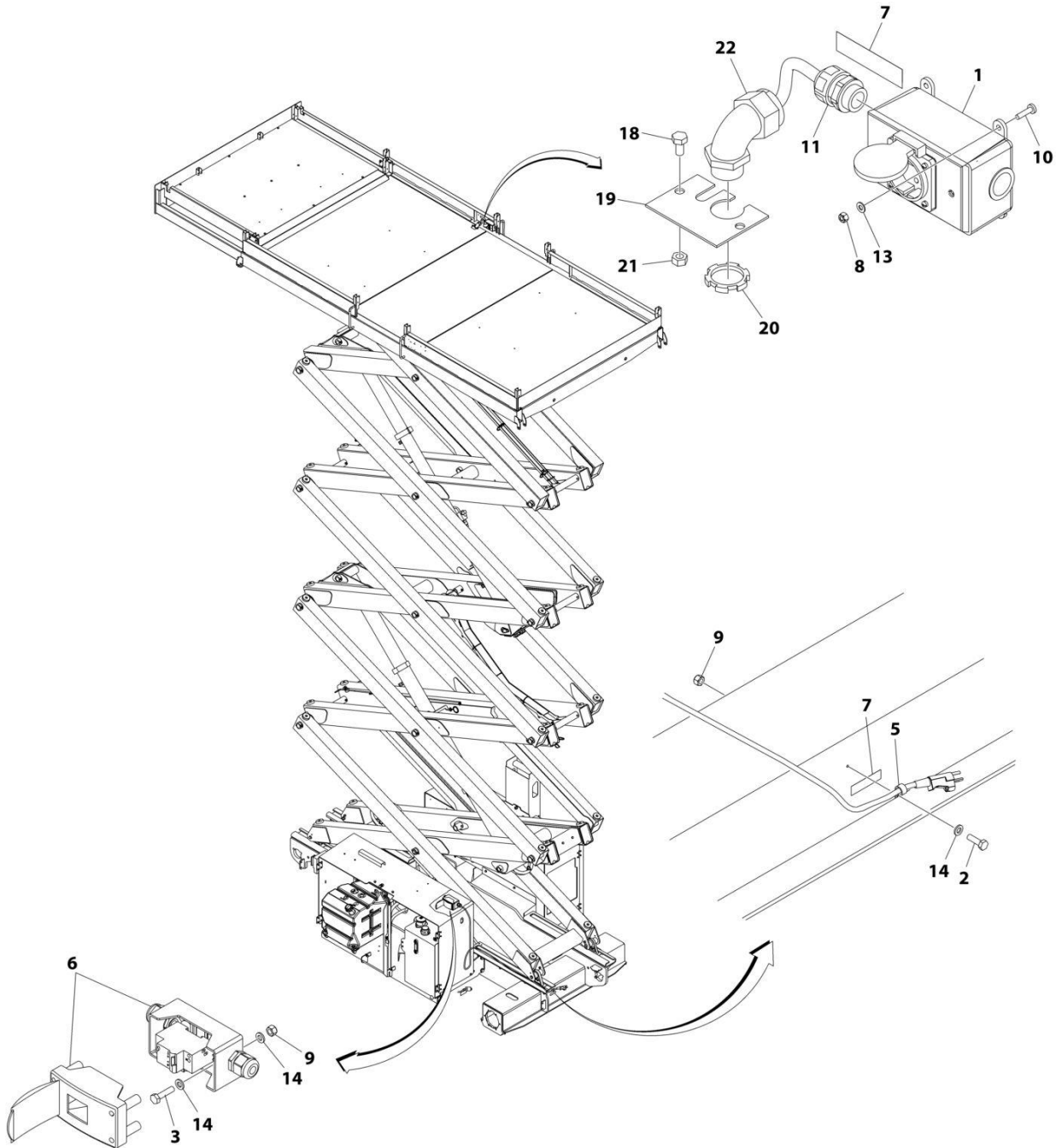
SECTION 8 - ELECTRICAL

FIGURE 8-9. AC BOX AT PLATFORM INSTALLATION - 220V AFSINT107 (CE & UK CA SPEC) (Prior to SN M200052012, Excluding M200047449 and M200047476)

ITEM	PART NUMBER	QTY	DESCRIPTION	REV
	1001207521	Ref	AC BOX AT PLATFORM INSTALLATION - 220V AFSINT107	B
1	0275454	1	Receptacle Box Kit (See Separate Breakdown in this Section)	
2	0760610	1	Bolt M6 x 20	
3	0760612	2	Bolt M6 x 25	
5	1320224	1	Clamp	
6	1001096070	1	Breaker Box Kit (See Separate Breakdown in this Section)	
7	3252507	2	Decal - 220 Volt	
8	3290405	4	Nut M4	
9	3290605	3	Nut M6	
10	4031507	4	Bolt M4 x 16	
11	4460968	1	Connector, Strain Relief	
13	4811400	4	Washer M4	
14	4811700	5	Washer M6	
15	0780608	4	Bolt M6 x 16	
16	5260600	4	Nut M6	
17	1001207520	1	Bracket	

SECTION 8 - ELECTRICAL

FIGURE 8-10. AC BOX AT PLATFORM INSTALLATION - 220V AFSINT107 (CE & UK CA SPEC) (SN M200052012 to Present, Including M200047449 and M200047476)



ART_1001207521_C

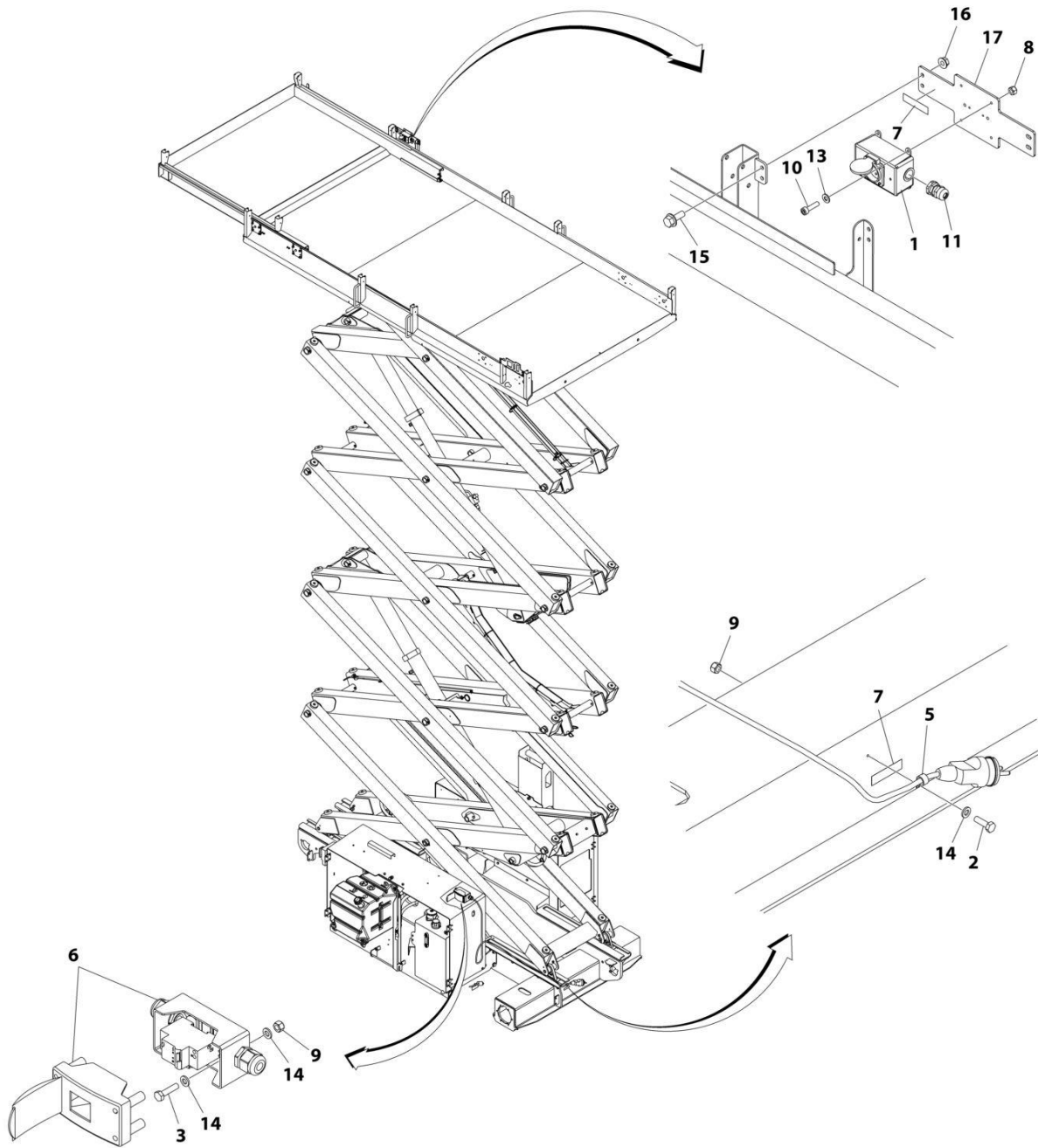
SECTION 8 - ELECTRICAL

FIGURE 8-10. AC BOX AT PLATFORM INSTALLATION - 220V AFSINT107 (CE & UK CA SPEC) (SN M200052012 to Present, Including M200047449 and M200047476)

ITEM	PART NUMBER	QTY	DESCRIPTION	REV
	1001207521	Ref	AC BOX AT PLATFORM INSTALLATION - 220V AFSINT107	C
1	0275454	1	Receptacle Box Kit (See Separate Breakdown in this Section)	
2	0760610	1	Bolt M6 x 20	
3	0760612	2	Bolt M6 x 25	
5	1320224	1	Clamp	
6	1001096070	1	Breaker Box Kit (See Separate Breakdown in this Section)	
7	3252507	2	Decal - 220 Volt	
8	3290405	4	Nut, Lock M4	
9	3290605	3	Nut, Lock M6	
10	4010408	4	Bolt M4 x 16	
11	4460968	1	Connector, Strain Relief	
13	4811400	4	Washer M4	
14	4811700	5	Washer M6	
18	0641404	2	Bolt 1/4 x 1/2	
19	1670988	1	Cover	
20	3300048	1	Nut, Lock 3/4	
21	3311405	2	Nut, Lock 1/4	
22	4460422	1	Conduit, Strain Relief	

SECTION 8 - ELECTRICAL

FIGURE 8-11. AC BOX AT PLATFORM INSTALLATION - 220V CEE7 POST GROUND WITH 2X4 BOX (CE & UK CA SPEC) (Prior to SN M200052012, Excluding M200047449 and M200047476)



ART_1001207514_C

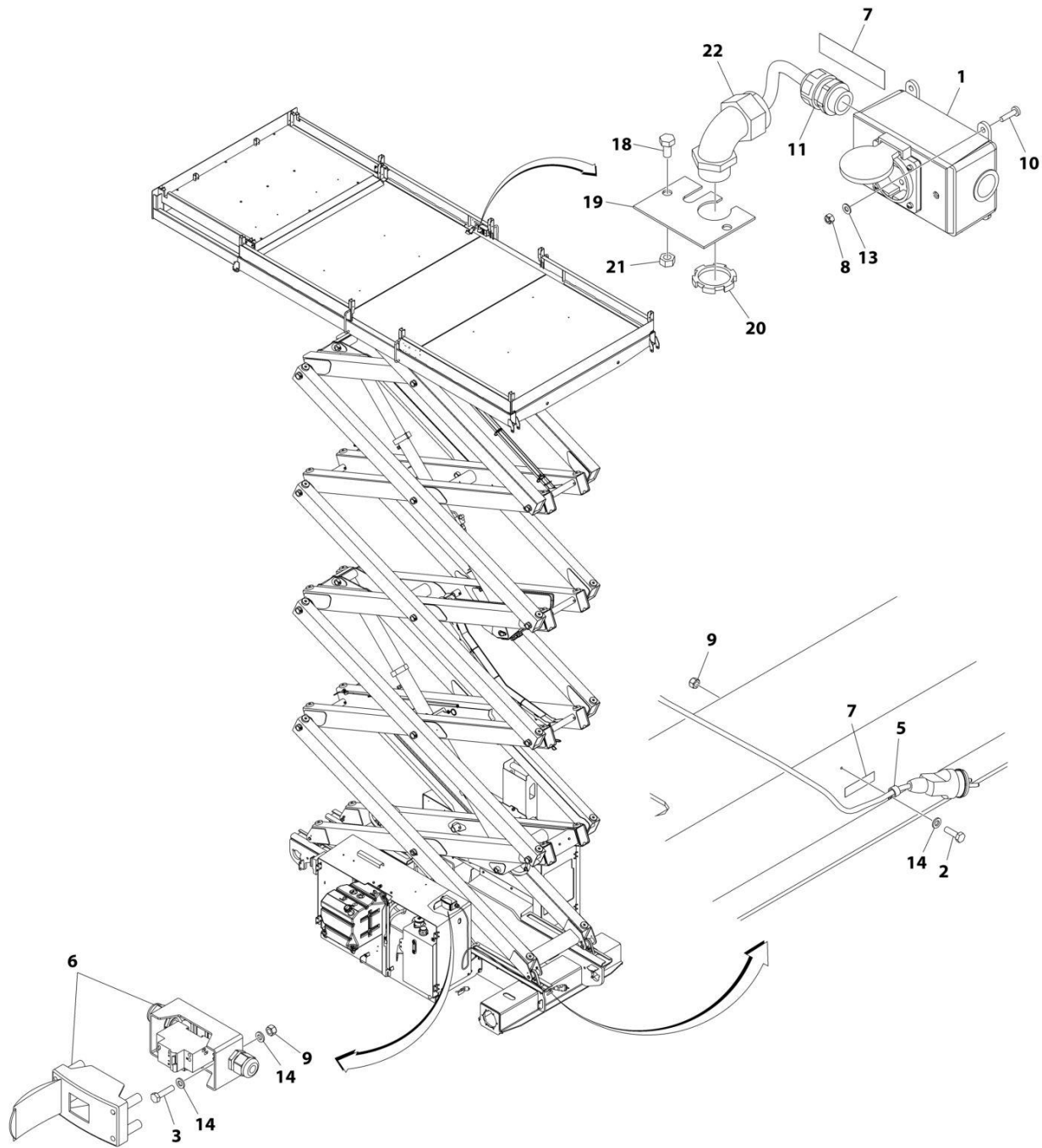
SECTION 8 - ELECTRICAL

FIGURE 8-11. AC BOX AT PLATFORM INSTALLATION - 220V CEE7 POST GROUND WITH 2X4 BOX (CE & UK CA SPEC) (Prior to SN M200052012, Excluding M200047449 and M200047476)

ITEM	PART NUMBER	QTY	DESCRIPTION	REV
	1001207514	Ref	AC BOX AT PLATFORM INSTALLATION - 220V CEE7 POST GROUND WITH 2X4 BOX	C
1	0275452	1	Receptacle Box Kit (See Separate Breakdown in this Section)	
2	0760610	1	Bolt M6 x 20	
3	0760612	2	Bolt M6 x 25	
5	1320224	1	Clamp	
6	1001096070	1	Breaker Box Kit (See Separate Breakdown in this Section)	
7	3252507	2	Decal - 220 Volt	
8	3290405	4	Nut M4	
9	3290605	3	Nut M6	
10	4031507	4	Bolt M4 x 16	
11	4460968	1	Connector, Strain Relief	
13	4811400	4	Washer M4	
14	4811700	5	Washer M6	
15	0780608	4	Bolt M6 x 16	
16	5260600	4	Nut M6	
17	1001207520	1	Bracket	

SECTION 8 - ELECTRICAL

FIGURE 8-12. AC BOX AT PLATFORM INSTALLATION - 220V CEE7 POST GROUND WITH 2X4 BOX (CE & UK CA SPEC) (SN M200052012 to Present, Including M200047449 and M200047476)



ART_1001207514_D

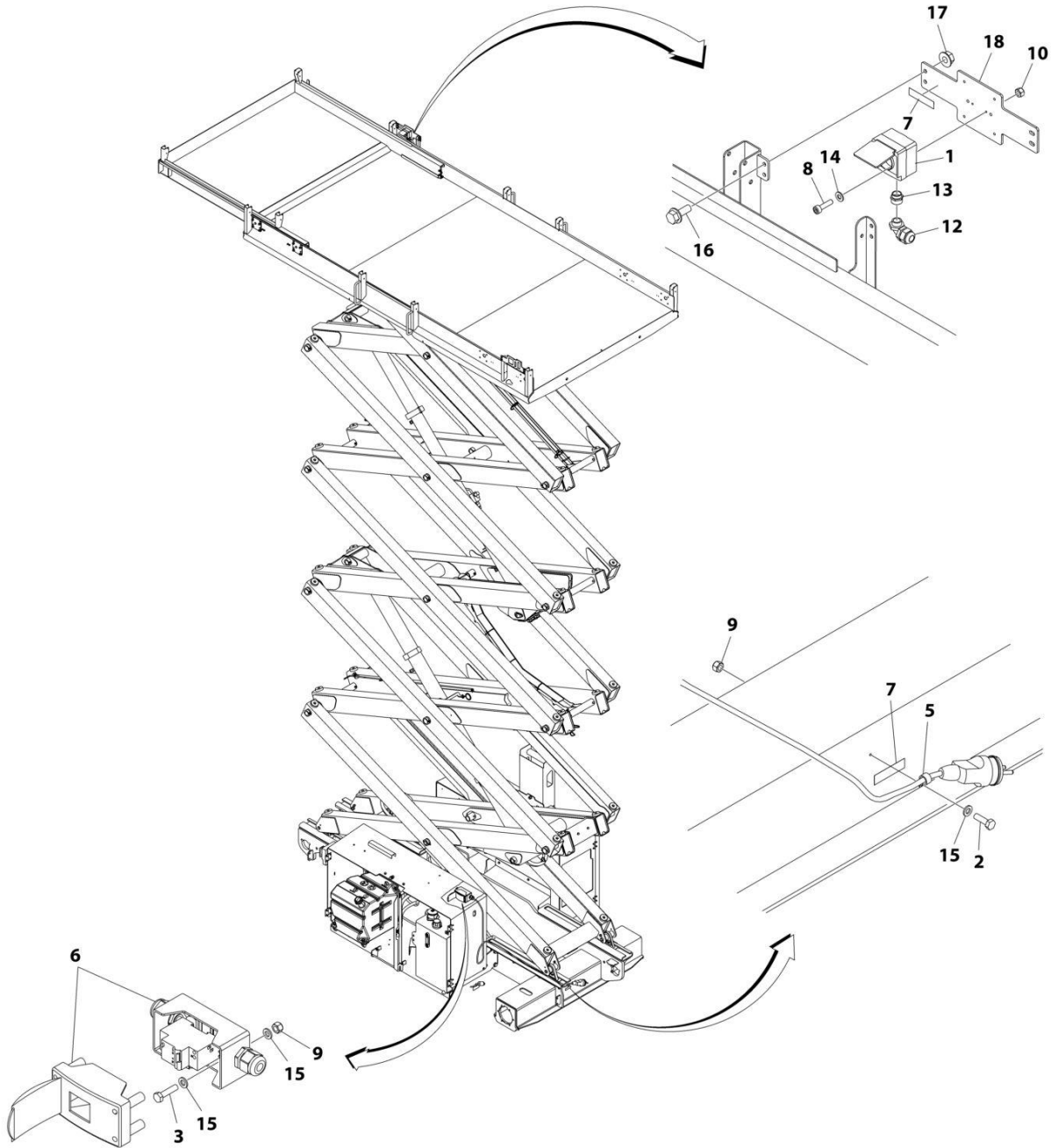
SECTION 8 - ELECTRICAL

FIGURE 8-12. AC BOX AT PLATFORM INSTALLATION - 220V CEE7 POST GROUND WITH 2X4 BOX (CE & UK CA SPEC) (SN M200052012 to Present, Including M200047449 and M200047476)

ITEM	PART NUMBER	QTY	DESCRIPTION	REV
	1001207514	Ref	AC BOX AT PLATFORM INSTALLATION - 220V CEE7 POST GROUND WITH 2X4 BOX	D
1	0275452	1	Receptacle Box Kit (See Separate Breakdown in this Section)	
2	0760610	1	Bolt M6 x 20	
3	0760612	2	Bolt M6 x 25	
5	1320224	1	Clamp	
6	1001096070	1	Breaker Box Kit (See Separate Breakdown in this Section)	
7	3252507	2	Decal - 220 Volt	
8	3290405	4	Nut, Lock M4	
9	3290605	3	Nut, Lock M6	
10	4010408	4	Bolt M4 x 16	
11	4460968	1	Connector, Strain Relief	
13	4811400	4	Washer M4	
14	4811700	5	Washer M6	
18	0641404	2	Bolt 1/4 x 1/2	
19	1670988	1	Cover	
20	3300048	1	Nut, Lock 3/4	
21	3311405	2	Nut, Lock 1/4	
22	4460422	1	Conduit, Strain Relief	

SECTION 8 - ELECTRICAL

FIGURE 8-13. AC BOX AT PLATFORM INSTALLATION - 220V CEE7 POST GROUND WITH 70X70 BOX (CE & UK CA SPEC) (Prior to SN M200052012, Excluding M200047449 and M200047476)



ART_1001207518_C

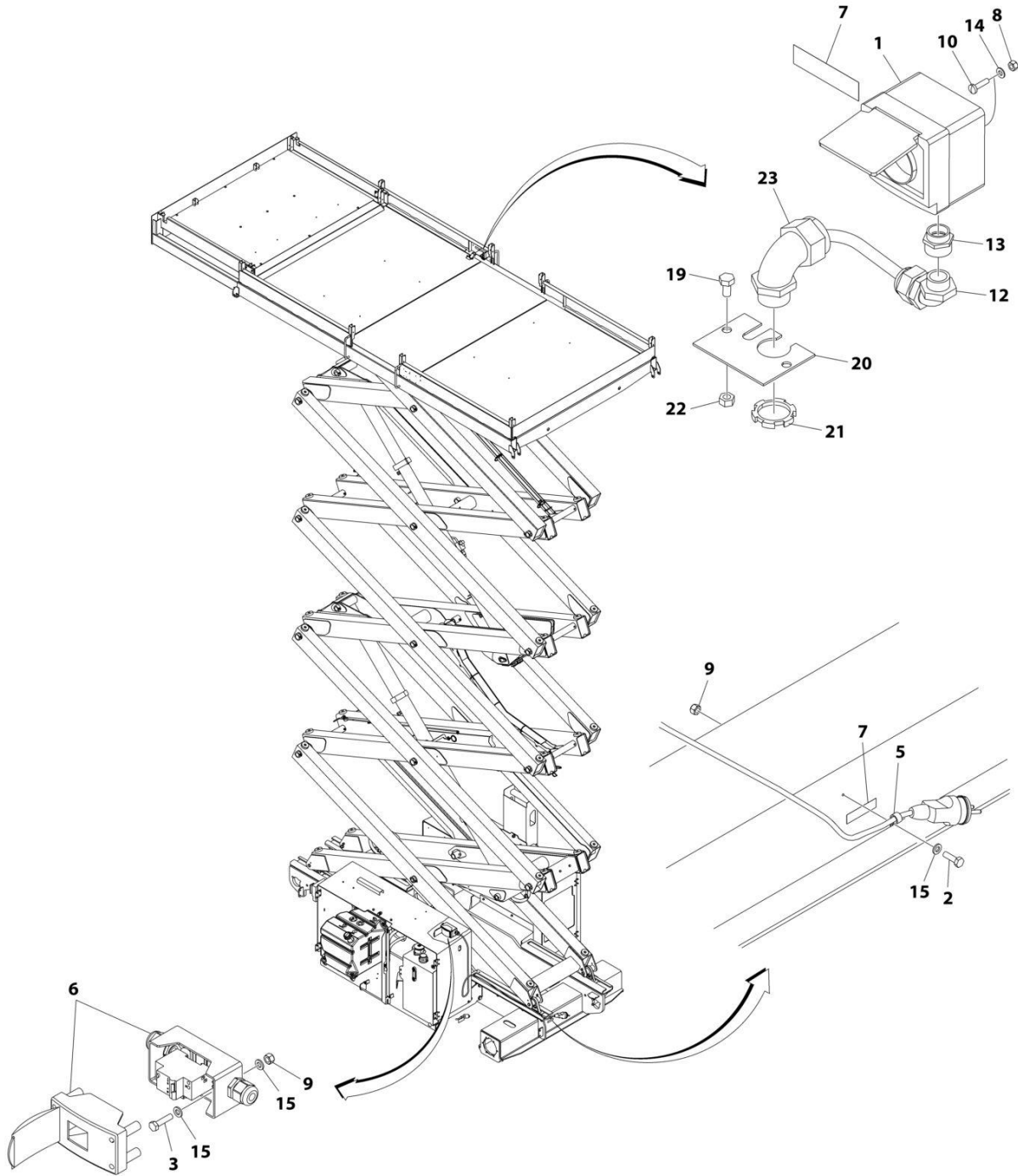
SECTION 8 - ELECTRICAL

FIGURE 8-13. AC BOX AT PLATFORM INSTALLATION - 220V CEE7 POST GROUND WITH 70X70 BOX (CE & UK CA SPEC) (Prior to SN M200052012, Excluding M200047449 and M200047476)

ITEM	PART NUMBER	QTY	DESCRIPTION	REV
	1001207518	Ref	AC BOX AT PLATFORM INSTALLATION - 220V CEE7 POST GROUND WITH 70X70 BOX	C
1	0275218	1	Receptacle Box Kit (See Separate Breakdown in this Section)	
2	0760610	1	Bolt M6 x 20	
3	0760612	2	Bolt M6 x 25	
5	1320224	1	Clamp	
6	1001096070	1	Breaker Box Kit (See Separate Breakdown in this Section)	
7	3252507	2	Decal - 220 Volt	
8	3290405	2	Nut M4	
9	3290605	3	Nut M6	
10	4031507	2	Bolt M4 x 16	
12	4461257	1	Connector, Strain Relief	
13	4461258	1	Connector, Adapter	
14	4811400	2	Washer M4	
15	4811700	5	Washer M6	
16	0780608	4	Bolt M6 x 16	
17	5260600	4	Nut M6	
18	1001207520	1	Bracket	

SECTION 8 - ELECTRICAL

FIGURE 8-14. AC BOX AT PLATFORM INSTALLATION - 220V CEE7 POST GROUND WITH 70X70 BOX (CE & UK CA SPEC) (SN M200052012 to Present, Including M200047449 and M200047476)



ART_1001207518_D

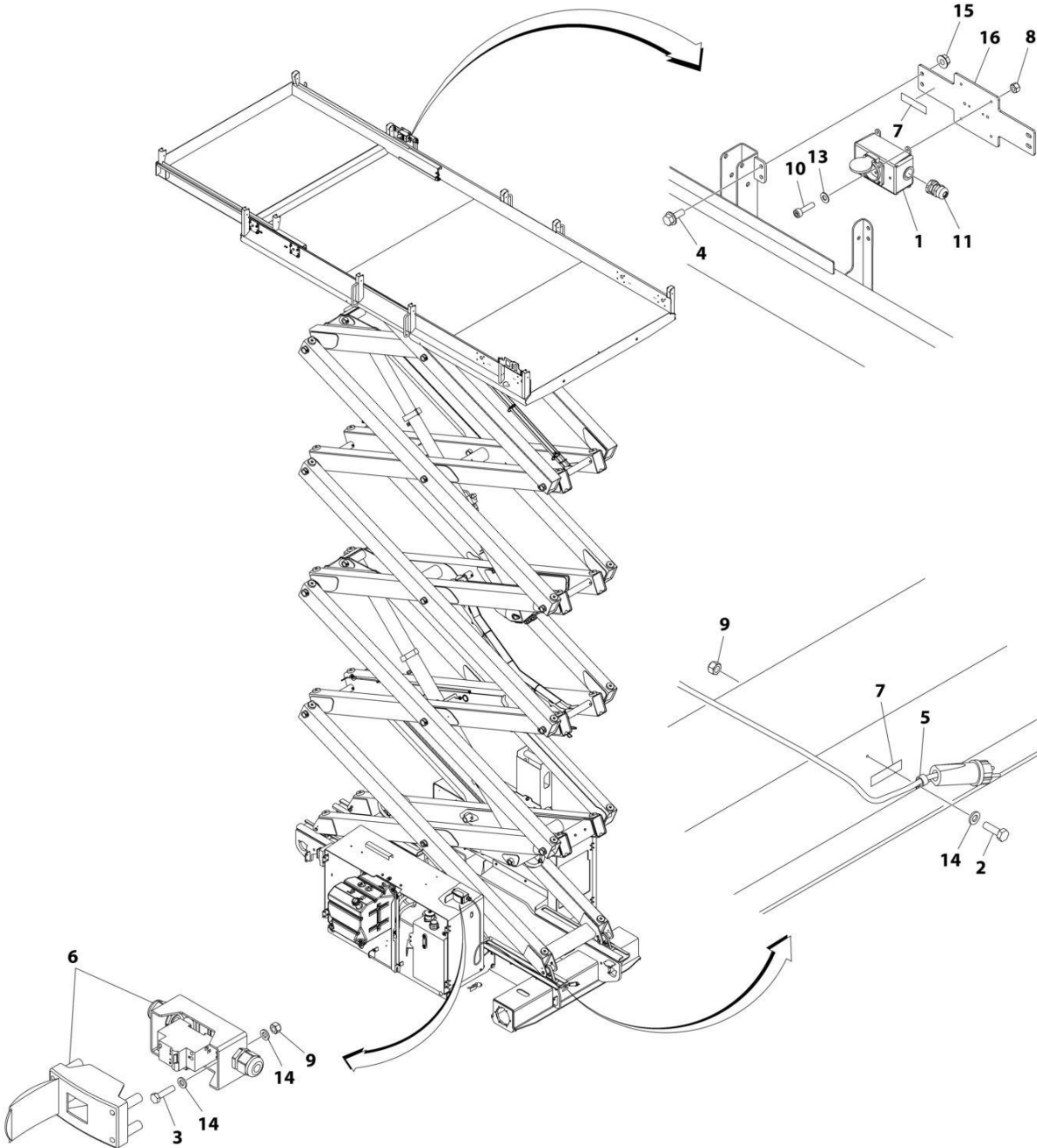
SECTION 8 - ELECTRICAL

FIGURE 8-14. AC BOX AT PLATFORM INSTALLATION - 220V CEE7 POST GROUND WITH 70X70 BOX (CE & UK CA SPEC) (SN M200052012 to Present, Including M200047449 and M200047476)

ITEM	PART NUMBER	QTY	DESCRIPTION	REV
	1001207518	Ref	AC BOX AT PLATFORM INSTALLATION - 220V CEE7 POST GROUND WITH 70X70 BOX	D
1	0275218	1	Receptacle Box Kit (See Separate Breakdown in this Section)	
2	0760610	1	Bolt M6 x 20	
3	0760612	2	Bolt M6 x 25	
5	1320224	1	Clamp	
6	1001096070	1	Breaker Box Kit (See Separate Breakdown in this Section)	
7	3252507	2	Decal - 220 Volt	
8	3290405	2	Nut, Lock M4	
9	3290605	3	Nut, Lock M6	
10	4010408	2	Bolt M4 x 16	
12	4461257	1	Connector, Strain Relief	
13	4461258	1	Connector, Adapter	
14	4811400	2	Washer M4	
15	4811700	5	Washer M6	
19	0641404	2	Bolt 1/4 x 1/2	
20	1670988	1	Cover	
21	3300048	1	Nut, Lock 3/4	
22	3311405	2	Nut, Lock 1/4	
23	4460422	1	Conduit, Strain Relief	

SECTION 8 - ELECTRICAL

FIGURE 8-15. AC BOX AT PLATFORM INSTALLATION - 220V CEE7 SIDE GROUND WITH 2X4 BOX (CE & UK CA SPEC) (Prior to SN M200052012, Excluding M200047449 and M200047476)



ART_1001207515_B

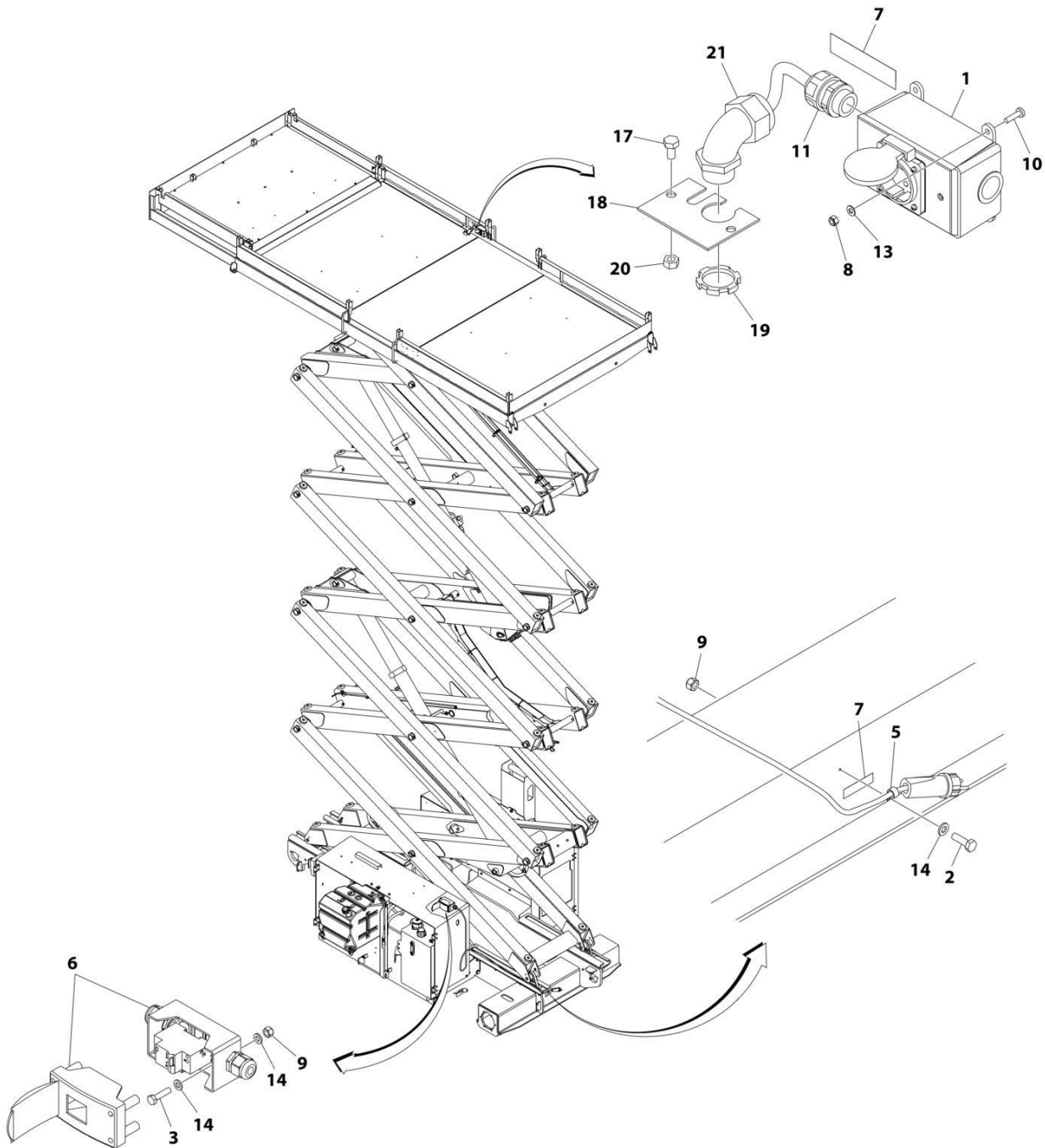
SECTION 8 - ELECTRICAL

**FIGURE 8-15. AC BOX AT PLATFORM INSTALLATION - 220V CEE7 SIDE GROUND WITH 2X4 BOX
(CE & UK CA SPEC) (Prior to SN M200052012, Excluding M200047449 and M200047476)**

ITEM	PART NUMBER	QTY	DESCRIPTION	REV
	1001207515	Ref	AC BOX AT PLATFORM INSTALLATION - 220V CEE7 SIDE GROUND WITH 2X4 BOX	B
1	0275453	1	Receptacle Box Kit (See Separate Breakdown in this Section)	
2	0760610	1	Bolt M6 x 20	
3	0760612	2	Bolt M6 x 25	
4	0780608	4	Bolt M6 x 16	
5	1320224	1	Clamp	
6	1001096070	1	Breaker Box Kit (See Separate Breakdown in this Section)	
7	3252507	2	Decal - 220 Volt	
8	3290405	4	Nut M4	
9	3290605	3	Nut M6	
10	4031507	4	Bolt M4 x 16	
11	4460968	1	Connector, Strain Relief	
13	4811400	4	Washer M4	
14	4811700	5	Washer M6	
15	5260600	4	Nut M6	
16	1001207520	1	Bracket	

SECTION 8 - ELECTRICAL

FIGURE 8-16. AC BOX AT PLATFORM INSTALLATION - 220V CEE7 SIDE GROUND WITH 2X4 BOX (CE & UK CA SPEC) (SN M200052012 to Present, Including M200047449 and M200047476)



ART_1001207515_C

SECTION 8 - ELECTRICAL

**FIGURE 8-16. AC BOX AT PLATFORM INSTALLATION - 220V CEE7 SIDE GROUND WITH 2X4 BOX
(CE & UK CA SPEC) (SN M200052012 to Present, Including M200047449 and M200047476)**

ITEM	PART NUMBER	QTY	DESCRIPTION	REV
	1001207515	Ref	AC BOX AT PLATFORM INSTALLATION - 220V CEE7 SIDE GROUND WITH 2X4 BOX	C
1	0275453	1	Receptacle Box Kit (See Separate Breakdown in this Section)	
2	0760610	1	Bolt M6 x 20	
3	0760612	2	Bolt M6 x 25	
5	1320224	1	Clamp	
6	1001096070	1	Breaker Box Kit (See Separate Breakdown in this Section)	
7	3252507	2	Decal - 220 Volt	
8	3290405	4	Nut, Lock M4	
9	3290605	3	Nut, Lock M6	
10	4010408	4	Bolt M4 x 16	
11	4460968	1	Connector, Strain Relief	
13	4811400	4	Washer M4	
14	4811700	5	Washer M6	
17	0641404	2	Bolt 1/4 x 1/2	
18	1670988	1	Cover	
19	3300048	1	Nut, Lock 3/4	
20	3311405	2	Nut, Lock 1/4	
21	4460422	1	Conduit, Strain Relief	

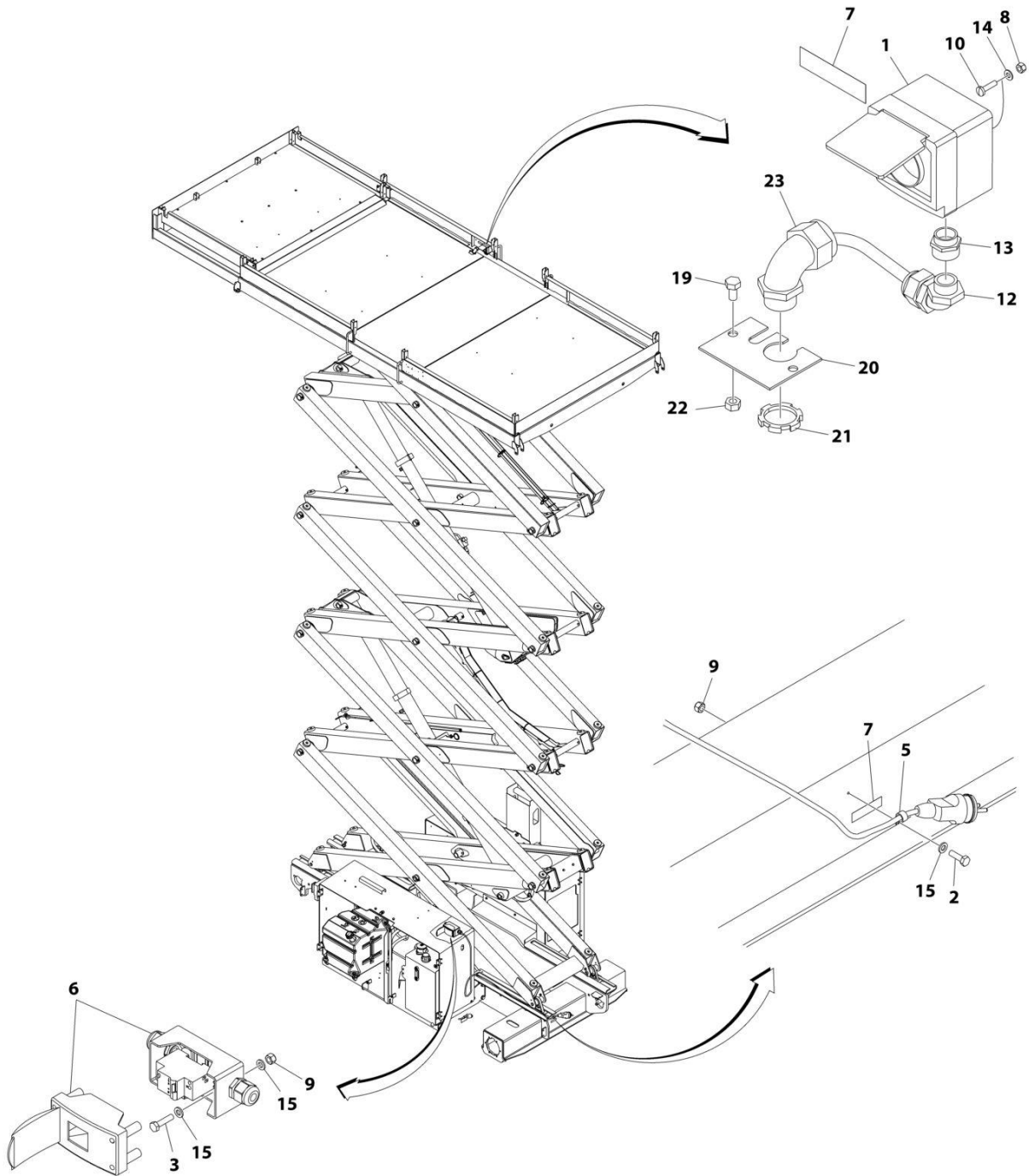
SECTION 8 - ELECTRICAL

**FIGURE 8-17. AC BOX AT PLATFORM INSTALLATION - 220V CEE7 SIDE GROUND WITH 70X70 BOX
(CE & UK CA SPEC) (Prior to SN M200052012, Excluding M200047449 and M200047476)**

ITEM	PART NUMBER	QTY	DESCRIPTION	REV
	1001207519	Ref	AC BOX AT PLATFORM INSTALLATION - 220V CEE7 SIDE GROUND WITH 70X70 BOX	B
1	0275219	1	Receptacle Box Kit (See Separate Breakdown in this Section)	
2	0760610	1	Bolt M6 x 20	
3	0760612	2	Bolt M6 x 25	
5	1320224	1	Clamp	
6	1001096070	1	Breaker Box Kit (See Separate Breakdown in this Section)	
7	3252507	2	Decal - 220 Volt	
8	3290405	2	Nut M4	
9	3290605	3	Nut M6	
10	4031507	2	Bolt M4 x 16	
12	4461257	1	Connector, Strain Relief	
13	4461258	1	Connector, Adapter	
14	4811400	2	Washer M4	
15	4811700	5	Washer M6	
16	0780608	4	Bolt M6 x 16	
17	5260600	4	Nut M6	
18	1001207520	1	Bracket	

SECTION 8 - ELECTRICAL

FIGURE 8-18. AC BOX AT PLATFORM INSTALLATION - 220V CEE7 SIDE GROUND WITH 70X70 BOX
(CE & UK CA SPEC) (SN M200052012 to Present, Including M200047449 and M200047476)



ART_1001207519_C

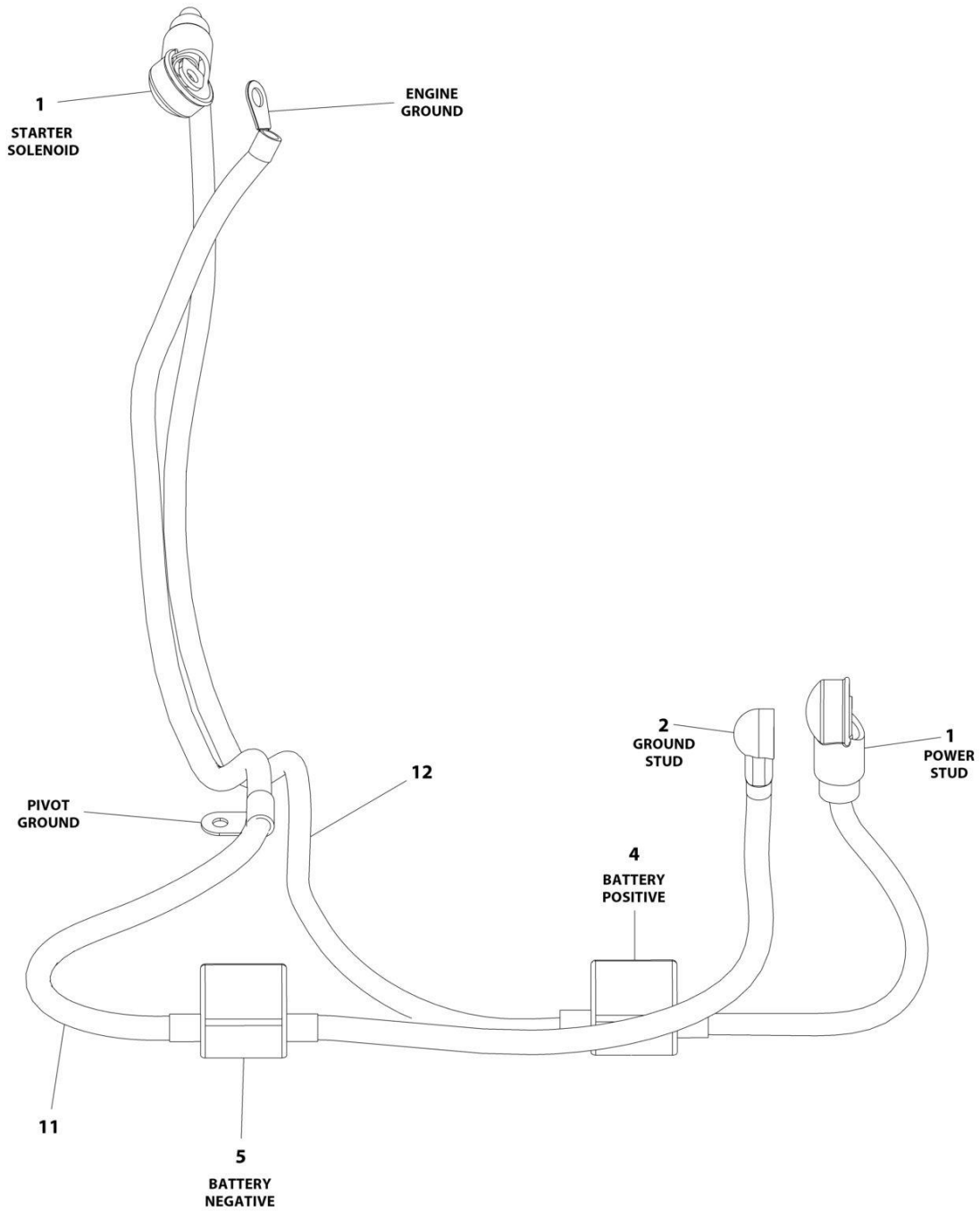
SECTION 8 - ELECTRICAL

**FIGURE 8-18. AC BOX AT PLATFORM INSTALLATION - 220V CEE7 SIDE GROUND WITH 70X70 BOX
(CE & UK CA SPEC) (SN M200052012 to Present, Including M200047449 and M200047476)**

ITEM	PART NUMBER	QTY	DESCRIPTION	REV
	1001207519	Ref	AC BOX AT PLATFORM INSTALLATION - 220V CEE7 SIDE GROUND WITH 70X70 BOX	C
1	0275219	1	Receptacle Box Kit (See Separate Breakdown in this Section)	
2	0760610	1	Bolt M6 x 20	
3	0760612	2	Bolt M6 x 25	
5	1320224	1	Clamp	
6	1001096070	1	Breaker Box Kit (See Separate Breakdown in this Section)	
7	3252507	2	Decal - 220 Volt	
8	3290405	2	Nut, Lock M4	
9	3290605	3	Nut, Lock M6	
10	4010408	2	Bolt M4 x 16	
12	4461257	1	Connector, Strain Relief	
13	4461258	1	Connector, Adapter	
14	4811400	2	Washer M4	
15	4811700	5	Washer M6	
19	0641404	2	Bolt 1/4 x 1/2	
20	1670988	1	Cover	
21	3300048	1	Nut, Lock 3/4	
22	3311405	2	Nut, Lock 1/4	
23	4460422	1	Conduit, Strain Relief	

SECTION 8 - ELECTRICAL

FIGURE 8-19. BATTERY CABLE KIT - DIESEL ENGINES



ART_1001186428

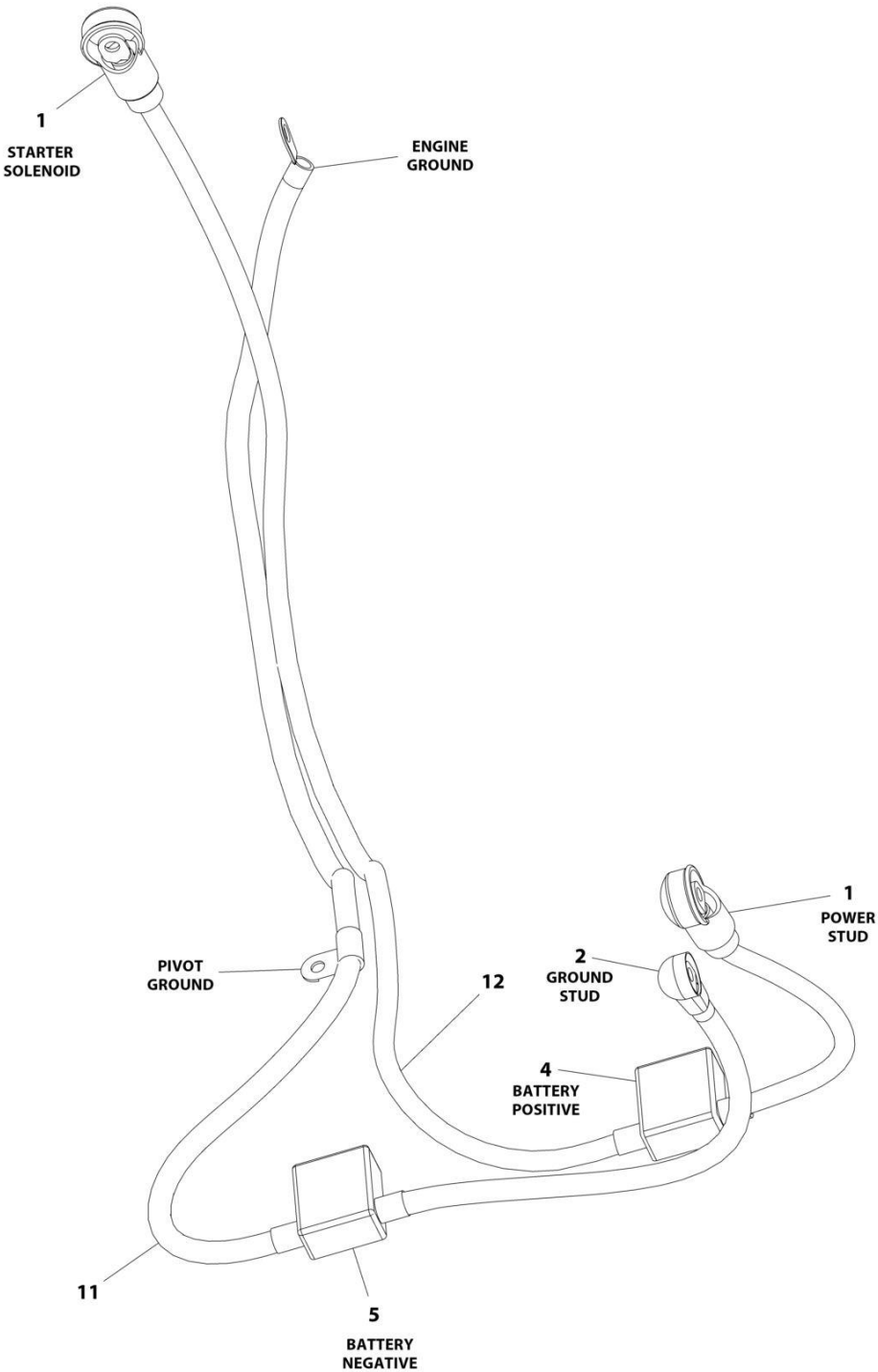
SECTION 8 - ELECTRICAL

FIGURE 8-19. BATTERY CABLE KIT - DIESEL ENGINES

ITEM	PART NUMBER	QTY	DESCRIPTION	REV
	1001186428	Ref	BATTERY CABLE KIT - DIESEL ENGINES	E
1	0840052	2	Boot	
2	1001098765	1	Boot	
4	1001186483	1	Boot	
5	1001186484	1	Boot	
11	70009008	1	Cable, Negative	
12	70009009	1	Cable, Positive	

SECTION 8 - ELECTRICAL

FIGURE 8-20. BATTERY CABLE KIT - GASOLINE ENGINES



ART_1001186429

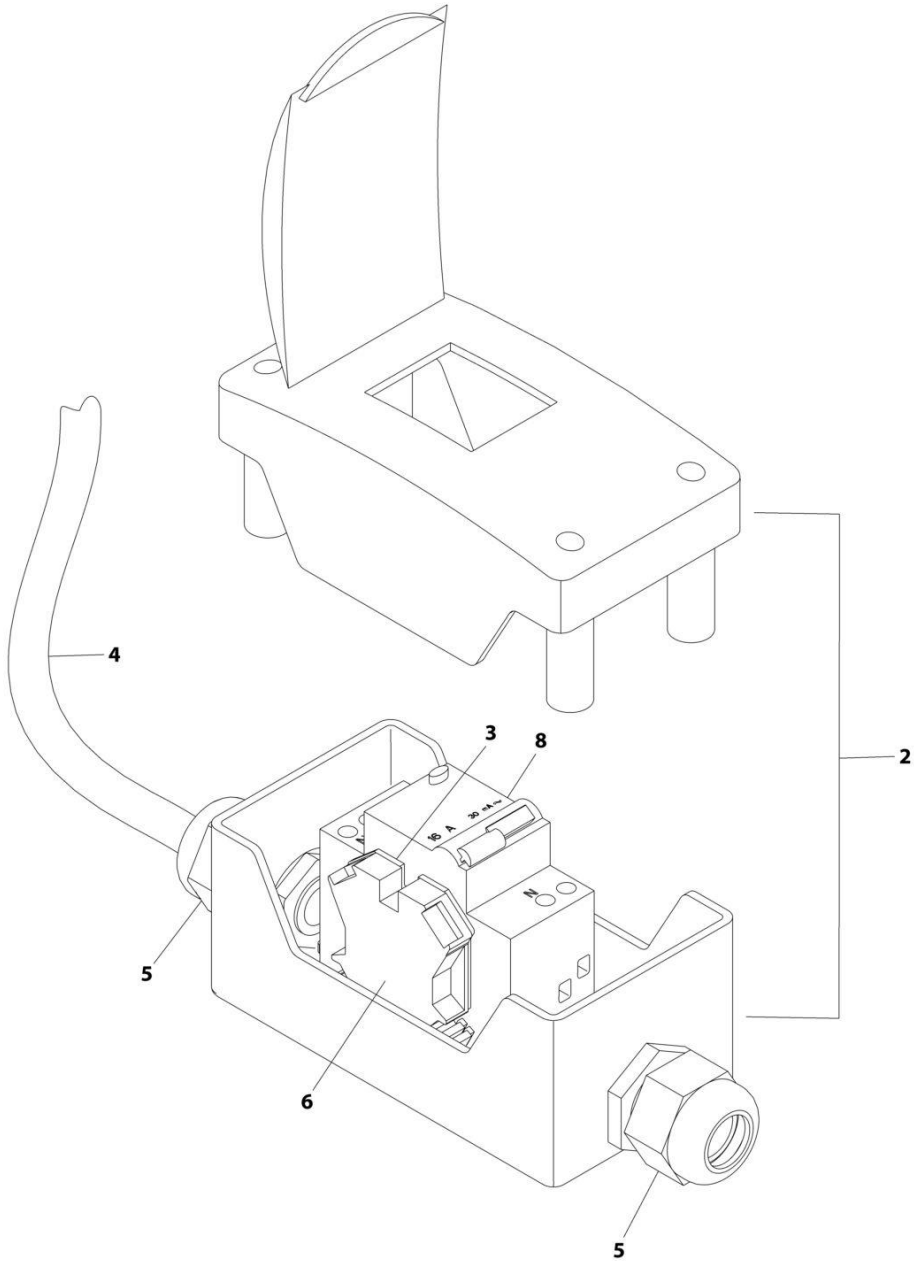
SECTION 8 - ELECTRICAL

FIGURE 8-20. BATTERY CABLE KIT - GASOLINE ENGINES

ITEM	PART NUMBER	QTY	DESCRIPTION	REV
	1001186429	Ref	BATTERY CABLE KIT - GASOLINE ENGINES	C
1	0840052	2	Boot	
2	1001098765	1	Boot	
4	1001186483	1	Boot	
5	1001186484	1	Boot	
11	70009010	1	Cable, Negative	
12	70009011	1	Cable, Positive	

SECTION 8 - ELECTRICAL

FIGURE 8-21. BREAKER BOX KIT - SINGLE DOUBLE POLE BREAKER



ART_1001096070_E

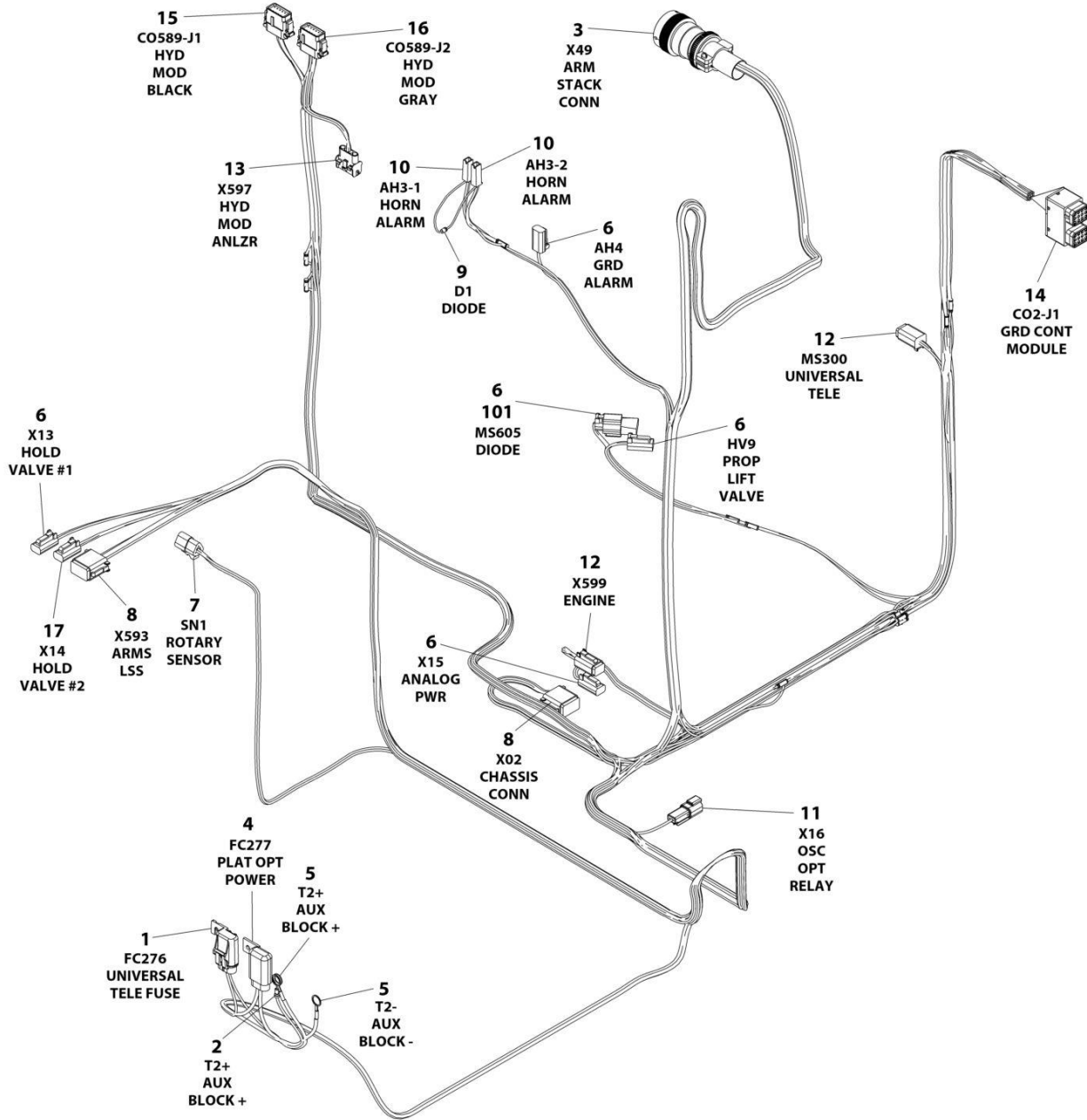
SECTION 8 - ELECTRICAL

FIGURE 8-21. BREAKER BOX KIT - SINGLE DOUBLE POLE BREAKER

ITEM	PART NUMBER	QTY	DESCRIPTION	REV
	1001096070	Ref	BREAKER BOX KIT	E
2	0861880	1	Box	
3	4460956	1	Barrier, Terminal Block End	
4	1060908	12 ft/ 3.6m	Cable, 12/3	
5	1001097150	2	Connector, Strain Relief	
6	4460957	1	Block, Terminal	
8	1001181045	1	Breaker, 16Amp	

SECTION 8 - ELECTRICAL

FIGURE 8-22. CHASSIS HARNESS



ART_1001236270_C

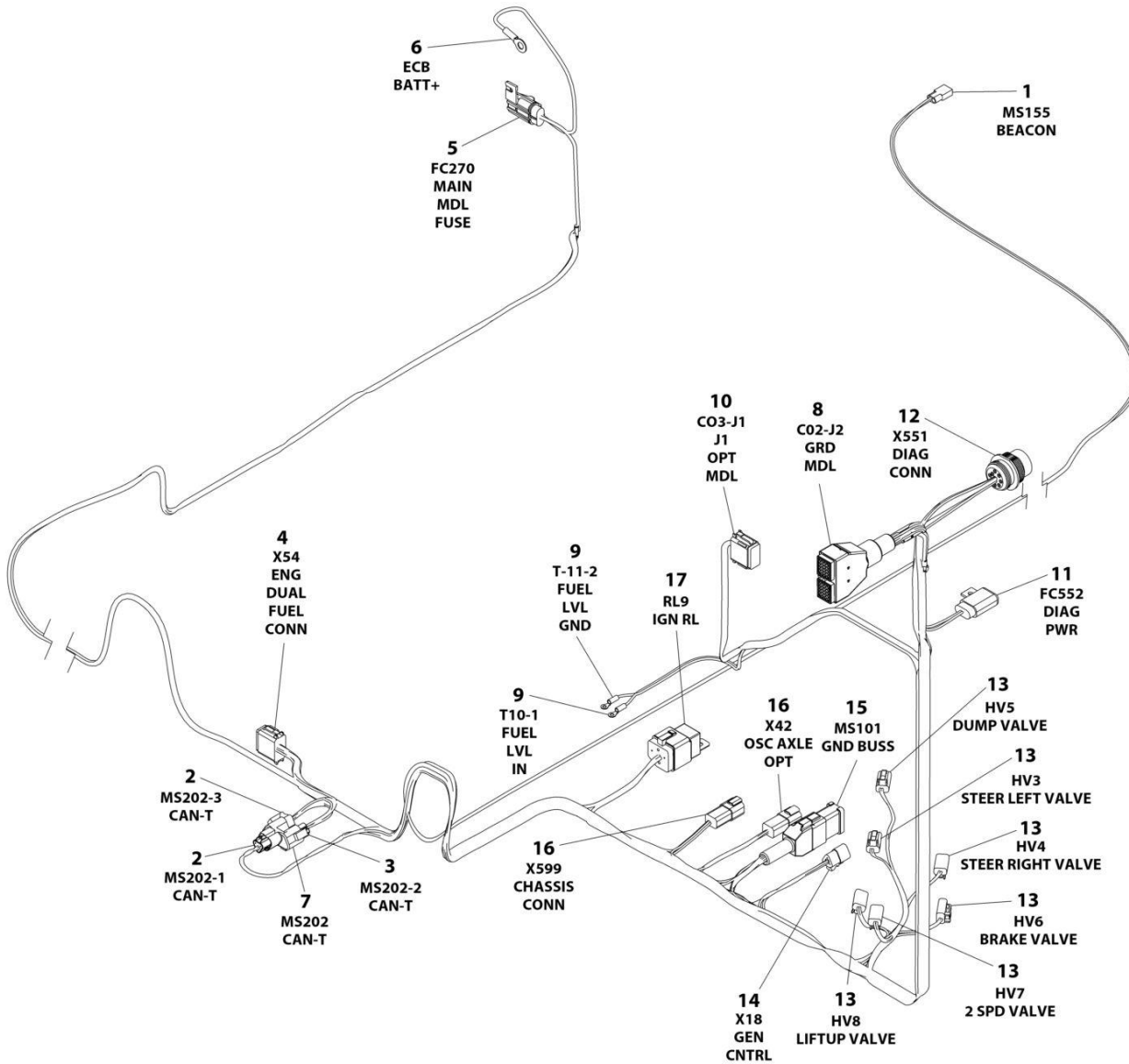
SECTION 8 - ELECTRICAL

FIGURE 8-22. CHASSIS HARNESS

ITEM	PART NUMBER	QTY	DESCRIPTION	REV
	1001236270	Ref	CHASSIS HARNESS	C
1	1001117078	1	Fuseholder with 5 Amp Fuse	
1	See Note	NSS	Fuse - 5 Amp (Note: Purchase Locally)	
1	1001116733	2	Terminal	
2	4460670	1	Terminal, Ring	
3	1001116926	1	Connector - 24 Position	
3	4460465	4	Socket, Female	
3	4460509	4	Socket, Female	
3	4460944	3	Socket, Female	
3	4460466	10	Plug, Terminal	
4	1001117023	1	Fuseholder with 10 Amp Fuse	
4	See Note	NSS	Fuse - 10 Amp (Note: Purchase Locally)	
4	1001116752	2	Terminal	
5	4460019	2	Terminal, Ring	
6	4460891	5	Plug, Male - 2 Position	
6	4460465	10	Socket, Female	
7	4460539	1	Plug, Male - 3 Position	
7	4460465	3	Socket, Female	
8	4460930	2	Connector - 8 Position	
8	4460465	13	Socket, Female	
8	4460466	3	Plug, Terminal	
9	3990010	1	Diode	
10	4460260	2	Cover, Terminal	
10	4460259	4	Terminal	
11	4460897	1	Receptacle, Female - 2 Position	
11	4460464	1	Pin, Male	
11	4460466	1	Plug, Terminal	
12	4460884	2	Plug, Male - 4 Position	
12	4460465	8	Socket, Female	
12	1001192401	1	Cover, Dust	
13	4460761	1	Receptacle, Female - 4 Position	
13	4460267	1	Pin, Male	
14	4460812	1	Connector - 24 Position	
14	4460465	14	Socket, Female	
14	4460942	2	Socket, Female	
14	4460944	3	Socket, Female	
14	4460466	5	Plug, Terminal	
14	0840056	1	Boot	
15	1001116808	1	Connector - 12 Position	
15	4460928	6	Terminal	
15	4460518	6	Plug, Terminal	
16	1001116774	1	Connector - 12 Position	
16	4460928	9	Terminal	
16	4460518	3	Plug, Terminal	
17	4460897	1	Plug, Male - 2 Position	
17	4460464	2	Socket, Female	
101	1001116816	1	Connector, Diode	

SECTION 8 - ELECTRICAL

FIGURE 8-23. DUAL FUEL HARNESS



ART_1001236380

SECTION 8 - ELECTRICAL

FIGURE 8-23. DUAL FUEL HARNESS

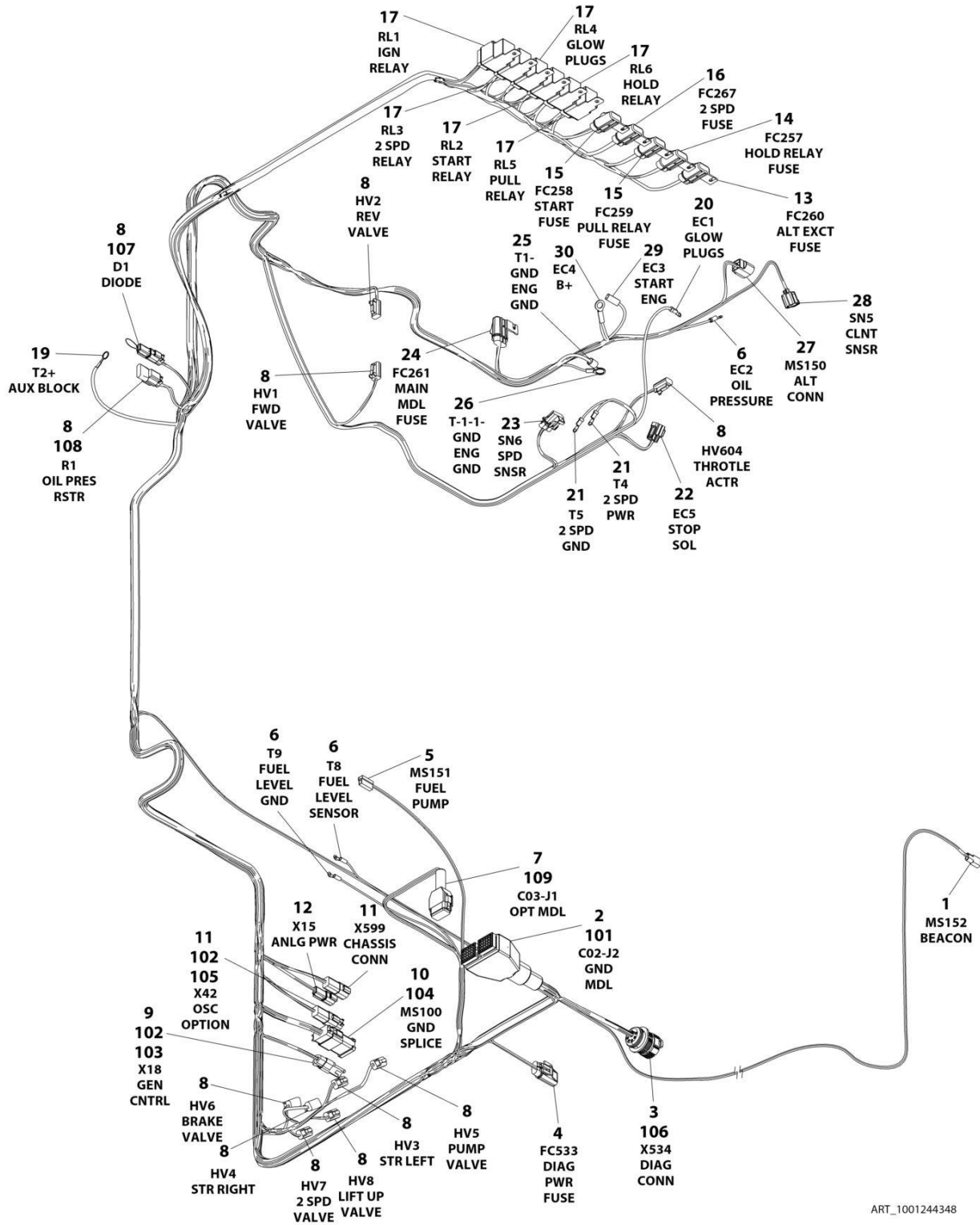
ITEM	PART NUMBER	QTY	DESCRIPTION	REV
	1001236380	Ref	DUAL FUEL HARNESS	A
1	4460424	1	Plug, Male - 2 Position	
1	4460268	2	Socket, Female	
2	1001116812	2	Plug, Male - 3 Position	
2	4460944	6	Socket, Female	
3	4460539	1	Plug, Male - 3 Position	
3	4460944	3	Socket, Female	
4	4460933	1	Connector - 12 Position	
4	4460465	8	Socket, Female	
4	4460944	3	Socket, Female	
4	4460942	1	Socket, Female	
5	1001117069	1	Fuseholder with 20 Amp Fuse	
5	See Note	1	Fuse - 20 Amp (Note: Purchase Locally)	
5	1001116752	2	Terminal	
6	8220045	1	Terminal, Ring	
7	4460945	1	Receptacle - 3 Way	
8	4460814	1	Connector - 40 Position	
8	4460466	15	Plug, Terminal	
8	4460944	3	Socket, Female	
8	4460465	22	Socket, Female	
8	0840057	1	Boot	
9	8220007	2	Terminal, Ring	
10	4460933	1	Plug, Male - 12 Position	
10	4460465	2	Socket, Female	
10	4460944	3	Socket, Female	
10	4460466	7	Plug, Terminal	
10	1001174455	1	Boot	
11	1001117023	1	Fuseholder with 10 Amp Fuse	
11	See Note	1	Fuse - 10 Amp (Note: Purchase Locally)	
11	1001116733	2	Terminal	
12	1001112612	1	Connector - 9 Position	
12	4460464	3	Pin, Male	
12	4460943	3	Pin, Male	
12	4460466	3	Plug, Terminal	
13	4460891	6	Plug, Male	
13	4460465	12	Socket, Female	
14	4460539	1	Plug, Male - 3 Position	
14	4460465	3	Socket, Female	
14	4460536	1	Receptacle, Female - 3 Position	
14	4460466	3	Plug, Terminal	
15	4460836	1	Plug, Male - 12 Position	
15	4460465	10	Socket, Female	
15	4460466	2	Plug, Terminal	
15	4460837	1	Receptacle, Female - 12 Position	
16	4460932	2	Receptacle, Female - 4 Position	
16	4460464	7	Socket, Female	
16	4460466	1	Plug, Terminal	
16	4460884	1	Plug, Male - 4 Position	
16	4460466	4	Plug, Terminal	
17	1001117025	1	Relay and Receptacle	

SECTION 8 - ELECTRICAL

ITEM	PART NUMBER	QTY	DESCRIPTION	REV
17	3740080	1	Relay	
17	1001116732	2	Terminal	
17	1001116734	2	Terminal	

SECTION 8 - ELECTRICAL

FIGURE 8-24. ENGINE HARNESS - KUBOTA DIESEL



ART_1001244348

SECTION 8 - ELECTRICAL

FIGURE 8-24. ENGINE HARNESS - KUBOTA DIESEL

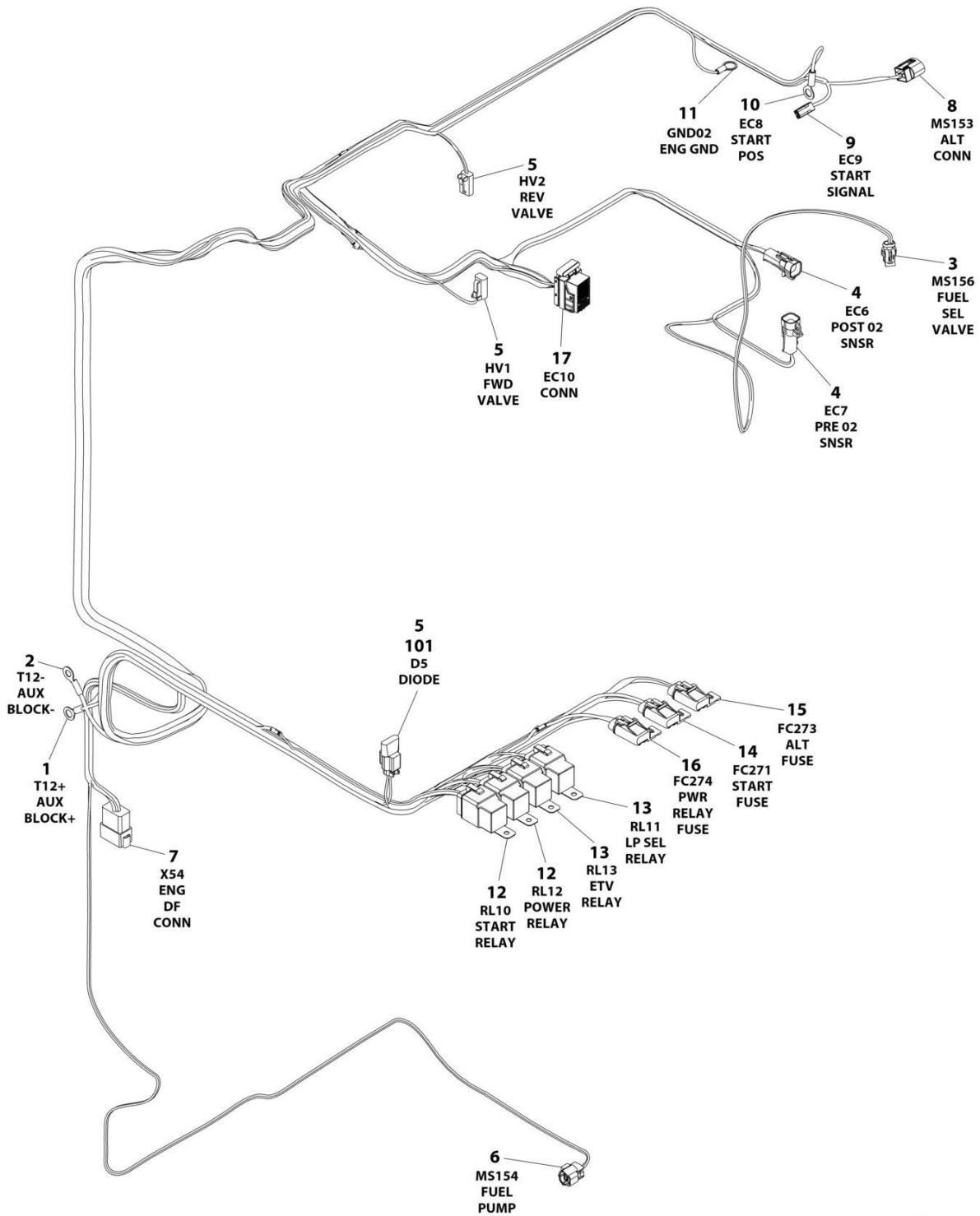
ITEM	PART NUMBER	QTY	DESCRIPTION	REV
	1001244348	Ref	ENGINE HARNESS - KUBOTA DIESEL	D
1	4460424	1	Plug, Male - 2 Position	
1	4460268	2	Socket, Female	
2	4460814	1	Connector - 40 Position	
2	4460465	28	Socket, Female	
2	4460942	1	Socket, Female	
2	4460944	3	Socket, Female	
2	4460466	8	Plug, Terminal	
3	1001112612	1	Connector - 9 Position	
3	4460464	3	Pin, Male	
3	4460943	3	Pin, Male	
3	4460466	3	Plug, Terminal	
4	1001117078	1	Fuseholder with 5 Amp Fuse	
4	See Note	1	Fuse - 5 Amp (Note: Purchase Locally)	
4	1001116733	2	Terminal	
5	1001118744	1	Connector - 2 Position	
5	1001118745	2	Terminal	
6	4460247	2	Terminal, Ring	
7	4460933	1	Plug, Male - 12 Position	
7	4460465	2	Socket, Female	
7	4460944	3	Socket, Female	
7	4460466	7	Plug Terminal	
8	4460891	11	Plug, Male - 2 Position	
8	4460465	22	Socket, Female	
9	4460539	1	Plug, Male - 3 Position	
9	4460465	3	Socket, Female	
10	4460836	1	Plug, Male - 12 Position	
10	4460465	12	Socket, Female	
11	4460932	2	Receptacle, Female - 4 Position	
11	4460464	7	Pin, Male	
11	4460466	1	Plug, Terminal	
12	4460897	1	Receptacle, Female - 2 Position	
12	4460464	2	Pin, Male	
13	1001117069	1	Fuseholder with 20 Amp Fuse and Mounting Bracket	
13	See Note	1	Fuse - 20 Amp (Note: Purchase Locally)	
13	1001116733	2	Terminal	
14	1001117077	1	Fuseholder with 4 Amp Fuse and Mounting Bracket	
14	See Note	1	Fuse - 4 Amp (Note: Purchase Locally)	
14	1001116733	1	Terminal	
14	1001116752	1	Terminal	
15	1001118938	2	Fuseholder with 40 Amp Fuse and Mounting Bracket	
15	See Note	2	Fuse - 40 Amp (Note: Purchase Locally)	
15	1001116752	4	Terminal	
16	1001117070	1	Fuseholder with 30 Amp Fuse and Mounting Bracket	
16	See Note	1	Fuse - 30 Amp (Note: Purchase Locally)	
16	1001116752	2	Terminal	
17	1001266832	6	Relay with Connector	
17	3740080	6	Relay	
17	1001116734	11	Terminal	
17	1001116732	12	Terminal	

SECTION 8 - ELECTRICAL

ITEM	PART NUMBER	QTY	DESCRIPTION	REV
17	1001116733	1	Terminal	
17	1001128128	1	Plug, Terminal	
19	4460019	2	Terminal, Ring	
20	4460142	1	Terminal, Ring	
21	4460042	2	Terminal, Ring	
22	1001223432	1	Connector - 2 Position	
22	1001223795	2	Terminal	
22	1001223796	2	Seal, Terminal	
23	1001117055	1	Plug, Male - 3 Position	
23	4460746	2	Terminal	
24	1001117069	1	Fuseholder with 10 Amp Fuse and Mounting Bracket	
24	See Note	1	Fuse - 10 Amp (Note: Purchase Locally)	
24	1001116752	2	Terminal	
25	8220029	1	Terminal	
26	8220111	1	Terminal, Ring	
27	1001125748	1	Connector - 3 Position	
27	1001125773	2	Terminal	
27	1001129773	1	Terminal	
27		Ref	Seal, Terminal	
28	1001118657	1	Connector - 2 Position	
28	1001118658	2	Terminal	
29	1001118743	1	Housing, Terminal	
29	1001230488	1	Terminal	
30	8220164	1	Terminal, Ring	
101	0840057	1	Boot	
102	4460466	7	Plug, Terminal	
103	4460536	1	Receptacle, Female - 3 Position	
104	4460837	1	Connector, Bussbar	
105	4460884	1	Plug, Male	
106	1001106736	1	Dust Cap	
107	1001116816	3	Receptacle, Female - 2 Position with Diode (at D1, D2 & D3)	
108	1001195684	1	Receptacle, Female - 2 Position with Resistor (at R1)	
109	1001174455	1	Boot	

SECTION 8 - ELECTRICAL

FIGURE 8-25. ENGINE HARNESS - KUBOTA GASOLINE



ART_1001244349

SECTION 8 - ELECTRICAL

FIGURE 8-25. ENGINE HARNESS - KUBOTA GASOLINE

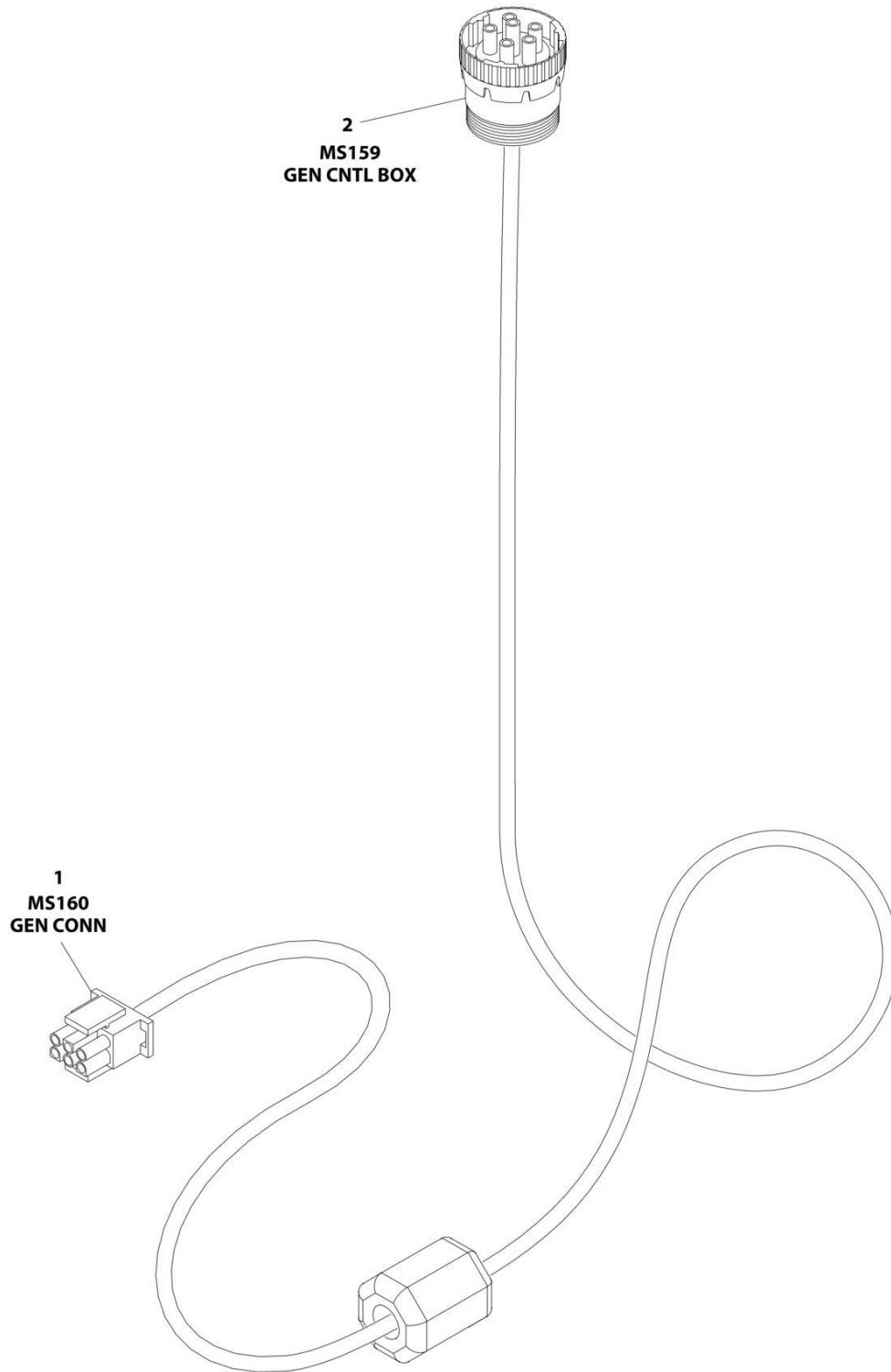
ITEM	PART NUMBER	QTY	DESCRIPTION	REV
	1001244349	Ref	ENGINE HARNESS - KUBOTA GASOLINE	E
1	8220164	1	Terminal, Ring	
2	8220045	1	Terminal, Ring	
3	4461118	1	Plug, Male - 2 Position	
3	1001107854	2	Terminal	
3	1001116763	2	Seal	
4	1001184722	2	Receptacle, Female - 4 Position	
4	1001116749	8	Terminal	
4	4460608	8	Seal	
5	4460891	3	Plug, Male - 2 Position	
5	4460465	6	Socket, Female	
6	1001184832	1	Connector - 2 Position	
6	1001118658	2	Terminal	
6	1001205250	2	Seal	
7	4460970	1	Connector - 12 Position	
7	4460464	8	Pin, Male	
7	4460943	3	Pin, Male	
7	4460941	1	Pin, Male	
8	1001125748	1	Connector - 3 Position	
8	1001125773	3	Terminal	
8	1001129772	2	Seal	
9	1001184768	1	Housing, Terminal	
9	1001184769	1	Terminal	
10	1001117110	1	Terminal, Ring	
11	8220111	1	Terminal, Ring	
12	1001265084	2	Relay with Connector	
12	3740080	2	Relay	
12	1001116752	4	Terminal	
12	1001116732	4	Terminal	
13	1001117025	2	Relay with Connector	
13	3740080	2	Relay	
13	1001116733	4	Terminal	
13	1001116732	4	Terminal	
14	1001118938	1	Fuseholder with 40 Amp Fuse and Mounting Bracket	
14	See Note	1	Fuse - 40 Amp (Note: Purchase Locally)	
14	1001116752	2	Terminal	
15	1001117078	1	Fuseholder with 5 Amp Fuse and Mounting Bracket	
15	See Note	1	Fuse - 5 Amp (Note: Purchase Locally)	
15	1001116732	AR	Terminal	
16	1001117070	1	Fuseholder with 30 Amp Fuse and Mounting Bracket	
16	See Note	1	Fuse - 30 Amp (Note: Purchase Locally)	
16	1001116752	2	Terminal	
17	1001184705	1	Connector - 42 Position	
17	1001187455	4	Terminal	
17	1001184718	4	Terminal	
17	1001166702	1	Terminal	
17	1001184716	10	Terminal	
17	1001184717	2	Terminal	
17	4461054	4	Seal	
17	1001167690	5	Seal	

SECTION 8 - ELECTRICAL

ITEM	PART NUMBER	QTY	DESCRIPTION	REV
17	1001126393	12	Seal	
101	1001118616	1	Receptacle, Female with Diode	

SECTION 8 - ELECTRICAL

FIGURE 8-26. GENERATOR CONTROL HARNESS - 4000W GENERATOR (GENERATOR TO CONTROL BOX)



ART_1001236444

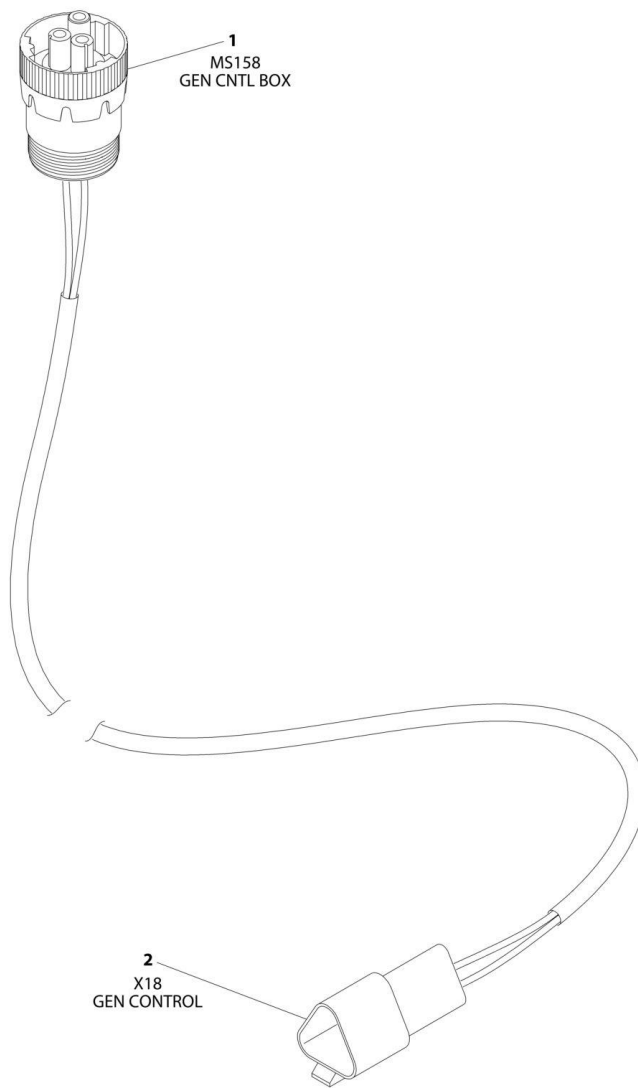
SECTION 8 - ELECTRICAL

FIGURE 8-26. GENERATOR CONTROL HARNESS - 4000W GENERATOR (GENERATOR TO CONTROL BOX)

ITEM	PART NUMBER	QTY	DESCRIPTION	REV
	1001236444	Ref	GENERATOR CONTROL HARNESS - 4000W GENERATOR (GENERATOR TO CONTROL BOX)	A
1	4460225	1	Plug, Male - 6 Position	
1	4460268	2	Socket, Female	
1	4460808	1	Seal, Connector	
1	4460807	1	Seal, Terminal	
2	77363233	1	Connector - 6 Position	
2	4460465	2	Socket, Female	
2	4460466	4	Plug, Terminal	

SECTION 8 - ELECTRICAL

FIGURE 8-27. GENERATOR CONTROL HARNESS - 4000W GENERATOR (CONTROL BOX TO GENERATOR CONTROL)



ART_1001186826

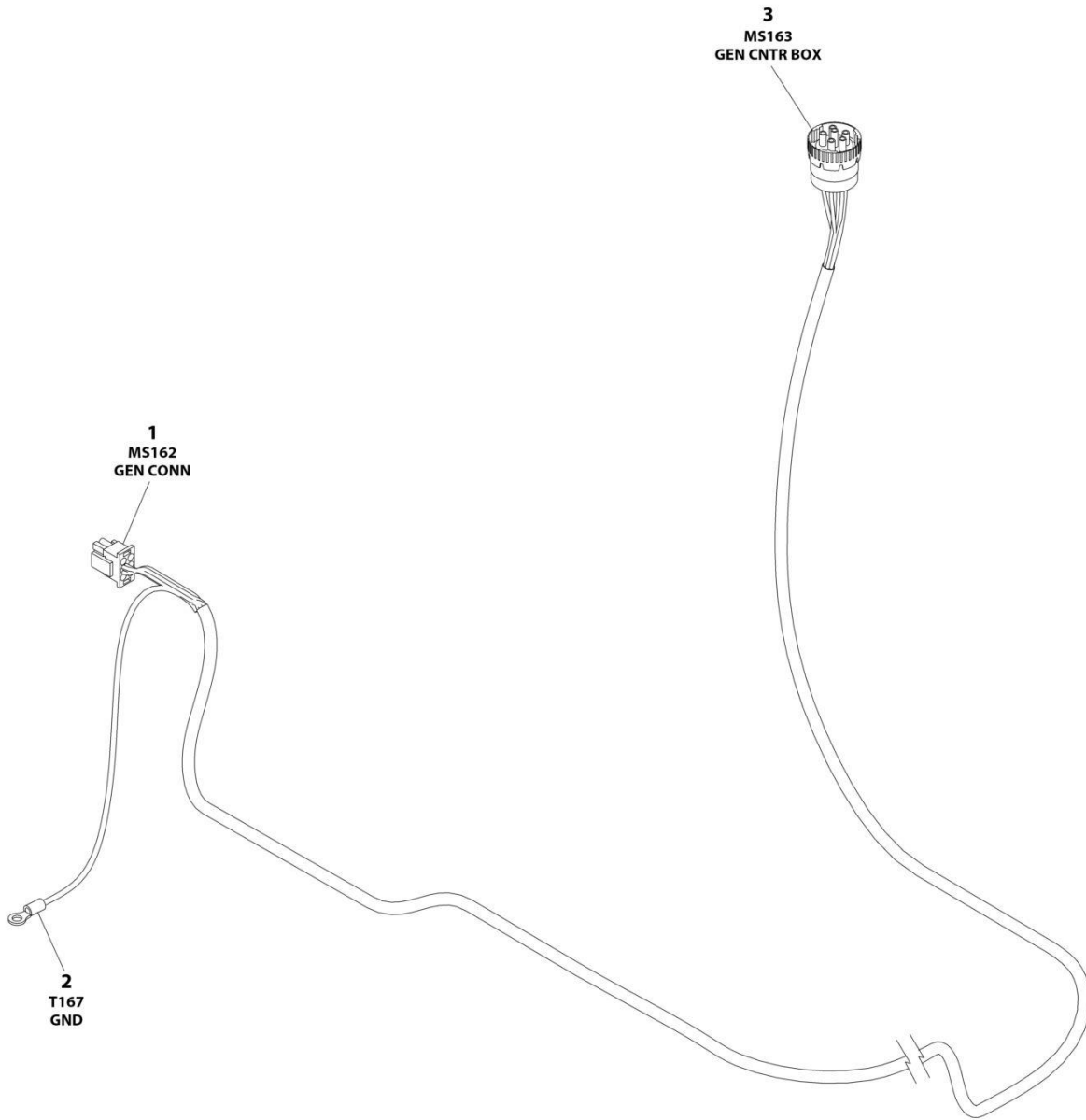
SECTION 8 - ELECTRICAL

FIGURE 8-27. GENERATOR CONTROL HARNESS - 4000W GENERATOR (CONTROL BOX TO GENERATOR CONTROL)

ITEM	PART NUMBER	QTY	DESCRIPTION	REV
	1001186826	Ref	GENERATOR CONTROL HARNESS - 4000W GENERATOR (CONTROL BOX TO GENERATOR CONTROL)	C
1	4460967	1	Connector - 3 Position	
1	4460465	2	Socket, Female	
1	4460466	1	Plug, Terminal	
2	4460536	1	Receptacle, Female - 3 Position	
2	4460464	2	Pin, Male	
2	4460466	1	Plug, Terminal	

SECTION 8 - ELECTRICAL

FIGURE 8-28. GENERATOR CONTROL HARNESS - 7500W GENERATOR (GENERATOR TO CONTROL BOX)



ART_1001236442

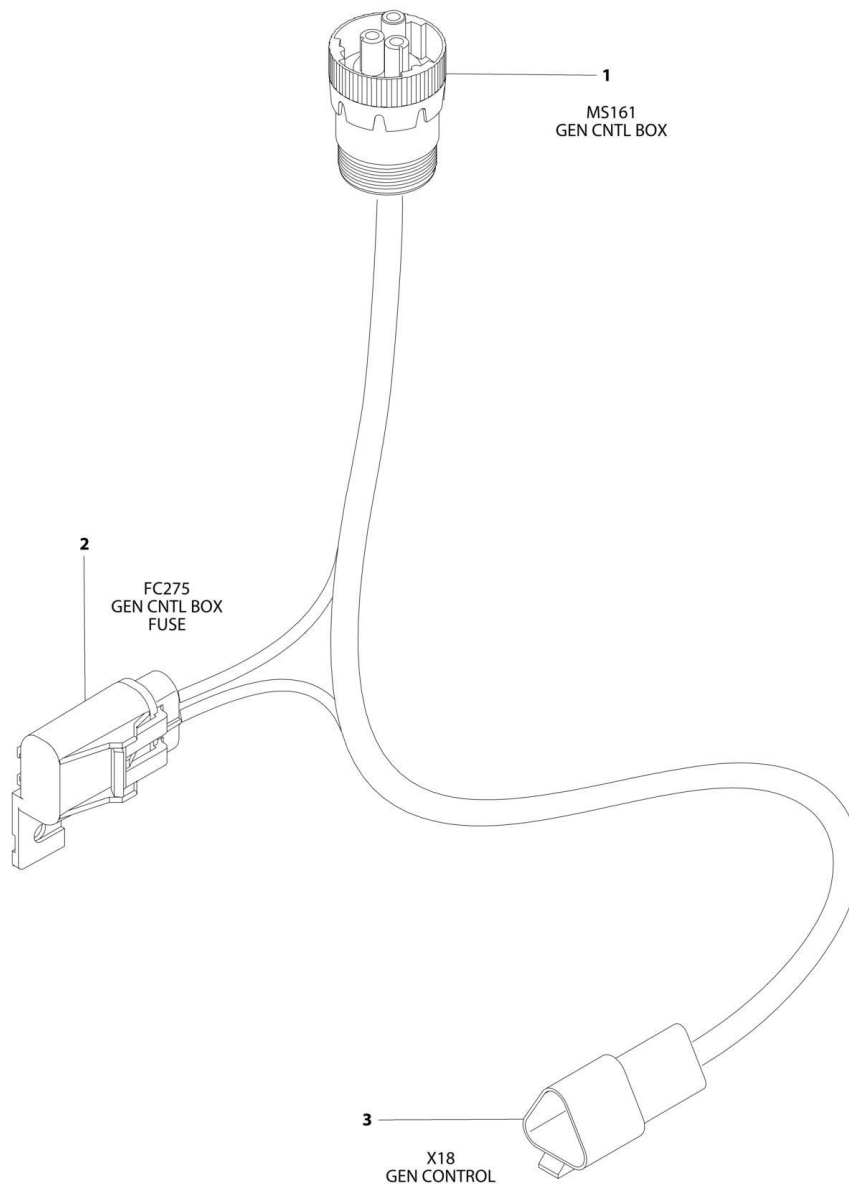
SECTION 8 - ELECTRICAL

FIGURE 8-28. GENERATOR CONTROL HARNESS - 7500W GENERATOR (GENERATOR TO CONTROL BOX)

ITEM	PART NUMBER	QTY	DESCRIPTION	REV
	1001236442	Ref	GENERATOR CONTROL HARNESS - 7500W	A
1	4460225	1	Plug, Male - 6 Position	
1	4460808	1	Seal, Terminal	
1	4460268	6	Socket, Female	
2	4460043	1	Terminal, Ring	
3	77363233	1	Connector - 6 Position	
3	4460465	6	Socket, Female	

SECTION 8 - ELECTRICAL

FIGURE 8-29. GENERATOR CONTROL HARNESS - 7500W GENERATOR (CONTROL BOX TO GENERATOR CONTROL)



ART_1001186822

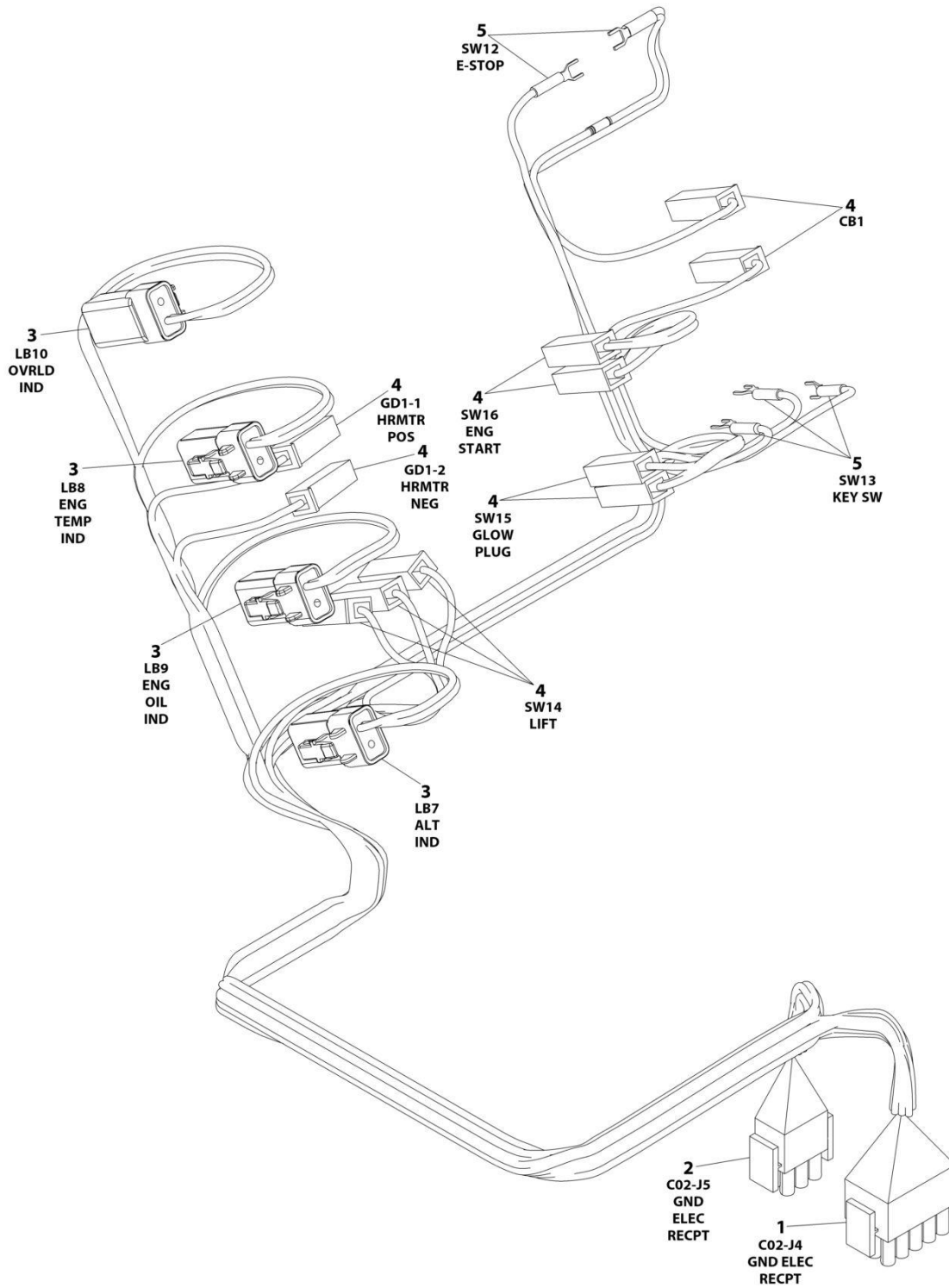
SECTION 8 - ELECTRICAL

FIGURE 8-29. GENERATOR CONTROL HARNESS - 7500W GENERATOR (CONTROL BOX TO GENERATOR CONTROL)

ITEM	PART NUMBER	QTY	DESCRIPTION	REV
	1001186822	Ref	GENERATOR CONTROL HARNESS - 7500W GENERATOR (CONTROL BOX TO GENERATOR CONTROL)	D
1	4460967	1	Connector	
1	4460465	3	Socket, Female	
2	1001117078	1	Connector - 2 Position	
2	1001116733	2	Terminal, Female	
3	4460536	1	Receptacle, Female - 3 Position	
3	4460464	3	Pin, Male	

SECTION 8 - ELECTRICAL

FIGURE 8-30. GROUND CONTROL BOX HARNESS - LOWER



ART_1001236153

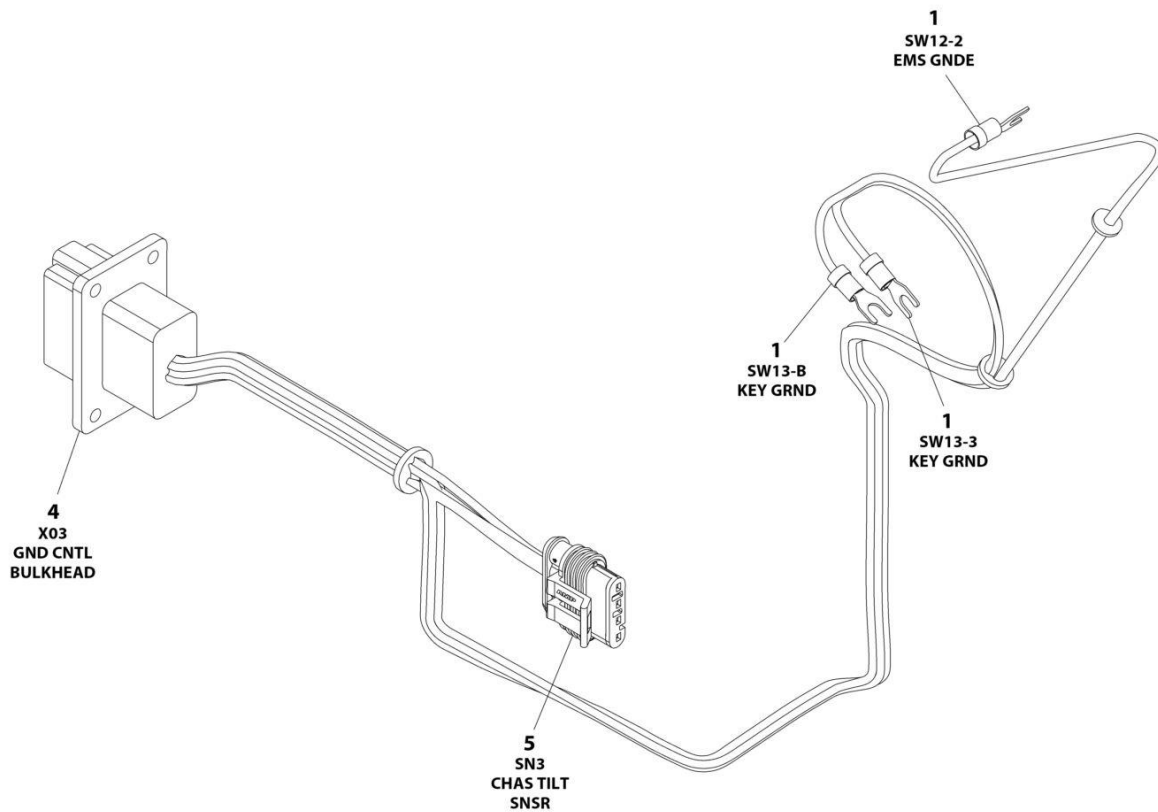
SECTION 8 - ELECTRICAL

FIGURE 8-30. GROUND CONTROL BOX HARNESS - LOWER

ITEM	PART NUMBER	QTY	DESCRIPTION	REV
	1001236153	Ref	GROUND CONTROL BOX HARNESS - LOWER	B
1	4460434	1	Connector - 15 Position	
1	4460268	11	Socket, Female	
2	4460225	1	Connector - 6 Position	
2	4460268	6	Socket, Female	
3	1001126245	4	Receptacle, Female - 2 Position	
3	4460928	8	Socket, Female	
4	4460260	11	Cover, Terminal	
4	4460259	11	Terminal	
5	4460183	4	Terminal, Fork	
5	4460115	2	Terminal, Fork	

SECTION 8 - ELECTRICAL

FIGURE 8-31. GROUND CONTROL BOX HARNESS - UPPER



ART_1001227353

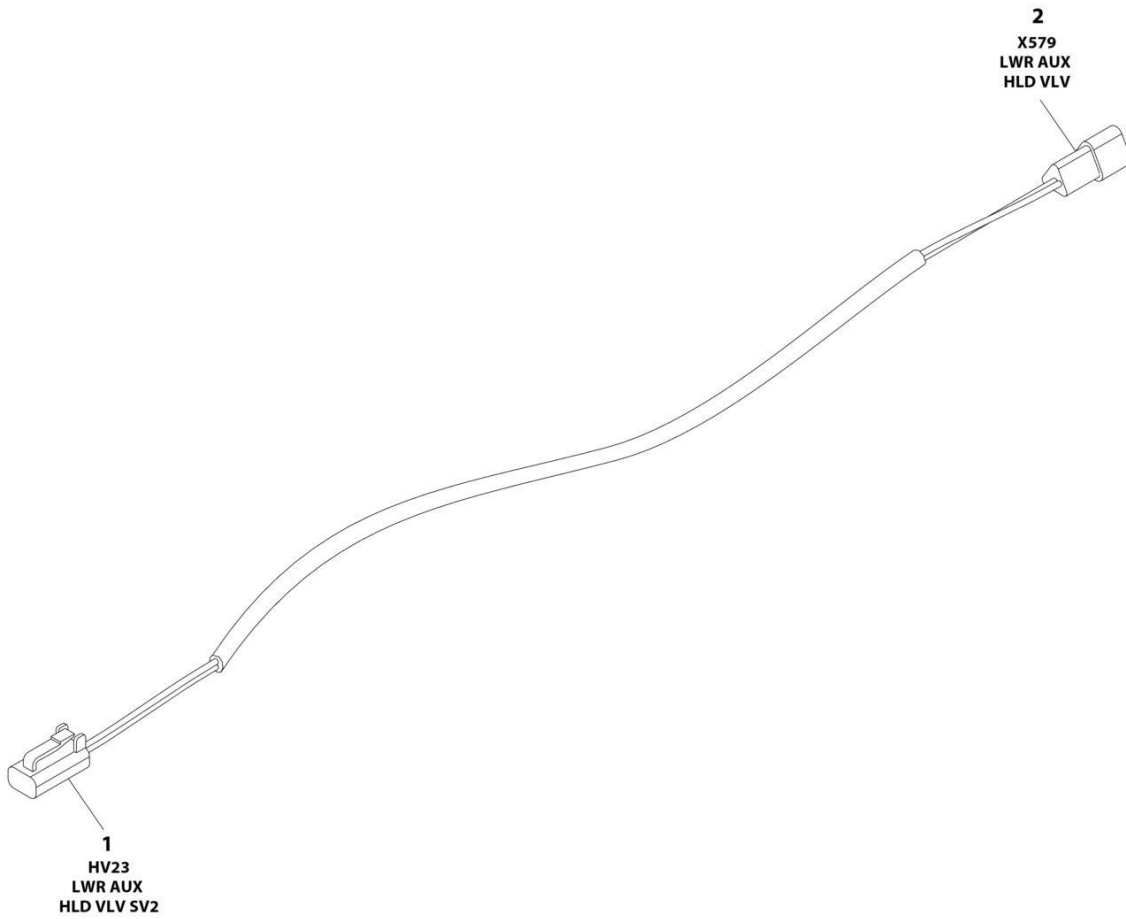
SECTION 8 - ELECTRICAL

FIGURE 8-31. GROUND CONTROL BOX HARNESS - UPPER

ITEM	PART NUMBER	QTY	DESCRIPTION	REV
	1001227353	Ref	GROUND CONTROL BOX HARNESS - UPPER	A
1	4460183	3	Terminal, Fork	
4	4460939	1	Connector - 12 Position	
4	4460464	5	Pin, Male	
4	4460943	2	Pin, Male	
4	4460466	5	Plug, Terminal	
5	1001103012	1	Plug, Male - 4 Position	
5	1001107854	4	Terminal	
5	1001104498	4	Seal	

SECTION 8 - ELECTRICAL

FIGURE 8-32. GROUND TO LOWER AUXILIARY HOLDING VALVE HARNESS



ART_1001222343

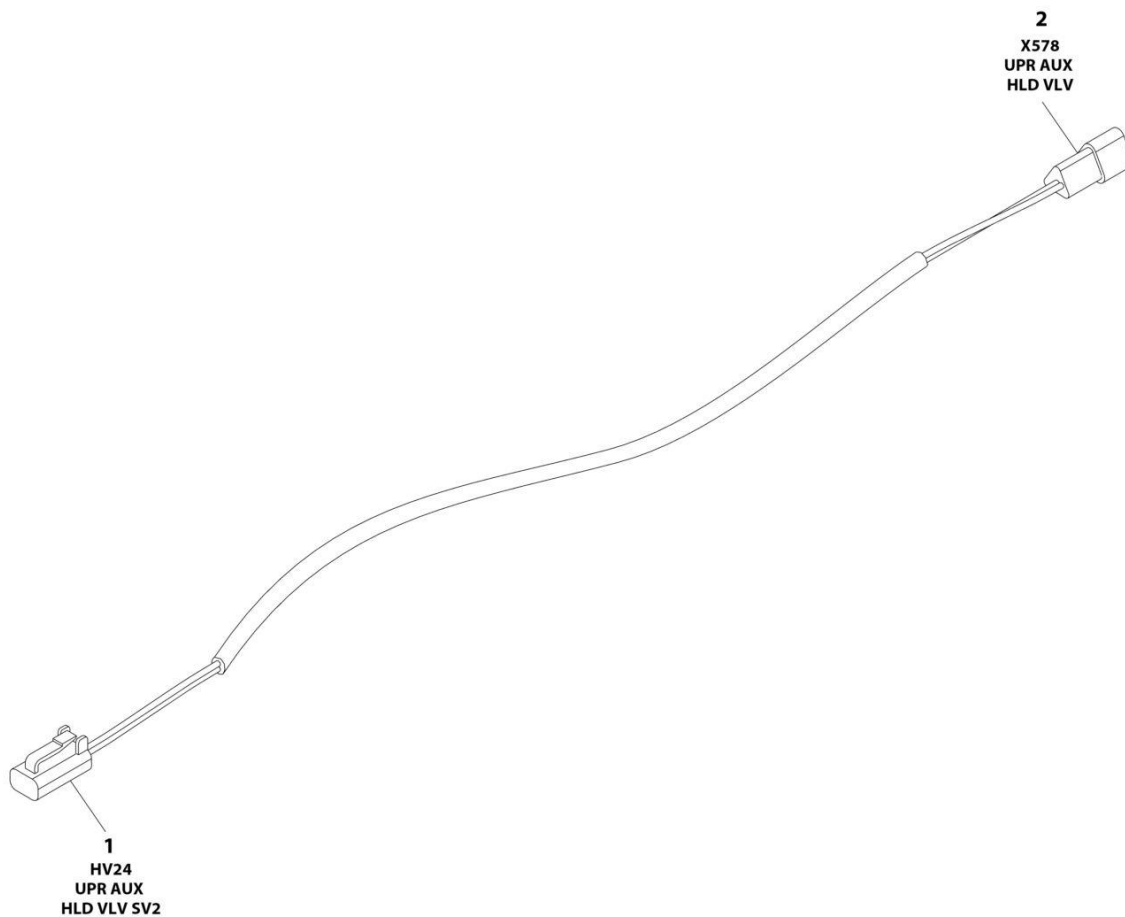
SECTION 8 - ELECTRICAL

FIGURE 8-32. GROUND TO LOWER AUXILIARY HOLDING VALVE HARNESS

ITEM	PART NUMBER	QTY	DESCRIPTION	REV
	1001222343	Ref	GROUND TO LOWER AUXILIARY HOLDING VALVE HARNESS	B
1	4460891	1	Plug, Male - 2 Position	
1	4460465	2	Socket, Female	
2	4460536	1	Receptacle, Female - 3 Position	
2	4460464	2	Pin, Male	
2	4460466	1	Plug, Terminal	

SECTION 8 - ELECTRICAL

FIGURE 8-33. GROUND TO UPPER AUXILIARY HOLDING VALVE HARNESS



ART_1001222344

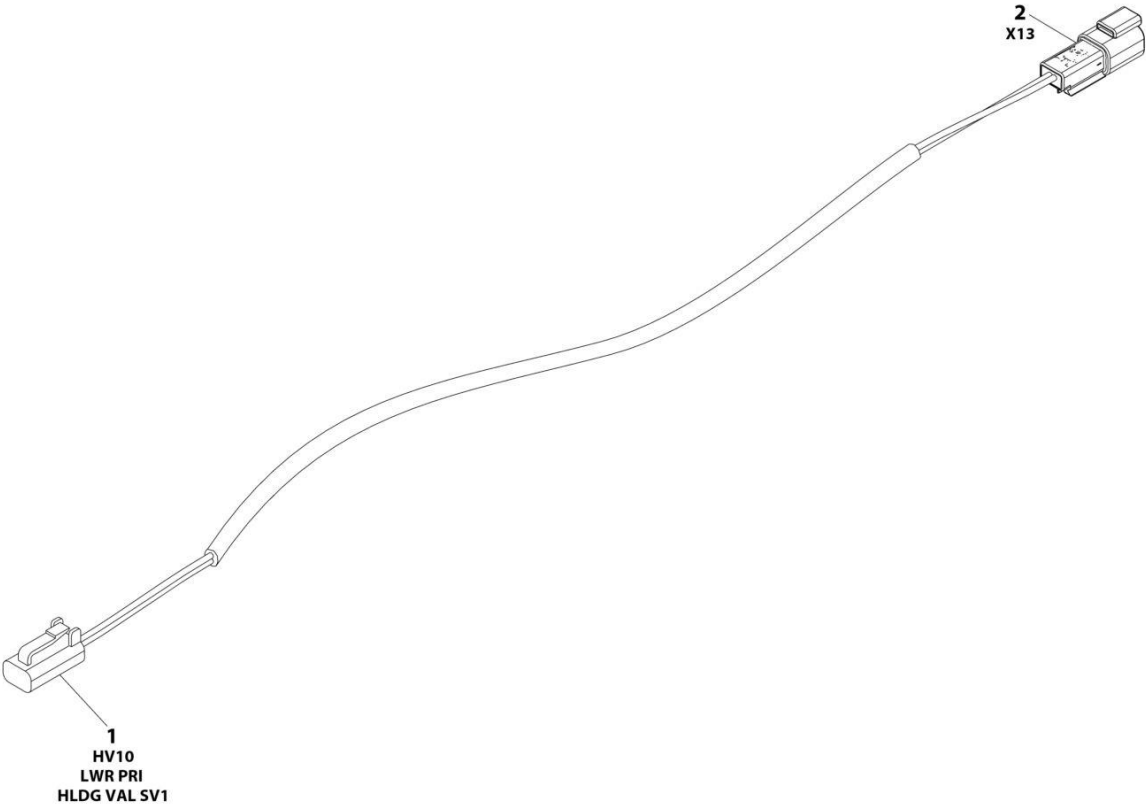
SECTION 8 - ELECTRICAL

FIGURE 8-33. GROUND TO UPPER AUXILIARY HOLDING VALVE HARNESS

ITEM	PART NUMBER	QTY	DESCRIPTION	REV
	1001222344	Ref	GROUND TO UPPER AUXILIARY HOLDING VALVE HARNESS	B
1	4460891	1	Plug, Male - 2 Position	
1	4460465	2	Socket, Female	
2	4460539	1	Plug, Male - 3 Position	
2	4460465	2	Socket, Female	
2	4460466	1	Plug, Terminal	

SECTION 8 - ELECTRICAL

FIGURE 8-34. GROUND TO LOWER LIFT CYLINDER HARNESS



ART_1001190522

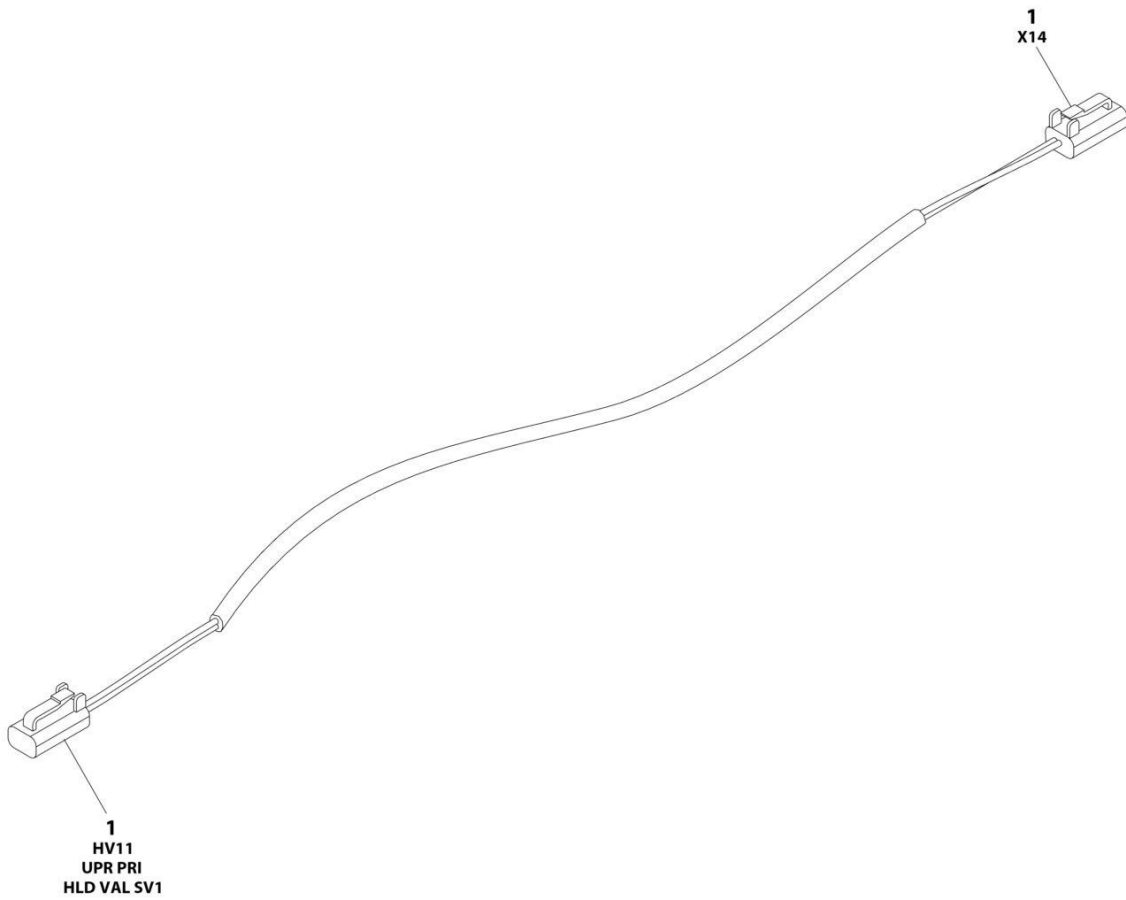
SECTION 8 - ELECTRICAL

FIGURE 8-34. GROUND TO LOWER LIFT CYLINDER HARNESS

ITEM	PART NUMBER	QTY	DESCRIPTION	REV
	1001190522	Ref	GROUND TO LOWER LIFT CYLINDER HARNESS	C
1	4460891	1	Plug, Male - 2 Position	
1	4460465	2	Socket, Female	
2	4460897	1	Receptacle, Female - 2 Position	
2	4460464	2	Pin, Male	

SECTION 8 - ELECTRICAL

FIGURE 8-35. GROUND TO UPPER LIFT CYLINDER HARNESS



ART_1001190524

SECTION 8 - ELECTRICAL

FIGURE 8-35. GROUND TO UPPER LIFT CYLINDER HARNESS

ITEM	PART NUMBER	QTY	DESCRIPTION	REV
	1001190524	Ref	GROUND TO UPPER LIFT CYLINDER HARNESS	C
1	4460891	2	Plug, Male - 2 Position	
1	4460465	4	Socket, Female	

SECTION 8 - ELECTRICAL

FIGURE 8-36. GROUND TO PLATFORM HARNESS



ART_1001236865

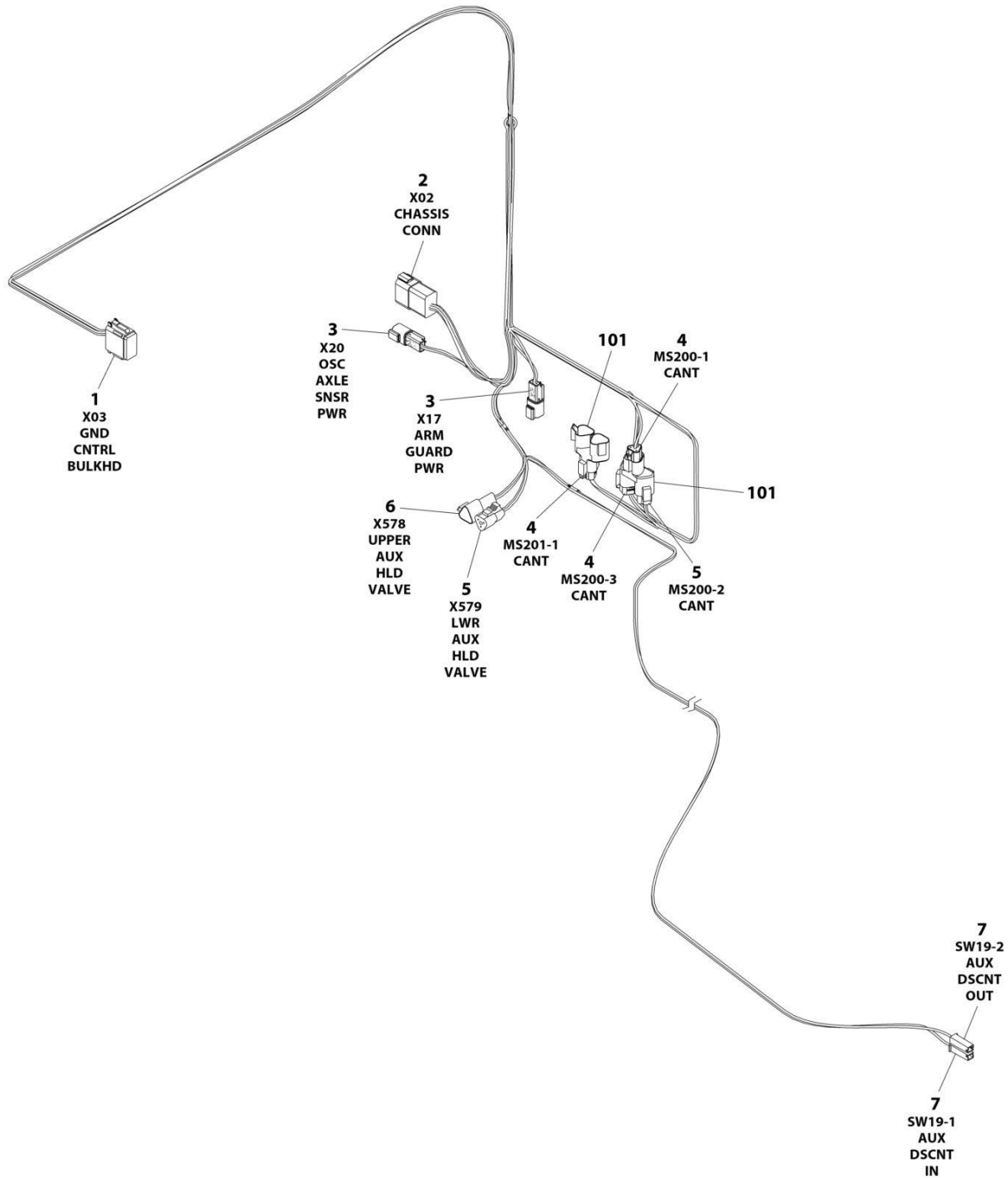
SECTION 8 - ELECTRICAL

FIGURE 8-36. GROUND TO PLATFORM HARNESS

ITEM	PART NUMBER	QTY	DESCRIPTION	REV
	1001236865	Ref	GROUND TO PLATFORM HARNESS	A
1	1001116926	1	Connector - 21 Position	
1	4460465	8	Socket, Female	
1	4460509	4	Socket, Female	
1	4460944	2	Socket, Female	
1	4460466	7	Plug, Terminal	
2	1001116930	1	Connector - 21 Position	
2	4460464	8	Pin, Male	
2	4460508	4	Pin, Male	
2	4460943	2	Pin, Male	
2	4460466	7	Plug, Terminal	

SECTION 8 - ELECTRICAL

FIGURE 8-37. HYDRAULIC COMPARTMENT HARNESS



ART_1001222025

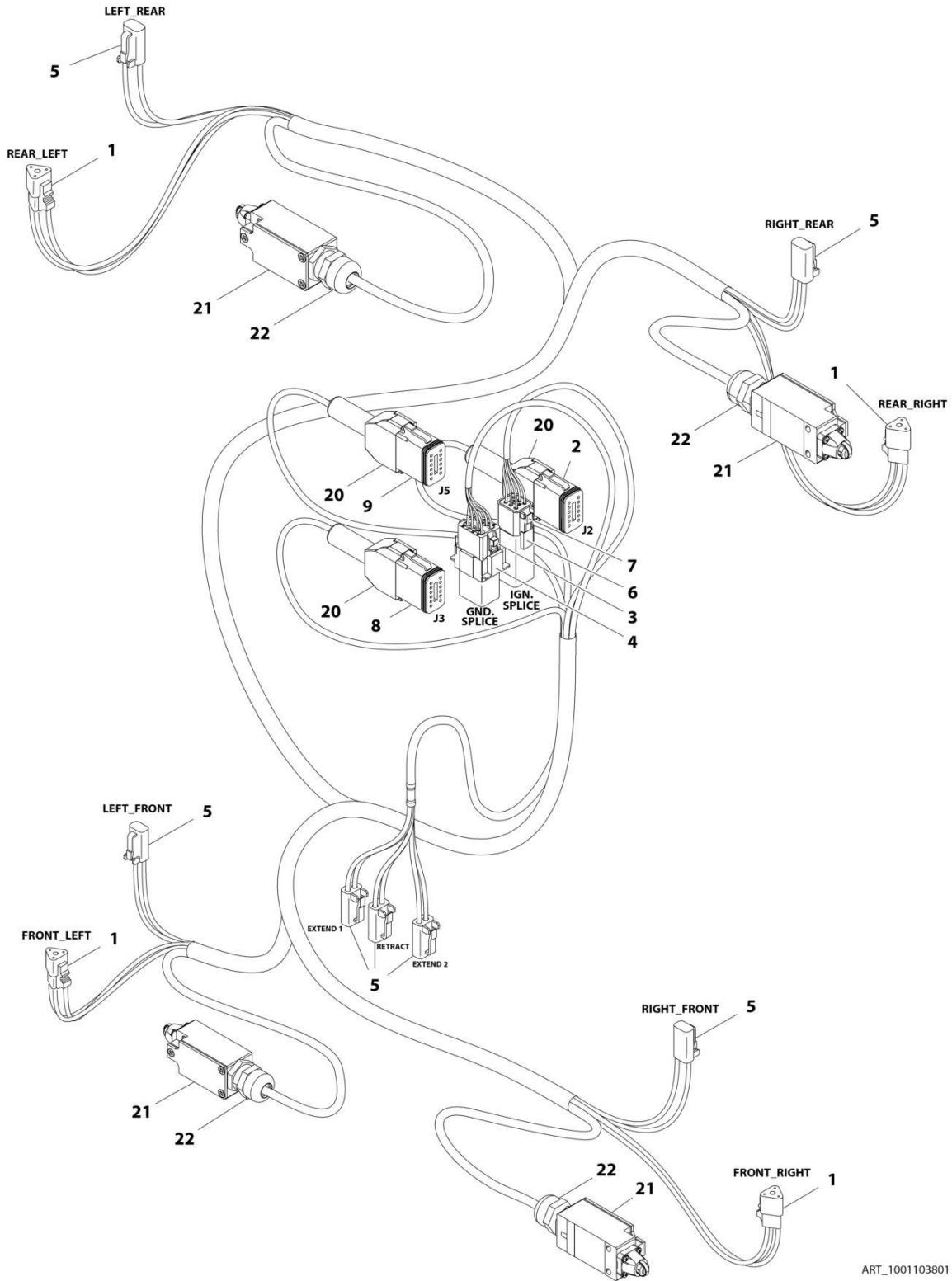
SECTION 8 - ELECTRICAL

FIGURE 8-37. HYDRAULIC COMPARTMENT HARNESS

ITEM	PART NUMBER	QTY	DESCRIPTION	REV
	1001222025	Ref	HYDRAULIC COMPARTMENT HARNESS	A
1	4460933	1	Plug, Male - 12 Position	
1	4460465	4	Socket, Female	
1	4460944	2	Socket, Female	
1	4460466	6	Plug, Terminal	
2	4460931	1	Receptacle, Female - 8 Position	
2	4460464	3	Pin, Male	
2	4460943	3	Pin, Male	
2	4460466	2	Plug, Terminal	
3	4460897	2	Receptacle, Female - 2 Position	
3	4460464	4	Pin, Male	
4	1001116812	3	Plug, Male - 3 Position	
4	4460944	9	Socket, Female	
5	4460539	2	Plug, Male - 3 Position	
5	4460944	6	Terminal	
6	4460536	1	Receptacle, Female - 3 Position	
6	4460464	2	Pin, Male	
6	4460466	1	Plug, Terminal	
7	4460260	2	Holder, Terminal	
7	4460259	2	Terminal	
101	4460945	2	Receptacle - 3 Way	

SECTION 8 - ELECTRICAL

FIGURE 8-38. LEVELING JACK HARNESS



ART_1001103801

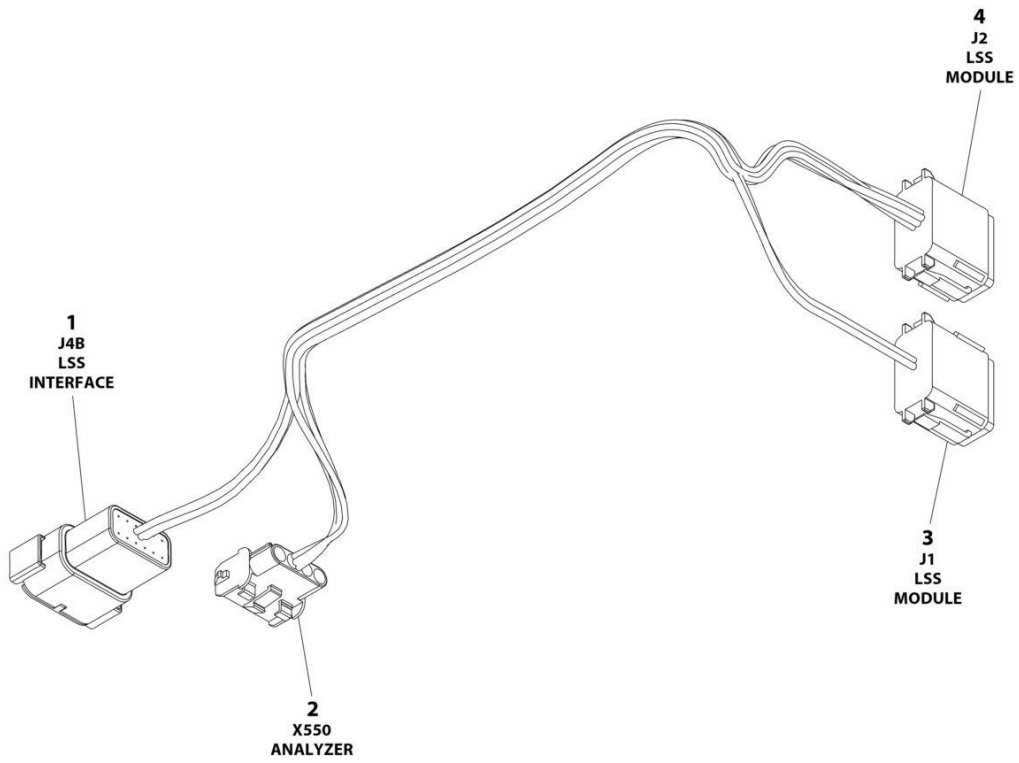
SECTION 8 - ELECTRICAL

FIGURE 8-38. LEVELING JACK HARNESS

ITEM	PART NUMBER	QTY	DESCRIPTION	REV
	1001103801	Ref	LEVELING JACK HARNESS	D
1	4460539	4	Connector - 3 Position	
1	4460465	12	Socket, Female	
2	4460836	1	Connector - 12 Position	
2	4460465	7	Socket, Female	
2	4460466	5	Plug	
3	4460851	1	Connector - 8 Position	
3	4460465	8	Socket, Female	
4	4460852	1	Connector, Buss Bar - 8 Position	
5	4460891	7	Connector - 2 Position	
5	4460465	14	Socket, Female	
6	4460892	1	Terminal, Buss Bar - 6 Position	
7	4460894	1	Connector - 6 Position	
7	4460465	6	Socket, Female	
8	4460934	1	Connector - 12 Position	
8	4460465	12	Socket, Female	
9	4460935	1	Connector - 12 Position	
9	4460465	5	Socket, Female	
9	4460466	7	Plug	
20	0840055	3	Boot	
21	4360548	4	Switch, Limit	
22	4460968	4	Connector, Strain Relief	

SECTION 8 - ELECTRICAL

FIGURE 8-39. LSS HARNESS



ART_1001226830

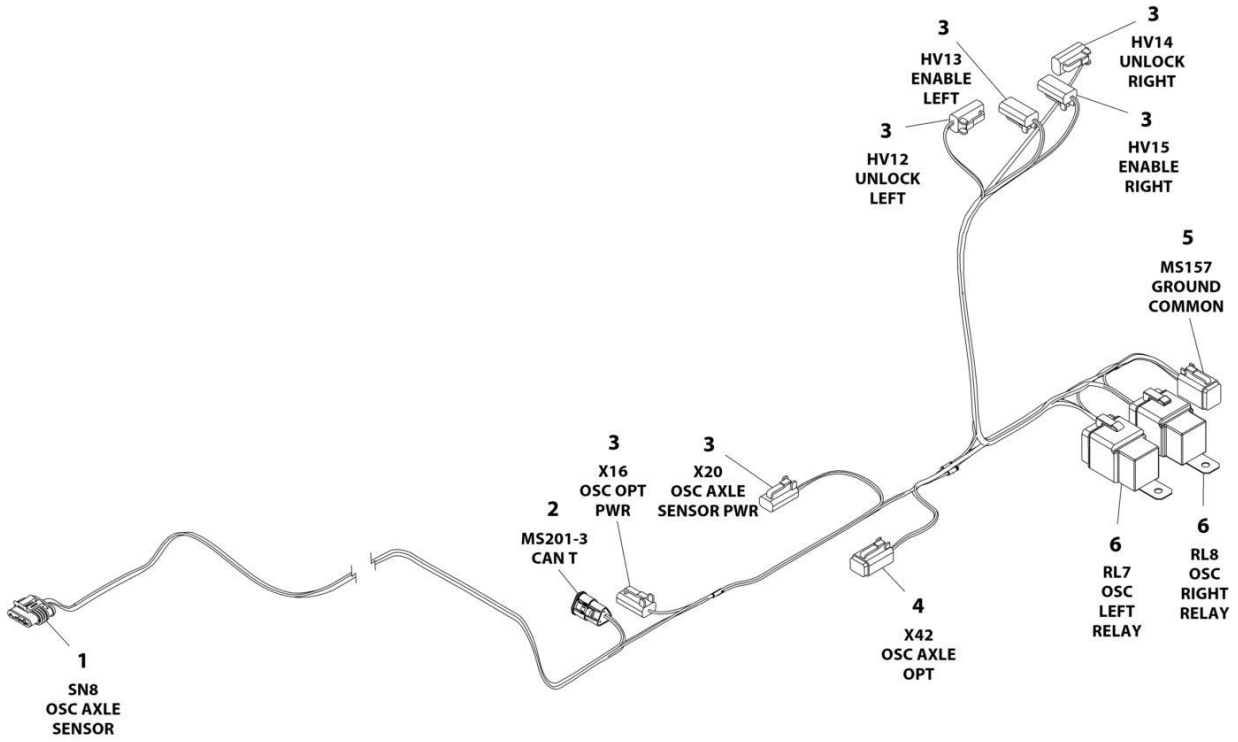
SECTION 8 - ELECTRICAL

FIGURE 8-39. LSS HARNESS

ITEM	PART NUMBER	QTY	DESCRIPTION	REV
	1001226830	Ref	LSS HARNESS	A
1	1001132170	1	Connector - 12 Position	
1	4460929	2	Pin, Male	
1	4460917	2	Pin, Male	
1	4460518	8	Plug, Terminal	
2	4460761	1	Receptacle, Female - 4 Position	
2	4460294	4	Pin, Male	
3	4460933	1	Connector - 12 Position	
3	4460465	2	Socket, Female	
3	4460466	10	Plug, Terminal	
4	4460836	1	Connector - 12 Position	
4	4460465	5	Socket, Female	
4	4460944	2	Socket, Female	
4	4460466	5	Plug, Terminal	

SECTION 8 - ELECTRICAL

FIGURE 8-40. OSCILLATING AXLE HARNESS



ART_1001187601

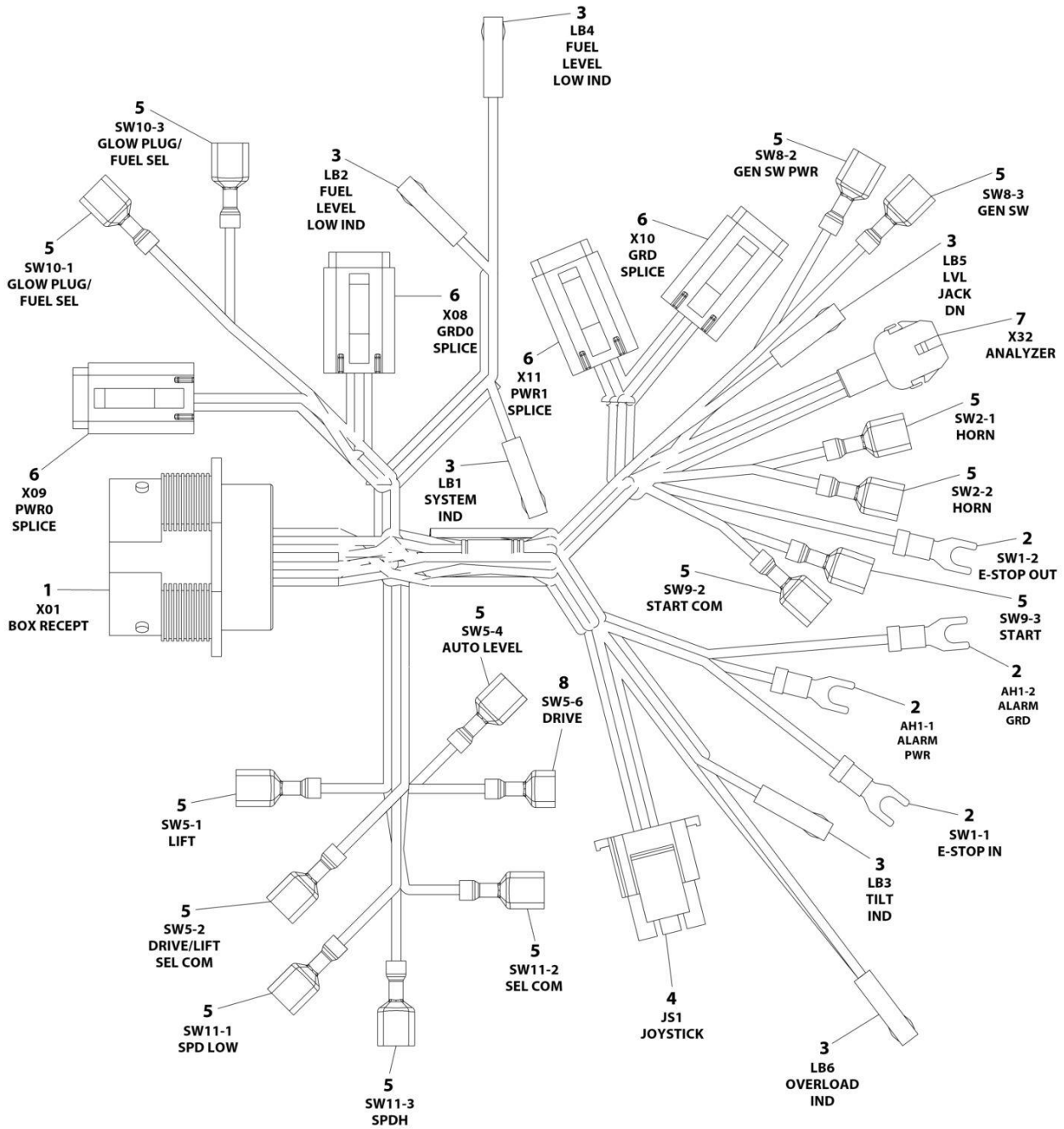
SECTION 8 - ELECTRICAL

FIGURE 8-40. OSCILLATING AXLE HARNESS

ITEM	PART NUMBER	QTY	DESCRIPTION	REV
	1001187601	Ref	OSCILLATING AXLE HARNESS	C
1	1001103012	1	Connector - 4 Position	
1	1001107854	4	Socket, Female	
1	1001104498	4	Seal	
2	1001116812	1	Connector - 3 Position	
2	4460944	3	Socket, Female	
3	4460891	6	Connector - 2 Position	
3	4460465	11	Socket, Female	
3	4460466	1	Plug, Terminal	
4	4460884	1	Connector - 4 Position	
4	4460465	3	Socket, Female	
4	4460466	1	Plug, Terminal	
5	4460894	1	Connector - 6 Position	
5	4460465	6	Socket, Female	
6	1001117025	2	Connector, Relay	
6	4460375	8	Terminal	

SECTION 8 - ELECTRICAL

FIGURE 8-41. PLATFORM CONTROL BOX HARNESS



ART_1001236230

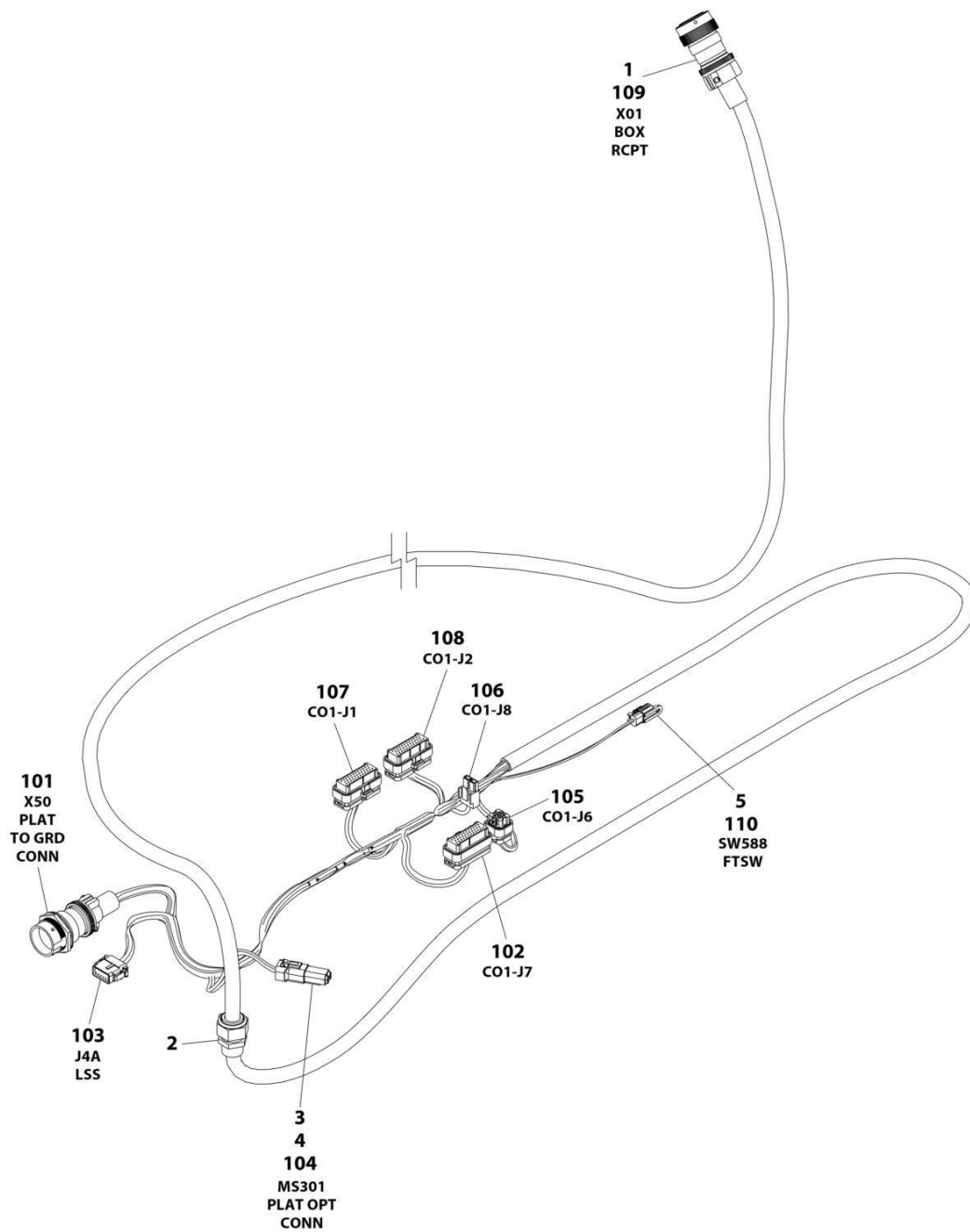
SECTION 8 - ELECTRICAL

FIGURE 8-41. PLATFORM CONTROL BOX HARNESS

ITEM	PART NUMBER	QTY	DESCRIPTION	REV
	1001236230	Ref	PLATFORM CONSOLE BOX HARNESS	C
1	1001116934	1	Connector - 31 Position	
1	4460464	31	Pin, Male	
2	4460183	4	Terminal, Fork	
3	1001190469	6	Connector - 2 Position	
3	1001190471	12	Terminal	
4	4460265	1	Plug, Male - 9 Position	
4	4460267	7	Terminal	
5	1001194421	13	Terminal	
6	4460894	4	Plug, Male - 6 Position	
6	4460465	20	Socket, Female	
6	4460466	4	Plug, Terminal	
6	4460892	4	Bussbar	
7	4460761	1	Plug, Male - 4 Position	
7	4460267	4	Terminal	
8	1001194221	1	Terminal	

SECTION 8 - ELECTRICAL

FIGURE 8-42. PLATFORM MODULE HARNESS



ART_1001236163

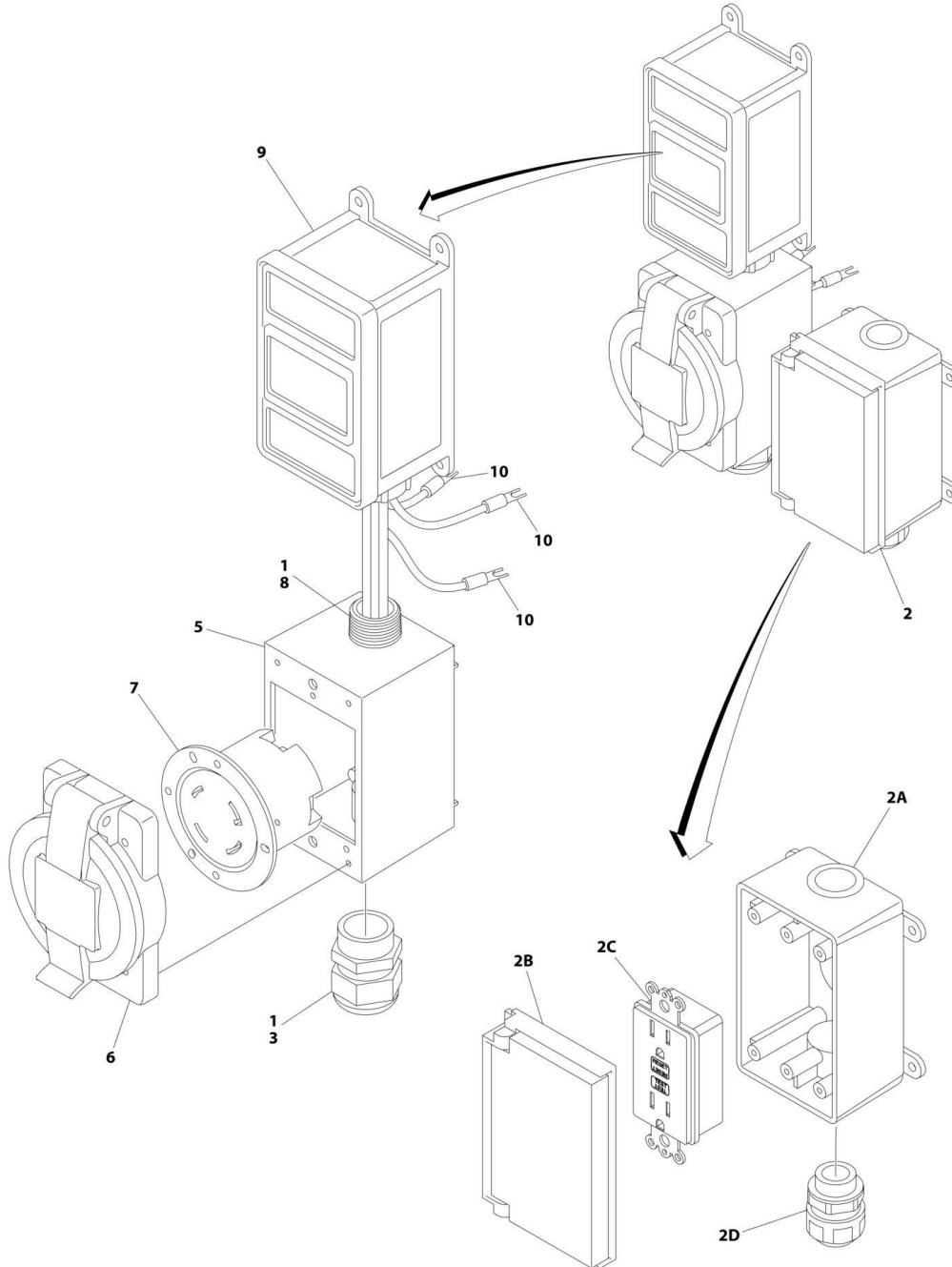
SECTION 8 - ELECTRICAL

FIGURE 8-42. PLATFORM MODULE HARNESS

ITEM	PART NUMBER	QTY	DESCRIPTION	REV
	1001236163	Ref	PLATFORM MODULE HARNESS	B
1	2820031	AR	Heatshrink	
2	4460051	1	Connector, Strain Relief	
3	4460466	4	Plug, Terminal	
4	1001116811	1	Receptacle, Female - 4 Position	
5	1001144295	1	Cap, Female - 2 Position	
101	1001116930	1	Connector - 21 Position	
101	4460508	4	Pin, Male	
101	4460464	6	Pin, Male	
101	4460466	11	Plug, Terminal	
102	4460873	1	Connector - 35 Position	
102	4460871	10	Socket, Female	
102	4460905	25	Plug, Terminal	
103	1001116808	1	Plug, Male - 12 Position	
103	4460928	2	Socket, Female	
103	4460918	2	Socket, Female	
103	4460518	8	Plug, Terminal	
104	1001116810	1	Plug, Male - 4 Position	
104	4460509	2	Socket, Female	
104	4460466	2	Plug, Terminal	
105	1001113961	1	Connector - 8 Position	
105	4460871	2	Socket, Female	
105	4460905	6	Plug, Terminal	
106	4460879	1	Plug, Male - 2 Position	
106	4461271	2	Socket, Female	
107	4460874	1	Connector - 35 Position	
107	4460871	12	Socket, Female	
107	4460905	23	Plug, Terminal	
108	4460876	1	Connector - 35 Position	
108	4460871	15	Socket, Female	
108	4460905	20	Plug, Terminal	
109	1001195123	1	Connector - 31 Position	
109	4460465	31	Socket, Female	
110	4460891	1	Plug, Male - 2 Position	
110	4460465	2	Socket, Female	

SECTION 8 - ELECTRICAL

FIGURE 8-43. RECEPTACLE ASSEMBLY (MACHINES WITH GENERATORS) (ALL SPECS EXCEPT AUSTRALIAN, CE & UK CA SPEC)



ART_1001187092

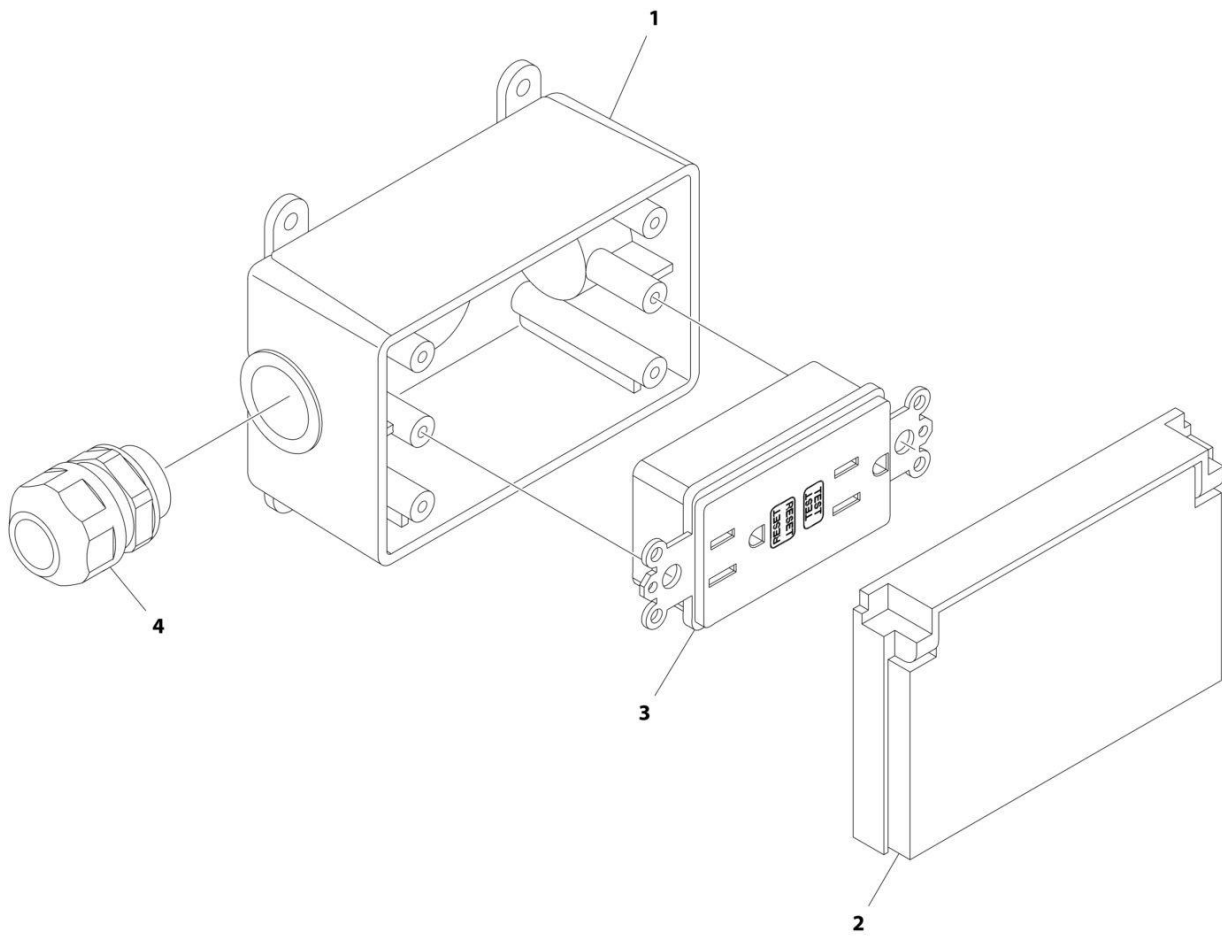
SECTION 8 - ELECTRICAL

FIGURE 8-43. RECEPTACLE ASSEMBLY (MACHINES WITH GENERATORS) (ALL SPECS EXCEPT AUSTRALIAN, CE & UK CA SPEC)

ITEM	PART NUMBER	QTY	DESCRIPTION	REV
	1001187092	Ref	RECEPTACLE ASSEMBLY	D
1	0100020	AR	Sealant, Pipe	
2	2902431	1	Receptacle Box Kit	
2A	0861731	1	Box	
2B	1671207	1	Cover	
2C	4460346	1	Receptacle	
2D	4460662	1	Connector, Strain Relief	
3	4460612	1	Connector, Strain Relief	
4	1001099670	2	Terminal (Not Shown)	
5	1001148675	1	Box	
6	1001148676	1	Cover, Receptacle	
7	1001148907	1	Connector, Receptacle - 240V	
8	1001159119	1	Conduit	
9	1001159118	1	Breaker, GFCI 30A - 240V	
10	4460315	3	Terminal	

SECTION 8 - ELECTRICAL

FIGURE 8-44. RECEPTACLE BOX KIT - 110V GFI



ART_2902431

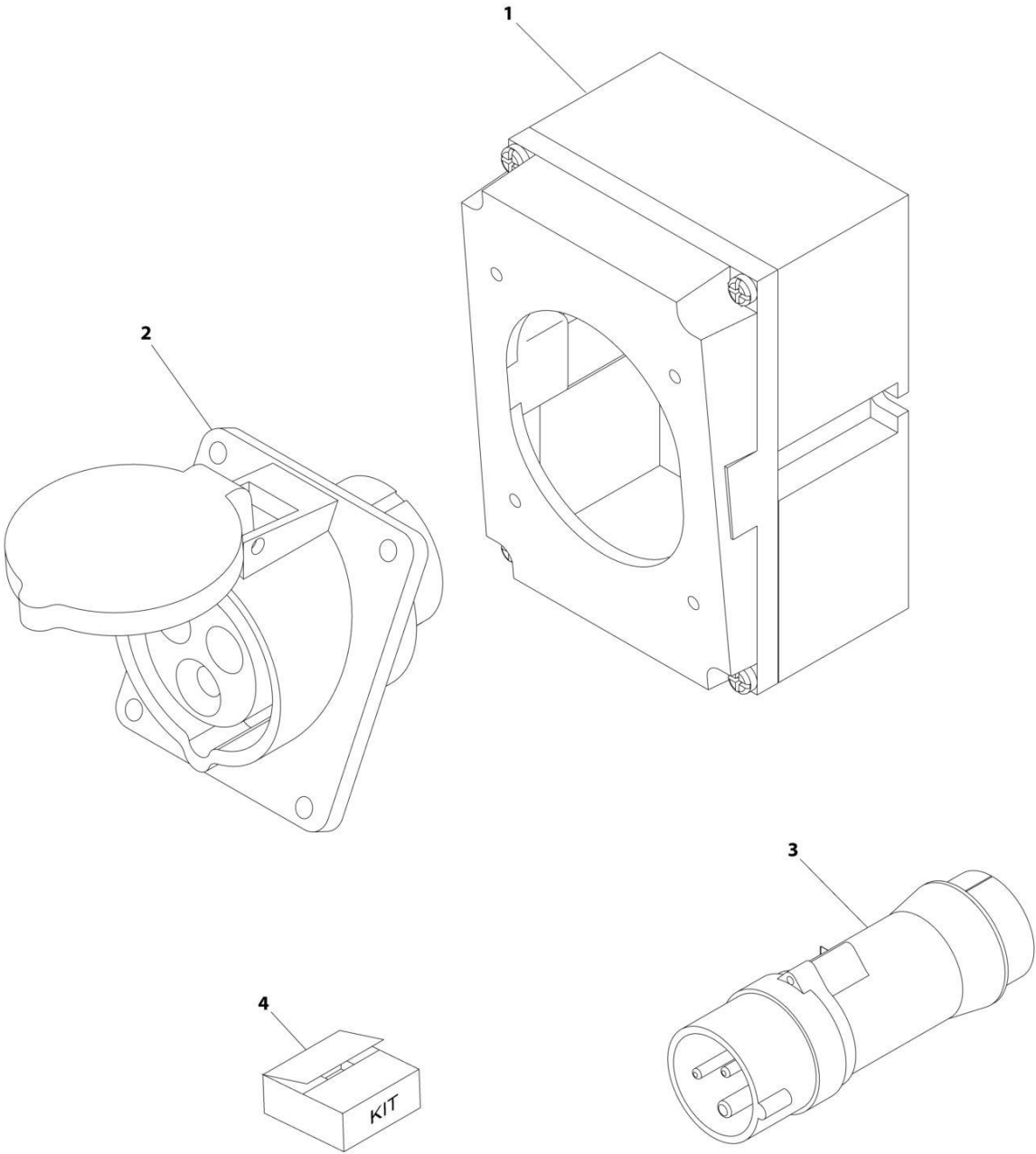
SECTION 8 - ELECTRICAL

FIGURE 8-44. RECEPTACLE BOX KIT - 110V GFI

ITEM	PART NUMBER	QTY	DESCRIPTION	REV
	2902431	Ref	RECEPTACLE BOX KIT - 110V GFI	D
1	0861731	1	Box, Receptacle	
2	1671207	1	Cover, Receptacle	
3	4460346	1	Receptacle	
4	4460662	1	Connector, Strain Relief	

SECTION 8 - ELECTRICAL

FIGURE 8-45. RECEPTACLE BOX KIT - 110V IEC YELLOW (CE & UK CA SPEC)



ART_0275216

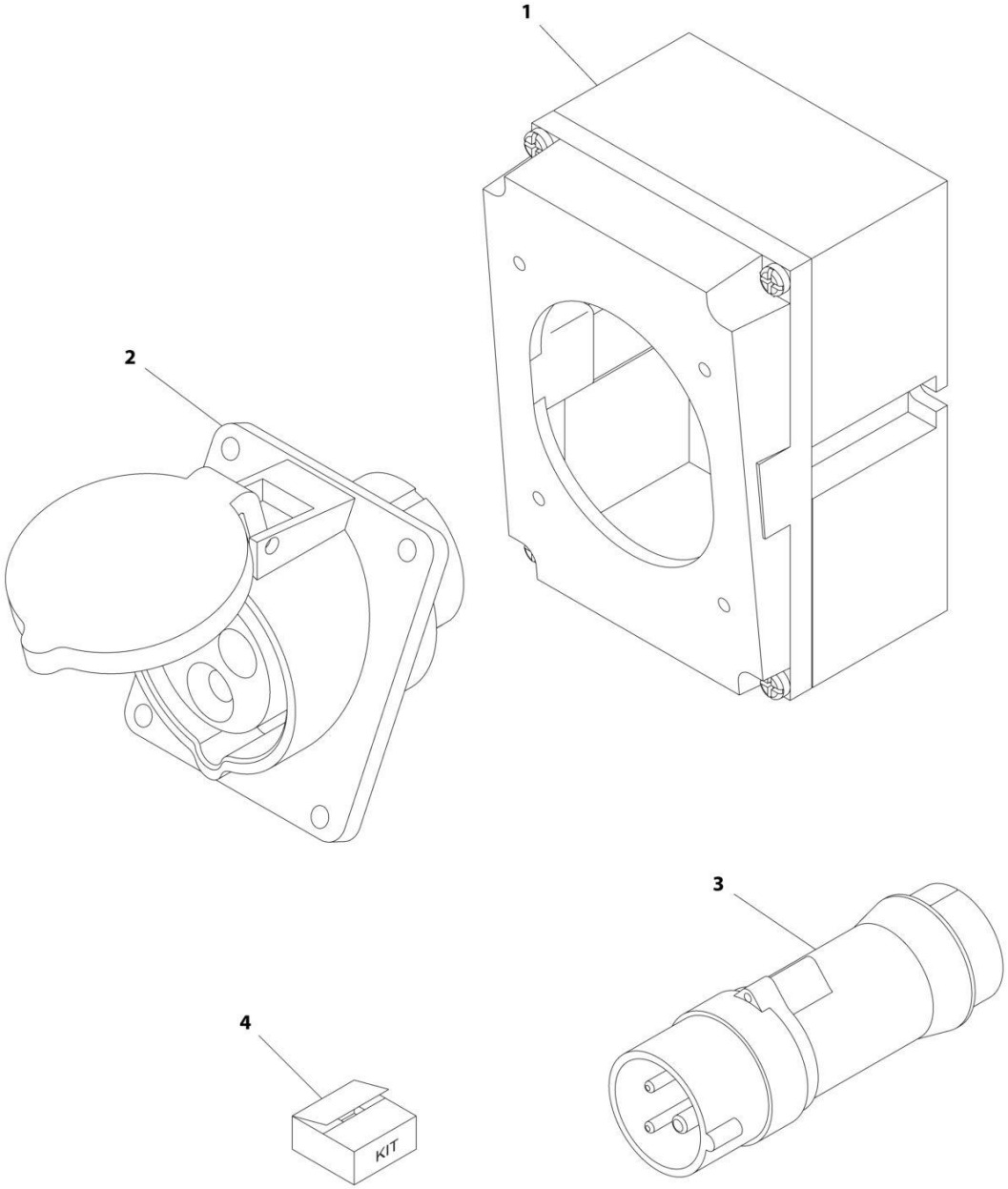
SECTION 8 - ELECTRICAL

FIGURE 8-45. RECEPTACLE BOX KIT - 110V IEC YELLOW (CE & UK CA SPEC)

ITEM	PART NUMBER	QTY	DESCRIPTION	REV
	0275216	Ref	RECEPTACLE BOX KIT - 110V IEC YELLOW	B
1	0861781	1	Box, Switch	
2	4461198	1	Receptacle	
3	4461196	1	Plug, Male	
4	1001100341	1	Plug and Socket Kit (Includes Items 1-3 and Female Plug p/n 4461197)	

SECTION 8 - ELECTRICAL

FIGURE 8-46. RECEPTACLE BOX KIT - 220V IEC BLUE (CE & UK CA SPEC)



ART_0275217

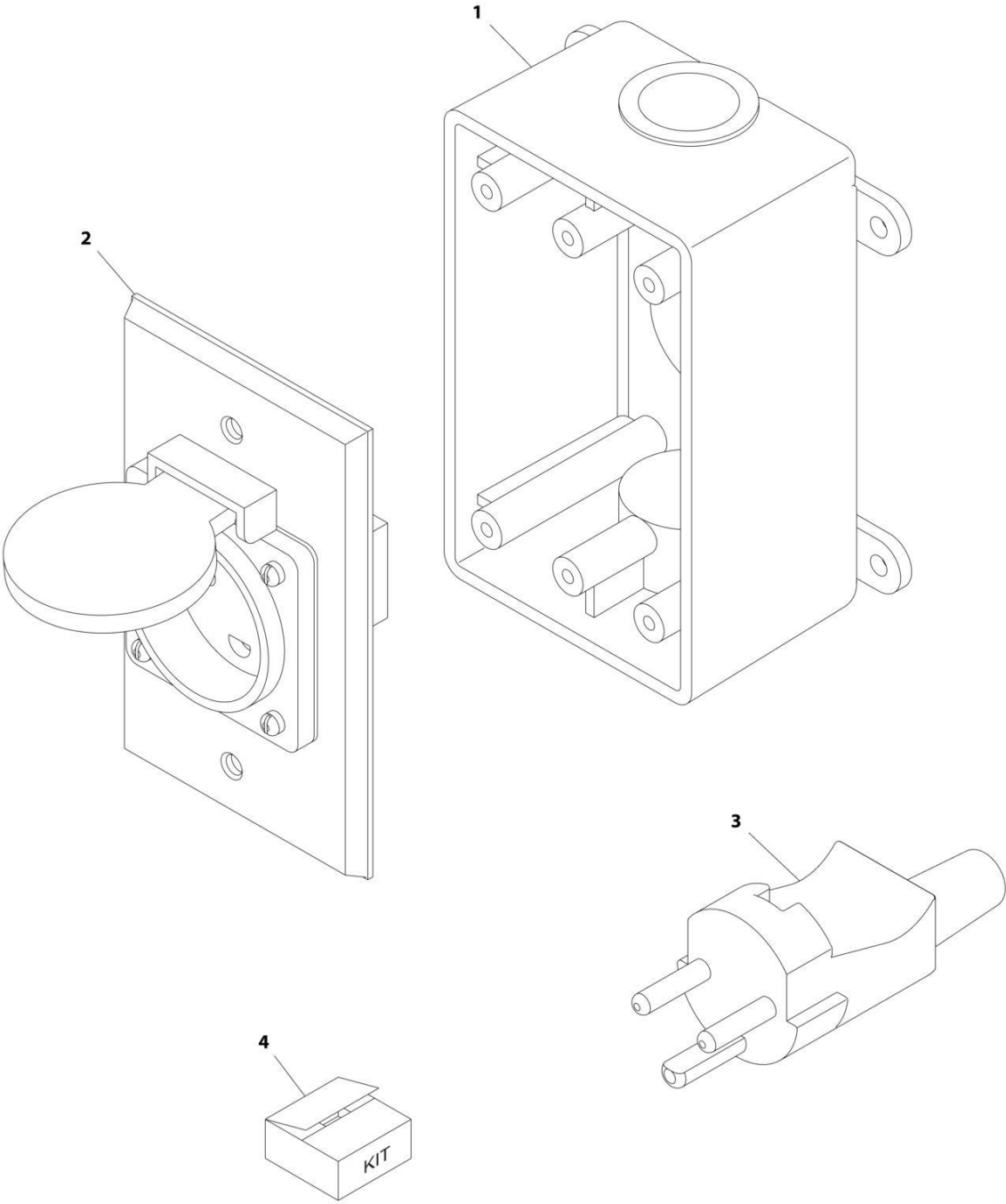
SECTION 8 - ELECTRICAL

FIGURE 8-46. RECEPTACLE BOX KIT - 220V IEC BLUE (CE & UK CA SPEC)

ITEM	PART NUMBER	QTY	DESCRIPTION	REV
	0275217	Ref	RECEPTACLE BOX KIT - 220V IEC BLUE	B
1	0861781	1	Box, Switch	
2	4461201	1	Receptacle	
3	4461199	1	Plug, Male	
4	1001100342	1	Plug and Socket Kit (Includes Items 1-3 and Female Plug p/n 4461200)	

SECTION 8 - ELECTRICAL

FIGURE 8-47. RECEPTACLE BOX KIT - 220V AFSINT 107 (CE & UK CA SPEC)



ART_0275454

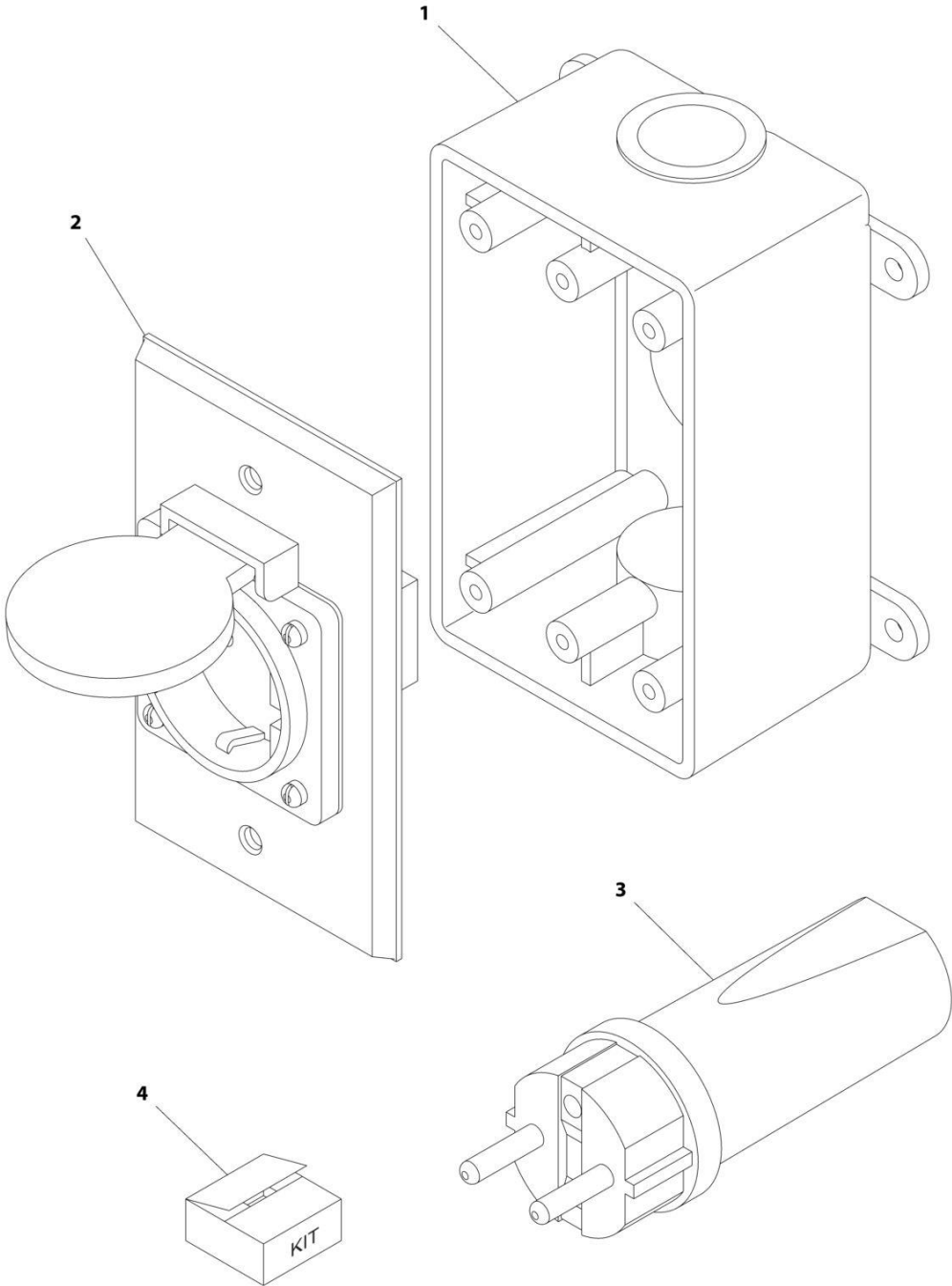
SECTION 8 - ELECTRICAL

FIGURE 8-47. RECEPTACLE BOX KIT - 220V AFSINT 107 (CE & UK CA SPEC)

ITEM	PART NUMBER	QTY	DESCRIPTION	REV
	0275454	Ref	RECEPTACLE BOX KIT - 220V AFSINT 107	B
1	0861731	1	Box, Switch	
2	4461246	1	Receptacle	
3	4461249	1	Plug, Male	
4	1001100346	1	Plug and Socket Kit (Includes Items 1-3 and Female Plug p/n 4461250)	

SECTION 8 - ELECTRICAL

FIGURE 8-48. RECEPTACLE BOX KIT - 220V CEE7 SIDE GROUND (CE & UK CA SPEC)



ART_0275453

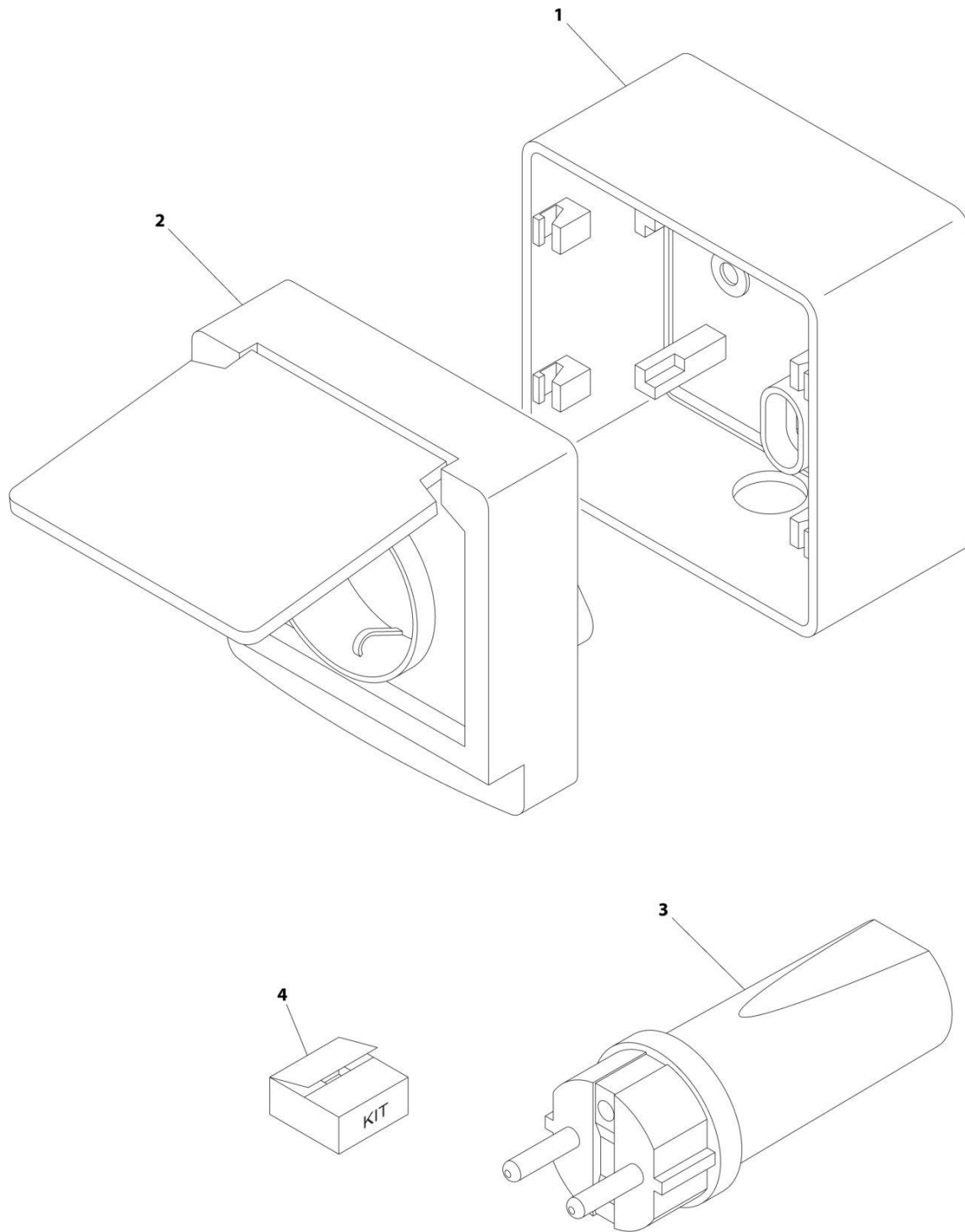
SECTION 8 - ELECTRICAL

FIGURE 8-48. RECEPTACLE BOX KIT - 220V CEE7 SIDE GROUND (CE & UK CA SPEC)

ITEM	PART NUMBER	QTY	DESCRIPTION	REV
	0275453	Ref	RECEPTACLE BOX KIT - 220V CEE7 SIDE GROUND	B
1	0861731	1	Box, Switch	
2	4461245	1	Receptacle	
3	4461205	1	Plug, Male	
4	1001100347	1	Plug and Socket Kit (Includes Items 1-3 and Female Plug p/n 4461206)	

SECTION 8 - ELECTRICAL

FIGURE 8-49. RECEPTACLE BOX KIT - 220V CEE7 SIDE GROUND 70MM X 70MM BOX (CE & UK CA SPEC)



ART_0275219

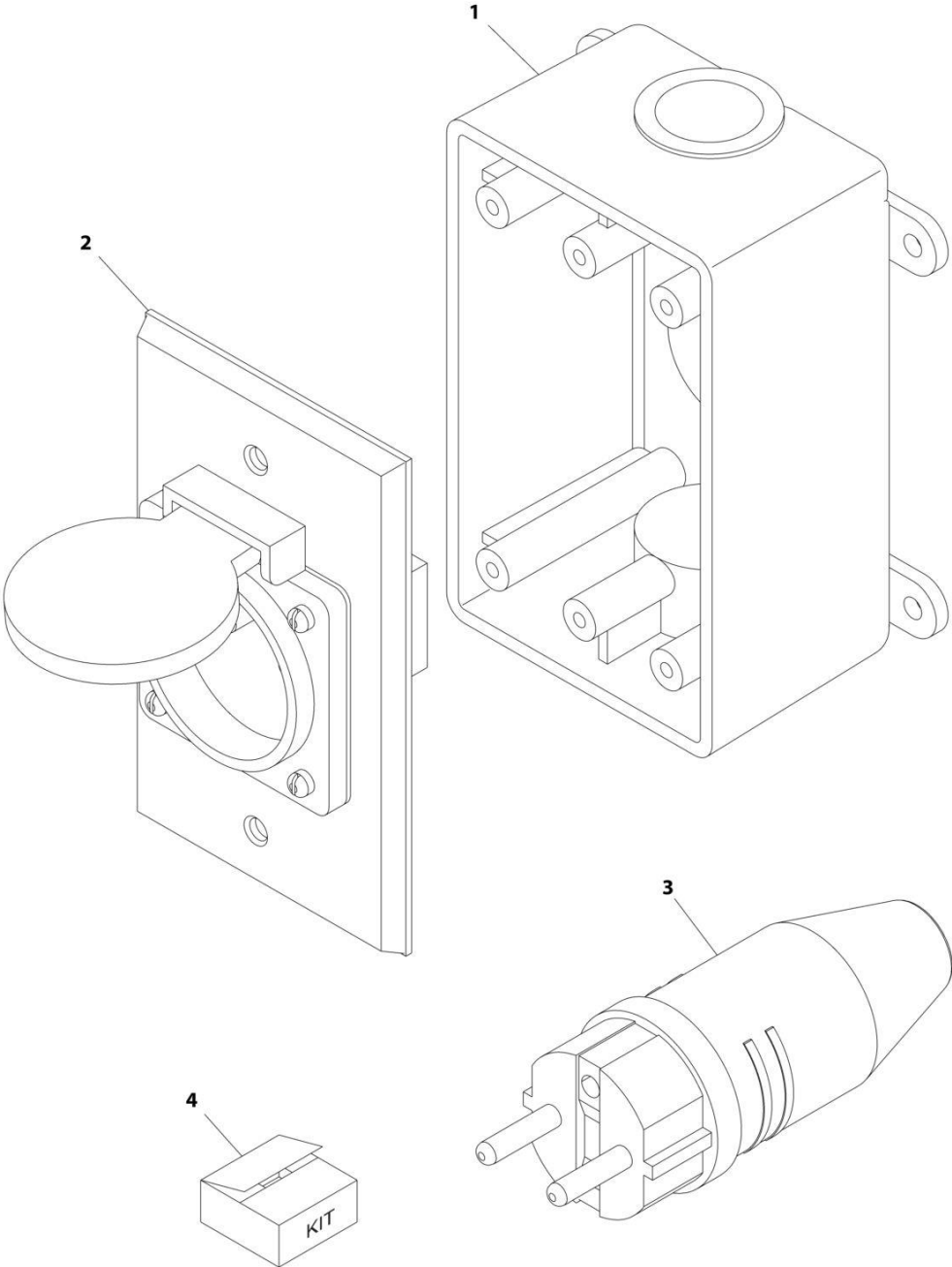
SECTION 8 - ELECTRICAL

FIGURE 8-49. RECEPTACLE BOX KIT - 220V CEE7 SIDE GROUND 70MM X 70MM BOX (CE & UK CA SPEC)

ITEM	PART NUMBER	QTY	DESCRIPTION	REV
	0275219	Ref	RECEPTACLE BOX KIT - 220V CEE7 SIDE GROUND 70MM X 70MM BOX	B
1	1001141967	1	Box, Switch	
2	1001141969	1	Receptacle	
3	4461205	1	Plug, Male	
4	1001141970	1	Plug and Socket Kit (Includes Items 1-3 and Female Plug p/n 4461206)	

SECTION 8 - ELECTRICAL

FIGURE 8-50. RECEPTACLE BOX KIT - 220V CEE7 POST GROUND (CE & UK CA SPEC)



ART_0275452-C

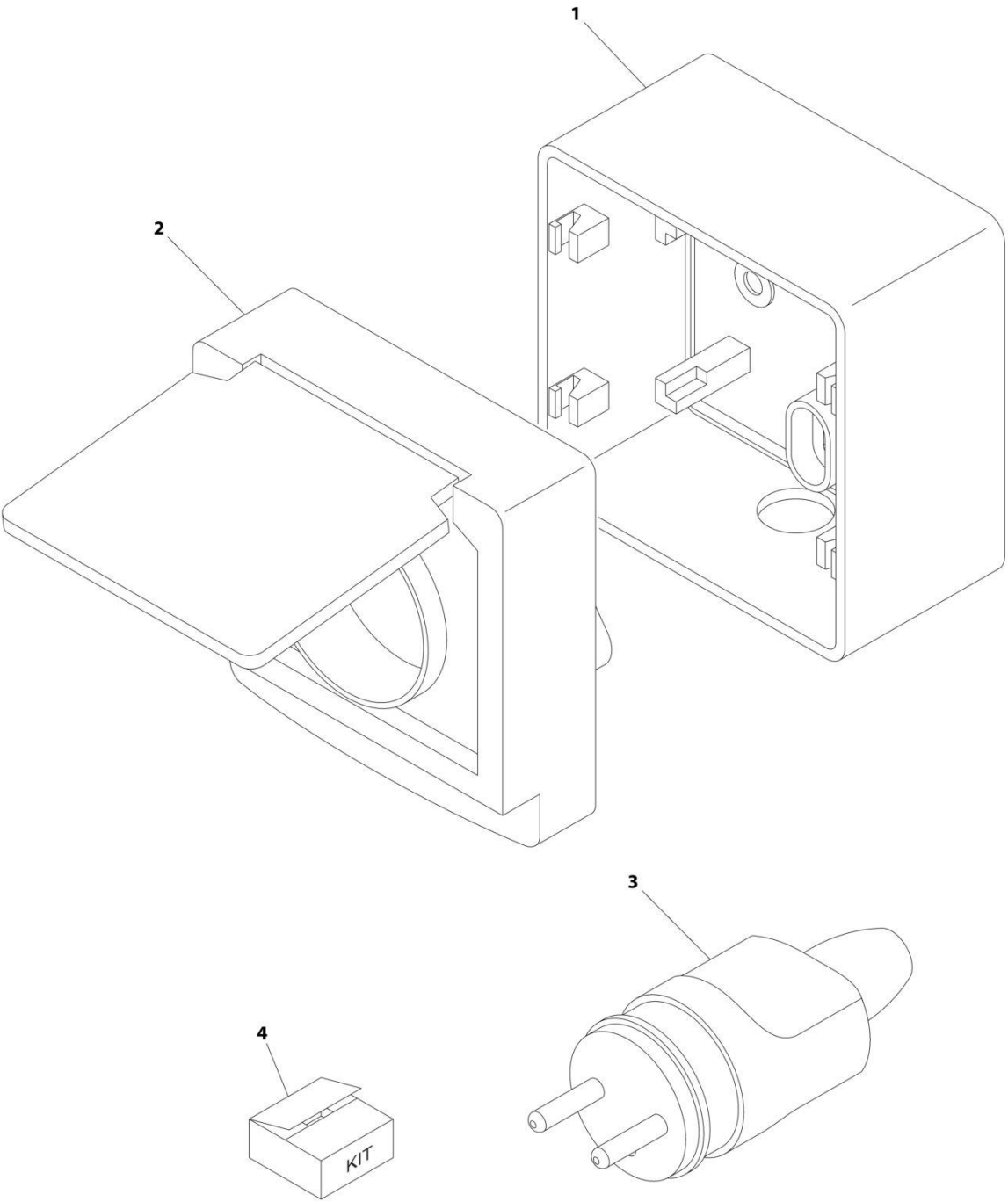
SECTION 8 - ELECTRICAL

FIGURE 8-50. RECEPTACLE BOX KIT - 220V CEE7 POST GROUND (CE & UK CA SPEC)

ITEM	PART NUMBER	QTY	DESCRIPTION	REV
	0275452	Ref	RECEPTACLE BOX KIT - 220V CEE7 POST GROUND 2IN X 4IN BOX	C
1	0861731	1	Box, Switch	
2	4461244	1	Receptacle	
3	4461205	1	Plug, Male	
4	1001100345	1	Plug and Socket Kit (Includes Items 1-3 and Female Plug p/n 4461203)	

SECTION 8 - ELECTRICAL

FIGURE 8-51. RECEPTACLE BOX KIT - 220V CEE7 POST GROUND 70MM X 70MM BOX (CE & UK CA SPEC)



ART_0275218

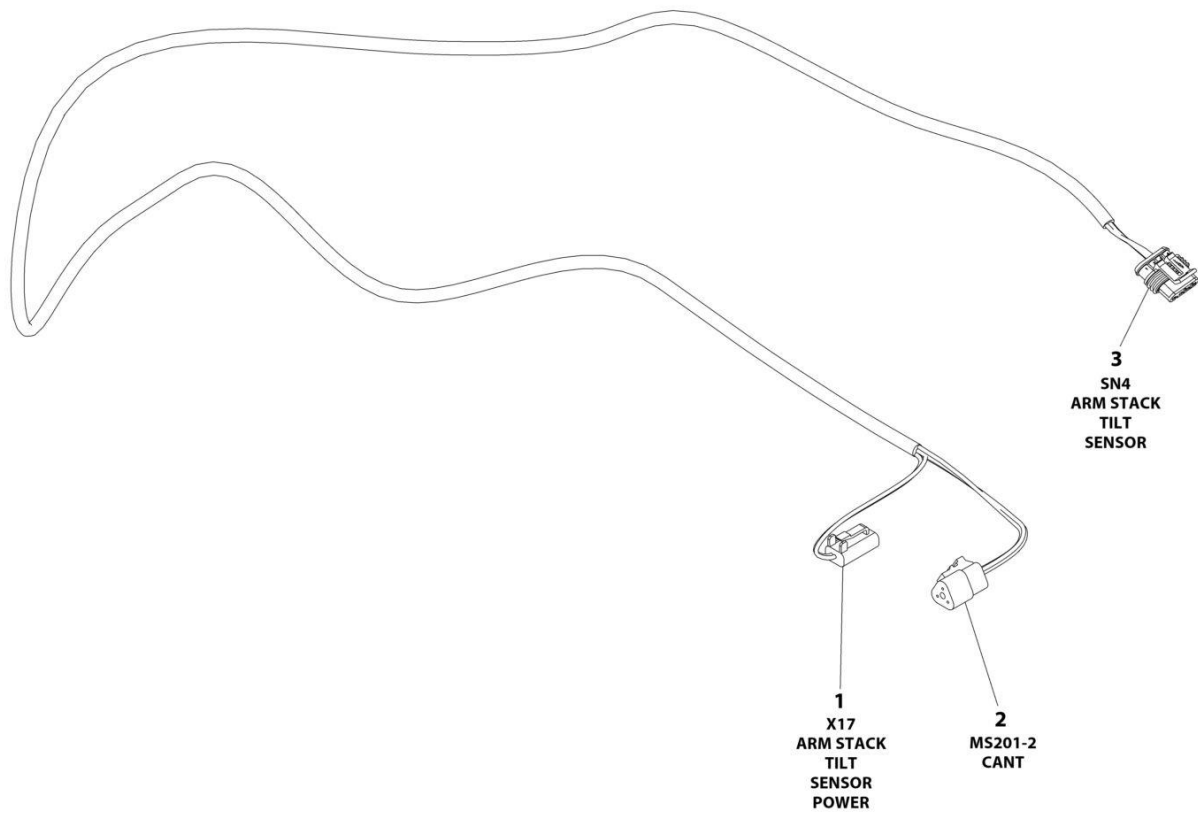
SECTION 8 - ELECTRICAL

FIGURE 8-51. RECEPTACLE BOX KIT - 220V CEE7 POST GROUND 70MM X 70MM BOX (CE & UK CA SPEC)

ITEM	PART NUMBER	QTY	DESCRIPTION	REV
	0275218	Ref	RECEPTACLE BOX KIT - 220V CEE7 POST GROUND 70X70 BOX	C
1	1001141967	1	Box, Switch	
2	1001141968	1	Receptacle	
3	4461205	1	Plug, Male	
4	1001141971	1	Plug and Socket Kit (Includes Items 1-3 and Female Plug p/n 4461206)	

SECTION 8 - ELECTRICAL

FIGURE 8-52. SCISSORS ARMS GUARD HARNESS



ART_1001244347

SECTION 8 - ELECTRICAL

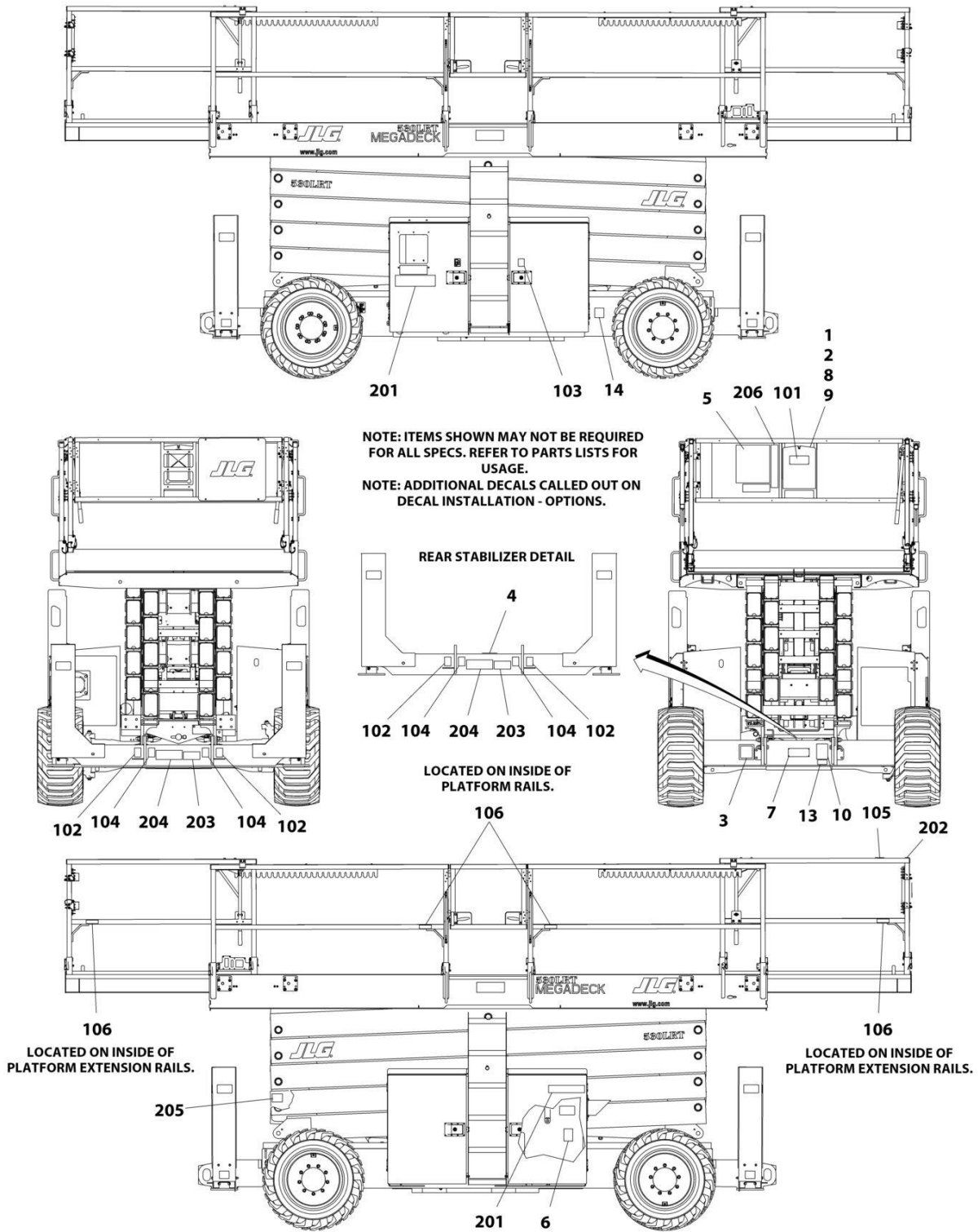
FIGURE 8-52. SCISSORS ARMS GUARD HARNESS

ITEM	PART NUMBER	QTY	DESCRIPTION	REV
	1001244347	Ref	SCISSORS ARMS GUARD HARNESS	B
1	4460891	1	Plug, Male - 2 Position	
1	4460465	2	Socket, Female	
2	4460539	1	Plug, Male - 3 Position	
2	4460944	3	Socket, Female	
3	1001103012	1	Connector - 4 Position	
3	1001107854	4	Socket, Female	

SECTION 9 - DECALS

SECTION 9 - DECALS

FIGURE 9-1. DECAL INSTALLATION - ANSI AND ANSI EXPORT SPECS (ENGLISH)



ART_1001187668_D

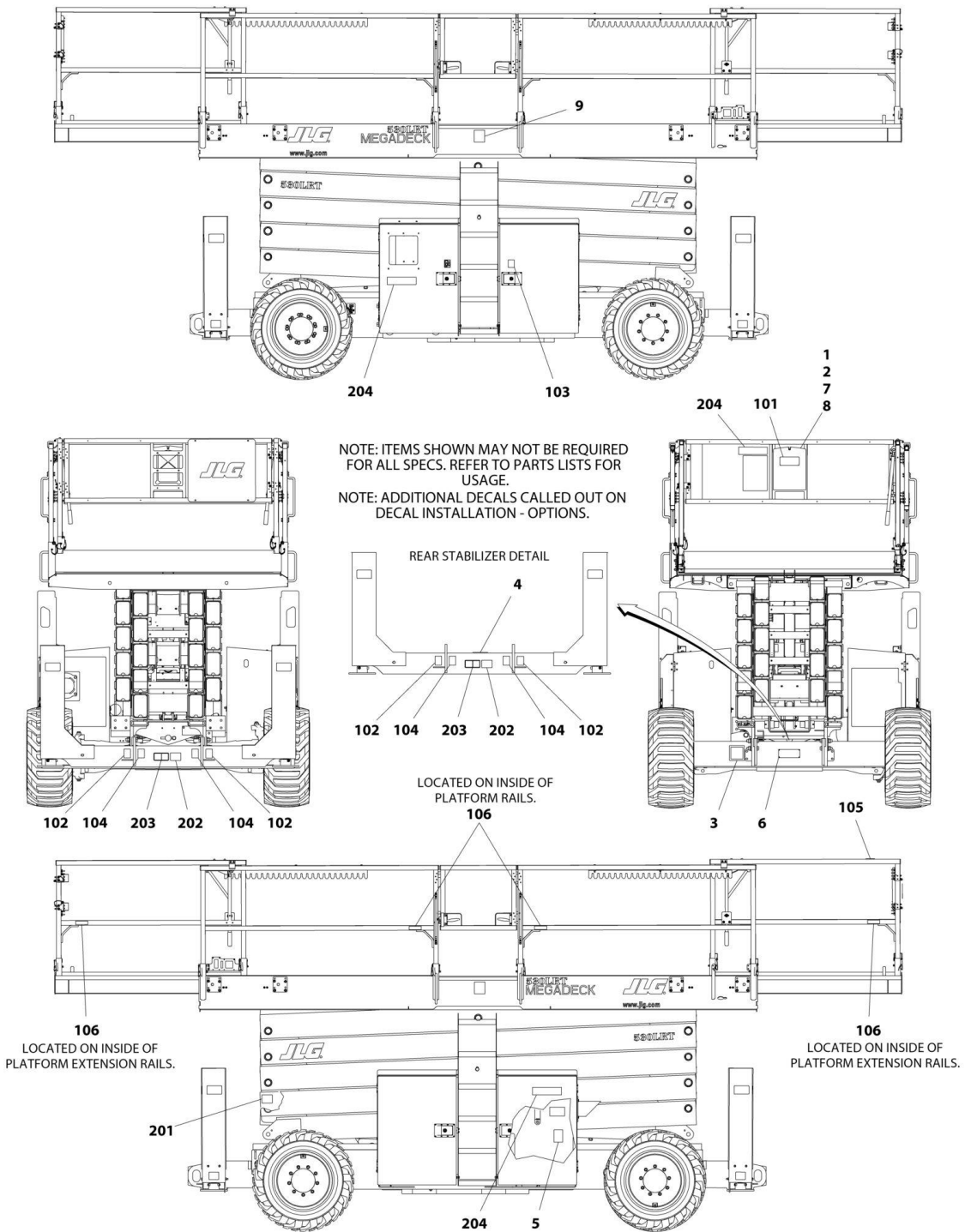
SECTION 9 - DECALS

FIGURE 9-1. DECAL INSTALLATION - ANSI AND ANSI EXPORT SPECS (ENGLISH)

ITEM	PART NUMBER	QTY	DESCRIPTION	REV
	1001187668	Ref	DECAL INSTALLATION	D
		Ref	Note: See DECAL INSTALLATION - OPTIONS for additional decals.	
1	0760610	4	Bolt, M6 X 20	
2	0860520	1	Box, Manual Storage	
3	See Note	NSS	Decal - Bar Code (Note: Not Available for Purchase)	
4	1703687	2	Decal - Directional Arrow	
5	1703816	1	Decal - Danger/Warning	
6	1704412	1	Decal - Hydraulic Oil	
7	2080057	4	Fastener	
8	3290605	4	Nut, Lock M6	
9	4811700	8	Washer, M6	
10	1001131270	1	Decal - Patent	
13	1001223453	1	Decal - ICES	
14	1001223055	1	Decal - Yearly Inspection	
101	1701509	1	Decal - Manual	
102	1703811	1	Decal - Lifting Lug	
103	1703812	1	Decal - Hydraulic Oil	
104	1703814	1	Decal - Tie Down	
105	1703819	1	Decal - Directional Arrow	
106	1704277	1	Decal - Lanyard Attach	
201	1703818	1	Decal - Danger Electrocution/Warning Crushing	
202	1703821	1	Decal - Control Box Location	
203	1703823	1	Decal - Danger/Electrocution Hazard	
204	1704432	1	Decal - Warning Crushing	
205	1705019	1	Decal - Safety Prop	
206	1001192853	1	Decal - Legend	

SECTION 9 - DECALS

FIGURE 9-2. DECAL INSTALLATION - AUSTRALIAN AND JAPANESE SPECS



ART_1001203770

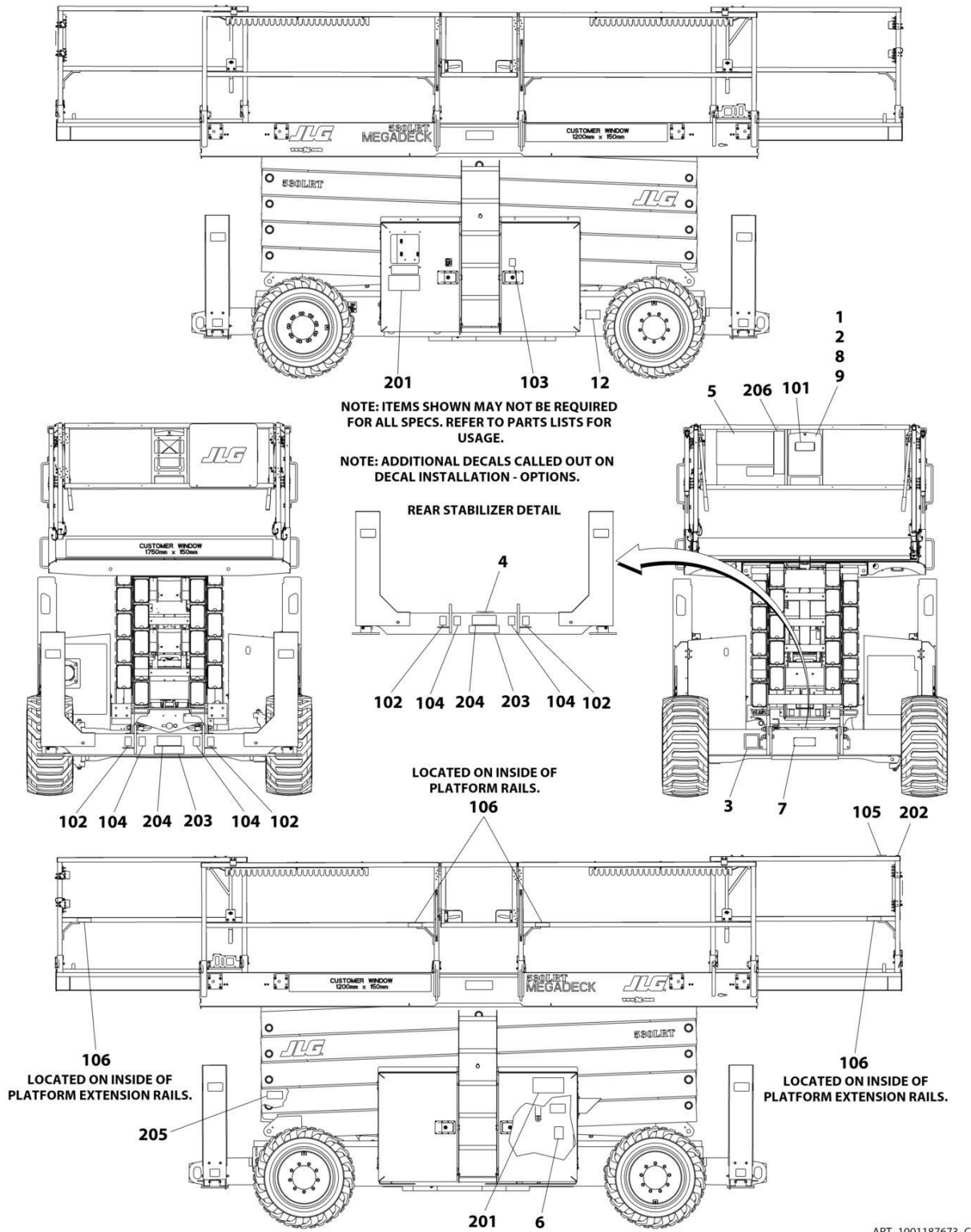
SECTION 9 - DECALS

FIGURE 9-2. DECAL INSTALLATION - AUSTRALIAN AND JAPANESE SPECS

ITEM	PART NUMBER	QTY	DESCRIPTION	REV
	1001203770	Ref	DECAL INSTALLATION	D
		Ref	Note: See DECAL INSTALLATION - OPTIONS for additional decals.	
1	0760610	4	Bolt, M6 X 20	
2	0860520	1	Box, Manual Storage	
3	See Note	NSS	Decal - Bar Code (Note: Not Available for Purchase)	
4	1703687	2	Decal - Directional Arrow	
5	1704412	1	Decal - Hydraulic Oil	
6	2080057	4	Fastener	
7	3290605	4	Nut, Lock M6	
8	4811700	8	Washer, M6	
9	1001191526	2	Decal - Sound Power Level	
101	1701509	1	Decal - Manual	
102	1703811	1	Decal - Lifting Lug	
103	1703812	1	Decal - Hydraulic Oil	
104	1703814	1	Decal - Tie Down	
105	1703819	1	Decal - Directional Arrow	
106	1704277	1	Decal - Lanyard Attach	
201	1705019	1	Decal - Safety Prop	
202	1705372	1	Decal - Head Crushing	
203	1705671	1	Decal - Electrocution	
204	1706338	1	Decal - Electrocution/Crushing	

SECTION 9 - DECALS

FIGURE 9-3. DECAL INSTALLATION - BRAZIL SPECS (SPANISH/PORTUGUESE)



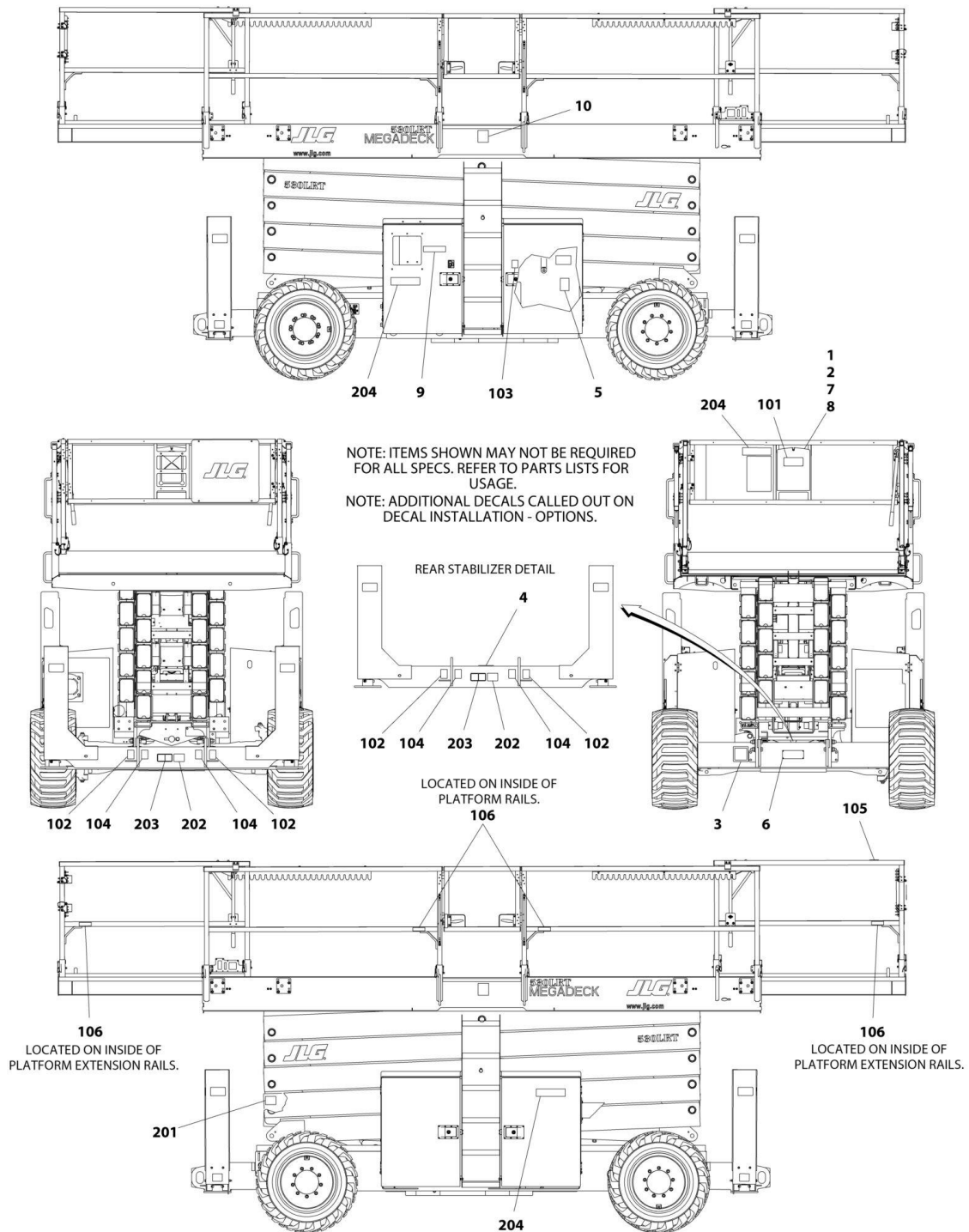
SECTION 9 - DECALS

FIGURE 9-3. DECAL INSTALLATION - BRAZIL SPECS (SPANISH/PORTUGUESE)

ITEM	PART NUMBER	QTY	DESCRIPTION	REV
	1001187673	Ref	DECAL INSTALLATION	C
		Ref	Note: See DECAL INSTALLATION - OPTIONS for additional decals.	
1	0760610	4	Bolt M6 x 20	
2	0860520	1	Box, Manual Storage	
3	See Note	NSS	Decal - Bar Code (Note: Not Available for Purchase)	
4	1703687	2	Decal - Directional Arrow	
5	1704699	1	Decal - Danger/Warning	
6	1704412	1	Decal - Hydraulic Oil	
7	2080057	4	Fastener	
8	3290605	4	Nut M6	
9	4811700	8	Washer M6	
12	1001224052	1	Decal - Yearly Inspection	
101	1701509	1	Decal - Manual	
102	1703811	1	Decal - Lifting Lug	
103	1703812	1	Decal - Hydraulic Oil	
104	1703814	1	Decal - Tie Down	
105	1703819	1	Decal - Directional Arrow	
106	1704277	1	Decal - Lanyard Attach	
201	1704701	1	Decal - Danger Electrocution/Warning Crushing	
202	1704702	1	Decal - Control Box Location	
203	1705043	1	Decal - Danger/Electrocution Hazard	
204	1705318	1	Decal - Warning Crushing	
205	1705019	1	Decal - Safety Prop	
206	1001203077	1	Decal - Legend	

SECTION 9 - DECALS

FIGURE 9-4. DECAL INSTALLATION - CE & UK CA SPEC



ART_1001187670

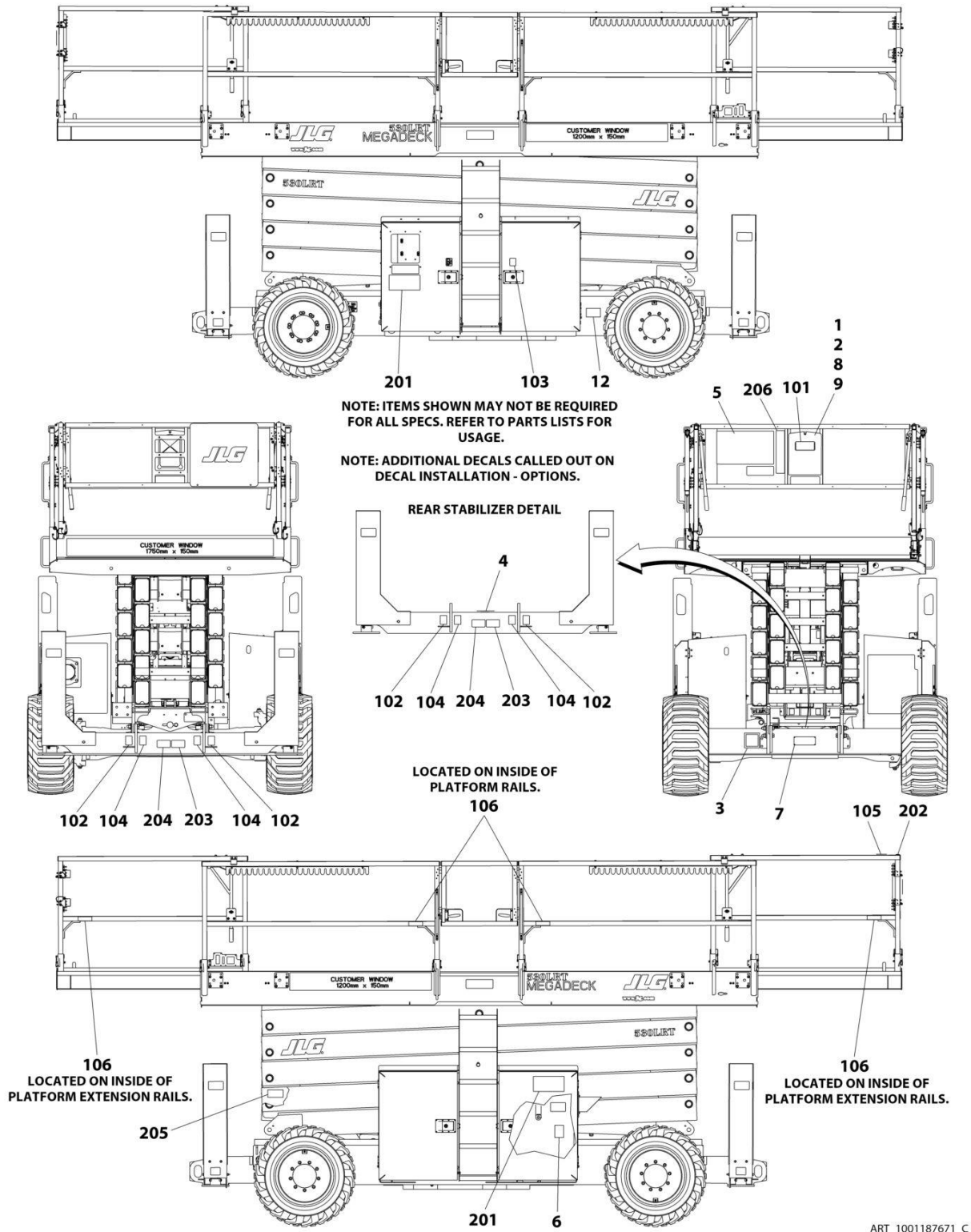
SECTION 9 - DECALS

FIGURE 9-4. DECAL INSTALLATION - CE & UK CA SPEC

ITEM	PART NUMBER	QTY	DESCRIPTION	REV
	1001187670	Ref	DECAL INSTALLATION	F
		Ref	Note: See DECAL INSTALLATION - OPTIONS for additional decals.	
1	0760610	4	Bolt, M6 X 20	
2	0860520	1	Box, Manual Storage	
3	See Note	1	Decal - Bar Code (Note: Not Available for Purchase)	
4	1703687	2	Decal - Directional Arrow	
5	1704412	1	Decal - Hydraulic Oil	
6	2080057	4	Fastener	
7	3290605	4	Nut, Lock M6	
8	4811700	8	Washer, M6	
9	1001197634	1	Decal - MSSO Operation	
10	80463053	2	Decal - Sound Power Level	
101	1701509	1	Decal - Manual	
102	1703811	1	Decal - Lifting Lugs	
103	1703812	1	Decal - Hydraulic Oil	
104	1703814	1	Decal - Tie Down	
105	1703819	1	Decal - Directional Arrow	
106	1704277	1	Decal - Lanyard Attach	
201	1705019	1	Decal - Safety Prop	
202	1705372	1	Decal - Head Crushing	
203	1705671	1	Decal - Electrocution	
204	1706338	1	Decal - Electrocution/Crushing	

SECTION 9 - DECALS

FIGURE 9-5. DECAL INSTALLATION - CHINESE SPECS (ENGLISH/CHINESE)



ART_1001187671_C

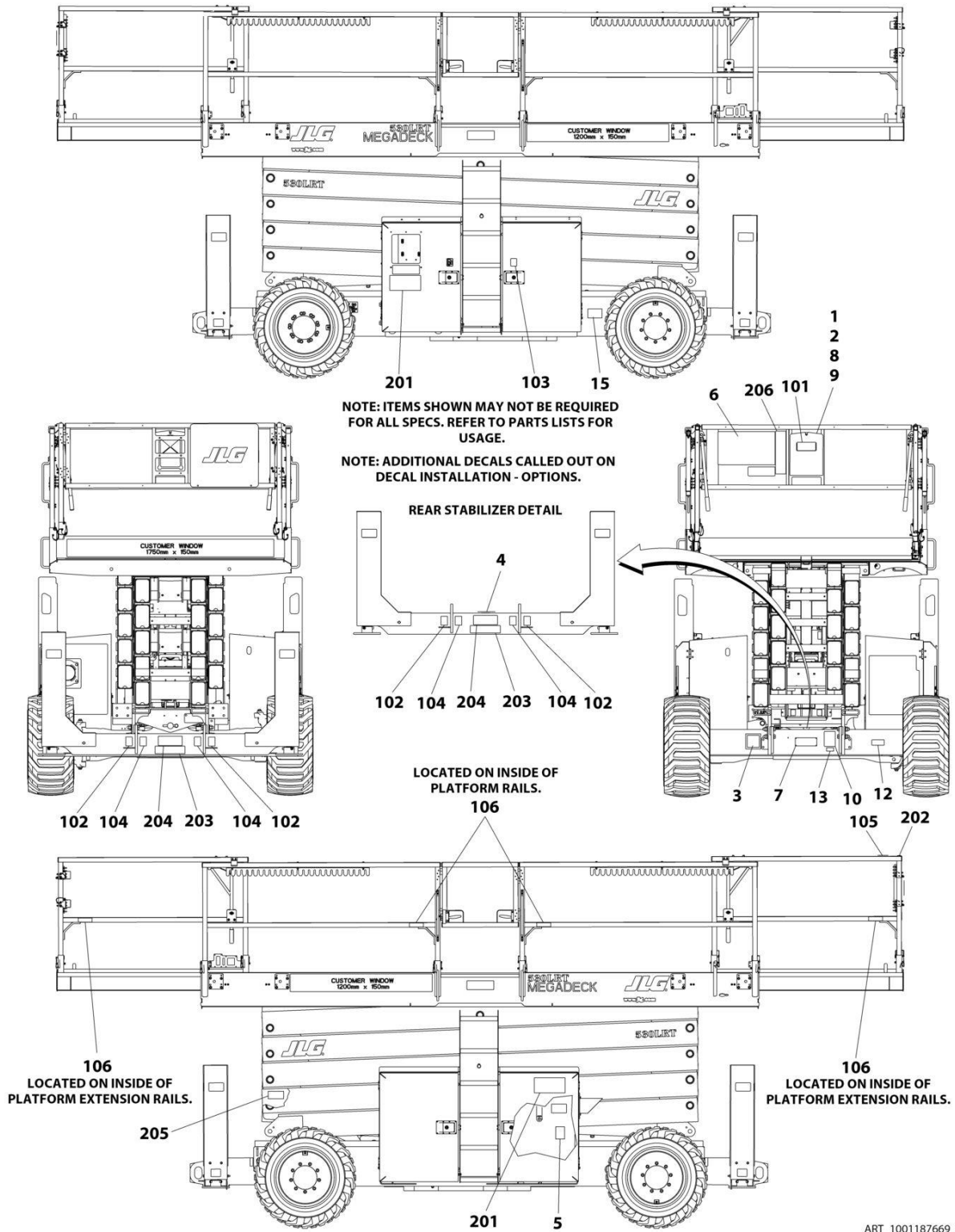
SECTION 9 - DECALS

FIGURE 9-5. DECAL INSTALLATION - CHINESE SPECS (ENGLISH/CHINESE)

ITEM	PART NUMBER	QTY	DESCRIPTION	REV
	1001187671	Ref	DECAL INSTALLATION	C
		Ref	Note: See DECAL INSTALLATION - OPTIONS for additional decals.	
1	0760610	4	Bolt M6 x 20	
2	0860520	1	Box, Manual Storage	
3	See Note	NSS	Decal - Bar Code (Note: Not Available for Purchase)	
4	1703687	2	Decal - Directional Arrow	
5	1705195	1	Decal - Danger/Warning	
6	1704412	1	Decal - Hydraulic Oil	
7	2080057	4	Fastener	
8	3290605	4	Nut M6	
9	4811700	8	Washer M6	
12	1001224050	1	Decal - Yearly Inspection	
101	1701509	1	Decal - Manual	
102	1703811	1	Decal - Lifting Lug	
103	1703812	1	Decal - Hydraulic Oil	
104	1703814	1	Decal - Tie Down	
105	1703819	1	Decal - Directional Arrow	
106	1704277	1	Decal - Lanyard Attach	
201	1705193	1	Decal - Danger Electrocution/Warning Crushing	
202	1705194	1	Decal - Control Box Location	
203	1705944	1	Decal - Danger/Electrocution Hazard	
204	1705943	1	Decal - Warning Crushing	
205	1705019	1	Decal - Safety Prop	
206	1001192853	1	Decal - Legend	

SECTION 9 - DECALS

FIGURE 9-6. DECAL INSTALLATION - CSA (ENGLISH/FRENCH)



ART_1001187669_D

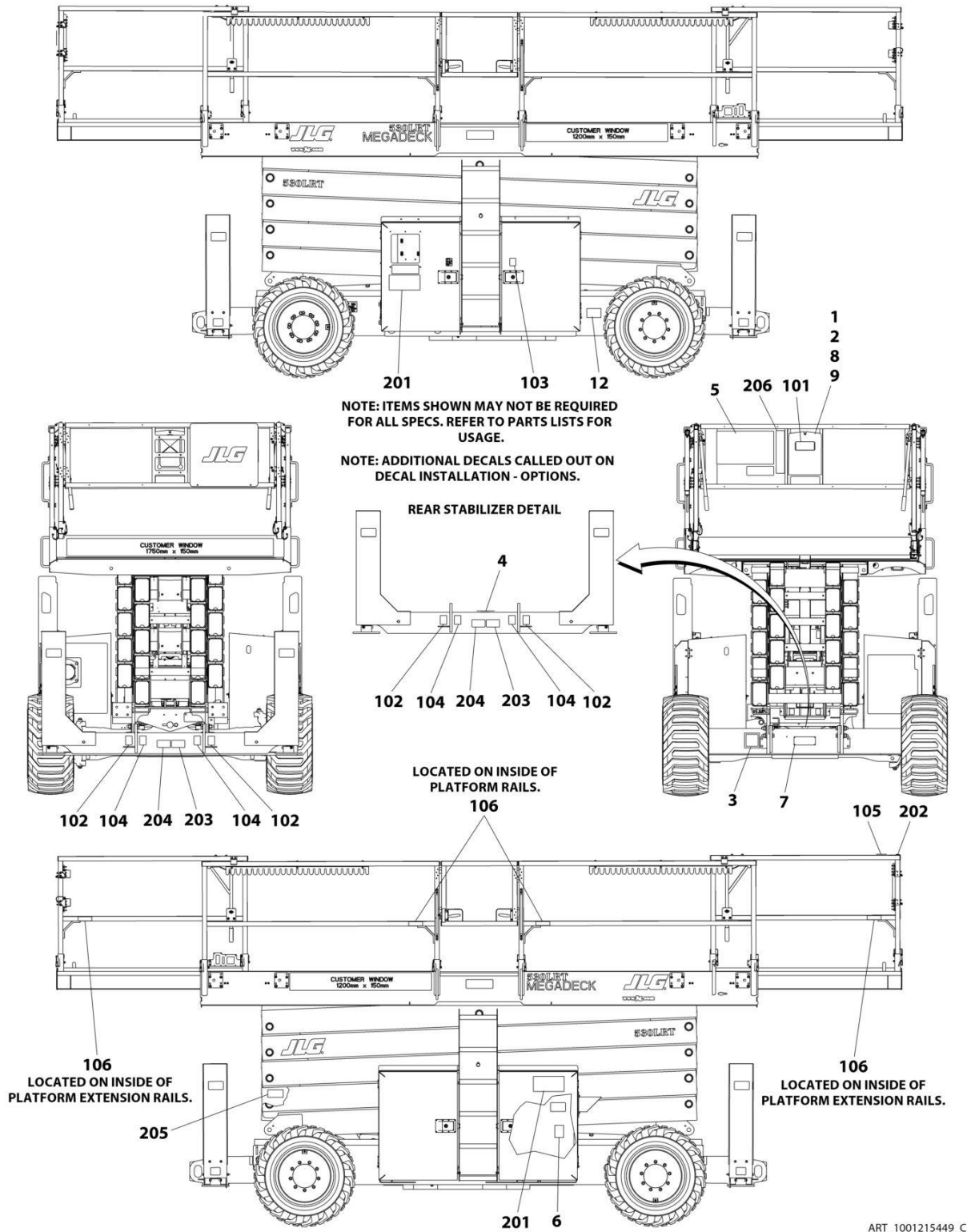
SECTION 9 - DECALS

FIGURE 9-6. DECAL INSTALLATION - CSA (ENGLISH/FRENCH)

ITEM	PART NUMBER	QTY	DESCRIPTION	REV
	1001187669	Ref	DECAL INSTALLATION	D
		Ref	Note: See DECAL INSTALLATION - OPTIONS for additional decals.	
1	0760610	4	Bolt M6 x 20	
2	0860520	1	Box, Manual Storage	
3	See Note	NSS	Decal - Bar Code (Note: Not Available for Purchase)	
4	1703687	2	Decal - Directional Arrow	
5	1704412	1	Decal - Hydraulic Oil	
6	1704684	1	Decal - Danger/Warning	
7	2080057	4	Fastener	
8	3290605	4	Nut M6	
9	4811700	8	Washer M6	
10	1001131270	1	Decal - Patent	
12	1705303	1	Decal - CSA	
13	1001223453	1	Decal - ICES	
15	1001223971	1	Decal - Yearly Inspection	
101	1701509	1	Decal - Manual	
102	1703811	1	Decal - Lifting Lug	
103	1703812	1	Decal - Hydraulic Oil	
104	1703814	1	Decal - Tie Down	
105	1703819	1	Decal - Directional Arrow	
106	1704277	1	Decal - Lanyard Attach	
201	1704686	1	Decal - Danger Electrocution/Warning Crushing	
202	1704687	1	Decal - Control Box Location	
203	1705040	1	Decal - Danger/Electrocution Hazard	
204	1705311	1	Decal - Warning Crushing	
205	1705019	1	Decal - Safety Prop	
206	1001203075	1	Decal - Legend	

SECTION 9 - DECALS

FIGURE 9-7. DECAL INSTALLATION - KOREAN SPECS (ENGLISH/KOREAN)



ART_1001215449_C

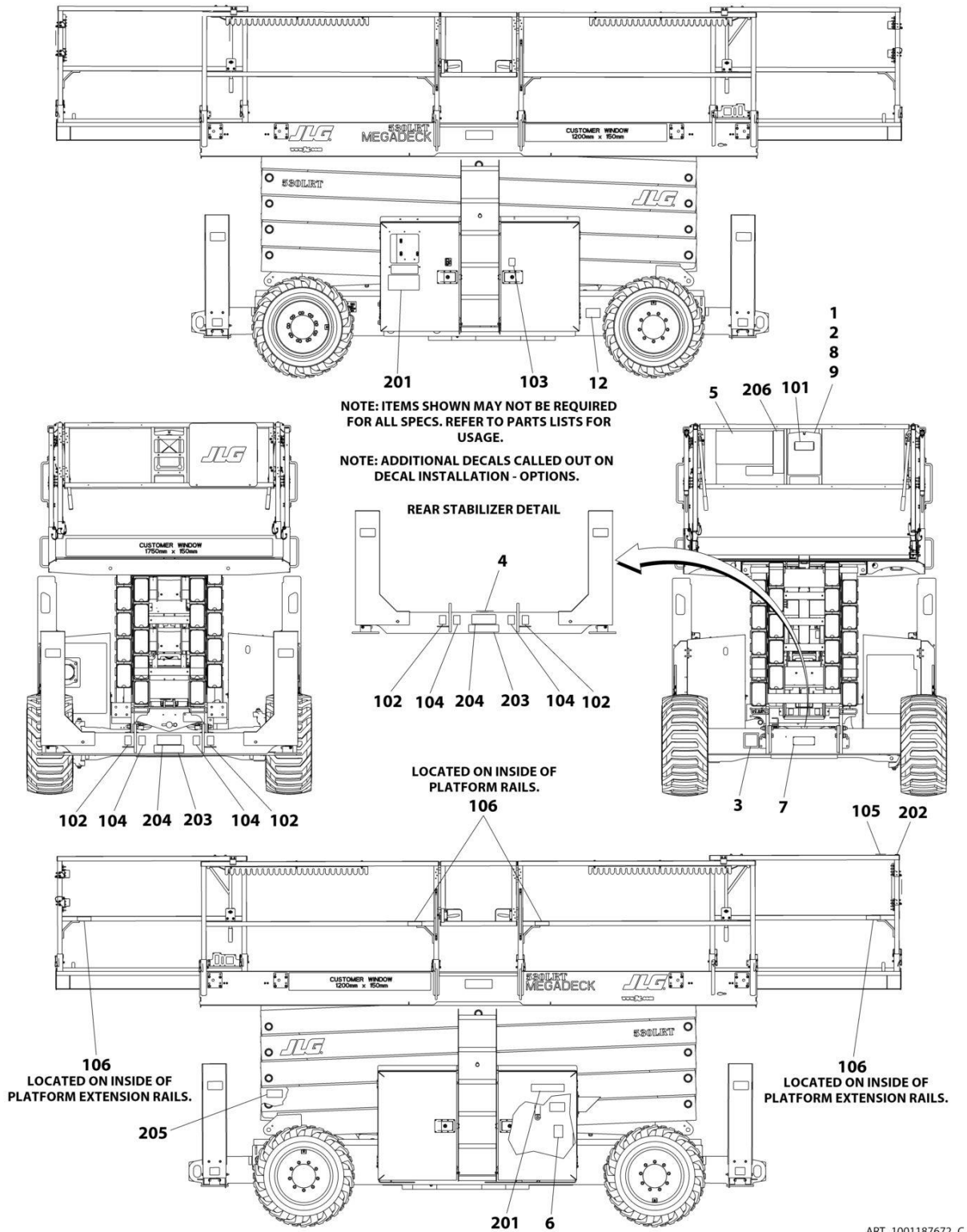
SECTION 9 - DECALS

FIGURE 9-7. DECAL INSTALLATION - KOREAN SPECS (ENGLISH/KOREAN)

ITEM	PART NUMBER	QTY	DESCRIPTION	REV
	1001215449	Ref	DECAL INSTALLATION	C
		Ref	Note: See DECAL INSTALLATION - OPTIONS for additional decals.	
1	0760610	4	Bolt, M6 X 20	
2	0860520	1	Box, Manual Storage	
3	See Note	NSS	Decal - Bar Code (Note: Not Available for Purchase)	
4	1703687	2	Decal - Directional Arrow	
5	1001162115	1	Decal - Danger/Warning	
6	1704412	1	Decal - Hydraulic Oil	
7	2080057	4	Fastener	
8	3290605	4	Nut, Lock M6	
9	4811700	8	Washer, M6	
12	1001224048	1	Decal - Yearly Inspection	
101	1701509	1	Decal - Manual	
102	1703811	1	Decal - Lifting Lug	
103	1703812	1	Decal - Hydraulic Oil	
104	1703814	1	Decal - Tie Down	
105	1703819	1	Decal - Directional Arrow	
106	1704277	1	Decal - Lanyard Attach	
201	1001162111	1	Decal - Danger Electrocution/Warning Crushing	
202	1001162112	1	Decal - Control Box Location	
203	1001162114	1	Decal - Danger/Electrocution Hazard	
204	1001162113	1	Decal - Warning Crushing	
205	1705019	1	Decal - Safety Prop	
206	1001162110	1	Decal - Legend	

SECTION 9 - DECALS

FIGURE 9-8. DECAL INSTALLATION - LATIN AMERICAN SPECS (ENGLISH/SPANISH)



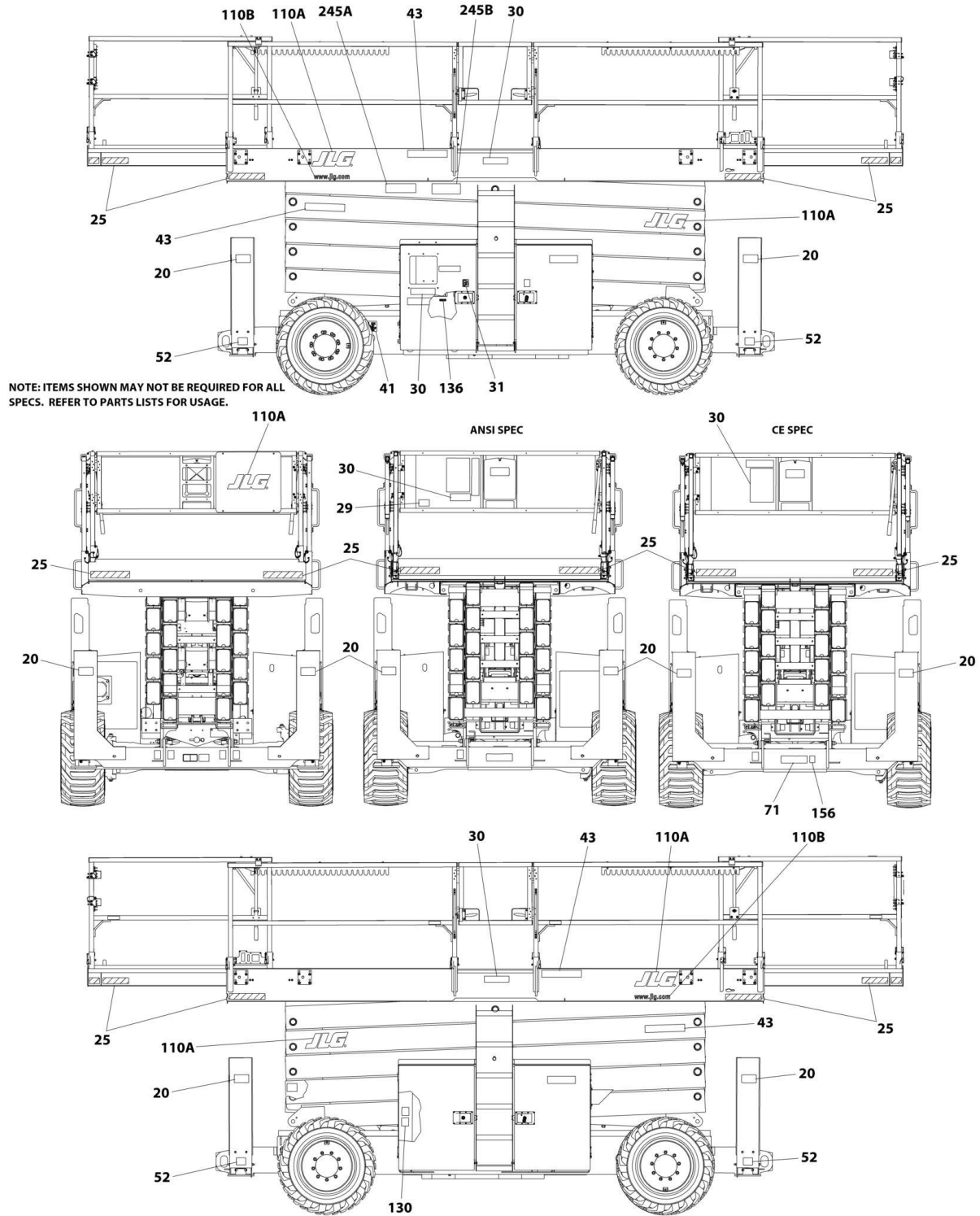
SECTION 9 - DECALS

FIGURE 9-8. DECAL INSTALLATION - LATIN AMERICAN SPECS (ENGLISH/SPANISH)

ITEM	PART NUMBER	QTY	DESCRIPTION	REV
	1001187672	Ref	DECAL INSTALLATION	C
		Ref	Note: See DECAL INSTALLATION - OPTIONS for additional decals.	
1	0760610	4	Bolt M6 x 20	
2	0860520	1	Box, Manual Storage	
3	See Note	NSS	Decal - Bar Code (Note: Not Available for Purchase)	
4	1703687	2	Decal - Directional Arrow	
5	1704691	1	Decal - Danger/Warning	
6	1704412	1	Decal - Hydraulic Oil	
7	2080057	4	Fastener	
8	3290605	4	Nut M6	
9	4811700	8	Washer M6	
12	1001224049	1	Decal - Yearly Inspection	
101	1701509	1	Decal - Manual	
102	1703811	1	Decal - Lifting Lug	
103	1703812	1	Decal - Hydraulic Oil	
104	1703814	1	Decal - Tie Down	
105	1703819	1	Decal - Directional Arrow	
106	1704277	1	Decal - Lanyard Attach	
201	1704693	1	Decal - Danger Electrocution/Warning Crushing	
202	1704694	1	Decal - Control Box Location	
203	1705041	1	Decal - Danger/Electrocution Hazard	
204	1705316	1	Decal - Warning Crushing	
205	1705019	1	Decal - Safety Prop	
206	1001203076	1	Decal - Legend	

SECTION 9 - DECALS

FIGURE 9-9. DECAL INSTALLATION - OPTIONS



ART_DECAL_OPTIONS

SECTION 9 - DECALS

FIGURE 9-9. DECAL INSTALLATION - OPTIONS

ITEM	PART NUMBER	QTY	DESCRIPTION	REV
		Ref	DECAL INSTALLATION - REFERENCE CHART	
	1001275394	1	DECAL INSTALLATION - OPTIONS	C
20	1701214	8	Decal - Outrigger Warning (ANSI, ANSI Export, China and CSA Specs) (English)	
20	1701785	8	Decal - Outrigger Warning (Australian, CE, Japanese & UK CA Specs) (English)	
20	1704698	8	Decal - Outrigger Warning (Brazilian Spec) (Spanish/Portuguese)	
20	1704690	8	Decal - Outrigger Warning (CSA Specs) (English/French)	
20	1001215447	8	Decal - Outrigger Warning (Korean Specs) (English/Korean)	
20	1704697	8	Decal - Outrigger Warning (Latin American Spec) (English/Spanish)	
25	1001187701	Ref	Decal - Warning Stripes Installation (Single Deck Extension)	A
25	1001192381	Ref	Decal - Warning Stripes Installation (Dual Deck Extension)	A
25	4420051	10 ft/ 3.1m	Tape, Safety (Single Deck Extension)	
25	4420051	12 ft/ 3.7m	Tape, Safety (Dual Deck Extension)	
29	1001231801	1	Decal - Warning Prop 65 (ANSI Specs)	
30	1001269878	4	Decal - Capacity 1500lbs/680kg (With Single Deck Extension) (All Specs Except Australian, CE & UK CA Specs)	
30	1001202974	1	Decal - Capacity 680kg (With Single Deck Extension) (Australian, CE & UK CA Specs)	
30	1001269879	4	Decal - Capacity 1500lbs/680kg (With Dual Deck Extension) (All Specs Except Australian, CE & UK CA Specs)	
30	1001191733	1	Decal - Capacity 680kg (With Dual Deck Extension) (Australian, CE & UK CA Specs)	
31	1701505	1	Decal - Fuel (Diesel)	
31	1701542	1	Decal - Fuel (Dual Fuel)	
41	1700818	1	Decal - LP Gas (ANSI, ANSI Export and CSA Specs) (English)	
41	1702720	1	Decal - LP Gas (ANSI Export Specs) (Spanish)	
41	1704271	1	Decal - LP Gas (CSA Spec) (English/French)	
43	1001264309	4	Decal - Model RT5394	
52	1001191735	4	Decal - Max Tire load	
71	See Note	NSS	Nameplate - Manufacturer Serial Number (Note: Not Available for Purchase)	
110	1001220567	Ref	JLG Logo Decal Installation	A
110A	1702773	5	Decal - JLG	
110B	1704885	2	Decal - Website	
130	1704972	1	Decal - Warning Explosion/Fire (English) (ANSI and ANSI Export Specs)	
130	1706098	1	Decal - Warning Explosion/Fire (Pictogram) (Australian, CE, Japanese & UK CA Spec)	
130	1706059	1	Decal - Warning Explosion/Fire (English/Portuguese) (Brazil Specs)	
130	1706060	1	Decal - Warning Explosion/Fire (English/Chinese) (China Specs)	
130	1706064	1	Decal - Warning Explosion/Fire (English/French) (CSA Specs)	
130	1706063	1	Decal - Warning Explosion/Fire (English/Spanish) (Latin American Specs)	
136	1001125387	1	Decal - Ultra Low Sulfur Fuel (ANSI, CSA and Japanese Specs) (Kubota T4F Only)	
136	1001139654	1	Decal - Ultra Low Sulfur Fuel (CE & UK CA Specs) (ISO)	
156	1001214029	Ref	EAC Decal Installation (Russian/CIS Specs)	A
156	1001173703	1	Decal - EAC	

SECTION 9 - DECALS

ITEM	PART NUMBER	QTY	DESCRIPTION	REV
245	1001229700	Ref	Decal - ClearSky Telematics Installation	
245A	1001116208	1	Decal - ClearSky	
245B	1001120989	1	Decal - Radio Frequency Device	

SECTION 10 - RECOMMENDED SERVICE PARTS STOCK

SECTION 10 - RECOMMENDED SERVICE PARTS STOCK

SECTION 10 - RECOMMENDED SERVICE PARTS STOCK

FIGURE 10-1. RECOMMENDED SERVICE PARTS STOCK

ITEM	PART NUMBER	QTY	DESCRIPTION	REV
		Ref	Note: The following list will service one machine (built to current production per date on the front cover) with emergency repair parts which can be installed in the field. Parts from the list should be replaced when inventory is depleted to keep service parts stock supplied. For further information, contact your JLG dealer or the JLG Industries Parts Department.	
	70006095	1	Breaker 30AMP (Generator)	
	4360070	1	Breaker, Circuit 15Amp (Ground Control)	
	1001159118	1	Breaker, GFCI 30A - 240V (Machines with Receptacle Assembly)	
	1001181045	1	Breaker, 30mA/16Amp (CE & UK CA Spec Machines)	
	70002113	1	Breather, Hydraulic Tank	
	70050516	1	Coil (Axle Lockout Valve)	
	70002963	1	Coil (Axle Lockout Valve)	
	70003789	1	Coil (Main Control Valve)	
	70001965	1	Coil (Lift Cylinder)	
	70001967	1	Coil (Main Control Valve)	
	70001977	1	Coil (Main Control Valve)	
	70003788	1	Coil (Lift Cylinder)	
	70005788	1	Coil (Lift Cylinder)	
	1001247682	1	Controller Assembly (Platform Box)	
	70010383	12	Element, Charge Filter	
	70001960	12	Element, Return Filter	
		Ref	Engine - Diesel Engine	
	7015004	12	Element, Air Cleaner (Diesel Engines)	
	70005296	12	Element, Fuel/Water Separator (Diesel Engines)	
	7017992	12	Filter, Fuel (Diesel Engines)	
	70004395	12	Filter, Oil (Diesel Engines)	
		Ref	Engine - Gasoline Engine	
	7015004	12	Element, Air Cleaner (Gasoline Engines)	
	7017992	12	Filter, Fuel (Gasoline Engines)	
	7017980	12	Filter, Oil (Gasoline Engines)	
	70005758	1	Module, Engine Control (ECU) (Gasoline Engines)	
	2860030	1	Key, Replacement (Ground Control)	
	2940074	1	Latch (Platform)	
	1001182481	1	Module, Control (Kubota Engines)	
	1001234736	1	Module, Control - Hydraulics	
	1600387	1	Module, Control - LSS	
	1001234735	1	Module, Ground Control	
	1001235098	1	Module, Platform Control	
	3740080	1	Relay (Engine)	
	1001187857	1	Sensor, Dual Axis (Arm Guards)	
	1001181330	1	Sensor, (Ground Controls)	
	4360475	1	Switch, Emergency Stop (Ground Controls & Platform Box)	
	4360469	1	Switch, Key (Ground Control)	
	4360548	1	Switch, Limit (Leveling Jacks)	
	4360387	1	Switch, Push Button (Ground Controls & Platform Box)	
	4360500	1	Switch, Rotary Angle Sensor	
	4360483	1	Switch, Toggle (Platform Box)	
	4360525	1	Switch, Toggle (Platform Box)	

SECTION 10 - RECOMMENDED SERVICE PARTS STOCK

ITEM	PART NUMBER	QTY	DESCRIPTION	REV
	4360524	1	Switch, Toggle (Ground Controls)	
	1001236560	1	Switch, Toggle (Platform Box)	
	4360482	1	Switch, Toggle (Machines with Generator)	
	4360482	1	Switch, Toggle (All Gasoline Machines)	

SECTION 11 - SPECIAL OPTIONS/ACCESSORIES/KITS

SECTION 11 - SPECIAL OPTIONS/ACCESSORIES/KITS

SECTION 11 - SPECIAL OPTIONS/ACCESSORIES/KITS

FIGURE 11-1. SPECIAL OPTIONS/ACCESSORIES/KITS

ITEM	PART NUMBER	QTY	DESCRIPTION	REV
		Ref	Note: This list is to accommodate machines ordered with special equipment. Options may not be applicable to all models. For more specific parts information contact JLG Parts Department.	
		Ref	SPECIAL OPTIONS/ACCESSORIES/KITS	
	1001273291	Ref	Airline Installation (Factory Installed)	
	1001215967	Ref	Airline Add-on Kit (Dealer Installed)	
	1001234565	Ref	Cable Routing Add-on Kit	
		Ref	ClearSky Telematic Installation (Factory Installed) Options:	
	1001236021	Ref	ClearSky Canbus Connection Installation (Factory Installed) (ANSI & CSA Specs)	
	1001236869	Ref	ClearSky Canbus Connection Installation (Factory Installed) (ANSI Export, CE & UK CA Specs)	
	1001246528	Ref	ClearSky Canbus Connection Installation (Factory Installed) (Australian Spec)	
	1001246529	Ref	ClearSky Canbus Connection Installation (Factory Installed) (Chinese Spec)	
	1001276919	Ref	ClearSky 3 Wire Connection Installation (Factory Installed)	
		Ref	ClearSky Telematic Add-on Kit (Dealer Installed) Options:	
	1001265374	Ref	ClearSky Canbus Connection Add-on Kit (Dealer Installed) (ANSI & CSA Specs)	
	1001237255	Ref	ClearSky Canbus Connection Add-on Kit (Dealer Installed) (ANSI Export, CE & UK CA Specs)	
	1001247539	Ref	ClearSky Canbus Connection Add-on Kit (Dealer Installed) (Australian Specs)	
	1001247788	Ref	ClearSky Canbus Connection Add-on Kit (Dealer Installed) (China Specs)	
	1001230504	Ref	ClearSky 3 Wire Connection Add-on Kit (Dealer Installed) (ANSI and CSA Specs)	
	1001234102	Ref	ClearSky 3 Wire Connection Add-on Kit (Dealer Installed) (ANSI Export, CE & UK CA Specs)	
	1001243580	Ref	ClearSky Telematics Access Control Add-on Kit (ANSI, ANSI Export, CE, CSA & UK CA Specs)	
	1001265379	Ref	ClearSky Telematics Access Control Add-on Kit – Single Can (ANSI Specs)	
	1001243186	Ref	ClearSky Telematics Access Control Add-on Kit – Single Can (CE & UK CA Specs)	
	1001276923	Ref	ClearSky Telematics Add-on Kit - GT1030 (Contact JLG for Approved Countries)	
	1001177763	Ref	Cold Weather Package Installation - 120V (Diesel Engine) (Factory Installed)	
	1001215968	Ref	Cold Weather Package Add-on Kit - 120V (Diesel Engine) (Dealer Installed)	
	1001206739	Ref	Cold Weather Package Installation - 120V (Gas Engine) (Factory Installed)	
	1001188785	Ref	Cold Weather Package Installation - 240V (Diesel Engine) (Factory Installed)	
	1001215969	Ref	Cold Weather Package Add-on Kit - 240V (Diesel Engine) (Dealer Installed)	
	1001191737	Ref	Container Shipment Preparation	
		Ref	Decal Kits:	
	1001194829	Ref	Decal Kit - Country Spec (ANSI Spec)	
	1001194831	Ref	Decal Kit - Country Spec (Australian, CE, Japanese & UK CA Specs)	

SECTION 11 - SPECIAL OPTIONS/ACCESSORIES/KITS

ITEM	PART NUMBER	QTY	DESCRIPTION	REV
	1001194834	Ref	Decal Kit - Country Spec (Brazil Specs)	
	1001214131	Ref	Decal Kit - Country Spec (Chinese Specs)	
	1001194830	Ref	Decal Kit - Country Spec (CSA Specs)	
	1001162116	Ref	Decal Kit - Country Spec (Korean Specs)	
	1001203076	Ref	Decal Kit - Country Spec (Latin American Specs)	
	1001193323	Ref	Decal Kit - Master (Standard Decal)	
	1001233631	Ref	Door Bumpers Kit (Dealer Installed)	
	1001233818	Ref	Door Retention Kit (Dealer Installed)	
		Ref	Electrical Connector Kits	
	1001148902	Ref	Electrical Connector Kit - Amp/Tyco Electrical Connectors	
	1001148903	Ref	Electrical Connector Kit - Deutsch DT Electrical Connectors	
	1001148904	Ref	Electrical Connector Kit - Deutsch HD Electrical Connectors	
	1001148905	Ref	Electrical Connector Kit - Packard Electrical Connectors	
	1001148906	Ref	Electrical Connector Kit - Various Electrical Connectors	
	1001253708	Ref	Fan and Pulley Guard Add-on Kit (Australian Specs) (Dealer Installed)	
	1001218620	Ref	Filter Kit (Diesel Engines)	
	1001175145	Ref	Fire Extinguisher Installation	
	1001233321	Ref	Footswitch Installation (Korean Specs Only) (Factory Installed)	
	1001234575	Ref	Footswitch Add-on Kit (Korean Specs Only) (Dealer Installed)	
	1001202749	Ref	Fuel Cap Cover Installation (Black) (Note: Lock p/n 1001102157 must be Purchased Separately)	
	1001191395	Ref	Fuel Cap Cover Installation (Green) (Diesel Machines) (Note: Lock p/n 1001102157 must be Purchased Separately)	
	1001191394	Ref	Fuel Cap Cover Installation (Red) (Gas Machines) (Note: Lock p/n 1001102157 must be Purchased Separately)	
	1001234904	Ref	Fuselink Kit (Dealer Installed)	
		Ref	Generator Add-on Kit Options:	
	1001215964	Ref	Generator Add-on Kit - 4000W 50Hz (Diesel Engines) (Dealer Installed)	
	1001215962	Ref	Generator Add-on Kit - 4000W 60Hz (Diesel Engines) (Dealer Installed)	
	1001215963	Ref	Generator Add-on Kit - 4000W 60Hz (Gas Engines) (Dealer Installed)	
	1001215961	Ref	Generator Add-on Kit - 7500W SkyPower 50Hz (Diesel Engines) (Dealer Installed)	
	1001215959	Ref	Generator Add-on Kit - 7500W SkyPower 60Hz (Diesel Engines) (Dealer Installed)	
	1001215960	Ref	Generator Add-on Kit - 7500W SkyPower 60Hz (Gas Engines) (Dealer Installed)	
	1001110509	Ref	Ground Control Box Cover Installation	
	1001187700	Ref	Headlights and Taillights Installation (Factory Installed)	
	1001215971	Ref	Headlights and Taillights Add-on Kit (Dealer Installed)	
	1001269935	Ref	Heavy Duty Pipe Rack Kit (Dealer Installed)	
	1001238487	Ref	Material Rack Installation (Single Deck Extension) (Factory Installed)	
	1001238484	Ref	Material Tray Add-on Kit (Single Deck Extension) (Dealer Installed)	
	1001236785	Ref	Material Rack Installation (Dual Deck Extension) (Factory Installed)	
	1001231858	Ref	Material Tray Add-on Kit - Dual Deck Extension (Dealer Installed)	
	1001199441	Ref	Oil Cooler Installation (Factory Installed)	
	1001215972	Ref	Oil Cooler Add-on Kit (Dealer Installed)	
	1001215970	Ref	Pipe Racks Add-on Kit	

SECTION 11 - SPECIAL OPTIONS/ACCESSORIES/KITS

ITEM	PART NUMBER	QTY	DESCRIPTION	REV
	1001234258	Ref	Platform Bearing Spacers Kit (Dealer Installed)	
	1001241633	Ref	Platform Console Box Cover Add-on Kit (Dealer Installed)	
	1001197983	Ref	Platform Lanyard Attach Installation	
	1001187699	Ref	Platform Lights Installation - Flood Lights (Nite - Bright) (Factory Installed)	
	1001215966	Ref	Platform Lights Add-on Kit - Flood Lights (Dealer Installed)	
	1001187698	Ref	Platform Lights Installation - Worklights (Factory Installed)	
	1001215965	Ref	Platform Lights Add-on Kit - Worklights (Dealer Installed)	
	1001215958	Ref	Service Kits/Tools	T
		Ref	Tools for Service	
	7002821	1	Crimper, Wire	
	7002823	1	Pin Extractor - Universal (For Electrical Connectors with Pins and Sockets)	
	4460510	1	Pin Extractor - 12-14 Gauge (For Removal of Pin/Sockets from Deutsch Connectors)	
	4460467	1	Pin Extractor - 16-18 Gauge (For Removal of Pin/Sockets from Deutsch Connectors)	
	7016654	1	Screwdriver, Magnetic	
	7002822	1	Screwdriver, Potentiometer	
	7004275	1	Seal Tool 1in (For Cylinders)	
	7004276	1	Seal Tool 1-1/2in (For Cylinders)	
	7002828	1	Stripper, Wire	

SECTION 11 - SPECIAL OPTIONS/ACCESSORIES/KITS

PART NUMBER INDEX

SECTION 11 - SPECIAL OPTIONS/ACCESSORIES/KITS

0100009.....63, 65	0700817 77, 87, 188	0760808 94, 108, 118	1001100341.....361
0100011....13, 15, 17, 19, 39, 41, 47, 59, 61, 72, 77, 81, 84, 87, 91, 94, 102, 105, 109, 112, 115, 118, 135, 139, 143, 147, 151, 155, 159, 163, 167, 171, 175, 188, 219, 223, 225	0700819.84, 94, 105, 115	0760810 84, 94	1001100342.....363
0100019.....19	0700820 188	0760810001 59, 61	1001100345.....371
010002078, 87, 103, 112, 357	0700824 188	0760812 102	1001100346.....365
0100048....139, 143, 147, 151, 155, 159, 163, 167, 171, 175	0700826 188	0760814 53, 55, 77, 87	1001100347.....367
014000153, 55	0700827 188	0760815 108	1001101331..81, 91, 105, 115, 131
0140030.....213, 215	0700828 188	0761009 ... 152, 156, 172, 176	1001102433.....61, 188
0140032.....67	0700830 188	0761010 77, 87, 102, 112	1001102804.....19
0181847213, 215	0700831 188	0761011 17	1001102805.....19, 27
0270092.....29	0700835 213, 215	0761012 72, 188	1001102823.....53, 55, 57
0270653.....31	0700836 47	0761014 .72, 84, 94, 105, 115	1001103012.....333, 351, 375
0274260.....229	0701012 15	0761015 84, 94, 108, 118	1001103761.....41, 190
0275216....275, 277, 361	0701014 13	0761016 84, 94, 108, 118	1001103801.....39, 347
0275217....279, 281, 363	0701015 72	0761215 72	1001104498.....333, 351
0275218....291, 293, 373	0701019... 139, 143, 147, 151, 155, 159, 163, 167, 171, 175	0761216 72	1001104581.....249, 259
0275219....299, 301, 369	0701020 53, 55	0761227 41	1001104589.....250, 259
0275452....287, 289, 371	0701037 193, 195	0761615 13, 15, 72	1001106736.....316
0275453....295, 297, 367	0701039 39	0761617 77, 87, 102, 112	1001107854.....319, 333, 351, 375
0275454....283, 285, 365	0701047.77, 87, 102, 112	0762019 53, 55	1001107924.....249, 259
0340045.84, 94, 108, 118	0701215 ... 139, 143, 147, 159, 163, 167	0770812 67	1001108128.....249, 259
0400075.77, 87, 102, 112	0701217 ... 140, 144, 148, 152, 156, 160, 164, 168, 172, 176	0771014 47	1001108477.....250, 259
0440234.....193, 195	0701218 13	0771015 188, 193, 195	1001108588.....188
0440250.....188	0701219... 140, 144, 148, 152, 156, 160, 164, 168, 172, 176	0780608 ... 267, 271, 275, 279, 283, 287, 291, 295, 299	1001110509.....403
0440334.....84, 94	0701222 . 15, 84, 94, 108, 118	0780810 ... 139, 143, 147, 151, 155, 159, 163, 167, 171, 175	1001112612.....311, 315
0480100.....221	0711025 188	0840052 303, 305	1001113961.....355
0561489.....193, 195	0711026 188	0840055 347	1001116208.....396
0630407....148, 156, 168, 176	0711027 188	0840056 309	1001116732.....312, 315, 319
0630485.....201, 203	0711027 188	0840057 311, 316	1001116733.....309, 311, 315, 316, 319, 329
0641404....219, 269, 273, 277, 281, 285, 289, 293, 297, 301	0711221 17	0860520 ... 379, 381, 383, 385, 387, 389, 391, 393	1001116734.....312, 315
0641406.....205, 209	0712026 39	0861538 ... 163, 167, 171, 175	1001116749.....319
0641408.....84, 94	0731005 53, 55	0861572 159	1001116752.....309, 311, 315, 316, 319
0641507.....201, 203	0741010.77, 87, 102, 112	0861731 ... 271, 273, 357, 359, 365, 367, 371	1001116763.....319
0641508.....39, 201, 203	0741607 ... 139, 143, 147, 151, 155, 159, 163, 167, 171, 175	0861781 361, 363	1001116774.....309
0641516.....205, 209	0760415 188	0861880 307	1001116808.....309, 355
0641605.....87	0760508 37	0901870 205, 209	1001116810.....355
0641606.....223, 225	0760512 103, 112	0940049 72	1001116811.....355
0641610.....102, 112	0760606... 160, 164, 168, 172, 176, 213, 215	0961948 17	1001116812.....311, 345, 351
0641612.77, 87, 102, 112	0760607.84, 94, 108, 118	0961950 13, 15	1001116816.....309, 316
0641676.....205, 209	0760608 . 59, 61, 84, 108, 118, 135	0961986 84, 94, 108, 118	1001116926.....309, 343
0641814.81, 91, 105, 115	0760610 ... 59, 61, 72, 77, 87, 139, 143, 147, 151, 155, 159, 163, 167, 171, 175, 267, 269, 271, 273, 275, 277, 279, 281, 283, 285, 287, 289, 291, 293, 295, 297, 299, 301, 379, 381, 383, 385, 387, 389, 391, 393	0962031 188	1001116930.....343, 355
0681810.....19	0760612 69, 275, 277, 279, 281, 283, 285, 287, 289, 291, 293, 295, 297, 299, 301	0962036 188	1001116934.....353
0682014.....19	0760614 102, 112	0962224 189	1001116946.....219
0700610....39, 53, 55, 84, 94, 108, 118	0760618 219	0962474 189	1001117023.....309, 311
0700616.....15, 197		0962520 ... 139, 143, 147, 151, 155, 159, 163, 167, 171, 175	1001117025.....311, 319, 351
0700618.....193, 195		1001091102 219	1001117055.....316
0700619....108, 118, 205, 209		1001096070 275, 277, 279, 281, 283, 285, 287, 289, 291, 293, 295, 297, 299, 301, 307	1001117069.....311, 315, 316
0700620.....84, 94		1001096653 188	1001117070.....315, 319
0700812.77, 87, 102, 112		1001097150 307	1001117077.....315
070081484, 94, 105, 109, 115, 118, 188		1001098765 303, 305	1001117078.....309, 315, 319, 329
0700815.....84, 94		1001099623 193, 195	1001117110.....319
		1001099670 357	1001117372.....233
		1001100319 59, 61	1001118280..85, 95, 108, 118
			1001118511.....13, 15
			1001118518.....13, 15
			1001118519.....13, 15

SECTION 11 - SPECIAL OPTIONS/ACCESSORIES/KITS

1001118538 . 84, 94, 108, 118	1001148870..... 31	1001169138..84, 94, 105, 108, 115, 118	1001181479 189
1001118539 . 84, 94, 108, 118	1001148902..... 403	1001169967..84, 94, 108, 118	1001181481 189
1001118580 84, 94	1001148903..... 403	1001170035..85, 95, 108, 118	1001181482 189
1001118582 85, 95	1001148904..... 403	1001173043.....260	1001181485 189
1001118616 320	1001148905..... 403	1001173703.....395	1001181486 189
1001118657 316	1001148906..... 403	1001174093.....102, 113	1001181501 193, 195
1001118658 316, 319	1001148907..... 357	1001174455.....311, 316	1001181554 53, 55
1001118665 188	1001148972..... 188	1001174486.....103, 113	1001181622 213
1001118675 .. 84, 94, 127	1001149581..... 201, 203	1001175012.....67	1001181623 213
1001118743 316	1001149953.... 29, 31, 33, 35	1001175145.....403	1001181625 109, 118
1001118744 315	1001151080..... 139, 144, 148, 152, 156, 159, 164, 168, 172, 176	1001175509.....95, 118	1001181626 215
1001118745 315	1001151351..... 250, 260	1001176469.....59, 61	1001181627 215
1001118746 . 84, 94, 108, 118	1001151354..... 250, 260	1001176848.....17	1001181649 . 85, 95, 108, 118
1001118881 84, 94	1001152525..... 179, 183	1001177745.....13	1001181658 . 85, 95, 108, 118
1001118925 84, 94	1001157520..... 179, 181, 183	1001177747.....17	1001181659 109, 119
1001118938 315, 319	1001157521..... 179, 183	1001177749.....15	1001181711 63, 65
1001118972 53, 55, 72	1001157528..... 181	1001177750.....259	1001181739 109, 119
1001119929 140, 160	1001158007..... 179, 181, 183	1001177751.....53	1001181829 109, 119, 129
1001120989 396	1001158008..... 179, 181, 183	1001177752.....55	1001182051 250, 260
1001125248 . 85, 95, 105, 115	1001158199..... 250, 260	1001177754.....219	1001182481 .. 59, 61, 398
1001125387 395	1001158246..... 250, 259	1001177763.....402	1001182680 63, 65
1001125748 316, 319	1001159118..... 357, 398	1001177767.....163, 167	1001182681 63, 65
1001125773 316, 319	1001159119..... 357	1001177770.....143, 147	1001182806 69
1001126245 331	1001161497..... 108, 118	1001177775.....61	1001182971 39, 41
1001126393 320	1001162110..... 391	1001177785.....102	1001182976 85, 95
1001128128 316	1001162111..... 391	1001177786.....77	1001182977 85, 95
1001128888 84, 94	1001162112..... 391	1001178489.....47	1001182978 85, 95
1001129255 103, 112	1001162113..... 391	1001178636.....108	1001182979 85, 95
1001129256 103, 113	1001162114..... 391	1001178759.....193	1001182980 . 85, 95, 109, 119
1001129772 319	1001162115..... 391	1001178866.....39	1001182981 . 85, 95, 109, 119
1001129773 316	1001162116..... 403	1001179071.....249	1001182982 . 85, 95, 109, 119
1001130220 39	1001162295..... 13, 15	1001179172.....33	1001182983 . 85, 95, 109, 119
1001130781 193, 195	1001163178..... 17, 241	1001179173.....33	1001182984 . 85, 95, 109, 119
1001131270 379, 389	1001163405..... 17	1001179174.....33, 35	1001182985 85, 95
1001131391 103, 113	1001163418..... 53	1001179175.....33	1001182987 85, 95
1001132170 349	1001163580..... 15, 233	1001179200.....39	1001183328 39
1001132208 235	1001163715..... 17	1001179256.....17	1001183416 72
1001132358 213, 215	1001163716..... 17	100117991141	1001183421 . 78, 87, 103, 113
1001138566 140, 143, 147, 151, 155	1001164209..... 17	1001179956.....35	1001183424 . 85, 95, 109, 119
1001139654 395	1001164817.....233	1001179957.....35	1001183427 109, 119
1001140346 143, 147, 151, 155	1001165035.. 77, 87, 108, 118	1001179958.....35	1001183428 109, 119
1001140347 139	1001165791..... 63, 65	1001179959.....35	1001183429 109, 119
1001141967 369, 373	1001166257..... 63, 65	1001180307.....13	1001183726 144, 148, 164, 168
1001141968 373	1001166702..... 319	1001180309.....13	1001183727 72
1001141969 369	1001166729..... 201, 203	1001180315.....13	1001184019 189
1001141970 369	1001166732..... 139, 144, 148, 152, 156, 159, 164, 168, 172, 176	1001180316.....13	1001184064 109, 119
1001141971 373	1001167055..... 205, 209	1001180620..85, 95, 109, 118	1001184065 . 77, 87, 102, 113
1001143645 188	1001167058..... 205	1001181045.....307, 398	1001184066 . 85, 95, 109, 119
1001144295 355	1001167269..... 201, 203	1001181116.....72	1001184162 139, 144, 148, 152, 156, 160, 164, 168, 172, 176
1001145292 205, 209	1001167272..... 201, 203	1001181140.....159	1001184163 152, 156, 172, 176
1001146043 108, 118	1001167274..... 201, 203	1001181141 171, 175	
1001146588 103, 113	1001167275..... 201, 203	1001181211..... 152, 156, 172, 176	
1001147274 29, 31	1001167690..... 319	1001181216..... 151, 155	
1001148648 183	1001167696..... 201, 203	1001181217 139	
1001148675 357	1001168018.. 84, 94, 108, 118	1001181330..63, 65, 398	
1001148676 357	1001169054.. 84, 94, 109, 118	1001181375..... 188	
1001148844 148, 156, 168, 176		1001181384..... 188	
1001148865 29		1001181385..... 188	
1001148866 29		1001181436..... 189	
1001148869 31		1001181476..... 189	
		1001181477 189	

SECTION 11 - SPECIAL OPTIONS/ACCESSORIES/KITS

1001184235.....144, 148, 164, 168	1001188351..... 189	1001195600 . 85, 95, 105, 115	1001208339.....140, 144, 148, 160, 164, 168
1001184653.....102, 105	1001188785..... 402	1001195684 316	1001208340.....140, 144, 148, 152, 156, 160, 164, 168, 172, 176
1001184654.....105, 108	1001189773..... 63, 65	1001197395 189	1001208874.77, 102, 112
1001184705.....319	1001190002..... 63, 65	1001197396 189	1001209298.....279, 281
1001184716.....319	1001190270..... 213, 215	1001197397 189	1001209406.....189
1001184717.....319	1001190368..... 17	1001197398 189	1001209407.....189
1001184718.....319	1001190469..... 353	1001197404 189	1001210278.....201, 203
1001184722.....319	1001190471..... 353	1001197405 189	1001210645.....152, 156, 172, 176
1001184730.....63, 65	1001190472..... 213, 215	1001197634 385	1001210708.....109, 119
1001184768.....319	1001190473..... 213, 215	1001197983 404	1001211336.....55
1001184769.....319	1001190474..... 213, 215	1001198726 . 85, 95, 108, 119	1001212223.....159, 163, 167, 171, 175
1001184832.....319	1001190522..... 189, 339	1001199441 403	1001213495.....205, 209
1001185125.....59, 61	1001190524..... 189, 341	1001202520 189	1001213847.....109, 119
1001185315.....189	1001190545..... 77, 87	1001202532 140, 144, 148, 160, 164, 168	1001214029.....395
1001185585.....103, 113	1001190609.. 77, 87, 125	1001202536 140, 144, 148, 160, 164, 168	1001214131.....403
1001185704.....189	1001191146..... 78, 87	1001202749 403	1001215224.....201, 203
1001185705.....189	1001191201..... 15	1001202759 152, 156, 172, 176	1001215447.....395
1001185706.....189	1001191325..... 41	1001202760 152, 156, 172, 176	1001215449.....391
1001186235.....189	1001191394..... 403	1001202764 152, 156, 172, 176	1001215958.....404
1001186428...77, 87, 303	1001191395..... 403	1001202974 395	1001215959.....403
1001186429.....102, 113, 305	1001191526..... 381	1001203075 389	1001215960.....403
1001186467.....15	1001191629..... 189	1001203076 393, 403	1001215961.....403
1001186483.....303, 305	1001191641..... 67	1001203077 383	1001215962.....403
1001186484.....303, 305	1001191722..... 189	1001203078 381	1001215963.....403
1001186551.....189	1001191733..... 395	1001204140 72	1001215964.....403
1001186822.....160, 164, 168, 172, 176, 329	1001191735..... 395	1001205250 319	1001215965.....404
1001186826.....139, 144, 148, 152, 156, 325	1001191737..... 402	1001205340 37	1001215966.....404
1001186828.....144, 148, 152, 156, 179	1001191832..... 108	1001205343 37	1001215967.....402
1001186833.....105, 115	1001191838..... 189	1001205638 203	1001215968.....402
1001186900.....189	1001192381..... 395	1001205640 201, 203	1001215969.....402
1001186919.....144, 148, 164, 168	1001192401..... 309	1001205642 201, 203	1001215970.....403
1001187092.....143, 147, 152, 156, 164, 168, 172, 176, 357	1001192853..... 379, 387	1001205643 201, 203	1001215971.....403
1001187185.....189	1001193040..... 189	1001205765 201, 203	1001215972.....403
1001187186.....189	1001193174..... 263	1001205896 201, 203	1001217108.....39, 43
1001187197.....140, 160, 183	1001193179..... 263	1001205920 250, 260	1001217291.....105, 115
1001187228.....164, 168, 172, 176, 181	1001193296..... 189	1001206009 209	1001217300.....190
1001187232.....181	1001193323..... 403	1001206025 206, 210	1001217381.....190
1001187235.....85, 108	1001193336..... 53	1001206065 205	1001217382.....190
1001187455.....319	1001193386..... 189	1001206097 209	1001217384.....188, 193, 195, 263
1001187601.....15, 351	1001193988..... 260	1001206182 201	1001217888.....190
1001187668.....379	1001194221..... 353	1001206190 205	1001218504.....190
1001187669.....389	1001194378..... 250, 260	1001206625 190	1001218620.....403
1001187670.....385	1001194379..... 250, 260	1001206707 148, 156, 168, 176	1001219108.....69
1001187671.....387	1001194380..... 250, 260	1001206739 402	1001219775.....137
1001187672.....393	1001194381..... 250, 260	1001206896 55	1001219826.....137
1001187673.....383	1001194382..... 250, 260	1001207285 140, 144, 148, 152, 156, 160, 164, 168, 172, 176	1001220567.....395
1001187695.....15	1001194383..... 250, 260	1001207511 267, 269	1001220613.....135
1001187698.....404	1001194384..... 250, 260	1001207512 271, 273	1001220614.....135
1001187699.....404	1001194385..... 250, 260	1001207514 287, 289	1001220957..85, 95, 108, 119
1001187700.....403	1001194386..... 250, 260	1001207515 295, 297	1001220959..85, 95, 108, 119
1001187701.....395	1001194387..... 250, 260	1001207516 275, 277	1001222025...59, 61, 345
1001187703.....137	1001194388..... 250, 260	1001207518 291, 293	1001222343.....190, 335
1001187857.....197, 398	1001194389..... 260	1001207519 299, 301	1001222344.....190, 337
1001188000.....189	1001194390..... 250, 260	1001207520 267, 271, 275, 279, 283, 287, 291, 295, 299	1001223055.....379
1001188001.....189	1001194391..... 250, 260	1001207521 283, 285	1001223432.....316
1001188345.....189	1001194393..... 189		1001223453.....379, 389
1001188348.....189	1001194421..... 353		1001223795.....316
	1001194829..... 402		1001223796.....316
	1001194830..... 403		1001223971.....389
	1001194831..... 402		
	1001194834..... 403		
	1001194836. 77, 87, 102, 113		
	1001195123..... 355		
	1001195209..... 189		
	1001195517..... 179		

SECTION 11 - SPECIAL OPTIONS/ACCESSORIES/KITS

1001224048	391	1001236353.....	59, 63	1001269878.....	395	1703811 ...	379, 381, 383,
1001224049	393	1001236380.....	61, 311	1001269879.....	395	385, 387, 389, 391, 393	
1001224050	387	1001236430.....	61, 65	1001269935.....	403	1703812 ...	379, 381, 383,
1001224052	383	1001236442.....	160, 164,	1001273290.....	221	385, 387, 389, 391, 393	
1001224493	108, 119,	168, 172, 176, 327		1001273291.....	402	1703814 ...	379, 381, 383,
121		1001236443.....	160, 164,	1001273292.....	72	385, 387, 389, 391, 393	
1001225257	72	168, 172, 176		1001274071.....	223, 225	1703816	379
1001225258	72	1001236444.....	139, 144,	1001274072.....	223, 225	1703818	379
1001225369	189, 237	148, 152, 156, 323		1001274101.....	103, 113	1703819 ...	213, 215, 379,
1001225420	103, 113	1001236445.....	140, 144,	1001274559..	63, 65, 213,	381, 383, 385, 387,	
1001225421	103, 113	148, 152, 156		215		389, 391, 393	
1001226116	59, 61	1001236560.....	213, 215,	1001275394.....	395	1703821	379
1001226221	72	399		1001276919.....	402	1703823	379
1001226420	105, 115	1001236785.....	403	1001276923.....	402	1704271	395
1001226421	213, 215	1001236865.....	189, 343	1001288395.....	103, 113	1704277 ...	379, 381, 383,
1001226830	193, 195,	1001236869.....	402	1001293137.....	221	385, 387, 389, 391, 393	
349		1001237058.....	219	1001299769.....	103, 113	1704412 ...	379, 381, 383,
1001227285	85, 95	1001237255.....	402	1001300357.....	102, 113	385, 387, 389, 391, 393	
1001227353 ..	63, 65, 333	1001237515.....	195	1060343.....	181	1704432	379
1001228988	223, 225	1001237516.....	193	1060379.....	205, 209, 229	1704684	389
1001229700	396	1001237837.....	263	1060494.....	179, 181	1704686	389
1001229767	59	1001237909.....	72	1060708.....	179, 181	1704687	389
1001230488	316	1001237910.....	72	1060808.....	205, 209	1704690	395
1001230504	402	1001238471.....	72	1060908.....	307	1704691	393
1001231195	53, 55	1001238484.....	403	1061020.....	193, 195	1704693	393
1001231261	41, 239	1001238487.....	403	1061021.....	193, 195	1704694	393
1001231712	87	1001238770.....	85, 95, 97	10702077...	179, 181, 183	1704697	395
1001231715	112	1001238775.....	81, 84	10702082...	179, 181, 183	1704698	395
1001231716	113, 115	1001238776.....	77, 81	1120555.....	229	1704699	383
1001231717	115, 118	1001238777.....	91, 94	1309435.....	188	1704701	383
1001231784	197	1001238778.....	91	1320041.....	59	1704702	383
1001231801	395	1001239200.....	81, 91	1320061.....	102, 112	1704885	395
1001231858	403	1001241633.....	404	1320095.....	59, 61	1704972	395
1001233139	17	1001243186.....	402	1320220.....	102, 112	1705019 ...	379, 381, 383,
1001233321	403	1001243580.....	402	1320224...	267, 269, 271,	385, 387, 389, 391, 393	
1001233544	72	1001244347.....	197, 375	273, 275, 277, 279,		1705040	389
1001233549	72	1001244348.....	59, 315	281, 283, 285, 287,		1705041	393
1001233554	72	1001244349.....	61, 319	289, 291, 293, 295,		1705043	383
1001233576	72	1001244865.....	193, 195	297, 299, 301		1705193	387
1001233631	403	1001244937.....	139, 160	1320265..77, 87, 102, 112		1705194	387
1001233738	72	1001244939.....	139, 160	1320302.....	223, 225	1705195	387
1001233818	403	1001245845.....	223	1321692.....	181	1705303	389
1001234069	59, 61	1001245846.....	225	1340069.....	108, 118	1705305	223, 225
1001234102	402	1001245996.....	223, 225	1580023.....	229	1705311	389
1001234258	404	1001246392.....	229	1580024.....	229	1705316	393
1001234348	72	1001246395.....	229	1600387....	193, 195, 398	1705318	383
1001234565	402	1001246528.....	402	1670988....	219, 269, 273,	1705325	275, 277
1001234575	403	1001246529.....	402	277, 281, 285, 289,		1705372	381, 385
1001234703	189, 235	1001247403..	85, 95, 109,	293, 297, 301		1705671	381, 385
1001234735 ..	63, 65, 398	119		1671092.....	181	1705943	387
1001234736 ..	59, 61, 398	1001247539.....	402	1671093.....	223	1705944	387
1001234828	47, 49	1001247682.....	213, 215,	1671207.....	357, 359	1705997	229
1001234904	403	217, 398		1684290.....	233	1706059	395
1001234950	85, 95	1001247788.....	402	1700818.....	395	1706060	395
1001235098	219, 398	1001253708.....	403	1701214.....	395	1706063	395
1001235922	213, 215	1001257454.....	72	1701505.....	395	1706064	395
1001236021	402	1001258390.....	72	1701509....	379, 381, 383,	1706098	395
1001236153 ..	63, 65, 331	1001258391.....	72	385, 387, 389, 391, 393		1706338	381, 385
1001236163	219, 355	1001258392.....	72	1701542.....	395	2080040	205, 209
1001236199	213, 215	1001262941.....	103, 113	1701785.....	395	2080057 ...	379, 381, 383,
1001236230	213, 215,	1001264309.....	395	1702720.....	395	385, 387, 389, 391, 393	
353		1001265084.....	319	1702773.....	395	2080063 ...	205, 209, 221
1001236264	213	1001265374.....	402	1702868.....	223, 225	2080064	205, 209
1001236265	215	1001265379.....	402	1703162..84, 94, 109, 118		2110404	249, 259
1001236270 ..	59, 61, 309	1001266832.....	315	1703464.....	267, 269	2110808	249, 259
1001236306	263	1001268820.....	223, 225,	1703687....	379, 381, 383,	2110810	249, 259
1001236307	263	227		385, 387, 389, 391, 393		2110812	249, 259

SECTION 11 - SPECIAL OPTIONS/ACCESSORIES/KITS

2111010.....	249, 259	2720058	77, 88	3291005 ...	39, 53, 55, 72, 84, 94, 105, 109, 115, 118, 188, 193, 195	3580318....	139, 143, 147, 151, 155, 159, 163, 167, 171, 175	
2111216.....	249, 259	2720271	77, 88	3291201 .	72, 84, 94, 108, 118, 139, 143, 147, 151, 155, 160, 163, 167, 171, 175	3641452.....	205, 209	
2112016.....	249, 259	2720611	102, 112	3291205	13, 72	3740080....	312, 315, 319, 398	
2130404.....	249, 259	2752485	250, 260	3291605 .	72, 77, 87, 102, 112	3760170.....	205, 209, 229	
2130808.....	249, 259	2753791	249, 259	3292005	53, 55	3760257.....	201, 203	
2130812.....	249, 259	2753798	250, 259	3300048 ...	269, 273, 277, 281, 285, 289, 293, 297, 301	3760348.....	41	
2131010.....	249, 259	2753970	250, 260	3300396	179, 181, 183	3790152.81, 91, 105, 115		
2131216.....	249, 259	2754244	249, 259	3300408	77, 87, 102, 112	3820020.....	206, 210	
2152020.....	249, 259	2780267	19, 23	3300432	205, 209	3841143..	17, 77, 87, 102, 112, 188, 193, 195	
2180348.77, 87, 102, 112		2820031	355	3300467	205, 209	3841258.....	13, 15	
2180387.....	102, 112	2860030	63, 65, 398	3311001	179, 181, 183	3841564.....	41	
2180389.....	102, 112	2900708	15	3311005 ...	139, 143, 147, 151, 155, 159, 163, 167, 171, 175	3900300.....	63, 65	
2180418.....	102, 112	2900756	51	3311005 84, 94, 148, 156, 168, 176, 205, 209, 219, 269, 273, 277, 281, 285, 289, 293, 297, 301		3900318....	205, 209, 221	
2180666.....	77, 87	2902217	223, 225	3311501	72	3900319.....	205, 209	
2220235.....	249, 259	2902266	233	3311502	72	3900323.....	205, 209	
2220237.....	249	2902431 ...	267, 269, 357, 359	3311505 ...	201, 203, 205, 209	3900355.....	229	
2220238.....	249, 259	2920146	37	3311601	201, 203	3911428.....	205, 209	
2220290.....	102, 112	2940074 ...	205, 209, 398	3311605 77, 87, 102, 112, 223, 225		3931010.....	205, 209	
2220313.....	77, 87	2940127	205, 209	3311801	19	3931016....	139, 143, 147, 151, 155, 159, 163, 167, 171, 175	
2220362.....	249, 259	3020039	188	3321402	84, 94	3931412.....	229	
2220371.....	41, 249, 259	3252507 ...	271, 273, 279, 281, 283, 285, 287, 289, 291, 293, 295, 297, 299, 301	33310017	188	3931436.....	205, 209	
2220372.....	249, 259	3290401	39	3331211	41	3931508.....	229	
2220408.....	249, 259, 263	3290405 63, 65, 143, 147, 151, 155, 163, 167, 171, 175, 188, 213, 215, 219, 267, 269, 271, 273, 275, 277, 279, 281, 283, 285, 287, 289, 291, 293, 295, 297, 299, 301		3332017	39	3940804....	143, 147, 151, 155, 163, 167, 171, 175	
2220415.....	249, 259	3290501	59, 61	3340612	205, 209	3960526.....	19	
2220435.....	249, 259	3290505 ...	37, 59, 61, 72, 103, 112	3340937	205, 209	3980007.77, 87, 102, 112		
2220451.....	249, 259	3290601	15, 205, 209	3421453	205, 209	3990010.....	309	
2220466.....	249, 259	3290605 ...	53, 55, 59, 61, 69, 72, 77, 84, 87, 94, 102, 108, 112, 118, 139, 143, 147, 151, 155, 159, 163, 167, 171, 175, 188, 193, 195, 197, 213, 215, 267, 269, 271, 273, 275, 277, 279, 281, 283, 285, 287, 289, 291, 293, 295, 297, 299, 301, 379, 381, 383, 385, 387, 389, 391, 393		3421565	205, 209	4010403.....	63, 65
2220472.....	249, 259	3290606	219	3422219 ...	205, 209, 229	4010405.....	63, 65	
2220473.....	259	3290607	219	3422592	13, 15	4010408....	143, 147, 151, 155, 163, 167, 171, 175, 269, 273, 277, 281, 285, 289, 293, 297, 301	
2220479.....	249, 259	3290801	47, 102, 112	3422669 77, 87, 102, 112		4010412.....	63, 65	
2220497.....	249, 259	3290805 ...	53, 55, 59, 67, 77, 84, 87, 94, 102, 105, 108, 112, 115, 118, 139, 143, 147, 151, 155, 159, 163, 167, 171, 175, 188, 213, 215		3422938	193, 195	4010418.....	219
2220500.....	249, 259	3291001 ...	77, 84, 87, 94, 102, 108, 112, 118		3422943	188, 193, 195	4031507 63, 65, 267, 271, 275, 279, 283, 287, 291, 295, 299	
2220502.....	250, 260				3422961	193, 195	4031509.....	213, 215
2220504.....	249, 259				3422963	188	4031510.....	39
2220577.....	249, 259				3423304	17	4031608.....	59, 61
2220578.....	249, 260				3450304	188	4031708.....	59, 61
2220582.....	249, 259				3460334	229	4031711.....	59, 61
2220602.....	249, 259				3520026	63, 65	4031908....	151, 155, 171, 175
2220603.....	249, 260				3520028	63, 65	4032014 ...	140, 144, 148, 152, 156, 160, 164, 168, 172, 176
2220628.....	249, 260				3520060	72	4032016....	152, 156, 172, 176
2220635.....	250, 260				3520072	205, 209	4060802 63, 65, 139, 143, 147, 151, 155, 159, 163, 167, 171, 175, 213, 215	
2220671.....	263				3520072	205, 209	4060803.....	73
2220775.....	249, 259				3537609	206, 210	4061032.....	249, 259
2220852.....	249, 259				3571862	206, 210	4070987.....	63, 65
2220883..27, 41, 49, 233, 235, 263					3573400	223, 225	4160116.....	41
2220885.....	49, 239				3573440	102, 112	4240003.....	229
2220886.....	27, 239				3573472	206, 210		
2220887.....	239				3580317 ...	140, 144, 148, 152, 156, 160, 164, 168, 172, 176		
2220906.....	263							
2220947.....	263							
2221036.....	263							
2221040.....	249, 259							
2221086.....	249, 259							
2221176.....	103, 112							
2400044.77, 87, 102, 112								
2420172.....	63, 65							
2560088.....	205, 209							
2560141.....	213, 215							
2560172.....	205, 209							
2560176.....	205, 209							
2600216.....	72							
2600285.....	205, 209							
2700100.....	219, 229							
2716703.....	249, 259							
2716705.....	249, 260							

SECTION 11 - SPECIAL OPTIONS/ACCESSORIES/KITS

4240017 ... 139, 144, 148, 151, 155, 159, 164, 168, 172, 176	4460464 67, 69, 309, 311, 315, 319, 325, 329, 333, 335, 339, 343, 345, 353, 355	4460935.....347	275, 277, 279, 281, 283, 285, 287, 289, 291, 293, 295, 297, 299, 301
4240018 . 15, 59, 61, 188, 193, 195, 197, 219	4460465 ... 309, 311, 315, 319, 323, 325, 327, 329, 335, 337, 339, 341, 343, 345, 347, 349, 351, 353, 355, 375	4460942.....309, 311, 315	4811600... 59, 61, 63, 65, 103, 112
4240033 193, 195, 219	4460466 ... 309, 311, 315, 316, 323, 325, 333, 335, 337, 343, 345, 347, 349, 351, 353, 355	4460943.....311, 315, 319, 333, 343, 345	4811700... 15, 53, 55, 59, 61, 72, 77, 84, 87, 94, 102, 108, 112, 118, 139, 143, 147, 151, 155, 159, 163, 167, 171, 175, 188, 193, 195, 267, 269, 271, 273, 275, 277, 279, 281, 283, 285, 287, 289, 291, 293, 295, 297, 299, 301, 379, 381, 383, 385, 387, 389, 391, 393
4240099 223, 225	4460467 404	4460944.....309, 311, 315, 343, 345, 349, 351, 375	4811702... 39, 59, 61, 69, 72, 135, 197
4340853 229	4460470 213, 215	4460945.....311, 315, 311, 315, 319, 345	4811900... 39, 59, 61, 67, 77, 84, 87, 94, 102, 105, 108, 112, 115, 118, 139, 143, 147, 151, 155, 159, 163, 167, 171, 175, 213, 215
4340854 229	4460471 213, 215	4460956.....307	4811902... 53, 55, 77, 87, 188
4360070 63, 65, 179, 181, 183, 398	4460483 179, 181	4460957.....307	4812000... 39, 47, 72, 77, 84, 87, 94, 103, 105, 108, 113, 115, 118, 143, 147, 188
4360387 ... 59, 61, 63, 65, 213, 215, 398	4460508 343, 355	4460962.....223	4812002 53, 55, 72
4360469 63, 65, 398	4460509 ... 309, 343, 355	4460963.....181	4812100 41, 72
4360475 63, 65, 213, 215, 398	4460510 404	4460967 325, 329	4812200 72
4360482 ... 139, 143, 147, 151, 155, 159, 163, 167, 171, 175, 215, 399	4460518 309, 349, 355	4460968.....277, 281, 283, 285, 287, 289, 295, 297, 347	4812300 . 72, 78, 87, 103, 112
4360483 213, 215, 398	4460536 ... 311, 316, 325, 329, 335, 345	4460970.....319	4812500 .84, 94, 105, 115
4360500 188, 398	4460539 ... 309, 311, 315, 337, 345, 347, 375	4461054.....319	4831700 59, 61
4360518 41	4460608 319	4461118.....319	4831900 47
4360524 63, 65, 399	4460612 357	4461196.....361	4845441 221
4360525 213, 215, 398	4460662 357, 359	4461198.....361	4845442 221
4360548 347, 398	4460670 309	4461199.....363	4846532 205, 209
4400275 112	4460746 316	4461201.....363	4846537 205, 209
4400420 112	4460761 ... 309, 349, 353	4461205.....367, 369, 371, 373	4846570 206, 210
4400498 122	4460807 ... 139, 143, 147, 151, 155, 323	4461244.....371	4871700... 160, 164, 168, 172, 176
4420037 223, 225	4460808 ... 139, 143, 147, 152, 156, 323, 327	4461245.....367	4891600 81, 91, 105
4420051 395	4460812 309	4461246.....365	4891800 . 19, 81, 91, 105, 115
4420062 72, 229	4460814 311, 315	4461249.....365	4892000 19
4420076 213, 215	4460836 ... 311, 315, 347, 349	4461257....275, 279, 291, 293, 299, 301	5240600 84, 94, 219
4460019 309, 316	4460837 311, 316	4461258....275, 279, 291, 293, 299, 301	5241000... 13, 15, 77, 84, 87, 94, 102, 108, 112, 118, 139, 143, 147, 151, 155, 159, 163, 167, 171, 175
4460042 316	4460851 347	4461271.....355	5241200... 13, 15, 17, 84, 94, 108, 118, 140, 143, 147, 151, 155, 160, 163, 167, 171, 175
4460043 327	4460852 347	4520216.....29	5242000 39, 53, 55
4460051 355	4460871 355	4520240.....31	5251012 13, 15
4460068 179, 181, 183	4460873 355	4568295..... 193, 195	5260600... 267, 271, 275, 279, 283, 287, 291, 295, 299
4460071 271, 273	4460874 355	4640858.....233	
4460115 331	4460876 355	4641122....29, 31, 33, 35	
4460138 267, 269	4460877 355	4641303.....47, 51	
4460142 316	4460879 355	4711000.... 179, 181, 183	
4460183 331, 333, 353	4460884 ... 309, 311, 316, 351	4711400 77, 87, 102, 112, 148, 156, 168, 176, 205, 209, 229	
4460224 ... 139, 143, 147, 151, 155	4460891 ... 309, 311, 315, 319, 335, 337, 339, 341, 347, 351, 355, 375	4711500 .39, 72, 201, 203	
4460225 323, 327, 331	4460892 347, 353	4711600.....87, 102, 112, 205, 209	
4460234 63, 65, 193, 195	4460894 347, 351, 353	4711700.....213, 215	
4460247 315	4460897 67, 69, 309, 315, 339, 345	4740086.....17	
4460259 309, 331, 345	4460905 219, 355	4740158..... 13, 15	
4460260 309, 331, 345	4460917 349	4740455.....188	
4460265 353	4460918 355	4740480.....229	
4460267 37, 309, 353	4460928 309, 331, 355	4751000 53, 55, 139, 143, 147, 151, 155, 159, 163, 167, 171, 175, 205, 209	
4460268 ... 139, 143, 147, 151, 155, 311, 315, 323, 327, 331	4460929 349	4751400....205, 209, 223, 225	
4460294 349	4460930 309	4751500.....205, 209	
4460315 267, 269, 357	4460931 345	4751600....201, 203, 205, 209, 223, 225	
4460320 37	4460932 311, 315	4761400.....84, 94	
4460346 357, 359	4460933 ... 311, 315, 345, 349	4811400 .39, 63, 65, 143, 147, 151, 155, 163, 167, 171, 175, 188, 267, 269, 271, 273,	
4460375 351	4460934 347		
4460422 ... 269, 273, 277, 281, 285, 289, 293, 297, 301			
4460424 311, 315			
4460425 179, 181			
4460426 ... 179, 181, 183, 225			
4460434 331			

SECTION 11 - SPECIAL OPTIONS/ACCESSORIES/KITS

5272011.....140, 144, 148, 160, 164, 168	70002157..... 131	70002901..... 125	70004681.....139
5272012..... 140, 144, 148, 152, 156, 160, 164, 168, 172, 176	70002158..... 131	70002963..... 15, 398	70004682..139, 143, 147, 151, 155
70000082.....217	70002159..... 131	70003024..... 49	70004683.....139
70000084.....217	70002160..... 131	70003060..... 97	70004685..143, 147, 151, 155
70000683.....217	70002161..... 131	70003061..... 97	70004686.....139
70000684.....217	70002162..... 131	70003063..... 98	70004687..143, 147, 151, 155
70000685.....217	70002163..... 131	70003064..... 98	70004794.....53, 55
70000686.....217	70002164..... 131	70003631 . 159, 163, 167, 171, 175	70004829.....98, 121
70000797.....27	70002165..... 131, 132	70003708 . 139, 143, 147, 151, 155, 159, 163, 167, 171, 175	70004831.....121
70000863..159, 163, 167, 171, 175	70002166..... 131	70003709 . 139, 143, 147, 151, 155, 159, 163, 167, 171, 175	70004834.....121
70001100..159, 163, 167, 171, 175	70002167..... 131	70003788 188, 398	70004848.....121
70001250.....217	70002168..... 131	70003789 49, 398	70004851.....122
70001251.....217	70002169..... 132	70003935 51	70004853.....122
70001252.....217	70002170..... 132	70003936 51	70004854.....122
70001253.....217	70002171..... 132	70003977 15, 49	70004883.....49
70001349.....21, 23	70002172..... 132	70004069 125	70004912.....122
70001384..159, 163, 167, 171, 175	70002174..... 132	70004070 125	70004913.....122
70001932.....27	70002175..... 132	70004092 . 139, 143, 147, 151, 155, 159, 163, 167, 171, 175	70005069.....49
70001933.....127	70002176..... 132	70004094 . 159, 163, 167, 171, 175	70005073.....49
70001958.....132	70002177..... 132	70004098 . 143, 147, 151, 155, 159, 163, 167, 172, 176	70005100.....49
70001959.....57	70002178..... 132	70004099 . 139, 143, 147, 151, 155, 159, 163, 167, 171, 175	70005150.....241
70001960.....57, 398	70002179..... 132	70004294 121	70005151.....241
70001965.....41, 43, 190, 398	70002180..... 132	70004295 121	70005152.....241
70001966..139, 143, 147, 151, 155, 159, 163, 167, 171, 175	70002181..... 132	70004296 121	70005153.....241
70001967.....49, 398	70002182..... 132	70004306 121	70005154.....241
70001973..159, 164, 168, 172, 176	70002183..... 132	70004311 97, 121	70005163.....15
70001974..159, 164, 168, 172, 176	70002184..... 132	70004395 97, 398	70005164.....15
70001977.....49, 398	70002185..... 132	70004396 97	70005165.....49
7000206.....21, 23	70002186..... 132	70004397 97	70005167.....49
70002112.....57	70002187..... 132	70004398 97	70005220.....97
70002113.....57, 398	70002188..... 132	70004399 97	70005221.....97
70002132.....131, 132	70002189..... 132	70004401 122	70005222.....97
70002133.....131	70002190..... 132	70004415 98	70005223.....97
70002134.....131	70002191..... 132	70004524 97, 121	70005224.....97
70002135.....131	70002192..... 132	70004525 97, 121	70005226.....98
70002136.....131	7000229..... 21, 23	70004526 97, 121	70005227.....98
70002137.....131	70002291 . 159, 163, 167, 171, 175	70004530 97	70005228.....97
70002138.....131	70002297 . 159, 163, 167, 171, 175	70004531 97	70005229.....98, 122
70002139.....131	7000230..... 21, 23	70004536 97	70005293.....125
70002140.....131	70002315..... 97	70004537 97, 122	70005294.....125
70002141.....131	70002316..... 97	70004538 97, 121	70005295.....125
70002142.....131	70002317..... 97	70004539 97	70005296.....125, 398
70002143.....131	70002318..... 97, 121	70004540 97	70005297.....125
70002144.....131	70002319..... 97	70004544 97	70005327.....122
70002145.....131	70002320..... 97	70004557 121	70005329.....121
70002146.....131	70002321..... 97	70004558 121	70005375.....237
70002147.....131	70002322..... 97	70004576 . 139, 143, 147, 151, 155	70005376.....237
70002148.....131	70002323..... 97	70004678 . 139, 143, 147, 151, 155	70005377.....237
70002149.....131	70002326..... 98, 122	70004679 . 139, 143, 147, 151, 155	70005378.....237
70002150.....131	70002327..... 98	70004680 . 139, 143, 147, 151, 155	70005380.....235
70002151.....131	70002328..... 98	70004681.....139	70005381.....235
70002152.....131	70002330..... 98	70004682..139, 143, 147, 151, 155	70005382.....235
70002153.....131	70002332..... 97	70004683.....139	70005383.....235
70002154.....131	70002401..... 188	70004685..143, 147, 151, 155	70005448.....49
70002155.....131	70002419..... 97	70004686.....139	70005449.....49
70002156.....131	7000246..... 21, 23	70004687..143, 147, 151, 155	70005453.....127
	70002460 . 159, 163, 167, 171, 175	70004688 . 139, 143, 147, 151, 155	70005454.....129
	7000248..... 21, 23	70004689 . 139, 143, 147, 151, 155	70005455.....129
	7000253..... 21, 23	70004690 . 139, 143, 147, 151, 155	70005724.....49
	7000257..... 21, 23	70004691 . 139, 143, 147, 151, 155	70005725.....49
	7000258..... 21, 23	70004692 . 139, 143, 147, 151, 155	70005726.....121
	7000261..... 21, 23	70004693 . 139, 143, 147, 151, 155	70005727.....121
	7000262..... 21, 23	70004694 . 139, 143, 147, 151, 155	70005728.....121
	7000263..... 21, 23	70004695 . 139, 143, 147, 151, 155	70005729.....121
	70002768..... 57		
	70002842..... 233		
	70002861..... 105, 115		

SECTION 11 - SPECIAL OPTIONS/ACCESSORIES/KITS

70005730	121	70007037	239	7017963.....	98	7024194.....	24
70005731	121	70007038	239	7017980.....	121, 398	7024196.....	24
70005732	121	70007039	239	7017982.....	121	7024197.....	24
70005733	121	70007040	239	7017983.....	121	7024441.....	57
70005734	121	70007041	239	7017984.....	121	7024446.....	57
70005735	121	70007042	239	7017986.....	121	7024497.....	43, 190
70005736	121	70007043	239	7017992.....	98, 121, 398	7024498.....	43
70005737	121	70007044	239	7017994.....	122	7024500.....	43
70005738	121	70007045	239	7017995.....	121	7024502.....	41, 43, 190
70005739	121	7000731	24	7020175.63, 65, 213, 215		7024503.....	43
70005740	121	70007439	132	7020176.63, 65, 213, 215		7024504.....	43
70005743	121	70007502	85, 95, 108, 119	7021249.....	27	7024505.....	43
70005744	121	70007506	217	7021256.....	132	7024506.....	41, 43, 190
70005745	121	70009008	303	7021275.....	27, 131	7024507.....	43
70005746	122	70009009	303	7021276.....	27	7024705.....	23
70005747	122	70009010	305	7021277.....	27	7024712.....	21, 23
70005748	122	70009011	305	7021625.....	51	7024713.....	21, 23
70005749	122	70010383	77, 87, 102, 112, 398	7021639.....	51	7024714.....	21, 23
70005750	122	7001998	21, 23	7022301.....	131	7024715.....	21, 23
70005751	122	70020438	235	7022302.....	27	7024716.....	21, 23
70005752	122	70023915	237, 239	7022305.....	27	7024717.....	23
70005753	122	70026417	239	7022310.....	27	7024718.....	24
70005754	122	7002821	404	7022311.....	27	7024808.....	190
70005755	122	7002822	404	7022312.....	27	7024854.....	27
70005756	122	7002823	404	7022314.....	27	7024862.....	27
70005757	122	7002828	404	7022326.....	27	7024868.....	27
70005758	122, 398	7004275	404	7022328.....	27	7024881.....	51
70005759	122	7004276	404	7022340.....	132	7025479.....	97
70005760	122	70050516	15, 398	7022368.....	27	7026597... 159, 163, 167, 172, 176	
70005761	122	7007207	131	7022369.....	27	7026626... 159, 163, 167, 171, 175	
70005762	122	7007415	132	7022371.....	27	7027365.....	217
70005763	122	7007418	131	7022390.....	15, 49, 190	7027367.....	217
70005764	122	7007419	131	7022397.....	51	7027419.....	27
70005765	122	7007437	27	7022398.....	49	7027765.....	217
70005766	122	7007438	27	7022399.....	49, 51	7027766.....	217
70005767	122	7007439	27	7023107.....	121	7027799... 159, 163, 167, 171, 175	
70005768	122	7007446	27, 131	7023110.....	98	77363233.....	323, 327
70005769	122	7007601	21, 23	7023114.....	97	80463053.....	385
70005788	190, 398	7007640	21, 23	7023145.....	98	80933216.....	190
70006093	159, 163, 167, 171, 175	7010429	21, 23	7023148.....	98	8220007.....	311
70006094	159, 163, 167, 171, 175	7012910	15	7023149.....	98	8220022.....	181, 183
70006095	159, 163, 167, 171, 175, 398	7012925	49	7023154.....	97	8220029.....	316
70006096	159, 163, 167, 171, 175	7015004.85, 95, 108, 118, 398		7023164.....	97	8220045.....	311, 319
70006097	159, 164, 168, 172, 176	7015005	108, 118	7023165.....	97	8220111.....	316, 319
70006104	190	7016319	37	7023168.....	97	8220164.....	316, 319
70006105	190	7016372	37	7023170.....	98, 122	8303511.78, 87, 103, 112	
70006292	43	7016654	404	7023306.....	57	83191040.....	81, 91, 105, 115
70006552	140, 143, 147, 151, 155	7017059	21, 23	7023347.....	57	840500977, 87, 102, 108, 118	
70006553	140, 143, 147, 151, 155	7017067	21, 23	7023900.....	49	8405101.84, 94, 108, 118	
70006661	97, 121	7017070	21, 23	7023907.....	27	8405104.84, 94, 108, 118	
70006662	121	7017080	21, 23	7023910.....	27	8406302... 151, 155, 171, 175	
70006664	98	7017080	21, 23	7023917.....	51	8410013.....	109, 118
70006665	97	7017496	188, 235	7023929.....	81, 91	85941016.....	84, 94, 108, 118
70006786	49	7017901	98	7023933.....	51	8750014.....	77, 87
70006843	237	7017906	121	7023936.....	49	8760268.....	250
70006844	235	7017914	121	7023964.....	132	8760351.....	249, 259
70007036	49	7017922	97	7024182.....	23, 24	90021705.....	84, 94
		7017928	97	7024189.....	24		
		7017934	97, 121	7024190.....	24		
		7017945	97	7024191.....	24		
		7017958	98	7024192.....	24		
		7017959	121	7024193.....	24		



**Corporate Office
JLG Industries, Inc.
1 JLG Drive
McConnellsburg, PA 17233-9533 USA
☎ (717) 485-5161 (Corporate)
☎ (877) 554-5438 (Customer Support)
📠 (717) 485-6417**

**Visit our website for JLG Worldwide Locations.
www.jlg.com**



OSHKOSH™