



Illustrated Parts Manual

Model **AE1932**

PVC
2110

P/N
31219133
September 1, 2022 - Rev C

ANSI

CE



**UK
CA**

AS/NZS



An Oshkosh Corporation Company

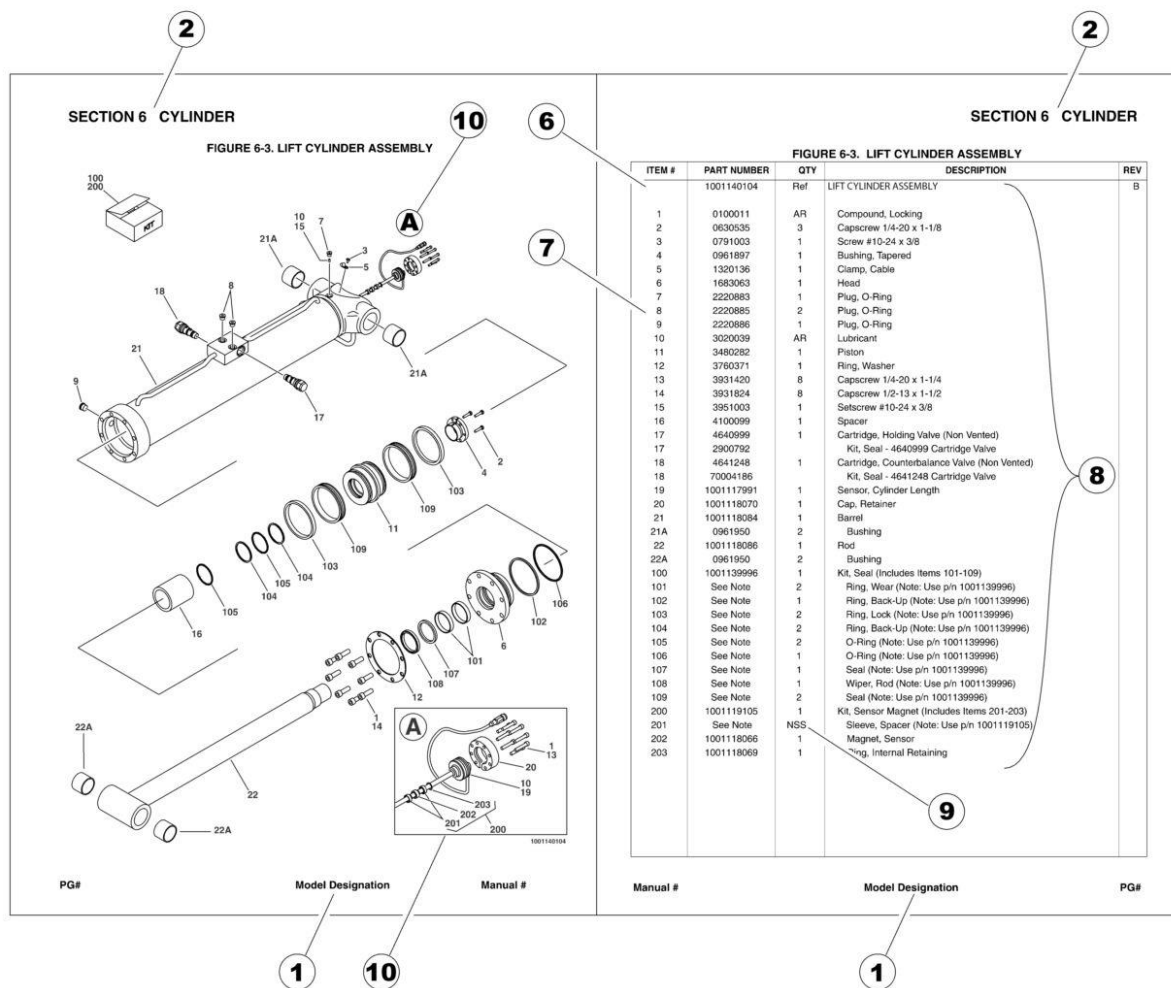
REVISION LOG

October 1, 2021 - A - Original Issue of Manual (Edited to 1001290000 Rev K)

January 31, 2022 - B - Revised Manual (Edited to 1001290000 Rev K)

September 1, 2022 - C - Revised Manual (Edited to 1001290000 Rev K)

GENERAL INFORMATION



1) MACHINE IDENTIFICATION

Machines are identified by model and in some cases a combination of models, serial number (SN) or regional standard (i.e ANSI, CE, CSA). Components may also be identified by SN or manufacturer. Common components that may be identified by these characteristics are engines and hydraulic components.

2) PARTS MANUAL ORGANIZATION

Product information in this manual is organized under section titles. Frame, Cylinder, Hydraulic and Electrical are a few examples. Each section is organized by figure and page number. The information within the Figure is then organized by item number, part number, description and corresponding illustration (s).

3) TABLE OF CONTENTS (NOT SHOWN)

A table of contents is found toward the beginning of the manual. Figure number, description and page number are provided for quick reference to the page containing the related information.

4) RECOMMENDED SPARE PARTS (NOT SHOWN)

The Recommended Spare Parts List, located near the end of the manual, reference most frequently used maintenance parts.

5) PART NUMBER INDEX (NOT SHOWN)

A numerical index listing all part numbers and the corresponding page number(s) appears at the back of the manual.

GENERAL INFORMATION

6) NON-SERVICED PARTS

In some instances, it is necessary to display non-serviced parts, assemblies or installations. In the case of assemblies and installations there will be a Ref in the Qty. column. In case of parts that are not available for service within assemblies or components, there will be a NSS (Not Sold Separately) or NLA (No Longer Available) listed in the Qty. column of the manual.

7) PARTS LIST ITEM NUMBERS

Numbers shown in the item# column correspond to numbers used in the associated illustration (s). Item numbers which are missing from the sequence in the parts list are not used on that page.

8) INDENTED PARTS DESCRIPTION

An indented part description is included in the item under which it is indented.

9) ABBREVIATION AND SYMBOLS

AC.....	Alternating Current	L.....	Liter
ADE.....	Advanced Design Electronics	LB(LBS).....	Pounds
AG.....	Agricultural	LCD.....	Liquid Crystal Display
ANSI.....	American National Standards Institute	LED.....	Light Emitting Diodes
AR.....	As Required	LH.....	Left Hand
ASSY.....	Assembly	LRC.....	Low Rated Countries
AUS.....	Australia	LSS.....	Load Sensing System
AUX.....	Auxiliary	M(m).....	Metric/Meter
AWG.....	American Wire Gauge	MM(mm).....	Milimeter
B/M.....	Bill of Material	mA.....	Miliamps
CAC.....	Charge Air Cooler	NLA.....	No Longer Available
CE.....	European Conformity	NPT.....	National Pipe Threads
CCW.....	Counter Clockwise	NSS.....	Not Sold Separately
CM.....	Centimeter	OD.....	Outside Diameter
CW.....	Clockwise	ORB.....	O-Ring Boss
CSA.....	Canadian Standards Association	ORFS.....	O-Ring Face Seal
CYL.....	Cylinder	OZ (oz).....	Ounces
DIA.....	Diameter	PG.....	Page
DC.....	Direct Current	PN.....	Part Number
DEF.....	Diesel Exhaust Fluid	QT(qt.).....	Quarts
EMS.....	Emergency Stop	QTY.....	Quantity
ENG.....	Engine	REF.....	Reference
FT(ft).....	Feet	REV.....	Revision Level
GA(Ga).....	Gauge	RH.....	Right Hand
HRC.....	High Rated Countries	SAE.....	Society of Automotive Engineers
HVAC.....	Heating, Ventilating, and Air Conditioning	SN.....	Serial Number
HYD.....	Hydraulic	SPEC(S).....	Specifications
Hz.....	Hertz	T/T.....	Turntable
ID.....	Inside Diameter	UGM.....	Universal Ground Module
IN.....	inches	V.....	Volts
ISO.....	International Organization for Standards	W.....	Watts
JIC.....	Joint Industry Council	#.....	Number
KG.....	Kilogram		

10) ILLUSTRATION REFERENCE LETTERS

When necessary, illustrations may contain reference letters that are intended to track information (i. e. hoses, harnesses) from one point to another or to track visual enlargement of components to show details that may be located in another area on the illustration.

Note: Due to continuous product improvements, JLG Industries, Inc. reserves the right to make specification changes without prior notification. Contact JLG Industries, Inc. for updated information.

TABLE OF CONTENTS

SECTION 1 - FRAME.....	9
FIGURE 1-1. STEERING INSTALLATION	10
FIGURE 1-2. DRIVE/BRAKE INSTALLATION.....	12
FIGURE 1-3. DRIVE MOTOR ASSEMBLY.....	14
FIGURE 1-4. MOTOR COVERS INSTALLATION	16
FIGURE 1-5. HUB ASSEMBLY - REAR	18
FIGURE 1-6. TIRE AND WHEEL INSTALLATION	20
FIGURE 1-7. POTHOLE PROTECTION INSTALLATION	22
FIGURE 1-8. TILT SENSOR INSTALLATION	24
FIGURE 1-9. BATTERY CHARGER INSTALLATION - 650W.....	26
FIGURE 1-10. BATTERY CHARGER INSTALLATION – 650W (MOL SPECS).....	28
FIGURE 1-11. BATTERY CHARGER INSTALLATION – 900W.....	30
FIGURE 1-12. BATTERY CHARGER INSTALLATION – 900W (MOL SPECS).....	32
FIGURE 1-13. STROBE LIGHT INSTALLATION – SINGLE (AMBER) (WITH GUARD).....	34
FIGURE 1-14. STROBE LIGHT INSTALLATION – DUAL (AMBER) (WITH GUARD)	36
FIGURE 1-15. ALARM INSTALLATION (AMBIENT/WHITE NOISE) (OPTIONAL)	38
FIGURE 1-16. LADDER INSTALLATION	40
FIGURE 1-17. FRAME COVERS INSTALLATION.....	42
FIGURE 1-18. FRAME COVERS INSTALLATION (MOL70 SPECS).....	44
SECTION 2 - GROUND CONTROLS	47
FIGURE 2-1. ELECTRICAL COMPONENTS INSTALLATION	48
FIGURE 2-2. MOBILE CONTROL INSTALLATION.....	50
FIGURE 2-3. BATTERY INSTALLATION (.....	52
FIGURE 2-4. BATTERY INSTALLATION ((MOL70 SPECS).....	54
FIGURE 2-5. INVERTER INSTALLATION (OPTIONAL)	56
FIGURE 2-6. DOORS INSTALLATION (LH).....	58
FIGURE 2-7. DOORS INSTALLATION (RH) (STANDARD).....	60
FIGURE 2-8. DOORS INSTALLATION (RH) (MACHINES WITH INVERTER/CLEARSKY).....	62
SECTION 3 - SCISSORS ARMS	65
FIGURE 3-1. SCISSORS ARMS INSTALLATION.....	66
FIGURE 3-2. LIFT CYLINDER/ACTUATOR ASSEMBLY.....	70
FIGURE 3-3. ARM GUARD INSTALLATION.....	72
SECTION 4 - PLATFORM.....	75
FIGURE 4-1. PLATFORM INSTALLATION - WITHOUT LSS.....	76
FIGURE 4-2. PLATFORM INSTALLATION WITH LSS	78
FIGURE 4-3. PLATFORM EXTENSION INSTALLATION	80
FIGURE 4-4. RAILS INSTALLATION - FIXED RAILS (AUSTRALIAN & JAPANESE SPECS)	82
FIGURE 4-5. RAILS INSTALLATION - QUIK ACCESS (ANSI & JAPANESE SPECS).....	84
FIGURE 4-6. RAILS INSTALLATION - QUIK FOLD-DOWN (ALL SPECS EXCEPT CE SPECS)	88
FIGURE 4-7. RAIL INSTALLATION - QUIK-FOLD (CE & UK CA SPECS)	90
FIGURE 4-8. HANDLE EXTENSION INSTALLATION (OPTIONAL)	94
FIGURE 4-9. PLATFORM CONSOLE ASSEMBLY (LED)	96
FIGURE 4-10. PLATFORM BOX ASSEMBLY (LCD)	98
FIGURE 4-11. DRIVE/STEER CONTROLLER ASSEMBLY (LED)	100
FIGURE 4-12. DRIVE/STEER CONTROLLER ASSEMBLY (LCD)	102
FIGURE 4-13. USB/PHONE CRADLE INSTALLATION	104
FIGURE 4-14. SKYSENSE LEVEL 1 INSTALLATION (LED).....	106
FIGURE 4-15. SKYSENCE LEVEL 1 INSTALLATION (LCD).....	108
FIGURE 4-16. PANEL CARRIER INSTALLATION (OPTIONAL - ALL SPECS EXCEPT JAPANESE SPECS).....	110
FIGURE 4-17. PIPE RACK INSTALLATION (OPTIONAL - ALL SPECS EXCEPT JAPANESE SPECS)	112
SECTION 5 - ELECTRICAL	115
FIGURE 5-1. AC BOX AT PLATFORM INSTALLATION - 110V GFI (ALL SPECS EXCEPT AUSTRALIAN, CE & UK CA SPECS)	116
FIGURE 5-2. AC BOX AT PLATFORM INSTALLATION - 110V IEC YELLOW (CE & UK CA SPECS).....	118
FIGURE 5-3. AC BOX AT PLATFORM INSTALLATION - 220V IEC BLUE (CE & UK CA SPECS).....	120
FIGURE 5-4. AC BOX AT PLATFORM INSTALLATION - 220V CEE7 POST GROUND (CE & UK CA SPECS).....	122
FIGURE 5-5. AC BOX AT PLATFORM INSTALLATION - 220V CEE7 SIDE GROUND (CE & UK CA SPECS)	124

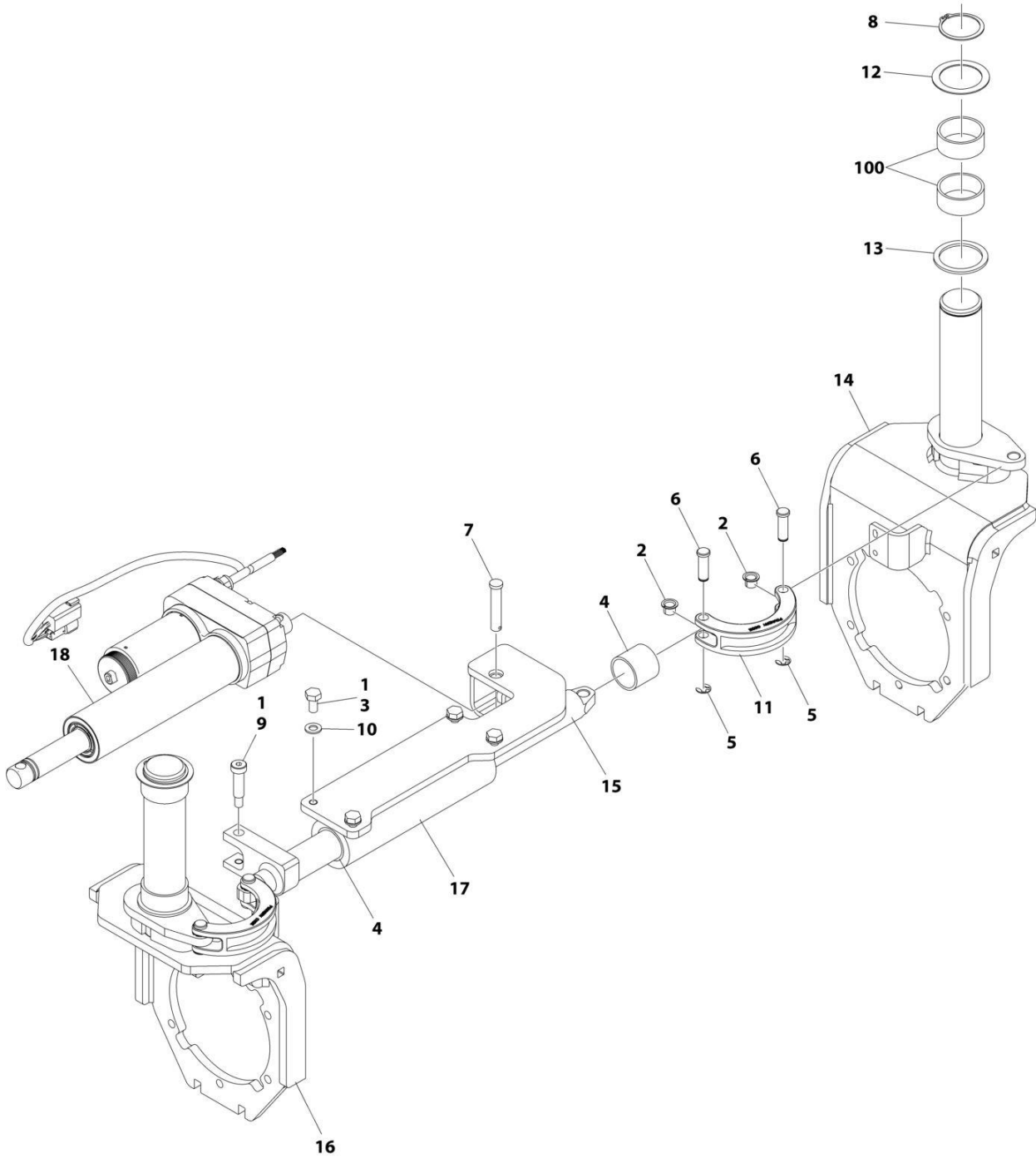
TABLE OF CONTENTS

FIGURE 5-6. AC BOX AT PLATFORM INSTALLATION - 220V AFSINT 107 (CE & UK CA SPECS).....	126
FIGURE 5-7. AC BOX AT PLATFORM INSTALLATION - 220V LOCALLY SUPPLIED COMPONENTS (ALL SPECS).....	128
FIGURE 5-8. AC BOX AT PLATFORM INSTALLATION - 220V AUSTRALIAN PLUG (AUSTRALIAN SPECS).....	130
FIGURE 5-9. AC BOX AT PLATFORM INSTALLATION - 220V (CHINA SPECS).....	132
FIGURE 5-10. BATTERY HARNESS.....	134
FIGURE 5-11. BREAKER BOX KIT (AUSTRALIAN SPECS).....	136
FIGURE 5-12. BREAKER BOX KIT WITH 1 DOUBLE BREAKER (CE & UK CA SPECS).....	138
FIGURE 5-13. BREAKER BOX KIT WITH 3 BREAKERS (CE & UK CA SPECS).....	140
FIGURE 5-14. CHARGER PLUG INSTALLATION (LOCALLY SUPPLIED PLUG) (ALL SPECS EXCEPT ANSI & AUSTRALIAN SPECS).....	142
FIGURE 5-15. CHARGER PLUG INSTALLATION (110V PLUG) (ANSI & CSA SPECS).....	144
FIGURE 5-16. CHARGER PLUG INSTALLATION (AUSTRALIAN PLUG) (AUSTRALIAN SPECS).....	146
FIGURE 5-17. CHARGER PLUG INSTALLATION (110V IEC YELLOW PLUG) (CE & UK CA SPECS).....	148
FIGURE 5-18. CHARGER PLUG INSTALLATION (220V IEC BLUE PLUG) (CE & UK CA SPECS).....	150
FIGURE 5-19. CHARGER PLUG INSTALLATION (220V CEE7 PLUG) (CE & UK CA SPECS).....	152
FIGURE 5-20. CHARGER PLUG INSTALLATION (220V AFSINT107 PLUG) (CE & UK CA SPECS).....	154
FIGURE 5-21. CHASSIS HARNESS.....	156
FIGURE 5-22. GROUND TO PLATFORM CABLE INSTALLATION - WITHOUT PLATFORM COIL CABLE (ALL SPECS EXCEPT JAPANESE SPECS).....	160
FIGURE 5-23. GROUND TO PLATFORM CABLE INSTALLATION - WITH PLATFORM COIL CABLE (ALL SPECS EXCEPT JAPANESE SPECS).....	162
FIGURE 5-24. GROUND TO PLATFORM CABLE INSTALLATION - WITHOUT PLATFORM COIL CABLE & WITH FOOTSWITCH (JAPANESE SPECS).....	164
FIGURE 5-25. GROUND TO PLATFORM CABLE INSTALLATION - WITH PLATFORM COIL CABLE & WITH FOOTSWITCH (JAPANESE SPECS).....	166
FIGURE 5-26. LSS HARNESS.....	168
FIGURE 5-27. PLATFORM BOX HARNESS (LED PLATFORM BOX).....	170
FIGURE 5-28. PLATFORM BOX HARNESS (LCD BOX).....	172
FIGURE 5-29. RECEPTACLE BOX KIT - 110V GFI.....	174
FIGURE 5-30. RECEPTACLE BOX KIT - 110V IEC YELLOW (CE & UK CA SPEC).....	176
FIGURE 5-31. RECEPTACLE BOX KIT - 220V IEC BLUE (CE & UK CA SPEC).....	178
FIGURE 5-32. RECEPTACLE BOX KIT - 220V CEE7 POST GROUND (CE & UK CA SPEC).....	180
FIGURE 5-33. RECEPTACLE BOX KIT - 220V CEE7 SIDE GROUND (CE & UK CA SPEC).....	182
FIGURE 5-34. RECEPTACLE BOX KIT - 220V AFSINT 107 (CE & UK CA SPEC).....	184
SECTION 6 - DECALS.....	187
FIGURE 6-1. DECALS INSTALLATION - ANSI SPECS (ENGLISH LANGUAGE).....	188
FIGURE 6-2. DECALS INSTALLATION - AUSTRALIAN/CE/JAPANESE/UK CA SPECS (ENGLISH LANGUAGE).....	190
FIGURE 6-3. DECALS INSTALLATION - BRAZIL SPECS (SPANISH/PORTUGUESE LANGUAGES).....	192
FIGURE 6-4. DECALS INSTALLATION - CHINA SPECS (CHINA/ENGLISH LANGUAGES).....	194
FIGURE 6-5. DECALS INSTALLATION - CSA SPECS (FRENCH/ENGLISH LANGUAGES).....	196
FIGURE 6-6. DECALS INSTALLATION - KOREAN SPECS (KOREAN/ENGLISH LANGUAGES).....	198
FIGURE 6-7. DECALS INSTALLATION - LATIN AMERICAN SPECS (SPANISH/ENGLISH LANGUAGES).....	200
FIGURE 6-8. DECAL INSTALLATION - OPTIONS.....	202
SECTION 7 - RECOMMENDED SERVICE PARTS STOCK.....	205
FIGURE 7-1. RECOMMENDED SERVICE PARTS STOCK.....	206
SECTION 8 - SPECIAL OPTIONS/ACCESSORIES/KITS.....	207
FIGURE 8-1. SPECIAL OPTIONS/ACCESSORIES/KITS.....	208
PART NUMBER INDEX.....	211

SECTION 1 - FRAME

SECTION 1 - FRAME

FIGURE 1-1. STEERING INSTALLATION



ART_1001278765

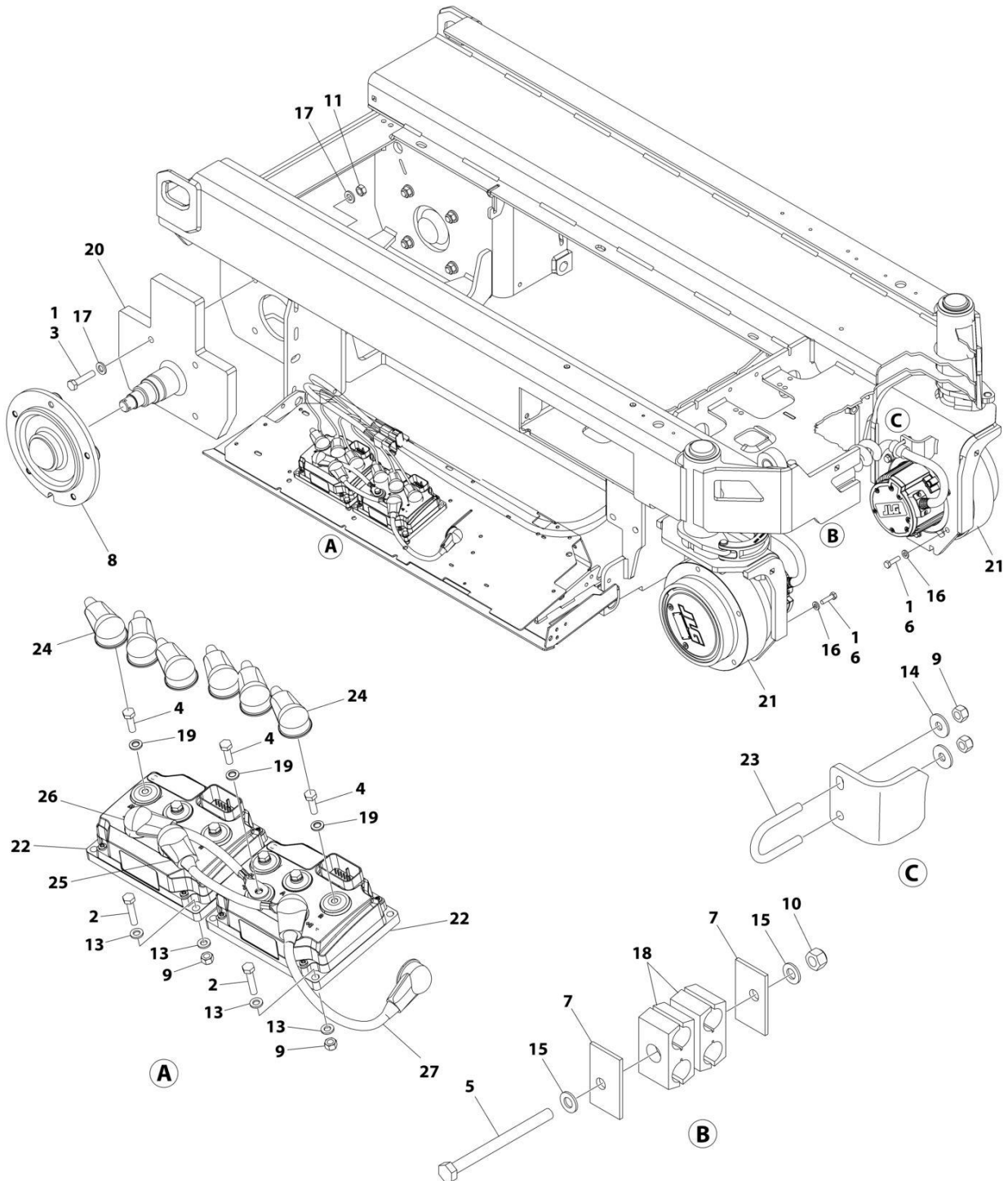
SECTION 1 - FRAME

FIGURE 1-1. STEERING INSTALLATION

ITEM	PART NUMBER	QTY	DESCRIPTION	REV
	1001278765	Ref	STEERING INSTALLATION	E
1	0100011	AR	Compound, Locking	
2	0440259	4	Bearing	
3	0761010	5	Bolt M10 x 20	
4	0962272	2	Bearing	
5	1380153	4	E-Clip	
6	3423037	4	Pin	
7	3430820	1	Pin	
8	3760217	2	Ring, Retaining	
9	3900270	1	Screw 1/2 x 1-1/2	
10	4812000	5	Washer M10	
11	4846757	2	Lug, Steering	
12	1001197396	AR	Washer	
13	1001205751	2	Washer, Thrust	
14	1001226487	1	Spindle (LH)	
15	1001249295	1	Link, Drag	
16	1001250162	1	Spindle (RH)	
17	1001287425	1	Bracket	
18	1001276567	1	Steer Actuator Assembly (No Service Parts Available - Purchase Complete Assembly)	
100	1001153785	4	Bushing	

SECTION 1 - FRAME

FIGURE 1-2. DRIVE/BRAKE INSTALLATION



ART_1001278006

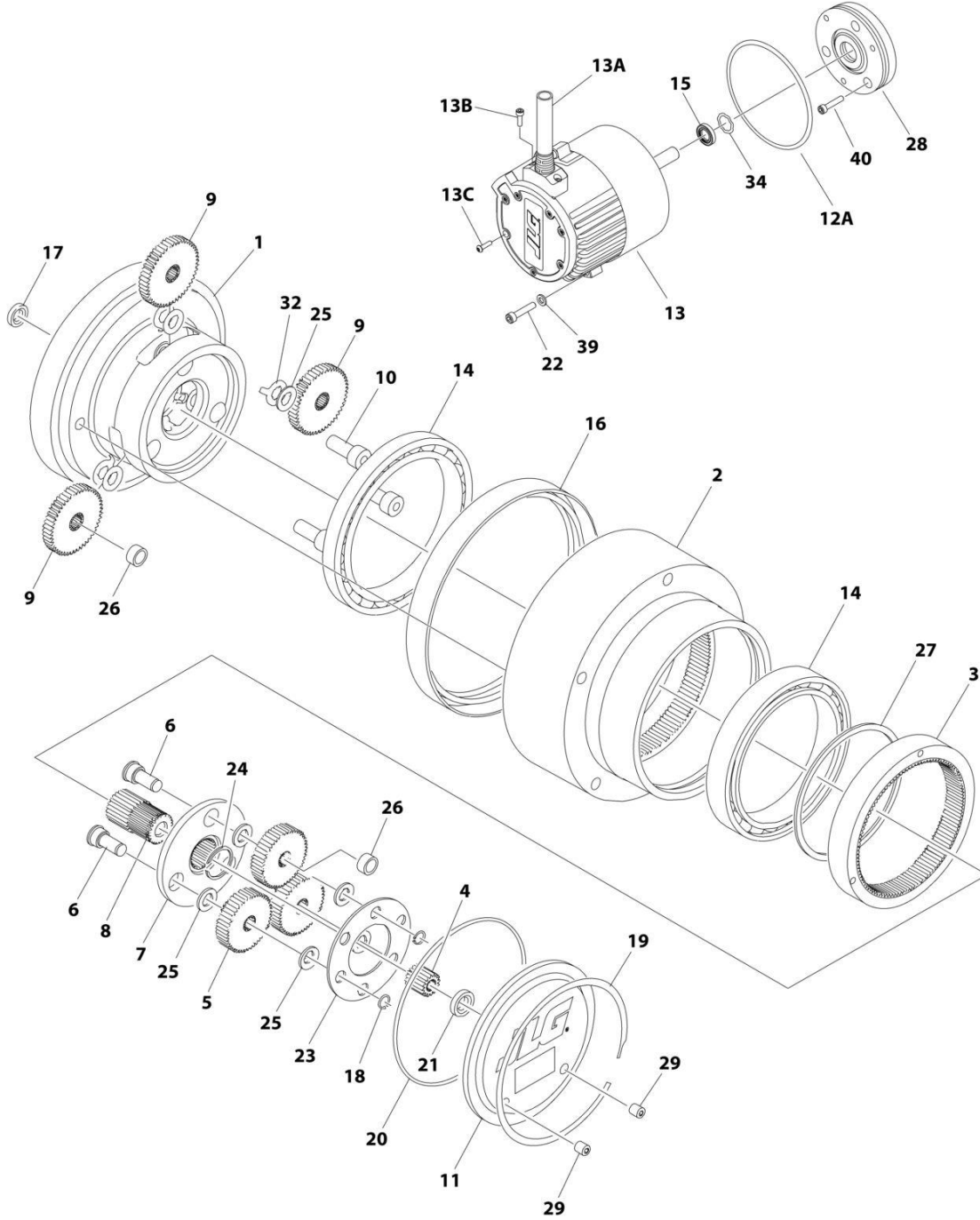
SECTION 1 - FRAME

FIGURE 1-2. DRIVE/BRAKE INSTALLATION

ITEM	PART NUMBER	QTY	DESCRIPTION	REV
	1001278006	Ref	DRIVE/BRAKE INSTALLATION	B
1	0100011	AR	Compound, Locking	
2	0700612	4	Bolt M6 x 25	
3	0711219	8	Bolt M12 x 55	
4	0760610	10	Bolt M6 x 20	
5	0760827	1	Bolt M8 x 100	
6	0770814	12	Bolt M8 x 30	
7	1321752	2	Clamp	
8	2780266	2	Assembly, Rear Hub (See Separate Breakdown in this Section)	
9	3290605	8	Nut M6	
10	3290805	1	Nut M8	
11	3331211	8	Nut M12	
12	4240017	AR	Tie-Strap (Not Shown)	
13	4811700	8	Washer M6	
14	4811702	4	Washer M6	
15	4811900	2	Washer M8	
16	5240800	12	Washer M8	
17	5241200	16	Washer M12	
18	8750014	2	Clamp	
19	1001210966	10	Washer	
20	1001226423	2	Spindle	
21	1001246733	2	Drive Motor Assembly (See Separate Breakdown in this Section)	
22	1001248114	2	Module, Drive (Note: Recalibration Required When Replaced)	
23	1001259015	2	U-Bolt M6	
24	1001266450	6	Boot	
25	1001278514	1	Cable, Battery Positive	
26	1001278515	1	Cable, Battery Negative	
27	1001278618	1	Cable, Battery Positive Contactor	

SECTION 1 - FRAME

FIGURE 1-3. DRIVE MOTOR ASSEMBLY



ART_1001246733

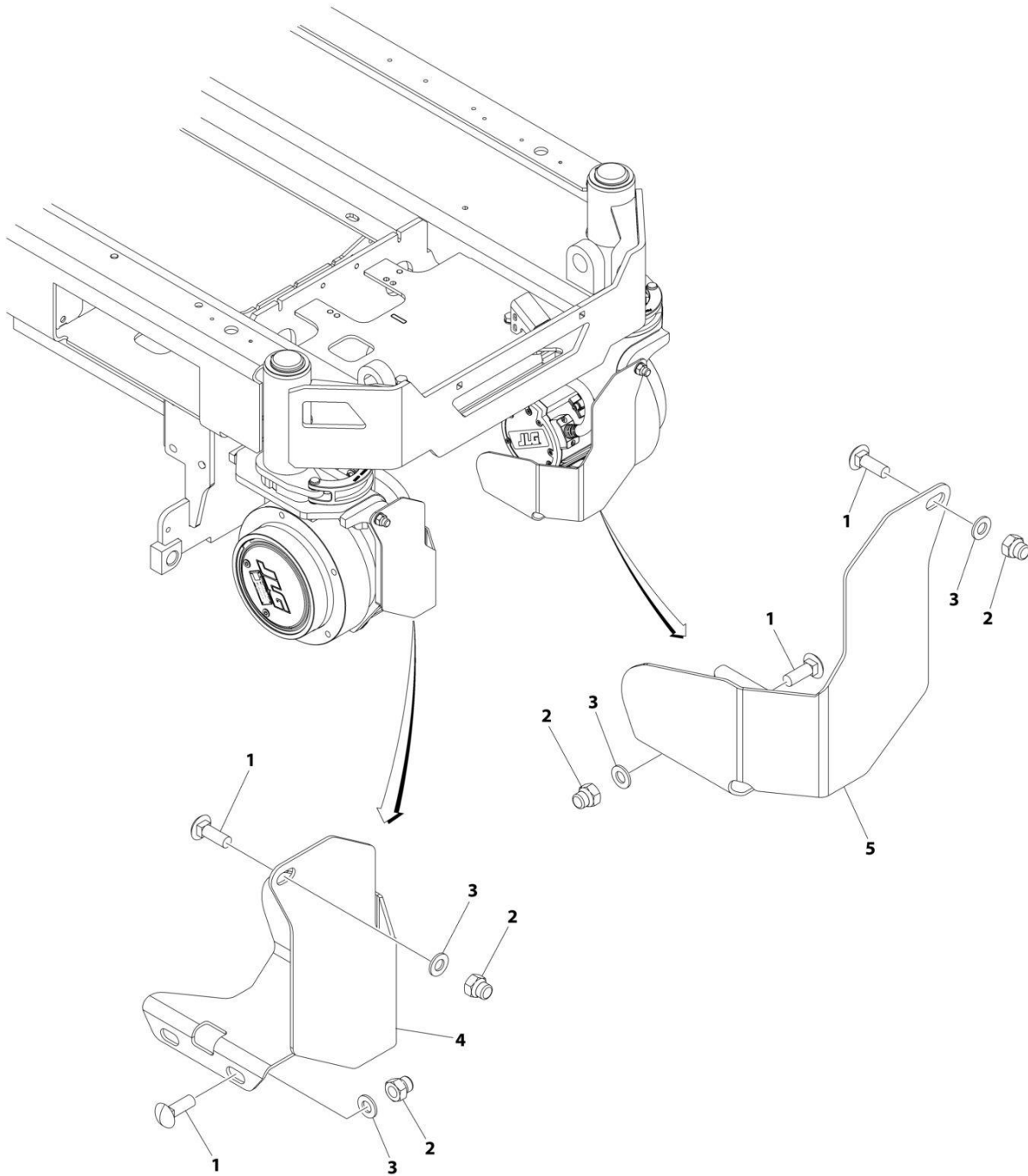
SECTION 1 - FRAME

FIGURE 1-3. DRIVE MOTOR ASSEMBLY

ITEM	PART NUMBER	QTY	DESCRIPTION	REV
	1001246733	Ref	DRIVE MOTOR ASSEMBLY	F
		Ref	HUB ASSEMBLY	
1	See Note	NSS	Spindle / Carrier (Note : Use Pin 1001246733)	
2	See Note	NSS	Hub (Note : Use Pin 1001246733)	
3	70007494	1	Ring, Input	
4	70007491	3	Gear, Input Sun	
5	70007490	3	Gear, Input Planet (Includes Item 26)	
6	70007196	3	Pin, Planet Gear	
7	70007492	1	Carrier	
8	70007195	1	Gear, Output Sun	
9	70007193	3	Gear, Output Planet (Includes Item 26)	
10	70007199	3	Pin, Output Planet	
11	70007538	1	Cover	
12A	70007551	1	O-Ring	
12B	70007545	1	Washer, Thrust (Not Shown)	
13	70007552	1	Motor	
13A	70007553	1	Cable, Electric	
13B	70007549	1	Capscrew M5 x 16	
13C	See Note	NSS	Capscrew M5 x 10	
14	70007541	2	Bearing, Main	
15		Ref	Bearing, Shaft	
16	70001739	1	Seal, Lip	
17	70007542	1	Seal, Lip	
18	70007204	3	Ring, Retaining	
19	70007543	1	Ring, Retaining	
20	70000191	1	O-Ring	
21	70007540	1	Washer, Thrust	
22	70007550	2	Capscrew M6 x 30	
23	70007207	1	Plate, Thrust	
24	70007203	1	Ring, Retaining	
25	70007206	9	Washer, Thrust	
26	70007201	6	Bushing	
27	70007544	1	Ring, Retaining	
28	70007548	1	Brake, Input	
29	70007539	2	Plug	
32	70007205	3	Washer, Tanged	
34	70007547	1	Washer, Wavey	
39	70007546	2	Washer M6	
40		Ref	Bolt M5 x 25	

SECTION 1 - FRAME

FIGURE 1-4. MOTOR COVERS INSTALLATION



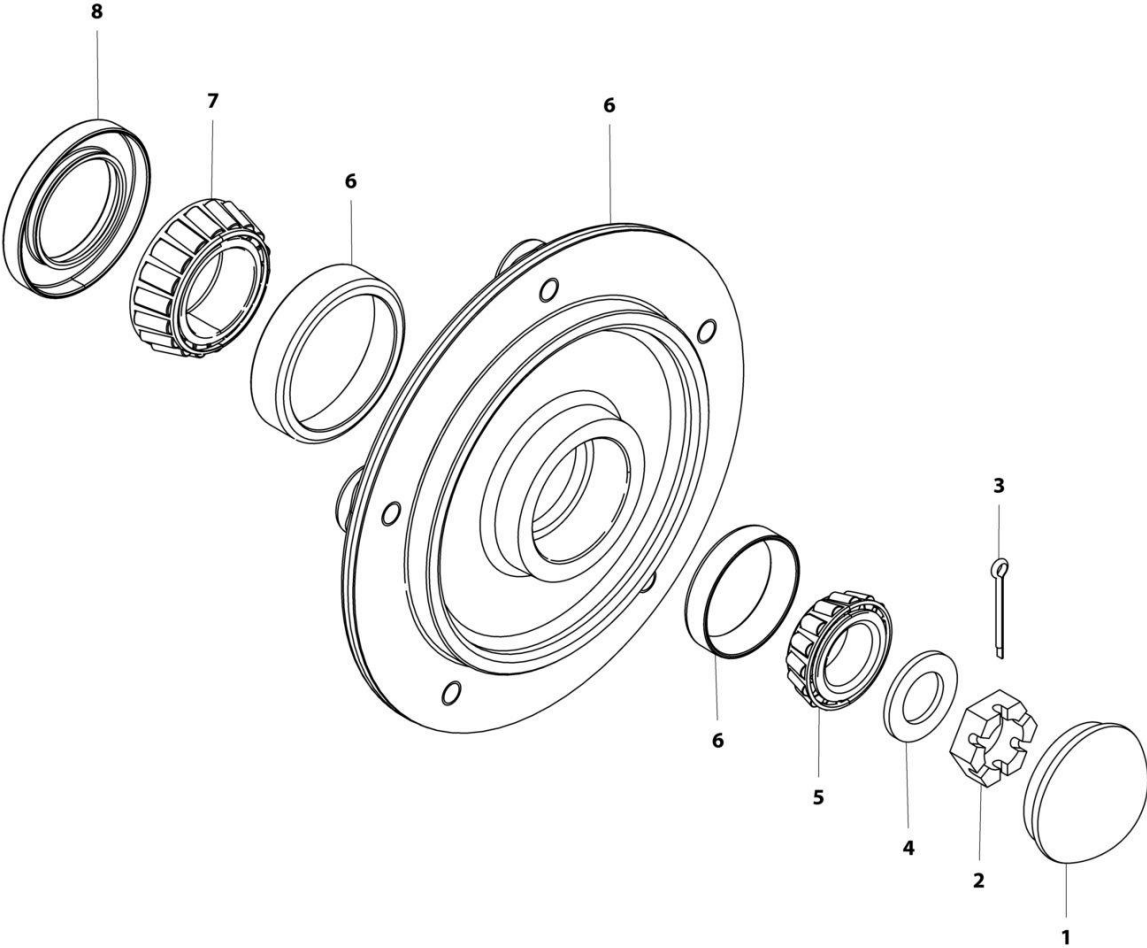
ART_1001251532

FIGURE 1-4. MOTOR COVERS INSTALLATION

ITEM	PART NUMBER	QTY	DESCRIPTION	REV
	1001251532	Ref	MOTOR COVERS INSTALLATION	A
1	0630613	6	Bolt M10 x 30	
2	3291006	6	Nut M10	
3	4812000	6	Washer M10	
4	1001251531	1	Cover Motor (RH)	
5	1001251620	1	Cover Motor (LH)	

SECTION 1 - FRAME

FIGURE 1-5. HUB ASSEMBLY - REAR



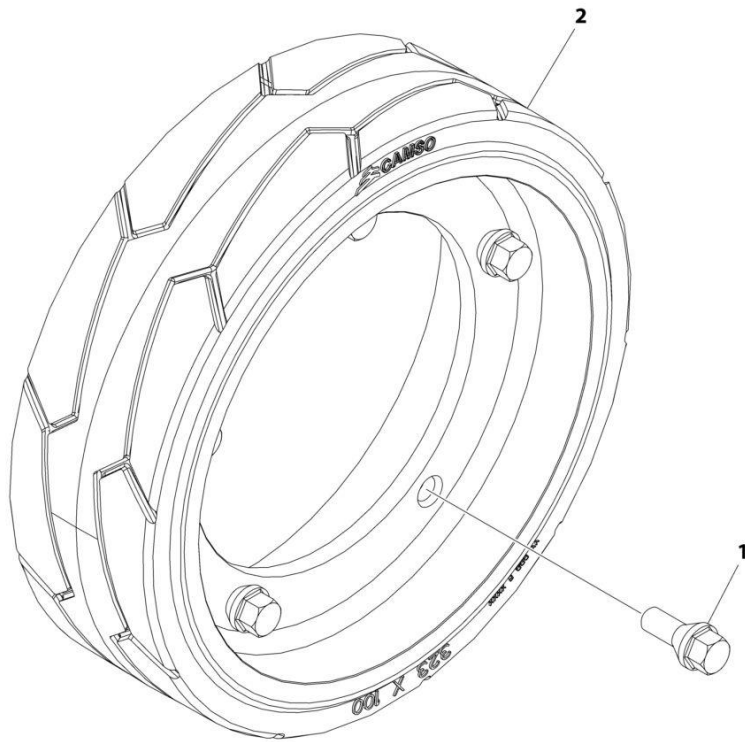
ART_2780266

FIGURE 1-5. HUB ASSEMBLY - REAR

ITEM	PART NUMBER	QTY	DESCRIPTION	REV
	2780266	Ref	HUB ASSEMBLY - REAR	E
1	1001102354	1	Cap, Dust (was p/n 7012524)	
2	3300423	1	Nut, Slotted (was p/n 7010641)	
3	3450406	1	Pin, Cotter 2 x 3/16 (was p/n 7010642)	
4	4740468	1	Washer (was p/n 7019697)	
5	1001102351	1	Bearing, Cone - Outer (was p/n 7026185)	
6	See Note	NSS	Hub (Note: Purchase Complete Assembly p/n 2780266)	
7	1001102353	1	Bearing, Cone - Inner (was p/n 7026183)	
8	1001102349	1	Seal (was p/n 7026184)	

SECTION 1 - FRAME

FIGURE 1-6. TIRE AND WHEEL INSTALLATION



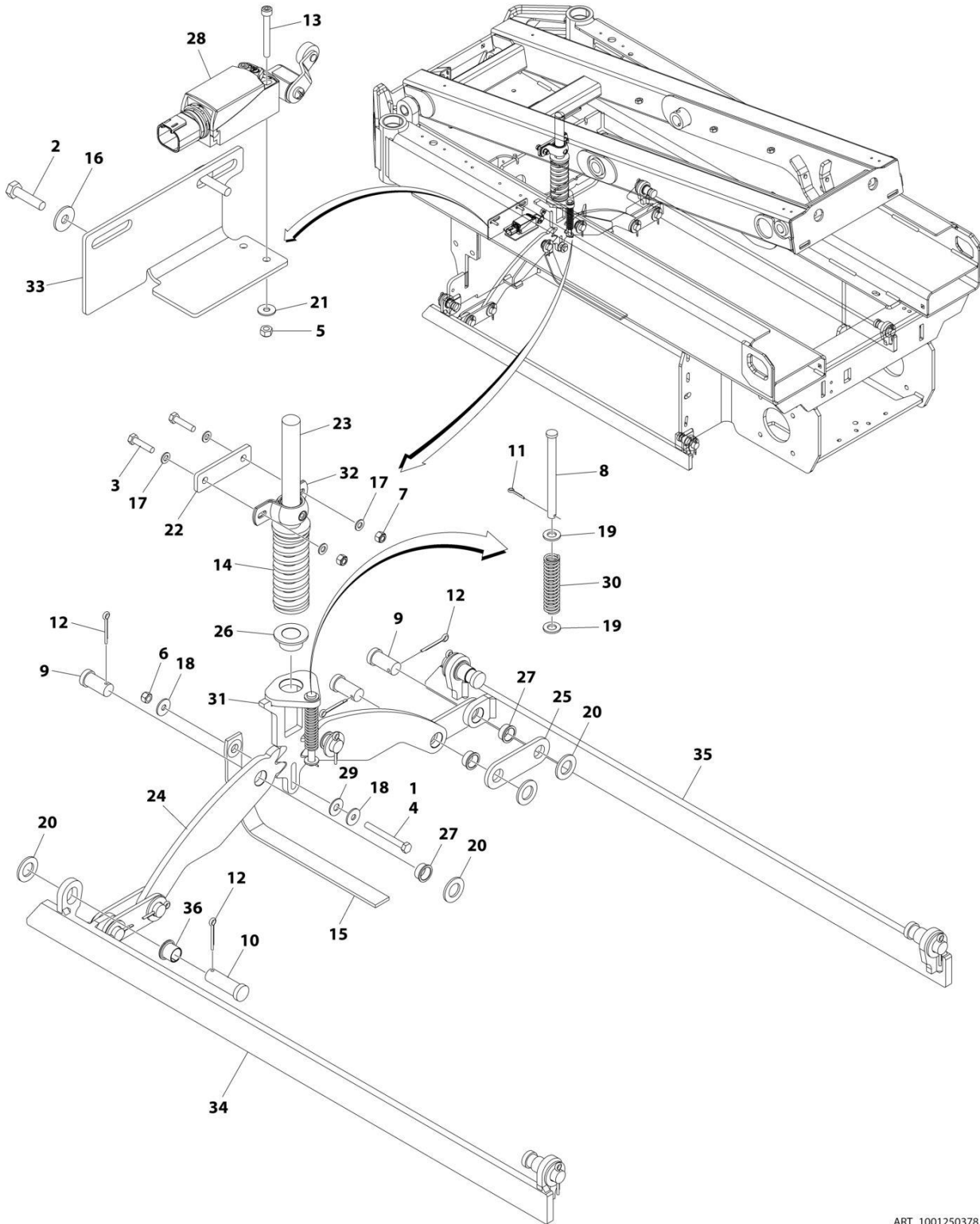
ART_1001248612

FIGURE 1-6. TIRE AND WHEEL INSTALLATION

ITEM	PART NUMBER	QTY	DESCRIPTION	REV
	1001248612	Ref	TIRE AND WHEEL ASSEMBLY	B
1	0630580	20	Bolt	
2	1001114467	4	Tire, 100 x 323	

SECTION 1 - FRAME

FIGURE 1-7. POTHOLE PROTECTION INSTALLATION



ART_1001250378

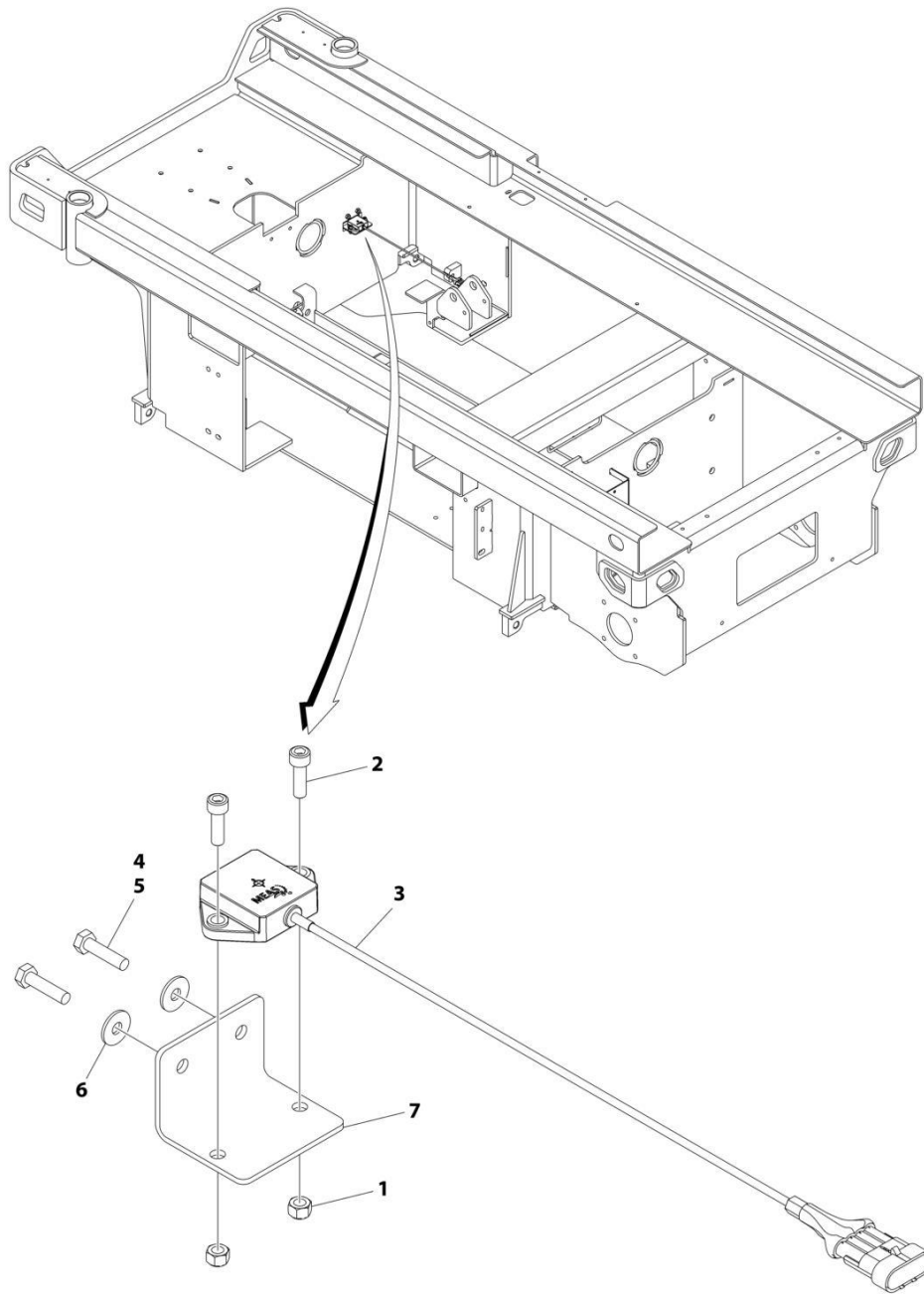
SECTION 1 - FRAME

FIGURE 1-7. POTHOLE PROTECTION INSTALLATION

ITEM	PART NUMBER	QTY	DESCRIPTION	REV
	1001250378	Ref	POTHOLE PROTECTION INSTALLATION	B
1	0100011	AR	Compound, Locking	
2	0700612	2	Bolt M6 x 25	
3	0700815	2	Bolt M8 x 35	
4	0700823	1	Bolt M8 x 75	
5	3290405	2	Nut M4	
6	3290801	1	Nut M8	
7	3290805	2	Nut M8	
8	3430636	1	Pin	
9	3431212	6	Pin	
10	3431218	4	Pin	
11	3450302	1	Pin, Cotter 7/8 x 1/2	
12	3450505	10	Pin, Cotter 5/32 x 1/2	
13	4031511	2	Capscrew M4 x 35	
14	4160202	1	Spring	
15	4240147	1	Strap, Anti-Static	
16	4811702	2	Washer M6	
17	4811900	4	Washer M8	
18	4811902	2	Washer M8	
19	4812000	2	Washer M10	
20	4812500	10	Washer M20	
21	1001091102	2	Washer M4	
22	1001202987	1	Plate, Mounting	
23	1001202988	1	Actuator (Upper)	
24	1001202994	2	Plate, Pinion	
25	1001202999	4	Link	
26	1001203869	1	Bearing	
27	1001203870	6	Bearing	
28	1001203871	1	Switch, Limit	
29	1001203872	1	Washer 3/8	
30	1001212068	1	Spring	
31	1001214526	1	Actuator (Lower)	
32	1001215953	1	Bearing	
33	1001218307	1	Plate, Sensor Mount	
34	1001251436	1	Bar (LH)	
35	1001251437	1	Bar (RH)	
36	0440263	4	Bearing	

SECTION 1 - FRAME

FIGURE 1-8. TILT SENSOR INSTALLATION



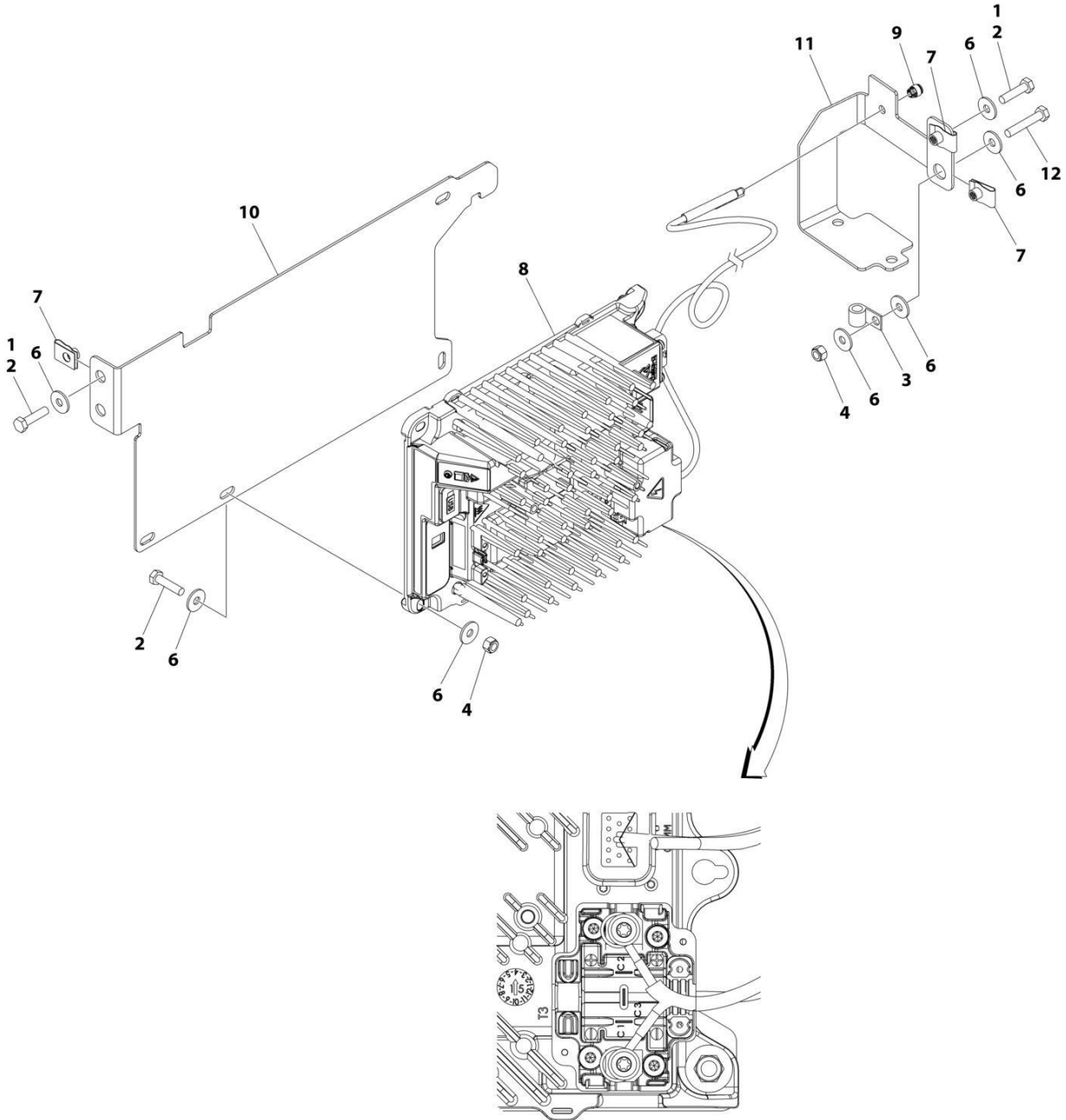
ART_1001214217

FIGURE 1-8. TILT SENSOR INSTALLATION

ITEM	PART NUMBER	QTY	DESCRIPTION	REV
	1001214217	Ref	TILT SENSOR INSTALLATION	C
1	3290601	2	Nut M6	
2	4031708	2	Capscrew M6 x 20	
3	1001186466	1	Sensor, Tilt	
4	0100011	AR	Compound, Locking	
5	0700612	2	Bolt M6 x 25	
6	4811702	2	Washer M6	
7	1001217059	1	Plate, Mounting	

SECTION 1 - FRAME

FIGURE 1-9. BATTERY CHARGER INSTALLATION - 650W



ART_1001278079

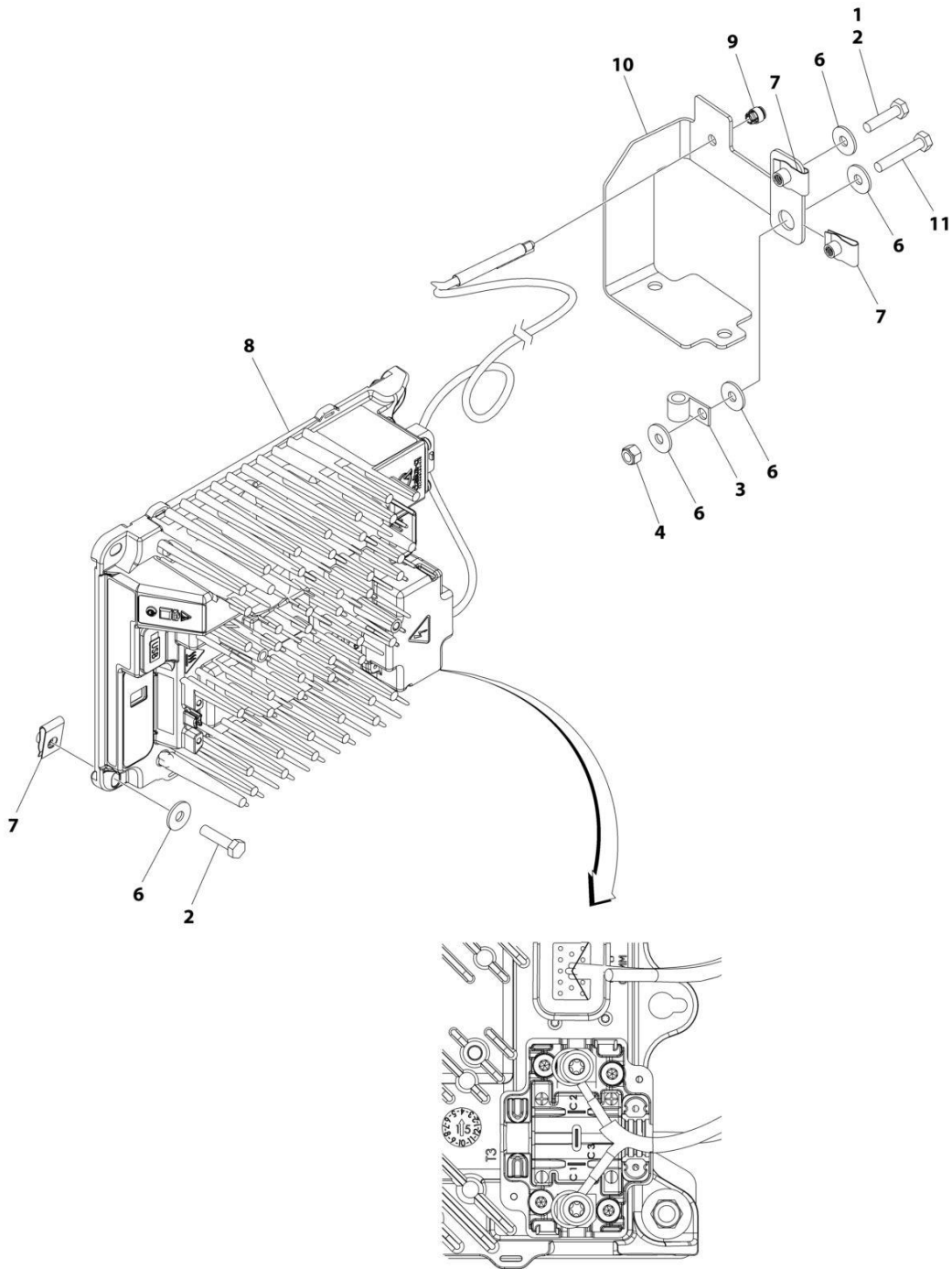
SECTION 1 - FRAME

FIGURE 1-9. BATTERY CHARGER INSTALLATION - 650W

ITEM	PART NUMBER	QTY	DESCRIPTION	REV
	1001278079	Ref	BATTERY CHARGER INSTALLATION - 650W	C
1	0100011	AR	Compound, Locking	
2	0760612	6	Bolt M6 x 25	
3	1321293	1	Clamp	
4	3290605	4	Nut, Lock M6	
5	4240017	AR	Tie-Strap (Not Shown)	
6	4811702	12	Washer M6	
7	1001130220	4	Nut, Tinnerman M6	
8	1001248123	1	Charger	
9	1001250886	1	Housing, LED	
10	1001256281	1	Bracket	
11	1001278013	1	Bracket	
12	0760615	1	Bolt M6 x 35	

SECTION 1 - FRAME

FIGURE 1-10. BATTERY CHARGER INSTALLATION – 650W (MOL SPECS)



ART_1001278081

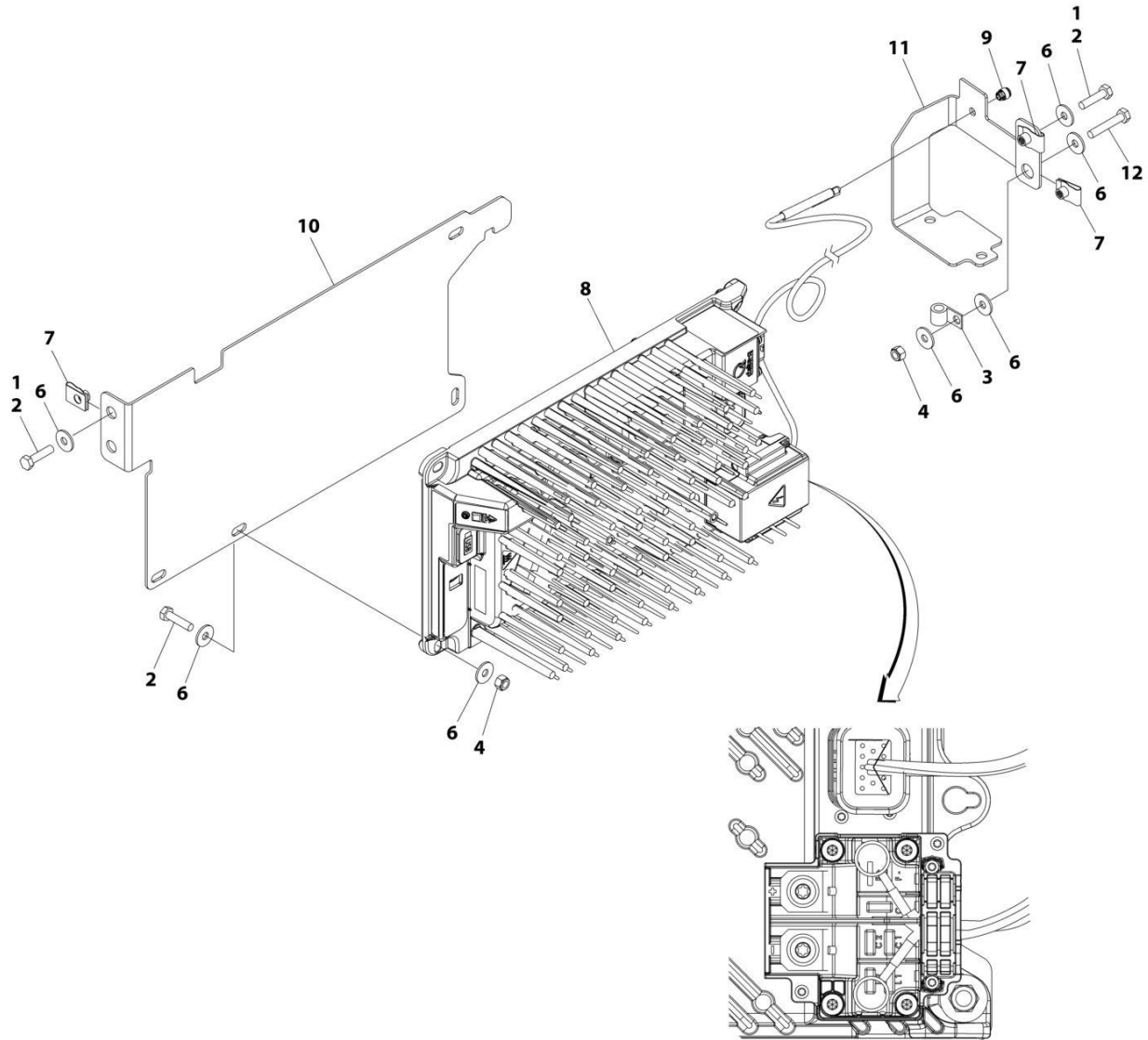
SECTION 1 - FRAME

FIGURE 1-10. BATTERY CHARGER INSTALLATION – 650W (MOL SPECS)

ITEM	PART NUMBER	QTY	DESCRIPTION	REV
	1001278081	Ref	BATTERY CHARGER INSTALLATION - 650W (MOL SPECS)	B
1	0100011	AR	Compound, Locking	
2	0760612	4	Bolt M6 x 25	
3	1321293	1	Clamp	
4	3290605	1	Nut, Lock M6	
5	4240017	AR	Tie-Strap (Not Shown)	
6	4811702	7	Washer M6	
7	1001130220	5	Nut, Tinnerman M6	
8	1001248123	1	Charger	
9	1001250886	1	Housing, LED	
10	1001278013	1	Bracket	
11	0760615	1	Bolt M6 x 35	

SECTION 1 - FRAME

FIGURE 1-11. BATTERY CHARGER INSTALLATION – 900W



ART_1001278080

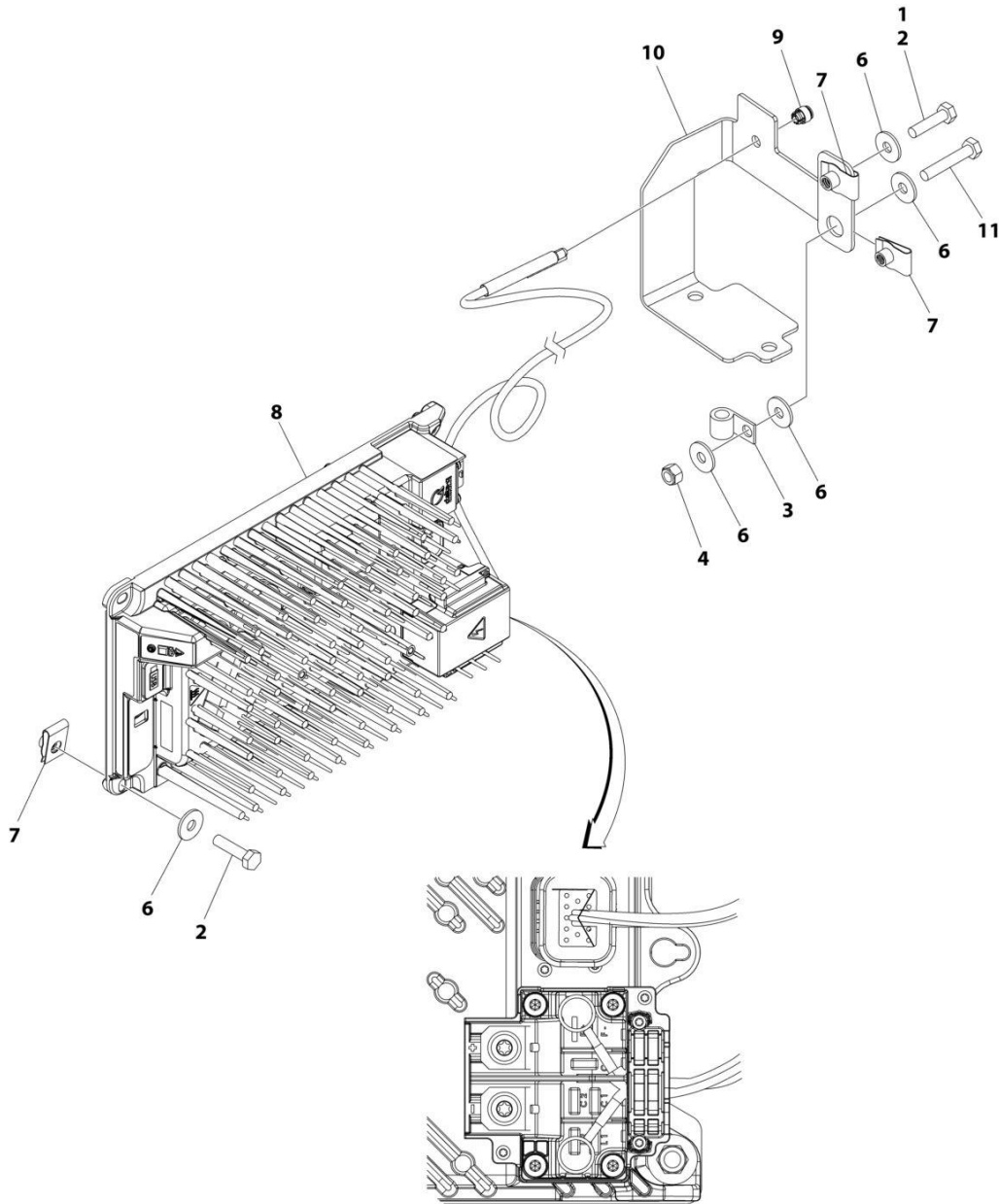
SECTION 1 - FRAME

FIGURE 1-11. BATTERY CHARGER INSTALLATION – 900W

ITEM	PART NUMBER	QTY	DESCRIPTION	REV
	1001278080	Ref	BATTERY CHARGER INSTALLATION - 900W	C
1	0100011	AR	Compound, Locking	
2	0760612	6	Bolt M6 x 25	
3	1321293	1	Clamp	
4	3290605	4	Nut, Lock M6	
5	4240017	AR	Tie-Strap (Not Shown)	
6	4811702	12	Washer M6	
7	1001130220	4	Nut, Tinnerman M6	
8	1001248124	1	Charger	
9	1001250886	1	Housing, LED	
10	1001256281	1	Bracket	
11	1001278013	1	Bracket	
12	0760615	1	Bolt M6 x 35	

SECTION 1 - FRAME

FIGURE 1-12. BATTERY CHARGER INSTALLATION – 900W (MOL SPECS)



ART_1001278082

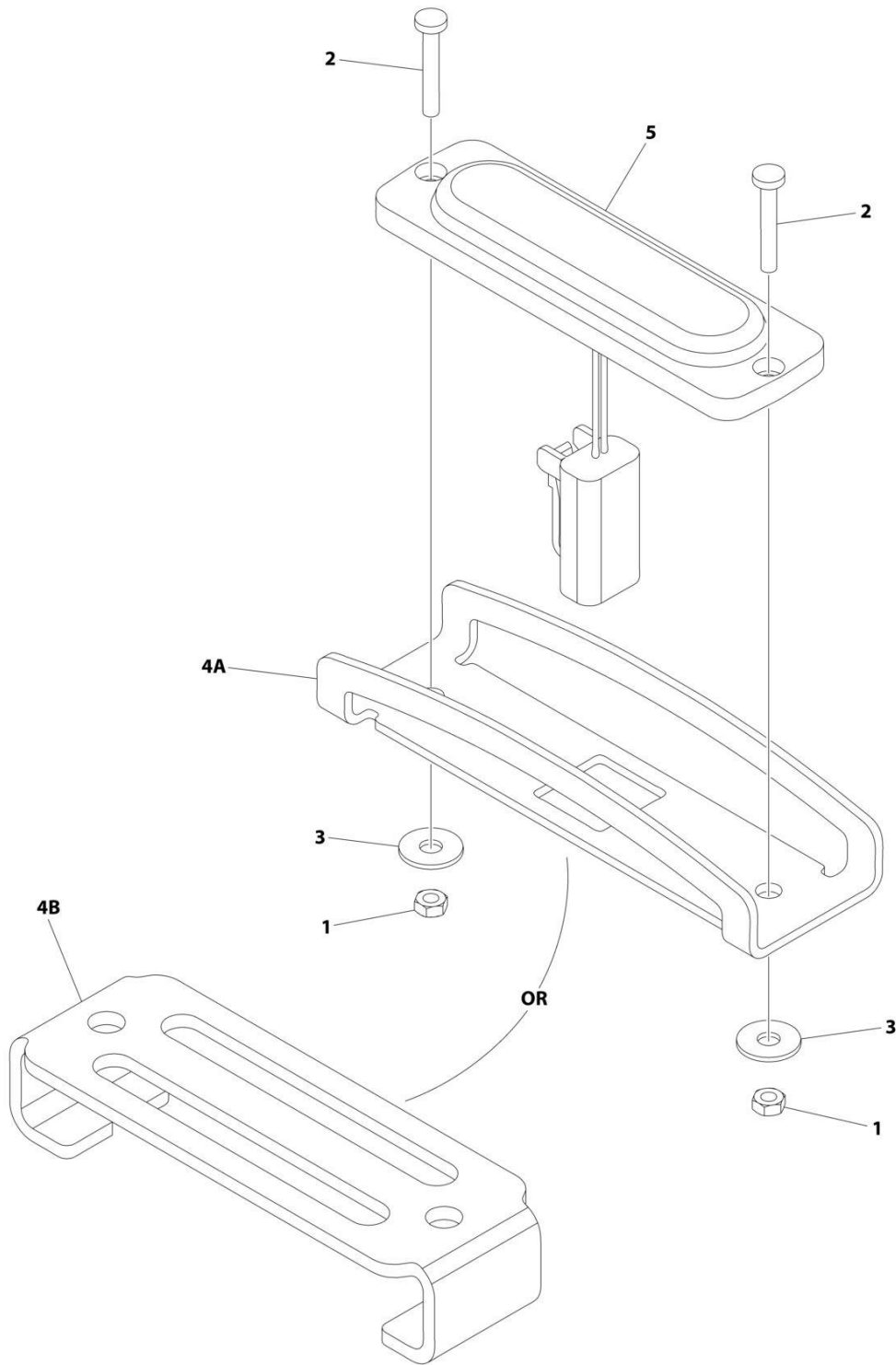
SECTION 1 - FRAME

FIGURE 1-12. BATTERY CHARGER INSTALLATION – 900W (MOL SPECS)

ITEM	PART NUMBER	QTY	DESCRIPTION	REV
	1001278082	Ref	BATTERY CHARGER INSTALLATION - 900W (MOL SPECS)	B
1	0100011	AR	Compound, Locking	
2	0760612	4	Bolt M6 x 25	
3	1321293	1	Clamp	
4	3290605	1	Nut Lock M6	
5	4240017	AR	Tie-Strap (Not Shown)	
6	4811702	7	Washer M6	
7	1001130220	5	Nut, Tinnerman M6	
8	1001248124	1	Charger	
9	1001250886	1	Housing, LED	
10	1001278013	1	Bracket	
11	0760615	1	Bolt M6 x 35	

SECTION 1 - FRAME

FIGURE 1-13. STROBE LIGHT INSTALLATION – SINGLE (AMBER) (WITH GUARD)



ART_1001242697

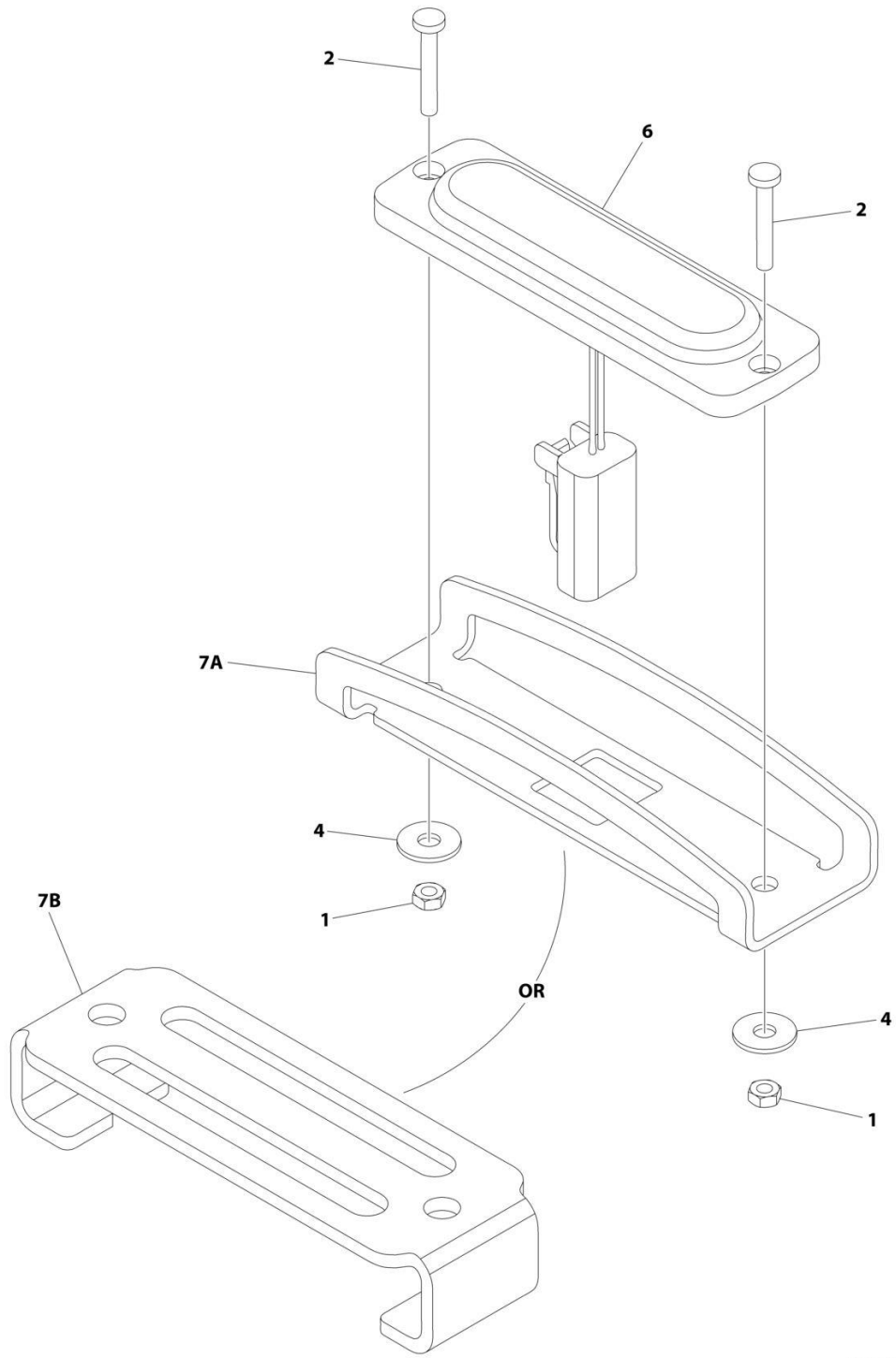
SECTION 1 - FRAME

FIGURE 1-13. STROBE LIGHT INSTALLATION – SINGLE (AMBER) (WITH GUARD)

ITEM	PART NUMBER	QTY	DESCRIPTION	REV
	1001242697	Ref	STROBE LIGHT INSTALLATION - SINGLE (AMBER) (WITH GUARD)	D
1	3290305	2	Nut M3	
2	4010310	2	Screw M3 x 20	
3	1001091102	2	Washer M4	
4A	1001242539	1	Guard	
4B	1001239661	1	Cover	
5	1001239224	1	Light, Strobe	
5	4460891	1	Plug, Male - 2 Position	
5	4460465	2	Socket, Female	

SECTION 1 - FRAME

FIGURE 1-14. STROBE LIGHT INSTALLATION – DUAL (AMBER) (WITH GUARD)



ART_1001247862

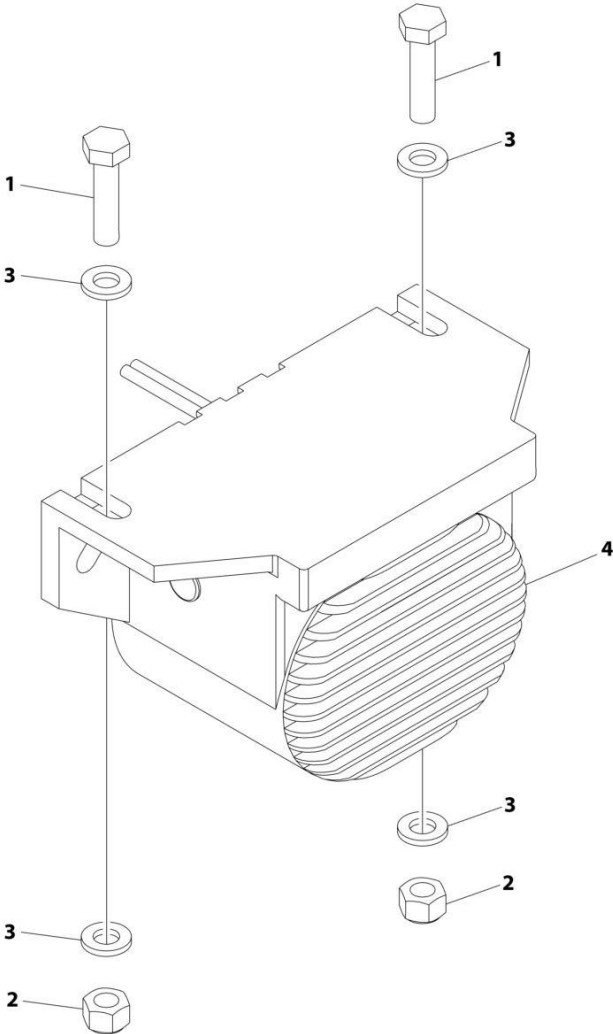
SECTION 1 - FRAME

FIGURE 1-14. STROBE LIGHT INSTALLATION – DUAL (AMBER) (WITH GUARD)

ITEM	PART NUMBER	QTY	DESCRIPTION	REV
	1001247862	Ref	STROBE LIGHT INSTALLATION - DUAL (AMBER) (WITH GUARD)	C
1	3290305	4	Nut M3	
2	4010310	4	Screw M3 x 20	
3	4240018	AR	Tie-Strap (Not Shown)	
4	1001091102	4	Washer M4	
5	1001201707	1	Strobe Light Jumper Harness (Not Shown)	
6	1001239224	2	Light, Strobe	
6	4460891	1	Plug, Male - 2 Position	
6	4460465	2	Socket, Female	
7A	1001242539	2	Guard	
7B	1001239661	2	Cover	

SECTION 1 - FRAME

FIGURE 1-15. ALARM INSTALLATION (AMBIENT/WHITE NOISE) (OPTIONAL)



ART_1001204495

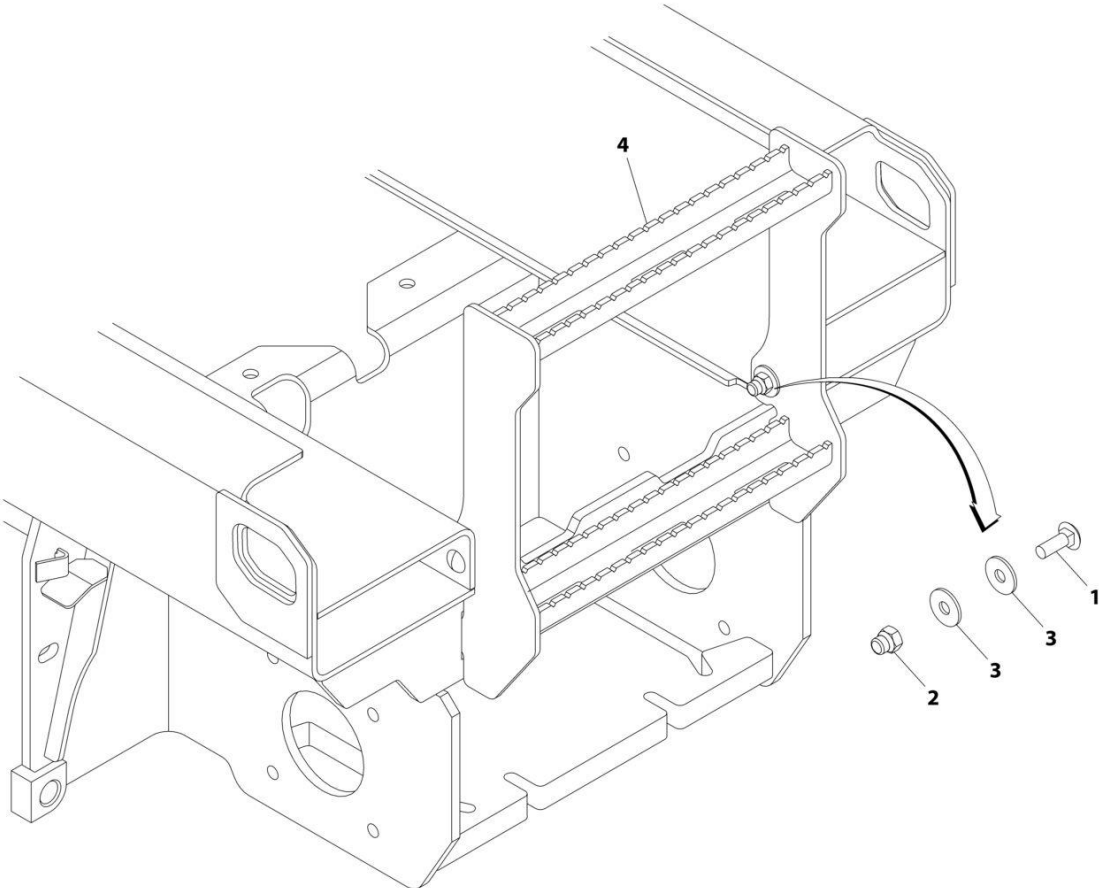
SECTION 1 - FRAME

FIGURE 1-15. ALARM INSTALLATION (AMBIENT/WHITE NOISE) (OPTIONAL)

ITEM	PART NUMBER	QTY	DESCRIPTION	REV
	1001204495	Ref	ALARM INSTALLATION (AMBIENT/WHITE NOISE)	B
1	0760612	2	Bolt M6 x 25	
2	3290605	2	Nut M6	
3	4811700	4	Washer M6	
4	1001182806	1	Alarm	
4	4460897	1	Receptacle, Female - 2 Position	
4	4460464	2	Pin, Male	

SECTION 1 - FRAME

FIGURE 1-16. LADDER INSTALLATION



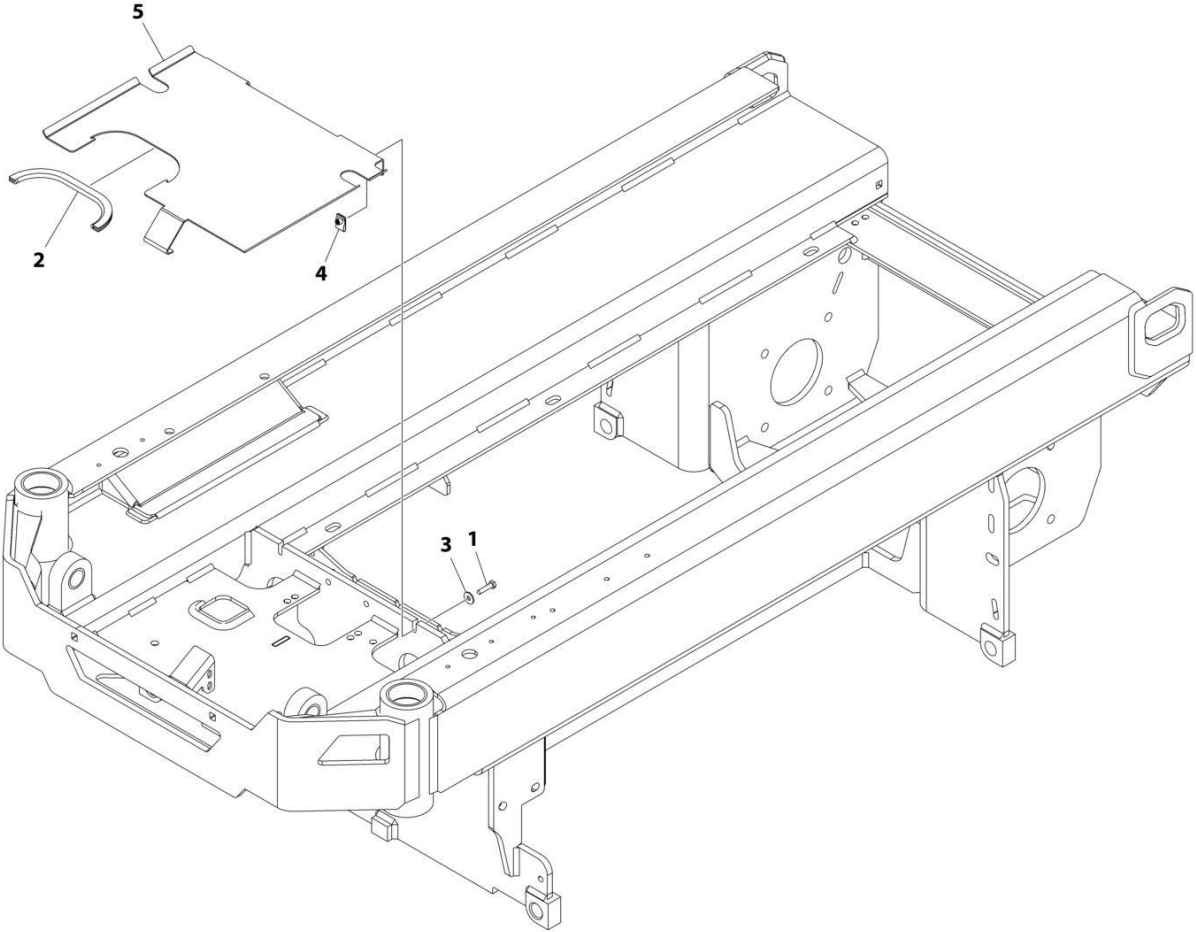
ART_1001203453

FIGURE 1-16. LADDER INSTALLATION

ITEM	PART NUMBER	QTY	DESCRIPTION	REV
	1001203453	Ref	LADDER INSTALLATION	C
1	0630613	2	Bolt M10 x 30	
2	3291006	2	Nut M10	
3	4812002	AR	Washer M10	
4	1001203457	1	Ladder	

SECTION 1 - FRAME

FIGURE 1-17. FRAME COVERS INSTALLATION



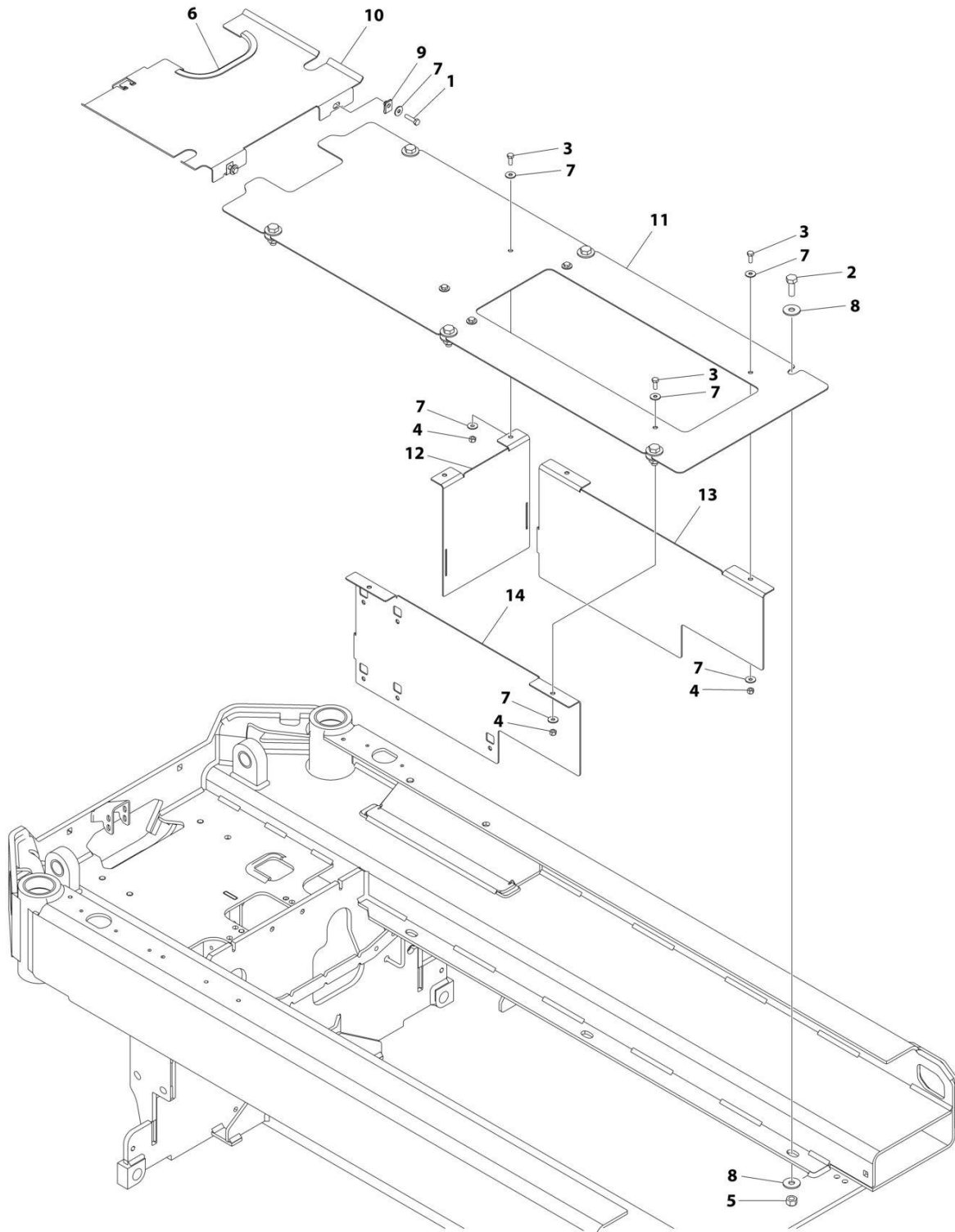
ART_1001250431

FIGURE 1-17. FRAME COVERS INSTALLATION

ITEM	PART NUMBER	QTY	DESCRIPTION	REV
	1001250431	Ref	FRAME COVERS INSTALLATION	A
1	0700612	2	Bolt M6 x 25	
2	4060803	12.99 in /33cm	Flex-Trim	
3	4811702	2	Washer M6	
4	1001130220	2	Nut, Tinnerman M6	
5	1001227966	1	Cover	

SECTION 1 - FRAME

FIGURE 1-18. FRAME COVERS INSTALLATION (MOL70 SPECS)



ART_1001278210

SECTION 1 - FRAME

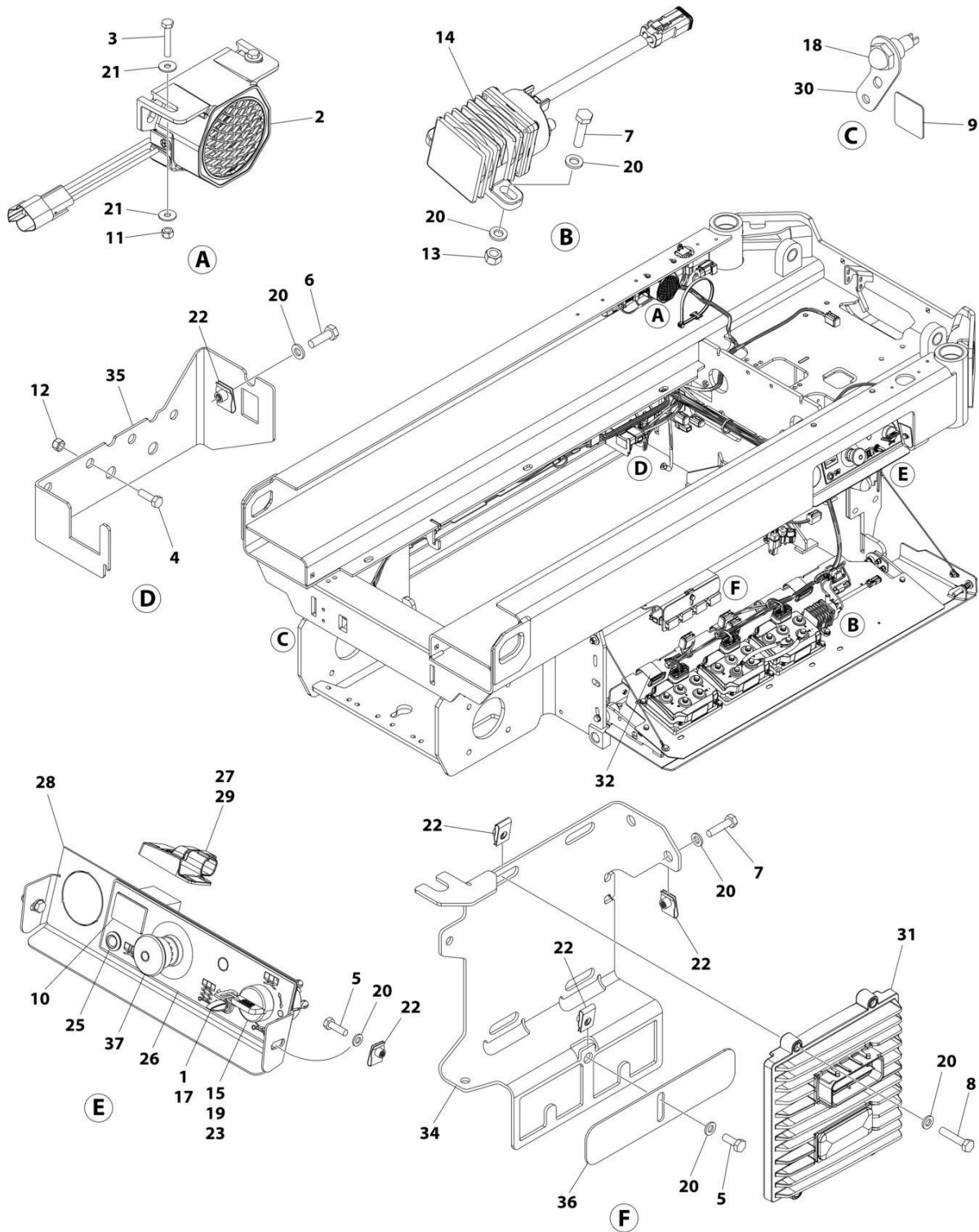
FIGURE 1-18. FRAME COVERS INSTALLATION (MOL70 SPECS)

ITEM	PART NUMBER	QTY	DESCRIPTION	REV
	1001278210	Ref	FRAME COVERS INSTALLATION (MOL70 SPECS)	A
1	0700612	2	Bolt M6 x 25	
2	0701014	6	Bolt M10 x 30	
3	0760608	6	Bolt M6 x 16	
4	3290605	6	Nut M6	
5	3291005	6	Nut M10	
6	4060803	220 mm	Flex-Trim	
7	4811702	14	Washer M6	
8	4812002	12	Washer M10	
9	1001130220	2	Nut, Tinnerman M6	
10	1001227966	1	Cover	
11	1001278211	1	Cover, Frame (Top)	
12	1001278212	1	Cover, Frame (Cavity Front)	
13	1001278213	1	Cover, Frame (Cavity Right)	
14	1001278214	1	Cover, Frame (Cavity Left)	

SECTION 2 - GROUND CONTROLS

SECTION 2 - GROUND CONTROLS

FIGURE 2-1. ELECTRICAL COMPONENTS INSTALLATION



ART_1001277057

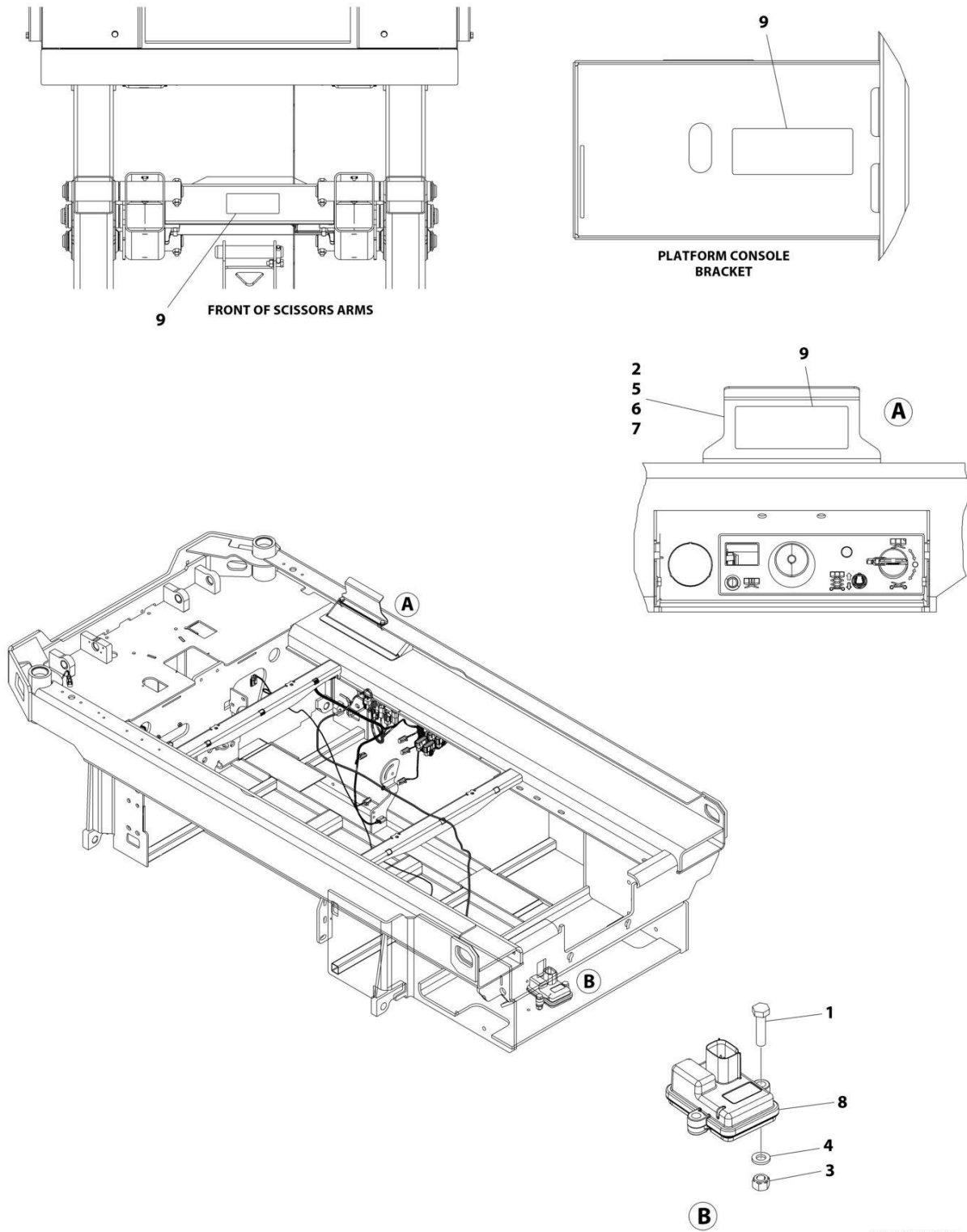
SECTION 2 - GROUND CONTROLS

FIGURE 2-1. ELECTRICAL COMPONENTS INSTALLATION

ITEM	PART NUMBER	QTY	DESCRIPTION	REV
	1001277057	Ref	ELECTRICAL COMPONENTS INSTALLATION	C
1	0100048	AR	Grease, Dielectric	
2	0140043	1	Alarm	
3	0700412	2	Bolt M4 x 25	
4	0760508	2	Bolt M5 x 16	
5	0760608	3	Bolt M6 x 16	
6	0760610	1	Bolt M6 x 20	
7	0760612	4	Bolt M6 x 25	
8	0760614	4	Bolt M6 x 30	
9	1706679	1	Decal - Brake Release	
10	2420172	1	Hourmeter	
11	3290405	2	Nut M4	
12	3290505	2	Nut M5	
13	3290605	2	Nut M6	
14	3740150	1	Relay	
15	3910804	3	Screw 8 x 1/4	
16	4240017	AR	Tie-Strap (Not Shown)	
17	4360328	1	Switch, Toggle	
18	4360387	1	Switch, Push Button	
19	4360469	1	Switch, Key	
19	2860030	1 Set	Key, Replacement	
20	4811700	14	Washer M6	
21	1001091102	4	Washer M4	
22	1001130220	10	Nut, Tinnerman M6	
23	1001130590	1	Plate	
24	1001187781	1	Tie-Strap (Not Shown)	
25	1001200631	1	Lamp, LED (Red)	
26	1001209682	1	Decal - Ground Control	
27	1001217088	2 in/ 5 cm	Tape	
28	1001235559	1	Support	
29	1001249432	1	Module, Control (Note: Recalibration Required When Replace)	
30	1001257138	1	Bracket	
31	1001260950	1	Module, Logic (Note: Recalibration Required When Replace)	
32	1001261076	3	Strap, Cinch	
33	1001277804	1	Chassis Harness (Not Shown - See Separate Breakdown in ELECTRICAL Section)	
34	1001278086	1	Bracket	
35	1001278087	1	Bracket	
36	1001278088	1	Bracket	
37	1001278331	1	Switch, E-Stop	

SECTION 2 - GROUND CONTROLS

FIGURE 2-2. MOBILE CONTROL INSTALLATION



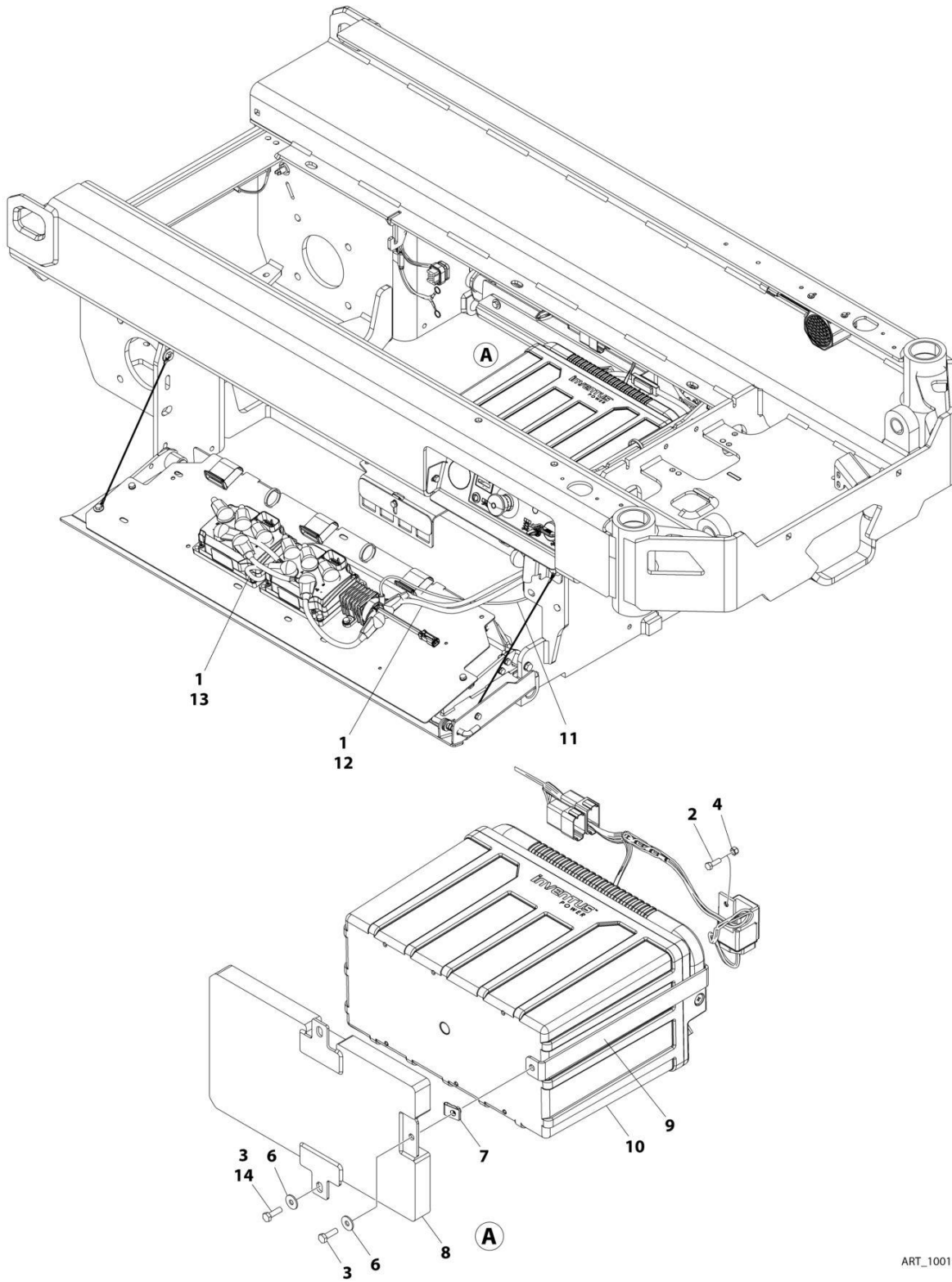
SECTION 2 - GROUND CONTROLS

FIGURE 2-2. MOBILE CONTROL INSTALLATION

ITEM	PART NUMBER	QTY	DESCRIPTION	REV
	1001278005	Ref	MOBILE CONTROL INSTALLATION	C
1	0700612	2	Bolt M6 x 25	
2	0760810	2	Bolt M8 x 20	
3	3290605	2	Nut M6	
4	4811700	2	Washer M6	
5	4811900	2	Washer M8	
6	1001118274	2	Nut Tinnerman M8	
7	1001244885	1	Plate, Decal	
8	1001245293	1	Control, Mobile	
9	1001248768	1	Decal, Mobile Control	

SECTION 2 - GROUND CONTROLS

FIGURE 2-3. BATTERY INSTALLATION (



ART_1001271682

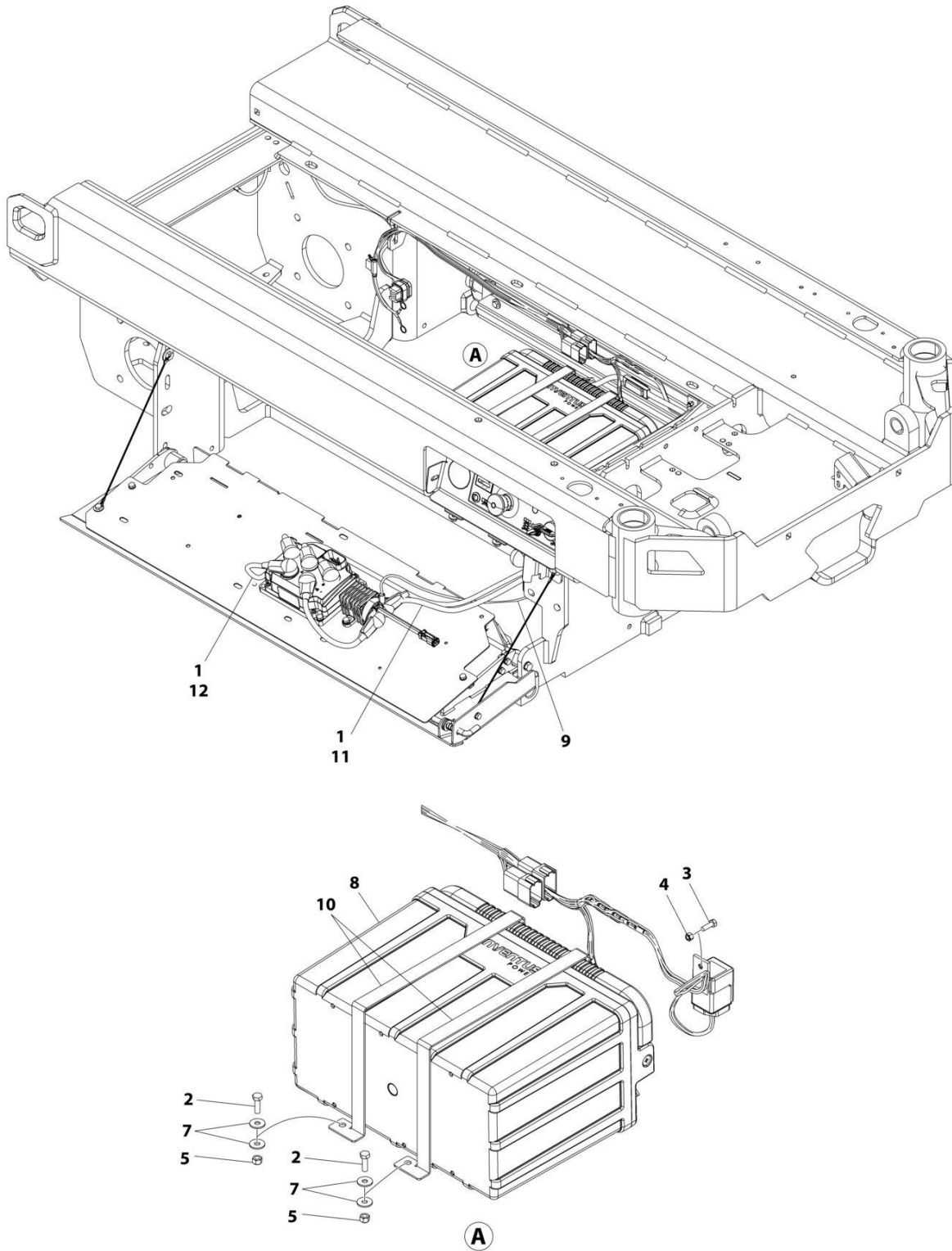
SECTION 2 - GROUND CONTROLS

FIGURE 2-3. BATTERY INSTALLATION (

ITEM	PART NUMBER	QTY	DESCRIPTION	REV
	1001271682	Ref	BATTERY INSTALLATION (LI-ION - HEATER)	C
1	0100051	AR	Grease	
2	0760508	1	Bolt M5 x 16	
3	0760610	3	Bolt M6 x 20	
4	3290505	1	Nut M5	
5	4240017	AR	Tie-Strap (Not Shown)	
6	4811702	3	Washer M6	
7	1001130220	1	Nut M6	
8	1001270921	1	Weight, Counter Right	
9	1001270925	1	Hook, Tie-Down	
10	1001276657	1	Battery, 24V	
11	1001278090	1	Battery Harness (See Separate Breakdown in ELECTRICAL Section)	
12	1001278871	1	Cable Battery Discharge	
13	1001278891	1	Cable Battery Negative	
14	0100011	AR	Compound, Locking	

SECTION 2 - GROUND CONTROLS

FIGURE 2-4. BATTERY INSTALLATION ((MOL70 SPECS))



ART_1001278220

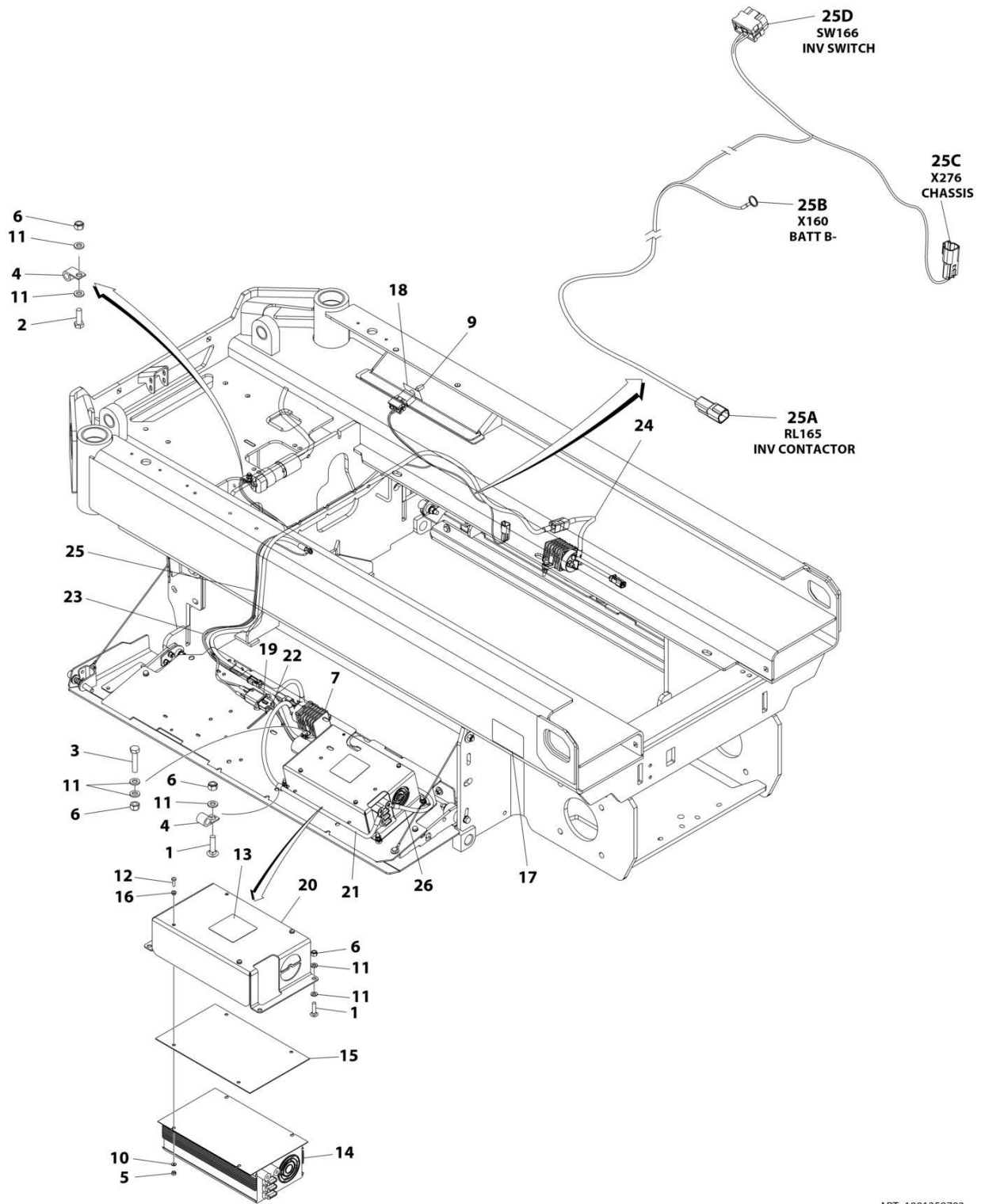
SECTION 2 - GROUND CONTROLS

FIGURE 2-4. BATTERY INSTALLATION ((MOL70 SPECS))

ITEM	PART NUMBER	QTY	DESCRIPTION	REV
	1001278220	Ref	BATTERY INSTALLATION (LI-ION - HEATER) (MOL70 SPECS)	B
1	0100051	AR	Grease	
2	0760610	4	Bolt M6 x 20	
3	0760508	1	Bolt M5 x 16	
4	3290505	1	Nut M5	
5	3290605	4	Nut M6	
6	4240017	AR	Tie-Strap (Not Shown)	
7	4811702	8	Washer M6	
8	1001276657	1	Battery, 24V	
9	1001278090	1	Battery Harness (See Separate Breakdown in ELECTRICAL Section)	
10	1001278165	2	Bracket, Tie-Down	
11	1001278871	1	Cable Battery Discharge	
12	1001278891	1	Cable Battery Negative	

SECTION 2 - GROUND CONTROLS

FIGURE 2-5. INVERTER INSTALLATION (OPTIONAL)



ART_1001258792

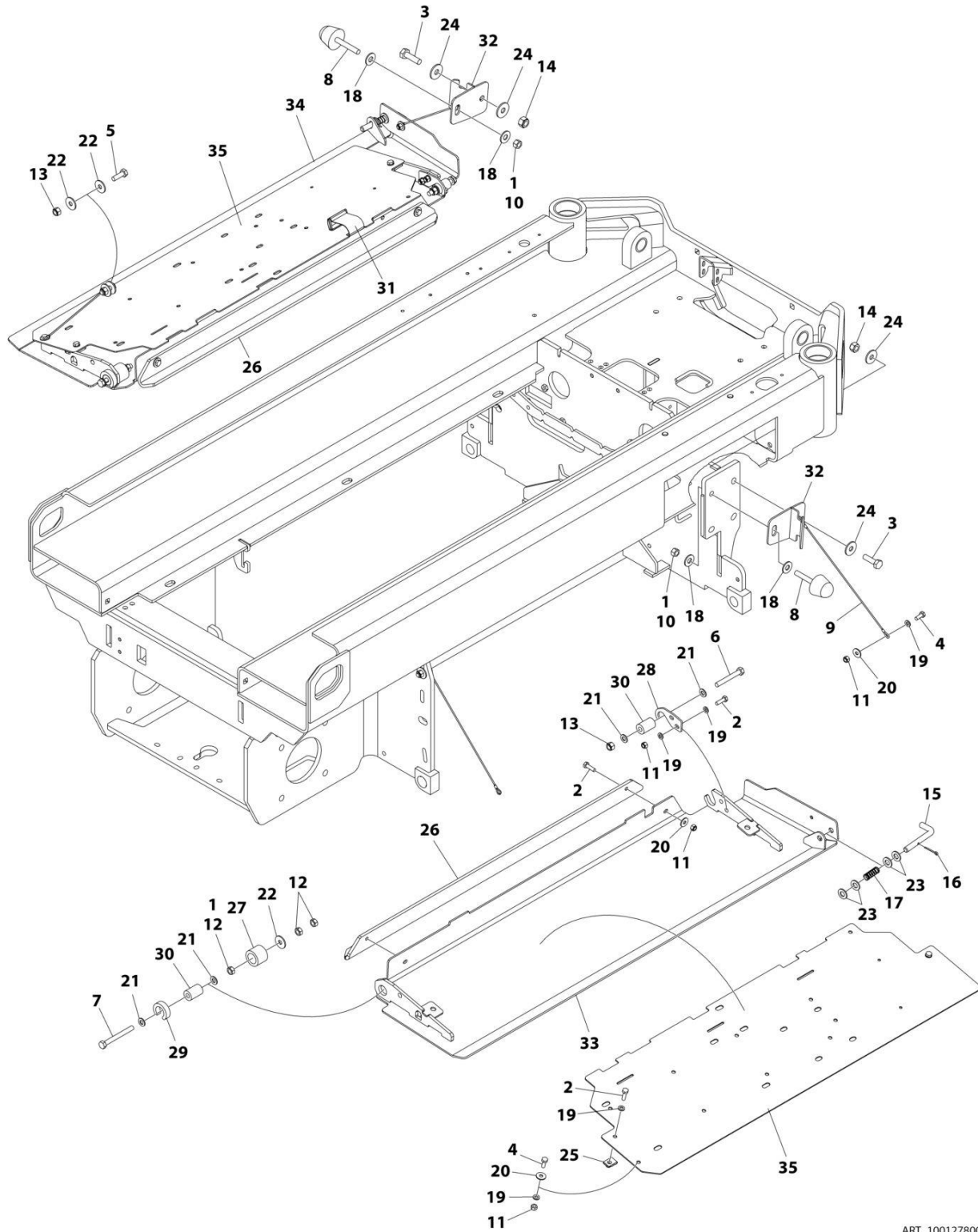
SECTION 2 - GROUND CONTROLS

FIGURE 2-5. INVERTER INSTALLATION (OPTIONAL)

ITEM	PART NUMBER	QTY	DESCRIPTION	REV
	1001258792	Ref	INVERTER INSTALLATION (OPTIONAL)	D
1	0760612	4	Bolt M6 x 25	
2	0760610	1	Bolt M6 x 20	
3	0760614	2	Bolt M6 x 30	
4	1321293	3	Clamp	
5	3290405	3	Nut M4	
6	3290605	7	Nut M6	
7	3740150	1	Relay	
8	4240017	AR	Tie-Strap (Not Shown)	
9	4360336	1	Switch, Toggle	
10	4811400	3	Washer M4	
11	4811700	14	Washer M6	
12	1001101540	3	Screw M4 x 14	
13	1001125483	1	Decal - Pressure Wash	
14	1001136757	1	Inverter	
15	1001142173	1	Insulate	
16	1001142174	3	Washer 1/8	
17	1001143009	1	Decal - Inverter	
18	1001143010	1	Decal - On/Off Inverter	
19	1001157547	1	Filter, AC	
20	1001210440	1	Support	
21	1001210879	1	Cable, Inverter Contactor to Inverter +	
22	1001210881	1	Cable, Inverter to AC Filter	
23	1001210882	1	Cable, AC Filter to AC Plug	
24	1001259036	1	Cable, Battery+ to Inverter Contactor	
25	1001259037	1	Harness, Inverter	
25A	4460897	1	Connector	
25A	4460464	2	Terminal	
25B	4460722	1	Connector	
25C	4460897	1	Connector	
25C	4460464	1	Terminal	
25C	4460466	1	Terminal	
25D	4460418	1	Connector	
25D	1001159186	2	Terminal	
26	1001259038	1	Cable, Battery to inverter	

SECTION 2 - GROUND CONTROLS

FIGURE 2-6. DOORS INSTALLATION (LH)



ART_1001278000

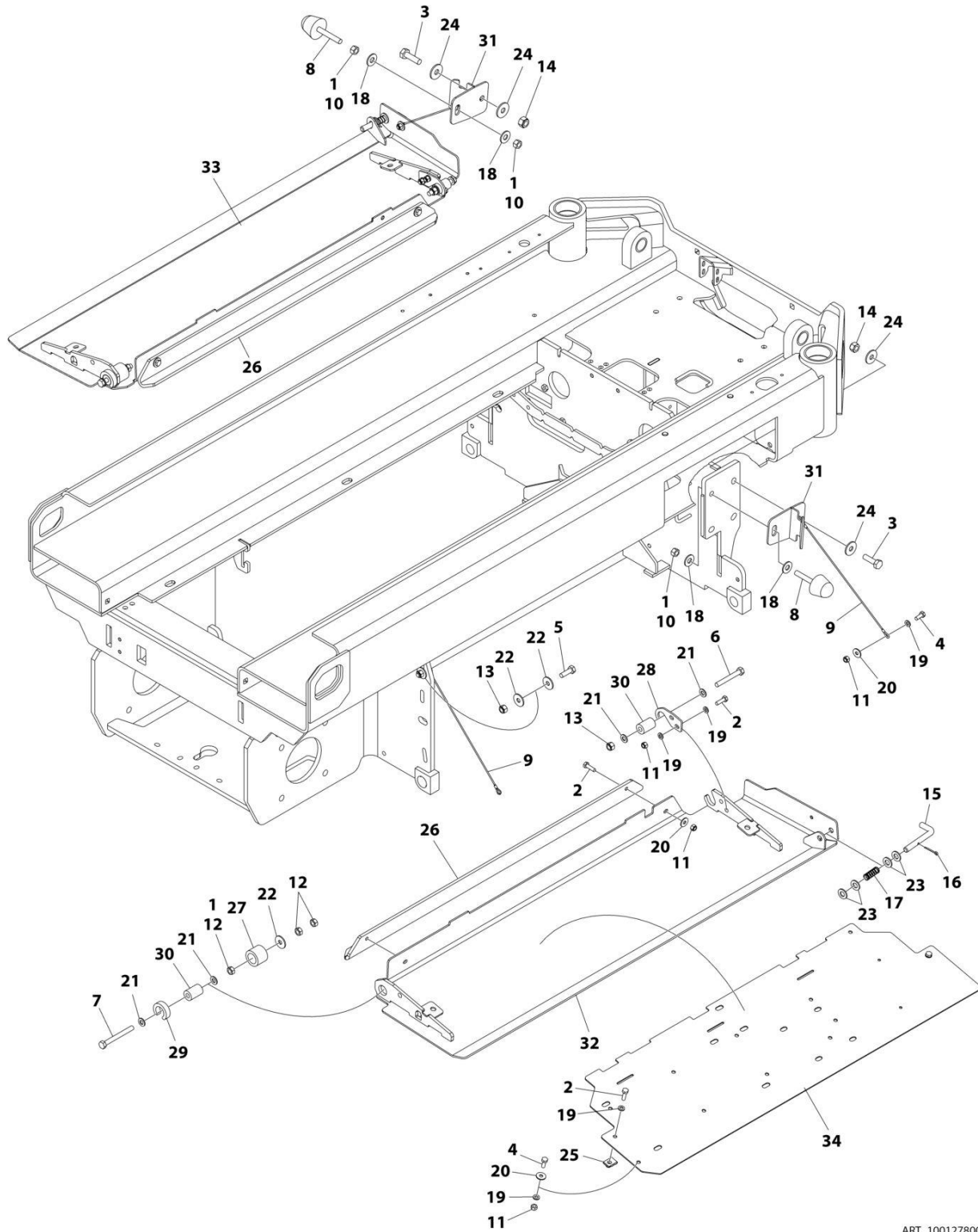
SECTION 2 - GROUND CONTROLS

FIGURE 2-6. DOORS INSTALLATION (LH)

ITEM	PART NUMBER	QTY	DESCRIPTION	REV
	1001278000	Ref	DOORS INSTALLATION (SWING DOWN LEFT/RIGHT)	D
1	0100011	AR	Compound, Locking	
2	0700610	12	Bolt M6 x 20	
3	0701015	2	Bolt M10 x 35	
4	0760608	4	Bolt M6 x 16	
5	0760812	2	Bolt M8 x 25	
6	0760820	2	Bolt M8 x 60	
7	0760823	2	Bolt M8 x 75	
8	0940071	2	Bumper	
9	1060799	4	Lanyard	
10	3271601	2	Nut 3/8 Grd 8	
11	3290605	12	Nut M6	
12	3290801	6	Nut M8	
13	3290805	4	Nut M8	
14	3291005	2	Nut M10	
15	3423243	2	Pin	
16	3450303	2	Pin, Cotter 3/32 x 3/4	
17	4160214	2	Spring	
18	4751600	4	Washer 3/8	
19	4811700	16	Washer M6	
20	4811702	12	Washer M6	
21	4811900	8	Washer M8	
22	4811902	6	Washer M8	
23	4812000	AR	Washer M10	
24	4812002	4	Washer M10	
25	1001130220	4	Nut, Tinnerman M6	
26	1001254171	2	Plate, Filler	
27	1001254278	2	Sleeve	
28	1001254346	2	Bracket	
29	1001254383	2	Plate, Spacer	
30	1001255595	4	Sleeve, Spacer	
31	1001261076	1	Strap	
32	1001266168	2	Support	
33	1001267364	1	Door (RH)	
34	1001267365	1	Door (LH)	
35	1001278072	2	Bracket	

SECTION 2 - GROUND CONTROLS

FIGURE 2-7. DOORS INSTALLATION (RH) (STANDARD)



ART_1001278001

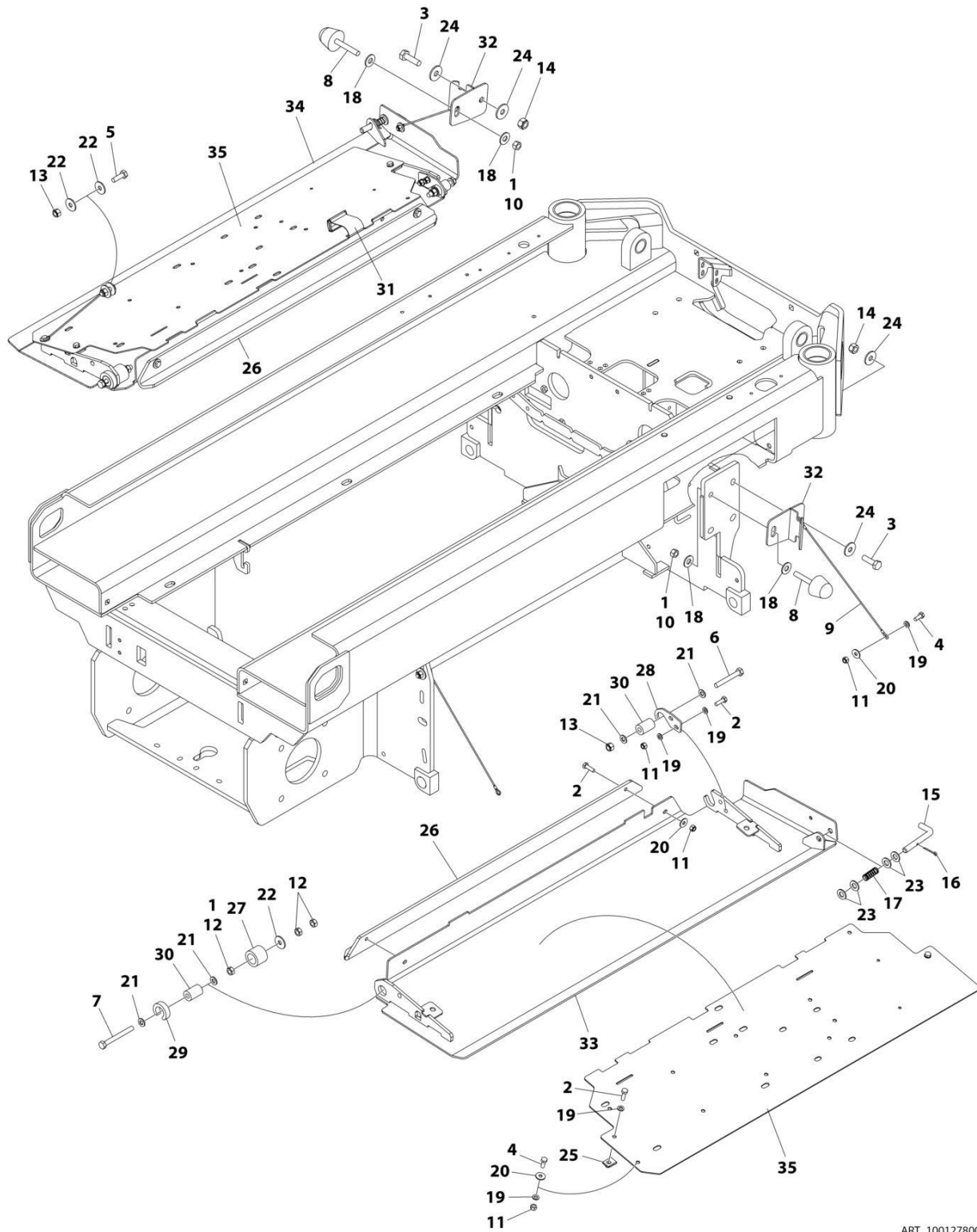
SECTION 2 - GROUND CONTROLS

FIGURE 2-7. DOORS INSTALLATION (RH) (STANDARD)

ITEM	PART NUMBER	QTY	DESCRIPTION	REV
	1001278001	Ref	DOORS INSTALLATION (SWING DOWN RIGHT)	C
1	0100011	AR	Compound, Locking	
2	0700610	10	Bolt M6 x 20	
3	0701015	2	Bolt M10 x 35	
4	0760608	3	Bolt M6 x 16	
5	0760812	1	Bolt M8 x 25	
6	0760820	2	Bolt M8 x 60	
7	0760823	2	Bolt M8 x 75	
8	0940071	2	Bumper	
9	1060799	3	Lanyard	
10	3271601	3	Nut 3/8 Grd 8	
11	3290605	11	Nut M6	
12	3290801	6	Nut M8	
13	3290805	3	Nut M8	
14	3291005	2	Nut M10	
15	3423243	2	Pin	
16	3450303	2	Pin, Cotter 3/32 x 3/4	
17	4160214	2	Spring	
18	4751600	4	Washer 3/8	
19	4811700	13	Washer M6	
20	4811702	11	Washer M6	
21	4811900	8	Washer M8	
22	4811902	4	Washer M8	
23	4812000	AR	Washer M10	
24	4812002	4	Washer M10	
25	1001130220	2	Nut, Tinnerman M6	
26	1001254171	2	Plate, Filler	
27	1001254278	2	Sleeve	
28	1001254346	2	Bracket	
29	1001254383	2	Plate, Spacer	
30	1001255595	4	Sleeve, Spacer	
31	1001266168	2	Support	
32	1001267364	1	Door (RH)	
33	1001267365	1	Door (LH)	
34	1001278072	1	Bracket	

SECTION 2 - GROUND CONTROLS

FIGURE 2-8. DOORS INSTALLATION (RH) (MACHINES WITH INVERTER/CLEARSKY)



ART_1001278000

SECTION 2 - GROUND CONTROLS

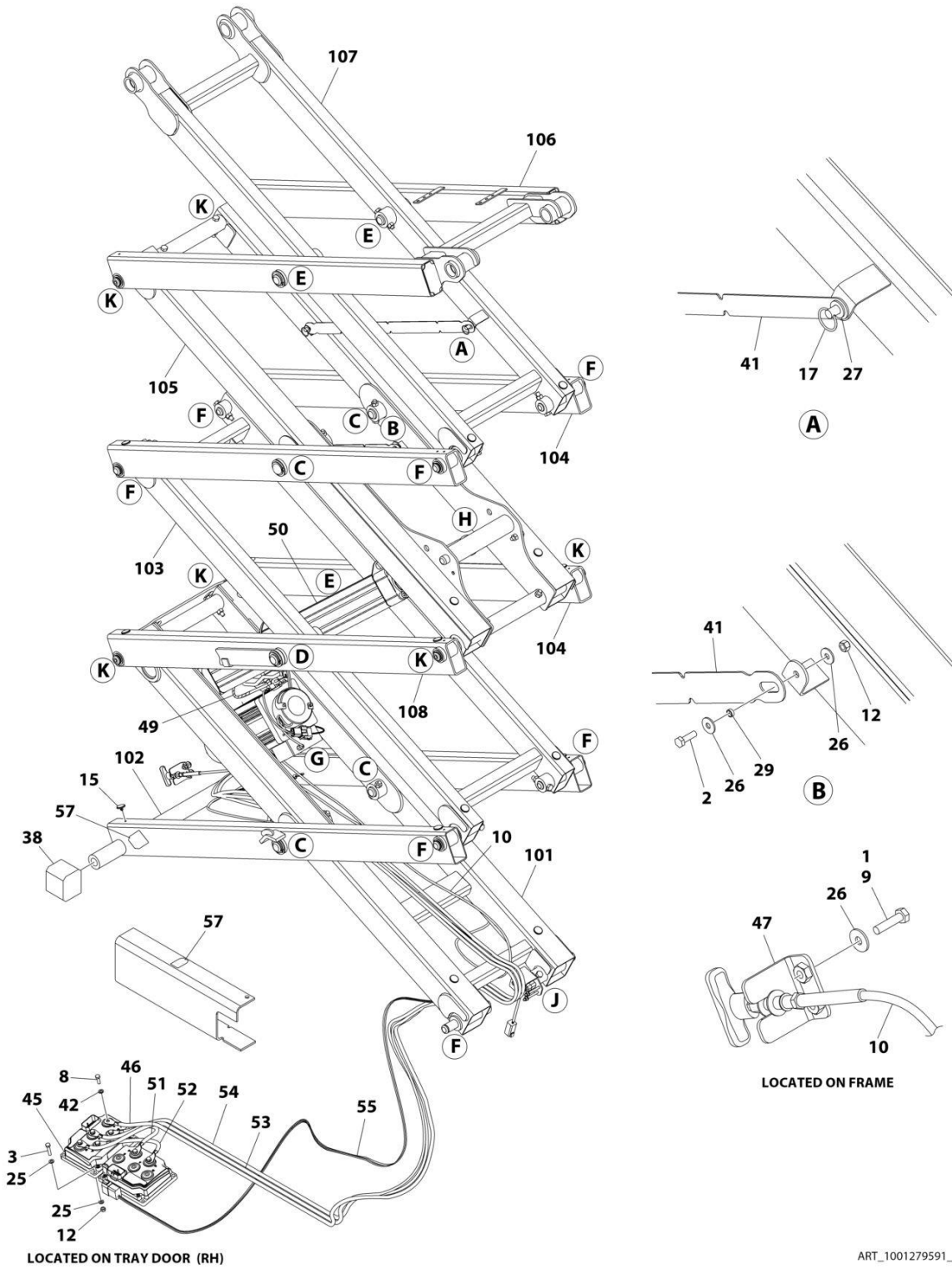
FIGURE 2-8. DOORS INSTALLATION (RH) (MACHINES WITH INVERTER/CLEARSKY)

ITEM	PART NUMBER	QTY	DESCRIPTION	REV
	1001278000	Ref	DOORS INSTALLATION (SWING DOWN LEFT/RIGHT)	D
1	0100011	AR	Compound, Locking	
2	0700610	12	Bolt M6 x 20	
3	0701015	2	Bolt M10 x 35	
4	0760608	4	Bolt M6 x 16	
5	0760812	2	Bolt M8 x 25	
6	0760820	2	Bolt M8 x 60	
7	0760823	2	Bolt M8 x 75	
8	0940071	2	Bumper	
9	1060799	4	Lanyard	
10	3271601	2	Nut 3/8 Grd 8	
11	3290605	12	Nut M6	
12	3290801	6	Nut M8	
13	3290805	4	Nut M8	
14	3291005	2	Nut M10	
15	3423243	2	Pin	
16	3450303	2	Pin, Cotter 3/32 x 3/4	
17	4160214	2	Spring	
18	4751600	4	Washer 3/8	
19	4811700	16	Washer M6	
20	4811702	12	Washer M6	
21	4811900	8	Washer M8	
22	4811902	6	Washer M8	
23	4812000	AR	Washer M10	
24	4812002	4	Washer M10	
25	1001130220	4	Nut, Tinnerman M6	
26	1001254171	2	Plate, Filler	
27	1001254278	2	Sleeve	
28	1001254346	2	Bracket	
29	1001254383	2	Plate, Spacer	
30	1001255595	4	Sleeve, Spacer	
31	1001261076	1	Strap	
32	1001266168	2	Support	
33	1001267364	1	Door (RH)	
34	1001267365	1	Door (LH)	
35	1001278072	2	Bracket	

SECTION 3 - SCISSORS ARMS

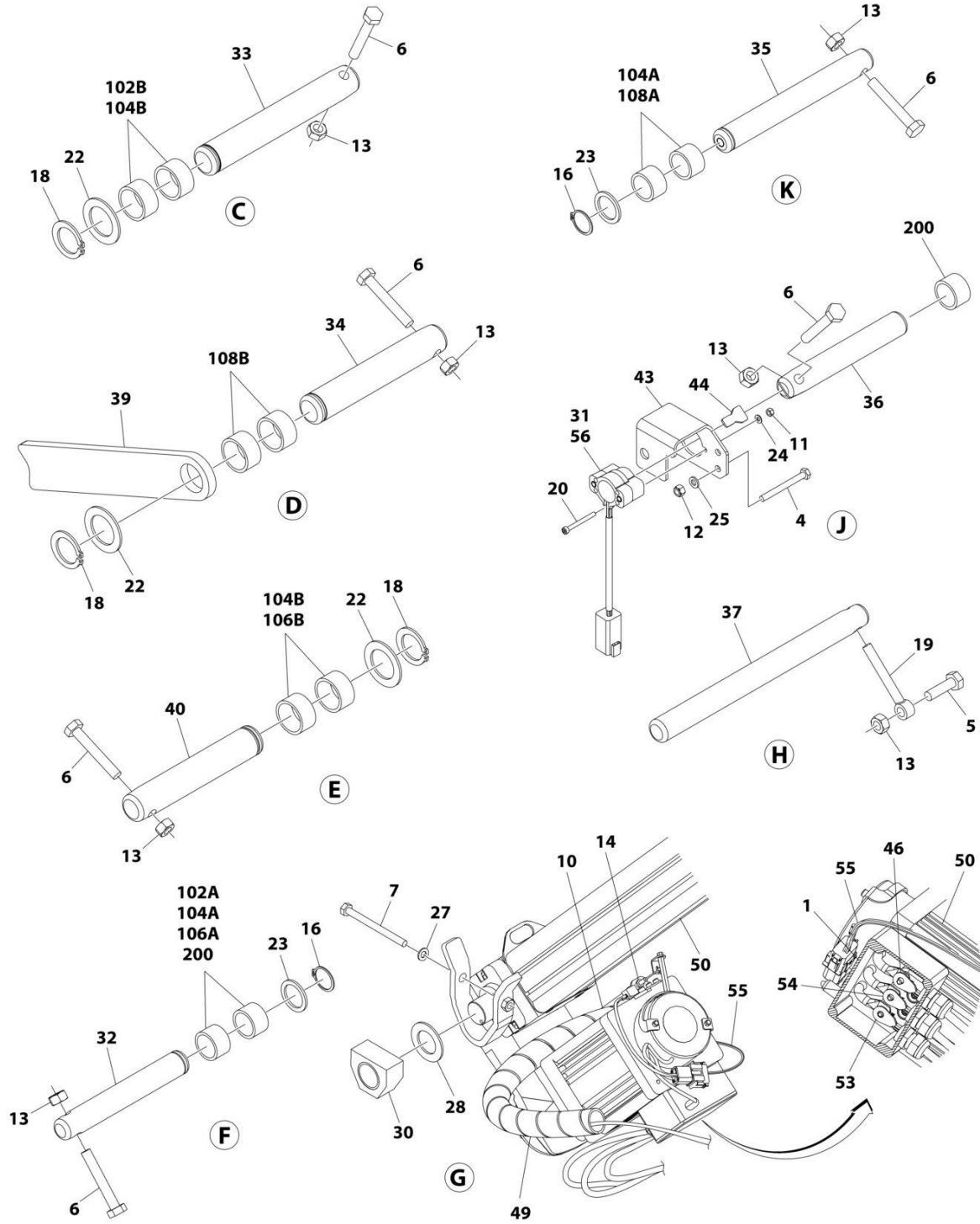
SECTION 3 - SCISSORS ARMS

FIGURE 3-1. SCISSORS ARMS INSTALLATION



ART_1001279591_10F2

SECTION 3 - SCISSORS ARMS



ART_1001279591_2OF2

SECTION 3 - SCISSORS ARMS

FIGURE 3-1. SCISSORS ARMS INSTALLATION

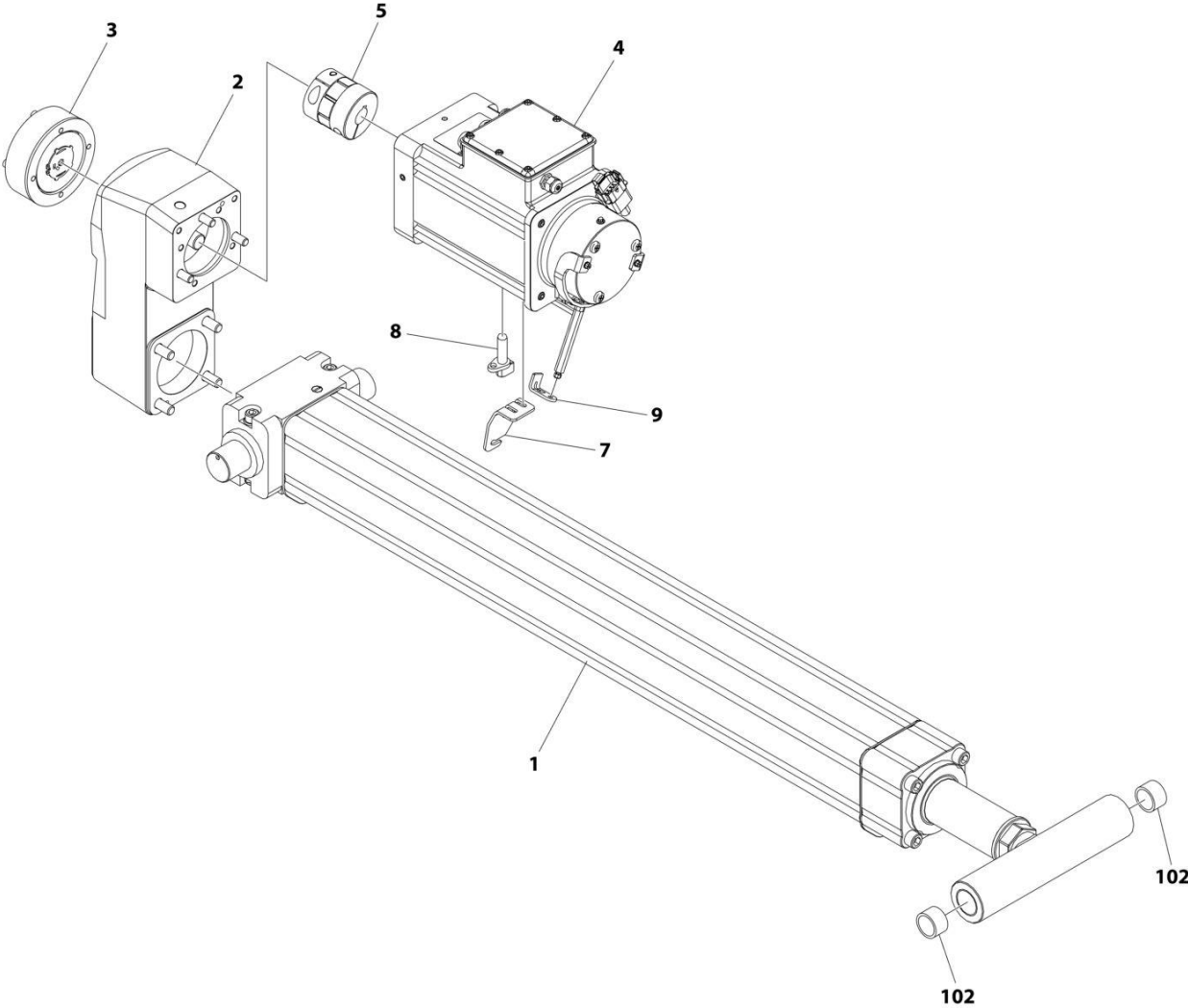
ITEM	PART NUMBER	QTY	DESCRIPTION	REV
	1001279591	Ref	SCISSORS ARMS INSTALLATION	D
1	0100011	AR	Compound, Locking	
2	0700610	1	Bolt M6 x 20	
3	0700612	2	Bolt M6 x 25	
4	0700620	2	Bolt M6 x 60	
5	0701015	1	Bolt M10 x 35	
6	0701021	22	Bolt M10 x 65	
7	0701029	2	Bolt M10 x 120	
8	0760610	5	Bolt M6 x 20	
9	0760612	2	Bolt M6 x 25	
10	1001239404	1	Cable, Manual Descent	
11	3290405	2	Nut, Lock M4	
12	3290605	5	Nut, Lock M6	
13	3291007	23	Nut, Lock M10	
14	3321402	2	Nut 1/4	
15	3340962	26	Pad	
16	3760115	12	Ring, Retaining	
17	3760170	3	Ring	
18	3760387	8	Ring, Retaining	
19	3841143	1	Keeper, Pin	
20	4031512	2	Capscrew M4 x 40	
21	4240017	AR	Tie-Strap (Not Shown)	
22	4740438	8	Washer	
23	4740531	12	Washer	
24	4811400	2	Washer M4	
25	4811700	6	Washer M6	
26	4811702	4	Washer M6	
27	4812000	5	Washer M10	
28	1001092865	2	Washer Thrust	
29	1001128888	1	Washer	
30	1001130912	2	Bearing	
30	0961948	2	Bearing	
31	1001146963	1	Sensor, Angle	
31	4460899	1	Receptacle, Female - 6 Position	
31	4460464	6	Pin, Male	
32	1001203443	7	Pin	
33	1001203444	4	Pin	
34	1001203445	1	Pin	
35	1001203446	6	Pin	
36	1001203447	1	Pin	
37	1001203448	1	Pin	
38	1001204311	2	Block, Slide	
39	1001204312	1	Prop	
40	1001204994	3	Pin	
41	1001206487	2	Support	
42	1001210966	5	Washer	
43	1001231268	1	Mount, Sensor	
44	1001234204	1	Key, Angle Sensor	
45	1001248114	1	Module, Lift (Note: Recalibrartion required When Replaced)	
46	1001250523	1	Cable, Lift (U)	

SECTION 3 - SCISSORS ARMS

ITEM	PART NUMBER	QTY	DESCRIPTION	REV
47	1001253153	1	Mount, Manual Descent	
48	1001258379	4	Tie-Strap (Not Shown)	
49	1001272281	525 mm	Mould, Spiral Wrap	
50	1001274883	1	Lift Actuator Assembly (See Separate Breakdown in this Section)	
51	1001278514	1	Cable, Battery (Positive)	
52	1001278515	1	Cable, Battery (Negative)	
53	1001278762	1	Cable, Lift (W)	
54	1001278763	1	Cable, Lift (V)	
55	1001278894	1	Cable, Logic	
55	4460931	1	Receptacle, Female - 8 Position (MS21-B)	
55	4460464	7	Pin, Male	
55	4460466	1	Plug, Terminal	
55	4460930	1	Plug, Male - 8 Position (MS21 - C Lift Actuator)	
55	4460465	8	Socket, Female	
56	280013	135 mm	Conduit	
57	1001291558	2	Decal - Platform Maximum Height	
100	1001290011	1	Arm Kit (Not Shown)	
101	1001248724	1	Arm, Inboard (Bottom)	
102	1001248727	1	Arm, Outboard (Bottom)	
102A	0440264	4	Bearing - 1 ID (Not Shown)	
102B	0440265	4	Bearing - 1-1/4 ID (Not Shown)	
103	1001248728	1	Arm, Inboard (Lower Mid)	
104	1001248730	3	Arm, Outboard (Lower Mid - Less Prop/Upper Mid)	
104A	0440264	4	Bearing - 1 ID (Not Shown)	
104B	0440265	2	Bearing - 1-1/4 ID (Not Shown)	
105	1001248731	1	Arm, Inboard (Upper Mid)	
106	1001248733	1	Arm, Outboard (Top)	
106A	0440264	4	Bearing - 1 ID (Not Shown)	
106B	0440265	4	Bearing - 1-1/4 ID (Not Shown)	
107	1001248734	1	Arm, Inboard (Top)	
108	1001249149	1	Arm, Outboard (Lower Mid With Prop)	
108A	0440264	4	Bearing - 1 ID (Not Shown)	
108B	0440265	2	Bearing - 1-1/4 ID (Not Shown)	

SECTION 3 - SCISSORS ARMS

FIGURE 3-2. LIFT CYLINDER/ACTUATOR ASSEMBLY



ART_1001274883

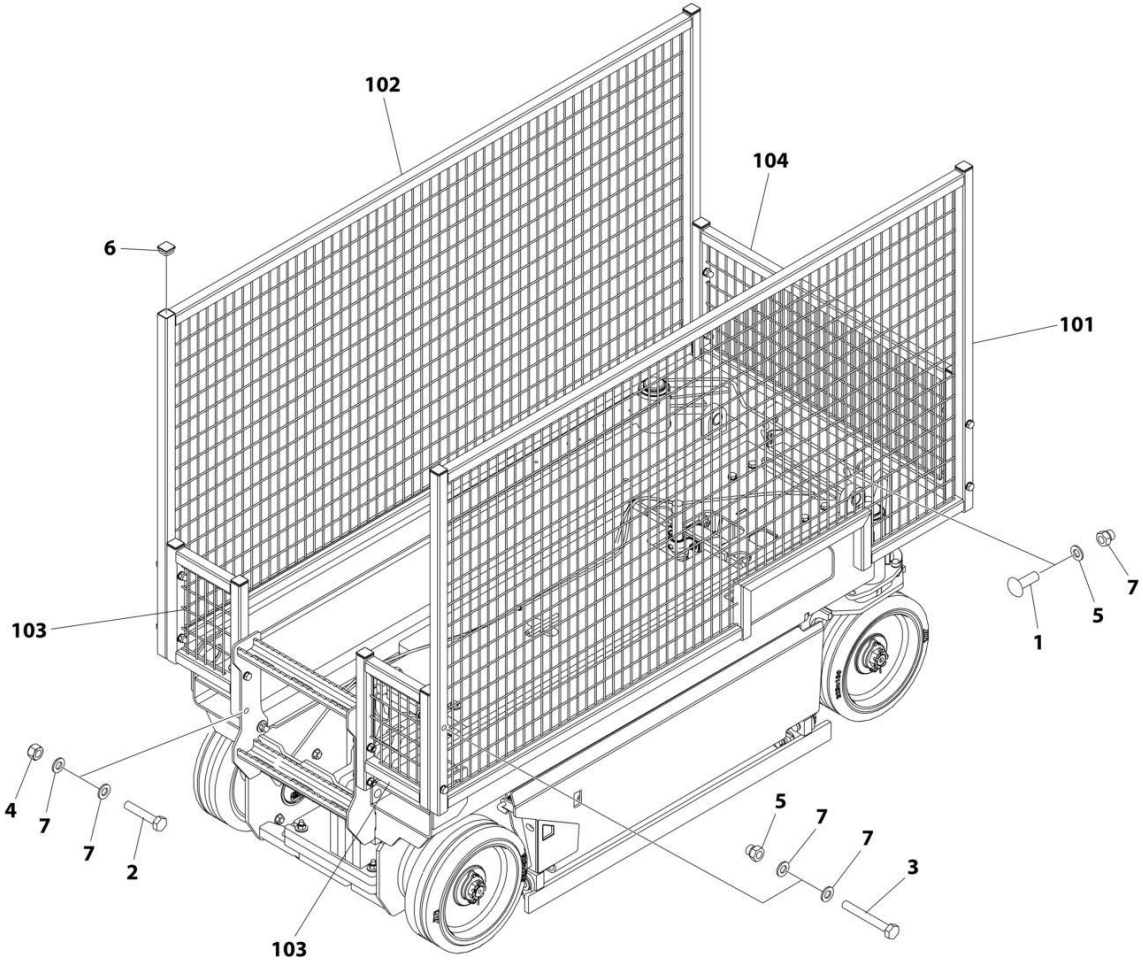
SECTION 3 - SCISSORS ARMS

FIGURE 3-2. LIFT CYLINDER/ACTUATOR ASSEMBLY

ITEM	PART NUMBER	QTY	DESCRIPTION	REV
	1001274883	Ref	LIFT CYLINDER/ACTUATOR ASSEMBLY	F
1	70007753	1	Actuator	
2	70007754	1	Gearbox	
3	70007755	1	Brake	
4	70007756	1	Motor	
5	70007757	1	Clutch/Coupling	
6	70007961	1	Grease, Tube of (400G) (Not Shown)	
7	1001284276	1	Bracket, Manual Descent	
8	70007758	1	Speed Sensor	
9	1001283523	1	Bracket, Manual Descent	
102	0962292	2	Bearing	

SECTION 3 - SCISSORS ARMS

FIGURE 3-3. ARM GUARD INSTALLATION



ART_1001224623

SECTION 3 - SCISSORS ARMS

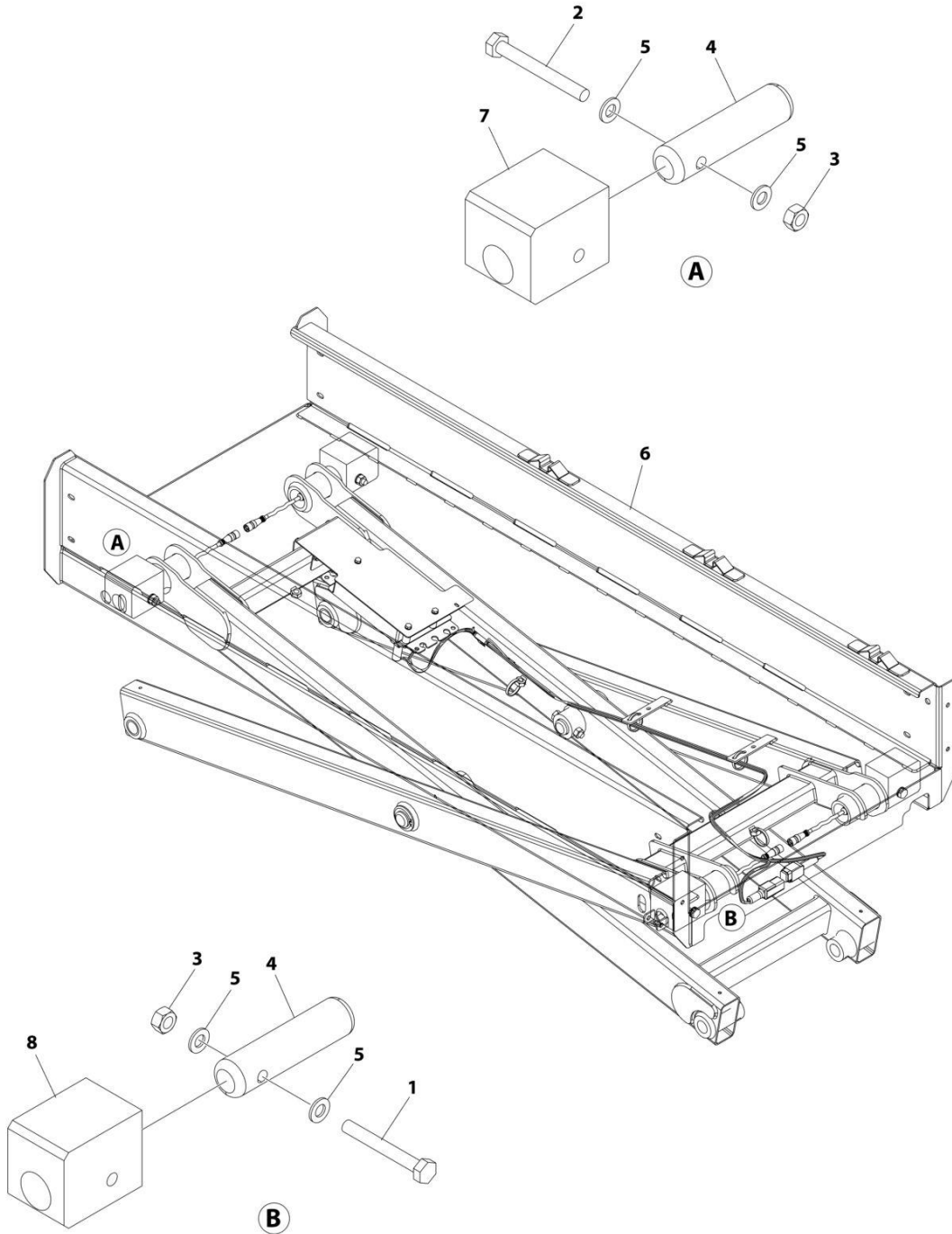
FIGURE 3-3. ARM GUARD INSTALLATION

ITEM	PART NUMBER	QTY	DESCRIPTION	REV
	1001224623	Ref	ARM GUARD INSTALLATION	A
1	0630613	2	Bolt M10 x 30	
2	0701019	4	Bolt M10 x 55	
3	0701024	8	Bolt M10 x 80	
4	3291005	4	Nut M10	
5	3291006	10	Nut M10	
6	3520072	10	Plug	
7	4812000	26	Washer M10	
8	1001224622	1	Arm Guard Kit	
101	1001224604	1	Guard, Arm (RH)	
102	1001224608	1	Guard, Arm (LH)	
103	1001224614	2	Guard, Arm (Rear)	
104	1001224620	1	Guard, Arm (Front)	

SECTION 4 - PLATFORM

SECTION 4 - PLATFORM

FIGURE 4-1. PLATFORM INSTALLATION - WITHOUT LSS



ART_1001281277

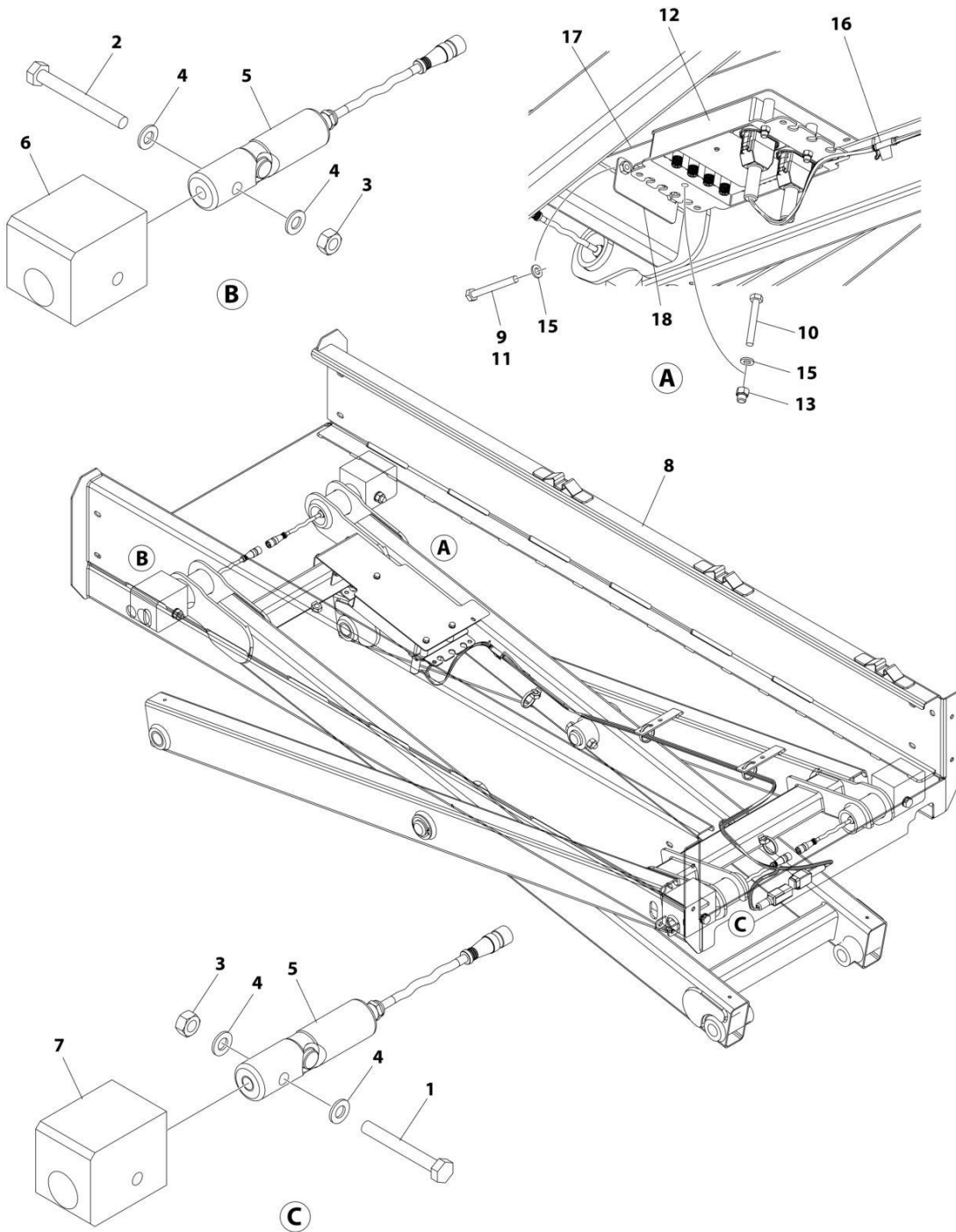
SECTION 4 - PLATFORM

FIGURE 4-1. PLATFORM INSTALLATION - WITHOUT LSS

ITEM	PART NUMBER	QTY	DESCRIPTION	REV
	1001281277	Ref	PLATFORM INSTALLATION - WITHOUT LSS	C
1	0701024	2	Bolt M10 x 80	
2	0701026	2	Bolt M10 x 90	
3	3291007	4	Nut M10	
4	3423049	4	Pin	
5	4812000	8	Washer M10	
6	1001260636	1	Platform, LSS	
7	1001265527	2	Block, Upper Rear Slide	
8	1001265528	2	Block, Upper Front Slide	

SECTION 4 - PLATFORM

FIGURE 4-2. PLATFORM INSTALLATION WITH LSS



ART_1001260768

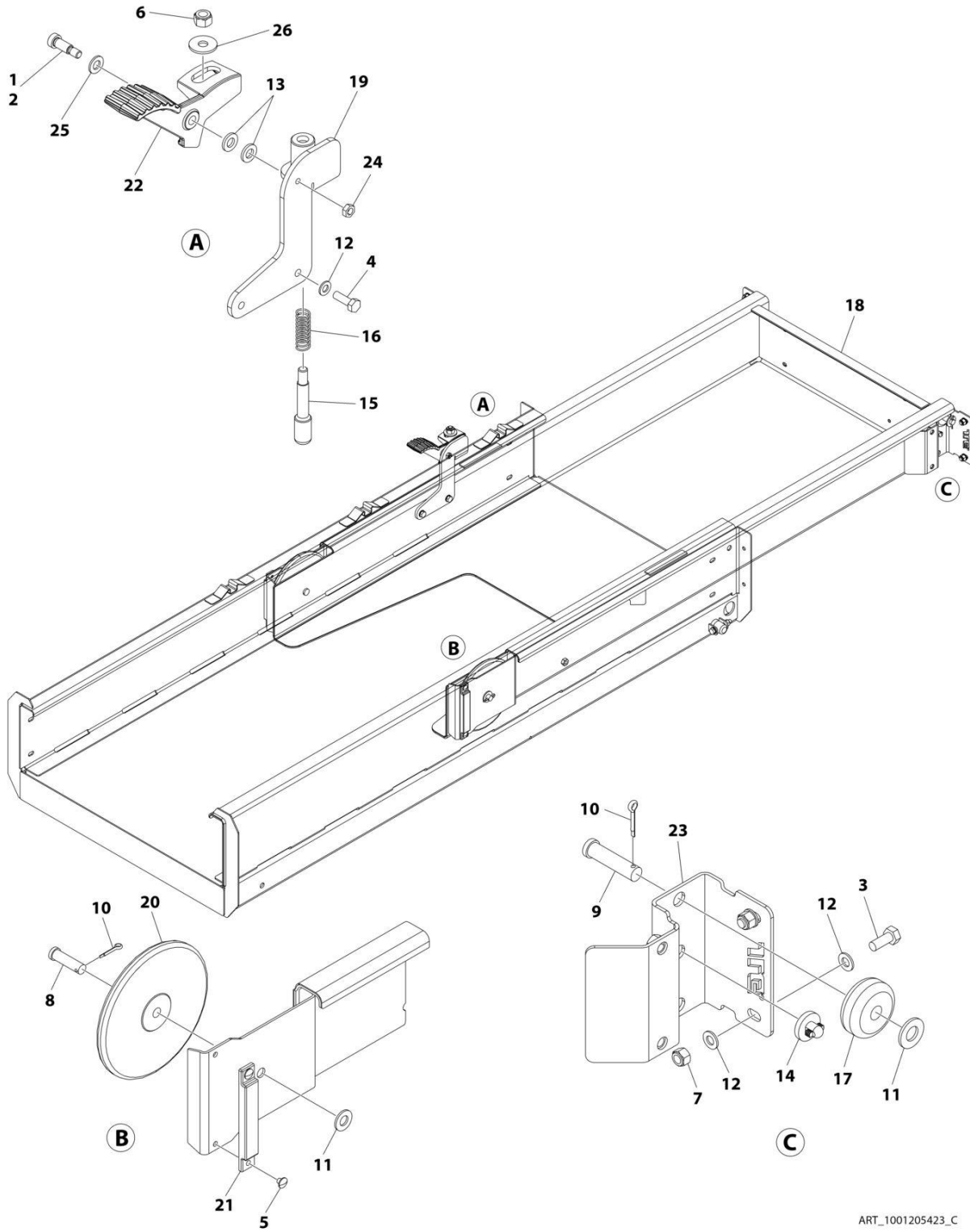
SECTION 4 - PLATFORM

FIGURE 4-2. PLATFORM INSTALLATION WITH LSS

ITEM	PART NUMBER	QTY	DESCRIPTION	REV
	1001260768	Ref	PLATFORM & LSS INSTALLATION	E
1	0701024	2	Bolt M10 x 80	
2	0701026	2	Bolt M10 x 90	
3	3291007	4	Nut M10	
4	4812000	8	Washer M10	
5	3422938	4	Pin	
6	1001265527	2	Block, Slide (Rear)	
7	1001265528	2	Block, Slide (Front)	
8	1001260636	1	Platform	
9	0100011	AR	Compound, Locking	
10	0700617	3	Bolt M6 x 45	
11	0700619	2	Bolt M6 x 55	
12	1600387	1	Module, Platform Load Sense	
13	3290606	3	Nut M6	
14	4240017	AR	Tie-Strap (Not Shown)	
15	4811700	5	Washer M6	
16	1001263450	1	Harness, LSS (See Separate Breakdown in ELECTRICAL Section)	
17	1001263568	1	Bracket	
18	1001263570	1	Support	

SECTION 4 - PLATFORM

FIGURE 4-3. PLATFORM EXTENSION INSTALLATION



ART_1001205423_C

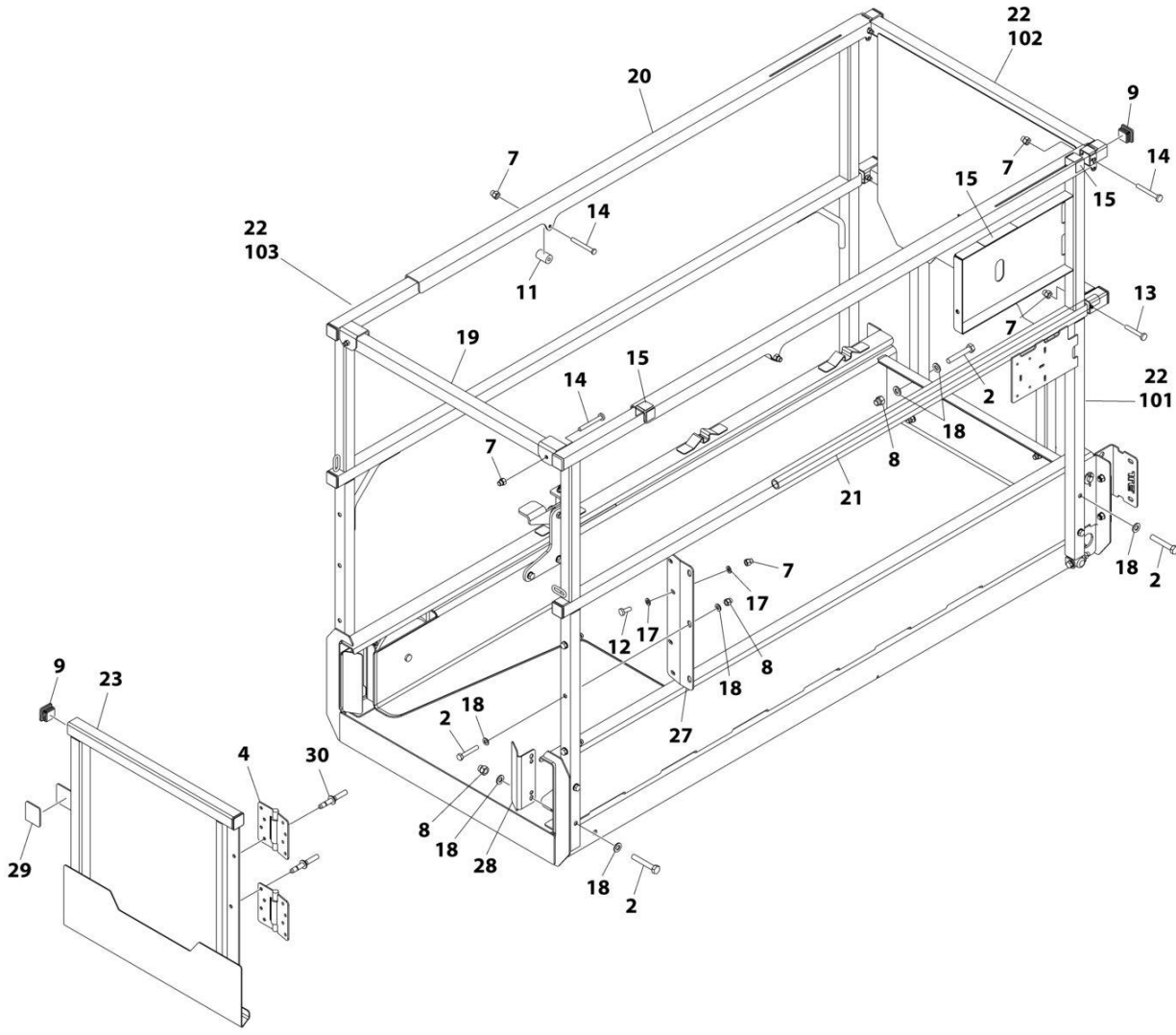
SECTION 4 - PLATFORM

FIGURE 4-3. PLATFORM EXTENSION INSTALLATION

ITEM	PART NUMBER	QTY	DESCRIPTION	REV
	1001205423	Ref	PLATFORM EXTENSION INSTALLATION	C
1	0100011	AR	Compound, Locking	
2	0630183	1	Screw 3/8 x 1	
3	0760810	4	Bolt M8 x 20	
4	0760812	2	Bolt M8 x 25	
5	2080040	4	Fastener	
6	3290605	AR	Nut M6	
6	3291005	AR	Nut M10	
7	3290805	4	Nut M8	
8	3430814	2	Pin	
9	3430816	2	Pin	
10	3450403	4	Pin, Cotter 1/8 x 3/4	
11	4711800	4	Washer 1/2	
12	4811900	11	Washer M8	
13	5241000	5	Washer M10	
14	1001137675	2	Bumper	
15	1001221476	1	Rod	
16	1001221475	1	Spring	
17	1001205422	2	Roller (Front)	
18	1001205424	1	Extension, Platform	
19	1001236129	1	Bracket	
20	1001205430	2	Roller (Rear)	
21	1001208852	2	Pad	
22	1001217043	1	Plate	
23	1001210064	2	Support	
24	3311502	1	Nut 5/16	
25	4812000	AR	Washer M10	
26	4812002	AR	Washer M10	

SECTION 4 - PLATFORM

FIGURE 4-4. RAILS INSTALLATION - FIXED RAILS (AUSTRALIAN & JAPANESE SPECS)



ART_1001207806_F

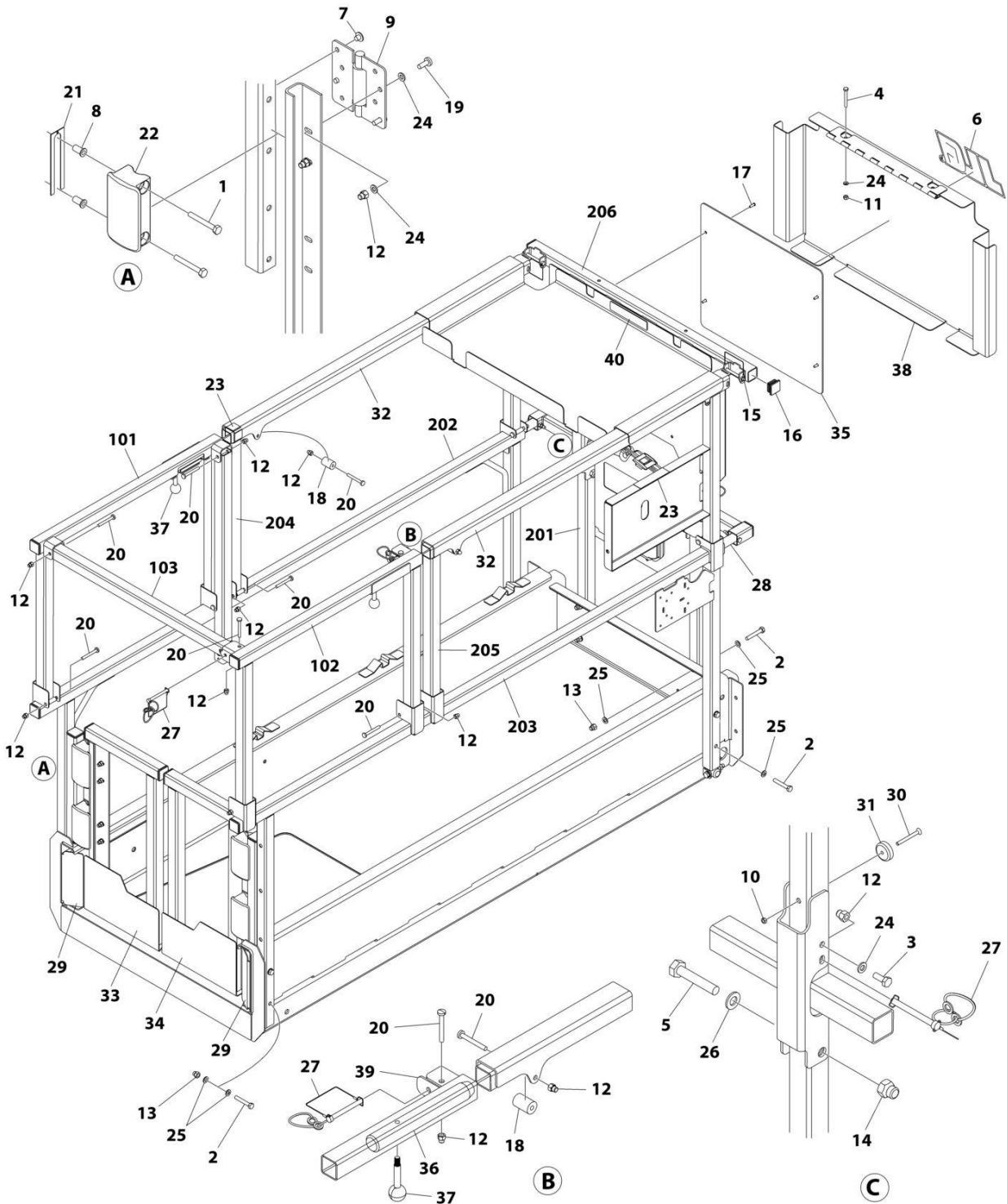
SECTION 4 - PLATFORM

FIGURE 4-4. RAILS INSTALLATION - FIXED RAILS (AUSTRALIAN & JAPANESE SPECS)

ITEM	PART NUMBER	QTY	DESCRIPTION	REV
	1001207806	Ref	RAILS INSTALLATION - FIXED RAILS/GATE ENTRY (INSIDE TUBE SLIDER)	F
2	0700818	15	Bolt M8 x 50	
4	2600281	2	Hinge	
7	3290606	12	Nut M6	
8	3290806	11	Nut M8	
9	3520072	10	Plug	
11	3860111	2	Roller	
12	4010608	4	Screw M6 x 16	
13	4010616	2	Screw M6 x 40	
14	4010618	6	Screw M6 x 50	
15	4420062	1.3 ft/ 40cm	Tape	
17	4811700	8	Washer M6	
18	4811900	28	Washer M8	
19	1001206224	1	Tube (Rear)	
20	1001206225	2	Rail, Top Slide	
21	1001206226	2	Rod	
22	1001206228	1	Rail Kit - Fixed Rails (See Items 101-103 for Breakdown))	
23	1001210302	1	Gate	
27	1001210586	1	Plate, Gate Hinge	
28	1001210963	2	Cover	
29	3080007	1	Magnet, Latch	
30	2080040	4	Fastener	
	1001206228	Ref	RAIL KIT - FIXED RAILS	G
101	1001206207	1	Rail, Side	
102	1001206217	1	Rail, Front	
103	1001206222	1	Rail, Side	

SECTION 4 - PLATFORM

FIGURE 4-5. RAILS INSTALLATION - QUIK ACCESS (ANSI & JAPANESE SPECS)



ART_1001249082

SECTION 4 - PLATFORM

FIGURE 4-5. RAILS INSTALLATION - QUIK ACCESS (ANSI & JAPANESE SPECS)

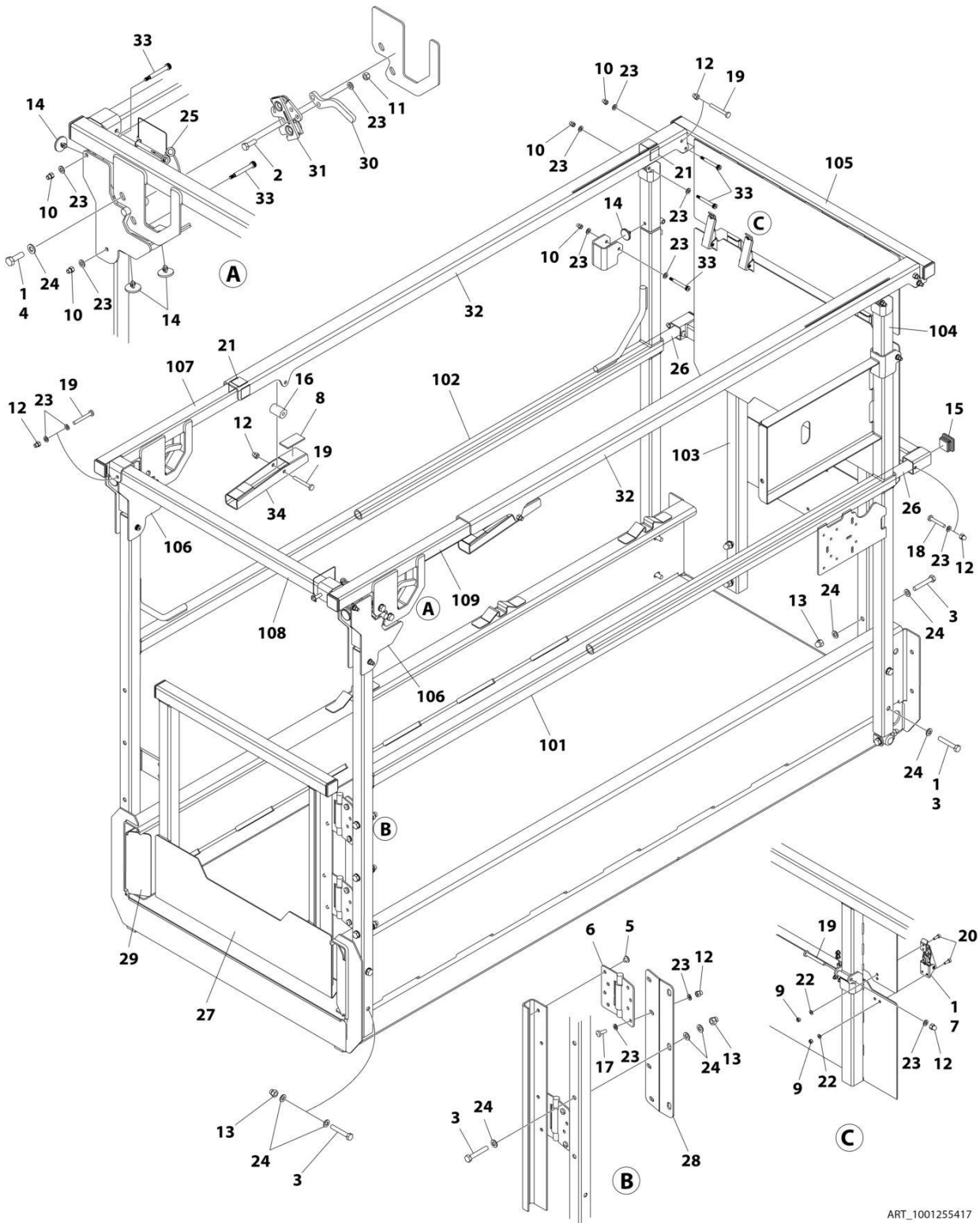
ITEM	PART NUMBER	QTY	DESCRIPTION	REV
	1001249082	Ref	RAILS INSTALLATION - FOLD-DOWN RAILS/GATE ENTRY	C
1	0641416	8	Bolt 1/4 x 2	
2	0700818	12	Bolt M8 x 50	
3	0760608	2	Bolt M6 x 16	
4	0760618	2	Bolt M6 x 50	
5	0761019	2	Bolt M10 x 55	
6	1001256675	1	Decal - JLG	
7	2080040	8	Fastener	
8	2080043	8	Rivnut	
9	2600281	4	Hinge	
10	3290501	2	Nut M5	
11	3290605	2	Nut M6	
12	3290606	26	Nut M6	
13	3290806	8	Nut M8	
14	3291006	2	Nut M10	
15	3422219	2	Pin	
16	3520072	16	Plug	
17	3820032	4	Rivet	
18	3860111	2	Roller	
19	4010608	8	Screw M6 x 16	
20	4010618	16	Screw M6 x 50	
21	4071095	AR	Shim	
22	4220309	4	Stop	
23	4420062	1.5 ft /0.46m	Tape	
24	4811700	20	Washer M6	
25	4811900	20	Washer M8	
26	4812000	2	Washer M10	
27	1001187587	4	Pin	
28	1001206226	2	Rod	
29	1001210963	2	Cover (LH)	
30	1001234395	2	Bolt M5 x 50	
31	1001243528	2	Magnet	
32	1001249114	2	Rail (Upper Slide)	
33	1001251383	1	Gate (Right)	
34	1001251388	1	Gate (Left)	
35	1001254825	1	Panel	
36	1001256471	2	Rail (Platform Extension)	
37	1001257890	2	Knob	
38	1001258528	1	Plate	
39	1001258704	2	Bracket	
40	1001261040	1	Decal - Max Capacity	
100	1001258617	1	Rail Narrow Access Kit (Not Shown)	A
101	1001249109	1	Rail (Upper Left)	
102	1001249111	1	Rail (Upper Right)	
103	1001258620	2	Tube (Drop Bar)	
200	1001258618	1	Rail Narrow Access Kit (Not Shown)	A
201	1001210446	1	Rail (Lower Extension)	
202	1001249096	1	Rail (Lower Left)	
203	1001249107	1	Rail (Lower Right)	

SECTION 4 - PLATFORM

ITEM	PART NUMBER	QTY	DESCRIPTION	REV
204	1001249110	1	Rail (Upper Left)	
205	1001249112	1	Rail (Upper Right)	
206	1001258411	1	Rail (Upper Extension)	

SECTION 4 - PLATFORM

FIGURE 4-6. RAILS INSTALLATION - QUIK FOLD-DOWN (ALL SPECS EXCEPT CE SPECS)



ART_1001255417

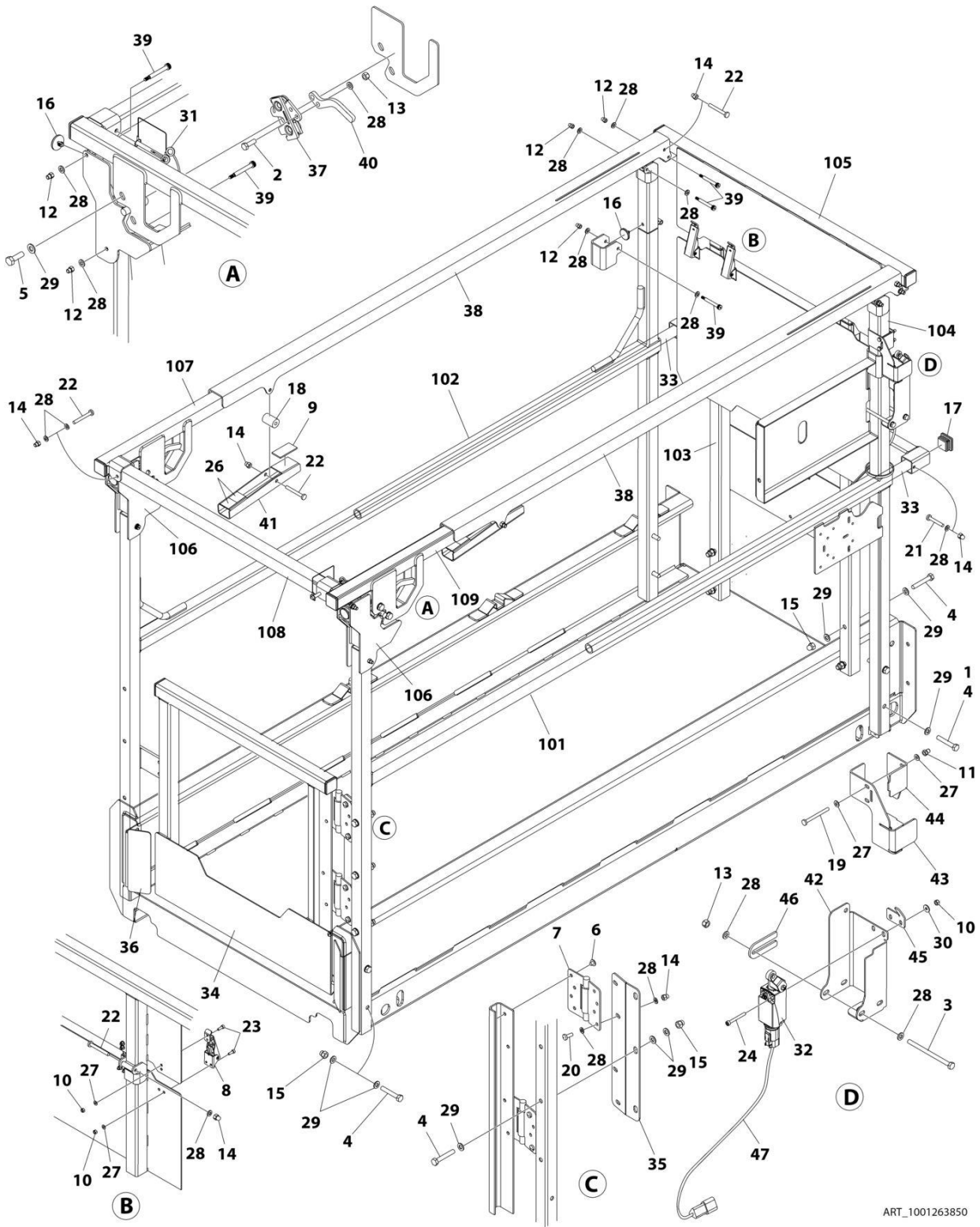
SECTION 4 - PLATFORM

FIGURE 4-6. RAILS INSTALLATION - QUIK FOLD-DOWN (ALL SPECS EXCEPT CE SPECS)

ITEM	PART NUMBER	QTY	DESCRIPTION	REV
	1001255417	Ref	RAILS INSTALLATION - FOLD-DOWN RAILS/GATE ENTRY (QUIK FOLD) (INSIDE TUBE SLIDER)	E
1	0100011	AR	Compound, Locking	
2	0700610	4	Bolt M6 x 20	
3	0700818	15	Bolt M8 x 50	
4	0700812	4	Bolt M8 x 25	
5	2080040	4	Fastener	
6	2600281	2	Hinge	
7	2940129	2	Latch	
8	3080007	3	Magnet	
9	3290405	8	Nut M4	
10	3290506	10	Nut M5	
11	3290605	4	Nut M6	
12	3290606	13	Nut M6	
13	3290806	11	Nut M8	
14	3340962	8	Pad	
15	3520072	10	Plug	
16	3860111	2	Roller	
17	4010608	4	Screw M6 x 16	
18	4010616	2	Screw M6 x 40	
19	4010618	7	Screw M6 x 50	
20	4031506	8	Bolt M4 x 12	
21	4420062	1.3 ft /40cm	Tape	
22	4811400	8	Washer M4	
23	4811700	38	Washer M6	
24	4811900	33	Washer M8	
25	1001187587	1	Pin	
26	1001206226	2	Rod	
27	1001210302	1	Gate	
28	1001210586	1	Plate, Gate Hinge	
29	1001210963	2	Cover	
30	1001259102	1	Plate, Latch Trigger	
31	1001255470	1	Latch Assembly	
32	1001255505	2	Rail, Top Slide	
33	1001256657	10	Bolt M6 x 40	
34	1001261149	2	Handle	
100	1001255420	1	Rail Kit (Not Shown)	D
101	1001255421	1	Rail (Right Platform)	
102	1001255428	1	Rail (Left Platform)	
103	1001255430	1	Rail (Platform Extension)	
104	1001255442	2	Tube (Rail Hinge)	
105	1001255457	1	Rail (Upper Extension)	
106	1001259105	2	Rail (Latch Assembly)	
107	1001259106	1	Rail (Upper)	
108	1001255491	1	Tube (Upper Extension)	
109	1001259107	1	Rail (Upper)	

SECTION 4 - PLATFORM

FIGURE 4-7. RAIL INSTALLATION - QUIK-FOLD (CE & UK CA SPECS)



ART_1001263850

SECTION 4 - PLATFORM

FIGURE 4-7. RAIL INSTALLATION - QUIK-FOLD (CE & UK CA SPECS)

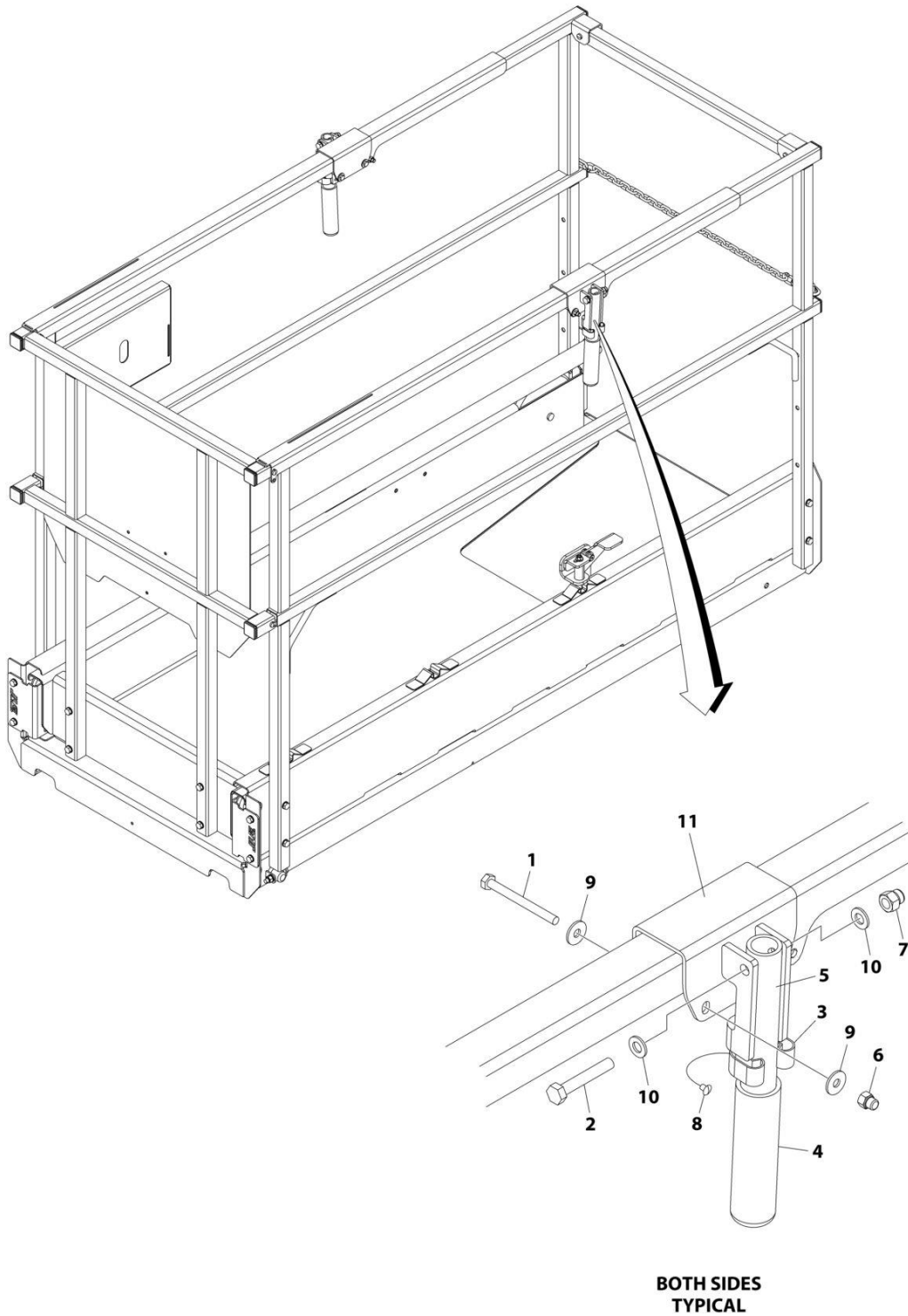
ITEM	PART NUMBER	QTY	DESCRIPTION	REV
	1001263850	Ref	RAIL INSTALLATION	C
1	0100011	AR	Compound, Locking	
2	0700610	4	Bolt M6 x 20	
3	0700626	2	Bolt M6 x 90	
4	0700818	15	Bolt M8 x 50	
5	0760812	4	Bolt M8 x 25	
6	2080040	4	Fastener	
7	2600281	2	Hinge	
8	2940129	2	Latch	
9	3080007	3	Magnet Gate	
10	3290405	10	Nut M4	
11	3290406	2	Nut M4	
12	3290506	10	Nut M5	
13	3290605	6	Nut M6	
14	3290606	13	Nut M6	
15	3290806	11	Nut M8	
16	3340962	8	Pad	
17	3520072	10	Plug	
18	3860111	2	Roller	
19	4010417	2	Screw M4 x 45	
20	4010608	4	Screw M6 x 16	
21	4010616	2	Screw M6 x 40	
22	4010618	7	Screw M6 x 50	
23	4031506	8	Capscrew M4 x 12	
24	4031511	2	Capscrew M4 x 35	
25	4240017	AR	Tie-Strap (Not Shown)	
26	4420062	16 in /40 cm	Tape	
27	4811400	12	Washer M4	
28	4811700	42	Washer M6	
29	4811900	33	Washer M8	
30	1001091102	2	Washer M4	
31	1001187587	1	Pin With Lanyard	
32	1001203871	1	Switch, Limit	
33	1001206226	2	Rod	
34	1001210302	1	Gate	
35	1001210586	1	Support	
36	1001210963	2	Cover	
37	1001255470	2	Latch	
38	1001255505	2	Rail (Top Outer)	
39	1001256657	10	Bolt M6 x 40	
40	1001259102	2	Plate, Latch	
41	1001261149	2	Handle, Lock	
42	1001263805	1	Mount	
43	1001279476	1	Plate	
44	1001279477	1	Clamp	
45	1001263808	1	Guard	
46	1001264079	1	Shim	
47	1001264110	1	Harness, Quick FD Rail Switch	
47	4460844	1	Plug, Male - 4 Position (SN238 - Rail Switch)	

SECTION 4 - PLATFORM

ITEM	PART NUMBER	QTY	DESCRIPTION	REV
47	4460465	3	Socket, Female	
47	4460466	1	Plug Terminal	
47	4460536	1	Receptacle, Female - 4 Position (SW475 - Platform Cable Connector)	
47	4460464	3	Pin, Male	
47	4460466	1	Plug, Terminal	
100	1001255420	Ref	Rail Kit (Not Shown)	
101	1001255421	1	Rail (RH)	
102	1001255428	1	Rail (LH)	
103	1001255430	1	Rail (Extension Front Lower)	
104	1001255442	2	Rail (Front)	
105	1001255457	1	Rail (Extension Front Upper)	
106	1001259105	2	Latch	
107	1001259106	1	Rail (Top Inner RH)	
108	1001255491	1	Tube (Extension Top)	
109	1001259107	1	Rail (Top Inner LH)	

SECTION 4 - PLATFORM

FIGURE 4-8. HANDLE EXTENSION INSTALLATION (OPTIONAL)



ART_1001222587

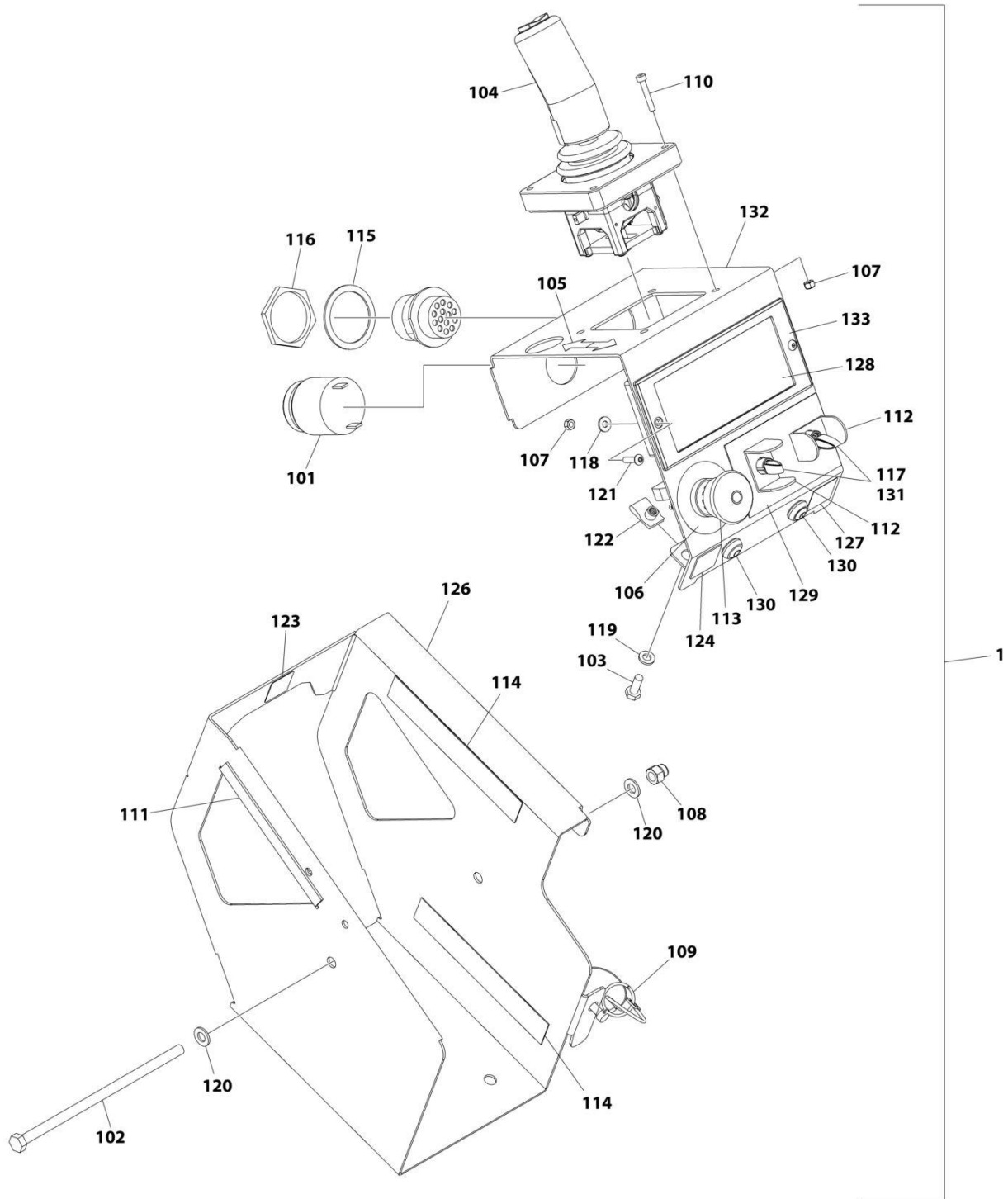
SECTION 4 - PLATFORM

FIGURE 4-8. HANDLE EXTENSION INSTALLATION (OPTIONAL)

ITEM	PART NUMBER	QTY	DESCRIPTION	REV
	1001222587	Ref	HANDLE EXTENSION INSTALLATION (OPTIONAL)	B
1	0700621	4	Bolt M6 x 65	
2	0700818	2	Bolt M8 x 50	
3	1380132	2	Clip	
4	2560088	2	Grip, Handle	
5	2560190	2	Handle	
6	3290606	2	Nut M6	
7	3290806	2	Nut M8	
8	3820019	2	Rivet	
9	4811702	8	Washer M6	
10	4811900	4	Washer M8	
11	1001216823	2	Bracket	

SECTION 4 - PLATFORM

FIGURE 4-9. PLATFORM CONSOLE ASSEMBLY (LED)



ART_1001274659

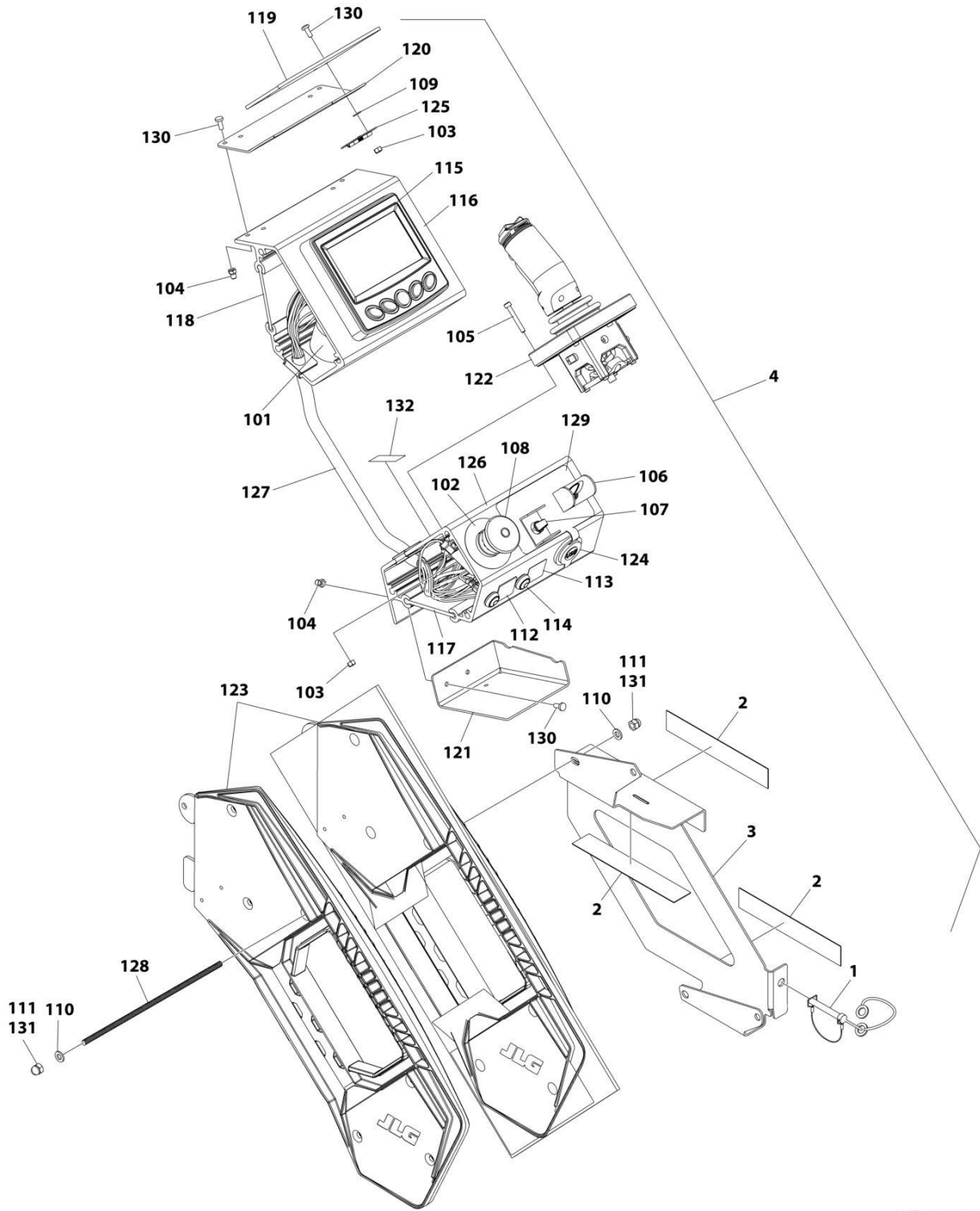
SECTION 4 - PLATFORM

FIGURE 4-9. PLATFORM CONSOLE ASSEMBLY (LED)

ITEM	PART NUMBER	QTY	DESCRIPTION	REV
	1001274659	Ref	PLATFORM CONTROL INSTALLATION (LED)	A
1	1001274604	1	Platform Control Box	B
101	0140030	1	Alarm	
102	0700835	1	Bolt M8 x 180	
103	0760610	2	Bolt M6 x 20	
104	1600402	1	Controller Assembly (See Separate Breakdown in this Section)	
105	1703819	1	Decal - Arrow	
106	1704260	1	Decal - Emergency Stop	
107	3290405	6	Nut M4	
108	3290806	1	Nut M8	
109	3423278	1	Pin, Snap with Lanyard	
110	4031509	4	Capscrew M4 x 25	
111	4060803	6 in/ 14cm	Flex-Trim	
112	4060906	2	Guard, Switch	
113	4360475	1	Switch, Emergency Stop	
113	7020175	1	Cap	
113	7020176	1	Block, Contact	
114	4420062	12 in/ 30cm	Tape	
115	4460496	1	Washer, Terminal	
116	4460497	1	Nut, Terminal	
117	4711700	2	Washer 7/16	
118	4811400	2	Washer M4	
119	4811700	2	Washer M6	
120	4811900	2	Washer M8	
121	1001047064	2	Screw M4 x 15	
122	1001130220	2	Nut, Tinnerman M6	
123	1001132358	1	Decal - Steer	
124	1001132361	1	Decal - Horn	
125	1001200819	1	Platform Control Box Harness (Not Shown) (See Separate Breakdown in ELECTRICAL Section)	
126	1001209596	1	Plate, Box (Outside)	
127	1001213886	1	Decal - Indoor/Outdoor	
128	1001218285	1	Decal - Platform Control	
129	1001220893	1	Decal - Lift/Drive Function	
130	1001226749	2	Switch, Push Button	
131	1001258446	2	Switch, Toggle	
132	1001262655	1	Plate, Box (Inside)	
133	1001274605	1	Module, Platform Control	

SECTION 4 - PLATFORM

FIGURE 4-10. PLATFORM BOX ASSEMBLY (LCD)



ART_1001290161

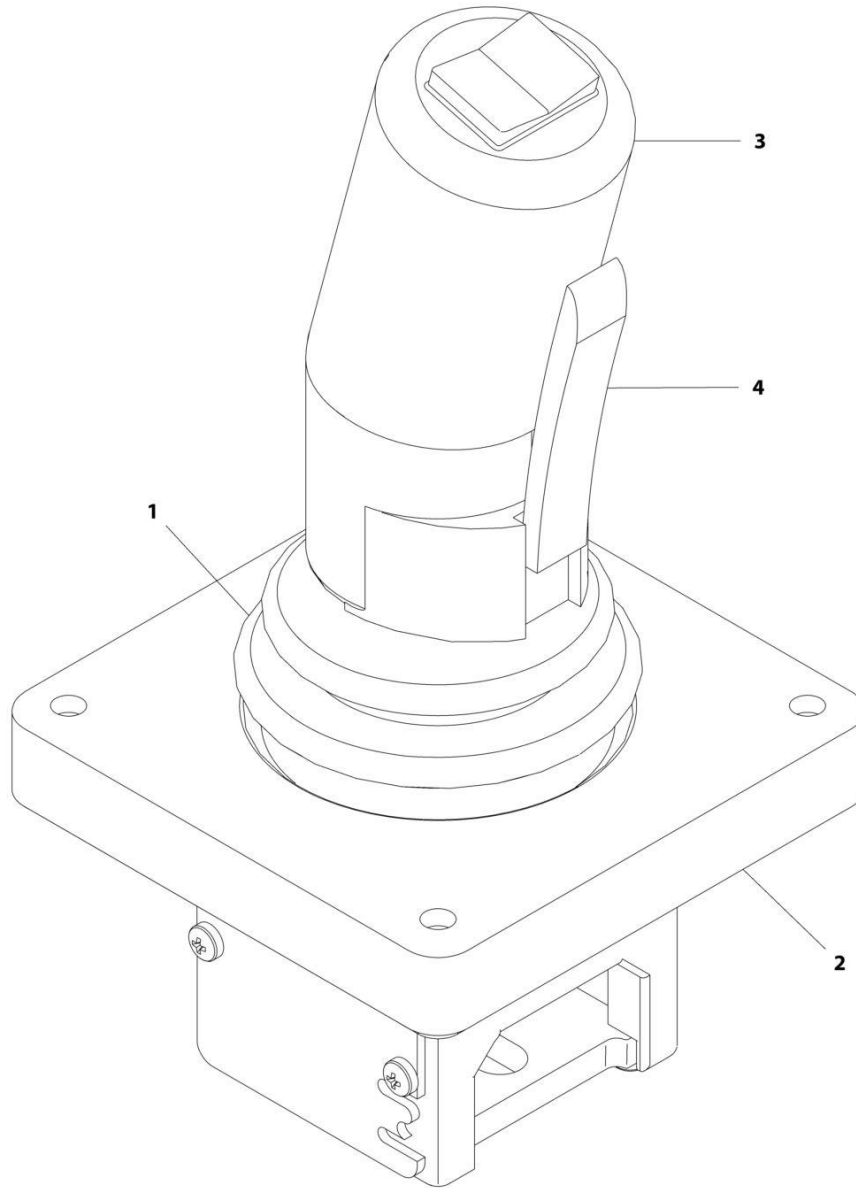
SECTION 4 - PLATFORM

FIGURE 4-10. PLATFORM BOX ASSEMBLY (LCD)

ITEM	PART NUMBER	QTY	DESCRIPTION	REV
	1001290161	Ref	PLATFORM BOX ASSEMBLY (LCD)	B
1	3423278	1	Pin	
2	4420062	17 in/ 43cm	Tape	
3	1001255439	1	Mount	
4	1001290016	1	Platform Box Assembly	D
101	0140030	1	Alarm	
102	1704260	1	Decal - Emergency Stop	
103	3290405	12	Nut M4	
104	3290406	6	Nut M4	
105	4031510	4	Capscrew M4 x 30	
106	4060906	2	Guard, Switch	
107	4360345	2	Switch, Toggle	
108	4360475	1	Switch, Emergency Stop	
108	7020175	1	Cap	
108	7020176	1	Block, Contact	
109	4811400	4	Washer M4	
110	4811700	12	Washer M6	
111	1001108603	12	Nut M6	
112	1001132361	1	Decal - Horn	
113	1001213886	1	Decal - Indoor/Outdoor	
114	1001226749	2	Switch - Push Button	
115	1001244932	1	Control - Display (Note: Recalibration Required When Replaced)	
116	1001246584	1	Housing (Upper)	
117	1001246863	1	Cover (Lower)	
118	1001246864	1	Cover (Upper)	
119	1001246979	1	Shield, Display	
120	1001247313	1	Mount, Shield	
121	1001247443	1	Holder, Phone	
122	1001247682	1	Drive/Steer Controller (See Separate Breakdown in this Section)	
123	1001249259	2	Panel, Side	
124	1001253800	1	Receptacle, USB	
125	1001254119	2	Hinge	
126	1001254555	1	Channel, Cross Section	
127	1001254686	1	Harness, Platform Box (See Separate Breakdown in ELECTRICAL Section)	
128	1001255461	6	Stud, M6 x 205	
129	1001256219	1	Decal - Lift/Drive Function	
130	4010405002	14	Screw, M4 x 10	
131	0100011	AR	Compound, Locking	
132	1703819	1	Decal - Direction Arrow	

SECTION 4 - PLATFORM

FIGURE 4-11. DRIVE/STEER CONTROLLER ASSEMBLY (LED)



ART_1600402

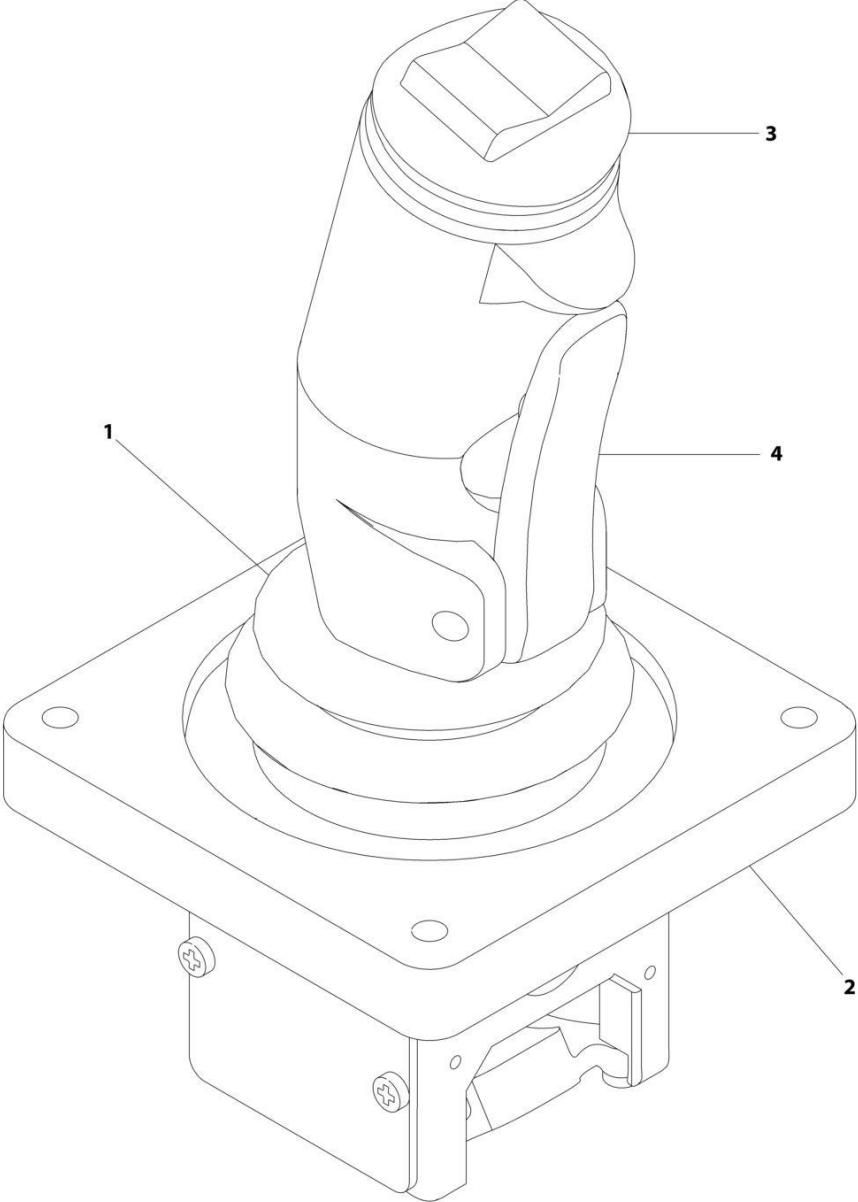
SECTION 4 - PLATFORM

FIGURE 4-11. DRIVE/STEER CONTROLLER ASSEMBLY (LED)

ITEM	PART NUMBER	QTY	DESCRIPTION	REV
	1600402	Ref	DRIVE/STEER CONTROLLER ASSEMBLY	A
1	70001250	1	Boot, Panel	
2	70001252	1	Gasket, Mounting	
2	70001251	1	Bezel, Mounting	
3	70003650	1	Handle Repair Kit (Includes handle gasket, item#4 push button and item #4 lever installed in front handle half, back handle half, top actuator, boot and hardware.)	
3	70000084	1	Cap, Rubber	
3	70000082	1	Microswitch	
3	7027766	1	Ring, Retaining	
3	7027365	1	Actuator, Handle	
3	70001253	1	Gasket, Handle	
3	70000683	4	Washer, Neoprene	
3	70000685	2	Spacer, Plastic	
3	70000686	2	Screw (Top)	
3	70000684	2	Screw (Bottom)	
4	7027367	1	Switch, Push Button	
4	7027765	1	Lever, Enable	

SECTION 4 - PLATFORM

FIGURE 4-12. DRIVE/STEER CONTROLLER ASSEMBLY (LCD)



ART_1001247682

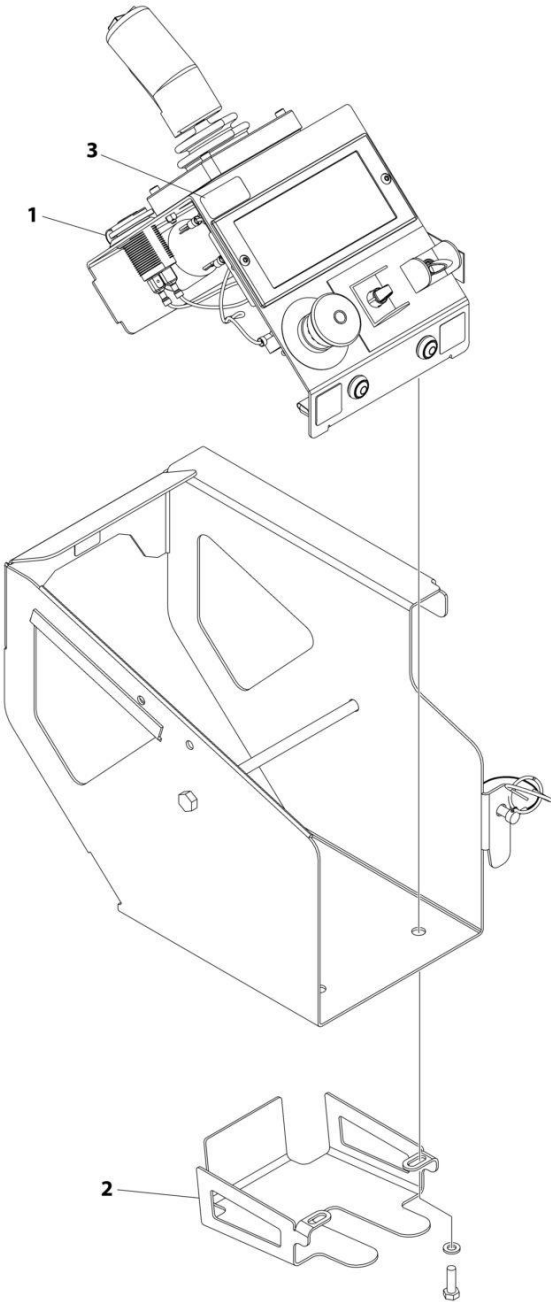
SECTION 4 - PLATFORM

FIGURE 4-12. DRIVE/STEER CONTROLLER ASSEMBLY (LCD)

ITEM	PART NUMBER	QTY	DESCRIPTION	REV
	1001247682	Ref	DRIVE/STEER CONTROLLER ASSEMBLY (LCD)	B
1	70001250	1	Boot, Panel	
2	70001252	1	Gasket, Mounting	
2	70001251	1	Bezel, Mounting	
3	70007506	1	Handle Repair Kit (Includes handle gasket, item#4 push button and item #4 lever installed in front handle half, back handle half, top actuator, boot and hardware.)	
3	70000084	1	Cap, Rubber	
3	70000082	1	Microswitch	
3	7027766	1	Ring, Retaining	
3	7027365	1	Actuator, Handle	
3	70001253	1	Gasket, Handle	
3	70000683	4	Washer, Neoprene	
3	70000685	2	Spacer, Plastic	
3	70000686	2	Screw (Top)	
3	70000684	2	Screw (Bottom)	
4	7027367	1	Switch, Push Button	
4	7027765	1	Lever, Enable	

SECTION 4 - PLATFORM

FIGURE 4-13. USB/PHONE CRADLE INSTALLATION



ART_1001262150

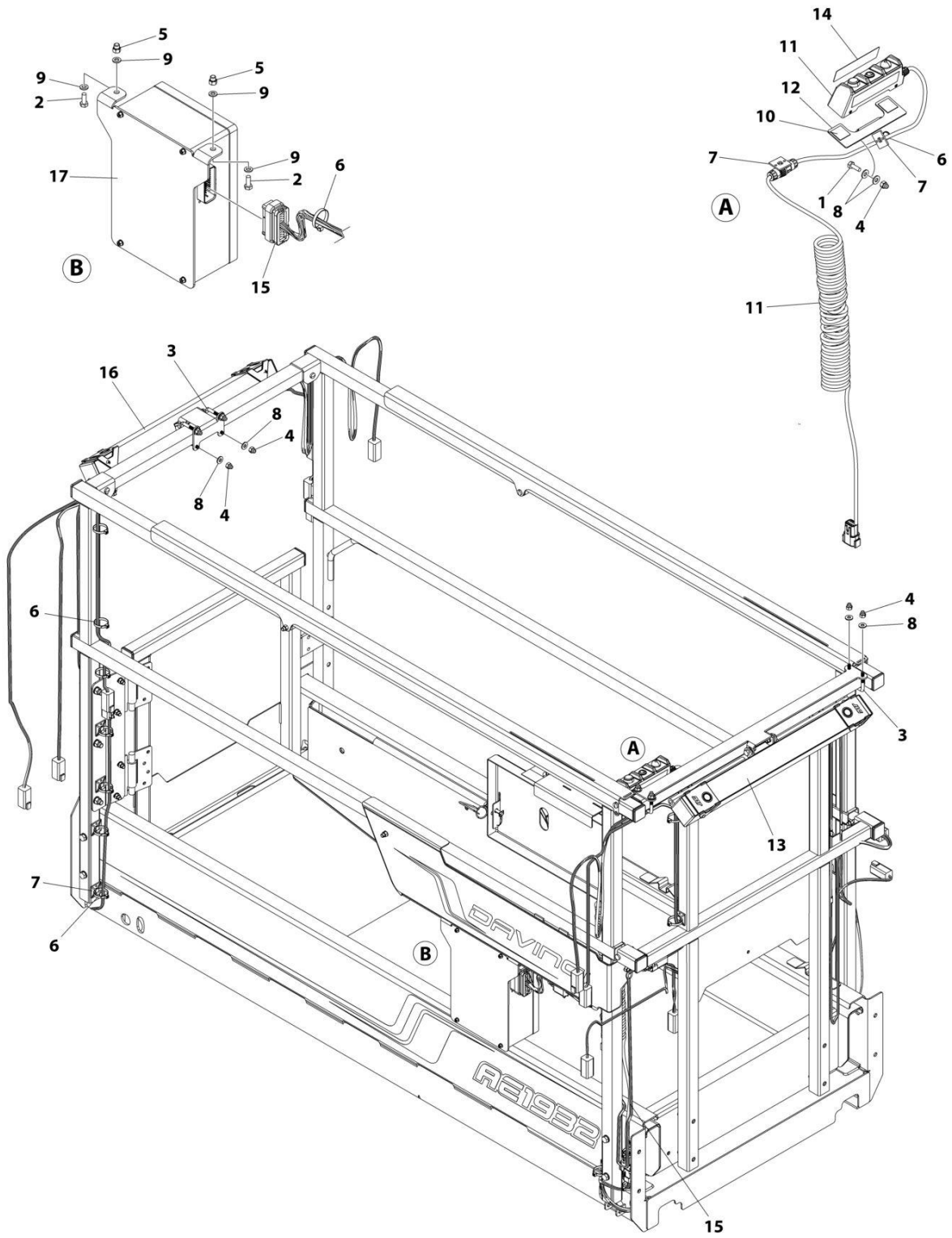
SECTION 4 - PLATFORM

FIGURE 4-13. USB/PHONE CRADLE INSTALLATION

ITEM	PART NUMBER	QTY	DESCRIPTION	REV
	1001262150	Ref	USB/PHONE CRADLE INSTALLATION	B
1	1001253800	1	Terminal, USB Receptacle	
2	1001261131	1	Bracket, Phone	
3	1001274168	1	Decal, USB Charge	

SECTION 4 - PLATFORM

FIGURE 4-14. SKYSENSE LEVEL 1 INSTALLATION (LED)



ART_1001270653

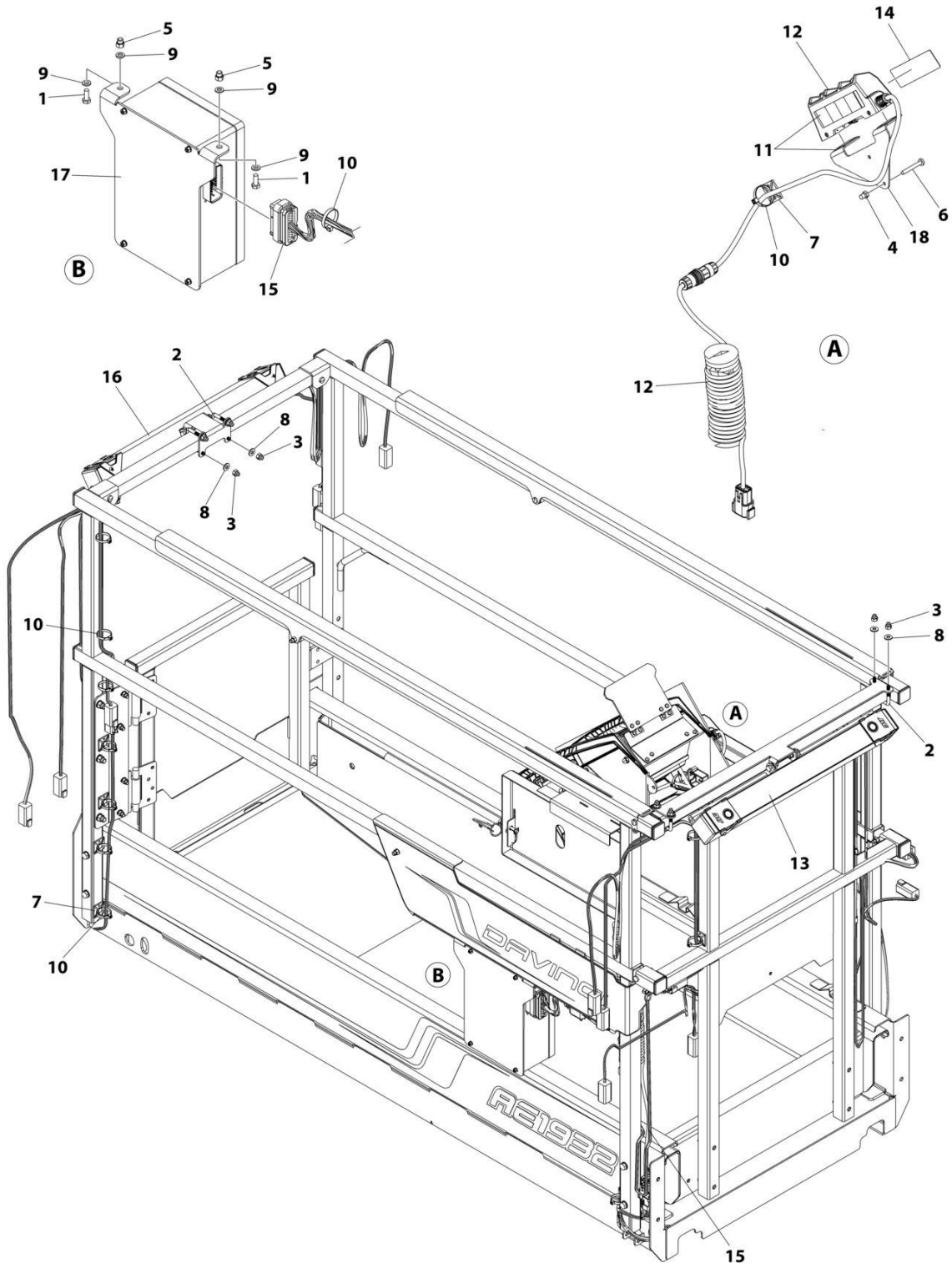
SECTION 4 - PLATFORM

FIGURE 4-14. SKYSENSE LEVEL 1 INSTALLATION (LED)

ITEM	PART NUMBER	QTY	DESCRIPTION	REV
	1001270653	Ref	SKYSENSE, LEVEL 1 INSTALLATION (LED)	B
1	0641406	2	Bolt 1/4 x 3/4	
2	0700608	2	Bolt M6 x 16	
3	1320302	4	U-Clamp	
4	2080063	10	Nut 1/4	
5	3290606	2	Nut M6	
6	4240017	AR	Tie-Strap	
7	4460234	AR	Terminal	
8	4711400	12	Washer 1/4	
9	4811700	4	Washer M6	
10	1001217088	0.16 ft /50mm	Tape, 2-Sided	
11	1001239824	1	Housing, Scissor	
12	1001254722	1	Plate, SkySense	
13	1001255074	1	Tube, SkySense	
14	1001255165	1	Decal - Danger, Crushing and Power Line SkySense	
15	1001255507	1	Harness, SkySense	
16	1001258755	1	Tube, SkySense	
17	1001270870	1	Box Assembly	
17	1001261153	1	Decal - Weight	

SECTION 4 - PLATFORM

FIGURE 4-15. SKYSENCE LEVEL 1 INSTALLATION (LCD)



ART_1001271186

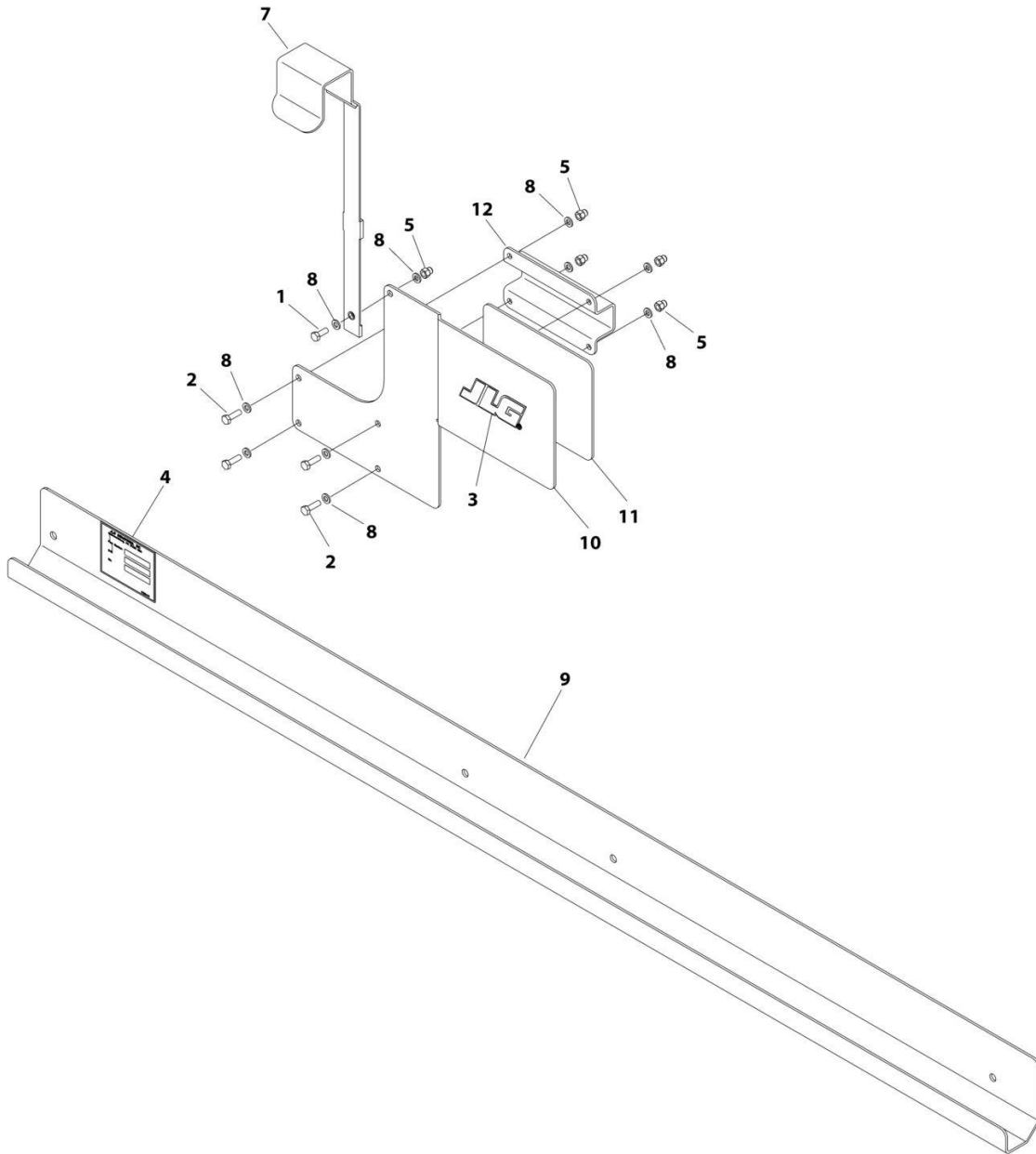
SECTION 4 - PLATFORM

FIGURE 4-15. SKYSENSE LEVEL 1 INSTALLATION (LCD)

ITEM	PART NUMBER	QTY	DESCRIPTION	REV
	1001271186	Ref	SKYSENSE, LEVEL 1	A
1	0700608	2	Bolt M6 x 16	
2	1320302	4	U-Clamp	
3	2080063	8	Nut 1/4	
4	3290406	2	Nut M4	
5	3290606	2	Nut M6	
6	4010414	2	Screw, M4 x 30	
7	4460234	AR	Terminal	
8	4711400	8	Washer 1/4	
9	4811700	4	Washer M6	
10	86683122	AR	Tie-Strap	
11	1001217088	0.5 ft /150mm	Tape, 2-Sided	
12	1001239824	1	Housing, Scissor	
13	1001255074	1	Tube, SkySense	
14	1001255165	1	Decal - Danger, Crushing and Power Line SkySense	
15	1001255507	1	Harness, SkySense	
16	1001258755	1	Tube, SkySense	
17	1001270870	1	Box Assembly	
17	1001261153	1	Decal - Weight	
18	1001271185	1	Bracket, Scissor	

SECTION 4 - PLATFORM

FIGURE 4-16. PANEL CARRIER INSTALLATION (OPTIONAL - ALL SPECS EXCEPT JAPANESE SPECS)



ART_1001235924

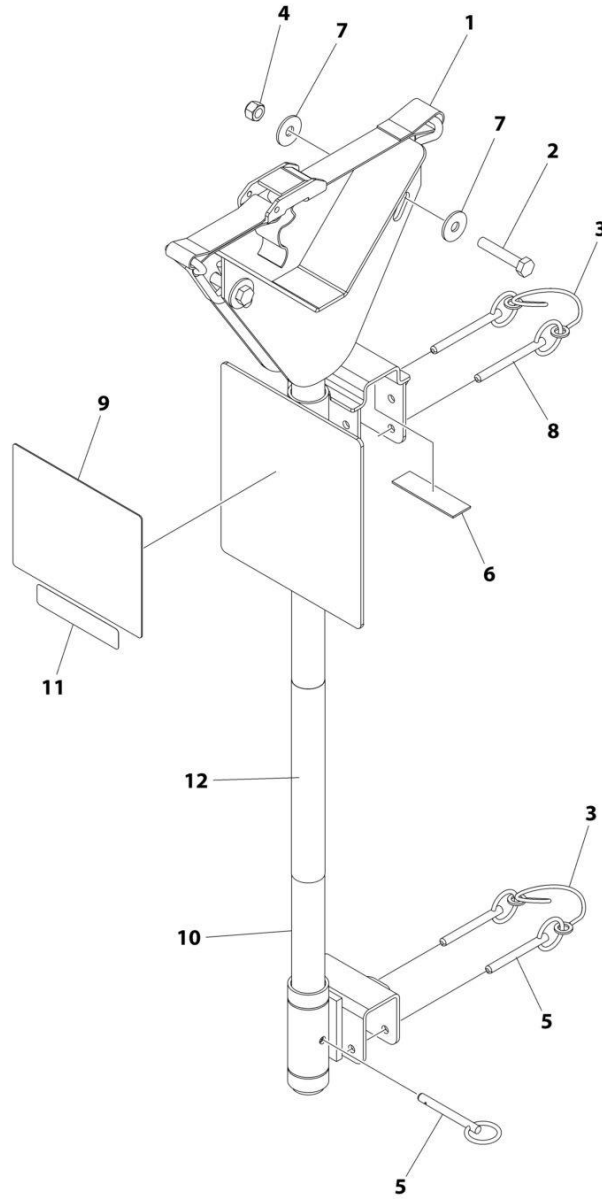
SECTION 4 - PLATFORM

FIGURE 4-16. PANEL CARRIER INSTALLATION (OPTIONAL - ALL SPECS EXCEPT JAPANESE SPECS)

ITEM	PART NUMBER	QTY	DESCRIPTION	REV
	1001235924	Ref	PANEL CARRIER INSTALLATION	B
1	0760608	1	Bolt M6 x 16	
2	0760610	4	Bolt M6 x 20	
3	1702010	1	Decal - JLG	
4	See Note	NSS	Nameplate - Accessory SN (Note: Not Available for Purchase)	
5	3290606	5	Nut M6	
6	3574505	1	Plate	
7	4240165	1	Strap	
8	4811700	10	Washer M6	
9	1001235536	1	Channel	
10	1001235863	1	Plate	
11	1001236507	1	Decal – Panel Carrier Capacity	
12	4420037	6 in /15cm	Tape	

SECTION 4 - PLATFORM

FIGURE 4-17. PIPE RACK INSTALLATION (OPTIONAL - ALL SPECS EXCEPT JAPANESE SPECS)



ART_1001270855

SECTION 4 - PLATFORM

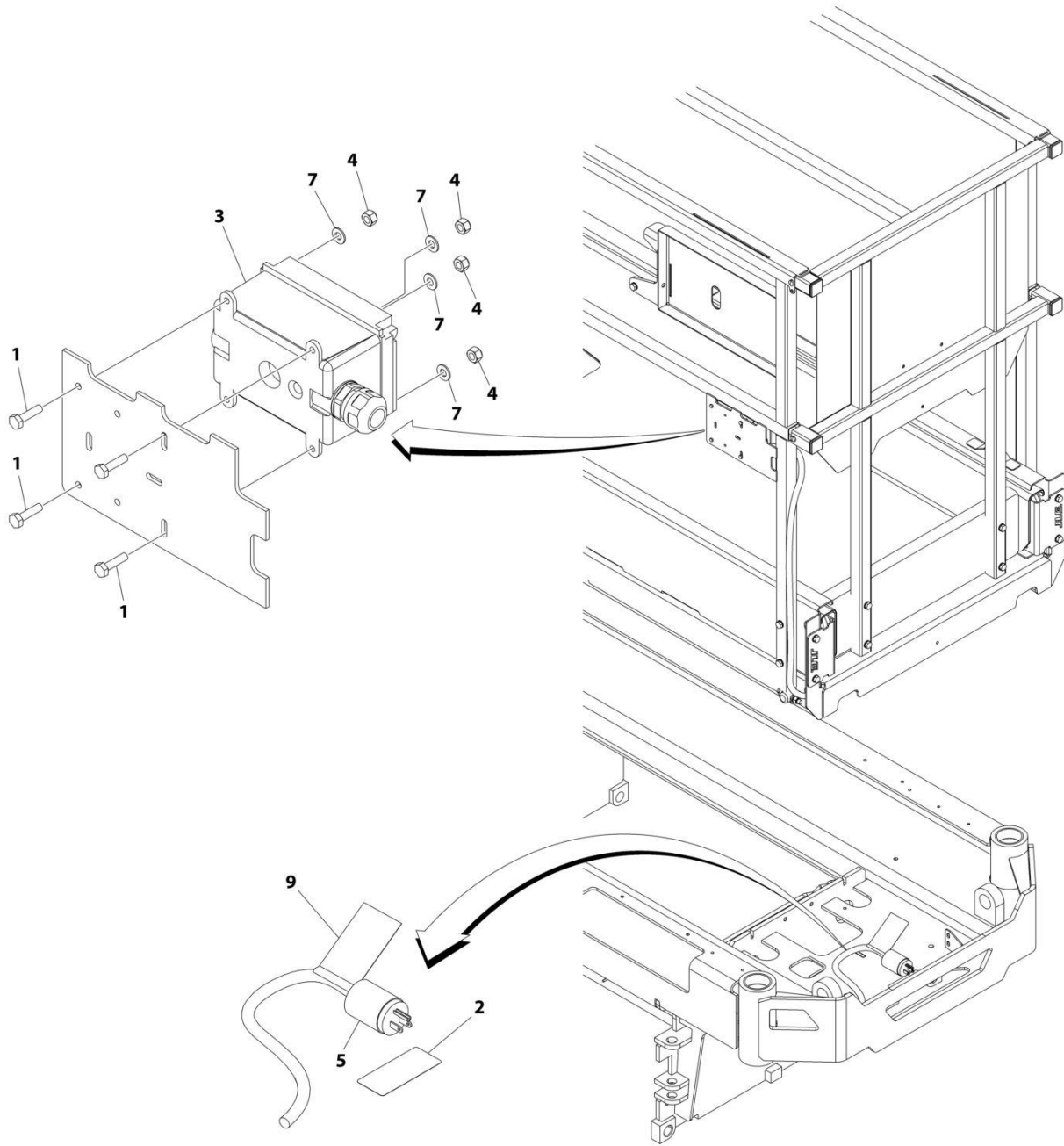
FIGURE 4-17. PIPE RACK INSTALLATION (OPTIONAL - ALL SPECS EXCEPT JAPANESE SPECS)

ITEM	PART NUMBER	QTY	DESCRIPTION	REV
	1001270855	Ref	PIPE RACK INSTALLATION	A
1	0480100	2	Tie-Strap	
2	0700817	4	Bolt M8 x 45	
3	1060379	4	Lanyard	
4	3290805	4	Nut M8	
5	3422661	6	Pin	
6	4420062	AR	Tape	
7	4811902	8	Washer M8	
8	1001235941	4	Pin	
9	1001270023	2	Decal - Pipe Rack Capacity	
10	1001270533	2	Rack Pipe	
11	1001270631	2	Decal - ACCY Weight	
12	1001271412	2	Decal - JLG	

SECTION 5 - ELECTRICAL

SECTION 5 - ELECTRICAL

FIGURE 5-1. AC BOX AT PLATFORM INSTALLATION - 110V GFI (ALL SPECS EXCEPT AUSTRALIAN, CE & UK CA SPECS)



ART_1001208930

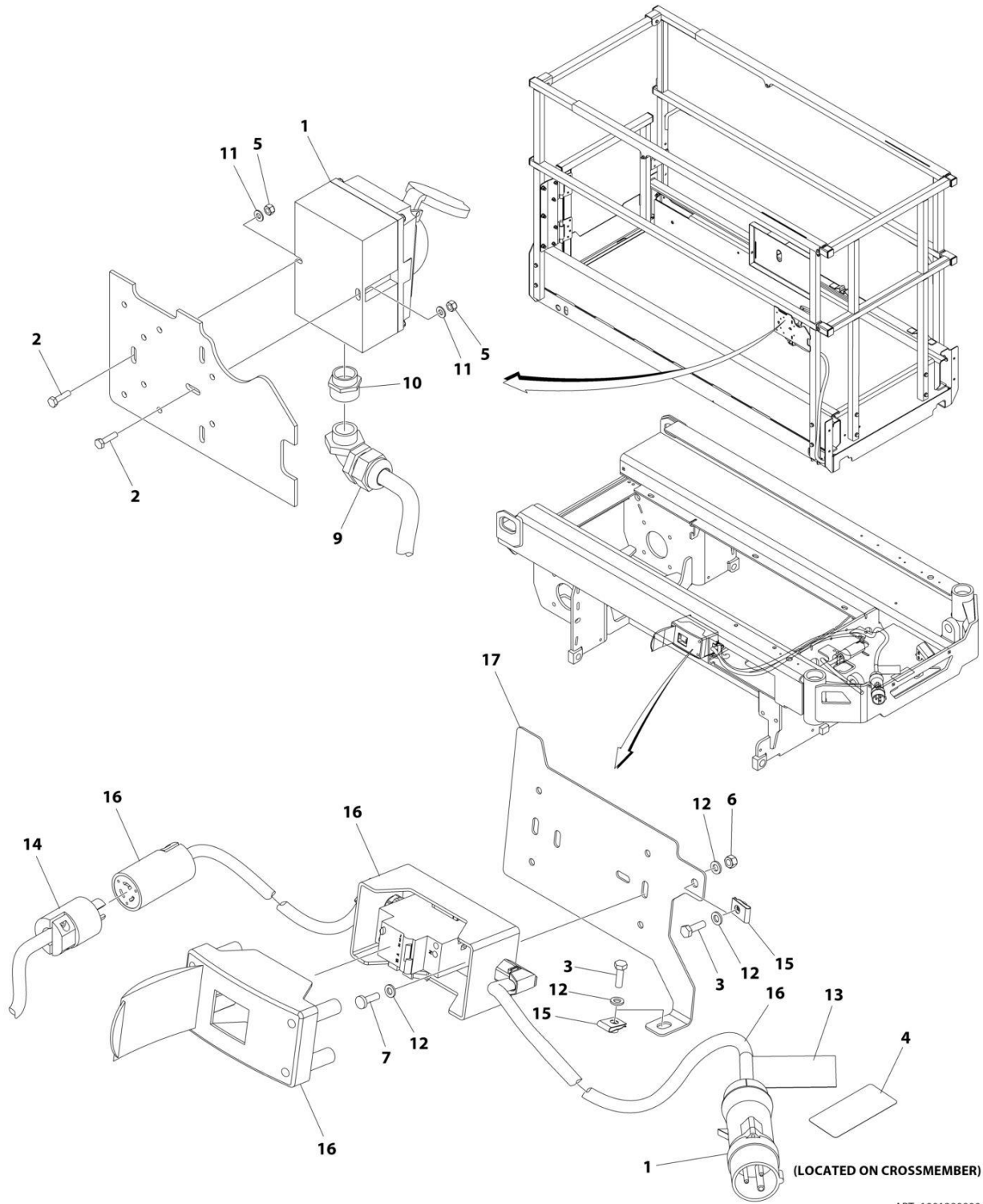
SECTION 5 - ELECTRICAL

FIGURE 5-1. AC BOX AT PLATFORM INSTALLATION - 110V GFI (ALL SPECS EXCEPT AUSTRALIAN, CE & UK CA SPECS)

ITEM	PART NUMBER	QTY	DESCRIPTION	REV
	1001208930	Ref	AC BOX AT PLATFORM INSTALLATION - 110V GFI	C
1	0760408	4	Bolt M4 x 16	
2	1703464	1	Decal - AC Power	
3	2902431	1	Receptacle Box Kit (See Separate Breakdown in this Section)	
4	3290405	4	Nut M4	
5	4460138	1	Plug, Male - AC	
6	4460315	1	Terminal (Not Shown)	
7	4811400	4	Washer M4	
9	1001102258	1	Decal - AC Label	
10	4240017	AR	Tie-Strap (Not Shown)	

SECTION 5 - ELECTRICAL

FIGURE 5-2. AC BOX AT PLATFORM INSTALLATION - 110V IEC YELLOW (CE & UK CA SPECS)



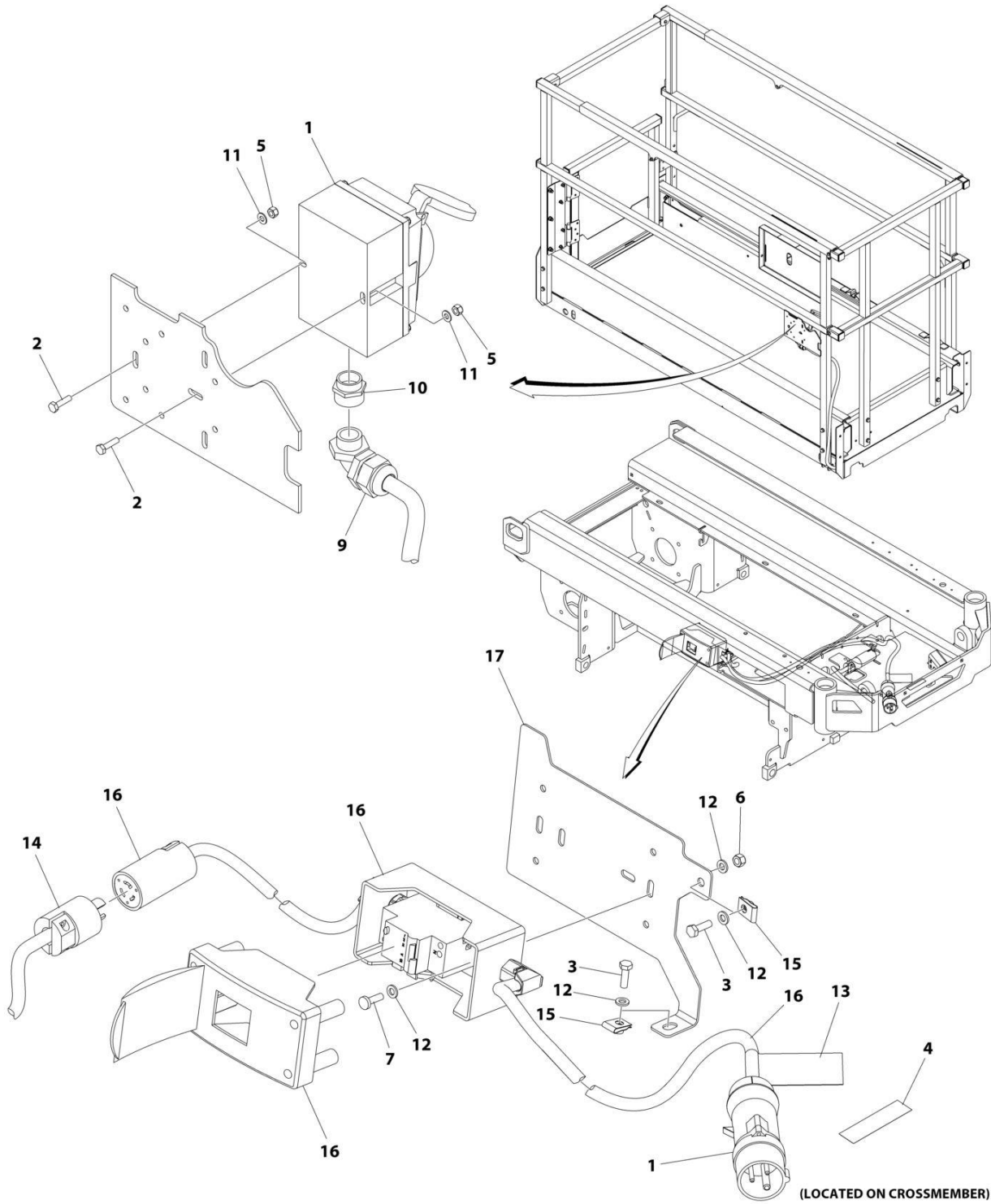
SECTION 5 - ELECTRICAL

FIGURE 5-2. AC BOX AT PLATFORM INSTALLATION - 110V IEC YELLOW (CE & UK CA SPECS)

ITEM	PART NUMBER	QTY	DESCRIPTION	REV
	1001280809	Ref	AC BOX AT PLATFORM INSTALLATION – 110V IEC YELLOW	B
1	0275216	1	Receptacle Box Kit - 110V IEC Yellow (See Separate Breakdown in this Section)	
2	0760408	2	Bolt M4 x 16	
3	0760610	2	Bolt M6 x 20	
4	1703464	1	Decal - AC Power	
5	3290405	2	Nut M4	
6	3290605	2	Nut M6	
7	4010610	2	Screw M6 x 20	
8	4240017	AR	Tie-Strap (Not Shown)	
9	4461257	1	Connector, Strain Relief	
10	4461258	1	Connector, Adapter	
11	4811400	2	Washer M4	
12	4811700	6	Washer M6	
13	1001102258	1	Decal - AC Label	
14	1001120204	1	Plug, Male Twist	
15	1001130220	2	Nut, Tinnerman M6	
16	1001209776	1	Breaker Box Kit (See Separate Breakdown in this Section)	
17	1001281067	1	Bracket	

SECTION 5 - ELECTRICAL

FIGURE 5-3. AC BOX AT PLATFORM INSTALLATION - 220V IEC BLUE (CE & UK CA SPECS)



ART_1001280810

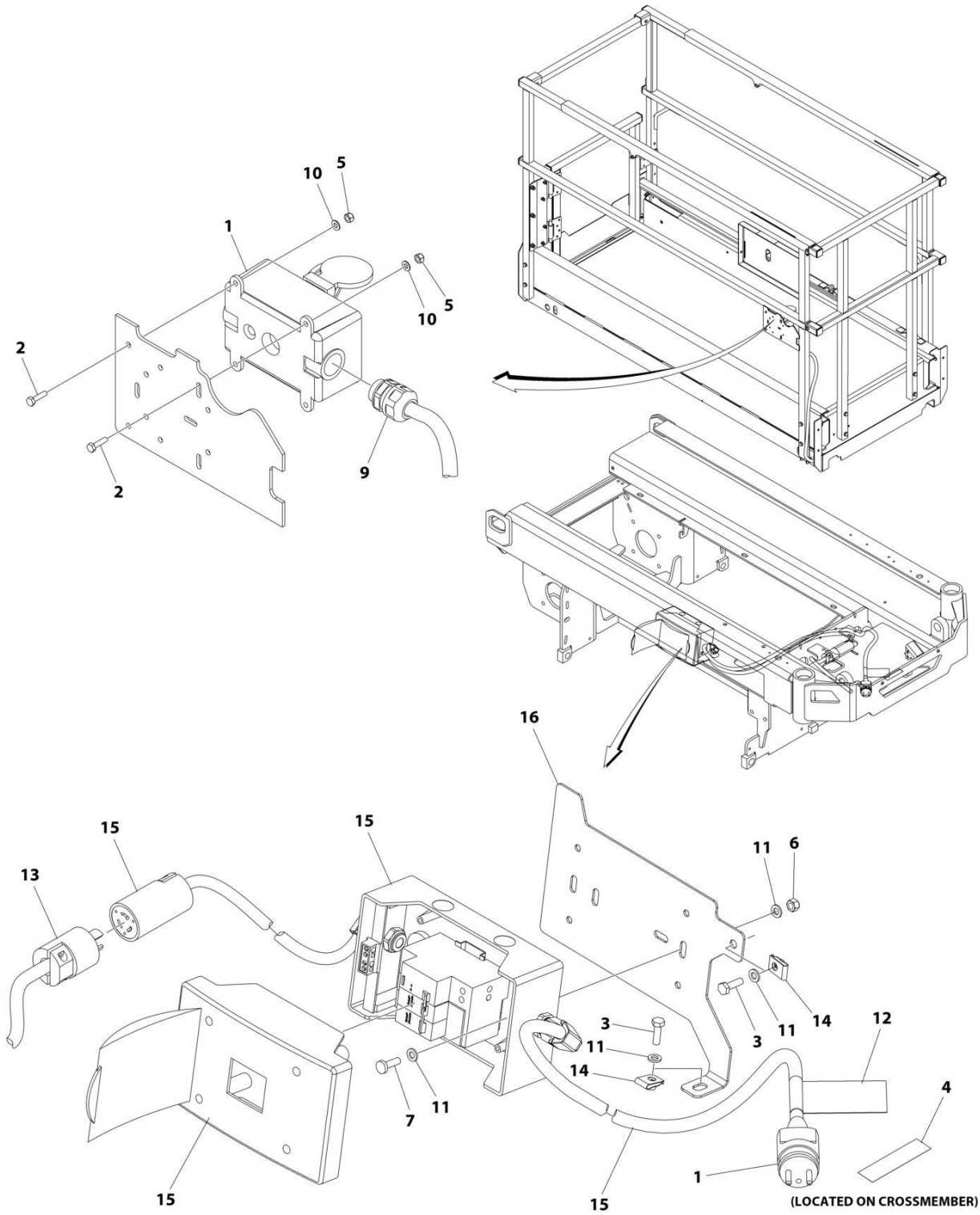
SECTION 5 - ELECTRICAL

FIGURE 5-3. AC BOX AT PLATFORM INSTALLATION - 220V IEC BLUE (CE & UK CA SPECS)

ITEM	PART NUMBER	QTY	DESCRIPTION	REV
	1001280810	Ref	AC BOX AT PLATFORM INSTALLATION – 220V IEC BLUE	B
1	0275217	1	Receptacle Box Kit - 220V IEC Blue (See Separate Breakdown in this Section)	
2	0760408	2	Bolt M4 x 16	
3	0760610	2	Bolt M6 x 20	
4	3252507	1	Decal - AC Power	
5	3290405	2	Nut M4	
6	3290605	2	Nut M6	
7	4010610	2	Screw M6 x 20	
8	4240017	AR	Tie-Strap (Not Shown)	
9	4461257	1	Connector, Strain Relief	
10	4461258	1	Connector, Adapter	
11	4811400	2	Washer M4	
12	4811700	6	Washer M6	
13	1001102258	1	Decal - AC Label	
14	1001120204	1	Plug, Male Twist	
15	1001130220	2	Nut, Tinnerman M6	
16	1001209776	1	Breaker Box Kit (See Separate Breakdown in this Section)	
17	1001281067	1	Bracket	

SECTION 5 - ELECTRICAL

FIGURE 5-4. AC BOX AT PLATFORM INSTALLATION - 220V CEE7 POST GROUND (CE & UK CA SPECS)



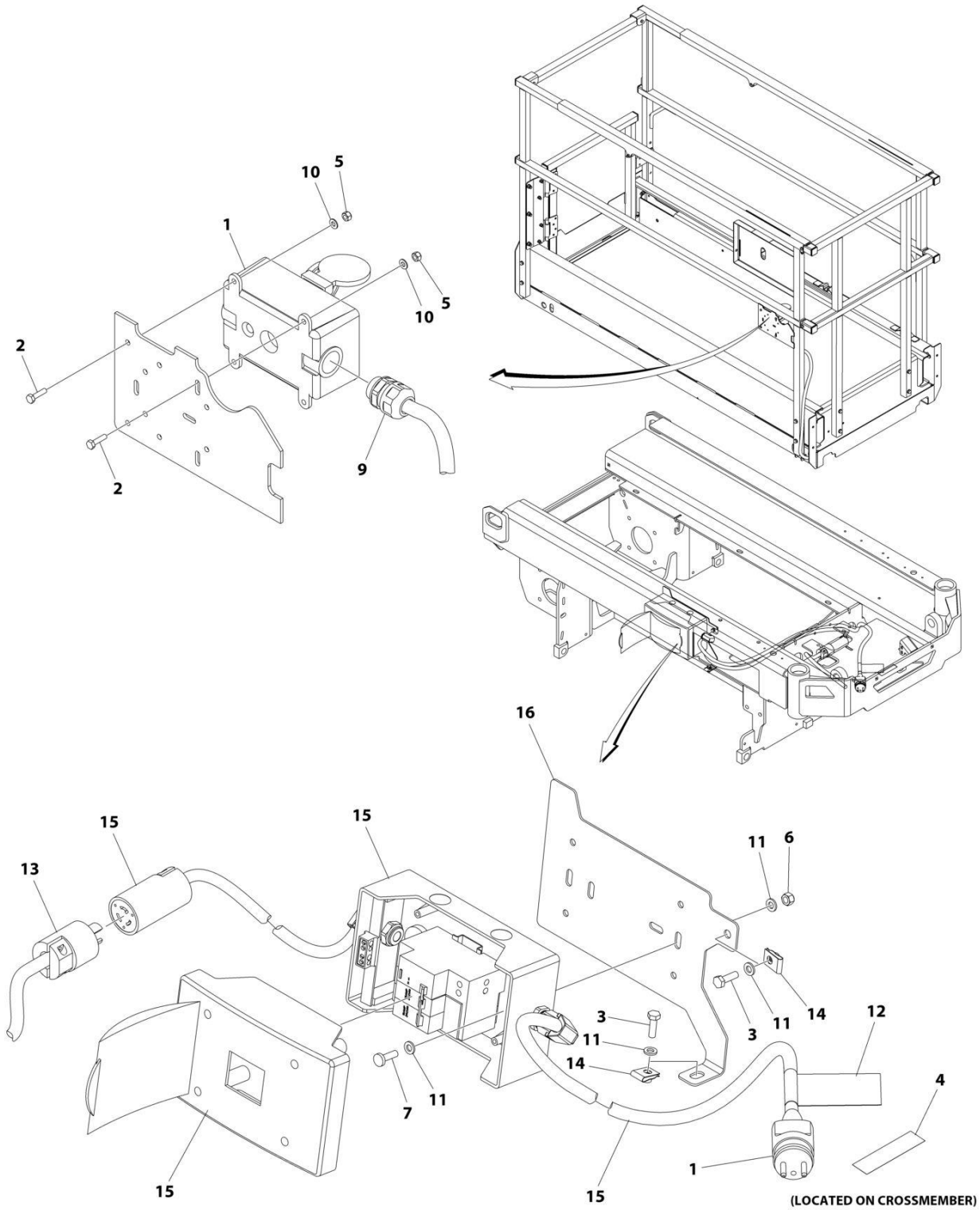
SECTION 5 - ELECTRICAL

FIGURE 5-4. AC BOX AT PLATFORM INSTALLATION - 220V CEE7 POST GROUND (CE & UK CA SPECS)

ITEM	PART NUMBER	QTY	DESCRIPTION	REV
	1001280806	Ref	AC BOX AT PLATFORM INSTALLATION – 220V CEE7 POST GROUND	B
1	0275452	1	Receptacle Box Kit - 220V CEE7 Post Ground (See Separate Breakdown in this Section)	
2	0760408	4	Bolt M4 x 16	
3	0760610	2	Bolt M6 x 20	
4	3252507	1	Decal - AC Power	
5	3290405	4	Nut M4	
6	3290605	2	Nut M6	
7	4010610	2	Screw M6 x 20	
8	4240017	AR	Tie-Strap (Not Shown)	
9	4460662	1	Connector, Strain Relief	
10	4811400	4	Washer M4	
11	4811700	6	Washer M6	
12	1001102258	1	Decal - AC Label	
13	1001120204	1	Plug, Male Twist	
14	1001130220	2	Nut, Tinnerman M6	
15	1001209482	1	Breaker Box Kit (See Separate Breakdown in this Section)	
16	1001281067	1	Bracket	

SECTION 5 - ELECTRICAL

FIGURE 5-5. AC BOX AT PLATFORM INSTALLATION - 220V CEE7 SIDE GROUND (CE & UK CA SPECS)



ART_1001280807

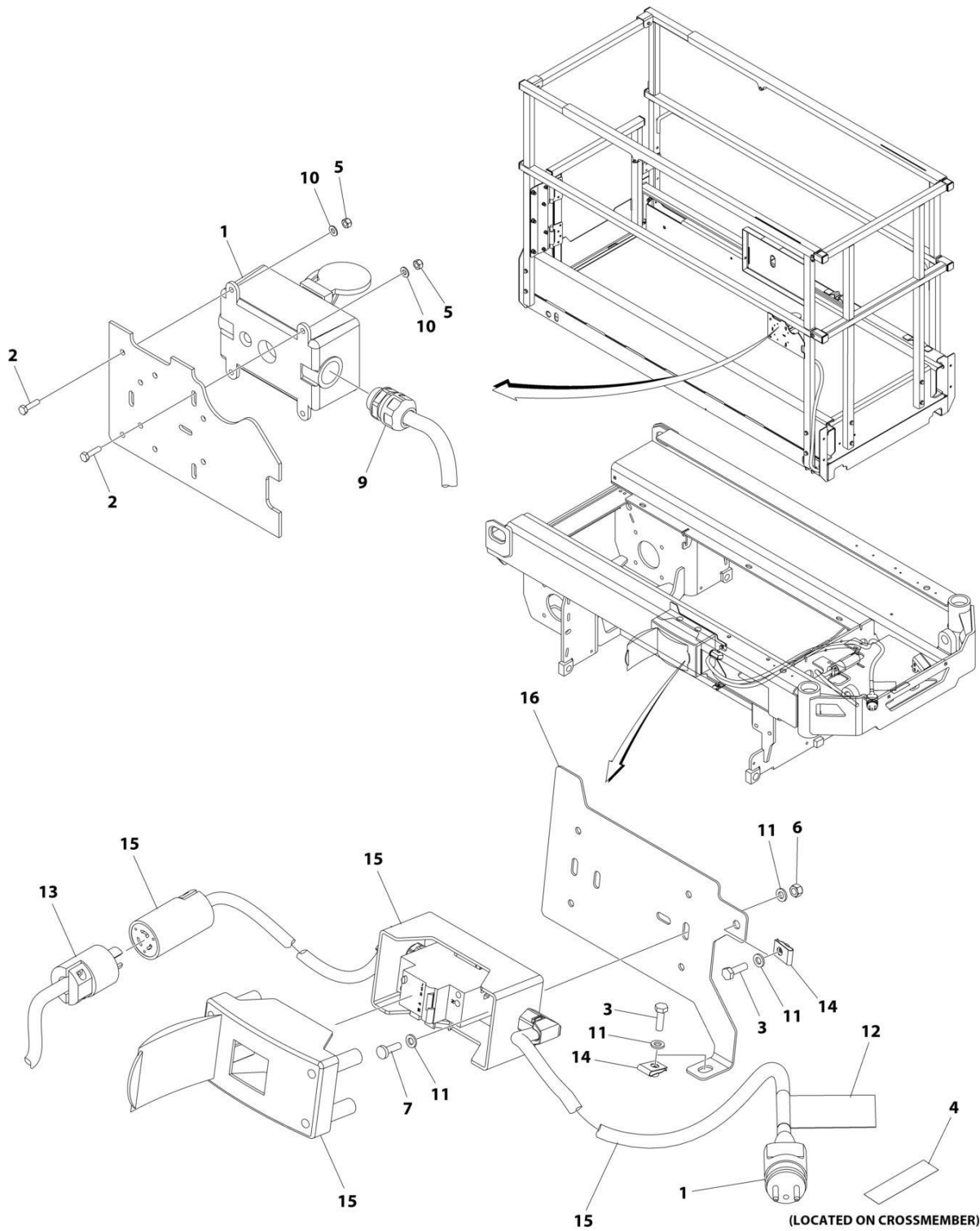
SECTION 5 - ELECTRICAL

FIGURE 5-5. AC BOX AT PLATFORM INSTALLATION - 220V CEE7 SIDE GROUND (CE & UK CA SPECS)

ITEM	PART NUMBER	QTY	DESCRIPTION	REV
	1001280807	Ref	AC BOX AT PLATFORM INSTALLATION – 220V CEE7 SIDE GROUND	B
1	0275453	1	Receptacle Box Kit - 220V CEE7 Side Ground (See Separate Breakdown in this Section)	
2	0760408	4	Bolt M4 x 16	
3	0760610	2	Bolt M6 x 20	
4	3252507	1	Decal - AC Power	
5	3290405	4	Nut M4	
6	3290605	2	Nut M6	
7	4010610	2	Screw M6 x 20	
8	4240017	AR	Tie-Strap (Not Shown)	
9	4460662	1	Connector, Strain Relief	
10	4811400	4	Washer M4	
11	4811700	6	Washer M6	
12	1001102258	1	Decal - AC Label	
13	1001120204	1	Plug, Male Twist	
14	1001130220	2	Nut, Tinnerman M6	
15	1001209482	1	Breaker Box Kit (See Separate Breakdown in this Section)	
16	1001281067	1	Bracket	

SECTION 5 - ELECTRICAL

FIGURE 5-6. AC BOX AT PLATFORM INSTALLATION - 220V AFSINT 107 (CE & UK CA SPECS)



ART_1001280808

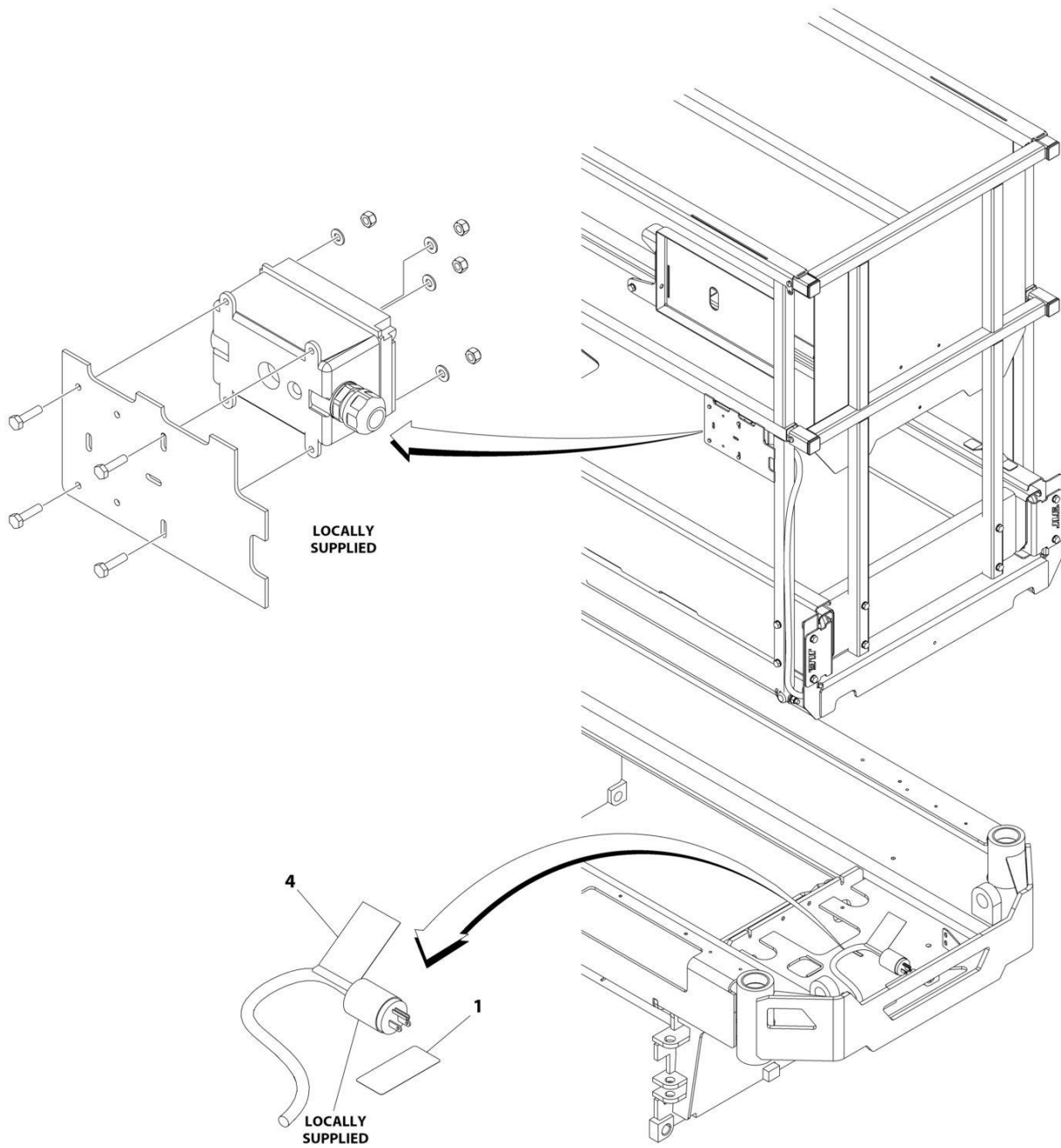
SECTION 5 - ELECTRICAL

FIGURE 5-6. AC BOX AT PLATFORM INSTALLATION - 220V AFSINT 107 (CE & UK CA SPECS)

ITEM	PART NUMBER	QTY	DESCRIPTION	REV
	1001280808	Ref	AC BOX AT PLATFORM INSTALLATION – 220V AFSINT 107	B
1	0275454	1	Receptacle Box Kit - 220V AFSINT 107 (See Separate Breakdown in this Section)	
2	0760408	4	Bolt M4 x 16	
3	0760610	2	Bolt M6 x 20	
4	3252507	1	Decal - AC Power	
5	3290405	4	Nut M4	
6	3290605	2	Nut M6	
7	4010610	2	Screw M6 x 20	
8	4240017	AR	Tie-Strap (Not Shown)	
9	4460662	1	Connector, Strain Relief	
10	4811400	4	Washer M4	
11	4811700	6	Washer M6	
12	1001102258	1	Decal - AC Label	
13	1001120204	1	Plug, Male Twist	
14	1001130220	2	Nut, Tinnerman M6	
15	1001209776	1	Breaker Box Kit (See Separate Breakdown in this Section)	
16	1001281067	1	Bracket	

SECTION 5 - ELECTRICAL

FIGURE 5-7. AC BOX AT PLATFORM INSTALLATION - 220V LOCALLY SUPPLIED COMPONENTS (ALL SPECS)



ART_1001208931

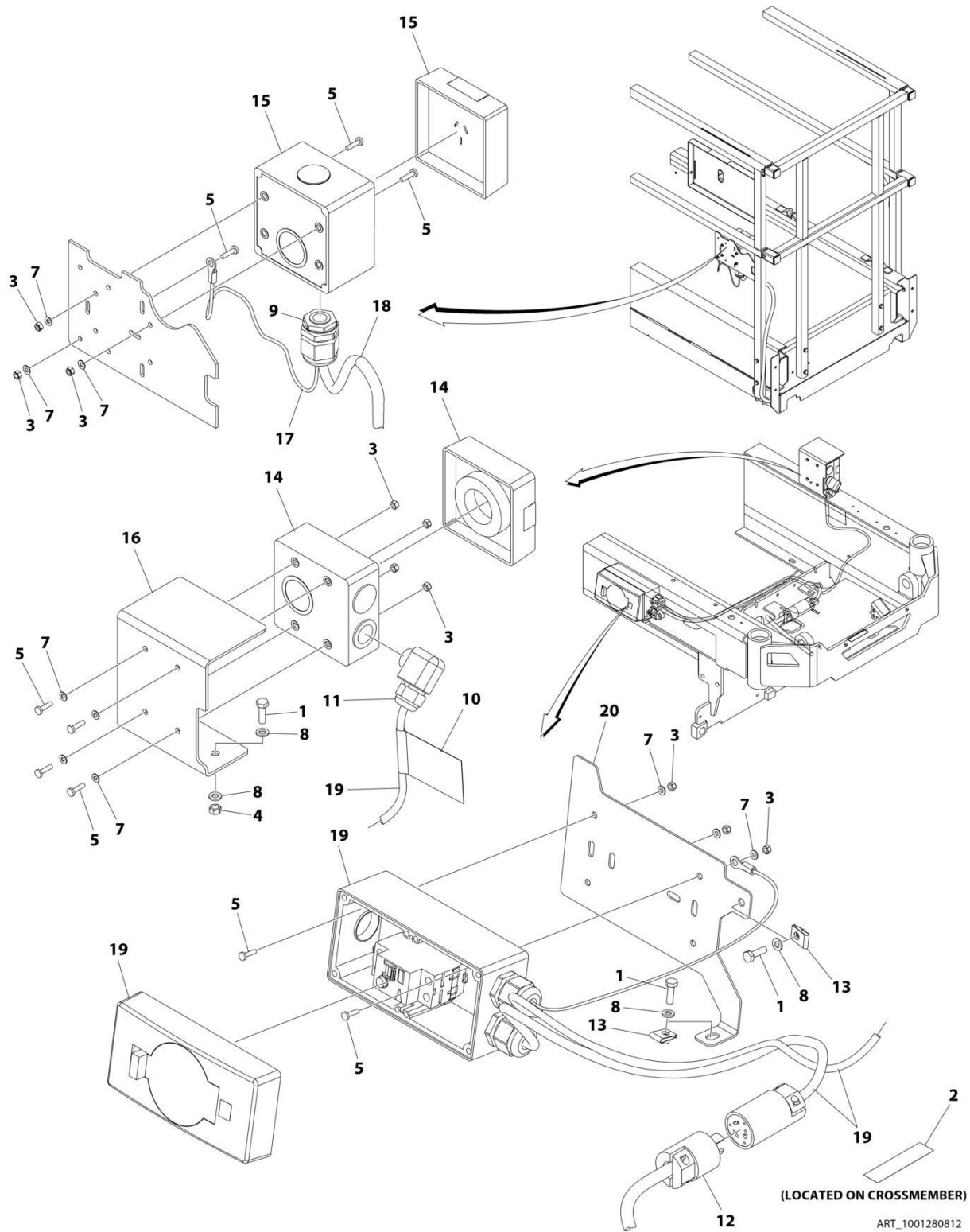
SECTION 5 - ELECTRICAL

**FIGURE 5-7. AC BOX AT PLATFORM INSTALLATION - 220V LOCALLY SUPPLIED COMPONENTS
(ALL SPECS)**

ITEM	PART NUMBER	QTY	DESCRIPTION	REV
	1001208931	Ref	AC BOX AT PLATFORM INSTALLATION - 220V LOCALLY SUPPLIED COMPONENTS	C
1	3252507	1	Decal - 220 Volt	
4	1001102258	1	Decal - AC Label	
5	4240017	AR	Tie-Strap (Not Shown)	

SECTION 5 - ELECTRICAL

FIGURE 5-8. AC BOX AT PLATFORM INSTALLATION - 220V AUSTRALIAN PLUG (AUSTRALIAN SPECS)



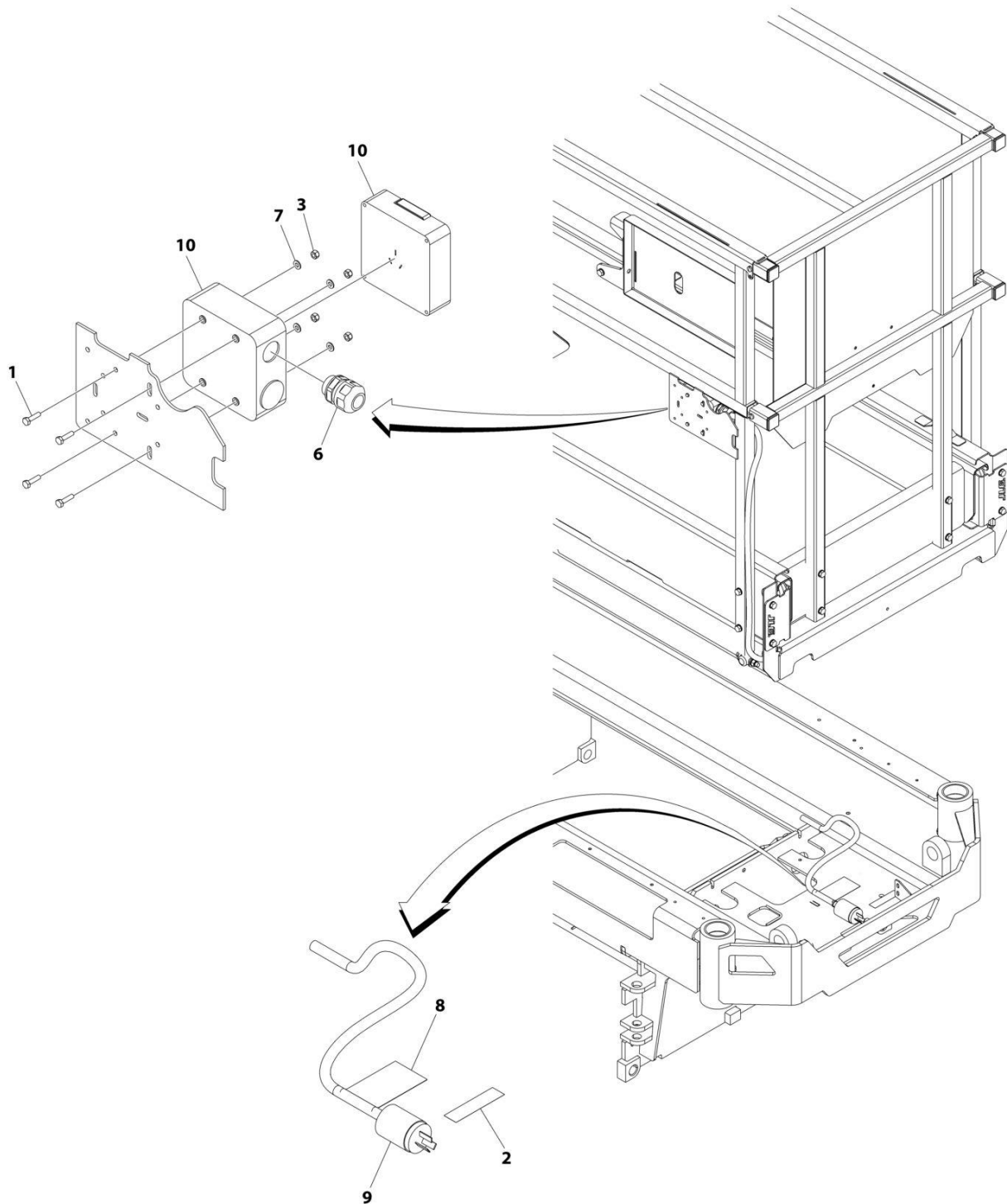
SECTION 5 - ELECTRICAL

FIGURE 5-8. AC BOX AT PLATFORM INSTALLATION - 220V AUSTRALIAN PLUG (AUSTRALIAN SPECS)

ITEM	PART NUMBER	QTY	DESCRIPTION	REV
	1001280812	Ref	AC BOX AT PLATFORM INSTALLATION – 220V	B
1	0760610	4	Bolt M6 x 20	
2	3252507	1	Decal - AC Power	
3	3290405	13	Nut M4	
4	3290601	2	Nut M6	
5	4010408	13	Drive M4 x 16	
6	4240017	AR	Tie-Strap (Not Shown)	
7	4811400	13	Washer M4	
8	4811700	6	Washer M6	
9	1001097150	1	Connector, Strain Relief	
10	1001102258	1	Decal - AC	
11	1001103471	1	Connector, Strain Relief 90	
12	1001120204	1	Plug, Male	
13	1001130220	2	Nut, Tinnerman M6	
14	1001227267	1	Inlet Socket/Box Assembly	
15	1001227268	1	Outlet Socket/Box Assembly	
16	1001244900	1	Bracket	
17	1001245744	1	Harness, Earth/Ground	
18	1001245747	1	Conduit	
19	1001262465	1	Breaker Box Kit (See Separate Breakdown in this Section)	
20	1001281067	1	Bracket	

SECTION 5 - ELECTRICAL

FIGURE 5-9. AC BOX AT PLATFORM INSTALLATION - 220V (CHINA SPECS)



ART_1001280811

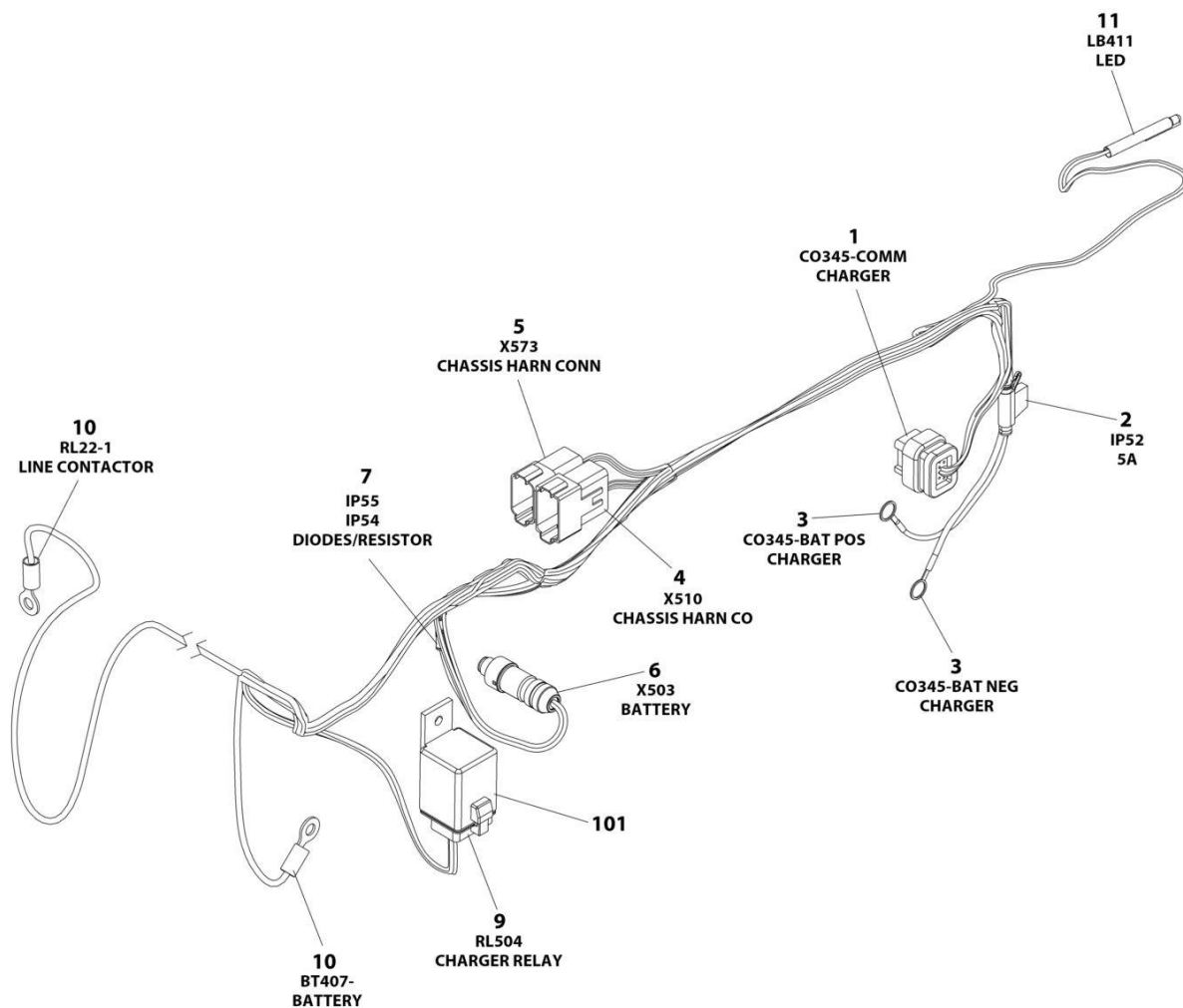
SECTION 5 - ELECTRICAL

FIGURE 5-9. AC BOX AT PLATFORM INSTALLATION - 220V (CHINA SPECS)

ITEM	PART NUMBER	QTY	DESCRIPTION	REV
	1001280811	Ref	AC BOX AT PLATFORM INSTALLATION – 220V	B
1	0760408	4	Bolt M4 x 16	
2	3252507	1	Decal - AC Power	
3	3290405	4	Nut M4	
4	4240017	AR	Tie-Strap (Not Shown)	
5	4460315	1	Terminal (Not Shown)	
6	4460968	1	Connector, Strain Relief	
7	4811400	4	Washer M4	
8	1001102258	1	Decal - AC Label	
9	1001187816	1	Plug, Male - AC	
10	1001188116	1	Receptacle Box	

SECTION 5 - ELECTRICAL

FIGURE 5-10. BATTERY HARNESS



ART_1001278090

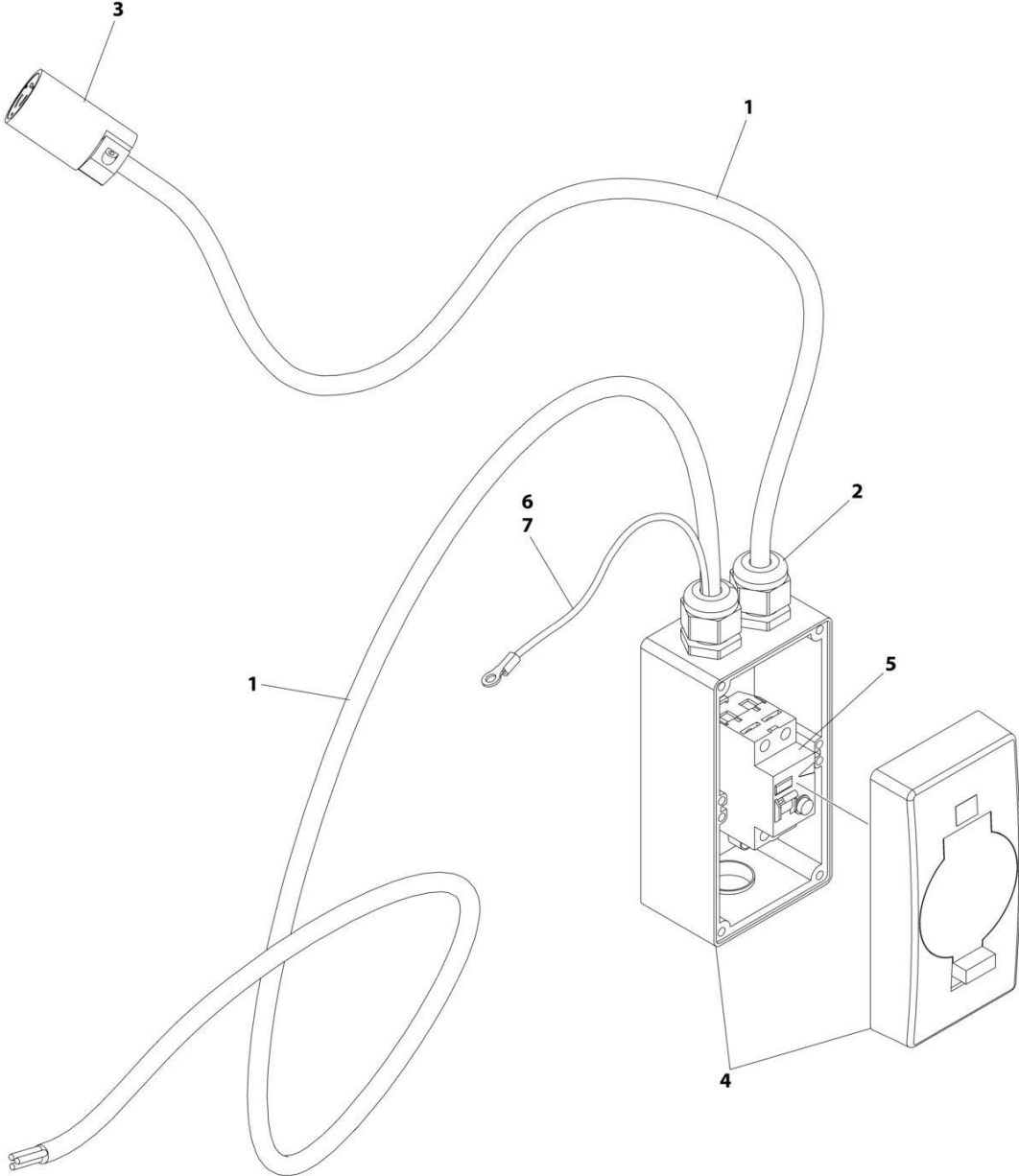
SECTION 5 - ELECTRICAL

FIGURE 5-10. BATTERY HARNESS

ITEM	PART NUMBER	QTY	DESCRIPTION	REV
	1001278090	Ref	BATTERY HARNESS	C
1	4460872	1	Connector - 14 Position	
1	4460871	6	Terminal	
1	4460905	8	Plug, Terminal	
2	2400060	1	Fuseholder with Cover	
2	8229242	1	Fuse 5Amp	
3	4460019	2	Terminal, Ring	
4	4460970	1	Receptacle, Female - 12 Position	
4	4460464	9	Pin, Male	
4	4460943	2	Pin, Male	
4	4460466	1	Plug, Terminal	
5	4460970	1	Receptacle, Female - 8 Position	
5	4460464	3	Pin, Male	
5	4460943	2	Pin, Male	
5	4460466	3	Plug, Terminal	
6		Ref	Connector - 8 Position	
7	260092	2	Diode	
9	1001117057	1	Plug, Relay	
9	1001116733	3	Terminal	
9	1001116732	1	Terminal	
10	8220045	2	Terminal, Ring	
11		Ref	Light, LED	
101	1001097347	1	Relay	

SECTION 5 - ELECTRICAL

FIGURE 5-11. BREAKER BOX KIT (AUSTRALIAN SPECS)



ART_1001262465

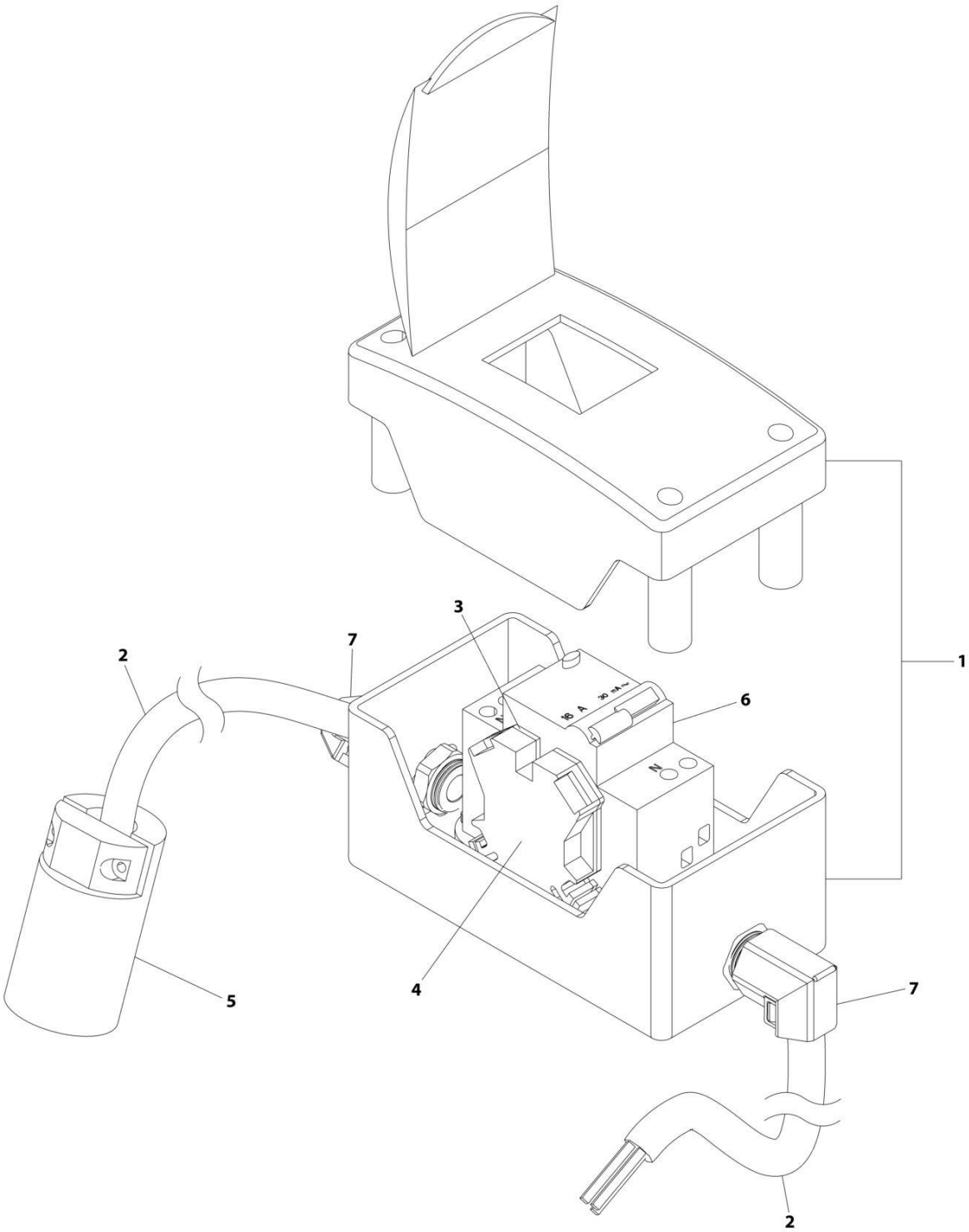
SECTION 5 - ELECTRICAL

FIGURE 5-11. BREAKER BOX KIT (AUSTRALIAN SPECS)

ITEM	PART NUMBER	QTY	DESCRIPTION	REV
1	1001262465	Ref	BREAKER BOX KIT	B
	1060908	144 in /3.65m	Cable, 12/3	
2	1001097150	2	Connector, Strain Relief	
3	1001120205	1	Connector, Female Twist	
4	1001227269	1	Box	
5	1001228191	1	Breaker, 10A-30mA Double Pole	
6	1001245743	1	Block, Terminal	
7	1001245744	1	Harness, Ground/Earth	

SECTION 5 - ELECTRICAL

FIGURE 5-12. BREAKER BOX KIT WITH 1 DOUBLE BREAKER (CE & UK CA SPECS)



ART_1001209776

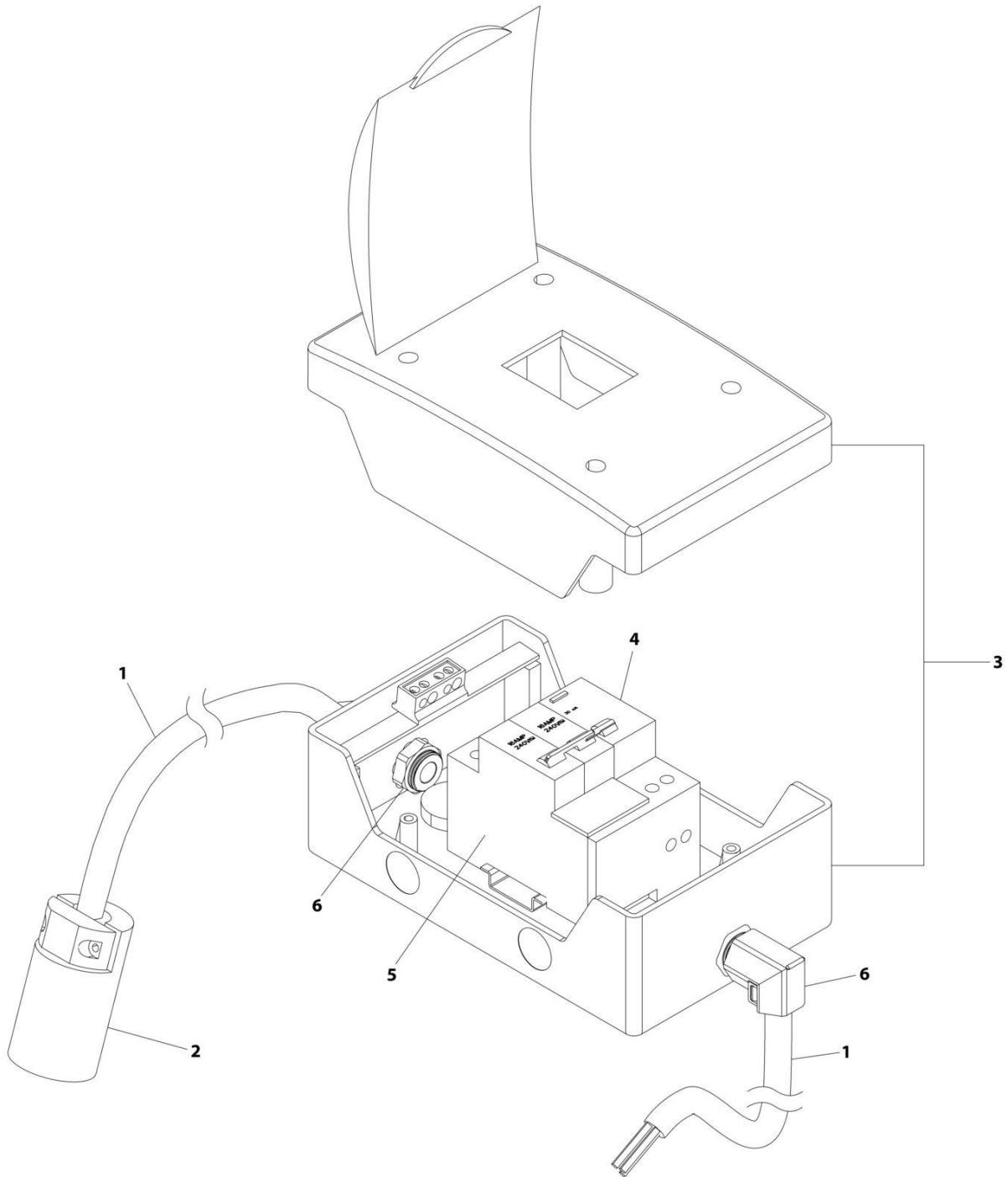
SECTION 5 - ELECTRICAL

FIGURE 5-12. BREAKER BOX KIT WITH 1 DOUBLE BREAKER (CE & UK CA SPECS)

ITEM	PART NUMBER	QTY	DESCRIPTION	REV
	1001209776	Ref	BREAKER BOX KIT WITH 1 DOUBLE BREAKER	F
1	0861880	1	Box	
2	1060908	126 in /3.2m	Cable, 12/3	
3	4460956	1	Barrier, Terminal	
4	4460957	1	Block, Terminal	
5	1001120205	1	Connector, Female Twist	
6	1001181045	1	Breaker 30mAmp/16 Amp	
7	1001217164	2	Connector, Strain Relief 90	

SECTION 5 - ELECTRICAL

FIGURE 5-13. BREAKER BOX KIT WITH 3 BREAKERS (CE & UK CA SPECS)



ART_1001209482

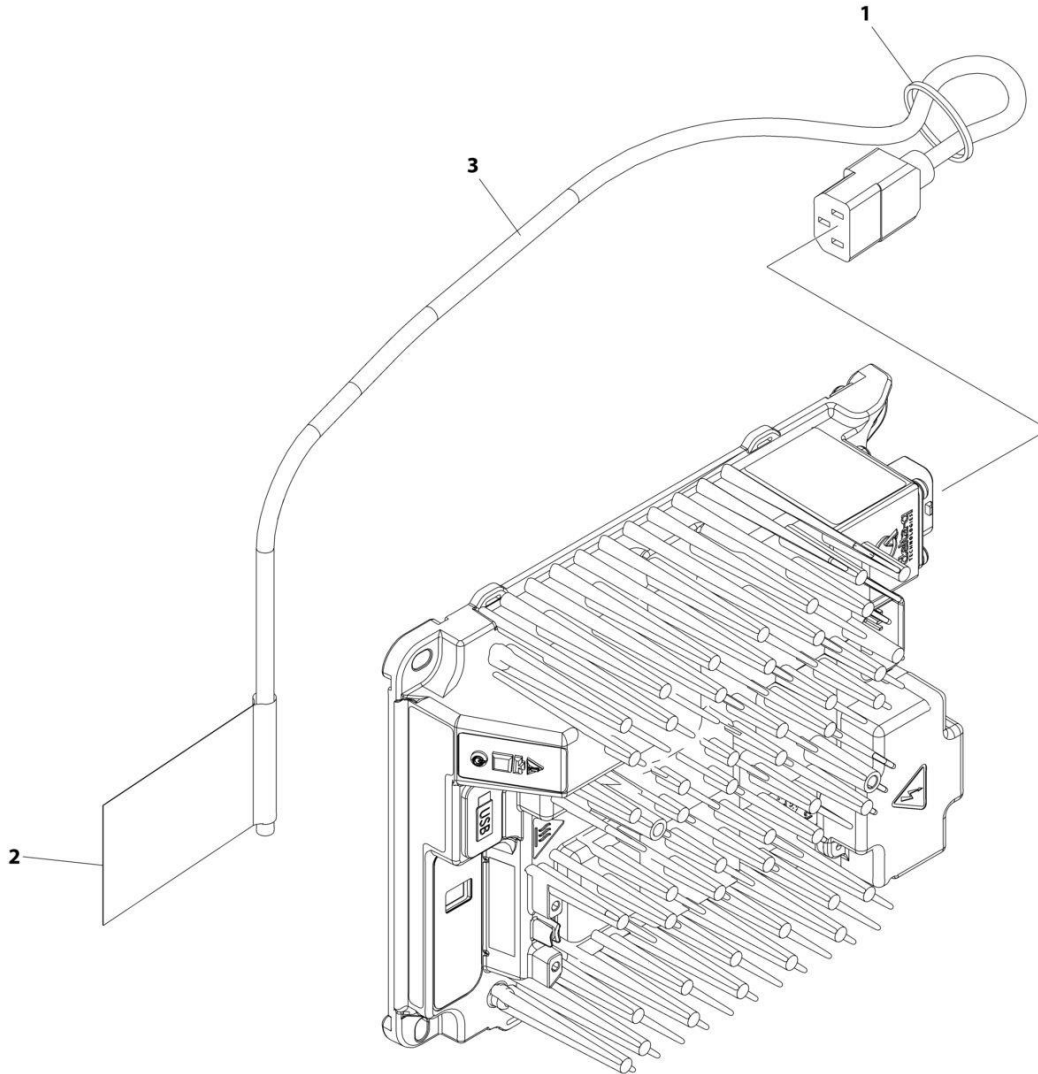
SECTION 5 - ELECTRICAL

FIGURE 5-13. BREAKER BOX KIT WITH 3 BREAKERS (CE & UK CA SPECS)

ITEM	PART NUMBER	QTY	DESCRIPTION	REV
1	1001209482	Ref	BREAKER BOX KIT WITH 3 BREAKERS	G
	1060908	126 in /3.2m	Cable, 12/3	
2	1001120205	1	Connector, Female Twist	
3	1001152483	1	Box	
4	1001189171	1	Breaker, 30mAmp	
5	1001189172	1	Breaker 16 Amp, Double	
6	1001217164	2	Connector, Strain Relief 90	

SECTION 5 - ELECTRICAL

FIGURE 5-14. CHARGER PLUG INSTALLATION (LOCALLY SUPPLIED PLUG) (ALL SPECS EXCEPT ANSI & AUSTRALIAN SPECS)



ART_1001248631

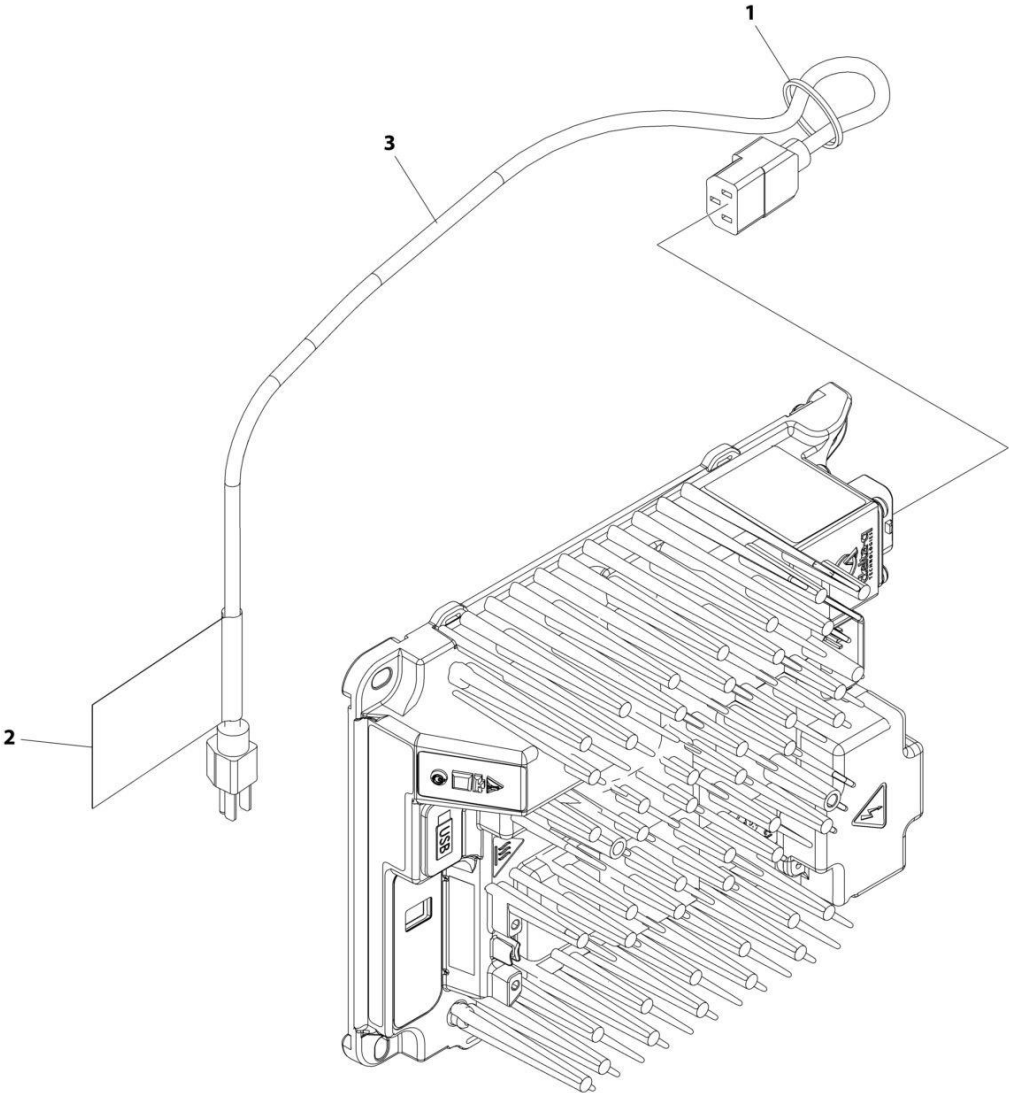
SECTION 5 - ELECTRICAL

FIGURE 5-14. CHARGER PLUG INSTALLATION (LOCALLY SUPPLIED PLUG) (ALL SPECS EXCEPT ANSI & AUSTRALIAN SPECS)

ITEM	PART NUMBER	QTY	DESCRIPTION	REV
	1001248631	Ref	CHARGER PLUG INSTALLATION	B
1	4240017	AR	Tie-Strap	
2	1001102489	1	Decal - Charger	
3	1001207974	1	Cable, Charger Plug (No Plug)	

SECTION 5 - ELECTRICAL

FIGURE 5-15. CHARGER PLUG INSTALLATION (110V PLUG) (ANSI & CSA SPECS)



ART_1001248632

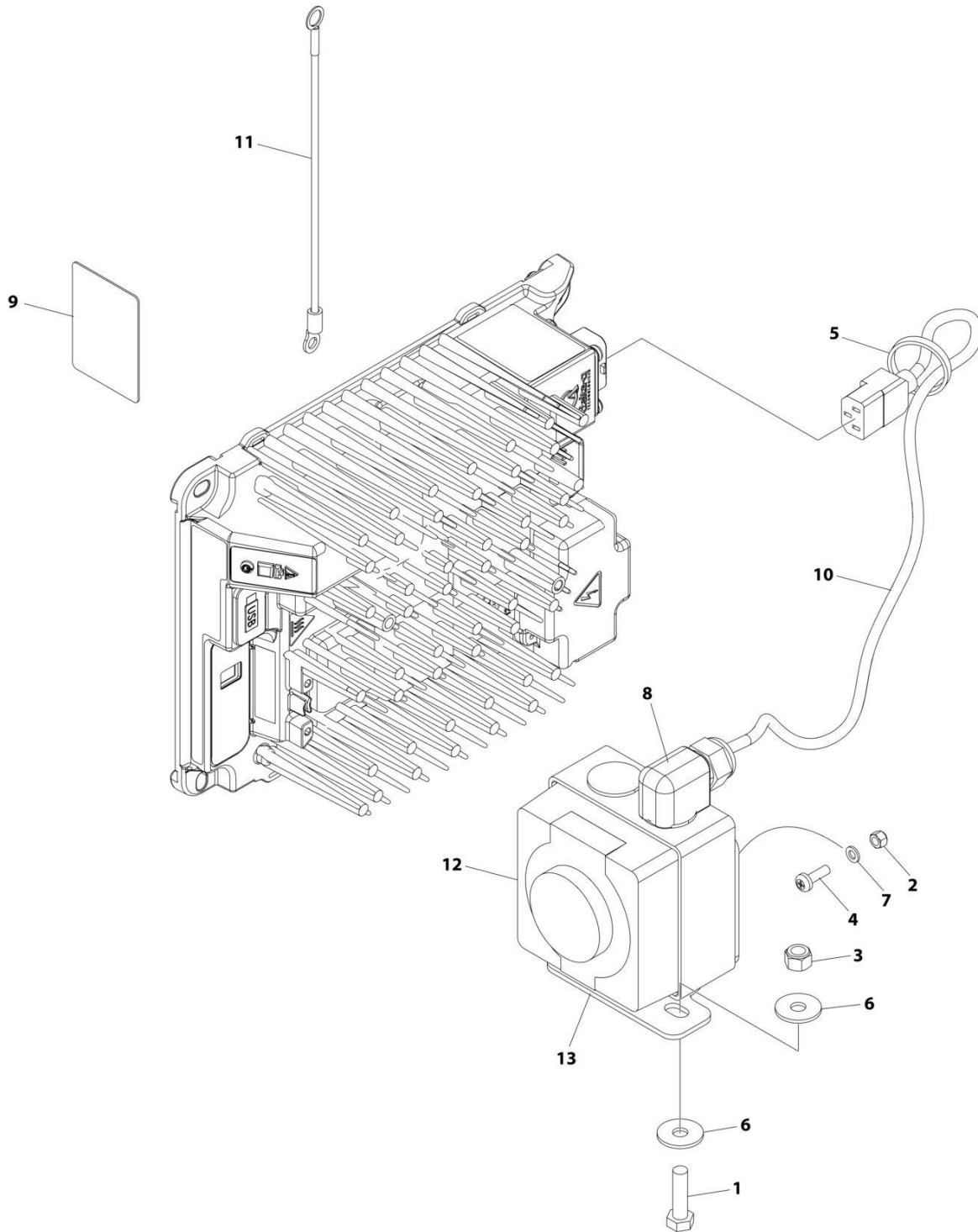
SECTION 5 - ELECTRICAL

FIGURE 5-15. CHARGER PLUG INSTALLATION (110V PLUG) (ANSI & CSA SPECS)

ITEM	PART NUMBER	QTY	DESCRIPTION	REV
	1001248632	Ref	CHARGER PLUG INSTALLATION	B
1	4240017	AR	Tie-Strap	
2	1001102489	1	Decal - Charger	
3	1001207970	1	Cable, Charger Plug	

SECTION 5 - ELECTRICAL

FIGURE 5-16. CHARGER PLUG INSTALLATION (AUSTRALIAN PLUG) (AUSTRALIAN SPECS)



ART_1001248633

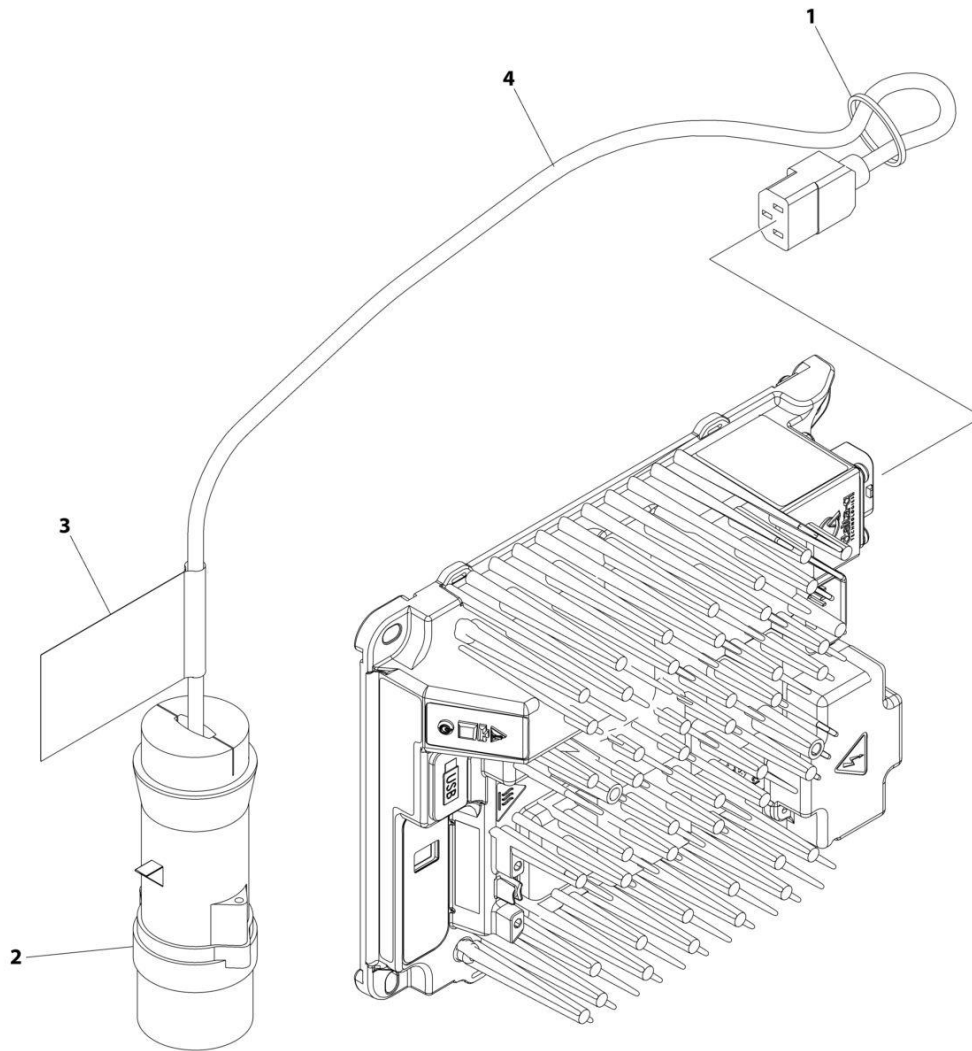
SECTION 5 - ELECTRICAL

FIGURE 5-16. CHARGER PLUG INSTALLATION (AUSTRALIAN PLUG) (AUSTRALIAN SPECS)

ITEM	PART NUMBER	QTY	DESCRIPTION	REV
	1001248633	Ref	CHARGER PLUG INSTALLATION	B
1	0700814	2	Bolt M8 x 30	
2	3290505	4	Nut M5	
3	3290805	2	Nut M8	
4	3900381	4	Screw M5 x 16	
5	4240017	AR	Tie-Strap	
6	4811902	4	Washer M8	
7	4831600	4	Lockwasher M5	
8	1001103471	1	Connector, Strain Relief 90	
9	1001134280	1	Decal - Charger	
10	1001207974	1	Cable, Charger Plug (No Plug)	
11	1001227219	1	Harness, Earth/Ground	
12	1001227267	1	Inlet Socket/Box Assembly	
13	1001256503	1	Bracket	

SECTION 5 - ELECTRICAL

FIGURE 5-17. CHARGER PLUG INSTALLATION (110V IEC YELLOW PLUG) (CE & UK CA SPECS)



ART_1001258771

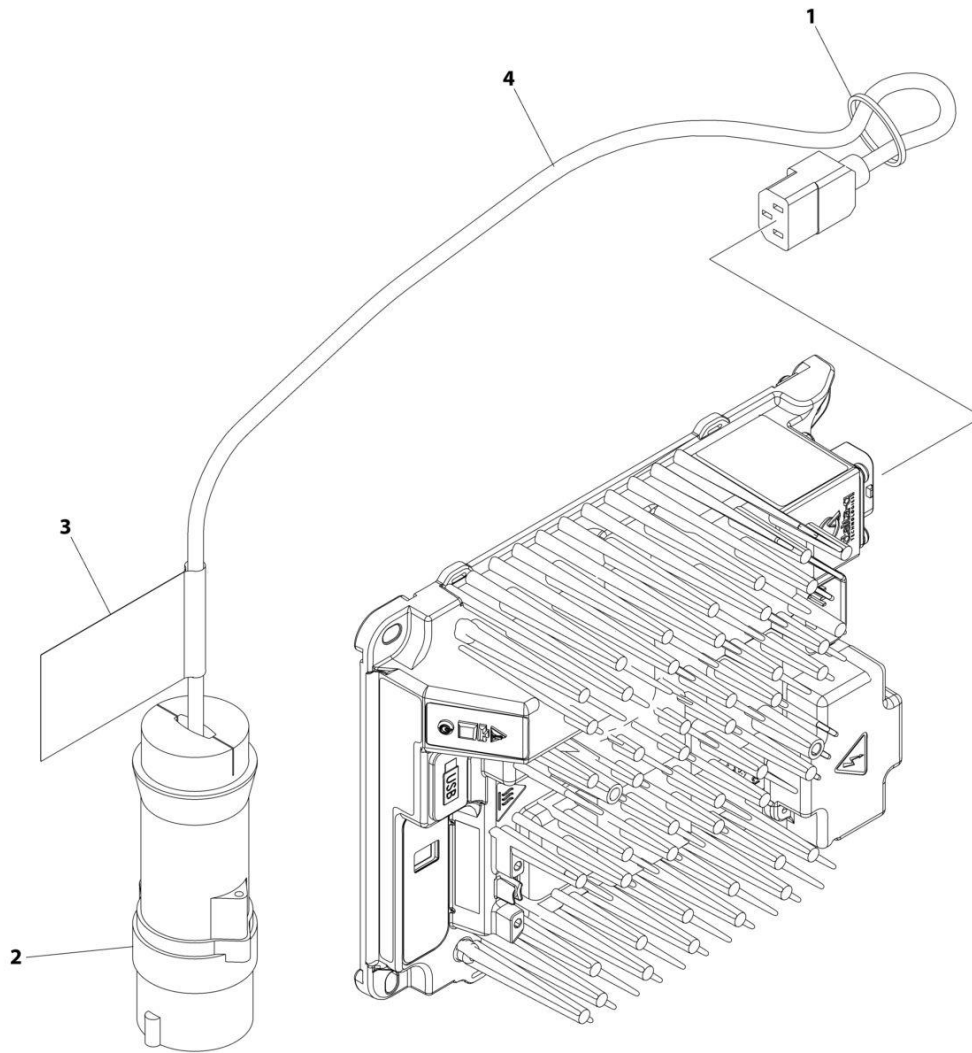
SECTION 5 - ELECTRICAL

FIGURE 5-17. CHARGER PLUG INSTALLATION (110V IEC YELLOW PLUG) (CE & UK CA SPECS)

ITEM	PART NUMBER	QTY	DESCRIPTION	REV
	1001258771	Ref	CHARGER PLUG INSTALLATION	A
1	4240017	AR	Tie-Strap	
2	4461196	1	Terminal	
3	1001102489	1	Decal - Charger	
4	1001207974	1	Cable, Charger Plug (No Plug)	

SECTION 5 - ELECTRICAL

FIGURE 5-18. CHARGER PLUG INSTALLATION (220V IEC BLUE PLUG) (CE & UK CA SPECS)



ART_1001258772

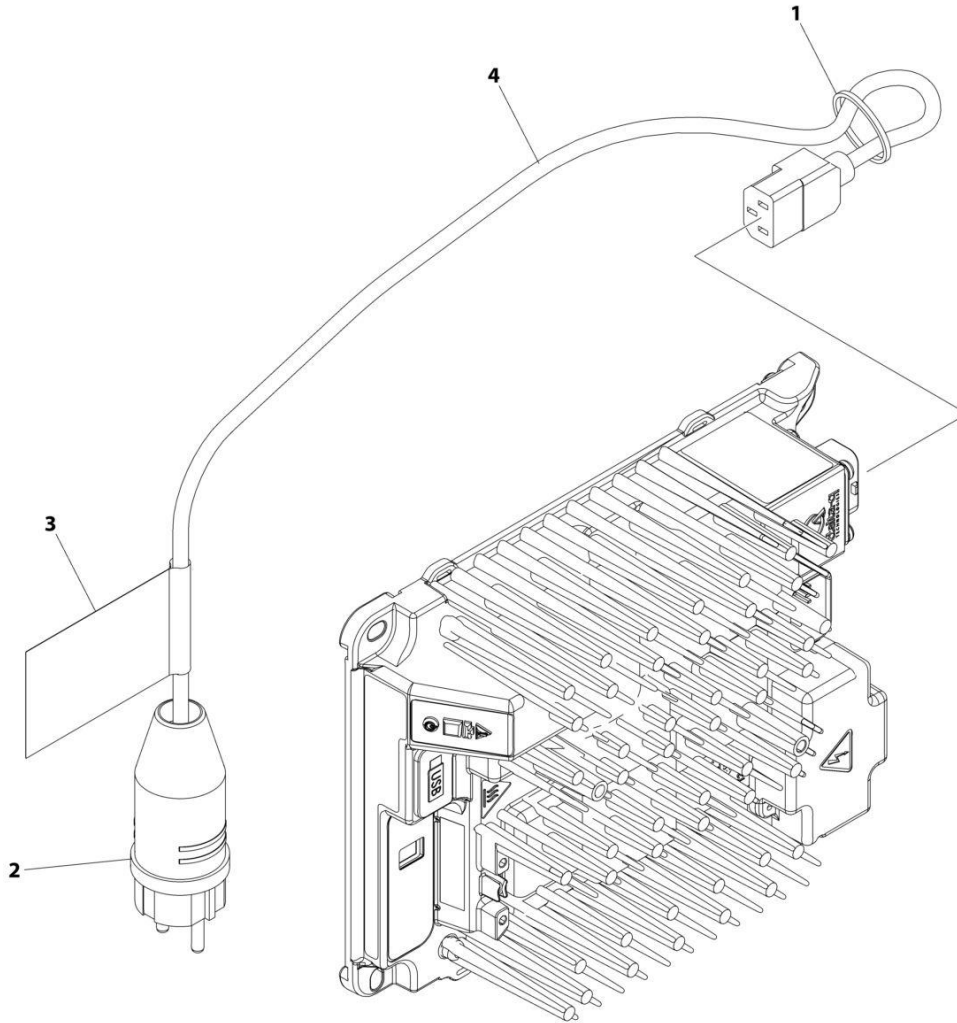
SECTION 5 - ELECTRICAL

FIGURE 5-18. CHARGER PLUG INSTALLATION (220V IEC BLUE PLUG) (CE & UK CA SPECS)

ITEM	PART NUMBER	QTY	DESCRIPTION	REV
	1001258772	Ref	CHARGER PLUG INSTALLATION	A
1	4240017	AR	Tie-Strap	
2	4461199	1	Terminal	
3	1001102489	1	Decal - Charger	
4	1001207974	1	Cable, Charger Plug (No Plug)	

SECTION 5 - ELECTRICAL

FIGURE 5-19. CHARGER PLUG INSTALLATION (220V CEE7 PLUG) (CE & UK CA SPECS)



ART_1001258768

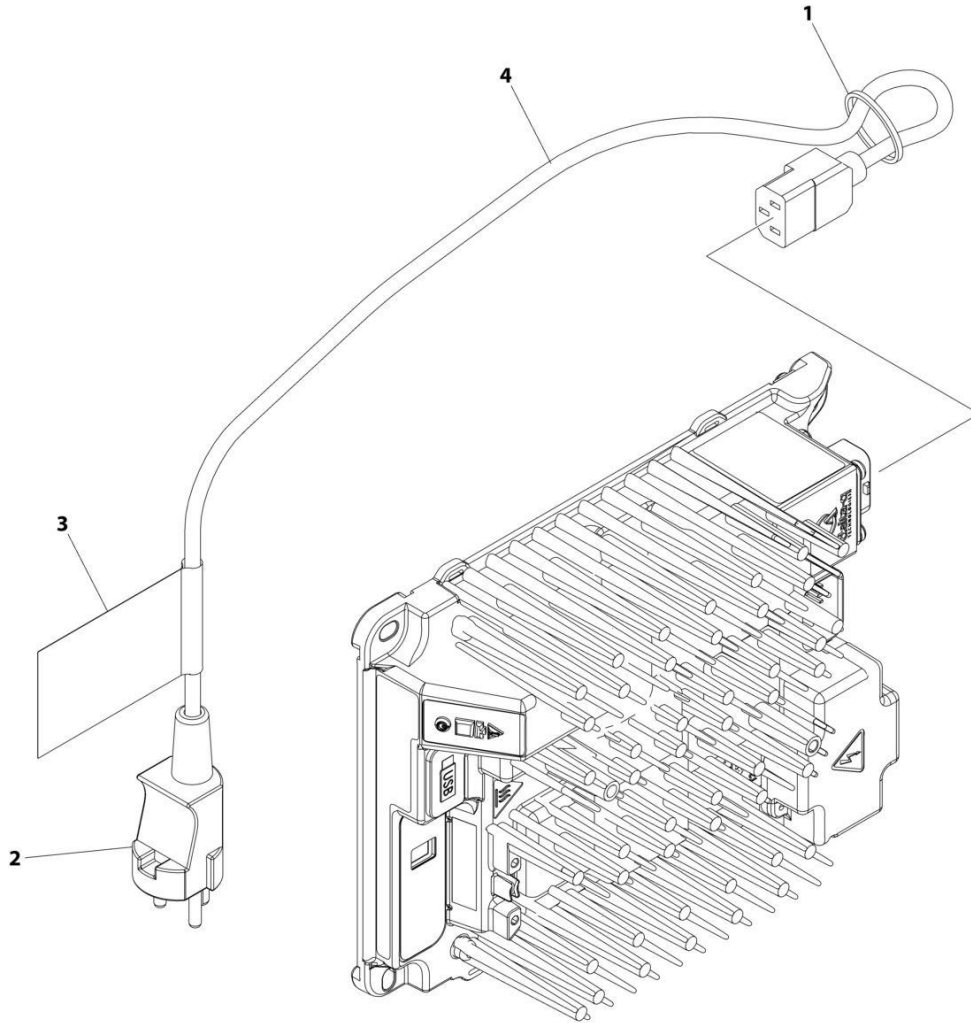
SECTION 5 - ELECTRICAL

FIGURE 5-19. CHARGER PLUG INSTALLATION (220V CEE7 PLUG) (CE & UK CA SPECS)

ITEM	PART NUMBER	QTY	DESCRIPTION	REV
	1001258768	Ref	CHARGER PLUG INSTALLATION	A
1	4240017	AR	Tie-Strap	
2	4461205	1	Terminal	
3	1001102489	1	Decal - Charger	
4	1001207974	1	Cable, Charger Plug (No Plug)	

SECTION 5 - ELECTRICAL

FIGURE 5-20. CHARGER PLUG INSTALLATION (220V AFSINT107 PLUG) (CE & UK CA SPECS)



ART_1001258770

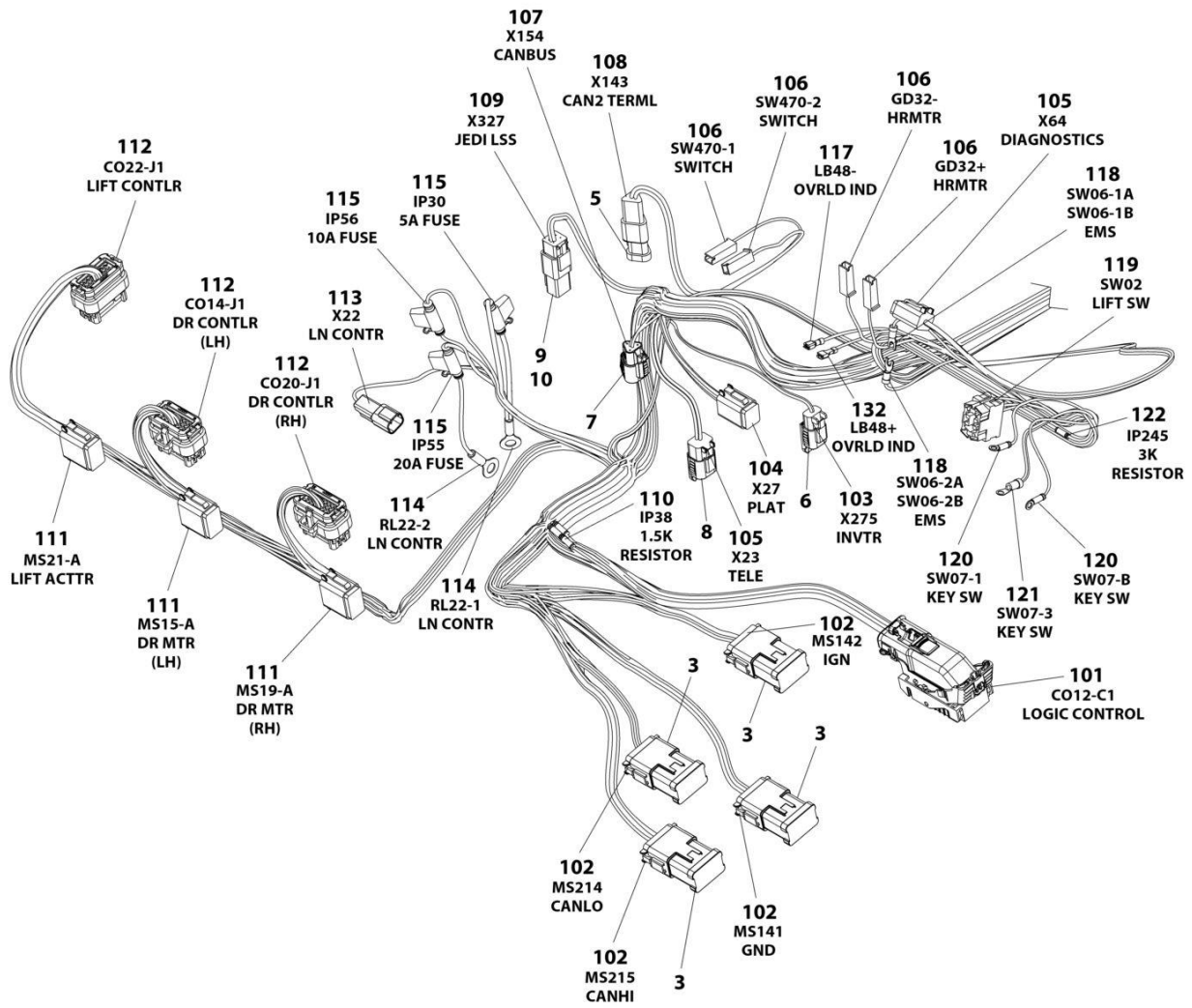
SECTION 5 - ELECTRICAL

FIGURE 5-20. CHARGER PLUG INSTALLATION (220V AFSINT107 PLUG) (CE & UK CA SPECS)

ITEM	PART NUMBER	QTY	DESCRIPTION	REV
	1001258770	Ref	CHARGER PLUG INSTALLATION	A
1	4240017	AR	Tie-Strap	
2	4461249	1	Terminal	
3	1001102489	1	Decal - Charger	
4	1001207974	1	Cable, Charger Plug (No Plug)	

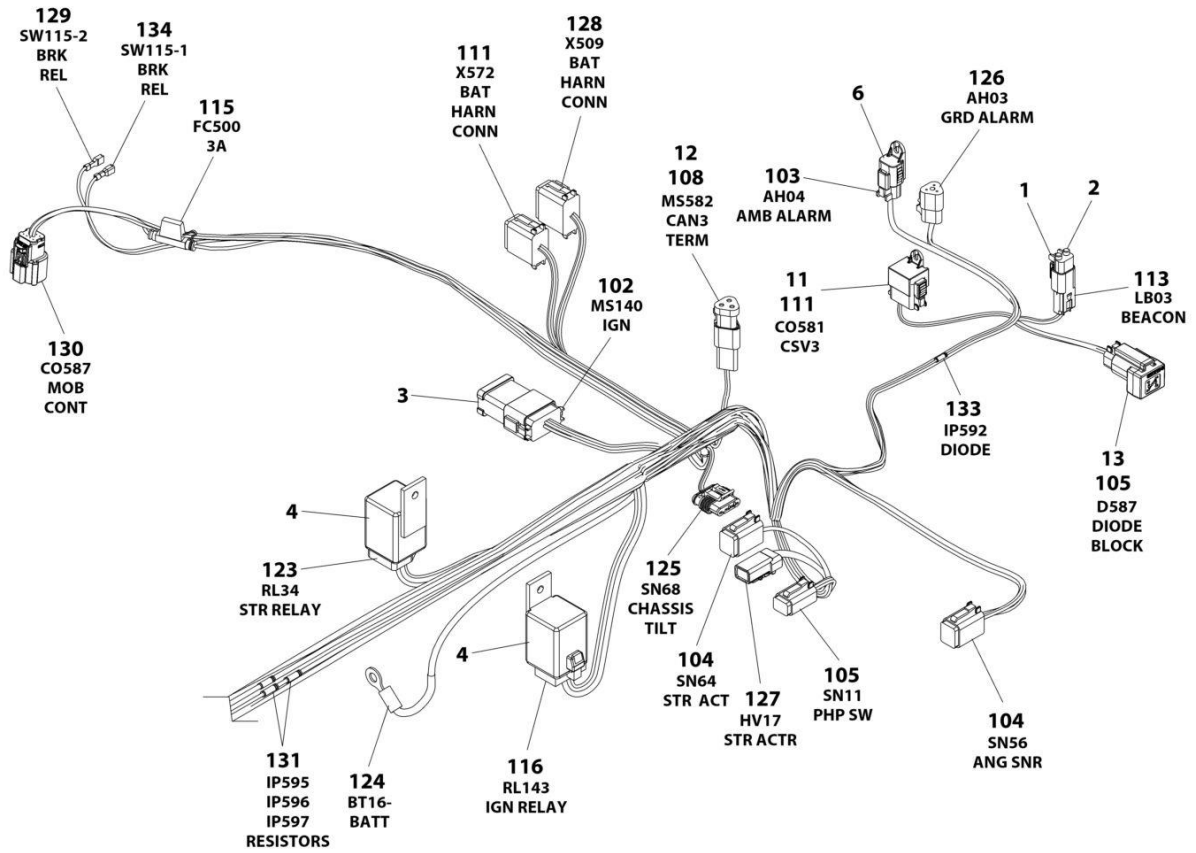
SECTION 5 - ELECTRICAL

FIGURE 5-21. CHASSIS HARNESS



ART_1001277804_10F2

SECTION 5 - ELECTRICAL



ART_1001277804_2OF2

SECTION 5 - ELECTRICAL

FIGURE 5-21. CHASSIS HARNESS

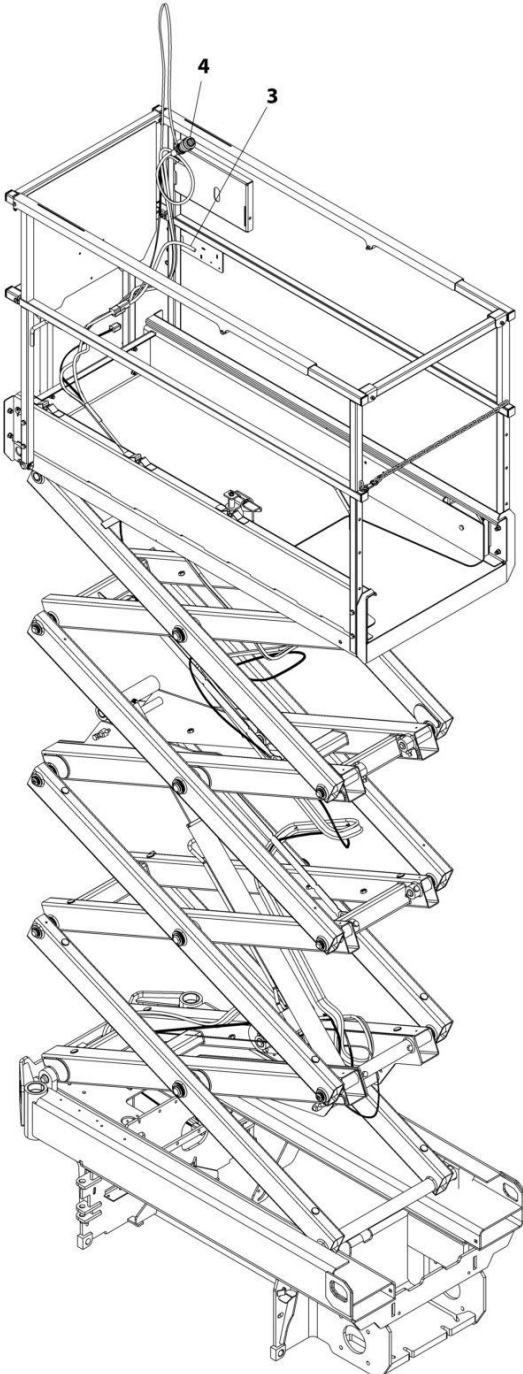
ITEM	PART NUMBER	QTY	DESCRIPTION	REV
	1001277804	Ref	CHASSIS HARNESS	C
1	4460891	1	Plug, Male - 2 Position	
2	4460466	2	Plug, Terminal	
3	4460837	5	Bussbar	
4	1001097347	2	Relay	
5	1001116815	1	Plug, Male - 3 Position	
6	1001144295	2	Cap, Dust	
7	1001144296	1	Cap, Dust	
8	1001192401	1	Cap, Dust	
9	4460518	4	Plug, Terminal	
10	4461076	1	Receptacle, Female - 4 Position	
11	1001244462	1	Cap, Dust	
12	1001116815	1	Plug, Male - 3 Position	
13	1001152266	1	Connector with Diodes - 4 Position	
101	1001248683	1	Connector - 66 Position	
101	1001249070	34	Terminal	
101	1001249071	2	Terminal	
101	1001249072	2	Seal	
101	1001249077	30	Plug, Terminal	
102	4460836	5	Plug, Male - 12 Position	
102	4460465	48	Socket, Female	
102	4460942	6	Socket, Female	
102	4460466	6	Plug, Terminal	
103	4460891	2	Plug, Male - 2 Position	
103	4460465	3	Socket, Female	
103	4460466	1	Plug, Terminal	
104	4460894	3	Plug, Male - 6 Position	
104	4460465	12	Socket, Female	
104	4460944	4	Socket, Female	
105	4460884	4	Plug, Male - 4 Position	
105	4460465	14	Socket, Female	
105	4460944	2	Socket, Female	
106	4460260	4	Cover, Terminal	
106	4460259	4	Terminal	
107	1001116812	1	Plug, Male - 3 Position	
107	4460944	2	Socket, Female	
107	4460466	1	Plug, Terminal	
108	1001144147	2	Receptacle, Female - 3 Position	
108	4460943	4	Pin, Male	
108	4460466	2	Plug, Terminal	
109	4461077	1	Connector - 4 Position	
109	4460928	4	Terminal	
110		Ref	Resistor 1.5KOhm-1/4Watt	
111	4460930	5	Plug, Male - 8 Position	
111	4460465	32	Socket, Female	
111	4460944	4	Socket, Female	
111	4460466	4	Plug, Terminal	
112	1001116994	3	Connector - 23 Position	
112	4460871	36	Terminal	
112	4460905	33	Plug, Terminal	

SECTION 5 - ELECTRICAL

ITEM	PART NUMBER	QTY	DESCRIPTION	REV
113	4460897	2	Receptacle, Female - 2 Position	
113	4460464	4	Pin, Male	
114	8220045	2	Terminal, Ring	
115	2400060	4	Fuseholder with Cover	
115	1001196635	1	Fuse, 3Amp	
115	8229242	1	Fuse 5Amp	
115	80983191	1	Fuse 10Amp	
115	8229246	1	Fuse 20Amp	
116	1001117057	1	Connector, Relay	
116	1001116732	4	Terminal	
117	1001201885	1	Terminal	
118	4460183	4	Terminal	
119	4460418	1	Connector, Switch	
120	4460247	2	Terminal	
121	4460042	1	Terminal	
122		Ref	Resistor 3K	
123	4460374	1	Plug, Relay	
123	1001116734	2	Terminal	
123	1001116732	2	Terminal	
123	1001128128	1	Plug, Terminal	
124	1001117107	1	Terminal, Ring	
125	1001103012	1	Connector - 4 Position	
125	1001196589	4	Terminal	
125	1001104498	4	Seal, Terminal	
126	4460539	1	Plug, Male - 3 Position	
126	4460465	3	Socket, Female	
127	4461018	1	Connector - 2 Position	
127	4460509	2	Terminal	
128	4460933	1	Plug, Male - 12 Position	
128	4460465	9	Socket, Female	
128	4460944	2	Socket, Female	
128	4460942	1	Socket, Female	
129	1001194421	1	Terminal	
130	1001205409	1	Connector - 8 Position	
130	1001162887	4	Terminal	
130	1001163340	3	Plug, Terminal	
131		Ref	Resistor 1.0KOhm-1 Watt	
132	8220108	1	Terminal	
133	260092	1	Diode	
134	8220051	1	Terminal	

SECTION 5 - ELECTRICAL

**FIGURE 5-22. GROUND TO PLATFORM CABLE INSTALLATION - WITHOUT PLATFORM COIL CABLE
(ALL SPECS EXCEPT JAPANESE SPECS)**



ART_1001201087

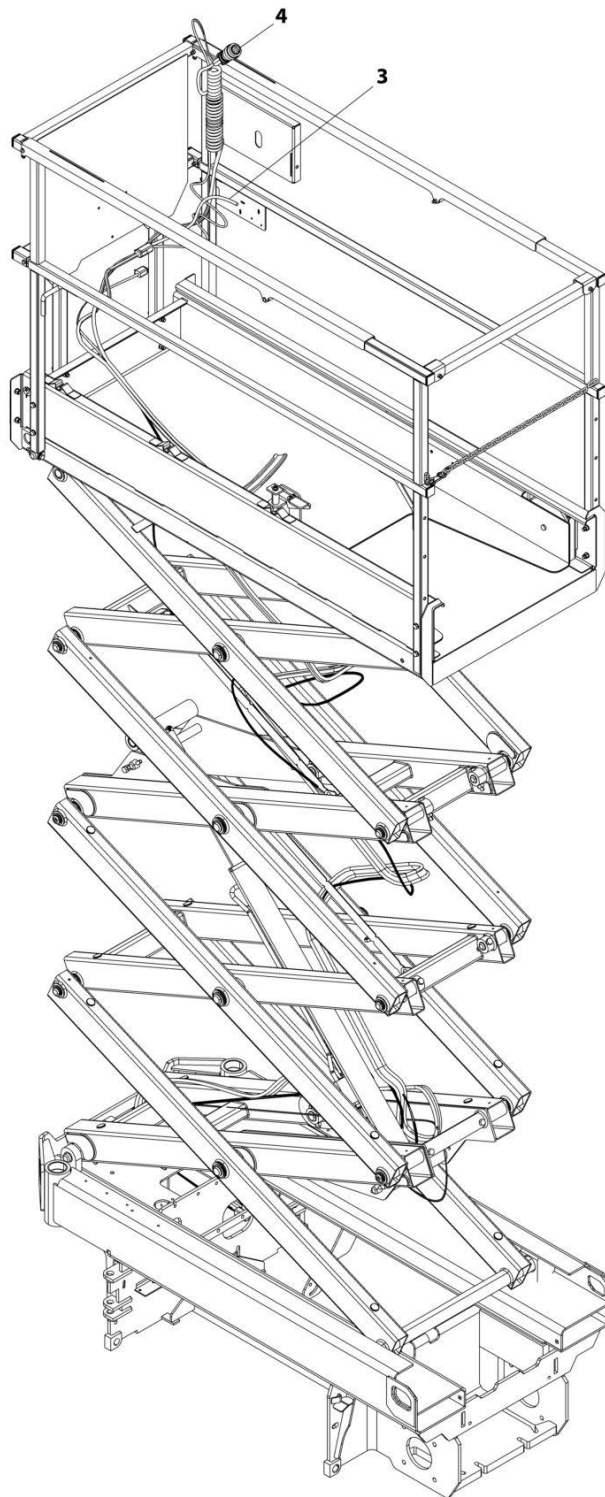
SECTION 5 - ELECTRICAL

**FIGURE 5-22. GROUND TO PLATFORM CABLE INSTALLATION - WITHOUT PLATFORM COIL CABLE
(ALL SPECS EXCEPT JAPANESE SPECS)**

ITEM	PART NUMBER	QTY	DESCRIPTION	REV
	1001201087	Ref	GROUND TO PLATFORM CABLE INSTALLATION	E
1	4240017	AR	Tie-Strap (Not Shown)	
3	1001200811	1	Cable Assembly - Ground to Platform	
3	4460894	1	Plug, Male - 6 Position (To Platform Harness Item 4)	
3	4460465	4	Socket, Female	
3	4460944	2	Socket, Female	
3	4460899	1	Receptacle, Female - 6 Position (To Chassis Harness)	
3	4460464	4	Pin, Male	
3	4460943	2	Pin, Male	
4	1001200812	1	Platform Harness	
4	4460899	1	Receptacle, Female - 6 Position (To Item 3)	
4	4460464	4	Pin, Male	
4	4460943	2	Pin, Male	
4	4460754	1	Connector - 14 Position (To Console Box)	
4	4460465	8	Socket, Female	
4	4460466	6	Plug, Terminal	

SECTION 5 - ELECTRICAL

**FIGURE 5-23. GROUND TO PLATFORM CABLE INSTALLATION - WITH PLATFORM COIL CABLE
(ALL SPECS EXCEPT JAPANESE SPECS)**



ART_1001203630

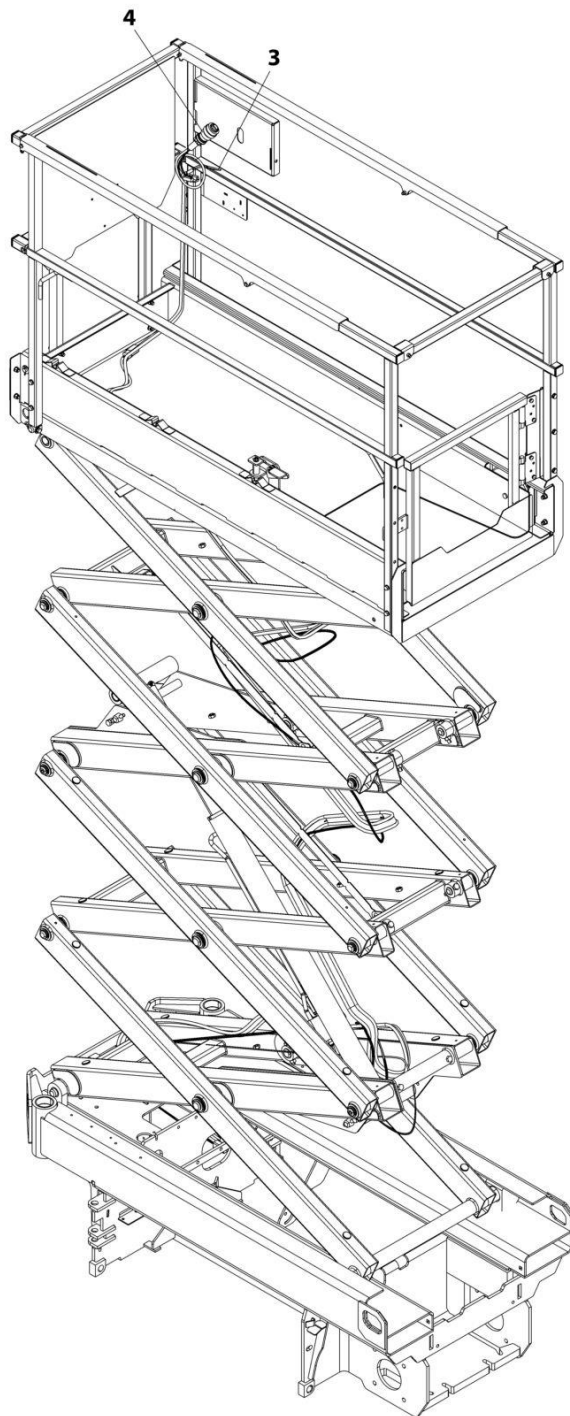
SECTION 5 - ELECTRICAL

**FIGURE 5-23. GROUND TO PLATFORM CABLE INSTALLATION - WITH PLATFORM COIL CABLE
(ALL SPECS EXCEPT JAPANESE SPECS)**

ITEM	PART NUMBER	QTY	DESCRIPTION	REV
	1001203630	Ref	GROUND TO PLATFORM CABLE INSTALLATION	E
1	4240017	AR	Tie-Strap (Not Shown)	
3	1001200811	1	Cable Assembly - Ground to Platform	
3	4460894	1	Plug, Male - 6 Position (To Platform Harness Item 4)	
3	4460465	4	Socket, Female	
3	4460944	2	Socket, Female	
3	4460899	1	Receptacle, Female - 6 Position (To Chassis Harness)	
3	4460464	4	Pin, Male	
3	4460943	2	Pin, Male	
4	1001202184	1	Platform Harness	
4	4460899	1	Receptacle, Female - 6 Position (To Item 3)	
4	4460464	4	Pin, Male	
4	4460943	2	Pin, Male	
4	4460754	1	Connector - 14 Position (To Console Box)	
4	4460465	8	Socket, Female	
4	4460466	6	Plug, Terminal	

SECTION 5 - ELECTRICAL

FIGURE 5-24. GROUND TO PLATFORM CABLE INSTALLATION - WITHOUT PLATFORM COIL CABLE & WITH FOOTSWITCH (JAPANESE SPECS)



ART_1001201129_F

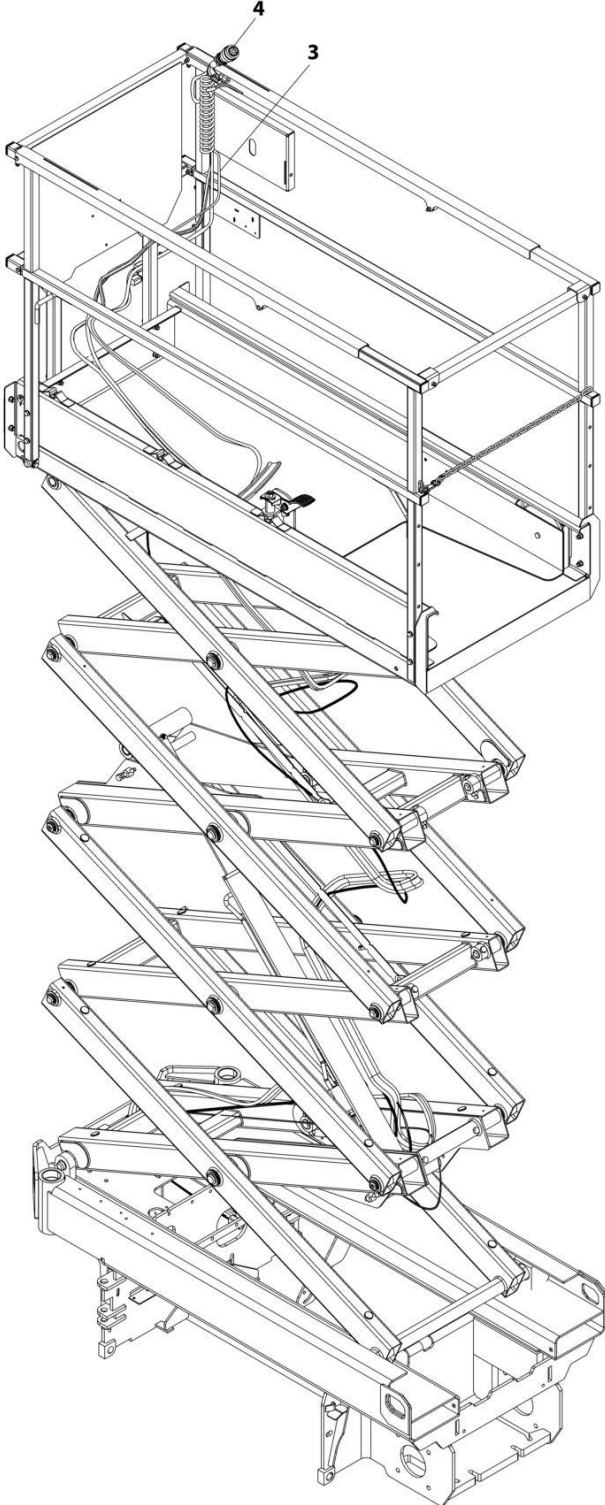
SECTION 5 - ELECTRICAL

**FIGURE 5-24. GROUND TO PLATFORM CABLE INSTALLATION - WITHOUT PLATFORM COIL CABLE
& WITH FOOTSWITCH (JAPANESE SPECS)**

ITEM	PART NUMBER	QTY	DESCRIPTION	REV
	1001201129	Ref	GROUND TO PLATFORM CABLE INSTALLATION	F
		Ref	Note: Only Available on Japanese Specs.	
1	4240017	AR	Tie-Strap (Not Shown)	
3	1001200811	1	Cable Assembly - Ground to Platform	
3	4460894	1	Plug, Male - 6 Position (To Platform Harness Item 4)	
3	4460465	4	Socket, Female	
3	4460944	2	Socket, Female	
3	4460899	1	Receptacle, Female - 6 Position (To Chassis Harness)	
3	4460464	4	Pin, Male	
3	4460943	2	Pin, Male	
4	1001223263	1	Platform Harness	
4	4460899	1	Receptacle, Female - 6 Position (To Item 3)	
4	4460464	4	Pin, Male	
4	4460943	2	Pin, Male	
4	4460754	1	Connector - 14 Position (To Console Box)	
4	4460465	8	Socket, Female	
4	4460944	2	Socket, Female	
4	4460466	4	Plug, Terminal	
4	4460891	1	Plug, Male - 2 Position (To Footswitch)	
4	4460465	2	Socket, Female	
4	4460897	1	Receptacle, Female - 2 Position (Footswitch Jumper)	
4	4460464	2	Pin, Male	
4	4460539	1	Plug, Male - 3 Position (To Overhead Switches)	
4	4460465	2	Socket, Female	
4	4460466	1	Plug, Terminal	

SECTION 5 - ELECTRICAL

FIGURE 5-25. GROUND TO PLATFORM CABLE INSTALLATION - WITH PLATFORM COIL CABLE & WITH FOOTSWITCH (JAPANESE SPECS)



ART_1001203631_F

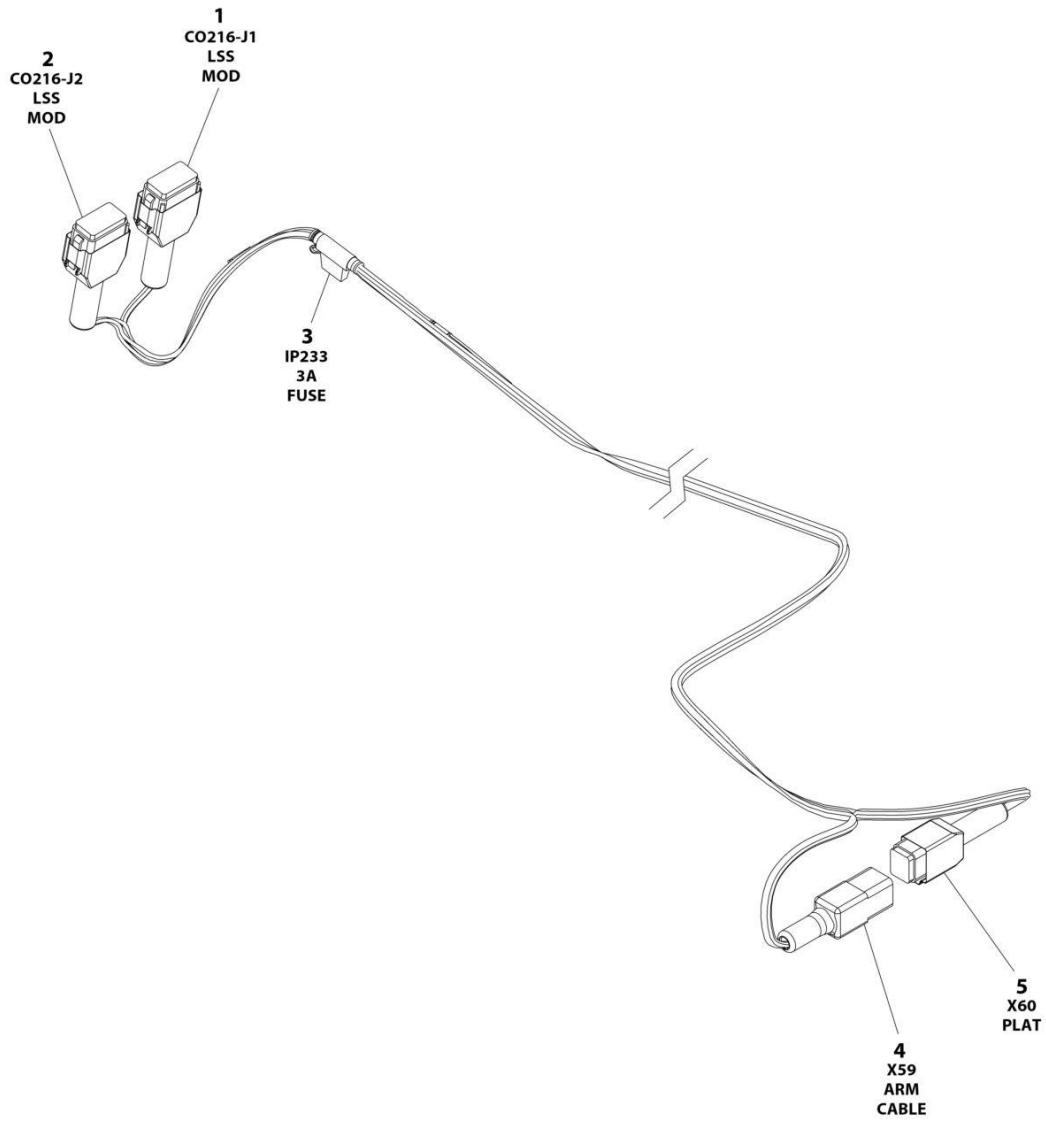
SECTION 5 - ELECTRICAL

FIGURE 5-25. GROUND TO PLATFORM CABLE INSTALLATION - WITH PLATFORM COIL CABLE & WITH FOOTSWITCH (JAPANESE SPECS)

ITEM	PART NUMBER	QTY	DESCRIPTION	REV
	1001203631	Ref	GROUND TO PLATFORM CABLE INSTALLATION	F
		Ref	Note: Only Available on Japanese Specs.	
1	4240017	AR	Tie-Strap (Not Shown)	
3	1001200811	1	Cable Assembly - Ground to Platform	
3	4460894	1	Plug, Male - 6 Position (To Platform Harness Item 4)	
3	4460465	4	Socket, Female	
3	4460944	2	Socket, Female	
3	4460899	1	Receptacle, Female - 6 Position (To Chassis Harness)	
3	4460464	4	Pin, Male	
3	4460943	2	Pin, Male	
4	1001223262	1	Platform Harness	
4	4460899	1	Receptacle, Female - 6 Position (To Item 3)	
4	4460464	4	Pin, Male	
4	4460943	2	Pin, Male	
4	4460754	1	Connector - 14 Position (To Console Box)	
4	4460465	8	Socket, Female	
4	4460944	2	Socket, Female	
4	4460466	4	Plug, Terminal	
4	4460891	1	Plug, Male - 2 Position (To Footswitch)	
4	4460465	2	Socket, Female	
4	4460897	1	Receptacle, Female - 2 Position (Footswitch Jumper)	
4	4460464	2	Pin, Male	
4	4460539	1	Plug, Male - 3 Position (To Overhead Switches)	
4	4460465	2	Socket, Female	
4	4460466	1	Plug, Terminal	

SECTION 5 - ELECTRICAL

FIGURE 5-26. LSS HARNESS



ART_1001263450

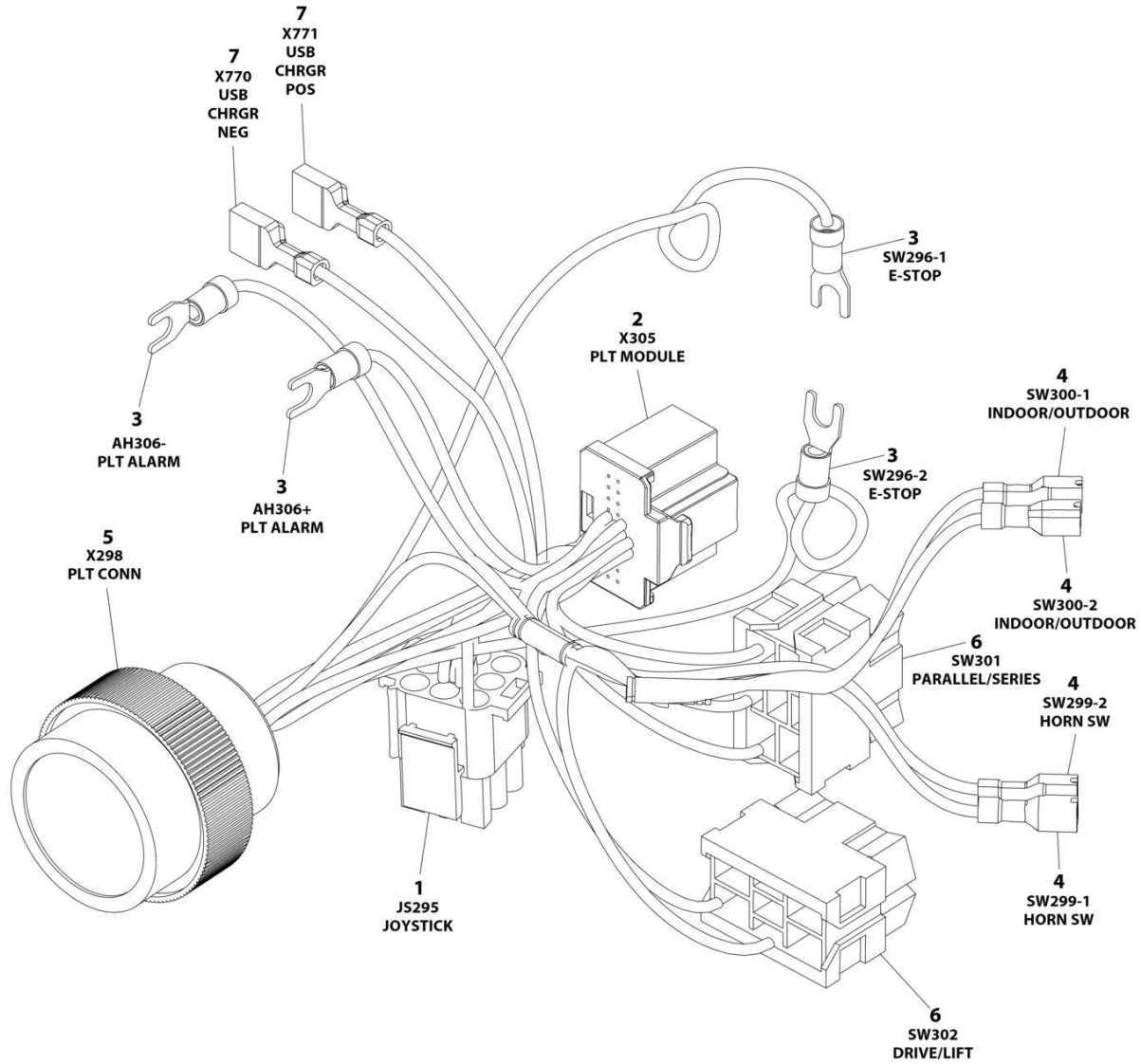
SECTION 5 - ELECTRICAL

FIGURE 5-26. LSS HARNESS

ITEM	PART NUMBER	QTY	DESCRIPTION	REV
	1001263450	Ref	LSS HARNESS	A
1	4460933	1	Connector - 12 Position	
1	4460465	3	Socket, Female	
1	4460466	9	Plug, Terminal	
1	0840055	1	Boot	
2	4460836	1	Connector - 12 Position	
2	4460944	4	Socket, Female	
2	4460466	8	Plug, Terminal	
2	0840055	1	Boot	
3	2400060	1	Fuseholder with Cover	
3	1001196838	1	Fuse 3Amp	
4	4460899	1	Receptacle, Female - 6 Position	
4	4460464	4	Pin, Male	
4	4460943	2	Pin, Male	
4	1001100164	1	Boot	
5	4460894	1	Plug, Male - 6 Position	
5	4460465	4	Socket, Female	
5	4460944	2	Socket, Female	
5	0840059	1	Boot	

SECTION 5 - ELECTRICAL

FIGURE 5-27. PLATFORM BOX HARNESS (LED PLATFORM BOX)



ART_1001200819

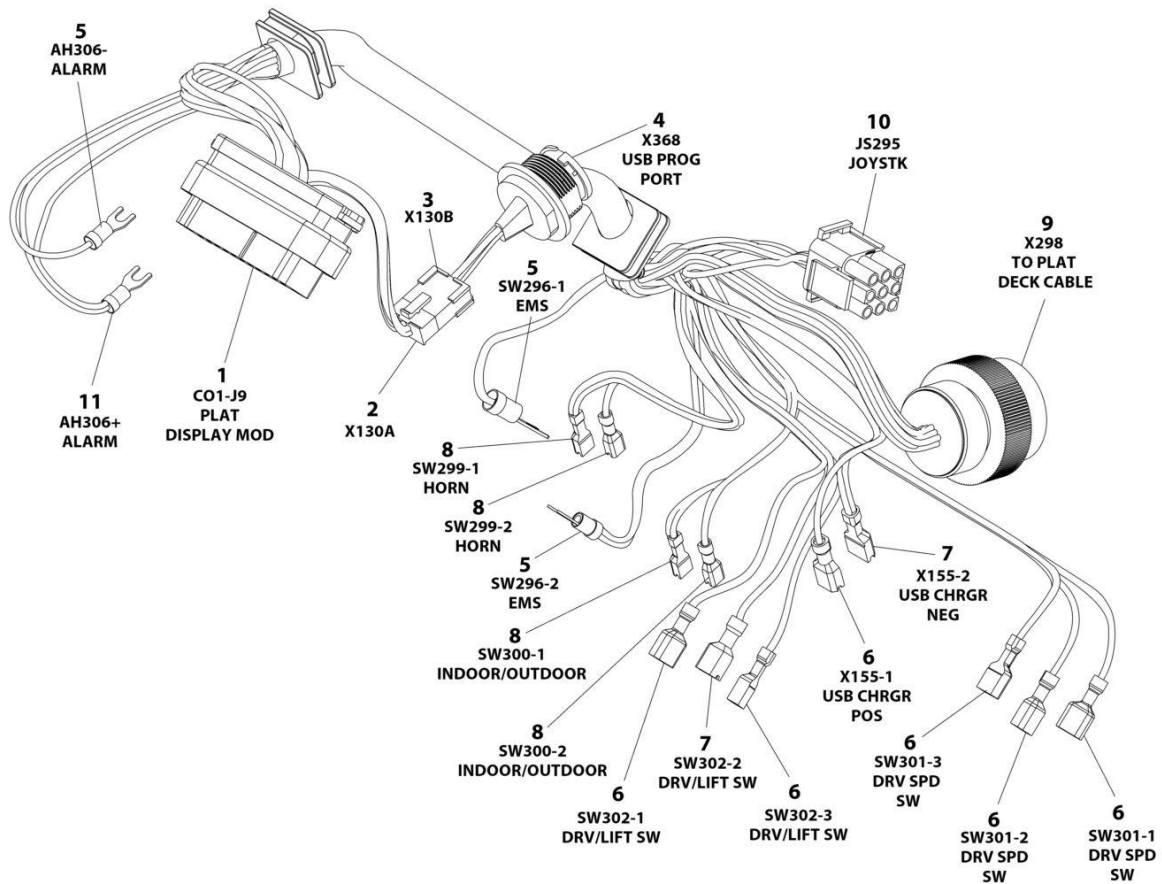
SECTION 5 - ELECTRICAL

FIGURE 5-27. PLATFORM BOX HARNESS (LED PLATFORM BOX)

ITEM	PART NUMBER	QTY	DESCRIPTION	REV
	1001200819	Ref	PLATFORM CONTROL BOX HARNESS	E
1	4460265	1	Plug, Male - 9 Position	
1	4460267	6	Pin, Male	
2	1001212036	1	Connector - 20 Position	
2	1001212035	16	Terminal	
3	4460183	4	Terminal, Fork	
4	1001201885	4	Terminal with Cover	
5	4461016	1	Connector - 14 Position	
5	4460464	8	Pin, Male	
5	4460466	6	Plug, Terminal	
6	4460418	2	Connector - 6 Position	
6	1001159186	5	Terminal	
7	1001194421	2	Terminal	

SECTION 5 - ELECTRICAL

FIGURE 5-28. PLATFORM BOX HARNESS (LCD BOX)



ART_1001254686

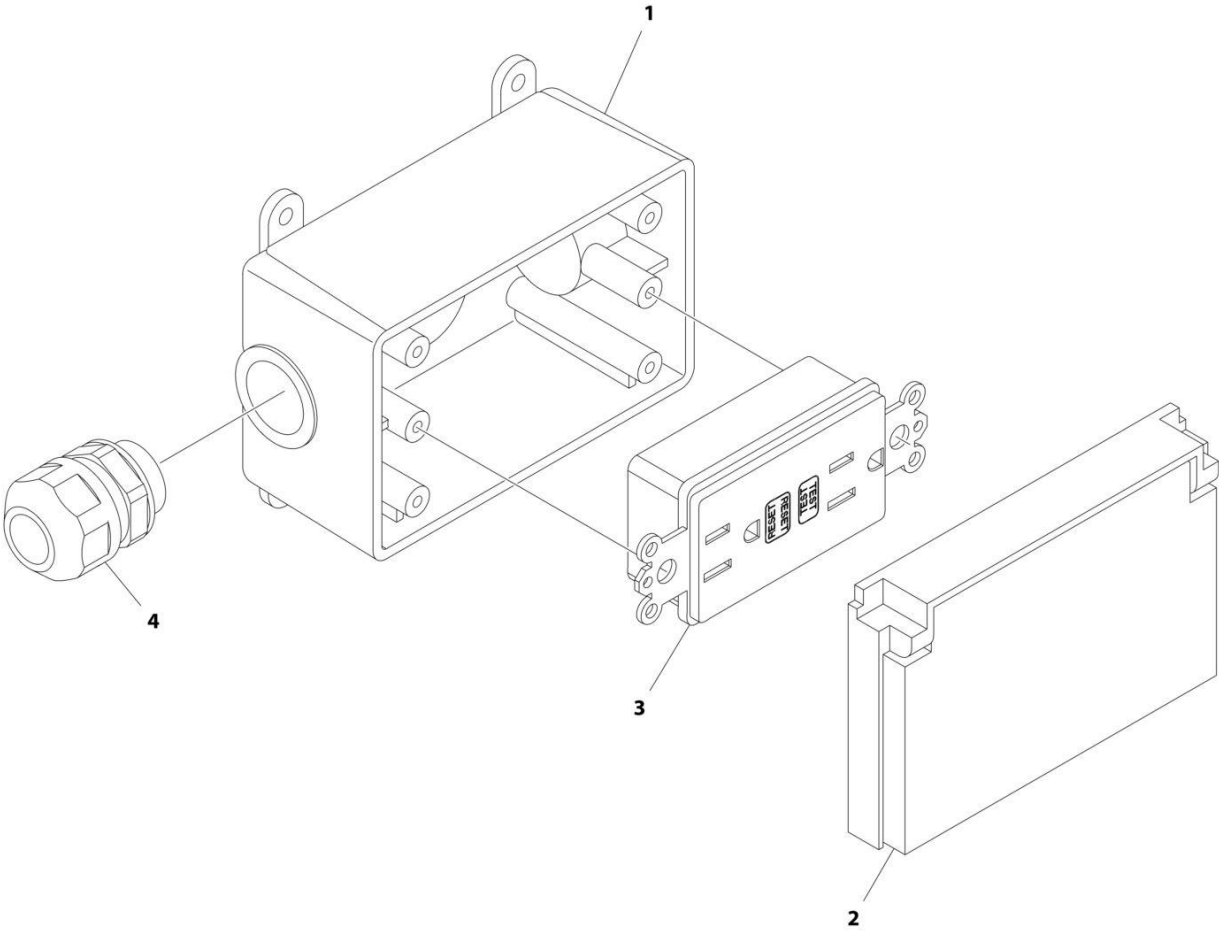
SECTION 5 - ELECTRICAL

FIGURE 5-28. PLATFORM BOX HARNESS (LCD BOX)

ITEM	PART NUMBER	QTY	DESCRIPTION	REV
	1001254686	Ref	PLATFORM CONTROL BOX HARNESS	D
1	4460873	1	Connector - 35 Position	
1	4460871	27	Terminal	
1	4460905	8	Plug, Terminal	
2	1001150735	1	Connector - 10 Position	
2	1001150899	5	Terminal	
3	1001248133	1	Connector - 10 Position	
3	1001248132	5	Terminal	
4	1001246823	1	Connector - 5 Position (With Sealing Cap)	
5	4460183	3	Terminal, Fork	
6	1001194421	6	Terminal	
7	8220051	2	Terminal	
8	1001201885	4	Terminal with Cover	
9	4461016	1	Connector - 14 Position	
9	4460464	12	Pin, Male	
9	4460944	2	Pin, Male	
10	4460265	1	Connector - 9 Position	
10	4460227	7	Terminal	
11	4460144	1	Terminal, Fork	

SECTION 5 - ELECTRICAL

FIGURE 5-29. RECEPTACLE BOX KIT - 110V GFI



ART_2902431

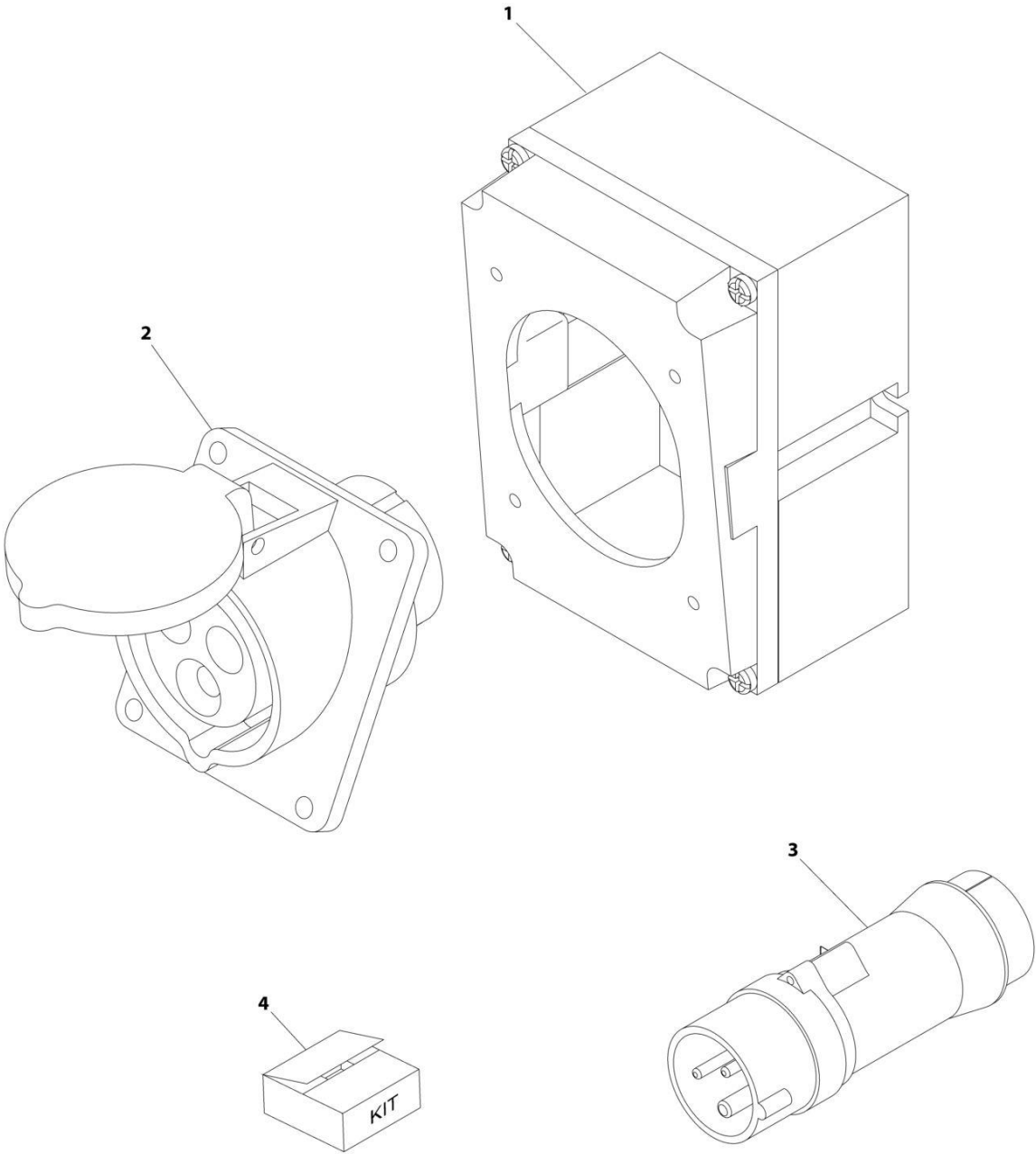
SECTION 5 - ELECTRICAL

FIGURE 5-29. RECEPTACLE BOX KIT - 110V GFI

ITEM	PART NUMBER	QTY	DESCRIPTION	REV
	2902431	Ref	RECEPTACLE BOX KIT - 110V GFI	D
1	0861731	1	Box, Receptacle	
2	1671207	1	Cover, Receptacle	
3	4460346	1	Receptacle	
4	4460662	1	Connector, Strain Relief	

SECTION 5 - ELECTRICAL

FIGURE 5-30. RECEPTACLE BOX KIT - 110V IEC YELLOW (CE & UK CA SPEC)



ART_0275216

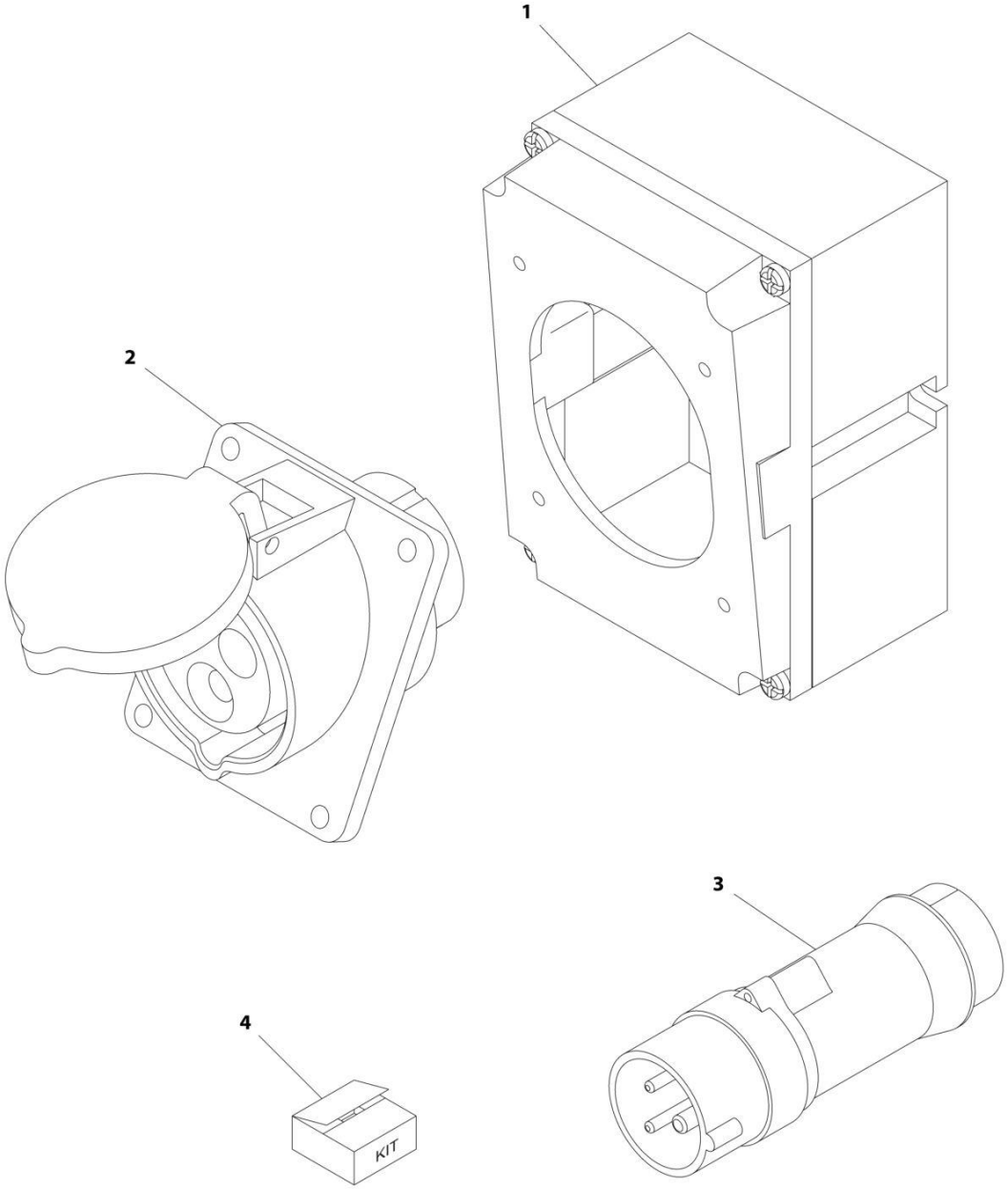
SECTION 5 - ELECTRICAL

FIGURE 5-30. RECEPTACLE BOX KIT - 110V IEC YELLOW (CE & UK CA SPEC)

ITEM	PART NUMBER	QTY	DESCRIPTION	REV
	0275216	Ref	RECEPTACLE BOX KIT - 110V IEC YELLOW	B
1	0861781	1	Box, Switch	
2	4461198	1	Receptacle	
3	4461196	1	Plug, Male	
4	1001100341	1	Plug and Socket Kit (Includes Items 1-3 and Female Plug p/n 4461197)	

SECTION 5 - ELECTRICAL

FIGURE 5-31. RECEPTACLE BOX KIT - 220V IEC BLUE (CE & UK CA SPEC)



ART_0275217

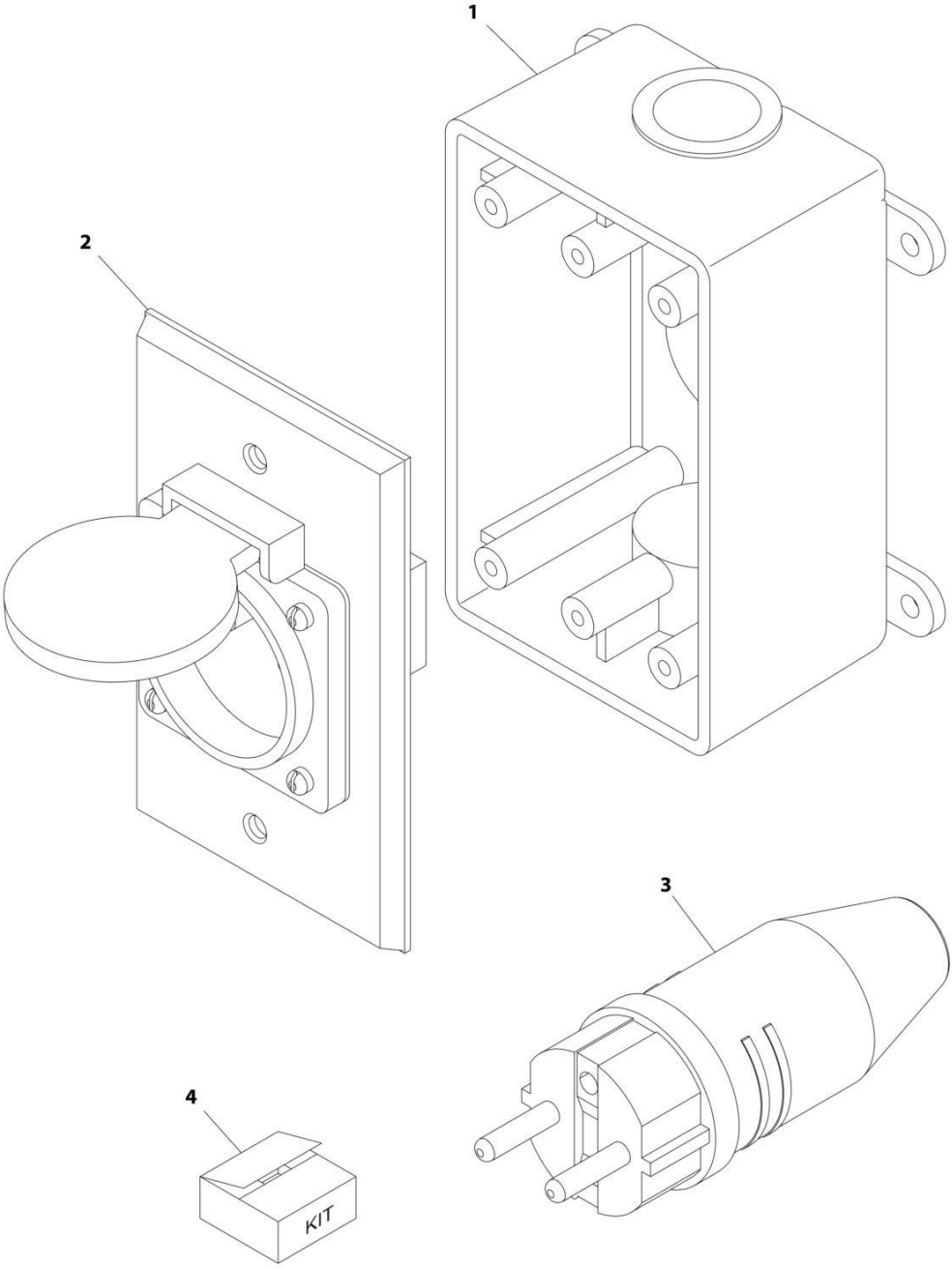
SECTION 5 - ELECTRICAL

FIGURE 5-31. RECEPTACLE BOX KIT - 220V IEC BLUE (CE & UK CA SPEC)

ITEM	PART NUMBER	QTY	DESCRIPTION	REV
	0275217	Ref	RECEPTACLE BOX KIT - 220V IEC BLUE	B
1	0861781	1	Box, Switch	
2	4461201	1	Receptacle	
3	4461199	1	Plug, Male	
4	1001100342	1	Plug and Socket Kit (Includes Items 1-3 and Female Plug p/n 4461200)	

SECTION 5 - ELECTRICAL

FIGURE 5-32. RECEPTACLE BOX KIT - 220V CEE7 POST GROUND (CE & UK CA SPEC)



ART_0275452-C

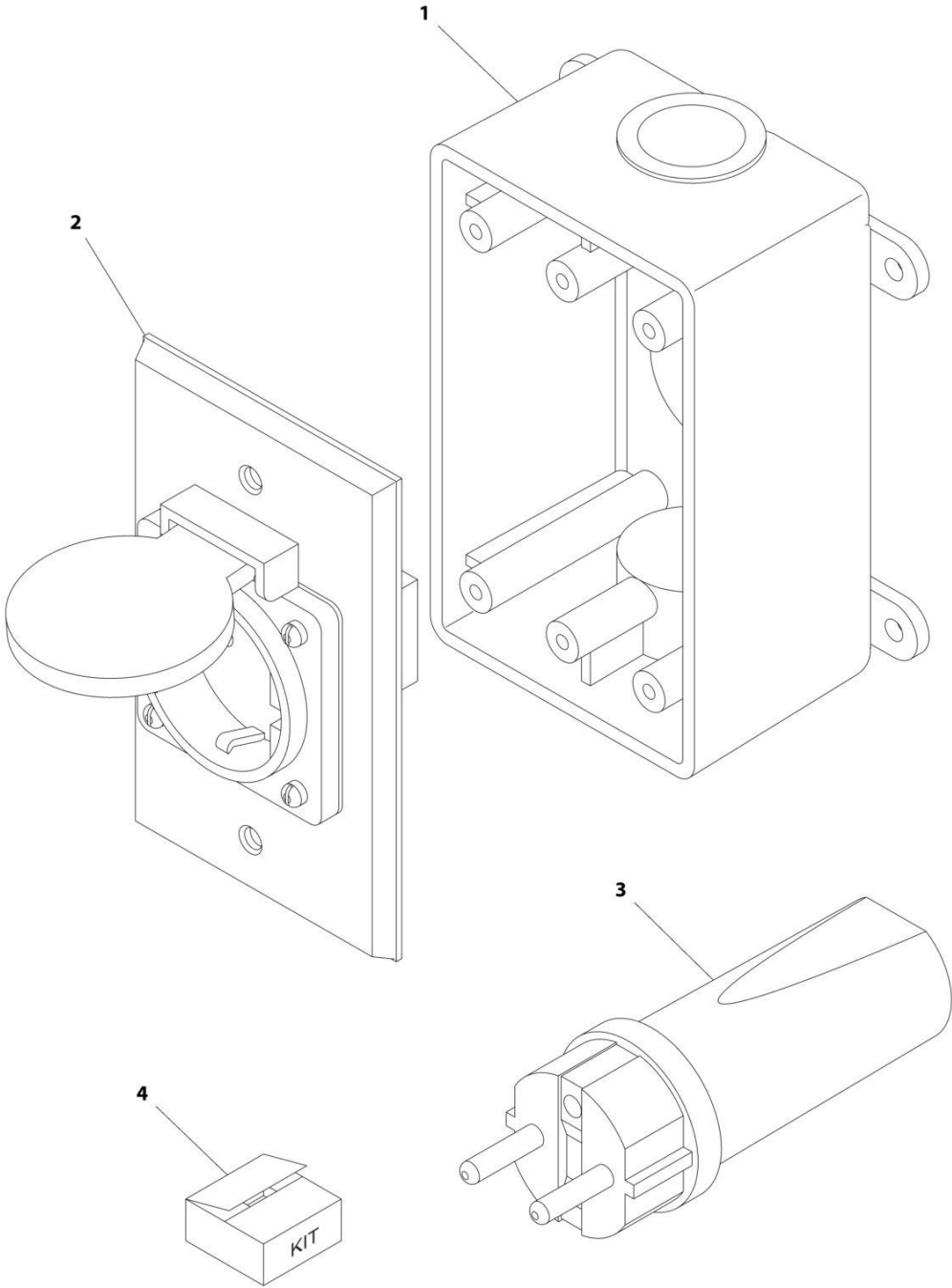
SECTION 5 - ELECTRICAL

FIGURE 5-32. RECEPTACLE BOX KIT - 220V CEE7 POST GROUND (CE & UK CA SPEC)

ITEM	PART NUMBER	QTY	DESCRIPTION	REV
	0275452	Ref	RECEPTACLE BOX KIT - 220V CEE7 POST GROUND 2IN X 4IN BOX	C
1	0861731	1	Box, Switch	
2	4461244	1	Receptacle	
3	4461205	1	Plug, Male	
4	1001100345	1	Plug and Socket Kit (Includes Items 1-3 and Female Plug p/n 4461203)	

SECTION 5 - ELECTRICAL

FIGURE 5-33. RECEPTACLE BOX KIT - 220V CEE7 SIDE GROUND (CE & UK CA SPEC)



ART_0275453

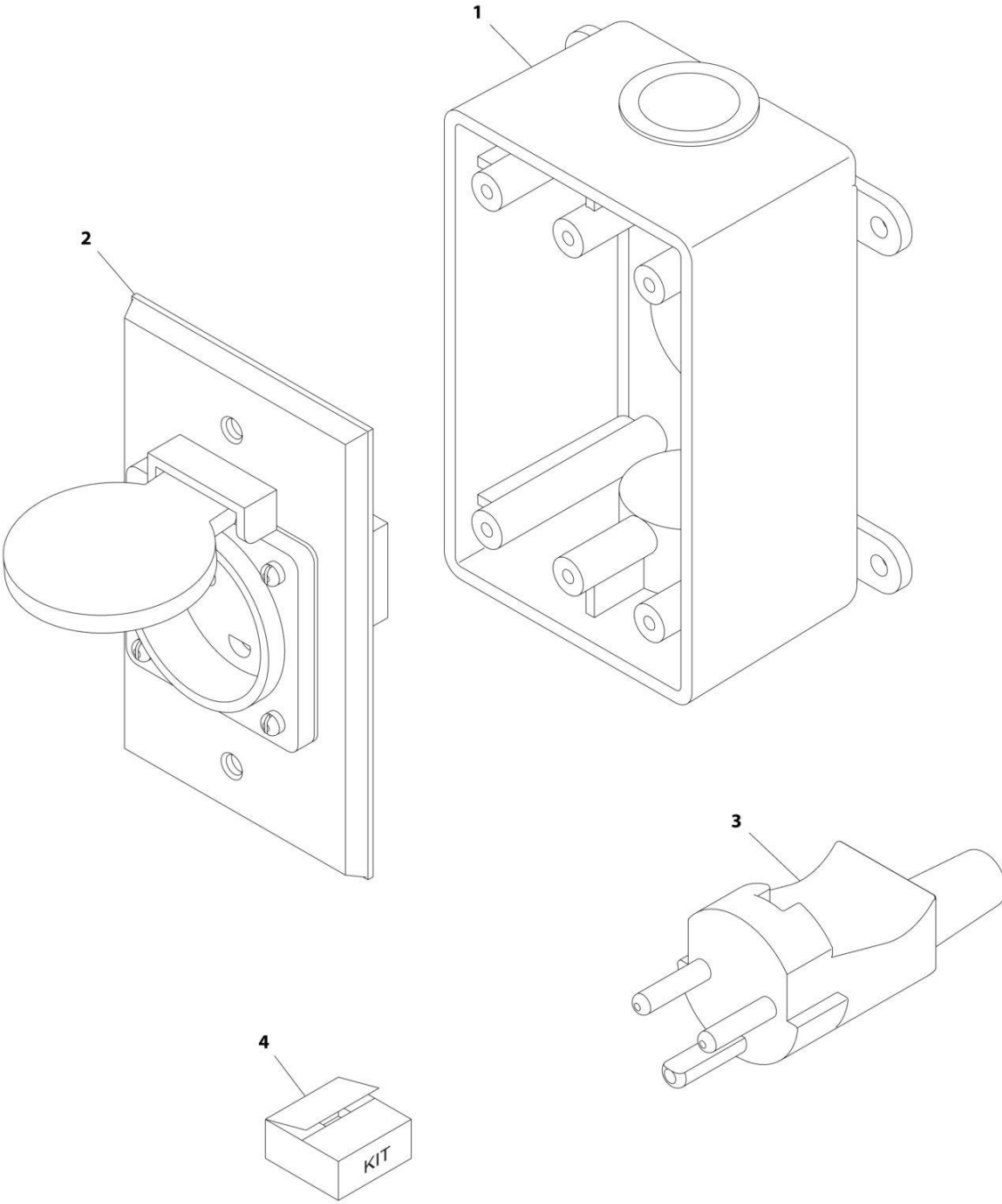
SECTION 5 - ELECTRICAL

FIGURE 5-33. RECEPTACLE BOX KIT - 220V CEE7 SIDE GROUND (CE & UK CA SPEC)

ITEM	PART NUMBER	QTY	DESCRIPTION	REV
	0275453	Ref	RECEPTACLE BOX KIT - 220V CEE7 SIDE GROUND	B
1	0861731	1	Box, Switch	
2	4461245	1	Receptacle	
3	4461205	1	Plug, Male	
4	1001100347	1	Plug and Socket Kit (Includes Items 1-3 and Female Plug p/n 4461206)	

SECTION 5 - ELECTRICAL

FIGURE 5-34. RECEPTACLE BOX KIT - 220V AFSINT 107 (CE & UK CA SPEC)



ART_0275454

SECTION 5 - ELECTRICAL

FIGURE 5-34. RECEPTACLE BOX KIT - 220V AFSINT 107 (CE & UK CA SPEC)

ITEM	PART NUMBER	QTY	DESCRIPTION	REV
	0275454	Ref	RECEPTACLE BOX KIT - 220V AFSINT 107	B
1	0861731	1	Box, Switch	
2	4461246	1	Receptacle	
3	4461249	1	Plug, Male	
4	1001100346	1	Plug and Socket Kit (Includes Items 1-3 and Female Plug p/n 4461250)	

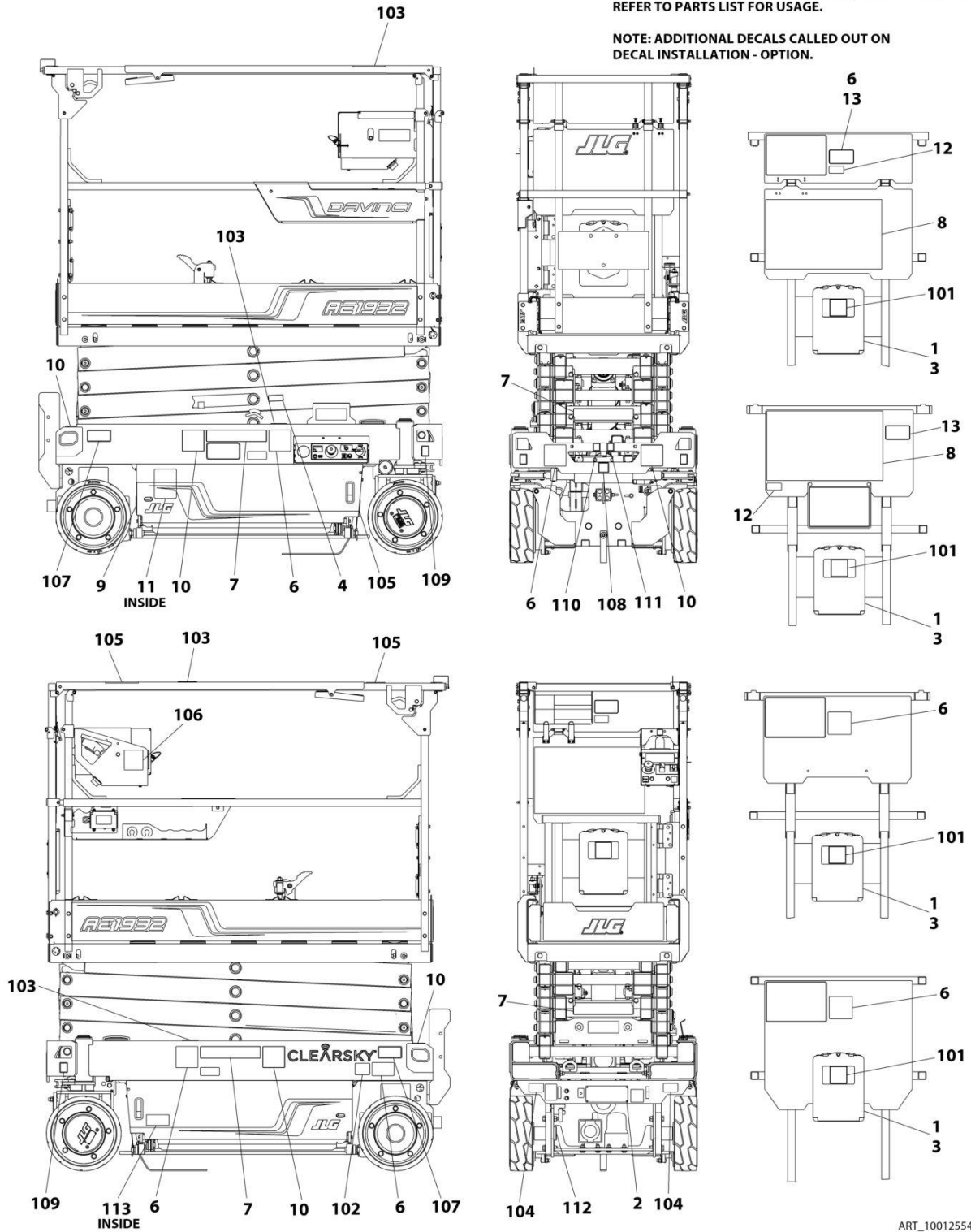
SECTION 6 - DECALS

SECTION 6 - DECALS

FIGURE 6-1. DECALS INSTALLATION - ANSI SPECS (ENGLISH LANGUAGE)

NOTE: ITEMS SHOWN MAY NOT BE REQUIRED FOR ALL SPECS. REFER TO PARTS LIST FOR USAGE.

NOTE: ADDITIONAL DECALS CALLED OUT ON DECAL INSTALLATION - OPTION.



ART_1001255492

SECTION 6 - DECALS

FIGURE 6-1. DECALS INSTALLATION - ANSI SPECS (ENGLISH LANGUAGE)

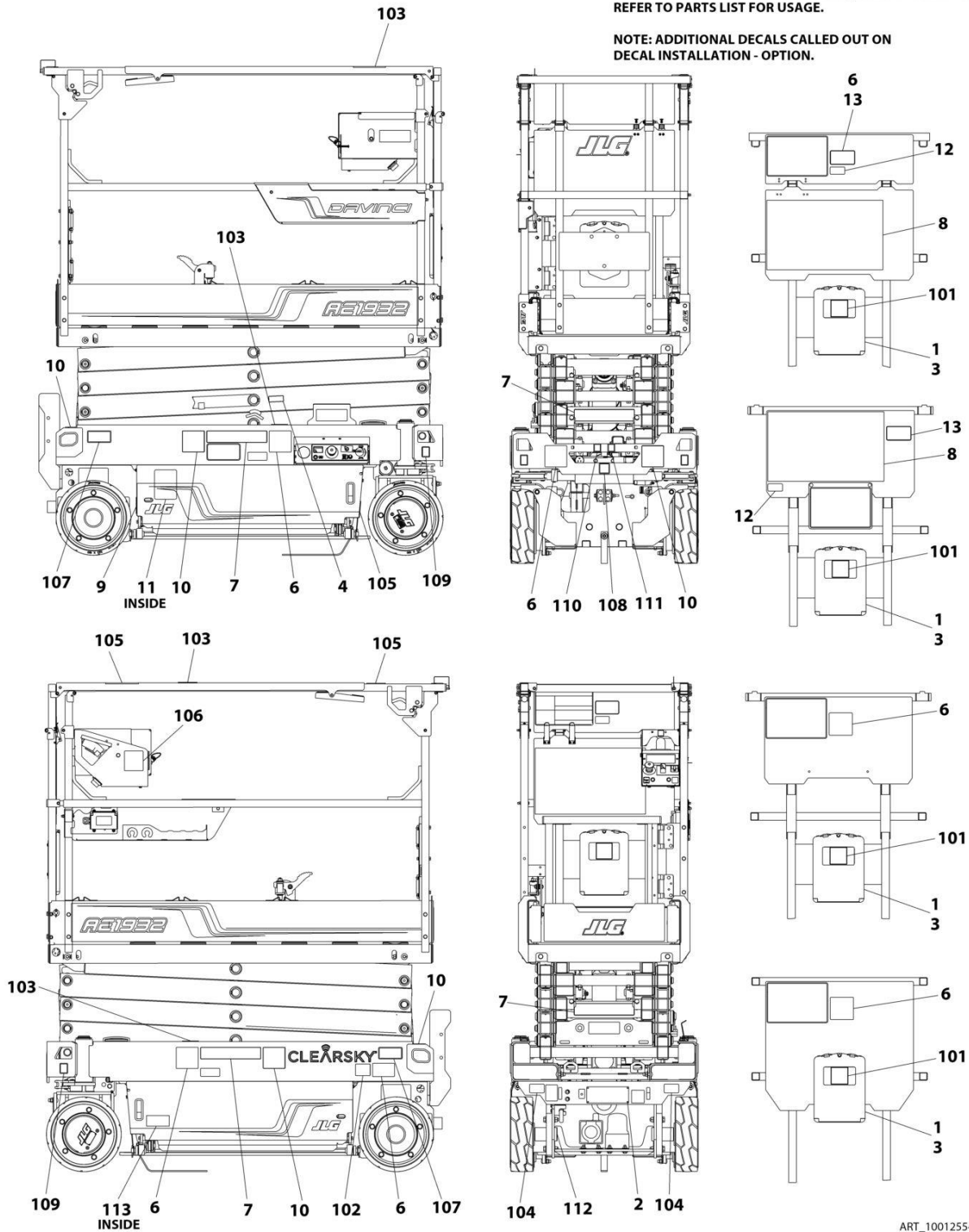
ITEM	PART NUMBER	QTY	DESCRIPTION	REV
	1001255492	Ref	DECALS INSTALLATION	D
1	2080040	3	Fastener	
2	2080057	4	Fastener	
3	8990147	1	Holder - Manual	
4	1001220430	1	Decal - Safety Prop	
6	1001211779	4	Decal - Electrocution	
7	1001211777	4	Decal - Crushing Hazard	
8	1703816	1	Decal - Danger/Warning	
9	1001223055	1	Decal - Yearly Inspection	
11	1001131270	1	Decal - Patent	
12	1001228370	1	Decal - ICES	
13	1001231801	1	Decal - Warning Prop 65	
100	1001257607	Ref	Decal Kit - Master (Not Shown - Includes items 101-113)	D
101	1701640	1	Decal - Manual	
102	1702155	1	Decal - Battery Disconnect	
103	1703819	4	Decal - Direction Arrow	
104	1704016	2	Decal - Fork Lift	
105	1704277	2	Decal - Lanyard Attach	
106	1001132359	1	Decal - Control Box Locate	
107	1001162864	2	Decal - Lift Point/Tie Down	
108	1001212290	1	Decal - Tie Down	
109	1001212291	2	Decal - Lifting Lug	
110	1001212292	1	Decal - No Lifting	
111	1001212293	1	Decal - No Forklift	
112	1001248126	1	Decal - Manual Descent	
113	1001261105	1	Decal - Battery/Charger Service	

SECTION 6 - DECALS

FIGURE 6-2. DECALS INSTALLATION - AUSTRALIAN/CE/JAPANESE/UK CA SPECS (ENGLISH LANGUAGE)

NOTE: ITEMS SHOWN MAY NOT BE REQUIRED FOR ALL SPECS. REFER TO PARTS LIST FOR USAGE.

NOTE: ADDITIONAL DECALS CALLED OUT ON DECAL INSTALLATION - OPTION.



ART_1001255498

SECTION 6 - DECALS

FIGURE 6-2. DECALS INSTALLATION - AUSTRALIAN/CE/JAPANESE/UK CA SPECS (ENGLISH LANGUAGE)

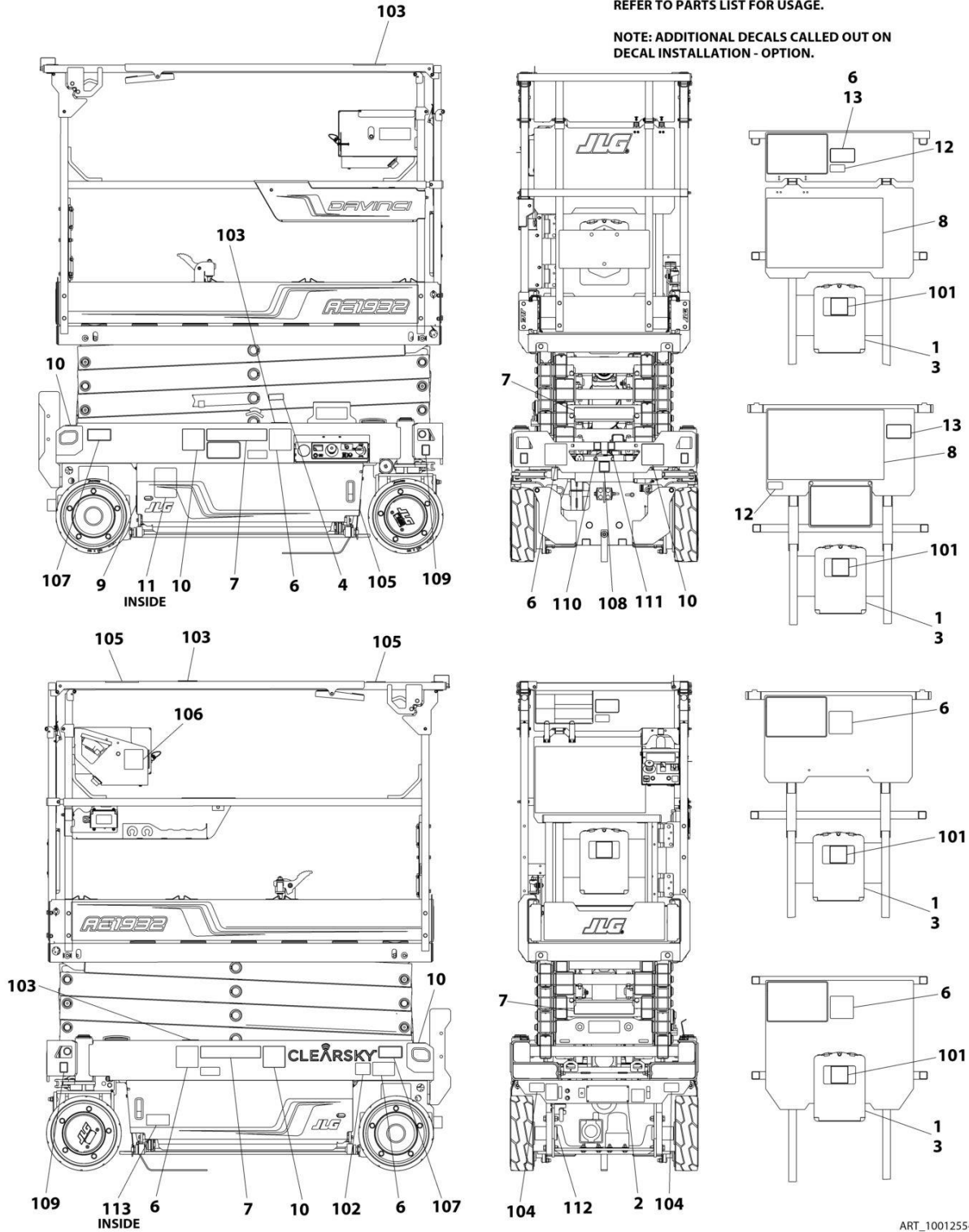
ITEM	PART NUMBER	QTY	DESCRIPTION	REV
	1001255498	Ref	DECALS INSTALLATION	D
1	2080040	3	Fastener	
2	2080057	4	Fastener	
3	8990147	1	Holder - Manual	
4	1001220430	1	Decal - Safety Prop	
6	1001219171	5	Decal - Electrocution	
7	1001219172	4	Decal - Crushing	
100	1001257607	Ref	Decal Kit - Master (Not Shown - Includes items 101-113)	D
101	1701640	1	Decal - Manual	
102	1702155	1	Decal - Battery Disconnect	
103	1703819	4	Decal - Direction Arrow	
104	1704016	2	Decal - Fork Lift	
105	1704277	2	Decal - Lanyard Attach	
106	1001132359	1	Decal - Control Box Locate	
107	1001162864	2	Decal - Lift Point/Tie Down	
108	1001212290	1	Decal - Tie Down	
109	1001212291	2	Decal - Lifting Lug	
110	1001212292	1	Decal - No Lifting	
111	1001212293	1	Decal - No Forklift	
112	1001248126	1	Decal - Manual Descent	
113	1001261105	1	Decal - Battery/Charger Service	

SECTION 6 - DECALS

FIGURE 6-3. DECALS INSTALLATION - BRAZIL SPECS (SPANISH/PORTUGUESE LANGUAGES)

NOTE: ITEMS SHOWN MAY NOT BE REQUIRED FOR ALL SPECS. REFER TO PARTS LIST FOR USAGE.

NOTE: ADDITIONAL DECALS CALLED OUT ON DECAL INSTALLATION - OPTION.



ART_1001255495

SECTION 6 - DECALS

FIGURE 6-3. DECALS INSTALLATION - BRAZIL SPECS (SPANISH/PORTUGUESE LANGUAGES)

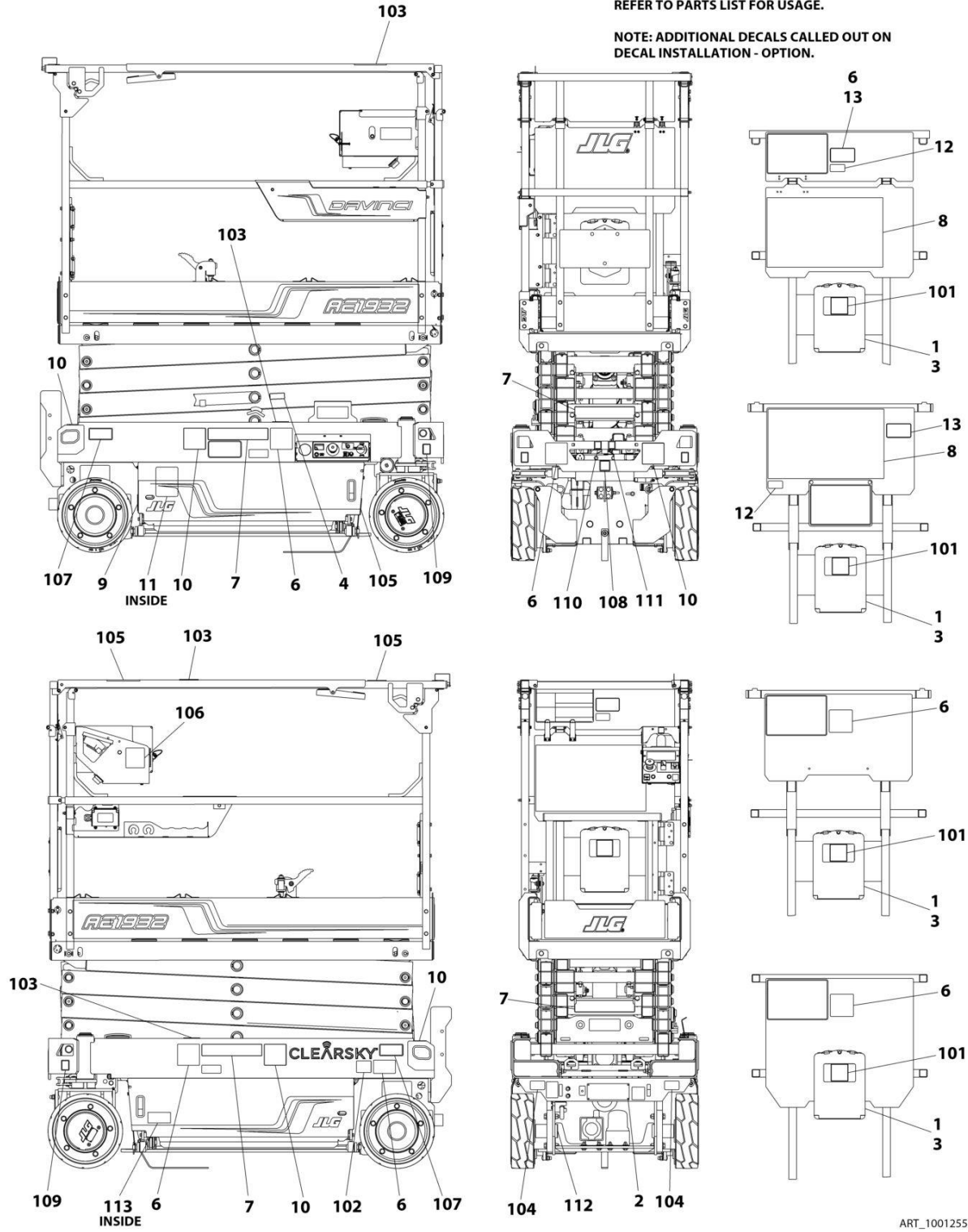
ITEM	PART NUMBER	QTY	DESCRIPTION	REV
	1001255495	Ref	DECALS INSTALLATION	C
1	2080040	3	Fastener	
2	2080057	4	Fastener	
3	8990147	1	Holder - Manual	
4	1001220430	1	Decal - Safety Prop	
6	1001215748	4	Decal - Electrocutation	
7	1001216650	4	Decal - Crushing	
8	1704699	1	Decal - Danger/Warning	
9	1001224052	1	Decal - Yearly Inspection	
10	1001216648	4	Decal - Electrocutation	
100	1001257607	Ref	Decal Kit - Master (Not Shown - Includes items 101-113)	D
101	1701640	1	Decal - Manual	
102	1702155	1	Decal - Battery Disconnect	
103	1703819	4	Decal - Direction Arrow	
104	1704016	2	Decal - Fork Lift	
105	1704277	2	Decal - Lanyard Attach	
106	1001132359	1	Decal - Control Box Locate	
107	1001162864	2	Decal - Lift Point/Tie Down	
108	1001212290	1	Decal - Tie Down	
109	1001212291	2	Decal - Lifting Lug	
110	1001212292	1	Decal - No Lifting	
111	1001212293	1	Decal - No Forklift	
112	1001248126	1	Decal - Manual Descent	
113	1001261105	1	Decal - Battery/Charger Service	

SECTION 6 - DECALS

FIGURE 6-4. DECALS INSTALLATION - CHINA SPECS (CHINA/ENGLISH LANGUAGES)

NOTE: ITEMS SHOWN MAY NOT BE REQUIRED FOR ALL SPECS. REFER TO PARTS LIST FOR USAGE.

NOTE: ADDITIONAL DECALS CALLED OUT ON DECAL INSTALLATION - OPTION.



ART_1001255494

SECTION 6 - DECALS

FIGURE 6-4. DECALS INSTALLATION - CHINA SPECS (CHINA/ENGLISH LANGUAGES)

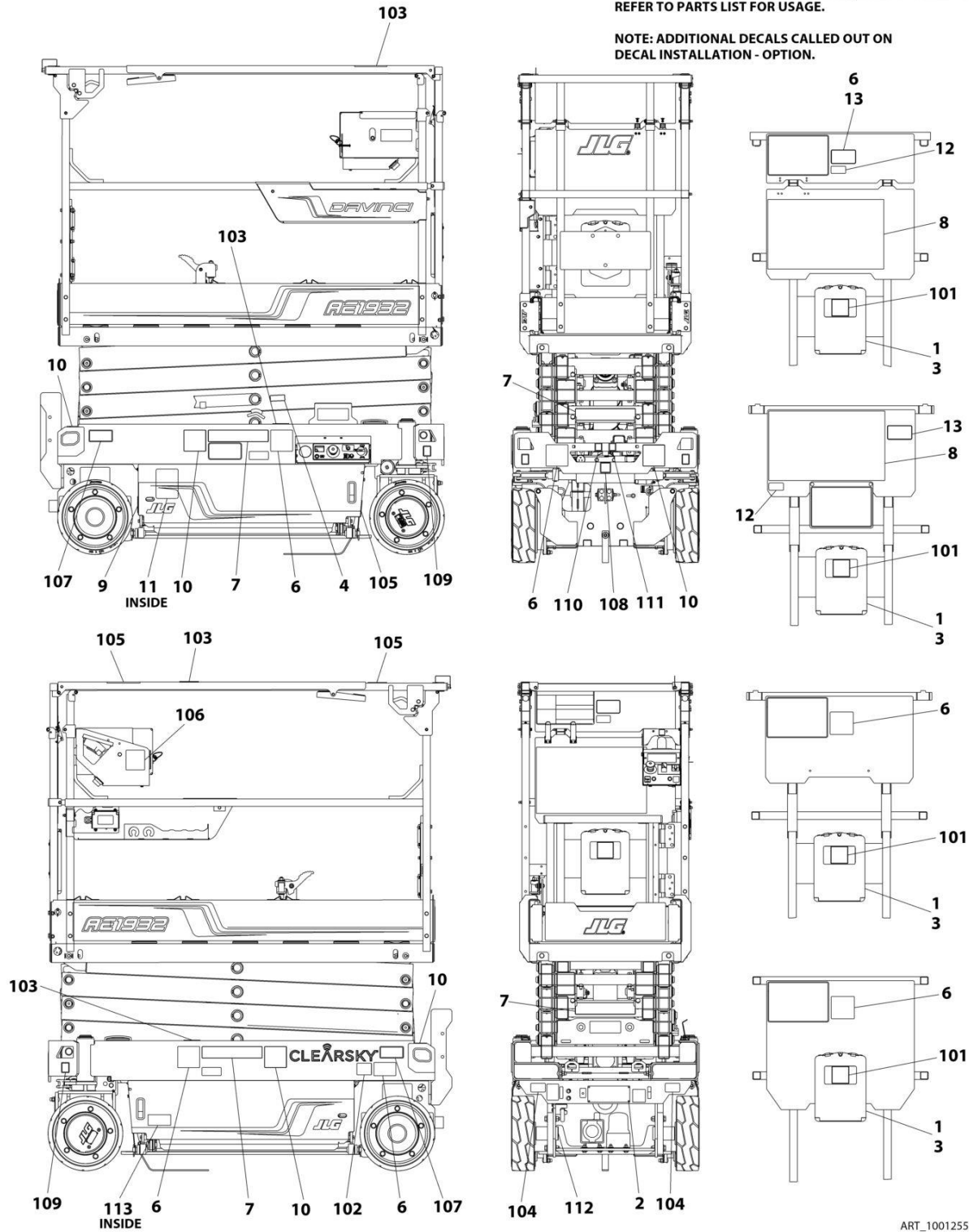
ITEM	PART NUMBER	QTY	DESCRIPTION	REV
	1001255494	Ref	DECALS INSTALLATION	A
1	2080040	3	Fastener	
2	2080057	4	Fastener	
3	8990147	1	Holder - Manual	
4	1001220430	1	Decal - Safety Prop	
6	1001211779	4	Decal - Electrocution	
7	1001215752	4	Decal - Crushing	
8	1705195	1	Decal - Danger/Warning	
9	1001224051	1	Decal - Yearly Inspection	
10	1001215747	4	Decal - Electrocution	
100	1001257607	Ref	Decal Kit - Master (Not Shown - Includes items 101-113)	D
101	1701640	1	Decal - Manual	
102	1702155	1	Decal - Battery Disconnect	
103	1703819	4	Decal - Direction Arrow	
104	1704016	2	Decal - Fork Lift	
105	1704277	2	Decal - Lanyard Attach	
106	1001132359	1	Decal - Control Box Locate	
107	1001162864	2	Decal - Lift Point/Tie Down	
108	1001212290	1	Decal - Tie Down	
109	1001212291	2	Decal - Lifting Lug	
110	1001212292	1	Decal - No Lifting	
111	1001212293	1	Decal - No Forklift	
112	1001248126	1	Decal - Manual Descent	
113	1001261105	1	Decal - Battery/Charger Service	

SECTION 6 - DECALS

FIGURE 6-5. DECALS INSTALLATION - CSA SPECS (FRENCH/ENGLISH LANGUAGES)

NOTE: ITEMS SHOWN MAY NOT BE REQUIRED FOR ALL SPECS. REFER TO PARTS LIST FOR USAGE.

NOTE: ADDITIONAL DECALS CALLED OUT ON DECAL INSTALLATION - OPTION.



ART_1001255497

SECTION 6 - DECALS

FIGURE 6-5. DECALS INSTALLATION - CSA SPECS (FRENCH/ENGLISH LANGUAGES)

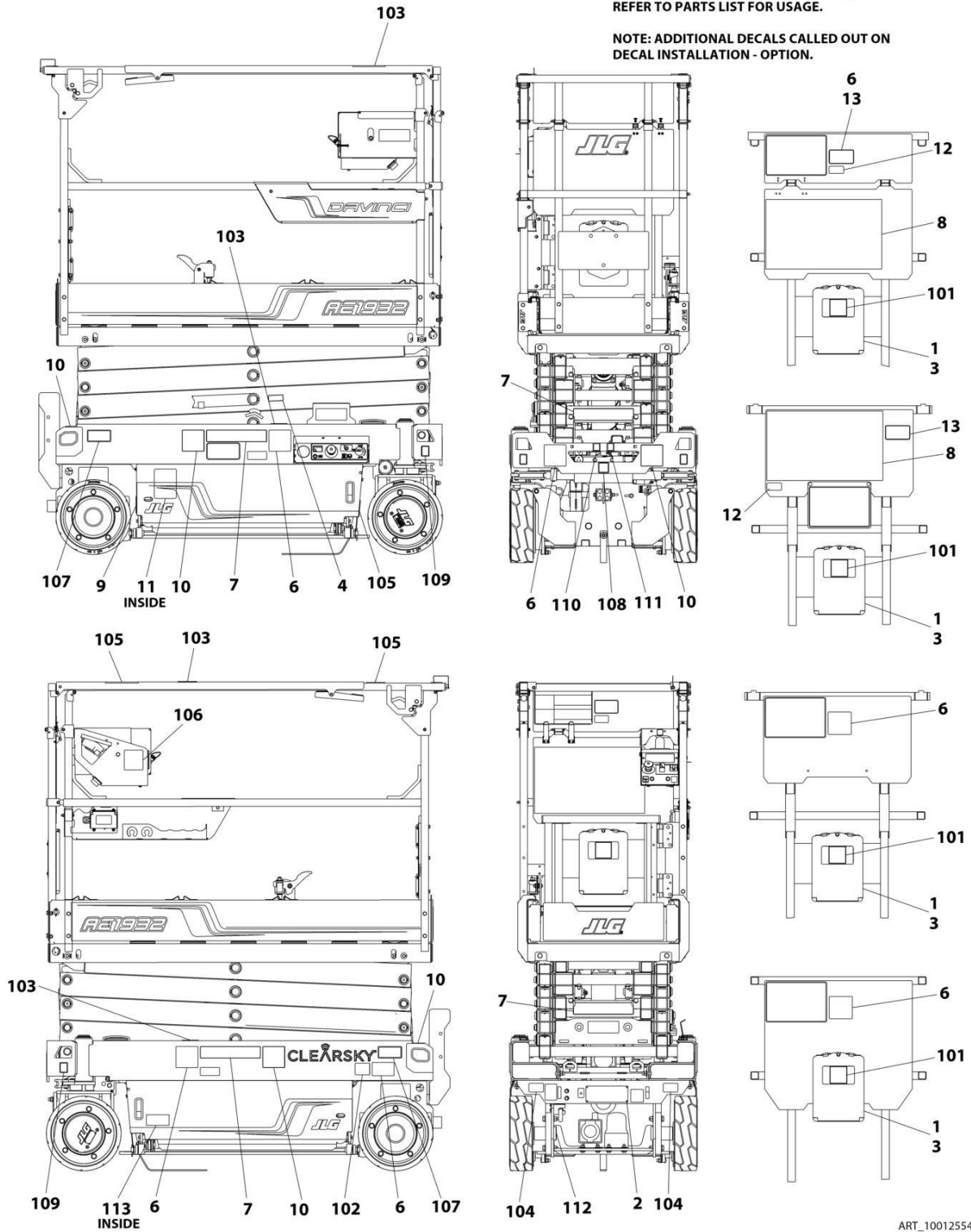
ITEM	PART NUMBER	QTY	DESCRIPTION	REV
	1001255497	Ref	DECALS INSTALLATION	C
1	2080040	3	Fastener	
2	2080057	4	Fastener	
3	8990147	1	Holder - Manual	
4	1001220430	1	Decal - Safety Prop	
6	1001211779	4	Decal - Electrocution	
7	1001215755	4	Decal - Crushing	
8	1704684	1	Decal - Danger/Warning	
9	1001223971	1	Decal - Yearly Inspection	
10	1001215749	4	Decal - Electrocution	
11	1001131270	1	Decal - Patent	
12	1001228370	1	Decal - ICES	
13	1001231801	1	Decal - Warning Prop 65	
100	1001257607	Ref	Decal Kit - Master (Not Shown - Includes items 101-113)	D
101	1701640	1	Decal - Manual	
102	1702155	1	Decal - Battery Disconnect	
103	1703819	4	Decal - Direction Arrow	
104	1704016	2	Decal - Fork Lift	
105	1704277	2	Decal - Lanyard Attach	
106	1001132359	1	Decal - Control Box Locate	
107	1001162864	2	Decal - Lift Point/Tie Down	
108	1001212290	1	Decal - Tie Down	
109	1001212291	2	Decal - Lifting Lug	
110	1001212292	1	Decal - No Lifting	
111	1001212293	1	Decal - No Forklift	
112	1001248126	1	Decal - Manual Descent	
113	1001261105	1	Decal - Battery/Charger Service	

SECTION 6 - DECALS

FIGURE 6-6. DECALS INSTALLATION - KOREAN SPECS (KOREAN/ENGLISH LANGUAGES)

NOTE: ITEMS SHOWN MAY NOT BE REQUIRED FOR ALL SPECS. REFER TO PARTS LIST FOR USAGE.

NOTE: ADDITIONAL DECALS CALLED OUT ON DECAL INSTALLATION - OPTION.



ART_1001255493

SECTION 6 - DECALS

FIGURE 6-6. DECALS INSTALLATION - KOREAN SPECS (KOREAN/ENGLISH LANGUAGES)

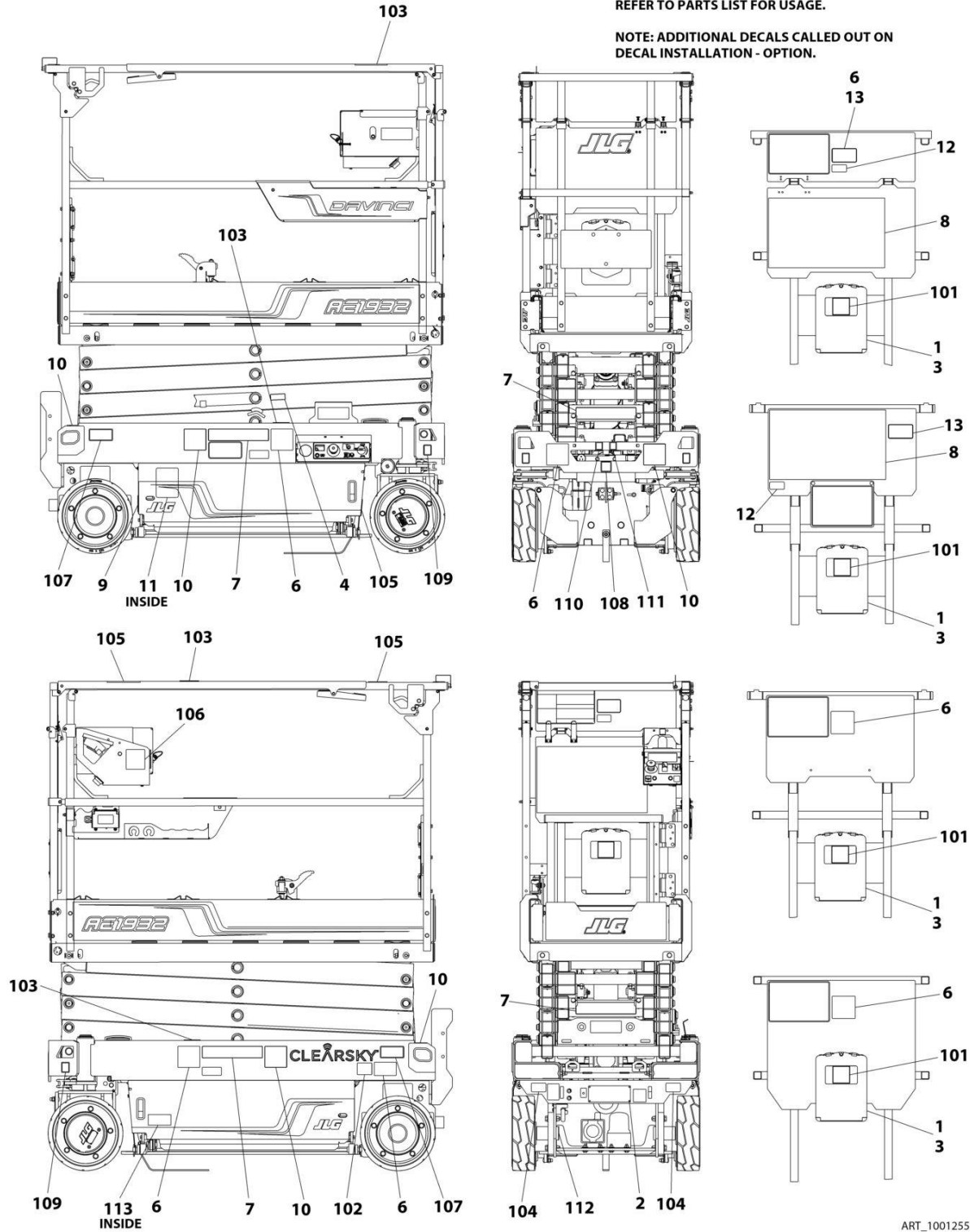
ITEM	PART NUMBER	QTY	DESCRIPTION	REV
	1001255493	Ref	DECALS INSTALLATION	A
1	2080040	3	Fastener	
2	2080057	4	Fastener	
3	8990147	1	Holder - Manual	
4	1001220430	1	Decal - Safety Prop	
6	1001211779	4	Decal - Electrocution	
7	1001215751	4	Decal - Crushing	
8	1001162115	1	Decal - Danger/Warning	
9	1001224048	1	Decal - Yearly Inspection	
10	1001215750	4	Decal - Electrocution	
100	1001257607	Ref	Decal Kit - Master (Not Shown - Includes items 101-113)	D
101	1701640	1	Decal - Manual	
102	1702155	1	Decal - Battery Disconnect	
103	1703819	4	Decal - Direction Arrow	
104	1704016	2	Decal - Fork Lift	
105	1704277	2	Decal - Lanyard Attach	
106	1001132359	1	Decal - Control Box Locate	
107	1001162864	2	Decal - Lift Point/Tie Down	
108	1001212290	1	Decal - Tie Down	
109	1001212291	2	Decal - Lifting Lug	
110	1001212292	1	Decal - No Lifting	
111	1001212293	1	Decal - No Forklift	
112	1001248126	1	Decal - Manual Descent	
113	1001261105	1	Decal - Battery/Charger Service	

SECTION 6 - DECALS

FIGURE 6-7. DECALS INSTALLATION - LATIN AMERICAN SPECS (SPANISH/ENGLISH LANGUAGES)

NOTE: ITEMS SHOWN MAY NOT BE REQUIRED FOR ALL SPECS. REFER TO PARTS LIST FOR USAGE.

NOTE: ADDITIONAL DECALS CALLED OUT ON DECAL INSTALLATION - OPTION.



ART_1001255496

SECTION 6 - DECALS

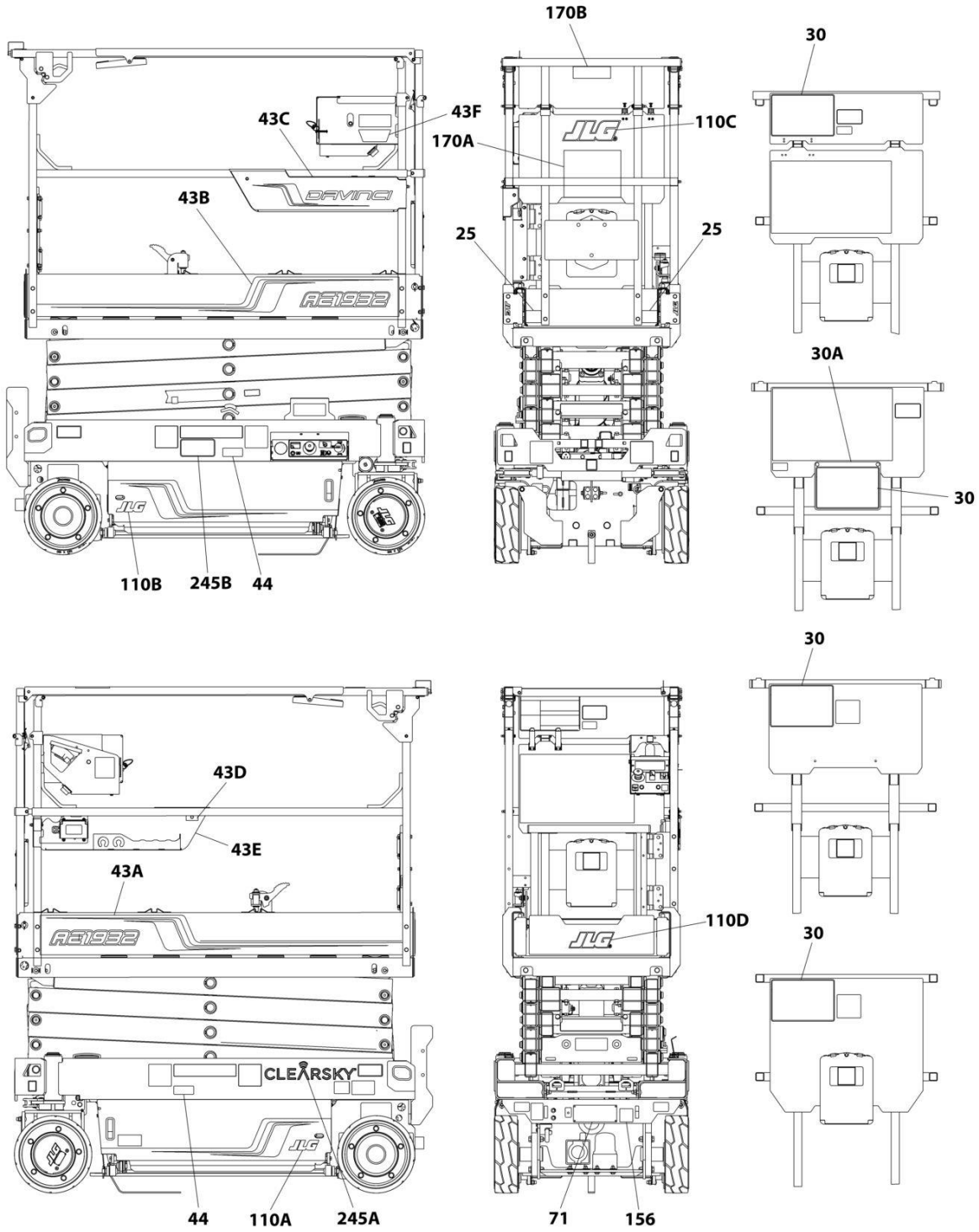
FIGURE 6-7. DECALS INSTALLATION - LATIN AMERICAN SPECS (SPANISH/ENGLISH LANGUAGES)

ITEM	PART NUMBER	QTY	DESCRIPTION	REV
	1001255496	Ref	DECALS INSTALLATION	C
1	2080040	3	Fastener	
2	2080057	4	Fastener	
3	8990147	1	Holder - Manual	
4	1001220430	1	Decal - Safety Prop	
6	1001211779	4	Decal - Electrocution	
7	1001215754	4	Decal - Crushing	
8	1704691	1	Decal - Danger/Warning	
9	1001224049	1	Decal - Yearly Inspection	
10	1001215748	4	Decal - Electrocution	
100	1001257607	Ref	Decal Kit - Master (Not Shown - Includes items 101-113)	D
101	1701640	1	Decal - Manual	
102	1702155	1	Decal - Battery Disconnect	
103	1703819	4	Decal - Direction Arrow	
104	1704016	2	Decal - Fork Lift	
105	1704277	2	Decal - Lanyard Attach	
106	1001132359	1	Decal - Control Box Locate	
107	1001162864	2	Decal - Lift Point/Tie Down	
108	1001212290	1	Decal - Tie Down	
109	1001212291	2	Decal - Lifting Lug	
110	1001212292	1	Decal - No Lifting	
111	1001212293	1	Decal - No Forklift	
112	1001248126	1	Decal - Manual Descent	
113	1001261105	1	Decal - Battery/Charger Service	

SECTION 6 - DECALS

FIGURE 6-8. DECAL INSTALLATION - OPTIONS

NOTE: ITEMS SHOWN MAY NOT BE REQUIRED FOR ALL SPECS. REFER TO PARTS LIST FOR USAGE.



ART_DECAL OPTIONS

SECTION 6 - DECALS

FIGURE 6-8. DECAL INSTALLATION - OPTIONS

ITEM	PART NUMBER	QTY	DESCRIPTION	REV
		Ref	DECAL INSTALLATION - OPTIONS	
25	1001209906	Ref	Corner Stripes Installation	
25	4420051	2.5 ft /75cm	Tape, Safety	
30		Ref	Decal - Capacity without Plate	
30	1001257609	1	Decal - Capacity (606LB/275KG) (All Specs)	
30	1001263249	Ref	Decal - Capacity with Plate (Australian, CE, Japanese & UK CA Specs)	
30	1001257609	1	Decal - Capacity (606LB/275KG) (Australian, CE, Japanese & UK CA Specs)	
30A	1001216865	1	Plate, Mounting (Australian, CE, Japanese & UK CA Specs)	
43	1001248628	Ref	Decal & Tool Tray Installation	B
43A	1001255474	1	Decal - Model Designation (LH)	
43B	1001262648	1	Decal - Model Designation (RH)	
43C	1001262649	1	Decal - Tray	
43D	1001262650	2	Clamp	
43E	1001262651	1	Tray - Tool	
43F	1001285941	1	Decal - DavinciGO	
44	1705648	2	Decal - Maximum Tire Load (All Specs except Japanese Specs)	
44	1705647	2	Decal - Maximum Tire Load (Japanese Specs)	
71	See Note	NSS	Decal - Manufacturers Serial Number (Note: Not Available for Purchase)	
110	1001258891	Ref	JLG Logo Decals Installation	A
110	1001265592	Ref	Power Tower Logo Decals Installation	A
110A	1001255475	1	Decal - Strips with JLG Logo	
110A	1001265588	1	Decal - Strips without Logo	
110B	1001255476	1	Decal - Strips with JLG Logo	
110B	1001265589	1	Decal - Strips without Logo	
110C	1001256675	1	Decal - JLG	
110C	1001271160	1	Decal - Power Tower	
110D	1001256676	1	Decal - JLG	
110D	1001271160	1	Decal - Power Tower	
156	1001173703	1	Decal - EAC (Russian/CIS Specs)	
170		Ref	Panel Decal Installation - Options	
170	1001259249	Ref	Panel Decal Installation (ANSI Specs)	A
170	1001259250	Ref	Panel Decal Installation (Japanese Specs)	A
170A	1703816	1	Decal - Danger/Warning (ANSI Specs)	
170A	1001219171	1	Decal - Electrocutation (Japanese Specs)	
170B	1001263999	1	Decal - Capacity (606LB/275KG)	
245	1001236984	Ref	Clearsky Decals Installation	B
245A	1001116208	1	Decal - Clearsky	
245B	1001120989	1	Decal - Radio Frequency	

SECTION 7 - RECOMMENDED SERVICE PARTS STOCK

SECTION 7 - RECOMMENDED SERVICE PARTS STOCK

SECTION 7 - RECOMMENDED SERVICE PARTS STOCK

FIGURE 7-1. RECOMMENDED SERVICE PARTS STOCK

ITEM	PART NUMBER	QTY	DESCRIPTION	REV
		Ref	Note: The following list will service one machine (built to current production per date on the front cover) with emergency repair parts which can be installed in the field. Parts from the list should be replaced when inventory is depleted to keep service parts stock supplied. For further information, contact your JLG dealer or the JLG Industries Parts Department.	
	1001228191	1	Breaker, Circuit (Australian Specs)	
	1001189172	1	Breaker, Circuit - 16 Amp (CE & UK CA Specs)	
	1001189171	1	Breaker, Circuit - 30MAmp(CE & UK CA Specs)	
	1001181045	1	Breaker, Circuit - 30mAmp/16Amp Double Breaker (CE & UK CA Specs)	
	1001247682	1	Controller (LCD Platform Console Box)	
	1600402	1	Controller (LED Platform Console Box)	
	80983191	2	Fuse - 10 Amp	
	8229246	2	Fuse - 20 Amp	
	1001196838	2	Fuse - 3 Amp	
	8229242	2	Fuse - 5 Amp	
	2860030	1	Key, Replacement	
	4360469	1	Keyswitch	
	1001248135	1	Module - BMS	
	1001249432	1	Module - Control	
	1001248114	1	Module - Drive	
	1001248114	1	Module - Lift	
	1001260950	1	Module - Logic	
	1001244932	1	Module - Platform Console Box (LCD Platform Console Box)	
	1001228112	1	Module - Platform Console Box (LED Platform Console Box)	
	1001255592	1	Module - Wake-up	
	3740150	1	Relay	
	1001146963	1	Sensor - Arm Angle	
	1001186466	1	Sensor, Tilt	
	4360475	1	Switch, Emergency Stop	
	1001203871	1	Switch, Limit (Pothole Protection)	
	4360387	1	Switch, Push Button	
	1001226749	1	Switch, Push Button	
	4360328	1	Switch, Toggle	
	4360345	1	Switch, Toggle	

SECTION 8 - SPECIAL OPTIONS/ACCESSORIES/KITS

SECTION 8 - SPECIAL OPTIONS/ACCESSORIES/KITS

SECTION 8 - SPECIAL OPTIONS/ACCESSORIES/KITS

FIGURE 8-1. SPECIAL OPTIONS/ACCESSORIES/KITS

ITEM	PART NUMBER	QTY	DESCRIPTION	REV
		Ref	Note: This list is to accommodate machines ordered with special equipment. Options may not be applicable to all models. For more specific parts information contact the JLG Parts Department.	
		Ref	SPECIAL OPTIONS/ACCESSORIES/KITS	
	1001248630	Ref	Anti-Vandalism Package (LCD Platform Box) (Factory Installed)	
	1001236903	Ref	Anti-Vandalism Package (LED Platform Box) (Factory Installed)	
	1001249639	Ref	Anti-Vandalism Package Add-on Kit (Dealer Installed)	
	1001249229	Ref	Beacon Single Light Add-on Kit (Dealer Installed)	
	1001249326	Ref	Beacon Dual Light Add-on Kit (Dealer Installed)	
		Ref	ClearSky Installation (Factory Installed) Options:	
	1001279877	Ref	ClearSky Installation - Canbus (ANSI & CSA Specs)	
	1001279878	Ref	ClearSky Installation - Canbus (ANSI Export, CE & UK CA Specs)	
	1001279879	Ref	ClearSky Installation - Canbus (Australian Specs)	
	1001276919	Ref	ClearSky Installation - 3-Wire (All Specs)	
		Ref	ClearSky Installation (Dealer Installed) Options:	
	1001276923	Ref	ClearSky Add-on Kit - GT1030 (Contact JLG for Approved Countries)	
	1001278848	Ref	ClearSky Add-on Kit - 3 Wire GT1030 (Contact JLG for Approved Countries)	
	1001274820	Ref	Decal Kit - Master	
		Ref	Electrical Connector Kits	
	1001148902	Ref	Amp/Tyco Electrical Connector Kit	
	1001148903	Ref	Deutsch DT Electrical Connector Kit	
	1001148904	Ref	Deutsch HD Electrical Connector Kit	
	1001148905	Ref	Packard Electrical Connector Kit	
	1001148906	Ref	Various Electrical Connector Kit	
	1001208061	Ref	Footswitch Installation (ANSI Export & Japanese Specs Only)	
	1001220933	Ref	Height Restrictor Switch Installation	
	1001269704	Ref	Hostile Environment Package (Kingspins)	
	1001250532	Ref	Mobile Control Add-on Kit (Dealer Installed)	
	1001270721	Ref	Pipe Racks Kit (Dealer Installed)	
	1001269651	Ref	Platform Box Cover Kit (Dealer Installed)	
	1001225790	Ref	Platform Extension Deployment Handles Add-on Kit (Dealer Installed)	
	1001224583	Ref	Service Kits List	W
	1001270653	Ref	SkySense Level 1 Installation (Factory Installed)	
	1001273993	Ref	SkySense Level 1 Add-on Kit (Dealer Installed)	
		Ref	Tools for Service	
	2901443	1	Analyzer Kit	
	1001232474	1	Benchtop Harness	
	8896941	1	Wire Stripper	
	7002821	1	Wire Crimper (To install wire ends to wires)	
	7002823	1	Pin/Socket Extractor - Universal (To Remove Pins/Sockets from Connectors)	
	4460467	1	Extractor - 16-18 Gauge (For Removal Pins/Sockets from Deutsch Connectors)	
	4460510	1	Extractor - 12-14 Gauge (For Removal of Pins/Sockets from Deutsch Connectors)	
	7002822	1	Screwdriver, Potentiometer (To Adjust Drive Controllers)	

SECTION 8 - SPECIAL OPTIONS/ACCESSORIES/KITS

ITEM	PART NUMBER	QTY	DESCRIPTION	REV
	7016654	1	Screwdriver, Magnetic	
	7004275	1	Seal Installation Tool - 1in	
	7004276	1	Seal Installation Tool - 1-1/2in	
	7002826	1	Seal Installation Tool - 2in	

SECTION 8 - SPECIAL OPTIONS/ACCESSORIES/KITS

PART NUMBER INDEX

SECTION 8 - SPECIAL OPTIONS/ACCESSORIES/KITS

0100011.....11, 13, 23, 25, 27, 29, 31, 33, 53, 59, 61, 63, 68, 79, 81, 89, 91, 99	0760820.....59, 61, 63	1001130912 68	1001203443..... 68
0100048.....49	0760823.....59, 61, 63	1001131270 189, 197	1001203444..... 68
0100051.....53, 55	0760827 13	1001132358 97	1001203445..... 68
0140030.....97, 99	0761010..... 11	1001132359 189, 191, 193, 195, 197, 199, 201	1001203446..... 68
0140043.....49	0761019..... 85	1001132361 97, 99	1001203447..... 68
0275216..... 119, 177	0770814..... 13	1001134280 147	1001203448..... 68
0275217..... 121, 179	0840055 169	1001136757 57	1001203453..... 41
0275452..... 123, 181	0840059 169	1001137675 81	1001203457..... 41
0275453..... 125, 183	0861731 ... 175, 181, 183, 185	1001142173 57	1001203630..... 163
0275454..... 127, 185	0861781 177, 179	1001142174 57	1001203631..... 167
0440259..... 11	0861880 139	1001143009 57	1001203869..... 23
0440263.....23	094007159, 61, 63	1001143010 57	1001203870..... 23
0440264.....69	0961948 68	1001144147 158	1001203871... 23, 91, 206
0440265.....69	0962272 11	1001144295 158	1001203872..... 23
0480100..... 113	0962292 71	1001144296 158	1001204311..... 68
0630183.....81	1001047064 97	1001146963 68, 206	1001204312..... 68
0630580.....21	1001091102 ... 23, 35, 37, 49, 91	1001148902 208	1001204495..... 39
0630613..... 17, 41, 73	1001092865 68	1001148903 208	1001204994..... 68
0641406..... 107	1001097150 131, 137	1001148904 208	1001205409..... 159
0641416.....85	1001097347 135, 158	1001148905 208	1001205422..... 81
0700412.....49	1001100164 169	1001148906 208	1001205423..... 81
0700608..... 107, 109	1001100341 177	1001150735 173	1001205424..... 81
0700610....59, 61, 63, 68, 89, 91	1001100342 179	1001150899 173	1001205751..... 11
0700612.... 13, 23, 25, 43, 45, 51, 68	1001100342 179	1001152266 158	1001206207..... 83
0700617.....79	1001100345 181	1001152483 141	1001206217..... 83
0700619.....79	1001100346 185	1001153785 11	1001206222..... 83
0700620.....68	1001100347 183	1001157547 57	1001206224..... 83
0700621.....95	1001101540 57	1001159186 57, 171	1001206225..... 83
0700626.....91	1001102258.... 117, 119, 121, 123, 125, 127, 129, 131, 133	1001162115 199	1001206226... 83, 85, 89, 91
0700812.....89	1001102349 19	1001162864 189, 191, 193, 195, 197, 199, 201	1001206228..... 83
0700814..... 147	1001102351 19	1001162887 159	1001206487..... 68
0700815.....23	1001102353 19	1001163340 159	1001207806..... 83
0700817..... 113	1001102354 19	1001173703 203	1001207970..... 145
0700818....83, 85, 89, 91, 95	1001102489 143, 145, 149, 151, 153, 155	1001181045 139, 206	1001207974.... 143, 147, 149, 151, 153, 155
0700823.....23	1001103012 159	1001182806 39	1001208061..... 208
0700835.....97	1001103471 131, 147	1001186466 25, 206	1001208852..... 81
0701014.....45	1001104498 159	1001187587 ... 85, 89, 91	1001208852..... 81
0701015.... 59, 61, 63, 68	1001108603 99	1001187781 49	1001208930..... 117
0701019.....73	1001114467 21	1001187816 133	1001208931..... 129
0701021.....68	1001116208 203	1001188116 133	1001209482..... 123, 125, 141
0701024..... 73, 77, 79	1001116732 135, 159	1001189171 141, 206	1001209596..... 97
0701026.....77, 79	1001116733 135	1001189172 141, 206	1001209682..... 49
0701029.....68	1001116734 159	1001192401 158	1001209776..... 119, 121, 127, 139
0711219..... 13	1001116812 158	1001194421 159, 171, 173	1001209906..... 203
0760408.... 117, 119, 121, 123, 125, 127, 133	1001116815 158	1001196589 159	1001210064..... 81
0760508..... 49, 53, 55	1001116994 158	1001196635 159	1001210302.... 83, 89, 91
0760608....45, 49, 59, 61, 63, 85, 111	1001117057 135, 159	1001196838 169, 206	1001210440..... 57
0760610.... 13, 49, 53, 55, 57, 68, 97, 111, 119, 121, 123, 125, 127, 131	1001117107 159	1001197396 11	1001210446..... 85
0760612....27, 29, 31, 33, 39, 49, 57, 68	1001118274 51	1001200631 49	1001210446..... 85
0760614.....49, 57	1001120204 119, 121, 123, 125, 127, 131	1001200811 161, 163, 165, 167	1001210586.... 83, 89, 91
0760615....27, 29, 31, 33	1001120205 137, 139, 141	1001200812 161	1001210879..... 57
0760618.....85	1001120989 203	1001200819 97, 171	1001210881..... 57
0760810.....51, 81	1001125483 57	1001201087 161	1001210882..... 57
0760812....59, 61, 63, 81, 91	1001128128 159	1001201129 165	1001210963.... 83, 85, 89, 91
	1001128888 68	1001201707 37	1001210966..... 13, 68
	1001130220 ... 27, 29, 31, 33, 43, 45, 49, 53, 59, 61, 63, 97, 119, 121, 123, 125, 127, 131	1001201885 159, 171, 173	1001211777..... 189
	1001130590 49	1001202184 163	1001211779..... 189, 195, 197, 199, 201
		1001202987 23	1001212035..... 171
		1001202988 23	1001212036..... 171
		1001202994 23	1001212068..... 23
		1001202999 23	

SECTION 8 - SPECIAL OPTIONS/ACCESSORIES/KITS

1001212290..... 189, 191, 193, 195, 197, 199, 201	1001231801..... 189, 197	1001249107.....85	1001256471..... 85
1001212291..... 189, 191, 193, 195, 197, 199, 201	1001232474.....208	1001249109.....85	1001256503..... 147
1001212292..... 189, 191, 193, 195, 197, 199, 201	1001234204..... 68	1001249110.....86	1001256657.....89, 91
1001212293..... 189, 191, 193, 195, 197, 199, 201	1001234395..... 85	1001249111.....85	1001256675.....85, 203
1001213886..... 97, 99	1001235536..... 111	1001249112.....86	1001256676..... 203
1001214217..... 25	1001235559..... 49	1001249114.....85	1001257138..... 49
1001214526..... 23	1001235863..... 111	1001249149.....69	1001257607..... 189, 191, 193, 195, 197, 199, 201
1001215747..... 195	1001235924..... 111	1001249229.....208	1001257609..... 203
1001215748..... 193, 201	1001235941..... 113	1001249259.....99	1001257890..... 85
1001215749..... 197	1001236129..... 81	1001249295..... 11	1001258379..... 69
1001215750..... 199	1001236507..... 111	1001249326.....208	1001258411..... 86
1001215751..... 199	1001236903.....208	1001249432..... 49, 206	1001258446..... 97
1001215752..... 195	1001236984.....203	1001249639.....208	1001258528..... 85
1001215754..... 201	1001239224..... 35, 37	1001250162..... 11	1001258528..... 85
1001215755..... 197	1001239404..... 68	1001250378.....23	1001258617..... 85
1001215953..... 23	1001239661..... 35, 37	1001250431.....43	1001258618..... 85
1001216648..... 193	1001239824..... 107, 109	1001250523.....68	1001258620..... 85
1001216650..... 193	1001242539..... 35, 37	1001250532.....208	1001258704..... 85
1001216823..... 95	1001242697..... 35	1001250886.....27, 29, 31, 33	1001258755.....107, 109
1001216865..... 203	1001243528..... 85	1001251383.....85	1001258768..... 153
1001217043..... 81	1001244462..... 158	1001251388.....85	1001258770..... 155
1001217059..... 25	1001244885..... 51	1001251388.....85	1001258771..... 149
1001217088..... 49, 107, 109	1001244900..... 131	1001251436.....23	1001258772..... 151
1001217164..... 139, 141	1001244932..... 99, 206	1001251437.....23	1001258792..... 57
1001218285..... 97	1001245293..... 51	1001251531..... 17	1001258891..... 203
1001218307..... 23	1001245743..... 137	1001251532..... 17	1001259015..... 13
1001219171..... 191, 203	1001245744..... 131, 137	1001251620..... 17	1001259036..... 57
1001219172..... 191	1001245747..... 131	1001253153.....69	1001259037..... 57
1001220430..... 189, 191, 193, 195, 197, 199, 201	1001246584..... 99	1001253800.....99, 105	1001259038..... 57
1001220893..... 97	1001246733..... 13, 15	1001254119.....99	1001259102.....89, 91
1001220933..... 208	1001246823..... 173	1001254171.....59, 61, 63	1001259105.....89, 92
1001221475..... 81	1001246863.....99	1001254278.....59, 61, 63	1001259106.....89, 92
1001221476..... 81	1001246864.....99	1001254346.....59, 61, 63	1001259107.....89, 92
1001222587..... 95	1001246979.....99	1001254383.....59, 61, 63	1001259249..... 203
1001223055..... 189	1001247313.....99	1001254555.....99	1001259250..... 203
1001223262..... 167	1001247443.....99	1001254686.....99, 173	1001260636.....77, 79
1001223263..... 165	1001247682.....99, 103, 206	1001254722..... 107	1001260768..... 79
1001223971..... 197	1001247862..... 37	1001254825..... 85	1001260950..... 49, 206
1001224048..... 199	1001248114..... 13, 68, 206	1001255074..... 107, 109	1001261040..... 85
1001224049..... 201	1001248123..... 27, 29	1001255165..... 107, 109	1001261076.....49, 59, 63
1001224051..... 195	1001248124..... 31, 33	1001255417.....89	1001261105..... 189, 191, 193, 195, 197, 199, 201
1001224052..... 193	1001248126..... 189, 191, 193, 195, 197, 199, 201	1001255420.....89, 92	1001261131..... 105
1001224583..... 208	1001248132..... 173	1001255428.....89, 92	1001261149.....89, 91
1001224604..... 73	1001248133..... 173	1001255430.....89, 92	1001261153.....107, 109
1001224608..... 73	1001248135.....206	1001255439.....99	1001262150..... 105
1001224614..... 73	1001248612..... 21	1001255442.....89, 92	1001262465.....131, 137
1001224620..... 73	1001248628..... 203	1001255457.....89, 92	1001262648..... 203
1001224622..... 73	1001248630..... 208	1001255461.....99	1001262649..... 203
1001224623..... 73	1001248631..... 143	1001255470.....89, 91	1001262650..... 203
1001225790..... 208	1001248632..... 145	1001255474.....203	1001262651..... 203
1001226423..... 13	1001248633..... 147	1001255475.....203	1001262655..... 97
1001226487..... 11	1001248683..... 158	1001255476.....203	1001263249..... 203
1001226749..... 97, 99, 206	1001248724..... 69	1001255491.....89, 92	1001263450.....79, 169
1001227219..... 147	1001248727..... 69	1001255492.....189	1001263568..... 79
1001227267..... 131, 147	1001248728..... 69	1001255493.....199	1001263570..... 79
1001227268..... 131	1001248730..... 69	1001255494.....195	1001263805..... 91
1001227269..... 137	1001248731..... 69	1001255495.....193	1001263808..... 91
1001227966..... 43, 45	1001248733..... 69	1001255496.....201	1001263850..... 91
1001228112..... 206	1001248734..... 69	1001255497.....197	1001263999..... 203
1001228191..... 137, 206	1001248768..... 51	1001255498.....191	1001264079..... 91
1001228370..... 189, 197	1001249070..... 158	1001255505.....89, 91	1001264110..... 91
1001231268..... 68	1001249071..... 158	1001255507..... 107, 109	1001265527.....77, 79
	1001249072..... 158	1001255592.....206	1001265528.....77, 79
	1001249077..... 158	1001255595.....59, 61, 63	1001265588..... 203
	1001249082..... 85	1001256219.....99	1001265589..... 203
	1001249096..... 85	1001256281.....27, 31	1001265592..... 203

SECTION 8 - SPECIAL OPTIONS/ACCESSORIES/KITS

1001266168.....59, 61, 63	1001279476..... 91	2560190 95	3760170..... 68
1001266450..... 13	1001279477..... 91	2600281 83, 85, 89, 91	3760217..... 11
1001267364..... 59, 61, 63	1001279591 68	260092 135, 159	3760387..... 68
1001267365..... 59, 61, 63	1001279877 208	2780266 13, 19	3820019..... 95
1001269651..... 208	1001279878 208	280013 69	3820032..... 85
1001269704..... 208	1001279879 208	2860030 49, 206	3841143..... 68
1001270023..... 113	1001280806 123	2901443 208	3860111.... 83, 85, 89, 91
1001270533..... 113	1001280807 125	2902431 117, 175	3900270..... 11
1001270631..... 113	1001280808 127	2940129 89, 91	3900381..... 147
1001270653..... 107, 208	1001280809 119	3080007 83, 89, 91	3910804..... 49
1001270721..... 208	1001280810 121	3252507 ... 121, 123, 125,	4010310..... 35, 37
1001270855..... 113	1001280811 133	127, 129, 131, 133	4010405002..... 99
1001270870..... 107, 109	1001280812 131	3271601 59, 61, 63	4010408..... 131
1001270921..... 53	1001281067 119, 121,	3290305 35, 37	4010414..... 109
1001270925..... 53	123, 125, 127, 131	3290405 ... 23, 49, 57, 68,	4010417..... 91
1001271160..... 203	1001281277 77	89, 91, 97, 99, 117,	4010608.... 83, 85, 89, 91
1001271185..... 109	1001283523 71	119, 121, 123, 125,	4010610.... 119, 121, 123,
1001271186..... 109	1001284276 71	127, 131, 133	125, 127
1001271412..... 113	1001285941 203	3290406 91, 99, 109	4010616..... 83, 89, 91
1001271682..... 53	1001287425 11	3290501 85	4010618.... 83, 85, 89, 91
1001272281..... 69	1001290011 69	3290505 .. 49, 53, 55, 147	4031506..... 89, 91
1001273993..... 208	1001290016 99	3290506 89, 91	4031509..... 97
1001274168..... 105	1001290161 99	3290601 25, 131	4031510..... 99
1001274604..... 97	1001291558 69	3290605 ... 13, 27, 29, 31,	4031511..... 23, 91
1001274605..... 97	1060379 113	33, 39, 45, 49, 51, 55,	4031512..... 68
1001274659..... 97	1060799 59, 61, 63	57, 59, 61, 63, 68, 81,	4031708..... 25
1001274820..... 208	1060908 137, 139, 141	85, 89, 91, 119, 121,	4060803..... 43, 45, 97
1001274883..... 69, 71	1320302 107, 109	123, 125, 127	4060906..... 97, 99
1001276567..... 11	1321293 ... 27, 29, 31, 33,	3290606 ... 79, 83, 85, 89,	4071095..... 85
1001276657..... 53, 55	57	91, 95, 107, 109, 111	4160202..... 23
1001276919..... 208	1321752 13	3290801 23, 59, 61, 63	4160214..... 59, 61, 63
1001276923..... 208	1380132 95	3290805 ... 13, 23, 59, 61,	4220309..... 85
1001277057..... 49	1380153 11	63, 81, 113, 147	4240017.... 13, 27, 29, 31,
1001277804..... 49, 158	1600387 79	3290806 ... 83, 85, 89, 91,	33, 49, 53, 55, 57, 68,
1001278000..... 59, 63	1600402 97, 101, 206	95, 97	79, 91, 107, 117, 119,
1001278001..... 61	1671207 175	3291005 ... 45, 59, 61, 63,	121, 123, 125, 127,
1001278005..... 51	1701640 ... 189, 191, 193,	73, 81	129, 131, 133, 143,
1001278006..... 13	195, 197, 199, 201	3291006 17, 41, 73, 85	145, 147, 149, 151,
1001278013.... 27, 29, 31,	1702010 111	3291007 68, 77, 79	153, 155, 161, 163,
33	1702155 ... 189, 191, 193,	3300423 19	165, 167
1001278072.... 59, 61, 63	195, 197, 199, 201	3311502 81	4240018..... 37
1001278079..... 27	1703464 117, 119	3321402 68	4240147..... 23
1001278080..... 31	1703816 189, 203	3331211 13	4240165..... 111
1001278081..... 29	170381997, 99, 189, 191,	3340962 68, 89, 91	4360328..... 49, 206
1001278082..... 33	193, 195, 197, 199, 201	3422219 85	4360336..... 57
1001278086..... 49	1704016 ... 189, 191, 193,	3422661 113	4360345..... 99, 206
1001278087..... 49	195, 197, 199, 201	3422938 79	4360387..... 49, 206
1001278088..... 49	1704260 97, 99	3423037 11	4360469..... 49, 206
1001278090... 53, 55, 135	1704277 ... 189, 191, 193,	3423049 77	4360475..... 97, 99, 206
1001278165..... 55	195, 197, 199, 201	3423243 59, 61, 63	4420037..... 111
1001278210..... 45	1704684 197	3423278 97, 99	4420051..... 203
1001278211..... 45	1704691 201	3430636 23	4420062.... 83, 85, 89, 91,
1001278212..... 45	1704699 193	3430814 81	97, 99, 113
1001278213..... 45	1705195 195	3430816 81	4460019..... 135
1001278214..... 45	1705647 203	3430820 11	4460042..... 159
1001278220..... 55	1705648 203	3431212 23	4460138..... 117
1001278331..... 49	1706679 49	3431218 23	4460144..... 173
1001278514..... 13, 69	2080040 ... 81, 83, 85, 89,	3450302 23	4460183.... 159, 171, 173
1001278515..... 13, 69	91, 189, 191, 193, 195,	3450303 59, 61, 63	4460227..... 173
1001278618..... 13	197, 199, 201	3450403 81	4460234..... 107, 109
1001278762..... 69	2080043 85	3450406 19	4460247..... 159
1001278763..... 69	2080057 ... 189, 191, 193,	3450505 23	4460259..... 158
1001278765..... 11	195, 197, 199, 201	3520072 ... 73, 83, 85, 89,	4460260..... 158
1001278848..... 208	2080063 107, 109	91	4460265..... 171, 173
1001278871..... 53, 55	2400060 135, 159, 169	3574505 111	4460267..... 171
1001278891..... 53, 55	2420172 49	3740150 49, 57, 206	4460315..... 117, 133
1001278894..... 69	2560088 95	3760115 68	4460346..... 175

SECTION 8 - SPECIAL OPTIONS/ACCESSORIES/KITS

4460374.....	159	4460943....	135, 158, 161, 163, 165, 167, 169	4811902....	23, 59, 61, 63, 113, 147	70007542.....	15
4460418.....	57, 159, 171	4460944....	158, 159, 161, 163, 165, 167, 169, 173	4812000....	11, 17, 23, 59, 61, 63, 68, 73, 77, 79, 81, 85	70007543.....	15
4460464... ..	39, 57, 68, 69, 92, 135, 159, 161, 163, 165, 167, 169, 171, 173	4460956.....	139	4812002....	41, 45, 59, 61, 63, 81	70007544.....	15
4460465... ..	35, 37, 69, 92, 158, 159, 161, 163, 165, 167, 169	4460957.....	139	4812500.....	23	70007545.....	15
4460466 . 57, 69, 92, 135, 158, 161, 163, 165, 167, 169, 171		4460968.....	133	4831600.....	147	70007546.....	15
4460467.....	208	4461016.....	171, 173	4846757.....	11	70007547.....	15
4460496.....	97	4461018.....	159	5240800.....	13	70007548.....	15
4460497.....	97	4461076.....	158	5241000.....	81	70007549.....	15
4460509.....	159	4461077.....	158	5241200.....	13	70007550.....	15
4460510.....	208	4461196.....	149, 177	70000082.....	101, 103	70007551.....	15
4460518.....	158	4461198.....	177	70000084.....	101, 103	70007552.....	15
4460536.....	92	4461199.....	151, 179	70000191.....	15	70007553.....	15
4460539....	159, 165, 167	4461201.....	179	70000683.....	101, 103	70007753.....	71
4460662 ...	123, 125, 127, 175	4461205....	153, 181, 183	70000684.....	101, 103	70007754.....	71
4460722.....	57	4461244.....	181	70000685.....	101, 103	70007755.....	71
4460754 ...	161, 163, 165, 167	4461245.....	183	70000686.....	101, 103	70007756.....	71
4460836.....	158, 169	4461246.....	185	70001250.....	101, 103	70007757.....	71
4460837.....	158	4461249.....	155, 185	70001251.....	101, 103	70007758.....	71
4460844.....	91	4461257.....	119, 121	70001252.....	101, 103	70007961.....	71
4460871	135, 158, 173	4461258.....	119, 121	70001253.....	101, 103	7002821.....	208
4460872.....	135	4711400.....	107, 109	70001739.....	15	7002822.....	208
4460873.....	173	4711700.....	97	70003650.....	101	7002823.....	208
4460884.....	158	4711800.....	81	70007193.....	15	7002826.....	209
446089135, 37, 158, 165, 167		4740438.....	68	70007195.....	15	7004275.....	209
4460894 ...	158, 161, 163, 165, 167, 169	4740468.....	19	70007196.....	15	7004276.....	209
446089739, 57, 159, 165, 167		4740531.....	68	70007199.....	15	7016654.....	209
4460899.....	68, 161, 163, 165, 167, 169	4751600.....	59, 61, 63	70007201.....	15	7020175.....	97, 99
4460905....	135, 158, 173	4811400....	57, 68, 89, 91, 97, 99, 117, 119, 121, 123, 125, 127, 131, 133	70007203.....	15	7020176.....	97, 99
4460928.....	158	4811700....	13, 39, 49, 51, 57, 59, 61, 63, 68, 79, 83, 85, 89, 91, 97, 99, 107, 109, 111, 119, 121, 123, 125, 127, 131	70007204.....	15	7027365.....	101, 103
4460930.....	69, 158	4811702....	13, 23, 25, 27, 29, 31, 33, 43, 45, 53, 55, 59, 61, 63, 68, 95	70007205.....	15	7027367.....	101, 103
4460931.....	69	4811900....	13, 23, 51, 59, 61, 63, 81, 83, 85, 89, 91, 95, 97	70007206.....	15	7027765.....	101, 103
4460933.....	159, 169			70007207.....	15	7027766.....	101, 103
4460942.....	158, 159			70007490.....	15	80983191.....	159, 206
				70007491.....	15	8220045.....	135, 159
				70007492.....	15	8220051.....	159, 173
				70007494.....	15	8220108.....	159
				70007506.....	103	8229242....	135, 159, 206
				70007538.....	15	8229246.....	159, 206
				70007539.....	15	86683122.....	109
				70007540.....	15	8750014.....	13
				70007541.....	15	8896941.....	208
						8990147... ..	189, 191, 193, 195, 197, 199, 201



**Corporate Office
JLG Industries, Inc.
1 JLG Drive
McConnellsburg, PA 17233-9533 USA
☎ (717) 485-5161 (Corporate)
☎ (877) 554-5438 (Customer Support)
📠 (717) 485-6417**

**Visit our website for JLG Worldwide Locations.
www.jlg.com**



OSHKOSH™