



Illustrated Parts Manual

Model
RT2669
RT3369

PVC
2104

P/N
31219158
March 1, 2024 - Rev D

ANSI

CE



UK
CA

AS/NZS



An Oshkosh Corporation Company

REVISION LOG

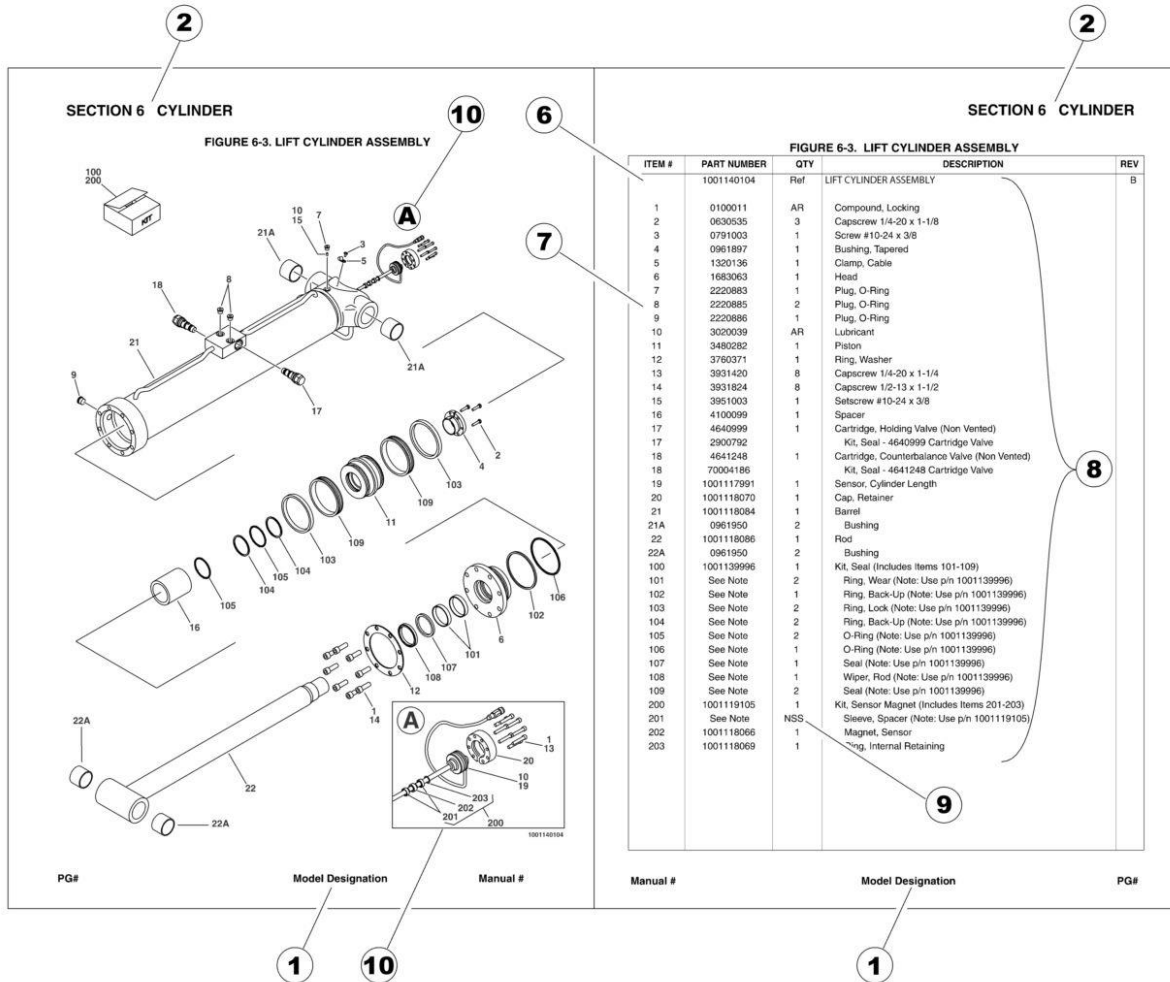
June 1, 2021 - A - Original Issue of Manual (Edited to 1001260260 Rev F & 1001260330 Rev G)

September 1, 2021 - B - Revised Manual (Edited to 1001260260 Rev F & 1001260330 Rev G)

February 1, 2022 - C - Revised Manual (Edited to 1001260260 Rev F & 1001260330 Rev G)

March 1, 2024 - D - Revised Manual (Edited to 1001260260 Rev F & 1001260330 Rev G)

GENERAL INFORMATION



1) MACHINE IDENTIFICATION

Machines are identified by model and in some cases a combination of models, serial number (SN) or regional standard (i.e ANSI, CE, CSA). Components may also be identified by SN or manufacturer. Common components that may be identified by these characteristics are engines and hydraulic components.

2) PARTS MANUAL ORGANIZATION

Product information in this manual is organized under section titles. Frame, Cylinder, Hydraulic and Electrical are a few examples. Each section is organized by figure and page number. The information within the Figure is then organized by item number, part number, description and corresponding illustration (s).

3) TABLE OF CONTENTS (NOT SHOWN)

A table of contents is found toward the beginning of the manual. Figure number, description and page number are provided for quick reference to the page containing the related information.

4) RECOMMENDED SPARE PARTS (NOT SHOWN)

The Recommended Spare Parts List, located near the end of the manual, reference most frequently used maintenance parts.

5) PART NUMBER INDEX (NOT SHOWN)

A numerical index listing all part numbers and the corresponding page number(s) appears at the back of the manual.

GENERAL INFORMATION

6) NON-SERVICED PARTS

In some instances, it is necessary to display non-serviced parts, assemblies or installations. In the case of assemblies and installations there will be a Ref in the Qty. column. In case of parts that are not available for service within assemblies or components, there will be a NSS (Not Sold Separately) or NLA (No Longer Available) listed in the Qty. column of the manual.

7) PARTS LIST ITEM NUMBERS

Numbers shown in the item# column correspond to numbers used in the associated illustration (s). Item numbers which are missing from the sequence in the parts list are not used on that page.

8) INDENTED PARTS DESCRIPTION

An indented part description is included in the item under which it is indented.

9) ABBREVIATION AND SYMBOLS

AC.....	Alternating Current	L.....	Liter
ADE.....	Advanced Design Electronics	LB(LBS).....	Pounds
AG.....	Agricultural	LCD.....	Liquid Crystal Display
ANSI.....	American National Standards Institute	LED.....	Light Emitting Diodes
AR.....	As Required	LH.....	Left Hand
ASSY.....	Assembly	LRC.....	Low Rated Countries
AUS.....	Australia	LSS.....	Load Sensing System
AUX.....	Auxiliary	M(m).....	Metric/Meter
AWG.....	American Wire Gauge	MM(mm).....	Milimeter
B/M.....	Bill of Material	mA.....	Miliamps
CAC.....	Charge Air Cooler	NLA.....	No Longer Available
CE.....	European Conformity	NPT.....	National Pipe Threads
CCW.....	Counter Clockwise	NSS.....	Not Sold Separately
CM.....	Centimeter	OD.....	Outside Diameter
CW.....	Clockwise	ORB.....	O-Ring Boss
CSA.....	Canadian Standards Association	ORFS.....	O-Ring Face Seal
CYL.....	Cylinder	OZ (oz).....	Ounces
DIA.....	Diameter	PG.....	Page
DC.....	Direct Current	PN.....	Part Number
DEF.....	Diesel Exhaust Fluid	QT(qt.).....	Quarts
EMS.....	Emergency Stop	QTY.....	Quantity
ENG.....	Engine	REF.....	Reference
FT(ft).....	Feet	REV.....	Revision Level
GA(Ga).....	Gauge	RH.....	Right Hand
HRC.....	High Rated Countries	SAE.....	Society of Automotive Engineers
HVAC.....	Heating, Ventilating, and Air Conditioning	SN.....	Serial Number
HYD.....	Hydraulic	SPEC(S).....	Specifications
Hz.....	Hertz	T/T.....	Turntable
ID.....	Inside Diameter	UGM.....	Universal Ground Module
IN.....	inches	V.....	Volts
ISO.....	International Organization for Standards	W.....	Watts
JIC.....	Joint Industry Council	#.....	Number
KG.....	Kilogram		

10) ILLUSTRATION REFERENCE LETTERS

When necessary, illustrations may contain reference letters that are intended to track information (i. e. hoses, harnesses) from one point to another or to track visual enlargement of components to show details that may be located in another area on the illustration.

Note: Due to continuous product improvements, JLG Industries, Inc. reserves the right to make specification changes without prior notification. Contact JLG Industries, Inc. for updated information.

TABLE OF CONTENTS

SECTION 1 - FRAME.....	11
FIGURE 1-1. AXLE INSTALLATION - SINGLE OSCILLATING (WITHOUT SENSORS).....	12
FIGURE 1-2. AXLE INSTALLATION - SINGLE OSCILLATING (WITH SENSORS).....	14
FIGURE 1-3. AXLE INSTALLATION - DUAL OSCILLATING.....	16
FIGURE 1-4. VALVE ASSEMBLY - DUAL AXLE.....	18
FIGURE 1-5. STEERING INSTALLATION.....	20
FIGURE 1-6. DRIVE INSTALLATION (2WD).....	22
FIGURE 1-7. DRIVE INSTALLATION (4WD).....	24
FIGURE 1-8. DRIVE MOTOR ASSEMBLY (2WD).....	26
FIGURE 1-9. DRIVE HUB AND BRAKE ASSEMBLY (2WD REAR).....	28
FIGURE 1-10. HUB/SPINDLE ASSEMBLY (2WD FRONT).....	32
FIGURE 1-11. VALVE ASSEMBLY - TRACTION (2WD).....	34
FIGURE 1-12. VALVE ASSEMBLY- TRACTION (4WD).....	36
FIGURE 1-13. DRIVE ASSEMBLY (4WD).....	38
FIGURE 1-14. DRIVE HUB AND BRAKE ASSEMBLY (4WD).....	40
FIGURE 1-15. FRAME COVERS INSTALLATION.....	42
FIGURE 1-16. LADDER INSTALLATION (RT2669).....	44
FIGURE 1-17. LADDER INSTALLATION (RT3369).....	46
FIGURE 1-18. LEVELING JACKS INSTALLATION - PARTIAL COVERS.....	48
FIGURE 1-19. LEVELING JACKS INSTALLATION - FULL COVERS.....	50
FIGURE 1-20. LEVELING JACKS VAVLE ASSEMBLY.....	52
FIGURE 1-21. OIL COOLER INSTALLATION.....	54
FIGURE 1-22. TIRE AND WHEEL INSTALLATION - FOAM-FILLIED.....	56
FIGURE 1-23. TIRE AND WHEEL INSTALLATION - FOAM-FILLIED NON-MARKING.....	58
FIGURE 1-24. TIRE AND WHEEL INSTALLATION - FOAM-FILLIED TURF NON-MARKING.....	60
SECTION 2 - GROUND CONTROLS.....	63
FIGURE 2-1. HYDRAULIC COMPONENTS INSTALLATION - DIESEL.....	64
FIGURE 2-2. HYDRAULIC COMPONENTS INSTALLATION - DUAL FUEL.....	66
FIGURE 2-3. VALVE ASSEMBLY - MAIN CONTROL.....	68
FIGURE 2-4. ELECTRICAL COMPONENTS INSTALLATION.....	70
FIGURE 2-5. GROUND CONTROL ASSEMBLY.....	72
FIGURE 2-6. ALARM INSTALLATION (HORN).....	74
FIGURE 2-7. ALARM INSTALLATION (WHITE NOISE).....	76
FIGURE 2-8. HOODS INSTALLATION.....	78
FIGURE 2-9. HYDRAULIC TANK ASSEMBLY.....	82
FIGURE 2-10. STROBE LIGHT INSTALLATION - SINGLE.....	84
FIGURE 2-11. STROBE LIGHT INSTALLATION - DUAL.....	86
FIGURE 2-12. NO BEACON (COVERS).....	88
SECTION 3 - ENGINE.....	91
FIGURE 3-1. ENGINE MOUNTING INSTALLATION.....	92
FIGURE 3-2. ENGINE AND PUMP ASSEMBLY - DIESEL.....	94
FIGURE 3-3. PUMP ASSEMBLY - DIESEL.....	96
FIGURE 3-4. ENGINE COMPONENTS - DIESEL.....	98

TABLE OF CONTENTS

FIGURE 3-5. COUPLING ASSEMBLY - ENGINE PUMP (DIESEL)	100
FIGURE 3-6. ENGINE FUEL LINES INSTALLATION - DIESEL	102
FIGURE 3-7. ENGINE ELECTRICAL INSTALLATION - DIESEL	104
FIGURE 3-8. ENGINE COOLING SYSTEM INSTALLATION - DIESEL	106
FIGURE 3-9. AIR INTAKE INSTALLATION - DIESEL	108
FIGURE 3-10. EXHAUST INSTALLATION - DIESEL	110
FIGURE 3-11. OIL FILTER INSTALLATION - REMOTE - DIESEL.....	112
FIGURE 3-12. ENGINE AND PUMP ASSEMBLY - DUAL FUEL.....	114
FIGURE 3-13. PUMP ASSEMBLY - DUAL FUEL	116
FIGURE 3-14. ENGINE COMPONENTS - DUAL FUEL	118
FIGURE 3-15. COUPLING ASSEMBLY - ENGINE PUMP (DUAL FUEL)	120
FIGURE 3-16. ENGINE FUEL LINES INSTALLATION - DUAL FUEL	122
FIGURE 3-17. ENGINE ELECTRICAL INSTALLATION - DUAL FUEL.....	124
FIGURE 3-18. ENGINE COOLING SYSTEM INSTALLATION - DUAL FUEL	126
FIGURE 3-19. AIR INTAKE INSTALLATION - DUAL FUEL	128
FIGURE 3-20. EXHAUST INSTALLATION - DUAL FUEL	130
FIGURE 3-21. OIL FILTER INSTALLATION - REMOTE - DUAL FUEL.....	132
FIGURE 3-22. GENERATOR INSTALLATION - 2500W/60HZ (DIESEL MACHINES)	134
FIGURE 3-23. GENERATOR INSTALLATION - 2500W/60HZ (DUAL FUEL MACHINES)	136
FIGURE 3-24. LP TANK BRACKETS INSTALLATION (SINGLE TANK)	138
FIGURE 3-25. LP TANK BRACKETS INSTALLATION (DUAL TANKS)	140
SECTION 4 - SCISSORS ARMS.....	143
FIGURE 4-1. ARMS INSTALLATION (RT2669).....	144
FIGURE 4-2. ARMS ASSEMBLY (RT2669).....	146
FIGURE 4-3. ARMS INSTALLATION (RT3369).....	150
FIGURE 4-4. ARMS ASSEMBLY (RT3369).....	152
FIGURE 4-5. CYLINDER & LIFT DOWN VALVE ASSEMBLY.....	156
SECTION 5 - PLATFORM.....	159
FIGURE 5-1. PLATFORM INSTALLATION.....	160
FIGURE 5-2. PLATFORM EXTENSION INSTALLATION (SINGLE).....	162
FIGURE 5-3. PLATFORM RAILS INSTALLATION (SINGLE EXTENSION)	164
FIGURE 5-4. PLATFORM CONTROL BOX INSTALLATION - SIDE MOUNT	168
FIGURE 5-5. PLATFORM CONTROL BOX INSTALLATION.....	170
FIGURE 5-6. CONTROLLER ASSEMBLY.....	172
SECTION 6 - CYLINDER.....	175
FIGURE 6-1. AXLE LOCKOUT CYLINDER ASSEMBLY.....	176
FIGURE 6-2. LEVELING JACK CYLINDER ASSEMBLY.....	178
FIGURE 6-3. LIFT CYLINDER ASSEMBLY	180
FIGURE 6-4. STEER CYLINDER ASSEMBLY	182
SECTION 7 - HYDRAULIC	185
FIGURE 7-1. HYDRAULIC DIAGRAM - AXLE (DUAL OSCILLATING)	186
FIGURE 7-2. HYDRAULIC DIAGRAM - LEVELING JACKS	188
FIGURE 7-3. HYDRAULIC DIAGRAM - STANDARD (2WD)	190

TABLE OF CONTENTS

FIGURE 7-4. HYDRAULIC DIAGRAM - STANDARD (4WD)	194
SECTION 8 - ELECTRICAL	199
FIGURE 8-1. ELECTRICAL LAYOUT	200
FIGURE 8-2. AC BOX AT PLATFORM INSTALLATION - 110V GFI (ALL SPECS EXCEPT AUSTRALIAN, CE & UK CA SPECS)	210
FIGURE 8-3. AC BOX AT PLATFORM INSTALLATION - 110V IEC YELLOW (CE & UK CA SPECS)	212
FIGURE 8-4. AC BOX AT PLATFORM INSTALLATION - 220V IEC BLUE (CE & UK CA SPECS)	214
FIGURE 8-5. AC BOX AT PLATFORM INSTALLATION - 220V CEE7 POST GROUND (CE & UK CA SPECS)	216
FIGURE 8-6. AC BOX AT PLATFORM INSTALLATION - 220V CEE7 SIDE GROUND (CE & UK CA SPECS)	218
FIGURE 8-7. AC BOX AT PLATFORM INSTALLATION - 220V AFSINT 107 (CE & UK CA SPECS)	220
FIGURE 8-8. AC BOX AT PLATFORM INSTALLATION - 220V CUSTOMER SUPPLIED PLUG & RECEPTACLE (ALL SPECS EXCEPT AUSTRALIAN & CE & UK CA SPECS)	222
FIGURE 8-9. AC BOX AT PLATFORM INSTALLATION - 220V CUSTOMER SUPPLIED COMPONENTS (ALL SPECS)	224
FIGURE 8-10. AXLE HARNESS - REAR OSCILLATING	226
FIGURE 8-11. BREAKER BOX KIT - 1 DOUBLE BREAKER (CE & UK CA SPECS)	228
FIGURE 8-12. BREAKER BOX KIT - 1 DOUBLE & 1 SINGLE BREAKER (CE & UK CA SPECS)	230
FIGURE 8-13. CHASSIS HARNESS	232
FIGURE 8-14. ENGINE HARNESS - DIESEL	236
FIGURE 8-15. ENGINE HARNESS - DUAL FUEL	240
FIGURE 8-16. GENERATOR HARNESS	244
FIGURE 8-17. GROUND TO PLATFORM HARNESS (RT2669)	246
FIGURE 8-18. GROUND TO PLATFORM HARNESS (RT3369)	248
FIGURE 8-19. LEVELING JACK HARNESS	250
FIGURE 8-20. LIFT DOWN HARNESS	252
FIGURE 8-21. LSS HARNESS	254
FIGURE 8-22. OIL COOLER HARNESS	256
FIGURE 8-23. PLATFORM HARNESS	258
FIGURE 8-24. PLATFORM CABLE INSTALLATION – WITHOUT FOOTSWITCH	260
FIGURE 8-25. PLATFORM CABLE HARNESS – WITHOUT FOOTSWITCH	262
FIGURE 8-26. PLATFORM CABLE INSTALLATION – WITH FOOTSWITCH	264
FIGURE 8-27. PLATFORM CABLE HARNESS – WITH FOOTSWITCH	266
FIGURE 8-28. PLATFORM CONTROL BOX HARNESS	268
FIGURE 8-29. RECEPTACLE BOX KIT - 110V GFI	270
FIGURE 8-30. RECEPTACLE BOX KIT - 110V IEC YELLOW (CE & UK CA SPECS)	272
FIGURE 8-31. RECEPTACLE BOX KIT - 220V IEC BLUE (CE & UK CA SPECS)	274
FIGURE 8-32. RECEPTACLE BOX KIT - 220V CEE7 POST GROUND (CE & UK CA SPECS)	276
FIGURE 8-33. RECEPTACLE BOX KIT - 220V CEE7 SIDE GROUND (CE & UK CA SPECS)	278
FIGURE 8-34. RECEPTACLE BOX KIT - 220V AFSINT 107 (CE & UK CA SPECS)	280
FIGURE 8-35. TILT SENSOR HARNESS	282
SECTION 9 - DECALS	285
FIGURE 9-1. DECAL INSTALLATION - ANSI SPECS (ENGLISH LANGUAGE)	286
FIGURE 9-2. DECAL INSTALLATION - AUSTRALIAN, CE & UK CA SPECS (ENGLISH LANGUAGE)	288
FIGURE 9-3. DECAL INSTALLATION - BRAZIL SPECS (SPANISH/PORTUGUESE LANGUAGES)	290
FIGURE 9-4. DECAL INSTALLATION - CHINA SPECS (ENGLISH/CHINESE LANGUAGES)	292
FIGURE 9-5. DECAL INSTALLATION - CSA SPECS (ENGLISH/FRENCH LANGUAGES)	294

TABLE OF CONTENTS

FIGURE 9-6. DECAL INSTALLATION - KOREAN SPECS (ENGLISH/KOREAN LANGUAGES)	296
FIGURE 9-7. DECAL INSTALLATION - LATIN AMERICAN SPECS (ENGLISH/KSPANISH LANGUAGES).....	298
FIGURE 9-8. DECAL INSTALLATION - OPTIONS.....	300
SECTION 10 - RECOMMENDED SERVICE PARTS STOCK.....	303
FIGURE 10-1. RECOMMENDED SERVICE PARTS STOCK.....	304
SECTION 11 - SPECIAL OPTIONS/ACCESSORIES/KITS.....	305
FIGURE 11-1. SPECIAL OPTIONS/ACCESSORIES/KITS.....	306
PART NUMBER INDEX.....	307

SECTION 1 - FRAME

SECTION 1 - FRAME

FIGURE 1-1. AXLE INSTALLATION - SINGLE OSCILLATING (WITHOUT SENSORS)

ITEM	PART NUMBER	QTY	DESCRIPTION	REV
	1001260485	Ref	AXLE INSTALLATION (WITHOUT SENSOR)	B
1	0100011	AR	Compound, Locking	
2	0711224	8	Bolt M12 x 80	
3	0760807	4	Bolt M8 x 14	
4	0761616	1	Bolt M16 x 40	
5	0771015	4	Bolt M10 x 35	
6	0961890	1	Bushing	
7	0961950	2	Bearing	
8	0962220	4	Bushing	
9	3422592	1	Pin	
10	3841258	1	Keeper, Rod	
11	4740229	1	Thrustwasher	
12	4811900	4	Washer M8	
13	5241000	AR	Washer M10	
14	5241200	8	Washer M12	
15	1001118511	2	Pad, Wear	
16	1001118518	AR	Shim 11Ga	
17	1001118519	AR	Shim 16Ga	
18	1001245046	2	Cylinder Assembly - Axle (See Separate Breakdown in CYLINDER Section)	
19	1001247019	1	Axle	
20	1001248196	2	Cartridge, Valve - Directional	
20	7024502	2	Seal Kit - 7001248196 Valve	
20	7027628	2	Coil	
20	70001365	2	Nut, Coil	
21	1001248834	2	Cover	

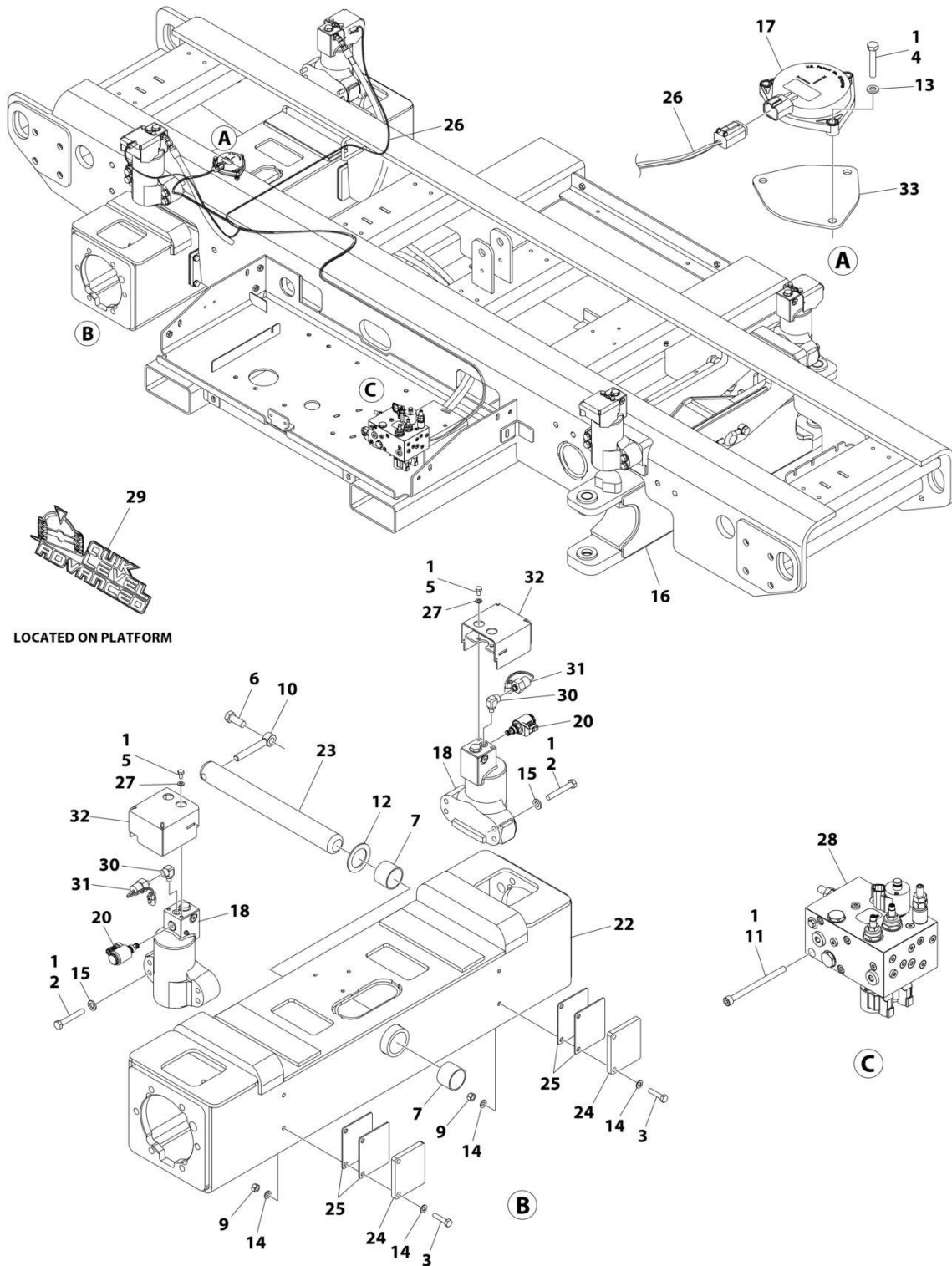
SECTION 1 - FRAME

FIGURE 1-2. AXLE INSTALLATION - SINGLE OSCILLATING (WITH SENSORS)

ITEM	PART NUMBER	QTY	DESCRIPTION	REV
	1001244391	Ref	AXLE INSTALLATION (WITH SENSOR)	D
1	0100011	AR	Compound, Locking	
2	0711224	8	Bolt M12 x 80	
3	0760614	3	Bolt M6 x 30	
3	4010615	3	Bolt M6 x 35	
4	0760807	4	Bolt M8 x 14	
5	0761616	1	Bolt M16 x 40	
6	0961890	1	Bushing	
7	0961950	2	Bearing	
8	0962220	4	Bushing	
10	3422592	1	Pin	
11	3841258	1	Keeper, Rod	
12	4740229	1	Thrustwasher	
13	4811700	3	Washer M6	
14	4811900	4	Washer M8	
15	5241200	8	Washer M12	
16	0771015	4	Bolt M10 x 35	
17	1001118511	2	Pad, Wear	
18	1001118518	AR	Shim 11Ga	
19	1001118519	AR	Shim 16Ga	
20	1001244934	1	Sensor, Tilt	
21	1001245046	2	Cylinder Assembly - Axle (See Separate Breakdown in CYLINDER Section)	
22	1001247019	1	Axle	
23	1001248196	2	Cartridge, Valve - Directional	
23	7024502	2	Seal Kit - 1001248196 Valve	
23	7027628	2	Coil	
23	70001365	2	Nut, Coil	
24	1001248834	2	Cover	
25	5241000	AR	Washer M10	
26	1001272777	1	Gasket	

SECTION 1 - FRAME

FIGURE 1-3. AXLE INSTALLATION - DUAL OSCILLATING



ART_1001247295

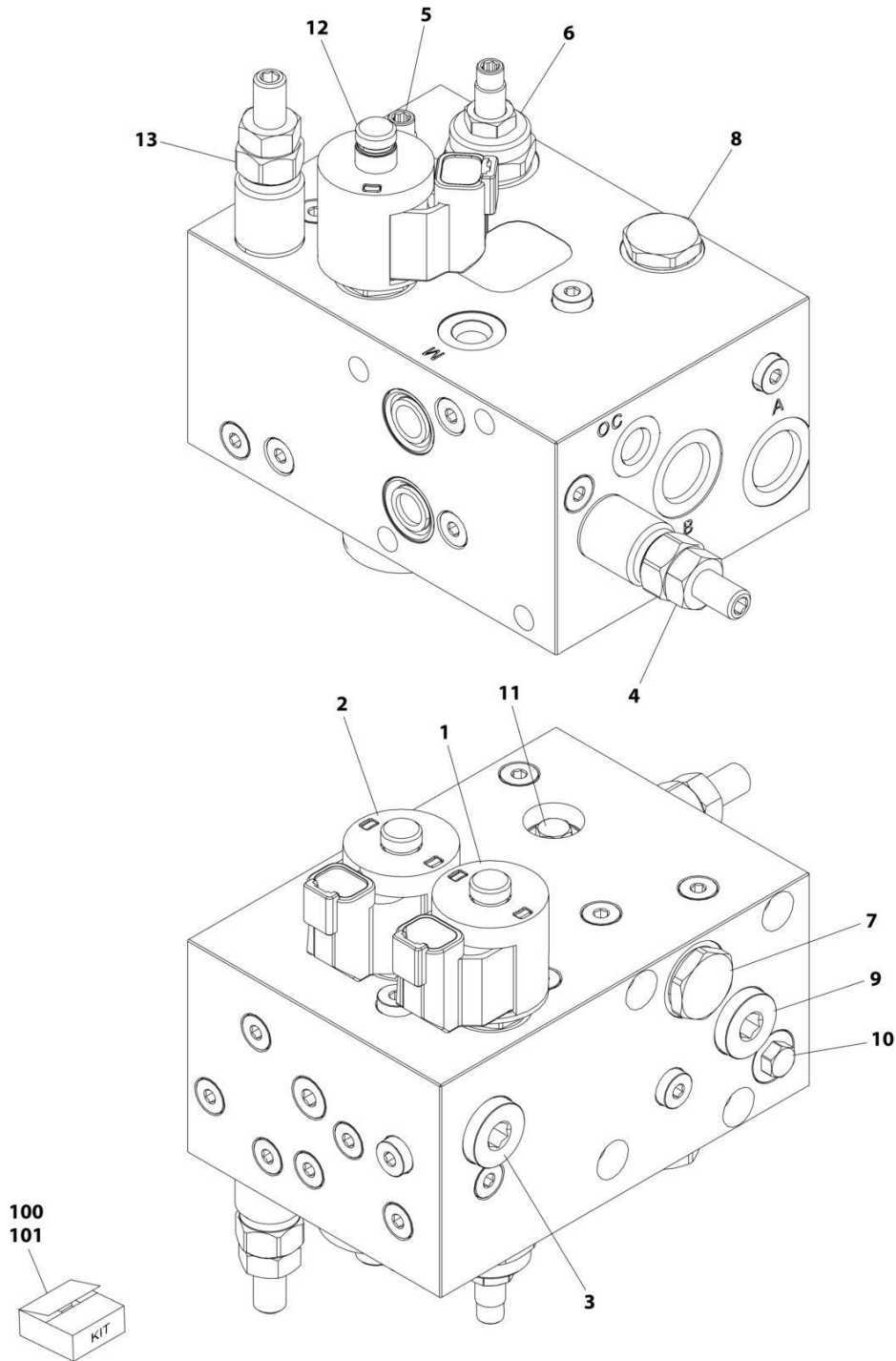
SECTION 1 - FRAME

FIGURE 1-3. AXLE INSTALLATION - DUAL OSCILLATING

ITEM	PART NUMBER	QTY	DESCRIPTION	REV
	1001247295	Ref	AXLE INSTALLATION - DUAL	G
1	0100011	AR	Compound, Locking	
2	0711224	8	Bolt M12 x 80	
3	0711017	4	Bolt M10 x 45	
4	4010615	3	Bolt M6 x 35	
5	0760807	4	Bolt M8 x 14	
6	0761616	1	Bolt M16 x 40	
7	0961950	2	Bearing	
9	3291005	4	Nut M10	
10	3841258	1	Keeper, Rod	
11	4031924	4	Capscrew M8 x 110	
12	4740229	1	Thrustwasher	
13	4811700	3	Washer M6	
14	4812000	8	Washer M10	
15	5241200	8	Washer M12	
16	1001244391	1	Axle Installation - Front (See Separate Breakdown in this Section)	
17	1001244934	1	Sensor, Tilt	
18	1001245046	2	Cylinder Assembly - Axle (See Separate Breakdown in CYLINDER Section)	
19	1001246104	Ref	Hydraulic Diagram - Axle (Not Shown - See Separate Breakdown in HYDRAULIC Section)	
20	1001248196	2	Cartridge, Valve - Directional	
20	7024502	2	Seal Kit - 1001248196 Valve	
20	7027628	2	Coil	
20	70001365	2	Nut, Coil	
22	1001250088	1	Axle (Rear)	
23	1001250089	1	Pin	
24	1001250090	2	Shim 0.5	
25	1001250091	AR	Shim 11Ga	
26	1001249282	1	Harness, Axle (Rear Oscillating) (See Separate Breakdown in ELECTRICAL Section)	
27	4811900	4	Washer M8	
28	1001247382	1	Valve Assembly (Dual Axles) (See Separate Breakdown in this Section)	
29	1001265585	2	Decal - Quick Level Access	
30	2221116	2	Fitting, 90 ORB	
31	1001256875	2	Switch, Pressure	
32	1001271580	2	Cover	
33	1001272777	1	Gasket	

SECTION 1 - FRAME

FIGURE 1-4. VALVE ASSEMBLY - DUAL AXLE



ART_1001247382

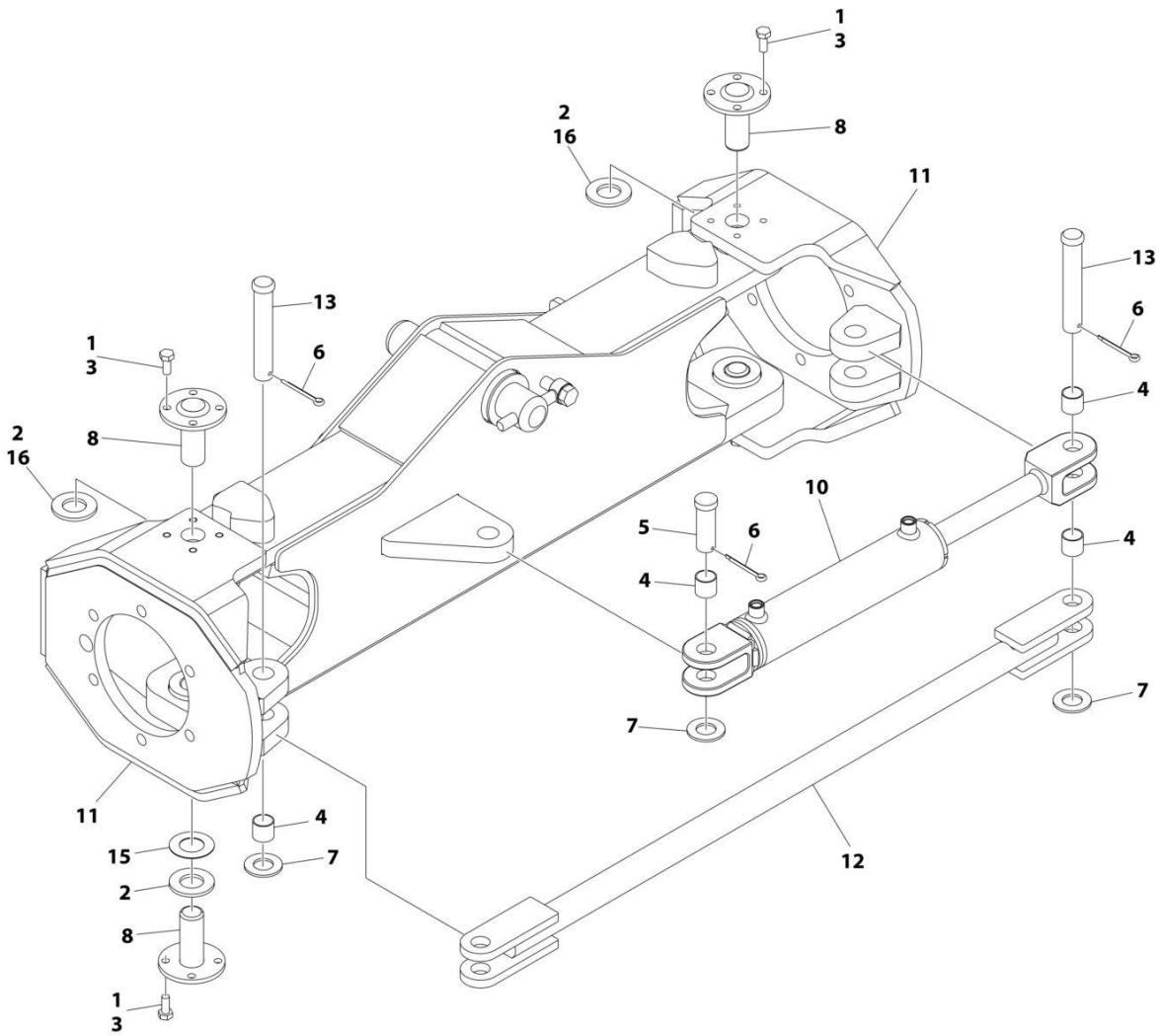
SECTION 1 - FRAME

FIGURE 1-4. VALVE ASSEMBLY - DUAL AXLE

ITEM	PART NUMBER	QTY	DESCRIPTION	REV
	1001247382	Ref	VALVE ASSEMBLY - DUAL AXLE	C
1	H000071	1	Cartridge, Solenoid Valve (Use Seal Kit 7012972)	
1	70002963	1	Coil	
2	H000071	1	Cartridge, Solenoid Valve (Use Seal Kit 7012972)	
2	70002963	1	Coil	
3	70007775	1	Cartridge, Shuttle Valve	
4	70007776	1	Cartridge, Relief Valve	
5	700077799	1	Cartridge, Flow Control Valve (Use Seal Kit 7010545)	
6	700077799	1	Cartridge, Flow Control Valve (Use Seal Kit 7010545)	
7	70030103	1	Cartridge, Check Valve	
8	70030103	1	Cartridge, Check Valve	
9	70007775	1	Cartridge, Shuttle Valve	
10	70007777	1	Cartridge, Check Valve	
11	70007777	1	Cartridge, Check Valve	
12	70007780	1	Cartridge, Solenoid Valve (Use Seal Kit 7012972)	
12	70002963	1	Coil	
13	70007778	1	Cartridge, Relief Valve	
100	7012972	1	Seal Kit (Use with Items 1, 2 & 12 Valves)	
101	7010545	1	Seal Kit (Use with Items 5 & 6 Valves)	

SECTION 1 - FRAME

FIGURE 1-5. STEERING INSTALLATION



ART_1001244392

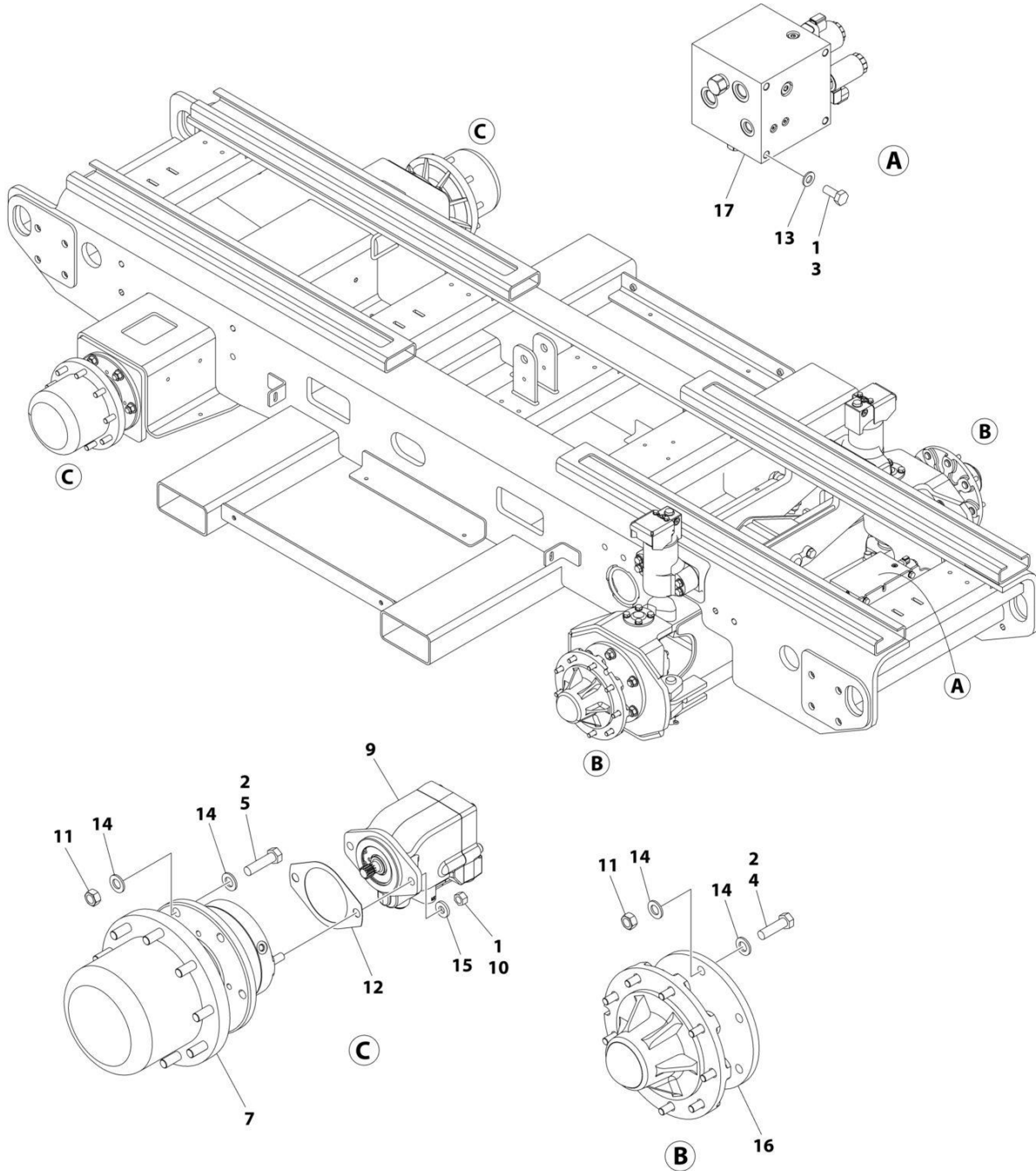
SECTION 1 - FRAME

FIGURE 1-5. STEERING INSTALLATION

ITEM	PART NUMBER	QTY	DESCRIPTION	REV
	1001244392	Ref	STEERING INSTALLATION	D
1	0100011	AR	Compound, Locking	
2	0440237	2	Thrustwasher (3/16 Thickness)	
3	0761012	16	Bolt M10 x 25	
4	0961890	4	Bushing	
5	3431622	1	Pin	
6	3450608	3	Pin, Cotter	
7	4712600	3	Washer 1	
8	1001139141	4	Kingpin	
10	1001246107	1	Cylinder Assembly - Steer (See Separate Breakdown in CYLINDER Section)	
11	1001249297	2	Spindle	
12	1001249323	1	Tie-Rod	
13	1001255526	2	Pin	
15	1001151395	2	Shim	
16	0440162	2	Thrustwasher (1/8 Thickness)	

SECTION 1 - FRAME

FIGURE 1-6. DRIVE INSTALLATION (2WD)



ART_1001248300

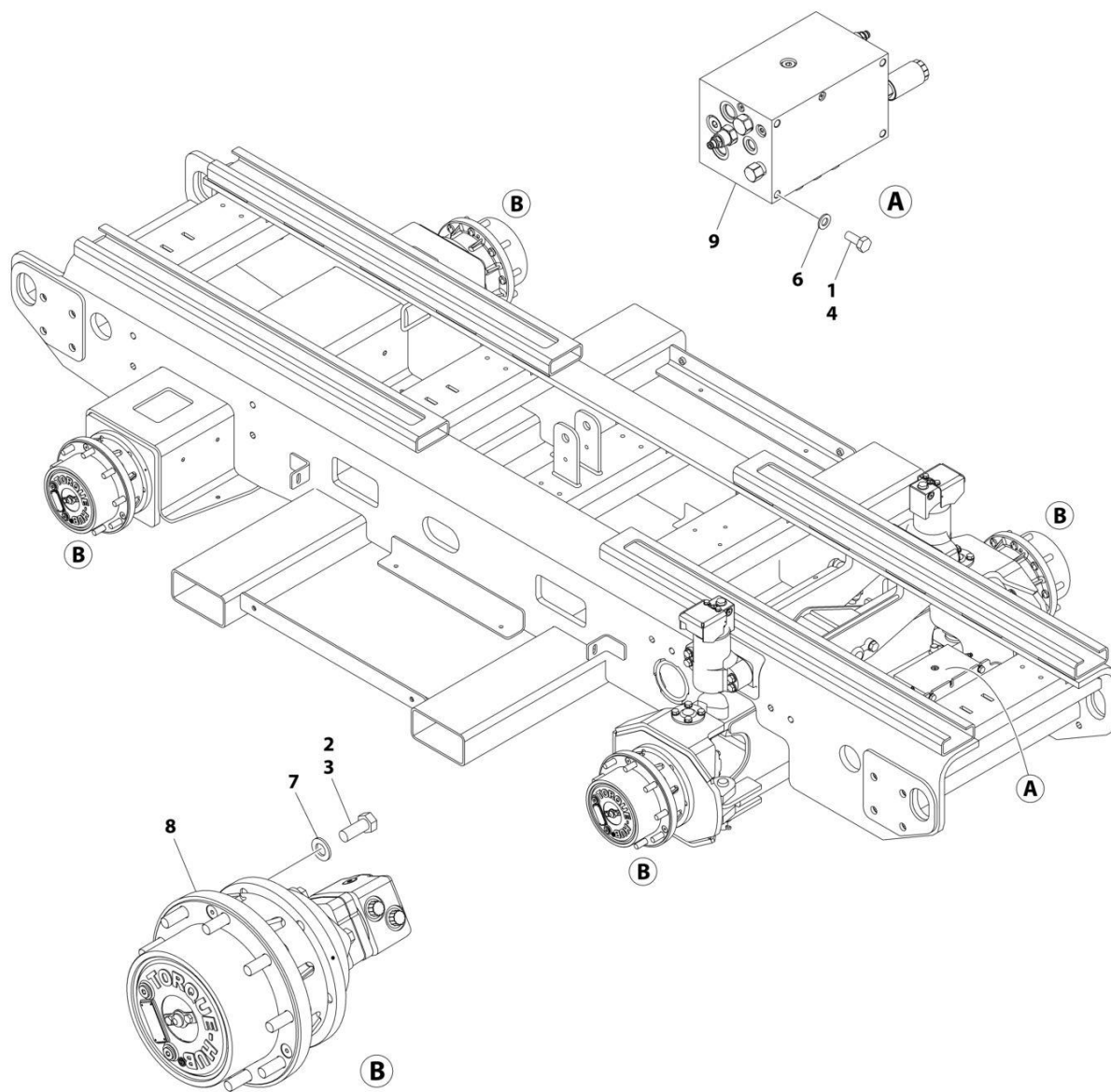
SECTION 1 - FRAME

FIGURE 1-6. DRIVE INSTALLATION (2WD)

ITEM	PART NUMBER	QTY	DESCRIPTION	REV
	1001248300	Ref	DRIVE INSTALLATION - 2WD	C
1	0100011	AR	Compound, Locking	
2	0100019	AR	Compound, Locking	
3	0771012	4	Bolt M10 x 25	
4	0771619	12	Bolt M16 x 55	
5	0771620	12	Bolt M16 x 60	
7	2780267	2	Drive Hub Assembly (See Separate Breakdown in this Section)	
9	3160348	2	Drive Motor Assembly (See Separate Breakdown in this Section)	
10	3311801	4	Nut 1/2	
11	3331611	24	Nut M16	
12	3960526	2	Gasket	
13	4812000	4	Washer M10	
14	5241600	48	Washer M16	
15	4891800	4	Washer 1/2	
16	1001214174	2	Hub Assembly - Front (See Separate Breakdown in this Section)	
17	1001246959	1	Valve Assembly - Drive Traction (See Separate Breakdown in this Section)	

SECTION 1 - FRAME

FIGURE 1-7. DRIVE INSTALLATION (4WD)



ART_1001244393

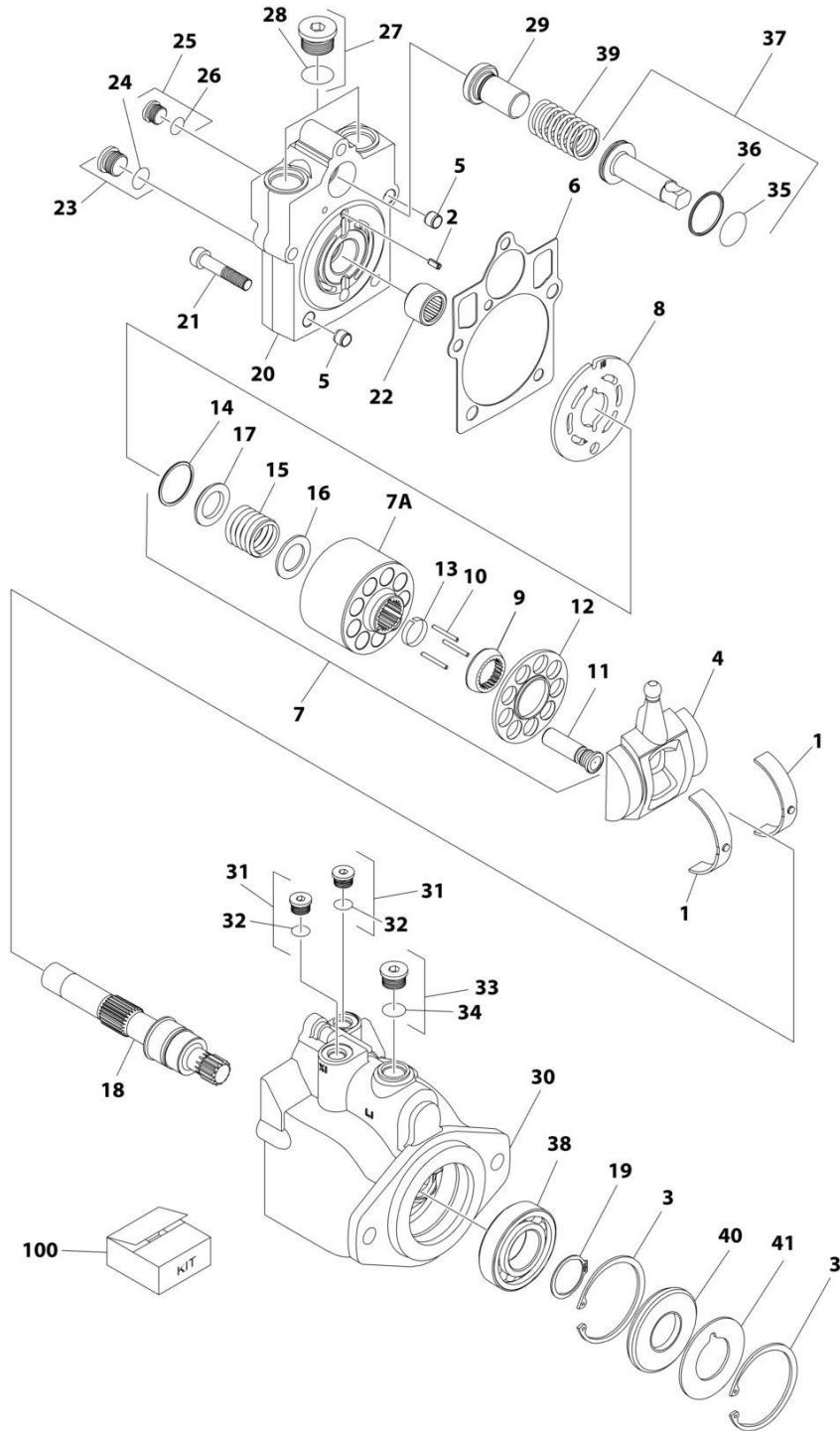
SECTION 1 - FRAME

FIGURE 1-7. DRIVE INSTALLATION (4WD)

ITEM	PART NUMBER	QTY	DESCRIPTION	REV
	1001244393	Ref	DRIVE INSTALLATION - 4WD	C
1	0100011	AR	Compound, Locking	
2	0100019	AR	Compound, Locking	
3	0711616	24	Bolt M16 x 40	
4	0771012	4	Bolt M10 x 25	
6	4812000	4	Washer M10	
7	5241600	24	Washer M16	
8	1001243266	1	Drive Assembly (See Separate Breakdown in this Section)	
9	1001244177	1	Valve Assembly - Drive Traction (See Separate Breakdown in this Section)	

SECTION 1 - FRAME

FIGURE 1-8. DRIVE MOTOR ASSEMBLY (2WD)



ART_3160348

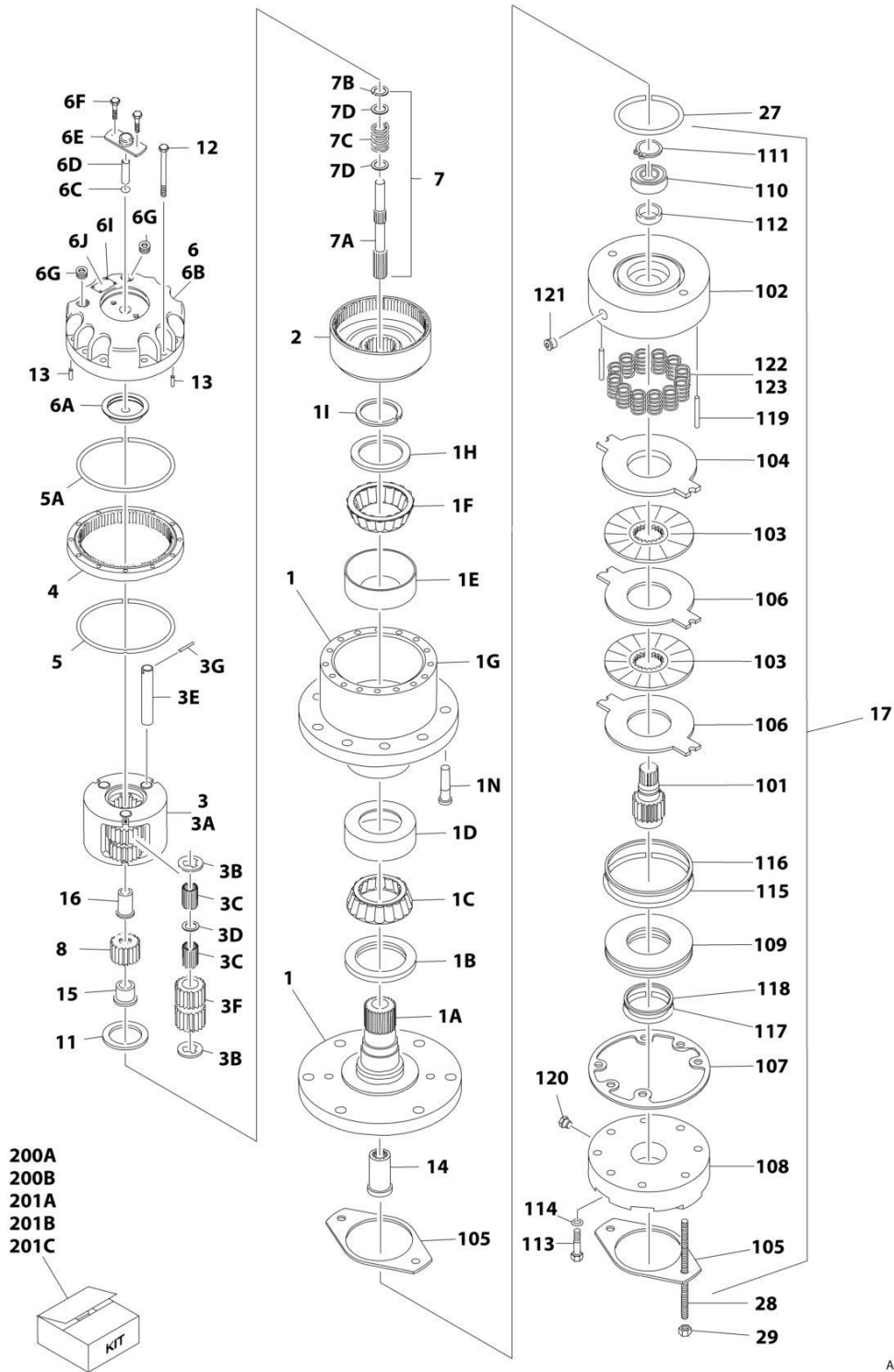
SECTION 1 - FRAME

FIGURE 1-8. DRIVE MOTOR ASSEMBLY (2WD)

ITEM	PART NUMBER	QTY	DESCRIPTION	REV
	3160348	Ref	DRIVE MOTOR ASSEMBLY	D
1	7022302	2	Bearing, Journal	
2	7007446	1	Pin	
3	7007438	2	Ring, Retaining	
4	7022305	1	Swash Plate	
5	See Note	2	Pin (Note: Not Available for Purchase)	
6	See Note	NSS	Gasket (Note: Use Item 100)	
7	7023907	1	Cylinder Block Kit (Includes Items 7A & 9-17)	
7A	See Note	NSS	Block, Cylinder (Note: Use Item 7)	
8	7023908	1	Plate, Valve	
9	7021277	1	Guide, Slipper Retainer	
10	7021275	3	Pin, Slipper Hold Down	
11	See Note	NSS	Piston Assembly (Note: Use Item 7)	
12	7022310	1	Retainer, Slipper	
13	7021276	1	Retainer, Hold Down Pin	
14	7022311	1	Ring, Retaining	
15	7022312	1	Spring	
16	7024868	1	Washer	
17	7022314	1	Retainer, Spring	
18	7023910	1	Shaft	
19	7007439	1	Ring, Retaining	
20	70000797	1	Cap, End - Axial	
21	7022368	5	Screw	
22	7021249	1	Bearing, Needle	
23	2220886	1	Plug (Includes Item 24)	
24	See Note	1	O-Ring (Note: Use Item 23 or 100)	
25	2220883	1	Plug (Includes Item 26)	
26	See Note	NSS	O-Ring (Note: Use Item 25 or 100)	
27	2220888	2	Plug (Includes Item 28)	
28	See Note	NSS	O-Ring (Note: Use Item 27 or 100)	
29	7022372	1	Seat, Spring	
30	See Note	NSS	Housing (Note: Not Available - Purchase Complete Assembly)	
31	2220883	2	Plug (Includes Item 32)	
32	See Note	NSS	O-Ring (Note: Use Item 31 or 100)	
33	2220886	1	Plug (Includes Item 34)	
34	See Note	NSS	O-Ring (Note: Use Item 33 or 100)	
35	See Note	NSS	O-Ring (Note: Use Item 100)	
36	See Note	NSS	Ring, Seal (Note: Use Item 100)	
37	7024854	1	Piston, Servo (Includes Items 35 & 36)	
38	7007437	1	Bearing	
39	7022326	1	Spring	
40	See Note	1	Seal, Lip (Note: Use Item 100)	
41	7022371	1	Washer, Support	
		Ref	KIT OPTIONS:	
100	7022328	1	Seal Kit (Includes Items 6, 24, 26, 28, 32, 34, 35, 36 & 40)	

SECTION 1 - FRAME

FIGURE 1-9. DRIVE HUB AND BRAKE ASSEMBLY (2WD REAR)



ART_2780267

SECTION 1 - FRAME

FIGURE 1-9. DRIVE HUB AND BRAKE ASSEMBLY (2WD REAR)

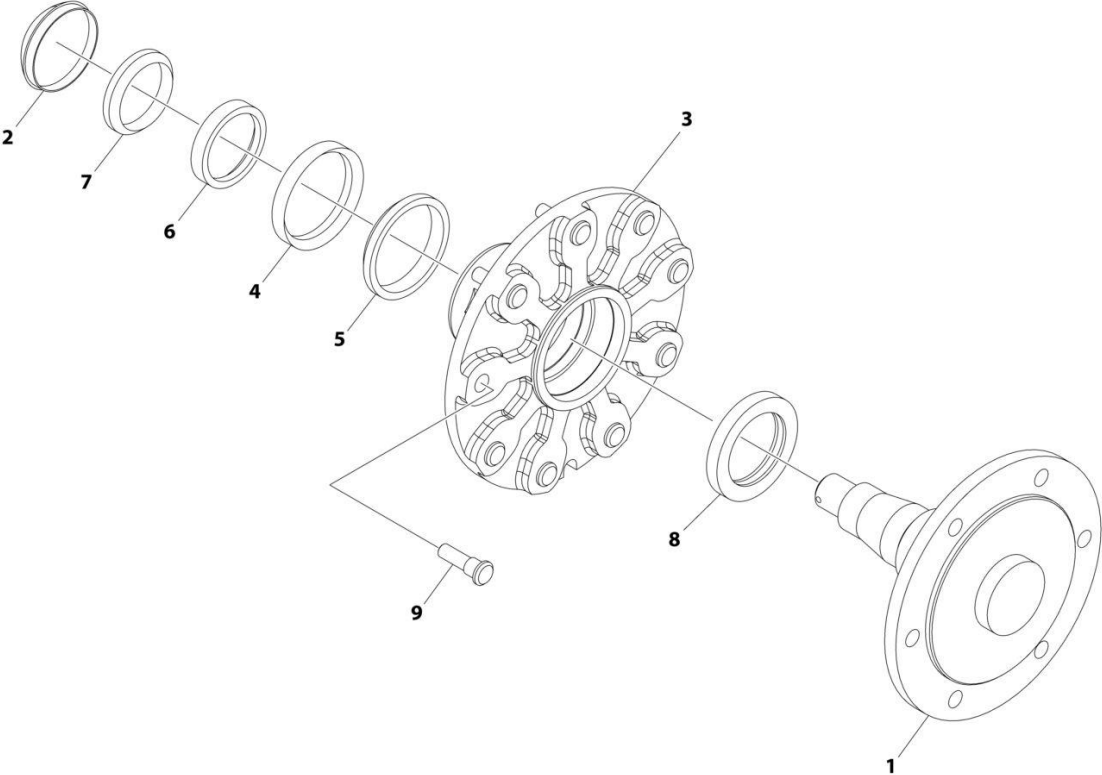
ITEM	PART NUMBER	QTY	DESCRIPTION	REV
	2780267	Ref	DRIVE HUB AND BRAKE ASSEMBLY - REAR	I
1	See Note	1	Spindle/Housing Assembly (Note: Purchase Individual Components)	
1A	7017059	1	Spindle	
1B	7001998	1	Seal	
1C	7010429	1	Cone, Bearing (Includes Item 1D)	
1D	7010429	1	Cup, Bearing (Includes Item 1C)	
1E	7000257	1	Cup, Bearing	
1F	7000258	1	Cone, Bearing	
1G	7007601	1	Housing/Ring Gear	
1H	7000232	1	Washer, Thrust	
1I	7000229	1	Ring, Retaining	
1N	7007640	9	Stud, Wheel	
2	7000246	1	Gear, Internal	
3	7024712	1	Carrier Assembly	
3A	See Note	1	Carrier (Note: Use Item 3)	
3B	See Note	6	Ring, Retaining (Note: Use Item 3)	
3C	See Note	AR	Bearing, Needle (Note: Use Item 3)	
3D	See Note	3	Washer, Thrust (Note: Use Item 3)	
3E	See Note	3	Shaft, Planet (Note: Use Item 3)	
3F	See Note	3	Gear, Planet (Note: Use Item 3)	
3G	See Note	3	Roll Pin (Note: Use Item 3)	
4	7000248	1	Ring Gear	
5	7000230	1	O-Ring	
5A	7017070	1	O-Ring	
6	70001349	1	Cover Assembly Kit	
6A	See Note	1	Spacer, Thrust (Note: Use Item 6)	
6B	See Note	1	Plate, Cover (Note: Use Item 6)	
6C	See Note	1	O-Ring (Note: Use Item 6)	
6D	See Note	1	Rod, Disconnect (Note: Use Item 6)	
6E	See Note	1	Cap, Disengage (Note: Use Item 6)	
6F	See Note	2	Bolt (Note: Use Item 6)	
6G	See Note	1	Plug, Pipe (Note: Use Item 6)	
6I	See Note	4	Rivet (Note: Not Available for Purchase)	
6J	See Note	1	Plate, ID (Note: Not Available for Purchase)	
7		Ref	Input Shaft Assembly	
7A	7024714	1	Shaft	
7B	7000261	1	Ring, Retaining	
7C	7000262	1	Spring	
7D	7000263	2	Spacer, Thrust	
8	7024713	1	Gear, Sun	
11	7000253	1	Washer, Thrust	
12	7017067	12	Bolt	
13	7017080	4	Pin, Dowel	
14	7000206	1	Coupling	
15	7024715	1	Spacer, Input	
16	7024716	1	Spacer, Input	
17	7024182	1	Brake Assembly (See Items 101-123 for Breakdown)	
27	7024705	1	O-Ring	
28	7024717	2	Rod, Threaded	

SECTION 1 - FRAME

ITEM	PART NUMBER	QTY	DESCRIPTION	REV
29	7024718	2	Nut 1/2in-13NC	
	7024182	Ref	BRAKE ASSEMBLY	
101	7024189	1	Shaft	
102	See Note	1	Housing (Note: Use Item 17)	
103	See Note	2	Plate, Friction (Note: Use Item 201B)	
104	See Note	1	Plate, Pressure (Note: Use Item 201B)	
105	7000731	2	Gasket	
106	See Note	2	Plate, Outer (Note: Use Item 201B)	
107	See Note	1	Gasket (Note: Use Item 200A, 201B or 201C)	
108	7024191	1	Cylinder	
109	7024192	1	Piston	
110	See Note	1	Bearing, Ball (Note: Use Item 201C)	
111	See Note	1	Ring, Retaining (Note: Use Item 201C)	
112	See Note	1	Seal, Shaft (Note: Use Item 201C)	
113	See Note	6	Capscrew (Note: Use Item 17)	
114	See Note	6	Lockwasher (Note: Use Item 17)	
115	See Note	1	O-Ring (Note: Use Item 200B)	
116	See Note	1	Ring, Back-up (Note: Use Item 200B)	
117	See Note	1	O-Ring (Note: Use Item 200B)	
118	See Note	1	Ring, Back-up (Note: Use Item 200B)	
119	7024190	2	Pin, Dowel	
120	See Note	1	Plug (Note: Use Item 17)	
121	See Note	2	Plug (Note: Use Item 17)	
122	See Note	12	Spring Kit (Natural) (Note: Use Item 201A)	
123	See Note	2	Spring Kit (Blue) (Note: Use Item 201A)	
		Ref	Kit Options	
200		Ref	Seal Kit Options:	
200A	See Note	1	Hub Seal Kit (Note: Purchase Individual Components)	
200B	7024194	1	Brake Seal Kit (Includes Items 105, 107 & 115-118)	
201		Ref	Repair Kit Options:	
201A	7024196	1	Brake Spring Kit (Includes 12 Natural Colored and 2 Blue Colored Springs Items 122 & 123)	
201B	7024193	1	Brake Friction Disc Kit (Includes Items 103, 104, 106 & 107)	
201C	7024197	1	Brake Bearing Kit (Includes Items 107 & 110-112)	

SECTION 1 - FRAME

FIGURE 1-10. HUB/SPINDLE ASSEMBLY (2WD FRONT)



ART_1001214174

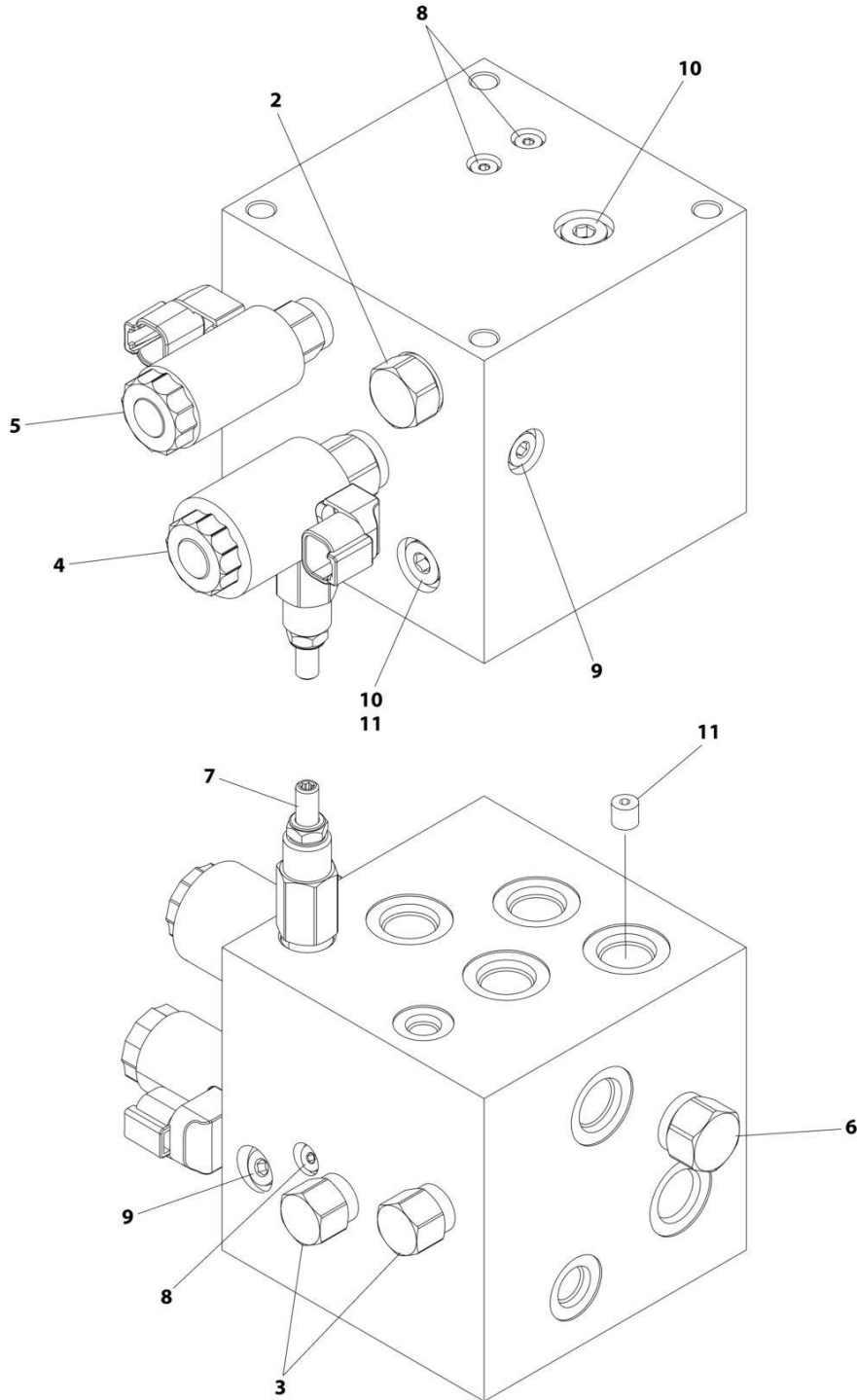
SECTION 1 - FRAME

FIGURE 1-10. HUB/SPINDLE ASSEMBLY (2WD FRONT)

ITEM	PART NUMBER	QTY	DESCRIPTION	REV
	1001214174	Ref	HUB - SPINDLE ASSEMBLY (2WD)	C
1	See Note	NSS	Spindle, Adapter (Note: Not Available for Purchase)	
2	7020033	1	Cap, Dust	
3	7020035	1	Hub, Casting	
4	7020036	1	Cup, Bearing	
5	7020037	1	Cone, Bearing	
6	7020038	1	Cup, Bearing	
7	7020039	1	Cone, Bearing	
8	7020040	1	Seal	
9	7020041	9	Stud	

SECTION 1 - FRAME

FIGURE 1-11. VALVE ASSEMBLY - TRACTION (2WD)



ART_1001246959

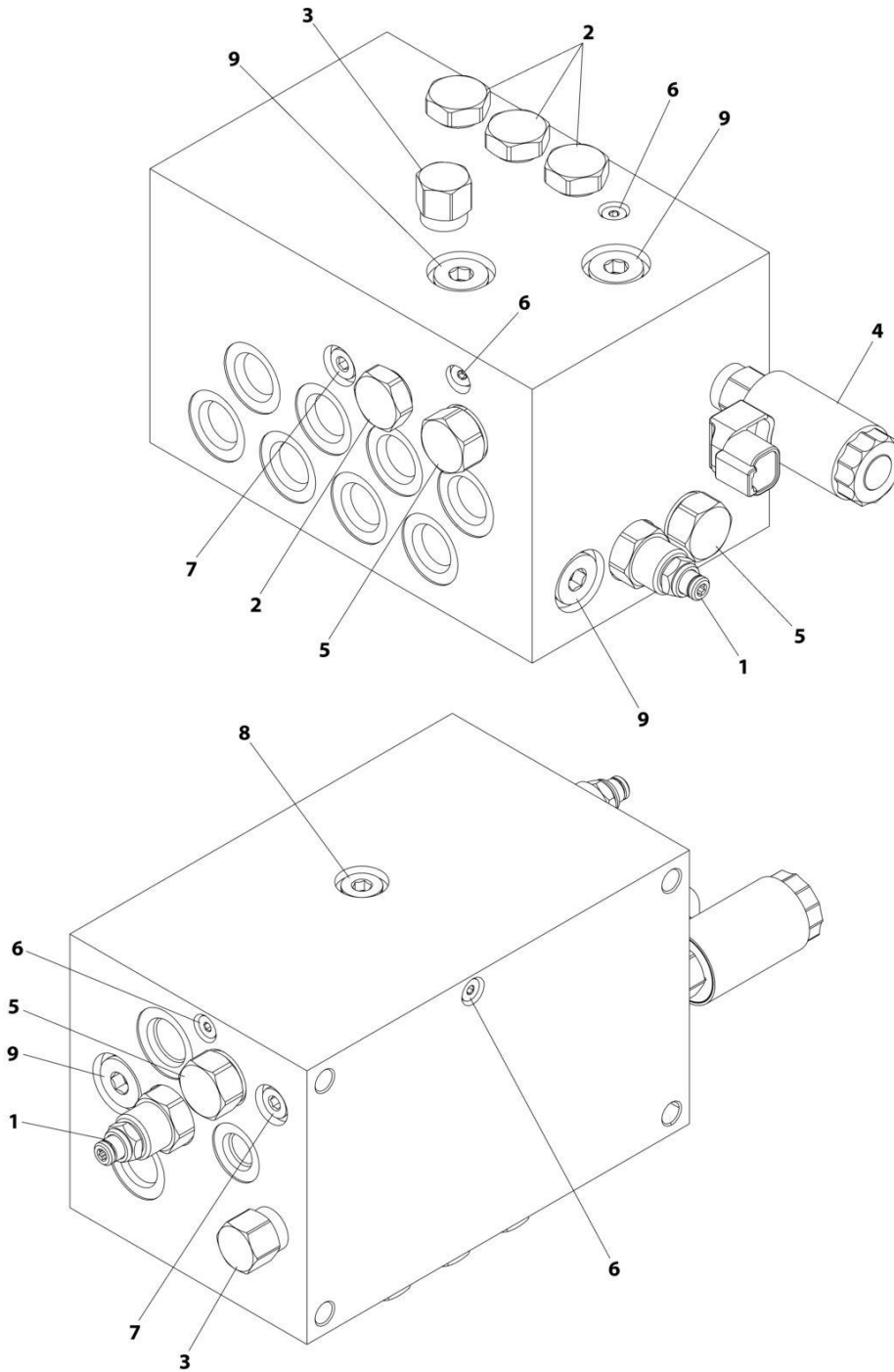
SECTION 1 - FRAME

FIGURE 1-11. VALVE ASSEMBLY - TRACTION (2WD)

ITEM	PART NUMBER	QTY	DESCRIPTION	REV
	1001246959	Ref	VALVE ASSEMBLY - TRACTION (2WD)	D
	See Note	1	Note: No Service Parts Available at Time of Printing.	
2		Ref	Cartridge, Shuttle Valve	
3		Ref	Cartridge, Check Valve	
4		Ref	Cartridge, Solenoid Valve	
5		Ref	Cartridge, Solenoid Valve	
6		Ref	Cartridge, Flow Control Valve	
7		Ref	Cartridge, Relief Valve	
8		Ref	Plug SAE 2	
9		Ref	Plug SAE 4	
10		Ref	Plug SAE 6	
11		Ref	Orifice 1/8	

SECTION 1 - FRAME

FIGURE 1-12. VALVE ASSEMBLY- TRACTION (4WD)



ART_1001244177

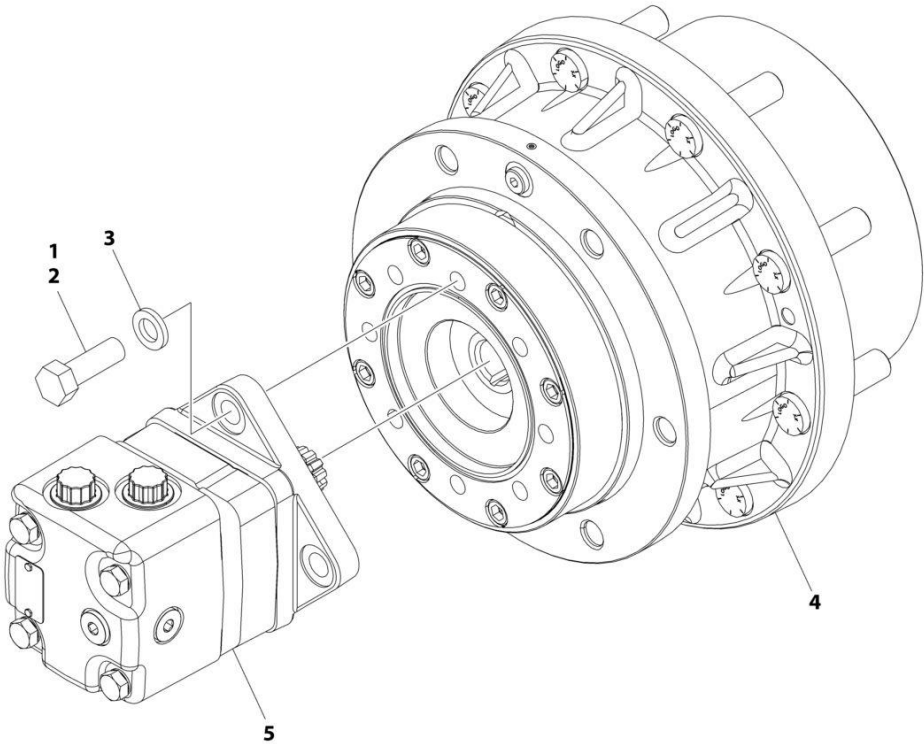
SECTION 1 - FRAME

FIGURE 1-12. VALVE ASSEMBLY- TRACTION (4WD)

ITEM	PART NUMBER	QTY	DESCRIPTION	REV
	1001244177	Ref	VALVE ASSEMBLY- TRACTION (4WD)	D
1	70008619	2	Cartridge, Valve	
1	70006099	2	Kit, Seal	
2	70008347	4	Cartridge, Check Valve	
2	70008348	4	Kit, Seal	
3	7026016	2	Cartridge, Valve	
3	7011346	2	Kit, Seal	
4	70008620	1	Cartridge, Solenoid Valve	
4	70008350	1	Kit, Seal	
4	70008352	1	Coil	
5	70008621	1	Cartridge, Valve	
5	2900770	1	Kit, Seal	
6	2220881	6	Plug, O-Ring	
7	2220883	2	Plug, O-Ring	
8	2220885	1	Plug, O-Ring	
9	2220886	4	Plug, O-Ring	

SECTION 1 - FRAME

FIGURE 1-13. DRIVE ASSEMBLY (4WD)



ART_1001243266

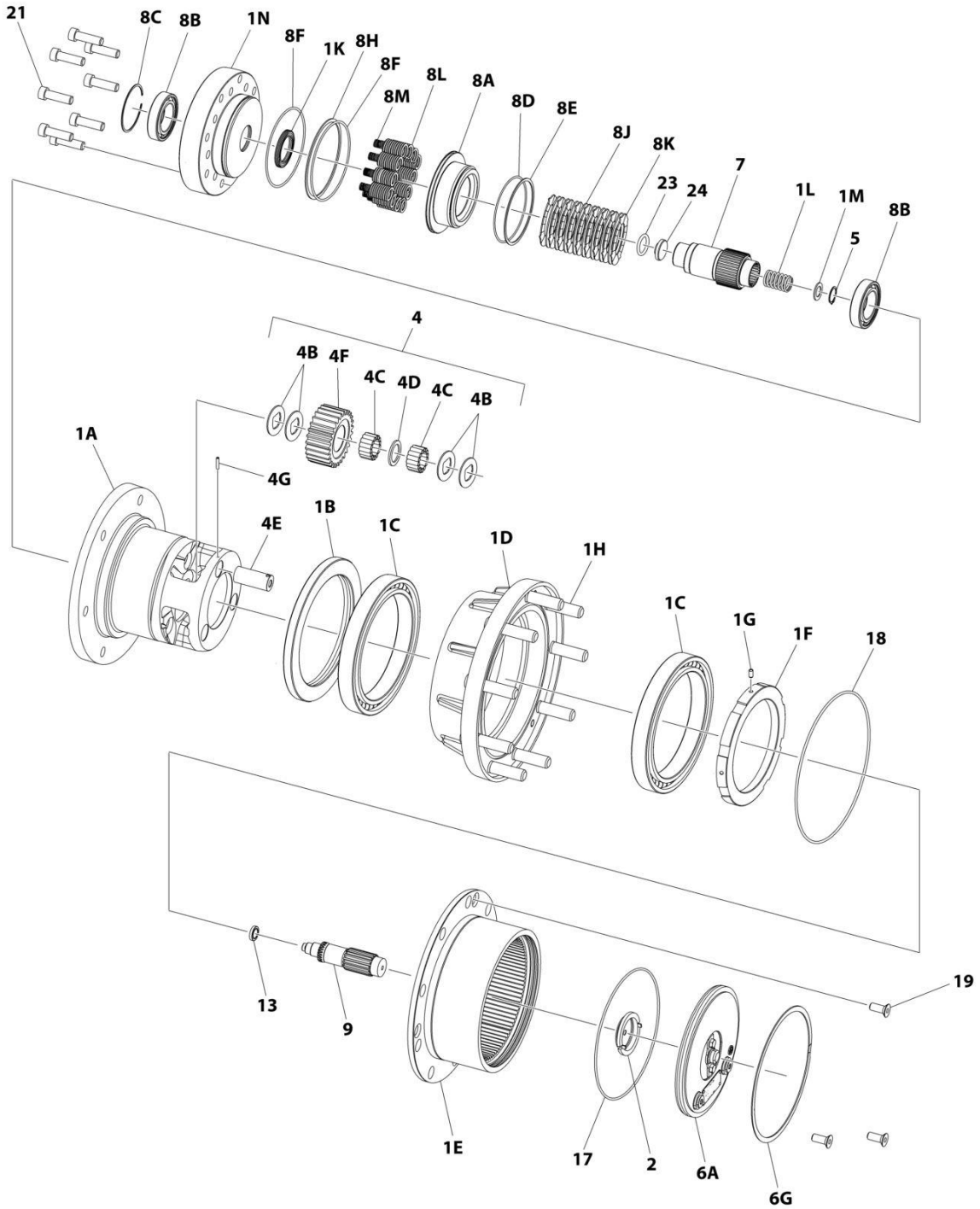
SECTION 1 - FRAME

FIGURE 1-13. DRIVE ASSEMBLY (4WD)

ITEM	PART NUMBER	QTY	DESCRIPTION	REV
	1001243266	Ref	DRIVE ASSEMBLY	E
1	1001095650	1	Adhesive	
2	0681812	4	Bolt 1/2 x 1-1/2	
3	4761800	4	Washer 1/2	
4	1001242816	1	Drive Hub Assembly (See Separate Breakdown in this Section)	
5	1001243268	1	Drive Motor Assembly (Includes O-Ring)	
5	70008114	1	O-Ring (Not Shown, Seals Between Drive Hub & Drive Motor)	

SECTION 1 - FRAME

FIGURE 1-14. DRIVE HUB AND BRAKE ASSEMBLY (4WD)



ART_1001242816

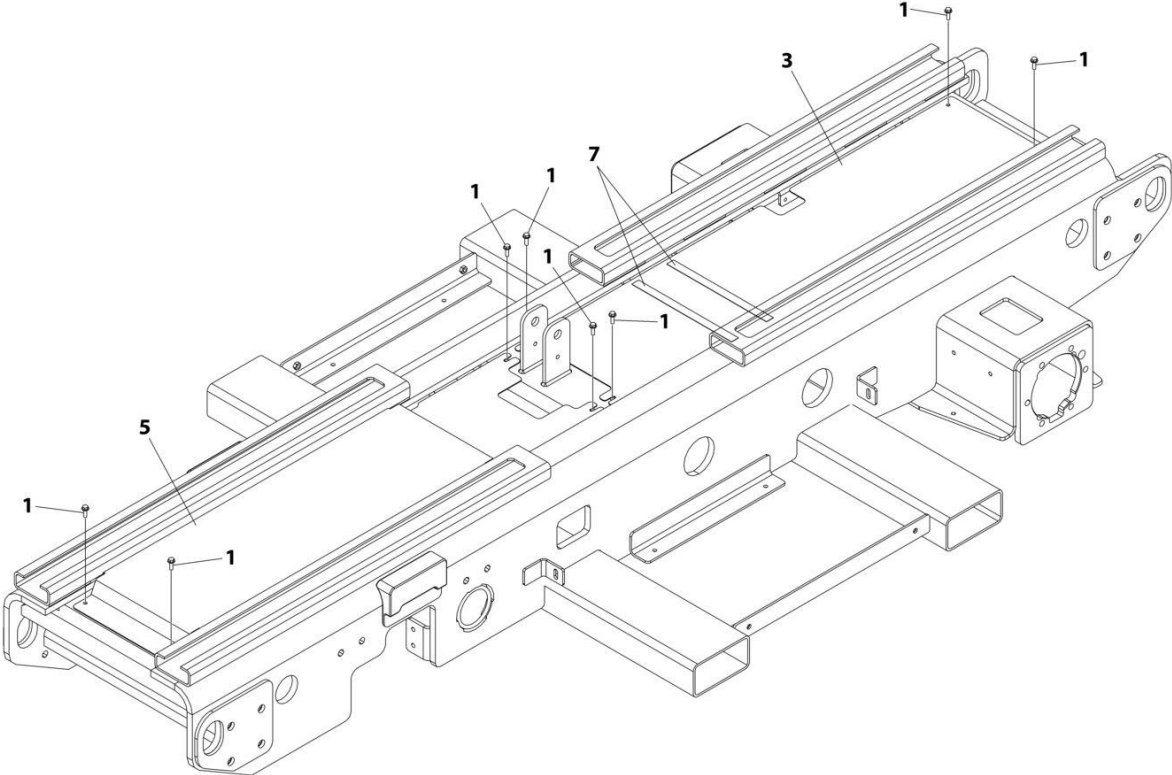
SECTION 1 - FRAME

FIGURE 1-14. DRIVE HUB AND BRAKE ASSEMBLY (4WD)

ITEM	PART NUMBER	QTY	DESCRIPTION	REV
	1001242816	Ref	DRIVE HUB ASSEMBLY	F
1A	SEE NOTE	NSS	Spindle (Not available for Purchase)	
1B	70001119	1	Seal	
1C	70002991	2	Bearing, Ball	
1D	SEE NOTE	NSS	Housing (Not available for Purchase)	
1E	70002989	1	Gear, Ring	
1F	70003000	1	Nut	
1G	70002996	2	Screw, Socket	
1H	7007640	9	Stud	
1K	70008155	1	Seal, Quad	
1L	70002992	1	Spring	
1M	70002999	1	Washer, Thrust	
1N	SEE NOTE	NSS	Adapter, Mounting (Not available for Purchase)	
2	7024741	1	Spacer, Thrust	
4	70008144	1	Planet Gear Assembly	
4B	SEE NOTE	NSS	Washer, Thrust (Not available for Purchase)	
4C	SEE NOTE	NSS	Bearing, Needle (Not available for Purchase)	
4D	SEE NOTE	NSS	Spacer, Thrust (Not available for Purchase)	
4F	SEE NOTE	NSS	Gear, Planet (Not available for Purchase)	
4E	7024726	3	Shaft, Planet	
4G	7001913	2	Pin, Roll	
5	70002995	1	Ring, Retaining	
6A	70001368	1	Cover Plate Assembly	
6G	7024738	1	Ring, Retaining	
7	70008148	1	Coupling	
8A	70002993	1	Brake, Piston	
8B	70002990	2	Bearing, Ball	
8C	70002994	1	Ring, Retaining	
8D	70004042	1	O-Ring	
8E	70008158	1	O-Ring, Back-up	
8F	70008156	2	O-Ring	
8H	70008157	1	O-Ring, Back-up	
8J	70002085	8	Brake, Rotor	
8K	70002085	9	Brake, Stator	
8L	70008152	12	Spring	
8M	70008153	12	Spring	
9	70008147	1	Shaft, Input	
12	70002998	1	Plug (Not Shown)	
13	70008151	1	Bearing, Ball	
17	7024134	1	O-Ring	
18	70002997	1	O-Ring	
19	7017022	3	Bolt	
21	70008154	8	Bolt	
22	7024108	2	Plug (Not Shown)	
23	70008150	1	O-Ring	
24	70008149	1	Space Input	

SECTION 1 - FRAME

FIGURE 1-15. FRAME COVERS INSTALLATION



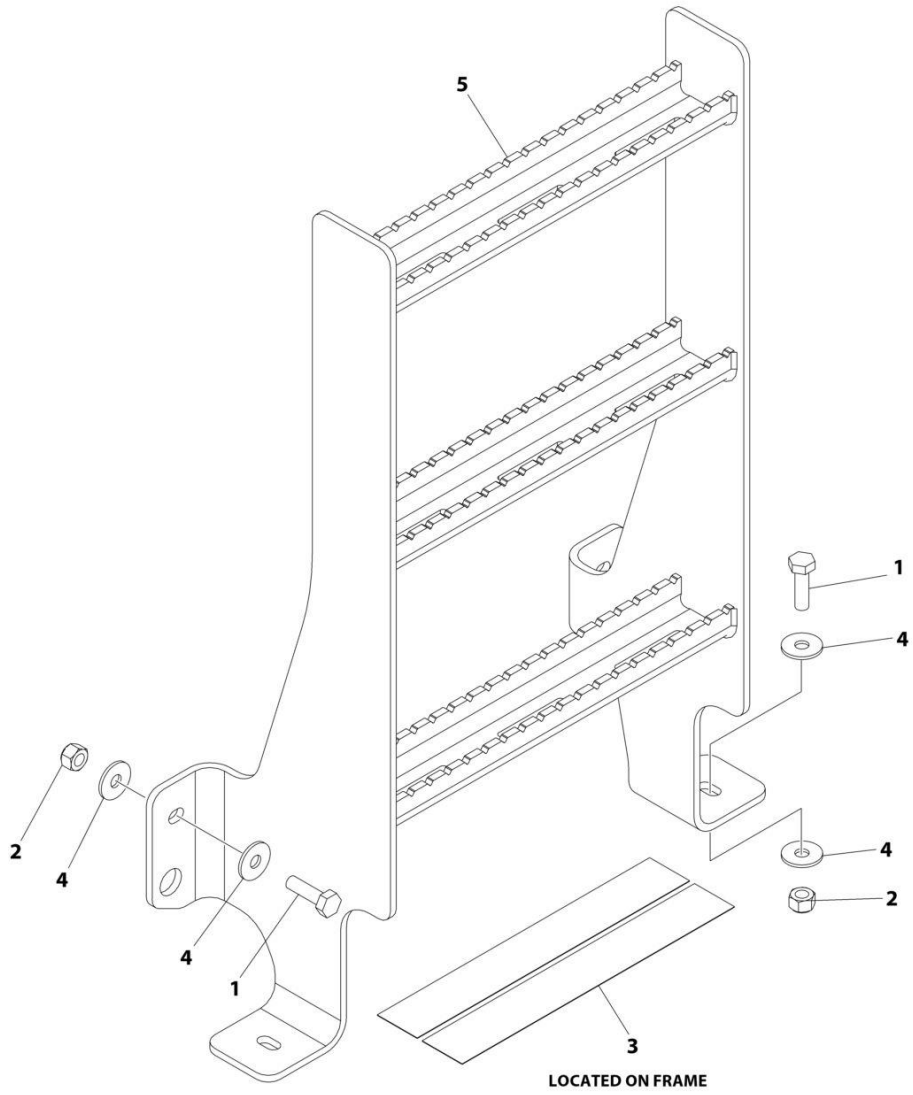
ART_1001245440

FIGURE 1-15. FRAME COVERS INSTALLATION

ITEM	PART NUMBER	QTY	DESCRIPTION	REV
	1001245440	Ref	FRAME COVERS INSTALLATION	D
1	5250812	8	Bolt M8 x 25	
3	1001245381	1	Cover (Rear)	
5	1001283427	1	Cover (Front)	
7	1001258188	2 ft	Tape, Foam	

SECTION 1 - FRAME

FIGURE 1-16. LADDER INSTALLATION (RT2669)



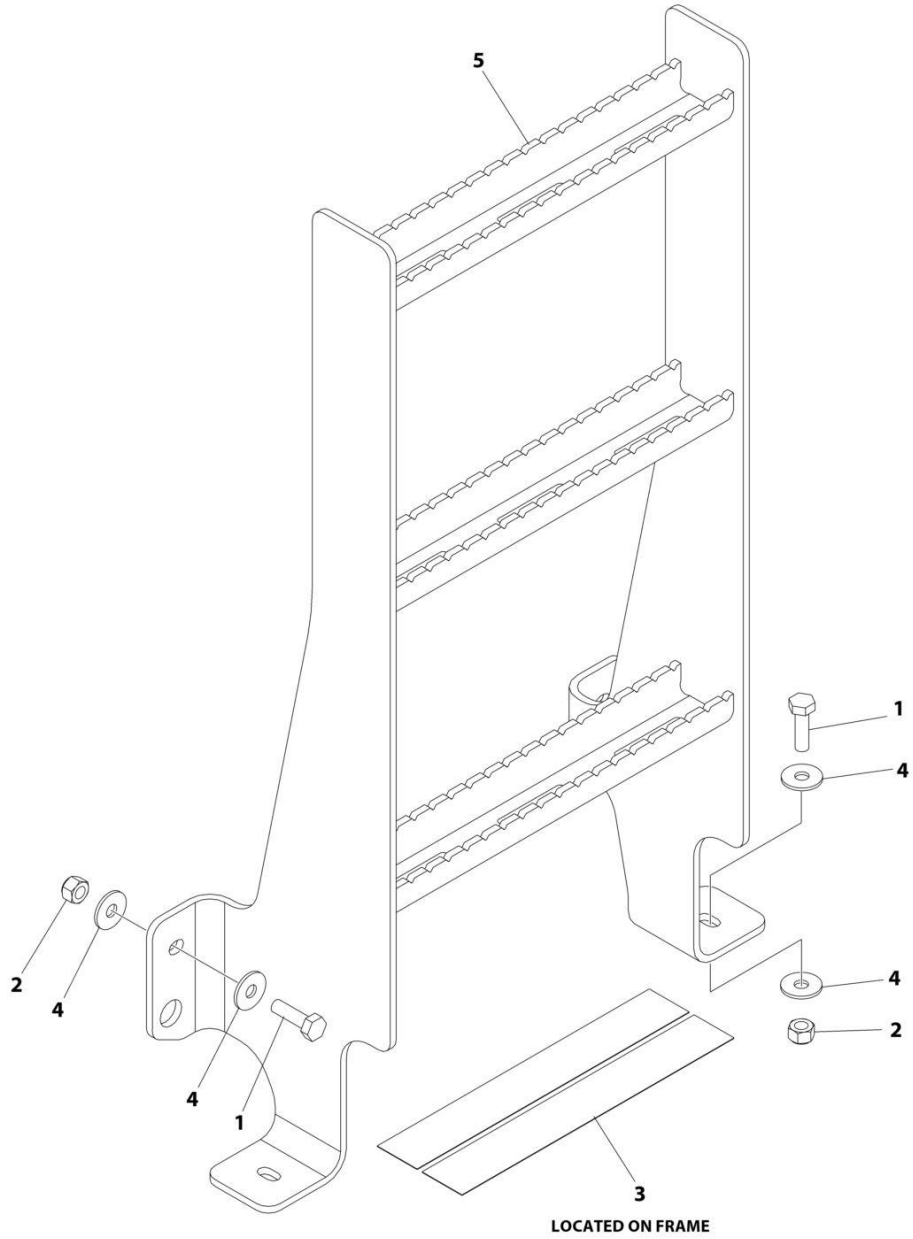
ART_1001246884

FIGURE 1-16. LADDER INSTALLATION (RT2669)

ITEM	PART NUMBER	QTY	DESCRIPTION	REV
	1001246884	Ref	LADDER INSTALLATION	B
1	0761015	4	Bolt M10 x 35	
2	3291005	4	Nut M10	
3	4420070	2	Tape, Anti-Skid	
4	4812002	8	Washer M10	
5	1001247352	1	Ladder	

SECTION 1 - FRAME

FIGURE 1-17. LADDER INSTALLATION (RT3369)



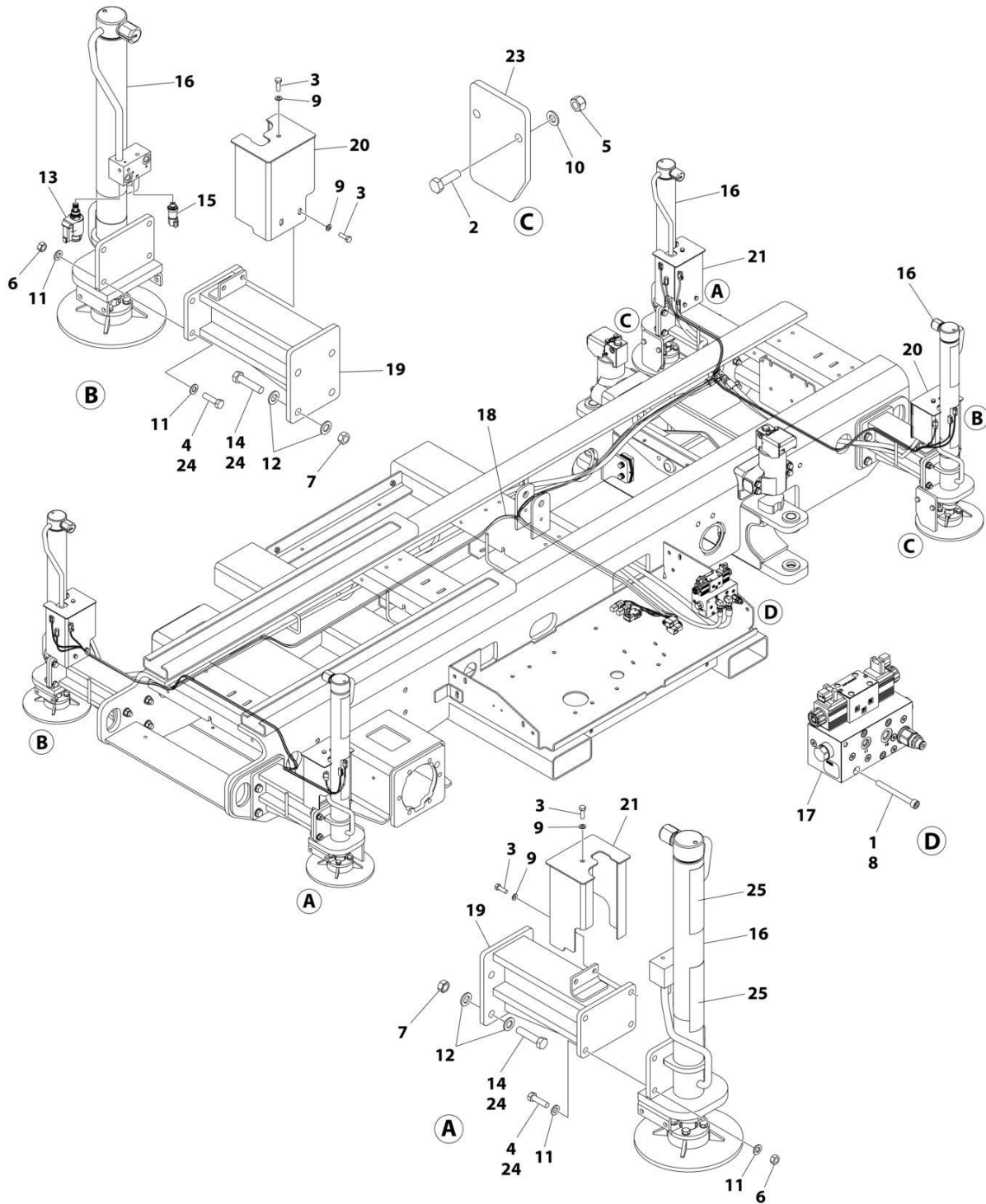
ART_1001247425

FIGURE 1-17. LADDER INSTALLATION (RT3369)

ITEM	PART NUMBER	QTY	DESCRIPTION	REV
	1001247425	Ref	LADDER INSTALLATION	B
1	0761015	4	Bolt M10 x 35	
2	3291005	4	Nut M10	
3	4420070	2	Tape, Anti-Skid	
4	4812002	8	Washer M10	
5	1001247353	1	Ladder	

SECTION 1 - FRAME

FIGURE 1-18. LEVELING JACKS INSTALLATION - PARTIAL COVERS



ART_1001246885

SECTION 1 - FRAME

FIGURE 1-18. LEVELING JACKS INSTALLATION - PARTIAL COVERS

ITEM	PART NUMBER	QTY	DESCRIPTION	REV
	1001246885	Ref	LEVELING JACKS INSTALLATION	D
1	0100011	AR	Compound, Locking	
2	0701015	8	Bolt M10 x 35	
3	0760812	12	Bolt M8 x 25	
4	0761217	16	Bolt M12 x 45	
5	3291005	8	Nut M10	
6	3331211	16	Nut M12	
7	3291601	16	Nut M16	
8	4031920	4	Capscrew M8 x 80	
9	4811900	12	Washer M8	
10	4812000	8	Washer M10	
11	4812100	32	Washer M12	
12	5241600	32	Washer M16	
13	1001103761	4	Cartridge, Valve	
13	7024497	1	Cartridge Less Coil	
13	7024502	1	Seal Kit	
13	70001965	1	Coil	
13	7024506	1	Nut, Coil	
14	0701622	16	Bolt M16 x 70	
15	1001227516	4	Sensor, Leveling Jacks Pressure	
16	1001243256	4	Cylinder Assembly - Leveling Jacks (See Separate Breakdown in CYLINDER Section)	
17	1001247380	1	Valve Assembly - Leveling Jacks (See Separate Breakdown in this Section)	
18	1001248863	1	Harness, Leveling Jack (See Separate Breakdown in ELECTRICAL Section)	
19	1001249407	4	Frame, Leveling Jack	
20	1001249914	2	Cover, Jack (Right)	
21	1001249915	2	Cover, Jack (Left)	
22	1001250342	1	Hydraulic Diagram - Leveling Jacks (Not Shown - See Separate Breakdown in HYDRAULIC Section)	
23	1001250353	4	Plate	
24	0100019	AR	Compound, Locking	
25	4420051	5 ft/144cm	Tape, Safety	
26	4240017	AR	Tie-Strap (Not Shown)	

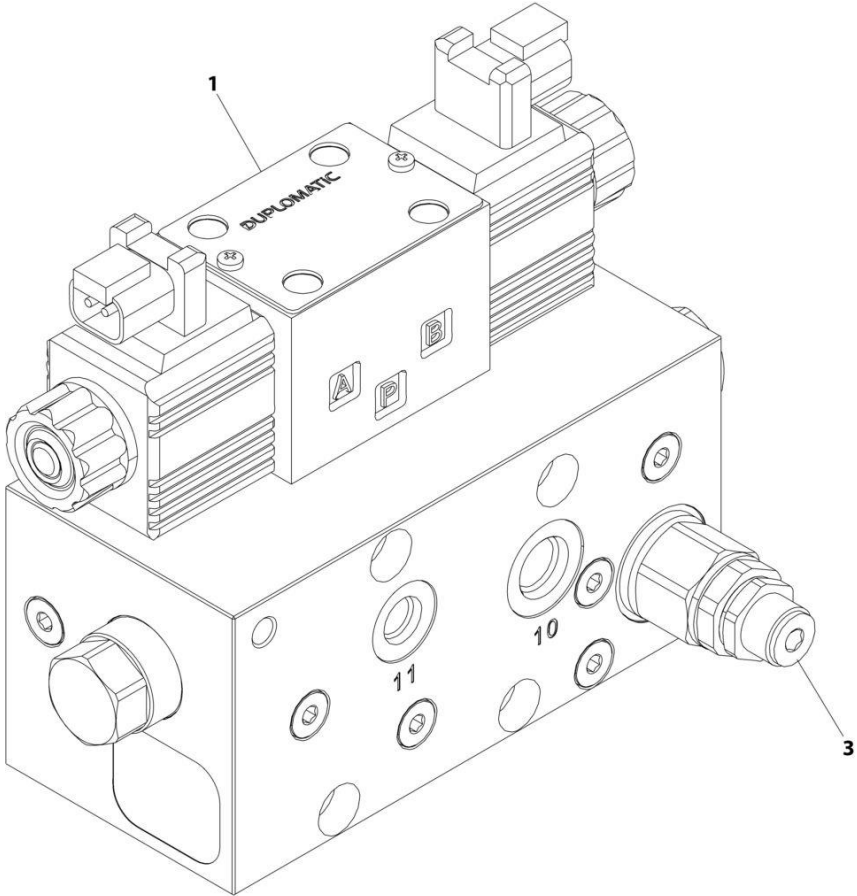
SECTION 1 - FRAME

FIGURE 1-19. LEVELING JACKS INSTALLATION - FULL COVERS

ITEM	PART NUMBER	QTY	DESCRIPTION	REV
	1001274495	Ref	LEVELING JACKS INSTALLATION	B
1	0100011	AR	Compound, Locking	
2	0100019	AR	Compound, Locking	
3	0701015	16	Bolt M10 x 35	
4	0701622	16	Bolt M16 x 70	
5	0760812	8	Bolt M8 x 25	
6	0761217	16	Bolt M12 x 45	
7	3291005	16	Nut M10	
8	3291601	16	Nut M16	
9	3331211	16	Nut M12	
10	4031920	4	Capscrew M8 x 80	
11	4240017	AR	Tie-Strap (Not Shown)	
12	4420051	4 ft/123cm	Tape, Safety	
13	4811902	8	Washer M8	
14	4812000	32	Washer M10	
15	4812100	32	Washer M12	
16	5241600	32	Washer M16	
17	1001103761	4	Cartridge, Valve	
17	7024497	1	Cartridge Less Coil	
17	7024502	1	Seal Kit	
17	70001965	1	Coil	
17	7024506	1	Nut, Coil	
18	1001227516	4	Sensor, Leveling Jacks Pressure	
19	1001243256	4	Cylinder Assembly - Leveling Jacks (See Separate Breakdown in CYLINDER Section)	
20	1001247380	1	Valve Assembly - Leveling Jacks (See Separate Breakdown in this Section)	
21	1001248863	1	Harness, Leveling Jack (See Separate Breakdown in ELECTRICAL Section)	
22	1001249407	4	Frame, Leveling Jack	
23	1001250342	1	Hydraulic Diagram - Leveling Jacks (Not Shown - See Separate Breakdown in HYDRAULIC Section)	
24	1001250353	4	Plate	
25	1001271360	4	Cover, Jack	

SECTION 1 - FRAME

FIGURE 1-20. LEVELING JACKS VAVLE ASSEMBLY



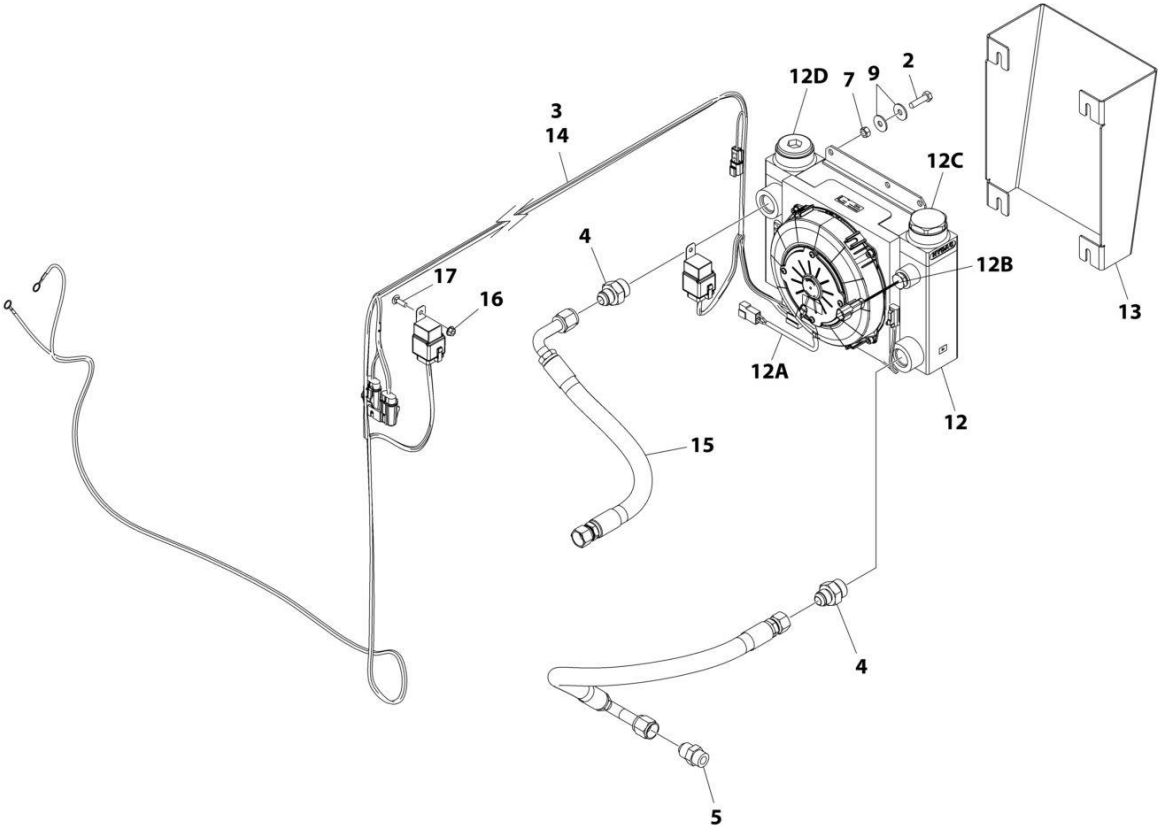
ART_1001247380

FIGURE 1-20. LEVELING JACKS VAVLE ASSEMBLY

ITEM	PART NUMBER	QTY	DESCRIPTION	REV
	1001247380	Ref	LEVELING JACK VALVE ASSEMBLY	D
1	70007760	1	Valve, Directional	
3	70007761	1	Cartridge, Relief Valve	
4	70007762	1	Cartridge, Shuttle Valve (Not Shown)	

SECTION 1 - FRAME

FIGURE 1-21. OIL COOLER INSTALLATION



ART_1001246101

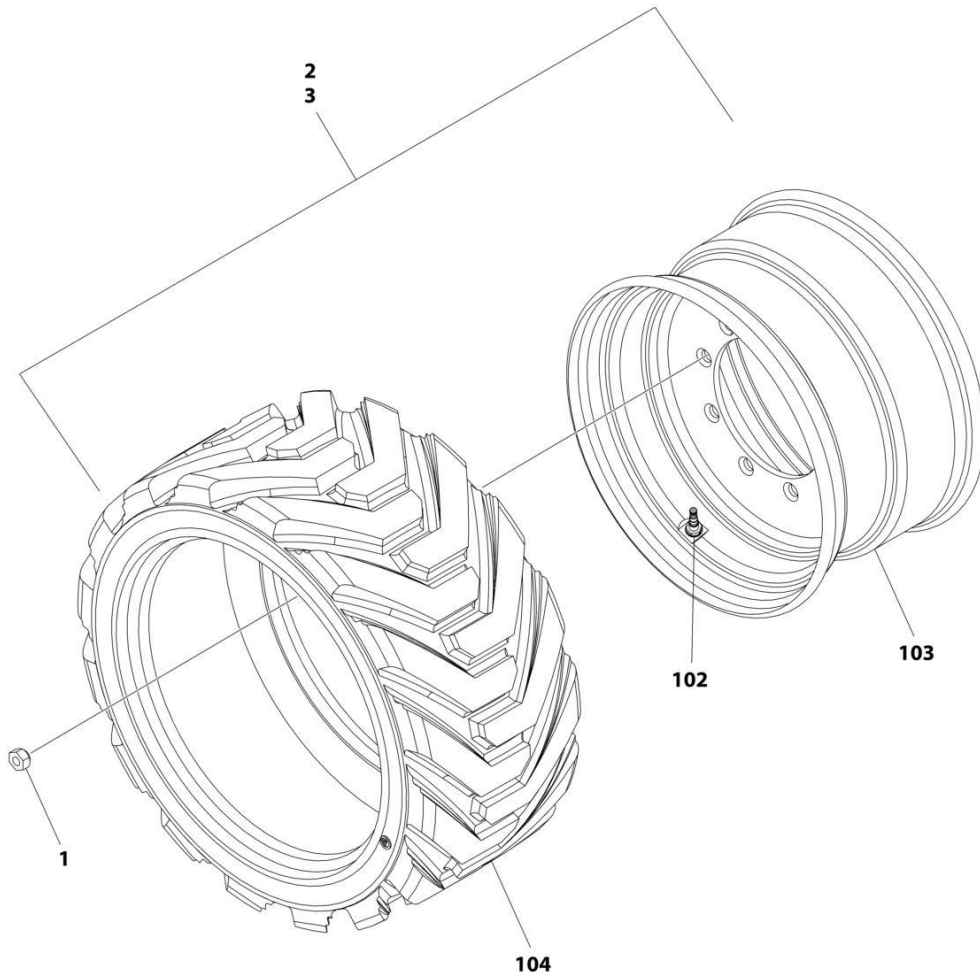
SECTION 1 - FRAME

FIGURE 1-21. OIL COOLER INSTALLATION

ITEM	PART NUMBER	QTY	DESCRIPTION	REV
	1001246101	Ref	OIL COOLER INSTALLATION	D
2	0760814	4	Bolt M8 x 30	
3	1062255	AR	Tie Strap (Not Shown)	
4	2220865	2	Fitting Straight JIC/ORB	
5	2220947	1	Fitting Straight JIC/ORB	
7	3290807	4	Nut, Lock M8	
9	4811902	8	Washer M8	
12	1001225804	1	Cooler Assembly	
12A	70006577	1	Fan/Motor Assembly	
12A	4460994	1	Plug, Male - 2 Position (Fan/Motor)	
12A	4460993	2	Terminal (Fan/Motor)	
12B	70006576	1	Thermostat	
12B	4460891	1	Plug, Male - 2 Position (Thermostat)	
12B	4460465	2	Socket, Female (Thermostat)	
12C	70006578	1	Valve, Bypass	
12D	70006579	1	Plug	
13	1001248160	1	Bracket	
14	1001249802	1	Oil Cooler Harness (See Separate Breakdown in ELECTRICAL Section)	
15	1001254861	1	Hose	
16	5260600	1	Nut M6	
17	1001100451	1	Bolt M6 x 20	

SECTION 1 - FRAME

FIGURE 1-22. TIRE AND WHEEL INSTALLATION - FOAM-FILLED



ART_1001244775

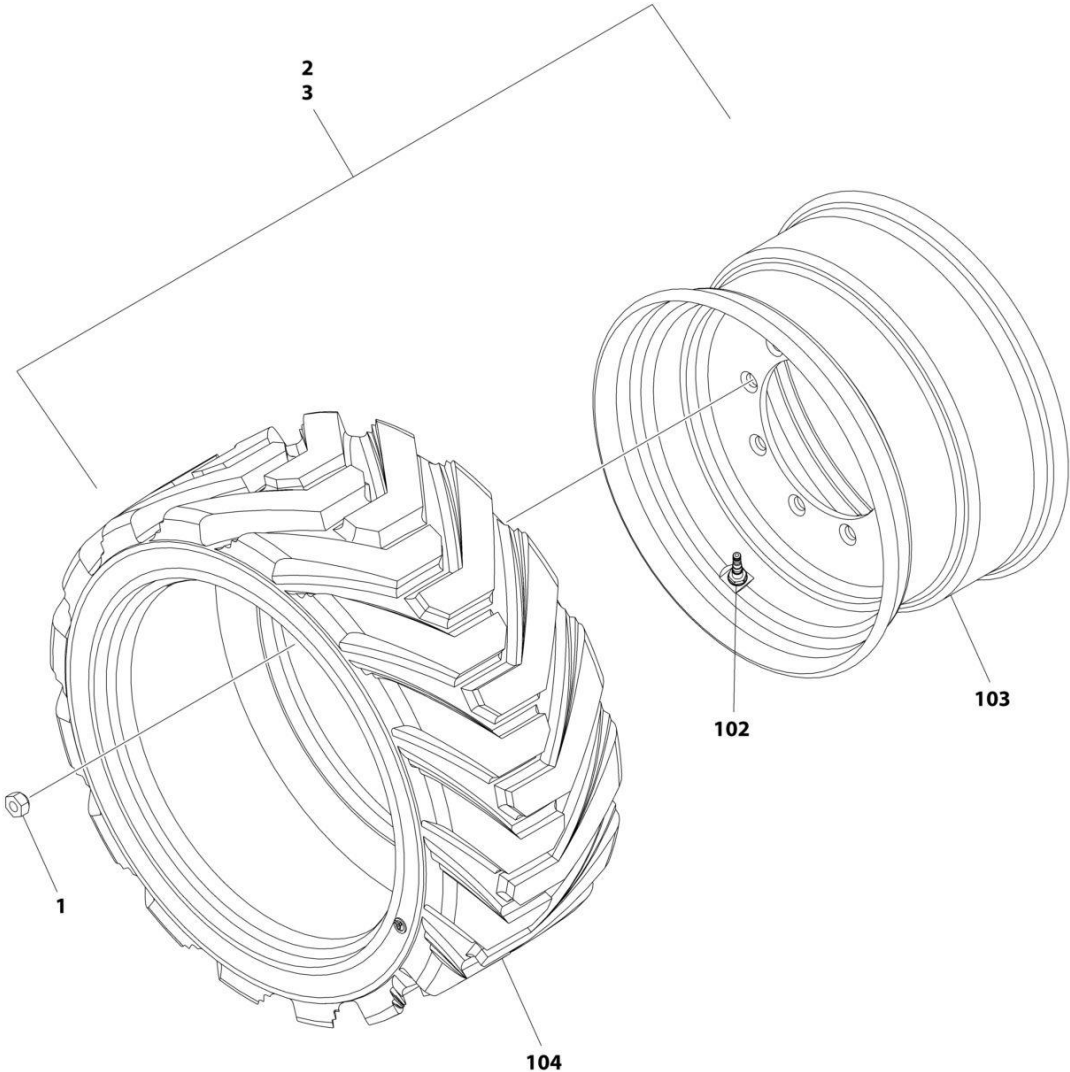
SECTION 1 - FRAME

FIGURE 1-22. TIRE AND WHEEL INSTALLATION - FOAM-FILLIED

ITEM	PART NUMBER	QTY	DESCRIPTION	REV
	1001244775	Ref Ref	TIRE AND WHEEL INSTALLATION - 26 X12D460 FOAM-FILLED Note: Assemblies may require ballast/foam filling to manufacturer's specification prior to installing on a machine. Refer to Operation and Safety or Service and Maintenance Manuals. Purchase individual tire and/or rim only if able to foam fill tire and wheel assembly, otherwise, purchase complete assembly.	A
1	3300106	36	Nut, Wheel	
2	1001249341	2	Tire and Wheel Assembly - Left Side	A
3	1001249342	2	Tire and Wheel Assembly - Right Side	A
102	4641122	1	Valve, Air	
103	1001249352	1	Rim, Wheel - 18 x 10	
104	1001249353	1	Tire, 26 x 12D460, Lug Tire	

SECTION 1 - FRAME

FIGURE 1-23. TIRE AND WHEEL INSTALLATION - FOAM-FILLIED NON-MARKING



ART_1001249340

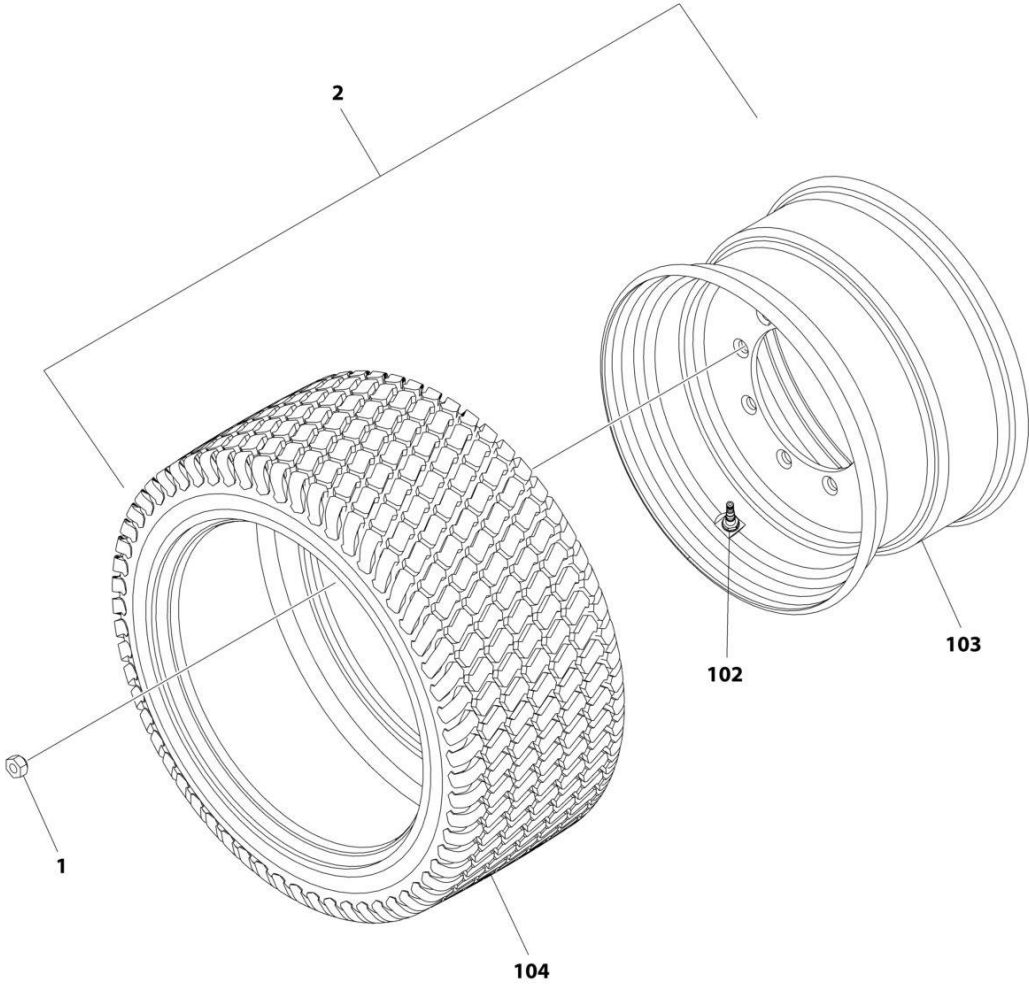
SECTION 1 - FRAME

FIGURE 1-23. TIRE AND WHEEL INSTALLATION - FOAM-FILLIED NON-MARKING

ITEM	PART NUMBER	QTY	DESCRIPTION	REV
	1001249340	Ref	TIRE AND WHEEL INSTALLATION - 26 X 12D460 FOAM-FILLED NON-MARKING	A
		Ref	Note: Assemblies may require ballast/foam filling to manufacturer's specification prior to installing on a machine. Refer to Operation and Safety or Service and Maintenance Manuals. Purchase individual tire and/or rim only if able to foam fill tire and wheel assembly, otherwise, purchase complete assembly.	
1	3300106	36	Nut, Wheel	
2	1001249343	2	Tire and Wheel Assembly - Left Side	A
3	1001249344	2	Tire and Wheel Assembly - Right Side	A
102	4641122	1	Valve, Air	
103	1001249352	1	Rim, Wheel - 18 x 10	
104	1001249354	1	Tire, 26 x 12D460, Lug Tire Non-Marking	

SECTION 1 - FRAME

FIGURE 1-24. TIRE AND WHEEL INSTALLATION - FOAM-FILLED TURF NON-MARKING



ART_1001259386

SECTION 1 - FRAME

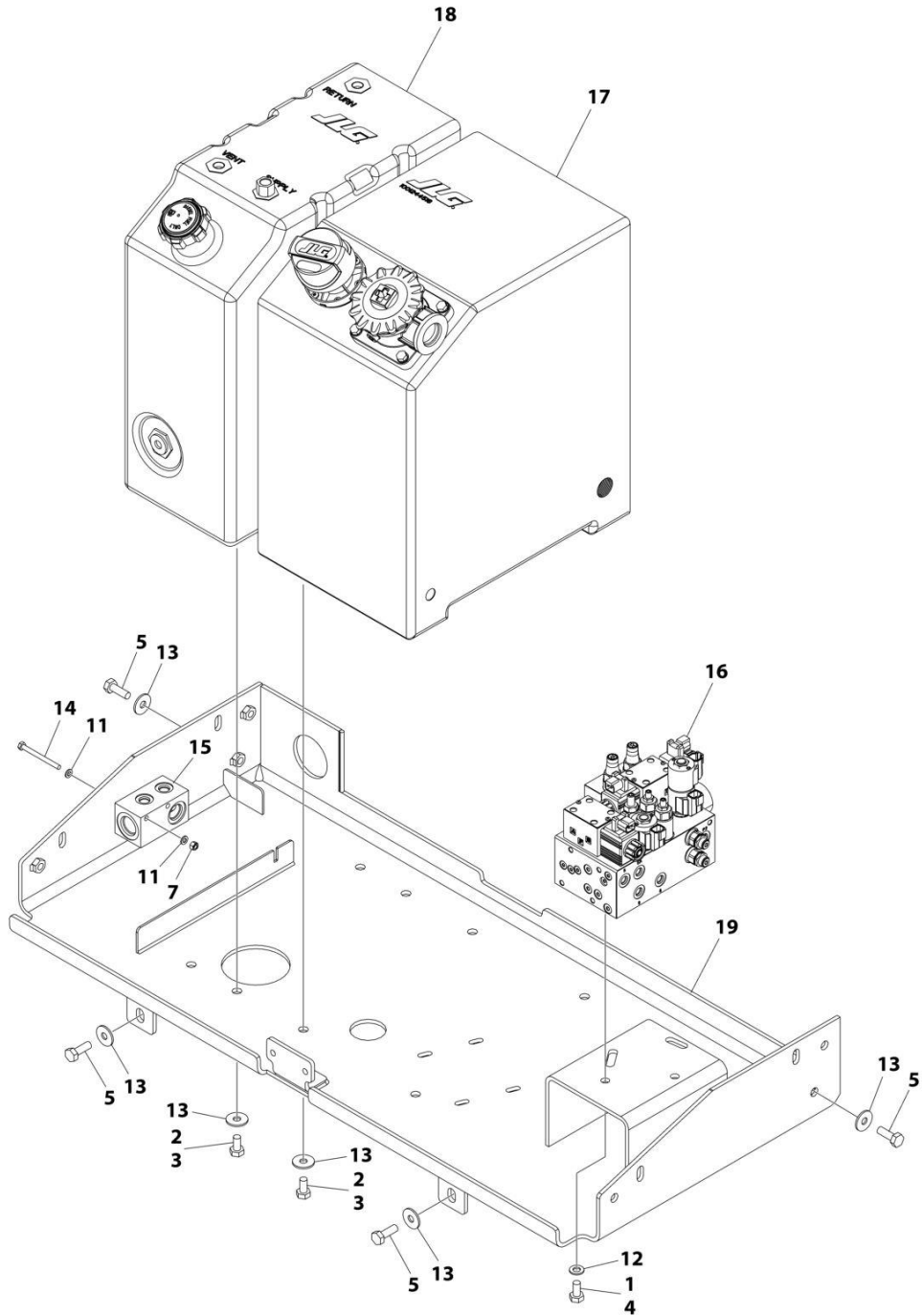
FIGURE 1-24. TIRE AND WHEEL INSTALLATION - FOAM-FILLIED TURF NON-MARKING

ITEM	PART NUMBER	QTY	DESCRIPTION	REV
	1001259386	Ref	TIRE AND WHEEL INSTALLATION - 26 X 12D460 FOAM-FILLED TURF	A
		Ref	Note: Assemblies may require ballast/foam filling to manufacturer's specification prior to installing on a machine. Refer to Operation and Safety or Service and Maintenance Manuals. Purchase individual tire and/or rim only if able to foam fill tire and wheel assembly, otherwise, purchase complete assembly.	
1	3300106	36	Nut, Wheel	
2	1001258287	4	Tire and Wheel Assembly	A
102	4641122	1	Valve, Air	
103	1001249352	1	Rim, Wheel - 18 x 10	
104	1001259202	1	Tire, 26 x 12D460 Turf	

SECTION 2 - GROUND CONTROLS

SECTION 2 - GROUND CONTROLS

FIGURE 2-1. HYDRAULIC COMPONENTS INSTALLATION - DIESEL



ART_1001246090

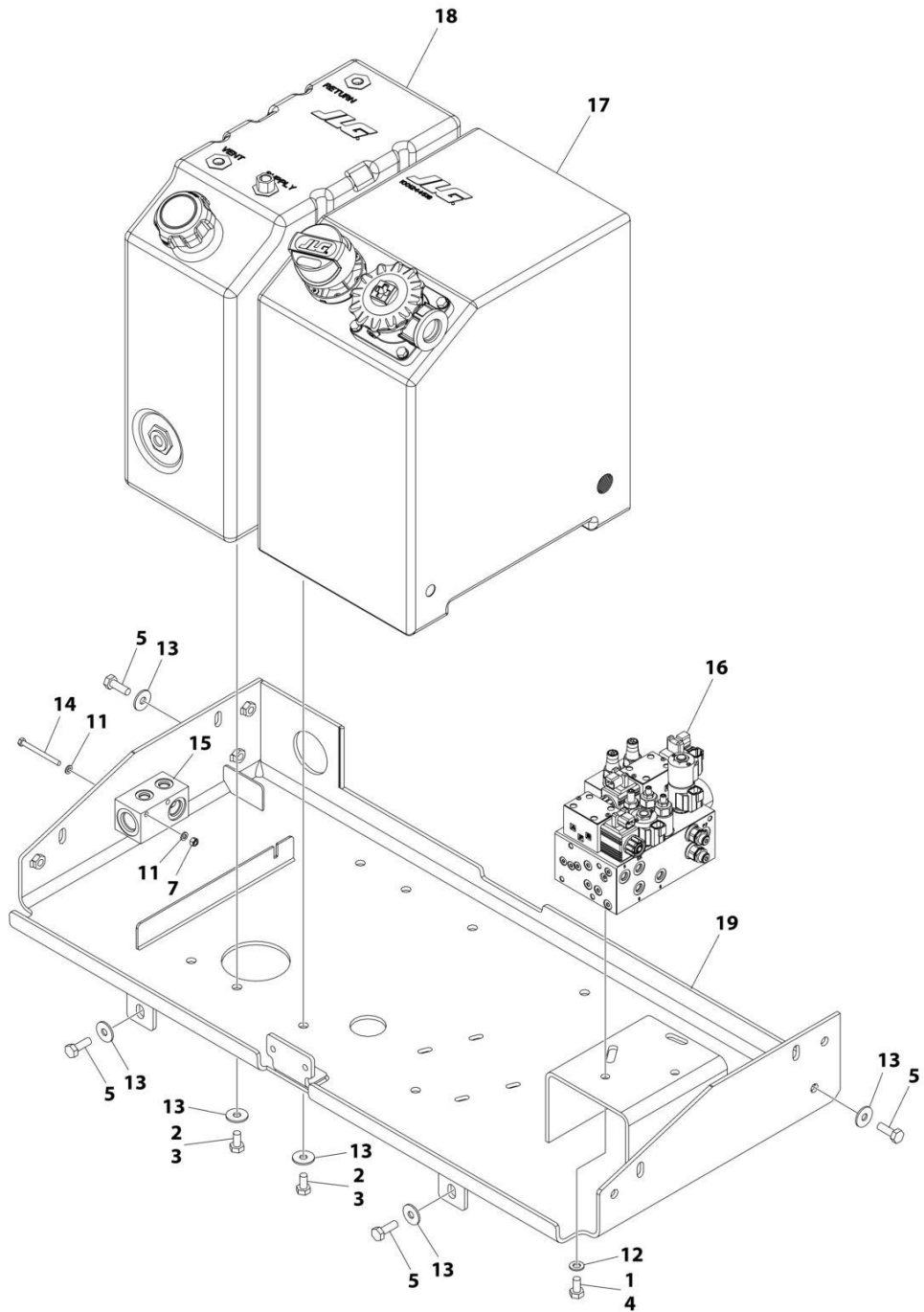
SECTION 2 - GROUND CONTROLS

FIGURE 2-1. HYDRAULIC COMPONENTS INSTALLATION - DIESEL

ITEM	PART NUMBER	QTY	DESCRIPTION	REV
	1001246090	Ref	HYDRAULIC COMPONENTS INSTALLATION	D
1	0100011	AR	Compound, Locking	
2	0100035	AR	Compound, Locking	
3	0761010	8	Bolt M10 x 20	
4	0771010	4	Bolt M10 x 20	
5	0771014	4	Bolt M10 x 30	
7	3290605	2	Nut M6	
11	4811700	4	Washer M6	
12	4812000	4	Washer M10	
13	4812002	12	Washer M10	
14	1001096653	2	Bolt M6 x 70	
15	1001183406	1	Valve, Manifold	
16	1001270103	1	Valve Assembly - Main Control (See Separate Breakdown in this Section)	
17	1001246555	1	Tank Assembly - Hydraulic (See Separate Breakdown in this Section)	
18	1001246856	1	Tank Assembly - Fuel	
18	1001193336	1	Cap, Fuel	
19	1001247630	1	Tray	

SECTION 2 - GROUND CONTROLS

FIGURE 2-2. HYDRAULIC COMPONENTS INSTALLATION - DUAL FUEL



ART_1001248349

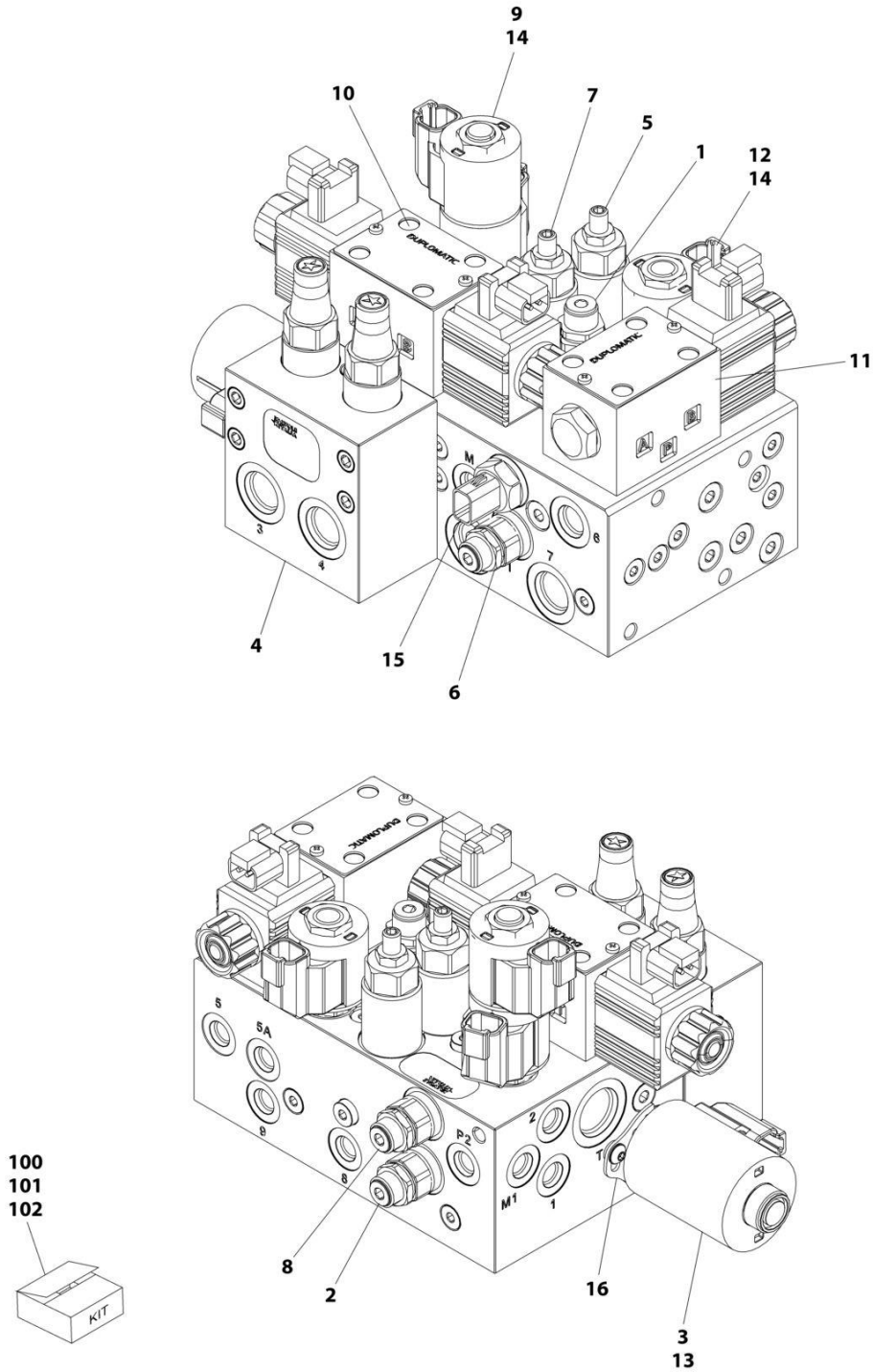
SECTION 2 - GROUND CONTROLS

FIGURE 2-2. HYDRAULIC COMPONENTS INSTALLATION - DUAL FUEL

ITEM	PART NUMBER	QTY	DESCRIPTION	REV
	1001248349	Ref	HYDRAULIC COMPONENTS INSTALLATION - DUAL FUEL	D
1	0100011	AR	Compound, Locking	
2	0100035	AR	Compound, Locking	
3	0761010	8	Bolt M10 x 20	
4	0771010	4	Bolt M10 x 20	
5	0771014	4	Bolt M10 x 30	
7	3290605	2	Nut M6	
11	4811700	4	Washer M6	
12	4812000	4	Washer M10	
13	4812002	12	Washer M10	
14	1001096653	2	Bolt M6 x 70	
15	1001183406	1	Valve, Manifold	
16	1001270103	1	Valve Assembly - Main Control (See Separate Breakdown in this Section)	
17	1001246555	1	Tank Assembly - Hydraulic (See Separate Breakdown in this Section)	
18	1001247021	1	Tank Assembly - Fuel	
18	1001207109	1	Cap, Fuel Tank	
19	1001247630	1	Tray	

SECTION 2 - GROUND CONTROLS

FIGURE 2-3. VALVE ASSEMBLY - MAIN CONTROL



ART_1001270103

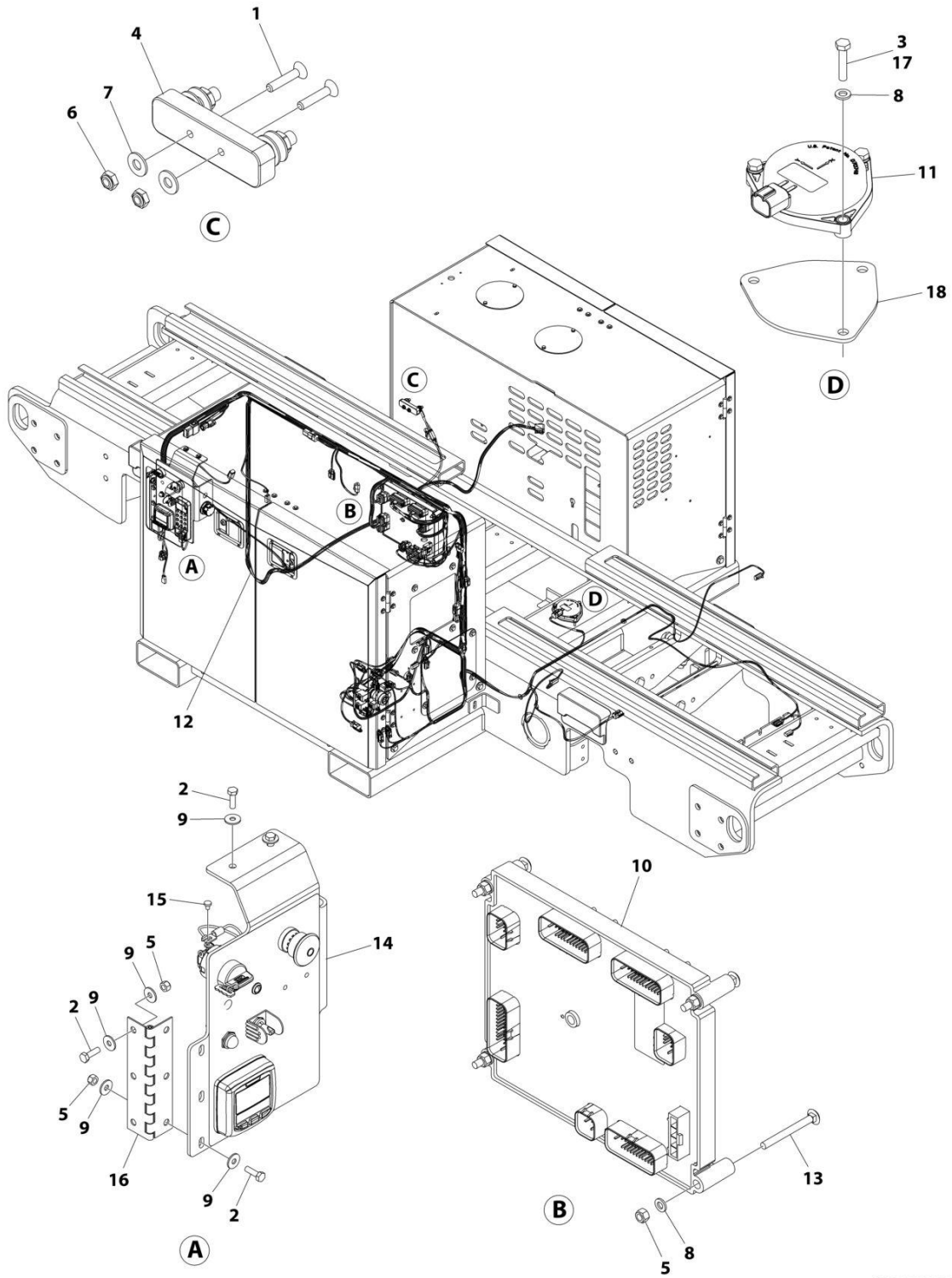
SECTION 2 - GROUND CONTROLS

FIGURE 2-3. VALVE ASSEMBLY - MAIN CONTROL

ITEM	PART NUMBER	QTY	DESCRIPTION	REV
	1001270103	Ref	VALVE ASSEMBLY - MAIN CONTROL	B
1	70007763	1	Cartridge, Relief Valve (Main)	
2	70007764	1	Cartridge, Relief Valve (Steer)	
3	70006786	1	Cartridge, Valve (Flow Control) (Use Seal Kit 7012925)	
4	70007765	1	Valve Assembly (Drive)	
5	70007766	1	Cartridge, Pressure Reducing Valve (Brake)	
6	70007767	1	Cartridge, Relief Valve (Lift)	
7	70007768	1	Cartridge, Valve Relief (Axle Charge)	
8	70007769	1	Cartridge, Relief Valve (Steer)	
9	70007772	1	Valve, Directional (Steer) (Use Seal Kit 7017402)	
10	70007770	1	Valve Assembly	
11	70007771	1	Valve Assembly	
12	7012941	1	Valve, Directional (Use Seal Kit 7010543)	
13	70003789	1	Coil	
14	70002386	2	Coil	
15	1001128478	1	Sensor, Temperature	
16	70007773	1	Lockdown Kit	
100	7012925	1	Seal Kit (Use with Items 3 Valve)	
101	7017402	1	Seal Kit (Use with Item 9 Valve)	
102	7010543	1	Seal Kit (Use with Item 12 Valve)	

SECTION 2 - GROUND CONTROLS

FIGURE 2-4. ELECTRICAL COMPONENTS INSTALLATION



ART_1001247074

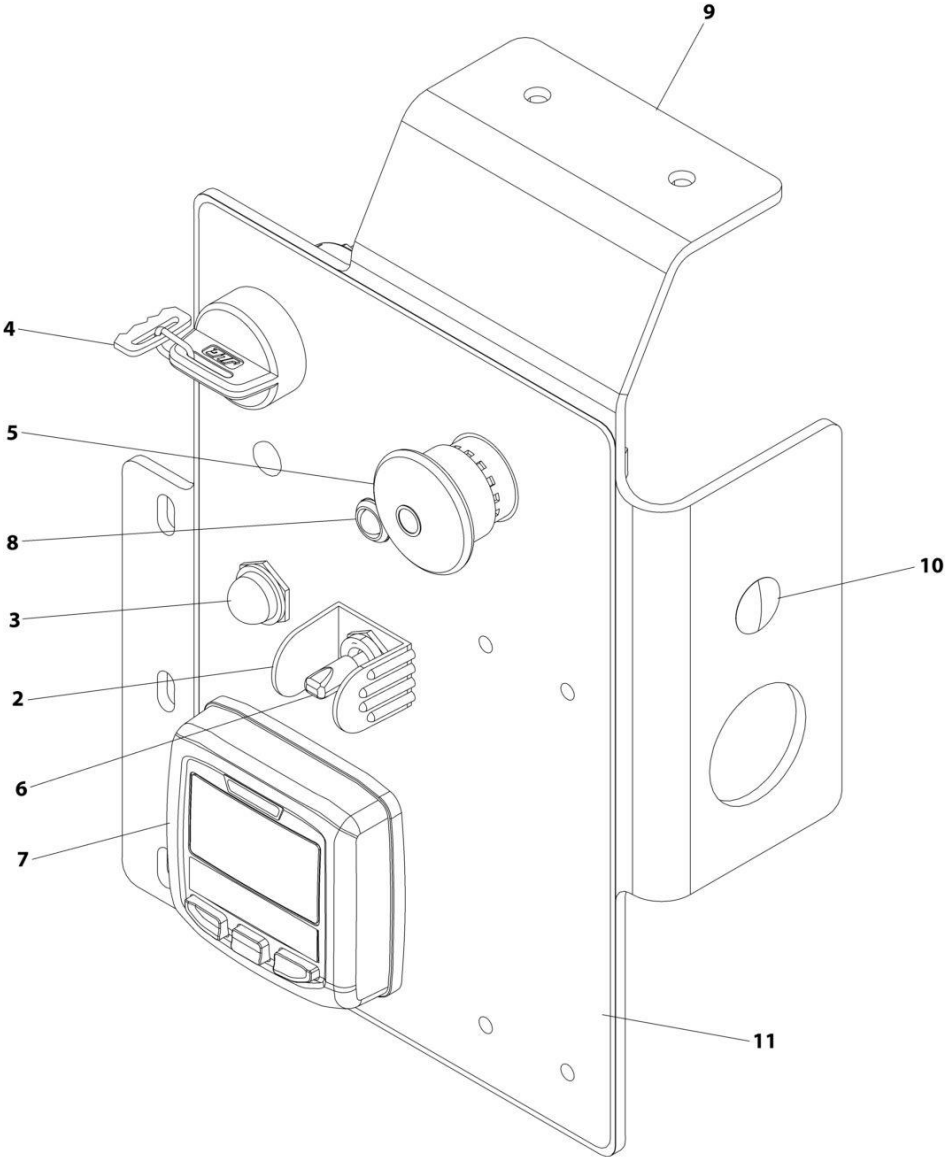
SECTION 2 - GROUND CONTROLS

FIGURE 2-4. ELECTRICAL COMPONENTS INSTALLATION

ITEM	PART NUMBER	QTY	DESCRIPTION	REV
	1001247074	Ref	ELECTRICAL COMPONENTS INSTALLATION	E
1	0741008	2	Capscrew 10 x 1	
2	0760610	8	Bolt M6 x 20	
3	0760614	3	Bolt M6 x 30	
3	4010615	3	Bolt M6 x 35	
4	2400044	1	Fuse, Mounting Block	
5	3290605	10	Nut M6	
6	3300408	2	Nut	
7	4751300	2	Washer 3/16	
8	4811700	7	Washer M6	
9	4811702	14	Washer M6	
10	1001244929	1	Module, Ground Control (Note: Re-calibration Required when Replaced)	
11	1001244934	1	Sensor, Tilt	
12	1001247472	1	Chassis Harness (See Separate Breakdown in ELECTRICAL Section)	
13	1001248039	4	Bolt M6 x 60	
14	1001251231	1	Ground Control Assembly (See Separate Breakdown in this Section)	
15	4010403	3	Screw M4 x 6	
16	1001110188	1	Hinge	
17	0100011	AR	Compound, Locking	
18	1001272777	1	Gasket	

SECTION 2 - GROUND CONTROLS

FIGURE 2-5. GROUND CONTROL ASSEMBLY



ART_1001251231

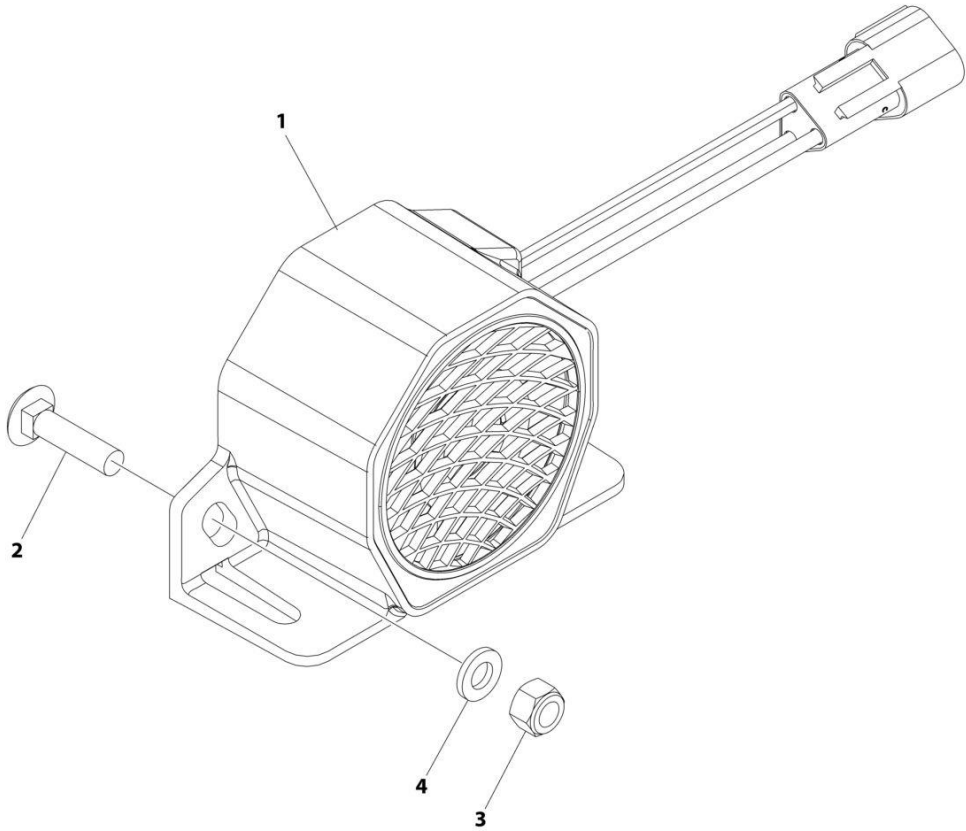
SECTION 2 - GROUND CONTROLS

FIGURE 2-5. GROUND CONTROL ASSEMBLY

ITEM	PART NUMBER	QTY	DESCRIPTION	REV
	1001251231	Ref	GROUND CONTROL ASSEMBLY	E
2	4060802	1	Guard, Switch	
3	4360387	1	Switch, Push Button	
4	4360469	1	Switch, Key	
4	2860030	1Set	Key, Replacement	
5	1001274559	1	Switch, Emergency Stop (Plastic)	
5	4360475	1	Switch, Emergency Stop (Metal)	
5	7020175	1	Cap	
5	7020176	1	Block, Contact	
6	4360524	1	Switch, Toggle	
7	1001171482	1	Gauge, Display	
8	1001182680	1	Light, LED	
9	1001257884	1	Bracket	
10	3520026	1	Plug	
11	1001258921	1	Decal - Ground Control	

SECTION 2 - GROUND CONTROLS

FIGURE 2-6. ALARM INSTALLATION (HORN)



ART_1001250678

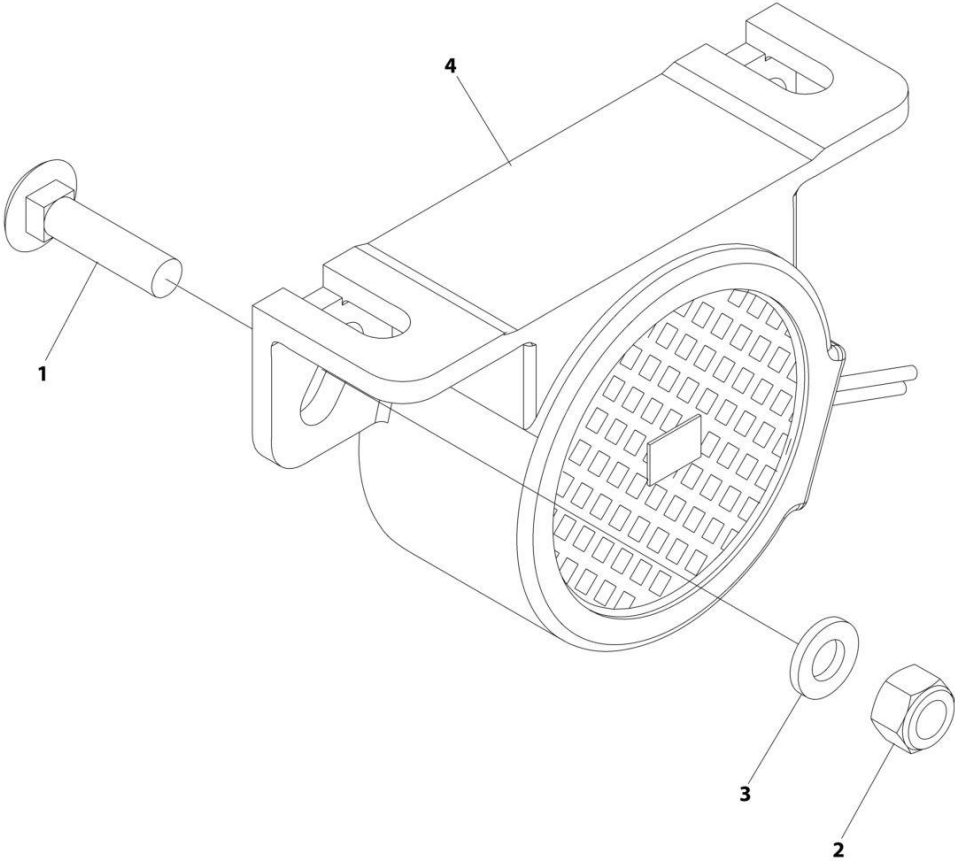
SECTION 2 - GROUND CONTROLS

FIGURE 2-6. ALARM INSTALLATION (HORN)

ITEM	PART NUMBER	QTY	DESCRIPTION	REV
	1001250678	Ref	ALARM INSTALLATION	C
1	0140043	1	Alarm	
2	0630587	2	Bolt M6 x 25	
3	3290605	2	Nut M6	
4	4811700	2	Washer M6	

SECTION 2 - GROUND CONTROLS

FIGURE 2-7. ALARM INSTALLATION (WHITE NOISE)



ART_1001249309

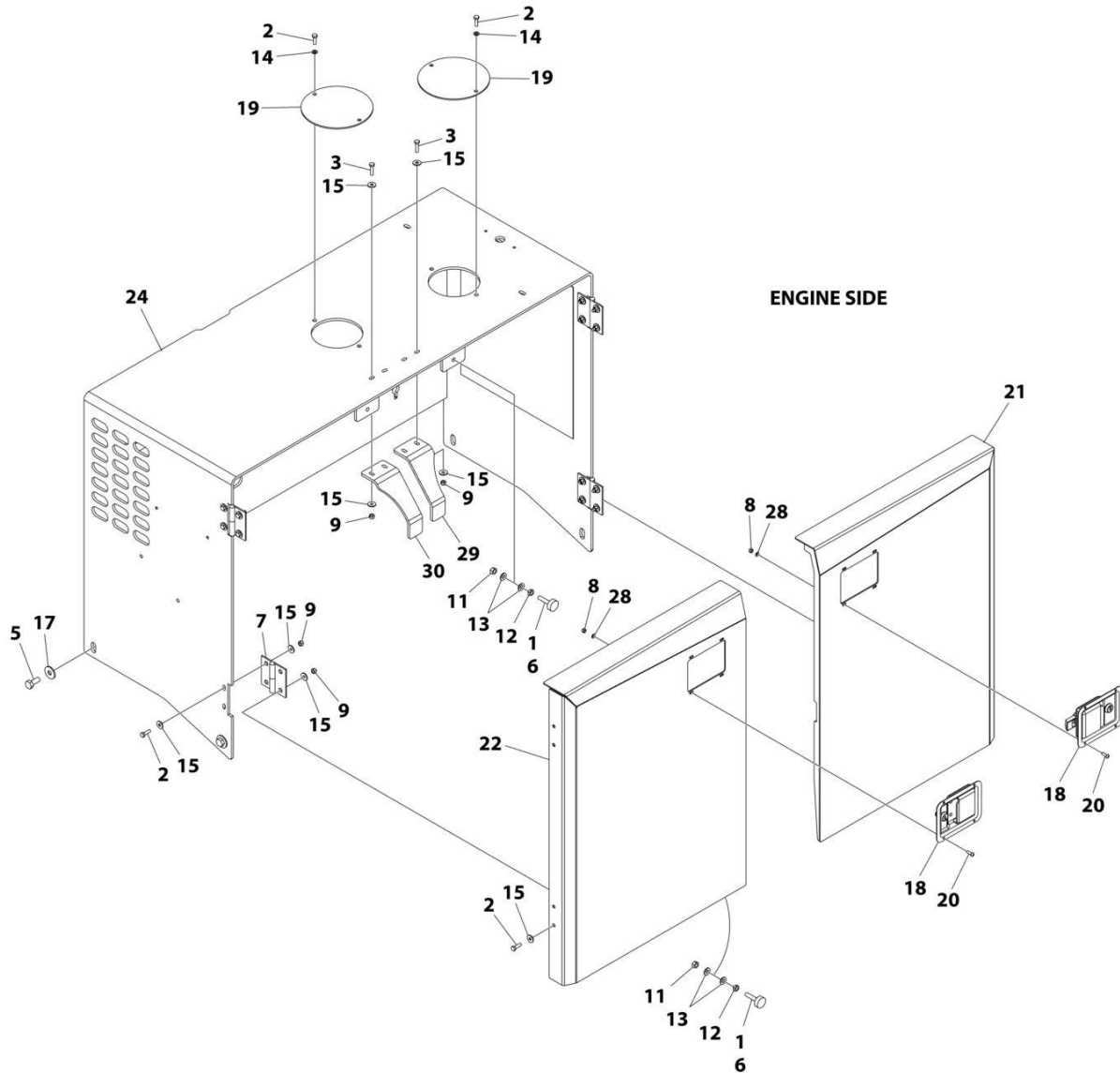
SECTION 2 - GROUND CONTROLS

FIGURE 2-7. ALARM INSTALLATION (WHITE NOISE)

ITEM	PART NUMBER	QTY	DESCRIPTION	REV
	1001249309	Ref	ALARM INSTALLATION	C
1	0630587	2	Bolt M6 x 25	
2	3290605	2	Nut M6	
3	4811700	2	Washer M6	
4	1001184682	1	Alarm	
4	4460897	1	Receptacle, Female - 2 Position	
4	4460464	2	Pin, Male	

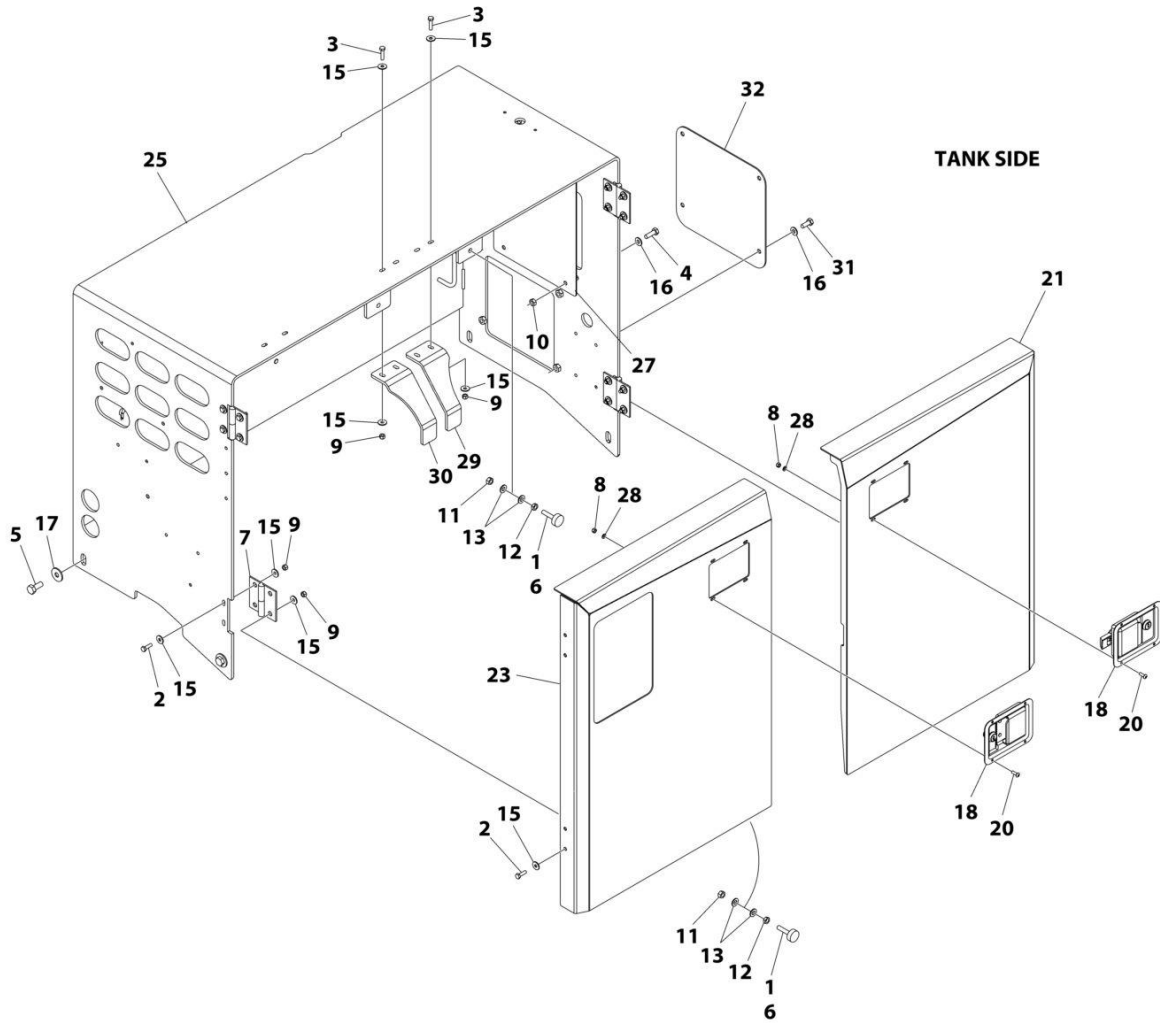
SECTION 2 - GROUND CONTROLS

FIGURE 2-8. HOODS INSTALLATION



ART_1001246883_1OF2

SECTION 2 - GROUND CONTROLS



ART_1001246883_2OF2

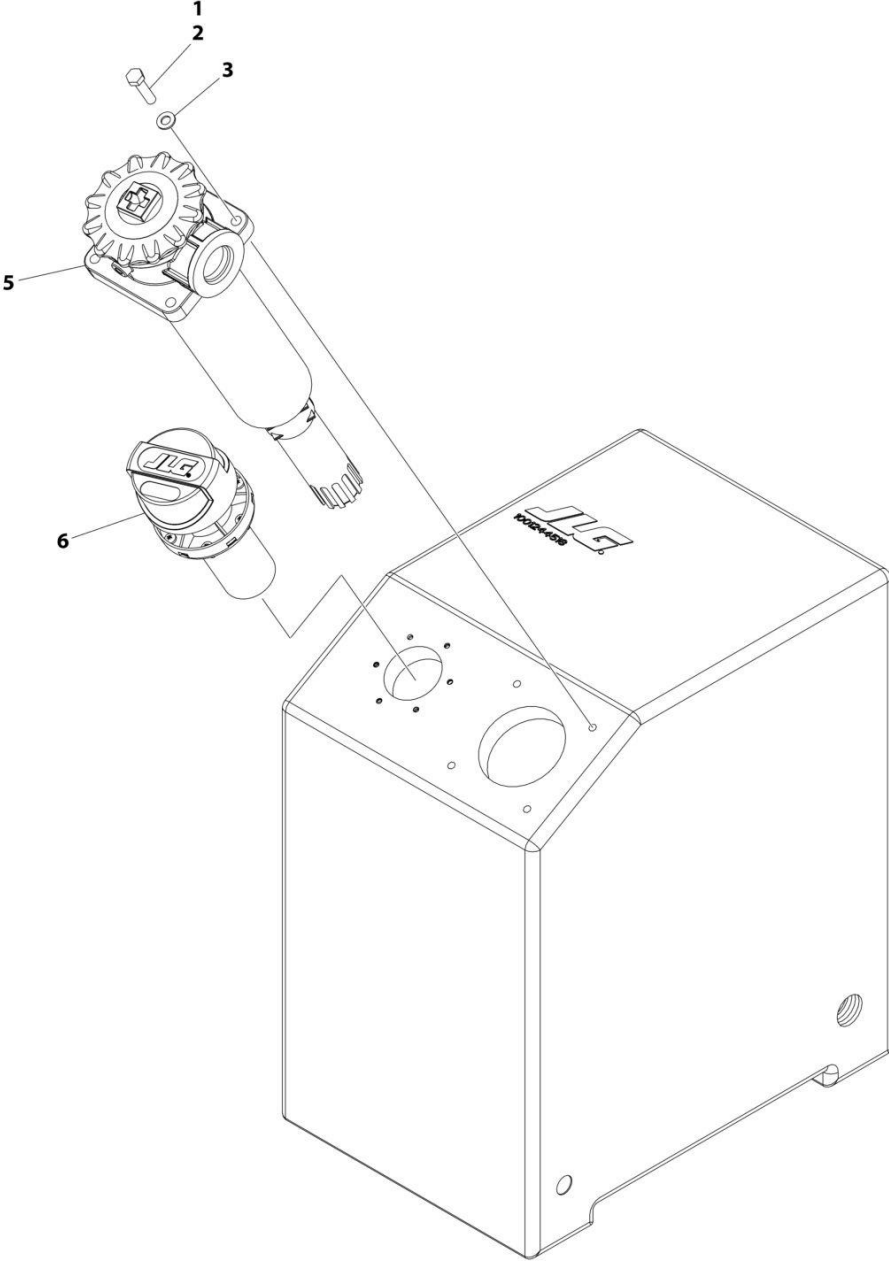
SECTION 2 - GROUND CONTROLS

FIGURE 2-8. HOODS INSTALLATION

ITEM	PART NUMBER	QTY	DESCRIPTION	REV
	1001246883	Ref	HOODS INSTALLATION	E
1	0100011	AR	Compound, Locking	
2	0760610	36	Bolt M6 x 20	
3	0760612	8	Bolt M6 x 25	
4	0770812	4	Bolt M8 x 25	
5	0761012	8	Bolt M10 x 25	
6	1001260334	8	Bumper	
7	2600216	8	Hinge	
8	3290505	16	Nut M5	
9	3290605	40	Nut M6	
10	3290801	4	Nut M8	
11	3311501	8	Nut 5/16	
12	3311502	8	Nut 5/16	
13	4711500	16	Washer 5/16	
14	4811700	4	Washer M6	
15	4811702	80	Washer M6	
16	4811902	12	Washer M8	
17	4812002	8	Washer M10	
18	1001257454	4	Latch, Lock	
19	1001226221	2	Plate, Filter Access	
20	1001234348	16	Screw M5 x 16 Grade 10.9	
21	1001247637	2	Door (Hydraulic Side RH/Engine Side RH)	
22	1001247638	1	Door (Engine Side LH)	
23	1001247639	1	Door (Hydraulic Side LH)	
24	1001247887	1	Shield (Engine Side)	
25	1001248043	1	Shield (Hydraulic Side)	
27	1001248162	1	Cover	
28	4811600	16	Washer M5	
29	1001257688	2	Bracket, Striker	
30	1001257689	2	Bracket, Striker	
31	0760810	4	Bolt M8 x 20	
32	1001263930	1	Cover	

SECTION 2 - GROUND CONTROLS

FIGURE 2-9. HYDRAULIC TANK ASSEMBLY



ART_1001246555

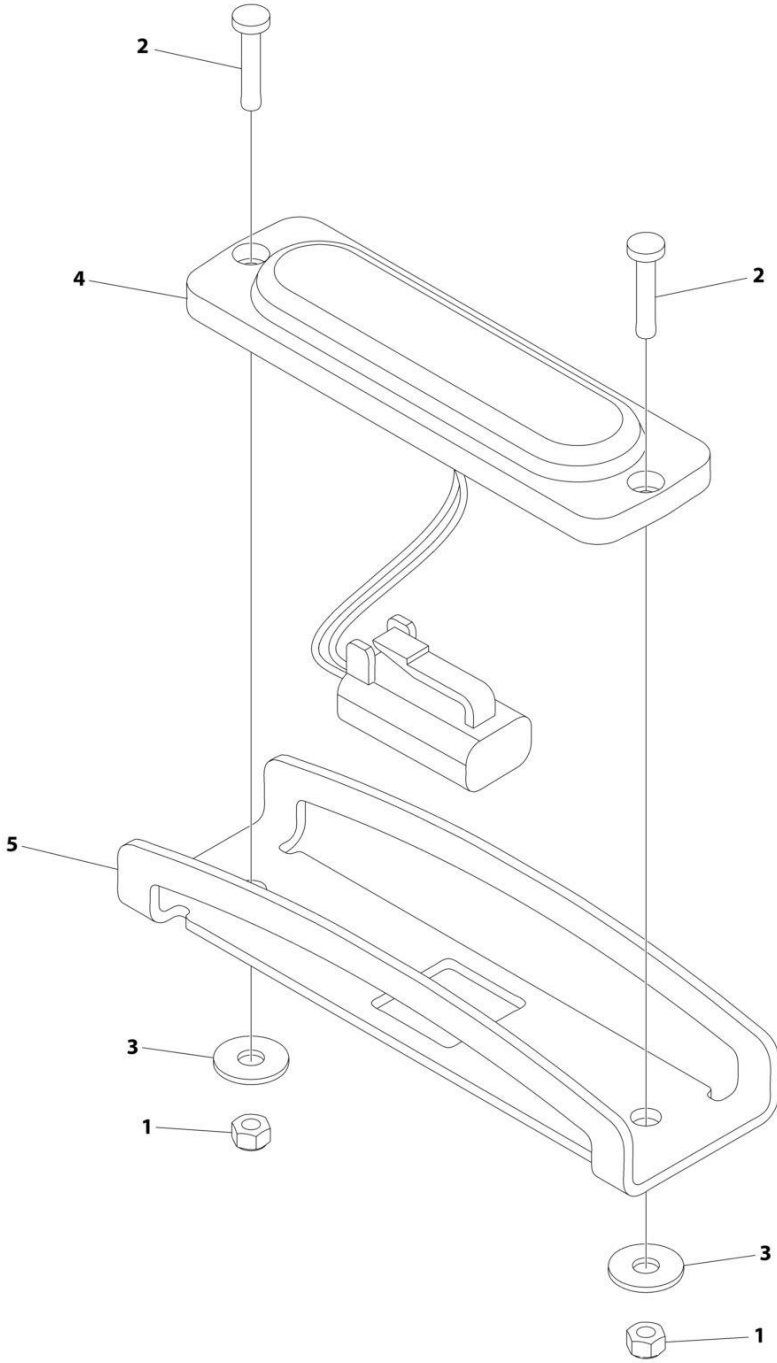
SECTION 2 - GROUND CONTROLS

FIGURE 2-9. HYDRAULIC TANK ASSEMBLY

ITEM	PART NUMBER	QTY	DESCRIPTION	REV
	1001246555	Ref	TANK ASSEMBLY	D
1	0100035	AR	Compound, Locking	
2	0760815	4	Bolt M8 x 35	
3	4811900	4	Washer M8	
5	1001246553	1	Filter, Hydraulic Tank	
5	70007035	1	Element, Filter	
6	1001248371	1	Filter, Filler/Breather	

SECTION 2 - GROUND CONTROLS

FIGURE 2-10. STROBE LIGHT INSTALLATION - SINGLE



ART_1001249306

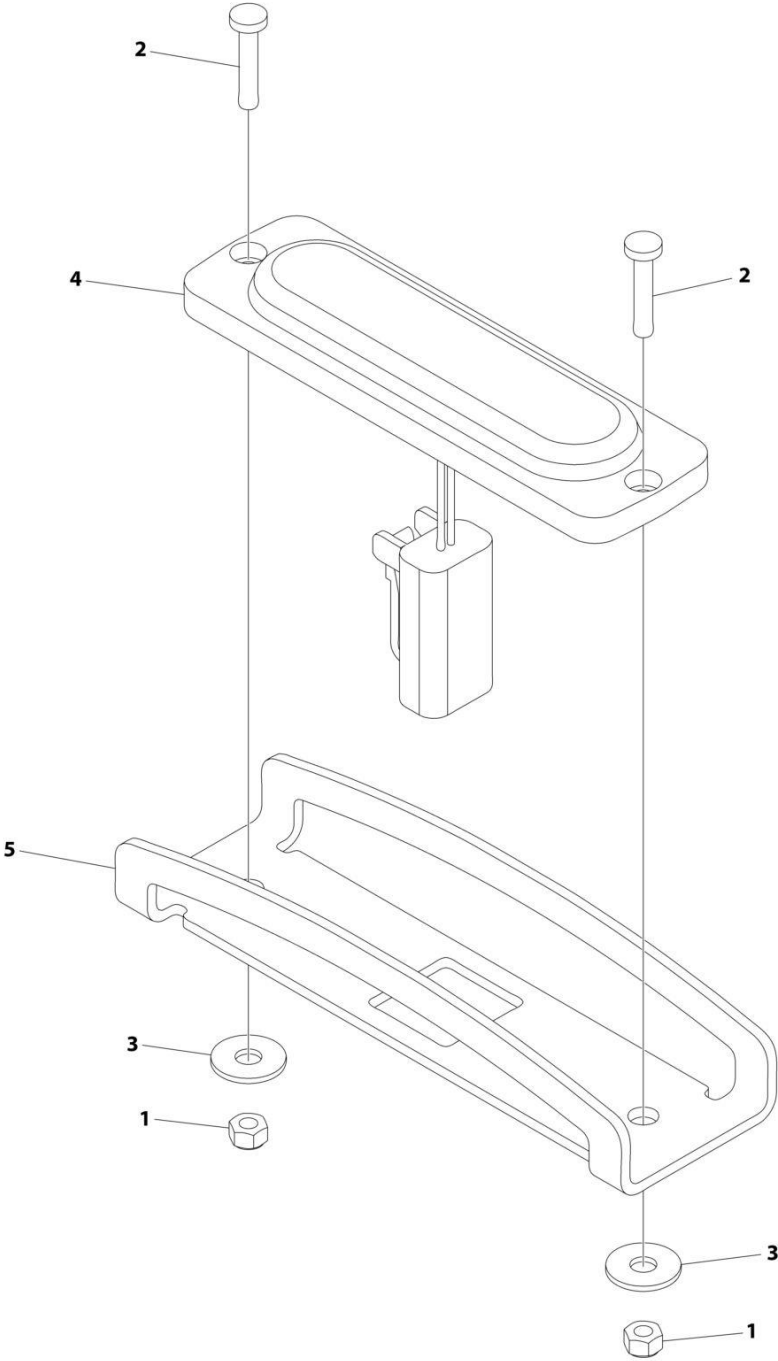
SECTION 2 - GROUND CONTROLS

FIGURE 2-10. STROBE LIGHT INSTALLATION - SINGLE

ITEM	PART NUMBER	QTY	DESCRIPTION	REV
	1001249306	Ref	STROBE LIGHT INSTALLATION - SINGLE	B
1	3290305	4	Nut M3	
2	4010308	4	Screw M3 x16	
3	1001091102	6	Washer M4	
4	1001239224	1	Lamp, Beacon	
4	4460891	1	Plug, Male - 2 Position	
4	4460465	2	Socket, Female	
5	1001242539	1	Guard	
6	1001263345	1	Cover, Hood (Not Shown - Located on Opposite Hood)	

SECTION 2 - GROUND CONTROLS

FIGURE 2-11. STROBE LIGHT INSTALLATION - DUAL



ART_1001249307

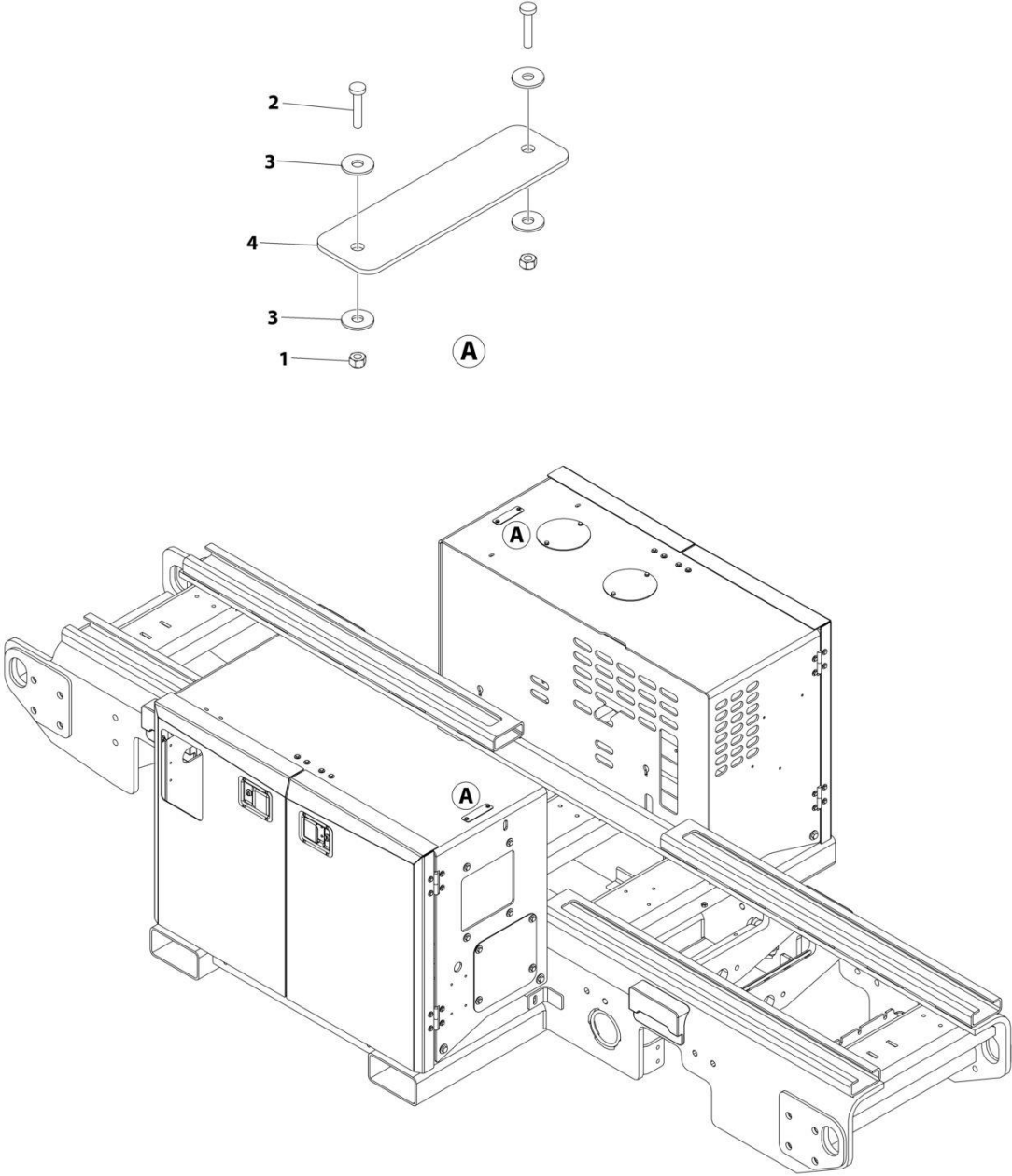
SECTION 2 - GROUND CONTROLS

FIGURE 2-11. STROBE LIGHT INSTALLATION - DUAL

ITEM	PART NUMBER	QTY	DESCRIPTION	REV
	1001249307	Ref	STROBE LIGHT INSTALLATION - DUAL	A
1	3290305	4	Nut M3	
2	4010308	4	Screw M3 x16	
3	1001091102	4	Washer M4	
4	1001239224	2	Lamp, Beacon	
4	4460891	1	Plug, Male - 2 Position	
4	4460465	2	Socket, Female	
5	1001242539	2	Guard	

SECTION 2 - GROUND CONTROLS

FIGURE 2-12. NO BEACON (COVERS)



ART_1001267649

SECTION 2 - GROUND CONTROLS

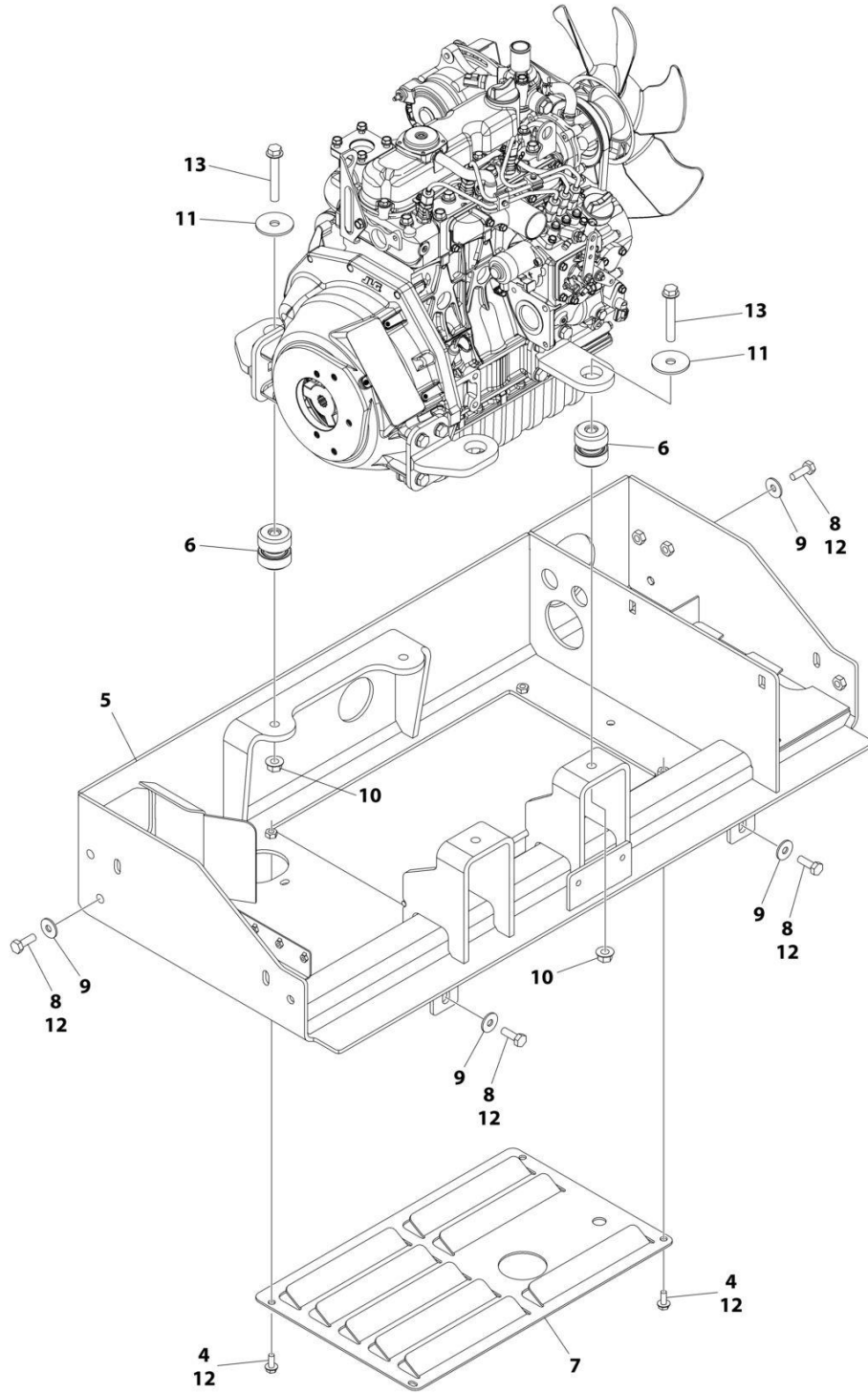
FIGURE 2-12. NO BEACON (COVERS)

ITEM	PART NUMBER	QTY	DESCRIPTION	REV
	1001267649	Ref	NO BEACON (COVERS)	A
1	3290305	4	Nut M3	
2	4010308	4	Screw M3 x16	
3	1001091102	8	Washer M4	
4	1001263345	2	Cover, Hood	

SECTION 3 - ENGINE

SECTION 3 - ENGINE

FIGURE 3-1. ENGINE MOUNTING INSTALLATION



ART_1001255873

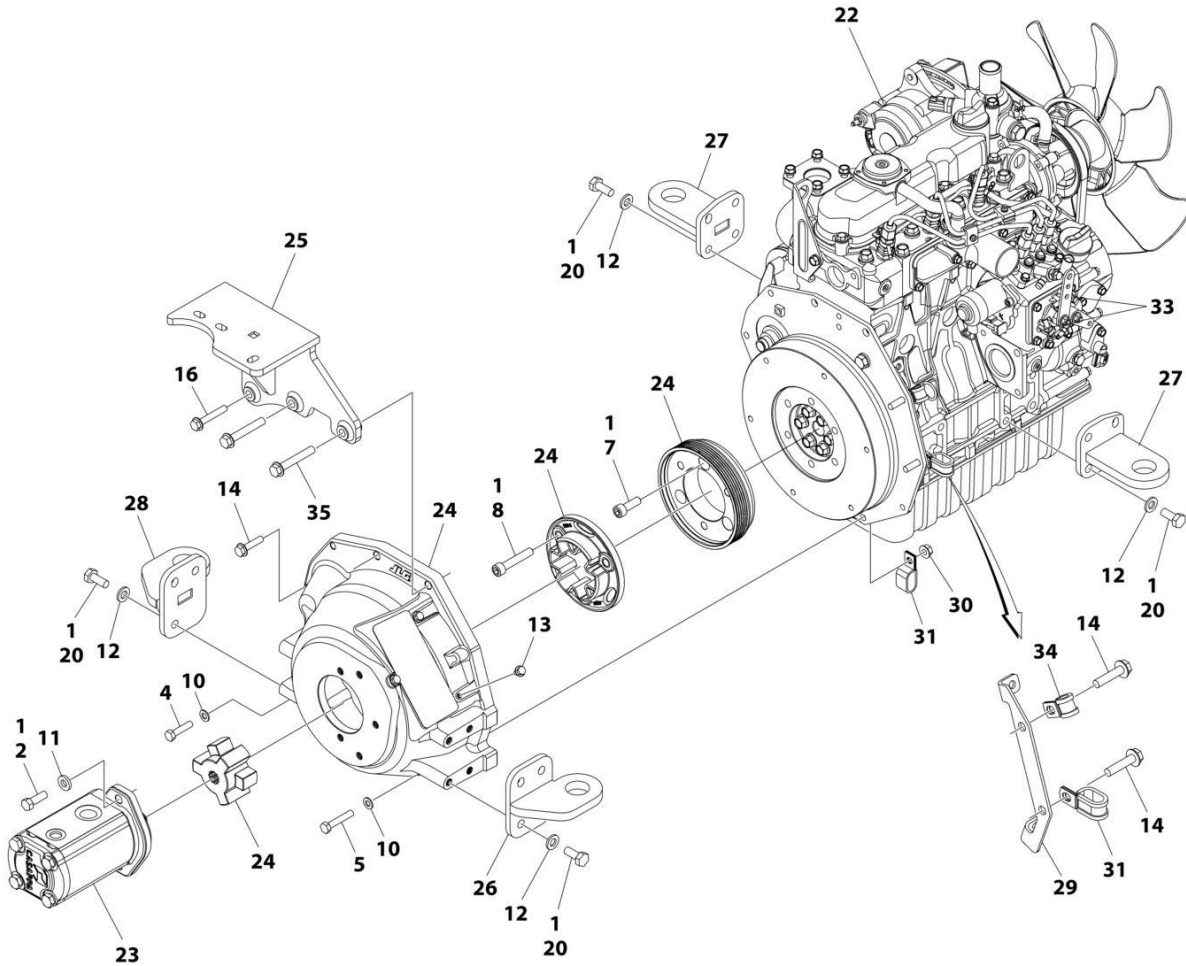
SECTION 3 - ENGINE

FIGURE 3-1. ENGINE MOUNTING INSTALLATION

ITEM	PART NUMBER	QTY	DESCRIPTION	REV
	1001255873	Ref	ENGINE INSTALLATION	C
4	5250810	4	Bolt M8 x 20	
5	1001247612	1	Tray	
6	1001250336	4	Mount, Motor	
7	1001250772	1	Cover	
8	0771014	4	Bolt M10 x 30	
9	4812002	4	Washer M10	
10	5261200	4	Nut M12	
11	1001168018	4	Washer	
12	0100011	AR	Compound, Locking	
13	5251224	4	Bolt M12 x 80	

SECTION 3 - ENGINE

FIGURE 3-2. ENGINE AND PUMP ASSEMBLY - DIESEL



ART_1001255872_E

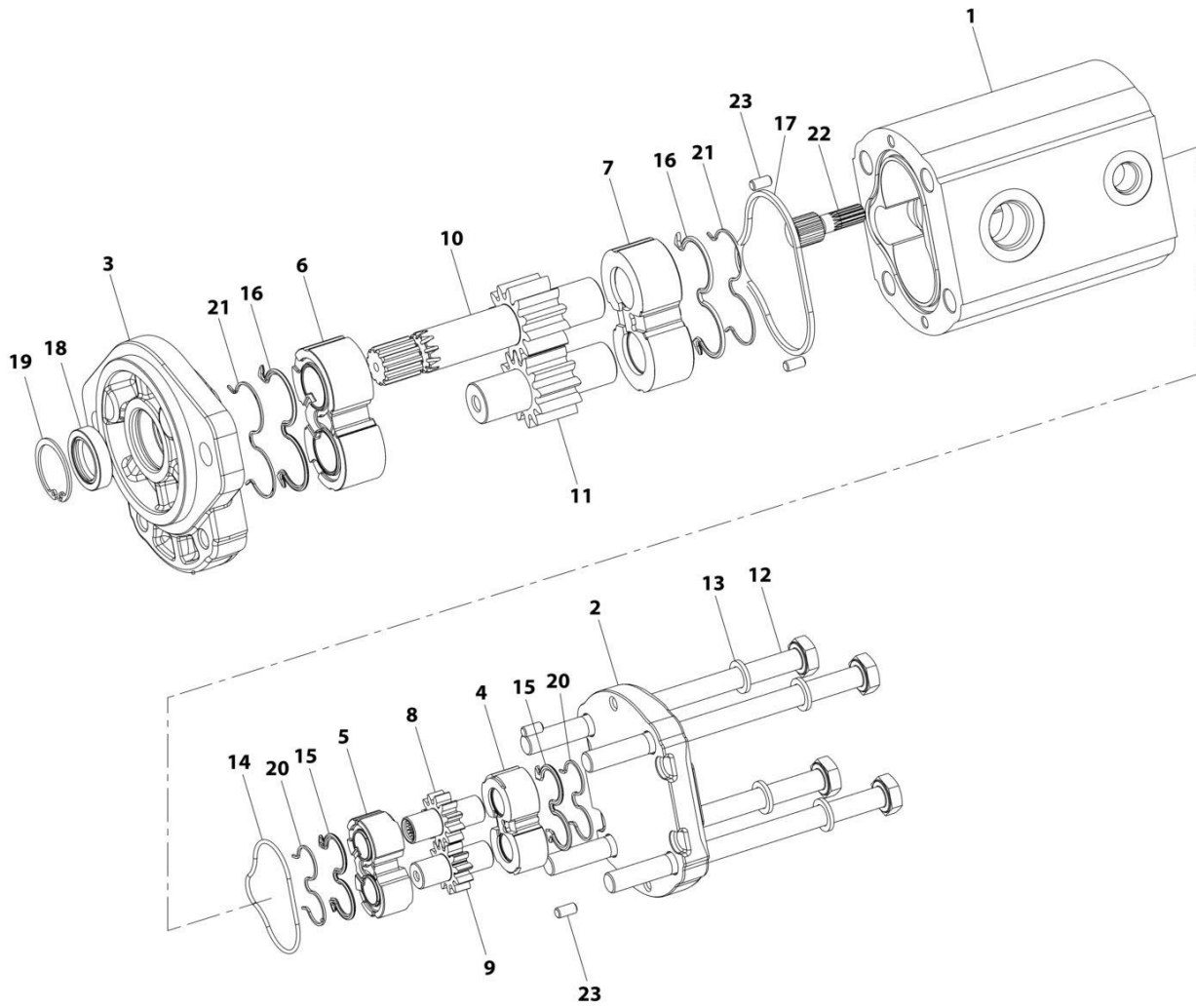
SECTION 3 - ENGINE

FIGURE 3-2. ENGINE AND PUMP ASSEMBLY - DIESEL

ITEM	PART NUMBER	QTY	DESCRIPTION	REV
	1001255872	Ref	ENGINE AND PUMP SUB-ASSEMBLY	E
1	0100011	AR	Compound Locking	
2	0681609	2	Bolt 3/8 x 1-1/8	
4	0760815	2	Bolt M8 x 35	
5	0760817	2	Bolt M8 x 45	
7	1001277831	3	Capscrew M10 x 30	
8	1001277832	3	Capscrew M10 x 55	
10	4811900	4	Washer M8	
11	4891600	2	Washer 3/8	
12	5241000	14	Washer M10	
13	5250605	3	Bolt M6 x 10	
14	5250815	3	Bolt M8 x 35	
16	5250821	1	Bolt M8 x 65	
20	1001118746	14	Bolt M10 x 25	
22	1001243296	1	Engine Components - Kubota Diesel (See Separate Breakdown in this Section)	
23	1001244107	1	Pump Assembly (See Separate Breakdown in this Section)	
24	1001247584	1	Coupling, Assembly (See Separate Breakdown in this Section)	
25	1001274463	1	Bracket, Muffler	
26	1001252477	1	Bracket, Mounting	
27	1001252478	2	Bracket, Mounting	
28	1001253717	1	Bracket, Mounting	
29	1001256097	1	Bracket	
30	5260800	2	Nut M8	
31	1001268776	3	Clamp	
33	1001263804	AR	Adhesive	
34	1001269045	1	Clamp	
35	1001278239	2	Bolt M10 x 65	

SECTION 3 - ENGINE

FIGURE 3-3. PUMP ASSEMBLY - DIESEL



ART_1001244107

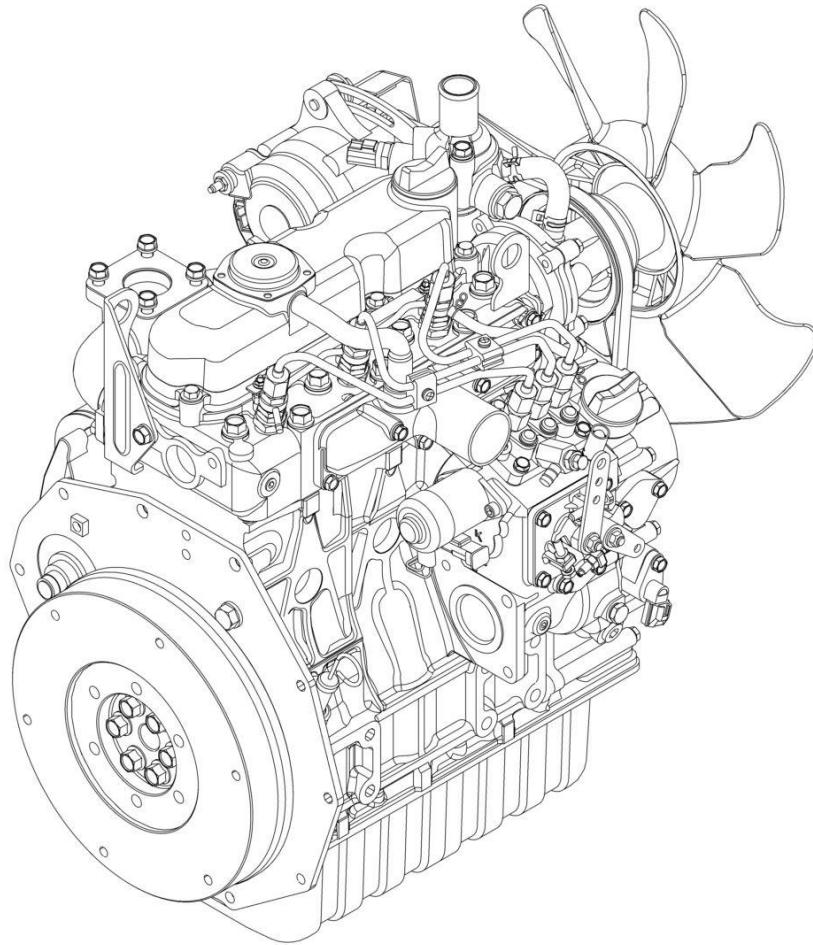
SECTION 3 - ENGINE

FIGURE 3-3. PUMP ASSEMBLY - DIESEL

ITEM	PART NUMBER	QTY	DESCRIPTION	REV
	1001244107	Ref	PUMP ASSEMBLY - DIESEL	E
1	See Note	NSS	Body (Note: Not Available for Purchase)	
2	See Note	NSS	Cover, Rear (Note: Not Available for Purchase)	
3	See Note	NSS	Cover, Front (Note: Not Available for Purchase)	
4	70007659	1	Plate, Thrust	
5	70007658	1	Plate, Thrust	
6	70007310	1	Plate, Thrust	
7	70007665	1	Plate, Thrust	
8	70007664	1	Gear, Drive	
9	70007663	1	Gear, Driven	
10	70007662	1	Shaft, Drive	
11	70007661	1	Gear, Driven	
12	70007660	4	Bolt M10 x 150	
13	70007314	4	Washer M10	
14	70007649	1	O-Ring	
15	70007648	2	Seal	
16	70007647	2	Seal	
17	70007646	1	Seal	
18	70007645	1	Seal, Shaft	
19	70007315	1	Circlip	
20	70007644	2	Seal, Antiextrusion	
21	70007643	2	Seal, Antiextrusion	
22	70007642	1	Hub	
23	70007316	4	Pin, Dowel	

SECTION 3 - ENGINE

FIGURE 3-4. ENGINE COMPONENTS - DIESEL



ART_1001243296

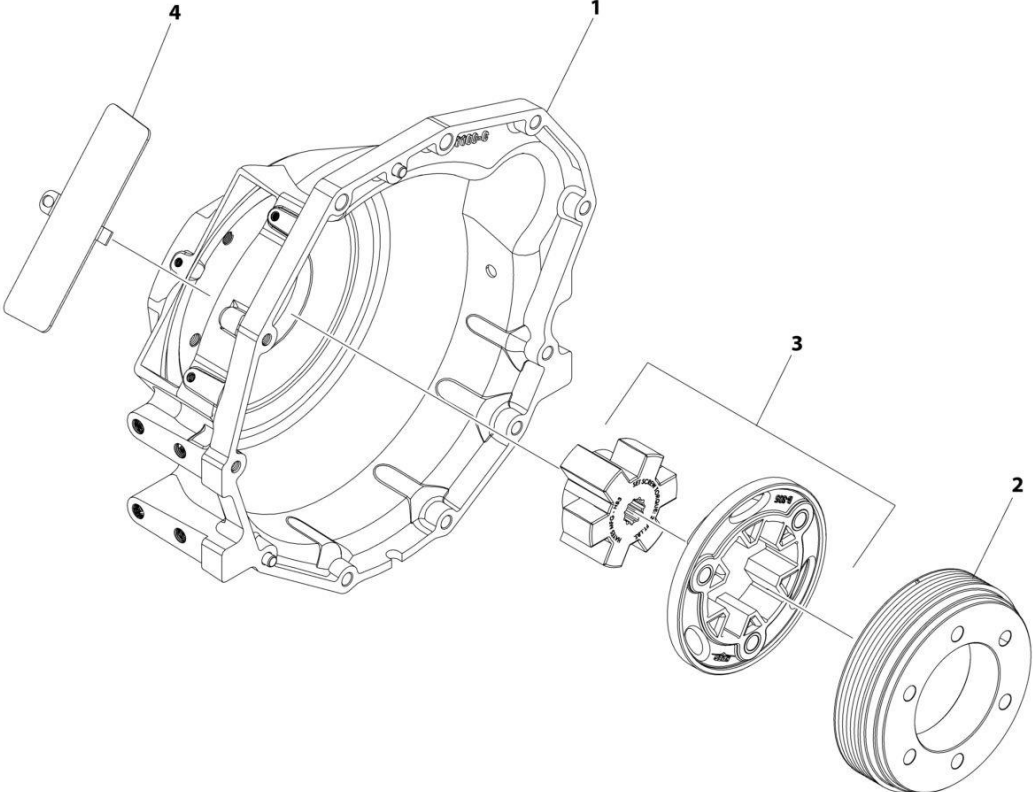
SECTION 3 - ENGINE

FIGURE 3-4. ENGINE COMPONENTS - DIESEL

ITEM	PART NUMBER	QTY	DESCRIPTION	REV
	1001243296	Ref	ENGINE COMPONENTS - DIESEL	C
	See Note	Ref	Note: No Other Service Parts Available at Time of Printing	
		Ref	Lubrication System Components	
	1001248057	1	Filter, Oil	
	1001248056	1	Head, Remote Oil Filter	
	70004524	1	Bleeder Assembly	
	7017922	1	Seal, Oil	
	70002318	1	Plug, Oil Filler	
	70004311	1	O-Ring, Oil Fill Cap	
	70006666	1	Sensor	
	70008394	1	Dipstick	
	7017901	1	Switch, Oil Pressure	
		Ref	Fuel System Components	
	1001254653	1	Pump, Electric Fuel	
	1001254650	1	Decal - Ether Caution	
	70002554	1	Ring, Gear	
	70002419	1	Housing, Coupling	
	70008395	1	Solenoid	
	7023164	1	Injection Pump Assembly	
	70004400	1	Gasket, Fuel Pump	
	7017955	1	Alternator	
	7023141	1	V-Belt	
	7023144	1	Starter	
		Ref	Electrical System Components	
	1001246587	1	Module, ECU	
	70004398	3	Plug, Glow	
		Ref	Cooling System Components	
	1001250636	1	Reservior, Overflow	
	1001254651	1	Decal - Coolant Caution	
	70002316	1	Pipe, Water Return	
	7023170	1	Thermostat	
	70002326	1	Gasket, Thermostat	
	70003064	1	Sensor, Water	
	70002327	1	Water Pump Assembly	
		Ref	Exhaust System Components	
	7023148	1	Gasket, Exhaust (Manifold to Pipe)	
	70005220	1	Gasket, Head	
	70003060	1	Vlave, Breather	
	70002317	1	Tube, Breather	
	7023149	1	Gasket, Manifold	
	7023124	1	Gasket, Muffler	

SECTION 3 - ENGINE

FIGURE 3-5. COUPLING ASSEMBLY - ENGINE PUMP (DIESEL)



ART_1001247584

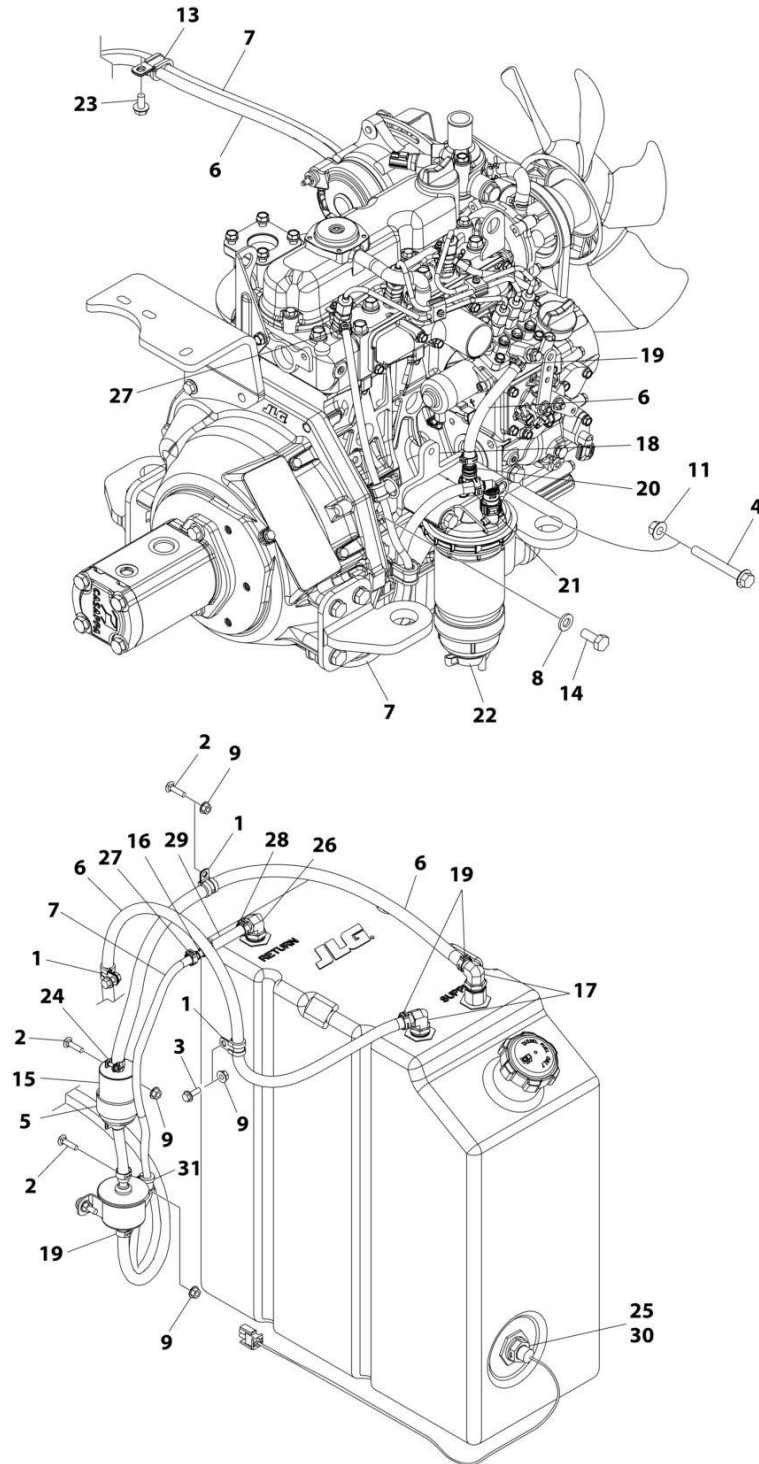
SECTION 3 - ENGINE

FIGURE 3-5. COUPLING ASSEMBLY - ENGINE PUMP (DIESEL)

ITEM	PART NUMBER	QTY	DESCRIPTION	REV
	1001247584	Ref	COUPLING ASSEMBLY - ENGINE PUMP	E
1	1001247454	1	Housing	
2	1001247581	1	Pulley	
3	1001247582	1	Coupling, Flexible	
4	1001247589	1	Cover	

SECTION 3 - ENGINE

FIGURE 3-6. ENGINE FUEL LINES INSTALLATION - DIESEL



ART_1001255874

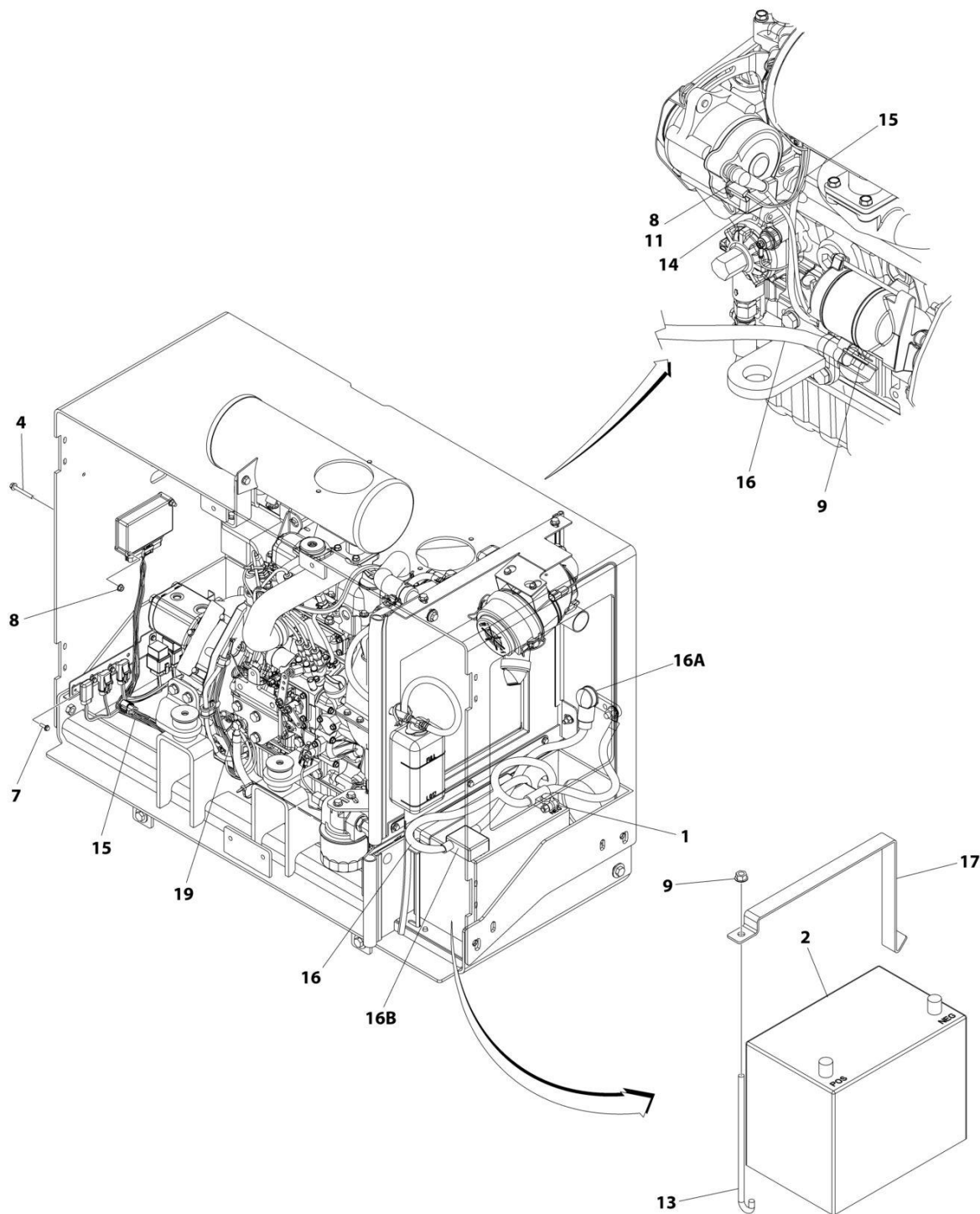
SECTION 3 - ENGINE

FIGURE 3-6. ENGINE FUEL LINES INSTALLATION - DIESEL

ITEM	PART NUMBER	QTY	DESCRIPTION	REV
	1001255874	Ref	FUEL SYSTEM INSTALLATION - DIESEL	C
1	80630	3	Clamp	
2	0630587	4	Bolt M6 x 25	
3	0780608	2	Bolt M6 x 16	
4	0781024	2	Bolt M10 x 80	
5	1320265	1	Clamp	
6	2720058	14 ft/ 4.3m	Hose	
7	2720271	8.5 ft/ 2.6m	Hose	
8	5241000	3	Washer M10	
9	5260600	6	Nut M6	
11	5261000	2	Nut M10	
13	1001268776	2	Clamp	
14	1001118746	3	Bolt M10 x 25	
15	1001190545	1	Filter, Fuel	
16	1001131391	1	Coupling	
17	1001248861	2	Fitting, 90 Barb	
18	1001250450	1	Plate	
19	1001263657	7	Clamp	
20	1001256554	1	Coupling, Quick Disconnect	
21	1001256723	1	Coupling, Quick Disconnect	
22	1008675309	1	Fuel/Water Separator Assembly	
22	70007021	1	Element, Filter	
23	5250808	2	Bolt M8 x 16	
24	1001174486	2	Clamp	
25	1001182997	AR	Adhesive	
26	1001262943	1	Fitting, 90 Barb	
27	1001263658	2	Clamp	
28	1001263659	2	Clamp	
29	2720015	3 in/ 7.5cm	Hose	
30	4360436	1	Switch, Fuel Level	
31	1001269045	1	Clamp	

SECTION 3 - ENGINE

FIGURE 3-7. ENGINE ELECTRICAL INSTALLATION - DIESEL



ART_1001255875

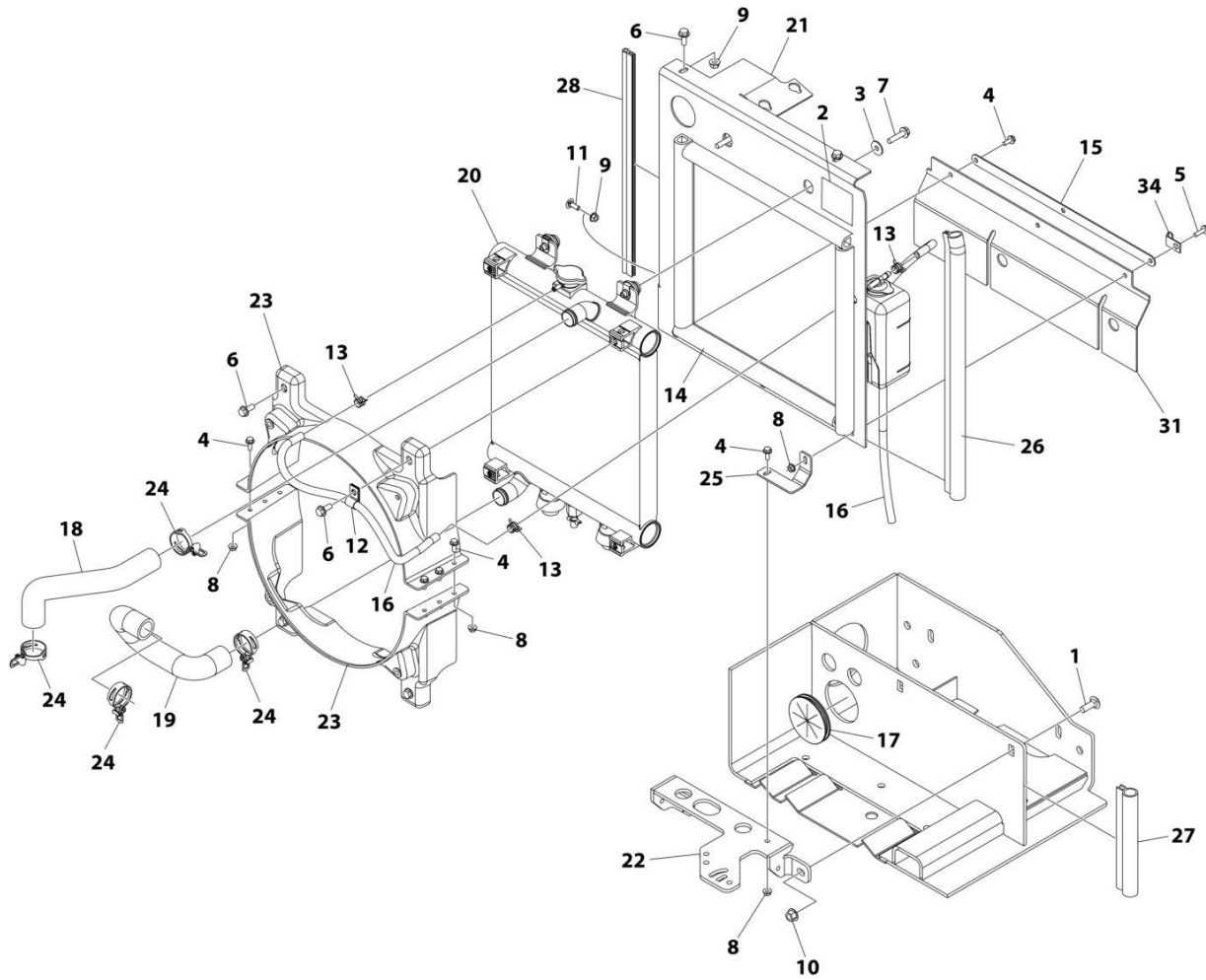
SECTION 3 - ENGINE

FIGURE 3-7. ENGINE ELECTRICAL INSTALLATION - DIESEL

ITEM	PART NUMBER	QTY	DESCRIPTION	REV
	1001255875	Ref	ENGINE ELECTRICAL INSTALLATION - DIESEL	D
1	0100051	AR	Grease, Terminal	
2	0400003	1	Battery	
4	0780618	2	Bolt M6 x 50	
5	1062255	AR	Tie-Strap (Not Shown)	
7	5250508	6	Bolt M5 x 16	
8	5260600	3	Nut M6	
9	5260800	2	Nut M8	
11	1001139219	1	Boot	
12	1001146588	3	Tie-Strap (Not Shown)	
13	1001179586	1	J-Bolt	
14	1001234069	1	Harness, Fusible Link	
15	1001248134	1	Harness, Engine (See Separate Breakdown in ELECTRICAL Section)	
16	1001248347	1	Battery, Cable Kit	
16A	0840052	1	Boot	
16B	1001186483	1	Boot, Battery Terminal	
17	1001254888	1	Bracket, Battery	
19	1001256312	1	Bolt M10 x 16	

SECTION 3 - ENGINE

FIGURE 3-8. ENGINE COOLING SYSTEM INSTALLATION - DIESEL



ART_1001255878

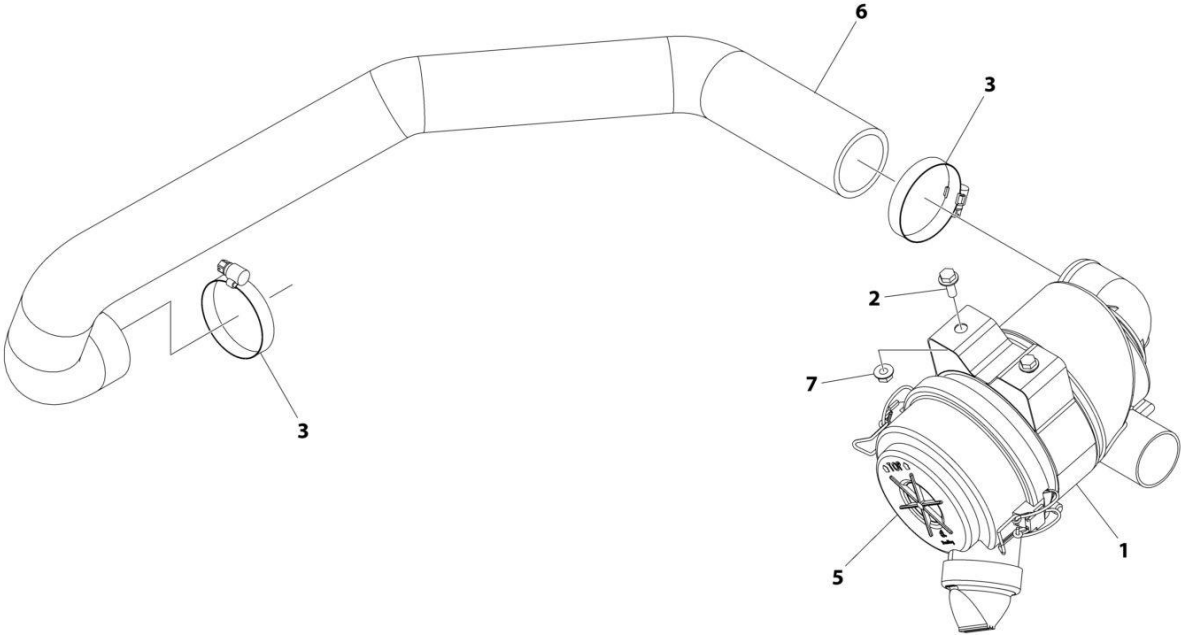
SECTION 3 - ENGINE

FIGURE 3-8. ENGINE COOLING SYSTEM INSTALLATION - DIESEL

ITEM	PART NUMBER	QTY	DESCRIPTION	REV
	1001255878	Ref	COOLING SYSTEM INSTALLATION	C
1	0630613	2	Bolt M10 x 30	
2	1703162	1	Decal - Fan Blade	
3	4811902	2	Washer M8	
4	5250608	9	Bolt M6 x 16	
5	5250611	1	Bolt M8 x 22	
6	5250810	6	Bolt M8 x 20	
7	5250815	2	Bolt M8 x 35	
8	5260600	8	Nut M6	
9	5260800	3	Nut M8	
10	5261000	2	Nut M10	
11	8310623	1	Bolt M8 x 25	
12	8406110	1	Clip	
13	1001213010	3	Clamp	
14	1001262646	5 ft/ 1.5m	Seal	
15	1001252596	1	Support	
16	1001263476	3.8 ft/ 1.1m	Hose	
17	1001218676	1	Grommet	
18	1001246746	1	Tube, Coolant	
19	1001266885	1	Tube, Coolant	
20	1001247267	1	Radiator	
21	1001262636	1	Plate, Radiator	
22	1001262630	1	Bracket	
23	1001254635	2	Shroud	
24	1001263438	4	Clamp	
25	1001255809	1	Bracket	
26	1001255843	21 in/ 53cm	Seal	
27	1001255848	8 in/ 20cm	Seal	
28	1001255851	18 in/ 45cm	Seal	
31	1001255857	1	Dam, Air	
34	1320223	1	J-Clip	

SECTION 3 - ENGINE

FIGURE 3-9. AIR INTAKE INSTALLATION - DIESEL



ART_1001255877

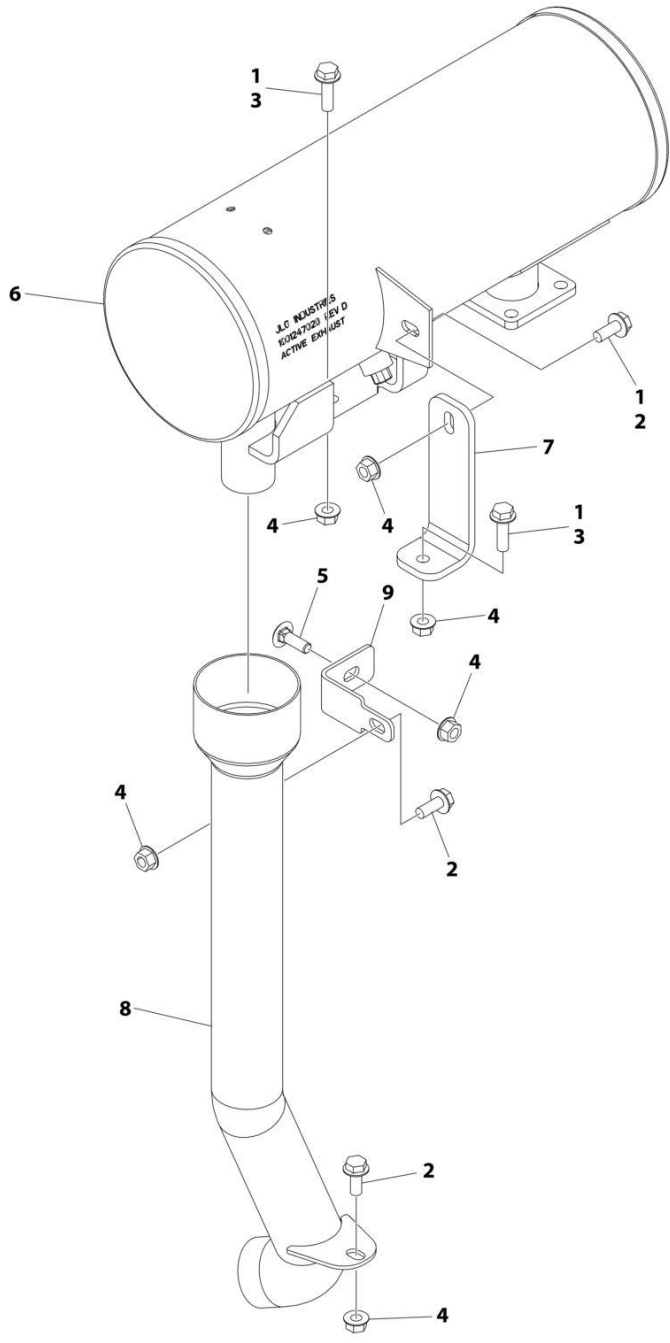
SECTION 3 - ENGINE

FIGURE 3-9. AIR INTAKE INSTALLATION - DIESEL

ITEM	PART NUMBER	QTY	DESCRIPTION	REV
	1001255877	Ref	AIR INTAKE INSTALLATION	C
1	0340045	1	Band, Air Cleaner	
2	5250608	2	Bolt M6 x 16	
3	1321682	2	Clamp	
5	1001247560	1	Air Cleaner Assembly	
5	7015004	1	Element, Air Filter	
6	1001248307	1	Tube, Air Intake	
7	5260600	2	Nut M6	

SECTION 3 - ENGINE

FIGURE 3-10. EXHAUST INSTALLATION - DIESEL



ART_1001255876

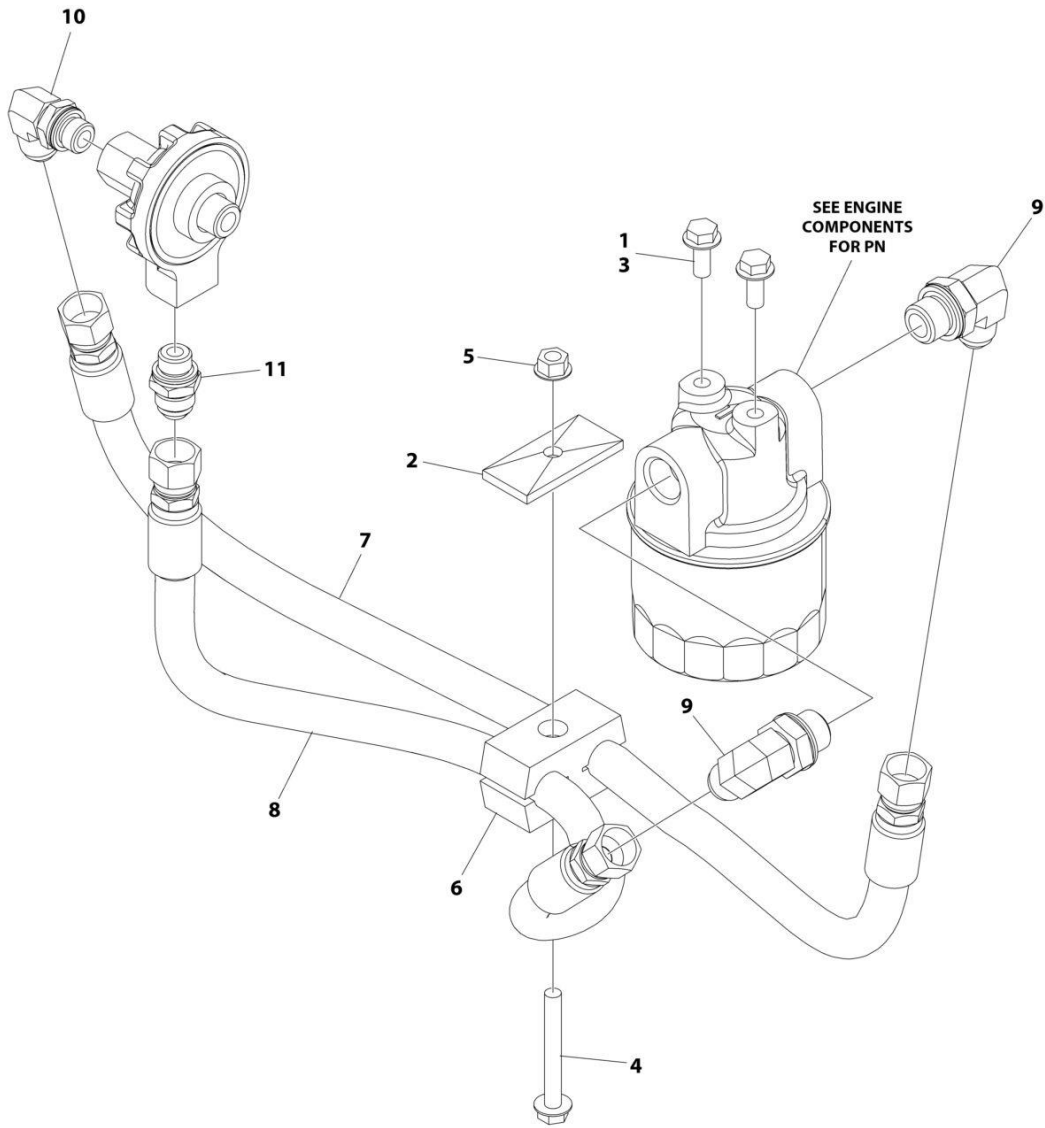
SECTION 3 - ENGINE

FIGURE 3-10. EXHAUST INSTALLATION - DIESEL

ITEM	PART NUMBER	QTY	DESCRIPTION	REV
	1001255876	Ref	EXHAUST SYSTEM INSTALLATION	C
1	0100011	AR	Compound, Locking	
2	5250810	3	Bolt M8 x 20	
3	5250813	3	Bolt M8 x 28	
4	5260800	7	Nut M8	
5	8310623	1	Bolt M8 x 25	
6	1001247028	1	Muffler	
7	1001248099	1	Bracket	
8	1001269872	1	Pipe, Exhaust	
9	1001250934	1	Bracket	

SECTION 3 - ENGINE

FIGURE 3-11. OIL FILTER INSTALLATION - REMOTE - DIESEL



ART_1001255936

SECTION 3 - ENGINE

FIGURE 3-11. OIL FILTER INSTALLATION - REMOTE - DIESEL

ITEM	PART NUMBER	QTY	DESCRIPTION	REV
	1001255936	Ref	OIL FILTER INSTALLATION - REMOTE	A
	See Note	Ref	Note: For Engine Specific Components, See Engines Components.	
1	0100011	AR	Compund, Locking	
2	1309435	1	Plate, Clamp	
3	5250810	2	Bolt M8 x 20	
4	5250821	1	Bolt M8 x 65	
5	5260800	1	Nut M8	
6	8769139	1	Clamp	
7	1001248413	1	Hose	
8	1001248414	1	Hose	
9	1001250519	2	Fitting, 90 JIC/BSPP	
10	1001250521	1	Fitting, 90 JIC/ORB	
11	1001250525	1	Fitting, Straight JIC/ORB	

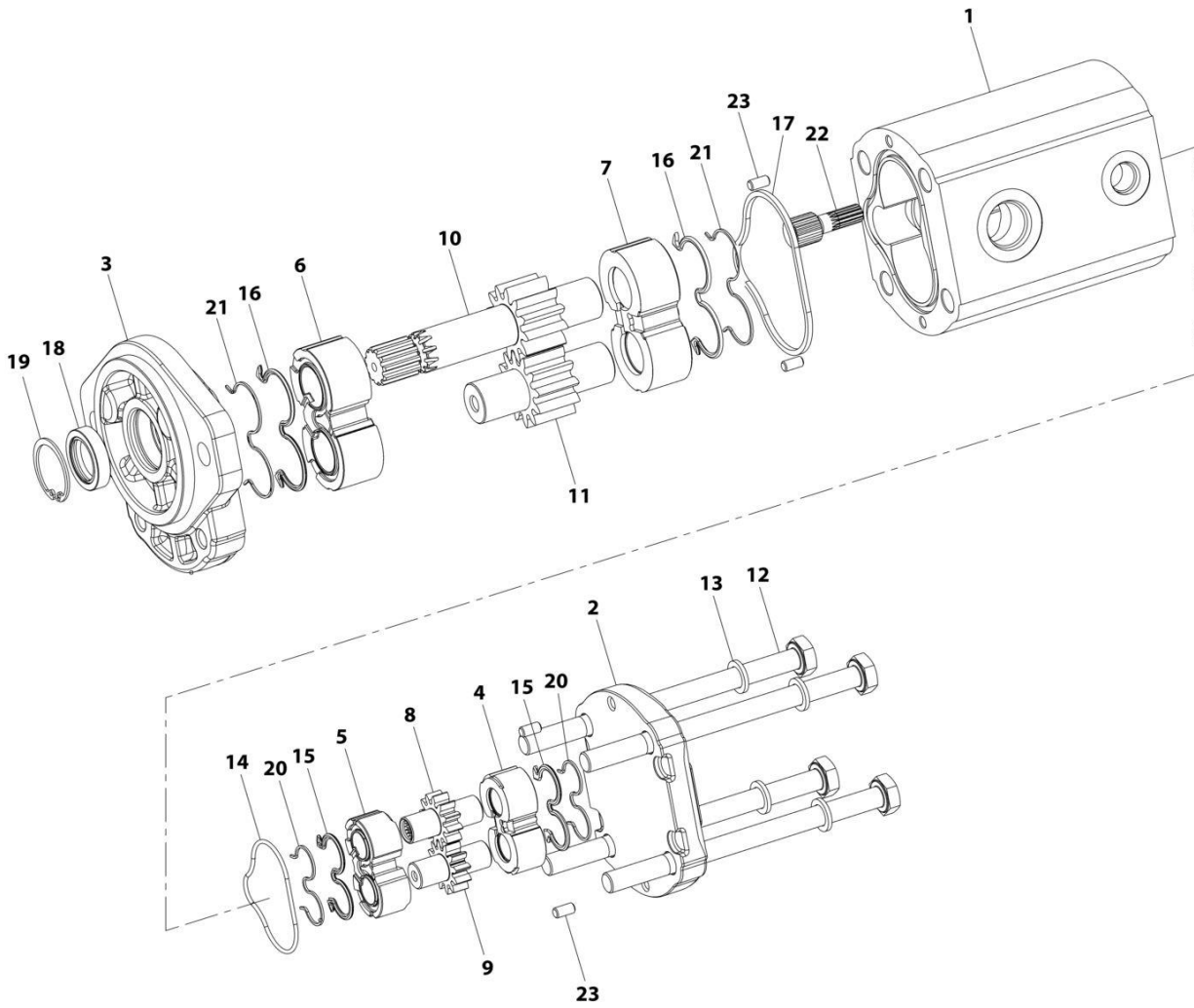
SECTION 3 - ENGINE

FIGURE 3-12. ENGINE AND PUMP ASSEMBLY - DUAL FUEL

ITEM	PART NUMBER	QTY	DESCRIPTION	REV
	1001256031	Ref	ENGINE AND PUMP SUB-ASSEMBLY	E
1	0100011	AR	Compound Locking	
2	0681609	2	Bolt 3/8 x 1-1/8	
3	0710819	2	Bolt M8 x 55	
3	0760820	2	Bolt M8 x 60	
5	0760815	2	Bolt M8 x 35	
6	1001277830	1	Bolt M10 x 50	
7	4031908	5	Bolt M8 x 20	
8	1001277831	3	Capscrew M10 x 30	
9	1001277832	3	Capscrew M10 x 55	
11	4811900	4	Washer M8	
12	4891600	2	Washer 3/8	
13	5241000	14	Washer M10	
14	5250605	3	Bolt M6 x 10	
15	5250812	4	Bolt M8 x 25	
16	5250815	1	Bolt M8 x 35	
17	5250816	2	Bolt M8 x 40	
18	5250818	1	Bolt M8 x 50	
22	1001118746	14	Bolt M10 x 25	
24	1001243300	1	Engine Components - Kubota Gas (See Separate Breakdown in this Section)	
25	1001244106	1	Pump Assembly (See Separate Breakdown in this Section)	
26	1001248047	1	Bracket, Muffler	
27	1001279004	1	Coupling, Assembly (See Separate Breakdown in this Section)	
28	1001251287	1	Bracket, Mounting	
29	1001251288	1	Bracket, Mounting	
30	1001252996	1	Bracket, Mounting	
31	1001254690	1	Bracket, Mounting	
32	5260800	2	Nut M8	
33	8405009	1	Clamp	
34	1001268776	2	Clamp	
35	1001161497	1	Valve, Oil Drain	
36	1001165035	8.5 in/ 21cm	Hose	
37	0760808	2	Bolt M8 x 16	
38	1001266448	1	Bracket	

SECTION 3 - ENGINE

FIGURE 3-13. PUMP ASSEMBLY - DUAL FUEL



ART_1001244106

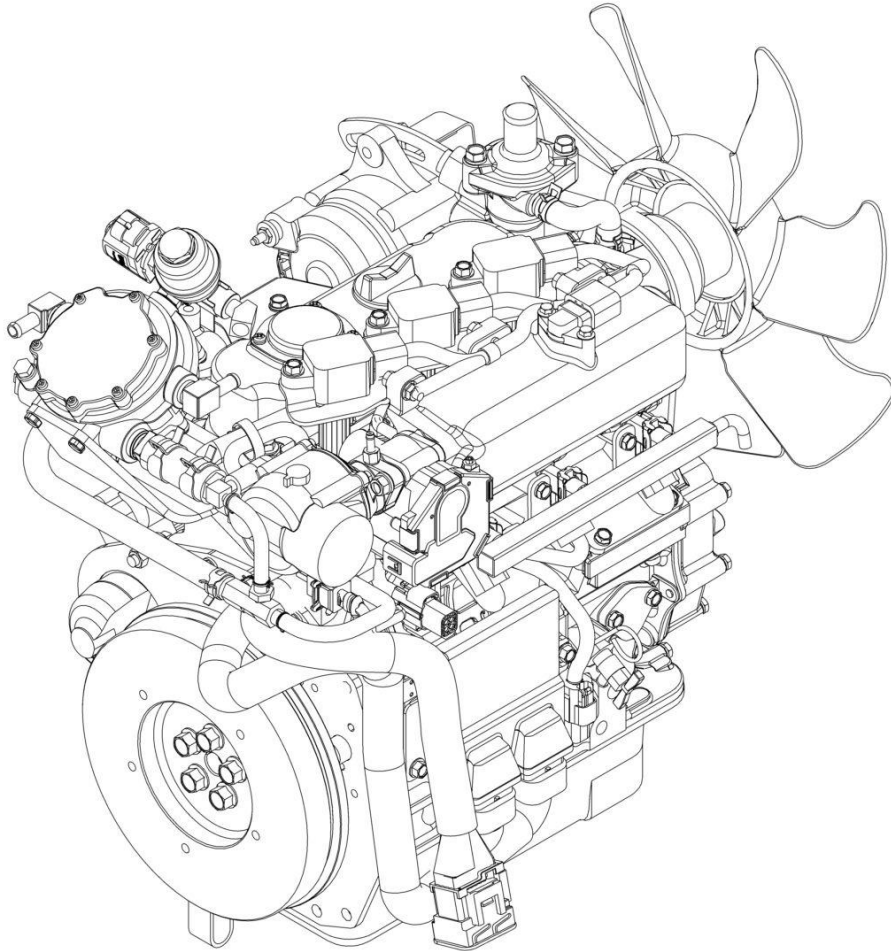
SECTION 3 - ENGINE

FIGURE 3-13. PUMP ASSEMBLY - DUAL FUEL

ITEM	PART NUMBER	QTY	DESCRIPTION	REV
	1001244106	Ref	PUMP ASSEMBLY - DUAL FUEL	F
1	See Note	NSS	Body (Note: Not Available for Purchase)	
2	See Note	NSS	Cover, Rear (Note: Not Available for Purchase)	
3	See Note	NSS	Cover, Front (Note: Not Available for Purchase)	
4	70007659	1	Plate, Thrust	
5	70007658	1	Plate, Thrust	
6	70007657	1	Plate, Thrust	
7	70007656	1	Plate, Thrust	
8	70007655	1	Gear, Drive	
9	70007654	1	Gear, Driven	
10	70007653	1	Shaft, Drive	
11	70007652	1	Gear, Driven	
12	70007651	4	Bolt M10 x 145	
13	70007650	4	Washer M10	
14	70007649	1	O-Ring	
15	70007648	2	Seal	
16	70007647	2	Seal	
17	70007646	1	Seal	
18	70007645	1	Seal, Shaft	
19	70007315	1	Circlip	
20	70007644	2	Seal, Antiextrusion	
21	70007643	2	Seal, Antiextrusion	
22	70007642	1	Hub	
23	70007316	4	Pin, Dowel	

SECTION 3 - ENGINE

FIGURE 3-14. ENGINE COMPONENTS - DUAL FUEL



ART_1001243300

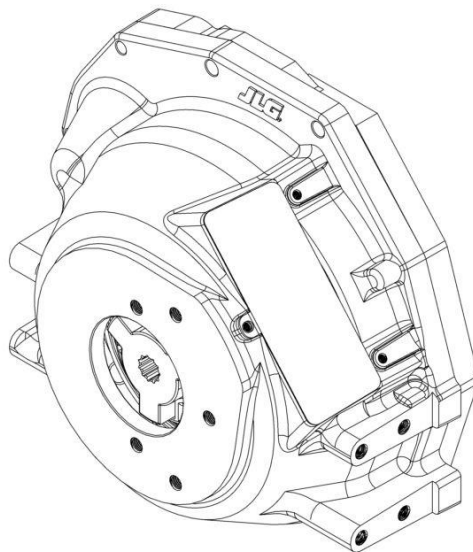
SECTION 3 - ENGINE

FIGURE 3-14. ENGINE COMPONENTS - DUAL FUEL

ITEM	PART NUMBER	QTY	DESCRIPTION	REV
	1001243300	Ref	ENGINE COMPONENTS - DUAL FUEL	C
	See Note	Ref	Note: No Other Service Parts Available at Time of Printing	
		Ref	Lubrication System Components	
	1001248057	1	Filter, Oil	
	1001248056	1	Head, Remote Oil Filter	
	1001255435	1	Adapter, Remote Oil Filter	
	70004524	1	Bleeder Assembly	
	70002318	1	Plug, Oil Filler	
	70004311	1	O-Ring, Oil Fill Cap	
	70005734	1	Dipstick	
	70004294	1	Pump, Oil	
		Ref	Fuel System Components	
	1001255529	1	Dual, Fuel Regulator - Complete	
	1001255416	1	Pump, Electric Fuel	
	1001131324	1	Valve, Fuel Check	
	1001255422	1	Filter/Strainer, Fuel	
	70005735	1	Gear, Ring	
	70005736	1	Rotor	
	7017955	1	Alternator	
	70008088	1	V-Belt	
		Ref	Electrical System Components	
	1001253824	1	Module, ECU	
	70005739	3	Plug, Spark	
	70005740	3	Coil, Ignition	
	70005744	1	Relay, Starter	
		Ref	Cooling System Components	
	1001250636	1	Reservoir, Overflow	
	1001254651	1	Decal - Coolant Caution	
	7023170	1	Thermostat	
	70002326	1	Gasket, Thermostat	
	70008089	1	Water Pump Assembly	
		Ref	Exhaust System Components	
	1001251490	1	Muffler	
	1001255447	1	Gasket, Exhaust (Manifold to Muffler)	
	1001255448	1	Gasket, Exhaust (Manifold to Pipe)	
	1001255341	1	Shield, Muffler	
	1001255342	1	Shield, Muffler - Cylindrical	
	1001255324	1	Sensor, Oxygen	
	70005728	1	Gasket, Head	
	70005733	1	Gasket, Valve Cover	
	70005743	1	Starter	
	1001255431	1	FTG-Pipe, Joint	
	1001264263	1	O-Ring, Kub Remote Oil Filter	
	1001264264	1	O-Ring, Kub Remote Oil Filter	
	1001264269	1	Sleeve, Collar Kub Oil Filter	

SECTION 3 - ENGINE

FIGURE 3-15. COUPLING ASSEMBLY - ENGINE PUMP (DUAL FUEL)



ART_1001279004

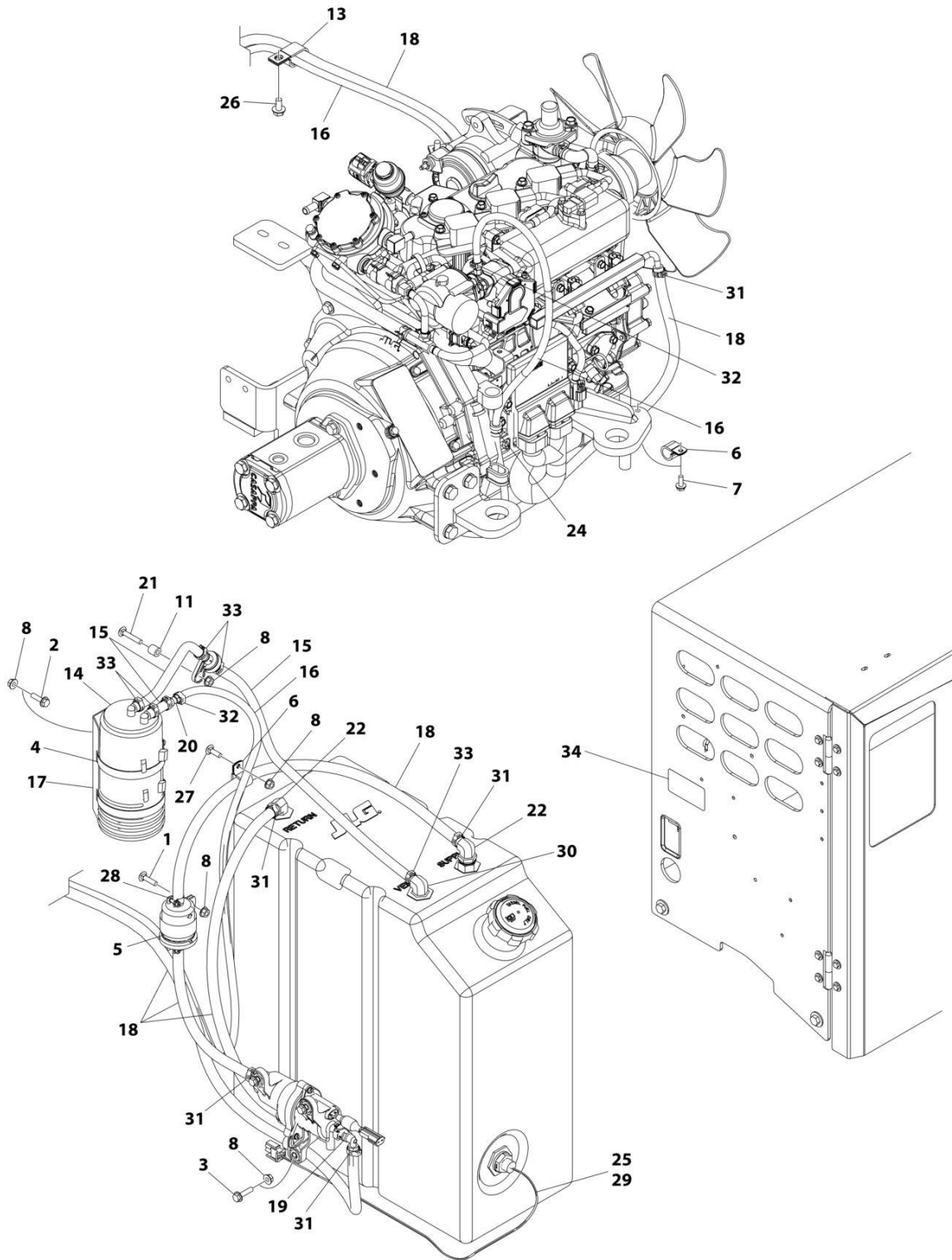
SECTION 3 - ENGINE

FIGURE 3-15. COUPLING ASSEMBLY - ENGINE PUMP (DUAL FUEL)

ITEM	PART NUMBER	QTY	DESCRIPTION	REV
	1001279004	Ref Ref	COUPLING ASSEMBLY Note: No Service Parts Available at Time of Printing	A

SECTION 3 - ENGINE

FIGURE 3-16. ENGINE FUEL LINES INSTALLATION - DUAL FUEL



ART_1001256033

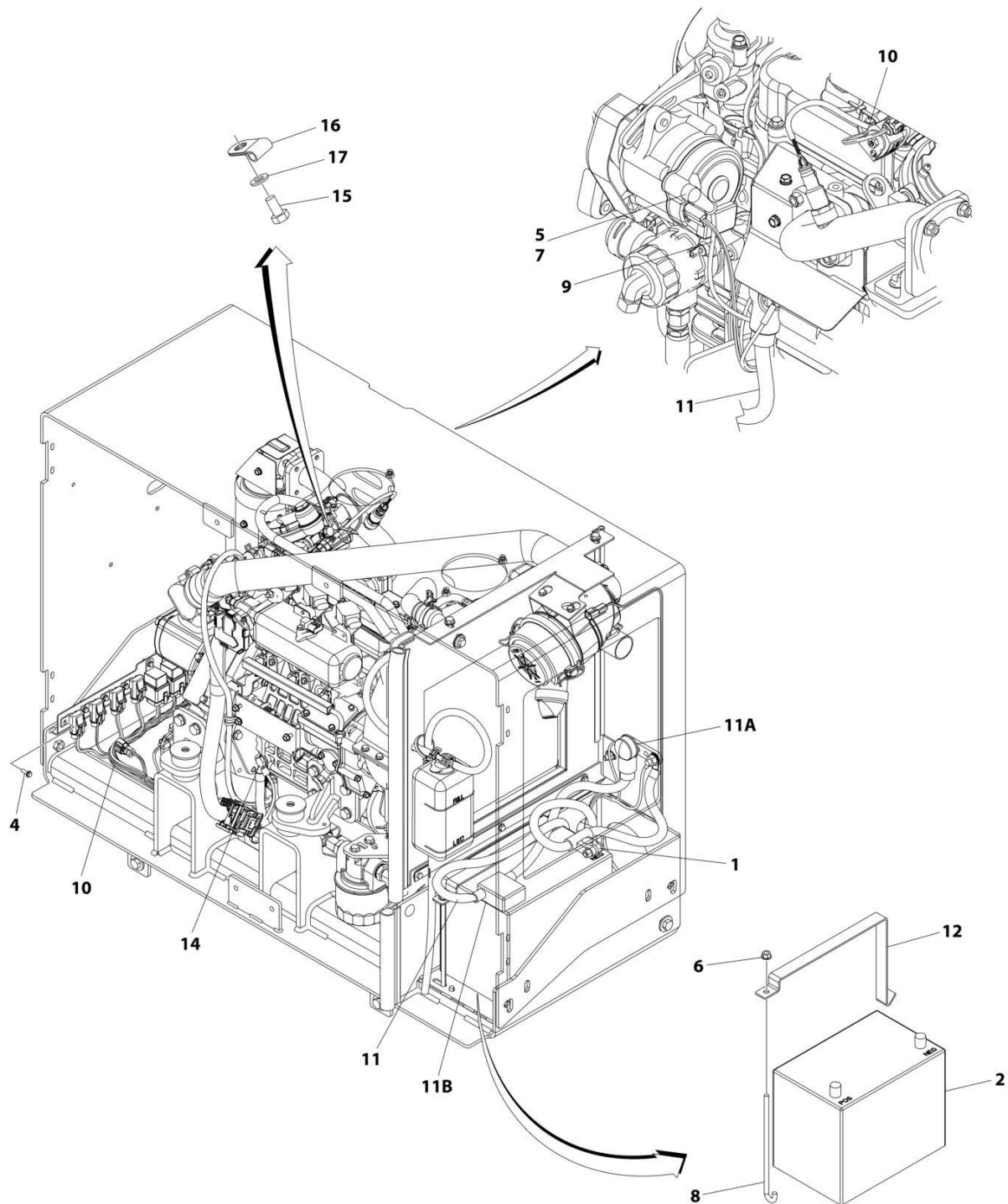
SECTION 3 - ENGINE

FIGURE 3-16. ENGINE FUEL LINES INSTALLATION - DUAL FUEL

ITEM	PART NUMBER	QTY	DESCRIPTION	REV
	1001256033	Ref	FUEL SYSTEM INSTALLATION - GAS	E
1	0630587	1	Bolt M6 x 25	
2	5250611	2	Bolt M6 x 22	
3	5250612	3	Bolt M6 x 25	
4	1320058	2	Clamp	
5	1320265	1	Clamp	
6	1321296	3	Clamp	
7	5250608	1	Bolt M6 x 16	
8	5260600	9	Nut M6	
11	8310441	1	Spacer	
13	1001026127	2	Clamp	
14	1001127172	1	Filter, Carbon Canister	
15	1001129255	23 in/ 59cm	Hose	
16	1001129256	10 ft/ 2.9m	Hose	
17	1001142984	1	Bracket, Carbon Canister	
18	1001156819	13.5 ft/ 4m	Hose	
18	1001300357	13.5 ft/ 4m	Hose	
19	1001248500	1	Coupling, Quick Disconnect	
20	1001131391	1	Coupling, Fuel Line	
21	1001248038	1	Bolt M6 x 35	
22	1001248861	2	Fitting, 90 Barb	
24	80630	1	Clamp	
25	4360436	1	Switch, Fuel Level	
26	5250808	2	Bolt M8 x 16	
27	1001100451	2	Bolt M8 x 20	
28	1001174486	2	Clamp	
29	1001182997	AR	Adhesive	
30	1001262943	1	Fitting, 90 Barb	
31	1001263657	6	Clamp	
32	1001263658	2	Clamp	
33	1001263659	6	Clamp	
34	1001288396	1	Decal, Emission Control (Not Shown)	
34	1001299770	1	Decal, Emission Control (Not Shown)	

SECTION 3 - ENGINE

FIGURE 3-17. ENGINE ELECTRICAL INSTALLATION - DUAL FUEL



ART_1001256034

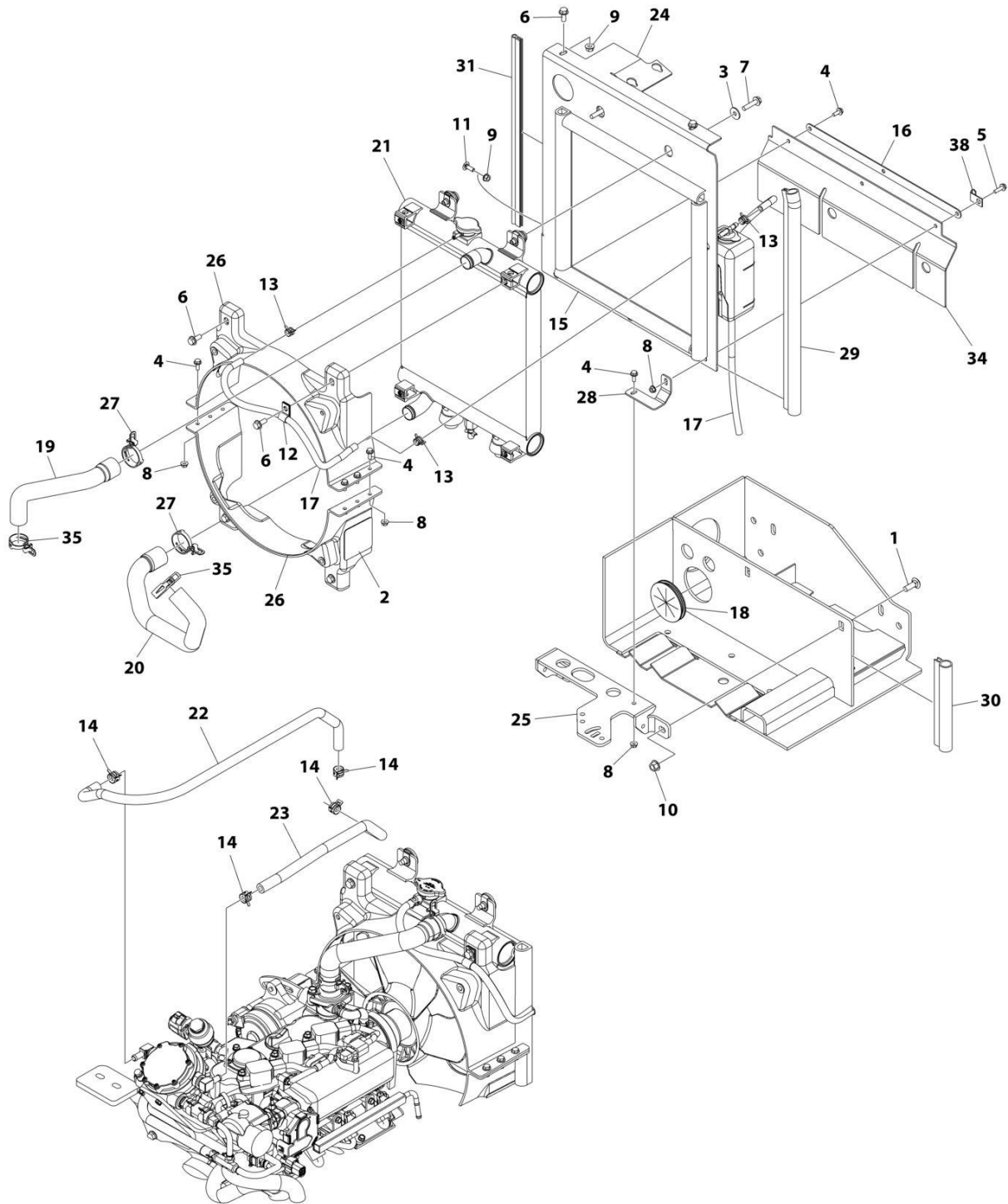
SECTION 3 - ENGINE

FIGURE 3-17. ENGINE ELECTRICAL INSTALLATION - DUAL FUEL

ITEM	PART NUMBER	QTY	DESCRIPTION	REV
	1001256034	Ref	ENGINE ELECTRICAL INSTALLATION - GAS	D
1	0100051	AR	Grease, Terminal	
2	0400003	1	Battery	
3	1062255	AR	Tie-Strap (Not Shown)	
4	5250508	9	Bolt M5 x 16	
5	5260600	1	Nut M6	
6	5260800	1	Nut M8	
7	1001139219	1	Boot	
8	1001179586	1	J-Bolt	
9	1001234069	1	Link, Fusible	
10	1001248289	1	Harness, Engine (See Separate Breakdown in ELECTRICAL Section)	
11	1001248347	1	Battery, Cable Kit	
12	1001254888	1	Bracket, Battery	
14	1001256312	1	Bolt M10 x 16	
15	0760505	1	Bolt M5 x 10	
16	1320244	1	Clamp	
17	4811600	1	Washer M5	
18	1001187781	1	Tie-Strap (Not Shown)	

SECTION 3 - ENGINE

FIGURE 3-18. ENGINE COOLING SYSTEM INSTALLATION - DUAL FUEL



ART_1001256029

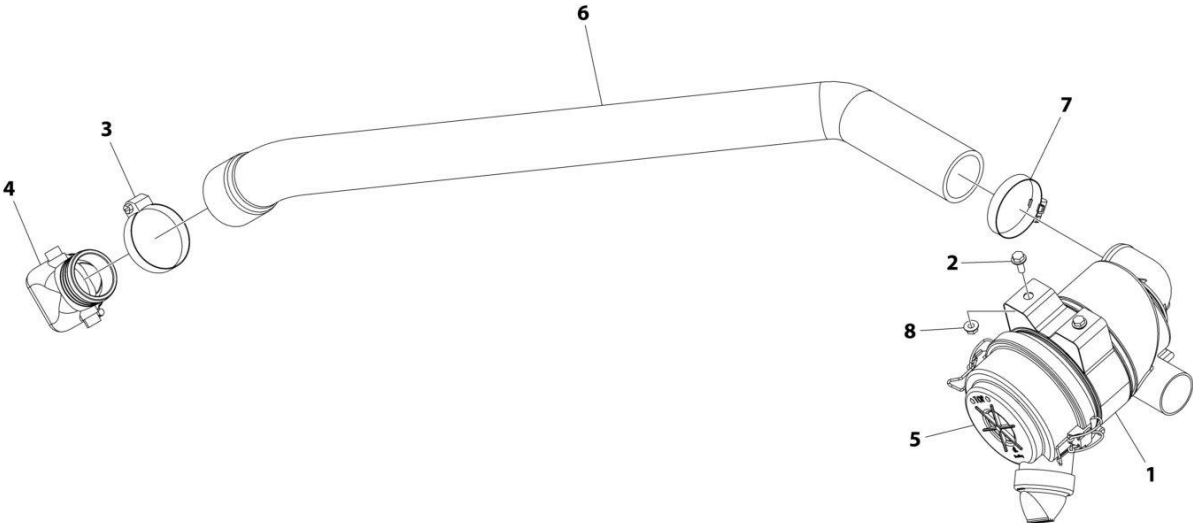
SECTION 3 - ENGINE

FIGURE 3-18. ENGINE COOLING SYSTEM INSTALLATION - DUAL FUEL

ITEM	PART NUMBER	QTY	DESCRIPTION	REV
	1001256029	Ref	COOLING SYSTEM INSTALLATION	C
1	0630613	2	Bolt M10 x 30	
2	1703162	1	Decal - Fan Blade	
3	4811902	2	Washer M8	
4	5250608	9	Bolt M6 x 16	
5	5250611	1	Bolt M6 x 22	
6	5250810	6	Bolt M6 x 20	
7	5250815	2	Bolt M6 x 35	
8	5260600	8	Nut M6	
9	5260800	3	Nut M8	
10	5261000	2	Nut M10	
11	8310623	1	Bolt M6 x 25	
12	8406110	1	Clip	
13	1001213010	3	Clamp	
14	1001152729	4	Clamp	
15	1001262646	5 ft/ 1.5m	Seal	
16	1001252596	1	Support	
17	1001263476	3.8 ft/ 1.1m	Hose	
18	1001218676	1	Grommet	
19	1001246778	1	Tube, Coolant	
20	1001246779	1	Tube, Coolant	
21	1001247267	1	Radiator	
22	1001249122	1	Tube, Coolant	
23	1001249123	1	Tube, Coolant	
24	1001262636	1	Plate, Radiator	
25	1001262630	1	Bracket	
26	1001254635	2	Shroud	
27	1001255606	2	Clamp	
28	1001255809	1	Bracket	
29	1001255843	21 in/ 53cm	Seal	
30	1001255848	8 in/ 20cm	Seal	
31	1001255851	18 in/ 45cm	Seal	
34	1001255857	1	Dam, Air	
35	1001256209	2	Clamp	
38	1320223	1	J-Clip	

SECTION 3 - ENGINE

FIGURE 3-19. AIR INTAKE INSTALLATION - DUAL FUEL



ART_1001256030

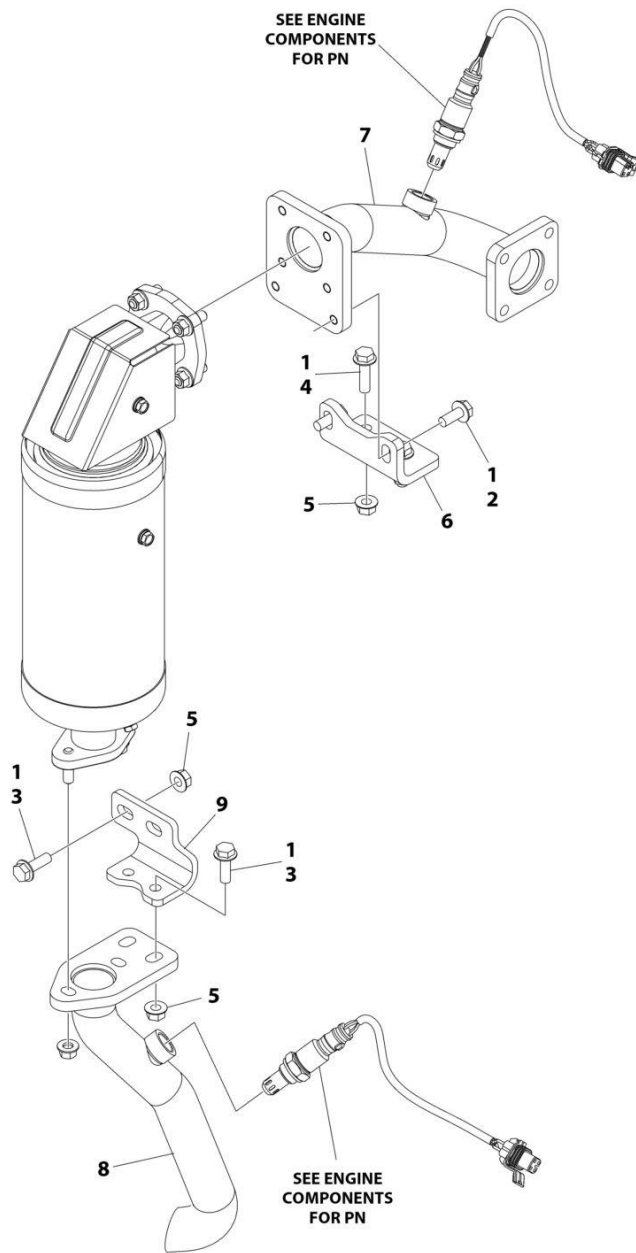
SECTION 3 - ENGINE

FIGURE 3-19. AIR INTAKE INSTALLATION - DUAL FUEL

ITEM	PART NUMBER	QTY	DESCRIPTION	REV
	1001256030	Ref	AIR INTAKE INSTALLATION	B
1	0340045	1	Band, Air Cleaner	
2	5250608	2	Bolt M6 x 16	
3	8405201	1	Clamp	
4	1001146043	1	Coupling	
5	1001247560	1	Air Cleaner Assembly	
5	7015004	1	Element, Air Cleaner	
6	1001248313	1	Tube, Air Intake	
7	1321682	1	Clamp	
8	5260600	2	Nut M6	

SECTION 3 - ENGINE

FIGURE 3-20. EXHAUST INSTALLATION - DUAL FUEL



ART_1001256035

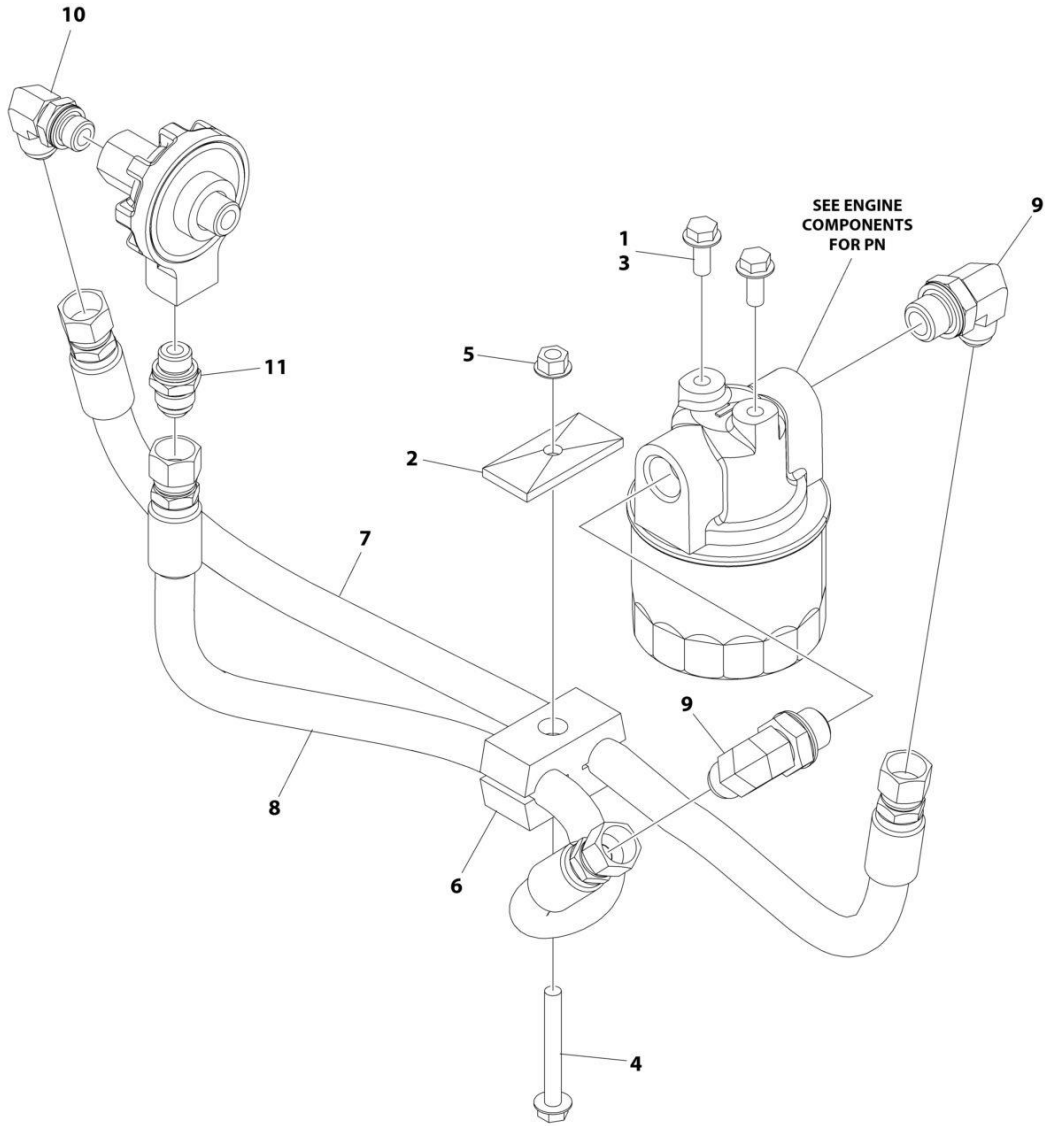
SECTION 3 - ENGINE

FIGURE 3-20. EXHAUST INSTALLATION - DUAL FUEL

ITEM	PART NUMBER	QTY	DESCRIPTION	REV
	1001256035	Ref	EXHAUST SYSTEM INSTALLATION	C
1	0100011	AR	Compond, Locking	
2	5250810	2	Bolt M8 x 20	
3	5250812	4	Bolt M8 x 25	
4	5250814	2	Bolt M8 x 30	
5	5260800	6	Nut M8	
6	1001214556	1	Bracket	
7	1001247804	1	Pipe, Exhaust	
8	1001247810	1	Pipe, Exhaust	
9	1001254691	1	Bracket, Muffler Exhaust	

SECTION 3 - ENGINE

FIGURE 3-21. OIL FILTER INSTALLATION - REMOTE - DUAL FUEL



ART_1001256032

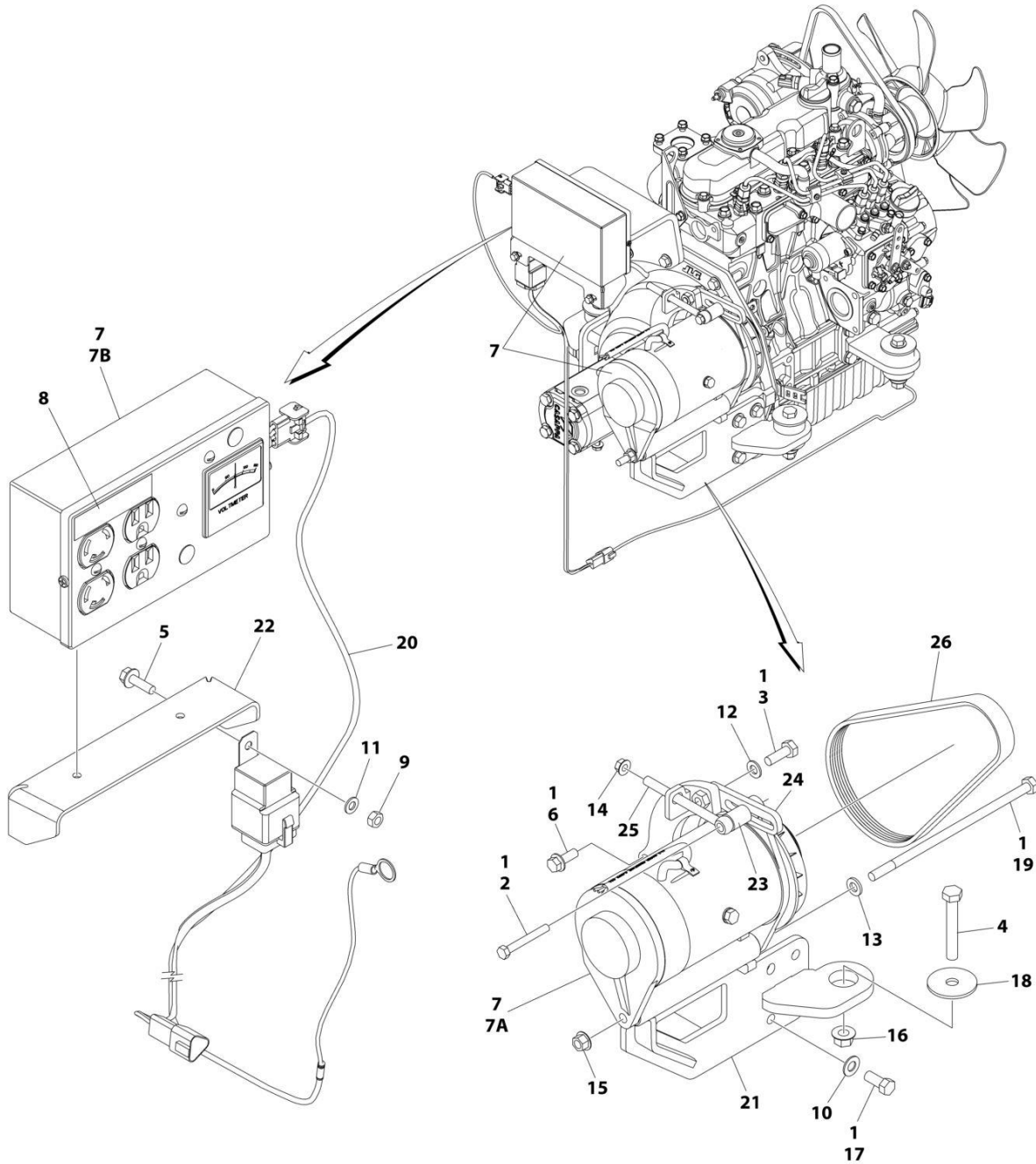
SECTION 3 - ENGINE

FIGURE 3-21. OIL FILTER INSTALLATION - REMOTE - DUAL FUEL

ITEM	PART NUMBER	QTY	DESCRIPTION	REV
	1001256032	Ref	OIL FILTER INSTALLATION - REMOTE	B
	See Note	Ref	Note: For Engine Specific Components, See Engines Components.	
1	0100011	AR	Compund, Locking	
2	1309435	1	Plate, Clamp	
3	5250810	2	Bolt M8 x 20	
4	5250821	1	Bolt M8 x 65	
5	5260800	1	Nut M8	
6	8769139	1	Clamp	
7	1001248413	1	Hose	
8	1001248414	1	Hose	
9	1001250519	2	Fitting, 90 JIC/BSPP	
10	1001250521	1	Fitting, 90 JIC/ORB	
11	1001250525	1	Fitting, Straight JIC/ORB	

SECTION 3 - ENGINE

FIGURE 3-22. GENERATOR INSTALLATION - 2500W/60HZ (DIESEL MACHINES)



ART_1001246134

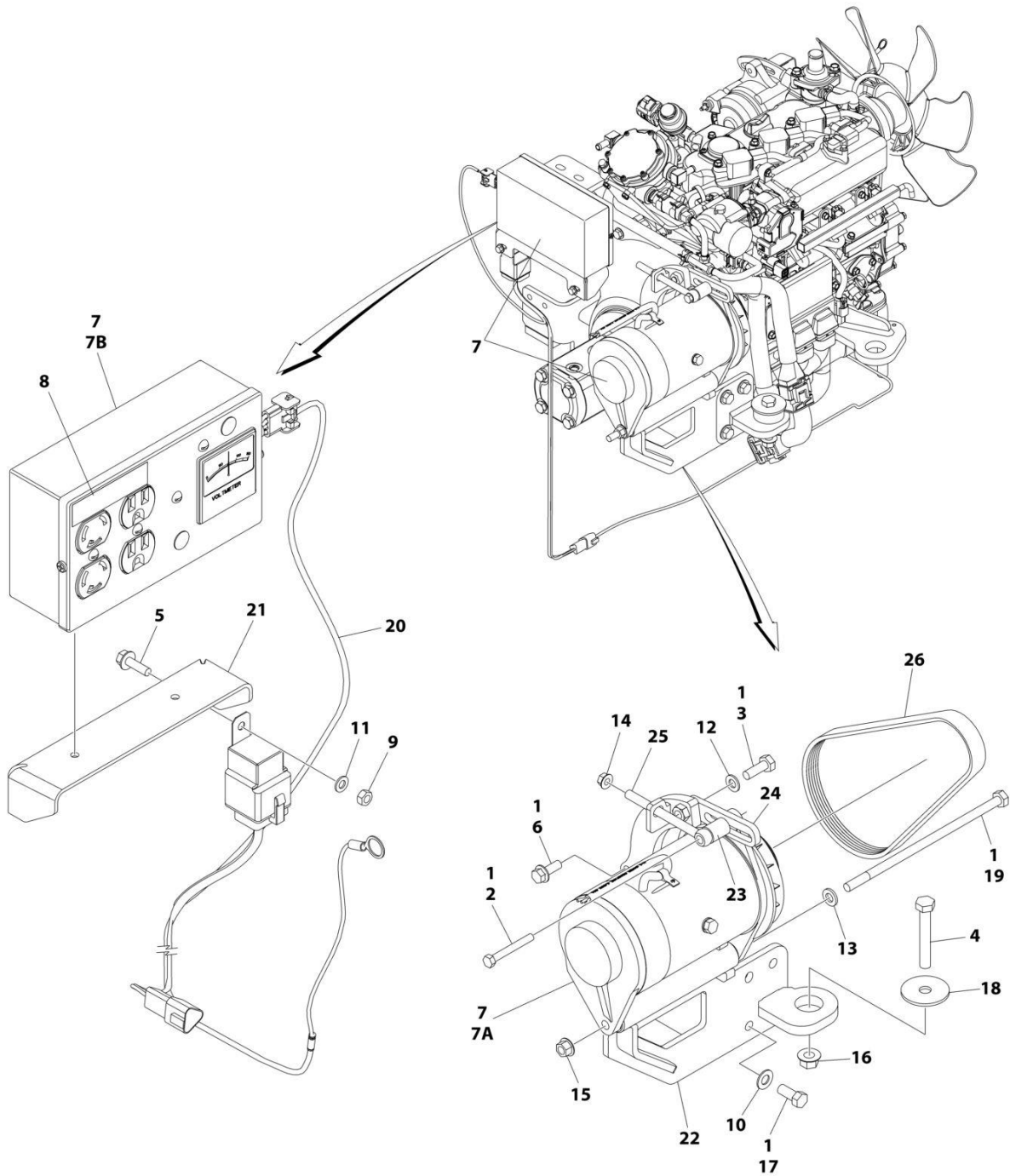
SECTION 3 - ENGINE

FIGURE 3-22. GENERATOR INSTALLATION - 2500W/60HZ (DIESEL MACHINES)

ITEM	PART NUMBER	QTY	DESCRIPTION	REV
	1001246134	Ref	GENERATOR INSTALLATION - 2500W / 60HZ	A
1	0100011	AR	Compound, Locking	
2	0681520	1	Bolt 5/16 x 2-1/2	
3	0701014	1	Bolt M10 x 30	
4	0711224	1	Bolt M10 x 80	
5	0780610	2	Bolt M6 x 20	
6	0811608	3	Screw 3/8 x 1	
7	2460051	1	Generator Assembly	
7A	7012558	1	Generator, Replacement	
7A	3580324	1	Pulley	
7A	7027887	1	Key	
7A	7020193	12 ft/ 3.7m	Cord	
7A	7026199	1	Armature	
7A	7020108	4	Brush	
7A	7020109	4	Holder, Brush	
7A	7012513	4	Cap, Brush Holder	
7A	7012514	1	Fan	
7A	7020110	1	Bell, End - Front	
7A	7020111	1	Bell, End - Rear	
7A	7020190	2	Bearing	
7B	7019680	1	Control Box Assembly	
7B	4360542	1	Breaker, Circuit	
7B	2420203	1	Voltmeter	
7B	4460190	1	Receptacle, Standard	
7B	4460027	1	Receptacle, Twist-lock	
7B	3520028	1	Plug	
7B	4460961	1	Connector, Harness	
7B	4460805	AR	Pin, Male	
8	3251243	1	Nameplate - 120V - 60HZ	
9	3290601	2	Nut M6	
10	4711700	3	Washer 7/16	
11	4811702	2	Washer M6	
12	4812000	1	Washer M10	
13	5241000	1	Washer M10	
14	5260800	1	Nut M8	
15	5261000	1	Nut M10	
16	5261200	1	Nut M12	
17	10700379	1	Bolt 7/16 x 1	
18	1001168018	1	Washer	
19	1001195137	1	Bolt M10 x 240	
20	1001249464	1	Harnesss, Generator (See Separate Breakdown in ELECTRICAL Section)	
21	1001253837	1	Bracket, Mounting	
22	1001253839	1	Bracket, Mounting	
23	1001256626	1	Spacer	
24	1001256681	1	Bracket, Adjustment	
25	1001256705	1	Eye Bolt M10	
26	1001256708	1	V-Belt	

SECTION 3 - ENGINE

FIGURE 3-23. GENERATOR INSTALLATION - 2500W/60HZ (DUAL FUEL MACHINES)



ART_1001256713

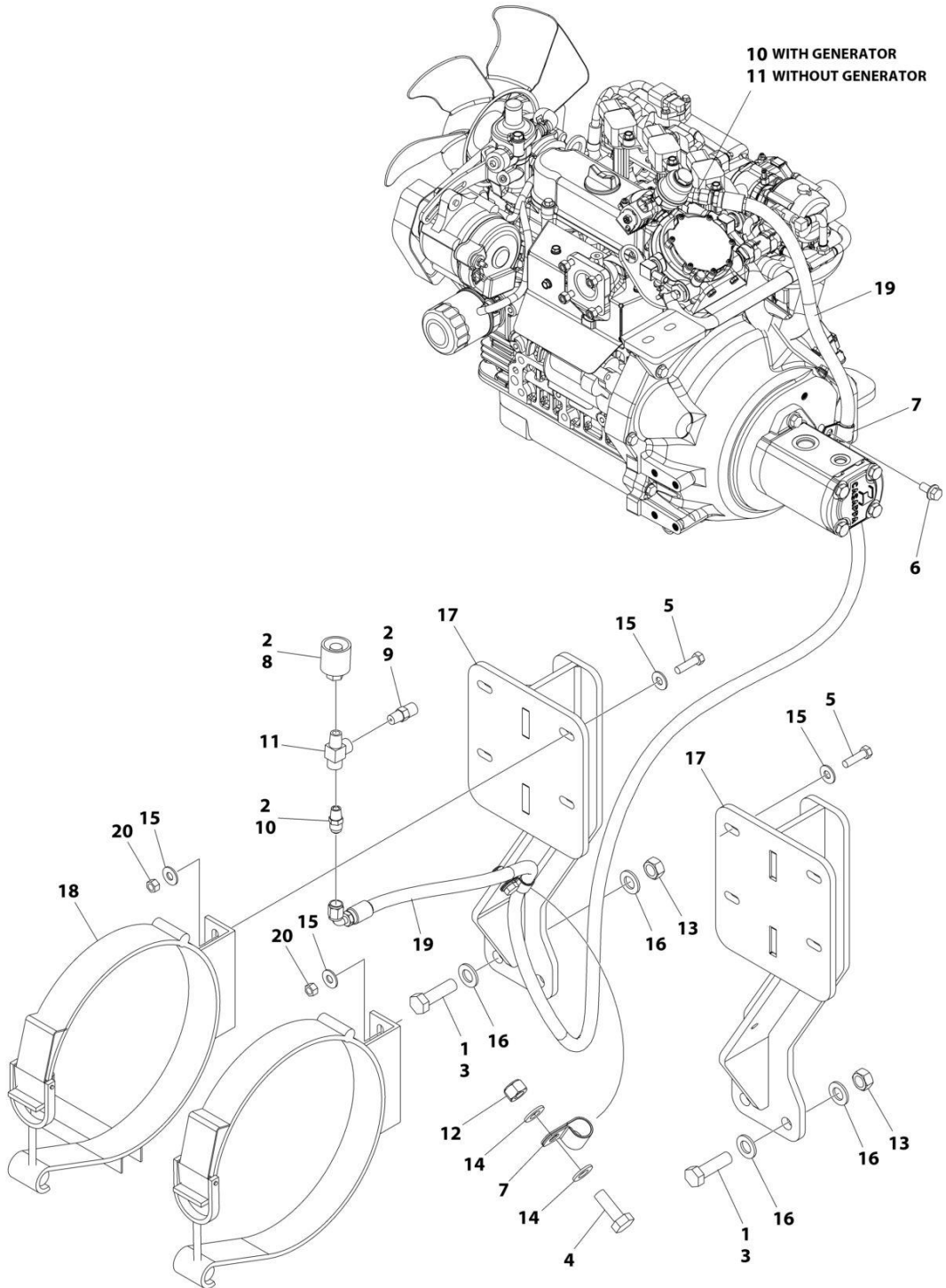
SECTION 3 - ENGINE

FIGURE 3-23. GENERATOR INSTALLATION - 2500W/60HZ (DUAL FUEL MACHINES)

ITEM	PART NUMBER	QTY	DESCRIPTION	REV
	1001256713	Ref	GENERATOR INSTALLATION - 2500W / 60HZ	A
1	0100011	AR	Compound, Locking	
2	0681520	1	Bolt 5/16 x 2-1/2	
3	0701014	1	Bolt M10 x 30	
4	0711224	1	Bolt M10 x 80	
5	0780610	2	Bolt M6 x 20	
6	0811608	3	Screw 3/8 x 1	
7	2460051	1	Generator Assembly	
7A	7012558	1	Generator, Replacement	
7A	3580324	1	Pulley	
7A	7027887	1	Key	
7A	7020193	12 ft/ 3.7m	Cord	
7A	7026199	1	Armature	
7A	7020108	4	Brush	
7A	7020109	4	Holder, Brush	
7A	7012513	4	Cap, Brush Holder	
7A	7012514	1	Fan	
7A	7020110	1	Bell, End - Front	
7A	7020111	1	Bell, End - Rear	
7A	7020190	2	Bearing	
7B	7019680	1	Control Box Assembly	
7B	4360542	1	Breaker, Circuit	
7B	2420203	1	Voltmeter	
7B	4460190	1	Receptacle, Standard	
7B	4460027	1	Receptacle, Twist-lock	
7B	3520028	1	Plug	
7B	4460961	1	Connector, Harness	
7B	4460805	AR	Pin, Male	
8	3251243	1	Nameplate - 120V - 60HZ	
9	3290601	2	Nut M6	
10	4711700	3	Washer 7/16	
11	4811702	2	Washer M6	
12	4812000	1	Washer M10	
13	5241000	1	Washer M10	
14	5260800	1	Nut M8	
15	5261000	1	Nut M10	
16	5261200	1	Nut M12	
17	10700379	3	Bolt 7/16 x 1	
18	1001168018	1	Washer	
19	1001195137	1	Bolt M10 x 240	
20	1001249464	1	Harnesss, Generator (See Separate Breakdown in ELECTRICAL Section)	
21	1001253839	1	Bracket, Mounting	
22	1001256597	1	Bracket, Mounting	
23	1001256626	1	Spacer	
24	1001256681	1	Bracket, Adjustment	
25	1001256705	1	Eye Bolt M10	
26	1001256708	1	V-Belt	

SECTION 3 - ENGINE

FIGURE 3-24. LP TANK BRACKETS INSTALLATION (SINGLE TANK)



ART_1001254550

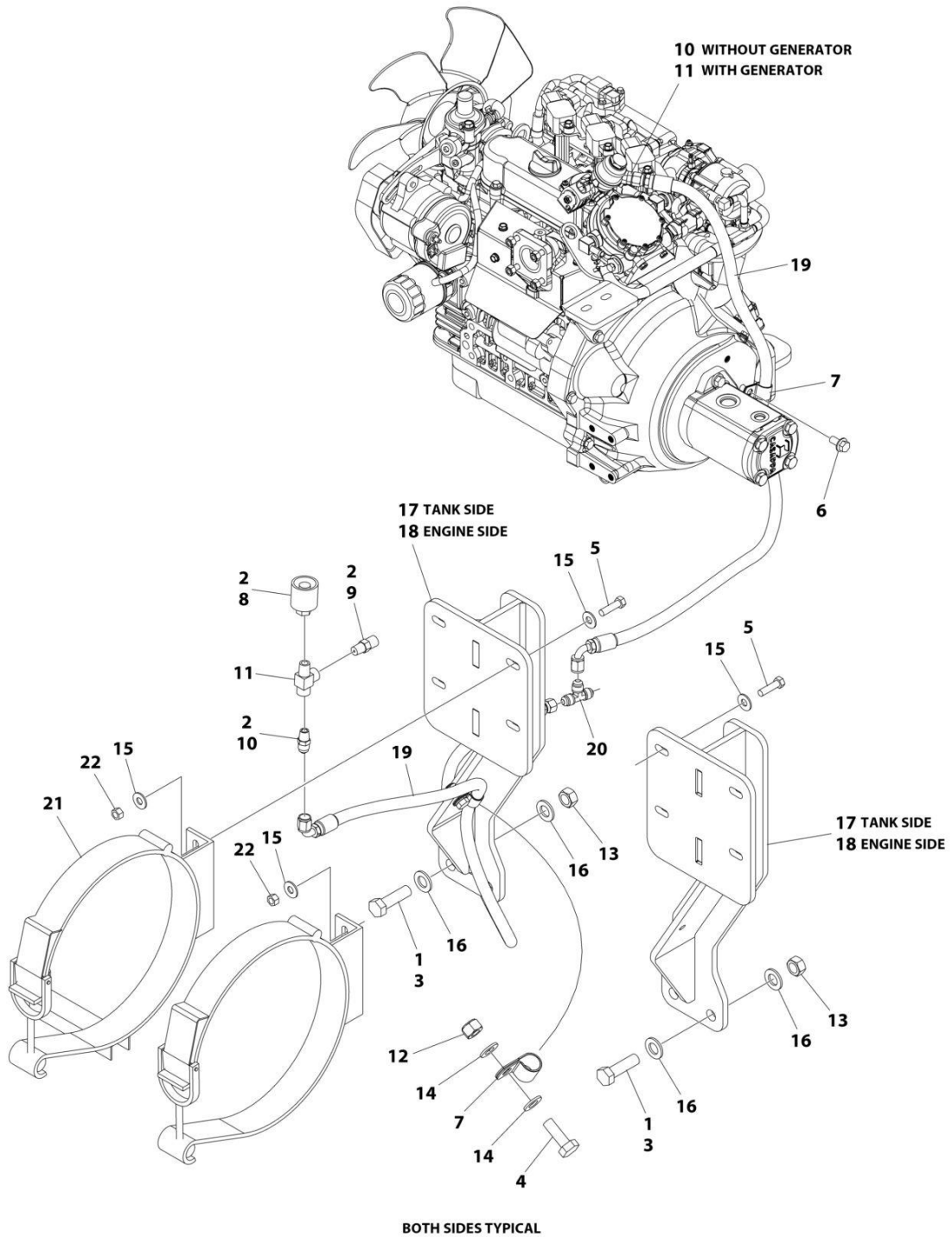
SECTION 3 - ENGINE

FIGURE 3-24. LP TANK BRACKETS INSTALLATION (SINGLE TANK)

ITEM	PART NUMBER	QTY	DESCRIPTION	REV
	1001254550	Ref	LP TANK BRACKETS INSTALLATION (SINGLE)	D
1	0100011	AR	Compound, Locking	
2	0100020	AR	Sealant	
3	0771619	4	Bolt M16 x 55	
4	0771014	1	Bolt M10 x 30	
5	0641611	4	Bolt 3/8 x 1-3/8	
6	0811606	1	Screw 3/8 x 3/4	
7	1320061	2	Clamp	
8	2180387	1	Fitting, Tank Connector	
9	2180389	1	Fitting, Relief Valve - LP	
10	2180418	2	Fitting	
11	2220290	1	Fitting, Tee	
12	3291005	1	Nut M10	
13	3331611	4	Nut M16	
14	4812000	2	Washer M10	
15	4751600	8	Washer 3/8	
16	5241600	8	Washer M16	
17	1001259024	2	Mount	
18	1320220	1	Clamp Kit - LP	
19	1001258006	1	Hose	
20	3311605	4	Nut 3/8	
100	4400281	1	Tank, LP (Not Shown)	

SECTION 3 - ENGINE

FIGURE 3-25. LP TANK BRACKETS INSTALLATION (DUAL TANKS)



ART_1001254551

SECTION 3 - ENGINE

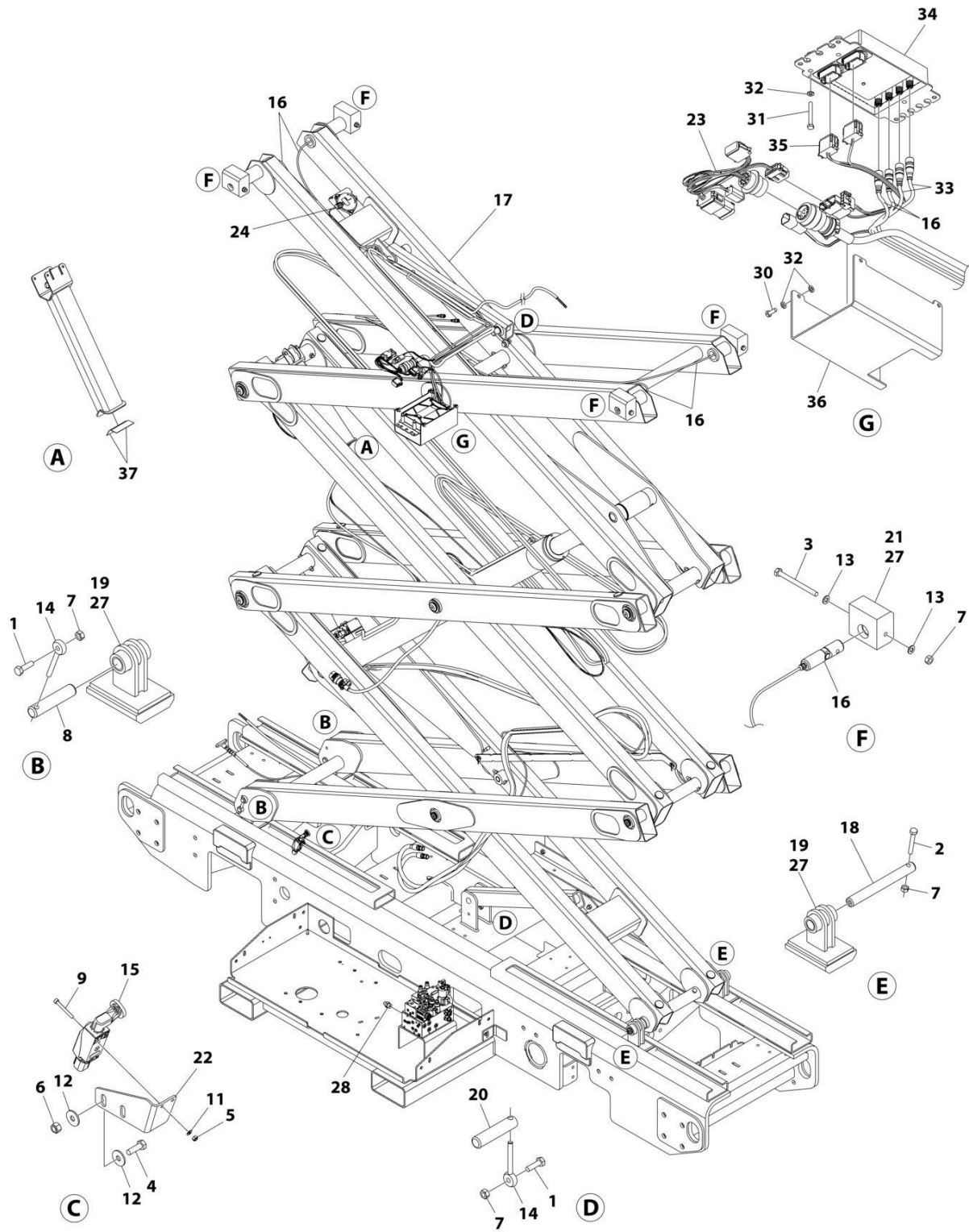
FIGURE 3-25. LP TANK BRACKETS INSTALLATION (DUAL TANKS)

ITEM	PART NUMBER	QTY	DESCRIPTION	REV
	1001254551	Ref	LP TANK BRACKETS INSTALLATION (DUAL)	E
1	0100011	AR	Compound, Locking	
2	0100020	AR	Sealant	
3	0771619	8	Bolt M16 x 55	
4	0771014	2	Bolt M10 x 30	
5	0641611	8	Bolt 3/8 x 1-3/8	
6	0811606	1	Screw 3/8 x 3/4	
7	1320061	3	Clamp	
8	2180387	2	Fitting, Tank Connector	
9	2180389	2	Fitting, Relief Valve - LP	
10	2180418	3	Fitting	
11	2220290	2	Fitting, Tee	
12	3291005	2	Nut M10	
13	3331611	8	Nut M16	
14	4812000	4	Washer M10	
15	4751600	16	Washer 3/8	
16	5241600	16	Washer M16	
17	1001259024	2	Mount	
18	1001259047	2	Mount	
19	1001258004	3	Hose	
20	1001258113	1	Fitting, Tee	
21	1320220	2	Clamp Kit - LP	
22	3311605	8	Nut 3/8	
100	4400281	2	Tank, LP (Not Shown)	

SECTION 4 - SCISSORS ARMS

SECTION 4 - SCISSORS ARMS

FIGURE 4-1. ARMS INSTALLATION (RT2669)



ART_1001248820

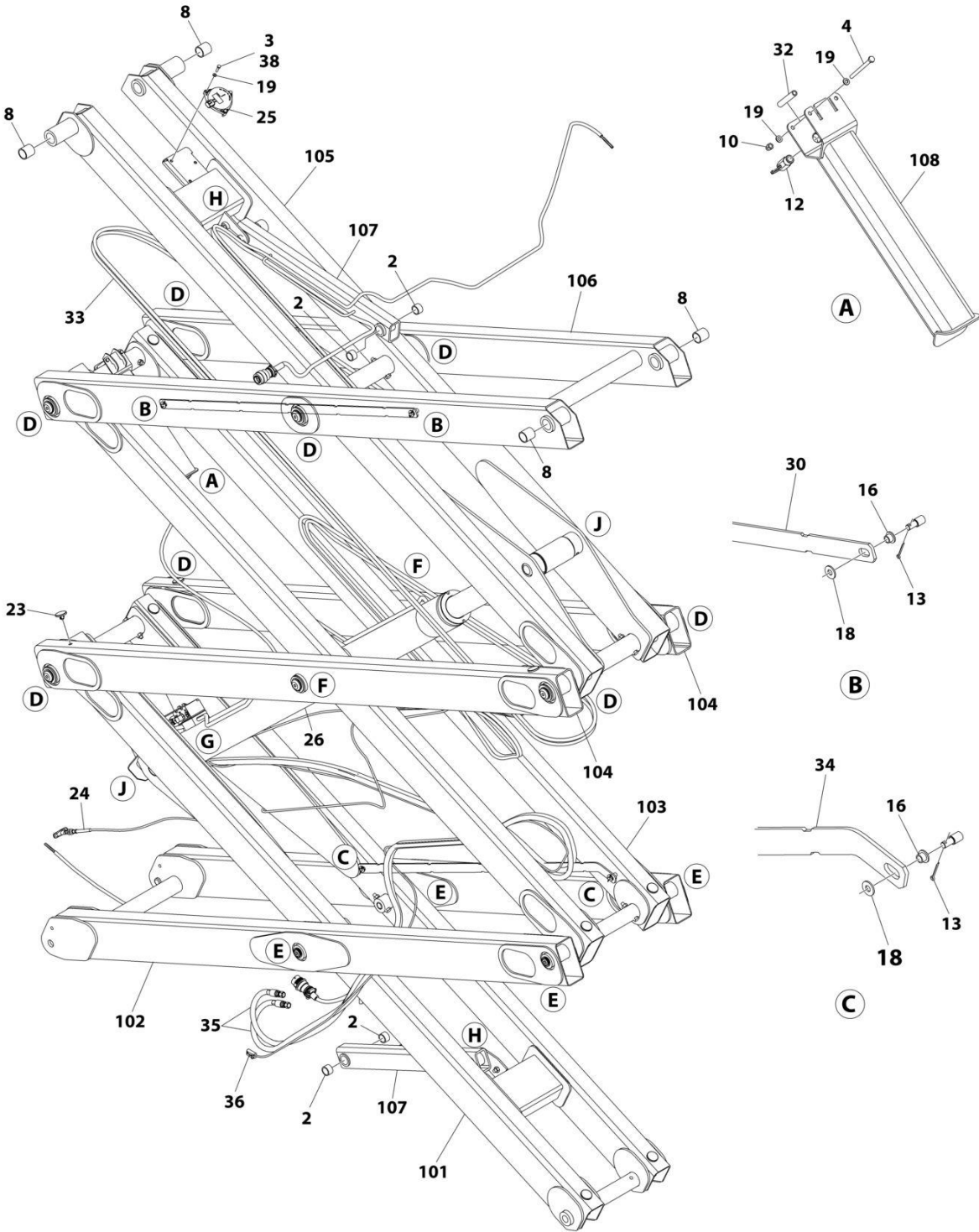
SECTION 4 - SCISSORS ARMS

FIGURE 4-1. ARMS INSTALLATION (RT2669)

ITEM	PART NUMBER	QTY	DESCRIPTION	REV
	1001248820	Ref	ARMS INSTALLATION	C
1	0701015	4	Bolt 10 x 35	
2	0701022	2	Bolt 10 x 70	
3	0701029	4	Bolt 10 x 120	
4	0760812	2	Bolt M8 x 25	
5	3290405	2	Nut M4	
6	3290805	2	Nut M8	
7	3291007	10	Nut M10	
8	3422943	2	Pin	
9	4031511	2	Capscrew M4 x 35	
11	4811400	2	Washer M4	
12	4811902	4	Washer M8	
13	4812000	8	Washer M10	
14	1001270098	4	Pin, Keeper	
15	1001145548	1	Switch, Limit	
16	3422938	4	Pin	
17	1001247367	1	Arm Assembly (See Separate Breakdown in this Section)	
18	1001247521	2	Pin	
19	1001247667	4	Support, Slider	
20	1001247669	2	Pin	
21	1001247671	4	Block, Slide	
22	1001257587	1	Bracket	
23	1001264939	1	Harness, Platform (See Separate Breakdown in ELECTRICAL Section)	
24	1001249091	1	Harness, Tilt Sensor (See Separate Breakdown in ELECTRICAL Section)	
27	3020022	AR	Lubricant	
28	2220372	1	Fitting, Straight JIC/ORB	
29	4240018	AR	Tie - Strap (Not Shown)	
30	0760608	4	Bolt M6 x 16	
31	0700618	3	Bolt M6 x 50	
32	4811700	11	Washer M6	
33	1061020	2	Cable, Extension (1.5 Meter)	
34	1600387	1	Module, Load Sense (Note: Recalibration Required When Replaced)	
35	1001226830	1	Harness Load Sense (See Separate Breakdown in ELECTRICAL Section)	
36	1001263662	1	Cover	
37	1001189762	2	Tape	

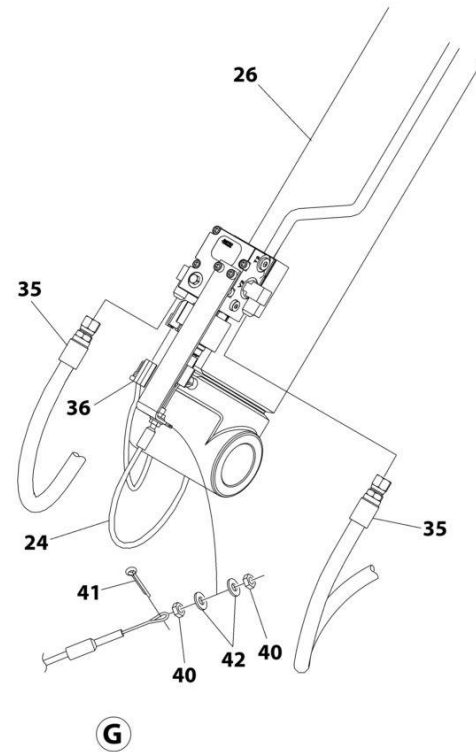
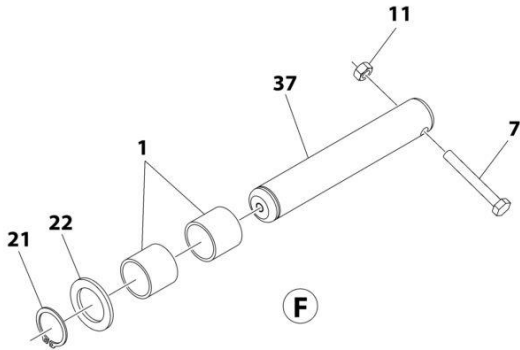
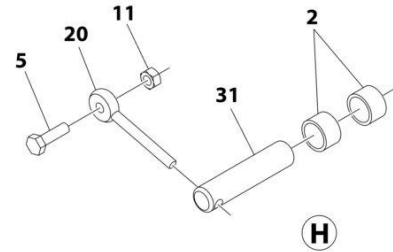
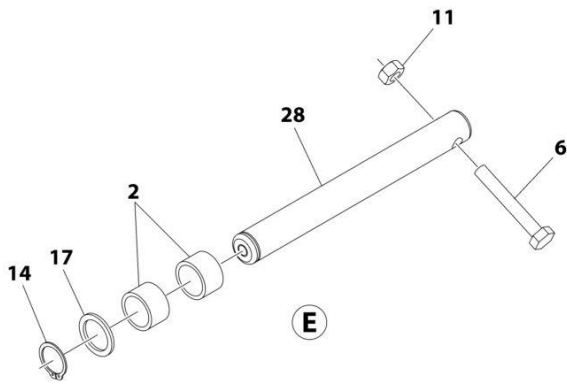
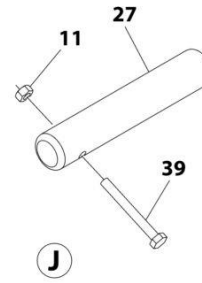
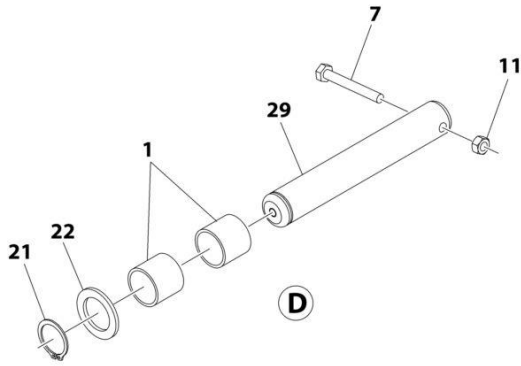
SECTION 4 - SCISSORS ARMS

FIGURE 4-2. ARMS ASSEMBLY (RT2669)



ART_1001247367_1OF2

SECTION 4 - SCISSORS ARMS



ART_1001247367_20F2

SECTION 4 - SCISSORS ARMS

FIGURE 4-2. ARMS ASSEMBLY (RT2669)

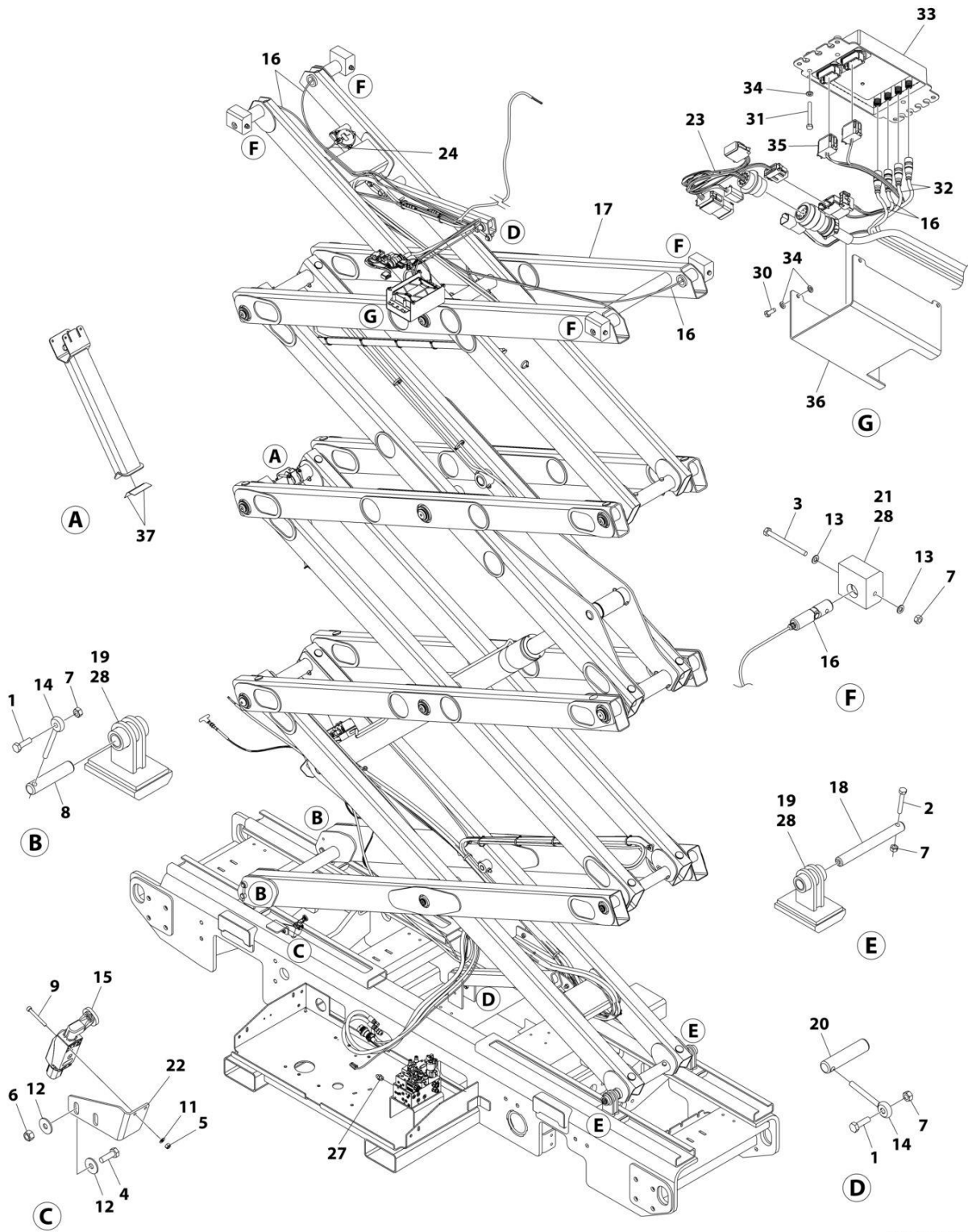
ITEM	PART NUMBER	QTY	DESCRIPTION	REV
	1001247367	Ref	ARMS ASSEMBLY	D
1	0440241	20	Bearing	
2	0440264	16	Bearing	
3	0700612	3	Bolt M6 x 25	
4	0700624	2	Bolt M6 x 80	
5	0701015	2	Bolt M10 x 35	
6	0701022	4	Bolt M10 x 70	
7	0701024	10	Bolt M10 x 80	
8	0962220	4	Bushing	
10	3290606	2	Nut M6	
11	3291007	18	Nut M10	
12	3423151	1	Pin	
13	3450304	4	Pin, Cotter 3/32 x 1	
14	3760509	4	Ring, Retaining	
15	4240018	AR	Tie - Strap (Not Shown)	
16	4740480	4	Washer (Plastic Insert)	
17	4740531	4	Washer	
18	4751500	4	Washer 5/16	
19	4811700	7	Washer M6	
20	1001270098	2	Pin, Keeper	
21	1001099560	10	Ring, Retaining	
22	1001217457	10	Washer	
23	1001228533	16	Bumper	
24	1001265848	1	Cable, Manual Descent	
25	1001244934	1	Sensor, Tilt	
26	1001245923	1	Cylinder Lift Down Valve Assembly (See Separate Breakdown in this Section)	
27	1001247522	2	Pin	
28	1001247523	4	Pin	
29	1001247524	8	Pin	
30	1001247668	1	Bar, Cable	
31	1001247669	2	Pin	
32	1001247670	2	Sleeve	
33	1001248279	1	Harness, Ground To Platform (See Separate Breakdown in ELECTRICAL Section)	
34	1001248865	1	Bar, Cable	
35	1001248890	2	Hose	
36	1001248895	1	Harness Lift Down (See Separate Breakdown in ELECTRICAL Section)	
37	1001249637	2	Pin	
38	0100011	AR	Compound, Locking	
39	0701026	2	Bolt M10 x 90	
40	3321402	2	Nut 1/4	
41	3450405	1	Pin, Cotter 1/8 x 1-1/4	
42	4711400	2	Washer 1/4	
100	1001247375	Ref	Arm Kit (Not Shown)	
101	1001247482	1	Arm, Inboard (Lower)	
102	1001247490	1	Arm, Outboard (Lower)	
103	1001247497	1	Arm, Inboard (Mid)	
104	1001247500	2	Arm, Outboard (Mid)	

SECTION 4 - SCISSORS ARMS

ITEM	PART NUMBER	QTY	DESCRIPTION	REV
105	1001247506	1	Arm, Inboard (Upper)	
105	1001247503	2	Bushing (Not Shown)	
106	1001258812	1	Arm, Outboard (Upper)	
107	1001247520	2	Link, Center	
108	1001247672	1	Prop, Arm	

SECTION 4 - SCISSORS ARMS

FIGURE 4-3. ARMS INSTALLATION (RT3369)



ART_1001248821

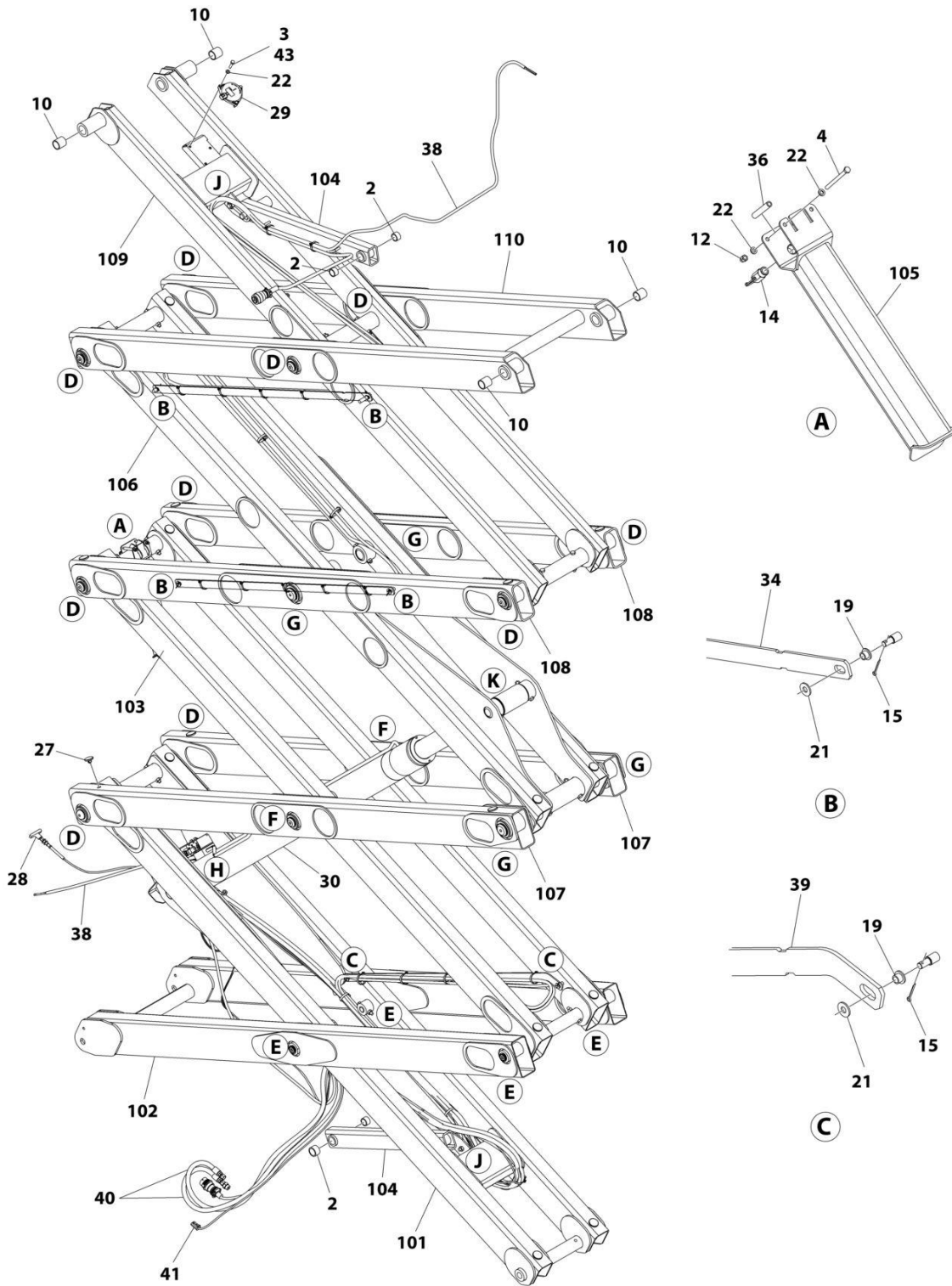
SECTION 4 - SCISSORS ARMS

FIGURE 4-3. ARMS INSTALLATION (RT3369)

ITEM	PART NUMBER	QTY	DESCRIPTION	REV
	1001248821	Ref	ARMS INSTALLATION	E
1	0701015	4	Bolt 10 x 35	
2	0701022	2	Bolt 10 x 70	
3	0701029	4	Bolt 10 x 120	
4	0760812	2	Bolt M8 x 25	
5	3290405	2	Nut M4	
6	3290805	2	Nut M8	
7	3291007	10	Nut M10	
8	3422943	2	Assembly, Load Sense Pin/Cable	
9	4031511	2	Capscrew M4 x 35	
11	4811400	2	Washer M4	
12	4811902	4	Washer M8	
13	4812000	8	Washer M10	
14	1001270098	4	Pin, Keeper	
15	1001145548	1	Switch, LSS Limit	
15	1001284972	1	Switch, LSS Limit	
16	3422938	4	Assembly, Load Sense Pin/Cable	
17	1001247368	1	Arm Assembly (See Separate Breakdown in this Section)	
18	1001247521	2	Pin	
19	1001247667	4	Support, Slider	
20	1001247669	2	Pin	
21	1001247671	4	Block, Slide	
22	1001257587	1	Bracket	
23	1001264939	1	Harness, Platform (See Separate Breakdown in ELECTRICAL Section)	
24	1001249091	1	Harness, Tilt Sensor (See Separate Breakdown in ELECTRICAL Section)	
27	2220372	1	Fitting, Straight JIC/ORB	
28	3020022	AR	Lubricant	
28	3020029	AR	Lubricant	
29	4240018	AR	Tie - Strap (Not Shown)	
30	0760608	4	Bolt M6 x 16	
31	0700618	3	Bolt M6 x 50	
32	1061020	2	Cable, Load Sense Extension	
33	1600387	1	Module, Load Sense (Note: Recalibration Required When Replaced)	
34	4811700	11	Washer M6	
35	1001226830	1	Harness Load Sense (See Separate Breakdown in ELECTRICAL Section)	
36	1001263662	1	Cover	
37	1001189762	2	Tape	

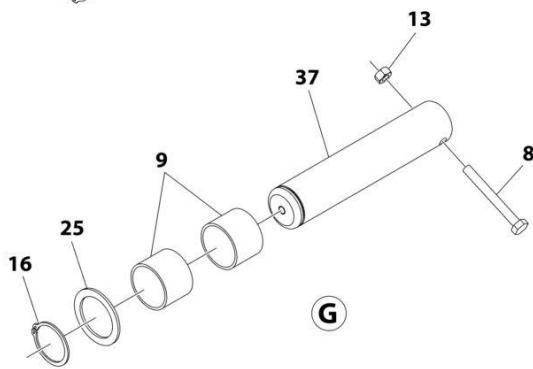
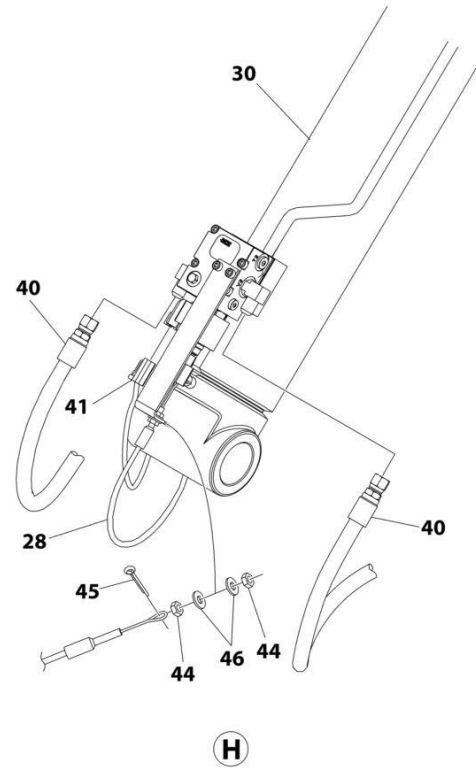
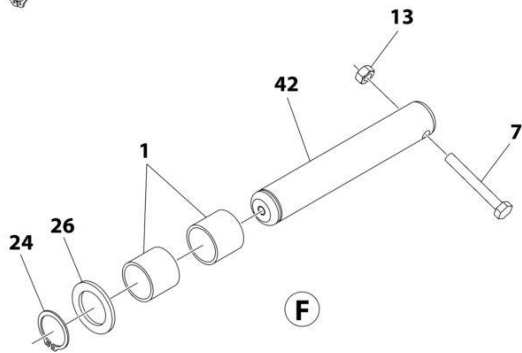
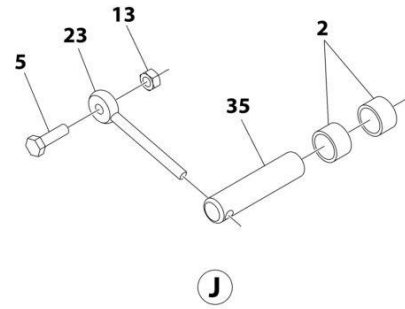
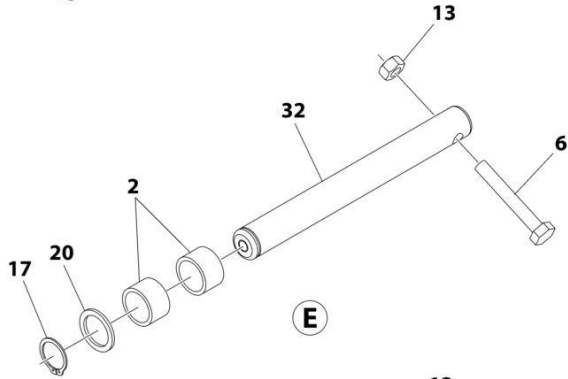
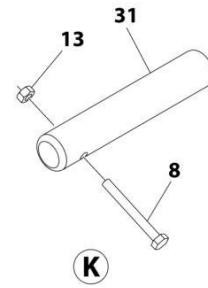
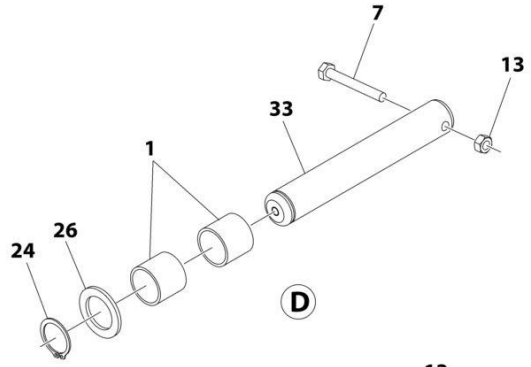
SECTION 4 - SCISSORS ARMS

FIGURE 4-4. ARMS ASSEMBLY (RT3369)



ART_1001247368_1OF2

SECTION 4 - SCISSORS ARMS



ART_1001247368_20F2

SECTION 4 - SCISSORS ARMS

FIGURE 4-4. ARMS ASSEMBLY (RT3369)

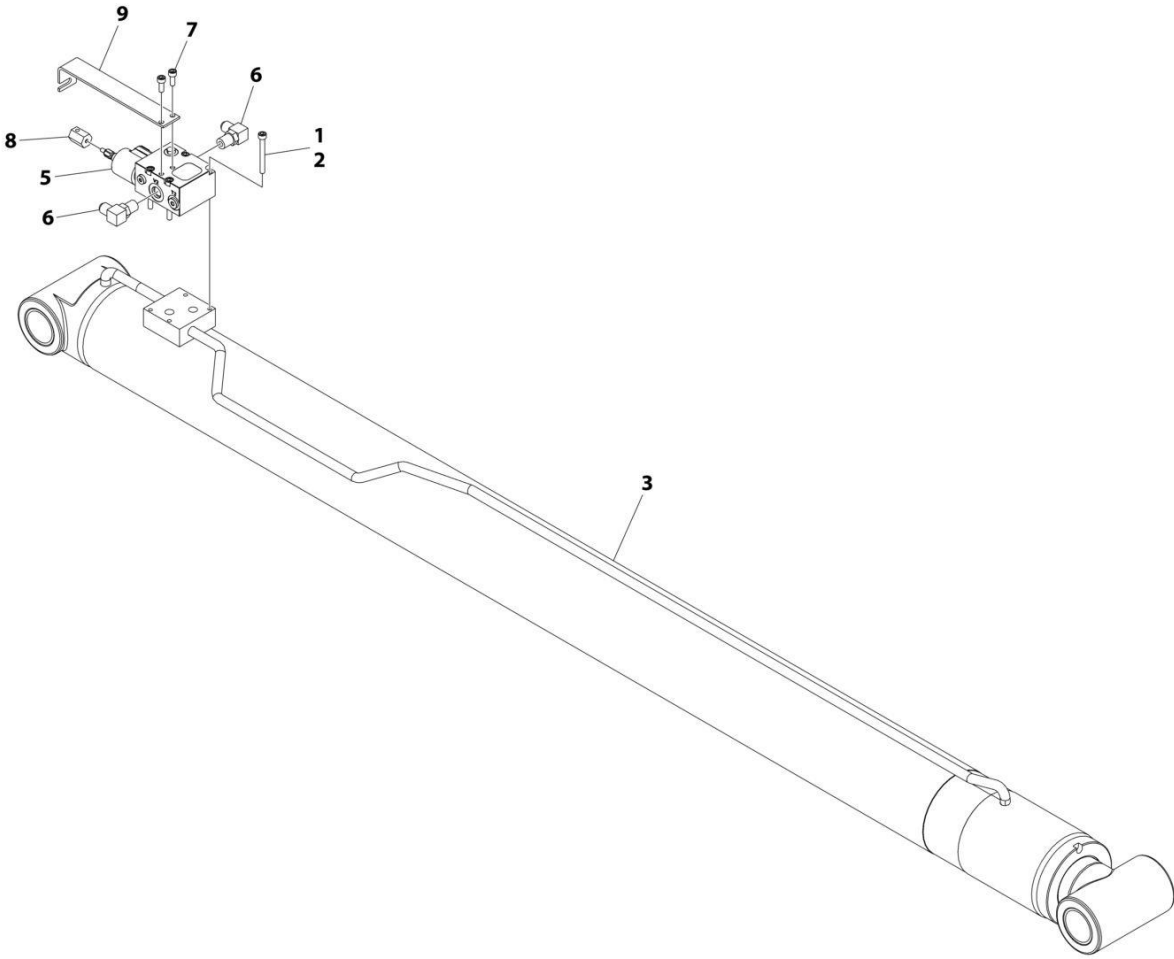
ITEM	PART NUMBER	QTY	DESCRIPTION	REV
	1001247368	Ref	ARMS ASSEMBLY	E
1	0440241	24	Bearing	
2	0440264	16	Bearing	
3	0700612	3	Bolt M6 x 25	
4	0700624	2	Bolt M6 x 80	
5	0701015	2	Bolt M10 x 35	
6	0701022	4	Bolt M10 x 70	
7	0701024	12	Bolt M10 x 80	
8	0701026	6	Bolt M10 x 90	
9	0961950	8	Bushing	
10	0962220	4	Bushing	
12	3290606	2	Nut M6	
13	3291007	24	Nut M10	
14	3423151	1	Pin	
15	3450304	6	Pin, Cotter 3/32 x 1	
16	3760493	4	Ring, Retaining	
17	3760509	4	Ring, Retaining	
18	4240018	AR	Tie - Strap (Not Shown)	
19	4740480	6	Washer (Plastic Insert)	
20	4740531	4	Washer	
21	4751500	6	Washer 5/16	
22	4811700	7	Washer M6	
23	1001270098	2	Pin, Keeper	
24	1001099560	12	Ring, Retaining	
25	1001197405	4	Washer	
26	1001217457	12	Washer	
27	1001228533	24	Bumper	
28	1001265848	1	Cable, Manual Descent	
29	1001244934	1	Sensor, Tilt	
30	1001245923	1	Cylinder Lift Down Valve Assembly (See Separate Breakdown in this Section)	
31	1001247522	2	Pin	
32	1001247523	4	Pin	
33	1001247524	10	Pin	
34	1001247668	2	Bar, Cable	
35	1001247669	2	Pin	
36	1001247670	2	Sleeve	
37	1001247835	4	Pin	
38	1001248280	1	Harness, Ground To Platform (See Separate Breakdown in ELECTRICAL Section)	
39	1001248865	1	Bar, Cable	
40	1001248890	2	Hose	
41	1001248895	1	Harness Lift Down (See Separate Breakdown in ELECTRICAL Section)	
42	1001249637	2	Pin	
43	0100011	AR	Compound, Locking	
44	3321402	2	Nut 1/4	
45	3450405	1	Pin, Cotter 1/8 x 1-1/4	
46	4711400	2	Washer 1/4	
100	1001247376	1	Arm Kit (Not Shown)	

SECTION 4 - SCISSORS ARMS

ITEM	PART NUMBER	QTY	DESCRIPTION	REV
101	1001247482	1	Arm, Inboard (Lower)	
102	1001247490	1	Arm, Outboard (Lower)	
103	1001247497	1	Arm, Inboard (Lower Mid)	
104	1001247520	2	Link, Center	
105	1001247672	1	Prop, Arm	
106	1001247816	1	Arm, Inboard (Upper Mid)	
107	1001247817	2	Arm, Outboard (Lower Mid)	
108	1001247819	2	Arm, Outboard (Upper Mid)	
109	1001247820	1	Arm, Inboard (Upper)	
110	1001258813	1	Arm, Outboard (Upper)	

SECTION 4 - SCISSORS ARMS

FIGURE 4-5. CYLINDER & LIFT DOWN VALVE ASSEMBLY



ART_1001245923

SECTION 4 - SCISSORS ARMS

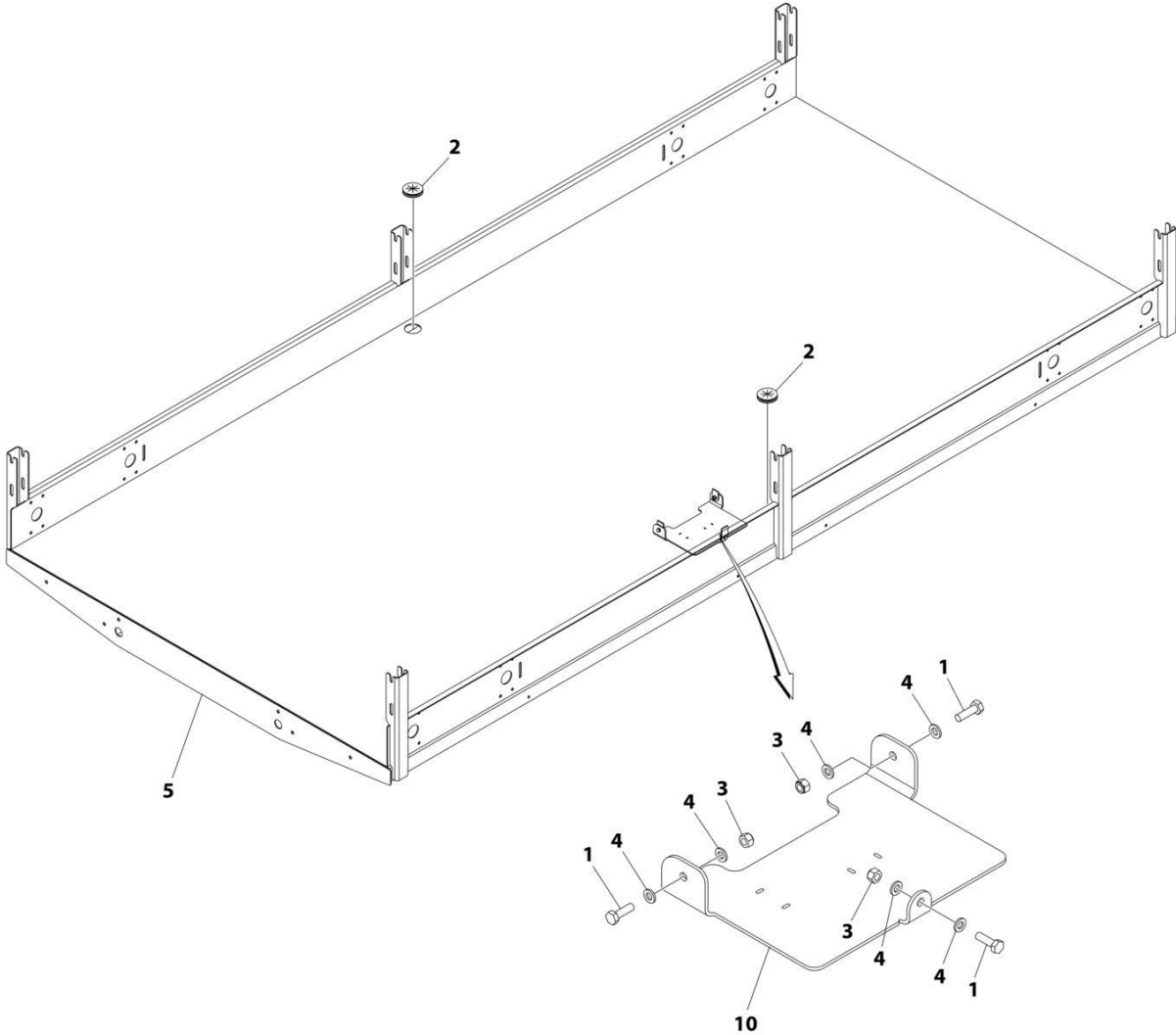
FIGURE 4-5. CYLINDER & LIFT DOWN VALVE ASSEMBLY

ITEM	PART NUMBER	QTY	DESCRIPTION	REV
	1001245923	Ref	CYLINDER AND LIFT DOWN VALVE ASSEMBLY	E
1	0100011	AR	Compound, Locking	
2	1001118878	4	Capscrew M6 x 55	
3	1001244210	1	Lift Cylinder Assembly (See Separate Breakdown in CYLINDER Section)	
5	1001244904	1	Valve, Lift Down (No Service Parts Available)	
5	70007448	2	O-Ring (Between Valve and Cylinder)	
5	70002386	1	Coil	
6	2220473	2	Fitting, 90 JIC/ORB	
7	4031707	2	Capscrew M6 x 16	
8	1001265744	1	Adapter	
9	1001265761	1	Bracket	

SECTION 5 - PLATFORM

SECTION 5 - PLATFORM

FIGURE 5-1. PLATFORM INSTALLATION



ART_1001244381

SECTION 5 - PLATFORM

FIGURE 5-1. PLATFORM INSTALLATION

ITEM	PART NUMBER	QTY	DESCRIPTION	REV
	1001244381	Ref	PLATFORM MOUNT INSTALLATION	B
1	0760610	3	Bolt M6 x 20	
2	2540045	2	Grommet	
3	3290605	3	Nut M6	
4	4811700	6	Washer M6	
5	1001245250	1	Platform	
10	1001251328	1	Cover	

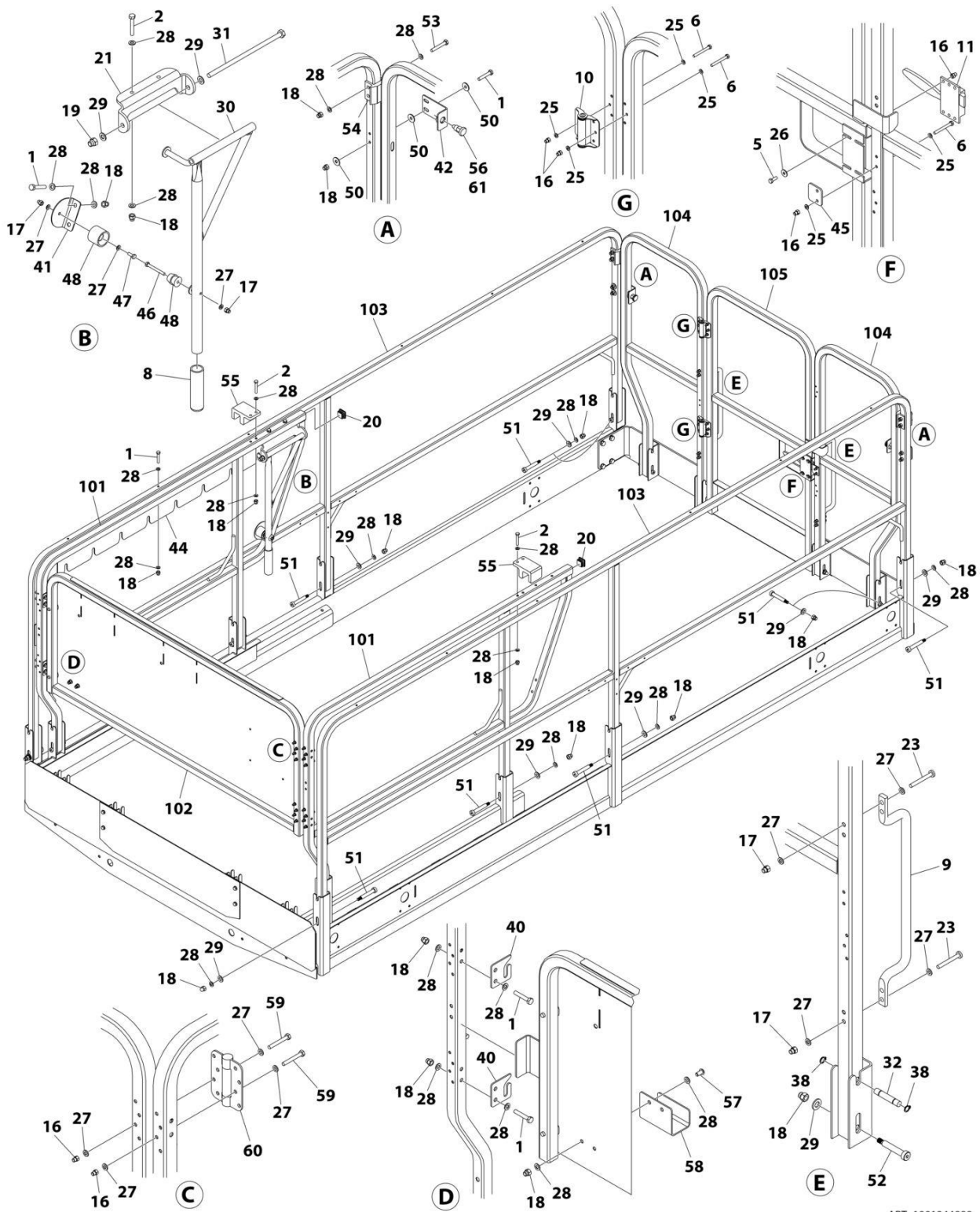
SECTION 5 - PLATFORM

FIGURE 5-2. PLATFORM EXTENSION INSTALLATION (SINGLE)

ITEM	PART NUMBER	QTY	DESCRIPTION	REV
	1001244382	Ref	PLATFORM WITH SINGLE EXTENSION INSTALLATION	F
2	0760808	4	Bolt M8 x 16	
3	0761008	2	Bolt M10 x 16	
4	3290806	4	Nut M8 x 1-1/4	
5	3291007	6	Nut M10 x 1-1/2	
6	4811900	16	Washer M8	
7	4812000	46	Washer M10	
8	1001261123	12	Screw M10 x 35	
9	3900394	4	Capscrew M10 x 1-1/2	
10	1001245479	1	Extension, Platform	
11	1001248933	4	Roller	
12	1001248990	2	Plate	
13	1001248991	1	Plate	
14	1001262640	4	Bracket	
15	1001250355	1	Plate	
16	1001250356	1	Plate	
17	1001250627	1	Plate	
18	1001250640	1	Plate	
19	0701012	14	Capscrew M10 x 25	
20	3291006	24	Nut M10	
21	3292002	4	Nut M20	
22	1001262639	4	Pin	
23	0760610	4	Bolt M6 x 20	
24	0760812	4	Bolt M6 x 25	
25	3290605	4	Nut M6	
26	3290805	4	Nut M8	
27	4811700	8	Washer M6	
28	1001265684	2	Brace, Extension leg Strap	
29	1001265821	2	Bracket, Extension Back Strap	
30	4420062	AR	Tape (Not Shown)	

SECTION 5 - PLATFORM

FIGURE 5-3. PLATFORM RAILS INSTALLATION (SINGLE EXTENSION)



ART_1001244888

SECTION 5 - PLATFORM

FIGURE 5-3. PLATFORM RAILS INSTALLATION (SINGLE EXTENSION)

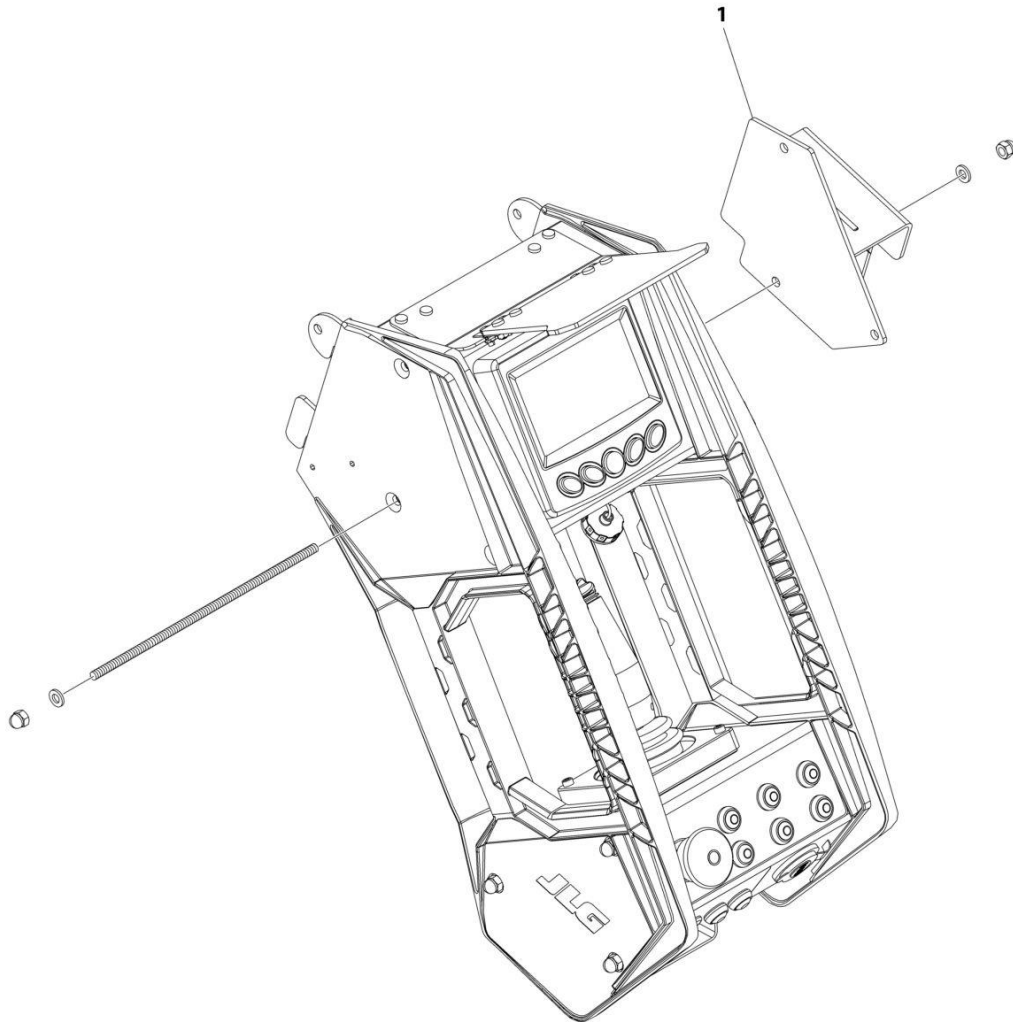
ITEM	PART NUMBER	QTY	DESCRIPTION	REV
	1001244888	Ref	RAIL INSTALLATION - PLATFORM WITH SINGLE EXTENSION	F
1	0700817	13	Bolt M8 x 45	
2	0700818	6	Bolt M8 x 50	
5	0760507	4	Bolt M8 x 14	
6	0700517	14	Bolt M5 x 45	
8	2560088	1	Grip, Handle	
9	2560176	2	Handle	
10	2600253	2	Hinge	
11	2940074	1	Latch	
16	3290506	34	Nut M5 x 3/4	
17	3290606	10	Nut M6 x 1	
18	3290806	39	Nut M8 x 1-1/4	
19	3291006	1	Nut M10	
20	3520072	2	Plug	
21	3537609	1	Plate, Pivot	
23	4010618	8	Screw M6 x 50	
25	4811600	40	Washer M5	
26	4811602	4	Washer M5	
27	4811700	51	Washer M6	
28	4811900	54	Washer M8	
29	4812000	16	Washer M10	
30	4846181	1	Handle (LH)	
31	1001195137	1	Bolt M10 x 240	
32	1001262495	2	Rod	
38	1001262454	4	Ring	
40	1001250829	2	Plate, Rotary Latch	
41	1001250830	1	Plate, Handle Latch	
42	1001258936	2	Plate, Rail	
44	1001294421	1	Plate, Extension	
45	1001253149	1	Plate, Gate Latch	
46	0700619	1	Bolt M6 x 55	
47	0760608	1	Bolt M6 x 16	
48	2940127	1	Latch	
50	4811902	12	Washer M8	
51	1001262399	12	Bolt M8 x 55	
52	1001262400	2	Bolt M8 x 50	
53	0700819	4	Bolt M8 x 55	
54	1001263628	2	Pad	
55	1001263629	2	Pad	
56	3422744	2	Pin, Plunger	
57	0630615	2	Bolt M8 x 16	
58	1001263269	1	Plate	
59	0700617	16	Bolt M6 x 45	
60	2600285	2	Hinge	
61	0100011	AR	Compound, Locking	
100	1001265846	1	Rail, Single Extension Kit	
101	1001248840	2	Rail, Extension Side	
102	1001248986	1	Rail, Extension Front	
103	1001249882	2	Rail, Platform Side	
104	1001249883	2	Rail, Platform Rear	

SECTION 5 - PLATFORM

ITEM	PART NUMBER	QTY	DESCRIPTION	REV
105	1001249884	1	Rail, Platform Gate	

SECTION 5 - PLATFORM

FIGURE 5-4. PLATFORM CONTROL BOX INSTALLATION - SIDE MOUNT



ART_1001265916

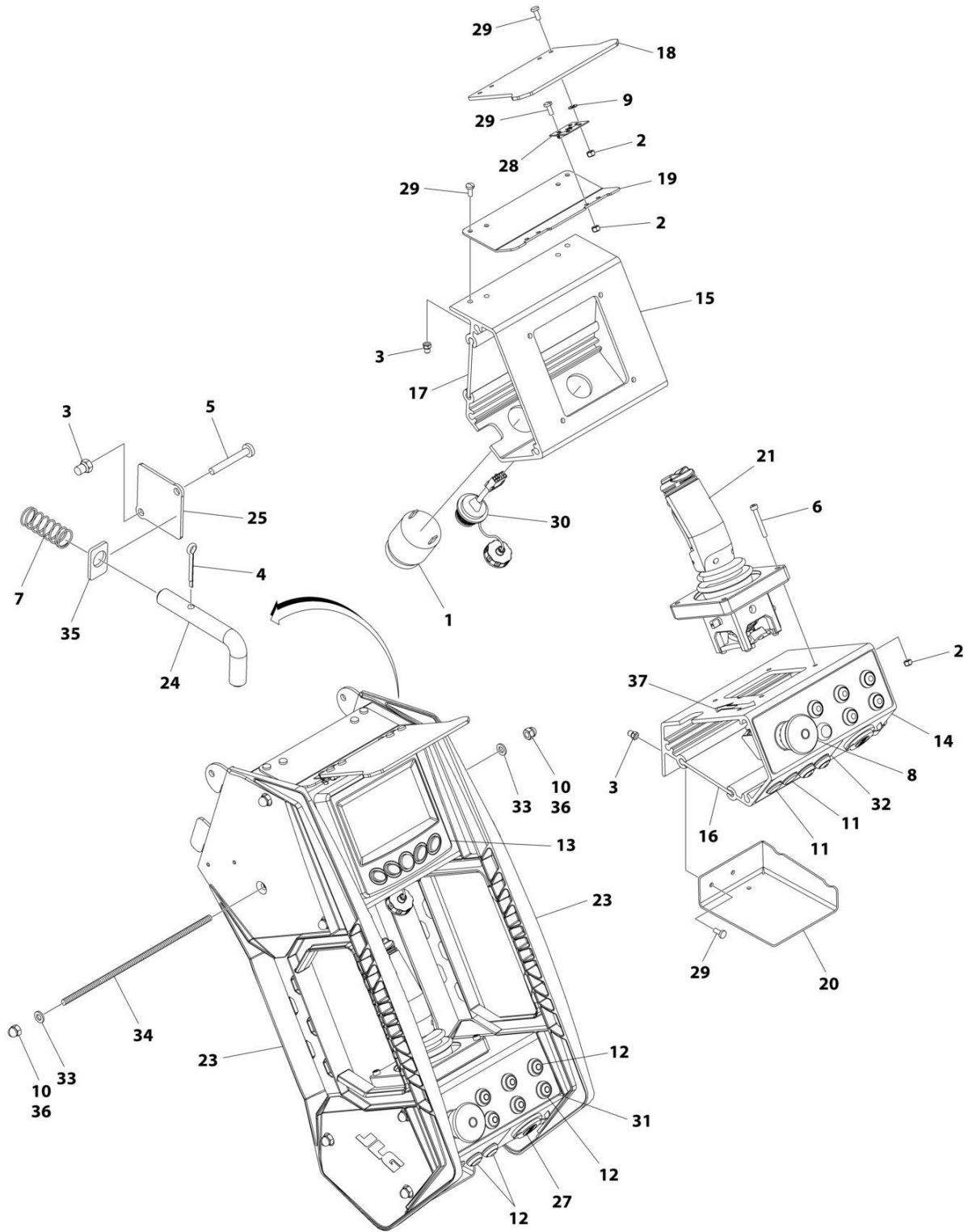
SECTION 5 - PLATFORM

FIGURE 5-4. PLATFORM CONTROL BOX INSTALLATION - SIDE MOUNT

ITEM	PART NUMBER	QTY	DESCRIPTION	REV
	1001265916	Ref	PLATFORM CONSOLE BOX INSTALLATION	B
1	1001265532	1	Bracket, Control Box Sidemount	
2	0100011	1	Compound, Locking (Not Shown - Use on Mounting Hardware)	

SECTION 5 - PLATFORM

FIGURE 5-5. PLATFORM CONTROL BOX INSTALLATION



ART_1001247383

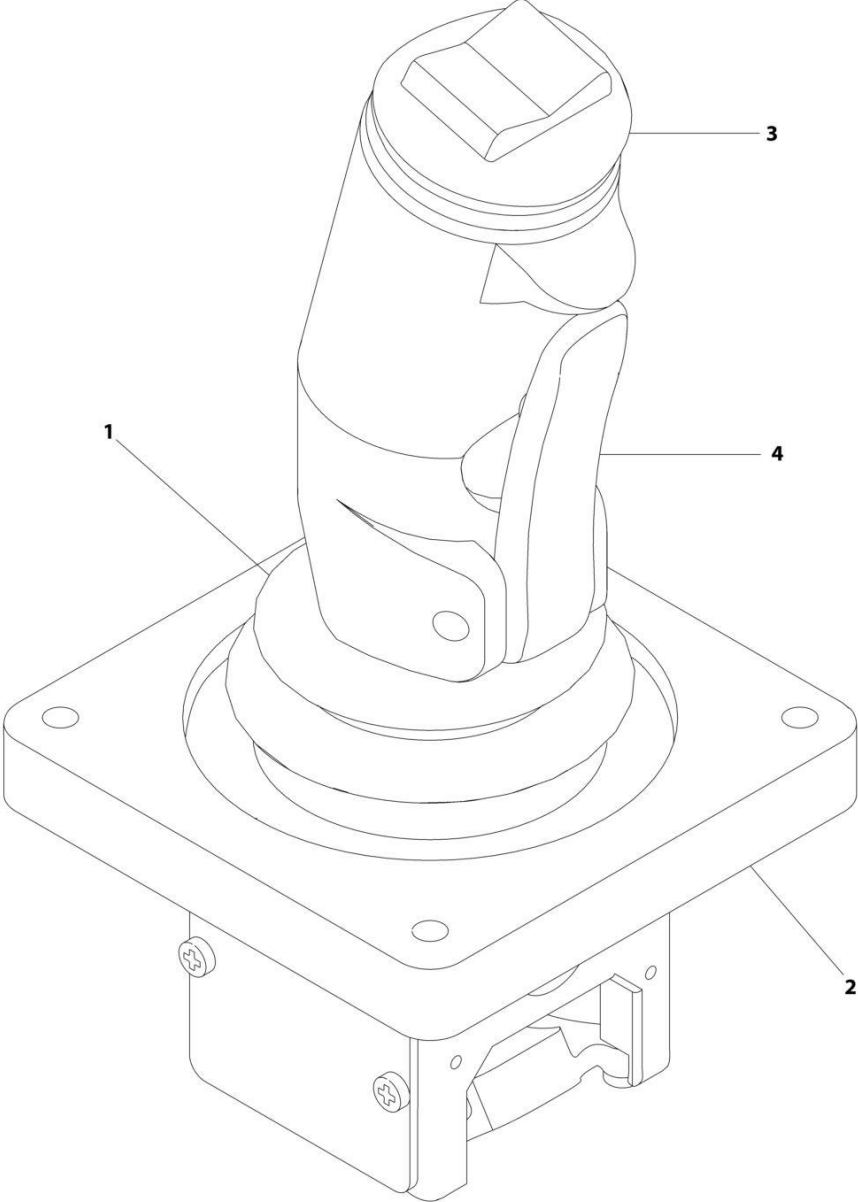
SECTION 5 - PLATFORM

FIGURE 5-5. PLATFORM CONTROL BOX INSTALLATION

ITEM	PART NUMBER	QTY	DESCRIPTION	REV
	1001247383	Ref	PLATFORM CONSOLE BOX INSTALLATION	H
1	0140030	1	Alarm	
2	3290405	12	Nut M4	
3	3290406	8	Nut M4	
4	3450303	1	Cotter Pin	
5	4010414	2	Bolt M4 x 30	
6	4031510	4	Bolt M4 x 30	
7	4160214	1	Spring, Door Latch	
8	1001274559	1	Switch, Emergency Stop (Plastic)	
8	4360475	1	Switch, Emergency Stop (Metal)	
8	7020175	1	Cap	
8	7020176	1	Block, Contact	
9	4811400	4	Washer M4	
10	1001108603	12	Nut M6 x 1	
11	1001176626	2	Cap	
12	1001226749	8	Switch	
13	1001244932	1	Control, Scissor Display	
14	1001246583	1	Housing, Lower Extrusion	
15	1001246584	1	Housing, Upper Extrusion	
16	1001246863	1	Cover, Lower Extrusion	
17	1001246864	1	Cover, Upper Extrusion	
18	1001246979	1	Shield, Display	
19	1001247313	1	Mount, Display Shield	
20	1001247443	1	Plate, Phone Holder	
21	1001247682	1	Controller Assembly (See Separate Breakdown in this Section)	
22	1001249049	1	Harness, Platform Control Box (See Separate Breakdown in this Section)	
23	1001249259	2	Panel, Control Box Side	
24	1001250682	1	Pin	
25	1001250692	1	Panel, Latch Cover	
27	1001253800	1	USB Port	
28	1001254119	2	Hinge	
29	4010405002	14	Bolt M4 x 10	
30	1001246823	1	USB Port	
31	1001257076	1	Decal, Platform Function	
32	1001257077	1	Decal, Platform Function	
33	4811700	12	Washer M6	
34	1001255461	6	Stud M6	
35	1001262098	1	Plate, Control Box Latch	
36	0100011	AR	Compound, Locking	
37	1703819	1	Decal - Direction Arrow	

SECTION 5 - PLATFORM

FIGURE 5-6. CONTROLLER ASSEMBLY



ART_1001247682

SECTION 5 - PLATFORM

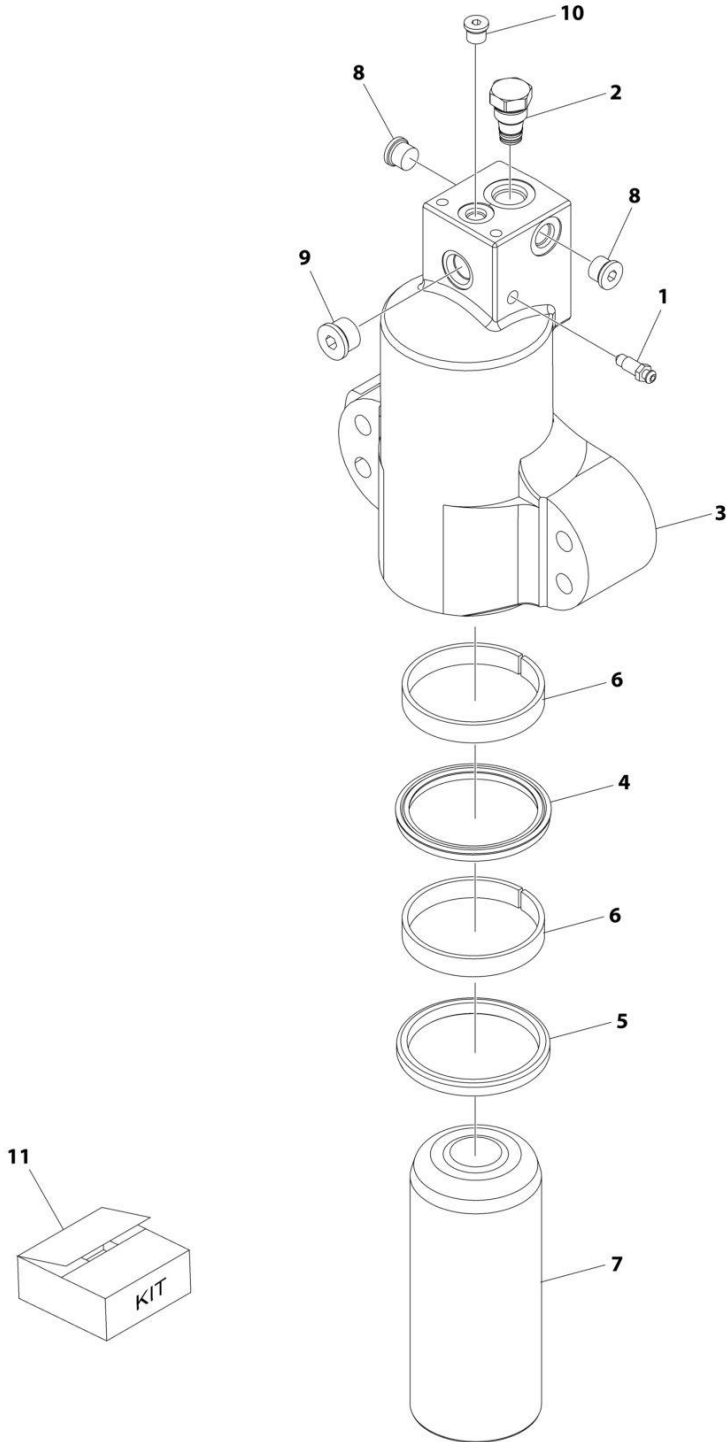
FIGURE 5-6. CONTROLLER ASSEMBLY

ITEM	PART NUMBER	QTY	DESCRIPTION	REV
	1001247682	Ref	DRIVE/STEER CONTROLLER ASSEMBLY (LCD)	B
1	70001250	1	Boot, Panel	
2	70001252	1	Gasket, Mounting	
2	70001251	1	Bezel, Mounting	
3	70007506	1	Handle Repair Kit (Includes handle gasket, item#4 push button and item #4 lever installed in front handle half, back handle half, top actuator, boot and hardware.)	
3	70000084	1	Cap, Rubber	
3	70000082	1	Microswitch	
3	7027766	1	Ring, Retaining	
3	7027365	1	Actuator, Handle	
3	70001253	1	Gasket, Handle	
3	70000683	4	Washer, Neoprene	
3	70000685	2	Spacer, Plastic	
3	70000686	2	Screw (Top)	
3	70000684	2	Screw (Bottom)	
4	7027367	1	Switch, Push Button	
4	7027765	1	Lever, Enable	

SECTION 6 - CYLINDER

SECTION 6 - CYLINDER

FIGURE 6-1. AXLE LOCKOUT CYLINDER ASSEMBLY



ART_1001245046

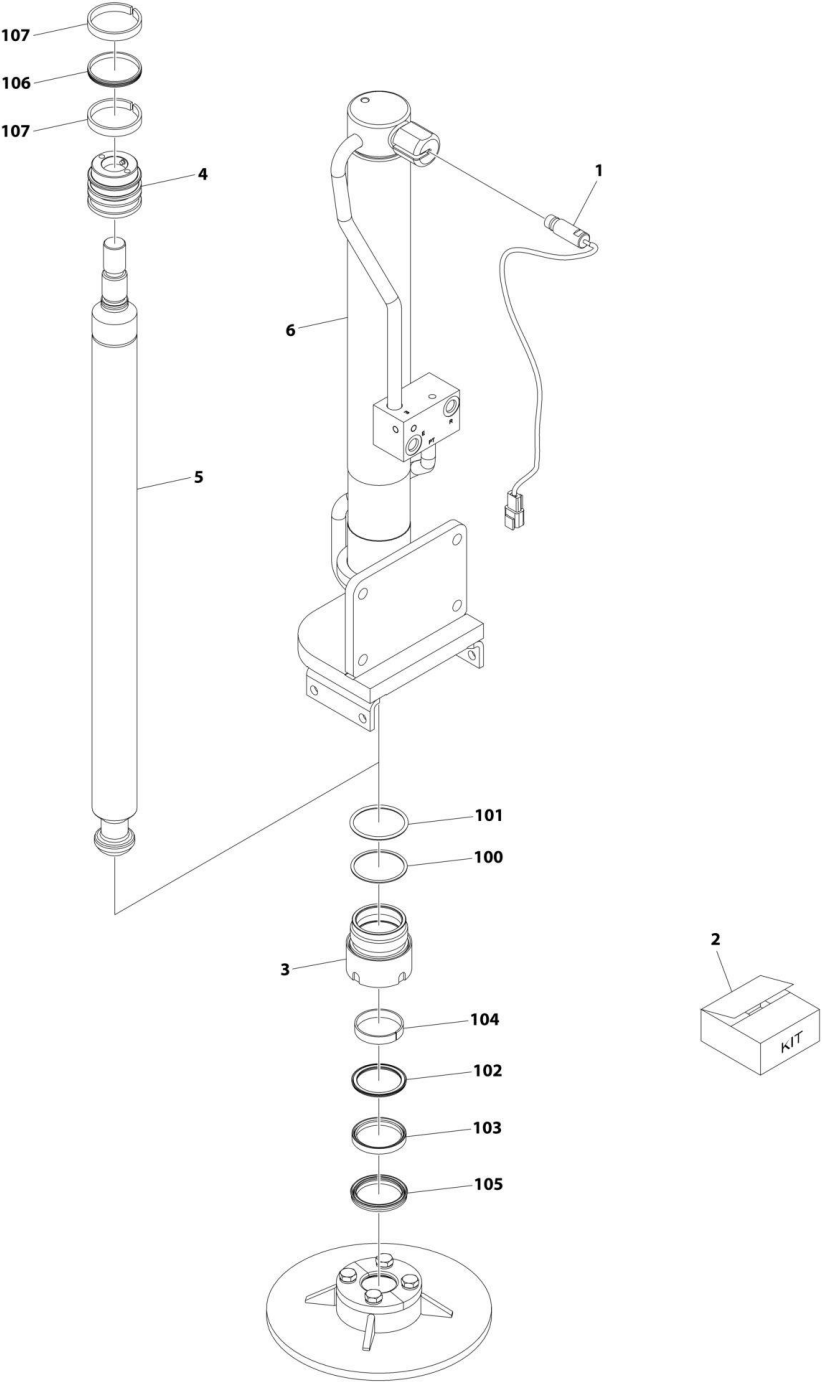
SECTION 6 - CYLINDER

FIGURE 6-1. AXLE LOCKOUT CYLINDER ASSEMBLY

ITEM	PART NUMBER	QTY	DESCRIPTION	REV
	1001245046	Ref	AXLE LOCKOUT CYLINDER ASSEMBLY	D
		Ref	Note: Original Cylinder May Have Been Replaced with Service Replacement. Identify PN Stamped on Cylinder Before Ordering Parts.	
1	4640858	1	Valve, Bleeder	
2	1001248671	1	Cartridge, Valve	
3	1001245653	1	Barrel	
4	See Note	NSS	Seal, Rod (Note: use p/n 70007678)	
5	See Note	NSS	Wiper (Note: use p/n 70007678)	
6	See Note	NSS	Ring, Wear (Note: use p/n 70007678)	
7	70007679	1	Rod	
8	2220885	2	Plug #6	
9	2220886	1	Plug #8	
10	2220883	1	Plug #4	
11	70007678	1	Kit, Seal (Includes Items 4-6)	

SECTION 6 - CYLINDER

FIGURE 6-2. LEVELING JACK CYLINDER ASSEMBLY



ART_1001243256

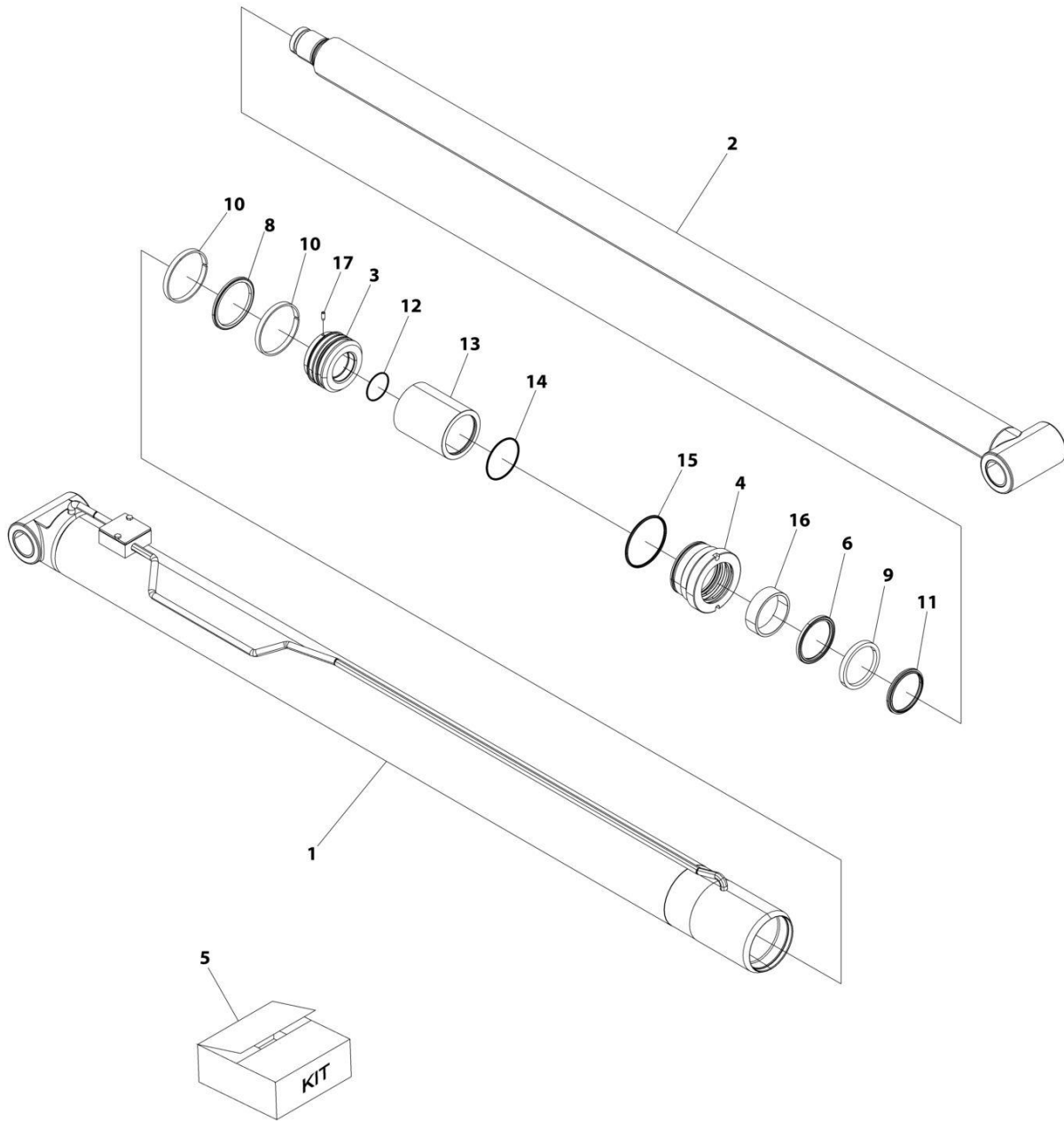
SECTION 6 - CYLINDER

FIGURE 6-2. LEVELING JACK CYLINDER ASSEMBLY

ITEM	PART NUMBER	QTY	DESCRIPTION	REV
	1001243256	Ref	LEVELING JACK CYLINDER ASSEMBLY	E
	See Note	Ref	Note: Original Cylinder May Have Been Replaced with Service Replacement. Identify PN Stamped on Cylinder Before Ordering Parts.	
1	1001246658	1	Sensor, Leveling Jacks Proximity	
2	70007709	1	Kit, Seal (Includes Items 100-107)	
3	70007710	1	Retainer	
4	70007711	1	Piston	
5	70007712	1	Rod	
6	See Note	1	Barrel (Note: Use PN 1001243256)	
100	See Note	NSS	Ring, Backup (Note: use p/n 70007709)	
101	See Note	NSS	O-Ring (Note: use p/n 70007709)	
102	See Note	NSS	Ring, Buffer (Note: use p/n 70007709)	
103	See Note	NSS	Seal, Rod (Note: use p/n 70007709)	
104	See Note	NSS	Ring, Wear (Note: use p/n 70007709)	
105	See Note	NSS	Wiper (Note: use p/n 70007709)	
106	See Note	NSS	Seal, Piston (Note: use p/n 70007709)	
107	See Note	NSS	Ring, Wear (Note: use p/n 70007709)	

SECTION 6 - CYLINDER

FIGURE 6-3. LIFT CYLINDER ASSEMBLY



ART_1001244210

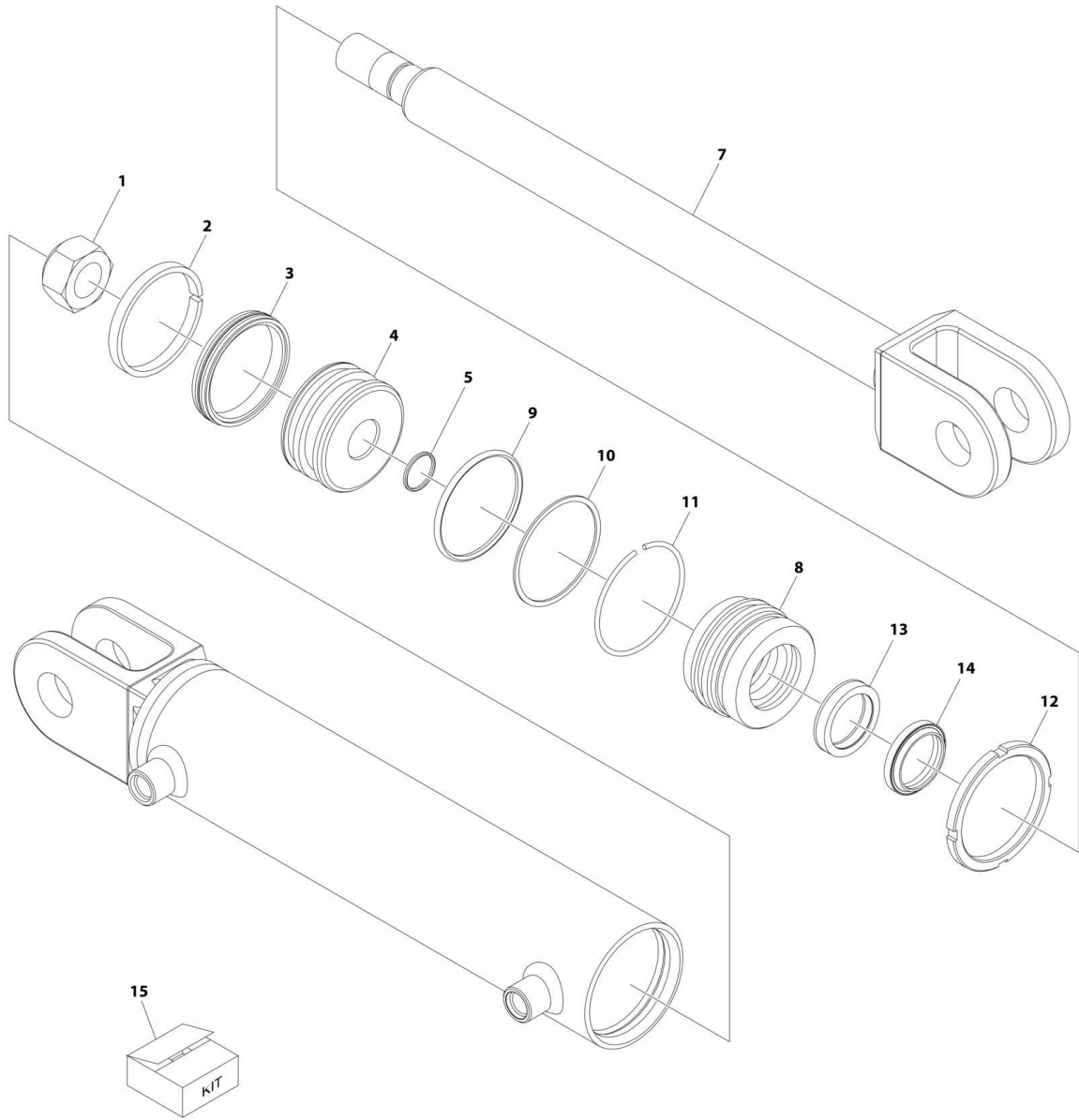
SECTION 6 - CYLINDER

FIGURE 6-3. LIFT CYLINDER ASSEMBLY

ITEM	PART NUMBER	QTY	DESCRIPTION	REV
	1001244210	Ref	LIFT CYLINDER ASSEMBLY	D
		Ref	Note: Original Cylinder May Have Been Replaced with Service Replacement. Identify PN Stamped on Cylinder Before Ordering Parts.	
1	See Note	1	Barrel (Note: Not Available for Purchase, Use p/n 1001244210)	
2	70007716	1	Rod	
3	70007715	1	Piston	
4	70007714	1	Retainer	
5	70007713	1	Kit, Seal (Includes Items 6-11)	
6	See Note	NSS	Ring, Buffer (Note: Use p/n 70007713)	
7	See Note	NSS	Seal, Head (Note: Not Shown, Use p/n 70007713)	
8	See Note	NSS	Seal, Piston (Note: Use p/n 70007713)	
9	See Note	NSS	Seal, Rod (Note: Use p/n 70007713)	
10	See Note	NSS	Ring, Wear (Note: Use p/n 70007713)	
11	See Note	NSS	Wiper (Note: Use p/n 70007713)	
12	See Note	1	O-Ring (Note: Use p/n 1001244210)	
13	See Note	1	Spacer (Note: Use p/n 1001244210)	
14	See Note	1	O-Ring (Note: Use p/n 1001244210)	
15	See Note	1	Ring, Back Up (Note: Use p/n 1001244210)	
16	See Note	1	Bushing (Note: Use p/n 1001244210)	
17	See Note	1	Screw, Set (Note: Use p/n 1001244210)	

SECTION 6 - CYLINDER

FIGURE 6-4. STEER CYLINDER ASSEMBLY



ART_1001246107

SECTION 6 - CYLINDER

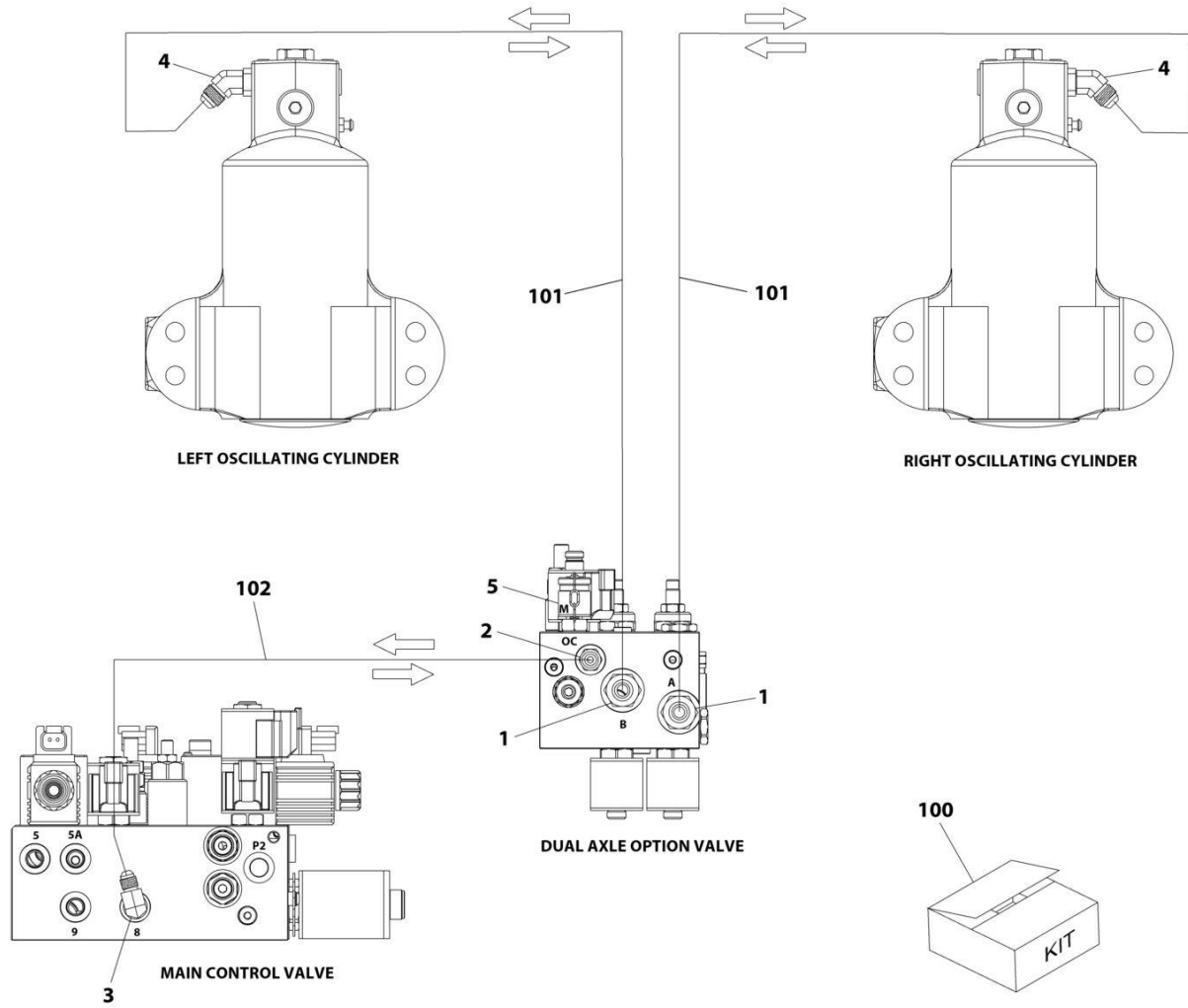
FIGURE 6-4. STEER CYLINDER ASSEMBLY

ITEM	PART NUMBER	QTY	DESCRIPTION	REV
	1001246107	Ref	STEER CYLINDER ASSEMBLY	B
		Ref	Note: Original Cylinder May Have Been Replaced with Service Replacement. Identify PN Stamped on Cylinder Before Ordering Parts.	
1	7001626	1	Nut	
2	See Note	NSS	Ring, Wear (Note: use p/n 70007610)	
3	See Note	NSS	Seal, Piston (Note: use p/n 70007610)	
4	70007607	1	Piston	
5	See Note	NSS	O-Ring (Note: use p/n 70007610)	
7	70007608	1	Rod	
8	70007609	1	Guide	
9	See Note	NSS	O-Ring (Note: use p/n 70007610)	
10	See Note	NSS	Ring, Backup (Note: use p/n 70007610)	
11	See Note	NSS	Ring, Retaining (Note: use p/n 70007610)	
12	7001630	1	Nut	
13	See Note	NSS	Ring (Note: use p/n 70007610)	
14	See Note	NSS	Ring, Wiper (Note: use p/n 70007610)	
15	70007610	1	Kit, Seal (Includes Items 2, 3, 5, 8-10, 12, & 13)	

SECTION 7 - HYDRAULIC

SECTION 7 - HYDRAULIC

FIGURE 7-1. HYDRAULIC DIAGRAM - AXLE (DUAL OSCILLATING)



ART_1001246104

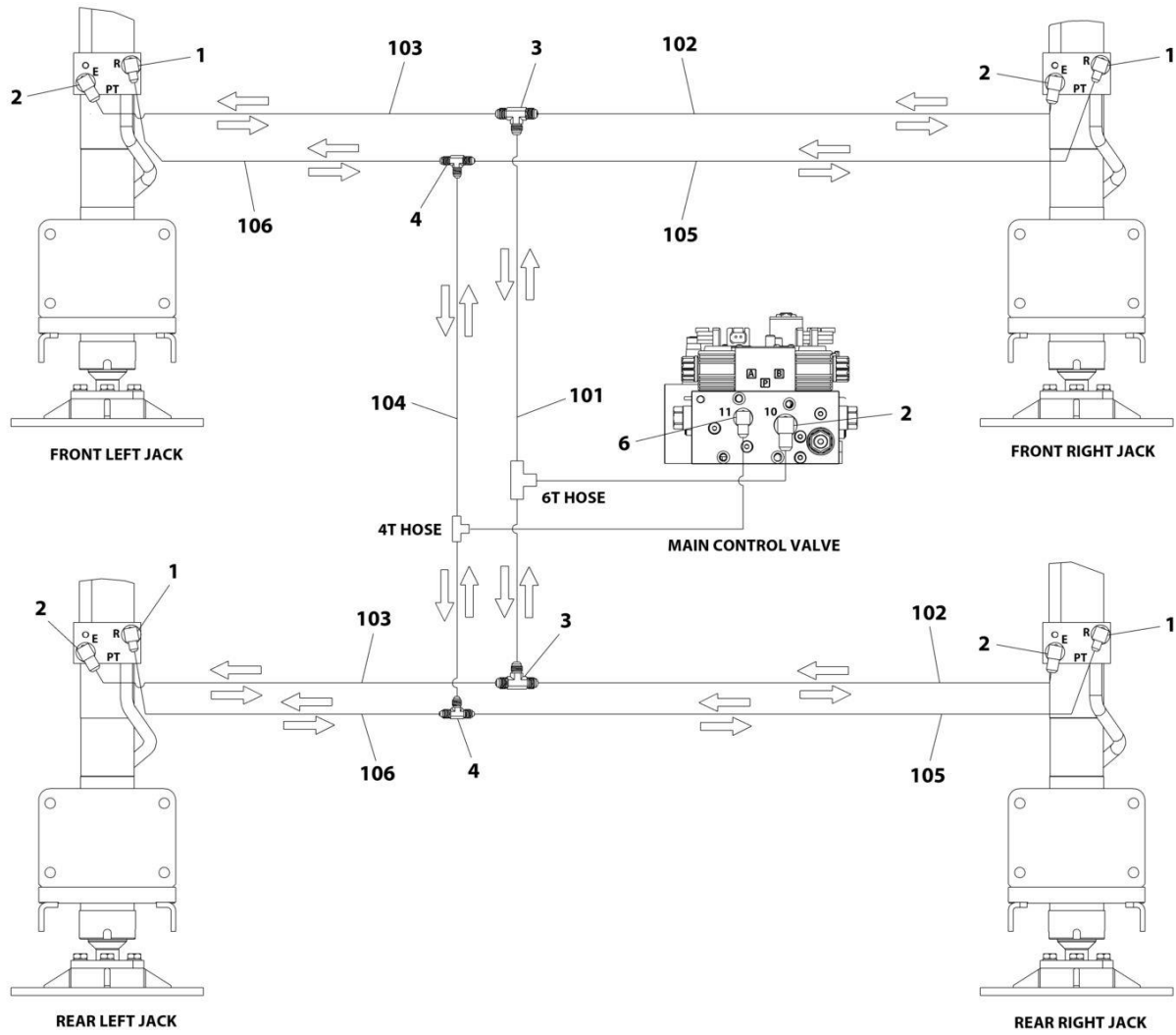
SECTION 7 - HYDRAULIC

FIGURE 7-1. HYDRAULIC DIAGRAM - AXLE (DUAL OSCILLATING)

ITEM	PART NUMBER	QTY	DESCRIPTION	REV
	1001246104	Ref	HYDRAULIC DIAGRAM - AXLE (DUAL OSCILLATING)	F
1	2220371	Ref	Fitting, Straight JIC/ORB	
2	2220415	1	Fitting, Straight JIC/ORB	
3	2220466	1	Fitting, 90 JIC/ORB	
4	2220501	2	Fitting, 45 JIC/ORB	
5	2221086	1	Fitting, Test	
100	1001260253	1	Kit, Hose (Includes Items 101 & 102)	
101	1001250418	2	Hose	
102	1001250419	1	Hose	

SECTION 7 - HYDRAULIC

FIGURE 7-2. HYDRAULIC DIAGRAM - LEVELING JACKS



ART_1001250342

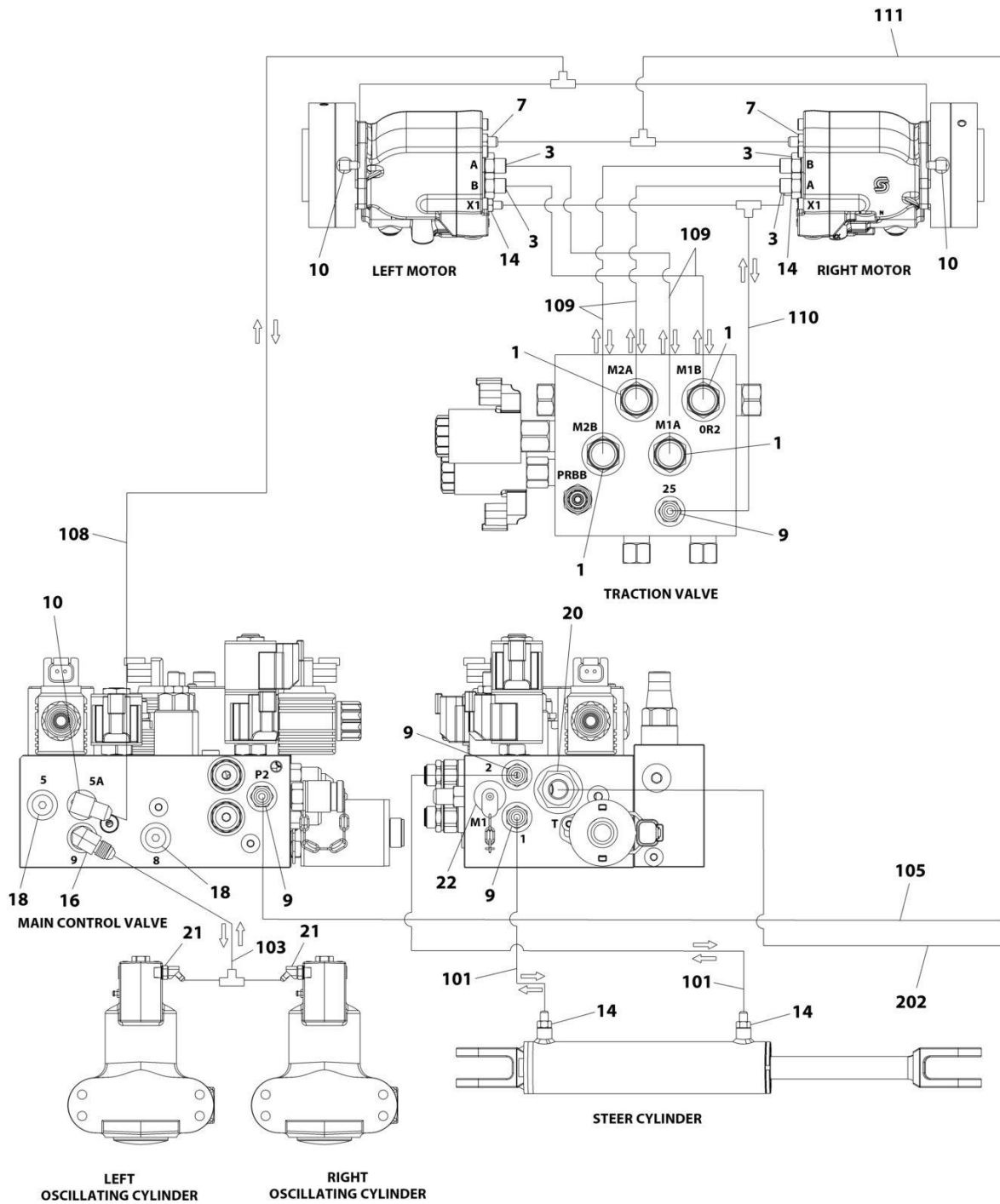
SECTION 7 - HYDRAULIC

FIGURE 7-2. HYDRAULIC DIAGRAM - LEVELING JACKS

ITEM	PART NUMBER	QTY	DESCRIPTION	REV
	1001250342	Ref	HYDRAULIC DIAGRAM - LEVELING JACKS	B
1	2220472	4	Fitting, 90 JIC/ORB	
2	2220473	5	Fitting, 90 JIC/ORB	
3	2220490	2	Fitting, Tee JIC/JIC/JIC	
4	2220504	2	Fitting, Tee JIC/JIC/JIC	
6	2220466	1	Fitting, 90 JIC/ORB	
100	1001260252	Ref	Hose Kit (Not Shown)	A
101	1001250307	1	Hose	
102	1001250308	2	Hose	
103	1001250309	2	Hose	
104	1001250310	1	Hose	
105	1001250311	2	Hose	
106	1001250312	2	Hose	

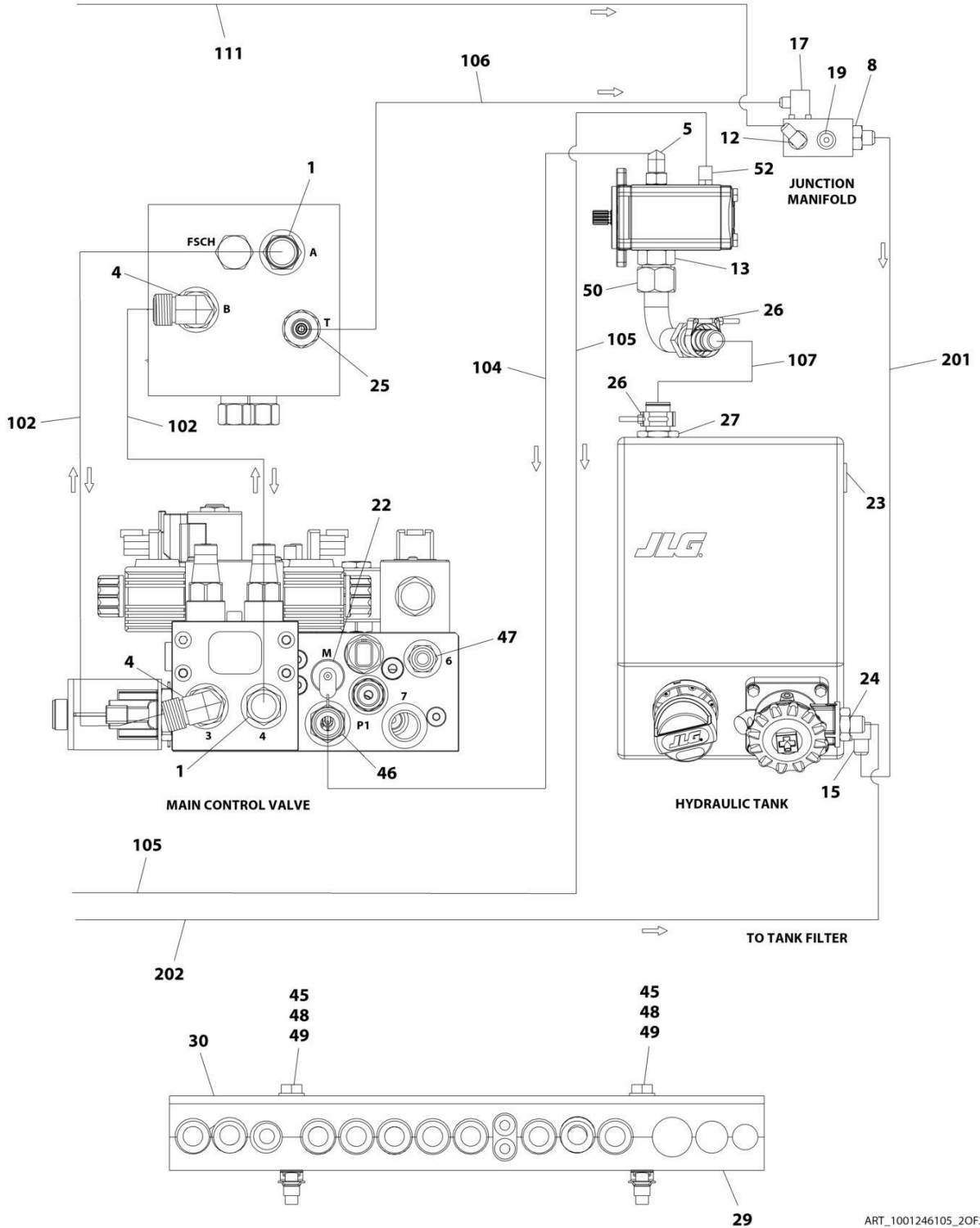
SECTION 7 - HYDRAULIC

FIGURE 7-3. HYDRAULIC DIAGRAM - STANDARD (2WD)



ART_1001246105_10F2

SECTION 7 - HYDRAULIC



ART_1001246105_2OF2

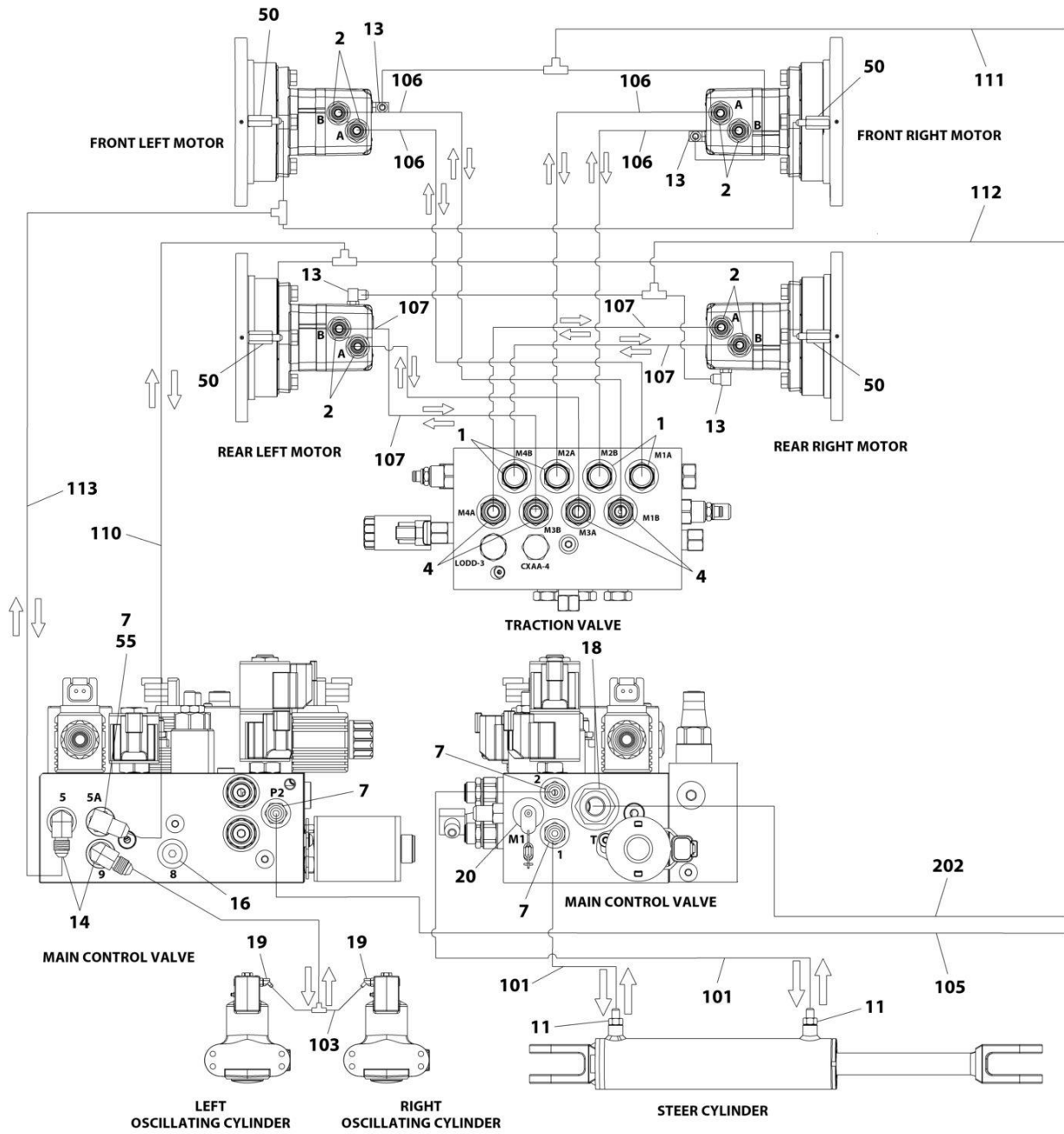
SECTION 7 - HYDRAULIC

FIGURE 7-3. HYDRAULIC DIAGRAM - STANDARD (2WD)

ITEM	PART NUMBER	QTY	DESCRIPTION	REV
	1001246105	Ref	HYDRAULIC DIAGRAM – STANDARD (2WD)	D
1	2110808	6	Fitting, Straight ORFS/ORB	
3	2110812	4	Fitting, Straight ORFS/ORB	
4	2130808	2	Fitting, 90 ORFS/ORB	
5	2130810	1	Fitting, 90 ORFS/ORB	
7	2220372	2	Fitting, Straight JIC/ORB	
8	2220375	1	Fitting, Straight JIC/ORB	
9	2220415	4	Fitting, Straight JIC/ORB	
10	2220466	3	Fitting, 90 JIC/ORB	
12	2220473	1	Fitting, 90 JIC/ORB	
13	2220479	1	Fitting, Straight JIC/ORB	
14	2220582	4	Fitting, Straight JIC/ORB	
15	2220596	1	Fitting, 90 JIC/ORB	
16	2220940	1	Fitting, Elbow	
17	2220828	1	Fitting, Straight JIC/ORB	
18	2220883	2	Plug	
19	2220885	1	Plug	
20	2220947	1	Fitting	
21	2221040	2	Fitting, 45 JIC/ORB	
22	2221086	2	Fitting, Test Port	
23	8770223	1	Fitting	
24	83451104	1	Fitting, Straight JIC/ORB	
25	2220998	1	Fitting, Straight JIC/ORB	
26	80633030	2	Clamp, Heavy Duty Band	
27	1001202910	1	Fitting	
29	1001247462	1	Clamp	
30	1001248339	1	Plate	
45	0700822	2	Bolt M8 x 70	
46	2170108	1	Connector	
47	2220371	1	Fitting, Straight JIC/ORB	
48	4811900	2	Washer M8	
49	1001118274	2	Nut	
50	1001205824	1	Fitting	
51	4240018	1	Tie-Strap	
52	2220472	1	Fitting, 90 JIC/ORB	
100	1001260250	1	Hose Kit (Not Shown)	B
101	1001248868	2	Hose	
102	1001248869	2	Hose	
103	1001248871	1	Hose	
104	1001248872	1	Hose	
105	1001248873	1	Hose	
106	1001249181	1	Hose	
107	1001249231	1	Hose	
108	1001249701	1	Hose	
109	1001250468	4	Hose	
110	1001254083	1	Hose	
111	1001254298	1	Hose	
200	1001260255	1	Hose Kit (Not Shown)	A
201	1001249178	1	Hose	
202	1001249850	1	Hose	

SECTION 7 - HYDRAULIC

FIGURE 7-4. HYDRAULIC DIAGRAM - STANDARD (4WD)



ART_1001246102_10F2

SECTION 7 - HYDRAULIC

FIGURE 7-4. HYDRAULIC DIAGRAM - STANDARD (4WD)

ITEM	PART NUMBER	QTY	DESCRIPTION	REV
	1001246102	Ref	HYDRAULIC DIAGRAM – STANDARD (4WD)	E
1	2110808	6	Fitting, Straight ORFS/ORB	
2	2110810	8	Fitting, Straight ORFS/ORB	
3	2130808	1	Fitting, 90 ORFS/ORB	
4	2170108	5	Connector	
5	2170208	1	Fitting, 90 ORFS/ORB	
6	2220375	1	Fitting, Straight JIC/ORB	
7	2220415	4	Fitting, Straight JIC/ORB	
9	2220473	2	Fitting, 90 JIC/ORB	
10	2220479	1	Fitting, Straight JIC/ORB	
11	2220582	2	Fitting, Straight JIC/ORB	
12	2220596	1	Fitting, 90 JIC/ORB	
13	2220775	4	Fitting, 90 JIC/ORB	
14	2220940	2	Fitting, Elbow	
15	2220828	1	Fitting, 90 JIC/ORB	
16	2220883	1	Plug	
18	2220947	1	Fitting	
19	2221040	2	Fitting, 45 JIC/ORB	
20	2221086	2	Fitting, Test Port	
21	8770223	1	Fitting	
22	83451104	1	Fitting, Straight JIC/ORB	
23	2220998	1	Fitting, Straight JIC/ORB	
24	80633030	2	Clamp, Heavy Duty Band	
25	1001202910	1	Fitting	
27	1001247462	1	Clamp	
28	1001248339	1	Plate	
45	2130810	1	Fitting, 90 ORFS/ORB	
46	2220371	1	Fitting, Straight JIC/ORB	
48	4811900	2	Washer M8	
49	1001118274	2	Nut	
50	1001119630	4	Fitting	
51	1001205824	1	Fitting	
52	0700822	2	Bolt M8 x 70	
53	4240018	3	Tie-Strap	
54	2220472	1	Fitting, 90 JIC/ORB	
55	2220654	1	Fitting, 90 JIC/ORB	
100	1001260064	1	Hose Kit (Not Shown)	B
101	1001248868	2	Hose	
102	1001248869	2	Hose	
103	1001248871	1	Hose	
104	1001248872	1	Hose	
105	1001248873	1	Hose	
106	1001248874	4	Hose	
107	1001248876	4	Hose	
108	1001249181	1	Hose	
109	1001249231	1	Hose	
110	1001249701	1	Hose	
111	1001249703	1	Hose	
112	1001249704	1	Hose	
113	1001260540	1	Hose	

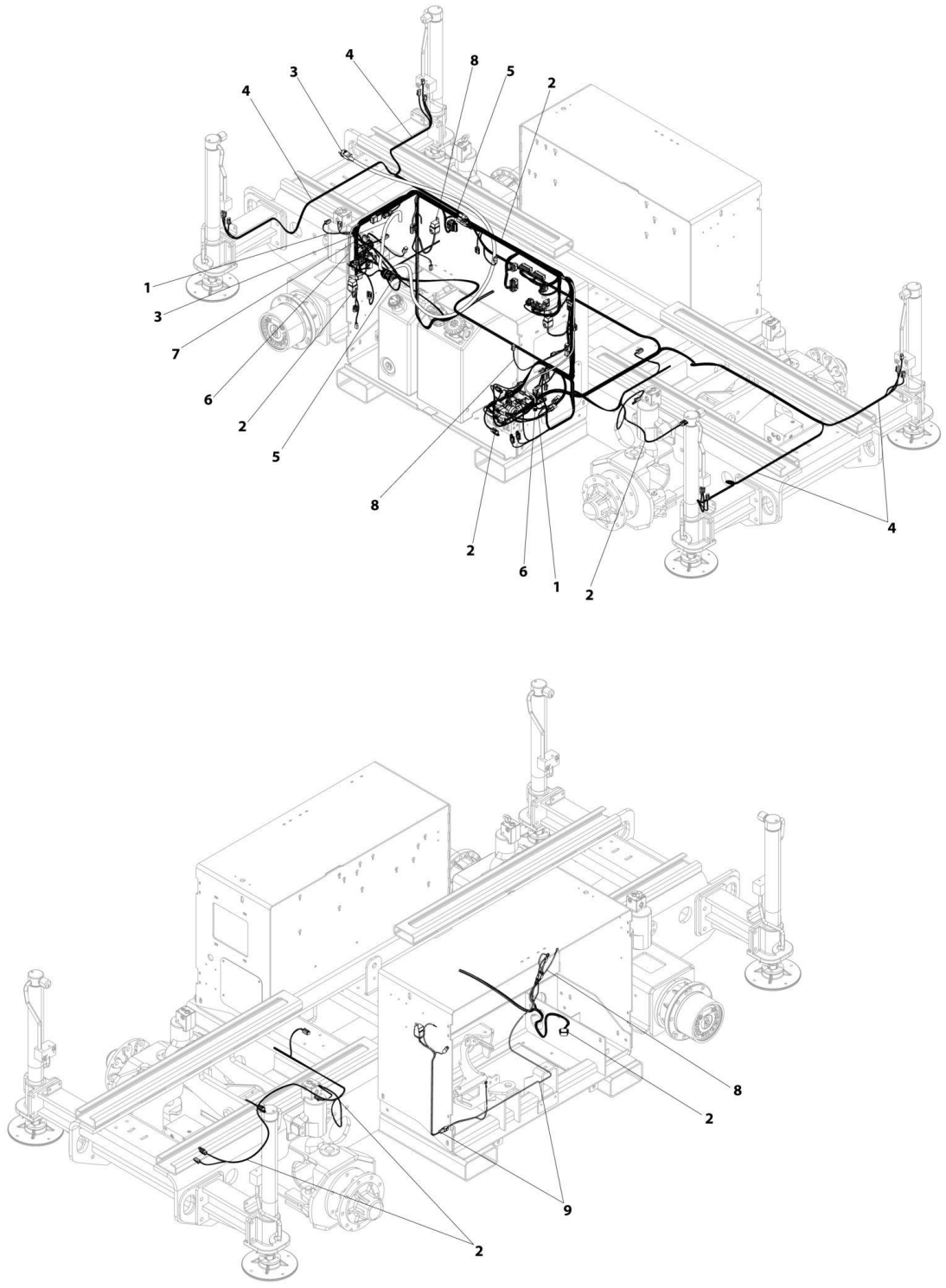
SECTION 7 - HYDRAULIC

ITEM	PART NUMBER	QTY	DESCRIPTION	REV
200	1001260255	1	Hose Kit (Not Shown)	A
201	1001249178	1	Hose	
202	1001249850	1	Hose	

SECTION 8 - ELECTRICAL

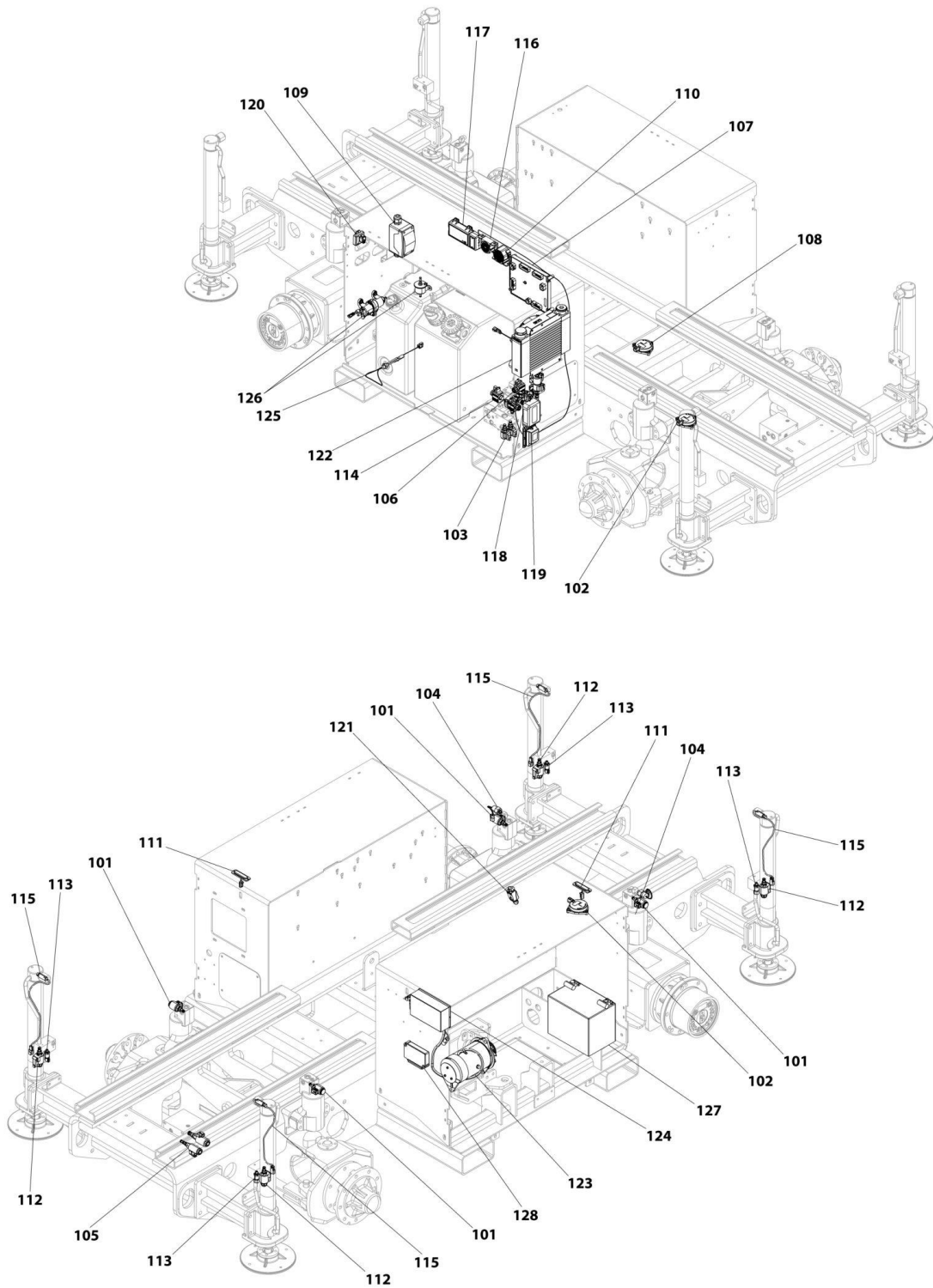
SECTION 8 - ELECTRICAL

FIGURE 8-1. ELECTRICAL LAYOUT



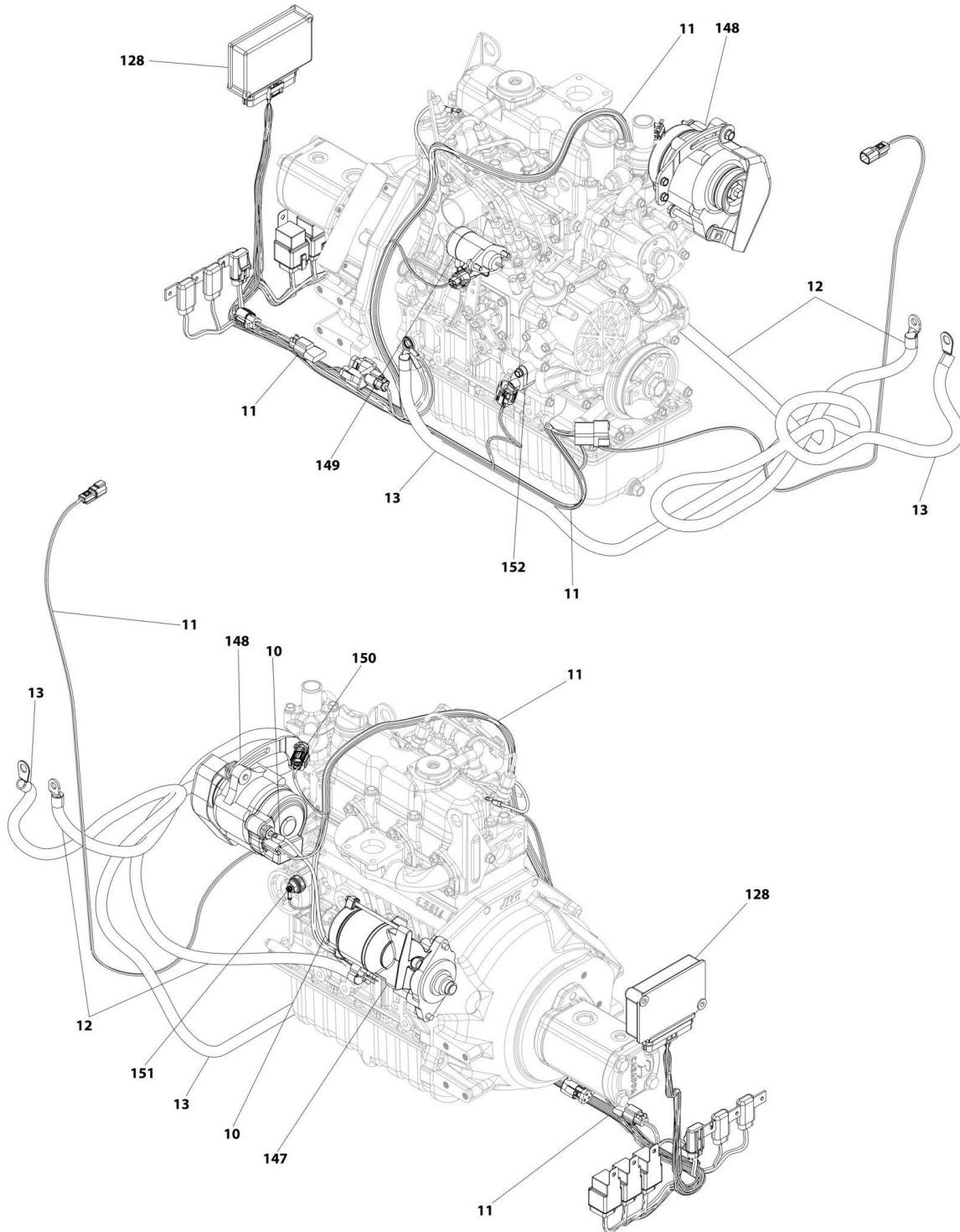
ART_RT3369-ELECTRICAL_FRAME-HARNESS

SECTION 8 - ELECTRICAL



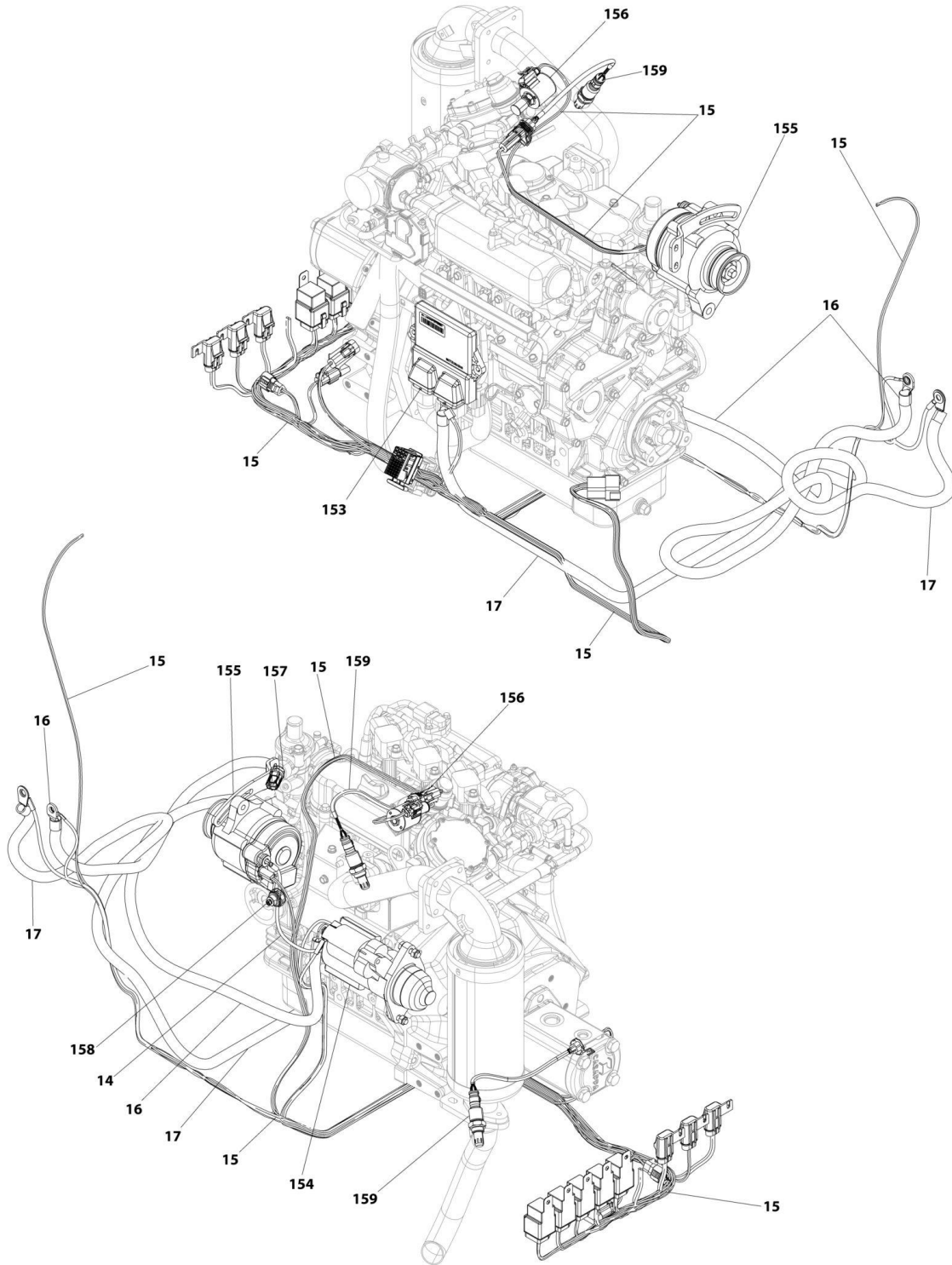
ART_RT3369-ELECTRICAL_FRAME-COMPONENT

SECTION 8 - ELECTRICAL



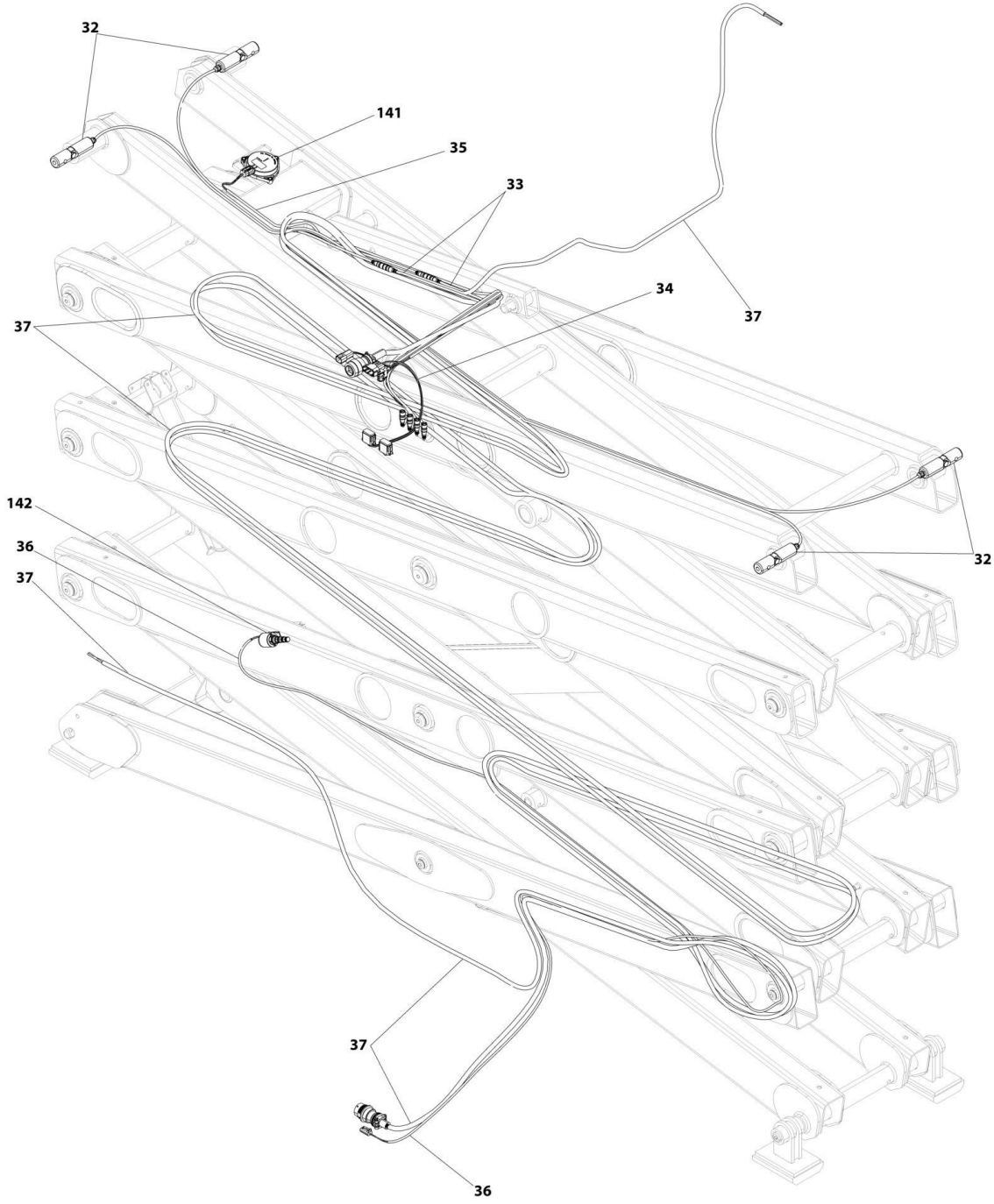
ART_RT3369-ELECTRICAL_ENGINE-KUBOTAT126D

SECTION 8 - ELECTRICAL



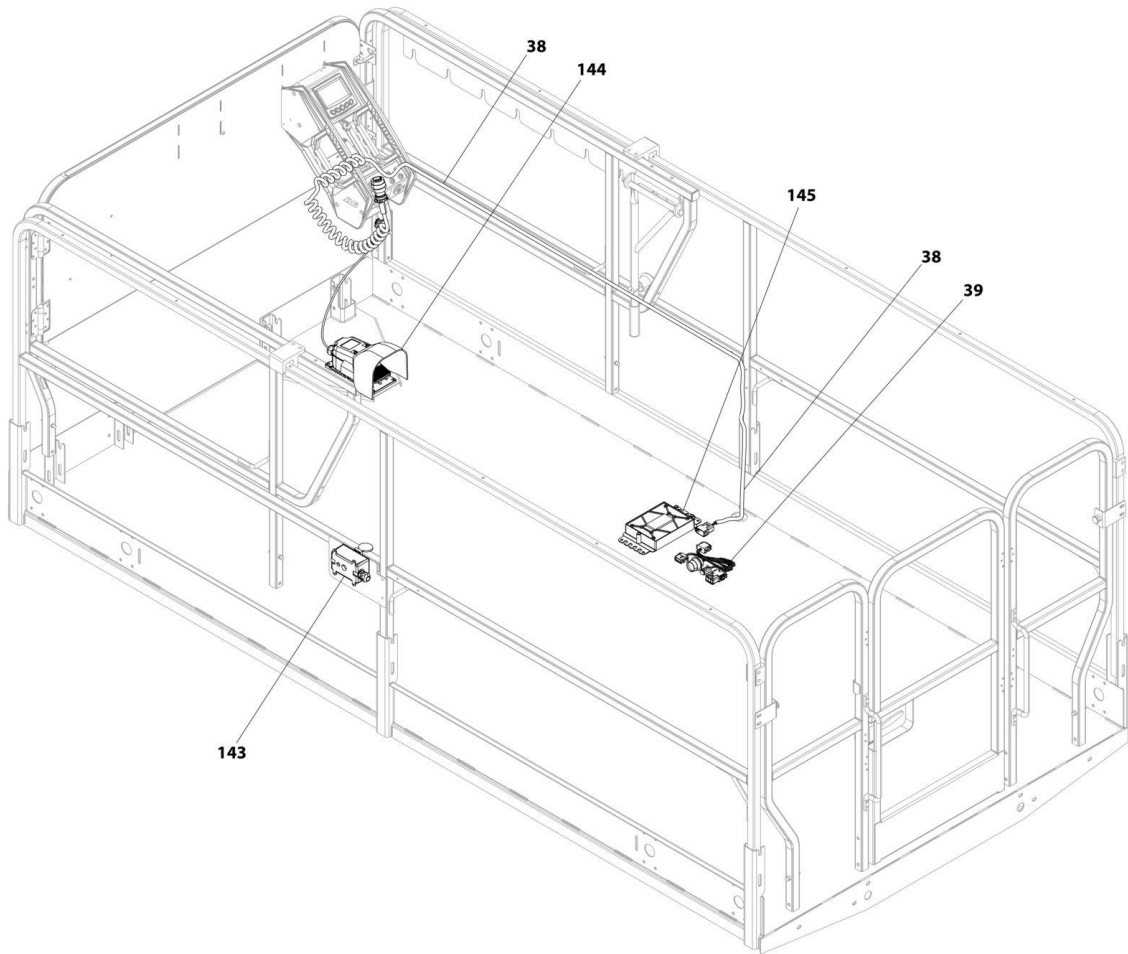
ART_RT3369-ELECTRICAL_ENGINE_KUBOTA096DF

SECTION 8 - ELECTRICAL



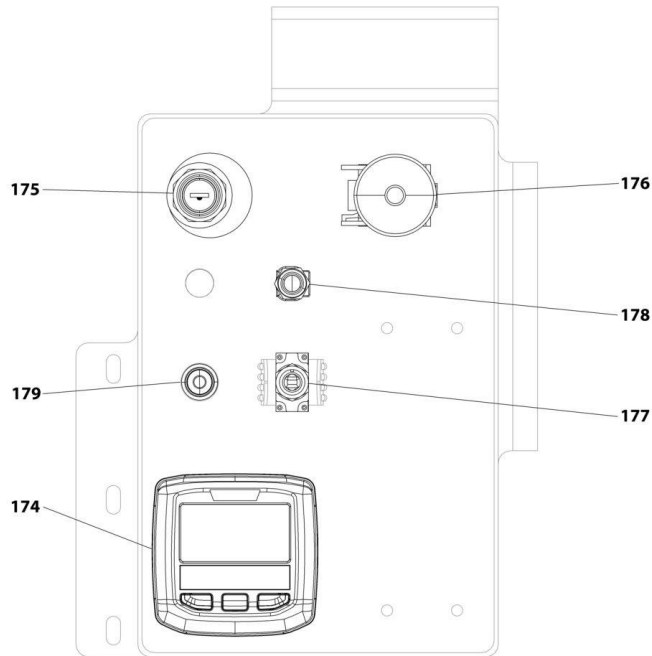
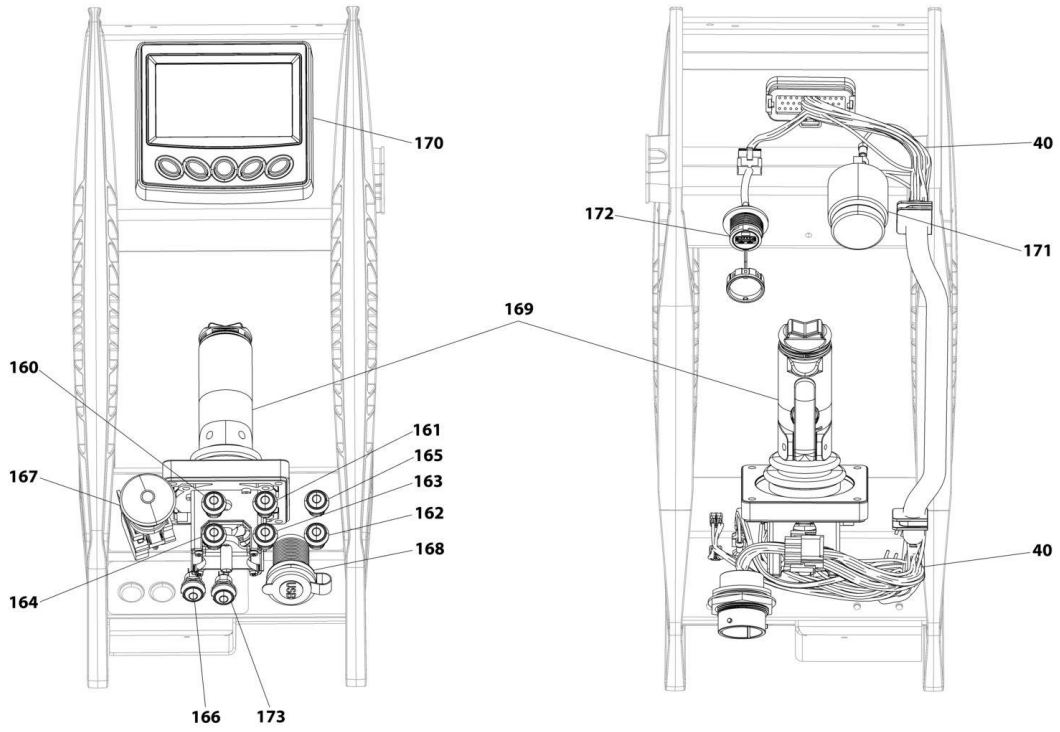
ART_ERT3369-ELECTRICAL_ARMS

SECTION 8 - ELECTRICAL



ART_ERT3369-ELECTRICAL_PLATFORM

SECTION 8 - ELECTRICAL



ART_RT3369-ELECTRICAL_CONTROLS

SECTION 8 - ELECTRICAL

FIGURE 8-1. ELECTRICAL LAYOUT

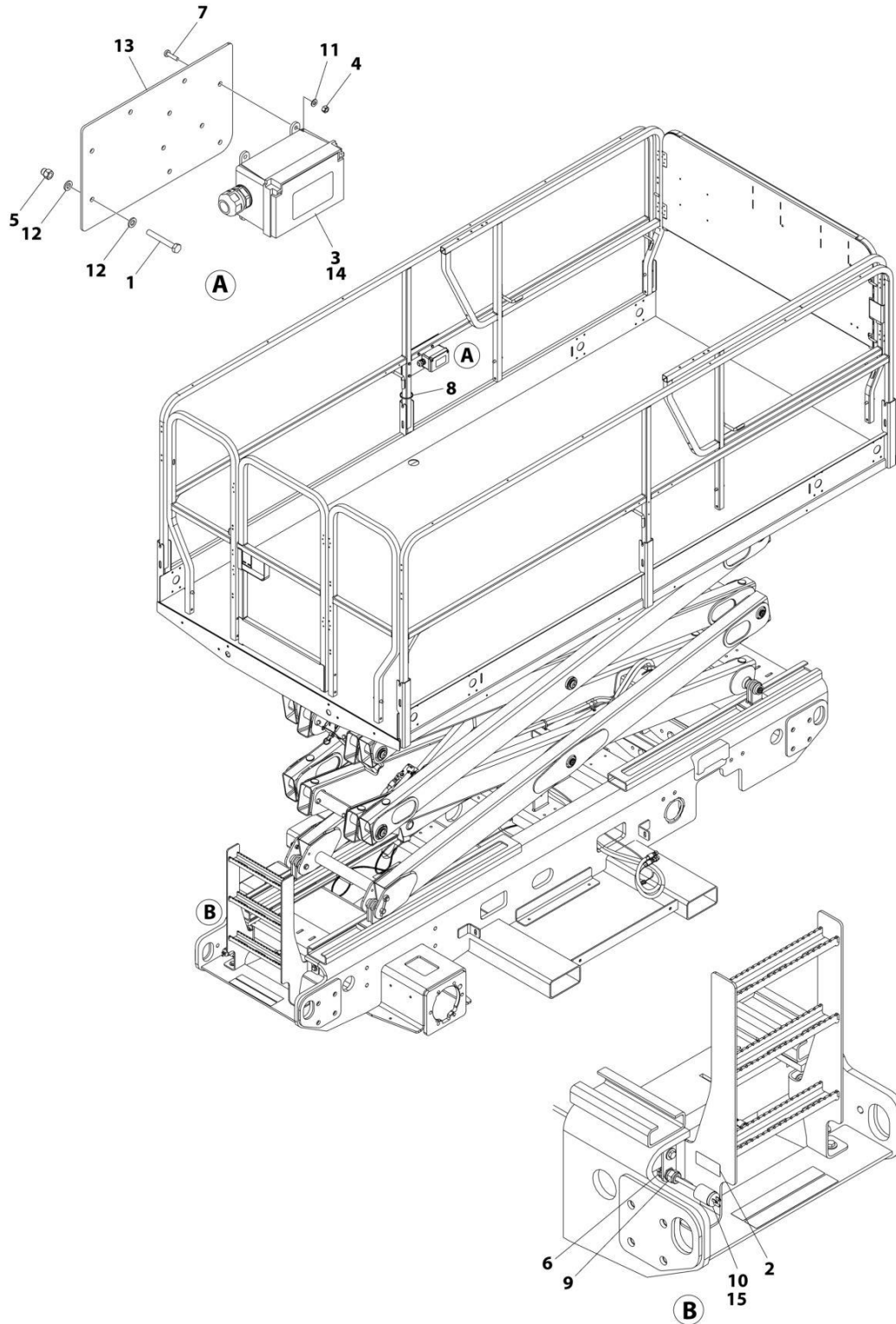
ITEM	PART NUMBER	QTY	DESCRIPTION	REV
		Ref	Note: This figure is for part identification only.	
		Ref	HARNESS LIST	
1		Ref	Harness, Rear Axle	
2		Ref	Harness, Chassis	
3		Ref	Cable, 12/3	
4		Ref	Harness, Leveling Jacks	
5		Ref	Harness, Clearsky	
6		Ref	Harness, Telematics	
7		Ref	Harness, Xirgo Jumper	
8		Ref	Harness, Hydraulic Oil Cooler	
9		Ref	Harness, Generator	
10		Ref	Harness, Fusible Link	
11		Ref	Harness, Engine	
12		Ref	Cable, Engine to Battery (+)	
13		Ref	Cable, Engine to Battery (-)	
14		Ref	Harness, Fusible Link	
15		Ref	Harness, Engine	
16		Ref	Cable, Engine to Battery (+)	
17		Ref	Cable, Engine to Battery (-)	
32		Ref	Assembly, Load Sense Pin/Cable	
33		Ref	Cable, Load Sense Extension	
34		Ref	Harness, Load Sense	
35		Ref	Harness, Tilt Sensor	
36		Ref	Harness, Lift Down	
37		Ref	Cable, AC Ground to Platform	
38		Ref	Harness, Platform Control Box	
39		Ref	Harness, Platform	
40		Ref	Harness, Platform Control Box	
		Ref	COMPONENT LIST	
101		Ref	Solenoid, Axle Lock	
102		Ref	Sensor, Tilt	
103		Ref	Solenoids, Dual Axle Valve	
104		Ref	Switch, Pressure	
105		Ref	Solenoids, Traction Valve	
106		Ref	Solenoids, Main Control Valve	
107		Ref	Module, Ground Control	
108		Ref	Sensor, Tilt	
109		Ref	AC Breaker Box	
110		Ref	Alarm	
111		Ref	Beacon	
112		Ref	Solenoid, Leveling Jack Cylinder	
113		Ref	Sensor, Leveling Jacks Pressure	
114		Ref	Solenoid, Leveling Jacks Valve	
115		Ref	Sensor, Leveling Jacks Proximity	
116		Ref	Alarm, White Noise	
117		Ref	Module, ClearSky Telematics CANBUS	
118		Ref	Antennae, ClearSky Telematics	
119		Ref	Module, ClearSky Telematics 3-Wire	
120		Ref	Voltage Regulator, ClearSky Telematics	
121		Ref	Switch, LSS Limit	

SECTION 8 - ELECTRICAL

ITEM	PART NUMBER	QTY	DESCRIPTION	REV
122		Ref	Hydraulic Oil Cooler	
123		Ref	Generator	
124		Ref	Box, Generator AC Receptacle	
125		Ref	Sensor, Fuel Level	
126		Ref	Fuel Pump	
127		Ref	Battery	
128		Ref	Module, Engine Control	
141		Ref	Sensor, Tilt	
142		Ref	Solenoid, Lift Down	
143		Ref	AC Receptacle	
144		Ref	Footswitch	
145		Ref	Module, Load Sense	
147		Ref	Starter	
148		Ref	Alternator	
149		Ref	Governor	
150		Ref	Sensor, Engine Coolant Temperature	
151		Ref	Sensor, Oil Pressure	
152		Ref	Sensor, Speed	
153		Ref	Module, Engine Control	
154		Ref	Starter	
155		Ref	Alternator	
156		Ref	LP Regulator	
157		Ref	Sensor, Engine Coolant Temperature	
158		Ref	Sensor, Oil Pressure	
159		Ref	Sensor, Oxygen	
160		Ref	Switch, Lift Select	
161		Ref	Switch, Drive Select	
162		Ref	Switch, Horn	
163		Ref	Switch, Speed Select	
164		Ref	Switch, Leveling Jacks	
165		Ref	Switch, Engine Start	
166		Ref	Switch, Fuel Select	
167		Ref	Switch, Emergency Stop	
168		Ref	USB Port	
169		Ref	Joystick	
170		Ref	Display, Platform	
171		Ref	Alarm	
172		Ref	USB Port	
173		Ref	Switch, Generator	
174		Ref	Display, Ground	
175		Ref	Switch, Key	
176		Ref	Switch, Emergency Stop	
177		Ref	Switch, Platform Lift/Lower	
178		Ref	Light, Load Sense Overload Indicator	
179		Ref	Switch, Engine Start	

SECTION 8 - ELECTRICAL

FIGURE 8-2. AC BOX AT PLATFORM INSTALLATION - 110V GFI (ALL SPECS EXCEPT AUSTRALIAN, CE & UK CA SPECS)



ART_1001255001

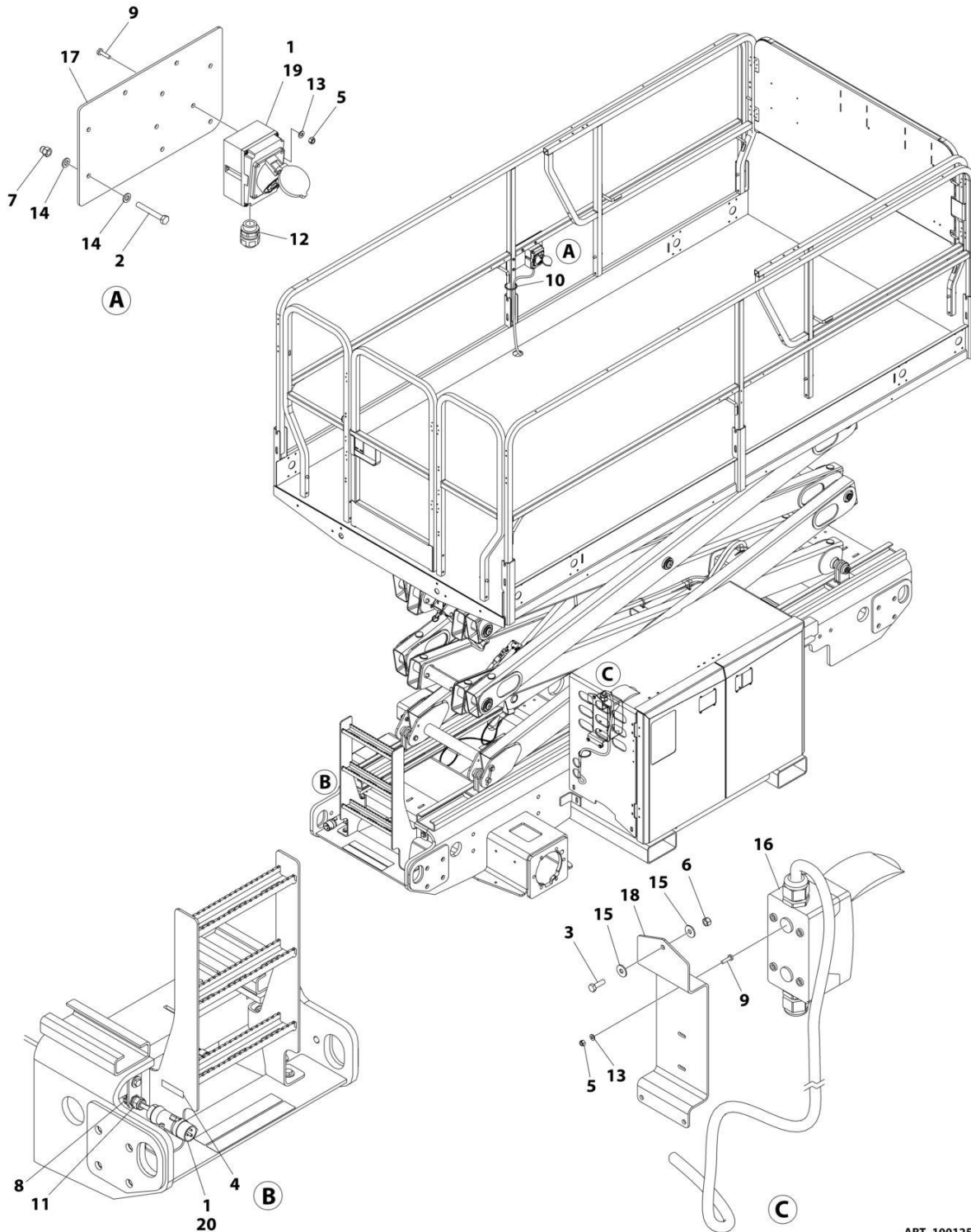
SECTION 8 - ELECTRICAL

FIGURE 8-2. AC BOX AT PLATFORM INSTALLATION - 110V GFI (ALL SPECS EXCEPT AUSTRALIAN, CE & UK CA SPECS)

ITEM	PART NUMBER	QTY	DESCRIPTION	REV
	1001255001	Ref	AC BOX AT PLATFORM INSTALLATION - 110V	B
1	0700617	4	Bolt M6 x 45	
2	1703464	1	Decal - AC Power	
3	2902431	1	Receptacle Box Kit - 110V GFI (See Separate Breakdown in this Section)	
4	3290405	4	Nut M4	
5	3290606	4	Nut M6 x 1	
6	3300048	1	Nut 3/4	
7	4010408	4	Screw M4 x 16	
8	4240017	AR	Tie-Strap	
9	4460071	1	Connector	
10	4460138	1	Plug, Male	
11	4811400	4	Washer M4	
12	4811700	8	Washer M6	
13	1001254613	1	Plate, Platform Plug Mount	
14	4460315	3	Terminal, Spade	
15	1001212268	3	Terminal	

SECTION 8 - ELECTRICAL

FIGURE 8-3. AC BOX AT PLATFORM INSTALLATION - 110V IEC YELLOW (CE & UK CA SPECS)



ART_1001255006

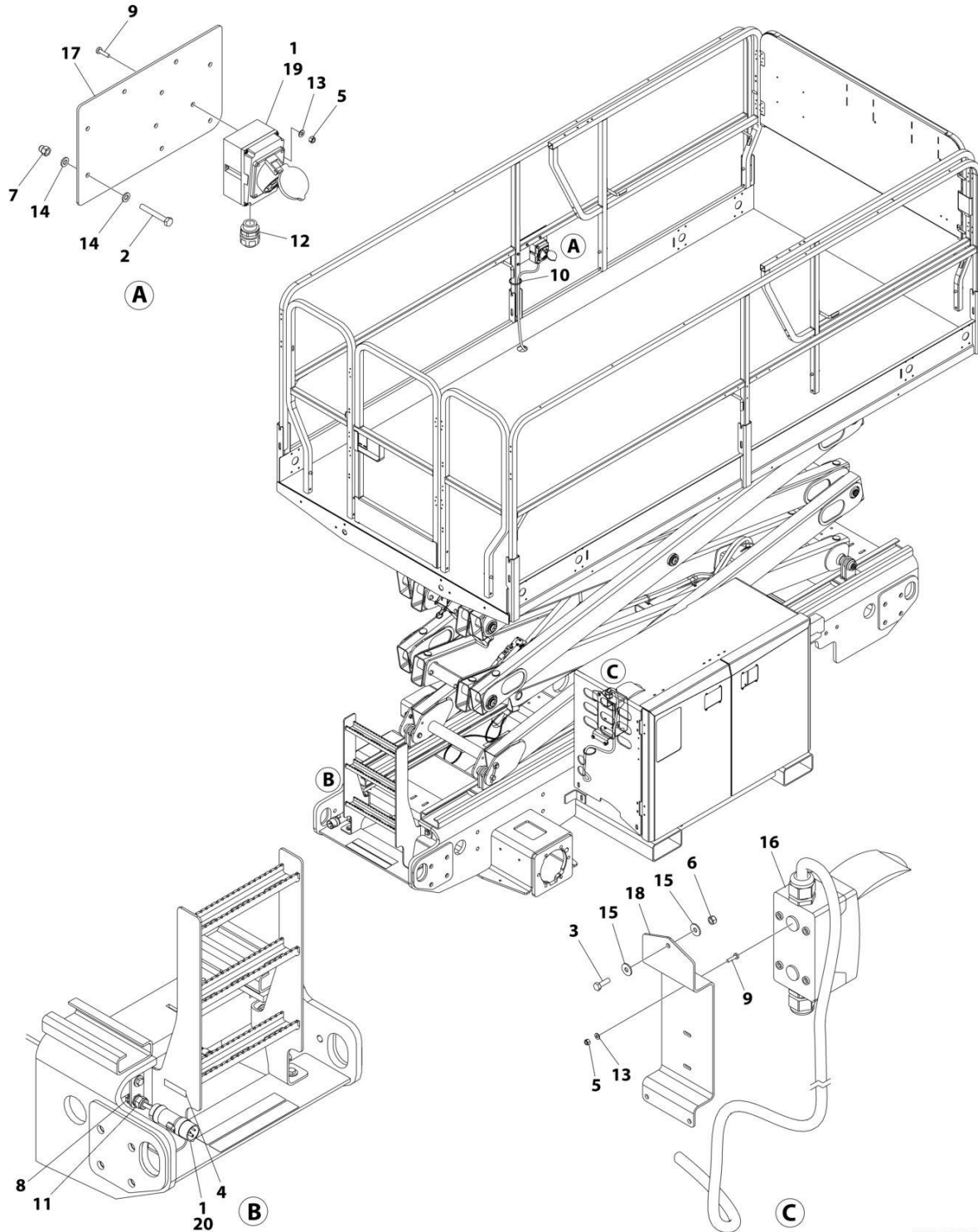
SECTION 8 - ELECTRICAL

FIGURE 8-3. AC BOX AT PLATFORM INSTALLATION - 110V IEC YELLOW (CE & UK CA SPECS)

ITEM	PART NUMBER	QTY	DESCRIPTION	REV
	1001255006	Ref	AC BOX AT PLATFORM INSTALLATION - 110V IEC YELLOW	B
1	0275216	1	Receptacle Box Kit - 110V IEC Yellow (See Separate Breakdown in this Section)	
2	0700617	4	Bolt M6 x 45	
3	0760610	3	Bolt M6 x 20	
4	1705325	1	Decal - 110 Volt	
5	3290405	4	Nut M4	
6	3290605	3	Nut M6	
7	3290606	4	Nut M6 x 1	
8	3300048	1	Nut 3/4	
9	4010408	4	Screw M4 x 16	
10	4240017	AR	Tie-Strap	
11	4460071	1	Connector, Water Tight	
12	4460968	1	Connector, Strain Relief	
13	4811400	4	Washer M4	
14	4811700	8	Washer M6	
15	4811702	6	Washer M6	
16	1001096070	1	Breaker Box Kit (See Separate Breakdown in this Section)	
17	1001254613	1	Plate, Platform Plug Mount	
18	1001261118	1	Bracket, Electric Box Mount	
19	4460315	3	Terminal, Spade	
20	1001212268	3	Terminal	

SECTION 8 - ELECTRICAL

FIGURE 8-4. AC BOX AT PLATFORM INSTALLATION - 220V IEC BLUE (CE & UK CA SPECS)



ART_1001255007

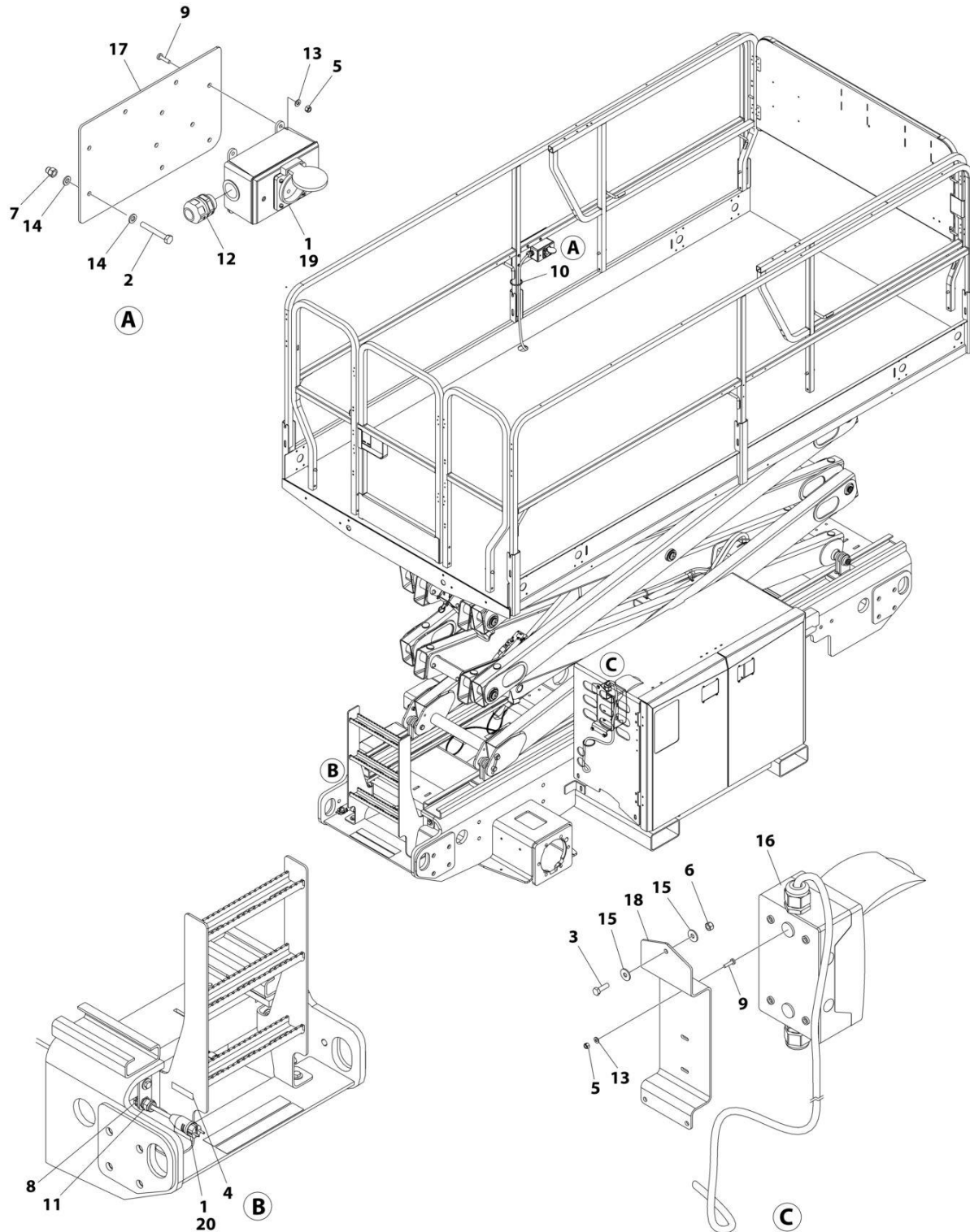
SECTION 8 - ELECTRICAL

FIGURE 8-4. AC BOX AT PLATFORM INSTALLATION - 220V IEC BLUE (CE & UK CA SPECS)

ITEM	PART NUMBER	QTY	DESCRIPTION	REV
	1001255007	Ref	AC BOX AT PLATFORM INSTALLATION - 220V IEC BLUE	B
1	0275217	1	Receptacle Box Kit - 220V IEC Blue (See Separate Breakdown in this Section)	
2	0700617	4	Bolt M6 x 45	
3	0760610	3	Bolt M6 x 20	
4	3252507	1	Decal - 220 Volt	
5	3290405	4	Nut M4	
6	3290605	3	Nut M6	
7	3290606	4	Nut M6 x 1	
8	3300048	1	Nut 3/4	
9	4010408	4	Screw M4 x 16	
10	4240017	AR	Tie-Strap	
11	4460071	1	Connector, Water Tight	
12	4460968	1	Connector, Strain Relief	
13	4811400	4	Washer M4	
14	4811700	8	Washer M6	
15	4811702	6	Washer M6	
16	1001096070	1	Breaker Box Kit (See Separate Breakdown in this Section)	
17	1001254613	1	Plate, Platform Plug Mount	
18	1001261118	1	Bracket, Electric Box Mount	
19	4460315	3	Terminal, Spade	
20	1001212268	3	Terminal	

SECTION 8 - ELECTRICAL

FIGURE 8-5. AC BOX AT PLATFORM INSTALLATION - 220V CEE7 POST GROUND (CE & UK CA SPECS)



ART_1001255004

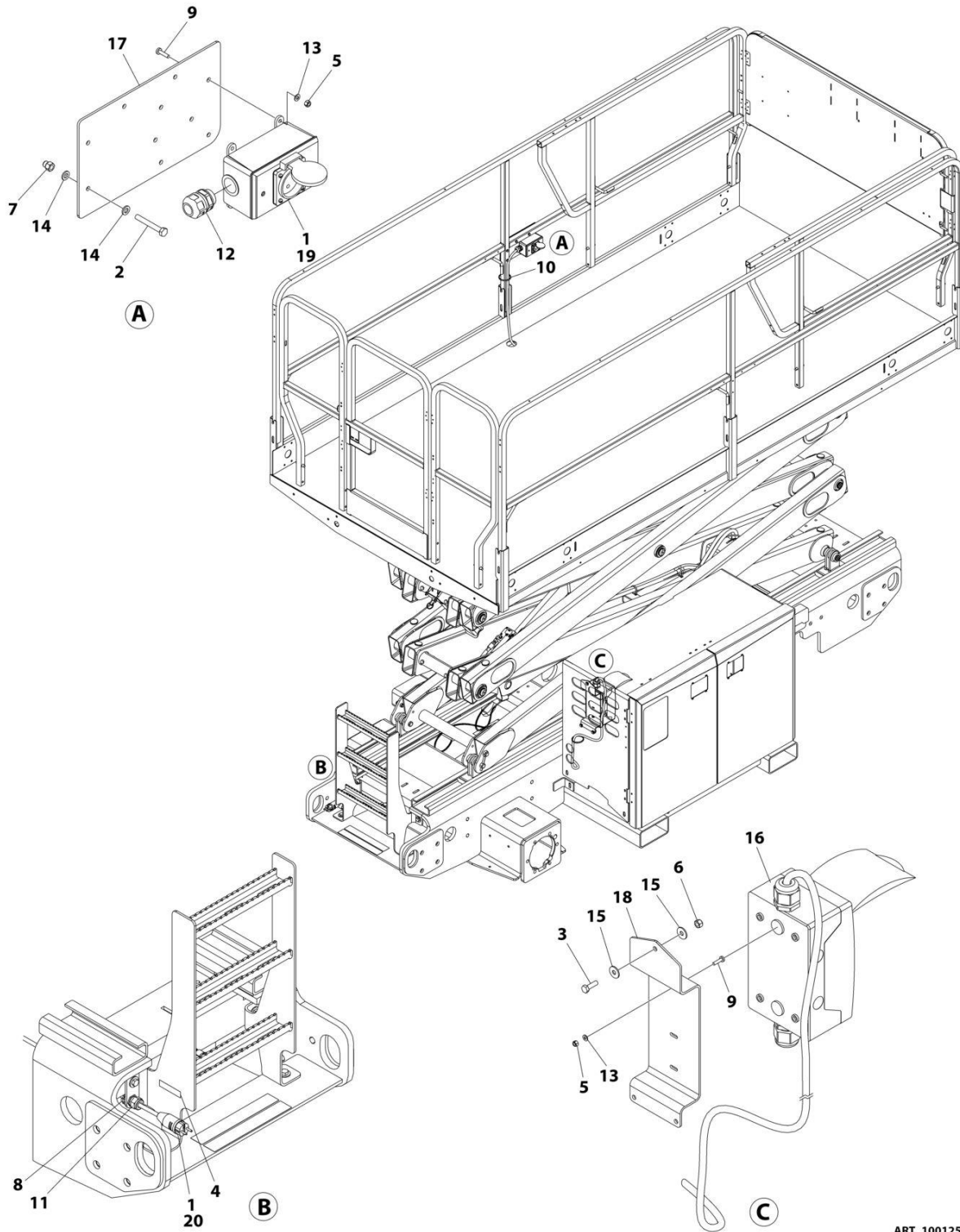
SECTION 8 - ELECTRICAL

FIGURE 8-5. AC BOX AT PLATFORM INSTALLATION - 220V CEE7 POST GROUND (CE & UK CA SPECS)

ITEM	PART NUMBER	QTY	DESCRIPTION	REV
	1001255004	Ref	AC BOX AT PLATFORM INSTALLATION - 220V CEE7 POST GROUND	B
1	0275452	1	Receptacle Box Kit - 220V CEE7 Post Ground 2X4 Box (See Separate Breakdown in this Section)	
2	0700617	4	Bolt M6 x 45	
3	0760610	3	Bolt M6 x 20	
4	3252507	1	Decal - 220 Volt	
5	3290405	6	Nut M4	
6	3290605	3	Nut M6	
7	3290606	4	Nut M6 x 1	
8	3300048	1	Nut 3/4	
9	4010408	6	Screw M4 x 16	
10	4240017	AR	Tie-Strap	
11	4460071	1	Connector, Water Tight	
12	4460662	1	Connector, Strain Relief	
13	4811400	6	Washer M4	
14	4811700	8	Washer M6	
15	4811702	6	Washer M6	
16	1001152486	1	Electric Assembly, Box and Breaker (See Separate Breakdown in this Section)	
17	1001254613	1	Plate, Platform Plug Mount	
18	1001261118	1	Bracket, Electric Box Mount	
19	4460315	3	Terminal, Spade	
20	1001212268	3	Terminal	

SECTION 8 - ELECTRICAL

FIGURE 8-6. AC BOX AT PLATFORM INSTALLATION - 220V CEE7 SIDE GROUND (CE & UK CA SPECS)



ART_1001255005

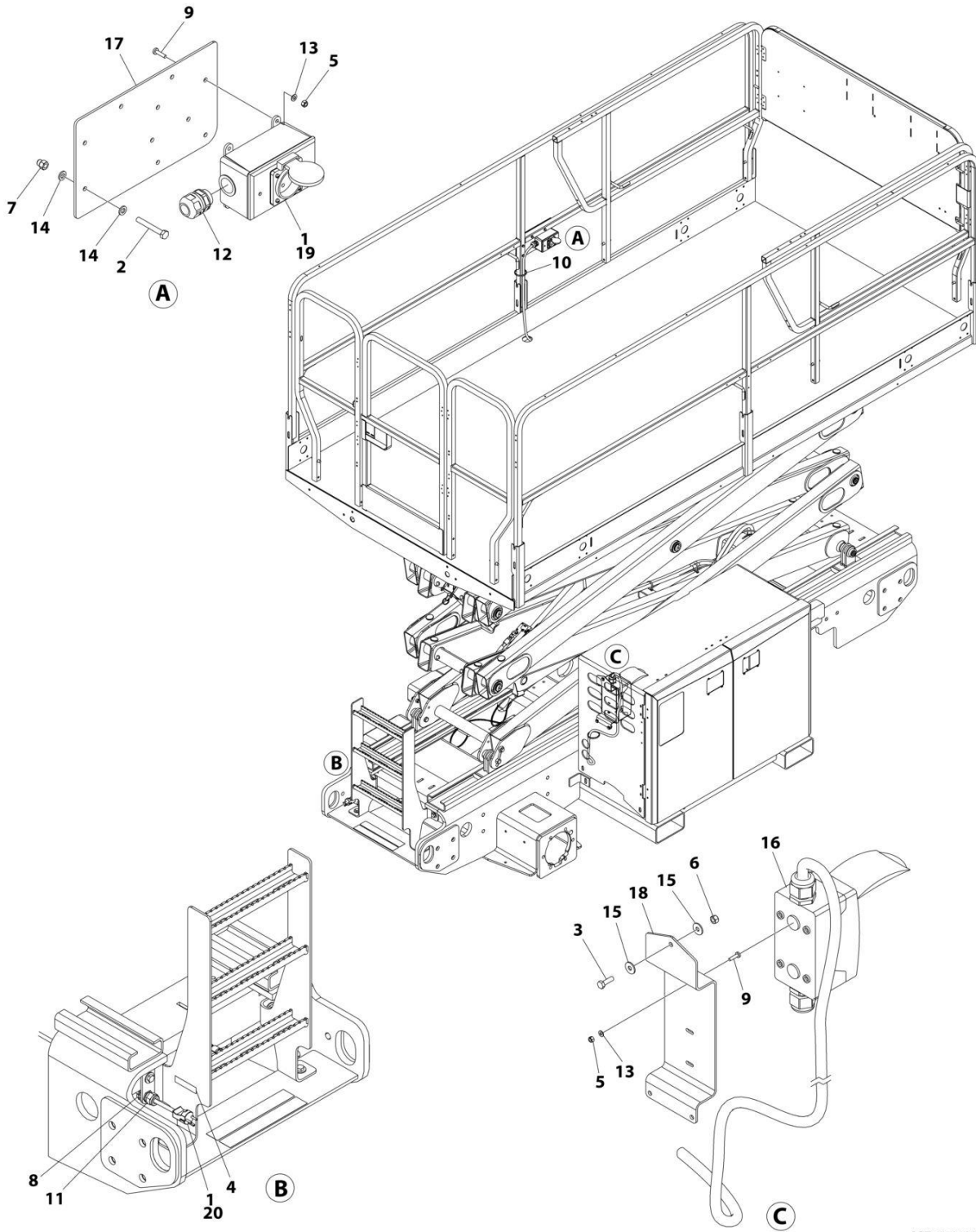
SECTION 8 - ELECTRICAL

FIGURE 8-6. AC BOX AT PLATFORM INSTALLATION - 220V CEE7 SIDE GROUND (CE & UK CA SPECS)

ITEM	PART NUMBER	QTY	DESCRIPTION	REV
	1001255005	Ref	AC BOX AT PLATFORM INSTALLATION - 220V CEE7 SIDE GROUND	B
1	0275453	1	Receptacle Box Kit - 220V CEE7 Side Ground 2X4 Box (See Separate Breakdown in this Section)	
2	0700617	4	Bolt M6 x 45	
3	0760610	3	Bolt M6 x 20	
4	3252507	1	Decal - 220 Volt	
5	3290405	6	Nut M4	
6	3290605	3	Nut M6	
7	3290606	4	Nut M6 x 1	
8	3300048	1	Nut 3/4	
9	4010408	6	Screw M4 x 16	
10	4240017	AR	Tie-Strap	
11	4460071	1	Connector, Water Tight	
12	4460662	1	Connector, Strain Relief	
13	4811400	6	Washer M4	
14	4811700	8	Washer M6	
15	4811702	6	Washer M6	
16	1001152486	1	Electric Assembly, Box and Breaker (See Separate Breakdown in this Section)	
17	1001254613	1	Plate, Platform Plug Mount	
18	1001261118	1	Bracket, Electric Box Mount	
19	4460315	3	Terminal, Spade	
20	1001212268	3	Terminal	

SECTION 8 - ELECTRICAL

FIGURE 8-7. AC BOX AT PLATFORM INSTALLATION - 220V AFSINT 107 (CE & UK CA SPECS)



ART_1001255008

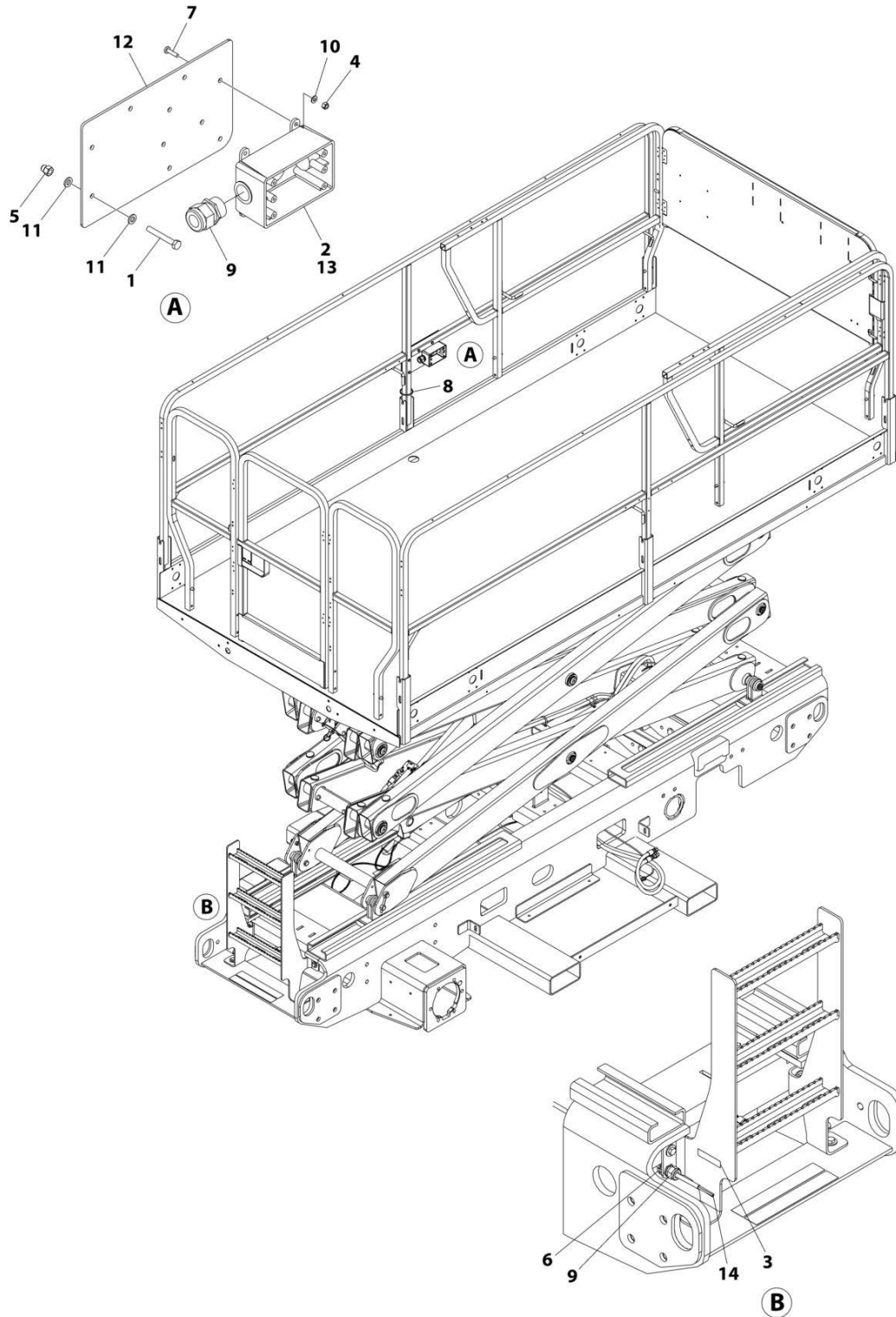
SECTION 8 - ELECTRICAL

FIGURE 8-7. AC BOX AT PLATFORM INSTALLATION - 220V AFSINT 107 (CE & UK CA SPECS)

ITEM	PART NUMBER	QTY	DESCRIPTION	REV
	1001255008	Ref	AC BOX AT PLATFORM INSTALLATION - 220V AFSINT 107	B
1	0275454	1	Receptacle Box Kit - 220V AFSINT 107 (See Separate Breakdown in this Section)	
2	0700617	4	Bolt M6 x 45	
3	0760610	3	Bolt M6 x 20	
4	3252507	1	Decal - 220 Volt	
5	3290405	6	Nut M4	
6	3290605	3	Nut M6	
7	3290606	4	Nut M6 x 1	
8	3300048	1	Nut 3/4	
9	4010408	6	Screw M4 x 16	
10	4240017	AR	Tie-Strap	
11	4460071	1	Connector, Water Tight	
12	4460662	1	Connector, Strain Relief	
13	4811400	6	Washer M4	
14	4811700	8	Washer M6	
15	4811702	6	Washer M6	
16	1001096070	1	Breaker Box Kit (See Separate Breakdown in this Section)	
17	1001254613	1	Plate, Platform Plug Mount	
18	1001261118	1	Bracket, Electric Box Mount	
19	4460315	3	Terminal, Spade	
20	1001212268	3	Terminal	

SECTION 8 - ELECTRICAL

FIGURE 8-8. AC BOX AT PLATFORM INSTALLATION - 220V CUSTOMER SUPPLIED PLUG & RECEPTACLE (ALL SPECS EXCEPT AUSTRALIAN & CE & UK CA SPECS)



ART_1001255002

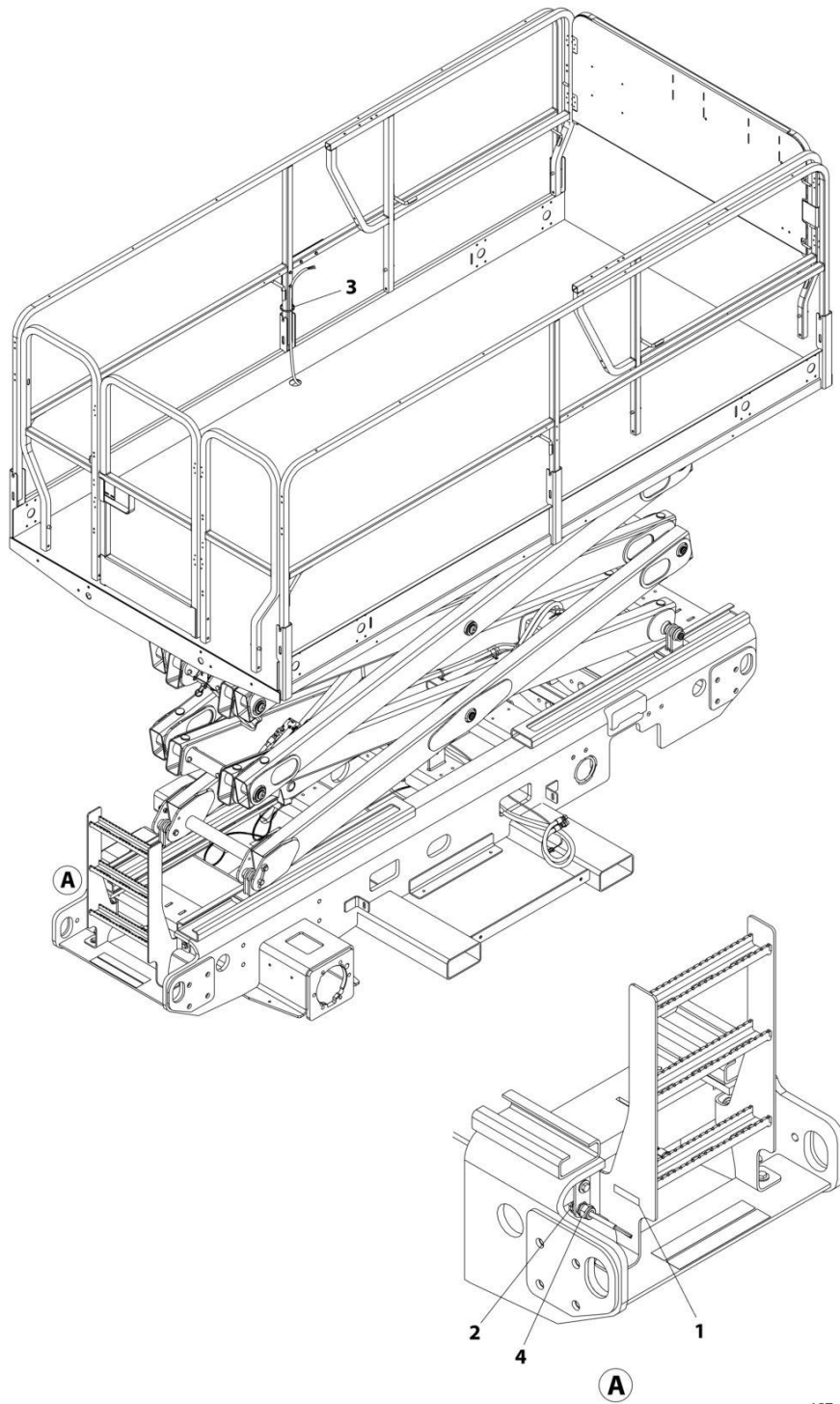
SECTION 8 - ELECTRICAL

FIGURE 8-8. AC BOX AT PLATFORM INSTALLATION - 220V CUSTOMER SUPPLIED PLUG & RECEPTACLE (ALL SPECS EXCEPT AUSTRALIAN & CE & UK CA SPECS)

ITEM	PART NUMBER	QTY	DESCRIPTION	REV
	1001255002	Ref	AC BOX AT PLATFORM INSTALLATION - 220V RECEPTACLE	B
1	0700617	4	Bolt M6 x 45	
2	0861731	1	Box, Receptacle	
3	3252507	1	Decal - 220 Volt	
4	3290405	4	Nut M4	
5	3290606	4	Nut M6 x 1	
6	3300048	1	Nut 3/4	
7	4010408	4	Screw M4 x 16	
8	4240017	AR	Tie-Strap	
9	4460071	2	Connector, Water Tight	
10	4811400	4	Washer M4	
11	4811700	8	Washer M6	
12	1001254613	1	Plate, Platform Plug Mount	
13	4460315	3	Terminal, Spade	
14	1001212268	3	Terminal	

SECTION 8 - ELECTRICAL

FIGURE 8-9. AC BOX AT PLATFORM INSTALLATION - 220V CUSTOMER SUPPLIED COMPONENTS
(ALL SPECS)



ART_1001255003

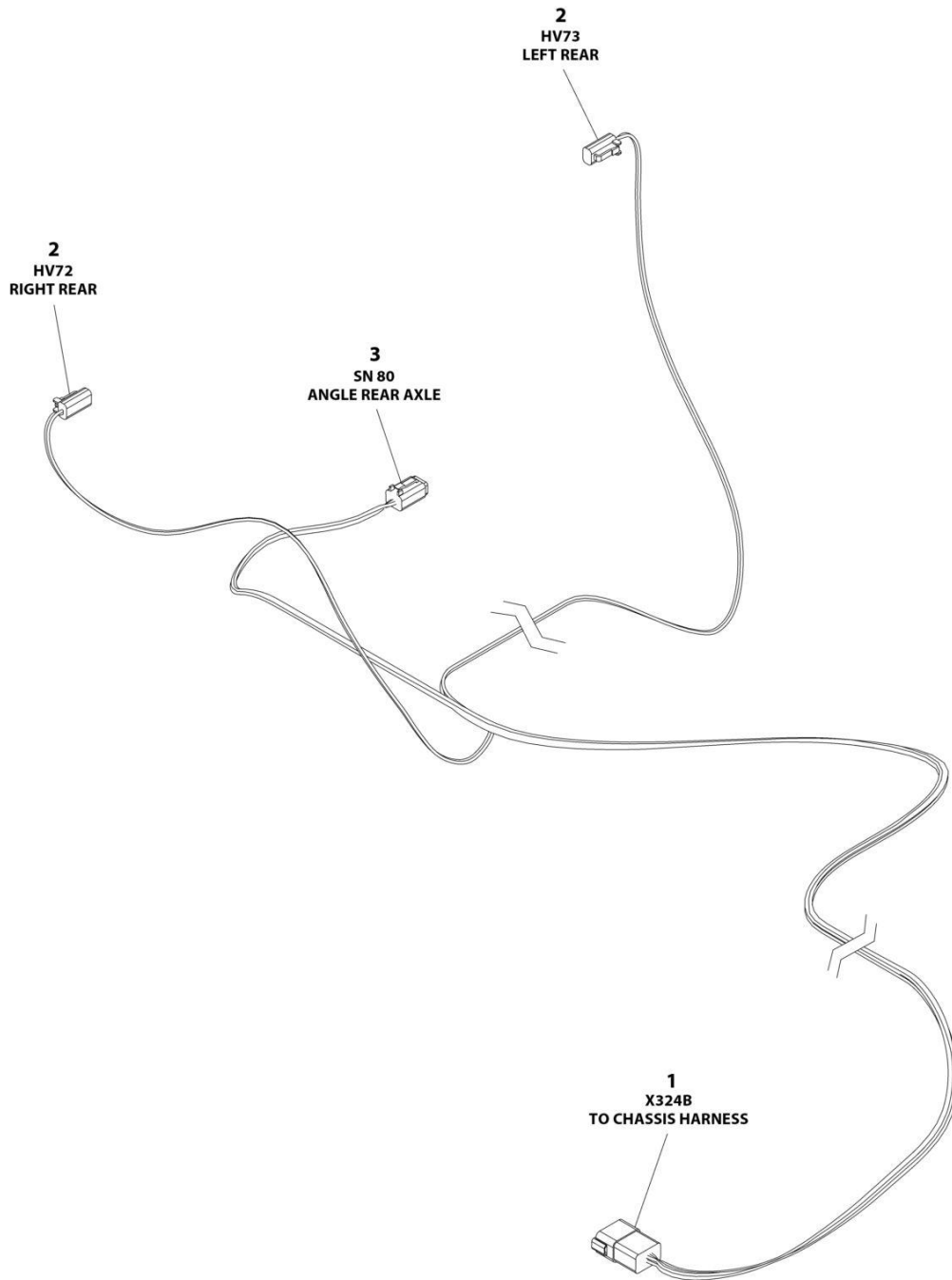
SECTION 8 - ELECTRICAL

**FIGURE 8-9. AC BOX AT PLATFORM INSTALLATION - 220V CUSTOMER SUPPLIED COMPONENTS
(ALL SPECS)**

ITEM	PART NUMBER	QTY	DESCRIPTION	REV
	1001255003	Ref	AC BOX AT PLATFORM INSTALLATION - 220V CUSTOMER SUPPLIED COMPONENTS	A
1	3252507	1	Decal - 220 Volt	
2	3300048	1	Nut 3/4	
3	4240017	AR	Tie-Strap	
4	4460071	1	Connector, Water Tight	

SECTION 8 - ELECTRICAL

FIGURE 8-10. AXLE HARNESS - REAR OSCILLATING



ART_1001249282

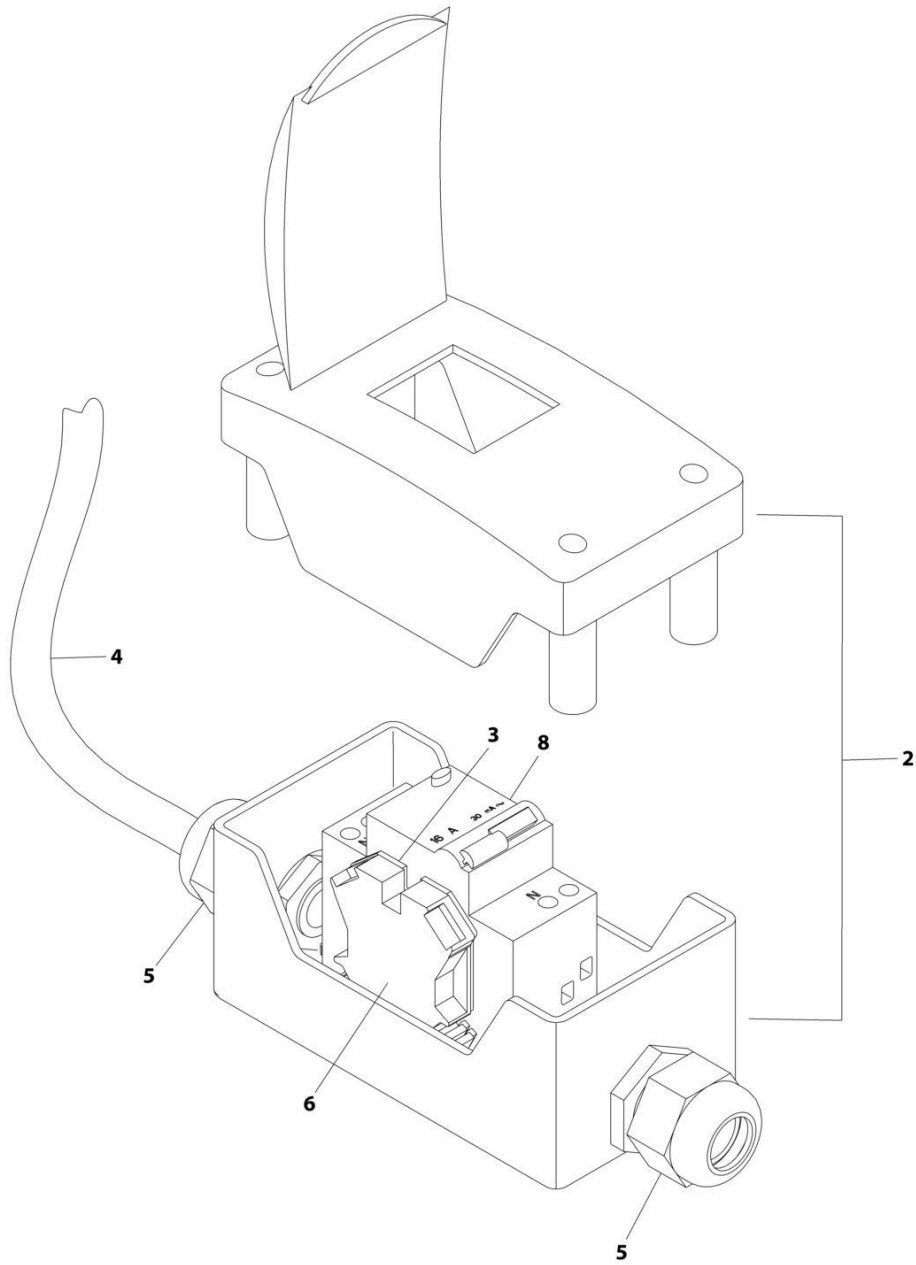
SECTION 8 - ELECTRICAL

FIGURE 8-10. AXLE HARNESS - REAR OSCILLATING

ITEM	PART NUMBER	QTY	DESCRIPTION	REV
	1001249282	Ref	AXLE HARNESS - REAR OSCILLATING	E
1	4460931	1	Receptacle, Female - 8 Position	
1	4460464	6	Pin, Male	
1	4460493	2	Pin, Male	
2	4460891	2	Plug, Male - 2 Position	
2	4460465	4	Socket, Female	
3	4460884	1	Plug, Male - 4 Position	
3	4460465	2	Socket, Female	
3	4460944	2	Socket, Female	

SECTION 8 - ELECTRICAL

FIGURE 8-11. BREAKER BOX KIT - 1 DOUBLE BREAKER (CE & UK CA SPECS)



ART_1001096070_E

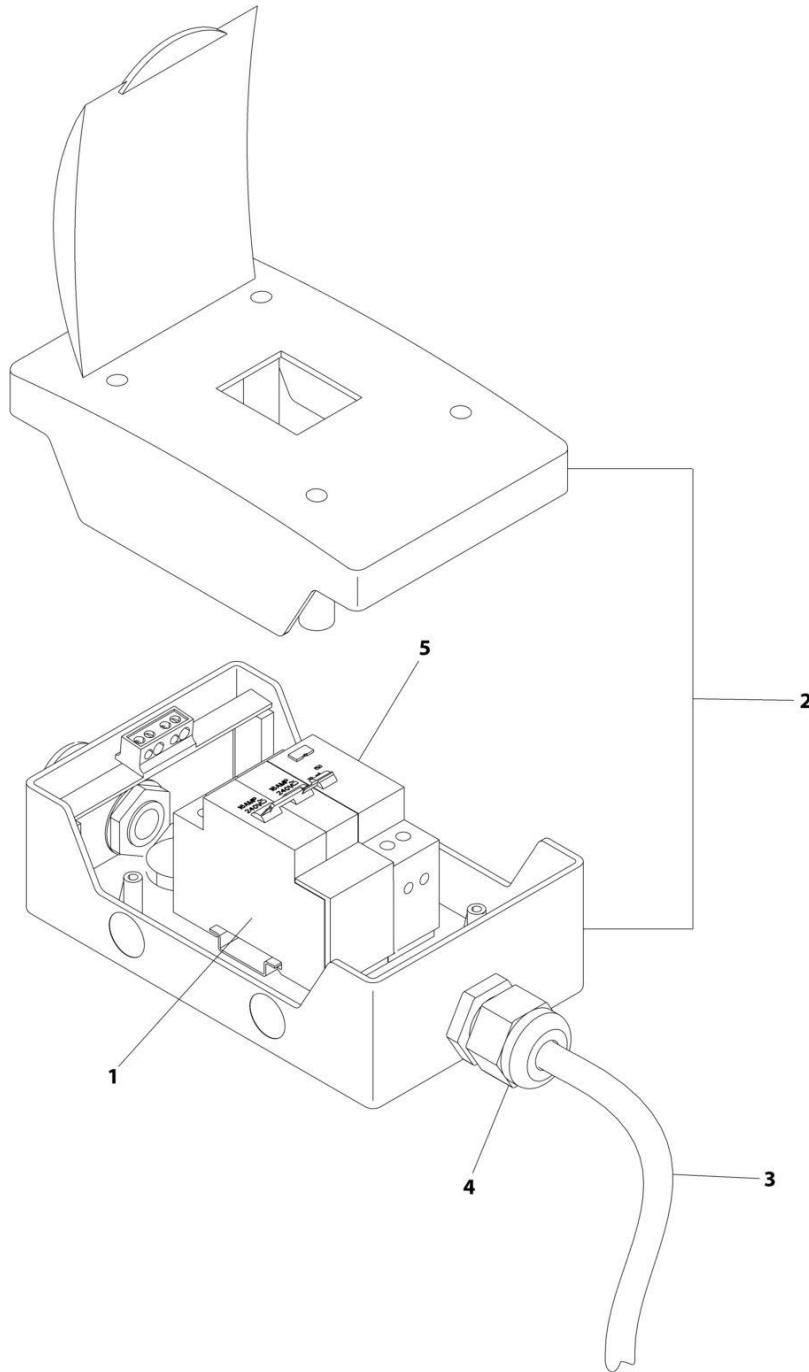
SECTION 8 - ELECTRICAL

FIGURE 8-11. BREAKER BOX KIT - 1 DOUBLE BREAKER (CE & UK CA SPECS)

ITEM	PART NUMBER	QTY	DESCRIPTION	REV
	1001096070	Ref	BREAKER BOX KIT	E
2	0861880	1	Box	
3	4460956	1	Barrier, Terminal Block End	
4	1060908	12 ft/ 3.6m	Cable, 12/3	
5	1001097150	2	Connector, Strain Relief	
6	4460957	1	Block, Terminal	
8	1001181045	1	Breaker, 16Amp	

SECTION 8 - ELECTRICAL

FIGURE 8-12. BREAKER BOX KIT - 1 DOUBLE & 1 SINGLE BREAKER (CE & UK CA SPECS)



ART_1001152486_C

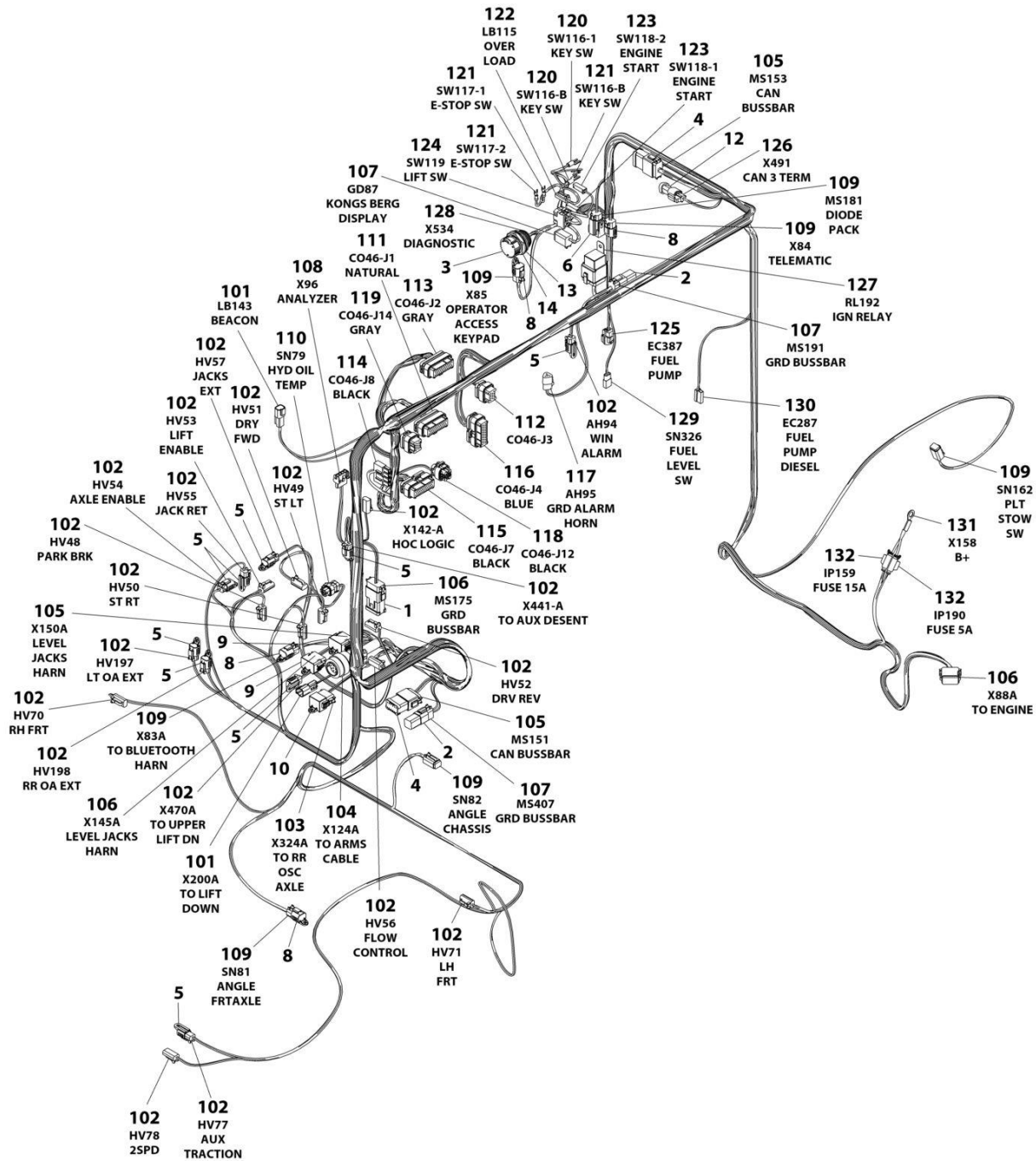
SECTION 8 - ELECTRICAL

FIGURE 8-12. BREAKER BOX KIT - 1 DOUBLE & 1 SINGLE BREAKER (CE & UK CA SPECS)

ITEM	PART NUMBER	QTY	DESCRIPTION	REV
	1001152486	Ref	BREAKER BOX KIT	C
1	1001189172	1	Breaker, 16 Amp (Double)	
2	1001152483	1	Box	
3	1060908	12 ft/ 3.66m	Cable, 12/3	
4	1001097150	1	Connector, Strain Relief	
5	1001189171	1	Breaker, 30mA	

SECTION 8 - ELECTRICAL

FIGURE 8-13. CHASSIS HARNESS



ART_1001247472

SECTION 8 - ELECTRICAL

FIGURE 8-13. CHASSIS HARNESS

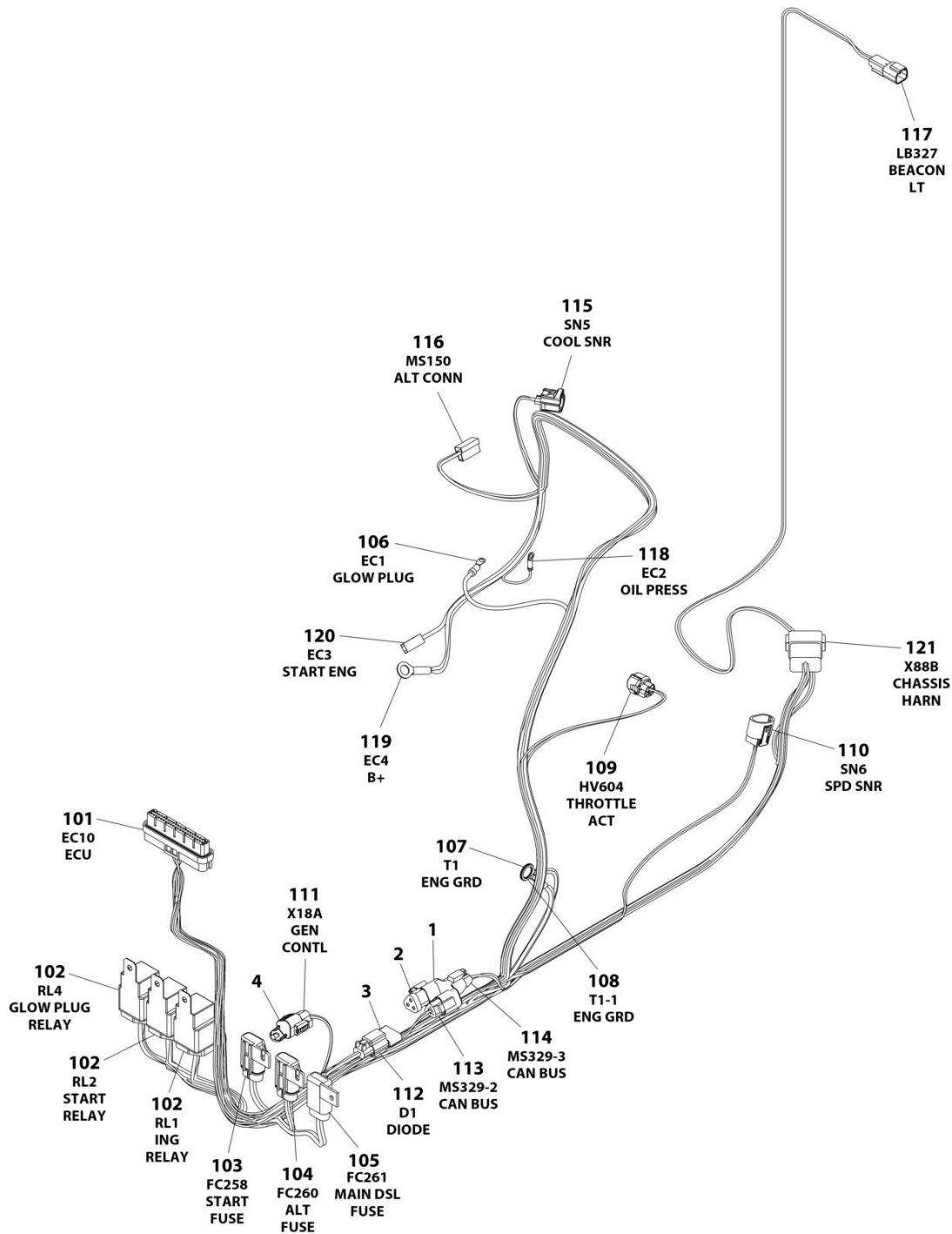
ITEM	PART NUMBER	QTY	DESCRIPTION	REV
	1001247472	Ref	CHASSIS HARNESS	H
1	1001249244	1	Bussbar - 12 Position	
2	4460892	2	Bussbar - 6 Position	
3	1001106736	1	Cap, Dust	
4	1001125677	2	Bussbar - 12 Position	
5	1001144295	9	Cap, Thermoplastic	
6	1001152266	1	Connector - 4 Position	
8	1001192401	4	Cap, Dust	
9	1001215898	2	Cap, Dust	
10	1001244462	1	Cap, Dust	
12	4461070	1	Connector - 3 Position	
13	1001125784	1	Washer	
14	1001125785	1	Nut	
101	4460897	2	Receptacle, Female - 2 Position	
101	4460464	4	Pin, Male	
102	4460891	20	Plug, Male - 2 Position	
102	4460465	40	Socket, Female	
103	4460930	1	Plug, Male - 8 Position	
103	4460465	6	Socket, Female	
103	4460944	2	Socket, Female	
104	4460754	1	Plug, Male - 14 Position	
104	4460465	10	Socket, Female	
104	4460944	2	Socket, Female	
104	4460466	2	Plug, Terminal	
105	4460933	3	Plug, Male - 12 Position	
105	4460465	12	Socket, Female	
105	4460944	22	Socket, Female	
105	4460466	2	Plug, Terminal	
106	4460933	3	Plug, Male - 12 Position	
106	4460465	32	Socket, Female	
106	4460466	4	Plug, Terminal	
107	4460894	3	Plug, Male - 6 Position	
107	4460465	22	Socket, Female	
107	4460466	2	Plug, Terminal	
108	4460761	1	Plug, Male - 4 Position	
108	4460227	4	Terminal	
109	4460884	7	Plug, Male - 4 Position	
109	4460465	12	Socket, Female	
109	4460944	16	Socket, Female	
110	1001116950	1	Plug, Male - 2 Position	
110	4460465	2	Socket, Female	
111	4460874	1	Connector - 35 Position	
111	4460871	14	Terminal	
111	4460905	21	Plug, Terminal	
112	4460872	1	Connector - 35 Position	
112	4460871	8	Terminal	
112	4460905	6	Plug, Terminal	
113	4460875	1	Connector - 35 Position	
113	4460871	27	Terminal	
113	4460905	8	Plug, Terminal	

SECTION 8 - ELECTRICAL

ITEM	PART NUMBER	QTY	DESCRIPTION	REV
114	4460878	1	Connector - 4 Position	
114	4461271	1	Terminal	
114	4460887	1	Terminal	
115	4460873	1	Connector - 35 Position	
115	4460871	29	Terminal	
115	4460905	6	Plug, Terminal	
116	4460876	1	Connector - 35 Position	
116	4460871	18	Terminal	
116	4460905	17	Plug, Terminal	
117	4460539	1	Plug, Male - 3 Position	
117	4460465	3	Socket, Female	
118	1001113961	1	Connector - 8 Position	
118	4460871	4	Terminal	
118	4460905	4	Plug, Terminal	
119	1001246859	1	Connector - 14 Position	
119	4460871	10	Terminal	
119	4460905	4	Plug, Terminal	
120	4460144	2	Terminal, Fork	
121	4460183	3	Terminal, Fork	
122	4461290	1	Connector - 2 Position	
122	4460928	2	Terminal	
123	4460260	2	Cover, Terminal	
123	4460259	2	Terminal	
124	4460418	1	Connector, Switch	
124	4460419	2	Terminal	
124	1001159186	2	Terminal	
125	1001184832	1	Connector - 2 Position	
125	1001118658	2	Terminal	
125	1001205250	2	Seal	
126	4461095	1	Plug, Male - 3 Position	
126	4460944	2	Socket, Female	
126	4460466	1	Plug, Terminal	
127	1001118282	1	Connector, Relay	
127	1001116734	2	Terminal	
127	1001116732	2	Terminal	
127	1001128128	1	Plug, Terminal	
128	1001249095	1	Connector - 9 Position	
128	4460464	3	Pin, Male	
128	4460943	2	Pin, Male	
128	4460466	4	Plug, Terminal	
129	4460424	1	Connector - 2 Position	
129	4460268	2	Terminal	
130	1001118744	1	Connector - 2 Position	
130	1001118745	2	Terminal	
131	8220164	1	Terminal, Ring	
132	2400066	2	Fuseholder with Cover	
132	8229242	1	Fuse 5Amp	
132	8229244	1	Fuse 15Amp	

SECTION 8 - ELECTRICAL

FIGURE 8-14. ENGINE HARNESS - DIESEL



ART_1001248134

SECTION 8 - ELECTRICAL

FIGURE 8-14. ENGINE HARNESS - DIESEL

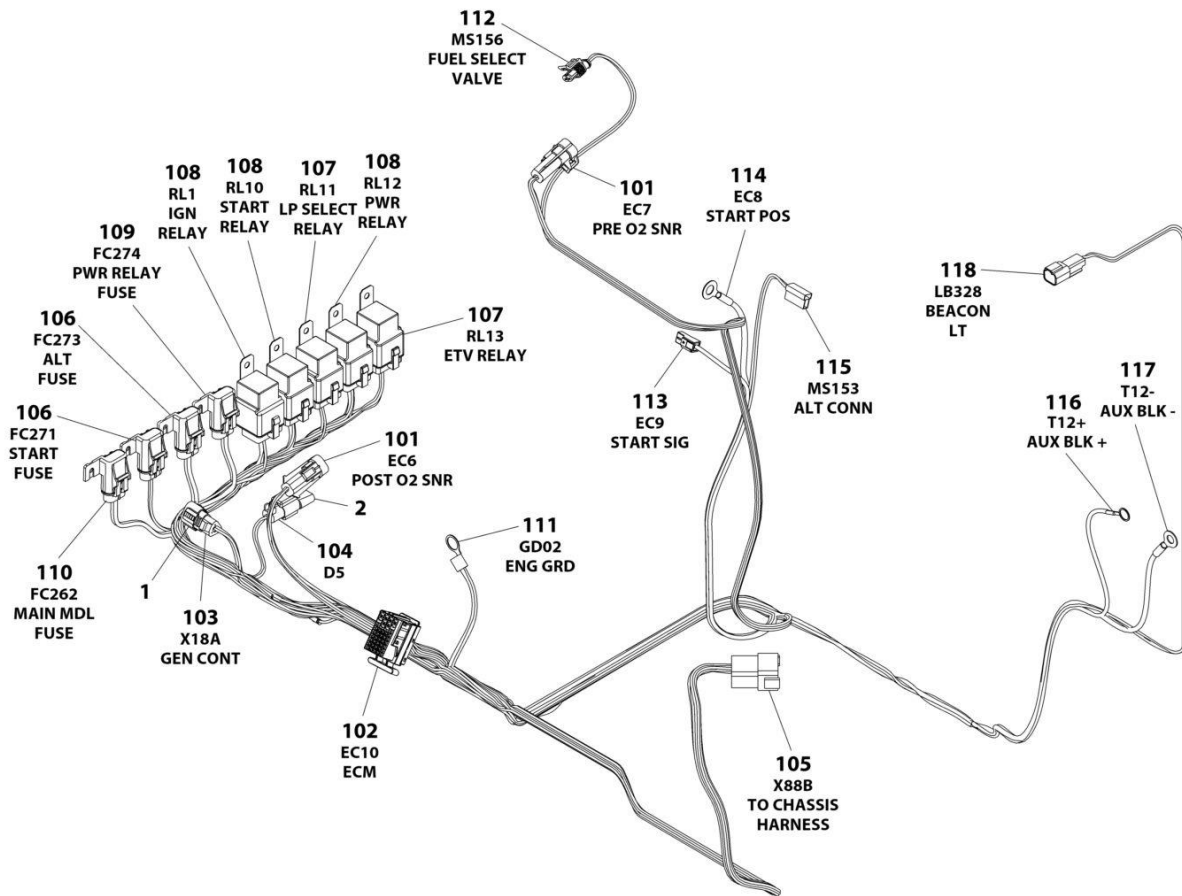
ITEM	PART NUMBER	QTY	DESCRIPTION	REV
	1001248134	Ref	ENGINE HARNESS - DIESEL	E
1	4460945	1	Connector - 3 Way	
2	1001116815	1	Connector - 3 Position Plug	
3	1001116816	1	Connector, Bussbar	
4	1001144296	1	Cap	
101	1001248222	1	Connector - 44 Position	
101	1001248223	21	Terminal	
101	1001248224	23	Plug, Terminal	
102	1001118282	3	Connector, Relay	
102	1001116734	6	Terminal	
102	1001116732	6	Terminal	
102	1001128128	3	Plug, Terminal	
103	1001118938	1	Fuseholder with 40Amp Fuse	
103	1001116752	2	Terminal	
104	1001117022	1	Fuseholder with 7.5Amp Fuse	
104	1001117069	1	Fuseholder with 20Amp Fuse	
104	1001116733	2	Terminal	
105	1001117023	1	Fuseholder with 10Amp Fuse	
105	1001116752	2	Terminal	
107	4460142	1	Terminal, Ring	
108	1001130900	1	Terminal, Ring	
109	8220111	1	Terminal, Ring	
109	1001248227	1	Receptacle, Female - 2 Position	
109	1001248228	2	Terminal	
109	1001248229	2	Seal	
110	1001223431	1	Receptacle, Female - 3 Position	
110	1001223794	3	Terminal	
110	1001223797	3	Seal	
111	4460539	1	Plug, Male - 3 Position	
111	4460465	3	Socket, Female	
112	4460891	1	Plug, Male - 2 Position	
112	4460942	2	Socket, Female	
113	4460539	1	Plug, Male - 3 Position	
113	4460944	2	Socket, Female	
113	4460466	1	Plug, Terminal	
114	1001116812	1	Plug, Male - 3 Position	
114	4460944	2	Socket, Female	
114	4460466	1	Plug, Terminal	
115	1001118657	1	Receptacle, Female - 3 Position	
115	1001118658	2	Terminal	
115	1001118659	2	Seal	
116	1001118744	1	Connector - 2 Position	
116	1001118745	2	Terminal	
117	4460897	1	Receptacle, Female - 2 Position	
117	4460464	2	Pin, Male	
118	4460247	1	Terminal, Ring	
119	8220164	1	Terminal, Ring	
120	1001118743	1	Connector	
120	1001230488	1	Terminal	
121	4460950	1	Receptacle, Female - 12 Position	

SECTION 8 - ELECTRICAL

ITEM	PART NUMBER	QTY	DESCRIPTION	REV
121	4460464	4	Pin, Male	
121	4460943	2	Pin, Male	
121	4460941	1	Pin, Male	
121	4460466	5	Plug, Terminal	

SECTION 8 - ELECTRICAL

FIGURE 8-15. ENGINE HARNESS - DUAL FUEL



ART_1001248289

SECTION 8 - ELECTRICAL

FIGURE 8-15. ENGINE HARNESS - DUAL FUEL

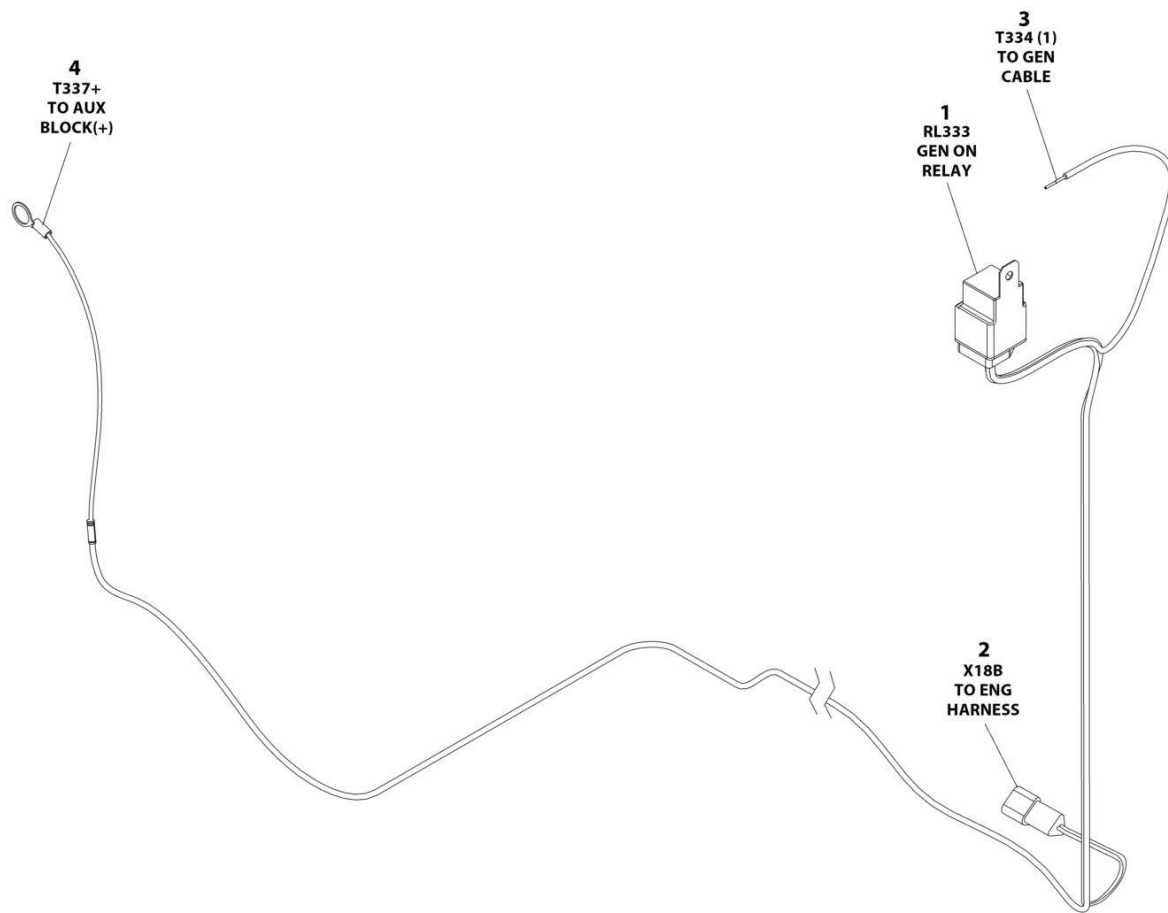
ITEM	PART NUMBER	QTY	DESCRIPTION	REV
	1001248289	Ref	ENGINE HARNESS - GAS	I
1	1001144296	1	Cap	
2	1001116816	1	Connector, Diode	
101	1001184722	2	Connector - 4 Position	
101	1001270481	8	Terminal (Gold)	
101	1001116749	8	Terminal (Tin)	
101	1001237778	4	Seal	
101	4460608	4	Seal	
102	1001184705	1	Connector - 42 Position	
102	1001187455	4	Terminal	
102	1001184718	5	Terminal	
102	1001184717	2	Terminal	
102	1001184716	10	Terminal	
102	1001126391	20	Plug, Terminal	
102	4461008	1	Plug, Terminal	
102	4461054	9	Seal	
102	1001126393	12	Seal	
103	4460539	1	Plug, Male - 3 Position	
103	4460465	3	Socket, Female	
104	4460891	1	Plug, Male - 2 Position	
104	4460942	2	Socket, Female	
105	4460950	1	Receptacle, Female - 12 Position	
105	4460464	4	Pin, Male	
105	4460943	2	Pin, Male	
105	4460941	1	Pin, Male	
105	4460466	1	Plug, Terminal	
106	1001118938	1	Fuseholder with 40Amp Fuse	
106	1001116752	2	Terminal (11-13 AWG)	
106	1001116732	2	Terminal (18-20 AWG)	
107	1001117025	2	Connector, Relay	
107	1001116733	2	Terminal	
107	1001116732	6	Terminal	
108	1001118282	3	Connector, Relay	
108	1001116734	6	Terminal	
108	1001116732	6	Terminal	
108	1001128128	3	Plug, Terminal	
109	1001117070	1	Fuseholder with 30Amp Fuse	
109	1001116752	2	Terminal	
110	1001117069	1	Fuseholder with 20Amp Fuse	
110	1001116752	2	Terminal	
111	8220029	1	Terminal, Ring	
112	4461118	1	Plug, Male - 2 Position	
112	1001107854	2	Terminal	
112	1001104498	1	Seal	
112	1001116763	1	Seal	
113	1001184768	1	Connector	
113	1001184769	1	Terminal	
114	1001117110	1	Terminal, Ring	
115	1001118744	1	Connector - 2 Position	
115	1001118745	2	Terminal	

SECTION 8 - ELECTRICAL

ITEM	PART NUMBER	QTY	DESCRIPTION	REV
116	4460019	1	Terminal, Ring	
117	8220045	1	Terminal, Ring	
118	4460897	1	Receptacle, Female - 2 Position	
118	4460464	2	Pin, Male	

SECTION 8 - ELECTRICAL

FIGURE 8-16. GENERATOR HARNESS



ART_1001249464

SECTION 8 - ELECTRICAL

FIGURE 8-16. GENERATOR HARNESS

ITEM	PART NUMBER	QTY	DESCRIPTION	REV
	1001249464	Ref	GENERATOR HARNESS	B
1	1001118282	1	Connector & Relay	
1	3740080	1	Relay	
1	1001116734	2	Terminal	
1	1001116732	2	Terminal	
1	1001128128	1	Plug, Terminal	
2	4460536	1	Receptacle, Female - 3 Position	
2	4460464	2	Pin, Male	
2	4460466	1	Plug, Terminal	
3	4460906	1	Terminal	
4	8220111	1	Terminal, Ring	

SECTION 8 - ELECTRICAL

FIGURE 8-17. GROUND TO PLATFORM HARNESS (RT2669)



ART_1001248279

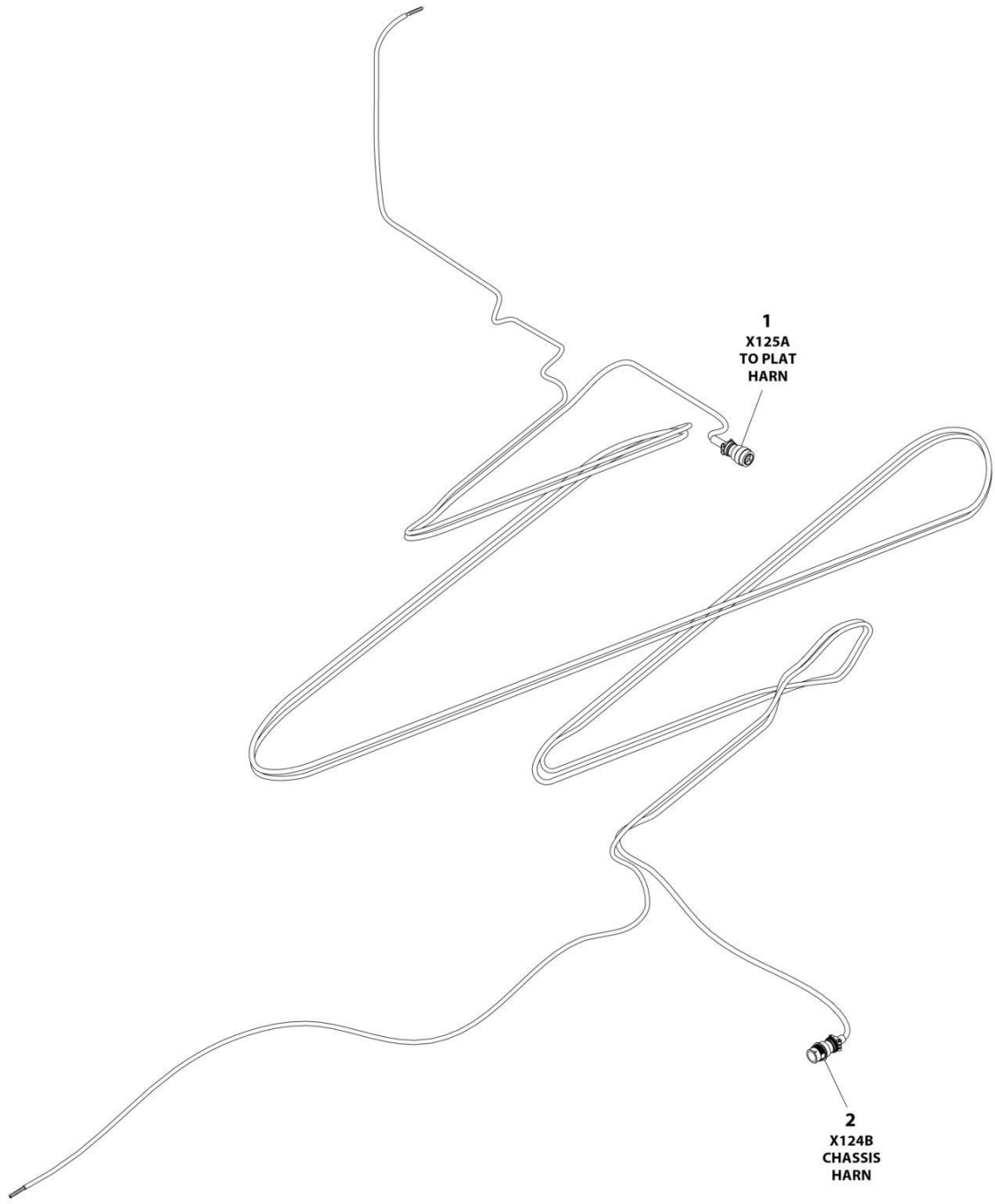
SECTION 8 - ELECTRICAL

FIGURE 8-17. GROUND TO PLATFORM HARNESS (RT2669)

ITEM	PART NUMBER	QTY	DESCRIPTION	REV
	1001248279	Ref	GROUND TO PLATFORM HARNESS	D
1	4460754	1	Connector - 14 Position	
1	4460465	14	Socket, Female	
2	1001156541	1	Connector - 14 Position	
2	4460464	14	Pin, Male	

SECTION 8 - ELECTRICAL

FIGURE 8-18. GROUND TO PLATFORM HARNESS (RT3369)



ART_1001248280

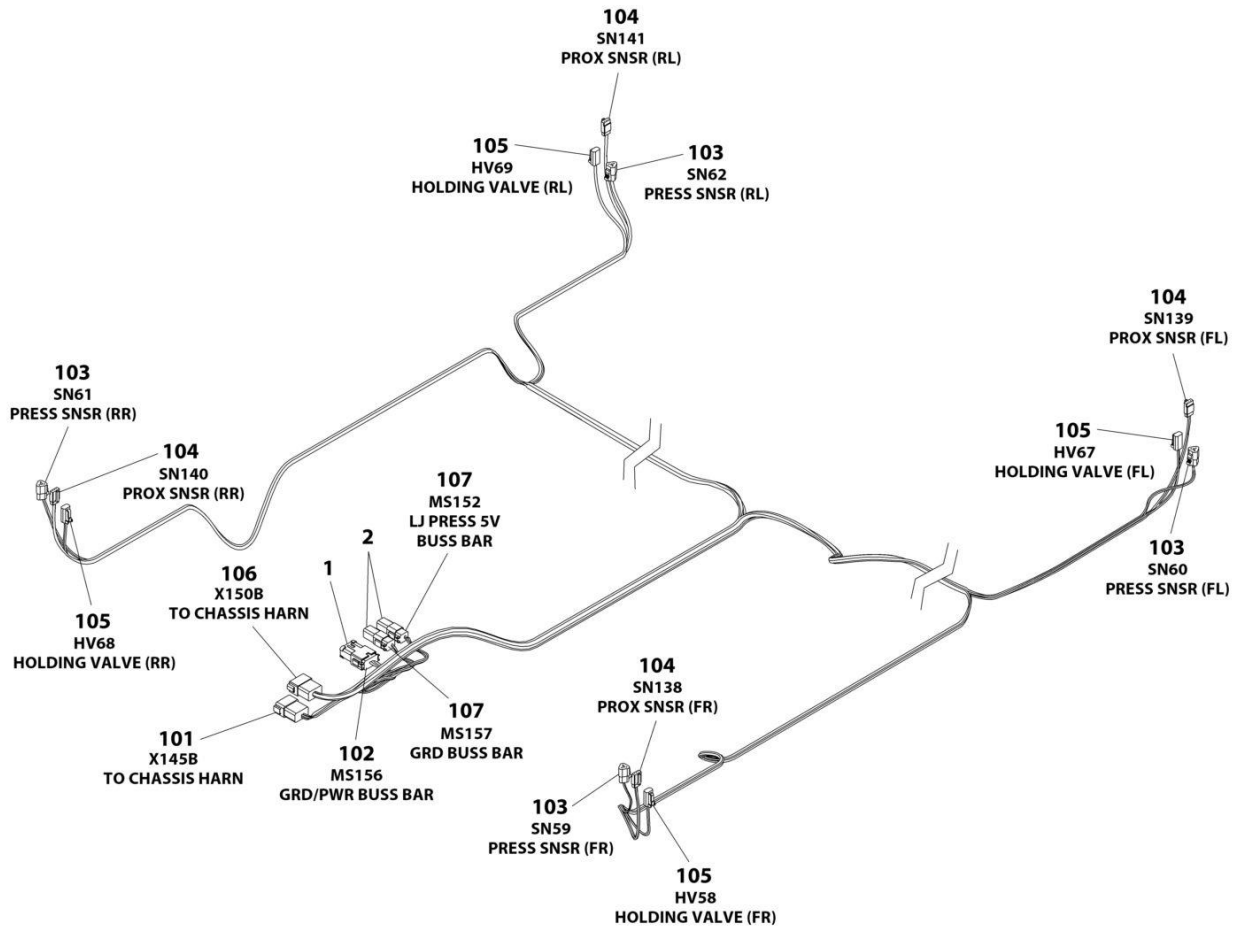
SECTION 8 - ELECTRICAL

FIGURE 8-18. GROUND TO PLATFORM HARNESS (RT3369)

ITEM	PART NUMBER	QTY	DESCRIPTION	REV
	1001248280	Ref	GROUND TO PLATFORM HARNESS	D
1	4460754	1	Connector - 14 Position	
1	4460465	14	Socket, Female	
2	1001156541	1	Connector - 14 Position	
2	4460464	14	Pin, Male	

SECTION 8 - ELECTRICAL

FIGURE 8-19. LEVELING JACK HARNESS



ART_1001248863

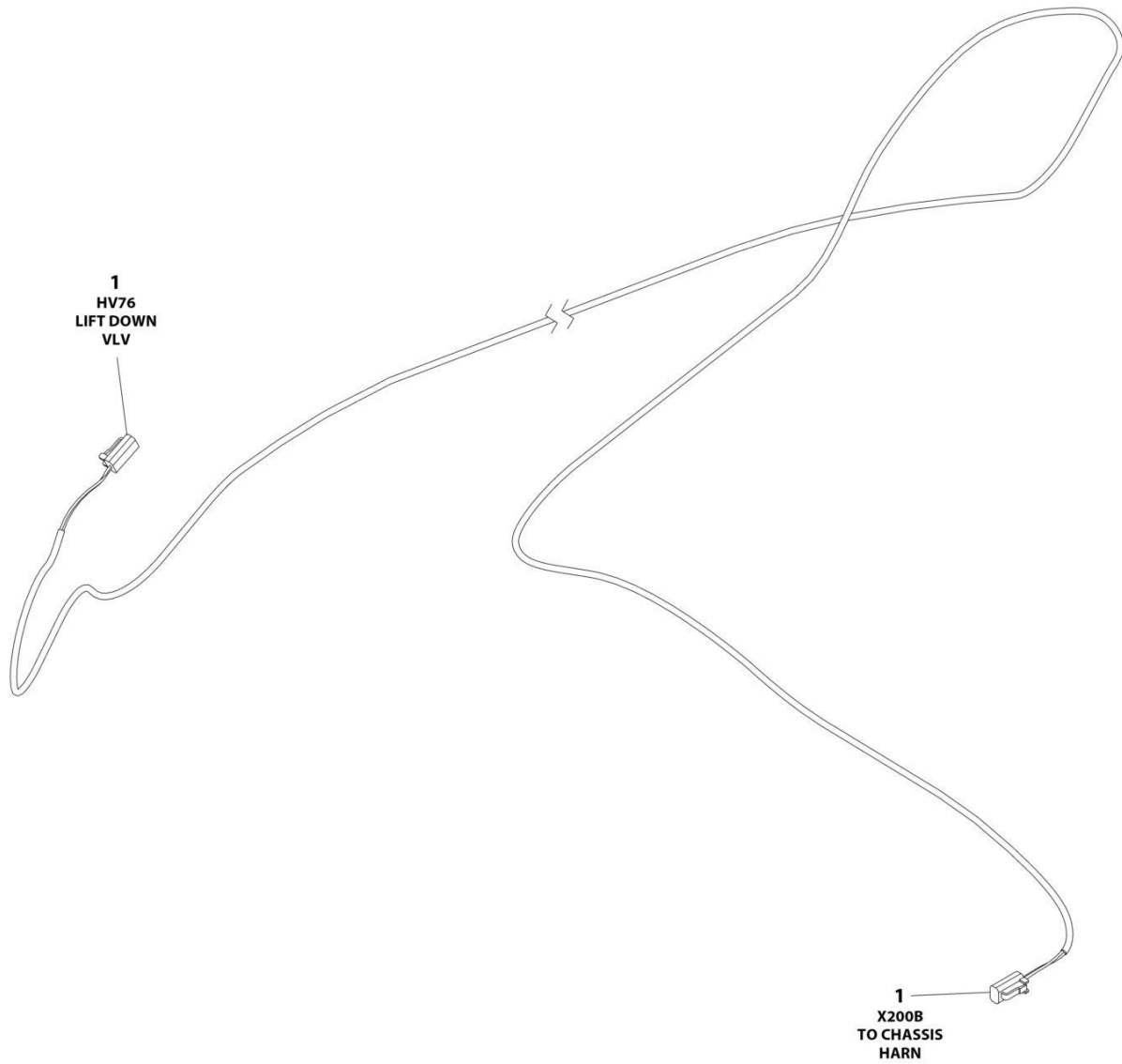
SECTION 8 - ELECTRICAL

FIGURE 8-19. LEVELING JACK HARNESS

ITEM	PART NUMBER	QTY	DESCRIPTION	REV
	1001248863	Ref	LEVELING JACK HARNESS	C
1	1001125677	1	Connector, 2 x 6 Bussbar (DT)	
2	4460892	2	Terminal, 6 Position Bussbar (DT)	
101	4460950	1	Receptacle, Female - 12 Position	
101	4460464	8	Pin, Male	
101	4460466	4	Plug, Terminal	
102	4460933	1	Plug, Male - 12 Position	
102	4460465	10	Socket, Female	
102	4460466	2	Plug, Terminal	
103	4460539	4	Plug, Male - 3 Position	
103	4460465	12	Socket, Female	
104	4460911	4	Connector - 3 Position	
104	1001116694	12	Terminal	
105	4460891	4	Plug, Male - 2 Position	
105	4460465	8	Socket, Female	
106	4460970	1	Receptacle - 12 Position	
106	4460464	12	Pin, Male	
107	4460894	2	Plug, Male - 6 Position	
107	4460465	10	Socket, Female	
107	4460466	2	Plug, Terminal	

SECTION 8 - ELECTRICAL

FIGURE 8-20. LIFT DOWN HARNESS



ART_1001248895

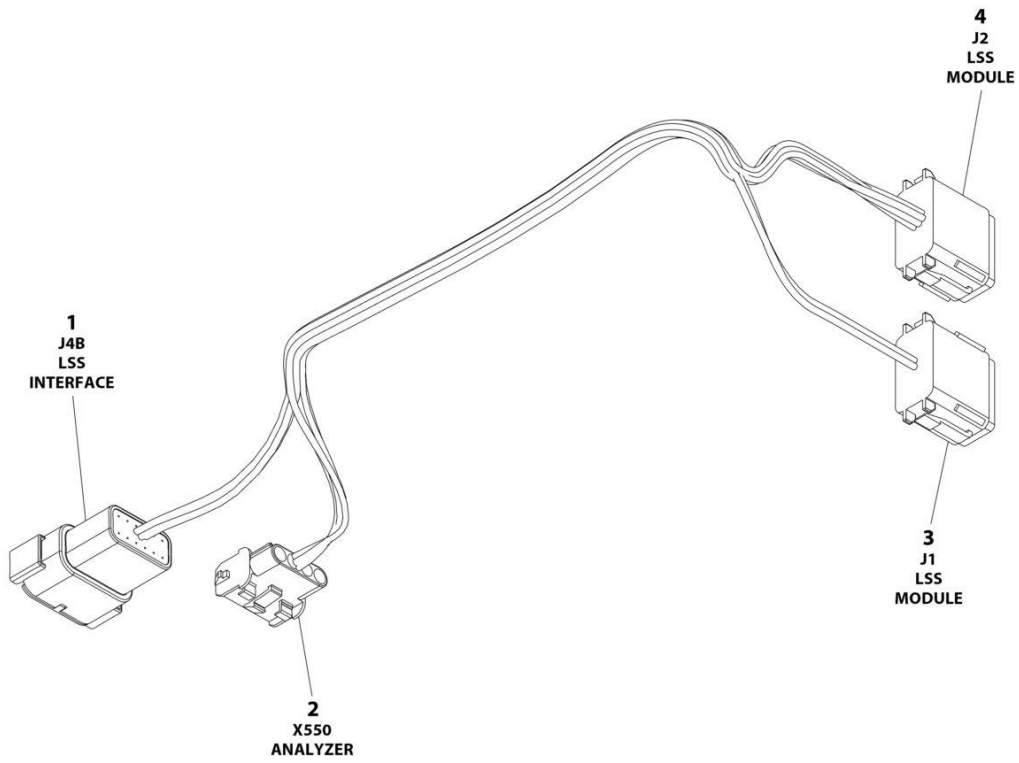
SECTION 8 - ELECTRICAL

FIGURE 8-20. LIFT DOWN HARNESS

ITEM	PART NUMBER	QTY	DESCRIPTION	REV
	1001248895	Ref	LIFT DOWN HARNESS	A
1	4460891	2	Plug, Male - 2 Position	
1	4460465	4	Socket, Female	

SECTION 8 - ELECTRICAL

FIGURE 8-21. LSS HARNESS



ART_1001226830

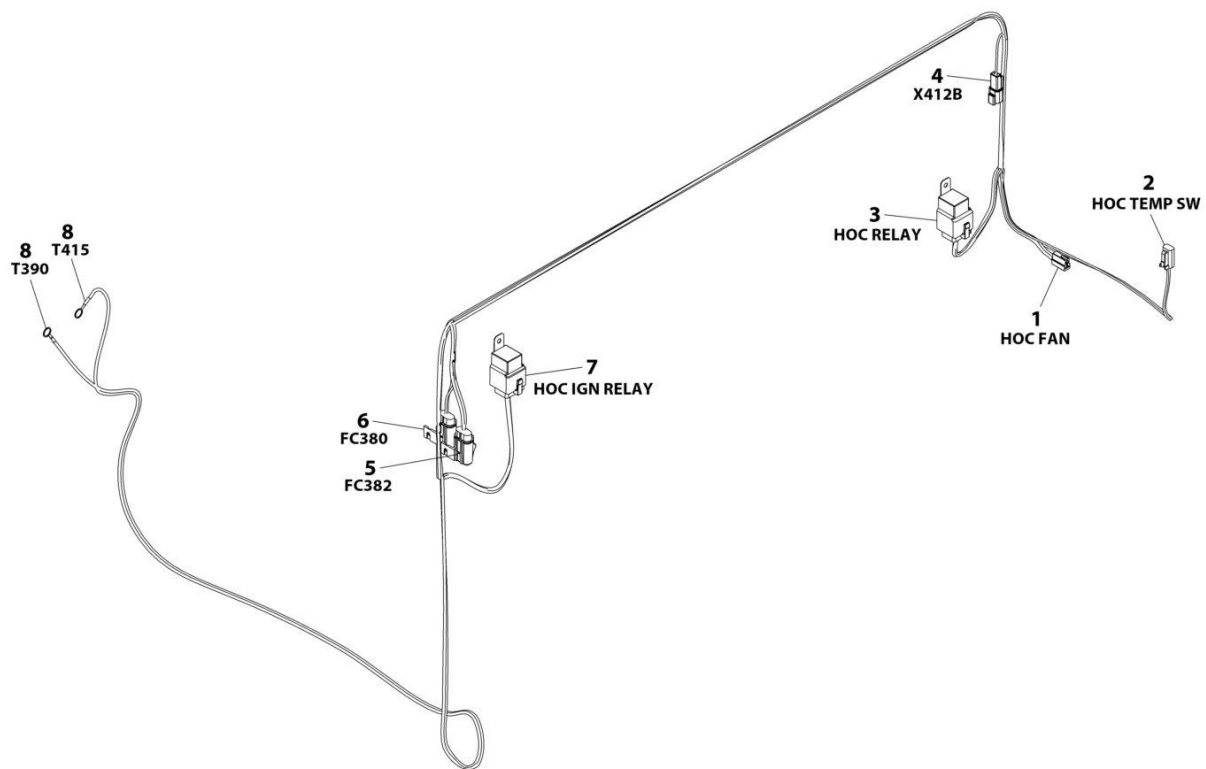
SECTION 8 - ELECTRICAL

FIGURE 8-21. LSS HARNESS

ITEM	PART NUMBER	QTY	DESCRIPTION	REV
	1001226830	Ref	LSS HARNESS	A
1	1001132170	1	Connector - 12 Position	
1	4460929	2	Pin, Male	
1	4460917	2	Pin, Male	
1	4460518	8	Plug, Terminal	
2	4460761	1	Receptacle, Female - 4 Position	
2	4460294	4	Pin, Male	
3	4460933	1	Connector - 12 Position	
3	4460465	2	Socket, Female	
3	4460466	10	Plug, Terminal	
4	4460836	1	Connector - 12 Position	
4	4460465	5	Socket, Female	
4	4460944	2	Socket, Female	
4	4460466	5	Plug, Terminal	

SECTION 8 - ELECTRICAL

FIGURE 8-22. OIL COOLER HARNESS



ART_1001249802

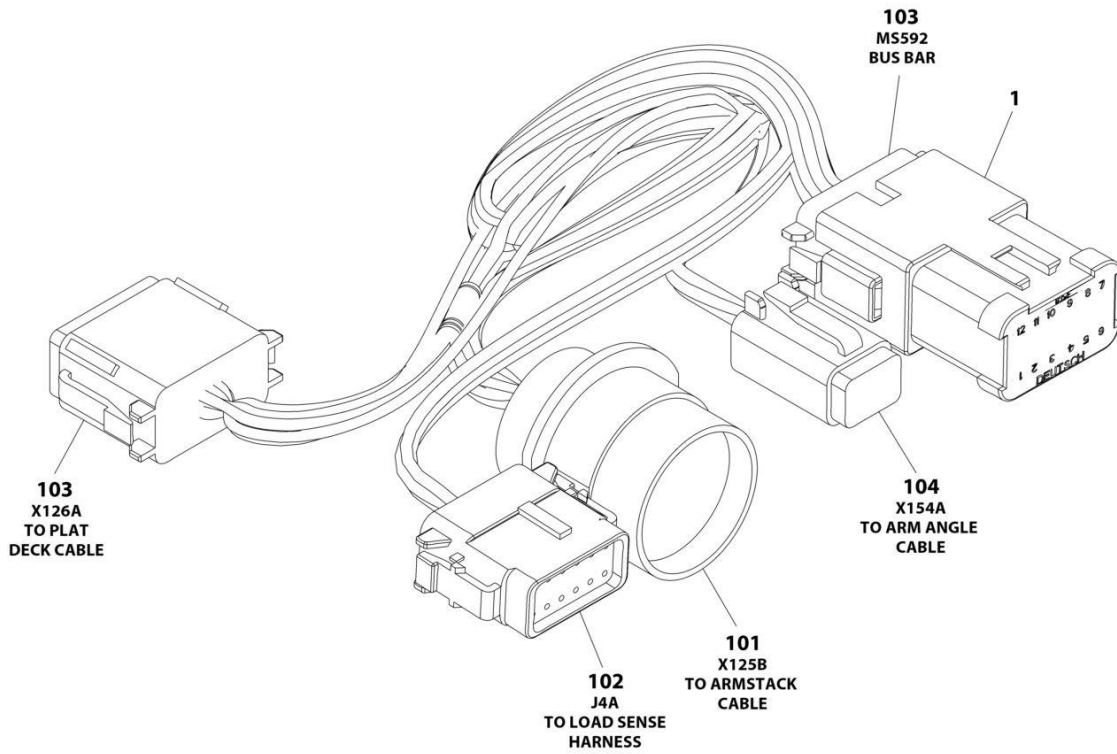
SECTION 8 - ELECTRICAL

FIGURE 8-22. OIL COOLER HARNESS

ITEM	PART NUMBER	QTY	DESCRIPTION	REV
	1001249802	Ref	OIL COOLER HARNESS	D
1	4460994	1	Connector	
1	1001116716	3	Socket, Female	
2	4460891	1	Connector	
2	4460465	2	Socket, Female	
3	1001118282	1	Connector	
3	1001116732	2	Socket, Female	
3	1001116734	2	Socket, Female	
3	1001128128	1	Plug	
4	4460897	1	Connector	
4	4460464	1	Pin, Male	
4	4460466	1	Plug	
5	1001119412	1	Connector	
5	1001116733	2	Socket, Female	
6	1001117024	1	Connector	
6	1001116734	2	Socket, Female	
7	1001118282	1	Connector	
7	1001116732	2	Socket, Female	
7	1001116734	2	Socket, Female	
7	1001128128	1	Plug	
8	4460019	2	Terminal, Ring	

SECTION 8 - ELECTRICAL

FIGURE 8-23. PLATFORM HARNESS



ART_1001264939

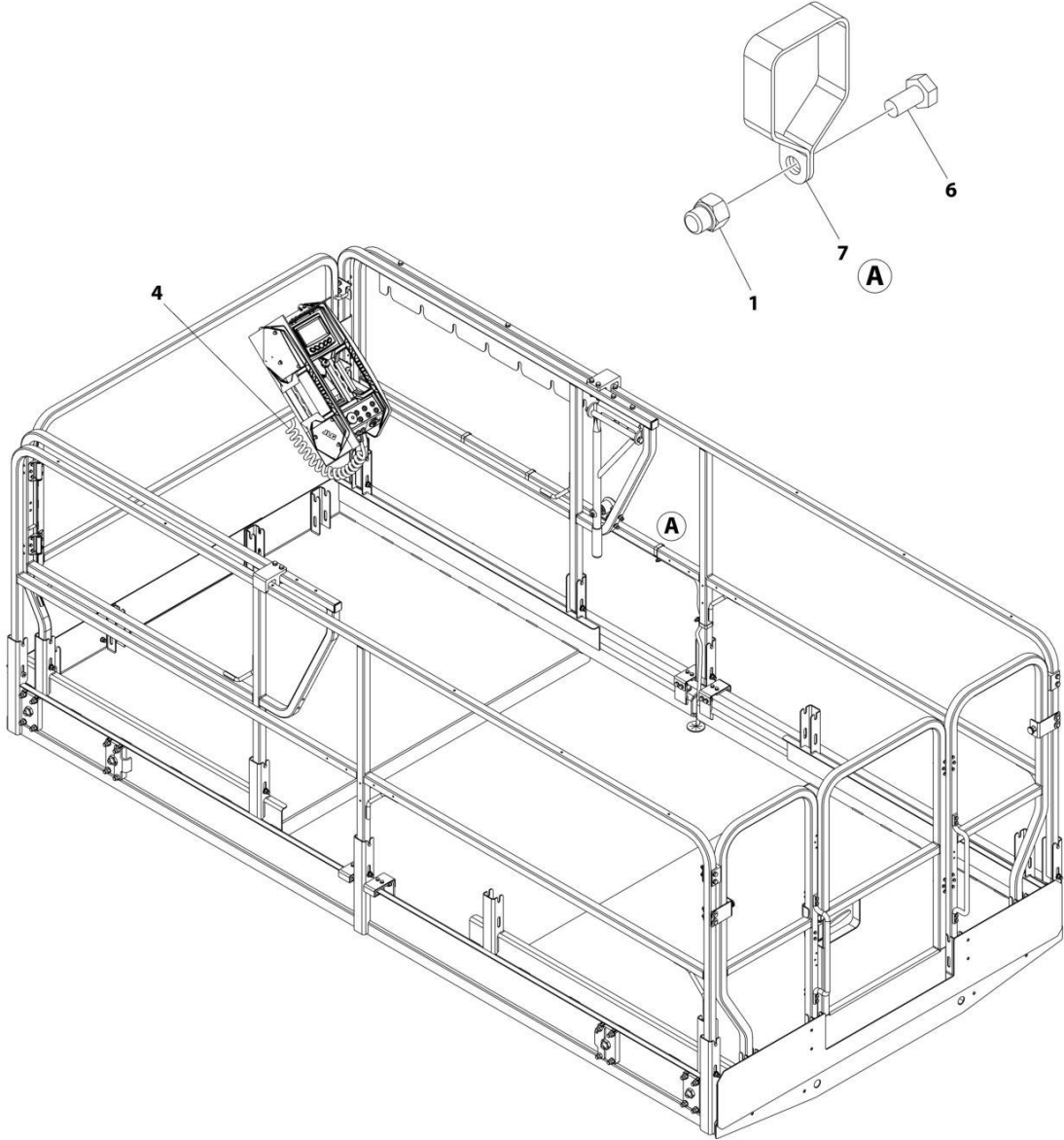
SECTION 8 - ELECTRICAL

FIGURE 8-23. PLATFORM HARNESS

ITEM	PART NUMBER	QTY	DESCRIPTION	REV
	1001264939	Ref	PLATFORM HARNESS	C
1	1001119020	1	Connector, Bussbar	
101	4460752	1	Connector - 14 Position	
101	4460464	8	Pin, Male	
101	4460943	2	Pin, Male	
101	4460466	4	Plug, Terminal	
102	1001116808	1	Connector - 12 Position	
102	4460928	2	Terminal	
102	4460918	2	Terminal	
102	4460518	8	Plug, Terminal	
103	4460933	2	Plug, Male - 12 Position	
103	4460465	21	Socket, Female	
103	4460466	3	Plug, Terminal	
104	4460884	1	Plug, Male - 4 Position	
104	4460465	4	Socket, Female	

SECTION 8 - ELECTRICAL

FIGURE 8-24. PLATFORM CABLE INSTALLATION – WITHOUT FOOTSWITCH



ART_1001254820

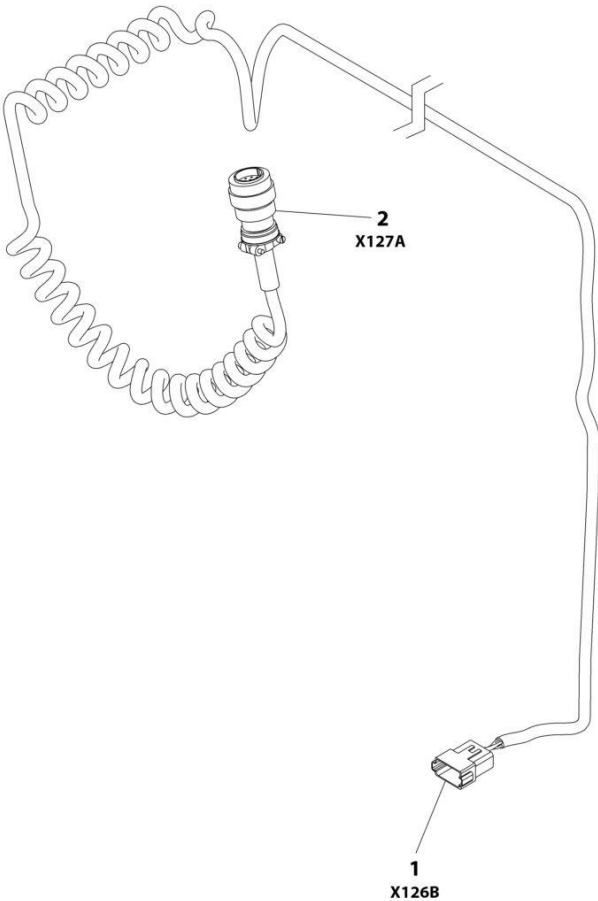
SECTION 8 - ELECTRICAL

FIGURE 8-24. PLATFORM CABLE INSTALLATION – WITHOUT FOOTSWITCH

ITEM	PART NUMBER	QTY	DESCRIPTION	REV
	1001254820	Ref	PLATFORM CABLE INSTALLATION – WITHOUT FOOTSWITCH	D
1	3290606	5	Nut M6 x 1	
4	1001249048	1	Cable, Platform Deck (See Separate Breakdown in this Section)	
6	0760606	5	Bolt M6 x 12	
7	1001220668	5	Clamp, Platform Cable Post	
8	4240018	1	Tie Strap (Not Shown)	

SECTION 8 - ELECTRICAL

FIGURE 8-25. PLATFORM CABLE HARNESS – WITHOUT FOOTSWITCH



ART_1001249048

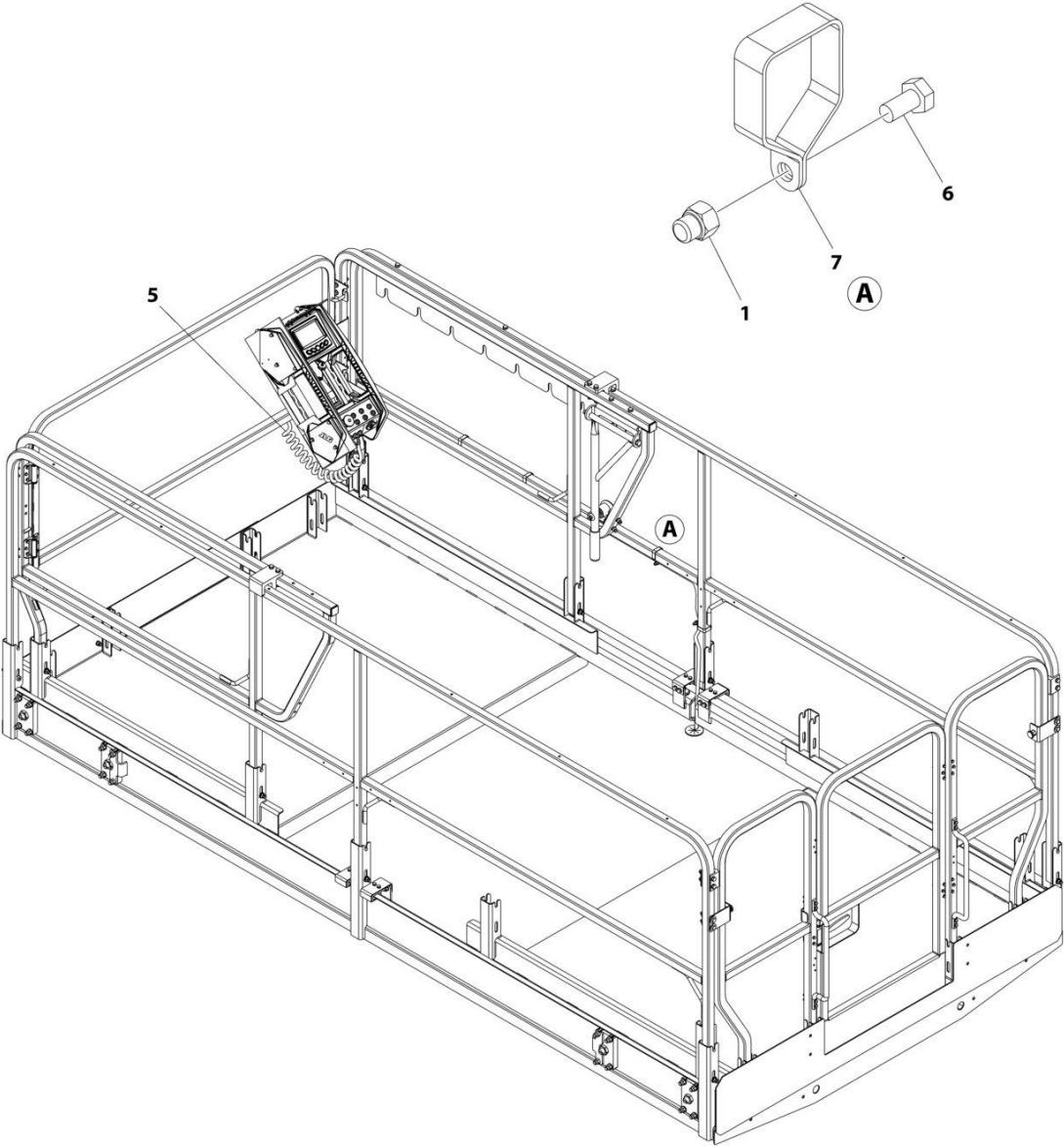
SECTION 8 - ELECTRICAL

FIGURE 8-25. PLATFORM CABLE HARNESS – WITHOUT FOOTSWITCH

ITEM	PART NUMBER	QTY	DESCRIPTION	REV
	1001249048	Ref	PLATFORM MODULE HARNESS – WITHOUT FOOTSWITCH	D
1	4460970	1	Plug, Male - 12 Position	
1	4460464	8	Pin, Male	
1	4460943	2	Pin, Male	
1	4460466	2	Plug, Terminal	
1	1001249190	1	Boot	
2	4460754	1	Receptacle, Female - 14 Position	
2	4460465	8	Socket, Femaile	
2	4460944	2	Socket, Femaile	
2	4460466	4	Plug, Terminal	

SECTION 8 - ELECTRICAL

FIGURE 8-26. PLATFORM CABLE INSTALLATION – WITH FOOTSWITCH



ART_1001258923

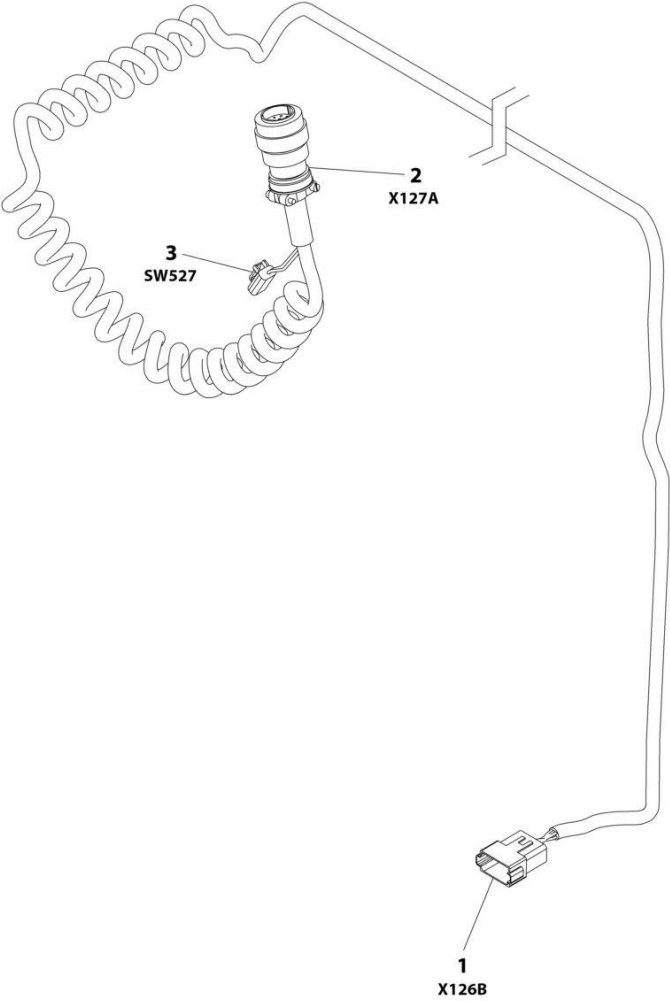
SECTION 8 - ELECTRICAL

FIGURE 8-26. PLATFORM CABLE INSTALLATION – WITH FOOTSWITCH

ITEM	PART NUMBER	QTY	DESCRIPTION	REV
	1001258923	Ref	PLATFORM CABLE INSTALLATION – WITH FOOTSWITCH	C
1	3290606	5	Nut M6 x 1	
5	1001258223	1	Harness, Platform Deck (See Separate Breakdown in this Section)	
6	0760606	5	Bolt M6 x 12	
7	1001220668	5	Clamp, Platform Cable Post	
8	4240018	1	Tie Strap (Not Shown)	

SECTION 8 - ELECTRICAL

FIGURE 8-27. PLATFORM CABLE HARNESS – WITH FOOTSWITCH



ART_1001258223

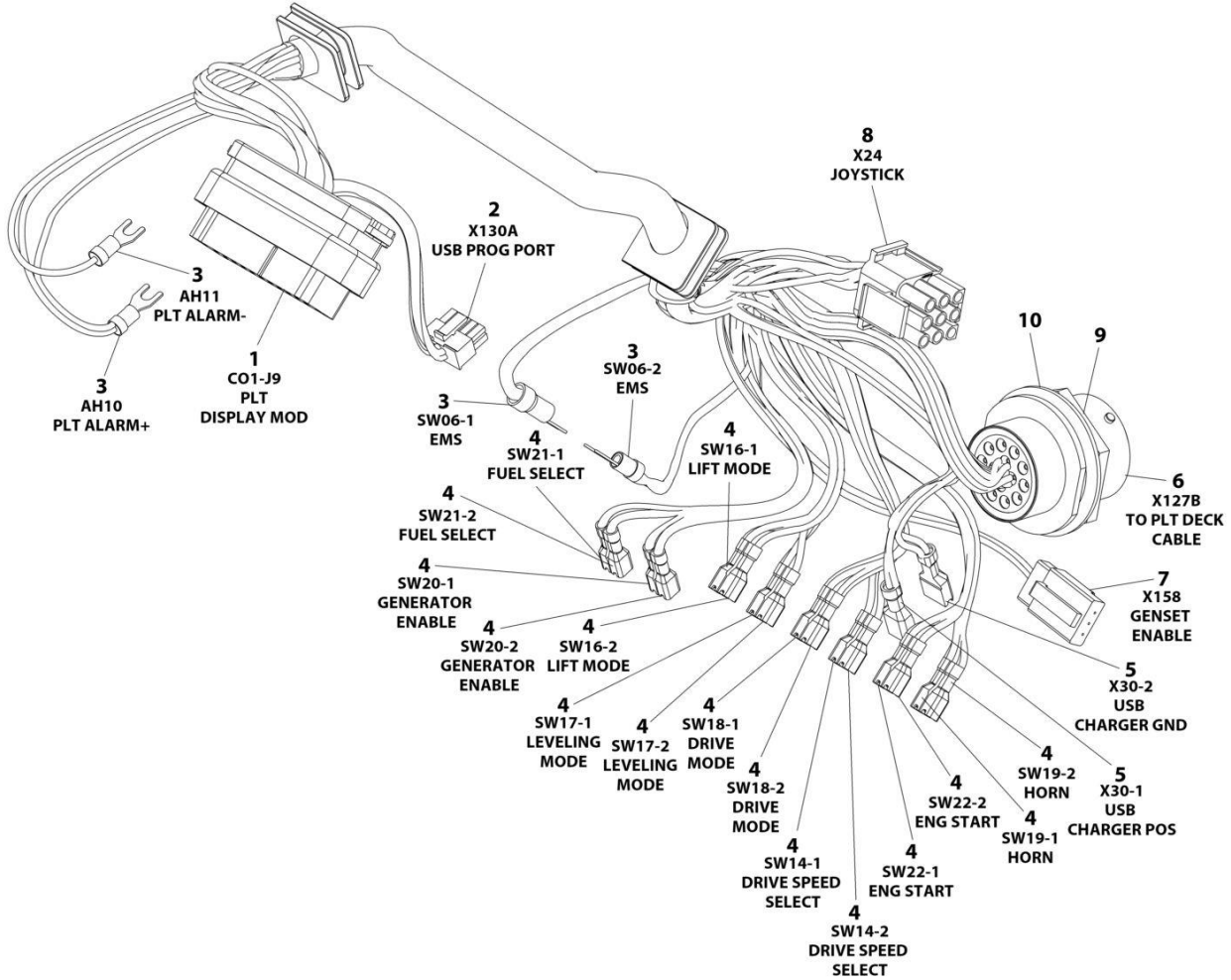
SECTION 8 - ELECTRICAL

FIGURE 8-27. PLATFORM CABLE HARNESS – WITH FOOTSWITCH

ITEM	PART NUMBER	QTY	DESCRIPTION	REV
	1001258223	Ref	PLATFORM MODULE HARNESS – WITH FOOTSWITCH	B
1	4460970	1	Plug, Male - 12 Position	
1	4460464	7	Pin, Male	
1	4460943	2	Pin, Male	
1	4460466	3	Plug, Terminal	
1	1001249190	1	Boot	
2	4460754	1	Receptacle, Female - 14 Position	
2	4460465	9	Socket, Female	
2	4460944	2	Socket, Female	
2	4460466	3	Plug, Terminal	
3	4460891	1	Plug, Male - 4 Position	
3	4460465	2	Socket, Female	

SECTION 8 - ELECTRICAL

FIGURE 8-28. PLATFORM CONTROL BOX HARNESS



ART_1001249049

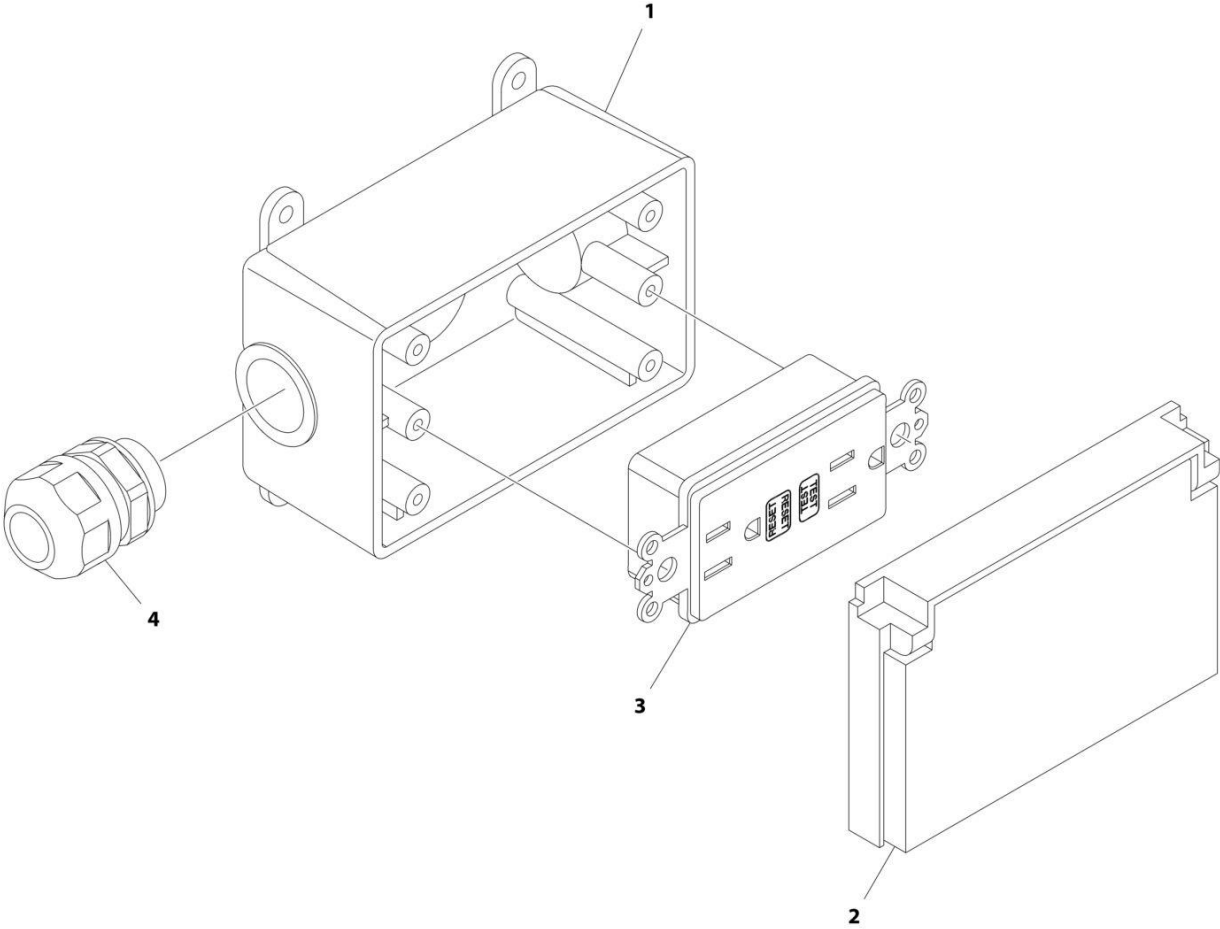
SECTION 8 - ELECTRICAL

FIGURE 8-28. PLATFORM CONTROL BOX HARNESS

ITEM	PART NUMBER	QTY	DESCRIPTION	REV
	1001249049	Ref	PLATFORM CONSOLE BOX HARNESS	G
1	4460873	1	Connector - 35 Position	
1	4460871	28	Pin, Male	
1	4460905	7	Plug, Terminal	
2	1001150735	1	Connector - 10 Position	
2	1001150889	5	Terminal	
3	4460183	4	Terminal, Fork	
4	1001201885	16	Receptacle, Female - 2 Position	
5	8220051	2	Terminal	
6	4461016	1	Connector - 14 Position	
6	4460464	11	Socket, Female	
6	4460466	1	Plug, Terminal	
6	4460943	2	Bussbar	
7	4460911	1	Plug, Male - 3 Position	
7	4460918	3	Terminal	
8	4460265	1	Plug, Male - 9 Position	
8	4460267	7	Terminal	
9	1001125784	1	Washer	
10	4460497	1	Terminal, Nut	

SECTION 8 - ELECTRICAL

FIGURE 8-29. RECEPTACLE BOX KIT - 110V GFI



ART_2902431

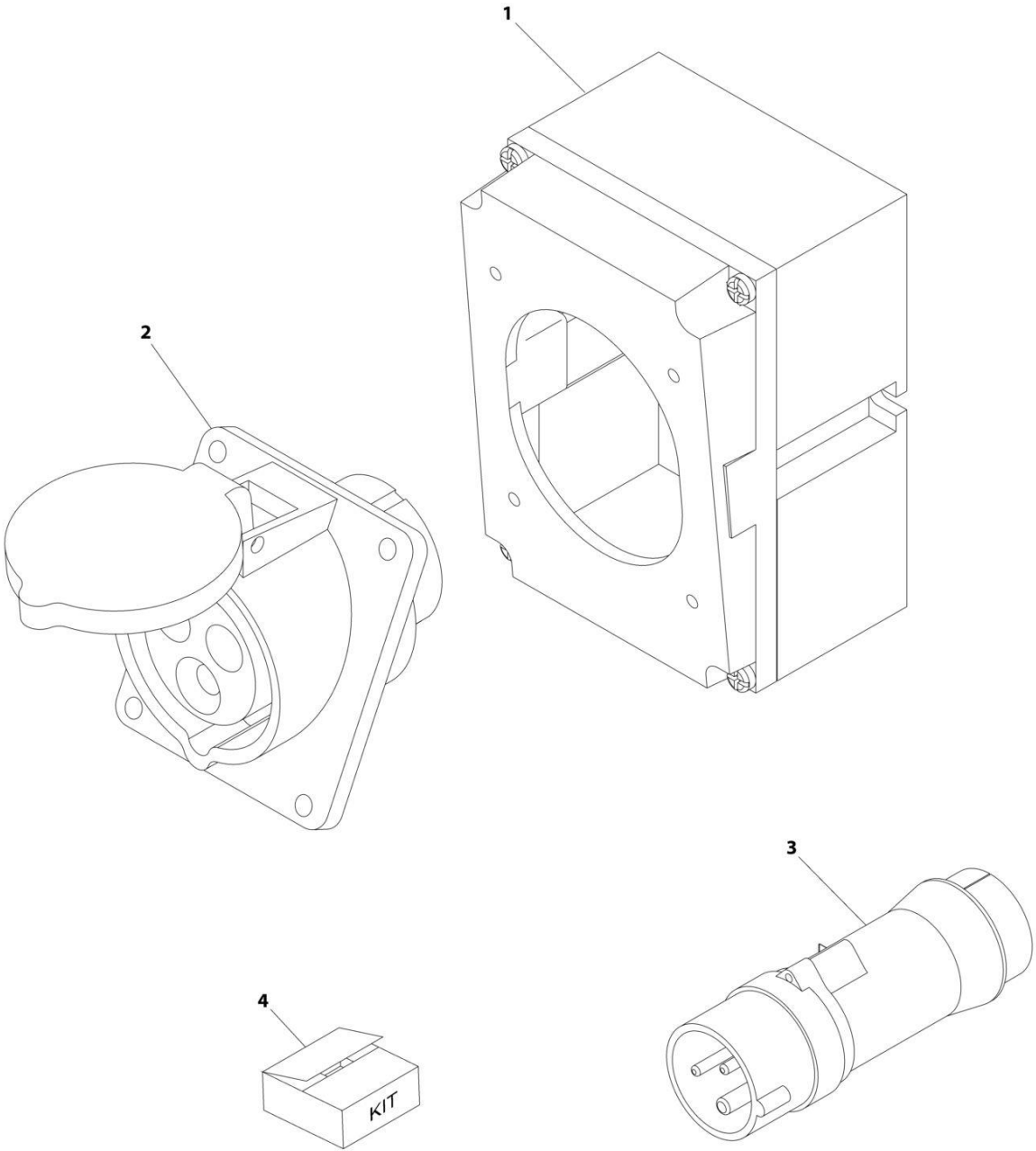
SECTION 8 - ELECTRICAL

FIGURE 8-29. RECEPTACLE BOX KIT - 110V GFI

ITEM	PART NUMBER	QTY	DESCRIPTION	REV
	2902431	Ref	RECEPTACLE BOX KIT - 110V GFI	D
1	0861731	1	Box, Receptacle	
2	1671207	1	Cover, Receptacle	
3	4460346	1	Receptacle	
4	4460662	1	Connector, Strain Relief	

SECTION 8 - ELECTRICAL

FIGURE 8-30. RECEPTACLE BOX KIT - 110V IEC YELLOW (CE & UK CA SPECS)



ART_0275216

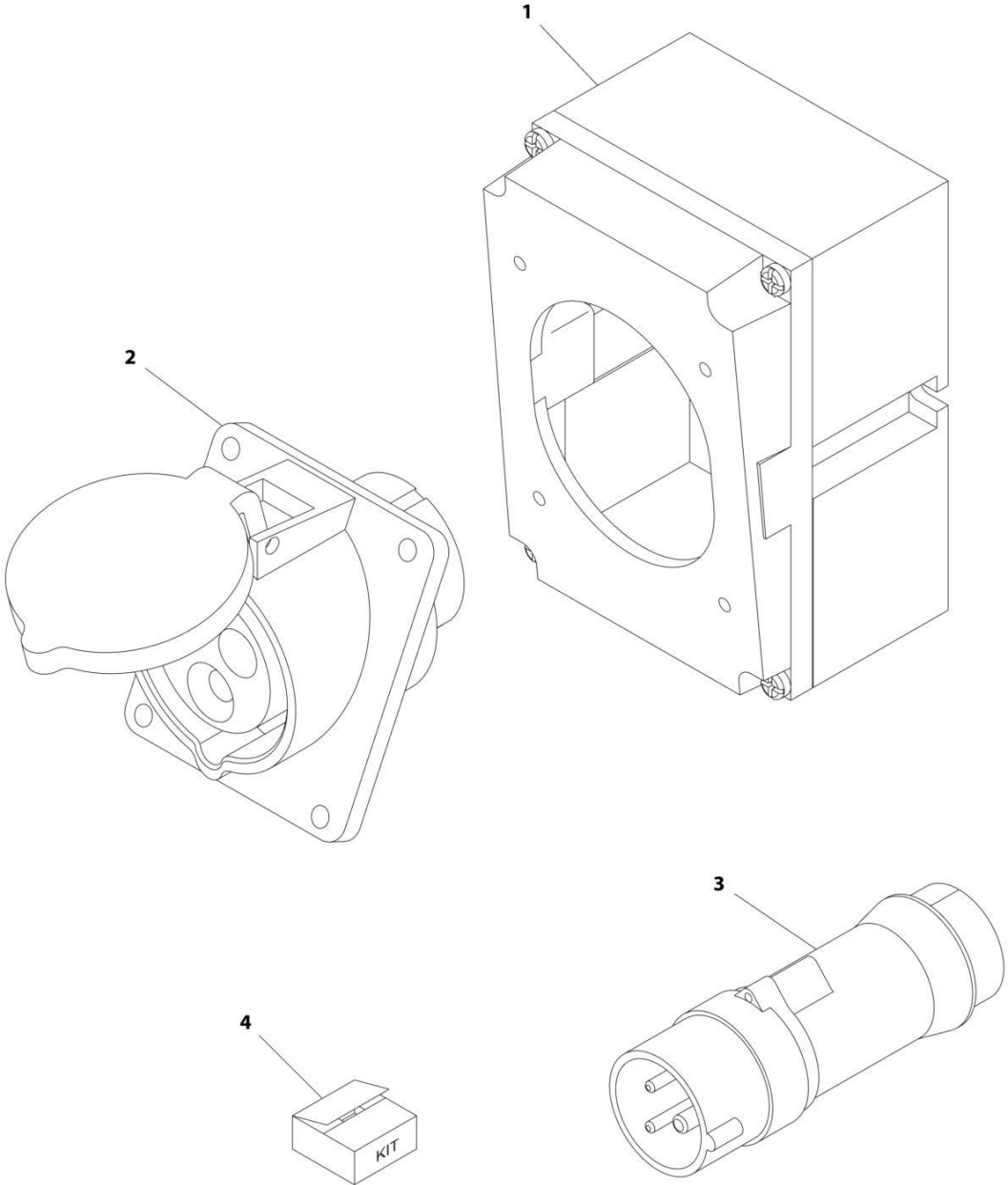
SECTION 8 - ELECTRICAL

FIGURE 8-30. RECEPTACLE BOX KIT - 110V IEC YELLOW (CE & UK CA SPECS)

ITEM	PART NUMBER	QTY	DESCRIPTION	REV
	0275216	Ref	RECEPTACLE BOX KIT - 110V IEC YELLOW	B
1	0861781	1	Box, Switch	
2	4461198	1	Receptacle	
3	4461196	1	Plug, Male	
4	1001100341	1	Plug and Socket Kit (Includes Items 1-3 and Female Plug p/n 4461197)	

SECTION 8 - ELECTRICAL

FIGURE 8-31. RECEPTACLE BOX KIT - 220V IEC BLUE (CE & UK CA SPECS)



ART_0275217

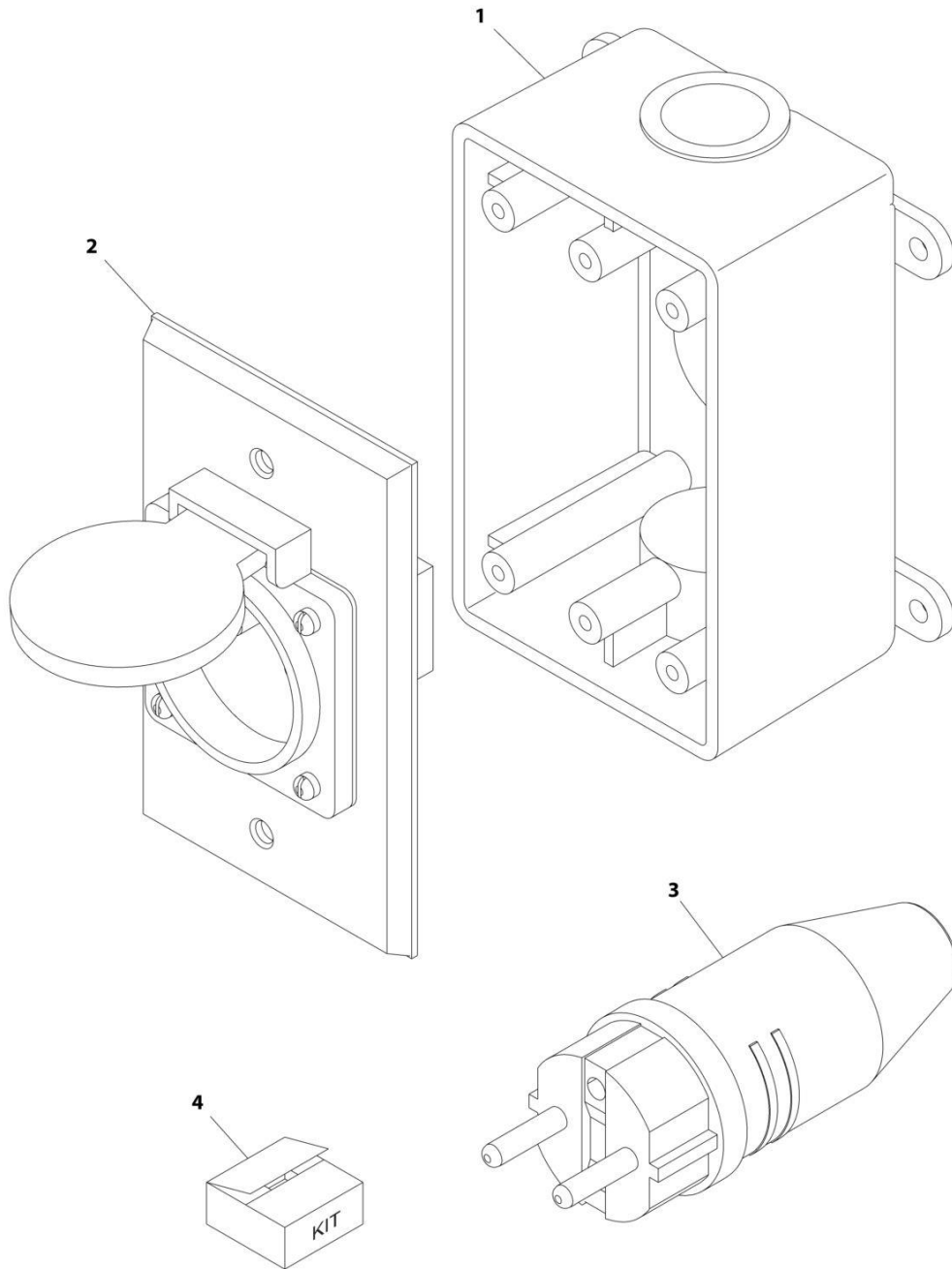
SECTION 8 - ELECTRICAL

FIGURE 8-31. RECEPTACLE BOX KIT - 220V IEC BLUE (CE & UK CA SPECS)

ITEM	PART NUMBER	QTY	DESCRIPTION	REV
	0275217	Ref	RECEPTACLE BOX KIT - 220V IEC BLUE	B
1	0861781	1	Box, Switch	
2	4461201	1	Receptacle	
3	4461199	1	Plug, Male	
4	1001100342	1	Plug and Socket Kit (Includes Items 1-3 and Female Plug p/n 4461200)	

SECTION 8 - ELECTRICAL

FIGURE 8-32. RECEPTACLE BOX KIT - 220V CEE7 POST GROUND (CE & UK CA SPECS)



ART_0275452-C

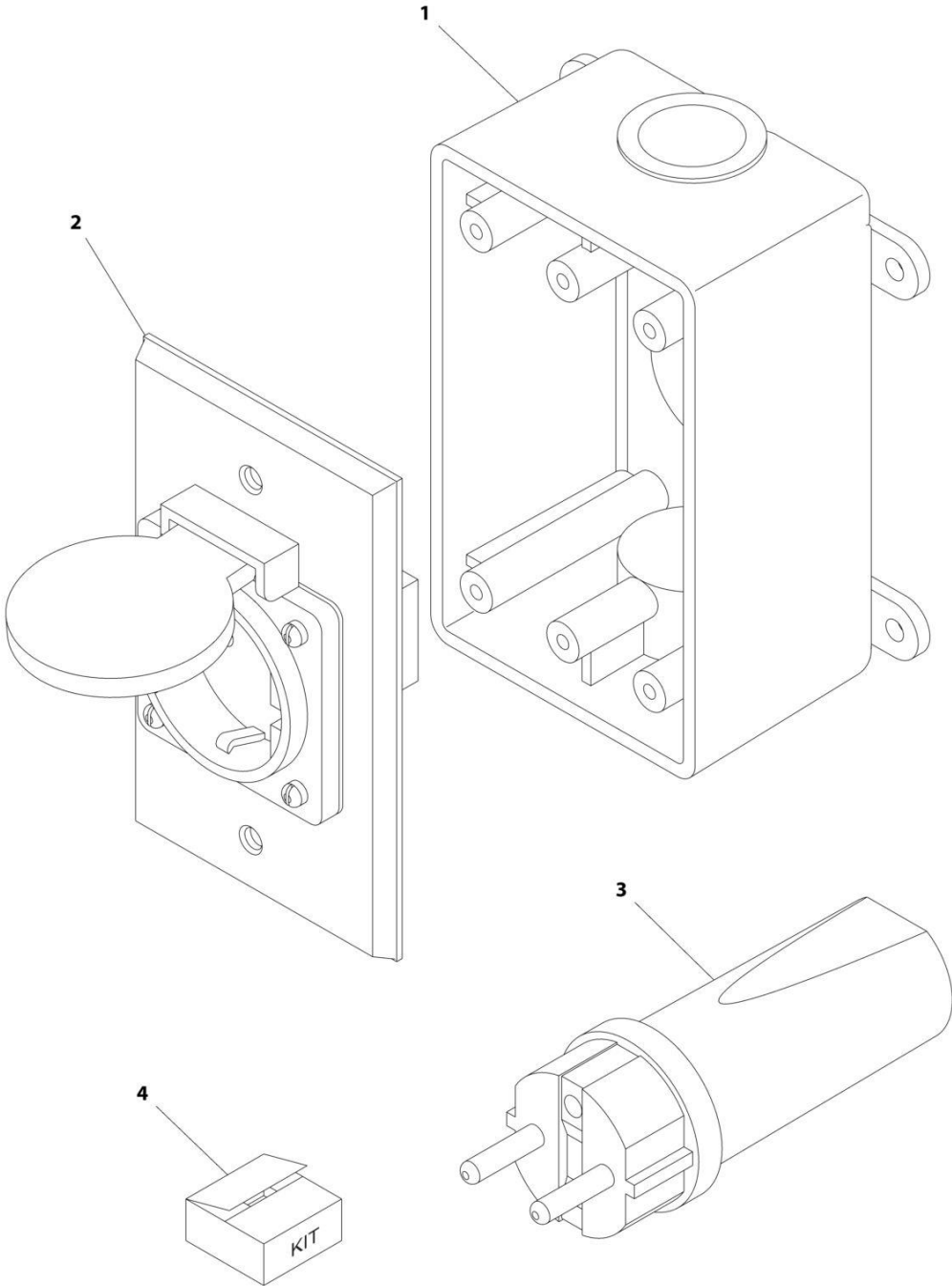
SECTION 8 - ELECTRICAL

FIGURE 8-32. RECEPTACLE BOX KIT - 220V CEE7 POST GROUND (CE & UK CA SPECS)

ITEM	PART NUMBER	QTY	DESCRIPTION	REV
	0275452	Ref	RECEPTACLE BOX KIT - 220V CEE7 POST GROUND 2IN X 4IN BOX	C
1	0861731	1	Box, Switch	
2	4461244	1	Receptacle	
3	4461205	1	Plug, Male	
4	1001100345	1	Plug and Socket Kit (Includes Items 1-3 and Female Plug p/n 4461203)	

SECTION 8 - ELECTRICAL

FIGURE 8-33. RECEPTACLE BOX KIT - 220V CEE7 SIDE GROUND (CE & UK CA SPECS)



ART_0275453

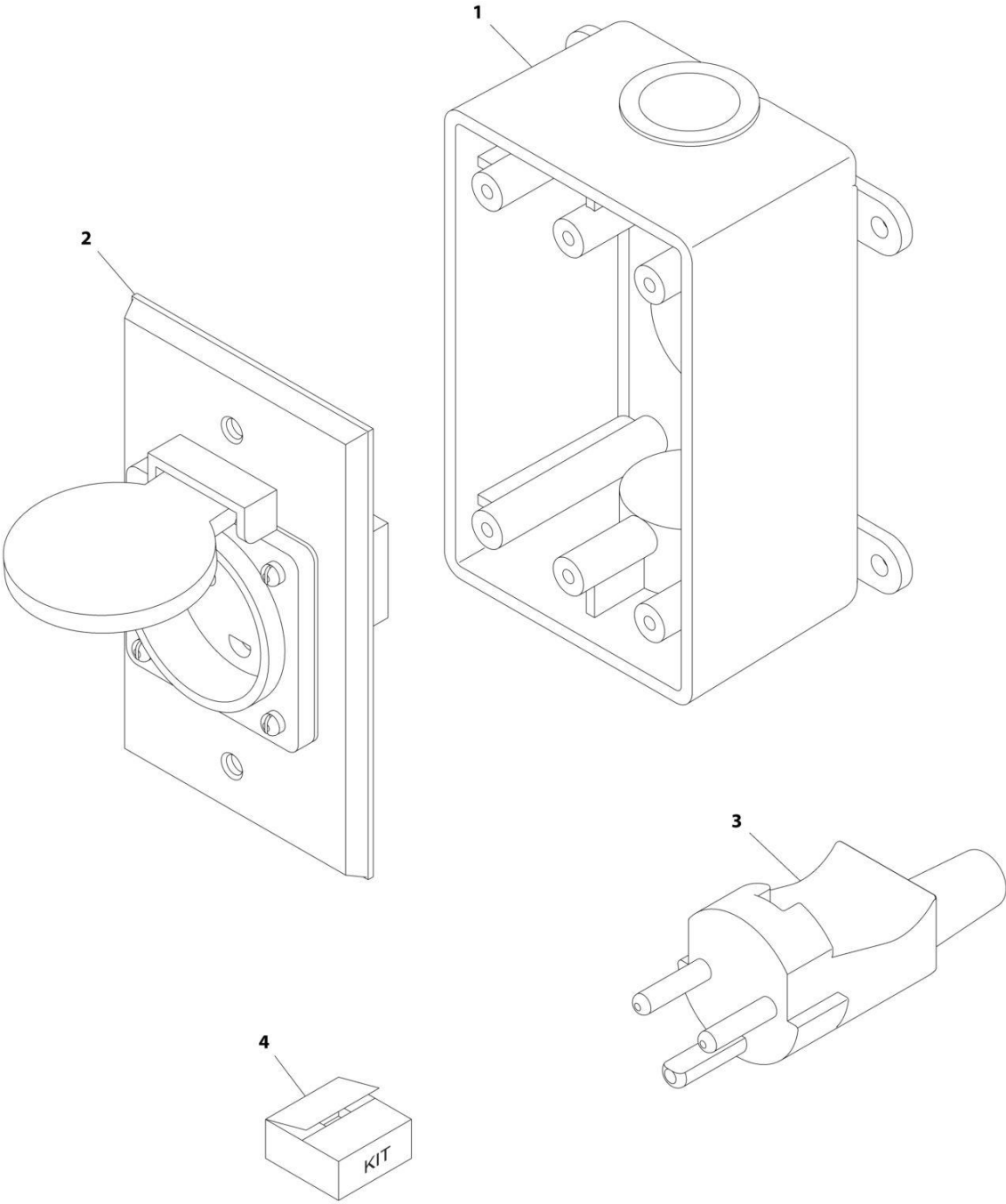
SECTION 8 - ELECTRICAL

FIGURE 8-33. RECEPTACLE BOX KIT - 220V CEE7 SIDE GROUND (CE & UK CA SPECS)

ITEM	PART NUMBER	QTY	DESCRIPTION	REV
	0275453	Ref	RECEPTACLE BOX KIT - 220V CEE7 SIDE GROUND	B
1	0861731	1	Box, Switch	
2	4461245	1	Receptacle	
3	4461205	1	Plug, Male	
4	1001100347	1	Plug and Socket Kit (Includes Items 1-3 and Female Plug p/n 4461206)	

SECTION 8 - ELECTRICAL

FIGURE 8-34. RECEPTACLE BOX KIT - 220V AFSINT 107 (CE & UK CA SPECS)



ART_0275454

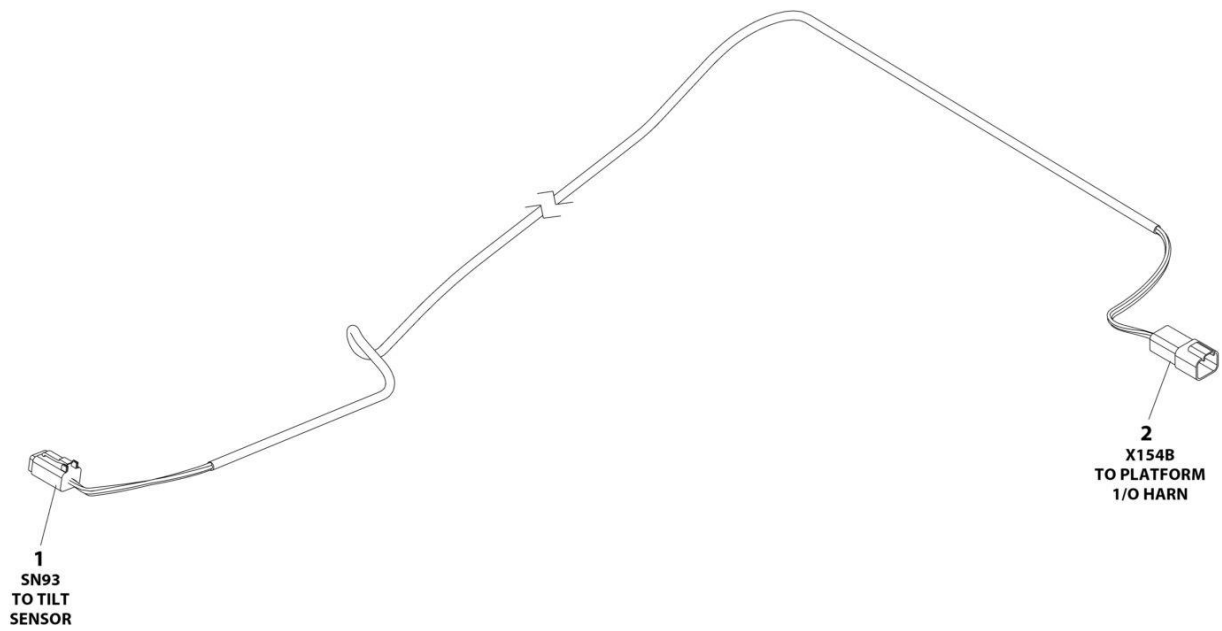
SECTION 8 - ELECTRICAL

FIGURE 8-34. RECEPTACLE BOX KIT - 220V AFSINT 107 (CE & UK CA SPECS)

ITEM	PART NUMBER	QTY	DESCRIPTION	REV
	0275454	Ref	RECEPTACLE BOX KIT - 220V AFSINT 107	B
1	0861731	1	Box, Switch	
2	4461246	1	Receptacle	
3	4461249	1	Plug, Male	
4	1001100346	1	Plug and Socket Kit (Includes Items 1-3 and Female Plug p/n 4461250)	

SECTION 8 - ELECTRICAL

FIGURE 8-35. TILT SENSOR HARNESS



ART_1001249091

SECTION 8 - ELECTRICAL

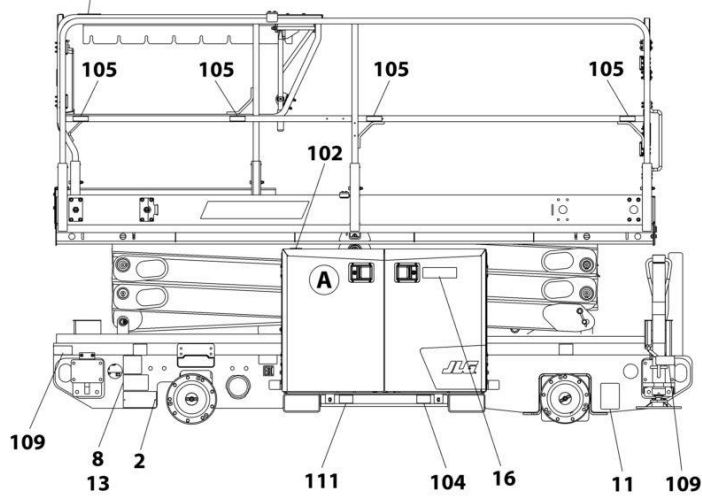
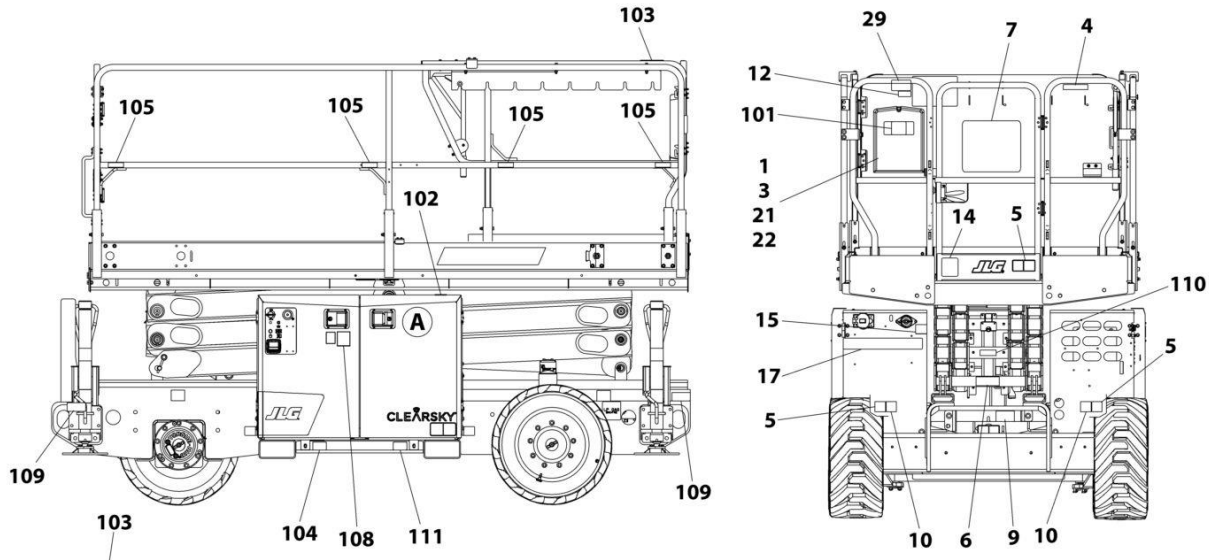
FIGURE 8-35. TILT SENSOR HARNESS

ITEM	PART NUMBER	QTY	DESCRIPTION	REV
	1001249091	Ref	TILT SENSOR HARNESS	C
1	4460884	1	Plug, Male - 4 Position	
1	4460944	4	Socket, Female	
2	4460932	1	Receptacle, Female - 4 Position	
2	4460464	4	Pin, Male	

SECTION 9 - DECALS

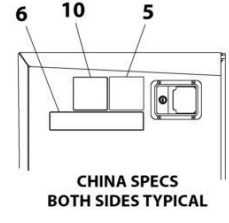
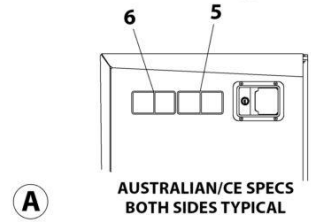
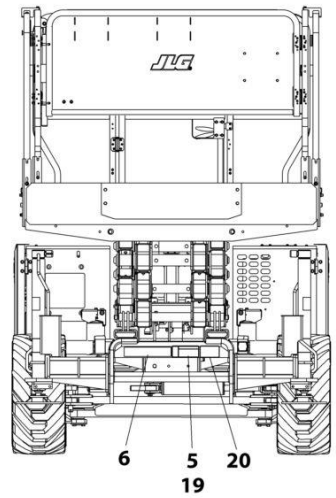
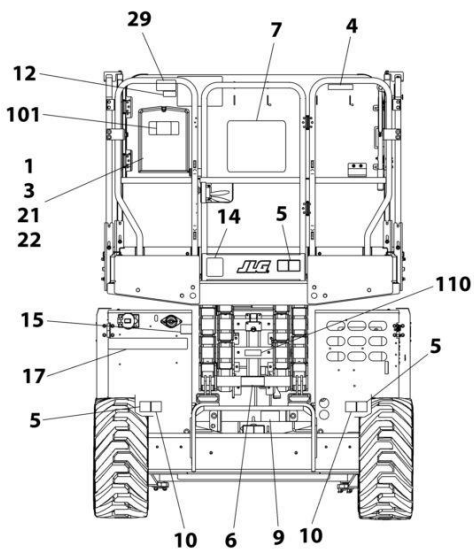
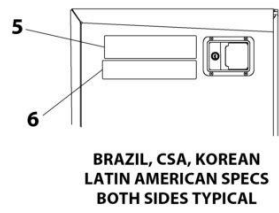
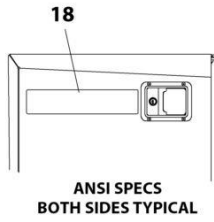
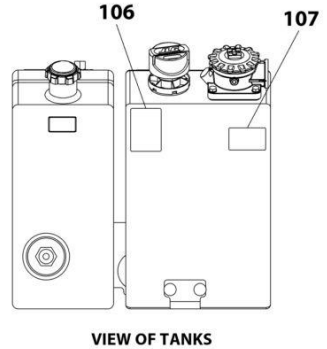
SECTION 9 - DECALS

FIGURE 9-1. DECAL INSTALLATION - ANSI SPECS (ENGLISH LANGUAGE)



NOTE: ITEMS SHOWN MAY NOT BE REQUIRED FOR ALL SPECS. REFER TO PARTS LIST FOR USAGE.

NOTE: ADDITIONAL DECALS CALLED OUT ON DECAL INSTALLATION - OPTIONS.



ART_1001256764

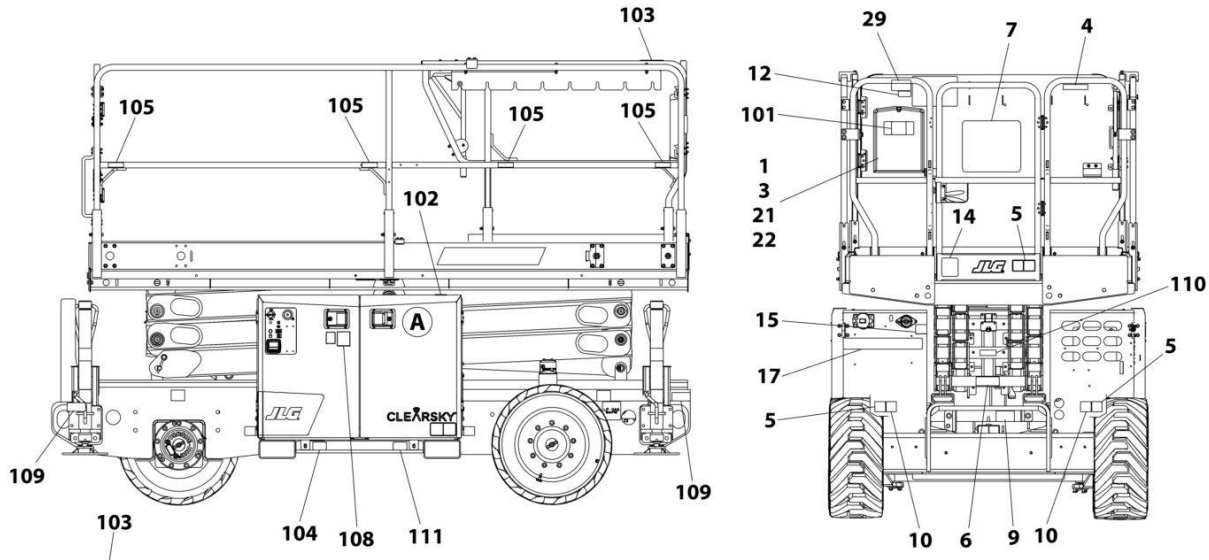
SECTION 9 - DECALS

FIGURE 9-1. DECAL INSTALLATION - ANSI SPECS (ENGLISH LANGUAGE)

ITEM	PART NUMBER	QTY	DESCRIPTION	REV
	1001256764	Ref	DECAL INSTALLATION	C
	1001256945	Ref	DECAL CHART DRAWING (RT2669)	G
	1001262071	Ref	DECAL CHART DRAWING (RT3369)	E
1	0760610	4	Bolt M6 x 20	
2	2080057	2	Fastener	
3	0860520	1	Box, Manual Storage	
4	1703821	1	Decal - Control Box Location	
5	1001211779	2	Decal - Electrocutation	
6	1001211777	2	Decal - Crushing Hazard	
7	1703816	1	Decal - Danger/Warning	
8	1001223055	1	Decal - Yearly Inspection	
9	1703822	1	Decal - Manual Descent Instruction	
11	1001131270	1	Decal - Patent	
12	1001223453	1	Decal - ICES	
18	1703818	2	Decal - Warning Crushing Hazard/Danger Electrocutation	
19	1705695	1	Decal - Danger Electrocutation	
21	3290605	4	Nut M6	
22	4811700	8	Washer M6	
100	1001256763	1	Decal Master Kit (Not Shown)	
101	1701640	1	Decal - Manual	
102	1703687	2	Decal - Direction Arrow	
103	1703819	2	Decal - Direction Arrow	
104	1001265579	2	Decal - Fork Lift	
105	1704277	8	Decal - Lanyard Attach	
106	1704412	1	Decal - Hydraulic Oil Chart	
107	70046028	1	Decal - Hydraulic Oil Level	
108	1001094708	1	Decal - Hydraulic Oil	
109	1001162864	4	Decal - Lift Point/Tie Down	
110	1001256865	1	Decal - Arm Prop	
111	1001265580	2	Decal - Fork Lift	

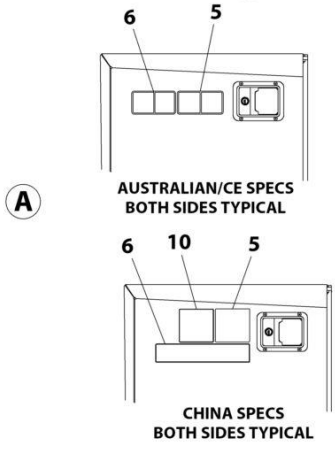
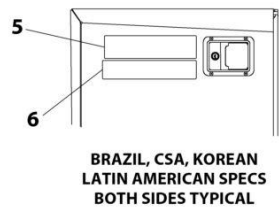
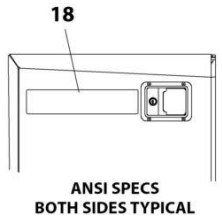
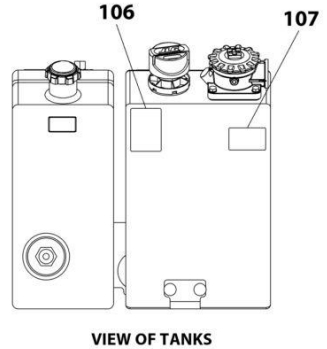
SECTION 9 - DECALS

FIGURE 9-2. DECAL INSTALLATION - AUSTRALIAN,CE & UK CA SPECS (ENGLISH LANGUAGE)



NOTE: ITEMS SHOWN MAY NOT BE REQUIRED FOR ALL SPECS. REFER TO PARTS LIST FOR USAGE.

NOTE: ADDITIONAL DECALS CALLED OUT ON DECAL INSTALLATION - OPTIONS.



ART_1001256770

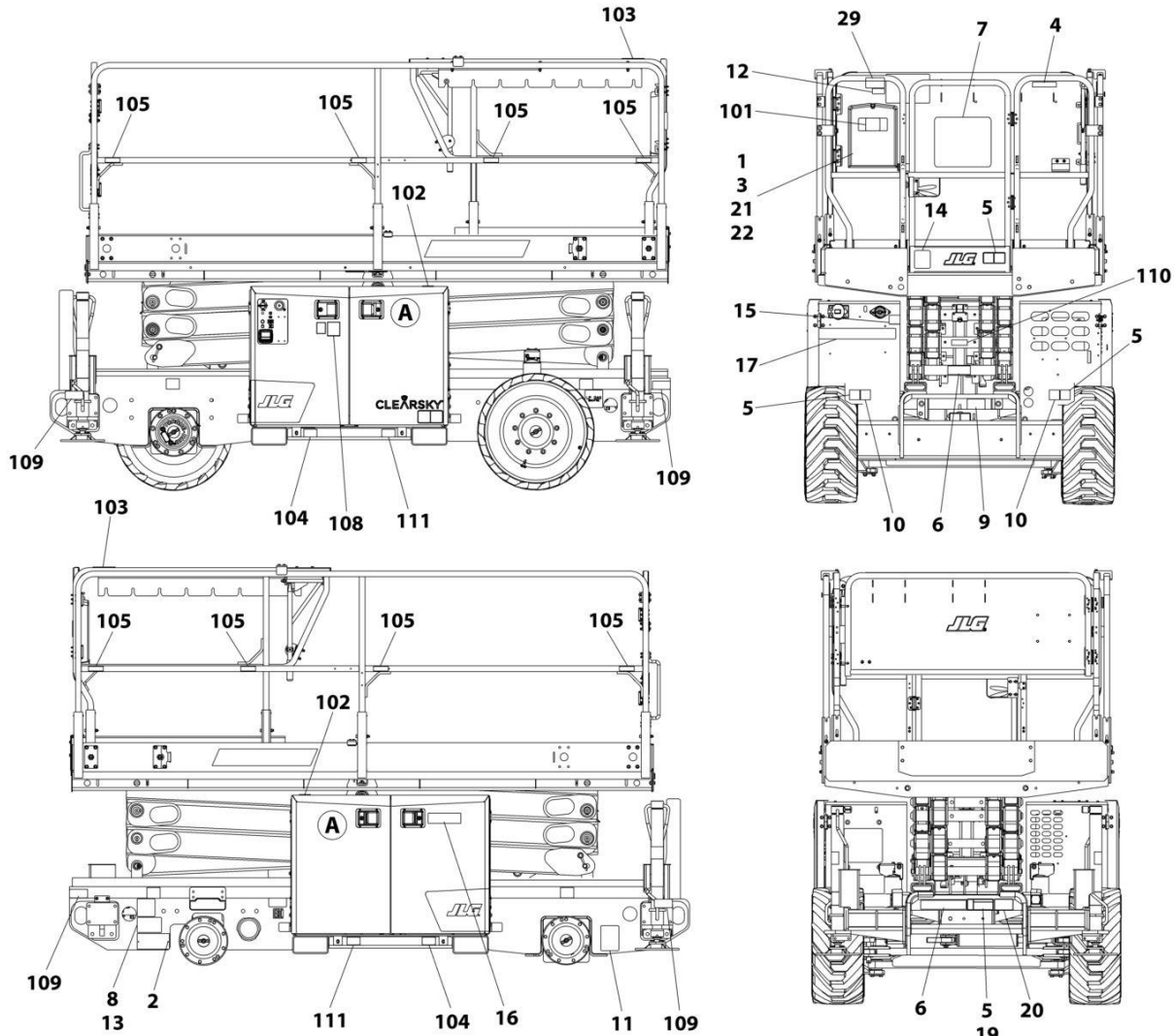
SECTION 9 - DECALS

FIGURE 9-2. DECAL INSTALLATION - AUSTRALIAN,CE & UK CA SPECS (ENGLISH LANGUAGE)

ITEM	PART NUMBER	QTY	DESCRIPTION	REV
	1001256770	Ref	DECAL INSTALLATION	D
	1001256945	Ref	DECAL CHART DRAWING (RT2669)	G
	1001262071	Ref	DECAL CHART DRAWING (RT3369)	E
1	0760610	4	Bolt M6 x 20	
2	2080057	4	Fastener	
3	0860520	1	Box, Manual Storage	
5	1705671	6	Decal - Electrocution	
6	1705673	4	Decal - Crushing	
9	1703822	1	Decal - Manual Descent Instruction	
13	1705670	2	Decal - Fire Hazard	
14	1001292287	1	Decal - Sound	
21	3290605	4	Nut M6	
22	4811700	8	Washer M6	
100	1001256763	1	Decal Master Kit (Not Shown)	
101	1701640	1	Decal - Manual	
102	1703687	2	Decal - Direction Arrow	
103	1703819	2	Decal - Direction Arrow	
104	1001265579	2	Decal - Fork Lift	
105	1704277	8	Decal - Lanyard Attach	
106	1704412	1	Decal - Hydraulic Oil Chart	
107	70046028	1	Decal - Hydraulic Oil Level	
108	1001094708	1	Decal - Hydraulic Oil	
109	1001162864	4	Decal - Lift Point/Tie Down	
110	1001256865	1	Decal - Arm Prop	
111	1001265580	2	Decal - Fork Lift	

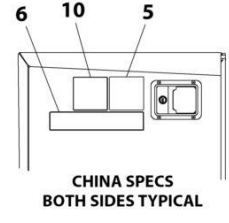
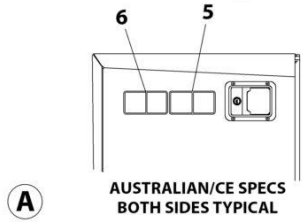
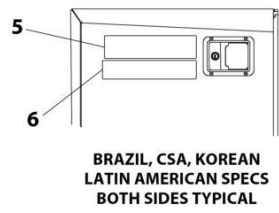
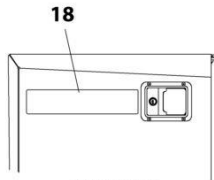
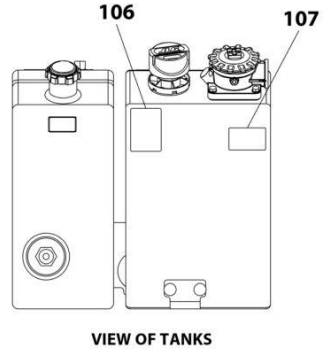
SECTION 9 - DECALS

FIGURE 9-3. DECAL INSTALLATION - BRAZIL SPECS (SPANISH/PORTUGUESE LANGUAGES)



NOTE: ITEMS SHOWN MAY NOT BE REQUIRED FOR ALL SPECS. REFER TO PARTS LIST FOR USAGE.

NOTE: ADDITIONAL DECALS CALLED OUT ON DECAL INSTALLATION - OPTIONS.



ART_1001256767

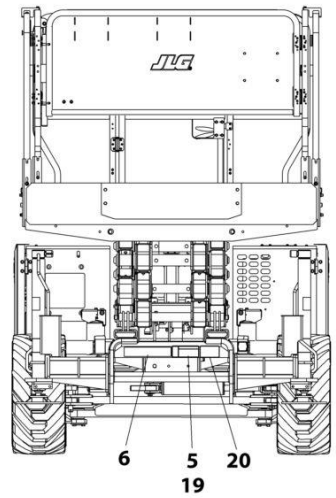
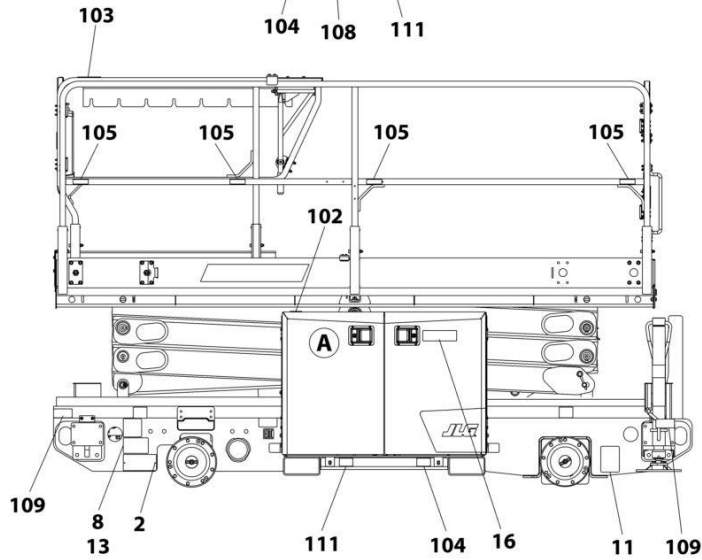
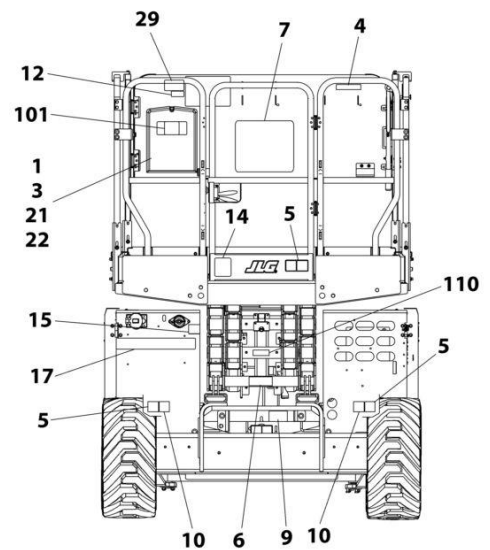
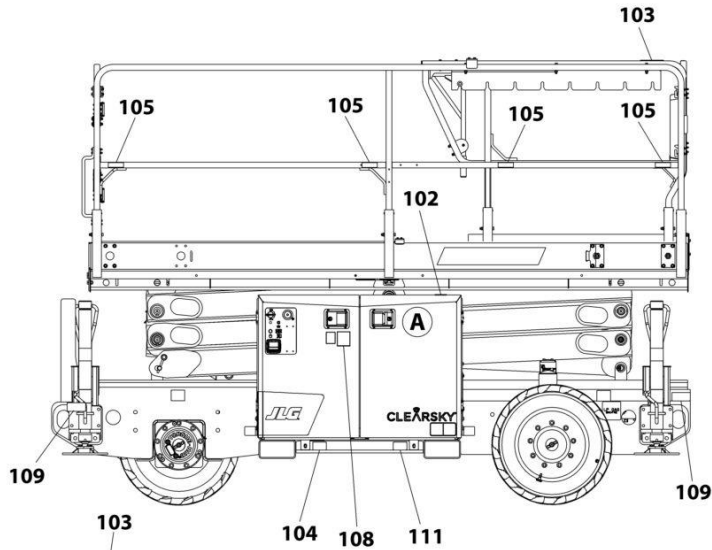
SECTION 9 - DECALS

FIGURE 9-3. DECAL INSTALLATION - BRAZIL SPECS (SPANISH/PORTUGUESE LANGUAGES)

ITEM	PART NUMBER	QTY	DESCRIPTION	REV
	1001256767	Ref	DECAL INSTALLATION	C
	1001256945	Ref	DECAL CHART DRAWING (RT2669)	G
	1001262071	Ref	DECAL CHART DRAWING (RT3369)	E
1	0760610	4	Bolt M6 x 20	
2	2080057	2	Fastener	
3	0860520	1	Box, Manual Storage	
4	1704702	1	Decal - Control Box Location	
5	1705043	5	Decal - Danger Electrical Hazard	
6	1001216650	4	Decal - Crushing	
7	1704699	1	Decal - Danger/Warning	
8	1001224052	1	Decal - Yearly Inspection	
9	1703822	1	Decal - Manual Descent Instruction	
21	3290605	4	Nut M6	
22	4811700	8	Washer M6	
100	1001256763	1	Decal Master Kit (Not Shown)	
101	1701640	1	Decal - Manual	
102	1703687	2	Decal - Direction Arrow	
103	1703819	2	Decal - Direction Arrow	
104	1001265579	2	Decal - Fork Lift	
105	1704277	8	Decal - Lanyard Attach	
106	1704412	1	Decal - Hydraulic Oil Chart	
107	70046028	1	Decal - Hydraulic Oil Level	
108	1001094708	1	Decal - Hydraulic Oil	
109	1001162864	4	Decal - Lift Point/Tie Down	
110	1001256865	1	Decal - Arm Prop	
111	1001265580	2	Decal - Fork Lift	

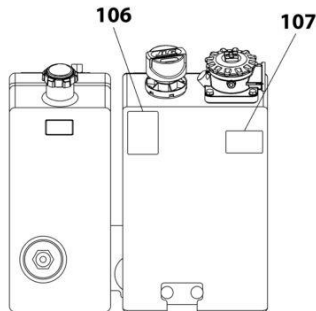
SECTION 9 - DECALS

FIGURE 9-4. DECAL INSTALLATION - CHINA SPECS (ENGLISH/CHINESE LANGUAGES)

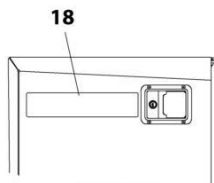


NOTE: ITEMS SHOWN MAY NOT BE REQUIRED FOR ALL SPECS. REFER TO PARTS LIST FOR USAGE.

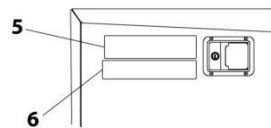
NOTE: ADDITIONAL DECALS CALLED OUT ON DECAL INSTALLATION - OPTIONS.



VIEW OF TANKS

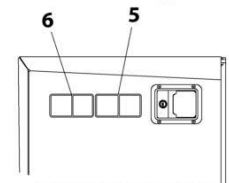


ANSI SPECS BOTH SIDES TYPICAL

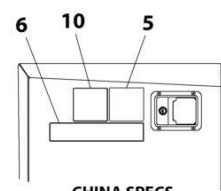


BRAZIL, CSA, KOREAN LATIN AMERICAN SPECS BOTH SIDES TYPICAL

(A)



AUSTRALIAN/CE SPECS BOTH SIDES TYPICAL



CHINA SPECS BOTH SIDES TYPICAL

ART_1001256766

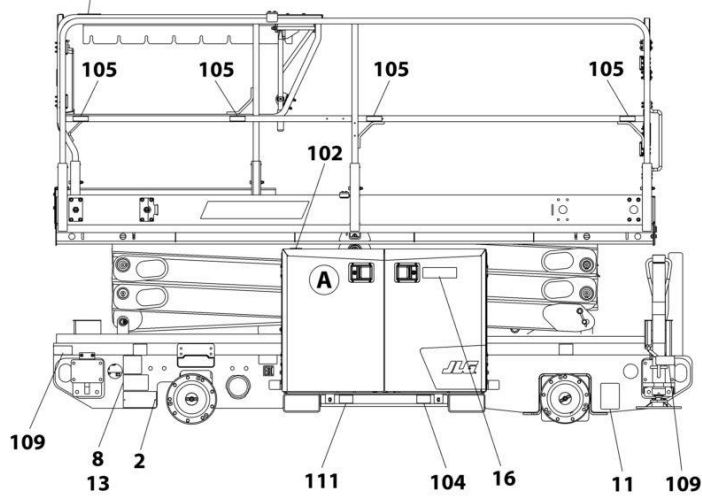
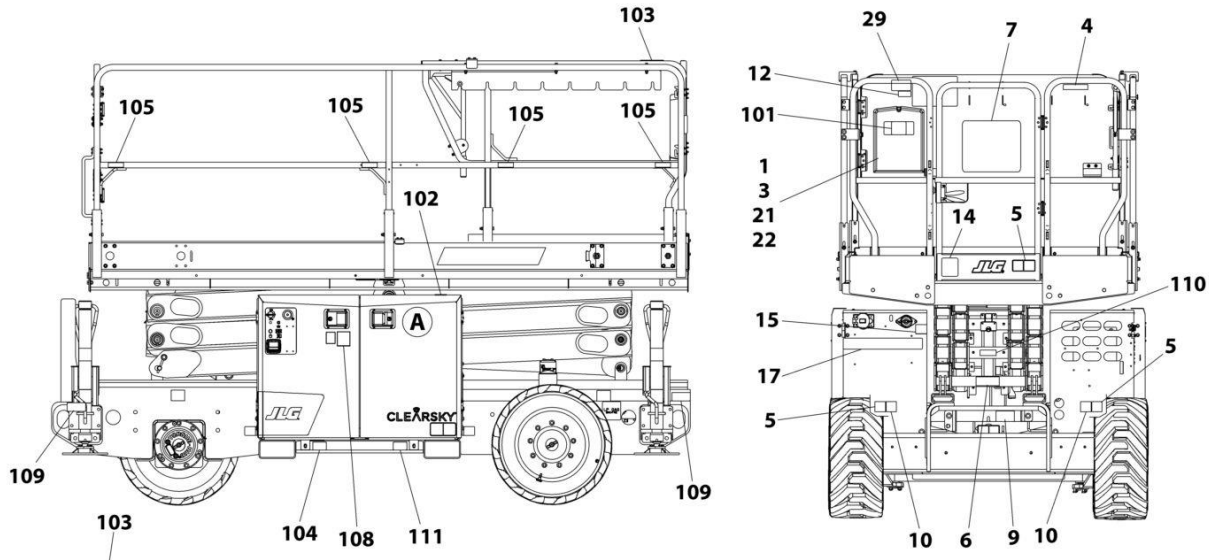
SECTION 9 - DECALS

FIGURE 9-4. DECAL INSTALLATION - CHINA SPECS (ENGLISH/CHINESE LANGUAGES)

ITEM	PART NUMBER	QTY	DESCRIPTION	REV
	1001256766	Ref	DECAL INSTALLATION	C
	1001256945	Ref	DECAL CHART DRAWING (RT2669)	G
	1001262071	Ref	DECAL CHART DRAWING (RT3369)	E
1	0760610	4	Bolt M6 x 20	
2	2080057	2	Fastener	
3	0860520	1	Box, Manual Storage	
4	1705194	1	Decal - Control Box Location	
5	1001211779	4	Decal - Electrocution	
6	1001215752	4	Decal - Crushing	
7	1705195	1	Decal - Danger/Warning	
8	1001224051	1	Decal - Yearly Inspection	
9	1703822	1	Decal - Manual Descent Instruction	
10	1001215747	4	Decal - Electrocution	
19	1705695	1	Decal - Danger Electrocution	
20	1705944	1	Decal - Danger Electrocution	
21	3290605	4	Nut M6	
22	4811700	8	Washer M6	
100	1001256763	1	Decal Master Kit (Not Shown)	
101	1701640	1	Decal - Manual	
102	1703687	2	Decal - Direction Arrow	
103	1703819	2	Decal - Direction Arrow	
104	1001265579	2	Decal - Fork Lift	
105	1704277	8	Decal - Lanyard Attach	
106	1704412	1	Decal - Hydraulic Oil Chart	
107	70046028	1	Decal - Hydraulic Oil Level	
108	1001094708	1	Decal - Hydraulic Oil	
109	1001162864	4	Decal - Lift Point/Tie Down	
110	1001256865	1	Decal - Arm Prop	
111	1001265580	2	Decal - Fork Lift	

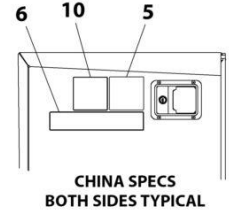
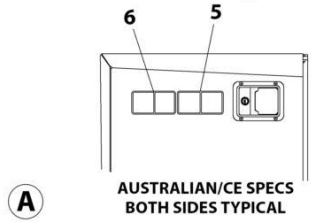
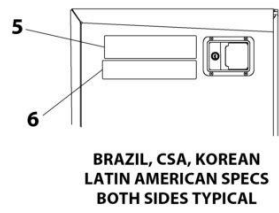
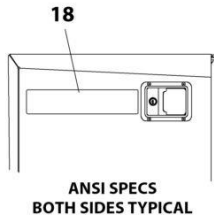
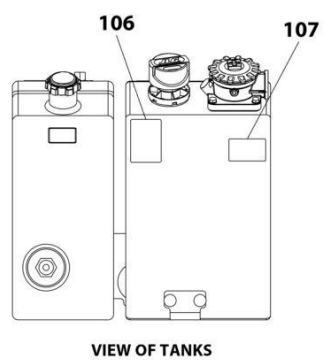
SECTION 9 - DECALS

FIGURE 9-5. DECAL INSTALLATION - CSA SPECS (ENGLISH/FRENCH LANGUAGES)



NOTE: ITEMS SHOWN MAY NOT BE REQUIRED FOR ALL SPECS. REFER TO PARTS LIST FOR USAGE.

NOTE: ADDITIONAL DECALS CALLED OUT ON DECAL INSTALLATION - OPTIONS.



ART_1001256769

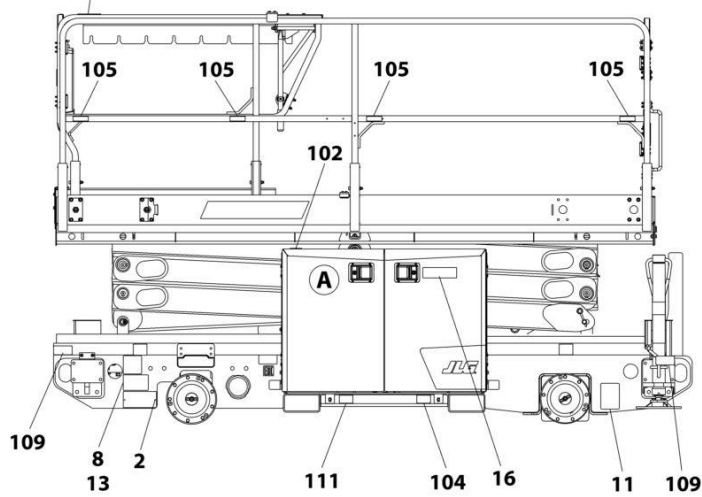
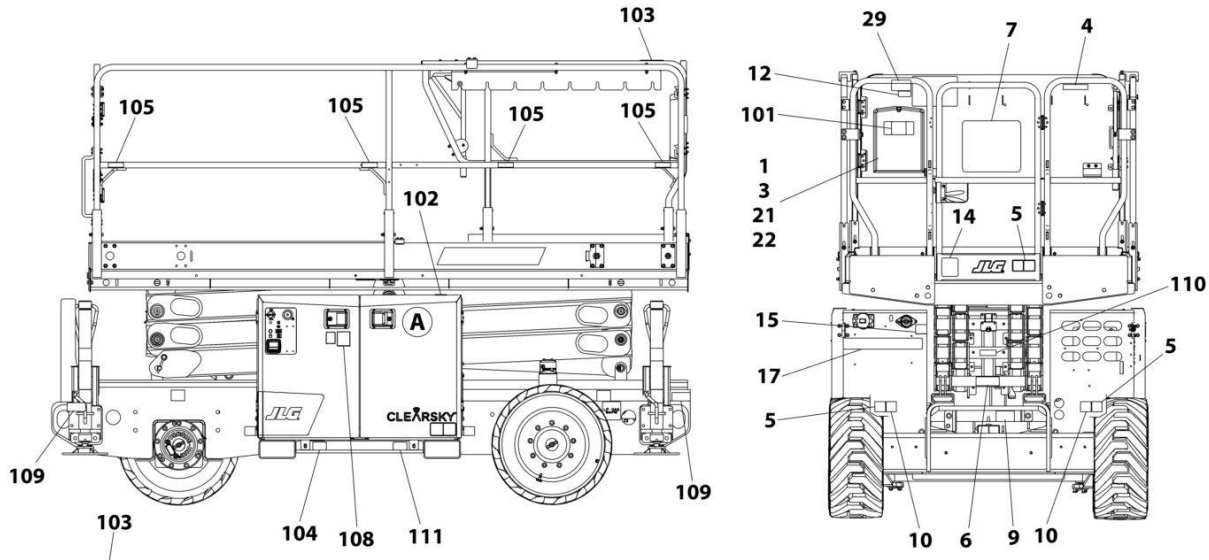
SECTION 9 - DECALS

FIGURE 9-5. DECAL INSTALLATION - CSA SPECS (ENGLISH/FRENCH LANGUAGES)

ITEM	PART NUMBER	QTY	DESCRIPTION	REV
	1001256769	Ref	DECAL INSTALLATION	C
	1001256945	Ref	DECAL CHART DRAWING (RT2669)	G
	1001262071	Ref	DECAL CHART DRAWING (RT3369)	E
1	0760610	4	Bolt M6 x 20	
2	2080057	2	Fastener	
3	0860520	1	Box, Manual Storage	
4	1704687	1	Decal - Control Box Location	
5	1705040	5	Decal - Danger Electrocutation	
6	1001215755	4	Decal - Crushing	
7	1704684	1	Decal - Danger/Warning	
8	1001223971	1	Decal - Yearly Inspection	
9	1703822	1	Decal - Manual Descent Instruction	
11	1001131270	1	Decal - Patent	
12	1001228370	1	Decal - ICES	
21	3290605	4	Nut M6	
22	4811700	8	Washer M6	
100	1001256763	1	Decal Master Kit (Not Shown)	
101	1701640	1	Decal - Manual	
102	1703687	2	Decal - Direction Arrow	
103	1703819	2	Decal - Direction Arrow	
104	1001265579	2	Decal - Fork Lift	
105	1704277	8	Decal - Lanyard Attach	
106	1704412	1	Decal - Hydraulic Oil Chart	
107	70046028	1	Decal - Hydraulic Oil Level	
108	1001094708	1	Decal - Hydraulic Oil	
109	1001162864	4	Decal - Lift Point/Tie Down	
110	1001256865	1	Decal - Arm Prop	
111	1001265580	2	Decal - Fork Lift	

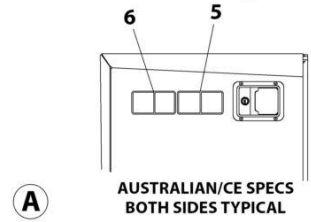
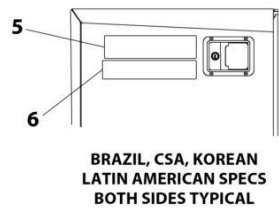
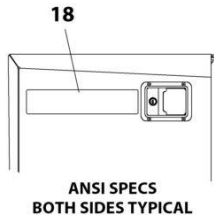
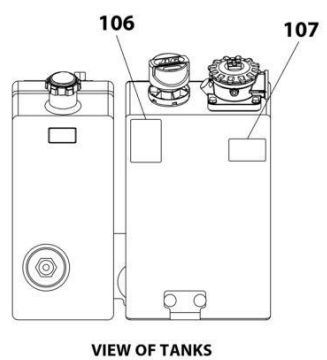
SECTION 9 - DECALS

FIGURE 9-6. DECAL INSTALLATION - KOREAN SPECS (ENGLISH/KOREAN LANGUAGES)

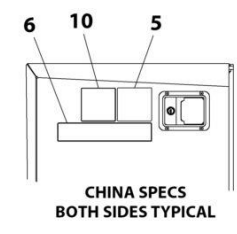


NOTE: ITEMS SHOWN MAY NOT BE REQUIRED FOR ALL SPECS. REFER TO PARTS LIST FOR USAGE.

NOTE: ADDITIONAL DECALS CALLED OUT ON DECAL INSTALLATION - OPTIONS.



(A)



ART_1001256765

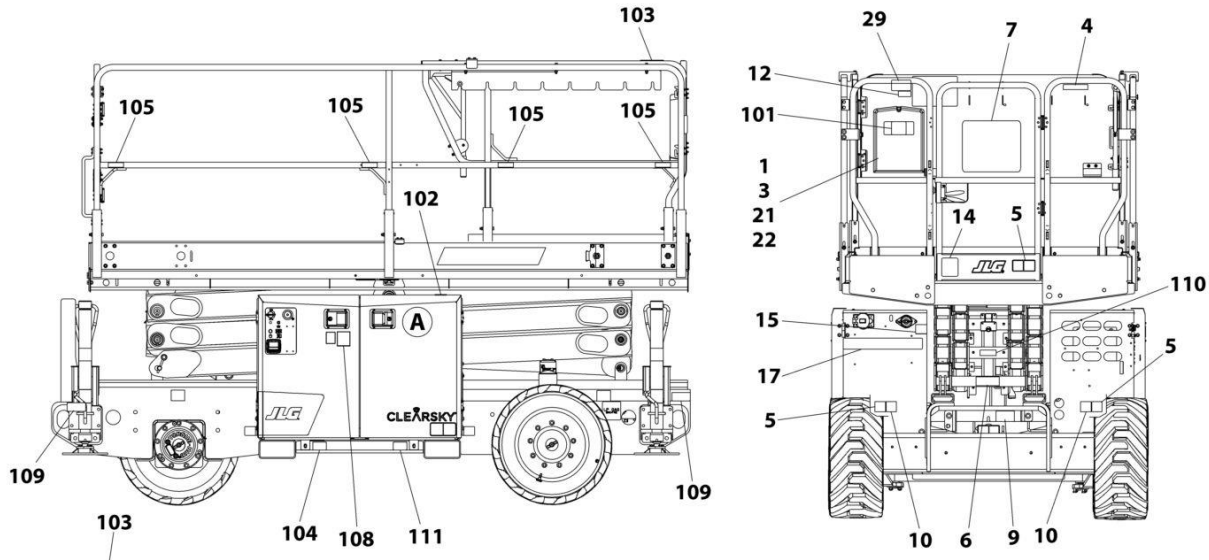
SECTION 9 - DECALS

FIGURE 9-6. DECAL INSTALLATION - KOREAN SPECS (ENGLISH/KOREAN LANGUAGES)

ITEM	PART NUMBER	QTY	DESCRIPTION	REV
	1001256765	Ref	DECAL INSTALLATION	C
	1001256945	Ref	DECAL CHART DRAWING (RT2669)	G
	1001262071	Ref	DECAL CHART DRAWING (RT3369)	E
1	0760610	4	Bolt M6 x 20	
2	2080057	2	Fastener	
3	0860520	1	Box, Manual Storage	
4	1001162112	1	Decal - Control Box Location	
5	1001162114	5	Decal - Danger Electrical Hazard	
6	1001215751	4	Decal - Crushing	
7	1001162115	1	Decal - Danger Warning	
8	1001224048	1	Decal - Yearly Inspection	
9	1703822	1	Decal - Manual Descent Instruction	
21	3290605	4	Nut M6	
22	4811700	8	Washer M6	
100	1001256763	1	Decal Master Kit (Not Shown)	
101	1701640	1	Decal - Manual	
102	1703687	2	Decal - Direction Arrow	
103	1703819	2	Decal - Direction Arrow	
104	1001265579	2	Decal - Fork Lift	
105	1704277	8	Decal - Lanyard Attach	
106	1704412	1	Decal - Hydraulic Oil Chart	
107	70046028	1	Decal - Hydraulic Oil Level	
108	1001094708	1	Decal - Hydraulic Oil	
109	1001162864	4	Decal - Lift Point/Tie Down	
110	1001256865	1	Decal - Arm Prop	
111	1001265580	2	Decal - Fork Lift	

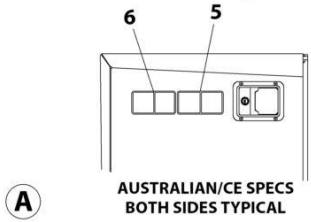
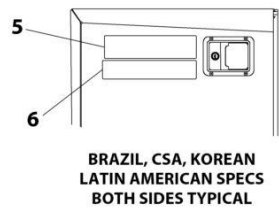
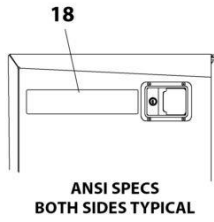
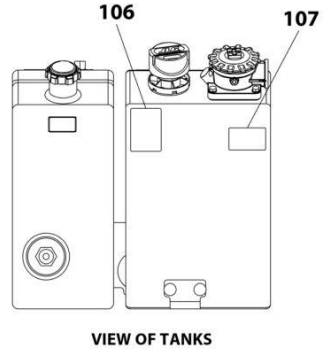
SECTION 9 - DECALS

FIGURE 9-7. DECAL INSTALLATION - LATIN AMERICAN SPECS (ENGLISH/KSPANISH LANGUAGES)

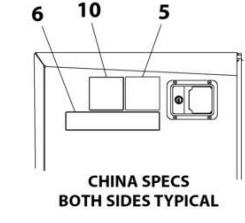


NOTE: ITEMS SHOWN MAY NOT BE REQUIRED FOR ALL SPECS. REFER TO PARTS LIST FOR USAGE.

NOTE: ADDITIONAL DECALS CALLED OUT ON DECAL INSTALLATION - OPTIONS.



A



ART_1001256768

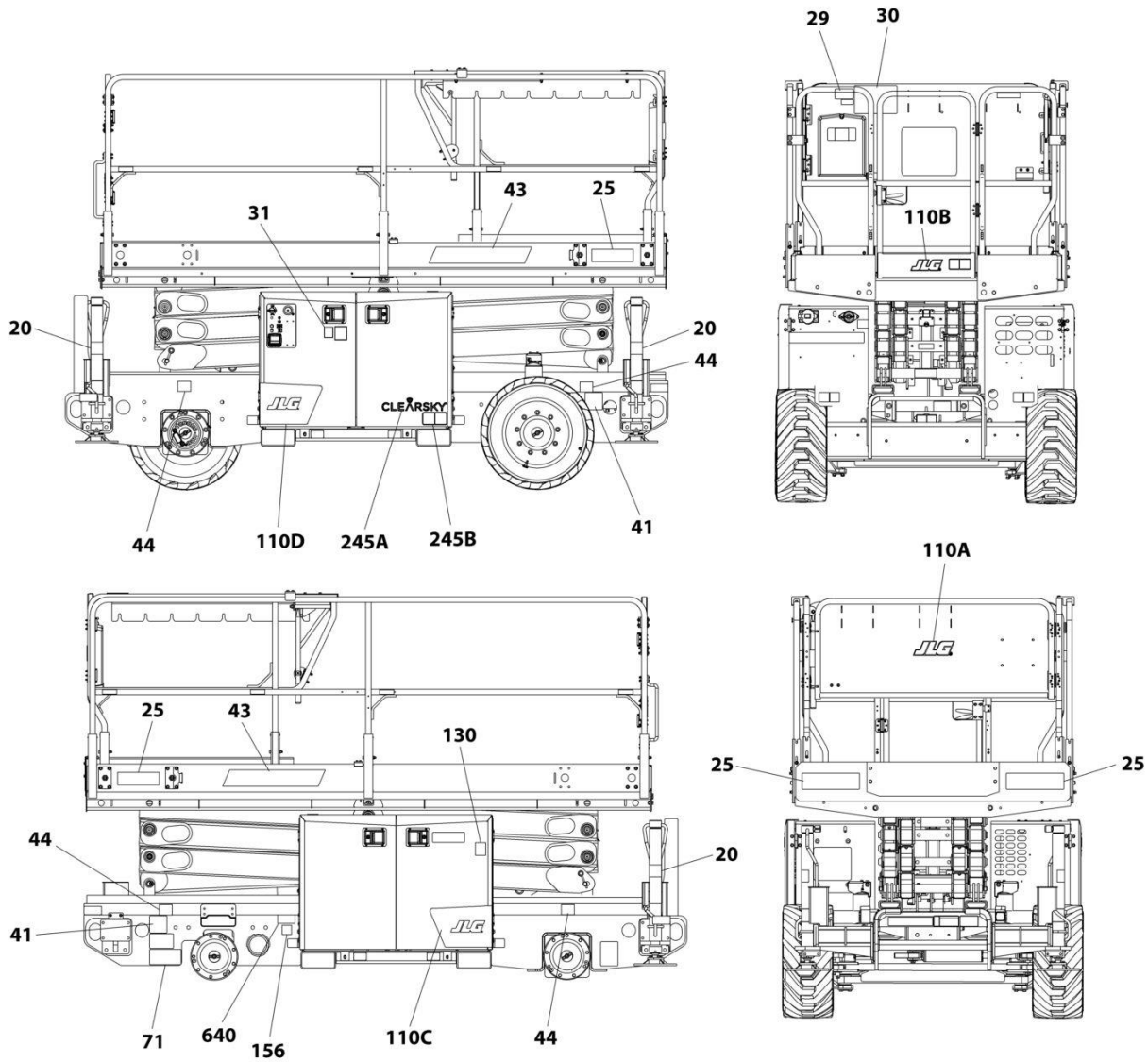
SECTION 9 - DECALS

FIGURE 9-7. DECAL INSTALLATION - LATIN AMERICAN SPECS (ENGLISH/KSPANISH LANGUAGES)

ITEM	PART NUMBER	QTY	DESCRIPTION	REV
	1001256768	Ref	DECAL INSTALLATION	C
	1001256945	Ref	DECAL CHART DRAWING (RT2669)	G
	1001262071	Ref	DECAL CHART DRAWING (RT3369)	E
1	0760610	4	Bolt M6 x 20	
2	2080057	2	Fastener	
3	0860520	1	Box, Manual Storage	
4	1704694	1	Decal - Control Box Location	
5	1705041	5	Decal - Danger Electrical Hazard	
6	1001215754	4	Decal - Crushing	
7	1704691	1	Decal - Danger/Warning	
8	1001224049	1	Decal - Yearly Inspection	
9	1703822	1	Decal - Manual Descent Instruction	
21	3290605	4	Nut M6	
22	4811700	8	Washer M6	
100	1001256763	1	Decal Master Kit (Not Shown)	
101	1701640	1	Decal - Manual	
102	1703687	2	Decal - Direction Arrow	
103	1703819	2	Decal - Direction Arrow	
104	1001265579	2	Decal - Fork Lift	
105	1704277	8	Decal - Lanyard Attach	
106	1704412	1	Decal - Hydraulic Oil Chart	
107	70046028	1	Decal - Hydraulic Oil Level	
108	1001094708	1	Decal - Hydraulic Oil	
109	1001162864	4	Decal - Lift Point/Tie Down	
110	1001256865	1	Decal - Arm Prop	
111	1001265580	2	Decal - Fork Lift	

SECTION 9 - DECALS

FIGURE 9-8. DECAL INSTALLATION - OPTIONS



NOTE: ITEMS SHOWN MAY NOT BE REQUIRED FOR ALL SPECS. REFER TO PARTS LIST FOR USAGE.

VIEW OF TANKS

ART_DECAL_OPTIONS

SECTION 9 - DECALS

FIGURE 9-8. DECAL INSTALLATION - OPTIONS

ITEM	PART NUMBER	QTY	DESCRIPTION	REV
		Ref	DECAL INSTALLATION - OPTIONS	
	1001256945	Ref	DECAL CHART DRAWING (RT2669)	D
	1001262071	Ref	DECAL CHART DRAWING (RT3369)	B
20		Ref	Decal - Leveling Jack Warning Options:	
20	1701214	4	Decal - Leveling Jack Warning (ANSI Specs)	
20	1701785	4	Decal - Leveling Jack Warning (Australian,CE & UK CA Specs)	
20	1704698	4	Decal - Leveling Jack Warning (Brazil Specs)	
20	1704690	4	Decal - Leveling Jack Warning (CSA Specs)	
20	1001215447	4	Decal - Leveling Jack Warning (Korean Specs)	
20	1704697	4	Decal - Leveling Jack Warning (Latin American Specs)	
25	1001254363	Ref	Corner Stripes Installation	C
25	4420051	4 ft /1.2m	Tape, Safety	
29	1001231801	1	Decal - Warning Prop 65	
30	1001256793	1	Decal - Capacity (RT2669)	
30	1001256795	1	Decal - Capacity (RT3369)	
31	1701505	1	Decal - Fuel (Diesel)	
31	1701542	1	Decal - Fuel (Gas)	
41		Ref	Decal - LP Gas Options:	
41	1700818	2	Decal - LP Gas (English Language)	
41	1702720	2	Decal - LP Gas (English/French Language)	
41	1704271	2	Decal - LP Gas (Spanish Language)	
43	1001256779	2	Decal - Model (RT2669)	
43	1001256780	2	Decal - Model (RT3369)	
44	1001256791	4	Decal - Max Tire Load	
71	See Note	NSS	Decal - Manufacturers Serial Number (Note: Not Available for Purchase)	
110	1001263163	Ref	JLG Decals Installation	B
110A	1001256675	1	Decal - JLG	
110B	1001256676	1	Decal - JLG	
110C	1001265581	1	Decal - JLG	
110D	1001265582	1	Decal - JLG	
130		Ref	Decal - Warning Explosion/Fire Options:	
130	1704972	1	Decal - Warning Explosion/Fire (ANSI Specs)	
130	1706098	1	Decal - Warning Explosion/Fire (Australian,CE & UK CA Specs)	
130	1706059	1	Decal - Warning Explosion/Fire (Brazil Specs)	
130	1706060	1	Decal - Warning Explosion/Fire (China Specs)	
130	1706064	1	Decal - Warning Explosion/Fire (CSA Specs)	
130	1706061	1	Decal - Warning Explosion/Fire (Korean Specs)	
130	1706063	1	Decal - Warning Explosion/Fire (Latin American Specs)	
136	1001125387	1	Decal - Ultra Low Sulfur Fuel (ANSI & CSA Specs)	
136	1001139654	1	Decal - Ultra Low Sulfur Fuel (CE & UK CA Specs)	
156	1001214029	Ref	EAC Decal Installation (Russian/CIS Specs)	
156	1001173703	1	Decal - EAC (Russian/CIS Specs)	
245	1001236984	Ref	Clearsky Decals Installation	A
245A	1001116208	1	Decal - Clearsky	
245B	1001120989	1	Decal - Radio Frequency	
640	1001143852	1	Decal - Emissions Compliance (Diesel Machines) (Not Shown - Located near SN Nameplate) (ANSI Export, Australian, CE, China & Korean Specs)	

SECTION 10 - RECOMMENDED SERVICE PARTS STOCK

SECTION 10 - RECOMMENDED SERVICE PARTS STOCK

SECTION 10 - RECOMMENDED SERVICE PARTS STOCK

FIGURE 10-1. RECOMMENDED SERVICE PARTS STOCK

ITEM	PART NUMBER	QTY	DESCRIPTION	REV
		Ref	Note: The following list will service one machine (built to current production per date on the front cover) with emergency repair parts which can be installed in the field. Parts from the list should be replaced when inventory is depleted to keep service parts stock supplied. For further information, contact your JLG dealer or the JLG Industries Parts Department.	
	1001152479	1	Breaker, 16Amp Double (CE & UK CA Specs Machines with AC Box at Platform)	
	1001181045	1	Breaker, 16Amp Double (CE & UK CA Specs Machines with AC Box at Platform)	
	1001152482	1	Breaker, 30MaAmp (CE & UK CA Specs Machines with AC Box at Platform)	
	70001965	1	Coil (Machines with Leveling Jacks)	
	1001247682	1	Controller, Joystick (Platform Control Box)	
	1001244932	1	Display, Platform Box	
		Ref	Engine - Kubota Diesel Engine	
	7015004	12	Filter, Air Cleaner	
	1001248057	12	Filter, Engine Oil	
	1001190545	12	Filter, Fuel	
	70007021	12	Filter, Fuel/Water	
	1001246587	1	Module, Engine ECU	
		Ref	Engine - Kubota Dual Fuel Engine	
	70007141	12	Filter, Air Cleaner	
	1001248057	12	Filter, Engine Oil	
	1001255422	12	Filter, Fuel	
	1001253824	1	Module, Engine ECU	
	1001248371	12	Filter, Filler/Breather (Hydraulic Tank)	
	70007035	12	Filter, Element (Hydraulic Tank)	
	8229242	2	Fuse 5Amp (Chassis Harness)	
	8229244	2	Fuse 15Amp (Chassis Harness)	
	2860030	1	Key, Replacement (Ground Control)	
	1600387	1	Module, Control (Arms Installations)	
	1001244929	1	Module, Ground Control	
	3740080	1	Relay (Generator Harness)	
	1001145548	1	Sensor, Limit (Arms Installations)	
	1001227516	1	Sensor, Pressure (Leveling Jacks)	
	1001128478	1	Sensor, Temperature (Main Control Valve)	
	1001244934	1	Sensor, Tilt (Single & Dual Oscillating Axles)	
	4360475	1	Switch, Emergency Stop (Ground & Platform Controls)	
	4360469	1	Switch, Key (Ground Controls)	
	4360387	1	Switch, Push Button (Ground Controls)	
	1001226749	1	Switch, Push Button (Platform Control Box)	
	4360524	1	Switch, Toggle (Ground Controls)	

SECTION 11 - SPECIAL OPTIONS/ACCESSORIES/KITS

SECTION 11 - SPECIAL OPTIONS/ACCESSORIES/KITS

SECTION 11 - SPECIAL OPTIONS/ACCESSORIES/KITS

FIGURE 11-1. SPECIAL OPTIONS/ACCESSORIES/KITS

ITEM	PART NUMBER	QTY	DESCRIPTION	REV
		Ref	Note: This list is to accommodate machines ordered with special equipment. Options may not be applicable to all models. For more specific parts information contact JLG Parts Department.	
		Ref	MISCELLANEOUS SPECIAL OPTIONS/ACCESSORIES/KITS	
		Ref	ClearSky (Telematics) Installation (Factory Installed) Options:	
	1001251506	Ref	ClearSky (Telematics) Installation - 3 Wire (Factory Installed) (ANSI and CSA Specs)	
	1001251522	Ref	ClearSky (Telematics) Installation - 3 Wire (Factory Installed) (ANSI Export, Korean, CE & UK CA Specs)	
	1001249646	Ref	ClearSky (Telematics) Installation - Canbus (Factory Installed) (ANSI and CSA Specs)	
	1001249647	Ref	ClearSky (Telematics) Installation - Canbus (Factory Installed) (ANSI Export, Korean, CE & UK CA Specs)	
	1001249648	Ref	ClearSky (Telematics) Installation - Canbus (Factory Installed) (Australian Specs)	
		Ref	Electrical Connector Kits	
	1001148902	Ref	Electrical Connector Kit - Amp/Tyco Electrical Connectors	
	1001148903	Ref	Electrical Connector Kit - Deutsch DT Electrical Connectors	
	1001148904	Ref	Electrical Connector Kit - Deutsch HD Electrical Connectors	
	1001148905	Ref	Electrical Connector Kit - Packard Electrical Connectors	
	1001148906	Ref	Electrical Connector Kit - Various Electrical Connectors	
	1001246132	Ref	Engine Sub-FAPL (Diesel)	
	1001246133	Ref	Engine Sub-FAPL (Dual Fuel)	
	1001249053	Ref	Fan Guard Installation	
	1001255164	Ref	Footswitch Installation (Korean Specs)	
	1001249310	Ref	Mobile Control Installation (Factory Installed)	
	1001246101	Ref	Oil Cooler Installation	
	1001267646	Ref	Platform Divider (SkyShield - Social Distancing) Shield Installation (Factory Installed)	
	1001269100	Ref	Platform Divider (SkyShield - Social Distancing) Shield Add-on Kit (Dealer Installed)	
	1001253150	Ref	Rail Mounted Pipe Rack Installation (Factory Installed)	
	1001266156	Ref	Service Kits & Tools	
		Ref	Tools for Service	
	7002821	Ref	Crimper, Wire	
	7002823	Ref	Pin Extractor - Universal (For Electrical Connectors with Pins and Sockets)	
	4460510	Ref	Pin Extractor - 12-14 Gauge (For Removal of Pin/Sockets from Deutsch Connectors)	
	4460467	Ref	Pin Extractor - 16-18 Gauge (For Removal of Pin/Sockets from Deutsch Connectors)	
	7016654	Ref	Screwdriver, Magnetic	
	7002822	Ref	Screwdriver, Potentiometer	
	7004275	Ref	Tools - Seal Tool 1in (For Cylinders)	
	7004276	Ref	Seal Tool 1-1/2in (For Cylinders)	
	7002828	Ref	Stripper, Wire	

SECTION 11 - SPECIAL OPTIONS/ACCESSORIES/KITS

PART NUMBER INDEX

SECTION 11 - SPECIAL OPTIONS/ACCESSORIES/KITS

0100011.....13, 15, 17, 21, 23, 25, 49, 51, 65, 67, 71, 80, 93, 95, 111, 113, 115, 131, 133, 135, 137, 139, 141, 148, 154, 157, 165, 169, 171	0760614 15, 71 0760807 13, 15, 17 0760808 115, 163 0760810 80 0760812 49, 51, 145, 151, 163 0760814 55 0760815 83, 95, 115 0760817 95 0760820 115 0761008 163 0761010 65, 67 0761012 21, 80 0761015 45, 47 0761217 49, 51 0761616 13, 15, 17 0770812 80 0771010 65, 67 0771012 23, 25 0771014. 65, 67, 93, 139, 141 0771015 13, 15 0771619 23, 139, 141 0771620 23 0780608 103 0780610 135, 137 0780618 105 0781024 103 0811606 139, 141 0811608 135, 137 0840052 105 0860520 ... 287, 289, 291, 293, 295, 297, 299 0861731 ... 223, 271, 277, 279, 281 0861781 273, 275 0861880 229 0961890 13, 15, 21 0961950 ...13, 15, 17, 154 0962220 .13, 15, 148, 154 1001026127 123 1001091102 ... 85, 87, 89 1001094708 287, 289, 291, 293, 295, 297, 299 1001095650 39 1001096070 213, 215, 221, 229 1001096653 65, 67 1001097150 229, 231 1001099560 148, 154 1001100341 273 1001100342 275 1001100345 277 1001100346 281 1001100347 279 1001100451 55, 123 1001103761 49, 51 1001104498 241 1001106736 233 1001107854 241 1001108603 171 1001110188 71 1001113961 234 1001116208 301 1001116694 251 1001116716 257	1001116732 234, 237, 241, 245, 257 1001116733 237, 241, 257 1001116734 234, 237, 241, 245, 257 1001116749 241 1001116752 237, 241 1001116763 241 1001116808 259 1001116812 237 1001116815 237 1001116816 237, 241 1001116950 233 1001117022 237 1001117023 237 1001117024 257 1001117025 241 1001117069 237, 241 1001117070 241 1001117110 241 1001118274 192, 196 1001118282 234, 237, 241, 245, 257 1001118511 13, 15 1001118518 13, 15 1001118519 13, 15 1001118657 237 1001118658 234, 237 1001118659 237 1001118743 237 1001118744 234, 237, 241 1001118745 234, 237, 241 1001118746 95, 103, 115 1001118878 157 1001118938 237, 241 1001119020 259 1001119412 257 1001119630 196 1001120989 301 1001125387 301 1001125677 233, 251 1001125784 233, 269 1001125785 233 1001126391 241 1001126393 241 1001127172 123 1001128128 234, 237, 241, 245, 257 1001128478 69, 304 1001129255 123 1001129256 123 1001130900 237 1001131270 287, 295 1001131324 119 1001131391 103, 123 1001132170 255 1001139141 21 1001139219 105, 125 1001139654 301 1001142984 123 1001143852 301 1001144295 233 1001144296 237, 241	1001145548..... 145, 151, 304 1001146043..... 129 1001146588..... 105 1001148902..... 306 1001148903..... 306 1001148904..... 306 1001148905..... 306 1001148906..... 306 1001150735..... 269 1001150889..... 269 1001151395..... 21 1001152266..... 233 1001152479..... 304 1001152482..... 304 1001152483..... 231 1001152486..... 217, 219, 231 1001152729..... 127 1001156541..... 247, 249 1001156819..... 123 1001159186..... 234 1001161497..... 115 1001162112..... 297 1001162114..... 297 1001162115..... 297 1001162864..... 287, 289, 291, 293, 295, 297, 299 1001165035..... 115 1001168018. 93, 135, 137 1001171482..... 73 1001173703..... 301 1001174486..... 103, 123 1001176626..... 171 1001179586..... 105, 125 1001181045..... 229, 304 1001182680..... 73 1001182997..... 103, 123 1001183406..... 65, 67 1001184682..... 77 1001184705..... 241 1001184716..... 241 1001184717..... 241 1001184718..... 241 1001184722..... 241 1001184768..... 241 1001184769..... 241 1001184832..... 234 1001186483..... 105 1001187455..... 241 1001187781..... 125 1001189171..... 231 1001189172..... 231 1001189762..... 145, 151 1001190545..... 103, 304 1001192401..... 233 1001193336..... 65 1001195137..... 135, 137, 165 1001197405..... 154 1001201885..... 269 1001202910..... 192, 196 1001205250..... 234 1001205824..... 192, 196 1001207109..... 67 1001211777..... 287 1001211779..... 287, 293
0100019.....23, 25, 49, 51 0100020..... 139, 141 0100035..... 65, 67, 83 0100051..... 105, 125 0140030..... 171 0140043..... 75 0275216..... 213, 273 0275217..... 215, 275 0275452..... 217, 277 0275453..... 219, 279 0275454..... 221, 281 0340045..... 109, 129 0400003..... 105, 125 0440162..... 21 0440237..... 21 0440241..... 148, 154 0440264..... 148, 154 0630587. 75, 77, 103, 123 0630613..... 107, 127 0630615..... 165 0641611..... 139, 141 0681520..... 135, 137 0681609..... 95, 115 0681812..... 39 0700517..... 165 0700612..... 148, 154 0700617 165, 211, 213, 215, 217, 219, 221, 223 0700618..... 145, 151 0700619..... 165 0700624..... 148, 154 0700817..... 165 0700818..... 165 0700819..... 165 0700822..... 192, 196 0701012..... 163 0701014..... 135, 137 0701015 49, 51, 145, 148, 151, 154 0701022.... 145, 148, 151, 154 0701024..... 148, 154 0701026..... 148, 154 0701029..... 145, 151 0701622..... 49, 51 0710819..... 115 0711017..... 17 0711224..13, 15, 17, 135, 137 0711616..... 25 0741008..... 71 0760505..... 125 0760507..... 165 0760606..... 261, 265 0760608..... 145, 151, 165 0760610 71, 80, 161, 163, 213, 215, 217, 219, 221, 287, 289, 291, 293, 295, 297, 299 0760612..... 80	0760614 15, 71 0760807 13, 15, 17 0760808 115, 163 0760810 80 0760812 49, 51, 145, 151, 163 0760814 55 0760815 83, 95, 115 0760817 95 0760820 115 0761008 163 0761010 65, 67 0761012 21, 80 0761015 45, 47 0761217 49, 51 0761616 13, 15, 17 0770812 80 0771010 65, 67 0771012 23, 25 0771014. 65, 67, 93, 139, 141 0771015 13, 15 0771619 23, 139, 141 0771620 23 0780608 103 0780610 135, 137 0780618 105 0781024 103 0811606 139, 141 0811608 135, 137 0840052 105 0860520 ... 287, 289, 291, 293, 295, 297, 299 0861731 ... 223, 271, 277, 279, 281 0861781 273, 275 0861880 229 0961890 13, 15, 21 0961950 ...13, 15, 17, 154 0962220 .13, 15, 148, 154 1001026127 123 1001091102 ... 85, 87, 89 1001094708 287, 289, 291, 293, 295, 297, 299 1001095650 39 1001096070 213, 215, 221, 229 1001096653 65, 67 1001097150 229, 231 1001099560 148, 154 1001100341 273 1001100342 275 1001100345 277 1001100346 281 1001100347 279 1001100451 55, 123 1001103761 49, 51 1001104498 241 1001106736 233 1001107854 241 1001108603 171 1001110188 71 1001113961 234 1001116208 301 1001116694 251 1001116716 257	1001116732 234, 237, 241, 245, 257 1001116733 237, 241, 257 1001116734 234, 237, 241, 245, 257 1001116749 241 1001116752 237, 241 1001116763 241 1001116808 259 1001116812 237 1001116815 237 1001116816 237, 241 1001116950 233 1001117022 237 1001117023 237 1001117024 257 1001117025 241 1001117069 237, 241 1001117070 241 1001117110 241 1001118274 192, 196 1001118282 234, 237, 241, 245, 257 1001118511 13, 15 1001118518 13, 15 1001118519 13, 15 1001118657 237 1001118658 234, 237 1001118659 237 1001118743 237 1001118744 234, 237, 241 1001118745 234, 237, 241 1001118746 95, 103, 115 1001118878 157 1001118938 237, 241 1001119020 259 1001119412 257 1001119630 196 1001120989 301 1001125387 301 1001125677 233, 251 1001125784 233, 269 1001125785 233 1001126391 241 1001126393 241 1001127172 123 1001128128 234, 237, 241, 245, 257 1001128478 69, 304 1001129255 123 1001129256 123 1001130900 237 1001131270 287, 295 1001131324 119 1001131391 103, 123 1001132170 255 1001139141 21 1001139219 105, 125 1001139654 301 1001142984 123 1001143852 301 1001144295 233 1001144296 237, 241	1001145548..... 145, 151, 304 1001146043..... 129 1001146588..... 105 1001148902..... 306 1001148903..... 306 1001148904..... 306 1001148905..... 306 1001148906..... 306 1001150735..... 269 1001150889..... 269 1001151395..... 21 1001152266..... 233 1001152479..... 304 1001152482..... 304 1001152483..... 231 1001152486..... 217, 219, 231 1001152729..... 127 1001156541..... 247, 249 1001156819..... 123 1001159186..... 234 1001161497..... 115 1001162112..... 297 1001162114..... 297 1001162115..... 297 1001162864..... 287, 289, 291, 293, 295, 297, 299 1001165035..... 115 1001168018. 93, 135, 137 1001171482..... 73 1001173703..... 301 1001174486..... 103, 123 1001176626..... 171 1001179586..... 105, 125 1001181045..... 229, 304 1001182680..... 73 1001182997..... 103, 123 1001183406..... 65, 67 1001184682..... 77 1001184705..... 241 1001184716..... 241 1001184717..... 241 1001184718..... 241 1001184722..... 241 1001184768..... 241 1001184769..... 241 1001184832..... 234 1001186483..... 105 1001187455..... 241 1001187781..... 125 1001189171..... 231 1001189172..... 231 1001189762..... 145, 151 1001190545..... 103, 304 1001192401..... 233 1001193336..... 65 1001195137..... 135, 137, 165 1001197405..... 154 1001201885..... 269 1001202910..... 192, 196 1001205250..... 234 1001205824..... 192, 196 1001207109..... 67 1001211777..... 287 1001211779..... 287, 293

SECTION 11 - SPECIAL OPTIONS/ACCESSORIES/KITS

1001212268..... 211, 213, 215, 217, 219, 221, 223	1001245046.... 13, 15, 17, 177	1001247523..... 148, 154	1001248868..... 192, 196
1001213010..... 107, 127	1001245250..... 161	1001247524..... 148, 154	1001248869..... 192, 196
1001214029..... 301	1001245381..... 43	1001247560..... 109, 129	1001248871..... 192, 196
1001214174..... 23, 33	1001245440..... 43	1001247581..... 101	1001248872..... 192, 196
1001214556..... 131	1001245479..... 163	1001247582..... 101	1001248873..... 192, 196
1001215447..... 301	1001245653..... 177	1001247584..... 95, 101	1001248874..... 196
1001215747..... 293	1001245923..... 148, 154, 157	1001247589..... 101	1001248876..... 196
1001215751..... 297	1001246090..... 65	1001247612..... 93	1001248890..... 148, 154
1001215752..... 293	1001246101..... 55, 306	1001247630..... 65, 67	1001248895..... 148, 154, 253
1001215754..... 299	1001246102..... 196	1001247637..... 80	1001248933..... 163
1001215755..... 295	1001246104..... 17, 187	1001247638..... 80	1001248986..... 165
1001215898..... 233	1001246105..... 192	1001247639..... 80	1001248990..... 163
1001216650..... 291	1001246107..... 21, 183	1001247667..... 145, 151	1001248991..... 163
1001217457..... 148, 154	1001246132..... 306	1001247668..... 148, 154	1001248999..... 261, 263
1001218676..... 107, 127	1001246133..... 306	1001247669..... 145, 148, 151, 154	1001249048..... 171, 269
1001220668..... 261, 265	1001246134..... 135	1001247670..... 148, 154	1001249053..... 306
1001223055..... 287	1001246553..... 83	1001247671..... 145, 151	1001249091..... 145, 151, 283
1001223431..... 237	1001246555..... 65, 67, 83	1001247672..... 149, 155	1001249095..... 234
1001223453..... 287	1001246583..... 171	1001247682..... 171, 173, 304	1001249122..... 127
1001223794..... 237	1001246584..... 171	1001247804..... 131	1001249123..... 127
1001223797..... 237	1001246587..... 99, 304	1001247810..... 131	1001249178..... 192, 197
1001223971..... 295	1001246658..... 179	1001247816..... 155	1001249181..... 192, 196
1001224048..... 297	1001246746..... 107	1001247817..... 155	1001249190..... 263, 267
1001224049..... 299	1001246778..... 127	1001247819..... 155	1001249231..... 192, 196
1001224051..... 293	1001246779..... 127	1001247820..... 155	1001249244..... 233
1001224052..... 291	1001246823..... 171	1001247835..... 154	1001249259..... 171
1001225804..... 55	1001246856..... 65	1001247887..... 80	1001249282..... 17, 227
1001226221..... 80	1001246859..... 234	1001248038..... 123	1001249297..... 21
1001226749..... 171, 304	1001246863..... 171	1001248039..... 71	1001249306..... 85
1001226830..... 145, 151, 255	1001246864..... 171	1001248043..... 80	1001249307..... 87
1001227516..... 49, 51, 304	1001246883..... 80	1001248047..... 115	1001249309..... 77
1001228370..... 295	1001246884..... 45	1001248056..... 99, 119	1001249310..... 306
1001228533..... 148, 154	1001246885..... 49	1001248057..... 99, 119, 304	1001249323..... 21
1001230488..... 237	1001246959..... 23, 35	1001248099..... 111	1001249340..... 59
1001231801..... 301	1001246979..... 171	1001248134..... 105, 237	1001249341..... 57
1001234069..... 105, 125	1001247019..... 13, 15	1001248160..... 55	1001249342..... 57
1001234348..... 80	1001247021..... 67	1001248162..... 80	1001249343..... 59
1001236984..... 301	1001247028..... 111	1001248196..... 13, 15, 17	1001249344..... 59
1001237778..... 241	1001247074..... 71	1001248222..... 237	1001249352..... 57, 59, 61
1001239224..... 85, 87	1001247267..... 107, 127	1001248223..... 237	1001249353..... 57
1001242539..... 85, 87	1001247295..... 17	1001248224..... 237	1001249354..... 59
1001242816..... 39, 41	1001247313..... 171	1001248227..... 237	1001249407..... 49, 51
1001243256..... 49, 51, 179	1001247352..... 45	1001248228..... 237	1001249464..... 135, 137, 245
1001243266..... 25, 39	1001247353..... 47	1001248229..... 237	1001249637..... 148, 154
1001243268..... 39	1001247367..... 145, 148	1001248279..... 148, 247	1001249646..... 306
1001243296..... 95, 99	1001247368..... 151, 154	1001248280..... 154, 249	1001249647..... 306
1001243300..... 115, 119	1001247375..... 148	1001248289..... 125, 241	1001249648..... 306
1001244106..... 115, 117	1001247376..... 154	1001248300..... 23	1001249649..... 192, 196
1001244107..... 95, 97	1001247380..... 49, 51, 53	1001248307..... 109	1001249701..... 196
1001244177..... 25, 37	1001247382..... 17, 19	1001248313..... 129	1001249703..... 196
1001244210..... 157, 181	1001247383..... 171	1001248339..... 192, 196	1001249704..... 196
1001244381..... 161	1001247425..... 47	1001248347..... 105, 125	1001249802..... 55, 257
1001244382..... 163	1001247443..... 171	1001248349..... 67	1001249850..... 192, 197
1001244391..... 15, 17	1001247454..... 101	1001248371..... 83, 304	1001249882..... 165
1001244392..... 21	1001247462..... 192, 196	1001248413..... 113, 133	1001249883..... 165
1001244393..... 25	1001247472..... 71, 233	1001248414..... 113, 133	1001249884..... 166
1001244462..... 233	1001247482..... 148, 155	1001248500..... 123	1001249914..... 49
1001244775..... 57	1001247490..... 148, 155	1001248671..... 177	1001249915..... 49
1001244888..... 165	1001247497..... 148, 155	1001248820..... 145	1001250088..... 17
1001244904..... 157	1001247500..... 148	1001248821..... 151	1001250089..... 17
1001244929..... 71, 304	1001247503..... 149	1001248834..... 13, 15	1001250090..... 17
1001244932..... 171, 304	1001247506..... 149	1001248840..... 165	1001250091..... 17
1001244934..... 15, 17, 71, 148, 154, 304	1001247520..... 149, 155	1001248861..... 103, 123	1001250307..... 189
	1001247521..... 145, 151	1001248863..... 49, 51, 251	1001250308..... 189
	1001247522..... 148, 154	1001248865..... 148, 154	1001250309..... 189

SECTION 11 - SPECIAL OPTIONS/ACCESSORIES/KITS

1001250310.....189	1001255008.....221	1001256945.....287, 289, 291, 293, 295, 297, 299, 301	1001264939.....145, 151, 259
1001250311.....189	1001255164.....306	1001257076.....171	1001265532.....169
1001250312.....189	1001255324.....119	1001257077.....171	1001265579.....287, 289, 291, 293, 295, 297, 299
1001250336.....93	1001255341.....119	1001257454.....80	1001265580.....287, 289, 291, 293, 295, 297, 299
1001250342...49, 51, 189	1001255342.....119	1001257587.....145, 151	1001265581.....301
1001250353.....49, 51	1001255416.....119	1001257688.....80	1001265582.....301
1001250355.....163	1001255422.....119, 304	1001257884.....73	1001265585.....17
1001250356.....163	1001255431.....119	1001258004.....141	1001265684.....163
1001250418.....187	1001255435.....119	1001258006.....139	1001265744.....157
1001250419.....187	1001255447.....119	1001258113.....141	1001265761.....157
1001250450.....103	1001255448.....119	1001258188.....43	1001265821.....163
1001250468.....192	1001255461.....171	1001258223.....265, 267	1001265846.....165
1001250519.....113, 133	1001255526.....21	1001258287.....61	1001265848.....148, 154
1001250521.....113, 133	1001255529.....119	1001258812.....149	1001265916.....169
1001250525.....113, 133	1001255606.....127	1001258813.....155	1001266156.....306
1001250627.....163	1001255809.....107, 127	1001258921.....73	1001266448.....115
1001250636.....99, 119	1001255843.....107, 127	1001258923.....265	1001266885.....107
1001250640.....163	1001255848.....107, 127	1001258936.....165	1001267646.....306
1001250678.....75	1001255851.....107, 127	1001259024.....139, 141	1001267649.....89
1001250682.....171	1001255857.....107, 127	1001259047.....141	1001268776.95, 103, 115
1001250692.....171	1001255872.....95	1001259202.....61	1001269045.....95, 103
1001250772.....93	1001255873.....93	1001259386.....61	1001269100.....306
1001250829.....165	1001255874.....103	1001260064.....196	1001269872.....111
1001250830.....165	1001255875.....105	1001260250.....192	1001270098.....145, 148, 151, 154
1001250934.....111	1001255876.....111	1001260252.....189	1001270103.....65, 67, 69
1001251231.....71, 73	1001255877.....109	1001260253.....187	1001270481.....241
1001251287.....115	1001255878.....107	1001260255.....192, 197	1001271360.....51
1001251288.....115	1001255936.....113	1001260334.....80	1001271580.....17
1001251328.....161	1001256029.....127	1001260485.....13	1001272777.....15, 17, 71
1001251490.....119	1001256030.....129	1001260540.....196	1001274463.....95
1001251506.....306	1001256031.....115	1001261118.....213, 215, 217, 219, 221	1001274495.....51
1001251522.....306	1001256032.....133	1001261123.....163	1001274559.....73, 171
1001252477.....95	1001256033.....123	1001262071.....287, 289, 291, 293, 295, 297, 299, 301	1001277830.....115
1001252478.....95	1001256034.....125	1001262098.....171	1001277831.....95, 115
1001252596.....107, 127	1001256035.....131	1001262399.....165	1001277832.....95, 115
1001252996.....115	1001256097.....95	1001262400.....165	1001278239.....95
1001253149.....165	1001256209.....127	1001262454.....165	1001279004.....115, 121
1001253150.....306	1001256312.....105, 125	1001262495.....165	1001283427.....43
1001253717.....95	1001256554.....103	1001262630.....107, 127	1001284972.....151
1001253800.....171	1001256597.....137	1001262636.....107, 127	1001288396.....123
1001253824.....119, 304	1001256626.....135, 137	1001262639.....163	1001292287.....289
1001253837.....135	1001256675.....301	1001262640.....163	1001294421.....165
1001253839.....135, 137	1001256676.....301	1001262646.....107, 127	1001299770.....123
1001254083.....192	1001256681.....135, 137	1001262943.....103, 123	1001300357.....123
1001254119.....171	1001256705.....135, 137	1001263163.....301	1008675309.....103
1001254298.....192	1001256708.....135, 137	1001263269.....165	1060908.....229, 231
1001254363.....301	1001256713.....137	1001263345.....85, 89	1061020.....145, 151
1001254550.....139	1001256723.....103	1001263438.....107	1062255.....55, 105, 125
1001254551.....141	1001256763.....287, 289, 291, 293, 295, 297, 299	1001263476.....107, 127	10700379.....135, 137
1001254613.....211, 213, 215, 217, 219, 221, 223	1001256764.....287	1001263628.....165	1309435.....113, 133
1001254635.....107, 127	1001256765.....297	1001263629.....165	1320058.....123
1001254650.....99	1001256766.....293	1001263657.....103, 123	1320061.....139, 141
1001254651.....99, 119	1001256767.....291	1001263658.....103, 123	1320220.....139, 141
1001254653.....99	1001256768.....299	1001263659.....103, 123	1320223.....107, 127
1001254690.....115	1001256769.....295	1001263662.....145, 151	1320244.....125
1001254691.....131	1001256770.....289	1001263804.....95	1320265.....103, 123
1001254820.....261	1001256779.....301	1001263930.....80	1321296.....123
1001254861.....55	1001256780.....301	1001264263.....119	1321682.....109, 129
1001254888.....105, 125	1001256791.....301	1001264264.....119	1600387.....145, 151, 304
1001255001.....211	1001256793.....301	1001264269.....119	1671207.....271
1001255002.....223	1001256795.....301		1700818.....301
1001255003.....225	1001256865.....287, 289, 291, 293, 295, 297, 299		1701214.....301
1001255004.....217	1001256875.....17		1701505.....301
1001255005.....219			
1001255006.....213			
1001255007.....215			

SECTION 11 - SPECIAL OPTIONS/ACCESSORIES/KITS

1701542	301	2220473 ...	157, 189, 192, 196	3290806.....	163, 165	4360542	135, 137
1701640 ...	287, 289, 291, 293, 295, 297, 299	2220479	192, 196	3290807.....	55	4400281	139, 141
1701785	301	2220490	189	3291005....	17, 45, 47, 49, 51, 139, 141	4420051	49, 51, 301
1702720	301	2220501	187	3291006.....	163, 165	4420062	163
1703162	107, 127	2220504	189	3291007....	145, 148, 151, 154, 163	4420070	45, 47
1703464	211	2220582	192, 196	3291601.....	49, 51	4460019	242, 257
1703687 ...	287, 289, 291, 293, 295, 297, 299	2220596	192, 196	3292002.....	163	4460027	135, 137
1703816	287	2220654	196	3300048....	211, 213, 215, 217, 219, 221, 223, 225	4460071 ...	211, 213, 215, 217, 219, 221, 223, 225
1703818	287	2220775	196	3300106.....	57, 59, 61	4460138	211
1703819 ...	171, 287, 289, 291, 293, 295, 297, 299	2220828	192, 196	3300408.....	71	4460142	237
1703821	287	2220865	55	3301106.....	71	4460144	234
1703822 ...	287, 289, 291, 293, 295, 297, 299	2220881	37	3311501.....	80	4460183	234, 269
1704271	301	2220883 27, 37, 177, 192, 196		3311502.....	80	4460190	135, 137
1704277 ...	287, 289, 291, 293, 295, 297, 299	2220885	37, 177, 192	3311605.....	139, 141	4460227	233
1704412 ...	287, 289, 291, 293, 295, 297, 299	2220886	27, 37, 177	3311801.....	23	4460247	237
1704684	295	2220888	27	3321402.....	148, 154	4460259	234
1704687	295	2220940	192, 196	3331211.....	49, 51	4460260	234
1704690	301	2220947	55, 192, 196	3331611.....	23, 139, 141	4460265	269
1704691	299	2220998	192, 196	3422592.....	13, 15	4460267	269
1704694	299	2221040	192, 196	3422744.....	165	4460268	234
1704697	301	2221086	187, 192, 196	3422938.....	145, 151	4460294	255
1704698	301	2221116	17	3422943.....	145, 151	4460315 ...	211, 213, 215, 217, 219, 221, 223
1704699	291	2400044	71	3423151.....	148, 154	4460346	271
1704702	291	2400066	234	3431622.....	21	4460418	234
1704972	301	2420203	135, 137	3450303.....	171	4460419	234
1705040	295	2460051	135, 137	3450304.....	148, 154	4460424	234
1705041	299	2540045	161	3450405.....	148, 154	4460464	77, 227, 233, 234, 237, 238, 241, 242, 245, 247, 249, 251, 257, 259, 263, 267, 269, 283
1705043	291	2560088	165	3450608.....	21	4460465 .55, 85, 87, 227, 233, 234, 237, 241, 247, 249, 251, 253, 255, 257, 259, 263, 267	
1705194	293	2560176	165	3520026.....	73	4460466 ...	233, 234, 237, 238, 241, 245, 251, 255, 257, 259, 263, 267, 269
1705195	293	2600216	80	3520028.....	135, 137	4460467	306
1705325	213	2600253	165	3520072.....	165	4460493	227
1705670	289	2600285	165	3537609.....	165	4460497	269
1705671	289	2720015	103	3580324.....	135, 137	4460510	306
1705673	289	2720058	103	3740080.....	245, 304	4460518	255, 259
1705695	287, 293	2720271	103	3760493.....	154	4460536	245
1705944	293	2780267	23, 29	3760509.....	148, 154	4460539 ...	234, 237, 241, 251
1706059	301	2860030	73, 304	3841258.....	13, 15, 17	4460608	241
1706060	301	2900770	37	3900394.....	163	4460662 ...	217, 219, 221, 271
1706061	301	2902431	211, 271	3960526.....	23	4460752	259
1706063	301	2940074	165	4010308.....	85, 87, 89	4460754 ...	233, 247, 249, 263, 267
1706064	301	2940127	165	4010403.....	71	4460761	233, 255
1706098	301	3020022	145, 151	4010405002.....	171	4460805	135, 137
2080057 ...	287, 289, 291, 293, 295, 297, 299	3020029	151	4010408....	211, 213, 215, 217, 219, 221, 223	4460836	255
2110808	192, 196	3160348	23, 27	4010414.....	171	4460871	233, 234, 269
2110810	196	3251243	135, 137	4010615.....	15, 17, 71	4460872	233
2110812	192	3252507 ...	215, 217, 219, 221, 223, 225	4010618.....	165	4460873	234, 269
2130808	192, 196	3290305	85, 87, 89	4031510.....	171	4460874	233
2130810	192, 196	3290405 ...	145, 151, 171, 211, 213, 215, 217, 219, 221, 223	4031511.....	145, 151	4460875	233
2170108	192, 196	3290406	171	4031707.....	157	4460876	234
2170208	196	3290505	80	4031908.....	115	4460878	234
2180387	139, 141	3290506	165	4031920.....	49, 51	4460884 ...	227, 233, 259, 283
2180389	139, 141	3290601	135, 137	4031924.....	17		
2180418	139, 141	3290605 ...	65, 67, 71, 75, 77, 80, 161, 163, 213, 215, 217, 219, 221, 287, 289, 291, 293, 295, 297, 299	4060802.....	73		
2220290	139, 141	3290606 ...	148, 154, 165, 211, 213, 215, 217, 219, 221, 223, 261, 265	4160214.....	171		
2220371	187, 192, 196	3290801	80	4240017 49, 51, 211, 213, 215, 217, 219, 221, 223, 225			
2220372	145, 151, 192	3290805	145, 151, 163	4240018....	145, 148, 151, 154, 192, 196, 261, 265		
2220375	192, 196			4360387.....	73, 304		
2220415	187, 192, 196			4360436.....	103, 123		
2220466	187, 189, 192			4360469.....	73, 304		
2220472	189, 192, 196			4360475.....	73, 171, 304		
				4360524.....	73, 304		

SECTION 11 - SPECIAL OPTIONS/ACCESSORIES/KITS

4460887.....234	4811400... 145, 151, 171, 211, 213, 215, 217, 219, 221, 223	7000079727	70006579.....55
4460891..55, 85, 87, 227, 233, 237, 241, 251, 253, 257, 267	4811600..... 80, 125, 165	7000111941	70006666.....99
4460892.....233, 251	4811602..... 165	70001250 173	70006786.....69
4460894.....233, 251	4811700... 15, 17, 65, 67, 71, 75, 77, 80, 145, 148, 151, 154, 161, 163, 165, 171, 211, 213, 215, 217, 219, 221, 223, 287, 289, 291, 293, 295, 297, 299	70001251 173	70007021..... 103, 304
4460897.....77, 233, 237, 242, 257	4811900... 13, 15, 17, 49, 83, 95, 115, 163, 165, 192, 196	70001252 173	70007035..... 83, 304
4460905.....233, 234, 269	4811902. 51, 55, 80, 107, 127, 145, 151, 165	70001253 173	70007141.....304
4460906.....245	4812000... 17, 23, 25, 49, 51, 65, 67, 135, 137, 139, 141, 145, 151, 163, 165	70001349 29	7000731.....30
4460911.....251, 269	4812002... 45, 47, 65, 67, 80, 93	70001365 13, 15, 17	70007310.....97
4460917.....255	4812100 49, 51	7000136841	70007314.....97
4460918.....259, 269	4846181 165	70001965 49, 51, 304	70007315.....97, 117
4460928.....234, 259	4891600 95, 115	7000206 29	70007316.....97, 117
4460929.....255	4891800 23	7000208541	70007448.....157
4460930.....233	5241000. 13, 15, 95, 103, 115, 135, 137	7000229 29	70007506.....173
4460931.....227	5241200 13, 15, 17	7000230 29	70007607.....183
4460932.....283	5241600... 23, 25, 49, 51, 139, 141	7000231699	70007608.....183
4460933...233, 251, 255, 259	5250508 105, 125	7000231799	70007609.....183
4460941.....238, 241	5250605 95, 115	70002318 99, 119	70007610.....183
4460942.....237, 241	5250608... 107, 109, 123, 127, 129	7000232 29	70007642.....97, 117
4460943...234, 238, 241, 259, 263, 267, 269	5250611 107, 123, 127	70002326 99, 119	70007643.....97, 117
4460944...227, 233, 234, 237, 255, 263, 267, 283	5250612 123	7000232799	70007644.....97, 117
4460945.....237	5250808 103, 123	70002386 69, 157	70007645.....97, 117
4460950.....237, 241, 251	5250810 93, 107, 111, 113, 127, 131, 133	7000241999	70007646.....97, 117
4460956.....229	5250812 43, 115, 131	7000246 29	70007647.....97, 117
4460957.....229	5250813 111	700024829	70007648.....97, 117
4460961.....135, 137	5250814 131	7000253 29	70007649.....97, 117
4460968.....213, 215	5250815 95, 107, 115, 127	7000255499	70007650.....117
4460970...251, 263, 267	5250816 115	7000257 29	70007651.....117
4460993.....55	5250818 115	7000258 29	70007652.....117
4460994.....55, 257	5250821 95, 113, 133	7000261 29	70007653.....117
4461008.....241	5251224 93	7000262 29	70007654.....117
4461016.....269	5260600 55, 103, 105, 107, 109, 123, 125, 127, 129	700026329	70007655.....117
4461054.....241	5260800 95, 105, 107, 111, 113, 115, 125, 127, 131, 133, 135, 137	70002963 19	70007656.....117
4461070.....233	5261000... 103, 107, 127, 135, 137	7000298941	70007657.....117
4461095.....234	5261200 93, 135, 137	7000299041	70007658.....97, 117
4461118.....241	70000082 173	7000299141	70007659.....97, 117
4461196.....273	70000084 173	7000299241	70007660.....97
4461198.....273	70000683 173	7000299341	70007661.....97
4461199.....275	70000684 173	7000299441	70007662.....97
4461201.....275	70000685 173	7000299541	70007663.....97
4461205.....277, 279	70000686 173	7000299641	70007664.....97
4461244.....277		7000299741	70007665.....97
4461245.....279		7000299841	70007678.....177
4461246.....281		7000299941	70007679.....177
4461249.....281		7000300041	70007709.....179
4461271.....234		7000306099	70007710.....179
4461290.....234		7000306499	70007711.....179
4640858.....177		7000378969	70007712.....179
4641122.....57, 59, 61		7000404241	70007713.....181
4711400.....148, 154		70004294119	70007714.....181
4711500.....80		70004311 99, 119	70007715.....181
4711700.....135, 137		7000439899	70007716.....181
4712600.....21		7000440099	70007760.....53
4740229.....13, 15, 17		70004524 99, 119	70007761.....53
4740480.....148, 154		7000522099	70007762.....53
4740531.....148, 154		70005728 119	70007763.....69
4751300.....71		70005733 119	70007764.....69
4751500.....148, 154		70005734 119	70007765.....69
4751600.....139, 141		70005735 119	70007766.....69
4761800.....39		70005736 119	70007767.....69
		70005739 119	70007768.....69
		70005740 119	70007769.....69
		70005743 119	70007770.....69
		70005744 119	70007771.....69
		7000609937	70007772.....69
		7000657655	70007773.....69
		7000657755	70007775.....19
		7000657855	70007776.....19

SECTION 11 - SPECIAL OPTIONS/ACCESSORIES/KITS

70007777 19	7007437 27	7020190..... 135, 137	7024705 29
70007778 19	7007438 27	7020193..... 135, 137	7024712 29
700077799 19	7007439 27	7021249..... 27	7024713 29
70007780 19	7007446 27	7021275..... 27	7024714 29
70008088 119	7007601 29	7021276..... 27	7024715 29
70008089 119	7007640 29, 41	7021277..... 27	7024716 29
70008114 39	7010429 29	7022302..... 27	7024717 29
70008144 41	7010543 69	7022305..... 27	7024718 30
70008147 41	7010545 19	7022310..... 27	7024726 41
70008148 41	7011346 37	7022311..... 27	7024738 41
70008149 41	7012513 135, 137	7022312..... 27	7024741 41
70008150 41	7012514 135, 137	7022314..... 27	7024854 27
70008151 41	7012558 135, 137	7022326..... 27	7024868 27
70008152 41	7012925 69	7022328..... 27	7026016 37
70008153 41	7012941 69	7022368..... 27	7026199 135, 137
70008154 41	7012972 19	7022371..... 27	7027365 173
70008155 41	7015004 109, 129, 304	7022372..... 27	7027367 173
70008156 41	7016654 306	7023124..... 99	7027628 13, 15, 17
70008157 41	7017022 41	7023141..... 99	7027765 173
70008158 41	7017059 29	7023144..... 99	7027766 173
70008347 37	7017067 29	7023148..... 99	7027887 135, 137
70008348 37	7017070 29	7023149..... 99	80630 103, 123
70008350 37	7017080 29	7023164..... 99	80633030 192, 196
70008352 37	7017402 69	7023170..... 99, 119	8220029 241
70008394 99	7017901 99	7023907 27	8220045 242
70008395 99	7017922 99	7023908..... 27	8220051 269
70008619 37	7017955 99, 119	7023910..... 27	8220111 237, 245
70008620 37	7019680 135, 137	7024108..... 41	8220164 234, 237
70008621 37	7020033 33	7024134..... 41	8229242 234, 304
7001626 183	7020035 33	7024182..... 29, 30	8229244 234, 304
7001630 183	7020036 33	7024189..... 30	8310441 123
7001913 41	7020037 33	7024190..... 30	8310623 107, 111, 127
7001998 29	7020038 33	7024191..... 30	83451104 192, 196
7002821 306	7020039 33	7024192..... 30	8405009 115
7002822 306	7020040 33	7024193..... 30	8405201 129
7002823 306	7020041 33	7024194..... 30	8406110 107, 127
7002828 306	7020108 135, 137	7024196..... 30	8769139 113, 133
70030103 19	7020109 135, 137	7024197..... 30	8770223 192, 196
7004275 306	7020110 135, 137	7024497..... 49, 51	H000071 19
7004276 306	7020111 135, 137	7024502.... 13, 15, 17, 49, 51	
70046028 . 287, 289, 291, 293, 295, 297, 299	7020175 73, 171	7024506..... 49, 51	
	7020176 73, 171		



**Corporate Office
JLG Industries, Inc.
1 JLG Drive
McConnellsburg, PA 17233-9533 USA**

☎ (717) 485-5161 (Corporate)
☎ (877) 554-5438 (Customer Support)
📠 (717) 485-6417

**Visit our website for JLG Worldwide Locations.
www.jlg.com**



OSHKOSH™