



Illustrated Parts Manual

Model
RT2669
RT3369

PVC
2110

P/N
31219166
March 1, 2024 - Rev D

ANSI

CE



UK
CA

AS/NZS



An Oshkosh Corporation Company

REVISION LOG

October 1, 2021 - A - Original Issue of Manual (Edited to 1001260260 Rev I & 1001260330 Rev J)

March 1, 2022 - B - Revised Manual (Edited to B/M 1001260260 Rev J & 1001260330 Rev K)

September 1, 2022 - C - Revised Manual (Edited to B/M 1001260260 Rev J & 1001260330 Rev K)

March 1, 2024 - D - Revised Manual (Edited to B/M 1001260260 Rev J & 1001260330 Rev K)

GENERAL INFORMATION



1) MACHINE IDENTIFICATION

Machines are identified by model and in some cases a combination of models, serial number (SN) or regional standard (i.e ANSI, CE, CSA). Components may also be identified by SN or manufacturer. Common components that may be identified by these characteristics are engines and hydraulic components.

2) PARTS MANUAL ORGANIZATION

Product information in this manual is organized under section titles. Frame, Cylinder, Hydraulic and Electrical are a few examples. Each section is organized by figure and page number. The information within the Figure is then organized by item number, part number, description and corresponding illustration (s).

3) TABLE OF CONTENTS (NOT SHOWN)

A table of contents is found toward the beginning of the manual. Figure number, description and page number are provided for quick reference to the page containing the related information.

4) RECOMMENDED SPARE PARTS (NOT SHOWN)

The Recommended Spare Parts List, located near the end of the manual, reference most frequently used maintenance parts.

5) PART NUMBER INDEX (NOT SHOWN)

A numerical index listing all part numbers and the corresponding page number(s) appears at the back of the manual.

GENERAL INFORMATION

6) NON-SERVICED PARTS

In some instances, it is necessary to display non-serviced parts, assemblies or installations. In the case of assemblies and installations there will be a Ref in the Qty. column. In case of parts that are not available for service within assemblies or components, there will be a NSS (Not Sold Separately) or NLA (No Longer Available) listed in the Qty. column of the manual.

7) PARTS LIST ITEM NUMBERS

Numbers shown in the item# column correspond to numbers used in the associated illustration (s). Item numbers which are missing from the sequence in the parts list are not used on that page.

8) INDENTED PARTS DESCRIPTION

An indented part description is included in the item under which it is indented.

9) ABBREVIATION AND SYMBOLS

AC.....	Alternating Current	L.....	Liter
ADE.....	Advanced Design Electronics	LB(LBS).....	Pounds
AG.....	Agricultural	LCD.....	Liquid Crystal Display
ANSI.....	American National Standards Institute	LED.....	Light Emitting Diodes
AR.....	As Required	LH.....	Left Hand
ASSY.....	Assembly	LRC.....	Low Rated Countries
AUS.....	Australia	LSS.....	Load Sensing System
AUX.....	Auxiliary	M(m).....	Metric/Meter
AWG.....	American Wire Gauge	MM(mm).....	Milimeter
B/M.....	Bill of Material	mA.....	Miliamps
CAC.....	Charge Air Cooler	NLA.....	No Longer Available
CE.....	European Conformity	NPT.....	National Pipe Threads
CCW.....	Counter Clockwise	NSS.....	Not Sold Separately
CM.....	Centimeter	OD.....	Outside Diameter
CW.....	Clockwise	ORB.....	O-Ring Boss
CSA.....	Canadian Standards Association	ORFS.....	O-Ring Face Seal
CYL.....	Cylinder	OZ (oz).....	Ounces
DIA.....	Diameter	PG.....	Page
DC.....	Direct Current	PN.....	Part Number
DEF.....	Diesel Exhaust Fluid	QT(qt.).....	Quarts
EMS.....	Emergency Stop	QTY.....	Quantity
ENG.....	Engine	REF.....	Reference
FT(ft).....	Feet	REV.....	Revision Level
GA(Ga).....	Gauge	RH.....	Right Hand
HRC.....	High Rated Countries	SAE.....	Society of Automotive Engineers
HVAC.....	Heating, Ventilating, and Air Conditioning	SN.....	Serial Number
HYD.....	Hydraulic	SPEC(S).....	Specifications
Hz.....	Hertz	T/T.....	Turntable
ID.....	Inside Diameter	UGM.....	Universal Ground Module
IN.....	inches	V.....	Volts
ISO.....	International Organization for Standards	W.....	Watts
JIC.....	Joint Industry Council	#.....	Number
KG.....	Kilogram		

10) ILLUSTRATION REFERENCE LETTERS

When necessary, illustrations may contain reference letters that are intended to track information (i. e. hoses, harnesses) from one point to another or to track visual enlargement of components to show details that may be located in another area on the illustration.

Note: Due to continuous product improvements, JLG Industries, Inc. reserves the right to make specification changes without prior notification. Contact JLG Industries, Inc. for updated information.

TABLE OF CONTENTS

SECTION 1 - FRAME.....	11
FIGURE 1-1. AXLE INSTALLATION - SINGLE OSCILLATING (WITHOUT SENSORS).....	12
FIGURE 1-2. AXLE INSTALLATION - SINGLE OSCILLATING (WITH SENSORS).....	14
FIGURE 1-3. AXLE INSTALLATION - DUAL OSCILLATING.....	16
FIGURE 1-4. VALVE ASSEMBLY - DUAL AXLE.....	18
FIGURE 1-5. STEERING INSTALLATION.....	20
FIGURE 1-6. DRIVE INSTALLATION (2WD).....	22
FIGURE 1-7. DRIVE INSTALLATION (4WD).....	24
FIGURE 1-8. DRIVE MOTOR ASSEMBLY (2WD).....	26
FIGURE 1-9. DRIVE HUB AND BRAKE ASSEMBLY (2WD REAR).....	28
FIGURE 1-10. HUB/SPINDLE ASSEMBLY (2WD FRONT).....	32
FIGURE 1-11. VALVE ASSEMBLY - TRACTION (2WD).....	34
FIGURE 1-12. VALVE ASSEMBLY- TRACTION (4WD).....	36
FIGURE 1-13. DRIVE ASSEMBLY (4WD).....	38
FIGURE 1-14. DRIVE HUB AND BRAKE ASSEMBLY (4WD).....	40
FIGURE 1-15. FRAME COVERS INSTALLATION.....	42
FIGURE 1-16. LADDER INSTALLATION (RT2669).....	44
FIGURE 1-17. LADDER INSTALLATION (RT3369).....	46
FIGURE 1-18. LEVELING JACKS INSTALLATION - PARTIAL COVERS.....	48
FIGURE 1-19. LEVELING JACKS INSTALLATION - FULL COVERS.....	50
FIGURE 1-20. LEVELING JACKS VALVE ASSEMBLY.....	52
FIGURE 1-21. ONBOARD GENERATOR INSTALLATION - SINGLE OSCILLATING AXLE (RT3369).....	54
FIGURE 1-22. ONBOARD GENERATOR INSTALLATION - DUAL OSCILLATING AXLE (RT3369).....	56
FIGURE 1-23. ONBOARD GENERATOR INSTALLATION - TRAY ONLY - SINGLE OSCILLATING AXLE (RT3369).....	58
FIGURE 1-24. ONBOARD GENERATOR INSTALLATION - TRAY ONLY - DUAL OSCILLATING AXLE (RT3369).....	60
FIGURE 1-25. ONBOARD GENERATOR ASSEMBLY.....	62
FIGURE 1-26. OIL COOLER INSTALLATION.....	66
FIGURE 1-27. TIRE AND WHEEL INSTALLATION - FOAM-FILLIED.....	68
FIGURE 1-28. TIRE AND WHEEL INSTALLATION - FOAM-FILLIED NON-MARKING.....	70
FIGURE 1-29. TIRE AND WHEEL INSTALLATION - FOAM-FILLIED TURF NON-MARKING.....	72
SECTION 2 - GROUND CONTROLS.....	75
FIGURE 2-1. HYDRAULIC COMPONENTS INSTALLATION - DIESEL.....	76
FIGURE 2-2. HYDRAULIC COMPONENTS INSTALLATION - DUAL FUEL.....	78
FIGURE 2-3. VALVE ASSEMBLY - MAIN CONTROL.....	80
FIGURE 2-4. ELECTRICAL COMPONENTS INSTALLATION.....	82
FIGURE 2-5. GROUND CONTROL ASSEMBLY.....	84
FIGURE 2-6. ALARM INSTALLATION (HORN).....	86
FIGURE 2-7. ALARM INSTALLATION (WHITE NOISE).....	88
FIGURE 2-8. HOODS INSTALLATION.....	90
FIGURE 2-9. HYDRAULIC TANK ASSEMBLY.....	94
FIGURE 2-10. STROBE LIGHT INSTALLATION - SINGLE.....	96
FIGURE 2-11. STROBE LIGHT INSTALLATION - DUAL.....	98
FIGURE 2-12. NO BEACON (COVERS).....	100

TABLE OF CONTENTS

SECTION 3 - ENGINE	103
FIGURE 3-1. ENGINE MOUNTING INSTALLATION	104
FIGURE 3-2. ENGINE AND PUMP ASSEMBLY - DIESEL	106
FIGURE 3-3. PUMP ASSEMBLY - DIESEL	108
FIGURE 3-4. ENGINE COMPONENTS - DIESEL	110
FIGURE 3-5. COUPLING ASSEMBLY - ENGINE PUMP (DIESEL)	112
FIGURE 3-6. ENGINE FUEL LINES INSTALLATION - DIESEL	114
FIGURE 3-7. ENGINE ELECTRICAL INSTALLATION - DIESEL	116
FIGURE 3-8. ENGINE COOLING SYSTEM INSTALLATION - DIESEL	118
FIGURE 3-9. AIR INTAKE INSTALLATION - DIESEL	120
FIGURE 3-10. EXHAUST INSTALLATION - DIESEL	122
FIGURE 3-11. OIL FILTER INSTALLATION - REMOTE - DIESEL	124
FIGURE 3-12. ENGINE AND PUMP ASSEMBLY - DUAL FUEL	126
FIGURE 3-13. PUMP ASSEMBLY - DUAL FUEL	128
FIGURE 3-14. ENGINE COMPONENTS - DUAL FUEL	130
FIGURE 3-15. COUPLING ASSEMBLY - ENGINE PUMP (DUAL FUEL)	132
FIGURE 3-16. ENGINE FUEL LINES INSTALLATION - DUAL FUEL	134
FIGURE 3-17. ENGINE ELECTRICAL INSTALLATION - DUAL FUEL	136
FIGURE 3-18. ENGINE COOLING SYSTEM INSTALLATION - DUAL FUEL	138
FIGURE 3-19. AIR INTAKE INSTALLATION - DUAL FUEL	140
FIGURE 3-20. EXHAUST INSTALLATION - DUAL FUEL	142
FIGURE 3-21. OIL FILTER INSTALLATION - REMOTE - DUAL FUEL	144
FIGURE 3-22. GENERATOR INSTALLATION - 2500W/50HZ (DIESEL MACHINES)	146
FIGURE 3-23. GENERATOR INSTALLATION - 2500W/60HZ (DIESEL MACHINES)	148
FIGURE 3-24. GENERATOR INSTALLATION - 2500W/60HZ (DUAL FUEL MACHINES)	150
FIGURE 3-25. LP TANK BRACKETS INSTALLATION (SINGLE TANK)	152
FIGURE 3-26. LP TANK BRACKETS INSTALLATION (DUAL TANKS)	154
SECTION 4 - SCISSORS ARMS	157
FIGURE 4-1. ARMS INSTALLATION (RT2669)	158
FIGURE 4-2. ARMS ASSEMBLY (RT2669)	160
FIGURE 4-3. ARMS INSTALLATION (RT3369)	164
FIGURE 4-4. ARMS ASSEMBLY (RT3369)	166
FIGURE 4-5. CYLINDER & LIFT DOWN VALVE ASSEMBLY	170
SECTION 5 - PLATFORM	173
FIGURE 5-1. PLATFORM INSTALLATION	174
FIGURE 5-2. PLATFORM EXTENSION INSTALLATION (SINGLE)	176
FIGURE 5-3. PLATFORM RAILS INSTALLATION (SINGLE EXTENSION)	178
FIGURE 5-4. PLATFORM CONTROL BOX INSTALLATION - SIDE MOUNT	182
FIGURE 5-5. PLATFORM CONTROL BOX INSTALLATION	184
FIGURE 5-6. CONTROLLER ASSEMBLY	186
FIGURE 5-7. WORKSTATION INSTALLATION	188
SECTION 6 - CYLINDER	191
FIGURE 6-1. AXLE LOCKOUT CYLINDER ASSEMBLY	192

TABLE OF CONTENTS

FIGURE 6-2. CYLINDER ASSEMBLY - LEVELING JACKS	194
FIGURE 6-3. LIFT CYLINDER ASSEMBLY	196
FIGURE 6-4. STEER CYLINDER ASSEMBLY.....	198
SECTION 7 - HYDRAULIC	201
FIGURE 7-1. HYDRAULIC DIAGRAM - AXLE (DUAL OSCILLATING).....	202
FIGURE 7-2. HYDRAULIC DIAGRAM - LEVELING JACKS	204
FIGURE 7-3. HYDRAULIC DIAGRAM - STANDARD (2WD)	206
FIGURE 7-4. HYDRAULIC DIAGRAM - STANDARD (4WD)	210
SECTION 8 - ELECTRICAL	215
FIGURE 8-1. RT2669 & RT3369 ELECTRICAL LAYOUT.....	216
FIGURE 8-2. AC BOX AT PLATFORM INSTALLATION - 110V GFI (ALL SPECS EXCEPT AUSTRALIAN, CE & UK CA SPECS)	226
FIGURE 8-3. AC BOX AT PLATFORM INSTALLATION - 110V IEC YELLOW (CE & UK CA SPECS)	228
FIGURE 8-4. AC BOX AT PLATFORM INSTALLATION - 220V IEC BLUE (CE & UK CA SPECS)	230
FIGURE 8-5. AC BOX AT PLATFORM INSTALLATION - 220V CEE7 POST GROUND (CE & UK CA SPECS).....	232
FIGURE 8-6. AC BOX AT PLATFORM INSTALLATION - 220V CEE7 SIDE GROUND (CE & UK CA SPECS)	234
FIGURE 8-7. AC BOX AT PLATFORM INSTALLATION - 220V AFSINT 107 (CE & UK CA SPECS)	236
FIGURE 8-8. AC BOX AT PLATFORM INSTALLATION - 220V CUSTOMER SUPPLIED PLUG & RECEPTACLE (ALL SPECS EXCEPT AUSTRALIAN & CE & UK CA SPECS).....	238
FIGURE 8-9. AC BOX AT PLATFORM INSTALLATION - 220V CUSTOMER SUPPLIED COMPONENTS (ALL SPECS)	240
FIGURE 8-10. AXLE HARNESS - REAR OSCILLATING.....	242
FIGURE 8-11. BREAKER BOX KIT - 1 DOUBLE BREAKER (CE & UK CA SPECS)	244
FIGURE 8-12. BREAKER BOX KIT - 1 DOUBLE & 1 SINGLE BREAKER (CE & UK CA SPECS).....	246
FIGURE 8-13. CHASSIS HARNESS	248
FIGURE 8-14. ENGINE HARNESS - DIESEL	252
FIGURE 8-15. ENGINE HARNESS - DUAL FUEL	256
FIGURE 8-16. GENERATOR HARNESS	260
FIGURE 8-17. GROUND TO PLATFORM HARNESS (RT2669)	262
FIGURE 8-18. GROUND TO PLATFORM HARNESS (RT3369)	264
FIGURE 8-19. LEVELING JACK HARNESS	266
FIGURE 8-20. LIFT DOWN HARNESS	268
FIGURE 8-21. LSS HARNESS.....	270
FIGURE 8-22. ONBOARD GENERATOR CABLE.....	272
FIGURE 8-23. OIL COOLER HARNESS.....	274
FIGURE 8-24. PLATFORM HARNESS	276
FIGURE 8-25. PLATFORM CABLE INSTALLATION – WITHOUT FOOTSWITCH	278
FIGURE 8-26. PLATFORM CABLE HARNESS – WITHOUT FOOTSWITCH	280
FIGURE 8-27. PLATFORM CABLE INSTALLATION – WITH FOOTSWITCH	282
FIGURE 8-28. PLATFORM CABLE HARNESS – WITH FOOTSWITCH.....	284
FIGURE 8-29. PLATFORM CONTROL BOX HARNESS	286
FIGURE 8-30. RECEPTACLE BOX KIT - 110V GFI.....	288
FIGURE 8-31. RECEPTACLE BOX KIT - 110V IEC YELLOW (CE & UK CA SPECS)	290
FIGURE 8-32. RECEPTACLE BOX KIT - 220V IEC BLUE (CE & UK CA SPECS).....	292

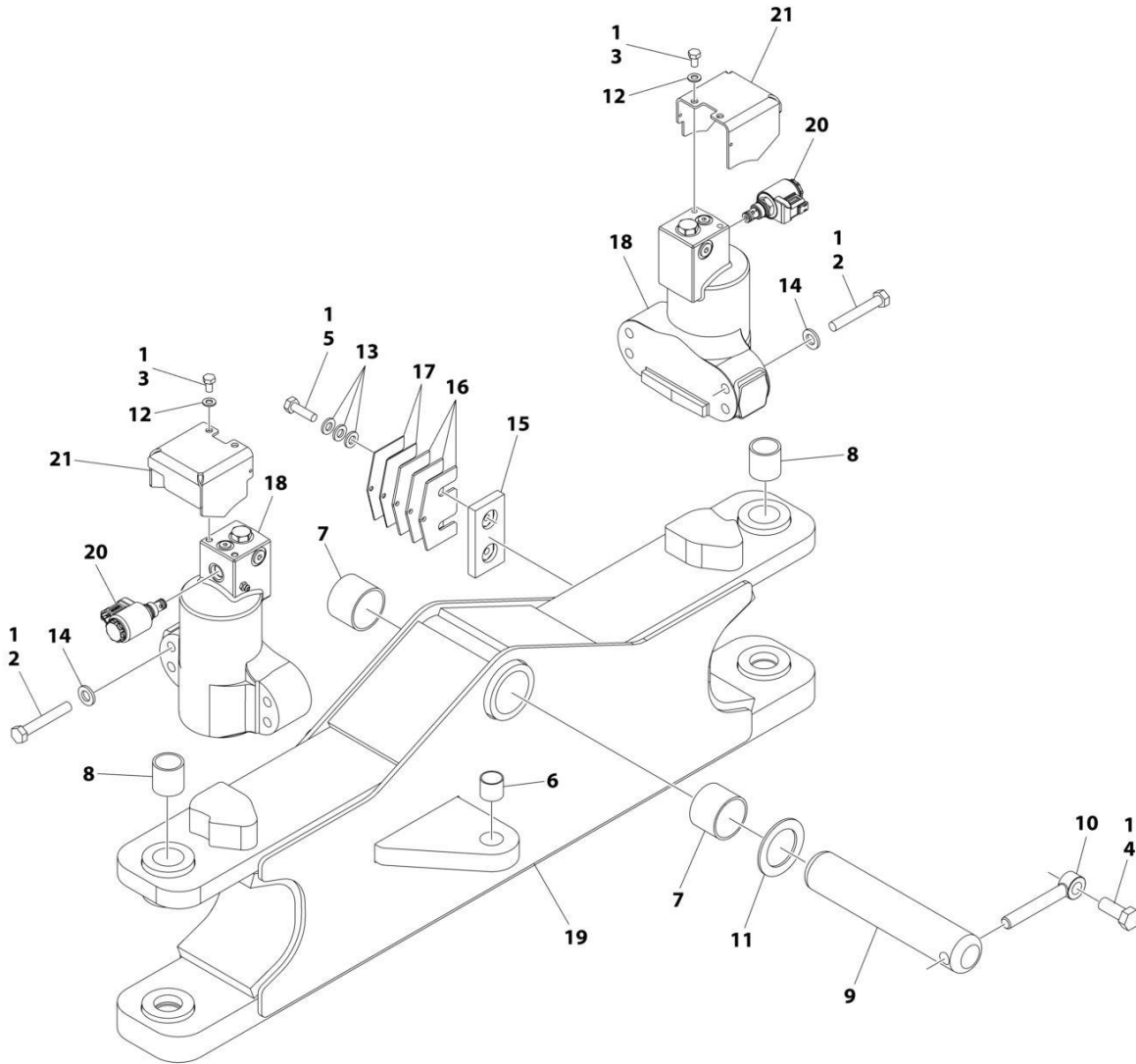
TABLE OF CONTENTS

FIGURE 8-33. RECEPTACLE BOX KIT - 220V CEE7 POST GROUND (CE & UK CA SPECS)	294
FIGURE 8-34. RECEPTACLE BOX KIT - 220V CEE7 SIDE GROUND (CE & UK CA SPECS).....	296
FIGURE 8-35. RECEPTACLE BOX KIT - 220V AFSINT 107 (CE & UK CA SPECS).....	298
FIGURE 8-36. TILT SENSOR HARNESS.....	300
SECTION 9 - DECALS	303
FIGURE 9-1. DECAL INSTALLATION - ANSI SPECS (ENGLISH LANGUAGE).....	304
FIGURE 9-2. DECAL INSTALLATION - AUSTRALIAN,CE & UK CA SPECS (ENGLISH LANGUAGE)	306
FIGURE 9-3. DECAL INSTALLATION - BRAZIL SPECS (SPANISH/PORTUGUESE LANGUAGES)	308
FIGURE 9-4. DECAL INSTALLATION - CHINA SPECS (ENGLISH/CHINESE LANGUAGES).....	310
FIGURE 9-5. DECAL INSTALLATION - CSA SPECS (ENGLISH/FRENCH LANGUAGES)	312
FIGURE 9-6. DECAL INSTALLATION - KOREAN SPECS (ENGLISH/KOREAN LANGUAGES)	314
FIGURE 9-7. DECAL INSTALLATION - LATIN AMERICAN SPECS (ENGLISH/KSPANISH LANGUAGES).....	316
FIGURE 9-8. DECAL INSTALLATION - OPTIONS.....	318
SECTION 10 - RECOMMENDED SERVICE PARTS STOCK.....	321
FIGURE 10-1. RECOMMENDED SERVICE PARTS STOCK.....	322
SECTION 11 - SPECIAL OPTIONS/ACCESSORIES/KITS.....	323
FIGURE 11-1. SPECIAL OPTIONS/ACCESSORIES/KITS.....	324
PART NUMBER INDEX.....	325

SECTION 1 - FRAME

SECTION 1 - FRAME

FIGURE 1-1. AXLE INSTALLATION - SINGLE OSCILLATING (WITHOUT SENSORS)



ART_1001260485

SECTION 1 - FRAME

FIGURE 1-1. AXLE INSTALLATION - SINGLE OSCILLATING (WITHOUT SENSORS)

ITEM	PART NUMBER	QTY	DESCRIPTION	REV
	1001260485	Ref	AXLE INSTALLATION (WITHOUT SENSOR)	B
1	0100011	AR	Compound, Locking	
2	0711224	8	Bolt M12 x 80	
3	0760807	4	Bolt M8 x 14	
4	0761616	1	Bolt M16 x 40	
5	0771015	4	Bolt M10 x 35	
6	0961890	1	Bushing	
7	0961950	2	Bearing	
8	0962220	4	Bushing	
9	3422592	1	Pin	
10	3841258	1	Keeper, Rod	
11	4740229	1	Thrustwasher	
12	4811900	4	Washer M8	
13	5241000	AR	Washer M10	
14	5241200	8	Washer M12	
15	1001118511	2	Pad, Wear	
16	1001118518	AR	Shim 11Ga	
17	1001118519	AR	Shim 16Ga	
18	1001245046	2	Cylinder Assembly - Axle (See Separate Breakdown in CYLINDER Section)	
19	1001247019	1	Axle	
20	1001248196	2	Cartridge, Valve - Directional	
20	7024502	2	Seal Kit - 7001248196 Valve	
20	7027628	2	Coil	
20	70001365	2	Nut, Coil	
21	1001248834	2	Cover	

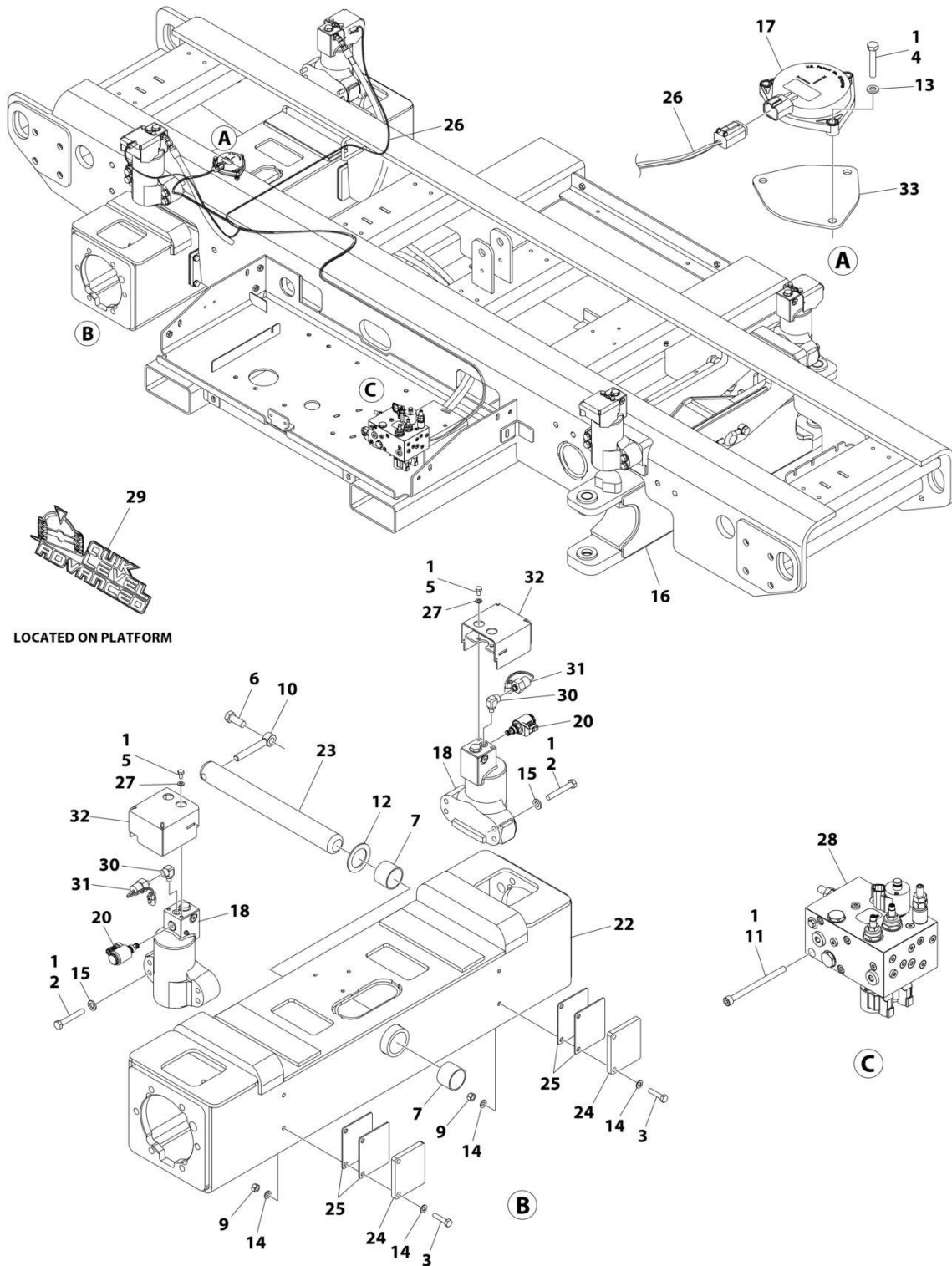
SECTION 1 - FRAME

FIGURE 1-2. AXLE INSTALLATION - SINGLE OSCILLATING (WITH SENSORS)

ITEM	PART NUMBER	QTY	DESCRIPTION	REV
	1001244391	Ref	AXLE INSTALLATION (WITH SENSOR)	D
1	0100011	AR	Compound, Locking	
2	0711224	8	Bolt M12 x 80	
3	0760614	3	Bolt M6 x 30	
3	4010615	3	Bolt M6 x 35	
4	0760807	4	Bolt M8 x 14	
5	0761616	1	Bolt M16 x 40	
6	0961890	1	Bushing	
7	0961950	2	Bearing	
8	0962220	4	Bushing	
10	3422592	1	Pin	
11	3841258	1	Keeper, Rod	
12	4740229	1	Thrustwasher	
13	4811700	3	Washer M6	
14	4811900	4	Washer M8	
15	5241200	8	Washer M12	
16	0771015	4	Bolt M10 x 35	
17	1001118511	2	Pad, Wear	
18	1001118518	AR	Shim 11Ga	
19	1001118519	AR	Shim 16Ga	
20	1001244934	1	Sensor, Tilt	
21	1001245046	2	Cylinder Assembly - Axle (See Separate Breakdown in CYLINDER Section)	
22	1001247019	1	Axle	
23	1001248196	2	Cartridge, Valve - Directional	
23	7024502	2	Seal Kit - 1001248196 Valve	
23	7027628	2	Coil	
23	70001365	2	Nut, Coil	
24	1001248834	2	Cover	
25	5241000	AR	Washer M10	
26	1001272777	1	Gasket	

SECTION 1 - FRAME

FIGURE 1-3. AXLE INSTALLATION - DUAL OSCILLATING



ART_1001247295

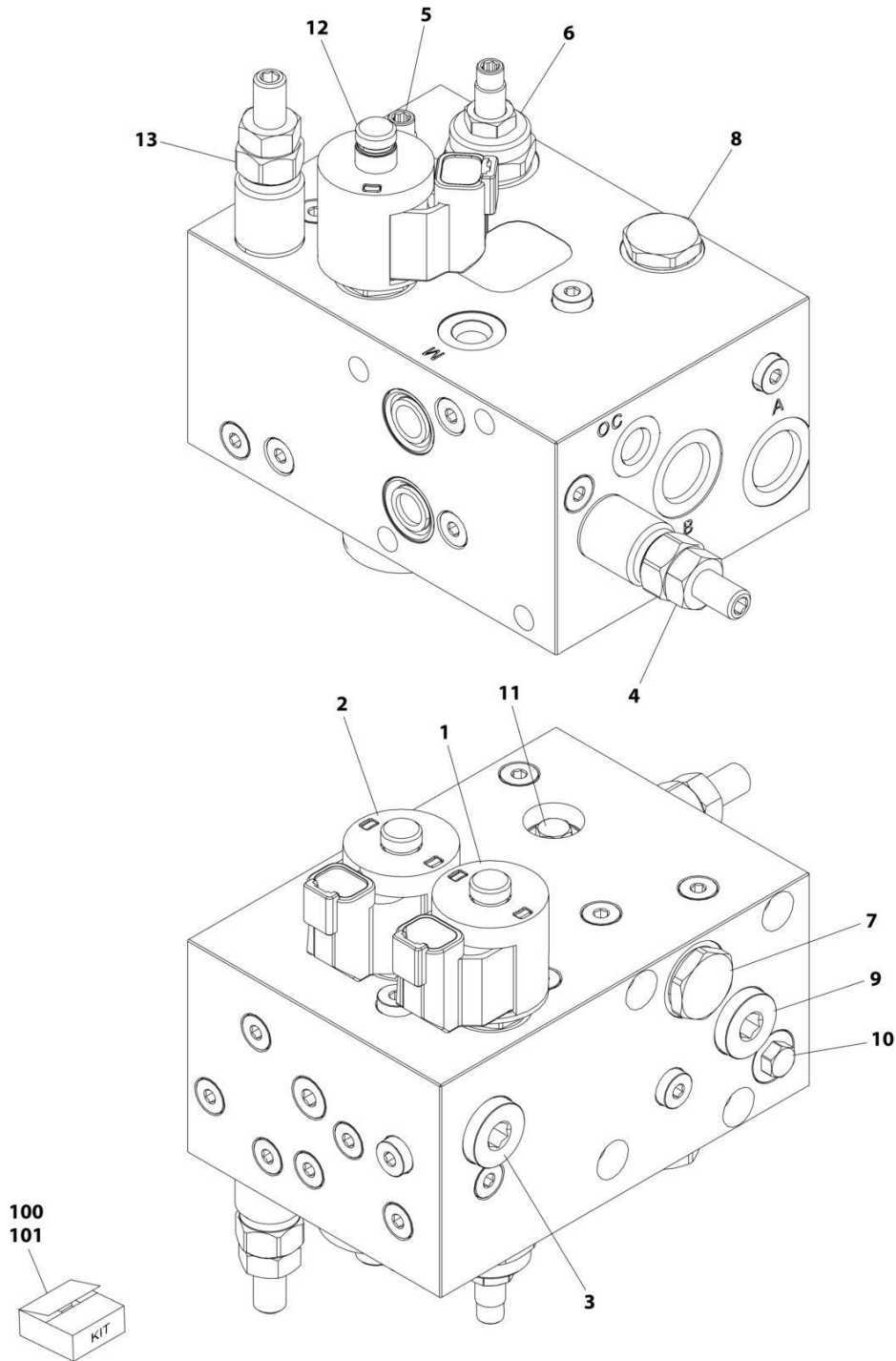
SECTION 1 - FRAME

FIGURE 1-3. AXLE INSTALLATION - DUAL OSCILLATING

ITEM	PART NUMBER	QTY	DESCRIPTION	REV
	1001247295	Ref	AXLE INSTALLATION - DUAL	G
1	0100011	AR	Compound, Locking	
2	0711224	8	Bolt M12 x 80	
3	0711017	4	Bolt M10 x 45	
4	4010615	3	Bolt M6 x 35	
5	0760807	4	Bolt M8 x 14	
6	0761616	1	Bolt M16 x 40	
7	0961950	2	Bearing	
9	3291005	4	Nut M10	
10	3841258	1	Keeper, Rod	
11	4031924	4	Capscrew M8 x 110	
12	4740229	1	Thrustwasher	
13	4811700	3	Washer M6	
14	4812000	8	Washer M10	
15	5241200	8	Washer M12	
16	1001244391	1	Axle Installation - Front (See Separate Breakdown in this Section)	
17	1001244934	1	Sensor, Tilt	
18	1001245046	2	Cylinder Assembly - Axle (See Separate Breakdown in CYLINDER Section)	
19	1001246104	Ref	Hydraulic Diagram - Axle (Not Shown - See Separate Breakdown in HYDRAULIC Section)	
20	1001248196	2	Cartridge, Valve - Directional	
20	7024502	2	Seal Kit - 1001248196 Valve	
20	7027628	2	Coil	
20	70001365	2	Nut, Coil	
22	1001250088	1	Axle (Rear)	
23	1001250089	1	Pin	
24	1001250090	2	Shim 0.5	
25	1001250091	AR	Shim 11Ga	
26	1001249282	1	Harness, Axle (Rear Oscillating) (See Separate Breakdown in ELECTRICAL Section)	
27	4811900	4	Washer M8	
28	1001247382	1	Valve Assembly (Dual Axles) (See Separate Breakdown in this Section)	
29	1001265585	2	Decal - Quick Level Access	
30	2221116	2	Fitting, 90 ORB	
31	1001256875	2	Switch, Pressure	
32	1001271580	2	Cover	
33	1001272777	1	Gasket	

SECTION 1 - FRAME

FIGURE 1-4. VALVE ASSEMBLY - DUAL AXLE



ART_1001247382

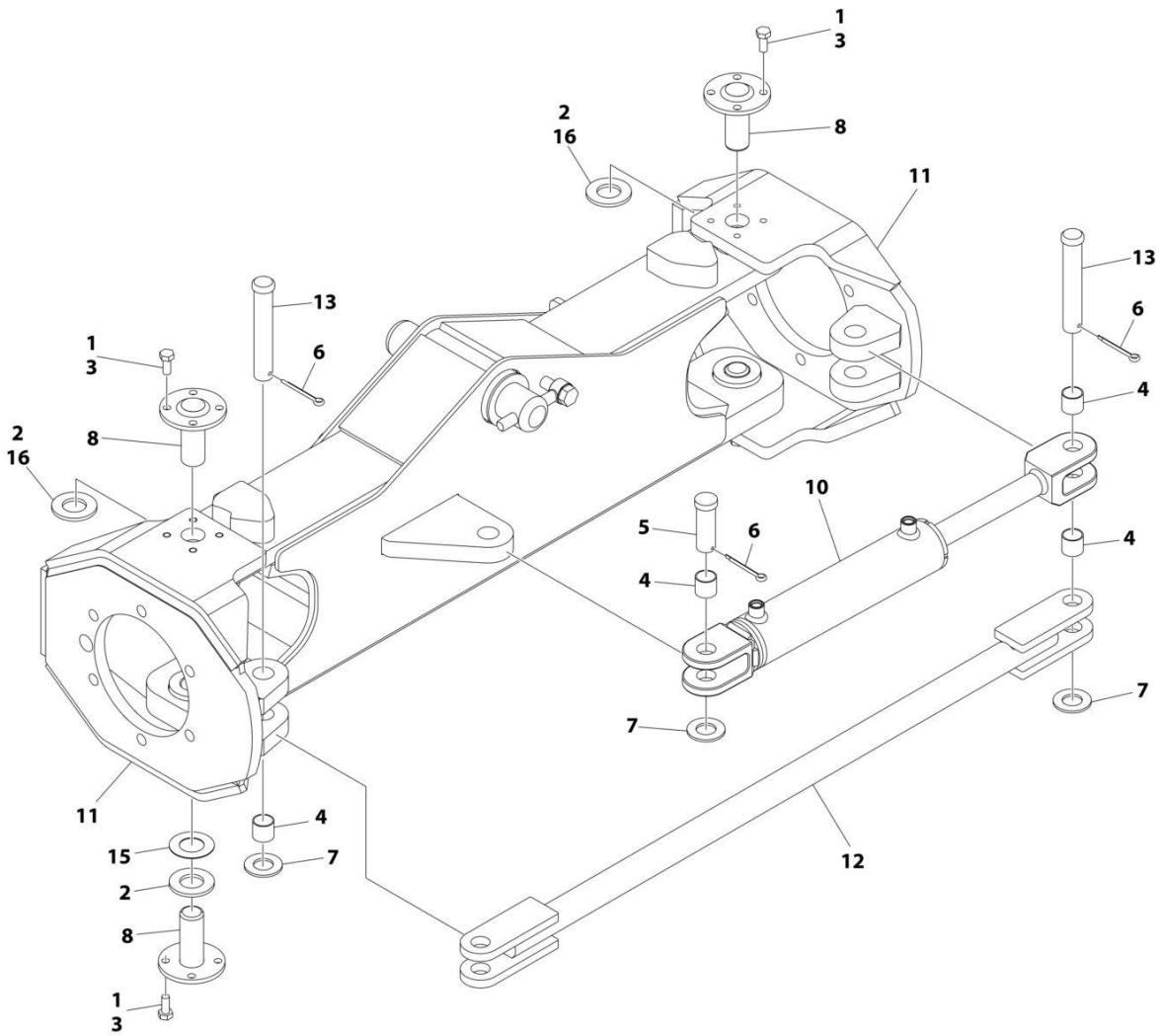
SECTION 1 - FRAME

FIGURE 1-4. VALVE ASSEMBLY - DUAL AXLE

ITEM	PART NUMBER	QTY	DESCRIPTION	REV
	1001247382	Ref	VALVE ASSEMBLY - DUAL AXLE	C
1	H000071	1	Cartridge, Solenoid Valve (Use Seal Kit 7012972)	
1	70002963	1	Coil	
2	H000071	1	Cartridge, Solenoid Valve (Use Seal Kit 7012972)	
2	70002963	1	Coil	
3	70007775	1	Cartridge, Shuttle Valve	
4	70007776	1	Cartridge, Relief Valve	
5	700077799	1	Cartridge, Flow Control Valve (Use Seal Kit 7010545)	
6	700077799	1	Cartridge, Flow Control Valve (Use Seal Kit 7010545)	
7	70030103	1	Cartridge, Check Valve	
8	70030103	1	Cartridge, Check Valve	
9	70007775	1	Cartridge, Shuttle Valve	
10	70007777	1	Cartridge, Check Valve	
11	70007777	1	Cartridge, Check Valve	
12	70007780	1	Cartridge, Solenoid Valve (Use Seal Kit 7012972)	
12	70002963	1	Coil	
13	70007778	1	Cartridge, Relief Valve	
100	7012972	1	Seal Kit (Use with Items 1, 2 & 12 Valves)	
101	7010545	1	Seal Kit (Use with Items 5 & 6 Valves)	

SECTION 1 - FRAME

FIGURE 1-5. STEERING INSTALLATION



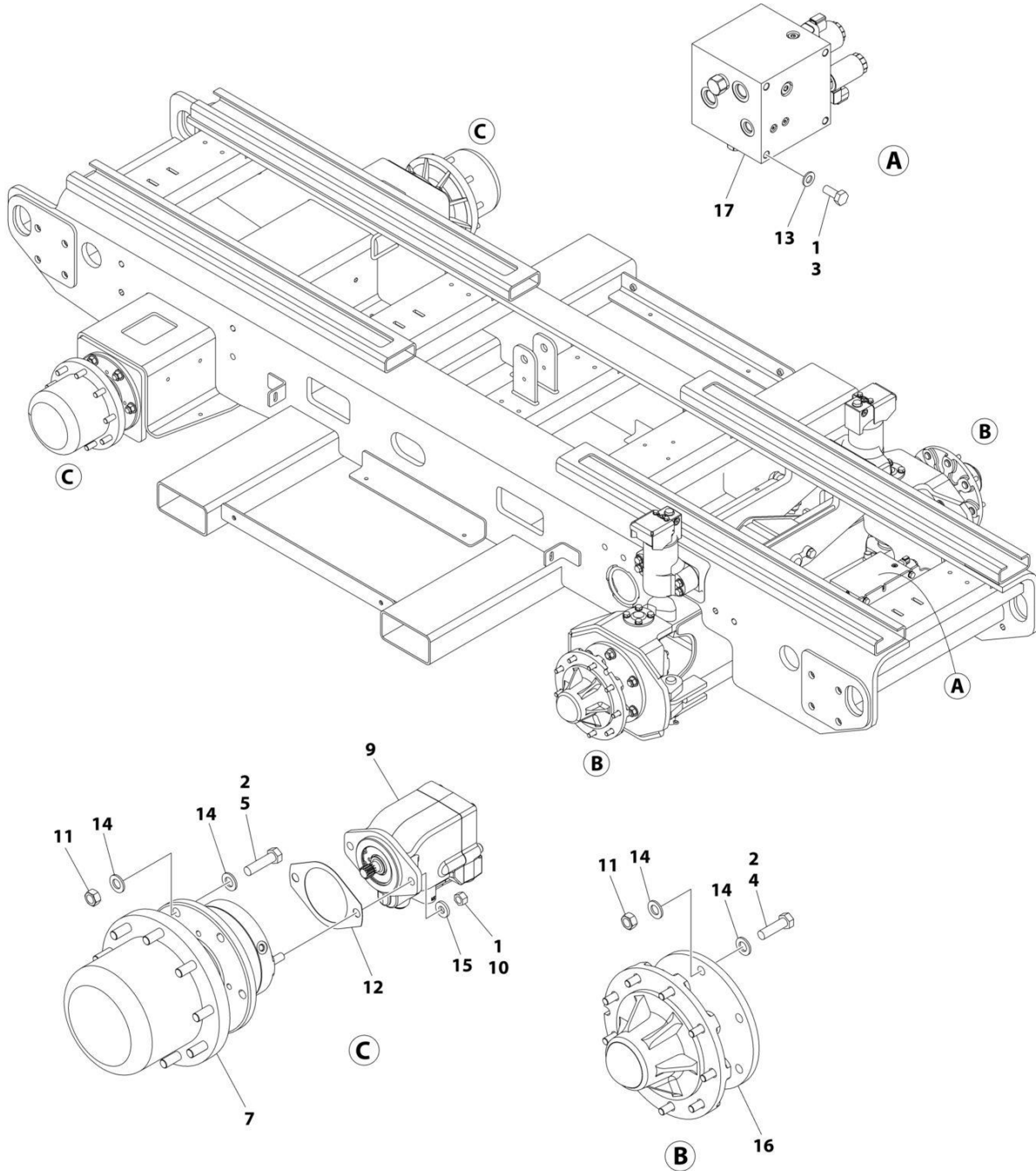
ART_1001244392

FIGURE 1-5. STEERING INSTALLATION

ITEM	PART NUMBER	QTY	DESCRIPTION	REV
	1001244392	Ref	STEERING INSTALLATION	D
1	0100011	AR	Compound, Locking	
2	0440237	2	Thrustwasher (3/16 Thickness)	
3	0761012	16	Bolt M10 x 25	
4	0961890	4	Bushing	
5	3431622	1	Pin	
6	3450608	3	Pin, Cotter	
7	4712600	3	Washer 1	
8	1001139141	4	Kingpin	
10	1001246107	1	Cylinder Assembly - Steer (See Separate Breakdown in CYLINDER Section)	
11	1001249297	2	Spindle	
12	1001249323	1	Tie-Rod	
13	1001255526	2	Pin	
15	1001151395	2	Shim	
16	0440162	2	Thrustwasher (1/8 Thickness)	

SECTION 1 - FRAME

FIGURE 1-6. DRIVE INSTALLATION (2WD)



ART_1001248300

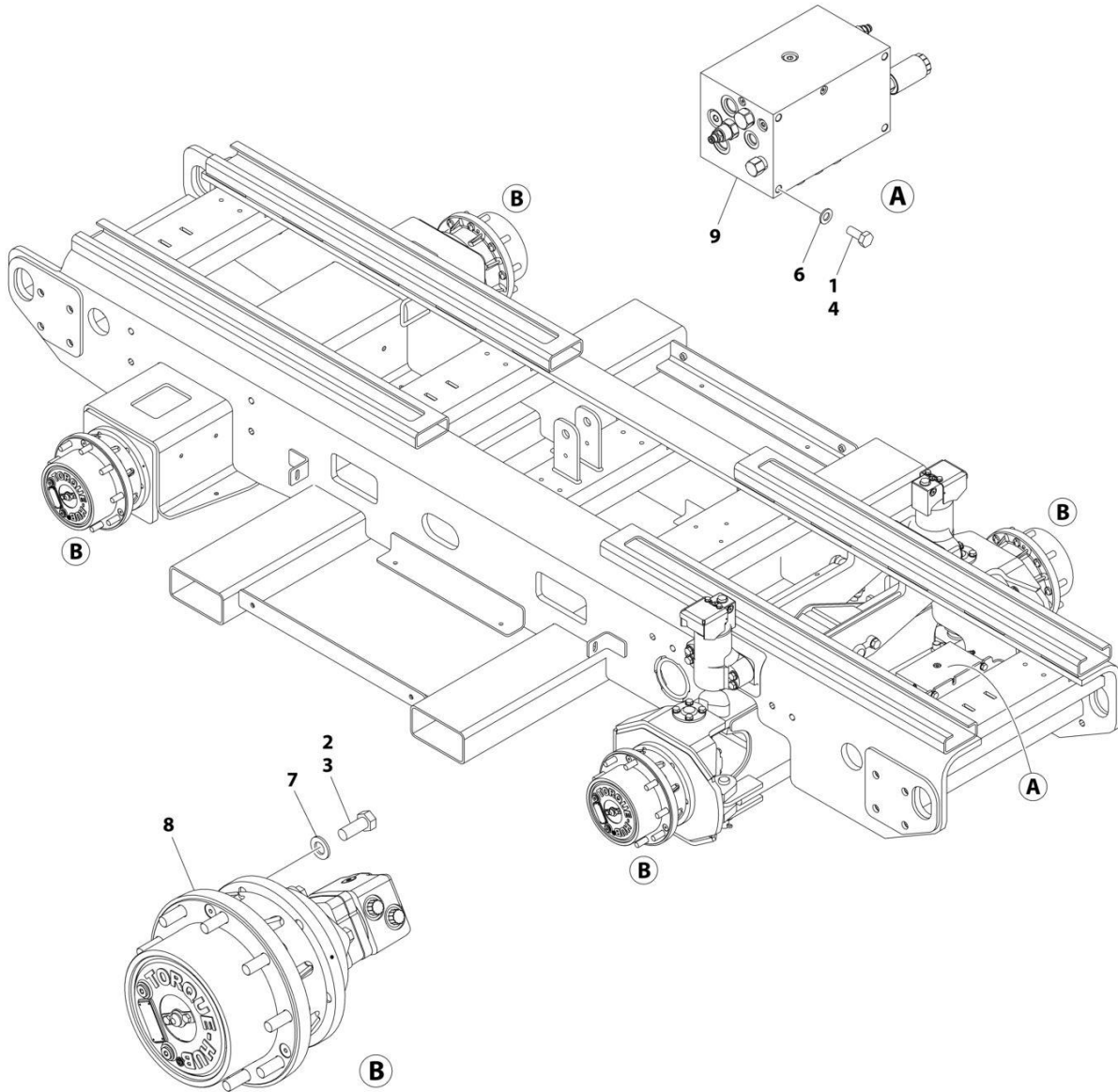
SECTION 1 - FRAME

FIGURE 1-6. DRIVE INSTALLATION (2WD)

ITEM	PART NUMBER	QTY	DESCRIPTION	REV
	1001248300	Ref	DRIVE INSTALLATION - 2WD	C
1	0100011	AR	Compound, Locking	
2	0100019	AR	Compound, Locking	
3	0771012	4	Bolt M10 x 25	
4	0771619	12	Bolt M16 x 55	
5	0771620	12	Bolt M16 x 60	
7	2780267	2	Drive Hub Assembly (See Separate Breakdown in this Section)	
9	3160348	2	Drive Motor Assembly (See Separate Breakdown in this Section)	
10	3311801	4	Nut 1/2	
11	3331611	24	Nut M16	
12	3960526	2	Gasket	
13	4812000	4	Washer M10	
14	5241600	48	Washer M16	
15	4891800	4	Washer 1/2	
16	1001214174	2	Hub Assembly - Front (See Separate Breakdown in this Section)	
17	1001246959	1	Valve Assembly - Drive Traction (See Separate Breakdown in this Section)	

SECTION 1 - FRAME

FIGURE 1-7. DRIVE INSTALLATION (4WD)



ART_1001244393

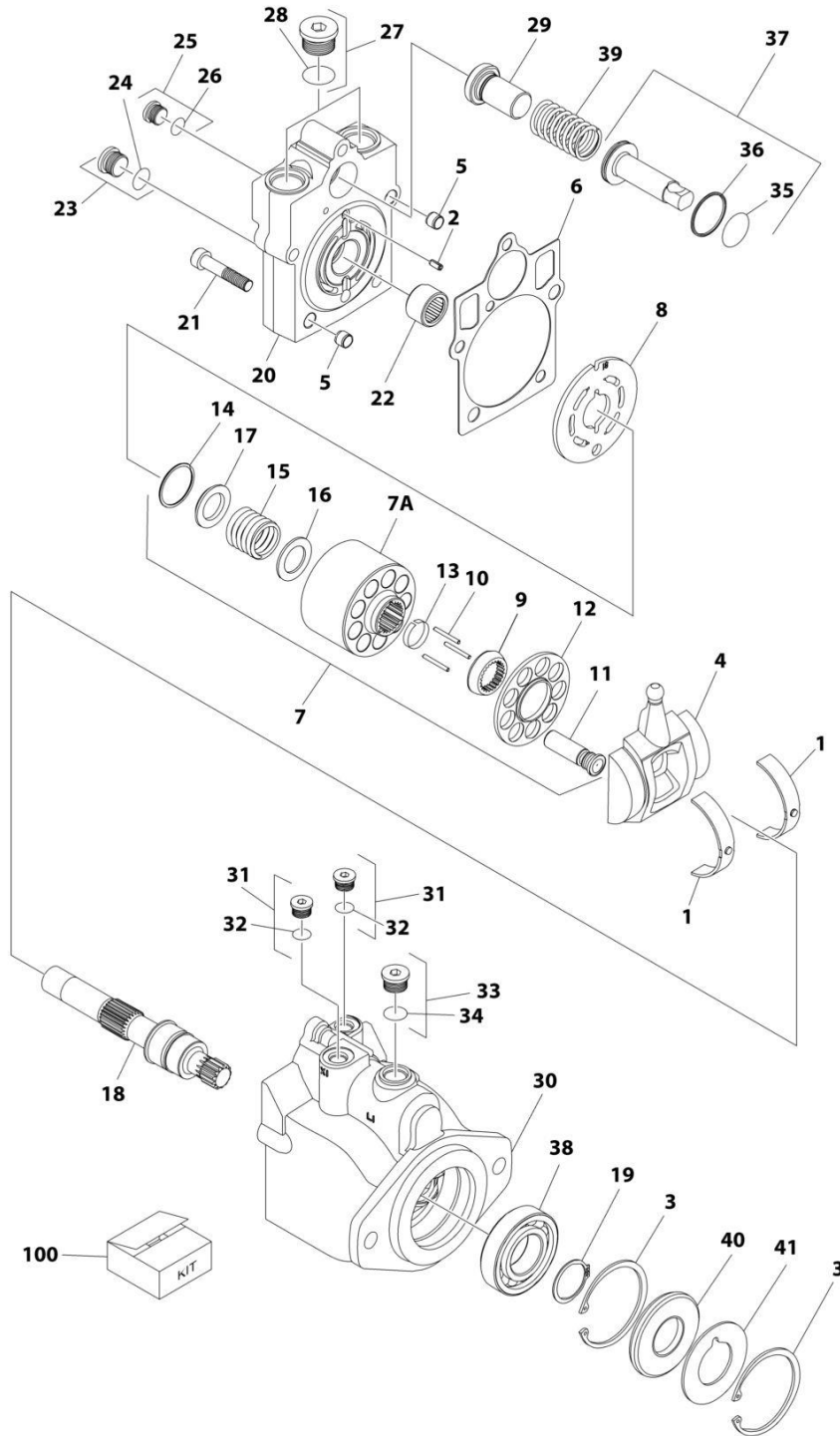
SECTION 1 - FRAME

FIGURE 1-7. DRIVE INSTALLATION (4WD)

ITEM	PART NUMBER	QTY	DESCRIPTION	REV
	1001244393	Ref	DRIVE INSTALLATION - 4WD	C
1	0100011	AR	Compound, Locking	
2	0100019	AR	Compound, Locking	
3	0711616	24	Bolt M16 x 40	
4	0771012	4	Bolt M10 x 25	
6	4812000	4	Washer M10	
7	5241600	24	Washer M16	
8	1001243266	1	Drive Assembly (See Separate Breakdown in this Section)	
9	1001244177	1	Valve Assembly - Drive Traction (See Separate Breakdown in this Section)	

SECTION 1 - FRAME

FIGURE 1-8. DRIVE MOTOR ASSEMBLY (2WD)



ART_3160348

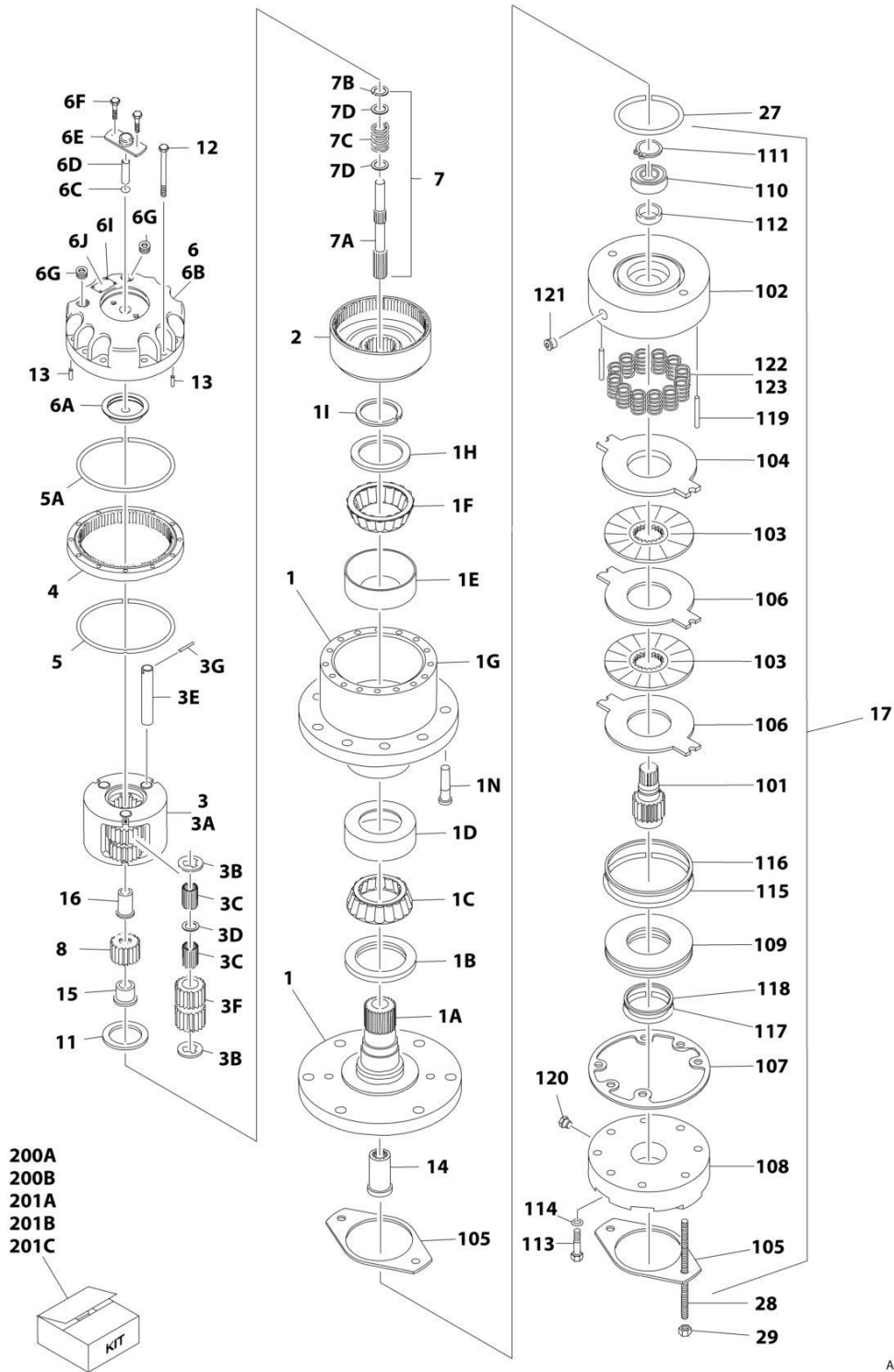
SECTION 1 - FRAME

FIGURE 1-8. DRIVE MOTOR ASSEMBLY (2WD)

ITEM	PART NUMBER	QTY	DESCRIPTION	REV
	3160348	Ref	DRIVE MOTOR ASSEMBLY	D
1	7022302	2	Bearing, Journal	
2	7007446	1	Pin	
3	7007438	2	Ring, Retaining	
4	7022305	1	Swash Plate	
5	See Note	2	Pin (Note: Not Available for Purchase)	
6	See Note	NSS	Gasket (Note: Use Item 100)	
7	7023907	1	Cylinder Block Kit (Includes Items 7A & 9-17)	
7A	See Note	NSS	Block, Cylinder (Note: Use Item 7)	
8	7023908	1	Plate, Valve	
9	7021277	1	Guide, Slipper Retainer	
10	7021275	3	Pin, Slipper Hold Down	
11	See Note	NSS	Piston Assembly (Note: Use Item 7)	
12	7022310	1	Retainer, Slipper	
13	7021276	1	Retainer, Hold Down Pin	
14	7022311	1	Ring, Retaining	
15	7022312	1	Spring	
16	7024868	1	Washer	
17	7022314	1	Retainer, Spring	
18	7023910	1	Shaft	
19	7007439	1	Ring, Retaining	
20	70000797	1	Cap, End - Axial	
21	7022368	5	Screw	
22	7021249	1	Bearing, Needle	
23	2220886	1	Plug (Includes Item 24)	
24	See Note	1	O-Ring (Note: Use Item 23 or 100)	
25	2220883	1	Plug (Includes Item 26)	
26	See Note	NSS	O-Ring (Note: Use Item 25 or 100)	
27	2220888	2	Plug (Includes Item 28)	
28	See Note	NSS	O-Ring (Note: Use Item 27 or 100)	
29	7022372	1	Seat, Spring	
30	See Note	NSS	Housing (Note: Not Available - Purchase Complete Assembly)	
31	2220883	2	Plug (Includes Item 32)	
32	See Note	NSS	O-Ring (Note: Use Item 31 or 100)	
33	2220886	1	Plug (Includes Item 34)	
34	See Note	NSS	O-Ring (Note: Use Item 33 or 100)	
35	See Note	NSS	O-Ring (Note: Use Item 100)	
36	See Note	NSS	Ring, Seal (Note: Use Item 100)	
37	7024854	1	Piston, Servo (Includes Items 35 & 36)	
38	7007437	1	Bearing	
39	7022326	1	Spring	
40	See Note	1	Seal, Lip (Note: Use Item 100)	
41	7022371	1	Washer, Support	
		Ref	KIT OPTIONS:	
100	7022328	1	Seal Kit (Includes Items 6, 24, 26, 28, 32, 34, 35, 36 & 40)	

SECTION 1 - FRAME

FIGURE 1-9. DRIVE HUB AND BRAKE ASSEMBLY (2WD REAR)



ART_2780267

SECTION 1 - FRAME

FIGURE 1-9. DRIVE HUB AND BRAKE ASSEMBLY (2WD REAR)

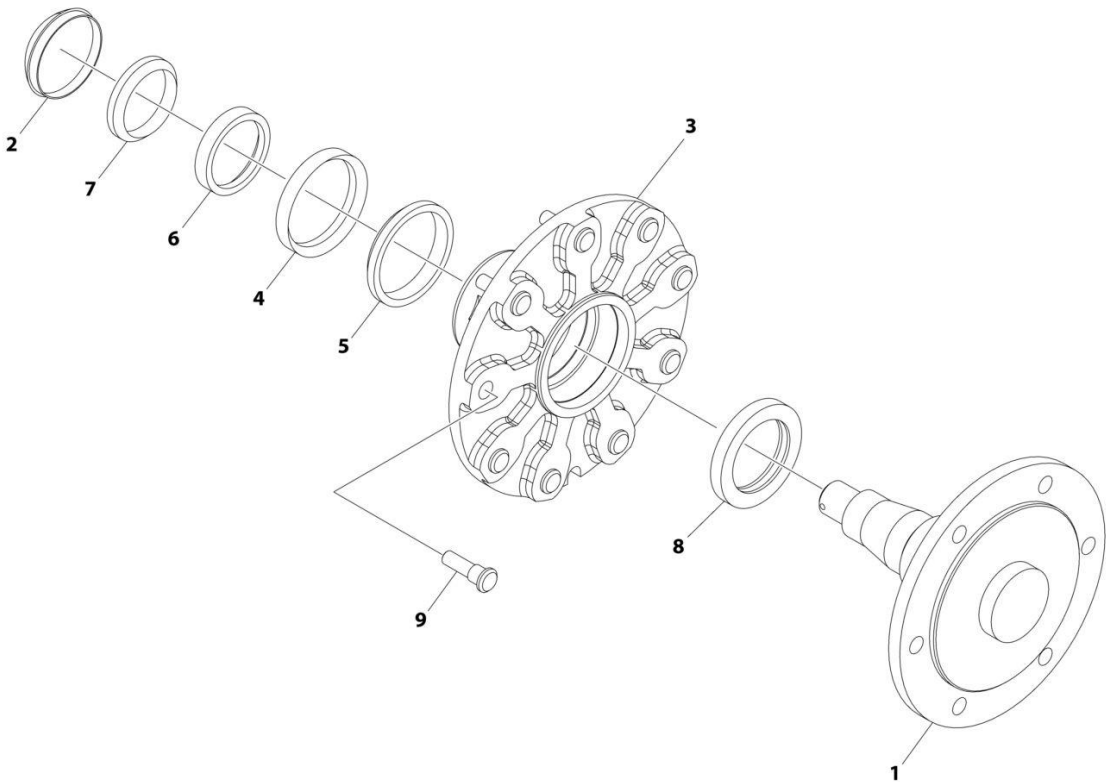
ITEM	PART NUMBER	QTY	DESCRIPTION	REV
	2780267	Ref	DRIVE HUB AND BRAKE ASSEMBLY - REAR	I
1	See Note	1	Spindle/Housing Assembly (Note: Purchase Individual Components)	
1A	7017059	1	Spindle	
1B	7001998	1	Seal	
1C	7010429	1	Cone, Bearing (Includes Item 1D)	
1D	7010429	1	Cup, Bearing (Includes Item 1C)	
1E	7000257	1	Cup, Bearing	
1F	7000258	1	Cone, Bearing	
1G	7007601	1	Housing/Ring Gear	
1H	7000232	1	Washer, Thrust	
1I	7000229	1	Ring, Retaining	
1N	7007640	9	Stud, Wheel	
2	7000246	1	Gear, Internal	
3	7024712	1	Carrier Assembly	
3A	See Note	1	Carrier (Note: Use Item 3)	
3B	See Note	6	Ring, Retaining (Note: Use Item 3)	
3C	See Note	AR	Bearing, Needle (Note: Use Item 3)	
3D	See Note	3	Washer, Thrust (Note: Use Item 3)	
3E	See Note	3	Shaft, Planet (Note: Use Item 3)	
3F	See Note	3	Gear, Planet (Note: Use Item 3)	
3G	See Note	3	Roll Pin (Note: Use Item 3)	
4	7000248	1	Ring Gear	
5	7000230	1	O-Ring	
5A	7017070	1	O-Ring	
6	70001349	1	Cover Assembly Kit	
6A	See Note	1	Spacer, Thrust (Note: Use Item 6)	
6B	See Note	1	Plate, Cover (Note: Use Item 6)	
6C	See Note	1	O-Ring (Note: Use Item 6)	
6D	See Note	1	Rod, Disconnect (Note: Use Item 6)	
6E	See Note	1	Cap, Disengage (Note: Use Item 6)	
6F	See Note	2	Bolt (Note: Use Item 6)	
6G	See Note	1	Plug, Pipe (Note: Use Item 6)	
6I	See Note	4	Rivet (Note: Not Available for Purchase)	
6J	See Note	1	Plate, ID (Note: Not Available for Purchase)	
7		Ref	Input Shaft Assembly	
7A	7024714	1	Shaft	
7B	7000261	1	Ring, Retaining	
7C	7000262	1	Spring	
7D	7000263	2	Spacer, Thrust	
8	7024713	1	Gear, Sun	
11	7000253	1	Washer, Thrust	
12	7017067	12	Bolt	
13	7017080	4	Pin, Dowel	
14	7000206	1	Coupling	
15	7024715	1	Spacer, Input	
16	7024716	1	Spacer, Input	
17	7024182	1	Brake Assembly (See Items 101-123 for Breakdown)	
27	7024705	1	O-Ring	
28	7024717	2	Rod, Threaded	

SECTION 1 - FRAME

ITEM	PART NUMBER	QTY	DESCRIPTION	REV
29	7024718	2	Nut 1/2in-13NC	
	7024182	Ref	BRAKE ASSEMBLY	
101	7024189	1	Shaft	
102	See Note	1	Housing (Note: Use Item 17)	
103	See Note	2	Plate, Friction (Note: Use Item 201B)	
104	See Note	1	Plate, Pressure (Note: Use Item 201B)	
105	7000731	2	Gasket	
106	See Note	2	Plate, Outer (Note: Use Item 201B)	
107	See Note	1	Gasket (Note: Use Item 200A, 201B or 201C)	
108	7024191	1	Cylinder	
109	7024192	1	Piston	
110	See Note	1	Bearing, Ball (Note: Use Item 201C)	
111	See Note	1	Ring, Retaining (Note: Use Item 201C)	
112	See Note	1	Seal, Shaft (Note: Use Item 201C)	
113	See Note	6	Capscrew (Note: Use Item 17)	
114	See Note	6	Lockwasher (Note: Use Item 17)	
115	See Note	1	O-Ring (Note: Use Item 200B)	
116	See Note	1	Ring, Back-up (Note: Use Item 200B)	
117	See Note	1	O-Ring (Note: Use Item 200B)	
118	See Note	1	Ring, Back-up (Note: Use Item 200B)	
119	7024190	2	Pin, Dowel	
120	See Note	1	Plug (Note: Use Item 17)	
121	See Note	2	Plug (Note: Use Item 17)	
122	See Note	12	Spring Kit (Natural) (Note: Use Item 201A)	
123	See Note	2	Spring Kit (Blue) (Note: Use Item 201A)	
		Ref	Kit Options	
200		Ref	Seal Kit Options:	
200A	See Note	1	Hub Seal Kit (Note: Purchase Individual Components)	
200B	7024194	1	Brake Seal Kit (Includes Items 105, 107 & 115-118)	
201		Ref	Repair Kit Options:	
201A	7024196	1	Brake Spring Kit (Includes 12 Natural Colored and 2 Blue Colored Springs Items 122 & 123)	
201B	7024193	1	Brake Friction Disc Kit (Includes Items 103, 104, 106 & 107)	
201C	7024197	1	Brake Bearing Kit (Includes Items 107 & 110-112)	

SECTION 1 - FRAME

FIGURE 1-10. HUB/SPINDLE ASSEMBLY (2WD FRONT)



ART_1001214174

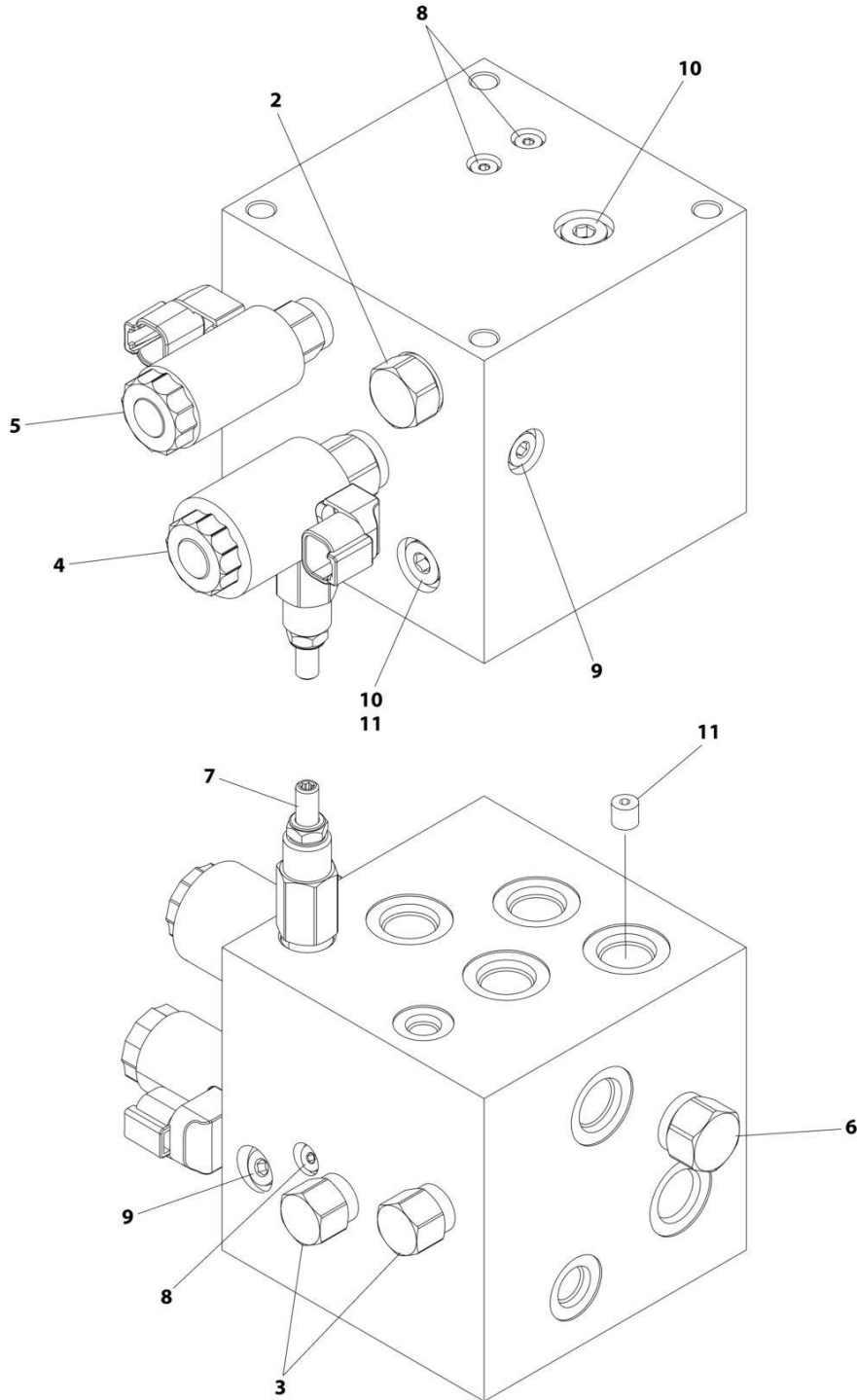
SECTION 1 - FRAME

FIGURE 1-10. HUB/SPINDLE ASSEMBLY (2WD FRONT)

ITEM	PART NUMBER	QTY	DESCRIPTION	REV
	1001214174	Ref	HUB - SPINDLE ASSEMBLY (2WD)	C
1	See Note	NSS	Spindle, Adapter (Note: Not Available for Purchase)	
2	7020033	1	Cap, Dust	
3	7020035	1	Hub, Casting	
4	7020036	1	Cup, Bearing	
5	7020037	1	Cone, Bearing	
6	7020038	1	Cup, Bearing	
7	7020039	1	Cone, Bearing	
8	7020040	1	Seal	
9	7020041	9	Stud	

SECTION 1 - FRAME

FIGURE 1-11. VALVE ASSEMBLY - TRACTION (2WD)



ART_1001246959

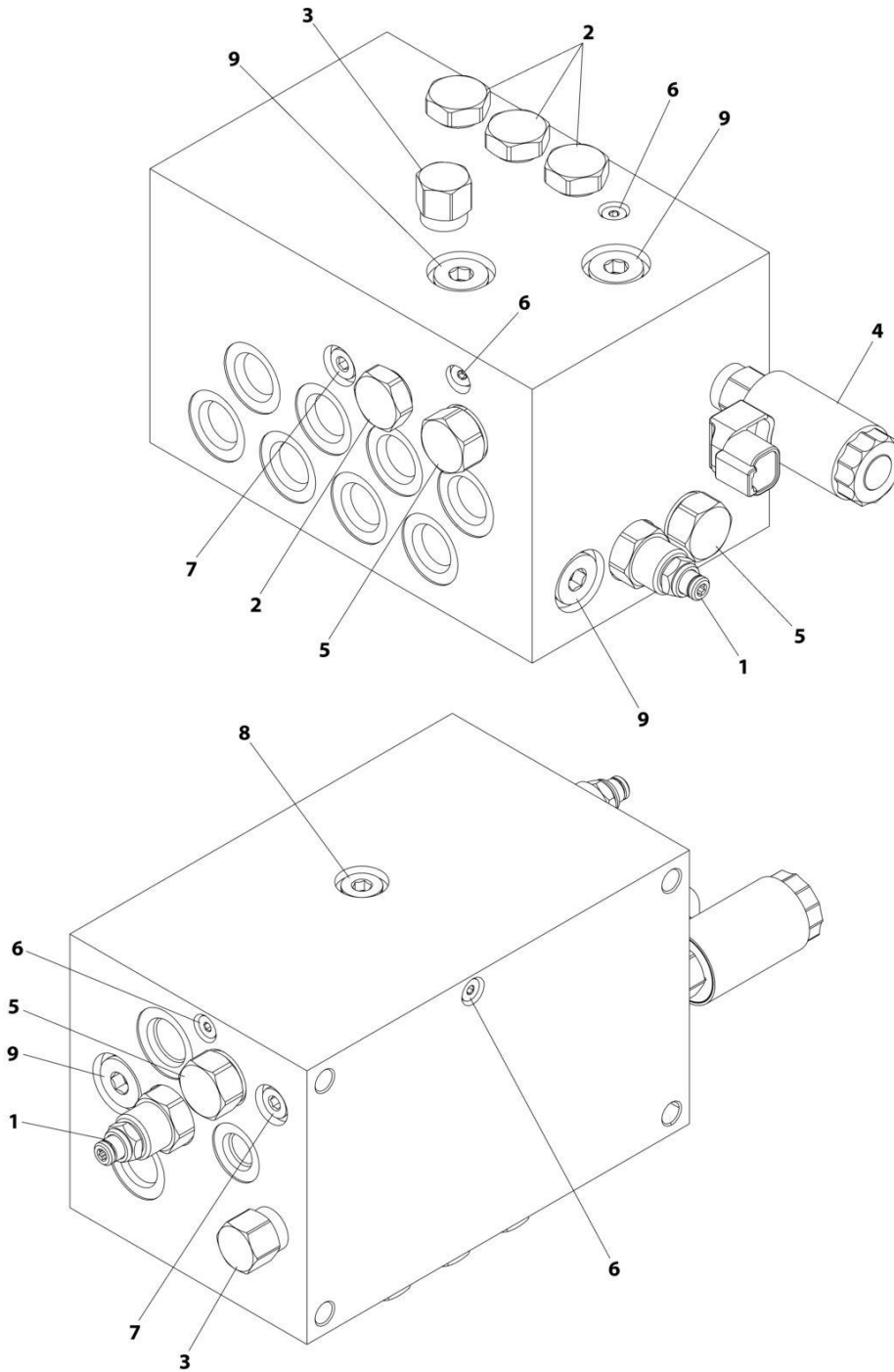
SECTION 1 - FRAME

FIGURE 1-11. VALVE ASSEMBLY - TRACTION (2WD)

ITEM	PART NUMBER	QTY	DESCRIPTION	REV
	1001246959	Ref	VALVE ASSEMBLY - TRACTION (2WD)	D
	See Note	1	Note: No Service Parts Available at Time of Printing.	
2		Ref	Cartridge, Shuttle Valve	
3		Ref	Cartridge, Check Valve	
4		Ref	Cartridge, Solenoid Valve	
5		Ref	Cartridge, Solenoid Valve	
6		Ref	Cartridge, Flow Control Valve	
7		Ref	Cartridge, Relief Valve	
8		Ref	Plug SAE 2	
9		Ref	Plug SAE 4	
10		Ref	Plug SAE 6	
11		Ref	Orifice 1/8	

SECTION 1 - FRAME

FIGURE 1-12. VALVE ASSEMBLY- TRACTION (4WD)



ART_1001244177

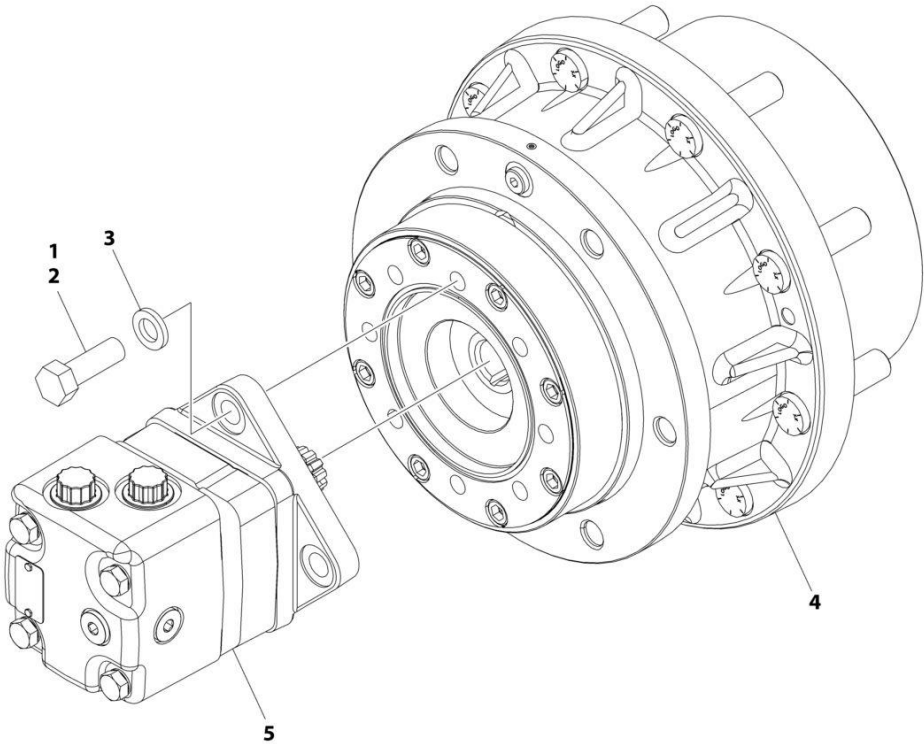
SECTION 1 - FRAME

FIGURE 1-12. VALVE ASSEMBLY- TRACTION (4WD)

ITEM	PART NUMBER	QTY	DESCRIPTION	REV
	1001244177	Ref	VALVE ASSEMBLY- TRACTION (4WD)	D
1	70008619	2	Cartridge, Valve	
1	70006099	2	Kit, Seal	
2	70008347	4	Cartridge, Check Valve	
2	70008348	4	Kit, Seal	
3	7026016	2	Cartridge, Valve	
3	7011346	2	Kit, Seal	
4	70008620	1	Cartridge, Solenoid Valve	
4	70008350	1	Kit, Seal	
4	70008352	1	Coil	
5	70008621	1	Cartridge, Valve	
5	2900770	1	Kit, Seal	
6	2220881	6	Plug, O-Ring	
7	2220883	2	Plug, O-Ring	
8	2220885	1	Plug, O-Ring	
9	2220886	4	Plug, O-Ring	

SECTION 1 - FRAME

FIGURE 1-13. DRIVE ASSEMBLY (4WD)



ART_1001243266

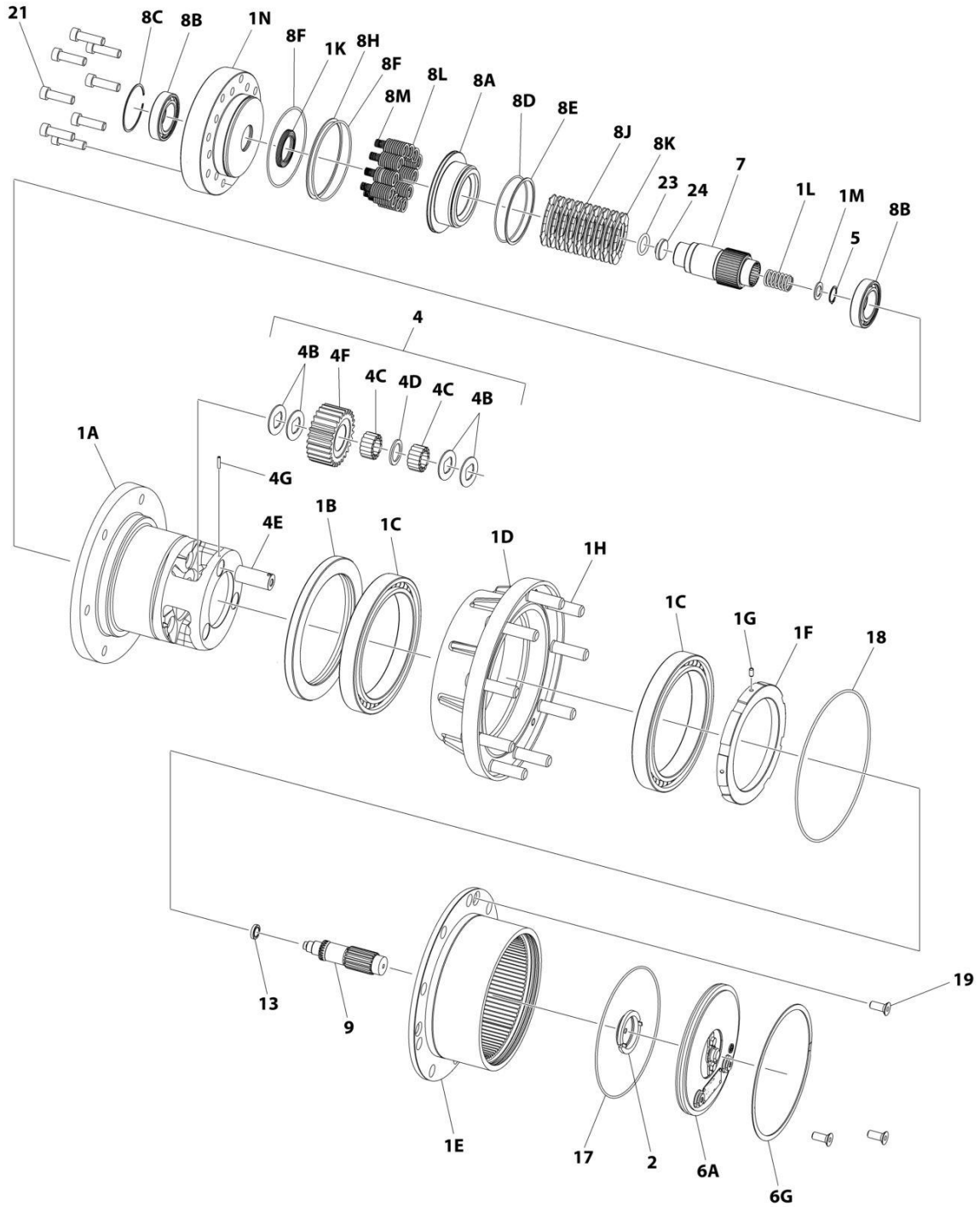
SECTION 1 - FRAME

FIGURE 1-13. DRIVE ASSEMBLY (4WD)

ITEM	PART NUMBER	QTY	DESCRIPTION	REV
	1001243266	Ref	DRIVE ASSEMBLY	E
1	1001095650	1	Adhesive	
2	0681812	4	Bolt 1/2 x 1-1/2	
3	4761800	4	Washer 1/2	
4	1001242816	1	Drive Hub Assembly (See Separate Breakdown in this Section)	
5	1001243268	1	Drive Motor Assembly (Includes O-Ring)	
5	70008114	1	O-Ring (Not Shown, Seals Between Drive Hub & Drive Motor)	

SECTION 1 - FRAME

FIGURE 1-14. DRIVE HUB AND BRAKE ASSEMBLY (4WD)



ART_1001242816

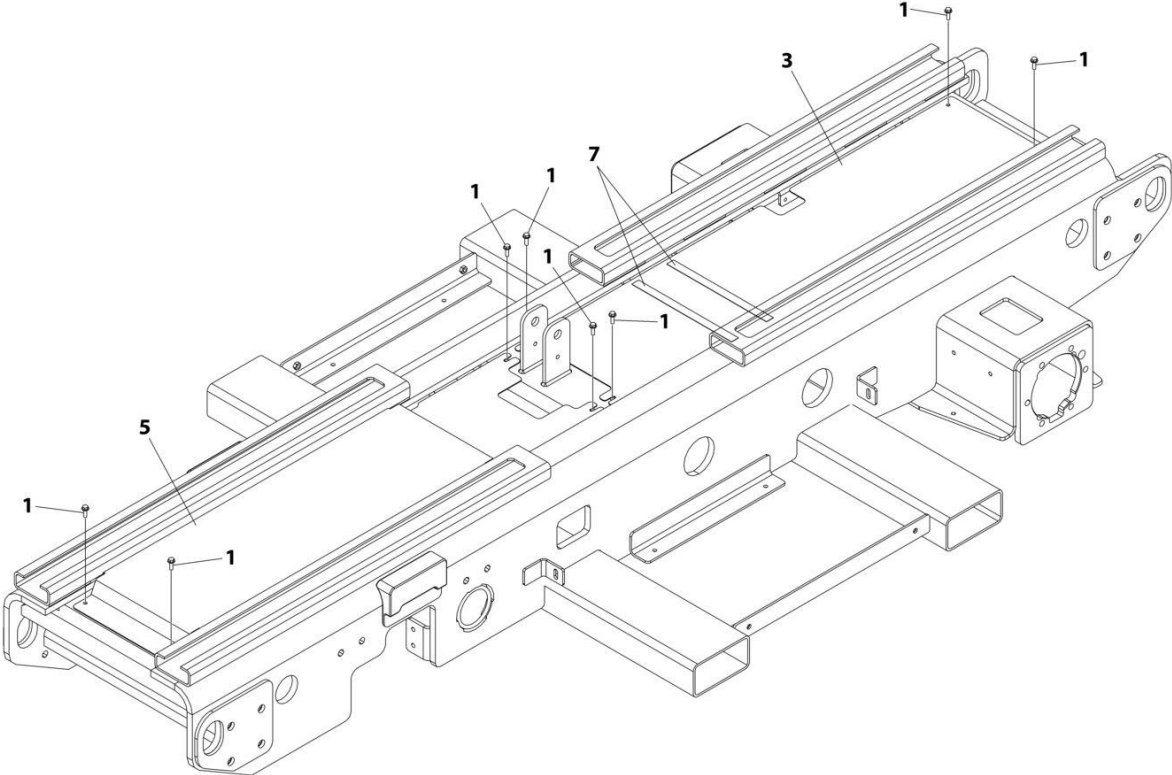
SECTION 1 - FRAME

FIGURE 1-14. DRIVE HUB AND BRAKE ASSEMBLY (4WD)

ITEM	PART NUMBER	QTY	DESCRIPTION	REV
	1001242816	Ref	DRIVE HUB ASSEMBLY	F
1A	SEE NOTE	NSS	Spindle (Not available for Purchase)	
1B	70001119	1	Seal	
1C	70002991	2	Bearing, Ball	
1D	SEE NOTE	NSS	Housing (Not available for Purchase)	
1E	70002989	1	Gear, Ring	
1F	70003000	1	Nut	
1G	70002996	2	Screw, Socket	
1H	7007640	9	Stud	
1K	70008155	1	Seal, Quad	
1L	70002992	1	Spring	
1M	70002999	1	Washer, Thrust	
1N	SEE NOTE	NSS	Adapter, Mounting (Not available for Purchase)	
2	7024741	1	Spacer, Thrust	
4	70008144	1	Planet Gear Assembly	
4B	SEE NOTE	NSS	Washer, Thrust (Not available for Purchase)	
4C	SEE NOTE	NSS	Bearing, Needle (Not available for Purchase)	
4D	SEE NOTE	NSS	Spacer, Thrust (Not available for Purchase)	
4F	SEE NOTE	NSS	Gear, Planet (Not available for Purchase)	
4E	7024726	3	Shaft, Planet	
4G	7001913	2	Pin, Roll	
5	70002995	1	Ring, Retaining	
6A	70001368	1	Cover Plate Assembly	
6G	7024738	1	Ring, Retaining	
7	70008148	1	Coupling	
8A	70002993	1	Brake, Piston	
8B	70002990	2	Bearing, Ball	
8C	70002994	1	Ring, Retaining	
8D	70004042	1	O-Ring	
8E	70008158	1	O-Ring, Back-up	
8F	70008156	2	O-Ring	
8H	70008157	1	O-Ring, Back-up	
8J	70002085	8	Brake, Rotor	
8K	70002085	9	Brake, Stator	
8L	70008152	12	Spring	
8M	70008153	12	Spring	
9	70008147	1	Shaft, Input	
12	70002998	1	Plug (Not Shown)	
13	70008151	1	Bearing, Ball	
17	7024134	1	O-Ring	
18	70002997	1	O-Ring	
19	7017022	3	Bolt	
21	70008154	8	Bolt	
22	7024108	2	Plug (Not Shown)	
23	70008150	1	O-Ring	
24	70008149	1	Space Input	

SECTION 1 - FRAME

FIGURE 1-15. FRAME COVERS INSTALLATION



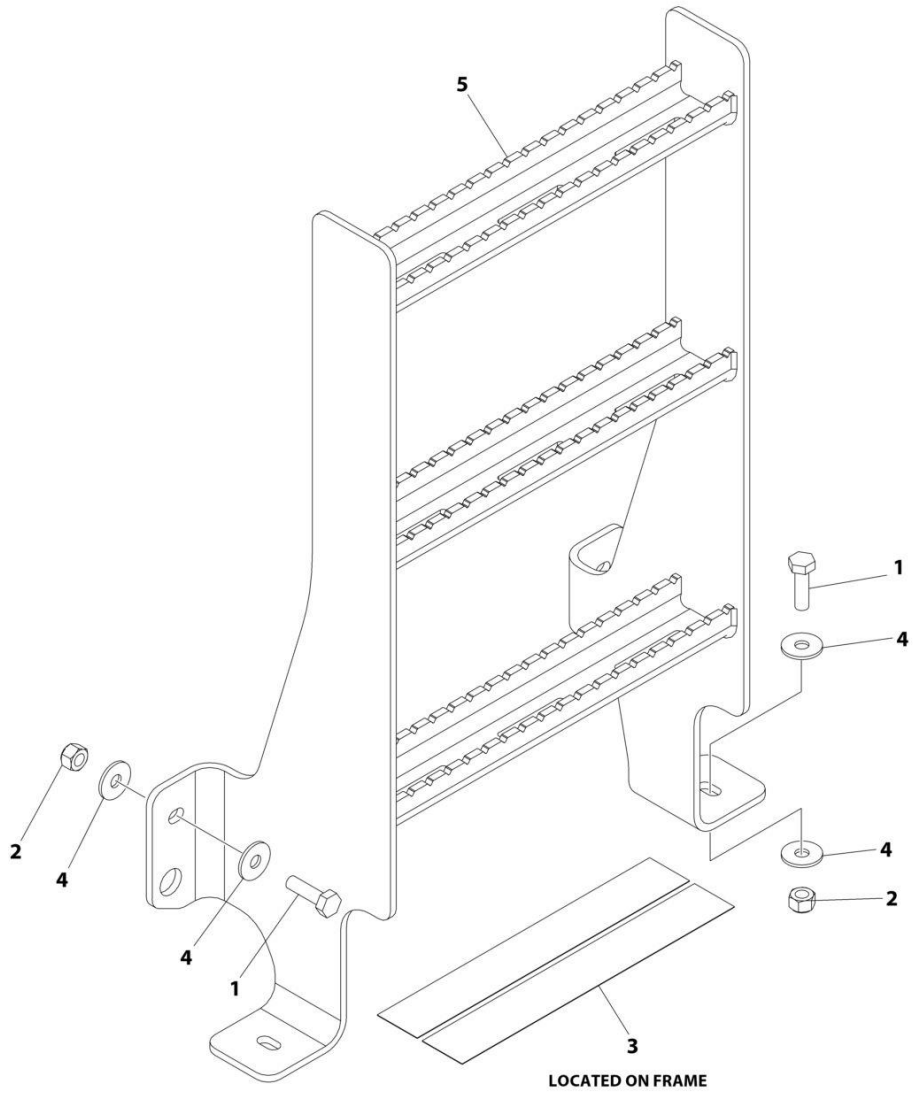
ART_1001245440

FIGURE 1-15. FRAME COVERS INSTALLATION

ITEM	PART NUMBER	QTY	DESCRIPTION	REV
	1001245440	Ref	FRAME COVERS INSTALLATION	D
1	5250812	8	Bolt M8 x 25	
3	1001245381	1	Cover (Rear)	
5	1001283427	1	Cover (Front)	
7	1001258188	2 ft	Tape, Foam	

SECTION 1 - FRAME

FIGURE 1-16. LADDER INSTALLATION (RT2669)



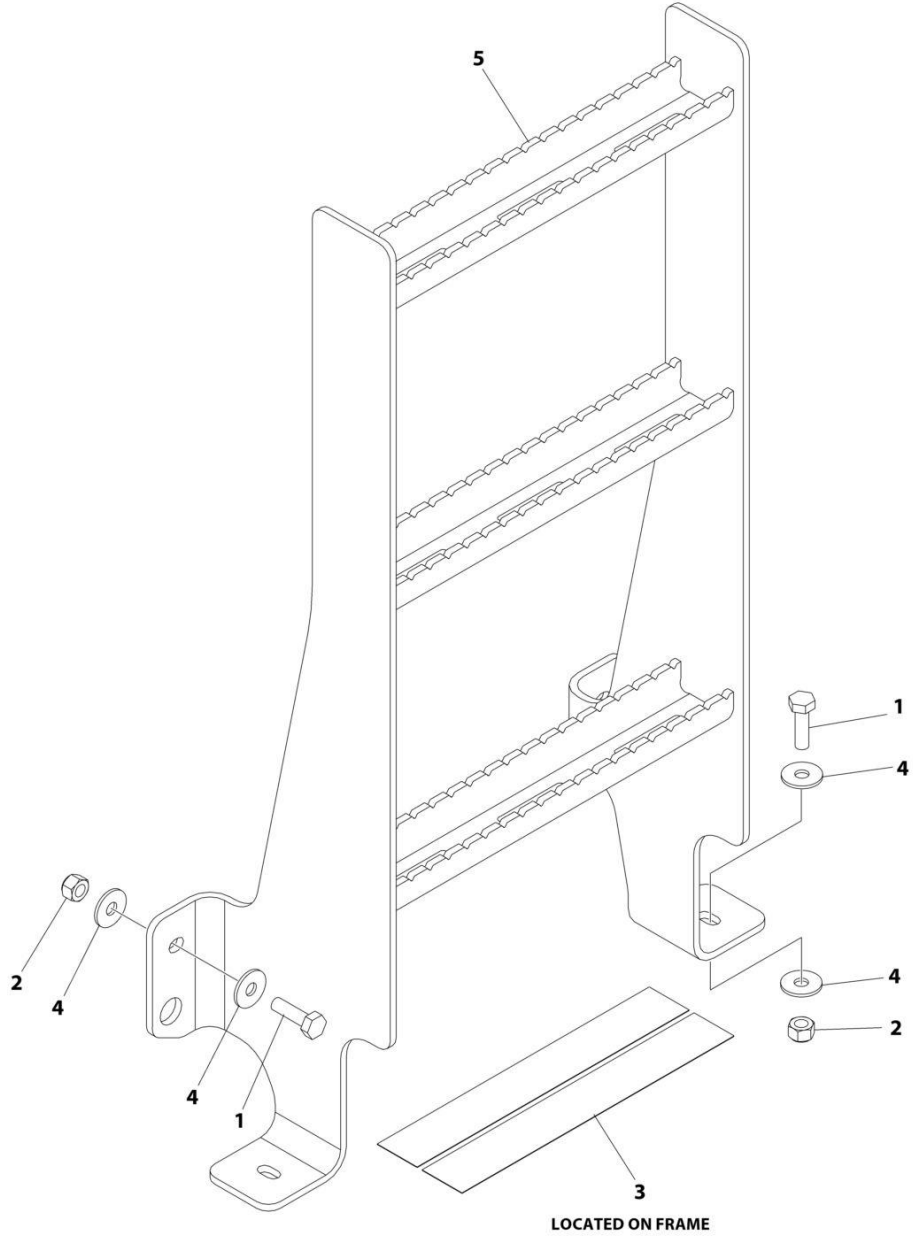
ART_1001246884

FIGURE 1-16. LADDER INSTALLATION (RT2669)

ITEM	PART NUMBER	QTY	DESCRIPTION	REV
	1001246884	Ref	LADDER INSTALLATION	B
1	0761015	4	Bolt M10 x 35	
2	3291005	4	Nut M10	
3	4420070	2	Tape, Anti-Skid	
4	4812002	8	Washer M10	
5	1001247352	1	Ladder	

SECTION 1 - FRAME

FIGURE 1-17. LADDER INSTALLATION (RT3369)



ART_1001247425

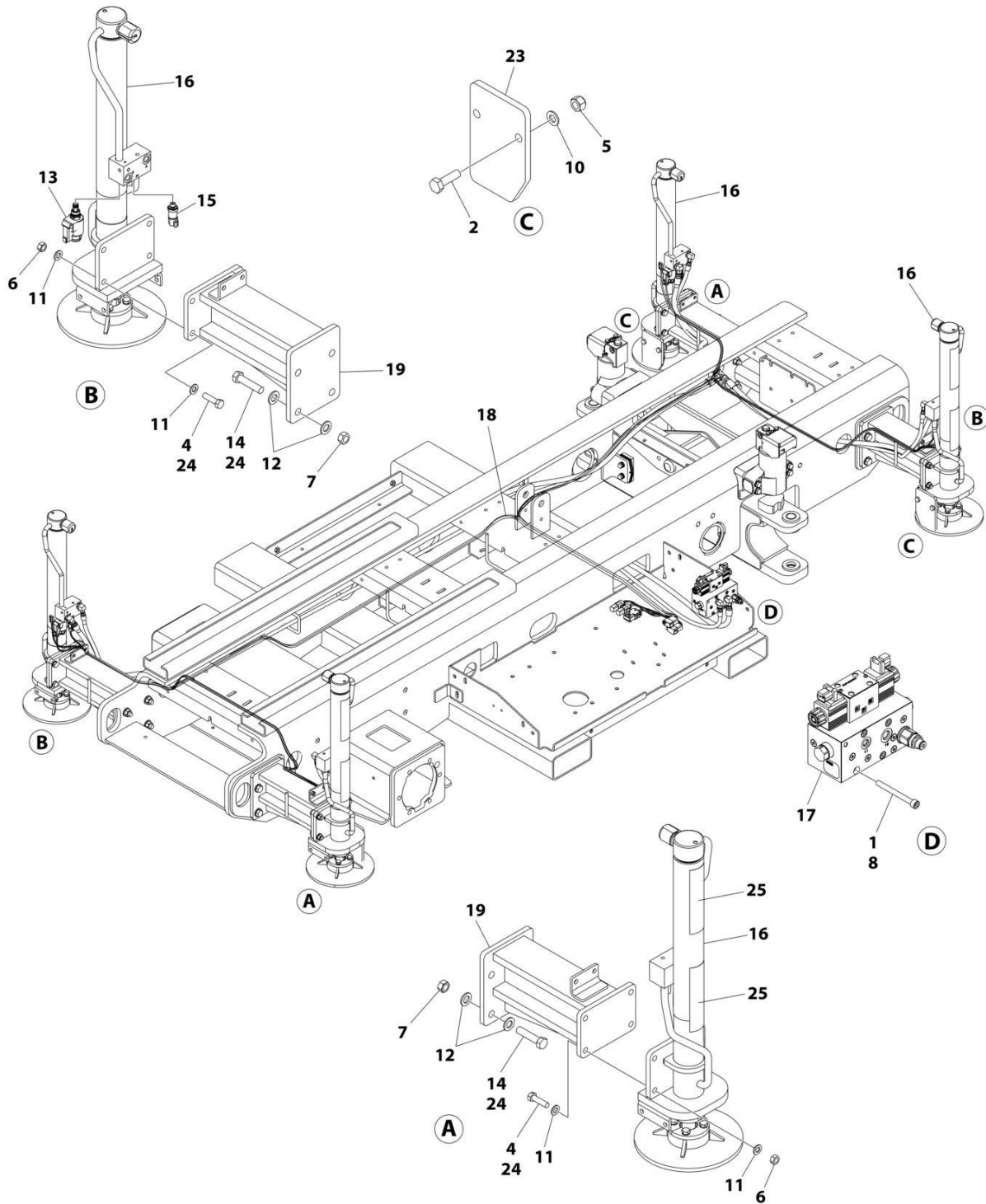
SECTION 1 - FRAME

FIGURE 1-17. LADDER INSTALLATION (RT3369)

ITEM	PART NUMBER	QTY	DESCRIPTION	REV
	1001247425	Ref	LADDER INSTALLATION	B
1	0761015	4	Bolt M10 x 35	
2	3291005	4	Nut M10	
3	4420070	2	Tape, Anti-Skid	
4	4812002	8	Washer M10	
5	1001247353	1	Ladder	

SECTION 1 - FRAME

FIGURE 1-18. LEVELING JACKS INSTALLATION - PARTIAL COVERS



ART_1001246885_E

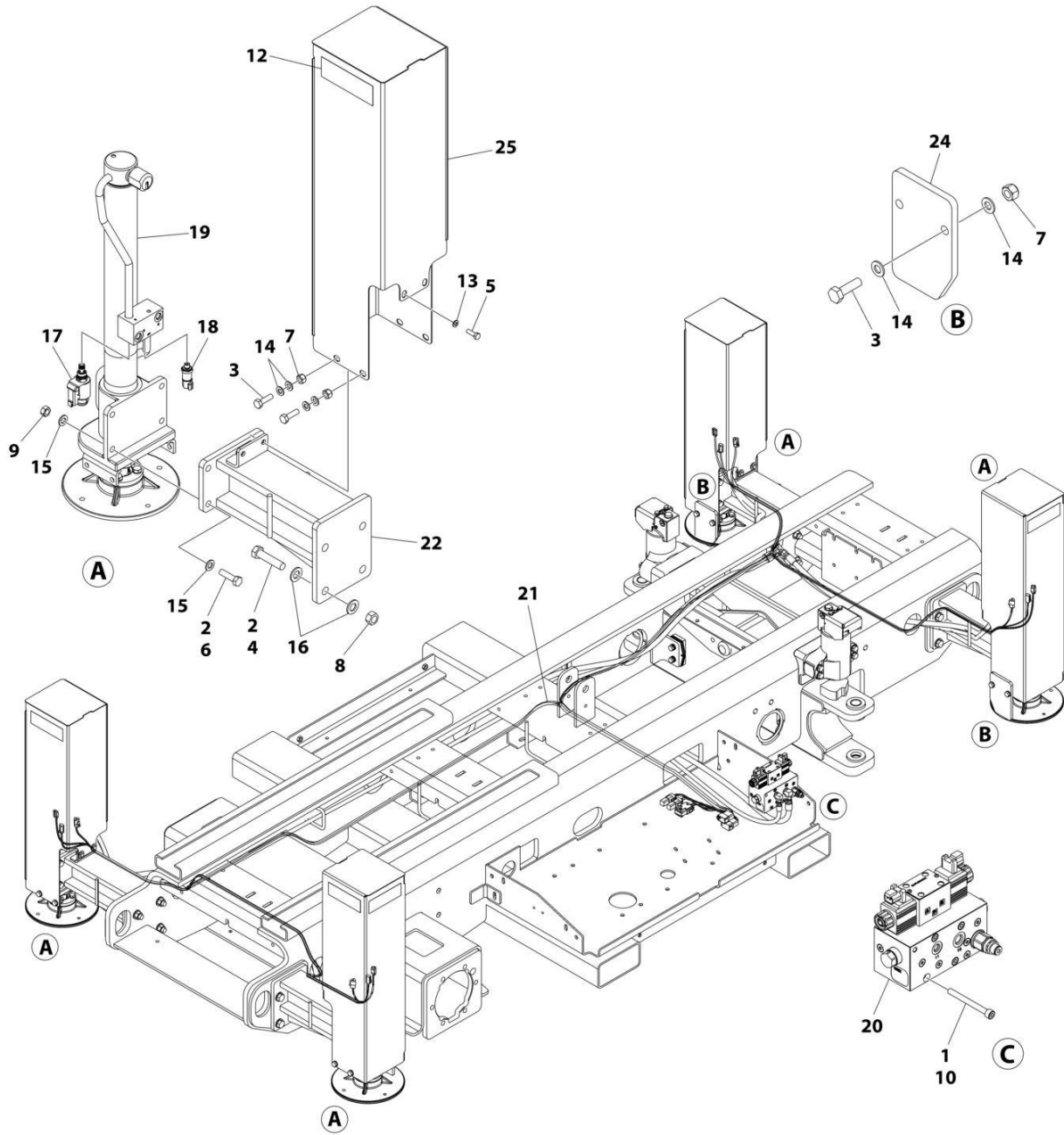
SECTION 1 - FRAME

FIGURE 1-18. LEVELING JACKS INSTALLATION - PARTIAL COVERS

ITEM	PART NUMBER	QTY	DESCRIPTION	REV
	1001246885	Ref	LEVELING JACKS INSTALLATION	E
1	0100011	AR	Compound, Locking	
2	0701015	8	Bolt M10 x 35	
4	0761217	16	Bolt M12 x 45	
5	3291005	8	Nut M10	
6	3331211	16	Nut M12	
7	3291601	16	Nut M16	
8	4031920	4	Capscrew M8 x 80	
10	4812000	8	Washer M10	
11	4812100	32	Washer M12	
12	5241600	32	Washer M16	
13	1001103761	4	Cartridge, Valve	
13	7024497	1	Cartridge Less Coil	
13	7024502	1	Seal Kit	
13	70001965	1	Coil	
13	7024506	1	Nut, Coil	
14	0701622	16	Bolt M16 x 70	
15	1001227516	4	Sensor, Pressure Transducer	
16	1001274074	4	Cylinder Assembly - Leveling Jacks (See Separate Breakdown in CYLINDER Section)	
17	1001247380	1	Valve Assembly - Leveling Jacks (See Separate Breakdown in this Section)	
18	1001248863	1	Harness, Leveling Jack (See Separate Breakdown in ELECTRICAL Section)	
19	1001249407	4	Frame, Leveling Jack	
22	1001250342	1	Hydraulic Diagram - Leveling Jacks (Not Shown - See Separate Breakdown in HYDRAULIC Section)	
23	1001250353	4	Plate	
24	0100019	AR	Compound, Locking	
25	4420051	5 ft/144cm	Tape, Safety	
26	4240017	AR	Tie-Strap (Not Shown)	

SECTION 1 - FRAME

FIGURE 1-19. LEVELING JACKS INSTALLATION - FULL COVERS



ART_1001274495_C

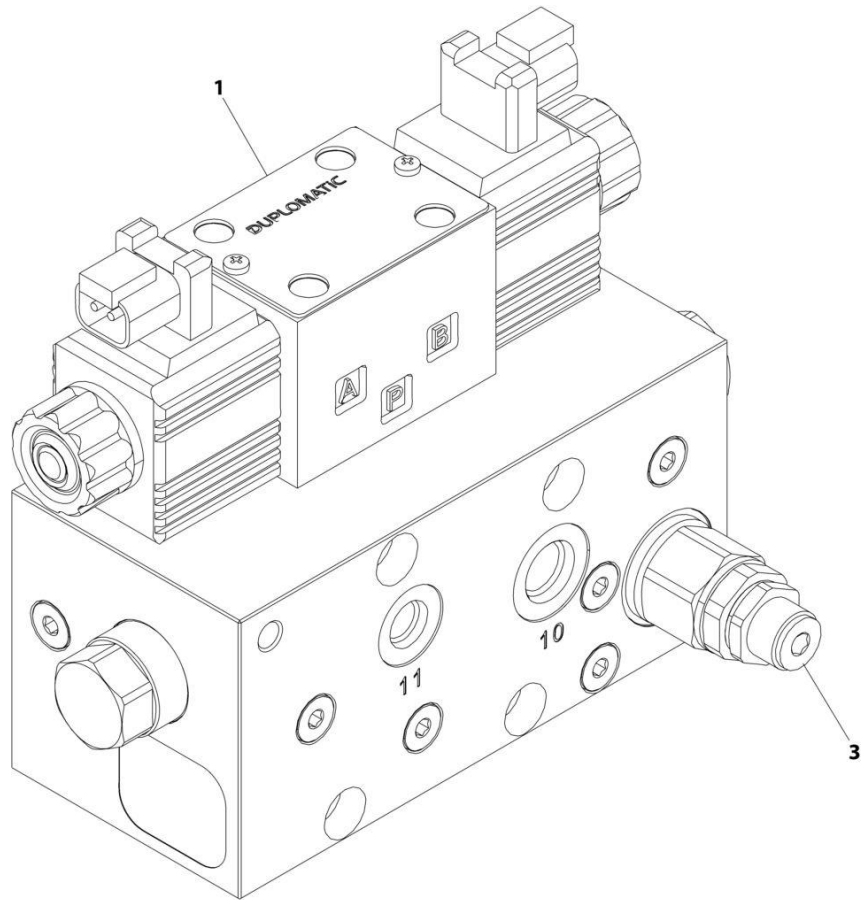
SECTION 1 - FRAME

FIGURE 1-19. LEVELING JACKS INSTALLATION - FULL COVERS

ITEM	PART NUMBER	QTY	DESCRIPTION	REV
	1001274495	Ref	LEVELING JACKS INSTALLATION	C
1	0100011	AR	Compound, Locking	
2	0100019	AR	Compound, Locking	
3	0701015	16	Bolt M10 x 35	
4	0701622	16	Bolt M16 x 70	
5	0760812	8	Bolt M8 x 25	
6	0761217	16	Bolt M12 x 45	
7	3291005	16	Nut M10	
8	3291601	16	Nut M16	
9	3331211	16	Nut M12	
10	4031920	4	Capscrew M8 x 80	
11	4240017	AR	Tie-Strap (Not Shown)	
12	4420051	4 ft/123cm	Tape, Safety	
13	4811902	8	Washer M8	
14	4812000	32	Washer M10	
15	4812100	32	Washer M12	
16	5241600	32	Washer M16	
17	1001103761	4	Cartridge, Valve	
17	7024497	1	Cartridge Less Coil	
17	7024502	1	Seal Kit	
17	70001965	1	Coil	
17	7024506	1	Nut, Coil	
18	1001227516	4	Sensor, Leveling Jacks Pressure	
19	1001274074	4	Cylinder Assembly - Leveling Jacks (See Separate Breakdown in CYLINDER Section)	
20	1001247380	1	Valve Assembly - Leveling Jacks (See Separate Breakdown in this Section)	
21	1001248863	1	Harness, Leveling Jack (See Separate Breakdown in ELECTRICAL Section)	
22	1001249407	4	Frame, Leveling Jack	
23	1001250342	1	Hydraulic Diagram - Leveling Jacks (Not Shown - See Separate Breakdown in HYDRAULIC Section)	
24	1001250353	4	Plate	
25	1001271360	4	Cover, Jack	

SECTION 1 - FRAME

FIGURE 1-20. LEVELING JACKS VALVE ASSEMBLY



ART_1001247380

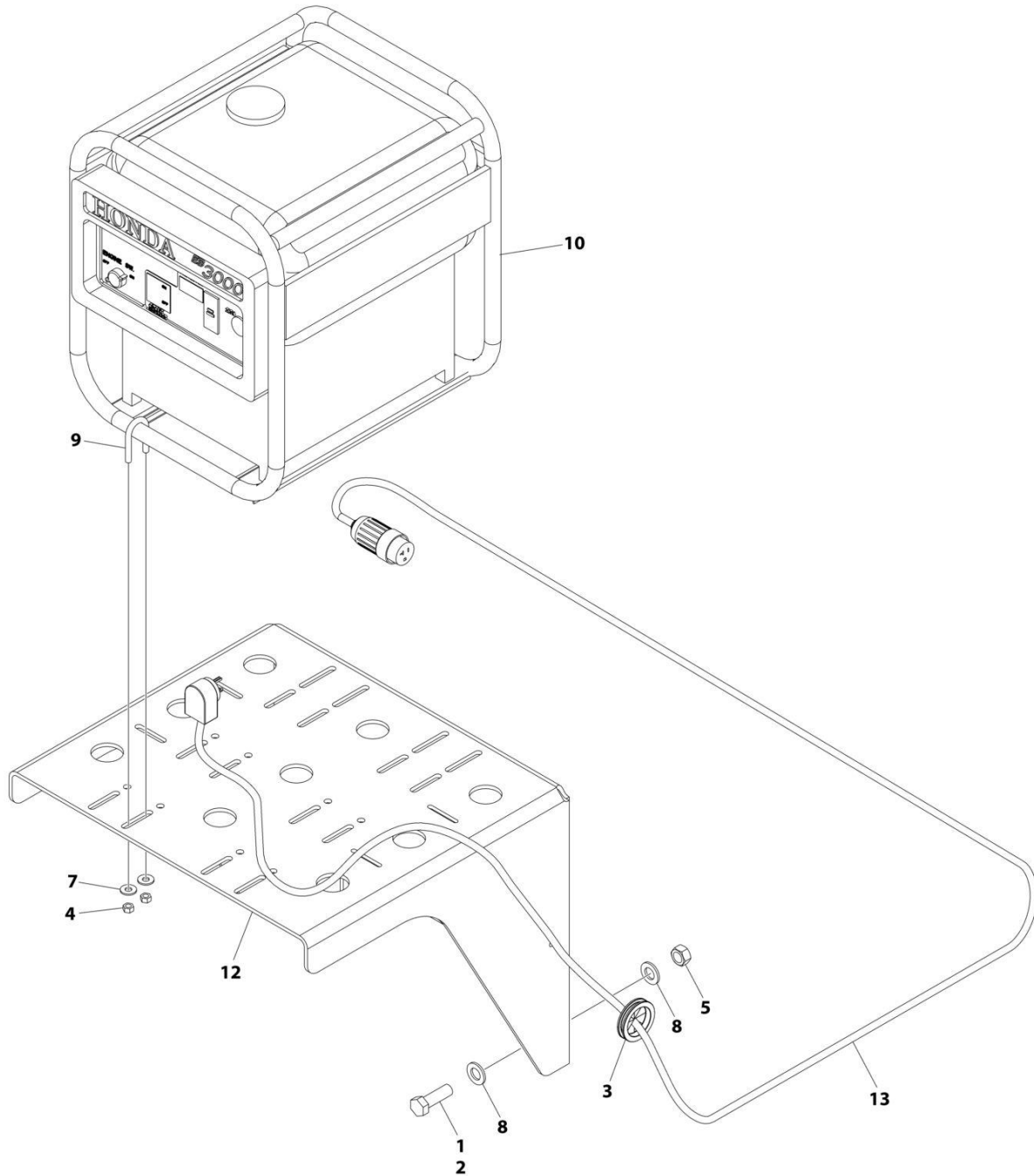
SECTION 1 - FRAME

FIGURE 1-20. LEVELING JACKS VALVE ASSEMBLY

ITEM	PART NUMBER	QTY	DESCRIPTION	REV
	1001247380	Ref	LEVELING JACK VALVE ASSEMBLY	D
1	70007760	1	Valve, Directional	
3	70007761	1	Cartridge, Relief Valve	
4	70007762	1	Cartridge, Shuttle Valve (Not Shown)	

SECTION 1 - FRAME

FIGURE 1-21. ONBOARD GENERATOR INSTALLATION - SINGLE OSCILLATING AXLE (RT3369)



ART_1001265192

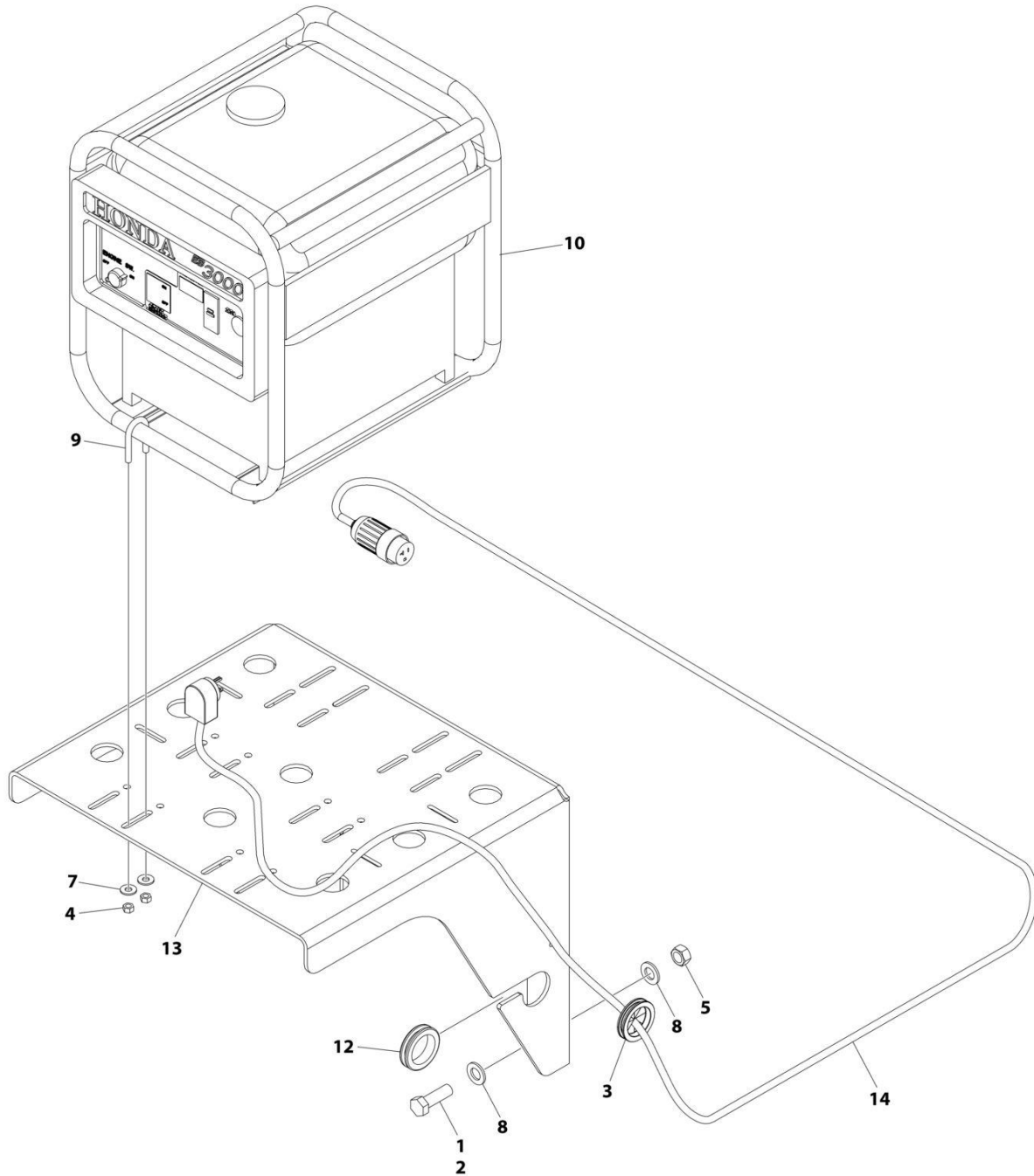
SECTION 1 - FRAME

FIGURE 1-21. ONBOARD GENERATOR INSTALLATION - SINGLE OSCILLATING AXLE (RT3369)

ITEM	PART NUMBER	QTY	DESCRIPTION	REV
	1001265192	Ref	ONBOARD GENERATOR INSTALLATION	A
1	0100011	AR	Compound, Locking	
2	0771618	4	Bolt M16 x 50 Class 10.9	
3	2540045	1	Grommet	
4	3311505	8	Nut 5/16	
5	3331611	4	Nut M16 Class 10	
7	4751500	8	Washer 5/16	
8	5241600	8	Washer M16	
9	1001120264	4	U-Bolt 5/16 x 1	
10	1001130309	1	Onboard Generator Assembly(See Separate Breakdown in this Section)	
12	1001265082	1	Tray, Mounting	
13	1001266233	1	Generator Cable (See Separate Breakdown in ELECTRICAL Section)	

SECTION 1 - FRAME

FIGURE 1-22. ONBOARD GENERATOR INSTALLATION - DUAL OSCILLATING AXLE (RT3369)



ART_1001259429

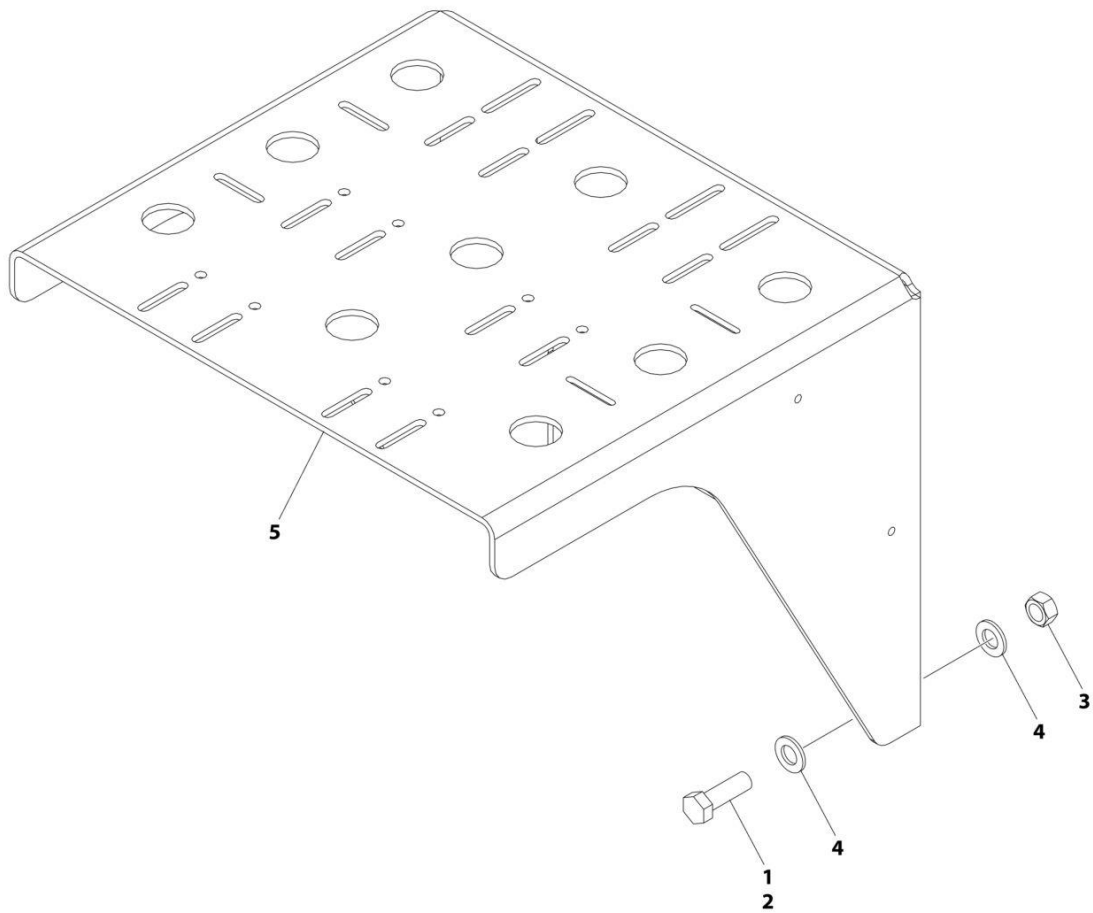
SECTION 1 - FRAME

FIGURE 1-22. ONBOARD GENERATOR INSTALLATION - DUAL OSCILLATING AXLE (RT3369)

ITEM	PART NUMBER	QTY	DESCRIPTION	REV
	1001259429	Ref	ONBOARD GENERATOR INSTALLATION	B
1	0100011	AR	Compound, Locking	
2	0771618	4	Bolt M16 x 50 Class 10.9	
3	2540045	1	Grommet	
4	3311505	8	Nut 5/16	
5	3331611	4	Nut M16 Class 10	
7	4751500	8	Washer 5/16	
8	5241600	8	Washer M16	
9	1001120264	4	U-Bolt 5/16 x 1	
10	1001130309	1	Onboard Generator Assembly(See Separate Breakdown in this Section)	
12	1001244865	1	Grommet	
13	1001259284	1	Tray, Mounting	
14	1001266233	1	Generator Cable (See Separate Breakdown in ELECTRICAL Section)	

SECTION 1 - FRAME

FIGURE 1-23. ONBOARD GENERATOR INSTALLATION - TRAY ONLY - SINGLE OSCILLATING AXLE
(RT3369)



ART_1001265193

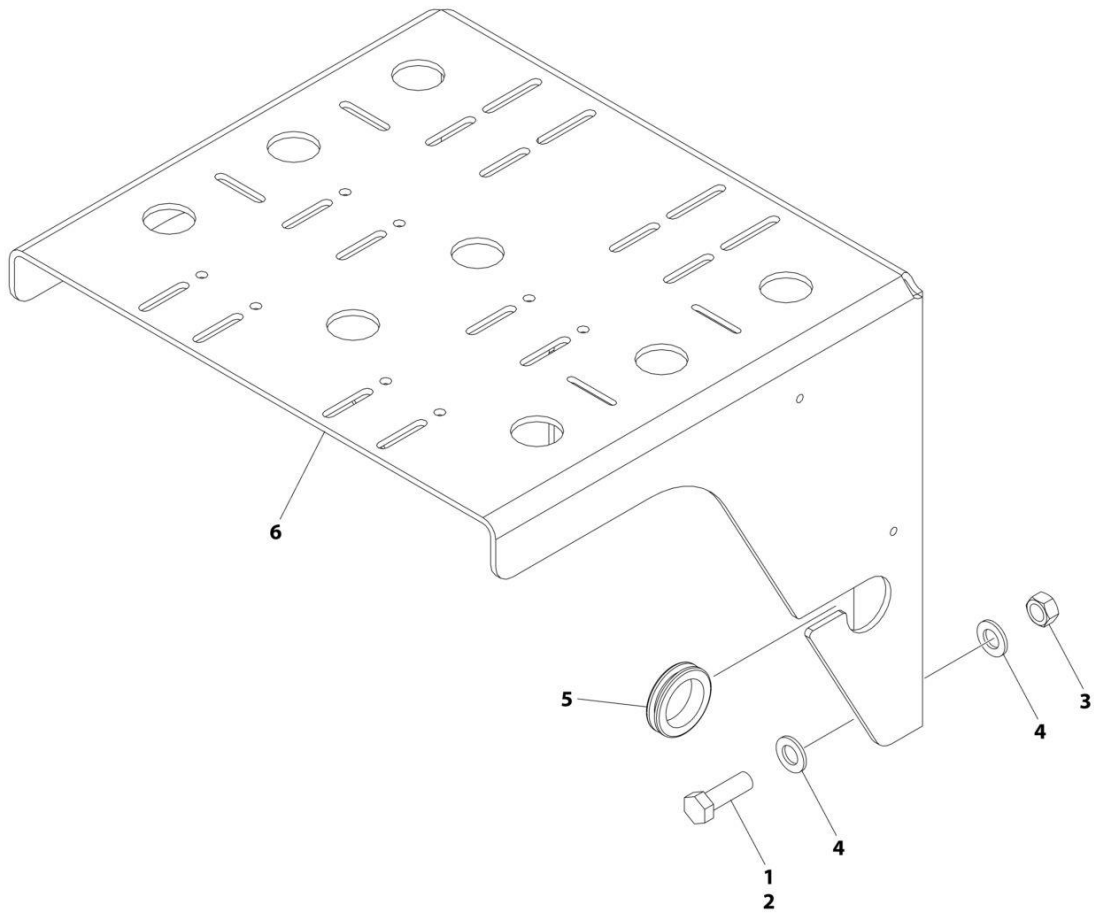
SECTION 1 - FRAME

**FIGURE 1-23. ONBOARD GENERATOR INSTALLATION - TRAY ONLY - SINGLE OSCILLATING AXLE
(RT3369)**

ITEM	PART NUMBER	QTY	DESCRIPTION	REV
	1001265193	Ref	GENERATOR TRAY INSTALLATION	A
1	0100011	AR	Compound, Locking	
2	0771618	4	Bolt M16 x 50 Class 10.9	
3	3331611	4	Nut M16 Class 10	
4	5241600	8	Washer M16	
5	1001265082	1	Tray, Mounting	

SECTION 1 - FRAME

FIGURE 1-24. ONBOARD GENERATOR INSTALLATION - TRAY ONLY - DUAL OSCILLATING AXLE
(RT3369)



ART_1001265194

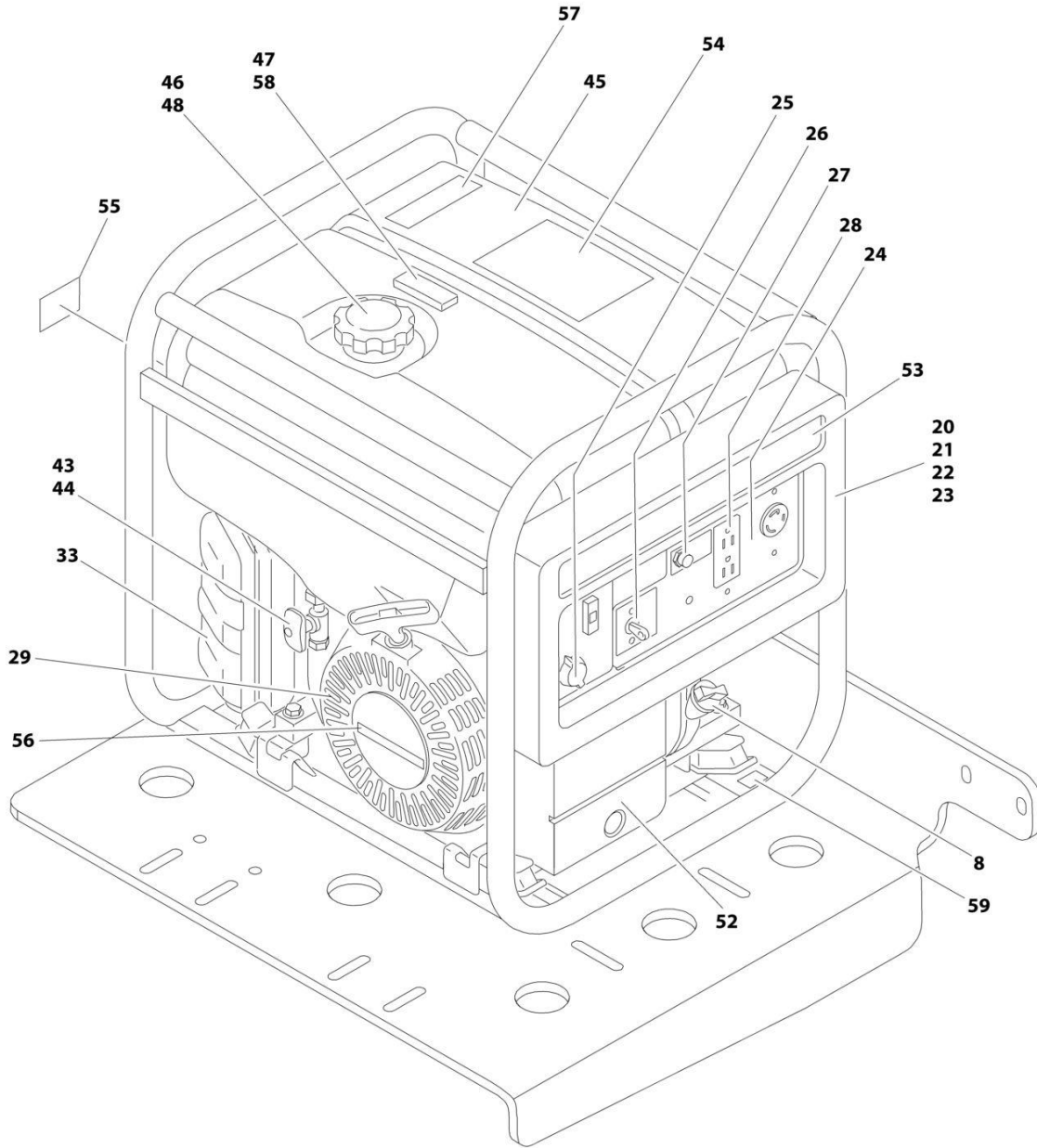
SECTION 1 - FRAME

**FIGURE 1-24. ONBOARD GENERATOR INSTALLATION - TRAY ONLY - DUAL OSCILLATING AXLE
(RT3369)**

ITEM	PART NUMBER	QTY	DESCRIPTION	REV
	1001265194	Ref	GENERATOR TRAY INSTALLATION	B
1	0100011	AR	Compound, Locking	
2	0771618	4	Bolt M16 x 50 Class 10.9	
3	3331611	4	Nut M16 Class 10	
4	5241600	8	Washer M16	
5	1001244865	1	Grommet	
6	1001259284	1	Tray, Mounting	

SECTION 1 - FRAME

FIGURE 1-25. ONBOARD GENERATOR ASSEMBLY



ART_1001130309

SECTION 1 - FRAME

FIGURE 1-25. ONBOARD GENERATOR ASSEMBLY

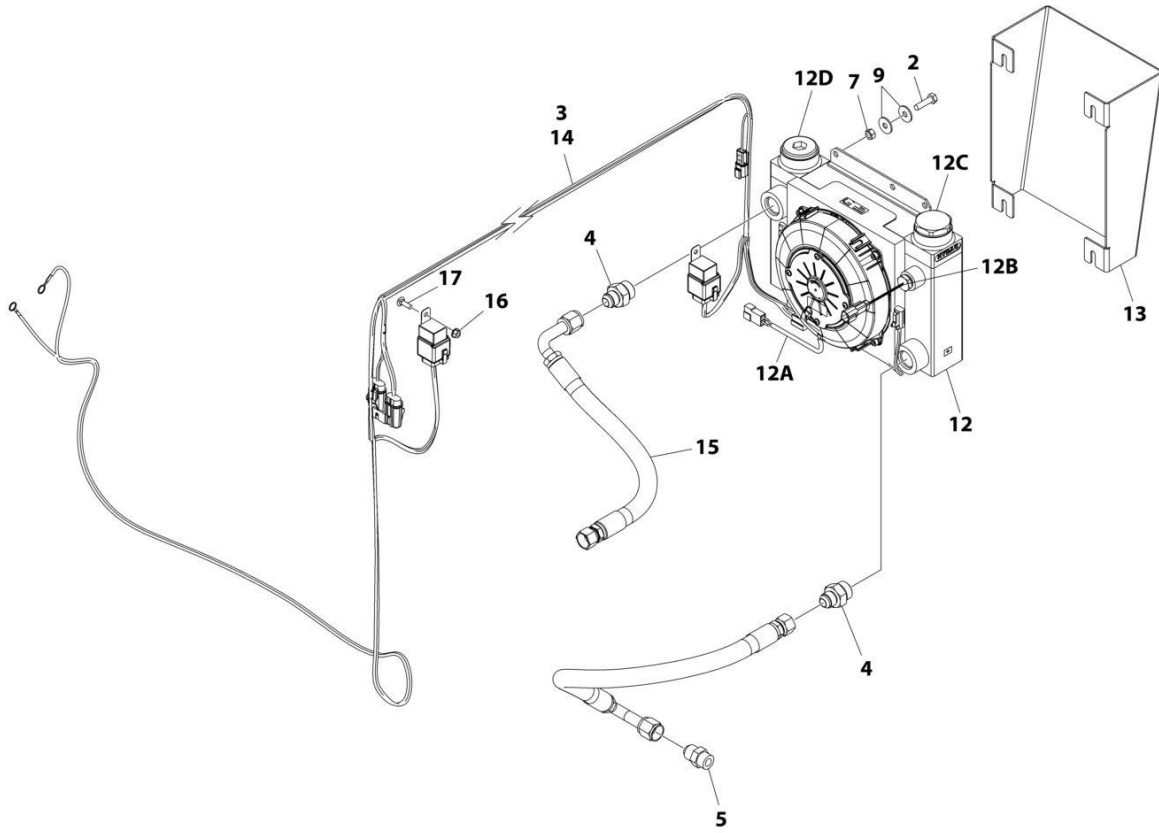
ITEM	PART NUMBER	QTY	DESCRIPTION	REV
	1001130309	Ref	ONBOARD GENERATOR ASSEMBLY	B
1	70003558	1	Gasket, Cylinder Head (Not Shown)	
2	70003559	1	Gasket, Cylinder Head Cover (Not Shown)	
3	70003560	1	Gasket, Exhaust (Exhaust Pipe to Cylinder Head) (Not Shown)	
4	7027391	1	Plug, Spark - Denso Brand (Not Shown)	
5	70002770	1	Plug, Spark - NGK Brand (Not Shown)	
6	70003561	1	Switch Assembly, Oil Level (Not Shown)	
7	70003507	1	O-Ring, Oil Level Switch (Not Shown)	
8	70002771	1	Cap, Oil Filler	
9	7027388	1	Cap, Secondary Oil Filler (Not Shown)	
10	70003565	1	Carburetor Assembly (Not Shown) (Includes Items 11-13)	
11	70003562	1	Gasket Set - Carburetor (Not Shown)	
12	70003563	1	Float Set - Carburetor (Not Shown) (Includes Item 13 and Gaskets)	
13	70003564	1	Drain Screw Set (Not Shown) (Includes Gasket)	
14	70003566	1	Insulator, Carburetor (Not Shown)	
15	70002776	1	Gasket, Insulator to Block (Not Shown)	
16	70003567	1	Spacer, Carburetor (Not Shown)	
17	70002777	1	Gasket, Carburetor to Insulator (Not Shown)	
18	70003568	1	Coil, Charging (Not Shown)	
19	7027398	1	Suppressor, Noise (Not Shown)	
20	70003572	1	Control Box Assembly (Includes Items 21-28)	
21	70003569	1	Module, Ignition	
22	70003570	1	Harness, Wiring	
23	70003571	1	Harness, Secondary Wiring	
24	70003573	1	Decal - Control Panel	
25	70002783	1	Switch, Engine Stop	
26	70003574	1	Breaker, Circuit (20A)	
27	70003575	1	Protector, Circuit (20A)	
28	70003576	1	Receptacle (20A-125V)	
29	70003577	1	Recoil Starter Assembly (Includes Items 30-32)	
30	70003578	1	Spring, Recoil Starter (Not Shown)	
31	70003579	1	Handle, Recoil Starter Rope (Not Shown)	
32	70002774	1	Rope, Recoil Starter (Not Shown)	
33	70003582	1	Cover, Air Cleaner	
34	70003581	4	Spring, Air Cleaner Housing/Cover (Not Shown)	
35	70003583	1	Seal, Air Cleaner Cover (Not Shown)	
36	70003580	1	Element, Air Cleaner (Inner) (Not Shown)	
37	70003584	1	Element, Air Cleaner (Outer) (Not Shown)	
38	70003585	1	Muffler (Not Shown)	
39	70003588	1	Gasket, Exhaust Pipe to Block (Not Shown)	
40	70003589	1	Arrester, Spark (Not Shown)	
41	70003586	1	Shield, Muffler (Outer) (Not Shown)	
42	70003587	1	Shield, Muffler (Inner) (Not Shown)	
43	70003590	1	Petcock Assembly (Includes Item 44)	
44	70003591	1	Screen, Fuel Strainer	
45	70003592	1	Tank, Fuel	
46	70003593	1	Cap, Fuel Filler	
47	70003594	1	Gauge, Fuel	
48	7027395	1	Filter, Fuel Tank	

SECTION 1 - FRAME

ITEM	PART NUMBER	QTY	DESCRIPTION	REV
49	70003595	1	Cable, Ground (Frame) (Not Shown)	
50	70003596	1	Generator Assembly (Not Shown)	
51	70003597	1	Grommet, AC Cord (Not Shown)	
52	70003598	1	Cycloconverter, Unit	
53	70003599	1	Decal - Generator Model	
54	70003600	1	Decal - Operator Warning	
55	70003601	1	Decal - Choke	
56	70003602	1	Decal - Cycloconverter	
57	70003603	1	Decal - Exhaust Caution	
58	70003604	1	Decal - Fuel Indication	
59	70003605	1	Decal - Oil Caution	

SECTION 1 - FRAME

FIGURE 1-26. OIL COOLER INSTALLATION



ART_1001246101

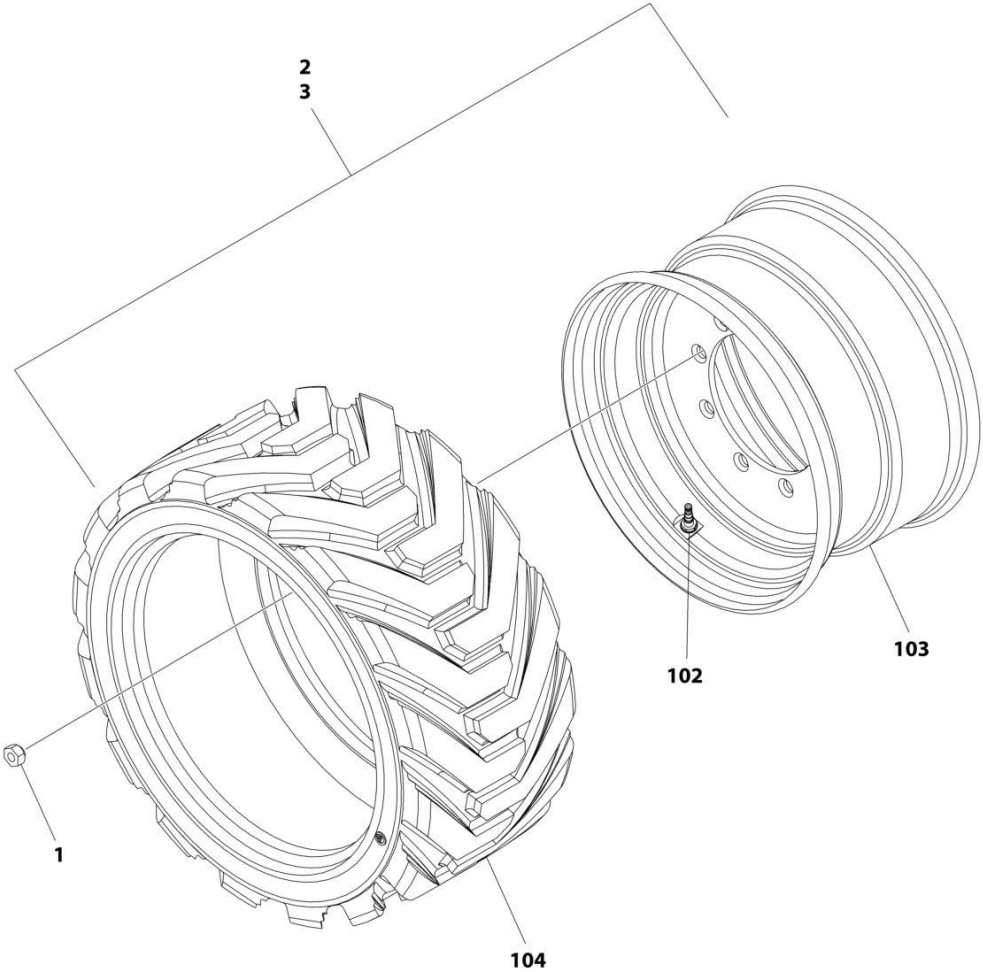
SECTION 1 - FRAME

FIGURE 1-26. OIL COOLER INSTALLATION

ITEM	PART NUMBER	QTY	DESCRIPTION	REV
	1001246101	Ref	OIL COOLER INSTALLATION	D
2	0760814	4	Bolt M8 x 30	
3	1062255	AR	Tie Strap (Not Shown)	
4	2220865	2	Fitting Straight JIC/ORB	
5	2220947	1	Fitting Straight JIC/ORB	
7	3290807	4	Nut, Lock M8	
9	4811902	8	Washer M8	
12	1001225804	1	Cooler Assembly	
12A	70006577	1	Fan/Motor Assembly	
12A	4460994	1	Plug, Male - 2 Position (Fan/Motor)	
12A	4460993	2	Terminal (Fan/Motor)	
12B	70006576	1	Thermostat	
12B	4460891	1	Plug, Male - 2 Position (Thermostat)	
12B	4460465	2	Socket, Female (Thermostat)	
12C	70006578	1	Valve, Bypass	
12D	70006579	1	Plug	
13	1001248160	1	Bracket	
14	1001249802	1	Oil Cooler Harness (See Separate Breakdown in ELECTRICAL Section)	
15	1001254861	1	Hose	
16	5260600	1	Nut M6	
17	1001100451	1	Bolt M6 x 20	

SECTION 1 - FRAME

FIGURE 1-27. TIRE AND WHEEL INSTALLATION - FOAM-FILLED



ART_1001244775

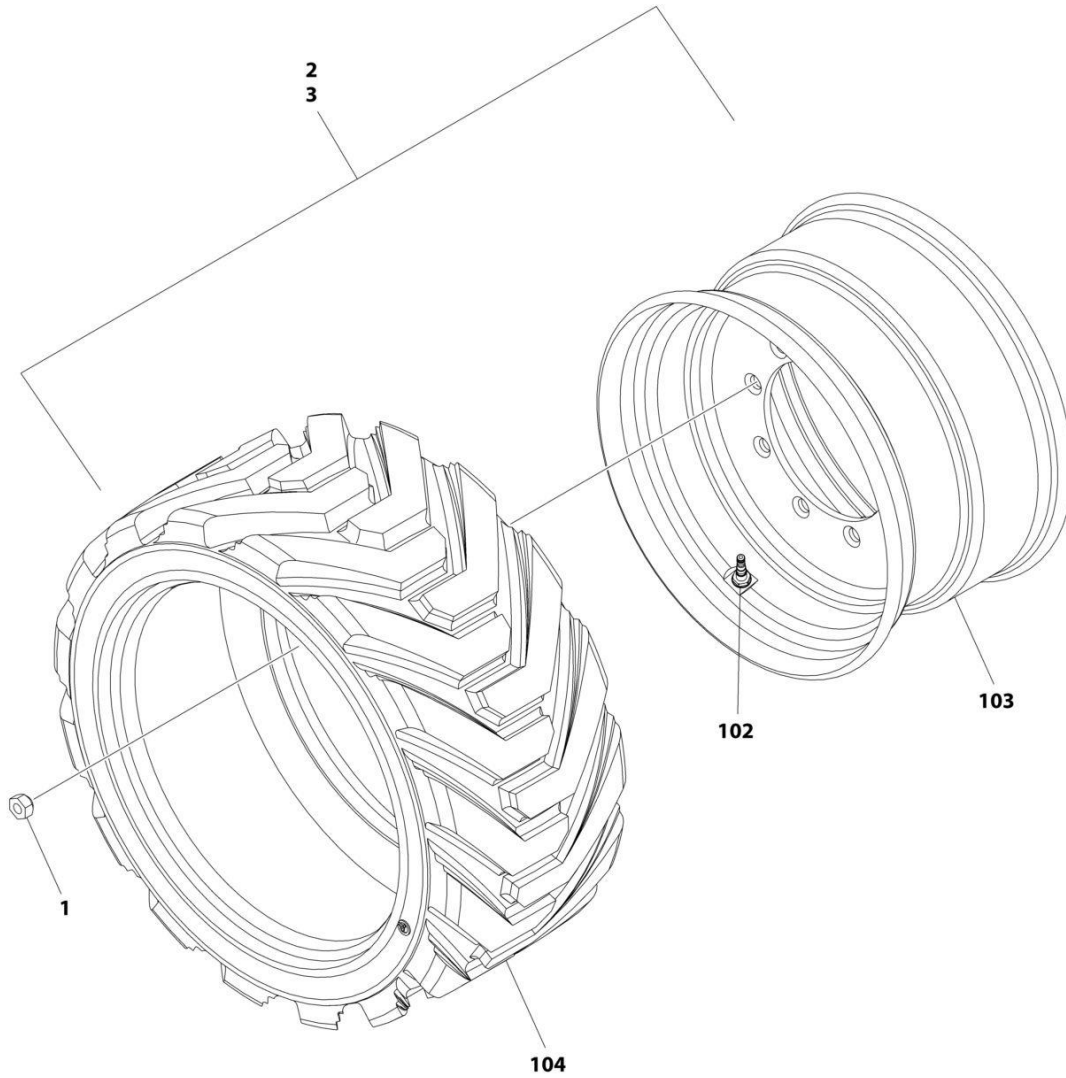
SECTION 1 - FRAME

FIGURE 1-27. TIRE AND WHEEL INSTALLATION - FOAM-FILLIED

ITEM	PART NUMBER	QTY	DESCRIPTION	REV
	1001244775	Ref Ref	TIRE AND WHEEL INSTALLATION - 26 X12D460 FOAM-FILLED Note: Assemblies may require ballast/foam filling to manufacturer's specification prior to installing on a machine. Refer to Operation and Safety or Service and Maintenance Manuals. Purchase individual tire and/or rim only if able to foam fill tire and wheel assembly, otherwise, purchase complete assembly.	A
1	3300106	36	Nut, Wheel	
2	1001249341	2	Tire and Wheel Assembly - Left Side	A
3	1001249342	2	Tire and Wheel Assembly - Right Side	A
102	4641122	1	Valve, Air	
103	1001249352	1	Rim, Wheel - 18 x 10	
104	1001249353	1	Tire, 26 x 12D460, Lug Tire	

SECTION 1 - FRAME

FIGURE 1-28. TIRE AND WHEEL INSTALLATION - FOAM-FILLIED NON-MARKING



ART_1001249340

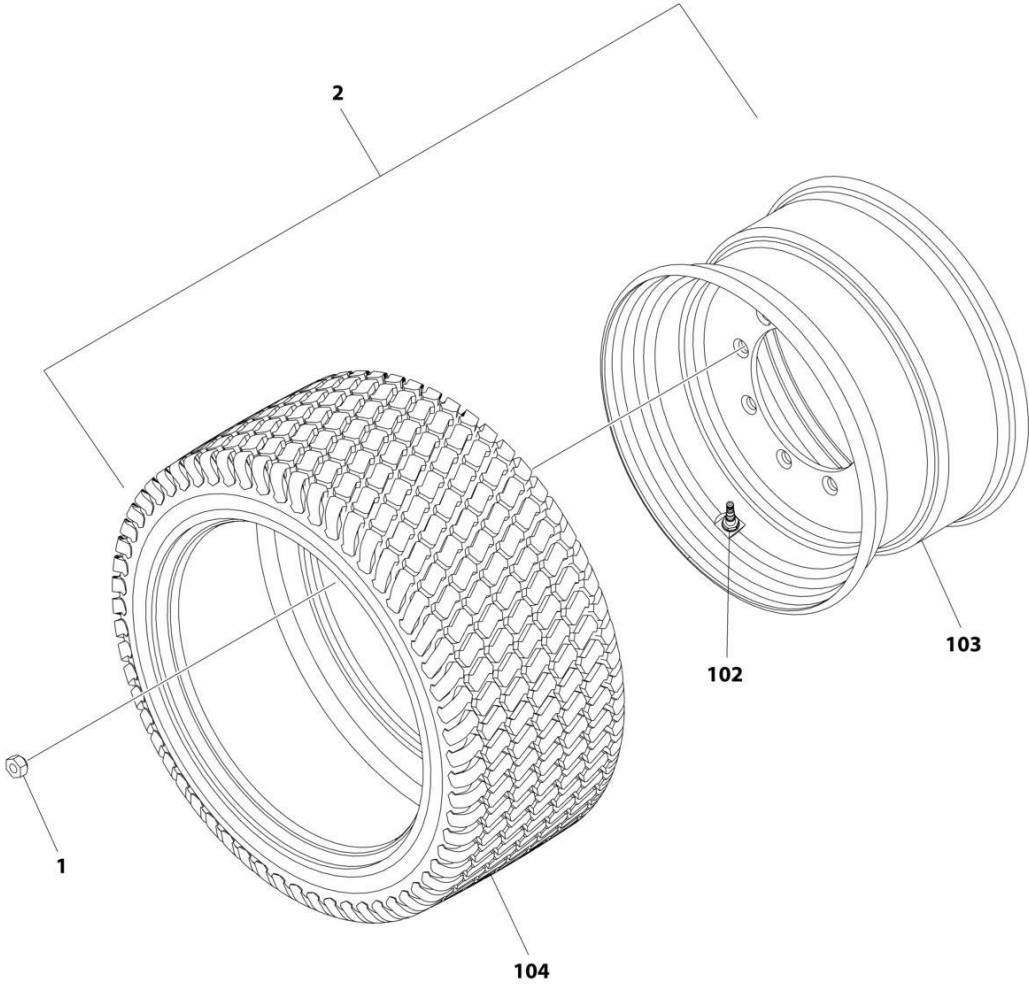
SECTION 1 - FRAME

FIGURE 1-28. TIRE AND WHEEL INSTALLATION - FOAM-FILLIED NON-MARKING

ITEM	PART NUMBER	QTY	DESCRIPTION	REV
	1001249340	Ref	TIRE AND WHEEL INSTALLATION - 26 X 12D460 FOAM-FILLED NON-MARKING	A
		Ref	Note: Assemblies may require ballast/foam filling to manufacturer's specification prior to installing on a machine. Refer to Operation and Safety or Service and Maintenance Manuals. Purchase individual tire and/or rim only if able to foam fill tire and wheel assembly, otherwise, purchase complete assembly.	
1	3300106	36	Nut, Wheel	
2	1001249343	2	Tire and Wheel Assembly - Left Side	A
3	1001249344	2	Tire and Wheel Assembly - Right Side	A
102	4641122	1	Valve, Air	
103	1001249352	1	Rim, Wheel - 18 x 10	
104	1001249354	1	Tire, 26 x 12D460, Lug Tire Non-Marking	

SECTION 1 - FRAME

FIGURE 1-29. TIRE AND WHEEL INSTALLATION - FOAM-FILLED TURF NON-MARKING



ART_1001259386

SECTION 1 - FRAME

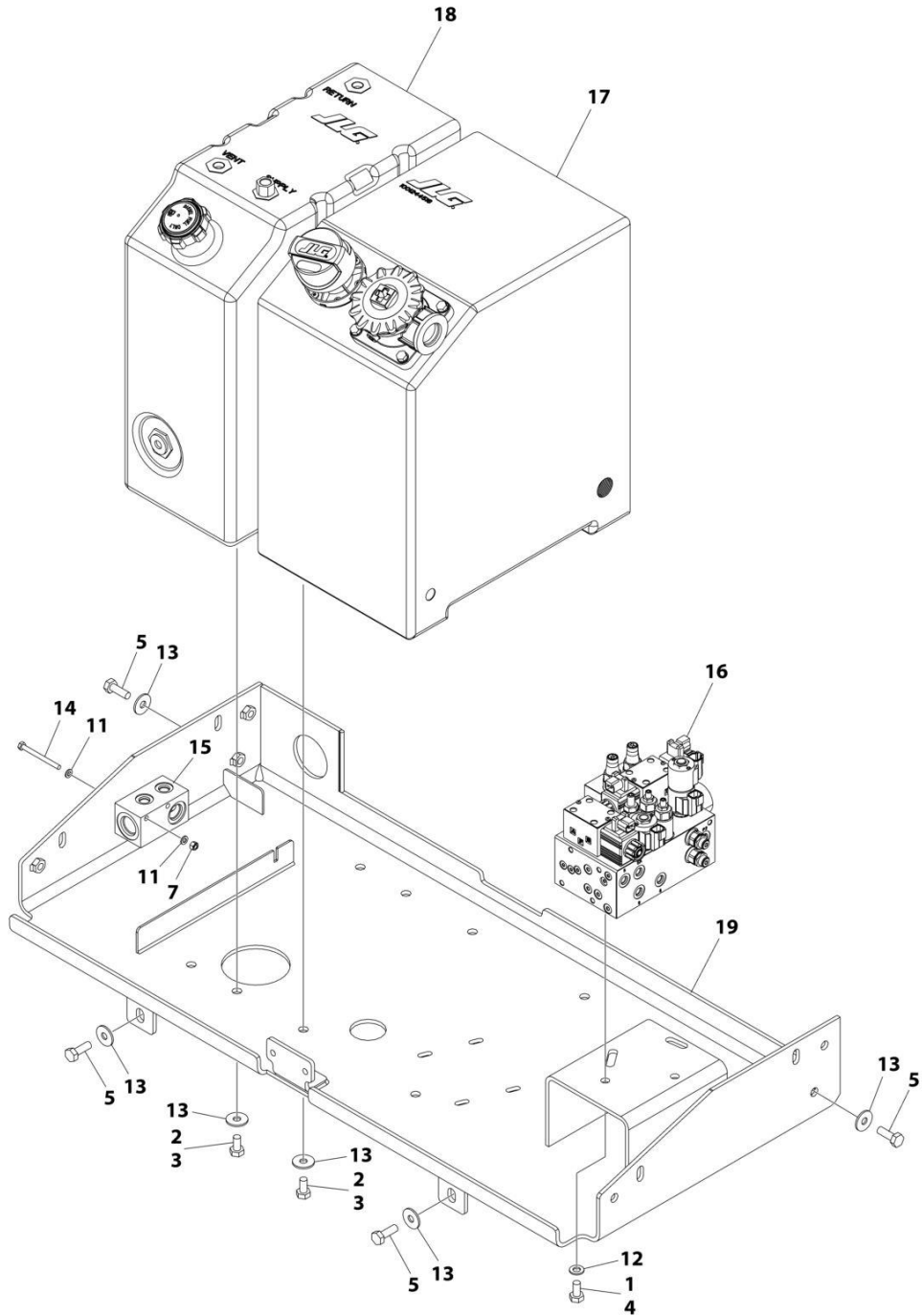
FIGURE 1-29. TIRE AND WHEEL INSTALLATION - FOAM-FILLIED TURF NON-MARKING

ITEM	PART NUMBER	QTY	DESCRIPTION	REV
	1001259386	Ref	TIRE AND WHEEL INSTALLATION - 26 X 12D460 FOAM-FILLED TURF	A
		Ref	Note: Assemblies may require ballast/foam filling to manufacturer's specification prior to installing on a machine. Refer to Operation and Safety or Service and Maintenance Manuals. Purchase individual tire and/or rim only if able to foam fill tire and wheel assembly, otherwise, purchase complete assembly.	
1	3300106	36	Nut, Wheel	
2	1001258287	4	Tire and Wheel Assembly	A
102	4641122	1	Valve, Air	
103	1001249352	1	Rim, Wheel - 18 x 10	
104	1001259202	1	Tire, 26 x 12D460 Turf	

SECTION 2 - GROUND CONTROLS

SECTION 2 - GROUND CONTROLS

FIGURE 2-1. HYDRAULIC COMPONENTS INSTALLATION - DIESEL



ART_1001246090

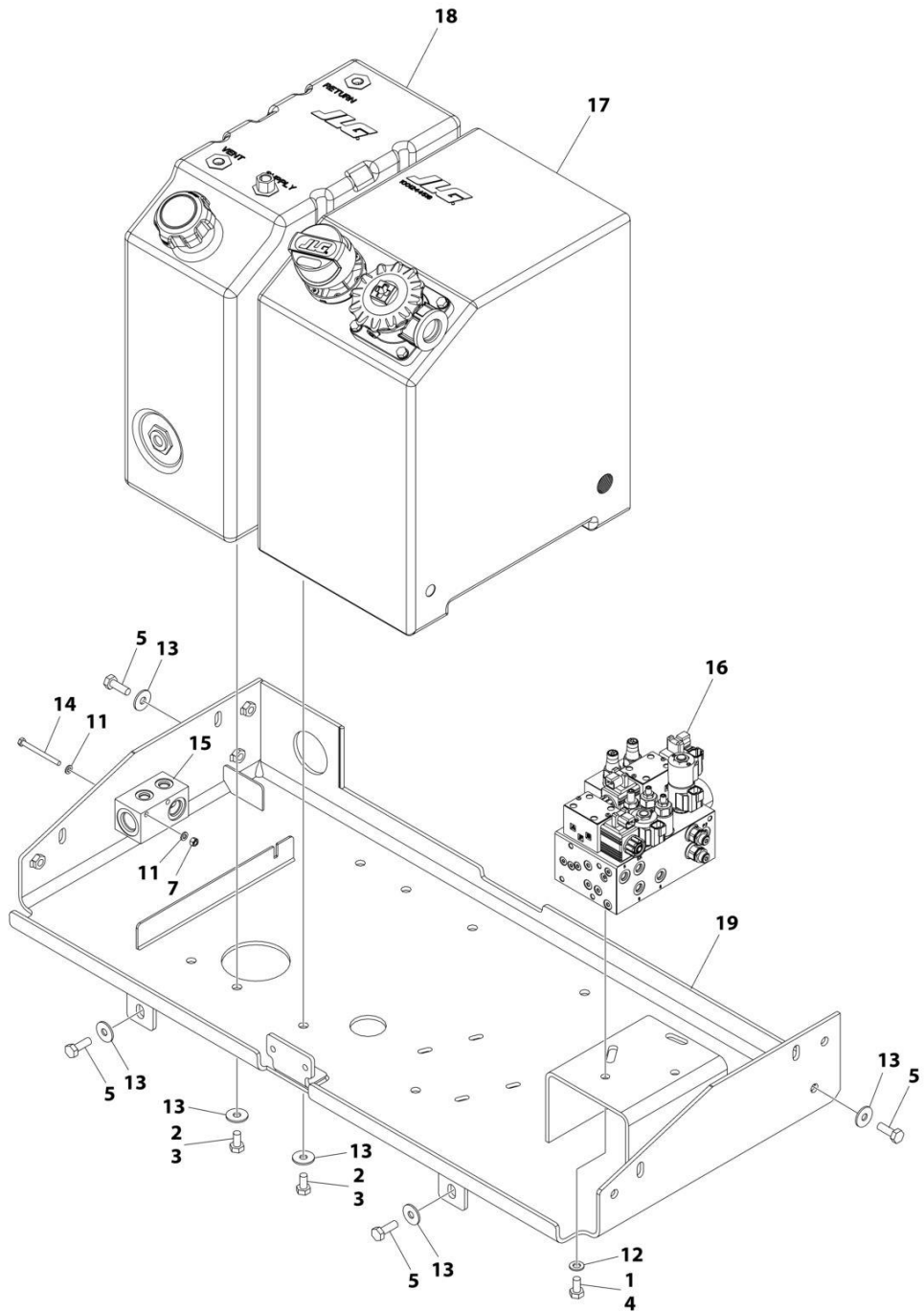
SECTION 2 - GROUND CONTROLS

FIGURE 2-1. HYDRAULIC COMPONENTS INSTALLATION - DIESEL

ITEM	PART NUMBER	QTY	DESCRIPTION	REV
	1001246090	Ref	HYDRAULIC COMPONENTS INSTALLATION	D
1	0100011	AR	Compound, Locking	
2	0100035	AR	Compound, Locking	
3	0761010	8	Bolt M10 x 20	
4	0771010	4	Bolt M10 x 20	
5	0771014	4	Bolt M10 x 30	
7	3290605	2	Nut M6	
11	4811700	4	Washer M6	
12	4812000	4	Washer M10	
13	4812002	12	Washer M10	
14	1001096653	2	Bolt M6 x 70	
15	1001183406	1	Valve, Manifold	
16	1001270103	1	Valve Assembly - Main Control (See Separate Breakdown in this Section)	
17	1001246555	1	Tank Assembly - Hydraulic (See Separate Breakdown in this Section)	
18	1001246856	1	Tank Assembly - Fuel	
18	1001193336	1	Cap, Fuel	
19	1001247630	1	Tray	

SECTION 2 - GROUND CONTROLS

FIGURE 2-2. HYDRAULIC COMPONENTS INSTALLATION - DUAL FUEL



ART_1001248349

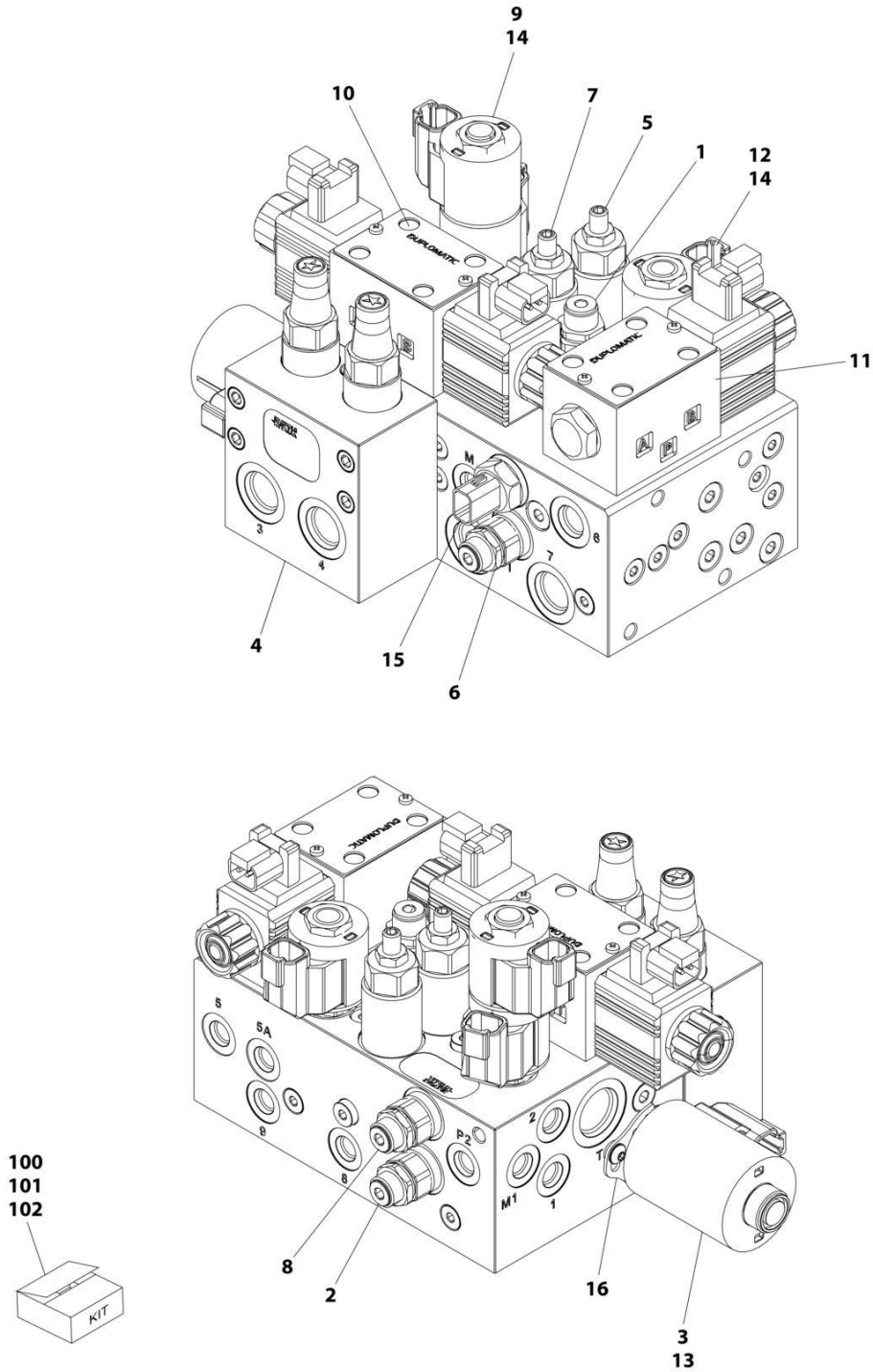
SECTION 2 - GROUND CONTROLS

FIGURE 2-2. HYDRAULIC COMPONENTS INSTALLATION - DUAL FUEL

ITEM	PART NUMBER	QTY	DESCRIPTION	REV
	1001248349	Ref	HYDRAULIC COMPONENTS INSTALLATION - DUAL FUEL	D
1	0100011	AR	Compound, Locking	
2	0100035	AR	Compound, Locking	
3	0761010	8	Bolt M10 x 20	
4	0771010	4	Bolt M10 x 20	
5	0771014	4	Bolt M10 x 30	
7	3290605	2	Nut M6	
11	4811700	4	Washer M6	
12	4812000	4	Washer M10	
13	4812002	12	Washer M10	
14	1001096653	2	Bolt M6 x 70	
15	1001183406	1	Valve, Manifold	
16	1001270103	1	Valve Assembly - Main Control (See Separate Breakdown in this Section)	
17	1001246555	1	Tank Assembly - Hydraulic (See Separate Breakdown in this Section)	
18	1001247021	1	Tank Assembly - Fuel	
18	1001207109	1	Cap, Fuel Tank	
19	1001247630	1	Tray	

SECTION 2 - GROUND CONTROLS

FIGURE 2-3. VALVE ASSEMBLY - MAIN CONTROL



ART_1001270103

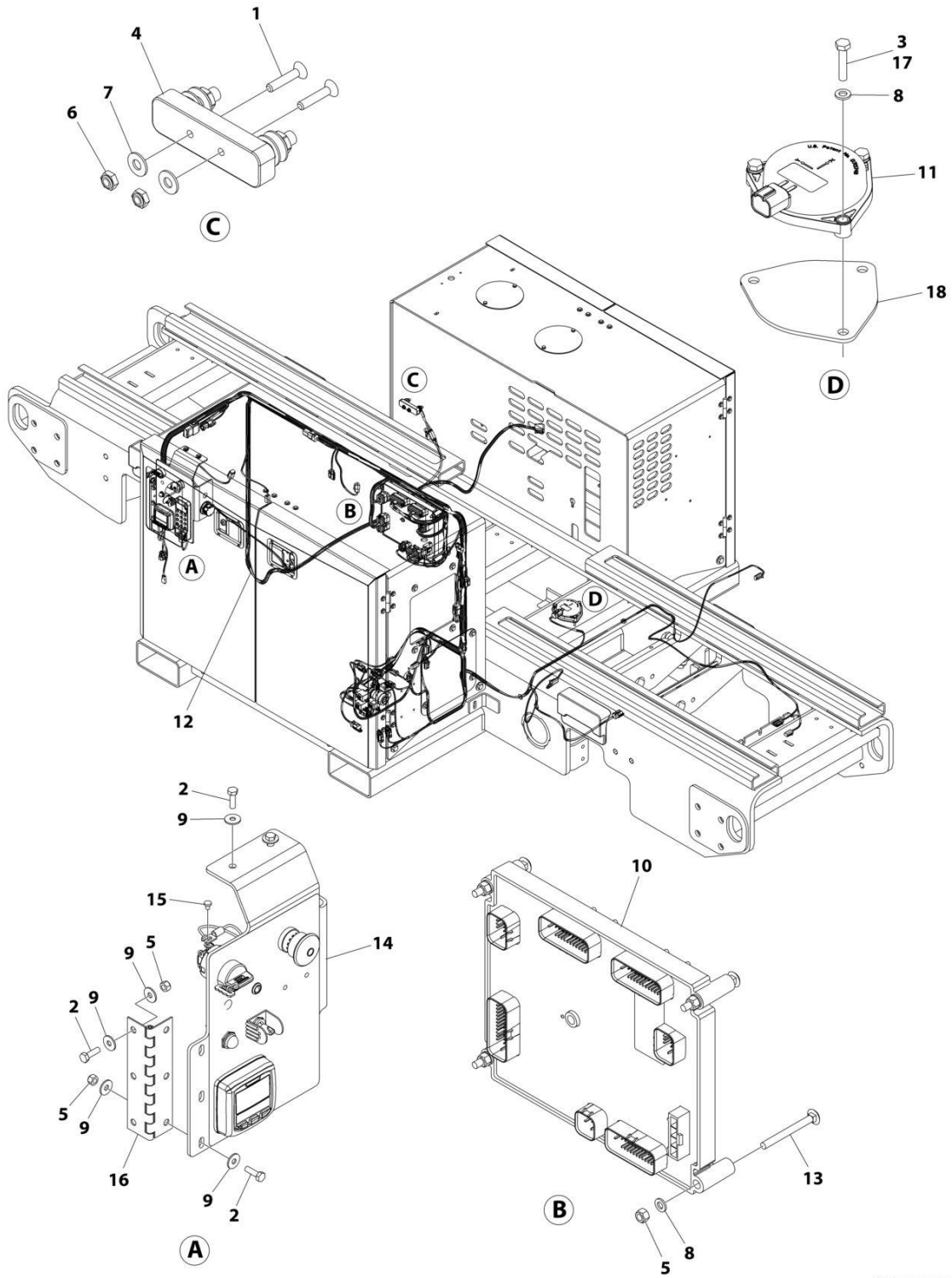
SECTION 2 - GROUND CONTROLS

FIGURE 2-3. VALVE ASSEMBLY - MAIN CONTROL

ITEM	PART NUMBER	QTY	DESCRIPTION	REV
	1001270103	Ref	VALVE ASSEMBLY - MAIN CONTROL	B
1	70007763	1	Cartridge, Relief Valve (Main)	
2	70007764	1	Cartridge, Relief Valve (Steer)	
3	70006786	1	Cartridge, Valve (Flow Control) (Use Seal Kit 7012925)	
4	70007765	1	Valve Assembly (Drive)	
5	70007766	1	Cartridge, Pressure Reducing Valve (Brake)	
6	70007767	1	Cartridge, Relief Valve (Lift)	
7	70007768	1	Cartridge, Valve Relief (Axle Charge)	
8	70007769	1	Cartridge, Relief Valve (Steer)	
9	70007772	1	Valve, Directional (Steer) (Use Seal Kit 7017402)	
10	70007770	1	Valve Assembly	
11	70007771	1	Valve Assembly	
12	7012941	1	Valve, Directional (Use Seal Kit 7010543)	
13	70003789	1	Coil	
14	70002386	2	Coil	
15	1001128478	1	Sensor, Temperature	
16	70007773	1	Lockdown Kit	
100	7012925	1	Seal Kit (Use with Items 3 Valve)	
101	7017402	1	Seal Kit (Use with Item 9 Valve)	
102	7010543	1	Seal Kit (Use with Item 12 Valve)	

SECTION 2 - GROUND CONTROLS

FIGURE 2-4. ELECTRICAL COMPONENTS INSTALLATION



ART_1001247074

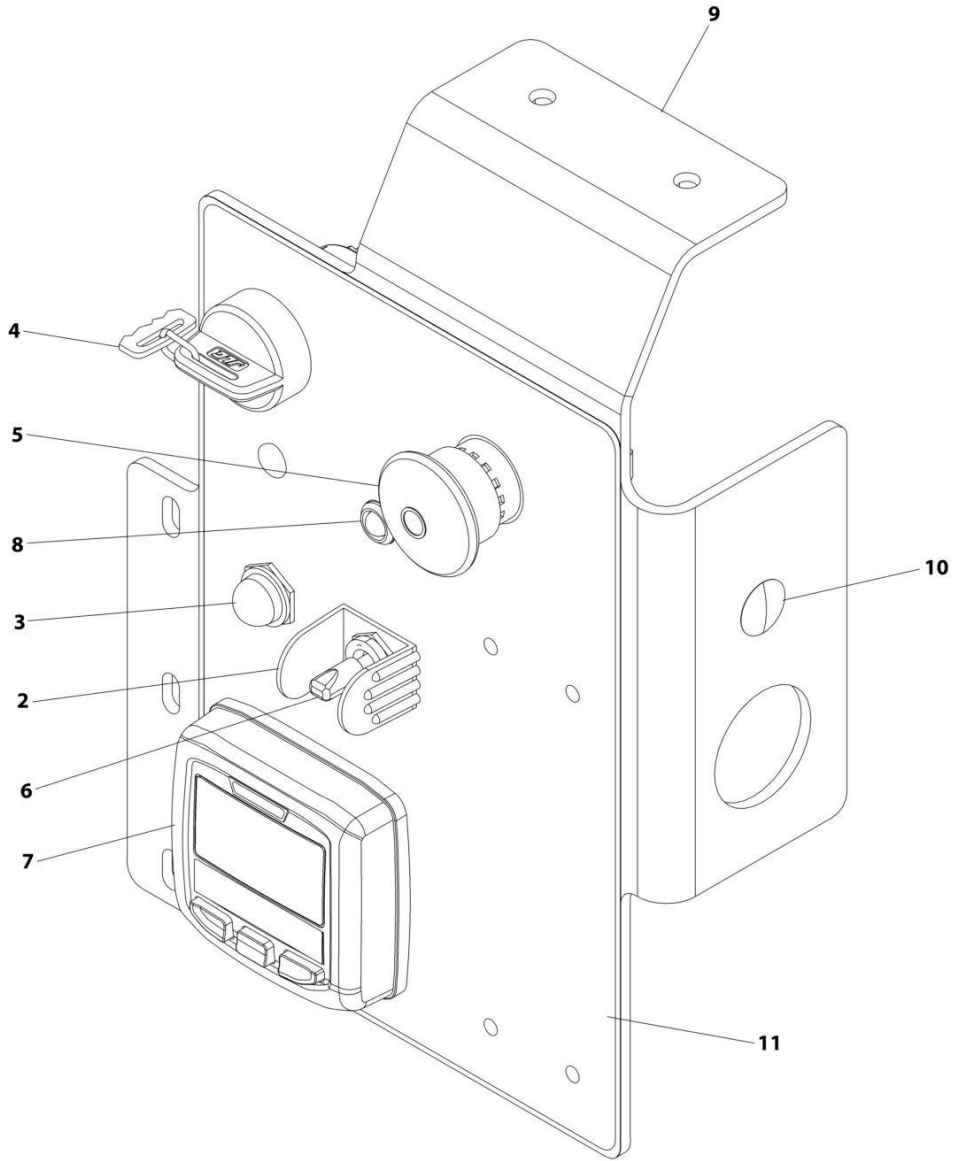
SECTION 2 - GROUND CONTROLS

FIGURE 2-4. ELECTRICAL COMPONENTS INSTALLATION

ITEM	PART NUMBER	QTY	DESCRIPTION	REV
	1001247074	Ref	ELECTRICAL COMPONENTS INSTALLATION	E
1	0741008	2	Capscrew 10 x 1	
2	0760610	8	Bolt M6 x 20	
3	0760614	3	Bolt M6 x 30	
3	4010615	3	Bolt M6 x 35	
4	2400044	1	Fuse, Mounting Block	
5	3290605	10	Nut M6	
6	3300408	2	Nut	
7	4751300	2	Washer 3/16	
8	4811700	7	Washer M6	
9	4811702	14	Washer M6	
10	1001244929	1	Module, Ground Control (Note: Re-calibration Required when Replaced)	
11	1001244934	1	Sensor, Tilt	
12	1001247472	1	Chassis Harness (See Separate Breakdown in ELECTRICAL Section)	
13	1001248039	4	Bolt M6 x 60	
14	1001251231	1	Ground Control Assembly (See Separate Breakdown in this Section)	
15	4010403	3	Screw M4 x 6	
16	1001110188	1	Hinge	
17	0100011	AR	Compound, Locking	
18	1001272777	1	Gasket	

SECTION 2 - GROUND CONTROLS

FIGURE 2-5. GROUND CONTROL ASSEMBLY



ART_1001251231

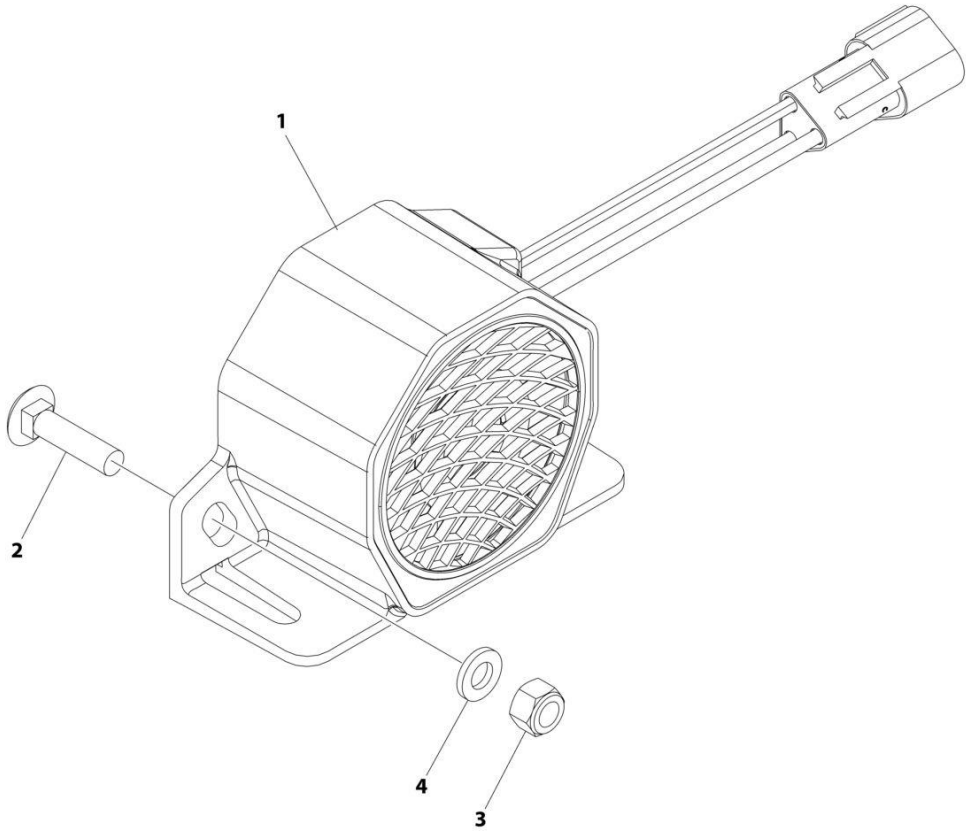
SECTION 2 - GROUND CONTROLS

FIGURE 2-5. GROUND CONTROL ASSEMBLY

ITEM	PART NUMBER	QTY	DESCRIPTION	REV
	1001251231	Ref	GROUND CONTROL ASSEMBLY	E
2	4060802	1	Guard, Switch	
3	4360387	1	Switch, Push Button	
4	4360469	1	Switch, Key	
4	2860030	1Set	Key, Replacement	
5	1001274559	1	Switch, Emergency Stop (Plastic)	
5	4360475	1	Switch, Emergency Stop (Metal)	
5	7020175	1	Cap	
5	7020176	1	Block, Contact	
6	4360524	1	Switch, Toggle	
7	1001171482	1	Gauge, Display	
8	1001182680	1	Light, LED	
9	1001257884	1	Bracket	
10	3520026	1	Plug	
11	1001258921	1	Decal - Ground Control	

SECTION 2 - GROUND CONTROLS

FIGURE 2-6. ALARM INSTALLATION (HORN)



ART_1001250678

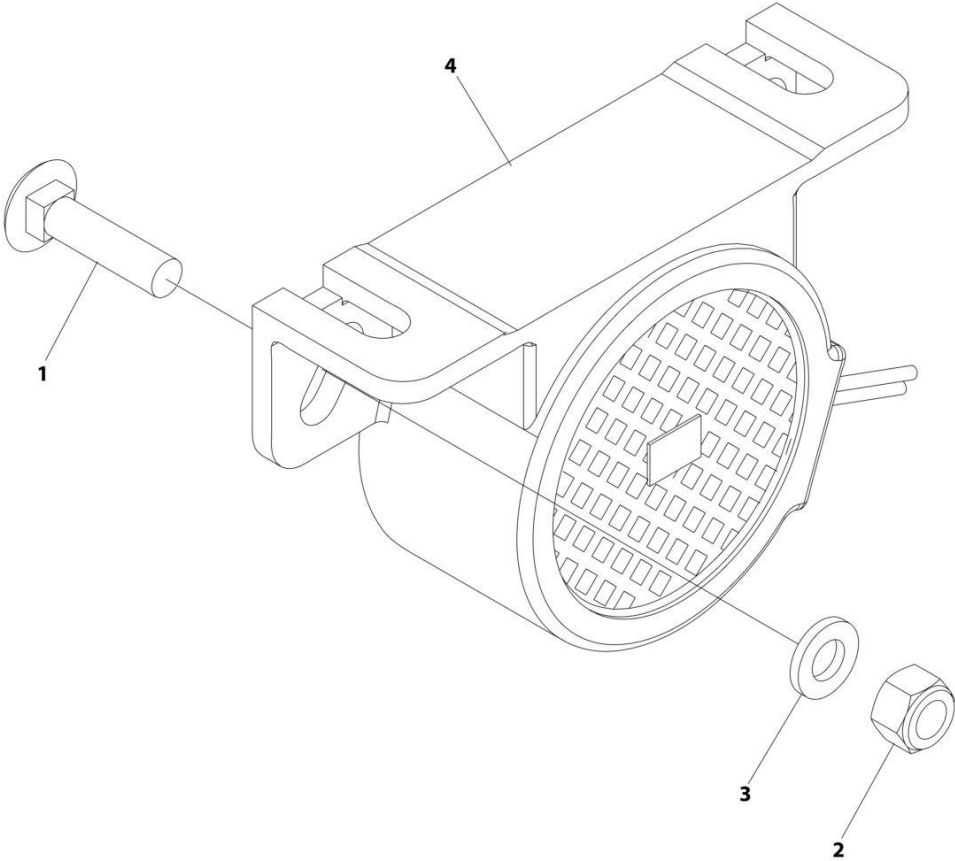
SECTION 2 - GROUND CONTROLS

FIGURE 2-6. ALARM INSTALLATION (HORN)

ITEM	PART NUMBER	QTY	DESCRIPTION	REV
	1001250678	Ref	ALARM INSTALLATION	C
1	0140043	1	Alarm	
2	0630587	2	Bolt M6 x 25	
3	3290605	2	Nut M6	
4	4811700	2	Washer M6	

SECTION 2 - GROUND CONTROLS

FIGURE 2-7. ALARM INSTALLATION (WHITE NOISE)



ART_1001249309

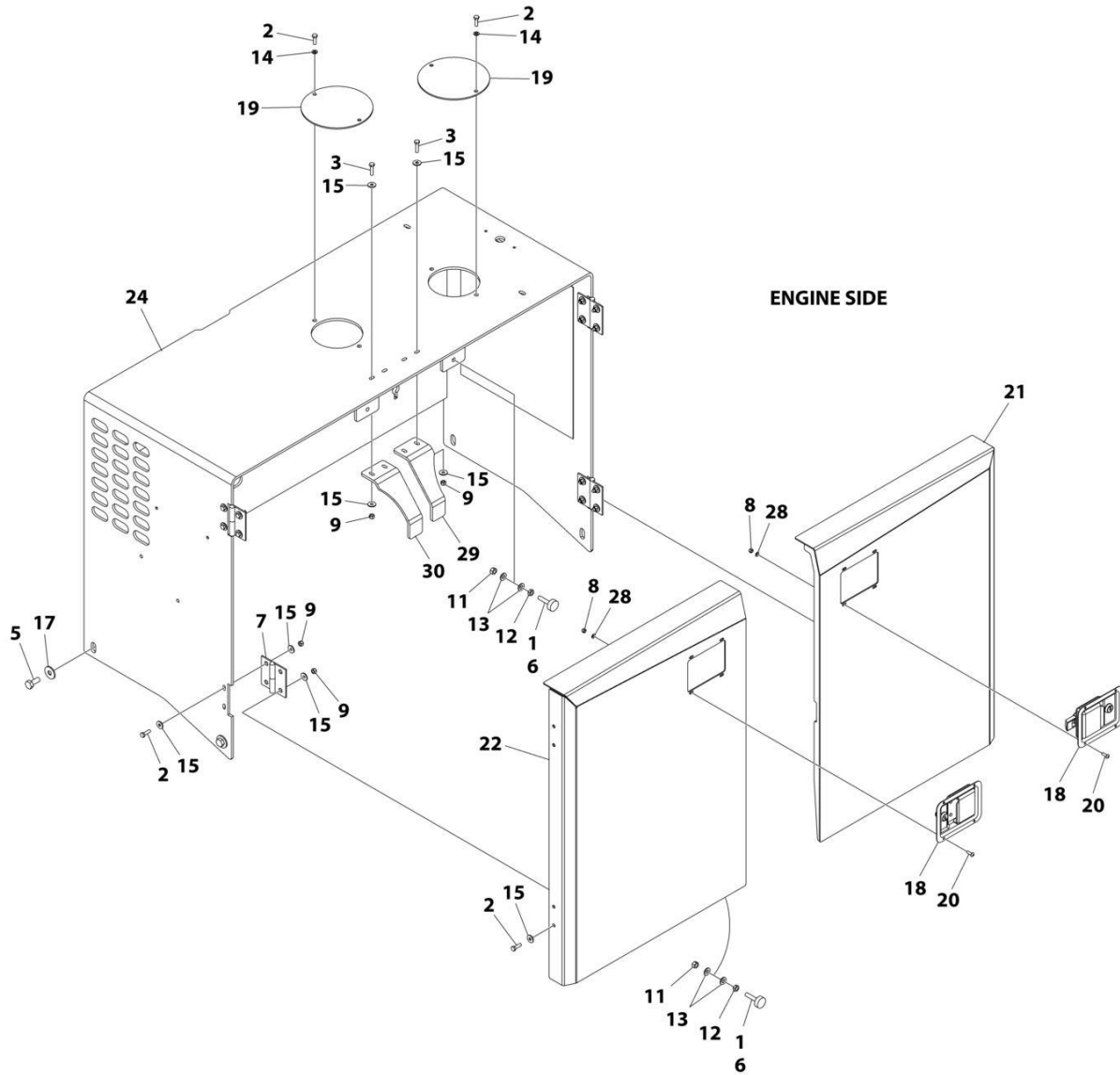
SECTION 2 - GROUND CONTROLS

FIGURE 2-7. ALARM INSTALLATION (WHITE NOISE)

ITEM	PART NUMBER	QTY	DESCRIPTION	REV
	1001249309	Ref	ALARM INSTALLATION	C
1	0630587	2	Bolt M6 x 25	
2	3290605	2	Nut M6	
3	4811700	2	Washer M6	
4	1001184682	1	Alarm	
4	4460897	1	Receptacle, Female - 2 Position	
4	4460464	2	Pin, Male	

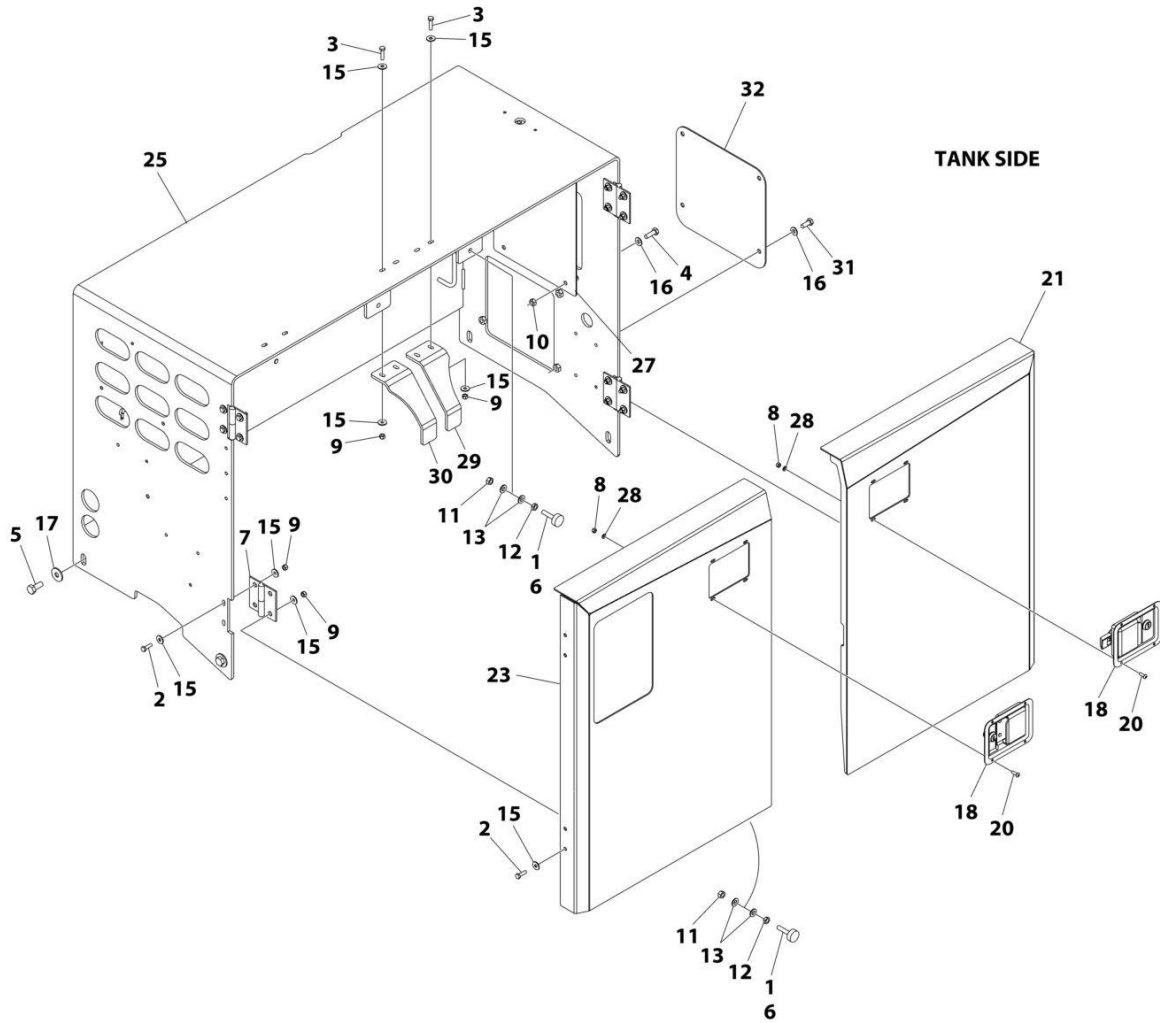
SECTION 2 - GROUND CONTROLS

FIGURE 2-8. HOODS INSTALLATION



ART_1001246883_1OF2

SECTION 2 - GROUND CONTROLS



ART_1001246883_2OF2

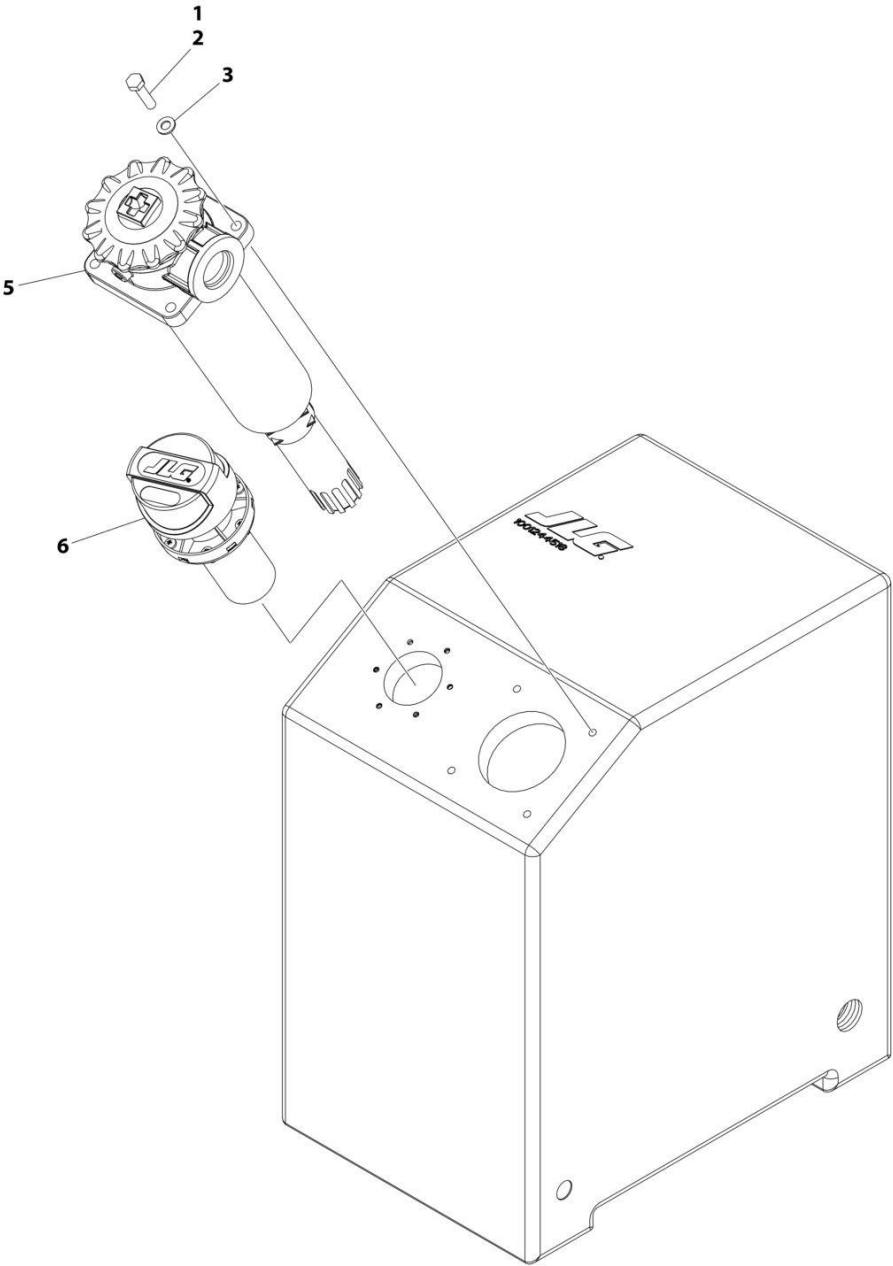
SECTION 2 - GROUND CONTROLS

FIGURE 2-8. HOODS INSTALLATION

ITEM	PART NUMBER	QTY	DESCRIPTION	REV
	1001246883	Ref	HOODS INSTALLATION	E
1	0100011	AR	Compound, Locking	
2	0760610	36	Bolt M6 x 20	
3	0760612	8	Bolt M6 x 25	
4	0770812	4	Bolt M8 x 25	
5	0761012	8	Bolt M10 x 25	
6	1001260334	8	Bumper	
7	2600216	8	Hinge	
8	3290505	16	Nut M5	
9	3290605	40	Nut M6	
10	3290801	4	Nut M8	
11	3311501	8	Nut 5/16	
12	3311502	8	Nut 5/16	
13	4711500	16	Washer 5/16	
14	4811700	4	Washer M6	
15	4811702	80	Washer M6	
16	4811902	12	Washer M8	
17	4812002	8	Washer M10	
18	1001257454	4	Latch, Lock	
19	1001226221	2	Plate, Filter Access	
20	1001234348	16	Screw M5 x 16 Grade 10.9	
21	1001247637	2	Door (Hydraulic Side RH/Engine Side RH)	
22	1001247638	1	Door (Engine Side LH)	
23	1001247639	1	Door (Hydraulic Side LH)	
24	1001247887	1	Shield (Engine Side)	
25	1001248043	1	Shield (Hydraulic Side)	
27	1001248162	1	Cover	
28	4811600	16	Washer M5	
29	1001257688	2	Bracket, Striker	
30	1001257689	2	Bracket, Striker	
31	0760810	4	Bolt M8 x 20	
32	1001263930	1	Cover	

SECTION 2 - GROUND CONTROLS

FIGURE 2-9. HYDRAULIC TANK ASSEMBLY



ART_1001246555

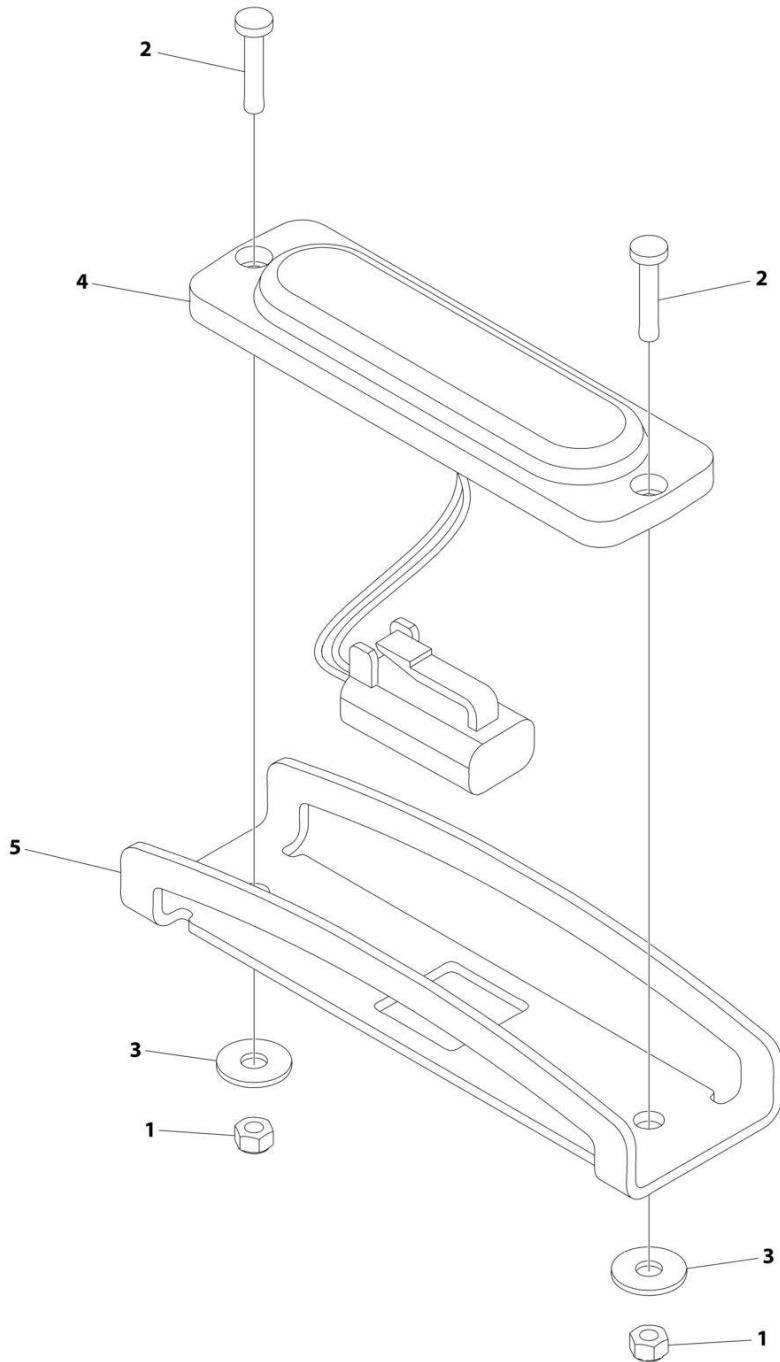
SECTION 2 - GROUND CONTROLS

FIGURE 2-9. HYDRAULIC TANK ASSEMBLY

ITEM	PART NUMBER	QTY	DESCRIPTION	REV
	1001246555	Ref	TANK ASSEMBLY	D
1	0100035	AR	Compound, Locking	
2	0760815	4	Bolt M8 x 35	
3	4811900	4	Washer M8	
5	1001246553	1	Filter, Hydraulic Tank	
5	70007035	1	Element, Filter	
6	1001248371	1	Filter, Filler/Breather	

SECTION 2 - GROUND CONTROLS

FIGURE 2-10. STROBE LIGHT INSTALLATION - SINGLE



ART_1001249306

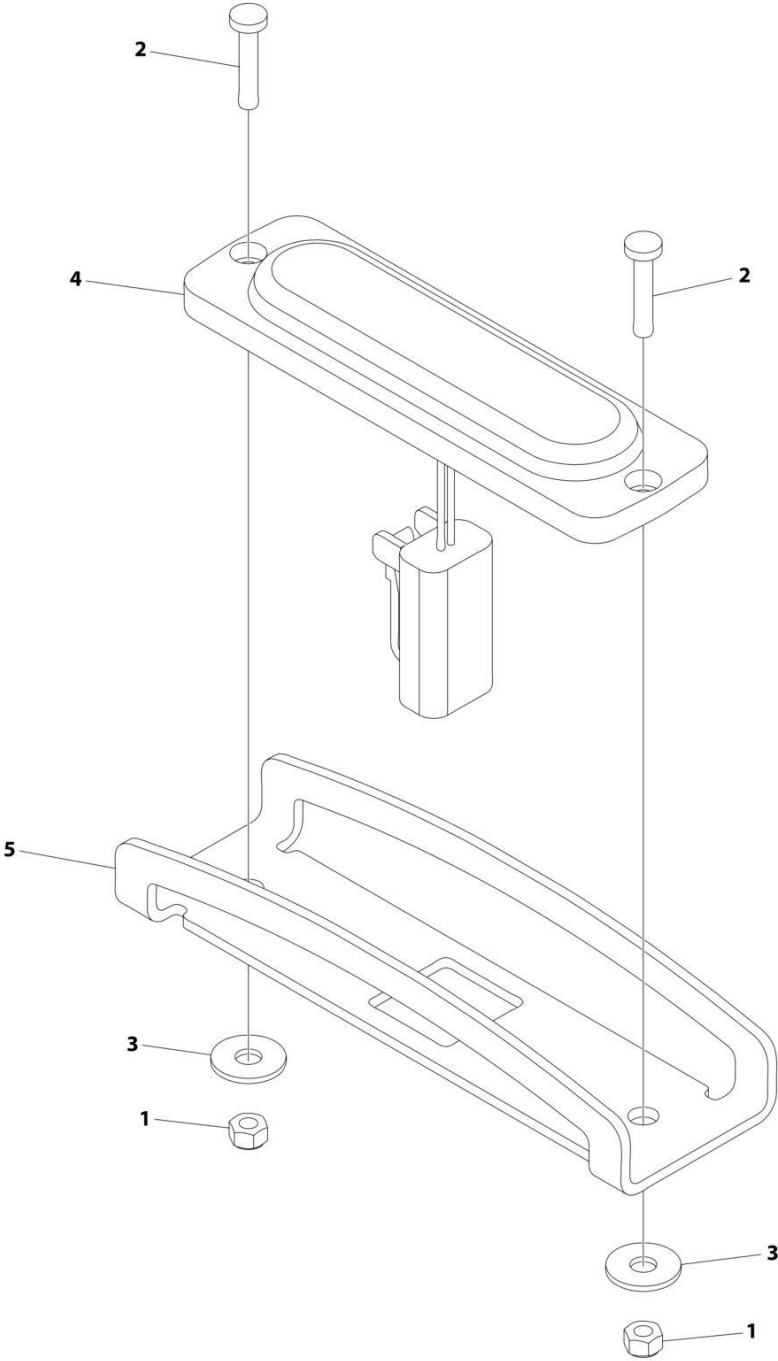
SECTION 2 - GROUND CONTROLS

FIGURE 2-10. STROBE LIGHT INSTALLATION - SINGLE

ITEM	PART NUMBER	QTY	DESCRIPTION	REV
	1001249306	Ref	STROBE LIGHT INSTALLATION - SINGLE	B
1	3290305	4	Nut M3	
2	4010308	4	Screw M3 x16	
3	1001091102	6	Washer M4	
4	1001239224	1	Lamp, Beacon	
4	4460891	1	Plug, Male - 2 Position	
4	4460465	2	Socket, Female	
5	1001242539	1	Guard	
6	1001263345	1	Cover, Hood (Not Shown - Located on Opposite Hood)	

SECTION 2 - GROUND CONTROLS

FIGURE 2-11. STROBE LIGHT INSTALLATION - DUAL



ART_1001249307

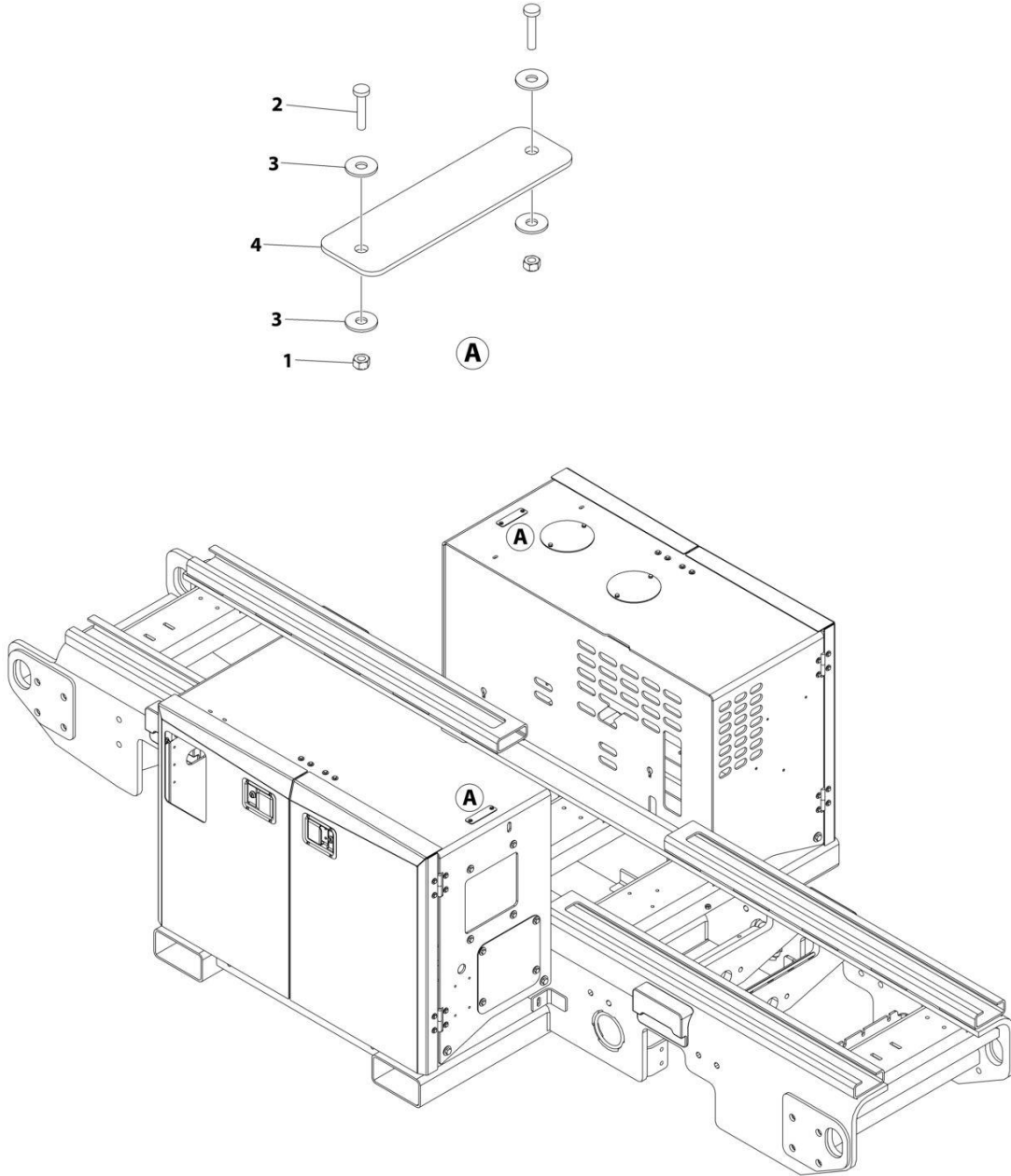
SECTION 2 - GROUND CONTROLS

FIGURE 2-11. STROBE LIGHT INSTALLATION - DUAL

ITEM	PART NUMBER	QTY	DESCRIPTION	REV
	1001249307	Ref	STROBE LIGHT INSTALLATION - DUAL	A
1	3290305	4	Nut M3	
2	4010308	4	Screw M3 x16	
3	1001091102	4	Washer M4	
4	1001239224	2	Lamp, Beacon	
4	4460891	1	Plug, Male - 2 Position	
4	4460465	2	Socket, Female	
5	1001242539	2	Guard	

SECTION 2 - GROUND CONTROLS

FIGURE 2-12. NO BEACON (COVERS)



ART_1001267649

SECTION 2 - GROUND CONTROLS

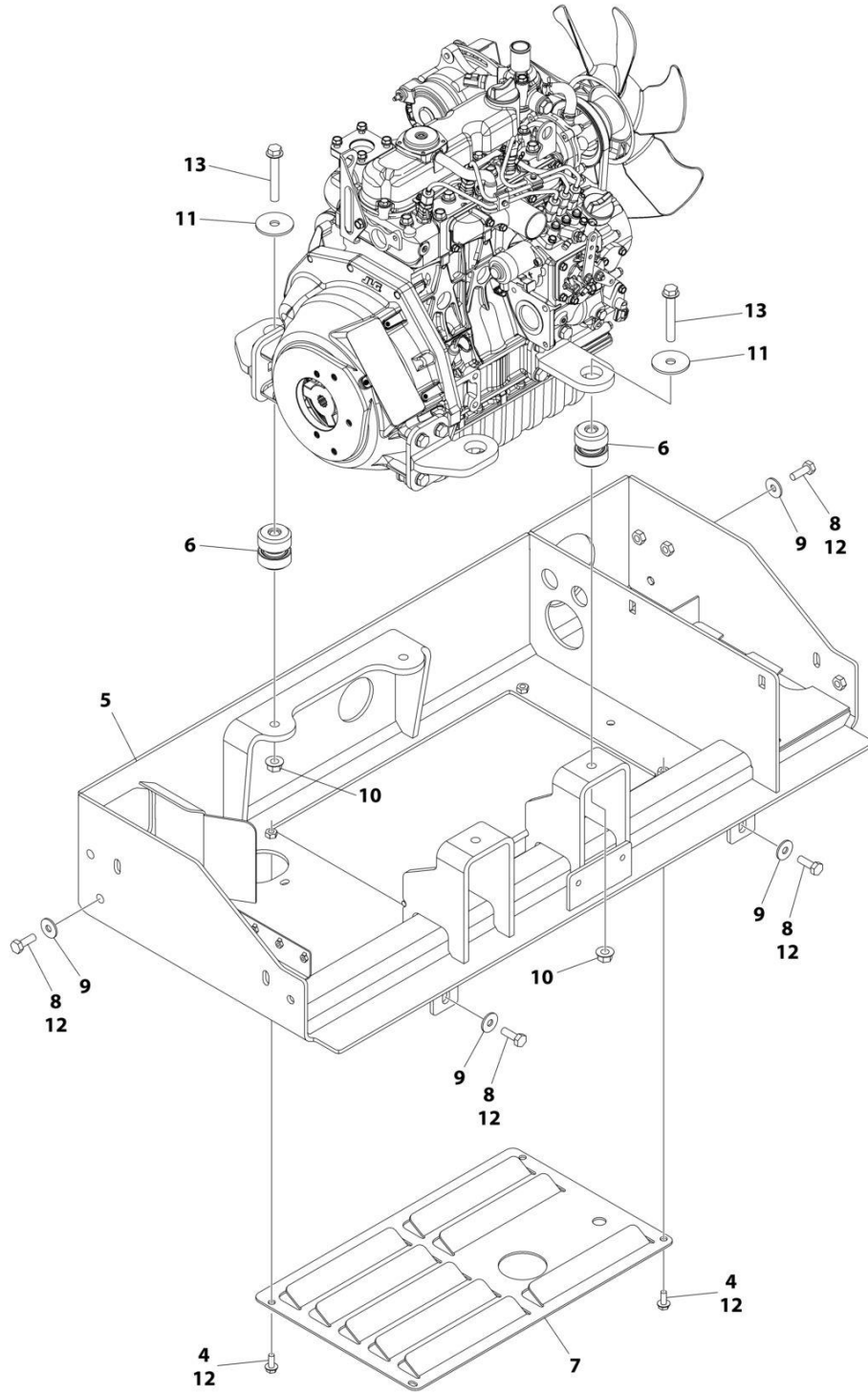
FIGURE 2-12. NO BEACON (COVERS)

ITEM	PART NUMBER	QTY	DESCRIPTION	REV
	1001267649	Ref	NO BEACON (COVERS)	A
1	3290305	4	Nut M3	
2	4010308	4	Screw M3 x16	
3	1001091102	8	Washer M4	
4	1001263345	2	Cover, Hood	

SECTION 3 - ENGINE

SECTION 3 - ENGINE

FIGURE 3-1. ENGINE MOUNTING INSTALLATION



ART_1001255873

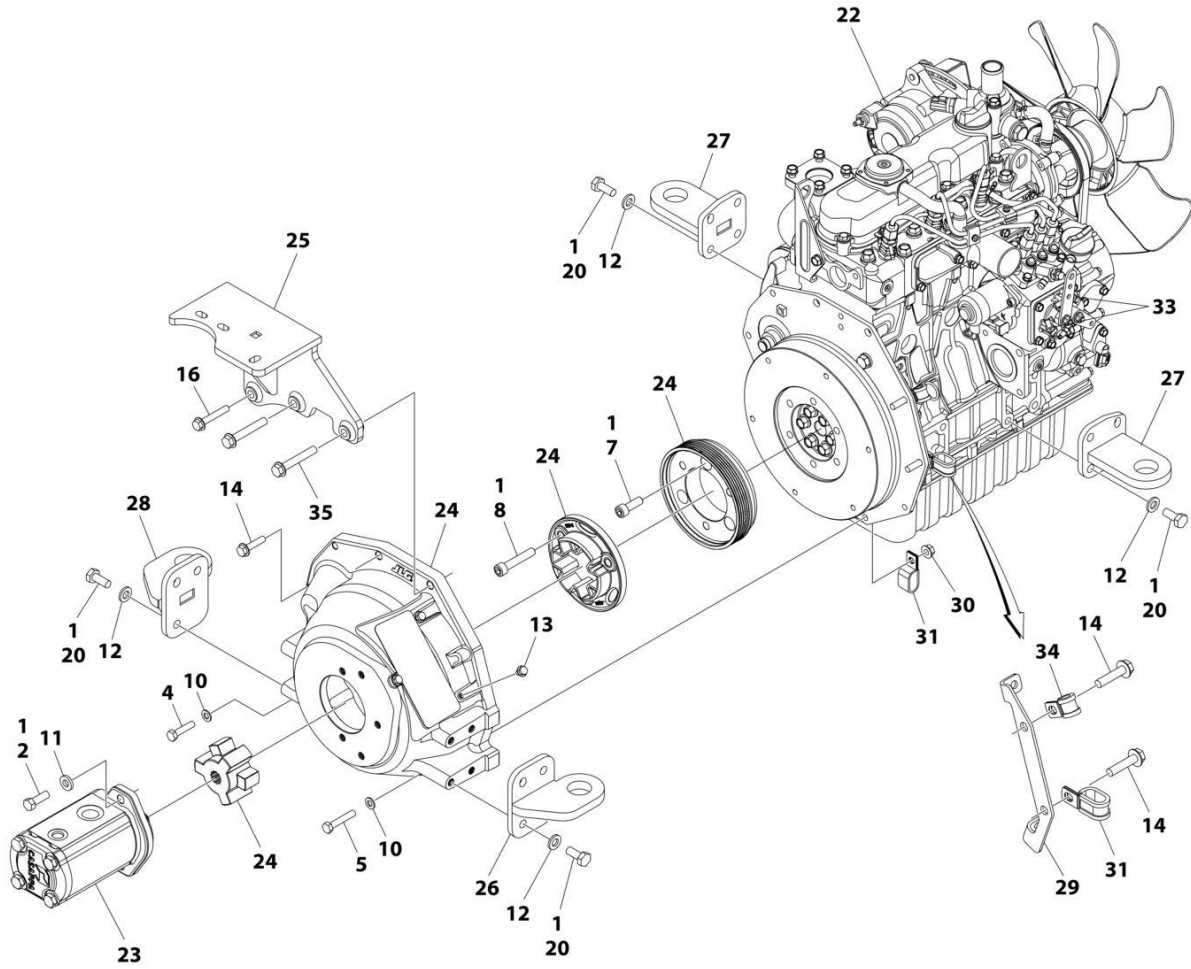
SECTION 3 - ENGINE

FIGURE 3-1. ENGINE MOUNTING INSTALLATION

ITEM	PART NUMBER	QTY	DESCRIPTION	REV
	1001255873	Ref	ENGINE INSTALLATION	C
4	5250810	4	Bolt M8 x 20	
5	1001247612	1	Tray	
6	1001250336	4	Mount, Motor	
7	1001250772	1	Cover	
8	0771014	4	Bolt M10 x 30	
9	4812002	4	Washer M10	
10	5261200	4	Nut M12	
11	1001168018	4	Washer	
12	0100011	AR	Compound, Locking	
13	5251224	4	Bolt M12 x 80	

SECTION 3 - ENGINE

FIGURE 3-2. ENGINE AND PUMP ASSEMBLY - DIESEL



ART_1001255872_E

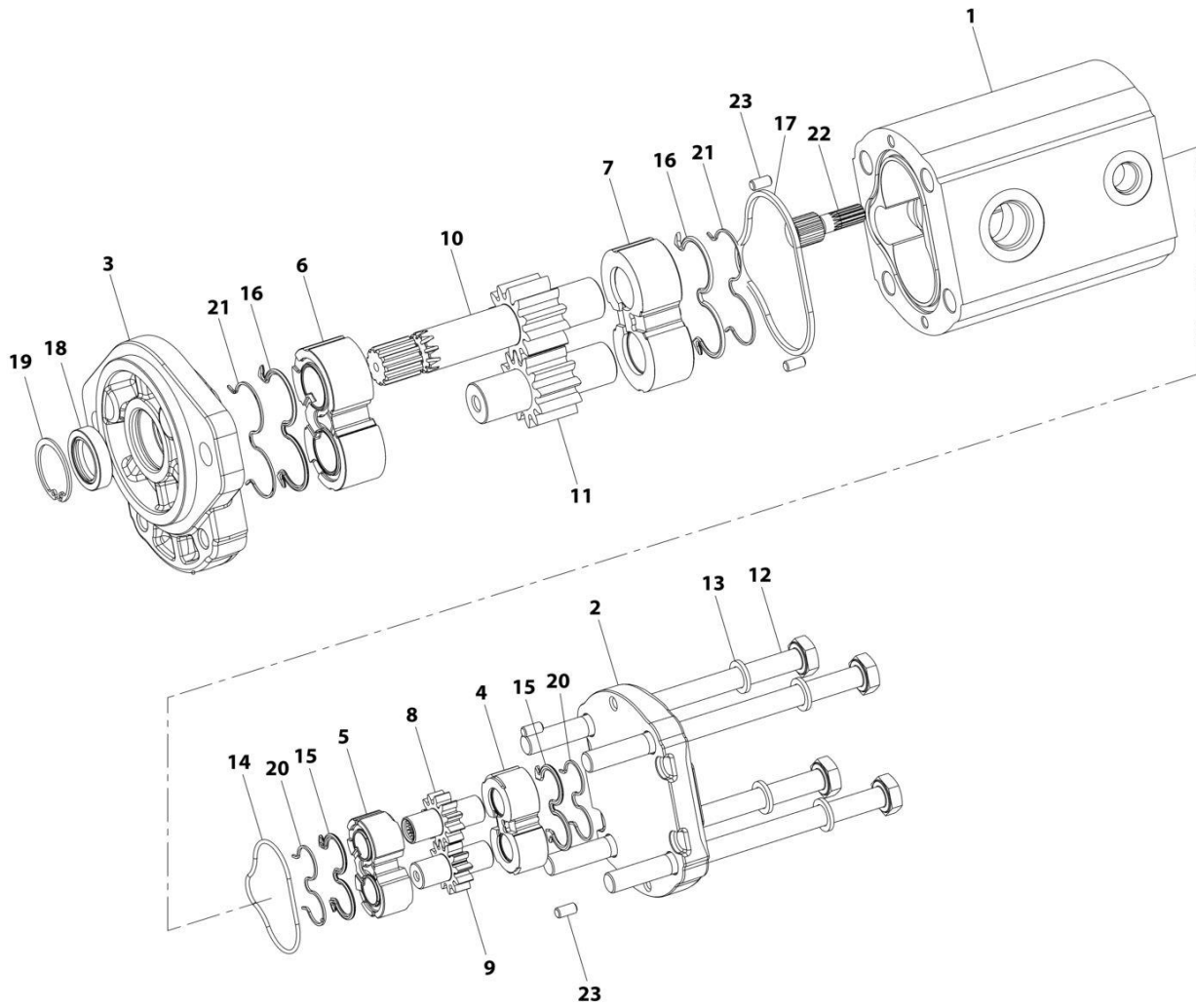
SECTION 3 - ENGINE

FIGURE 3-2. ENGINE AND PUMP ASSEMBLY - DIESEL

ITEM	PART NUMBER	QTY	DESCRIPTION	REV
	1001255872	Ref	ENGINE AND PUMP SUB-ASSEMBLY	E
1	0100011	AR	Compound Locking	
2	0681609	2	Bolt 3/8 x 1-1/8	
4	0760815	2	Bolt M8 x 35	
5	0760817	2	Bolt M8 x 45	
7	1001277831	3	Capscrew M10 x 30	
8	1001277832	3	Capscrew M10 x 55	
10	4811900	4	Washer M8	
11	4891600	2	Washer 3/8	
12	5241000	14	Washer M10	
13	5250605	3	Bolt M6 x 10	
14	5250815	3	Bolt M8 x 35	
16	5250821	1	Bolt M8 x 65	
20	1001118746	14	Bolt M10 x 25	
22	1001243296	1	Engine Components - Kubota Diesel (See Separate Breakdown in this Section)	
23	1001244107	1	Pump Assembly (See Separate Breakdown in this Section)	
24	1001247584	1	Coupling, Assembly (See Separate Breakdown in this Section)	
25	1001274463	1	Bracket, Muffler	
26	1001252477	1	Bracket, Mounting	
27	1001252478	2	Bracket, Mounting	
28	1001253717	1	Bracket, Mounting	
29	1001256097	1	Bracket	
30	5260800	2	Nut M8	
31	1001268776	3	Clamp	
33	1001263804	AR	Adhesive	
34	1001269045	1	Clamp	
35	1001278239	2	Bolt M10 x 65	

SECTION 3 - ENGINE

FIGURE 3-3. PUMP ASSEMBLY - DIESEL



ART_1001244107

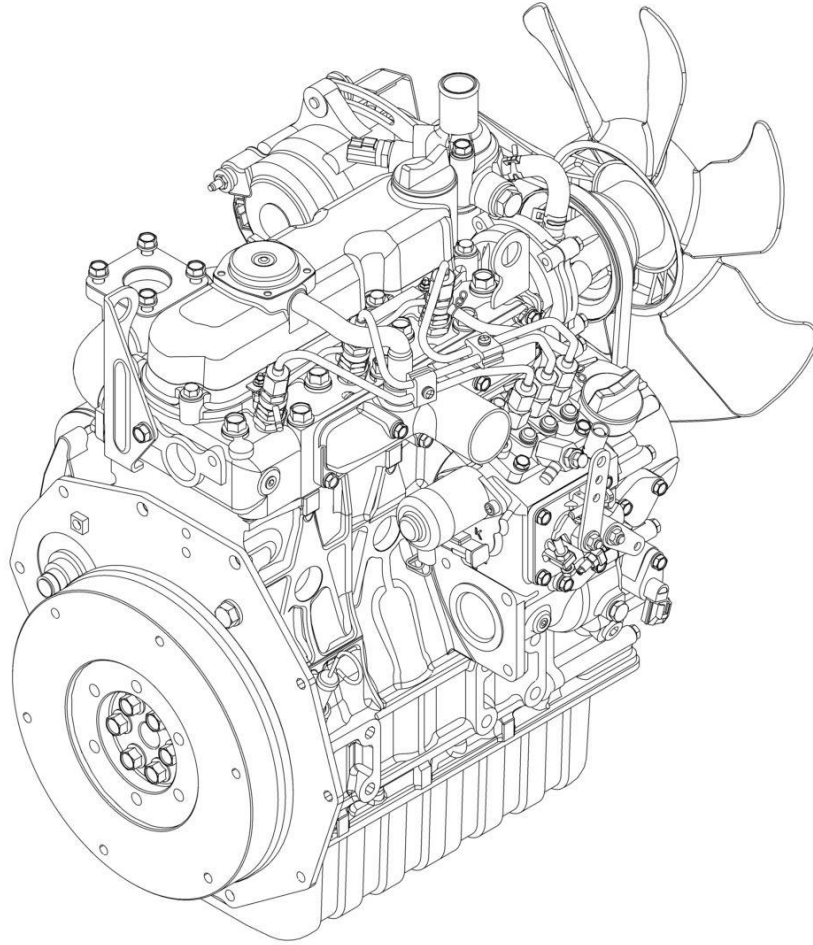
SECTION 3 - ENGINE

FIGURE 3-3. PUMP ASSEMBLY - DIESEL

ITEM	PART NUMBER	QTY	DESCRIPTION	REV
	1001244107	Ref	PUMP ASSEMBLY - DIESEL	E
1	See Note	NSS	Body (Note: Not Available for Purchase)	
2	See Note	NSS	Cover, Rear (Note: Not Available for Purchase)	
3	See Note	NSS	Cover, Front (Note: Not Available for Purchase)	
4	70007659	1	Plate, Thrust	
5	70007658	1	Plate, Thrust	
6	70007310	1	Plate, Thrust	
7	70007665	1	Plate, Thrust	
8	70007664	1	Gear, Drive	
9	70007663	1	Gear, Driven	
10	70007662	1	Shaft, Drive	
11	70007661	1	Gear, Driven	
12	70007660	4	Bolt M10 x 150	
13	70007314	4	Washer M10	
14	70007649	1	O-Ring	
15	70007648	2	Seal	
16	70007647	2	Seal	
17	70007646	1	Seal	
18	70007645	1	Seal, Shaft	
19	70007315	1	Circlip	
20	70007644	2	Seal, Antiextrusion	
21	70007643	2	Seal, Antiextrusion	
22	70007642	1	Hub	
23	70007316	4	Pin, Dowel	

SECTION 3 - ENGINE

FIGURE 3-4. ENGINE COMPONENTS - DIESEL



ART_1001243296

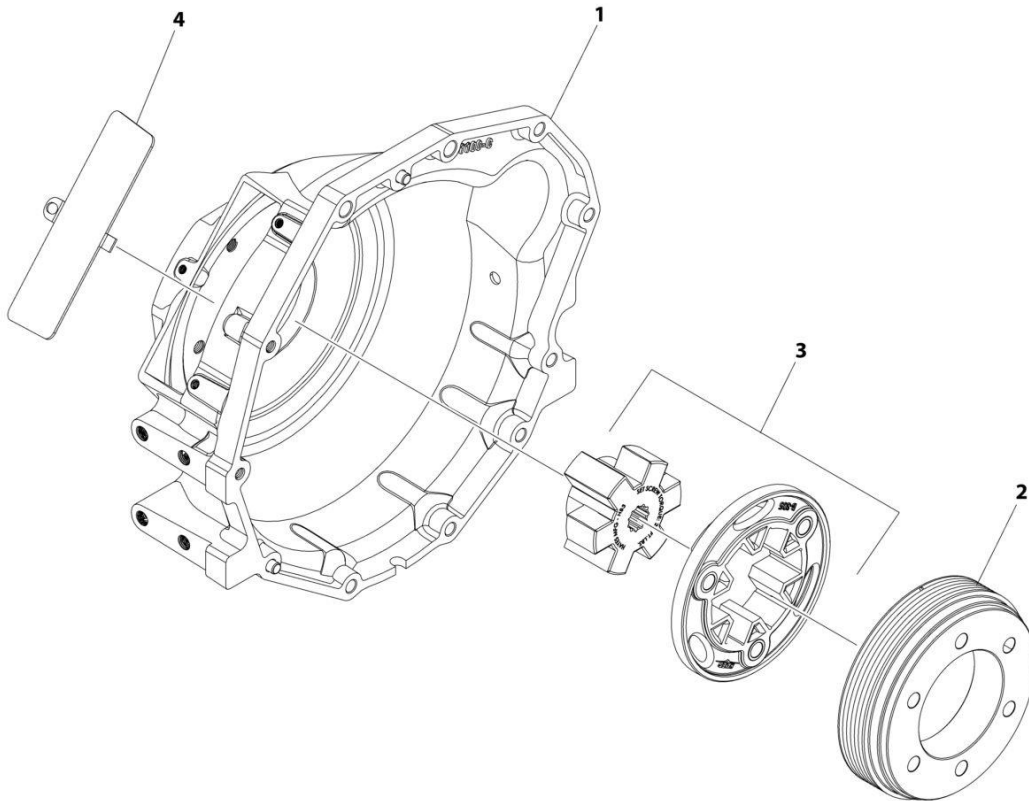
SECTION 3 - ENGINE

FIGURE 3-4. ENGINE COMPONENTS - DIESEL

ITEM	PART NUMBER	QTY	DESCRIPTION	REV
	1001243296	Ref	ENGINE COMPONENTS - DIESEL	C
	See Note	Ref	Note: No Other Service Parts Available at Time of Printing	
		Ref	Lubrication System Components	
	1001248057	1	Filter, Oil	
	1001248056	1	Head, Remote Oil Filter	
	70004524	1	Bleeder Assembly	
	7017922	1	Seal, Oil	
	70002318	1	Plug, Oil Filler	
	70004311	1	O-Ring, Oil Fill Cap	
	70006666	1	Sensor	
	70008394	1	Dipstick	
	7017901	1	Switch, Oil Pressure	
		Ref	Fuel System Components	
	1001254653	1	Pump, Electric Fuel	
	1001254650	1	Decal - Ether Caution	
	70002554	1	Ring, Gear	
	70002419	1	Housing, Coupling	
	70008395	1	Solenoid	
	7023164	1	Injection Pump Assembly	
	70004400	1	Gasket, Fuel Pump	
	7017955	1	Alternator	
	7023141	1	V-Belt	
	7023144	1	Starter	
		Ref	Electrical System Components	
	1001246587	1	Module, ECU	
	70004398	3	Plug, Glow	
		Ref	Cooling System Components	
	1001250636	1	Reservior, Overflow	
	1001254651	1	Decal - Coolant Caution	
	70002316	1	Pipe, Water Return	
	7023170	1	Thermostat	
	70002326	1	Gasket, Thermostat	
	70003064	1	Sensor, Water	
	70002327	1	Water Pump Assembly	
		Ref	Exhaust System Components	
	7023148	1	Gasket, Exhaust (Manifold to Pipe)	
	70005220	1	Gasket, Head	
	70003060	1	Vlave, Breather	
	70002317	1	Tube, Breather	
	7023149	1	Gasket, Manifold	
	7023124	1	Gasket, Muffler	

SECTION 3 - ENGINE

FIGURE 3-5. COUPLING ASSEMBLY - ENGINE PUMP (DIESEL)



ART_1001247584

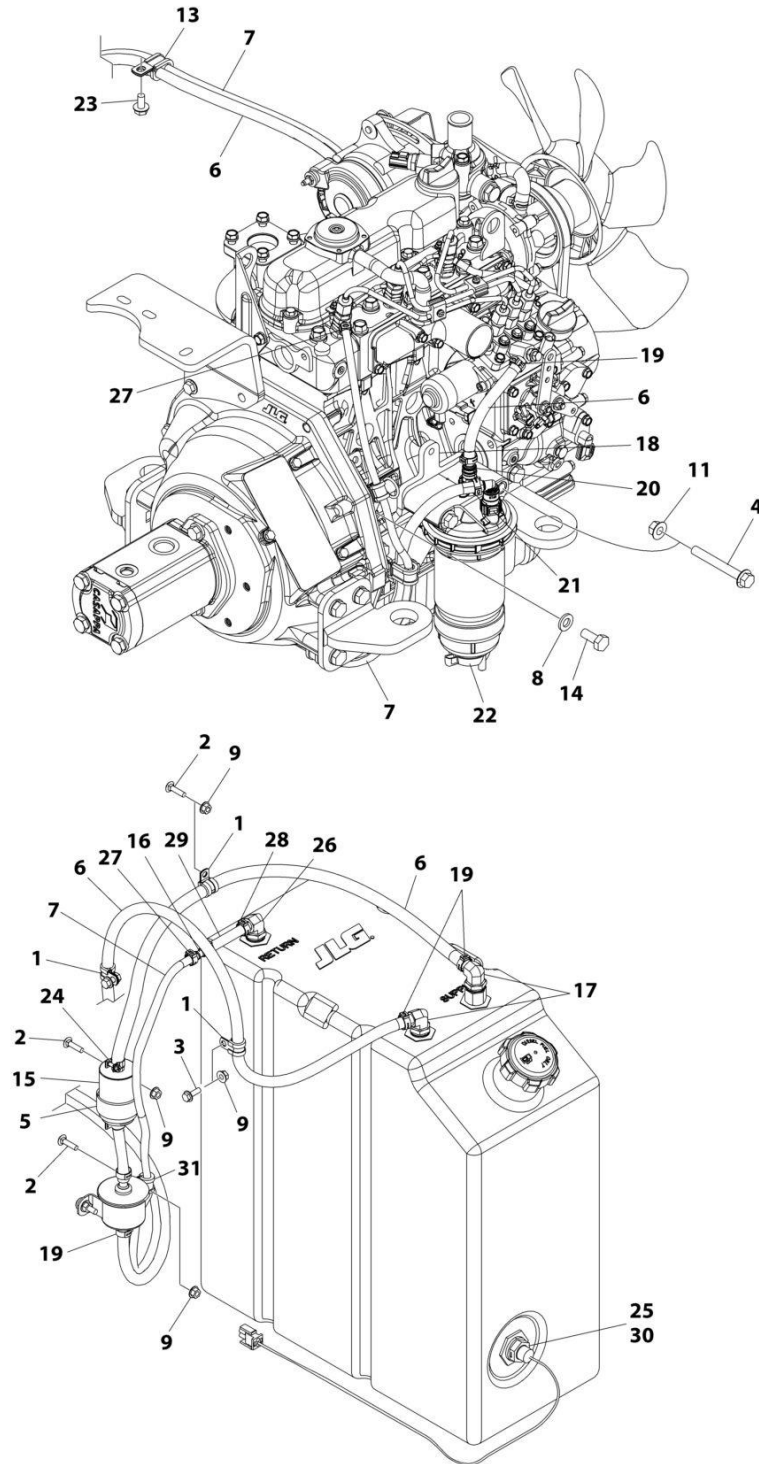
SECTION 3 - ENGINE

FIGURE 3-5. COUPLING ASSEMBLY - ENGINE PUMP (DIESEL)

ITEM	PART NUMBER	QTY	DESCRIPTION	REV
	1001247584	Ref	COUPLING ASSEMBLY - ENGINE PUMP	E
1	1001247454	1	Housing	
2	1001247581	1	Pulley	
3	1001247582	1	Coupling, Flexible	
4	1001247589	1	Cover	

SECTION 3 - ENGINE

FIGURE 3-6. ENGINE FUEL LINES INSTALLATION - DIESEL



ART_1001255874

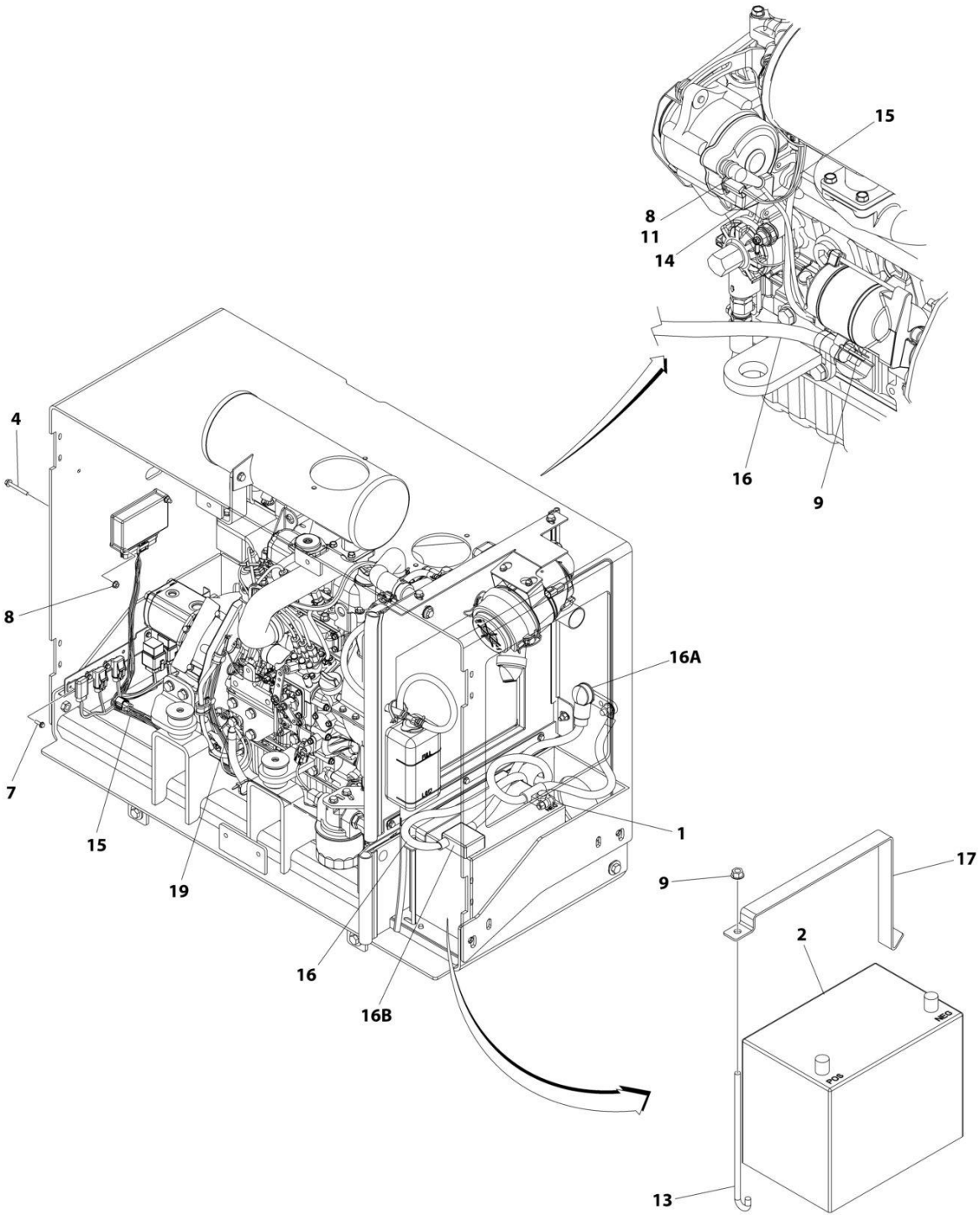
SECTION 3 - ENGINE

FIGURE 3-6. ENGINE FUEL LINES INSTALLATION - DIESEL

ITEM	PART NUMBER	QTY	DESCRIPTION	REV
	1001255874	Ref	FUEL SYSTEM INSTALLATION - DIESEL	C
1	80630	3	Clamp	
2	0630587	4	Bolt M6 x 25	
3	0780608	2	Bolt M6 x 16	
4	0781024	2	Bolt M10 x 80	
5	1320265	1	Clamp	
6	2720058	14 ft/ 4.3m	Hose	
7	2720271	8.5 ft/ 2.6m	Hose	
8	5241000	3	Washer M10	
9	5260600	6	Nut M6	
11	5261000	2	Nut M10	
13	1001268776	2	Clamp	
14	1001118746	3	Bolt M10 x 25	
15	1001190545	1	Filter, Fuel	
16	1001131391	1	Coupling	
17	1001248861	2	Fitting, 90 Barb	
18	1001250450	1	Plate	
19	1001263657	7	Clamp	
20	1001256554	1	Coupling, Quick Disconnect	
21	1001256723	1	Coupling, Quick Disconnect	
22	1008675309	1	Fuel/Water Separator Assembly	
22	70007021	1	Element, Filter	
23	5250808	2	Bolt M8 x 16	
24	1001174486	2	Clamp	
25	1001182997	AR	Adhesive	
26	1001262943	1	Fitting, 90 Barb	
27	1001263658	2	Clamp	
28	1001263659	2	Clamp	
29	2720015	3 in/ 7.5cm	Hose	
30	4360436	1	Switch, Fuel Level	
31	1001269045	1	Clamp	

SECTION 3 - ENGINE

FIGURE 3-7. ENGINE ELECTRICAL INSTALLATION - DIESEL



ART_1001255875

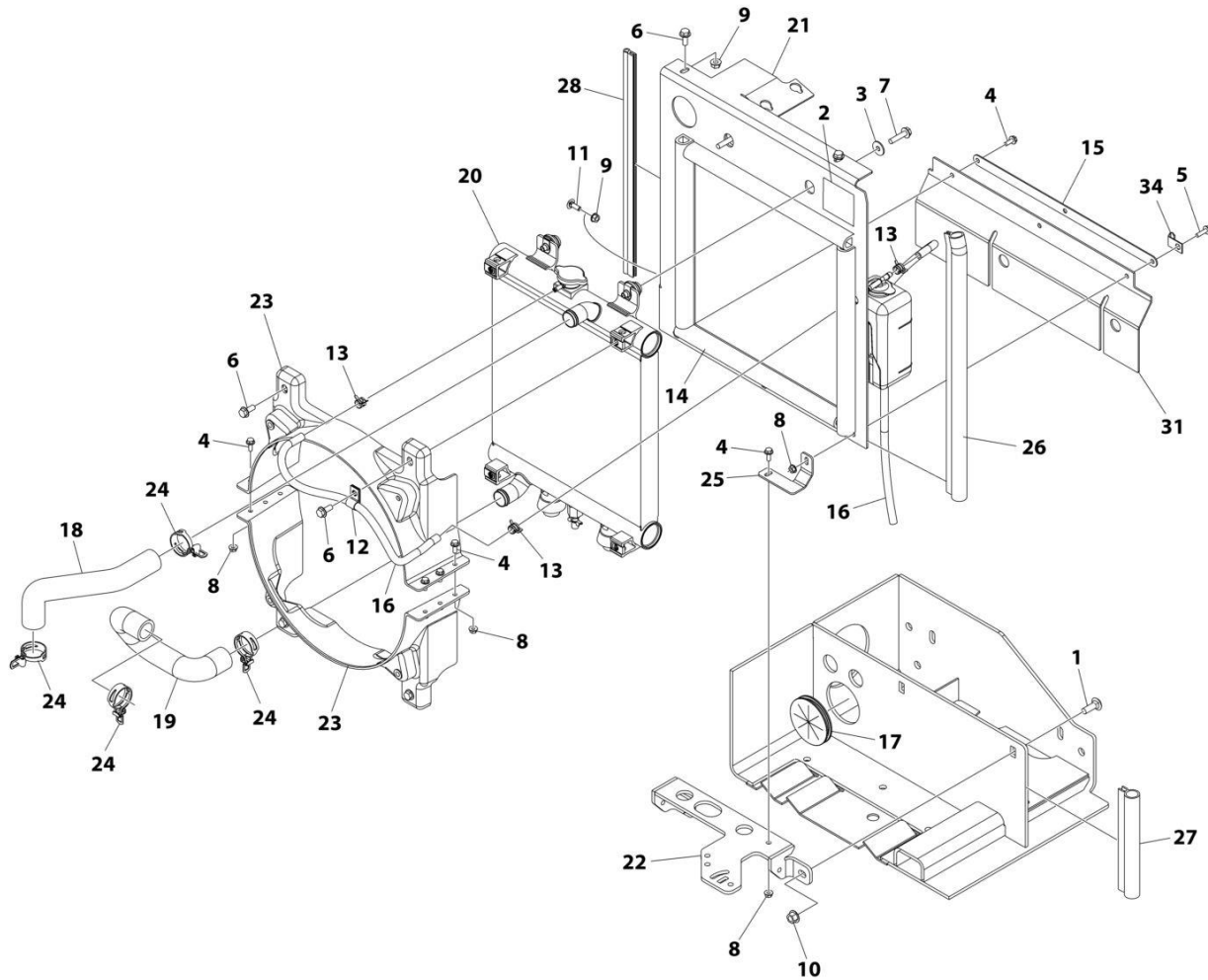
SECTION 3 - ENGINE

FIGURE 3-7. ENGINE ELECTRICAL INSTALLATION - DIESEL

ITEM	PART NUMBER	QTY	DESCRIPTION	REV
	1001255875	Ref	ENGINE ELECTRICAL INSTALLATION - DIESEL	D
1	0100051	AR	Grease, Terminal	
2	0400003	1	Battery	
4	0780618	2	Bolt M6 x 50	
5	1062255	AR	Tie-Strap (Not Shown)	
7	5250508	6	Bolt M5 x 16	
8	5260600	3	Nut M6	
9	5260800	2	Nut M8	
11	1001139219	1	Boot	
12	1001146588	3	Tie-Strap (Not Shown)	
13	1001179586	1	J-Bolt	
14	1001234069	1	Harness, Fusible Link	
15	1001248134	1	Harness, Engine (See Separate Breakdown in ELECTRICAL Section)	
16	1001248347	1	Battery, Cable Kit	
16A	0840052	1	Boot	
16B	1001186483	1	Boot, Battery Terminal	
17	1001254888	1	Bracket, Battery	
19	1001256312	1	Bolt M10 x 16	

SECTION 3 - ENGINE

FIGURE 3-8. ENGINE COOLING SYSTEM INSTALLATION - DIESEL



ART_1001255878

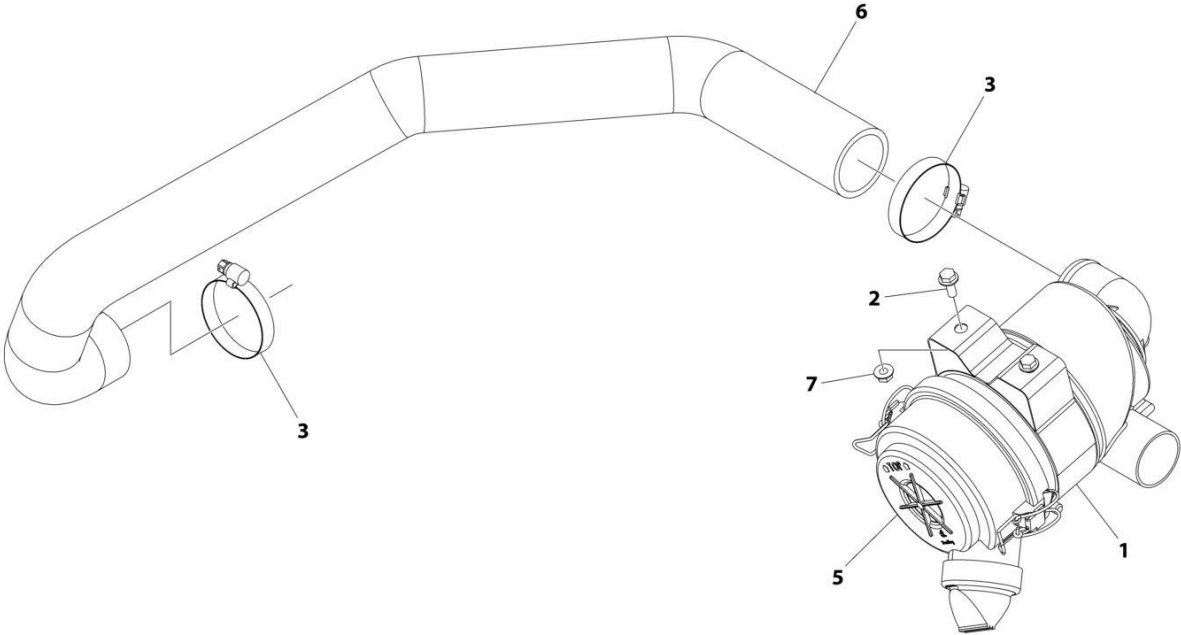
SECTION 3 - ENGINE

FIGURE 3-8. ENGINE COOLING SYSTEM INSTALLATION - DIESEL

ITEM	PART NUMBER	QTY	DESCRIPTION	REV
	1001255878	Ref	COOLING SYSTEM INSTALLATION	C
1	0630613	2	Bolt M10 x 30	
2	1703162	1	Decal - Fan Blade	
3	4811902	2	Washer M8	
4	5250608	9	Bolt M6 x 16	
5	5250611	1	Bolt M8 x 22	
6	5250810	6	Bolt M8 x 20	
7	5250815	2	Bolt M8 x 35	
8	5260600	8	Nut M6	
9	5260800	3	Nut M8	
10	5261000	2	Nut M10	
11	8310623	1	Bolt M8 x 25	
12	8406110	1	Clip	
13	1001213010	3	Clamp	
14	1001262646	5 ft/ 1.5m	Seal	
15	1001252596	1	Support	
16	1001263476	3.8 ft/ 1.1m	Hose	
17	1001218676	1	Grommet	
18	1001246746	1	Tube, Coolant	
19	1001266885	1	Tube, Coolant	
20	1001247267	1	Radiator	
21	1001262636	1	Plate, Radiator	
22	1001262630	1	Bracket	
23	1001254635	2	Shroud	
24	1001263438	4	Clamp	
25	1001255809	1	Bracket	
26	1001255843	21 in/ 53cm	Seal	
27	1001255848	8 in/ 20cm	Seal	
28	1001255851	18 in/ 45cm	Seal	
31	1001255857	1	Dam, Air	
34	1320223	1	J-Clip	

SECTION 3 - ENGINE

FIGURE 3-9. AIR INTAKE INSTALLATION - DIESEL



ART_1001255877

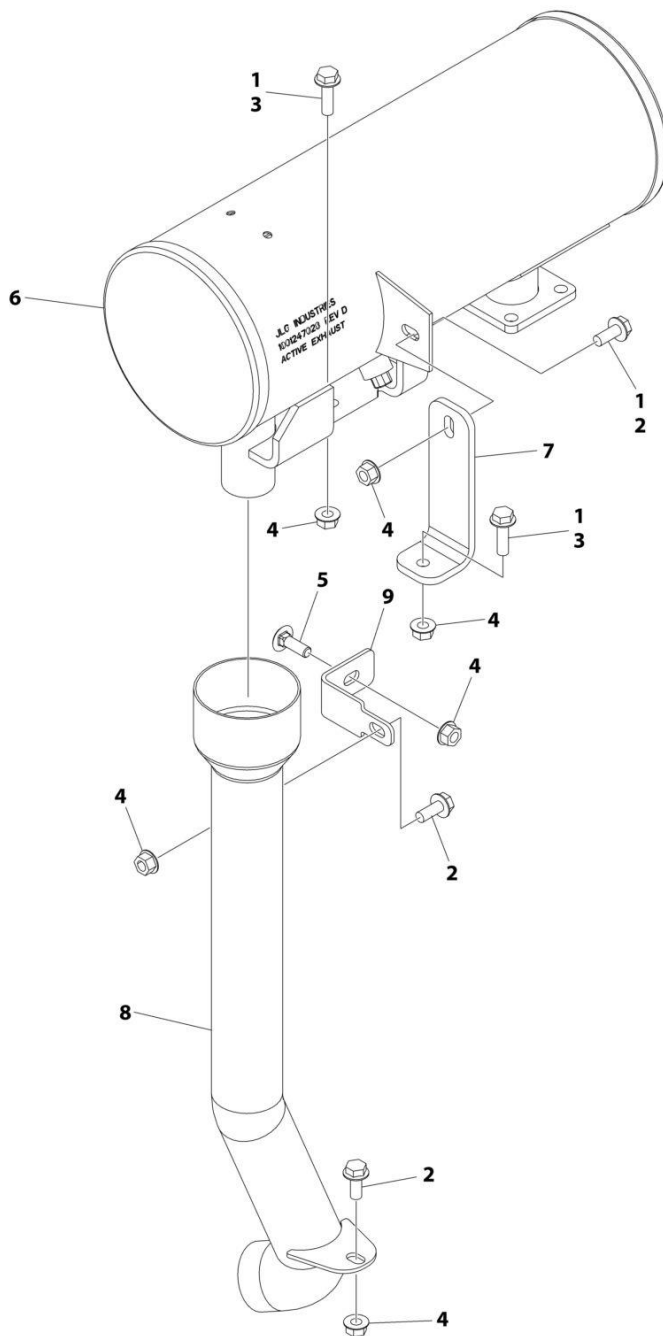
SECTION 3 - ENGINE

FIGURE 3-9. AIR INTAKE INSTALLATION - DIESEL

ITEM	PART NUMBER	QTY	DESCRIPTION	REV
	1001255877	Ref	AIR INTAKE INSTALLATION	C
1	0340045	1	Band, Air Cleaner	
2	5250608	2	Bolt M6 x 16	
3	1321682	2	Clamp	
5	1001247560	1	Air Cleaner Assembly	
5	7015004	1	Element, Air Filter	
6	1001248307	1	Tube, Air Intake	
7	5260600	2	Nut M6	

SECTION 3 - ENGINE

FIGURE 3-10. EXHAUST INSTALLATION - DIESEL



ART_1001255876

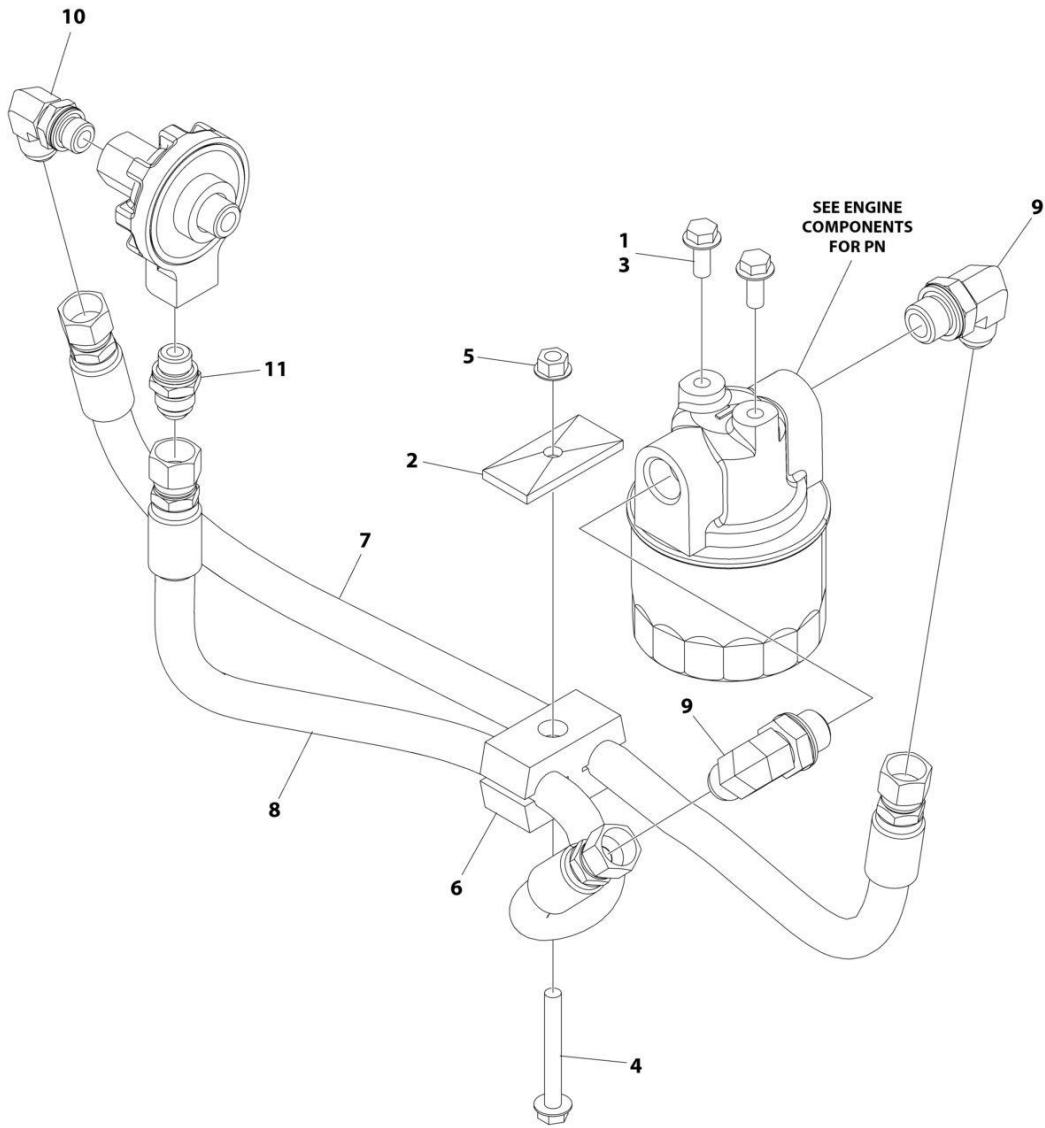
SECTION 3 - ENGINE

FIGURE 3-10. EXHAUST INSTALLATION - DIESEL

ITEM	PART NUMBER	QTY	DESCRIPTION	REV
	1001255876	Ref	EXHAUST SYSTEM INSTALLATION	C
1	0100011	AR	Compound, Locking	
2	5250810	3	Bolt M8 x 20	
3	5250813	3	Bolt M8 x 28	
4	5260800	7	Nut M8	
5	8310623	1	Bolt M8 x 25	
6	1001247028	1	Muffler	
7	1001248099	1	Bracket	
8	1001269872	1	Pipe, Exhaust	
9	1001250934	1	Bracket	

SECTION 3 - ENGINE

FIGURE 3-11. OIL FILTER INSTALLATION - REMOTE - DIESEL



ART_1001255936

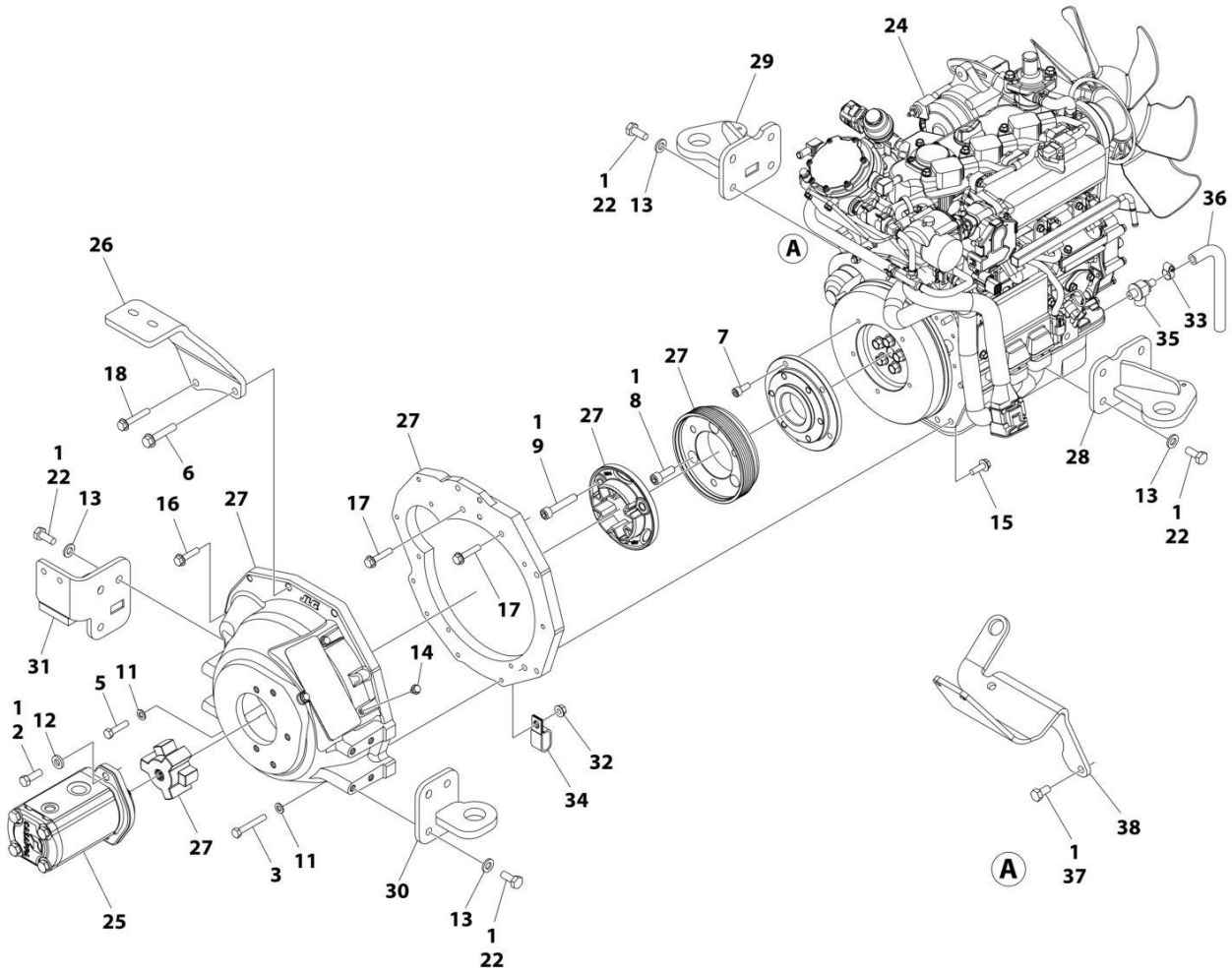
SECTION 3 - ENGINE

FIGURE 3-11. OIL FILTER INSTALLATION - REMOTE - DIESEL

ITEM	PART NUMBER	QTY	DESCRIPTION	REV
	1001255936	Ref	OIL FILTER INSTALLATION - REMOTE	A
	See Note	Ref	Note: For Engine Specific Components, See Engines Components.	
1	0100011	AR	Compund, Locking	
2	1309435	1	Plate, Clamp	
3	5250810	2	Bolt M8 x 20	
4	5250821	1	Bolt M8 x 65	
5	5260800	1	Nut M8	
6	8769139	1	Clamp	
7	1001248413	1	Hose	
8	1001248414	1	Hose	
9	1001250519	2	Fitting, 90 JIC/BSPP	
10	1001250521	1	Fitting, 90 JIC/ORB	
11	1001250525	1	Fitting, Straight JIC/ORB	

SECTION 3 - ENGINE

FIGURE 3-12. ENGINE AND PUMP ASSEMBLY - DUAL FUEL



ART_1001256031_F

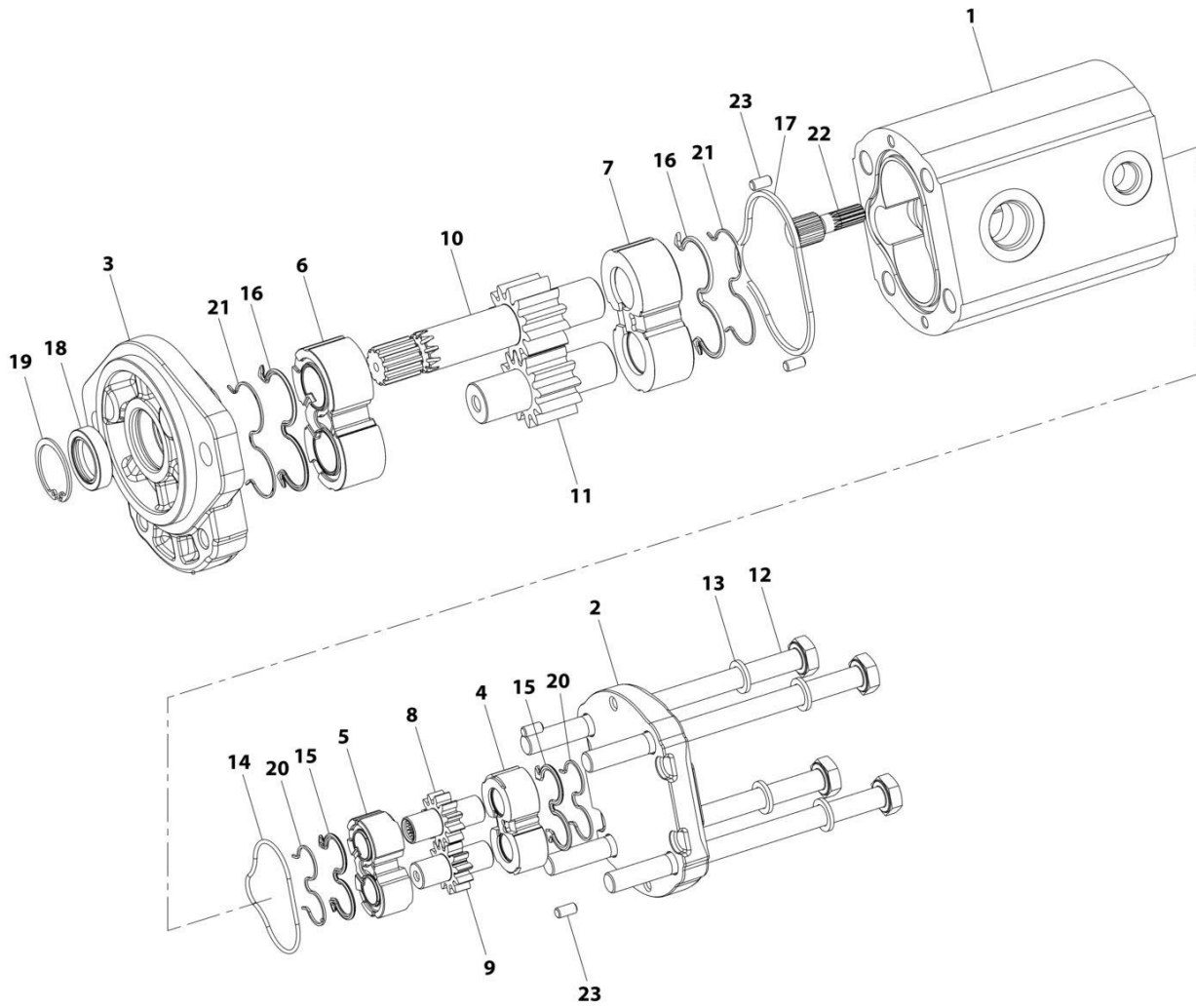
SECTION 3 - ENGINE

FIGURE 3-12. ENGINE AND PUMP ASSEMBLY - DUAL FUEL

ITEM	PART NUMBER	QTY	DESCRIPTION	REV
	1001256031	Ref	ENGINE AND PUMP SUB-ASSEMBLY	F
1	0100011	AR	Compound Locking	
2	0681609	2	Bolt 3/8 x 1-1/8	
3	0710819	2	Bolt M8 x 55	
3	0760820	2	Bolt M8 x 60	
5	0760815	2	Bolt M8 x 35	
6	1001277830	1	Bolt M10 x 50	
7	4031908	5	Bolt M8 x 20	
8	1001277831	3	Capscrew M10 x 30	
9	1001277832	3	Capscrew M10 x 55	
11	4811900	4	Washer M8	
12	4891600	2	Washer 3/8	
13	5241000	14	Washer M10	
14	5250605	3	Bolt M6 x 10	
15	5250812	4	Bolt M8 x 25	
16	5250815	1	Bolt M8 x 35	
17	5250816	2	Bolt M8 x 40	
18	5250818	1	Bolt M8 x 50	
22	1001118746	14	Bolt M10 x 25	
24	1001243300	1	Engine Components - Kubota Gas (See Separate Breakdown in this Section)	
25	1001244106	1	Pump Assembly (See Separate Breakdown in this Section)	
26	1001248047	1	Bracket, Muffler	
27	1001279004	1	Coupling, Assembly (See Separate Breakdown in this Section)	
28	1001251287	1	Bracket, Mounting	
29	1001251288	1	Bracket, Mounting	
30	1001252996	1	Bracket, Mounting	
31	1001254690	1	Bracket, Mounting	
32	5260800	2	Nut M8	
33	8405009	1	Clamp	
34	1001268776	2	Clamp	
35	1001161497	1	Valve, Oil Drain	
36	1001165035	8.5 in/ 21cm	Hose	
37	0760808	2	Bolt M8 x 16	
38	1001266448	1	Bracket	

SECTION 3 - ENGINE

FIGURE 3-13. PUMP ASSEMBLY - DUAL FUEL



ART_1001244106

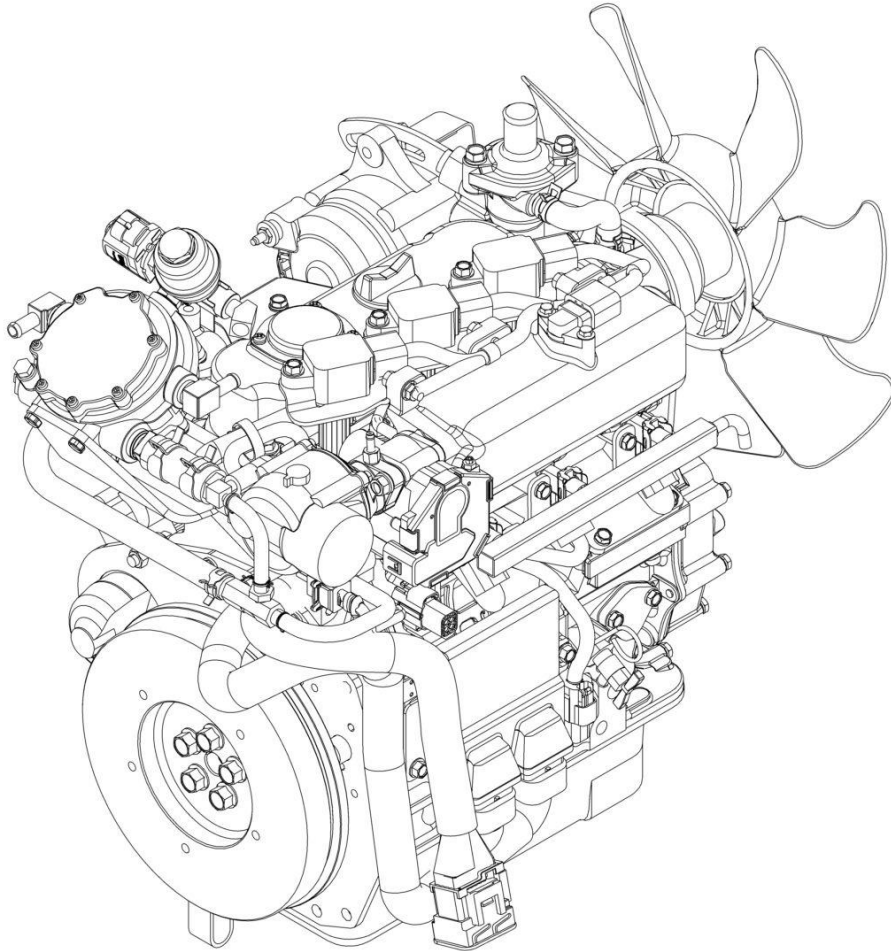
SECTION 3 - ENGINE

FIGURE 3-13. PUMP ASSEMBLY - DUAL FUEL

ITEM	PART NUMBER	QTY	DESCRIPTION	REV
	1001244106	Ref	PUMP ASSEMBLY - DUAL FUEL	F
1	See Note	NSS	Body (Note: Not Available for Purchase)	
2	See Note	NSS	Cover, Rear (Note: Not Available for Purchase)	
3	See Note	NSS	Cover, Front (Note: Not Available for Purchase)	
4	70007659	1	Plate, Thrust	
5	70007658	1	Plate, Thrust	
6	70007657	1	Plate, Thrust	
7	70007656	1	Plate, Thrust	
8	70007655	1	Gear, Drive	
9	70007654	1	Gear, Driven	
10	70007653	1	Shaft, Drive	
11	70007652	1	Gear, Driven	
12	70007651	4	Bolt M10 x 145	
13	70007650	4	Washer M10	
14	70007649	1	O-Ring	
15	70007648	2	Seal	
16	70007647	2	Seal	
17	70007646	1	Seal	
18	70007645	1	Seal, Shaft	
19	70007315	1	Circlip	
20	70007644	2	Seal, Antiextrusion	
21	70007643	2	Seal, Antiextrusion	
22	70007642	1	Hub	
23	70007316	4	Pin, Dowel	

SECTION 3 - ENGINE

FIGURE 3-14. ENGINE COMPONENTS - DUAL FUEL



ART_1001243300

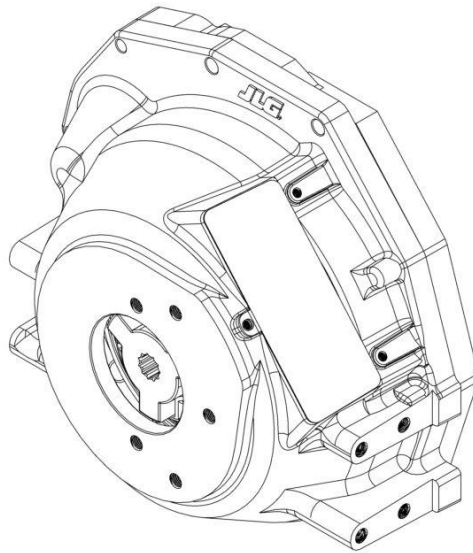
SECTION 3 - ENGINE

FIGURE 3-14. ENGINE COMPONENTS - DUAL FUEL

ITEM	PART NUMBER	QTY	DESCRIPTION	REV
	1001243300	Ref	ENGINE COMPONENTS - DUAL FUEL	C
	See Note	Ref	Note: No Other Service Parts Available at Time of Printing	
		Ref	Lubrication System Components	
	1001248057	1	Filter, Oil	
	1001248056	1	Head, Remote Oil Filter	
	1001255435	1	Adapter, Remote Oil Filter	
	70004524	1	Bleeder Assembly	
	70002318	1	Plug, Oil Filler	
	70004311	1	O-Ring, Oil Fill Cap	
	70005734	1	Dipstick	
	70004294	1	Pump, Oil	
		Ref	Fuel System Components	
	1001255529	1	Dual, Fuel Regulator - Complete	
	1001255416	1	Pump, Electric Fuel	
	1001131324	1	Valve, Fuel Check	
	1001255422	1	Filter/Strainer, Fuel	
	70005735	1	Gear, Ring	
	70005736	1	Rotor	
	7017955	1	Alternator	
	70008088	1	V-Belt	
		Ref	Electrical System Components	
	1001253824	1	Module, ECU	
	70005739	3	Plug, Spark	
	70005740	3	Coil, Ignition	
	70005744	1	Relay, Starter	
		Ref	Cooling System Components	
	1001250636	1	Reservoir, Overflow	
	1001254651	1	Decal - Coolant Caution	
	7023170	1	Thermostat	
	70002326	1	Gasket, Thermostat	
	70008089	1	Water Pump Assembly	
		Ref	Exhaust System Components	
	1001251490	1	Muffler	
	1001255447	1	Gasket, Exhaust (Manifold to Muffler)	
	1001255448	1	Gasket, Exhaust (Manifold to Pipe)	
	1001255341	1	Shield, Muffler	
	1001255342	1	Shield, Muffler - Cylindrical	
	1001255324	1	Sensor, Oxygen	
	70005728	1	Gasket, Head	
	70005733	1	Gasket, Valve Cover	
	70005743	1	Starter	
	1001255431	1	FTG-Pipe, Joint	
	1001264263	1	O-Ring, Kub Remote Oil Filter	
	1001264264	1	O-Ring, Kub Remote Oil Filter	
	1001264269	1	Sleeve, Collar Kub Oil Filter	

SECTION 3 - ENGINE

FIGURE 3-15. COUPLING ASSEMBLY - ENGINE PUMP (DUAL FUEL)



ART_1001279004

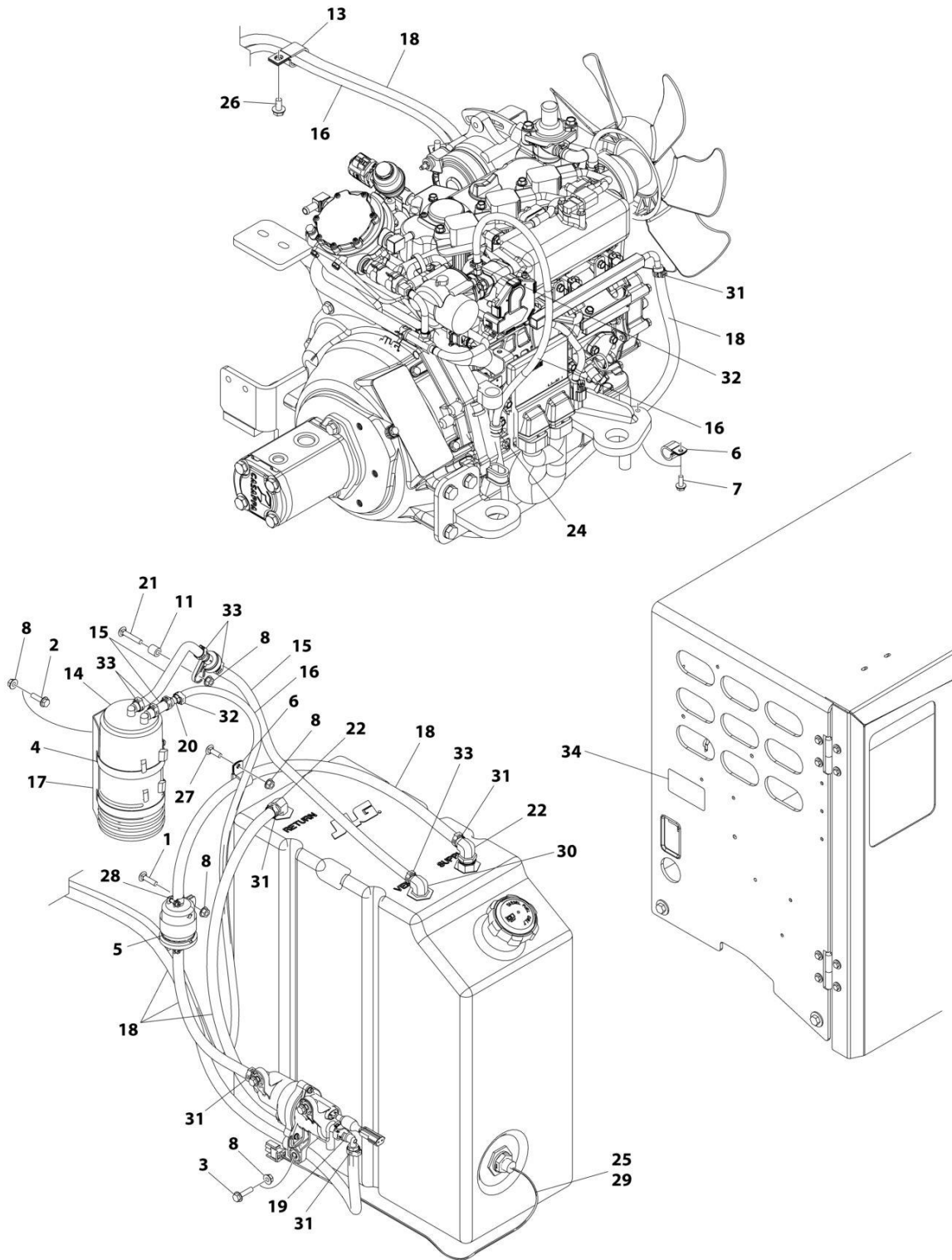
SECTION 3 - ENGINE

FIGURE 3-15. COUPLING ASSEMBLY - ENGINE PUMP (DUAL FUEL)

ITEM	PART NUMBER	QTY	DESCRIPTION	REV
	1001279004	Ref Ref	COUPLING ASSEMBLY Note: No Service Parts Available at Time of Printing	A

SECTION 3 - ENGINE

FIGURE 3-16. ENGINE FUEL LINES INSTALLATION - DUAL FUEL



ART_1001256033

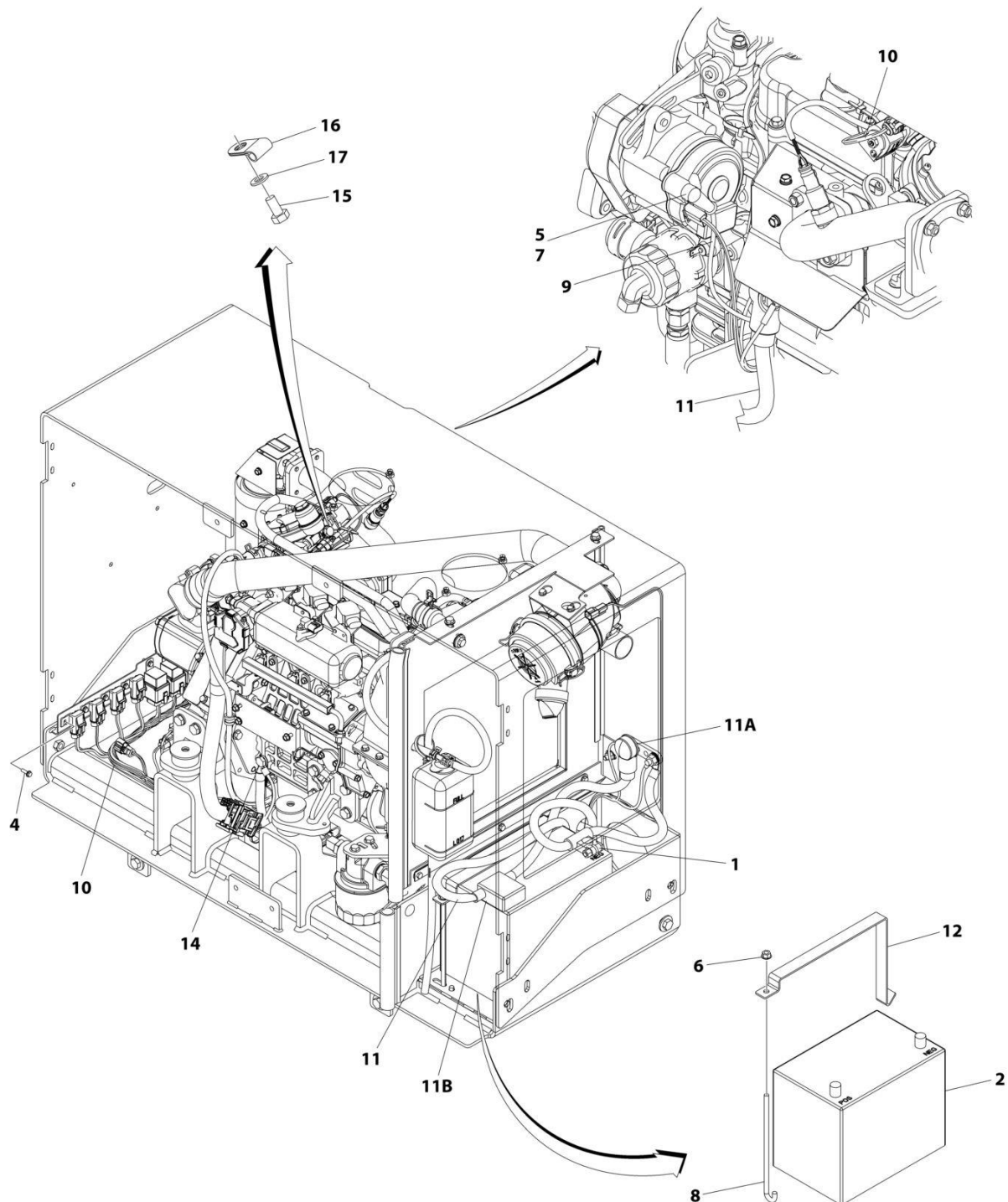
SECTION 3 - ENGINE

FIGURE 3-16. ENGINE FUEL LINES INSTALLATION - DUAL FUEL

ITEM	PART NUMBER	QTY	DESCRIPTION	REV
	1001256033	Ref	FUEL SYSTEM INSTALLATION - GAS	E
1	0630587	1	Bolt M6 x 25	
2	5250611	2	Bolt M6 x 22	
3	5250612	3	Bolt M6 x 25	
4	1320058	2	Clamp	
5	1320265	1	Clamp	
6	1321296	3	Clamp	
7	5250608	1	Bolt M6 x 16	
8	5260600	9	Nut M6	
11	8310441	1	Spacer	
13	1001026127	2	Clamp	
14	1001127172	1	Filter, Carbon Canister	
15	1001129255	23 in/ 59cm	Hose	
16	1001129256	10 ft/ 2.9m	Hose	
17	1001142984	1	Bracket, Carbon Canister	
18	1001156819	13.5 ft/ 4m	Hose	
18	1001300357	13.5 ft/ 4m	Hose	
19	1001248500	1	Coupling, Quick Disconnect	
20	1001131391	1	Coupling, Fuel Line	
21	1001248038	1	Bolt M6 x 35	
22	1001248861	2	Fitting, 90 Barb	
24	80630	1	Clamp	
25	4360436	1	Switch, Fuel Level	
26	5250808	2	Bolt M8 x 16	
27	1001100451	2	Bolt M8 x 20	
28	1001174486	2	Clamp	
29	1001182997	AR	Adhesive	
30	1001262943	1	Fitting, 90 Barb	
31	1001263657	6	Clamp	
32	1001263658	2	Clamp	
33	1001263659	6	Clamp	
34	1001288396	1	Decal, Emission Control (Not Shown)	
34	1001299770	1	Decal, Emission Control (Not Shown)	

SECTION 3 - ENGINE

FIGURE 3-17. ENGINE ELECTRICAL INSTALLATION - DUAL FUEL



ART_1001256034

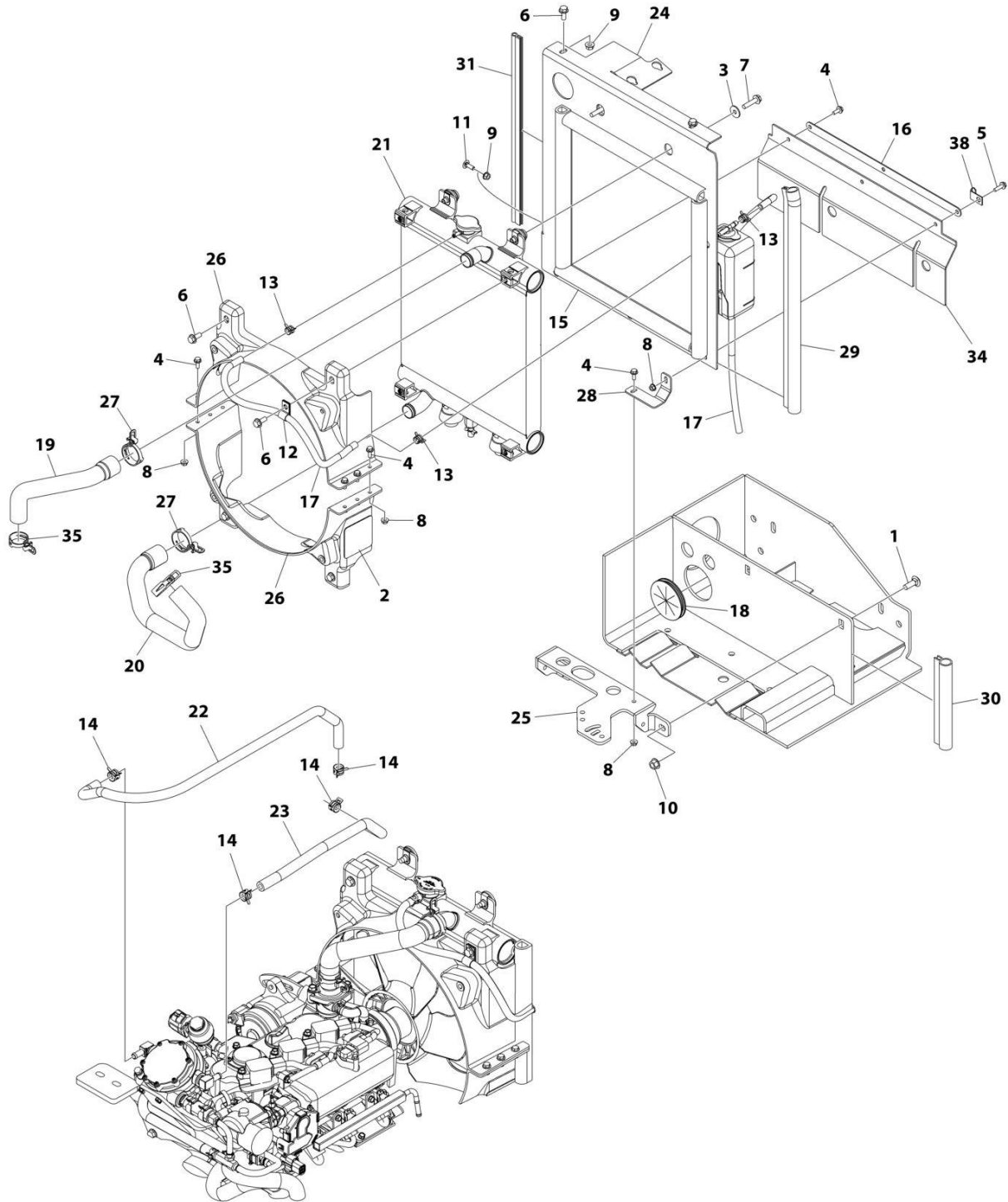
SECTION 3 - ENGINE

FIGURE 3-17. ENGINE ELECTRICAL INSTALLATION - DUAL FUEL

ITEM	PART NUMBER	QTY	DESCRIPTION	REV
	1001256034	Ref	ENGINE ELECTRICAL INSTALLATION - GAS	D
1	0100051	AR	Grease, Terminal	
2	0400003	1	Battery	
3	1062255	AR	Tie-Strap (Not Shown)	
4	5250508	9	Bolt M5 x 16	
5	5260600	1	Nut M6	
6	5260800	1	Nut M8	
7	1001139219	1	Boot	
8	1001179586	1	J-Bolt	
9	1001234069	1	Link, Fusible	
10	1001248289	1	Harness, Engine (See Separate Breakdown in ELECTRICAL Section)	
11	1001248347	1	Battery, Cable Kit	
12	1001254888	1	Bracket, Battery	
14	1001256312	1	Bolt M10 x 16	
15	0760505	1	Bolt M5 x 10	
16	1320244	1	Clamp	
17	4811600	1	Washer M5	
18	1001187781	1	Tie-Strap (Not Shown)	

SECTION 3 - ENGINE

FIGURE 3-18. ENGINE COOLING SYSTEM INSTALLATION - DUAL FUEL



ART_1001256029

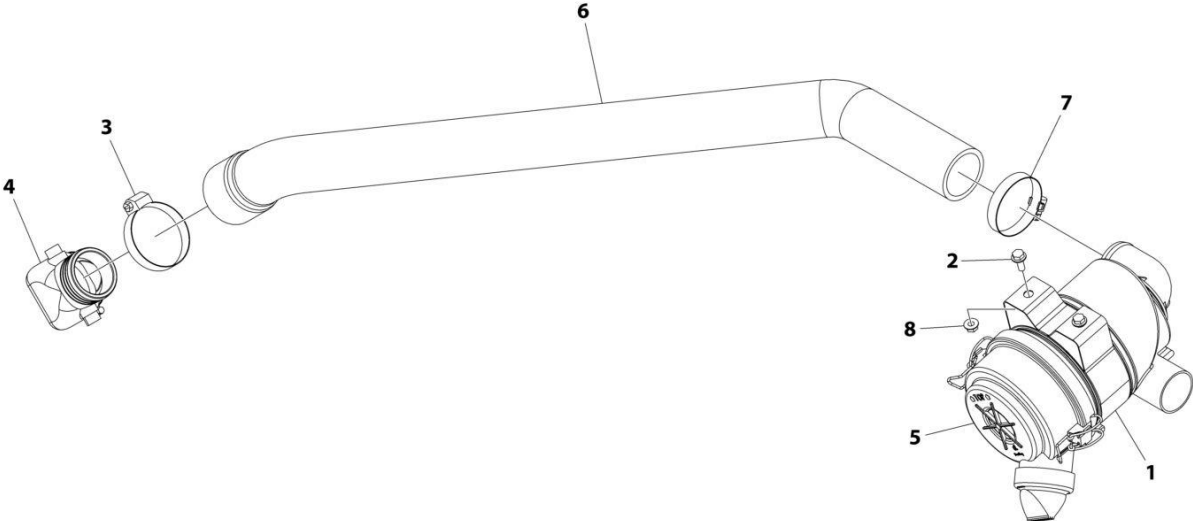
SECTION 3 - ENGINE

FIGURE 3-18. ENGINE COOLING SYSTEM INSTALLATION - DUAL FUEL

ITEM	PART NUMBER	QTY	DESCRIPTION	REV
	1001256029	Ref	COOLING SYSTEM INSTALLATION	C
1	0630613	2	Bolt M10 x 30	
2	1703162	1	Decal - Fan Blade	
3	4811902	2	Washer M8	
4	5250608	9	Bolt M6 x 16	
5	5250611	1	Bolt M6 x 22	
6	5250810	6	Bolt M6 x 20	
7	5250815	2	Bolt M6 x 35	
8	5260600	8	Nut M6	
9	5260800	3	Nut M8	
10	5261000	2	Nut M10	
11	8310623	1	Bolt M6 x 25	
12	8406110	1	Clip	
13	1001213010	3	Clamp	
14	1001152729	4	Clamp	
15	1001262646	5 ft/ 1.5m	Seal	
16	1001252596	1	Support	
17	1001263476	3.8 ft/ 1.1m	Hose	
18	1001218676	1	Grommet	
19	1001246778	1	Tube, Coolant	
20	1001246779	1	Tube, Coolant	
21	1001247267	1	Radiator	
22	1001249122	1	Tube, Coolant	
23	1001249123	1	Tube, Coolant	
24	1001262636	1	Plate, Radiator	
25	1001262630	1	Bracket	
26	1001254635	2	Shroud	
27	1001255606	2	Clamp	
28	1001255809	1	Bracket	
29	1001255843	21 in/ 53cm	Seal	
30	1001255848	8 in/ 20cm	Seal	
31	1001255851	18 in/ 45cm	Seal	
34	1001255857	1	Dam, Air	
35	1001256209	2	Clamp	
38	1320223	1	J-Clip	

SECTION 3 - ENGINE

FIGURE 3-19. AIR INTAKE INSTALLATION - DUAL FUEL



ART_1001256030

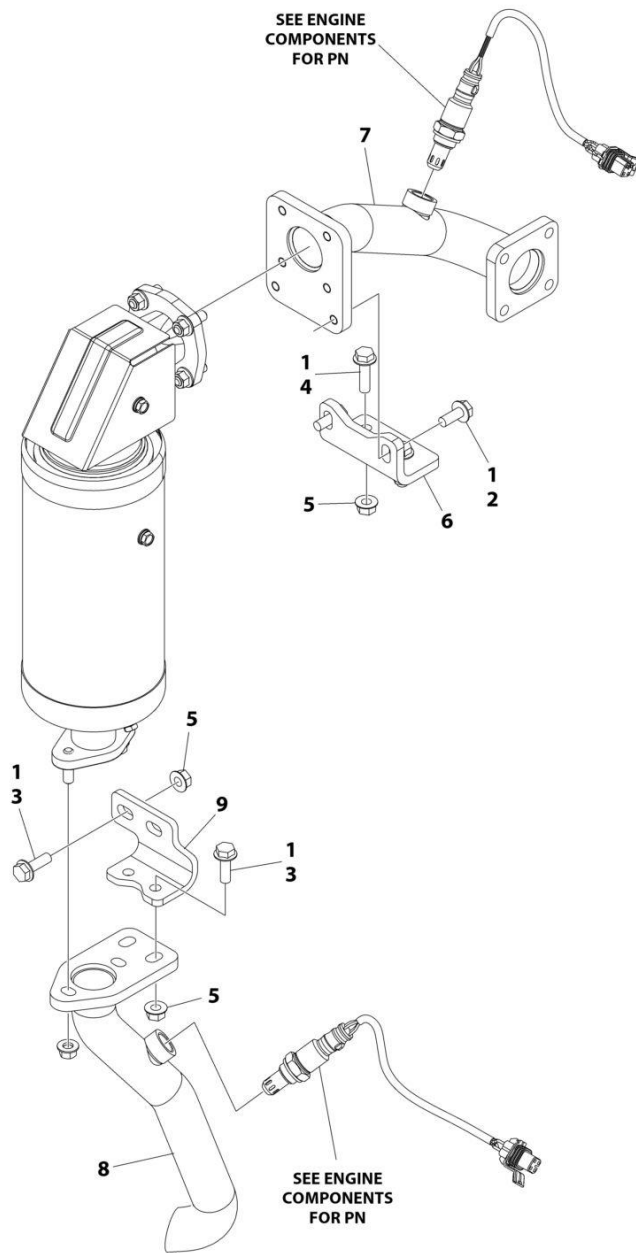
SECTION 3 - ENGINE

FIGURE 3-19. AIR INTAKE INSTALLATION - DUAL FUEL

ITEM	PART NUMBER	QTY	DESCRIPTION	REV
	1001256030	Ref	AIR INTAKE INSTALLATION	B
1	0340045	1	Band, Air Cleaner	
2	5250608	2	Bolt M6 x 16	
3	8405201	1	Clamp	
4	1001146043	1	Coupling	
5	1001247560	1	Air Cleaner Assembly	
5	7015004	1	Element, Air Cleaner	
6	1001248313	1	Tube, Air Intake	
7	1321682	1	Clamp	
8	5260600	2	Nut M6	

SECTION 3 - ENGINE

FIGURE 3-20. EXHAUST INSTALLATION - DUAL FUEL



ART_1001256035

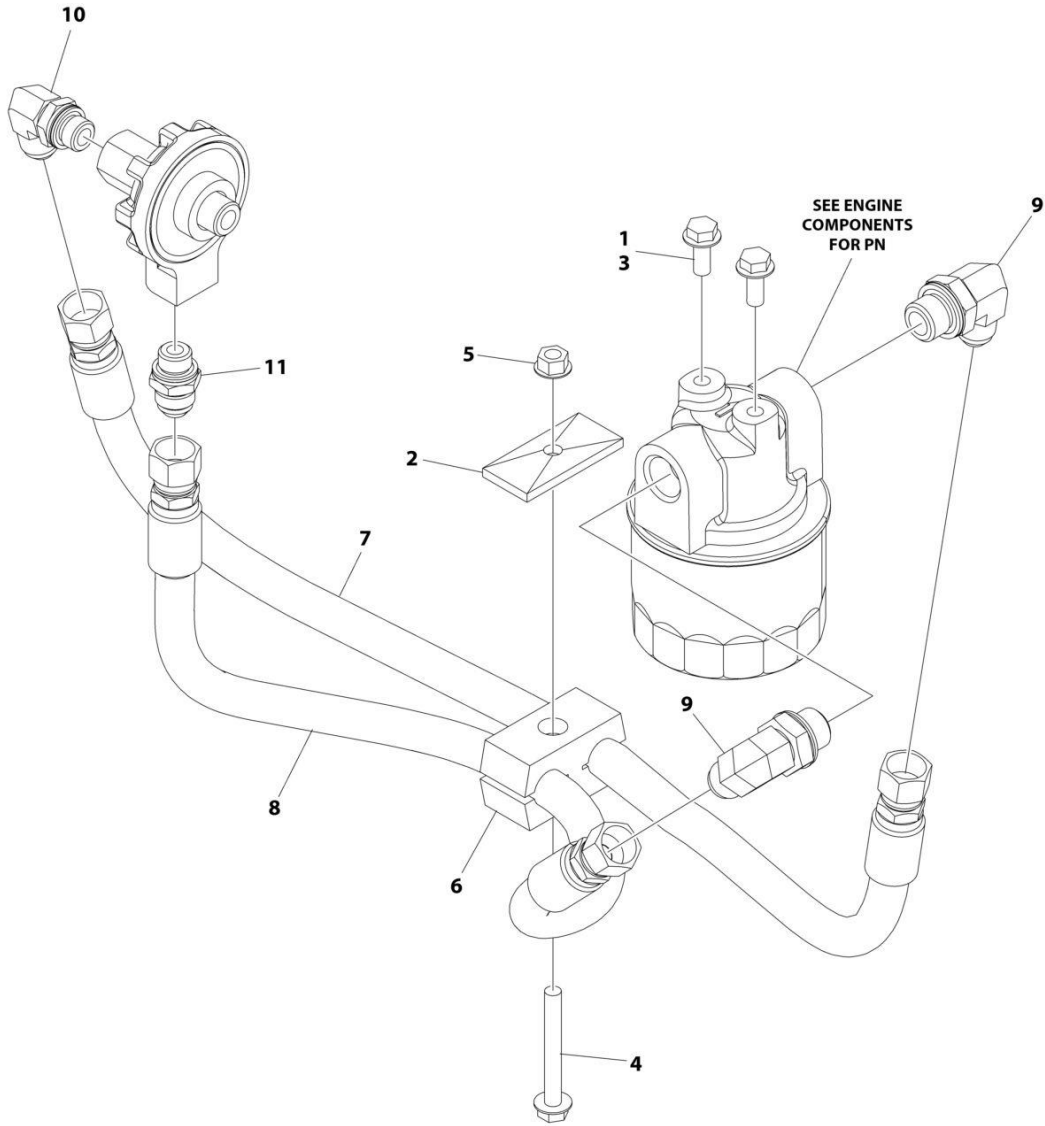
SECTION 3 - ENGINE

FIGURE 3-20. EXHAUST INSTALLATION - DUAL FUEL

ITEM	PART NUMBER	QTY	DESCRIPTION	REV
	1001256035	Ref	EXHAUST SYSTEM INSTALLATION	C
1	0100011	AR	Compond, Locking	
2	5250810	2	Bolt M8 x 20	
3	5250812	4	Bolt M8 x 25	
4	5250814	2	Bolt M8 x 30	
5	5260800	6	Nut M8	
6	1001214556	1	Bracket	
7	1001247804	1	Pipe, Exhaust	
8	1001247810	1	Pipe, Exhaust	
9	1001254691	1	Bracket, Muffler Exhaust	

SECTION 3 - ENGINE

FIGURE 3-21. OIL FILTER INSTALLATION - REMOTE - DUAL FUEL



ART_1001256032

SECTION 3 - ENGINE

FIGURE 3-21. OIL FILTER INSTALLATION - REMOTE - DUAL FUEL

ITEM	PART NUMBER	QTY	DESCRIPTION	REV
	1001256032	Ref	OIL FILTER INSTALLATION - REMOTE	B
	See Note	Ref	Note: For Engine Specific Components, See Engines Components.	
1	0100011	AR	Compund, Locking	
2	1309435	1	Plate, Clamp	
3	5250810	2	Bolt M8 x 20	
4	5250821	1	Bolt M8 x 65	
5	5260800	1	Nut M8	
6	8769139	1	Clamp	
7	1001248413	1	Hose	
8	1001248414	1	Hose	
9	1001250519	2	Fitting, 90 JIC/BSPP	
10	1001250521	1	Fitting, 90 JIC/ORB	
11	1001250525	1	Fitting, Straight JIC/ORB	

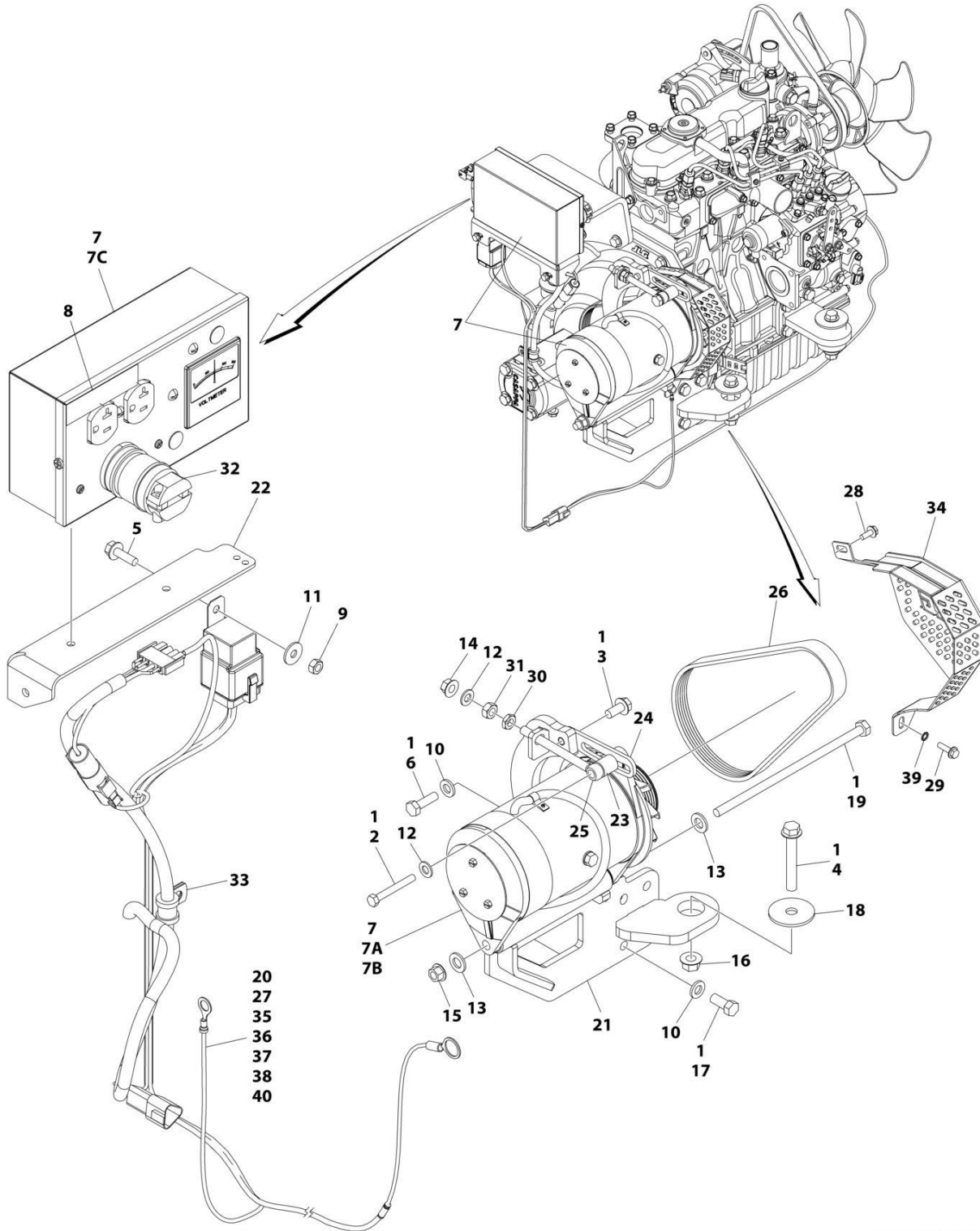
SECTION 3 - ENGINE

FIGURE 3-22. GENERATOR INSTALLATION - 2500W/50HZ (DIESEL MACHINES)

ITEM	PART NUMBER	QTY	DESCRIPTION	REV
	1001246135	Ref	GENERATOR INSTALLATION	B
1	0100011	AR	Compound, Locking	
2	5251011	1	Bolt M10 x 22	
3	0701020	1	Bolt M10 x 60	
4	0780610	2	Bolt M6 x 20	
5	3251242	1	Decal - 240V/50Hz	
6	3290601	2	Nut M6	
7	3331211	1	Nut M12	
8	4240033	AR	Tie-Strap (Not Shown)	
9	4811702	2	Washer M6	
10	4812000	2	Washer M10	
11	4812100	2	Washer M12	
12	5241000	6	Washer M10	
13	5250608	1	Bolt M6 x 16	
14	5250611	1	Bolt M8 x 22	
15	5251224	1	Bolt M12 x 80	
16	5261000	1	Nut M10	
17	5261200	1	Nut M12	
18	3291002	1	Nut M10	
19	3291001	1	Nut M10	
20	1001118746	3	Bolt M10 x 25	
21	1001119929	3	Bolt M10 x 35	
22	1001168018	1	Washer	
23	1001213584	1	Terminal	
24	1001249464	1	Harnesss, Generator (See Separate Breakdown in ELECTRICAL Section)	
25	1001253839	1	Bracket, Control Box Mount	
26	1001263050	1	V-Belt	
27	1001269045	1	Bolt M10 x 65	
28	1001269792	1	Mount, Generator	
29	1001269794	1	Bracket	
30	1001269797	1	Bracket	
31	1001269799	1	Eye Bolt M10	
32	1001269800	1	Spacer	
33	1001271971	1	Bolt M12 x 230	
34	1001269937	1	Generator Assembly	
34A	1001263077	1	Sheave	
34B	1001263246	1	Generator, 2300W	
34C	1001269936	1	Generator Outlet Box	
35	0100048	AR	Grease, Dielectric	
36	4460268	3	Terminal	
37	4460321	1	Terminal	
38	4460906	1	Terminal	
39	4871700	1	Washer M6	
40	1001275530	1	Wire, Jumper	

SECTION 3 - ENGINE

FIGURE 3-23. GENERATOR INSTALLATION - 2500W/60HZ (DIESEL MACHINES)



ART_1001246134_C

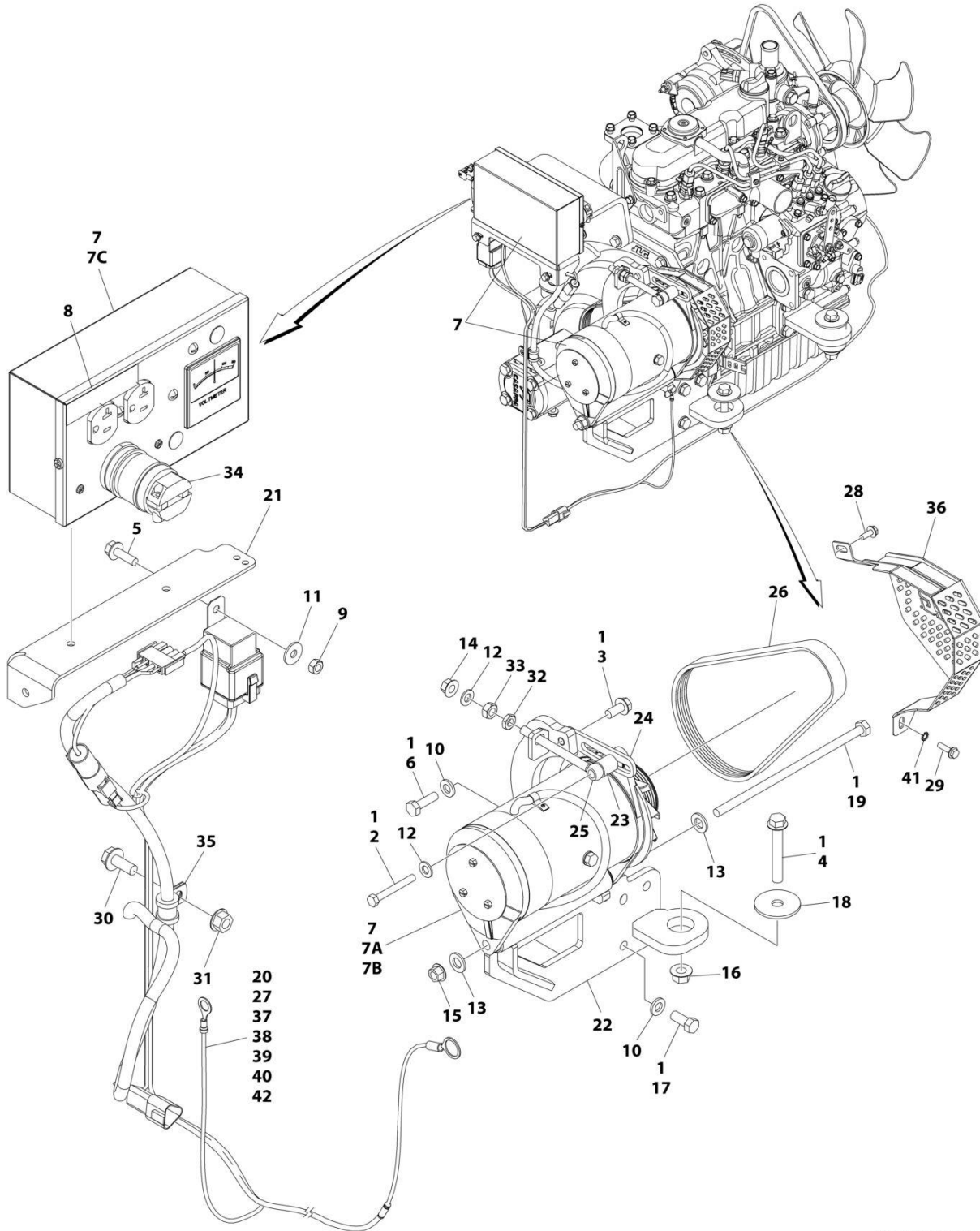
SECTION 3 - ENGINE

FIGURE 3-23. GENERATOR INSTALLATION - 2500W/60HZ (DIESEL MACHINES)

ITEM	PART NUMBER	QTY	DESCRIPTION	REV
	1001246134	Ref	GENERATOR INSTALLATION - 2500W / 60HZ	C
1	0100011	AR	Compound, Locking	
2	0701020	1	Bolt M10 x 60	
3	5251011	1	Bolt M10 x 22	
4	5251224	1	Bolt M12 x 80	
5	0780610	2	Bolt M6 x 20	
6	1001119929	3	Bolt M10 x 35	
7	1001269865	1	Generator Assembly	
7A	3580324	1	Pulley	
7B	1001264839	1	Generator, Replacement	
7C	1001269894	1	Control Box Assembly	
8	3251243	1	Nameplate - 120V - 60HZ	
9	3290601	2	Nut M6	
10	5241000	6	Washer M10	
11	4811702	2	Washer M6	
12	4812000	2	Washer M10	
13	4812100	2	Washer M12	
14	5261000	1	Nut M10	
15	3331211	1	Nut M12	
16	5261200	1	Nut M12	
17	1001118746	3	Bolt M10 x 25	
18	1001168018	1	Washer	
19	1001271971	1	Bolt M12 x 230	
20	1001249464	1	Harnesss, Generator (See Separate Breakdown in ELECTRICAL Section)	
21	1001269792	1	Bracket, Mounting	
22	1001253839	1	Bracket, Mounting	
23	1001269800	1	Spacer	
24	1001269794	1	Bracket, Adjustment	
25	1001269799	1	Eye Bolt M10	
26	1001263049	1	V-Belt	
27	4240033	AR	Tie Strap (Not Shown)	
28	5250608	1	Bolt M6 x 16	
29	5250611	1	Bolt M6 x 22	
30	3291002	1	Nut M10	
31	3291001	1	Nut M10	
32	1001131740	1	Plug	
33	1001269045	1	Clamp	
34	1001269797	1	Bracket	
35	0100048	AR	Grease, Dielectric	
36	4460268	3	Socket	
37	4460321	1	Terminal	
38	4460906	1	Terminal	
39	4871700	1	Washer, Lock M6	
40	1001275530	1	Jumper	

SECTION 3 - ENGINE

FIGURE 3-24. GENERATOR INSTALLATION - 2500W/60HZ (DUAL FUEL MACHINES)



ART_1001256713_C

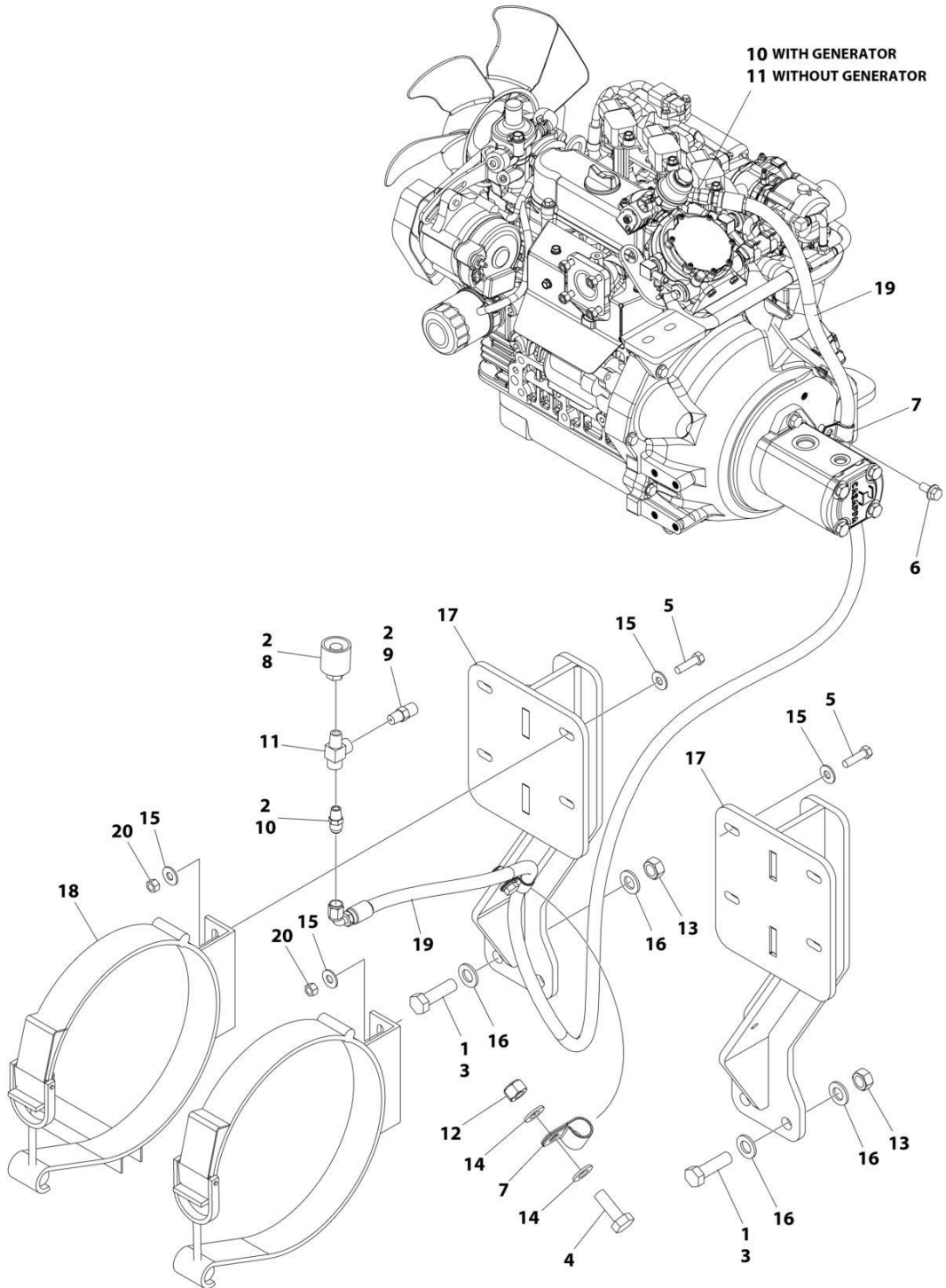
SECTION 3 - ENGINE

FIGURE 3-24. GENERATOR INSTALLATION - 2500W/60HZ (DUAL FUEL MACHINES)

ITEM	PART NUMBER	QTY	DESCRIPTION	REV
	1001256713	Ref	GENERATOR INSTALLATION - 2500W / 60HZ	C
1	0100011	AR	Compound, Locking	
2	0701020	1	Bolt M10 x 60	
3	5251011	1	Bolt M10 x 22	
4	5251224	1	Bolt M12 x 80	
5	0780610	2	Bolt M6 x 20	
6	1001119929	3	Bolt M10 x 35	
7	1001269865	1	Generator Assembly	
7A	3580324	1	Pulley	
7B	1001264839	1	Generator, Replacement	
7C	1001269894	1	Control Box Assembly	
8	3251243	1	Nameplate - 120V - 60HZ	
9	3290601	2	Nut M6	
10	5241000	6	Washer M10	
11	4811702	2	Washer M6	
12	4812000	2	Washer M10	
13	4812100	2	Washer M12	
14	5261000	1	Nut M10	
15	3331211	1	Nut M12	
16	5261200	1	Nut M12	
17	1001118746	3	Bolt M10 x 25	
18	1001168018	1	Washer	
19	1001271971	1	Bolt M12 x 230	
20	1001249464	1	Harnesss, Generator (See Separate Breakdown in ELECTRICAL Section)	
21	1001253839	1	Bracket, Mounting	
22	1001269793	1	Bracket, Mounting	
23	1001269800	1	Spacer	
24	1001269794	1	Bracket, Adjustment	
25	1001269799	1	Eye Bolt M10	
26	1001263049	1	V-Belt	
27	4240033	AR	Tie Strap (Not Shown)	
28	5250608	1	Bolt M6 x 16	
29	5250611	1	Bolt M6 x 22	
30	5250810	1	Bolt M8 x 20	
31	5260800	1	Nut M8	
32	3291002	1	Nut M10	
33	3291001	1	Nut M10	
34	1001131740	1	Plug	
35	1001269045	1	Clamp	
36	1001269797	1	Bracket	
37	0100048	AR	Grease, Dielectric	
38	4460268	3	Socket	
39	4460321	1	Terminal	
40	4460906	1	Terminal	
41	4871700	1	Washer, Lock M6	
42	1001275530	1	Jumper	

SECTION 3 - ENGINE

FIGURE 3-25. LP TANK BRACKETS INSTALLATION (SINGLE TANK)



ART_1001254550

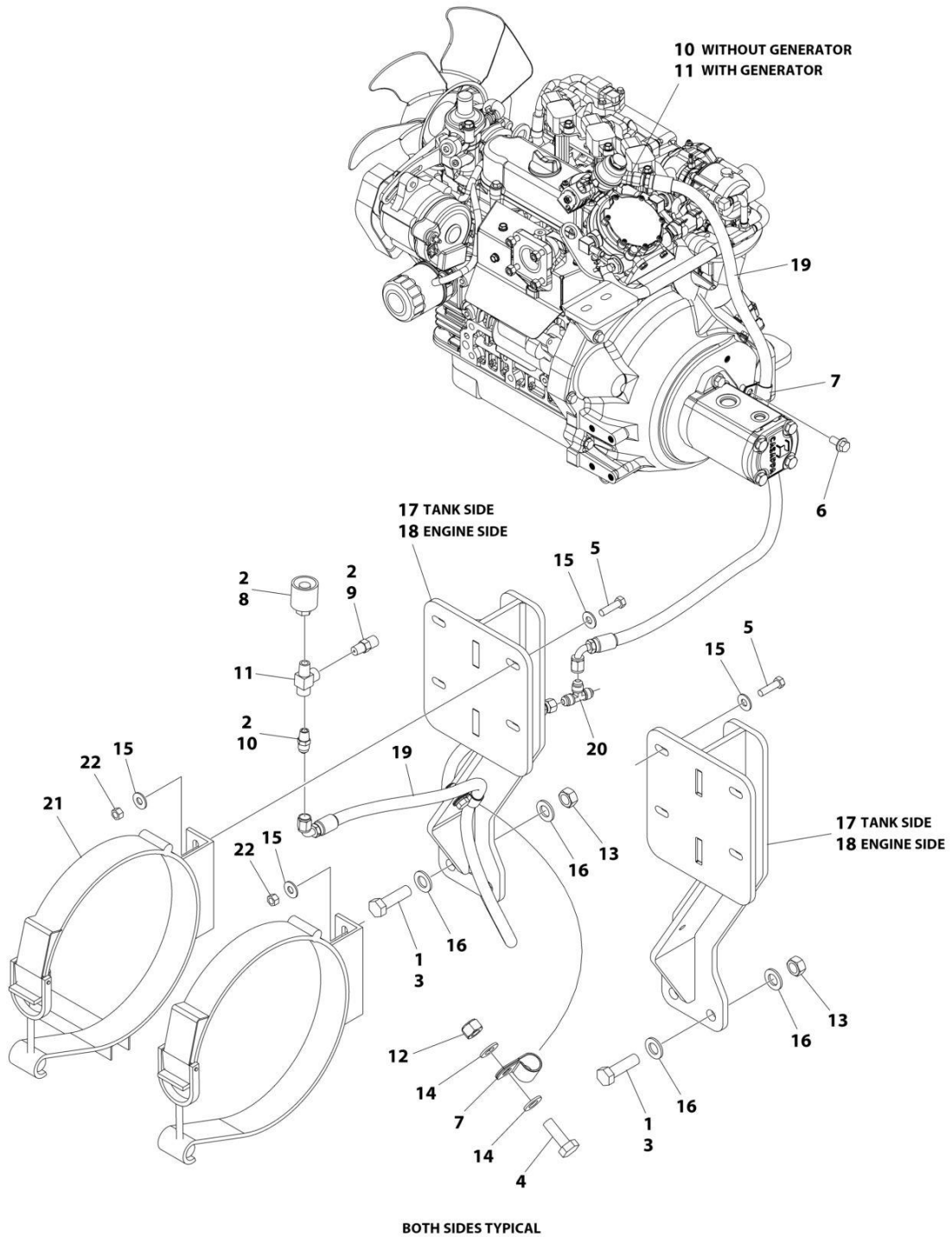
SECTION 3 - ENGINE

FIGURE 3-25. LP TANK BRACKETS INSTALLATION (SINGLE TANK)

ITEM	PART NUMBER	QTY	DESCRIPTION	REV
	1001254550	Ref	LP TANK BRACKETS INSTALLATION (SINGLE)	D
1	0100011	AR	Compound, Locking	
2	0100020	AR	Sealant	
3	0771619	4	Bolt M16 x 55	
4	0771014	1	Bolt M10 x 30	
5	0641611	4	Bolt 3/8 x 1-3/8	
6	0811606	1	Screw 3/8 x 3/4	
7	1320061	2	Clamp	
8	2180387	1	Fitting, Tank Connector	
9	2180389	1	Fitting, Relief Valve - LP	
10	2180418	2	Fitting	
11	2220290	1	Fitting, Tee	
12	3291005	1	Nut M10	
13	3331611	4	Nut M16	
14	4812000	2	Washer M10	
15	4751600	8	Washer 3/8	
16	5241600	8	Washer M16	
17	1001259024	2	Mount	
18	1320220	1	Clamp Kit - LP	
19	1001258006	1	Hose	
20	3311605	4	Nut 3/8	
100	4400281	1	Tank, LP (Not Shown)	

SECTION 3 - ENGINE

FIGURE 3-26. LP TANK BRACKETS INSTALLATION (DUAL TANKS)



ART_1001254551

SECTION 3 - ENGINE

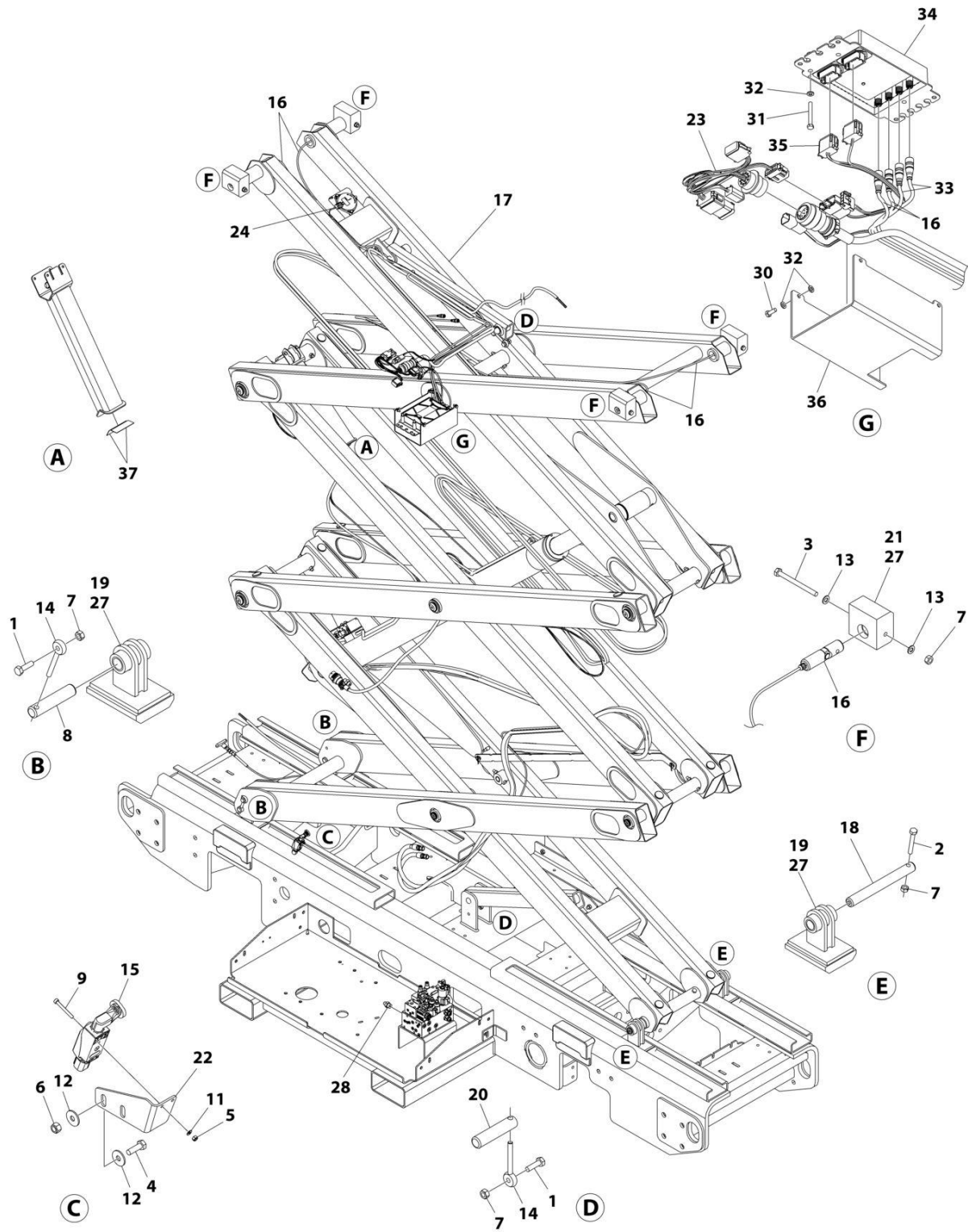
FIGURE 3-26. LP TANK BRACKETS INSTALLATION (DUAL TANKS)

ITEM	PART NUMBER	QTY	DESCRIPTION	REV
	1001254551	Ref	LP TANK BRACKETS INSTALLATION (DUAL)	E
1	0100011	AR	Compound, Locking	
2	0100020	AR	Sealant	
3	0771619	8	Bolt M16 x 55	
4	0771014	2	Bolt M10 x 30	
5	0641611	8	Bolt 3/8 x 1-3/8	
6	0811606	1	Screw 3/8 x 3/4	
7	1320061	3	Clamp	
8	2180387	2	Fitting, Tank Connector	
9	2180389	2	Fitting, Relief Valve - LP	
10	2180418	3	Fitting	
11	2220290	2	Fitting, Tee	
12	3291005	2	Nut M10	
13	3331611	8	Nut M16	
14	4812000	4	Washer M10	
15	4751600	16	Washer 3/8	
16	5241600	16	Washer M16	
17	1001259024	2	Mount	
18	1001259047	2	Mount	
19	1001258004	3	Hose	
20	1001258113	1	Fitting, Tee	
21	1320220	2	Clamp Kit - LP	
22	3311605	8	Nut 3/8	
100	4400281	2	Tank, LP (Not Shown)	

SECTION 4 - SCISSORS ARMS

SECTION 4 - SCISSORS ARMS

FIGURE 4-1. ARMS INSTALLATION (RT2669)



ART_1001248820

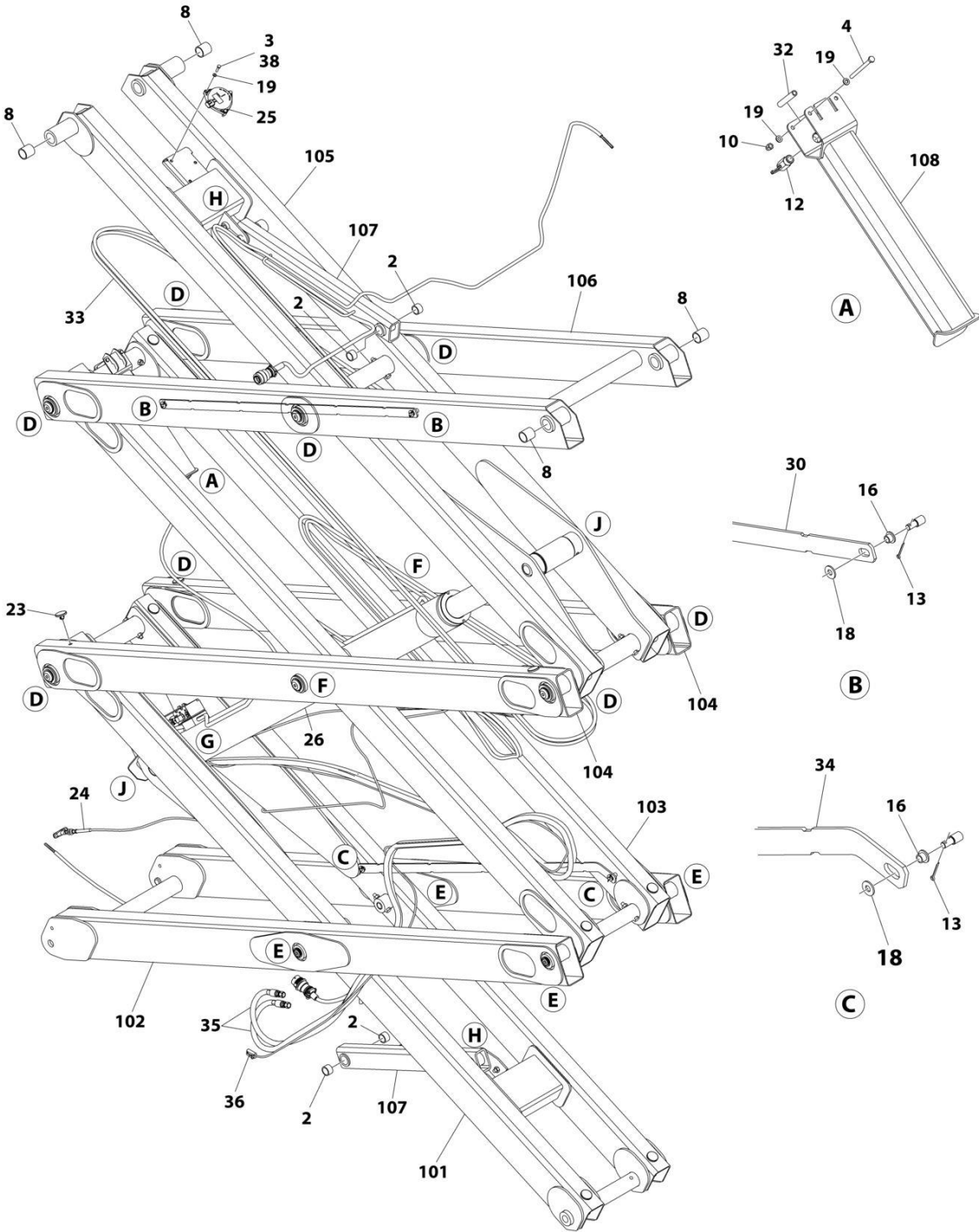
SECTION 4 - SCISSORS ARMS

FIGURE 4-1. ARMS INSTALLATION (RT2669)

ITEM	PART NUMBER	QTY	DESCRIPTION	REV
	1001248820	Ref	ARMS INSTALLATION	C
1	0701015	4	Bolt 10 x 35	
2	0701022	2	Bolt 10 x 70	
3	0701029	4	Bolt 10 x 120	
4	0760812	2	Bolt M8 x 25	
5	3290405	2	Nut M4	
6	3290805	2	Nut M8	
7	3291007	10	Nut M10	
8	3422943	2	Pin	
9	4031511	2	Capscrew M4 x 35	
11	4811400	2	Washer M4	
12	4811902	4	Washer M8	
13	4812000	8	Washer M10	
14	1001270098	4	Pin, Keeper	
15	1001145548	1	Switch, Limit	
16	3422938	4	Pin	
17	1001247367	1	Arm Assembly (See Separate Breakdown in this Section)	
18	1001247521	2	Pin	
19	1001247667	4	Support, Slider	
20	1001247669	2	Pin	
21	1001247671	4	Block, Slide	
22	1001257587	1	Bracket	
23	1001264939	1	Harness, Platform (See Separate Breakdown in ELECTRICAL Section)	
24	1001249091	1	Harness, Tilt Sensor (See Separate Breakdown in ELECTRICAL Section)	
27	3020022	AR	Lubricant	
28	2220372	1	Fitting, Straight JIC/ORB	
29	4240018	AR	Tie - Strap (Not Shown)	
30	0760608	4	Bolt M6 x 16	
31	0700618	3	Bolt M6 x 50	
32	4811700	11	Washer M6	
33	1061020	2	Cable, Extension (1.5 Meter)	
34	1600387	1	Module, Load Sense (Note: Recalibration Required When Replaced)	
35	1001226830	1	Harness Load Sense (See Separate Breakdown in ELECTRICAL Section)	
36	1001263662	1	Cover	
37	1001189762	2	Tape	

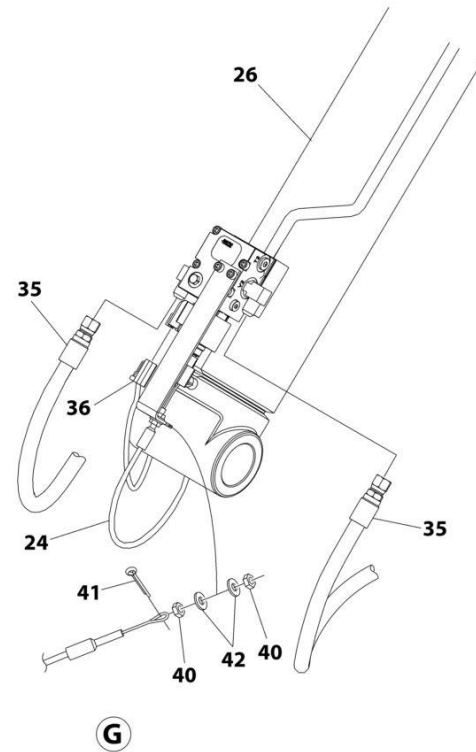
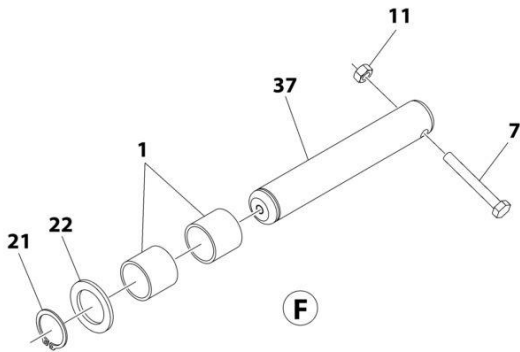
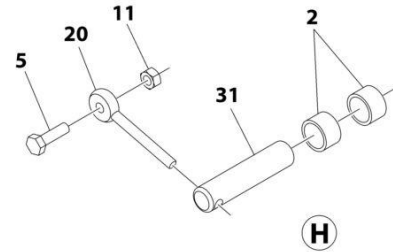
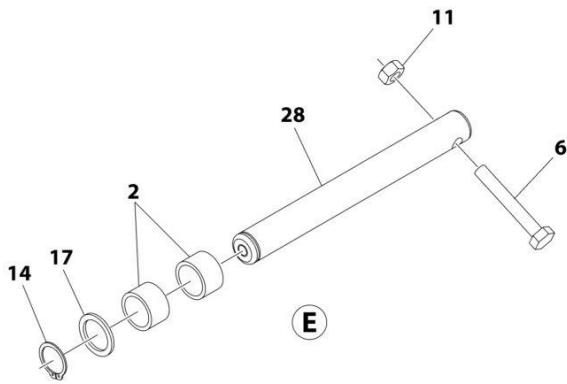
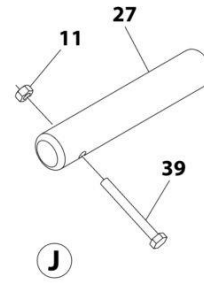
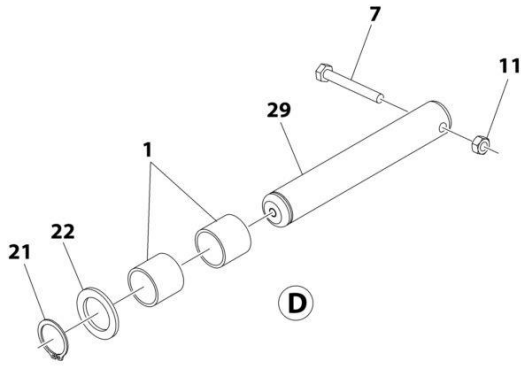
SECTION 4 - SCISSORS ARMS

FIGURE 4-2. ARMS ASSEMBLY (RT2669)



ART_1001247367_1OF2

SECTION 4 - SCISSORS ARMS



ART_1001247367_20F2

SECTION 4 - SCISSORS ARMS

FIGURE 4-2. ARMS ASSEMBLY (RT2669)

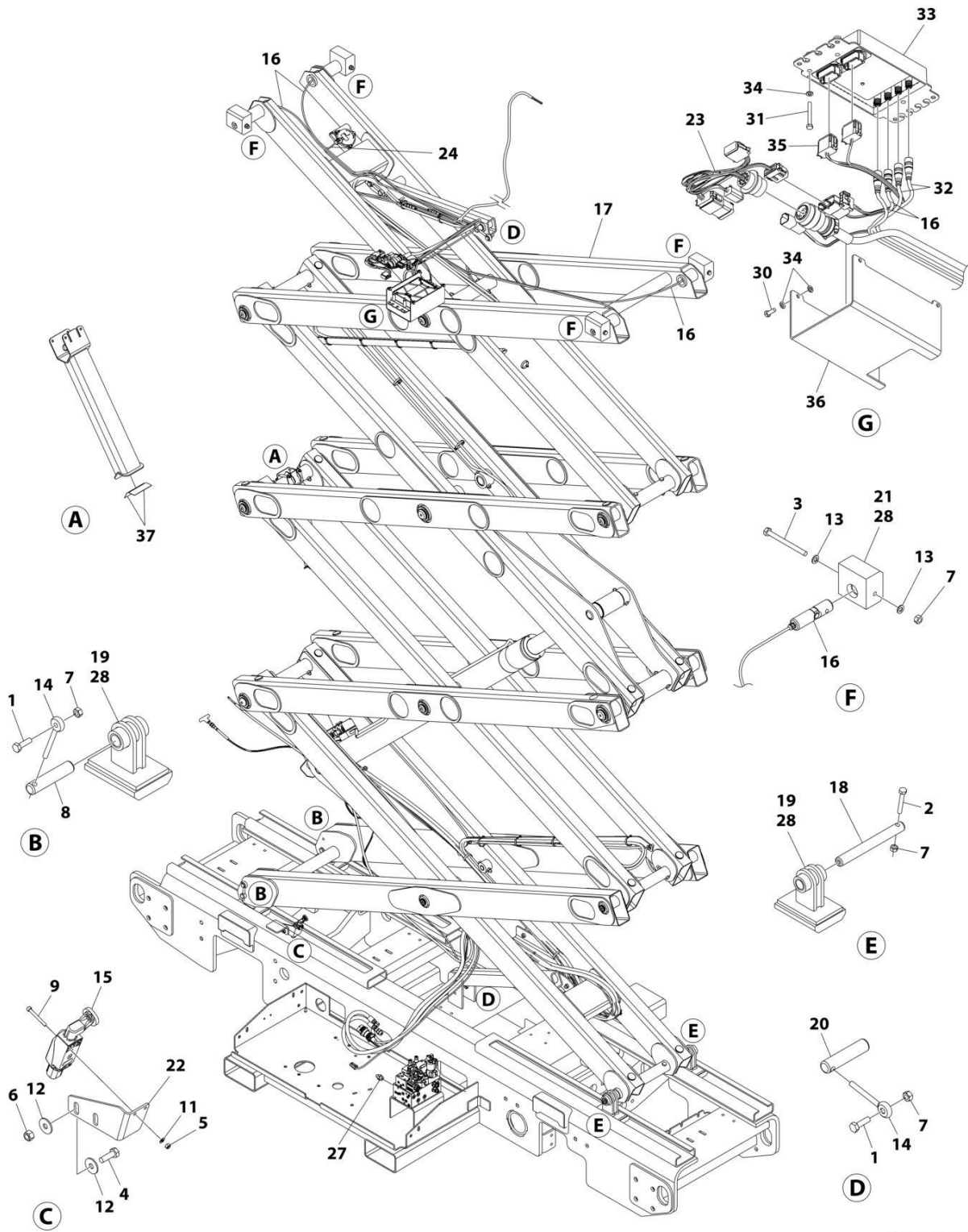
ITEM	PART NUMBER	QTY	DESCRIPTION	REV
	1001247367	Ref	ARMS ASSEMBLY	D
1	0440241	20	Bearing	
2	0440264	16	Bearing	
3	0700612	3	Bolt M6 x 25	
4	0700624	2	Bolt M6 x 80	
5	0701015	2	Bolt M10 x 35	
6	0701022	4	Bolt M10 x 70	
7	0701024	10	Bolt M10 x 80	
8	0962220	4	Bushing	
10	3290606	2	Nut M6	
11	3291007	18	Nut M10	
12	3423151	1	Pin	
13	3450304	4	Pin, Cotter 3/32 x 1	
14	3760509	4	Ring, Retaining	
15	4240018	AR	Tie - Strap (Not Shown)	
16	4740480	4	Washer (Plastic Insert)	
17	4740531	4	Washer	
18	4751500	4	Washer 5/16	
19	4811700	7	Washer M6	
20	1001270098	2	Pin, Keeper	
21	1001099560	10	Ring, Retaining	
22	1001217457	10	Washer	
23	1001228533	16	Bumper	
24	1001265848	1	Cable, Manual Descent	
25	1001244934	1	Sensor, Tilt	
26	1001245923	1	Cylinder Lift Down Valve Assembly (See Separate Breakdown in this Section)	
27	1001247522	2	Pin	
28	1001247523	4	Pin	
29	1001247524	8	Pin	
30	1001247668	1	Bar, Cable	
31	1001247669	2	Pin	
32	1001247670	2	Sleeve	
33	1001248279	1	Harness, Ground To Platform (See Separate Breakdown in ELECTRICAL Section)	
34	1001248865	1	Bar, Cable	
35	1001248890	2	Hose	
36	1001248895	1	Harness Lift Down (See Separate Breakdown in ELECTRICAL Section)	
37	1001249637	2	Pin	
38	0100011	AR	Compound, Locking	
39	0701026	2	Bolt M10 x 90	
40	3321402	2	Nut 1/4	
41	3450405	1	Pin, Cotter 1/8 x 1-1/4	
42	4711400	2	Washer 1/4	
100	1001247375	Ref	Arm Kit (Not Shown)	
101	1001247482	1	Arm, Inboard (Lower)	
102	1001247490	1	Arm, Outboard (Lower)	
103	1001247497	1	Arm, Inboard (Mid)	
104	1001247500	2	Arm, Outboard (Mid)	

SECTION 4 - SCISSORS ARMS

ITEM	PART NUMBER	QTY	DESCRIPTION	REV
105	1001247506	1	Arm, Inboard (Upper)	
105	1001247503	2	Bushing (Not Shown)	
106	1001258812	1	Arm, Outboard (Upper)	
107	1001247520	2	Link, Center	
108	1001247672	1	Prop, Arm	

SECTION 4 - SCISSORS ARMS

FIGURE 4-3. ARMS INSTALLATION (RT3369)



ART_1001248821

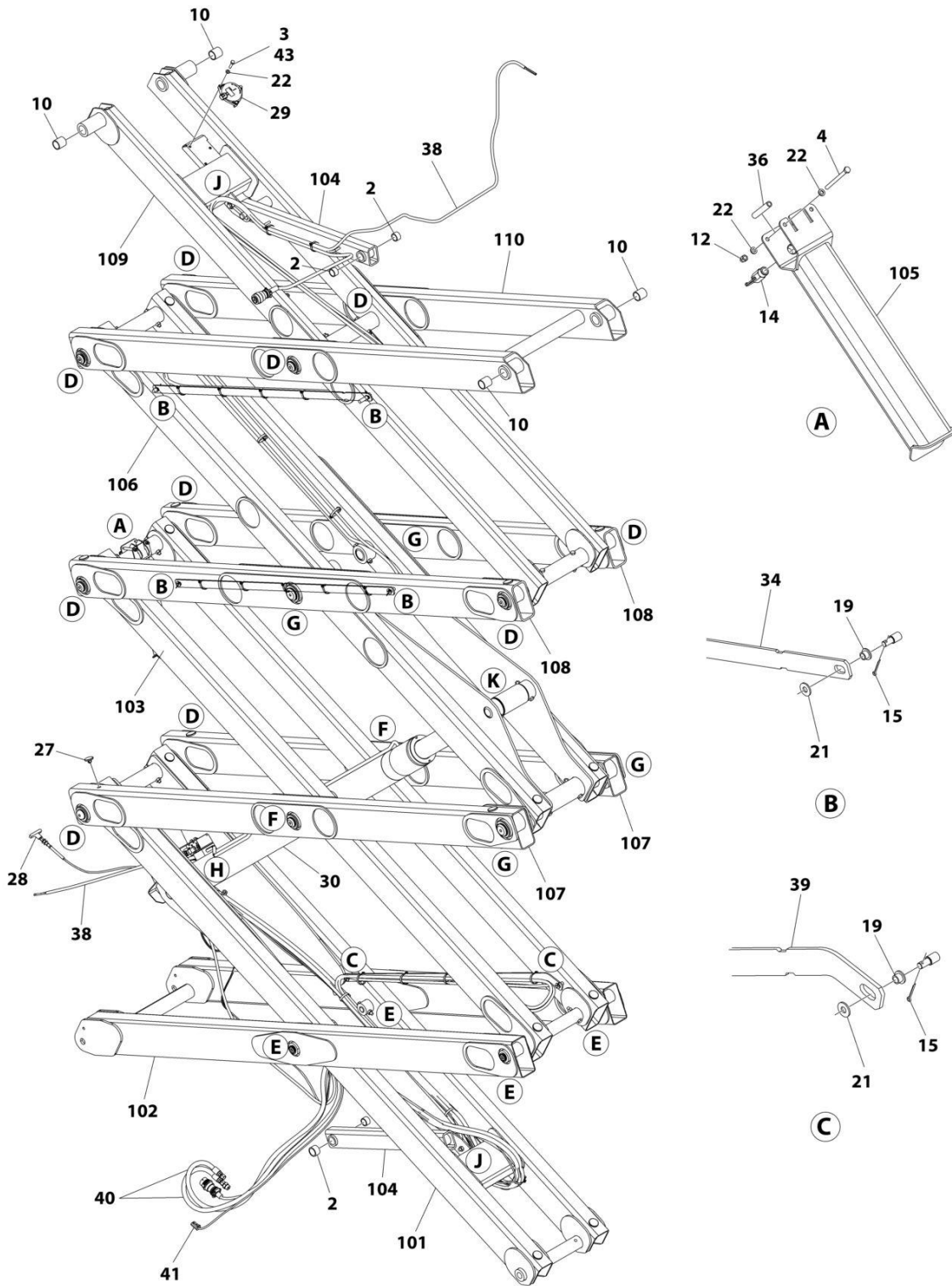
SECTION 4 - SCISSORS ARMS

FIGURE 4-3. ARMS INSTALLATION (RT3369)

ITEM	PART NUMBER	QTY	DESCRIPTION	REV
	1001248821	Ref	ARMS INSTALLATION	E
1	0701015	4	Bolt 10 x 35	
2	0701022	2	Bolt 10 x 70	
3	0701029	4	Bolt 10 x 120	
4	0760812	2	Bolt M8 x 25	
5	3290405	2	Nut M4	
6	3290805	2	Nut M8	
7	3291007	10	Nut M10	
8	3422943	2	Assembly, Load Sense Pin/Cable	
9	4031511	2	Capscrew M4 x 35	
11	4811400	2	Washer M4	
12	4811902	4	Washer M8	
13	4812000	8	Washer M10	
14	1001270098	4	Pin, Keeper	
15	1001145548	1	Switch, LSS Limit	
15	1001284972	1	Switch, LSS Limit	
16	3422938	4	Assembly, Load Sense Pin/Cable	
17	1001247368	1	Arm Assembly (See Separate Breakdown in this Section)	
18	1001247521	2	Pin	
19	1001247667	4	Support, Slider	
20	1001247669	2	Pin	
21	1001247671	4	Block, Slide	
22	1001257587	1	Bracket	
23	1001264939	1	Harness, Platform (See Separate Breakdown in ELECTRICAL Section)	
24	1001249091	1	Harness, Tilt Sensor (See Separate Breakdown in ELECTRICAL Section)	
27	2220372	1	Fitting, Straight JIC/ORB	
28	3020022	AR	Lubricant	
28	3020029	AR	Lubricant	
29	4240018	AR	Tie - Strap (Not Shown)	
30	0760608	4	Bolt M6 x 16	
31	0700618	3	Bolt M6 x 50	
32	1061020	2	Cable, Load Sense Extension	
33	1600387	1	Module, Load Sense (Note: Recalibration Required When Replaced)	
34	4811700	11	Washer M6	
35	1001226830	1	Harness Load Sense (See Separate Breakdown in ELECTRICAL Section)	
36	1001263662	1	Cover	
37	1001189762	2	Tape	

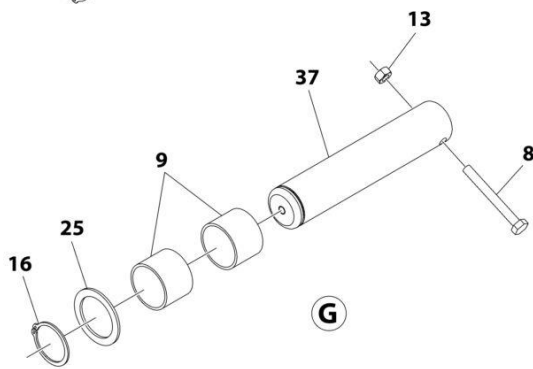
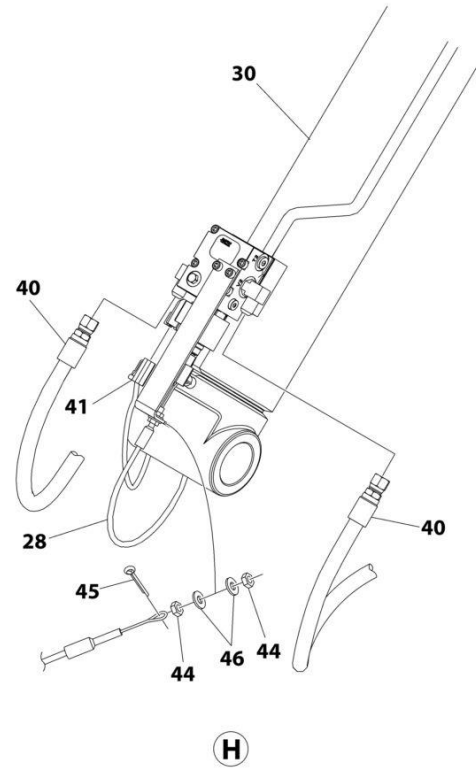
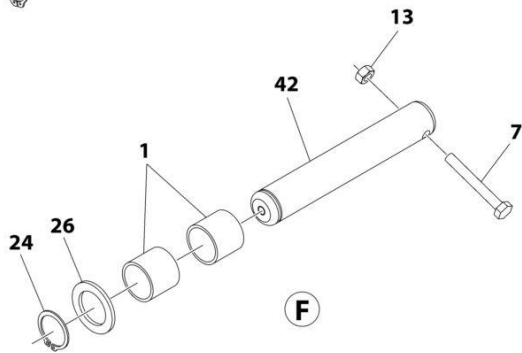
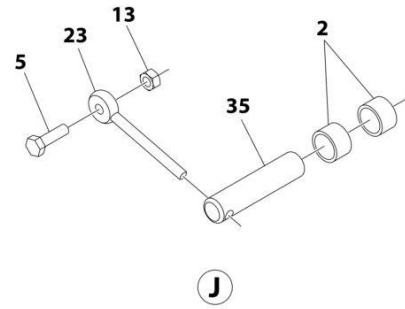
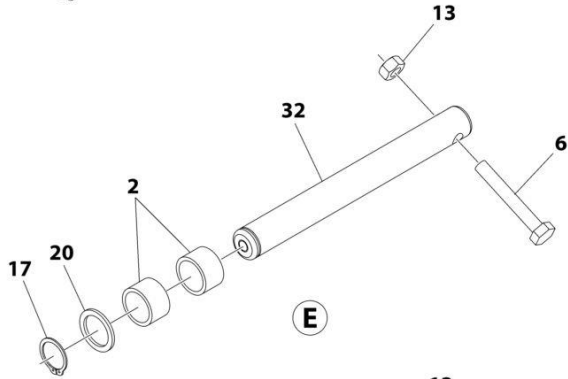
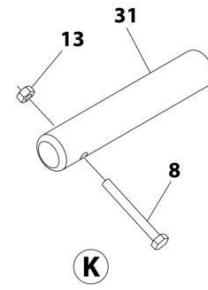
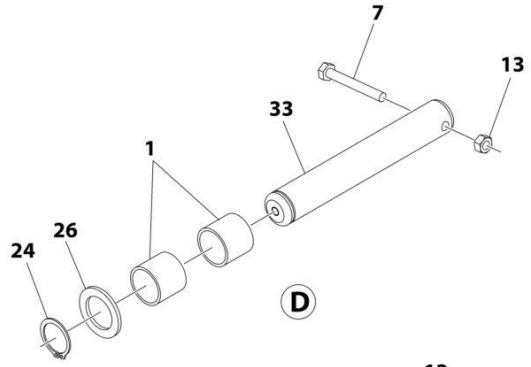
SECTION 4 - SCISSORS ARMS

FIGURE 4-4. ARMS ASSEMBLY (RT3369)



ART_1001247368_1OF2

SECTION 4 - SCISSORS ARMS



ART_1001247368_2OF2

SECTION 4 - SCISSORS ARMS

FIGURE 4-4. ARMS ASSEMBLY (RT3369)

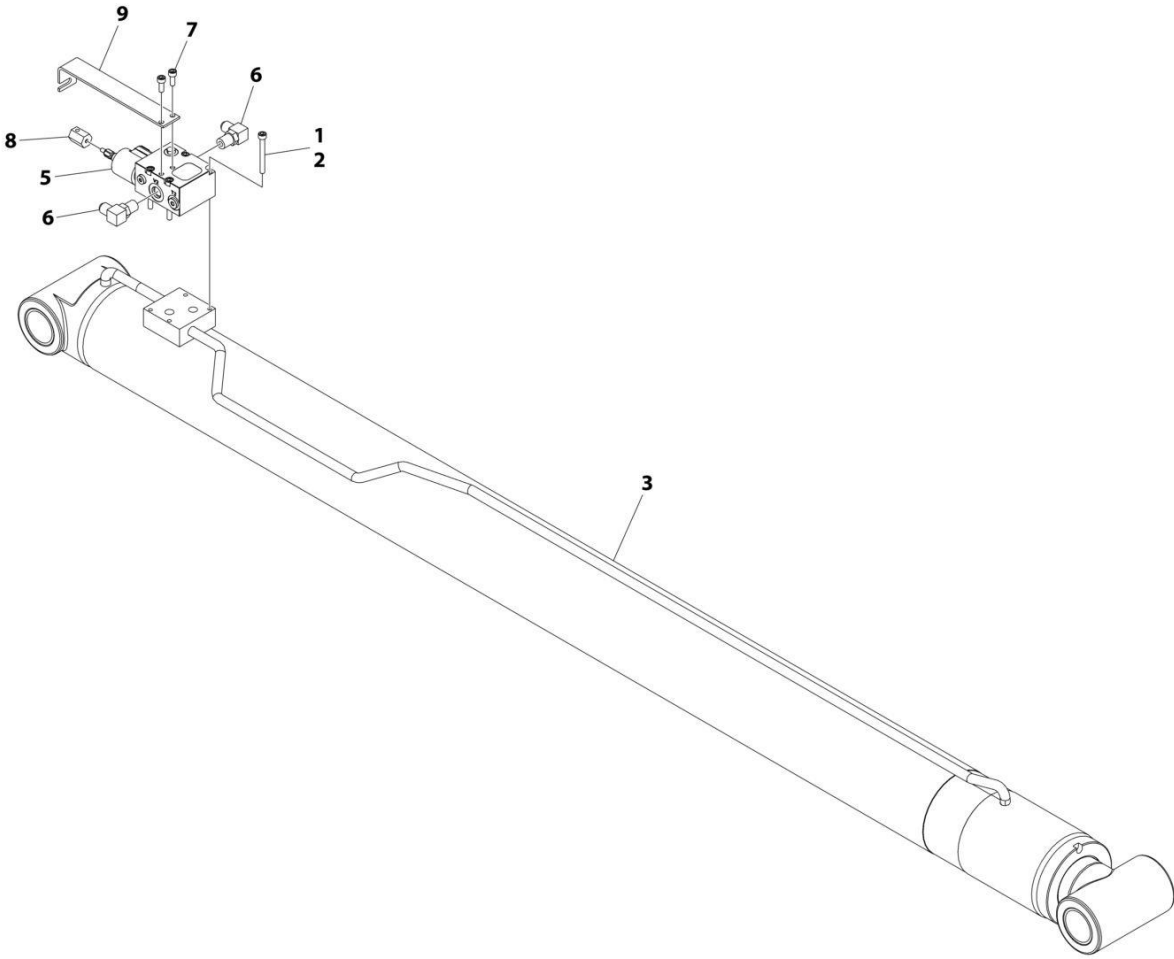
ITEM	PART NUMBER	QTY	DESCRIPTION	REV
	1001247368	Ref	ARMS ASSEMBLY	E
1	0440241	24	Bearing	
2	0440264	16	Bearing	
3	0700612	3	Bolt M6 x 25	
4	0700624	2	Bolt M6 x 80	
5	0701015	2	Bolt M10 x 35	
6	0701022	4	Bolt M10 x 70	
7	0701024	12	Bolt M10 x 80	
8	0701026	6	Bolt M10 x 90	
9	0961950	8	Bushing	
10	0962220	4	Bushing	
12	3290606	2	Nut M6	
13	3291007	24	Nut M10	
14	3423151	1	Pin	
15	3450304	6	Pin, Cotter 3/32 x 1	
16	3760493	4	Ring, Retaining	
17	3760509	4	Ring, Retaining	
18	4240018	AR	Tie - Strap (Not Shown)	
19	4740480	6	Washer (Plastic Insert)	
20	4740531	4	Washer	
21	4751500	6	Washer 5/16	
22	4811700	7	Washer M6	
23	1001270098	2	Pin, Keeper	
24	1001099560	12	Ring, Retaining	
25	1001197405	4	Washer	
26	1001217457	12	Washer	
27	1001228533	24	Bumper	
28	1001265848	1	Cable, Manual Descent	
29	1001244934	1	Sensor, Tilt	
30	1001245923	1	Cylinder Lift Down Valve Assembly (See Separate Breakdown in this Section)	
31	1001247522	2	Pin	
32	1001247523	4	Pin	
33	1001247524	10	Pin	
34	1001247668	2	Bar, Cable	
35	1001247669	2	Pin	
36	1001247670	2	Sleeve	
37	1001247835	4	Pin	
38	1001248280	1	Harness, Ground To Platform (See Separate Breakdown in ELECTRICAL Section)	
39	1001248865	1	Bar, Cable	
40	1001248890	2	Hose	
41	1001248895	1	Harness Lift Down (See Separate Breakdown in ELECTRICAL Section)	
42	1001249637	2	Pin	
43	0100011	AR	Compound, Locking	
44	3321402	2	Nut 1/4	
45	3450405	1	Pin, Cotter 1/8 x 1-1/4	
46	4711400	2	Washer 1/4	
100	1001247376	1	Arm Kit (Not Shown)	

SECTION 4 - SCISSORS ARMS

ITEM	PART NUMBER	QTY	DESCRIPTION	REV
101	1001247482	1	Arm, Inboard (Lower)	
102	1001247490	1	Arm, Outboard (Lower)	
103	1001247497	1	Arm, Inboard (Lower Mid)	
104	1001247520	2	Link, Center	
105	1001247672	1	Prop, Arm	
106	1001247816	1	Arm, Inboard (Upper Mid)	
107	1001247817	2	Arm, Outboard (Lower Mid)	
108	1001247819	2	Arm, Outboard (Upper Mid)	
109	1001247820	1	Arm, Inboard (Upper)	
110	1001258813	1	Arm, Outboard (Upper)	

SECTION 4 - SCISSORS ARMS

FIGURE 4-5. CYLINDER & LIFT DOWN VALVE ASSEMBLY



ART_1001245923

SECTION 4 - SCISSORS ARMS

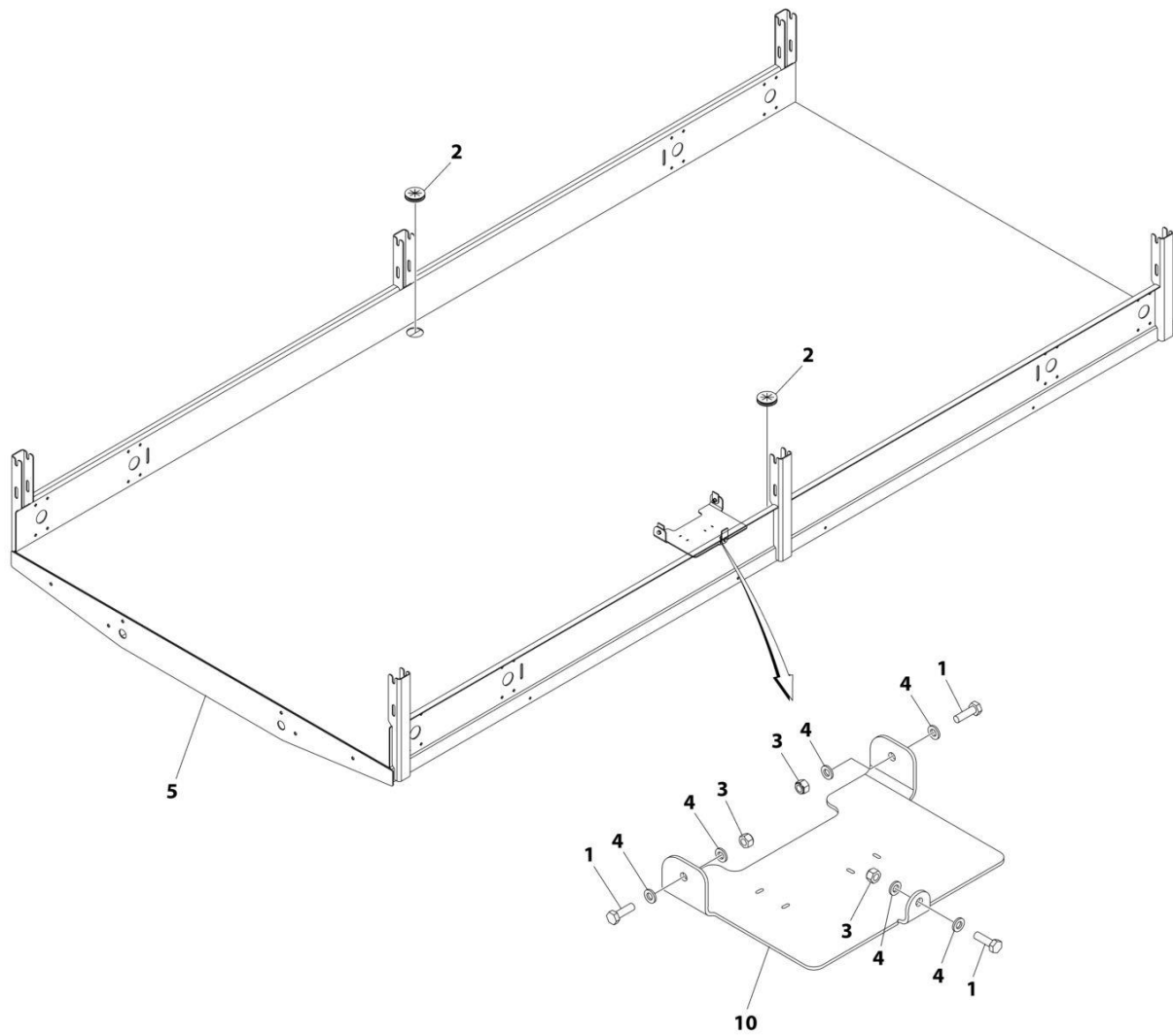
FIGURE 4-5. CYLINDER & LIFT DOWN VALVE ASSEMBLY

ITEM	PART NUMBER	QTY	DESCRIPTION	REV
	1001245923	Ref	CYLINDER AND LIFT DOWN VALVE ASSEMBLY	E
1	0100011	AR	Compound, Locking	
2	1001118878	4	Capscrew M6 x 55	
3	1001244210	1	Lift Cylinder Assembly (See Separate Breakdown in CYLINDER Section)	
5	1001244904	1	Valve, Lift Down (No Service Parts Available)	
5	70007448	2	O-Ring (Between Valve and Cylinder)	
5	70002386	1	Coil	
6	2220473	2	Fitting, 90 JIC/ORB	
7	4031707	2	Capscrew M6 x 16	
8	1001265744	1	Adapter	
9	1001265761	1	Bracket	

SECTION 5 - PLATFORM

SECTION 5 - PLATFORM

FIGURE 5-1. PLATFORM INSTALLATION



ART_1001244381

SECTION 5 - PLATFORM

FIGURE 5-1. PLATFORM INSTALLATION

ITEM	PART NUMBER	QTY	DESCRIPTION	REV
	1001244381	Ref	PLATFORM MOUNT INSTALLATION	B
1	0760610	3	Bolt M6 x 20	
2	2540045	2	Grommet	
3	3290605	3	Nut M6	
4	4811700	6	Washer M6	
5	1001245250	1	Platform	
10	1001251328	1	Cover	

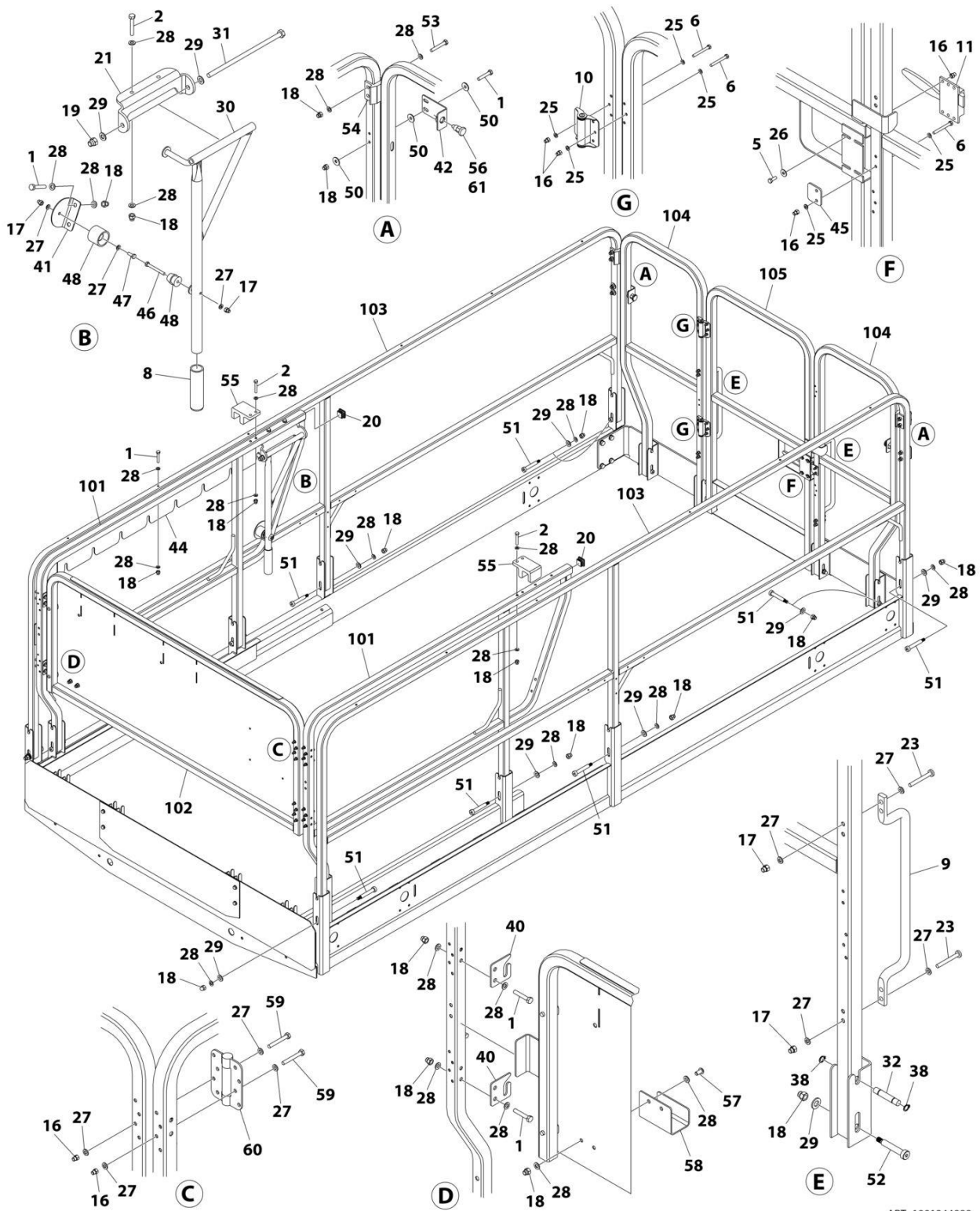
SECTION 5 - PLATFORM

FIGURE 5-2. PLATFORM EXTENSION INSTALLATION (SINGLE)

ITEM	PART NUMBER	QTY	DESCRIPTION	REV
	1001244382	Ref	PLATFORM WITH SINGLE EXTENSION INSTALLATION	F
2	0760808	4	Bolt M8 x 16	
3	0761008	2	Bolt M10 x 16	
4	3290806	4	Nut M8 x 1-1/4	
5	3291007	6	Nut M10 x 1-1/2	
6	4811900	16	Washer M8	
7	4812000	46	Washer M10	
8	1001261123	12	Screw M10 x 35	
9	3900394	4	Capscrew M10 x 1-1/2	
10	1001245479	1	Extension, Platform	
11	1001248933	4	Roller	
12	1001248990	2	Plate	
13	1001248991	1	Plate	
14	1001262640	4	Bracket	
15	1001250355	1	Plate	
16	1001250356	1	Plate	
17	1001250627	1	Plate	
18	1001250640	1	Plate	
19	0701012	14	Capscrew M10 x 25	
20	3291006	24	Nut M10	
21	3292002	4	Nut M20	
22	1001262639	4	Pin	
23	0760610	4	Bolt M6 x 20	
24	0760812	4	Bolt M6 x 25	
25	3290605	4	Nut M6	
26	3290805	4	Nut M8	
27	4811700	8	Washer M6	
28	1001265684	2	Brace, Extension leg Strap	
29	1001265821	2	Bracket, Extension Back Strap	
30	4420062	AR	Tape (Not Shown)	

SECTION 5 - PLATFORM

FIGURE 5-3. PLATFORM RAILS INSTALLATION (SINGLE EXTENSION)



ART_1001244888

SECTION 5 - PLATFORM

FIGURE 5-3. PLATFORM RAILS INSTALLATION (SINGLE EXTENSION)

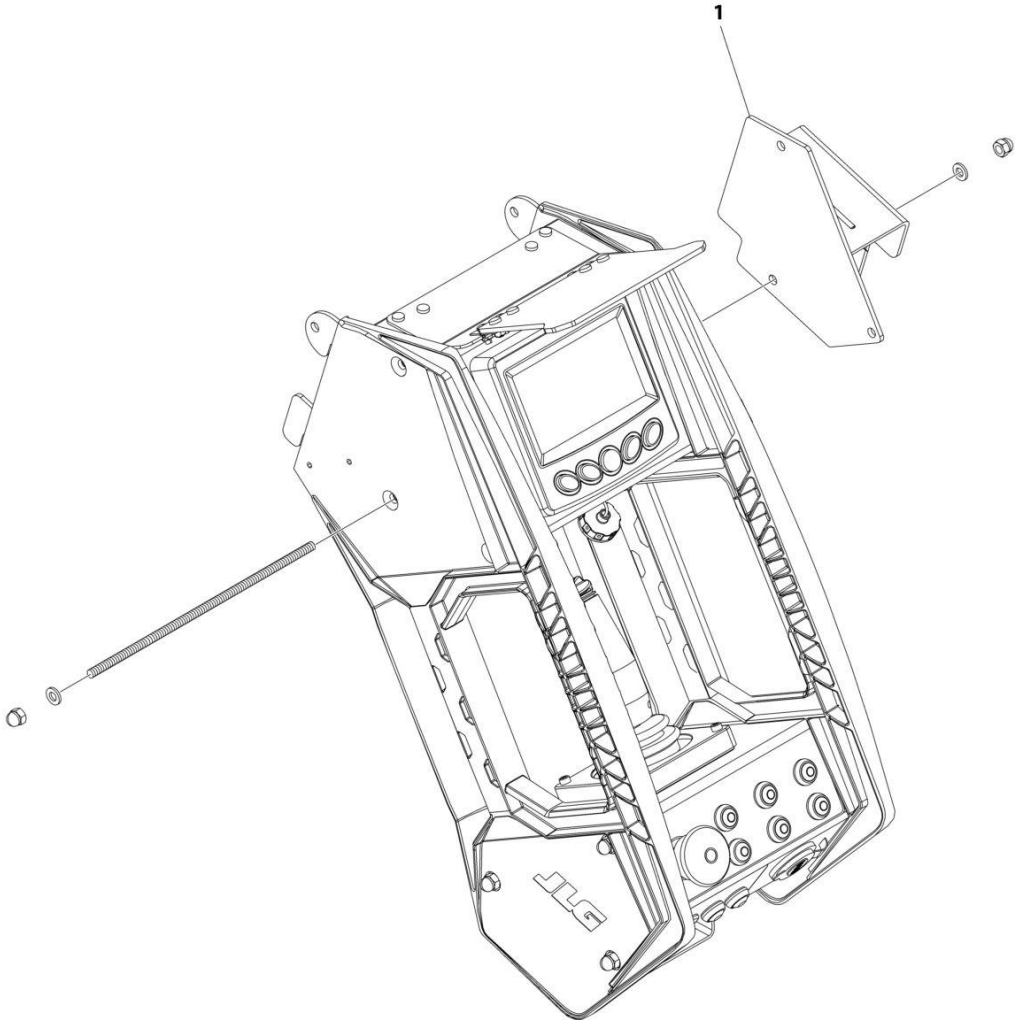
ITEM	PART NUMBER	QTY	DESCRIPTION	REV
	1001244888	Ref	RAIL INSTALLATION - PLATFORM WITH SINGLE EXTENSION	F
1	0700817	13	Bolt M8 x 45	
2	0700818	6	Bolt M8 x 50	
5	0760507	4	Bolt M8 x 14	
6	0700517	14	Bolt M5 x 45	
8	2560088	1	Grip, Handle	
9	2560176	2	Handle	
10	2600253	2	Hinge	
11	2940074	1	Latch	
16	3290506	34	Nut M5 x 3/4	
17	3290606	10	Nut M6 x 1	
18	3290806	39	Nut M8 x 1-1/4	
19	3291006	1	Nut M10	
20	3520072	2	Plug	
21	3537609	1	Plate, Pivot	
23	4010618	8	Screw M6 x 50	
25	4811600	40	Washer M5	
26	4811602	4	Washer M5	
27	4811700	51	Washer M6	
28	4811900	54	Washer M8	
29	4812000	16	Washer M10	
30	4846181	1	Handle (LH)	
31	1001195137	1	Bolt M10 x 240	
32	1001262495	2	Rod	
38	1001262454	4	Ring	
40	1001250829	2	Plate, Rotary Latch	
41	1001250830	1	Plate, Handle Latch	
42	1001258936	2	Plate, Rail	
44	1001294421	1	Plate, Extension	
45	1001253149	1	Plate, Gate Latch	
46	0700619	1	Bolt M6 x 55	
47	0760608	1	Bolt M6 x 16	
48	2940127	1	Latch	
50	4811902	12	Washer M8	
51	1001262399	12	Bolt M8 x 55	
52	1001262400	2	Bolt M8 x 50	
53	0700819	4	Bolt M8 x 55	
54	1001263628	2	Pad	
55	1001263629	2	Pad	
56	3422744	2	Pin, Plunger	
57	0630615	2	Bolt M8 x 16	
58	1001263269	1	Plate	
59	0700617	16	Bolt M6 x 45	
60	2600285	2	Hinge	
61	0100011	AR	Compound, Locking	
100	1001265846	1	Rail, Single Extension Kit	
101	1001248840	2	Rail, Extension Side	
102	1001248986	1	Rail, Extension Front	
103	1001249882	2	Rail, Platform Side	
104	1001249883	2	Rail, Platform Rear	

SECTION 5 - PLATFORM

ITEM	PART NUMBER	QTY	DESCRIPTION	REV
105	1001249884	1	Rail, Platform Gate	

SECTION 5 - PLATFORM

FIGURE 5-4. PLATFORM CONTROL BOX INSTALLATION - SIDE MOUNT



ART_1001265916

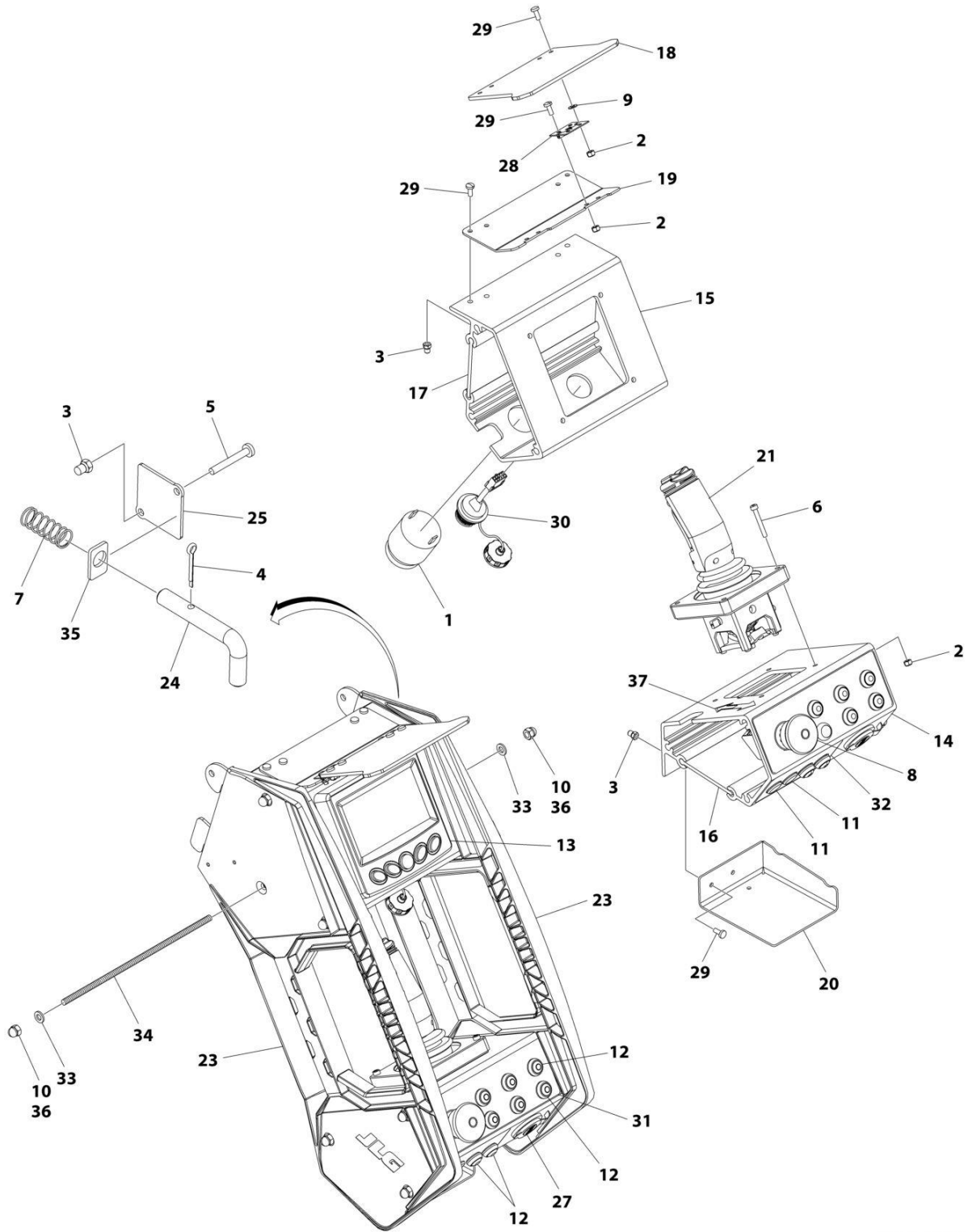
SECTION 5 - PLATFORM

FIGURE 5-4. PLATFORM CONTROL BOX INSTALLATION - SIDE MOUNT

ITEM	PART NUMBER	QTY	DESCRIPTION	REV
	1001265916	Ref	PLATFORM CONSOLE BOX INSTALLATION	B
1	1001265532	1	Bracket, Control Box Sidemount	
2	0100011	1	Compound, Locking (Not Shown - Use on Mounting Hardware)	

SECTION 5 - PLATFORM

FIGURE 5-5. PLATFORM CONTROL BOX INSTALLATION



ART_1001247383

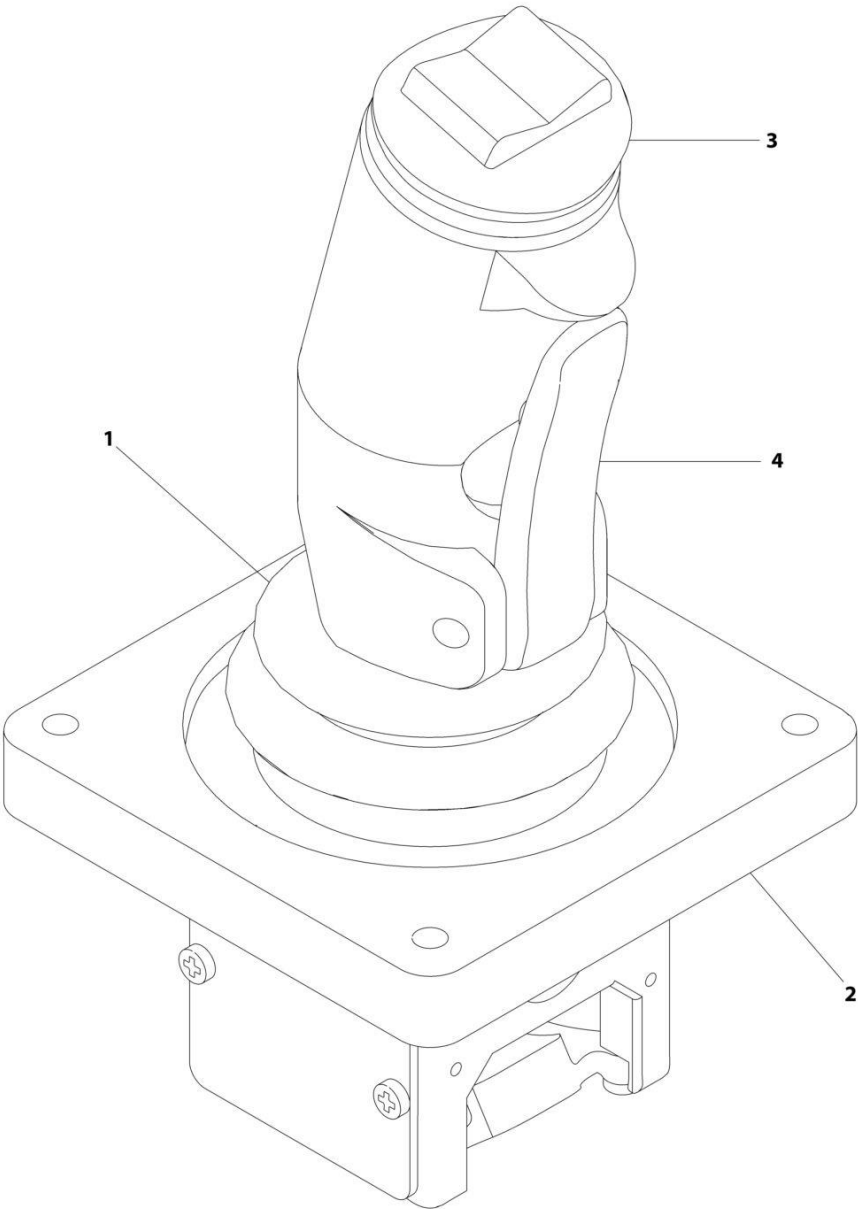
SECTION 5 - PLATFORM

FIGURE 5-5. PLATFORM CONTROL BOX INSTALLATION

ITEM	PART NUMBER	QTY	DESCRIPTION	REV
	1001247383	Ref	PLATFORM CONSOLE BOX INSTALLATION	H
1	0140030	1	Alarm	
2	3290405	12	Nut M4	
3	3290406	8	Nut M4	
4	3450303	1	Cotter Pin	
5	4010414	2	Bolt M4 x 30	
6	4031510	4	Bolt M4 x 30	
7	4160214	1	Spring, Door Latch	
8	1001274559	1	Switch, Emergency Stop (Plastic)	
8	4360475	1	Switch, Emergency Stop (Metal)	
8	7020175	1	Cap	
8	7020176	1	Block, Contact	
9	4811400	4	Washer M4	
10	1001108603	12	Nut M6 x 1	
11	1001176626	2	Cap	
12	1001226749	8	Switch	
13	1001244932	1	Control, Scissor Display	
14	1001246583	1	Housing, Lower Extrusion	
15	1001246584	1	Housing, Upper Extrusion	
16	1001246863	1	Cover, Lower Extrusion	
17	1001246864	1	Cover, Upper Extrusion	
18	1001246979	1	Shield, Display	
19	1001247313	1	Mount, Display Shield	
20	1001247443	1	Plate, Phone Holder	
21	1001247682	1	Controller Assembly (See Separate Breakdown in this Section)	
22	1001249049	1	Harness, Platform Control Box (See Separate Breakdown in this Section)	
23	1001249259	2	Panel, Control Box Side	
24	1001250682	1	Pin	
25	1001250692	1	Panel, Latch Cover	
27	1001253800	1	USB Port	
28	1001254119	2	Hinge	
29	4010405002	14	Bolt M4 x 10	
30	1001246823	1	USB Port	
31	1001257076	1	Decal, Platform Function	
32	1001257077	1	Decal, Platform Function	
33	4811700	12	Washer M6	
34	1001255461	6	Stud M6	
35	1001262098	1	Plate, Control Box Latch	
36	0100011	AR	Compound, Locking	
37	1703819	1	Decal - Direction Arrow	

SECTION 5 - PLATFORM

FIGURE 5-6. CONTROLLER ASSEMBLY



ART_1001247682

SECTION 5 - PLATFORM

FIGURE 5-6. CONTROLLER ASSEMBLY

ITEM	PART NUMBER	QTY	DESCRIPTION	REV
	1001247682	Ref	DRIVE/STEER CONTROLLER ASSEMBLY (LCD)	B
1	70001250	1	Boot, Panel	
2	70001252	1	Gasket, Mounting	
2	70001251	1	Bezel, Mounting	
3	70007506	1	Handle Repair Kit (Includes handle gasket, item#4 push button and item #4 lever installed in front handle half, back handle half, top actuator, boot and hardware.)	
3	70000084	1	Cap, Rubber	
3	70000082	1	Microswitch	
3	7027766	1	Ring, Retaining	
3	7027365	1	Actuator, Handle	
3	70001253	1	Gasket, Handle	
3	70000683	4	Washer, Neoprene	
3	70000685	2	Spacer, Plastic	
3	70000686	2	Screw (Top)	
3	70000684	2	Screw (Bottom)	
4	7027367	1	Switch, Push Button	
4	7027765	1	Lever, Enable	

SECTION 5 - PLATFORM

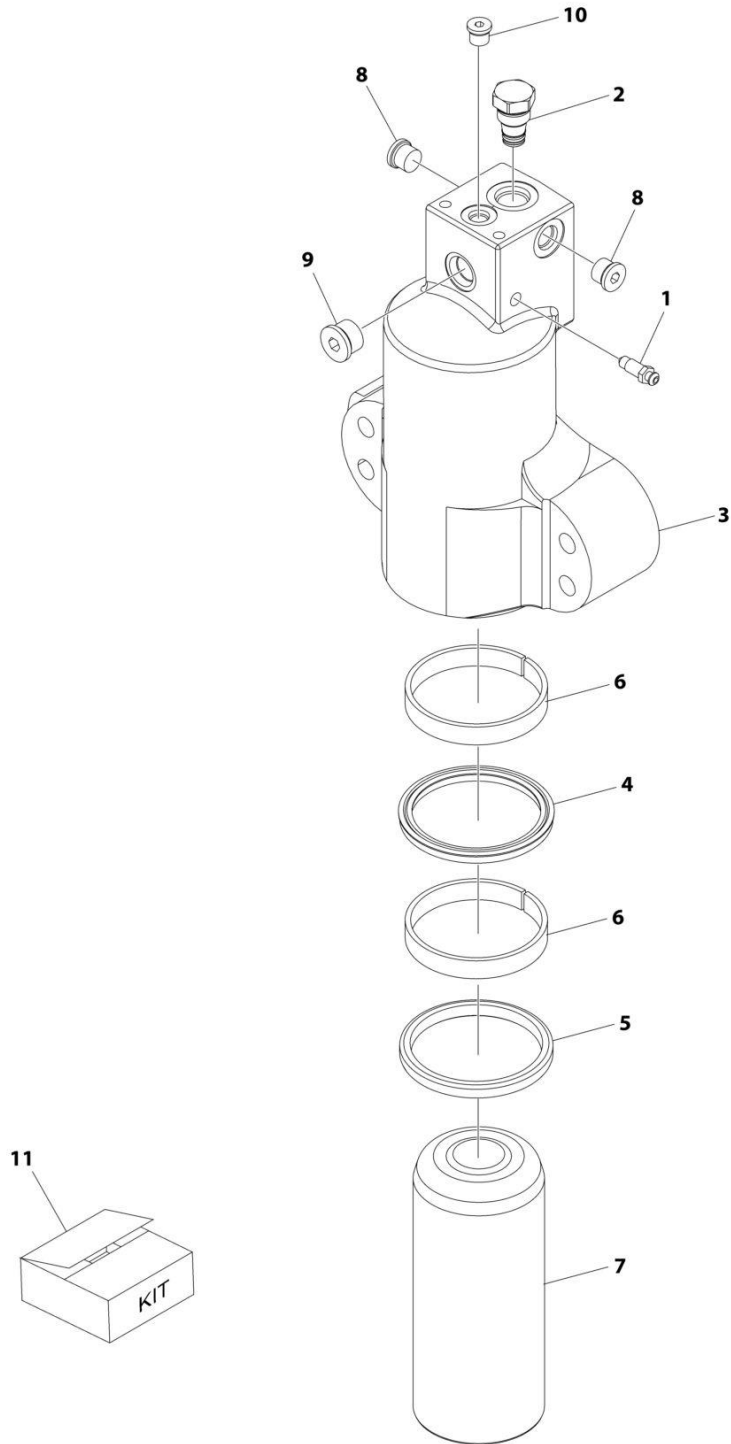
FIGURE 5-7. WORKSTATION INSTALLATION

ITEM	PART NUMBER	QTY	DESCRIPTION	REV
	1001255082	Ref	WORKSTATION INSTALLATION	B
1	1001246392	1	Workstation Assembly (Includes Items 101-118)	B
2	1001269132	1	Decal - Accessory Weight	
101	1060379	1	Lanyard	
102	1120555	2	Cap	
103	1580023	1	Container, Work Bench	
104	1580024	1	Tray	
105	1705997	1	Decal - Workstation	
106	2700100	1	Hook	
107	1001246395	1	Decal - Workstation Capacity	
108	3422219	1	Pin, Snap	
109	3460334	1	Tube	
110	3760170	2	Ring	
111	3900355	2	Screw 5/16	
112	3931412	2	Capscrew 1/4 x 3/4	
113	3931508	6	Capscrew 5/16 x 1/2	
114	4240003	2	Strap, Cinch	
115	4340853	1	Mount (RH)	
116	4340854	1	Mount (LH)	
117	4711400	2	Washer 1/4	
118	4740480	2	Insert	

SECTION 6 - CYLINDER

SECTION 6 - CYLINDER

FIGURE 6-1. AXLE LOCKOUT CYLINDER ASSEMBLY



ART_1001245046

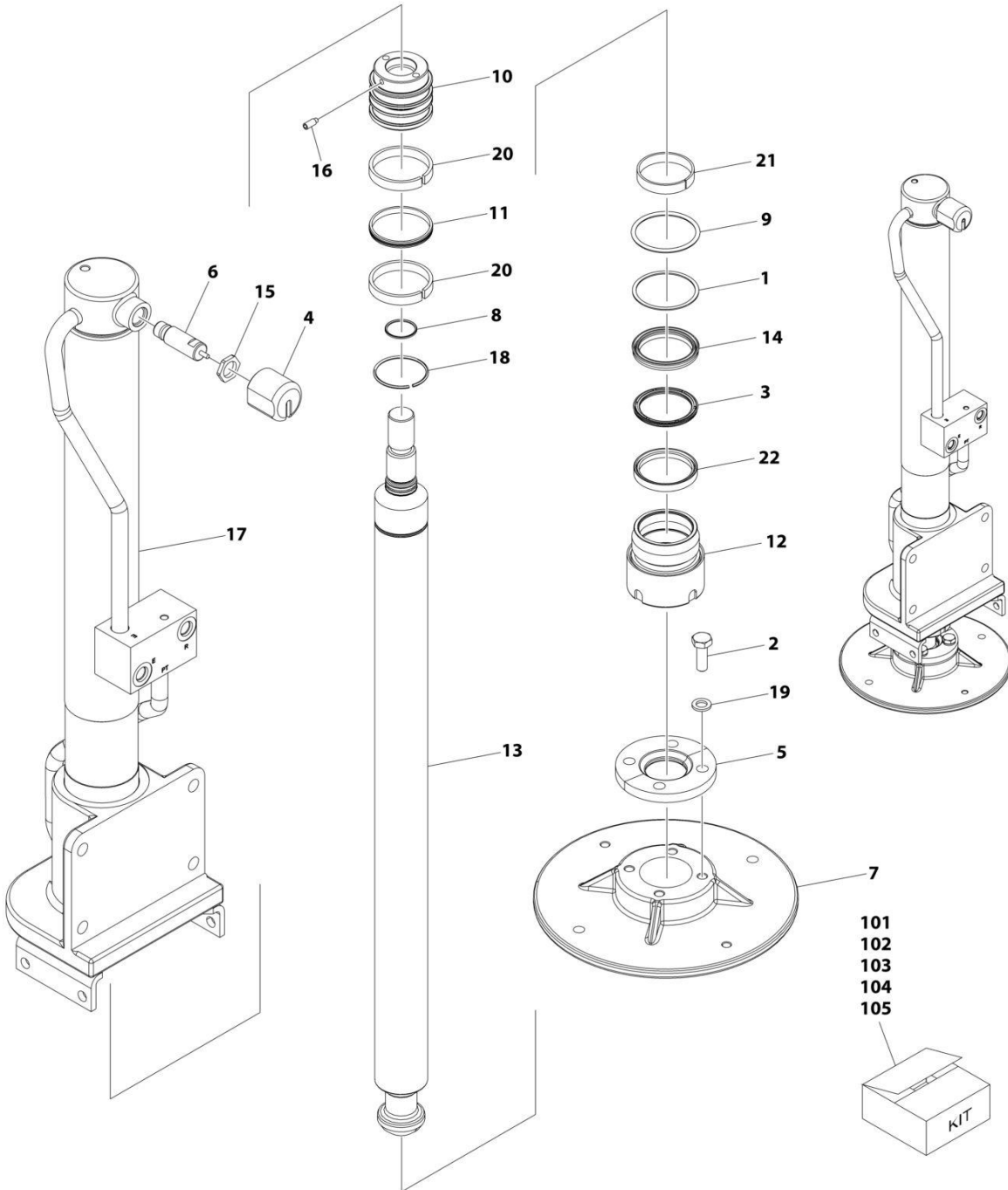
SECTION 6 - CYLINDER

FIGURE 6-1. AXLE LOCKOUT CYLINDER ASSEMBLY

ITEM	PART NUMBER	QTY	DESCRIPTION	REV
	1001245046	Ref	AXLE LOCKOUT CYLINDER ASSEMBLY	D
		Ref	Note: Original Cylinder May Have Been Replaced with Service Replacement. Identify PN Stamped on Cylinder Before Ordering Parts.	
1	4640858	1	Valve, Bleeder	
2	1001248671	1	Cartridge, Valve	
3	1001245653	1	Barrel	
4	See Note	NSS	Seal, Rod (Note: use p/n 70007678)	
5	See Note	NSS	Wiper (Note: use p/n 70007678)	
6	See Note	NSS	Ring, Wear (Note: use p/n 70007678)	
7	70007679	1	Rod	
8	2220885	2	Plug #6	
9	2220886	1	Plug #8	
10	2220883	1	Plug #4	
11	70007678	1	Kit, Seal (Includes Items 4-6)	

SECTION 6 - CYLINDER

FIGURE 6-2. CYLINDER ASSEMBLY - LEVELING JACKS



ART_1001274074

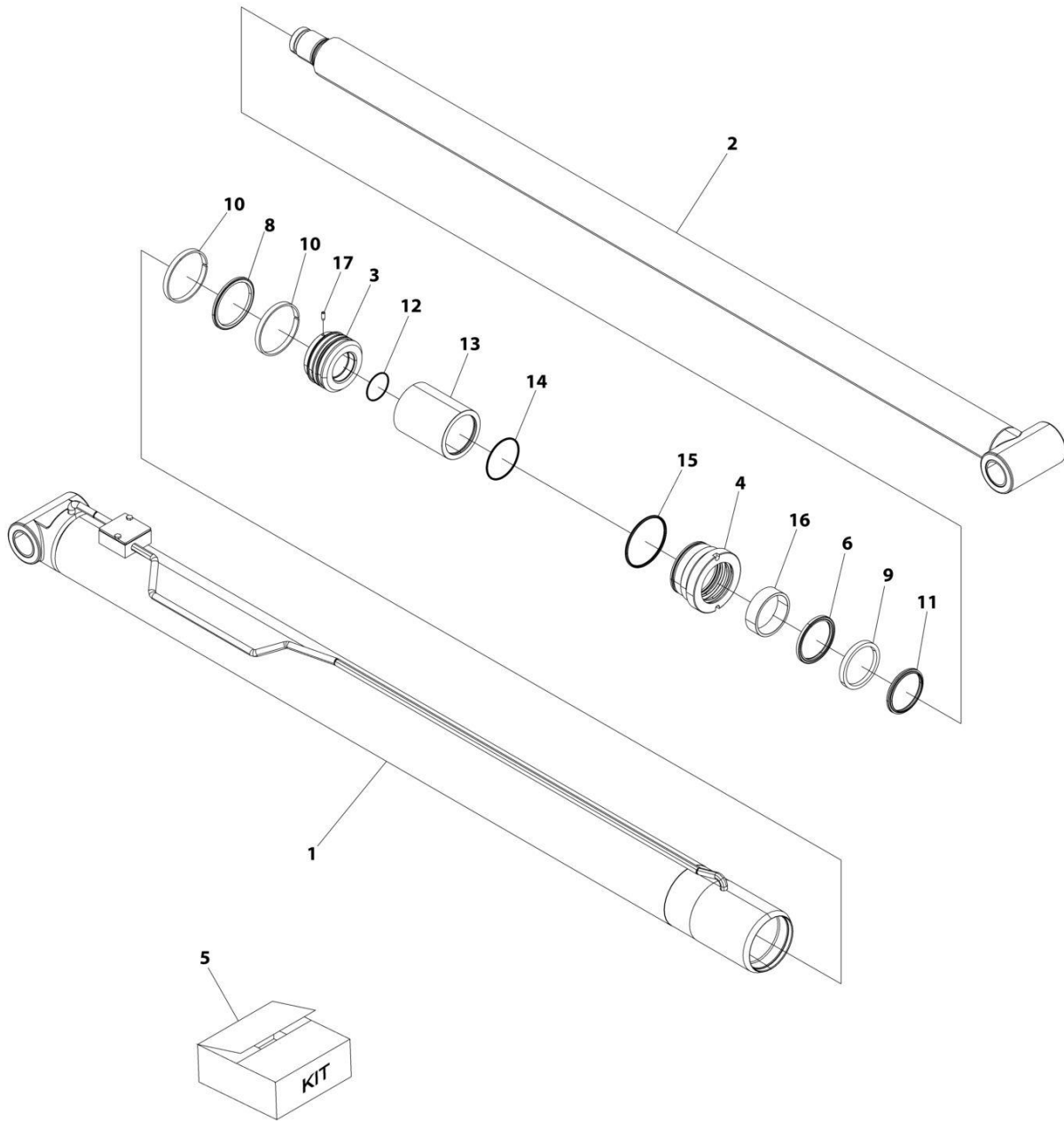
SECTION 6 - CYLINDER

FIGURE 6-2. CYLINDER ASSEMBLY - LEVELING JACKS

ITEM	PART NUMBER	QTY	DESCRIPTION	REV
	1001274074	Ref	CYLINDER ASSEMBLY - LEVELING JACKS	A
		Ref	Note: Original Cylinder May Have Been Replaced with Service Replacement. Identify PN Stamped on Cylinder Before Ordering Parts.	
1	See Note	NSS	Ring, Back-up (Note: Use Kit PN 70007709 or 70007710)	
2	See Note	NSS	Bolt (Note: Use Kit PN 70008614)	
3	See Note	NSS	Ring, Buffer (Note: Use Kit PN 70007709 or 70007710)	
4	See Note	NSS	Cap (Note: Use Kit PN 70008614)	
5	See Note	NSS	Collar (Note: Use Kit PN 70008614)	
6	See Note	NSS	Nut (Note: Purchase Locally)	
7	See Note	NSS	Foot, Leveling (Note: Use Kit PN 70008614)	
8	See Note	NSS	O-Ring (Note: Use Kit PN 70007709 or 70007711)	
9	See Note	NSS	O-Ring (Note: Use Kit PN 70007709 or 70007710)	
10	See Note	NSS	Piston (Note: Use Kit PN 70007711)	
11	See Note	NSS	Seal, Piston (Note: Use Kit PN 70007709 or 70007711)	
12	See Note	NSS	Head (Note: Use Kit PN 70007709)	
13	See Note	NSS	Rod (Note: Use Kit PN 70007712)	
14	See Note	NSS	Seal, Rod (Note: Use Kit PN 70007709 or 70007710)	
15	70008573	NSS	Sensor	
16	See Note	NSS	Setscrew (Note: Use Kit PN 70007711)	
17	See Note	NSS	Barrel (Note: Purchase Complete Assembly)	
18	See Note	NSS	Ring, Stop (Note: Use Kit PN 70007712)	
19	See Note	NSS	Washer (Note: Use Kit PN 70008614)	
20	See Note	NSS	Ring, Wear (Note: Use Kit PN 70007709 or 70007711)	
21	See Note	NSS	Ring, Wear (Note: Use Kit PN 70007709 or 70007710)	
22	See Note	NSS	Wiper (Note: Use Kit PN 70007709 or 70007710)	
101	70007709	1	Kit, Service (Includes Items 1,3,8,9,11,14,20,21,22)	
102	70007710	1	Kit, Head Retainer (Includes Items 1,3,9,14,21,22)	
103	70007711	1	Kit, Piston (Includes Items 10,11,16,20)	
104	70007712	1	Kit, Rod (Includes Items 8,13,18)	
105	70008614	1	Kit, Pad (Includes Items 2,4,5,7,19)	

SECTION 6 - CYLINDER

FIGURE 6-3. LIFT CYLINDER ASSEMBLY



ART_1001244210

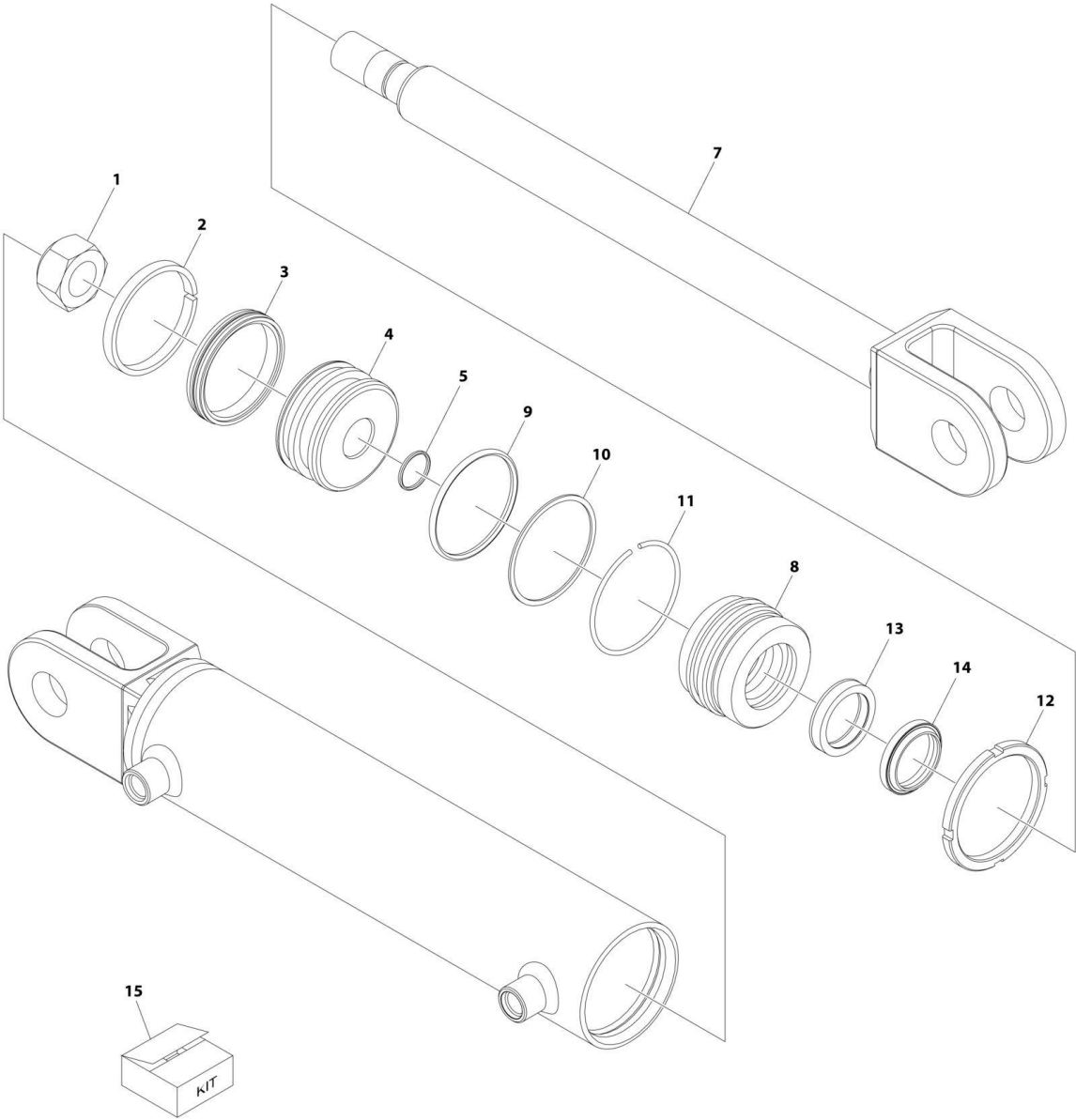
SECTION 6 - CYLINDER

FIGURE 6-3. LIFT CYLINDER ASSEMBLY

ITEM	PART NUMBER	QTY	DESCRIPTION	REV
	1001244210	Ref	LIFT CYLINDER ASSEMBLY	D
		Ref	Note: Original Cylinder May Have Been Replaced with Service Replacement. Identify PN Stamped on Cylinder Before Ordering Parts.	
1	See Note	1	Barrel (Note: Not Available for Purchase, Use p/n 1001244210)	
2	70007716	1	Rod	
3	70007715	1	Piston	
4	70007714	1	Retainer	
5	70007713	1	Kit, Seal (Includes Items 6-11)	
6	See Note	NSS	Ring, Buffer (Note: Use p/n 70007713)	
7	See Note	NSS	Seal, Head (Note: Not Shown, Use p/n 70007713)	
8	See Note	NSS	Seal, Piston (Note: Use p/n 70007713)	
9	See Note	NSS	Seal, Rod (Note: Use p/n 70007713)	
10	See Note	NSS	Ring, Wear (Note: Use p/n 70007713)	
11	See Note	NSS	Wiper (Note: Use p/n 70007713)	
12	See Note	1	O-Ring (Note: Use p/n 1001244210)	
13	See Note	1	Spacer (Note: Use p/n 1001244210)	
14	See Note	1	O-Ring (Note: Use p/n 1001244210)	
15	See Note	1	Ring, Back Up (Note: Use p/n 1001244210)	
16	See Note	1	Bushing (Note: Use p/n 1001244210)	
17	See Note	1	Screw, Set (Note: Use p/n 1001244210)	

SECTION 6 - CYLINDER

FIGURE 6-4. STEER CYLINDER ASSEMBLY



ART_1001246107

SECTION 6 - CYLINDER

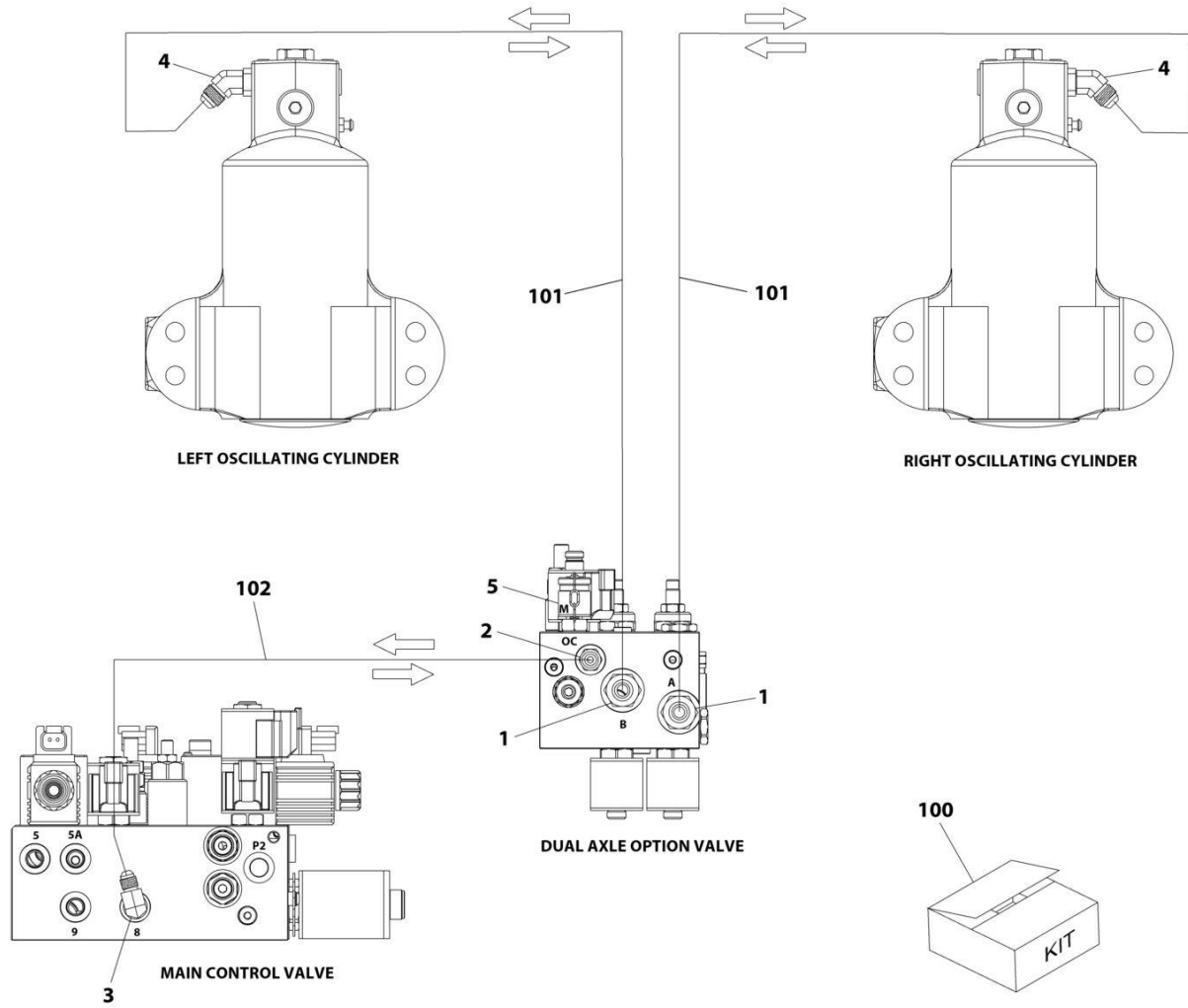
FIGURE 6-4. STEER CYLINDER ASSEMBLY

ITEM	PART NUMBER	QTY	DESCRIPTION	REV
	1001246107	Ref	STEER CYLINDER ASSEMBLY	B
		Ref	Note: Original Cylinder May Have Been Replaced with Service Replacement. Identify PN Stamped on Cylinder Before Ordering Parts.	
1	7001626	1	Nut	
2	See Note	NSS	Ring, Wear (Note: use p/n 70007610)	
3	See Note	NSS	Seal, Piston (Note: use p/n 70007610)	
4	70007607	1	Piston	
5	See Note	NSS	O-Ring (Note: use p/n 70007610)	
7	70007608	1	Rod	
8	70007609	1	Guide	
9	See Note	NSS	O-Ring (Note: use p/n 70007610)	
10	See Note	NSS	Ring, Backup (Note: use p/n 70007610)	
11	See Note	NSS	Ring, Retaining (Note: use p/n 70007610)	
12	7001630	1	Nut	
13	See Note	NSS	Ring (Note: use p/n 70007610)	
14	See Note	NSS	Ring, Wiper (Note: use p/n 70007610)	
15	70007610	1	Kit, Seal (Includes Items 2, 3, 5, 8-10, 12, & 13)	

SECTION 7 - HYDRAULIC

SECTION 7 - HYDRAULIC

FIGURE 7-1. HYDRAULIC DIAGRAM - AXLE (DUAL OSCILLATING)



ART_1001246104

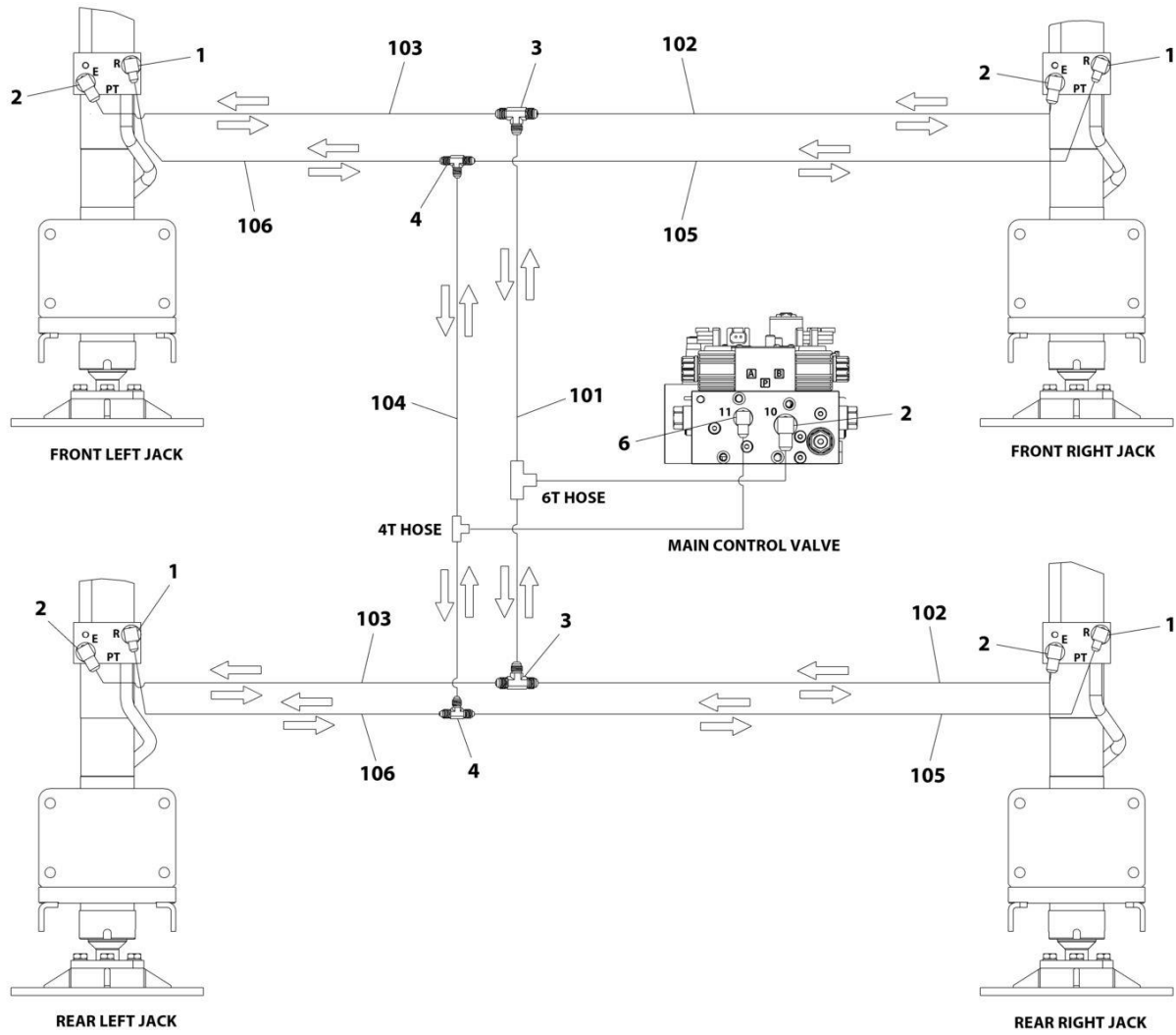
SECTION 7 - HYDRAULIC

FIGURE 7-1. HYDRAULIC DIAGRAM - AXLE (DUAL OSCILLATING)

ITEM	PART NUMBER	QTY	DESCRIPTION	REV
	1001246104	Ref	HYDRAULIC DIAGRAM - AXLE (DUAL OSCILLATING)	F
1	2220371	Ref	Fitting, Straight JIC/ORB	
2	2220415	1	Fitting, Straight JIC/ORB	
3	2220466	1	Fitting, 90 JIC/ORB	
4	2220501	2	Fitting, 45 JIC/ORB	
5	2221086	1	Fitting, Test	
100	1001260253	1	Kit, Hose (Includes Items 101 & 102)	
101	1001250418	2	Hose	
102	1001250419	1	Hose	

SECTION 7 - HYDRAULIC

FIGURE 7-2. HYDRAULIC DIAGRAM - LEVELING JACKS



ART_1001250342

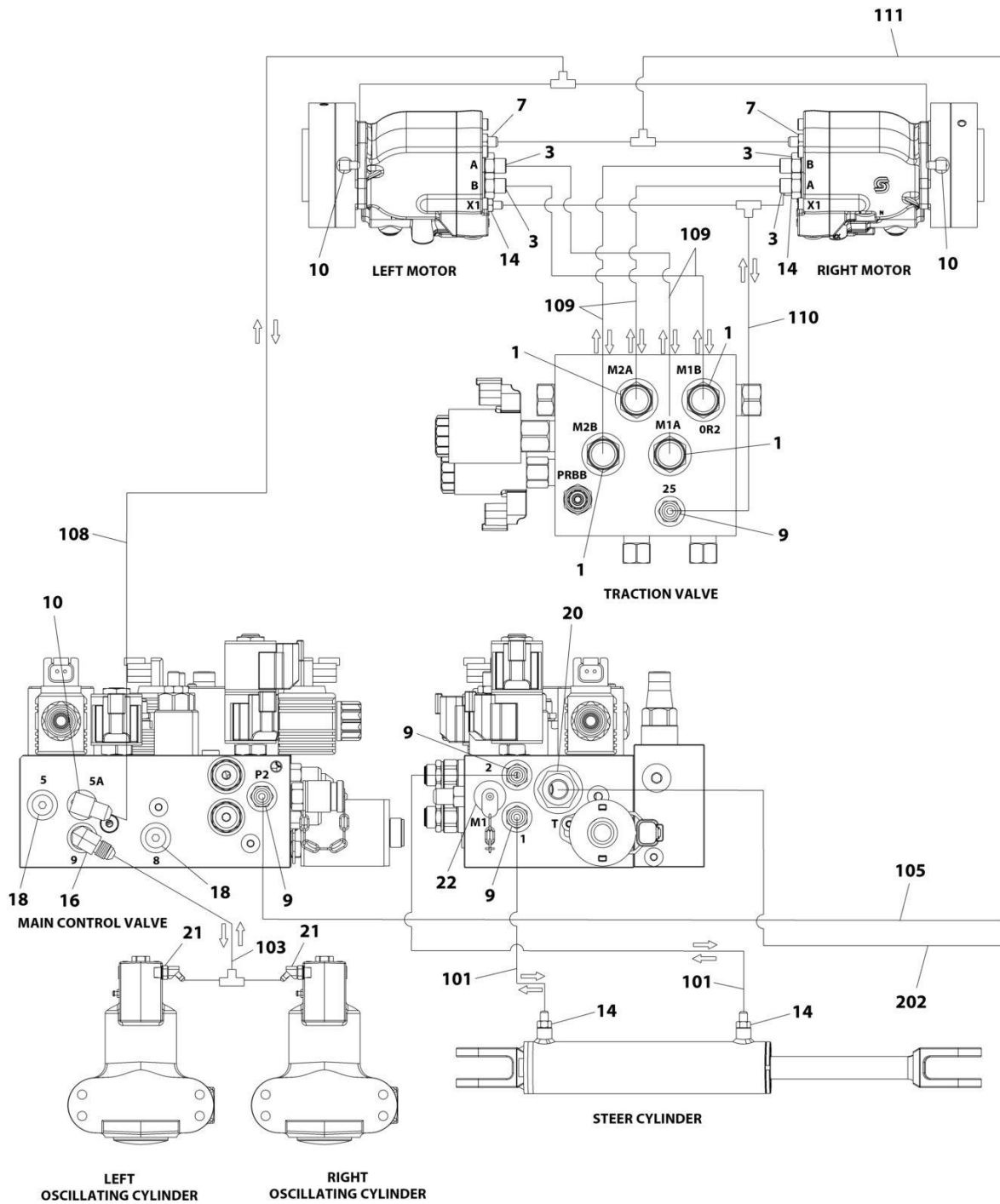
SECTION 7 - HYDRAULIC

FIGURE 7-2. HYDRAULIC DIAGRAM - LEVELING JACKS

ITEM	PART NUMBER	QTY	DESCRIPTION	REV
	1001250342	Ref	HYDRAULIC DIAGRAM - LEVELING JACKS	B
1	2220472	4	Fitting, 90 JIC/ORB	
2	2220473	5	Fitting, 90 JIC/ORB	
3	2220490	2	Fitting, Tee JIC/JIC/JIC	
4	2220504	2	Fitting, Tee JIC/JIC/JIC	
6	2220466	1	Fitting, 90 JIC/ORB	
100	1001260252	Ref	Hose Kit (Not Shown)	A
101	1001250307	1	Hose	
102	1001250308	2	Hose	
103	1001250309	2	Hose	
104	1001250310	1	Hose	
105	1001250311	2	Hose	
106	1001250312	2	Hose	

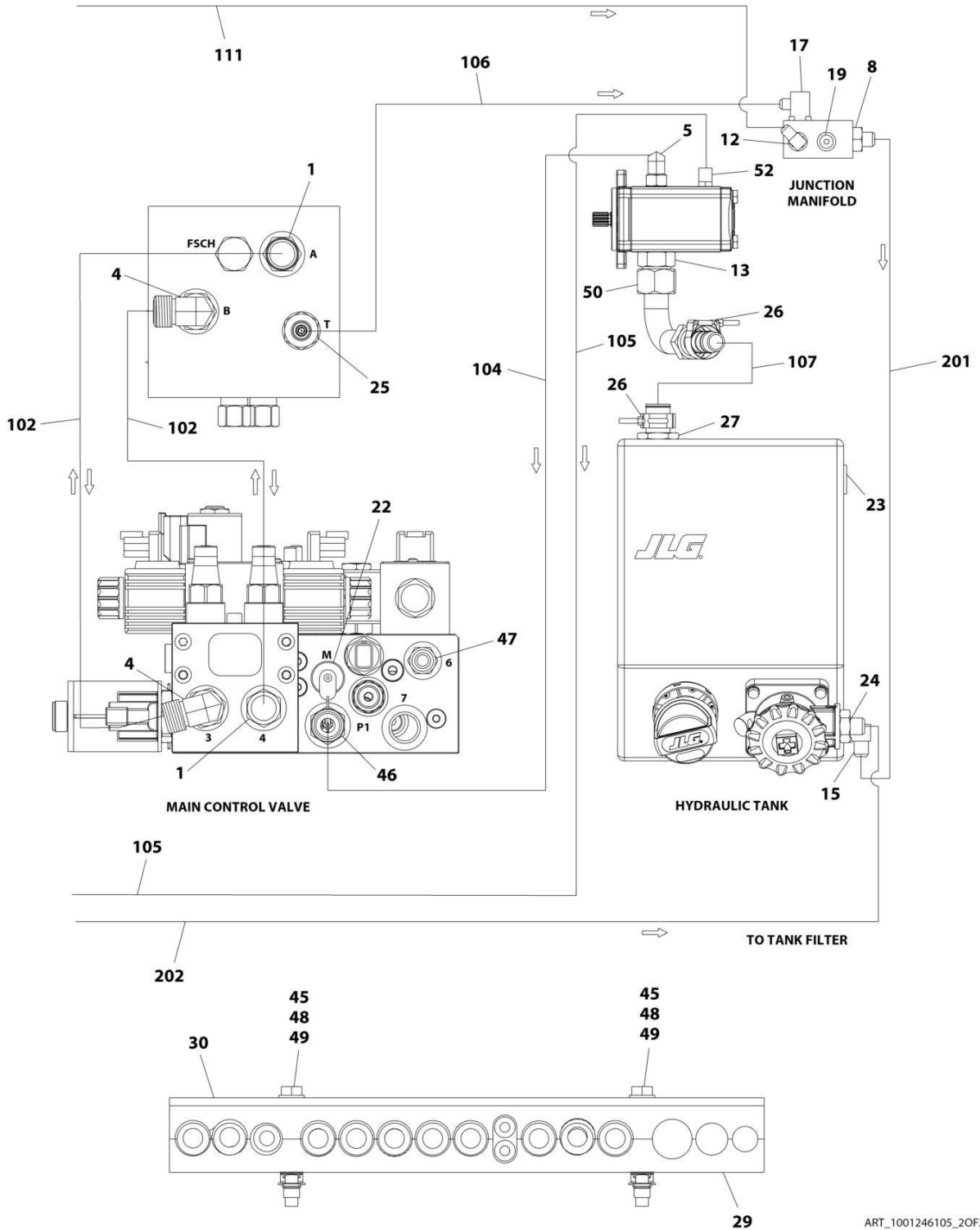
SECTION 7 - HYDRAULIC

FIGURE 7-3. HYDRAULIC DIAGRAM - STANDARD (2WD)



ART_1001246105_10F2

SECTION 7 - HYDRAULIC



ART_1001246105_2OF2

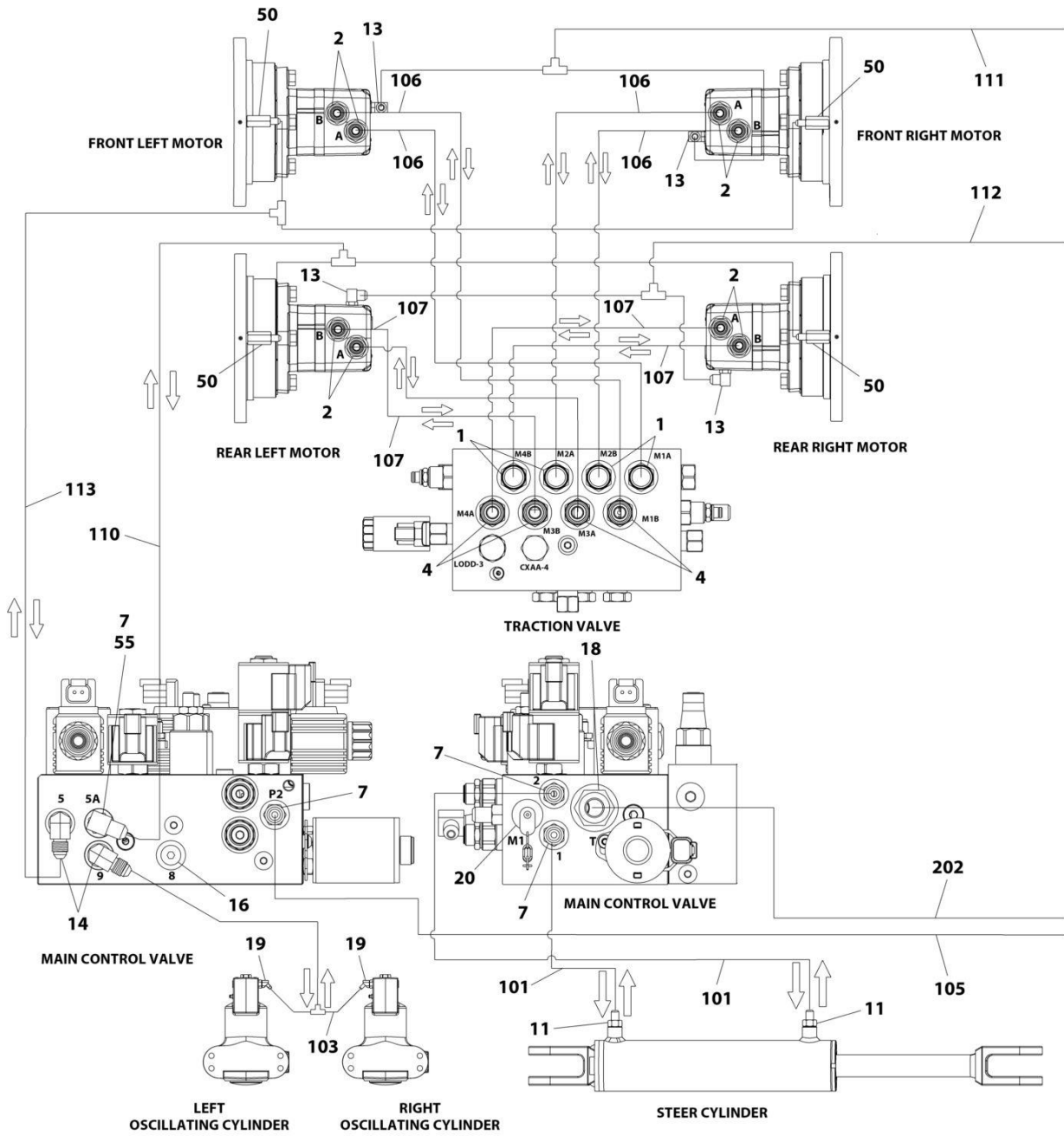
SECTION 7 - HYDRAULIC

FIGURE 7-3. HYDRAULIC DIAGRAM - STANDARD (2WD)

ITEM	PART NUMBER	QTY	DESCRIPTION	REV
	1001246105	Ref	HYDRAULIC DIAGRAM – STANDARD (2WD)	D
1	2110808	6	Fitting, Straight ORFS/ORB	
3	2110812	4	Fitting, Straight ORFS/ORB	
4	2130808	2	Fitting, 90 ORFS/ORB	
5	2130810	1	Fitting, 90 ORFS/ORB	
7	2220372	2	Fitting, Straight JIC/ORB	
8	2220375	1	Fitting, Straight JIC/ORB	
9	2220415	4	Fitting, Straight JIC/ORB	
10	2220466	3	Fitting, 90 JIC/ORB	
12	2220473	1	Fitting, 90 JIC/ORB	
13	2220479	1	Fitting, Straight JIC/ORB	
14	2220582	4	Fitting, Straight JIC/ORB	
15	2220596	1	Fitting, 90 JIC/ORB	
16	2220940	1	Fitting, Elbow	
17	2220828	1	Fitting, Straight JIC/ORB	
18	2220883	2	Plug	
19	2220885	1	Plug	
20	2220947	1	Fitting	
21	2221040	2	Fitting, 45 JIC/ORB	
22	2221086	2	Fitting, Test Port	
23	8770223	1	Fitting	
24	83451104	1	Fitting, Straight JIC/ORB	
25	2220998	1	Fitting, Straight JIC/ORB	
26	80633030	2	Clamp, Heavy Duty Band	
27	1001202910	1	Fitting	
29	1001247462	1	Clamp	
30	1001248339	1	Plate	
45	0700822	2	Bolt M8 x 70	
46	2170108	1	Connector	
47	2220371	1	Fitting, Straight JIC/ORB	
48	4811900	2	Washer M8	
49	1001118274	2	Nut	
50	1001205824	1	Fitting	
51	4240018	1	Tie-Strap	
52	2220472	1	Fitting, 90 JIC/ORB	
100	1001260250	1	Hose Kit (Not Shown)	B
101	1001248868	2	Hose	
102	1001248869	2	Hose	
103	1001248871	1	Hose	
104	1001248872	1	Hose	
105	1001248873	1	Hose	
106	1001249181	1	Hose	
107	1001249231	1	Hose	
108	1001249701	1	Hose	
109	1001250468	4	Hose	
110	1001254083	1	Hose	
111	1001254298	1	Hose	
200	1001260255	1	Hose Kit (Not Shown)	A
201	1001249178	1	Hose	
202	1001249850	1	Hose	

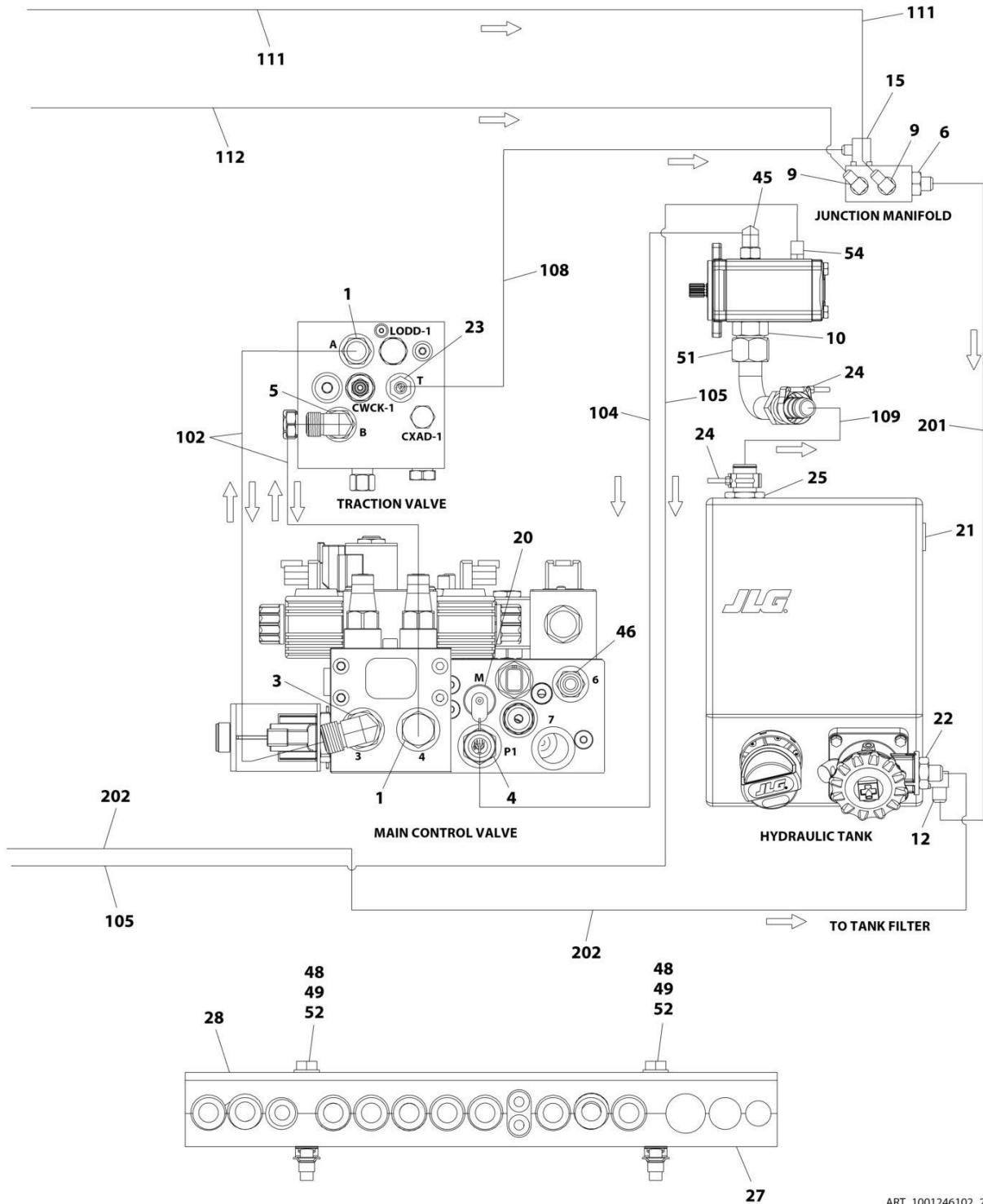
SECTION 7 - HYDRAULIC

FIGURE 7-4. HYDRAULIC DIAGRAM - STANDARD (4WD)



ART_1001246102_10F2

SECTION 7 - HYDRAULIC



ART_1001246102_20F2

SECTION 7 - HYDRAULIC

FIGURE 7-4. HYDRAULIC DIAGRAM - STANDARD (4WD)

ITEM	PART NUMBER	QTY	DESCRIPTION	REV
	1001246102	Ref	HYDRAULIC DIAGRAM – STANDARD (4WD)	E
1	2110808	6	Fitting, Straight ORFS/ORB	
2	2110810	8	Fitting, Straight ORFS/ORB	
3	2130808	1	Fitting, 90 ORFS/ORB	
4	2170108	5	Connector	
5	2170208	1	Fitting, 90 ORFS/ORB	
6	2220375	1	Fitting, Straight JIC/ORB	
7	2220415	4	Fitting, Straight JIC/ORB	
9	2220473	2	Fitting, 90 JIC/ORB	
10	2220479	1	Fitting, Straight JIC/ORB	
11	2220582	2	Fitting, Straight JIC/ORB	
12	2220596	1	Fitting, 90 JIC/ORB	
13	2220775	4	Fitting, 90 JIC/ORB	
14	2220940	2	Fitting, Elbow	
15	2220828	1	Fitting, 90 JIC/ORB	
16	2220883	1	Plug	
18	2220947	1	Fitting	
19	2221040	2	Fitting, 45 JIC/ORB	
20	2221086	2	Fitting, Test Port	
21	8770223	1	Fitting	
22	83451104	1	Fitting, Straight JIC/ORB	
23	2220998	1	Fitting, Straight JIC/ORB	
24	80633030	2	Clamp, Heavy Duty Band	
25	1001202910	1	Fitting	
27	1001247462	1	Clamp	
28	1001248339	1	Plate	
45	2130810	1	Fitting, 90 ORFS/ORB	
46	2220371	1	Fitting, Straight JIC/ORB	
48	4811900	2	Washer M8	
49	1001118274	2	Nut	
50	1001119630	4	Fitting	
51	1001205824	1	Fitting	
52	0700822	2	Bolt M8 x 70	
53	4240018	3	Tie-Strap	
54	2220472	1	Fitting, 90 JIC/ORB	
55	2220654	1	Fitting, 90 JIC/ORB	
100	1001260064	1	Hose Kit (Not Shown)	B
101	1001248868	2	Hose	
102	1001248869	2	Hose	
103	1001248871	1	Hose	
104	1001248872	1	Hose	
105	1001248873	1	Hose	
106	1001248874	4	Hose	
107	1001248876	4	Hose	
108	1001249181	1	Hose	
109	1001249231	1	Hose	
110	1001249701	1	Hose	
111	1001249703	1	Hose	
112	1001249704	1	Hose	
113	1001260540	1	Hose	

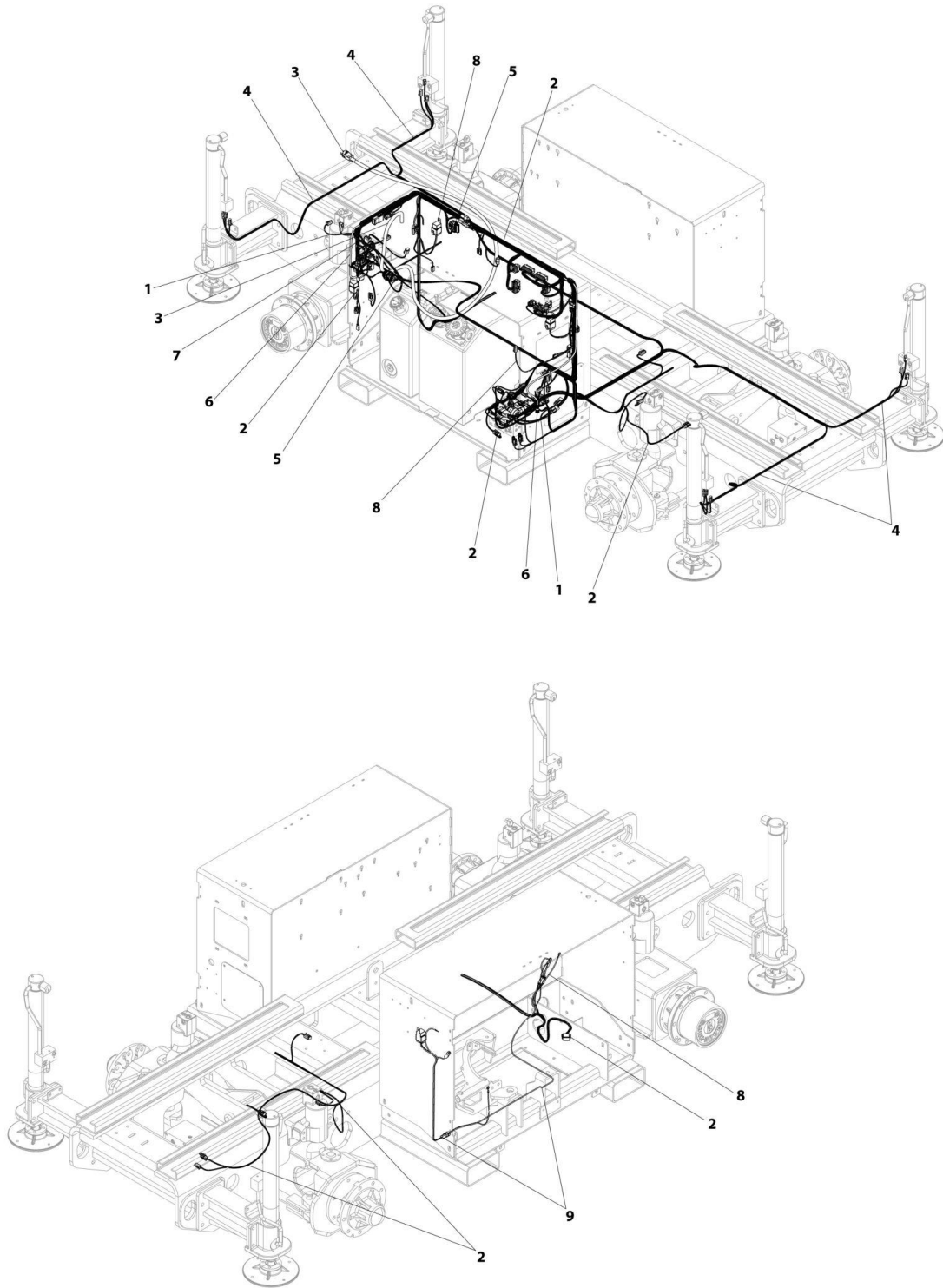
SECTION 7 - HYDRAULIC

ITEM	PART NUMBER	QTY	DESCRIPTION	REV
200	1001260255	1	Hose Kit (Not Shown)	A
201	1001249178	1	Hose	
202	1001249850	1	Hose	

SECTION 8 - ELECTRICAL

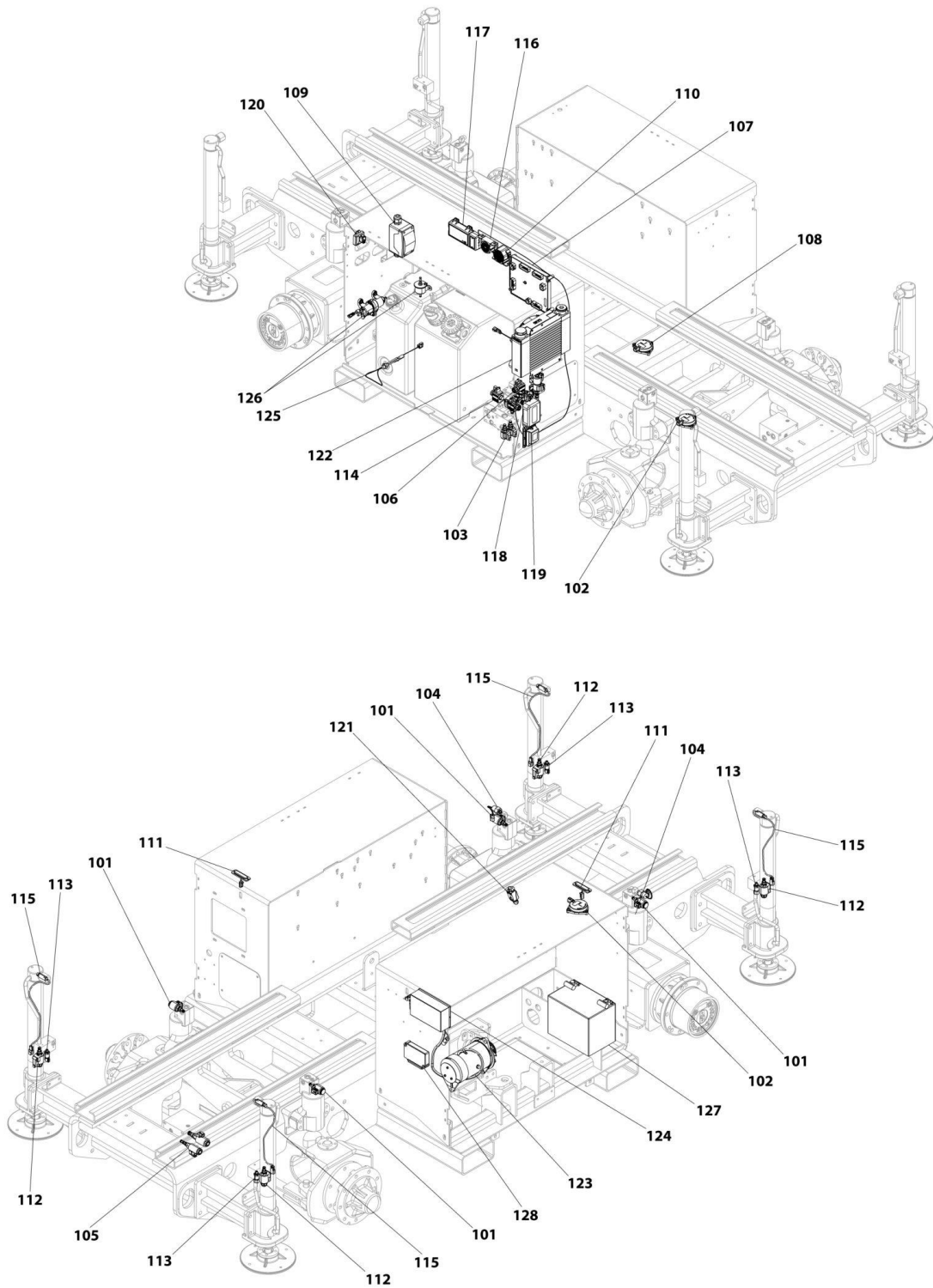
SECTION 8 - ELECTRICAL

FIGURE 8-1. RT2669 & RT3369 ELECTRICAL LAYOUT



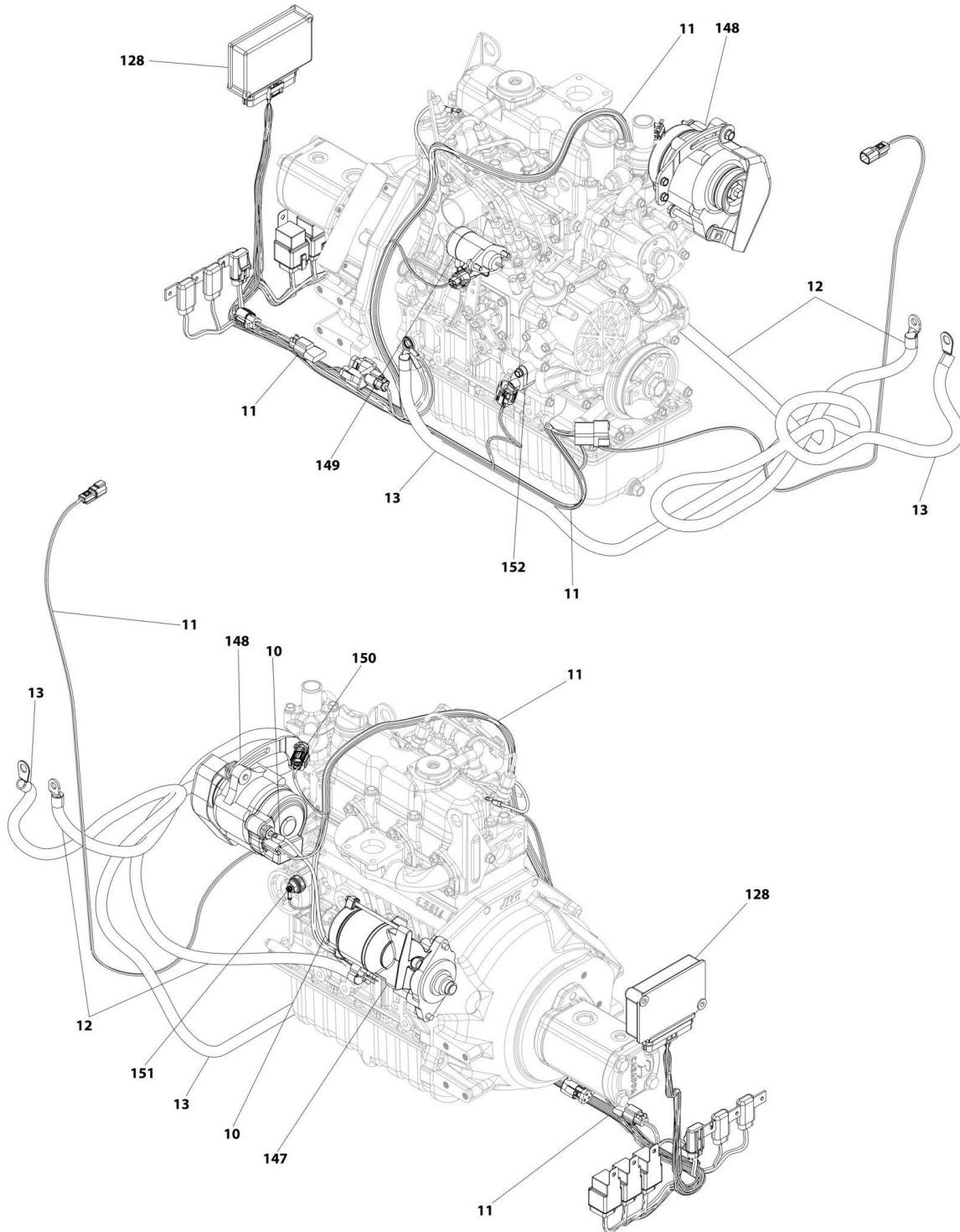
ART_RT3369-ELECTRICAL_FRAME-HARNESS

SECTION 8 - ELECTRICAL



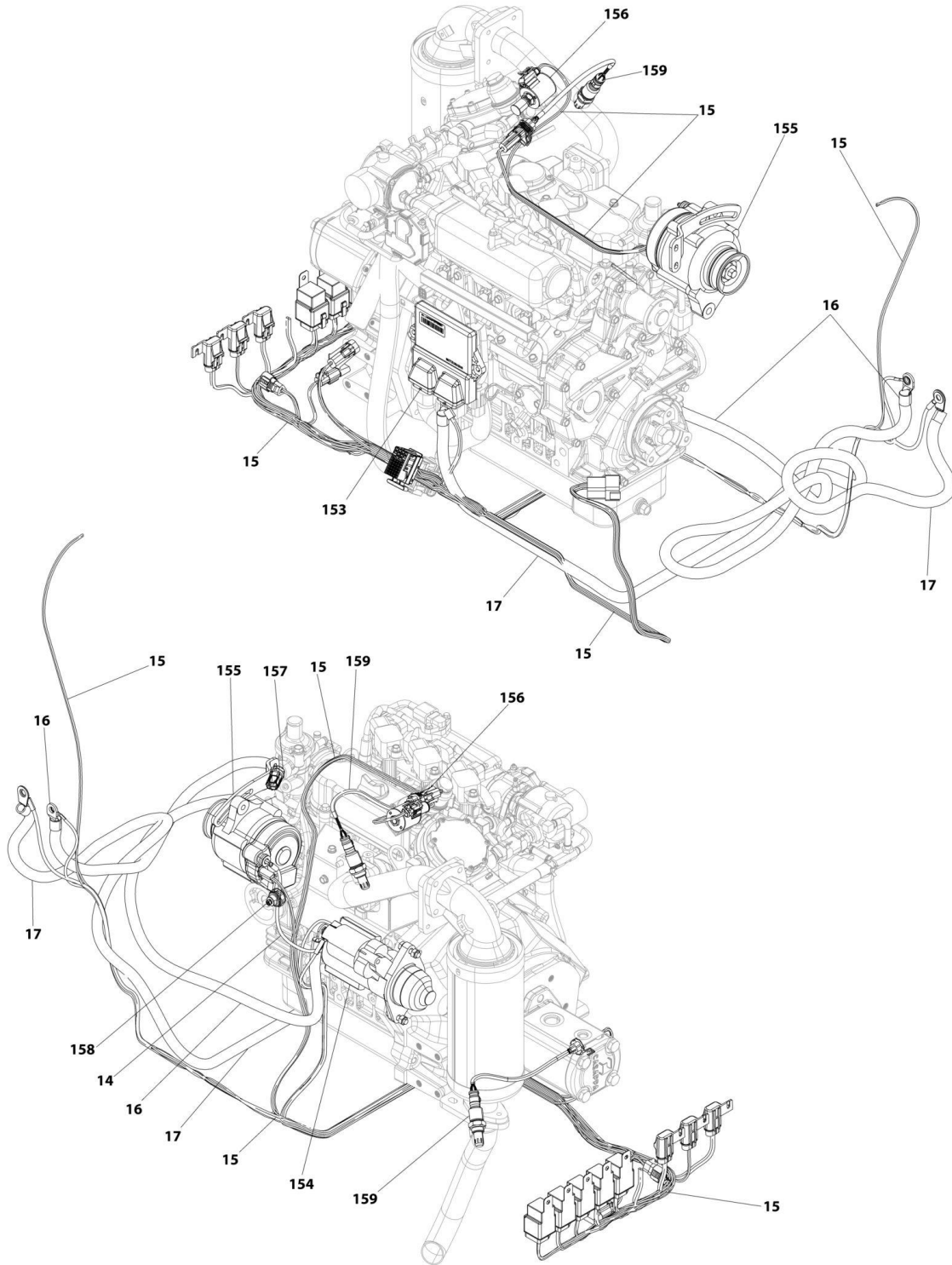
ART_RT3369-ELECTRICAL_FRAME-COMPONENT

SECTION 8 - ELECTRICAL



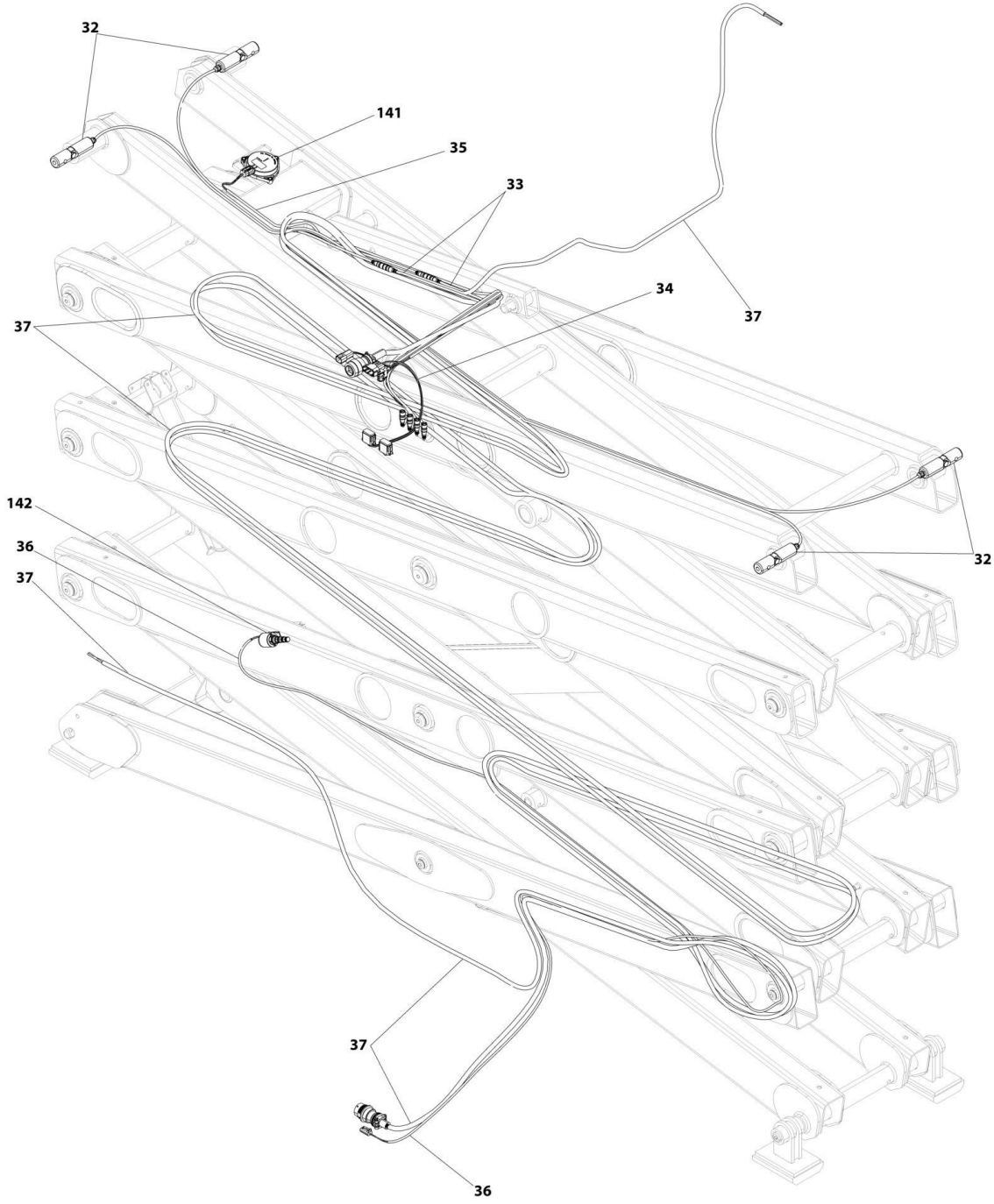
ART_RT3369-ELECTRICAL_ENGINE-KUBOTAT126D

SECTION 8 - ELECTRICAL



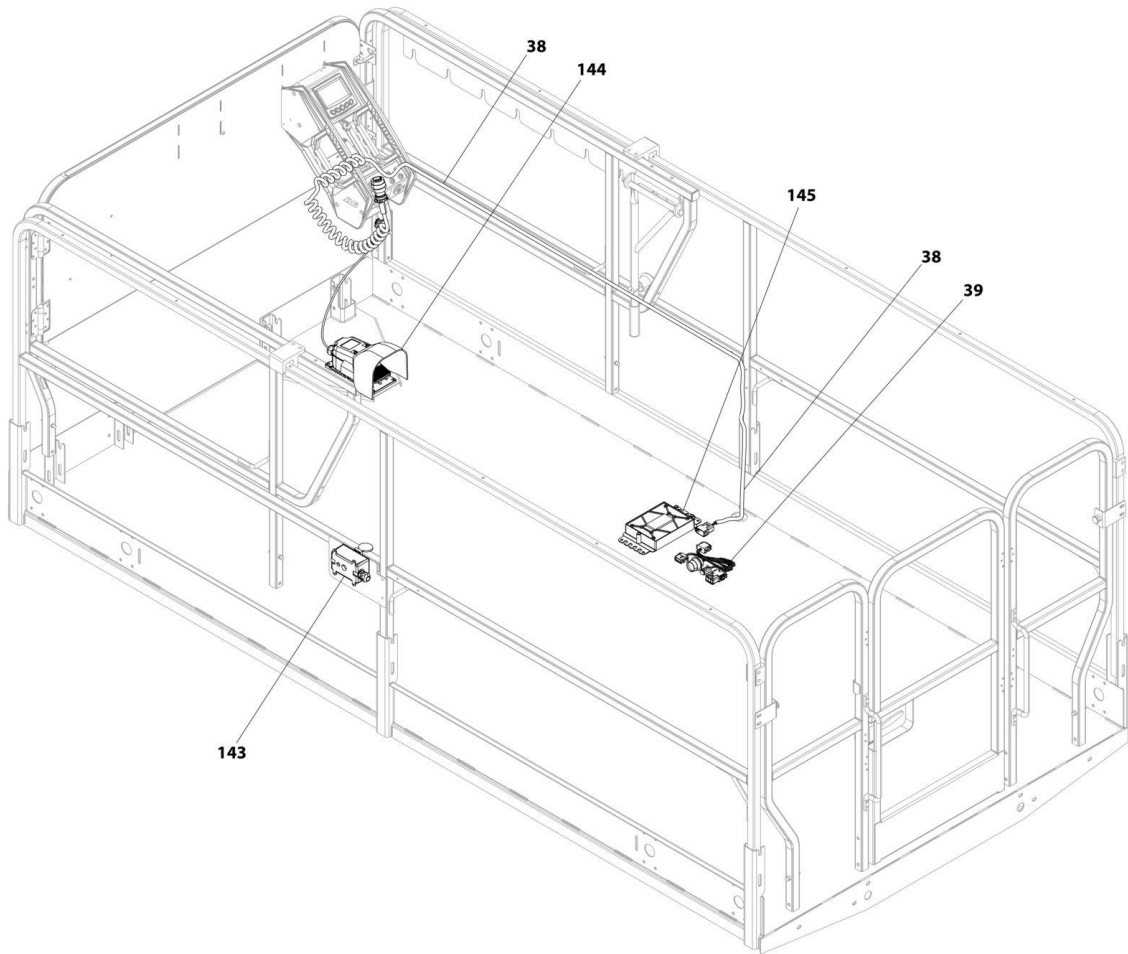
ART_RT3369-ELECTRICAL_ENGINE_KUBOTA096DF

SECTION 8 - ELECTRICAL



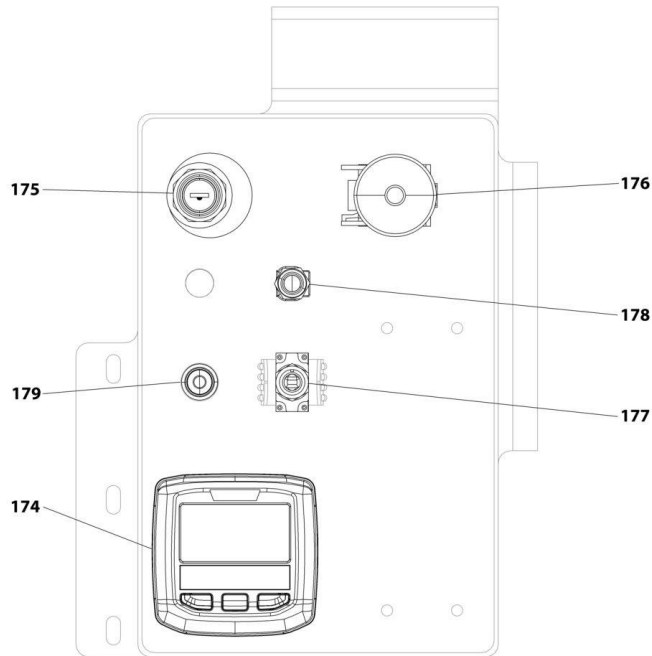
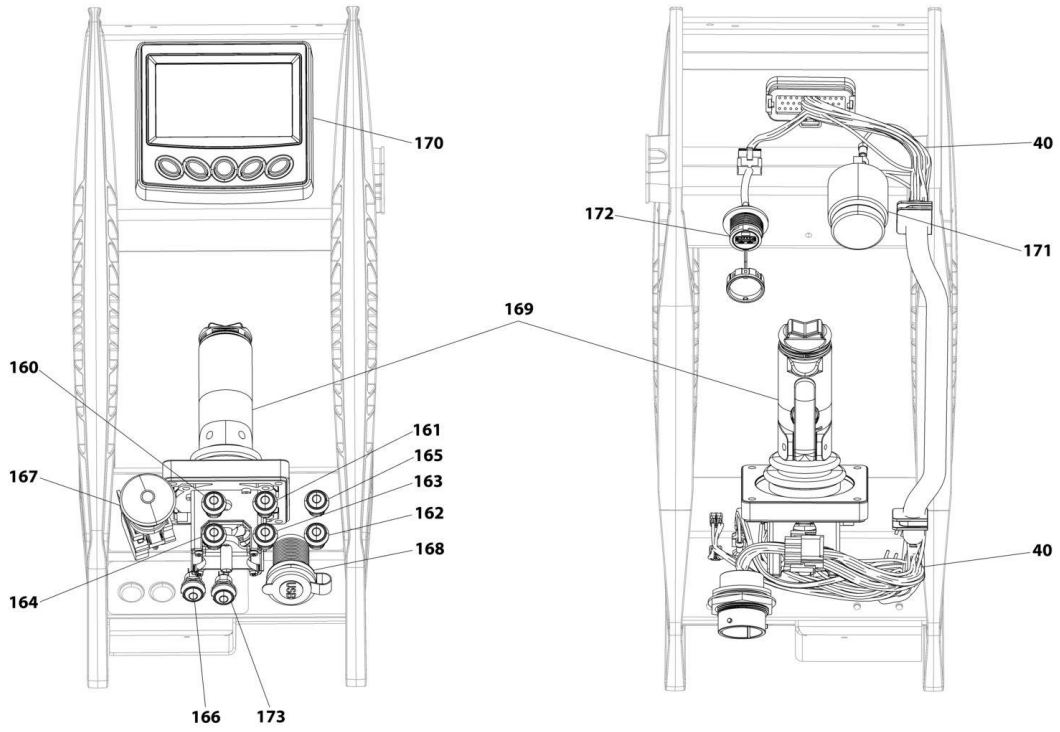
ART_ERT3369-ELECTRICAL_ARMS

SECTION 8 - ELECTRICAL



ART_ERT3369-ELECTRICAL_PLATFORM

SECTION 8 - ELECTRICAL



ART_RT3369-ELECTRICAL_CONTROLS

SECTION 8 - ELECTRICAL

FIGURE 8-1. RT2669 & RT3369 ELECTRICAL LAYOUT

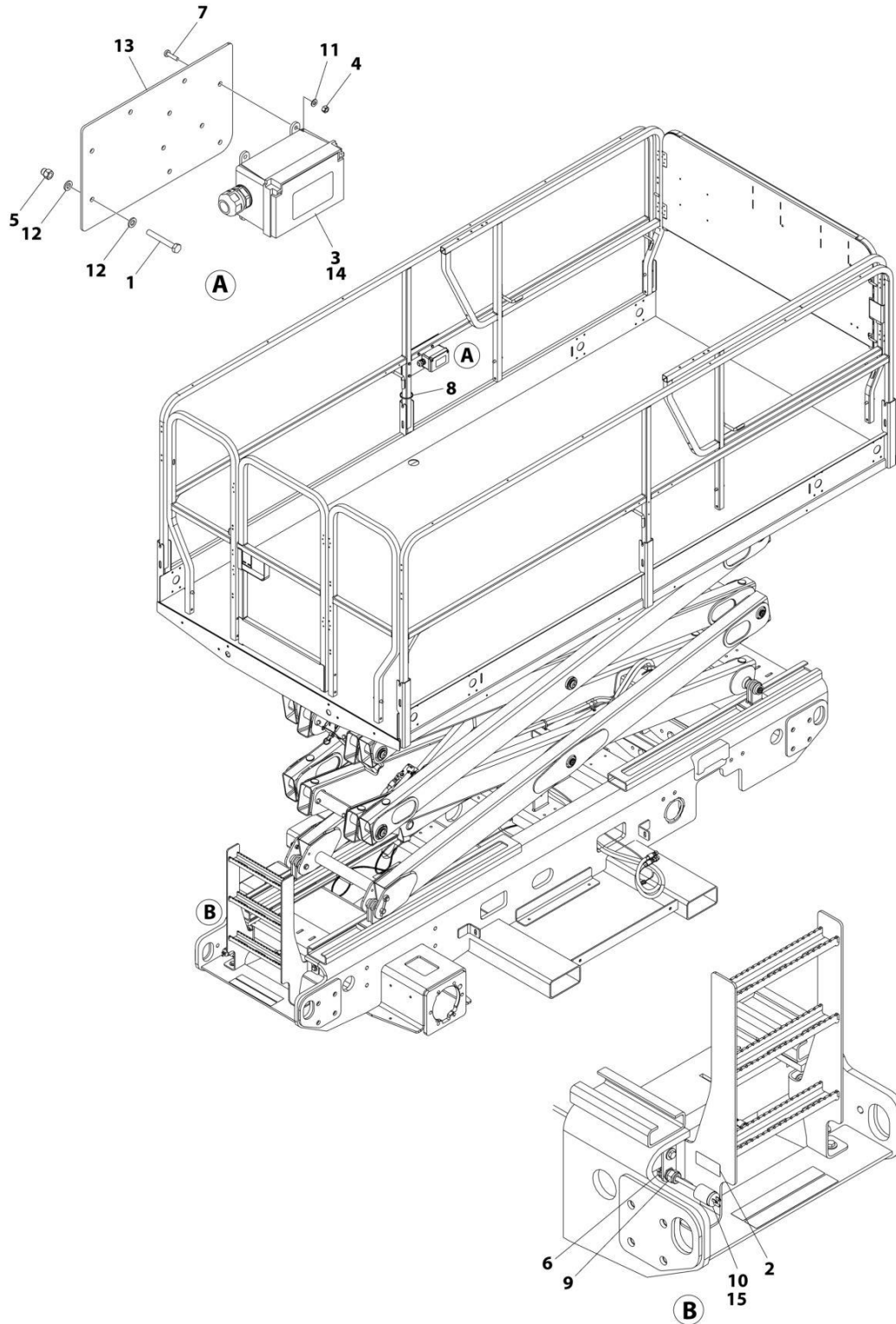
ITEM	PART NUMBER	QTY	DESCRIPTION	REV
		Ref	Note: This figure is for part identification only.	
		Ref	HARNESS LIST	
1		Ref	Harness, Rear Axle	
2		Ref	Harness, Chassis	
3		Ref	Cable, 12/3	
4		Ref	Harness, Leveling Jacks	
5		Ref	Harness, Clearsky	
6		Ref	Harness, Telematics	
7		Ref	Harness, Xirgo Jumper	
8		Ref	Harness, Hydraulic Oil Cooler	
9		Ref	Harness, Generator	
10		Ref	Harness, Fusible Link	
11		Ref	Harness, Engine	
12		Ref	Cable, Engine to Battery (+)	
13		Ref	Cable, Engine to Battery (-)	
14		Ref	Harness, Fusible Link	
15		Ref	Harness, Engine	
16		Ref	Cable, Engine to Battery (+)	
17		Ref	Cable, Engine to Battery (-)	
32		Ref	Assembly, Load Sense Pin/Cable	
33		Ref	Cable, Load Sense Extension	
34		Ref	Harness, Load Sense	
35		Ref	Harness, Tilt Sensor	
36		Ref	Harness, Lift Down	
37		Ref	Cable, AC Ground to Platform	
38		Ref	Harness, Platform Control Box	
39		Ref	Harness, Platform	
40		Ref	Harness, Platform Control Box	
		Ref	COMPONENT LIST	
101		Ref	Solenoid, Axle Lock	
102		Ref	Sensor, Tilt	
103		Ref	Solenoids, Dual Axle Valve	
104		Ref	Switch, Pressure	
105		Ref	Solenoids, Traction Valve	
106		Ref	Solenoids, Main Control Valve	
107		Ref	Module, Ground Control	
108		Ref	Sensor, Tilt	
109		Ref	AC Breaker Box	
110		Ref	Alarm	
111		Ref	Beacon	
112		Ref	Solenoid, Leveling Jack Cylinder	
113		Ref	Sensor, Leveling Jacks Pressure	
114		Ref	Solenoid, Leveling Jacks Valve	
115		Ref	Sensor, Leveling Jacks Proximity	
116		Ref	Alarm, White Noise	
117		Ref	Module, ClearSky Telematics CANBUS	
118		Ref	Antennae, ClearSky Telematics	
119		Ref	Module, ClearSky Telematics 3-Wire	
120		Ref	Voltage Regulator, ClearSky Telematics	
121		Ref	Switch, LSS Limit	

SECTION 8 - ELECTRICAL

ITEM	PART NUMBER	QTY	DESCRIPTION	REV
122		Ref	Hydraulic Oil Cooler	
123		Ref	Generator	
124		Ref	Box, Generator AC Receptacle	
125		Ref	Sensor, Fuel Level	
126		Ref	Fuel Pump	
127		Ref	Battery	
128		Ref	Module, Engine Control	
141		Ref	Sensor, Tilt	
142		Ref	Solenoid, Lift Down	
143		Ref	AC Receptacle	
144		Ref	Footswitch	
145		Ref	Module, Load Sense	
147		Ref	Starter	
148		Ref	Alternator	
149		Ref	Governor	
150		Ref	Sensor, Engine Coolant Temperature	
151		Ref	Sensor, Oil Pressure	
152		Ref	Sensor, Speed	
153		Ref	Module, Engine Control	
154		Ref	Starter	
155		Ref	Alternator	
156		Ref	LP Regulator	
157		Ref	Sensor, Engine Coolant Temperature	
158		Ref	Sensor, Oil Pressure	
159		Ref	Sensor, Oxygen	
160		Ref	Switch, Lift Select	
161		Ref	Switch, Drive Select	
162		Ref	Switch, Horn	
163		Ref	Switch, Speed Select	
164		Ref	Switch, Leveling Jacks	
165		Ref	Switch, Engine Start	
166		Ref	Switch, Fuel Select	
167		Ref	Switch, Emergency Stop	
168		Ref	USB Port	
169		Ref	Joystick	
170		Ref	Display, Platform	
171		Ref	Alarm	
172		Ref	USB Port	
173		Ref	Switch, Generator	
174		Ref	Display, Ground	
175		Ref	Switch, Key	
176		Ref	Switch, Emergency Stop	
177		Ref	Switch, Platform Lift/Lower	
178		Ref	Light, Load Sense Overload Indicator	
179		Ref	Switch, Engine Start	

SECTION 8 - ELECTRICAL

FIGURE 8-2. AC BOX AT PLATFORM INSTALLATION - 110V GFI (ALL SPECS EXCEPT AUSTRALIAN, CE & UK CA SPECS)



ART_1001255001

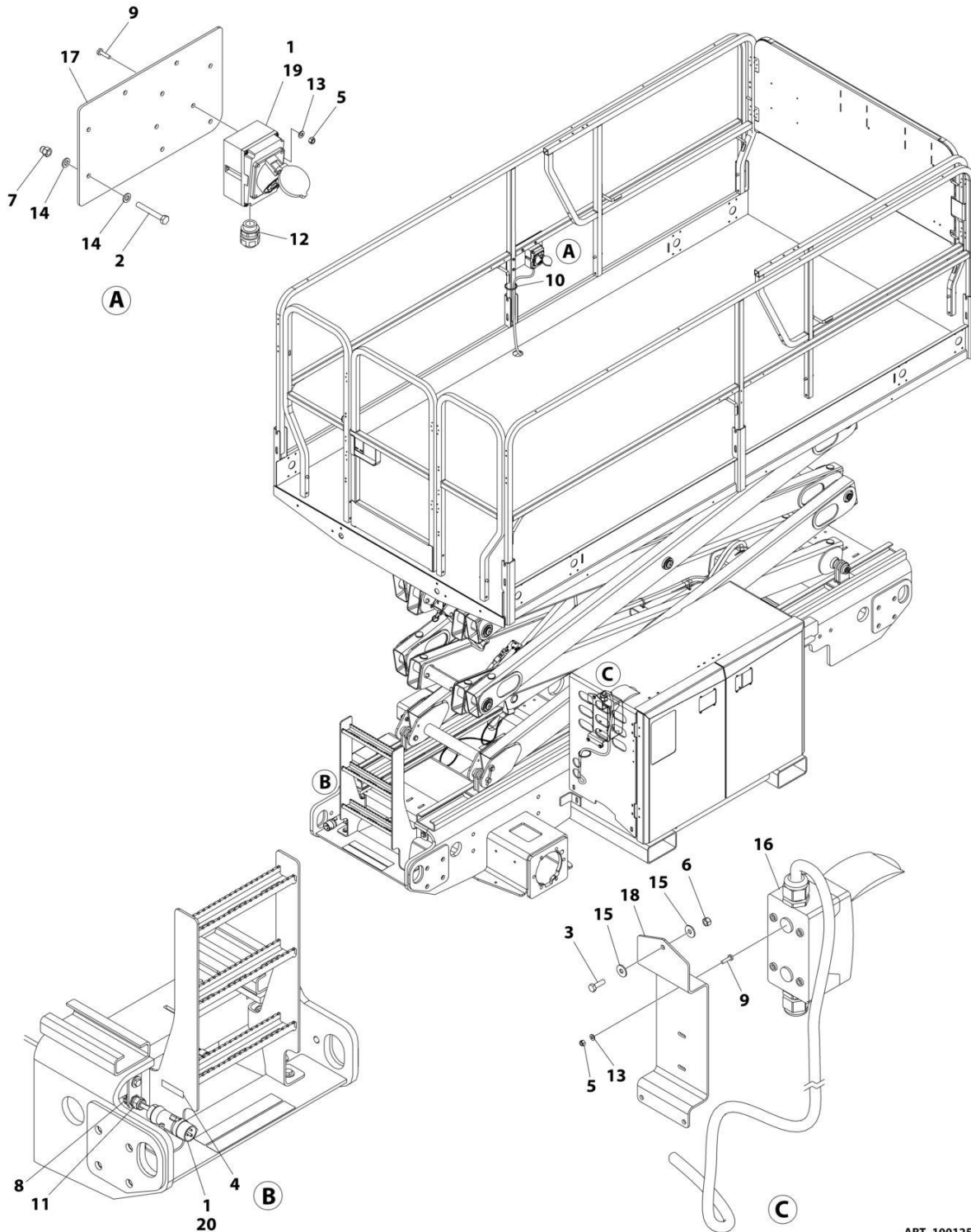
SECTION 8 - ELECTRICAL

FIGURE 8-2. AC BOX AT PLATFORM INSTALLATION - 110V GFI (ALL SPECS EXCEPT AUSTRALIAN, CE & UK CA SPECS)

ITEM	PART NUMBER	QTY	DESCRIPTION	REV
	1001255001	Ref	AC BOX AT PLATFORM INSTALLATION - 110V	B
1	0700617	4	Bolt M6 x 45	
2	1703464	1	Decal - AC Power	
3	2902431	1	Receptacle Box Kit - 110V GFI (See Separate Breakdown in this Section)	
4	3290405	4	Nut M4	
5	3290606	4	Nut M6 x 1	
6	3300048	1	Nut 3/4	
7	4010408	4	Screw M4 x 16	
8	4240017	AR	Tie-Strap	
9	4460071	1	Connector	
10	4460138	1	Plug, Male	
11	4811400	4	Washer M4	
12	4811700	8	Washer M6	
13	1001254613	1	Plate, Platform Plug Mount	
14	4460315	3	Terminal, Spade	
15	1001212268	3	Terminal	

SECTION 8 - ELECTRICAL

FIGURE 8-3. AC BOX AT PLATFORM INSTALLATION - 110V IEC YELLOW (CE & UK CA SPECS)



ART_1001255006

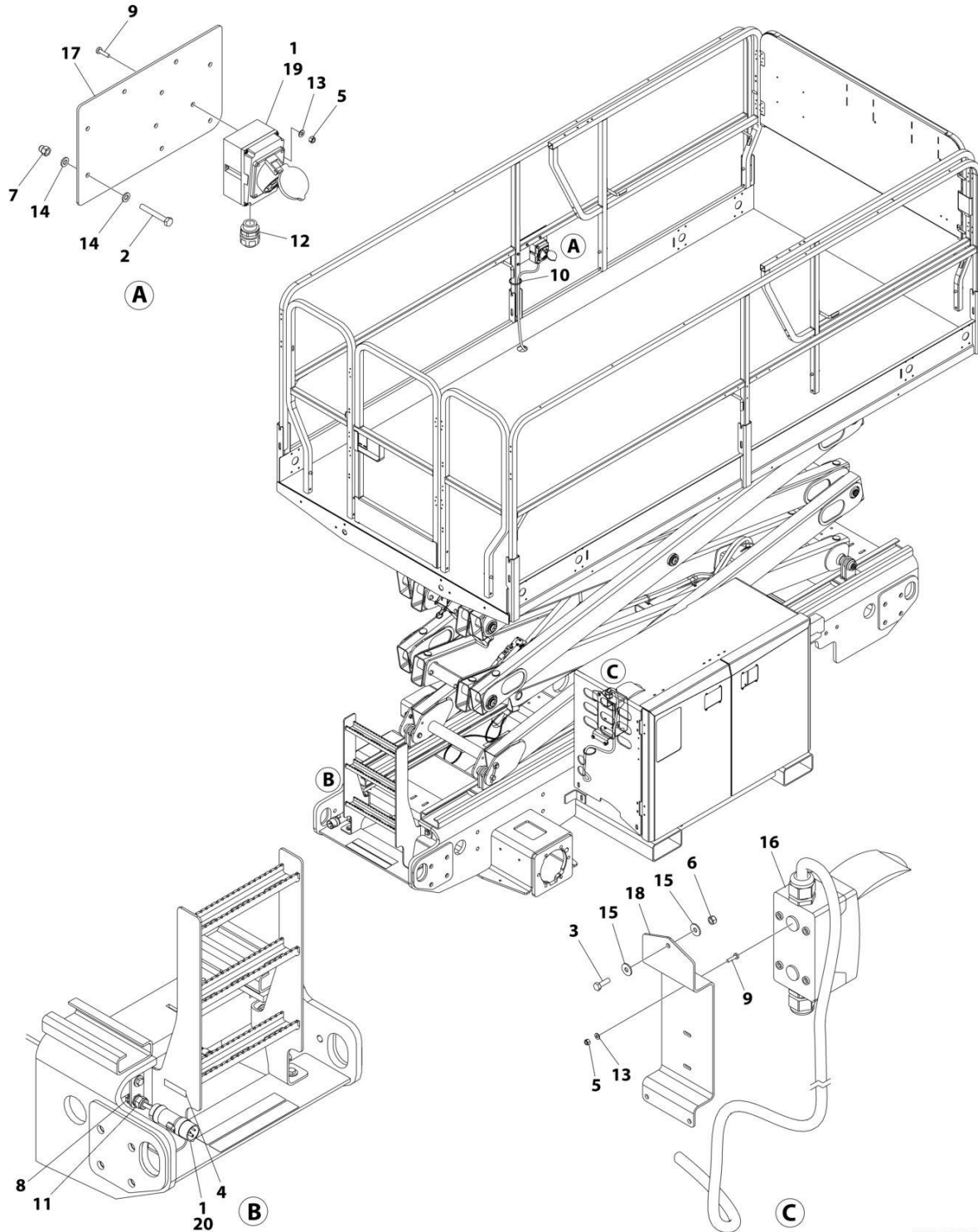
SECTION 8 - ELECTRICAL

FIGURE 8-3. AC BOX AT PLATFORM INSTALLATION - 110V IEC YELLOW (CE & UK CA SPECS)

ITEM	PART NUMBER	QTY	DESCRIPTION	REV
	1001255006	Ref	AC BOX AT PLATFORM INSTALLATION - 110V IEC YELLOW	B
1	0275216	1	Receptacle Box Kit - 110V IEC Yellow (See Separate Breakdown in this Section)	
2	0700617	4	Bolt M6 x 45	
3	0760610	3	Bolt M6 x 20	
4	1705325	1	Decal - 110 Volt	
5	3290405	4	Nut M4	
6	3290605	3	Nut M6	
7	3290606	4	Nut M6 x 1	
8	3300048	1	Nut 3/4	
9	4010408	4	Screw M4 x 16	
10	4240017	AR	Tie-Strap	
11	4460071	1	Connector, Water Tight	
12	4460968	1	Connector, Strain Relief	
13	4811400	4	Washer M4	
14	4811700	8	Washer M6	
15	4811702	6	Washer M6	
16	1001096070	1	Breaker Box Kit (See Separate Breakdown in this Section)	
17	1001254613	1	Plate, Platform Plug Mount	
18	1001261118	1	Bracket, Electric Box Mount	
19	4460315	3	Terminal, Spade	
20	1001212268	3	Terminal	

SECTION 8 - ELECTRICAL

FIGURE 8-4. AC BOX AT PLATFORM INSTALLATION - 220V IEC BLUE (CE & UK CA SPECS)



ART_1001255007

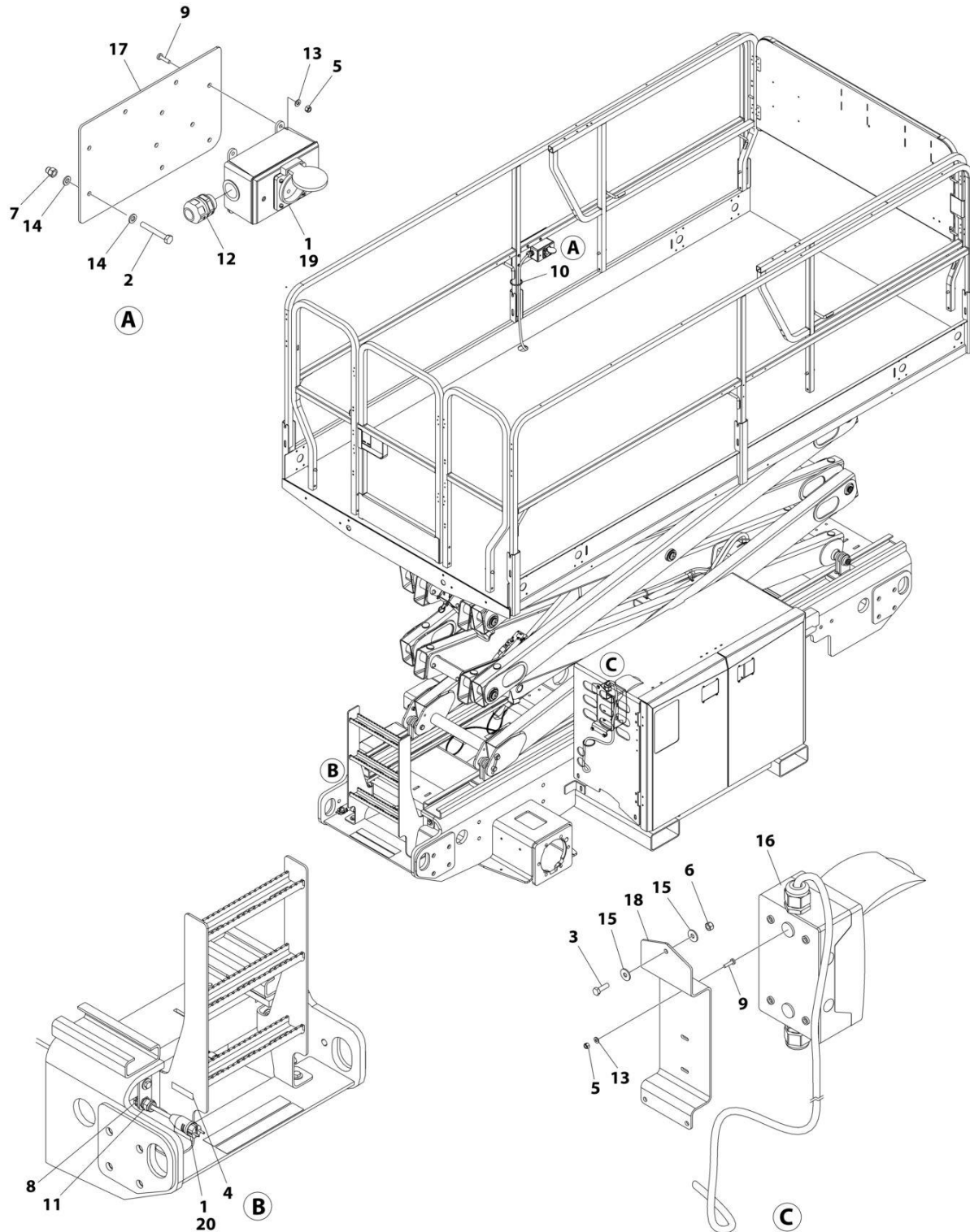
SECTION 8 - ELECTRICAL

FIGURE 8-4. AC BOX AT PLATFORM INSTALLATION - 220V IEC BLUE (CE & UK CA SPECS)

ITEM	PART NUMBER	QTY	DESCRIPTION	REV
	1001255007	Ref	AC BOX AT PLATFORM INSTALLATION - 220V IEC BLUE	B
1	0275217	1	Receptacle Box Kit - 220V IEC Blue (See Separate Breakdown in this Section)	
2	0700617	4	Bolt M6 x 45	
3	0760610	3	Bolt M6 x 20	
4	3252507	1	Decal - 220 Volt	
5	3290405	4	Nut M4	
6	3290605	3	Nut M6	
7	3290606	4	Nut M6 x 1	
8	3300048	1	Nut 3/4	
9	4010408	4	Screw M4 x 16	
10	4240017	AR	Tie-Strap	
11	4460071	1	Connector, Water Tight	
12	4460968	1	Connector, Strain Relief	
13	4811400	4	Washer M4	
14	4811700	8	Washer M6	
15	4811702	6	Washer M6	
16	1001096070	1	Breaker Box Kit (See Separate Breakdown in this Section)	
17	1001254613	1	Plate, Platform Plug Mount	
18	1001261118	1	Bracket, Electric Box Mount	
19	4460315	3	Terminal, Spade	
20	1001212268	3	Terminal	

SECTION 8 - ELECTRICAL

FIGURE 8-5. AC BOX AT PLATFORM INSTALLATION - 220V CEE7 POST GROUND (CE & UK CA SPECS)



ART_1001255004

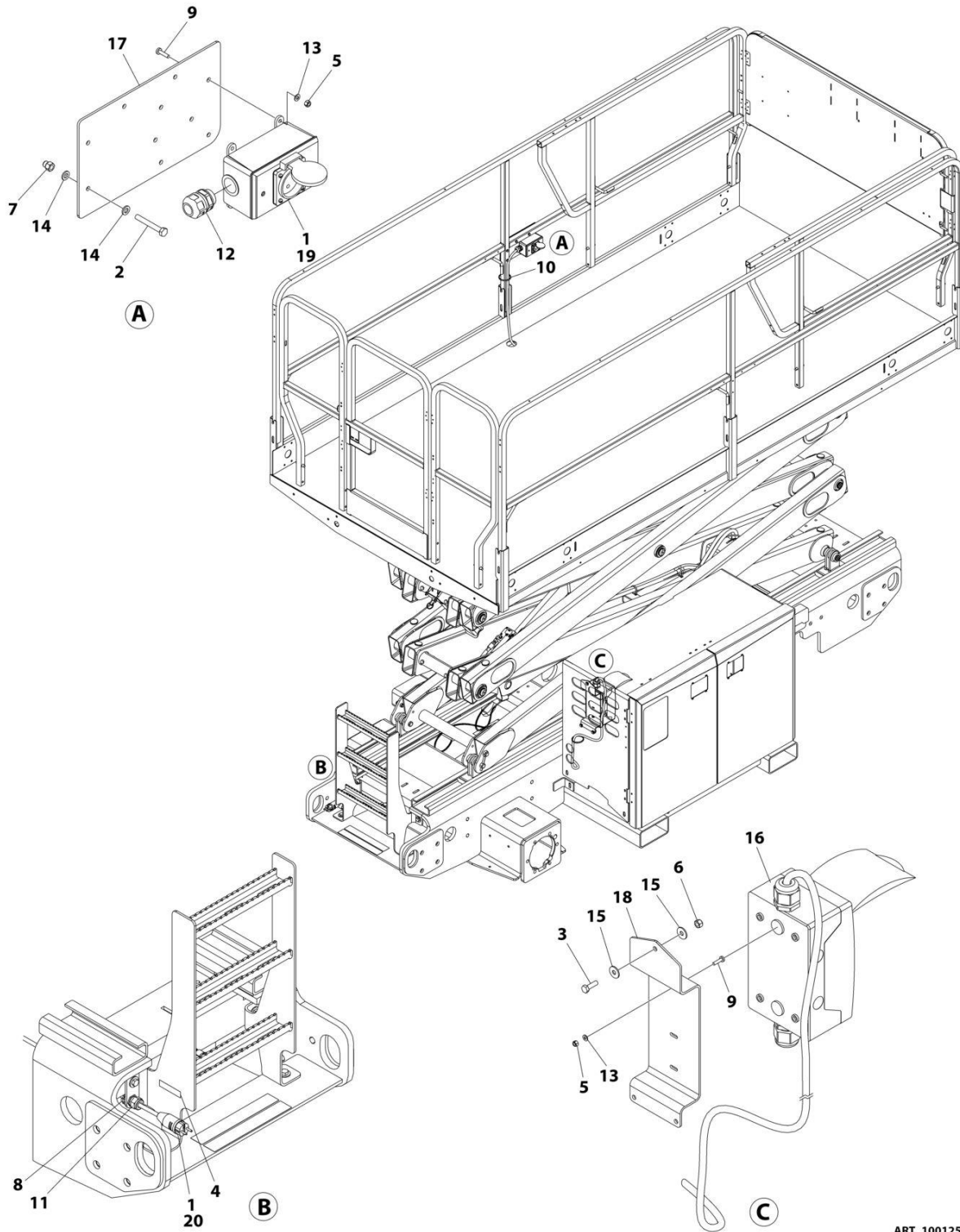
SECTION 8 - ELECTRICAL

FIGURE 8-5. AC BOX AT PLATFORM INSTALLATION - 220V CEE7 POST GROUND (CE & UK CA SPECS)

ITEM	PART NUMBER	QTY	DESCRIPTION	REV
	1001255004	Ref	AC BOX AT PLATFORM INSTALLATION - 220V CEE7 POST GROUND	B
1	0275452	1	Receptacle Box Kit - 220V CEE7 Post Ground 2X4 Box (See Separate Breakdown in this Section)	
2	0700617	4	Bolt M6 x 45	
3	0760610	3	Bolt M6 x 20	
4	3252507	1	Decal - 220 Volt	
5	3290405	6	Nut M4	
6	3290605	3	Nut M6	
7	3290606	4	Nut M6 x 1	
8	3300048	1	Nut 3/4	
9	4010408	6	Screw M4 x 16	
10	4240017	AR	Tie-Strap	
11	4460071	1	Connector, Water Tight	
12	4460662	1	Connector, Strain Relief	
13	4811400	6	Washer M4	
14	4811700	8	Washer M6	
15	4811702	6	Washer M6	
16	1001152486	1	Electric Assembly, Box and Breaker (See Separate Breakdown in this Section)	
17	1001254613	1	Plate, Platform Plug Mount	
18	1001261118	1	Bracket, Electric Box Mount	
19	4460315	3	Terminal, Spade	
20	1001212268	3	Terminal	

SECTION 8 - ELECTRICAL

FIGURE 8-6. AC BOX AT PLATFORM INSTALLATION - 220V CEE7 SIDE GROUND (CE & UK CA SPECS)



ART_1001255005

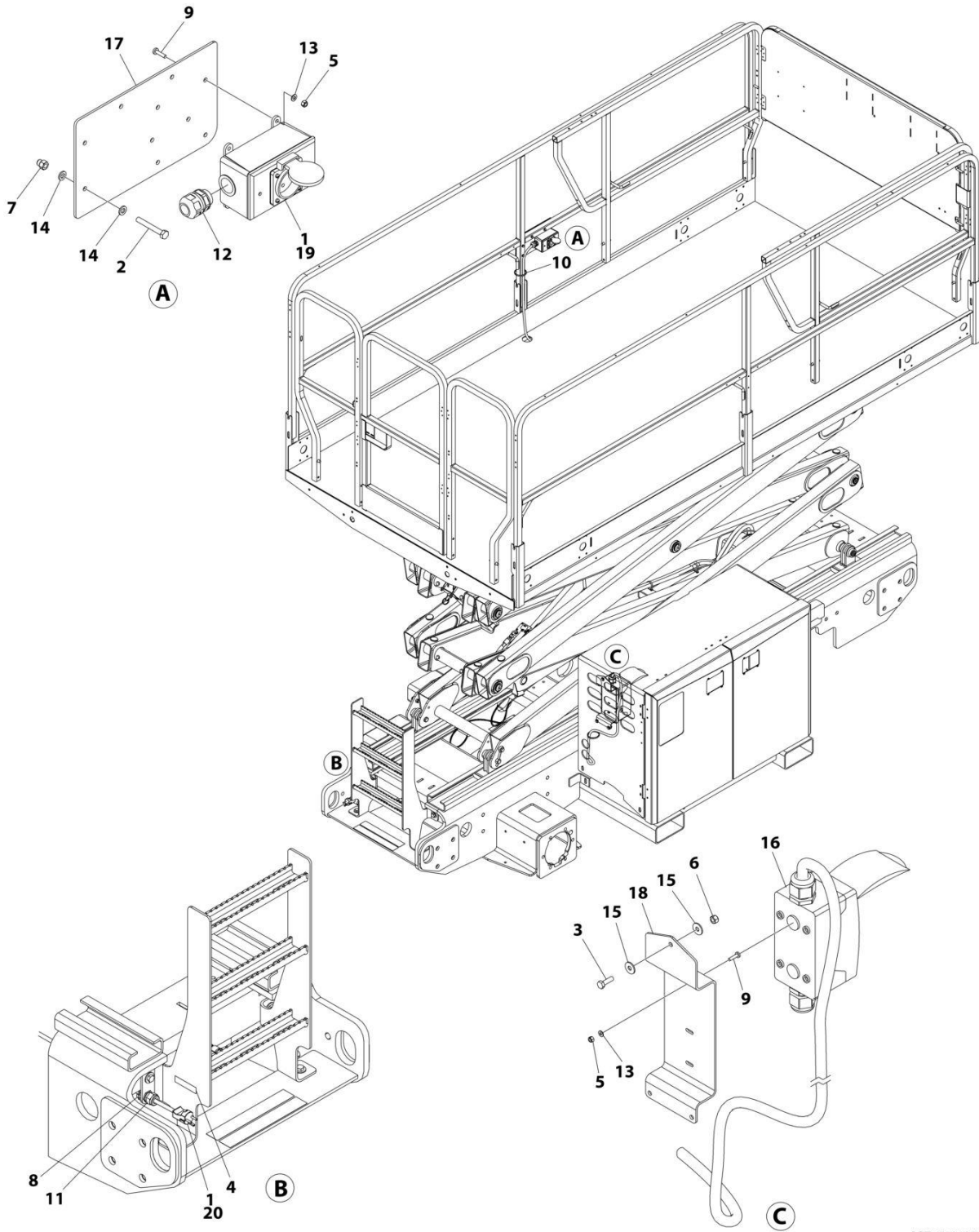
SECTION 8 - ELECTRICAL

FIGURE 8-6. AC BOX AT PLATFORM INSTALLATION - 220V CEE7 SIDE GROUND (CE & UK CA SPECS)

ITEM	PART NUMBER	QTY	DESCRIPTION	REV
	1001255005	Ref	AC BOX AT PLATFORM INSTALLATION - 220V CEE7 SIDE GROUND	B
1	0275453	1	Receptacle Box Kit - 220V CEE7 Side Ground 2X4 Box (See Separate Breakdown in this Section)	
2	0700617	4	Bolt M6 x 45	
3	0760610	3	Bolt M6 x 20	
4	3252507	1	Decal - 220 Volt	
5	3290405	6	Nut M4	
6	3290605	3	Nut M6	
7	3290606	4	Nut M6 x 1	
8	3300048	1	Nut 3/4	
9	4010408	6	Screw M4 x 16	
10	4240017	AR	Tie-Strap	
11	4460071	1	Connector, Water Tight	
12	4460662	1	Connector, Strain Relief	
13	4811400	6	Washer M4	
14	4811700	8	Washer M6	
15	4811702	6	Washer M6	
16	1001152486	1	Electric Assembly, Box and Breaker (See Separate Breakdown in this Section)	
17	1001254613	1	Plate, Platform Plug Mount	
18	1001261118	1	Bracket, Electric Box Mount	
19	4460315	3	Terminal, Spade	
20	1001212268	3	Terminal	

SECTION 8 - ELECTRICAL

FIGURE 8-7. AC BOX AT PLATFORM INSTALLATION - 220V AFSINT 107 (CE & UK CA SPECS)



ART_1001255008

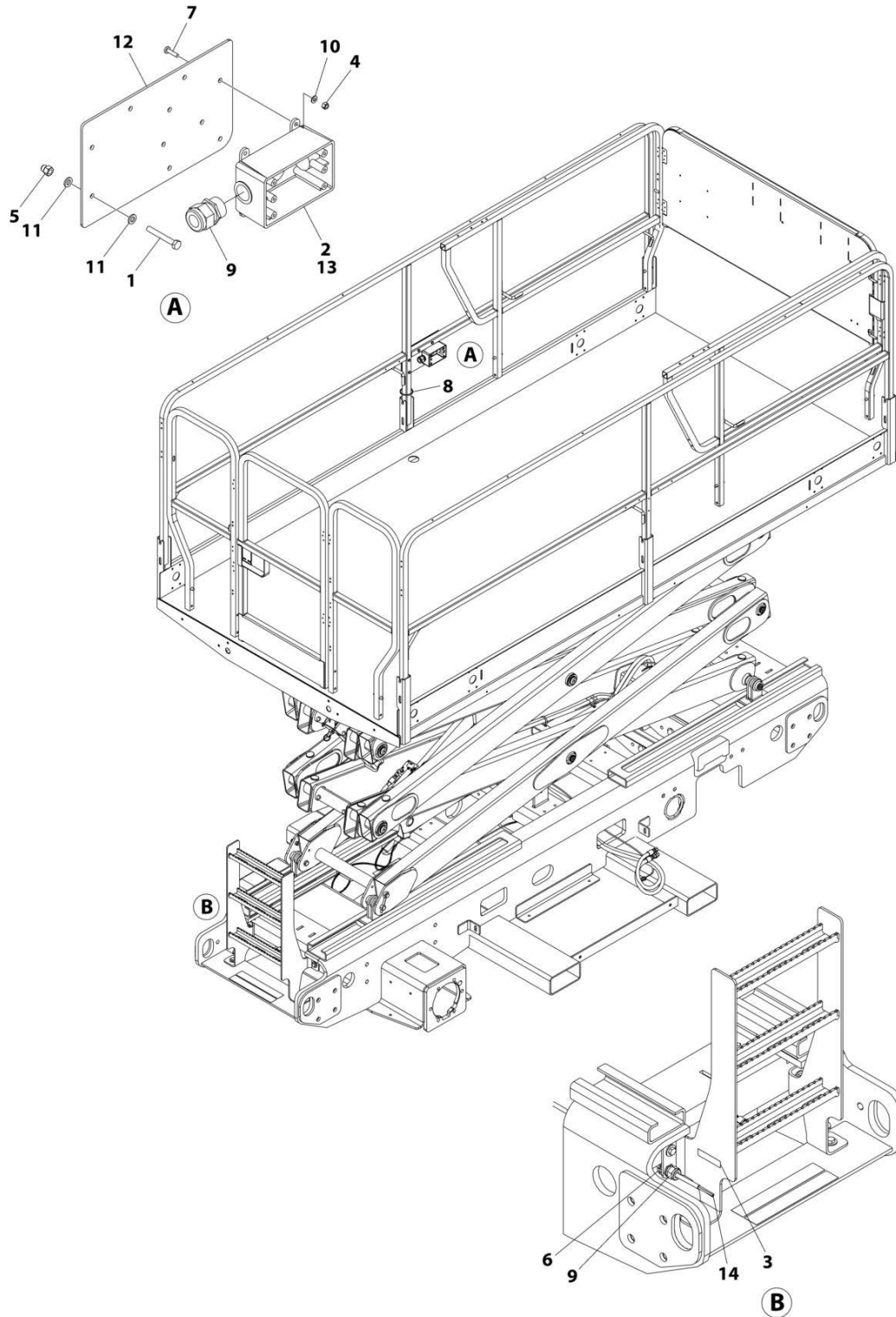
SECTION 8 - ELECTRICAL

FIGURE 8-7. AC BOX AT PLATFORM INSTALLATION - 220V AFSINT 107 (CE & UK CA SPECS)

ITEM	PART NUMBER	QTY	DESCRIPTION	REV
	1001255008	Ref	AC BOX AT PLATFORM INSTALLATION - 220V AFSINT 107	B
1	0275454	1	Receptacle Box Kit - 220V AFSINT 107 (See Separate Breakdown in this Section)	
2	0700617	4	Bolt M6 x 45	
3	0760610	3	Bolt M6 x 20	
4	3252507	1	Decal - 220 Volt	
5	3290405	6	Nut M4	
6	3290605	3	Nut M6	
7	3290606	4	Nut M6 x 1	
8	3300048	1	Nut 3/4	
9	4010408	6	Screw M4 x 16	
10	4240017	AR	Tie-Strap	
11	4460071	1	Connector, Water Tight	
12	4460662	1	Connector, Strain Relief	
13	4811400	6	Washer M4	
14	4811700	8	Washer M6	
15	4811702	6	Washer M6	
16	1001096070	1	Breaker Box Kit (See Separate Breakdown in this Section)	
17	1001254613	1	Plate, Platform Plug Mount	
18	1001261118	1	Bracket, Electric Box Mount	
19	4460315	3	Terminal, Spade	
20	1001212268	3	Terminal	

SECTION 8 - ELECTRICAL

FIGURE 8-8. AC BOX AT PLATFORM INSTALLATION - 220V CUSTOMER SUPPLIED PLUG & RECEPTACLE (ALL SPECS EXCEPT AUSTRALIAN & CE & UK CA SPECS)



ART_1001255002

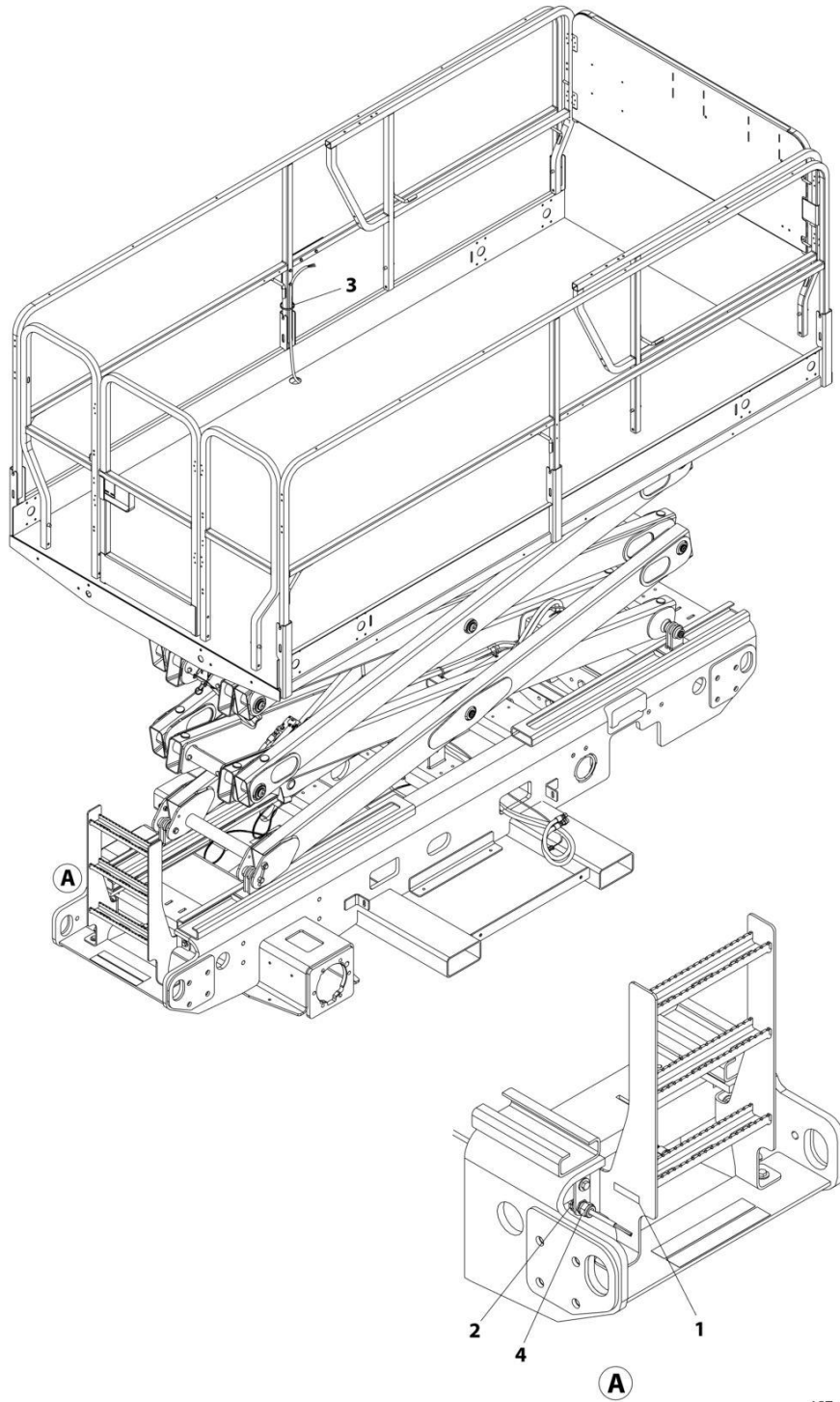
SECTION 8 - ELECTRICAL

FIGURE 8-8. AC BOX AT PLATFORM INSTALLATION - 220V CUSTOMER SUPPLIED PLUG & RECEPTACLE (ALL SPECS EXCEPT AUSTRALIAN & CE & UK CA SPECS)

ITEM	PART NUMBER	QTY	DESCRIPTION	REV
	1001255002	Ref	AC BOX AT PLATFORM INSTALLATION - 220V RECEPTACLE	B
1	0700617	4	Bolt M6 x 45	
2	0861731	1	Box, Receptacle	
3	3252507	1	Decal - 220 Volt	
4	3290405	4	Nut M4	
5	3290606	4	Nut M6 x 1	
6	3300048	1	Nut 3/4	
7	4010408	4	Screw M4 x 16	
8	4240017	AR	Tie-Strap	
9	4460071	2	Connector, Water Tight	
10	4811400	4	Washer M4	
11	4811700	8	Washer M6	
12	1001254613	1	Plate, Platform Plug Mount	
13	4460315	3	Terminal, Spade	
14	1001212268	3	Terminal	

SECTION 8 - ELECTRICAL

FIGURE 8-9. AC BOX AT PLATFORM INSTALLATION - 220V CUSTOMER SUPPLIED COMPONENTS
(ALL SPECS)



ART_1001255003

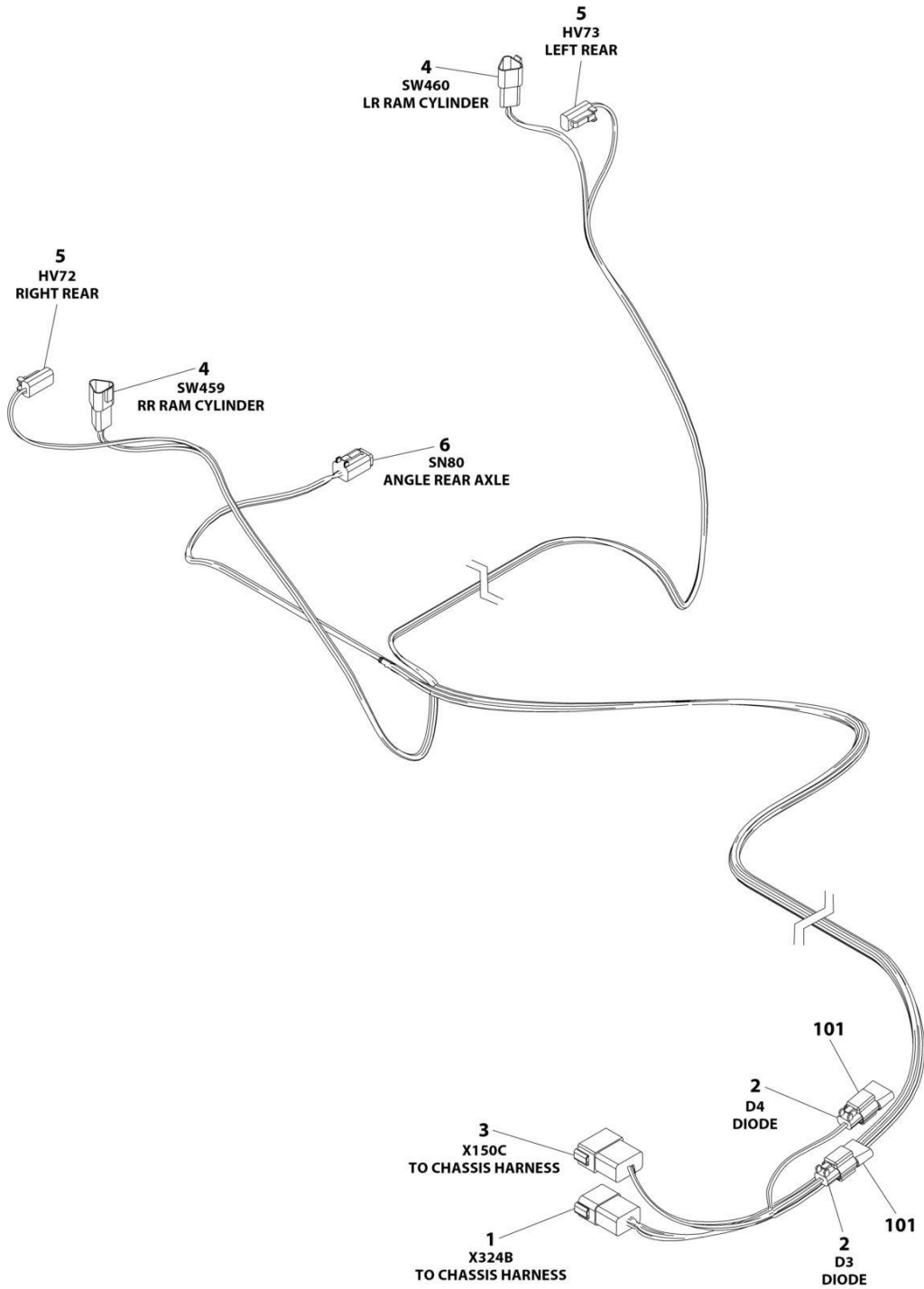
SECTION 8 - ELECTRICAL

**FIGURE 8-9. AC BOX AT PLATFORM INSTALLATION - 220V CUSTOMER SUPPLIED COMPONENTS
(ALL SPECS)**

ITEM	PART NUMBER	QTY	DESCRIPTION	REV
	1001255003	Ref	AC BOX AT PLATFORM INSTALLATION - 220V CUSTOMER SUPPLIED COMPONENTS	A
1	3252507	1	Decal - 220 Volt	
2	3300048	1	Nut 3/4	
3	4240017	AR	Tie-Strap	
4	4460071	1	Connector, Water Tight	

SECTION 8 - ELECTRICAL

FIGURE 8-10. AXLE HARNESS - REAR OSCILLATING



ART_1001249282_G

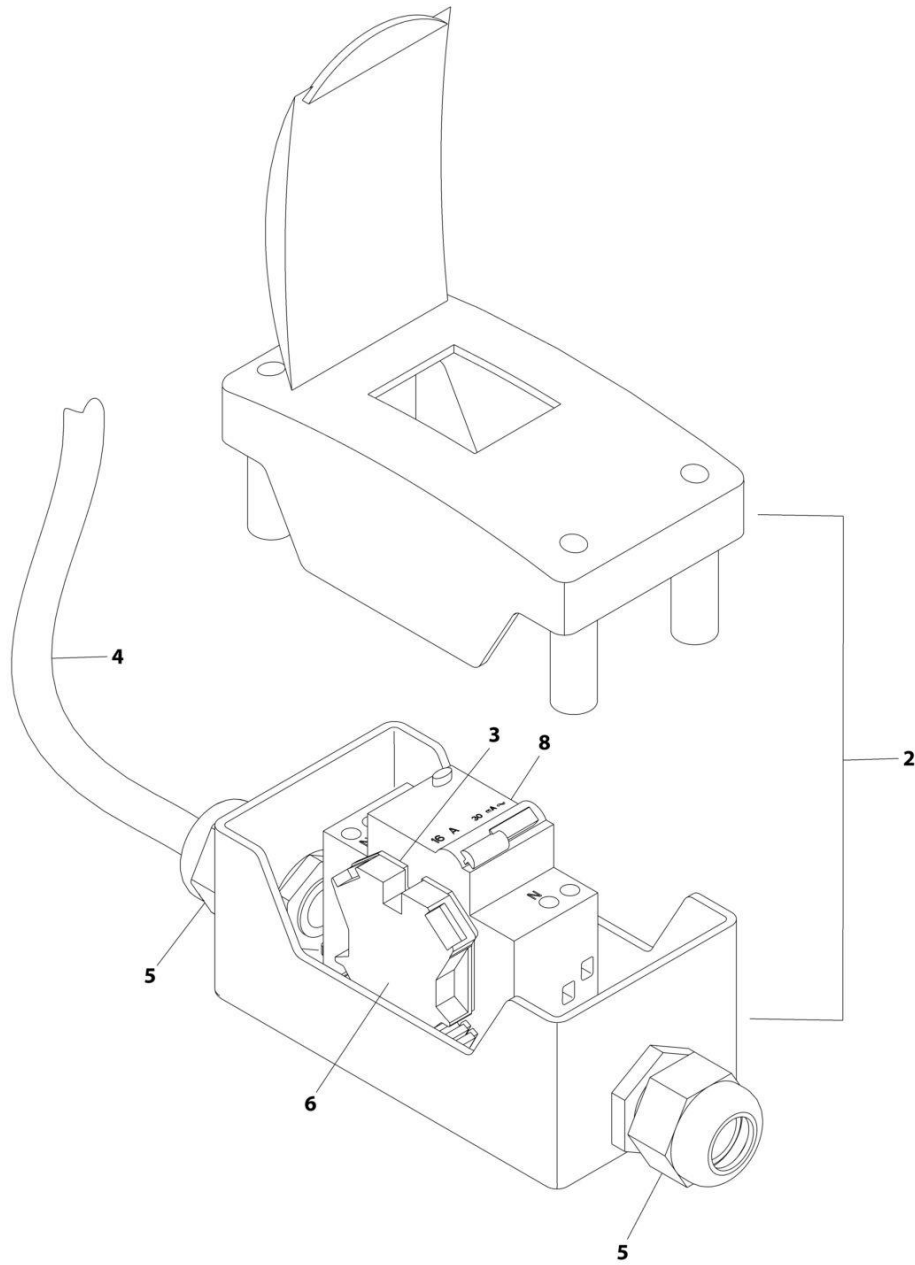
SECTION 8 - ELECTRICAL

FIGURE 8-10. AXLE HARNESS - REAR OSCILLATING

ITEM	PART NUMBER	QTY	DESCRIPTION	REV
	1001249282	Ref	AXLE HARNESS - REAR OSCILLATING	G
1	4460931	1	Receptacle, Female - 8 Position	
1	4460464	6	Pin, Male	
1	4460493	2	Pin, Male	
2	4460891	2	Plug, Male - 2 Position	
2	4460465	4	Socket, Female	
3	4460970	1	Receptacle - 12 Position	
3	4460466	8	Plug, Terminal	
3	4460464	4	Pin, Male	
4	4460536	2	Receptacle, Female - 3 Position	
4	4460464	6	Pin, Male	
5	4460891	2	Plug, Male - 2 Position	
5	4460465	4	Socket, Female	
6	4460884	1	Plug, Male - 4 Position	
6	4460465	2	Socket, Female	
6	4460944	2	Socket, Female	
101	1001116816	2	Connector, W/Diode	

SECTION 8 - ELECTRICAL

FIGURE 8-11. BREAKER BOX KIT - 1 DOUBLE BREAKER (CE & UK CA SPECS)



ART_1001096070_E

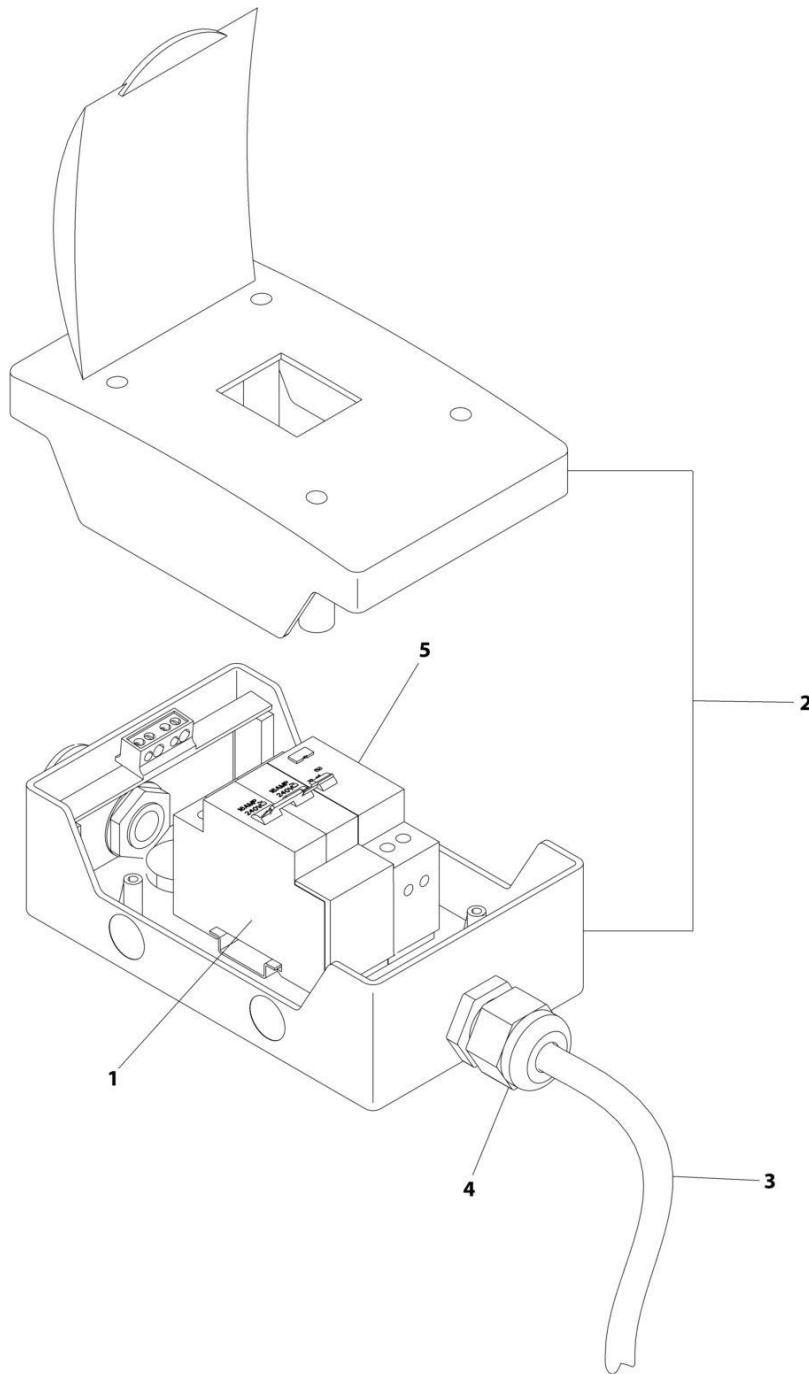
SECTION 8 - ELECTRICAL

FIGURE 8-11. BREAKER BOX KIT - 1 DOUBLE BREAKER (CE & UK CA SPECS)

ITEM	PART NUMBER	QTY	DESCRIPTION	REV
	1001096070	Ref	BREAKER BOX KIT	E
2	0861880	1	Box	
3	4460956	1	Barrier, Terminal Block End	
4	1060908	12 ft/ 3.6m	Cable, 12/3	
5	1001097150	2	Connector, Strain Relief	
6	4460957	1	Block, Terminal	
8	1001181045	1	Breaker, 16Amp	

SECTION 8 - ELECTRICAL

FIGURE 8-12. BREAKER BOX KIT - 1 DOUBLE & 1 SINGLE BREAKER (CE & UK CA SPECS)



ART_1001152486_C

SECTION 8 - ELECTRICAL

FIGURE 8-12. BREAKER BOX KIT - 1 DOUBLE & 1 SINGLE BREAKER (CE & UK CA SPECS)

ITEM	PART NUMBER	QTY	DESCRIPTION	REV
	1001152486	Ref	BREAKER BOX KIT	C
1	1001189172	1	Breaker, 16 Amp (Double)	
2	1001152483	1	Box	
3	1060908	12 ft/ 3.66m	Cable, 12/3	
4	1001097150	1	Connector, Strain Relief	
5	1001189171	1	Breaker, 30mA	

SECTION 8 - ELECTRICAL

FIGURE 8-13. CHASSIS HARNESS

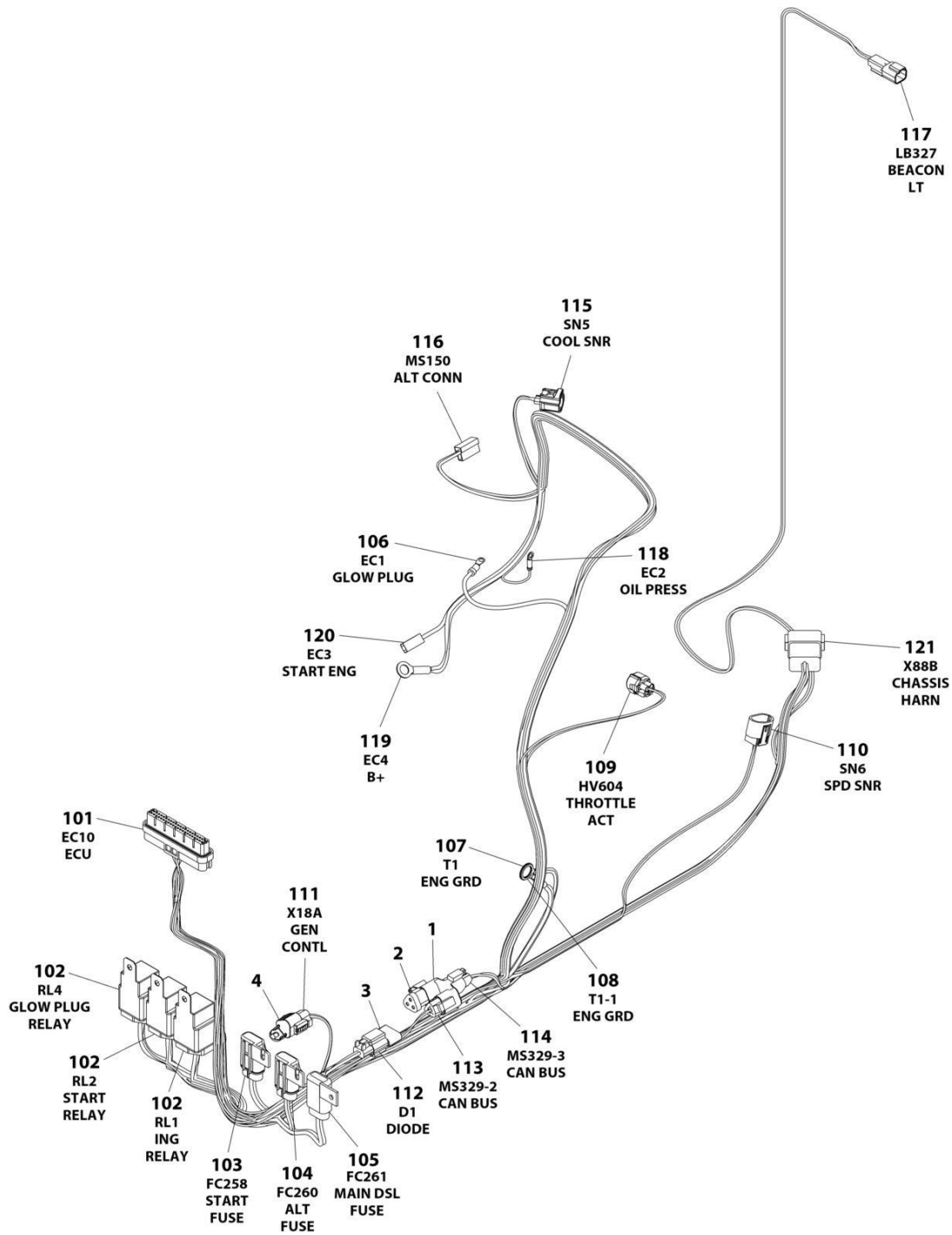
ITEM	PART NUMBER	QTY	DESCRIPTION	REV
	1001247472	Ref	CHASSIS HARNESS	H
1	1001249244	1	Bussbar - 12 Position	
2	4460892	2	Bussbar - 6 Position	
3	1001106736	1	Cap, Dust	
4	1001125677	2	Bussbar - 12 Position	
5	1001144295	9	Cap, Thermoplastic	
6	1001152266	1	Connector - 4 Position	
8	1001192401	4	Cap, Dust	
9	1001215898	2	Cap, Dust	
10	1001244462	1	Cap, Dust	
12	4461070	1	Connector - 3 Position	
13	1001125784	1	Washer	
14	1001125785	1	Nut	
101	4460897	2	Receptacle, Female - 2 Position	
101	4460464	4	Pin, Male	
102	4460891	20	Plug, Male - 2 Position	
102	4460465	40	Socket, Female	
103	4460930	1	Plug, Male - 8 Position	
103	4460465	6	Socket, Female	
103	4460944	2	Socket, Female	
104	4460754	1	Plug, Male - 14 Position	
104	4460465	10	Socket, Female	
104	4460944	2	Socket, Female	
104	4460466	2	Plug, Terminal	
105	4460933	3	Plug, Male - 12 Position	
105	4460465	12	Socket, Female	
105	4460944	22	Socket, Female	
105	4460466	2	Plug, Terminal	
106	4460933	3	Plug, Male - 12 Position	
106	4460465	32	Socket, Female	
106	4460466	4	Plug, Terminal	
107	4460894	3	Plug, Male - 6 Position	
107	4460465	22	Socket, Female	
107	4460466	2	Plug, Terminal	
108	4460761	1	Plug, Male - 4 Position	
108	4460227	4	Terminal	
109	4460884	7	Plug, Male - 4 Position	
109	4460465	12	Socket, Female	
109	4460944	16	Socket, Female	
110	1001116950	1	Plug, Male - 2 Position	
110	4460465	2	Socket, Female	
111	4460874	1	Connector - 35 Position	
111	4460871	14	Terminal	
111	4460905	21	Plug, Terminal	
112	4460872	1	Connector - 35 Position	
112	4460871	8	Terminal	
112	4460905	6	Plug, Terminal	
113	4460875	1	Connector - 35 Position	
113	4460871	27	Terminal	
113	4460905	8	Plug, Terminal	

SECTION 8 - ELECTRICAL

ITEM	PART NUMBER	QTY	DESCRIPTION	REV
114	4460878	1	Connector - 4 Position	
114	4461271	1	Terminal	
114	4460887	1	Terminal	
115	4460873	1	Connector - 35 Position	
115	4460871	29	Terminal	
115	4460905	6	Plug, Terminal	
116	4460876	1	Connector - 35 Position	
116	4460871	18	Terminal	
116	4460905	17	Plug, Terminal	
117	4460539	1	Plug, Male - 3 Position	
117	4460465	3	Socket, Female	
118	1001113961	1	Connector - 8 Position	
118	4460871	4	Terminal	
118	4460905	4	Plug, Terminal	
119	1001246859	1	Connector - 14 Position	
119	4460871	10	Terminal	
119	4460905	4	Plug, Terminal	
120	4460144	2	Terminal, Fork	
121	4460183	3	Terminal, Fork	
122	4461290	1	Connector - 2 Position	
122	4460928	2	Terminal	
123	4460260	2	Cover, Terminal	
123	4460259	2	Terminal	
124	4460418	1	Connector, Switch	
124	4460419	2	Terminal	
124	1001159186	2	Terminal	
125	1001184832	1	Connector - 2 Position	
125	1001118658	2	Terminal	
125	1001205250	2	Seal	
126	4461095	1	Plug, Male - 3 Position	
126	4460944	2	Socket, Female	
126	4460466	1	Plug, Terminal	
127	1001118282	1	Connector, Relay	
127	1001116734	2	Terminal	
127	1001116732	2	Terminal	
127	1001128128	1	Plug, Terminal	
128	1001249095	1	Connector - 9 Position	
128	4460464	3	Pin, Male	
128	4460943	2	Pin, Male	
128	4460466	4	Plug, Terminal	
129	4460424	1	Connector - 2 Position	
129	4460268	2	Terminal	
130	1001118744	1	Connector - 2 Position	
130	1001118745	2	Terminal	
131	8220164	1	Terminal, Ring	
132	2400066	2	Fuseholder with Cover	
132	8229242	1	Fuse 5Amp	
132	8229244	1	Fuse 15Amp	

SECTION 8 - ELECTRICAL

FIGURE 8-14. ENGINE HARNESS - DIESEL



ART_1001248134

SECTION 8 - ELECTRICAL

FIGURE 8-14. ENGINE HARNESS - DIESEL

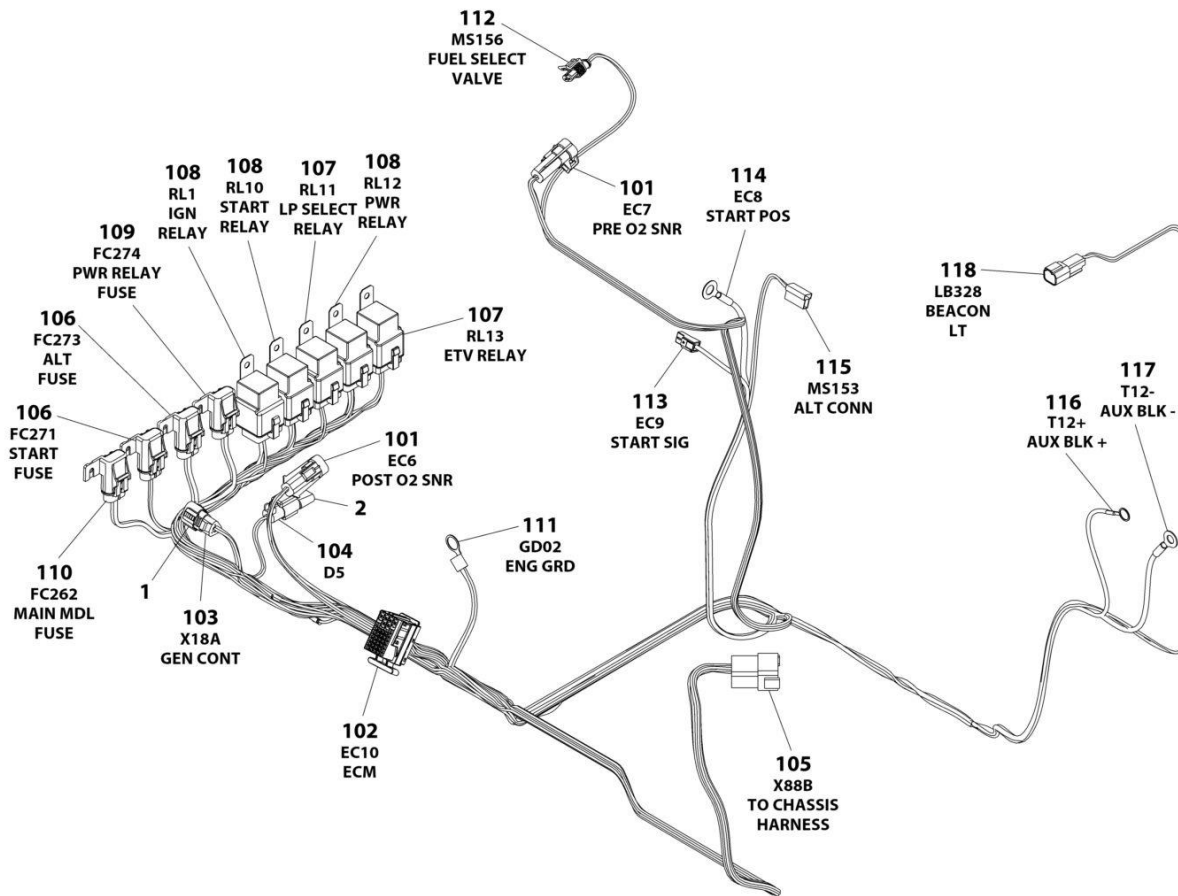
ITEM	PART NUMBER	QTY	DESCRIPTION	REV
	1001248134	Ref	ENGINE HARNESS - DIESEL	E
1	4460945	1	Connector - 3 Way	
2	1001116815	1	Connector - 3 Position Plug	
3	1001116816	1	Connector, Bussbar	
4	1001144296	1	Cap	
101	1001248222	1	Connector - 44 Position	
101	1001248223	21	Terminal	
101	1001248224	23	Plug, Terminal	
102	1001118282	3	Connector, Relay	
102	1001116734	6	Terminal	
102	1001116732	6	Terminal	
102	1001128128	3	Plug, Terminal	
103	1001118938	1	Fuseholder with 40Amp Fuse	
103	1001116752	2	Terminal	
104	1001117022	1	Fuseholder with 7.5Amp Fuse	
104	1001117069	1	Fuseholder with 20Amp Fuse	
104	1001116733	2	Terminal	
105	1001117023	1	Fuseholder with 10Amp Fuse	
105	1001116752	2	Terminal	
107	4460142	1	Terminal, Ring	
108	1001130900	1	Terminal, Ring	
109	8220111	1	Terminal, Ring	
109	1001248227	1	Receptacle, Female - 2 Position	
109	1001248228	2	Terminal	
109	1001248229	2	Seal	
110	1001223431	1	Receptacle, Female - 3 Position	
110	1001223794	3	Terminal	
110	1001223797	3	Seal	
111	4460539	1	Plug, Male - 3 Position	
111	4460465	3	Socket, Female	
112	4460891	1	Plug, Male - 2 Position	
112	4460942	2	Socket, Female	
113	4460539	1	Plug, Male - 3 Position	
113	4460944	2	Socket, Female	
113	4460466	1	Plug, Terminal	
114	1001116812	1	Plug, Male - 3 Position	
114	4460944	2	Socket, Female	
114	4460466	1	Plug, Terminal	
115	1001118657	1	Receptacle, Female - 3 Position	
115	1001118658	2	Terminal	
115	1001118659	2	Seal	
116	1001118744	1	Connector - 2 Position	
116	1001118745	2	Terminal	
117	4460897	1	Receptacle, Female - 2 Position	
117	4460464	2	Pin, Male	
118	4460247	1	Terminal, Ring	
119	8220164	1	Terminal, Ring	
120	1001118743	1	Connector	
120	1001230488	1	Terminal	
121	4460950	1	Receptacle, Female - 12 Position	

SECTION 8 - ELECTRICAL

ITEM	PART NUMBER	QTY	DESCRIPTION	REV
121	4460464	4	Pin, Male	
121	4460943	2	Pin, Male	
121	4460941	1	Pin, Male	
121	4460466	5	Plug, Terminal	

SECTION 8 - ELECTRICAL

FIGURE 8-15. ENGINE HARNESS - DUAL FUEL



ART_1001248289

SECTION 8 - ELECTRICAL

FIGURE 8-15. ENGINE HARNESS - DUAL FUEL

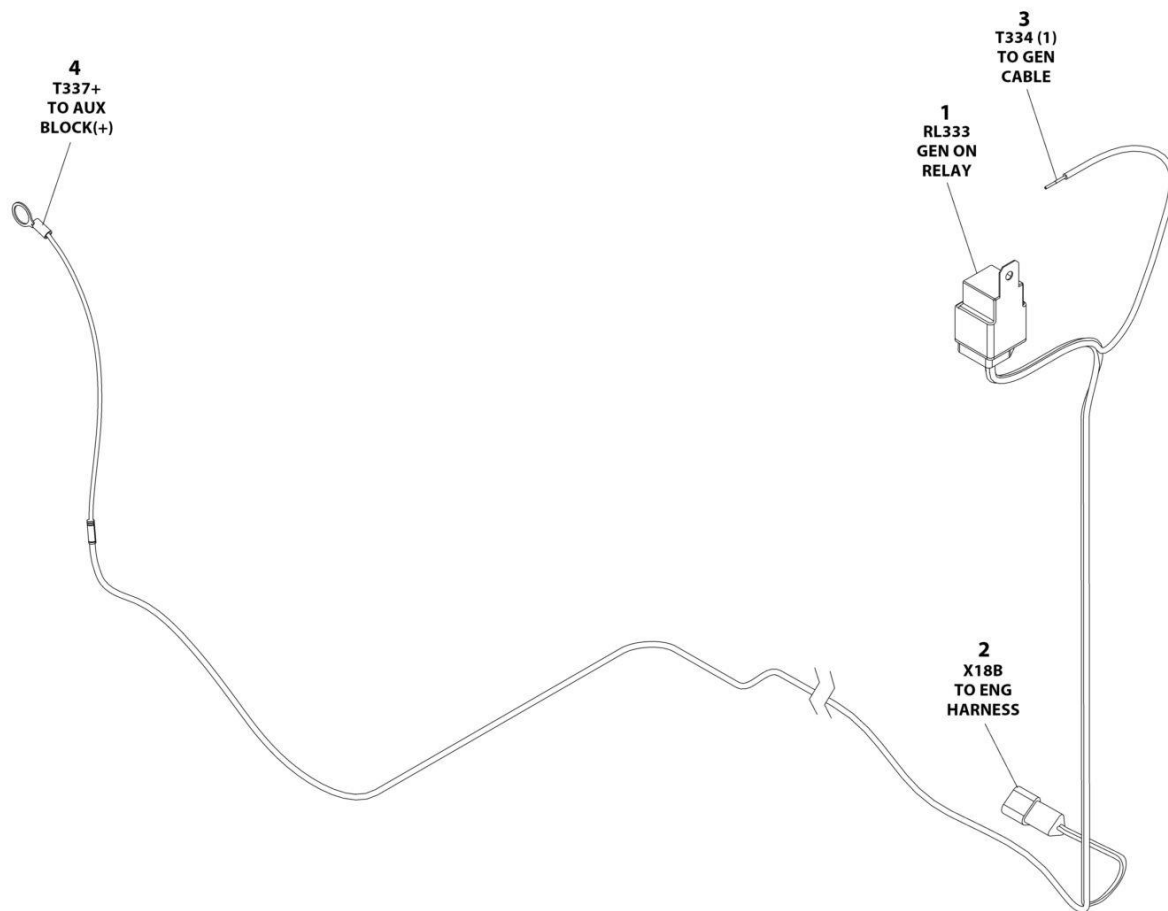
ITEM	PART NUMBER	QTY	DESCRIPTION	REV
	1001248289	Ref	ENGINE HARNESS - GAS	I
1	1001144296	1	Cap	
2	1001116816	1	Connector, Diode	
101	1001184722	2	Connector - 4 Position	
101	1001270481	8	Terminal (Gold)	
101	1001116749	8	Terminal (Tin)	
101	1001237778	4	Seal	
101	4460608	4	Seal	
102	1001184705	1	Connector - 42 Position	
102	1001187455	4	Terminal	
102	1001184718	5	Terminal	
102	1001184717	2	Terminal	
102	1001184716	10	Terminal	
102	1001126391	20	Plug, Terminal	
102	4461008	1	Plug, Terminal	
102	4461054	9	Seal	
102	1001126393	12	Seal	
103	4460539	1	Plug, Male - 3 Position	
103	4460465	3	Socket, Female	
104	4460891	1	Plug, Male - 2 Position	
104	4460942	2	Socket, Female	
105	4460950	1	Receptacle, Female - 12 Position	
105	4460464	4	Pin, Male	
105	4460943	2	Pin, Male	
105	4460941	1	Pin, Male	
105	4460466	1	Plug, Terminal	
106	1001118938	1	Fuseholder with 40Amp Fuse	
106	1001116752	2	Terminal (11-13 AWG)	
106	1001116732	2	Terminal (18-20 AWG)	
107	1001117025	2	Connector, Relay	
107	1001116733	2	Terminal	
107	1001116732	6	Terminal	
108	1001118282	3	Connector, Relay	
108	1001116734	6	Terminal	
108	1001116732	6	Terminal	
108	1001128128	3	Plug, Terminal	
109	1001117070	1	Fuseholder with 30Amp Fuse	
109	1001116752	2	Terminal	
110	1001117069	1	Fuseholder with 20Amp Fuse	
110	1001116752	2	Terminal	
111	8220029	1	Terminal, Ring	
112	4461118	1	Plug, Male - 2 Position	
112	1001107854	2	Terminal	
112	1001104498	1	Seal	
112	1001116763	1	Seal	
113	1001184768	1	Connector	
113	1001184769	1	Terminal	
114	1001117110	1	Terminal, Ring	
115	1001118744	1	Connector - 2 Position	
115	1001118745	2	Terminal	

SECTION 8 - ELECTRICAL

ITEM	PART NUMBER	QTY	DESCRIPTION	REV
116	4460019	1	Terminal, Ring	
117	8220045	1	Terminal, Ring	
118	4460897	1	Receptacle, Female - 2 Position	
118	4460464	2	Pin, Male	

SECTION 8 - ELECTRICAL

FIGURE 8-16. GENERATOR HARNESS



ART_1001249464

SECTION 8 - ELECTRICAL

FIGURE 8-16. GENERATOR HARNESS

ITEM	PART NUMBER	QTY	DESCRIPTION	REV
	1001249464	Ref	GENERATOR HARNESS	B
1	1001118282	1	Connector & Relay	
1	3740080	1	Relay	
1	1001116734	2	Terminal	
1	1001116732	2	Terminal	
1	1001128128	1	Plug, Terminal	
2	4460536	1	Receptacle, Female - 3 Position	
2	4460464	2	Pin, Male	
2	4460466	1	Plug, Terminal	
3	4460906	1	Terminal	
4	8220111	1	Terminal, Ring	

SECTION 8 - ELECTRICAL

FIGURE 8-17. GROUND TO PLATFORM HARNESS (RT2669)



ART_1001248279

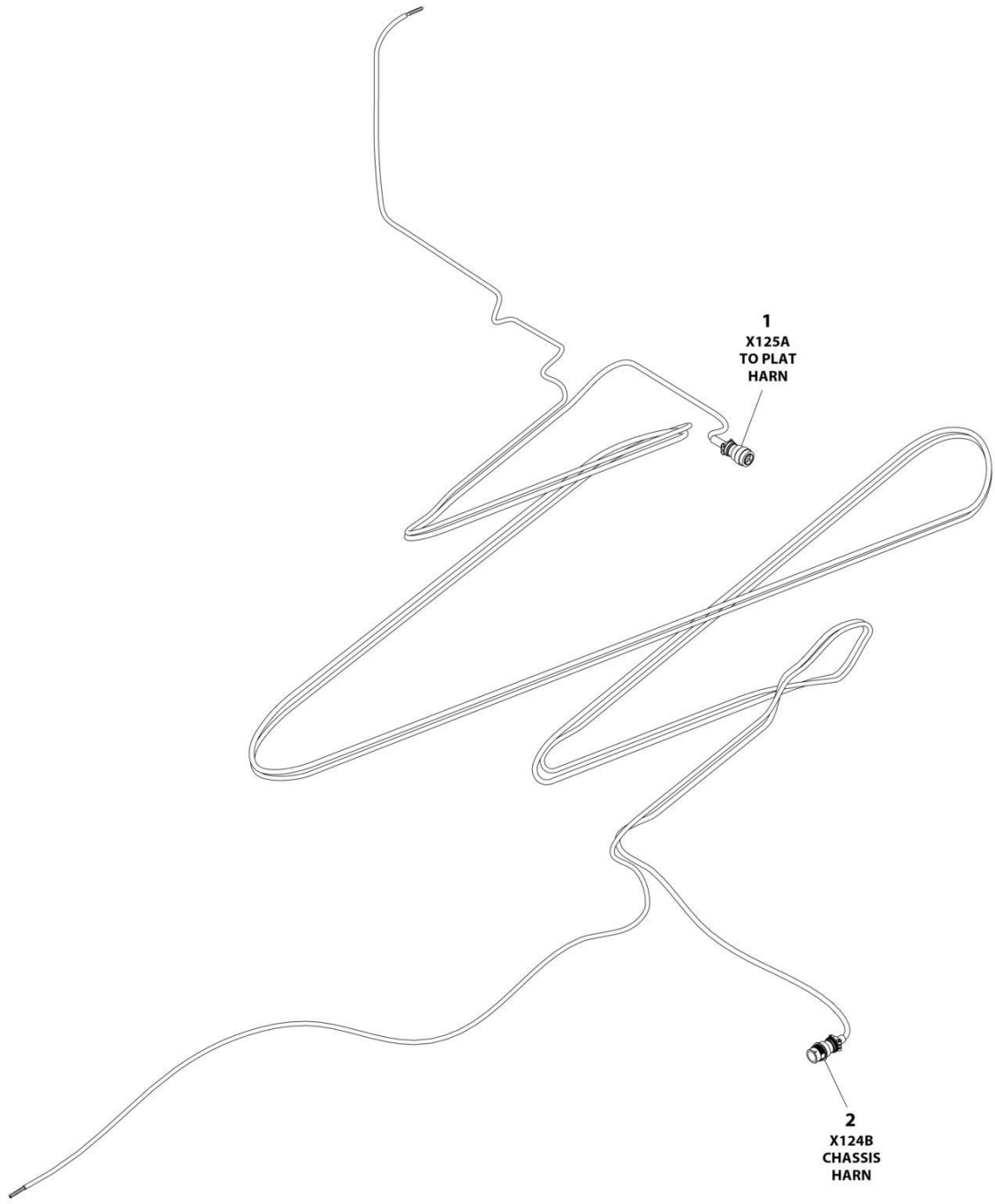
SECTION 8 - ELECTRICAL

FIGURE 8-17. GROUND TO PLATFORM HARNESS (RT2669)

ITEM	PART NUMBER	QTY	DESCRIPTION	REV
	1001248279	Ref	GROUND TO PLATFORM HARNESS	D
1	4460754	1	Connector - 14 Position	
1	4460465	14	Socket, Female	
2	1001156541	1	Connector - 14 Position	
2	4460464	14	Pin, Male	

SECTION 8 - ELECTRICAL

FIGURE 8-18. GROUND TO PLATFORM HARNESS (RT3369)



ART_1001248280

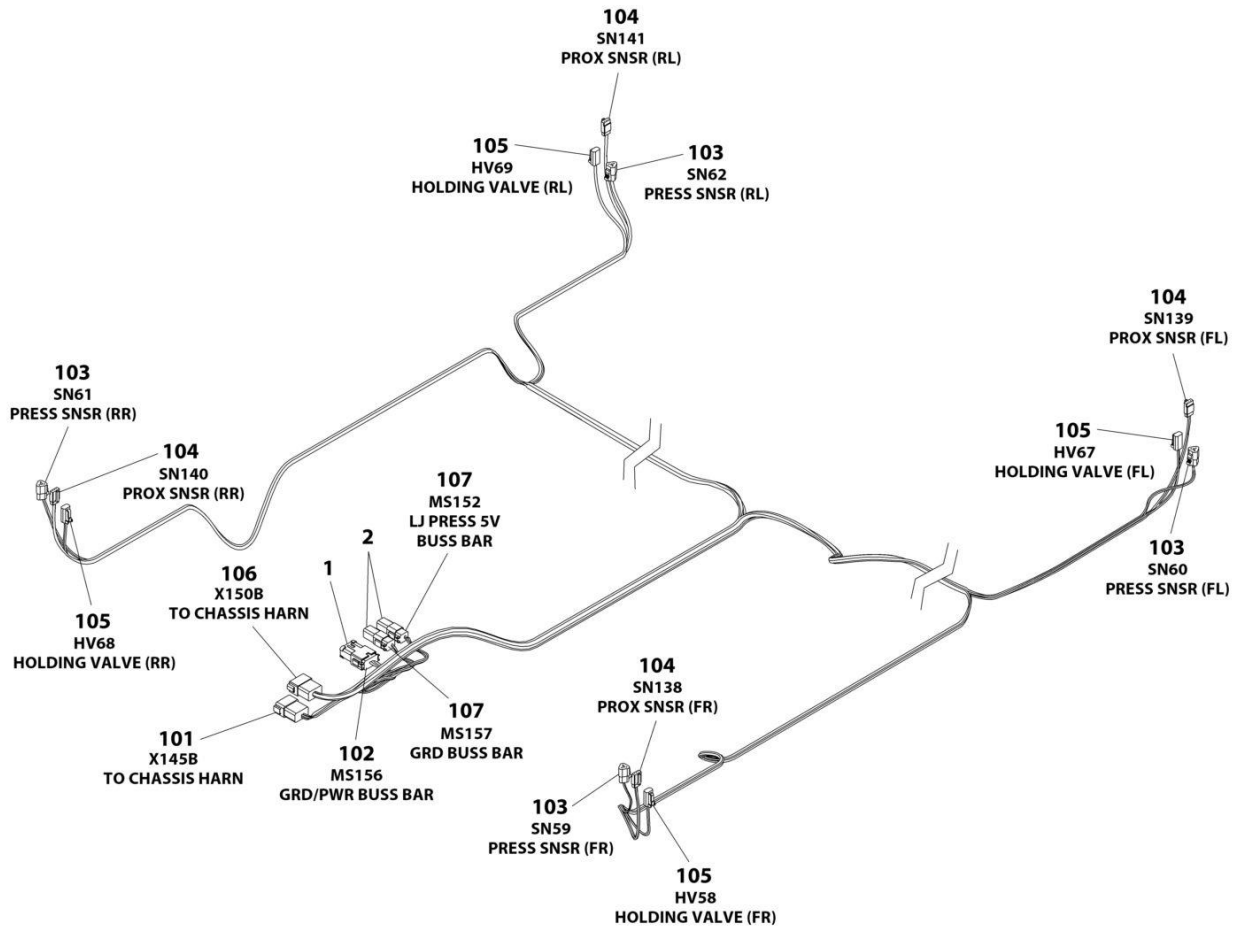
SECTION 8 - ELECTRICAL

FIGURE 8-18. GROUND TO PLATFORM HARNESS (RT3369)

ITEM	PART NUMBER	QTY	DESCRIPTION	REV
	1001248280	Ref	GROUND TO PLATFORM HARNESS	D
1	4460754	1	Connector - 14 Position	
1	4460465	14	Socket, Female	
2	1001156541	1	Connector - 14 Position	
2	4460464	14	Pin, Male	

SECTION 8 - ELECTRICAL

FIGURE 8-19. LEVELING JACK HARNESS



ART_1001248863

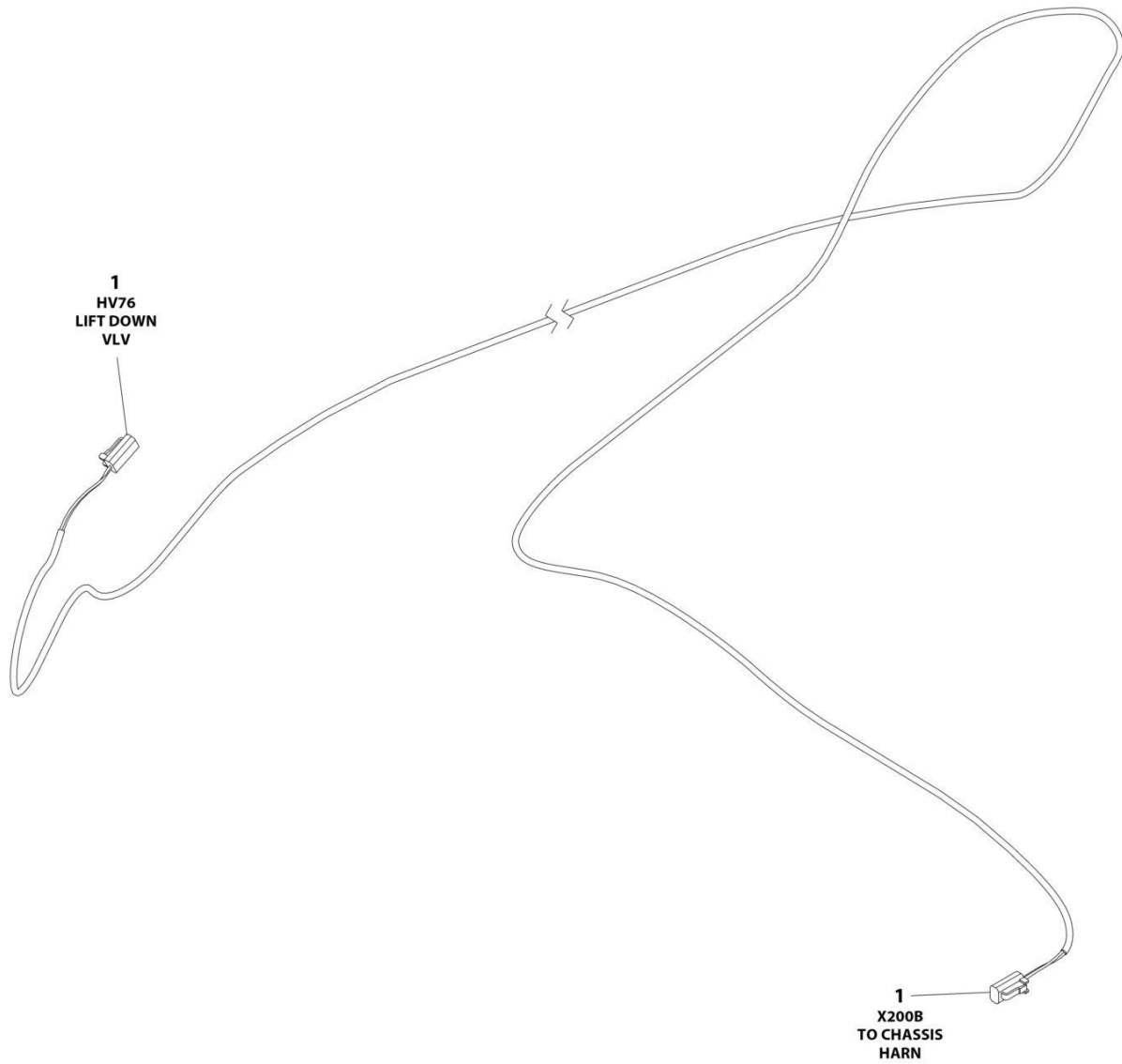
SECTION 8 - ELECTRICAL

FIGURE 8-19. LEVELING JACK HARNESS

ITEM	PART NUMBER	QTY	DESCRIPTION	REV
	1001248863	Ref	LEVELING JACK HARNESS	C
1	1001125677	1	Connector, 2 x 6 Bussbar (DT)	
2	4460892	2	Terminal, 6 Position Bussbar (DT)	
101	4460950	1	Receptacle, Female - 12 Position	
101	4460464	8	Pin, Male	
101	4460466	4	Plug, Terminal	
102	4460933	1	Plug, Male - 12 Position	
102	4460465	10	Socket, Female	
102	4460466	2	Plug, Terminal	
103	4460539	4	Plug, Male - 3 Position	
103	4460465	12	Socket, Female	
104	4460911	4	Connector - 3 Position	
104	1001116694	12	Terminal	
105	4460891	4	Plug, Male - 2 Position	
105	4460465	8	Socket, Female	
106	4460970	1	Receptacle - 12 Position	
106	4460464	12	Pin, Male	
107	4460894	2	Plug, Male - 6 Position	
107	4460465	10	Socket, Female	
107	4460466	2	Plug, Terminal	

SECTION 8 - ELECTRICAL

FIGURE 8-20. LIFT DOWN HARNESS



ART_1001248895

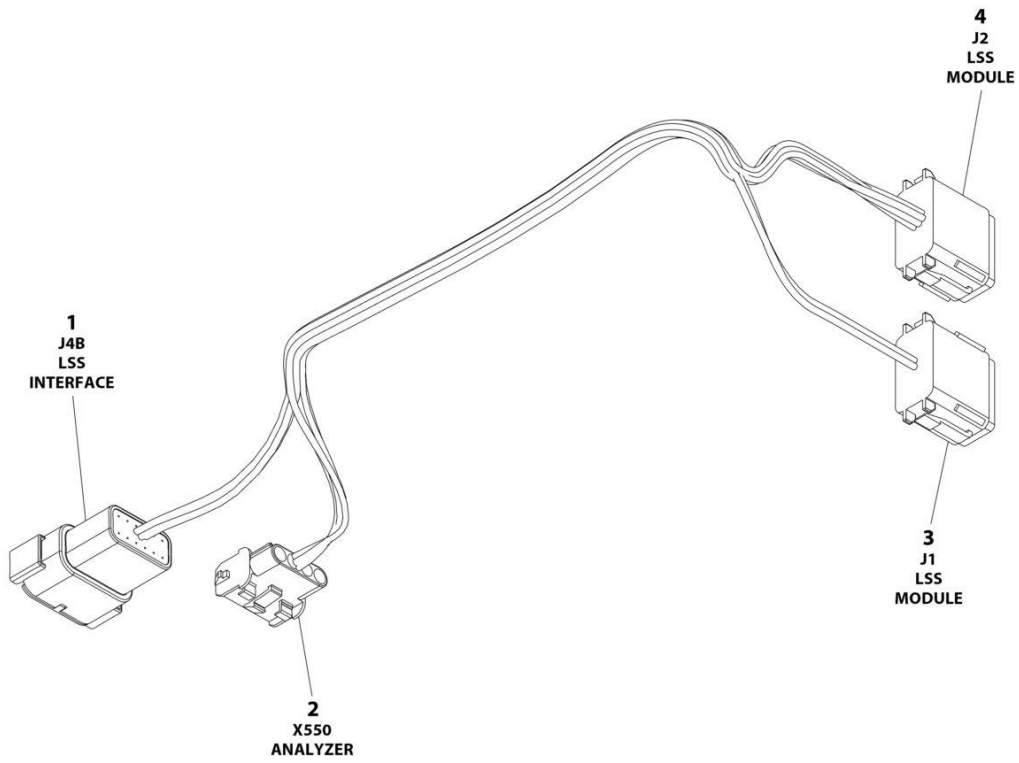
SECTION 8 - ELECTRICAL

FIGURE 8-20. LIFT DOWN HARNESS

ITEM	PART NUMBER	QTY	DESCRIPTION	REV
	1001248895	Ref	LIFT DOWN HARNESS	A
1	4460891	2	Plug, Male - 2 Position	
1	4460465	4	Socket, Female	

SECTION 8 - ELECTRICAL

FIGURE 8-21. LSS HARNESS



ART_1001226830

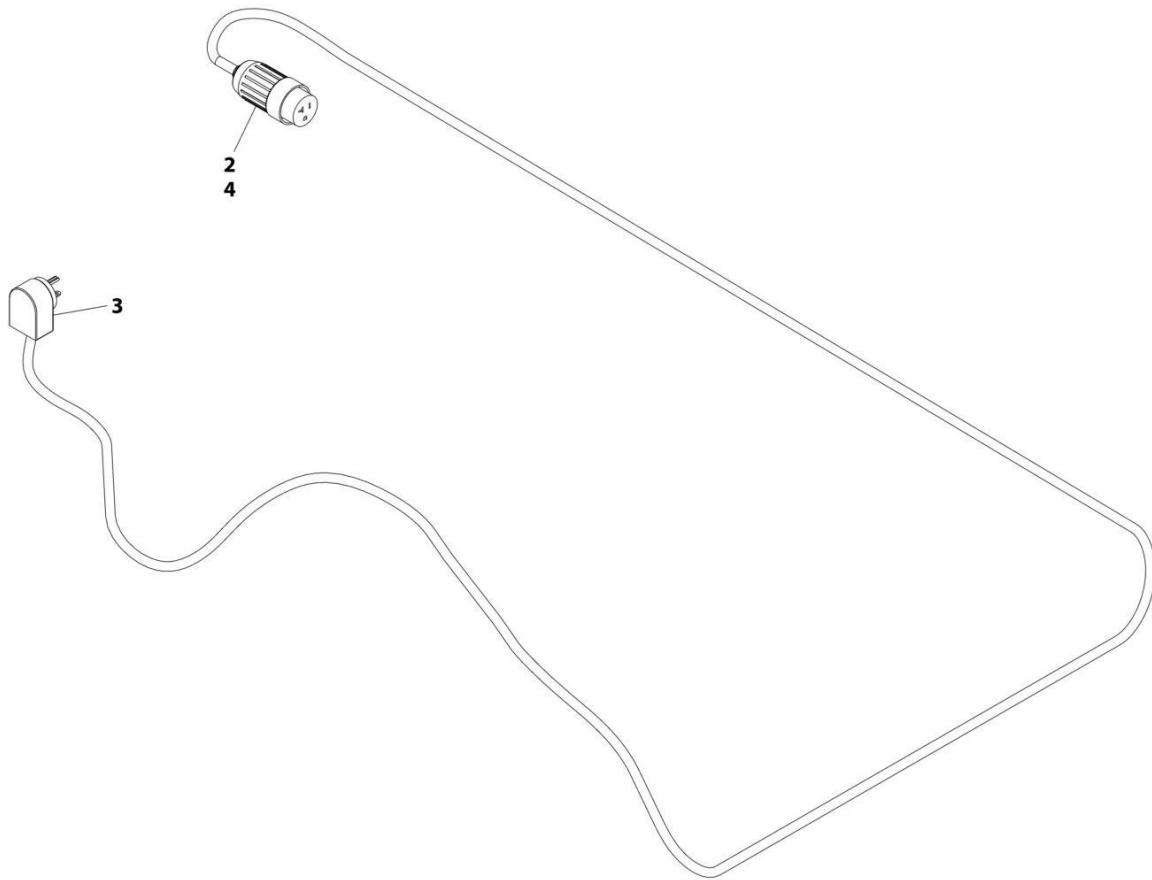
SECTION 8 - ELECTRICAL

FIGURE 8-21. LSS HARNESS

ITEM	PART NUMBER	QTY	DESCRIPTION	REV
	1001226830	Ref	LSS HARNESS	A
1	1001132170	1	Connector - 12 Position	
1	4460929	2	Pin, Male	
1	4460917	2	Pin, Male	
1	4460518	8	Plug, Terminal	
2	4460761	1	Receptacle, Female - 4 Position	
2	4460294	4	Pin, Male	
3	4460933	1	Connector - 12 Position	
3	4460465	2	Socket, Female	
3	4460466	10	Plug, Terminal	
4	4460836	1	Connector - 12 Position	
4	4460465	5	Socket, Female	
4	4460944	2	Socket, Female	
4	4460466	5	Plug, Terminal	

SECTION 8 - ELECTRICAL

FIGURE 8-22. ONBOARD GENERATOR CABLE



ART_1001266233

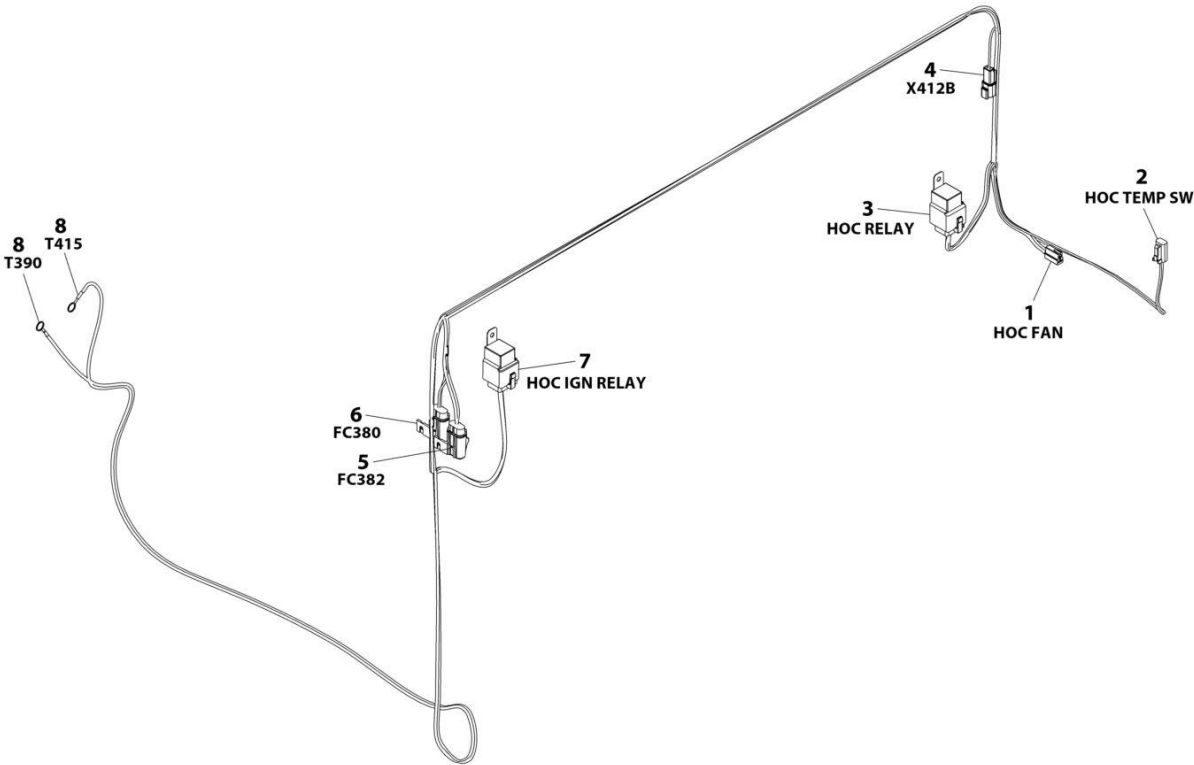
SECTION 8 - ELECTRICAL

FIGURE 8-22. ONBOARD GENERATOR CABLE

ITEM	PART NUMBER	QTY	DESCRIPTION	REV
	1001266233	Ref	ONBOARD GENERATOR CABLE	A
2	1001156351	1	Cover, Connector	
3	1001265225	1	Plug	
4	1001265226	1	Connector	

SECTION 8 - ELECTRICAL

FIGURE 8-23. OIL COOLER HARNESS



ART_1001249802

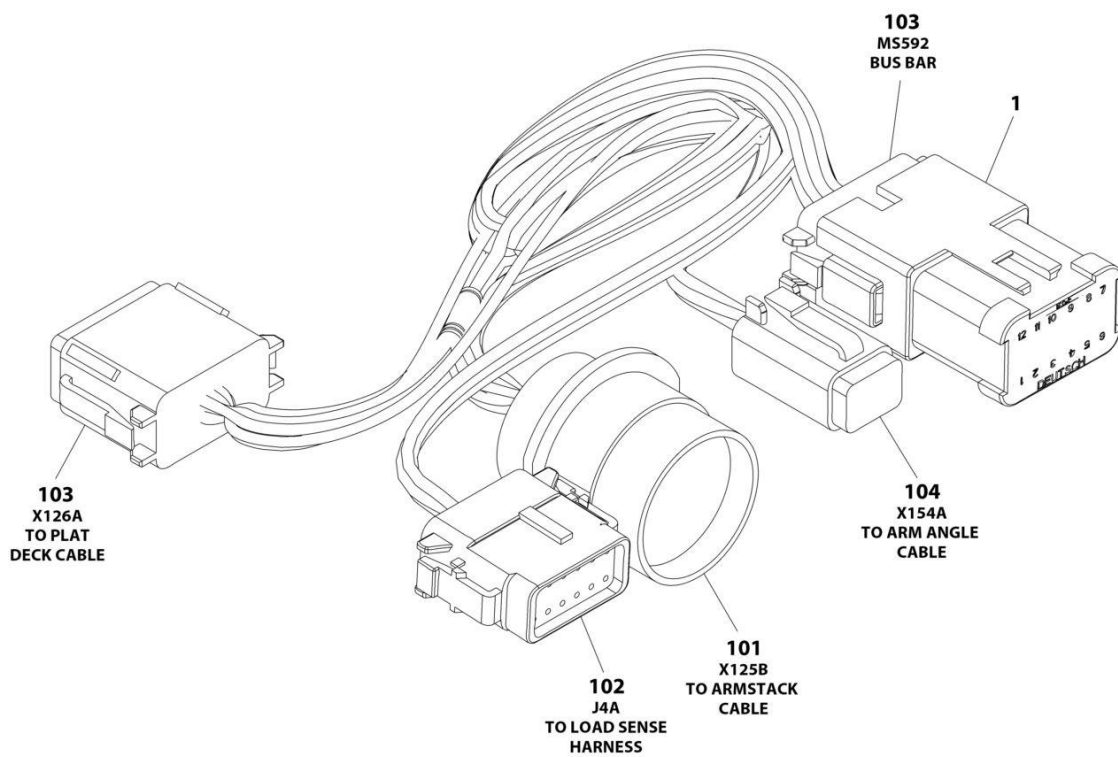
SECTION 8 - ELECTRICAL

FIGURE 8-23. OIL COOLER HARNESS

ITEM	PART NUMBER	QTY	DESCRIPTION	REV
	1001249802	Ref	OIL COOLER HARNESS	D
1	4460994	1	Connector	
1	1001116716	3	Socket, Female	
2	4460891	1	Connector	
2	4460465	2	Socket, Female	
3	1001118282	1	Connector	
3	1001116732	2	Socket, Female	
3	1001116734	2	Socket, Female	
3	1001128128	1	Plug	
4	4460897	1	Connector	
4	4460464	1	Pin, Male	
4	4460466	1	Plug	
5	1001119412	1	Connector	
5	1001116733	2	Socket, Female	
6	1001117024	1	Connector	
6	1001116734	2	Socket, Female	
7	1001118282	1	Connector	
7	1001116732	2	Socket, Female	
7	1001116734	2	Socket, Female	
7	1001128128	1	Plug	
8	4460019	2	Terminal, Ring	

SECTION 8 - ELECTRICAL

FIGURE 8-24. PLATFORM HARNESS



ART_1001264939

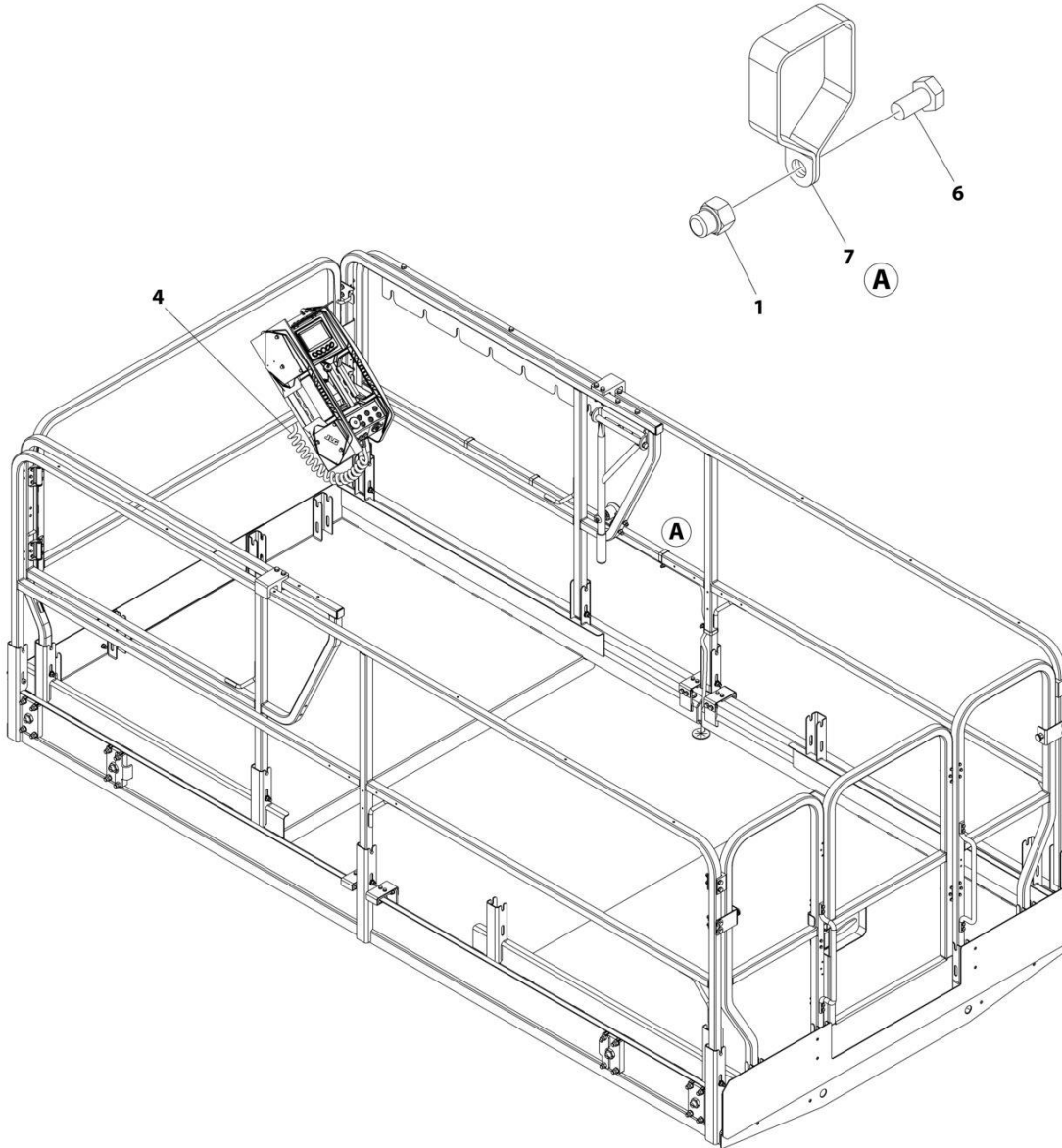
SECTION 8 - ELECTRICAL

FIGURE 8-24. PLATFORM HARNESS

ITEM	PART NUMBER	QTY	DESCRIPTION	REV
	1001264939	Ref	PLATFORM HARNESS	C
1	1001119020	1	Connector, Bussbar	
101	4460752	1	Connector - 14 Position	
101	4460464	8	Pin, Male	
101	4460943	2	Pin, Male	
101	4460466	4	Plug, Terminal	
102	1001116808	1	Connector - 12 Position	
102	4460928	2	Terminal	
102	4460918	2	Terminal	
102	4460518	8	Plug, Terminal	
103	4460933	2	Plug, Male - 12 Position	
103	4460465	21	Socket, Female	
103	4460466	3	Plug, Terminal	
104	4460884	1	Plug, Male - 4 Position	
104	4460465	4	Socket, Female	

SECTION 8 - ELECTRICAL

FIGURE 8-25. PLATFORM CABLE INSTALLATION – WITHOUT FOOTSWITCH



ART_1001254820

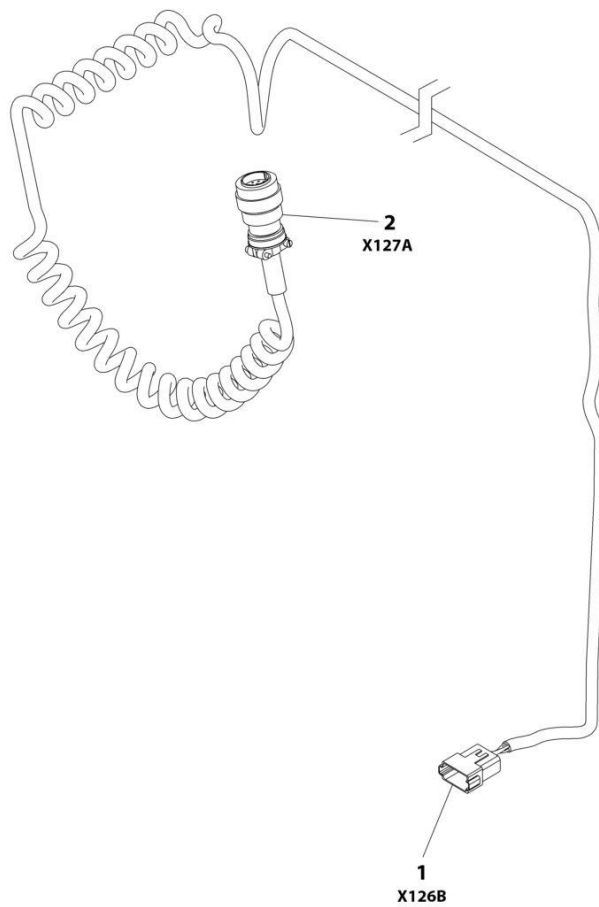
SECTION 8 - ELECTRICAL

FIGURE 8-25. PLATFORM CABLE INSTALLATION – WITHOUT FOOTSWITCH

ITEM	PART NUMBER	QTY	DESCRIPTION	REV
	1001254820	Ref	PLATFORM CABLE INSTALLATION – WITHOUT FOOTSWITCH	D
1	3290606	5	Nut M6 x 1	
4	1001249048	1	Cable, Platform Deck (See Separate Breakdown in this Section)	
6	0760606	5	Bolt M6 x 12	
7	1001220668	5	Clamp, Platform Cable Post	
8	4240018	1	Tie Strap (Not Shown)	

SECTION 8 - ELECTRICAL

FIGURE 8-26. PLATFORM CABLE HARNESS – WITHOUT FOOTSWITCH



ART_1001249048

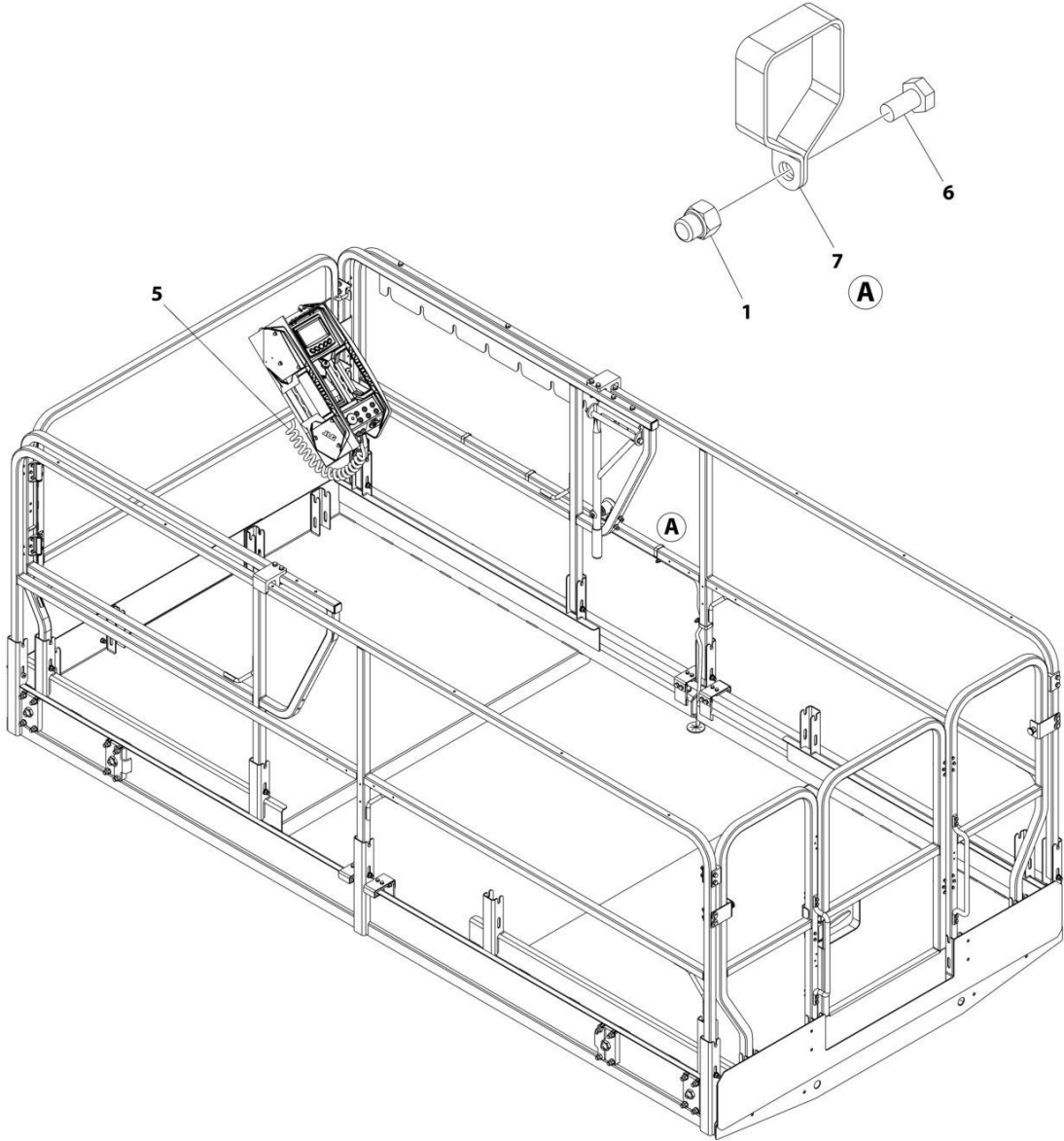
SECTION 8 - ELECTRICAL

FIGURE 8-26. PLATFORM CABLE HARNESS – WITHOUT FOOTSWITCH

ITEM	PART NUMBER	QTY	DESCRIPTION	REV
	1001249048	Ref	PLATFORM MODULE HARNESS – WITHOUT FOOTSWITCH	D
1	4460970	1	Plug, Male - 12 Position	
1	4460464	8	Pin, Male	
1	4460943	2	Pin, Male	
1	4460466	2	Plug, Terminal	
1	1001249190	1	Boot	
2	4460754	1	Receptacle, Female - 14 Position	
2	4460465	8	Socket, Femaile	
2	4460944	2	Socket, Femaile	
2	4460466	4	Plug, Terminal	

SECTION 8 - ELECTRICAL

FIGURE 8-27. PLATFORM CABLE INSTALLATION – WITH FOOTSWITCH



ART_1001258923

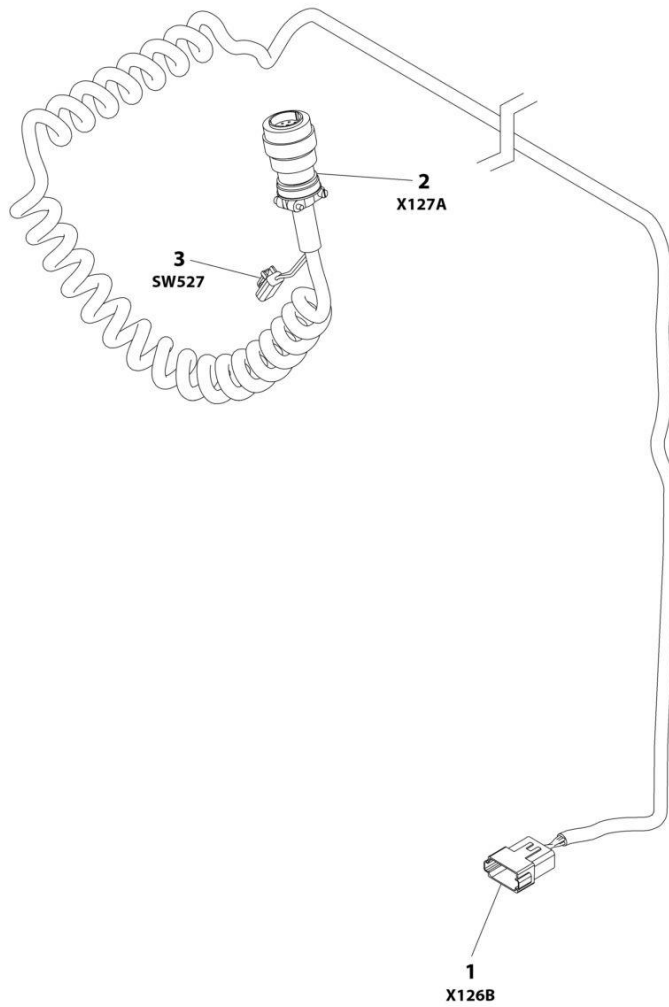
SECTION 8 - ELECTRICAL

FIGURE 8-27. PLATFORM CABLE INSTALLATION – WITH FOOTSWITCH

ITEM	PART NUMBER	QTY	DESCRIPTION	REV
	1001258923	Ref	PLATFORM CABLE INSTALLATION – WITH FOOTSWITCH	C
1	3290606	5	Nut M6 x 1	
5	1001258223	1	Harness, Platform Deck (See Separate Breakdown in this Section)	
6	0760606	5	Bolt M6 x 12	
7	1001220668	5	Clamp, Platform Cable Post	
8	4240018	1	Tie Strap (Not Shown)	

SECTION 8 - ELECTRICAL

FIGURE 8-28. PLATFORM CABLE HARNESS – WITH FOOTSWITCH



ART_1001258223

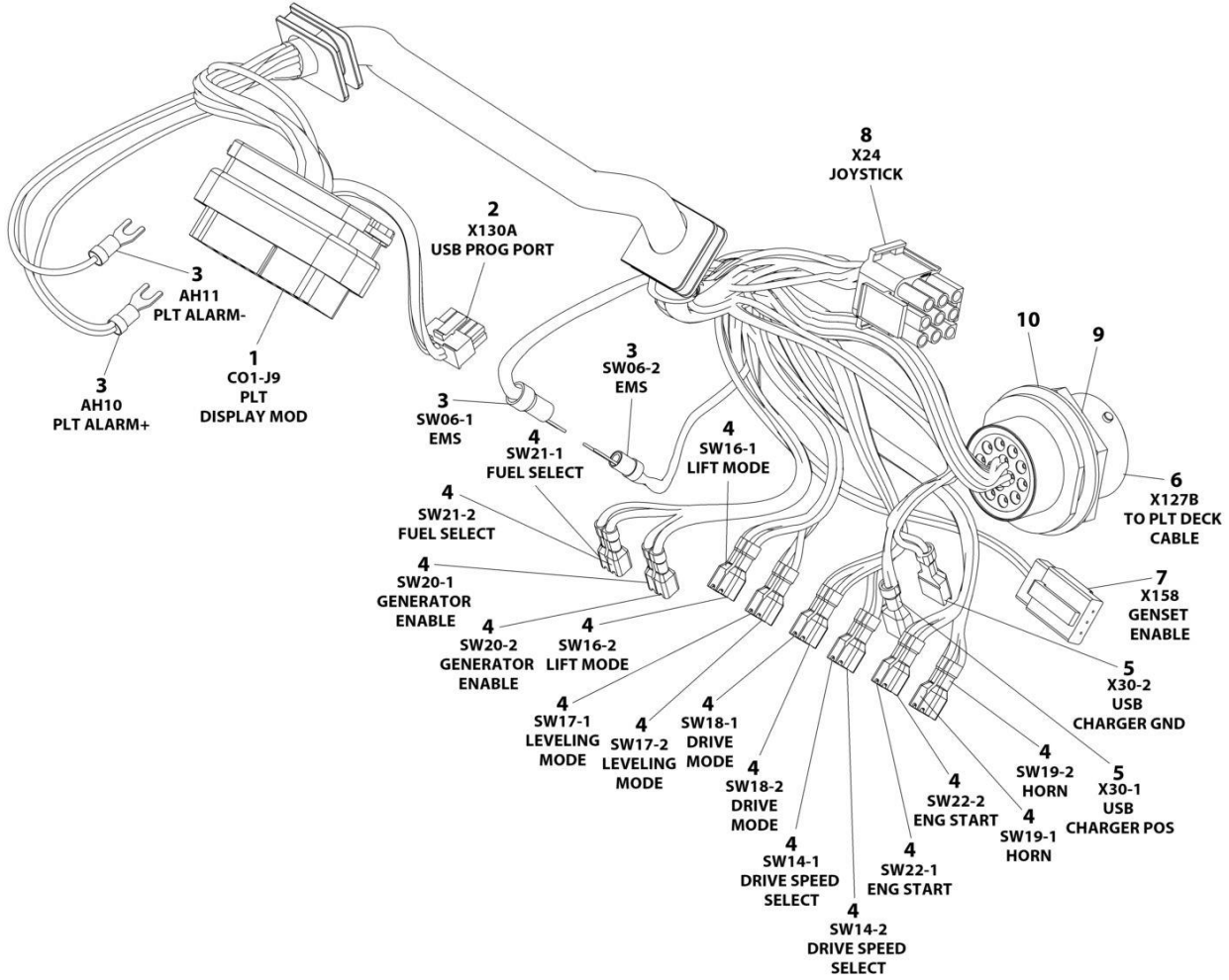
SECTION 8 - ELECTRICAL

FIGURE 8-28. PLATFORM CABLE HARNESS – WITH FOOTSWITCH

ITEM	PART NUMBER	QTY	DESCRIPTION	REV
	1001258223	Ref	PLATFORM MODULE HARNESS – WITH FOOTSWITCH	B
1	4460970	1	Plug, Male - 12 Position	
1	4460464	7	Pin, Male	
1	4460943	2	Pin, Male	
1	4460466	3	Plug, Terminal	
1	1001249190	1	Boot	
2	4460754	1	Receptacle, Female - 14 Position	
2	4460465	9	Socket, Female	
2	4460944	2	Socket, Female	
2	4460466	3	Plug, Terminal	
3	4460891	1	Plug, Male - 4 Position	
3	4460465	2	Socket, Female	

SECTION 8 - ELECTRICAL

FIGURE 8-29. PLATFORM CONTROL BOX HARNESS



ART_1001249049

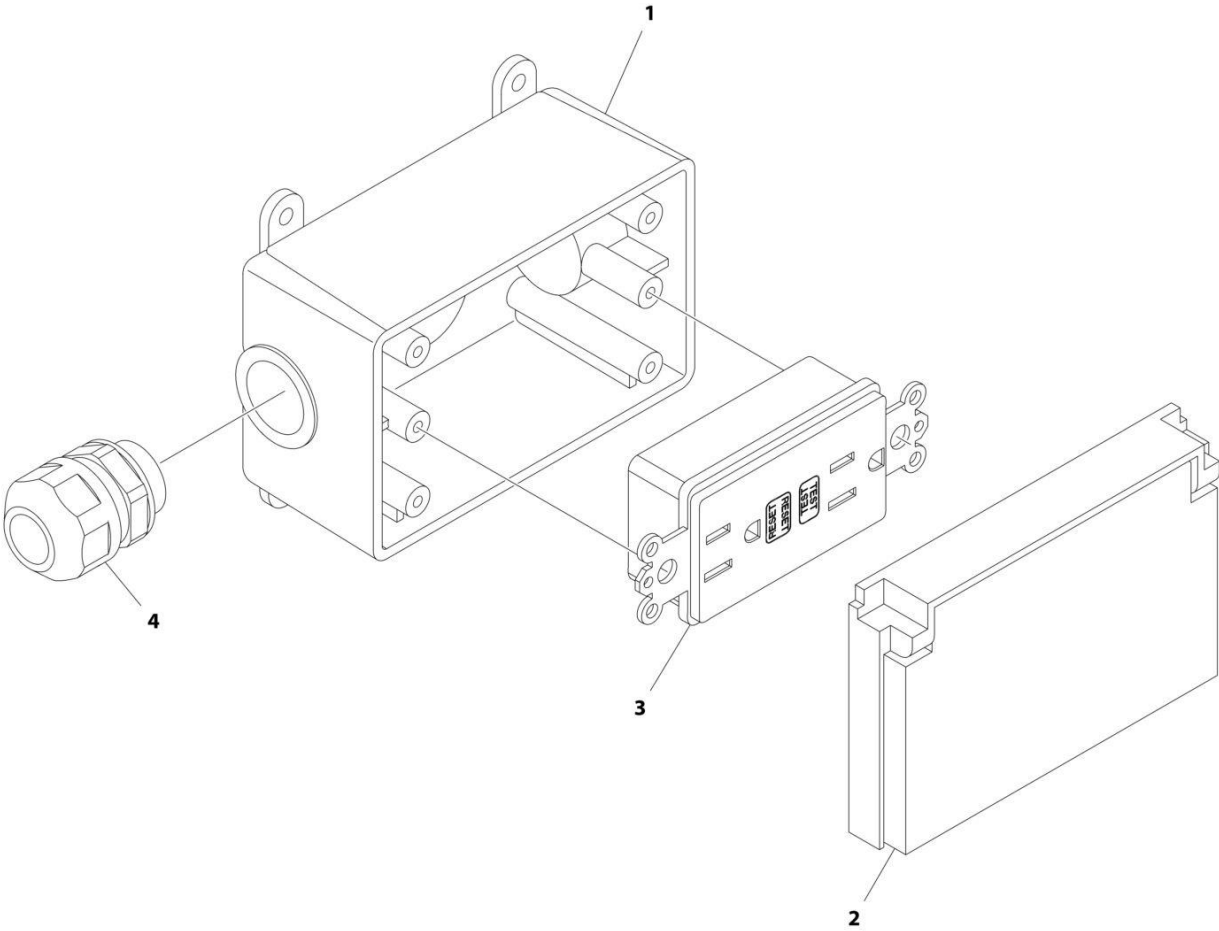
SECTION 8 - ELECTRICAL

FIGURE 8-29. PLATFORM CONTROL BOX HARNESS

ITEM	PART NUMBER	QTY	DESCRIPTION	REV
	1001249049	Ref	PLATFORM CONSOLE BOX HARNESS	G
1	4460873	1	Connector - 35 Position	
1	4460871	28	Pin, Male	
1	4460905	7	Plug, Terminal	
2	1001150735	1	Connector - 10 Position	
2	1001150889	5	Terminal	
3	4460183	4	Terminal, Fork	
4	1001201885	16	Receptacle, Female - 2 Position	
5	8220051	2	Terminal	
6	4461016	1	Connector - 14 Position	
6	4460464	11	Socket, Female	
6	4460466	1	Plug, Terminal	
6	4460943	2	Bussbar	
7	4460911	1	Plug, Male - 3 Position	
7	4460918	3	Terminal	
8	4460265	1	Plug, Male - 9 Position	
8	4460267	7	Terminal	
9	1001125784	1	Washer	
10	4460497	1	Terminal, Nut	

SECTION 8 - ELECTRICAL

FIGURE 8-30. RECEPTACLE BOX KIT - 110V GFI



ART_2902431

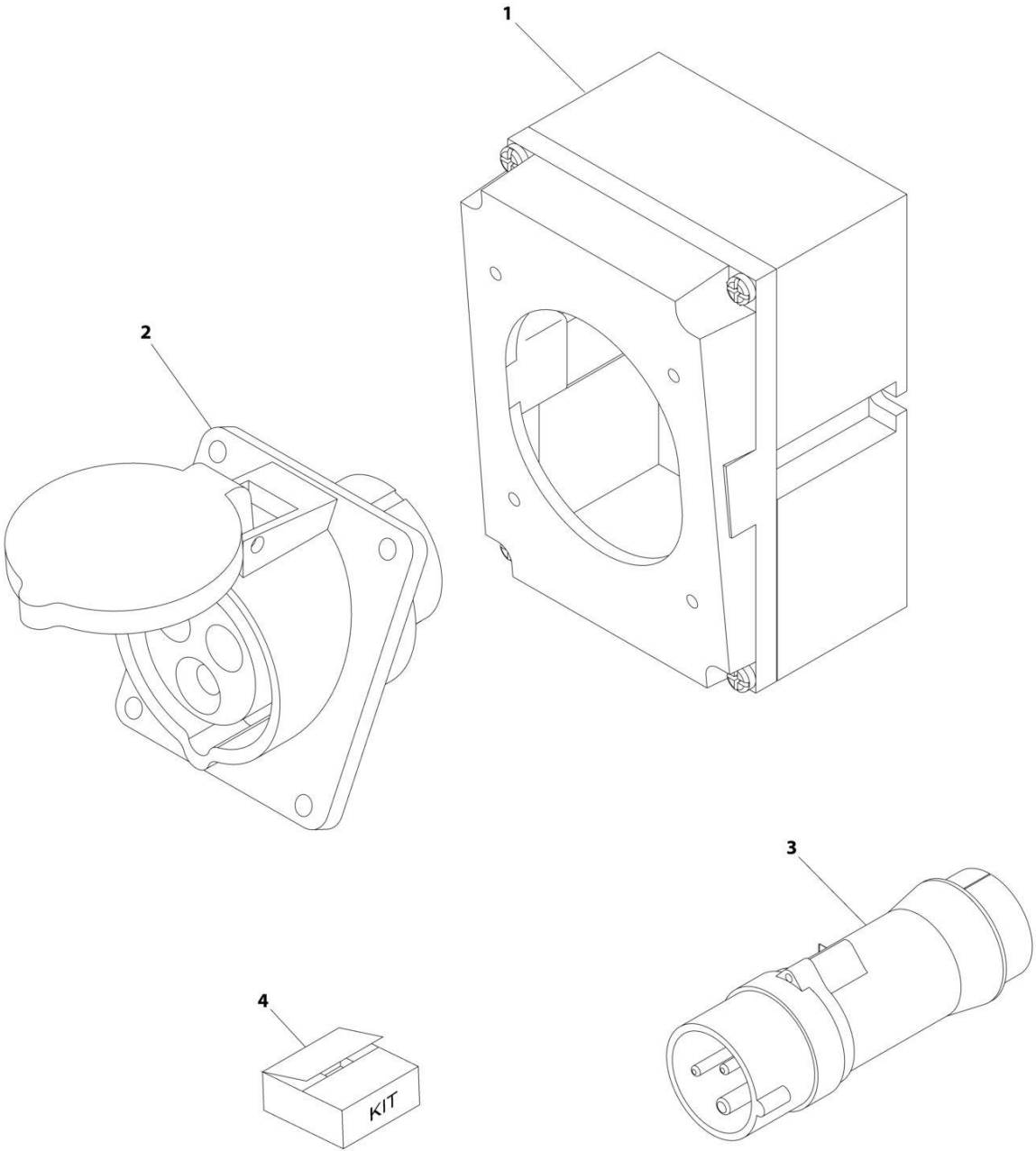
SECTION 8 - ELECTRICAL

FIGURE 8-30. RECEPTACLE BOX KIT - 110V GFI

ITEM	PART NUMBER	QTY	DESCRIPTION	REV
	2902431	Ref	RECEPTACLE BOX KIT - 110V GFI	D
1	0861731	1	Box, Receptacle	
2	1671207	1	Cover, Receptacle	
3	4460346	1	Receptacle	
4	4460662	1	Connector, Strain Relief	

SECTION 8 - ELECTRICAL

FIGURE 8-31. RECEPTACLE BOX KIT - 110V IEC YELLOW (CE & UK CA SPECS)



ART_0275216

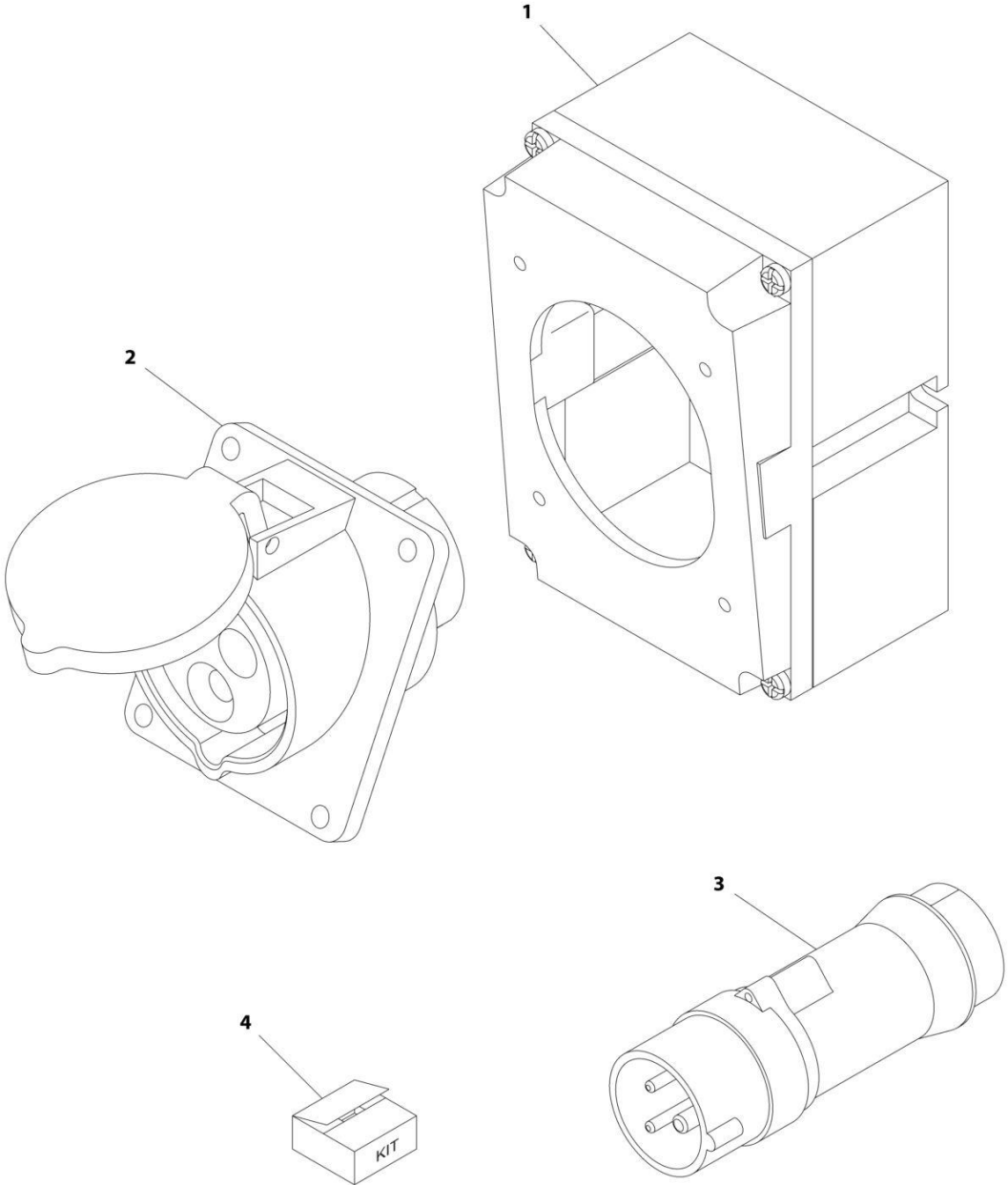
SECTION 8 - ELECTRICAL

FIGURE 8-31. RECEPTACLE BOX KIT - 110V IEC YELLOW (CE & UK CA SPECS)

ITEM	PART NUMBER	QTY	DESCRIPTION	REV
	0275216	Ref	RECEPTACLE BOX KIT - 110V IEC YELLOW	B
1	0861781	1	Box, Switch	
2	4461198	1	Receptacle	
3	4461196	1	Plug, Male	
4	1001100341	1	Plug and Socket Kit (Includes Items 1-3 and Female Plug p/n 4461197)	

SECTION 8 - ELECTRICAL

FIGURE 8-32. RECEPTACLE BOX KIT - 220V IEC BLUE (CE & UK CA SPECS)



ART_0275217

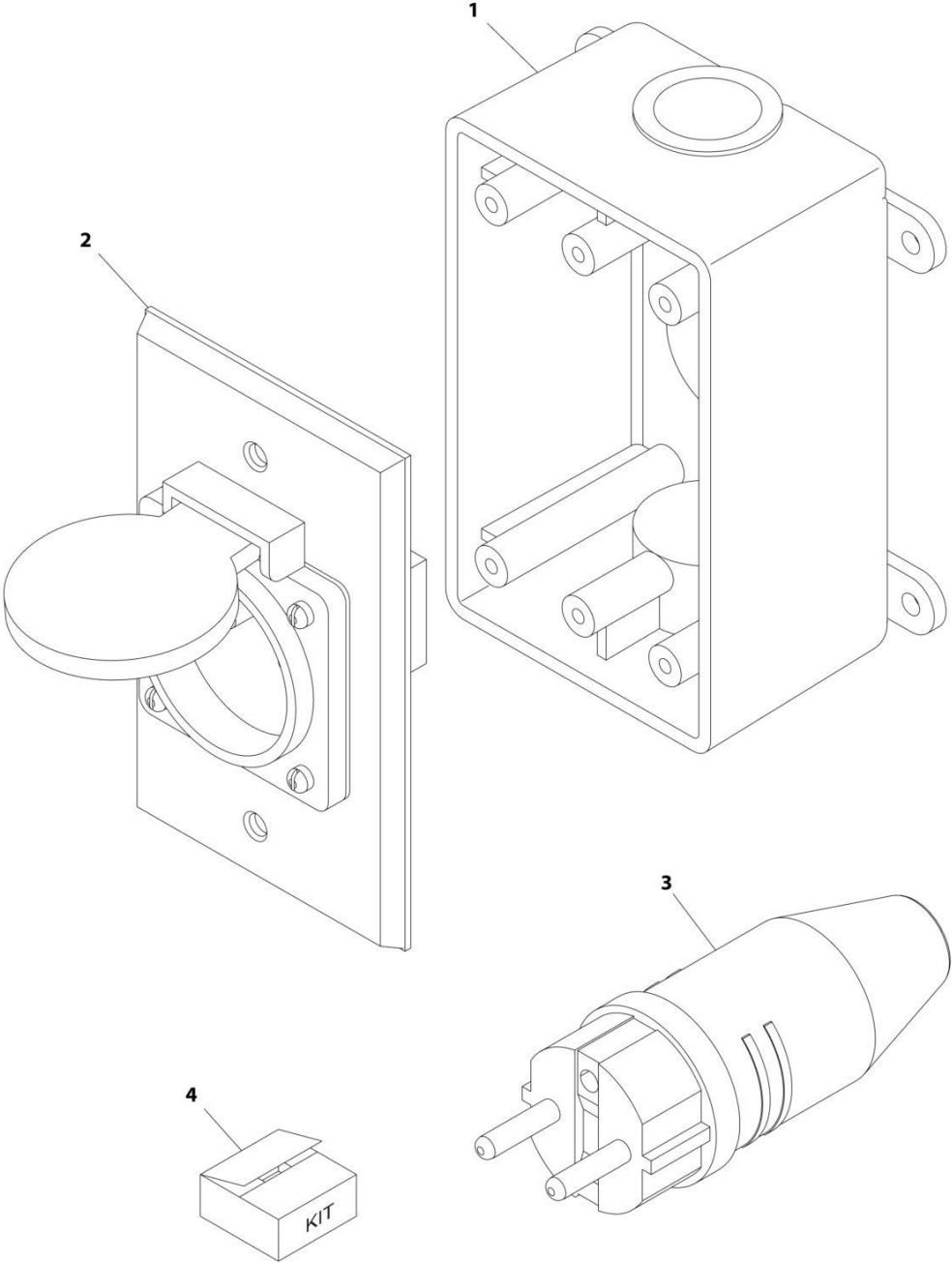
SECTION 8 - ELECTRICAL

FIGURE 8-32. RECEPTACLE BOX KIT - 220V IEC BLUE (CE & UK CA SPECS)

ITEM	PART NUMBER	QTY	DESCRIPTION	REV
	0275217	Ref	RECEPTACLE BOX KIT - 220V IEC BLUE	B
1	0861781	1	Box, Switch	
2	4461201	1	Receptacle	
3	4461199	1	Plug, Male	
4	1001100342	1	Plug and Socket Kit (Includes Items 1-3 and Female Plug p/n 4461200)	

SECTION 8 - ELECTRICAL

FIGURE 8-33. RECEPTACLE BOX KIT - 220V CEE7 POST GROUND (CE & UK CA SPECS)



ART_0275452-C

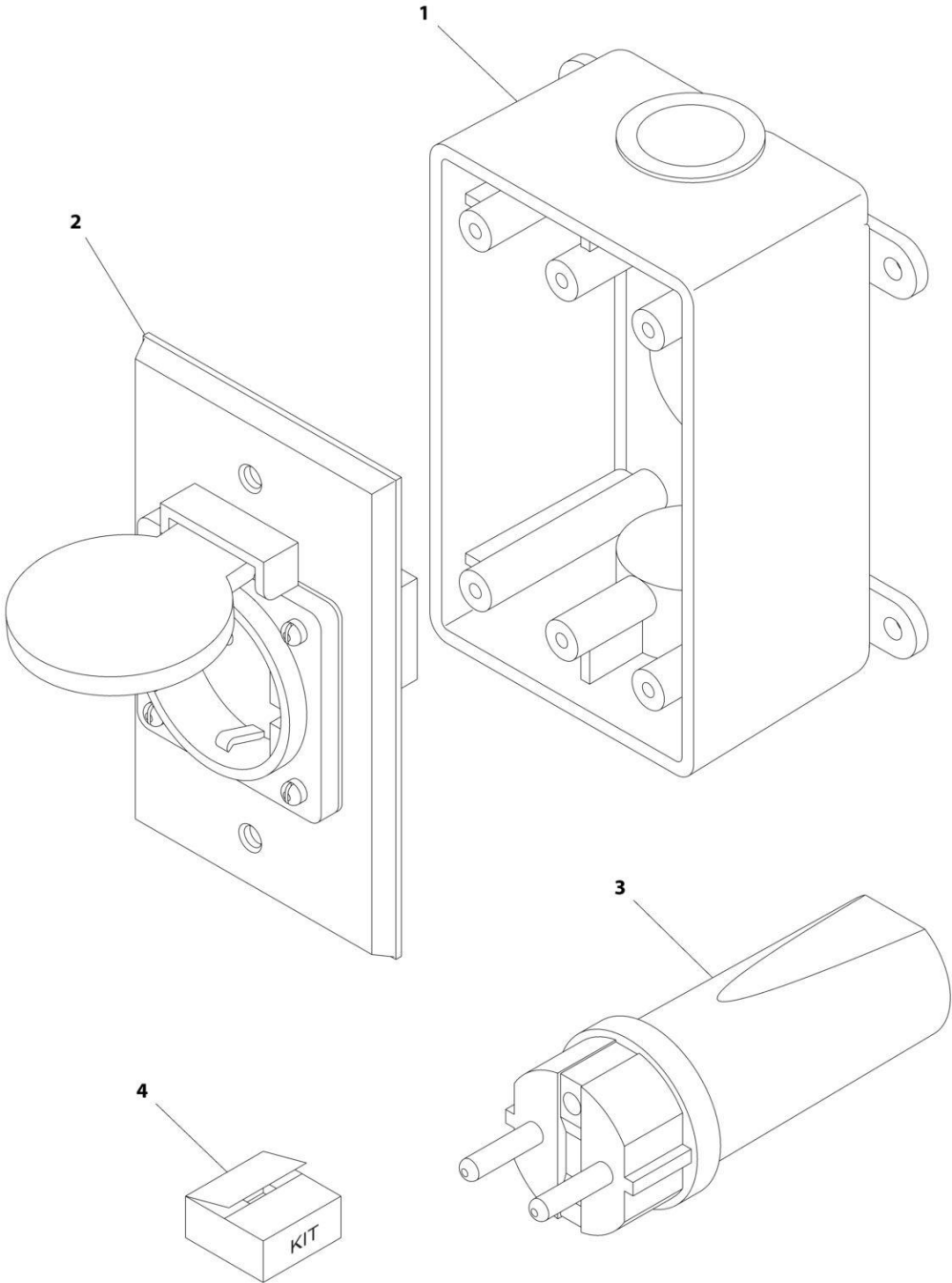
SECTION 8 - ELECTRICAL

FIGURE 8-33. RECEPTACLE BOX KIT - 220V CEE7 POST GROUND (CE & UK CA SPECS)

ITEM	PART NUMBER	QTY	DESCRIPTION	REV
	0275452	Ref	RECEPTACLE BOX KIT - 220V CEE7 POST GROUND 2IN X 4IN BOX	C
1	0861731	1	Box, Switch	
2	4461244	1	Receptacle	
3	4461205	1	Plug, Male	
4	1001100345	1	Plug and Socket Kit (Includes Items 1-3 and Female Plug p/n 4461203)	

SECTION 8 - ELECTRICAL

FIGURE 8-34. RECEPTACLE BOX KIT - 220V CEE7 SIDE GROUND (CE & UK CA SPECS)



ART_0275453

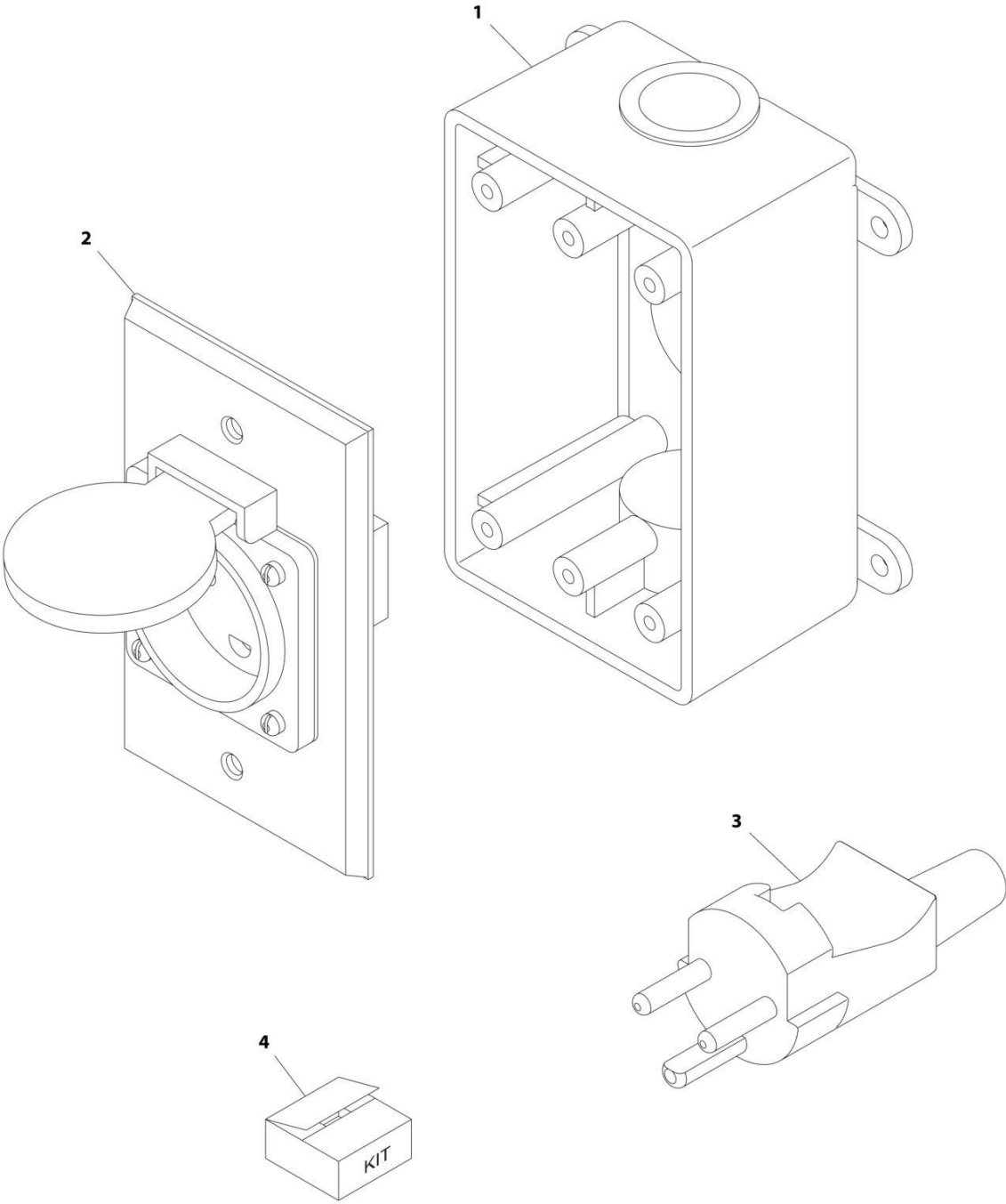
SECTION 8 - ELECTRICAL

FIGURE 8-34. RECEPTACLE BOX KIT - 220V CEE7 SIDE GROUND (CE & UK CA SPECS)

ITEM	PART NUMBER	QTY	DESCRIPTION	REV
	0275453	Ref	RECEPTACLE BOX KIT - 220V CEE7 SIDE GROUND	B
1	0861731	1	Box, Switch	
2	4461245	1	Receptacle	
3	4461205	1	Plug, Male	
4	1001100347	1	Plug and Socket Kit (Includes Items 1-3 and Female Plug p/n 4461206)	

SECTION 8 - ELECTRICAL

FIGURE 8-35. RECEPTACLE BOX KIT - 220V AFSINT 107 (CE & UK CA SPECS)



ART_0275454

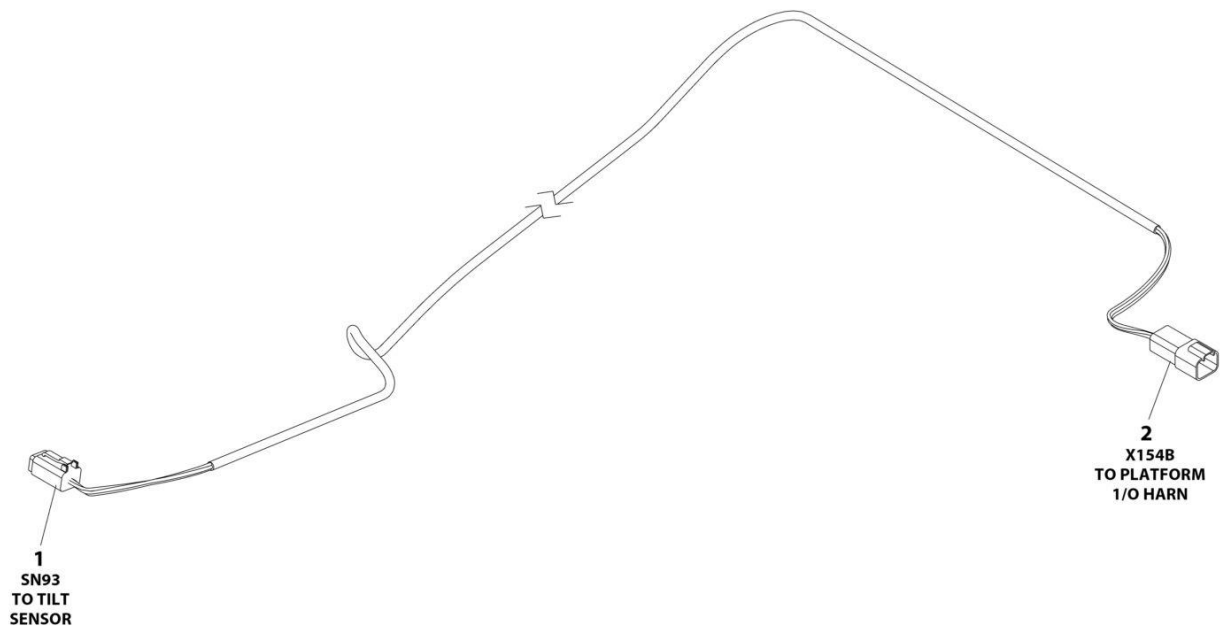
SECTION 8 - ELECTRICAL

FIGURE 8-35. RECEPTACLE BOX KIT - 220V AFSINT 107 (CE & UK CA SPECS)

ITEM	PART NUMBER	QTY	DESCRIPTION	REV
	0275454	Ref	RECEPTACLE BOX KIT - 220V AFSINT 107	B
1	0861731	1	Box, Switch	
2	4461246	1	Receptacle	
3	4461249	1	Plug, Male	
4	1001100346	1	Plug and Socket Kit (Includes Items 1-3 and Female Plug p/n 4461250)	

SECTION 8 - ELECTRICAL

FIGURE 8-36. TILT SENSOR HARNESS



ART_1001249091

SECTION 8 - ELECTRICAL

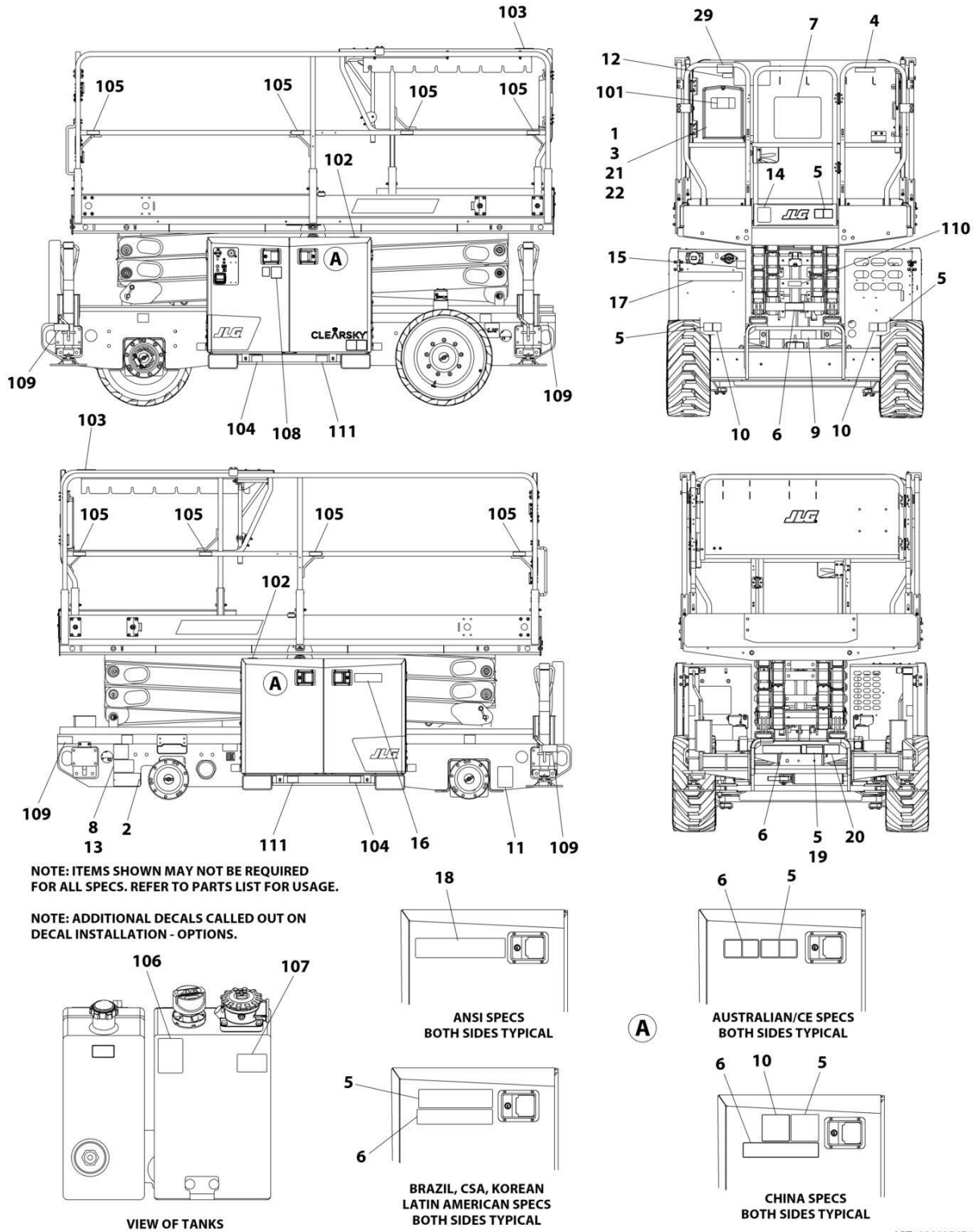
FIGURE 8-36. TILT SENSOR HARNESS

ITEM	PART NUMBER	QTY	DESCRIPTION	REV
	1001249091	Ref	TILT SENSOR HARNESS	C
1	4460884	1	Plug, Male - 4 Position	
1	4460944	4	Socket, Female	
2	4460932	1	Receptacle, Female - 4 Position	
2	4460464	4	Pin, Male	

SECTION 9 - DECALS

SECTION 9 - DECALS

FIGURE 9-1. DECAL INSTALLATION - ANSI SPECS (ENGLISH LANGUAGE)



ART_1001256764

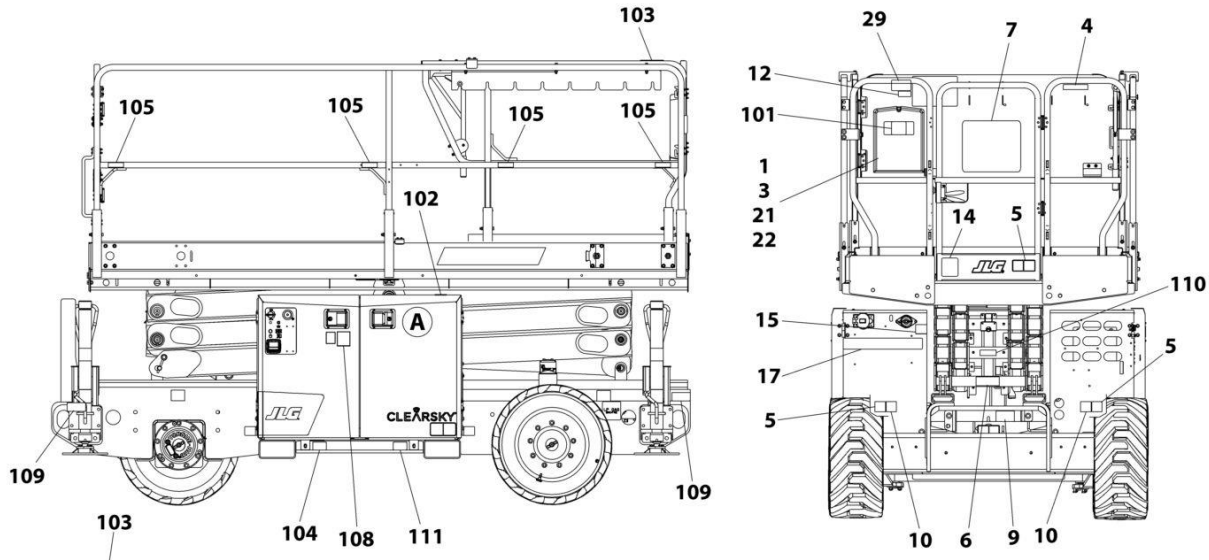
SECTION 9 - DECALS

FIGURE 9-1. DECAL INSTALLATION - ANSI SPECS (ENGLISH LANGUAGE)

ITEM	PART NUMBER	QTY	DESCRIPTION	REV
	1001256764	Ref	DECAL INSTALLATION	C
	1001256945	Ref	DECAL CHART DRAWING (RT2669)	G
	1001262071	Ref	DECAL CHART DRAWING (RT3369)	E
1	0760610	4	Bolt M6 x 20	
2	2080057	2	Fastener	
3	0860520	1	Box, Manual Storage	
4	1703821	1	Decal - Control Box Location	
5	1001211779	2	Decal - Electrocution	
6	1001211777	2	Decal - Crushing Hazard	
7	1703816	1	Decal - Danger/Warning	
8	1001223055	1	Decal - Yearly Inspection	
9	1703822	1	Decal - Manual Descent Instruction	
11	1001131270	1	Decal - Patent	
12	1001223453	1	Decal - ICES	
18	1703818	2	Decal - Warning Crushing Hazard/Danger Electrocution	
19	1705695	1	Decal - Danger Electrocution	
21	3290605	4	Nut M6	
22	4811700	8	Washer M6	
100	1001256763	1	Decal Master Kit (Not Shown)	
101	1701640	1	Decal - Manual	
102	1703687	2	Decal - Direction Arrow	
103	1703819	2	Decal - Direction Arrow	
104	1001265579	2	Decal - Fork Lift	
105	1704277	8	Decal - Lanyard Attach	
106	1704412	1	Decal - Hydraulic Oil Chart	
107	70046028	1	Decal - Hydraulic Oil Level	
108	1001094708	1	Decal - Hydraulic Oil	
109	1001162864	4	Decal - Lift Point/Tie Down	
110	1001256865	1	Decal - Arm Prop	
111	1001265580	2	Decal - Fork Lift	

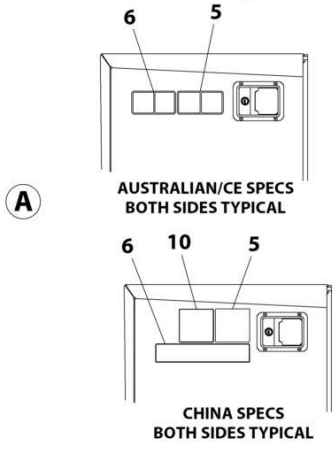
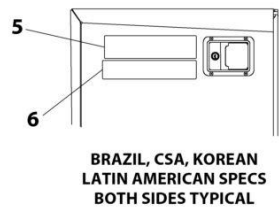
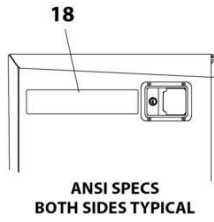
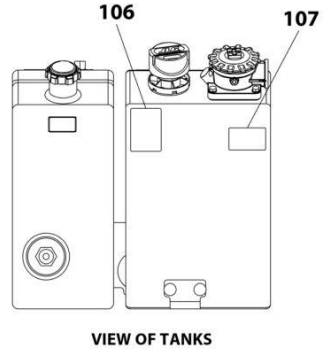
SECTION 9 - DECALS

FIGURE 9-2. DECAL INSTALLATION - AUSTRALIAN, CE & UK CA SPECS (ENGLISH LANGUAGE)



NOTE: ITEMS SHOWN MAY NOT BE REQUIRED FOR ALL SPECS. REFER TO PARTS LIST FOR USAGE.

NOTE: ADDITIONAL DECALS CALLED OUT ON DECAL INSTALLATION - OPTIONS.



ART_1001256770

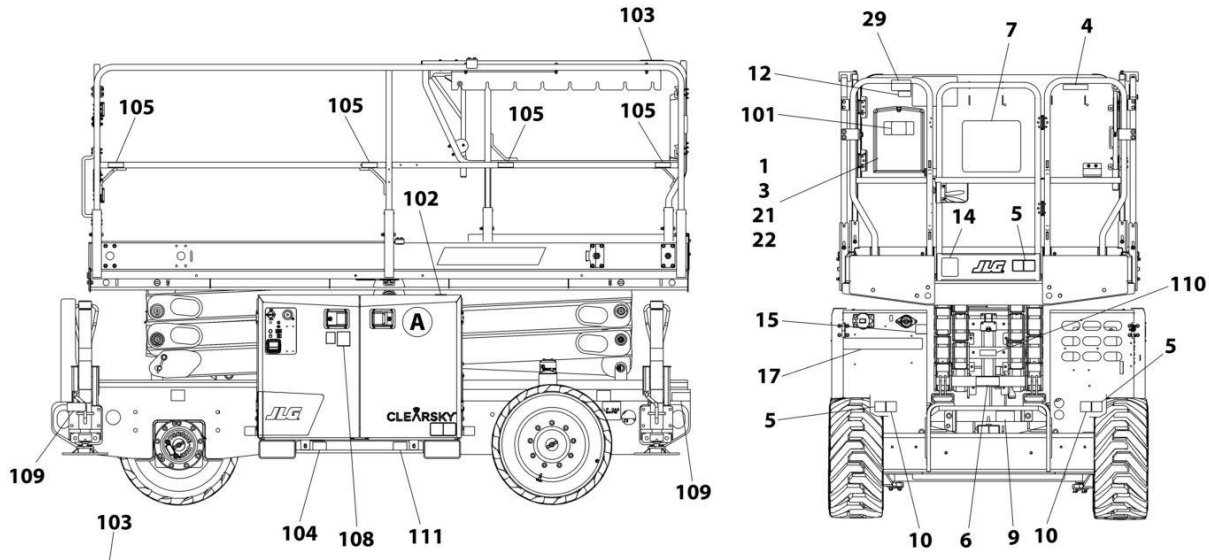
SECTION 9 - DECALS

FIGURE 9-2. DECAL INSTALLATION - AUSTRALIAN,CE & UK CA SPECS (ENGLISH LANGUAGE)

ITEM	PART NUMBER	QTY	DESCRIPTION	REV
	1001256770	Ref	DECAL INSTALLATION	D
	1001256945	Ref	DECAL CHART DRAWING (RT2669)	G
	1001262071	Ref	DECAL CHART DRAWING (RT3369)	E
1	0760610	4	Bolt M6 x 20	
2	2080057	4	Fastener	
3	0860520	1	Box, Manual Storage	
5	1705671	6	Decal - Electrocution	
6	1705673	4	Decal - Crushing	
9	1703822	1	Decal - Manual Descent Instruction	
13	1705670	2	Decal - Fire Hazard	
14	1001292287	1	Decal - Sound	
21	3290605	4	Nut M6	
22	4811700	8	Washer M6	
100	1001256763	1	Decal Master Kit (Not Shown)	
101	1701640	1	Decal - Manual	
102	1703687	2	Decal - Direction Arrow	
103	1703819	2	Decal - Direction Arrow	
104	1001265579	2	Decal - Fork Lift	
105	1704277	8	Decal - Lanyard Attach	
106	1704412	1	Decal - Hydraulic Oil Chart	
107	70046028	1	Decal - Hydraulic Oil Level	
108	1001094708	1	Decal - Hydraulic Oil	
109	1001162864	4	Decal - Lift Point/Tie Down	
110	1001256865	1	Decal - Arm Prop	
111	1001265580	2	Decal - Fork Lift	

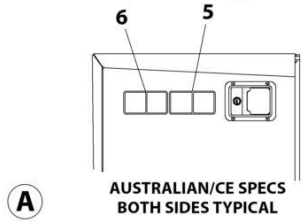
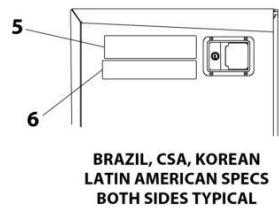
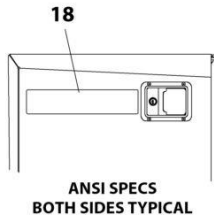
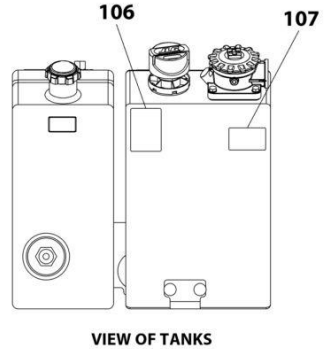
SECTION 9 - DECALS

FIGURE 9-3. DECAL INSTALLATION - BRAZIL SPECS (SPANISH/PORTUGUESE LANGUAGES)

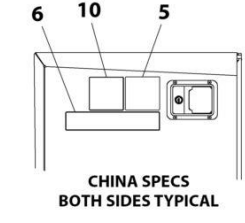


NOTE: ITEMS SHOWN MAY NOT BE REQUIRED FOR ALL SPECS. REFER TO PARTS LIST FOR USAGE.

NOTE: ADDITIONAL DECALS CALLED OUT ON DECAL INSTALLATION - OPTIONS.



(A)



ART_1001256767

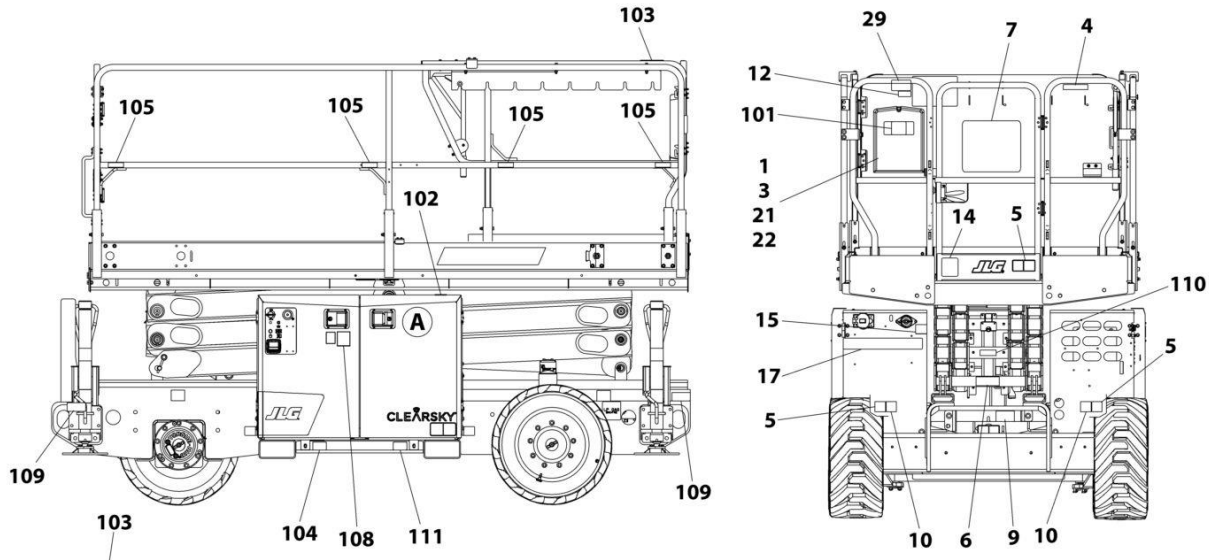
SECTION 9 - DECALS

FIGURE 9-3. DECAL INSTALLATION - BRAZIL SPECS (SPANISH/PORTUGUESE LANGUAGES)

ITEM	PART NUMBER	QTY	DESCRIPTION	REV
	1001256767	Ref	DECAL INSTALLATION	C
	1001256945	Ref	DECAL CHART DRAWING (RT2669)	G
	1001262071	Ref	DECAL CHART DRAWING (RT3369)	E
1	0760610	4	Bolt M6 x 20	
2	2080057	2	Fastener	
3	0860520	1	Box, Manual Storage	
4	1704702	1	Decal - Control Box Location	
5	1705043	5	Decal - Danger Electrical Hazard	
6	1001216650	4	Decal - Crushing	
7	1704699	1	Decal - Danger/Warning	
8	1001224052	1	Decal - Yearly Inspection	
9	1703822	1	Decal - Manual Descent Instruction	
21	3290605	4	Nut M6	
22	4811700	8	Washer M6	
100	1001256763	1	Decal Master Kit (Not Shown)	
101	1701640	1	Decal - Manual	
102	1703687	2	Decal - Direction Arrow	
103	1703819	2	Decal - Direction Arrow	
104	1001265579	2	Decal - Fork Lift	
105	1704277	8	Decal - Lanyard Attach	
106	1704412	1	Decal - Hydraulic Oil Chart	
107	70046028	1	Decal - Hydraulic Oil Level	
108	1001094708	1	Decal - Hydraulic Oil	
109	1001162864	4	Decal - Lift Point/Tie Down	
110	1001256865	1	Decal - Arm Prop	
111	1001265580	2	Decal - Fork Lift	

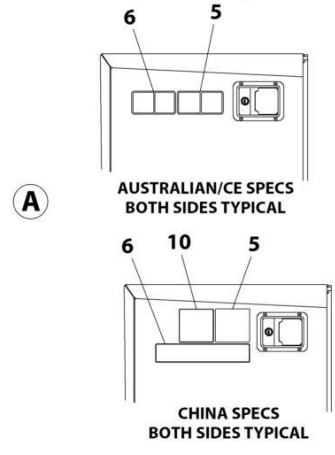
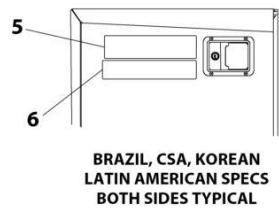
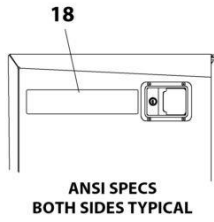
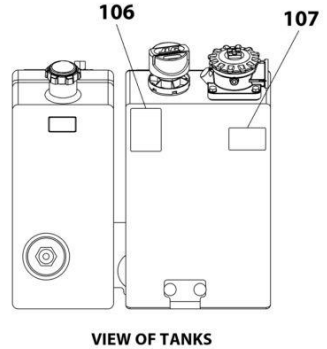
SECTION 9 - DECALS

FIGURE 9-4. DECAL INSTALLATION - CHINA SPECS (ENGLISH/CHINESE LANGUAGES)



NOTE: ITEMS SHOWN MAY NOT BE REQUIRED FOR ALL SPECS. REFER TO PARTS LIST FOR USAGE.

NOTE: ADDITIONAL DECALS CALLED OUT ON DECAL INSTALLATION - OPTIONS.



ART_1001256766

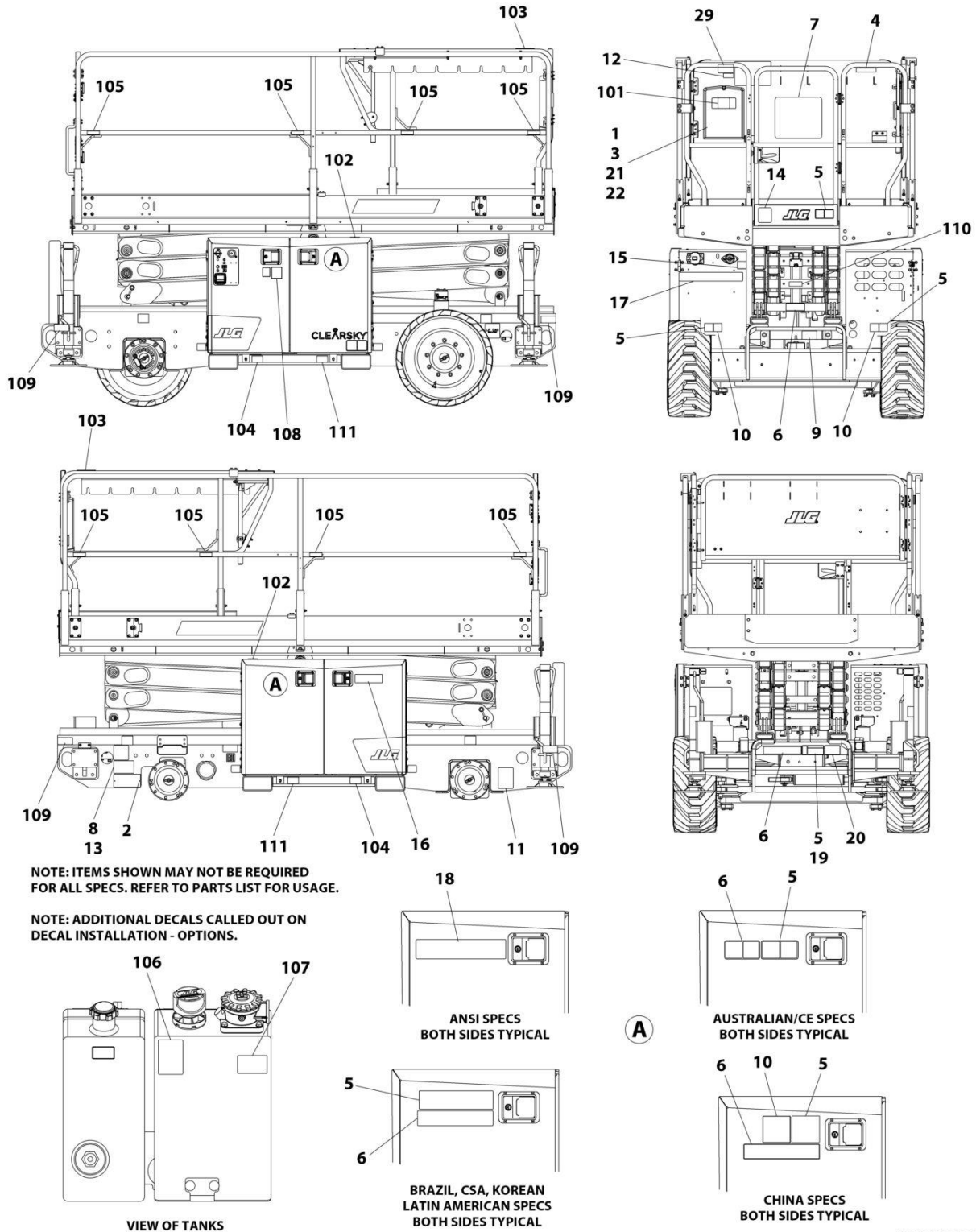
SECTION 9 - DECALS

FIGURE 9-4. DECAL INSTALLATION - CHINA SPECS (ENGLISH/CHINESE LANGUAGES)

ITEM	PART NUMBER	QTY	DESCRIPTION	REV
	1001256766	Ref	DECAL INSTALLATION	C
	1001256945	Ref	DECAL CHART DRAWING (RT2669)	G
	1001262071	Ref	DECAL CHART DRAWING (RT3369)	E
1	0760610	4	Bolt M6 x 20	
2	2080057	2	Fastener	
3	0860520	1	Box, Manual Storage	
4	1705194	1	Decal - Control Box Location	
5	1001211779	4	Decal - Electrocution	
6	1001215752	4	Decal - Crushing	
7	1705195	1	Decal - Danger/Warning	
8	1001224051	1	Decal - Yearly Inspection	
9	1703822	1	Decal - Manual Descent Instruction	
10	1001215747	4	Decal - Electrocution	
19	1705695	1	Decal - Danger Electrocution	
20	1705944	1	Decal - Danger Electrocution	
21	3290605	4	Nut M6	
22	4811700	8	Washer M6	
100	1001256763	1	Decal Master Kit (Not Shown)	
101	1701640	1	Decal - Manual	
102	1703687	2	Decal - Direction Arrow	
103	1703819	2	Decal - Direction Arrow	
104	1001265579	2	Decal - Fork Lift	
105	1704277	8	Decal - Lanyard Attach	
106	1704412	1	Decal - Hydraulic Oil Chart	
107	70046028	1	Decal - Hydraulic Oil Level	
108	1001094708	1	Decal - Hydraulic Oil	
109	1001162864	4	Decal - Lift Point/Tie Down	
110	1001256865	1	Decal - Arm Prop	
111	1001265580	2	Decal - Fork Lift	

SECTION 9 - DECALS

FIGURE 9-5. DECAL INSTALLATION - CSA SPECS (ENGLISH/FRENCH LANGUAGES)



ART_1001256769

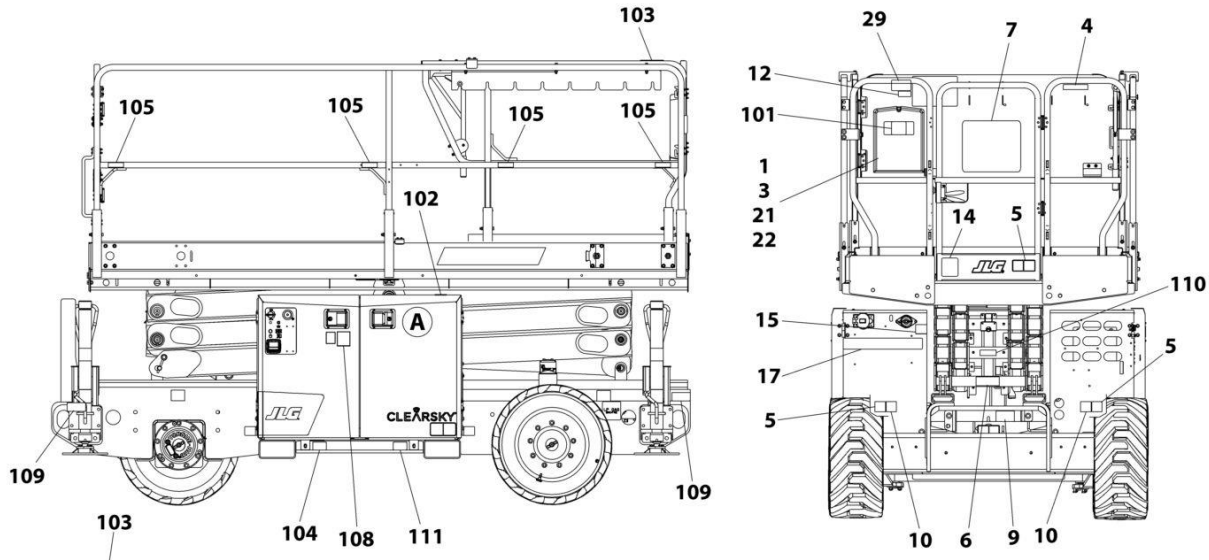
SECTION 9 - DECALS

FIGURE 9-5. DECAL INSTALLATION - CSA SPECS (ENGLISH/FRENCH LANGUAGES)

ITEM	PART NUMBER	QTY	DESCRIPTION	REV
	1001256769	Ref	DECAL INSTALLATION	C
	1001256945	Ref	DECAL CHART DRAWING (RT2669)	G
	1001262071	Ref	DECAL CHART DRAWING (RT3369)	E
1	0760610	4	Bolt M6 x 20	
2	2080057	2	Fastener	
3	0860520	1	Box, Manual Storage	
4	1704687	1	Decal - Control Box Location	
5	1705040	5	Decal - Danger Electrocutation	
6	1001215755	4	Decal - Crushing	
7	1704684	1	Decal - Danger/Warning	
8	1001223971	1	Decal - Yearly Inspection	
9	1703822	1	Decal - Manual Descent Instruction	
11	1001131270	1	Decal - Patent	
12	1001228370	1	Decal - ICES	
21	3290605	4	Nut M6	
22	4811700	8	Washer M6	
100	1001256763	1	Decal Master Kit (Not Shown)	
101	1701640	1	Decal - Manual	
102	1703687	2	Decal - Direction Arrow	
103	1703819	2	Decal - Direction Arrow	
104	1001265579	2	Decal - Fork Lift	
105	1704277	8	Decal - Lanyard Attach	
106	1704412	1	Decal - Hydraulic Oil Chart	
107	70046028	1	Decal - Hydraulic Oil Level	
108	1001094708	1	Decal - Hydraulic Oil	
109	1001162864	4	Decal - Lift Point/Tie Down	
110	1001256865	1	Decal - Arm Prop	
111	1001265580	2	Decal - Fork Lift	

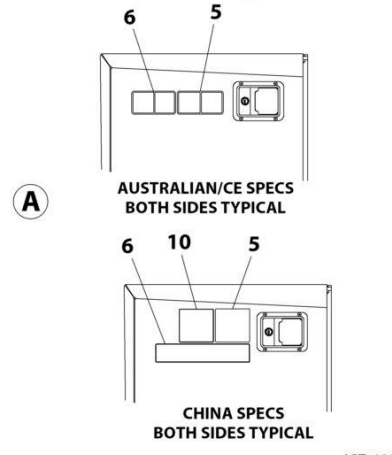
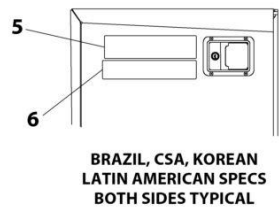
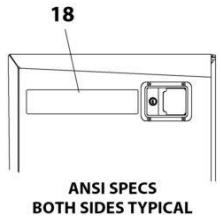
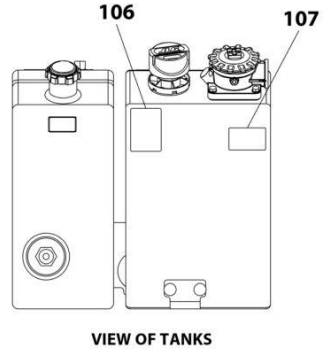
SECTION 9 - DECALS

FIGURE 9-6. DECAL INSTALLATION - KOREAN SPECS (ENGLISH/KOREAN LANGUAGES)



NOTE: ITEMS SHOWN MAY NOT BE REQUIRED FOR ALL SPECS. REFER TO PARTS LIST FOR USAGE.

NOTE: ADDITIONAL DECALS CALLED OUT ON DECAL INSTALLATION - OPTIONS.



ART_1001256765

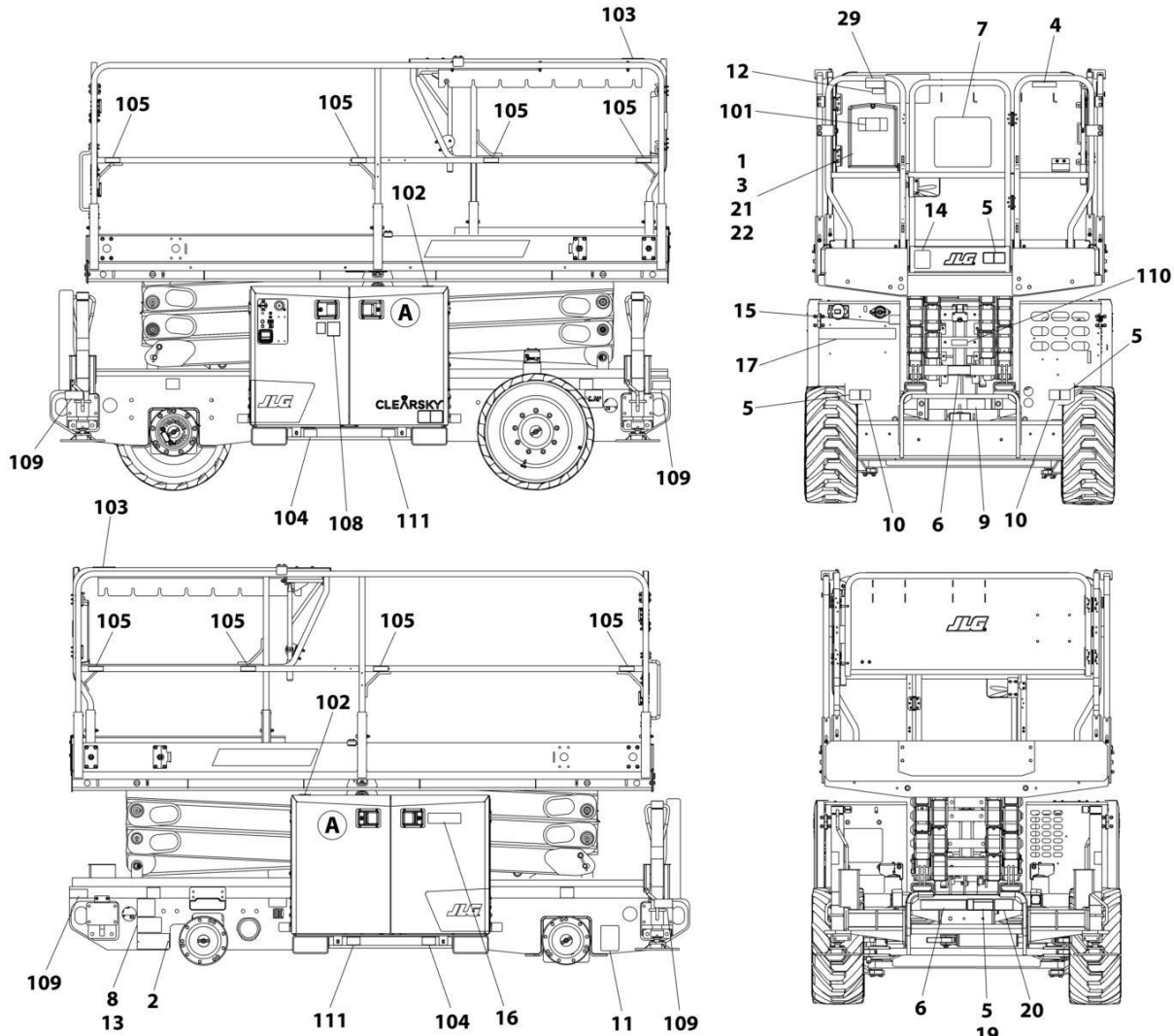
SECTION 9 - DECALS

FIGURE 9-6. DECAL INSTALLATION - KOREAN SPECS (ENGLISH/KOREAN LANGUAGES)

ITEM	PART NUMBER	QTY	DESCRIPTION	REV
	1001256765	Ref	DECAL INSTALLATION	C
	1001256945	Ref	DECAL CHART DRAWING (RT2669)	G
	1001262071	Ref	DECAL CHART DRAWING (RT3369)	E
1	0760610	4	Bolt M6 x 20	
2	2080057	2	Fastener	
3	0860520	1	Box, Manual Storage	
4	1001162112	1	Decal - Control Box Location	
5	1001162114	5	Decal - Danger Electrical Hazard	
6	1001215751	4	Decal - Crushing	
7	1001162115	1	Decal - Danger Warning	
8	1001224048	1	Decal - Yearly Inspection	
9	1703822	1	Decal - Manual Descent Instruction	
21	3290605	4	Nut M6	
22	4811700	8	Washer M6	
100	1001256763	1	Decal Master Kit (Not Shown)	
101	1701640	1	Decal - Manual	
102	1703687	2	Decal - Direction Arrow	
103	1703819	2	Decal - Direction Arrow	
104	1001265579	2	Decal - Fork Lift	
105	1704277	8	Decal - Lanyard Attach	
106	1704412	1	Decal - Hydraulic Oil Chart	
107	70046028	1	Decal - Hydraulic Oil Level	
108	1001094708	1	Decal - Hydraulic Oil	
109	1001162864	4	Decal - Lift Point/Tie Down	
110	1001256865	1	Decal - Arm Prop	
111	1001265580	2	Decal - Fork Lift	

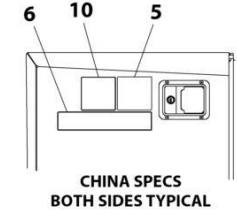
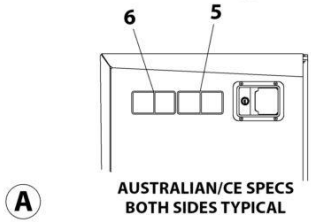
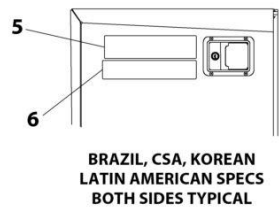
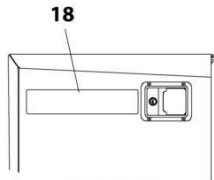
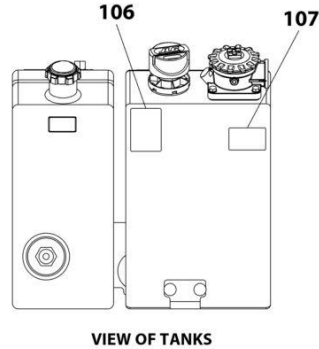
SECTION 9 - DECALS

FIGURE 9-7. DECAL INSTALLATION - LATIN AMERICAN SPECS (ENGLISH/KSPANISH LANGUAGES)



NOTE: ITEMS SHOWN MAY NOT BE REQUIRED FOR ALL SPECS. REFER TO PARTS LIST FOR USAGE.

NOTE: ADDITIONAL DECALS CALLED OUT ON DECAL INSTALLATION - OPTIONS.



ART_1001256768

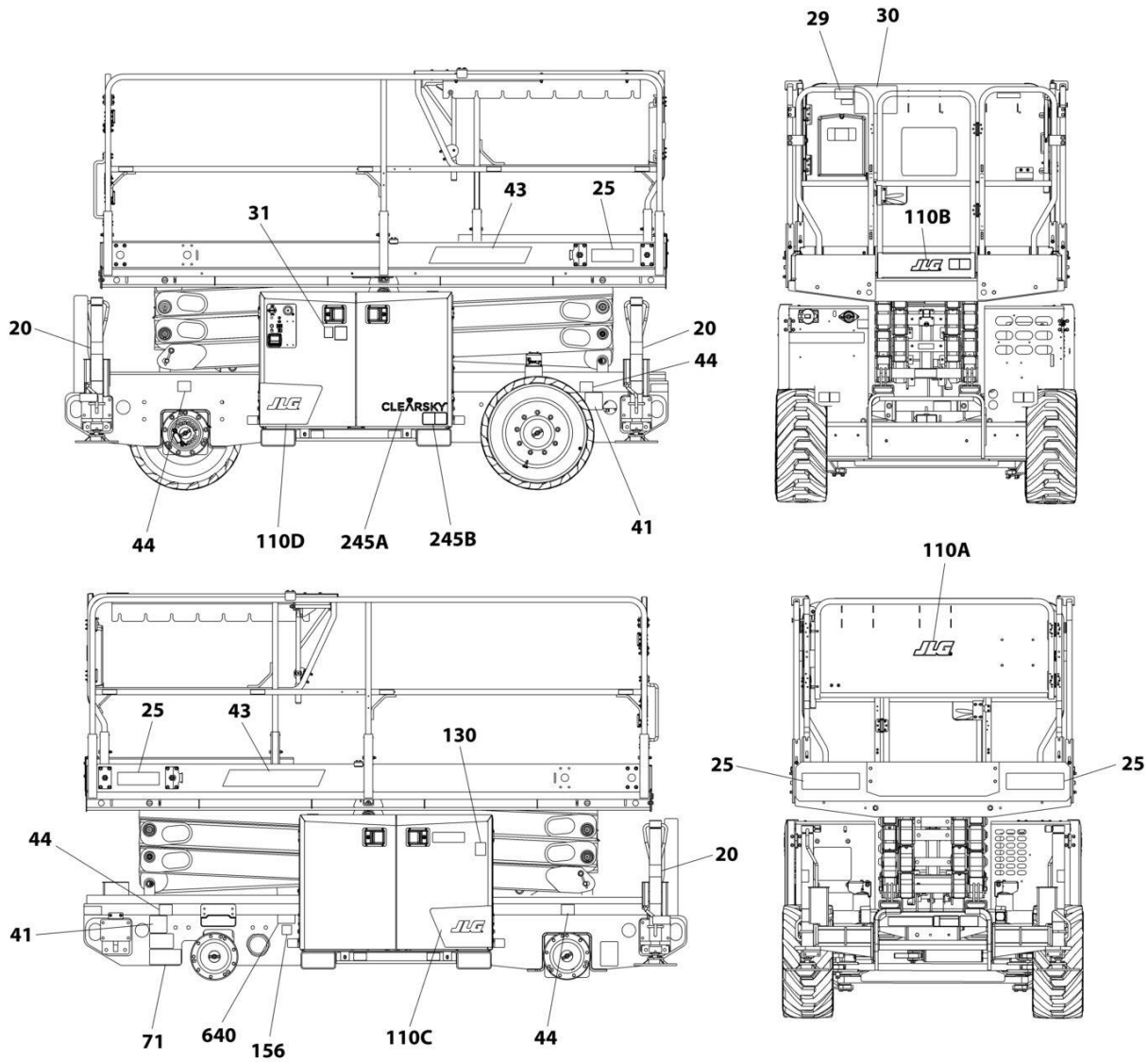
SECTION 9 - DECALS

FIGURE 9-7. DECAL INSTALLATION - LATIN AMERICAN SPECS (ENGLISH/KSPANISH LANGUAGES)

ITEM	PART NUMBER	QTY	DESCRIPTION	REV
	1001256768	Ref	DECAL INSTALLATION	C
	1001256945	Ref	DECAL CHART DRAWING (RT2669)	G
	1001262071	Ref	DECAL CHART DRAWING (RT3369)	E
1	0760610	4	Bolt M6 x 20	
2	2080057	2	Fastener	
3	0860520	1	Box, Manual Storage	
4	1704694	1	Decal - Control Box Location	
5	1705041	5	Decal - Danger Electrical Hazard	
6	1001215754	4	Decal - Crushing	
7	1704691	1	Decal - Danger/Warning	
8	1001224049	1	Decal - Yearly Inspection	
9	1703822	1	Decal - Manual Descent Instruction	
21	3290605	4	Nut M6	
22	4811700	8	Washer M6	
100	1001256763	1	Decal Master Kit (Not Shown)	
101	1701640	1	Decal - Manual	
102	1703687	2	Decal - Direction Arrow	
103	1703819	2	Decal - Direction Arrow	
104	1001265579	2	Decal - Fork Lift	
105	1704277	8	Decal - Lanyard Attach	
106	1704412	1	Decal - Hydraulic Oil Chart	
107	70046028	1	Decal - Hydraulic Oil Level	
108	1001094708	1	Decal - Hydraulic Oil	
109	1001162864	4	Decal - Lift Point/Tie Down	
110	1001256865	1	Decal - Arm Prop	
111	1001265580	2	Decal - Fork Lift	

SECTION 9 - DECALS

FIGURE 9-8. DECAL INSTALLATION - OPTIONS



NOTE: ITEMS SHOWN MAY NOT BE REQUIRED FOR ALL SPECS. REFER TO PARTS LIST FOR USAGE.

VIEW OF TANKS

ART_DECAL_OPTIONS

SECTION 9 - DECALS

FIGURE 9-8. DECAL INSTALLATION - OPTIONS

ITEM	PART NUMBER	QTY	DESCRIPTION	REV
		Ref	DECAL INSTALLATION - OPTIONS	
	1001256945	Ref	DECAL CHART DRAWING (RT2669)	F
	1001262071	Ref	DECAL CHART DRAWING (RT3369)	D
20		Ref	Decal - Leveling Jack Warning Options:	
20	1701214	4	Decal - Leveling Jack Warning (ANSI Specs)	
20	1701785	4	Decal - Leveling Jack Warning (Australian, CE & UK CA Specs)	
20	1704698	4	Decal - Leveling Jack Warning (Brazil Specs)	
20	1704690	4	Decal - Leveling Jack Warning (CSA Specs)	
20	1001215447	4	Decal - Leveling Jack Warning (Korean Specs)	
20	1704697	4	Decal - Leveling Jack Warning (Latin American Specs)	
25	1001254363	Ref	Corner Stripes Installation	C
25	4420051	4 ft /1.2m	Tape, Safety	
29	1001231801	1	Decal - Warning Prop 65	
30	1001256793	1	Decal - Capacity (RT2669)	
30	1001256795	1	Decal - Capacity (RT3369)	
31	1701505	1	Decal - Fuel (Diesel)	
31	1701542	1	Decal - Fuel (Gas)	
41		Ref	Decal - LP Gas Options:	
41	1700818	2	Decal - LP Gas (English Language)	
41	1702720	2	Decal - LP Gas (English/French Language)	
41	1704271	2	Decal - LP Gas (Spanish Language)	
43	1001256779	2	Decal - Model (RT2669)	
43	1001256780	2	Decal - Model (RT3369)	
44	1001256791	4	Decal - Max Tire Load	
71	See Note	NSS	Decal - Manufacturers Serial Number (Note: Not Available for Purchase)	
110	1001263163	Ref	JLG Decals Installation	B
110A	1001256675	1	Decal - JLG	
110B	1001256676	1	Decal - JLG	
110C	1001265581	1	Decal - JLG	
110D	1001265582	1	Decal - JLG	
130		Ref	Decal - Warning Explosion/Fire Options:	
130	1704972	1	Decal - Warning Explosion/Fire (ANSI Specs)	
130	1706098	1	Decal - Warning Explosion/Fire (Australian, CE & UK CA Specs)	
130	1706059	1	Decal - Warning Explosion/Fire (Brazil Specs)	
130	1706060	1	Decal - Warning Explosion/Fire (China Specs)	
130	1706064	1	Decal - Warning Explosion/Fire (CSA Specs)	
130	1706061	1	Decal - Warning Explosion/Fire (Korean Specs)	
130	1706063	1	Decal - Warning Explosion/Fire (Latin American Specs)	
136	1001125387	1	Decal - Ultra Low Sulfur Fuel (ANSI & CSA Specs)	
136	1001139654	1	Decal - Ultra Low Sulfur Fuel (CE & UK CA Specs)	
156	1001214029	Ref	EAC Decal Installation (Russian/CIS Specs)	
156	1001173703	1	Decal - EAC (Russian/CIS Specs)	
245	1001236984	Ref	Clearsky Decals Installation	A
245A	1001116208	1	Decal - Clearsky	
245B	1001120989	1	Decal - Radio Frequency	
640	1001143852	1	Decal - Emissions Compliance (Diesel Machines) (Not Shown - Located near SN Nameplate) (ANSI Export, Australian, CE, China & Korean Specs)	

SECTION 10 - RECOMMENDED SERVICE PARTS STOCK

SECTION 10 - RECOMMENDED SERVICE PARTS STOCK

SECTION 10 - RECOMMENDED SERVICE PARTS STOCK

FIGURE 10-1. RECOMMENDED SERVICE PARTS STOCK

ITEM	PART NUMBER	QTY	DESCRIPTION	REV
		Ref	Note: The following list will service one machine (built to current production per date on the front cover) with emergency repair parts which can be installed in the field. Parts from the list should be replaced when inventory is depleted to keep service parts stock supplied. For further information, contact your JLG dealer or the JLG Industries Parts Department.	
	1001152479	1	Breaker, 16Amp Double (CE & UK CA Specs Machines with AC Box at Platform)	
	1001181045	1	Breaker, 16Amp Double (CE & UK CA Specs Machines with AC Box at Platform)	
	1001152482	1	Breaker, 30MaAmp (CE & UK CA Specs Machines with AC Box at Platform)	
	70001965	1	Coil (Machines with Leveling Jacks)	
	70002963	1	Coil (Dual Axle Valve)	
	1001247682	1	Controller, Joystick (Platform Control Box)	
	1001244932	1	Display, Platform Box	
		Ref	Engine - Kubota Diesel Engine	
	7015004	12	Filter, Air Cleaner	
	1001248057	12	Filter, Engine Oil	
	1001190545	12	Filter, Fuel	
	70007021	12	Filter, Fuel/Water	
	1001246587	1	Module, Engine ECU	
		Ref	Engine - Kubota Dual Fuel Engine	
	70007141	12	Filter, Air Cleaner	
	1001248057	12	Filter, Engine Oil	
	1001255422	12	Filter, Fuel	
	1001253824	1	Module, Engine ECU	
	1001248371	12	Filter, Filler/Breather (Hydraulic Tank)	
	70007035	12	Filter, Element (Hydraulic Tank)	
	8229242	2	Fuse 5Amp (Chassis Harness)	
	8229244	2	Fuse 15Amp (Chassis Harness)	
	2860030	1	Key, Replacement (Ground Control)	
	1600387	1	Module, Control (Arms Installations)	
	1001244929	1	Module, Ground Control	
	3740080	1	Relay (Generator Harness)	
	1001145548	1	Sensor, Limit (Arms Installations)	
	1001227516	1	Sensor, Pressure (Leveling Jacks)	
	1001128478	1	Sensor, Temperature (Main Control Valve)	
	1001244934	1	Sensor, Tilt (Single & Dual Oscillating Axles)	
	4360475	1	Switch, Emergency Stop (Ground & Platform Controls)	
	4360469	1	Switch, Key (Ground Controls)	
	4360387	1	Switch, Push Button (Ground Controls)	
	1001226749	1	Switch, Push Button (Platform Control Box)	
	4360524	1	Switch, Toggle (Ground Controls)	

SECTION 11 - SPECIAL OPTIONS/ACCESSORIES/KITS

SECTION 11 - SPECIAL OPTIONS/ACCESSORIES/KITS

SECTION 11 - SPECIAL OPTIONS/ACCESSORIES/KITS

FIGURE 11-1. SPECIAL OPTIONS/ACCESSORIES/KITS

ITEM	PART NUMBER	QTY	DESCRIPTION	REV
		Ref	Note: This list is to accommodate machines ordered with special equipment. Options may not be applicable to all models. For more specific parts information contact JLG Parts Department.	
		Ref	MISCELLANEOUS SPECIAL OPTIONS/ACCESSORIES/KITS	
		Ref	ClearSky (Telematics) Installation (Factory Installed) Options:	
	1001251506	Ref	ClearSky (Telematics) Installation - 3 Wire (Factory Installed) (ANSI and CSA Specs)	
	1001251522	Ref	ClearSky (Telematics) Installation - 3 Wire (Factory Installed) (ANSI Export, Korean, CE & UK CA Specs)	
	1001249646	Ref	ClearSky (Telematics) Installation - Canbus (Factory Installed) (ANSI and CSA Specs)	
	1001249647	Ref	ClearSky (Telematics) Installation - Canbus (Factory Installed) (ANSI Export, Korean, CE & UK CA Specs)	
	1001249648	Ref	ClearSky (Telematics) Installation - Canbus (Factory Installed) (Australian Specs)	
		Ref	Electrical Connector Kits	
	1001148902	Ref	Electrical Connector Kit - Amp/Tyco Electrical Connectors	
	1001148903	Ref	Electrical Connector Kit - Deutsch DT Electrical Connectors	
	1001148904	Ref	Electrical Connector Kit - Deutsch HD Electrical Connectors	
	1001148905	Ref	Electrical Connector Kit - Packard Electrical Connectors	
	1001148906	Ref	Electrical Connector Kit - Various Electrical Connectors	
	1001246132	Ref	Engine Sub-FAPL (Diesel)	
	1001246133	Ref	Engine Sub-FAPL (Dual Fuel)	
	1001249053	Ref	Fan Guard Installation	
	1001255164	Ref	Footswitch Installation (Korean Specs)	
	1001249310	Ref	Mobile Control Installation (Factory Installed)	
	1001267646	Ref	Platform Divider (SkyShield - Social Distancing) Shield Installation (Factory Installed)	
	1001269100	Ref	Platform Divider (SkyShield - Social Distancing) Shield Add-on Kit (Dealer Installed)	
	1001253723	Ref	Platform Worklights Installation (Factory Installed) (RT2669)	
	1001268570	Ref	Platform Worklights Installation (Factory Installed) (RT3369)	
	1001253150	Ref	Rail Mounted Pipe Rack Installation (Factory Installed)	
	1001266156	Ref	Service Kits & Tools	
		Ref	Tools for Service	
	7002821	Ref	Crimper, Wire	
	7002823	Ref	Pin Extractor - Universal (For Electrical Connectors with Pins and Sockets)	
	4460510	Ref	Pin Extractor - 12-14 Gauge (For Removal of Pin/Sockets from Deutsch Connectors)	
	4460467	Ref	Pin Extractor - 16-18 Gauge (For Removal of Pin/Sockets from Deutsch Connectors)	
	7016654	Ref	Screwdriver, Magnetic	
	7002822	Ref	Screwdriver, Potentiometer	
	7004275	Ref	Tools - Seal Tool 1in (For Cylinders)	
	7004276	Ref	Seal Tool 1-1/2in (For Cylinders)	
	7002828	Ref	Stripper, Wire	

SECTION 11 - SPECIAL OPTIONS/ACCESSORIES/KITS

PART NUMBER INDEX

SECTION 11 - SPECIAL OPTIONS/ACCESSORIES/KITS

0100011 ..13, 15, 17, 21, 23, 25, 49, 51, 55, 57, 59, 61, 77, 79, 83, 92, 105, 107, 123, 125, 127, 143, 145, 147, 149, 151, 153, 155, 162, 168, 171, 179, 183, 185	0760808..... 127, 177 0760810..... 92 0760812... 51, 159, 165, 177 0760814..... 67 0760815..... 95, 107, 127 0760817..... 107 0760820..... 127 0761008..... 177 0761010..... 77, 79 0761012..... 21, 92 0761015..... 45, 47 0761217..... 49, 51 0761616..... 13, 15, 17 0770812..... 92 0771010..... 77, 79 0771012..... 23, 25 0771014.... 77, 79, 105, 153, 155 0771015..... 13, 15 0771618..... 55, 57, 59, 61 0771619..... 23, 153, 155 0771620..... 23 0780608..... 115 0780610..... 147, 149, 151 0780618..... 117 0781024..... 115 0811606..... 153, 155 0840052..... 117 0860520 305, 307, 309, 311, 313, 315, 317 0861731 239, 289, 295, 297, 299 0861781..... 291, 293 0861880..... 245 0961890..... 13, 15, 21 0961950..... 13, 15, 17, 168 0962220..... 13, 15, 162, 168 1001026127..... 135 1001091102..... 97, 99, 101 1001094708.. 305, 307, 309, 311, 313, 315, 317 1001095650..... 39 1001096070.. 229, 231, 237, 245 1001096653..... 77, 79 1001097150..... 245, 247 1001099560..... 162, 168 1001100341..... 291 1001100342..... 293 1001100345..... 295 1001100346..... 299 1001100347..... 297 1001100451..... 67, 135 1001103761..... 49, 51 1001104498..... 257 1001106736..... 249 1001107854..... 257 1001108603..... 185 1001110188..... 83 1001113961..... 250 1001116208..... 319 1001116694..... 267 1001116716..... 275 1001116732.. 250, 253, 257, 261, 275 1001116733... 253, 257, 275	1001116734 ..250, 253, 257, 261, 275 1001116749257 1001116752253, 257 1001116763257 1001116808277 1001116812253 1001116815253 1001116816 ..243, 253, 257 1001116950249 1001117022253 1001117023253 1001117024275 1001117025257 1001117069253, 257 1001117070257 1001117110257 1001118274208, 212 1001118282 ..250, 253, 257, 261, 275 100111851113, 15 100111851813, 15 100111851913, 15 1001118657253 1001118658250, 253 1001118659253 1001118743253 1001118744 ..250, 253, 257 1001118745 ..250, 253, 257 1001118746 ..107, 115, 127, 147, 149, 151 1001118878171 1001118938253, 257 1001119020277 1001119412275 1001119630212 1001119929 ..147, 149, 151 100112026455, 57 1001120989319 1001125387319 1001125677249, 267 1001125784249, 287 1001125785249 1001126391257 1001126393257 1001127172135 1001128128 ..250, 253, 257, 261, 275 100112847881, 322 1001129255135 1001129256135 100113030955, 57, 63 1001130900253 1001131270305, 313 1001131324131 1001131391115, 135 1001131740149, 151 1001132170271 100113914121 1001139219117, 137 1001139654319 1001142984135 1001143852319 1001144295249 1001144296253, 257 1001145548 ...159, 165, 322 1001146043141	1001146588..... 117 1001148902..... 324 1001148903..... 324 1001148904..... 324 1001148905..... 324 1001148906..... 324 1001150735..... 287 1001150889..... 287 1001151395..... 21 1001152266..... 249 1001152479..... 322 1001152482..... 322 1001152483..... 247 1001152486... 233, 235, 247 1001152729..... 139 1001156351..... 273 1001156541..... 263, 265 1001156819..... 135 1001159186..... 250 1001161497..... 127 1001162112..... 315 1001162114..... 315 1001162115..... 315 1001162864.. 305, 307, 309, 311, 313, 315, 317 1001165035..... 127 1001168018.. 105, 147, 149, 151 1001171482..... 85 1001173703..... 319 1001174486..... 115, 135 1001176626..... 185 1001179586..... 117, 137 1001181045..... 245, 322 1001182680..... 85 1001182997..... 115, 135 1001183406..... 77, 79 1001184682..... 89 1001184705..... 257 1001184716..... 257 1001184717..... 257 1001184718..... 257 1001184722..... 257 1001184768..... 257 1001184769..... 257 1001184832..... 250 1001186483..... 117 1001187455..... 257 1001187781..... 137 1001189171..... 247 1001189172..... 247 1001189762..... 159, 165 1001190545..... 115, 322 1001192401..... 249 1001193336..... 77 1001195137..... 179 1001197405..... 168 1001201885..... 287 1001202910..... 208, 212 1001205250..... 250 1001205824..... 208, 212 1001207109..... 79 1001211777..... 305 1001211779..... 305, 311 1001212268.. 227, 229, 231, 233, 235, 237, 239 1001213010..... 119, 139
--	---	--	---

SECTION 11 - SPECIAL OPTIONS/ACCESSORIES/KITS

1001213584.....	147	1001245479.....	177	1001247582.....	113	1001248874.....	212
1001214029.....	319	1001245653.....	193	1001247584.....	107, 113	1001248876.....	212
1001214174.....	23, 33	1001245923.....	162, 168, 171	1001247589.....	113	1001248890.....	162, 168
1001214556.....	143	1001246090.....	77	1001247612.....	105	1001248895.....	162, 168, 269
1001215447.....	319	1001246101.....	67	1001247630.....	77, 79	1001248933.....	177
1001215747.....	311	1001246102.....	212	1001247637.....	92	1001248986.....	179
1001215751.....	315	1001246104.....	17, 203	1001247638.....	92	1001248990.....	177
1001215752.....	311	1001246105.....	208	1001247639.....	92	1001248991.....	177
1001215754.....	317	1001246107.....	21, 199	1001247667.....	159, 165	1001249048.....	279, 281
1001215755.....	313	1001246132.....	324	1001247668.....	162, 168	1001249049.....	185, 287
1001215898.....	249	1001246133.....	324	1001247669.....	159, 162, 165, 168	1001249053.....	324
1001216650.....	309	1001246134.....	149	1001247670.....	162, 168	1001249091.....	159, 165, 301
1001217457.....	162, 168	1001246135.....	147	1001247671.....	159, 165	1001249095.....	250
1001218676.....	119, 139	1001246392.....	189	1001247672.....	163, 169	1001249122.....	139
1001220668.....	279, 283	1001246395.....	189	1001247682.....	185, 187, 322	1001249123.....	139
1001223055.....	305	1001246553.....	95	1001247804.....	143	1001249178.....	208, 213
1001223431.....	253	1001246555.....	77, 79, 95	1001247810.....	143	1001249181.....	208, 212
1001223453.....	305	1001246583.....	185	1001247816.....	169	1001249190.....	281, 285
1001223794.....	253	1001246584.....	185	1001247817.....	169	1001249231.....	208, 212
1001223797.....	253	1001246587.....	111, 322	1001247819.....	169	1001249244.....	249
1001223971.....	313	1001246746.....	119	1001247820.....	169	1001249259.....	185
1001224048.....	315	1001246778.....	139	1001247835.....	168	1001249282.....	17, 243
1001224049.....	317	1001246779.....	139	1001247887.....	92	1001249297.....	21
1001224051.....	311	1001246823.....	185	1001248038.....	135	1001249306.....	97
1001224052.....	309	1001246856.....	77	1001248039.....	83	1001249307.....	99
1001225804.....	67	1001246859.....	250	1001248043.....	92	1001249309.....	89
1001226221.....	92	1001246863.....	185	1001248047.....	127	1001249310.....	324
1001226749.....	185, 322	1001246864.....	185	1001248056.....	111, 131	1001249323.....	21
1001226830.....	159, 165, 271	1001246883.....	92	1001248057.....	111, 131, 322	1001249340.....	71
1001227516.....	49, 51, 322	1001246884.....	45	1001248099.....	123	1001249341.....	69
1001228370.....	313	1001246885.....	49	1001248134.....	117, 253	1001249342.....	69
1001228533.....	162, 168	1001246959.....	23, 35	1001248160.....	67	1001249343.....	71
1001230488.....	253	1001246979.....	185	1001248162.....	92	1001249344.....	71
1001231801.....	319	1001247019.....	13, 15	1001248196.....	13, 15, 17	1001249352.....	69, 71, 73
1001234069.....	117, 137	1001247021.....	79	1001248222.....	253	1001249353.....	69
1001234348.....	92	1001247028.....	123	1001248223.....	253	1001249354.....	71
1001236984.....	319	1001247074.....	83	1001248224.....	253	1001249407.....	49, 51
1001237778.....	257	1001247267.....	119, 139	1001248227.....	253	1001249464.....	147, 149, 151, 261
1001239224.....	97, 99	1001247295.....	17	1001248228.....	253	1001249637.....	162, 168
1001242539.....	97, 99	1001247313.....	185	1001248229.....	253	1001249646.....	324
1001242816.....	39, 41	1001247352.....	45	1001248279.....	162, 263	1001249647.....	324
1001243266.....	25, 39	1001247353.....	47	1001248280.....	168, 265	1001249648.....	324
1001243268.....	39	1001247367.....	159, 162	1001248289.....	137, 257	1001249701.....	208, 212
1001243296.....	107, 111	1001247368.....	165, 168	1001248300.....	23	1001249703.....	212
1001243300.....	127, 131	1001247375.....	162	1001248307.....	121	1001249704.....	212
1001244106.....	127, 129	1001247376.....	168	1001248313.....	141	1001249802.....	67, 275
1001244107.....	107, 109	1001247380.....	49, 51, 53	1001248339.....	208, 212	1001249850.....	208, 213
1001244177.....	25, 37	1001247382.....	17, 19	1001248347.....	117, 137	1001249882.....	179
1001244210.....	171, 197	1001247383.....	185	1001248349.....	79	1001249883.....	179
1001244381.....	175	1001247425.....	47	1001248371.....	95, 322	1001249884.....	180
1001244382.....	177	1001247443.....	185	1001248413.....	125, 145	1001250088.....	17
1001244391.....	15, 17	1001247454.....	113	1001248414.....	125, 145	1001250089.....	17
1001244392.....	21	1001247462.....	208, 212	1001248500.....	135	1001250090.....	17
1001244393.....	25	1001247472.....	83, 249	1001248671.....	193	1001250091.....	17
1001244462.....	249	1001247482.....	162, 169	1001248820.....	159	1001250307.....	205
1001244775.....	69	1001247490.....	162, 169	1001248821.....	165	1001250308.....	205
1001244865.....	57, 61	1001247497.....	162, 169	1001248834.....	13, 15	1001250309.....	205
1001244888.....	179	1001247500.....	162	1001248840.....	179	1001250310.....	205
1001244904.....	171	1001247503.....	163	1001248861.....	115, 135	1001250311.....	205
1001244929.....	83, 322	1001247506.....	163	1001248863.....	49, 51, 267	1001250312.....	205
1001244932.....	185, 322	1001247520.....	163, 169	1001248865.....	162, 168	1001250336.....	105
1001244934.....	15, 17, 83, 162, 168, 322	1001247521.....	159, 165	1001248868.....	208, 212	1001250342.....	49, 51, 205
1001245046.....	13, 15, 17, 193	1001247522.....	162, 168	1001248869.....	208, 212	1001250353.....	49, 51
1001245250.....	175	1001247523.....	162, 168	1001248871.....	208, 212	1001250355.....	177
1001245381.....	43	1001247524.....	162, 168	1001248872.....	208, 212	1001250356.....	177
1001245440.....	43	1001247560.....	121, 141	1001248873.....	208, 212	1001250418.....	203
		1001247581.....	113				

SECTION 11 - SPECIAL OPTIONS/ACCESSORIES/KITS

1001250419.....	203	1001255435.....	131	1001258812.....	163	1001265580..	305, 307, 309, 311, 313, 315, 317
1001250450.....	115	1001255447.....	131	1001258813.....	169	1001265581.....	319
1001250468.....	208	1001255448.....	131	1001258921.....	85	1001265582.....	319
1001250519.....	125, 145	1001255461.....	185	1001258923.....	283	1001265585.....	17
1001250521.....	125, 145	1001255526.....	21	1001258936.....	179	1001265684.....	177
1001250525.....	125, 145	1001255529.....	131	1001259024.....	153, 155	1001265744.....	171
1001250627.....	177	1001255606.....	139	1001259047.....	155	1001265761.....	171
1001250636.....	111, 131	1001255809.....	119, 139	1001259202.....	73	1001265821.....	177
1001250640.....	177	1001255843.....	119, 139	1001259284.....	57, 61	1001265846.....	179
1001250678.....	87	1001255848.....	119, 139	1001259386.....	73	1001265848.....	162, 168
1001250682.....	185	1001255851.....	119, 139	1001259429.....	57	1001265916.....	183
1001250692.....	185	1001255857.....	119, 139	1001260064.....	212	1001266156.....	324
1001250772.....	105	1001255872.....	107	1001260250.....	208	1001266233.....	55, 57, 273
1001250829.....	179	1001255873.....	105	1001260252.....	205	1001266448.....	127
1001250830.....	179	1001255874.....	115	1001260253.....	203	1001266885.....	119
1001250934.....	123	1001255875.....	117	1001260255.....	208, 213	1001267646.....	324
1001251231.....	83, 85	1001255876.....	123	1001260334.....	92	1001267649.....	101
1001251287.....	127	1001255877.....	121	1001260485.....	13	1001268570.....	324
1001251288.....	127	1001255878.....	119	1001260540.....	212	1001268776... 107, 115, 127	
1001251328.....	175	1001255936.....	125	1001261118 ..229, 231, 233, 235, 237		1001269045.. 107, 115, 147, 149, 151	
1001251490.....	131	1001256029.....	139	1001261123.....	177	1001269100.....	324
1001251506.....	324	1001256030.....	141	1001262071 ..305, 307, 309, 311, 313, 315, 317, 319		1001269132.....	189
1001251522.....	324	1001256031.....	127	1001262098.....	185	1001269792.....	147, 149
1001252477.....	107	1001256032.....	145	1001262399.....	179	1001269793.....	151
1001252478.....	107	1001256033.....	135	1001262400.....	179	1001269794... 147, 149, 151	
1001252596.....	119, 139	1001256034.....	137	1001262454.....	179	1001269797... 147, 149, 151	
1001252996.....	127	1001256035.....	143	1001262495.....	179	1001269799... 147, 149, 151	
1001253149.....	179	1001256097.....	107	1001262630.....	119, 139	1001269800... 147, 149, 151	
1001253150.....	324	1001256209.....	139	1001262636.....	119, 139	1001269865.....	149, 151
1001253717.....	107	1001256312.....	117, 137	1001262639.....	177	1001269872.....	123
1001253723.....	324	1001256554.....	115	1001262640.....	177	1001269894.....	149, 151
1001253800.....	185	1001256675.....	319	1001262646.....	119, 139	1001269936.....	147
1001253824.....	131, 322	1001256676.....	319	1001262943.....	115, 135	1001269937.....	147
1001253839... 147, 149, 151		1001256713.....	151	1001263049.....	149, 151	1001270098.. 159, 162, 165, 168	
1001254083.....	208	1001256723.....	115	1001263050.....	147	1001270103.....	77, 79, 81
1001254119.....	185	1001256763.. 305, 307, 309, 311, 313, 315, 317		1001263077.....	147	1001270481.....	257
1001254298.....	208	1001256764.....	305	1001263163.....	319	1001271360.....	51
1001254363.....	319	1001256765.....	315	1001263246.....	147	1001271580.....	17
1001254550.....	153	1001256766.....	311	1001263269.....	179	1001271971... 147, 149, 151	
1001254551.....	155	1001256767.....	309	1001263345.....	97, 101	1001272777.....	15, 17, 83
1001254613... 227, 229, 231, 233, 235, 237, 239		1001256768.....	317	1001263438.....	119	1001274074.....	49, 51, 195
1001254635.....	119, 139	1001256769.....	313	1001263476.....	119, 139	1001274463.....	107
1001254650.....	111	1001256770.....	307	1001263628.....	179	1001274495.....	51
1001254651.....	111, 131	1001256779.....	319	1001263629.....	179	1001274559.....	85, 185
1001254653.....	111	1001256780.....	319	1001263657.....	115, 135	1001275530... 147, 149, 151	
1001254690.....	127	1001256791.....	319	1001263658.....	115, 135	1001277830.....	127
1001254691.....	143	1001256793.....	319	1001263659.....	115, 135	1001277831.....	107, 127
1001254820.....	279	1001256795.....	319	1001263662.....	159, 165	1001277832.....	107, 127
1001254861.....	67	1001256865.. 305, 307, 309, 311, 313, 315, 317		1001263804.....	107	1001278239.....	107
1001254888.....	117, 137	1001256875.....	17	1001263930.....	92	1001279004.....	127, 133
1001255001.....	227	1001256945.. 305, 307, 309, 311, 313, 315, 317, 319		1001264263.....	131	1001283427.....	43
1001255002.....	239	1001257076.....	185	1001264264.....	131	1001284972.....	165
1001255003.....	241	1001257077.....	185	1001264269.....	131	1001288396.....	135
1001255004.....	233	1001257454.....	92	1001264839.....	149, 151	1001292287.....	307
1001255005.....	235	1001257587.....	159, 165	1001264939 .. 159, 165, 277		1001294421.....	179
1001255006.....	229	1001257688.....	92	1001265082.....	55, 59	1001299770.....	135
1001255007.....	231	1001257689.....	92	1001265192.....	55	1001300357.....	135
1001255008.....	237	1001257884.....	85	1001265193.....	59	1008675309.....	115
1001255082.....	189	1001258004.....	155	1001265194.....	61	1060379.....	189
1001255164.....	324	1001258006.....	153	1001265225.....	273	1060908.....	245, 247
1001255324.....	131	1001258113.....	155	1001265226.....	273	1061020.....	159, 165
1001255341.....	131	1001258188.....	43	1001265532.....	183	1062255.....	67, 117, 137
1001255342.....	131	1001258223.....	283, 285	1001265579 ..305, 307, 309, 311, 313, 315, 317		1120555.....	189
1001255416.....	131	1001258287.....	73			1309435.....	125, 145

SECTION 11 - SPECIAL OPTIONS/ACCESSORIES/KITS

1320058.....	135	2110810.....	212	3290405	159, 165, 185, 227, 229, 231, 233, 235, 237, 239	4010308.....	97, 99, 101
1320061.....	153, 155	2110812.....	208	3290406.....	185	4010403.....	83
1320220.....	153, 155	2130808.....	208, 212	3290505.....	92	4010405002.....	185
1320223.....	119, 139	2130810.....	208, 212	3290506.....	179	4010408	227, 229, 231, 233, 235, 237, 239
1320244.....	137	2170108.....	208, 212	3290601.....	147, 149, 151	4010414.....	185
1320265.....	115, 135	2170208.....	212	3290605..	77, 79, 83, 87, 89, 92, 175, 177, 229, 231, 233, 235, 237, 305, 307, 309, 311, 313, 315, 317	4010615.....	15, 17, 83
1321296.....	135	2180387.....	153, 155	3290606	162, 168, 179, 227, 229, 231, 233, 235, 237, 239, 279, 283	4010618.....	179
1321682.....	121, 141	2180389.....	153, 155	3290801.....	92	4031510.....	185
1580023.....	189	2180418.....	153, 155	3290805.....	159, 165, 177	4031511.....	159, 165
1580024.....	189	2220290.....	153, 155	3290806.....	177, 179	4031707.....	171
1600387.....	159, 165, 322	2220371.....	203, 208, 212	3290807.....	67	4031908.....	127
1671207.....	289	2220372.....	159, 165, 208	3291001.....	147, 149, 151	4031920.....	49, 51
1700818.....	319	2220375.....	208, 212	3291002.....	147, 149, 151	4031924.....	17
1701214.....	319	2220415.....	203, 208, 212	3291005..	17, 45, 47, 49, 51, 153, 155	4060802.....	85
1701505.....	319	2220466.....	203, 205, 208	3291006.....	177, 179	4160214.....	185
1701542.....	319	2220472.....	205, 208, 212	3291007	159, 162, 165, 168, 177	4240003.....	189
1701640	305, 307, 309, 311, 313, 315, 317	2220473	171, 205, 208, 212	3290807.....	67	4240017....	49, 51, 227, 229, 231, 233, 235, 237, 239, 241
1701785.....	319	2220479.....	208, 212	3291001.....	147, 149, 151	4240018	159, 162, 165, 168, 208, 212, 279, 283
1702720.....	319	2220490.....	205	3291002.....	147, 149, 151	4240033.....	147, 149, 151
1703162.....	119, 139	2220501.....	203	3291005..	17, 45, 47, 49, 51, 153, 155	4340853.....	189
1703464.....	227	2220504.....	205	3291006.....	177, 179	4340854.....	189
1703687	305, 307, 309, 311, 313, 315, 317	2220582.....	208, 212	3291601.....	49, 51	4360387.....	85, 322
1703816.....	305	2220596.....	208, 212	3292002.....	177	4360436.....	115, 135
1703818.....	305	2220654.....	212	3300048	227, 229, 231, 233, 235, 237, 239, 241	4360469.....	85, 322
1703819	185, 305, 307, 309, 311, 313, 315, 317	2220775.....	212	3300106.....	69, 71, 73	4360475.....	85, 185, 322
1703821.....	305	2220828.....	208, 212	3300408.....	83	4360524.....	85, 322
1703822	305, 307, 309, 311, 313, 315, 317	2220865.....	67	3311501.....	92	4400281.....	153, 155
1704271.....	319	2220881.....	37	3311502.....	92	4420051.....	49, 51, 319
1704277	305, 307, 309, 311, 313, 315, 317	2220883....	27, 37, 193, 208, 212	3311505.....	55, 57	4420062.....	177
1704412	305, 307, 309, 311, 313, 315, 317	2220885.....	37, 193, 208	3311605.....	153, 155	4420070.....	45, 47
1704684.....	313	2220886.....	27, 37, 193	3311801.....	23	4460019.....	258, 275
1704687.....	313	2220888.....	27	3321402.....	162, 168	4460071	227, 229, 231, 233, 235, 237, 239, 241
1704690.....	319	2220940.....	208, 212	3331211....	49, 51, 147, 149, 151	4460138.....	227
1704691.....	317	2220947.....	67, 208, 212	3331611..	23, 55, 57, 59, 61, 153, 155	4460142.....	253
1704694.....	317	2220998.....	208, 212	3422219.....	189	4460144.....	250
1704697.....	319	2221040.....	208, 212	3422592.....	13, 15	4460183.....	250, 287
1704698.....	319	2221086.....	203, 208, 212	3422744.....	179	4460227.....	249
1704699.....	309	2221116.....	17	3422938.....	159, 165	4460247.....	253
1704702.....	309	2400044.....	83	3422943.....	159, 165	4460259.....	250
1704972.....	319	2400066.....	250	3423151.....	162, 168	4460260.....	250
1705040.....	313	2540045.....	55, 57, 175	3431622.....	21	4460265.....	287
1705041.....	317	2560088.....	179	3450303.....	185	4460267.....	287
1705043.....	309	2560176.....	179	3450304.....	162, 168	4460268	147, 149, 151, 250
1705194.....	311	2600216.....	92	3450405.....	162, 168	4460294.....	271
1705195.....	311	2600253.....	179	3450608.....	21	4460315	227, 229, 231, 233, 235, 237, 239
1705325.....	229	2600285.....	179	3460334.....	189	4460321.....	147, 149, 151
1705670.....	307	2700100.....	189	3520026.....	85	4460346.....	289
1705671.....	307	2720015.....	115	3520072.....	179	4460418.....	250
1705673.....	307	2780267.....	23, 29	3537609.....	179	4460419.....	250
1705695.....	305, 311	2860030.....	85, 322	3580324.....	149, 151	4460424.....	250
1705944.....	311	2900770.....	37	3740080.....	261, 322	4460464	89, 243, 249, 250, 253, 254, 257, 258, 261, 263, 265, 267, 275, 277, 281, 285, 287, 301
1705997.....	189	2902431.....	227, 289	3760170.....	189	4460465.....	67, 97, 99, 243, 249, 250, 253, 257, 263, 265, 267, 269, 271, 275, 277, 281, 285
1706059.....	189	2940074.....	179	3760493.....	168	4460466	243, 249, 250, 253, 254, 257, 261, 267, 271, 275, 277, 281, 285, 287
1706059.....	319	2940127.....	179	3760509.....	162, 168		
1706060.....	319	3020022.....	159, 165	3841258.....	13, 15, 17		
1706061.....	319	3020029.....	165	3900355.....	189		
1706063.....	319	3160348.....	23, 27	3900394.....	177		
1706064.....	319	3251242.....	147	3931412.....	189		
1706098.....	319	3251243.....	149, 151	3931508.....	189		
2080057	305, 307, 309, 311, 313, 315, 317	3252507	231, 233, 235, 237, 239, 241	3960526.....	23		
2110808.....	208, 212	3290305.....	97, 99, 101				

SECTION 11 - SPECIAL OPTIONS/ACCESSORIES/KITS

4460467	324	4461245	297	5250818	127	70003000	41
4460493	243	4461246	299	5250821	107, 125, 145	70003060	111
4460497	287	4461249	299	5251011	147, 149, 151	70003064	111
4460510	324	4461271	250	5251224	105, 147, 149, 151	70003507	63
4460518	271, 277	4461290	250	5260600	67, 115, 117, 119, 121, 135, 137, 139, 141	70003558	63
4460536	243, 261	4640858	193	5260800	107, 117, 119, 123, 125, 127, 137, 139, 143, 145, 151	70003559	63
4460539	250, 253, 257, 267	4641122	69, 71, 73	5261000	115, 119, 139, 147, 149, 151	70003560	63
4460608	257	4711400	162, 168, 189	5261200	105, 147, 149, 151	70003561	63
4460662	233, 235, 237, 289	4711500	92	70000082	187	70003566	63
4460752	277	4712600	21	70000084	187	70003567	63
4460754	249, 263, 265, 281, 285	4740229	13, 15, 17	70000683	187	70003568	63
4460761	249, 271	4740480	162, 168, 189	70000684	187	70003569	63
4460836	271	4740531	162, 168	70000685	187	70003570	63
4460871	249, 250, 287	4751300	83	70000686	187	70003571	63
4460872	249	4751500	55, 57, 162, 168	70000797	27	70003572	63
4460873	250, 287	4751600	153, 155	70001119	41	70003573	63
4460874	249	4761800	39	70001250	187	70003574	63
4460875	249	4811400	159, 165, 185, 227, 229, 231, 233, 235, 237, 239	70001251	187	70003575	63
4460876	250	4811600	92, 137, 179	70001252	187	70003576	63
4460878	250	4811602	179	70001253	187	70003577	63
4460884	243, 249, 277, 301	4811700	15, 17, 77, 79, 83, 87, 89, 92, 159, 162, 165, 168, 175, 177, 179, 185, 227, 229, 231, 233, 235, 237, 239, 305, 307, 309, 311, 313, 315, 317	70001349	29	70003578	63
4460887	250	4811700	15, 17, 77, 79, 83, 87, 89, 92, 159, 162, 165, 168, 175, 177, 179, 185, 227, 229, 231, 233, 235, 237, 239, 305, 307, 309, 311, 313, 315, 317	70001365	13, 15, 17	70003579	63
4460891	67, 97, 99, 243, 249, 253, 257, 267, 269, 275, 285	4811702	83, 92, 147, 149, 151, 229, 231, 233, 235, 237	70001368	41	70003580	63
4460892	249, 267	4811900	13, 15, 17, 95, 107, 127, 177, 179, 208, 212	70001965	49, 51, 322	70003581	63
4460894	249, 267	4811902	51, 67, 92, 119, 139, 159, 165, 179	7000206	29	70003582	63
4460897	89, 249, 253, 258, 275	4812000	17, 23, 25, 49, 51, 77, 79, 147, 149, 151, 153, 155, 159, 165, 177, 179	70002085	41	70003583	63
4460905	249, 250, 287	4812002	45, 47, 77, 79, 92, 105	7000229	29	70003584	63
4460906	147, 149, 151, 261	4812100	49, 51, 147, 149, 151	7000230	29	70003585	63
4460911	267, 287	4846181	179	70002316	111	70003586	63
4460917	271	4871700	147, 149, 151	70002317	111	70003587	63
4460918	277, 287	4891600	107, 127	70002318	111, 131	70003588	63
4460928	250, 277	4891800	23	7000232	29	70003589	63
4460929	271	5241000	13, 15, 107, 115, 127, 147, 149, 151	70002326	111, 131	70003590	63
4460930	249	5241200	13, 15, 17	70002327	111	70003591	63
4460931	243	5241600	23, 25, 49, 51, 55, 57, 59, 61, 153, 155	70002386	81, 171	70003592	63
4460932	301	5250508	117, 137	70002419	111	70003593	63
4460933	249, 267, 271, 277	5250605	107, 127	7000246	29	70003594	63
4460941	254, 257	5250608	119, 121, 135, 139, 141, 147, 149, 151	7000248	29	70003595	64
4460942	253, 257	5250810	105, 119, 123, 125, 139, 143, 145, 151	7000253	29	70003596	64
4460943	250, 254, 257, 277, 281, 285, 287	5250812	43, 127, 143	70002554	111	70003597	64
4460944	243, 249, 250, 253, 271, 281, 285, 301	5250813	123	7000257	29	70003598	64
4460945	253	5250814	143	7000258	29	70003599	64
4460950	253, 257, 267	5250815	107, 119, 127, 139	7000261	29	70003600	64
4460956	245	5250816	127	7000262	29	70003601	64
4460957	245			7000263	29	70003602	64
4460968	229, 231			70002770	63	70003603	64
4460970	243, 267, 281, 285			70002771	63	70003604	64
4460993	67			70002774	63	70003605	64
4460994	67, 275			70002776	63	70003789	81
4461008	257			70002777	63	70004042	41
4461016	287			70002783	63	70004294	131
4461054	257			70002963	19, 322	70004311	111, 131
4461070	249			70002989	41	70004398	111
4461095	250			70002990	41	70004400	111
4461118	257			70002991	41	70004524	111, 131
4461196	291			70002992	41	70005220	111
4461198	291			70002993	41	70005728	131
4461199	293			70002994	41	70005733	131
4461201	293			70002995	41	70005734	131
4461205	295, 297			70002996	41	70005735	131
4461244	295			70002997	41	70005736	131
				70002998	41	70005739	131
				70002999	41	70005740	131

SECTION 11 - SPECIAL OPTIONS/ACCESSORIES/KITS

70005743.....	131	70007761.....	53	70046028.....	305, 307, 309, 311, 313, 315, 317	7023907.....	27
70005744.....	131	70007762.....	53	7007437.....	27	7023908.....	27
70006099.....	37	70007763.....	81	7007438.....	27	7023910.....	27
70006576.....	67	70007764.....	81	7007439.....	27	7024108.....	41
70006577.....	67	70007765.....	81	7007446.....	27	7024134.....	41
70006578.....	67	70007766.....	81	7007601.....	29	7024182.....	29, 30
70006579.....	67	70007767.....	81	7007640.....	29, 41	7024189.....	30
70006666.....	111	70007768.....	81	7010429.....	29	7024190.....	30
70006786.....	81	70007769.....	81	7010543.....	81	7024191.....	30
70007021.....	115, 322	70007770.....	81	7010545.....	19	7024192.....	30
70007035.....	95, 322	70007771.....	81	7011346.....	37	7024193.....	30
70007141.....	322	70007772.....	81	7012925.....	81	7024194.....	30
7000731.....	30	70007773.....	81	7012941.....	81	7024196.....	30
70007310.....	109	70007775.....	19	7012972.....	19	7024197.....	30
70007314.....	109	70007776.....	19	7015004.....	121, 141, 322	7024497.....	49, 51
70007315.....	109, 129	70007777.....	19	7016654.....	324	7024502 ...	13, 15, 17, 49, 51
70007316.....	109, 129	70007778.....	19	7017022.....	41	7024506.....	49, 51
70007448.....	171	70007779.....	19	7017059.....	29	7024705.....	29
70007506.....	187	70007780.....	19	7017067.....	29	7024712.....	29
70007607.....	199	70008088.....	131	7017070.....	29	7024713.....	29
70007608.....	199	70008089.....	131	7017080.....	29	7024714.....	29
70007609.....	199	70008114.....	39	7017402.....	81	7024715.....	29
70007610.....	199	70008144.....	41	7017901.....	111	7024716.....	29
70007642.....	109, 129	70008147.....	41	7017922.....	111	7024717.....	29
70007643.....	109, 129	70008148.....	41	7017955.....	111, 131	7024718.....	30
70007644.....	109, 129	70008149.....	41	7020033.....	33	7024726.....	41
70007645.....	109, 129	70008150.....	41	7020035.....	33	7024738.....	41
70007646.....	109, 129	70008151.....	41	7020036.....	33	7024741.....	41
70007647.....	109, 129	70008152.....	41	7020037.....	33	7024854.....	27
70007648.....	109, 129	70008153.....	41	7020038.....	33	7024868.....	27
70007649.....	109, 129	70008154.....	41	7020039.....	33	7026016.....	37
70007650.....	129	70008155.....	41	7020040.....	33	7027365.....	187
70007651.....	129	70008156.....	41	7020041.....	33	7027367.....	187
70007652.....	129	70008157.....	41	7020175.....	85, 185	7027388.....	63
70007653.....	129	70008158.....	41	7020176.....	85, 185	7027391.....	63
70007654.....	129	70008347.....	37	7021249.....	27	7027395.....	63
70007655.....	129	70008348.....	37	7021275.....	27	7027398.....	63
70007656.....	129	70008350.....	37	7021276.....	27	7027628.....	13, 15, 17
70007657.....	129	70008352.....	37	7021277.....	27	7027765.....	187
70007658.....	109, 129	70008394.....	111	7022302.....	27	7027766.....	187
70007659.....	109, 129	70008395.....	111	7022305.....	27	80630.....	115, 135
70007660.....	109	70008573.....	195	7022310.....	27	80633030.....	208, 212
70007661.....	109	70008614.....	195	7022311.....	27	8220029.....	257
70007662.....	109	70008619.....	37	7022312.....	27	8220045.....	258
70007663.....	109	70008620.....	37	7022314.....	27	8220051.....	287
70007664.....	109	70008621.....	37	7022316.....	27	8220111.....	253, 261
70007665.....	109	7001626.....	199	7022326.....	27	8220164.....	250, 253
70007678.....	193	7001630.....	199	7022328.....	27	8229242.....	250, 322
70007679.....	193	7001913.....	41	7022368.....	27	8229244.....	250, 322
70007709.....	195	7001998.....	29	7022371.....	27	8310441.....	135
70007710.....	195	7002821.....	324	7022372.....	27	8310623.....	119, 123, 139
70007711.....	195	7002822.....	324	7023124.....	111	83451104.....	208, 212
70007712.....	195	7002823.....	324	7023141.....	111	8405009.....	127
70007713.....	197	7002828.....	324	7023144.....	111	8405201.....	141
70007714.....	197	70030103.....	19	7023148.....	111	8406110.....	119, 139
70007715.....	197	7004275.....	324	7023149.....	111	8769139.....	125, 145
70007716.....	197	7004276.....	324	7023164.....	111	8770223.....	208, 212
70007760.....	53			7023170.....	111, 131	H000071.....	19



**Corporate Office
JLG Industries, Inc.
1 JLG Drive
McConnellsburg, PA 17233-9533 USA
☎ (717) 485-5161 (Corporate)
☎ (877) 554-5438 (Customer Support)
📠 (717) 485-6417**

**Visit our website for JLG Worldwide Locations.
www.jlg.com**



OSHKOSH™