



Illustrated Parts Manual

Model
ERT2669
ERT3369

PVC
2110

P/N
31219167

September 1, 2022 - Rev C

ANSI

CE



UK
CA

AS/NZS



An Oshkosh Corporation Company

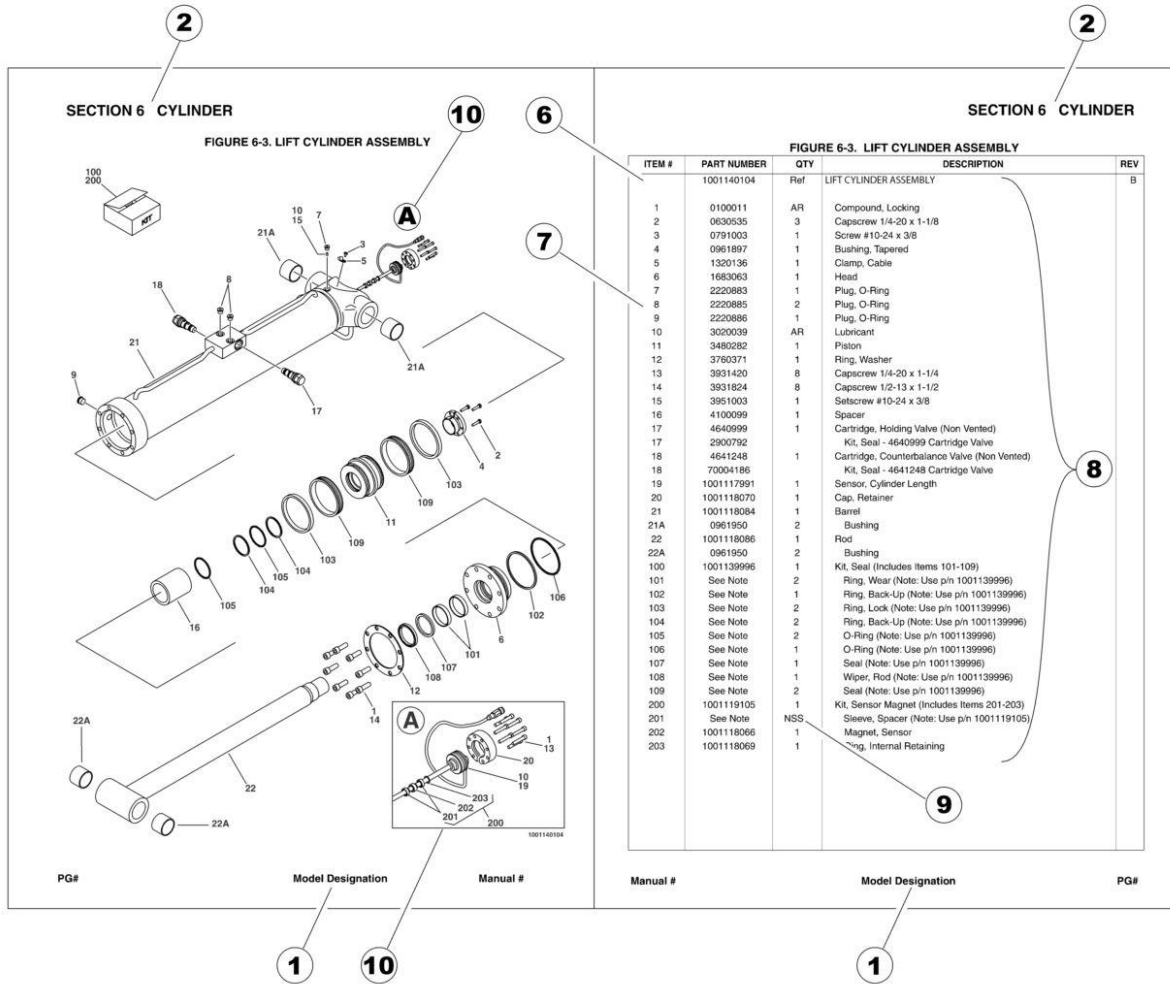
REVISION LOG

**October 1, 2021 - A - Original Issue of Manual (Edited to B/M 1001263260 Rev K
& 1001263330 Rev K)**

March 1, 2022 - B - Revised Manual (Edited to B/M 1001263260 Rev L & 1001263330 Rev L)

**September 1, 2022 - C - Revised Manual (Edited to B/M 1001263260 Rev L
& 1001263330 Rev L)**

GENERAL INFORMATION



1) MACHINE IDENTIFICATION

Machines are identified by model and in some cases a combination of models, serial number (SN) or regional standard (i.e ANSI, CE, CSA). Components may also be identified by SN or manufacturer. Common components that may be identified by these characteristics are engines and hydraulic components.

2) PARTS MANUAL ORGANIZATION

Product information in this manual is organized under section titles. Frame, Cylinder, Hydraulic and Electrical are a few examples. Each section is organized by figure and page number. The information within the Figure is then organized by item number, part number, description and corresponding illustration (s).

3) TABLE OF CONTENTS (NOT SHOWN)

A table of contents is found toward the beginning of the manual. Figure number, description and page number are provided for quick reference to the page containing the related information.

4) RECOMMENDED SPARE PARTS (NOT SHOWN)

The Recommended Spare Parts List, located near the end of the manual, reference most frequently used maintenance parts.

5) PART NUMBER INDEX (NOT SHOWN)

A numerical index listing all part numbers and the corresponding page number(s) appears at the back of the manual.

GENERAL INFORMATION

6) NON-SERVICED PARTS

In some instances, it is necessary to display non-serviced parts, assemblies or installations. In the case of assemblies and installations there will be a Ref in the Qty. column. In case of parts that are not available for service within assemblies or components, there will be a NSS (Not Sold Separately) or NLA (No Longer Available) listed in the Qty. column of the manual.

7) PARTS LIST ITEM NUMBERS

Numbers shown in the item# column correspond to numbers used in the associated illustration (s). Item numbers which are missing from the sequence in the parts list are not used on that page.

8) INDENTED PARTS DESCRIPTION

An indented part description is included in the item under which it is indented.

9) ABBREVIATION AND SYMBOLS

AC.....	Alternating Current	L.....	Liter
ADE.....	Advanced Design Electronics	LB(LBS).....	Pounds
AG.....	Agricultural	LCD.....	Liquid Crystal Display
ANSI.....	American National Standards Institute	LED.....	Light Emitting Diodes
AR.....	As Required	LH.....	Left Hand
ASSY.....	Assembly	LRC.....	Low Rated Countries
AUS.....	Australia	LSS.....	Load Sensing System
AUX.....	Auxiliary	M(m).....	Metric/Meter
AWG.....	American Wire Gauge	MM(mm).....	Milimeter
B/M.....	Bill of Material	mA.....	Miliamps
CAC.....	Charge Air Cooler	NLA.....	No Longer Available
CE.....	European Conformity	NPT.....	National Pipe Threads
CCW.....	Counter Clockwise	NSS.....	Not Sold Separately
CM.....	Centimeter	OD.....	Outside Diameter
CW.....	Clockwise	ORB.....	O-Ring Boss
CSA.....	Canadian Standards Association	ORFS.....	O-Ring Face Seal
CYL.....	Cylinder	OZ (oz).....	Ounces
DIA.....	Diameter	PG.....	Page
DC.....	Direct Current	PN.....	Part Number
DEF.....	Diesel Exhaust Fluid	QT(qt.).....	Quarts
EMS.....	Emergency Stop	QTY.....	Quantity
ENG.....	Engine	REF.....	Reference
FT(ft).....	Feet	REV.....	Revision Level
GA(Ga).....	Gauge	RH.....	Right Hand
HRC.....	High Rated Countries	SAE.....	Society of Automotive Engineers
HVAC.....	Heating, Ventilating, and Air Conditioning	SN.....	Serial Number
HYD.....	Hydraulic	SPEC(S).....	Specifications
Hz.....	Hertz	T/T.....	Turntable
ID.....	Inside Diameter	UGM.....	Universal Ground Module
IN.....	inches	V.....	Volts
ISO.....	International Organization for Standards	W.....	Watts
JIC.....	Joint Industry Council	#.....	Number
KG.....	Kilogram		

10) ILLUSTRATION REFERENCE LETTERS

When necessary, illustrations may contain reference letters that are intended to track information (i. e. hoses, harnesses) from one point to another or to track visual enlargement of components to show details that may be located in another area on the illustration.

Note: Due to continuous product improvements, JLG Industries, Inc. reserves the right to make specification changes without prior notification. Contact JLG Industries, Inc. for updated information.

TABLE OF CONTENTS

SECTION 1 - FRAME.....	11
FIGURE 1-1. AXLE INSTALLATION - SINGLE OSCILLATING (WITHOUT SENSORS).....	12
FIGURE 1-2. AXLE INSTALLATION - SINGLE OSCILLATING (WITH SENSORS).....	14
FIGURE 1-3. STEERING INSTALLATION – ELECTRIC (2WS)	16
FIGURE 1-4. DRIVE INSTALLATION - ELECTRIC (2WD)	18
FIGURE 1-5. DRIVE MOTOR ASSEMBLY	22
FIGURE 1-6. DRIVE HUB ASSEMBLY	24
FIGURE 1-7. HUB/SPINDLE ASSEMBLY (2WD FRONT)	28
FIGURE 1-8. BATTERY INSTALLATION – 225AH BATTERIES	30
FIGURE 1-9. BATTERY INSTALLATION – 310AH BATTERIES	32
FIGURE 1-10. FRAME COVERS INSTALLATION	34
FIGURE 1-11. ERT2669 LADDER INSTALLATION	36
FIGURE 1-12. ERT3369 LADDER INSTALLATION	38
FIGURE 1-13. LEVELING JACKS INSTALLATION - PARTIAL COVERS	40
FIGURE 1-14. LEVELING JACKS INSTALLATION - FULL COVERS.....	42
FIGURE 1-15. LEVELING JACKS VALVE ASSEMBLY	44
FIGURE 1-16. ERT3369 ONBOARD GENERATOR INSTALLATION.....	46
FIGURE 1-17. ERT3369 ONBOARD GENERATOR INSTALLATION - TRAY ONLY	48
FIGURE 1-18. ONBOARD GENERATOR ASSEMBLY	50
FIGURE 1-19. TIRE AND WHEEL INSTALLATION - FOAM-FILLIED	54
FIGURE 1-20. TIRE AND WHEEL INSTALLATION - FOAM-FILLIED NON-MARKING.....	56
FIGURE 1-21. TIRE AND WHEEL INSTALLATION - FOAM-FILLIED TURF NON-MARKING	58
SECTION 2 - GROUND CONTROLS	61
FIGURE 2-1. HYDRAULIC COMPONENTS INSTALLATION	62
FIGURE 2-2. VALVE ASSEMBLY - MAIN CONTROL.....	64
FIGURE 2-3. BATTERY CHARGER INSTALLATION (110V PLUG).....	66
FIGURE 2-4. BATTERY CHARGER INSTALLATION (AUSTRALIAN PLUG).....	68
FIGURE 2-5. BATTERY CHARGER INSTALLATION (CHINA PLUG)	70
FIGURE 2-6. BATTERY CHARGER INSTALLATION (KOREAN PLUG)	72
FIGURE 2-7. BATTERY CHARGER INSTALLATION (NO PLUG).....	74
FIGURE 2-8. GROUND CONTROL PANEL INSTALLATION	76
FIGURE 2-9. GROUND CONTROL ASSEMBLY	78
FIGURE 2-10. ALARM INSTALLATION (HORN)	80
FIGURE 2-11. ALARM INSTALLATION (WHITE NOISE)	82
FIGURE 2-12. HOODS INSTALLATION	84
FIGURE 2-13. HOODS INSTALLATION - KUBOTA ENGINE (GENSET).....	88
FIGURE 2-14. STROBE LIGHT INSTALLATION - SINGLE	90
FIGURE 2-15. STROBE LIGHT INSTALLATION - DUAL.....	92
FIGURE 2-16. NO BEACON (COVERS)	94
FIGURE 2-17. HYDRAULIC TANK ASSEMBLY.....	96
SECTION 3 - ENGINE	99
FIGURE 3-1. ENGINE MOUNTING INSTALLATION (GENSET)	100
FIGURE 3-2. KUBOTA ENGINE INSTALLATION (GENSET)	102

TABLE OF CONTENTS

FIGURE 3-3. KUBOTA ENGINE COMPONENTS (STAGE V).....	104
FIGURE 3-4. ENGINE FUEL LINES INSTALLATION (GENSET).....	108
FIGURE 3-5. ENGINE ELECTRICAL INSTALLATION (GENSET)	110
FIGURE 3-6. EXHAUST INSTALLATION (GENSET)	112
SECTION 4 - SCISSORS ARMS.....	115
FIGURE 4-1. ERT2669 ARMS INSTALLATION.....	116
FIGURE 4-2. ERT2669 ARMS ASSEMBLY.....	118
FIGURE 4-3. ERT3369 ARMS INSTALLATION.....	122
FIGURE 4-4. ERT3369 ARMS ASSEMBLY.....	124
FIGURE 4-5. CYLINDER & LIFT DOWN VALVE ASSEMBLY.....	128
SECTION 5 - PLATFORM.....	131
FIGURE 5-1. PLATFORM INSTALLATION.....	132
FIGURE 5-2. PLATFORM EXTENSION INSTALLATION (SINGLE).....	134
FIGURE 5-3. PLATFORM RAILS INSTALLATION (SINGLE EXTENSION)	136
FIGURE 5-4. PLATFORM CONTROL BOX INSTALLATION - SIDE MOUNT	140
FIGURE 5-5. PLATFORM CONTROL BOX INSTALLATION.....	142
FIGURE 5-6. CONTROLLER ASSEMBLY.....	144
FIGURE 5-7. WORKSTATION INSTALLATION	146
SECTION 6 - CYLINDER.....	149
FIGURE 6-1. AXLE LOCKOUT CYLINDER ASSEMBLY.....	150
FIGURE 6-2. LEVELING JACK CYLINDER ASSEMBLY.....	152
FIGURE 6-3. LIFT CYLINDER ASSEMBLY.....	154
FIGURE 6-4. STEER CYLINDER ASSEMBLY	156
SECTION 7 - HYDRAULIC.....	159
FIGURE 7-1. HYDRAULIC DIAGRAM - LEVELING JACKS.....	160
FIGURE 7-2. HYDRAULIC DIAGRAM - STANDARD	162
SECTION 8 - ELECTRICAL.....	165
FIGURE 8-1. ERT2669 & ERT3369 ELECTRICAL LAYOUT.....	166
FIGURE 8-2. AC BOX AT PLATFORM INSTALLATION - 110V GFI (ALL SPECS EXCEPT AUSTRALIAN, CE & UK CA SPECS)	176
FIGURE 8-3. AC BOX AT PLATFORM INSTALLATION - 110V IEC YELLOW (CE & UK CA SPECS).....	178
FIGURE 8-4. AC BOX AT PLATFORM INSTALLATION - 220V IEC BLUE (CE & UK CA SPECS)	180
FIGURE 8-5. AC BOX AT PLATFORM INSTALLATION - 220V CEE7 POST GROUND (CE & UK CA SPECS)	182
FIGURE 8-6. AC BOX AT PLATFORM INSTALLATION - 220V CEE7 SIDE GROUND (CE & UK CA SPECS).....	184
FIGURE 8-7. AC BOX AT PLATFORM INSTALLATION - 220V AFSINT 107 (CE & UK CA SPECS).....	186
FIGURE 8-8. AC BOX AT PLATFORM INSTALLATION - 220V CUSTOMER SUPPLIED PLUG & RECEPTACLE (ALL SPECS EXCEPT AUSTRALIAN & CE & UK CA SPECS)	188
FIGURE 8-9. AC BOX AT PLATFORM INSTALLATION - 220V CUSTOMER SUPPLIED COMPONENTS (ALL SPECS).....	190
FIGURE 8-10. BREAKER BOX KIT - 1 DOUBLE BREAKER (CE & UK CA SPECS).....	192
FIGURE 8-11. BREAKER BOX KIT - 1 DOUBLE & 1 SINGLE BREAKER (CE & UK CA SPECS)	194
FIGURE 8-12. CHARGER CORD PLUG INSTALLATION - 110V - IEC YELLOW (CE & UK CA SPEC)	196
FIGURE 8-13. CHARGER CORD PLUG INSTALLATION - 220V - IEC BLUE (CE & UK CA SPEC).....	198
FIGURE 8-14. CHARGER CORD PLUG INSTALLATION - 220V - CEE7 POST GROUND (CE & UK CA SPEC).....	200

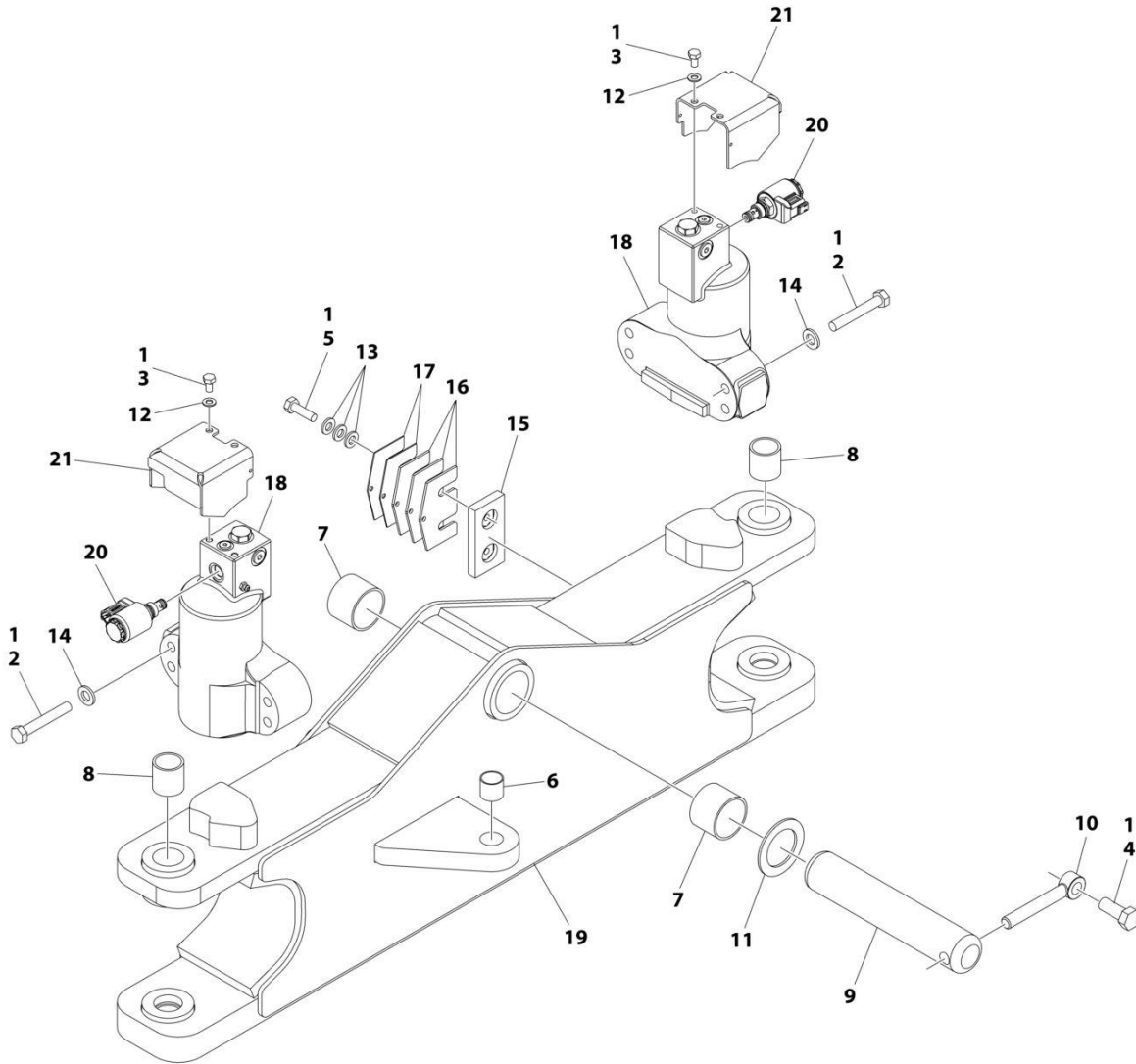
TABLE OF CONTENTS

FIGURE 8-15. CHARGER CORD PLUG INSTALLATION - 220V - CEE7 SIDE GROUND (CE & UK CA SPEC).....	202
FIGURE 8-16. CHARGER CORD PLUG INSTALLATION - 220V - AFSINT 107 KEYED GROUND (CE & UK CA SPEC).....	204
FIGURE 8-17. CHASSIS HARNESS	206
FIGURE 8-18. ERT2669 GROUND TO PLATFORM HARNESS	210
FIGURE 8-19. ERT3369 GROUND TO PLATFORM HARNESS	212
FIGURE 8-20. LEVELING JACK HARNESS	214
FIGURE 8-21. LIFT DOWN HARNESS	216
FIGURE 8-22. LSS HARNESS	218
FIGURE 8-23. ONBOARD GENERATOR CABLE.....	220
FIGURE 8-24. MECHRON GENSET HARNESS.....	222
FIGURE 8-25. PLATFORM HARNESS	224
FIGURE 8-26. PLATFORM CABLE INSTALLATION – WITHOUT FOOTSWITCH.....	226
FIGURE 8-27. PLATFORM CABLE HARNESS – WITHOUT FOOTSWITCH.....	228
FIGURE 8-28. PLATFORM CABLE INSTALLATION – WITH FOOTSWITCH	230
FIGURE 8-29. PLATFORM CABLE HARNESS – WITH FOOTSWITCH	232
FIGURE 8-30. PLATFORM CONTROL BOX HARNESS	234
FIGURE 8-31. RECEPTACLE BOX KIT - 110V GFI.....	236
FIGURE 8-32. RECEPTACLE BOX KIT - 110V IEC YELLOW (CE & UK CA SPECS).....	238
FIGURE 8-33. RECEPTACLE BOX KIT - 220V IEC BLUE (CE & UK CA SPECS).....	240
FIGURE 8-34. RECEPTACLE BOX KIT - 220V CEE7 POST GROUND (CE & UK CA SPECS).....	242
FIGURE 8-35. RECEPTACLE BOX KIT - 220V CEE7 SIDE GROUND (CE & UK CA SPECS)	244
FIGURE 8-36. RECEPTACLE BOX KIT - 220V AFSINT 107 (CE & UK CA SPECS)	246
FIGURE 8-37. TRACTION HARNESS	248
FIGURE 8-38. TILT SENSOR HARNESS	252
SECTION 9 - DECALS.....	255
FIGURE 9-1. DECAL INSTALLATION - ANSI SPECS (ENGLISH LANGUAGE)	256
FIGURE 9-2. DECAL INSTALLATION - AUSTRALIAN/CE & UK CA SPECS (ENGLISH LANGUAGE).....	258
FIGURE 9-3. DECAL INSTALLATION - BRAZIL SPECS (SPANISH/PORTUGUESE LANGUAGES).....	260
FIGURE 9-4. DECAL INSTALLATION - CE & UK CA SPECS	262
FIGURE 9-5. DECAL INSTALLATION - CHINA SPECS (ENGLISH/CHINESE LANGUAGES)	264
FIGURE 9-6. DECAL INSTALLATION - CSA SPECS (ENGLISH/FRENCH LANGUAGES).....	266
FIGURE 9-7. DECAL INSTALLATION - KOREAN SPECS (ENGLISH/KOREAN LANGUAGES).....	268
FIGURE 9-8. DECAL INSTALLATION - LATIN AMERICAN SPECS (ENGLISH/SPANISH LANGUAGES)	270
FIGURE 9-9. DECAL INSTALLATION - OPTIONS	272
SECTION 10 - RECOMMENDED SERVICE PARTS STOCK	275
FIGURE 10-1. RECOMMENDED SERVICE PARTS STOCK	276
SECTION 11 - SPECIAL OPTIONS/ACCESSORIES/KITS	277
FIGURE 11-1. SPECIAL OPTIONS/ACCESSORIES/KITS	278
PART NUMBER INDEX	279

SECTION 1 - FRAME

SECTION 1 - FRAME

FIGURE 1-1. AXLE INSTALLATION - SINGLE OSCILLATING (WITHOUT SENSORS)



ART_1001260485

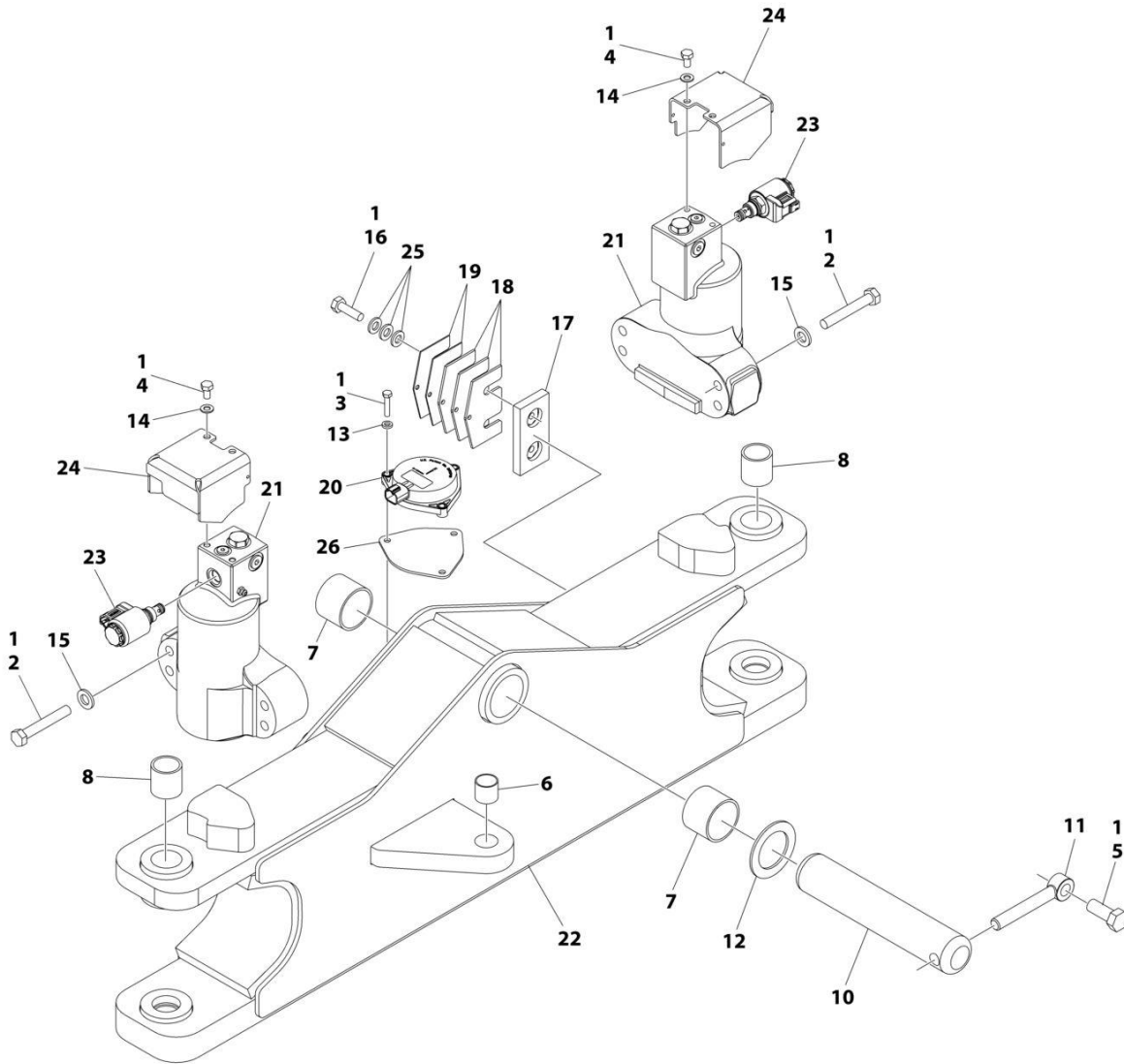
SECTION 1 - FRAME

FIGURE 1-1. AXLE INSTALLATION - SINGLE OSCILLATING (WITHOUT SENSORS)

ITEM	PART NUMBER	QTY	DESCRIPTION	REV
	1001260485	Ref	AXLE INSTALLATION (WITHOUT SENSOR)	B
1	0100011	AR	Compound, Locking	
2	0711224	8	Bolt M12 x 80	
3	0760807	4	Bolt M8 x 14	
4	0761616	1	Bolt M16 x 40	
5	0771015	4	Bolt M10 x 35	
6	0961890	1	Bushing	
7	0961950	2	Bearing	
8	0962220	4	Bushing	
9	3422592	1	Pin	
10	3841258	1	Keeper, Rod	
11	4740229	1	Thrustwasher	
12	4811900	4	Washer M8	
13	5241000	AR	Washer M10	
14	5241200	8	Washer M12	
15	1001118511	2	Pad, Wear	
16	1001118518	AR	Shim 11Ga	
17	1001118519	AR	Shim 16Ga	
18	1001245046	2	Cylinder Assembly - Axle (See Separate Breakdown in CYLINDER Section)	
19	1001247019	1	Axle	
20	1001248196	2	Cartridge, Valve - Directional	
20	7024502	2	Seal Kit - 7001248196 Valve	
20	7027628	2	Coil	
20	70001365	2	Nut, Coil	
21	1001248834	2	Cover	

SECTION 1 - FRAME

FIGURE 1-2. AXLE INSTALLATION - SINGLE OSCILLATING (WITH SENSORS)



ART_1001244391

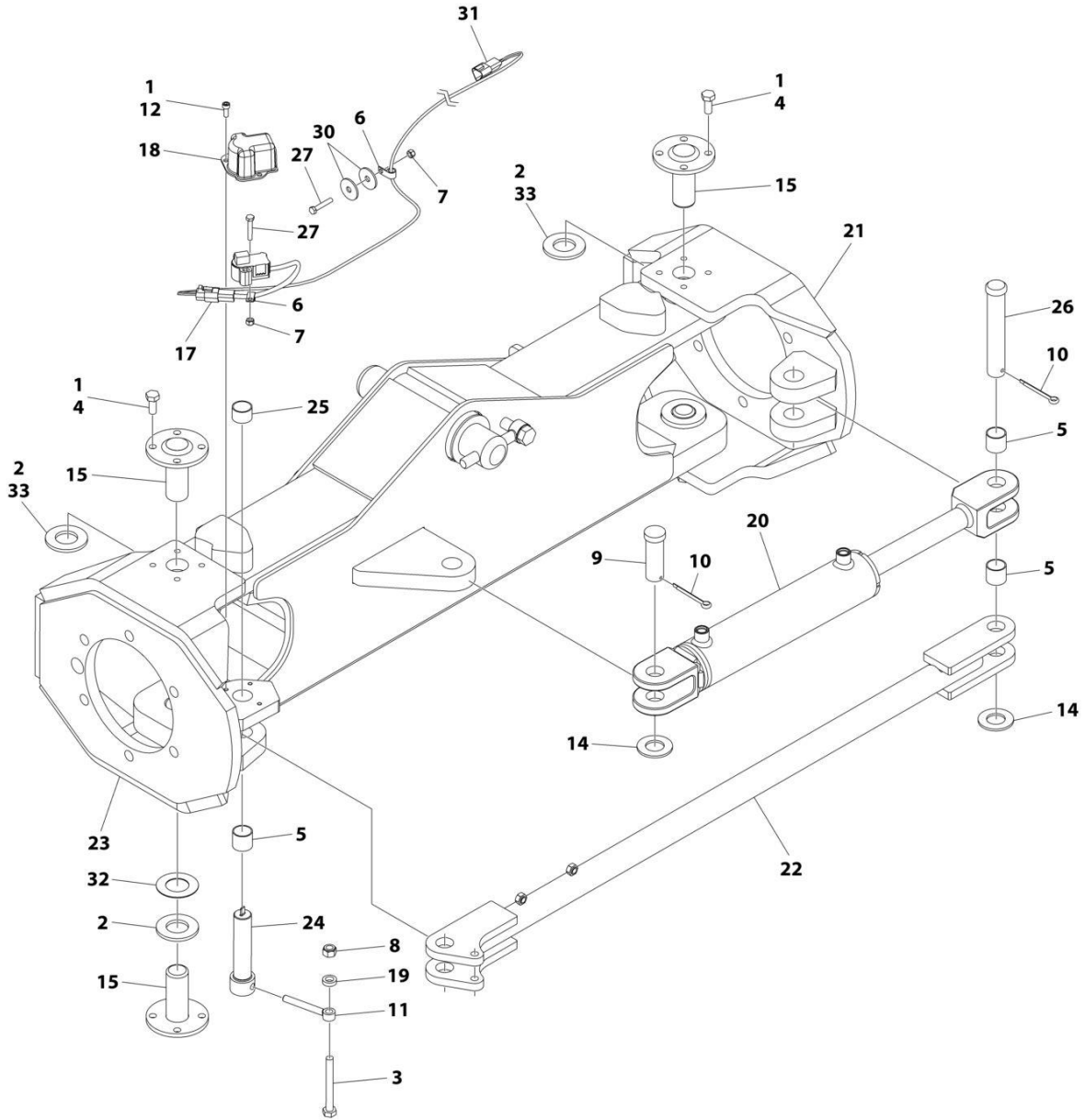
SECTION 1 - FRAME

FIGURE 1-2. AXLE INSTALLATION - SINGLE OSCILLATING (WITH SENSORS)

ITEM	PART NUMBER	QTY	DESCRIPTION	REV
	1001244391	Ref	AXLE INSTALLATION (WITH SENSOR)	D
1	0100011	AR	Compound, Locking	
2	0711224	8	Bolt M12 x 80	
3	0760614	3	Bolt M6 x 30	
3	4010615	3	Bolt M6 x 35	
4	0760807	4	Bolt M8 x 14	
5	0761616	1	Bolt M16 x 40	
6	0961890	1	Bushing	
7	0961950	2	Bearing	
8	0962220	4	Bushing	
10	3422592	1	Pin	
11	3841258	1	Keeper, Rod	
12	4740229	1	Thrustwasher	
13	4811700	3	Washer M6	
14	4811900	4	Washer M8	
15	5241200	8	Washer M12	
16	0771015	4	Bolt M10 x 35	
17	1001118511	2	Pad, Wear	
18	1001118518	AR	Shim 11Ga	
19	1001118519	AR	Shim 16Ga	
20	1001244934	1	Sensor, Tilt	
21	1001245046	2	Cylinder Assembly - Axle (See Separate Breakdown in CYLINDER Section)	
22	1001247019	1	Axle	
23	1001248196	2	Cartridge, Valve - Directional	
23	7024502	2	Seal Kit - 1001248196 Valve	
23	7027628	2	Coil	
23	70001365	2	Nut, Coil	
24	1001248834	2	Cover	
25	5241000	AR	Washer M10	
26	1001272777	1	Gasket	

SECTION 1 - FRAME

FIGURE 1-3. STEERING INSTALLATION – ELECTRIC (2WS)



ART_1001250520

SECTION 1 - FRAME

FIGURE 1-3. STEERING INSTALLATION – ELECTRIC (2WS)

ITEM	PART NUMBER	QTY	DESCRIPTION	REV
	1001250520	Ref	STEERING INSTALLATION - ELECTRIC	D
1	0100011	AR	Compound, Locking	
2	0440237	2	Thrustwasher (3/16 Thickness)	
3	0701026	1	Bolt M10 x 90	
4	0761012	16	Bolt M10 x 25	
5	0961890	3	Bushing	
6	1320043	2	Clamp	
7	3290605	2	Nut M6	
8	3291005	1	Nut M10	
9	3431622	1	Pin	
10	3450608	2	Pin, Cotter	
11	3841143	1	Keeper	
12	4031707	2	Bolt M6 x 16	
14	4712600	2	Washer 1	
15	1001139141	4	Kingpin	
17	1001161117	1	Sensor, Steer Angle	
18	1001169423	1	Cover	
19	1001245459	1	Sleeve, Spacer	
20	1001246107	1	Cylinder Assembly - Steer (See Separate Breakdown in CYLINDER Section)	
21	1001249297	1	Spindle	
22	1001250637	1	Tie-Rod	
23	1001251725	1	Spindle	
24	1001251727	1	Pin	
25	1001253868	1	Bearing	
26	1001255526	1	Pin	
27	0760615	2	Bolt M6 x 35	
28	4240017	AR	Tie-Strap (Not Shown)	
30	1001195089	2	Washer	
31	1001255064	1	Harness, Steer Angle Sensor	
32	1001151395	2	Shim	
33	0440162	1	Thrustwasher (1/8 Thickness)	

SECTION 1 - FRAME

FIGURE 1-4. DRIVE INSTALLATION - ELECTRIC (2WD)

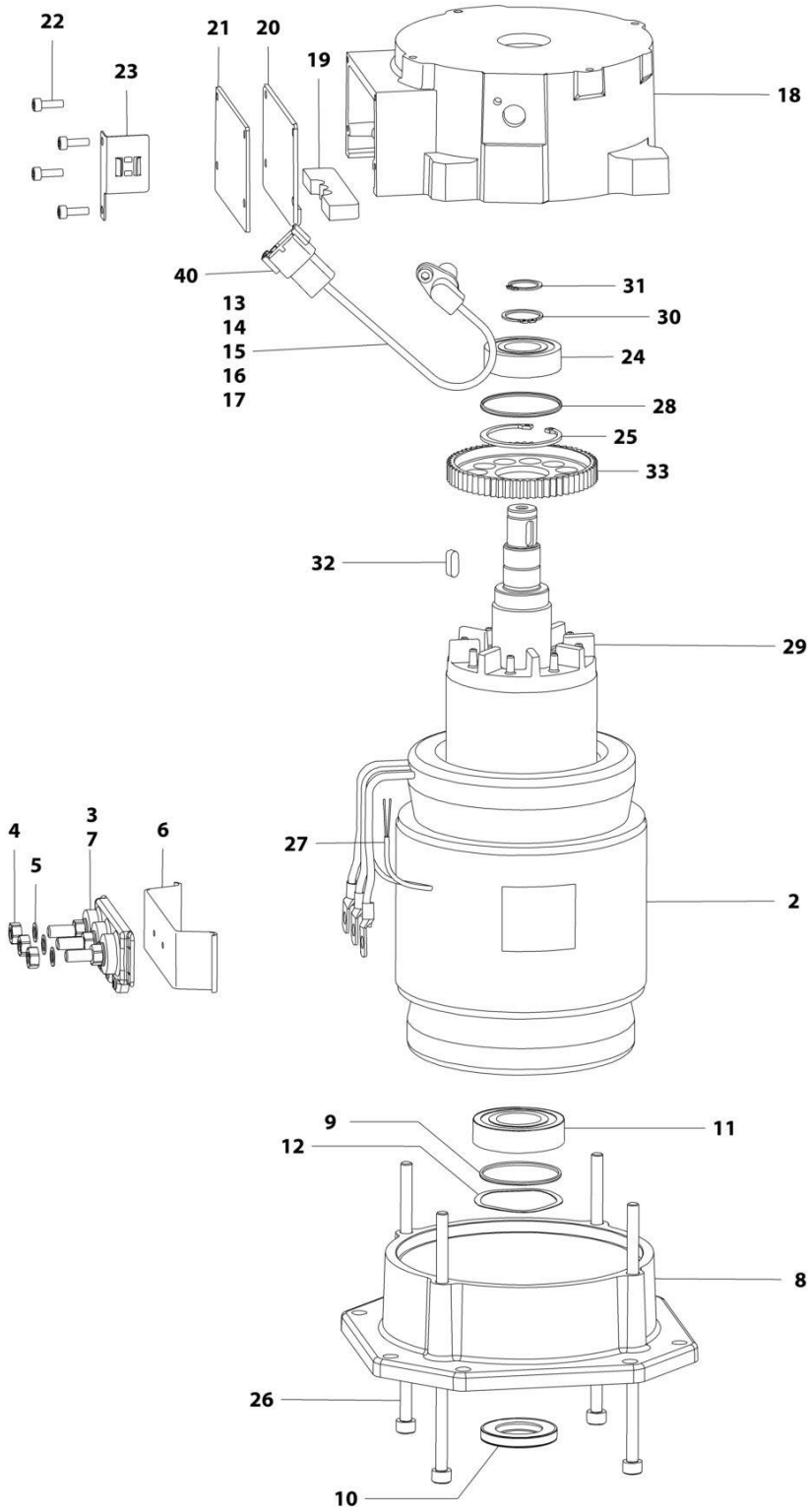
ITEM	PART NUMBER	QTY	DESCRIPTION	REV
	1001247420	Ref	DRIVE INSTALLATION - 2WD	H
1	0100011	AR	Compound, Locking	
2	0100019	AR	Compound, Locking	
3	0100020	AR	Sealant	
4	0641610	8	Bolt 3/8 x 1-1/4	
5	0641812	8	Bolt 1/2 x 1-1/2	
6	0682013	12	Bolt 5/8 x 1-5/8	
7	0771619	12	Bolt M16 x 55	
8	2780282	2	Hub Assembly - Front (See Separate Breakdown in this Section)	
11	3331611	12	Nut M16	
12	4891600	8	Washer 3/8	
13	4711800	8	Washer 1/2	
14	5241600	24	Washer M16	
15	4892000	12	Washer 5/8	
16	1001182960	2	Seal	
17	1001184854	2	Drive Motor/Brake Assembly	G
17A	1001182550	2	Drive Motor Assembly (See Separate Breakdown in this Section)	
17B	1001184852	2	Drive Brake Assembly	
17B	70005415	2	O-Ring Between Brake and Motor (Not Shown)	
17C	4031707	8	Capscrew M6 x 16	
17D	1001109892	8	Washer M6	
18	1001214174	2	Hub Spindle Assembly - Front (See Separate Breakdown in this Section)	
19	1001219722	2	Plate	
20	1001220271	2	Seal	
21	0100035	AR	Compound, Locking	
23	0630587	2	Bolt M6 x 25	
24	0700512	4	Bolt M5 x 25	
25	0700814	9	Bolt M8 x 30	
27	0760508	2	Bolt M5 x 16	
28	3290505	6	Nut M5	
29	3290605	2	Nut M6	
30	3290805	1	Nut M8	
32	4031608	8	Bolt M5 x 20	
33	4240084	1	Strap, Anti-Static	
34	4811600	12	Washer M5	
35	4811702	2	Washer M6	
36	4811902	10	Washer M8	
38	4872000	1	Washer M10	
39	1001174447	1	Converter	
40	1001248064	1	Module, Drive/Pump	
41	1001248066	1	Module, Drive	
42	1001250886	1	Housing	
43	1001255057	1	Harness, Traction (See Separate Breakdown in ELECTRICAL Section)	
44	1001255058	1	Cable, Generator to Pump (+)	
45	1001255059	1	Cable, Generator to Pump (-)	
46	1001255060	1	Cable, Left Drive/Brake Motor Power	
47	1001255061	1	Cable, Right Drive/Brake Motor Power	
48	1001255062	1	Cable, Drive Module (-)	

SECTION 1 - FRAME

ITEM	PART NUMBER	QTY	DESCRIPTION	REV
49	1001255063	1	Cable, Drive/Pump Module (-)	
50	1001255610	2	Shield	
51	1001256186	1	Harness, Right Drive/Brake Motor	
52	1001256187	1	Harness, Left Drive/Brake Motor	
53	1001260781	1	Decal – Fuse Box	

SECTION 1 - FRAME

FIGURE 1-5. DRIVE MOTOR ASSEMBLY



ART_1001182550

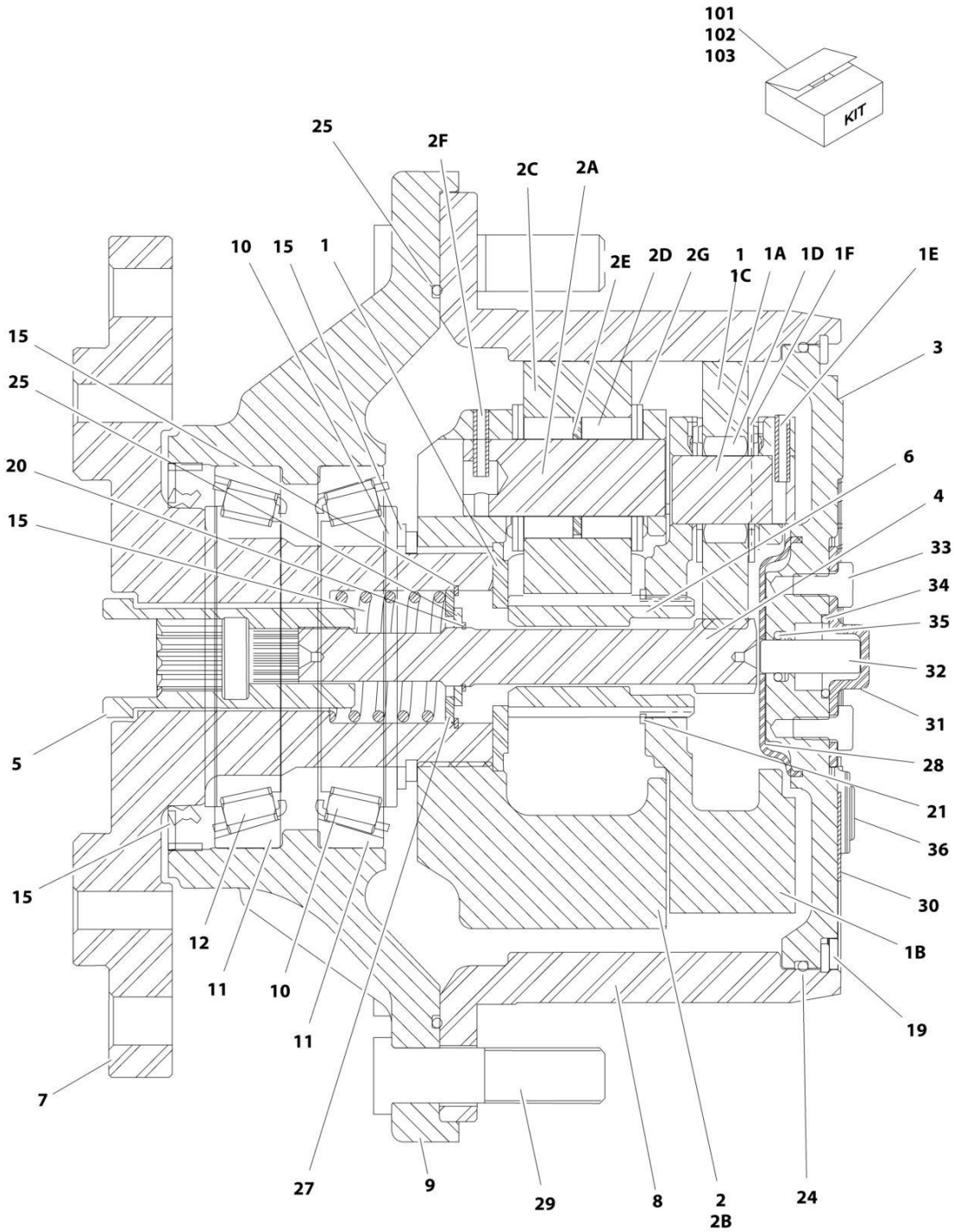
SECTION 1 - FRAME

FIGURE 1-5. DRIVE MOTOR ASSEMBLY

ITEM	PART NUMBER	QTY	DESCRIPTION	REV
	1001182550	Ref	DRIVE MOTOR ASSEMBLY	F
2	70005385	1	Stator	
3	70005386	1	Board, Terminal	
4	70005387	3	Nut M8	
5	70005388	3	Washer M8	
6	70005389	1	Base, Terminal	
7	70005390	2	Screw M5 x 14	
8	70005391	1	Plate, Drive End	
9	70004811	1	O-Ring	
10	70005392	1	Seal, Shaft	
11	70004809	1	Bearing	
12	70005393	1	Washer, Wavy	
13	70005394	1	Sensor (Includes Items 14-17)	
14	70005395	1	Screw M8 x 16	
15	70005396	1	Wedge	
16	70005397	1	Connector	
17	4460516	4	Pin, Male	
18	70005398	1	Shield, End	
19	70005399	1	Seal	
20	70005400	1	Seal	
21	70005401	1	Cover	
22	70005402	4	Screw M5 x 16	
23	70005403	1	Plate, Retaining	
24	70005404	1	Bearing	
25	70005405	1	Clip, Retainer	
26	70005406	4	Screw M8 x 180	
27	70005407	1	Temperature, Sensor	
28	70005408	1	O-Ring	
29	70005409	1	Rotor	
30	70004820	1	Clip, Retainer	
31	70005410	1	Clip, Retainer	
32	70005411	1	Key	
33	70005412	1	Gear	
40	1001190577	1	Connector - 8 Position	
40	4460516	8	Pin	

SECTION 1 - FRAME

FIGURE 1-6. DRIVE HUB ASSEMBLY



ART_2780282

FIGURE 1-6. DRIVE HUB ASSEMBLY

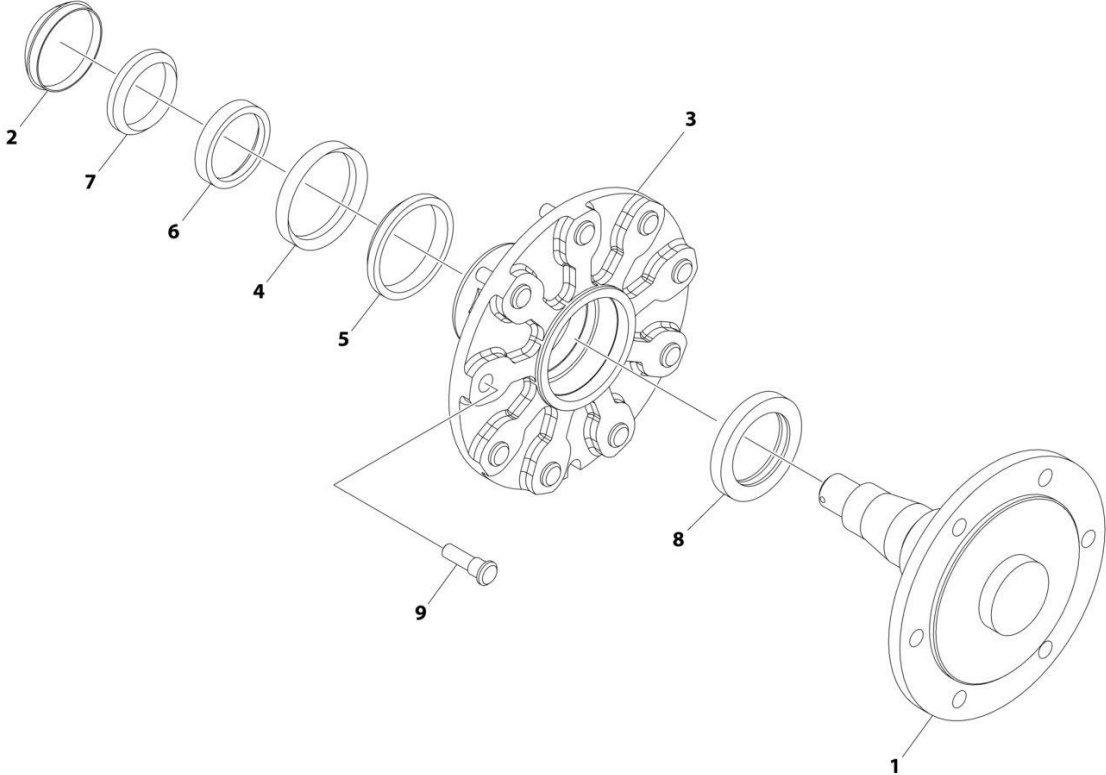
ITEM	PART NUMBER	QTY	DESCRIPTION	REV
	2780282	Ref	DRIVE HUB ASSEMBLY	D
1	70001366	1	Carrier Sub Assembly	
1A	See Note	NSS	Shaft, Planet (Note: Use Item 1)	
1B	See Note	NSS	Carrier (Note: Use Item 1)	
1C	See Note	NSS	Gear, Planet (Note: Use Item 1)	
1D	See Note	NSS	Bearing, Needle (Note: Use Item 1)	
1E	See Note	NSS	Rollpin (Note: Use Item 1)	
1F	See Note	NSS	Thrustwasher (Note: Use Item 1)	
2	70001367	1	Carrier, Input	
2A	See Note	NSS	Shaft, Planet (Note: Use Item 2)	
2B	See Note	NSS	Carrier (Note: Use Item 2)	
2C	See Note	NSS	Gear, Planet (Note: Use Item 2)	
2D	See Note	NSS	Bearing, Needle (Note: Use Item 2)	
2E	See Note	NSS	Spacer, Thrust (Note: Use Item 2)	
2F	See Note	NSS	Rollpin (Note: Use Item 2)	
2G	See Note	NSS	Thrustwasher (Note: Use Item 2)	
2H	See Note	NSS	Thrustwasher (Note: Use Item 2)	
3	See Note	NSS	Cover (Note: Use Item 103)	
4	70001369	1	Shaft, Input	
5	70001370	1	Coupling	
6	70001371	1	Shaft, Sun Gear	
7	70001372	1	Spindle	
8	70001373	1	Gear, Ring	
9	See Note	NSS	Housing (Note: Not Available - Purchase Complete Assembly)	
10	See Note	NSS	Cone, Bearing (Note: Use Item 101)	
11	See Note	NSS	Cup, Bearing (Note: Use Item 101)	
12	See Note	NSS	Cone, Bearing (Note: Use Item 101)	
13	7017009	1	Thrustwasher	
15	See Note	NSS	Seal, Lip (Note: Use Item 102)	
16	70001374	1	Spring	
17	70001375	1	Ring, Retaining (Internal)	
18	See Note	NSS	Ring, Retaining (Note: Use Item 102)	
19	7024738	1	Ring, Retaining (Note: Use Item 102)	
20	70001376	1	Ring, Retaining (External)	
21	70001377	1	Ring, Retaining (External)	
22	7000281	4	Screw (Not Shown - ID Plate Screws)	
23	7017022	3	Screw (Not Shown - Located on Front of Hub)	
24	See Note	NSS	O-Ring (Note: Use Item 102)	
25	See Note	NSS	O-Ring (Note: Use Item 102)	
26	70001378	1	Spacer, Thrust	
27	70001379	1	Thrustwasher	
28	7024741	1	Spacer, Thrust	
29	7007640	9	Stud, Wheel	
30	See Note	NSS	Flange, Plate (Note: Use Item 103)	
31	See Note	NSS	Cap, Disengage (Note: Use Item 103)	
32	See Note	NSS	Pin, Dowel (Note: Use Item 103)	
33	See Note	NSS	Bolt (Note: Use Item 103)	
34	See Note	NSS	O-Ring (Note: Use Item 103)	
35	See Note	NSS	O-Ring (Note: Use Item 103)	
36	See Note	NSS	O-Ring (Note: Use Item 103)	

SECTION 1 - FRAME

ITEM	PART NUMBER	QTY	DESCRIPTION	REV
101	7017007	1	Planet Gear Bearing Kit (Includes Items 10-12)	
102	70001380	1	Planet Gear Seal Kit (Includes Items 15, 18, 24 & 25)	
103	70001368	1	Cover/Cap/Disengage Kit (Includes Items 3 & 30-36)	

SECTION 1 - FRAME

FIGURE 1-7. HUB/SPINDLE ASSEMBLY (2WD FRONT)



ART_1001214174

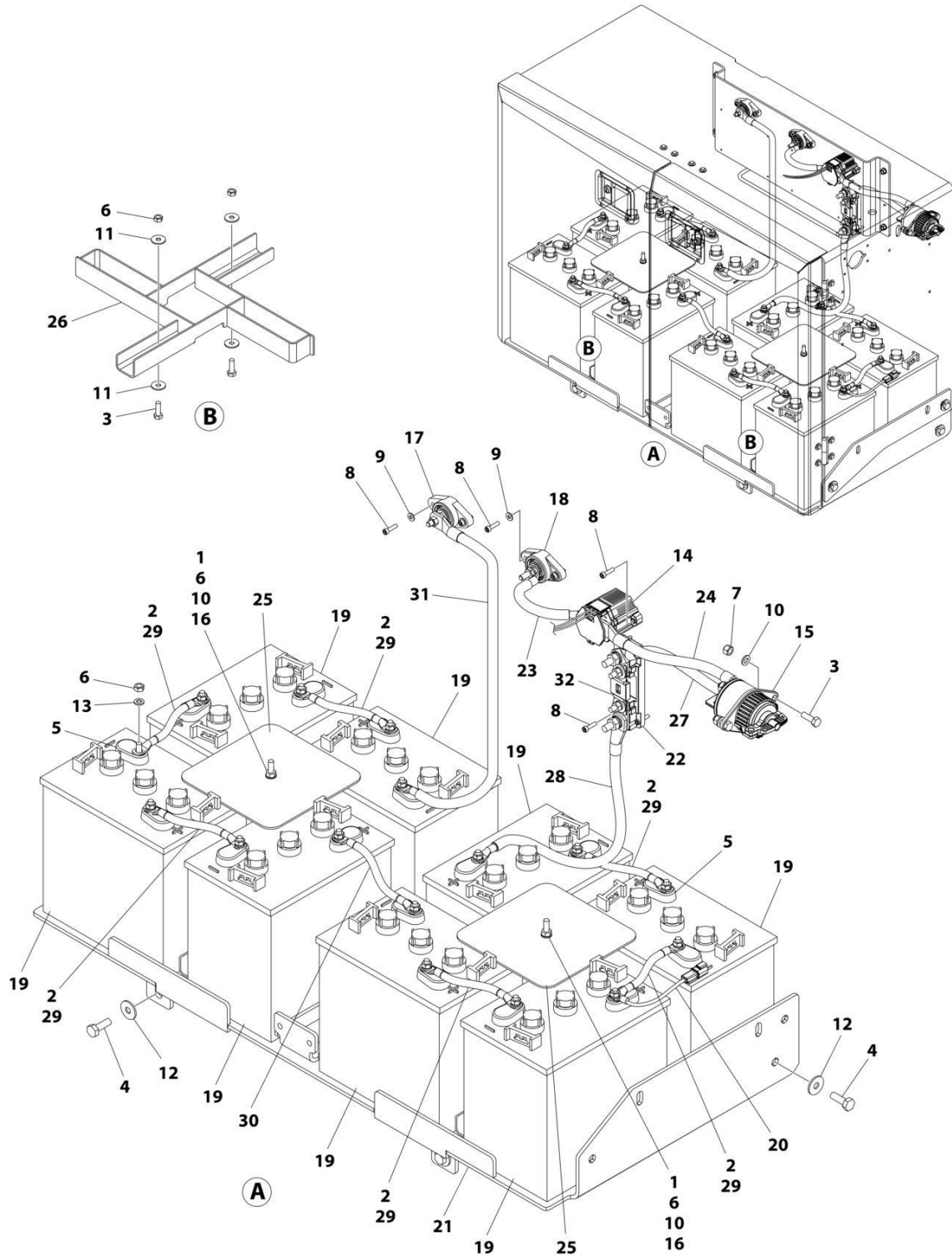
SECTION 1 - FRAME

FIGURE 1-7. HUB/SPINDLE ASSEMBLY (2WD FRONT)

ITEM	PART NUMBER	QTY	DESCRIPTION	REV
	1001214174	Ref	HUB - SPINDLE ASSEMBLY (2WD)	C
1	See Note	NSS	Spindle, Adapter (Note: Not Available for Purchase)	
2	7020033	1	Cap, Dust	
3	7020035	1	Hub, Casting	
4	7020036	1	Cup, Bearing	
5	7020037	1	Cone, Bearing	
6	7020038	1	Cup, Bearing	
7	7020039	1	Cone, Bearing	
8	7020040	1	Seal	
9	7020041	9	Stud	

SECTION 1 - FRAME

FIGURE 1-8. BATTERY INSTALLATION – 225AH BATTERIES



ART_1001254822

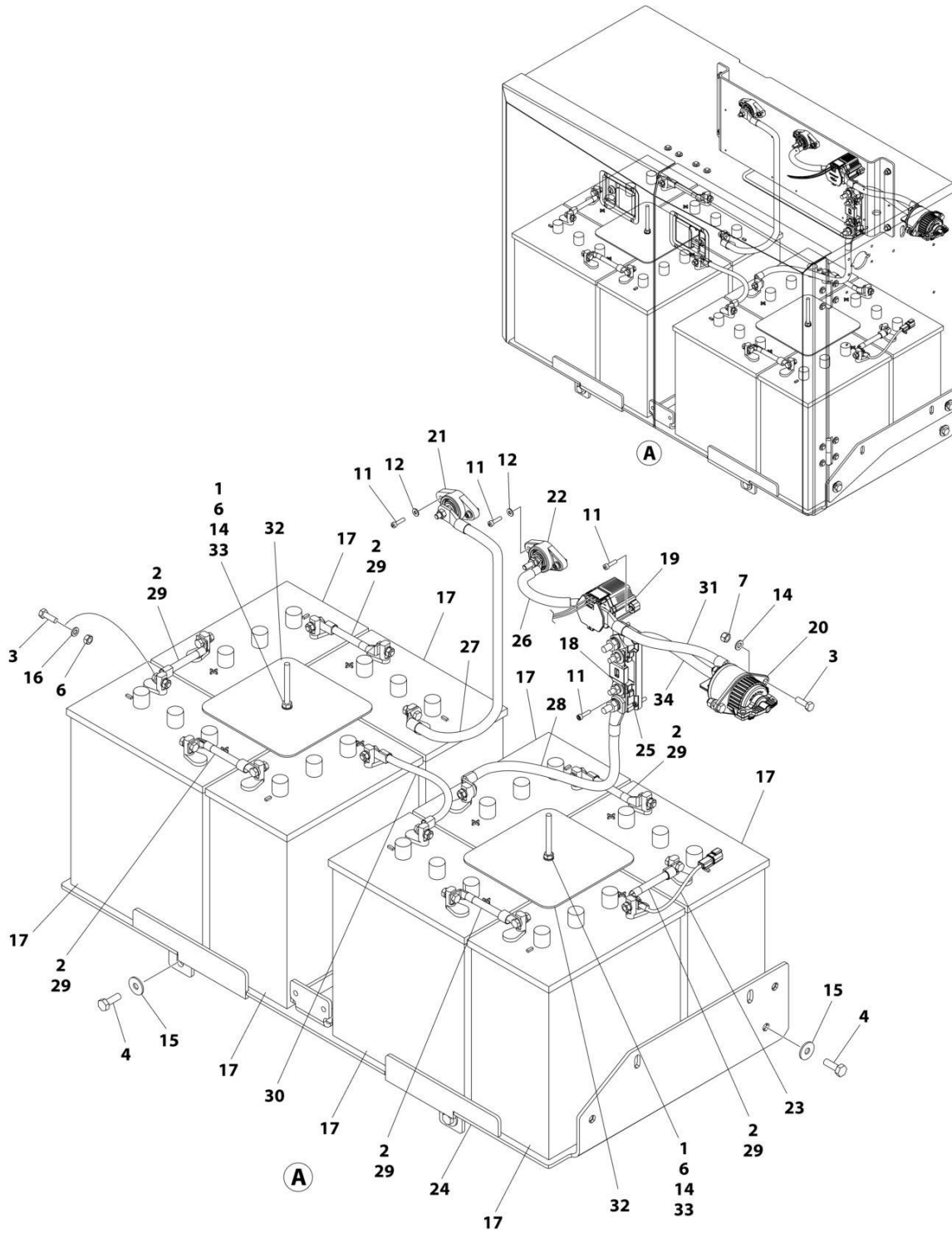
SECTION 1 - FRAME

FIGURE 1-8. BATTERY INSTALLATION – 225AH BATTERIES

ITEM	PART NUMBER	QTY	DESCRIPTION	REV
	1001254822	Ref	BATTERY INSTALLATION	C
1	0100011	AR	Compound, Locking	
2	0100051	AR	Grease, Terminal	
3	0760812	6	Bolt M8 x 25	
4	0771014	4	Bolt M10 x 30	
5	0840060	16	Boot	
6	3290801	22	Nut M8	
7	3290805	2	Nut M8	
8	4031608	10	Bolt M5 x 20	
9	4711000	4	Washer #10	
10	4811900	4	Washer M8	
11	4811902	8	Washer M8	
12	4812002	4	Washer M10	
13	4831900	16	Washer M8	
14	1001272006	1	Relay, 48V	
15	1001170483	1	Switch, Battery Disconnect	
16	1001181961	2	Bolt	
17	1001186860	1	Stud, Power Distribution	
18	1001212359	1	Stud, Power Distribution	
19	1001216180	8	Battery (6V – 220Amp)	
20	1001225131	1	Harness, Temperature Sensor	
20	4460464	2	Terminal	
20	4460897	1	Connector – 2 Position	
20	1001102771	1	Sensor, Temperature	
21	1001247608	1	Tray	
22	1001254835	1	Fuse, Holder	
23	1001255640	1	Cable, Relay to Power Stud	
24	1001255645	1	Cable, Battery Disconnect to Relay	
25	1001256014	2	Plate	
26	1001256016	2	Bracket	
27	1001256453	1	Cable, Battery Disconnect to Fuse	
28	1001259462	1	Cable, Battery to Fuse	
29	1001259463	6	Cable, Battery Jumper	
30	1001259464	1	Cable, Battery Jumper	
31	1001259465	1	Cable, Battery to Power Stud	
32	1001260530	1	Fuse, 355 AMP	

SECTION 1 - FRAME

FIGURE 1-9. BATTERY INSTALLATION – 310AH BATTERIES



ART_1001246886

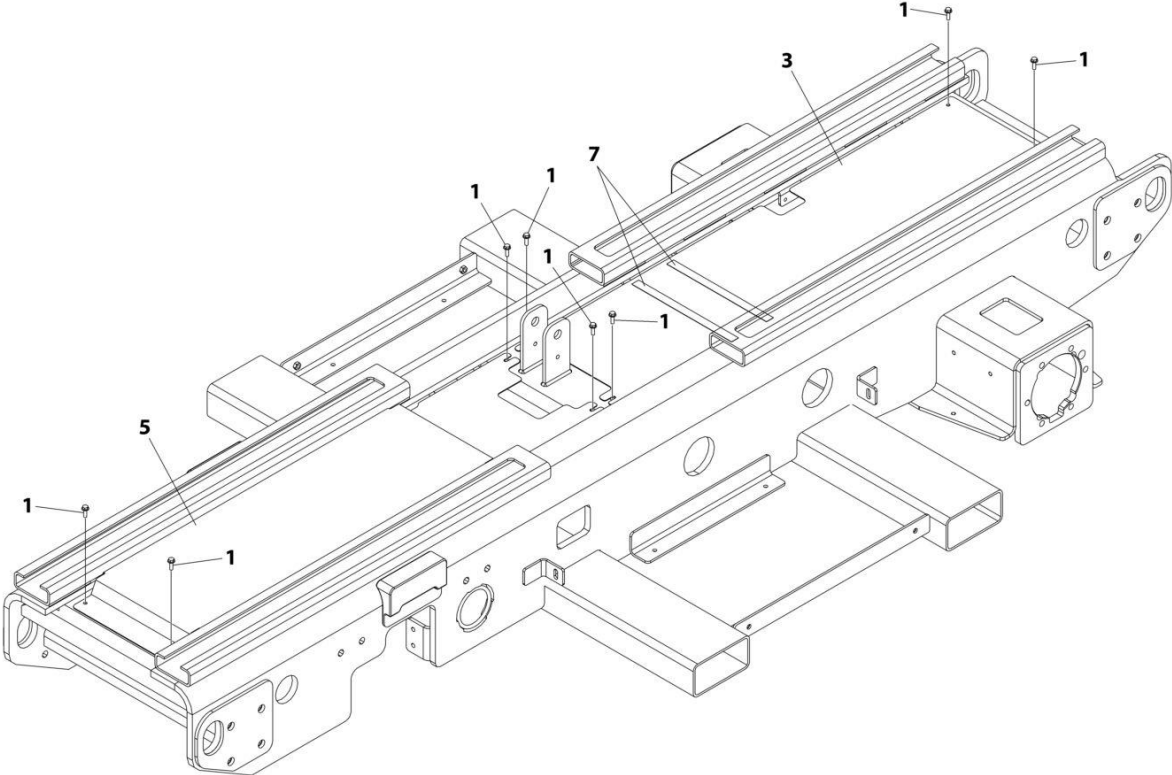
SECTION 1 - FRAME

FIGURE 1-9. BATTERY INSTALLATION – 310AH BATTERIES

ITEM	PART NUMBER	QTY	DESCRIPTION	REV
	1001246886	Ref	BATTERY INSTALLATION	D
1	0100011	AR	Compound, Locking	
2	0100051	AR	Grease, Terminal	
3	0760812	18	Bolt M8 x 25	
4	0771014	4	Bolt M10 x 30	
6	3290801	18	Nut M8	
7	3290805	2	Nut M8	
11	4031608	10	Bolt M5 x 20	
12	4711000	4	Washer #10	
14	4811900	4	Washer M8	
15	4812002	4	Washer M10	
16	4831900	16	Washer M8	
17	1001105091	8	Battery (6V)	
18	1001260530	1	Fuse, 355 AMP	
19	1001272006	1	Relay, 48V	
20	1001170483	1	Switch, Battery Disconnect	
21	1001186860	1	Stud, Power Distribution	
22	1001212359	1	Stud, Power Distribution	
23	1001225131	1	Harness, Temperature Sensor	
23	4460464	2	Terminal	
23	4460897	1	Connector – 2 Position	
23	1001102771	1	Sensor, Temperature	
24	1001247608	1	Tray	
25	1001254835	1	Fuse, Holder	
26	1001255640	1	Cable, Battery	
27	1001255641	1	Cable, Battery	
28	1001255642	1	Cable, Battery	
29	1001255643	6	Cable, Battery	
30	1001255644	1	Cable, Battery	
31	1001255645	1	Cable, Disconnect	
32	1001256014	2	Plate	
33	1001256021	2	Bolt	
34	1001256453	1	Cable, Disconnect	

SECTION 1 - FRAME

FIGURE 1-10. FRAME COVERS INSTALLATION



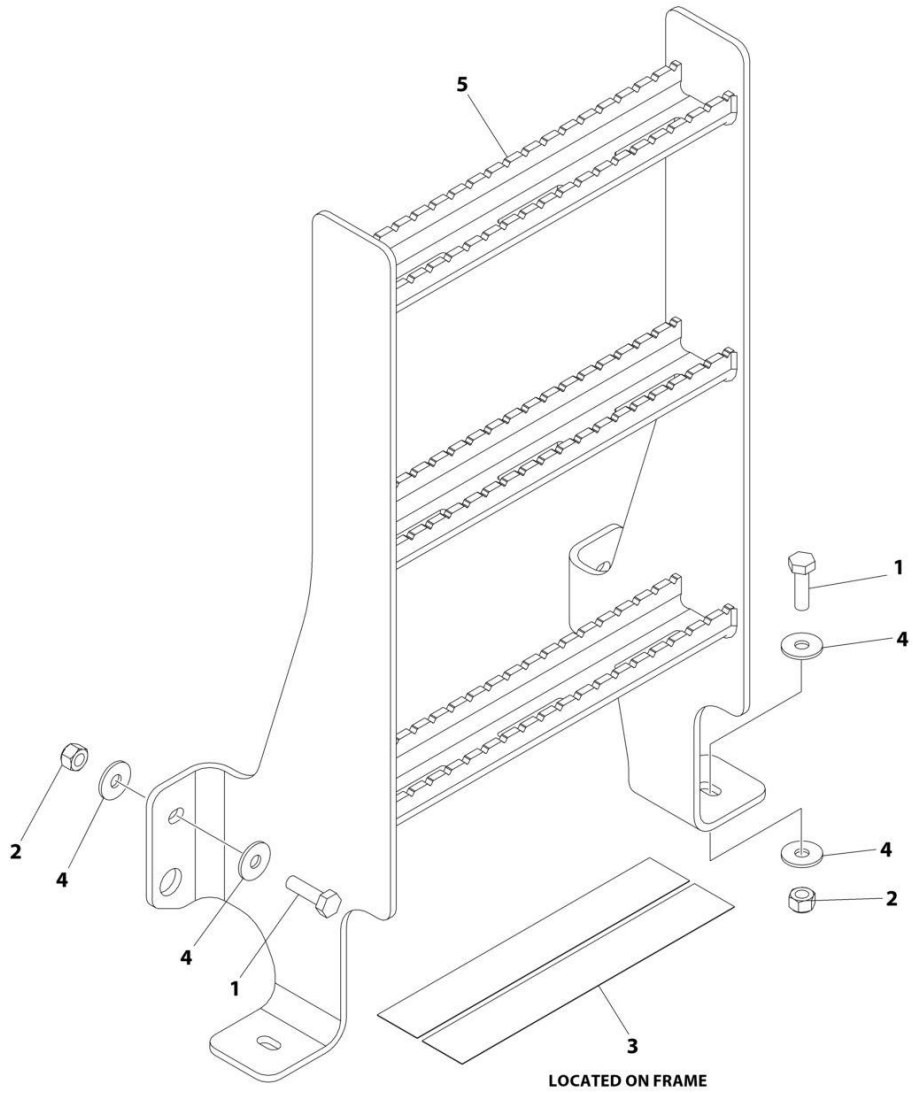
ART_1001245440

FIGURE 1-10. FRAME COVERS INSTALLATION

ITEM	PART NUMBER	QTY	DESCRIPTION	REV
	1001245440	Ref	FRAME COVERS INSTALLATION	D
1	5250812	8	Bolt M8 x 25	
3	1001245381	1	Cover (Rear)	
5	1001283427	1	Cover (Front)	
7	1001258188	2 ft	Tape, Foam	

SECTION 1 - FRAME

FIGURE 1-11. ERT2669 LADDER INSTALLATION



ART_1001246884

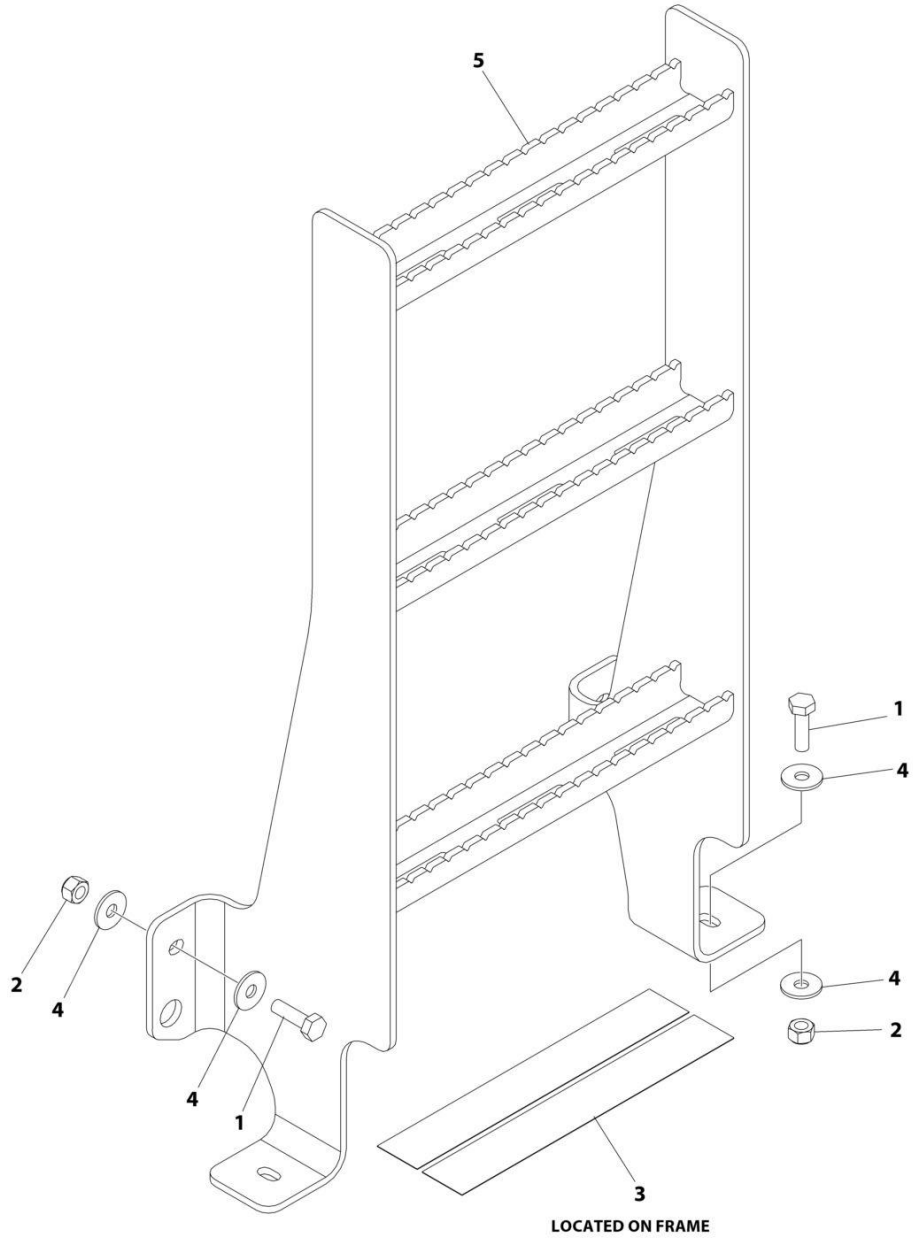
SECTION 1 - FRAME

FIGURE 1-11. ERT2669 LADDER INSTALLATION

ITEM	PART NUMBER	QTY	DESCRIPTION	REV
	1001246884	Ref	LADDER INSTALLATION	B
1	0761015	4	Bolt M10 x 35	
2	3291005	4	Nut M10	
3	4420070	2	Tape, Anti-Skid	
4	4812002	8	Washer M10	
5	1001247352	1	Ladder	

SECTION 1 - FRAME

FIGURE 1-12. ERT3369 LADDER INSTALLATION



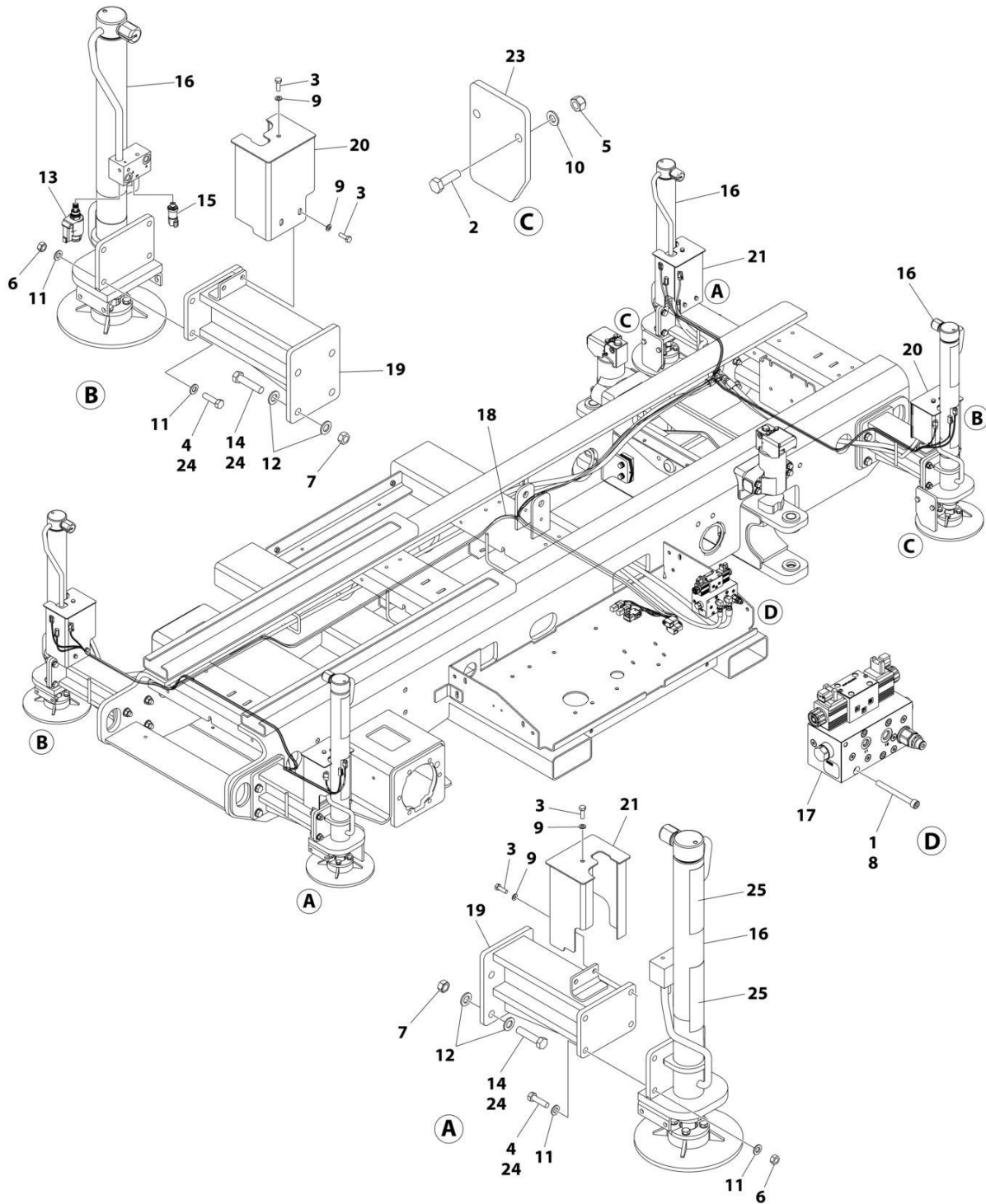
ART_1001247425

FIGURE 1-12. ERT3369 LADDER INSTALLATION

ITEM	PART NUMBER	QTY	DESCRIPTION	REV
	1001247425	Ref	LADDER INSTALLATION	B
1	0761015	4	Bolt M10 x 35	
2	3291005	4	Nut M10	
3	4420070	2	Tape, Anti-Skid	
4	4812002	8	Washer M10	
5	1001247353	1	Ladder	

SECTION 1 - FRAME

FIGURE 1-13. LEVELING JACKS INSTALLATION - PARTIAL COVERS



ART_1001246885

SECTION 1 - FRAME

FIGURE 1-13. LEVELING JACKS INSTALLATION - PARTIAL COVERS

ITEM	PART NUMBER	QTY	DESCRIPTION	REV
	1001246885	Ref	LEVELING JACKS INSTALLATION	D
1	0100011	AR	Compound, Locking	
2	0701015	8	Bolt M10 x 35	
3	0760812	12	Bolt M8 x 25	
4	0761217	16	Bolt M12 x 45	
5	3291005	8	Nut M10	
6	3331211	16	Nut M12	
7	3291601	16	Nut M16	
8	4031920	4	Capscrew M8 x 80	
9	4811900	12	Washer M8	
10	4812000	8	Washer M10	
11	4812100	32	Washer M12	
12	5241600	32	Washer M16	
13	1001103761	4	Cartridge, Valve	
13	7024497	1	Cartridge Less Coil	
13	7024502	1	Seal Kit	
13	70001965	1	Coil	
13	7024506	1	Nut, Coil	
14	0701622	16	Bolt M16 x 70	
15	1001227516	4	Sensor, Leveling Jacks Pressure	
16	1001243256	4	Cylinder Assembly - Leveling Jacks (See Separate Breakdown in CYLINDER Section)	
17	1001247380	1	Valve Assembly - Leveling Jacks (See Separate Breakdown in this Section)	
18	1001248863	1	Harness, Leveling Jack (See Separate Breakdown in ELECTRICAL Section)	
19	1001249407	4	Frame, Leveling Jack	
20	1001249914	2	Cover, Jack (Right)	
21	1001249915	2	Cover, Jack (Left)	
22	1001250342	1	Hydraulic Diagram - Leveling Jacks (Not Shown - See Separate Breakdown in HYDRAULIC Section)	
23	1001250353	4	Plate	
24	0100019	AR	Compound, Locking	
25	4420051	5 ft/144cm	Tape, Safety	
26	4240017	AR	Tie-Strap (Not Shown)	

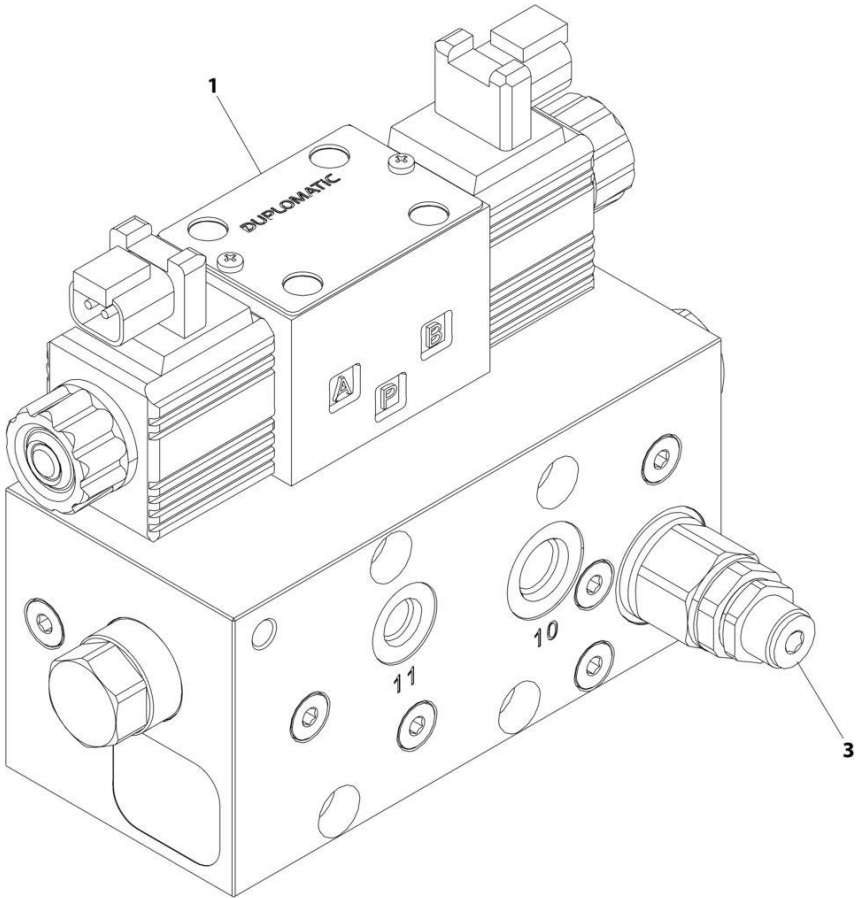
SECTION 1 - FRAME

FIGURE 1-14. LEVELING JACKS INSTALLATION - FULL COVERS

ITEM	PART NUMBER	QTY	DESCRIPTION	REV
	1001274495	Ref	LEVELING JACKS INSTALLATION	B
1	0100011	AR	Compound, Locking	
2	0100019	AR	Compound, Locking	
3	0701015	16	Bolt M10 x 35	
4	0701622	16	Bolt M16 x 70	
5	0760812	8	Bolt M8 x 25	
6	0761217	16	Bolt M12 x 45	
7	3291005	16	Nut M10	
8	3291601	16	Nut M16	
9	3331211	16	Nut M12	
10	4031920	4	Capscrew M8 x 80	
11	4240017	AR	Tie-Strap (Not Shown)	
12	4420051	4 ft/123cm	Tape, Safety	
13	4811902	8	Washer M8	
14	4812000	32	Washer M10	
15	4812100	32	Washer M12	
16	5241600	32	Washer M16	
17	1001103761	4	Cartridge, Valve	
17	7024497	1	Cartridge Less Coil	
17	7024502	1	Seal Kit	
17	70001965	1	Coil	
17	7024506	1	Nut, Coil	
18	1001227516	4	Sensor, Leveling Jacks Pressure	
19	1001243256	4	Cylinder Assembly - Leveling Jacks (See Separate Breakdown in CYLINDER Section)	
20	1001247380	1	Valve Assembly - Leveling Jacks (See Separate Breakdown in this Section)	
21	1001248863	1	Harness, Leveling Jack (See Separate Breakdown in ELECTRICAL Section)	
22	1001249407	4	Frame, Leveling Jack	
23	1001250342	1	Hydraulic Diagram - Leveling Jacks (Not Shown - See Separate Breakdown in HYDRAULIC Section)	
24	1001250353	4	Plate	
25	1001271360	4	Cover, Jack	

SECTION 1 - FRAME

FIGURE 1-15. LEVELING JACKS VALVE ASSEMBLY



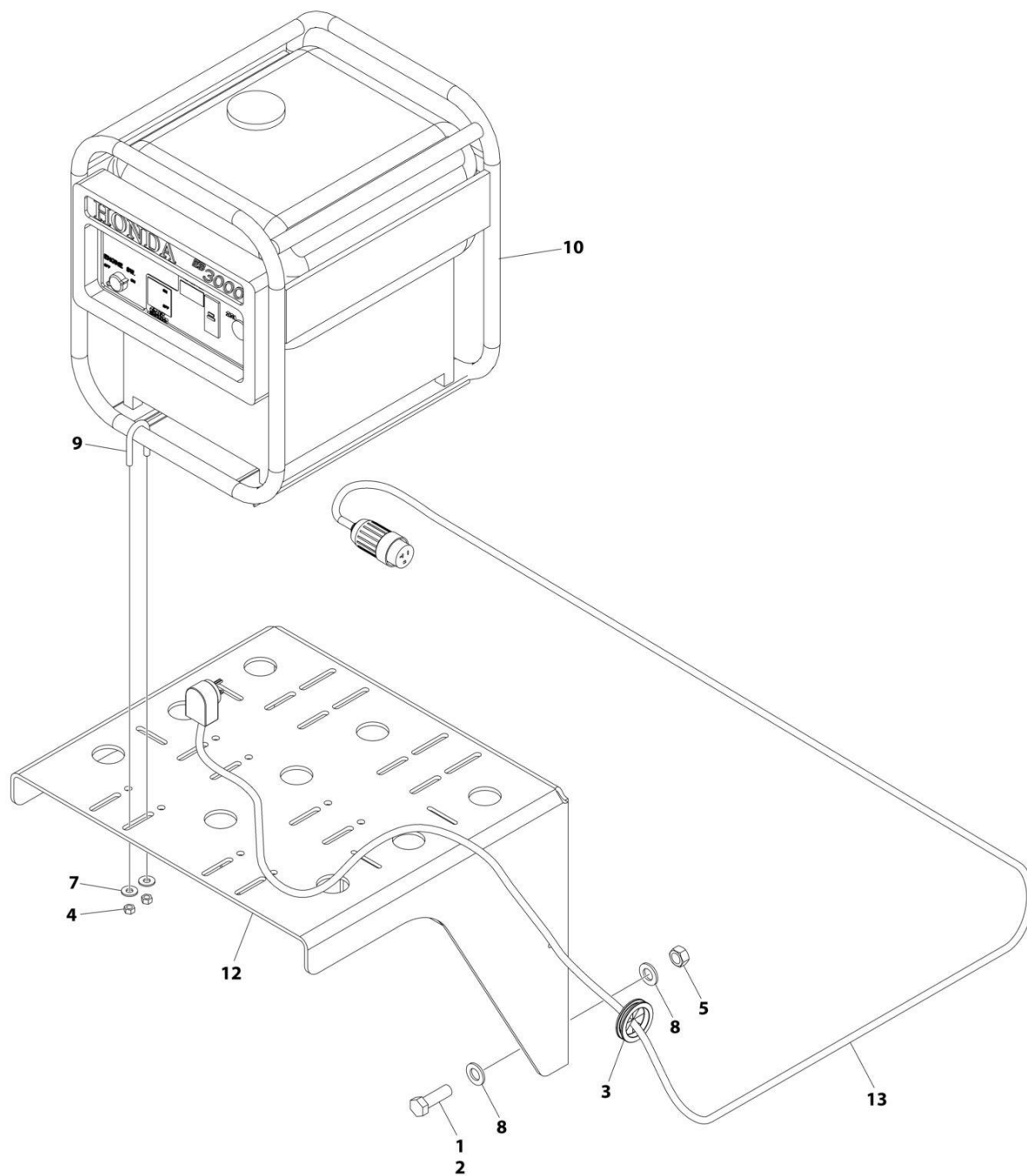
ART_1001247380

FIGURE 1-15. LEVELING JACKS VALVE ASSEMBLY

ITEM	PART NUMBER	QTY	DESCRIPTION	REV
	1001247380	Ref	LEVELING JACK VALVE ASSEMBLY	D
1	70007760	1	Valve, Directional	
3	70007761	1	Cartridge, Relief Valve	
4	70007762	1	Cartridge, Shuttle Valve (Not Shown)	

SECTION 1 - FRAME

FIGURE 1-16. ERT3369 ONBOARD GENERATOR INSTALLATION



ART_1001265192

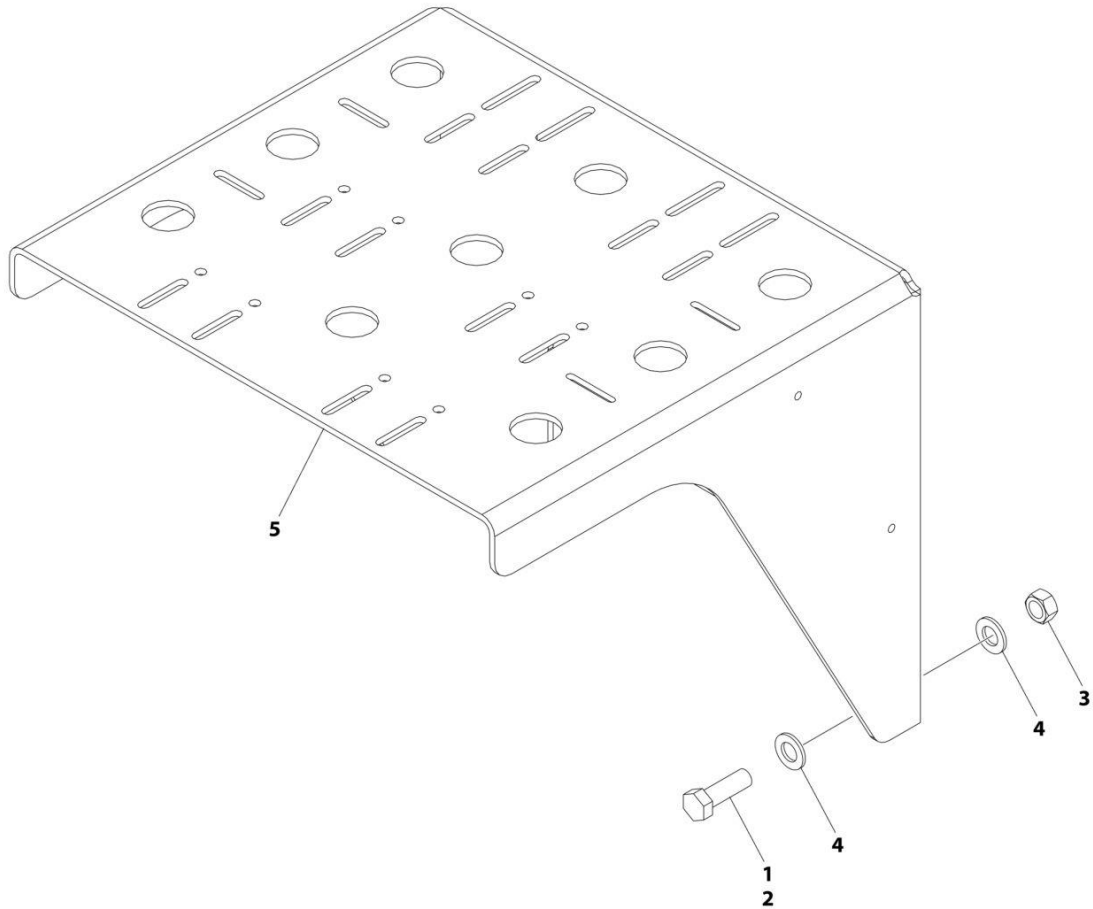
SECTION 1 - FRAME

FIGURE 1-16. ERT3369 ONBOARD GENERATOR INSTALLATION

ITEM	PART NUMBER	QTY	DESCRIPTION	REV
	1001265192	Ref	ONBOARD GENERATOR INSTALLATION	A
1	0100011	AR	Compound, Locking	
2	0771618	4	Bolt M16 x 50 Class 10.9	
3	2540045	1	Grommet	
4	3311505	8	Nut 5/16	
5	3331611	4	Nut M16 Class 10	
7	4751500	8	Washer 5/16	
8	5241600	8	Washer M16	
9	1001120264	4	U-Bolt 5/16 x 1	
10	1001130309	1	Onboard Generator Assembly(See Separate Breakdown in this Section)	
12	1001265082	1	Tray, Mounting	
13	1001266233	1	Generator Cable (See Separate Breakdown in ELECTRICAL Section)	

SECTION 1 - FRAME

FIGURE 1-17. ERT3369 ONBOARD GENERATOR INSTALLATION - TRAY ONLY



ART_1001265193

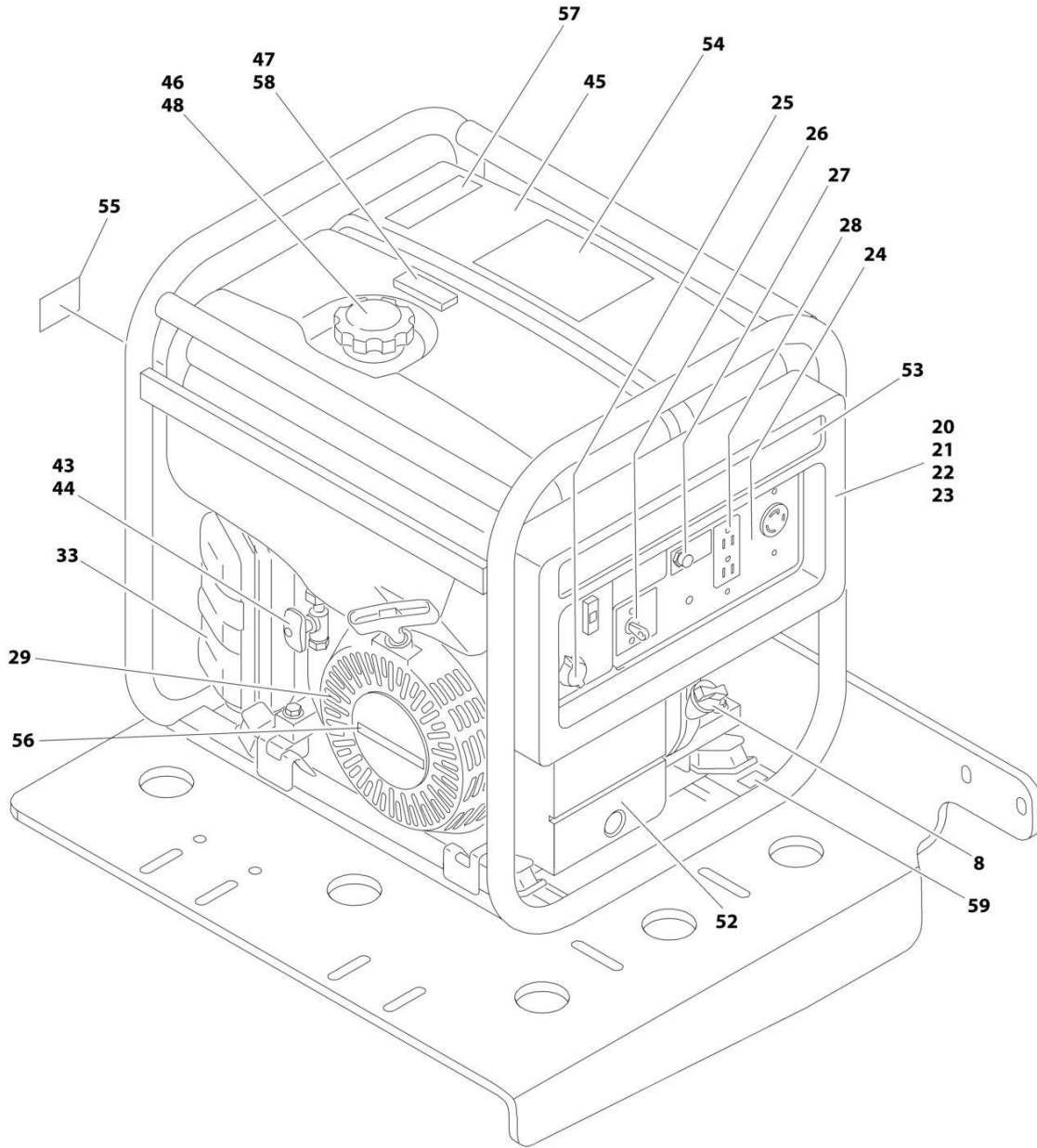
SECTION 1 - FRAME

FIGURE 1-17. ERT3369 ONBOARD GENERATOR INSTALLATION - TRAY ONLY

ITEM	PART NUMBER	QTY	DESCRIPTION	REV
	1001265193	Ref	GENERATOR TRAY INSTALLATION	A
1	0100011	AR	Compound, Locking	
2	0771618	4	Bolt M16 x 50 Class 10.9	
3	3331611	4	Nut M16 Class 10	
4	5241600	8	Washer M16	
5	1001265082	1	Tray, Mounting	

SECTION 1 - FRAME

FIGURE 1-18. ONBOARD GENERATOR ASSEMBLY



ART_1001130309

SECTION 1 - FRAME

FIGURE 1-18. ONBOARD GENERATOR ASSEMBLY

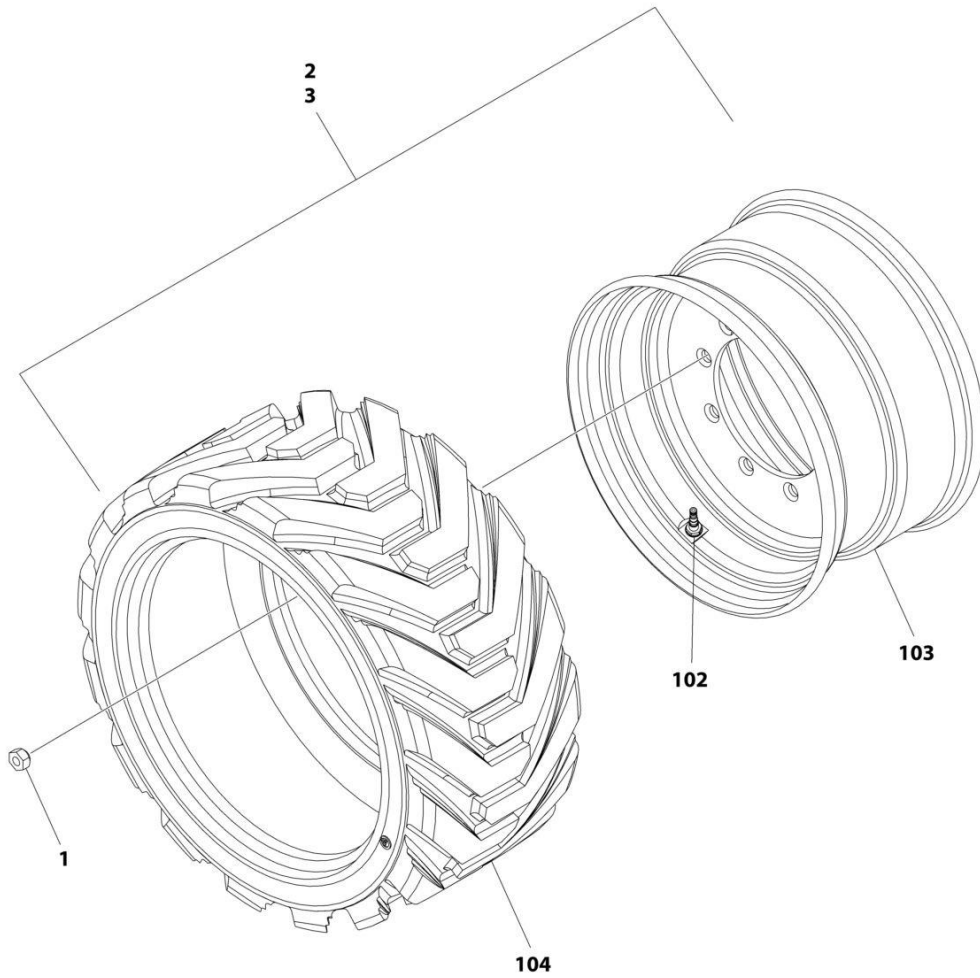
ITEM	PART NUMBER	QTY	DESCRIPTION	REV
	1001130309	Ref	ONBOARD GENERATOR ASSEMBLY	B
1	70003558	1	Gasket, Cylinder Head (Not Shown)	
2	70003559	1	Gasket, Cylinder Head Cover (Not Shown)	
3	70003560	1	Gasket, Exhaust (Exhaust Pipe to Cylinder Head) (Not Shown)	
4	7027391	1	Plug, Spark - Denso Brand (Not Shown)	
5	70002770	1	Plug, Spark - NGK Brand (Not Shown)	
6	70003561	1	Switch Assembly, Oil Level (Not Shown)	
7	70003507	1	O-Ring, Oil Level Switch (Not Shown)	
8	70002771	1	Cap, Oil Filler	
9	7027388	1	Cap, Secondary Oil Filler (Not Shown)	
10	70003565	1	Carburetor Assembly (Not Shown) (Includes Items 11-13)	
11	70003562	1	Gasket Set - Carburetor (Not Shown)	
12	70003563	1	Float Set - Carburetor (Not Shown) (Includes Item 13 and Gaskets)	
13	70003564	1	Drain Screw Set (Not Shown) (Includes Gasket)	
14	70003566	1	Insulator, Carburetor (Not Shown)	
15	70002776	1	Gasket, Insulator to Block (Not Shown)	
16	70003567	1	Spacer, Carburetor (Not Shown)	
17	70002777	1	Gasket, Carburetor to Insulator (Not Shown)	
18	70003568	1	Coil, Charging (Not Shown)	
19	7027398	1	Suppressor, Noise (Not Shown)	
20	70003572	1	Control Box Assembly (Includes Items 21-28)	
21	70003569	1	Module, Ignition	
22	70003570	1	Harness, Wiring	
23	70003571	1	Harness, Secondary Wiring	
24	70003573	1	Decal - Control Panel	
25	70002783	1	Switch, Engine Stop	
26	70003574	1	Breaker, Circuit (20A)	
27	70003575	1	Protector, Circuit (20A)	
28	70003576	1	Receptacle (20A-125V)	
29	70003577	1	Recoil Starter Assembly (Includes Items 30-32)	
30	70003578	1	Spring, Recoil Starter (Not Shown)	
31	70003579	1	Handle, Recoil Starter Rope (Not Shown)	
32	70002774	1	Rope, Recoil Starter (Not Shown)	
33	70003582	1	Cover, Air Cleaner	
34	70003581	4	Spring, Air Cleaner Housing/Cover (Not Shown)	
35	70003583	1	Seal, Air Cleaner Cover (Not Shown)	
36	70003580	1	Element, Air Cleaner (Inner) (Not Shown)	
37	70003584	1	Element, Air Cleaner (Outer) (Not Shown)	
38	70003585	1	Muffler (Not Shown)	
39	70003588	1	Gasket, Exhaust Pipe to Block (Not Shown)	
40	70003589	1	Arrester, Spark (Not Shown)	
41	70003586	1	Shield, Muffler (Outer) (Not Shown)	
42	70003587	1	Shield, Muffler (Inner) (Not Shown)	
43	70003590	1	Petcock Assembly (Includes Item 44)	
44	70003591	1	Screen, Fuel Strainer	
45	70003592	1	Tank, Fuel	
46	70003593	1	Cap, Fuel Filler	
47	70003594	1	Gauge, Fuel	
48	7027395	1	Filter, Fuel Tank	

SECTION 1 - FRAME

ITEM	PART NUMBER	QTY	DESCRIPTION	REV
49	70003595	1	Cable, Ground (Frame) (Not Shown)	
50	70003596	1	Generator Assembly (Not Shown)	
51	70003597	1	Grommet, AC Cord (Not Shown)	
52	70003598	1	Cycloconverter, Unit	
53	70003599	1	Decal - Generator Model	
54	70003600	1	Decal - Operator Warning	
55	70003601	1	Decal - Choke	
56	70003602	1	Decal - Cycloconverter	
57	70003603	1	Decal - Exhaust Caution	
58	70003604	1	Decal - Fuel Indication	
59	70003605	1	Decal - Oil Caution	

SECTION 1 - FRAME

FIGURE 1-19. TIRE AND WHEEL INSTALLATION - FOAM-FILLED



ART_1001244775

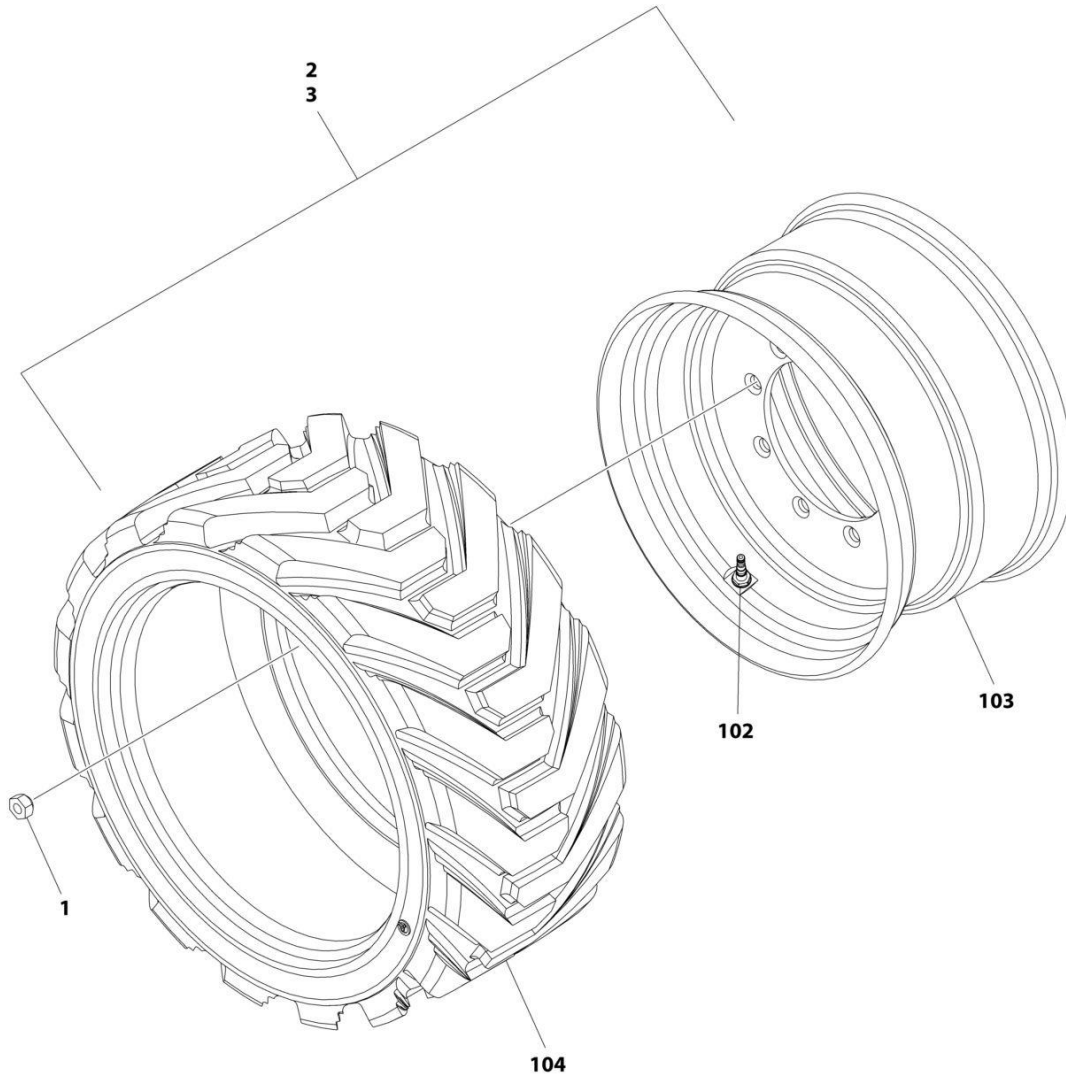
SECTION 1 - FRAME

FIGURE 1-19. TIRE AND WHEEL INSTALLATION - FOAM-FILLIED

ITEM	PART NUMBER	QTY	DESCRIPTION	REV
	1001244775	Ref Ref	TIRE AND WHEEL INSTALLATION - 26 X12D460 FOAM-FILLED Note: Assemblies may require ballast/foam filling to manufacturer's specification prior to installing on a machine. Refer to Operation and Safety or Service and Maintenance Manuals. Purchase individual tire and/or rim only if able to foam fill tire and wheel assembly, otherwise, purchase complete assembly.	A
1	3300106	36	Nut, Wheel	
2	1001249341	2	Tire and Wheel Assembly - Left Side	A
3	1001249342	2	Tire and Wheel Assembly - Right Side	A
102	4641122	1	Valve, Air	
103	1001249352	1	Rim, Wheel - 18 x 10	
104	1001249353	1	Tire, 26 x 12D460, Lug Tire	

SECTION 1 - FRAME

FIGURE 1-20. TIRE AND WHEEL INSTALLATION - FOAM-FILLIED NON-MARKING



ART_1001249340

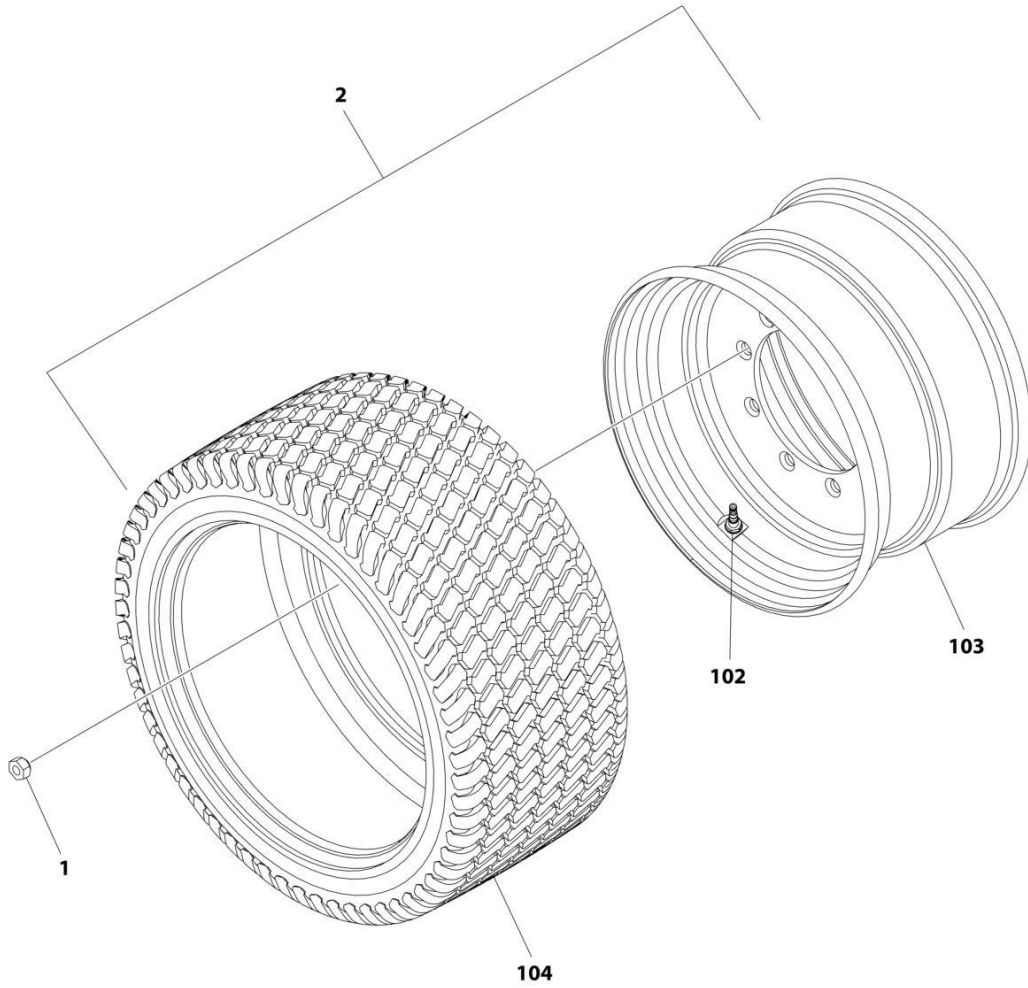
SECTION 1 - FRAME

FIGURE 1-20. TIRE AND WHEEL INSTALLATION - FOAM-FILLIED NON-MARKING

ITEM	PART NUMBER	QTY	DESCRIPTION	REV
	1001249340	Ref	TIRE AND WHEEL INSTALLATION - 26 X 12D460 FOAM-FILLED NON-MARKING	A
		Ref	Note: Assemblies may require ballast/foam filling to manufacturer's specification prior to installing on a machine. Refer to Operation and Safety or Service and Maintenance Manuals. Purchase individual tire and/or rim only if able to foam fill tire and wheel assembly, otherwise, purchase complete assembly.	
1	3300106	36	Nut, Wheel	
2	1001249343	2	Tire and Wheel Assembly - Left Side	A
3	1001249344	2	Tire and Wheel Assembly - Right Side	A
102	4641122	1	Valve, Air	
103	1001249352	1	Rim, Wheel - 18 x 10	
104	1001249354	1	Tire, 26 x 12D460, Lug Tire Non-Marking	

SECTION 1 - FRAME

FIGURE 1-21. TIRE AND WHEEL INSTALLATION - FOAM-FILLED TURF NON-MARKING



ART_1001259386

SECTION 1 - FRAME

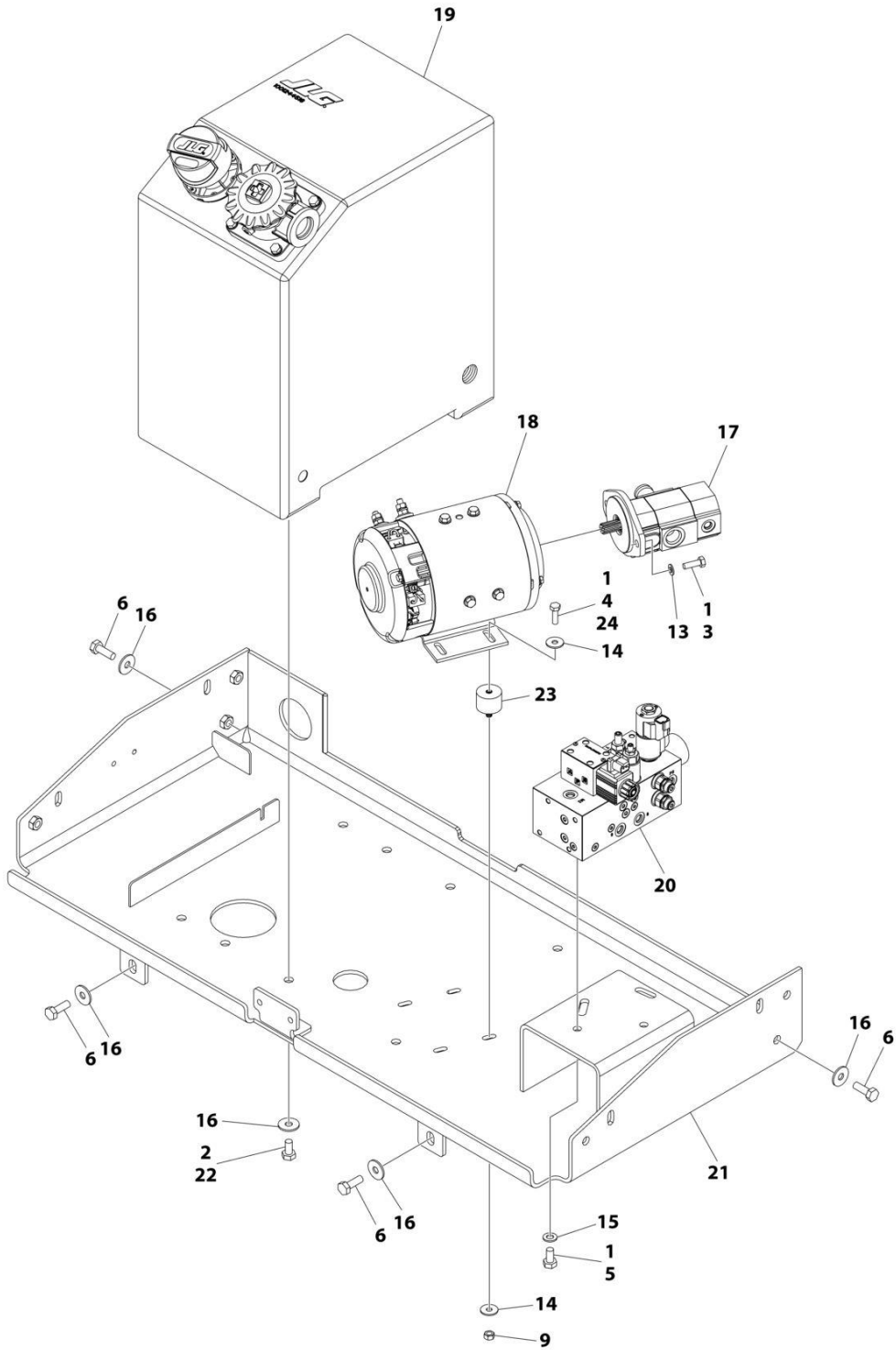
FIGURE 1-21. TIRE AND WHEEL INSTALLATION - FOAM-FILLIED TURF NON-MARKING

ITEM	PART NUMBER	QTY	DESCRIPTION	REV
	1001259386	Ref	TIRE AND WHEEL INSTALLATION - 26 X 12D460 FOAM-FILLED TURF	A
		Ref	Note: Assemblies may require ballast/foam filling to manufacturer's specification prior to installing on a machine. Refer to Operation and Safety or Service and Maintenance Manuals. Purchase individual tire and/or rim only if able to foam fill tire and wheel assembly, otherwise, purchase complete assembly.	
1	3300106	36	Nut, Wheel	
2	1001258287	4	Tire and Wheel Assembly	A
102	4641122	1	Valve, Air	
103	1001249352	1	Rim, Wheel - 18 x 10	
104	1001259202	1	Tire, 26 x 12D460 Turf	

SECTION 2 - GROUND CONTROLS

SECTION 2 - GROUND CONTROLS

FIGURE 2-1. HYDRAULIC COMPONENTS INSTALLATION



ART_1001246091

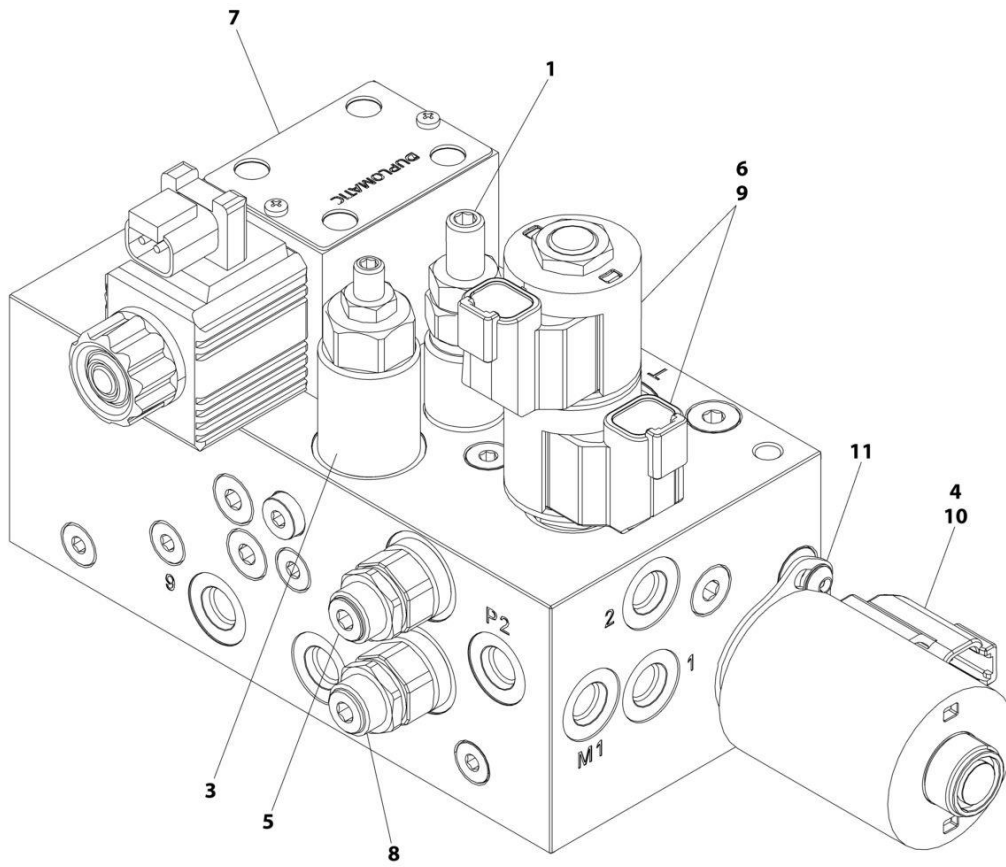
SECTION 2 - GROUND CONTROLS

FIGURE 2-1. HYDRAULIC COMPONENTS INSTALLATION

ITEM	PART NUMBER	QTY	DESCRIPTION	REV
	1001246091	Ref	HYDRAULIC COMPONENTS INSTALLATION	F
1	0100011	AR	Compound, Locking	
2	0100035	AR	Compound, Locking	
3	0760812	2	Bolt M8 x 25	
4	0770812	4	Bolt M8 x 25	
5	0771010	4	Bolt M10 x 20	
6	0771014	4	Bolt M10 x 30	
9	3290801	4	Nut M8	
13	4811900	2	Washer M8	
14	4811902	8	Washer M8	
15	4812000	4	Washer M10	
16	4812002	8	Washer M10	
17	1001246382	1	Pump	
18	1001246383	1	Generator	
19	1001246555	1	Tank Assembly - Hydraulic (See Separate Breakdown in this Section)	
20	1001247381	1	Valve, Electric (See Separate Breakdown in this Section)	
21	1001247630	1	Tray	
22	0761010	4	Bolt M10 x 20	
23	1001273525	4	Isolator (41.3mm/1-5/8inch)	
23	1001287360	4	Isolator (47.8mm/1-7/8inch)	
24	0760806	4	Bolt M8 x 12	

SECTION 2 - GROUND CONTROLS

FIGURE 2-2. VALVE ASSEMBLY - MAIN CONTROL



ART_1001247381

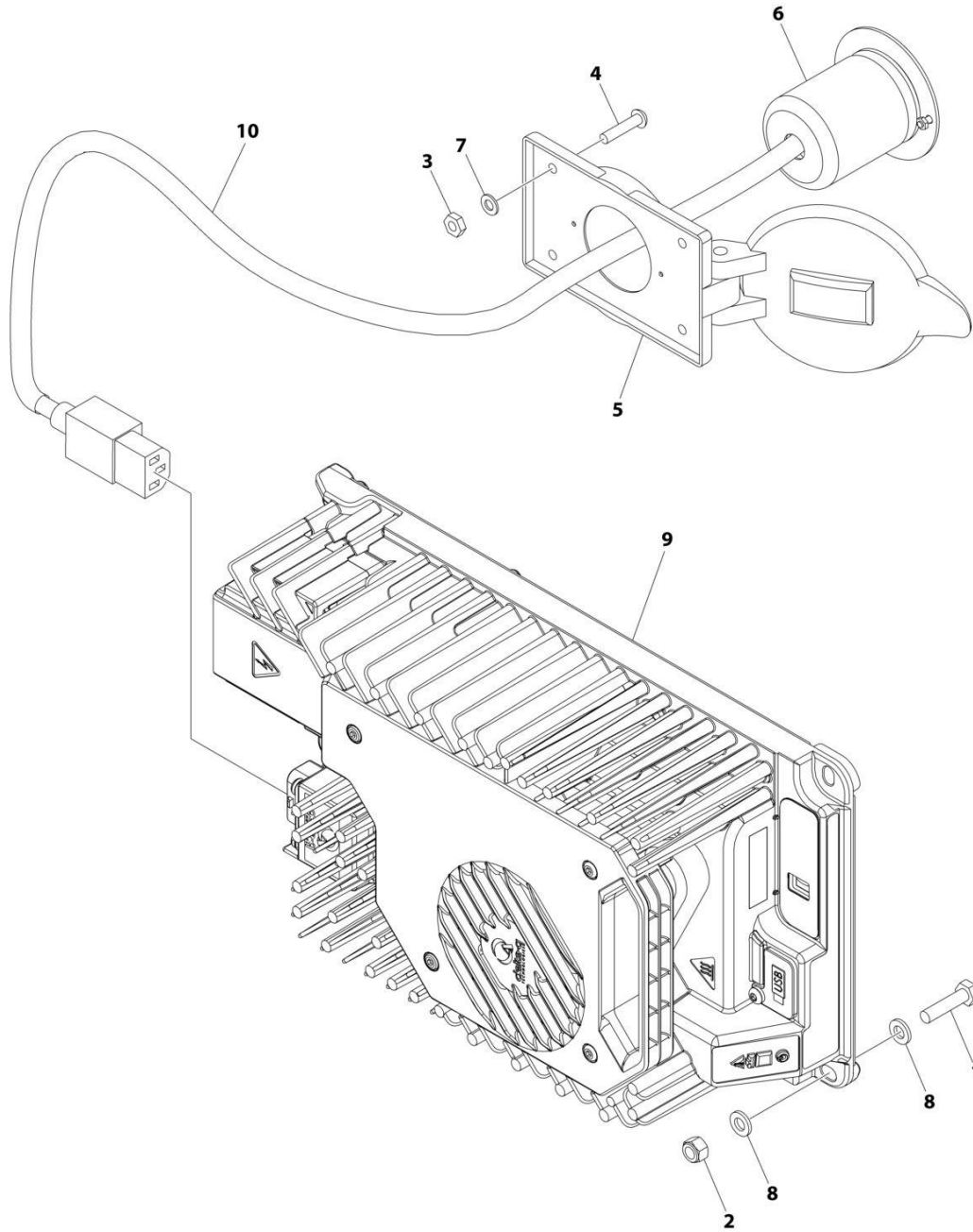
SECTION 2 - GROUND CONTROLS

FIGURE 2-2. VALVE ASSEMBLY - MAIN CONTROL

ITEM	PART NUMBER	QTY	DESCRIPTION	REV
	1001247381	Ref	VALVE ASSEMBLY - MAIN CONTROL	D
1	70007774	1	Cartridge, Relief Valve (Main)	
3	70007768	1	Cartridge, Pressure Reducing/Relieving Valve (Axle Charge)	
4	70006786	1	Cartridge, Valve (Flow Control)	
4	7012925	1	Seal Kit - 70006786 Valve	
5	70007769	1	Cartridge, Relief Valve (Steer)	
6	70007772	1	Valve, Directional (Steer)	
6	7017402	1	Seal Kit - 70007772 Valve	
7	70007771	1	Valve, Directional (Lift Enable)	
8	70007764	1	Cartridge, Relief Valve (Steer)	
9	70002386	2	Coil	
10	70003789	1	Coil	
11	70007773	1	Lockdown Kit	

SECTION 2 - GROUND CONTROLS

FIGURE 2-3. BATTERY CHARGER INSTALLATION (110V PLUG)



ART_1001251440

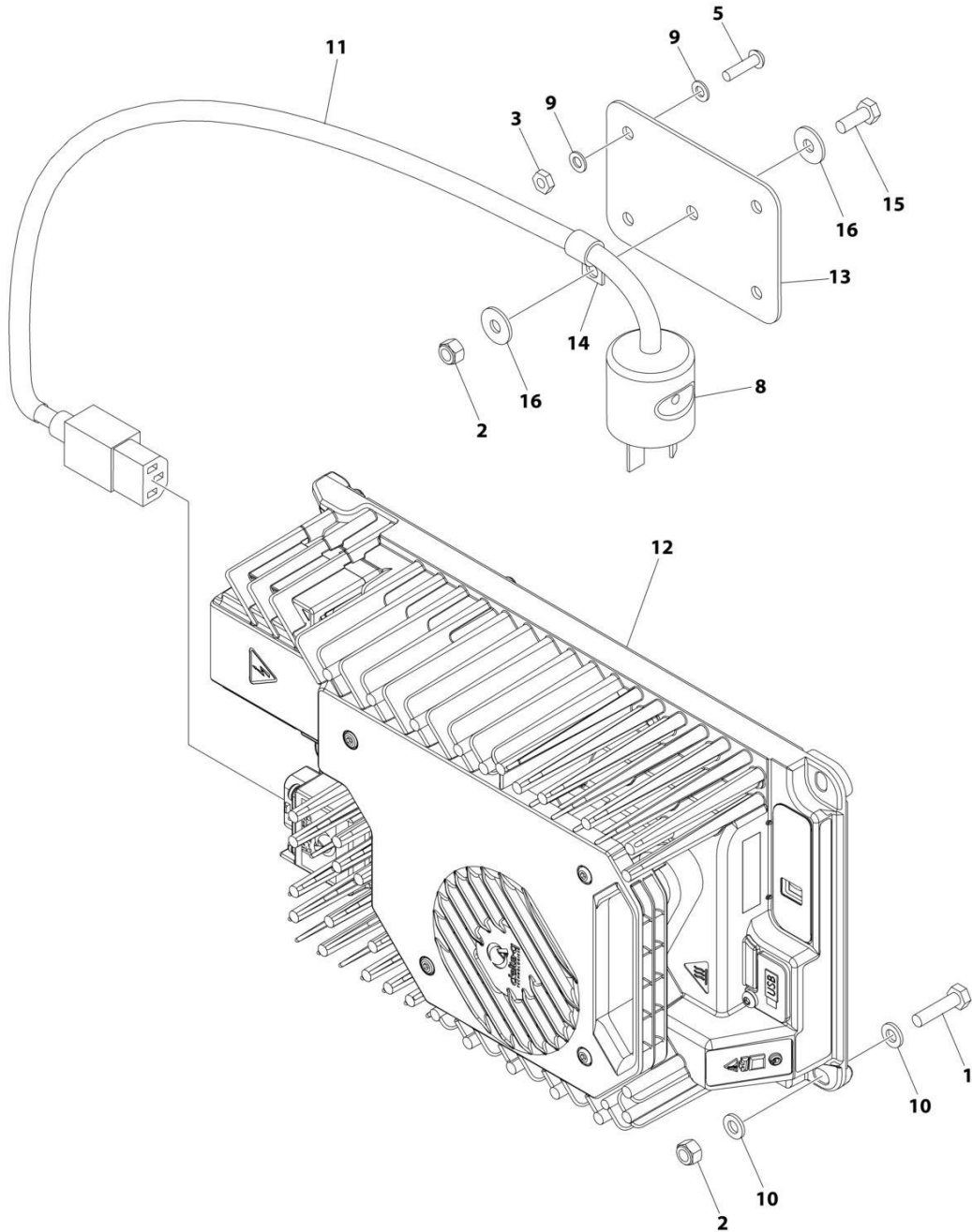
SECTION 2 - GROUND CONTROLS

FIGURE 2-3. BATTERY CHARGER INSTALLATION (110V PLUG)

ITEM	PART NUMBER	QTY	DESCRIPTION	REV
	1001251440	Ref	BATTERY CHARGER INSTALLATION	C
1	0700612	4	Bolt M6 x 25	
2	3290605	4	Nut M6	
3	3311005	4	Nut #10	
4	3911014	4	Screw #10 x 7/8	
5	4460802	1	Cover, Terminal	
6	4460803	1	Terminal, Plug	
7	4811600	4	Washer M5	
8	4811700	8	Washer M6	
9	1001265677	1	Charger Assembly	
10	1001263824	1	Cable, Charger to Receptacle	

SECTION 2 - GROUND CONTROLS

FIGURE 2-4. BATTERY CHARGER INSTALLATION (AUSTRALIAN PLUG)



ART_1001254883

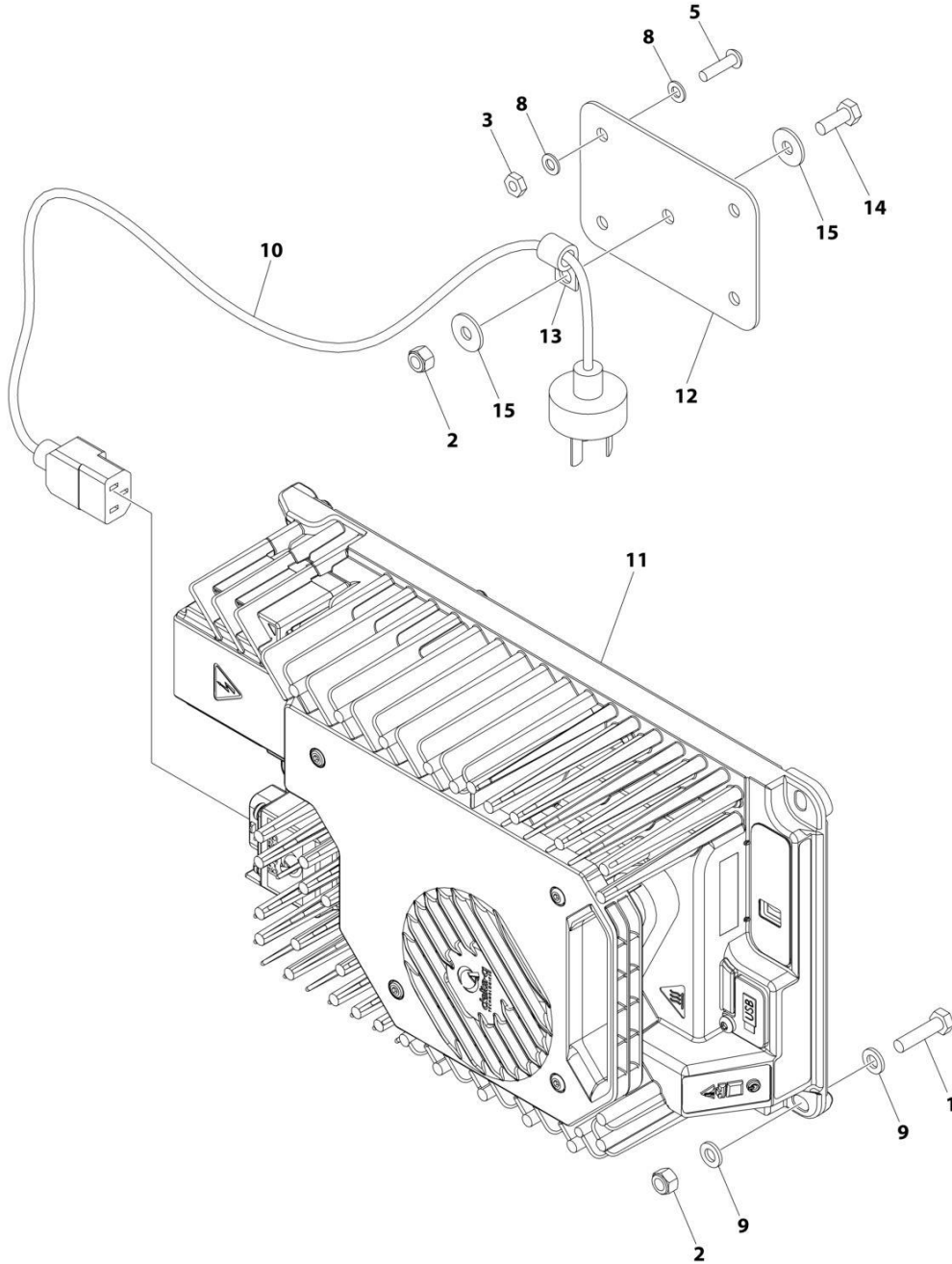
SECTION 2 - GROUND CONTROLS

FIGURE 2-4. BATTERY CHARGER INSTALLATION (AUSTRALIAN PLUG)

ITEM	PART NUMBER	QTY	DESCRIPTION	REV
	1001254883	Ref	BATTERY CHARGER INSTALLATION	B
1	0700612	4	Bolt M6 x 25	
2	3290605	5	Nut M6	
3	3311005	4	Nut #10	
5	3911012	4	Screw #10 x 3/4	
8	4460805	1	Plug	
9	4811600	8	Washer M5	
10	4811700	8	Washer M6	
11	1001263824	1	Cable, AC	
12	1001265677	1	Charger Assembly	
13	1001266001	1	Cover	
14	1321293	1	Clamp	
15	0760608	1	Bolt M6 x 16	
16	4811702	2	Washer M6	

SECTION 2 - GROUND CONTROLS

FIGURE 2-5. BATTERY CHARGER INSTALLATION (CHINA PLUG)



ART_1001254880

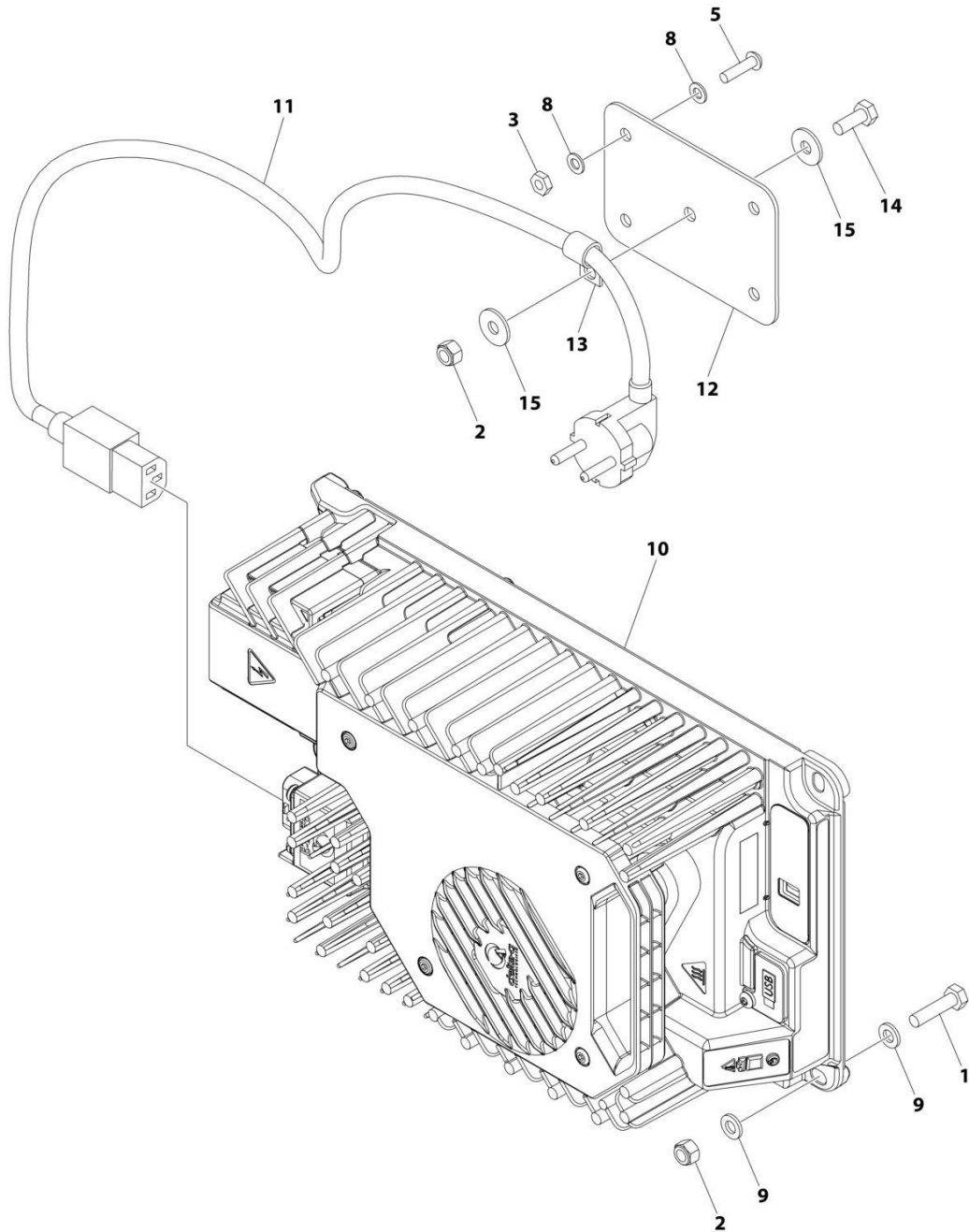
SECTION 2 - GROUND CONTROLS

FIGURE 2-5. BATTERY CHARGER INSTALLATION (CHINA PLUG)

ITEM	PART NUMBER	QTY	DESCRIPTION	REV
	1001254880	Ref	BATTERY CHARGER INSTALLATION	B
1	0700612	4	Bolt M6 x 25	
2	3290605	5	Nut M6	
3	3311005	4	Nut #10	
5	3911012	4	Screw #10 x 3/4	
8	4811600	8	Washer M5	
9	4811700	8	Washer M6	
10	1001207973	1	Cable, AC	
11	1001265677	1	Charger Assembly	
12	1001266001	1	Cover	
13	1321293	1	Clamp	
14	0760608	1	Bolt M6 x 16	
15	4811702	2	Washer M6	

SECTION 2 - GROUND CONTROLS

FIGURE 2-6. BATTERY CHARGER INSTALLATION (KOREAN PLUG)



ART_1001254882

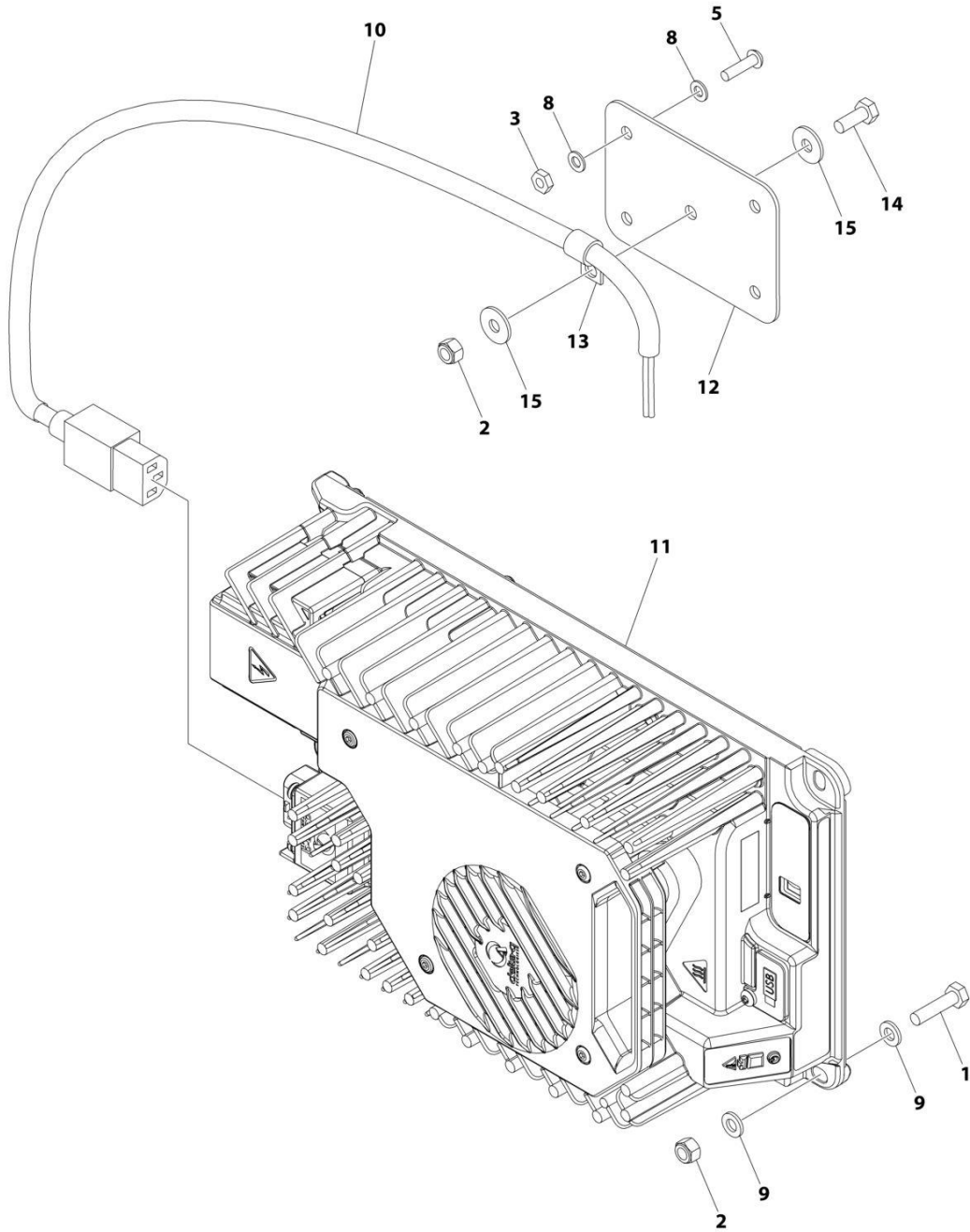
SECTION 2 - GROUND CONTROLS

FIGURE 2-6. BATTERY CHARGER INSTALLATION (KOREAN PLUG)

ITEM	PART NUMBER	QTY	DESCRIPTION	REV
	1001254882	Ref	BATTERY CHARGER INSTALLATION	B
1	0700612	4	Bolt M6 x 25	
2	3290605	5	Nut M6	
3	3311005	4	Nut #10	
5	3911012	4	Screw #10 x 3/4	
8	4811600	8	Washer M5	
9	4811700	8	Washer M6	
10	1001265677	1	Charger Assembly	
11	1001265678	1	Cable, AC	
12	1001266001	1	Cover	
13	1321293	1	Clamp	
14	0760608	1	Bolt M6 x 16	
15	4811702	2	Washer M6	

SECTION 2 - GROUND CONTROLS

FIGURE 2-7. BATTERY CHARGER INSTALLATION (NO PLUG)



ART_1001254881

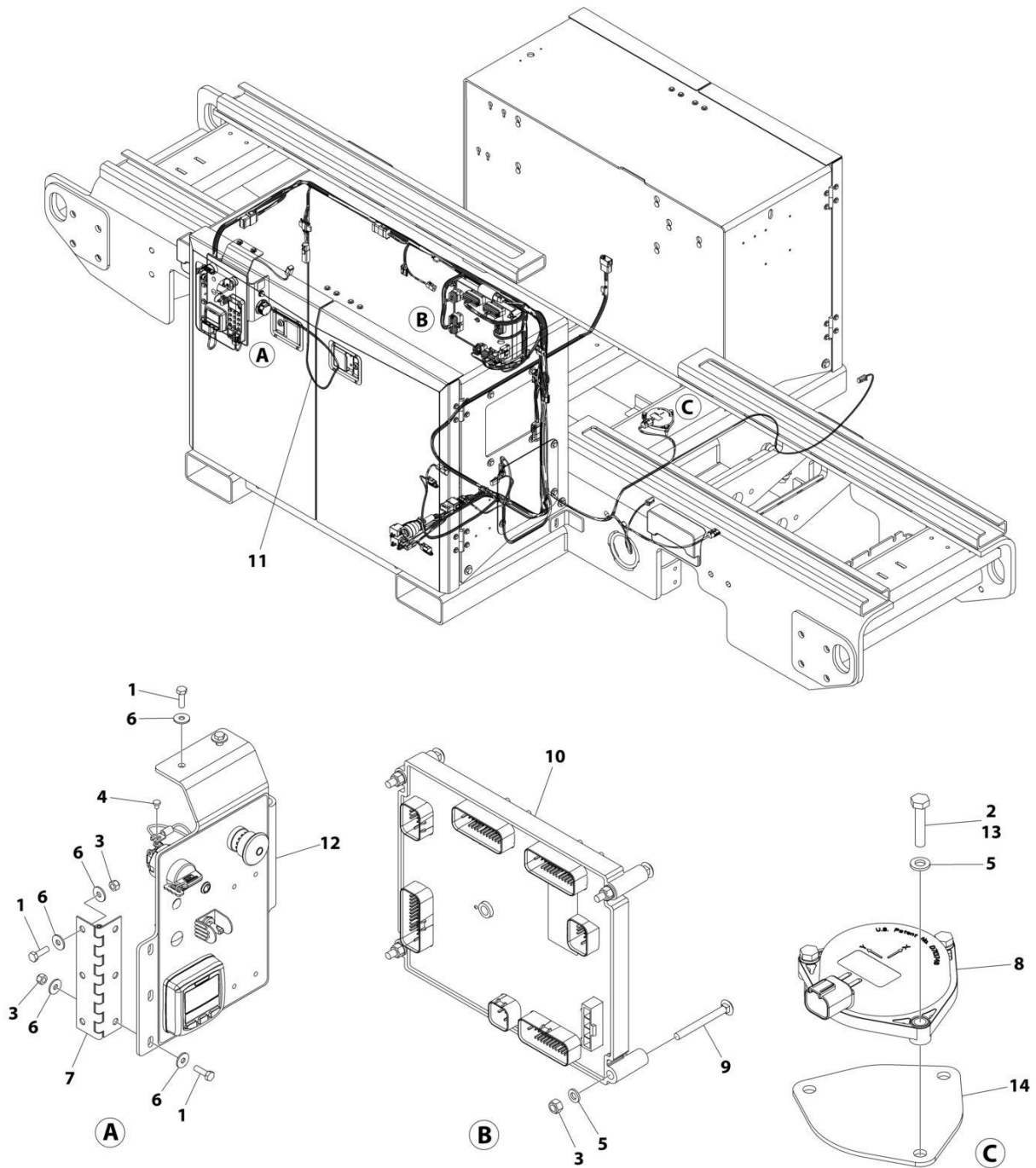
SECTION 2 - GROUND CONTROLS

FIGURE 2-7. BATTERY CHARGER INSTALLATION (NO PLUG)

ITEM	PART NUMBER	QTY	DESCRIPTION	REV
	1001254881	Ref	BATTERY CHARGER INSTALLATION	B
1	0700612	4	Bolt M6 x 25	
2	3290605	5	Nut M6	
3	3311005	4	Nut #10	
5	3911012	4	Screw #10 x 3/4	
8	4811600	8	Washer M5	
9	4811700	8	Washer M6	
10	1001263824	1	Cable, AC	
11	1001265677	1	Charger Assembly	
12	1001266001	1	Cover	
13	1321293	1	Clamp	
14	0760608	1	Bolt M6 x 16	
15	4811702	2	Washer M6	

SECTION 2 - GROUND CONTROLS

FIGURE 2-8. GROUND CONTROL PANEL INSTALLATION



ART_1001254548

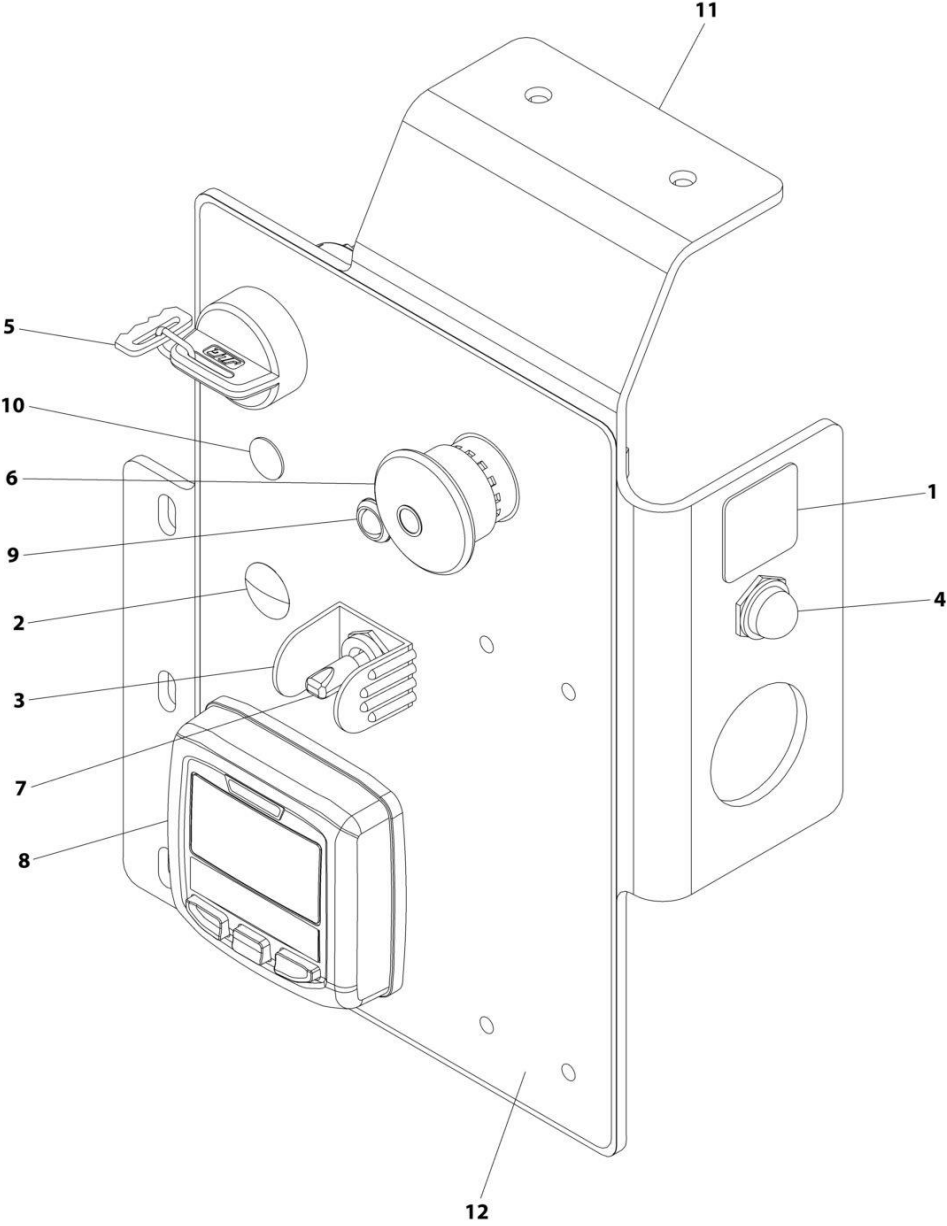
SECTION 2 - GROUND CONTROLS

FIGURE 2-8. GROUND CONTROL PANEL INSTALLATION

ITEM	PART NUMBER	QTY	DESCRIPTION	REV
	1001254548	Ref	GROUND CONTROL PANEL INSTALLATION	C
1	0760610	8	Bolt M6 x 20	
2	0760614	3	Bolt M6 x 30	
2	4010615	3	Bolt M6 x 35	
3	3290605	10	Nut M6	
4	4010403	3	Screw M4 x 6	
5	4811700	7	Washer M6	
6	4811702	14	Washer M6	
7	1001110188	1	Hinge	
8	1001244934	1	Sensor, Tilt	
9	1001248039	4	Bolt M6 x 60	
10	1001249777	1	Module, Ground Control (Note: Re-calibration Required when Replaced)	
11	1001254403	1	Chassis Harness (See Separate Breakdown in ELECTRICAL Section)	
12	1001257885	1	Ground Control Assembly (See Separate Breakdown in this Section)	
13	0100011	AR	Compound, Locking	
14	1001272777	1	Gasket	

SECTION 2 - GROUND CONTROLS

FIGURE 2-9. GROUND CONTROL ASSEMBLY



ART_1001257885

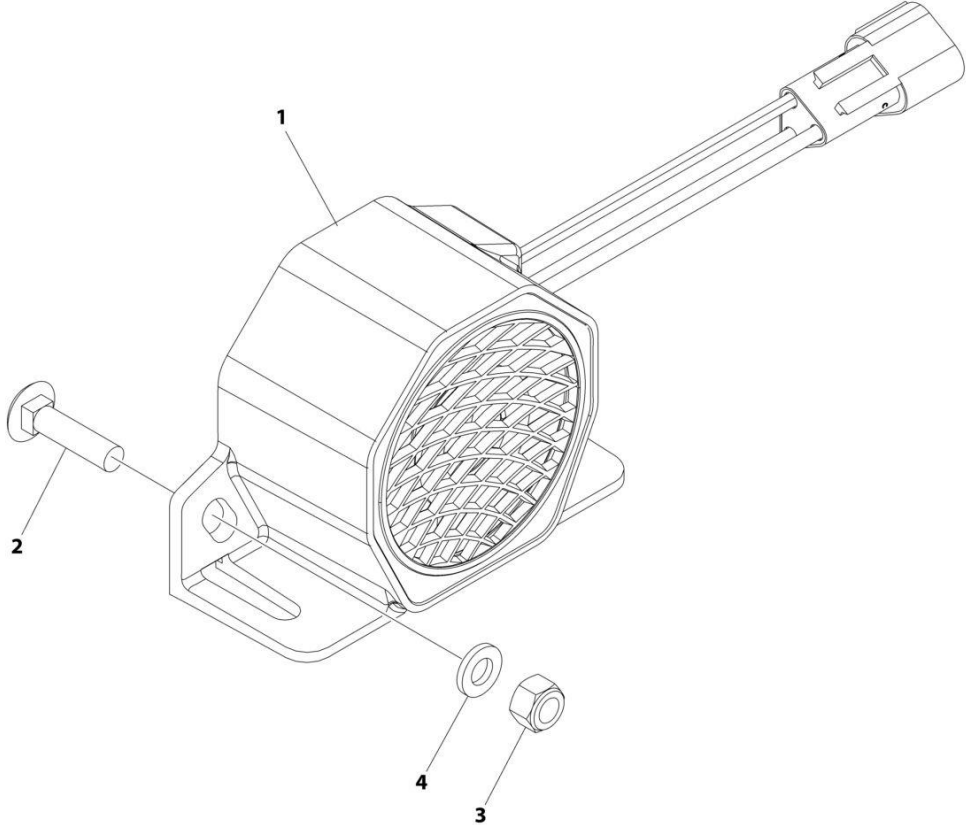
SECTION 2 - GROUND CONTROLS

FIGURE 2-9. GROUND CONTROL ASSEMBLY

ITEM	PART NUMBER	QTY	DESCRIPTION	REV
	1001257885	Ref	GROUND CONTROL ASSEMBLY	D
1	1706679	1	Decal - Brake Release	
2	3520026	1	Plug	
3	4060802	1	Guard, Switch	
4	4360387	1	Switch, Push Button	
5	4360469	1	Switch, Key	
5	2860030	1Set	Key, Replacement	
6	1001274559	1	Switch, Emergency Stop (Plastic)	
6	4360475	1	Switch, Emergency Stop (Metal)	
6	7020175	1	Cap	
6	7020176	1	Block, Contact	
7	4360524	1	Switch, Toggle	
8	1001171482	1	Gauge, Display	
9	1001182680	1	Light, LED	
10	1001226421	1	Plug	
11	1001257884	1	Bracket	
11	1001258920	1	Decal - Ground Control	

SECTION 2 - GROUND CONTROLS

FIGURE 2-10. ALARM INSTALLATION (HORN)



ART_1001250678

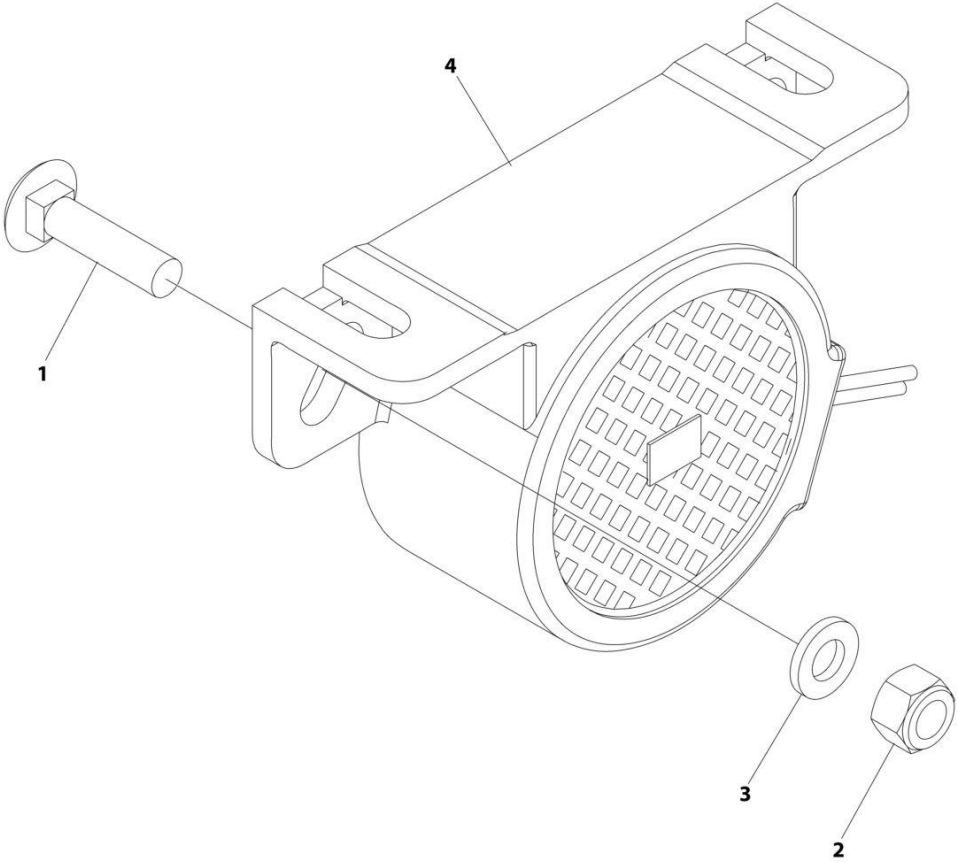
SECTION 2 - GROUND CONTROLS

FIGURE 2-10. ALARM INSTALLATION (HORN)

ITEM	PART NUMBER	QTY	DESCRIPTION	REV
	1001250678	Ref	ALARM INSTALLATION	C
1	0140043	1	Alarm	
2	0630587	2	Bolt M6 x 25	
3	3290605	2	Nut M6	
4	4811700	2	Washer M6	

SECTION 2 - GROUND CONTROLS

FIGURE 2-11. ALARM INSTALLATION (WHITE NOISE)



ART_1001249309

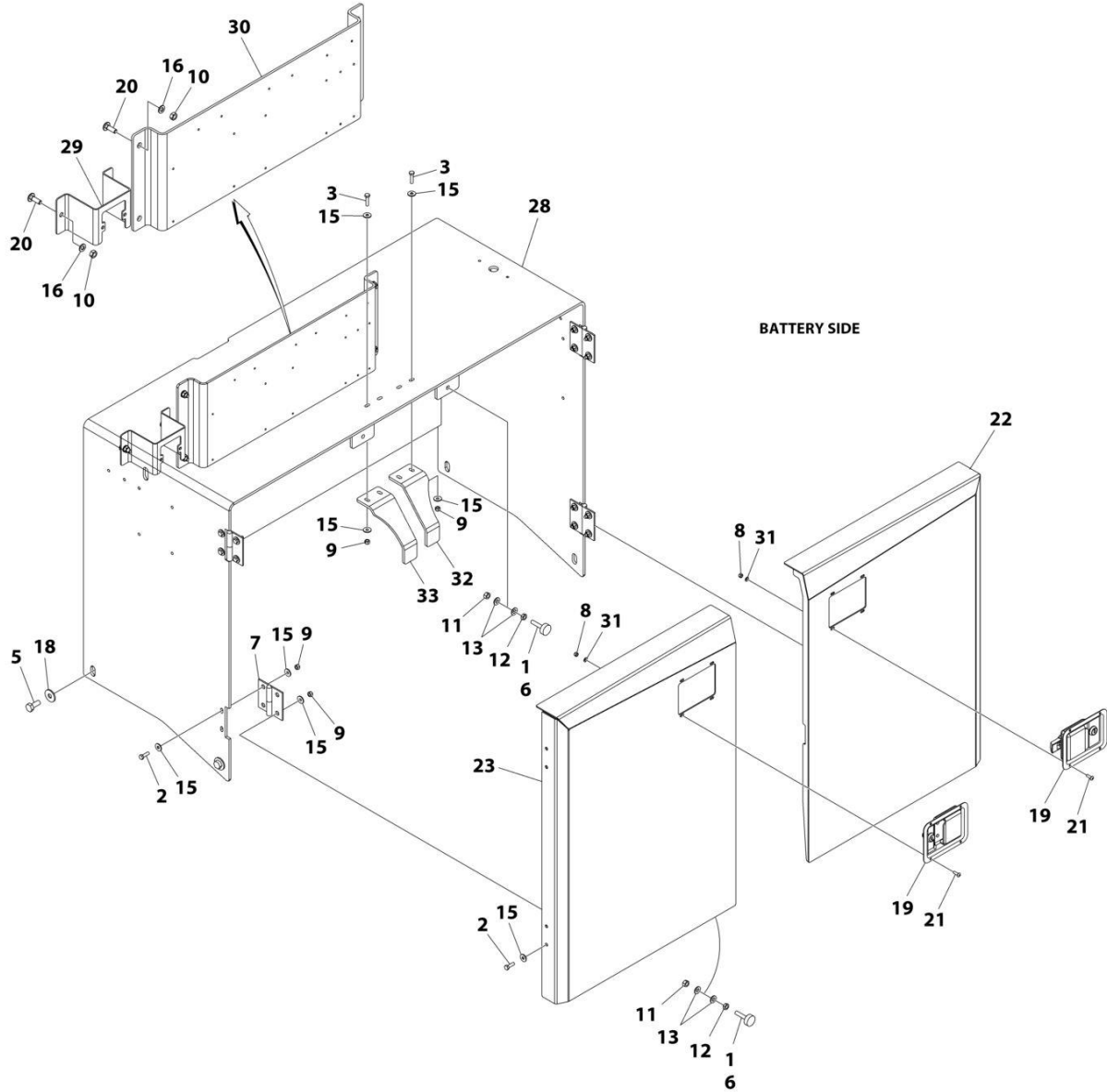
SECTION 2 - GROUND CONTROLS

FIGURE 2-11. ALARM INSTALLATION (WHITE NOISE)

ITEM	PART NUMBER	QTY	DESCRIPTION	REV
	1001249309	Ref	ALARM INSTALLATION	C
1	0630587	2	Bolt M6 x 25	
2	3290605	2	Nut M6	
3	4811700	2	Washer M6	
4	1001184682	1	Alarm	
4	4460897	1	Receptacle, Female - 2 Position	
4	4460464	2	Pin, Male	

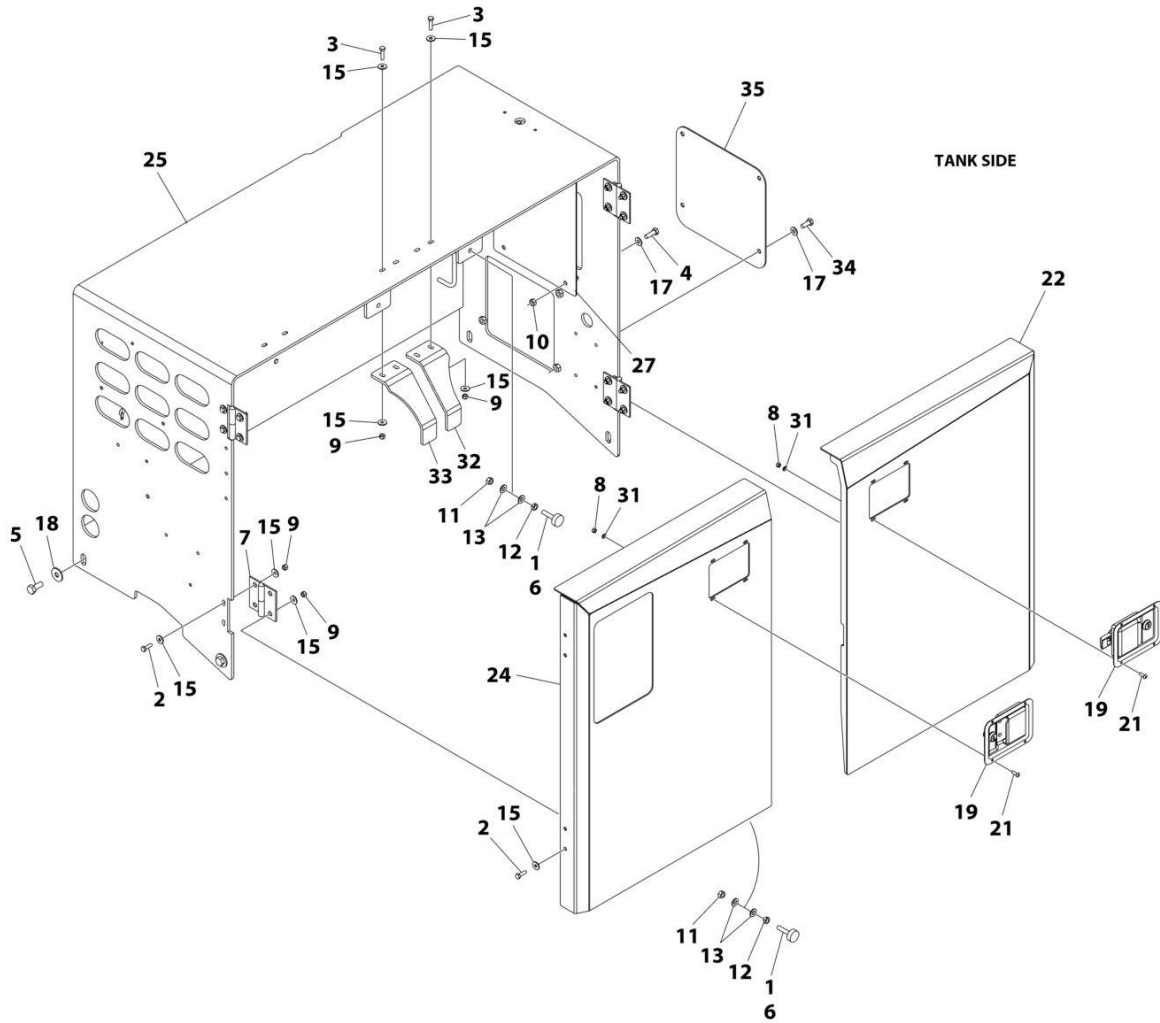
SECTION 2 - GROUND CONTROLS

FIGURE 2-12. HOODS INSTALLATION



ART_1001254827_1OF2

SECTION 2 - GROUND CONTROLS



ART_1001254827_20F2

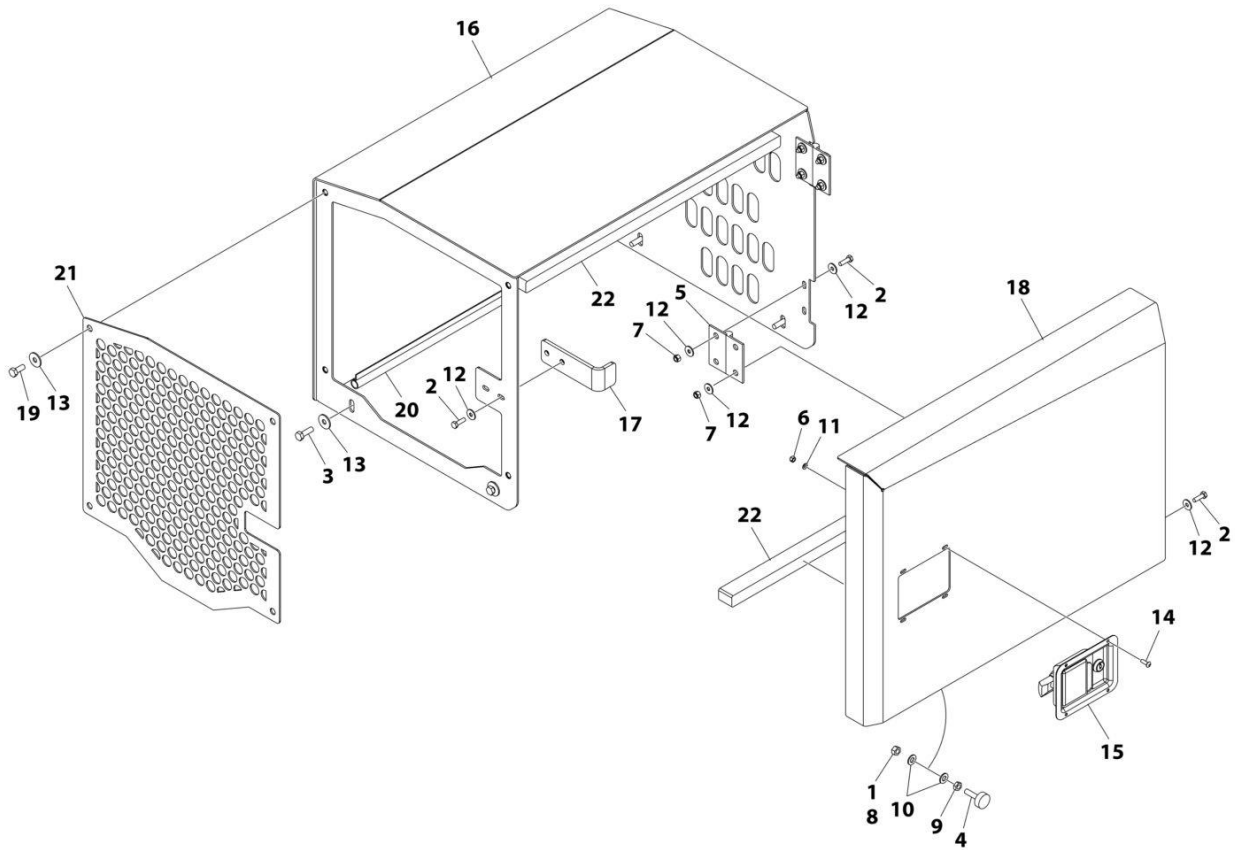
SECTION 2 - GROUND CONTROLS

FIGURE 2-12. HOODS INSTALLATION

ITEM	PART NUMBER	QTY	DESCRIPTION	REV
	1001254827	Ref	HOODS INSTALLATION	E
1	0100011	AR	Compound, Locking	
2	0760610	32	Bolt M6 x 20	
3	0760612	8	Bolt M6 x 25	
4	0770812	4	Bolt M8 x 25	
5	0761012	8	Bolt M10 x 25	
6	1001260334	8	Bumper	
7	2600216	8	Hinge	
8	3290505	16	Nut M5	
9	3290605	40	Nut M6	
10	3290801	10	Nut M8	
11	3311501	8	Nut 5/16	
12	3311502	8	Nut 5/16	
13	4711500	16	Washer 5/16	
15	4811702	80	Washer M6	
16	4811900	6	Washer M8	
17	4811902	12	Washer M8	
18	4812002	8	Washer M10	
19	1001257454	4	Latch, Lock	
20	1001218448	6	Bolt	
21	1001234348	16	Screw M5 x 16 Grade 10.9	
22	1001247637	2	Door (Hydraulic Side RH/Engine Side RH)	
23	1001247638	1	Door (Engine Side LH)	
24	1001247639	1	Door (Hydraulic Side LH)	
25	1001248043	1	Shield (Hydraulic Side)	
27	1001248162	1	Cover	
28	1001255815	1	Cover, Battery	
29	1001256372	1	Bracket	
30	1001256373	1	Bracket	
31	4811600	16	Washer M5	
32	1001257688	2	Bracket, Striker	
33	1001257689	2	Bracket, Striker	
34	0760810	4	Bolt M8 x 20	
35	1001263930	1	Cover	

SECTION 2 - GROUND CONTROLS

FIGURE 2-13. HOODS INSTALLATION - KUBOTA ENGINE (GENSET)



ART_1001259033

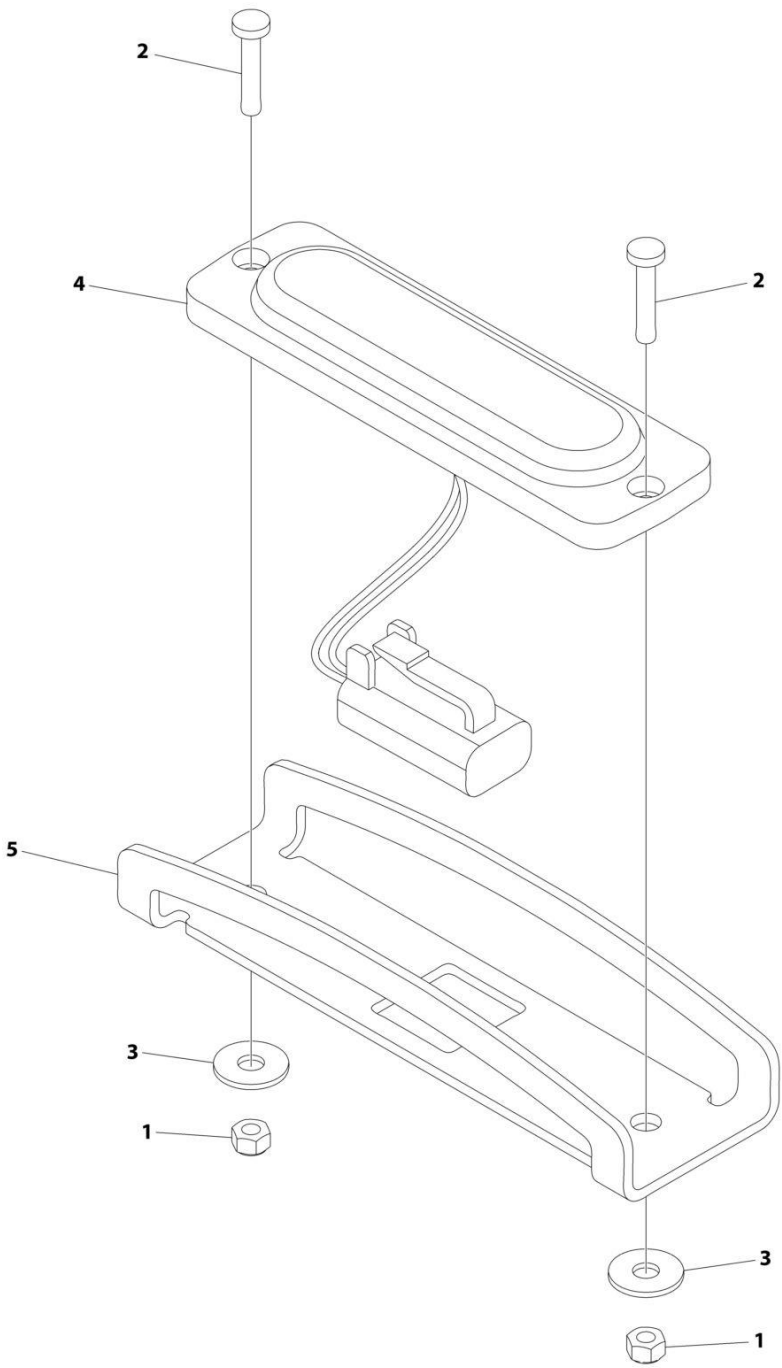
SECTION 2 - GROUND CONTROLS

FIGURE 2-13. HOODS INSTALLATION - KUBOTA ENGINE (GENSET)

ITEM	PART NUMBER	QTY	DESCRIPTION	REV
	1001259033	Ref	HOODS INSTALLATION	C
1	0100011	AR	Compound, Locking	
2	0760610	10	Bolt M6 x 20	
3	0770812	4	Bolt M8 x 25	
4	0940049	1	Stopper	
5	2600216	2	Hinge	
6	3290505	4	Nut M5	
7	3290605	8	Nut M6	
8	3311501	1	Nut 5/16	
9	3311502	1	Nut 5/16	
10	4711500	2	Washer 5/16	
11	4811600	4	Washer M5	
12	4811702	18	Washer M6	
13	4811902	8	Washer M8	
14	1001234348	4	Screw M5 x 16 Grade 10.9	
15	1001257454	1	Latch, Lock	
16	1001290343	1	Panel	
17	1001258870	1	Bracket	
18	1001290351	1	Door	
19	0760810	4	Bolt M8 x 20	
20	3960389	1.8 ft /0.57m	Seal	
21	1001290310	1	Plate	
22	1001291027	2	Seal	

SECTION 2 - GROUND CONTROLS

FIGURE 2-14. STROBE LIGHT INSTALLATION - SINGLE



ART_1001249306

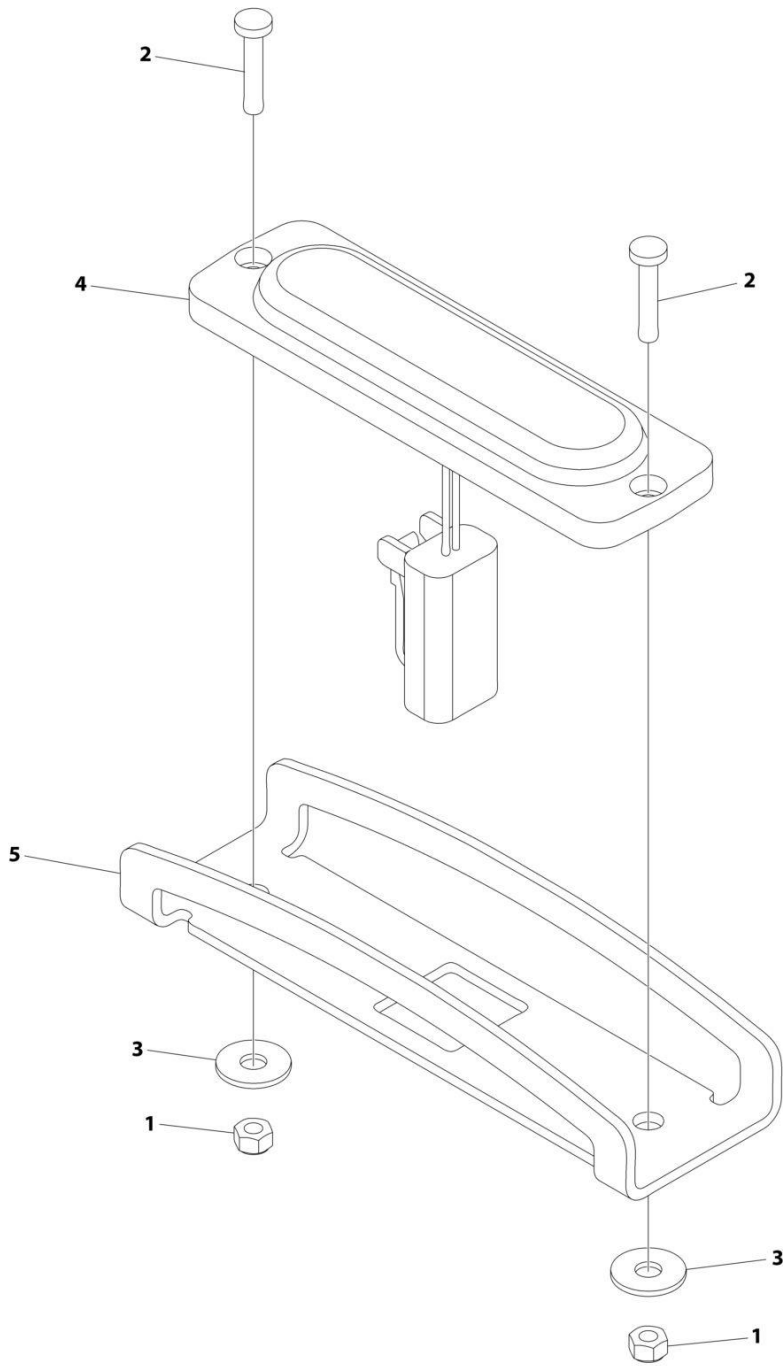
SECTION 2 - GROUND CONTROLS

FIGURE 2-14. STROBE LIGHT INSTALLATION - SINGLE

ITEM	PART NUMBER	QTY	DESCRIPTION	REV
	1001249306	Ref	STROBE LIGHT INSTALLATION - SINGLE	B
1	3290305	4	Nut M3	
2	4010308	4	Screw M3 x16	
3	1001091102	6	Washer M4	
4	1001239224	1	Lamp, Beacon	
4	4460891	1	Plug, Male - 2 Position	
4	4460465	2	Socket, Female	
5	1001242539	1	Guard	
6	1001263345	1	Cover, Hood (Not Shown - Located on Opposite Hood)	

SECTION 2 - GROUND CONTROLS

FIGURE 2-15. STROBE LIGHT INSTALLATION - DUAL



ART_1001249307

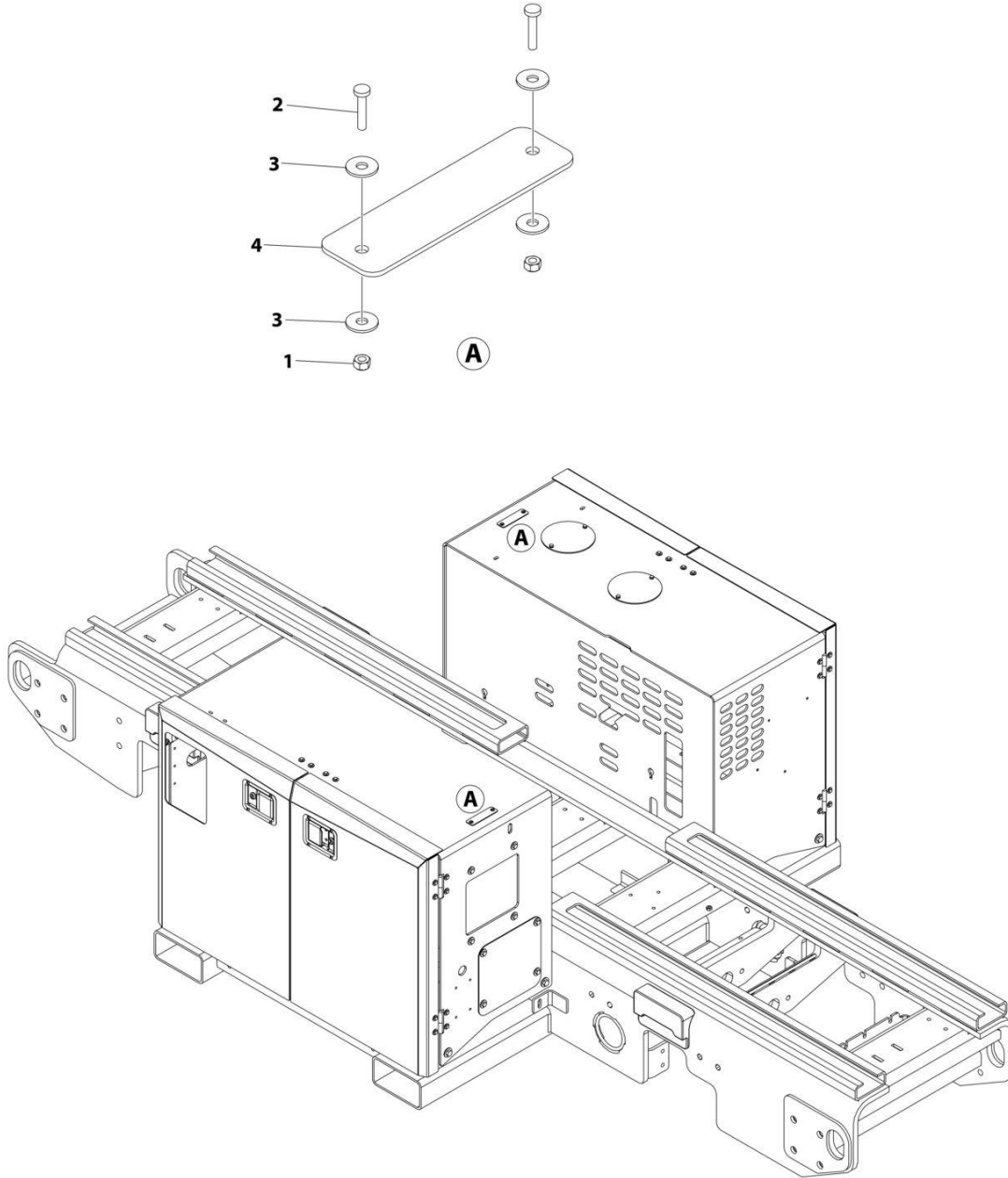
SECTION 2 - GROUND CONTROLS

FIGURE 2-15. STROBE LIGHT INSTALLATION - DUAL

ITEM	PART NUMBER	QTY	DESCRIPTION	REV
	1001249307	Ref	STROBE LIGHT INSTALLATION - DUAL	A
1	3290305	4	Nut M3	
2	4010308	4	Screw M3 x16	
3	1001091102	4	Washer M4	
4	1001239224	2	Lamp, Beacon	
4	4460891	1	Plug, Male - 2 Position	
4	4460465	2	Socket, Female	
5	1001242539	2	Guard	

SECTION 2 - GROUND CONTROLS

FIGURE 2-16. NO BEACON (COVERS)



ART_1001267649

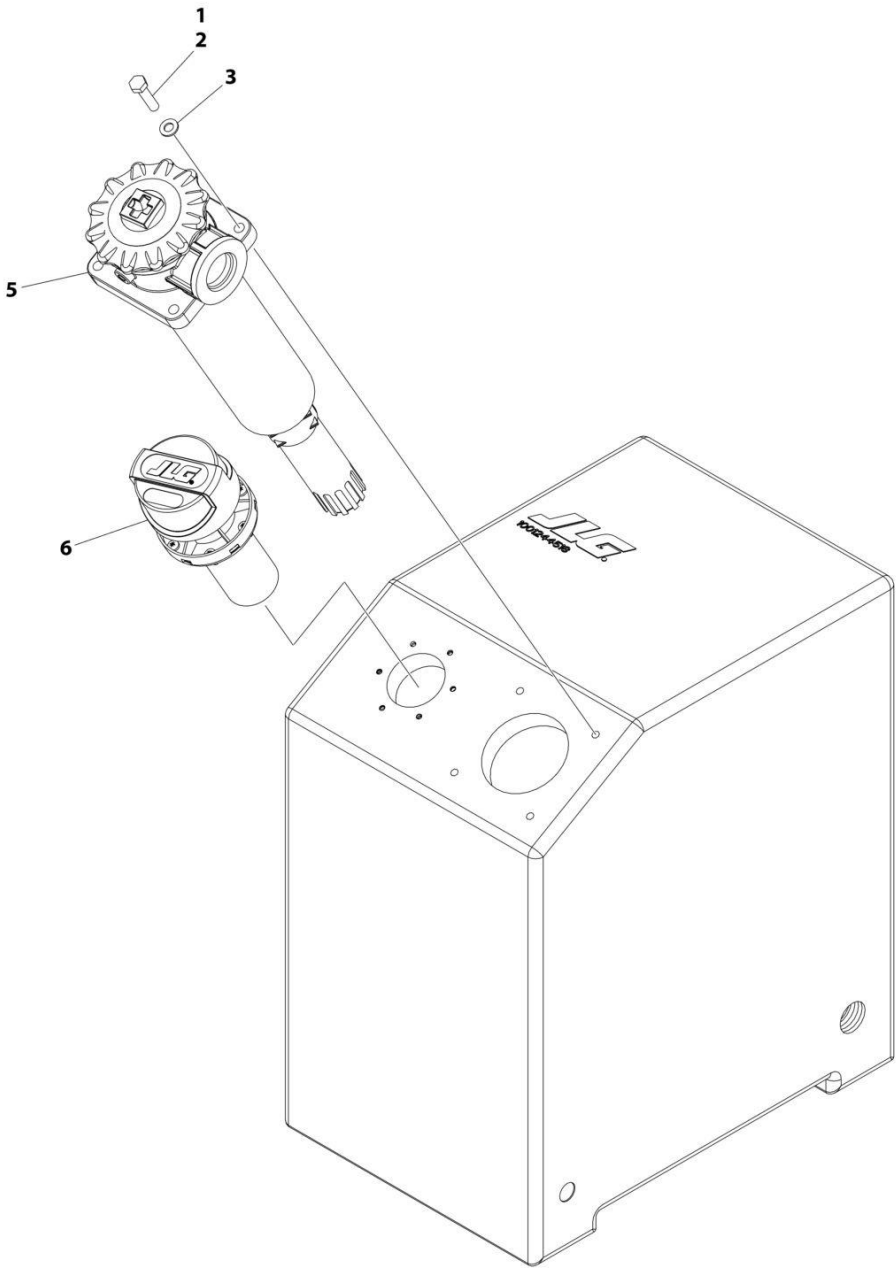
SECTION 2 - GROUND CONTROLS

FIGURE 2-16. NO BEACON (COVERS)

ITEM	PART NUMBER	QTY	DESCRIPTION	REV
	1001267649	Ref	NO BEACON (COVERS)	A
1	3290305	4	Nut M3	
2	4010308	4	Screw M3 x16	
3	1001091102	8	Washer M4	
4	1001263345	2	Cover, Hood	

SECTION 2 - GROUND CONTROLS

FIGURE 2-17. HYDRAULIC TANK ASSEMBLY



ART_1001246555

SECTION 2 - GROUND CONTROLS

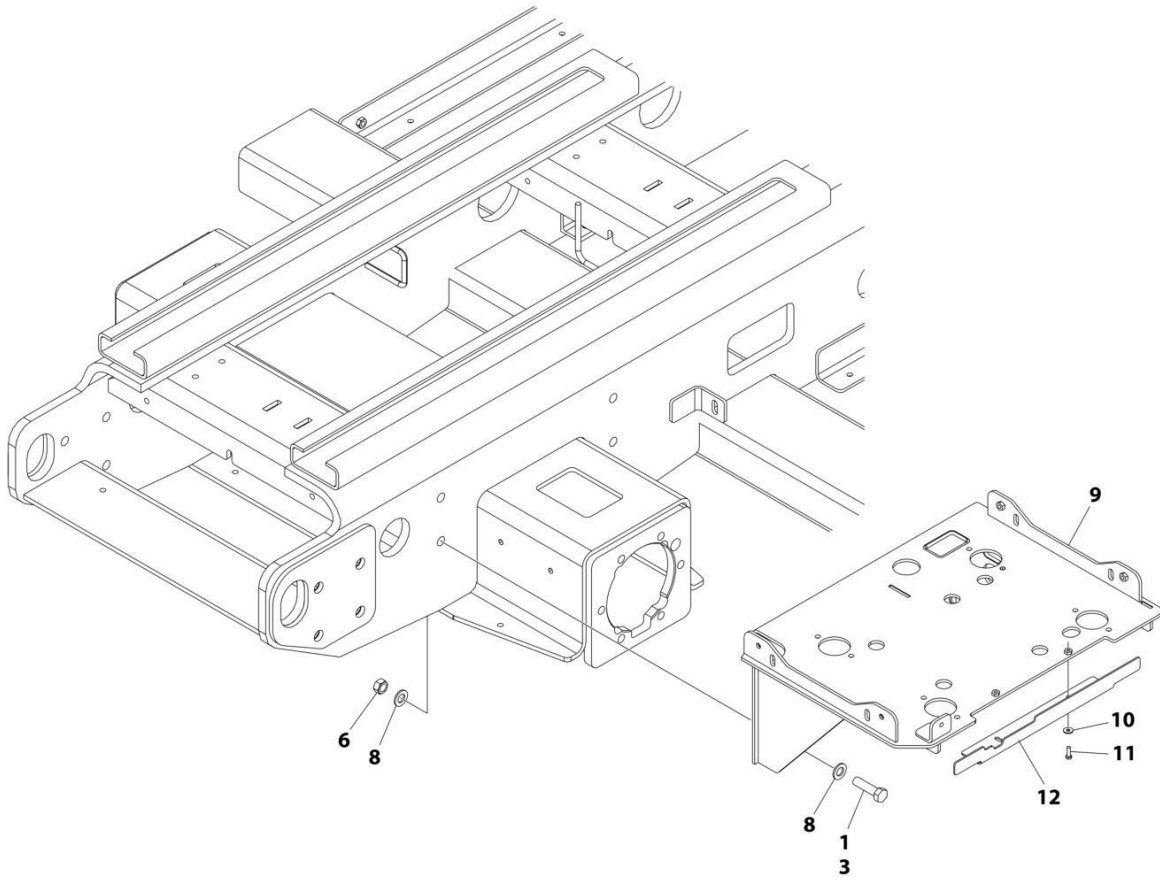
FIGURE 2-17. HYDRAULIC TANK ASSEMBLY

ITEM	PART NUMBER	QTY	DESCRIPTION	REV
	1001246555	Ref	TANK ASSEMBLY	D
1	0100035	AR	Compound, Locking	
2	0760815	4	Bolt M8 x 35	
3	4811900	4	Washer M8	
5	1001246553	1	Filter, Hydraulic Tank	
5	70007035	1	Element, Filter	
6	1001248371	1	Filter, Filler/Breather	

SECTION 3 - ENGINE

SECTION 3 - ENGINE

FIGURE 3-1. ENGINE MOUNTING INSTALLATION (GENSET)



ART_1001259032

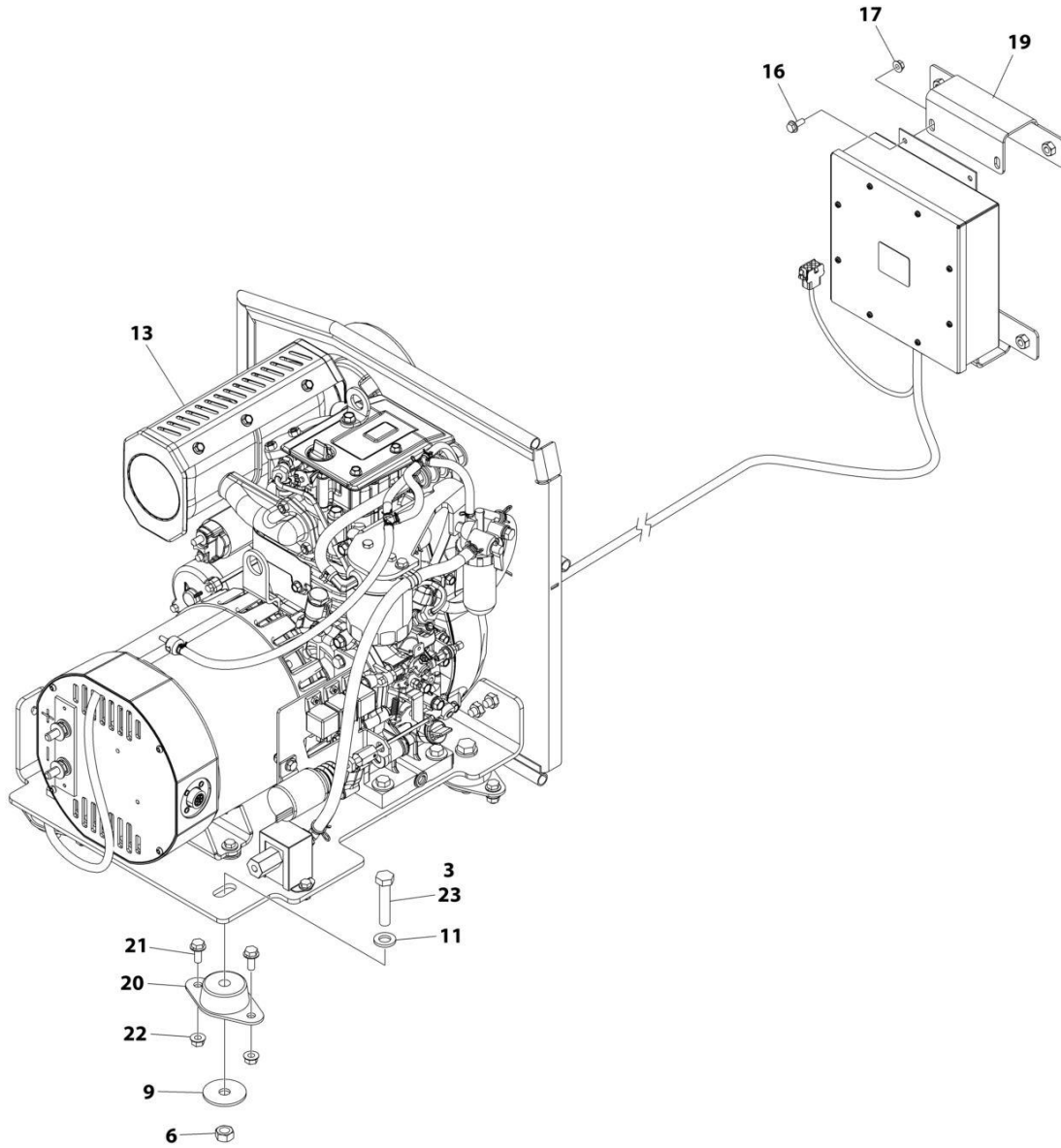
SECTION 3 - ENGINE

FIGURE 3-1. ENGINE MOUNTING INSTALLATION (GENSET)

ITEM	PART NUMBER	QTY	DESCRIPTION	REV
	1001259032	Ref	ENGINE INSTALLATION	C
1	0100011	AR	Compound, Locking	
3	0761620	4	Bolt M16 x 60	
6	3331611	4	Nut M16	
8	5241600	8	Washer M16	
9	1001290338	1	Bracket	
10	4811702	2	Washer M6	
11	0760610	2	Bolt M6 x 20	
12	1001290309	1	Bracket	

SECTION 3 - ENGINE

FIGURE 3-2. KUBOTA ENGINE INSTALLATION (GENSET)



ART_1001259030

SECTION 3 - ENGINE

FIGURE 3-2. KUBOTA ENGINE INSTALLATION (GENSET)

ITEM	PART NUMBER	QTY	DESCRIPTION	REV
	1001259030	Ref	ENGINE INSTALLATION	D
3	0711220	4	Bolt M12 x 60	
6	3331211	4	Nut M12	
9	4740274	4	Washer	
11	5241200	4	Washer M12	
13	1001278112	1	Kubota Engine (See Separate Breakdown in this Section)	
16	5250608	4	Bolt 6 x 16	
17	5260600	4	Nut M6	
19	1001260677	2	Bracket	
20	3200425	4	Mount, Motor	
21	5250810	8	Bolt 8 x 20	
22	5260800	8	Nut M8	
23	0100011	AR	Compound, Locking	

SECTION 3 - ENGINE

FIGURE 3-3. KUBOTA ENGINE COMPONENTS (STAGE V)

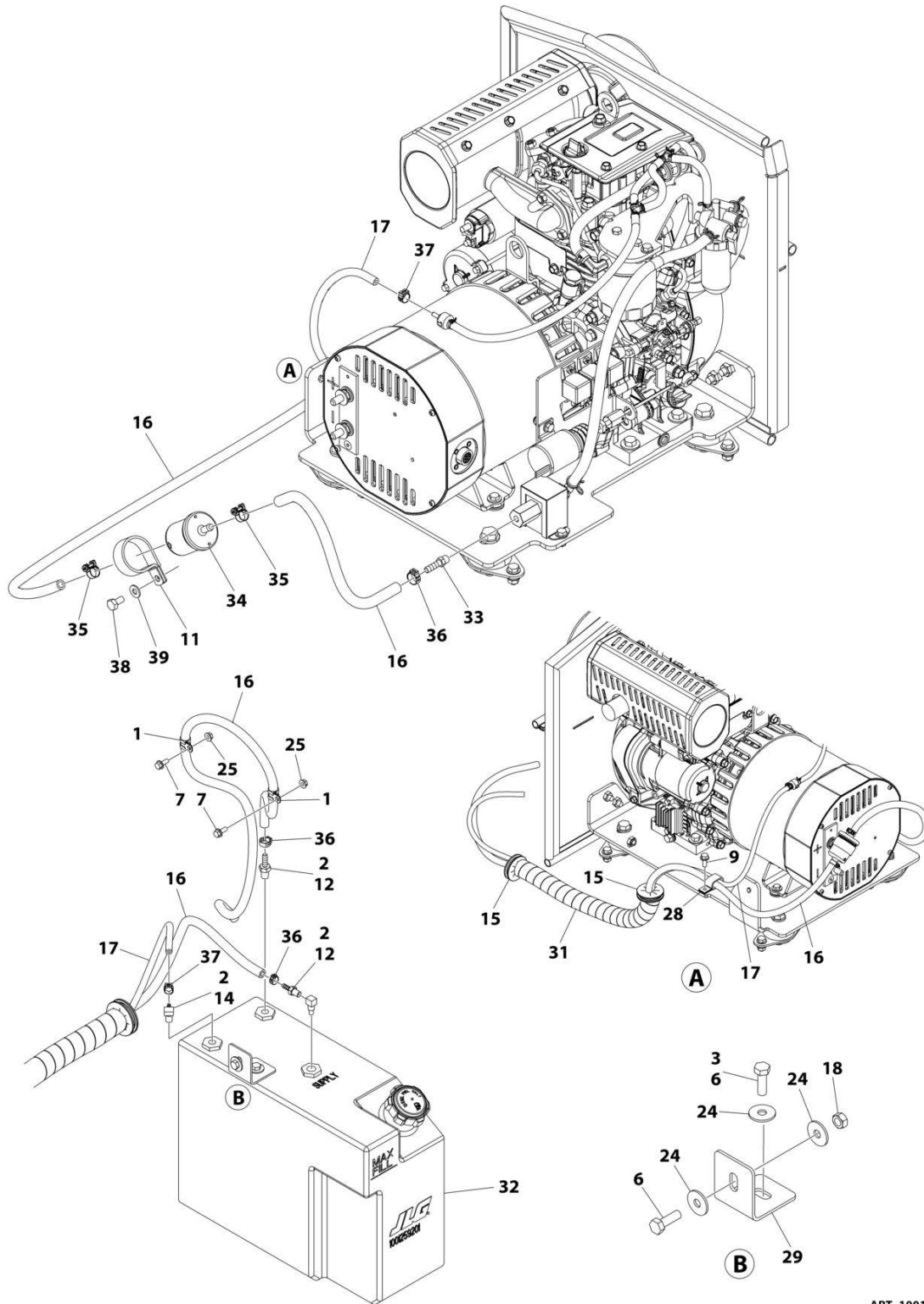
ITEM	PART NUMBER	QTY	DESCRIPTION	REV
	1001248080	Ref	KUBOTA MOTOR/GENERATOR COMPONENTS	A
1	70000290	1	Glow Plug (Not Shown)	
1	70000291	1	Harness, Glow Plug (Not Shown)	
2	70000292	1	Screen, Oil Sump (Includes O-Ring) (Not Shown)	
3	70000293	1	Cap, Oil Filler (Includes O-Ring)	
4	70000294	1	Dipstick	
5	70000295	1	Pump, Oil Rotor (Not Shown - Located beside Item 6)	
5	70000296	1	O-Ring Oil Rotor Pump (Not Shown)	
6	70000297	1	Switch, Oil	
7	70000298	1	Lever, Governor	
7	70000299	1	Pin, Governor Lever	
7	70000300	1	Spring, Governor Lever	
8	70000301	1	Spring, Idling	
8	70000304	1	Lever, Spring Control	
8	70000305	1	Spring, Stop (Speed Control Lever)	
9	70000302	1	Valve, Fuel Limit	
9	70000303	1	Gasket, Fuel Limit	
10	70000306	1	Pump, Injection	
10	70000307	1	Kit, Pump Adjustment Shim	
11	70000308	1	Flywheel/Ring Gear Assembly (Not Shown - Located Behind Front Cover)	
11	70000309	1	Ring Gear (Not Shown)	
11	70001121	1	Stator, Engine (Not Shown - Located Behind Flywheel) (Includes Coil & Grommet)	
12	70003557	1	Regulator, Voltage (Not Shown - Located on Opposite Side of Engine)	
13	70000310	1	Starter (Not Shown - Located on Opposite of Engine)	
14	70000311	1	Solenoid, Starter (Not Shown - Located on Opposite Side of Engine)	
15	70002244	1	Cap, Oil Filler (Includes O-Ring)	
16	70000312	1	Air Filter Assembly	
16	70000313	1	Element, Air Cleaner	
16	70000314	1	Gasket, Air Cleaner	
17	70000315	1	Muffler Assembly	
17	70000316	1	Gasket, Muffler	
18	70000317	1	Inline Fuel Check Valve Assembly	
18	70000967	1	Fuel Filter Assembly	
18	70000318	1	Element, Fuel Filter	
19	70000319	1	Element, Oil Filter	
19	70001144	1	Head, Oil Filter Head (Note: Does Not Include Element)	
20	70002544	1	Bracket, Oil Filter Mount	
21	70000320	1	Pump, Fuel	
22	70000321	1	Solenoid, Fuel	
22	70003618	1	Adapter, Solenoid	
22	70003619	1	Screw	
23	70000322	1	Relay	
24	70000323	2	Relay	
25	70002083	1	Bracket, Solenoid/Relay	
26	70000324	1	Sensor, Speed (Not Shown - Located Inside Front Cover)	
26	70004265	1	Bracket, Speed Sensor (Not Show - Located Inside Front Cover)	

SECTION 3 - ENGINE

ITEM	PART NUMBER	QTY	DESCRIPTION	REV
27	70000325	1	Sensor, Oil Temperature (Not Shown - Located on Opposite Side of Engine Base)	
28	70000326	1	Module, Engine Control	
29	70000327	1	Alternator	
29	70000382	1	Stator, Alternator	
29	70004394	1	Lead, Field Terminal Block Diode	
30	70000328	1	Harness, Generator	
31	70000329	1	Fuse 15Amp (Not Shown)	
32	70000330	1	Fuse 20Amp (Not Shown)	
33	70002543	1	Engine, Kubota (without Generator)	
34	70000289	1	Regulator, Voltage (Not Shown - Located on Opposite Side of Engine)	

SECTION 3 - ENGINE

FIGURE 3-4. ENGINE FUEL LINES INSTALLATION (GENSET)



ART_1001259031

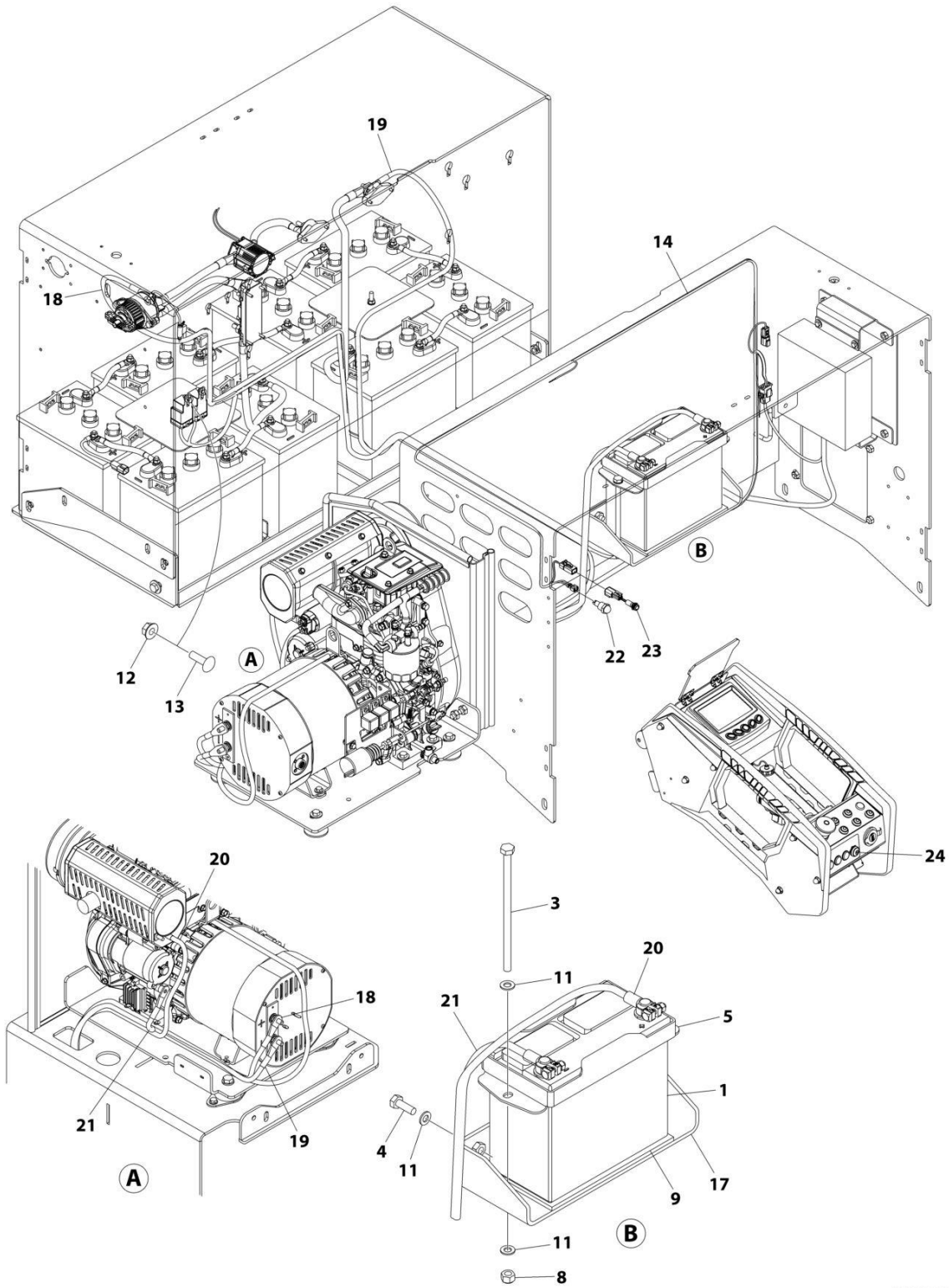
SECTION 3 - ENGINE

FIGURE 3-4. ENGINE FUEL LINES INSTALLATION (GENSET)

ITEM	PART NUMBER	QTY	DESCRIPTION	REV
	1001259031	Ref	FUEL LINES INSTALLATION	D
1	80630	2	Clamp	
2	0100020	AR	Sealant	
3	0100035	AR	Compound, Locking	
6	0700812	2	Bolt M8 x 25	
7	0780608	2	Bolt M6 x 16	
9	0780810	1	Bolt M8 x 20	
11	1320265	1	Clamp	
12	2180348	2	Fitting, Barb	
14	2221047	1	Fitting, 90 Barb	
15	2540045	2	Grommet	
16	2720058	11 ft/ 3.35m	Hose	
17	2720271	4.5 ft/ 1.34m	Hose	
18	3290801	1	Nut M8	
24	4811902	3	Washer M8	
25	5260600	2	Nut M6	
28	1001026127	1	Clamp	
29	1001258837	1	Bracket	
31	1001259240	1	Shield	
32	1001262074	1	Tank Assembly	
32	1001259201	1	Tank	
32	1001193336	1	Cap, Fuel (Non-Vented)	
33	2220794	1	Fitting, Straight Barb	
34	1001255422	1	Filter/Strainer, Fuel	
35	1001174486	2	Clamp	
36	1001263657	3	Clamp	
37	1001263658	2	Clamp	
38	0641404	1	Bolt 1/4 x 1/2	
39	4711400	1	Washer 1/4	

SECTION 3 - ENGINE

FIGURE 3-5. ENGINE ELECTRICAL INSTALLATION (GENSET)



ART_1001259034

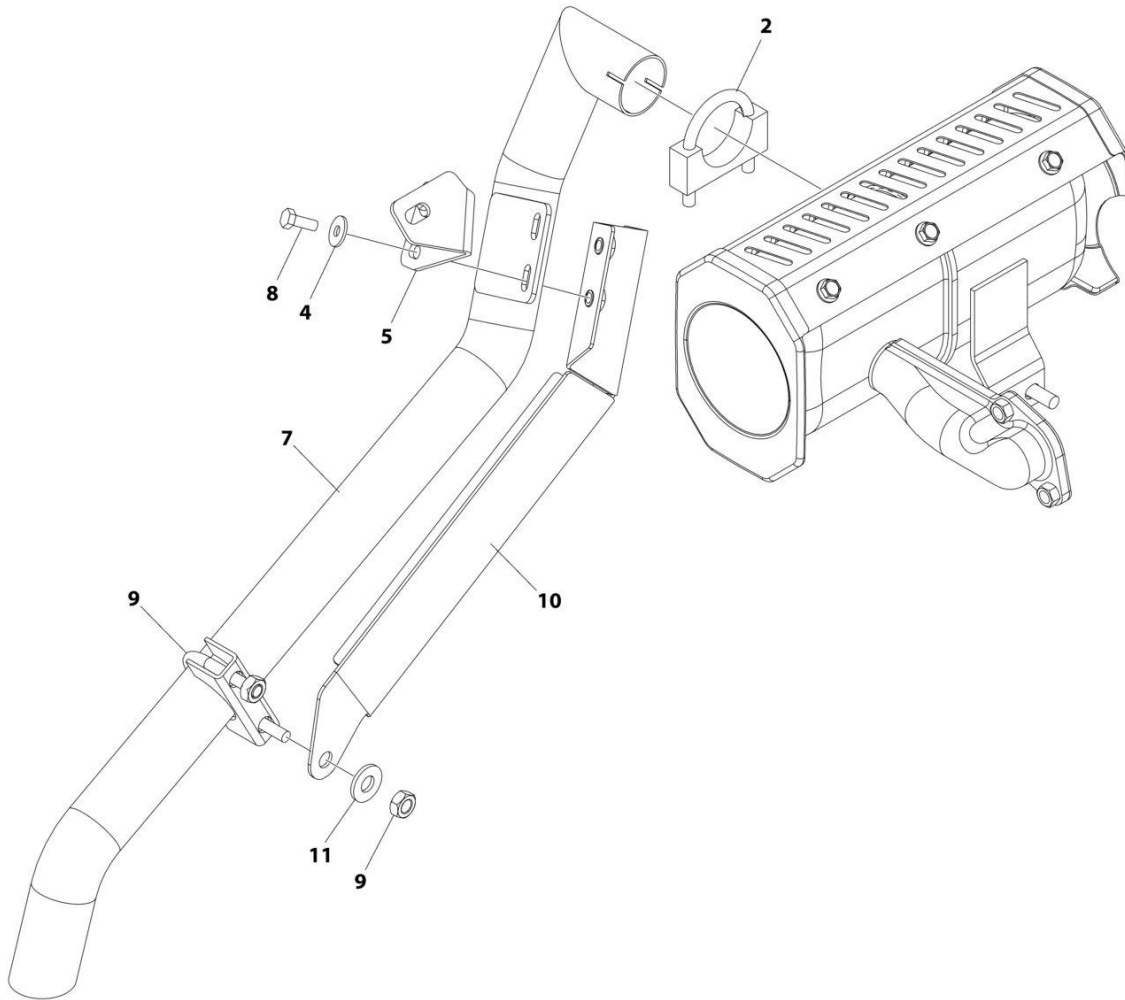
SECTION 3 - ENGINE

FIGURE 3-5. ENGINE ELECTRICAL INSTALLATION (GENSET)

ITEM	PART NUMBER	QTY	DESCRIPTION	REV
	1001259034	Ref	ENGINE ELECTRICAL INSTALLATION - DIESEL	D
1	0400201	1	Battery	
3	0701037	2	Bolt M10 x 200	
4	0771014	2	Bolt M10 x 30	
5	0902659	1	Bracket, Battery	
8	3291005	2	Nut M10	
9	3980035	1	Seat, Battery	
11	4812000	6	Washer M10	
12	5260600	2	Nut M6	
13	1001100451	2	Bolt M6 x 20	
14	1001255067	1	Harness, Mechtron Genset (See Separate Breakdown in ELECTRICAL Section)	
17	1001260678	1	Bracket	
18	1001260903	1	Cable - Generator Positive	
19	1001260904	1	Cable - Generator Negative	
20	1001260952	1	Cable - Battery Positive	
21	1001260953	1	Cable - Battery Negative	
22	4360387	1	Switch, Push Button	
23	1001182680	1	Light, LED	
24	1001250684	1	Switch, Push Button (Platform Control Box)	
25	4240018	1	Tie-Strap (Not Shown)	

SECTION 3 - ENGINE

FIGURE 3-6. EXHAUST INSTALLATION (GENSET)



ART_1001259035

SECTION 3 - ENGINE

FIGURE 3-6. EXHAUST INSTALLATION (GENSET)

ITEM	PART NUMBER	QTY	DESCRIPTION	REV
	1001259035	Ref	EXHAUST INSTALLATION	D
2	1320135	1	Clamp	
4	4811702	2	Washer M6	
5	1001277750	1	Beacket	
7	1001290347	1	Pipe	
8	0760610	2	Bolt M6 x 20	
9	1320274	1	Clamp	
10	1001290345	1	Shield	
11	4811902	1	Washer M8	

SECTION 4 - SCISSORS ARMS

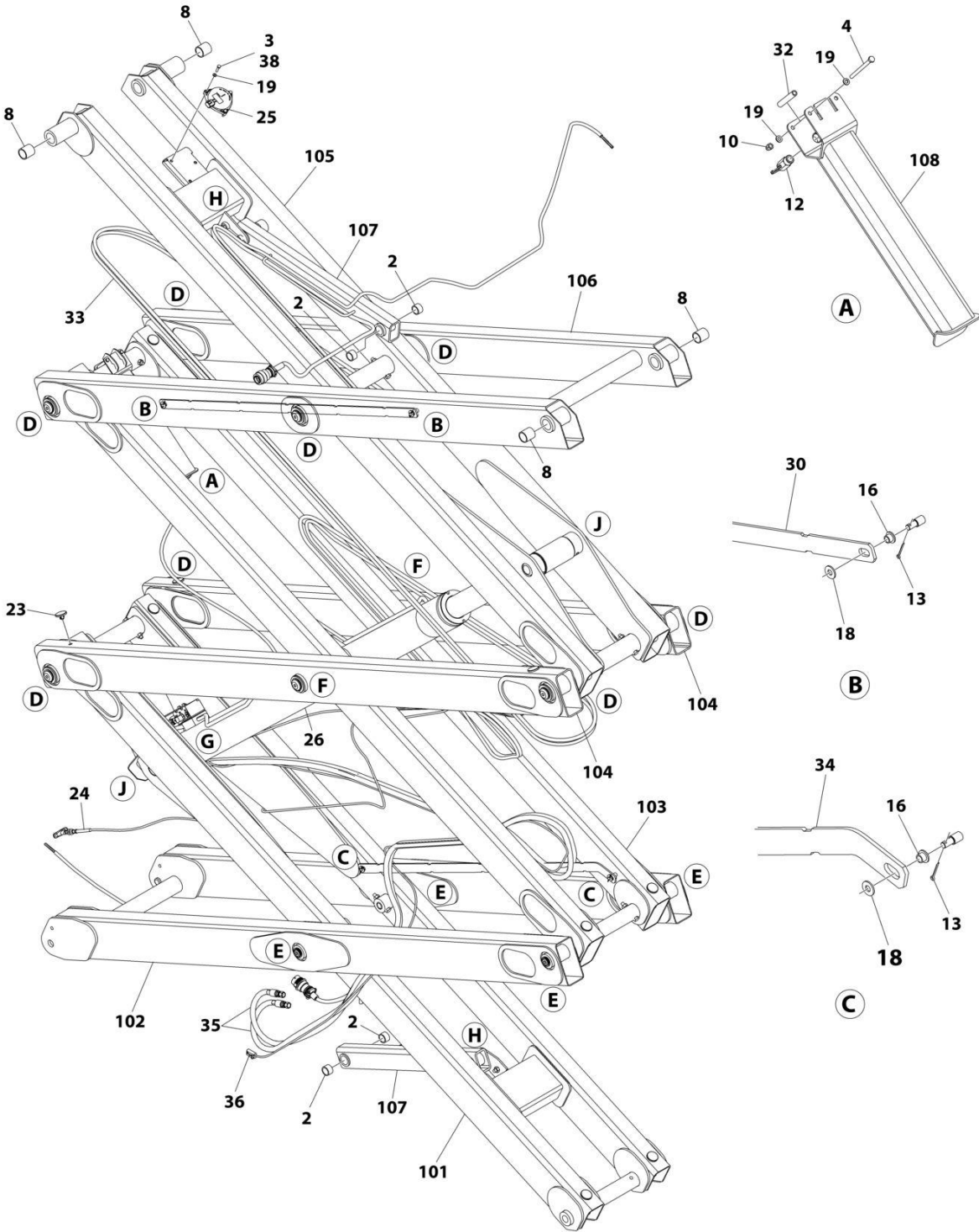
SECTION 4 - SCISSORS ARMS

FIGURE 4-1. ERT2669 ARMS INSTALLATION

ITEM	PART NUMBER	QTY	DESCRIPTION	REV
	1001248820	Ref	ARMS INSTALLATION	C
1	0701015	4	Bolt 10 x 35	
2	0701022	2	Bolt 10 x 70	
3	0701029	4	Bolt 10 x 120	
4	0760812	2	Bolt M8 x 25	
5	3290405	2	Nut M4	
6	3290805	2	Nut M8	
7	3291007	10	Nut M10	
8	3422943	2	Pin	
9	4031511	2	Capscrew M4 x 35	
11	4811400	2	Washer M4	
12	4811902	4	Washer M8	
13	4812000	8	Washer M10	
14	1001270098	4	Pin, Keeper	
15	1001145548	1	Switch, Limit	
16	3422938	4	Pin	
17	1001247367	1	Arm Assembly (See Separate Breakdown in this Section)	
18	1001247521	2	Pin	
19	1001247667	4	Support, Slider	
20	1001247669	2	Pin	
21	1001247671	4	Block, Slide	
22	1001257587	1	Bracket	
23	1001264939	1	Harness, Platform (See Separate Breakdown in ELECTRICAL Section)	
24	1001249091	1	Harness, Tilt Sensor (See Separate Breakdown in ELECTRICAL Section)	
27	3020022	AR	Lubricant	
28	2220372	1	Fitting, Straight JIC/ORB	
29	4240018	AR	Tie - Strap (Not Shown)	
30	0760608	4	Bolt M6 x 16	
31	0700618	3	Bolt M6 x 50	
32	4811700	11	Washer M6	
33	1061020	2	Cable, Extension (1.5 Meter)	
34	1600387	1	Module, Load Sense (Note: Recalibration Required When Replaced)	
35	1001226830	1	Harness Load Sense (See Separate Breakdown in ELECTRICAL Section)	
36	1001263662	1	Cover	
37	1001189762	2	Tape	

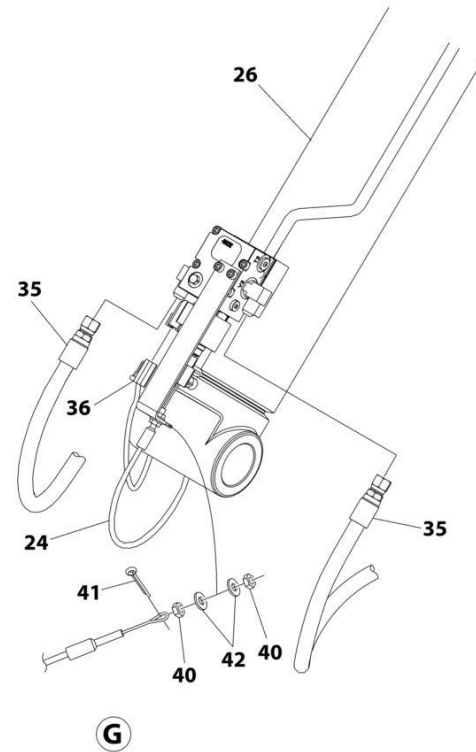
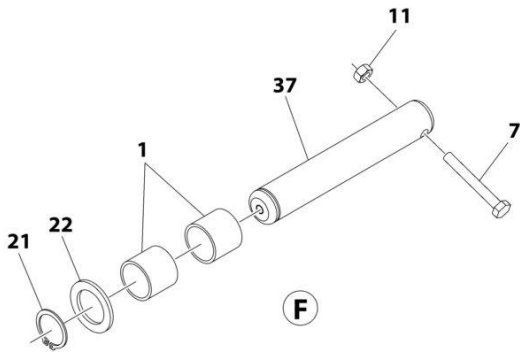
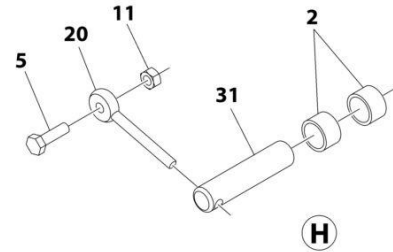
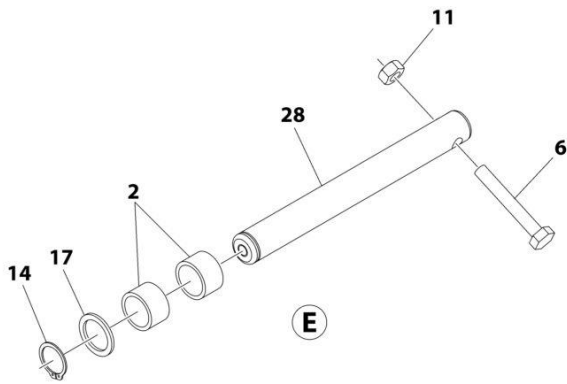
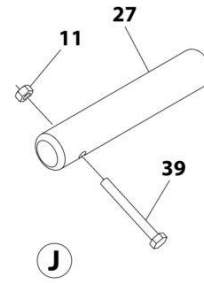
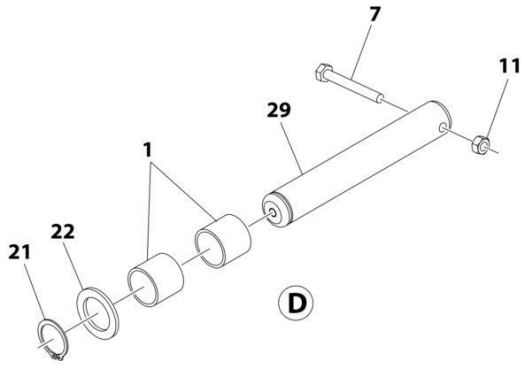
SECTION 4 - SCISSORS ARMS

FIGURE 4-2. ERT2669 ARMS ASSEMBLY



ART_1001247367_1OF2

SECTION 4 - SCISSORS ARMS



ART_1001247367_20F2

SECTION 4 - SCISSORS ARMS

FIGURE 4-2. ERT2669 ARMS ASSEMBLY

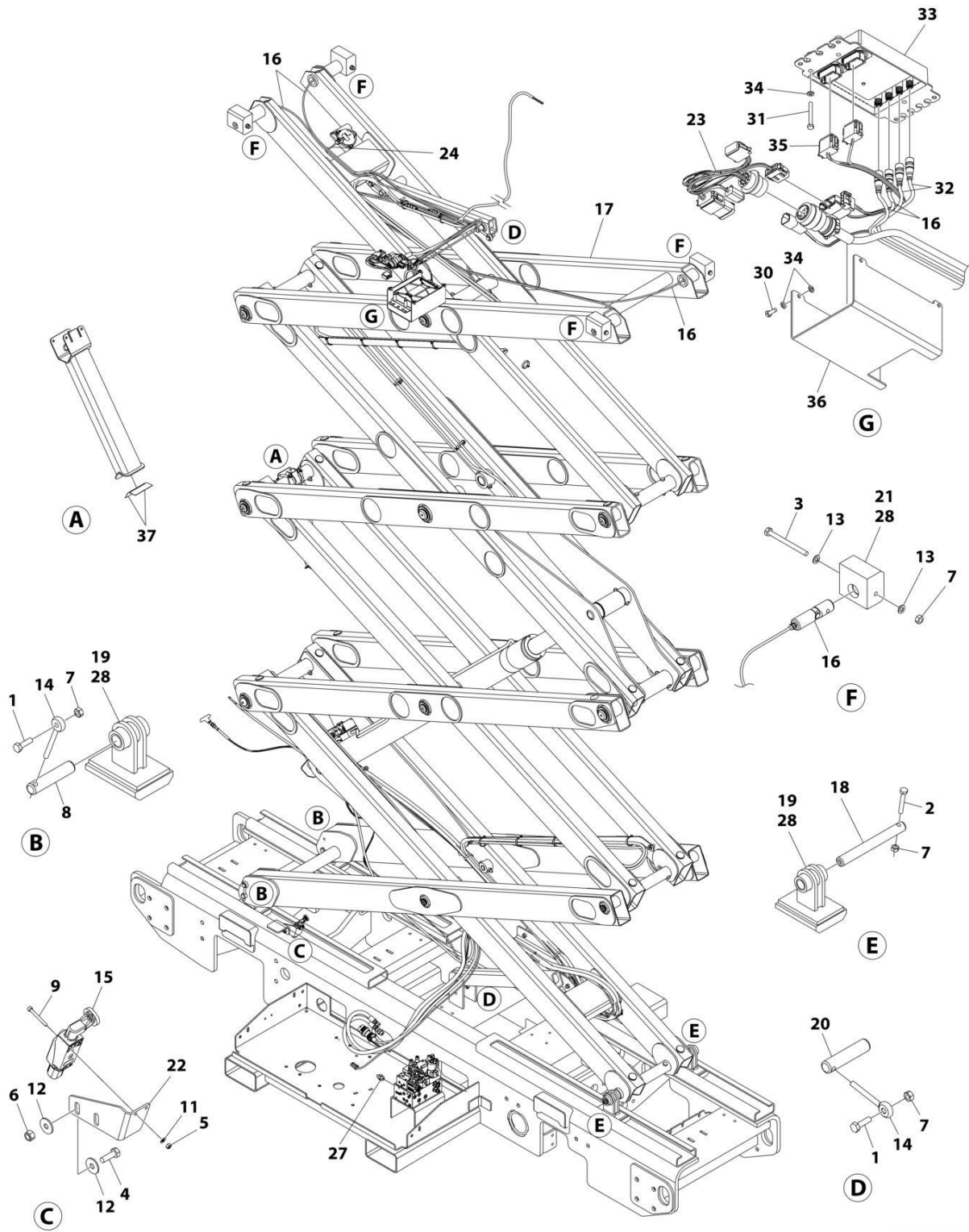
ITEM	PART NUMBER	QTY	DESCRIPTION	REV
	1001247367	Ref	ARMS ASSEMBLY	D
1	0440241	20	Bearing	
2	0440264	16	Bearing	
3	0700612	3	Bolt M6 x 25	
4	0700624	2	Bolt M6 x 80	
5	0701015	2	Bolt M10 x 35	
6	0701022	4	Bolt M10 x 70	
7	0701024	10	Bolt M10 x 80	
8	0962220	4	Bushing	
10	3290606	2	Nut M6	
11	3291007	18	Nut M10	
12	3423151	1	Pin	
13	3450304	4	Pin, Cotter 3/32 x 1	
14	3760509	4	Ring, Retaining	
15	4240018	AR	Tie - Strap (Not Shown)	
16	4740480	4	Washer (Plastic Insert)	
17	4740531	4	Washer	
18	4751500	4	Washer 5/16	
19	4811700	7	Washer M6	
20	1001270098	2	Pin, Keeper	
21	1001099560	10	Ring, Retaining	
22	1001217457	10	Washer	
23	1001228533	16	Bumper	
24	1001265848	1	Cable, Manual Descent	
25	1001244934	1	Sensor, Tilt	
26	1001245923	1	Cylinder Lift Down Valve Assembly (See Separate Breakdown in this Section)	
27	1001247522	2	Pin	
28	1001247523	4	Pin	
29	1001247524	8	Pin	
30	1001247668	1	Bar, Cable	
31	1001247669	2	Pin	
32	1001247670	2	Sleeve	
33	1001248279	1	Harness, Ground To Platform (See Separate Breakdown in ELECTRICAL Section)	
34	1001248865	1	Bar, Cable	
35	1001248890	2	Hose	
36	1001248895	1	Harness Lift Down (See Separate Breakdown in ELECTRICAL Section)	
37	1001249637	2	Pin	
38	0100011	AR	Compound, Locking	
39	0701026	2	Bolt M10 x 90	
40	3321402	2	Nut 1/4	
41	3450405	1	Pin, Cotter 1/8 x 1-1/4	
42	4711400	2	Washer 1/4	
100	1001247375	Ref	Arm Kit (Not Shown)	
101	1001247482	1	Arm, Inboard (Lower)	
102	1001247490	1	Arm, Outboard (Lower)	
103	1001247497	1	Arm, Inboard (Mid)	
104	1001247500	2	Arm, Outboard (Mid)	

SECTION 4 - SCISSORS ARMS

ITEM	PART NUMBER	QTY	DESCRIPTION	REV
105	1001247506	1	Arm, Inboard (Upper)	
105	1001247503	2	Bushing (Not Shown)	
106	1001258812	1	Arm, Outboard (Upper)	
107	1001247520	2	Link, Center	
108	1001247672	1	Prop, Arm	

SECTION 4 - SCISSORS ARMS

FIGURE 4-3. ERT3369 ARMS INSTALLATION



ART_1001248821

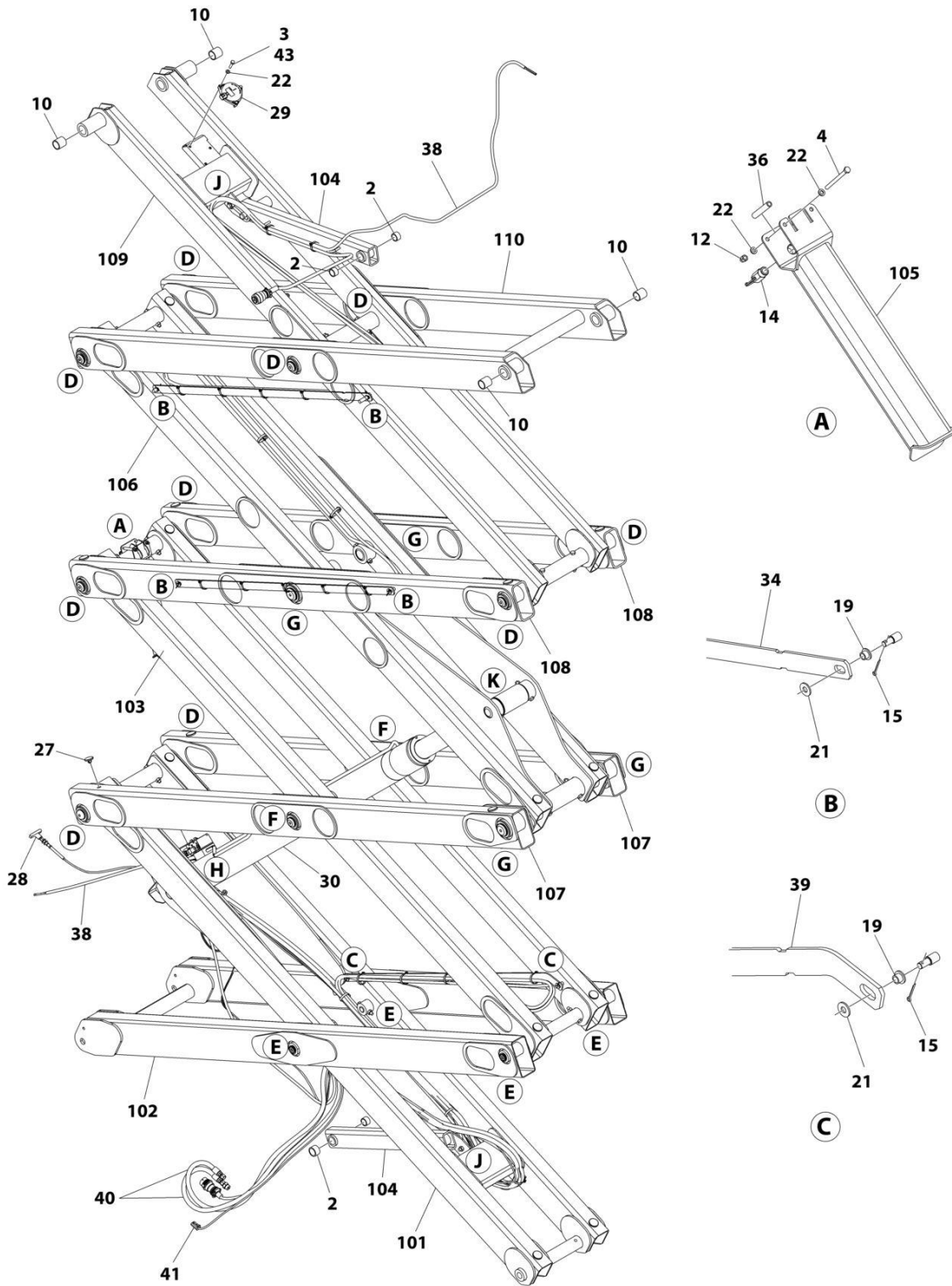
SECTION 4 - SCISSORS ARMS

FIGURE 4-3. ERT3369 ARMS INSTALLATION

ITEM	PART NUMBER	QTY	DESCRIPTION	REV
	1001248821	Ref	ARMS INSTALLATION	E
1	0701015	4	Bolt 10 x 35	
2	0701022	2	Bolt 10 x 70	
3	0701029	4	Bolt 10 x 120	
4	0760812	2	Bolt M8 x 25	
5	3290405	2	Nut M4	
6	3290805	2	Nut M8	
7	3291007	10	Nut M10	
8	3422943	2	Assembly, Load Sense Pin/Cable	
9	4031511	2	Capscrew M4 x 35	
11	4811400	2	Washer M4	
12	4811902	4	Washer M8	
13	4812000	8	Washer M10	
14	1001270098	4	Pin, Keeper	
15	1001145548	1	Switch, LSS Limit	
15	1001284972	1	Switch, LSS Limit	
16	3422938	4	Assembly, Load Sense Pin/Cable	
17	1001247368	1	Arm Assembly (See Separate Breakdown in this Section)	
18	1001247521	2	Pin	
19	1001247667	4	Support, Slider	
20	1001247669	2	Pin	
21	1001247671	4	Block, Slide	
22	1001257587	1	Bracket	
23	1001264939	1	Harness, Platform (See Separate Breakdown in ELECTRICAL Section)	
24	1001249091	1	Harness, Tilt Sensor (See Separate Breakdown in ELECTRICAL Section)	
27	2220372	1	Fitting, Straight JIC/ORB	
28	3020022	AR	Lubricant	
28	3020029	AR	Lubricant	
29	4240018	AR	Tie - Strap (Not Shown)	
30	0760608	4	Bolt M6 x 16	
31	0700618	3	Bolt M6 x 50	
32	1061020	2	Cable, Load Sense Extension	
33	1600387	1	Module, Load Sense (Note: Recalibration Required When Replaced)	
34	4811700	11	Washer M6	
35	1001226830	1	Harness Load Sense (See Separate Breakdown in ELECTRICAL Section)	
36	1001263662	1	Cover	
37	1001189762	2	Tape	

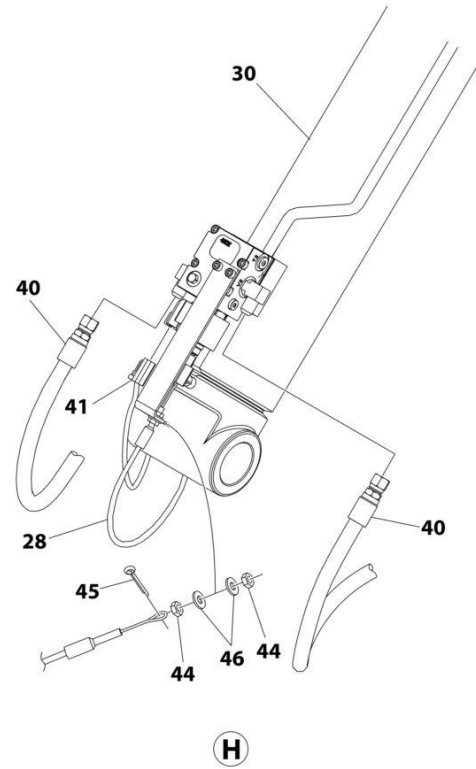
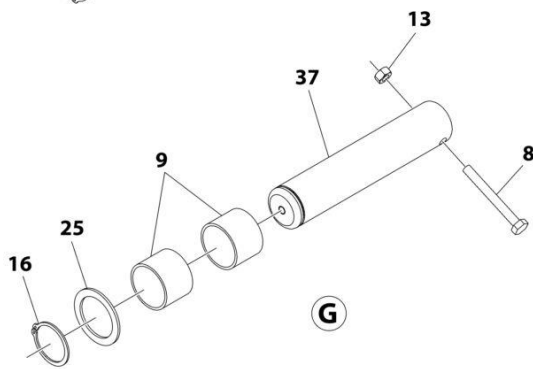
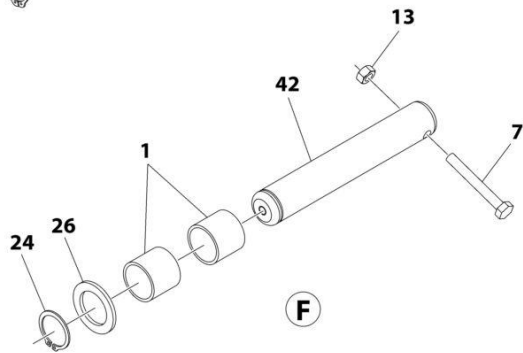
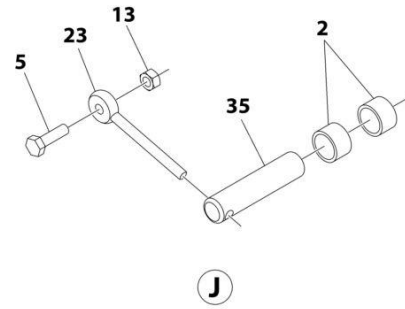
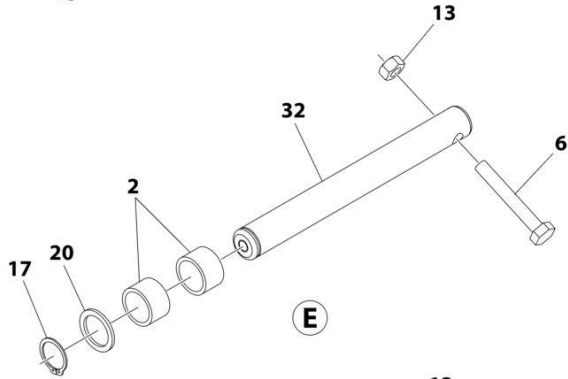
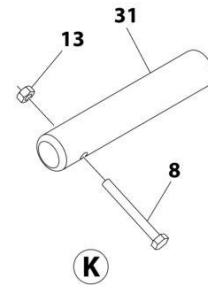
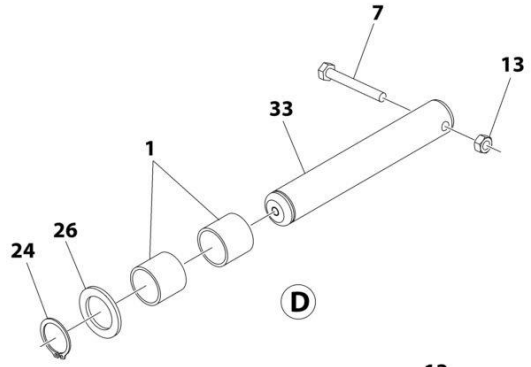
SECTION 4 - SCISSORS ARMS

FIGURE 4-4. ERT3369 ARMS ASSEMBLY



ART_1001247368_1OF2

SECTION 4 - SCISSORS ARMS



ART_1001247368_20F2

SECTION 4 - SCISSORS ARMS

FIGURE 4-4. ERT3369 ARMS ASSEMBLY

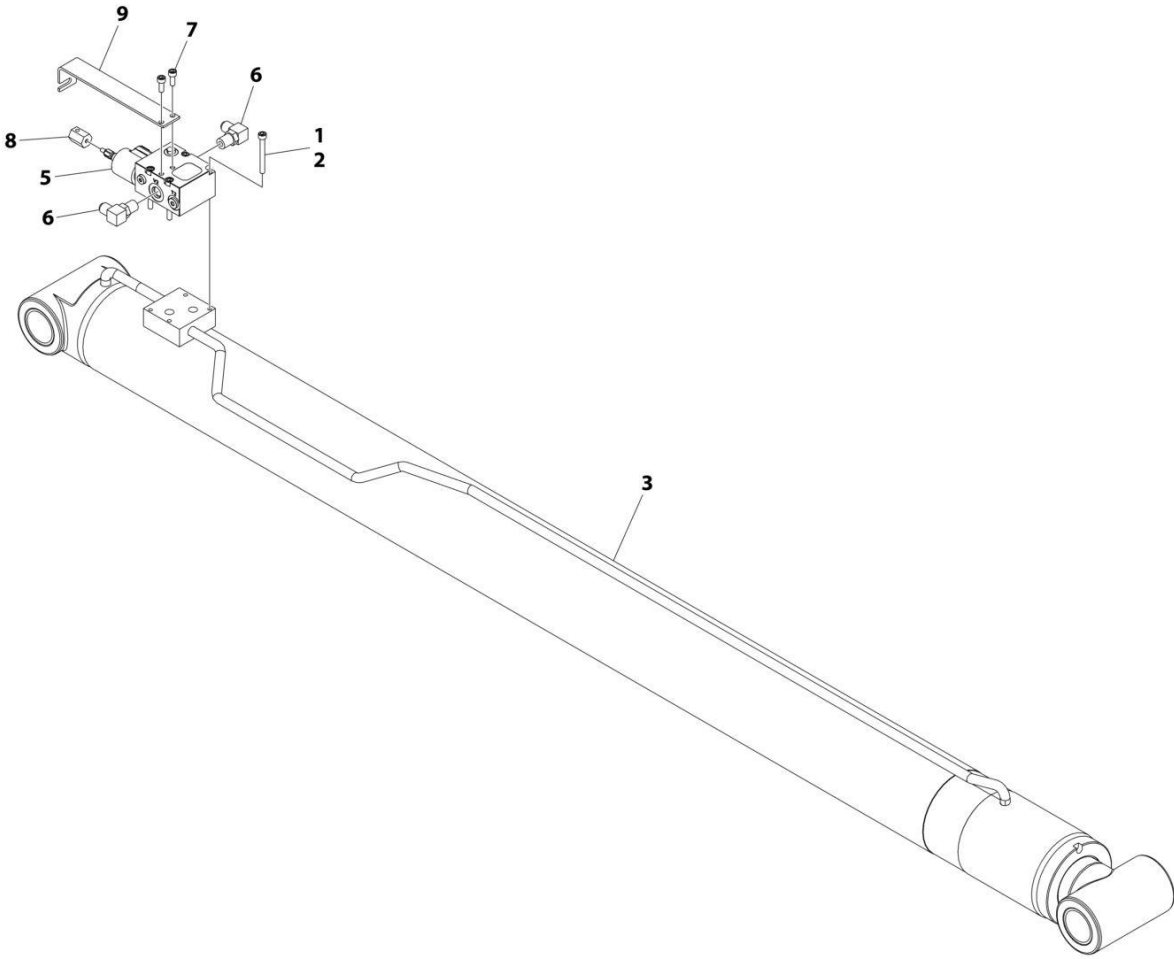
ITEM	PART NUMBER	QTY	DESCRIPTION	REV
	1001247368	Ref	ARMS ASSEMBLY	E
1	0440241	24	Bearing	
2	0440264	16	Bearing	
3	0700612	3	Bolt M6 x 25	
4	0700624	2	Bolt M6 x 80	
5	0701015	2	Bolt M10 x 35	
6	0701022	4	Bolt M10 x 70	
7	0701024	12	Bolt M10 x 80	
8	0701026	6	Bolt M10 x 90	
9	0961950	8	Bushing	
10	0962220	4	Bushing	
12	3290606	2	Nut M6	
13	3291007	24	Nut M10	
14	3423151	1	Pin	
15	3450304	6	Pin, Cotter 3/32 x 1	
16	3760493	4	Ring, Retaining	
17	3760509	4	Ring, Retaining	
18	4240018	AR	Tie - Strap (Not Shown)	
19	4740480	6	Washer (Plastic Insert)	
20	4740531	4	Washer	
21	4751500	6	Washer 5/16	
22	4811700	7	Washer M6	
23	1001270098	2	Pin, Keeper	
24	1001099560	12	Ring, Retaining	
25	1001197405	4	Washer	
26	1001217457	12	Washer	
27	1001228533	24	Bumper	
28	1001265848	1	Cable, Manual Descent	
29	1001244934	1	Sensor, Tilt	
30	1001245923	1	Cylinder Lift Down Valve Assembly (See Separate Breakdown in this Section)	
31	1001247522	2	Pin	
32	1001247523	4	Pin	
33	1001247524	10	Pin	
34	1001247668	2	Bar, Cable	
35	1001247669	2	Pin	
36	1001247670	2	Sleeve	
37	1001247835	4	Pin	
38	1001248280	1	Harness, Ground To Platform (See Separate Breakdown in ELECTRICAL Section)	
39	1001248865	1	Bar, Cable	
40	1001248890	2	Hose	
41	1001248895	1	Harness Lift Down (See Separate Breakdown in ELECTRICAL Section)	
42	1001249637	2	Pin	
43	0100011	AR	Compound, Locking	
44	3321402	2	Nut 1/4	
45	3450405	1	Pin, Cotter 1/8 x 1-1/4	
46	4711400	2	Washer 1/4	
100	1001247376	1	Arm Kit (Not Shown)	

SECTION 4 - SCISSORS ARMS

ITEM	PART NUMBER	QTY	DESCRIPTION	REV
101	1001247482	1	Arm, Inboard (Lower)	
102	1001247490	1	Arm, Outboard (Lower)	
103	1001247497	1	Arm, Inboard (Lower Mid)	
104	1001247520	2	Link, Center	
105	1001247672	1	Prop, Arm	
106	1001247816	1	Arm, Inboard (Upper Mid)	
107	1001247817	2	Arm, Outboard (Lower Mid)	
108	1001247819	2	Arm, Outboard (Upper Mid)	
109	1001247820	1	Arm, Inboard (Upper)	
110	1001258813	1	Arm, Outboard (Upper)	

SECTION 4 - SCISSORS ARMS

FIGURE 4-5. CYLINDER & LIFT DOWN VALVE ASSEMBLY



ART_1001245923

SECTION 4 - SCISSORS ARMS

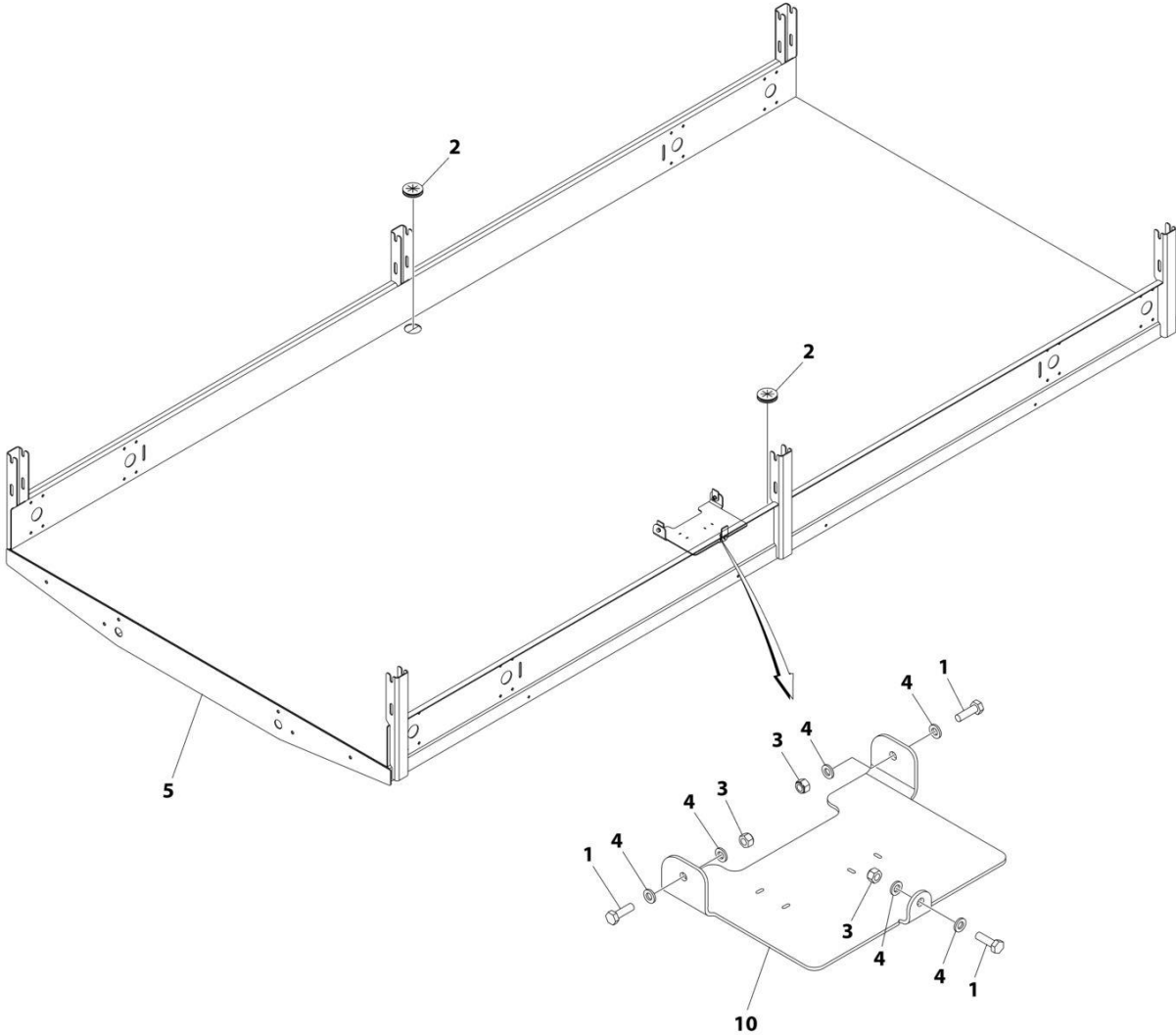
FIGURE 4-5. CYLINDER & LIFT DOWN VALVE ASSEMBLY

ITEM	PART NUMBER	QTY	DESCRIPTION	REV
	1001245923	Ref	CYLINDER AND LIFT DOWN VALVE ASSEMBLY	E
1	0100011	AR	Compound, Locking	
2	1001118878	4	Capscrew M6 x 55	
3	1001244210	1	Lift Cylinder Assembly (See Separate Breakdown in CYLINDER Section)	
5	1001244904	1	Valve, Lift Down (No Service Parts Available)	
5	70007448	2	O-Ring (Between Valve and Cylinder)	
5	70002386	1	Coil	
6	2220473	2	Fitting, 90 JIC/ORB	
7	4031707	2	Capscrew M6 x 16	
8	1001265744	1	Adapter	
9	1001265761	1	Bracket	

SECTION 5 - PLATFORM

SECTION 5 - PLATFORM

FIGURE 5-1. PLATFORM INSTALLATION



ART_1001244381

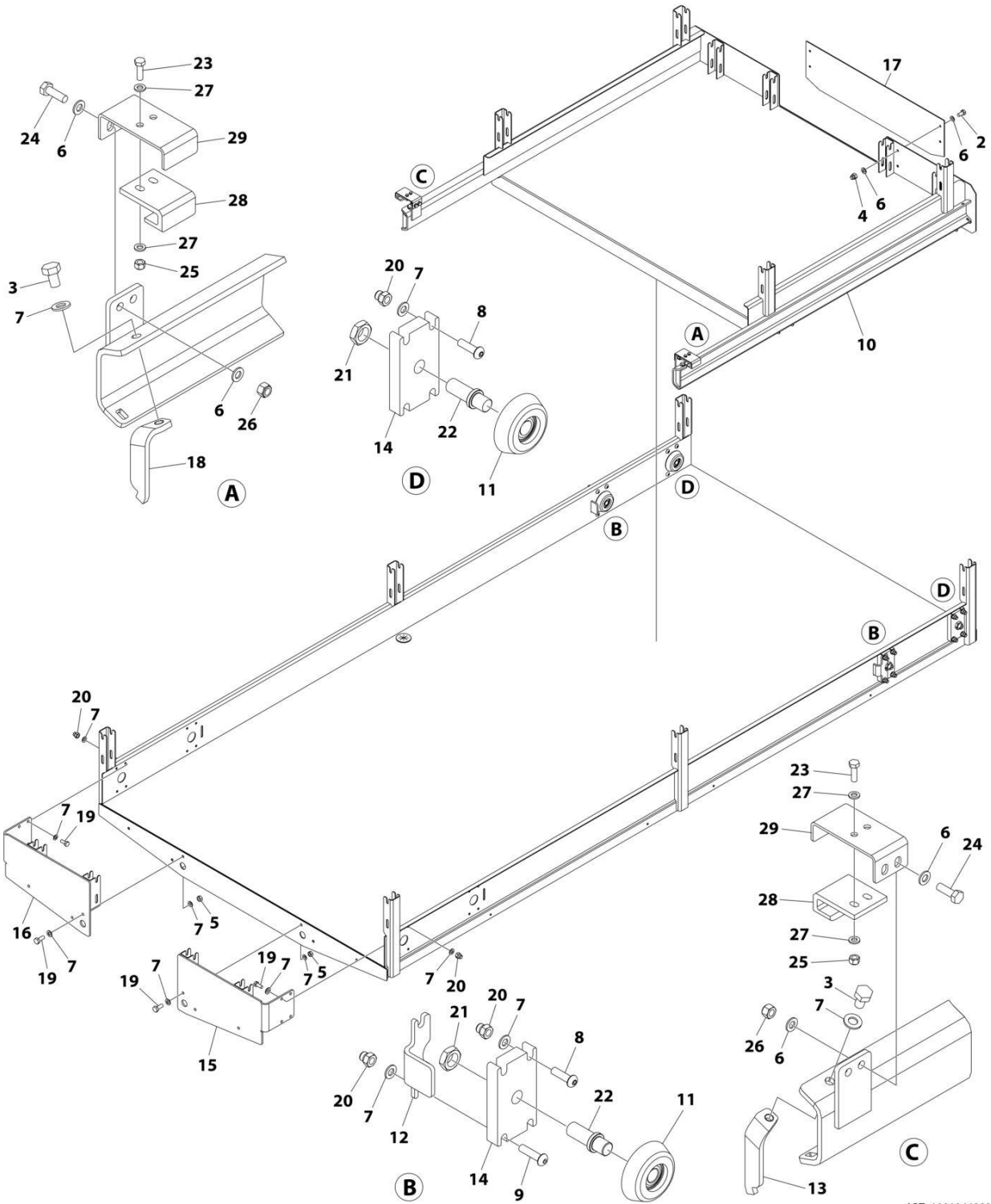
SECTION 5 - PLATFORM

FIGURE 5-1. PLATFORM INSTALLATION

ITEM	PART NUMBER	QTY	DESCRIPTION	REV
	1001244381	Ref	PLATFORM MOUNT INSTALLATION	B
1	0760610	3	Bolt M6 x 20	
2	2540045	2	Grommet	
3	3290605	3	Nut M6	
4	4811700	6	Washer M6	
5	1001245250	1	Platform	
10	1001251328	1	Cover	

SECTION 5 - PLATFORM

FIGURE 5-2. PLATFORM EXTENSION INSTALLATION (SINGLE)



ART_1001244382

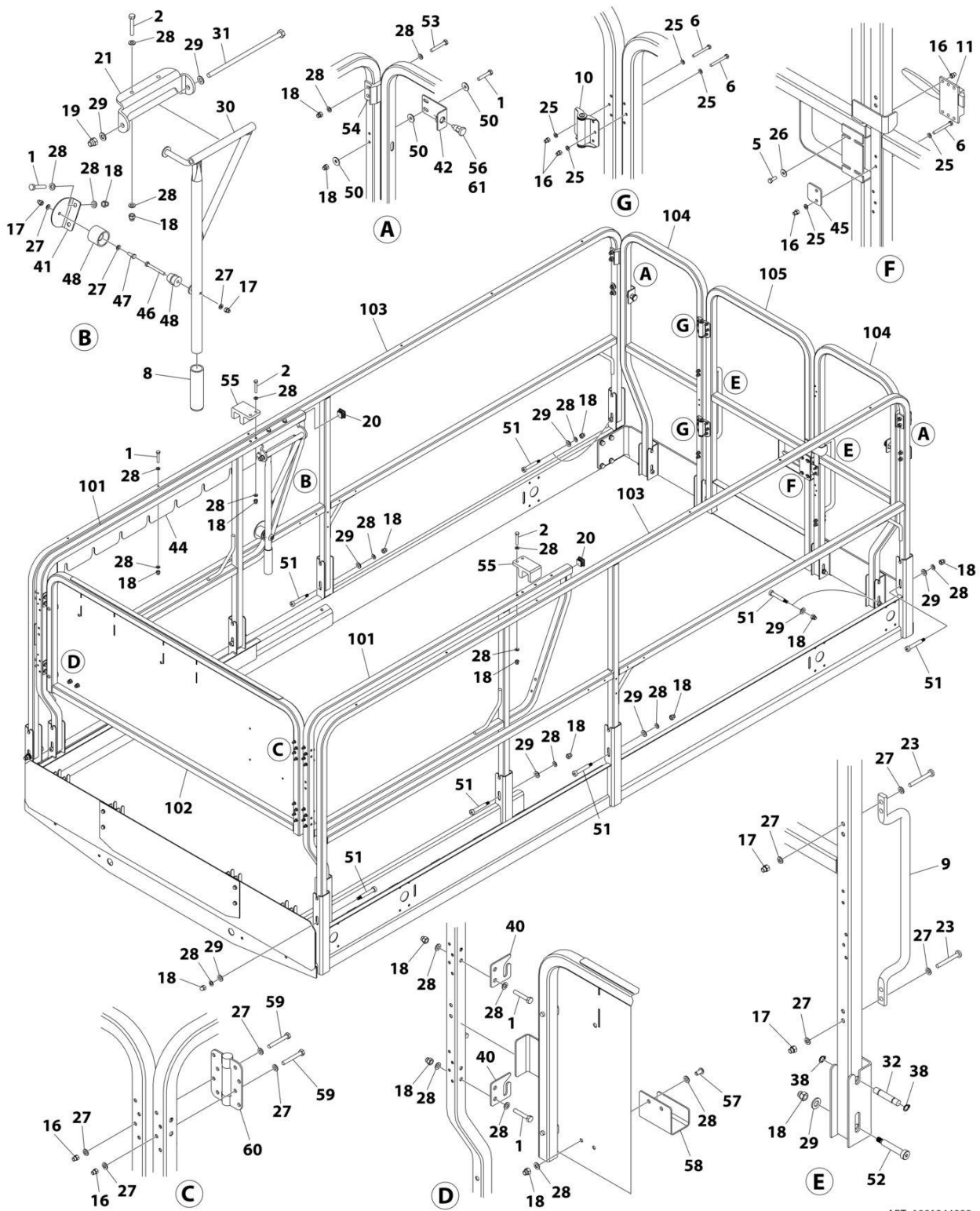
SECTION 5 - PLATFORM

FIGURE 5-2. PLATFORM EXTENSION INSTALLATION (SINGLE)

ITEM	PART NUMBER	QTY	DESCRIPTION	REV
	1001244382	Ref	PLATFORM WITH SINGLE EXTENSION INSTALLATION	F
2	0760808	4	Bolt M8 x 16	
3	0761008	2	Bolt M10 x 16	
4	3290806	4	Nut M8 x 1-1/4	
5	3291007	6	Nut M10 x 1-1/2	
6	4811900	16	Washer M8	
7	4812000	46	Washer M10	
8	1001261123	12	Screw M10 x 35	
9	3900394	4	Capscrew M10 x 1-1/2	
10	1001245479	1	Extension, Platform	
11	1001248933	4	Roller	
12	1001248990	2	Plate	
13	1001248991	1	Plate	
14	1001262640	4	Bracket	
15	1001250355	1	Plate	
16	1001250356	1	Plate	
17	1001250627	1	Plate	
18	1001250640	1	Plate	
19	0701012	14	Capscrew M10 x 25	
20	3291006	24	Nut M10	
21	3292002	4	Nut M20	
22	1001262639	4	Pin	
23	0760610	4	Bolt M6 x 20	
24	0760812	4	Bolt M6 x 25	
25	3290605	4	Nut M6	
26	3290805	4	Nut M8	
27	4811700	8	Washer M6	
28	1001265684	2	Brace, Extension leg Strap	
29	1001265821	2	Bracket, Extension Back Strap	
30	4420062	AR	Tape (Not Shown)	

SECTION 5 - PLATFORM

FIGURE 5-3. PLATFORM RAILS INSTALLATION (SINGLE EXTENSION)



ART_1001244888

SECTION 5 - PLATFORM

FIGURE 5-3. PLATFORM RAILS INSTALLATION (SINGLE EXTENSION)

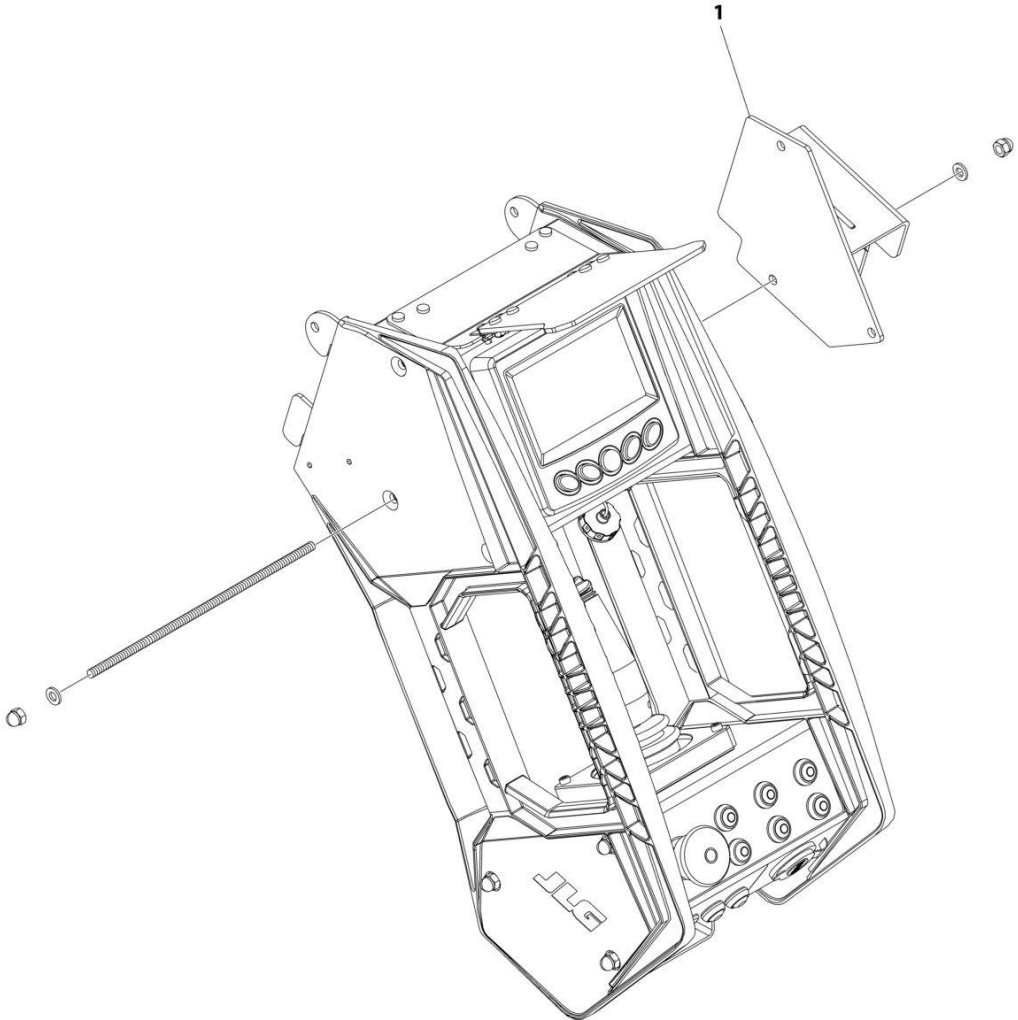
ITEM	PART NUMBER	QTY	DESCRIPTION	REV
	1001244888	Ref	RAIL INSTALLATION - PLATFORM WITH SINGLE EXTENSION	F
1	0700817	13	Bolt M8 x 45	
2	0700818	6	Bolt M8 x 50	
5	0760507	4	Bolt M8 x 14	
6	0700517	14	Bolt M5 x 45	
8	2560088	1	Grip, Handle	
9	2560176	2	Handle	
10	2600253	2	Hinge	
11	2940074	1	Latch	
16	3290506	34	Nut M5 x 3/4	
17	3290606	10	Nut M6 x 1	
18	3290806	39	Nut M8 x 1-1/4	
19	3291006	1	Nut M10	
20	3520072	2	Plug	
21	3537609	1	Plate, Pivot	
23	4010618	8	Screw M6 x 50	
25	4811600	40	Washer M5	
26	4811602	4	Washer M5	
27	4811700	51	Washer M6	
28	4811900	54	Washer M8	
29	4812000	16	Washer M10	
30	4846181	1	Handle (LH)	
31	1001195137	1	Bolt M10 x 240	
32	1001262495	2	Rod	
38	1001262454	4	Ring	
40	1001250829	2	Plate, Rotary Latch	
41	1001250830	1	Plate, Handle Latch	
42	1001258936	2	Plate, Rail	
44	1001294421	1	Plate, Extension	
45	1001253149	1	Plate, Gate Latch	
46	0700619	1	Bolt M6 x 55	
47	0760608	1	Bolt M6 x 16	
48	2940127	1	Latch	
50	4811902	12	Washer M8	
51	1001262399	12	Bolt M8 x 55	
52	1001262400	2	Bolt M8 x 50	
53	0700819	4	Bolt M8 x 55	
54	1001263628	2	Pad	
55	1001263629	2	Pad	
56	3422744	2	Pin, Plunger	
57	0630615	2	Bolt M8 x 16	
58	1001263269	1	Plate	
59	0700617	16	Bolt M6 x 45	
60	2600285	2	Hinge	
61	0100011	AR	Compound, Locking	
100	1001265846	1	Rail, Single Extension Kit	
101	1001248840	2	Rail, Extension Side	
102	1001248986	1	Rail, Extension Front	
103	1001249882	2	Rail, Platform Side	
104	1001249883	2	Rail, Platform Rear	

SECTION 5 - PLATFORM

ITEM	PART NUMBER	QTY	DESCRIPTION	REV
105	1001249884	1	Rail, Platform Gate	

SECTION 5 - PLATFORM

FIGURE 5-4. PLATFORM CONTROL BOX INSTALLATION - SIDE MOUNT



ART_1001265916

SECTION 5 - PLATFORM

FIGURE 5-4. PLATFORM CONTROL BOX INSTALLATION - SIDE MOUNT

ITEM	PART NUMBER	QTY	DESCRIPTION	REV
	1001265916	Ref	PLATFORM CONSOLE BOX INSTALLATION	B
1	1001265532	1	Bracket, Control Box Sidemount	
2	0100011	1	Compound, Locking (Not Shown - Use on Mounting Hardware)	

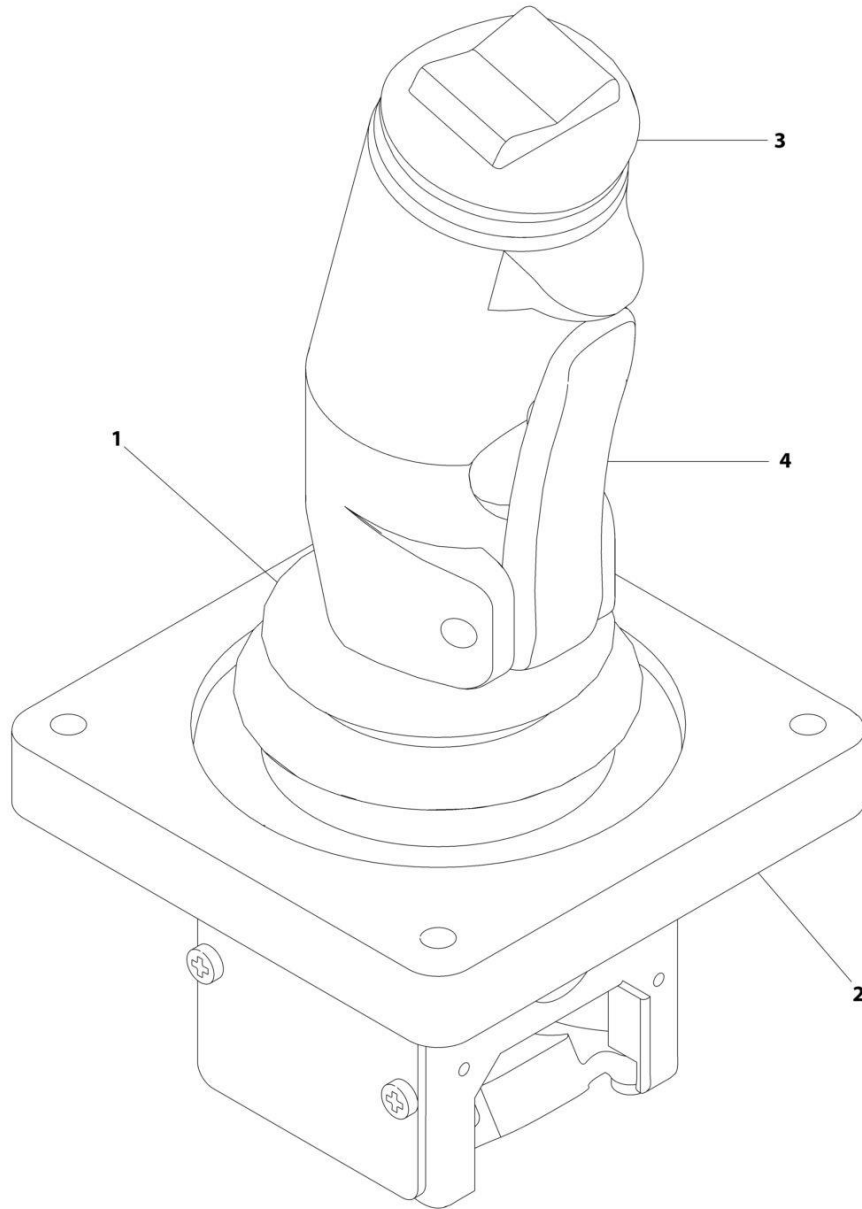
SECTION 5 - PLATFORM

FIGURE 5-5. PLATFORM CONTROL BOX INSTALLATION

ITEM	PART NUMBER	QTY	DESCRIPTION	REV
	1001248176	Ref	PLATFORM CONSOLE BOX INSTALLATION	H
1	0140030	1	Alarm	
2	3290405	12	Nut M4	
3	3290406	8	Nut M4	
4	3450303	1	Cotter Pin	
5	4010414	2	Bolt M4 x 30	
6	4031510	4	Bolt M4 x 30	
7	4160214	1	Spring, Door Latch	
8	1001274559	1	Switch, Emergency Stop (Plastic)	
8	4360475	1	Switch, Emergency Stop (Metal)	
8	7020175	1	Cap	
8	7020176	1	Block, Contact	
9	4811400	4	Washer M4	
10	1001108603	12	Nut M6 x 1	
11	1001176626	5	Cap	
12	1001226749	5	Switch	
13	1001244932	1	Control, Scissor Display	
14	1001246583	1	Housing, Lower Extrusion	
15	1001246584	1	Housing, Upper Extrusion	
16	1001246823	1	USB Port	
17	1001246863	1	Cover, Lower Extrusion	
18	1001246864	1	Cover, Upper Extrusion	
19	1001246979	1	Shield, Display	
20	1001247313	1	Mount, Display Shield	
21	1001247443	1	Plate, Phone Holder	
22	1001247682	1	Controller Assembly (See Separate Breakdown in this Section)	
23	1001249049	1	Harness, Platform Control Box (Not Shown - See Separate Breakdown in ELECTRICAL Section)	
24	1001249259	2	Panel, Control Box Side	
25	1001250682	1	Pin	
27	1001250692	1	Panel, Latch Cover	
29	1001253800	1	USB Port	
30	1001254119	2	Hinge	
31	1001257078	1	Decal - Platform Function	
32	1001257079	1	Decal - Platform Function	
33	4010405002	14	Bolt M4 x 10	
34	1001255461	6	Stud M6	
35	4811700	12	Washer M6	
36	1001262098	1	Plate, Control Box Latch	
37	0100011	AR	Compound, Locking	
38	1703819	1	Decal - Direction Arrow	

SECTION 5 - PLATFORM

FIGURE 5-6. CONTROLLER ASSEMBLY



ART_1001247682

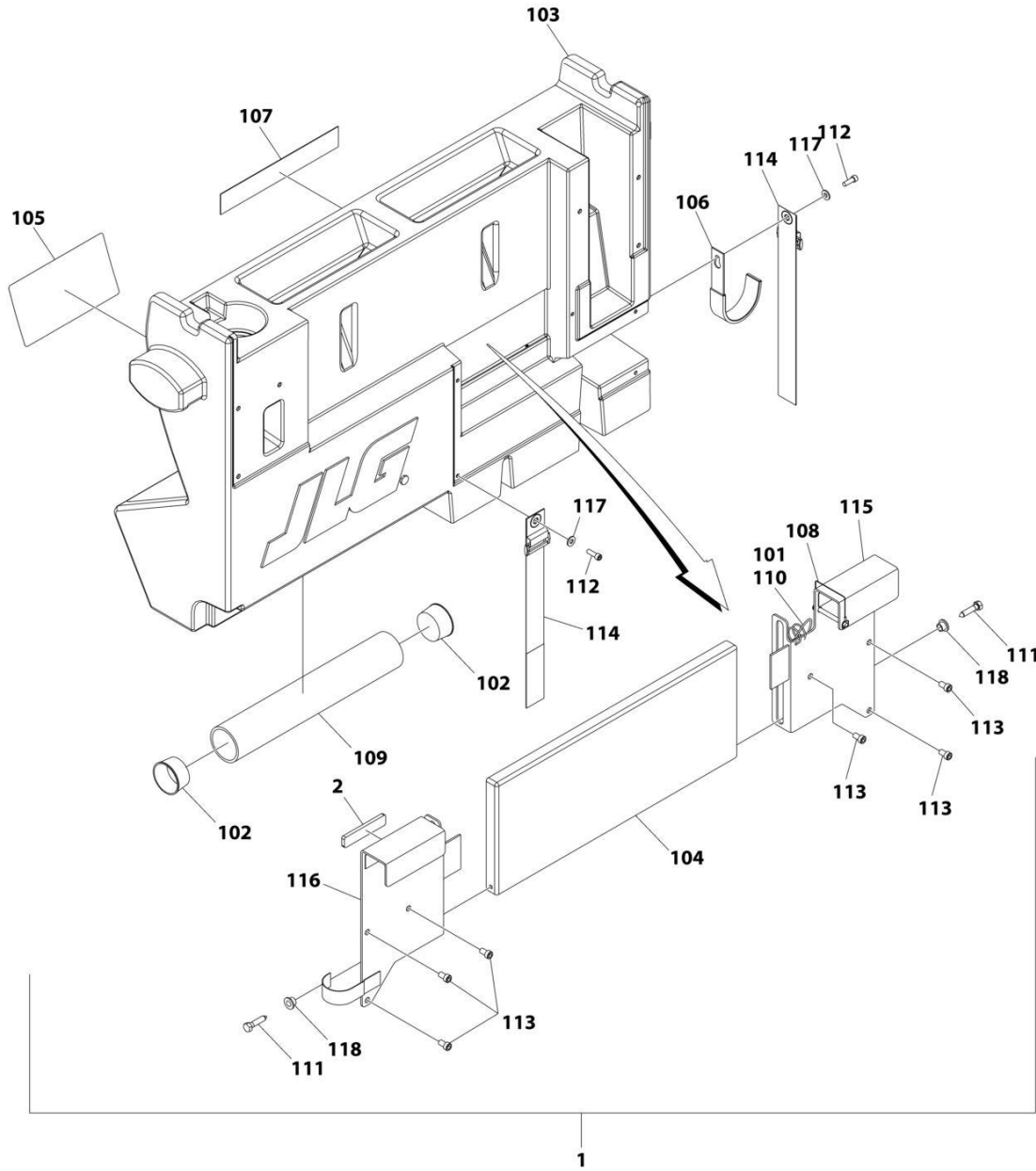
SECTION 5 - PLATFORM

FIGURE 5-6. CONTROLLER ASSEMBLY

ITEM	PART NUMBER	QTY	DESCRIPTION	REV
	1001247682	Ref	DRIVE/STEER CONTROLLER ASSEMBLY (LCD)	B
1	70001250	1	Boot, Panel	
2	70001252	1	Gasket, Mounting	
2	70001251	1	Bezel, Mounting	
3	70007506	1	Handle Repair Kit (Includes handle gasket, item#4 push button and item #4 lever installed in front handle half, back handle half, top actuator, boot and hardware.)	
3	70000084	1	Cap, Rubber	
3	70000082	1	Microswitch	
3	7027766	1	Ring, Retaining	
3	7027365	1	Actuator, Handle	
3	70001253	1	Gasket, Handle	
3	70000683	4	Washer, Neoprene	
3	70000685	2	Spacer, Plastic	
3	70000686	2	Screw (Top)	
3	70000684	2	Screw (Bottom)	
4	7027367	1	Switch, Push Button	
4	7027765	1	Lever, Enable	

SECTION 5 - PLATFORM

FIGURE 5-7. WORKSTATION INSTALLATION



ART_1001255082

SECTION 5 - PLATFORM

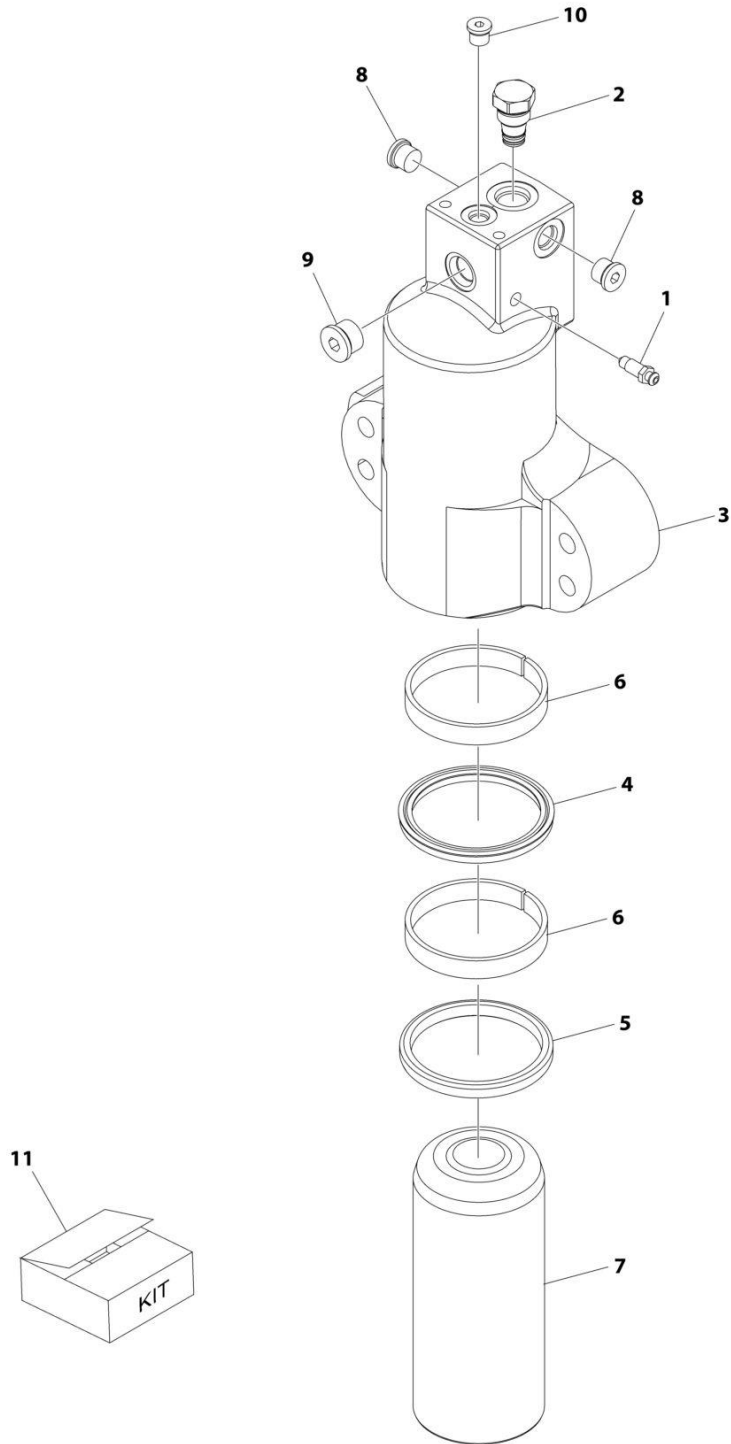
FIGURE 5-7. WORKSTATION INSTALLATION

ITEM	PART NUMBER	QTY	DESCRIPTION	REV
	1001255082	Ref	WORKSTATION INSTALLATION	B
1	1001246392	1	Workstation Assembly (Includes Items 101-118)	B
2	1001269132	1	Decal - Accessory Weight	
101	1060379	1	Lanyard	
102	1120555	2	Cap	
103	1580023	1	Container, Work Bench	
104	1580024	1	Tray	
105	1705997	1	Decal - Workstation	
106	2700100	1	Hook	
107	1001246395	1	Decal - Workstation Capacity	
108	3422219	1	Pin, Snap	
109	3460334	1	Tube	
110	3760170	2	Ring	
111	3900355	2	Screw 5/16	
112	3931412	2	Capscrew 1/4 x 3/4	
113	3931508	6	Capscrew 5/16 x 1/2	
114	4240003	2	Strap, Cinch	
115	4340853	1	Mount (RH)	
116	4340854	1	Mount (LH)	
117	4711400	2	Washer 1/4	
118	4740480	2	Insert	

SECTION 6 - CYLINDER

SECTION 6 - CYLINDER

FIGURE 6-1. AXLE LOCKOUT CYLINDER ASSEMBLY



ART_1001245046

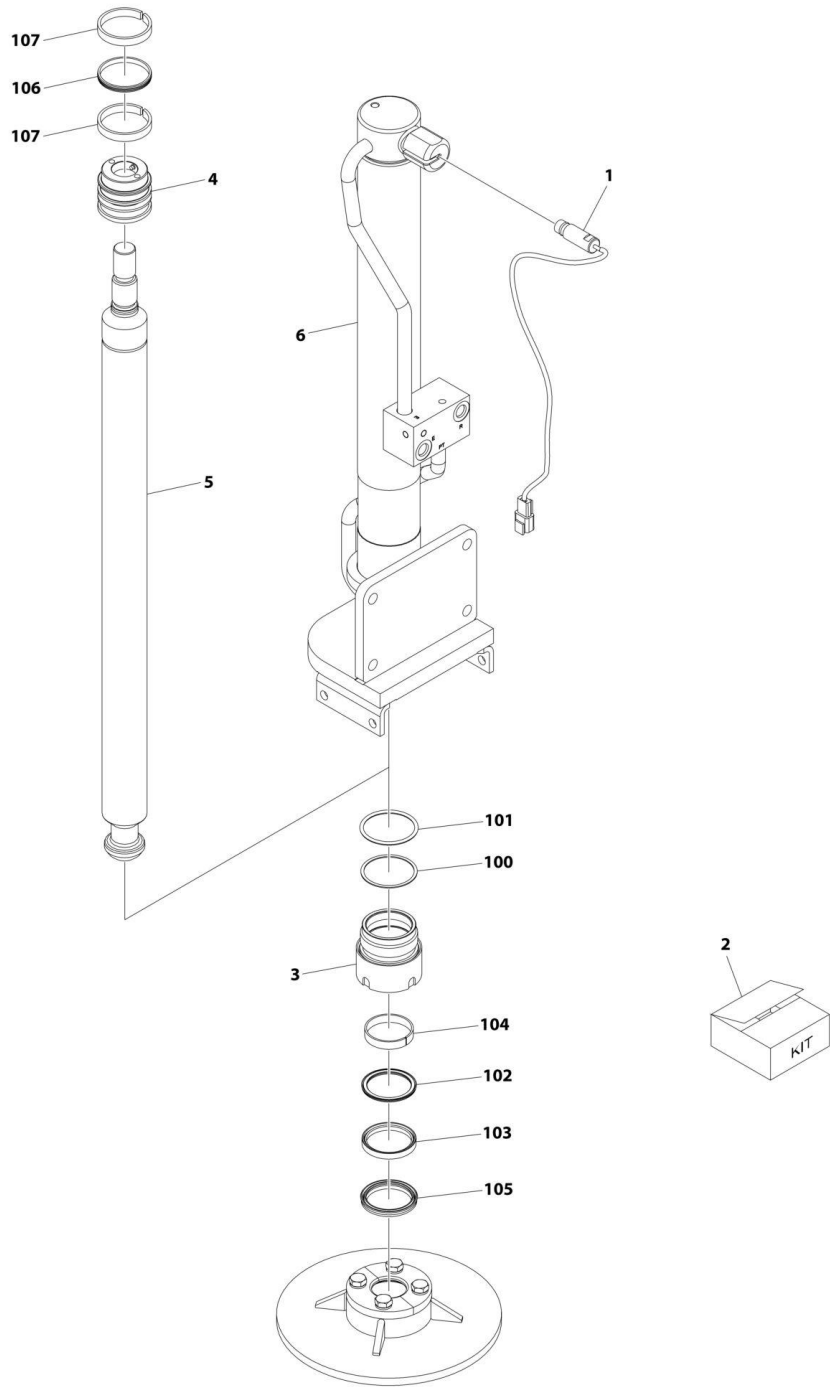
SECTION 6 - CYLINDER

FIGURE 6-1. AXLE LOCKOUT CYLINDER ASSEMBLY

ITEM	PART NUMBER	QTY	DESCRIPTION	REV
	1001245046	Ref	AXLE LOCKOUT CYLINDER ASSEMBLY	D
		Ref	Note: Original Cylinder May Have Been Replaced with Service Replacement. Identify PN Stamped on Cylinder Before Ordering Parts.	
1	4640858	1	Valve, Bleeder	
2	1001248671	1	Cartridge, Valve	
3	1001245653	1	Barrel	
4	See Note	NSS	Seal, Rod (Note: use p/n 70007678)	
5	See Note	NSS	Wiper (Note: use p/n 70007678)	
6	See Note	NSS	Ring, Wear (Note: use p/n 70007678)	
7	70007679	1	Rod	
8	2220885	2	Plug #6	
9	2220886	1	Plug #8	
10	2220883	1	Plug #4	
11	70007678	1	Kit, Seal (Includes Items 4-6)	

SECTION 6 - CYLINDER

FIGURE 6-2. LEVELING JACK CYLINDER ASSEMBLY



ART_1001243256

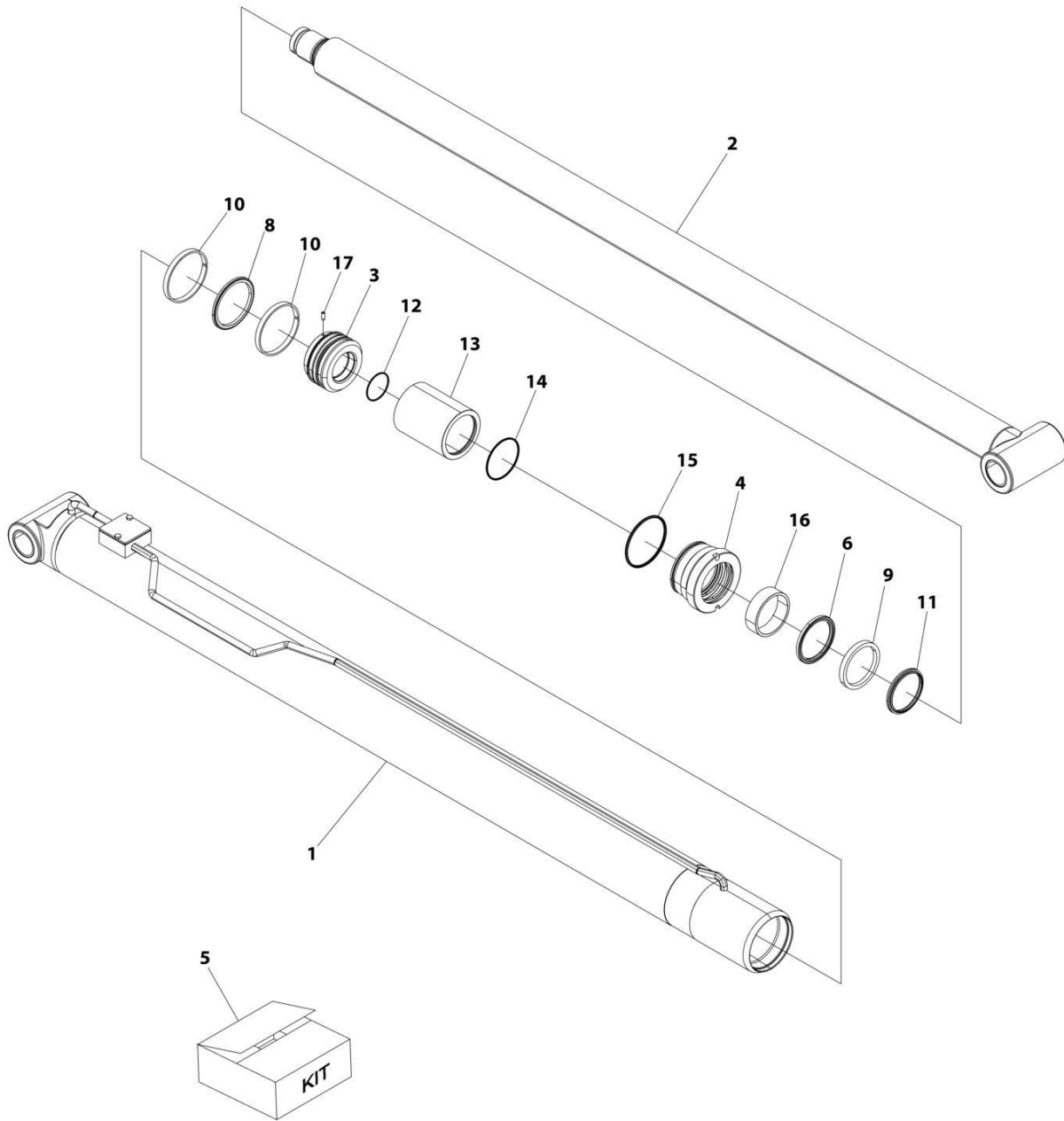
SECTION 6 - CYLINDER

FIGURE 6-2. LEVELING JACK CYLINDER ASSEMBLY

ITEM	PART NUMBER	QTY	DESCRIPTION	REV
	1001243256	Ref	LEVELING JACK CYLINDER ASSEMBLY	E
	See Note	Ref	Note: Original Cylinder May Have Been Replaced with Service Replacement. Identify PN Stamped on Cylinder Before Ordering Parts.	
1	1001246658	1	Sensor, Leveling Jacks Proximity	
2	70007709	1	Kit, Seal (Includes Items 100-107)	
3	70007710	1	Retainer	
4	70007711	1	Piston	
5	70007712	1	Rod	
6	See Note	1	Barrel (Note: Use PN 1001243256)	
100	See Note	NSS	Ring, Backup (Note: use p/n 70007709)	
101	See Note	NSS	O-Ring (Note: use p/n 70007709)	
102	See Note	NSS	Ring, Buffer (Note: use p/n 70007709)	
103	See Note	NSS	Seal, Rod (Note: use p/n 70007709)	
104	See Note	NSS	Ring, Wear (Note: use p/n 70007709)	
105	See Note	NSS	Wiper (Note: use p/n 70007709)	
106	See Note	NSS	Seal, Piston (Note: use p/n 70007709)	
107	See Note	NSS	Ring, Wear (Note: use p/n 70007709)	

SECTION 6 - CYLINDER

FIGURE 6-3. LIFT CYLINDER ASSEMBLY



ART_1001244210

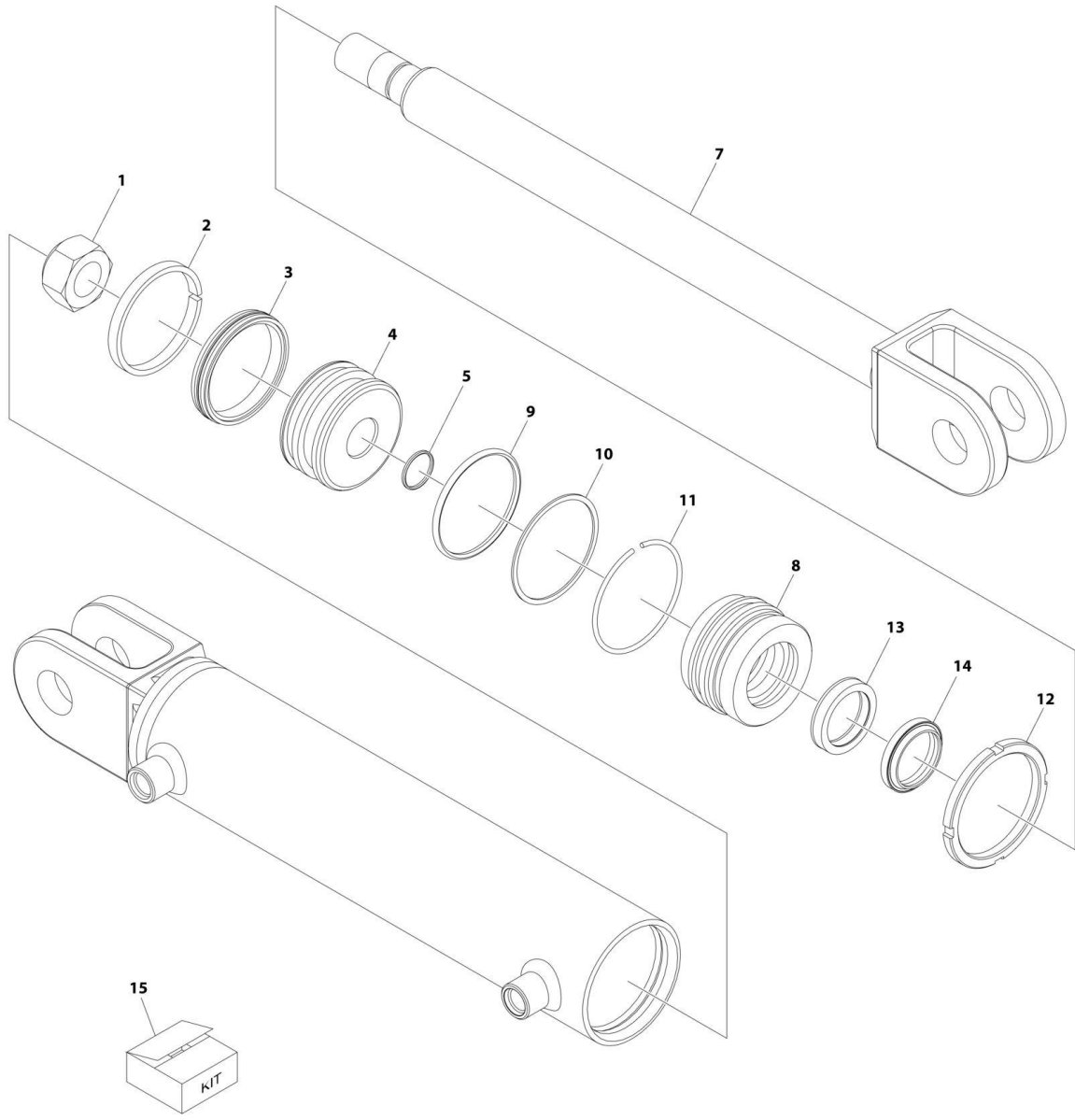
SECTION 6 - CYLINDER

FIGURE 6-3. LIFT CYLINDER ASSEMBLY

ITEM	PART NUMBER	QTY	DESCRIPTION	REV
	1001244210	Ref	LIFT CYLINDER ASSEMBLY	D
		Ref	Note: Original Cylinder May Have Been Replaced with Service Replacement. Identify PN Stamped on Cylinder Before Ordering Parts.	
1	See Note	1	Barrel (Note: Not Available for Purchase, Use p/n 1001244210)	
2	70007716	1	Rod	
3	70007715	1	Piston	
4	70007714	1	Retainer	
5	70007713	1	Kit, Seal (Includes Items 6-11)	
6	See Note	NSS	Ring, Buffer (Note: Use p/n 70007713)	
7	See Note	NSS	Seal, Head (Note: Not Shown, Use p/n 70007713)	
8	See Note	NSS	Seal, Piston (Note: Use p/n 70007713)	
9	See Note	NSS	Seal, Rod (Note: Use p/n 70007713)	
10	See Note	NSS	Ring, Wear (Note: Use p/n 70007713)	
11	See Note	NSS	Wiper (Note: Use p/n 70007713)	
12	See Note	1	O-Ring (Note: Use p/n 1001244210)	
13	See Note	1	Spacer (Note: Use p/n 1001244210)	
14	See Note	1	O-Ring (Note: Use p/n 1001244210)	
15	See Note	1	Ring, Back Up (Note: Use p/n 1001244210)	
16	See Note	1	Bushing (Note: Use p/n 1001244210)	
17	See Note	1	Screw, Set (Note: Use p/n 1001244210)	

SECTION 6 - CYLINDER

FIGURE 6-4. STEER CYLINDER ASSEMBLY



ART_1001246107

SECTION 6 - CYLINDER

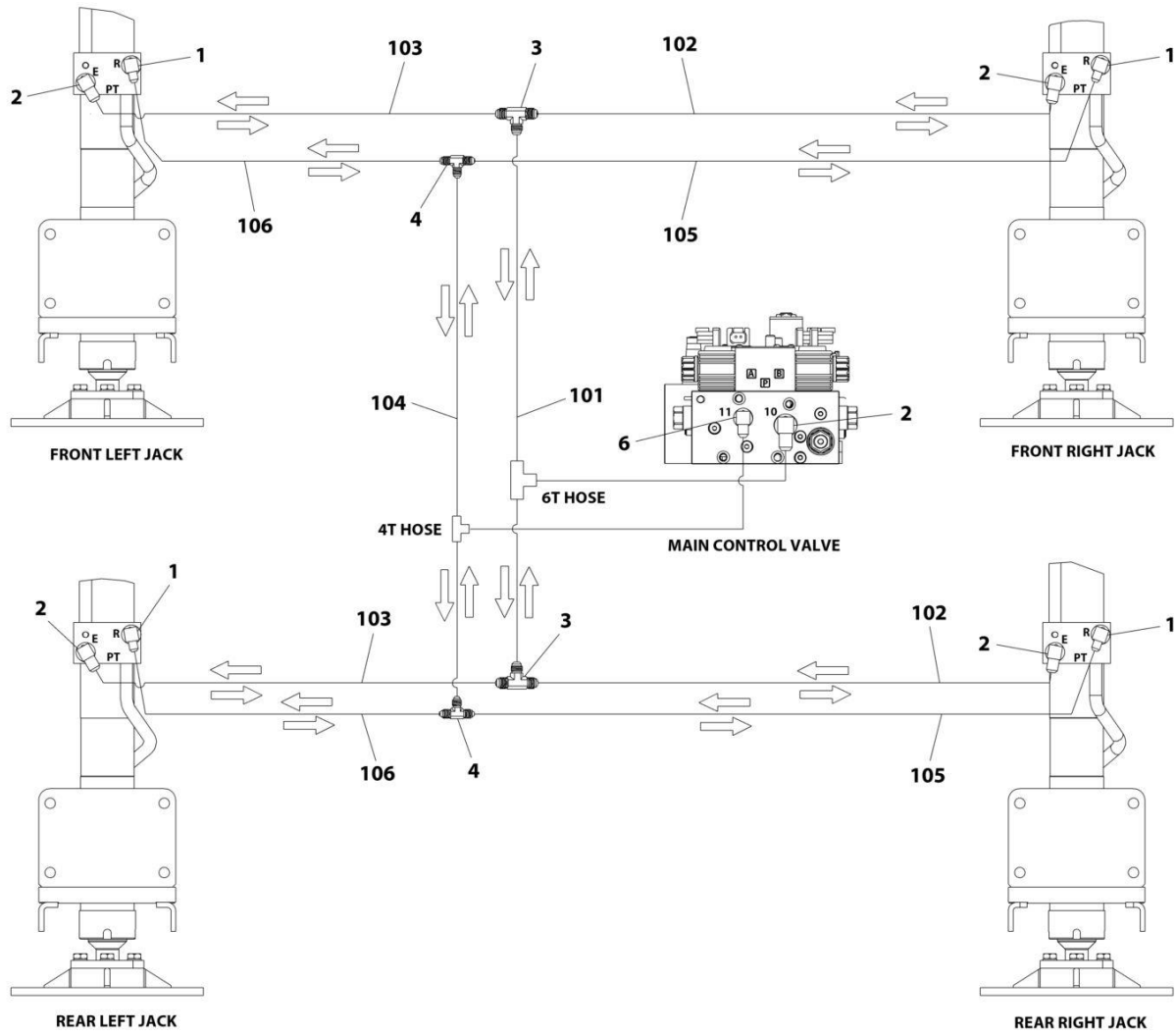
FIGURE 6-4. STEER CYLINDER ASSEMBLY

ITEM	PART NUMBER	QTY	DESCRIPTION	REV
	1001246107	Ref	STEER CYLINDER ASSEMBLY	B
		Ref	Note: Original Cylinder May Have Been Replaced with Service Replacement. Identify PN Stamped on Cylinder Before Ordering Parts.	
1	7001626	1	Nut	
2	See Note	NSS	Ring, Wear (Note: use p/n 70007610)	
3	See Note	NSS	Seal, Piston (Note: use p/n 70007610)	
4	70007607	1	Piston	
5	See Note	NSS	O-Ring (Note: use p/n 70007610)	
7	70007608	1	Rod	
8	70007609	1	Guide	
9	See Note	NSS	O-Ring (Note: use p/n 70007610)	
10	See Note	NSS	Ring, Backup (Note: use p/n 70007610)	
11	See Note	NSS	Ring, Retaining (Note: use p/n 70007610)	
12	7001630	1	Nut	
13	See Note	NSS	Ring (Note: use p/n 70007610)	
14	See Note	NSS	Ring, Wiper (Note: use p/n 70007610)	
15	70007610	1	Kit, Seal (Includes Items 2, 3, 5, 8-10, 12, & 13)	

SECTION 7 - HYDRAULIC

SECTION 7 - HYDRAULIC

FIGURE 7-1. HYDRAULIC DIAGRAM - LEVELING JACKS



ART_1001250342

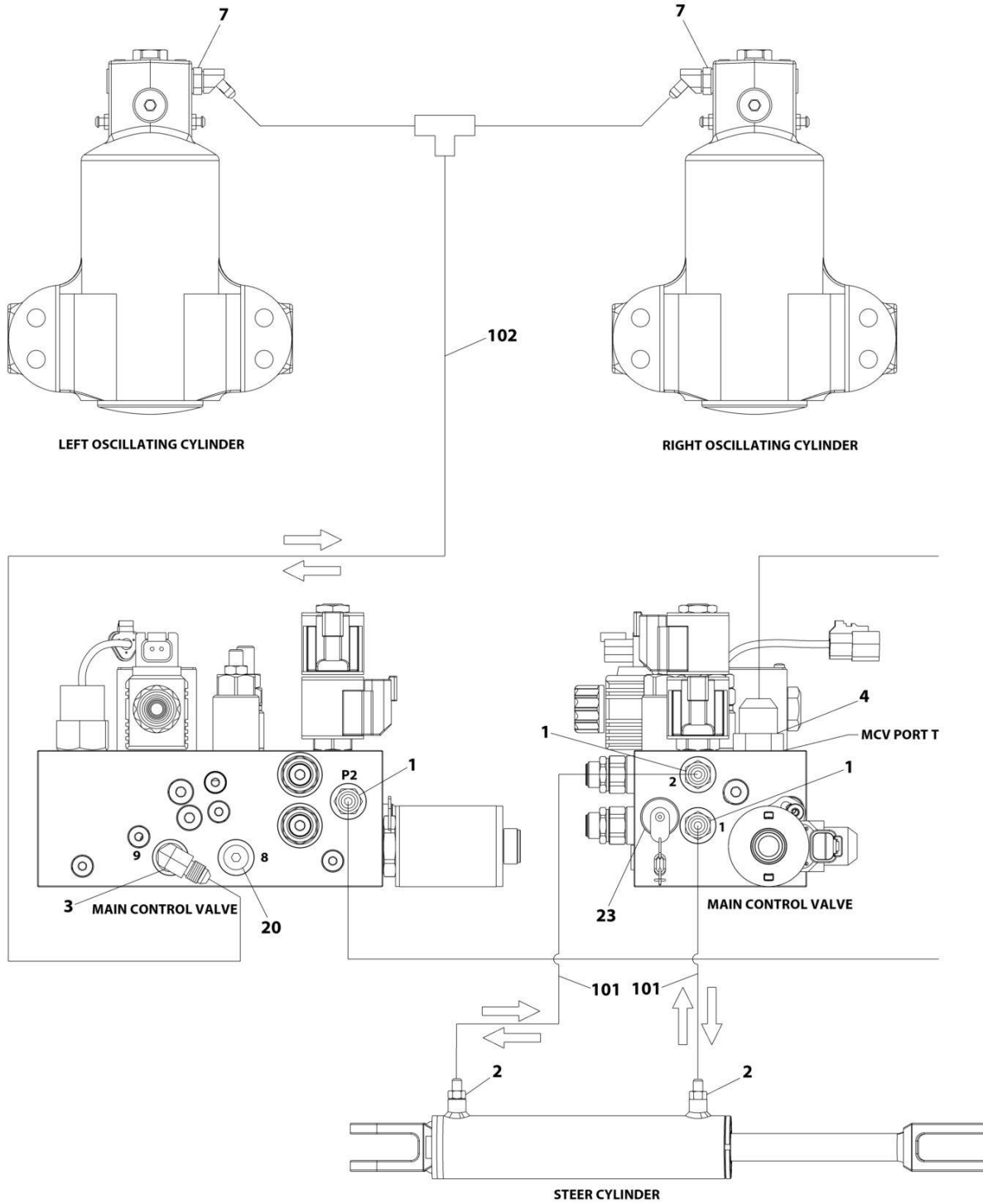
SECTION 7 - HYDRAULIC

FIGURE 7-1. HYDRAULIC DIAGRAM - LEVELING JACKS

ITEM	PART NUMBER	QTY	DESCRIPTION	REV
	1001250342	Ref	HYDRAULIC DIAGRAM - LEVELING JACKS	B
1	2220472	4	Fitting, 90 JIC/ORB	
2	2220473	5	Fitting, 90 JIC/ORB	
3	2220490	2	Fitting, Tee JIC/JIC/JIC	
4	2220504	2	Fitting, Tee JIC/JIC/JIC	
6	2220466	1	Fitting, 90 JIC/ORB	
100	1001260252	Ref	Hose Kit (Not Shown)	A
101	1001250307	1	Hose	
102	1001250308	2	Hose	
103	1001250309	2	Hose	
104	1001250310	1	Hose	
105	1001250311	2	Hose	
106	1001250312	2	Hose	

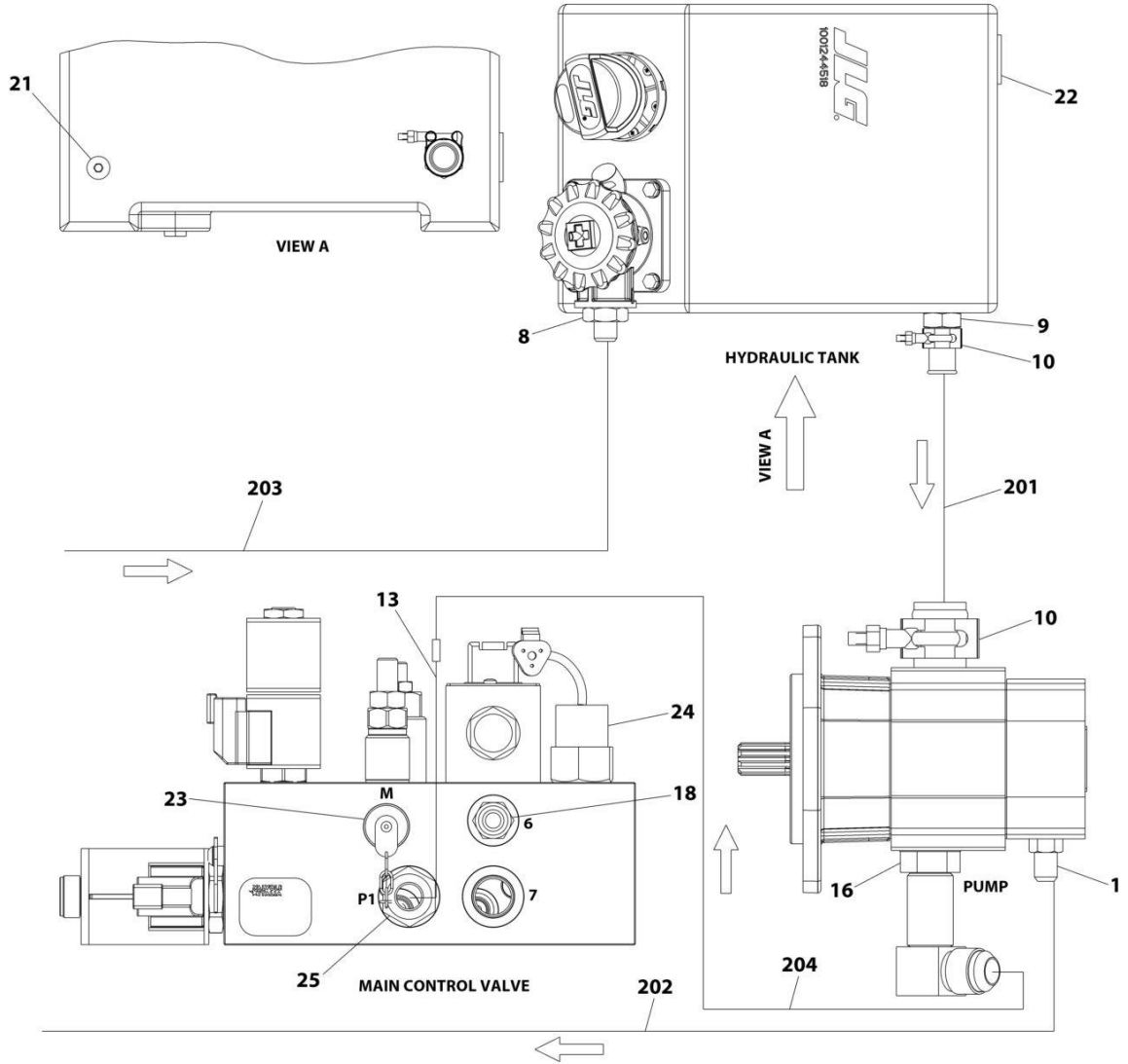
SECTION 7 - HYDRAULIC

FIGURE 7-2. HYDRAULIC DIAGRAM - STANDARD



ART_1001246103_10F2

SECTION 7 - HYDRAULIC



ART_1001246103_20F2

SECTION 7 - HYDRAULIC

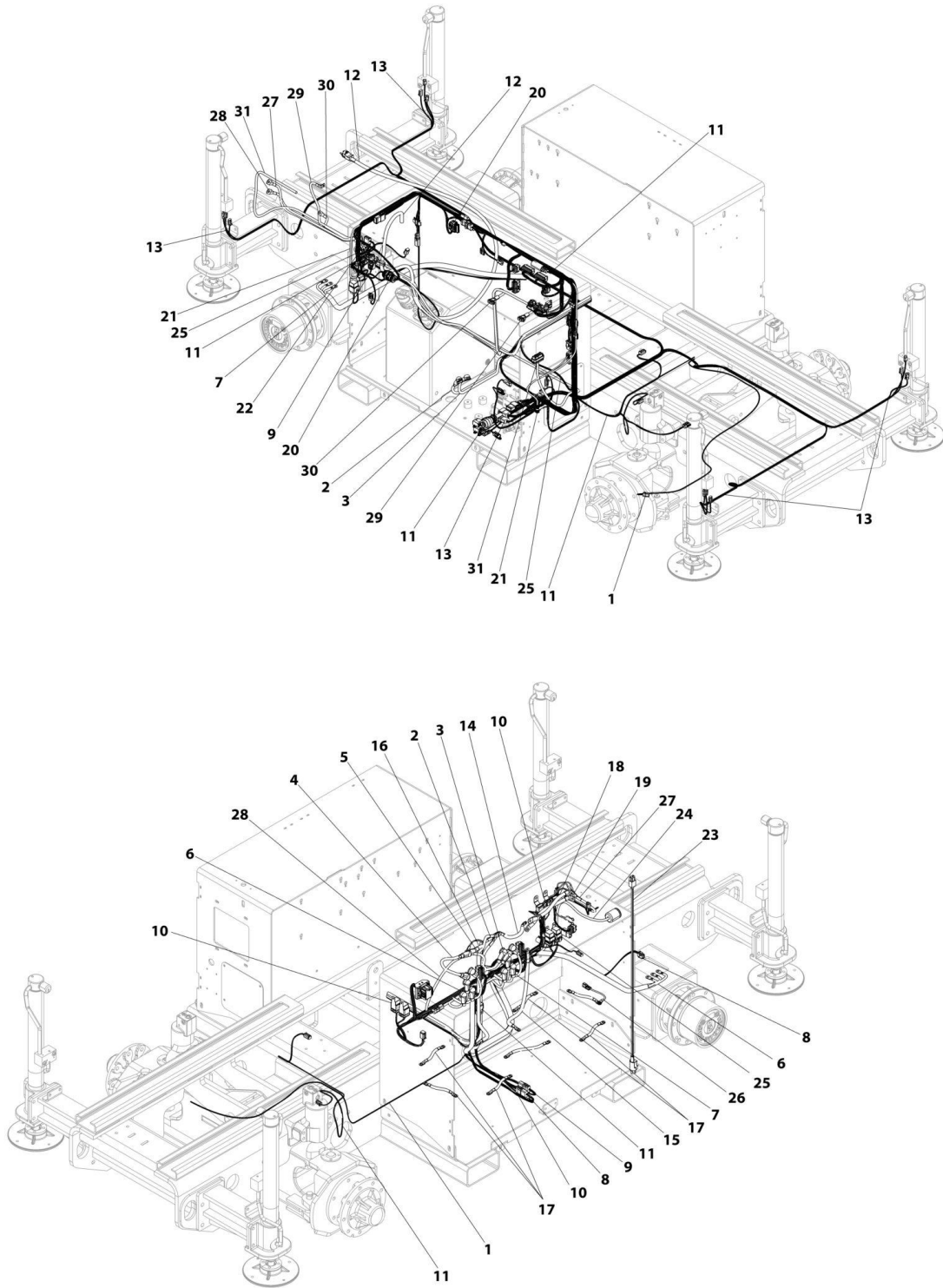
FIGURE 7-2. HYDRAULIC DIAGRAM - STANDARD

ITEM	PART NUMBER	QTY	DESCRIPTION	REV
	1001246103	Ref	HYDRAULIC DIAGRAM – STANDARD	E
1	2220415	4	Fitting, Straight JIC/ORB	
2	2220582	2	Fitting, Straight JIC/ORB	
3	2220940	1	Fitting, 90 JIC/ORB	
4	2220947	1	Fitting	
7	2221040	2	Fitting, 45 JIC/ORB	
8	83451104	1	Fitting, Straight JIC/ORB	
9	1001127389	1	Fitting, Straight ORB/Barb	
10	1001143501	2	Clamp	
13	1001249610	1	Tube	
16	2221069	1	Fitting, 90 JIC/ORB	
18	2220371	1	Fitting, Straight JIC/ORB	
20	2220883	1	Plug	
21	2220886	1	Plug	
22	2220891	1	Plug	
23	2221086	2	Fitting, Test Port	
24	1001256875	1	Switch, Pressure	
25	2220852	1	Fitting, Straight JIC/ORB	
100	1001260251	1	Hose Kit (Not Shown)	A
101	1001248868	2	Hose	
102	1001248871	1	Hose	
200	1001260254	1	Hose Kit (Not Shown) (Includes Items 201-204)	C
201	1001250716	1	Hose	
202	1001250773	1	Hose	
203	1001250968	1	Hose	
204	1001273640	1	Hose	

SECTION 8 - ELECTRICAL

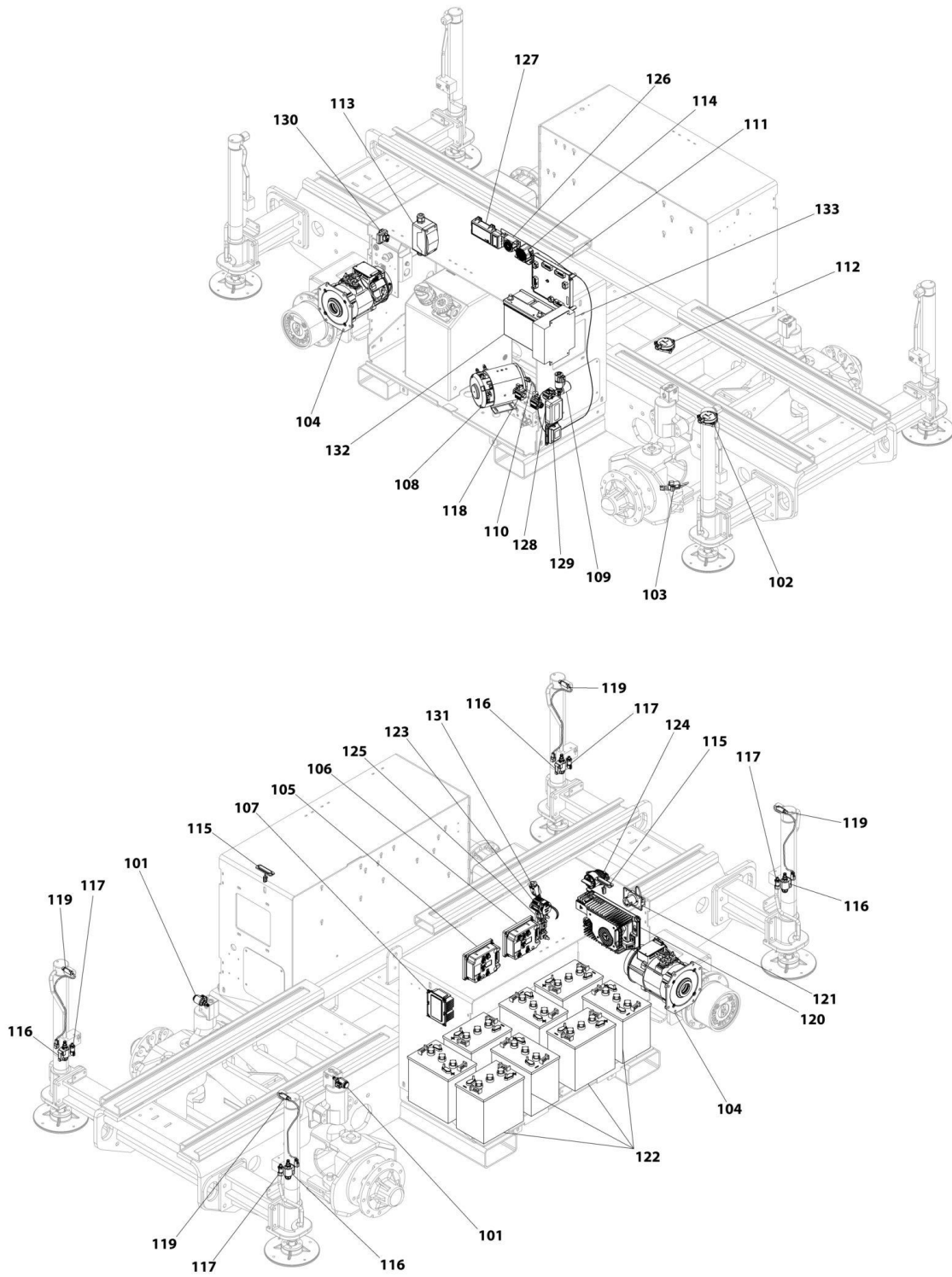
SECTION 8 - ELECTRICAL

FIGURE 8-1. ERT2669 & ERT3369 ELECTRICAL LAYOUT



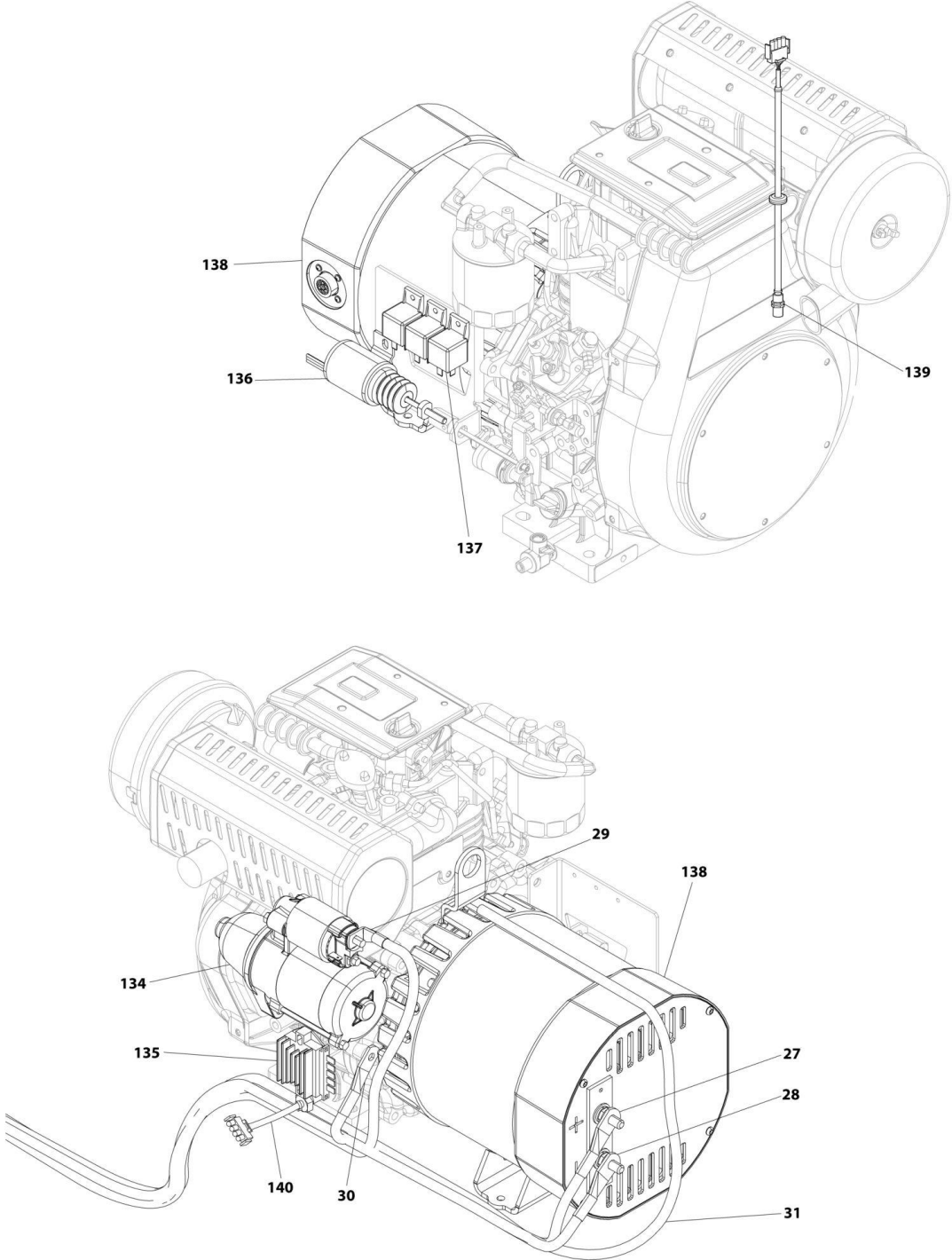
ART_ERT3369-ELECTRICAL_FRAME-HARNES

SECTION 8 - ELECTRICAL



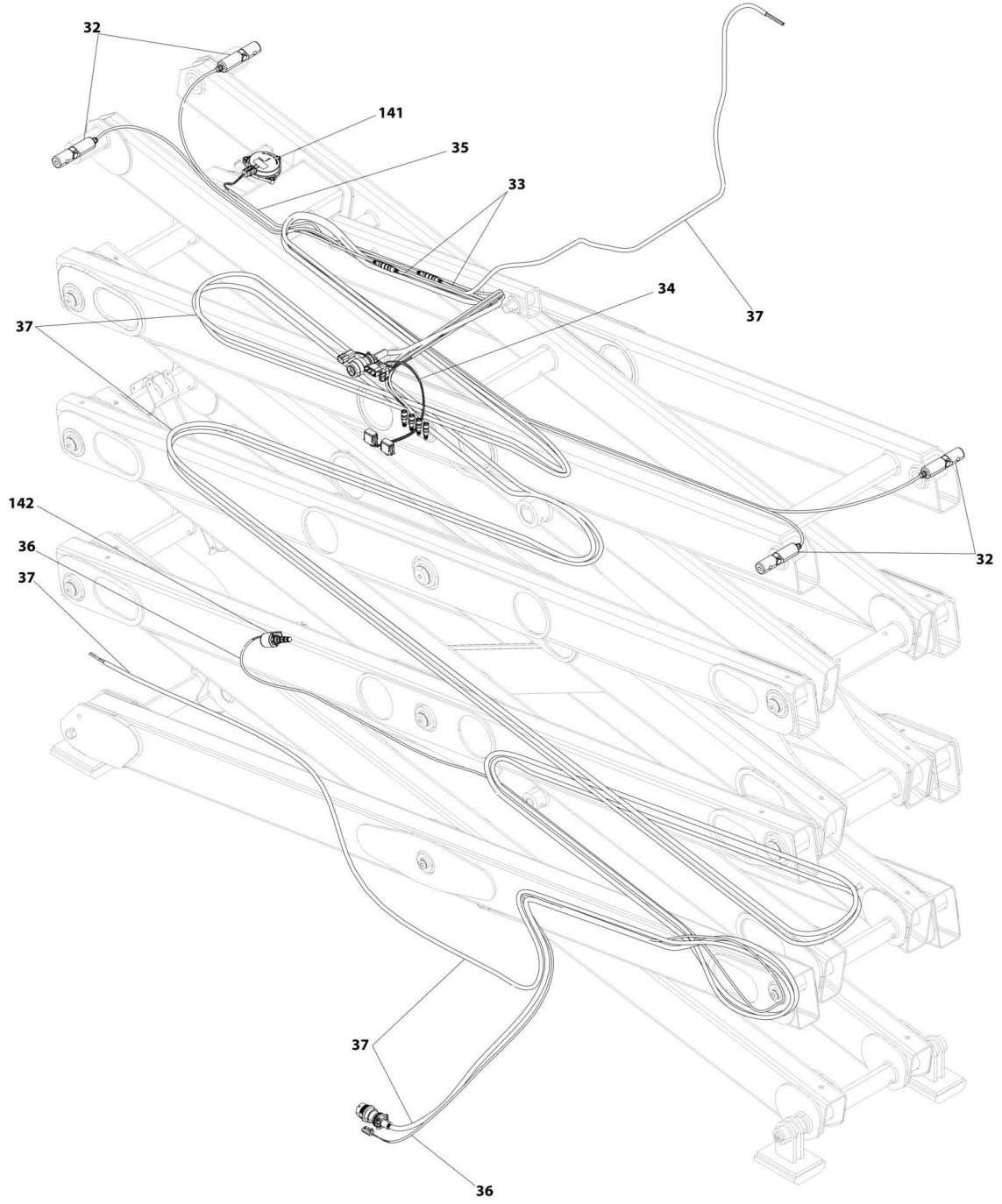
ART_ERT3369-ELECTRICAL_FRAME-COMPONENT

SECTION 8 - ELECTRICAL



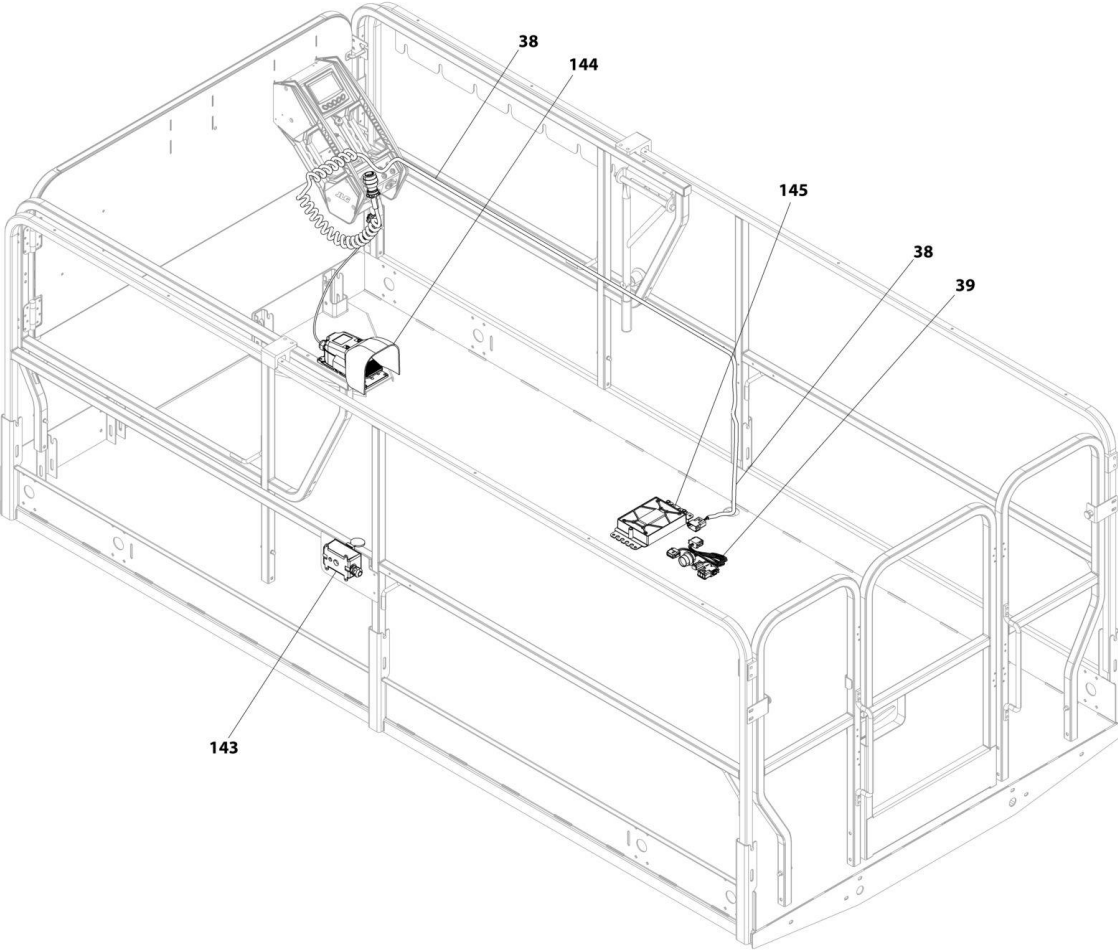
ART_ERT3369-ELECTRICAL_ENGINE-KUBOTAT4F

SECTION 8 - ELECTRICAL



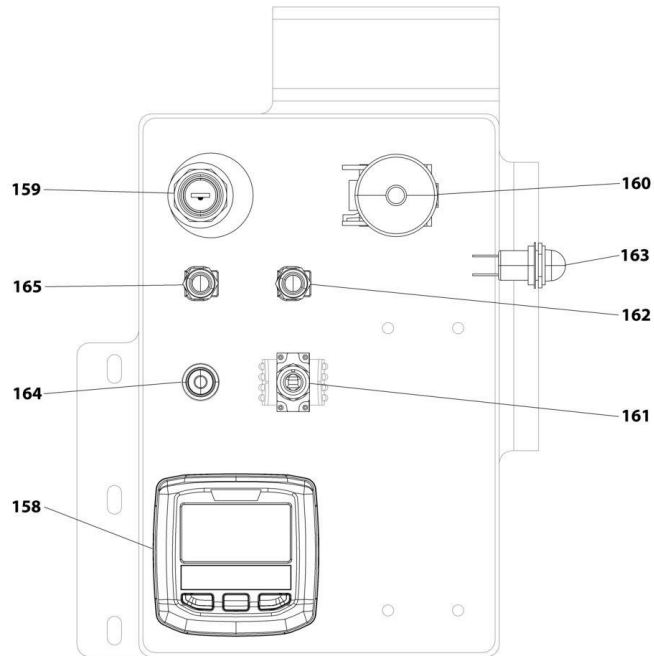
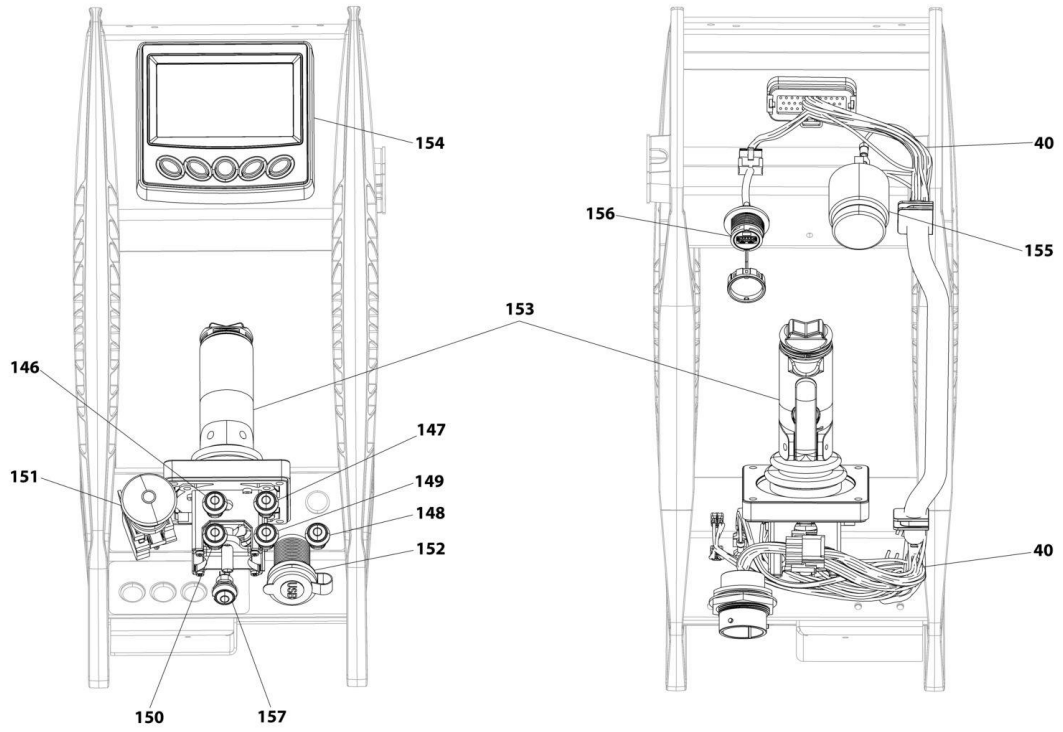
ART_ERT3369-ELECTRICAL_ARMS

SECTION 8 - ELECTRICAL



ART_ERT3369-ELECTRICAL_PLATFORM

SECTION 8 - ELECTRICAL



ART_ERT3369-ELECTRICAL_CONTROLS

SECTION 8 - ELECTRICAL

FIGURE 8-1. ERT2669 & ERT3369 ELECTRICAL LAYOUT

ITEM	PART NUMBER	QTY	DESCRIPTION	REV
		Ref	Note: This figure is for part identification only.	
		Ref	HARNESS LIST	
1		Ref	Harness, Steer Angle Sensor	
2		Ref	Cable, Generator to Pump (+)	
3		Ref	Cable, Generator to Pump (-)	
4		Ref	Cable, Drive Module (-)	
5		Ref	Cable, Drive/Pump Module (-)	
6		Ref	Cable, Left Drive/Brake Motor Power	
7		Ref	Cable, Right Drive/Brake Motor Power	
8		Ref	Harness, Left Drive/Brake Motor	
9		Ref	Harness, Right Drive/Brake Motor	
10		Ref	Harness, Traction	
11		Ref	Harness, Chassis	
12		Ref	Cable, 12/3	
13		Ref	Harness, Leveling Jacks	
14		Ref	Cable, Relay to Power Stud	
15		Ref	Cable, Battery to Fuse	
16		Ref	Cable, Battery to Power Stud	
17		Ref	Cable, Battery Jumper	
18		Ref	Cable, Battery Disconnect to Relay	
19		Ref	Cable, Battery Disconnect to Fuse	
20		Ref	Harness, Clearsky	
21		Ref	Harness, Telematics	
22		Ref	Harness, Xirgo Jumper	
23		Ref	Charger Cable with Plug	
24		Ref	Cable, Charger to Receptacle	
25		Ref	Harness, Genset	
26		Ref	Harness, Temperature Sensor	
27		Ref	Cable, Engine (+) to Battery Disconnect	
28		Ref	Cable, Engine (-) to Power Stud	
29		Ref	Cable, Engine to Battery (+)	
30		Ref	Cable, Engine to Battery (-)	
31		Ref	Harness, Generator	
32		Ref	Assembly, Load Sense Pin/Cable	
33		Ref	Cable, Load Sense Extension	
34		Ref	Harness, Load Sense	
35		Ref	Harness, Tilt Sensor	
36		Ref	Harness, Lift Down	
37		Ref	Cable, AC Ground to Platform	
38		Ref	Harness, Platform Control Box	
39		Ref	Harness, Platform	
40		Ref	Harness, Platform Control Box	
		Ref	COMPONENT LIST	
101		Ref	Solenoid, Axle Lock	
102		Ref	Sensor, Tilt	
103		Ref	Sensor, Steer Angle	
104		Ref	Assembly, Drive Motor/Brake	
105		Ref	Module, Drive	
106		Ref	Module, Drive/Pump	
107		Ref	Converter	

SECTION 8 - ELECTRICAL

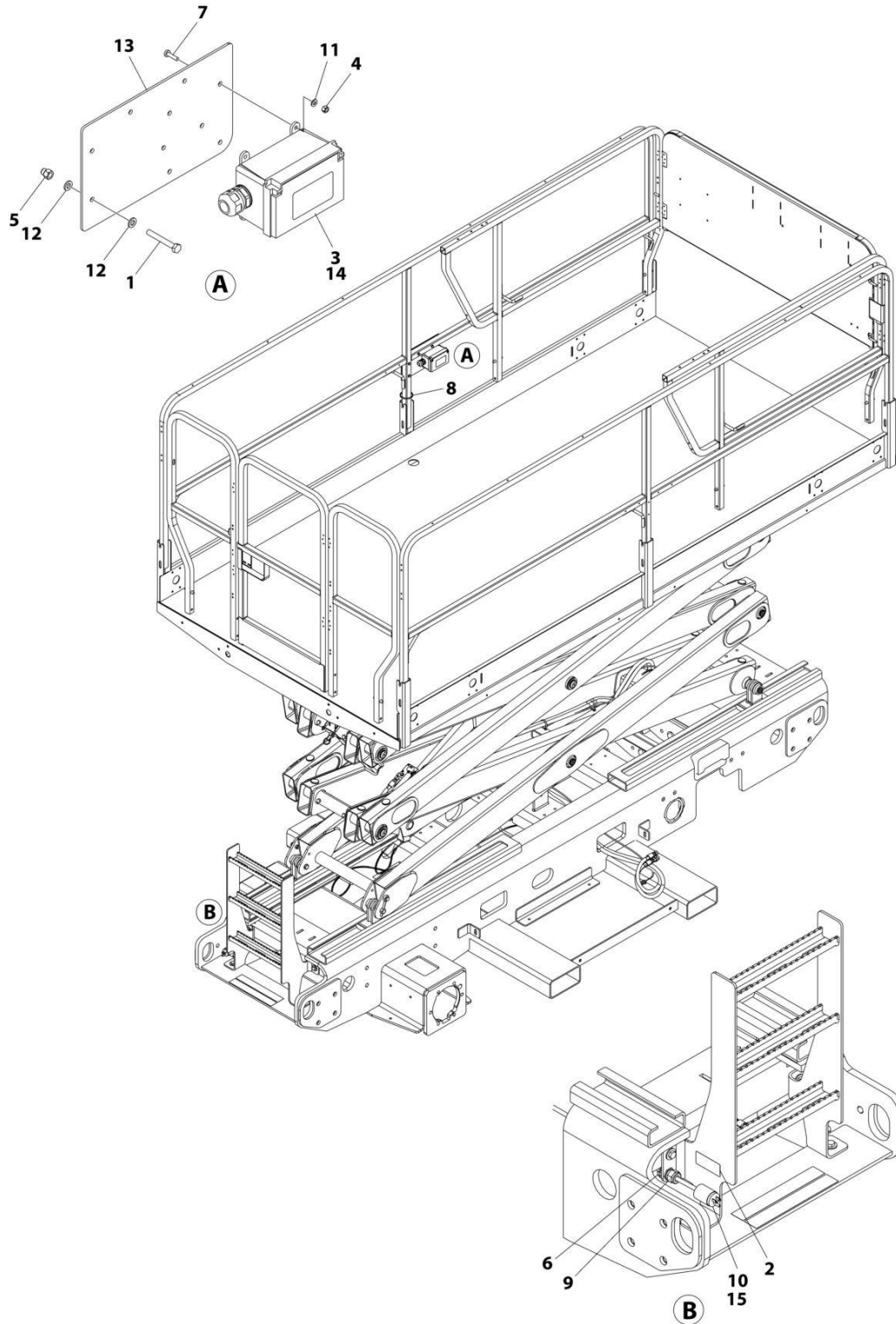
ITEM	PART NUMBER	QTY	DESCRIPTION	REV
108		Ref	Generator	
109		Ref	Solenoids, Main Control Valve	
110		Ref	Switch, Pressure	
111		Ref	Module, Ground Control	
112		Ref	Sensor, Tilt	
113		Ref	AC Breaker Box	
114		Ref	Alarm	
115		Ref	Beacon	
116		Ref	Solenoid, Leveling Jack Cylinder	
117		Ref	Sensor, Leveling Jacks Pressure	
118		Ref	Solenoid, Leveling Jacks Valve	
119		Ref	Sensor, Leveling Jacks Proximity	
120		Ref	Charger	
121		Ref	AC Receptacle	
122		Ref	Battery	
123		Ref	Relay	
124		Ref	Switch, Battery Disconnect	
125		Ref	Assembly, Fuse/Holder	
126		Ref	Alarm, White Noise	
127		Ref	Module, ClearSky Telematics CANBUS	
128		Ref	Antennae, ClearSky Telematics	
129		Ref	Module, ClearSky Telematics 3-Wire	
130		Ref	Voltage Regulator, ClearSky Telematics	
131		Ref	Switch, LSS Limit	
132		Ref	Battery	
133		Ref	Module, Engine Control	
134		Ref	Starter	
135		Ref	Regulator, Voltage	
136		Ref	Solenoid, Fuel	
137		Ref	Relay	
138		Ref	Alternator	
139		Ref	Sensor, Speed	
140		Ref	Sensor, Oil Temperature	
141		Ref	Sensor, Tilt	
142		Ref	Solenoid, Lift Down	
143		Ref	AC Receptacle	
144		Ref	Footswitch	
145		Ref	Module, Load Sense	
146		Ref	Switch, Lift Select	
147		Ref	Switch, Drive Select	
148		Ref	Switch, Horn	
149		Ref	Switch, Speed Select	
150		Ref	Switch, Leveling Jacks	
151		Ref	Switch, Emergency Stop	
152		Ref	USB Port	
153		Ref	Joystick	
154		Ref	Display, Platform	
155		Ref	Alarm	
156		Ref	USB Port	
157		Ref	Switch, Genset Enable	
158		Ref	Display, Ground	

SECTION 8 - ELECTRICAL

ITEM	PART NUMBER	QTY	DESCRIPTION	REV
159		Ref	Switch, Key	
160		Ref	Switch, Emergency Stop	
161		Ref	Switch, Platform Lift/Lower	
162		Ref	Light, Load Sense Overload Indicator	
163		Ref	Switch, Brake Release	
164		Ref	Switch, Genset Start	
165		Ref	Light, Genset Indicator	

SECTION 8 - ELECTRICAL

FIGURE 8-2. AC BOX AT PLATFORM INSTALLATION - 110V GFI (ALL SPECS EXCEPT AUSTRALIAN, CE & UK CA SPECS)



ART_1001255001

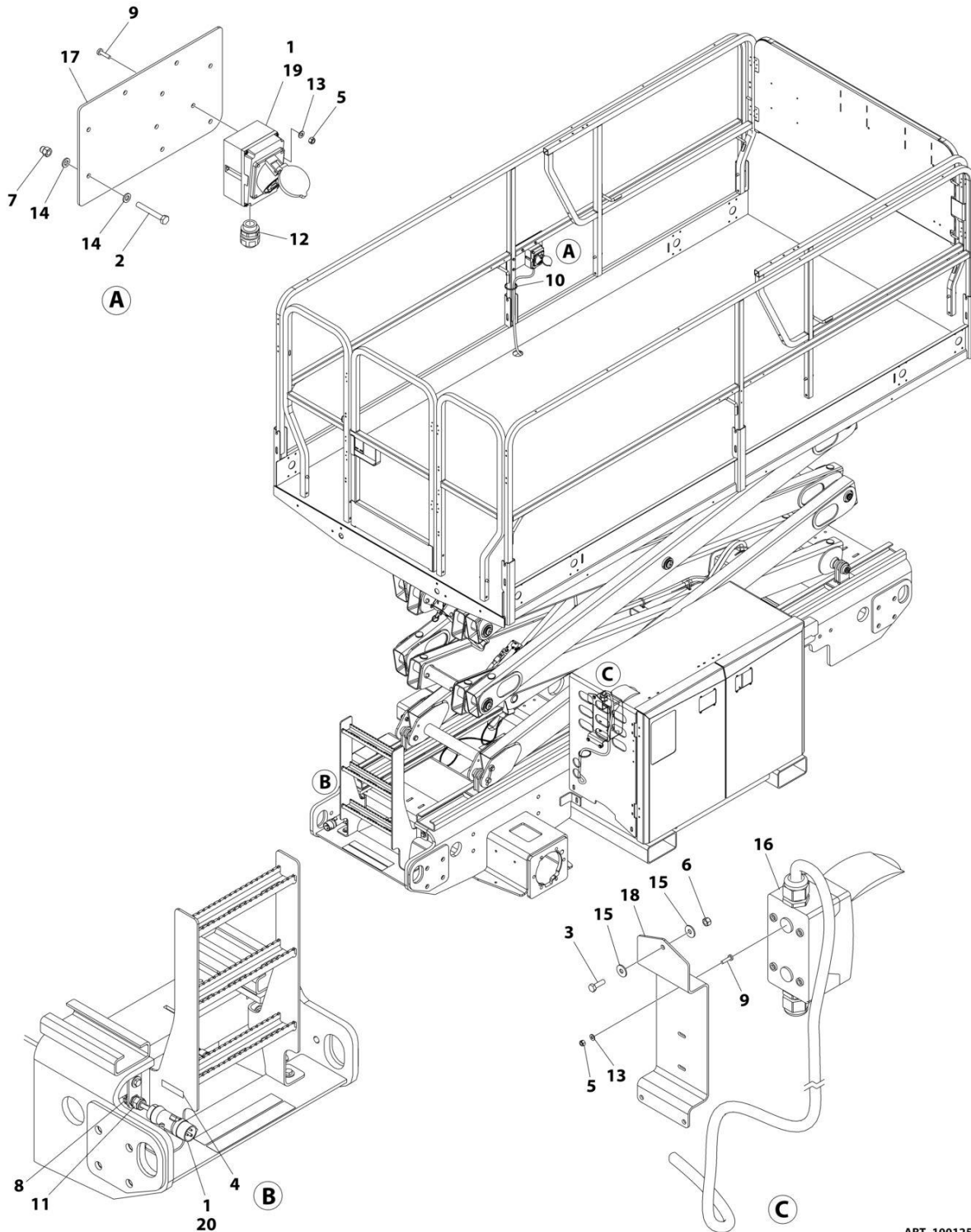
SECTION 8 - ELECTRICAL

FIGURE 8-2. AC BOX AT PLATFORM INSTALLATION - 110V GFI (ALL SPECS EXCEPT AUSTRALIAN, CE & UK CA SPECS)

ITEM	PART NUMBER	QTY	DESCRIPTION	REV
	1001255001	Ref	AC BOX AT PLATFORM INSTALLATION - 110V	B
1	0700617	4	Bolt M6 x 45	
2	1703464	1	Decal - AC Power	
3	2902431	1	Receptacle Box Kit - 110V GFI (See Separate Breakdown in this Section)	
4	3290405	4	Nut M4	
5	3290606	4	Nut M6 x 1	
6	3300048	1	Nut 3/4	
7	4010408	4	Screw M4 x 16	
8	4240017	AR	Tie-Strap	
9	4460071	1	Connector	
10	4460138	1	Plug, Male	
11	4811400	4	Washer M4	
12	4811700	8	Washer M6	
13	1001254613	1	Plate, Platform Plug Mount	
14	4460315	3	Terminal, Spade	
15	1001212268	3	Terminal	

SECTION 8 - ELECTRICAL

FIGURE 8-3. AC BOX AT PLATFORM INSTALLATION - 110V IEC YELLOW (CE & UK CA SPECS)



ART_1001255006

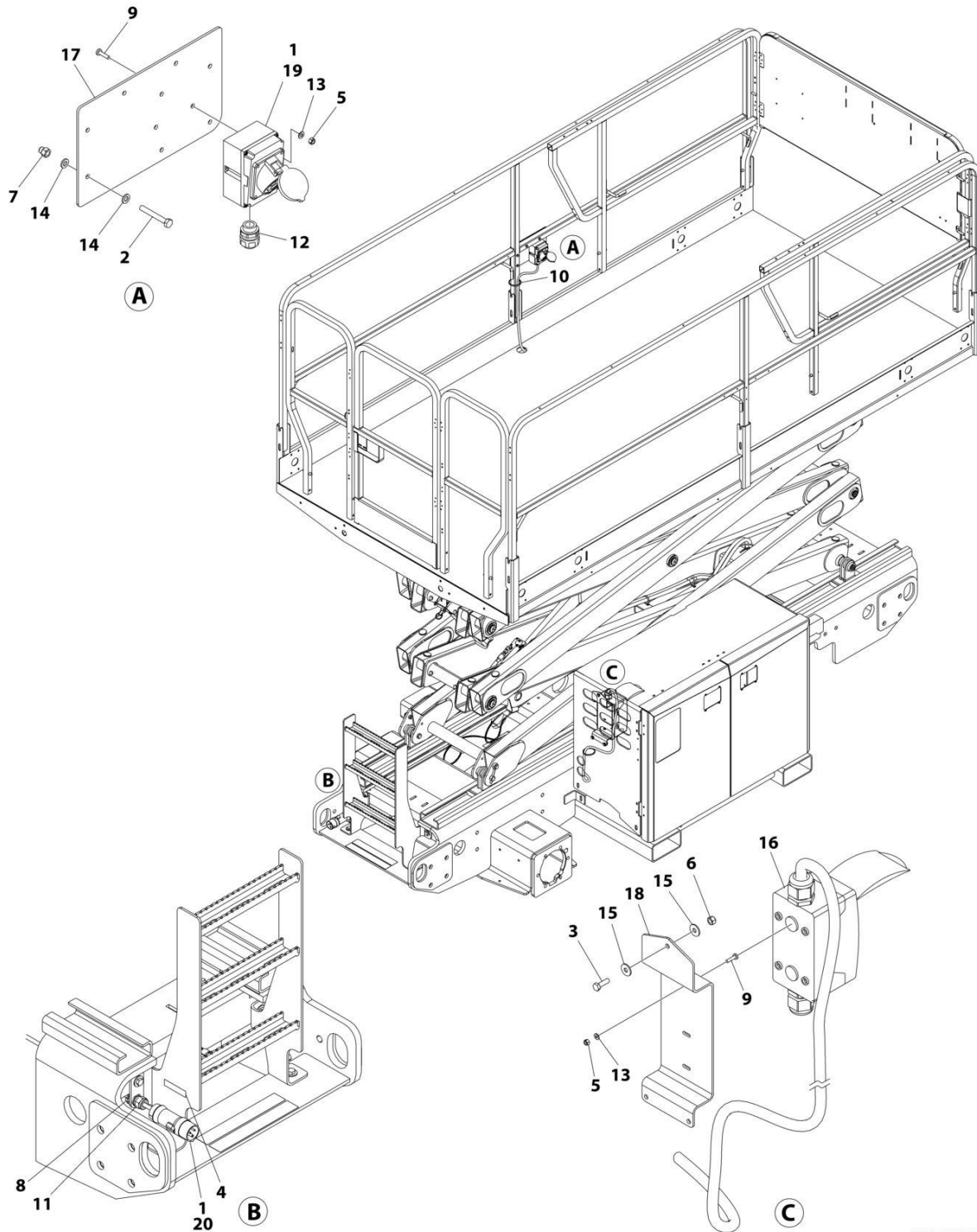
SECTION 8 - ELECTRICAL

FIGURE 8-3. AC BOX AT PLATFORM INSTALLATION - 110V IEC YELLOW (CE & UK CA SPECS)

ITEM	PART NUMBER	QTY	DESCRIPTION	REV
	1001255006	Ref	AC BOX AT PLATFORM INSTALLATION - 110V IEC YELLOW	B
1	0275216	1	Receptacle Box Kit - 110V IEC Yellow (See Separate Breakdown in this Section)	
2	0700617	4	Bolt M6 x 45	
3	0760610	3	Bolt M6 x 20	
4	1705325	1	Decal - 110 Volt	
5	3290405	4	Nut M4	
6	3290605	3	Nut M6	
7	3290606	4	Nut M6 x 1	
8	3300048	1	Nut 3/4	
9	4010408	4	Screw M4 x 16	
10	4240017	AR	Tie-Strap	
11	4460071	1	Connector, Water Tight	
12	4460968	1	Connector, Strain Relief	
13	4811400	4	Washer M4	
14	4811700	8	Washer M6	
15	4811702	6	Washer M6	
16	1001096070	1	Breaker Box Kit (See Separate Breakdown in this Section)	
17	1001254613	1	Plate, Platform Plug Mount	
18	1001261118	1	Bracket, Electric Box Mount	
19	4460315	3	Terminal, Spade	
20	1001212268	3	Terminal	

SECTION 8 - ELECTRICAL

FIGURE 8-4. AC BOX AT PLATFORM INSTALLATION - 220V IEC BLUE (CE & UK CA SPECS)



ART_1001255007

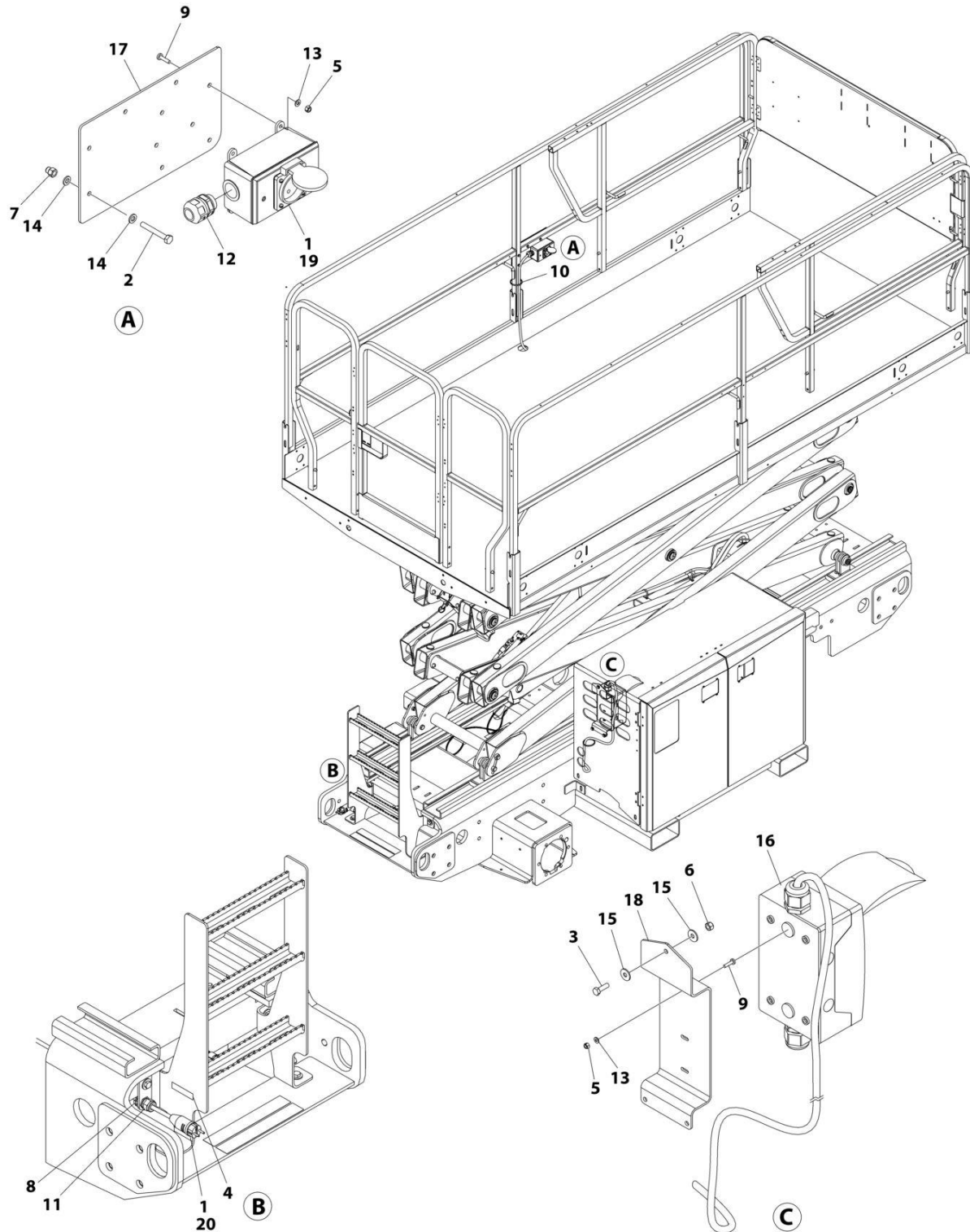
SECTION 8 - ELECTRICAL

FIGURE 8-4. AC BOX AT PLATFORM INSTALLATION - 220V IEC BLUE (CE & UK CA SPECS)

ITEM	PART NUMBER	QTY	DESCRIPTION	REV
	1001255007	Ref	AC BOX AT PLATFORM INSTALLATION - 220V IEC BLUE	B
1	0275217	1	Receptacle Box Kit - 220V IEC Blue (See Separate Breakdown in this Section)	
2	0700617	4	Bolt M6 x 45	
3	0760610	3	Bolt M6 x 20	
4	3252507	1	Decal - 220 Volt	
5	3290405	4	Nut M4	
6	3290605	3	Nut M6	
7	3290606	4	Nut M6 x 1	
8	3300048	1	Nut 3/4	
9	4010408	4	Screw M4 x 16	
10	4240017	AR	Tie-Strap	
11	4460071	1	Connector, Water Tight	
12	4460968	1	Connector, Strain Relief	
13	4811400	4	Washer M4	
14	4811700	8	Washer M6	
15	4811702	6	Washer M6	
16	1001096070	1	Breaker Box Kit (See Separate Breakdown in this Section)	
17	1001254613	1	Plate, Platform Plug Mount	
18	1001261118	1	Bracket, Electric Box Mount	
19	4460315	3	Terminal, Spade	
20	1001212268	3	Terminal	

SECTION 8 - ELECTRICAL

FIGURE 8-5. AC BOX AT PLATFORM INSTALLATION - 220V CEE7 POST GROUND (CE & UK CA SPECS)



ART_1001255004

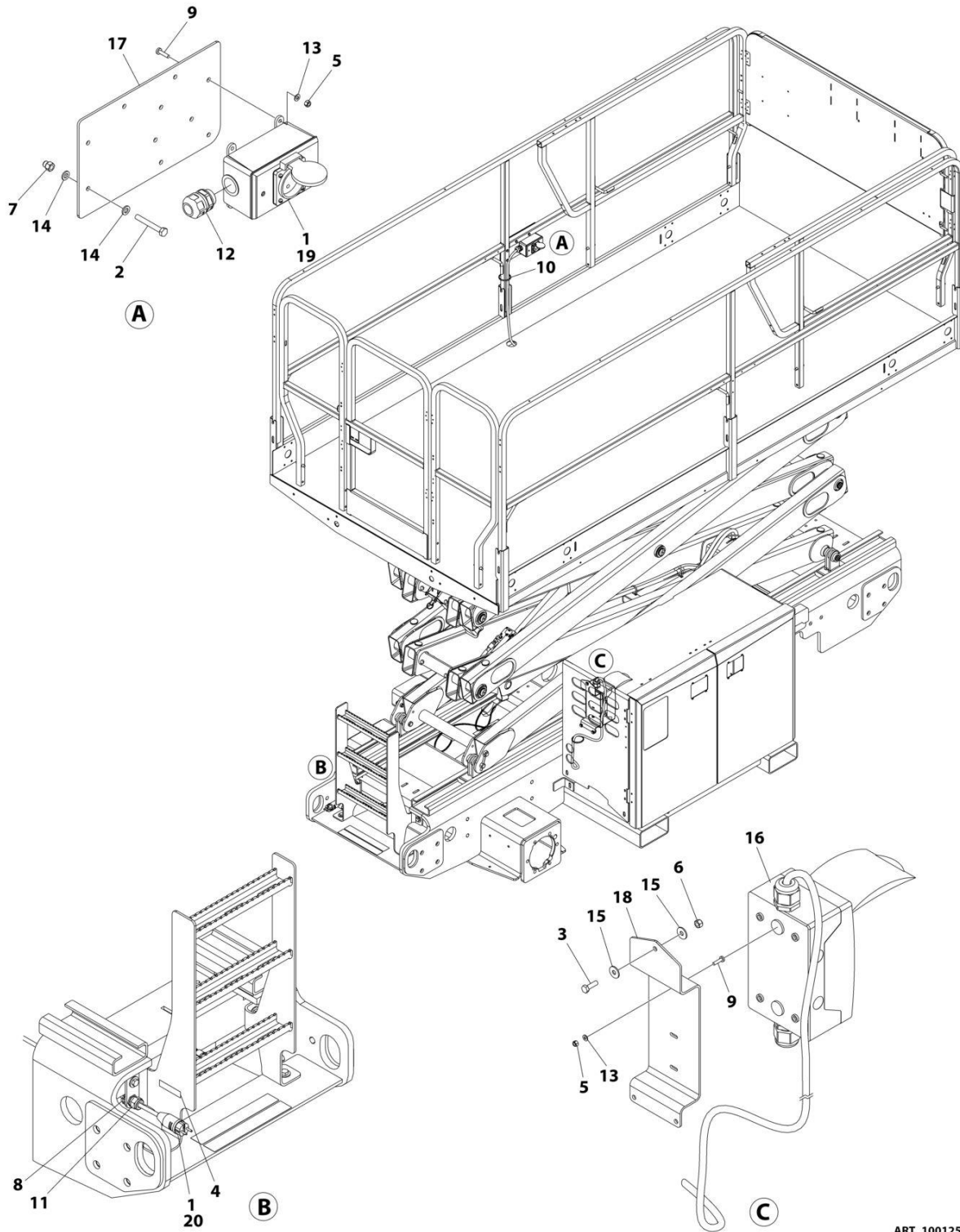
SECTION 8 - ELECTRICAL

FIGURE 8-5. AC BOX AT PLATFORM INSTALLATION - 220V CEE7 POST GROUND (CE & UK CA SPECS)

ITEM	PART NUMBER	QTY	DESCRIPTION	REV
	1001255004	Ref	AC BOX AT PLATFORM INSTALLATION - 220V CEE7 POST GROUND	B
1	0275452	1	Receptacle Box Kit - 220V CEE7 Post Ground 2X4 Box (See Separate Breakdown in this Section)	
2	0700617	4	Bolt M6 x 45	
3	0760610	3	Bolt M6 x 20	
4	3252507	1	Decal - 220 Volt	
5	3290405	6	Nut M4	
6	3290605	3	Nut M6	
7	3290606	4	Nut M6 x 1	
8	3300048	1	Nut 3/4	
9	4010408	6	Screw M4 x 16	
10	4240017	AR	Tie-Strap	
11	4460071	1	Connector, Water Tight	
12	4460662	1	Connector, Strain Relief	
13	4811400	6	Washer M4	
14	4811700	8	Washer M6	
15	4811702	6	Washer M6	
16	1001152486	1	Electric Assembly, Box and Breaker (See Separate Breakdown in this Section)	
17	1001254613	1	Plate, Platform Plug Mount	
18	1001261118	1	Bracket, Electric Box Mount	
19	4460315	3	Terminal, Spade	
20	1001212268	3	Terminal	

SECTION 8 - ELECTRICAL

FIGURE 8-6. AC BOX AT PLATFORM INSTALLATION - 220V CEE7 SIDE GROUND (CE & UK CA SPECS)



ART_1001255005

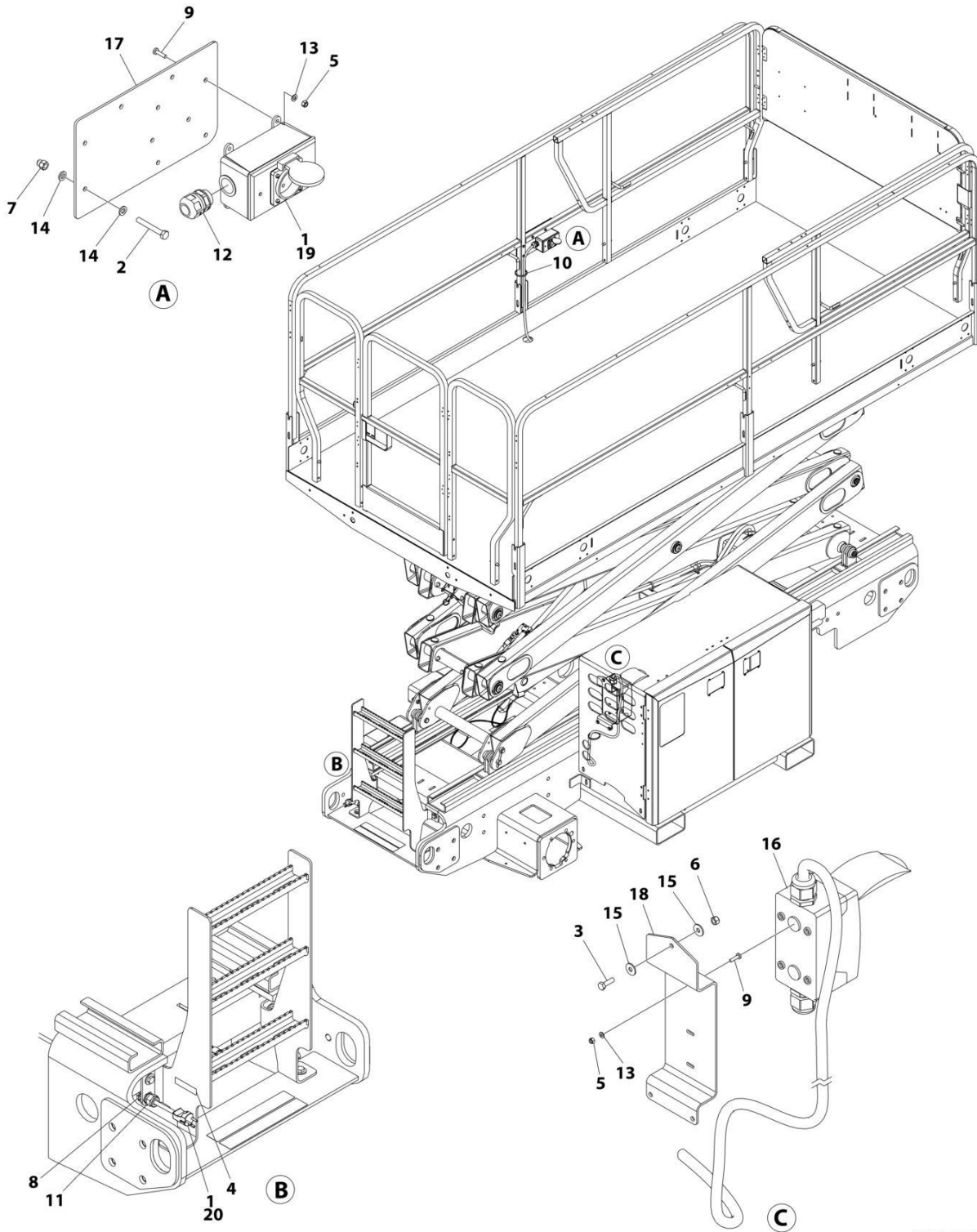
SECTION 8 - ELECTRICAL

FIGURE 8-6. AC BOX AT PLATFORM INSTALLATION - 220V CEE7 SIDE GROUND (CE & UK CA SPECS)

ITEM	PART NUMBER	QTY	DESCRIPTION	REV
	1001255005	Ref	AC BOX AT PLATFORM INSTALLATION - 220V CEE7 SIDE GROUND	B
1	0275453	1	Receptacle Box Kit - 220V CEE7 Side Ground 2X4 Box (See Separate Breakdown in this Section)	
2	0700617	4	Bolt M6 x 45	
3	0760610	3	Bolt M6 x 20	
4	3252507	1	Decal - 220 Volt	
5	3290405	6	Nut M4	
6	3290605	3	Nut M6	
7	3290606	4	Nut M6 x 1	
8	3300048	1	Nut 3/4	
9	4010408	6	Screw M4 x 16	
10	4240017	AR	Tie-Strap	
11	4460071	1	Connector, Water Tight	
12	4460662	1	Connector, Strain Relief	
13	4811400	6	Washer M4	
14	4811700	8	Washer M6	
15	4811702	6	Washer M6	
16	1001152486	1	Electric Assembly, Box and Breaker (See Separate Breakdown in this Section)	
17	1001254613	1	Plate, Platform Plug Mount	
18	1001261118	1	Bracket, Electric Box Mount	
19	4460315	3	Terminal, Spade	
20	1001212268	3	Terminal	

SECTION 8 - ELECTRICAL

FIGURE 8-7. AC BOX AT PLATFORM INSTALLATION - 220V AFSINT 107 (CE & UK CA SPECS)



ART_1001255008

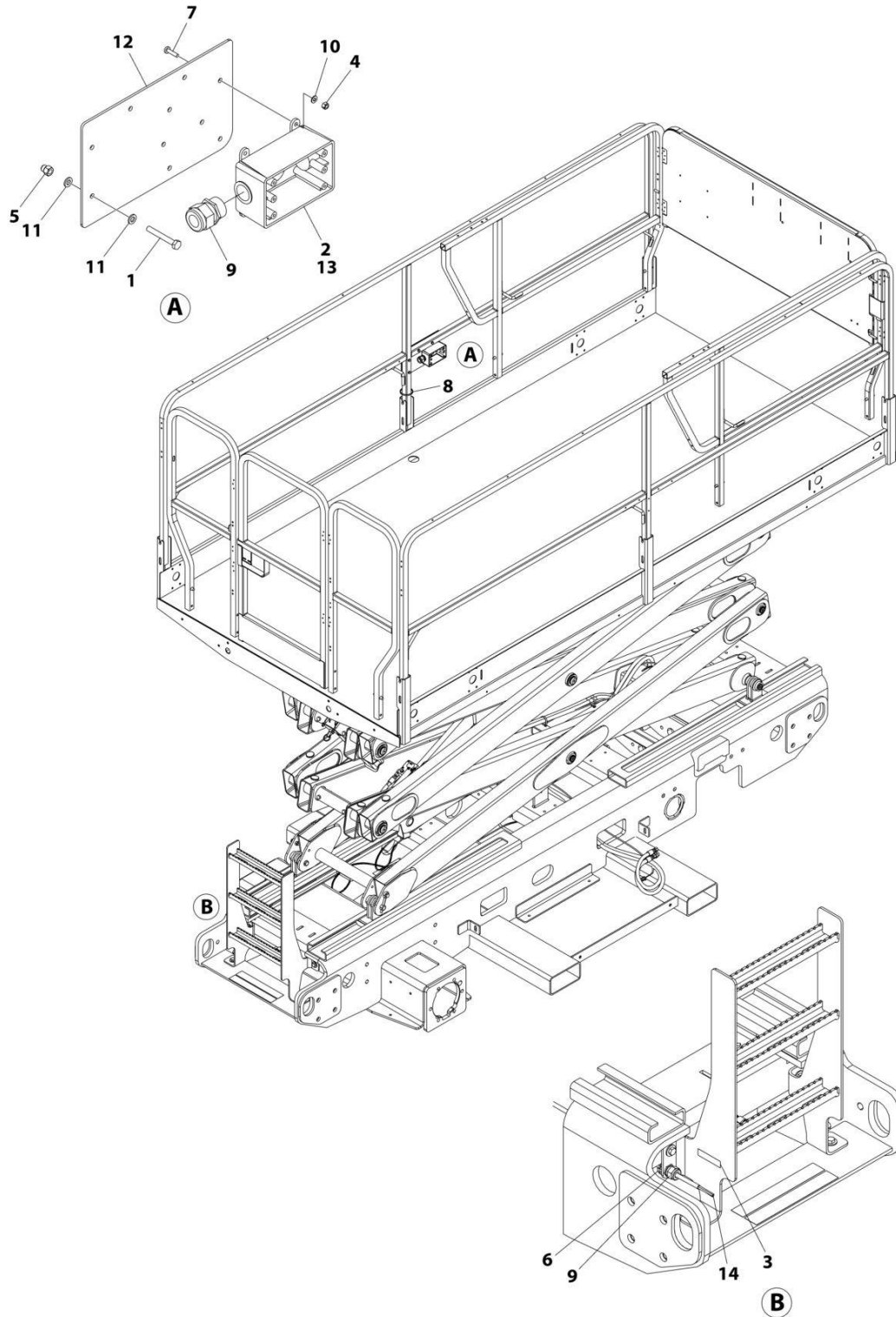
SECTION 8 - ELECTRICAL

FIGURE 8-7. AC BOX AT PLATFORM INSTALLATION - 220V AFSINT 107 (CE & UK CA SPECS)

ITEM	PART NUMBER	QTY	DESCRIPTION	REV
	1001255008	Ref	AC BOX AT PLATFORM INSTALLATION - 220V AFSINT 107	B
1	0275454	1	Receptacle Box Kit - 220V AFSINT 107 (See Separate Breakdown in this Section)	
2	0700617	4	Bolt M6 x 45	
3	0760610	3	Bolt M6 x 20	
4	3252507	1	Decal - 220 Volt	
5	3290405	6	Nut M4	
6	3290605	3	Nut M6	
7	3290606	4	Nut M6 x 1	
8	3300048	1	Nut 3/4	
9	4010408	6	Screw M4 x 16	
10	4240017	AR	Tie-Strap	
11	4460071	1	Connector, Water Tight	
12	4460662	1	Connector, Strain Relief	
13	4811400	6	Washer M4	
14	4811700	8	Washer M6	
15	4811702	6	Washer M6	
16	1001096070	1	Breaker Box Kit (See Separate Breakdown in this Section)	
17	1001254613	1	Plate, Platform Plug Mount	
18	1001261118	1	Bracket, Electric Box Mount	
19	4460315	3	Terminal, Spade	
20	1001212268	3	Terminal	

SECTION 8 - ELECTRICAL

FIGURE 8-8. AC BOX AT PLATFORM INSTALLATION - 220V CUSTOMER SUPPLIED PLUG & RECEPTACLE (ALL SPECS EXCEPT AUSTRALIAN & CE & UK CA SPECS)



ART_1001255002

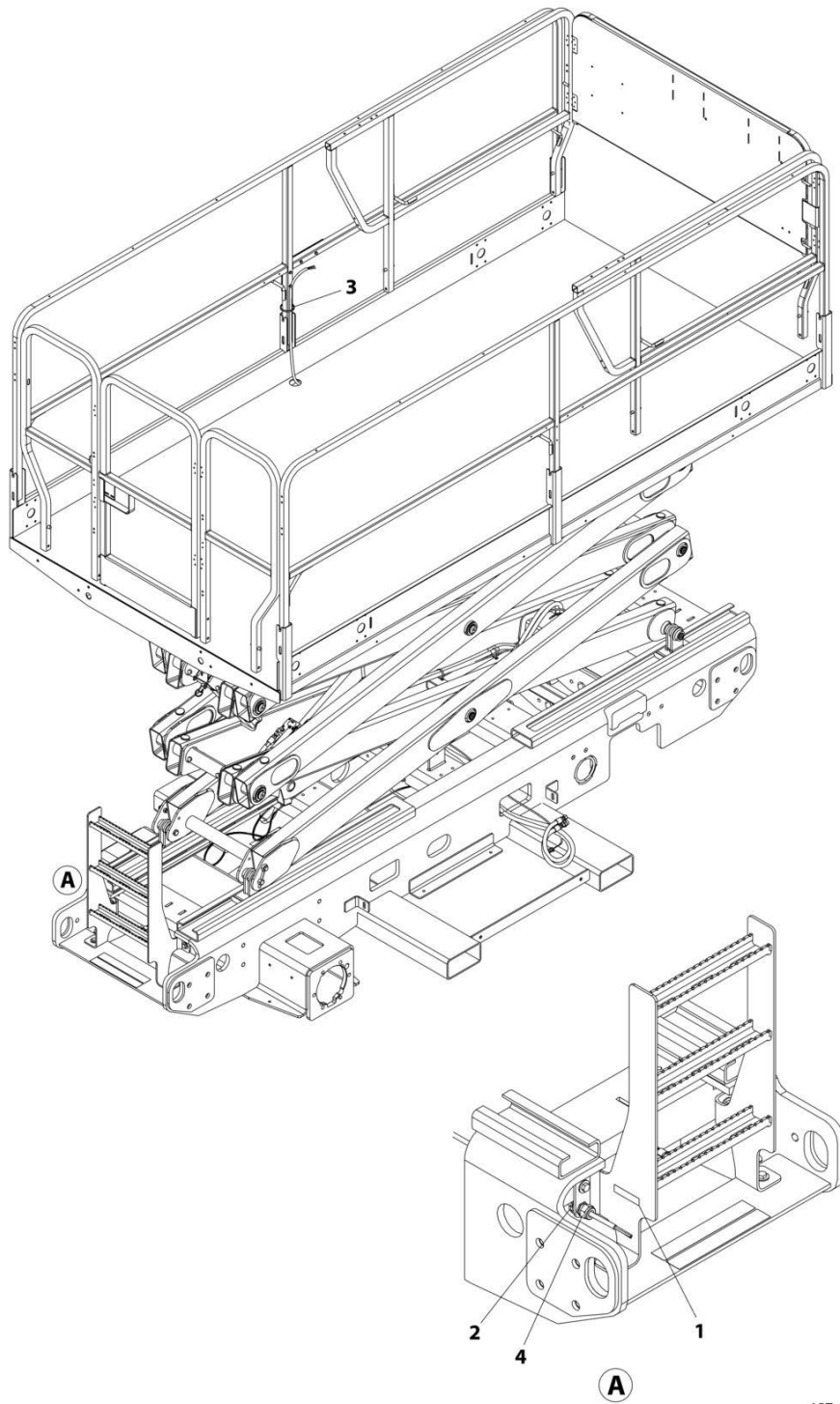
SECTION 8 - ELECTRICAL

FIGURE 8-8. AC BOX AT PLATFORM INSTALLATION - 220V CUSTOMER SUPPLIED PLUG & RECEPTACLE (ALL SPECS EXCEPT AUSTRALIAN & CE & UK CA SPECS)

ITEM	PART NUMBER	QTY	DESCRIPTION	REV
	1001255002	Ref	AC BOX AT PLATFORM INSTALLATION - 220V RECEPTACLE	B
1	0700617	4	Bolt M6 x 45	
2	0861731	1	Box, Receptacle	
3	3252507	1	Decal - 220 Volt	
4	3290405	4	Nut M4	
5	3290606	4	Nut M6 x 1	
6	3300048	1	Nut 3/4	
7	4010408	4	Screw M4 x 16	
8	4240017	AR	Tie-Strap	
9	4460071	2	Connector, Water Tight	
10	4811400	4	Washer M4	
11	4811700	8	Washer M6	
12	1001254613	1	Plate, Platform Plug Mount	
13	4460315	3	Terminal, Spade	
14	1001212268	3	Terminal	

SECTION 8 - ELECTRICAL

FIGURE 8-9. AC BOX AT PLATFORM INSTALLATION - 220V CUSTOMER SUPPLIED COMPONENTS
(ALL SPECS)



ART_1001255003

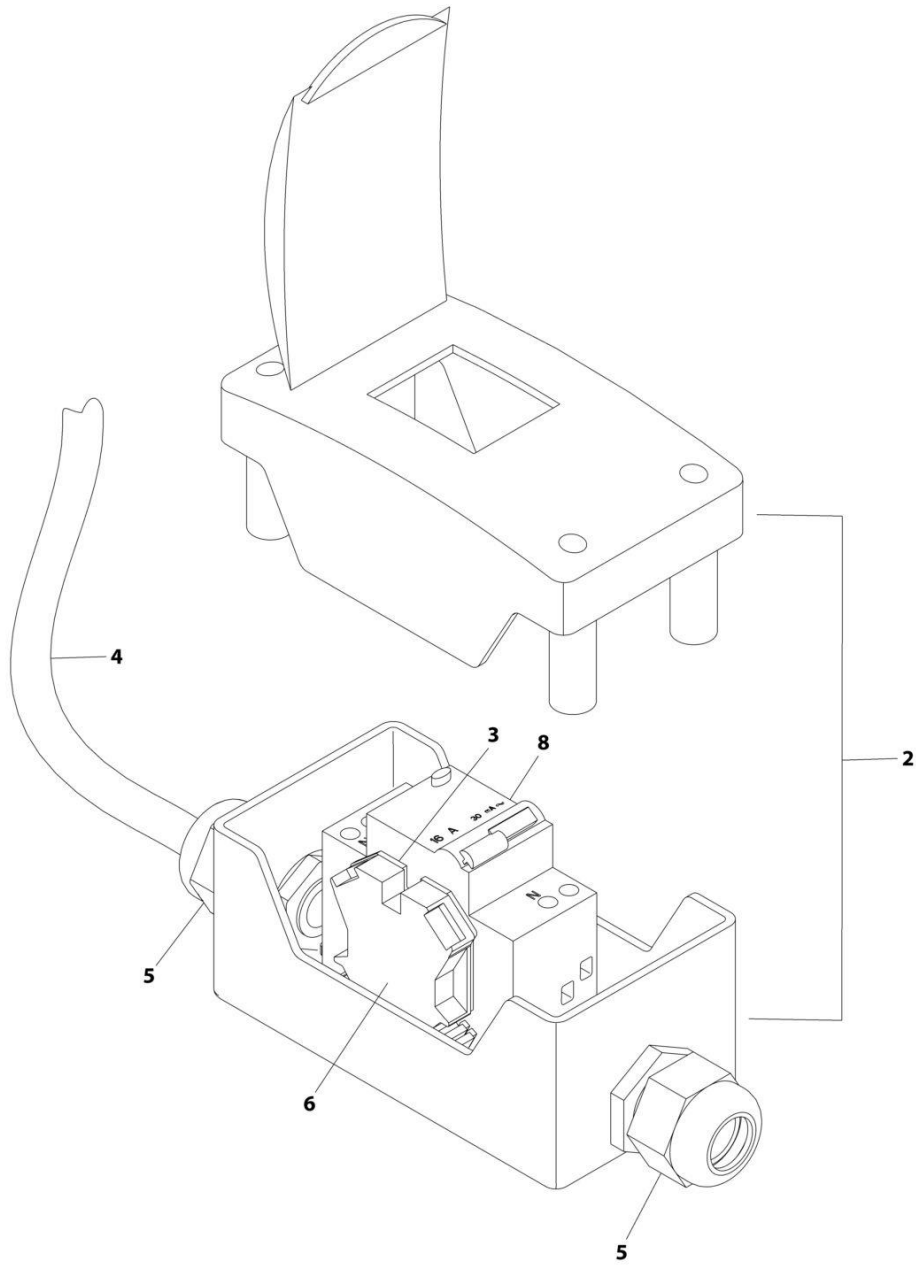
SECTION 8 - ELECTRICAL

**FIGURE 8-9. AC BOX AT PLATFORM INSTALLATION - 220V CUSTOMER SUPPLIED COMPONENTS
(ALL SPECS)**

ITEM	PART NUMBER	QTY	DESCRIPTION	REV
	1001255003	Ref	AC BOX AT PLATFORM INSTALLATION - 220V CUSTOMER SUPPLIED COMPONENTS	A
1	3252507	1	Decal - 220 Volt	
2	3300048	1	Nut 3/4	
3	4240017	AR	Tie-Strap	
4	4460071	1	Connector, Water Tight	

SECTION 8 - ELECTRICAL

FIGURE 8-10. BREAKER BOX KIT - 1 DOUBLE BREAKER (CE & UK CA SPECS)



ART_1001096070_E

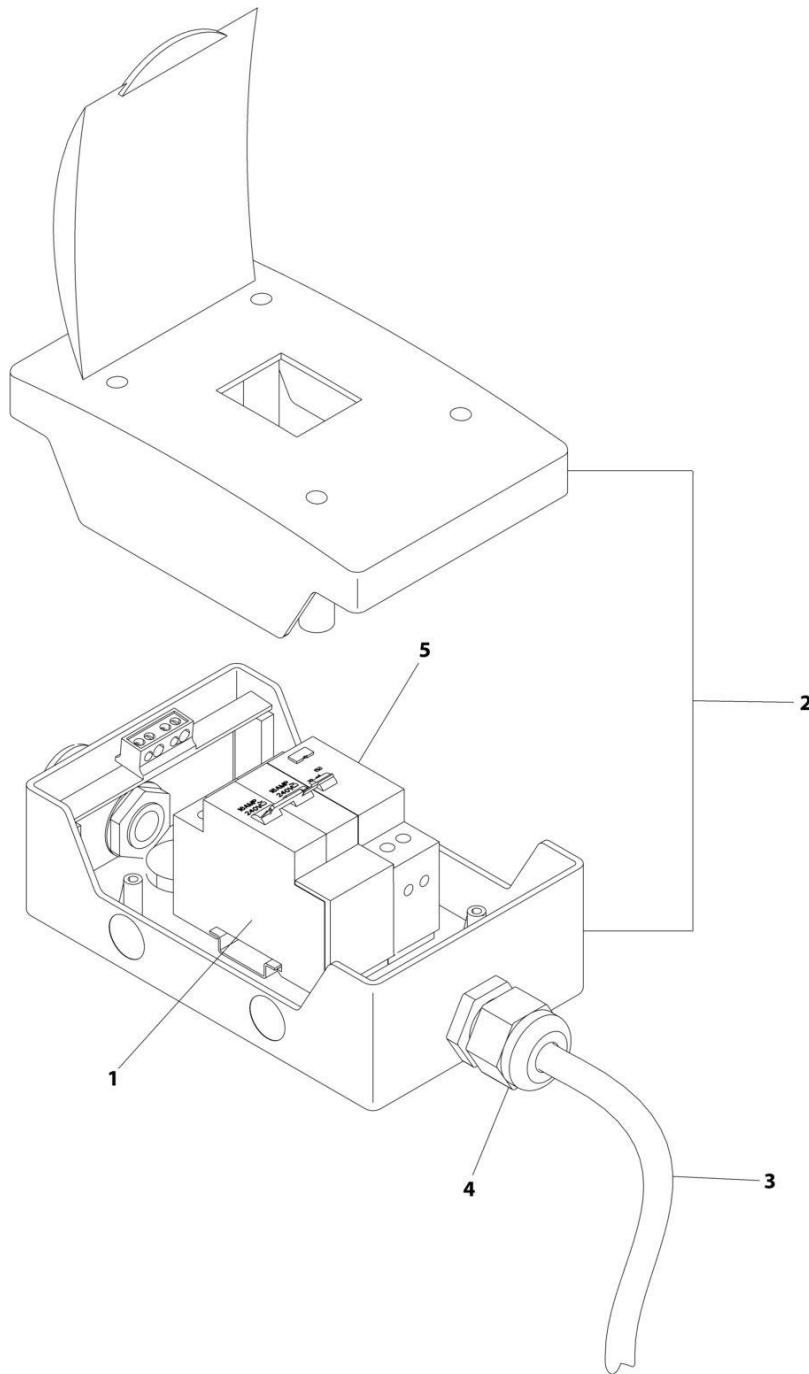
SECTION 8 - ELECTRICAL

FIGURE 8-10. BREAKER BOX KIT - 1 DOUBLE BREAKER (CE & UK CA SPECS)

ITEM	PART NUMBER	QTY	DESCRIPTION	REV
	1001096070	Ref	BREAKER BOX KIT	E
2	0861880	1	Box	
3	4460956	1	Barrier, Terminal Block End	
4	1060908	12 ft/ 3.6m	Cable, 12/3	
5	1001097150	2	Connector, Strain Relief	
6	4460957	1	Block, Terminal	
8	1001181045	1	Breaker, 16Amp	

SECTION 8 - ELECTRICAL

FIGURE 8-11. BREAKER BOX KIT - 1 DOUBLE & 1 SINGLE BREAKER (CE & UK CA SPECS)



ART_1001152486_C

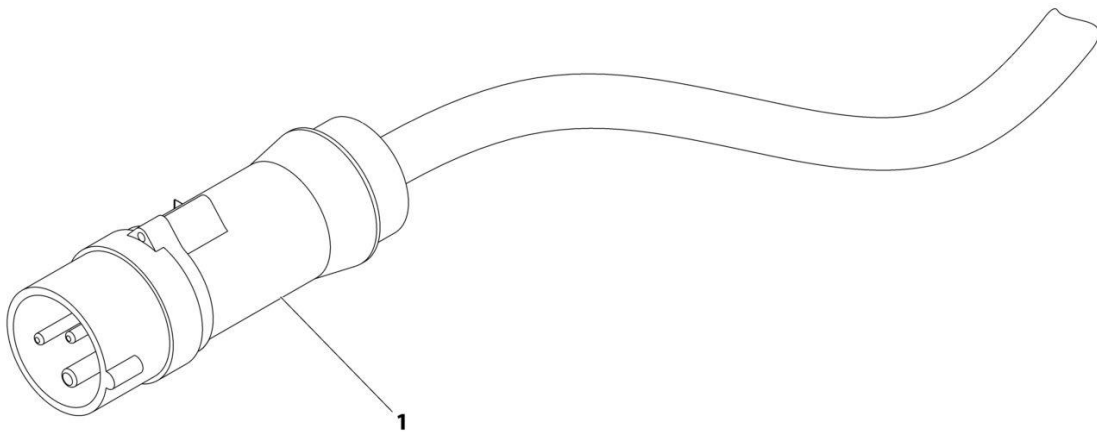
SECTION 8 - ELECTRICAL

FIGURE 8-11. BREAKER BOX KIT - 1 DOUBLE & 1 SINGLE BREAKER (CE & UK CA SPECS)

ITEM	PART NUMBER	QTY	DESCRIPTION	REV
	1001152486	Ref	BREAKER BOX KIT	C
1	1001189172	1	Breaker, 16 Amp (Double)	
2	1001152483	1	Box	
3	1060908	12 ft/ 3.66m	Cable, 12/3	
4	1001097150	1	Connector, Strain Relief	
5	1001189171	1	Breaker, 30mA	

SECTION 8 - ELECTRICAL

FIGURE 8-12. CHARGER CORD PLUG INSTALLATION - 110V - IEC YELLOW (CE & UK CA SPEC)



ART_0275666

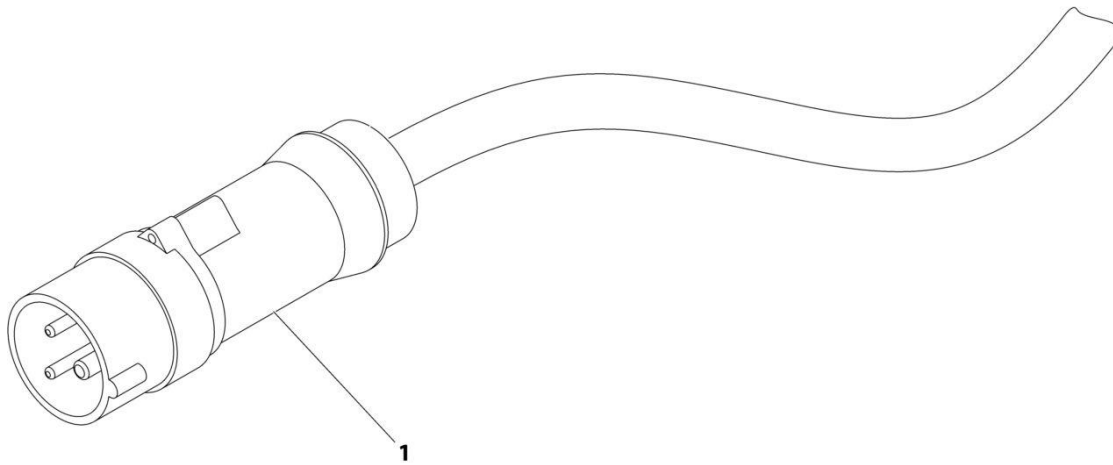
SECTION 8 - ELECTRICAL

FIGURE 8-12. CHARGER CORD PLUG INSTALLATION - 110V - IEC YELLOW (CE & UK CA SPEC)

ITEM	PART NUMBER	QTY	DESCRIPTION	REV
	0275666	Ref	CHARGER CORD PLUG INSTALLATION - 110V IEC YELLOW	B
1	4461196	1	PLUG Plug	

SECTION 8 - ELECTRICAL

FIGURE 8-13. CHARGER CORD PLUG INSTALLATION - 220V - IEC BLUE (CE & UK CA SPEC)



ART_0275667

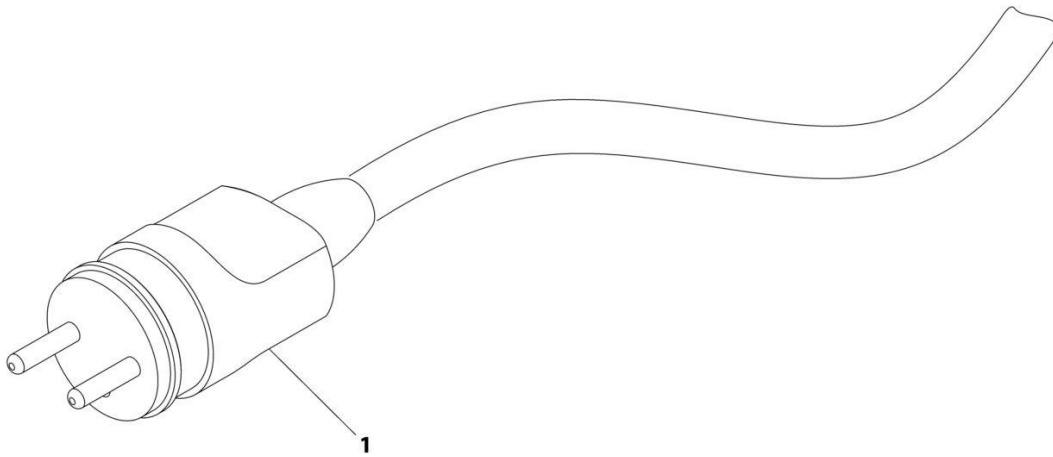
SECTION 8 - ELECTRICAL

FIGURE 8-13. CHARGER CORD PLUG INSTALLATION - 220V - IEC BLUE (CE & UK CA SPEC)

ITEM	PART NUMBER	QTY	DESCRIPTION	REV
1	0275667 4461199	Ref 1	CHARGER CORD PLUG INSTALLATION - 220V IEC BLUE PLUG Plug	B

SECTION 8 - ELECTRICAL

FIGURE 8-14. CHARGER CORD PLUG INSTALLATION - 220V - CEE7 POST GROUND (CE & UK CA SPEC)



ART_0275663-C

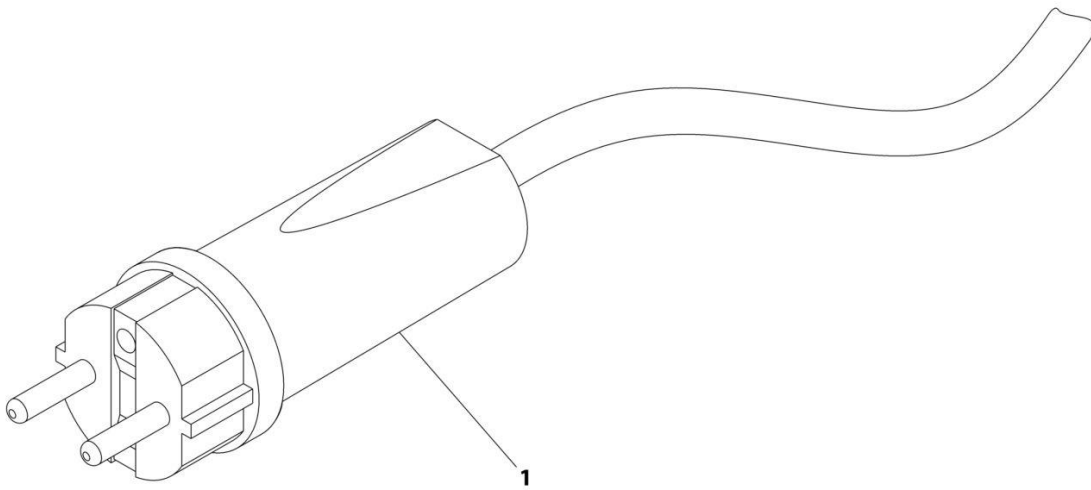
SECTION 8 - ELECTRICAL

FIGURE 8-14. CHARGER CORD PLUG INSTALLATION - 220V - CEE7 POST GROUND (CE & UK CA SPEC)

ITEM	PART NUMBER	QTY	DESCRIPTION	REV
1	0275663 4461205	Ref 1	CHARGER CORD PLUG INSTALLATION - 220V POST GROUND Plug	C

SECTION 8 - ELECTRICAL

FIGURE 8-15. CHARGER CORD PLUG INSTALLATION - 220V - CEE7 SIDE GROUND (CE & UK CA SPEC)



ART_0275664

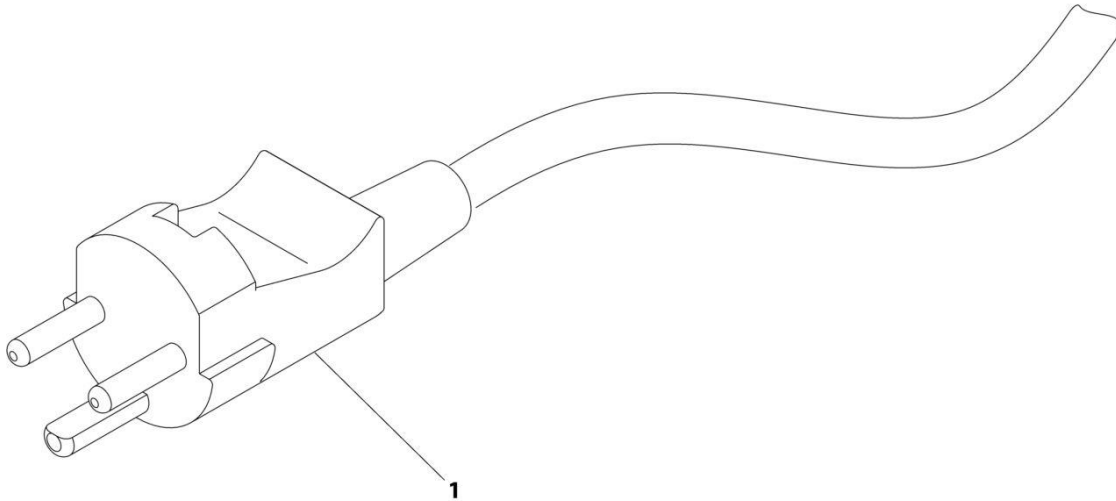
SECTION 8 - ELECTRICAL

FIGURE 8-15. CHARGER CORD PLUG INSTALLATION - 220V - CEE7 SIDE GROUND (CE & UK CA SPEC)

ITEM	PART NUMBER	QTY	DESCRIPTION	REV
	0275664	Ref	CHARGER CORD PLUG INSTALLATION - 220V CEE7 SIDE GROUND	A
1	4461205	1	Plug	

SECTION 8 - ELECTRICAL

FIGURE 8-16. CHARGER CORD PLUG INSTALLATION - 220V - AFSINT 107 KEYED GROUND (CE & UK CA SPEC)



ART_0275665

SECTION 8 - ELECTRICAL

FIGURE 8-16. CHARGER CORD PLUG INSTALLATION - 220V - AFSINT 107 KEYED GROUND (CE & UK CA SPEC)

ITEM	PART NUMBER	QTY	DESCRIPTION	REV
	0275665	Ref	CHARGER CORD PLUG INSTALLATION - 220V AFSINT 107 KEYED GROUND	B
1	4461249	1	Plug	

SECTION 8 - ELECTRICAL

FIGURE 8-17. CHASSIS HARNESS

ITEM	PART NUMBER	QTY	DESCRIPTION	REV
	1001254403	Ref	CHASSIS HARNESS	G
1	4460970	1	Receptacle - 12 Position	
1	4460464	4	Pin, Male	
1	4460943	4	Pin, Male	
1	1001157891	2	Pin, Male	
1	4460466	2	Plug, Terminal	
2	4460891	1	Plug, Male - 2 Position	
2	4460465	2	Socket, Female	
3	4460754	1	Plug, Male - 14 Position	
3	4460465	12	Socket, Female	
3	4460944	2	Socket, Female	
4	4460897	2	Receptacle, Female - 2 Position	
4	4460464	4	Pin, Male	
5	2400066	2	Fuseholder with Cover	
6	4460884	2	Plug, Male - 4 Position	
6	4460465	4	Socket, Female	
6	4460944	4	Socket, Female	
7	4460933	1	Plug, Male - 12 Position	
7	4460944	8	Socket, Female	
7	4460466	4	Plug, Terminal	
8	4460891	11	Plug, Male - 2 Position	
8	4460465	22	Socket, Female	
9	4460536	1	Receptacle, Female - 3 Position	
9	4460464	3	Pin, Male	
10	4460933	1	Plug, Male - 12 Position	
10	4460465	12	Socket, Female	
11	4460836	1	Connector - 12 Position	
11	4460465	8	Socket, Female	
11	4460466	4	Plug, Terminal	
12	4460884	3	Plug, Male - 4 Position	
12	4460944	12	Socket, Female	
13	4460761	1	Plug, Male - 4 Position	
13	4460227	4	Terminal	
14	4460933	1	Plug, Male - 12 Position	
14	4460465	10	Socket, Female	
14	4460466	2	Plug, Terminal	
15	1001113961	1	Connector - 8 Position	
15	4460871	2	Terminal	
15	4460905	6	Plug, Terminal	
16	4460873	1	Connector - 35 Position	
16	4460871	30	Terminal	
16	4460905	5	Plug, Terminal	
17	4460878	1	Connector - 4 Position	
17	4460887	2	Terminal	
18	1001246859	1	Connector - 14 Position	
18	4460871	7	Terminal	
18	4460905	7	Plug, Terminal	
19	4460875	1	Connector - 35 Position	
19	4460871	18	Terminal	
19	4460905	17	Plug, Terminal	

SECTION 8 - ELECTRICAL

ITEM	PART NUMBER	QTY	DESCRIPTION	REV
20	4460874	1	Connector - 35 Position	
20	4460871	9	Terminal	
20	4460905	26	Plug, Terminal	
21	4460876	1	Connector - 35 Position	
21	4460871	18	Terminal	
21	4460905	17	Plug, Terminal	
22	4460872	1	Connector - 14 Position	
22	4460871	6	Terminal	
22	4460905	8	Plug, Terminal	
23	4460539	1	Plug, Male - 3 Position	
23	4460465	3	Socket, Female	
24	4460930	1	Plug, Male - 8 Position	
24	4460465	5	Socket, Female	
24	4460466	3	Plug, Terminal	
25	1001170764	3	Fuseholder with 20Amp Fuse	
26	4460884	1	Plug, Male - 4 Position	
26	4460942	2	Socket, Female	
26	4460465	1	Socket, Female	
26	4460466	1	Plug, Terminal	
27	4460884	2	Plug, Male - 4 Position	
27	4460465	8	Socket, Female	
28	4460933	1	Plug, Male - 12 Position	
28	4460465	12	Socket, Female	
29	4460183	2	Terminal, Fork	
30	4460144	2	Terminal, Fork	
31	4460806	1	Terminal, Fork	
32	4460418	1	Connector, Switch	
32	1001159186	3	Terminal	
33	4460894	1	Plug, Male - 6 Position	
33	4460465	2	Socket, Female	
33	4460944	2	Socket, Female	
33	4460466	2	Plug, Terminal	
34	4460884	1	Plug, Male - 4 Position	
34	4460465	3	Socket, Female	
34	4460466	1	Plug, Terminal	
35	1001126245	1	Connector - 2 Position	
35	4460928	2	Terminal	
36	4460260	2	Cover, Terminal	
36	4460259	2	Terminal	
37	1001112612	1	Connector - 9 Position	
37	4460464	3	Pin, Male	
37	4460943	2	Pin, Male	
37	4460466	4	Plug, Terminal	
38	1001117025	1	Connector, Relay	
38	1001116733	2	Terminal	
38	1001116732	2	Terminal	
38	1001128128	1	Plug, Terminal	
101	4460893	1	Buss Bar - 4 Position	
102	1001106736	1	Cap, Dust	
103	1001125677	3	Bussbar - 12 Position	
104	1001144295	5	Cap, Thermoplastic	

SECTION 8 - ELECTRICAL

ITEM	PART NUMBER	QTY	DESCRIPTION	REV
105	1001186231	1	Resistor Assembly	
106	1001192401	5	Cap, Dust	
107	1001215898	2	Cap, Dust	
109	1001152266	1	Connector - 4 Position	
112	1001125784	1	Washer	
113	1001125785	1	Nut	
114	4460984	1	Receptacle, Female - 8 Position	

SECTION 8 - ELECTRICAL

FIGURE 8-18. ERT2669 GROUND TO PLATFORM HARNESS



ART_1001248279

SECTION 8 - ELECTRICAL

FIGURE 8-18. ERT2669 GROUND TO PLATFORM HARNESS

ITEM	PART NUMBER	QTY	DESCRIPTION	REV
	1001248279	Ref	GROUND TO PLATFORM HARNESS	D
1	4460754	1	Connector - 14 Position	
1	4460465	14	Socket, Female	
2	1001156541	1	Connector - 14 Position	
2	4460464	14	Pin, Male	

SECTION 8 - ELECTRICAL

FIGURE 8-19. ERT3369 GROUND TO PLATFORM HARNESS



ART_1001248280

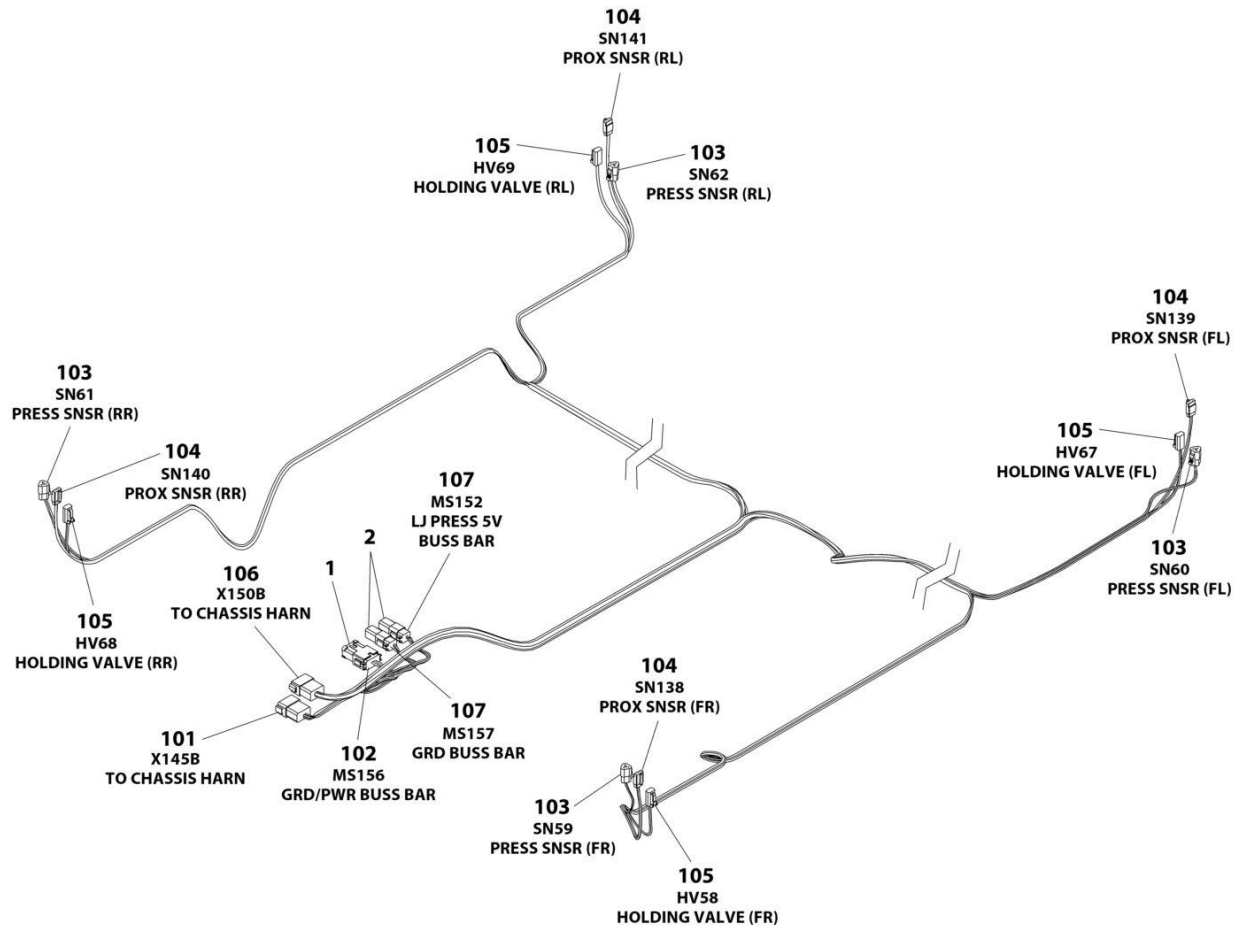
SECTION 8 - ELECTRICAL

FIGURE 8-19. ERT3369 GROUND TO PLATFORM HARNESS

ITEM	PART NUMBER	QTY	DESCRIPTION	REV
	1001248280	Ref	GROUND TO PLATFORM HARNESS	D
1	4460754	1	Connector - 14 Position	
1	4460465	14	Socket, Female	
2	1001156541	1	Connector - 14 Position	
2	4460464	14	Pin, Male	

SECTION 8 - ELECTRICAL

FIGURE 8-20. LEVELING JACK HARNESS



ART_1001248863

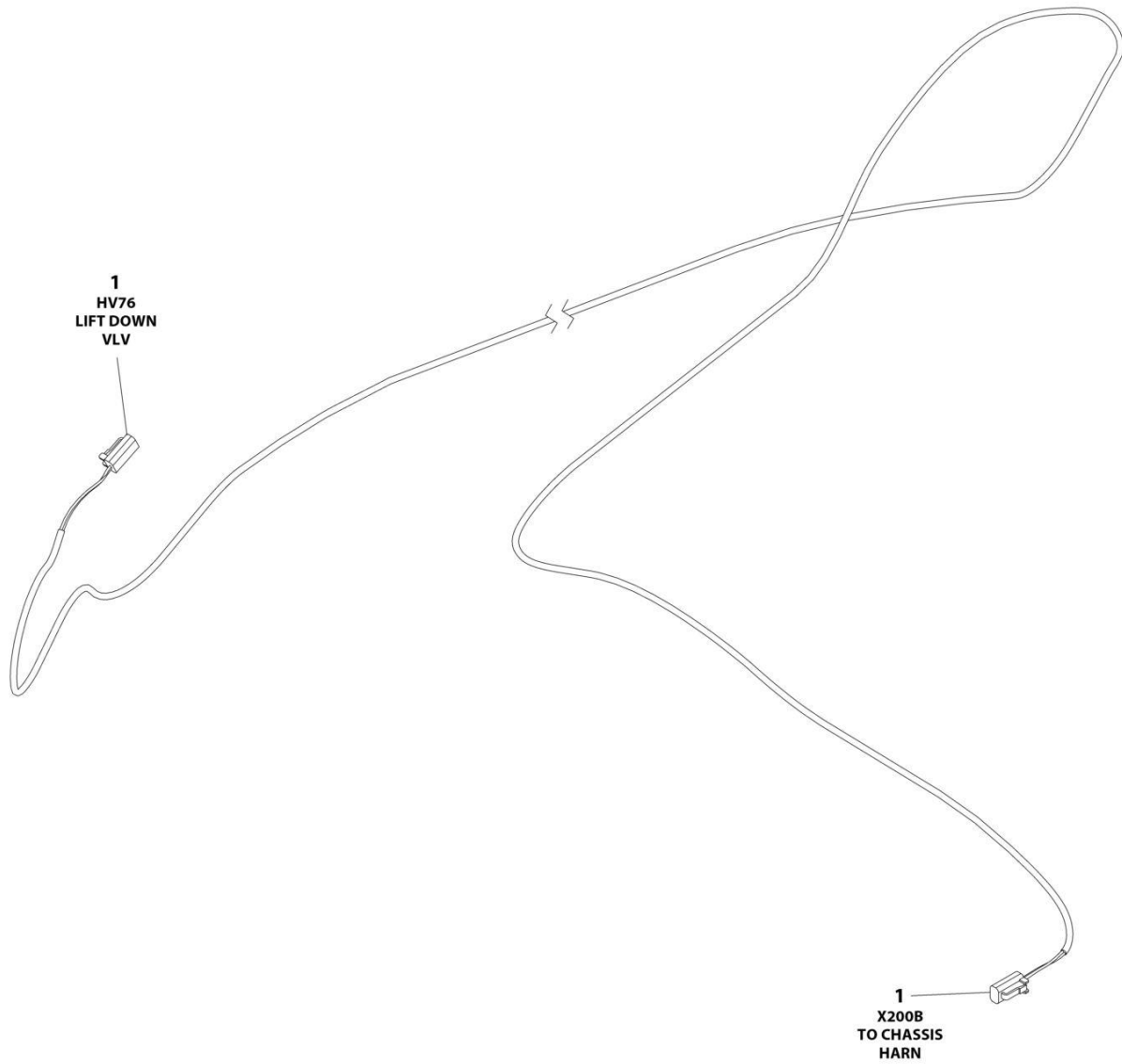
SECTION 8 - ELECTRICAL

FIGURE 8-20. LEVELING JACK HARNESS

ITEM	PART NUMBER	QTY	DESCRIPTION	REV
	1001248863	Ref	LEVELING JACK HARNESS	C
1	1001125677	1	Connector, 2 x 6 Bussbar (DT)	
2	4460892	2	Terminal, 6 Position Bussbar (DT)	
101	4460950	1	Receptacle, Female - 12 Position	
101	4460464	8	Pin, Male	
101	4460466	4	Plug, Terminal	
102	4460933	1	Plug, Male - 12 Position	
102	4460465	10	Socket, Female	
102	4460466	2	Plug, Terminal	
103	4460539	4	Plug, Male - 3 Position	
103	4460465	12	Socket, Female	
104	4460911	4	Connector - 3 Position	
104	1001116694	12	Terminal	
105	4460891	4	Plug, Male - 2 Position	
105	4460465	8	Socket, Female	
106	4460970	1	Receptacle - 12 Position	
106	4460464	12	Pin, Male	
107	4460894	2	Plug, Male - 6 Position	
107	4460465	10	Socket, Female	
107	4460466	2	Plug, Terminal	

SECTION 8 - ELECTRICAL

FIGURE 8-21. LIFT DOWN HARNESS



ART_1001248895

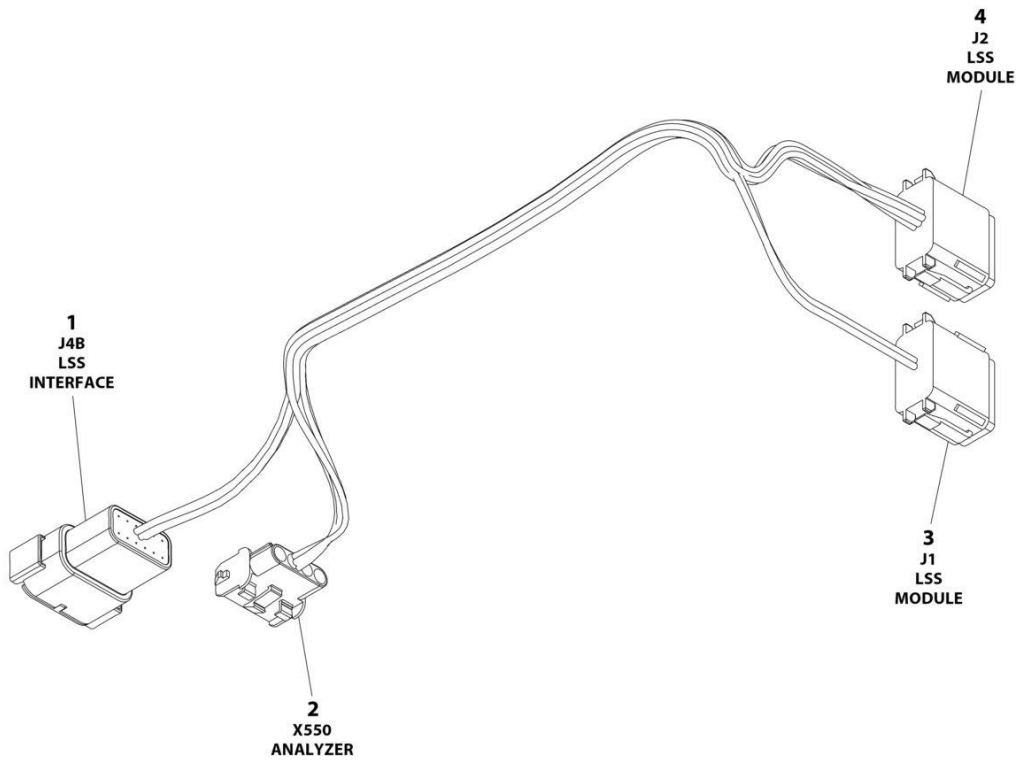
SECTION 8 - ELECTRICAL

FIGURE 8-21. LIFT DOWN HARNESS

ITEM	PART NUMBER	QTY	DESCRIPTION	REV
	1001248895	Ref	LIFT DOWN HARNESS	A
1	4460891	2	Plug, Male - 2 Position	
1	4460465	4	Socket, Female	

SECTION 8 - ELECTRICAL

FIGURE 8-22. LSS HARNESS



ART_1001226830

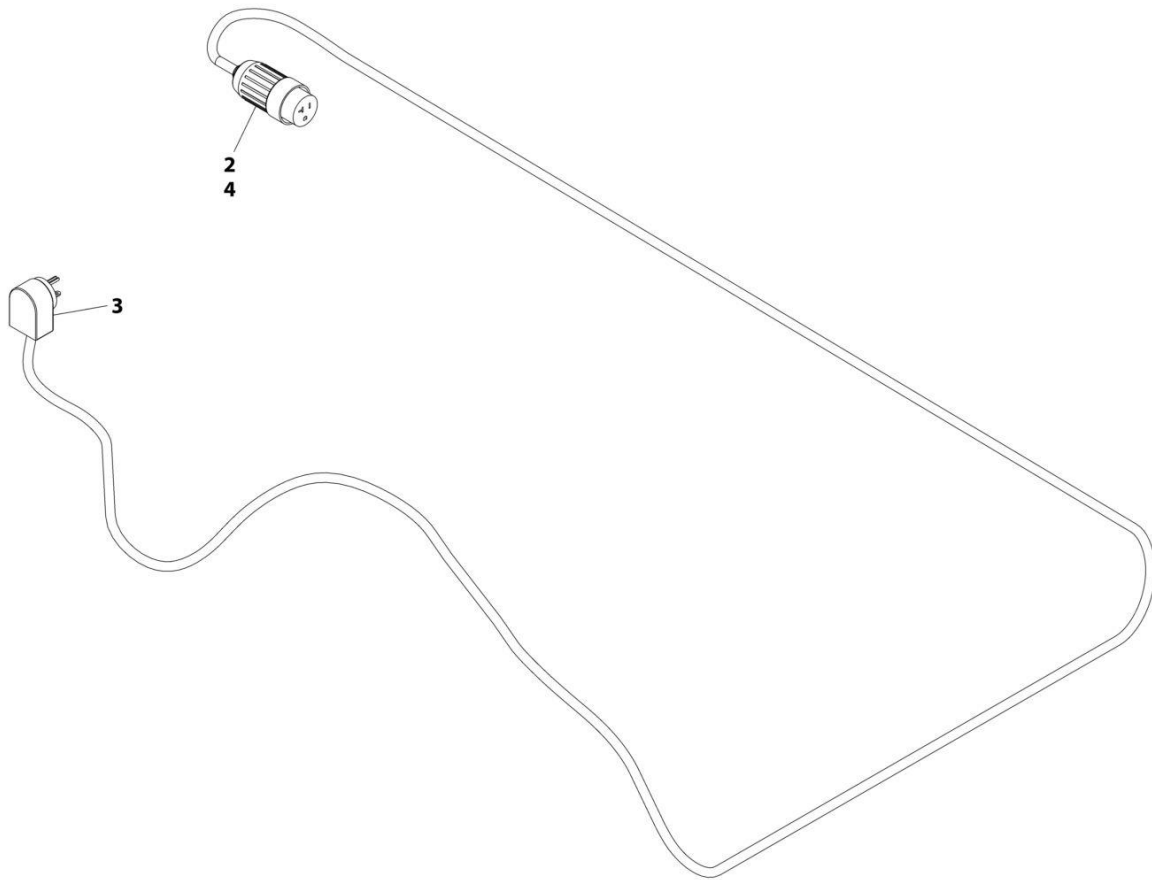
SECTION 8 - ELECTRICAL

FIGURE 8-22. LSS HARNESS

ITEM	PART NUMBER	QTY	DESCRIPTION	REV
	1001226830	Ref	LSS HARNESS	A
1	1001132170	1	Connector - 12 Position	
1	4460929	2	Pin, Male	
1	4460917	2	Pin, Male	
1	4460518	8	Plug, Terminal	
2	4460761	1	Receptacle, Female - 4 Position	
2	4460294	4	Pin, Male	
3	4460933	1	Connector - 12 Position	
3	4460465	2	Socket, Female	
3	4460466	10	Plug, Terminal	
4	4460836	1	Connector - 12 Position	
4	4460465	5	Socket, Female	
4	4460944	2	Socket, Female	
4	4460466	5	Plug, Terminal	

SECTION 8 - ELECTRICAL

FIGURE 8-23. ONBOARD GENERATOR CABLE



ART_1001266233

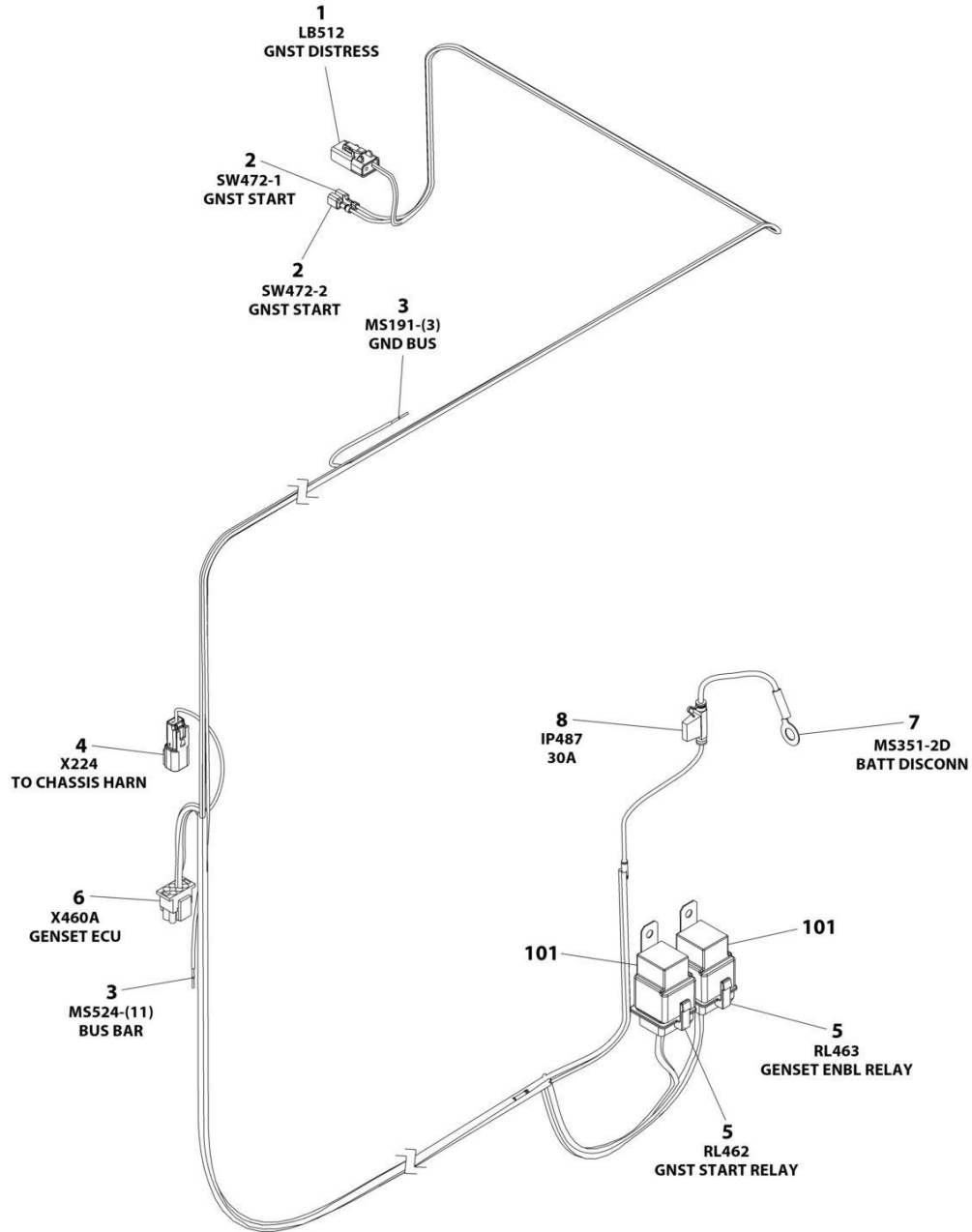
SECTION 8 - ELECTRICAL

FIGURE 8-23. ONBOARD GENERATOR CABLE

ITEM	PART NUMBER	QTY	DESCRIPTION	REV
	1001266233	Ref	ONBOARD GENERATOR CABLE	A
2	1001156351	1	Cover, Connector	
3	1001265225	1	Plug	
4	1001265226	1	Connector	

SECTION 8 - ELECTRICAL

FIGURE 8-24. MECHRON GENSET HARNESS



ART_1001255067

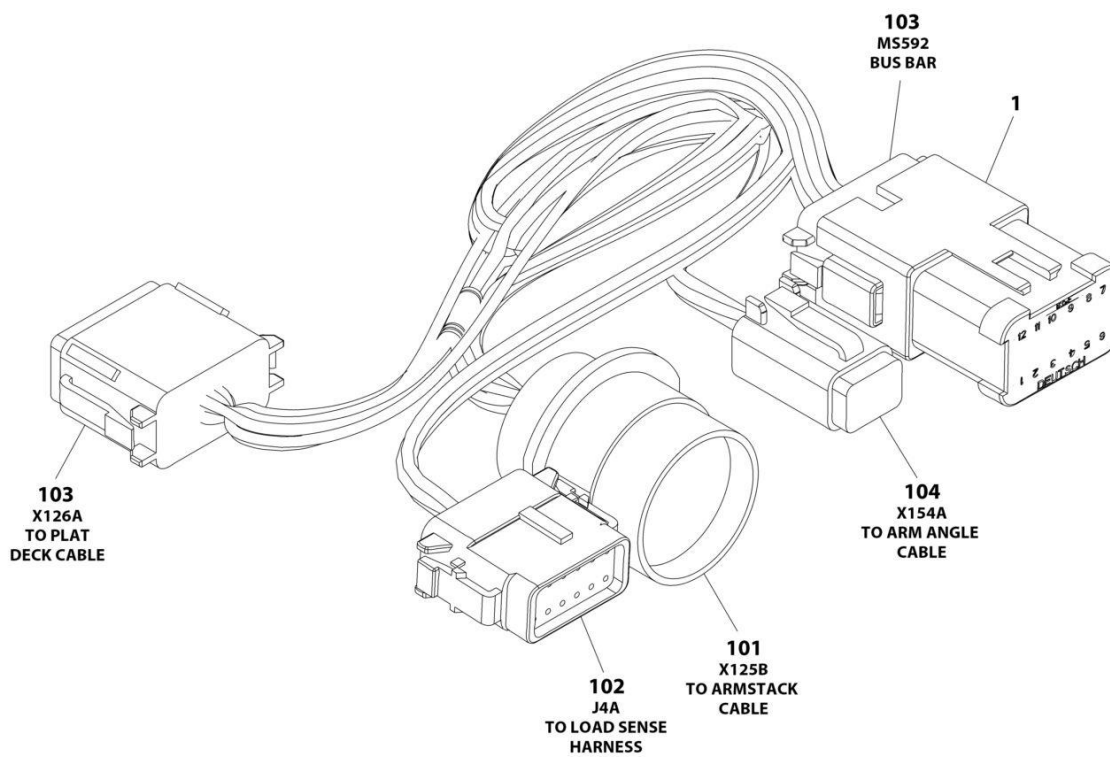
SECTION 8 - ELECTRICAL

FIGURE 8-24. MECHRON GENSET HARNESS

ITEM	PART NUMBER	QTY	DESCRIPTION	REV
	1001255067	Ref	MECHRON GENSET HARNESS	B
1	1001126245	1	Connector - 2 Position	
1	4460928	2	Terminal	
2	1001194421	2	Terminal, Female	
3	4460465	2	Socket, Female	
4	4460897	1	Receptacle, Female - 2 Position	
4	4460464	1	Pin, Male	
4	4460466	1	Plug, Terminal	
5	4460374	2	Connector	
5	1001116734	4	Terminal	
5	1001116732	4	Terminal	
5	1001128128	2	Plug, Terminal	
6	4460225	1	Connector - 6 Position	
6	4460705	2	Pin, Male	
6	1001118378	3	Pin, Male	
7	1001117110	1	Terminal, Ring	
8	1001170763	1	Fuseholder with 30Amp Fuse	
8	1001170762	1	Fuse 30Amp	
101	1001171295	2	Relay	

SECTION 8 - ELECTRICAL

FIGURE 8-25. PLATFORM HARNESS



ART_1001264939

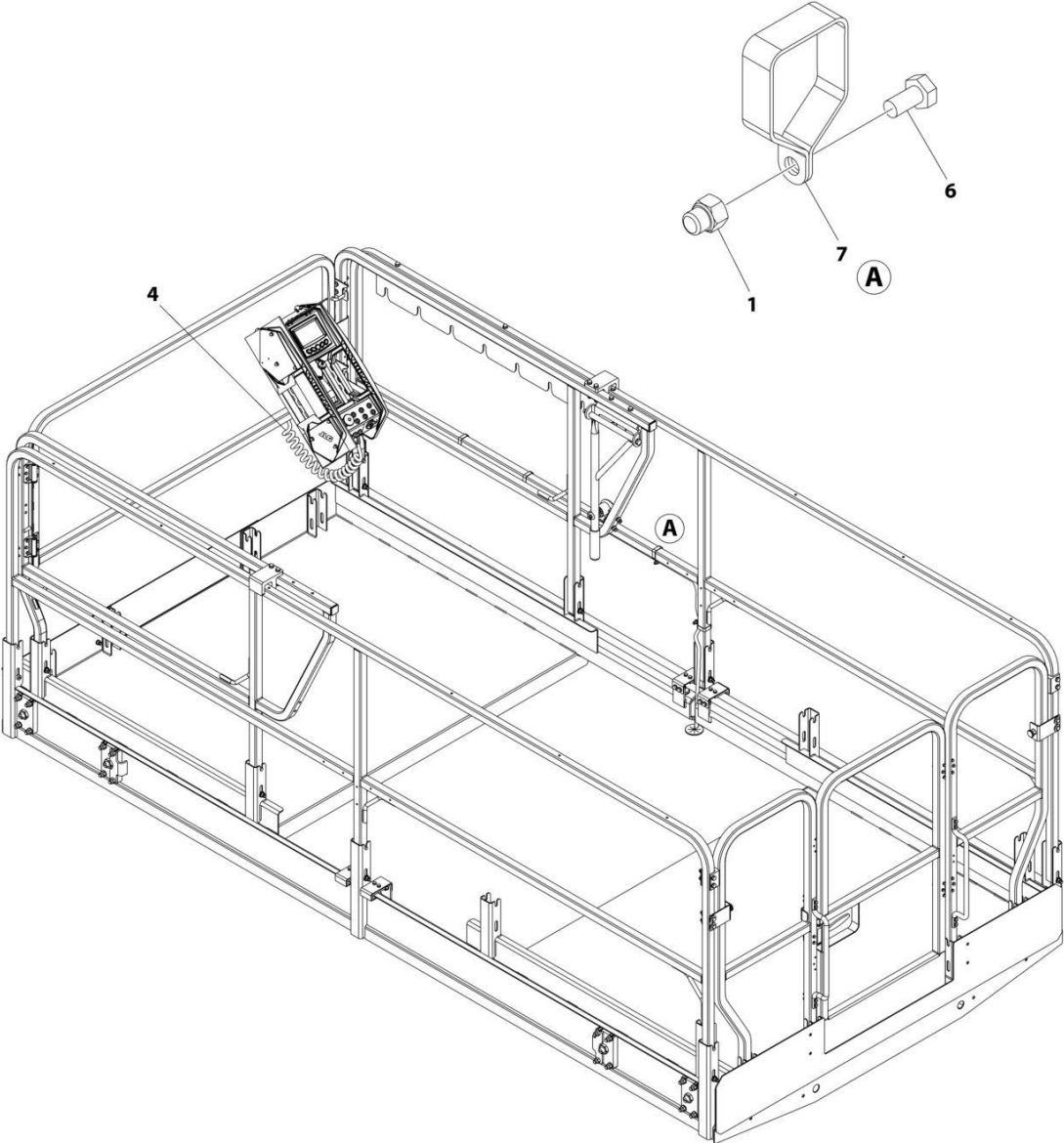
SECTION 8 - ELECTRICAL

FIGURE 8-25. PLATFORM HARNESS

ITEM	PART NUMBER	QTY	DESCRIPTION	REV
	1001264939	Ref	PLATFORM HARNESS	C
1	1001119020	1	Connector, Bussbar	
101	4460752	1	Connector - 14 Position	
101	4460464	8	Pin, Male	
101	4460943	2	Pin, Male	
101	4460466	4	Plug, Terminal	
102	1001116808	1	Connector - 12 Position	
102	4460928	2	Terminal	
102	4460918	2	Terminal	
102	4460518	8	Plug, Terminal	
103	4460933	2	Plug, Male - 12 Position	
103	4460465	21	Socket, Female	
103	4460466	3	Plug, Terminal	
104	4460884	1	Plug, Male - 4 Position	
104	4460465	4	Socket, Female	

SECTION 8 - ELECTRICAL

FIGURE 8-26. PLATFORM CABLE INSTALLATION – WITHOUT FOOTSWITCH



ART_1001254820

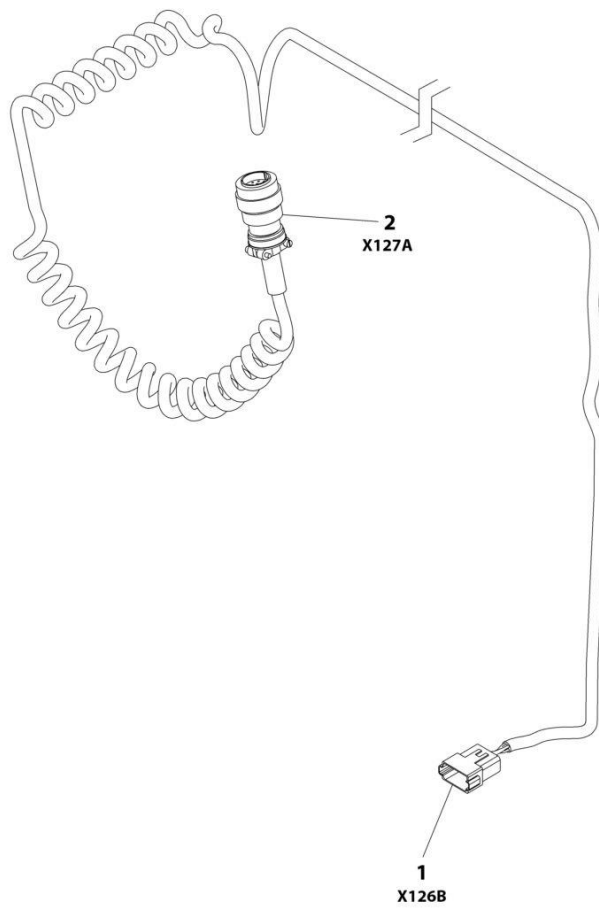
SECTION 8 - ELECTRICAL

FIGURE 8-26. PLATFORM CABLE INSTALLATION – WITHOUT FOOTSWITCH

ITEM	PART NUMBER	QTY	DESCRIPTION	REV
	1001254820	Ref	PLATFORM CABLE INSTALLATION – WITHOUT FOOTSWITCH	D
1	3290606	5	Nut M6 x 1	
4	1001249048	1	Cable, Platform Deck (See Separate Breakdown in this Section)	
6	0760606	5	Bolt M6 x 12	
7	1001220668	5	Clamp, Platform Cable Post	
8	4240018	1	Tie Strap (Not Shown)	

SECTION 8 - ELECTRICAL

FIGURE 8-27. PLATFORM CABLE HARNESS – WITHOUT FOOTSWITCH



ART_1001249048

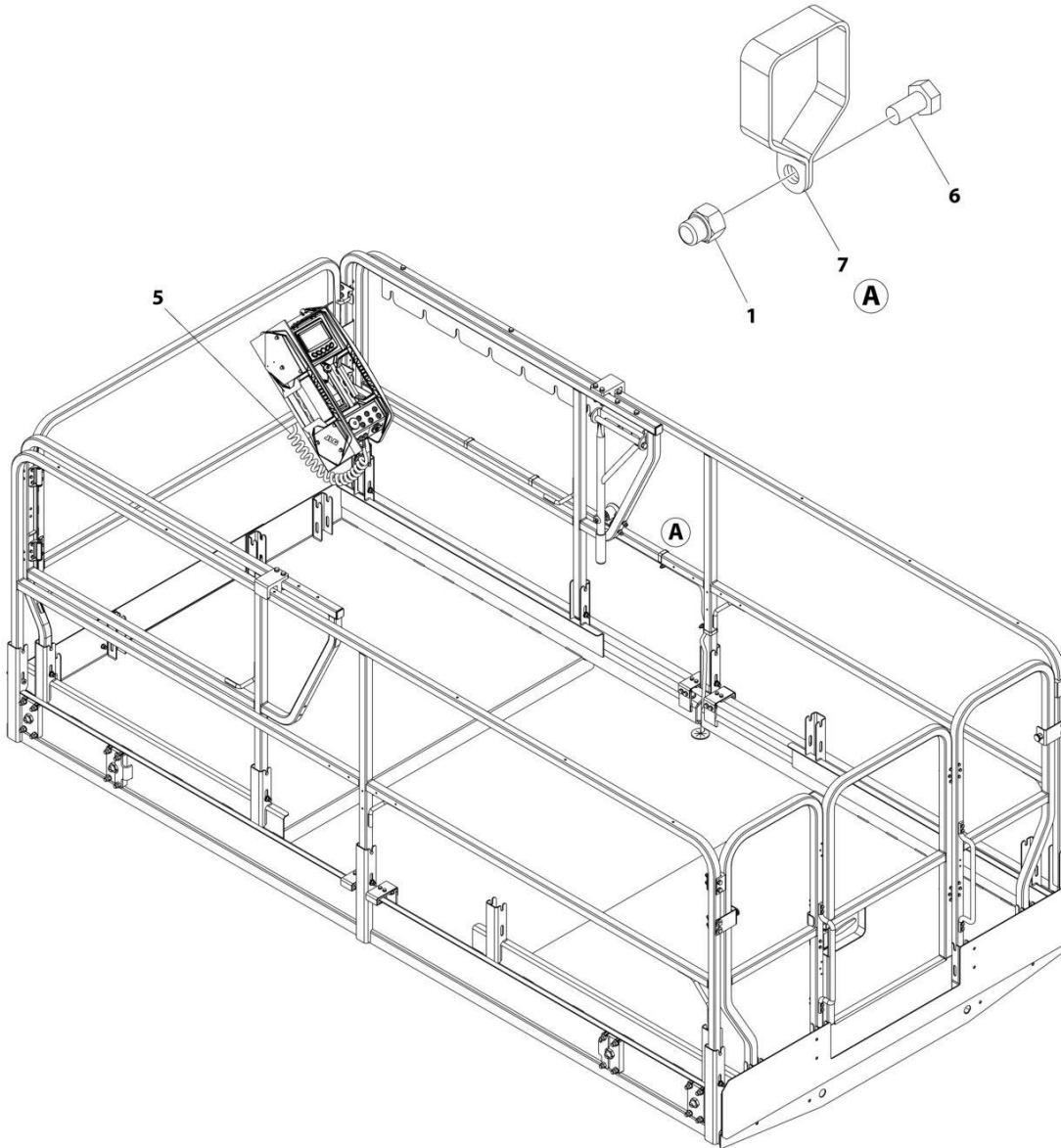
SECTION 8 - ELECTRICAL

FIGURE 8-27. PLATFORM CABLE HARNESS – WITHOUT FOOTSWITCH

ITEM	PART NUMBER	QTY	DESCRIPTION	REV
	1001249048	Ref	PLATFORM MODULE HARNESS – WITHOUT FOOTSWITCH	D
1	4460970	1	Plug, Male - 12 Position	
1	4460464	8	Pin, Male	
1	4460943	2	Pin, Male	
1	4460466	2	Plug, Terminal	
1	1001249190	1	Boot	
2	4460754	1	Receptacle, Female - 14 Position	
2	4460465	8	Socket, Femaile	
2	4460944	2	Socket, Femaile	
2	4460466	4	Plug, Terminal	

SECTION 8 - ELECTRICAL

FIGURE 8-28. PLATFORM CABLE INSTALLATION – WITH FOOTSWITCH



ART_1001258923

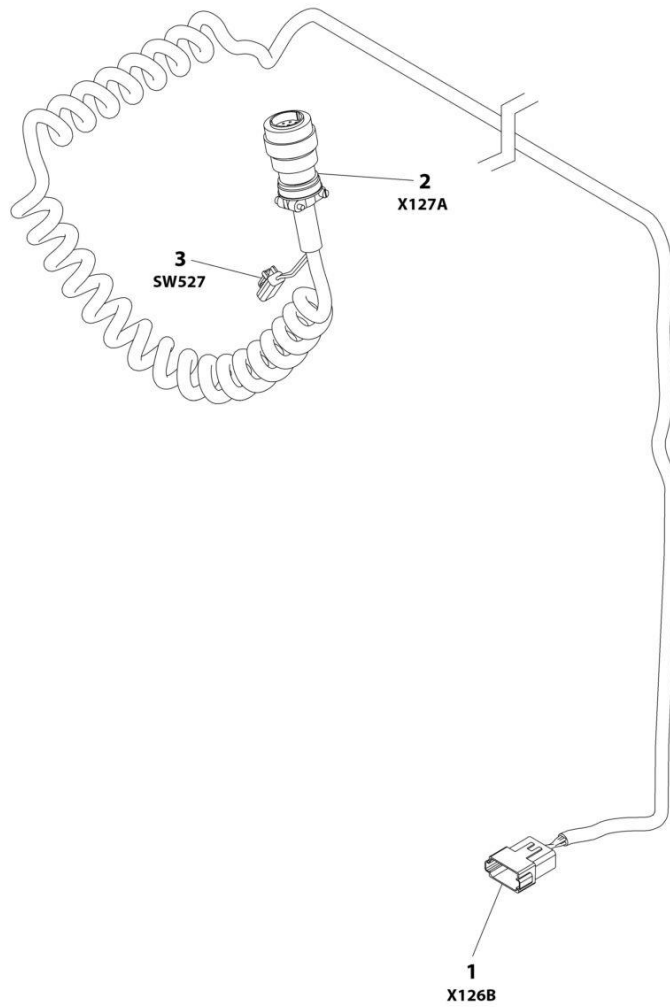
SECTION 8 - ELECTRICAL

FIGURE 8-28. PLATFORM CABLE INSTALLATION – WITH FOOTSWITCH

ITEM	PART NUMBER	QTY	DESCRIPTION	REV
	1001258923	Ref	PLATFORM CABLE INSTALLATION – WITH FOOTSWITCH	C
1	3290606	5	Nut M6 x 1	
5	1001258223	1	Harness, Platform Deck (See Separate Breakdown in this Section)	
6	0760606	5	Bolt M6 x 12	
7	1001220668	5	Clamp, Platform Cable Post	
8	4240018	1	Tie Strap (Not Shown)	

SECTION 8 - ELECTRICAL

FIGURE 8-29. PLATFORM CABLE HARNESS – WITH FOOTSWITCH



ART_1001258223

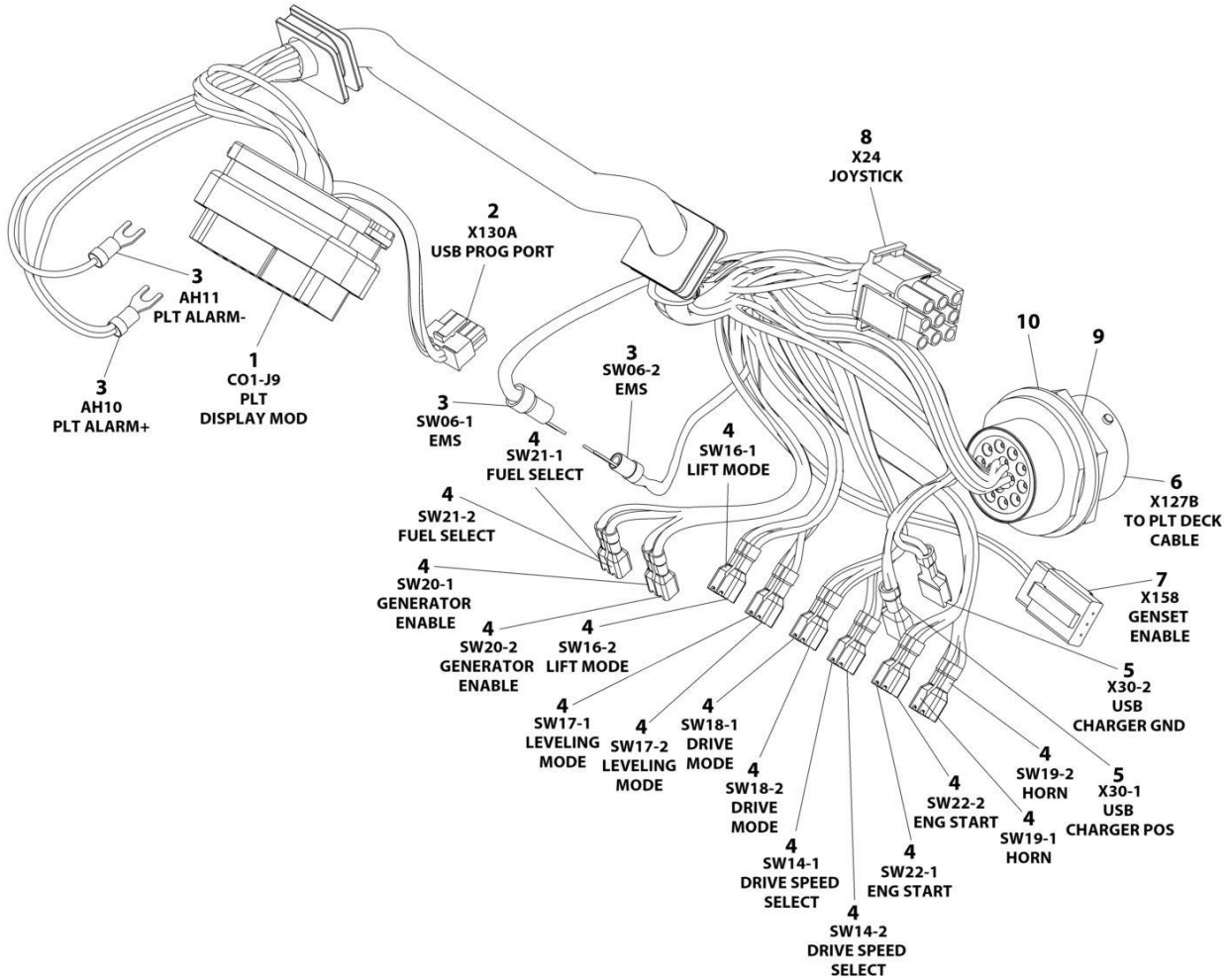
SECTION 8 - ELECTRICAL

FIGURE 8-29. PLATFORM CABLE HARNESS – WITH FOOTSWITCH

ITEM	PART NUMBER	QTY	DESCRIPTION	REV
	1001258223	Ref	PLATFORM MODULE HARNESS – WITH FOOTSWITCH	B
1	4460970	1	Plug, Male - 12 Position	
1	4460464	7	Pin, Male	
1	4460943	2	Pin, Male	
1	4460466	3	Plug, Terminal	
1	1001249190	1	Boot	
2	4460754	1	Receptacle, Female - 14 Position	
2	4460465	9	Socket, Female	
2	4460944	2	Socket, Female	
2	4460466	3	Plug, Terminal	
3	4460891	1	Plug, Male - 4 Position	
3	4460465	2	Socket, Female	

SECTION 8 - ELECTRICAL

FIGURE 8-30. PLATFORM CONTROL BOX HARNESS



ART_1001249049

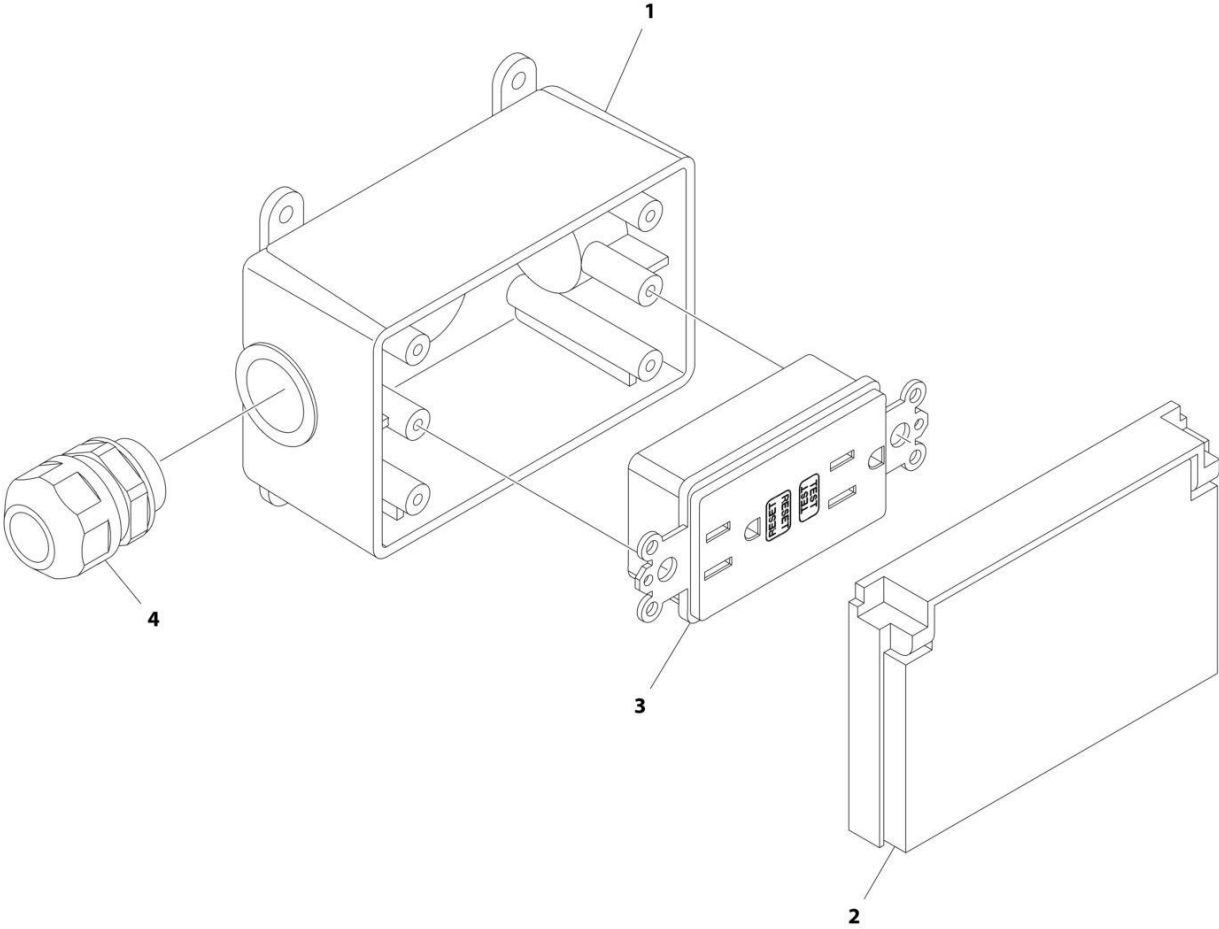
SECTION 8 - ELECTRICAL

FIGURE 8-30. PLATFORM CONTROL BOX HARNESS

ITEM	PART NUMBER	QTY	DESCRIPTION	REV
	1001249049	Ref	PLATFORM CONSOLE BOX HARNESS	G
1	4460873	1	Connector - 35 Position	
1	4460871	28	Pin, Male	
1	4460905	7	Plug, Terminal	
2	1001150735	1	Connector - 10 Position	
2	1001150889	5	Terminal	
3	4460183	4	Terminal, Fork	
4	1001201885	16	Receptacle, Female - 2 Position	
5	8220051	2	Terminal	
6	4461016	1	Connector - 14 Position	
6	4460464	11	Socket, Female	
6	4460466	1	Plug, Terminal	
6	4460943	2	Bussbar	
7	4460911	1	Plug, Male - 3 Position	
7	4460918	3	Terminal	
8	4460265	1	Plug, Male - 9 Position	
8	4460267	7	Terminal	
9	1001125784	1	Washer	
10	4460497	1	Terminal, Nut	

SECTION 8 - ELECTRICAL

FIGURE 8-31. RECEPTACLE BOX KIT - 110V GFI



ART_2902431

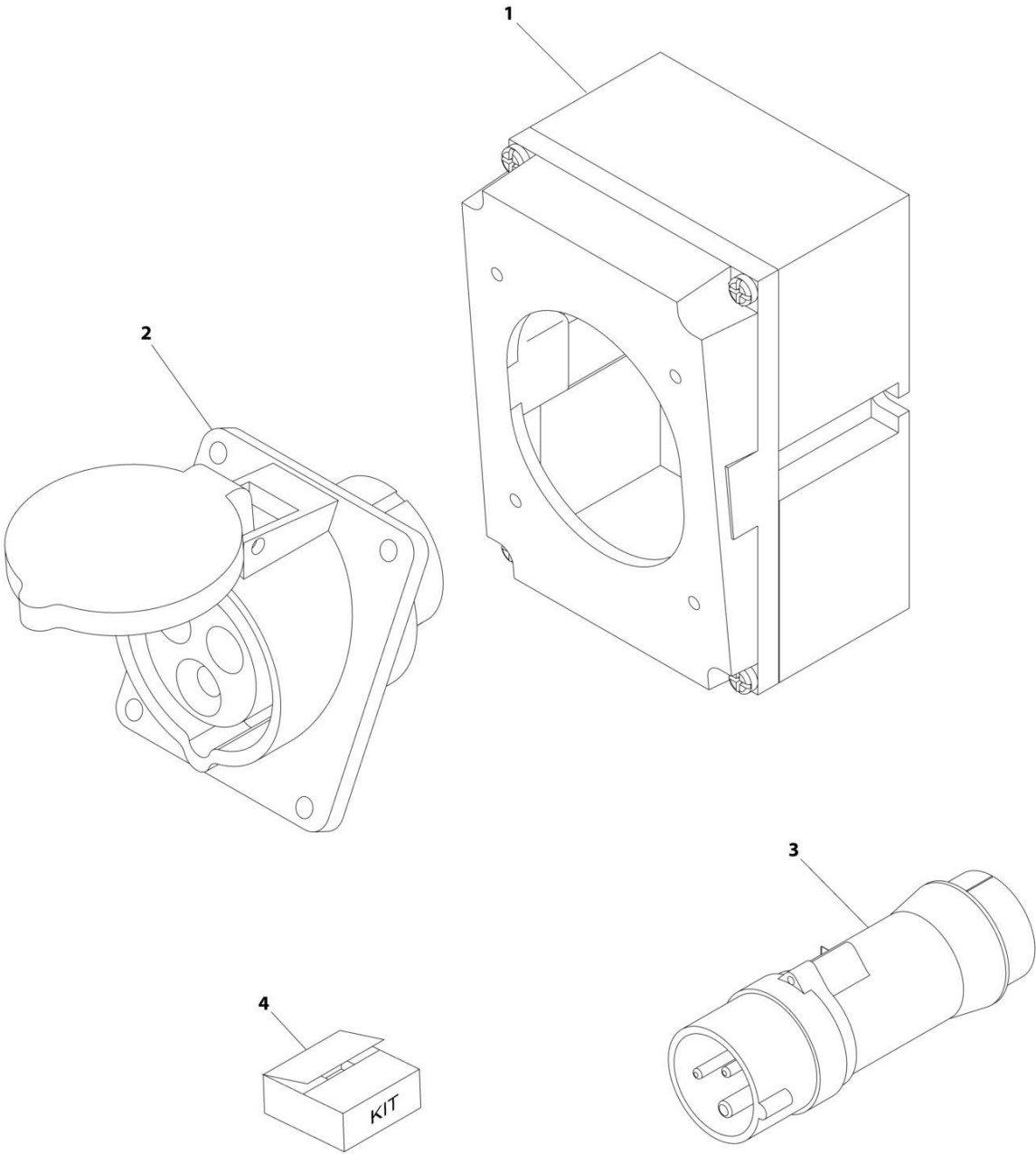
SECTION 8 - ELECTRICAL

FIGURE 8-31. RECEPTACLE BOX KIT - 110V GFI

ITEM	PART NUMBER	QTY	DESCRIPTION	REV
	2902431	Ref	RECEPTACLE BOX KIT - 110V GFI	D
1	0861731	1	Box, Receptacle	
2	1671207	1	Cover, Receptacle	
3	4460346	1	Receptacle	
4	4460662	1	Connector, Strain Relief	

SECTION 8 - ELECTRICAL

FIGURE 8-32. RECEPTACLE BOX KIT - 110V IEC YELLOW (CE & UK CA SPECS)



ART_0275216

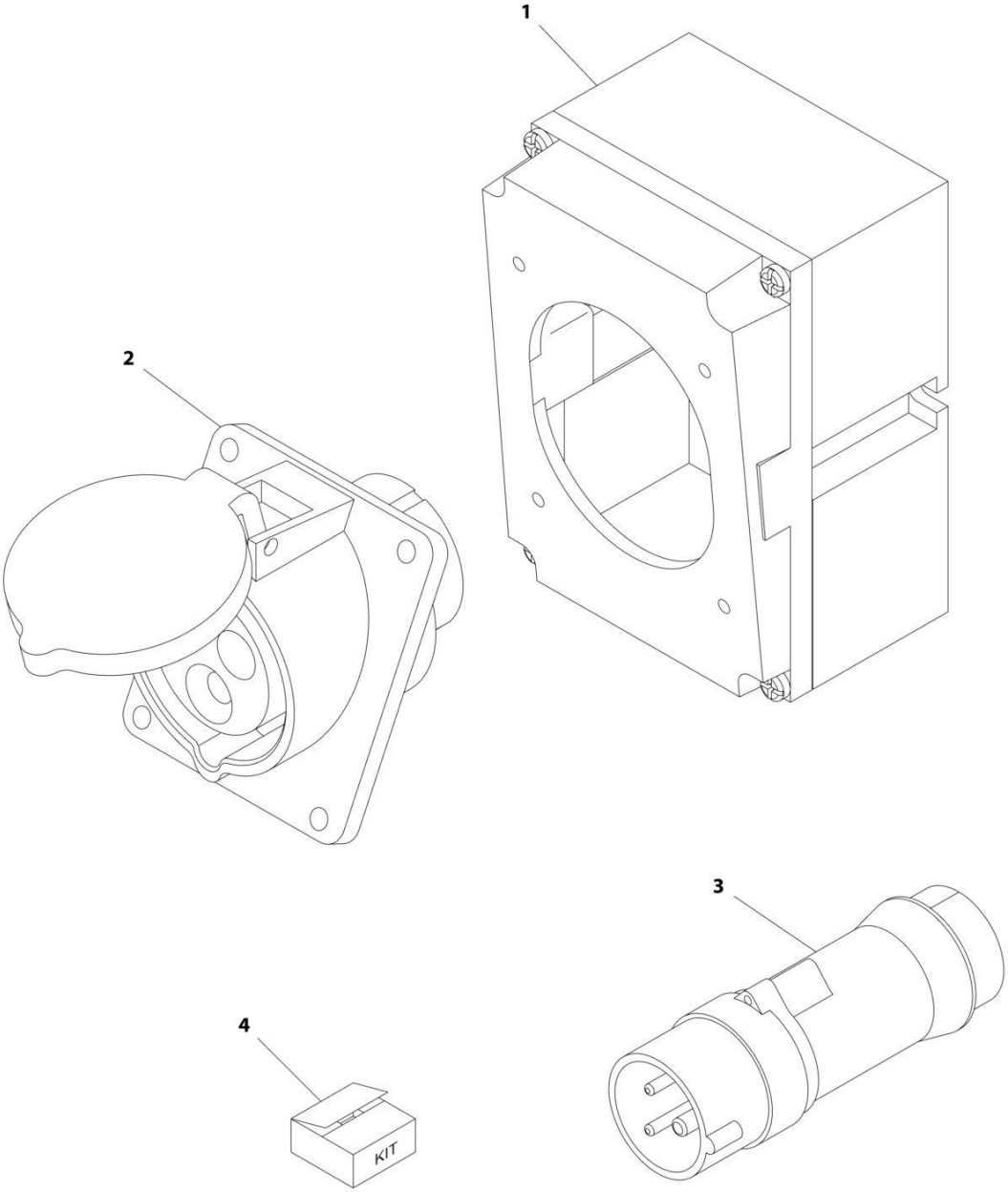
SECTION 8 - ELECTRICAL

FIGURE 8-32. RECEPTACLE BOX KIT - 110V IEC YELLOW (CE & UK CA SPECS)

ITEM	PART NUMBER	QTY	DESCRIPTION	REV
	0275216	Ref	RECEPTACLE BOX KIT - 110V IEC YELLOW	B
1	0861781	1	Box, Switch	
2	4461198	1	Receptacle	
3	4461196	1	Plug, Male	
4	1001100341	1	Plug and Socket Kit (Includes Items 1-3 and Female Plug p/n 4461197)	

SECTION 8 - ELECTRICAL

FIGURE 8-33. RECEPTACLE BOX KIT - 220V IEC BLUE (CE & UK CA SPECS)



ART_0275217

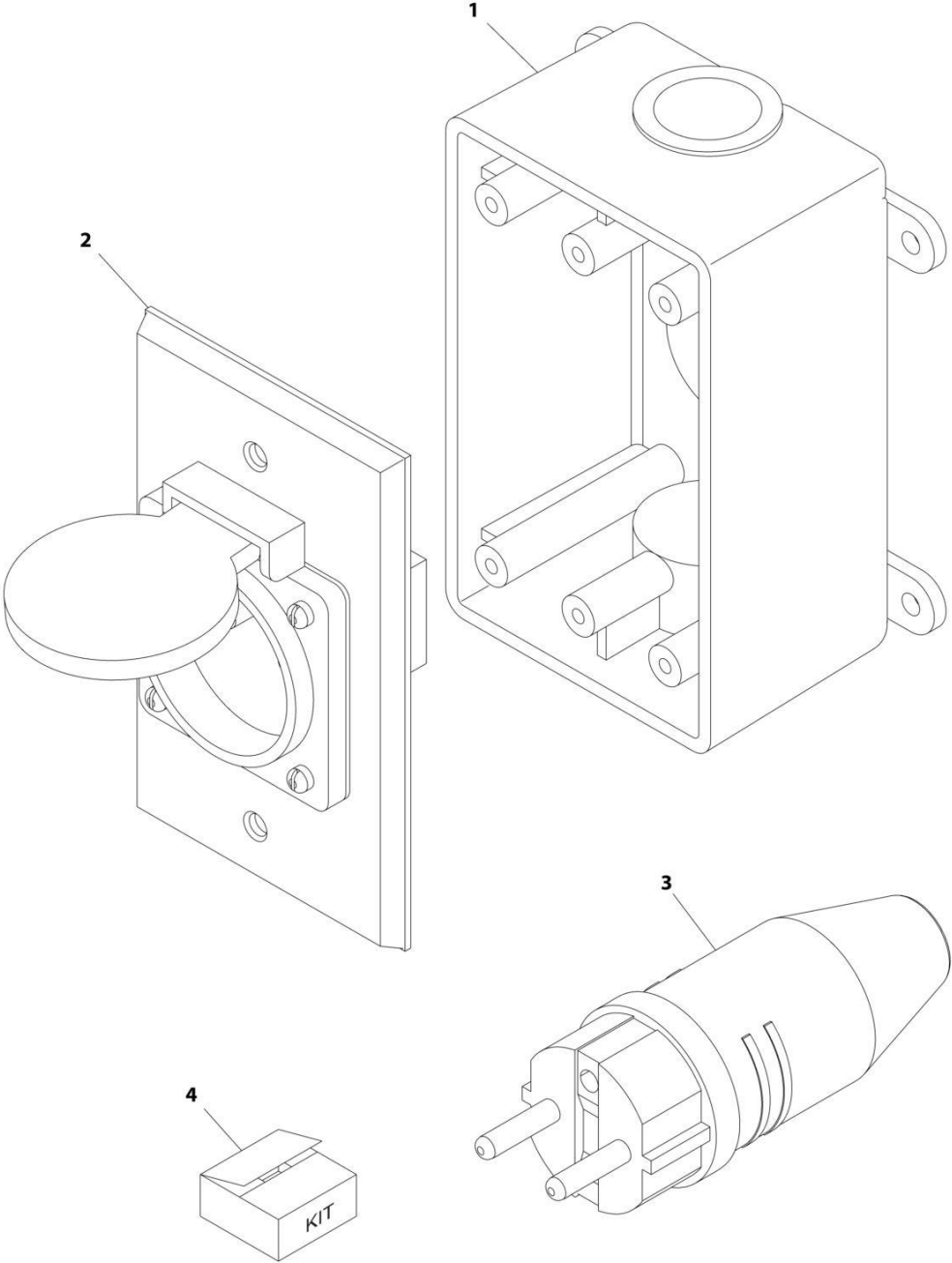
SECTION 8 - ELECTRICAL

FIGURE 8-33. RECEPTACLE BOX KIT - 220V IEC BLUE (CE & UK CA SPECS)

ITEM	PART NUMBER	QTY	DESCRIPTION	REV
	0275217	Ref	RECEPTACLE BOX KIT - 220V IEC BLUE	B
1	0861781	1	Box, Switch	
2	4461201	1	Receptacle	
3	4461199	1	Plug, Male	
4	1001100342	1	Plug and Socket Kit (Includes Items 1-3 and Female Plug p/n 4461200)	

SECTION 8 - ELECTRICAL

FIGURE 8-34. RECEPTACLE BOX KIT - 220V CEE7 POST GROUND (CE & UK CA SPECS)



ART_0275452-C

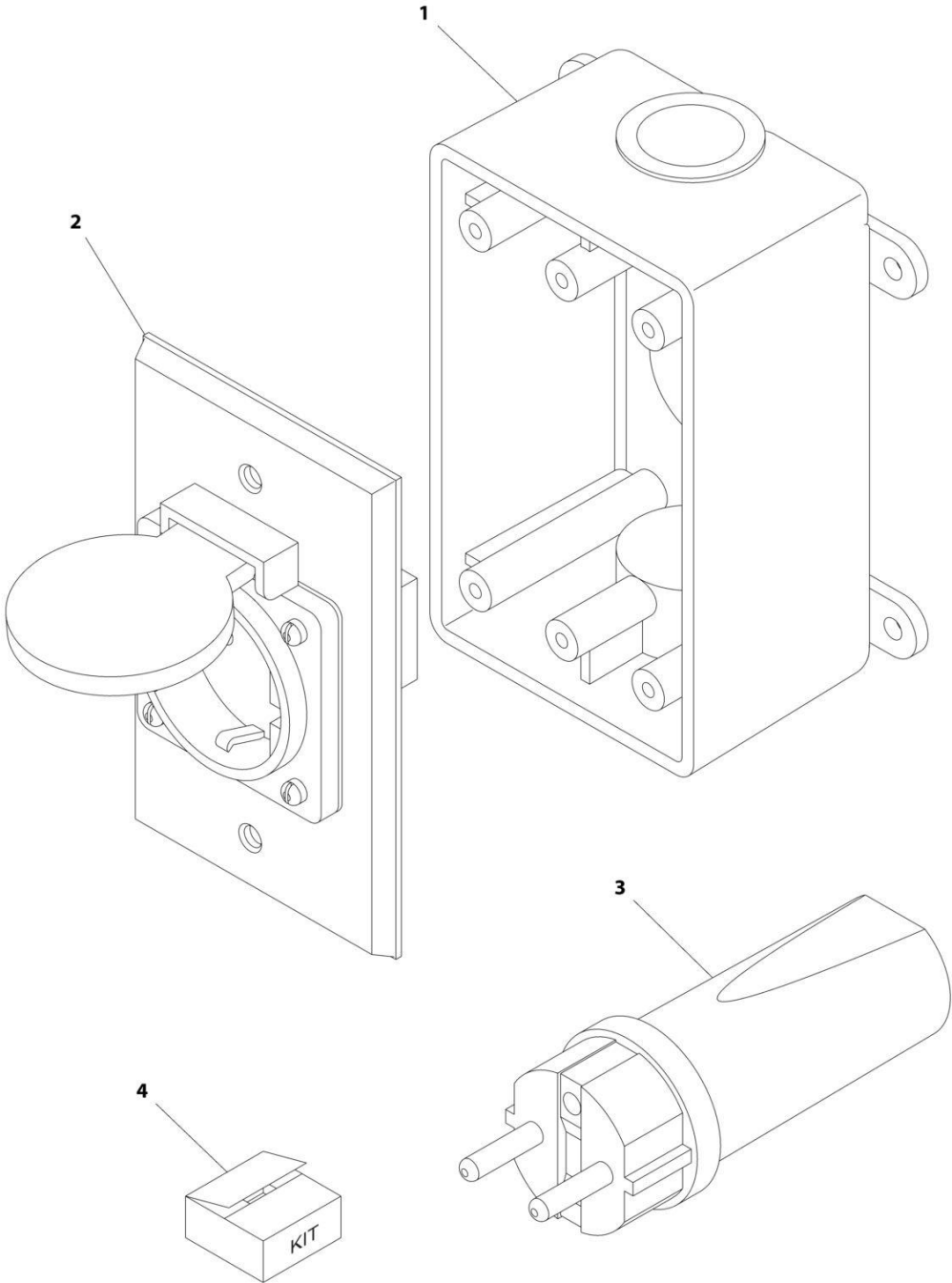
SECTION 8 - ELECTRICAL

FIGURE 8-34. RECEPTACLE BOX KIT - 220V CEE7 POST GROUND (CE & UK CA SPECS)

ITEM	PART NUMBER	QTY	DESCRIPTION	REV
	0275452	Ref	RECEPTACLE BOX KIT - 220V CEE7 POST GROUND 2IN X 4IN BOX	C
1	0861731	1	Box, Switch	
2	4461244	1	Receptacle	
3	4461205	1	Plug, Male	
4	1001100345	1	Plug and Socket Kit (Includes Items 1-3 and Female Plug p/n 4461203)	

SECTION 8 - ELECTRICAL

FIGURE 8-35. RECEPTACLE BOX KIT - 220V CEE7 SIDE GROUND (CE & UK CA SPECS)



ART_0275453

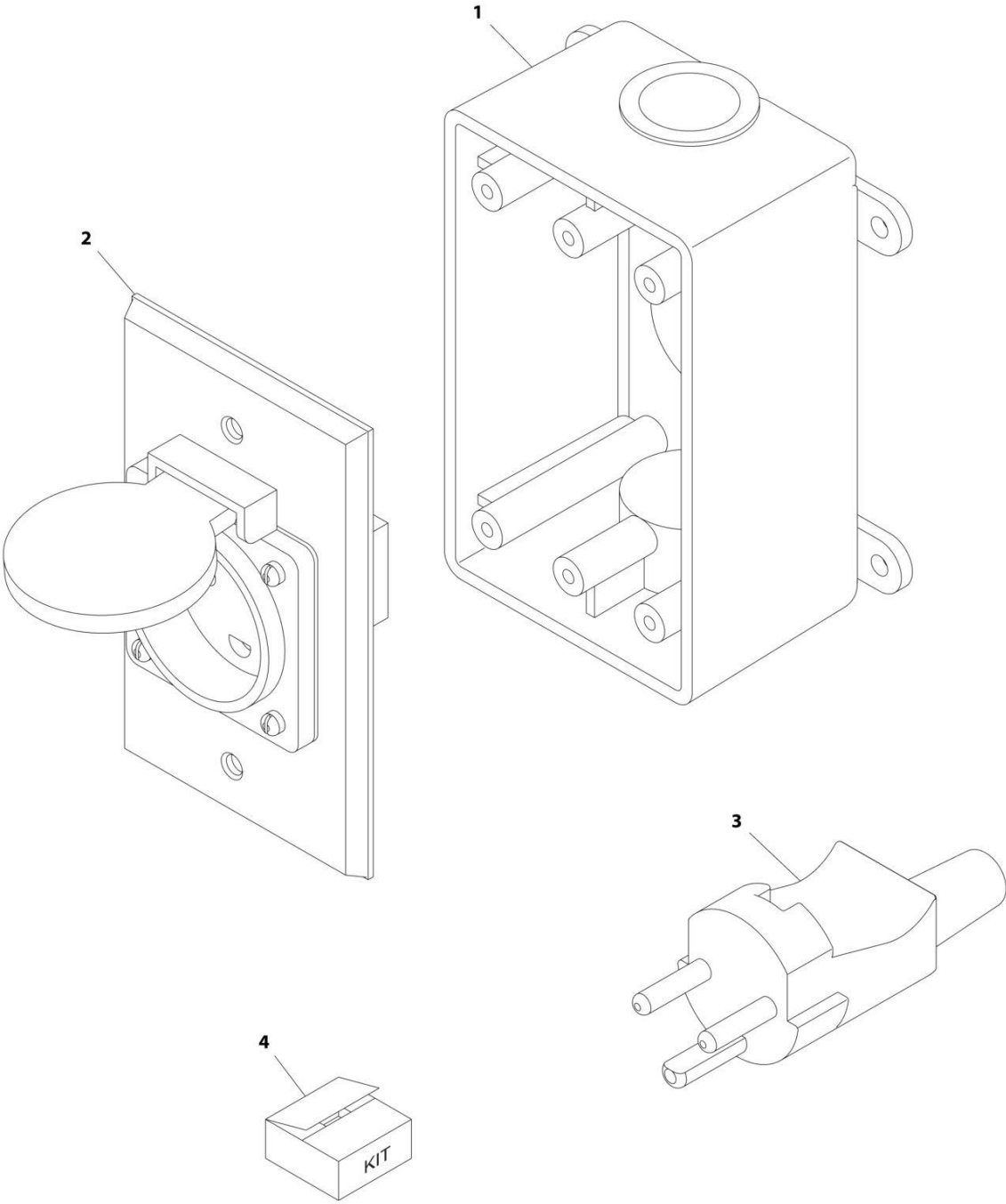
SECTION 8 - ELECTRICAL

FIGURE 8-35. RECEPTACLE BOX KIT - 220V CEE7 SIDE GROUND (CE & UK CA SPECS)

ITEM	PART NUMBER	QTY	DESCRIPTION	REV
	0275453	Ref	RECEPTACLE BOX KIT - 220V CEE7 SIDE GROUND	B
1	0861731	1	Box, Switch	
2	4461245	1	Receptacle	
3	4461205	1	Plug, Male	
4	1001100347	1	Plug and Socket Kit (Includes Items 1-3 and Female Plug p/n 4461206)	

SECTION 8 - ELECTRICAL

FIGURE 8-36. RECEPTACLE BOX KIT - 220V AFSINT 107 (CE & UK CA SPECS)



ART_0275454

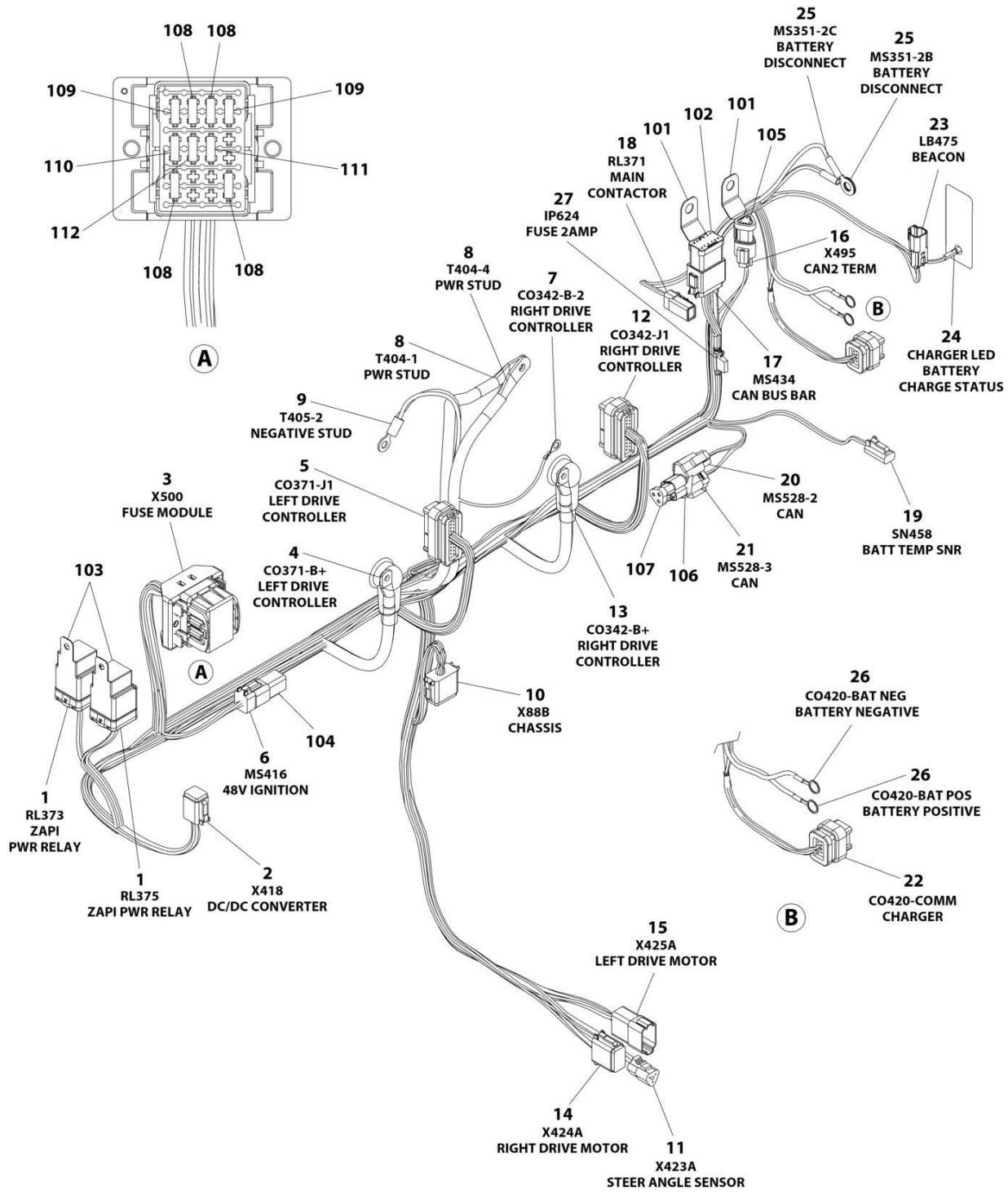
SECTION 8 - ELECTRICAL

FIGURE 8-36. RECEPTACLE BOX KIT - 220V AFSINT 107 (CE & UK CA SPECS)

ITEM	PART NUMBER	QTY	DESCRIPTION	REV
	0275454	Ref	RECEPTACLE BOX KIT - 220V AFSINT 107	B
1	0861731	1	Box, Switch	
2	4461246	1	Receptacle	
3	4461249	1	Plug, Male	
4	1001100346	1	Plug and Socket Kit (Includes Items 1-3 and Female Plug p/n 4461250)	

SECTION 8 - ELECTRICAL

FIGURE 8-37. TRACTION HARNESS



ART_1001255057

SECTION 8 - ELECTRICAL

FIGURE 8-37. TRACTION HARNESS

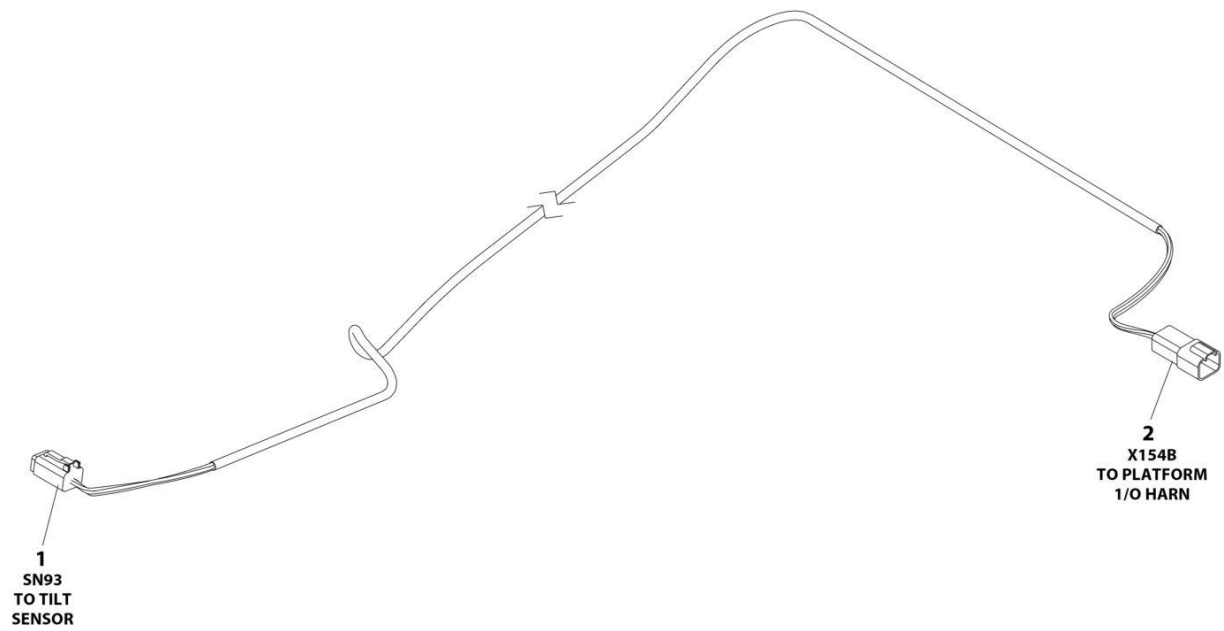
ITEM	PART NUMBER	QTY	DESCRIPTION	REV
	1001255057	Ref	TRACTION HARNESS	H
1	1001231398	2	Connector - 5 Position	
1	1001231400	4	Terminal	
1	1001231399	4	Terminal	
1	1001231406	2	Plug, Terminal	
1	1001231403	4	Seal, Terminal	
1	1001231404	4	Seal, Terminal	
2	4460894	1	Connector - 6 Position	
2	4460942	4	Socket, Female	
2	4460465	2	Socket, Female	
3	1001254035	1	Fuse Box Assembly	
3	1001166543	16	Terminal	
3	1001256109	2	Terminal	
3	4461008	6	Plug, Terminal	
3	4461054	12	Seal, Terminal	
3	1001126353	4	Seal, Terminal	
3	1001256116	2	Seal, Plug	
4	1001139524	1	Terminal, Ring	
5	4460873	1	Connector - 35 Position	
5	4460871	12	Terminal	
5	4460905	23	Plug, Terminal	
6	4460894	1	Plug, Male - 6 Position	
6	4460465	2	Socket, Female	
6	4460942	2	Socket, Female	
6	4460466	2	Plug, Terminal	
7	1001207173	1	Terminal, Ring	
8	1001117115	2	Terminal, Ring	
9	1001117107	1	Terminal, Ring	
10	4460933	1	Plug, Male - 12 Position	
10	4460465	4	Socket, Female	
10	4460944	4	Socket, Female	
10	1001157890	2	Socket, Female	
10	4460466	2	Plug, Terminal	
11	4460539	1	Plug, Male - 3 Position	
11	4460465	3	Socket, Female	
12	4460873	1	Connector - 35 Position	
12	4460871	15	Terminal	
12	4460905	20	Plug, Terminal	
13	1001139524	1	Terminal, Ring	
14	4460930	1	Plug, Male - 8 Position	
14	4460465	8	Socket, Female	
15	4460931	1	Receptacle, Female - 8 Position	
15	4460464	8	Pin, Male	
16	4461095	1	Plug, Male - 3 Position	
16	4460944	2	Socket, Female	
16	4460466	1	Plug, Terminal	
17	4460933	1	Plug, Male - 12 Position	
17	4460465	8	Socket, Female	
17	4460466	4	Plug, Terminal	
18	1001126245	1	Connector - 2 Position	

SECTION 8 - ELECTRICAL

ITEM	PART NUMBER	QTY	DESCRIPTION	REV
18	1001126008	1	Terminal	
19	4460891	1	Plug, Male - 2 Position	
19	4460465	2	Socket, Female	
20	4460539	1	Plug, Male - 3 Position	
20	4460944	2	Socket, Female	
20	4460466	1	Plug, Terminal	
21	1001116812	1	Plug, Male - 3 Position	
21	4460944	2	Socket, Female	
21	4460466	1	Plug, Terminal	
22	4460872	1	Connector - 14 Position	
22	4460871	6	Terminal	
22	4460905	8	Plug, Terminal	
23	4460897	1	Receptacle, Female - 2 Position	
23	4460464	2	Pin, Male	
24	1001250937	1	Cable, LED Indicator	
24	1001250886	1	Housing	
24	1001270272	1	Decal - Charge Indicator LED	
25	1001117110	2	Terminal, Ring	
26	4460019	2	Terminal, Ring	
27	1001170764	1	Fuse Holder	
27	1001196634	1	Fuse 2Amp	
101	1001120328	2	Mount	
102	1001125677	1	Bussbar - 12 Position	
103	1001171295	2	Relay	
104	4460892	1	Bussbar - 6 Position	
105	4461070	1	Connector - 3 Position	
106	4460945	1	Connector - 3 Way	
107	1001116815	1	Connector - 3 Position Plug	
108	1001170760	4	Fuse 10 Amp	
109	1001186489	2	Fuse 2 Amp	
110	1001253891	1	Fuse 7.5 Amp	
111	1001170761	1	Fuse 20 Amp	
112	1001170762	1	Fuse 30 Amp	

SECTION 8 - ELECTRICAL

FIGURE 8-38. TILT SENSOR HARNESS



ART_1001249091

SECTION 8 - ELECTRICAL

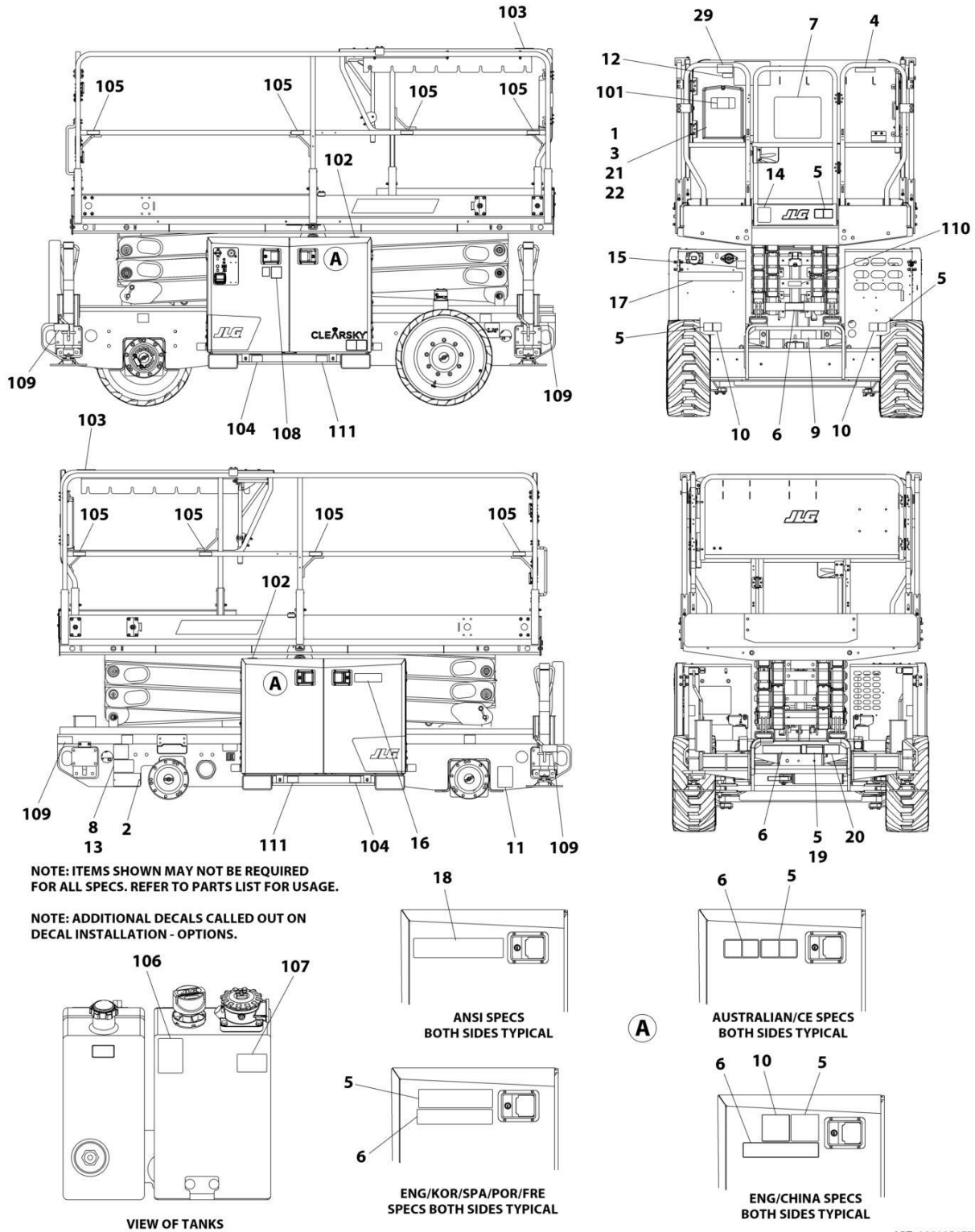
FIGURE 8-38. TILT SENSOR HARNESS

ITEM	PART NUMBER	QTY	DESCRIPTION	REV
	1001249091	Ref	TILT SENSOR HARNESS	C
1	4460884	1	Plug, Male - 4 Position	
1	4460944	4	Socket, Female	
2	4460932	1	Receptacle, Female - 4 Position	
2	4460464	4	Pin, Male	

SECTION 9 - DECALS

SECTION 9 - DECALS

FIGURE 9-1. DECAL INSTALLATION - ANSI SPECS (ENGLISH LANGUAGE)



ART_1001256771

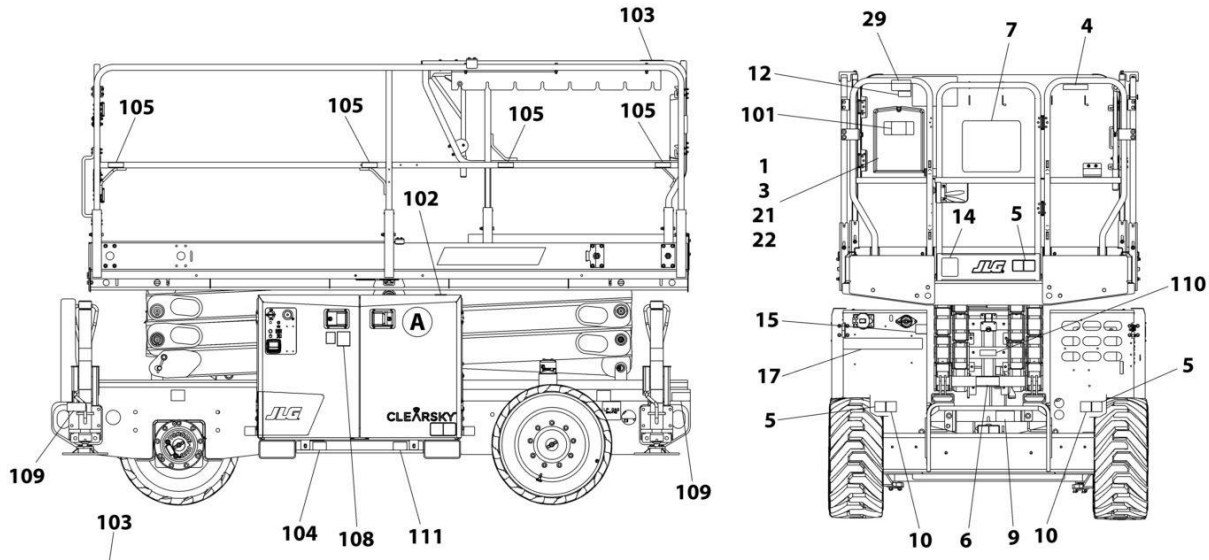
SECTION 9 - DECALS

FIGURE 9-1. DECAL INSTALLATION - ANSI SPECS (ENGLISH LANGUAGE)

ITEM	PART NUMBER	QTY	DESCRIPTION	REV
	1001256771	Ref	DECAL INSTALLATION	C
	1001256945	Ref	DECAL CHART DRAWING - ERT2669	G
	1001262071	Ref	DECAL CHART DRAWING - ERT3369	E
1	0760610	4	Bolt M6 x 20	
2	2080057	2	Fastener	
3	0860520	1	Box, Manual Storage	
4	1703821	1	Decal - Control Box Location	
5	1001211779	2	Decal - Electrocutation	
6	1001211777	2	Decal - Crushing Hazard	
7	1703816	1	Decal - Danger/Warning	
8	1001223055	1	Decal - Yearly Inspection	
9	1703822	1	Decal - Manual Descent Instruction	
11	1001131270	1	Decal - Patent	
12	1001223453	1	Decal - ICES	
15	1702155	1	Decal - Battery Disconnect	
16	1703813	1	Decal - Warning Battery Ventilation	
17	1001146794	1	Decal - Battery/Charger Service	
18	1703818	2	Decal - Warning Crushing Hazard/Danger Electrocutation	
19	1705695	1	Decal - Danger Electrocutation	
21	3290605	4	Nut M6	
22	4811700	8	Washer M6	
100	1001256763	1	Decal Master Kit (Not Shown)	
101	1701640	1	Decal - Manual	
102	1703687	2	Decal - Direction Arrow	
103	1703819	2	Decal - Direction Arrow	
104	1001265579	2	Decal - Fork Lift	
105	1704277	8	Decal - Lanyard Attach	
106	1704412	1	Decal - Hydraulic Oil Chart	
107	70046028	1	Decal - Hydraulic Oil Level	
108	1001094708	1	Decal - Hydraulic Oil	
109	1001162864	4	Decal - Lift Point/Tie Down	
110	1001256865	1	Decal - Arm Prop	
111	1001265580	2	Decal - Fork Lift	

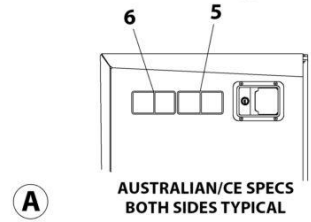
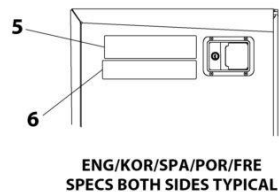
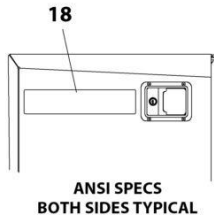
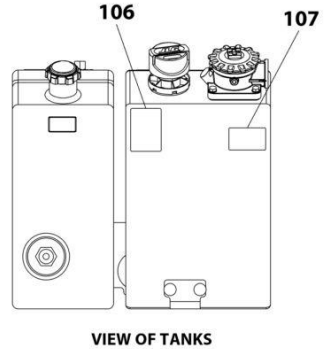
SECTION 9 - DECALS

FIGURE 9-2. DECAL INSTALLATION - AUSTRALIAN/CE & UK CA SPECS (ENGLISH LANGUAGE)

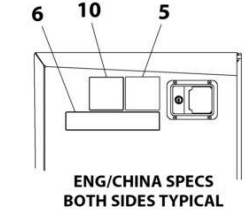


NOTE: ITEMS SHOWN MAY NOT BE REQUIRED FOR ALL SPECS. REFER TO PARTS LIST FOR USAGE.

NOTE: ADDITIONAL DECALS CALLED OUT ON DECAL INSTALLATION - OPTIONS.



(A)



ART_1001256778

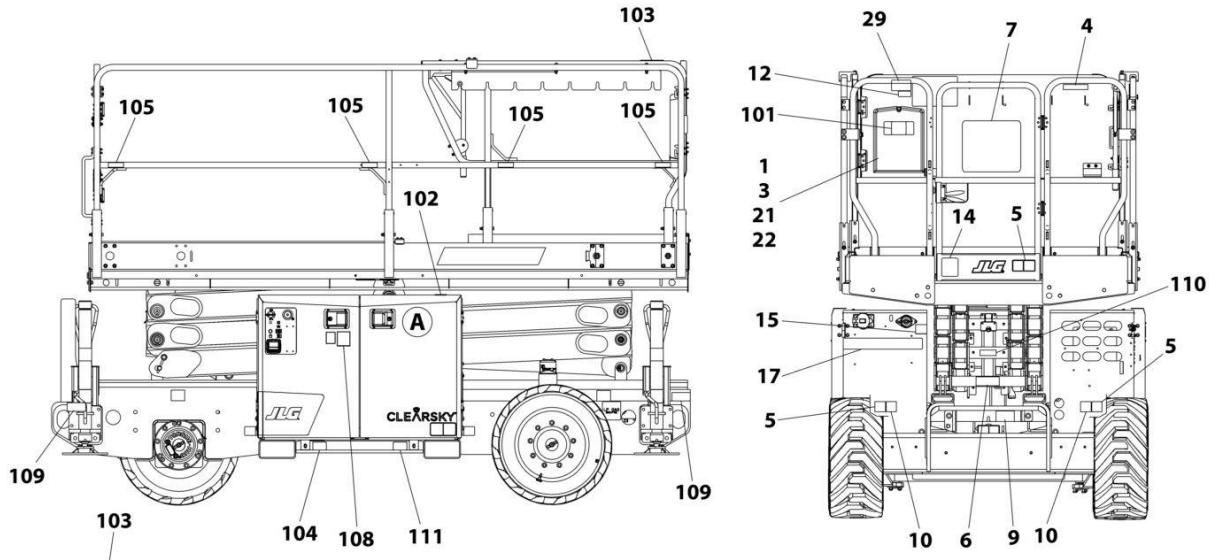
SECTION 9 - DECALS

FIGURE 9-2. DECAL INSTALLATION - AUSTRALIAN/CE & UK CA SPECS (ENGLISH LANGUAGE)

ITEM	PART NUMBER	QTY	DESCRIPTION	REV
	1001256778	Ref	DECAL INSTALLATION	C
	1001256945	Ref	DECAL CHART DRAWING - ERT2669	G
	1001262071	Ref	DECAL CHART DRAWING - ERT3369	E
1	0760610	4	Bolt M6 x 20	
2	2080057	4	Fastener	
3	0860520	1	Box, Manual Storage	
5	1705671	6	Decal - Electrocution	
6	1705673	4	Decal - Crushing	
9	1703822	1	Decal - Manual Descent Instruction	
13	1705670	2	Decal - Fire Hazard	
15	1702155	1	Decal - Battery Disconnect	
17	1001146794	1	Decal - Battery/Charger Service	
21	3290605	4	Nut M6	
22	4811700	8	Washer M6	
100	1001256763	1	Decal Master Kit (Not Shown)	
101	1701640	1	Decal - Manual	
102	1703687	2	Decal - Direction Arrow	
103	1703819	2	Decal - Direction Arrow	
104	1001265579	2	Decal - Fork Lift	
105	1704277	8	Decal - Lanyard Attach	
106	1704412	1	Decal - Hydraulic Oil Chart	
107	70046028	1	Decal - Hydraulic Oil Level	
108	1001094708	1	Decal - Hydraulic Oil	
109	1001162864	4	Decal - Lift Point/Tie Down	
110	1001256865	1	Decal - Arm Prop	
111	1001265580	2	Decal - Fork Lift	

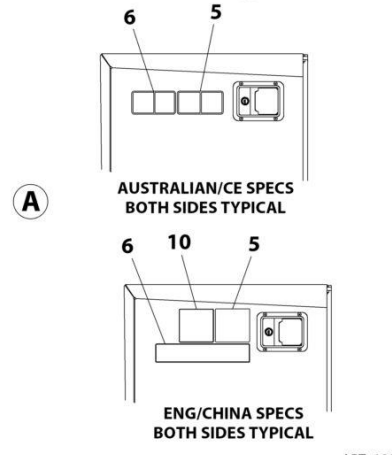
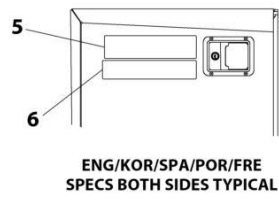
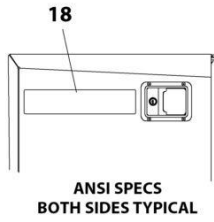
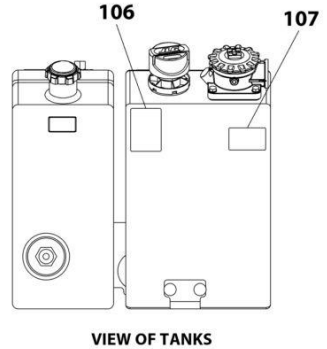
SECTION 9 - DECALS

FIGURE 9-3. DECAL INSTALLATION - BRAZIL SPECS (SPANISH/PORTUGUESE LANGUAGES)



NOTE: ITEMS SHOWN MAY NOT BE REQUIRED FOR ALL SPECS. REFER TO PARTS LIST FOR USAGE.

NOTE: ADDITIONAL DECALS CALLED OUT ON DECAL INSTALLATION - OPTIONS.



ART_1001256774

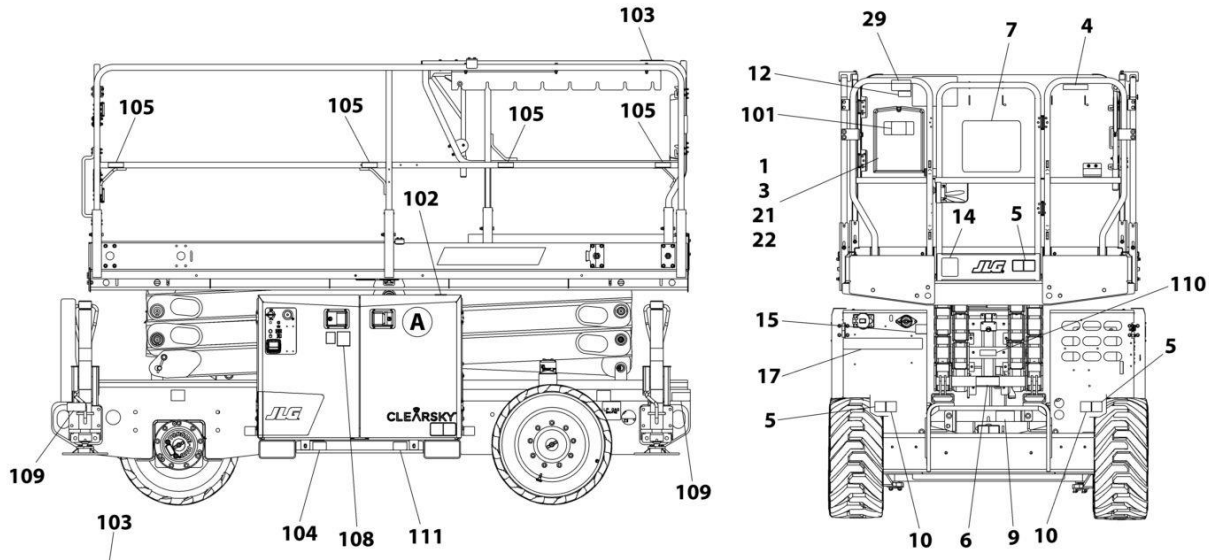
SECTION 9 - DECALS

FIGURE 9-3. DECAL INSTALLATION - BRAZIL SPECS (SPANISH/PORTUGUESE LANGUAGES)

ITEM	PART NUMBER	QTY	DESCRIPTION	REV
	1001256774	Ref	DECAL INSTALLATION	C
	1001256945	Ref	DECAL CHART DRAWING - ERT2669	G
	1001262071	Ref	DECAL CHART DRAWING - ERT3369	E
1	0760610	4	Bolt M6 x 20	
2	2080057	2	Fastener	
3	0860520	1	Box, Manual Storage	
4	1704702	1	Decal - Control Box Location	
5	1705043	5	Decal - Danger Electrical Hazard	
6	1001216650	4	Decal - Crushing	
7	1704699	1	Decal - Danger/Warning	
8	1001224052	1	Decal - Yearly Inspection	
9	1703822	1	Decal - Manual Descent Instruction	
15	1702155	1	Decal - Battery Disconnect	
16	1704341	1	Decal - Warning Battery Ventilation	
17	1001146794	1	Decal - Battery/Charger Service	
21	3290605	4	Nut M6	
22	4811700	8	Washer M6	
100	1001256763	1	Decal Master Kit (Not Shown)	
101	1701640	1	Decal - Manual	
102	1703687	2	Decal - Direction Arrow	
103	1703819	2	Decal - Direction Arrow	
104	1001265579	2	Decal - Fork Lift	
105	1704277	8	Decal - Lanyard Attach	
106	1704412	1	Decal - Hydraulic Oil Chart	
107	70046028	1	Decal - Hydraulic Oil Level	
108	1001094708	1	Decal - Hydraulic Oil	
109	1001162864	4	Decal - Lift Point/Tie Down	
110	1001256865	1	Decal - Arm Prop	
111	1001265580	2	Decal - Fork Lift	

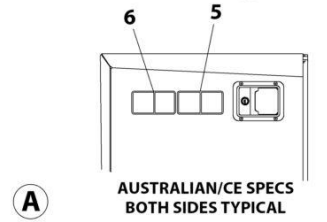
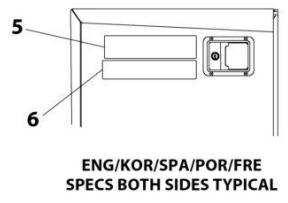
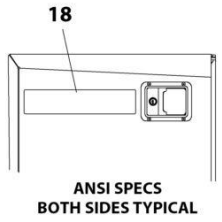
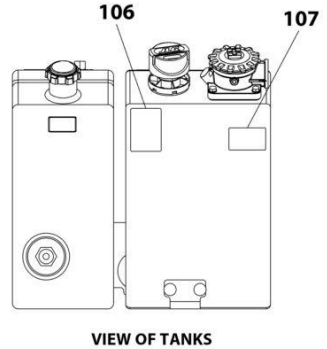
SECTION 9 - DECALS

FIGURE 9-4. DECAL INSTALLATION - CE & UK CA SPECS

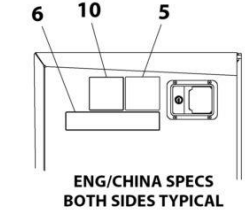


NOTE: ITEMS SHOWN MAY NOT BE REQUIRED FOR ALL SPECS. REFER TO PARTS LIST FOR USAGE.

NOTE: ADDITIONAL DECALS CALLED OUT ON DECAL INSTALLATION - OPTIONS.



(A)



ART_1001256777

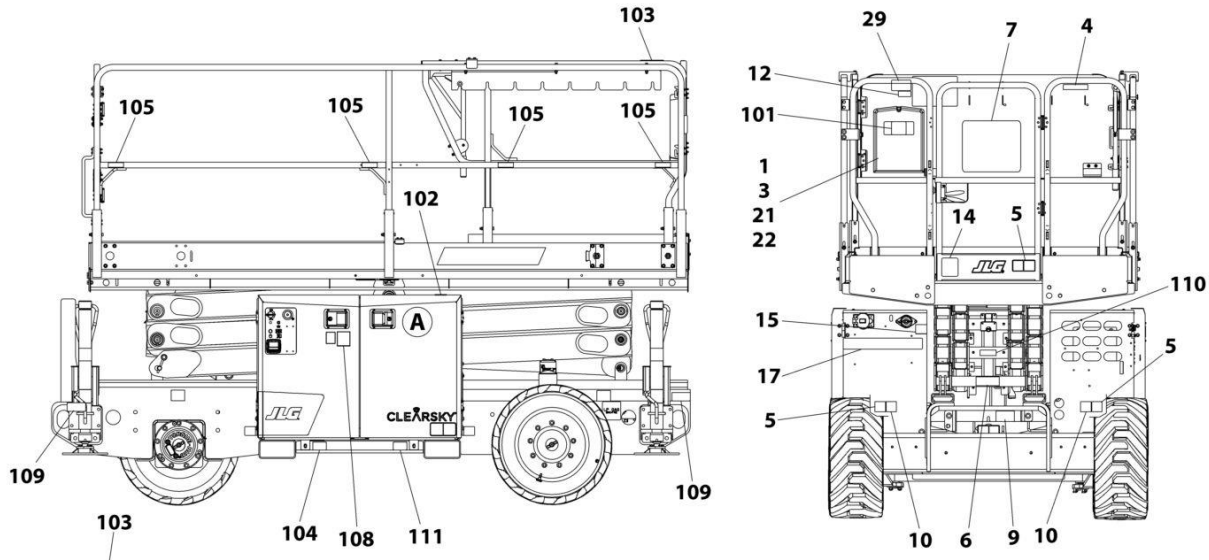
SECTION 9 - DECALS

FIGURE 9-4. DECAL INSTALLATION - CE & UK CA SPECS

ITEM	PART NUMBER	QTY	DESCRIPTION	REV
	1001256777	Ref	DECAL INSTALLATION	C
	1001256945	Ref	DECAL CHART DRAWING - ERT2669	G
	1001262071	Ref	DECAL CHART DRAWING - ERT3369	E
1	0760610	4	Bolt M6 x 20	
2	2080057	2	Fastener	
3	0860520	1	Box, Manual Storage	
5	1705671	6	Decal - Electrocution	
6	1705673	4	Decal - Crushing	
9	1703822	1	Decal - Manual Descent Instruction	
13	1705670	2	Decal - Fire Hazard	
15	1702155	1	Decal - Battery Disconnect	
17	1001146795	1	Decal - Battery/Charger Service	
21	3290605	4	Nut M6	
22	4811700	8	Washer M6	
100	1001256763	1	Decal Master Kit (Not Shown)	
101	1701640	1	Decal - Manual	
102	1703687	2	Decal - Direction Arrow	
103	1703819	2	Decal - Direction Arrow	
104	1001265579	2	Decal - Fork Lift	
105	1704277	8	Decal - Lanyard Attach	
106	1704412	1	Decal - Hydraulic Oil Chart	
107	70046028	1	Decal - Hydraulic Oil Level	
108	1001094708	1	Decal - Hydraulic Oil	
109	1001162864	4	Decal - Lift Point/Tie Down	
110	1001256865	1	Decal - Arm Prop	
111	1001265580	2	Decal - Fork Lift	

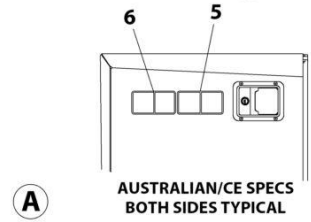
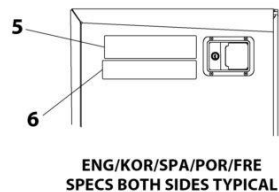
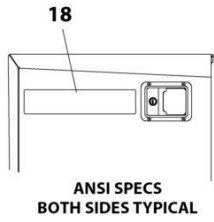
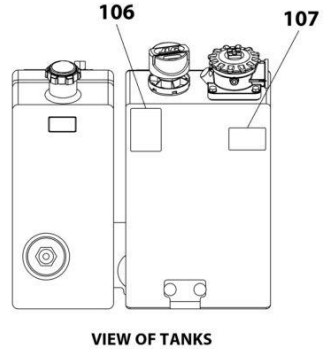
SECTION 9 - DECALS

FIGURE 9-5. DECAL INSTALLATION - CHINA SPECS (ENGLISH/CHINESE LANGUAGES)

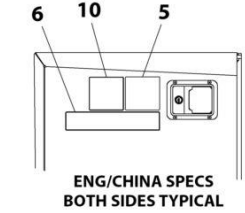


NOTE: ITEMS SHOWN MAY NOT BE REQUIRED FOR ALL SPECS. REFER TO PARTS LIST FOR USAGE.

NOTE: ADDITIONAL DECALS CALLED OUT ON DECAL INSTALLATION - OPTIONS.



(A)



ART_1001256773

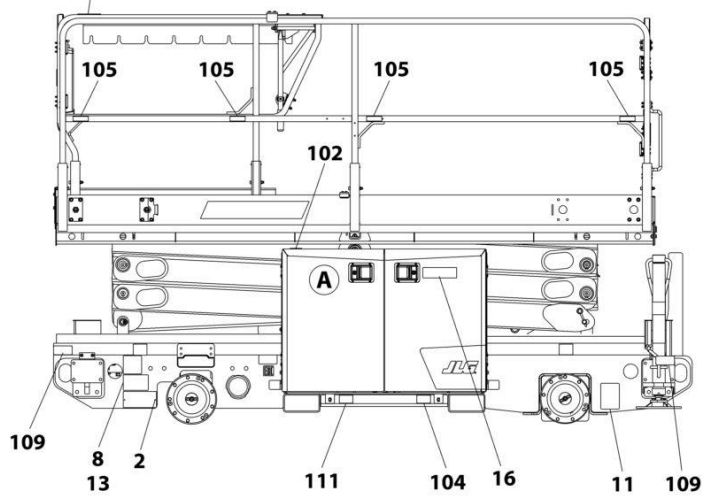
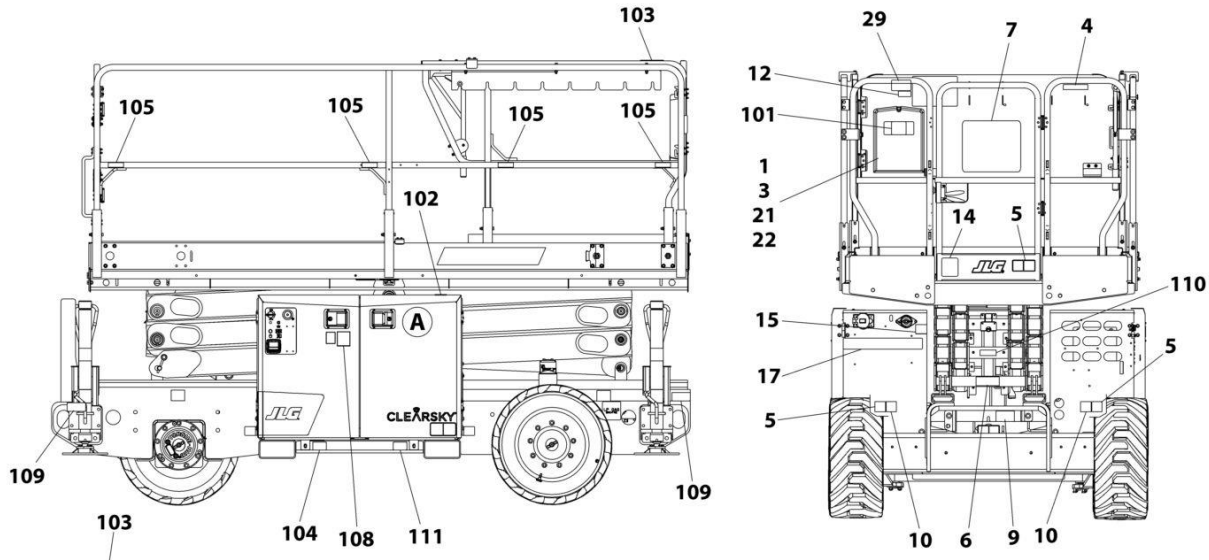
SECTION 9 - DECALS

FIGURE 9-5. DECAL INSTALLATION - CHINA SPECS (ENGLISH/CHINESE LANGUAGES)

ITEM	PART NUMBER	QTY	DESCRIPTION	REV
	1001256773	Ref	DECAL INSTALLATION	C
	1001256945	Ref	DECAL CHART DRAWING - ERT2669	G
	1001262071	Ref	DECAL CHART DRAWING - ERT3369	E
1	0760610	4	Bolt M6 x 20	
2	2080057	2	Fastener	
3	0860520	1	Box, Manual Storage	
4	1705194	1	Decal - Control Box Location	
5	1001211779	4	Decal - Electrocution	
6	1001215752	4	Decal - Crushing	
7	1705195	1	Decal - Danger/Warning	
8	1001224051	1	Decal - Yearly Inspection	
9	1703822	1	Decal - Manual Descent Instruction	
10	1001215747	4	Decal - Electrocution	
15	1702155	1	Decal - Battery Disconnect	
16	1704344	1	Decal - Warning Battery Ventilation	
17	1001146794	1	Decal - Battery/Charger Service	
19	1705695	1	Decal - Danger Electrocution	
20	1705944	1	Decal - Danger Electrocution	
21	3290605	4	Nut M6	
22	4811700	8	Washer M6	
100	1001256763	1	Decal Master Kit (Not Shown)	
101	1701640	1	Decal - Manual	
102	1703687	2	Decal - Direction Arrow	
103	1703819	2	Decal - Direction Arrow	
104	1001265579	2	Decal - Fork Lift	
105	1704277	8	Decal - Lanyard Attach	
106	1704412	1	Decal - Hydraulic Oil Chart	
107	70046028	1	Decal - Hydraulic Oil Level	
108	1001094708	1	Decal - Hydraulic Oil	
109	1001162864	4	Decal - Lift Point/Tie Down	
110	1001256865	1	Decal - Arm Prop	
111	1001265580	2	Decal - Fork Lift	

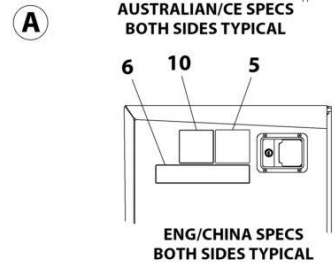
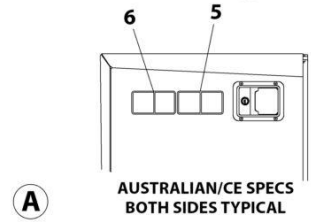
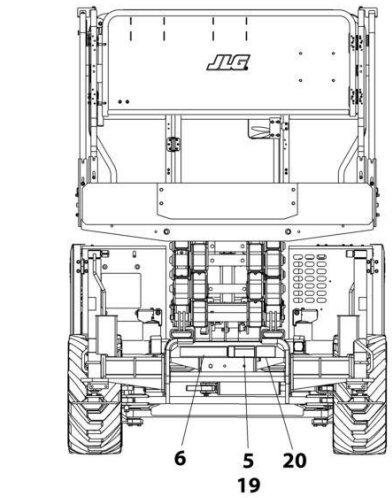
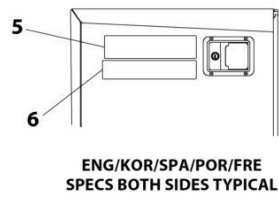
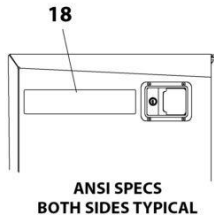
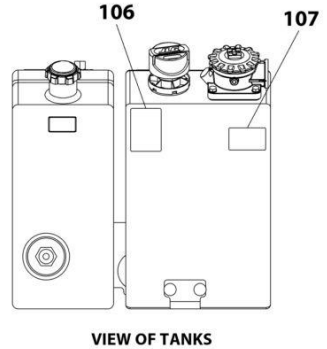
SECTION 9 - DECALS

FIGURE 9-6. DECAL INSTALLATION - CSA SPECS (ENGLISH/FRENCH LANGUAGES)



NOTE: ITEMS SHOWN MAY NOT BE REQUIRED FOR ALL SPECS. REFER TO PARTS LIST FOR USAGE.

NOTE: ADDITIONAL DECALS CALLED OUT ON DECAL INSTALLATION - OPTIONS.



ART_1001256776

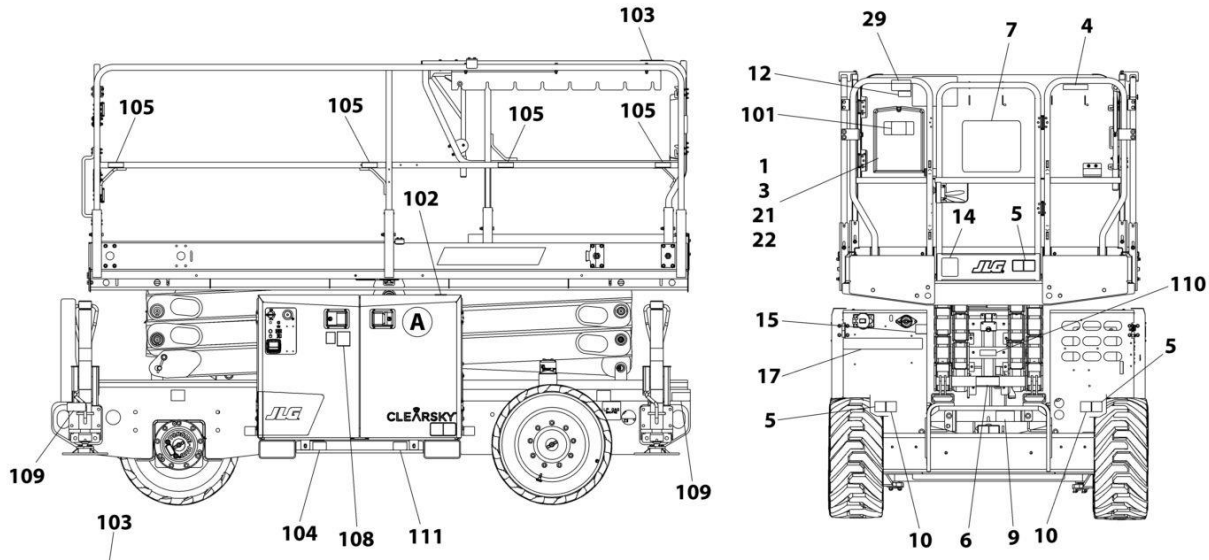
SECTION 9 - DECALS

FIGURE 9-6. DECAL INSTALLATION - CSA SPECS (ENGLISH/FRENCH LANGUAGES)

ITEM	PART NUMBER	QTY	DESCRIPTION	REV
	1001256776	Ref	DECAL INSTALLATION	C
	1001256945	Ref	DECAL CHART DRAWING - ERT2669	G
	1001262071	Ref	DECAL CHART DRAWING - ERT3369	E
1	0760610	4	Bolt M6 x 20	
2	2080057	2	Fastener	
3	0860520	1	Box, Manual Storage	
4	1704687	1	Decal - Control Box Location	
5	1705040	5	Decal - Danger Electrocutation	
6	1001215755	4	Decal - Crushing	
7	1704684	1	Decal - Danger/Warning	
8	1001223971	1	Decal - Yearly Inspection	
9	1703822	1	Decal - Manual Descent Instruction	
11	1001131270	1	Decal - Patent	
12	1001228370	1	Decal - ICES	
15	1702155	1	Decal - Battery Disconnect	
16	1704340	1	Decal - Warning Battery Ventilation	
17	1001146794	1	Decal - Battery/Charger Service	
21	3290605	4	Nut M6	
22	4811700	8	Washer M6	
100	1001256763	1	Decal Master Kit (Not Shown)	
101	1701640	1	Decal - Manual	
102	1703687	2	Decal - Direction Arrow	
103	1703819	2	Decal - Direction Arrow	
104	1001265579	2	Decal - Fork Lift	
105	1704277	8	Decal - Lanyard Attach	
106	1704412	1	Decal - Hydraulic Oil Chart	
107	70046028	1	Decal - Hydraulic Oil Level	
108	1001094708	1	Decal - Hydraulic Oil	
109	1001162864	4	Decal - Lift Point/Tie Down	
110	1001256865	1	Decal - Arm Prop	
111	1001265580	2	Decal - Fork Lift	

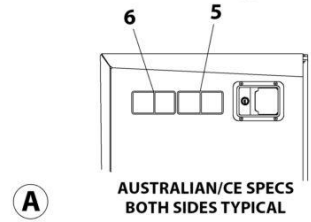
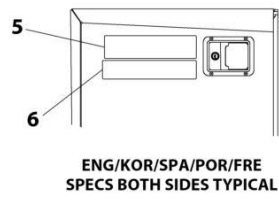
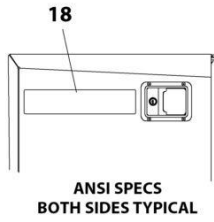
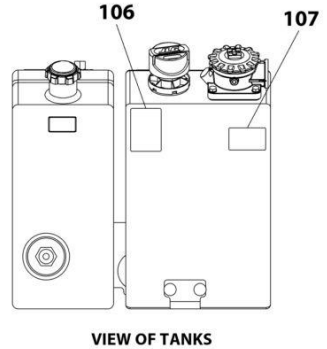
SECTION 9 - DECALS

FIGURE 9-7. DECAL INSTALLATION - KOREAN SPECS (ENGLISH/KOREAN LANGUAGES)

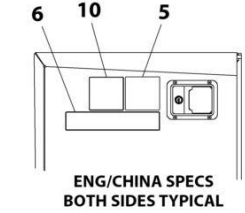


NOTE: ITEMS SHOWN MAY NOT BE REQUIRED FOR ALL SPECS. REFER TO PARTS LIST FOR USAGE.

NOTE: ADDITIONAL DECALS CALLED OUT ON DECAL INSTALLATION - OPTIONS.



(A)



ART_1001256772

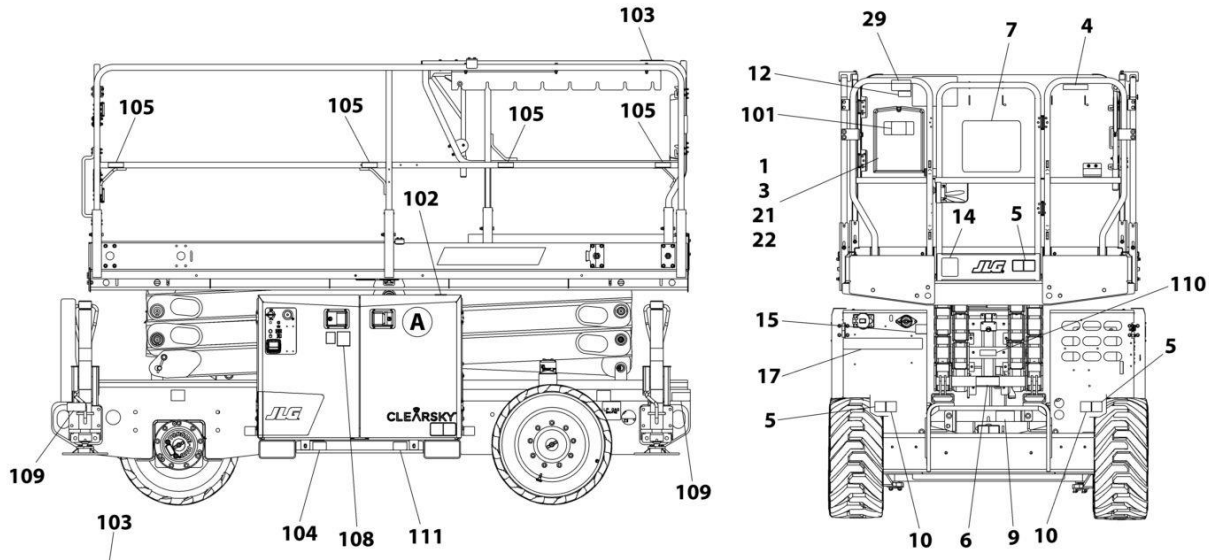
SECTION 9 - DECALS

FIGURE 9-7. DECAL INSTALLATION - KOREAN SPECS (ENGLISH/KOREAN LANGUAGES)

ITEM	PART NUMBER	QTY	DESCRIPTION	REV
	1001256772	Ref	DECAL INSTALLATION	C
	1001256945	Ref	DECAL CHART DRAWING - ERT2669	G
	1001262071	Ref	DECAL CHART DRAWING - ERT3369	E
1	0760610	4	Bolt M6 x 20	
2	2080057	2	Fastener	
3	0860520	1	Box, Manual Storage	
4	1001162112	1	Decal - Control Box Location	
5	1001162114	5	Decal - Danger Electrical Hazard	
6	1001215751	4	Decal - Crushing	
7	1001162115	1	Decal - Danger Warning	
8	1001224048	1	Decal - Yearly Inspection	
9	1703822	1	Decal - Manual Descent Instruction	
15	1702155	1	Decal - Battery Disconnect	
16	1707022	1	Decal - Warning Battery Ventilation	
17	1001146794	1	Decal - Battery/Charger Service	
21	3290605	4	Nut M6	
22	4811700	8	Washer M6	
100	1001256763	1	Decal Master Kit (Not Shown)	
101	1701640	1	Decal - Manual	
102	1703687	2	Decal - Direction Arrow	
103	1703819	2	Decal - Direction Arrow	
104	1001265579	2	Decal - Fork Lift	
105	1704277	8	Decal - Lanyard Attach	
106	1704412	1	Decal - Hydraulic Oil Chart	
107	70046028	1	Decal - Hydraulic Oil Level	
108	1001094708	1	Decal - Hydraulic Oil	
109	1001162864	4	Decal - Lift Point/Tie Down	
110	1001256865	1	Decal - Arm Prop	
111	1001265580	2	Decal - Fork Lift	

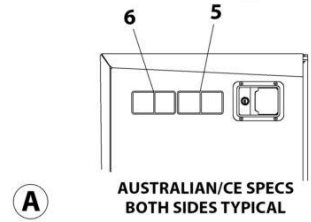
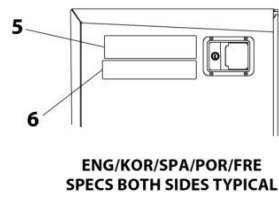
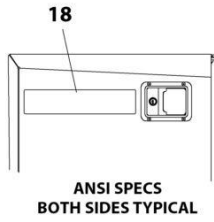
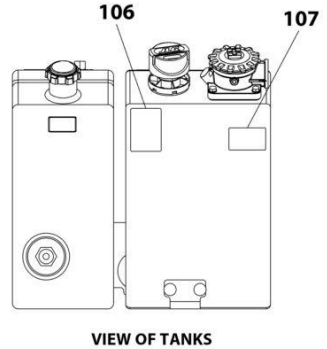
SECTION 9 - DECALS

FIGURE 9-8. DECAL INSTALLATION - LATIN AMERICAN SPECS (ENGLISH/SPANISH LANGUAGES)

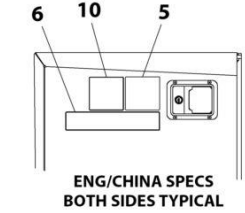


NOTE: ITEMS SHOWN MAY NOT BE REQUIRED FOR ALL SPECS. REFER TO PARTS LIST FOR USAGE.

NOTE: ADDITIONAL DECALS CALLED OUT ON DECAL INSTALLATION - OPTIONS.



(A)



ART_1001256775

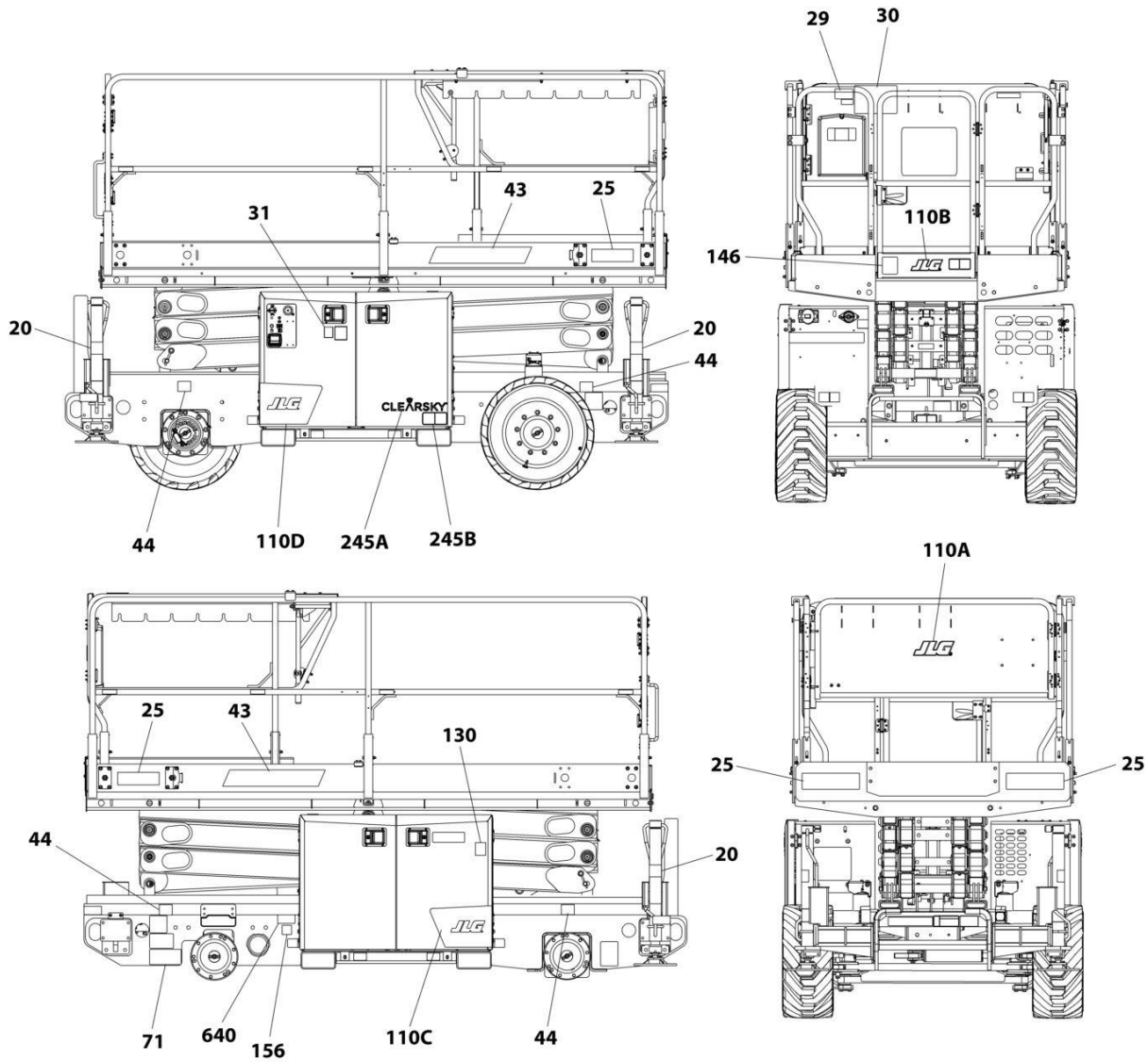
SECTION 9 - DECALS

FIGURE 9-8. DECAL INSTALLATION - LATIN AMERICAN SPECS (ENGLISH/SPANISH LANGUAGES)

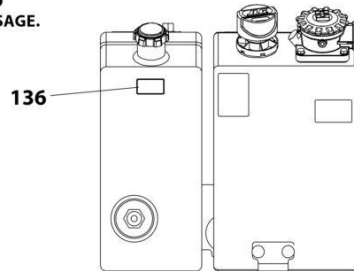
ITEM	PART NUMBER	QTY	DESCRIPTION	REV
	1001256775	Ref	DECAL INSTALLATION	C
	1001256945	Ref	DECAL CHART DRAWING - ERT2669	G
	1001262071	Ref	DECAL CHART DRAWING - ERT3369	E
1	0760610	4	Bolt M6 x 20	
2	2080057	2	Fastener	
3	0860520	1	Box, Manual Storage	
4	1704694	1	Decal - Control Box Location	
5	1705041	5	Decal - Danger Electrical Hazard	
6	1001215754	4	Decal - Crushing	
7	1704691	1	Decal - Danger/Warning	
8	1001224049	1	Decal - Yearly Inspection	
9	1703822	1	Decal - Manual Descent Instruction	
15	1702155	1	Decal - Battery Disconnect	
16	1704339	1	Decal - Warning Battery Ventilation	
17	1001146794	1	Decal - Battery/Charger Service	
21	3290605	4	Nut M6	
22	4811700	8	Washer M6	
100	1001256763	1	Decal Master Kit (Not Shown)	
101	1701640	1	Decal - Manual	
102	1703687	2	Decal - Direction Arrow	
103	1703819	2	Decal - Direction Arrow	
104	1001265579	2	Decal - Fork Lift	
105	1704277	8	Decal - Lanyard Attach	
106	1704412	1	Decal - Hydraulic Oil Chart	
107	70046028	1	Decal - Hydraulic Oil Level	
108	1001094708	1	Decal - Hydraulic Oil	
109	1001162864	4	Decal - Lift Point/Tie Down	
110	1001256865	1	Decal - Arm Prop	
111	1001265580	2	Decal - Fork Lift	

SECTION 9 - DECALS

FIGURE 9-9. DECAL INSTALLATION - OPTIONS



NOTE: ITEMS SHOWN MAY NOT BE REQUIRED FOR ALL SPECS. REFER TO PARTS LIST FOR USAGE.



VIEW OF TANKS

ART_DECAL_OPTIONS

SECTION 9 - DECALS

FIGURE 9-9. DECAL INSTALLATION - OPTIONS

ITEM	PART NUMBER	QTY	DESCRIPTION	REV
		Ref	DECAL INSTALLATION - OPTIONS	
	1001256945	Ref	DECAL CHART DRAWING - ERT2669	F
	1001262071	Ref	DECAL CHART DRAWING - ERT3369	D
20		Ref	Decal - Leveling Jack Warning Options:	
20	1701214	4	Decal - Leveling Jack Warning (ANSI Specs)	
20	1701785	4	Decal - Leveling Jack Warning (Australian,CE & UK CA Specs)	
20	1704698	4	Decal - Leveling Jack Warning (Brazil Specs)	
20	1704690	4	Decal - Leveling Jack Warning (CSA Specs)	
20	1001215447	4	Decal - Leveling Jack Warning (Korean Specs)	
20	1704697	4	Decal - Leveling Jack Warning (Latin American Specs)	
25	1001254363	Ref	Corner Stripes Installation	C
25	4420051	4 ft /1.2m	Tape, Safety	
29	1001231801	1	Decal - Warning Prop 65	
30	1001256793	1	Decal - Capacity (ERT2669)	
30	1001256795	1	Decal - Capacity (ERT3369)	
31	1701505	1	Decal - Fuel (Diesel)	
43	1001256783	2	Decal - Model ERT2669	
43	1001256784	2	Decal - Model ERT3369	
44	1001256791	4	Decal - Max Tire Load	
71	See Note	NSS	Decal - Manufacturers Serial Number (Note: Not Available for Purchase)	
110	1001265593	Ref	JLG Decals Installation	A
110A	1001256675	1	Decal - JLG	
110B	1001256676	1	Decal - JLG	
110C	1001265583	1	Decal – JLG (LH Door)	
110D	1001265584	1	Decal – JLG (RH Door)	
130		Ref	Decal - Warning Explosion/Fire Options:	
130	1704972	1	Decal - Warning Explosion/Fire (ANSI Specs)	
130	1706098	1	Decal - Warning Explosion/Fire (Australian,CE & UK CA Specs)	
130	1706059	1	Decal - Warning Explosion/Fire (Brazil Specs)	
130	1706060	1	Decal - Warning Explosion/Fire (China Specs)	
130	1706064	1	Decal - Warning Explosion/Fire (CSA Specs)	
130	1706061	1	Decal - Warning Explosion/Fire (Korean Specs)	
130	1706063	1	Decal - Warning Explosion/Fire (Latin American Specs)	
136	1001125387	1	Decal - Ultra Low Sulfur Fuel (ANSI & CSA Specs)	
136	1001139654	1	Decal - Ultra Low Sulfur Fuel (CE & UK CA Specs)	
146	1705084	1	Decal - Sound Power Level	
156	1001214029	Ref	EAC Decal Installation (Russian/CIS Specs)	
156	1001173703	1	Decal - EAC (Russian/CIS Specs)	
245	1001236984	Ref	Clearsky Decals Installation	A
245A	1001116208	1	Decal - Clearsky	
245B	1001120989	1	Decal - Radio Frequency	
640	1001143852	1	Decal - Emissions Compliance (Diesel Machines) (Not Shown - Located near SN Nameplate) (ANSI Export, Australian, CE, China & Korean Specs)	

SECTION 10 - RECOMMENDED SERVICE PARTS STOCK

SECTION 10 - RECOMMENDED SERVICE PARTS STOCK

SECTION 10 - RECOMMENDED SERVICE PARTS STOCK

FIGURE 10-1. RECOMMENDED SERVICE PARTS STOCK

ITEM	PART NUMBER	QTY	DESCRIPTION	REV
		Ref	Note: The following list will service one machine (built to current production per date on the front cover) with emergency repair parts which can be installed in the field. Parts from the list should be replaced when inventory is depleted to keep service parts stock supplied. For further information, contact your JLG dealer or the JLG Industries Parts Department.	
	1001181045	1	Breaker, 16Amp Double (CE & UK CA Specs Machines with AC Box at Platform)	
	1001152479	1	Breaker, 16Amp Double (CE & UK CA Specs Machines with AC Box at Platform)	
	1001152482	1	Breaker, 30MaAmp (CE & UK CA Specs Machines with AC Box at Platform)	
	1001247682	1	Controller, Joystick (Platform Control Box)	
	1001244932	1	Display, Platform Box	
		Ref	Engine - Kubota	
	70000313	12	Filter, Air Cleaner	
	70000318	12	Filter, Fuel	
	70000319	12	Filter, Oil	
	70007035	12	Filter, Element (Hydraulic Tank)	
	1001248371	12	Filter, Filler/Breather (Hydraulic Tank)	
	1001186489	2	Fuse 2Amp (Traction Harness)	
	1001253891	2	Fuse 7.5Amp (Traction Harness)	
	1001170760	2	Fuse 10Amp (Traction Harness)	
	1001170761	2	Fuse 20Amp (Traction Harness)	
	1001170762	2	Fuse 30Amp (Mechron Genset & Traction Harness)	
	1001260530	2	Fuse 355Amp (Battery Installations)	
	2860030	1	Key, Replacement (Ground Control)	
	1600387	1	Module, Control (Arms Installations)	
	1001248066	1	Module, Drive	
	1001248064	1	Module, Drive/Pump (Drive Installation)	
	1001249777	1	Module, Ground Control	
	1001170367	1	Relay (225AH Battery Installation)	
	1001272006	1	Relay (310AH Battery Installation)	
	1001171295	1	Relay (Mechron Genset & Traction Harness)	
	1001145548	1	Sensor, Limit (Arms Installations)	
	1001246658	1	Sensor, Piston (Leveling Jacks)	
	1001227516	1	Sensor, Pressure Transducer (Leveling Jacks)	
	1001161117	1	Sensor, Rotary Angle (Electric Steering)	
	1001102771	1	Sensor, Temperature (Battery Installations)	
	1001244934	1	Sensor, Tilt (Axle Installation with Sensor & Ground Control)	
	4360475	1	Switch, Emergency Stop (Ground & Platform Control)	
	4360469	1	Switch, Key (Ground Control)	
	1001250684	1	Switch, Push Button (Platform Control Box)	
	4360387	1	Switch, Push Button (Ground Control)	
	1001226749	1	Switch, Push Button (Platform Control Box)	
	4360524	1	Switch, Toggle (Ground Control)	

SECTION 11 - SPECIAL OPTIONS/ACCESSORIES/KITS

SECTION 11 - SPECIAL OPTIONS/ACCESSORIES/KITS

SECTION 11 - SPECIAL OPTIONS/ACCESSORIES/KITS

FIGURE 11-1. SPECIAL OPTIONS/ACCESSORIES/KITS

ITEM	PART NUMBER	QTY	DESCRIPTION	REV
		Ref	Note: This list is to accommodate machines ordered with special equipment. Options may not be applicable to all models. For more specific parts information contact JLG Parts Department.	
		Ref	MISCELLANEOUS SPECIAL OPTIONS/ACCESSORIES/KITS	
	1001263596	Ref	CleanGuard Installation	
		Ref	ClearSky (Telematics) Installation (Factory Installed) Options:	
	1001251506	Ref	ClearSky (Telematics) Installation - 3 Wire (Factory Installed) (ANSI and CSA Specs)	
	1001251522	Ref	ClearSky (Telematics) Installation - 3 Wire (Factory Installed) (ANSI Export, Korean, CE & UK CA Specs)	
	1001249646	Ref	ClearSky (Telematics) Installation - Canbus (Factory Installed) (ANSI and CSA Specs)	
	1001249647	Ref	ClearSky (Telematics) Installation - Canbus (Factory Installed) (ANSI Export, Korean, CE & UK CA Specs)	
	1001249648	Ref	ClearSky (Telematics) Installation - Canbus (Factory Installed) (Australian Specs)	
		Ref	Electrical Connector Kits	
	1001148902	Ref	Electrical Connector Kit - Amp/Tyco Electrical Connectors	
	1001148903	Ref	Electrical Connector Kit - Deutsch DT Electrical Connectors	
	1001148904	Ref	Electrical Connector Kit - Deutsch HD Electrical Connectors	
	1001148905	Ref	Electrical Connector Kit - Packard Electrical Connectors	
	1001148906	Ref	Electrical Connector Kit - Various Electrical Connectors	
	1001255164	Ref	Footswitch Installation (Korean Specs)	
	1120485	Ref	Fuel, Cap (Protectoseal)	
	1001254826	Ref	Mechron Genset Installation	
	1001249310	Ref	Mobile Control Installation (Factory Installed)	
	1001268569	Ref	Platform Worklights Installation ERT2669 (Factory Installed)	
	1001268571	Ref	Platform Worklights Installation ERT3369 (Factory Installed)	
	1001253150	Ref	Rail Mounted Pipe Rack Installation (Factory Installed)	
	1001266156	Ref	Service Kits & Tools	
		Ref	Tools for Service	
	7002821	Ref	Crimper, Wire	
	7002823	Ref	Pin Extractor - Universal (For Electrical Connectors with Pins and Sockets)	
	4460510	Ref	Pin Extractor - 12-14 Gauge (For Removal of Pin/Sockets from Deutsch Connectors)	
	4460467	Ref	Pin Extractor - 16-18 Gauge (For Removal of Pin/Sockets from Deutsch Connectors)	
	7016654	Ref	Screwdriver, Magnetic	
	7002822	Ref	Screwdriver, Potentiometer	
	7004275	Ref	Seal Tool 1in (For Cylinders)	
	7004276	Ref	Seal Tool 1-1/2in (For Cylinders)	
	7002828	Ref	Stripper, Wire	

SECTION 11 - SPECIAL OPTIONS/ACCESSORIES/KITS

PART NUMBER INDEX

SECTION 11 - SPECIAL OPTIONS/ACCESSORIES/KITS

0100011.....13, 15, 17, 19, 31, 33, 41, 43, 47, 49, 63, 77, 86, 89, 101, 103, 120, 126, 129, 137, 141, 143	257, 259, 261, 263, 265, 267, 269, 271	1001116734 223	1001162864.....257, 259, 261, 263, 265, 267, 269, 271
0100019..... 19, 41, 43	0760612 86	1001116808 225	1001166543.....249
0100020..... 19, 109	0760614 15, 77	1001116812 250	1001169423..... 17
0100035... 19, 63, 97, 109	0760615 17	1001116815 250	1001170367.....276
0100051.....31, 33	0760806..... 63	1001117025 208	1001170483.....31, 33
0140030.....143	0760807 13, 15	1001117107 249	1001170760.....250, 276
0140043.....81	0760808 135	1001117110 223, 250	1001170761.....250, 276
0275216..... 179, 239	0760810 86, 89	1001117115 249	1001170762..... 223, 250, 276
0275217..... 181, 241	0760812 ... 31, 33, 41, 43, 63, 117, 123, 135	1001118378 223	1001170763.....223
0275452..... 183, 243	0760815 97	1001118511 13, 15	1001170764.....208, 250
0275453..... 185, 245	0761008 135	1001118518 13, 15	1001171295..... 223, 250, 276
0275454..... 187, 247	0761010 63	1001118519 13, 15	1001171482..... 79
0275663.....201	0761012 17, 86	1001118878 129	1001173703.....273
0275664.....203	0761015 37, 39	1001119020 225	1001174447..... 19
0275665.....205	0761217 41, 43	1001120264 47	1001174486.....109
0275666.....197	0761616 13, 15	1001120328 250	1001176626.....143
0275667.....199	0761620 101	1001120989 273	1001181045..... 193, 276
0400201.....111	0770812 63, 86, 89	1001125387 273	1001181961.....31
0440162.....17	0771010 63	1001125677 208, 215, 250	1001182550..... 19, 23
044023717	0771014 ...31, 33, 63, 111	1001125784 209, 235	1001182680..... 79, 111
0440241 120, 126	0771015 13, 15	1001125785 209	1001182960..... 19
0440264 120, 126	0771618 47, 49	1001126008 250	1001184682..... 83
0630587 19, 81, 83	0771619 19	1001126245 208, 223, 249	1001184852..... 19
0630615.....137	0780608 109	1001126353 249	1001184854..... 19
0641404.....109	0780810 109	1001127389 164	1001186231.....209
0641610.....19	0840060 31	1001128128 208, 223	1001186489.....250, 276
0641812.....19	0860520 ... 257, 259, 261, 263, 265, 267, 269, 271	1001130309 47, 51	1001186860.....31, 33
0682013.....19	0861731 ... 189, 237, 243, 245, 247	1001131270 257, 267	1001189171.....195
0700512.....19	0861781 239, 241	1001132170 219	1001189172.....195
0700517.....137	0861880 193	1001139141 17	1001189762..... 117, 123
0700612....67, 69, 71, 73, 75, 120, 126	0902659 111	1001139524 249	100119057723
0700617....137, 177, 179, 181, 183, 185, 187, 189	0940049 89	1001139654 273	1001192401.....209
0700618.....117, 123	0961890 13, 15, 17	1001143501 164	1001193336.....109
0700619.....137	0961950 13, 15, 126	1001143852 273	1001194421.....223
0700624..... 120, 126	0962220.13, 15, 120, 126	1001144295 208	1001195089..... 17
0700812.....109	1001026127 109	1001145548 117, 123, 276	1001195137.....137
0700814..... 19	1001091102 91, 93, 95	1001146794 257, 259, 261, 265, 267, 269, 271	1001196634.....250
0700817.....137	1001094708 257, 259, 261, 263, 265, 267, 269, 271	1001146795 263	1001197405.....126
0700818.....137	1001096070 179, 181, 187, 193	1001148902 278	1001201885.....235
0700819.....137	1001097150 193, 195	1001148903 278	1001207173.....249
0701012.....135	1001099560 120, 126	1001148904 278	1001207973..... 71
070101541, 43, 117, 120, 123, 126	1001100341 239	1001148905 278	1001211777257
0701022....117, 120, 123, 126	1001100342 241	1001148906 278	1001211779.....257, 265
0701024..... 120, 126	1001100345 243	1001150735 235	1001212268..... 177, 179, 181, 183, 185, 187, 189
0701026.....17, 120, 126	1001100346 247	1001150889 235	1001212359.....31, 33
0701029..... 117, 123	1001100347 245	1001151395 17	1001214029.....273
0701037.....111	1001100451 111	1001152266 209	1001214174..... 19, 29
0701622.....41, 43	1001102771 .. 31, 33, 276	1001152479 276	1001215447.....273
0711220.....103	1001103761 41, 43	1001152482 276	1001215747.....265
0711224.....13, 15	1001105091 33	1001152483 195	1001215751.....269
0760507.....137	1001106736 208	1001152486 183, 185, 195	1001215752.....265
0760508.....19	1001108603 143	1001156351 221	1001215754.....271
0760606.....227, 231	1001109892 19	1001156541 211, 213	1001215755.....267
0760608....69, 71, 73, 75, 117, 123, 137	1001110188 77	1001157890 249	1001215898.....209
0760610..77, 86, 89, 101, 113, 133, 135, 179, 181, 183, 185, 187,	1001112612 208	1001157891 207	1001216180.....31
	1001113961 207	1001159186 208	1001216650.....261
	1001116208 273	1001161117 17, 276	1001217457..... 120, 126
	1001116694 215	1001162112 269	1001218448..... 86
	1001116732 208, 223	1001162114 269	1001219722..... 19
	1001116733 208	1001162115 269	1001220271..... 19
			1001220668.....227, 231
			1001223055.....257

SECTION 11 - SPECIAL OPTIONS/ACCESSORIES/KITS

1001223453	257	1001247352.....	37	1001248991.....	135	1001253891	250, 276
1001223971	267	1001247353.....	39	1001249048.....	227, 229	1001254035	249
1001224048	269	1001247367.....	117, 120	1001249049.....	143, 235	1001254119	143
1001224049	271	1001247368.....	123, 126	1001249091.....	117, 123, 253	1001254363	273
1001224051	265	1001247375.....	120	1001249190.....	229, 233	1001254403	77, 207
1001224052	261	1001247376.....	126	1001249259.....	143	1001254548	77
1001225131	31, 33	1001247380.....	41, 43, 45	1001249297.....	17	1001254613	177, 179, 181, 183, 185, 187, 189
1001226421	79	1001247381.....	63, 65	1001249306.....	91	1001254820	227
1001226749	143, 276	1001247420.....	19	1001249307.....	93	1001254822	31
1001226830	117, 123, 219	1001247425.....	39	1001249309.....	83	1001254826	278
1001227516	41, 43, 276	1001247443.....	143	1001249310.....	278	1001254827	86
1001228370	267	1001247482.....	120, 127	1001249340.....	57	1001254835	31, 33
1001228533	120, 126	1001247490.....	120, 127	1001249341.....	55	1001254880	71
1001231398	249	1001247497.....	120, 127	1001249342.....	55	1001254881	75
1001231399	249	1001247500.....	120	1001249343.....	57	1001254882	73
1001231400	249	1001247503.....	121	1001249344.....	57	1001254883	69
1001231403	249	1001247506.....	121	1001249352.....	55, 57, 59	1001255001	177
1001231404	249	1001247520.....	121, 127	1001249353.....	55	1001255002	189
1001231406	249	1001247521.....	117, 123	1001249354.....	57	1001255003	191
1001231801	273	1001247522.....	120, 126	1001249407.....	41, 43	1001255004	183
1001234348	86, 89	1001247523.....	120, 126	1001249610.....	164	1001255005	185
1001236984	273	1001247524.....	120, 126	1001249637.....	120, 126	1001255006	179
1001239224	91, 93	1001247608.....	31, 33	1001249646.....	278	1001255007	181
1001242539	91, 93	1001247630.....	63	1001249647.....	278	1001255008	187
1001243256	41, 43, 153	1001247637.....	86	1001249648.....	278	1001255057	19, 249
1001244210	129, 155	1001247638.....	86	1001249777.....	77, 276	1001255058	19
1001244381	133	1001247639.....	86	1001249882.....	137	1001255059	19
1001244382	135	1001247667.....	117, 123	1001249883.....	137	1001255060	19
1001244391	15	1001247668.....	120, 126	1001249884.....	138	1001255061	19
1001244775	55	1001247669.....	117, 120, 123, 126	1001249914.....	41	1001255062	19
1001244888	137	1001247670.....	120, 126	1001249915.....	41	1001255063	20
1001244904	129	1001247671.....	117, 123	1001250307.....	161	1001255064	17
1001244932	143, 276	1001247672.....	121, 127	1001250308.....	161	1001255067	111, 223
1001244934	15, 77, 120, 126, 276	1001247682.....	143, 145, 276	1001250309.....	161	1001255082	147
1001245046	13, 15, 151	1001247682.....	143, 145, 276	1001250310.....	161	1001255164	278
1001245250	133	1001247816.....	127	1001250311.....	161	1001255422	109
1001245381	35	1001247817.....	127	1001250312.....	161	1001255461	143
1001245440	35	1001247819.....	127	1001250342.....	41, 43, 161	1001255526	17
1001245459	17	1001247820.....	127	1001250353.....	41, 43	1001255610	20
1001245479	135	1001247835.....	126	1001250355.....	135	1001255640	31, 33
1001245653	151	1001248039.....	77	1001250356.....	135	1001255641	33
1001245923	120, 126, 129	1001248043.....	86	1001250520.....	17	1001255642	33
1001246091	63	1001248064.....	19, 276	1001250627.....	135	1001255643	33
1001246103	164	1001248066.....	19, 276	1001250637.....	17	1001255644	33
1001246107	17, 157	1001248080.....	105	1001250640.....	135	1001255645	31, 33
1001246382	63	1001248162.....	86	1001250678.....	81	1001255815	86
1001246383	63	1001248176.....	143	1001250682.....	143	1001256014	31, 33
1001246392	147	1001248196.....	13, 15	1001250684.....	111, 276	1001256016	31
1001246395	147	1001248279.....	120, 211	1001250692.....	143	1001256021	33
1001246553	97	1001248280.....	126, 213	1001250716.....	164	1001256109	249
1001246555	63, 97	1001248371.....	97, 276	1001250773.....	164	1001256116	249
1001246583	143	1001248671.....	151	1001250829.....	137	1001256186	20
1001246584	143	1001248820.....	117	1001250830.....	137	1001256187	20
1001246658	153, 276	1001248821.....	123	1001250886.....	19, 250	1001256372	86
1001246823	143	1001248834.....	13, 15	1001250937.....	250	1001256373	86
1001246859	207	1001248840.....	137	1001250968.....	164	1001256453	31, 33
1001246863	143	1001248863.....	41, 43, 215	1001251328.....	133	1001256675	273
1001246864	143	1001248865.....	120, 126	1001251440.....	67	1001256676	273
1001246884	37	1001248868.....	164	1001251506.....	278	1001256763	257, 259, 261, 263, 265, 267, 269, 271
1001246885	41	1001248871.....	164	1001251522.....	278	1001256771	257
1001246886	33	1001248890.....	120, 126	1001251725.....	17	1001256772	269
1001246979	143	1001248895.....	120, 126, 217	1001251727.....	17	1001256773	265
1001247019	13, 15	1001248933.....	135	1001253149.....	137	1001256774	261
1001247313	143	1001248986.....	137	1001253150.....	278	1001256775	271
		1001248990.....	135	1001253800.....	143		
				1001253868.....	17		

SECTION 11 - SPECIAL OPTIONS/ACCESSORIES/KITS

1001256776.....267	1001262098.....143	1001290309.....101	1705670.....259, 263
1001256777.....263	1001262399.....137	1001290310.....89	1705671.....259, 263
1001256778.....259	1001262400.....137	1001290338.....101	1705673.....259, 263
1001256783.....273	1001262454.....137	1001290343.....89	1705695.....257, 265
1001256784.....273	1001262495.....137	1001290345.....113	1705944.....265
1001256791.....273	1001262639.....135	1001290347.....113	1705997.....147
1001256793.....273	1001262640.....135	1001290351.....89	1706059.....273
1001256795.....273	1001263269.....137	1001291027.....89	1706060.....273
1001256865.....257, 259, 261, 263, 265, 267, 269, 271	1001263345.....91, 95	1001294421.....137	1706061.....273
1001256875.....164	1001263596.....278	1060379.....147	1706063.....273
1001256945.....257, 259, 261, 263, 265, 267, 269, 271, 273	1001263628.....137	1060908.....193, 195	1706064.....273
1001257078.....143	1001263629.....137	1061020.....117, 123	1706098.....273
1001257079.....143	1001263657.....109	1120485.....278	1706679.....79
1001257454.....86, 89	1001263658.....109	1120555.....147	1707022.....269
1001257587.....117, 123	1001263662.....117, 123	1320043.....17	2080057.....257, 259, 261, 263, 265, 267, 269, 271
1001257688.....86	1001263824.....67, 69, 75	1320135.....113	2180348.....109
1001257689.....86	1001263930.....86	1320265.....109	2220371.....164
1001257884.....79	1001264939.....117, 123, 225	1320274.....113	2220372.....117, 123
1001257885.....77, 79	1001265082.....47, 49	1321293.....69, 71, 73, 75	2220415.....164
1001258188.....35	1001265192.....47	1580023.....147	2220466.....161
1001258223.....231, 233	1001265193.....49	1580024.....147	2220472.....161
1001258287.....59	1001265225.....221	1600387.....117, 123, 276	2220473.....129, 161
1001258812.....121	1001265226.....221	1671207.....237	2220490.....161
1001258813.....127	1001265532.....141	1701214.....273	2220504.....161
1001258837.....109	1001265579.....257, 259, 261, 263, 265, 267, 269, 271	1701505.....273	2220582.....164
1001258870.....89	1001265580.....257, 259, 261, 263, 265, 267, 269, 271	1701640.....257, 259, 261, 263, 265, 267, 269, 271	2220794.....109
1001258920.....79	1001265583.....273	1701785.....273	2220852.....164
1001258923.....231	1001265584.....273	1702155.....257, 259, 261, 263, 265, 267, 269, 271	2220883.....151, 164
1001258936.....137	1001265593.....273	1703464.....177	2220885.....151
1001259030.....103	1001265593.....273	1703687.....257, 259, 261, 263, 265, 267, 269, 271	2220886.....151, 164
1001259031.....109	1001265677.....67, 69, 71, 73, 75	1703813.....257	2220891.....164
1001259032.....101	1001265678.....73	1703816.....257	2220940.....164
1001259033.....89	1001265684.....135	1703818.....257	2220947.....164
1001259034.....111	1001265744.....129	1703819.....143, 257, 259, 261, 263, 265, 267, 269, 271	2221040.....164
1001259035.....113	1001265761.....129	1703821.....257	2221047.....109
1001259201.....109	1001265821.....135	1703822.....257, 259, 261, 263, 265, 267, 269, 271	2221069.....164
1001259202.....59	1001265846.....137	1703822.....257, 259, 261, 263, 265, 267, 269, 271	2221086.....164
1001259240.....109	1001265848.....120, 126	1704277.....257, 259, 261, 263, 265, 267, 269, 271	2400066.....207
1001259386.....59	1001265916.....141	1704339.....271	2540045.....47, 109, 133
1001259462.....31	1001266001.....69, 71, 73, 75	1704340.....267	2560088.....137
1001259463.....31	1001266156.....278	1704341.....261	2560176.....137
1001259464.....31	1001266233.....47, 221	1704344.....265	2600216.....86, 89
1001259465.....31	1001267649.....95	1704412.....257, 259, 261, 263, 265, 267, 269, 271	2600253.....137
1001260251.....164	1001268569.....278	1704684.....267	2600285.....137
1001260252.....161	1001268571.....278	1704687.....267	2700100.....147
1001260254.....164	1001269132.....147	1704690.....273	2720058.....109
1001260334.....86	1001270098.....117, 120, 123, 126	1704691.....271	2720271.....109
1001260485.....13	1001270272.....250	1704694.....271	2780282.....19, 25
1001260530.....31, 33, 276	1001271360.....43	1704697.....273	2860030.....79, 276
1001260677.....103	1001272006.....31, 33, 276	1704698.....273	2902431.....177, 237
1001260678.....111	1001272777.....15, 77	1704699.....261	2940074.....137
1001260781.....20	1001273525.....63	1704702.....261	2940127.....137
1001260903.....111	1001273640.....164	1704972.....273	3020022.....117, 123
1001260904.....111	1001274495.....43	1705040.....267	3020029.....123
1001260952.....111	1001274559.....79, 143	1705041.....271	3200425.....103
1001260953.....111	1001277750.....113	1705043.....261	3252507.....181, 183, 185, 187, 189, 191
1001261118.....179, 181, 183, 185, 187	1001278112.....103	1705084.....273	3290305.....91, 93, 95
1001261123.....135	1001283427.....35	1705194.....265	3290405.....117, 123, 143, 177, 179, 181, 183, 185, 187, 189
1001262071.....257, 259, 261, 263, 265, 267, 269, 271, 273	1001284972.....123	1705195.....265	3290406.....143
1001262074.....109	1001287360.....63	1705325.....179	3290505.....19, 86, 89

SECTION 11 - SPECIAL OPTIONS/ACCESSORIES/KITS

86, 89, 133, 135, 179, 181, 183, 185, 187, 257, 259, 261, 263, 265, 267, 269, 271 3290606 ... 120, 126, 137, 177, 179, 181, 183, 185, 187, 189, 227, 231 3290801 ... 31, 33, 63, 86, 109 3290805 . 19, 31, 33, 117, 123, 135 3290806 135, 137 3291005 ... 17, 37, 39, 41, 43, 111 3291006 135, 137 3291007 ... 117, 120, 123, 126, 135 3291601 41, 43 3292002 135 3300048 ... 177, 179, 181, 183, 185, 187, 189, 191 3300106 55, 57, 59 3311005 ... 67, 69, 71, 73, 75 3311501 86, 89 3311502 86, 89 3311505 47 3321402 120, 126 3331211 41, 43, 103 3331611 .. 19, 47, 49, 101 3422219 147 3422592 13, 15 3422744 137 3422938 117, 123 3422943 117, 123 3423151 120, 126 3431622 17 3450303 143 3450304 120, 126 3450405 120, 126 3450608 17 3460334 147 3520026 79 3520072 137 3537609 137 3760170 147 3760493 126 3760509 120, 126 3841143 17 3841258 13, 15 3900355 147 3900394 135 3911012 ... 69, 71, 73, 75 3911014 67 3931412 147 3931508 147 3960389 89 3980035 111 4010308 91, 93, 95 4010403 77 4010405002 143 4010408 ... 177, 179, 181, 183, 185, 187, 189 4010414 143 4010615 15, 77 4010618 137 4031510 143 4031511 117, 123 4031608 19, 31, 33 4031707 17, 19, 129 4031920 41, 43 4060802 79 4160214 143 4240003 147 4240017 . 17, 41, 43, 177, 179, 181, 183, 185, 187, 189, 191 4240018 ... 111, 117, 120, 123, 126, 227, 231 4240084 19 4340853 147 4340854 147 4360387 79, 111, 276 4360469 79, 276 4360475 79, 143, 276 4360524 79, 276 4420051 41, 43, 273 4420062 135 4420070 37, 39 4460019 250 4460071 ... 177, 179, 181, 183, 185, 187, 189, 191 4460138 177 4460144 208 4460183 208, 235 4460225 223 4460227 207 4460259 208 4460260 208 4460265 235 4460267 235 4460294 219 4460315 ... 177, 179, 181, 183, 185, 187, 189 4460346 237 4460374 223 4460418 208 4460464 . 31, 33, 83, 207, 208, 211, 213, 215, 223, 225, 229, 233, 235, 249, 250, 253 4460465 91, 93, 207, 208, 211, 213, 215, 217, 219, 223, 225, 229, 233, 249, 250 4460466 ... 207, 208, 215, 219, 223, 225, 229, 233, 235, 249, 250 4460467 278 4460497 235 4460510 278 4460516 23 4460518 219, 225 4460536 207 4460539 ... 208, 215, 249, 250 4460662 ... 183, 185, 187, 237 4460705 223 4460752 225 4460754 ... 207, 211, 213, 229, 233 4460761 207, 219 4460802 67 4460803 67 4460805 69 4460806 208 4460836 207, 219 4460871 ... 207, 208, 235, 249, 250 4460872 208, 250 4460873 207, 235, 249 4460874 208 4460875 207 4460876 208 4460878 207 4460884 207, 208, 225, 253 4460887 207 4460891 91, 93, 207, 215, 217, 233, 250 4460892 215, 250 4460893 208 4460894 208, 215, 249 4460897 . 31, 33, 83, 207, 223, 250 4460905 ... 207, 208, 235, 249, 250 4460911 215, 235 4460917 219 4460918 225, 235 4460928 208, 223, 225 4460929 219 4460930 208, 249 4460931 249 4460932 253 4460933 ... 207, 208, 215, 219, 225, 249 4460942 208, 249 4460943 ... 207, 208, 225, 229, 233, 235 4460944 ... 207, 208, 219, 229, 233, 249, 250, 253 4460945 250 4460950 215 4460956 193 4460957 193 4460968 179, 181 4460970 ... 207, 215, 229, 233 4460984 209 4461008 249 4461016 235 4461054 249 4461070 250 4461095 249 4461196 197, 239 4461198 239 4461199 199, 241 4461201 241 4461205 ... 201, 203, 243, 245 4461244 243 4461245 245 4461246 247 4461249 205, 247 4640858 151 4641122 55, 57, 59 4711000 31, 33 4711400 ... 109, 120, 126, 147 4711500 86, 89 4711800 19 4712600 17 4740229 13, 15 4740274 103 4740480 ... 120, 126, 147 4740531 120, 126 4751500 47, 120, 126 4811400 ... 117, 123, 143, 177, 179, 181, 183, 185, 187, 189 4811600 ... 19, 67, 69, 71, 73, 75, 86, 89, 137 4811602 137 4811700 ... 15, 67, 69, 71, 73, 75, 77, 81, 83, 117, 120, 123, 126, 133, 135, 137, 143, 177, 179, 181, 183, 185, 187, 189, 257, 259, 261, 263, 265, 267, 269, 271 4811702 ... 19, 69, 71, 73, 75, 77, 86, 89, 101, 113, 179, 181, 183, 185, 187 4811900 ... 13, 15, 31, 33, 41, 63, 86, 97, 135, 137 4811902 ... 19, 31, 43, 63, 86, 89, 109, 113, 117, 123, 137 4812000 . 41, 43, 63, 111, 117, 123, 135, 137 4812002 ... 31, 33, 37, 39, 63, 86 4812100 41, 43 4831900 31, 33 4846181 137 4872000 19 4891600 19 4892000 19 5241000 13, 15 5241200 13, 15, 103 5241600 ... 19, 41, 43, 47, 49, 101 5250608 103 5250810 103 5250812 35 5260600 ... 103, 109, 111 5260800 103 70000082 145 70000084 145 70000289 106 70000290 105 70000291 105 70000292 105 70000293 105 70000294 105 70000295 105 70000296 105 70000297 105 70000298 105 70000299 105 70000300 105 70000301 105 70000302 105 70000303 105

SECTION 11 - SPECIAL OPTIONS/ACCESSORIES/KITS

70000304.....	105	70002244.....	105	70003602.....	52	70007715.....	155
70000305.....	105	70002386.....	65, 129	70003603.....	52	70007716.....	155
70000306.....	105	70002543.....	106	70003604.....	52	70007760.....	45
70000307.....	105	70002544.....	105	70003605.....	52	70007761.....	45
70000308.....	105	70002770.....	51	70003618.....	105	70007762.....	45
70000309.....	105	70002771.....	51	70003619.....	105	70007764.....	65
70000310.....	105	70002774.....	51	70003789.....	65	70007768.....	65
70000311.....	105	70002776.....	51	70004265.....	105	70007769.....	65
70000312.....	105	70002777.....	51	70004394.....	106	70007771.....	65
70000313.....	105, 276	70002783.....	51	70004809.....	23	70007772.....	65
70000314.....	105	7000281.....	25	70004811.....	23	70007773.....	65
70000315.....	105	70003507.....	51	70004820.....	23	70007774.....	65
70000316.....	105	70003557.....	105	70005385.....	23	7001626.....	157
70000317.....	105	70003558.....	51	70005386.....	23	7001630.....	157
70000318.....	105, 276	70003559.....	51	70005387.....	23	7002821.....	278
70000319.....	105, 276	70003560.....	51	70005388.....	23	7002822.....	278
70000320.....	105	70003561.....	51	70005389.....	23	7002823.....	278
70000321.....	105	70003562.....	51	70005390.....	23	7002828.....	278
70000322.....	105	70003563.....	51	70005391.....	23	7004275.....	278
70000323.....	105	70003564.....	51	70005392.....	23	7004276.....	278
70000324.....	105	70003565.....	51	70005393.....	23	70046028..	257, 259, 261, 263, 265, 267, 269, 271
70000325.....	106	70003566.....	51	70005394.....	23	7007640.....	25
70000326.....	106	70003567.....	51	70005395.....	23	7012925.....	65
70000327.....	106	70003568.....	51	70005396.....	23	7016654.....	278
70000328.....	106	70003569.....	51	70005397.....	23	7017007.....	26
70000329.....	106	70003570.....	51	70005398.....	23	7017009.....	25
70000330.....	106	70003571.....	51	70005399.....	23	7017022.....	25
70000382.....	106	70003572.....	51	70005400.....	23	7017402.....	65
70000683.....	145	70003573.....	51	70005401.....	23	7020033.....	29
70000684.....	145	70003574.....	51	70005402.....	23	7020035.....	29
70000685.....	145	70003575.....	51	70005403.....	23	7020036.....	29
70000686.....	145	70003576.....	51	70005404.....	23	7020037.....	29
70000967.....	105	70003577.....	51	70005405.....	23	7020038.....	29
70001121.....	105	70003578.....	51	70005406.....	23	7020039.....	29
70001144.....	105	70003579.....	51	70005407.....	23	7020040.....	29
70001250.....	145	70003580.....	51	70005408.....	23	7020041.....	29
70001251.....	145	70003581.....	51	70005409.....	23	7020175.....	79, 143
70001252.....	145	70003582.....	51	70005410.....	23	7020176.....	79, 143
70001253.....	145	70003583.....	51	70005411.....	23	7024497.....	41, 43
70001365.....	13, 15	70003584.....	51	70005412.....	23	7024502.....	13, 15, 41, 43
70001366.....	25	70003585.....	51	70005415.....	19	7024506.....	41, 43
70001367.....	25	70003586.....	51	70006786.....	65	7024738.....	25
70001368.....	26	70003587.....	51	70007035.....	97, 276	7024741.....	25
70001369.....	25	70003588.....	51	70007448.....	129	7027365.....	145
70001370.....	25	70003589.....	51	70007506.....	145	7027367.....	145
70001371.....	25	70003590.....	51	70007607.....	157	7027388.....	51
70001372.....	25	70003591.....	51	70007608.....	157	7027391.....	51
70001373.....	25	70003592.....	51	70007609.....	157	7027395.....	51
70001374.....	25	70003593.....	51	70007610.....	157	7027398.....	51
70001375.....	25	70003594.....	51	70007678.....	151	7027628.....	13, 15
70001376.....	25	70003595.....	52	70007679.....	151	7027765.....	145
70001377.....	25	70003596.....	52	70007709.....	153	7027766.....	145
70001378.....	25	70003597.....	52	70007710.....	153	80630.....	109
70001379.....	25	70003598.....	52	70007711.....	153	8220051.....	235
70001380.....	26	70003599.....	52	70007712.....	153	83451104.....	164
70001965.....	41, 43	70003600.....	52	70007713.....	155		
70002083.....	105	70003601.....	52	70007714.....	155		



**Corporate Office
JLG Industries, Inc.
1 JLG Drive
McConnellsburg, PA 17233-9533 USA
☎ (717) 485-5161 (Corporate)
☎ (877) 554-5438 (Customer Support)
📠 (717) 485-6417**

**Visit our website for JLG Worldwide Locations.
www.jlg.com**



OSHKOSH™