



Illustrated Parts Manual

Model
RT4069
RT4769

PVC
2110

P/N
31219170
March 1, 2024 - Rev D

ANSI

CE



UK
CA

AS/NZS



An Oshkosh Corporation Company

REVISION LOG

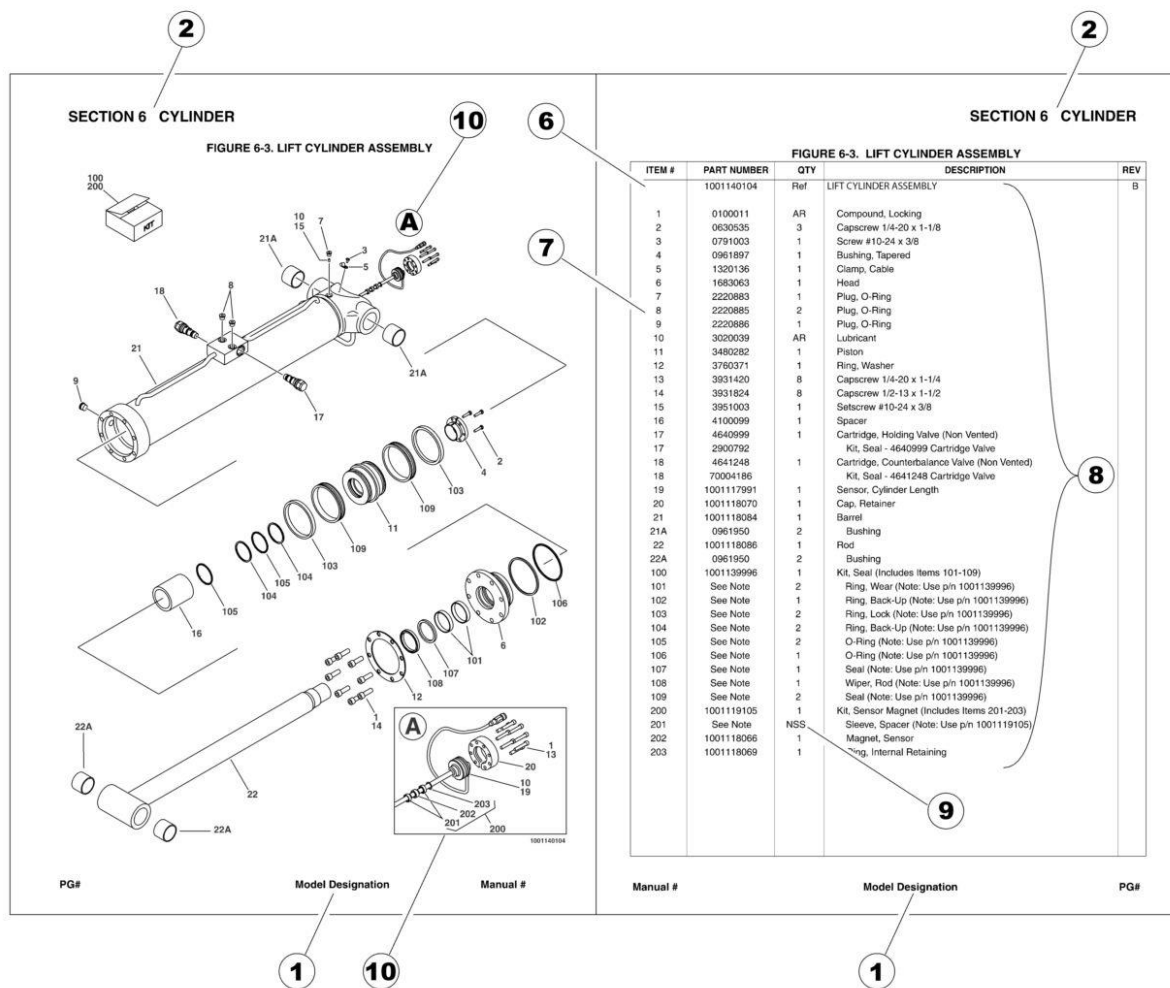
October 1, 2021 - A - Original Issue of Manual (Edited to B/M 1001260400 Rev G & 1001260470 Rev F)

March 1, 2022 - B - Revised Manual (Edited to B/M 1001260400 Rev H & 1001260470 Rev I)

September 1, 2022 - C - Revised Manual (Edited to B/M 1001260400 Rev H & 1001260470 Rev I)

March 1, 20224 - D - Revised Manual (Edited to B/M 1001260400 Rev H & 1001260470 Rev I)

GENERAL INFORMATION



1) MACHINE IDENTIFICATION

Machines are identified by model and in some cases a combination of models, serial number (SN) or regional standard (i.e ANSI, CE, CSA). Components may also be identified by SN or manufacturer. Common components that may be identified by these characteristics are engines and hydraulic components.

2) PARTS MANUAL ORGANIZATION

Product information in this manual is organized under section titles. Frame, Cylinder, Hydraulic and Electrical are a few examples. Each section is organized by figure and page number. The information within the Figure is then organized by item number, part number, description and corresponding illustration (s).

3) TABLE OF CONTENTS (NOT SHOWN)

A table of contents is found toward the beginning of the manual. Figure number, description and page number are provided for quick reference to the page containing the related information.

4) RECOMMENDED SPARE PARTS (NOT SHOWN)

The Recommended Spare Parts List, located near the end of the manual, reference most frequently used maintenance parts.

5) PART NUMBER INDEX (NOT SHOWN)

A numerical index listing all part numbers and the corresponding page number(s) appears at the back of the manual.

GENERAL INFORMATION

6) NON-SERVICED PARTS

In some instances, it is necessary to display non-serviced parts, assemblies or installations. In the case of assemblies and installations there will be a Ref in the Qty. column. In case of parts that are not available for service within assemblies or components, there will be a NSS (Not Sold Separately) or NLA (No Longer Available) listed in the Qty. column of the manual.

7) PARTS LIST ITEM NUMBERS

Numbers shown in the item# column correspond to numbers used in the associated illustration (s). Item numbers which are missing from the sequence in the parts list are not used on that page.

8) INDENTED PARTS DESCRIPTION

An indented part description is included in the item under which it is indented.

9) ABBREVIATION AND SYMBOLS

AC.....	Alternating Current	L.....	Liter
ADE.....	Advanced Design Electronics	LB(LBS).....	Pounds
AG.....	Agricultural	LCD.....	Liquid Crystal Display
ANSI.....	American National Standards Institute	LED.....	Light Emitting Diodes
AR.....	As Required	LH.....	Left Hand
ASSY.....	Assembly	LRC.....	Low Rated Countries
AUS.....	Australia	LSS.....	Load Sensing System
AUX.....	Auxiliary	M(m).....	Metric/Meter
AWG.....	American Wire Gauge	MM(mm).....	Milimeter
B/M.....	Bill of Material	mA.....	Miliamps
CAC.....	Charge Air Cooler	NLA.....	No Longer Available
CE.....	European Conformity	NPT.....	National Pipe Threads
CCW.....	Counter Clockwise	NSS.....	Not Sold Separately
CM.....	Centimeter	OD.....	Outside Diameter
CW.....	Clockwise	ORB.....	O-Ring Boss
CSA.....	Canadian Standards Association	ORFS.....	O-Ring Face Seal
CYL.....	Cylinder	OZ (oz).....	Ounces
DIA.....	Diameter	PG.....	Page
DC.....	Direct Current	PN.....	Part Number
DEF.....	Diesel Exhaust Fluid	QT(qt.).....	Quarts
EMS.....	Emergency Stop	QTY.....	Quantity
ENG.....	Engine	REF.....	Reference
FT(ft).....	Feet	REV.....	Revision Level
GA(Ga).....	Gauge	RH.....	Right Hand
HRC.....	High Rated Countries	SAE.....	Society of Automotive Engineers
HVAC.....	Heating, Ventilating, and Air Conditioning	SN.....	Serial Number
HYD.....	Hydraulic	SPEC(S).....	Specifications
Hz.....	Hertz	T/T.....	Turntable
ID.....	Inside Diameter	UGM.....	Universal Ground Module
IN.....	inches	V.....	Volts
ISO.....	International Organization for Standards	W.....	Watts
JIC.....	Joint Industry Council	#.....	Number
KG.....	Kilogram		

10) ILLUSTRATION REFERENCE LETTERS

When necessary, illustrations may contain reference letters that are intended to track information (i. e. hoses, harnesses) from one point to another or to track visual enlargement of components to show details that may be located in another area on the illustration.

Note: Due to continuous product improvements, JLG Industries, Inc. reserves the right to make specification changes without prior notification. Contact JLG Industries, Inc. for updated information.

TABLE OF CONTENTS

SECTION 1 - FRAME.....	11
FIGURE 1-1. AXLE INSTALLATION - SINGLE OSCILLATING (WITHOUT SENSORS).....	12
FIGURE 1-2. AXLE INSTALLATION - SINGLE OSCILLATING (WITH SENSORS).....	14
FIGURE 1-3. AXLE INSTALLATION - DUAL OSCILLATING.....	16
FIGURE 1-4. VALVE ASSEMBLY - DUAL AXLE.....	18
FIGURE 1-5. STEERING INSTALLATION.....	20
FIGURE 1-6. DRIVE INSTALLATION (2WD).....	22
FIGURE 1-7. DRIVE INSTALLATION (4WD).....	24
FIGURE 1-8. DRIVE MOTOR ASSEMBLY - REAR (2WD & 4WD).....	26
FIGURE 1-9. DRIVE HUB AND BRAKE ASSEMBLY (2WD REAR).....	28
FIGURE 1-10. HUB/SPINDLE ASSEMBLY (2WD FRONT).....	32
FIGURE 1-11. VALVE ASSEMBLY - TRACTION (2WD).....	34
FIGURE 1-12. VALVE ASSEMBLY - TRACTION (4WD).....	36
FIGURE 1-13. HUB/SPINDLE ASSEMBLY - FRONT (4WD).....	38
FIGURE 1-14. DRIVE HUB AND BRAKE ASSEMBLY (4WD).....	40
FIGURE 1-15. RT4069 FRAME COVERS INSTALLATION.....	42
FIGURE 1-16. RT4769 FRAME COVERS INSTALLATION.....	44
FIGURE 1-17. RT4069 LADDER INSTALLATION.....	46
FIGURE 1-18. RT4769 LADDER INSTALLATION.....	48
FIGURE 1-19. LEVELING JACKS INSTALLATION - PARTIAL COVERS.....	50
FIGURE 1-20. LEVELING JACKS INSTALLATION - FULL COVERS.....	52
FIGURE 1-21. LEVELING JACKS VALVE ASSEMBLY.....	54
FIGURE 1-22. ONBOARD GENERATOR INSTALLATION - SINGLE OSCILLATING AXLE.....	56
FIGURE 1-23. ONBOARD GENERATOR INSTALLATION - DUAL OSCILLATING AXLE.....	58
FIGURE 1-24. ONBOARD GENERATOR INSTALLATION - TRAY ONLY - SINGLE OSCILLATING AXLE.....	60
FIGURE 1-25. ONBOARD GENERATOR INSTALLATION - TRAY ONLY - DUAL OSCILLATING AXLE.....	62
FIGURE 1-26. ONBOARD GENERATOR ASSEMBLY.....	64
FIGURE 1-27. OIL COOLER INSTALLATION.....	68
FIGURE 1-28. TIRE AND WHEEL INSTALLATION - FOAM-FILLIED.....	70
FIGURE 1-29. TIRE AND WHEEL INSTALLATION - FOAM-FILLIED NON-MARKING.....	72
FIGURE 1-30. TIRE AND WHEEL INSTALLATION - FOAM-FILLIED TURF NON-MARKING.....	74
SECTION 2 - GROUND CONTROLS.....	77
FIGURE 2-1. HYDRAULIC COMPONENTS INSTALLATION - DIESEL.....	78
FIGURE 2-2. HYDRAULIC COMPONENTS INSTALLATION - DUAL FUEL.....	80
FIGURE 2-3. VALVE ASSEMBLY - MAIN CONTROL.....	82
FIGURE 2-4. RT4069 ELECTRICAL COMPONENTS INSTALLATION.....	84
FIGURE 2-5. RT4769 ELECTRICAL COMPONENTS INSTALLATION.....	86
FIGURE 2-6. GROUND CONTROL ASSEMBLY.....	88
FIGURE 2-7. ALARM INSTALLATION (HORN).....	90
FIGURE 2-8. ALARM INSTALLATION (WHITE NOISE).....	92
FIGURE 2-9. HOODS INSTALLATION.....	94
FIGURE 2-10. HYDRAULIC TANK ASSEMBLY.....	98
FIGURE 2-11. NO BEACON (COVERS).....	100
FIGURE 2-12. STROBE LIGHT INSTALLATION - DUAL.....	102

TABLE OF CONTENTS

FIGURE 2-13. STROBE LIGHT INSTALLATION - SINGLE.....	104
SECTION 3 - ENGINE.....	107
FIGURE 3-1. ENGINE MOUNTING INSTALLATION.....	108
FIGURE 3-2. ENGINE AND PUMP ASSEMBLY - DIESEL.....	110
FIGURE 3-3. PUMP ASSEMBLY - DIESEL.....	112
FIGURE 3-4. ENGINE COMPONENTS - DIESEL.....	114
FIGURE 3-5. COUPLING ASSEMBLY - ENGINE PUMP (DIESEL).....	116
FIGURE 3-6. ENGINE FUEL LINES INSTALLATION - DIESEL.....	118
FIGURE 3-7. ENGINE ELECTRICAL INSTALLATION - DIESEL.....	120
FIGURE 3-8. ENGINE COOLING SYSTEM INSTALLATION - DIESEL.....	122
FIGURE 3-9. AIR INTAKE INSTALLATION - DIESEL.....	124
FIGURE 3-10. EXHAUST INSTALLATION - DIESEL.....	126
FIGURE 3-11. OIL FILTER INSTALLATION - REMOTE - DIESEL.....	128
FIGURE 3-12. ENGINE AND PUMP ASSEMBLY - DUAL FUEL.....	130
FIGURE 3-13. PUMP ASSEMBLY - DUAL FUEL.....	132
FIGURE 3-14. ENGINE COMPONENTS - DUAL FUEL.....	134
FIGURE 3-15. COUPLING ASSEMBLY - ENGINE PUMP (DUAL FUEL).....	136
FIGURE 3-16. ENGINE FUEL LINES INSTALLATION - DUAL FUEL.....	138
FIGURE 3-17. ENGINE ELECTRICAL INSTALLATION - DUAL FUEL.....	140
FIGURE 3-18. ENGINE COOLING SYSTEM INSTALLATION - DUAL FUEL.....	142
FIGURE 3-19. AIR INTAKE INSTALLATION - DUAL FUEL.....	144
FIGURE 3-20. EXHAUST INSTALLATION - DUAL FUEL.....	146
FIGURE 3-21. OIL FILTER INSTALLATION - REMOTE - DUAL FUEL.....	148
FIGURE 3-22. GENERATOR INSTALLATION - 2500W/60HZ (DIESEL MACHINES).....	150
FIGURE 3-23. GENERATOR INSTALLATION - 2500W/60HZ (DUAL FUEL MACHINES).....	152
FIGURE 3-24. GENERATOR INSTALLATION - 2300W/50HZ.....	154
FIGURE 3-25. LP TANK BRACKETS INSTALLATION (SINGLE TANK).....	156
FIGURE 3-26. LP TANK BRACKETS INSTALLATION (DUAL TANKS).....	158
SECTION 4 - SCISSORS ARMS.....	161
FIGURE 4-1. RT4069 ARMS INSTALLATION.....	162
FIGURE 4-2. RT4069 ARMS ASSEMBLY.....	164
FIGURE 4-3. RT4069 CYLINDER AND LIFT DOWN VALVE ASSEMBLY.....	168
FIGURE 4-4. RT4769 ARMS INSTALLATION - RT4769.....	170
FIGURE 4-5. RT4769 ARMS ASSEMBLY - RT4769.....	172
FIGURE 4-6. RT4769 CYLINDER AND LIFT DOWN VALVE ASSEMBLY - LOWER.....	176
FIGURE 4-7. RT4769 CYLINDER AND LIFT DOWN VALVE ASSEMBLY - UPPER.....	178
SECTION 5 - PLATFORM.....	181
FIGURE 5-1. PLATFORM INSTALLATION.....	182
FIGURE 5-2. PLATFORM EXTENSION INSTALLATION (SINGLE).....	184
FIGURE 5-3. PLATFORM RAILS INSTALLATION (SINGLE EXTENSION).....	186
FIGURE 5-4. PLATFORM CONTROL BOX INSTALLATION - SIDE MOUNT.....	190
FIGURE 5-5. PLATFORM CONTROL BOX INSTALLATION.....	192
FIGURE 5-6. CONTROLLER ASSEMBLY.....	194

TABLE OF CONTENTS

FIGURE 5-7. WORKSTATION INSTALLATION	196
SECTION 6 - CYLINDER	199
FIGURE 6-1. AXLE LOCKOUT CYLINDER ASSEMBLY	200
FIGURE 6-2. LEVELING JACK CYLINDER ASSEMBLY	202
FIGURE 6-3. RT4069 & RT4769 LIFT CYLINDER ASSEMBLY - LOWER	204
FIGURE 6-4. RT4769 LIFT CYLINDER ASSEMBLY - UPPER	206
FIGURE 6-5. STEER CYLINDER ASSEMBLY	208
SECTION 7 - HYDRAULIC	211
FIGURE 7-1. HYDRAULIC DIAGRAM - AXLE (DUAL OSCILLATING)	212
FIGURE 7-2. HYDRAULIC DIAGRAM - LEVELING JACKS	214
FIGURE 7-3. HYDRAULIC DIAGRAM - STANDARD (2WD)	216
FIGURE 7-4. HYDRAULIC DIAGRAM - STANDARD (4WD)	220
SECTION 8 - ELECTRICAL	225
FIGURE 8-1. RT4069 & RT4769 ELECTRICAL LAYOUT	226
FIGURE 8-2. AC BOX AT PLATFORM INSTALLATION - 110V GFI (ALL SPECS EXCEPT AUSTRALIAN, CE & UK CA SPECS)	236
FIGURE 8-3. AC BOX AT PLATFORM INSTALLATION - 110V IEC YELLOW (CE & UK CA SPECS)	238
FIGURE 8-4. AC BOX AT PLATFORM INSTALLATION - 220V IEC BLUE (CE & UK CA SPECS)	240
FIGURE 8-5. AC BOX AT PLATFORM INSTALLATION - 220V CEE7 POST GROUND (CE & UK CA SPECS)	242
FIGURE 8-6. AC BOX AT PLATFORM INSTALLATION - 220V CEE7 SIDE GROUND (CE & UK CA SPECS)	244
FIGURE 8-7. AC BOX AT PLATFORM INSTALLATION - 220V AFSINT 107 (CE & UK CA SPECS)	246
FIGURE 8-8. AC BOX AT PLATFORM INSTALLATION - 220V CUSTOMER SUPPLIED PLUG & RECEPTACLE (ALL SPECS EXCEPT AUSTRALIAN, CE & UK CA SPECS)	248
FIGURE 8-9. AC BOX AT PLATFORM INSTALLATION - 220V CUSTOMER SUPPLIED COMPONENTS (ALL SPECS)	250
FIGURE 8-10. AUXILIARY DESCENT HARNESS	252
FIGURE 8-11. AXLE HARNESS - REAR OSCILLATING	254
FIGURE 8-12. BREAKER BOX KIT - 1 DOUBLE BREAKER (CE & UK CA SPECS)	256
FIGURE 8-13. BREAKER BOX KIT - 1 DOUBLE & 1 SINGLE BREAKER (CE & UK CA SPECS)	258
FIGURE 8-14. CHASSIS HARNESS	260
FIGURE 8-15. ENGINE HARNESS - DIESEL	264
FIGURE 8-16. ENGINE HARNESS - DUAL FUEL	268
FIGURE 8-17. GENERATOR HARNESS	272
FIGURE 8-18. RT4069 GROUND TO PLATFORM HARNESS	274
FIGURE 8-19. RT4769 GROUND TO PLATFORM HARNESS	276
FIGURE 8-20. LEVELING JACK HARNESS	278
FIGURE 8-21. RT4069 & RT4769 LIFT DOWN HARNESS - LOWER	280
FIGURE 8-22. RT4769 LIFT DOWN HARNESS - UPPER - RT4769	282
FIGURE 8-23. LSS HARNESS	284
FIGURE 8-24. ONBOARD GENERATOR CABLE	286
FIGURE 8-25. OIL COOLER HARNESS	288
FIGURE 8-26. PLATFORM HARNESS	290
FIGURE 8-27. PLATFORM CABLE INSTALLATION – WITHOUT FOOTSWITCH	292
FIGURE 8-28. PLATFORM CABLE HARNESS – WITHOUT FOOTSWITCH	294
FIGURE 8-29. PLATFORM CABLE INSTALLATION – WITH FOOTSWITCH	296

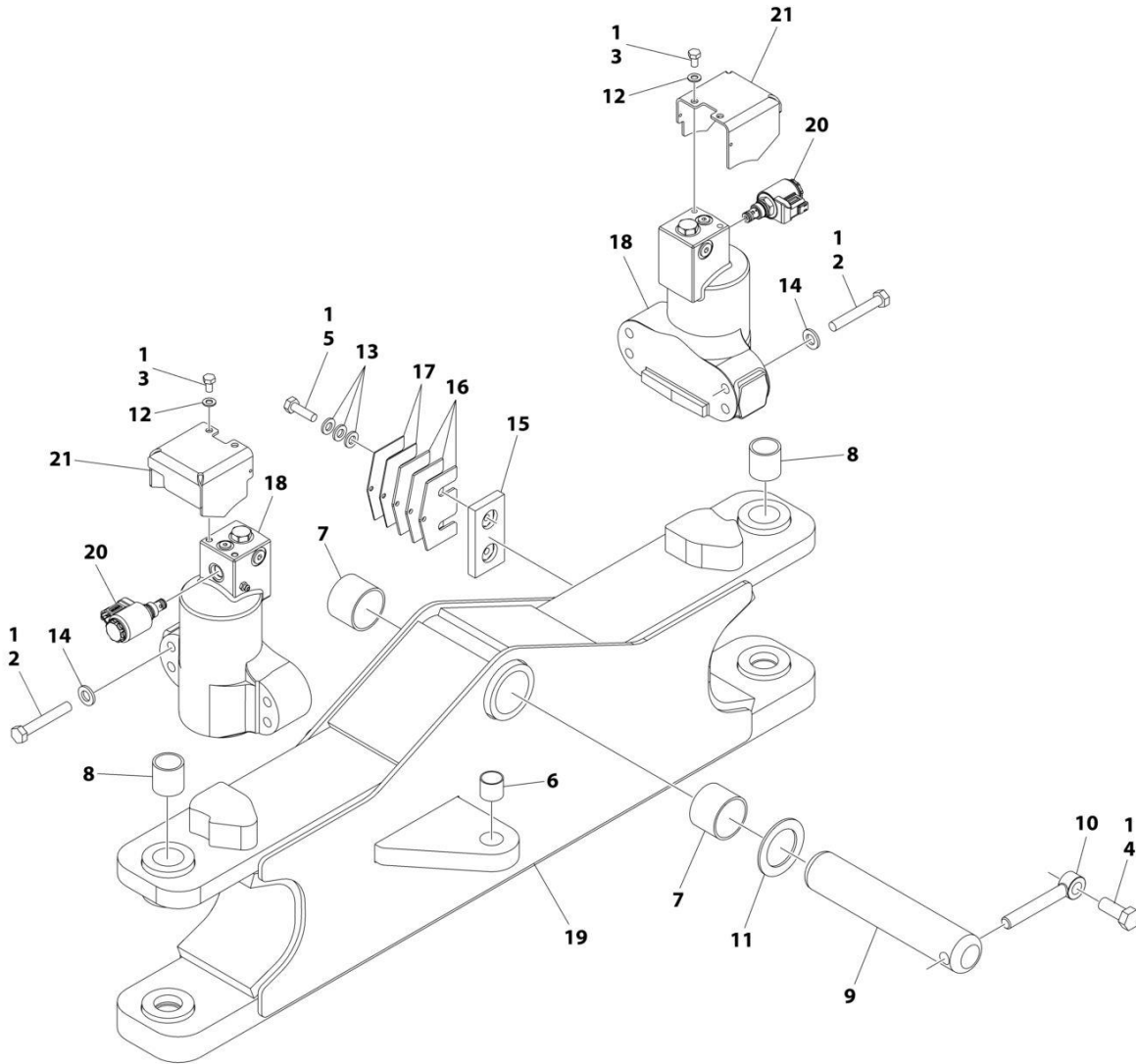
TABLE OF CONTENTS

FIGURE 8-30. PLATFORM CABLE HARNESS – WITH FOOTSWITCH	298
FIGURE 8-31. PLATFORM CONTROL BOX HARNESS	300
FIGURE 8-32. RECEPTACLE BOX KIT - 110V GFI	302
FIGURE 8-33. RECEPTACLE BOX KIT - 110V IEC YELLOW (CE & UK CA SPECS).....	304
FIGURE 8-34. RECEPTACLE BOX KIT - 220V IEC BLUE (CE & UK CA SPECS)	306
FIGURE 8-35. RECEPTACLE BOX KIT - 220V CEE7 POST GROUND (CE & UK CA SPECS)	308
FIGURE 8-36. RECEPTACLE BOX KIT - 220V CEE7 SIDE GROUND (CE & UK CA SPECS).....	310
FIGURE 8-37. RECEPTACLE BOX KIT - 220V AFSINT 107 (CE & UK CA SPECS).....	312
FIGURE 8-38. TILT SENSOR HARNESS.....	314
SECTION 9 - DECALS	317
FIGURE 9-1. RT4069 DECAL INSTALLATION - ANSI SPECS (ENGLISH LANGUAGE).....	318
FIGURE 9-2. RT4069 DECAL INSTALLATION - AUSTRALIAN,CE & UK CA SPECS (ENGLISH LANGUAGE).....	320
FIGURE 9-3. RT4069 DECAL INSTALLATION - BRAZIL SPECS (SPANISH/PORTUGUESE LANGUAGES)	322
FIGURE 9-4. RT4069 DECAL INSTALLATION - CHINA SPECS (ENGLISH/CHINESE LANGUAGES)	324
FIGURE 9-5. RT4069 DECAL INSTALLATION - CSA SPECS (ENGLISH/FRENCH LANGUAGES).....	326
FIGURE 9-6. RT4069 DECAL INSTALLATION - KOREAN SPECS (ENGLISH/KOREAN LANGUAGES).....	328
FIGURE 9-7. RT4069 DECAL INSTALLATION - LATIN AMERICAN SPECS (ENGLISH/KSPANISH LANGUAGES).....	330
FIGURE 9-8. RT4769 DECAL INSTALLATION - ANSI SPECS (ENGLISH LANGUAGE).....	332
FIGURE 9-9. RT4769 DECAL INSTALLATION - AUSTRALIAN,CE & UK CA SPECS (ENGLISH LANGUAGE).....	334
FIGURE 9-10. RT4769 DECAL INSTALLATION - BRAZIL SPECS (SPANISH/PORTUGUESE LANGUAGES)	336
FIGURE 9-11. RT4769 DECAL INSTALLATION - CHINA SPECS (ENGLISH/CHINESE LANGUAGES).....	338
FIGURE 9-12. RT4769 DECAL INSTALLATION - CSA SPECS (ENGLISH/FRENCH LANGUAGES).....	340
FIGURE 9-13. RT4769 DECAL INSTALLATION - KOREAN SPECS (ENGLISH/KOREAN LANGUAGES).....	342
FIGURE 9-14. RT4769 DECAL INSTALLATION - LATIN AMERICAN SPECS (ENGLISH/KSPANISH LANGUAGES).....	344
FIGURE 9-15. DECAL INSTALLATION - OPTIONS.....	346
SECTION 10 - RECOMMENDED SERVICE PARTS STOCK.....	349
FIGURE 10-1. RECOMMENDED SERVICE PARTS STOCK.....	350
SECTION 11 - SPECIAL OPTIONS/ACCESSORIES/KITS.....	351
FIGURE 11-1. SPECIAL OPTIONS/ACCESSORIES/KITS.....	352
PART NUMBER INDEX.....	355

SECTION 1 - FRAME

SECTION 1 - FRAME

FIGURE 1-1. AXLE INSTALLATION - SINGLE OSCILLATING (WITHOUT SENSORS)



ART_1001260485

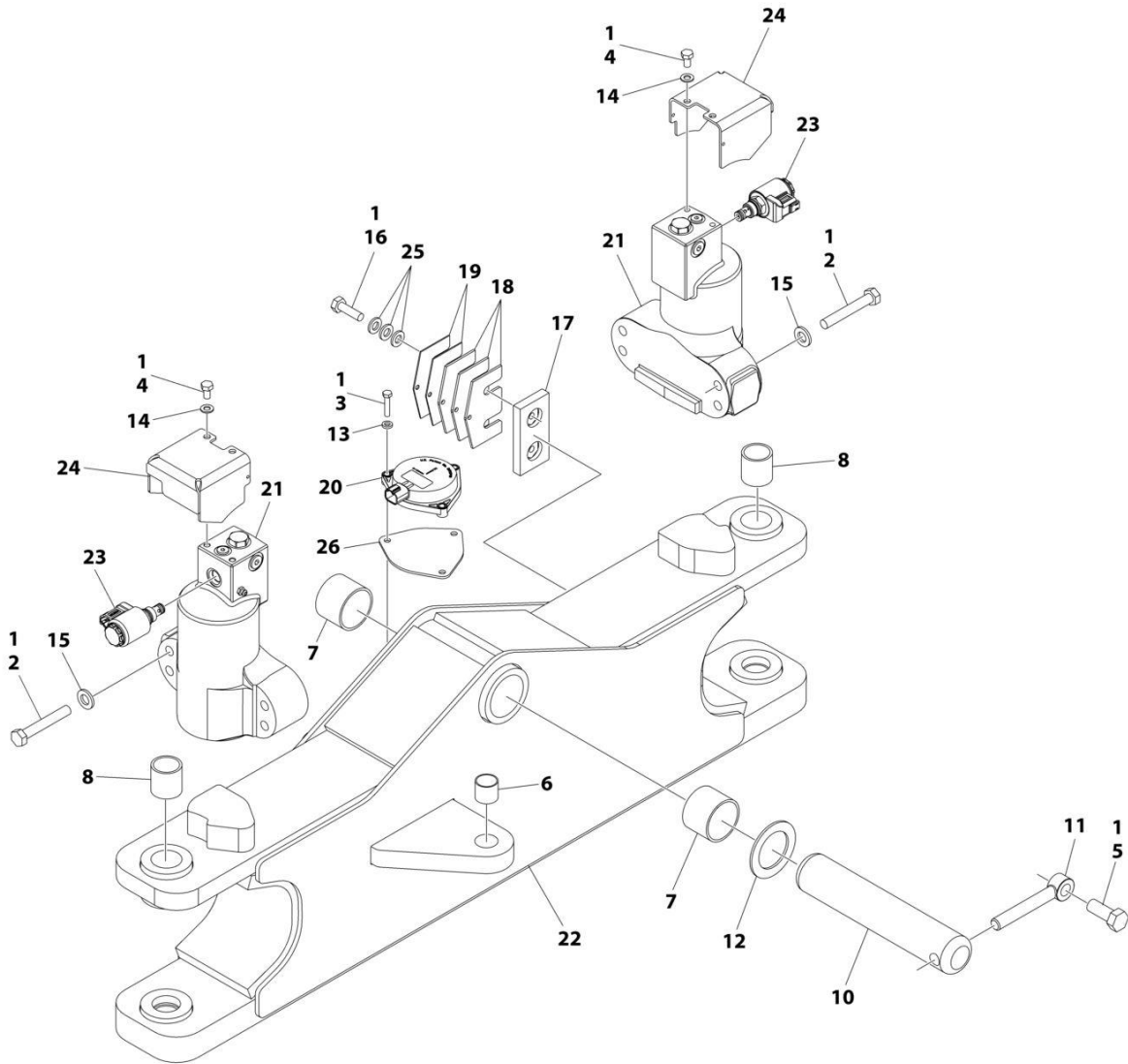
SECTION 1 - FRAME

FIGURE 1-1. AXLE INSTALLATION - SINGLE OSCILLATING (WITHOUT SENSORS)

ITEM	PART NUMBER	QTY	DESCRIPTION	REV
	1001260485	Ref	AXLE INSTALLATION (WITHOUT SENSOR)	B
1	0100011	AR	Compound, Locking	
2	0711224	8	Bolt M12 x 80	
3	0760807	4	Bolt M8 x 14	
4	0761616	1	Bolt M16 x 40	
5	0771015	4	Bolt M10 x 35	
6	0961890	1	Bushing	
7	0961950	2	Bearing	
8	0962220	4	Bushing	
9	3422592	1	Pin	
10	3841258	1	Keeper, Rod	
11	4740229	1	Thrustwasher	
12	4811900	4	Washer M8	
13	5241000	AR	Washer M10	
14	5241200	8	Washer M12	
15	1001118511	2	Pad, Wear	
16	1001118518	AR	Shim 11Ga	
17	1001118519	AR	Shim 16Ga	
18	1001245046	2	Cylinder Assembly - Axle (See Separate Breakdown in CYLINDER Section)	
19	1001247019	1	Axle	
20	1001248196	2	Cartridge, Valve - Directional	
20	7024502	2	Seal Kit - 7001248196 Valve	
20	7027628	2	Coil	
20	70001365	2	Nut, Coil	
21	1001248834	2	Cover	

SECTION 1 - FRAME

FIGURE 1-2. AXLE INSTALLATION - SINGLE OSCILLATING (WITH SENSORS)



ART_1001244391

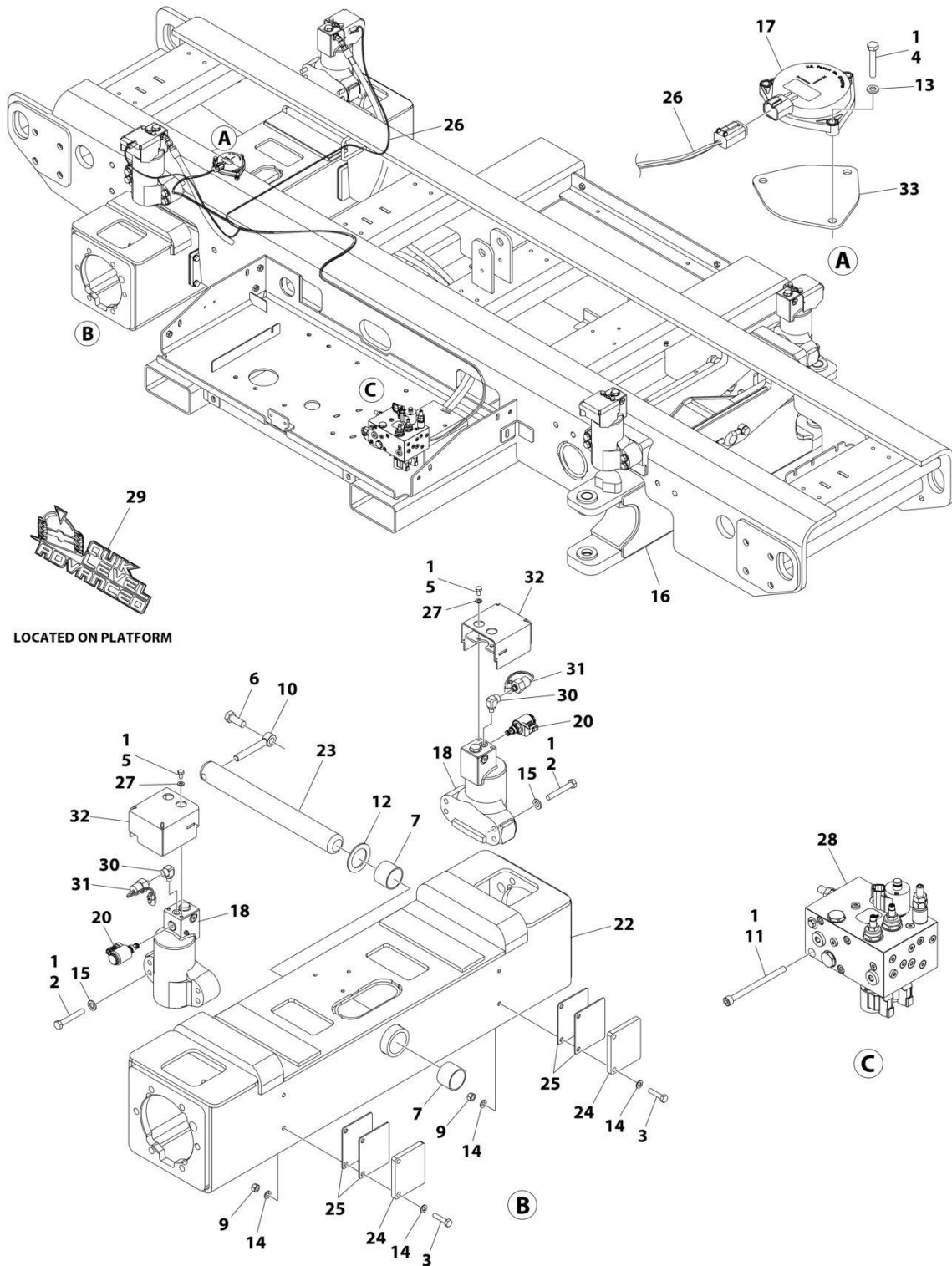
SECTION 1 - FRAME

FIGURE 1-2. AXLE INSTALLATION - SINGLE OSCILLATING (WITH SENSORS)

ITEM	PART NUMBER	QTY	DESCRIPTION	REV
	1001244391	Ref	AXLE INSTALLATION (WITH SENSOR)	D
1	0100011	AR	Compound, Locking	
2	0711224	8	Bolt M12 x 80	
3	0760614	3	Bolt M6 x 30	
3	4010615	3	Bolt M6 x 35	
4	0760807	4	Bolt M8 x 14	
5	0761616	1	Bolt M16 x 40	
6	0961890	1	Bushing	
7	0961950	2	Bearing	
8	0962220	4	Bushing	
10	3422592	1	Pin	
11	3841258	1	Keeper, Rod	
12	4740229	1	Thrustwasher	
13	4811700	3	Washer M6	
14	4811900	4	Washer M8	
15	5241200	8	Washer M12	
16	0771015	4	Bolt M10 x 35	
17	1001118511	2	Pad, Wear	
18	1001118518	AR	Shim 11Ga	
19	1001118519	AR	Shim 16Ga	
20	1001244934	1	Sensor, Tilt	
21	1001245046	2	Cylinder Assembly - Axle (See Separate Breakdown in CYLINDER Section)	
22	1001247019	1	Axle	
23	1001248196	2	Cartridge, Valve - Directional	
23	7024502	2	Seal Kit - 1001248196 Valve	
23	7027628	2	Coil	
23	70001365	2	Nut, Coil	
24	1001248834	2	Cover	
25	5241000	AR	Washer M10	
26	1001272777	1	Gasket	

SECTION 1 - FRAME

FIGURE 1-3. AXLE INSTALLATION - DUAL OSCILLATING



ART_1001247295

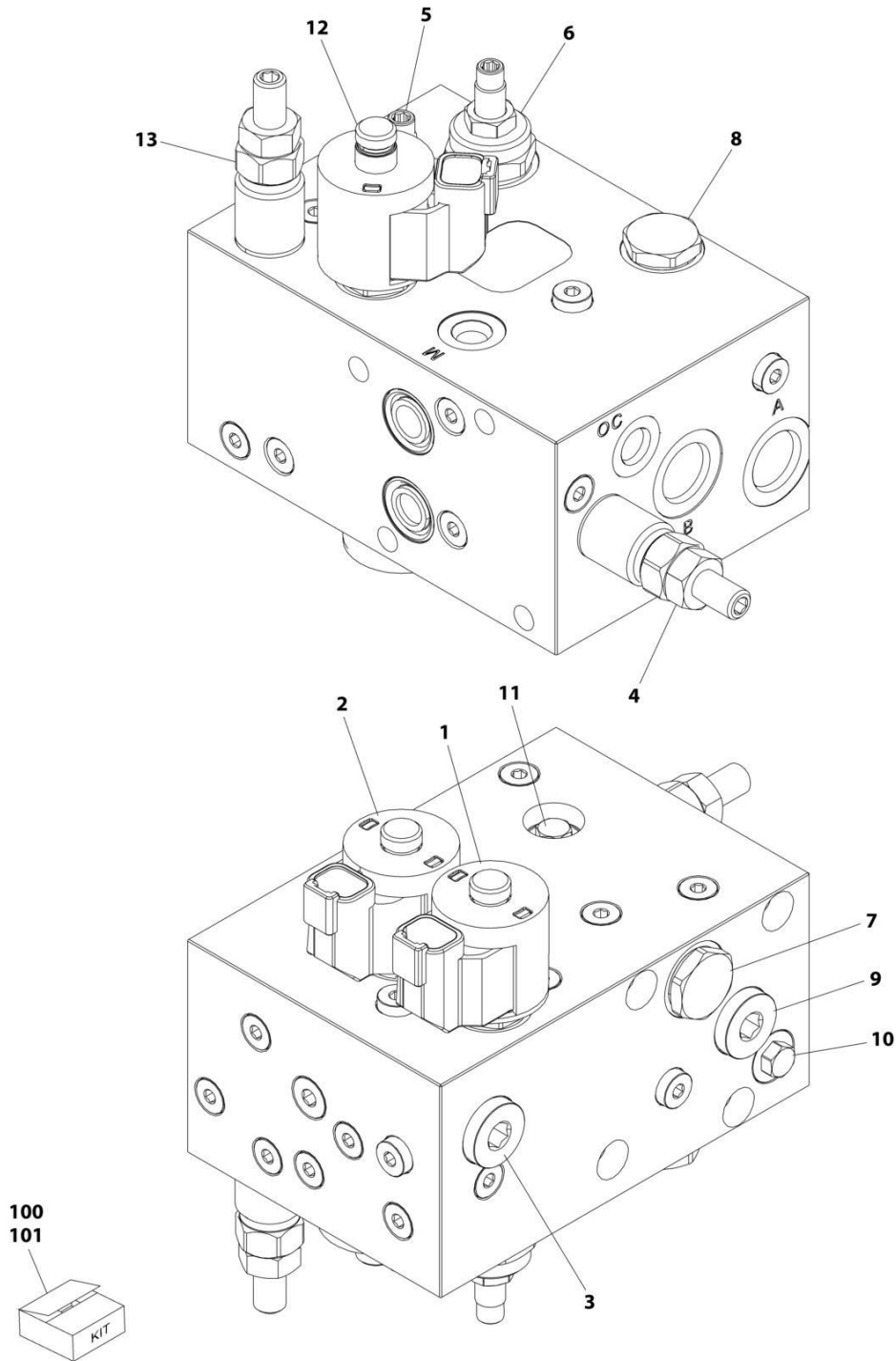
SECTION 1 - FRAME

FIGURE 1-3. AXLE INSTALLATION - DUAL OSCILLATING

ITEM	PART NUMBER	QTY	DESCRIPTION	REV
	1001247295	Ref	AXLE INSTALLATION - DUAL	G
1	0100011	AR	Compound, Locking	
2	0711224	8	Bolt M12 x 80	
3	0711017	4	Bolt M10 x 45	
4	4010615	3	Bolt M6 x 35	
5	0760807	4	Bolt M8 x 14	
6	0761616	1	Bolt M16 x 40	
7	0961950	2	Bearing	
9	3291005	4	Nut M10	
10	3841258	1	Keeper, Rod	
11	4031924	4	Capscrew M8 x 110	
12	4740229	1	Thrustwasher	
13	4811700	3	Washer M6	
14	4812000	8	Washer M10	
15	5241200	8	Washer M12	
16	1001244391	1	Axle Installation - Front (See Separate Breakdown in this Section)	
17	1001244934	1	Sensor, Tilt	
18	1001245046	2	Cylinder Assembly - Axle (See Separate Breakdown in CYLINDER Section)	
19	1001246104	Ref	Hydraulic Diagram - Axle (Not Shown - See Separate Breakdown in HYDRAULIC Section)	
20	1001248196	2	Cartridge, Valve - Directional	
20	7024502	2	Seal Kit - 1001248196 Valve	
20	7027628	2	Coil	
20	70001365	2	Nut, Coil	
22	1001250088	1	Axle (Rear)	
23	1001250089	1	Pin	
24	1001250090	2	Shim 0.5	
25	1001250091	AR	Shim 11Ga	
26	1001249282	1	Harness, Axle (Rear Oscillating) (See Separate Breakdown in ELECTRICAL Section)	
27	4811900	4	Washer M8	
28	1001247382	1	Valve Assembly (Dual Axles) (See Separate Breakdown in this Section)	
29	1001265585	2	Decal - Quick Level Access	
30	2221116	2	Fitting, 90 ORB	
31	1001256875	2	Switch, Pressure	
32	1001271580	2	Cover	
33	1001272777	1	Gasket	

SECTION 1 - FRAME

FIGURE 1-4. VALVE ASSEMBLY - DUAL AXLE



ART_1001247382

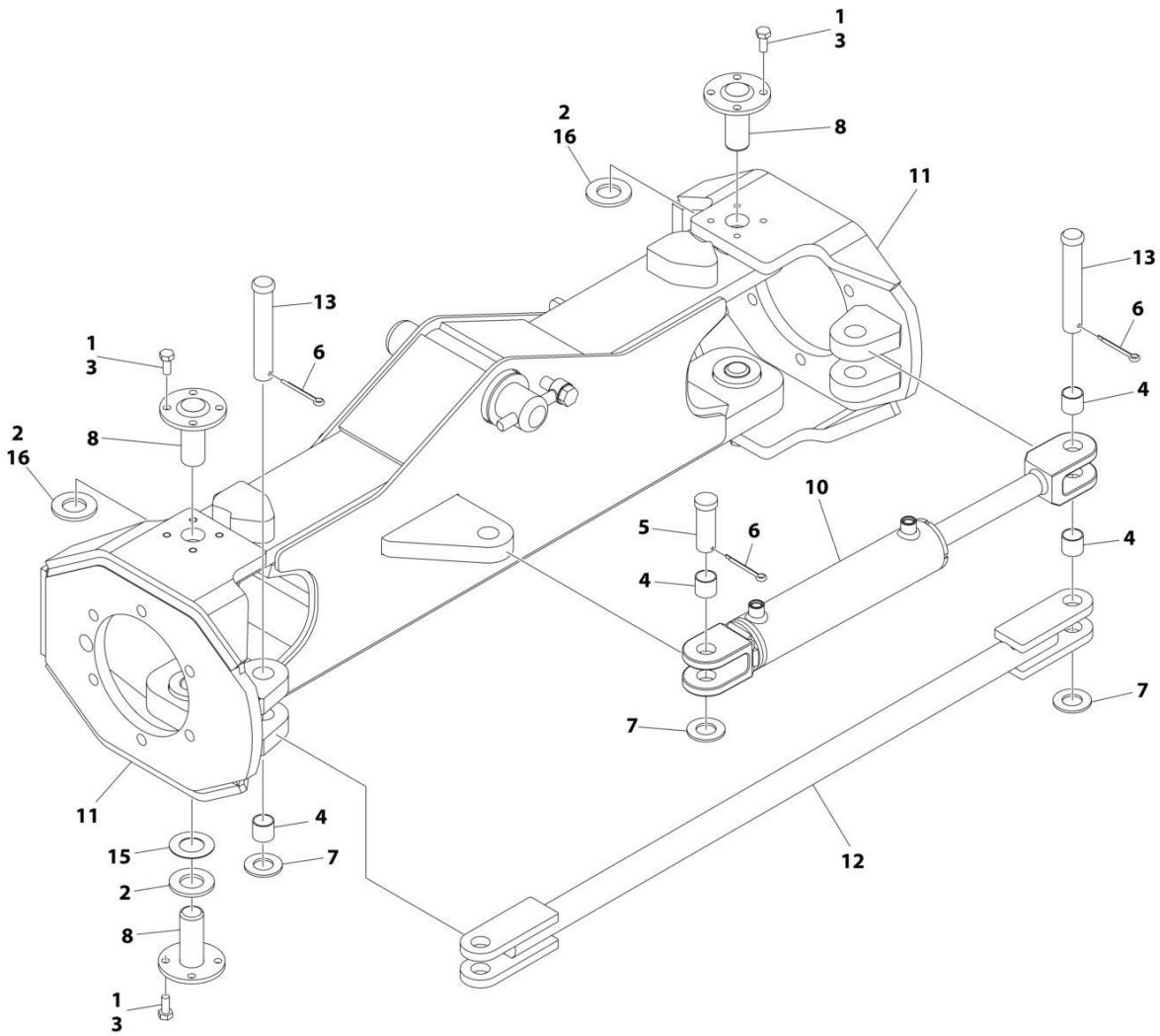
SECTION 1 - FRAME

FIGURE 1-4. VALVE ASSEMBLY - DUAL AXLE

ITEM	PART NUMBER	QTY	DESCRIPTION	REV
	1001247382	Ref	VALVE ASSEMBLY - DUAL AXLE	C
1	H000071	1	Cartridge, Solenoid Valve (Use Seal Kit 7012972)	
1	70002963	1	Coil	
2	H000071	1	Cartridge, Solenoid Valve (Use Seal Kit 7012972)	
2	70002963	1	Coil	
3	70007775	1	Cartridge, Shuttle Valve	
4	70007776	1	Cartridge, Relief Valve	
5	700077799	1	Cartridge, Flow Control Valve (Use Seal Kit 7010545)	
6	700077799	1	Cartridge, Flow Control Valve (Use Seal Kit 7010545)	
7	70030103	1	Cartridge, Check Valve	
8	70030103	1	Cartridge, Check Valve	
9	70007775	1	Cartridge, Shuttle Valve	
10	70007777	1	Cartridge, Check Valve	
11	70007777	1	Cartridge, Check Valve	
12	70007780	1	Cartridge, Solenoid Valve (Use Seal Kit 7012972)	
12	70002963	1	Coil	
13	70007778	1	Cartridge, Relief Valve	
100	7012972	1	Seal Kit (Use with Items 1, 2 & 12 Valves)	
101	7010545	1	Seal Kit (Use with Items 5 & 6 Valves)	

SECTION 1 - FRAME

FIGURE 1-5. STEERING INSTALLATION



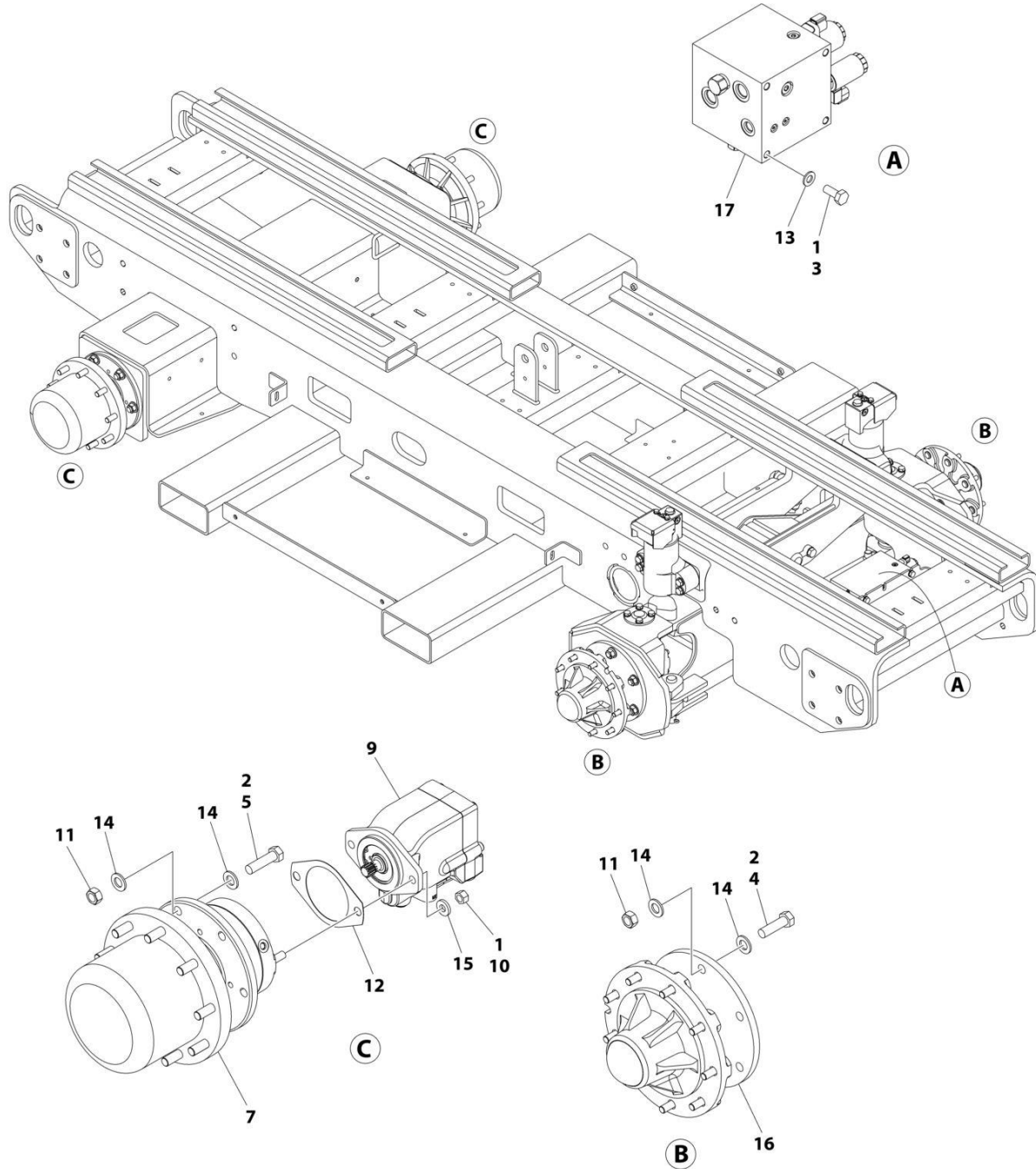
ART_1001244392

FIGURE 1-5. STEERING INSTALLATION

ITEM	PART NUMBER	QTY	DESCRIPTION	REV
	1001244392	Ref	STEERING INSTALLATION	D
1	0100011	AR	Compound, Locking	
2	0440237	2	Thrustwasher (3/16 Thickness)	
3	0761012	16	Bolt M10 x 25	
4	0961890	4	Bushing	
5	3431622	1	Pin	
6	3450608	3	Pin, Cotter	
7	4712600	3	Washer 1	
8	1001139141	4	Kingpin	
10	1001246107	1	Cylinder Assembly - Steer (See Separate Breakdown in CYLINDER Section)	
11	1001249297	2	Spindle	
12	1001249323	1	Tie-Rod	
13	1001255526	2	Pin	
15	1001151395	2	Shim	
16	0440162	2	Thrustwasher (1/8 Thickness)	

SECTION 1 - FRAME

FIGURE 1-6. DRIVE INSTALLATION (2WD)



ART_1001248300

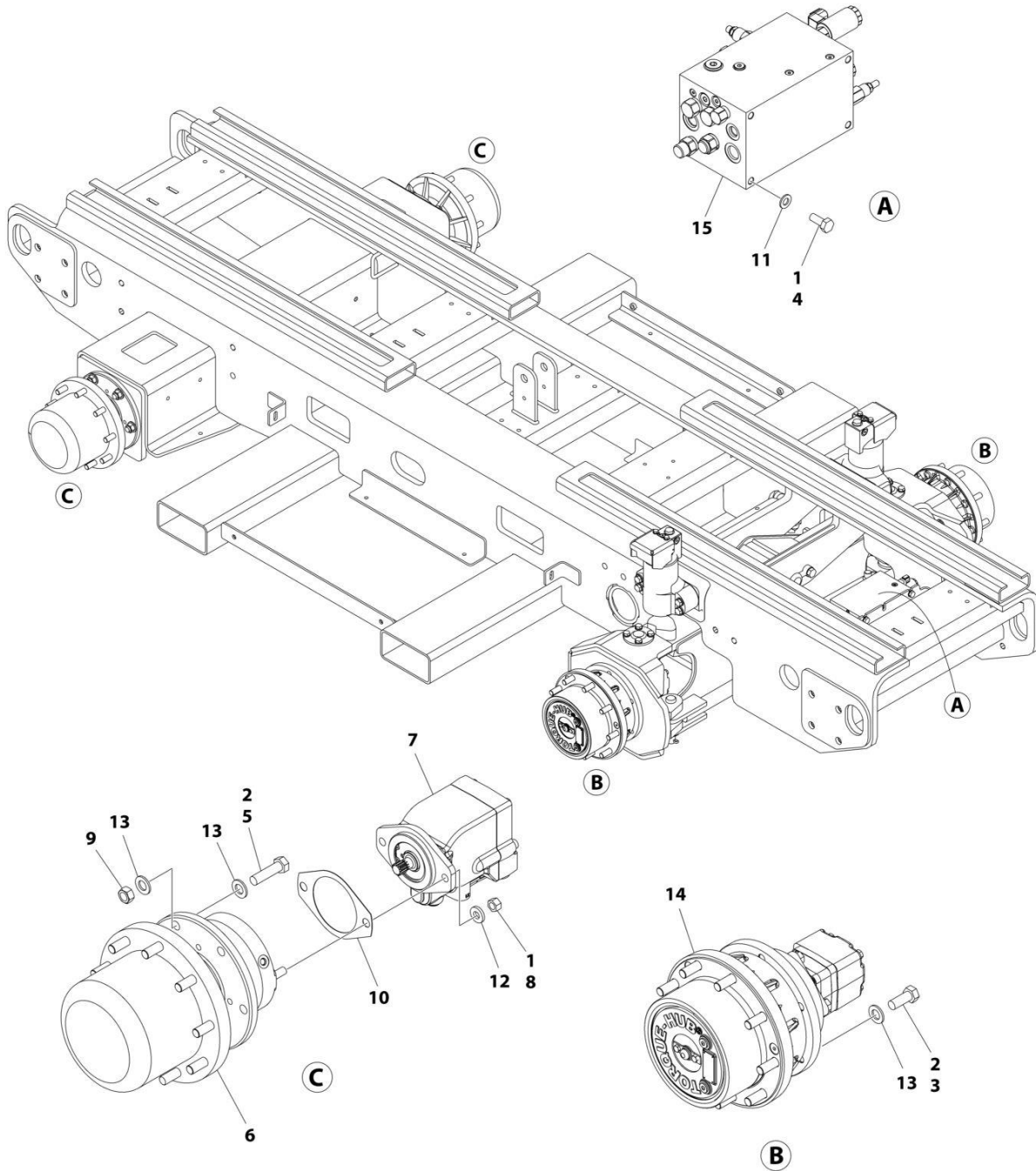
SECTION 1 - FRAME

FIGURE 1-6. DRIVE INSTALLATION (2WD)

ITEM	PART NUMBER	QTY	DESCRIPTION	REV
	1001248300	Ref	DRIVE INSTALLATION - 2WD	C
1	0100011	AR	Compound, Locking	
2	0100019	AR	Compound, Locking	
3	0771012	4	Bolt M10 x 25	
4	0771619	12	Bolt M16 x 55	
5	0771620	12	Bolt M16 x 60	
7	2780267	2	Drive Hub Assembly (See Separate Breakdown in this Section)	
9	3160348	2	Drive Motor Assembly (See Separate Breakdown in this Section)	
10	3311801	4	Nut 1/2	
11	3331611	24	Nut M16	
12	3960526	2	Gasket	
13	4812000	4	Washer M10	
14	5241600	48	Washer M16	
15	4891800	4	Washer 1/2	
16	1001214174	2	Hub Assembly - Front (See Separate Breakdown in this Section)	
17	1001246959	1	Valve Assembly - Drive Traction (See Separate Breakdown in this Section)	

SECTION 1 - FRAME

FIGURE 1-7. DRIVE INSTALLATION (4WD)



ART_1001248851

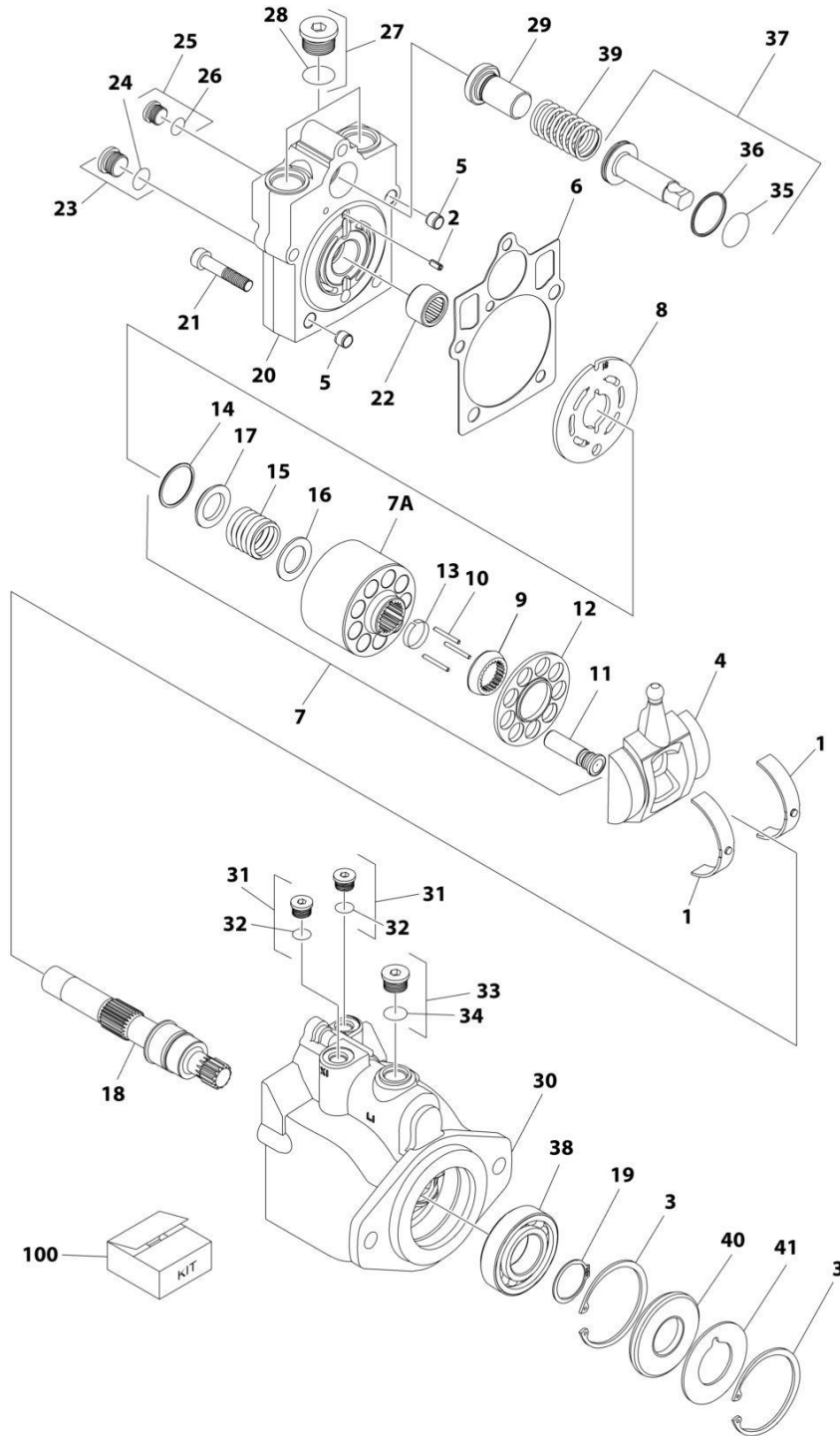
SECTION 1 - FRAME

FIGURE 1-7. DRIVE INSTALLATION (4WD)

ITEM	PART NUMBER	QTY	DESCRIPTION	REV
	1001248851	Ref	DRIVE INSTALLATION - 4WD	B
1	0100011	AR	Compound, Locking	
2	0100019	AR	Compound, Locking	
3	0711616	12	Bolt M16 x 40	
4	0771012	4	Bolt M10 x 25	
5	0771620	12	Bolt M16 x 60	
6	2780267	2	Drive Hub Assembly (See Separate Breakdown in this Section)	
7	3160348	2	Drive Motor Assembly - Rear (See Separate Breakdown in this Section)	
8	3311801	4	Nut 1/2	
9	3331611	12	Nut M16	
10	3960526	2	Gasket	
11	4812000	4	Washer M10	
12	4891800	4	Washer 1/2	
13	5241600	36	Washer M16	
14	1001243266	2	Hub Assembly - Front (See Separate Breakdown in this Section)	
15	1001250888	1	Valve Assembly - Drive Traction (See Separate Breakdown in this Section)	

SECTION 1 - FRAME

FIGURE 1-8. DRIVE MOTOR ASSEMBLY - REAR (2WD & 4WD)



ART_3160348

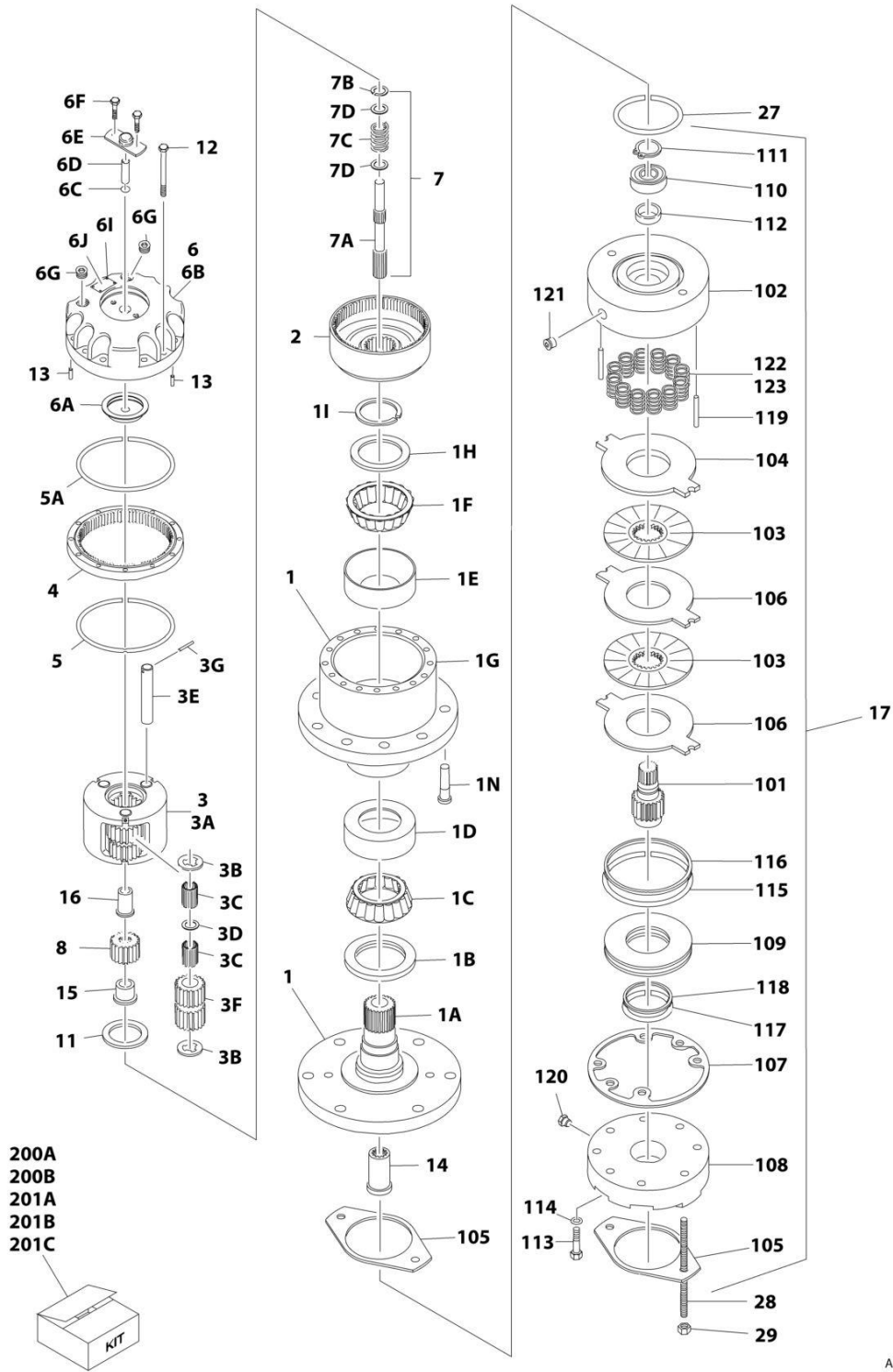
SECTION 1 - FRAME

FIGURE 1-8. DRIVE MOTOR ASSEMBLY - REAR (2WD & 4WD)

ITEM	PART NUMBER	QTY	DESCRIPTION	REV
	3160348	Ref	DRIVE MOTOR ASSEMBLY	D
1	7022302	2	Bearing, Journal	
2	7007446	1	Pin	
3	7007438	2	Ring, Retaining	
4	7022305	1	Swash Plate	
5	See Note	2	Pin (Note: Not Available for Purchase)	
6	See Note	NSS	Gasket (Note: Use Item 100)	
7	7023907	1	Cylinder Block Kit (Includes Items 7A & 9-17)	
7A	See Note	NSS	Block, Cylinder (Note: Use Item 7)	
8	7023908	1	Plate, Valve	
9	7021277	1	Guide, Slipper Retainer	
10	7021275	3	Pin, Slipper Hold Down	
11	See Note	NSS	Piston Assembly (Note: Use Item 7)	
12	7022310	1	Retainer, Slipper	
13	7021276	1	Retainer, Hold Down Pin	
14	7022311	1	Ring, Retaining	
15	7022312	1	Spring	
16	7024868	1	Washer	
17	7022314	1	Retainer, Spring	
18	7023910	1	Shaft	
19	7007439	1	Ring, Retaining	
20	70000797	1	Cap, End - Axial	
21	7022368	5	Screw	
22	7021249	1	Bearing, Needle	
23	2220886	1	Plug (Includes Item 24)	
24	See Note	1	O-Ring (Note: Use Item 23 or 100)	
25	2220883	1	Plug (Includes Item 26)	
26	See Note	NSS	O-Ring (Note: Use Item 25 or 100)	
27	2220888	2	Plug (Includes Item 28)	
28	See Note	NSS	O-Ring (Note: Use Item 27 or 100)	
29	7022372	1	Seat, Spring	
30	See Note	NSS	Housing (Note: Not Available - Purchase Complete Assembly)	
31	2220883	2	Plug (Includes Item 32)	
32	See Note	NSS	O-Ring (Note: Use Item 31 or 100)	
33	2220886	1	Plug (Includes Item 34)	
34	See Note	NSS	O-Ring (Note: Use Item 33 or 100)	
35	See Note	NSS	O-Ring (Note: Use Item 100)	
36	See Note	NSS	Ring, Seal (Note: Use Item 100)	
37	7024854	1	Piston, Servo (Includes Items 35 & 36)	
38	7007437	1	Bearing	
39	7022326	1	Spring	
40	See Note	1	Seal, Lip (Note: Use Item 100)	
41	7022371	1	Washer, Support	
		Ref	KIT OPTIONS:	
100	7022328	1	Seal Kit (Includes Items 6, 24, 26, 28, 32, 34, 35, 36 & 40)	

SECTION 1 - FRAME

FIGURE 1-9. DRIVE HUB AND BRAKE ASSEMBLY (2WD REAR)



ART_2780267

SECTION 1 - FRAME

FIGURE 1-9. DRIVE HUB AND BRAKE ASSEMBLY (2WD REAR)

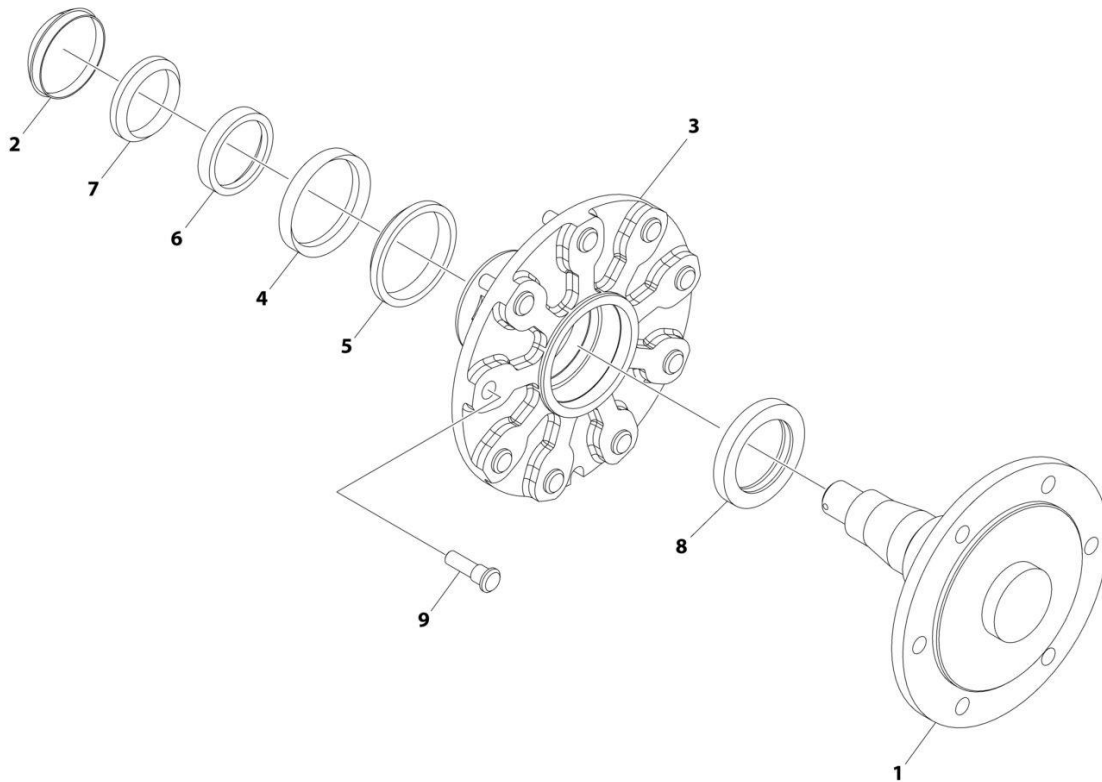
ITEM	PART NUMBER	QTY	DESCRIPTION	REV
	2780267	Ref	DRIVE HUB AND BRAKE ASSEMBLY - REAR	I
1	See Note	1	Spindle/Housing Assembly (Note: Purchase Individual Components)	
1A	7017059	1	Spindle	
1B	7001998	1	Seal	
1C	7010429	1	Cone, Bearing (Includes Item 1D)	
1D	7010429	1	Cup, Bearing (Includes Item 1C)	
1E	7000257	1	Cup, Bearing	
1F	7000258	1	Cone, Bearing	
1G	7007601	1	Housing/Ring Gear	
1H	7000232	1	Washer, Thrust	
1I	7000229	1	Ring, Retaining	
1N	7007640	9	Stud, Wheel	
2	7000246	1	Gear, Internal	
3	7024712	1	Carrier Assembly	
3A	See Note	1	Carrier (Note: Use Item 3)	
3B	See Note	6	Ring, Retaining (Note: Use Item 3)	
3C	See Note	AR	Bearing, Needle (Note: Use Item 3)	
3D	See Note	3	Washer, Thrust (Note: Use Item 3)	
3E	See Note	3	Shaft, Planet (Note: Use Item 3)	
3F	See Note	3	Gear, Planet (Note: Use Item 3)	
3G	See Note	3	Roll Pin (Note: Use Item 3)	
4	7000248	1	Ring Gear	
5	7000230	1	O-Ring	
5A	7017070	1	O-Ring	
6	70001349	1	Cover Assembly Kit	
6A	See Note	1	Spacer, Thrust (Note: Use Item 6)	
6B	See Note	1	Plate, Cover (Note: Use Item 6)	
6C	See Note	1	O-Ring (Note: Use Item 6)	
6D	See Note	1	Rod, Disconnect (Note: Use Item 6)	
6E	See Note	1	Cap, Disengage (Note: Use Item 6)	
6F	See Note	2	Bolt (Note: Use Item 6)	
6G	See Note	1	Plug, Pipe (Note: Use Item 6)	
6I	See Note	4	Rivet (Note: Not Available for Purchase)	
6J	See Note	1	Plate, ID (Note: Not Available for Purchase)	
7		Ref	Input Shaft Assembly	
7A	7024714	1	Shaft	
7B	7000261	1	Ring, Retaining	
7C	7000262	1	Spring	
7D	7000263	2	Spacer, Thrust	
8	7024713	1	Gear, Sun	
11	7000253	1	Washer, Thrust	
12	7017067	12	Bolt	
13	7017080	4	Pin, Dowel	
14	7000206	1	Coupling	
15	7024715	1	Spacer, Input	
16	7024716	1	Spacer, Input	
17	7024182	1	Brake Assembly (See Items 101-123 for Breakdown)	
27	7024705	1	O-Ring	
28	7024717	2	Rod, Threaded	

SECTION 1 - FRAME

ITEM	PART NUMBER	QTY	DESCRIPTION	REV
29	7024718	2	Nut 1/2in-13NC	
	7024182	Ref	BRAKE ASSEMBLY	
101	7024189	1	Shaft	
102	See Note	1	Housing (Note: Use Item 17)	
103	See Note	2	Plate, Friction (Note: Use Item 201B)	
104	See Note	1	Plate, Pressure (Note: Use Item 201B)	
105	7000731	2	Gasket	
106	See Note	2	Plate, Outer (Note: Use Item 201B)	
107	See Note	1	Gasket (Note: Use Item 200A, 201B or 201C)	
108	7024191	1	Cylinder	
109	7024192	1	Piston	
110	See Note	1	Bearing, Ball (Note: Use Item 201C)	
111	See Note	1	Ring, Retaining (Note: Use Item 201C)	
112	See Note	1	Seal, Shaft (Note: Use Item 201C)	
113	See Note	6	Capscrew (Note: Use Item 17)	
114	See Note	6	Lockwasher (Note: Use Item 17)	
115	See Note	1	O-Ring (Note: Use Item 200B)	
116	See Note	1	Ring, Back-up (Note: Use Item 200B)	
117	See Note	1	O-Ring (Note: Use Item 200B)	
118	See Note	1	Ring, Back-up (Note: Use Item 200B)	
119	7024190	2	Pin, Dowel	
120	See Note	1	Plug (Note: Use Item 17)	
121	See Note	2	Plug (Note: Use Item 17)	
122	See Note	12	Spring Kit (Natural) (Note: Use Item 201A)	
123	See Note	2	Spring Kit (Blue) (Note: Use Item 201A)	
		Ref	Kit Options	
200		Ref	Seal Kit Options:	
200A	See Note	1	Hub Seal Kit (Note: Purchase Individual Components)	
200B	7024194	1	Brake Seal Kit (Includes Items 105, 107 & 115-118)	
201		Ref	Repair Kit Options:	
201A	7024196	1	Brake Spring Kit (Includes 12 Natural Colored and 2 Blue Colored Springs Items 122 & 123)	
201B	7024193	1	Brake Friction Disc Kit (Includes Items 103, 104, 106 & 107)	
201C	7024197	1	Brake Bearing Kit (Includes Items 107 & 110-112)	

SECTION 1 - FRAME

FIGURE 1-10. HUB/SPINDLE ASSEMBLY (2WD FRONT)



ART_1001214174

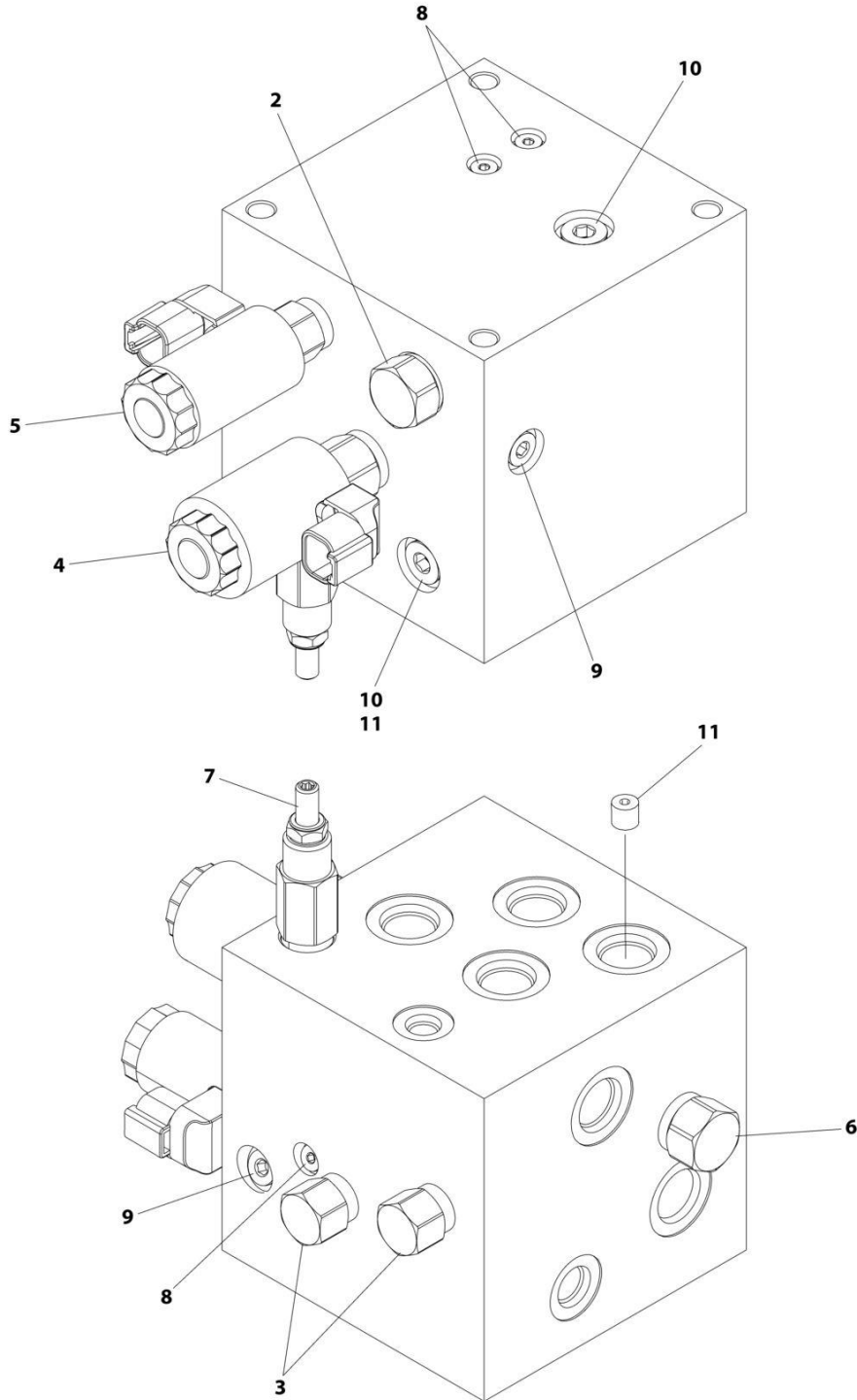
SECTION 1 - FRAME

FIGURE 1-10. HUB/SPINDLE ASSEMBLY (2WD FRONT)

ITEM	PART NUMBER	QTY	DESCRIPTION	REV
	1001214174	Ref	HUB - SPINDLE ASSEMBLY (2WD)	C
1	See Note	NSS	Spindle, Adapter (Note: Not Available for Purchase)	
2	7020033	1	Cap, Dust	
3	7020035	1	Hub, Casting	
4	7020036	1	Cup, Bearing	
5	7020037	1	Cone, Bearing	
6	7020038	1	Cup, Bearing	
7	7020039	1	Cone, Bearing	
8	7020040	1	Seal	
9	7020041	9	Stud	

SECTION 1 - FRAME

FIGURE 1-11. VALVE ASSEMBLY - TRACTION (2WD)



ART_1001246959

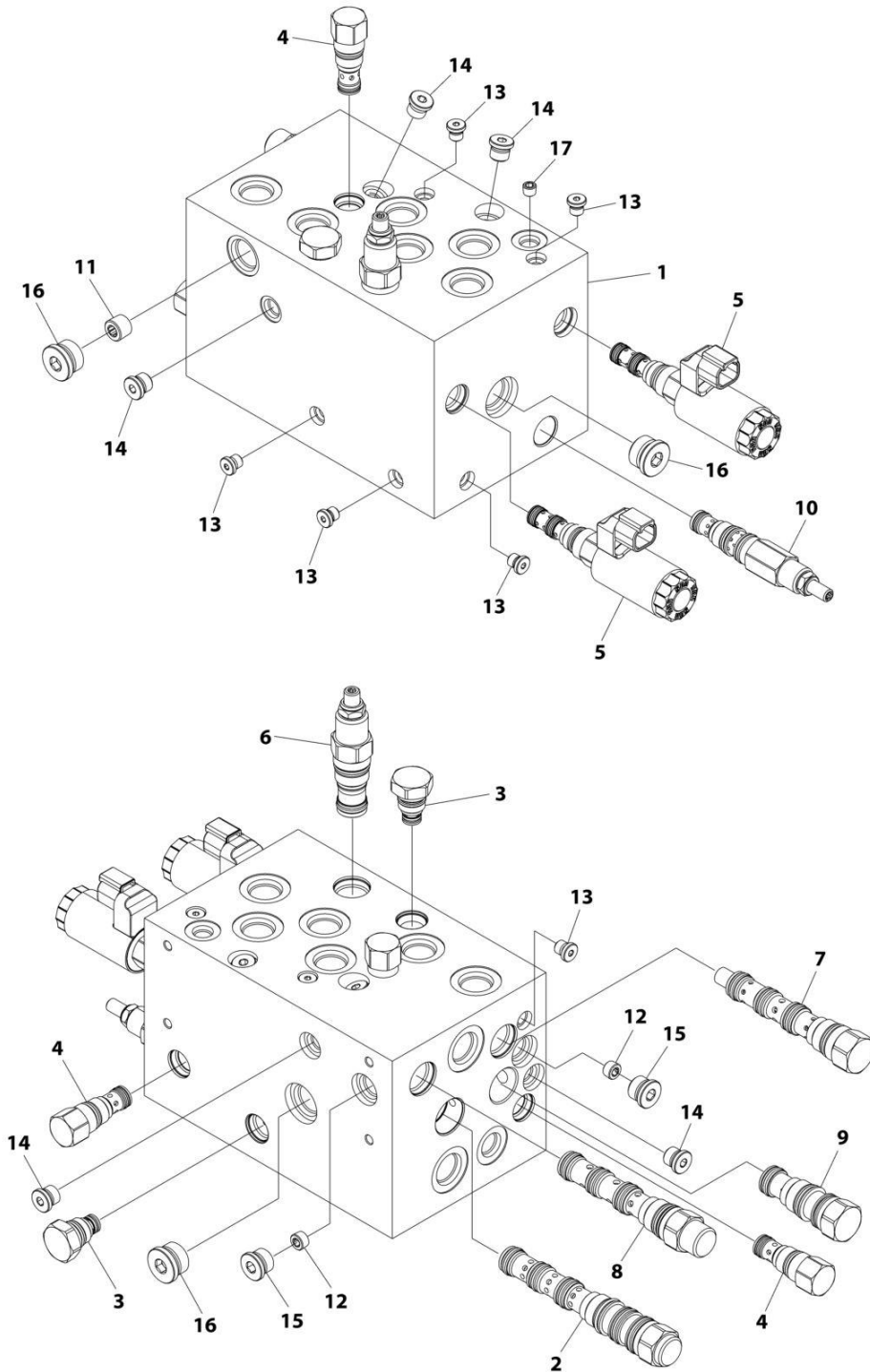
SECTION 1 - FRAME

FIGURE 1-11. VALVE ASSEMBLY - TRACTION (2WD)

ITEM	PART NUMBER	QTY	DESCRIPTION	REV
	1001246959	Ref	VALVE ASSEMBLY - TRACTION (2WD)	D
	See Note	1	Note: No Service Parts Available at Time of Printing.	
2		Ref	Cartridge, Shuttle Valve	
3		Ref	Cartridge, Check Valve	
4		Ref	Cartridge, Solenoid Valve	
5		Ref	Cartridge, Solenoid Valve	
6		Ref	Cartridge, Flow Control Valve	
7		Ref	Cartridge, Relief Valve	
8		Ref	Plug SAE 2	
9		Ref	Plug SAE 4	
10		Ref	Plug SAE 6	
11		Ref	Orifice 1/8	

SECTION 1 - FRAME

FIGURE 1-12. VALVE ASSEMBLY - TRACTION (4WD)



ART_1001250888

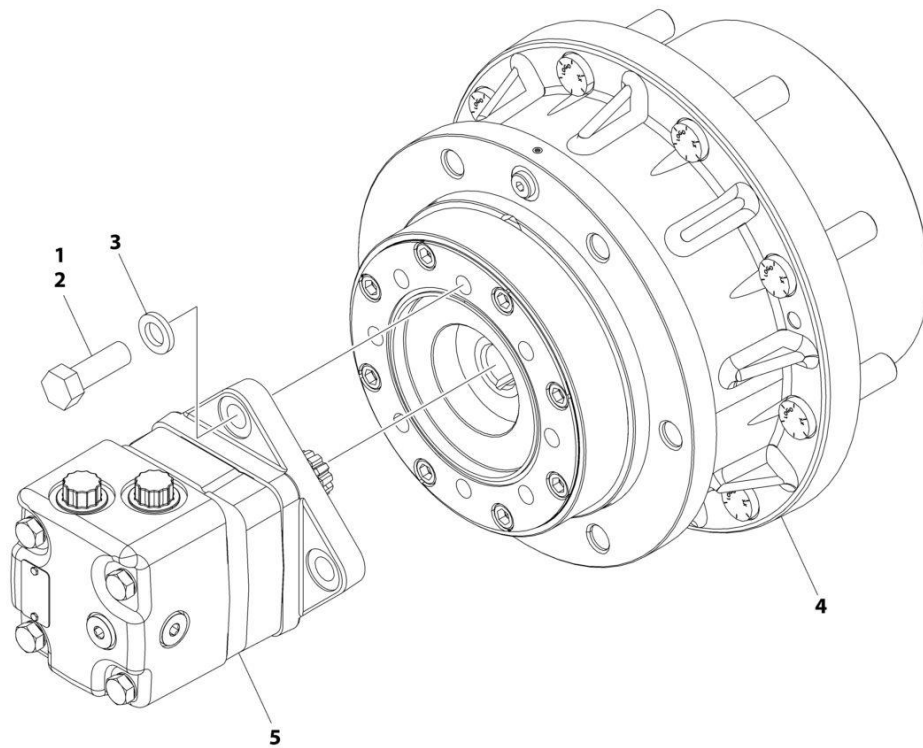
SECTION 1 - FRAME

FIGURE 1-12. VALVE ASSEMBLY - TRACTION (4WD)

ITEM	PART NUMBER	QTY	DESCRIPTION	REV
	1001250888	Ref	VALVE ASSEMBLY - TRACTION (4WD)	C
1	See Note	1	Body, Valve (Note: Not Available for Purchase)	
2	70008346	1	Valve, Directional	
3	70008347	2	Cartridge, Check Valve	
3	70008348	2	Seal Kit - 70008347 Check Valve	
4	7026016	3	Cartridge, Check Valve	
4	7011346	3	Seal Kit - 7026016 Check Valve	
5	70008349	2	Cartridge, Solenoid Valve	
5	70008350	2	Seal Kit - 70008349 Solenoid Valve	
5	70008351	2	Nut, Coil	
5	70008352	2	Coil	
6	70008353	1	Cartridge, Flow Control Valve	
6	7011311	1	Seal Kit - 70008353 Flow Control Valve	
7	7023810	1	Divider/Combiner, Flow	
8	70008354	1	Cartridge, Modulating Valve	
8	7011344	1	Seal Kit - 70008354 Modulating Valve	
9	8036246	1	Valve, Logic	
10	70008355	1	Cartridge, Pressure Reducing Valve	
10	7026004	1	Seal Kit - 70008355 Pressure Reducing Valve	
11	70008356	1	Plug, 1/4 Orifice	
12	70008357	2	Plug, 1/8 Orifice	
13	2220881	6	Plug, #2	
14	2220883	5	Plug, #4	
15	2220885	2	Plug, #6	
16	2220886	3	Plug, #8	
17	70005599	1	Plug, 1/16 Orifice	

SECTION 1 - FRAME

FIGURE 1-13. HUB/SPINDLE ASSEMBLY - FRONT (4WD)



ART_1001243266

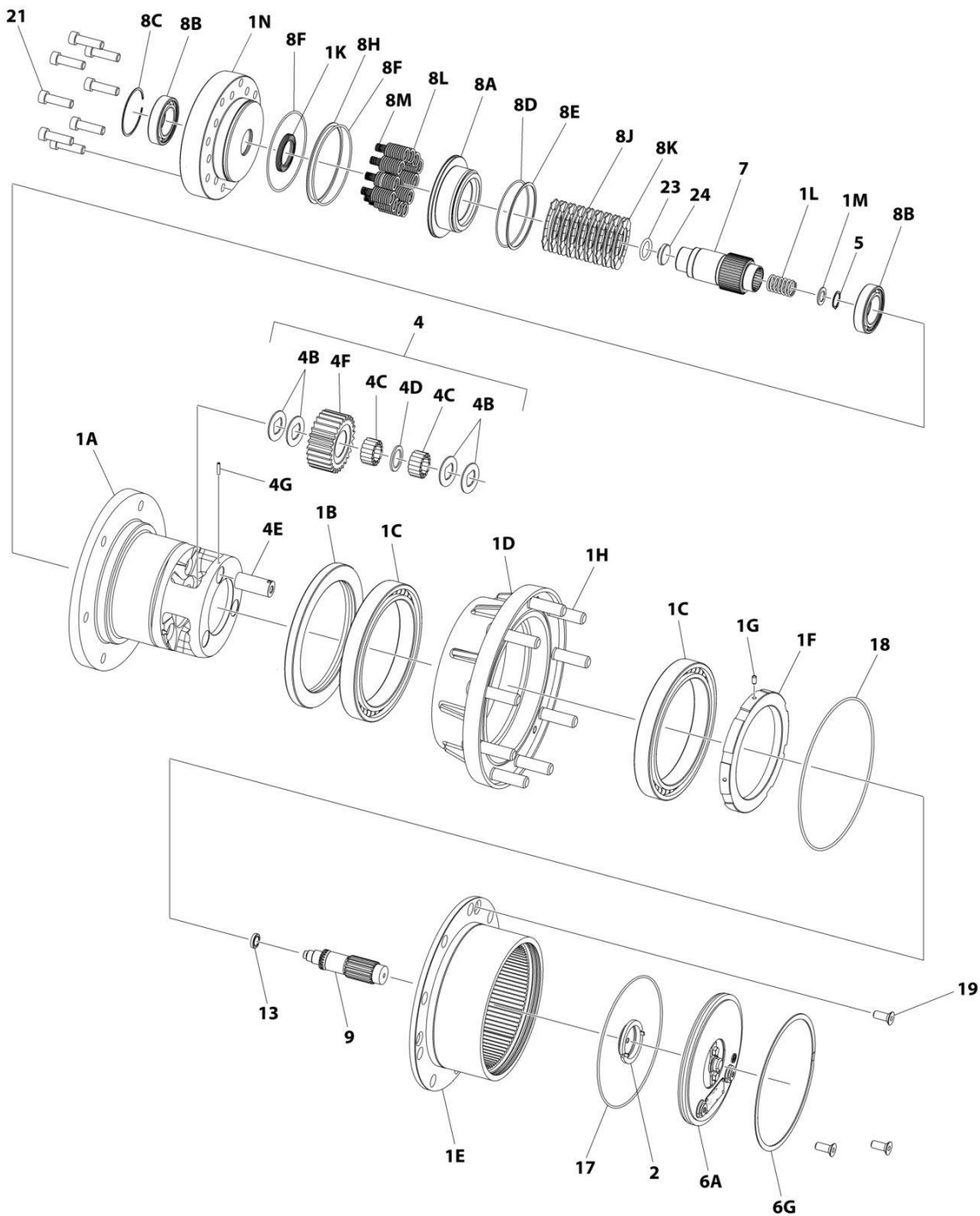
SECTION 1 - FRAME

FIGURE 1-13. HUB/SPINDLE ASSEMBLY - FRONT (4WD)

ITEM	PART NUMBER	QTY	DESCRIPTION	REV
	1001243266	Ref	DRIVE ASSEMBLY	E
1	1001095650	1	Adhesive	
2	0681812	4	Bolt 1/2 x 1-1/2	
3	4761800	4	Washer 1/2	
4	1001242816	1	Drive Hub Assembly (See Separate Breakdown in this Section)	
5	1001243268	1	Drive Motor Assembly (Includes O-Ring)	
5	70008114	1	O-Ring (Not Shown, Seals Between Drive Hub & Drive Motor)	

SECTION 1 - FRAME

FIGURE 1-14. DRIVE HUB AND BRAKE ASSEMBLY (4WD)



ART_1001242816

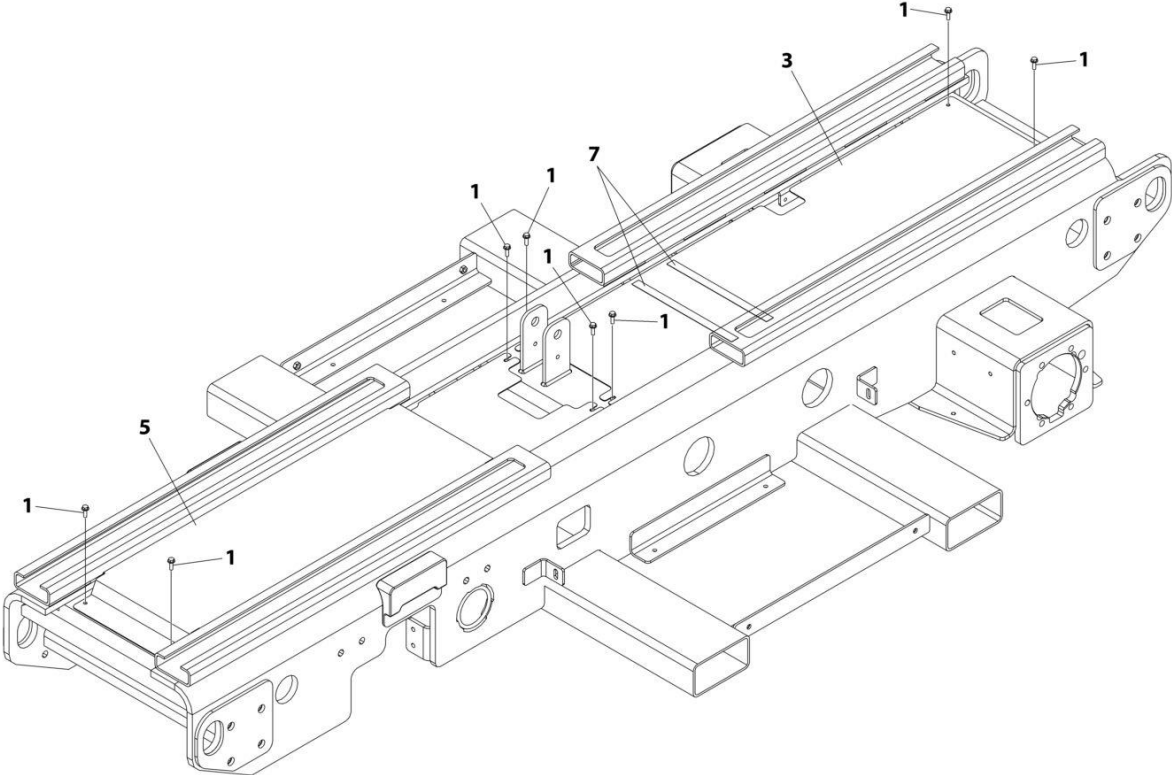
SECTION 1 - FRAME

FIGURE 1-14. DRIVE HUB AND BRAKE ASSEMBLY (4WD)

ITEM	PART NUMBER	QTY	DESCRIPTION	REV
	1001242816	Ref	DRIVE HUB ASSEMBLY	F
1A	SEE NOTE	NSS	Spindle (Not available for Purchase)	
1B	70001119	1	Seal	
1C	70002991	2	Bearing, Ball	
1D	SEE NOTE	NSS	Housing (Not available for Purchase)	
1E	70002989	1	Gear, Ring	
1F	70003000	1	Nut	
1G	70002996	2	Screw, Socket	
1H	7007640	9	Stud	
1K	70008155	1	Seal, Quad	
1L	70002992	1	Spring	
1M	70002999	1	Washer, Thrust	
1N	SEE NOTE	NSS	Adapter, Mounting (Not available for Purchase)	
2	7024741	1	Spacer, Thrust	
4	70008144	1	Planet Gear Assembly	
4B	SEE NOTE	NSS	Washer, Thrust (Not available for Purchase)	
4C	SEE NOTE	NSS	Bearing, Needle (Not available for Purchase)	
4D	SEE NOTE	NSS	Spacer, Thrust (Not available for Purchase)	
4F	SEE NOTE	NSS	Gear, Planet (Not available for Purchase)	
4E	7024726	3	Shaft, Planet	
4G	7001913	2	Pin, Roll	
5	70002995	1	Ring, Retaining	
6A	70001368	1	Cover Plate Assembly	
6G	7024738	1	Ring, Retaining	
7	70008148	1	Coupling	
8A	70002993	1	Brake, Piston	
8B	70002990	2	Bearing, Ball	
8C	70002994	1	Ring, Retaining	
8D	70004042	1	O-Ring	
8E	70008158	1	O-Ring, Back-up	
8F	70008156	2	O-Ring	
8H	70008157	1	O-Ring, Back-up	
8J	70002085	8	Brake, Rotor	
8K	70002085	9	Brake, Stator	
8L	70008152	12	Spring	
8M	70008153	12	Spring	
9	70008147	1	Shaft, Input	
12	70002998	1	Plug (Not Shown)	
13	70008151	1	Bearing, Ball	
17	7024134	1	O-Ring	
18	70002997	1	O-Ring	
19	7017022	3	Bolt	
21	70008154	8	Bolt	
22	7024108	2	Plug (Not Shown)	
23	70008150	1	O-Ring	
24	70008149	1	Space Input	

SECTION 1 - FRAME

FIGURE 1-15. RT4069 FRAME COVERS INSTALLATION



ART_1001245440

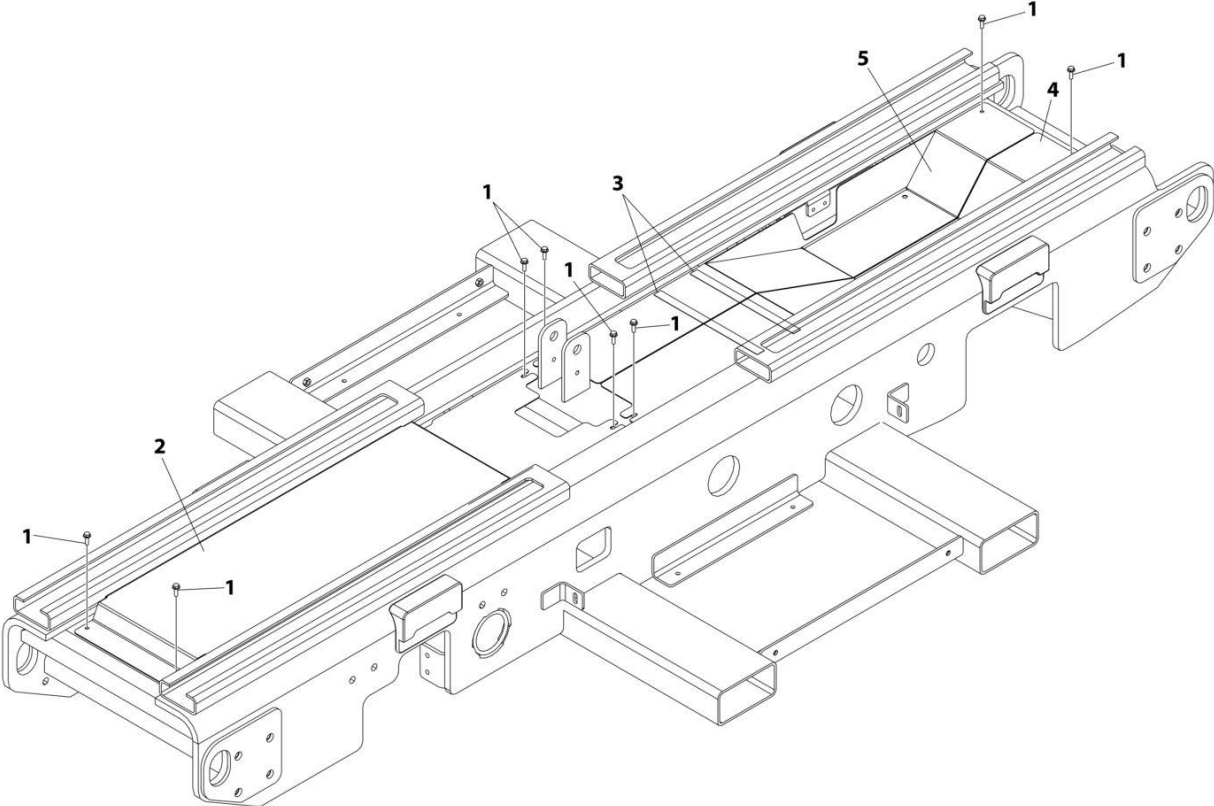
SECTION 1 - FRAME

FIGURE 1-15. RT4069 FRAME COVERS INSTALLATION

ITEM	PART NUMBER	QTY	DESCRIPTION	REV
	1001245440	Ref	FRAME COVERS INSTALLATION	D
1	5250812	8	Bolt M8 x 25	
3	1001245381	1	Cover (Rear)	
5	1001283427	1	Cover (Front)	
7	1001258188	2 ft	Tape, Foam	

SECTION 1 - FRAME

FIGURE 1-16. RT4769 FRAME COVERS INSTALLATION



ART_1001262140

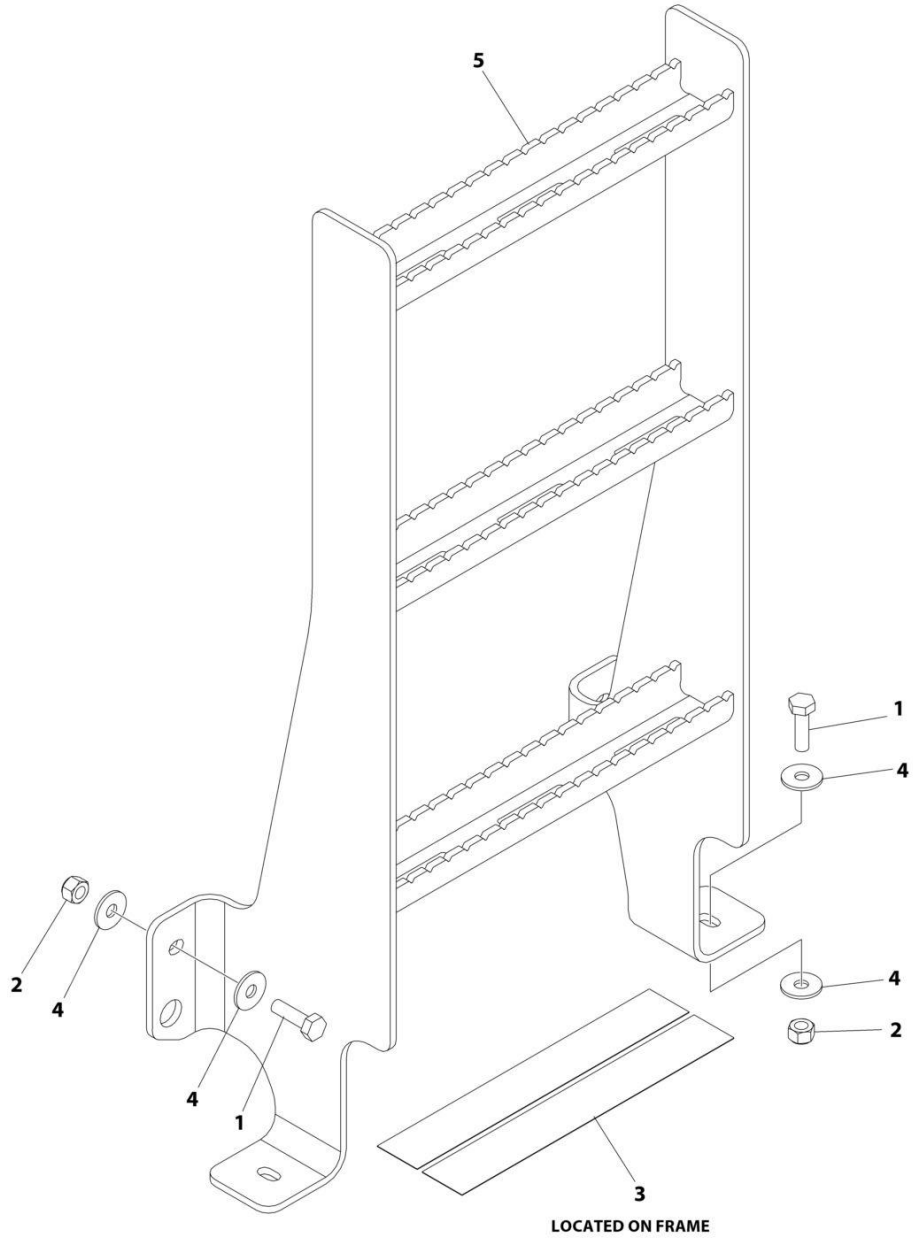
SECTION 1 - FRAME

FIGURE 1-16. RT4769 FRAME COVERS INSTALLATION

ITEM	PART NUMBER	QTY	DESCRIPTION	REV
	1001262140	Ref	FRAME COVERS INSTALLATION	B
1	5250812	8	Bolt M8 x 25	
2	1001283427	1	Cover (Front)	
3	1001258188	2 ft	Tape, Foam	
4	1001262994	1	Plate, Cover	
5	1001263081	1	Plate, Cover	

SECTION 1 - FRAME

FIGURE 1-17. RT4069 LADDER INSTALLATION



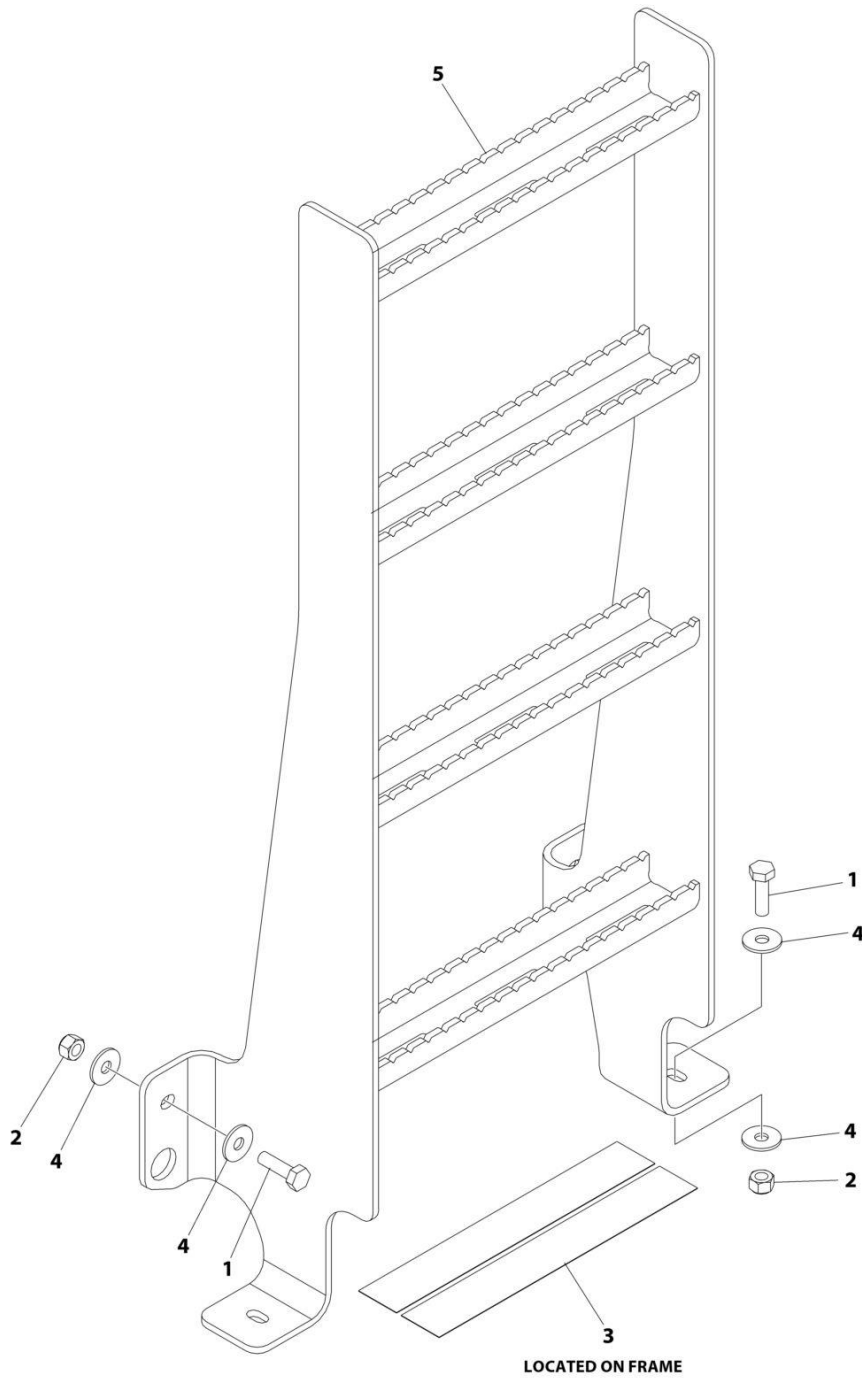
ART_1001247425

FIGURE 1-17. RT4069 LADDER INSTALLATION

ITEM	PART NUMBER	QTY	DESCRIPTION	REV
	1001247425	Ref	LADDER INSTALLATION	B
1	0761015	4	Bolt M10 x 35	
2	3291005	4	Nut M10	
3	4420070	2	Tape, Anti-Skid	
4	4812002	8	Washer M10	
5	1001247353	1	Ladder	

SECTION 1 - FRAME

FIGURE 1-18. RT4769 LADDER INSTALLATION



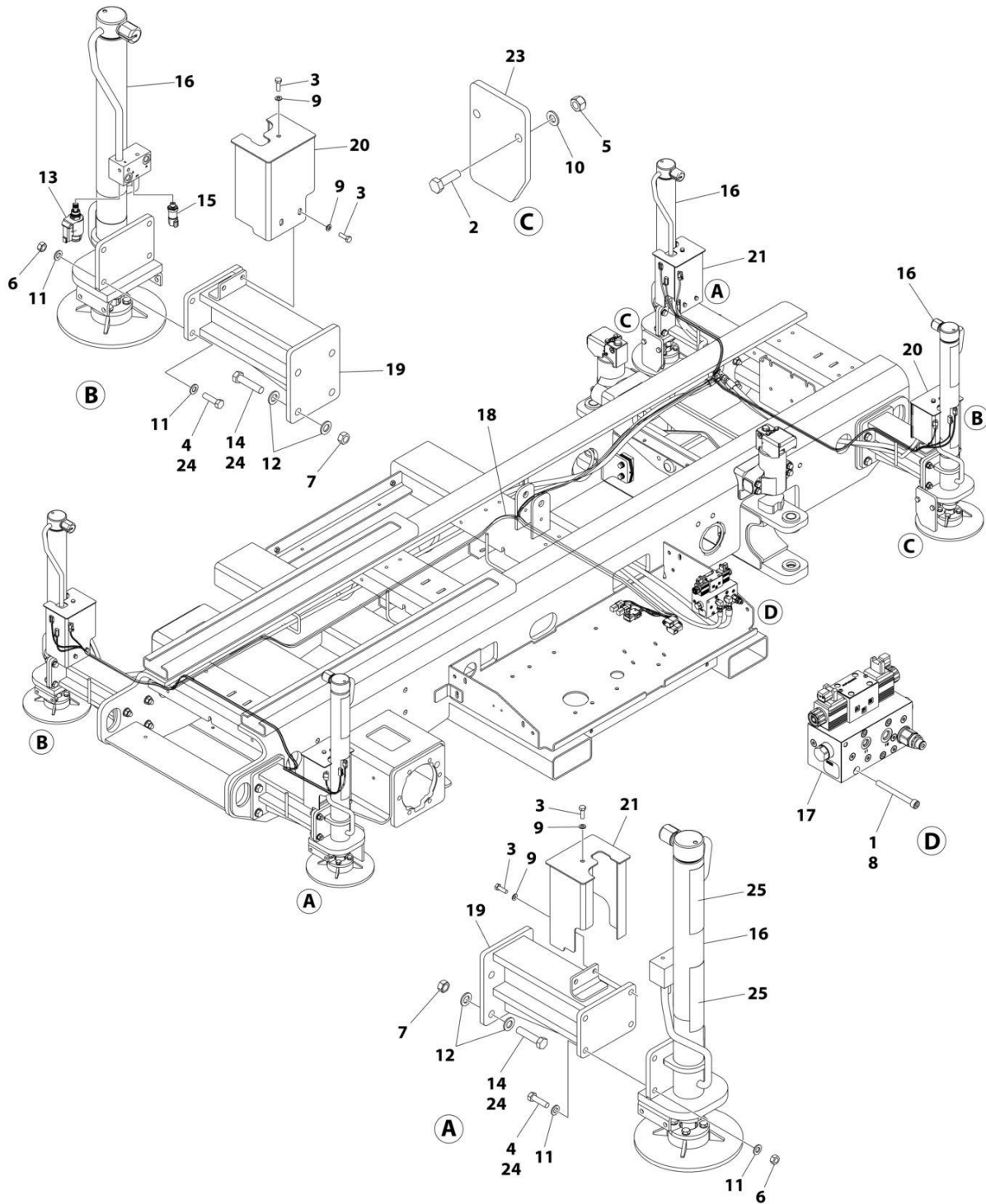
ART_1001256562

FIGURE 1-18. RT4769 LADDER INSTALLATION

ITEM	PART NUMBER	QTY	DESCRIPTION	REV
	1001256562	Ref	LADDER INSTALLATION	A
1	0761015	4	Bolt M10 x 35	
2	3291005	4	Nut M10	
3	4420070	2	Tape, Anti-Skid	
4	4812002	8	Washer M10	
5	1001256561	1	Ladder	

SECTION 1 - FRAME

FIGURE 1-19. LEVELING JACKS INSTALLATION - PARTIAL COVERS



ART_1001246885

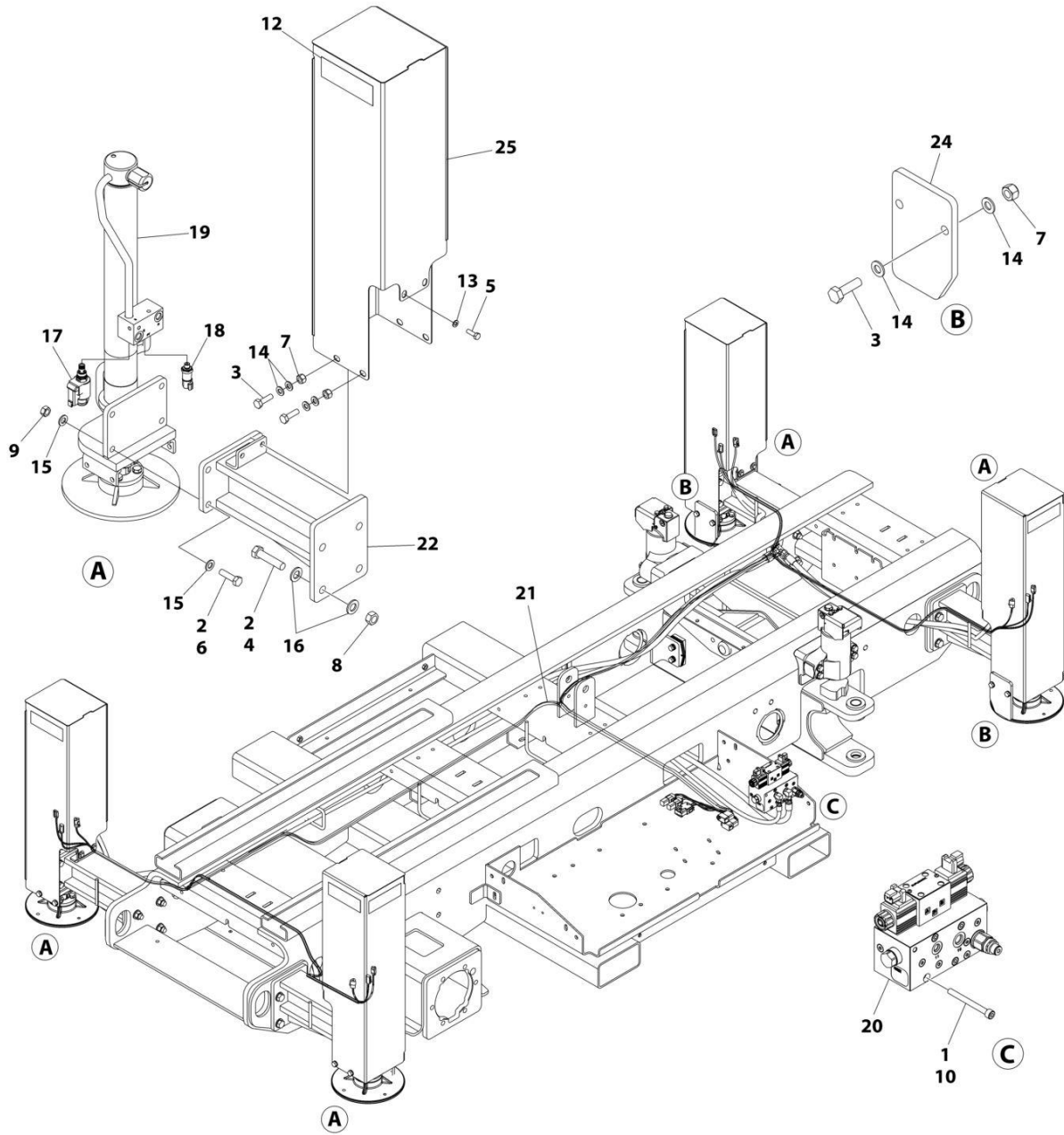
SECTION 1 - FRAME

FIGURE 1-19. LEVELING JACKS INSTALLATION - PARTIAL COVERS

ITEM	PART NUMBER	QTY	DESCRIPTION	REV
	1001246885	Ref	LEVELING JACKS INSTALLATION	D
1	0100011	AR	Compound, Locking	
2	0701015	8	Bolt M10 x 35	
3	0760812	12	Bolt M8 x 25	
4	0761217	16	Bolt M12 x 45	
5	3291005	8	Nut M10	
6	3331211	16	Nut M12	
7	3291601	16	Nut M16	
8	4031920	4	Capscrew M8 x 80	
9	4811900	12	Washer M8	
10	4812000	8	Washer M10	
11	4812100	32	Washer M12	
12	5241600	32	Washer M16	
13	1001103761	4	Cartridge, Valve	
13	7024497	1	Cartridge Less Coil	
13	7024502	1	Seal Kit	
13	70001965	1	Coil	
13	7024506	1	Nut, Coil	
14	0701622	16	Bolt M16 x 70	
15	1001227516	4	Sensor, Leveling Jacks Pressure	
16	1001243256	4	Cylinder Assembly - Leveling Jacks (See Separate Breakdown in CYLINDER Section)	
17	1001247380	1	Valve Assembly - Leveling Jacks (See Separate Breakdown in this Section)	
18	1001248863	1	Harness, Leveling Jack (See Separate Breakdown in ELECTRICAL Section)	
19	1001249407	4	Frame, Leveling Jack	
20	1001249914	2	Cover, Jack (Right)	
21	1001249915	2	Cover, Jack (Left)	
22	1001250342	1	Hydraulic Diagram - Leveling Jacks (Not Shown - See Separate Breakdown in HYDRAULIC Section)	
23	1001250353	4	Plate	
24	0100019	AR	Compound, Locking	
25	4420051	5 ft/144cm	Tape, Safety	
26	4240017	AR	Tie-Strap (Not Shown)	

SECTION 1 - FRAME

FIGURE 1-20. LEVELING JACKS INSTALLATION - FULL COVERS



ART_1001274495

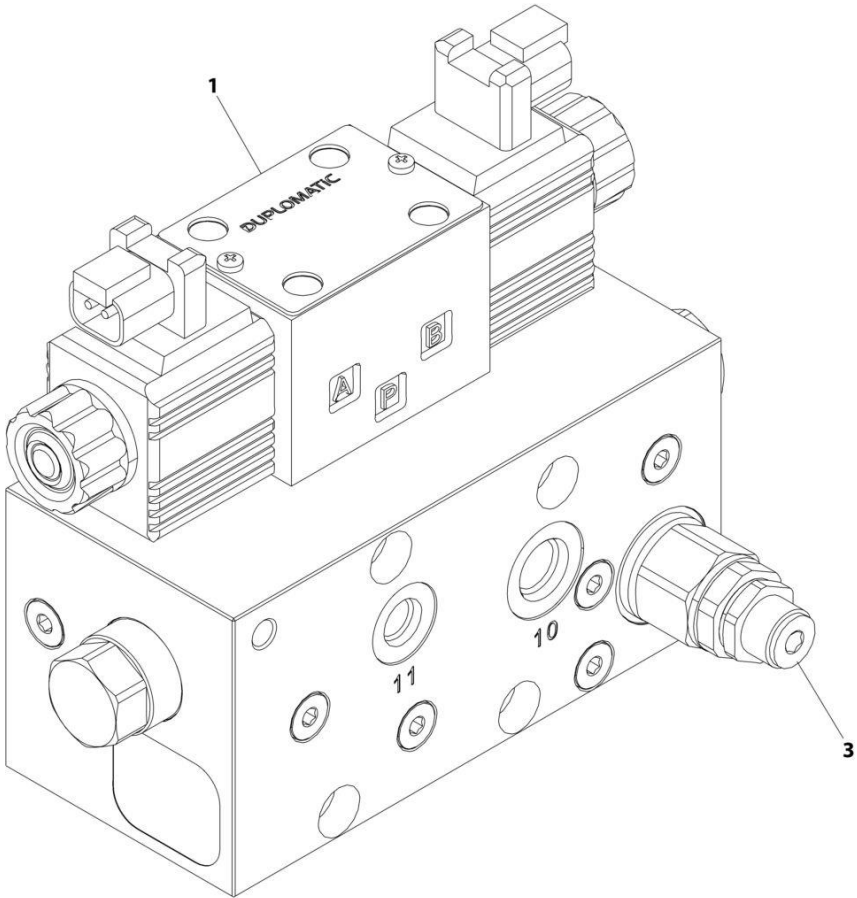
SECTION 1 - FRAME

FIGURE 1-20. LEVELING JACKS INSTALLATION - FULL COVERS

ITEM	PART NUMBER	QTY	DESCRIPTION	REV
	1001274495	Ref	LEVELING JACKS INSTALLATION	B
1	0100011	AR	Compound, Locking	
2	0100019	AR	Compound, Locking	
3	0701015	16	Bolt M10 x 35	
4	0701622	16	Bolt M16 x 70	
5	0760812	8	Bolt M8 x 25	
6	0761217	16	Bolt M12 x 45	
7	3291005	16	Nut M10	
8	3291601	16	Nut M16	
9	3331211	16	Nut M12	
10	4031920	4	Capscrew M8 x 80	
11	4240017	AR	Tie-Strap (Not Shown)	
12	4420051	4 ft/123cm	Tape, Safety	
13	4811902	8	Washer M8	
14	4812000	32	Washer M10	
15	4812100	32	Washer M12	
16	5241600	32	Washer M16	
17	1001103761	4	Cartridge, Valve	
17	7024497	1	Cartridge Less Coil	
17	7024502	1	Seal Kit	
17	70001965	1	Coil	
17	7024506	1	Nut, Coil	
18	1001227516	4	Sensor, Leveling Jacks Pressure	
19	1001243256	4	Cylinder Assembly - Leveling Jacks (See Separate Breakdown in CYLINDER Section)	
20	1001247380	1	Valve Assembly - Leveling Jacks (See Separate Breakdown in this Section)	
21	1001248863	1	Harness, Leveling Jack (See Separate Breakdown in ELECTRICAL Section)	
22	1001249407	4	Frame, Leveling Jack	
23	1001250342	1	Hydraulic Diagram - Leveling Jacks (Not Shown - See Separate Breakdown in HYDRAULIC Section)	
24	1001250353	4	Plate	
25	1001271360	4	Cover, Jack	

SECTION 1 - FRAME

FIGURE 1-21. LEVELING JACKS VAVLE ASSEMBLY



ART_1001247380

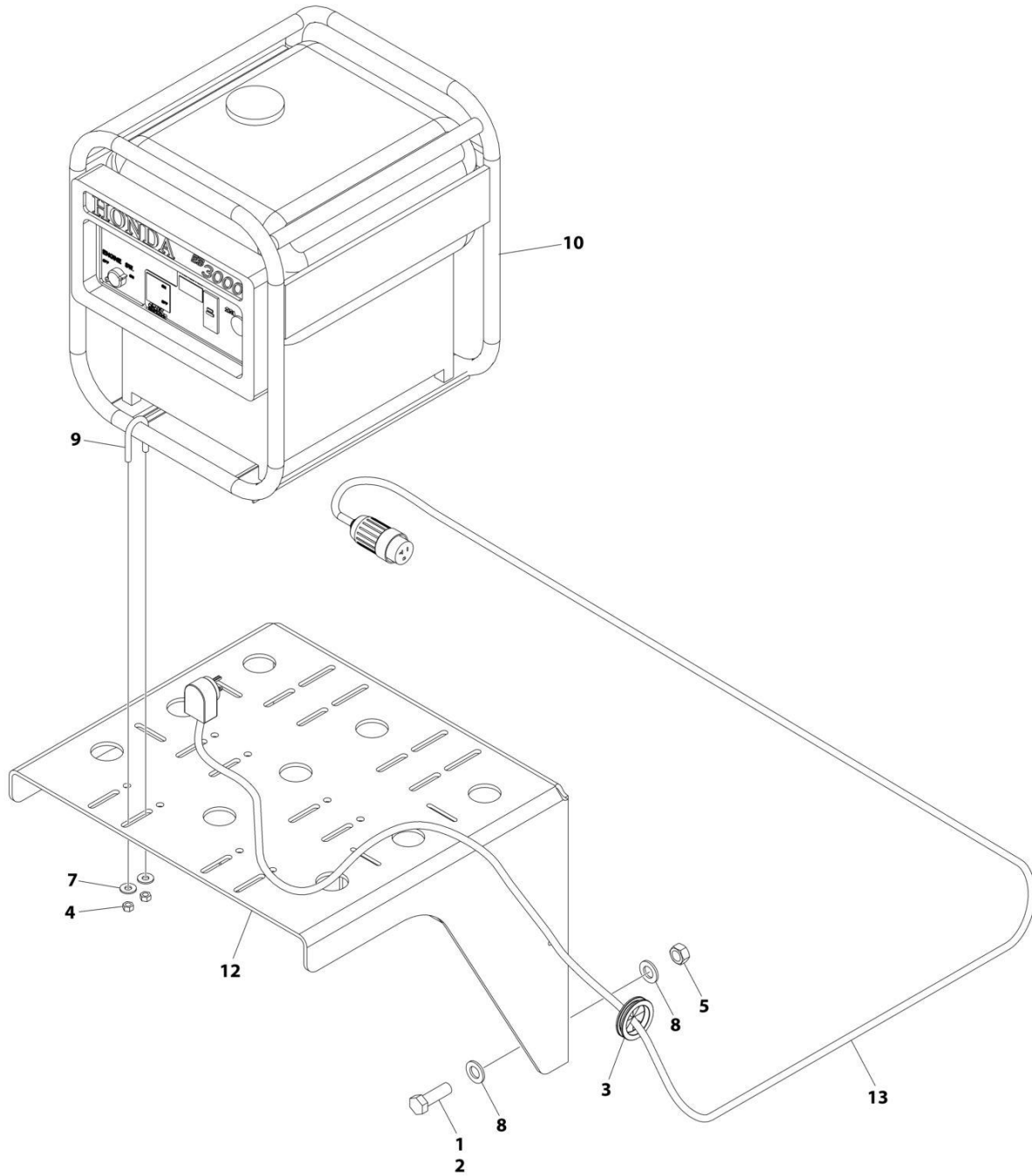
SECTION 1 - FRAME

FIGURE 1-21. LEVELING JACKS VAVLE ASSEMBLY

ITEM	PART NUMBER	QTY	DESCRIPTION	REV
	1001247380	Ref	LEVELING JACK VALVE ASSEMBLY	D
1	70007760	1	Valve, Directional	
3	70007761	1	Cartridge, Relief Valve	
4	70007762	1	Cartridge, Shuttle Valve (Not Shown)	

SECTION 1 - FRAME

FIGURE 1-22. ONBOARD GENERATOR INSTALLATION - SINGLE OSCILLATING AXLE



ART_1001265192

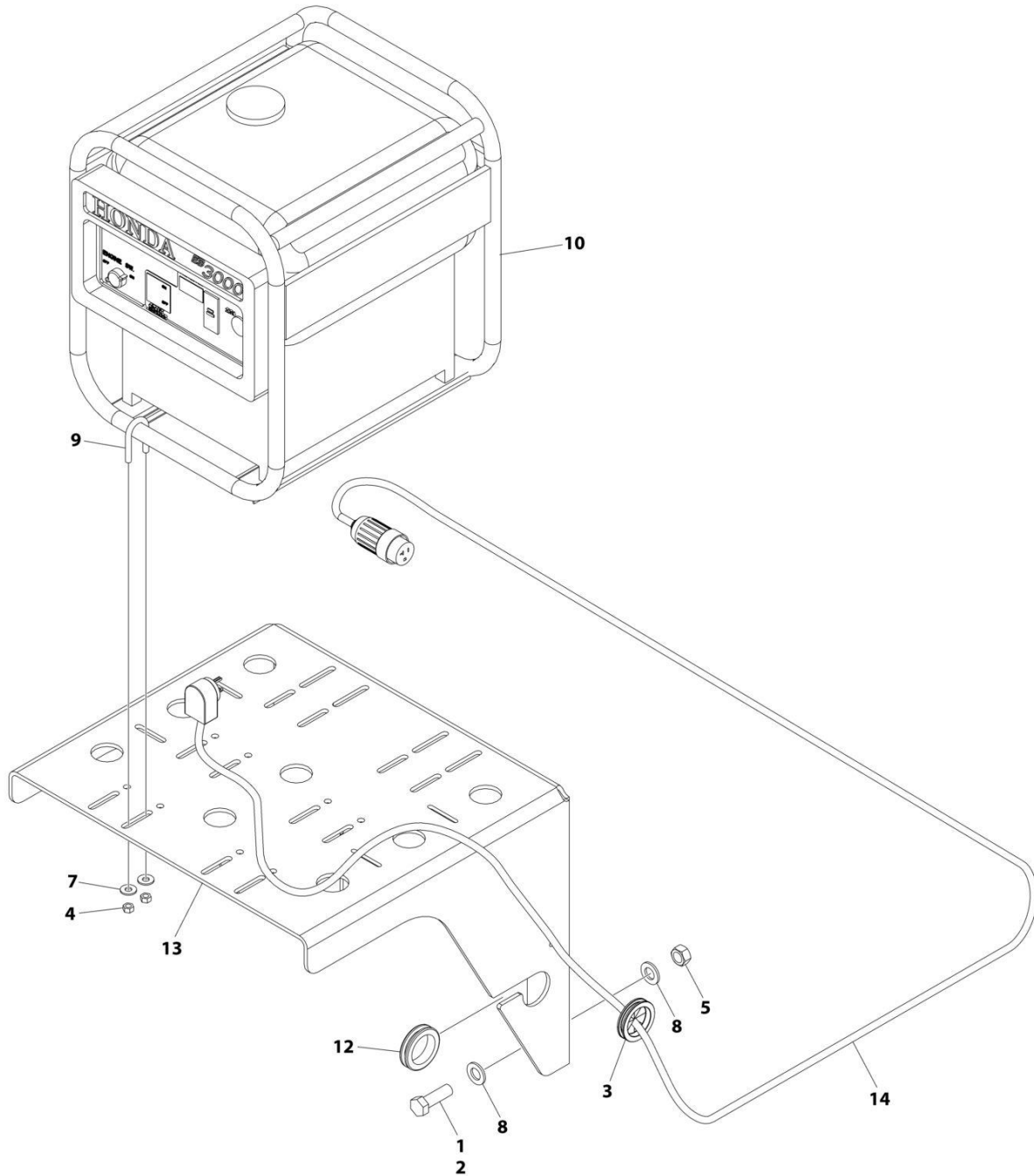
SECTION 1 - FRAME

FIGURE 1-22. ONBOARD GENERATOR INSTALLATION - SINGLE OSCILLATING AXLE

ITEM	PART NUMBER	QTY	DESCRIPTION	REV
	1001265192	Ref	ONBOARD GENERATOR INSTALLATION	A
1	0100011	AR	Compound, Locking	
2	0771618	4	Bolt M16 x 50 Class 10.9	
3	2540045	1	Grommet	
4	3311505	8	Nut 5/16	
5	3331611	4	Nut M16 Class 10	
7	4751500	8	Washer 5/16	
8	5241600	8	Washer M16	
9	1001120264	4	U-Bolt 5/16 x 1	
10	1001130309	1	Onboard Generator Assembly(See Separate Breakdown in this Section)	
12	1001265082	1	Tray, Mounting	
13	1001266233	1	Generator Cable (See Separate Breakdown in ELECTRICAL Section)	

SECTION 1 - FRAME

FIGURE 1-23. ONBOARD GENERATOR INSTALLATION - DUAL OSCILLATING AXLE



ART_1001259429

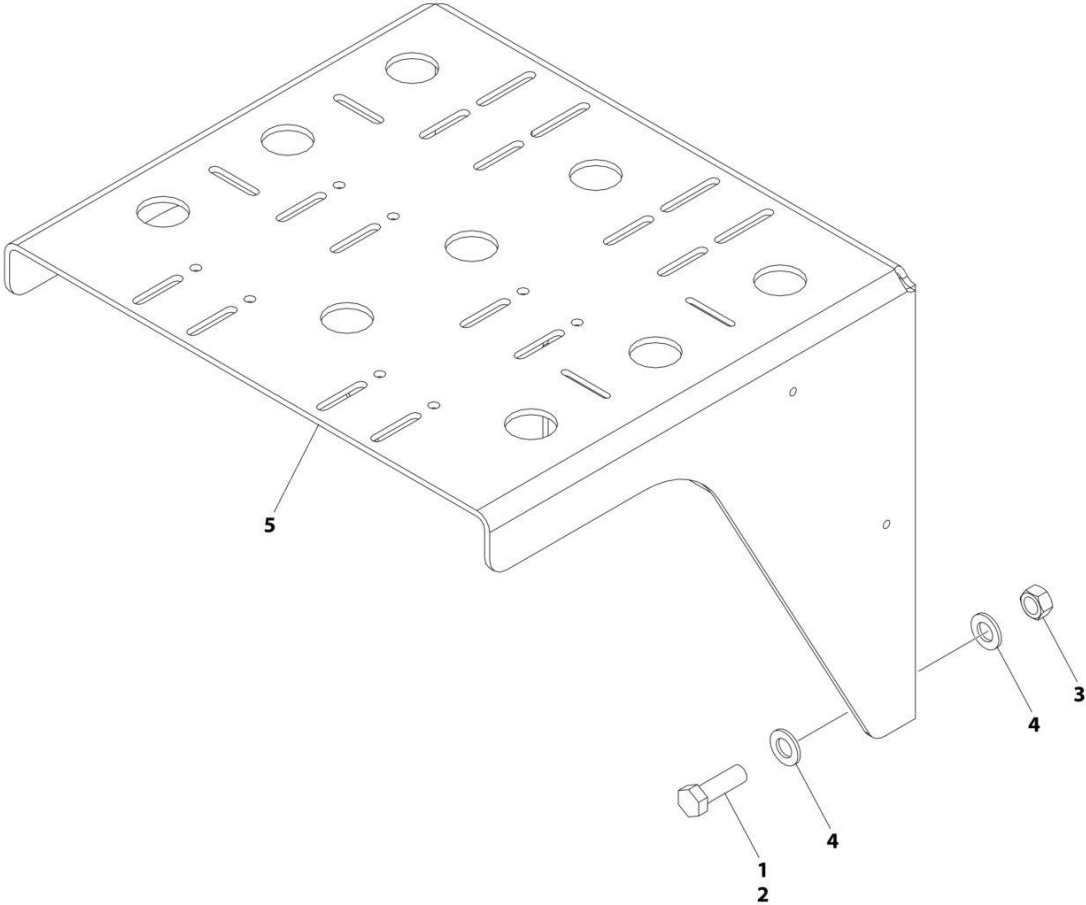
SECTION 1 - FRAME

FIGURE 1-23. ONBOARD GENERATOR INSTALLATION - DUAL OSCILLATING AXLE

ITEM	PART NUMBER	QTY	DESCRIPTION	REV
	1001259429	Ref	ONBOARD GENERATOR INSTALLATION	B
1	0100011	AR	Compound, Locking	
2	0771618	4	Bolt M16 x 50 Class 10.9	
3	2540045	1	Grommet	
4	3311505	8	Nut 5/16	
5	3331611	4	Nut M16 Class 10	
7	4751500	8	Washer 5/16	
8	5241600	8	Washer M16	
9	1001120264	4	U-Bolt 5/16 x 1	
10	1001130309	1	Onboard Generator Assembly(See Separate Breakdown in this Section)	
12	1001244865	1	Grommet	
13	1001259284	1	Tray, Mounting	
14	1001266233	1	Generator Cable (See Separate Breakdown in ELECTRICAL Section)	

SECTION 1 - FRAME

FIGURE 1-24. ONBOARD GENERATOR INSTALLATION - TRAY ONLY - SINGLE OSCILLATING AXLE



ART_1001265193

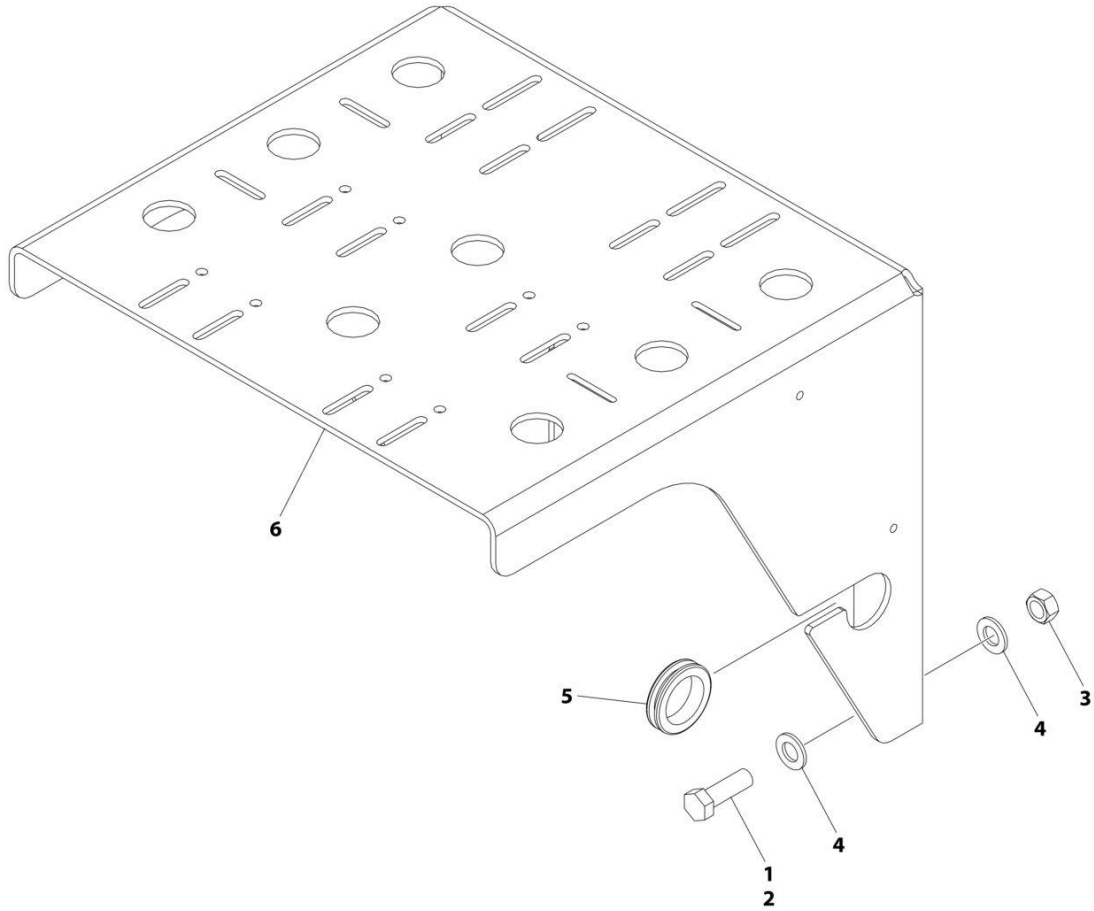
SECTION 1 - FRAME

FIGURE 1-24. ONBOARD GENERATOR INSTALLATION - TRAY ONLY - SINGLE OSCILLATING AXLE

ITEM	PART NUMBER	QTY	DESCRIPTION	REV
	1001265193	Ref	GENERATOR TRAY INSTALLATION	A
1	0100011	AR	Compound, Locking	
2	0771618	4	Bolt M16 x 50 Class 10.9	
3	3331611	4	Nut M16 Class 10	
4	5241600	8	Washer M16	
5	1001265082	1	Tray, Mounting	

SECTION 1 - FRAME

FIGURE 1-25. ONBOARD GENERATOR INSTALLATION - TRAY ONLY - DUAL OSCILLATING AXLE



ART_1001265194

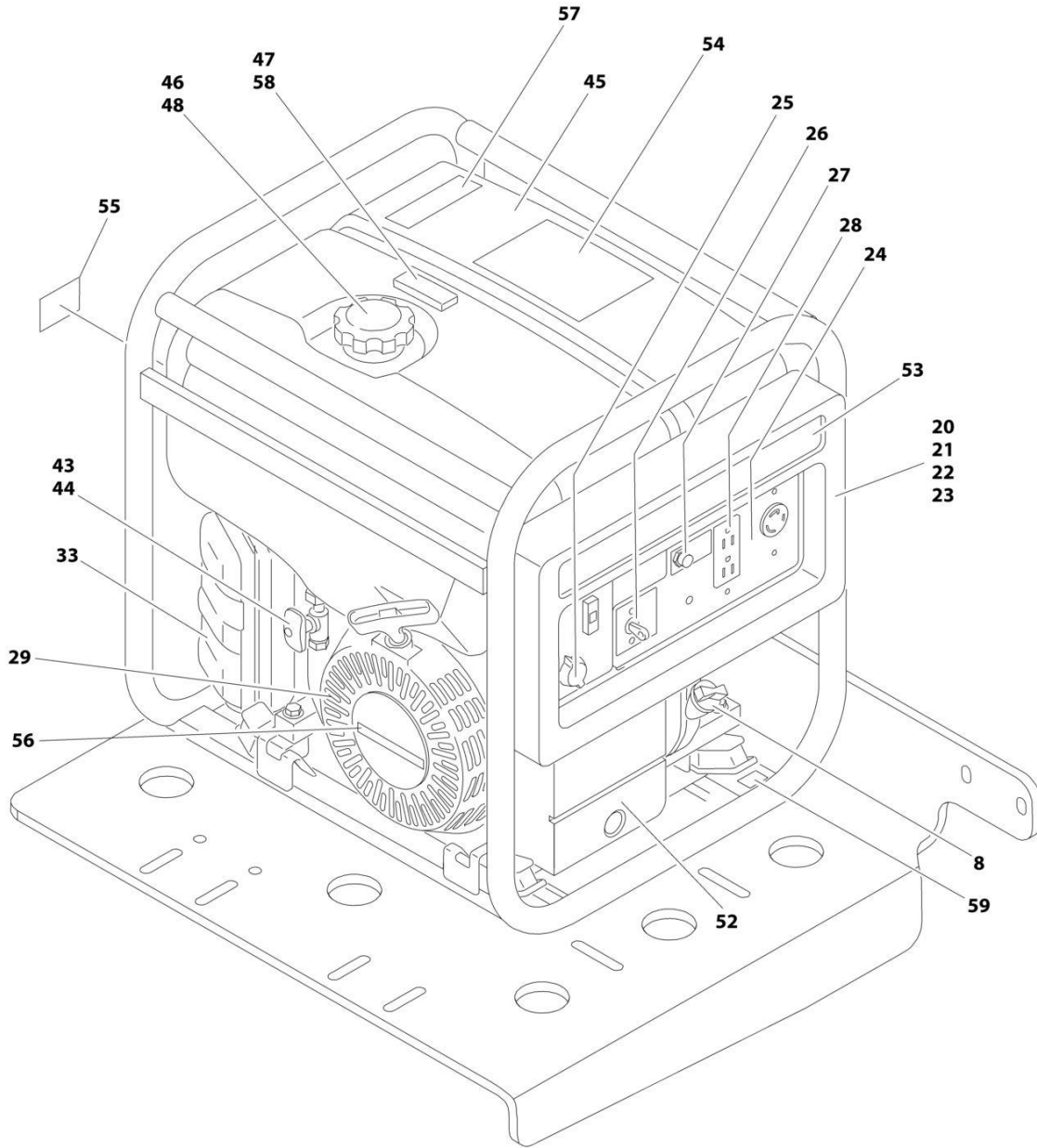
SECTION 1 - FRAME

FIGURE 1-25. ONBOARD GENERATOR INSTALLATION - TRAY ONLY - DUAL OSCILLATING AXLE

ITEM	PART NUMBER	QTY	DESCRIPTION	REV
	1001265194	Ref	GENERATOR TRAY INSTALLATION	B
1	0100011	AR	Compound, Locking	
2	0771618	4	Bolt M16 x 50 Class 10.9	
3	3331611	4	Nut M16 Class 10	
4	5241600	8	Washer M16	
5	1001244865	1	Grommet	
6	1001259284	1	Tray, Mounting	

SECTION 1 - FRAME

FIGURE 1-26. ONBOARD GENERATOR ASSEMBLY



ART_1001130309

SECTION 1 - FRAME

FIGURE 1-26. ONBOARD GENERATOR ASSEMBLY

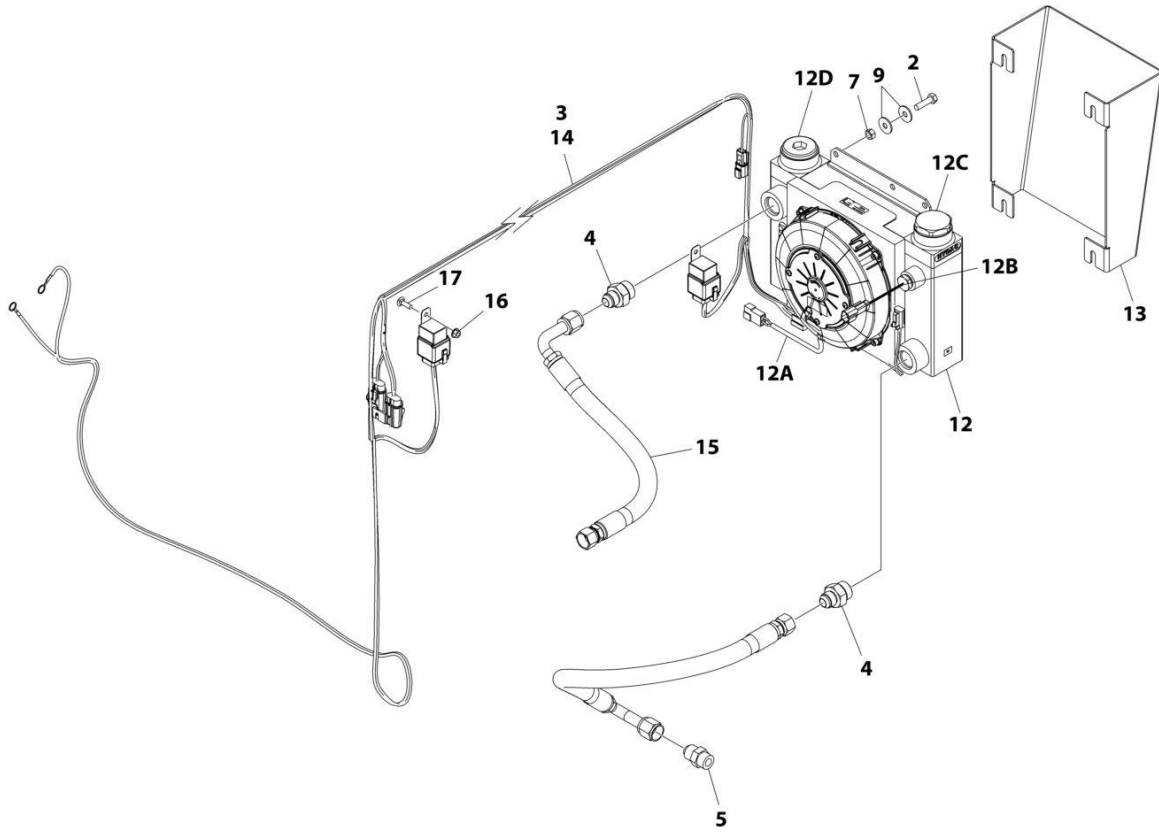
ITEM	PART NUMBER	QTY	DESCRIPTION	REV
	1001130309	Ref	ONBOARD GENERATOR ASSEMBLY	B
1	70003558	1	Gasket, Cylinder Head (Not Shown)	
2	70003559	1	Gasket, Cylinder Head Cover (Not Shown)	
3	70003560	1	Gasket, Exhaust (Exhaust Pipe to Cylinder Head) (Not Shown)	
4	7027391	1	Plug, Spark - Denso Brand (Not Shown)	
5	70002770	1	Plug, Spark - NGK Brand (Not Shown)	
6	70003561	1	Switch Assembly, Oil Level (Not Shown)	
7	70003507	1	O-Ring, Oil Level Switch (Not Shown)	
8	70002771	1	Cap, Oil Filler	
9	7027388	1	Cap, Secondary Oil Filler (Not Shown)	
10	70003565	1	Carburetor Assembly (Not Shown) (Includes Items 11-13)	
11	70003562	1	Gasket Set - Carburetor (Not Shown)	
12	70003563	1	Float Set - Carburetor (Not Shown) (Includes Item 13 and Gaskets)	
13	70003564	1	Drain Screw Set (Not Shown) (Includes Gasket)	
14	70003566	1	Insulator, Carburetor (Not Shown)	
15	70002776	1	Gasket, Insulator to Block (Not Shown)	
16	70003567	1	Spacer, Carburetor (Not Shown)	
17	70002777	1	Gasket, Carburetor to Insulator (Not Shown)	
18	70003568	1	Coil, Charging (Not Shown)	
19	7027398	1	Suppressor, Noise (Not Shown)	
20	70003572	1	Control Box Assembly (Includes Items 21-28)	
21	70003569	1	Module, Ignition	
22	70003570	1	Harness, Wiring	
23	70003571	1	Harness, Secondary Wiring	
24	70003573	1	Decal - Control Panel	
25	70002783	1	Switch, Engine Stop	
26	70003574	1	Breaker, Circuit (20A)	
27	70003575	1	Protector, Circuit (20A)	
28	70003576	1	Receptacle (20A-125V)	
29	70003577	1	Recoil Starter Assembly (Includes Items 30-32)	
30	70003578	1	Spring, Recoil Starter (Not Shown)	
31	70003579	1	Handle, Recoil Starter Rope (Not Shown)	
32	70002774	1	Rope, Recoil Starter (Not Shown)	
33	70003582	1	Cover, Air Cleaner	
34	70003581	4	Spring, Air Cleaner Housing/Cover (Not Shown)	
35	70003583	1	Seal, Air Cleaner Cover (Not Shown)	
36	70003580	1	Element, Air Cleaner (Inner) (Not Shown)	
37	70003584	1	Element, Air Cleaner (Outer) (Not Shown)	
38	70003585	1	Muffler (Not Shown)	
39	70003588	1	Gasket, Exhaust Pipe to Block (Not Shown)	
40	70003589	1	Arrester, Spark (Not Shown)	
41	70003586	1	Shield, Muffler (Outer) (Not Shown)	
42	70003587	1	Shield, Muffler (Inner) (Not Shown)	
43	70003590	1	Petcock Assembly (Includes Item 44)	
44	70003591	1	Screen, Fuel Strainer	
45	70003592	1	Tank, Fuel	
46	70003593	1	Cap, Fuel Filler	
47	70003594	1	Gauge, Fuel	
48	7027395	1	Filter, Fuel Tank	

SECTION 1 - FRAME

ITEM	PART NUMBER	QTY	DESCRIPTION	REV
49	70003595	1	Cable, Ground (Frame) (Not Shown)	
50	70003596	1	Generator Assembly (Not Shown)	
51	70003597	1	Grommet, AC Cord (Not Shown)	
52	70003598	1	Cycloconverter, Unit	
53	70003599	1	Decal - Generator Model	
54	70003600	1	Decal - Operator Warning	
55	70003601	1	Decal - Choke	
56	70003602	1	Decal - Cycloconverter	
57	70003603	1	Decal - Exhaust Caution	
58	70003604	1	Decal - Fuel Indication	
59	70003605	1	Decal - Oil Caution	

SECTION 1 - FRAME

FIGURE 1-27. OIL COOLER INSTALLATION



ART_1001246101

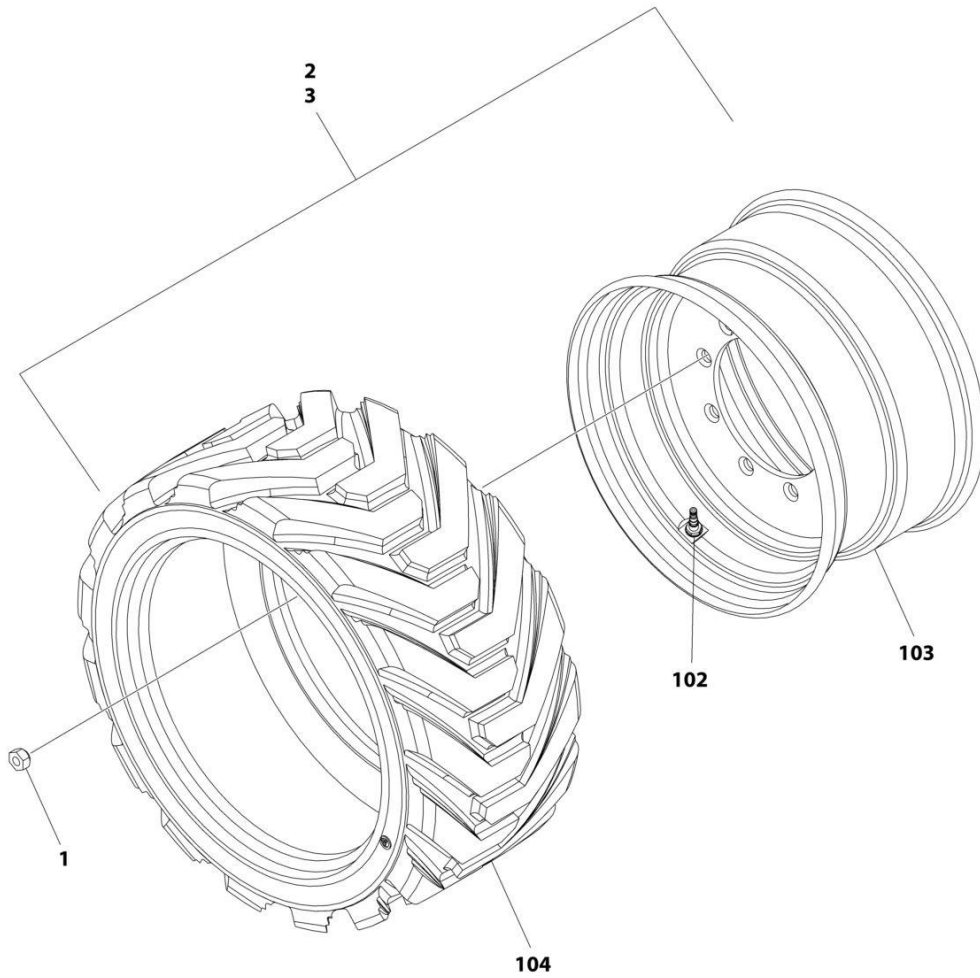
SECTION 1 - FRAME

FIGURE 1-27. OIL COOLER INSTALLATION

ITEM	PART NUMBER	QTY	DESCRIPTION	REV
	1001246101	Ref	OIL COOLER INSTALLATION	D
2	0760814	4	Bolt M8 x 30	
3	1062255	AR	Tie Strap (Not Shown)	
4	2220865	2	Fitting Straight JIC/ORB	
5	2220947	1	Fitting Straight JIC/ORB	
7	3290807	4	Nut, Lock M8	
9	4811902	8	Washer M8	
12	1001225804	1	Cooler Assembly	
12A	70006577	1	Fan/Motor Assembly	
12A	4460994	1	Plug, Male - 2 Position (Fan/Motor)	
12A	4460993	2	Terminal (Fan/Motor)	
12B	70006576	1	Thermostat	
12B	4460891	1	Plug, Male - 2 Position (Thermostat)	
12B	4460465	2	Socket, Female (Thermostat)	
12C	70006578	1	Valve, Bypass	
12D	70006579	1	Plug	
13	1001248160	1	Bracket	
14	1001249802	1	Oil Cooler Harness (See Separate Breakdown in ELECTRICAL Section)	
15	1001254861	1	Hose	
16	5260600	1	Nut M6	
17	1001100451	1	Bolt M6 x 20	

SECTION 1 - FRAME

FIGURE 1-28. TIRE AND WHEEL INSTALLATION - FOAM-FILLED



ART_1001244775

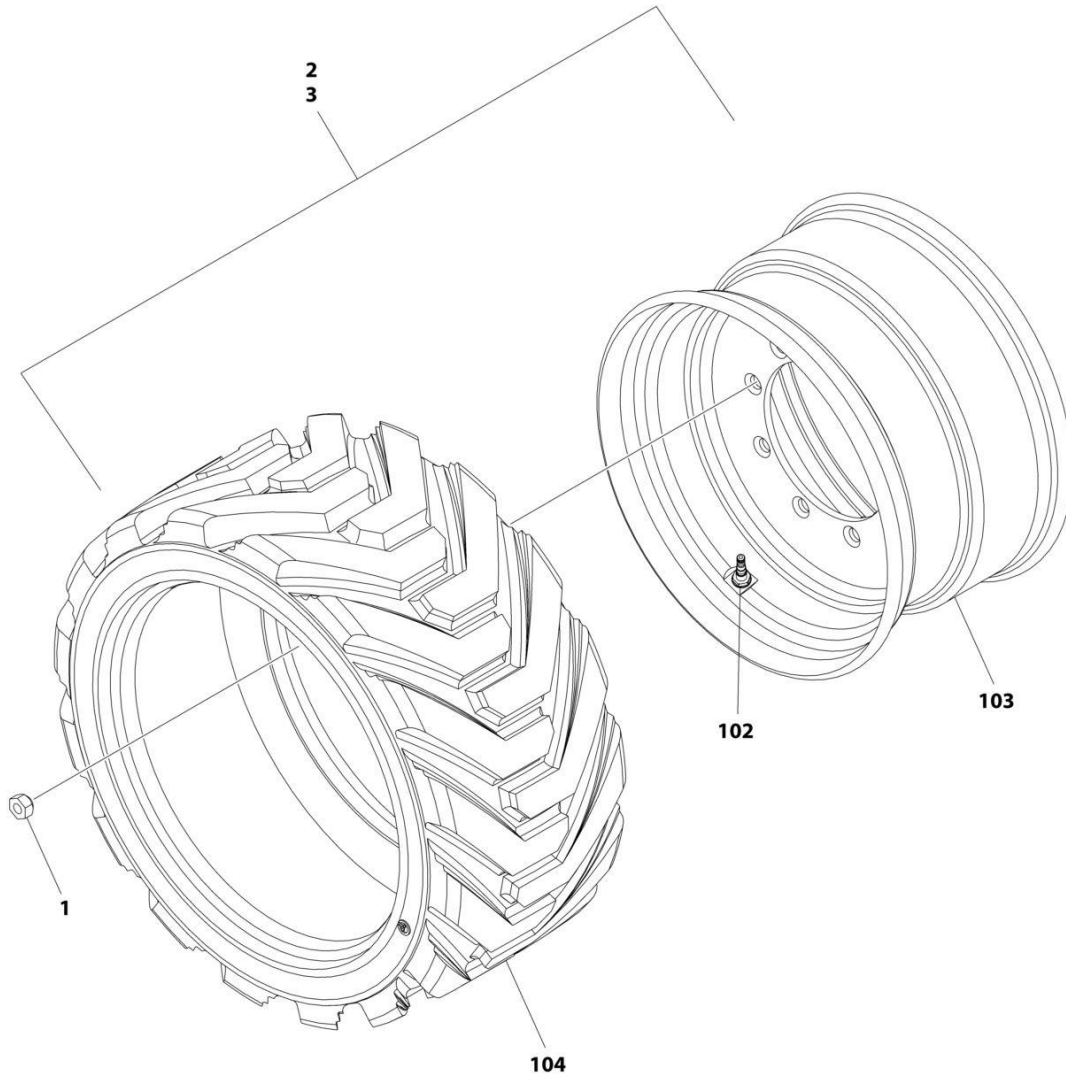
SECTION 1 - FRAME

FIGURE 1-28. TIRE AND WHEEL INSTALLATION - FOAM-FILLIED

ITEM	PART NUMBER	QTY	DESCRIPTION	REV
	1001244775	Ref	TIRE AND WHEEL INSTALLATION - 26 X12D460 FOAM-FILLED	A
		Ref	Note: Assemblies may require ballast/foam filling to manufacturer's specification prior to installing on a machine. Refer to Operation and Safety or Service and Maintenance Manuals. Purchase individual tire and/or rim only if able to foam fill tire and wheel assembly, otherwise, purchase complete assembly.	
1	3300106	36	Nut, Wheel	
2	1001249341	2	Tire and Wheel Assembly - Left Side	A
3	1001249342	2	Tire and Wheel Assembly - Right Side	A
102	4641122	1	Valve, Air	
103	1001249352	1	Rim, Wheel - 18 x 10	
104	1001249353	1	Tire, 26 x 12D460, Lug Tire	

SECTION 1 - FRAME

FIGURE 1-29. TIRE AND WHEEL INSTALLATION - FOAM-FILLIED NON-MARKING



ART_1001249340

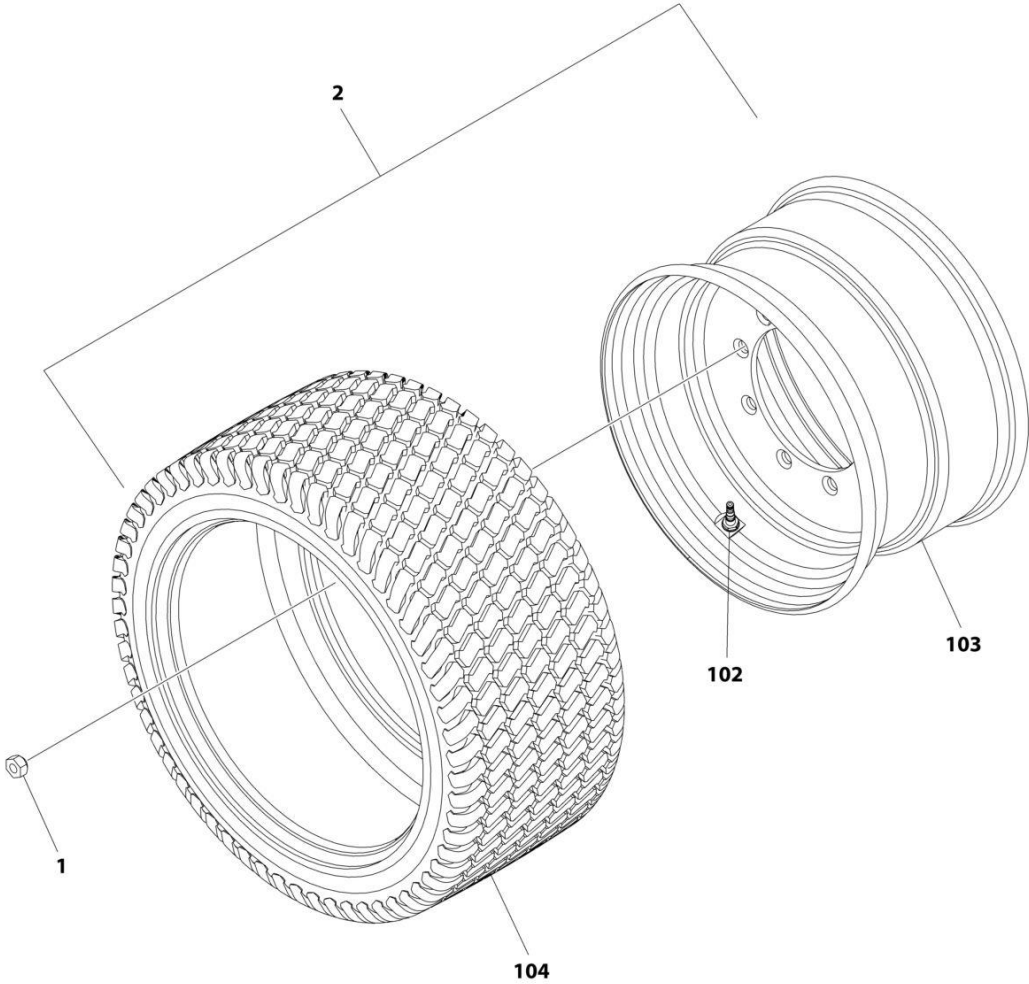
SECTION 1 - FRAME

FIGURE 1-29. TIRE AND WHEEL INSTALLATION - FOAM-FILLIED NON-MARKING

ITEM	PART NUMBER	QTY	DESCRIPTION	REV
	1001249340	Ref	TIRE AND WHEEL INSTALLATION - 26 X 12D460 FOAM-FILLED NON-MARKING	A
		Ref	Note: Assemblies may require ballast/foam filling to manufacturer's specification prior to installing on a machine. Refer to Operation and Safety or Service and Maintenance Manuals. Purchase individual tire and/or rim only if able to foam fill tire and wheel assembly, otherwise, purchase complete assembly.	
1	3300106	36	Nut, Wheel	
2	1001249343	2	Tire and Wheel Assembly - Left Side	A
3	1001249344	2	Tire and Wheel Assembly - Right Side	A
102	4641122	1	Valve, Air	
103	1001249352	1	Rim, Wheel - 18 x 10	
104	1001249354	1	Tire, 26 x 12D460, Lug Tire Non-Marking	

SECTION 1 - FRAME

FIGURE 1-30. TIRE AND WHEEL INSTALLATION - FOAM-FILLED TURF NON-MARKING



ART_1001259386

SECTION 1 - FRAME

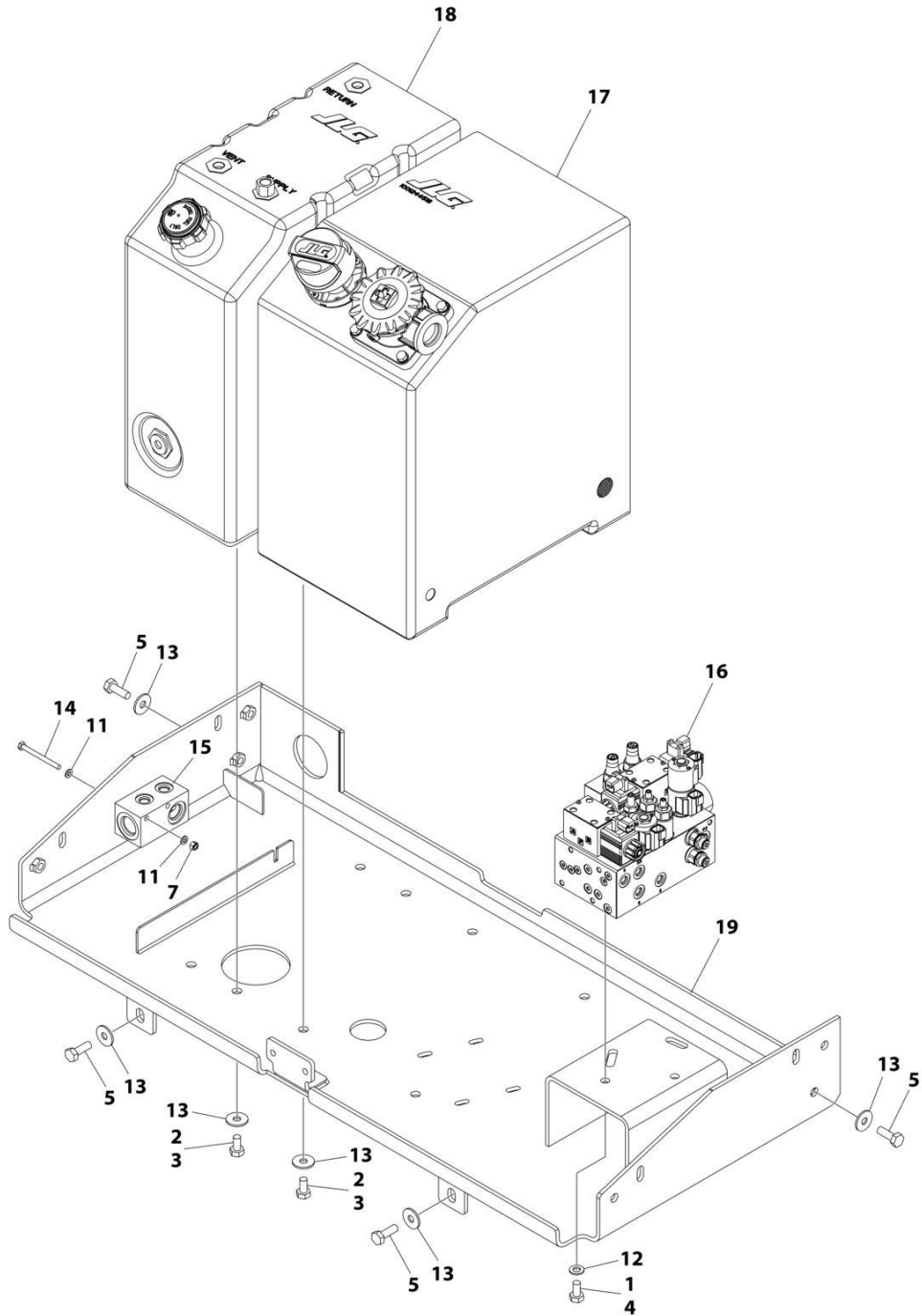
FIGURE 1-30. TIRE AND WHEEL INSTALLATION - FOAM-FILLIED TURF NON-MARKING

ITEM	PART NUMBER	QTY	DESCRIPTION	REV
	1001259386	Ref	TIRE AND WHEEL INSTALLATION - 26 X 12D460 FOAM-FILLED TURF	A
		Ref	Note: Assemblies may require ballast/foam filling to manufacturer's specification prior to installing on a machine. Refer to Operation and Safety or Service and Maintenance Manuals. Purchase individual tire and/or rim only if able to foam fill tire and wheel assembly, otherwise, purchase complete assembly.	
1	3300106	36	Nut, Wheel	
2	1001258287	4	Tire and Wheel Assembly	A
102	4641122	1	Valve, Air	
103	1001249352	1	Rim, Wheel - 18 x 10	
104	1001259202	1	Tire, 26 x 12D460 Turf	

SECTION 2 - GROUND CONTROLS

SECTION 2 - GROUND CONTROLS

FIGURE 2-1. HYDRAULIC COMPONENTS INSTALLATION - DIESEL



ART_1001246090

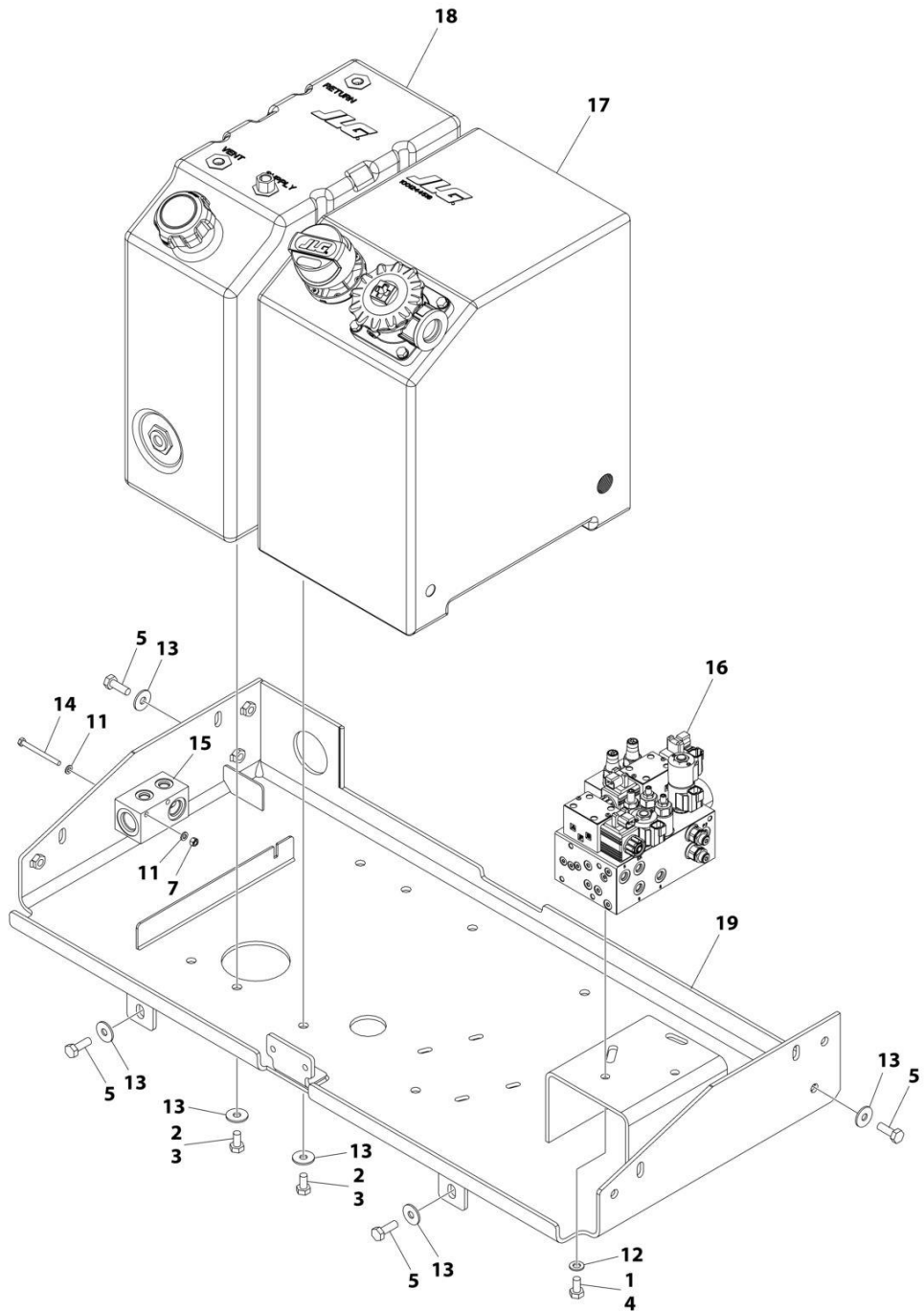
SECTION 2 - GROUND CONTROLS

FIGURE 2-1. HYDRAULIC COMPONENTS INSTALLATION - DIESEL

ITEM	PART NUMBER	QTY	DESCRIPTION	REV
	1001246090	Ref	HYDRAULIC COMPONENTS INSTALLATION	D
1	0100011	AR	Compound, Locking	
2	0100035	AR	Compound, Locking	
3	0761010	8	Bolt M10 x 20	
4	0771010	4	Bolt M10 x 20	
5	0771014	4	Bolt M10 x 30	
7	3290605	2	Nut M6	
11	4811700	4	Washer M6	
12	4812000	4	Washer M10	
13	4812002	12	Washer M10	
14	1001096653	2	Bolt M6 x 70	
15	1001183406	1	Valve, Manifold	
16	1001270103	1	Valve Assembly - Main Control (See Separate Breakdown in this Section)	
17	1001246555	1	Tank Assembly - Hydraulic (See Separate Breakdown in this Section)	
18	1001246856	1	Tank Assembly - Fuel	
18	1001193336	1	Cap, Fuel	
19	1001247630	1	Tray	

SECTION 2 - GROUND CONTROLS

FIGURE 2-2. HYDRAULIC COMPONENTS INSTALLATION - DUAL FUEL



ART_1001248349

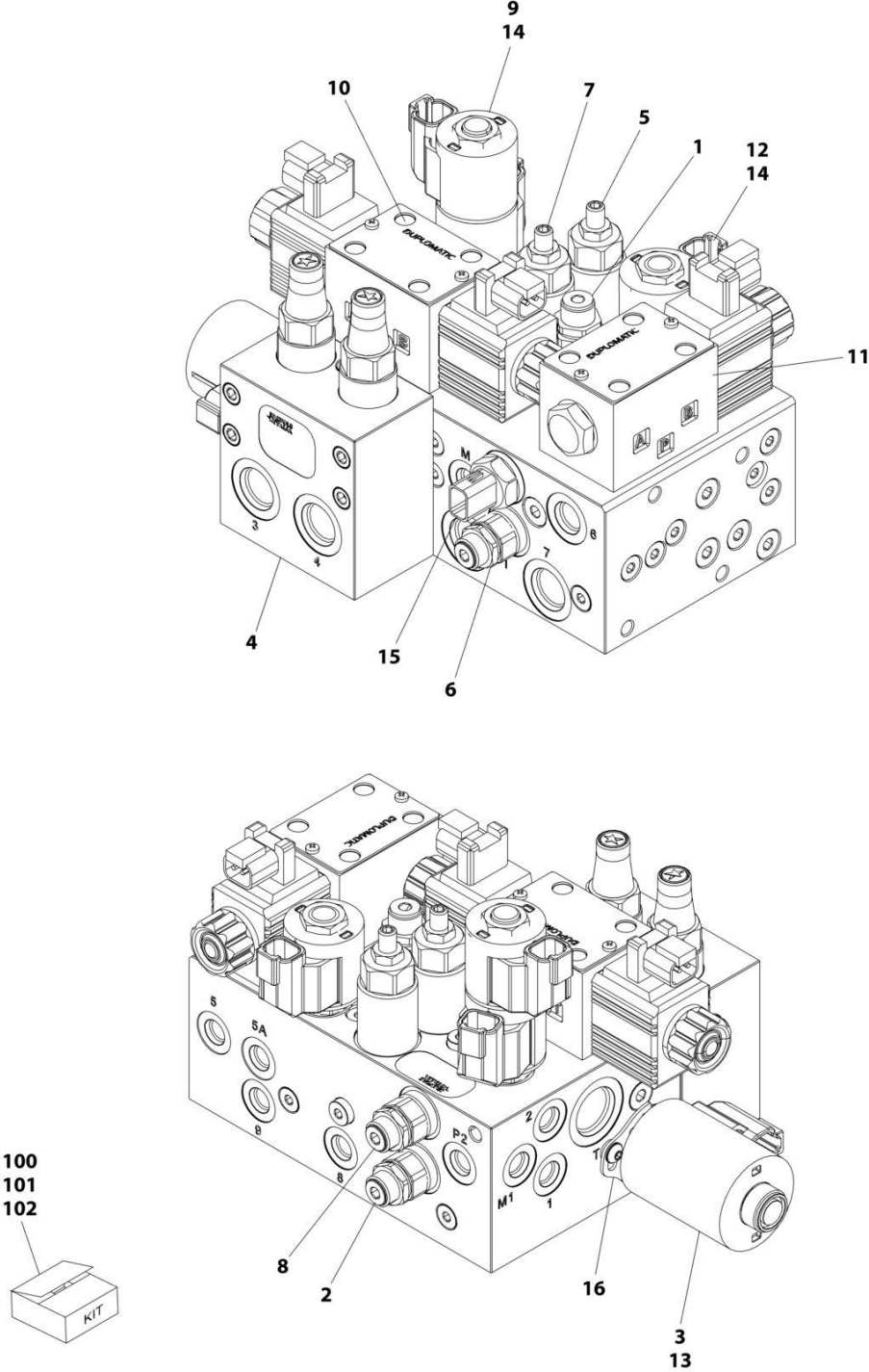
SECTION 2 - GROUND CONTROLS

FIGURE 2-2. HYDRAULIC COMPONENTS INSTALLATION - DUAL FUEL

ITEM	PART NUMBER	QTY	DESCRIPTION	REV
	1001248349	Ref	HYDRAULIC COMPONENTS INSTALLATION - DUAL FUEL	D
1	0100011	AR	Compound, Locking	
2	0100035	AR	Compound, Locking	
3	0761010	8	Bolt M10 x 20	
4	0771010	4	Bolt M10 x 20	
5	0771014	4	Bolt M10 x 30	
7	3290605	2	Nut M6	
11	4811700	4	Washer M6	
12	4812000	4	Washer M10	
13	4812002	12	Washer M10	
14	1001096653	2	Bolt M6 x 70	
15	1001183406	1	Valve, Manifold	
16	1001270103	1	Valve Assembly - Main Control (See Separate Breakdown in this Section)	
17	1001246555	1	Tank Assembly - Hydraulic (See Separate Breakdown in this Section)	
18	1001247021	1	Tank Assembly - Fuel	
18	1001207109	1	Cap, Fuel Tank	
19	1001247630	1	Tray	

SECTION 2 - GROUND CONTROLS

FIGURE 2-3. VALVE ASSEMBLY - MAIN CONTROL



ART_1001270103

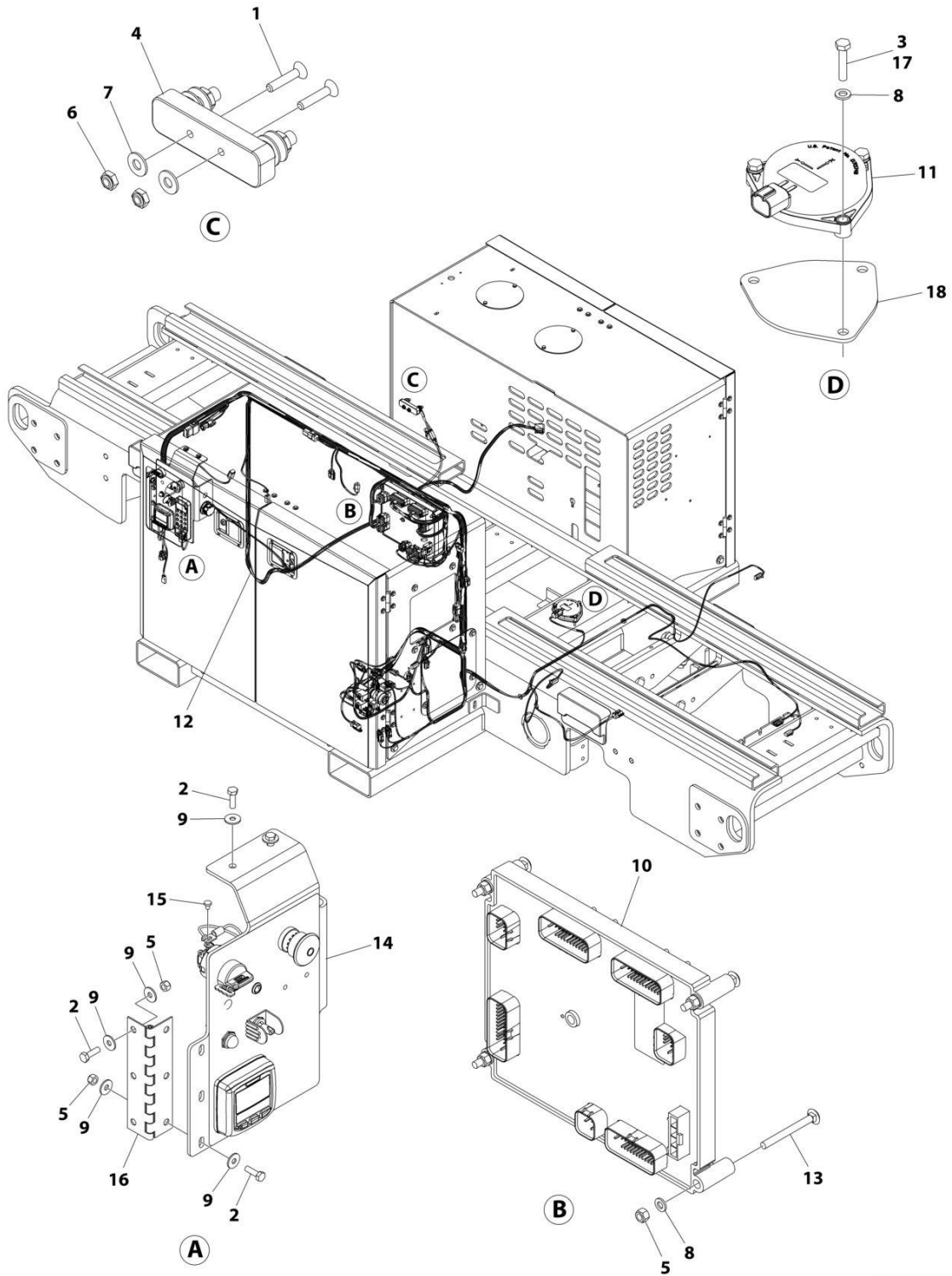
SECTION 2 - GROUND CONTROLS

FIGURE 2-3. VALVE ASSEMBLY - MAIN CONTROL

ITEM	PART NUMBER	QTY	DESCRIPTION	REV
	1001270103	Ref	VALVE ASSEMBLY - MAIN CONTROL	B
1	70007763	1	Cartridge, Relief Valve (Main)	
2	70007764	1	Cartridge, Relief Valve (Steer)	
3	70006786	1	Cartridge, Valve (Flow Control) (Use Seal Kit 7012925)	
4	70007765	1	Valve Assembly (Drive)	
5	70007766	1	Cartridge, Pressure Reducing Valve (Brake)	
6	70007767	1	Cartridge, Relief Valve (Lift)	
7	70007768	1	Cartridge, Valve Relief (Axle Charge)	
8	70007769	1	Cartridge, Relief Valve (Steer)	
9	70007772	1	Valve, Directional (Steer) (Use Seal Kit 7017402)	
10	70007770	1	Valve Assembly	
11	70007771	1	Valve Assembly	
12	7012941	1	Valve, Directional (Use Seal Kit 7010543)	
13	70003789	1	Coil	
14	70002386	2	Coil	
15	1001128478	1	Sensor, Temperature	
16	70007773	1	Lockdown Kit	
100	7012925	1	Seal Kit (Use with Items 3 Valve)	
101	7017402	1	Seal Kit (Use with Item 9 Valve)	
102	7010543	1	Seal Kit (Use with Item 12 Valve)	

SECTION 2 - GROUND CONTROLS

FIGURE 2-4. RT4069 ELECTRICAL COMPONENTS INSTALLATION



ART_1001247074

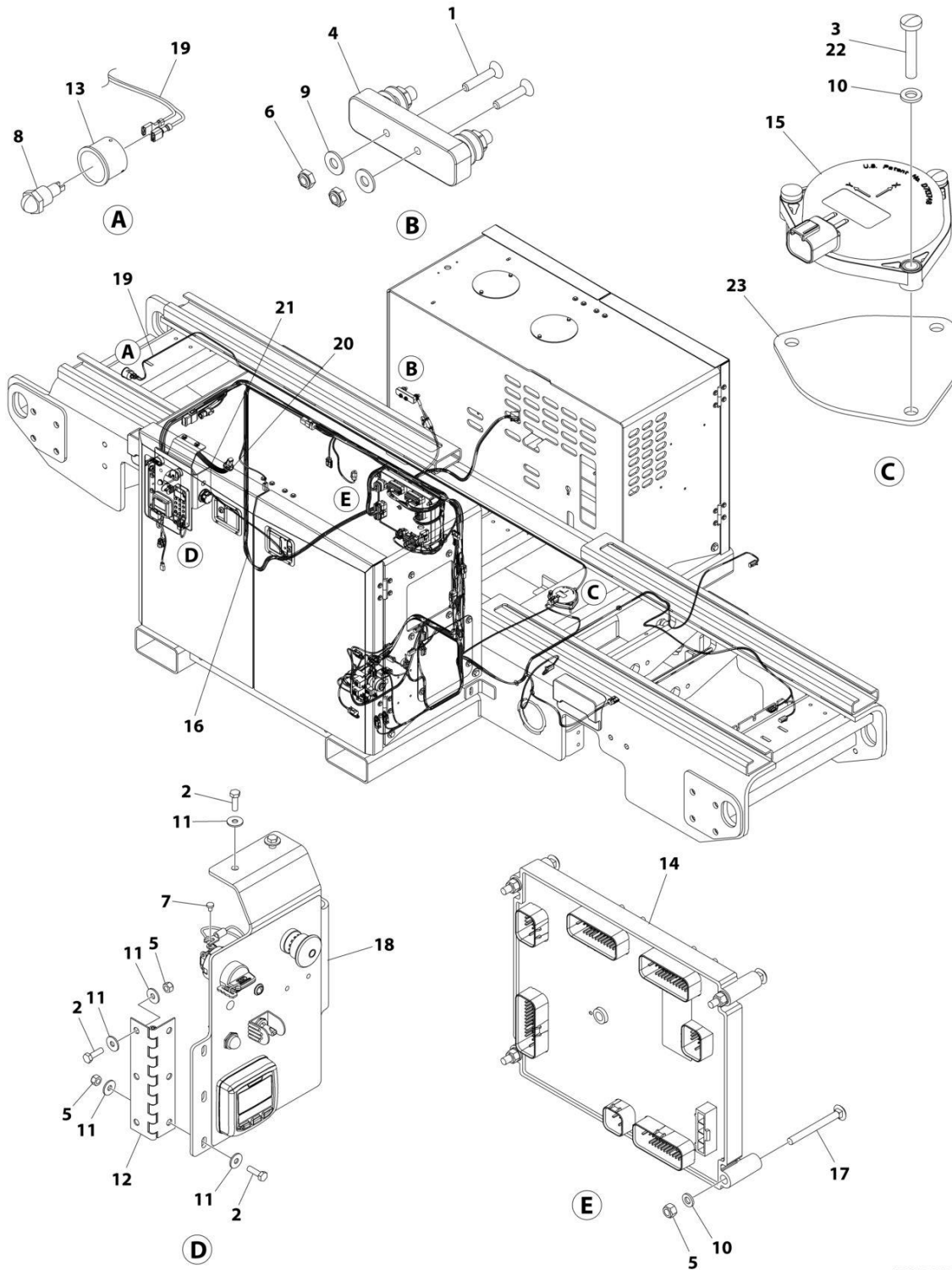
SECTION 2 - GROUND CONTROLS

FIGURE 2-4. RT4069 ELECTRICAL COMPONENTS INSTALLATION

ITEM	PART NUMBER	QTY	DESCRIPTION	REV
	1001247074	Ref	ELECTRICAL COMPONENTS INSTALLATION	E
1	0741008	2	Capscrew 10 x 1	
2	0760610	8	Bolt M6 x 20	
3	0760614	3	Bolt M6 x 30	
3	4010615	3	Bolt M6 x 35	
4	2400044	1	Fuse, Mounting Block	
5	3290605	10	Nut M6	
6	3300408	2	Nut	
7	4751300	2	Washer 3/16	
8	4811700	7	Washer M6	
9	4811702	14	Washer M6	
10	1001244929	1	Module, Ground Control (Note: Re-calibration Required when Replaced)	
11	1001244934	1	Sensor, Tilt	
12	1001247472	1	Chassis Harness (See Separate Breakdown in ELECTRICAL Section)	
13	1001248039	4	Bolt M6 x 60	
14	1001251231	1	Ground Control Assembly (See Separate Breakdown in this Section)	
15	4010403	3	Screw M4 x 6	
16	1001110188	1	Hinge	
17	0100011	AR	Compound, Locking	
18	1001272777	1	Gasket	

SECTION 2 - GROUND CONTROLS

FIGURE 2-5. RT4769 ELECTRICAL COMPONENTS INSTALLATION



ART_1001263928

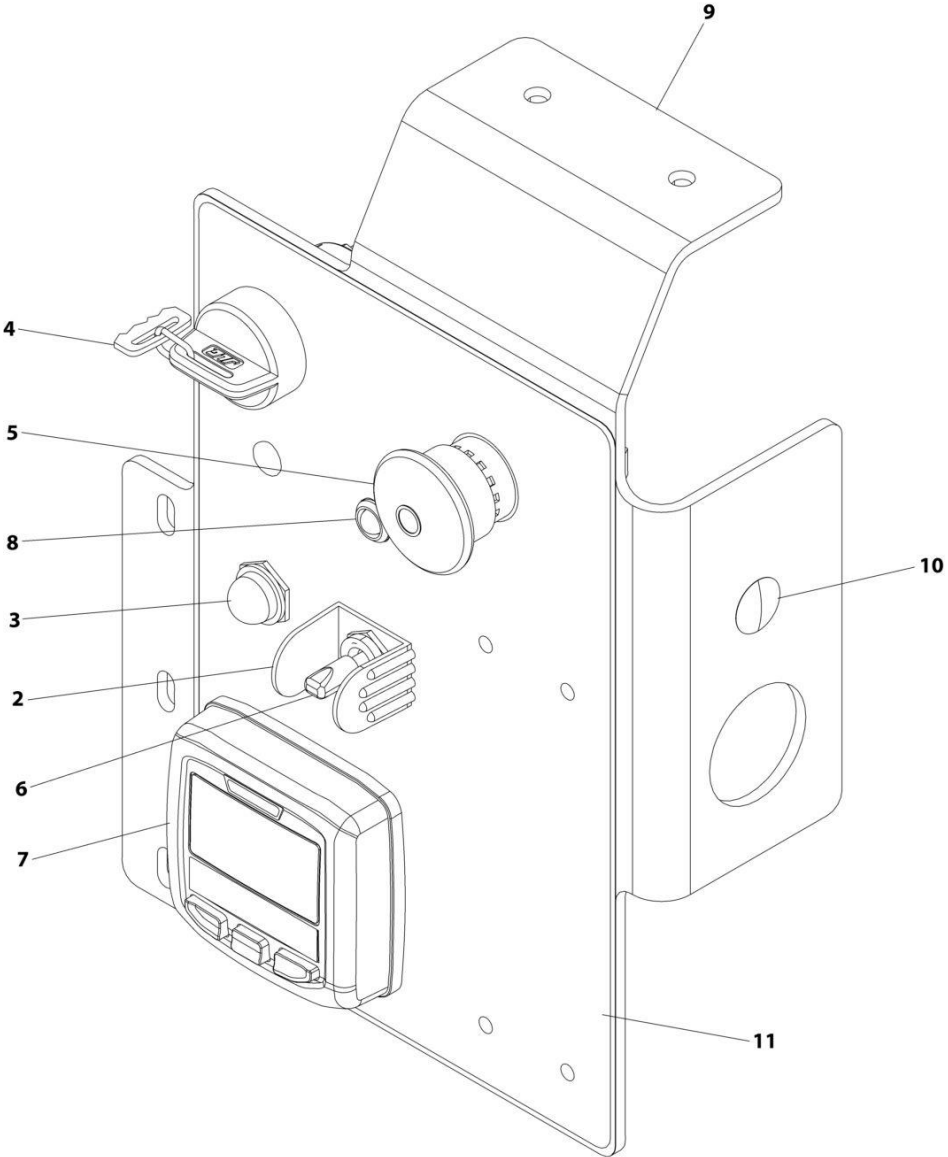
SECTION 2 - GROUND CONTROLS

FIGURE 2-5. RT4769 ELECTRICAL COMPONENTS INSTALLATION

ITEM	PART NUMBER	QTY	DESCRIPTION	REV
	1001263928	Ref	ELECTRICAL COMPONENTS INSTALLATION	E
1	0741008	2	Capscrew 10 x 1	
2	0760610	8	Bolt M6 x 20	
3	4010615	3	Screw, M6 X 35	
4	2400044	1	Fuse, Mounting Block	
5	3290605	10	Nut M6	
6	3300408	2	Nut	
7	4010403	3	Screw M4 x 6	
8	4360387	1	Switch, Push Button	
9	4751300	2	Washer 3/16	
10	4811700	7	Washer M6	
11	4811702	14	Washer M6	
12	1001110188	1	Hinge	
13	1001176469	1	Shroud, Switch	
14	1001244929	1	Module, Ground Control (Note: Re-calibration Required when Replaced)	
15	1001244934	1	Sensor, Tilt	
	1001247472	1	Chassis Harness (See Separate Breakdown in ELECTRICAL Section)	
17	1001248039	4	Bolt M6 x 60	
18	1001251231	1	Ground Control Assembly (See Separate Breakdown in this Section)	
19	1001263449	1	Harness, Auxiliary Descent (See Separate Breakdown in ELECTRICAL Section)	
20	4240017	AR	Tie-Strap	
21	1001265053	1	Conduit, Nylon Slit Tubing	
22	0100011	AR	Compound, Locking	
23	1001272777	1	Gasket, Angle Sensor	

SECTION 2 - GROUND CONTROLS

FIGURE 2-6. GROUND CONTROL ASSEMBLY



ART_1001251231

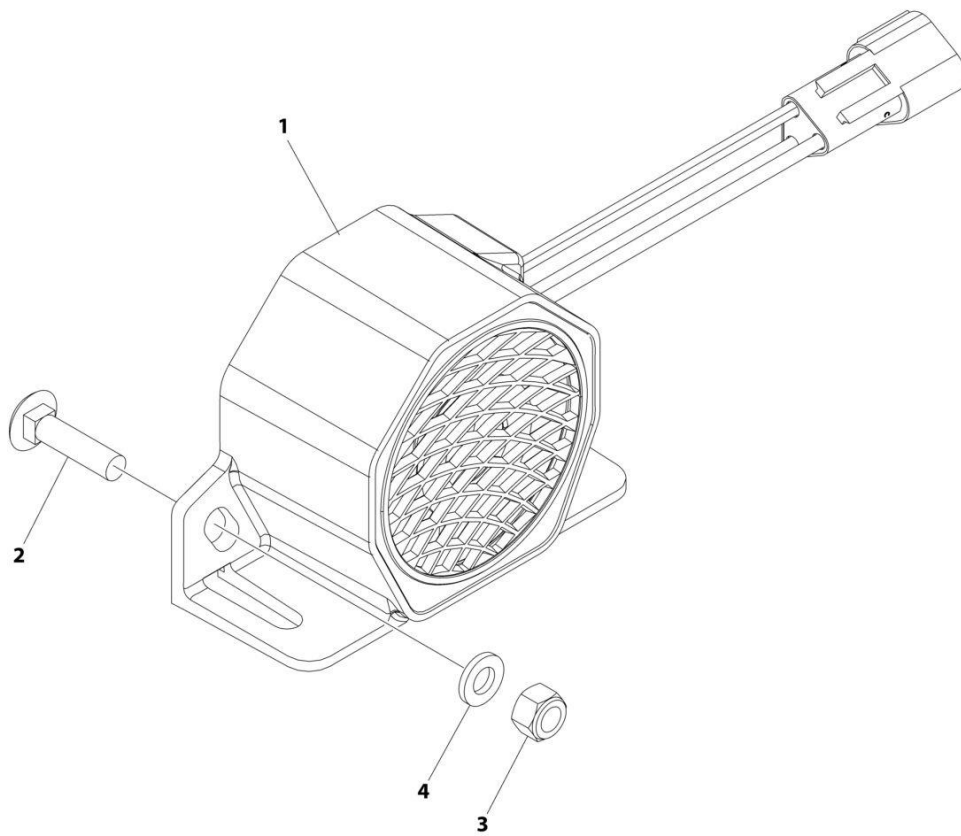
SECTION 2 - GROUND CONTROLS

FIGURE 2-6. GROUND CONTROL ASSEMBLY

ITEM	PART NUMBER	QTY	DESCRIPTION	REV
	1001251231	Ref	GROUND CONTROL ASSEMBLY	E
2	4060802	1	Guard, Switch	
3	4360387	1	Switch, Push Button	
4	4360469	1	Switch, Key	
4	2860030	1Set	Key, Replacement	
5	1001274559	1	Switch, Emergency Stop (Plastic)	
5	4360475	1	Switch, Emergency Stop (Metal)	
5	7020175	1	Cap	
5	7020176	1	Block, Contact	
6	4360524	1	Switch, Toggle	
7	1001171482	1	Gauge, Display	
8	1001182680	1	Light, LED	
9	1001257884	1	Bracket	
10	3520026	1	Plug	
11	1001258921	1	Decal - Ground Control	

SECTION 2 - GROUND CONTROLS

FIGURE 2-7. ALARM INSTALLATION (HORN)



ART_1001250678

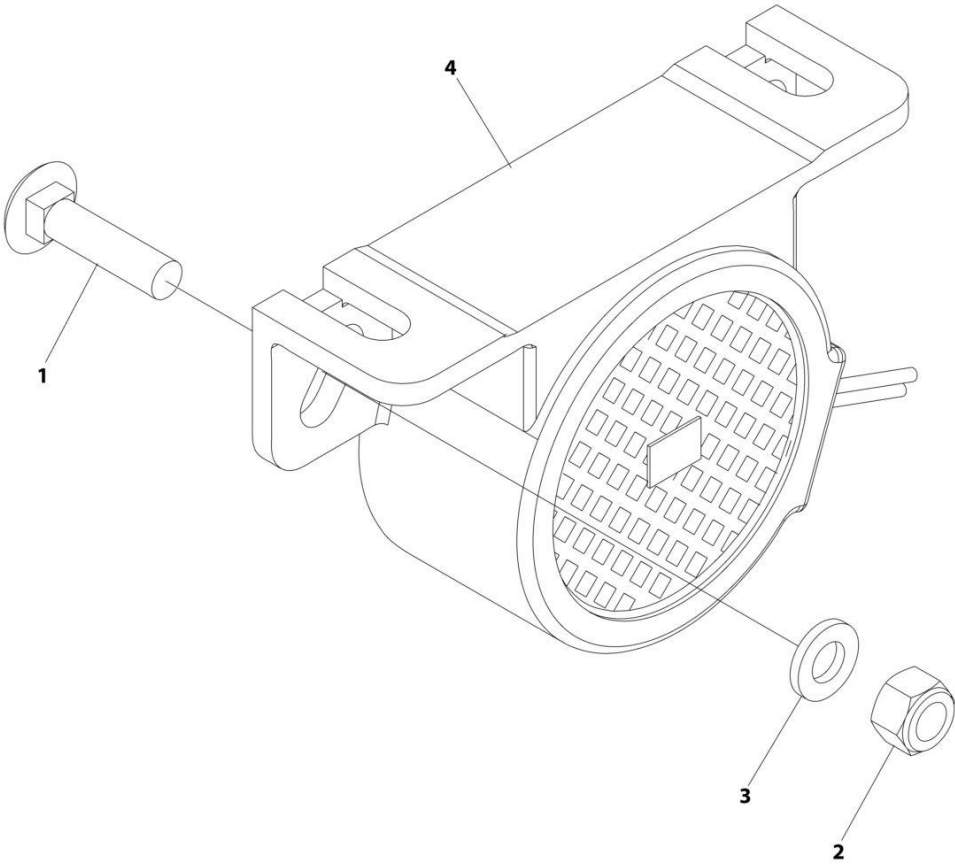
SECTION 2 - GROUND CONTROLS

FIGURE 2-7. ALARM INSTALLATION (HORN)

ITEM	PART NUMBER	QTY	DESCRIPTION	REV
	1001250678	Ref	ALARM INSTALLATION	C
1	0140043	1	Alarm	
2	0630587	2	Bolt M6 x 25	
3	3290605	2	Nut M6	
4	4811700	2	Washer M6	

SECTION 2 - GROUND CONTROLS

FIGURE 2-8. ALARM INSTALLATION (WHITE NOISE)



ART_1001249309

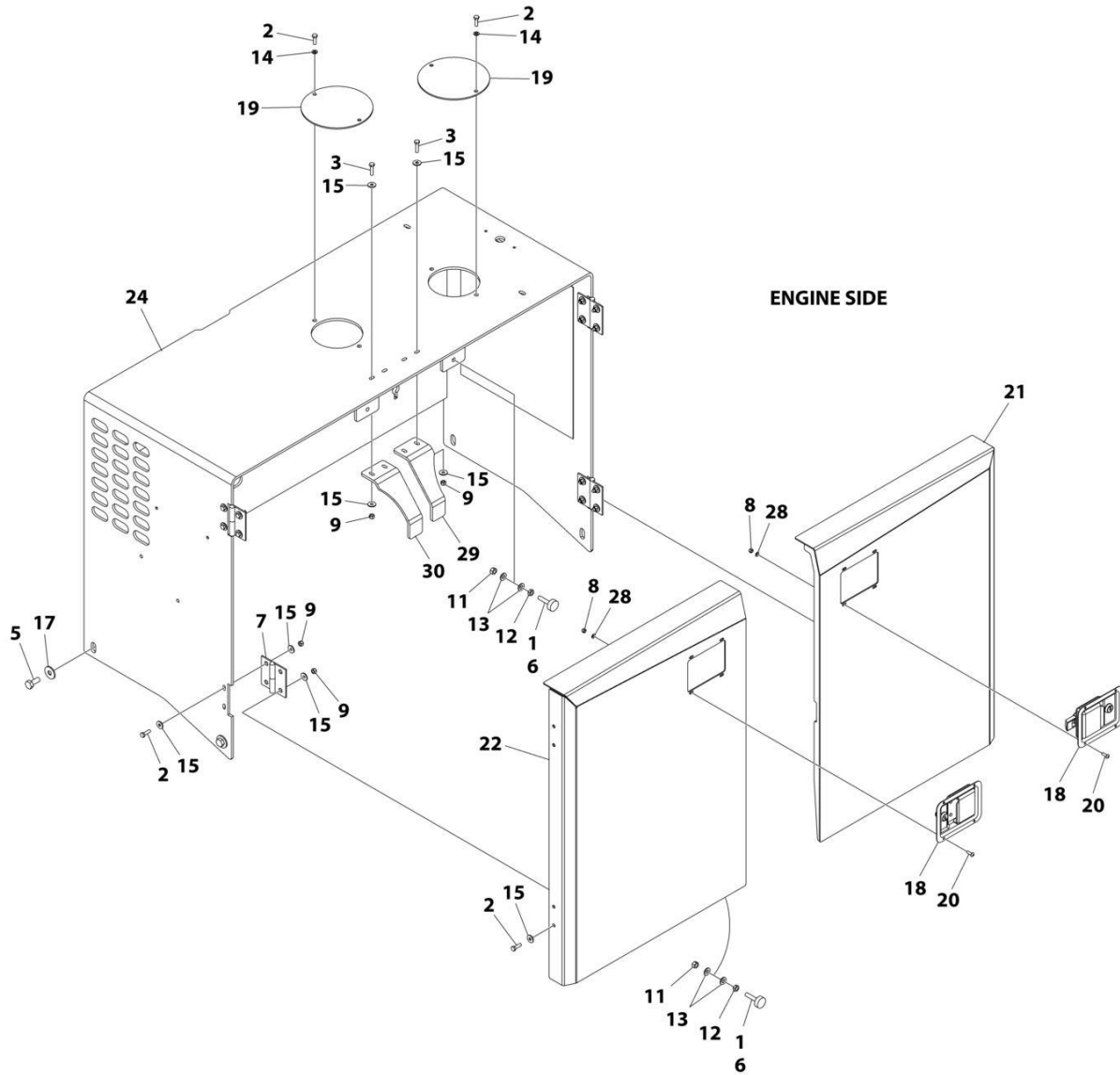
SECTION 2 - GROUND CONTROLS

FIGURE 2-8. ALARM INSTALLATION (WHITE NOISE)

ITEM	PART NUMBER	QTY	DESCRIPTION	REV
	1001249309	Ref	ALARM INSTALLATION	C
1	0630587	2	Bolt M6 x 25	
2	3290605	2	Nut M6	
3	4811700	2	Washer M6	
4	1001184682	1	Alarm	
4	4460897	1	Receptacle, Female - 2 Position	
4	4460464	2	Pin, Male	

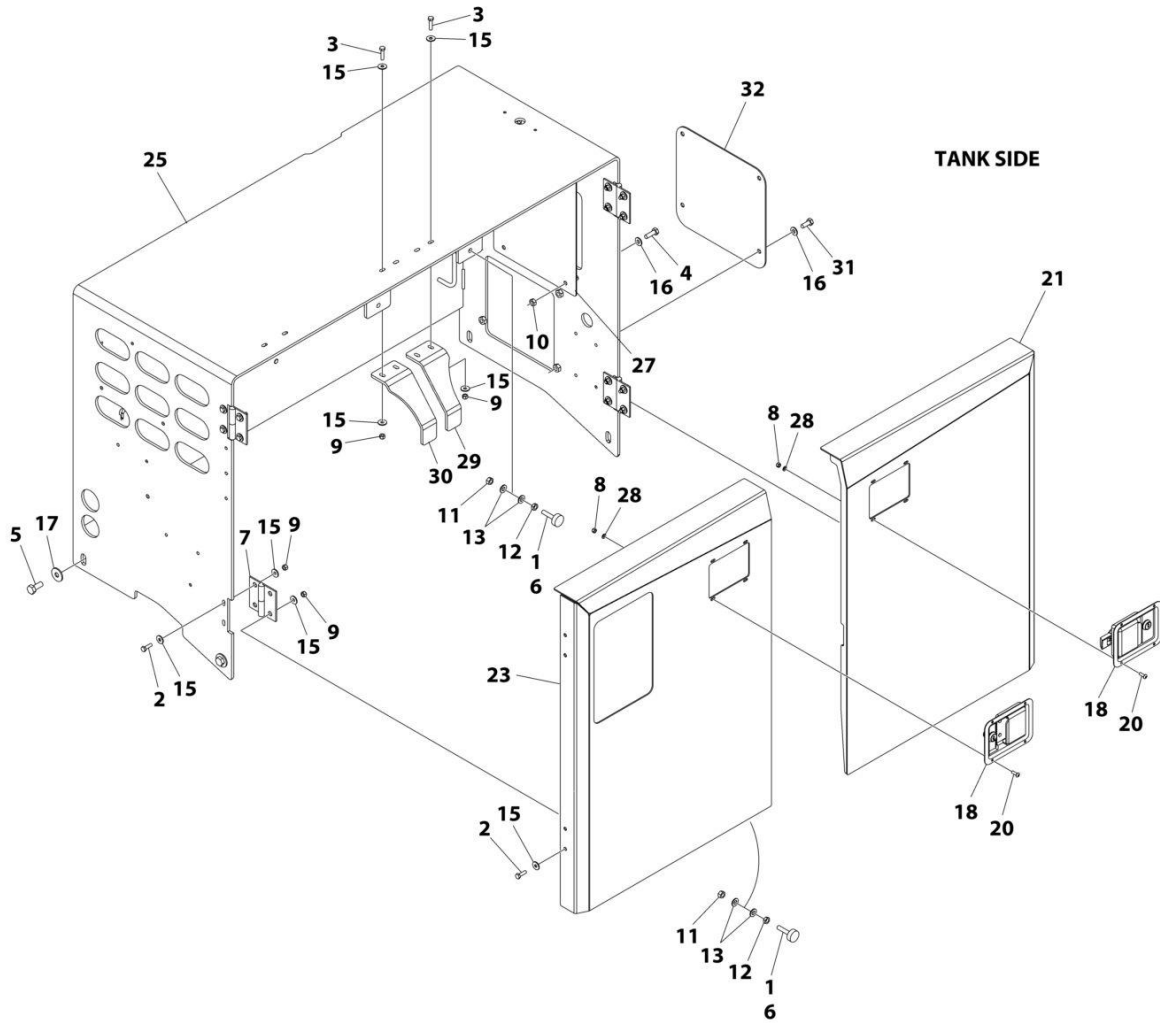
SECTION 2 - GROUND CONTROLS

FIGURE 2-9. HOODS INSTALLATION



ART_1001246883_1OF2

SECTION 2 - GROUND CONTROLS



ART_1001246883_2OF2

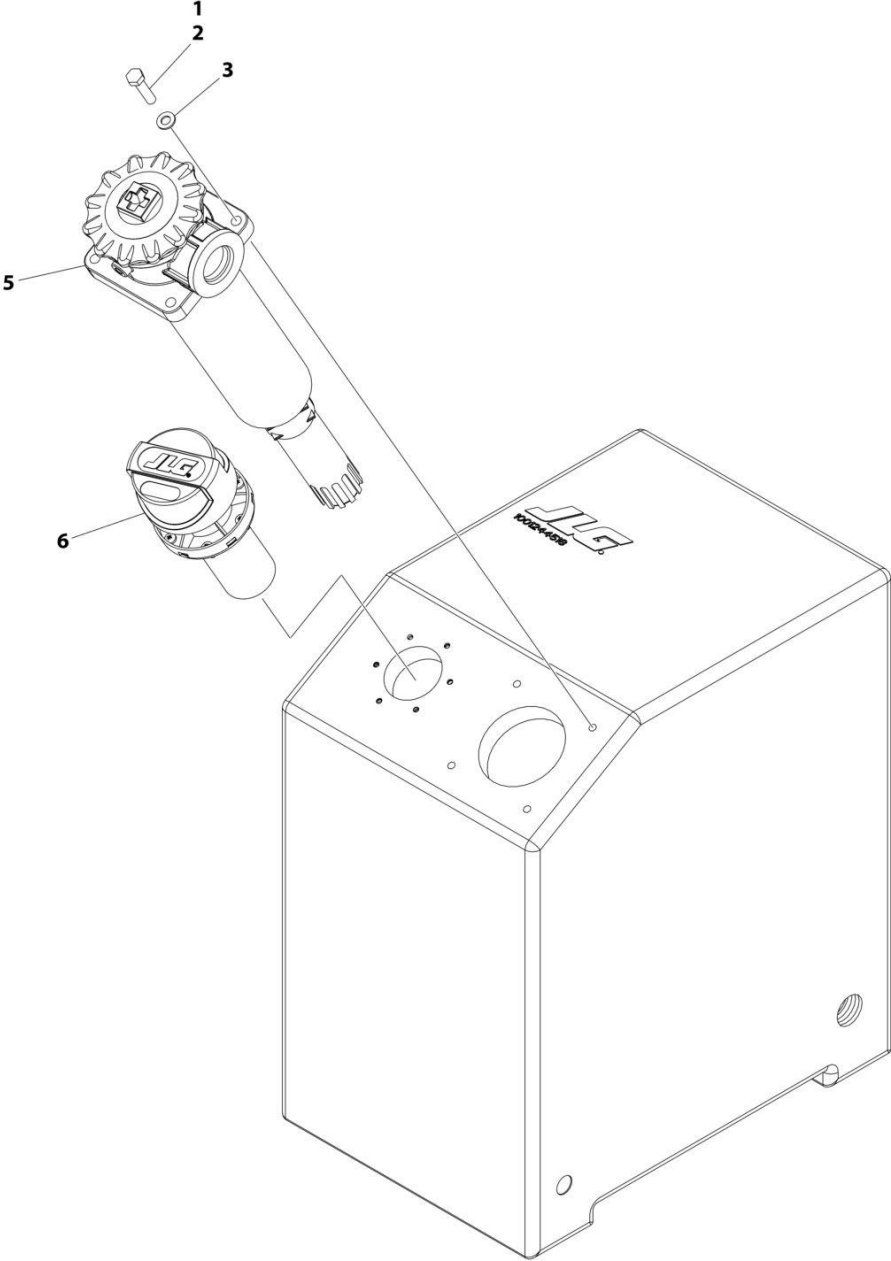
SECTION 2 - GROUND CONTROLS

FIGURE 2-9. HOODS INSTALLATION

ITEM	PART NUMBER	QTY	DESCRIPTION	REV
	1001246883	Ref	HOODS INSTALLATION	E
1	0100011	AR	Compound, Locking	
2	0760610	36	Bolt M6 x 20	
3	0760612	8	Bolt M6 x 25	
4	0770812	4	Bolt M8 x 25	
5	0761012	8	Bolt M10 x 25	
6	1001260334	8	Bumper	
7	2600216	8	Hinge	
8	3290505	16	Nut M5	
9	3290605	40	Nut M6	
10	3290801	4	Nut M8	
11	3311501	8	Nut 5/16	
12	3311502	8	Nut 5/16	
13	4711500	16	Washer 5/16	
14	4811700	4	Washer M6	
15	4811702	80	Washer M6	
16	4811902	12	Washer M8	
17	4812002	8	Washer M10	
18	1001257454	4	Latch, Lock	
19	1001226221	2	Plate, Filter Access	
20	1001234348	16	Screw M5 x 16 Grade 10.9	
21	1001247637	2	Door (Hydraulic Side RH/Engine Side RH)	
22	1001247638	1	Door (Engine Side LH)	
23	1001247639	1	Door (Hydraulic Side LH)	
24	1001247887	1	Shield (Engine Side)	
25	1001248043	1	Shield (Hydraulic Side)	
27	1001248162	1	Cover	
28	4811600	16	Washer M5	
29	1001257688	2	Bracket, Striker	
30	1001257689	2	Bracket, Striker	
31	0760810	4	Bolt M8 x 20	
32	1001263930	1	Cover	

SECTION 2 - GROUND CONTROLS

FIGURE 2-10. HYDRAULIC TANK ASSEMBLY



ART_1001246555

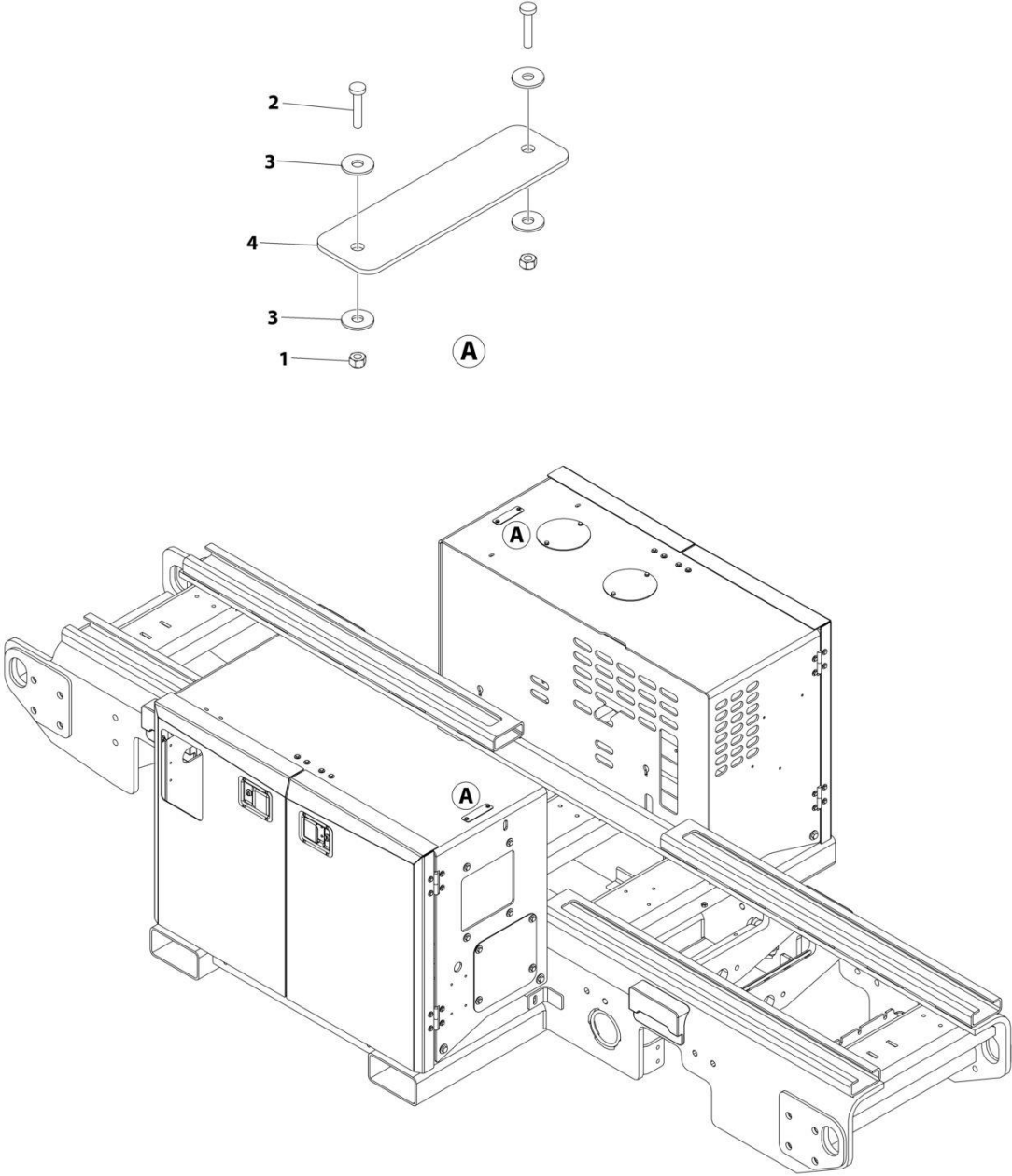
SECTION 2 - GROUND CONTROLS

FIGURE 2-10. HYDRAULIC TANK ASSEMBLY

ITEM	PART NUMBER	QTY	DESCRIPTION	REV
	1001246555	Ref	TANK ASSEMBLY	D
1	0100035	AR	Compound, Locking	
2	0760815	4	Bolt M8 x 35	
3	4811900	4	Washer M8	
5	1001246553	1	Filter, Hydraulic Tank	
5	70007035	1	Element, Filter	
6	1001248371	1	Filter, Filler/Breather	

SECTION 2 - GROUND CONTROLS

FIGURE 2-11. NO BEACON (COVERS)



ART_1001267649

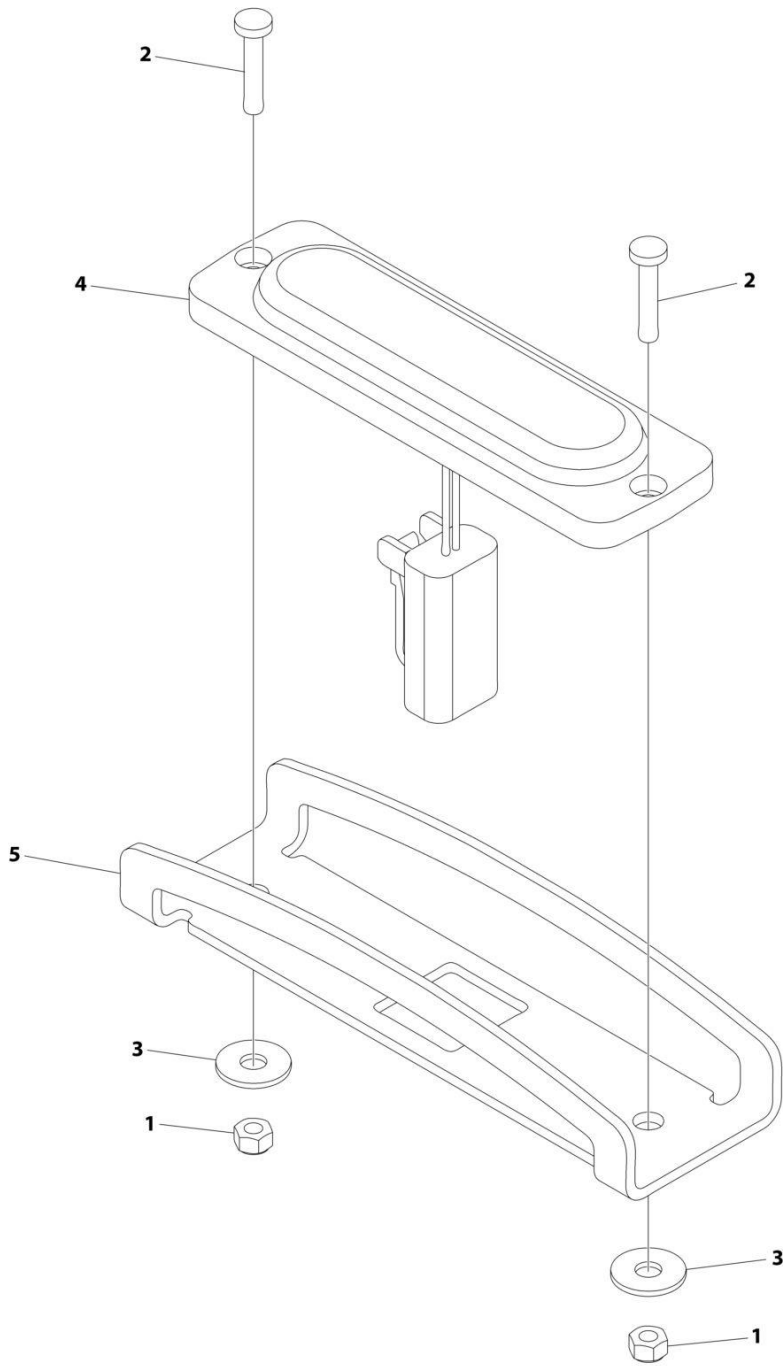
SECTION 2 - GROUND CONTROLS

FIGURE 2-11. NO BEACON (COVERS)

ITEM	PART NUMBER	QTY	DESCRIPTION	REV
	1001267649	Ref	NO BEACON (COVERS)	A
1	3290305	4	Nut M3	
2	4010308	4	Screw M3 x16	
3	1001091102	8	Washer M4	
4	1001263345	2	Cover, Hood	

SECTION 2 - GROUND CONTROLS

FIGURE 2-12. STROBE LIGHT INSTALLATION - DUAL



ART_1001249307

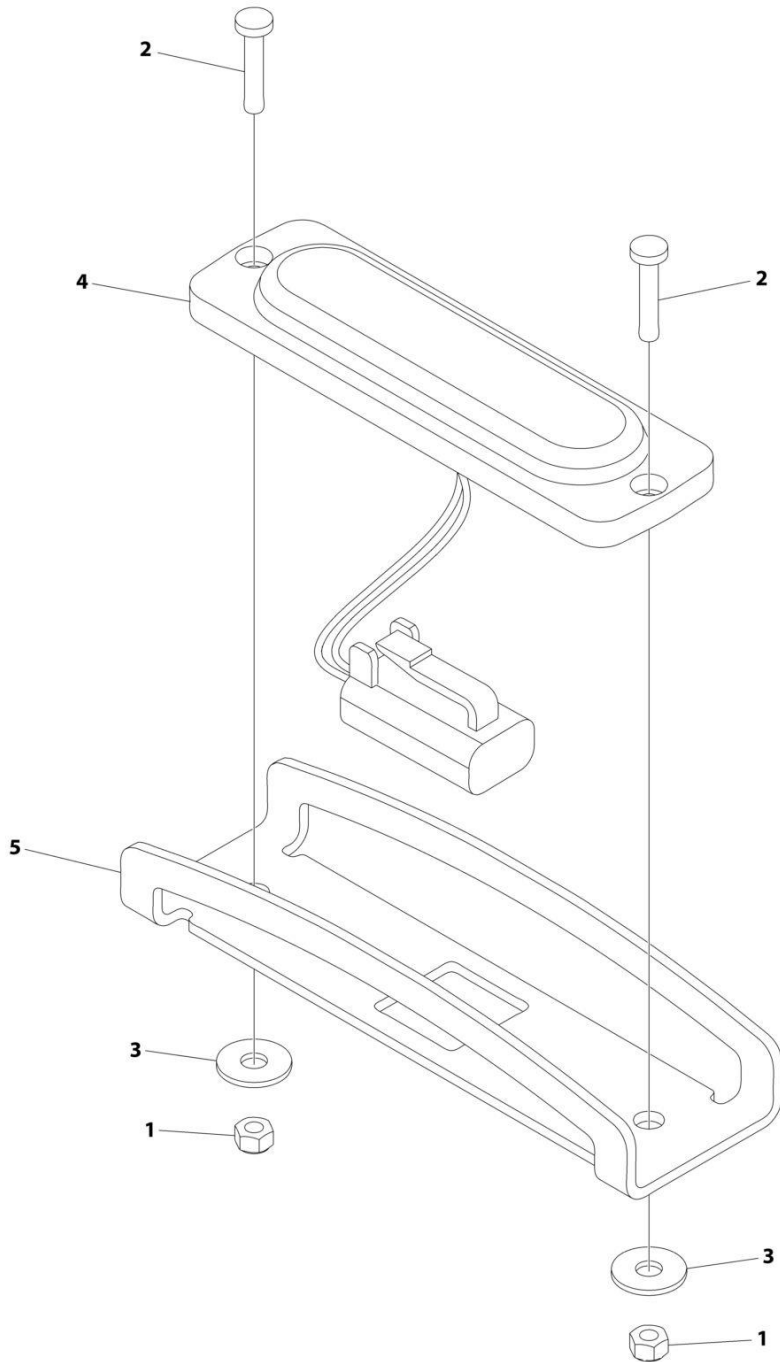
SECTION 2 - GROUND CONTROLS

FIGURE 2-12. STROBE LIGHT INSTALLATION - DUAL

ITEM	PART NUMBER	QTY	DESCRIPTION	REV
	1001249307	Ref	STROBE LIGHT INSTALLATION - DUAL	A
1	3290305	4	Nut M3	
2	4010308	4	Screw M3 x16	
3	1001091102	4	Washer M4	
4	1001239224	2	Lamp, Beacon	
4	4460891	1	Plug, Male - 2 Position	
4	4460465	2	Socket, Female	
5	1001242539	2	Guard	

SECTION 2 - GROUND CONTROLS

FIGURE 2-13. STROBE LIGHT INSTALLATION - SINGLE



ART_1001249306

SECTION 2 - GROUND CONTROLS

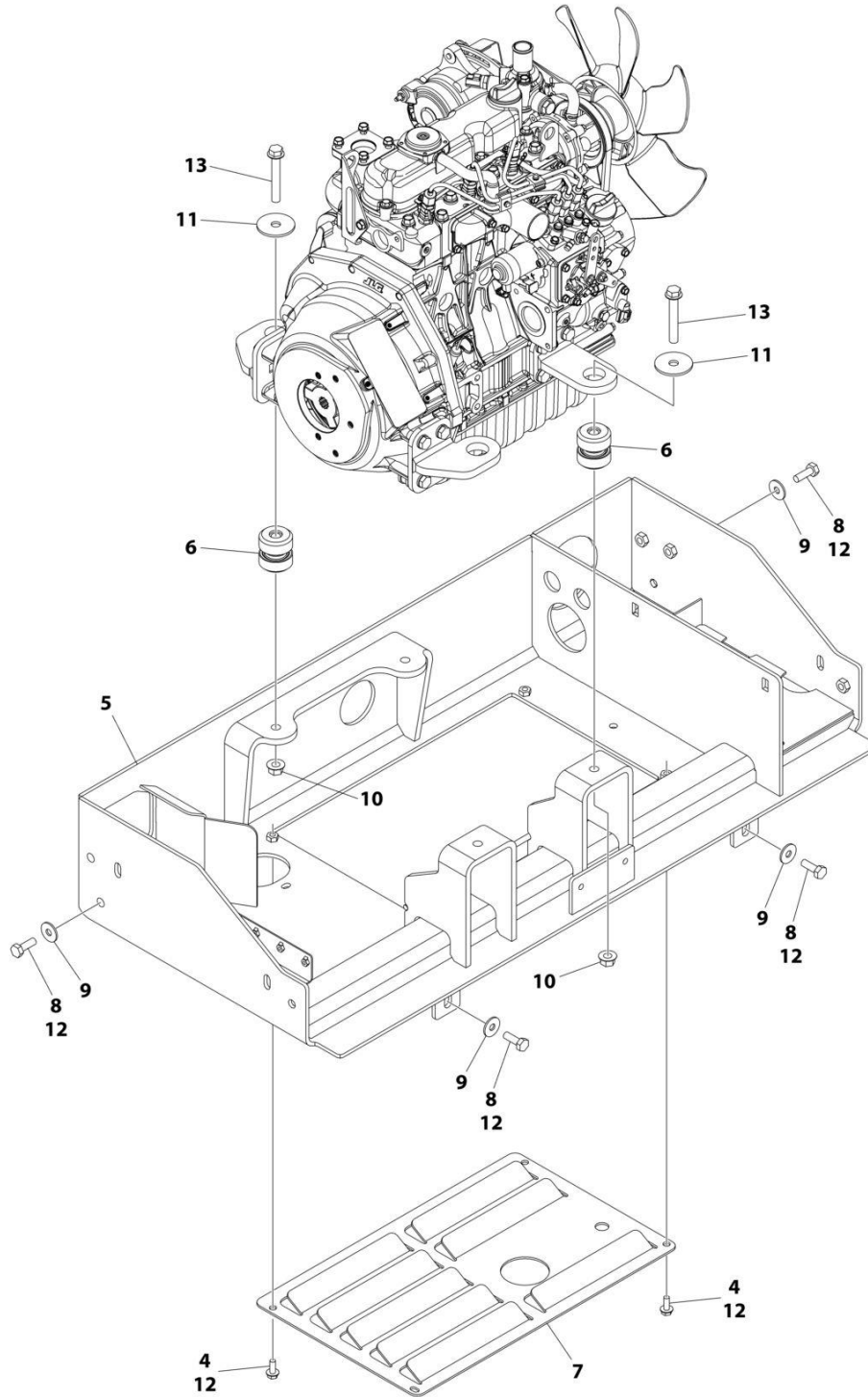
FIGURE 2-13. STROBE LIGHT INSTALLATION - SINGLE

ITEM	PART NUMBER	QTY	DESCRIPTION	REV
	1001249306	Ref	STROBE LIGHT INSTALLATION - SINGLE	B
1	3290305	4	Nut M3	
2	4010308	4	Screw M3 x16	
3	1001091102	6	Washer M4	
4	1001239224	1	Lamp, Beacon	
4	4460891	1	Plug, Male - 2 Position	
4	4460465	2	Socket, Female	
5	1001242539	1	Guard	
6	1001263345	1	Cover, Hood (Not Shown - Located on Opposite Hood)	

SECTION 3 - ENGINE

SECTION 3 - ENGINE

FIGURE 3-1. ENGINE MOUNTING INSTALLATION



ART_1001255873

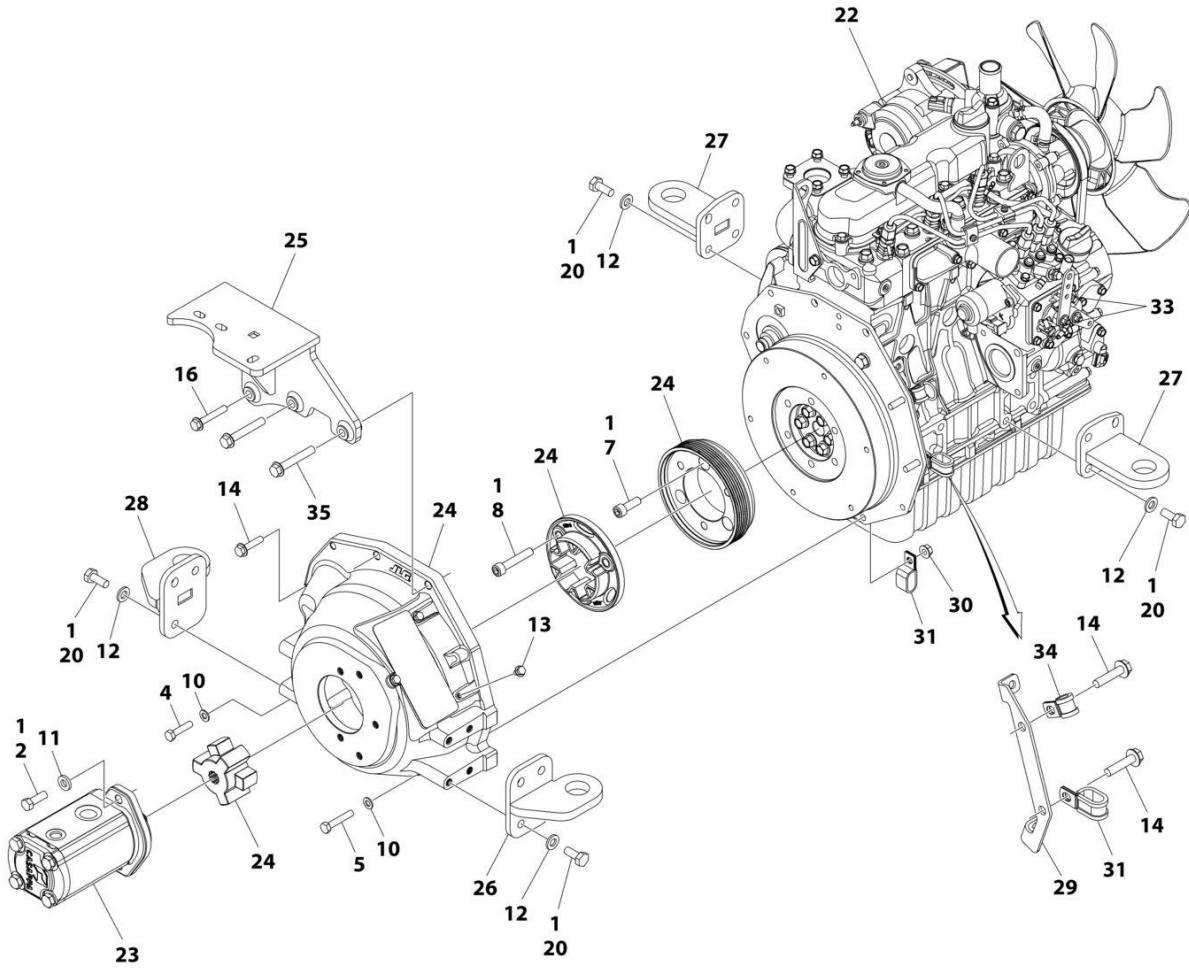
SECTION 3 - ENGINE

FIGURE 3-1. ENGINE MOUNTING INSTALLATION

ITEM	PART NUMBER	QTY	DESCRIPTION	REV
	1001255873	Ref	ENGINE INSTALLATION	C
4	5250810	4	Bolt M8 x 20	
5	1001247612	1	Tray	
6	1001250336	4	Mount, Motor	
7	1001250772	1	Cover	
8	0771014	4	Bolt M10 x 30	
9	4812002	4	Washer M10	
10	5261200	4	Nut M12	
11	1001168018	4	Washer	
12	0100011	AR	Compound, Locking	
13	5251224	4	Bolt M12 x 80	

SECTION 3 - ENGINE

FIGURE 3-2. ENGINE AND PUMP ASSEMBLY - DIESEL



ART_1001255872_E

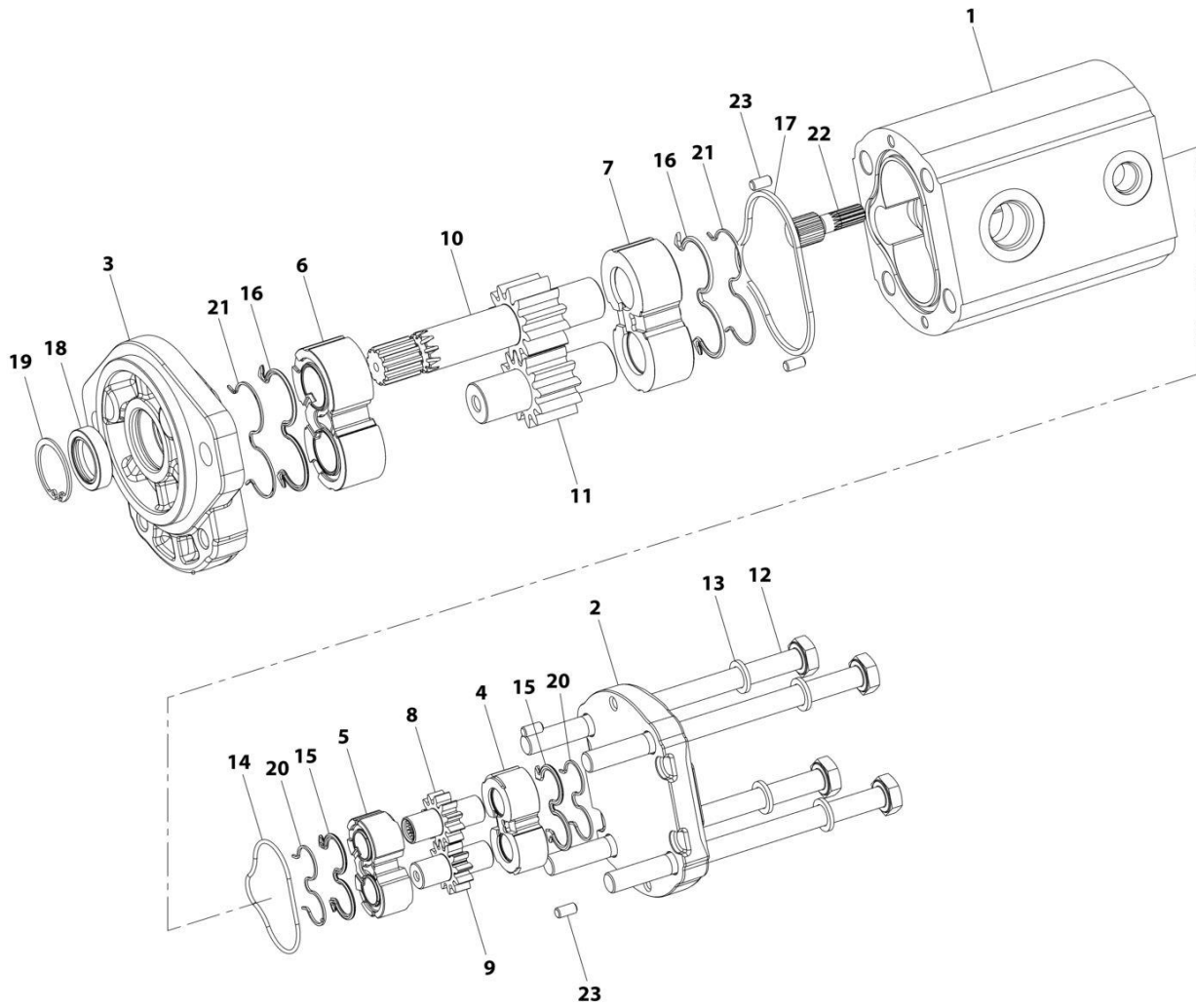
SECTION 3 - ENGINE

FIGURE 3-2. ENGINE AND PUMP ASSEMBLY - DIESEL

ITEM	PART NUMBER	QTY	DESCRIPTION	REV
	1001255872	Ref	ENGINE AND PUMP SUB-ASSEMBLY	E
1	0100011	AR	Compound Locking	
2	0681609	2	Bolt 3/8 x 1-1/8	
4	0760815	2	Bolt M8 x 35	
5	0760817	2	Bolt M8 x 45	
7	1001277831	3	Capscrew M10 x 30	
8	1001277832	3	Capscrew M10 x 55	
10	4811900	4	Washer M8	
11	4891600	2	Washer 3/8	
12	5241000	14	Washer M10	
13	5250605	3	Bolt M6 x 10	
14	5250815	3	Bolt M8 x 35	
16	5250821	1	Bolt M8 x 65	
20	1001118746	14	Bolt M10 x 25	
22	1001243296	1	Engine Components - Kubota Diesel (See Separate Breakdown in this Section)	
23	1001244107	1	Pump Assembly (See Separate Breakdown in this Section)	
24	1001247584	1	Coupling, Assembly (See Separate Breakdown in this Section)	
25	1001274463	1	Bracket, Muffler	
26	1001252477	1	Bracket, Mounting	
27	1001252478	2	Bracket, Mounting	
28	1001253717	1	Bracket, Mounting	
29	1001256097	1	Bracket	
30	5260800	2	Nut M8	
31	1001268776	3	Clamp	
33	1001263804	AR	Adhesive	
34	1001269045	1	Clamp	
35	1001278239	2	Bolt M10 x 65	

SECTION 3 - ENGINE

FIGURE 3-3. PUMP ASSEMBLY - DIESEL



ART_1001244107

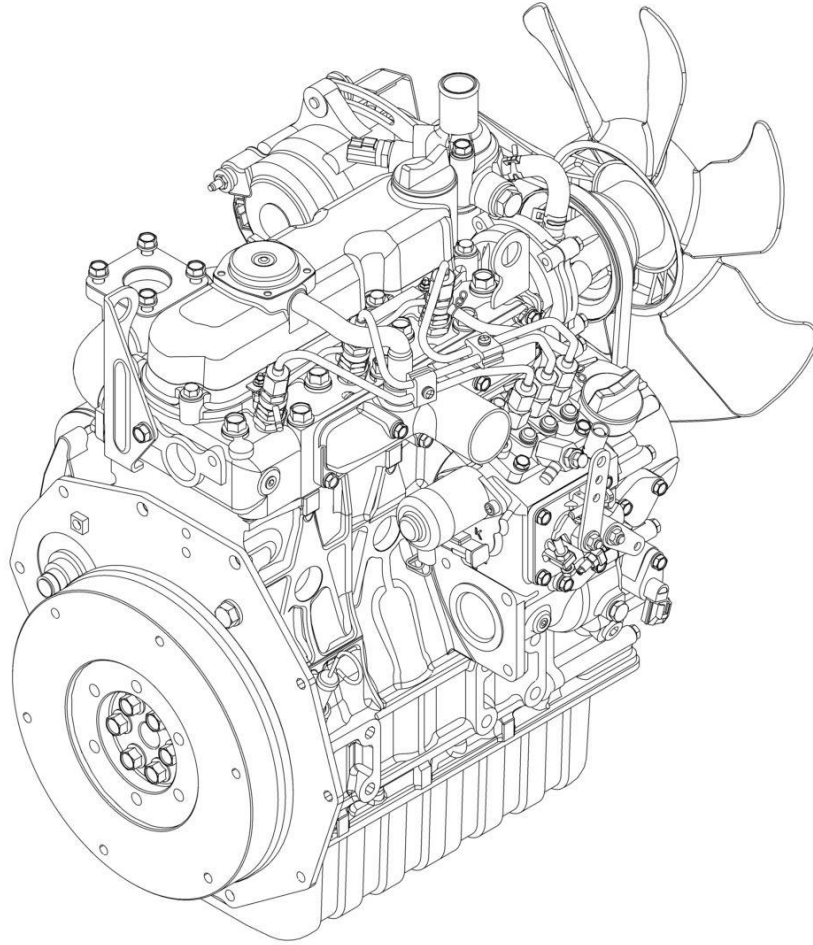
SECTION 3 - ENGINE

FIGURE 3-3. PUMP ASSEMBLY - DIESEL

ITEM	PART NUMBER	QTY	DESCRIPTION	REV
	1001244107	Ref	PUMP ASSEMBLY - DIESEL	E
1	See Note	NSS	Body (Note: Not Available for Purchase)	
2	See Note	NSS	Cover, Rear (Note: Not Available for Purchase)	
3	See Note	NSS	Cover, Front (Note: Not Available for Purchase)	
4	70007659	1	Plate, Thrust	
5	70007658	1	Plate, Thrust	
6	70007310	1	Plate, Thrust	
7	70007665	1	Plate, Thrust	
8	70007664	1	Gear, Drive	
9	70007663	1	Gear, Driven	
10	70007662	1	Shaft, Drive	
11	70007661	1	Gear, Driven	
12	70007660	4	Bolt M10 x 150	
13	70007314	4	Washer M10	
14	70007649	1	O-Ring	
15	70007648	2	Seal	
16	70007647	2	Seal	
17	70007646	1	Seal	
18	70007645	1	Seal, Shaft	
19	70007315	1	Circlip	
20	70007644	2	Seal, Antiextrusion	
21	70007643	2	Seal, Antiextrusion	
22	70007642	1	Hub	
23	70007316	4	Pin, Dowel	

SECTION 3 - ENGINE

FIGURE 3-4. ENGINE COMPONENTS - DIESEL



ART_1001243296

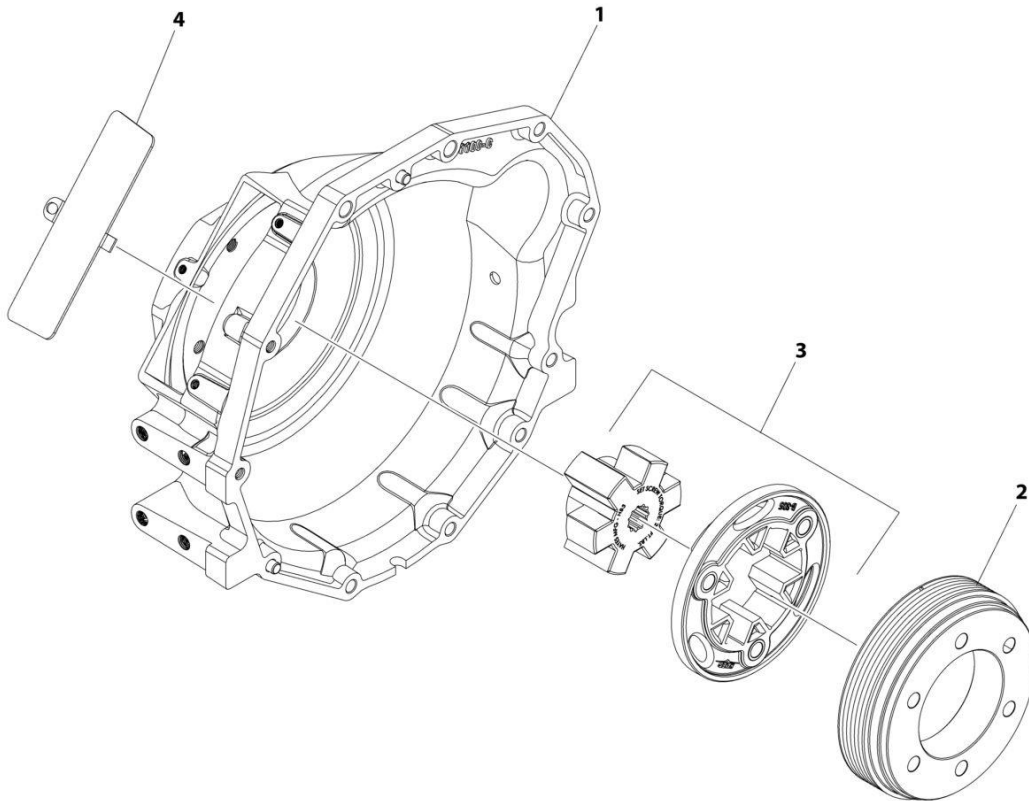
SECTION 3 - ENGINE

FIGURE 3-4. ENGINE COMPONENTS - DIESEL

ITEM	PART NUMBER	QTY	DESCRIPTION	REV
	1001243296	Ref	ENGINE COMPONENTS - DIESEL	C
	See Note	Ref	Note: No Other Service Parts Available at Time of Printing	
		Ref	Lubrication System Components	
	1001248057	1	Filter, Oil	
	1001248056	1	Head, Remote Oil Filter	
	70004524	1	Bleeder Assembly	
	7017922	1	Seal, Oil	
	70002318	1	Plug, Oil Filler	
	70004311	1	O-Ring, Oil Fill Cap	
	70006666	1	Sensor	
	70008394	1	Dipstick	
	7017901	1	Switch, Oil Pressure	
		Ref	Fuel System Components	
	1001254653	1	Pump, Electric Fuel	
	1001254650	1	Decal - Ether Caution	
	70002554	1	Ring, Gear	
	70002419	1	Housing, Coupling	
	70008395	1	Solenoid	
	7023164	1	Injection Pump Assembly	
	70004400	1	Gasket, Fuel Pump	
	7017955	1	Alternator	
	7023141	1	V-Belt	
	7023144	1	Starter	
		Ref	Electrical System Components	
	1001246587	1	Module, ECU	
	70004398	3	Plug, Glow	
		Ref	Cooling System Components	
	1001250636	1	Reservior, Overflow	
	1001254651	1	Decal - Coolant Caution	
	70002316	1	Pipe, Water Return	
	7023170	1	Thermostat	
	70002326	1	Gasket, Thermostat	
	70003064	1	Sensor, Water	
	70002327	1	Water Pump Assembly	
		Ref	Exhaust System Components	
	7023148	1	Gasket, Exhaust (Manifold to Pipe)	
	70005220	1	Gasket, Head	
	70003060	1	Valve, Breather	
	70002317	1	Tube, Breather	
	7023149	1	Gasket, Manifold	
	7023124	1	Gasket, Muffler	

SECTION 3 - ENGINE

FIGURE 3-5. COUPLING ASSEMBLY - ENGINE PUMP (DIESEL)



ART_1001247584

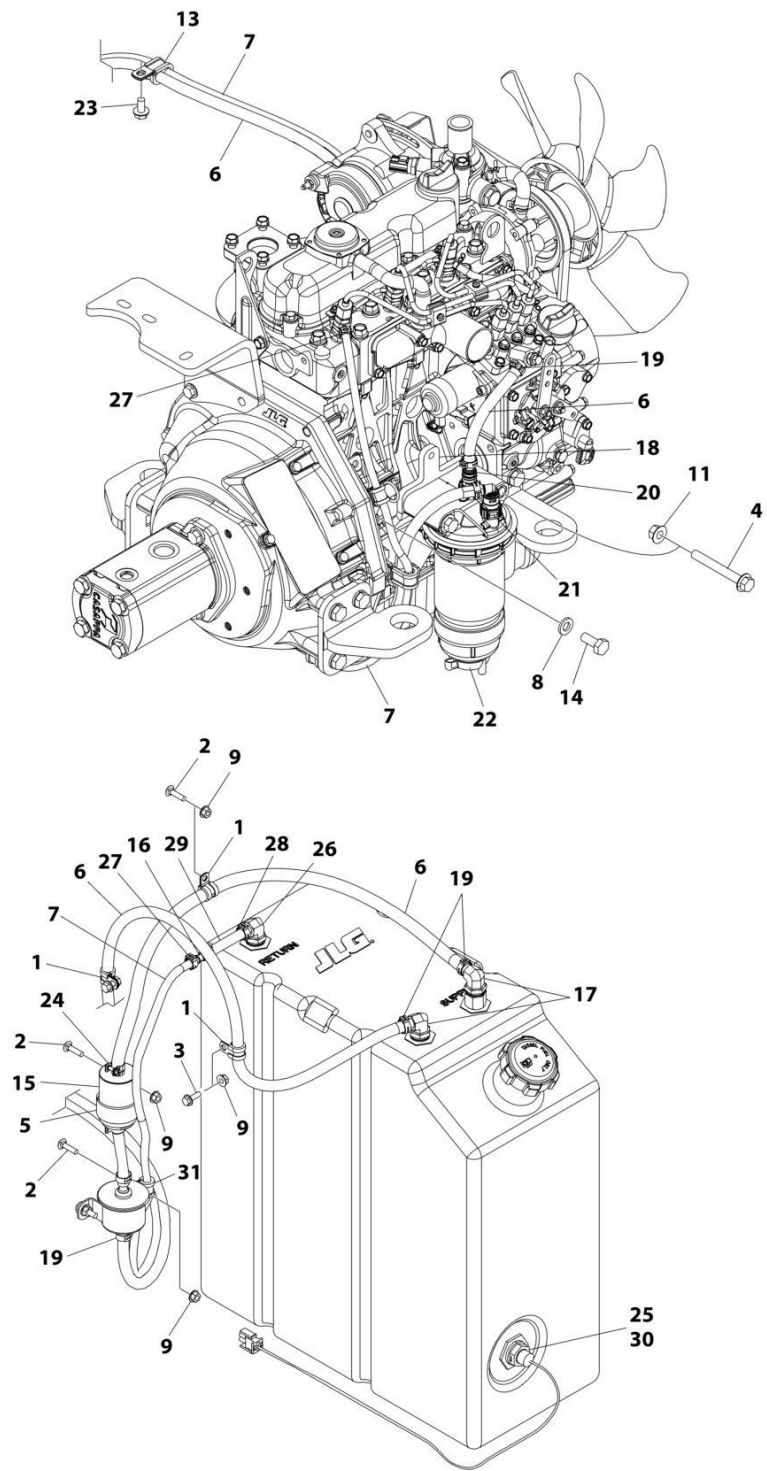
SECTION 3 - ENGINE

FIGURE 3-5. COUPLING ASSEMBLY - ENGINE PUMP (DIESEL)

ITEM	PART NUMBER	QTY	DESCRIPTION	REV
	1001247584	Ref	COUPLING ASSEMBLY - ENGINE PUMP	E
1	1001247454	1	Housing	
2	1001247581	1	Pulley	
3	1001247582	1	Coupling, Flexible	
4	1001247589	1	Cover	

SECTION 3 - ENGINE

FIGURE 3-6. ENGINE FUEL LINES INSTALLATION - DIESEL



ART_1001255874

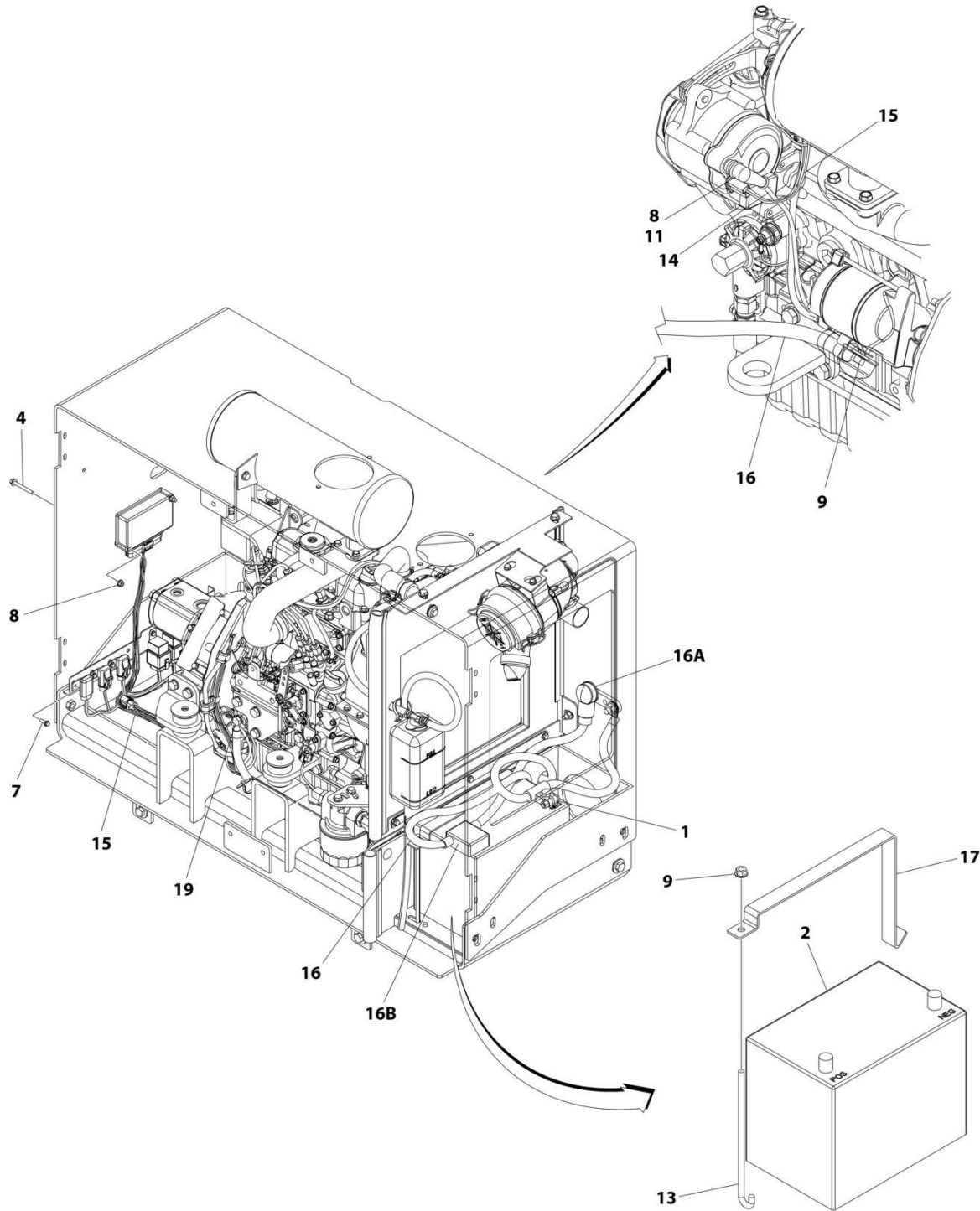
SECTION 3 - ENGINE

FIGURE 3-6. ENGINE FUEL LINES INSTALLATION - DIESEL

ITEM	PART NUMBER	QTY	DESCRIPTION	REV
	1001255874	Ref	FUEL SYSTEM INSTALLATION - DIESEL	C
1	80630	3	Clamp	
2	0630587	4	Bolt M6 x 25	
3	0780608	2	Bolt M6 x 16	
4	0781024	2	Bolt M10 x 80	
5	1320265	1	Clamp	
6	2720058	14 ft/ 4.3m	Hose	
7	2720271	8.5 ft/ 2.6m	Hose	
8	5241000	3	Washer M10	
9	5260600	6	Nut M6	
11	5261000	2	Nut M10	
13	1001268776	2	Clamp	
14	1001118746	3	Bolt M10 x 25	
15	1001190545	1	Filter, Fuel	
16	1001131391	1	Coupling	
17	1001248861	2	Fitting, 90 Barb	
18	1001250450	1	Plate	
19	1001263657	7	Clamp	
20	1001256554	1	Coupling, Quick Disconnect	
21	1001256723	1	Coupling, Quick Disconnect	
22	1008675309	1	Fuel/Water Separator Assembly	
22	70007021	1	Element, Filter	
23	5250808	2	Bolt M8 x 16	
24	1001174486	2	Clamp	
25	1001182997	AR	Adhesive	
26	1001262943	1	Fitting, 90 Barb	
27	1001263658	2	Clamp	
28	1001263659	2	Clamp	
29	2720015	3 in/ 7.5cm	Hose	
30	4360436	1	Switch, Fuel Level	
31	1001269045	1	Clamp	

SECTION 3 - ENGINE

FIGURE 3-7. ENGINE ELECTRICAL INSTALLATION - DIESEL



ART_1001255875

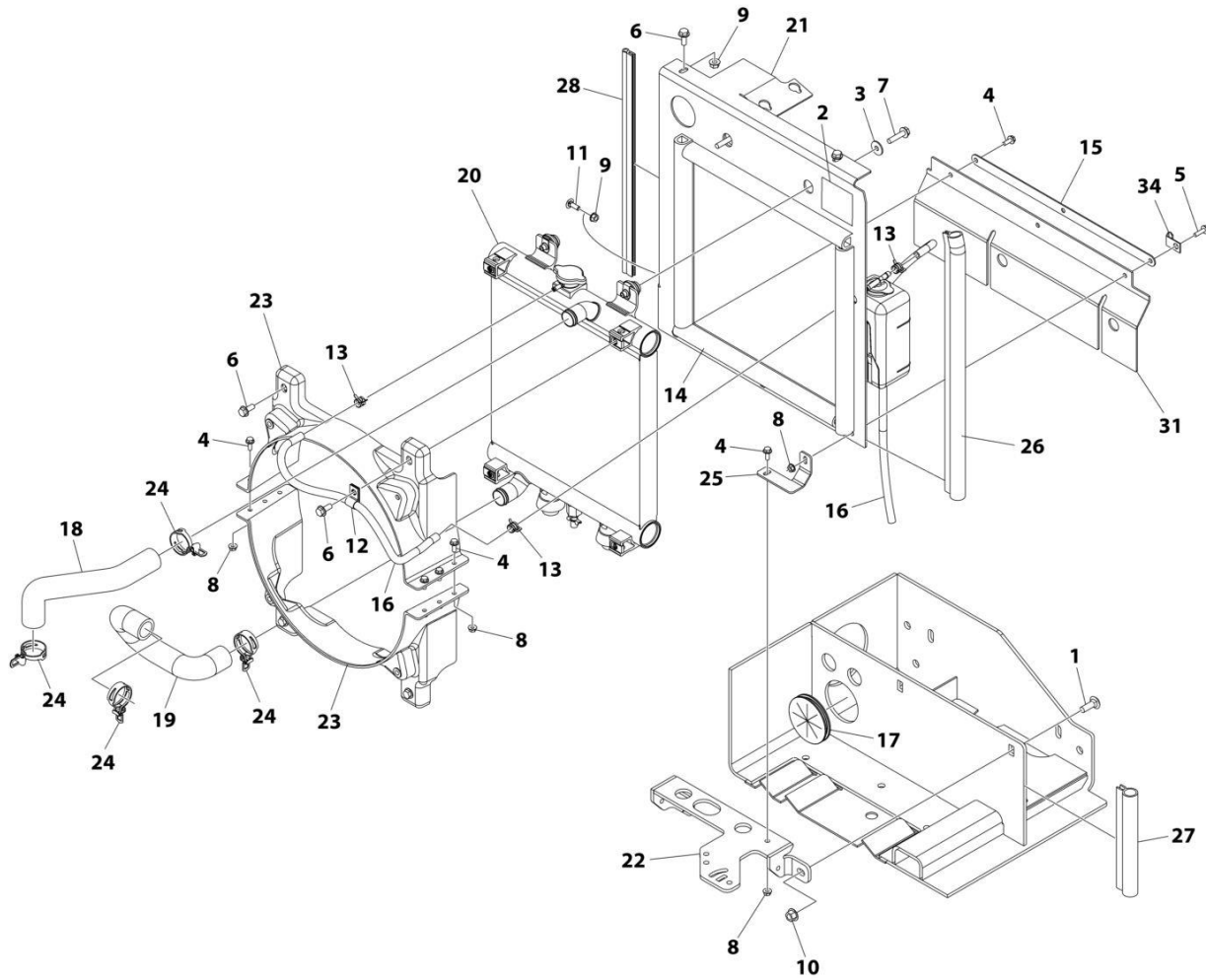
SECTION 3 - ENGINE

FIGURE 3-7. ENGINE ELECTRICAL INSTALLATION - DIESEL

ITEM	PART NUMBER	QTY	DESCRIPTION	REV
	1001255875	Ref	ENGINE ELECTRICAL INSTALLATION - DIESEL	D
1	0100051	AR	Grease, Terminal	
2	0400003	1	Battery	
4	0780618	2	Bolt M6 x 50	
5	1062255	AR	Tie-Strap (Not Shown)	
7	5250508	6	Bolt M5 x 16	
8	5260600	3	Nut M6	
9	5260800	2	Nut M8	
11	1001139219	1	Boot	
12	1001146588	3	Tie-Strap (Not Shown)	
13	1001179586	1	J-Bolt	
14	1001234069	1	Harness, Fusible Link	
15	1001248134	1	Harness, Engine (See Separate Breakdown in ELECTRICAL Section)	
16	1001248347	1	Battery, Cable Kit	
16A	0840052	1	Boot	
16B	1001186483	1	Boot, Battery Terminal	
17	1001254888	1	Bracket, Battery	
19	1001256312	1	Bolt M10 x 16	

SECTION 3 - ENGINE

FIGURE 3-8. ENGINE COOLING SYSTEM INSTALLATION - DIESEL



ART_1001255878

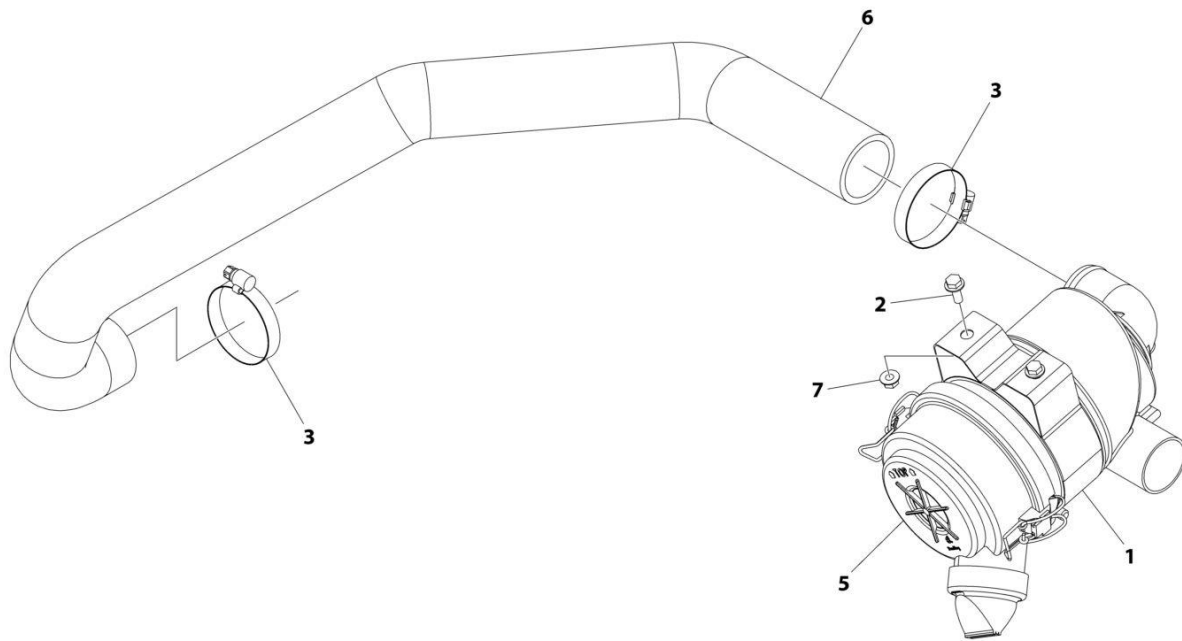
SECTION 3 - ENGINE

FIGURE 3-8. ENGINE COOLING SYSTEM INSTALLATION - DIESEL

ITEM	PART NUMBER	QTY	DESCRIPTION	REV
	1001255878	Ref	COOLING SYSTEM INSTALLATION	C
1	0630613	2	Bolt M10 x 30	
2	1703162	1	Decal - Fan Blade	
3	4811902	2	Washer M8	
4	5250608	9	Bolt M6 x 16	
5	5250611	1	Bolt M8 x 22	
6	5250810	6	Bolt M8 x 20	
7	5250815	2	Bolt M8 x 35	
8	5260600	8	Nut M6	
9	5260800	3	Nut M8	
10	5261000	2	Nut M10	
11	8310623	1	Bolt M8 x 25	
12	8406110	1	Clip	
13	1001213010	3	Clamp	
14	1001262646	5 ft/ 1.5m	Seal	
15	1001252596	1	Support	
16	1001263476	3.8 ft/ 1.1m	Hose	
17	1001218676	1	Grommet	
18	1001246746	1	Tube, Coolant	
19	1001266885	1	Tube, Coolant	
20	1001247267	1	Radiator	
21	1001262636	1	Plate, Radiator	
22	1001262630	1	Bracket	
23	1001254635	2	Shroud	
24	1001263438	4	Clamp	
25	1001255809	1	Bracket	
26	1001255843	21 in/ 53cm	Seal	
27	1001255848	8 in/ 20cm	Seal	
28	1001255851	18 in/ 45cm	Seal	
31	1001255857	1	Dam, Air	
34	1320223	1	J-Clip	

SECTION 3 - ENGINE

FIGURE 3-9. AIR INTAKE INSTALLATION - DIESEL



ART_1001255877

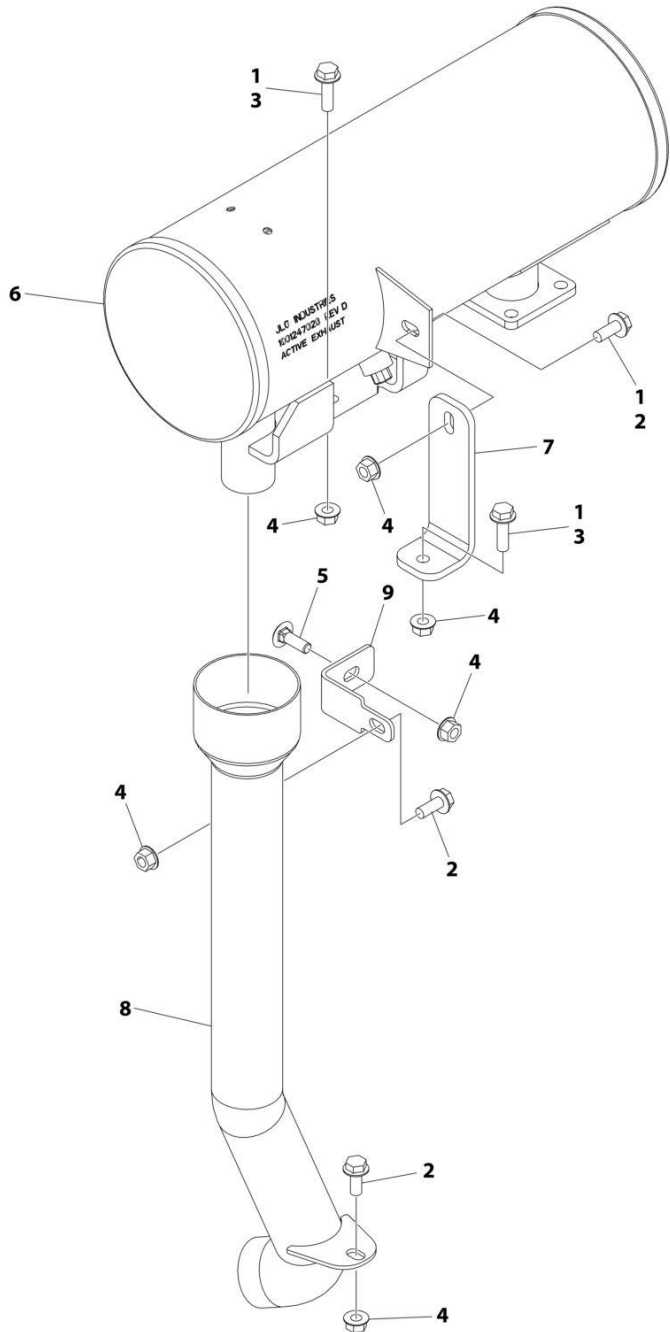
SECTION 3 - ENGINE

FIGURE 3-9. AIR INTAKE INSTALLATION - DIESEL

ITEM	PART NUMBER	QTY	DESCRIPTION	REV
	1001255877	Ref	AIR INTAKE INSTALLATION	C
1	0340045	1	Band, Air Cleaner	
2	5250608	2	Bolt M6 x 16	
3	1321682	2	Clamp	
5	1001247560	1	Air Cleaner Assembly	
5	7015004	1	Element, Air Filter	
6	1001248307	1	Tube, Air Intake	
7	5260600	2	Nut M6	

SECTION 3 - ENGINE

FIGURE 3-10. EXHAUST INSTALLATION - DIESEL



ART_1001255876

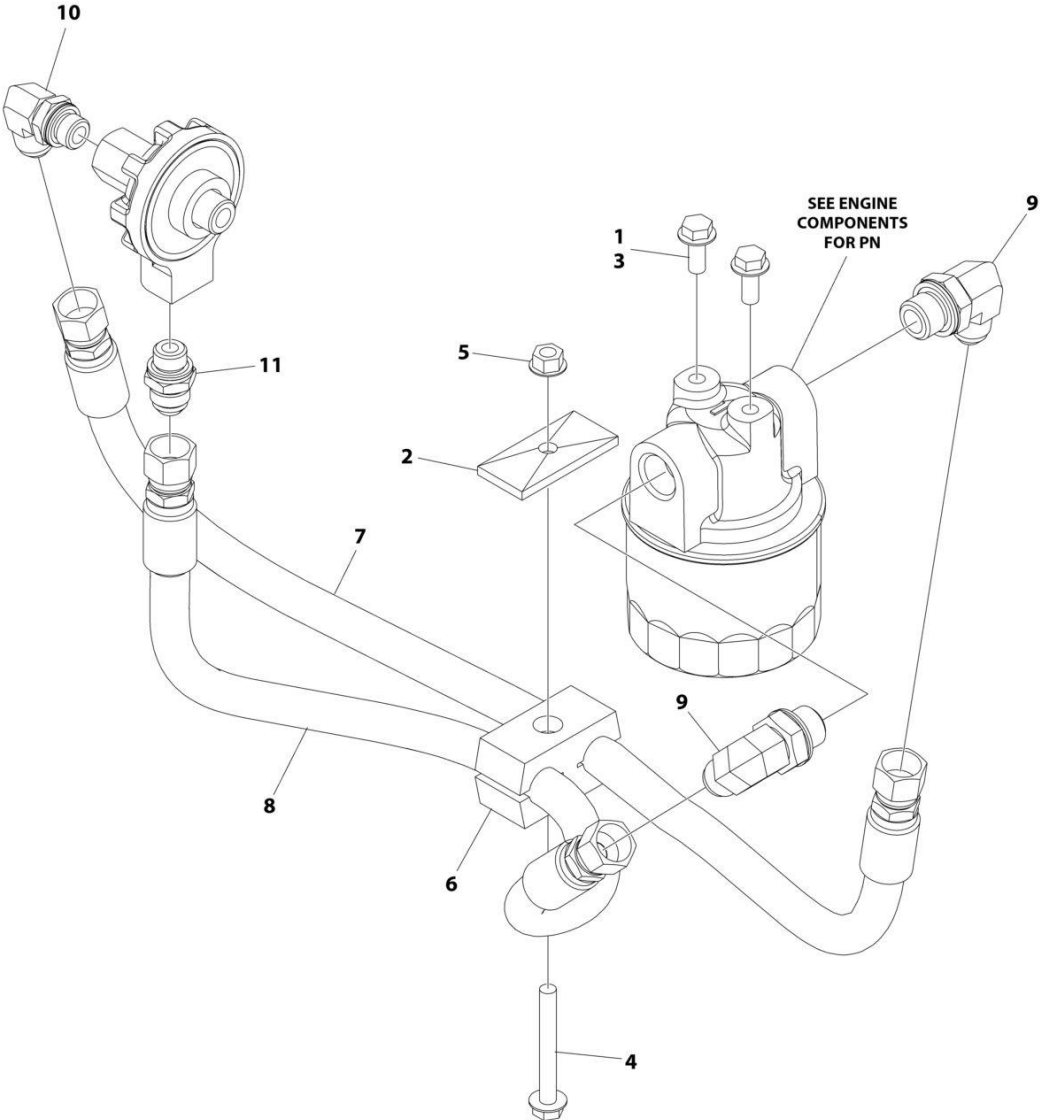
SECTION 3 - ENGINE

FIGURE 3-10. EXHAUST INSTALLATION - DIESEL

ITEM	PART NUMBER	QTY	DESCRIPTION	REV
	1001255876	Ref	EXHAUST SYSTEM INSTALLATION	C
1	0100011	AR	Compound, Locking	
2	5250810	3	Bolt M8 x 20	
3	5250813	3	Bolt M8 x 28	
4	5260800	7	Nut M8	
5	8310623	1	Bolt M8 x 25	
6	1001247028	1	Muffler	
7	1001248099	1	Bracket	
8	1001269872	1	Pipe, Exhaust	
9	1001250934	1	Bracket	

SECTION 3 - ENGINE

FIGURE 3-11. OIL FILTER INSTALLATION - REMOTE - DIESEL



ART_1001255936

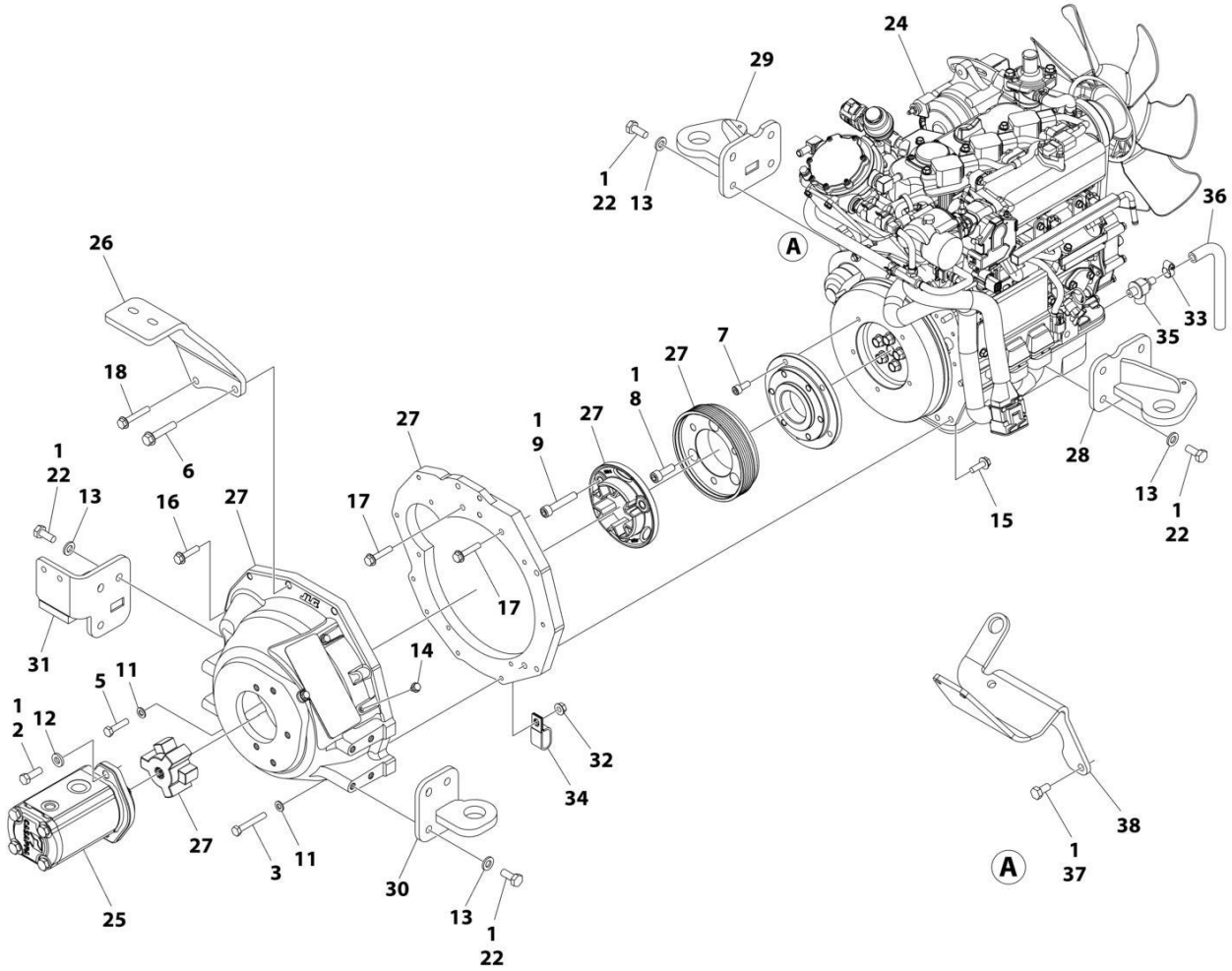
SECTION 3 - ENGINE

FIGURE 3-11. OIL FILTER INSTALLATION - REMOTE - DIESEL

ITEM	PART NUMBER	QTY	DESCRIPTION	REV
	1001255936	Ref	OIL FILTER INSTALLATION - REMOTE	A
	See Note	Ref	Note: For Engine Specific Components, See Engines Components.	
1	0100011	AR	Compund, Locking	
2	1309435	1	Plate, Clamp	
3	5250810	2	Bolt M8 x 20	
4	5250821	1	Bolt M8 x 65	
5	5260800	1	Nut M8	
6	8769139	1	Clamp	
7	1001248413	1	Hose	
8	1001248414	1	Hose	
9	1001250519	2	Fitting, 90 JIC/BSPP	
10	1001250521	1	Fitting, 90 JIC/ORB	
11	1001250525	1	Fitting, Straight JIC/ORB	

SECTION 3 - ENGINE

FIGURE 3-12. ENGINE AND PUMP ASSEMBLY - DUAL FUEL



ART_1001256031_F

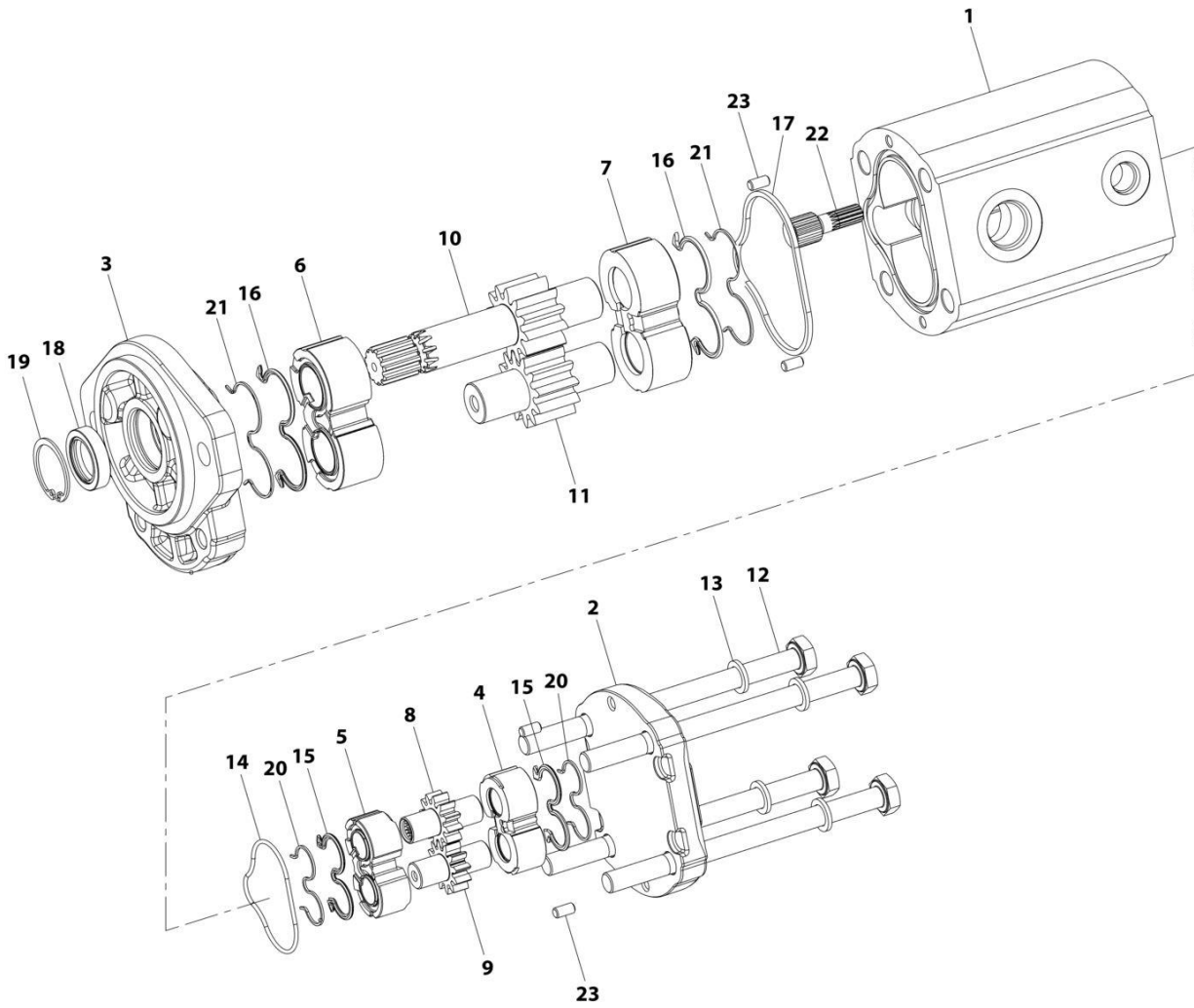
SECTION 3 - ENGINE

FIGURE 3-12. ENGINE AND PUMP ASSEMBLY - DUAL FUEL

ITEM	PART NUMBER	QTY	DESCRIPTION	REV
	1001256031	Ref	ENGINE AND PUMP SUB-ASSEMBLY	F
1	0100011	AR	Compound Locking	
2	0681609	2	Bolt 3/8 x 1-1/8	
3	0710819	2	Bolt M8 x 55	
3	0760820	2	Bolt M8 x 60	
5	0760815	2	Bolt M8 x 35	
6	1001277830	1	Bolt M10 x 50	
7	4031908	5	Bolt M8 x 20	
8	1001277831	3	Capscrew M10 x 30	
9	1001277832	3	Capscrew M10 x 55	
11	4811900	4	Washer M8	
12	4891600	2	Washer 3/8	
13	5241000	14	Washer M10	
14	5250605	3	Bolt M6 x 10	
15	5250812	4	Bolt M8 x 25	
16	5250815	1	Bolt M8 x 35	
17	5250816	2	Bolt M8 x 40	
18	5250818	1	Bolt M8 x 50	
22	1001118746	14	Bolt M10 x 25	
24	1001243300	1	Engine Components - Kubota Gas (See Separate Breakdown in this Section)	
25	1001244106	1	Pump Assembly (See Separate Breakdown in this Section)	
26	1001248047	1	Bracket, Muffler	
27	1001279004	1	Coupling, Assembly (See Separate Breakdown in this Section)	
28	1001251287	1	Bracket, Mounting	
29	1001251288	1	Bracket, Mounting	
30	1001252996	1	Bracket, Mounting	
31	1001254690	1	Bracket, Mounting	
32	5260800	2	Nut M8	
33	8405009	1	Clamp	
34	1001268776	2	Clamp	
35	1001161497	1	Valve, Oil Drain	
36	1001165035	8.5 in/ 21cm	Hose	
37	0760808	2	Bolt M8 x 16	
38	1001266448	1	Bracket	

SECTION 3 - ENGINE

FIGURE 3-13. PUMP ASSEMBLY - DUAL FUEL



ART_1001244106

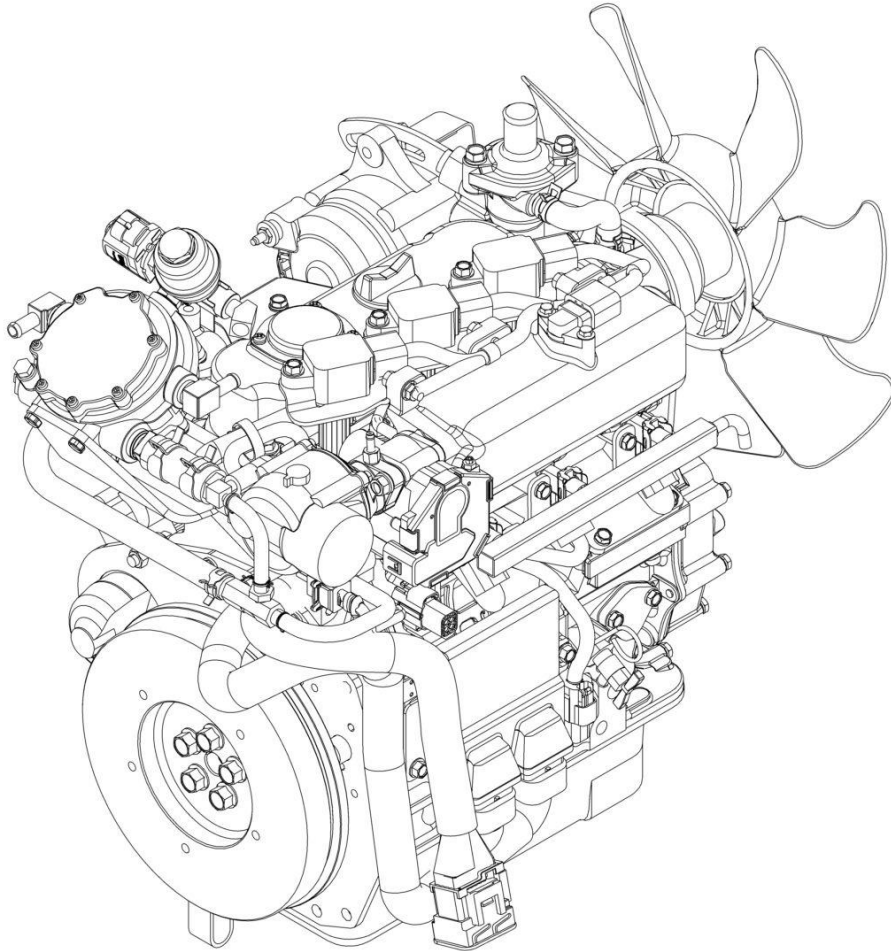
SECTION 3 - ENGINE

FIGURE 3-13. PUMP ASSEMBLY - DUAL FUEL

ITEM	PART NUMBER	QTY	DESCRIPTION	REV
	1001244106	Ref	PUMP ASSEMBLY - DUAL FUEL	F
1	See Note	NSS	Body (Note: Not Available for Purchase)	
2	See Note	NSS	Cover, Rear (Note: Not Available for Purchase)	
3	See Note	NSS	Cover, Front (Note: Not Available for Purchase)	
4	70007659	1	Plate, Thrust	
5	70007658	1	Plate, Thrust	
6	70007657	1	Plate, Thrust	
7	70007656	1	Plate, Thrust	
8	70007655	1	Gear, Drive	
9	70007654	1	Gear, Driven	
10	70007653	1	Shaft, Drive	
11	70007652	1	Gear, Driven	
12	70007651	4	Bolt M10 x 145	
13	70007650	4	Washer M10	
14	70007649	1	O-Ring	
15	70007648	2	Seal	
16	70007647	2	Seal	
17	70007646	1	Seal	
18	70007645	1	Seal, Shaft	
19	70007315	1	Circlip	
20	70007644	2	Seal, Antiextrusion	
21	70007643	2	Seal, Antiextrusion	
22	70007642	1	Hub	
23	70007316	4	Pin, Dowel	

SECTION 3 - ENGINE

FIGURE 3-14. ENGINE COMPONENTS - DUAL FUEL



ART_1001243300

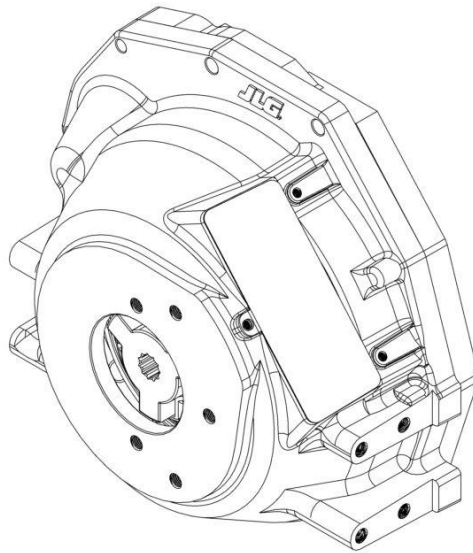
SECTION 3 - ENGINE

FIGURE 3-14. ENGINE COMPONENTS - DUAL FUEL

ITEM	PART NUMBER	QTY	DESCRIPTION	REV
	1001243300	Ref	ENGINE COMPONENTS - DUAL FUEL	C
	See Note	Ref	Note: No Other Service Parts Available at Time of Printing	
		Ref	Lubrication System Components	
	1001248057	1	Filter, Oil	
	1001248056	1	Head, Remote Oil Filter	
	1001255435	1	Adapter, Remote Oil Filter	
	70004524	1	Bleeder Assembly	
	70002318	1	Plug, Oil Filler	
	70004311	1	O-Ring, Oil Fill Cap	
	70005734	1	Dipstick	
	70004294	1	Pump, Oil	
		Ref	Fuel System Components	
	1001255529	1	Dual, Fuel Regulator - Complete	
	1001255416	1	Pump, Electric Fuel	
	1001131324	1	Valve, Fuel Check	
	1001255422	1	Filter/Strainer, Fuel	
	70005735	1	Gear, Ring	
	70005736	1	Rotor	
	7017955	1	Alternator	
	70008088	1	V-Belt	
		Ref	Electrical System Components	
	1001253824	1	Module, ECU	
	70005739	3	Plug, Spark	
	70005740	3	Coil, Ignition	
	70005744	1	Relay, Starter	
		Ref	Cooling System Components	
	1001250636	1	Reservoir, Overflow	
	1001254651	1	Decal - Coolant Caution	
	7023170	1	Thermostat	
	70002326	1	Gasket, Thermostat	
	70008089	1	Water Pump Assembly	
		Ref	Exhaust System Components	
	1001251490	1	Muffler	
	1001255447	1	Gasket, Exhaust (Manifold to Muffler)	
	1001255448	1	Gasket, Exhaust (Manifold to Pipe)	
	1001255341	1	Shield, Muffler	
	1001255342	1	Shield, Muffler - Cylindrical	
	1001255324	1	Sensor, Oxygen	
	70005728	1	Gasket, Head	
	70005733	1	Gasket, Valve Cover	
	70005743	1	Starter	
	1001255431	1	FTG-Pipe, Joint	
	1001264263	1	O-Ring, Kub Remote Oil Filter	
	1001264264	1	O-Ring, Kub Remote Oil Filter	
	1001264269	1	Sleeve, Collar Kub Oil Filter	

SECTION 3 - ENGINE

FIGURE 3-15. COUPLING ASSEMBLY - ENGINE PUMP (DUAL FUEL)



ART_1001279004

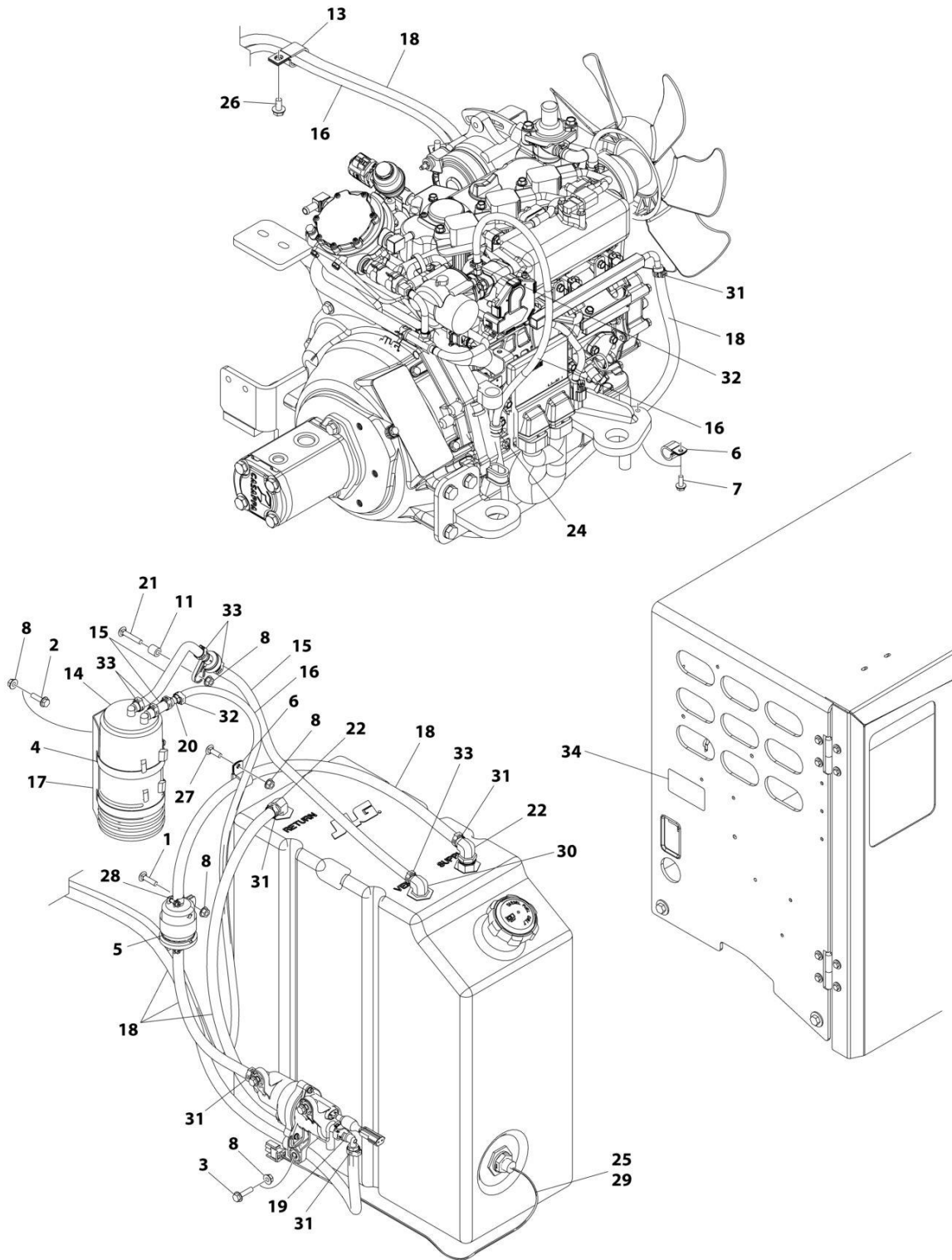
SECTION 3 - ENGINE

FIGURE 3-15. COUPLING ASSEMBLY - ENGINE PUMP (DUAL FUEL)

ITEM	PART NUMBER	QTY	DESCRIPTION	REV
	1001279004	Ref Ref	COUPLING ASSEMBLY Note: No Service Parts Available at Time of Printing	A

SECTION 3 - ENGINE

FIGURE 3-16. ENGINE FUEL LINES INSTALLATION - DUAL FUEL



ART_1001256033

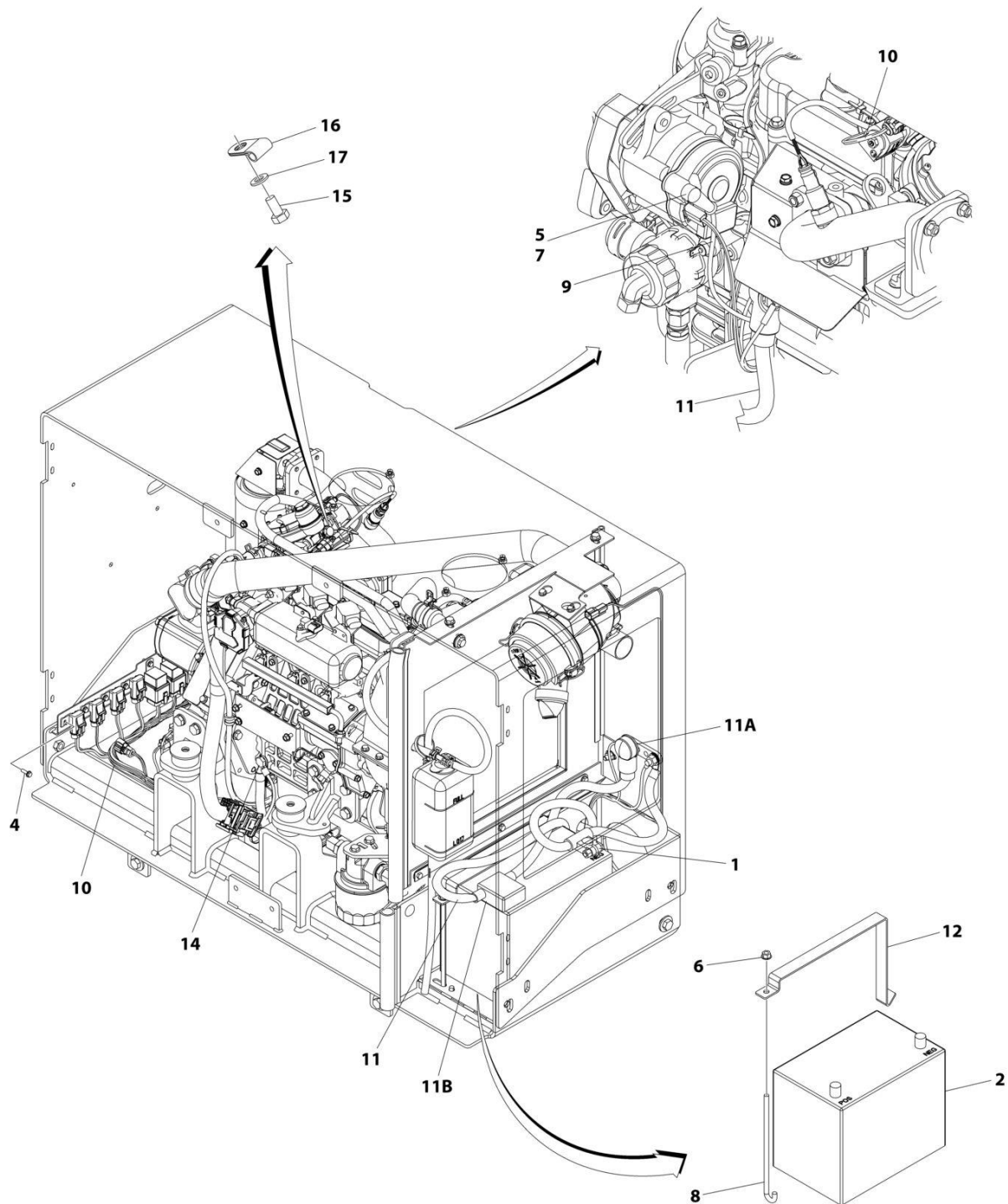
SECTION 3 - ENGINE

FIGURE 3-16. ENGINE FUEL LINES INSTALLATION - DUAL FUEL

ITEM	PART NUMBER	QTY	DESCRIPTION	REV
	1001256033	Ref	FUEL SYSTEM INSTALLATION - GAS	E
1	0630587	1	Bolt M6 x 25	
2	5250611	2	Bolt M6 x 22	
3	5250612	3	Bolt M6 x 25	
4	1320058	2	Clamp	
5	1320265	1	Clamp	
6	1321296	3	Clamp	
7	5250608	1	Bolt M6 x 16	
8	5260600	9	Nut M6	
11	8310441	1	Spacer	
13	1001026127	2	Clamp	
14	1001127172	1	Filter, Carbon Canister	
15	1001129255	23 in/ 59cm	Hose	
16	1001129256	10 ft/ 2.9m	Hose	
17	1001142984	1	Bracket, Carbon Canister	
18	1001156819	13.5 ft/ 4m	Hose	
18	1001300357	13.5 ft/ 4m	Hose	
19	1001248500	1	Coupling, Quick Disconnect	
20	1001131391	1	Coupling, Fuel Line	
21	1001248038	1	Bolt M6 x 35	
22	1001248861	2	Fitting, 90 Barb	
24	80630	1	Clamp	
25	4360436	1	Switch, Fuel Level	
26	5250808	2	Bolt M8 x 16	
27	1001100451	2	Bolt M8 x 20	
28	1001174486	2	Clamp	
29	1001182997	AR	Adhesive	
30	1001262943	1	Fitting, 90 Barb	
31	1001263657	6	Clamp	
32	1001263658	2	Clamp	
33	1001263659	6	Clamp	
34	1001288396	1	Decal, Emission Control (Not Shown)	
34	1001299770	1	Decal, Emission Control (Not Shown)	

SECTION 3 - ENGINE

FIGURE 3-17. ENGINE ELECTRICAL INSTALLATION - DUAL FUEL



ART_1001256034

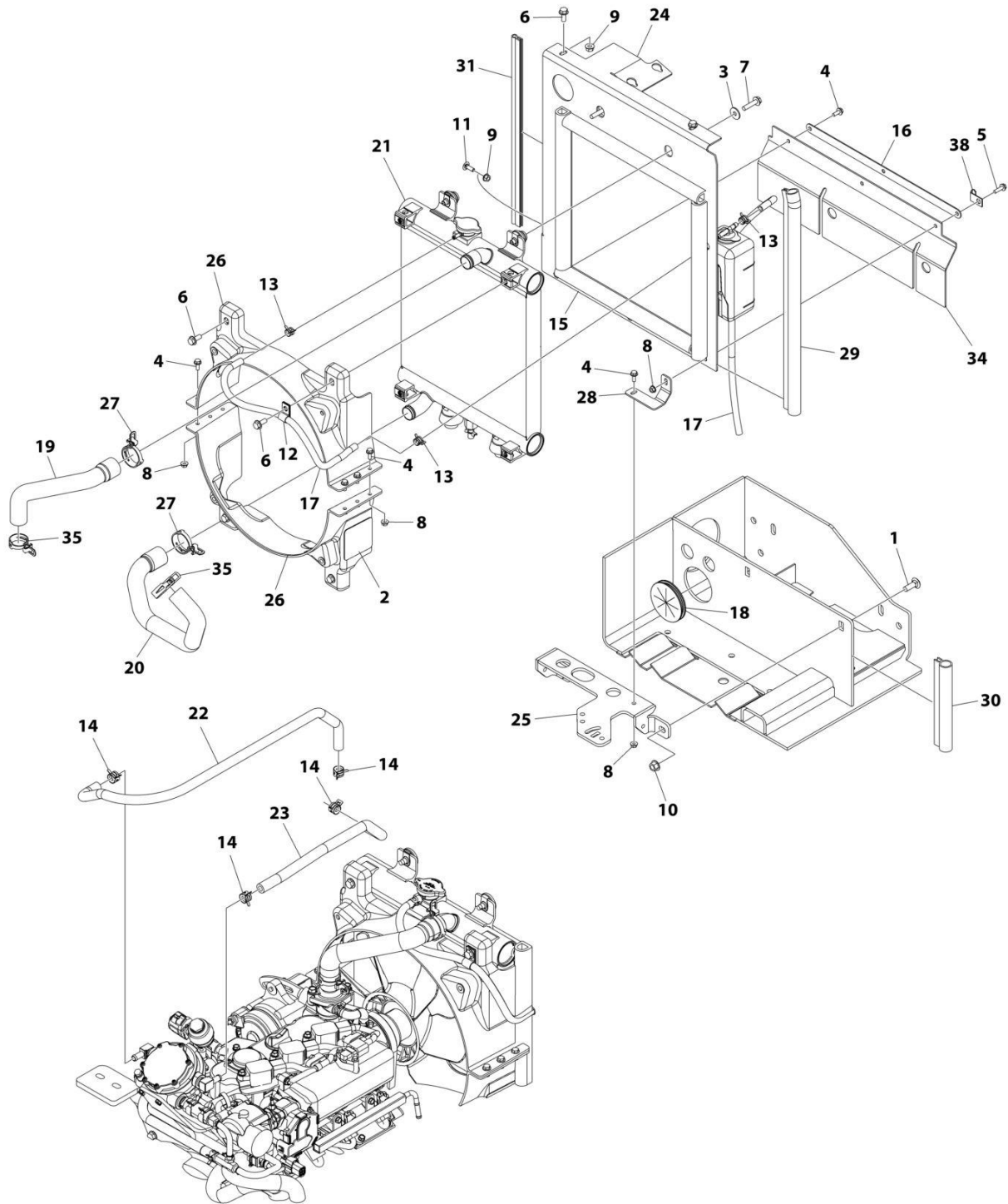
SECTION 3 - ENGINE

FIGURE 3-17. ENGINE ELECTRICAL INSTALLATION - DUAL FUEL

ITEM	PART NUMBER	QTY	DESCRIPTION	REV
	1001256034	Ref	ENGINE ELECTRICAL INSTALLATION - GAS	D
1	0100051	AR	Grease, Terminal	
2	0400003	1	Battery	
3	1062255	AR	Tie-Strap (Not Shown)	
4	5250508	9	Bolt M5 x 16	
5	5260600	1	Nut M6	
6	5260800	1	Nut M8	
7	1001139219	1	Boot	
8	1001179586	1	J-Bolt	
9	1001234069	1	Link, Fusible	
10	1001248289	1	Harness, Engine (See Separate Breakdown in ELECTRICAL Section)	
11	1001248347	1	Battery, Cable Kit	
12	1001254888	1	Bracket, Battery	
14	1001256312	1	Bolt M10 x 16	
15	0760505	1	Bolt M5 x 10	
16	1320244	1	Clamp	
17	4811600	1	Washer M5	
18	1001187781	1	Tie-Strap (Not Shown)	

SECTION 3 - ENGINE

FIGURE 3-18. ENGINE COOLING SYSTEM INSTALLATION - DUAL FUEL



ART_1001256029

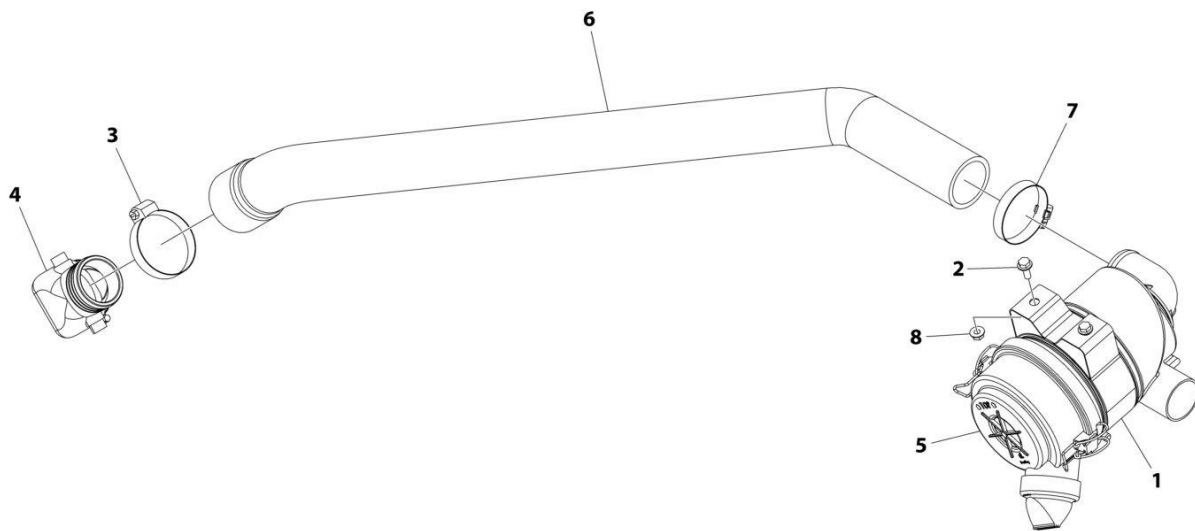
SECTION 3 - ENGINE

FIGURE 3-18. ENGINE COOLING SYSTEM INSTALLATION - DUAL FUEL

ITEM	PART NUMBER	QTY	DESCRIPTION	REV
	1001256029	Ref	COOLING SYSTEM INSTALLATION	C
1	0630613	2	Bolt M10 x 30	
2	1703162	1	Decal - Fan Blade	
3	4811902	2	Washer M8	
4	5250608	9	Bolt M6 x 16	
5	5250611	1	Bolt M6 x 22	
6	5250810	6	Bolt M6 x 20	
7	5250815	2	Bolt M6 x 35	
8	5260600	8	Nut M6	
9	5260800	3	Nut M8	
10	5261000	2	Nut M10	
11	8310623	1	Bolt M6 x 25	
12	8406110	1	Clip	
13	1001213010	3	Clamp	
14	1001152729	4	Clamp	
15	1001262646	5 ft/ 1.5m	Seal	
16	1001252596	1	Support	
17	1001263476	3.8 ft/ 1.1m	Hose	
18	1001218676	1	Grommet	
19	1001246778	1	Tube, Coolant	
20	1001246779	1	Tube, Coolant	
21	1001247267	1	Radiator	
22	1001249122	1	Tube, Coolant	
23	1001249123	1	Tube, Coolant	
24	1001262636	1	Plate, Radiator	
25	1001262630	1	Bracket	
26	1001254635	2	Shroud	
27	1001255606	2	Clamp	
28	1001255809	1	Bracket	
29	1001255843	21 in/ 53cm	Seal	
30	1001255848	8 in/ 20cm	Seal	
31	1001255851	18 in/ 45cm	Seal	
34	1001255857	1	Dam, Air	
35	1001256209	2	Clamp	
38	1320223	1	J-Clip	

SECTION 3 - ENGINE

FIGURE 3-19. AIR INTAKE INSTALLATION - DUAL FUEL



ART_1001256030

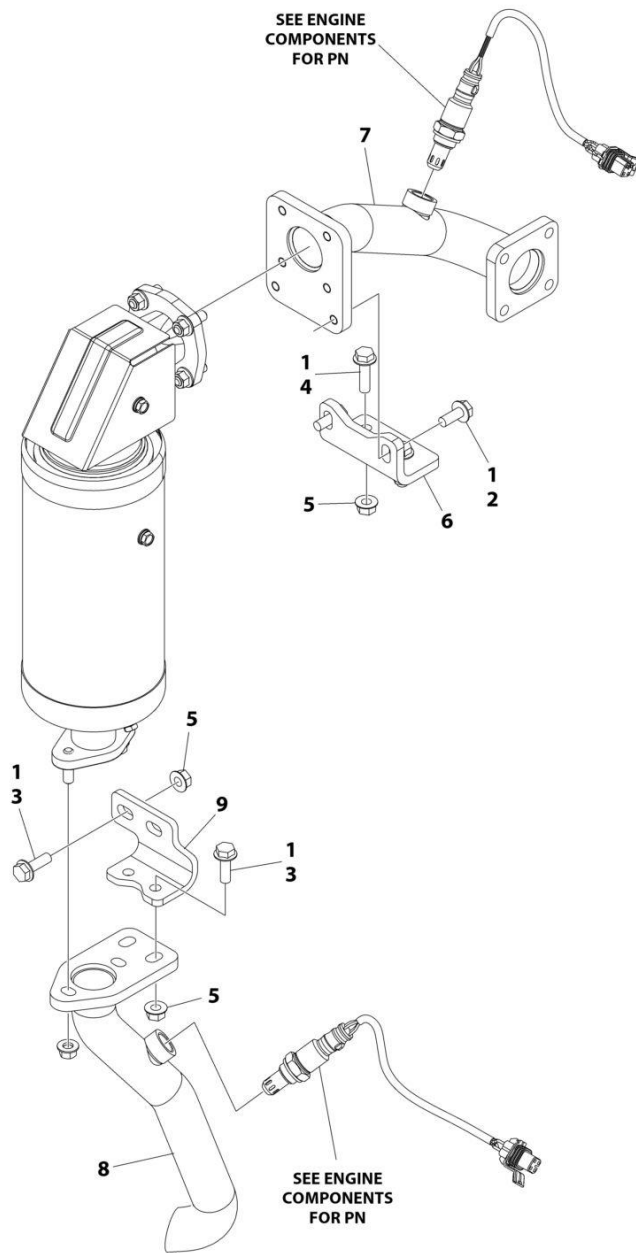
SECTION 3 - ENGINE

FIGURE 3-19. AIR INTAKE INSTALLATION - DUAL FUEL

ITEM	PART NUMBER	QTY	DESCRIPTION	REV
	1001256030	Ref	AIR INTAKE INSTALLATION	B
1	0340045	1	Band, Air Cleaner	
2	5250608	2	Bolt M6 x 16	
3	8405201	1	Clamp	
4	1001146043	1	Coupling	
5	1001247560	1	Air Cleaner Assembly	
5	7015004	1	Element, Air Cleaner	
6	1001248313	1	Tube, Air Intake	
7	1321682	1	Clamp	
8	5260600	2	Nut M6	

SECTION 3 - ENGINE

FIGURE 3-20. EXHAUST INSTALLATION - DUAL FUEL



ART_1001256035

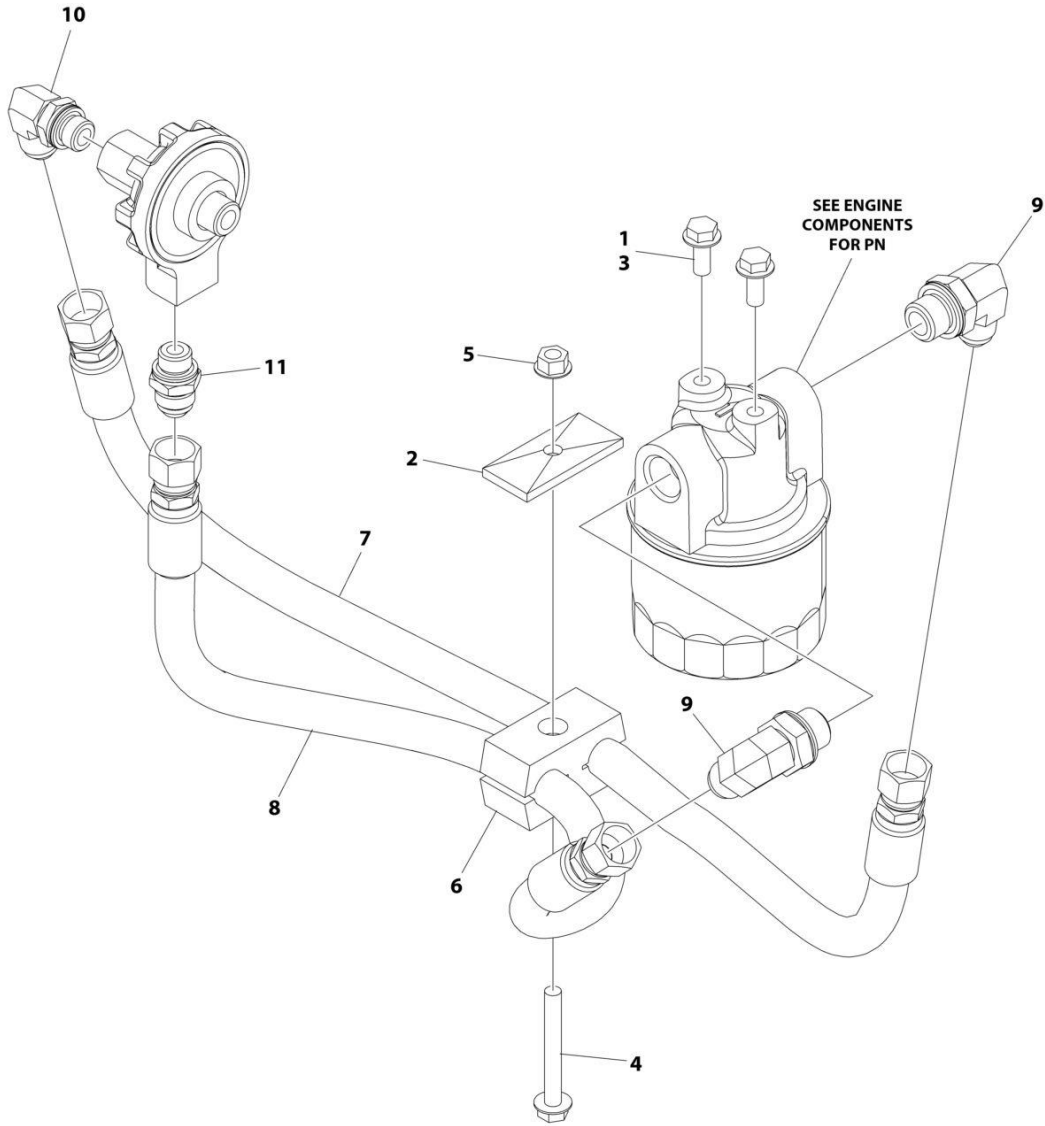
SECTION 3 - ENGINE

FIGURE 3-20. EXHAUST INSTALLATION - DUAL FUEL

ITEM	PART NUMBER	QTY	DESCRIPTION	REV
	1001256035	Ref	EXHAUST SYSTEM INSTALLATION	C
1	0100011	AR	Compond, Locking	
2	5250810	2	Bolt M8 x 20	
3	5250812	4	Bolt M8 x 25	
4	5250814	2	Bolt M8 x 30	
5	5260800	6	Nut M8	
6	1001214556	1	Bracket	
7	1001247804	1	Pipe, Exhaust	
8	1001247810	1	Pipe, Exhaust	
9	1001254691	1	Bracket, Muffler Exhaust	

SECTION 3 - ENGINE

FIGURE 3-21. OIL FILTER INSTALLATION - REMOTE - DUAL FUEL



ART_1001256032

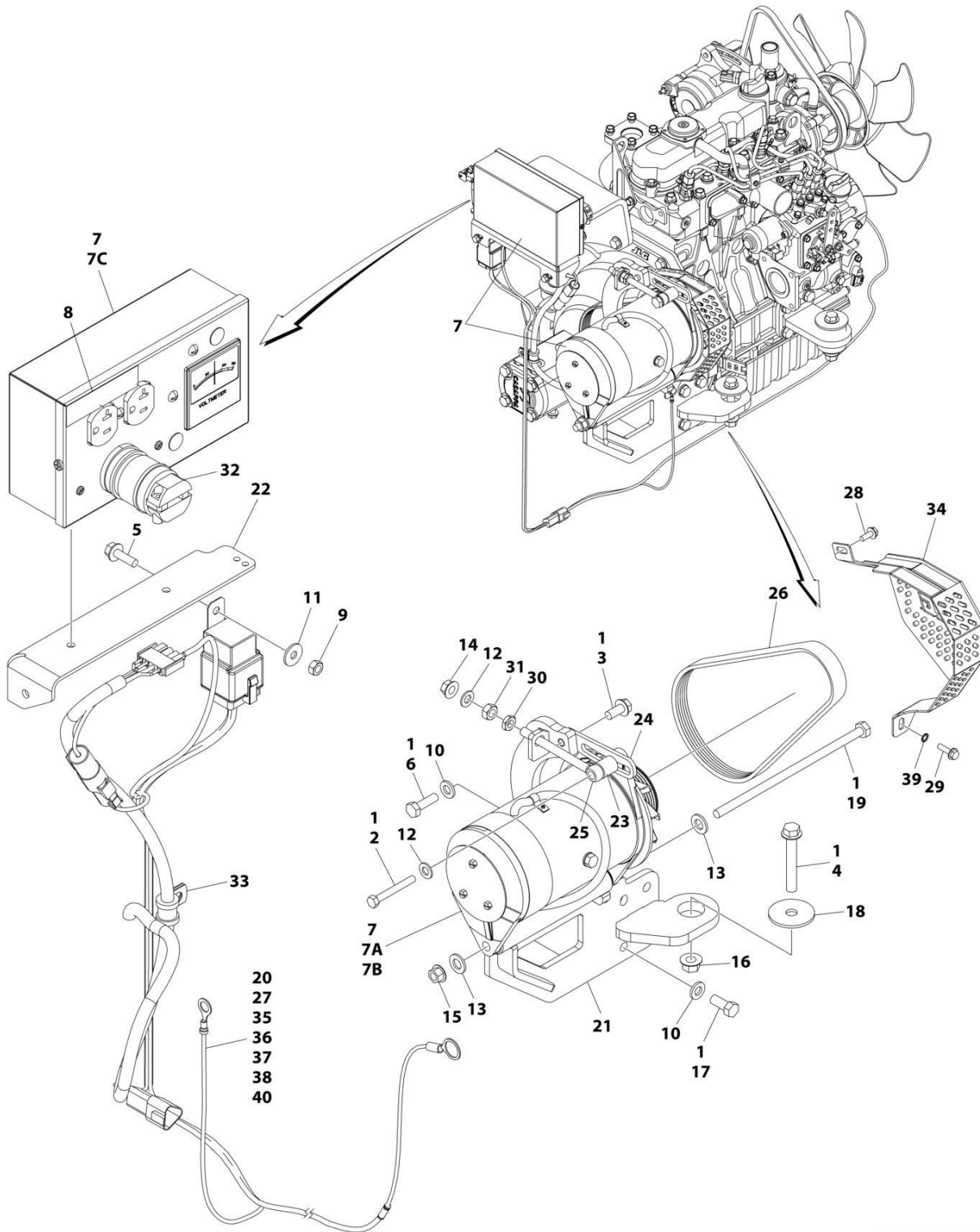
SECTION 3 - ENGINE

FIGURE 3-21. OIL FILTER INSTALLATION - REMOTE - DUAL FUEL

ITEM	PART NUMBER	QTY	DESCRIPTION	REV
	1001256032	Ref	OIL FILTER INSTALLATION - REMOTE	B
	See Note	Ref	Note: For Engine Specific Components, See Engines Components.	
1	0100011	AR	Compund, Locking	
2	1309435	1	Plate, Clamp	
3	5250810	2	Bolt M8 x 20	
4	5250821	1	Bolt M8 x 65	
5	5260800	1	Nut M8	
6	8769139	1	Clamp	
7	1001248413	1	Hose	
8	1001248414	1	Hose	
9	1001250519	2	Fitting, 90 JIC/BSPP	
10	1001250521	1	Fitting, 90 JIC/ORB	
11	1001250525	1	Fitting, Straight JIC/ORB	

SECTION 3 - ENGINE

FIGURE 3-22. GENERATOR INSTALLATION - 2500W/60HZ (DIESEL MACHINES)



ART_1001246134_C

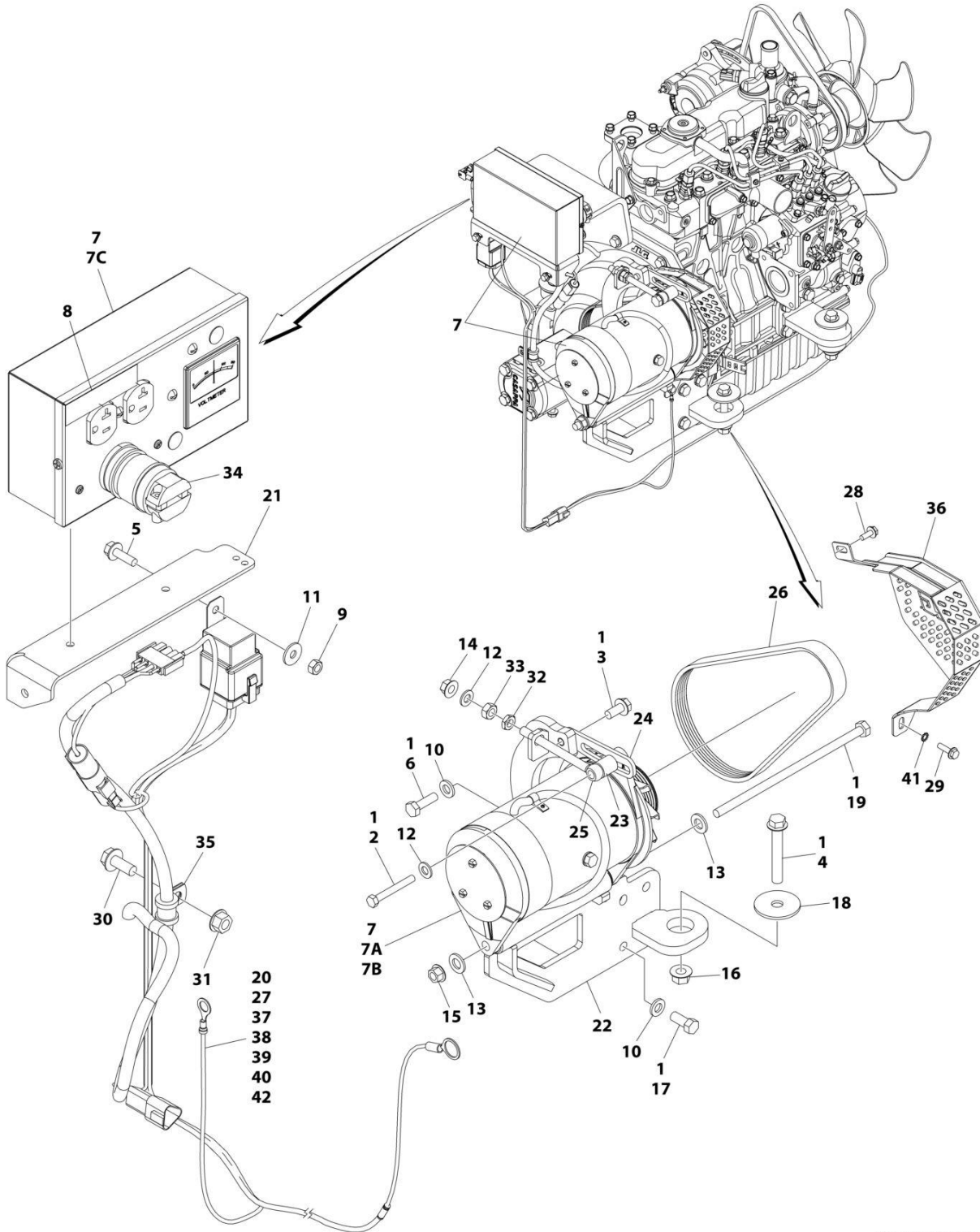
SECTION 3 - ENGINE

FIGURE 3-22. GENERATOR INSTALLATION - 2500W/60HZ (DIESEL MACHINES)

ITEM	PART NUMBER	QTY	DESCRIPTION	REV
	1001246134	Ref	GENERATOR INSTALLATION - 2500W / 60HZ	C
1	0100011	AR	Compound, Locking	
2	0701020	1	Bolt M10 x 60	
3	5251011	1	Bolt M10 x 22	
4	5251224	1	Bolt M12 x 80	
5	0780610	2	Bolt M6 x 20	
6	1001119929	3	Bolt M10 x 35	
7	1001269865	1	Generator Assembly	
7A	3580324	1	Pulley	
7B	1001264839	1	Generator, Replacement	
7C	1001269894	1	Control Box Assembly	
8	3251243	1	Nameplate - 120V - 60HZ	
9	3290601	2	Nut M6	
10	5241000	6	Washer M10	
11	4811702	2	Washer M6	
12	4812000	2	Washer M10	
13	4812100	2	Washer M12	
14	5261000	1	Nut M10	
15	3331211	1	Nut M12	
16	5261200	1	Nut M12	
17	1001118746	3	Bolt M10 x 25	
18	1001168018	1	Washer	
19	1001271971	1	Bolt M12 x 230	
20	1001249464	1	Harnesss, Generator (See Separate Breakdown in ELECTRICAL Section)	
21	1001269792	1	Bracket, Mounting	
22	1001253839	1	Bracket, Mounting	
23	1001269800	1	Spacer	
24	1001269794	1	Bracket, Adjustment	
25	1001269799	1	Eye Bolt M10	
26	1001263049	1	V-Belt	
27	4240033	AR	Tie Strap (Not Shown)	
28	5250608	1	Bolt M6 x 16	
29	5250611	1	Bolt M6 x 22	
30	3291002	1	Nut M10	
31	3291001	1	Nut M10	
32	1001131740	1	Plug	
33	1001269045	1	Clamp	
34	1001269797	1	Bracket	
35	0100048	AR	Grease, Dielectric	
36	4460268	3	Socket	
37	4460321	1	Terminal	
38	4460906	1	Terminal	
39	4871700	1	Washer, Lock M6	
40	1001275530	1	Jumper	

SECTION 3 - ENGINE

FIGURE 3-23. GENERATOR INSTALLATION - 2500W/60HZ (DUAL FUEL MACHINES)



ART_1001256713_C

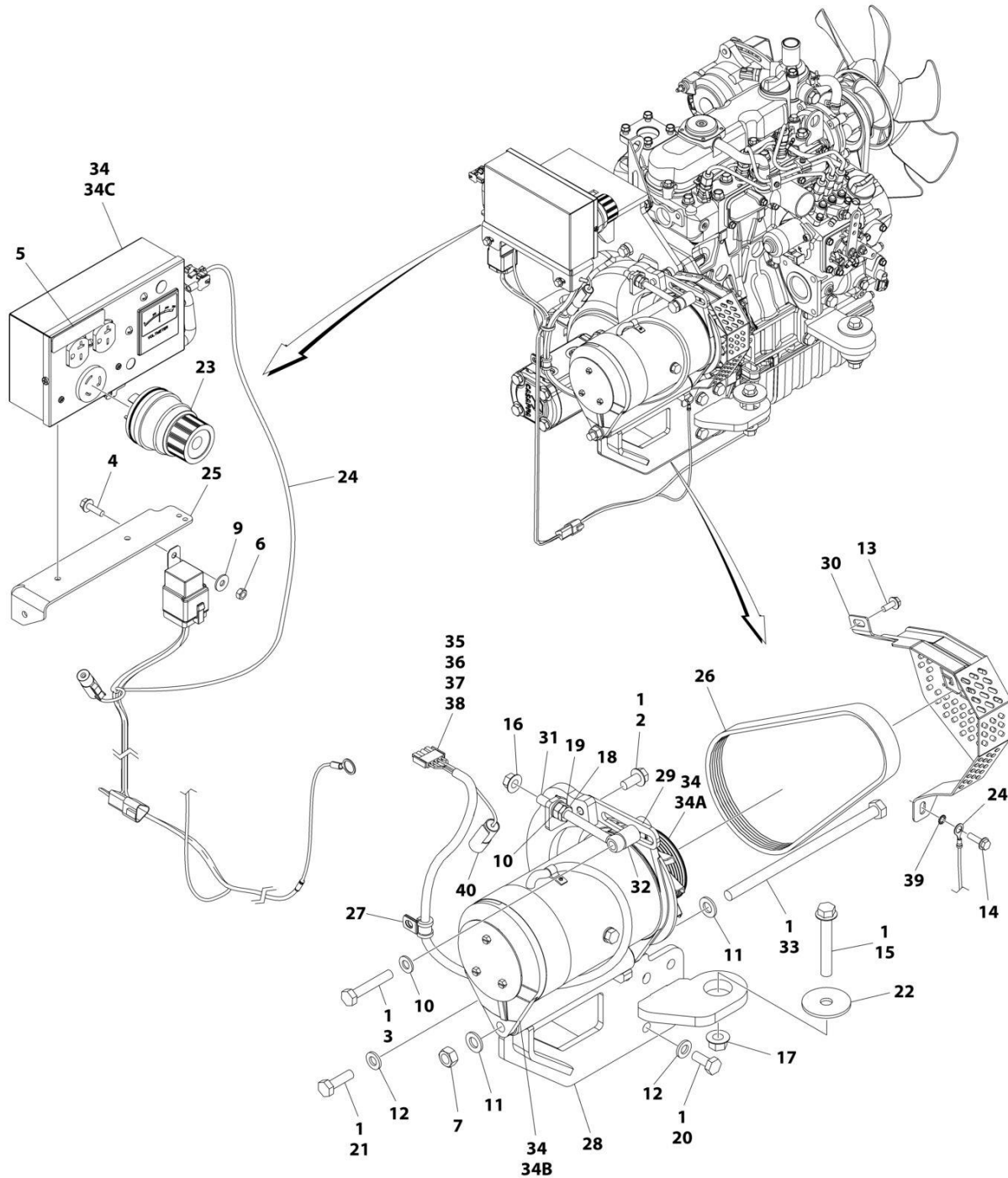
SECTION 3 - ENGINE

FIGURE 3-23. GENERATOR INSTALLATION - 2500W/60HZ (DUAL FUEL MACHINES)

ITEM	PART NUMBER	QTY	DESCRIPTION	REV
	1001256713	Ref	GENERATOR INSTALLATION - 2500W / 60HZ	C
1	0100011	AR	Compound, Locking	
2	0701020	1	Bolt M10 x 60	
3	5251011	1	Bolt M10 x 22	
4	5251224	1	Bolt M12 x 80	
5	0780610	2	Bolt M6 x 20	
6	1001119929	3	Bolt M10 x 35	
7	1001269865	1	Generator Assembly	
7A	3580324	1	Pulley	
7B	1001264839	1	Generator, Replacement	
7C	1001269894	1	Control Box Assembly	
8	3251243	1	Nameplate - 120V - 60HZ	
9	3290601	2	Nut M6	
10	5241000	6	Washer M10	
11	4811702	2	Washer M6	
12	4812000	2	Washer M10	
13	4812100	2	Washer M12	
14	5261000	1	Nut M10	
15	3331211	1	Nut M12	
16	5261200	1	Nut M12	
17	1001118746	3	Bolt M10 x 25	
18	1001168018	1	Washer	
19	1001271971	1	Bolt M12 x 230	
20	1001249464	1	Harnesss, Generator (See Separate Breakdown in ELECTRICAL Section)	
21	1001253839	1	Bracket, Mounting	
22	1001269793	1	Bracket, Mounting	
23	1001269800	1	Spacer	
24	1001269794	1	Bracket, Adjustment	
25	1001269799	1	Eye Bolt M10	
26	1001263049	1	V-Belt	
27	4240033	AR	Tie Strap (Not Shown)	
28	5250608	1	Bolt M6 x 16	
29	5250611	1	Bolt M6 x 22	
30	5250810	1	Bolt M8 x 20	
31	5260800	1	Nut M8	
32	3291002	1	Nut M10	
33	3291001	1	Nut M10	
34	1001131740	1	Plug	
35	1001269045	1	Clamp	
36	1001269797	1	Bracket	
37	0100048	AR	Grease, Dielectric	
38	4460268	3	Socket	
39	4460321	1	Terminal	
40	4460906	1	Terminal	
41	4871700	1	Washer, Lock M6	
42	1001275530	1	Jumper	

SECTION 3 - ENGINE

FIGURE 3-24. GENERATOR INSTALLATION - 2300W/50HZ



ART_1001246135

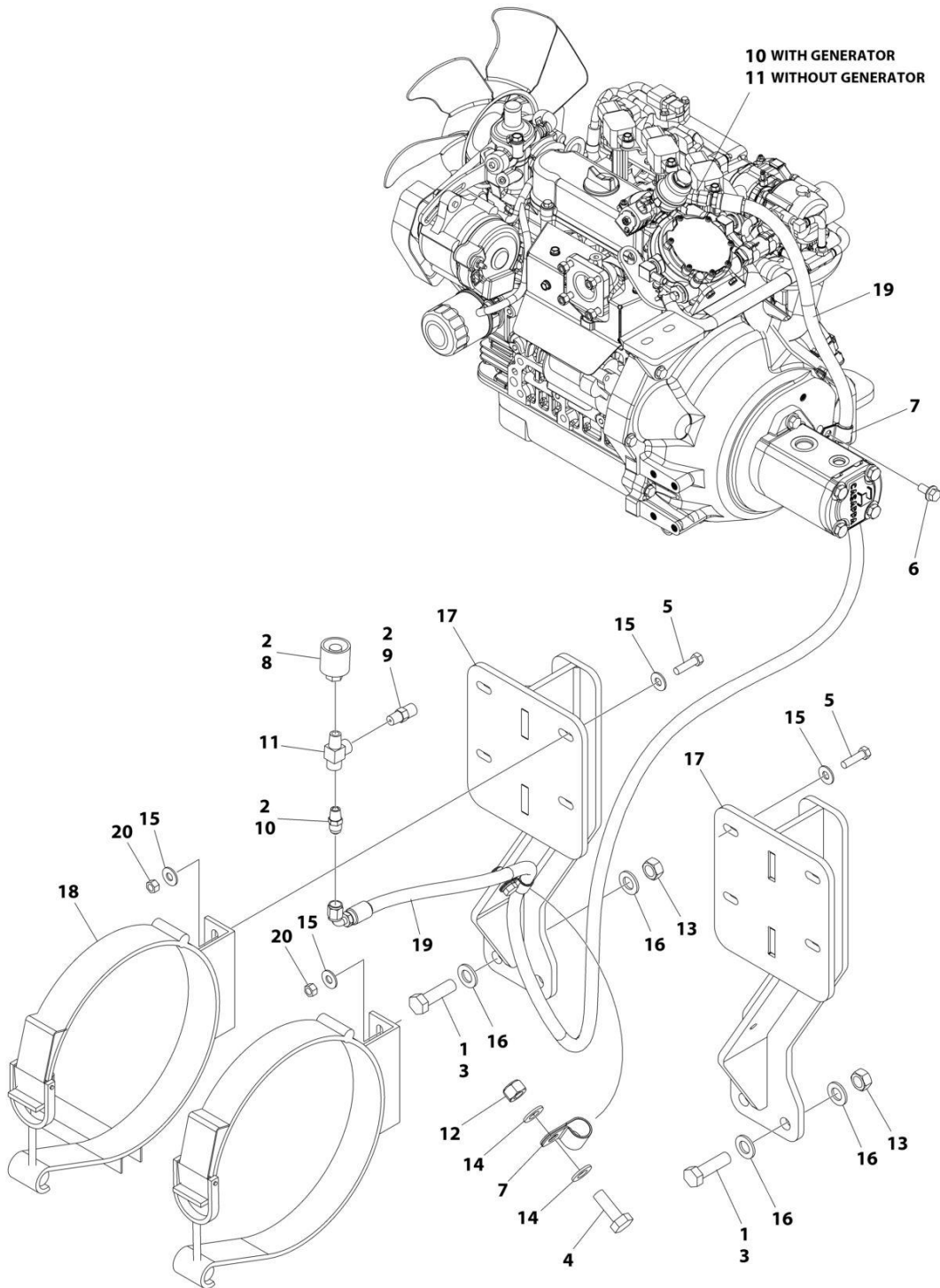
SECTION 3 - ENGINE

FIGURE 3-24. GENERATOR INSTALLATION - 2300W/50HZ

ITEM	PART NUMBER	QTY	DESCRIPTION	REV
	1001246135	Ref	GENERATOR INSTALLATION	B
1	0100011	AR	Compound, Locking	
2	5251011	1	Bolt M10 x 22	
3	0701020	1	Bolt M10 x 60	
4	0780610	2	Bolt M6 x 20	
5	3251242	1	Decal - 240V/50Hz	
6	3290601	2	Nut M6	
7	3331211	1	Nut M12	
8	4240033	AR	Tie-Strap (Not Shown)	
9	4811702	2	Washer M6	
10	4812000	2	Washer M10	
11	4812100	2	Washer M12	
12	5241000	6	Washer M10	
13	5250608	1	Bolt M6 x 16	
14	5250611	1	Bolt M8 x 22	
15	5251224	1	Bolt M12 x 80	
16	5261000	1	Nut M10	
17	5261200	1	Nut M12	
18	3291002	1	Nut M10	
19	3291001	1	Nut M10	
20	1001118746	3	Bolt M10 x 25	
21	1001119929	3	Bolt M10 x 35	
22	1001168018	1	Washer	
23	1001213584	1	Terminal	
24	1001249464	1	Harnesss, Generator (See Separate Breakdown in ELECTRICAL Section)	
25	1001253839	1	Bracket, Control Box Mount	
26	1001263050	1	V-Belt	
27	1001269045	1	Bolt M10 x 65	
28	1001269792	1	Mount, Generator	
29	1001269794	1	Bracket	
30	1001269797	1	Bracket	
31	1001269799	1	Eye Bolt M10	
32	1001269800	1	Spacer	
33	1001271971	1	Bolt M12 x 230	
34	1001269937	1	Generator Assembly	
34A	1001263077	1	Sheave	
34B	1001263246	1	Generator, 2300W	
34C	1001269936	1	Generator Outlet Box	
35	0100048	AR	Grease, Dielectric	
36	4460268	3	Terminal	
37	4460321	1	Terminal	
38	4460906	1	Terminal	
39	4871700	1	Washer M6	
40	1001275530	1	Wire, Jumper	

SECTION 3 - ENGINE

FIGURE 3-25. LP TANK BRACKETS INSTALLATION (SINGLE TANK)



ART_1001254550

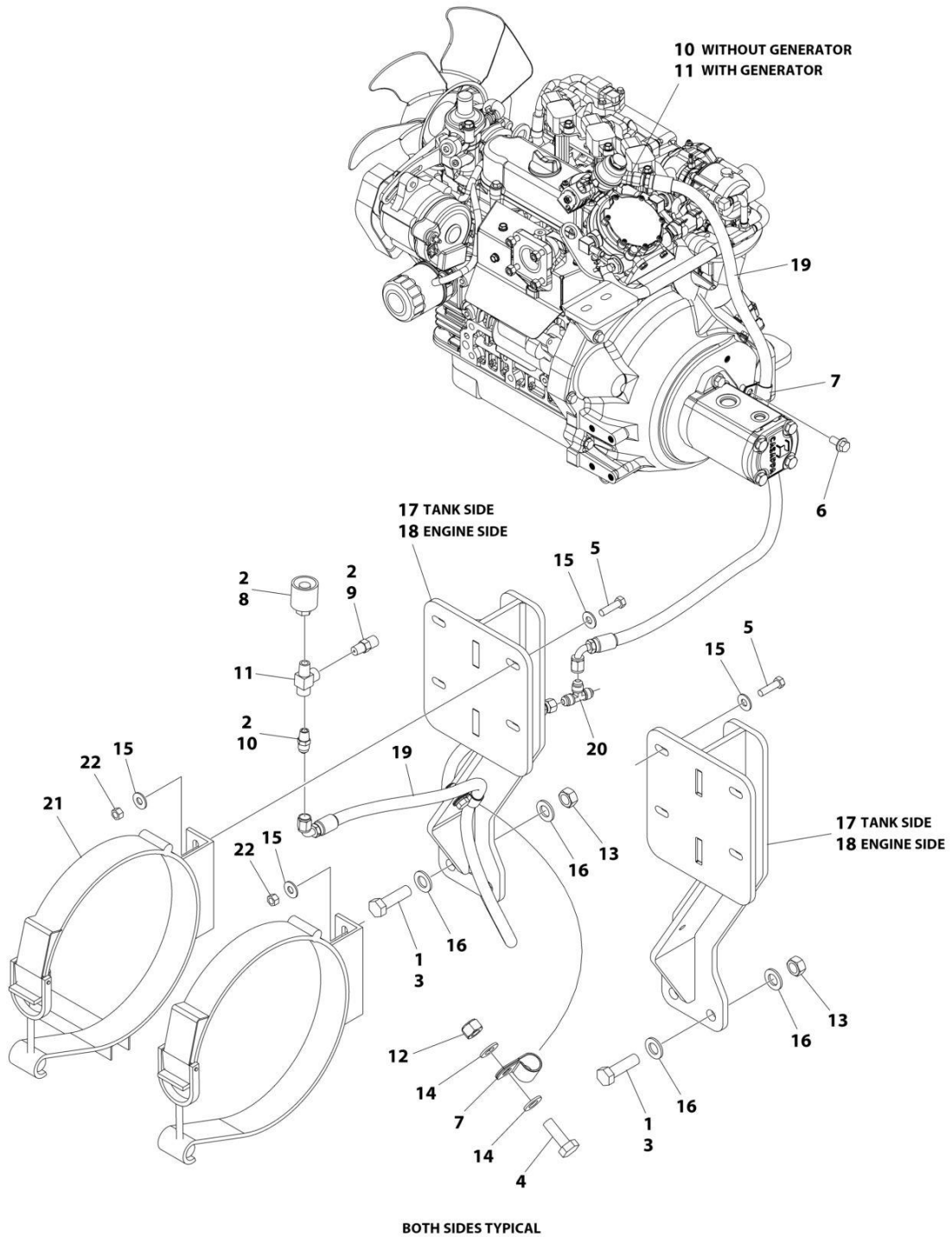
SECTION 3 - ENGINE

FIGURE 3-25. LP TANK BRACKETS INSTALLATION (SINGLE TANK)

ITEM	PART NUMBER	QTY	DESCRIPTION	REV
	1001254550	Ref	LP TANK BRACKETS INSTALLATION (SINGLE)	D
1	0100011	AR	Compound, Locking	
2	0100020	AR	Sealant	
3	0771619	4	Bolt M16 x 55	
4	0771014	1	Bolt M10 x 30	
5	0641611	4	Bolt 3/8 x 1-3/8	
6	0811606	1	Screw 3/8 x 3/4	
7	1320061	2	Clamp	
8	2180387	1	Fitting, Tank Connector	
9	2180389	1	Fitting, Relief Valve - LP	
10	2180418	2	Fitting	
11	2220290	1	Fitting, Tee	
12	3291005	1	Nut M10	
13	3331611	4	Nut M16	
14	4812000	2	Washer M10	
15	4751600	8	Washer 3/8	
16	5241600	8	Washer M16	
17	1001259024	2	Mount	
18	1320220	1	Clamp Kit - LP	
19	1001258006	1	Hose	
20	3311605	4	Nut 3/8	
100	4400281	1	Tank, LP (Not Shown)	

SECTION 3 - ENGINE

FIGURE 3-26. LP TANK BRACKETS INSTALLATION (DUAL TANKS)



ART_1001254551

SECTION 3 - ENGINE

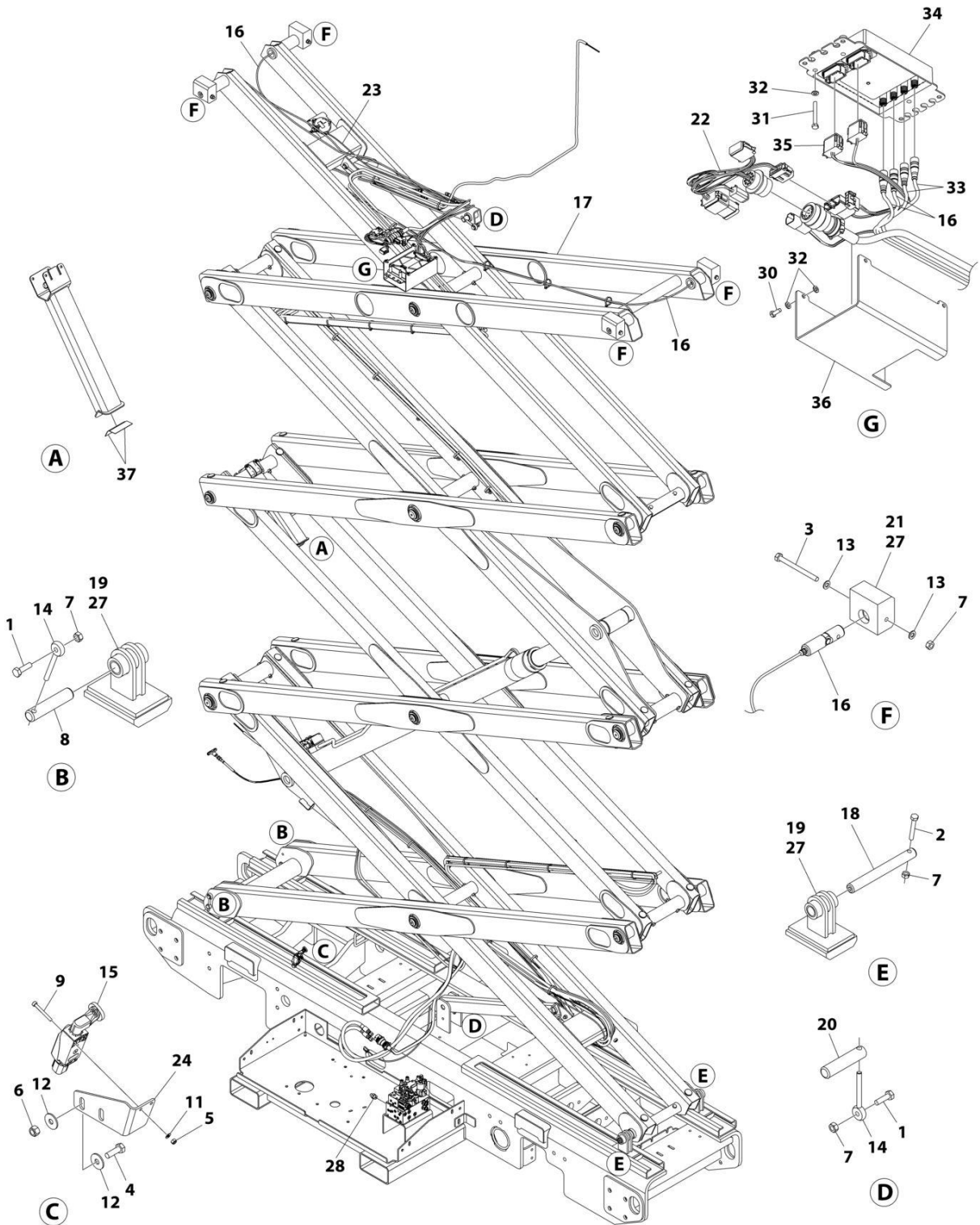
FIGURE 3-26. LP TANK BRACKETS INSTALLATION (DUAL TANKS)

ITEM	PART NUMBER	QTY	DESCRIPTION	REV
	1001254551	Ref	LP TANK BRACKETS INSTALLATION (DUAL)	E
1	0100011	AR	Compound, Locking	
2	0100020	AR	Sealant	
3	0771619	8	Bolt M16 x 55	
4	0771014	2	Bolt M10 x 30	
5	0641611	8	Bolt 3/8 x 1-3/8	
6	0811606	1	Screw 3/8 x 3/4	
7	1320061	3	Clamp	
8	2180387	2	Fitting, Tank Connector	
9	2180389	2	Fitting, Relief Valve - LP	
10	2180418	3	Fitting	
11	2220290	2	Fitting, Tee	
12	3291005	2	Nut M10	
13	3331611	8	Nut M16	
14	4812000	4	Washer M10	
15	4751600	16	Washer 3/8	
16	5241600	16	Washer M16	
17	1001259024	2	Mount	
18	1001259047	2	Mount	
19	1001258004	3	Hose	
20	1001258113	1	Fitting, Tee	
21	1320220	2	Clamp Kit - LP	
22	3311605	8	Nut 3/8	
100	4400281	2	Tank, LP (Not Shown)	

SECTION 4 - SCISSORS ARMS

SECTION 4 - SCISSORS ARMS

FIGURE 4-1. RT4069 ARMS INSTALLATION



ART_1001248822

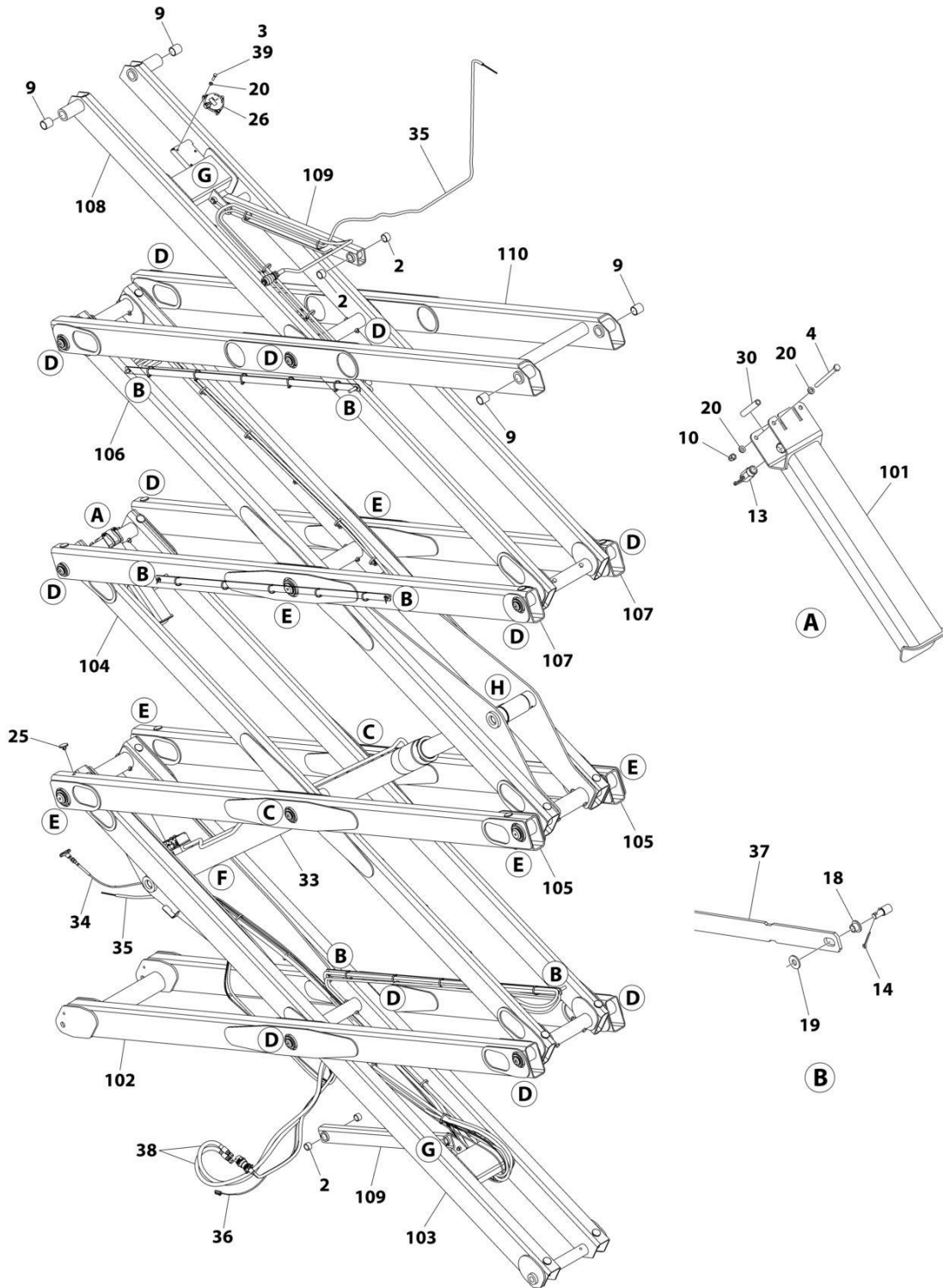
SECTION 4 - SCISSORS ARMS

FIGURE 4-1. RT4069 ARMS INSTALLATION

ITEM	PART NUMBER	QTY	DESCRIPTION	REV
	1001248822	Ref	ARMS INSTALLATION	E
1	0701015	4	Bolt 10 x 35	
2	0701022	2	Bolt 10 x 70	
3	0701029	4	Bolt 10 x 120	
4	0760812	2	Bolt M8 x 25	
5	3290405	2	Nut M4	
6	3290805	2	Nut M8	
7	3291007	10	Nut M10	
8	3422943	2	Pin	
9	4031511	2	Capscrew M4 x 35	
11	4811400	2	Washer M4	
12	4811902	4	Washer M8	
13	4812000	8	Washer M10	
14	1001270098	4	Pin, Keeper	
15	1001145548	1	Switch, Limit	
15	1001284972	1	Switch, Limit	
16	3422938	4	Pin	
17	1001247369	1	Arm Assembly (See Separate Breakdown in this Section)	
18	1001247521	2	Pin	
19	1001247667	4	Support, Slider	
20	1001247669	2	Pin	
21	1001247671	4	Block, Slide	
22	1001264939	1	Harness, Platform (See Separate Breakdown in ELECTRICAL Section)	
23	1001249091	1	Harness, Tilt Sensor (See Separate Breakdown in ELECTRICAL Section)	
24	1001257587	1	Bracket	
27	3020029	AR	Lubricant	
28	2220372	1	Fitting, Straight JIC/ORB	
29	4240018	AR	Tie - Strap (Not Shown)	
30	0760608	4	Bolt M6 x 16	
31	0700618	3	Bolt M6 x 50	
32	4811700	11	Washer M6	
33	1061020	2	Cable, Extension (1.5 Meter)	
34	1600387	1	Module, Load Sense (Note: Recalibration Required When Replaced)	
35	1001226830	1	Harness Load Sense (See Separate Breakdown in ELECTRICAL Section)	
36	1001263662	1	Cover	
37	1001189762	2	Tape	

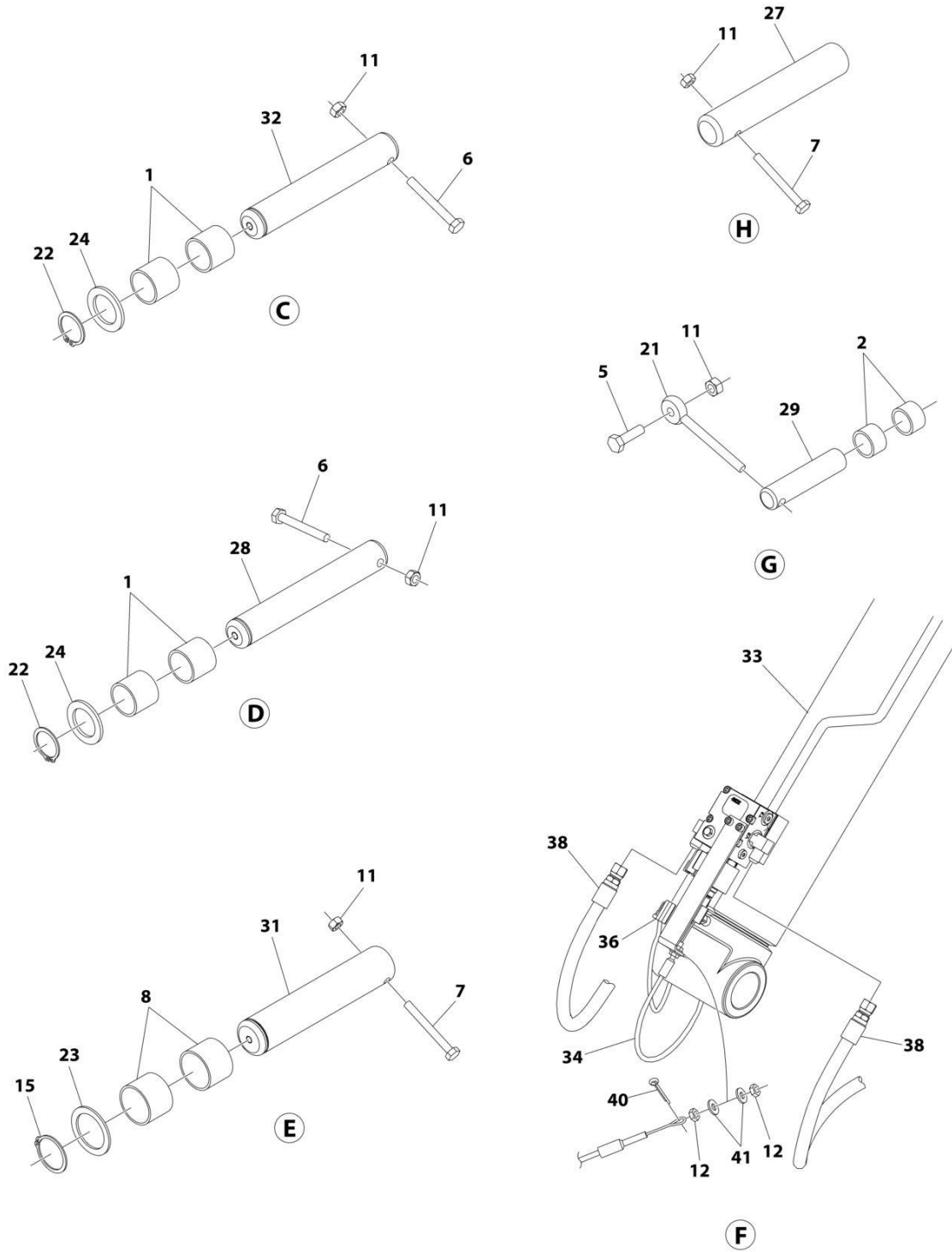
SECTION 4 - SCISSORS ARMS

FIGURE 4-2. RT4069 ARMS ASSEMBLY



ART_1001247369_1OF2

SECTION 4 - SCISSORS ARMS



ART_1001247369_2OF2

SECTION 4 - SCISSORS ARMS

FIGURE 4-2. RT4069 ARMS ASSEMBLY

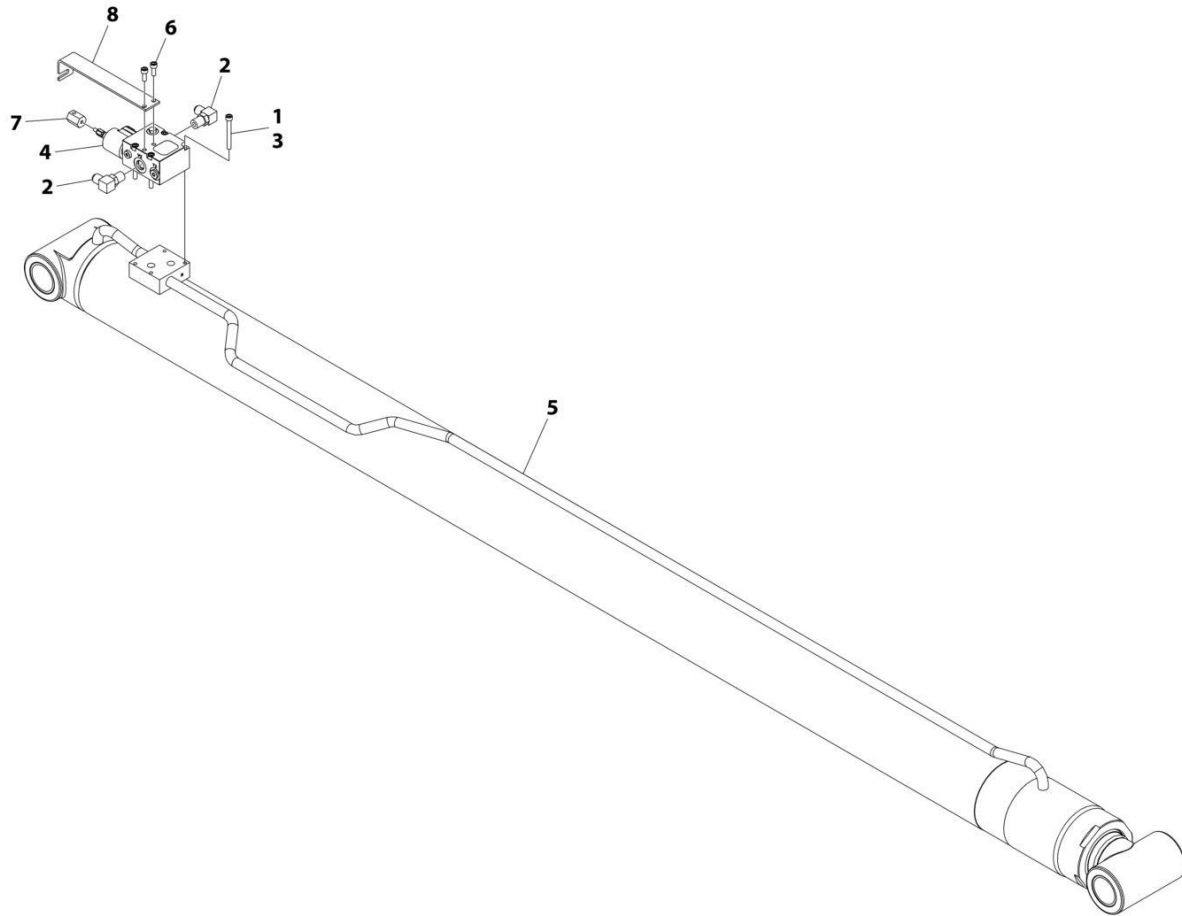
ITEM	PART NUMBER	QTY	DESCRIPTION	REV
	1001247369	Ref	ARMS ASSEMBLY	D
1	0440241	28	Bearing	
2	0440264	8	Bearing	
3	0700612	3	Bolt M6 x 25	
4	0700624	2	Bolt M6 x 80	
5	0701015	2	Bolt M10 x 35	
6	0701024	14	Bolt M10 x 80	
7	0701026	8	Bolt M10 x 90	
8	0961950	12	Bushing	
9	0962220	4	Bushing	
10	3290606	2	Nut M6	
11	3291007	24	Nut M10	
12	3321402	2	Nut 1/4	
13	3423151	1	Pin	
14	3450304	6	Pin, Cotter 3/32 x 1	
15	3760493	6	Ring, Retaining	
17	4240018	AR	Tie - Strap (Not Shown)	
18	4740480	6	Washer (Plastic Insert)	
19	4751500	6	Washer 5/16	
20	4811700	7	Washer M6	
21	1001270098	2	Pin, Keeper	
22	1001099560	14	Ring, Retaining	
23	1001197405	6	Washer	
24	1001217457	14	Washer	
25	1001228533	24	Bumper	
26	1001244934	1	Sensor, Tilt	
27	1001247522	2	Pin	
28	1001247524	12	Pin	
29	1001247669	2	Pin	
30	1001247670	2	Sleeve	
31	1001247835	6	Pin	
32	1001249637	2	Pin	
33	1001256128	1	Cylinder Lift Down Valve Assembly (See Separate Breakdown in this Section)	
34	1001265848	1	Cable, Manual Descent	
35	1001259135	1	Harness, Ground To Platform (See Separate Breakdown in ELECTRICAL Section)	
36	1001259139	1	Harness Lift Down (See Separate Breakdown in ELECTRICAL Section)	
37	1001259497	3	Bar, Cable	
38	1001260897	2	Hose	
39	0100011	AR	Compound, Locking	
40	3450405	1	Pin, Cotter 1/8 x 1-1/4	
41	4711400	2	Washer 1/4	
100	1001247377	1	Arm Kit (Not Shown)	C
101	1001247672	1	Prop, Arm	
102	1001256889	1	Arm, Outboard (Lower)	
103	1001257752	1	Arm, Inboard (Lower)	
104	1001257754	1	Arm, Inboard (Lower Mid)	
105	1001257755	2	Arm, Outboard (Lower Mid)	

SECTION 4 - SCISSORS ARMS

ITEM	PART NUMBER	QTY	DESCRIPTION	REV
106	1001257756	1	Arm, Inboard (Upper Mid)	
107	1001257757	2	Arm, Outboard (Upper Mid)	
108	1001257758	1	Arm, Inboard (Upper)	
109	1001257760	2	Tube, Arm Center Link	
110	1001258814	1	Arm, Outboard (Upper)	

SECTION 4 - SCISSORS ARMS

FIGURE 4-3. RT4069 CYLINDER AND LIFT DOWN VALVE ASSEMBLY



ART_1001256128

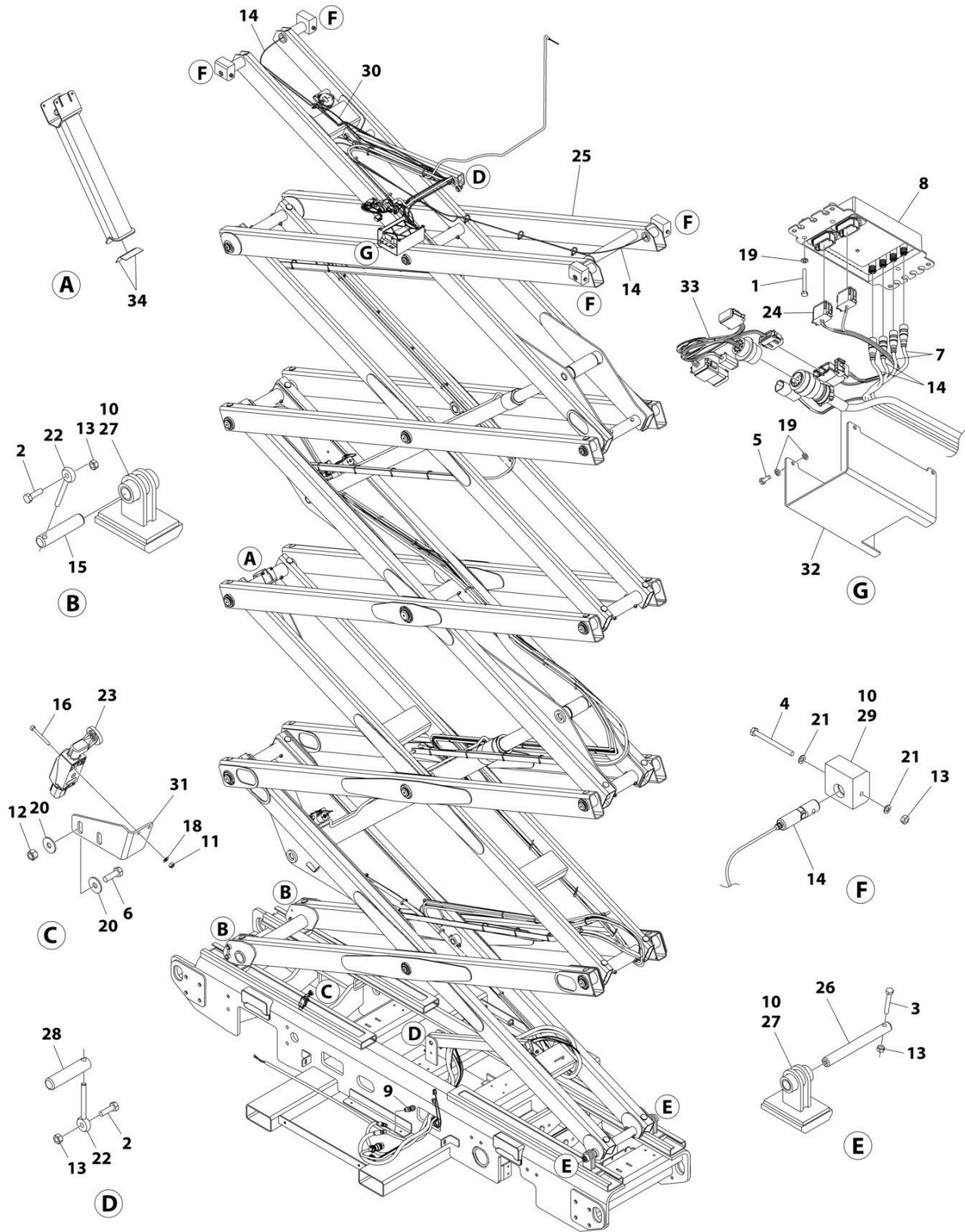
SECTION 4 - SCISSORS ARMS

FIGURE 4-3. RT4069 CYLINDER AND LIFT DOWN VALVE ASSEMBLY

ITEM	PART NUMBER	QTY	DESCRIPTION	REV
	1001256128	Ref	CYLINDER AND LIFT DOWN VALVE ASSEMBLY	C
1	0100011	AR	Compound, Locking	
2	2220473	2	Fitting, 90 JIC/ORB	
3	1001118878	4	Capscrew M6 x 55	
4	1001244904	1	Valve, Lift Down (No Service Parts Available)	
5	1001255394	1	Lift Cylinder Assembly (See Separate Breakdown in CYLINDER Section)	
6	4031707	2	Capscrew M6 x 16	
7	1001265744	1	Adapter	
8	1001265761	1	Bracket	

SECTION 4 - SCISSORS ARMS

FIGURE 4-4. RT4769 ARMS INSTALLATION - RT4769



ART_1001248823

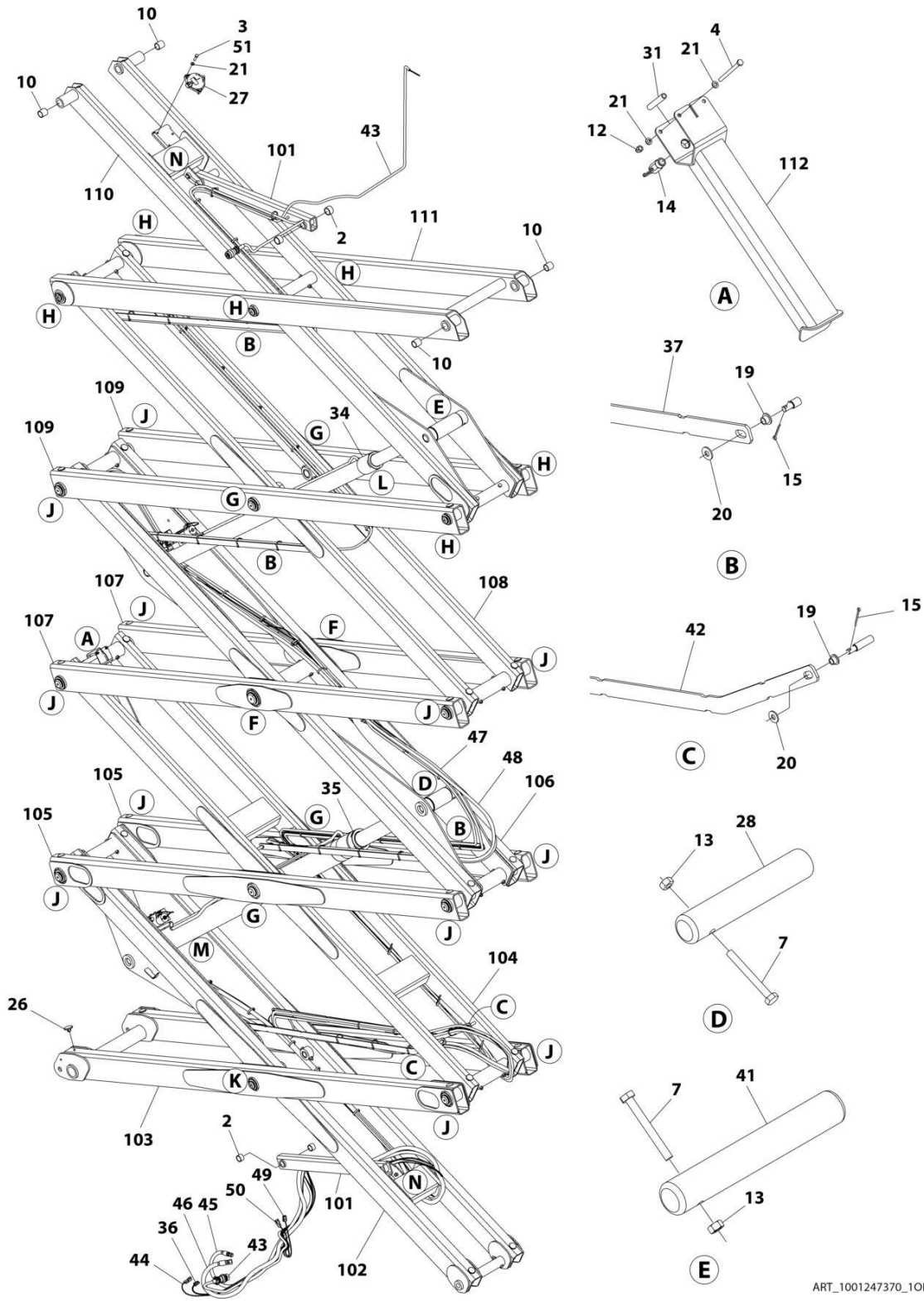
SECTION 4 - SCISSORS ARMS

FIGURE 4-4. RT4769 ARMS INSTALLATION - RT4769

ITEM	PART NUMBER	QTY	DESCRIPTION	REV
	1001248823	Ref	ARMS INSTALLATION - RT4769	D
1	0700618	3	Bolt M6 x 50	
2	0701015	4	Bolt 10 x 35	
3	0701022	2	Bolt 10 x 70	
4	0701029	4	Bolt 10 x 120	
5	0760608	4	Bolt M6 x 16	
6	0760812	2	Bolt M8 x 25	
7	1061020	2	Cable, Extension (1.5 Meter)	
8	1600387	1	Module, Load Sense (Note: Recalibration Required When Replaced)	
9	2220500	1	Fitting, 45 JIC/ORB	
10	3020029	AR	Lubricant	
11	3290405	2	Nut M4	
12	3290805	2	Nut M8	
13	3291007	10	Nut M10	
14	3422938	4	Pin	
15	3422943	2	Pin	
16	4031511	2	Capscrew M4 x 35	
17	4240018	AR	Tie - Strap (Not Shown)	
18	4811400	2	Washer M4	
19	4811700	11	Washer M6	
20	4811902	4	Washer M8	
21	4812000	8	Washer M10	
22	1001270098	4	Pin, Keeper	
23	1001145548	1	Switch, Limit	
23	1001284972	1	Switch, Limit	
24	1001226830	1	Harness Load Sense (See Separate Breakdown in ELECTRICAL Section)	
25	1001247370	1	Arm Assembly (See Separate Breakdown in this Section)	
26	1001247521	2	Pin	
27	1001247667	4	Support, Slider	
28	1001247669	2	Pin	
29	1001247671	4	Block, Slide	
30	1001249091	1	Harness, Tilt Sensor (See Separate Breakdown in ELECTRICAL Section)	
31	1001257587	1	Bracket	
32	1001263662	1	Cover	
33	1001264939	1	Harness, Platform (See Separate Breakdown in ELECTRICAL Section)	
34	1001189762	2	Tape	

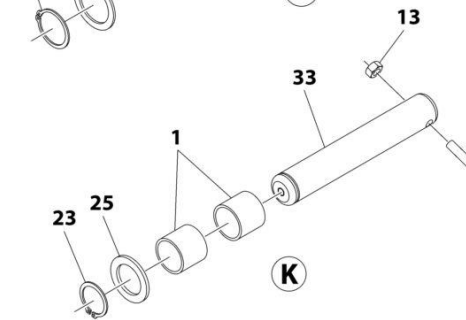
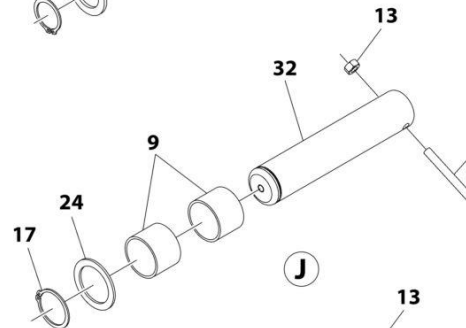
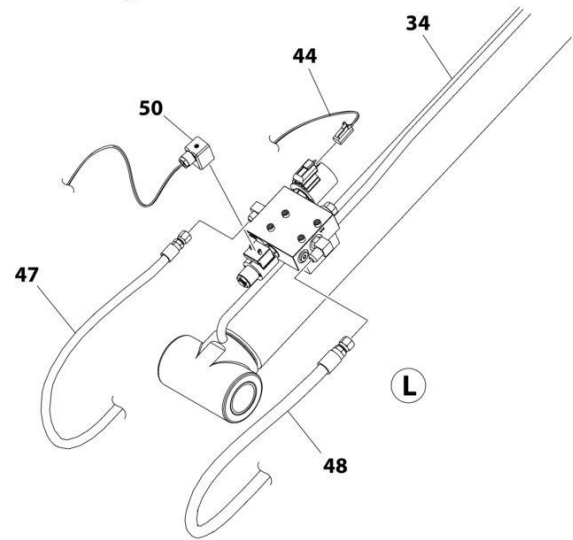
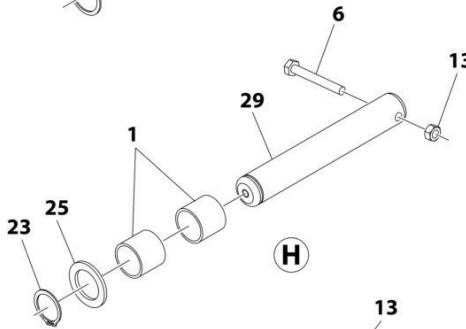
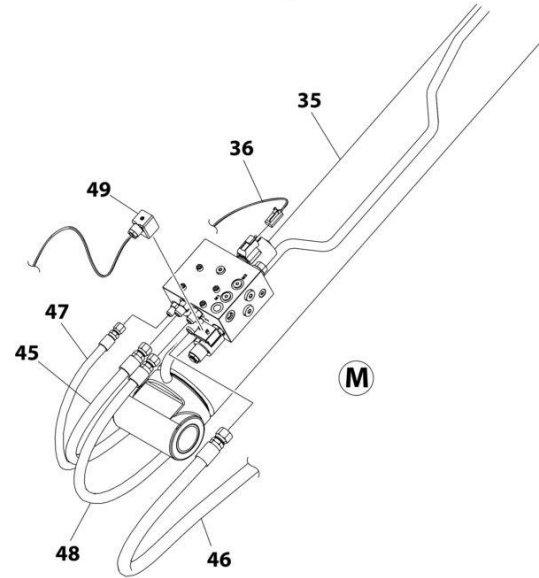
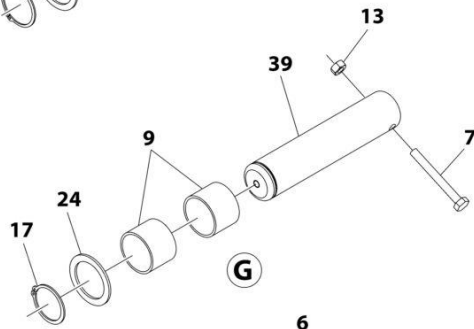
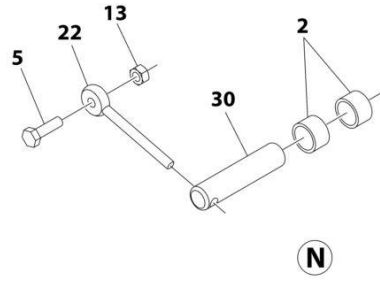
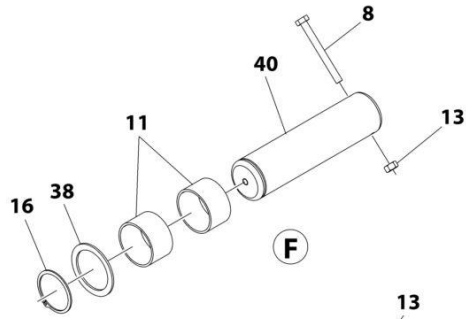
SECTION 4 - SCISSORS ARMS

FIGURE 4-5. RT4769 ARMS ASSEMBLY - RT4769



ART_1001247370_10F2

SECTION 4 - SCISSORS ARMS



ART_1001247370_2OF2

SECTION 4 - SCISSORS ARMS

FIGURE 4-5. RT4769 ARMS ASSEMBLY - RT4769

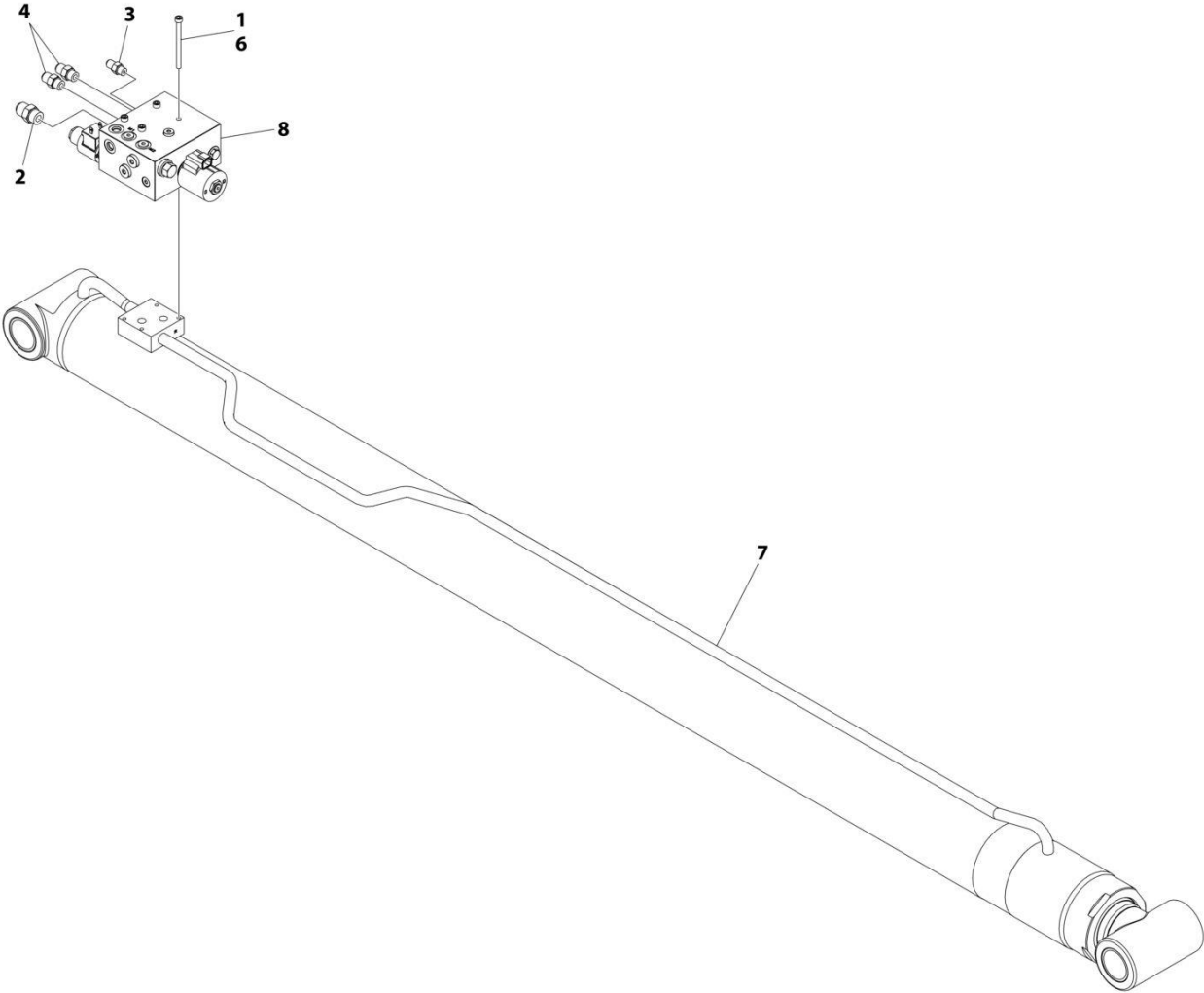
ITEM	PART NUMBER	QTY	DESCRIPTION	REV
	1001247370	Ref	ARMS ASSEMBLY - RT4769	D
1	0440241	16	Bearing	
2	0440264	8	Bearing	
3	0700612	3	Bolt M6 x 25	
4	0700626	2	Bolt M6 x 90	
5	0701015	2	Bolt M10 x 35	
6	0701024	8	Bolt M10 x 80	
7	0701026	20	Bolt M10 x 90	
8	0701027	2	Bolt M10 x 100	
8	0701028	2	Bolt M10 x 110	
9	0961950	32	Bushing	
10	0962220	4	Bushing	
11	0962406	4	Bushing	
12	3290606	2	Nut M6	
13	3291007	32	Nut M10	
14	3423151	1	Pin	
15	3450304	12	Pin, Cotter 3/32 x 1	
16	1001260406	2	Ring, Retaining	
17	3760493	16	Ring, Retaining	
18	4240018	AR	Tie - Strap (Not Shown)	
19	4740480	12	Washer (Plastic Insert)	
20	4751500	12	Washer 5/16	
21	4811700	7	Washer M6	
22	1001270098	2	Pin, Keeper	
23	1001099560	8	Ring, Retaining	
24	1001197405	16	Washer	
25	1001217457	8	Washer	
26	1001228533	32	Bumper	
27	1001244934	1	Sensor, Tilt	
28	1001247522	3	Pin	
29	1001247524	6	Pin	
30	1001247669	2	Pin	
31	1001247670	2	Sleeve	
32	1001247835	12	Pin	
33	1001249637	2	Pin	
34	1001256460	1	Cylinder Lift Down Valve Assembly - Upper (See Separate Breakdown in this Section)	
35	1001256461	1	Cylinder Lift Down Valve Assembly - Lower (See Separate Breakdown in this Section)	
36	1001259139	1	Harness, Lift Down - Lower (See Separate Breakdown in ELECTRICAL Section)	
37	1001259497	4	Bar, Cable	
38	1001260352	2	Washer	
39	1001260527	4	Pin	
40	1001260528	2	Pin	
41	1001260529	1	Pin	
42	1001261270	2	Bar, Cable	
43	1001262141	1	Harness, Ground To Platform (See Separate Breakdown in ELECTRICAL Section)	
44	1001262142	1	Harness, Lift Down - Upper (See Separate Breakdown in ELECTRICAL Section)	

SECTION 4 - SCISSORS ARMS

ITEM	PART NUMBER	QTY	DESCRIPTION	REV
45	1001262179	1	Hose	
46	1001262197	1	Hose	
47	1001262198	1	Hose	
48	1001262199	1	Hose	
49	1001262404	1	Cable, Lower Aux Valve	
50	1001262407	1	Cable, Upper Aux Valve	
51	0100011	AR	Compound, Locking	
100	1001247378	1	Arm Kit (Not Shown)	
101	1001257760	2	Tube, Arm Center Link	
102	1001259529	1	Arm, Inboard (Lower)	
103	1001259530	1	Arm, Outboard (Lower)	
104	1001259531	1	Arm, Inboard (Lower Mid)	
105	1001259532	2	Arm, Outboard (Lower Mid)	
106	1001259533	1	Arm, Inboard (Mid)	
107	1001259534	2	Arm, Outboard (Mid)	
108	1001259535	1	Arm, Inboard (Upper Mid)	
109	1001259536	2	Arm, Outboard (Upper Mid)	
110	1001259537	1	Arm, Inboard (Upper)	
111	1001259538	1	Arm, Outboard (Upper)	
112	1001261273	1	Prop, Arm	

SECTION 4 - SCISSORS ARMS

FIGURE 4-6. RT4769 CYLINDER AND LIFT DOWN VALVE ASSEMBLY - LOWER



ART_1001256461

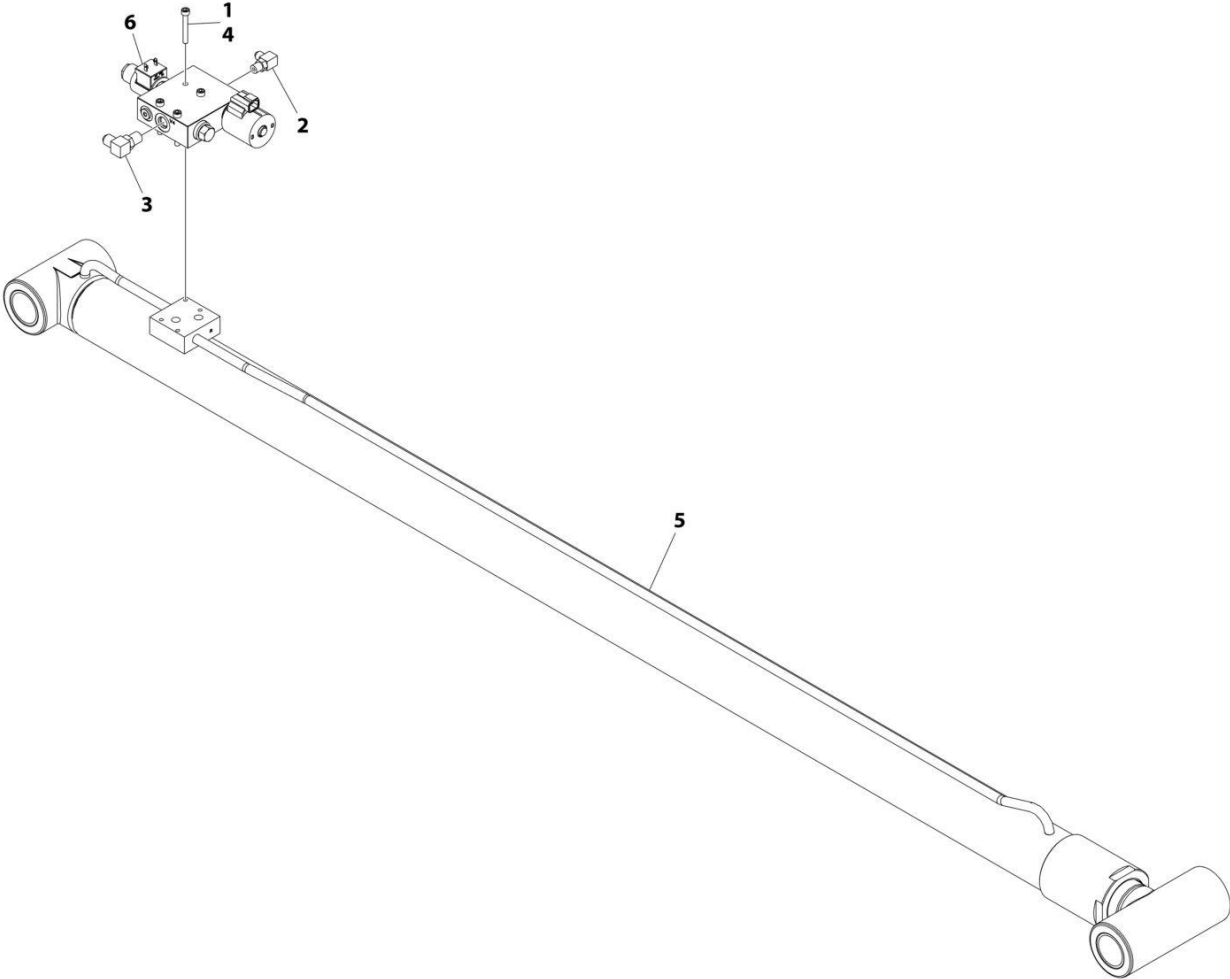
SECTION 4 - SCISSORS ARMS

FIGURE 4-6. RT4769 CYLINDER AND LIFT DOWN VALVE ASSEMBLY - LOWER

ITEM	PART NUMBER	QTY	DESCRIPTION	REV
	1001256461	Ref	CYLINDER AND LIFT DOWN VALVE ASSEMBLY	C
1	0100011	AR	Compound, Locking	
2	2220373	1	Fitting, Straight JIC/ORB	
3	2220415	1	Fitting, Straight JIC/ORB	
4	2220371	2	Fitting, Straight JIC/ORB	
6	4031720	4	Bolt M6 x 80	
7	1001255394	1	Lift Cylinder Assembly (See Separate Breakdown in CYLINDER Section)	
8	1001256341	1	Valve, Lift Down (No Service Parts Available)	

SECTION 4 - SCISSORS ARMS

FIGURE 4-7. RT4769 CYLINDER AND LIFT DOWN VALVE ASSEMBLY - UPPER



ART_1001256460

SECTION 4 - SCISSORS ARMS

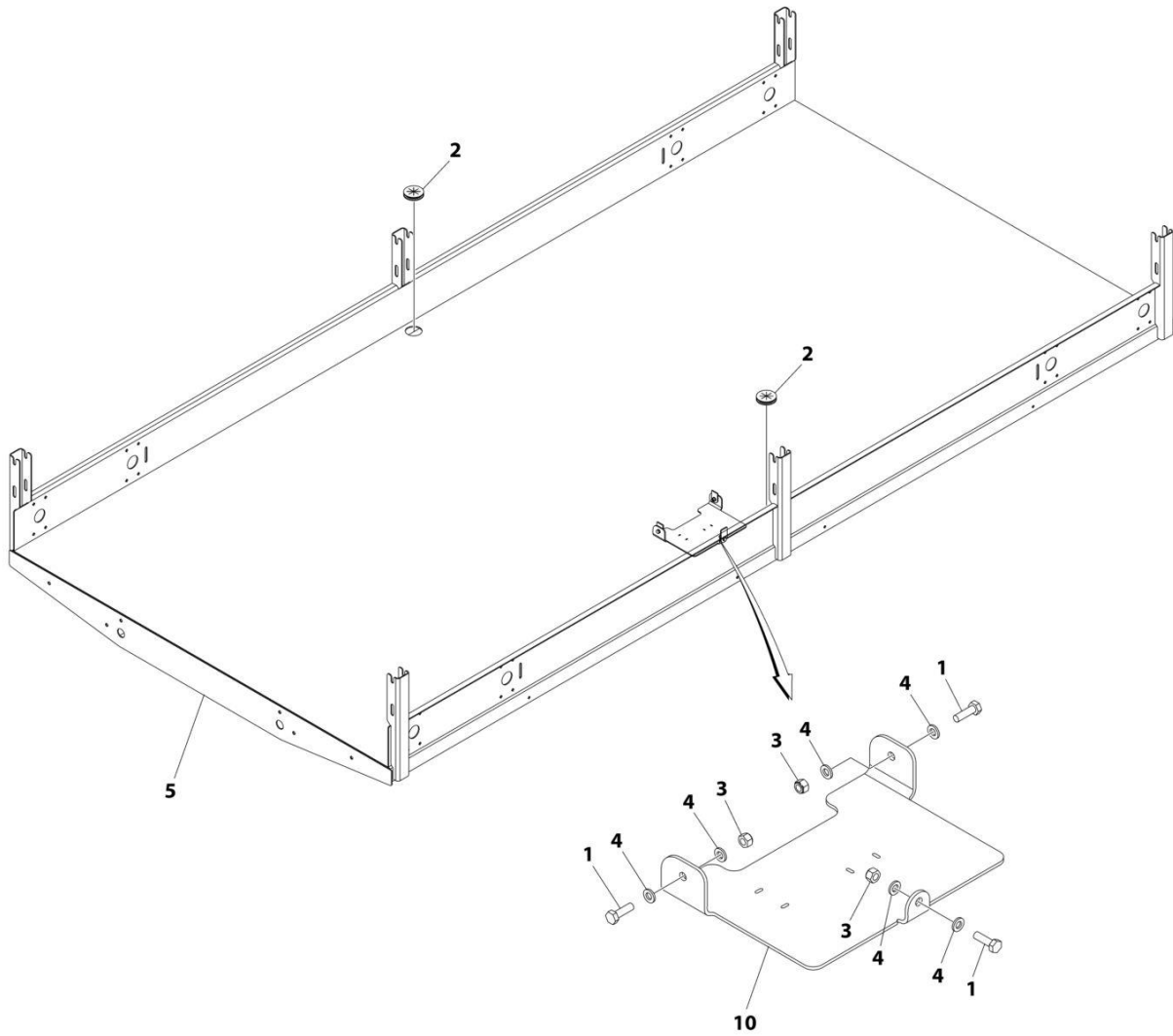
FIGURE 4-7. RT4769 CYLINDER AND LIFT DOWN VALVE ASSEMBLY - UPPER

ITEM	PART NUMBER	QTY	DESCRIPTION	REV
	1001256460	Ref	CYLINDER AND LIFT DOWN VALVE ASSEMBLY	B
1	0100011	AR	Compound, Locking	
2	2220466	1	Fitting, 90 JIC/ORB	
3	2220473	1	Fitting, 90 JIC/ORB	
4	4031713	4	Bolt M6 x 45	
5	1001255902	1	Lift Cylinder Assembly (See Separate Breakdown in CYLINDER Section)	
6	1001256397	1	Valve, Lift Down (No Service Parts Available)	

SECTION 5 - PLATFORM

SECTION 5 - PLATFORM

FIGURE 5-1. PLATFORM INSTALLATION



ART_1001244381

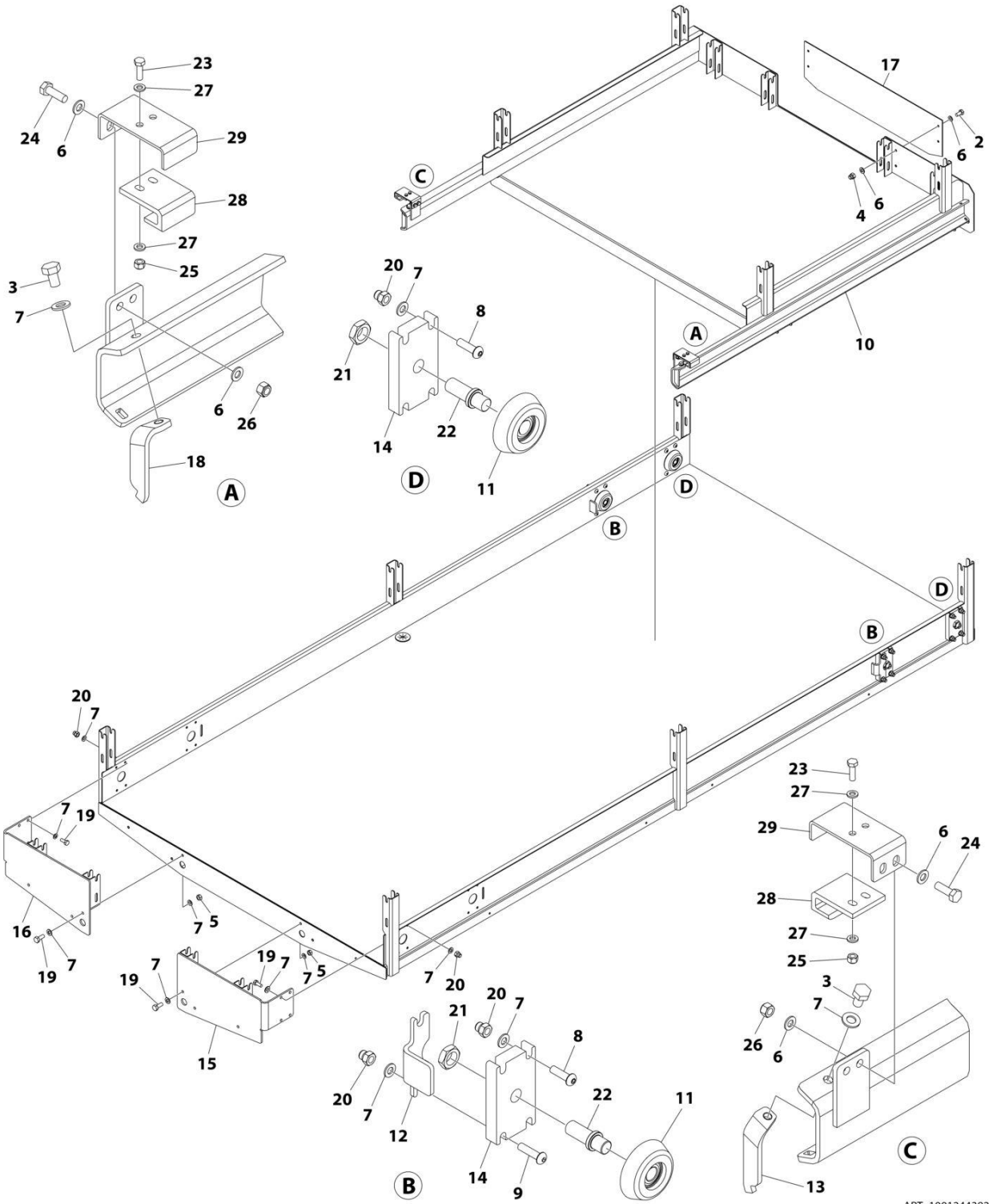
SECTION 5 - PLATFORM

FIGURE 5-1. PLATFORM INSTALLATION

ITEM	PART NUMBER	QTY	DESCRIPTION	REV
	1001244381	Ref	PLATFORM MOUNT INSTALLATION	B
1	0760610	3	Bolt M6 x 20	
2	2540045	2	Grommet	
3	3290605	3	Nut M6	
4	4811700	6	Washer M6	
5	1001245250	1	Platform	
10	1001251328	1	Cover	

SECTION 5 - PLATFORM

FIGURE 5-2. PLATFORM EXTENSION INSTALLATION (SINGLE)



ART_1001244382

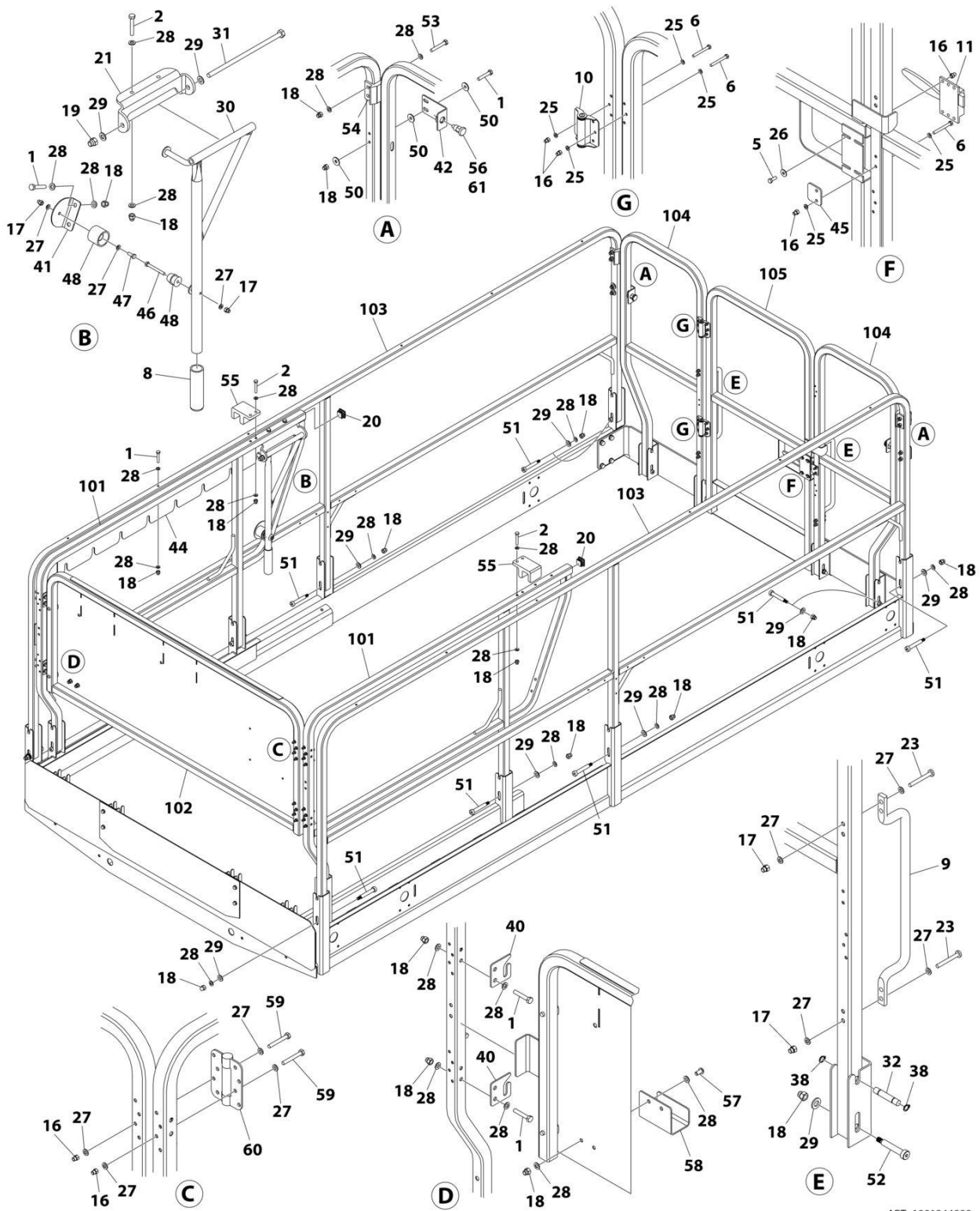
SECTION 5 - PLATFORM

FIGURE 5-2. PLATFORM EXTENSION INSTALLATION (SINGLE)

ITEM	PART NUMBER	QTY	DESCRIPTION	REV
	1001244382	Ref	PLATFORM WITH SINGLE EXTENSION INSTALLATION	F
2	0760808	4	Bolt M8 x 16	
3	0761008	2	Bolt M10 x 16	
4	3290806	4	Nut M8 x 1-1/4	
5	3291007	6	Nut M10 x 1-1/2	
6	4811900	16	Washer M8	
7	4812000	46	Washer M10	
8	1001261123	12	Screw M10 x 35	
9	3900394	4	Capscrew M10 x 1-1/2	
10	1001245479	1	Extension, Platform	
11	1001248933	4	Roller	
12	1001248990	2	Plate	
13	1001248991	1	Plate	
14	1001262640	4	Bracket	
15	1001250355	1	Plate	
16	1001250356	1	Plate	
17	1001250627	1	Plate	
18	1001250640	1	Plate	
19	0701012	14	Capscrew M10 x 25	
20	3291006	24	Nut M10	
21	3292002	4	Nut M20	
22	1001262639	4	Pin	
23	0760610	4	Bolt M6 x 20	
24	0760812	4	Bolt M6 x 25	
25	3290605	4	Nut M6	
26	3290805	4	Nut M8	
27	4811700	8	Washer M6	
28	1001265684	2	Brace, Extension leg Strap	
29	1001265821	2	Bracket, Extension Back Strap	
30	4420062	AR	Tape (Not Shown)	

SECTION 5 - PLATFORM

FIGURE 5-3. PLATFORM RAILS INSTALLATION (SINGLE EXTENSION)



ART_1001244888

SECTION 5 - PLATFORM

FIGURE 5-3. PLATFORM RAILS INSTALLATION (SINGLE EXTENSION)

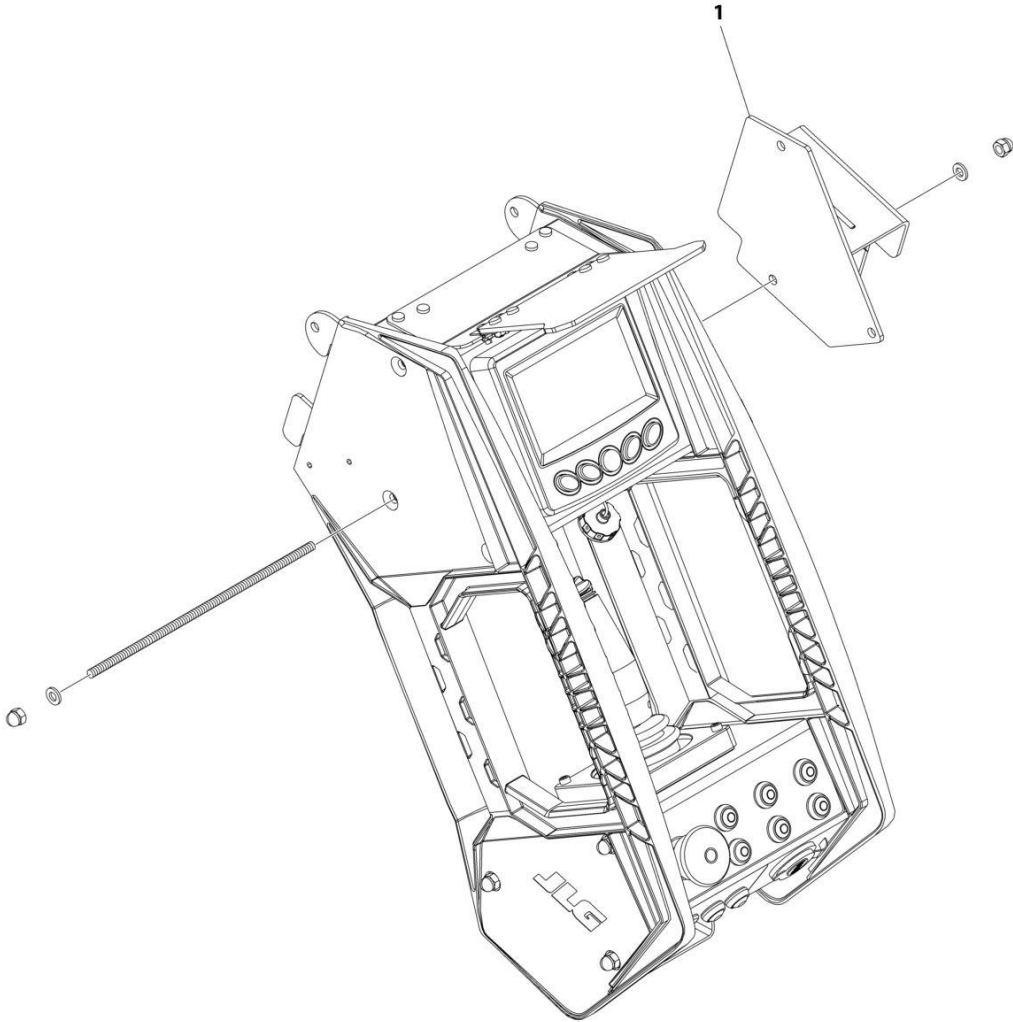
ITEM	PART NUMBER	QTY	DESCRIPTION	REV
	1001244888	Ref	RAIL INSTALLATION - PLATFORM WITH SINGLE EXTENSION	F
1	0700817	13	Bolt M8 x 45	
2	0700818	6	Bolt M8 x 50	
5	0760507	4	Bolt M8 x 14	
6	0700517	14	Bolt M5 x 45	
8	2560088	1	Grip, Handle	
9	2560176	2	Handle	
10	2600253	2	Hinge	
11	2940074	1	Latch	
16	3290506	34	Nut M5 x 3/4	
17	3290606	10	Nut M6 x 1	
18	3290806	39	Nut M8 x 1-1/4	
19	3291006	1	Nut M10	
20	3520072	2	Plug	
21	3537609	1	Plate, Pivot	
23	4010618	8	Screw M6 x 50	
25	4811600	40	Washer M5	
26	4811602	4	Washer M5	
27	4811700	51	Washer M6	
28	4811900	54	Washer M8	
29	4812000	16	Washer M10	
30	4846181	1	Handle (LH)	
31	1001195137	1	Bolt M10 x 240	
32	1001262495	2	Rod	
38	1001262454	4	Ring	
40	1001250829	2	Plate, Rotary Latch	
41	1001250830	1	Plate, Handle Latch	
42	1001258936	2	Plate, Rail	
44	1001294421	1	Plate, Extension	
45	1001253149	1	Plate, Gate Latch	
46	0700619	1	Bolt M6 x 55	
47	0760608	1	Bolt M6 x 16	
48	2940127	1	Latch	
50	4811902	12	Washer M8	
51	1001262399	12	Bolt M8 x 55	
52	1001262400	2	Bolt M8 x 50	
53	0700819	4	Bolt M8 x 55	
54	1001263628	2	Pad	
55	1001263629	2	Pad	
56	3422744	2	Pin, Plunger	
57	0630615	2	Bolt M8 x 16	
58	1001263269	1	Plate	
59	0700617	16	Bolt M6 x 45	
60	2600285	2	Hinge	
61	0100011	AR	Compound, Locking	
100	1001265846	1	Rail, Single Extension Kit	
101	1001248840	2	Rail, Extension Side	
102	1001248986	1	Rail, Extension Front	
103	1001249882	2	Rail, Platform Side	
104	1001249883	2	Rail, Platform Rear	

SECTION 5 - PLATFORM

ITEM	PART NUMBER	QTY	DESCRIPTION	REV
105	1001249884	1	Rail, Platform Gate	

SECTION 5 - PLATFORM

FIGURE 5-4. PLATFORM CONTROL BOX INSTALLATION - SIDE MOUNT



ART_1001265916

SECTION 5 - PLATFORM

FIGURE 5-4. PLATFORM CONTROL BOX INSTALLATION - SIDE MOUNT

ITEM	PART NUMBER	QTY	DESCRIPTION	REV
	1001265916	Ref	PLATFORM CONSOLE BOX INSTALLATION	B
1	1001265532	1	Bracket, Control Box Sidemount	
2	0100011	1	Compound, Locking (Not Shown - Use on Mounting Hardware)	

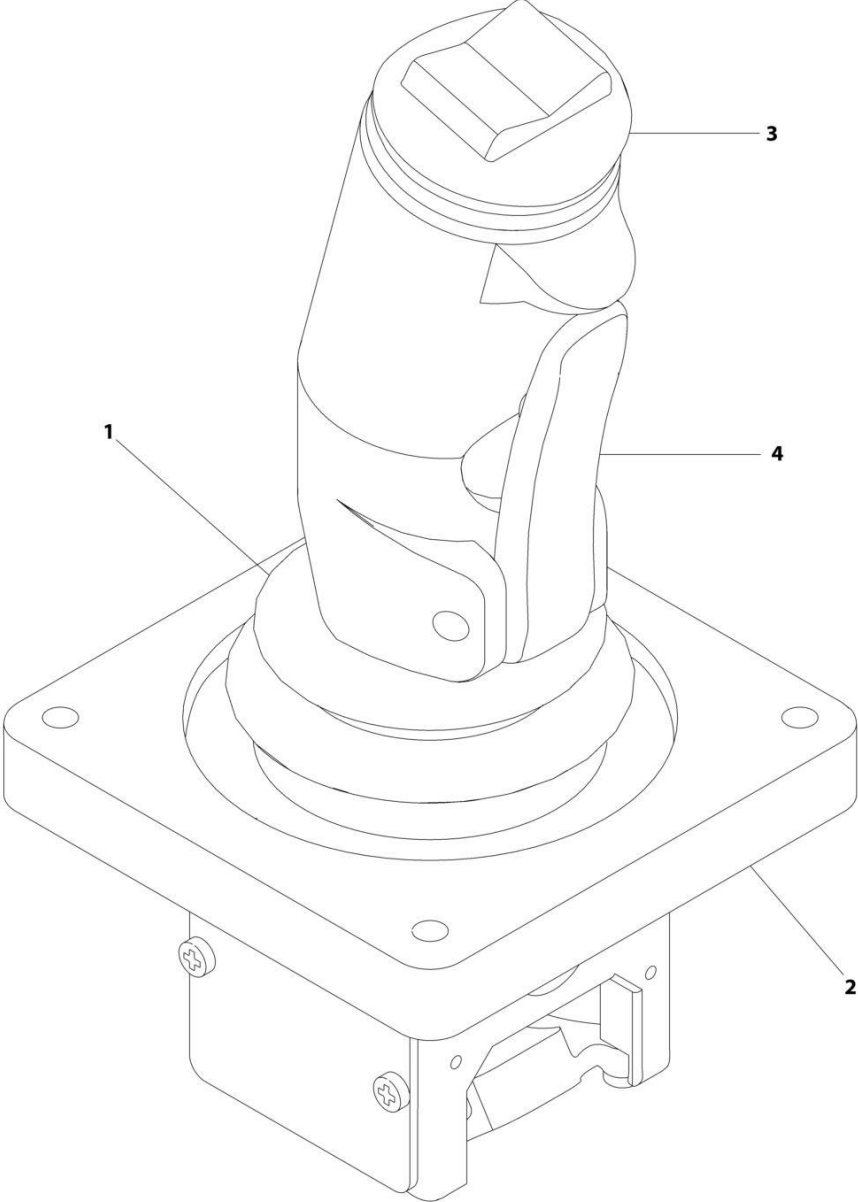
SECTION 5 - PLATFORM

FIGURE 5-5. PLATFORM CONTROL BOX INSTALLATION

ITEM	PART NUMBER	QTY	DESCRIPTION	REV
	1001247383	Ref	PLATFORM CONSOLE BOX INSTALLATION	H
1	0140030	1	Alarm	
2	3290405	12	Nut M4	
3	3290406	8	Nut M4	
4	3450303	1	Cotter Pin	
5	4010414	2	Bolt M4 x 30	
6	4031510	4	Bolt M4 x 30	
7	4160214	1	Spring, Door Latch	
8	1001274559	1	Switch, Emergency Stop (Plastic)	
8	4360475	1	Switch, Emergency Stop (Metal)	
8	7020175	1	Cap	
8	7020176	1	Block, Contact	
9	4811400	4	Washer M4	
10	1001108603	12	Nut M6 x 1	
11	1001176626	2	Cap	
12	1001226749	8	Switch	
13	1001244932	1	Control, Scissor Display	
14	1001246583	1	Housing, Lower Extrusion	
15	1001246584	1	Housing, Upper Extrusion	
16	1001246863	1	Cover, Lower Extrusion	
17	1001246864	1	Cover, Upper Extrusion	
18	1001246979	1	Shield, Display	
19	1001247313	1	Mount, Display Shield	
20	1001247443	1	Plate, Phone Holder	
21	1001247682	1	Controller Assembly (See Separate Breakdown in this Section)	
22	1001249049	1	Harness, Platform Control Box (See Separate Breakdown in this Section)	
23	1001249259	2	Panel, Control Box Side	
24	1001250682	1	Pin	
25	1001250692	1	Panel, Latch Cover	
27	1001253800	1	USB Port	
28	1001254119	2	Hinge	
29	4010405002	14	Bolt M4 x 10	
30	1001246823	1	USB Port	
31	1001257076	1	Decal, Platform Function	
32	1001257077	1	Decal, Platform Function	
33	4811700	12	Washer M6	
34	1001255461	6	Stud M6	
35	1001262098	1	Plate, Control Box Latch	
36	0100011	AR	Compound, Locking	
37	1703819	1	Decal - Direction Arrow	

SECTION 5 - PLATFORM

FIGURE 5-6. CONTROLLER ASSEMBLY



ART_1001247682

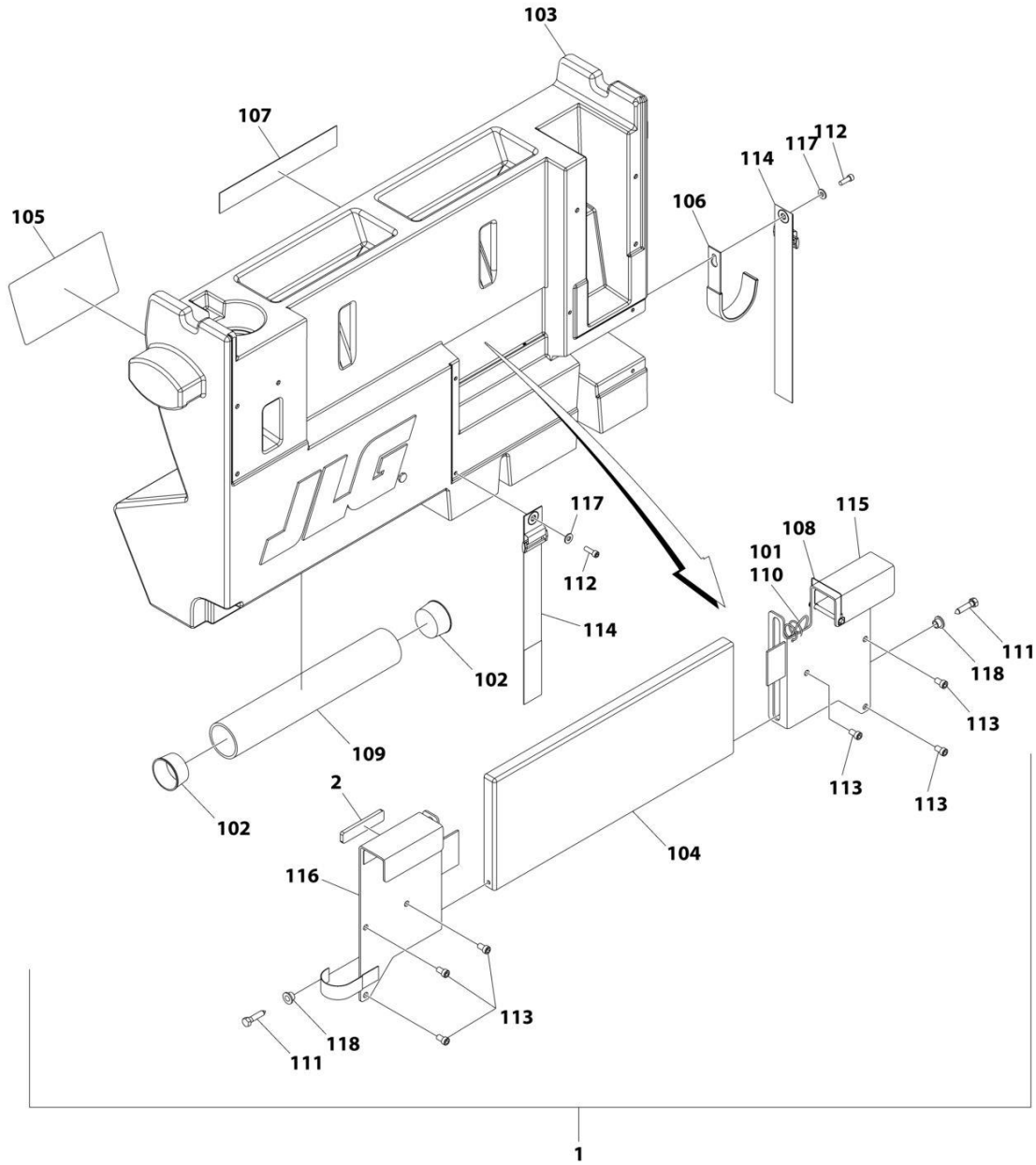
SECTION 5 - PLATFORM

FIGURE 5-6. CONTROLLER ASSEMBLY

ITEM	PART NUMBER	QTY	DESCRIPTION	REV
	1001247682	Ref	DRIVE/STEER CONTROLLER ASSEMBLY (LCD)	B
1	70001250	1	Boot, Panel	
2	70001252	1	Gasket, Mounting	
2	70001251	1	Bezel, Mounting	
3	70007506	1	Handle Repair Kit (Includes handle gasket, item#4 push button and item #4 lever installed in front handle half, back handle half, top actuator, boot and hardware.)	
3	70000084	1	Cap, Rubber	
3	70000082	1	Microswitch	
3	7027766	1	Ring, Retaining	
3	7027365	1	Actuator, Handle	
3	70001253	1	Gasket, Handle	
3	70000683	4	Washer, Neoprene	
3	70000685	2	Spacer, Plastic	
3	70000686	2	Screw (Top)	
3	70000684	2	Screw (Bottom)	
4	7027367	1	Switch, Push Button	
4	7027765	1	Lever, Enable	

SECTION 5 - PLATFORM

FIGURE 5-7. WORKSTATION INSTALLATION



ART_1001255082

SECTION 5 - PLATFORM

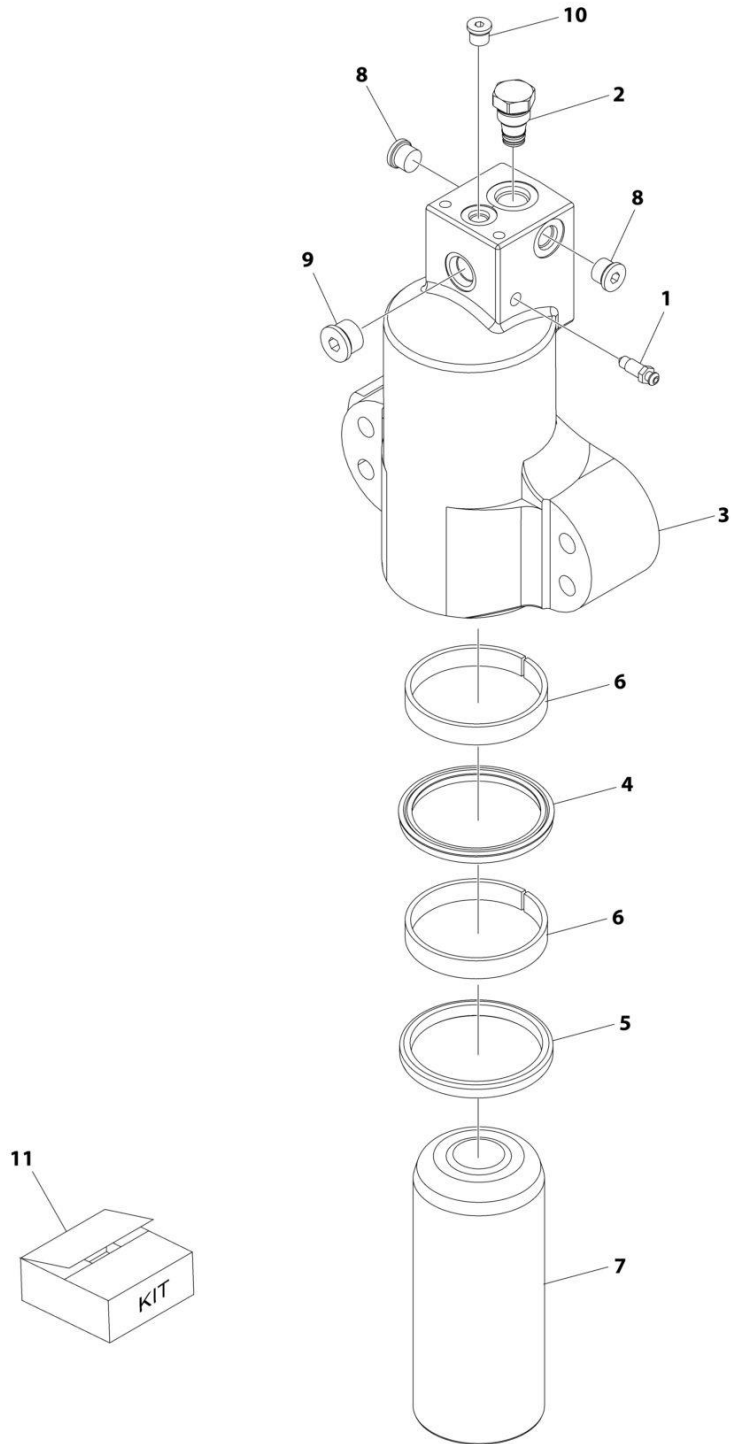
FIGURE 5-7. WORKSTATION INSTALLATION

ITEM	PART NUMBER	QTY	DESCRIPTION	REV
	1001255082	Ref	WORKSTATION INSTALLATION	B
1	1001246392	1	Workstation Assembly (Includes Items 101-118)	B
2	1001269132	1	Decal - Accessory Weight	
101	1060379	1	Lanyard	
102	1120555	2	Cap	
103	1580023	1	Container, Work Bench	
104	1580024	1	Tray	
105	1705997	1	Decal - Workstation	
106	2700100	1	Hook	
107	1001246395	1	Decal - Workstation Capacity	
108	3422219	1	Pin, Snap	
109	3460334	1	Tube	
110	3760170	2	Ring	
111	3900355	2	Screw 5/16	
112	3931412	2	Capscrew 1/4 x 3/4	
113	3931508	6	Capscrew 5/16 x 1/2	
114	4240003	2	Strap, Cinch	
115	4340853	1	Mount (RH)	
116	4340854	1	Mount (LH)	
117	4711400	2	Washer 1/4	
118	4740480	2	Insert	

SECTION 6 - CYLINDER

SECTION 6 - CYLINDER

FIGURE 6-1. AXLE LOCKOUT CYLINDER ASSEMBLY



ART_1001245046

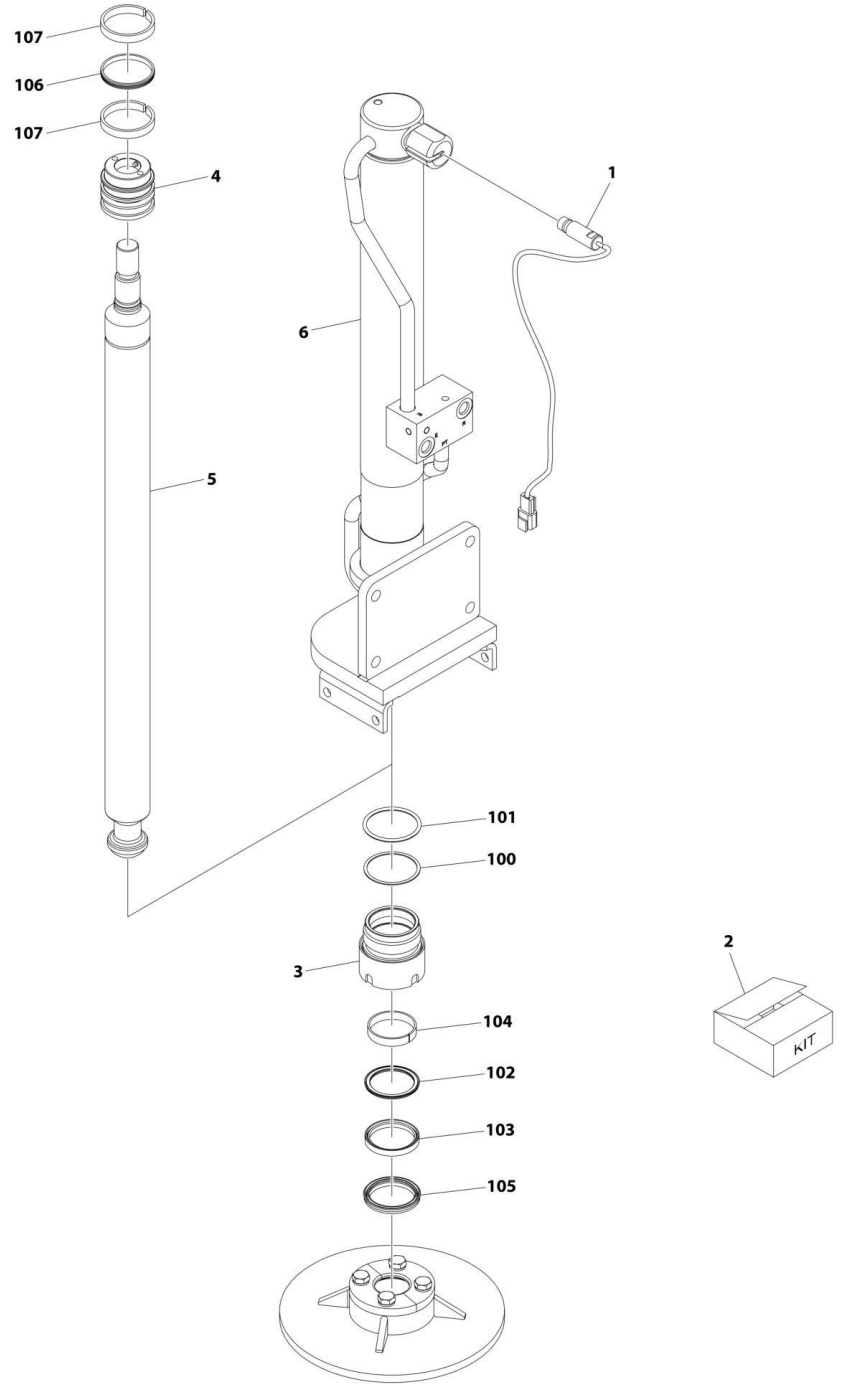
SECTION 6 - CYLINDER

FIGURE 6-1. AXLE LOCKOUT CYLINDER ASSEMBLY

ITEM	PART NUMBER	QTY	DESCRIPTION	REV
	1001245046	Ref	AXLE LOCKOUT CYLINDER ASSEMBLY	D
		Ref	Note: Original Cylinder May Have Been Replaced with Service Replacement. Identify PN Stamped on Cylinder Before Ordering Parts.	
1	4640858	1	Valve, Bleeder	
2	1001248671	1	Cartridge, Valve	
3	1001245653	1	Barrel	
4	See Note	NSS	Seal, Rod (Note: use p/n 70007678)	
5	See Note	NSS	Wiper (Note: use p/n 70007678)	
6	See Note	NSS	Ring, Wear (Note: use p/n 70007678)	
7	70007679	1	Rod	
8	2220885	2	Plug #6	
9	2220886	1	Plug #8	
10	2220883	1	Plug #4	
11	70007678	1	Kit, Seal (Includes Items 4-6)	

SECTION 6 - CYLINDER

FIGURE 6-2. LEVELING JACK CYLINDER ASSEMBLY



ART_1001243256

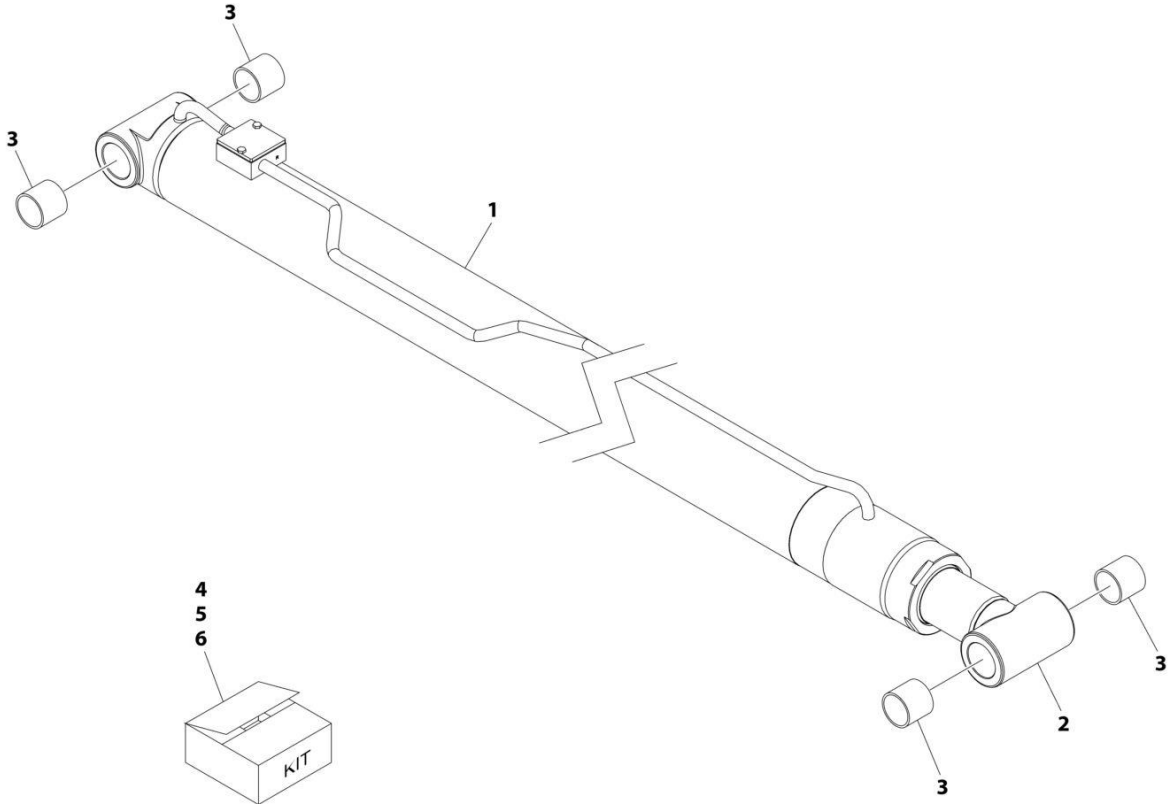
SECTION 6 - CYLINDER

FIGURE 6-2. LEVELING JACK CYLINDER ASSEMBLY

ITEM	PART NUMBER	QTY	DESCRIPTION	REV
	1001243256	Ref	LEVELING JACK CYLINDER ASSEMBLY	E
	See Note	Ref	Note: Original Cylinder May Have Been Replaced with Service Replacement. Identify PN Stamped on Cylinder Before Ordering Parts.	
1	1001246658	1	Sensor, Leveling Jacks Proximity	
2	70007709	1	Kit, Seal (Includes Items 100-107)	
3	70007710	1	Retainer	
4	70007711	1	Piston	
5	70007712	1	Rod	
6	See Note	1	Barrel (Note: Use PN 1001243256)	
100	See Note	NSS	Ring, Backup (Note: use p/n 70007709)	
101	See Note	NSS	O-Ring (Note: use p/n 70007709)	
102	See Note	NSS	Ring, Buffer (Note: use p/n 70007709)	
103	See Note	NSS	Seal, Rod (Note: use p/n 70007709)	
104	See Note	NSS	Ring, Wear (Note: use p/n 70007709)	
105	See Note	NSS	Wiper (Note: use p/n 70007709)	
106	See Note	NSS	Seal, Piston (Note: use p/n 70007709)	
107	See Note	NSS	Ring, Wear (Note: use p/n 70007709)	

SECTION 6 - CYLINDER

FIGURE 6-3. RT4069 & RT4769 LIFT CYLINDER ASSEMBLY - LOWER



ART_1001255394

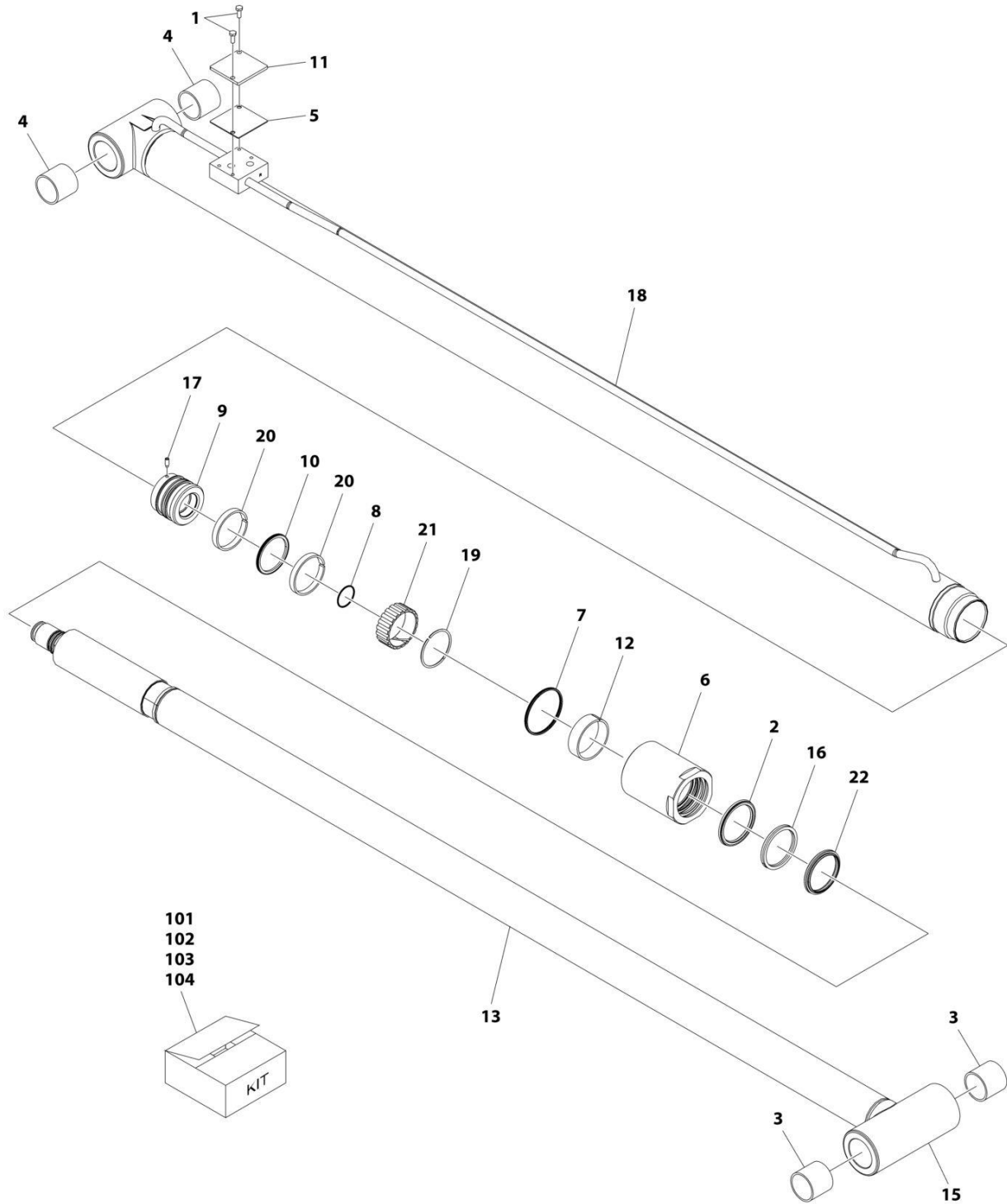
SECTION 6 - CYLINDER

FIGURE 6-3. RT4069 & RT4769 LIFT CYLINDER ASSEMBLY - LOWER

ITEM	PART NUMBER	QTY	DESCRIPTION	REV
	1001255394	Ref	CYLINDER ASSEMBLY - LIFT Note: Original Cylinder May Have Been Replaced with Service Replacement. Identify PN Stamped on Cylinder Before Ordering Parts.	D
		Ref		
1	Note	NSS	Barrel (Note: Use PN 1001255394)	
2	70007949	1	Rod Kit (Includes Rod & Rod End)	
3	70007950	4	Bushing	
4	70007715	1	Piston Kit (Includes Piston, Piston Seal, Wear Ring & Setscrew)	
5	70007948	1	Head/Retainer Kit (Includes Head, Head Seal, Buffer Ring, Piston Seal, Retainer, Wear Ring & Wiper),	
6	70007947	1	Seal Kit (Includes Buffer Ring, Head Seal, Piston Seals, Wear Rings & Wiper)	

SECTION 6 - CYLINDER

FIGURE 6-4. RT4769 LIFT CYLINDER ASSEMBLY - UPPER



ART_1001255902

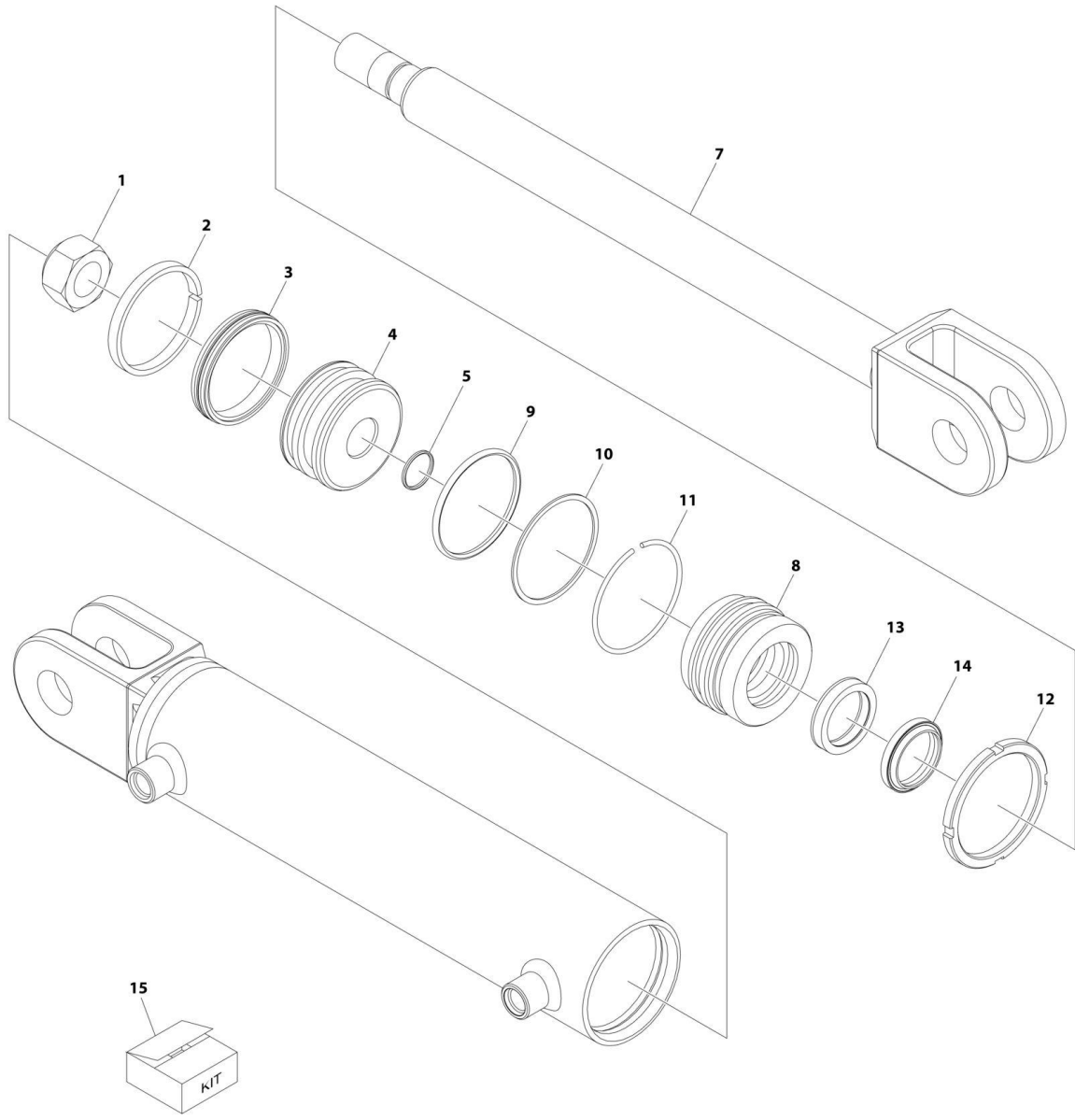
SECTION 6 - CYLINDER

FIGURE 6-4. RT4769 LIFT CYLINDER ASSEMBLY - UPPER

ITEM	PART NUMBER	QTY	DESCRIPTION	REV
	1001255902	Ref	CYLINDER ASSEMBLY - LIFT	D
		Ref	Note: Original Cylinder May Have Been Replaced with Service Replacement. Identify PN Stamped on Cylinder Before Ordering Parts.	
1	See Note	NSS	Bolt (Note: Purchase Locally)	
2	See Note	NSS	Ring, Buffer (Note: Use Kit PN 70008568 or 70008569)	
3	70007950	2	Bushing	
4	70008572	2	Bushing	
5	See Note	NSS	Gasket (Note: Purchase Complete Assembly)	
6	See Note	NSS	Head (Note: Purchase Complete Assembly)	
7	See Note	NSS	Seal, Head (Note: Use Kit PN 70008568 or 70008569)	
8	See Note	NSS	O-Ring (Note: Use Kit PN 70008568)	
9	See Note	NSS	Piston (Note: Use Kit PN 70008570)	
10	See Note	NSS	Seal, Piston (Note: Use Kit PN 70008568 or 70008570)	
11	See Note	NSS	Plate (Note: Purchase Complete Assembly)	
12	See Note	NSS	Retainer (Note: Use Kit PN 70008569)	
13	See Note	NSS	Rod (Note: Use Kit PN 70008571)	
14	See Note	NSS	Bushing, Rod (Not Shown) (Note: Use Kit PN 70008568 or 70008569)	
15	See Note	NSS	End, Rod (Note: Use Kit PN 70008571)	
16	See Note	NSS	Seal, Rod (Note: Use Kit PN 70008568 or 70008569)	
17	See Note	NSS	Setscrew (Note: Use Kit PN 70008570)	
18	See Note	NSS	Barrel (Note: Purchase Complete Assembly)	
19	See Note	NSS	Ring, Stop (Note: Use Kit PN 70008571)	
20	See Note	NSS	Ring, Wear (Note: Use Kit PN 70008568 or 70008570)	
21	See Note	NSS	Ring, Wear (Note: Use Kit PN 70008568)	
22	See Note	NSS	Wiper (Note: Use Kit PN 70008568 or 70008569)	
101	70008568	1	Kit, Service (Includes Items 2,7,10,14,16,20,21,22)	
102	70008569	1	Kit, Retainer (Includes Items 2,7,12,14,16,22)	
103	70008570	1	Kit, Piston (Includes Items 9,10,17,20)	
104	70008571	1	Kit, Rod (Includes Items 13,15,19)	

SECTION 6 - CYLINDER

FIGURE 6-5. STEER CYLINDER ASSEMBLY



ART_1001246107

SECTION 6 - CYLINDER

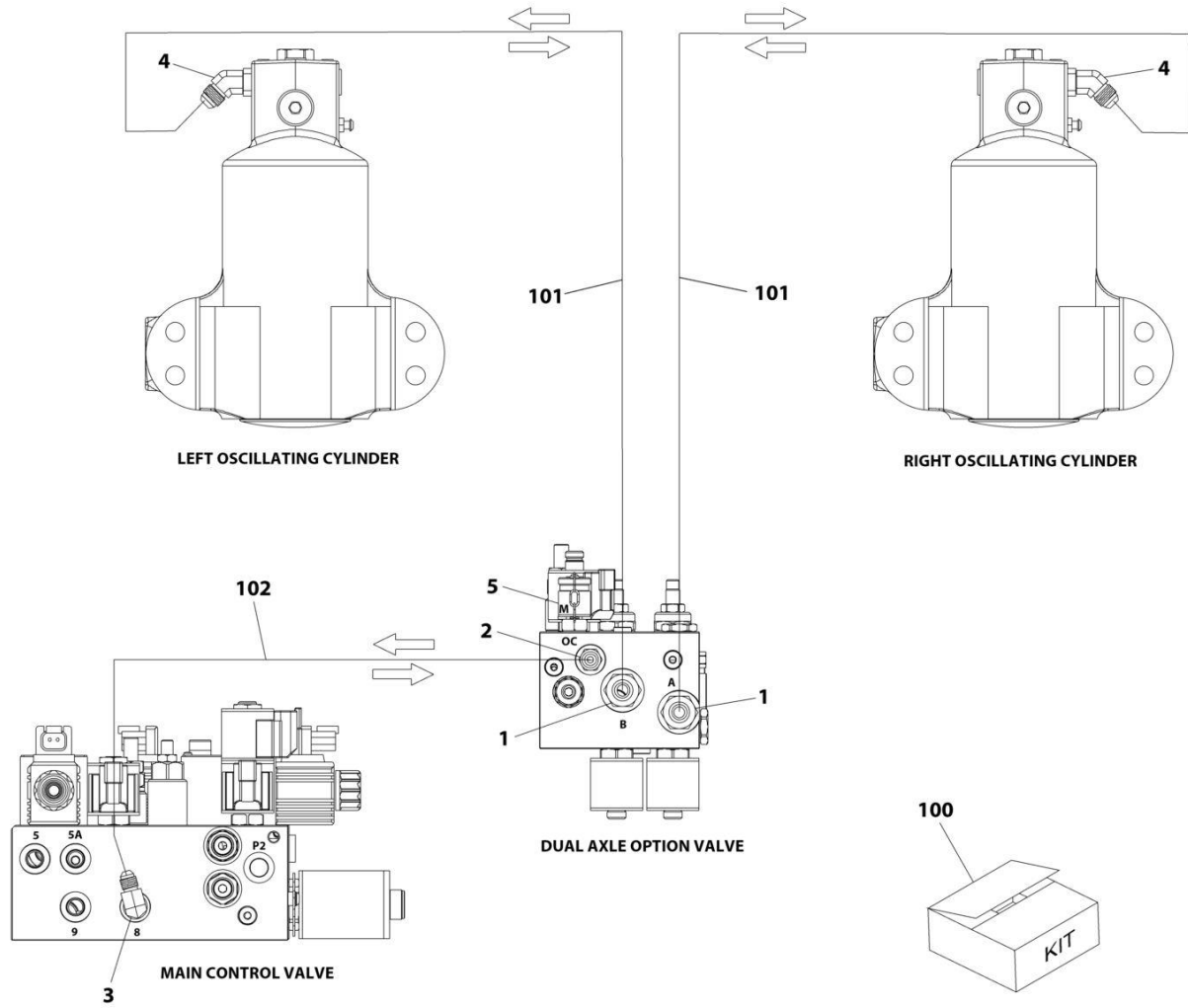
FIGURE 6-5. STEER CYLINDER ASSEMBLY

ITEM	PART NUMBER	QTY	DESCRIPTION	REV
	1001246107	Ref	STEER CYLINDER ASSEMBLY	B
		Ref	Note: Original Cylinder May Have Been Replaced with Service Replacement. Identify PN Stamped on Cylinder Before Ordering Parts.	
1	7001626	1	Nut	
2	See Note	NSS	Ring, Wear (Note: use p/n 70007610)	
3	See Note	NSS	Seal, Piston (Note: use p/n 70007610)	
4	70007607	1	Piston	
5	See Note	NSS	O-Ring (Note: use p/n 70007610)	
7	70007608	1	Rod	
8	70007609	1	Guide	
9	See Note	NSS	O-Ring (Note: use p/n 70007610)	
10	See Note	NSS	Ring, Backup (Note: use p/n 70007610)	
11	See Note	NSS	Ring, Retaining (Note: use p/n 70007610)	
12	7001630	1	Nut	
13	See Note	NSS	Ring (Note: use p/n 70007610)	
14	See Note	NSS	Ring, Wiper (Note: use p/n 70007610)	
15	70007610	1	Kit, Seal (Includes Items 2, 3, 5, 8-10, 12, & 13)	

SECTION 7 - HYDRAULIC

SECTION 7 - HYDRAULIC

FIGURE 7-1. HYDRAULIC DIAGRAM - AXLE (DUAL OSCILLATING)



ART_1001246104

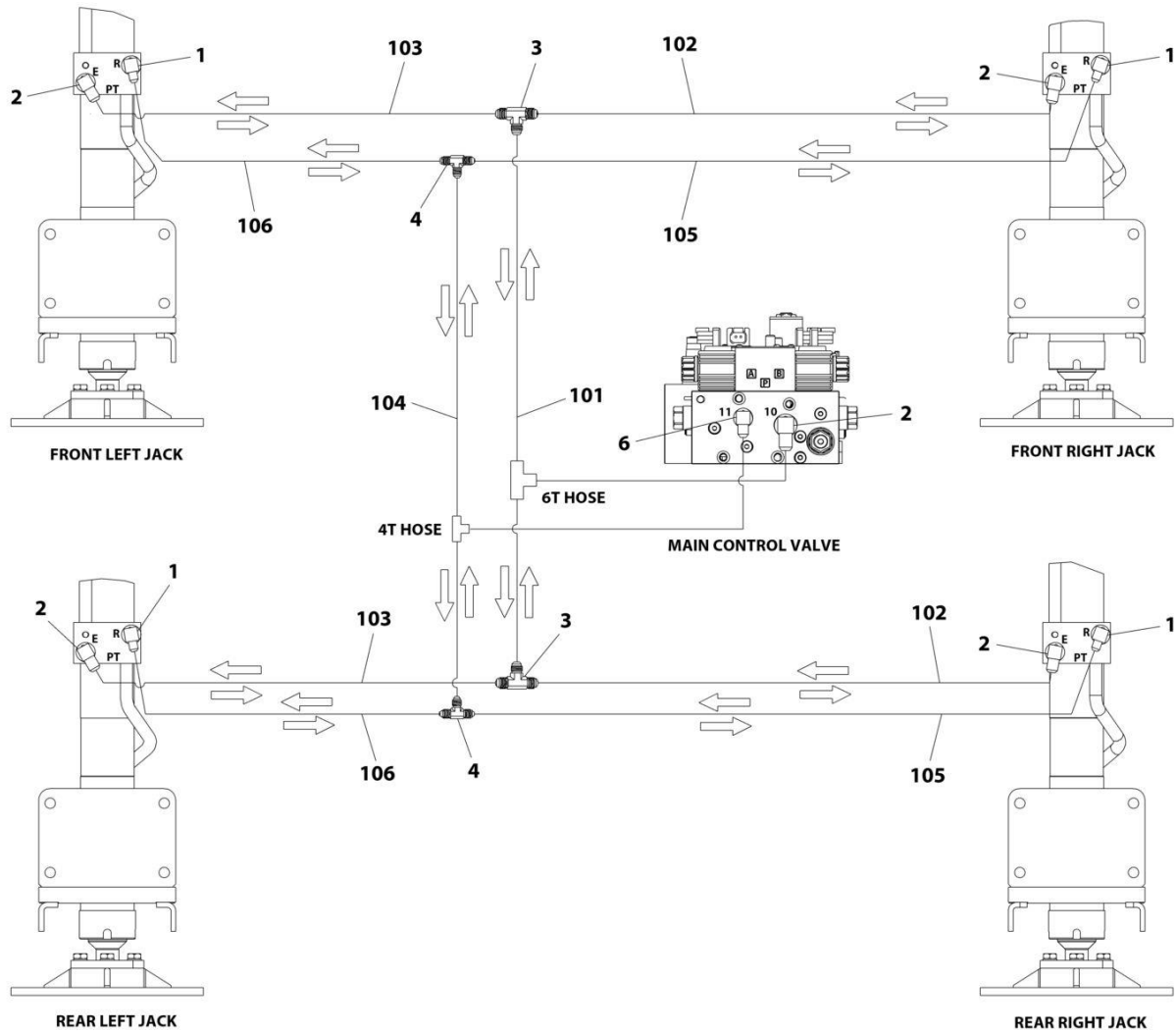
SECTION 7 - HYDRAULIC

FIGURE 7-1. HYDRAULIC DIAGRAM - AXLE (DUAL OSCILLATING)

ITEM	PART NUMBER	QTY	DESCRIPTION	REV
	1001246104	Ref	HYDRAULIC DIAGRAM - AXLE (DUAL OSCILLATING)	F
1	2220371	Ref	Fitting, Straight JIC/ORB	
2	2220415	1	Fitting, Straight JIC/ORB	
3	2220466	1	Fitting, 90 JIC/ORB	
4	2220501	2	Fitting, 45 JIC/ORB	
5	2221086	1	Fitting, Test	
100	1001260253	1	Kit, Hose (Includes Items 101 & 102)	
101	1001250418	2	Hose	
102	1001250419	1	Hose	

SECTION 7 - HYDRAULIC

FIGURE 7-2. HYDRAULIC DIAGRAM - LEVELING JACKS



ART_1001250342

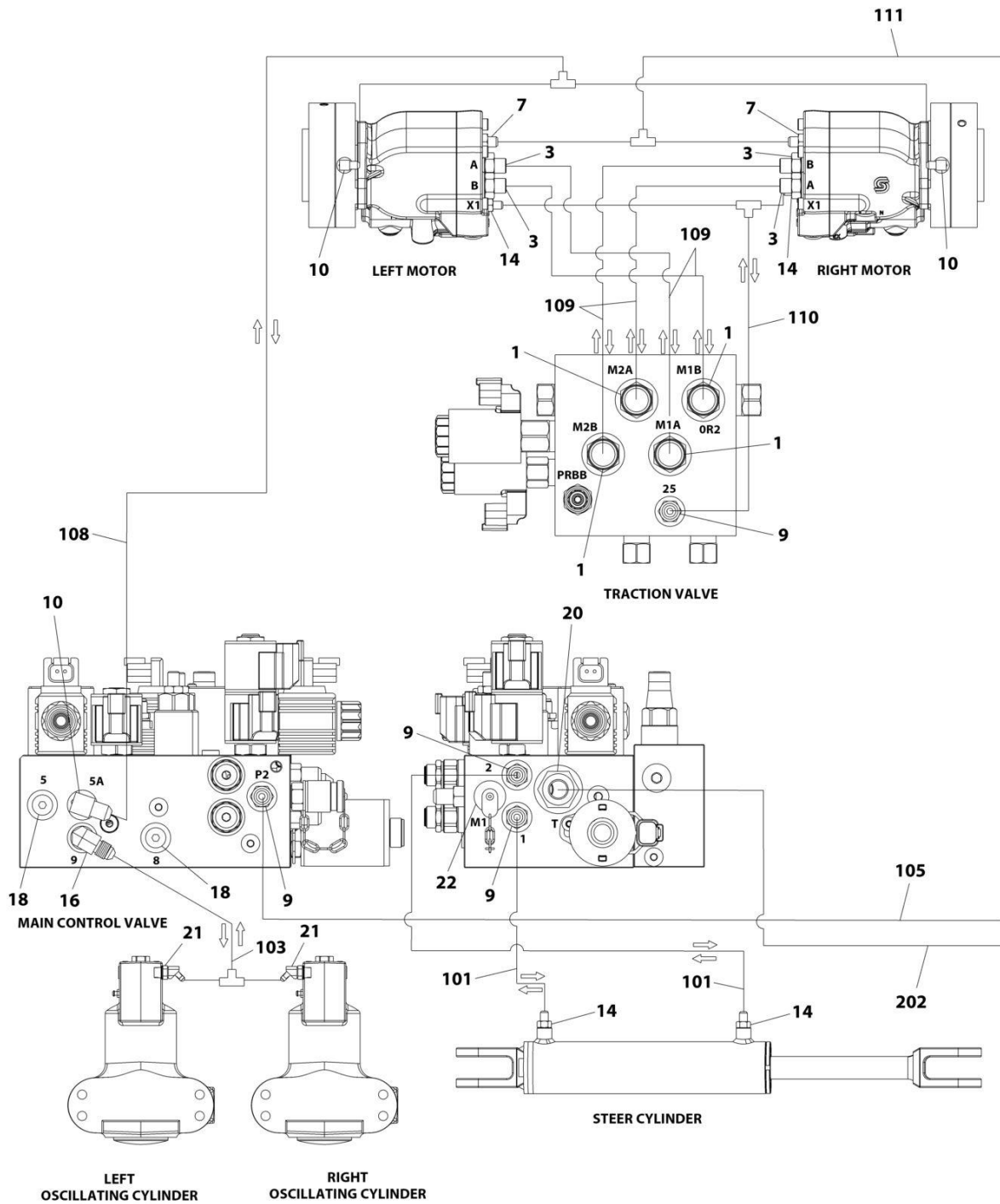
SECTION 7 - HYDRAULIC

FIGURE 7-2. HYDRAULIC DIAGRAM - LEVELING JACKS

ITEM	PART NUMBER	QTY	DESCRIPTION	REV
	1001250342	Ref	HYDRAULIC DIAGRAM - LEVELING JACKS	B
1	2220472	4	Fitting, 90 JIC/ORB	
2	2220473	5	Fitting, 90 JIC/ORB	
3	2220490	2	Fitting, Tee JIC/JIC/JIC	
4	2220504	2	Fitting, Tee JIC/JIC/JIC	
6	2220466	1	Fitting, 90 JIC/ORB	
100	1001260252	Ref	Hose Kit (Not Shown)	A
101	1001250307	1	Hose	
102	1001250308	2	Hose	
103	1001250309	2	Hose	
104	1001250310	1	Hose	
105	1001250311	2	Hose	
106	1001250312	2	Hose	

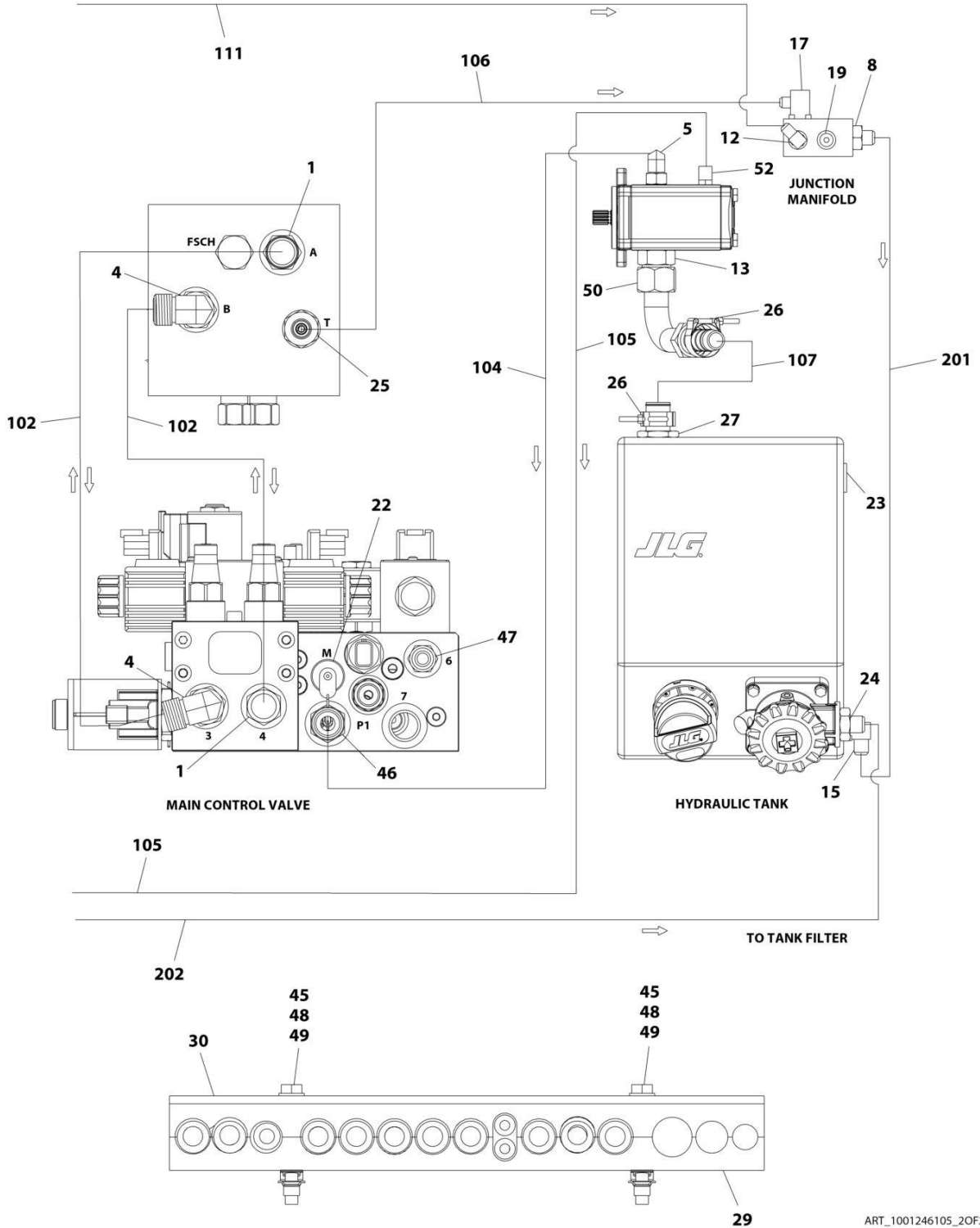
SECTION 7 - HYDRAULIC

FIGURE 7-3. HYDRAULIC DIAGRAM - STANDARD (2WD)



ART_1001246105_10F2

SECTION 7 - HYDRAULIC



ART_1001246105_2OF2

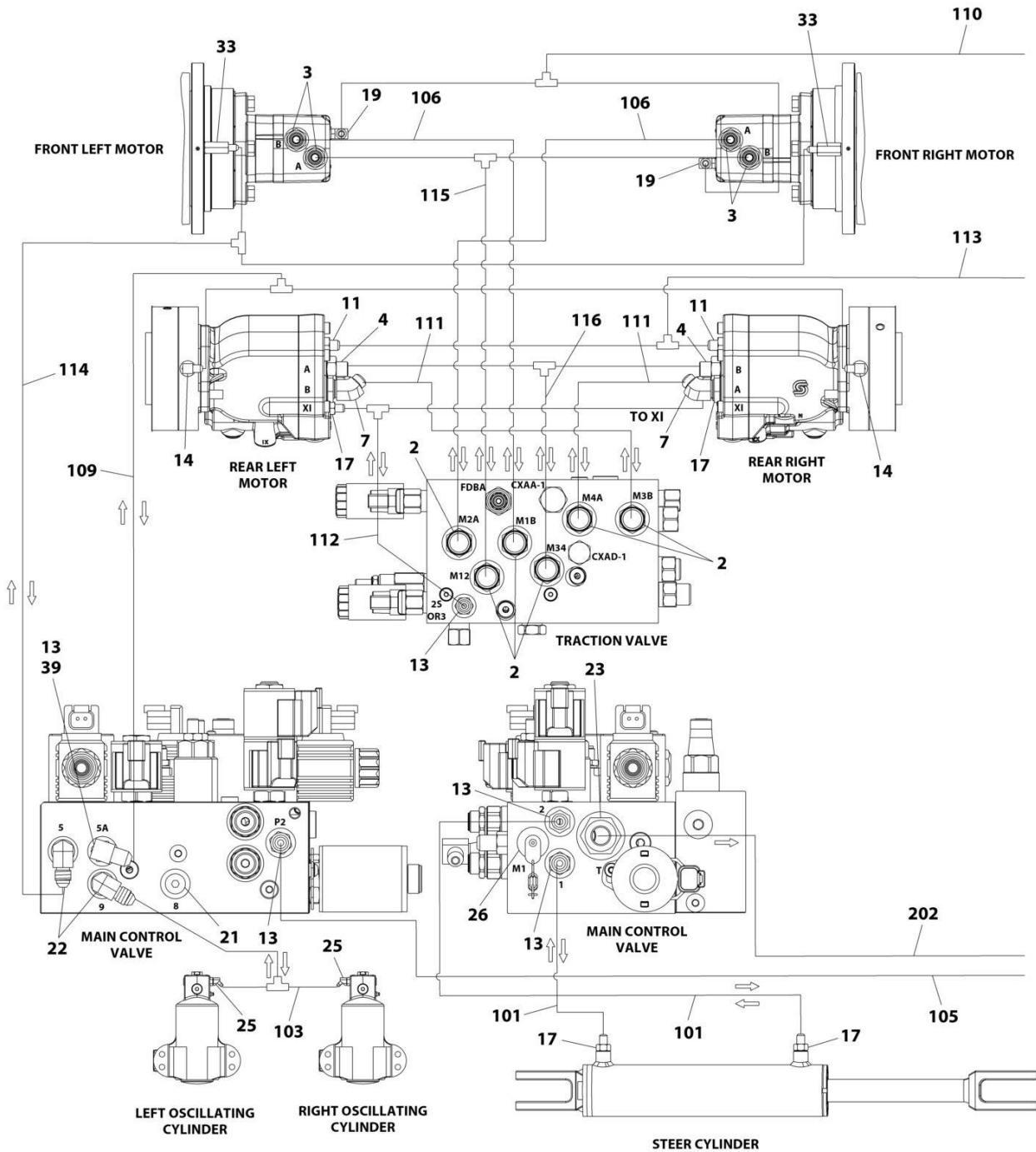
SECTION 7 - HYDRAULIC

FIGURE 7-3. HYDRAULIC DIAGRAM - STANDARD (2WD)

ITEM	PART NUMBER	QTY	DESCRIPTION	REV
	1001246105	Ref	HYDRAULIC DIAGRAM – STANDARD (2WD)	D
1	2110808	6	Fitting, Straight ORFS/ORB	
3	2110812	4	Fitting, Straight ORFS/ORB	
4	2130808	2	Fitting, 90 ORFS/ORB	
5	2130810	1	Fitting, 90 ORFS/ORB	
7	2220372	2	Fitting, Straight JIC/ORB	
8	2220375	1	Fitting, Straight JIC/ORB	
9	2220415	4	Fitting, Straight JIC/ORB	
10	2220466	3	Fitting, 90 JIC/ORB	
12	2220473	1	Fitting, 90 JIC/ORB	
13	2220479	1	Fitting, Straight JIC/ORB	
14	2220582	4	Fitting, Straight JIC/ORB	
15	2220596	1	Fitting, 90 JIC/ORB	
16	2220940	1	Fitting, Elbow	
17	2220828	1	Fitting, Straight JIC/ORB	
18	2220883	2	Plug	
19	2220885	1	Plug	
20	2220947	1	Fitting	
21	2221040	2	Fitting, 45 JIC/ORB	
22	2221086	2	Fitting, Test Port	
23	8770223	1	Fitting	
24	83451104	1	Fitting, Straight JIC/ORB	
25	2220998	1	Fitting, Straight JIC/ORB	
26	80633030	2	Clamp, Heavy Duty Band	
27	1001202910	1	Fitting	
29	1001247462	1	Clamp	
30	1001248339	1	Plate	
45	0700822	2	Bolt M8 x 70	
46	2170108	1	Connector	
47	2220371	1	Fitting, Straight JIC/ORB	
48	4811900	2	Washer M8	
49	1001118274	2	Nut	
50	1001205824	1	Fitting	
51	4240018	1	Tie-Strap	
52	2220472	1	Fitting, 90 JIC/ORB	
100	1001260250	1	Hose Kit (Not Shown)	B
101	1001248868	2	Hose	
102	1001248869	2	Hose	
103	1001248871	1	Hose	
104	1001248872	1	Hose	
105	1001248873	1	Hose	
106	1001249181	1	Hose	
107	1001249231	1	Hose	
108	1001249701	1	Hose	
109	1001250468	4	Hose	
110	1001254083	1	Hose	
111	1001254298	1	Hose	
200	1001260255	1	Hose Kit (Not Shown)	A
201	1001249178	1	Hose	
202	1001249850	1	Hose	

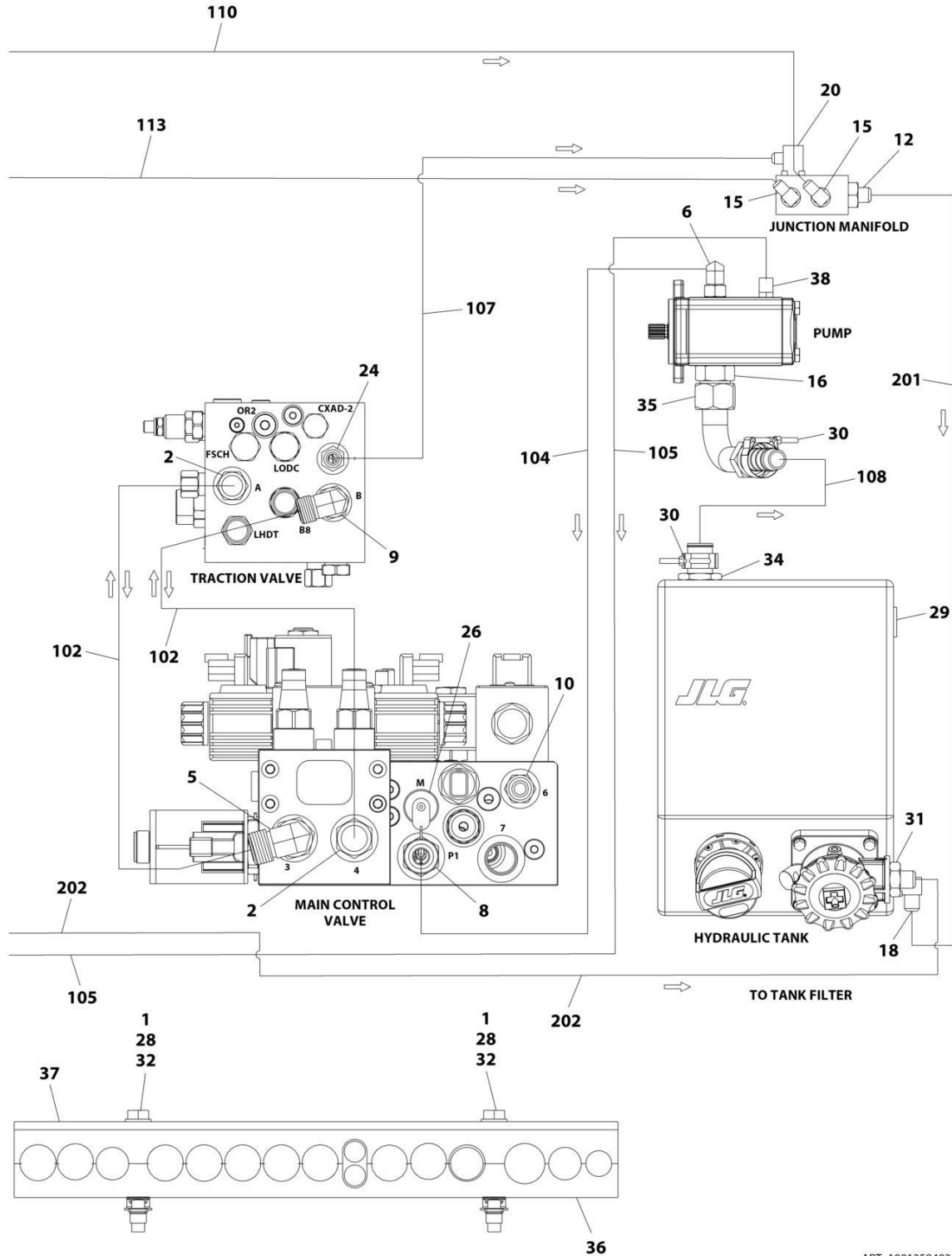
SECTION 7 - HYDRAULIC

FIGURE 7-4. HYDRAULIC DIAGRAM - STANDARD (4WD)



ART_1001258493_10F2

SECTION 7 - HYDRAULIC



ART_1001258493_20F2

SECTION 7 - HYDRAULIC

FIGURE 7-4. HYDRAULIC DIAGRAM - STANDARD (4WD)

ITEM	PART NUMBER	QTY	DESCRIPTION	REV
	1001258493	Ref	HYDRAULIC DIAGRAM - STANDARD (4WD)	C
1	0700822	2	Bolt M8 x 70	
2	2110808	8	Fitting, Straight ORFS/ORB	
3	2110810	4	Fitting, Straight ORFS/ORB	
4	2110812	2	Fitting, Straight ORFS/ORB	
5	2130808	1	Fitting, 90 ORFS/ORB	
6	2130810	1	Fitting, 90 ORFS/ORB	
7	2150812	2	Elbow	
8	2170108	1	Connector	
9	2170208	1	Fitting, 90 ORFS/ORB	
10	2220371	1	Fitting, Straight JIC/ORB	
11	2220372	2	Fitting, Straight JIC/ORB	
12	2220375	1	Fitting, Straight JIC/ORB	
13	2220415	5	Fitting, Straight JIC/ORB	
14	2220466	2	Fitting, 90 JIC/ORB	
15	2220473	2	Fitting, 90 JIC/ORB	
16	2220479	1	Fitting, Straight JIC/ORB	
17	2220582	4	Fitting, Straight JIC/ORB	
18	2220596	1	Fitting, 90 JIC/ORB	
19	2220775	2	Fitting, 90 JIC/ORB	
20	2220828	1	Fitting, Straight JIC/ORB	
21	2220883	1	Plug	
22	2220940	2	Fitting, Elbow	
23	2220947	1	Fitting	
24	2220998	1	Fitting, Straight JIC/ORB	
25	2221040	2	Fitting, 45 JIC/ORB	
26	2221086	2	Fitting, Test Port	
27	4240018	3	Tie-Strap	
28	4811900	2	Washer M8	
29	8770223	1	Fitting	
30	80633030	2	Clamp, Heavy Duty Band	
31	83451104	1	Fitting, Straight JIC/ORB	
32	1001118274	2	Nut	
33	1001119630	2	Fitting, Straight JIC/MPP	
34	1001202910	1	Fitting	
35	1001205824	1	Fitting	
36	1001247462	1	Clamp	
37	1001248339	1	Plate	
38	2220472	1	Fitting, 90 JIC/ORB	
39	2220654	1	Fitting, 90 JIC/FSJIC	
100	1001263162	1	Hose Kit (Not Shown)	B
101	1001248868	2	Hose	
102	1001248869	2	Hose	
103	1001248871	1	Hose	
104	1001248872	1	Hose	
105	1001248873	1	Hose	
106	1001248874	2	Hose	
107	1001249181	1	Hose	
108	1001249231	1	Hose	
109	1001249701	1	Hose	

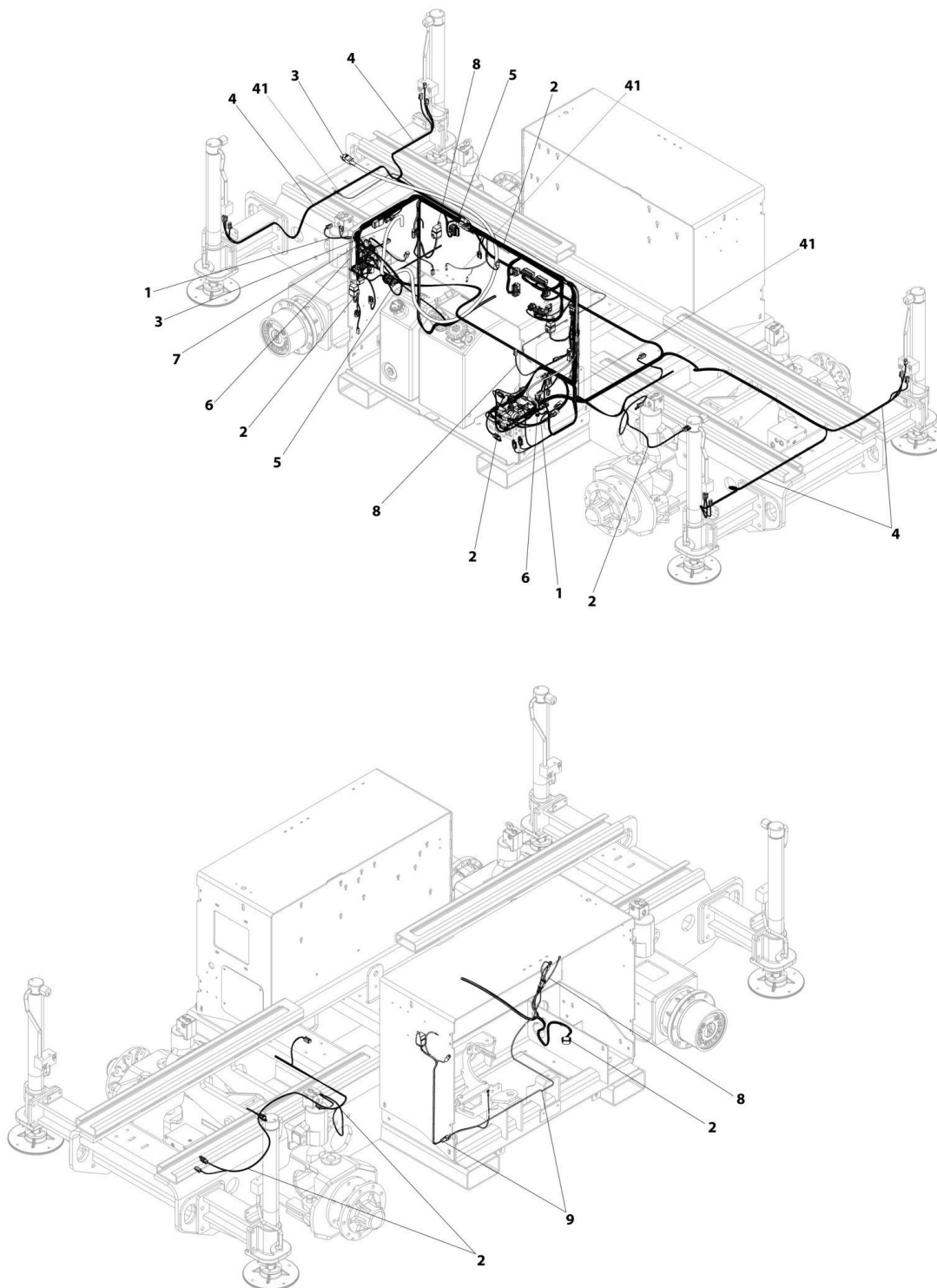
SECTION 7 - HYDRAULIC

ITEM	PART NUMBER	QTY	DESCRIPTION	REV
110	1001249703	1	Hose	
111	1001250468	2	Hose	
112	1001254083	1	Hose	
113	1001254298	1	Hose	
114	1001260540	1	Hose	
115	1001263303	1	Hose	
116	1001263304	1	Hose	
200	1001260255	1	Hose Kit (Not Shown)	A
201	1001249178	1	Hose	
202	1001249850	1	Hose	

SECTION 8 - ELECTRICAL

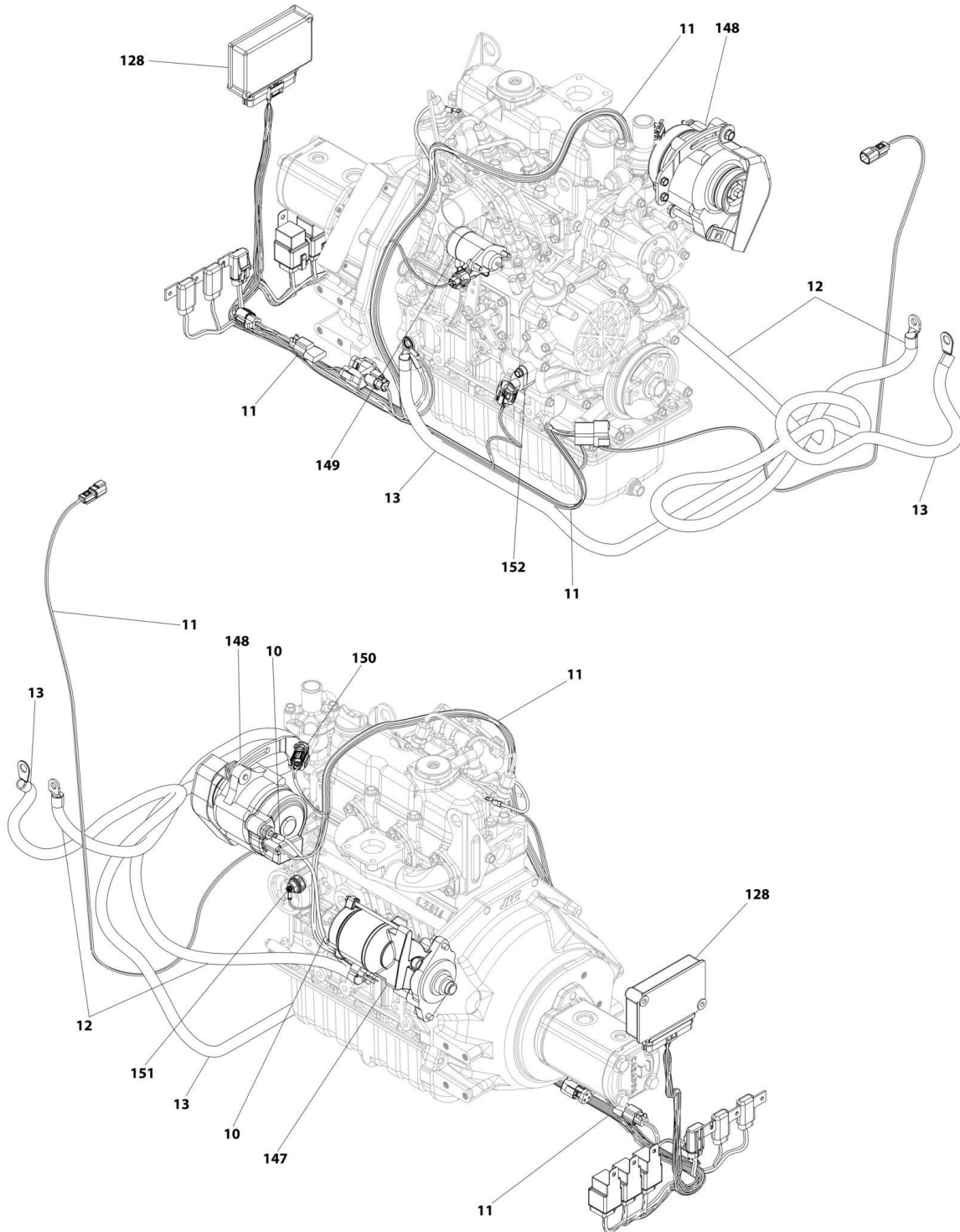
SECTION 8 - ELECTRICAL

FIGURE 8-1. RT4069 & RT4769 ELECTRICAL LAYOUT



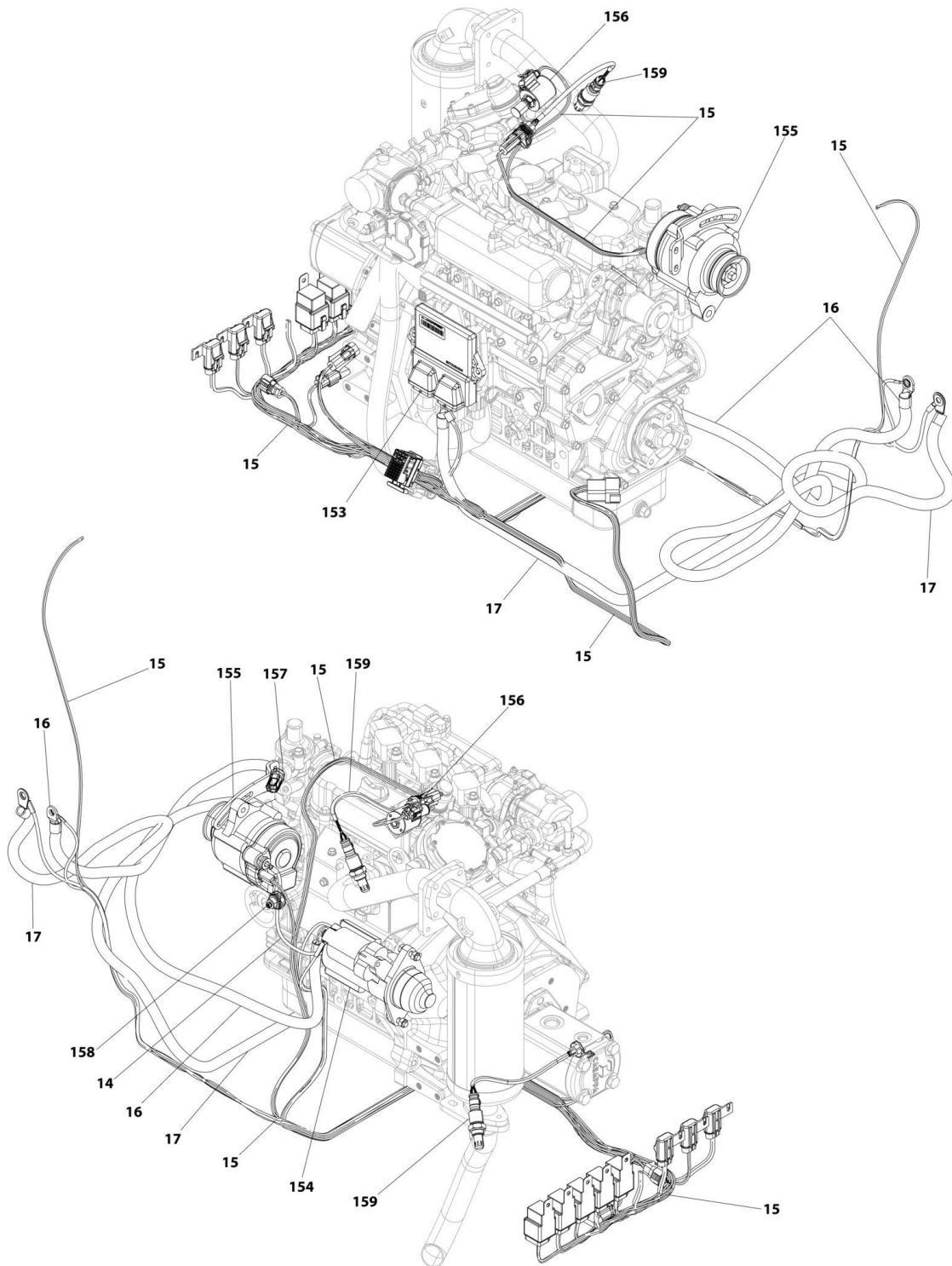
ART_RT4769-ELECTRICAL_FRAME-HARNES

SECTION 8 - ELECTRICAL



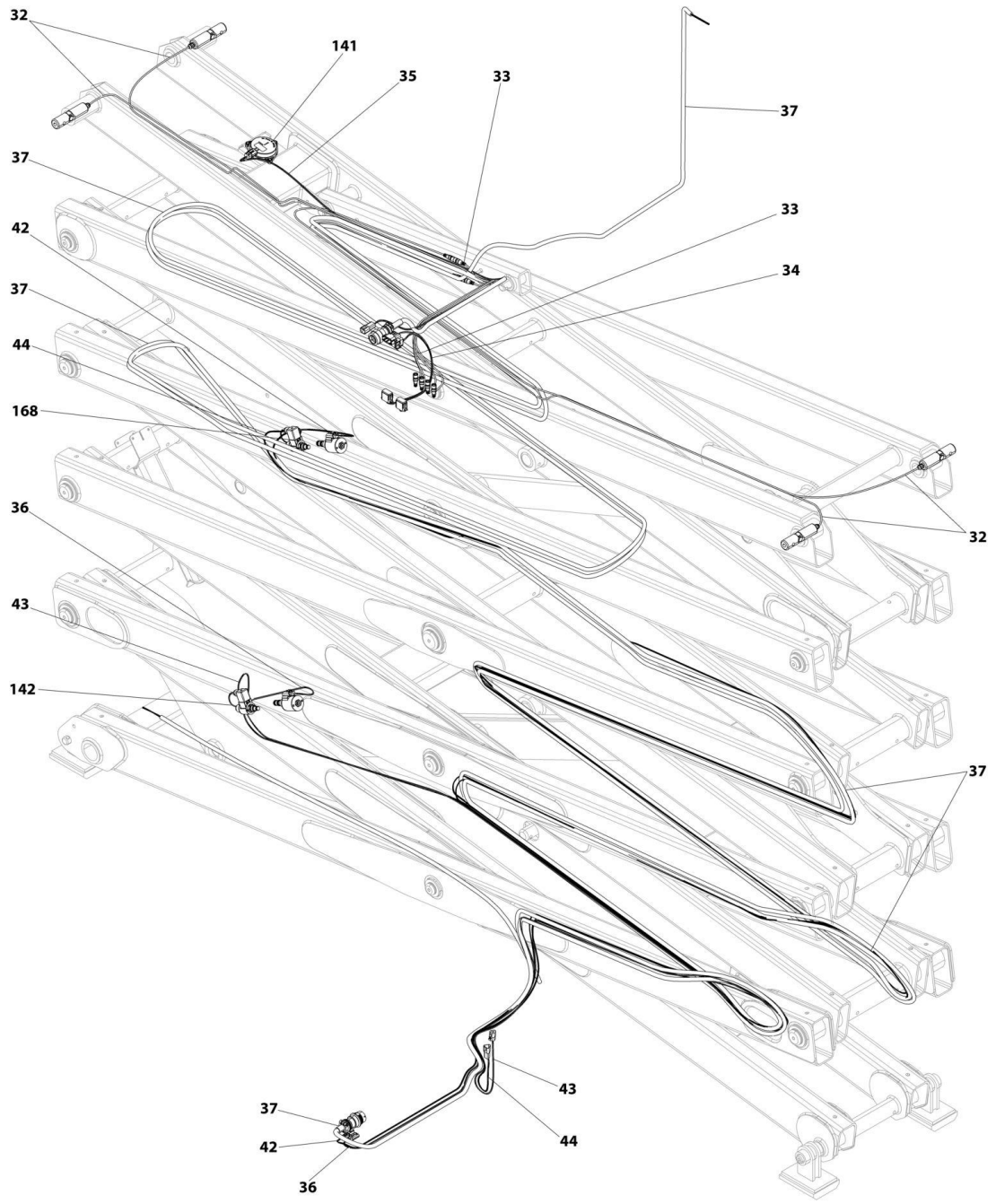
ART_RT3369-ELECTRICAL_ENGINE-KUBOTAT126D

SECTION 8 - ELECTRICAL



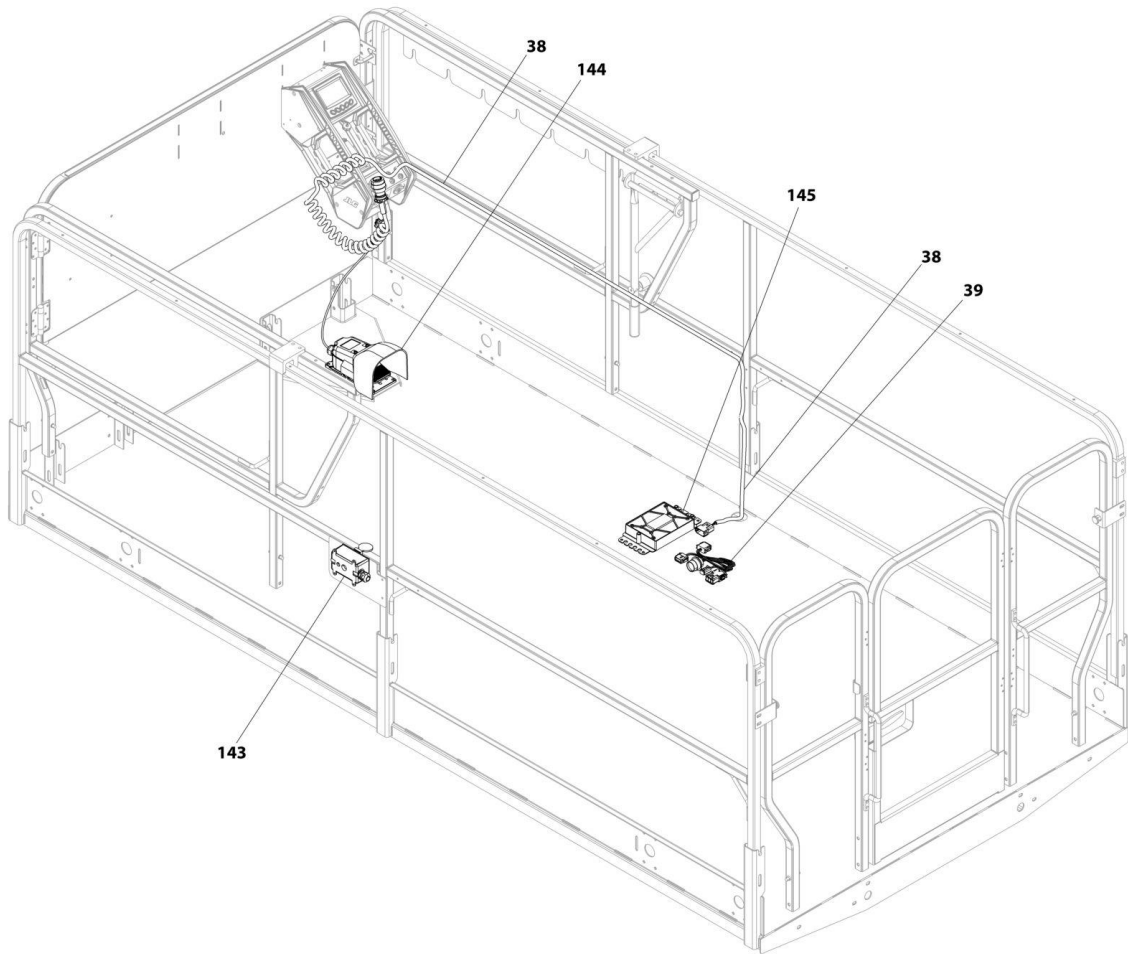
ART_RT3369-ELECTRICAL_ENGINE_KUBOTA096DF

SECTION 8 - ELECTRICAL



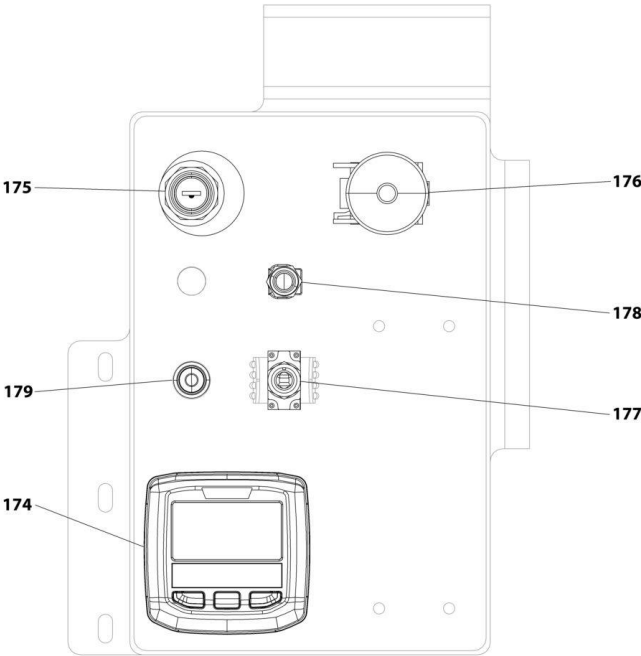
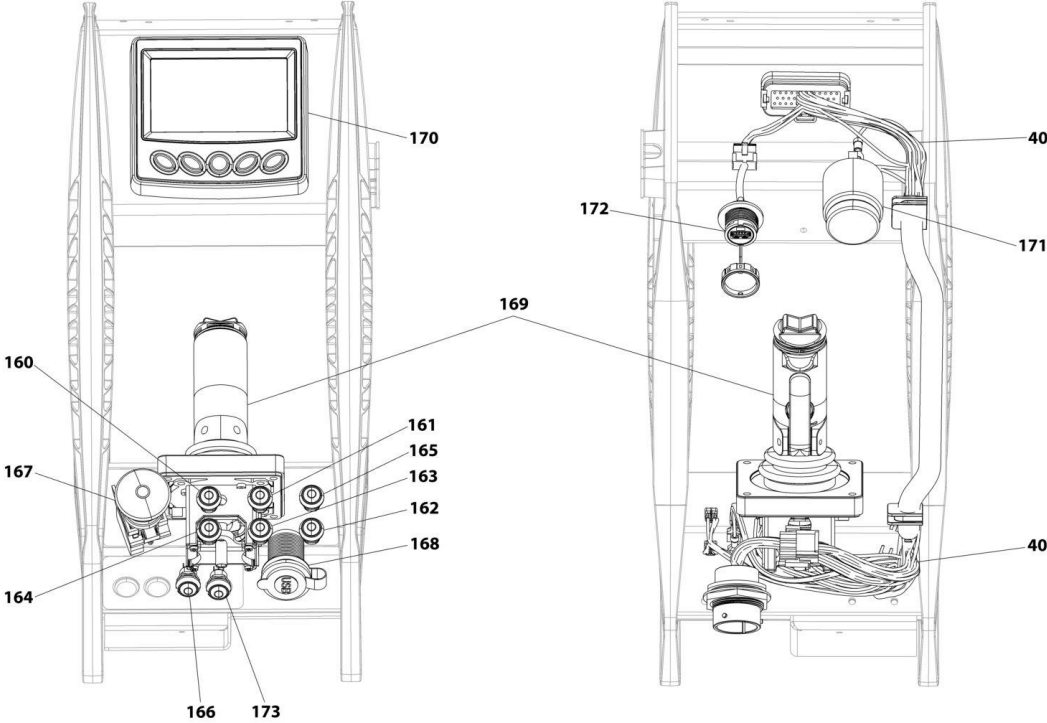
ART_ERT4769-ELECTRICAL_ARMS

SECTION 8 - ELECTRICAL



ART_ERT3369-ELECTRICAL_PLATFORM

SECTION 8 - ELECTRICAL



ART_RT4769-ELECTRICAL_CONTROLS

SECTION 8 - ELECTRICAL

FIGURE 8-1. RT4069 & RT4769 ELECTRICAL LAYOUT

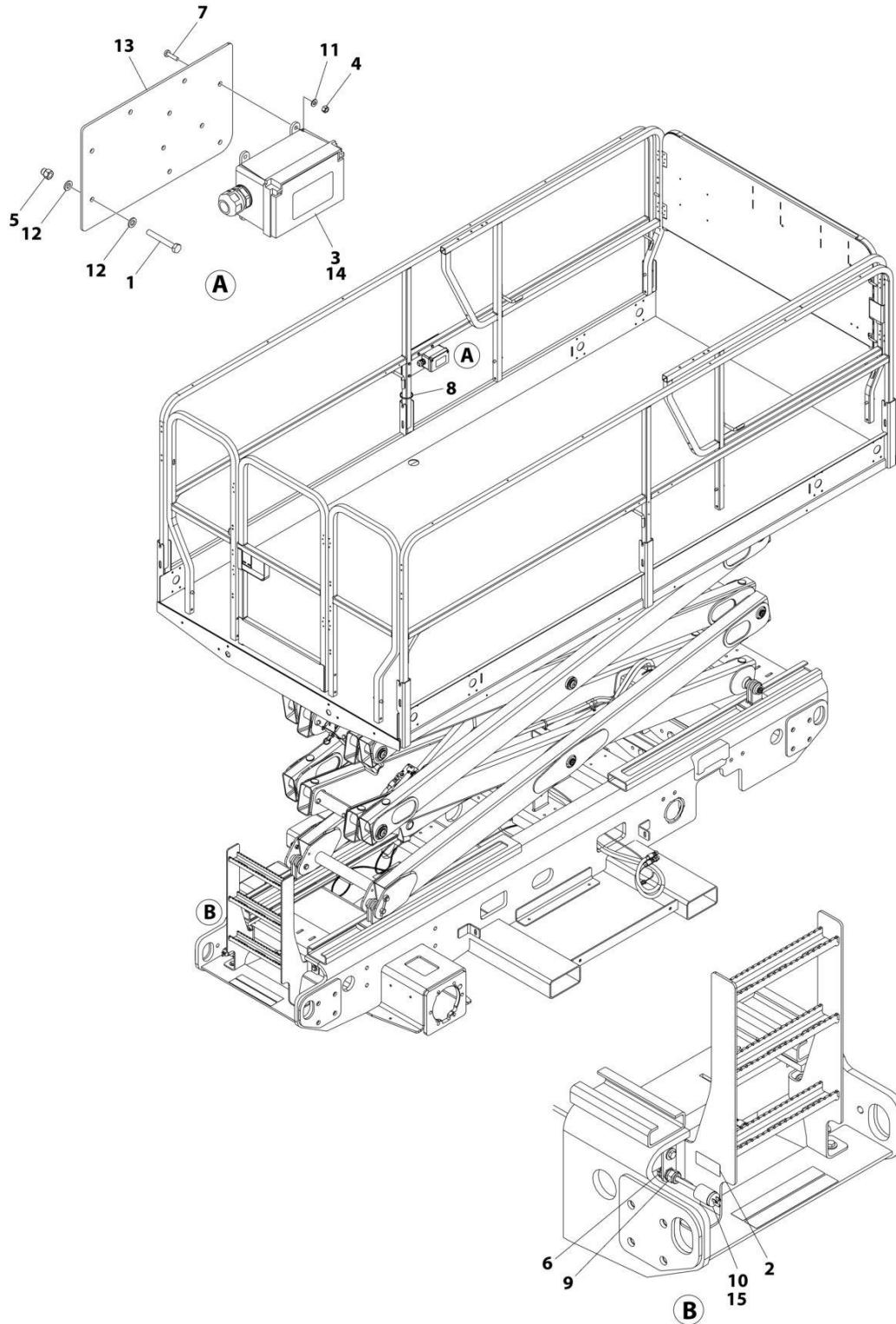
ITEM	PART NUMBER	QTY	DESCRIPTION	REV
		Ref	Note: This figure is for part identification only.	
		Ref	HARNESS LIST	
1		Ref	Harness, Rear Axle	
2		Ref	Harness, Chassis	
3		Ref	Cable, 12/3	
4		Ref	Harness, Leveling Jacks	
5		Ref	Harness, Clearsky	
6		Ref	Harness, Telematics	
7		Ref	Harness, Xirgo Jumper	
8		Ref	Harness, Hydraulic Oil Cooler	
9		Ref	Harness, Generator	
10		Ref	Harness, Fusible Link	
11		Ref	Harness, Engine	
12		Ref	Cable, Engine to Battery (+)	
13		Ref	Cable, Engine to Battery (-)	
14		Ref	Harness, Fusible Link	
15		Ref	Harness, Engine	
16		Ref	Cable, Engine to Battery (+)	
32		Ref	Assembly, Load Sense Pin/Cable	
33		Ref	Cable, Load Sense Extension	
34		Ref	Harness, Load Sense	
35		Ref	Harness, Tilt Sensor	
36		Ref	Harness, Lower Lift Down	
37		Ref	Cable, AC Ground to Platform	
38		Ref	Harness, Platform Control Box	
39		Ref	Harness, Platform	
40		Ref	Harness, Platform Control Box	
41		Ref	Harness, Auxiliary Descent	
42		Ref	Harness, Upper Lift Down	
43		Ref	Harness, Lower Auxiliary Descent	
44		Ref	Harness, Upper Auxiliary Descent	
		Ref	COMPONENT LIST	
101		Ref	Solenoid, Axle Lock	
102		Ref	Sensor, Tilt	
103		Ref	Solenoids, Dual Axle Valve	
104		Ref	Switch, Pressure	
105		Ref	Solenoids, Traction Valve	
106		Ref	Solenoids, Main Control Valve	
107		Ref	Module, Ground Control	
108		Ref	Sensor, Tilt	
109		Ref	AC Breaker Box	
110		Ref	Alarm	
111		Ref	Beacon	
112		Ref	Solenoid, Leveling Jack Cylinder	
113		Ref	Sensor, Leveling Jacks Pressure	
114		Ref	Solenoid, Leveling Jacks Valve	
115		Ref	Sensor, Leveling Jacks Proximity	
116		Ref	Alarm, White Noise	
117		Ref	Module, ClearSky Telematics CANBUS	
118		Ref	Antennae, ClearSky Telematics	

SECTION 8 - ELECTRICAL

ITEM	PART NUMBER	QTY	DESCRIPTION	REV
119		Ref	Module, ClearSky Telematics 3-Wire	
120		Ref	Voltage Regulator, ClearSky Telematics	
121		Ref	Switch, LSS Limit	
122		Ref	Hydraulic Oil Cooler	
123		Ref	Generator	
124		Ref	Box, Generator AC Receptacle	
125		Ref	Sensor, Fuel Level	
126		Ref	Fuel Pump	
127		Ref	Battery	
128		Ref	Module, Engine Control	
141		Ref	Sensor, Tilt	
142		Ref	Solenoid, Lower Lift Down	
143		Ref	AC Receptacle	
144		Ref	Footswitch	
145		Ref	Module, Load Sense	
147		Ref	Starter	
148		Ref	Alternator	
149		Ref	Governor	
150		Ref	Engine Coolant Temperature Sensor	
151		Ref	Sensor, Oil Pressure	
152		Ref	Sensor, Speed	
153		Ref	Module, Engine Control	
154		Ref	Starter	
155		Ref	Alternator	
156		Ref	LP Regulator	
157		Ref	Engine Coolant Temperature Sensor	
158		Ref	Sensor, Oil Pressure	
159		Ref	Sensor, Oxygen	
160		Ref	Switch, Lift Select	
161		Ref	Switch, Drive Select	
162		Ref	Switch, Horn	
163		Ref	Switch, Speed Select	
164		Ref	Switch, Leveling Jacks	
165		Ref	Switch, Engine Start	
166		Ref	Switch, Fuel Select	
167		Ref	Switch, Emergency Stop	
168		Ref	USB Port	
169		Ref	Joystick	
170		Ref	Display, Platform	
171		Ref	Alarm	
172		Ref	USB Port	
173		Ref	Switch, Generator	
174		Ref	Display, Ground	
175		Ref	Switch, Key	
176		Ref	Switch, Emergency Stop	
177		Ref	Switch, Platform Lift/Lower	
178		Ref	Light, Load Sense Overload Indicator	
179		Ref	Switch, Engine Start	
180		Ref	Battery	
181		Ref	Switch, Auxiliary Descent	
182		Ref	Solenoids, Upper Lift Down	

SECTION 8 - ELECTRICAL

FIGURE 8-2. AC BOX AT PLATFORM INSTALLATION - 110V GFI (ALL SPECS EXCEPT AUSTRALIAN, CE & UK CA SPECS)



ART_1001255001

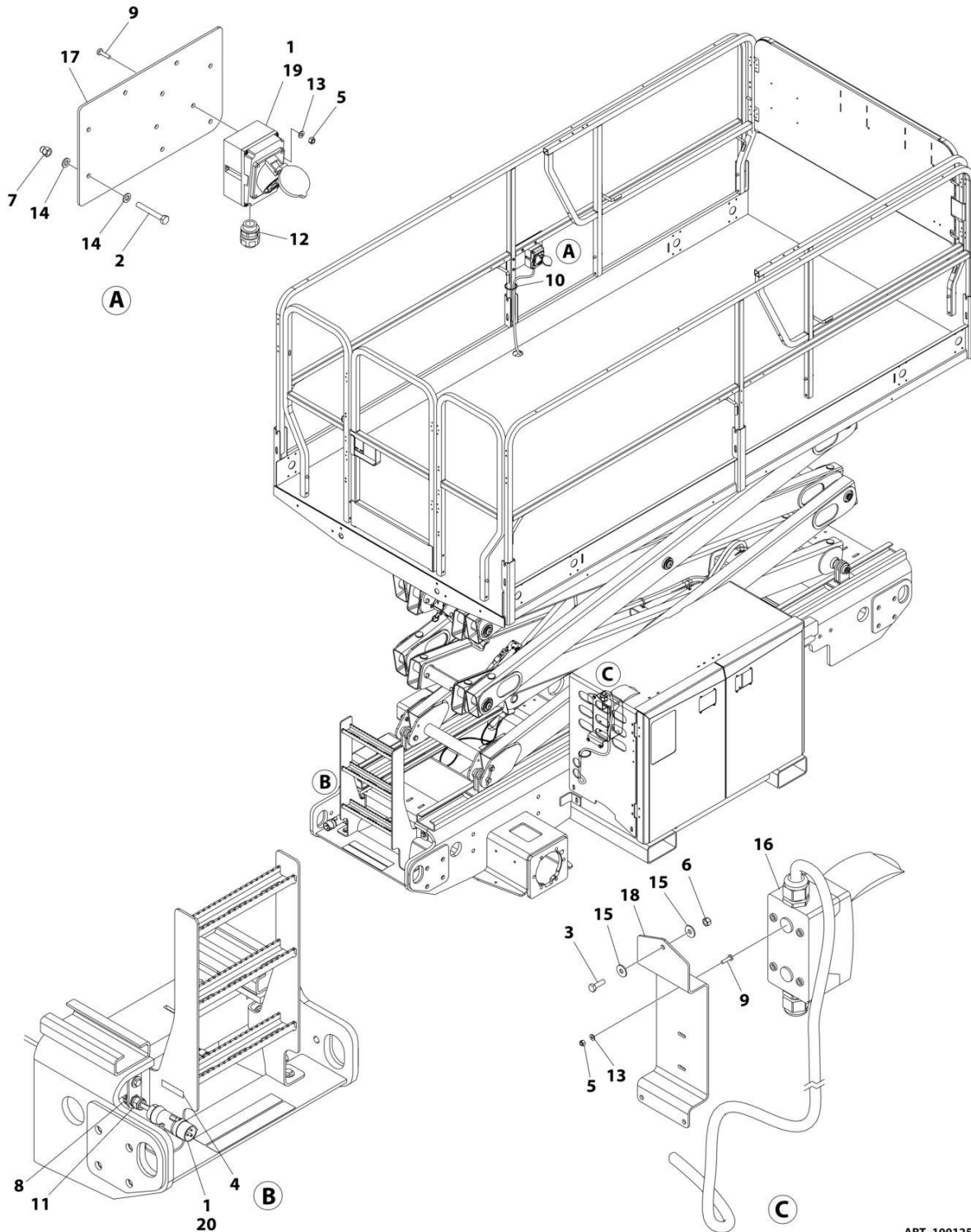
SECTION 8 - ELECTRICAL

FIGURE 8-2. AC BOX AT PLATFORM INSTALLATION - 110V GFI (ALL SPECS EXCEPT AUSTRALIAN, CE & UK CA SPECS)

ITEM	PART NUMBER	QTY	DESCRIPTION	REV
	1001255001	Ref	AC BOX AT PLATFORM INSTALLATION - 110V	B
1	0700617	4	Bolt M6 x 45	
2	1703464	1	Decal - AC Power	
3	2902431	1	Receptacle Box Kit - 110V GFI (See Separate Breakdown in this Section)	
4	3290405	4	Nut M4	
5	3290606	4	Nut M6 x 1	
6	3300048	1	Nut 3/4	
7	4010408	4	Screw M4 x 16	
8	4240017	AR	Tie-Strap	
9	4460071	1	Connector	
10	4460138	1	Plug, Male	
11	4811400	4	Washer M4	
12	4811700	8	Washer M6	
13	1001254613	1	Plate, Platform Plug Mount	
14	4460315	3	Terminal, Spade	
15	1001212268	3	Terminal	

SECTION 8 - ELECTRICAL

FIGURE 8-3. AC BOX AT PLATFORM INSTALLATION - 110V IEC YELLOW (CE & UK CA SPECS)



ART_1001255006

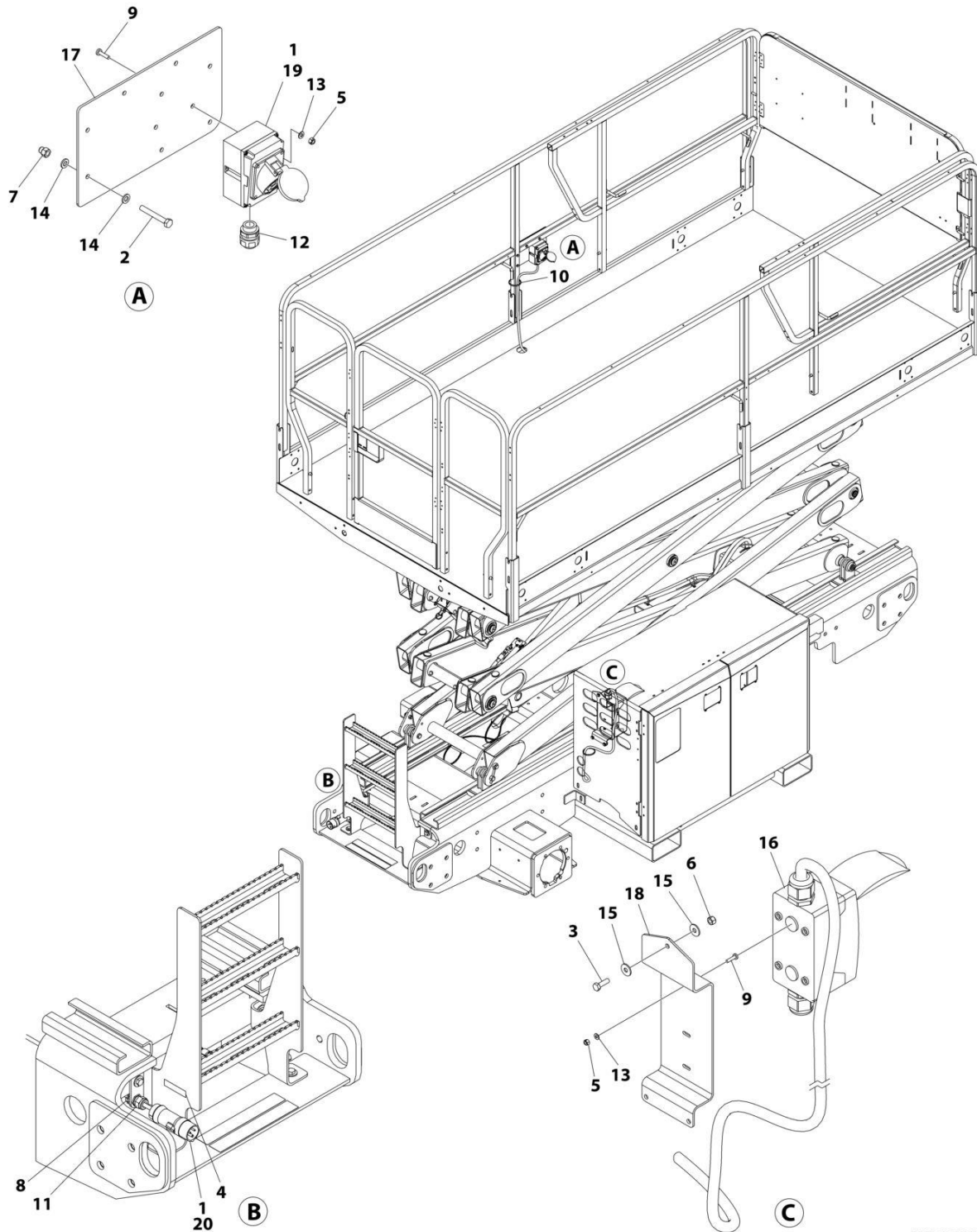
SECTION 8 - ELECTRICAL

FIGURE 8-3. AC BOX AT PLATFORM INSTALLATION - 110V IEC YELLOW (CE & UK CA SPECS)

ITEM	PART NUMBER	QTY	DESCRIPTION	REV
	1001255006	Ref	AC BOX AT PLATFORM INSTALLATION - 110V IEC YELLOW	B
1	0275216	1	Receptacle Box Kit - 110V IEC Yellow (See Separate Breakdown in this Section)	
2	0700617	4	Bolt M6 x 45	
3	0760610	3	Bolt M6 x 20	
4	1705325	1	Decal - 110 Volt	
5	3290405	4	Nut M4	
6	3290605	3	Nut M6	
7	3290606	4	Nut M6 x 1	
8	3300048	1	Nut 3/4	
9	4010408	4	Screw M4 x 16	
10	4240017	AR	Tie-Strap	
11	4460071	1	Connector, Water Tight	
12	4460968	1	Connector, Strain Relief	
13	4811400	4	Washer M4	
14	4811700	8	Washer M6	
15	4811702	6	Washer M6	
16	1001096070	1	Breaker Box Kit (See Separate Breakdown in this Section)	
17	1001254613	1	Plate, Platform Plug Mount	
18	1001261118	1	Bracket, Electric Box Mount	
19	4460315	3	Terminal, Spade	
20	1001212268	3	Terminal	

SECTION 8 - ELECTRICAL

FIGURE 8-4. AC BOX AT PLATFORM INSTALLATION - 220V IEC BLUE (CE & UK CA SPECS)



ART_1001255007

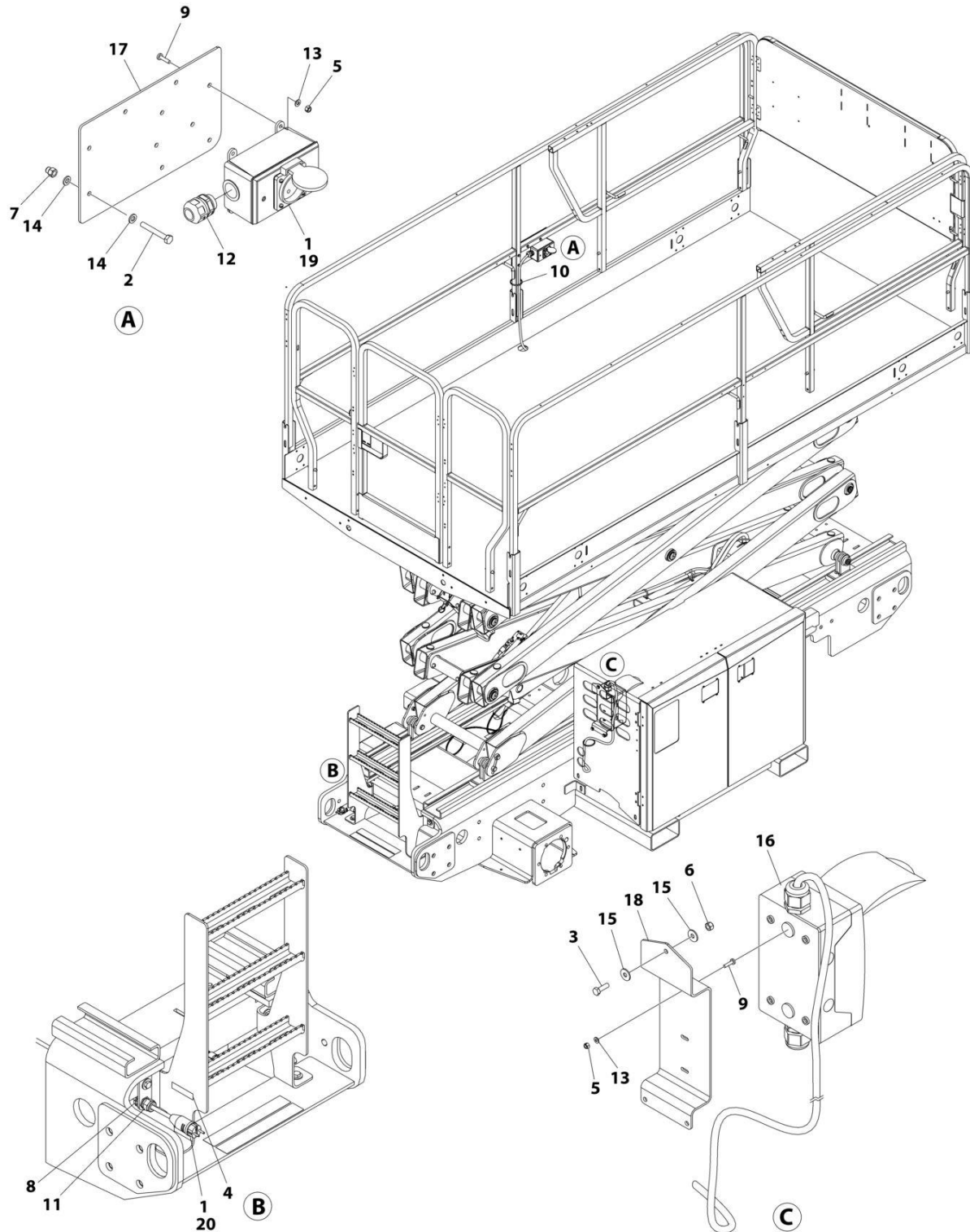
SECTION 8 - ELECTRICAL

FIGURE 8-4. AC BOX AT PLATFORM INSTALLATION - 220V IEC BLUE (CE & UK CA SPECS)

ITEM	PART NUMBER	QTY	DESCRIPTION	REV
	1001255007	Ref	AC BOX AT PLATFORM INSTALLATION - 220V IEC BLUE	B
1	0275217	1	Receptacle Box Kit - 220V IEC Blue (See Separate Breakdown in this Section)	
2	0700617	4	Bolt M6 x 45	
3	0760610	3	Bolt M6 x 20	
4	3252507	1	Decal - 220 Volt	
5	3290405	4	Nut M4	
6	3290605	3	Nut M6	
7	3290606	4	Nut M6 x 1	
8	3300048	1	Nut 3/4	
9	4010408	4	Screw M4 x 16	
10	4240017	AR	Tie-Strap	
11	4460071	1	Connector, Water Tight	
12	4460968	1	Connector, Strain Relief	
13	4811400	4	Washer M4	
14	4811700	8	Washer M6	
15	4811702	6	Washer M6	
16	1001096070	1	Breaker Box Kit (See Separate Breakdown in this Section)	
17	1001254613	1	Plate, Platform Plug Mount	
18	1001261118	1	Bracket, Electric Box Mount	
19	4460315	3	Terminal, Spade	
20	1001212268	3	Terminal	

SECTION 8 - ELECTRICAL

FIGURE 8-5. AC BOX AT PLATFORM INSTALLATION - 220V CEE7 POST GROUND (CE & UK CA SPECS)



ART_1001255004

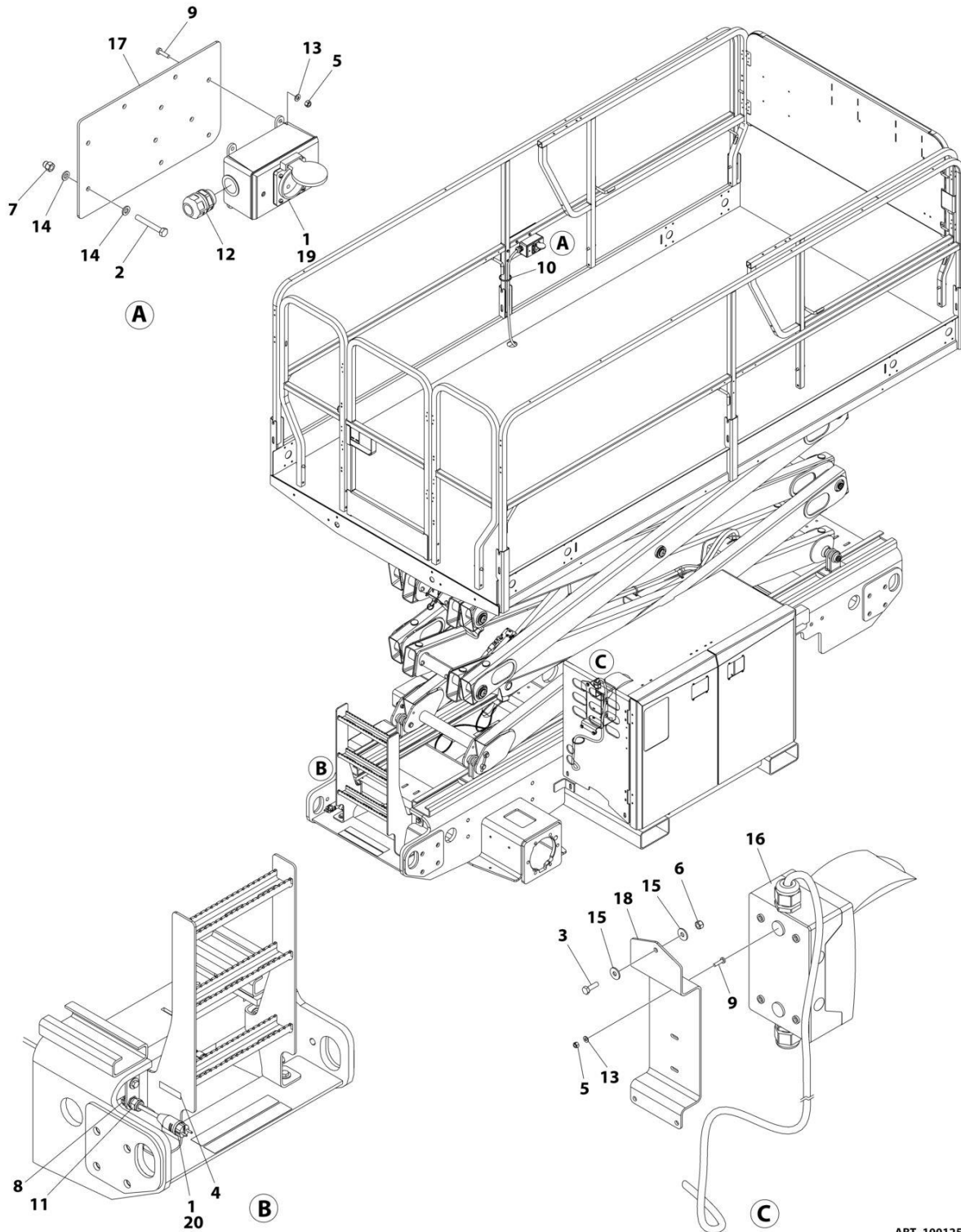
SECTION 8 - ELECTRICAL

FIGURE 8-5. AC BOX AT PLATFORM INSTALLATION - 220V CEE7 POST GROUND (CE & UK CA SPECS)

ITEM	PART NUMBER	QTY	DESCRIPTION	REV
	1001255004	Ref	AC BOX AT PLATFORM INSTALLATION - 220V CEE7 POST GROUND	B
1	0275452	1	Receptacle Box Kit - 220V CEE7 Post Ground 2X4 Box (See Separate Breakdown in this Section)	
2	0700617	4	Bolt M6 x 45	
3	0760610	3	Bolt M6 x 20	
4	3252507	1	Decal - 220 Volt	
5	3290405	6	Nut M4	
6	3290605	3	Nut M6	
7	3290606	4	Nut M6 x 1	
8	3300048	1	Nut 3/4	
9	4010408	6	Screw M4 x 16	
10	4240017	AR	Tie-Strap	
11	4460071	1	Connector, Water Tight	
12	4460662	1	Connector, Strain Relief	
13	4811400	6	Washer M4	
14	4811700	8	Washer M6	
15	4811702	6	Washer M6	
16	1001152486	1	Electric Assembly, Box and Breaker (See Separate Breakdown in this Section)	
17	1001254613	1	Plate, Platform Plug Mount	
18	1001261118	1	Bracket, Electric Box Mount	
19	4460315	3	Terminal, Spade	
20	1001212268	3	Terminal	

SECTION 8 - ELECTRICAL

FIGURE 8-6. AC BOX AT PLATFORM INSTALLATION - 220V CEE7 SIDE GROUND (CE & UK CA SPECS)



ART_1001255005

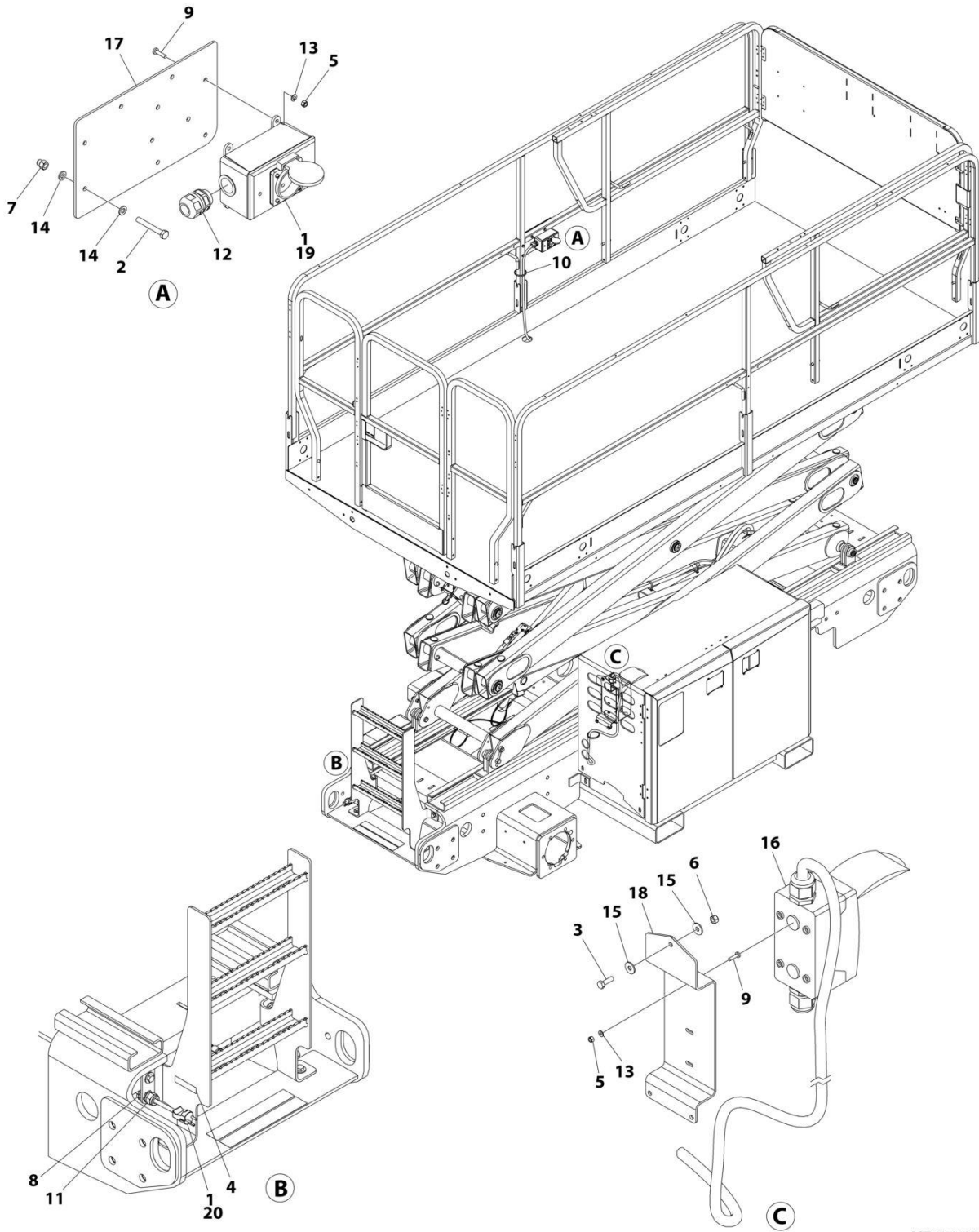
SECTION 8 - ELECTRICAL

FIGURE 8-6. AC BOX AT PLATFORM INSTALLATION - 220V CEE7 SIDE GROUND (CE & UK CA SPECS)

ITEM	PART NUMBER	QTY	DESCRIPTION	REV
	1001255005	Ref	AC BOX AT PLATFORM INSTALLATION - 220V CEE7 SIDE GROUND	B
1	0275453	1	Receptacle Box Kit - 220V CEE7 Side Ground 2X4 Box (See Separate Breakdown in this Section)	
2	0700617	4	Bolt M6 x 45	
3	0760610	3	Bolt M6 x 20	
4	3252507	1	Decal - 220 Volt	
5	3290405	6	Nut M4	
6	3290605	3	Nut M6	
7	3290606	4	Nut M6 x 1	
8	3300048	1	Nut 3/4	
9	4010408	6	Screw M4 x 16	
10	4240017	AR	Tie-Strap	
11	4460071	1	Connector, Water Tight	
12	4460662	1	Connector, Strain Relief	
13	4811400	6	Washer M4	
14	4811700	8	Washer M6	
15	4811702	6	Washer M6	
16	1001152486	1	Electric Assembly, Box and Breaker (See Separate Breakdown in this Section)	
17	1001254613	1	Plate, Platform Plug Mount	
18	1001261118	1	Bracket, Electric Box Mount	
19	4460315	3	Terminal, Spade	
20	1001212268	3	Terminal	

SECTION 8 - ELECTRICAL

FIGURE 8-7. AC BOX AT PLATFORM INSTALLATION - 220V AFSINT 107 (CE & UK CA SPECS)



ART_1001255008

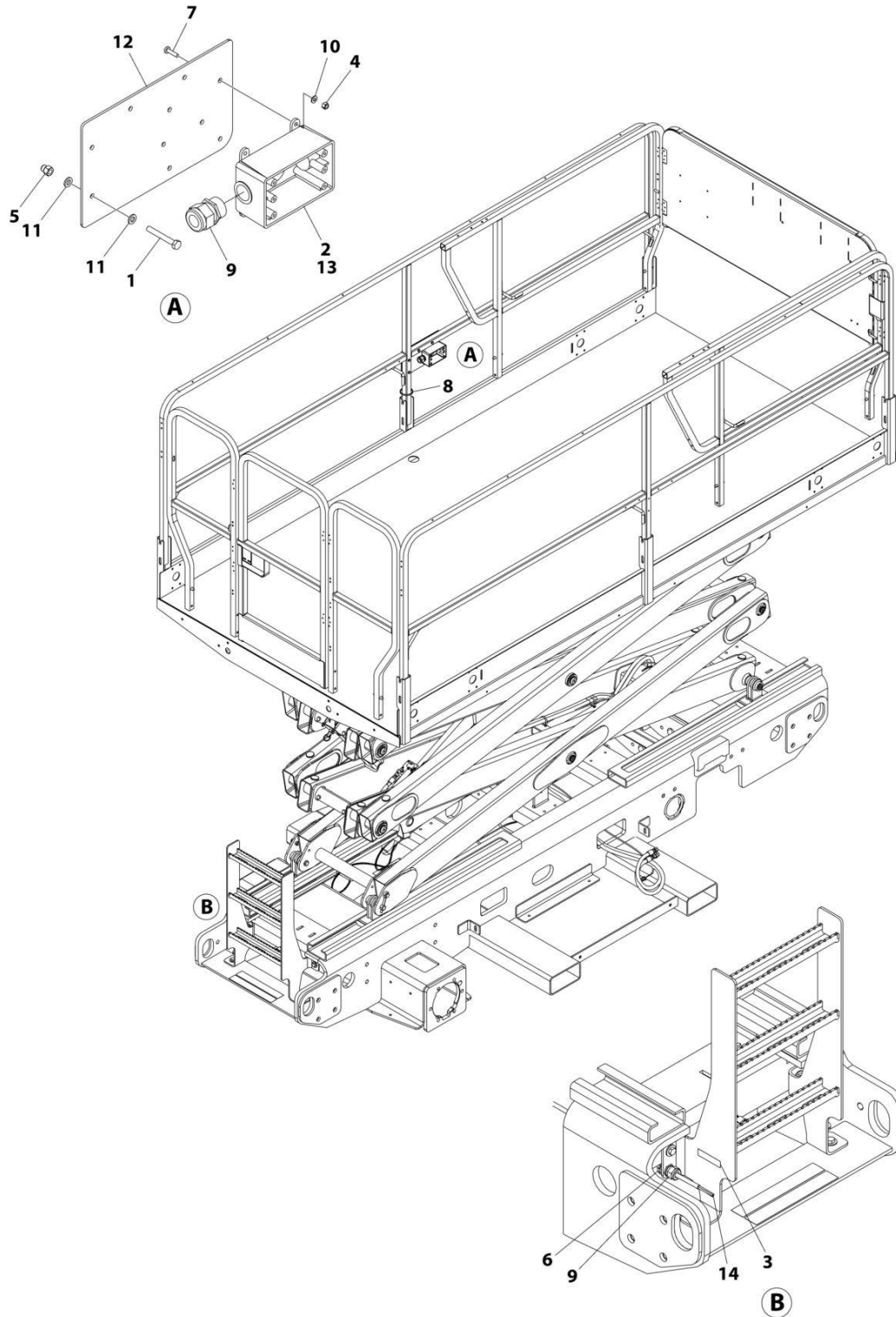
SECTION 8 - ELECTRICAL

FIGURE 8-7. AC BOX AT PLATFORM INSTALLATION - 220V AFSINT 107 (CE & UK CA SPECS)

ITEM	PART NUMBER	QTY	DESCRIPTION	REV
	1001255008	Ref	AC BOX AT PLATFORM INSTALLATION - 220V AFSINT 107	B
1	0275454	1	Receptacle Box Kit - 220V AFSINT 107 (See Separate Breakdown in this Section)	
2	0700617	4	Bolt M6 x 45	
3	0760610	3	Bolt M6 x 20	
4	3252507	1	Decal - 220 Volt	
5	3290405	6	Nut M4	
6	3290605	3	Nut M6	
7	3290606	4	Nut M6 x 1	
8	3300048	1	Nut 3/4	
9	4010408	6	Screw M4 x 16	
10	4240017	AR	Tie-Strap	
11	4460071	1	Connector, Water Tight	
12	4460662	1	Connector, Strain Relief	
13	4811400	6	Washer M4	
14	4811700	8	Washer M6	
15	4811702	6	Washer M6	
16	1001096070	1	Breaker Box Kit (See Separate Breakdown in this Section)	
17	1001254613	1	Plate, Platform Plug Mount	
18	1001261118	1	Bracket, Electric Box Mount	
19	4460315	3	Terminal, Spade	
20	1001212268	3	Terminal	

SECTION 8 - ELECTRICAL

FIGURE 8-8. AC BOX AT PLATFORM INSTALLATION - 220V CUSTOMER SUPPLIED PLUG & RECEPTACLE (ALL SPECS EXCEPT AUSTRALIAN, CE & UK CA SPECS)



ART_1001255002

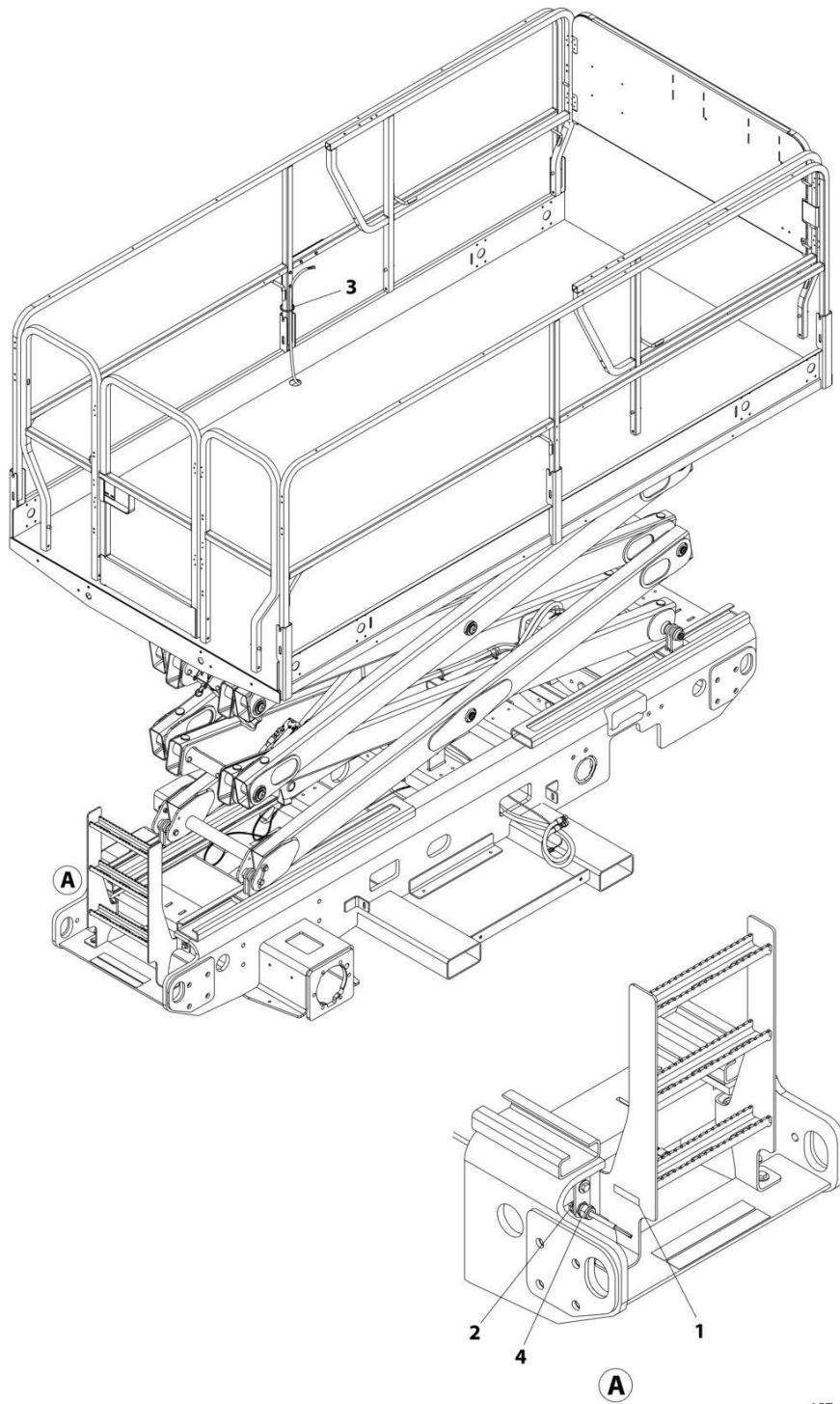
SECTION 8 - ELECTRICAL

FIGURE 8-8. AC BOX AT PLATFORM INSTALLATION - 220V CUSTOMER SUPPLIED PLUG & RECEPTACLE (ALL SPECS EXCEPT AUSTRALIAN, CE & UK CA SPECS)

ITEM	PART NUMBER	QTY	DESCRIPTION	REV
	1001255002	Ref	AC BOX AT PLATFORM INSTALLATION - 220V RECEPTACLE	B
1	0700617	4	Bolt M6 x 45	
2	0861731	1	Box, Receptacle	
3	3252507	1	Decal - 220 Volt	
4	3290405	4	Nut M4	
5	3290606	4	Nut M6 x 1	
6	3300048	1	Nut 3/4	
7	4010408	4	Screw M4 x 16	
8	4240017	AR	Tie-Strap	
9	4460071	2	Connector, Water Tight	
10	4811400	4	Washer M4	
11	4811700	8	Washer M6	
12	1001254613	1	Plate, Platform Plug Mount	
13	4460315	3	Terminal, Spade	
14	1001212268	3	Terminal	

SECTION 8 - ELECTRICAL

FIGURE 8-9. AC BOX AT PLATFORM INSTALLATION - 220V CUSTOMER SUPPLIED COMPONENTS
(ALL SPECS)



ART_1001255003

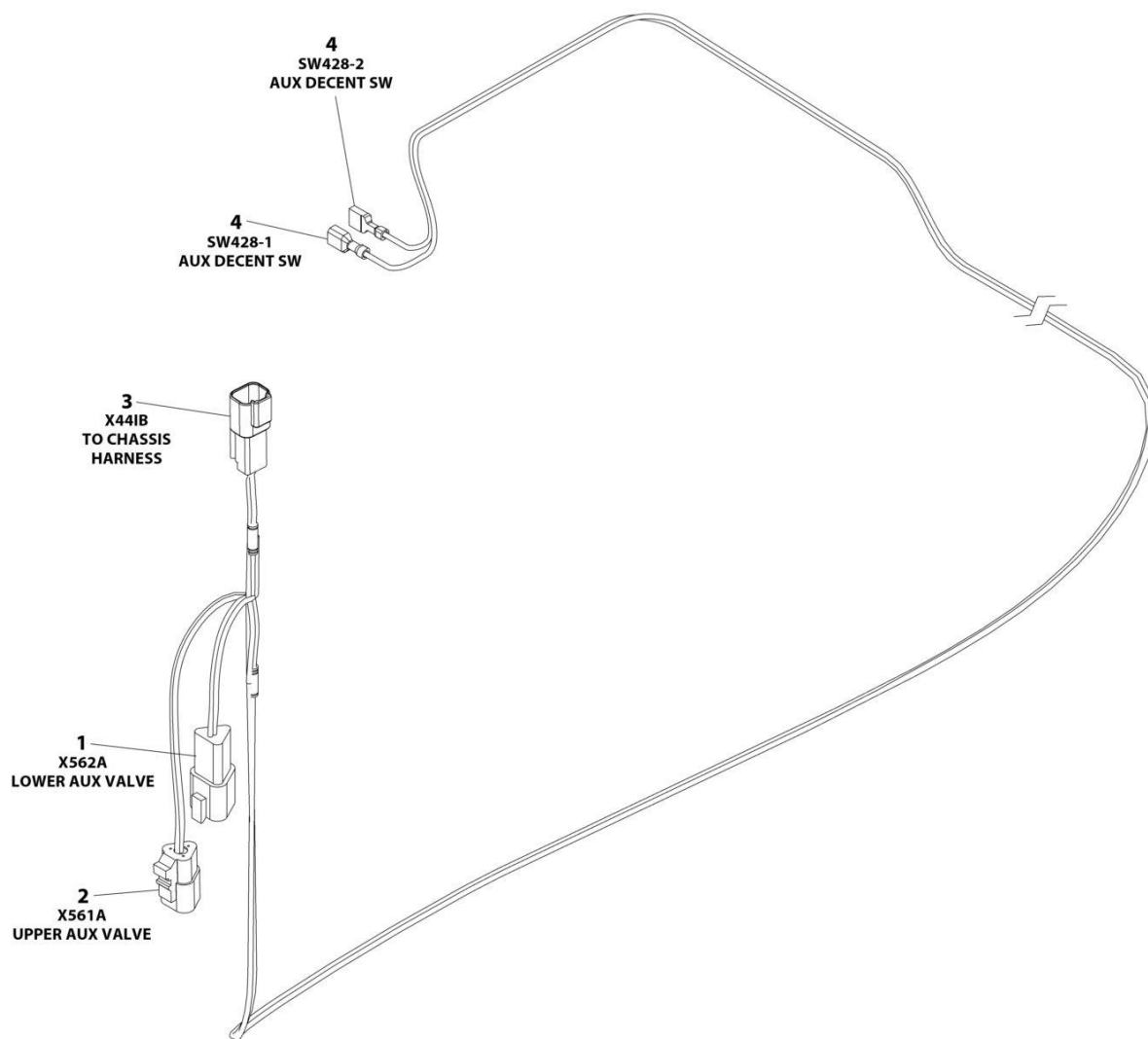
SECTION 8 - ELECTRICAL

**FIGURE 8-9. AC BOX AT PLATFORM INSTALLATION - 220V CUSTOMER SUPPLIED COMPONENTS
(ALL SPECS)**

ITEM	PART NUMBER	QTY	DESCRIPTION	REV
	1001255003	Ref	AC BOX AT PLATFORM INSTALLATION - 220V CUSTOMER SUPPLIED COMPONENTS	A
1	3252507	1	Decal - 220 Volt	
2	3300048	1	Nut 3/4	
3	4240017	AR	Tie-Strap	
4	4460071	1	Connector, Water Tight	

SECTION 8 - ELECTRICAL

FIGURE 8-10. AUXILIARY DESCENT HARNESS



ART_1001263499

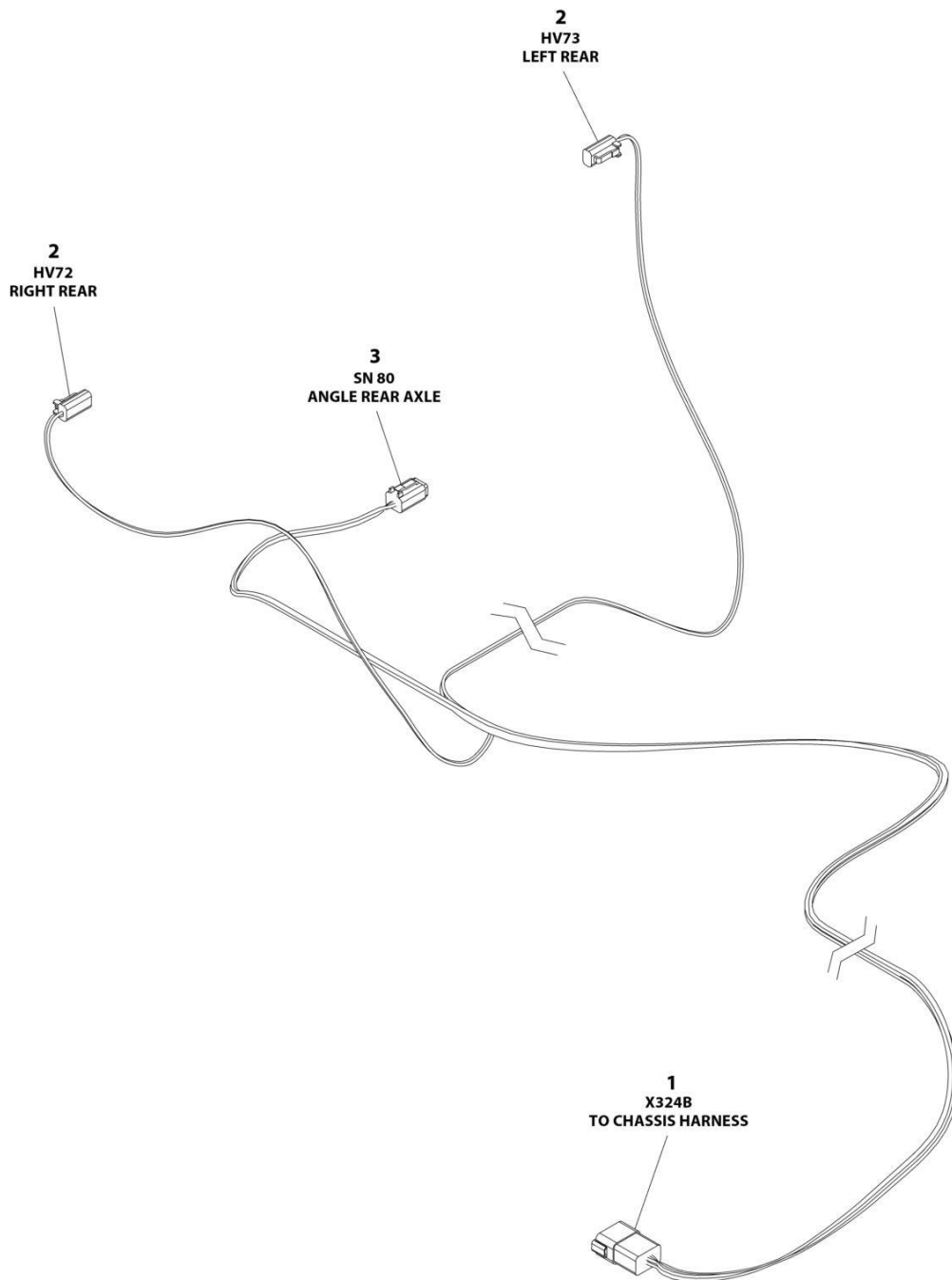
SECTION 8 - ELECTRICAL

FIGURE 8-10. AUXILIARY DESCENT HARNESS

ITEM	PART NUMBER	QTY	DESCRIPTION	REV
	1001263449	Ref	AUXILIARY DESCENT HARNESS	A
1	4460536	1	Receptacle, Female - 3 Position	
1	4460464	2	Pin, Male	
1	4460466	1	Plug, Terminal	
2	4460539	1	Plug, Male - 3 Position	
2	4460465	2	Socekt, Female	
2	4460466	1	Plug, Terminal	
3	4460897	1	Receptacle, Female - 2 Position	
3	4460464	2	Pin, Male	
4	1001194421	2	Terminal	

SECTION 8 - ELECTRICAL

FIGURE 8-11. AXLE HARNESS - REAR OSCILLATING



ART_1001249282

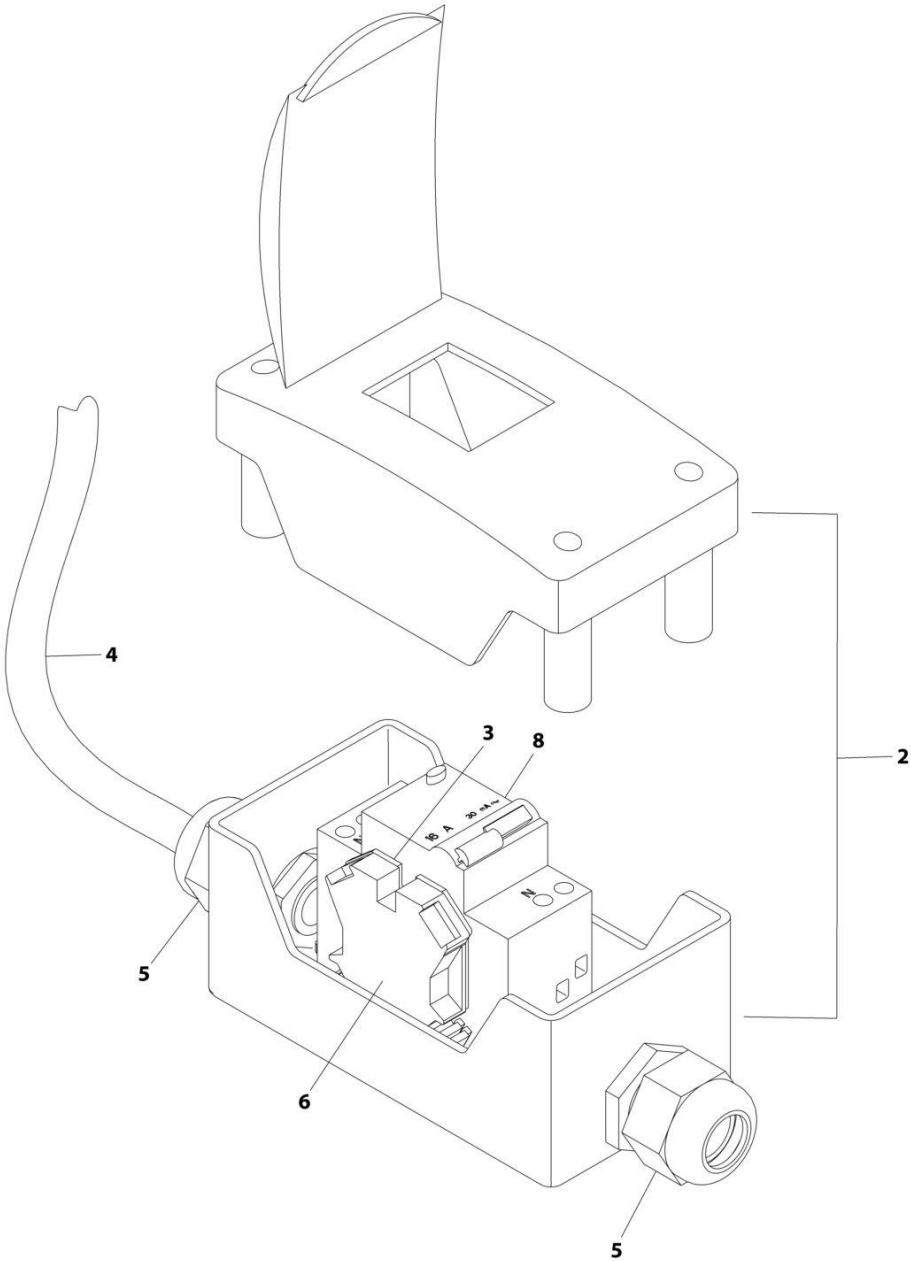
SECTION 8 - ELECTRICAL

FIGURE 8-11. AXLE HARNESS - REAR OSCILLATING

ITEM	PART NUMBER	QTY	DESCRIPTION	REV
	1001249282	Ref	AXLE HARNESS - REAR OSCILLATING	E
1	4460931	1	Receptacle, Female - 8 Position	
1	4460464	6	Pin, Male	
1	4460493	2	Pin, Male	
2	4460891	2	Plug, Male - 2 Position	
2	4460465	4	Socket, Female	
3	4460884	1	Plug, Male - 4 Position	
3	4460465	2	Socket, Female	
3	4460944	2	Socket, Female	

SECTION 8 - ELECTRICAL

FIGURE 8-12. BREAKER BOX KIT - 1 DOUBLE BREAKER (CE & UK CA SPECS)



ART_1001096070_E

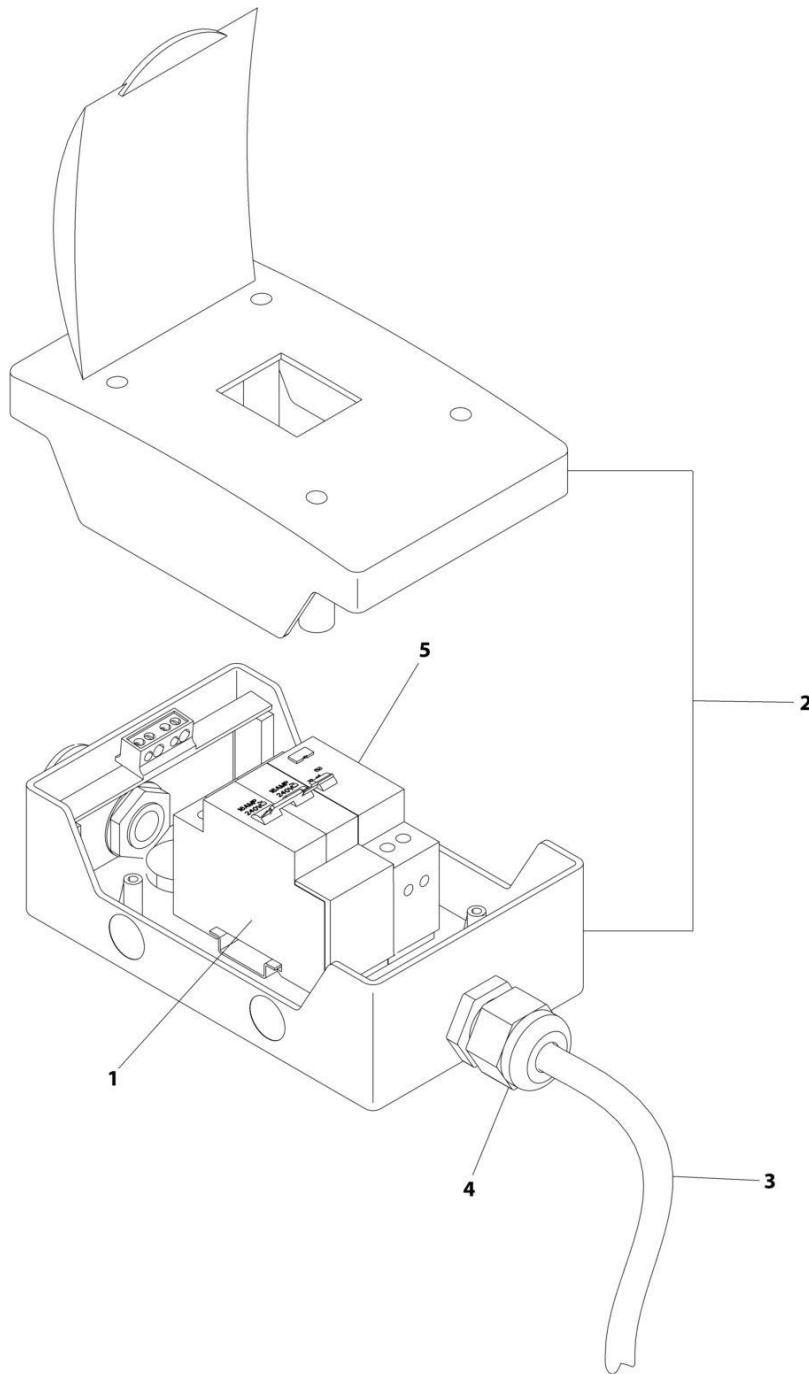
SECTION 8 - ELECTRICAL

FIGURE 8-12. BREAKER BOX KIT - 1 DOUBLE BREAKER (CE & UK CA SPECS)

ITEM	PART NUMBER	QTY	DESCRIPTION	REV
	1001096070	Ref	BREAKER BOX KIT	E
2	0861880	1	Box	
3	4460956	1	Barrier, Terminal Block End	
4	1060908	12 ft/ 3.6m	Cable, 12/3	
5	1001097150	2	Connector, Strain Relief	
6	4460957	1	Block, Terminal	
8	1001181045	1	Breaker, 16Amp	

SECTION 8 - ELECTRICAL

FIGURE 8-13. BREAKER BOX KIT - 1 DOUBLE & 1 SINGLE BREAKER (CE & UK CA SPECS)



ART_1001152486_C

SECTION 8 - ELECTRICAL

FIGURE 8-13. BREAKER BOX KIT - 1 DOUBLE & 1 SINGLE BREAKER (CE & UK CA SPECS)

ITEM	PART NUMBER	QTY	DESCRIPTION	REV
	1001152486	Ref	BREAKER BOX KIT	C
1	1001189172	1	Breaker, 16 Amp (Double)	
2	1001152483	1	Box	
3	1060908	12 ft/ 3.66m	Cable, 12/3	
4	1001097150	1	Connector, Strain Relief	
5	1001189171	1	Breaker, 30mA	

SECTION 8 - ELECTRICAL

FIGURE 8-14. CHASSIS HARNESS

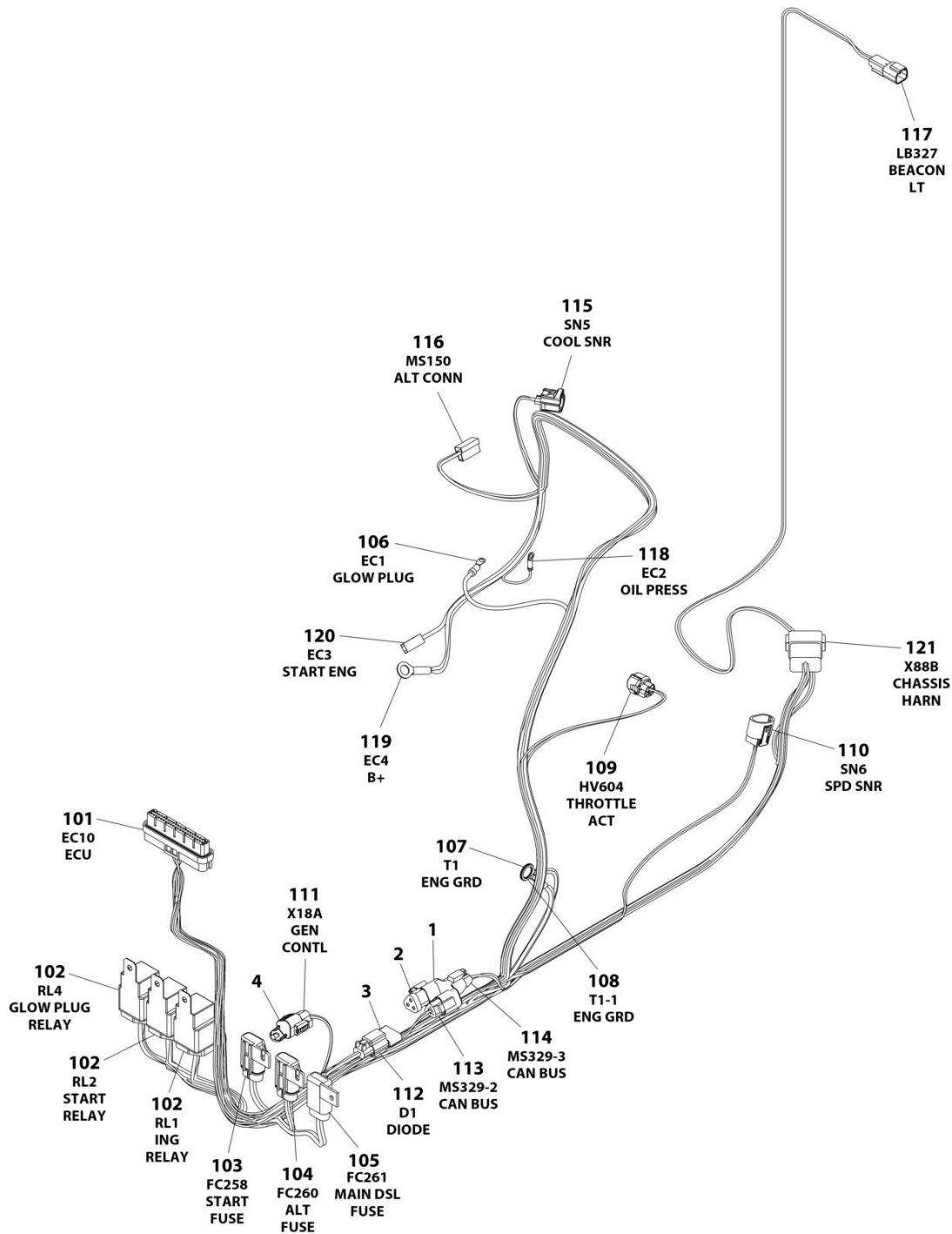
ITEM	PART NUMBER	QTY	DESCRIPTION	REV
	1001247472	Ref	CHASSIS HARNESS	H
1	1001249244	1	Bussbar - 12 Position	
2	4460892	2	Bussbar - 6 Position	
3	1001106736	1	Cap, Dust	
4	1001125677	2	Bussbar - 12 Position	
5	1001144295	9	Cap, Thermoplastic	
6	1001152266	1	Connector - 4 Position	
8	1001192401	4	Cap, Dust	
9	1001215898	2	Cap, Dust	
10	1001244462	1	Cap, Dust	
12	4461070	1	Connector - 3 Position	
13	1001125784	1	Washer	
14	1001125785	1	Nut	
101	4460897	2	Receptacle, Female - 2 Position	
101	4460464	4	Pin, Male	
102	4460891	20	Plug, Male - 2 Position	
102	4460465	40	Socket, Female	
103	4460930	1	Plug, Male - 8 Position	
103	4460465	6	Socket, Female	
103	4460944	2	Socket, Female	
104	4460754	1	Plug, Male - 14 Position	
104	4460465	10	Socket, Female	
104	4460944	2	Socket, Female	
104	4460466	2	Plug, Terminal	
105	4460933	3	Plug, Male - 12 Position	
105	4460465	12	Socket, Female	
105	4460944	22	Socket, Female	
105	4460466	2	Plug, Terminal	
106	4460933	3	Plug, Male - 12 Position	
106	4460465	32	Socket, Female	
106	4460466	4	Plug, Terminal	
107	4460894	3	Plug, Male - 6 Position	
107	4460465	22	Socket, Female	
107	4460466	2	Plug, Terminal	
108	4460761	1	Plug, Male - 4 Position	
108	4460227	4	Terminal	
109	4460884	7	Plug, Male - 4 Position	
109	4460465	12	Socket, Female	
109	4460944	16	Socket, Female	
110	1001116950	1	Plug, Male - 2 Position	
110	4460465	2	Socket, Female	
111	4460874	1	Connector - 35 Position	
111	4460871	14	Terminal	
111	4460905	21	Plug, Terminal	
112	4460872	1	Connector - 35 Position	
112	4460871	8	Terminal	
112	4460905	6	Plug, Terminal	
113	4460875	1	Connector - 35 Position	
113	4460871	27	Terminal	
113	4460905	8	Plug, Terminal	

SECTION 8 - ELECTRICAL

ITEM	PART NUMBER	QTY	DESCRIPTION	REV
114	4460878	1	Connector - 4 Position	
114	4461271	1	Terminal	
114	4460887	1	Terminal	
115	4460873	1	Connector - 35 Position	
115	4460871	29	Terminal	
115	4460905	6	Plug, Terminal	
116	4460876	1	Connector - 35 Position	
116	4460871	18	Terminal	
116	4460905	17	Plug, Terminal	
117	4460539	1	Plug, Male - 3 Position	
117	4460465	3	Socket, Female	
118	1001113961	1	Connector - 8 Position	
118	4460871	4	Terminal	
118	4460905	4	Plug, Terminal	
119	1001246859	1	Connector - 14 Position	
119	4460871	10	Terminal	
119	4460905	4	Plug, Terminal	
120	4460144	2	Terminal, Fork	
121	4460183	3	Terminal, Fork	
122	4461290	1	Connector - 2 Position	
122	4460928	2	Terminal	
123	4460260	2	Cover, Terminal	
123	4460259	2	Terminal	
124	4460418	1	Connector, Switch	
124	4460419	2	Terminal	
124	1001159186	2	Terminal	
125	1001184832	1	Connector - 2 Position	
125	1001118658	2	Terminal	
125	1001205250	2	Seal	
126	4461095	1	Plug, Male - 3 Position	
126	4460944	2	Socket, Female	
126	4460466	1	Plug, Terminal	
127	1001118282	1	Connector, Relay	
127	1001116734	2	Terminal	
127	1001116732	2	Terminal	
127	1001128128	1	Plug, Terminal	
128	1001249095	1	Connector - 9 Position	
128	4460464	3	Pin, Male	
128	4460943	2	Pin, Male	
128	4460466	4	Plug, Terminal	
129	4460424	1	Connector - 2 Position	
129	4460268	2	Terminal	
130	1001118744	1	Connector - 2 Position	
130	1001118745	2	Terminal	
131	8220164	1	Terminal, Ring	
132	2400066	2	Fuseholder with Cover	
132	8229242	1	Fuse 5Amp	
132	8229244	1	Fuse 15Amp	

SECTION 8 - ELECTRICAL

FIGURE 8-15. ENGINE HARNESS - DIESEL



ART_1001248134

SECTION 8 - ELECTRICAL

FIGURE 8-15. ENGINE HARNESS - DIESEL

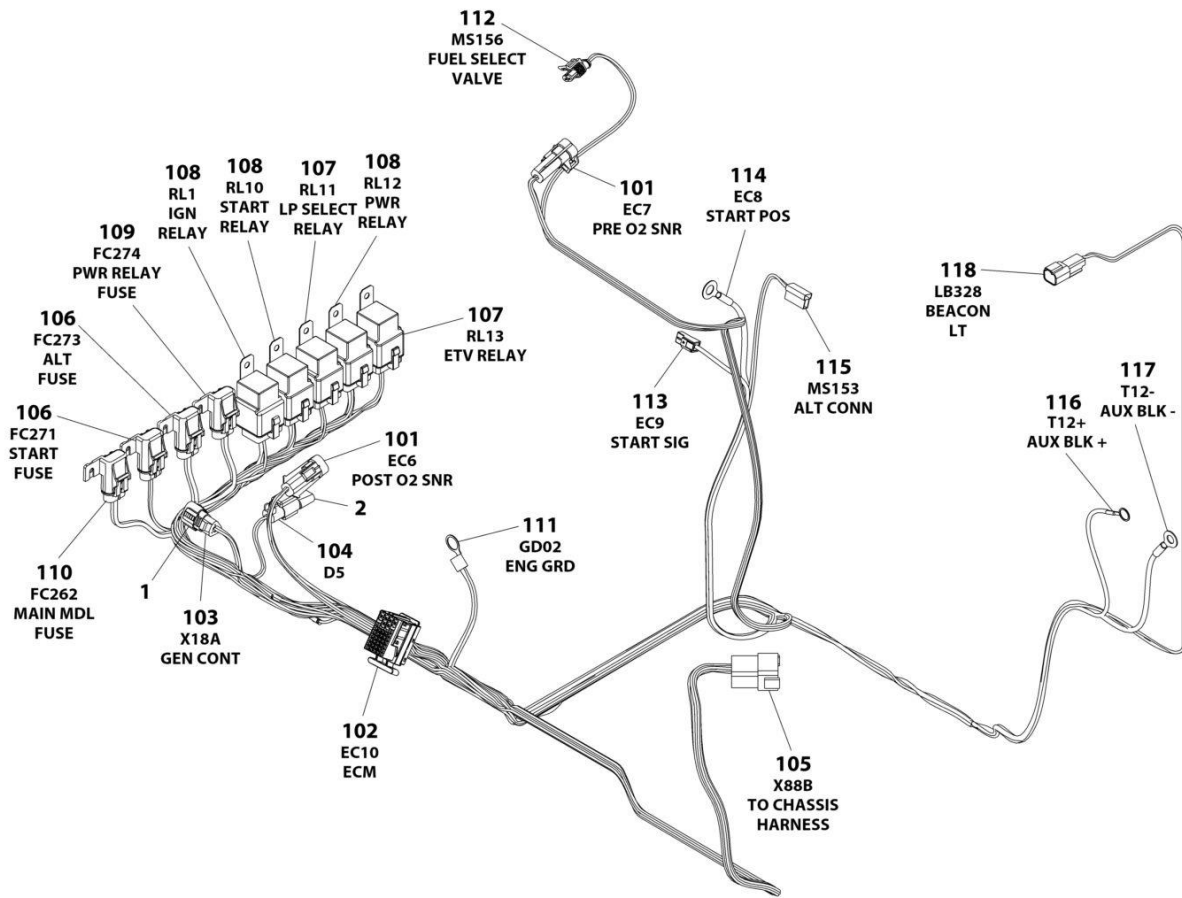
ITEM	PART NUMBER	QTY	DESCRIPTION	REV
	1001248134	Ref	ENGINE HARNESS - DIESEL	E
1	4460945	1	Connector - 3 Way	
2	1001116815	1	Connector - 3 Position Plug	
3	1001116816	1	Connector, Bussbar	
4	1001144296	1	Cap	
101	1001248222	1	Connector - 44 Position	
101	1001248223	21	Terminal	
101	1001248224	23	Plug, Terminal	
102	1001118282	3	Connector, Relay	
102	1001116734	6	Terminal	
102	1001116732	6	Terminal	
102	1001128128	3	Plug, Terminal	
103	1001118938	1	Fuseholder with 40Amp Fuse	
103	1001116752	2	Terminal	
104	1001117022	1	Fuseholder with 7.5Amp Fuse	
104	1001117069	1	Fuseholder with 20Amp Fuse	
104	1001116733	2	Terminal	
105	1001117023	1	Fuseholder with 10Amp Fuse	
105	1001116752	2	Terminal	
107	4460142	1	Terminal, Ring	
108	1001130900	1	Terminal, Ring	
109	8220111	1	Terminal, Ring	
109	1001248227	1	Receptacle, Female - 2 Position	
109	1001248228	2	Terminal	
109	1001248229	2	Seal	
110	1001223431	1	Receptacle, Female - 3 Position	
110	1001223794	3	Terminal	
110	1001223797	3	Seal	
111	4460539	1	Plug, Male - 3 Position	
111	4460465	3	Socket, Female	
112	4460891	1	Plug, Male - 2 Position	
112	4460942	2	Socket, Female	
113	4460539	1	Plug, Male - 3 Position	
113	4460944	2	Socket, Female	
113	4460466	1	Plug, Terminal	
114	1001116812	1	Plug, Male - 3 Position	
114	4460944	2	Socket, Female	
114	4460466	1	Plug, Terminal	
115	1001118657	1	Receptacle, Female - 3 Position	
115	1001118658	2	Terminal	
115	1001118659	2	Seal	
116	1001118744	1	Connector - 2 Position	
116	1001118745	2	Terminal	
117	4460897	1	Receptacle, Female - 2 Position	
117	4460464	2	Pin, Male	
118	4460247	1	Terminal, Ring	
119	8220164	1	Terminal, Ring	
120	1001118743	1	Connector	
120	1001230488	1	Terminal	
121	4460950	1	Receptacle, Female - 12 Position	

SECTION 8 - ELECTRICAL

ITEM	PART NUMBER	QTY	DESCRIPTION	REV
121	4460464	4	Pin, Male	
121	4460943	2	Pin, Male	
121	4460941	1	Pin, Male	
121	4460466	5	Plug, Terminal	

SECTION 8 - ELECTRICAL

FIGURE 8-16. ENGINE HARNESS - DUAL FUEL



ART_1001248289

SECTION 8 - ELECTRICAL

FIGURE 8-16. ENGINE HARNESS - DUAL FUEL

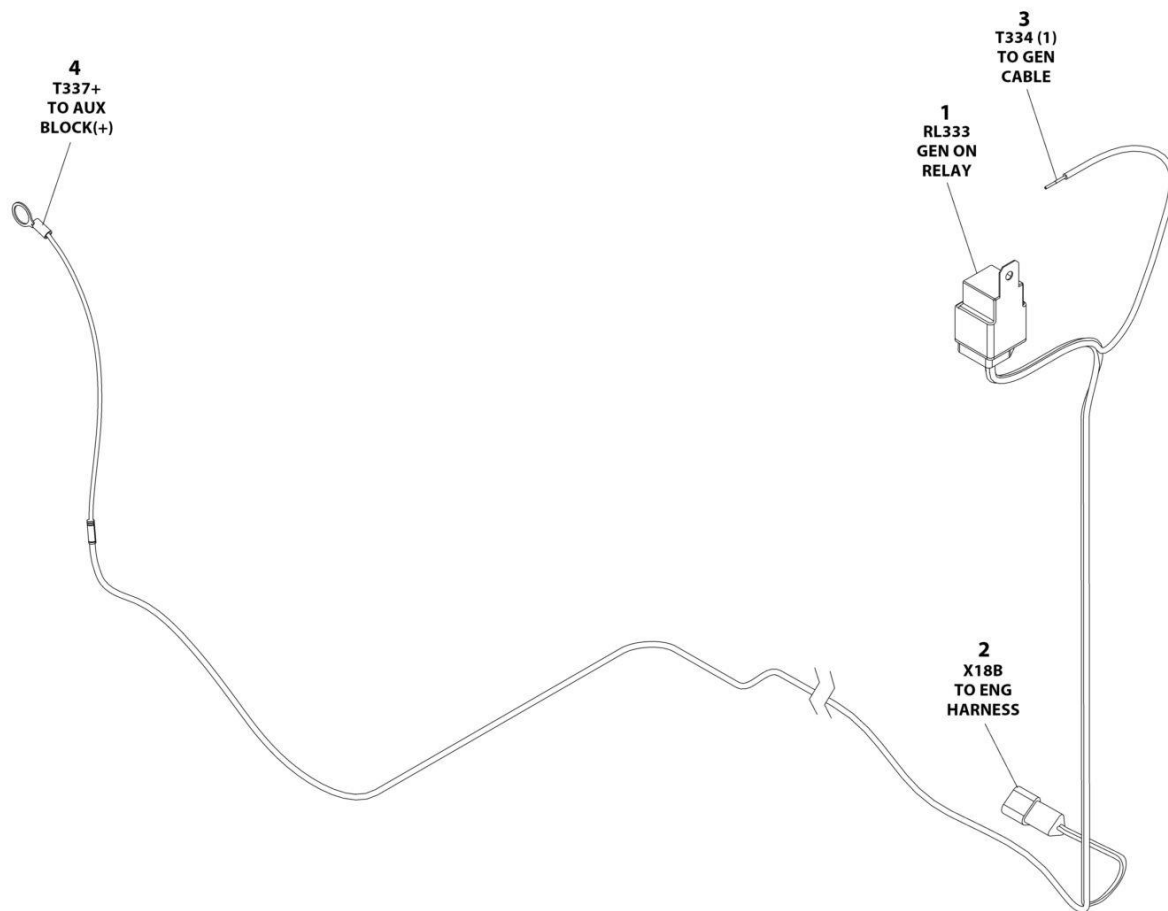
ITEM	PART NUMBER	QTY	DESCRIPTION	REV
	1001248289	Ref	ENGINE HARNESS - GAS	I
1	1001144296	1	Cap	
2	1001116816	1	Connector, Diode	
101	1001184722	2	Connector - 4 Position	
101	1001270481	8	Terminal (Gold)	
101	1001116749	8	Terminal (Tin)	
101	1001237778	4	Seal	
101	4460608	4	Seal	
102	1001184705	1	Connector - 42 Position	
102	1001187455	4	Terminal	
102	1001184718	5	Terminal	
102	1001184717	2	Terminal	
102	1001184716	10	Terminal	
102	1001126391	20	Plug, Terminal	
102	4461008	1	Plug, Terminal	
102	4461054	9	Seal	
102	1001126393	12	Seal	
103	4460539	1	Plug, Male - 3 Position	
103	4460465	3	Socket, Female	
104	4460891	1	Plug, Male - 2 Position	
104	4460942	2	Socket, Female	
105	4460950	1	Receptacle, Female - 12 Position	
105	4460464	4	Pin, Male	
105	4460943	2	Pin, Male	
105	4460941	1	Pin, Male	
105	4460466	1	Plug, Terminal	
106	1001118938	1	Fuseholder with 40Amp Fuse	
106	1001116752	2	Terminal (11-13 AWG)	
106	1001116732	2	Terminal (18-20 AWG)	
107	1001117025	2	Connector, Relay	
107	1001116733	2	Terminal	
107	1001116732	6	Terminal	
108	1001118282	3	Connector, Relay	
108	1001116734	6	Terminal	
108	1001116732	6	Terminal	
108	1001128128	3	Plug, Terminal	
109	1001117070	1	Fuseholder with 30Amp Fuse	
109	1001116752	2	Terminal	
110	1001117069	1	Fuseholder with 20Amp Fuse	
110	1001116752	2	Terminal	
111	8220029	1	Terminal, Ring	
112	4461118	1	Plug, Male - 2 Position	
112	1001107854	2	Terminal	
112	1001104498	1	Seal	
112	1001116763	1	Seal	
113	1001184768	1	Connector	
113	1001184769	1	Terminal	
114	1001117110	1	Terminal, Ring	
115	1001118744	1	Connector - 2 Position	
115	1001118745	2	Terminal	

SECTION 8 - ELECTRICAL

ITEM	PART NUMBER	QTY	DESCRIPTION	REV
116	4460019	1	Terminal, Ring	
117	8220045	1	Terminal, Ring	
118	4460897	1	Receptacle, Female - 2 Position	
118	4460464	2	Pin, Male	

SECTION 8 - ELECTRICAL

FIGURE 8-17. GENERATOR HARNESS



ART_1001249464

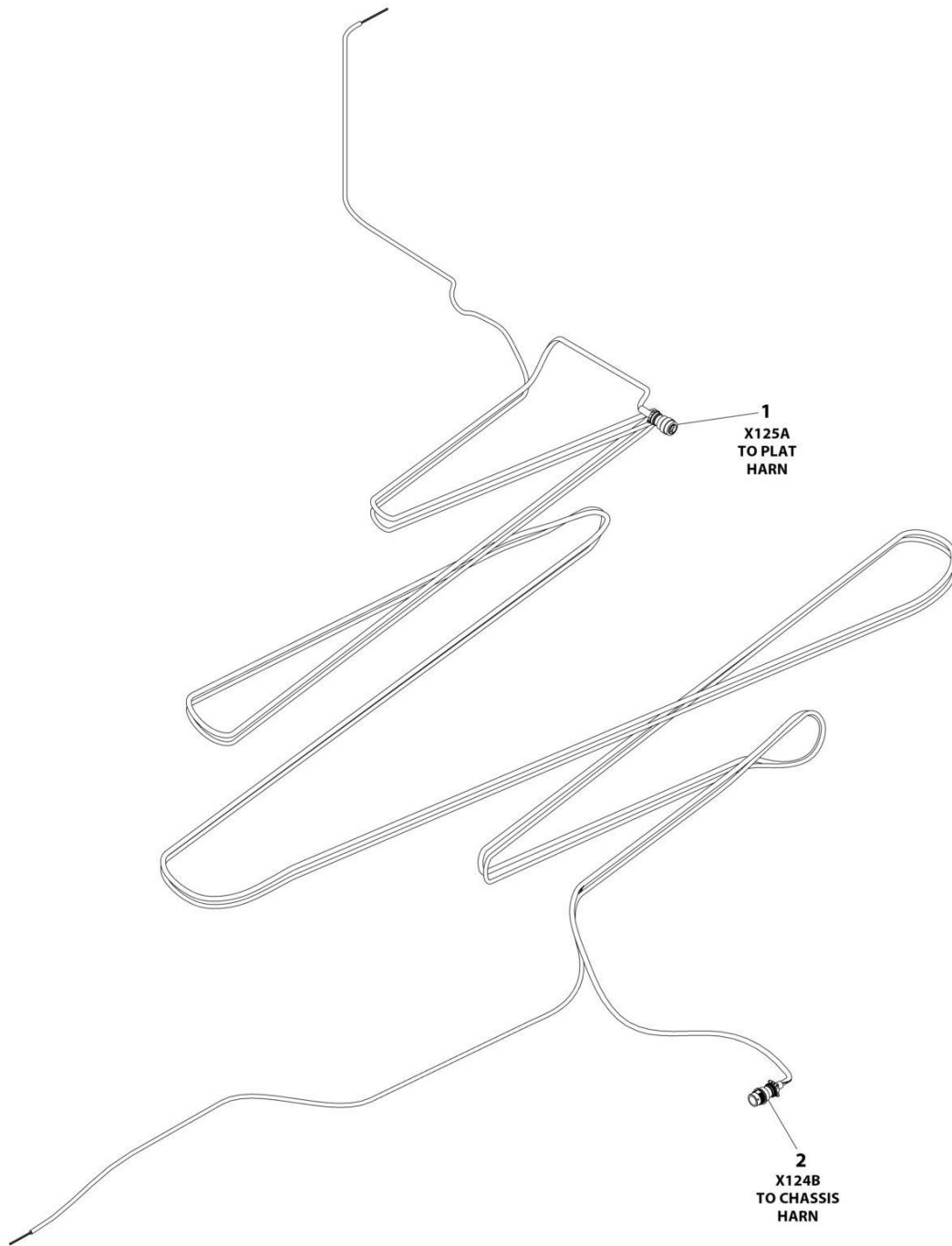
SECTION 8 - ELECTRICAL

FIGURE 8-17. GENERATOR HARNESS

ITEM	PART NUMBER	QTY	DESCRIPTION	REV
	1001249464	Ref	GENERATOR HARNESS	B
1	1001118282	1	Connector & Relay	
1	3740080	1	Relay	
1	1001116734	2	Terminal	
1	1001116732	2	Terminal	
1	1001128128	1	Plug, Terminal	
2	4460536	1	Receptacle, Female - 3 Position	
2	4460464	2	Pin, Male	
2	4460466	1	Plug, Terminal	
3	4460906	1	Terminal	
4	8220111	1	Terminal, Ring	

SECTION 8 - ELECTRICAL

FIGURE 8-18. RT4069 GROUND TO PLATFORM HARNESS



ART_1001259135

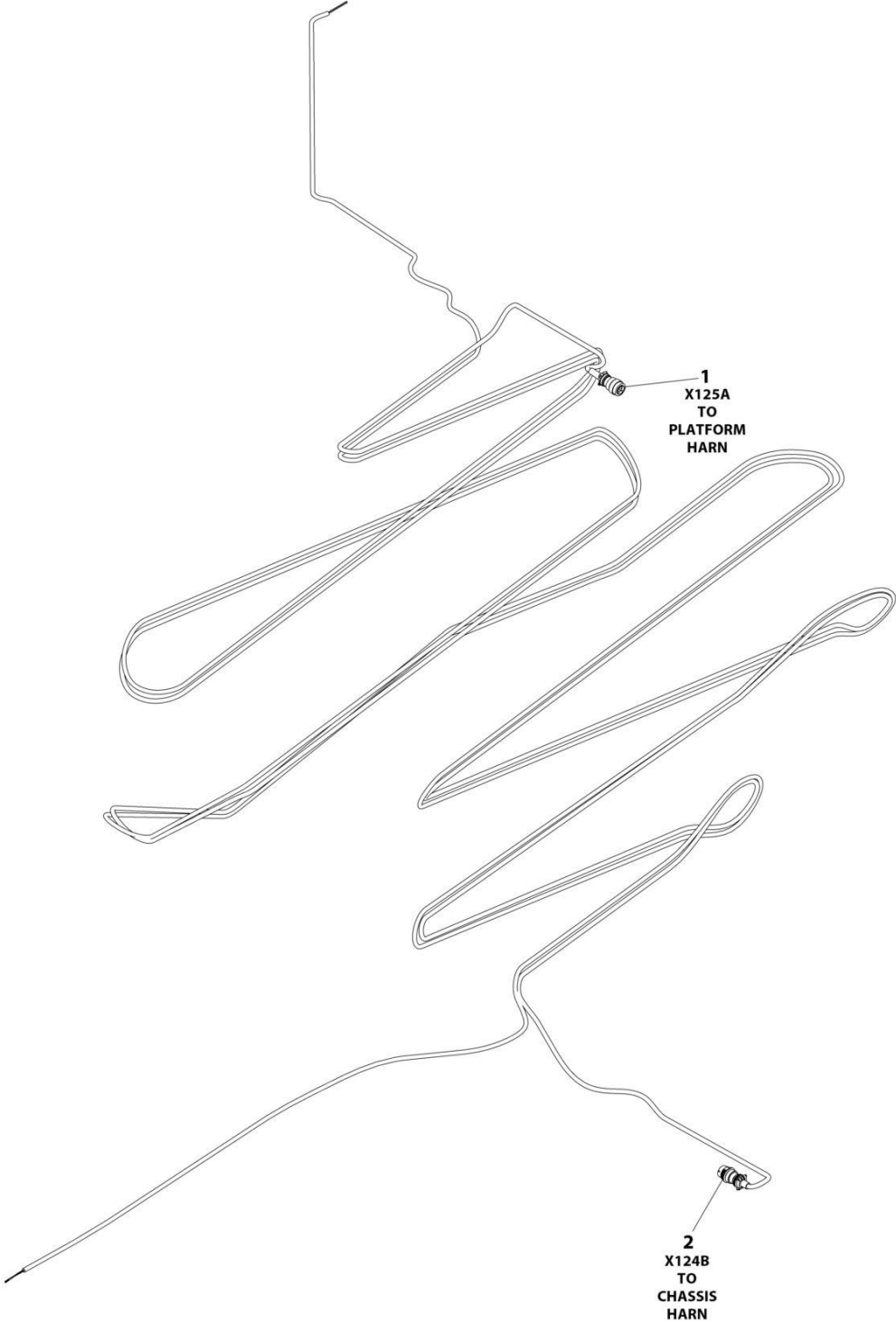
SECTION 8 - ELECTRICAL

FIGURE 8-18. RT4069 GROUND TO PLATFORM HARNESS

ITEM	PART NUMBER	QTY	DESCRIPTION	REV
	1001259135	Ref	GROUND TO PLATFORM HARNESS	B
1	4460754	1	Connector - 14 Position	
1	4460465	12	Socket, Female	
1	4460944	2	Terminal	
2	1001156541	1	Connector - 14 Position	
2	4460464	12	Pin, Male	
2	4460943	2	Terminal	

SECTION 8 - ELECTRICAL

FIGURE 8-19. RT4769 GROUND TO PLATFORM HARNESS



ART_1001262141

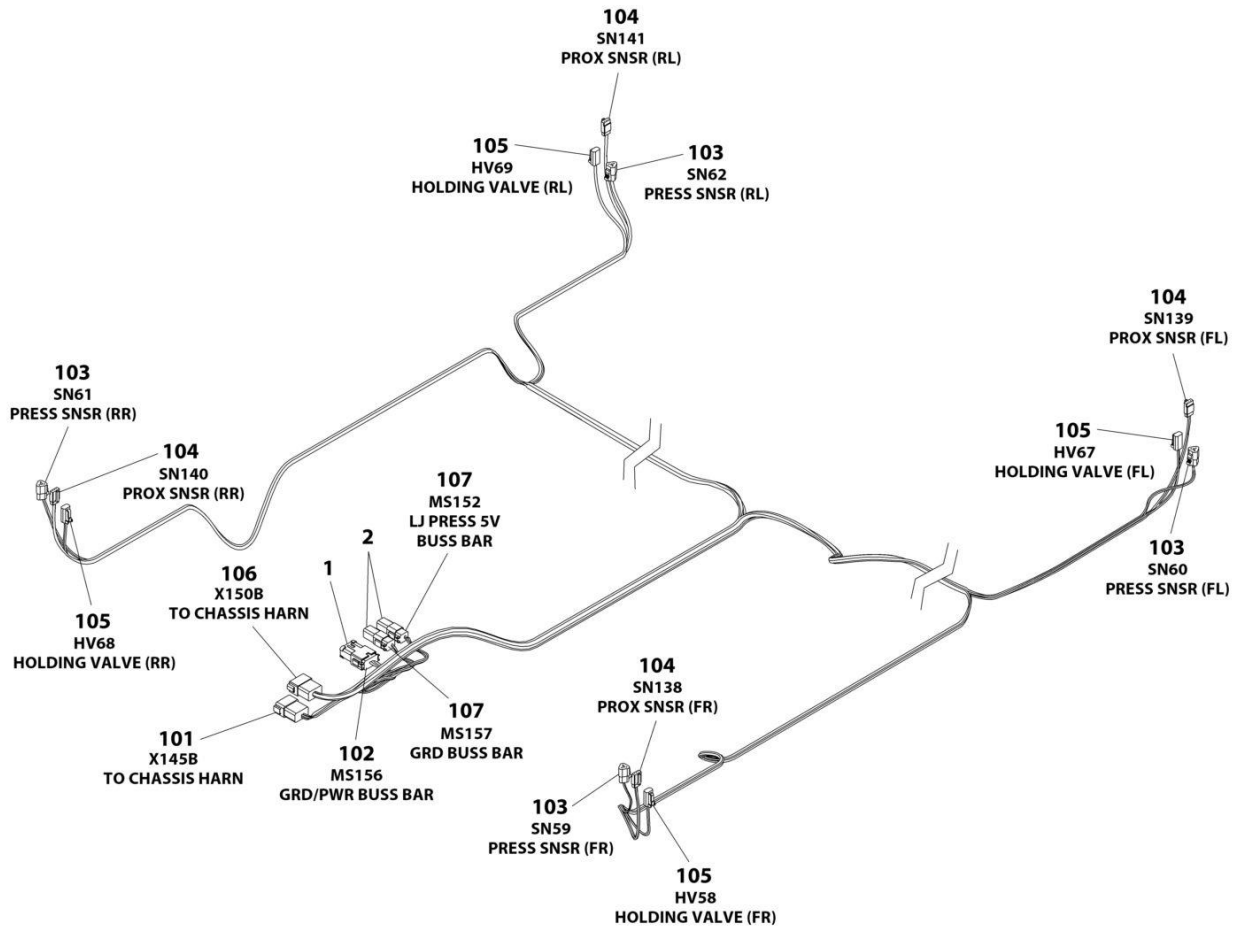
SECTION 8 - ELECTRICAL

FIGURE 8-19. RT4769 GROUND TO PLATFORM HARNESS

ITEM	PART NUMBER	QTY	DESCRIPTION	REV
	1001262141	Ref	GROUND TO PLATFORM HARNESS	B
1	4460754	1	Connector - 14 Position	
1	4460465	12	Socket, Female	
1	4460944	2	Terminal	
2	1001156541	1	Connector - 14 Position	
2	4460464	12	Pin, Male	
2	4460943	2	Terminal	

SECTION 8 - ELECTRICAL

FIGURE 8-20. LEVELING JACK HARNESS



ART_1001248863

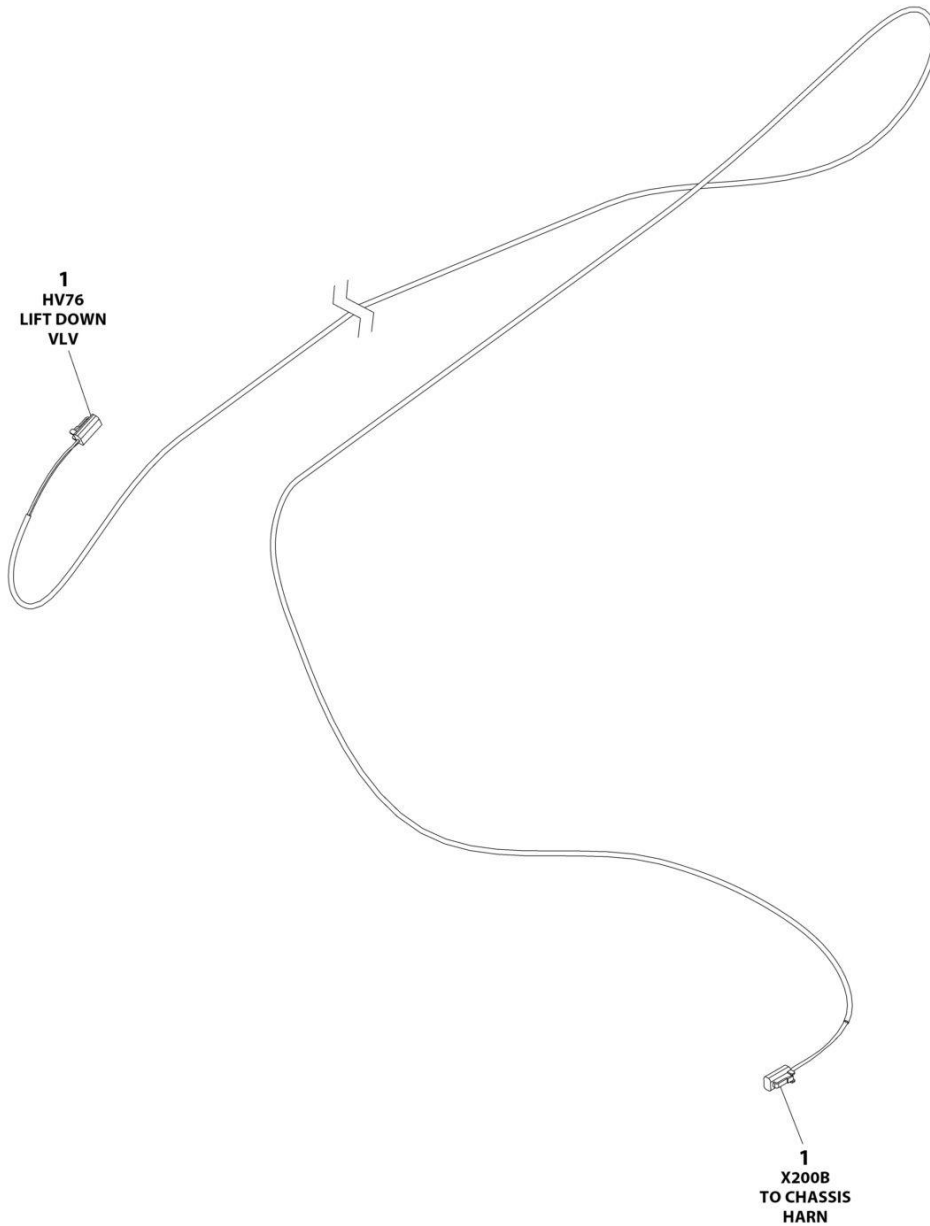
SECTION 8 - ELECTRICAL

FIGURE 8-20. LEVELING JACK HARNESS

ITEM	PART NUMBER	QTY	DESCRIPTION	REV
	1001248863	Ref	LEVELING JACK HARNESS	C
1	1001125677	1	Connector, 2 x 6 Bussbar (DT)	
2	4460892	2	Terminal, 6 Position Bussbar (DT)	
101	4460950	1	Receptacle, Female - 12 Position	
101	4460464	8	Pin, Male	
101	4460466	4	Plug, Terminal	
102	4460933	1	Plug, Male - 12 Position	
102	4460465	10	Socket, Female	
102	4460466	2	Plug, Terminal	
103	4460539	4	Plug, Male - 3 Position	
103	4460465	12	Socket, Female	
104	4460911	4	Connector - 3 Position	
104	1001116694	12	Terminal	
105	4460891	4	Plug, Male - 2 Position	
105	4460465	8	Socket, Female	
106	4460970	1	Receptacle - 12 Position	
106	4460464	12	Pin, Male	
107	4460894	2	Plug, Male - 6 Position	
107	4460465	10	Socket, Female	
107	4460466	2	Plug, Terminal	

SECTION 8 - ELECTRICAL

FIGURE 8-21. RT4069 & RT4769 LIFT DOWN HARNESS - LOWER



ART_1001259139

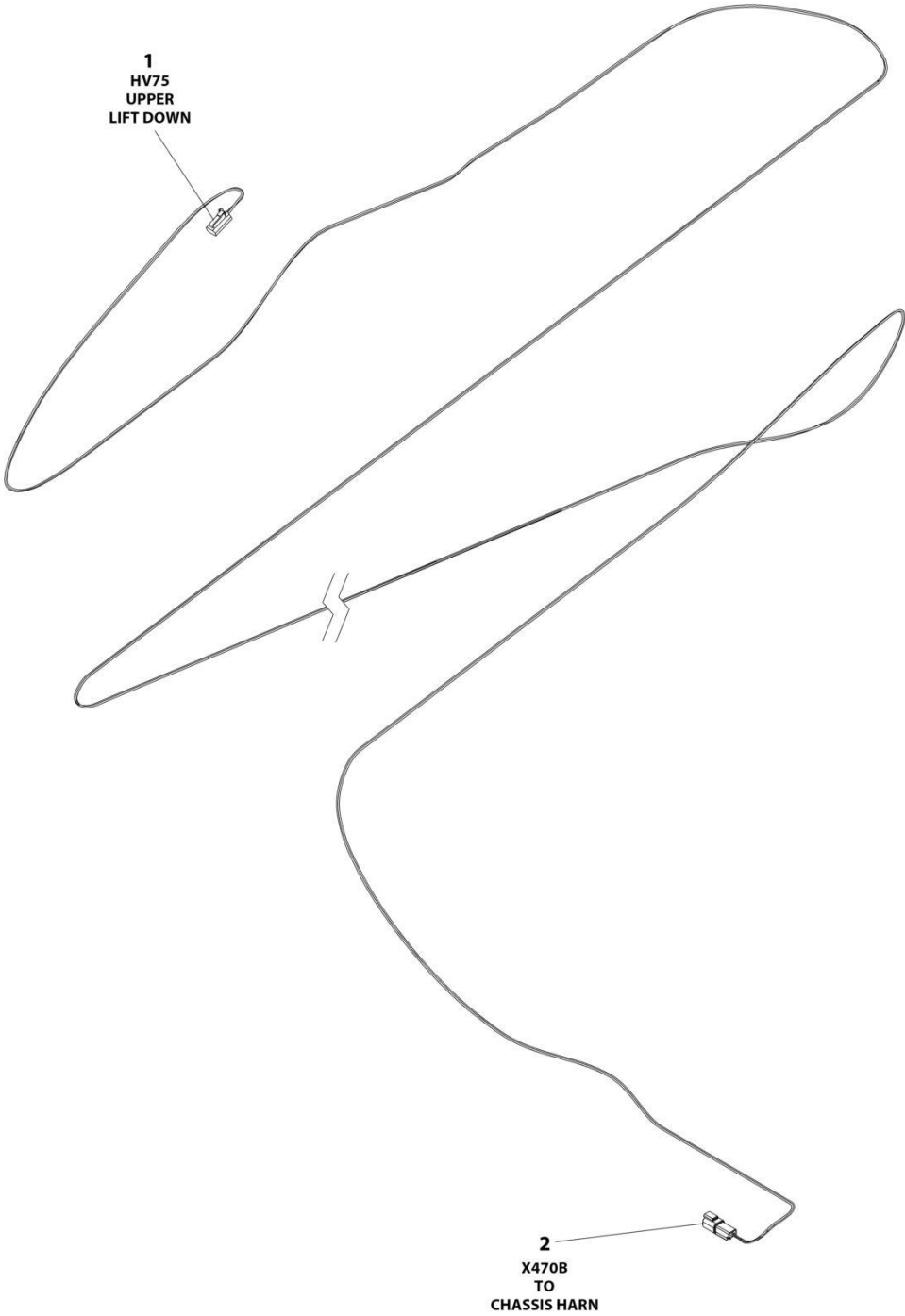
SECTION 8 - ELECTRICAL

FIGURE 8-21. RT4069 & RT4769 LIFT DOWN HARNESS - LOWER

ITEM	PART NUMBER	QTY	DESCRIPTION	REV
	1001259139	Ref	LIFT DOWN HARNESS	B
1	4460891	2	Connector - 2 Position	
1	4460465	4	Socket, Female	

SECTION 8 - ELECTRICAL

FIGURE 8-22. RT4769 LIFT DOWN HARNESS - UPPER - RT4769



ART_1001262142

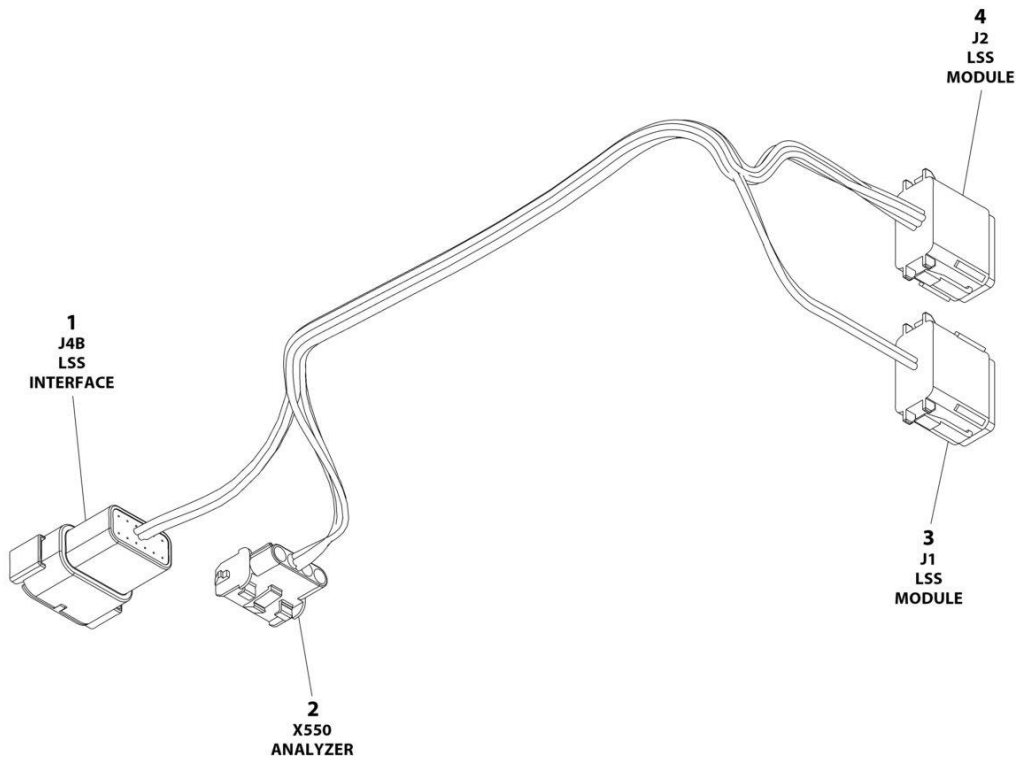
SECTION 8 - ELECTRICAL

FIGURE 8-22. RT4769 LIFT DOWN HARNESS - UPPER - RT4769

ITEM	PART NUMBER	QTY	DESCRIPTION	REV
	1001262142	Ref	LIFT DOWN HARNESS	A
1	4460891	1	Connector - 2 Position	
1	4460465	2	Socket, Female	
2	4460897	1	Receptacle, Female- 2 Position	
2	4460464	2	Pin, Male	

SECTION 8 - ELECTRICAL

FIGURE 8-23. LSS HARNESS



ART_1001226830

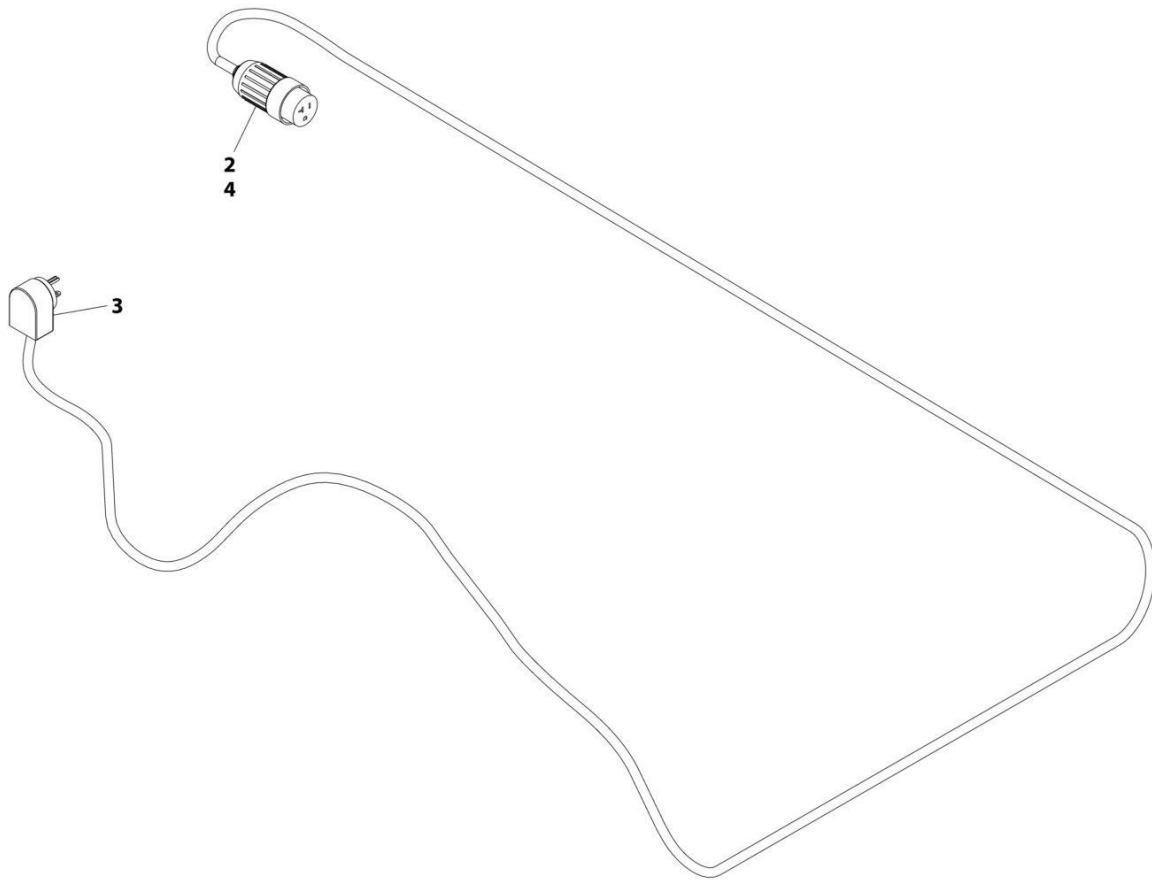
SECTION 8 - ELECTRICAL

FIGURE 8-23. LSS HARNESS

ITEM	PART NUMBER	QTY	DESCRIPTION	REV
	1001226830	Ref	LSS HARNESS	A
1	1001132170	1	Connector - 12 Position	
1	4460929	2	Pin, Male	
1	4460917	2	Pin, Male	
1	4460518	8	Plug, Terminal	
2	4460761	1	Receptacle, Female - 4 Position	
2	4460294	4	Pin, Male	
3	4460933	1	Connector - 12 Position	
3	4460465	2	Socket, Female	
3	4460466	10	Plug, Terminal	
4	4460836	1	Connector - 12 Position	
4	4460465	5	Socket, Female	
4	4460944	2	Socket, Female	
4	4460466	5	Plug, Terminal	

SECTION 8 - ELECTRICAL

FIGURE 8-24. ONBOARD GENERATOR CABLE



ART_1001266233

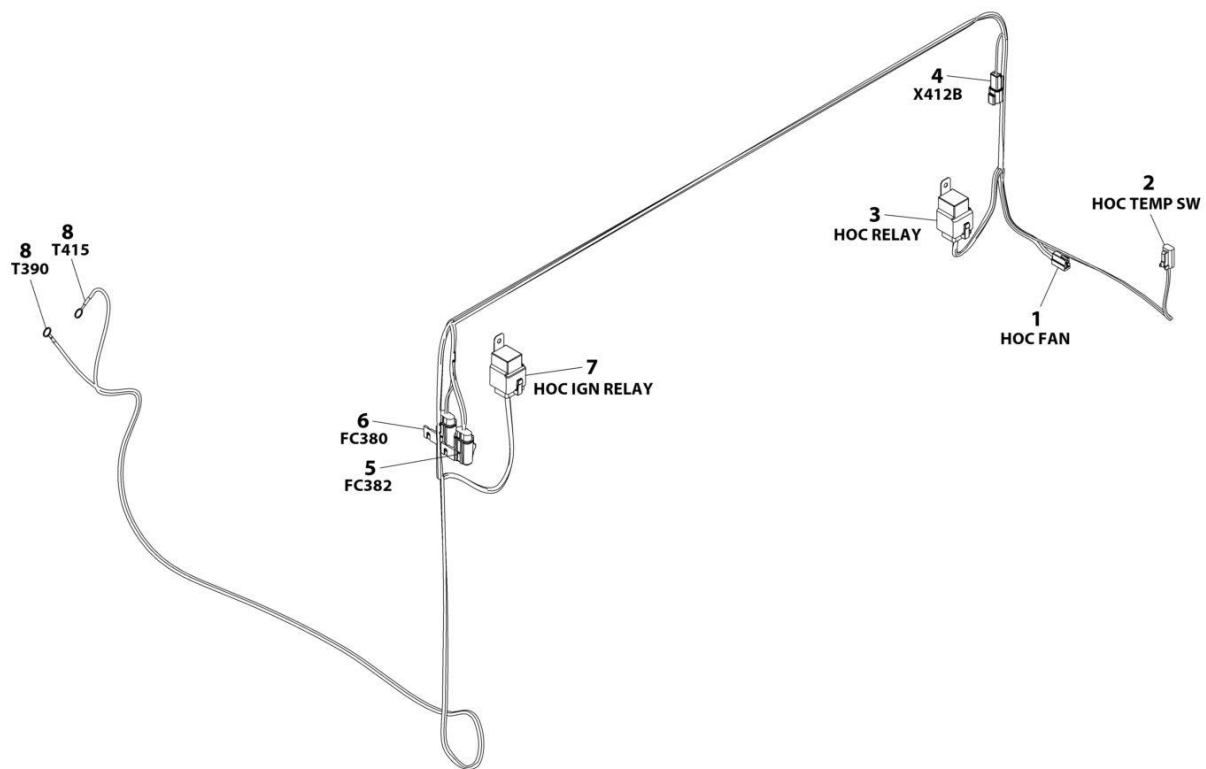
SECTION 8 - ELECTRICAL

FIGURE 8-24. ONBOARD GENERATOR CABLE

ITEM	PART NUMBER	QTY	DESCRIPTION	REV
	1001266233	Ref	ONBOARD GENERATOR CABLE	A
2	1001156351	1	Cover, Connector	
3	1001265225	1	Plug	
4	1001265226	1	Connector	

SECTION 8 - ELECTRICAL

FIGURE 8-25. OIL COOLER HARNESS



ART_1001249802

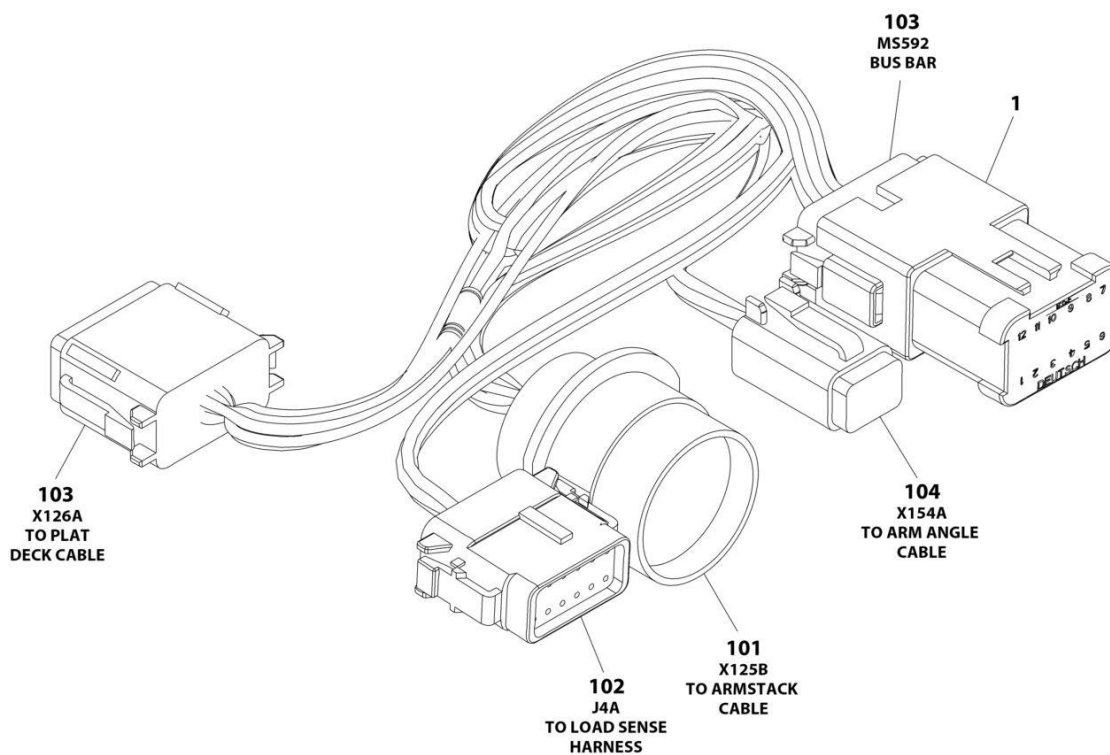
SECTION 8 - ELECTRICAL

FIGURE 8-25. OIL COOLER HARNESS

ITEM	PART NUMBER	QTY	DESCRIPTION	REV
	1001249802	Ref	OIL COOLER HARNESS	D
1	4460994	1	Connector	
1	1001116716	3	Socket, Female	
2	4460891	1	Connector	
2	4460465	2	Socket, Female	
3	1001118282	1	Connector	
3	1001116732	2	Socket, Female	
3	1001116734	2	Socket, Female	
3	1001128128	1	Plug	
4	4460897	1	Connector	
4	4460464	1	Pin, Male	
4	4460466	1	Plug	
5	1001119412	1	Connector	
5	1001116733	2	Socket, Female	
6	1001117024	1	Connector	
6	1001116734	2	Socket, Female	
7	1001118282	1	Connector	
7	1001116732	2	Socket, Female	
7	1001116734	2	Socket, Female	
7	1001128128	1	Plug	
8	4460019	2	Terminal, Ring	

SECTION 8 - ELECTRICAL

FIGURE 8-26. PLATFORM HARNESS



ART_1001264939

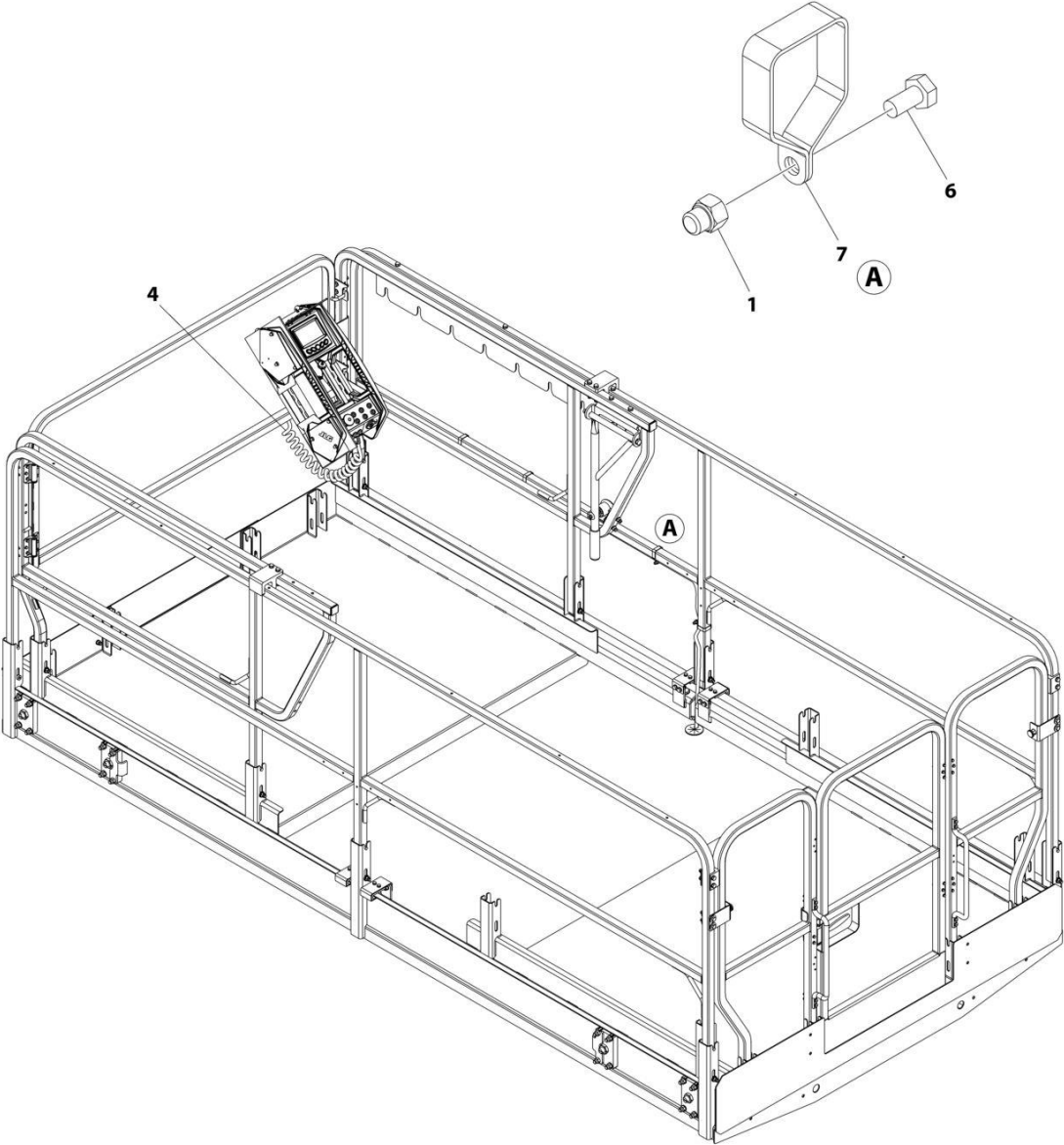
SECTION 8 - ELECTRICAL

FIGURE 8-26. PLATFORM HARNESS

ITEM	PART NUMBER	QTY	DESCRIPTION	REV
	1001264939	Ref	PLATFORM HARNESS	C
1	1001119020	1	Connector, Bussbar	
101	4460752	1	Connector - 14 Position	
101	4460464	8	Pin, Male	
101	4460943	2	Pin, Male	
101	4460466	4	Plug, Terminal	
102	1001116808	1	Connector - 12 Position	
102	4460928	2	Terminal	
102	4460918	2	Terminal	
102	4460518	8	Plug, Terminal	
103	4460933	2	Plug, Male - 12 Position	
103	4460465	21	Socket, Female	
103	4460466	3	Plug, Terminal	
104	4460884	1	Plug, Male - 4 Position	
104	4460465	4	Socket, Female	

SECTION 8 - ELECTRICAL

FIGURE 8-27. PLATFORM CABLE INSTALLATION – WITHOUT FOOTSWITCH



ART_1001254820

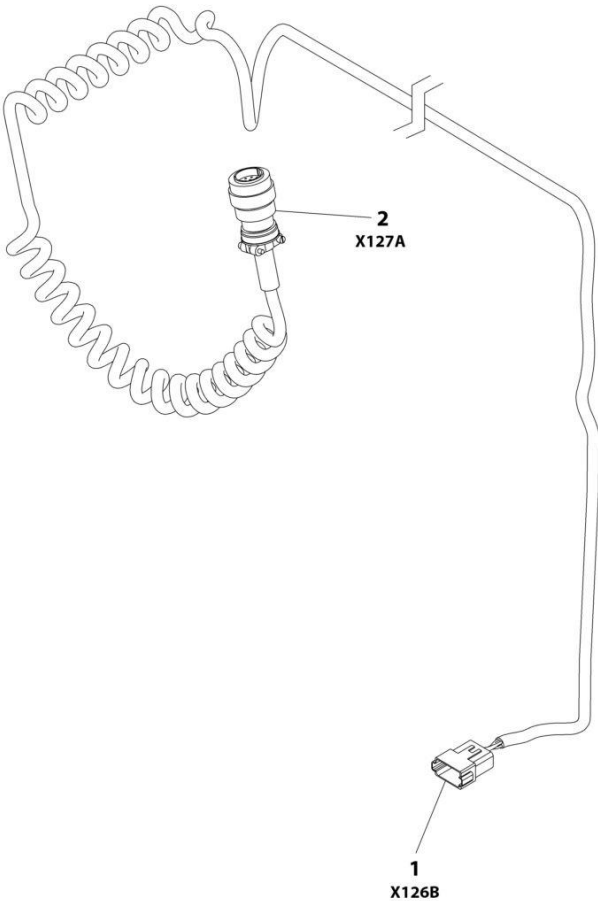
SECTION 8 - ELECTRICAL

FIGURE 8-27. PLATFORM CABLE INSTALLATION – WITHOUT FOOTSWITCH

ITEM	PART NUMBER	QTY	DESCRIPTION	REV
	1001254820	Ref	PLATFORM CABLE INSTALLATION – WITHOUT FOOTSWITCH	D
1	3290606	5	Nut M6 x 1	
4	1001249048	1	Cable, Platform Deck (See Separate Breakdown in this Section)	
6	0760606	5	Bolt M6 x 12	
7	1001220668	5	Clamp, Platform Cable Post	
8	4240018	1	Tie Strap (Not Shown)	

SECTION 8 - ELECTRICAL

FIGURE 8-28. PLATFORM CABLE HARNESS – WITHOUT FOOTSWITCH



ART_1001249048

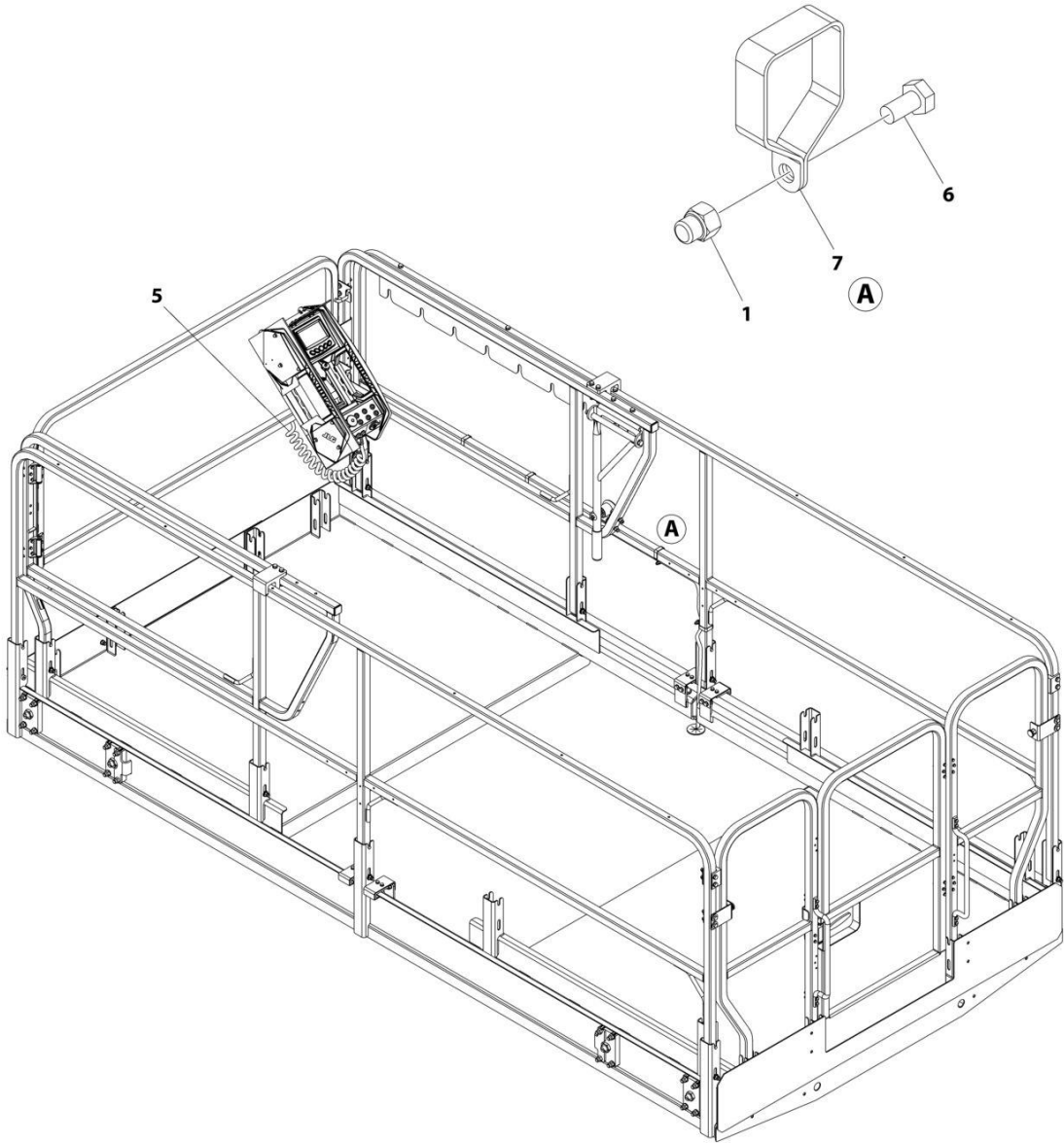
SECTION 8 - ELECTRICAL

FIGURE 8-28. PLATFORM CABLE HARNESS – WITHOUT FOOTSWITCH

ITEM	PART NUMBER	QTY	DESCRIPTION	REV
	1001249048	Ref	PLATFORM MODULE HARNESS – WITHOUT FOOTSWITCH	D
1	4460970	1	Plug, Male - 12 Position	
1	4460464	8	Pin, Male	
1	4460943	2	Pin, Male	
1	4460466	2	Plug, Terminal	
1	1001249190	1	Boot	
2	4460754	1	Receptacle, Female - 14 Position	
2	4460465	8	Socket, Femaile	
2	4460944	2	Socket, Femaile	
2	4460466	4	Plug, Terminal	

SECTION 8 - ELECTRICAL

FIGURE 8-29. PLATFORM CABLE INSTALLATION – WITH FOOTSWITCH



ART_1001258923

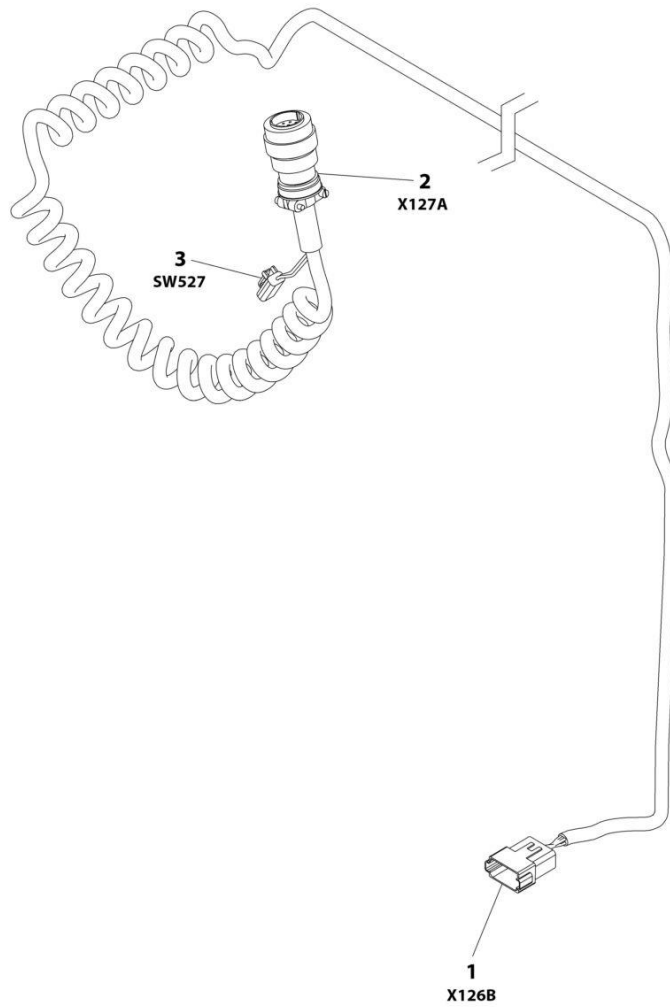
SECTION 8 - ELECTRICAL

FIGURE 8-29. PLATFORM CABLE INSTALLATION – WITH FOOTSWITCH

ITEM	PART NUMBER	QTY	DESCRIPTION	REV
	1001258923	Ref	PLATFORM CABLE INSTALLATION – WITH FOOTSWITCH	C
1	3290606	5	Nut M6 x 1	
5	1001258223	1	Harness, Platform Deck (See Separate Breakdown in this Section)	
6	0760606	5	Bolt M6 x 12	
7	1001220668	5	Clamp, Platform Cable Post	
8	4240018	1	Tie Strap (Not Shown)	

SECTION 8 - ELECTRICAL

FIGURE 8-30. PLATFORM CABLE HARNESS – WITH FOOTSWITCH



ART_1001258223

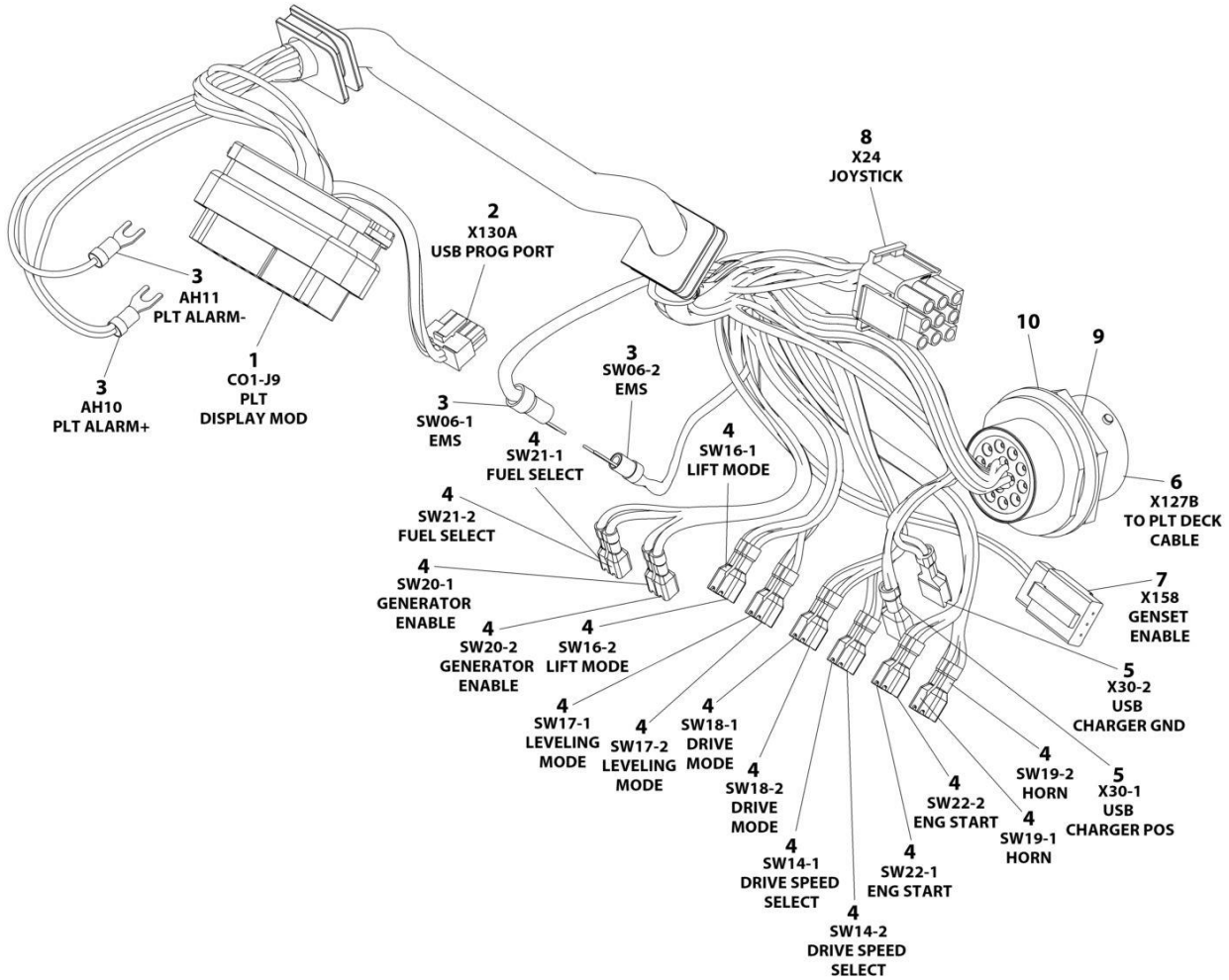
SECTION 8 - ELECTRICAL

FIGURE 8-30. PLATFORM CABLE HARNESS – WITH FOOTSWITCH

ITEM	PART NUMBER	QTY	DESCRIPTION	REV
	1001258223	Ref	PLATFORM MODULE HARNESS – WITH FOOTSWITCH	B
1	4460970	1	Plug, Male - 12 Position	
1	4460464	7	Pin, Male	
1	4460943	2	Pin, Male	
1	4460466	3	Plug, Terminal	
1	1001249190	1	Boot	
2	4460754	1	Receptacle, Female - 14 Position	
2	4460465	9	Socket, Female	
2	4460944	2	Socket, Female	
2	4460466	3	Plug, Terminal	
3	4460891	1	Plug, Male - 4 Position	
3	4460465	2	Socket, Female	

SECTION 8 - ELECTRICAL

FIGURE 8-31. PLATFORM CONTROL BOX HARNESS



ART_1001249049

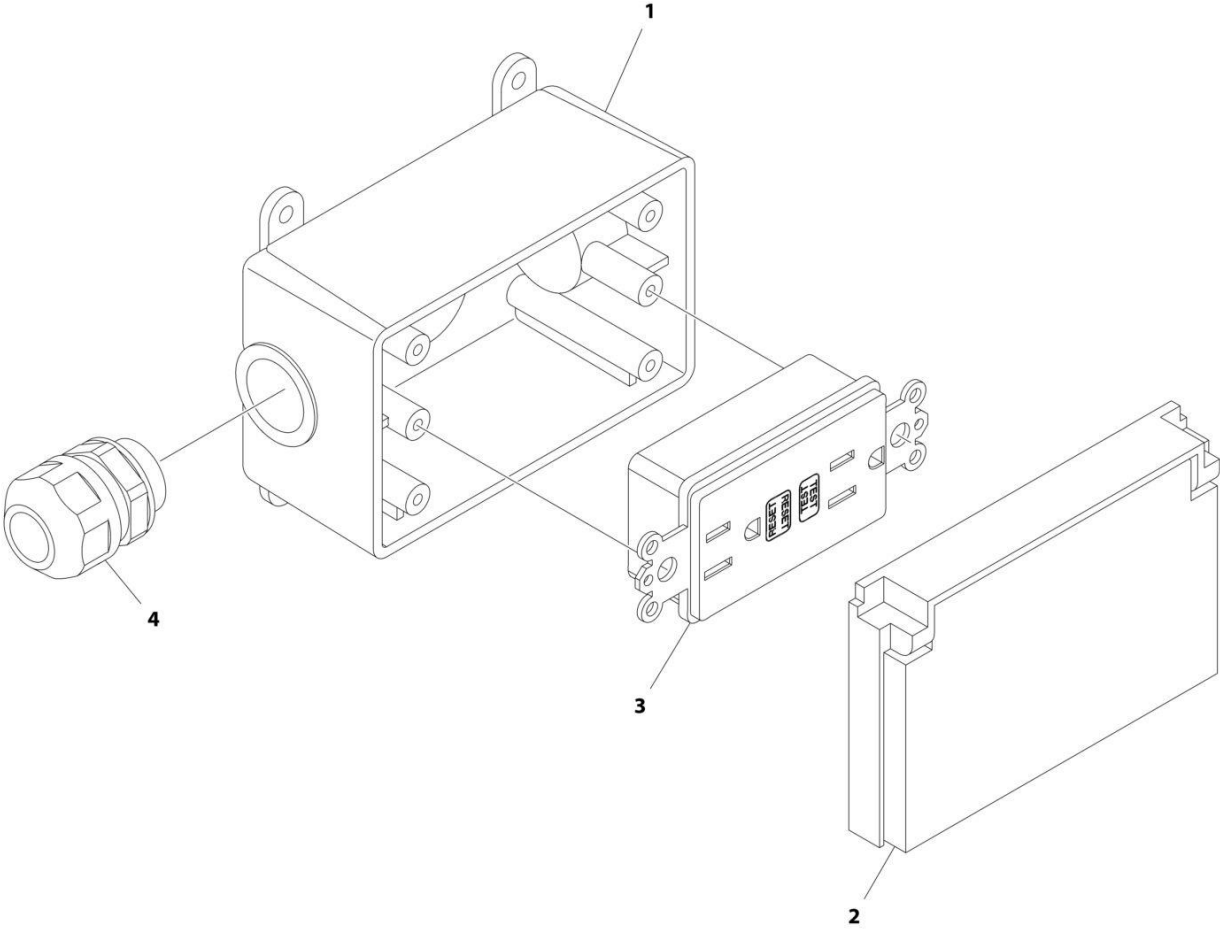
SECTION 8 - ELECTRICAL

FIGURE 8-31. PLATFORM CONTROL BOX HARNESS

ITEM	PART NUMBER	QTY	DESCRIPTION	REV
	1001249049	Ref	PLATFORM CONSOLE BOX HARNESS	G
1	4460873	1	Connector - 35 Position	
1	4460871	28	Pin, Male	
1	4460905	7	Plug, Terminal	
2	1001150735	1	Connector - 10 Position	
2	1001150889	5	Terminal	
3	4460183	4	Terminal, Fork	
4	1001201885	16	Receptacle, Female - 2 Position	
5	8220051	2	Terminal	
6	4461016	1	Connector - 14 Position	
6	4460464	11	Socket, Female	
6	4460466	1	Plug, Terminal	
6	4460943	2	Bussbar	
7	4460911	1	Plug, Male - 3 Position	
7	4460918	3	Terminal	
8	4460265	1	Plug, Male - 9 Position	
8	4460267	7	Terminal	
9	1001125784	1	Washer	
10	4460497	1	Terminal, Nut	

SECTION 8 - ELECTRICAL

FIGURE 8-32. RECEPTACLE BOX KIT - 110V GFI



ART_2902431

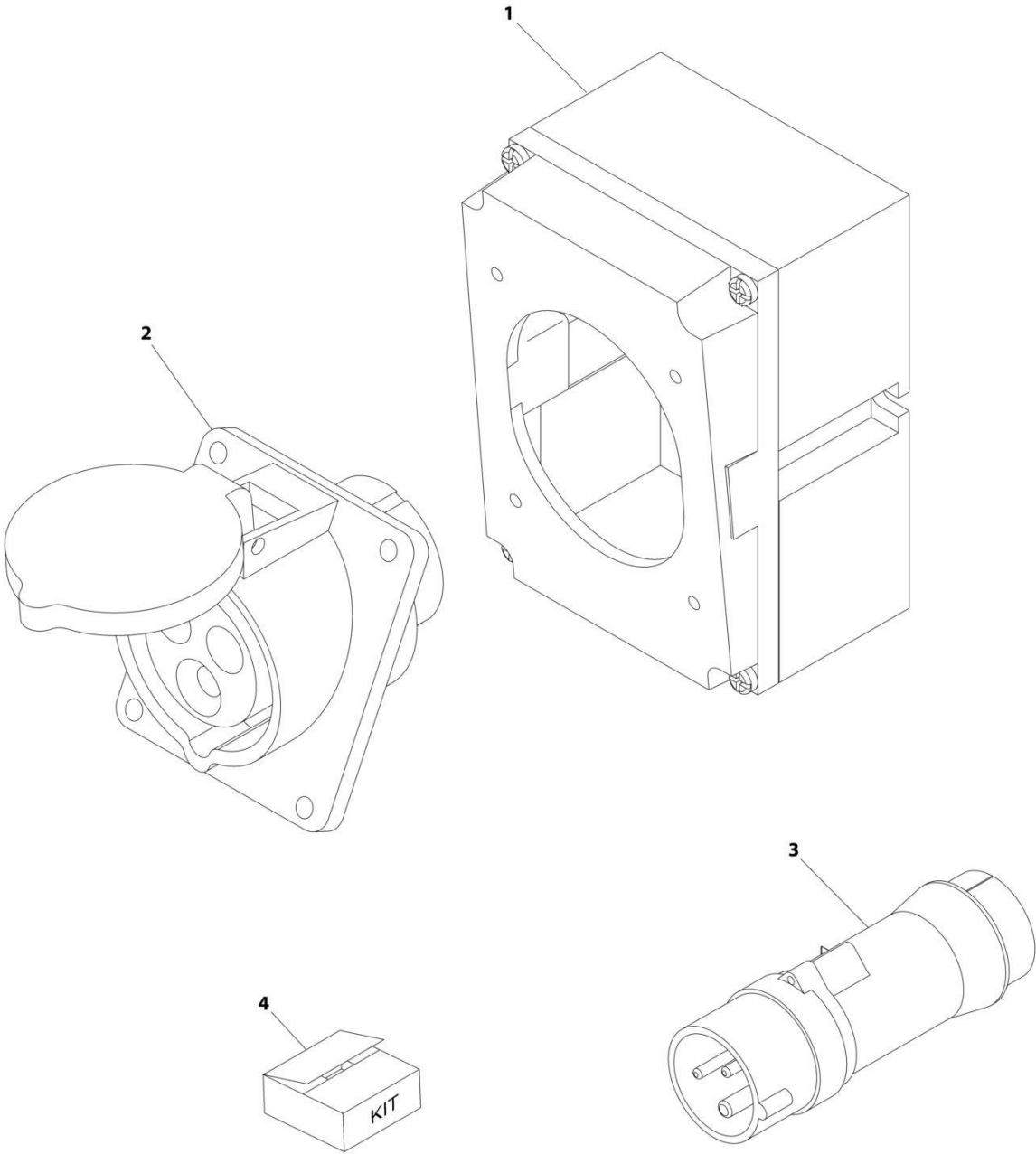
SECTION 8 - ELECTRICAL

FIGURE 8-32. RECEPTACLE BOX KIT - 110V GFI

ITEM	PART NUMBER	QTY	DESCRIPTION	REV
	2902431	Ref	RECEPTACLE BOX KIT - 110V GFI	D
1	0861731	1	Box, Receptacle	
2	1671207	1	Cover, Receptacle	
3	4460346	1	Receptacle	
4	4460662	1	Connector, Strain Relief	

SECTION 8 - ELECTRICAL

FIGURE 8-33. RECEPTACLE BOX KIT - 110V IEC YELLOW (CE & UK CA SPECS)



ART_0275216

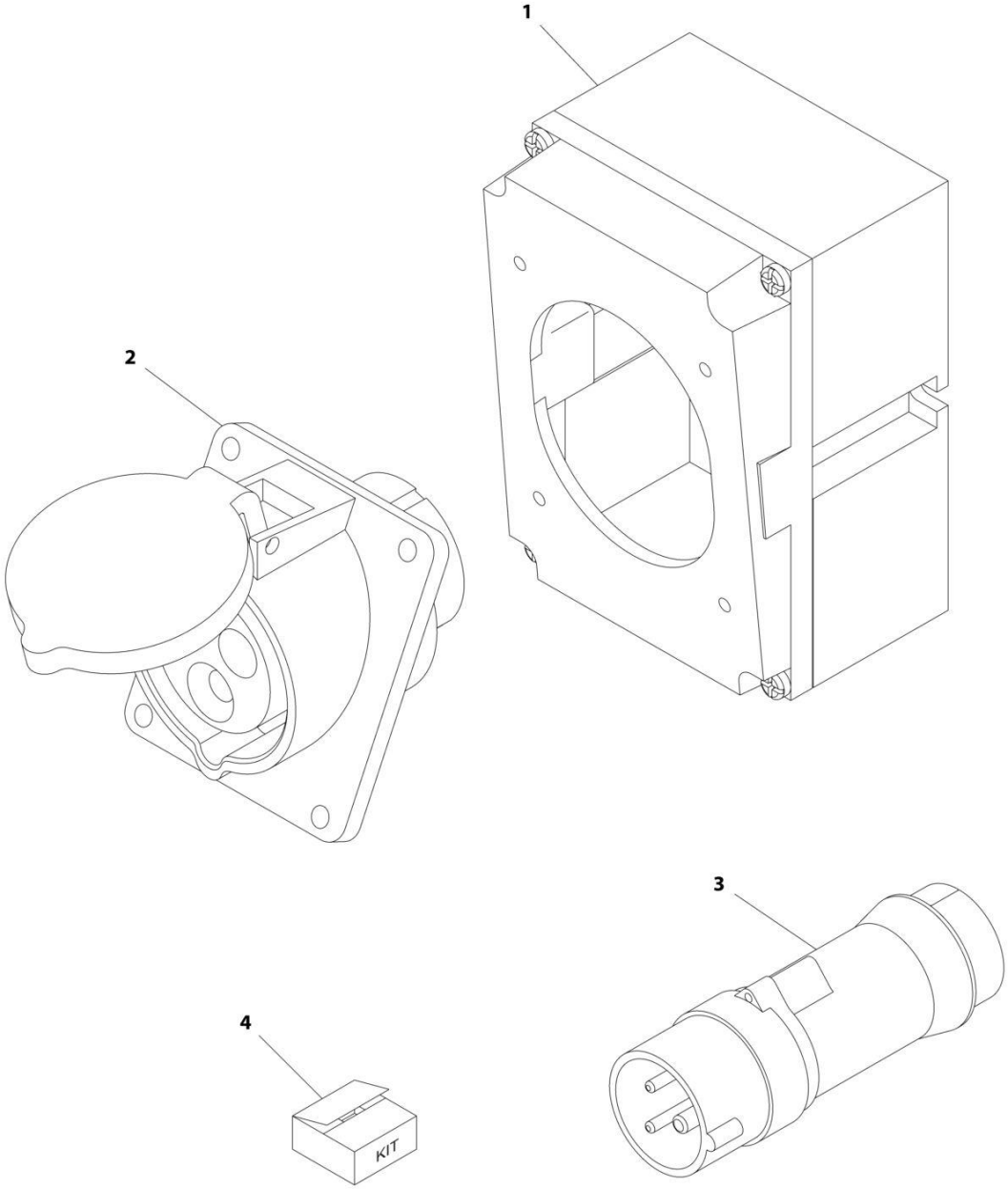
SECTION 8 - ELECTRICAL

FIGURE 8-33. RECEPTACLE BOX KIT - 110V IEC YELLOW (CE & UK CA SPECS)

ITEM	PART NUMBER	QTY	DESCRIPTION	REV
	0275216	Ref	RECEPTACLE BOX KIT - 110V IEC YELLOW	B
1	0861781	1	Box, Switch	
2	4461198	1	Receptacle	
3	4461196	1	Plug, Male	
4	1001100341	1	Plug and Socket Kit (Includes Items 1-3 and Female Plug p/n 4461197)	

SECTION 8 - ELECTRICAL

FIGURE 8-34. RECEPTACLE BOX KIT - 220V IEC BLUE (CE & UK CA SPECS)



ART_0275217

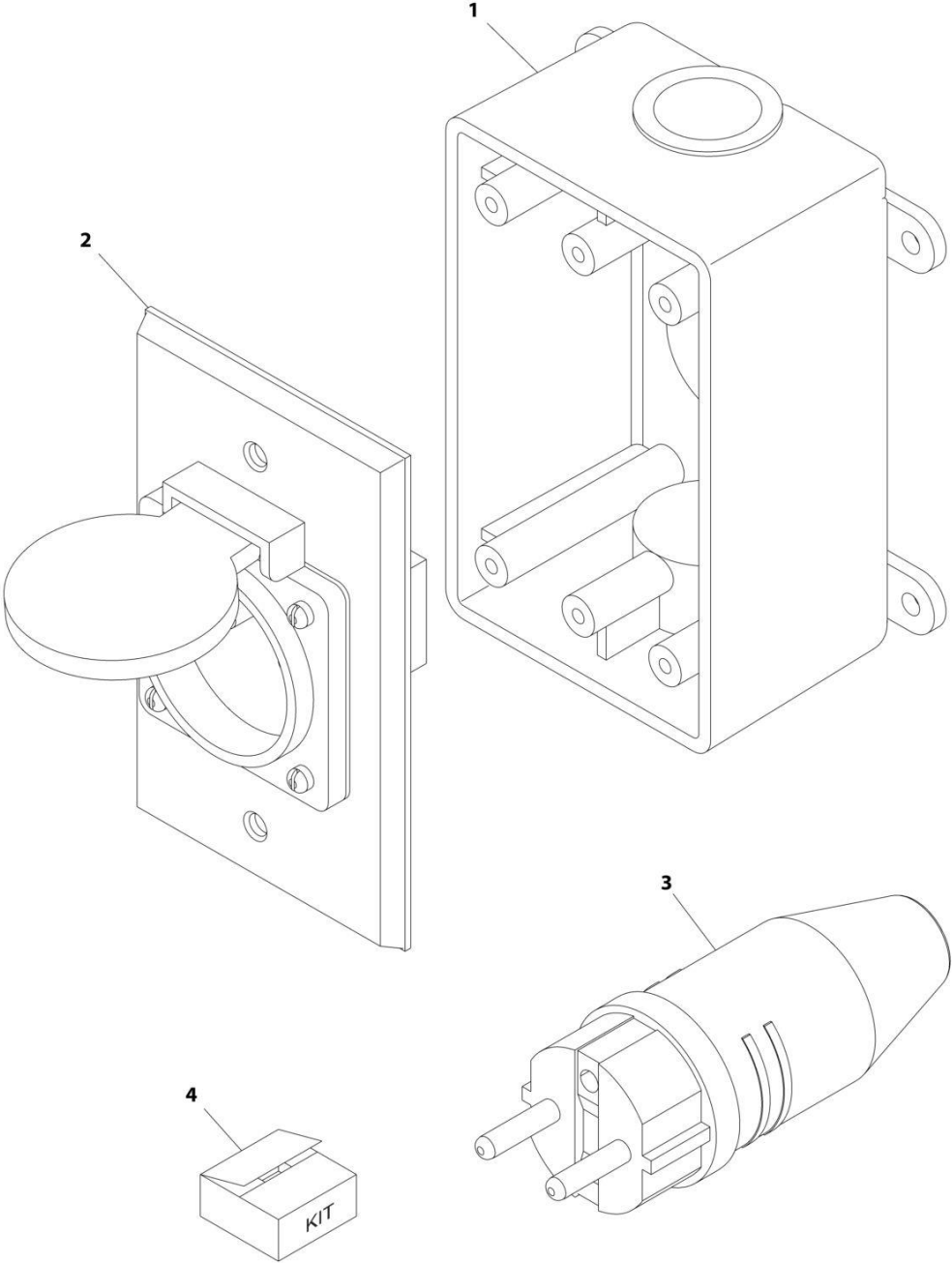
SECTION 8 - ELECTRICAL

FIGURE 8-34. RECEPTACLE BOX KIT - 220V IEC BLUE (CE & UK CA SPECS)

ITEM	PART NUMBER	QTY	DESCRIPTION	REV
	0275217	Ref	RECEPTACLE BOX KIT - 220V IEC BLUE	B
1	0861781	1	Box, Switch	
2	4461201	1	Receptacle	
3	4461199	1	Plug, Male	
4	1001100342	1	Plug and Socket Kit (Includes Items 1-3 and Female Plug p/n 4461200)	

SECTION 8 - ELECTRICAL

FIGURE 8-35. RECEPTACLE BOX KIT - 220V CEE7 POST GROUND (CE & UK CA SPECS)



ART_0275452-C

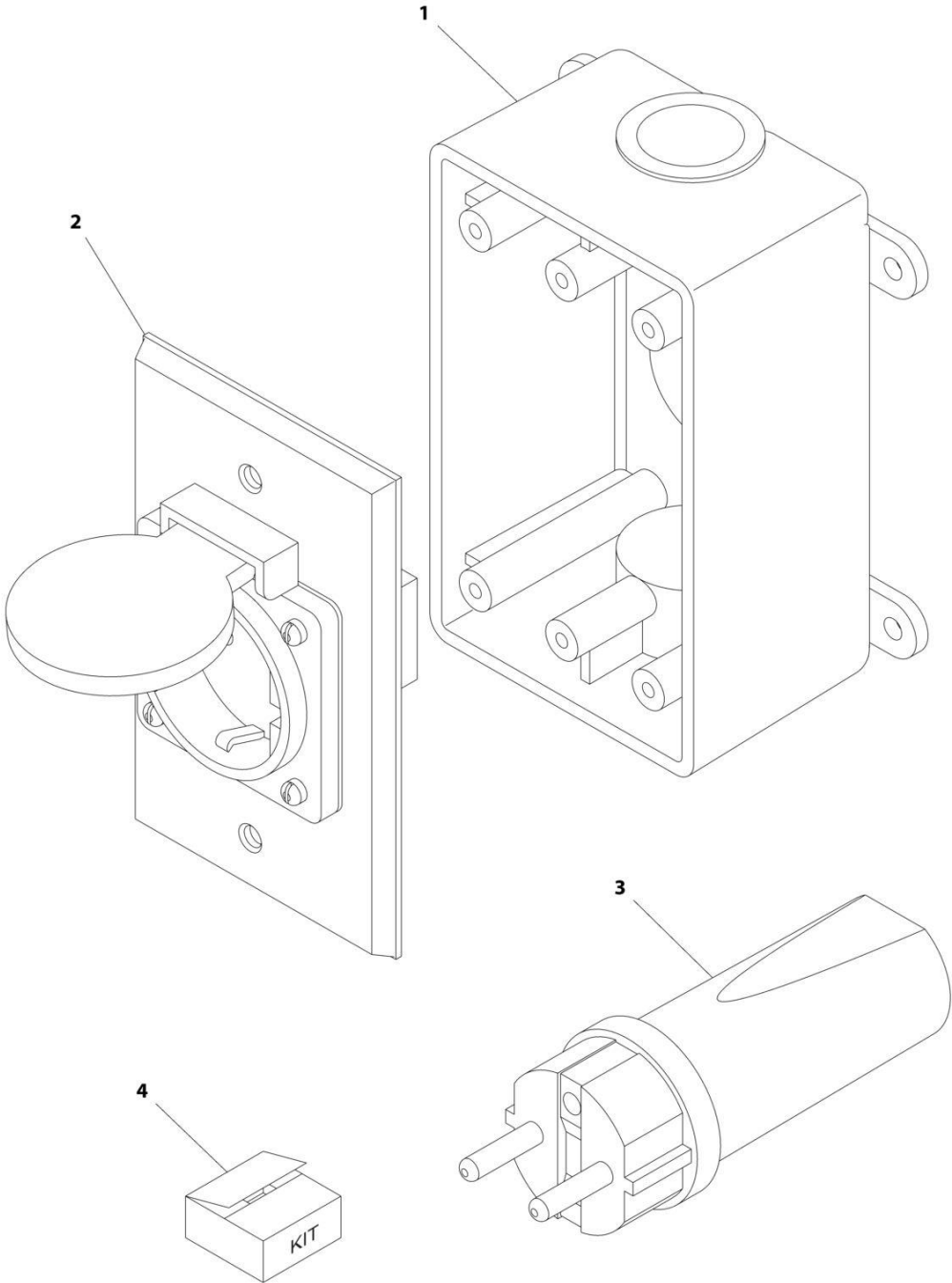
SECTION 8 - ELECTRICAL

FIGURE 8-35. RECEPTACLE BOX KIT - 220V CEE7 POST GROUND (CE & UK CA SPECS)

ITEM	PART NUMBER	QTY	DESCRIPTION	REV
	0275452	Ref	RECEPTACLE BOX KIT - 220V CEE7 POST GROUND 2IN X 4IN BOX	C
1	0861731	1	Box, Switch	
2	4461244	1	Receptacle	
3	4461205	1	Plug, Male	
4	1001100345	1	Plug and Socket Kit (Includes Items 1-3 and Female Plug p/n 4461203)	

SECTION 8 - ELECTRICAL

FIGURE 8-36. RECEPTACLE BOX KIT - 220V CEE7 SIDE GROUND (CE & UK CA SPECS)



ART_0275453

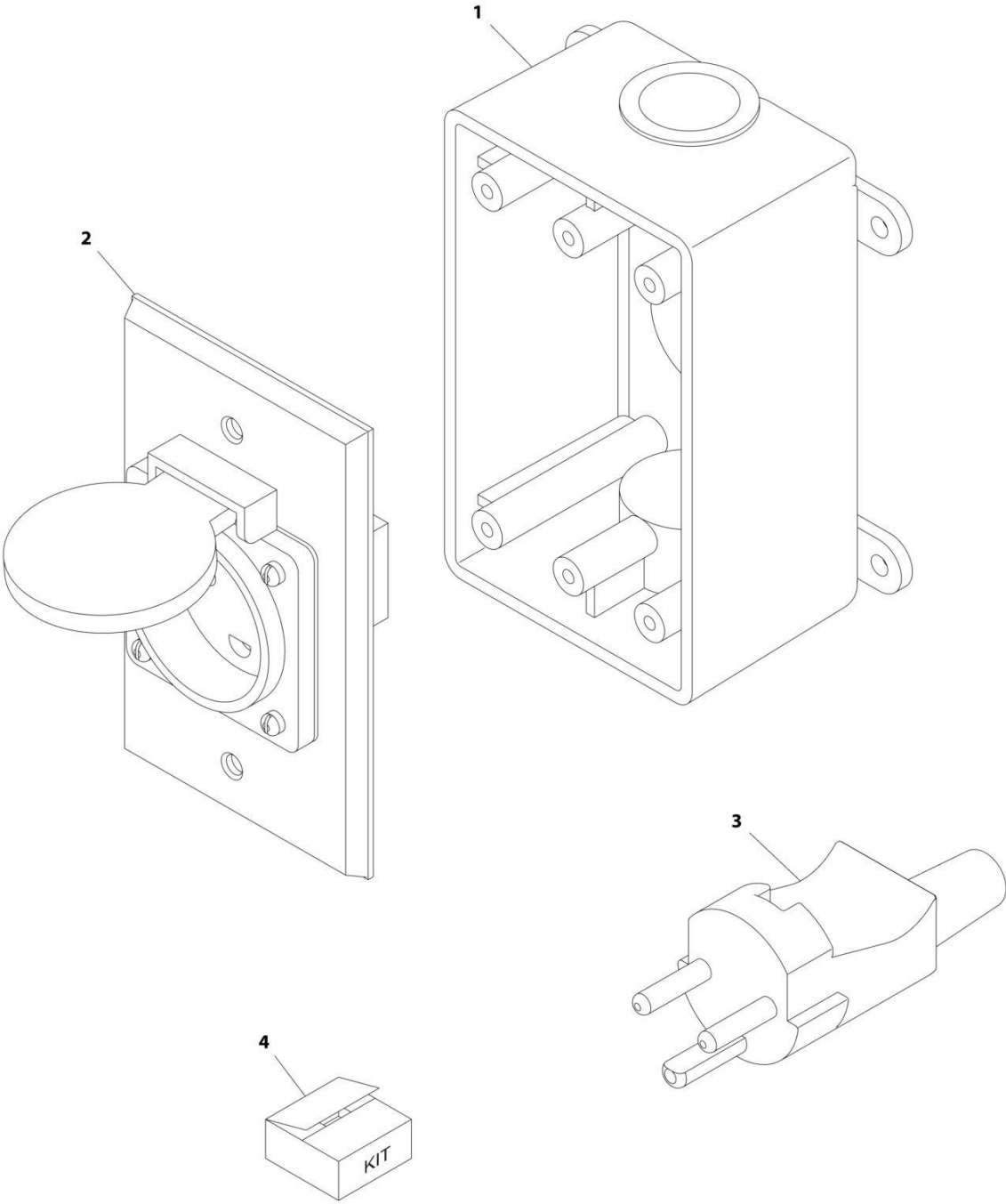
SECTION 8 - ELECTRICAL

FIGURE 8-36. RECEPTACLE BOX KIT - 220V CEE7 SIDE GROUND (CE & UK CA SPECS)

ITEM	PART NUMBER	QTY	DESCRIPTION	REV
	0275453	Ref	RECEPTACLE BOX KIT - 220V CEE7 SIDE GROUND	B
1	0861731	1	Box, Switch	
2	4461245	1	Receptacle	
3	4461205	1	Plug, Male	
4	1001100347	1	Plug and Socket Kit (Includes Items 1-3 and Female Plug p/n 4461206)	

SECTION 8 - ELECTRICAL

FIGURE 8-37. RECEPTACLE BOX KIT - 220V AFSINT 107 (CE & UK CA SPECS)



ART_0275454

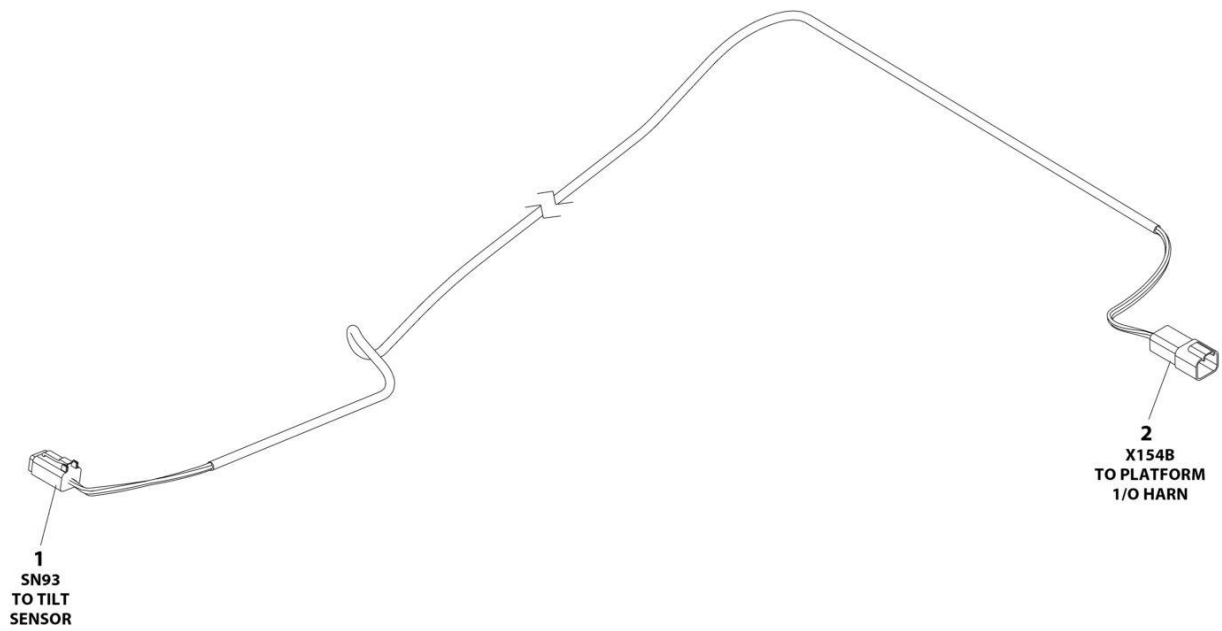
SECTION 8 - ELECTRICAL

FIGURE 8-37. RECEPTACLE BOX KIT - 220V AFSINT 107 (CE & UK CA SPECS)

ITEM	PART NUMBER	QTY	DESCRIPTION	REV
	0275454	Ref	RECEPTACLE BOX KIT - 220V AFSINT 107	B
1	0861731	1	Box, Switch	
2	4461246	1	Receptacle	
3	4461249	1	Plug, Male	
4	1001100346	1	Plug and Socket Kit (Includes Items 1-3 and Female Plug p/n 4461250)	

SECTION 8 - ELECTRICAL

FIGURE 8-38. TILT SENSOR HARNESS



ART_1001249091

SECTION 8 - ELECTRICAL

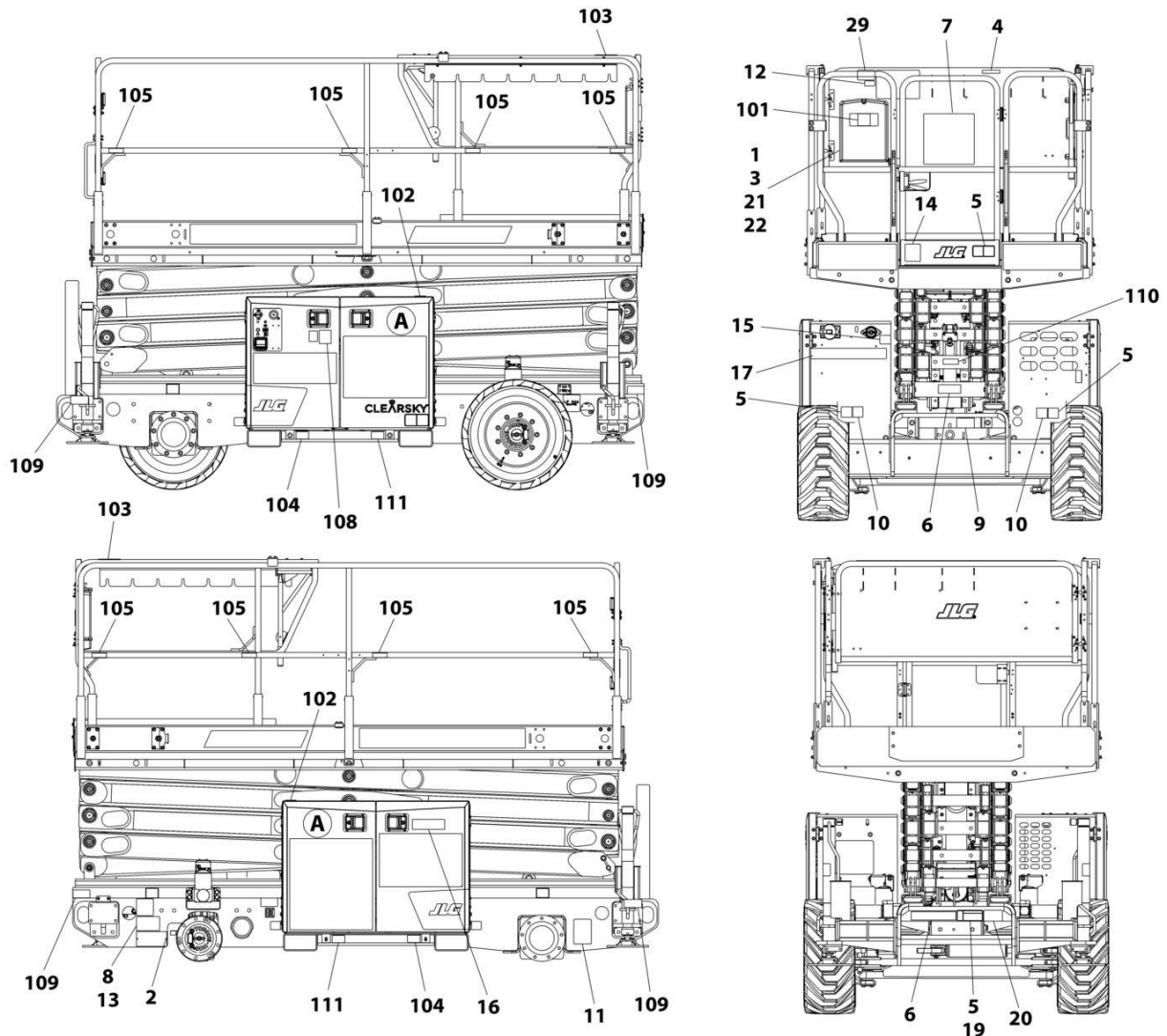
FIGURE 8-38. TILT SENSOR HARNESS

ITEM	PART NUMBER	QTY	DESCRIPTION	REV
	1001249091	Ref	TILT SENSOR HARNESS	C
1	4460884	1	Plug, Male - 4 Position	
1	4460944	4	Socket, Female	
2	4460932	1	Receptacle, Female - 4 Position	
2	4460464	4	Pin, Male	

SECTION 9 - DECALS

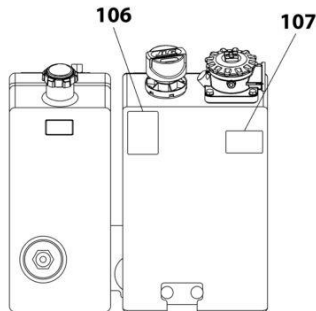
SECTION 9 - DECALS

FIGURE 9-1. RT4069 DECAL INSTALLATION - ANSI SPECS (ENGLISH LANGUAGE)

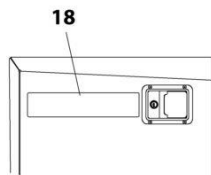


NOTE: ITEMS SHOWN MAY NOT BE REQUIRED FOR ALL SPECS. REFER TO PARTS LIST FOR USAGE.

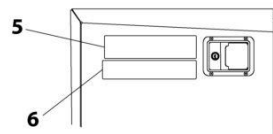
NOTE: ADDITIONAL DECALS CALLED OUT ON DECAL INSTALLATION - OPTIONS.



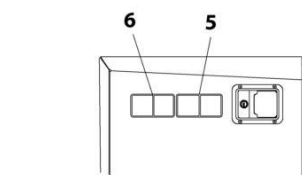
VIEW OF TANKS



ANSI SPECS
BOTH SIDES TYPICAL

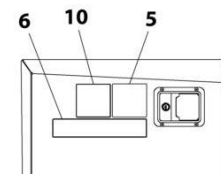


ENG/KOREAN/SPA/
POR/FRE SPECS
BOTH SIDES TYPICAL



AUSTRALIAN/CE SPECS
BOTH SIDES TYPICAL

(A)



ENG/CHINA SPECS
BOTH SIDES TYPICAL

ART_1001256764

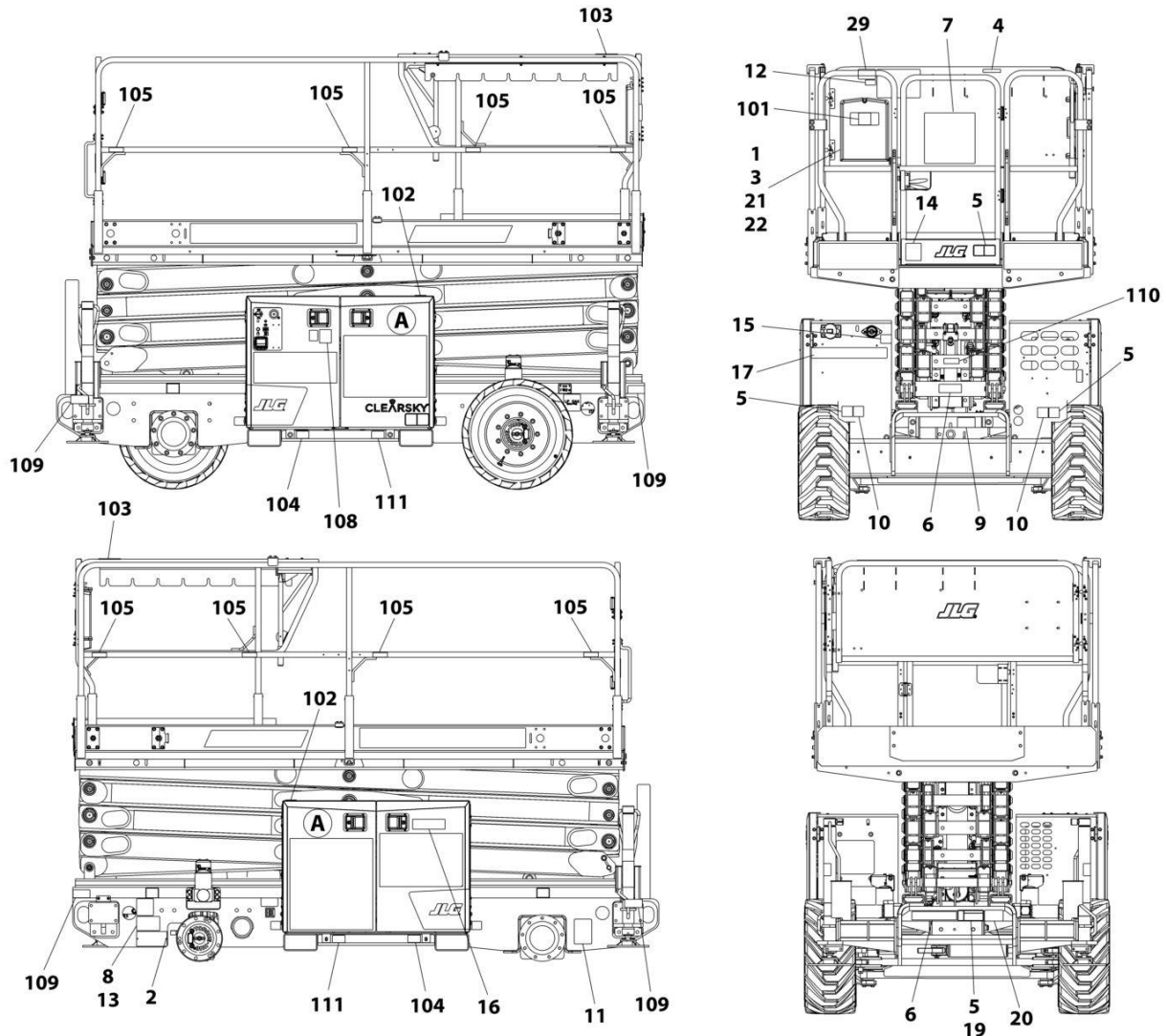
SECTION 9 - DECALS

FIGURE 9-1. RT4069 DECAL INSTALLATION - ANSI SPECS (ENGLISH LANGUAGE)

ITEM	PART NUMBER	QTY	DESCRIPTION	REV
	1001256764	Ref	DECAL INSTALLATION	C
	1001264346	Ref	DECAL CHART DRAWING - RT4069	E
1	0760610	4	Bolt M6 x 20	
2	2080057	2	Fastener	
3	0860520	1	Box, Manual Storage	
4	1703821	1	Decal - Control Box Location	
5	1001211779	2	Decal - Electrocution	
6	1001211777	2	Decal - Crushing Hazard	
7	1703816	1	Decal - Danger/Warning	
8	1001223055	1	Decal - Yearly Inspection	
9	1703822	1	Decal - Manual Descent Instruction	
11	1001131270	1	Decal - Patent	
12	1001223453	1	Decal - ICES	
18	1703818	2	Decal - Warning Crushing Hazard/Danger Electrocution	
19	1705695	1	Decal - Danger Electrocution	
21	3290605	4	Nut M6	
22	4811700	8	Washer M6	
100	1001256763	1	Decal Master Kit (Not Shown)	
101	1701640	1	Decal - Manual	
102	1703687	2	Decal - Direction Arrow	
103	1703819	2	Decal - Direction Arrow	
104	1001265579	2	Decal - Fork Lift	
105	1704277	8	Decal - Lanyard Attach	
106	1704412	1	Decal - Hydraulic Oil Chart	
107	70046028	1	Decal - Hydraulic Oil Level	
108	1001094708	1	Decal - Hydraulic Oil	
109	1001162864	4	Decal - Lift Point/Tie Down	
110	1001256865	1	Decal - Arm Prop	
111	1001265580	2	Decal - Fork Lift	

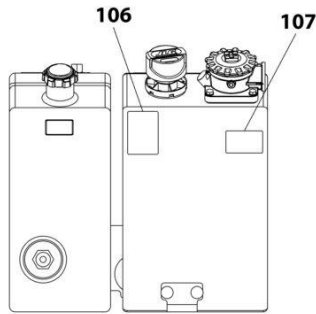
SECTION 9 - DECALS

FIGURE 9-2. RT4069 DECAL INSTALLATION - AUSTRALIAN,CE & UK CA SPECS (ENGLISH LANGUAGE)

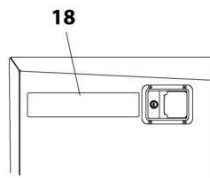


NOTE: ITEMS SHOWN MAY NOT BE REQUIRED FOR ALL SPECS. REFER TO PARTS LIST FOR USAGE.

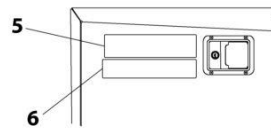
NOTE: ADDITIONAL DECALS CALLED OUT ON DECAL INSTALLATION - OPTIONS.



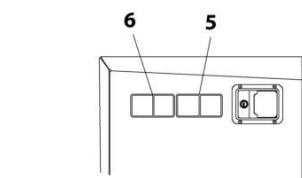
VIEW OF TANKS



ANSI SPECS
BOTH SIDES TYPICAL

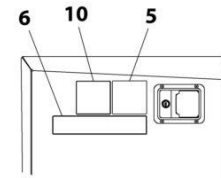


ENG/KOREAN/SPA/
POR/FRE SPECS
BOTH SIDES TYPICAL



AUSTRALIAN/CE SPECS
BOTH SIDES TYPICAL

(A)



ENG/CHINA SPECS
BOTH SIDES TYPICAL

ART_1001256770

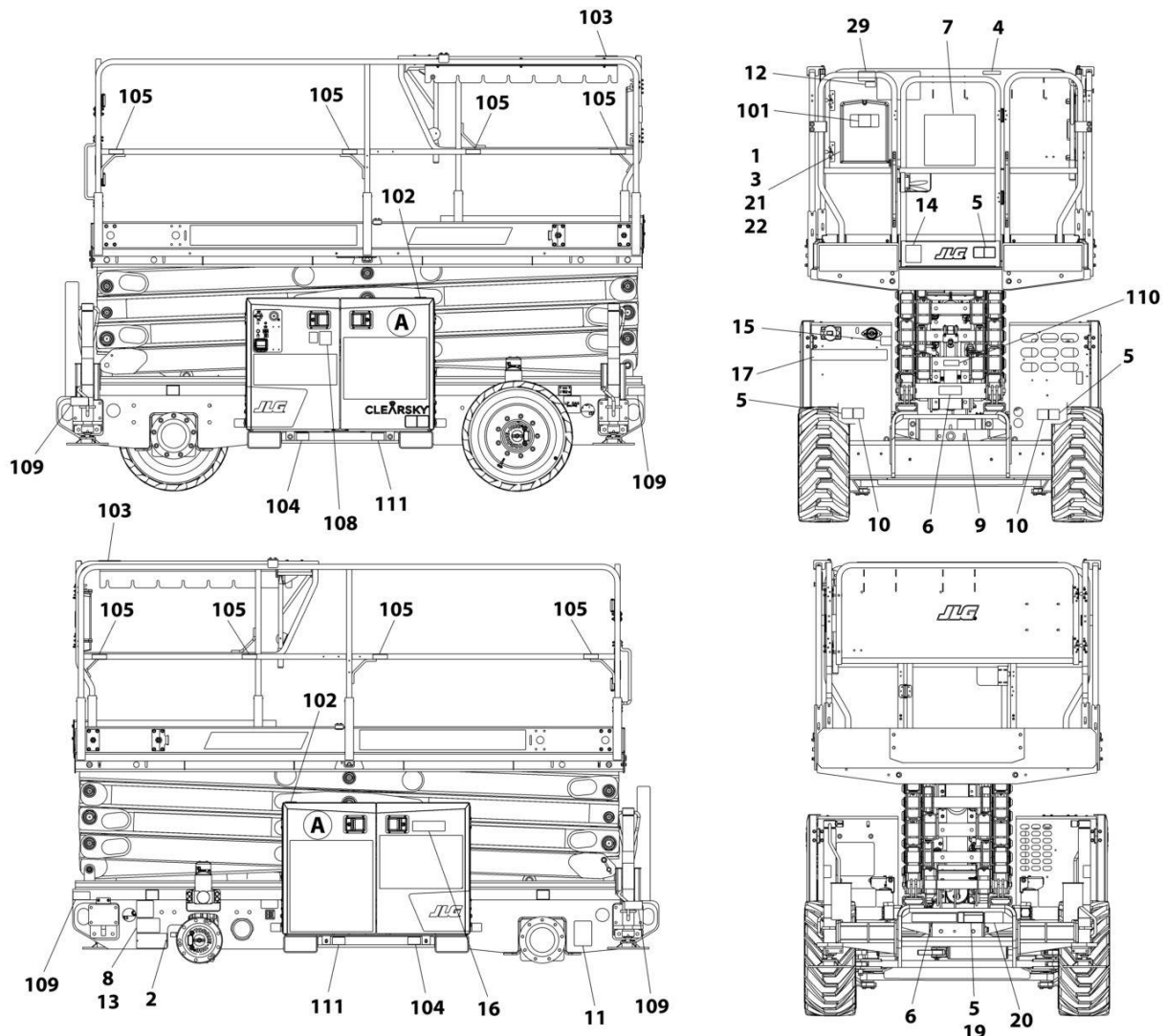
SECTION 9 - DECALS

FIGURE 9-2. RT4069 DECAL INSTALLATION - AUSTRALIAN,CE & UK CA SPECS (ENGLISH LANGUAGE)

ITEM	PART NUMBER	QTY	DESCRIPTION	REV
	1001256770	Ref	DECAL INSTALLATION	D
	1001264346	Ref	DECAL CHART DRAWING - RT4069	E
1	0760610	4	Bolt M6 x 20	
2	2080057	4	Fastener	
3	0860520	1	Box, Manual Storage	
5	1705671	6	Decal - Electrocution	
6	1705673	4	Decal - Crushing	
9	1703822	1	Decal - Manual Descent Instruction	
13	1705670	2	Decal - Fire Hazard	
14	1001292287	1	Decal - Sound	
21	3290605	4	Nut M6	
22	4811700	8	Washer M6	
100	1001256763	1	Decal Master Kit (Not Shown)	
101	1701640	1	Decal - Manual	
102	1703687	2	Decal - Direction Arrow	
103	1703819	2	Decal - Direction Arrow	
104	1001265579	2	Decal - Fork Lift	
105	1704277	8	Decal - Lanyard Attach	
106	1704412	1	Decal - Hydraulic Oil Chart	
107	70046028	1	Decal - Hydraulic Oil Level	
108	1001094708	1	Decal - Hydraulic Oil	
109	1001162864	4	Decal - Lift Point/Tie Down	
110	1001256865	1	Decal - Arm Prop	
111	1001265580	2	Decal - Fork Lift	

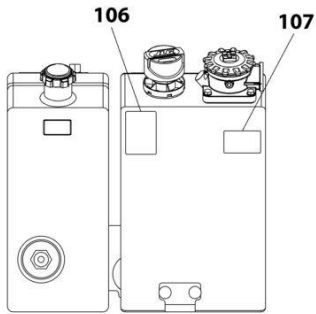
SECTION 9 - DECALS

FIGURE 9-3. RT4069 DECAL INSTALLATION - BRAZIL SPECS (SPANISH/PORTUGUESE LANGUAGES)

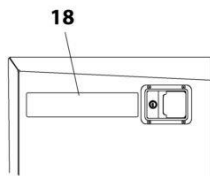


NOTE: ITEMS SHOWN MAY NOT BE REQUIRED FOR ALL SPECS. REFER TO PARTS LIST FOR USAGE.

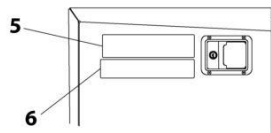
NOTE: ADDITIONAL DECALS CALLED OUT ON DECAL INSTALLATION - OPTIONS.



VIEW OF TANKS

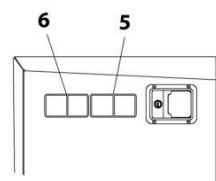


ANSI SPECS
BOTH SIDES TYPICAL

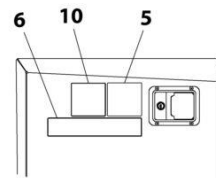


ENG/KOREAN/SPA/
POR/FRE SPECS
BOTH SIDES TYPICAL

A



AUSTRALIAN/CE SPECS
BOTH SIDES TYPICAL



ENG/CHINA SPECS
BOTH SIDES TYPICAL

ART_1001256767

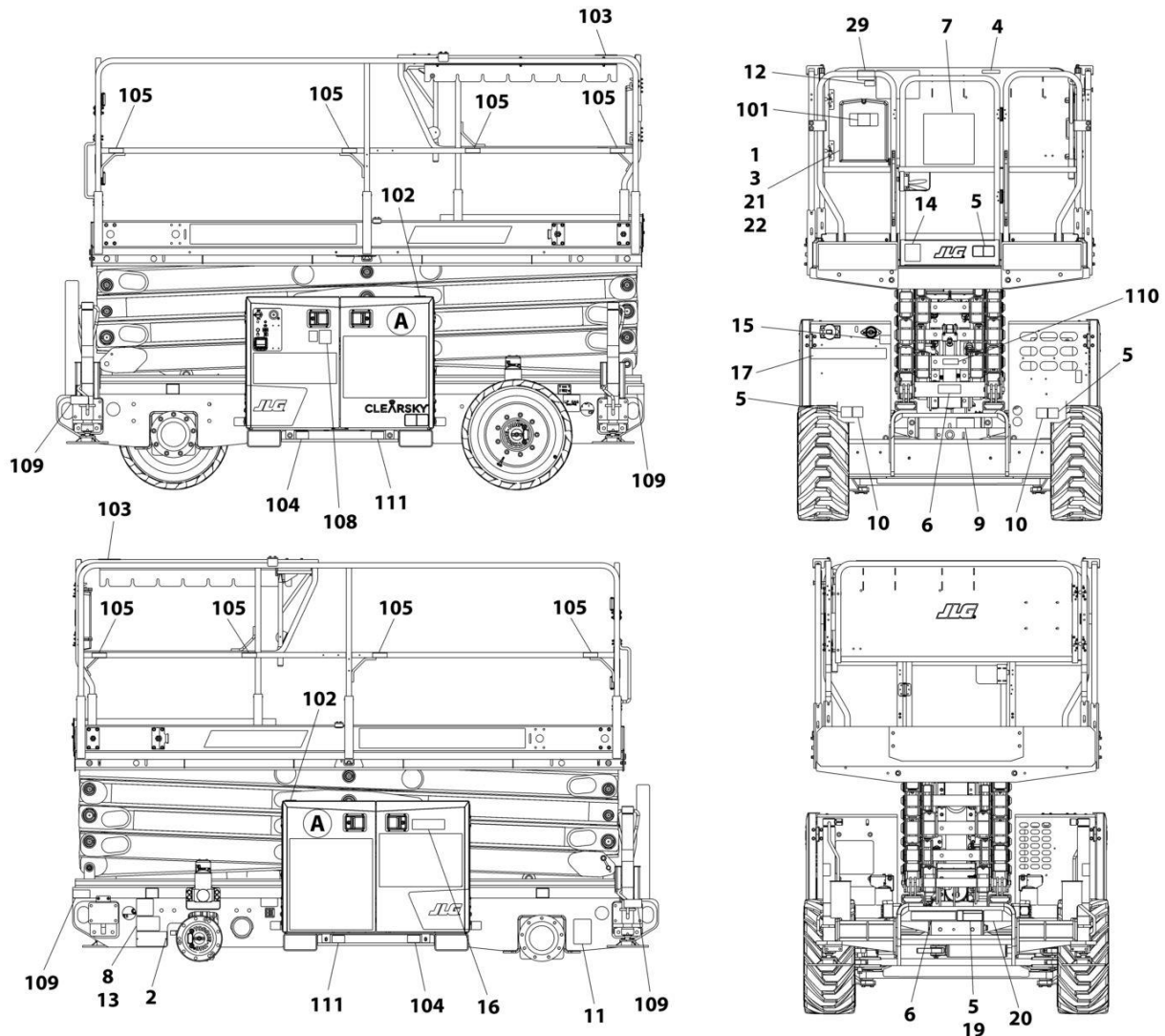
SECTION 9 - DECALS

FIGURE 9-3. RT4069 DECAL INSTALLATION - BRAZIL SPECS (SPANISH/PORTUGUESE LANGUAGES)

ITEM	PART NUMBER	QTY	DESCRIPTION	REV
	1001256767	Ref	DECAL INSTALLATION	C
	1001264346	Ref	DECAL CHART DRAWING - RT4069	F
1	0760610	4	Bolt M6 x 20	
2	2080057	2	Fastener	
3	0860520	1	Box, Manual Storage	
4	1704702	1	Decal - Control Box Location	
5	1705043	5	Decal - Danger Electrical Hazard	
6	1001216650	4	Decal - Crushing	
7	1704699	1	Decal - Danger/Warning	
8	1001224052	1	Decal - Yearly Inspection	
9	1703822	1	Decal - Manual Descent Instruction	
21	3290605	4	Nut M6	
22	4811700	8	Washer M6	
100	1001256763	1	Decal Master Kit (Not Shown)	
101	1701640	1	Decal - Manual	
102	1703687	2	Decal - Direction Arrow	
103	1703819	2	Decal - Direction Arrow	
104	1001265579	2	Decal - Fork Lift	
105	1704277	8	Decal - Lanyard Attach	
106	1704412	1	Decal - Hydraulic Oil Chart	
107	70046028	1	Decal - Hydraulic Oil Level	
108	1001094708	1	Decal - Hydraulic Oil	
109	1001162864	4	Decal - Lift Point/Tie Down	
110	1001256865	1	Decal - Arm Prop	
111	1001265580	2	Decal - Fork Lift	

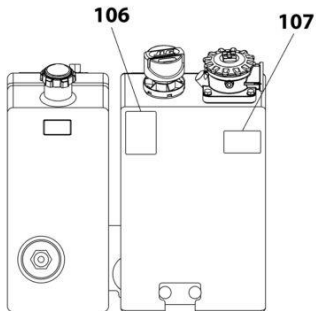
SECTION 9 - DECALS

FIGURE 9-4. RT4069 DECAL INSTALLATION - CHINA SPECS (ENGLISH/CHINESE LANGUAGES)

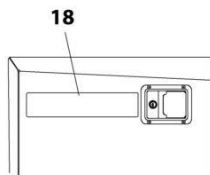


NOTE: ITEMS SHOWN MAY NOT BE REQUIRED FOR ALL SPECS. REFER TO PARTS LIST FOR USAGE.

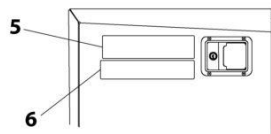
NOTE: ADDITIONAL DECALS CALLED OUT ON DECAL INSTALLATION - OPTIONS.



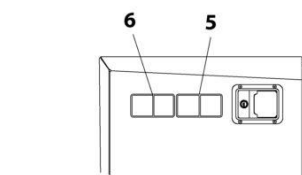
VIEW OF TANKS



ANSI SPECS
BOTH SIDES TYPICAL

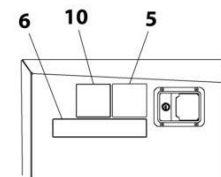


ENG/KOREAN/SPA/
POR/FRE SPECS
BOTH SIDES TYPICAL



AUSTRALIAN/CE SPECS
BOTH SIDES TYPICAL

A



ENG/CHINA SPECS
BOTH SIDES TYPICAL

ART_1001256766

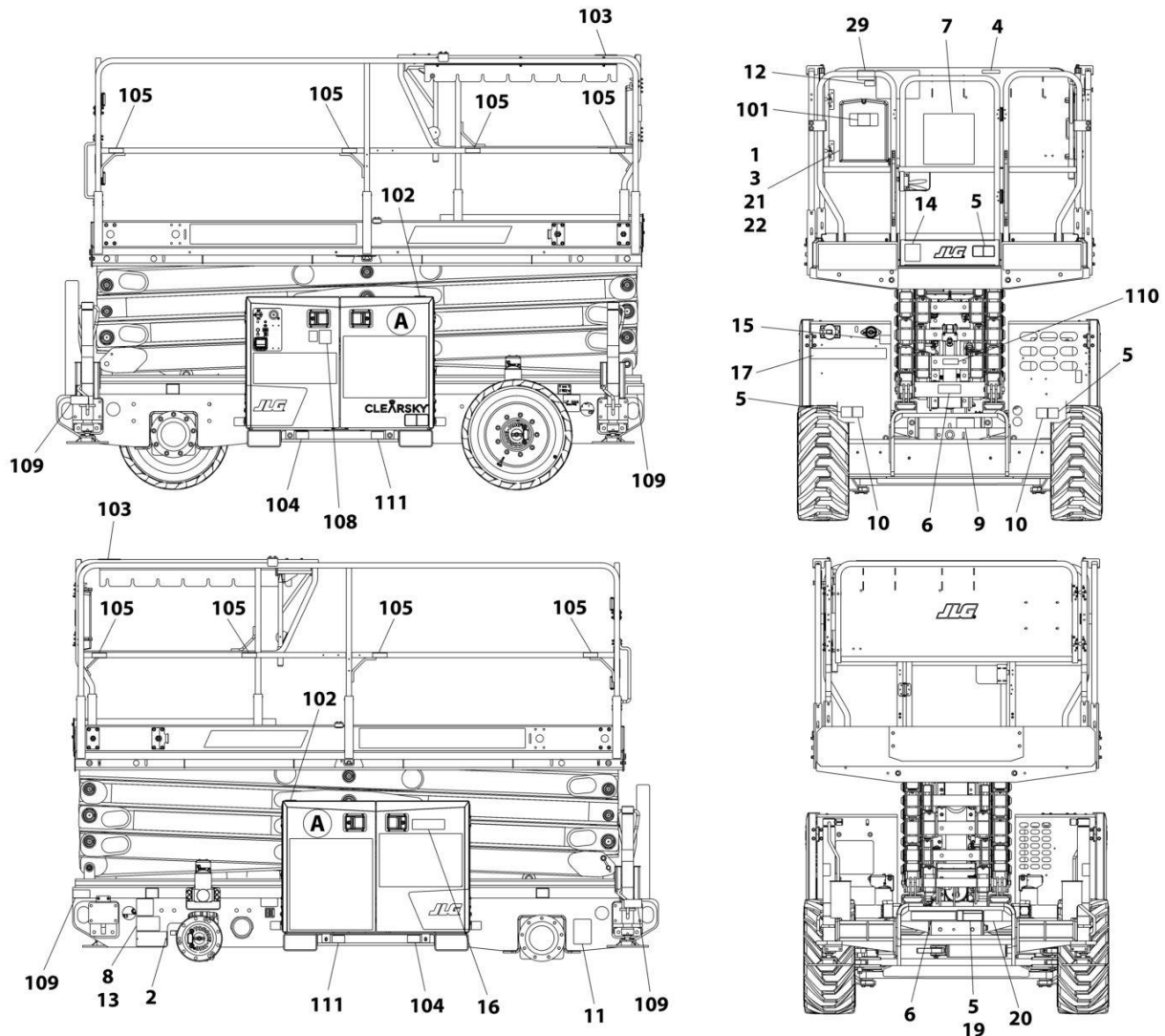
SECTION 9 - DECALS

FIGURE 9-4. RT4069 DECAL INSTALLATION - CHINA SPECS (ENGLISH/CHINESE LANGUAGES)

ITEM	PART NUMBER	QTY	DESCRIPTION	REV
	1001256766	Ref	DECAL INSTALLATION	C
	1001264346	Ref	DECAL CHART DRAWING - RT4069	E
1	0760610	4	Bolt M6 x 20	
2	2080057	2	Fastener	
3	0860520	1	Box, Manual Storage	
4	1705194	1	Decal - Control Box Location	
5	1001211779	4	Decal - Electrocution	
6	1001215752	4	Decal - Crushing	
7	1705195	1	Decal - Danger/Warning	
8	1001224051	1	Decal - Yearly Inspection	
9	1703822	1	Decal - Manual Descent Instruction	
10	1001215747	4	Decal - Electrocution	
19	1705695	1	Decal - Danger Electrocution	
20	1705944	1	Decal - Danger Electrocution	
21	3290605	4	Nut M6	
22	4811700	8	Washer M6	
100	1001256763	1	Decal Master Kit (Not Shown)	
101	1701640	1	Decal - Manual	
102	1703687	2	Decal - Direction Arrow	
103	1703819	2	Decal - Direction Arrow	
104	1001265579	2	Decal - Fork Lift	
105	1704277	8	Decal - Lanyard Attach	
106	1704412	1	Decal - Hydraulic Oil Chart	
107	70046028	1	Decal - Hydraulic Oil Level	
108	1001094708	1	Decal - Hydraulic Oil	
109	1001162864	4	Decal - Lift Point/Tie Down	
110	1001256865	1	Decal - Arm Prop	
111	1001265580	2	Decal - Fork Lift	

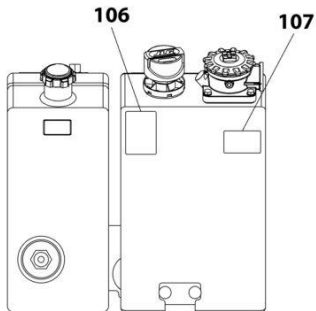
SECTION 9 - DECALS

FIGURE 9-5. RT4069 DECAL INSTALLATION - CSA SPECS (ENGLISH/FRENCH LANGUAGES)

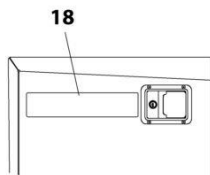


NOTE: ITEMS SHOWN MAY NOT BE REQUIRED FOR ALL SPECS. REFER TO PARTS LIST FOR USAGE.

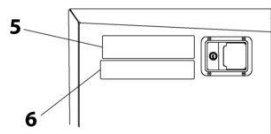
NOTE: ADDITIONAL DECALS CALLED OUT ON DECAL INSTALLATION - OPTIONS.



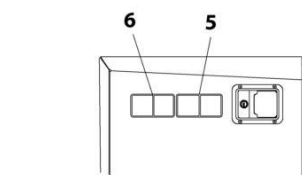
VIEW OF TANKS



ANSI SPECS
BOTH SIDES TYPICAL

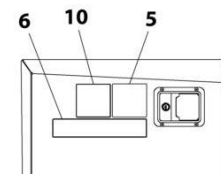


ENG/KOREAN/SPA/
POR/FRE SPECS
BOTH SIDES TYPICAL



AUSTRALIAN/CE SPECS
BOTH SIDES TYPICAL

A



ENG/CHINA SPECS
BOTH SIDES TYPICAL

ART_1001256769

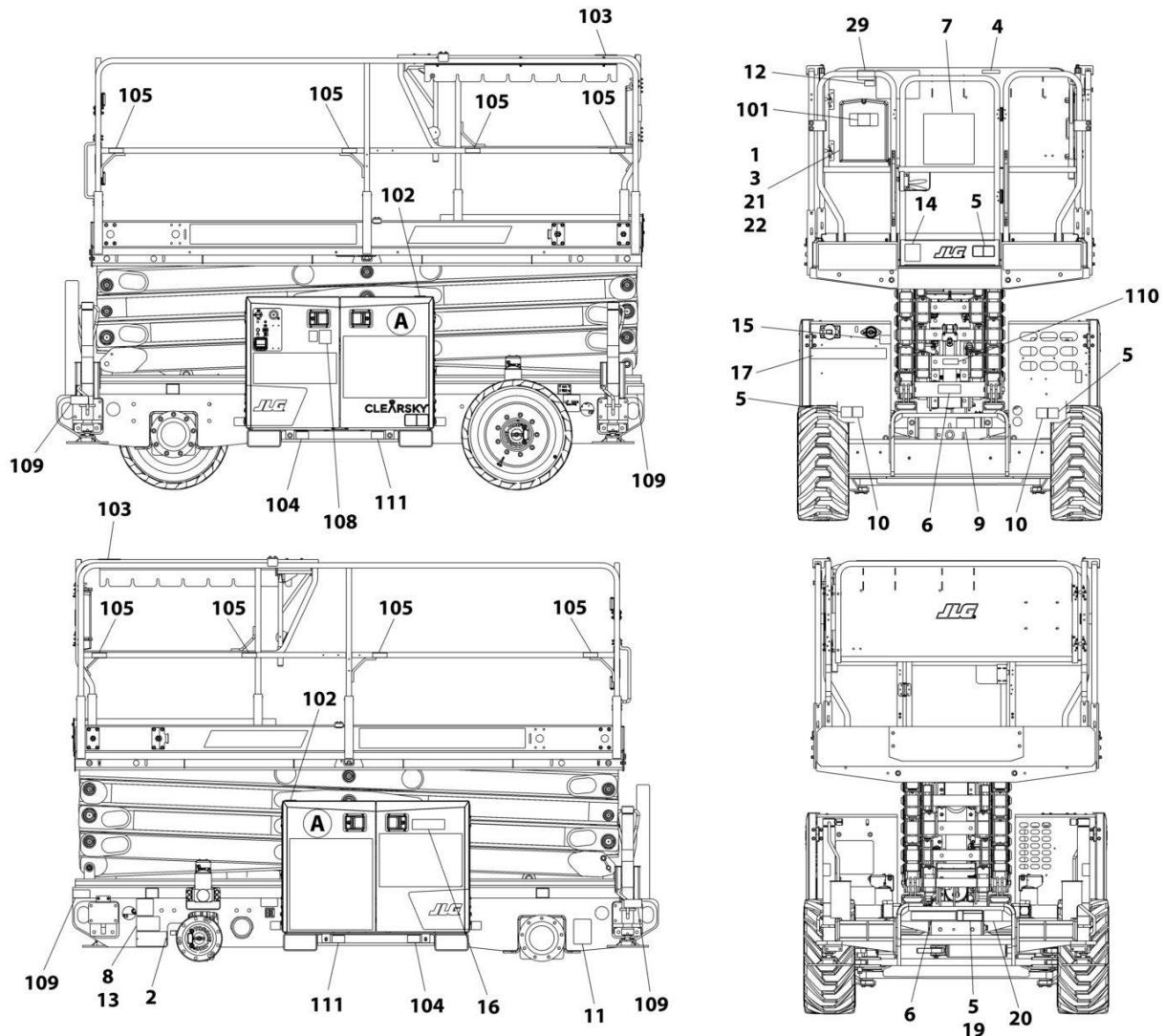
SECTION 9 - DECALS

FIGURE 9-5. RT4069 DECAL INSTALLATION - CSA SPECS (ENGLISH/FRENCH LANGUAGES)

ITEM	PART NUMBER	QTY	DESCRIPTION	REV
	1001256769	Ref	DECAL INSTALLATION	C
	1001264346	Ref	DECAL CHART DRAWING - RT4069	E
1	0760610	4	Bolt M6 x 20	
2	2080057	2	Fastener	
3	0860520	1	Box, Manual Storage	
4	1704687	1	Decal - Control Box Location	
5	1705040	5	Decal - Danger Electrocution	
6	1001215755	4	Decal - Crushing	
7	1704684	1	Decal - Danger/Warning	
8	1001223971	1	Decal - Yearly Inspection	
9	1703822	1	Decal - Manual Descent Instruction	
11	1001131270	1	Decal - Patent	
12	1001228370	1	Decal - ICES	
21	3290605	4	Nut M6	
22	4811700	8	Washer M6	
100	1001256763	1	Decal Master Kit (Not Shown)	
101	1701640	1	Decal - Manual	
102	1703687	2	Decal - Direction Arrow	
103	1703819	2	Decal - Direction Arrow	
104	1001265579	2	Decal - Fork Lift	
105	1704277	8	Decal - Lanyard Attach	
106	1704412	1	Decal - Hydraulic Oil Chart	
107	70046028	1	Decal - Hydraulic Oil Level	
108	1001094708	1	Decal - Hydraulic Oil	
109	1001162864	4	Decal - Lift Point/Tie Down	
110	1001256865	1	Decal - Arm Prop	
111	1001265580	2	Decal - Fork Lift	

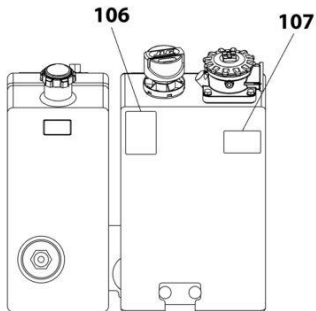
SECTION 9 - DECALS

FIGURE 9-6. RT4069 DECAL INSTALLATION - KOREAN SPECS (ENGLISH/KOREAN LANGUAGES)

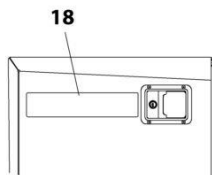


NOTE: ITEMS SHOWN MAY NOT BE REQUIRED FOR ALL SPECS. REFER TO PARTS LIST FOR USAGE.

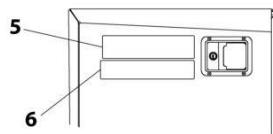
NOTE: ADDITIONAL DECALS CALLED OUT ON DECAL INSTALLATION - OPTIONS.



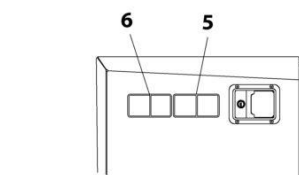
VIEW OF TANKS



ANSI SPECS
BOTH SIDES TYPICAL

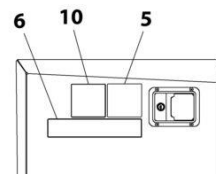


ENG/KOREAN/SPA/
POR/FRE SPECS
BOTH SIDES TYPICAL



AUSTRALIAN/CE SPECS
BOTH SIDES TYPICAL

A



ENG/CHINA SPECS
BOTH SIDES TYPICAL

ART_1001256765

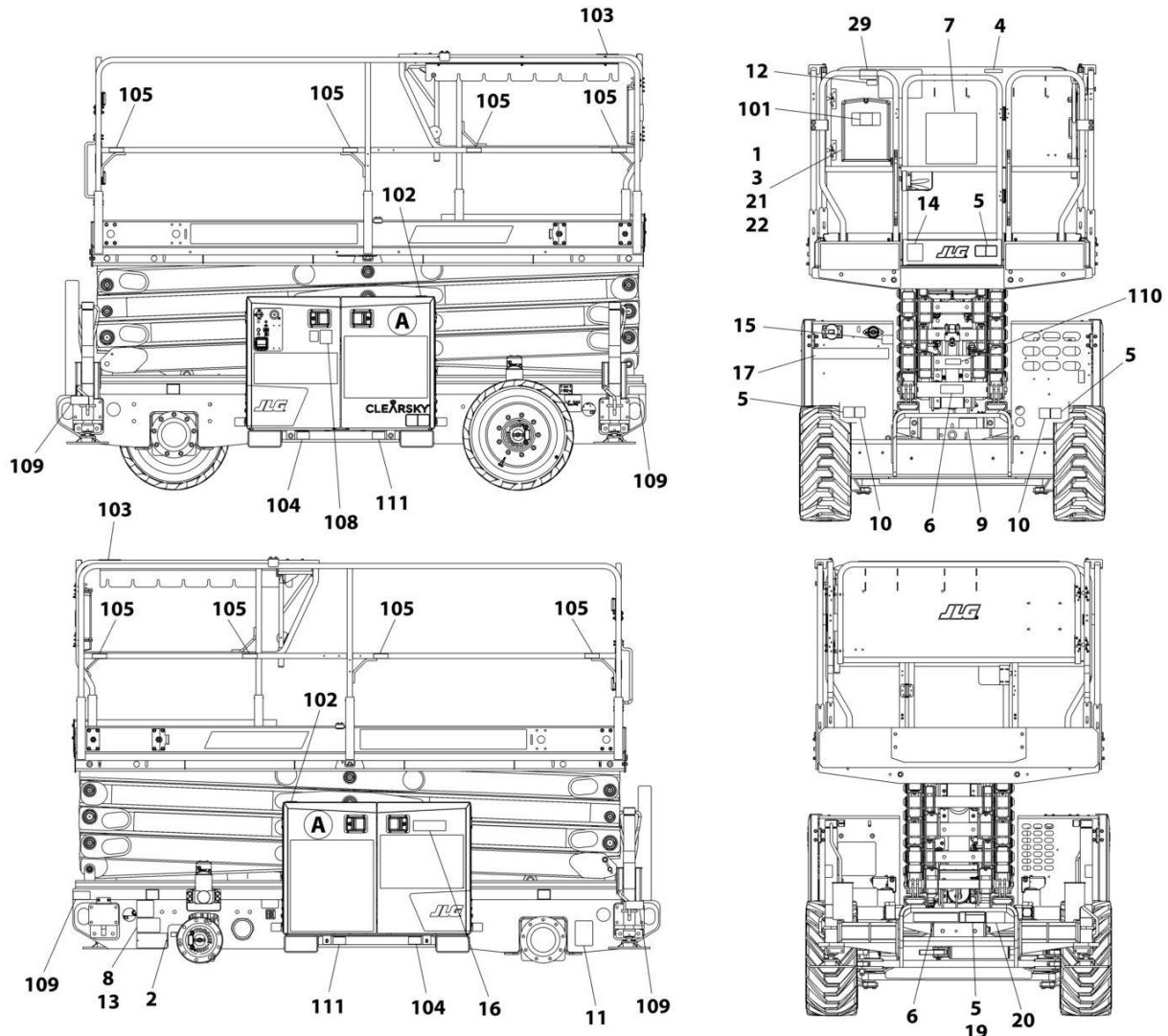
SECTION 9 - DECALS

FIGURE 9-6. RT4069 DECAL INSTALLATION - KOREAN SPECS (ENGLISH/KOREAN LANGUAGES)

ITEM	PART NUMBER	QTY	DESCRIPTION	REV
	1001256765	Ref	DECAL INSTALLATION	C
	1001264346	Ref	DECAL CHART DRAWING - RT4069	E
1	0760610	4	Bolt M6 x 20	
2	2080057	2	Fastener	
3	0860520	1	Box, Manual Storage	
4	1001162112	1	Decal - Control Box Location	
5	1001162114	5	Decal - Danger Electrical Hazard	
6	1001215751	4	Decal - Crushing	
7	1001162115	1	Decal - Danger Warning	
8	1001224048	1	Decal - Yearly Inspection	
9	1703822	1	Decal - Manual Descent Instruction	
21	3290605	4	Nut M6	
22	4811700	8	Washer M6	
100	1001256763	1	Decal Master Kit (Not Shown)	
101	1701640	1	Decal - Manual	
102	1703687	2	Decal - Direction Arrow	
103	1703819	2	Decal - Direction Arrow	
104	1001265579	2	Decal - Fork Lift	
105	1704277	8	Decal - Lanyard Attach	
106	1704412	1	Decal - Hydraulic Oil Chart	
107	70046028	1	Decal - Hydraulic Oil Level	
108	1001094708	1	Decal - Hydraulic Oil	
109	1001162864	4	Decal - Lift Point/Tie Down	
110	1001256865	1	Decal - Arm Prop	
111	1001265580	2	Decal - Fork Lift	

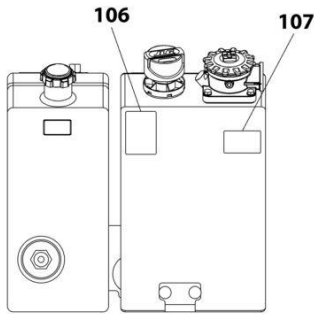
SECTION 9 - DECALS

FIGURE 9-7. RT4069 DECAL INSTALLATION - LATIN AMERICAN SPECS (ENGLISH/KSPANISH LANGUAGES)

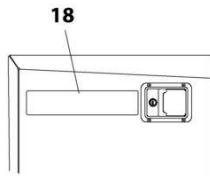


NOTE: ITEMS SHOWN MAY NOT BE REQUIRED FOR ALL SPECS. REFER TO PARTS LIST FOR USAGE.

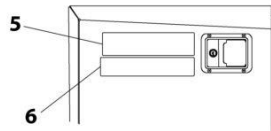
NOTE: ADDITIONAL DECALS CALLED OUT ON DECAL INSTALLATION - OPTIONS.



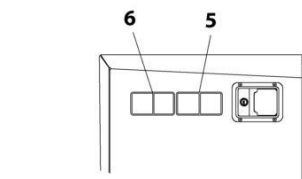
VIEW OF TANKS



ANSI SPECS
BOTH SIDES TYPICAL

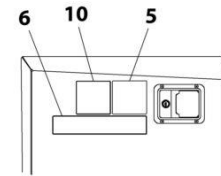


ENG/KOREAN/SPA/
POR/FRE SPECS
BOTH SIDES TYPICAL



AUSTRALIAN/CE SPECS
BOTH SIDES TYPICAL

(A)



ENG/CHINA SPECS
BOTH SIDES TYPICAL

ART_1001256768

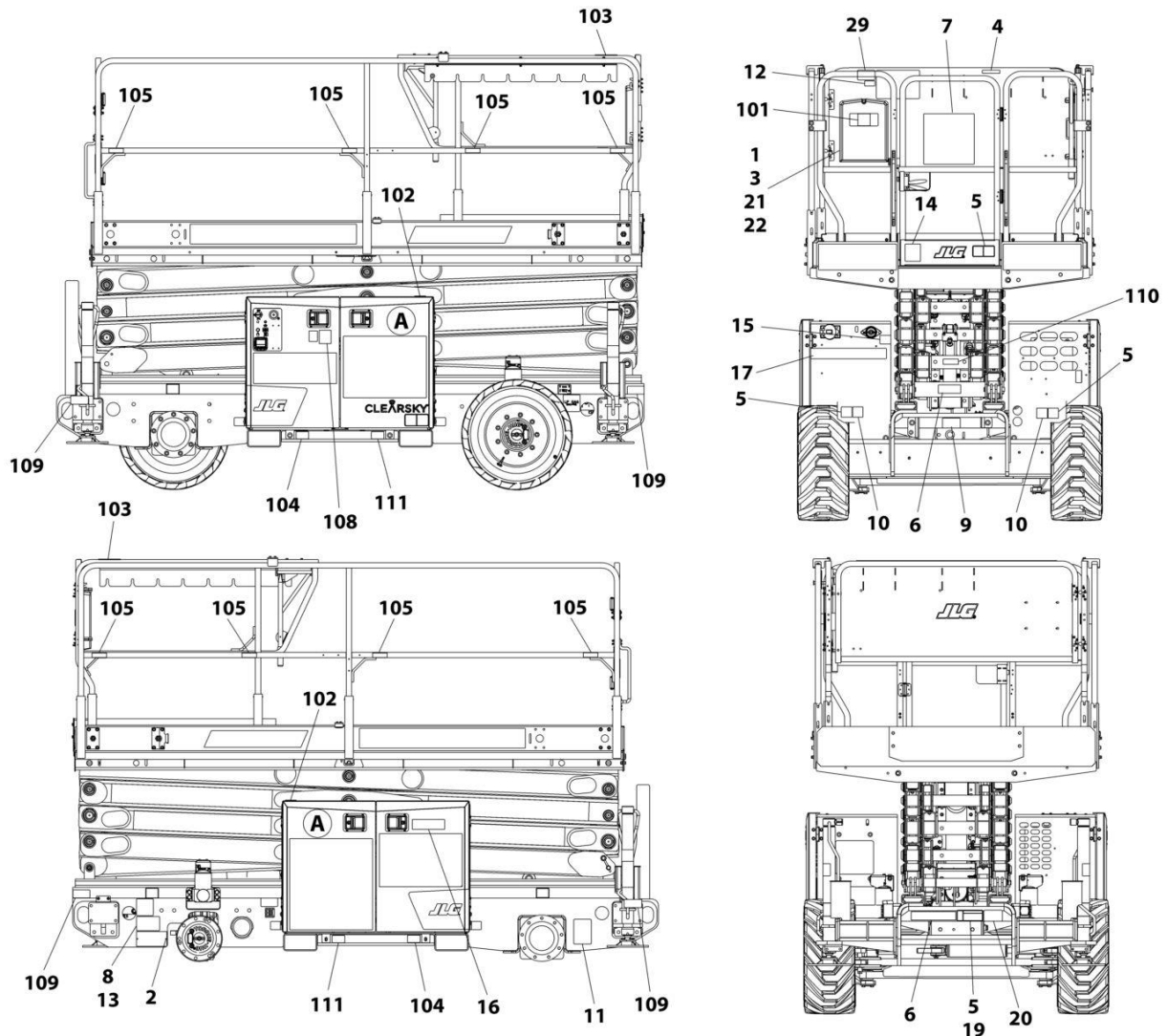
SECTION 9 - DECALS

FIGURE 9-7. RT4069 DECAL INSTALLATION - LATIN AMERICAN SPECS (ENGLISH/KSPANISH LANGUAGES)

ITEM	PART NUMBER	QTY	DESCRIPTION	REV
	1001256768	Ref	DECAL INSTALLATION	C
	1001264346	Ref	DECAL CHART DRAWING - RT4069	E
1	0760610	4	Bolt M6 x 20	
2	2080057	2	Fastener	
3	0860520	1	Box, Manual Storage	
4	1704694	1	Decal - Control Box Location	
5	1705041	5	Decal - Danger Electrical Hazard	
6	1001215754	4	Decal - Crushing	
7	1704691	1	Decal - Danger/Warning	
8	1001224049	1	Decal - Yearly Inspection	
9	1703822	1	Decal - Manual Descent Instruction	
21	3290605	4	Nut M6	
22	4811700	8	Washer M6	
100	1001256763	1	Decal Master Kit (Not Shown)	
101	1701640	1	Decal - Manual	
102	1703687	2	Decal - Direction Arrow	
103	1703819	2	Decal - Direction Arrow	
104	1001265579	2	Decal - Fork Lift	
105	1704277	8	Decal - Lanyard Attach	
106	1704412	1	Decal - Hydraulic Oil Chart	
107	70046028	1	Decal - Hydraulic Oil Level	
108	1001094708	1	Decal - Hydraulic Oil	
109	1001162864	4	Decal - Lift Point/Tie Down	
110	1001256865	1	Decal - Arm Prop	
111	1001265580	2	Decal - Fork Lift	

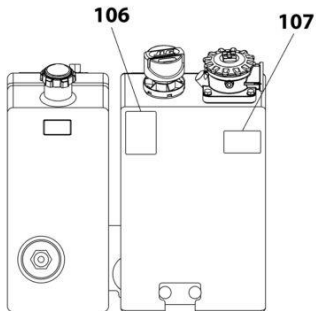
SECTION 9 - DECALS

FIGURE 9-8. RT4769 DECAL INSTALLATION - ANSI SPECS (ENGLISH LANGUAGE)

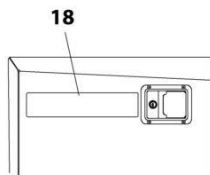


NOTE: ITEMS SHOWN MAY NOT BE REQUIRED FOR ALL SPECS. REFER TO PARTS LIST FOR USAGE.

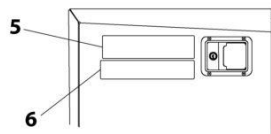
NOTE: ADDITIONAL DECALS CALLED OUT ON DECAL INSTALLATION - OPTIONS.



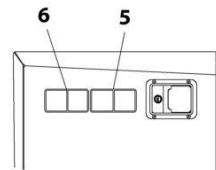
VIEW OF TANKS



ANSI SPECS
BOTH SIDES TYPICAL

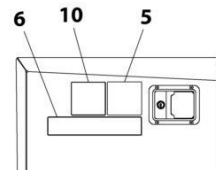


ENG/KOREAN/SPA/
POR/FRE SPECS
BOTH SIDES TYPICAL



AUSTRALIAN/CE SPECS
BOTH SIDES TYPICAL

A



ENG/CHINA SPECS
BOTH SIDES TYPICAL

ART_1001264956

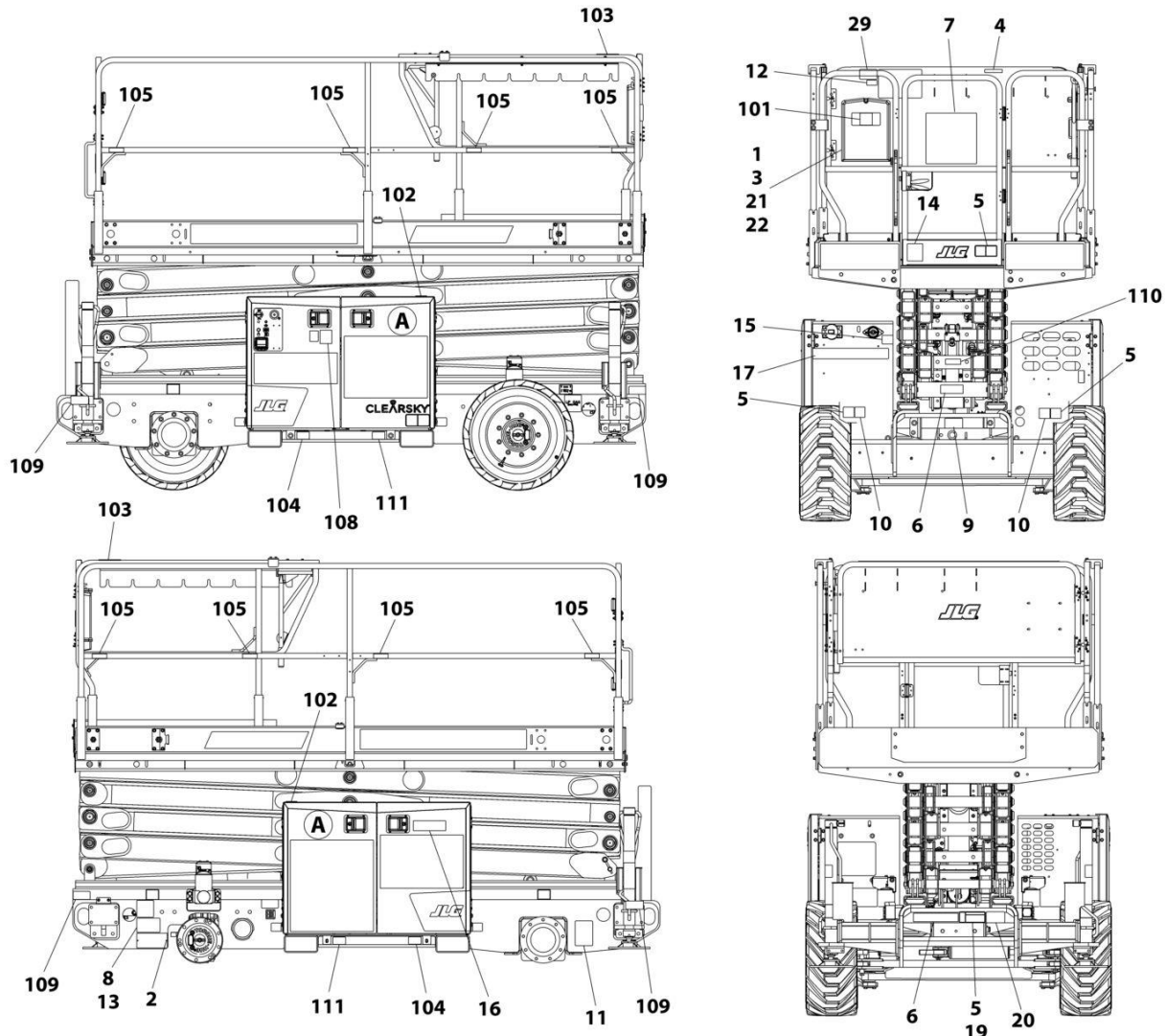
SECTION 9 - DECALS

FIGURE 9-8. RT4769 DECAL INSTALLATION - ANSI SPECS (ENGLISH LANGUAGE)

ITEM	PART NUMBER	QTY	DESCRIPTION	REV
	1001264956	Ref	DECAL INSTALLATION	B
	1001264973	Ref	DECAL CHART DRAWING - RT4769	C
1	0760610	4	Bolt M6 x 20	
2	2080057	2	Fastener	
3	0860520	1	Box, Manual Storage	
4	1703821	1	Decal - Control Box Location	
5	1001211779	2	Decal - Electrocution	
6	1001211777	2	Decal - Crushing Hazard	
7	1703816	1	Decal - Danger/Warning	
8	1001223055	1	Decal - Yearly Inspection	
9	1001226116	1	Decal - Manual Descent Instruction	
11	1001131270	1	Decal - Patent	
12	1001223453	1	Decal - ICES	
18	1703818	2	Decal - Warning Crushing Hazard/Danger Electrocution	
19	1705695	1	Decal - Danger Electrocution	
21	3290605	4	Nut M6	
22	4811700	8	Washer M6	
100	1001256763	1	Decal Master Kit (Not Shown)	
101	1701640	1	Decal - Manual	
102	1703687	2	Decal - Direction Arrow	
103	1703819	2	Decal - Direction Arrow	
104	1001265579	2	Decal - Fork Lift	
105	1704277	8	Decal - Lanyard Attach	
106	1704412	1	Decal - Hydraulic Oil Chart	
107	70046028	1	Decal - Hydraulic Oil Level	
108	1001094708	1	Decal - Hydraulic Oil	
109	1001162864	4	Decal - Lift Point/Tie Down	
110	1001256865	1	Decal - Arm Prop	
111	1001265580	2	Decal - Fork Lift	

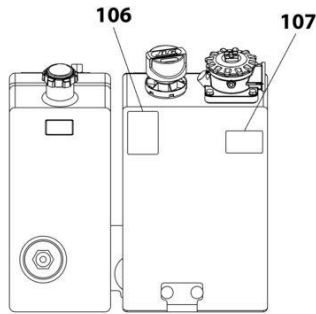
SECTION 9 - DECALS

FIGURE 9-9. RT4769 DECAL INSTALLATION - AUSTRALIAN,CE & UK CA SPECS (ENGLISH LANGUAGE)

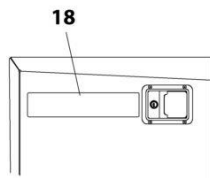


NOTE: ITEMS SHOWN MAY NOT BE REQUIRED FOR ALL SPECS. REFER TO PARTS LIST FOR USAGE.

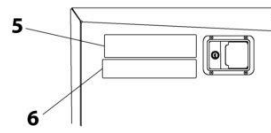
NOTE: ADDITIONAL DECALS CALLED OUT ON DECAL INSTALLATION - OPTIONS.



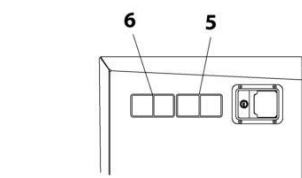
VIEW OF TANKS



ANSI SPECS
BOTH SIDES TYPICAL

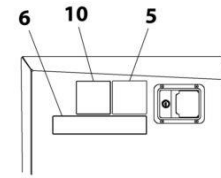


ENG/KOREAN/SPA/
POR/FRE SPECS
BOTH SIDES TYPICAL



AUSTRALIAN/CE SPECS
BOTH SIDES TYPICAL

(A)



ENG/CHINA SPECS
BOTH SIDES TYPICAL

ART_1001264963

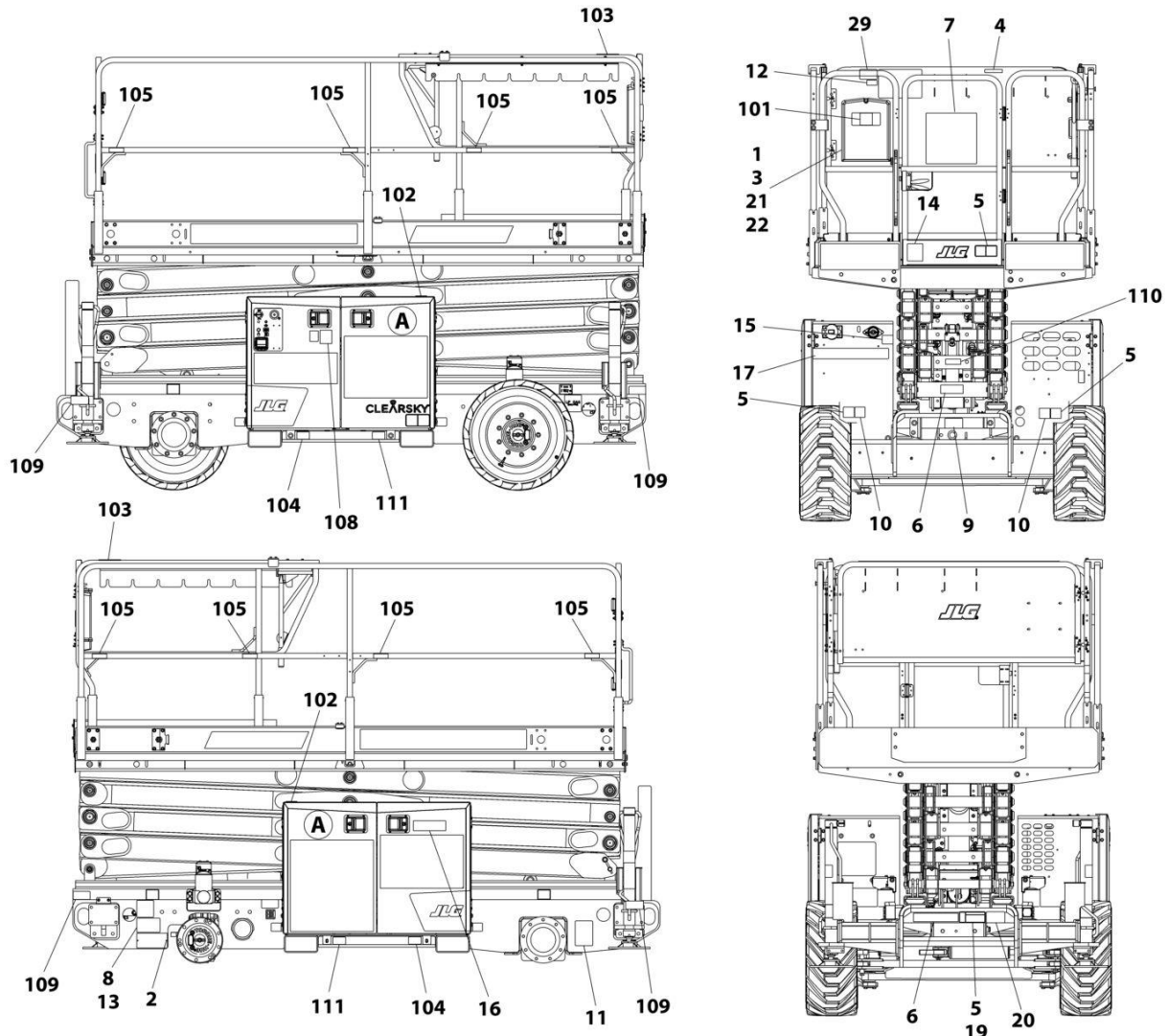
SECTION 9 - DECALS

FIGURE 9-9. RT4769 DECAL INSTALLATION - AUSTRALIAN,CE & UK CA SPECS (ENGLISH LANGUAGE)

ITEM	PART NUMBER	QTY	DESCRIPTION	REV
	1001264963	Ref	DECAL INSTALLATION	B
	1001264973	Ref	DECAL CHART DRAWING - RT4769	C
1	0760610	4	Bolt M6 x 20	
2	2080057	4	Fastener	
3	0860520	1	Box, Manual Storage	
5	1705671	6	Decal - Electrocuton	
6	1705673	4	Decal - Crushing	
9	1001226116	1	Decal - Manual Descent Instruction	
13	1705670	2	Decal - Fire Hazard	
14	80463053	1	Decal - Sound	
21	3290605	4	Nut M6	
22	4811700	8	Washer M6	
100	1001256763	1	Decal Master Kit (Not Shown)	
101	1701640	1	Decal - Manual	
102	1703687	2	Decal - Direction Arrow	
103	1703819	2	Decal - Direction Arrow	
104	1001265579	2	Decal - Fork Lift	
105	1704277	8	Decal - Lanyard Attach	
106	1704412	1	Decal - Hydraulic Oil Chart	
107	70046028	1	Decal - Hydraulic Oil Level	
108	1001094708	1	Decal - Hydraulic Oil	
109	1001162864	4	Decal - Lift Point/Tie Down	
110	1001256865	1	Decal - Arm Prop	
111	1001265580	2	Decal - Fork Lift	

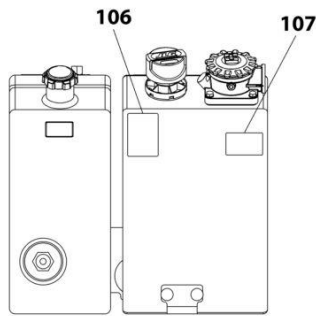
SECTION 9 - DECALS

FIGURE 9-10. RT4769 DECAL INSTALLATION - BRAZIL SPECS (SPANISH/PORTUGUESE LANGUAGES)

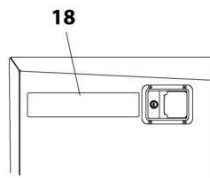


NOTE: ITEMS SHOWN MAY NOT BE REQUIRED FOR ALL SPECS. REFER TO PARTS LIST FOR USAGE.

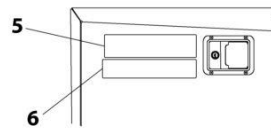
NOTE: ADDITIONAL DECALS CALLED OUT ON DECAL INSTALLATION - OPTIONS.



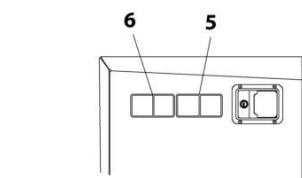
VIEW OF TANKS



ANSI SPECS
BOTH SIDES TYPICAL

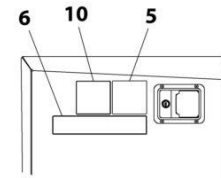


ENG/KOREAN/SPA/
POR/FRE SPECS
BOTH SIDES TYPICAL



AUSTRALIAN/CE SPECS
BOTH SIDES TYPICAL

(A)



ENG/CHINA SPECS
BOTH SIDES TYPICAL

ART_1001264959

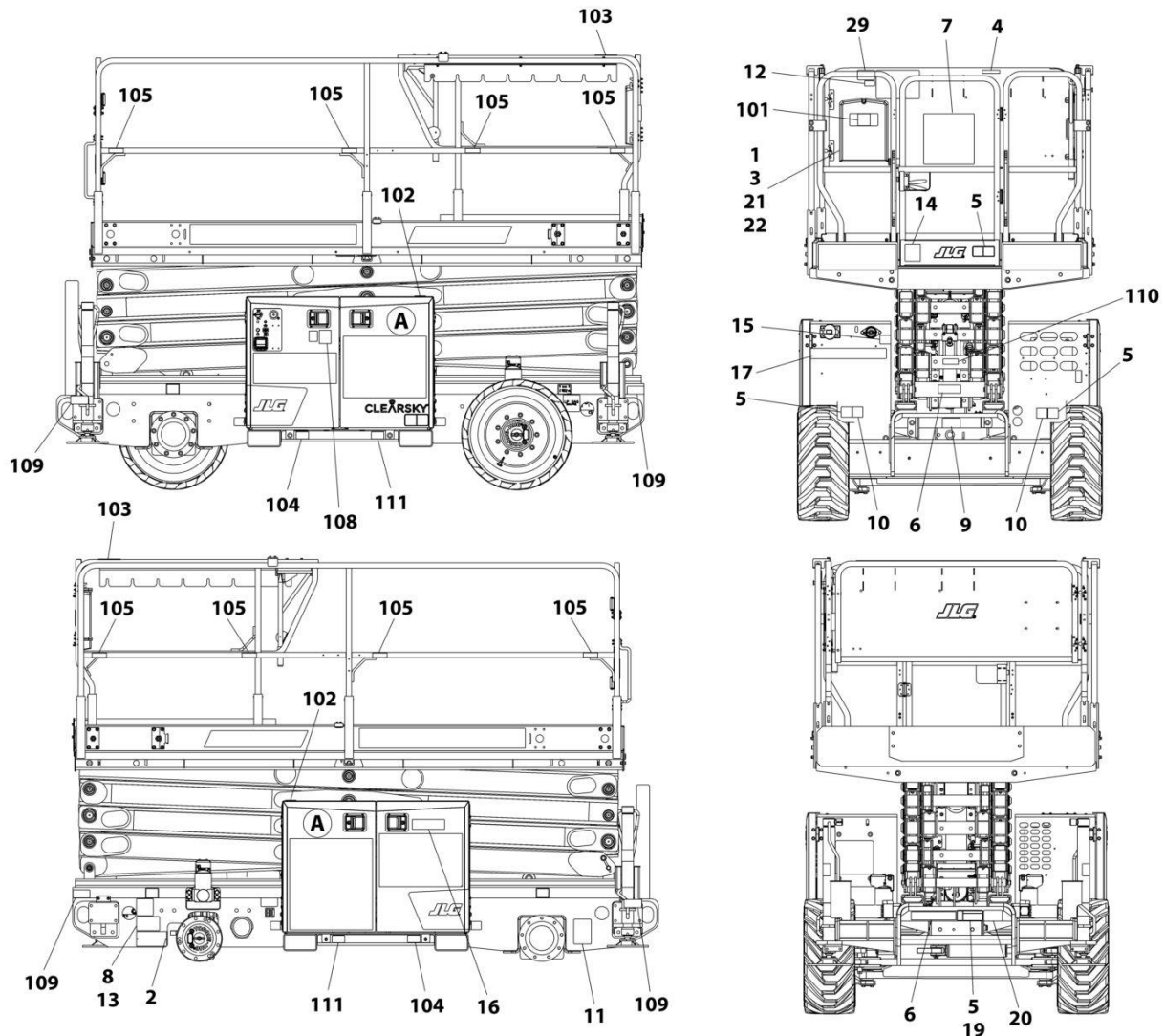
SECTION 9 - DECALS

FIGURE 9-10. RT4769 DECAL INSTALLATION - BRAZIL SPECS (SPANISH/PORTUGUESE LANGUAGES)

ITEM	PART NUMBER	QTY	DESCRIPTION	REV
	1001264959	Ref	DECAL INSTALLATION	B
	1001264973	Ref	DECAL CHART DRAWING - RT4769	C
1	0760610	4	Bolt M6 x 20	
2	2080057	2	Fastener	
3	0860520	1	Box, Manual Storage	
4	1704702	1	Decal - Control Box Location	
5	1705043	5	Decal - Danger Electrical Hazard	
6	1001216650	4	Decal - Crushing	
7	1704699	1	Decal - Danger/Warning	
8	1001224052	1	Decal - Yearly Inspection	
9	1001226116	1	Decal - Manual Descent Instruction	
21	3290605	4	Nut M6	
22	4811700	8	Washer M6	
100	1001256763	1	Decal Master Kit (Not Shown)	
101	1701640	1	Decal - Manual	
102	1703687	2	Decal - Direction Arrow	
103	1703819	2	Decal - Direction Arrow	
104	1001265579	2	Decal - Fork Lift	
105	1704277	8	Decal - Lanyard Attach	
106	1704412	1	Decal - Hydraulic Oil Chart	
107	70046028	1	Decal - Hydraulic Oil Level	
108	1001094708	1	Decal - Hydraulic Oil	
109	1001162864	4	Decal - Lift Point/Tie Down	
110	1001256865	1	Decal - Arm Prop	
111	1001265580	2	Decal - Fork Lift	

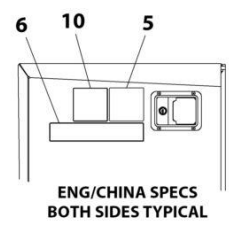
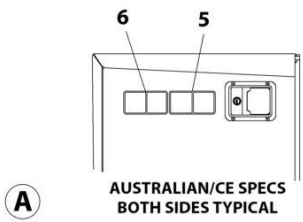
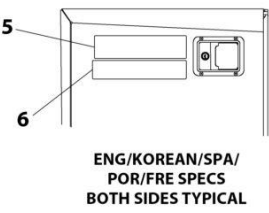
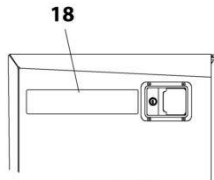
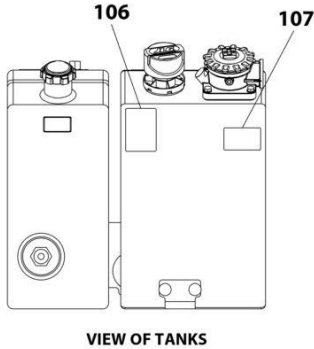
SECTION 9 - DECALS

FIGURE 9-11. RT4769 DECAL INSTALLATION - CHINA SPECS (ENGLISH/CHINESE LANGUAGES)



NOTE: ITEMS SHOWN MAY NOT BE REQUIRED FOR ALL SPECS. REFER TO PARTS LIST FOR USAGE.

NOTE: ADDITIONAL DECALS CALLED OUT ON DECAL INSTALLATION - OPTIONS.



ART_1001264958

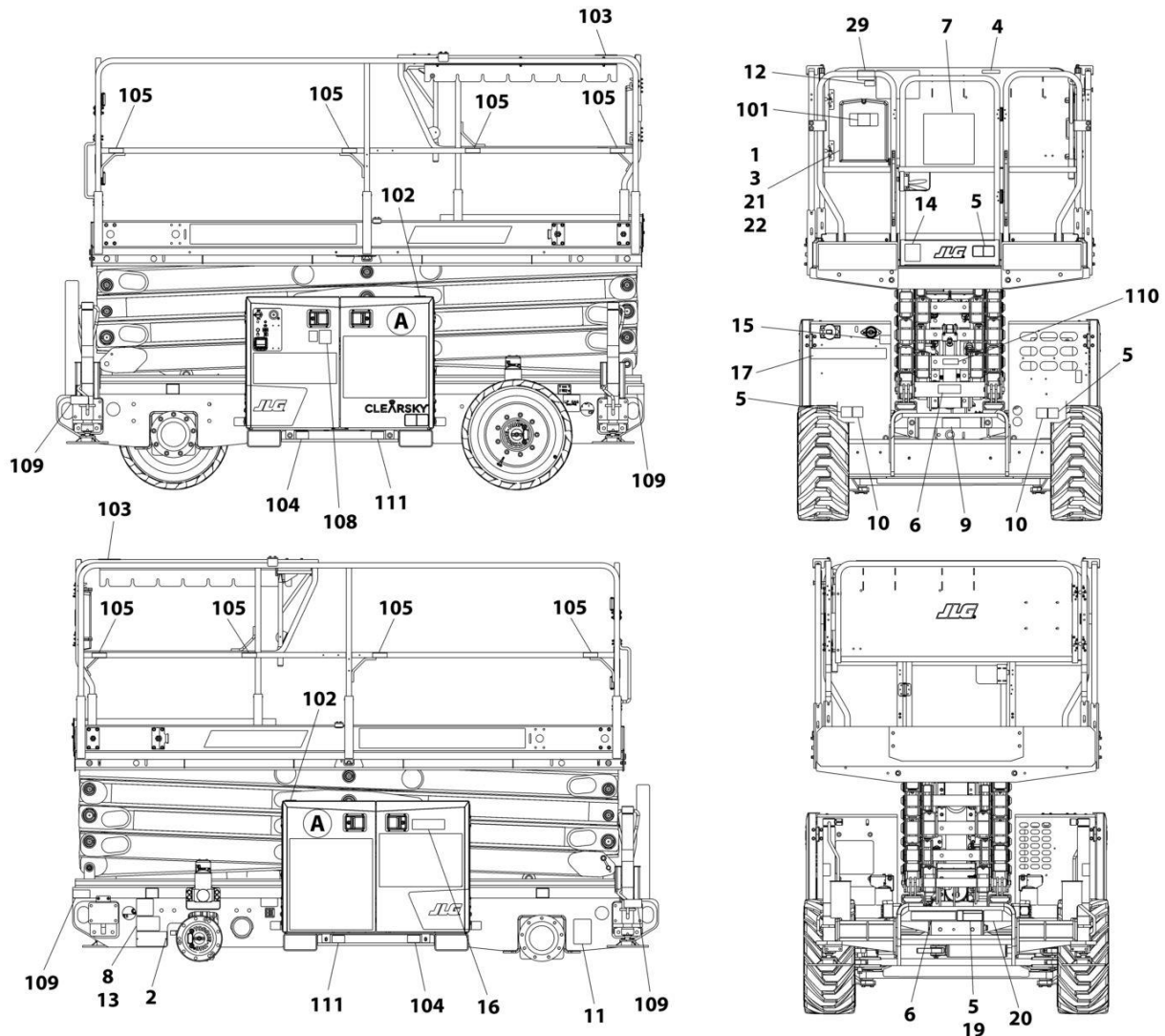
SECTION 9 - DECALS

FIGURE 9-11. RT4769 DECAL INSTALLATION - CHINA SPECS (ENGLISH/CHINESE LANGUAGES)

ITEM	PART NUMBER	QTY	DESCRIPTION	REV
	1001264958	Ref	DECAL INSTALLATION	B
	1001264973	Ref	DECAL CHART DRAWING - RT4769	C
1	0760610	4	Bolt M6 x 20	
2	2080057	2	Fastener	
3	0860520	1	Box, Manual Storage	
4	1705194	1	Decal - Control Box Location	
5	1001211779	4	Decal - Electrocution	
6	1001215752	4	Decal - Crushing	
7	1705195	1	Decal - Danger/Warning	
8	1001224051	1	Decal - Yearly Inspection	
9	1001226116	1	Decal - Manual Descent Instruction	
10	1001215747	4	Decal - Electrocution	
19	1705695	1	Decal - Danger Electrocution	
20	1705944	1	Decal - Danger Electrocution	
21	3290605	4	Nut M6	
22	4811700	8	Washer M6	
100	1001256763	1	Decal Master Kit (Not Shown)	
101	1701640	1	Decal - Manual	
102	1703687	2	Decal - Direction Arrow	
103	1703819	2	Decal - Direction Arrow	
104	1001265579	2	Decal - Fork Lift	
105	1704277	8	Decal - Lanyard Attach	
106	1704412	1	Decal - Hydraulic Oil Chart	
107	70046028	1	Decal - Hydraulic Oil Level	
108	1001094708	1	Decal - Hydraulic Oil	
109	1001162864	4	Decal - Lift Point/Tie Down	
110	1001256865	1	Decal - Arm Prop	
111	1001265580	2	Decal - Fork Lift	

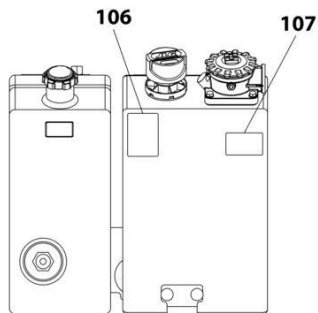
SECTION 9 - DECALS

FIGURE 9-12. RT4769 DECAL INSTALLATION - CSA SPECS (ENGLISH/FRENCH LANGUAGES)

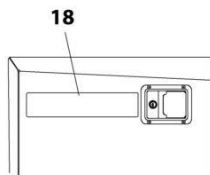


NOTE: ITEMS SHOWN MAY NOT BE REQUIRED FOR ALL SPECS. REFER TO PARTS LIST FOR USAGE.

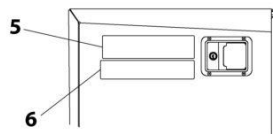
NOTE: ADDITIONAL DECALS CALLED OUT ON DECAL INSTALLATION - OPTIONS.



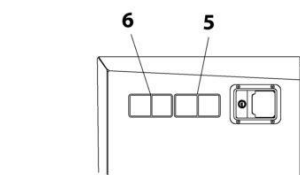
VIEW OF TANKS



ANSI SPECS
BOTH SIDES TYPICAL

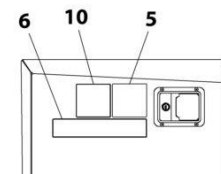


ENG/KOREAN/SPA/
POR/FRE SPECS
BOTH SIDES TYPICAL



AUSTRALIAN/CE SPECS
BOTH SIDES TYPICAL

(A)



ENG/CHINA SPECS
BOTH SIDES TYPICAL

ART_1001264961

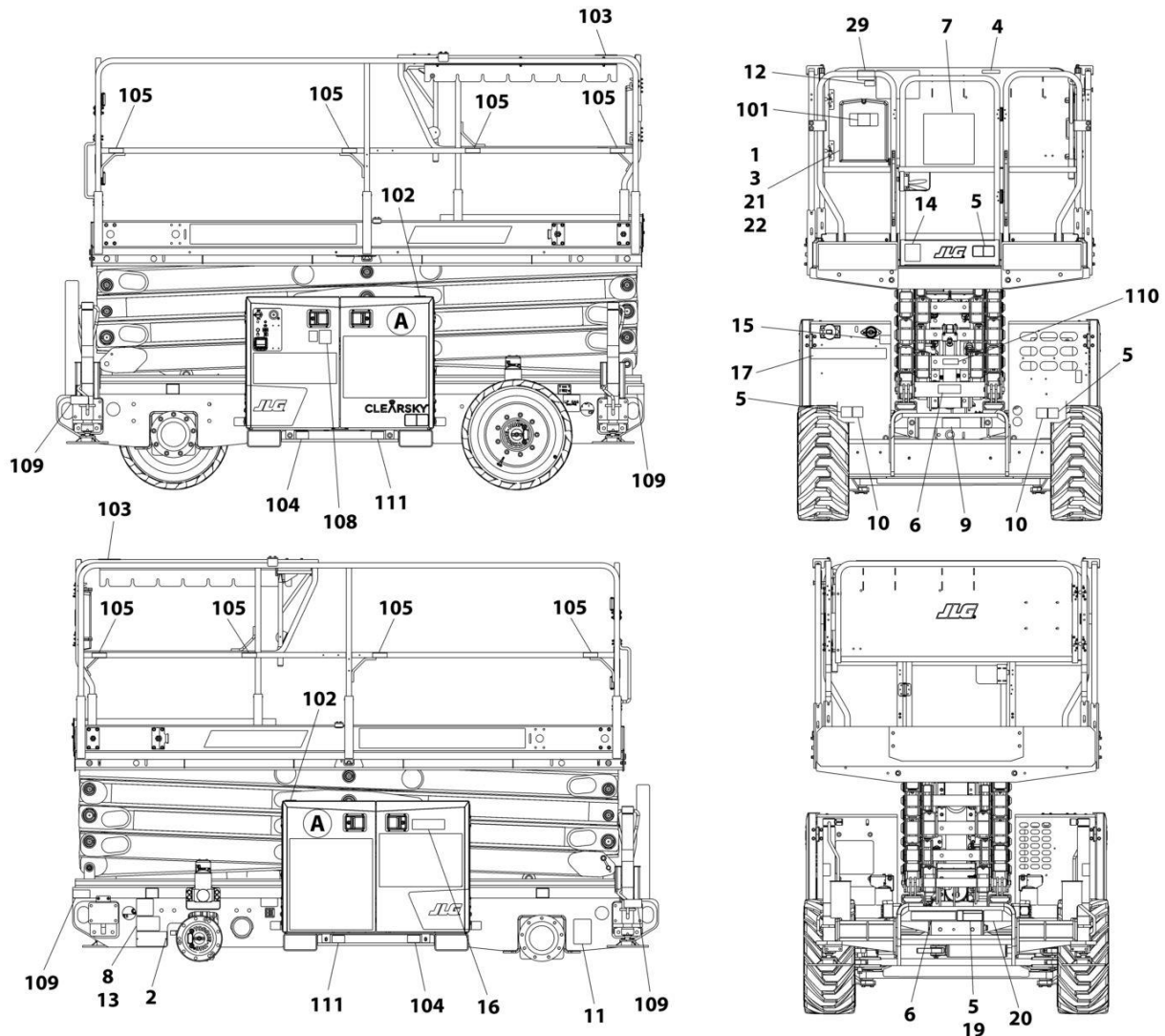
SECTION 9 - DECALS

FIGURE 9-12. RT4769 DECAL INSTALLATION - CSA SPECS (ENGLISH/FRENCH LANGUAGES)

ITEM	PART NUMBER	QTY	DESCRIPTION	REV
	1001264961	Ref	DECAL INSTALLATION	B
	1001264973	Ref	DECAL CHART DRAWING - RT4769	C
1	0760610	4	Bolt M6 x 20	
2	2080057	2	Fastener	
3	0860520	1	Box, Manual Storage	
4	1704687	1	Decal - Control Box Location	
5	1705040	5	Decal - Danger Electrocution	
6	1001215755	4	Decal - Crushing	
7	1704684	1	Decal - Danger/Warning	
8	1001223971	1	Decal - Yearly Inspection	
9	1001226116	1	Decal - Manual Descent Instruction	
11	1001131270	1	Decal - Patent	
12	1001228370	1	Decal - ICES	
21	3290605	4	Nut M6	
22	4811700	8	Washer M6	
100	1001256763	1	Decal Master Kit (Not Shown)	
101	1701640	1	Decal - Manual	
102	1703687	2	Decal - Direction Arrow	
103	1703819	2	Decal - Direction Arrow	
104	1001265579	2	Decal - Fork Lift	
105	1704277	8	Decal - Lanyard Attach	
106	1704412	1	Decal - Hydraulic Oil Chart	
107	70046028	1	Decal - Hydraulic Oil Level	
108	1001094708	1	Decal - Hydraulic Oil	
109	1001162864	4	Decal - Lift Point/Tie Down	
110	1001256865	1	Decal - Arm Prop	
111	1001265580	2	Decal - Fork Lift	

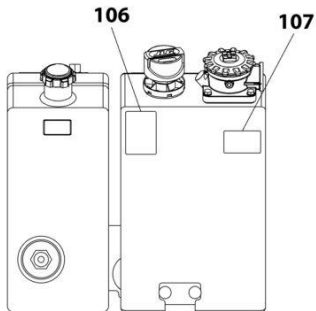
SECTION 9 - DECALS

FIGURE 9-13. RT4769 DECAL INSTALLATION - KOREAN SPECS (ENGLISH/KOREAN LANGUAGES)

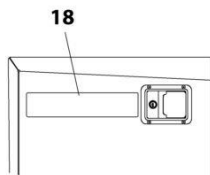


NOTE: ITEMS SHOWN MAY NOT BE REQUIRED FOR ALL SPECS. REFER TO PARTS LIST FOR USAGE.

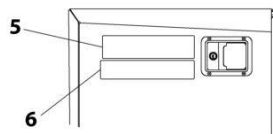
NOTE: ADDITIONAL DECALS CALLED OUT ON DECAL INSTALLATION - OPTIONS.



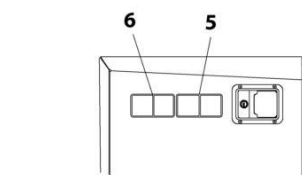
VIEW OF TANKS



ANSI SPECS
BOTH SIDES TYPICAL

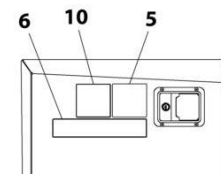


ENG/KOREAN/SPA/
POR/FRE SPECS
BOTH SIDES TYPICAL



AUSTRALIAN/CE SPECS
BOTH SIDES TYPICAL

A



ENG/CHINA SPECS
BOTH SIDES TYPICAL

ART_1001264957

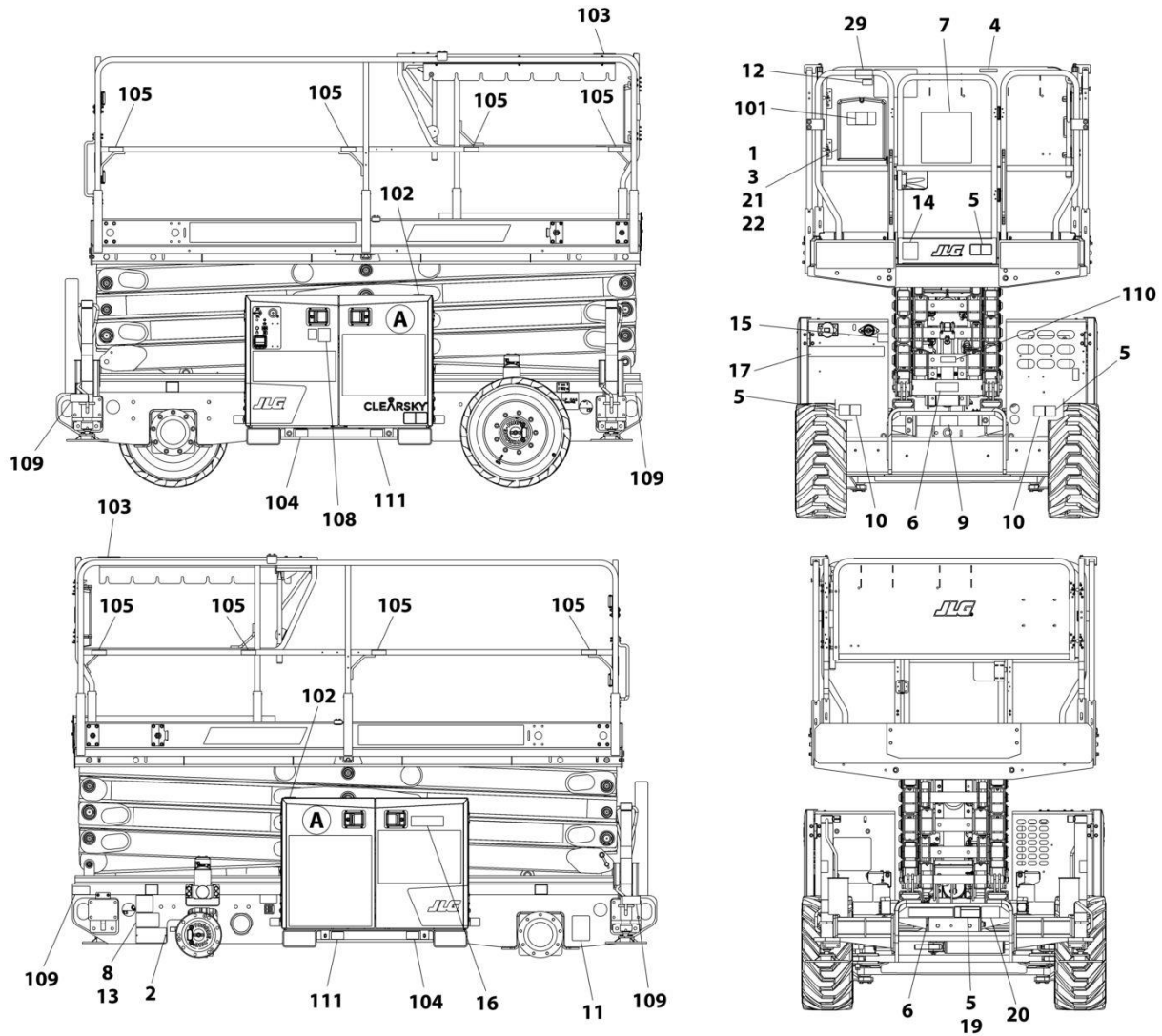
SECTION 9 - DECALS

FIGURE 9-13. RT4769 DECAL INSTALLATION - KOREAN SPECS (ENGLISH/KOREAN LANGUAGES)

ITEM	PART NUMBER	QTY	DESCRIPTION	REV
	1001264957	Ref	DECAL INSTALLATION	B
	1001264973	Ref	DECAL CHART DRAWING - RT4769	C
1	0760610	4	Bolt M6 x 20	
2	2080057	2	Fastener	
3	0860520	1	Box, Manual Storage	
4	1001162112	1	Decal - Control Box Location	
5	1001162114	5	Decal - Danger Electrical Hazard	
6	1001215751	4	Decal - Crushing	
7	1001162115	1	Decal - Danger Warning	
8	1001224048	1	Decal - Yearly Inspection	
9	1001226116	1	Decal - Manual Descent Instruction	
21	3290605	4	Nut M6	
22	4811700	8	Washer M6	
100	1001256763	1	Decal Master Kit (Not Shown)	
101	1701640	1	Decal - Manual	
102	1703687	2	Decal - Direction Arrow	
103	1703819	2	Decal - Direction Arrow	
104	1001265579	2	Decal - Fork Lift	
105	1704277	8	Decal - Lanyard Attach	
106	1704412	1	Decal - Hydraulic Oil Chart	
107	70046028	1	Decal - Hydraulic Oil Level	
108	1001094708	1	Decal - Hydraulic Oil	
109	1001162864	4	Decal - Lift Point/Tie Down	
110	1001256865	1	Decal - Arm Prop	
111	1001265580	2	Decal - Fork Lift	

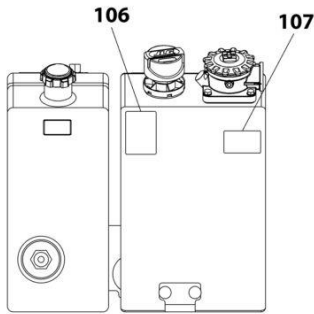
SECTION 9 - DECALS

FIGURE 9-14. RT4769 DECAL INSTALLATION - LATIN AMERICAN SPECS (ENGLISH/KSPANISH LANGUAGES)

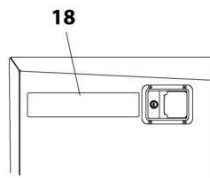


NOTE: ITEMS SHOWN MAY NOT BE REQUIRED FOR ALL SPECS. REFER TO PARTS LIST FOR USAGE.

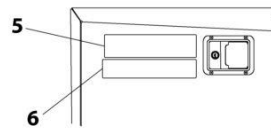
NOTE: ADDITIONAL DECALS CALLED OUT ON DECAL INSTALLATION - OPTIONS.



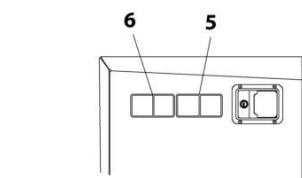
VIEW OF TANKS



ANSI SPECS
BOTH SIDES TYPICAL

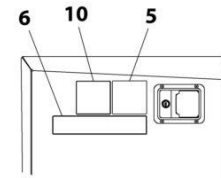


ENG/KOREAN/SPA/
POR/FRE SPECS
BOTH SIDES TYPICAL



AUSTRALIAN/CE SPECS
BOTH SIDES TYPICAL

(A)



ENG/CHINA SPECS
BOTH SIDES TYPICAL

ART_1001264960

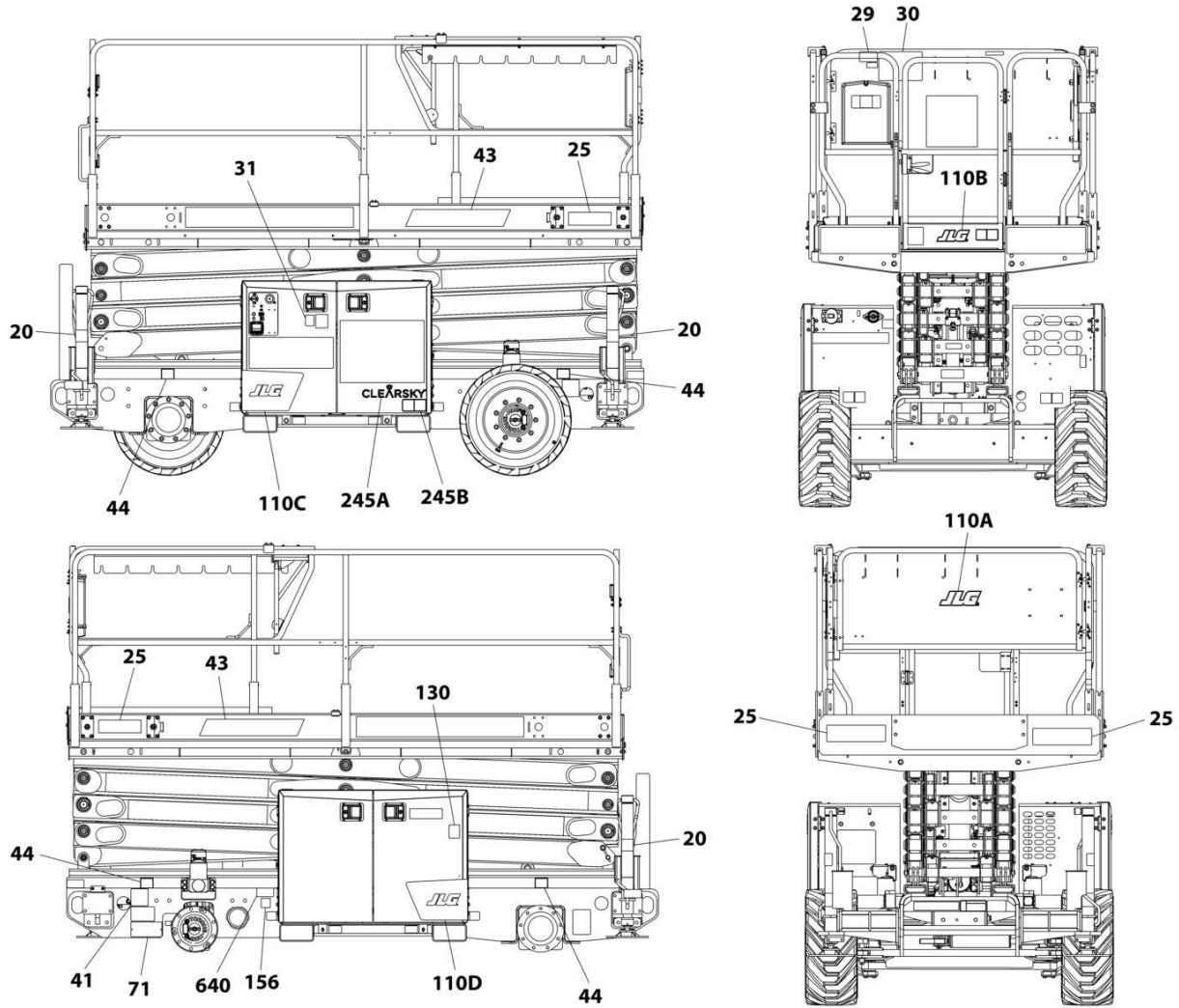
SECTION 9 - DECALS

FIGURE 9-14. RT4769 DECAL INSTALLATION - LATIN AMERICAN SPECS (ENGLISH/KSPANISH LANGUAGES)

ITEM	PART NUMBER	QTY	DESCRIPTION	REV
	1001264960	Ref	DECAL INSTALLATION	B
	1001264973	Ref	DECAL CHART DRAWING - RT4769	C
1	0760610	4	Bolt M6 x 20	
2	2080057	2	Fastener	
3	0860520	1	Box, Manual Storage	
4	1704694	1	Decal - Control Box Location	
5	1705041	5	Decal - Danger Electrical Hazard	
6	1001215754	4	Decal - Crushing	
7	1704691	1	Decal - Danger/Warning	
8	1001224049	1	Decal - Yearly Inspection	
9	1001226116	1	Decal - Manual Descent Instruction	
21	3290605	4	Nut M6	
22	4811700	8	Washer M6	
100	1001256763	1	Decal Master Kit (Not Shown)	
101	1701640	1	Decal - Manual	
102	1703687	2	Decal - Direction Arrow	
103	1703819	2	Decal - Direction Arrow	
104	1001265579	2	Decal - Fork Lift	
105	1704277	8	Decal - Lanyard Attach	
106	1704412	1	Decal - Hydraulic Oil Chart	
107	70046028	1	Decal - Hydraulic Oil Level	
108	1001094708	1	Decal - Hydraulic Oil	
109	1001162864	4	Decal - Lift Point/Tie Down	
110	1001256865	1	Decal - Arm Prop	
111	1001265580	2	Decal - Fork Lift	

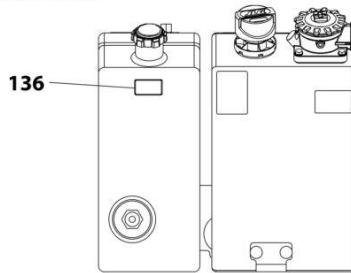
SECTION 9 - DECALS

FIGURE 9-15. DECAL INSTALLATION - OPTIONS



NOTE: ITEMS SHOWN MAY NOT BE REQUIRED FOR ALL SPECS. REFER TO PARTS LIST FOR USAGE.

NOTE: RT4069 SHOWN. RT4769 DECAL LOCATIONS TYPICAL.



VIEW OF TANKS

ART_DECAL_OPTIONS

SECTION 9 - DECALS

FIGURE 9-15. DECAL INSTALLATION - OPTIONS

ITEM	PART NUMBER	QTY	DESCRIPTION	REV
		Ref	DECAL INSTALLATION - OPTIONS	
	1001264346	Ref	DECAL CHART DRAWING - RT4069	D
	1001264973	Ref	DECAL CHART DRAWING - RT4769	B
20		Ref	Decal - Leveling Jack Warning Options:	
20	1701214	4	Decal - Leveling Jack Warning (ANSI Specs)	
20	1701785	4	Decal - Leveling Jack Warning (Australian,CE & UK CA Specs)	
20	1704698	4	Decal - Leveling Jack Warning (Brazil Specs)	
20	1704690	4	Decal - Leveling Jack Warning (CSA Specs)	
20	1001215447	4	Decal - Leveling Jack Warning (Korean Specs)	
20	1704697	4	Decal - Leveling Jack Warning (Latin American Specs)	
25	1001254363	Ref	Corner Stripes Installation	C
25	4420051	4 ft /1.2m	Tape, Safety	
29	1001231801	1	Decal - Warning Prop 65	
30	1001256799	1	Decal - Capacity	
31	1701505	1	Decal - Fuel (Diesel)	
31	1701542	1	Decal - Fuel (Gas)	
41		Ref	Decal - LP Gas Options:	
41	1700818	2	Decal - LP Gas (English Language)	
41	1702720	2	Decal - LP Gas (English/French Language)	
41	1704271	2	Decal - LP Gas (Spanish Language)	
43	1001256781	2	Decal - Model RT4069	
43	1001256782	2	Decal - Model RT4769	
44	1001256792	4	Decal - Max Tire Load (RT4069)	
44	1001262398	4	Decal - Max Tire Load (RT4769)	
71	See Note	NSS	Decal - Manufacturers Serial Number (Note: Not Available for Purchase)	
110	1001263163	Ref	JLG Decals Installation	B
110A	1001256675	1	Decal - JLG	
110B	1001256676	1	Decal - JLG	
110C	1001265581	1	Decal - JLG	
110D	1001265582	1	Decal - JLG	
130		Ref	Decal - Warning Explosion/Fire Options:	
130	1704972	1	Decal - Warning Explosion/Fire (ANSI Specs)	
130	1706098	1	Decal - Warning Explosion/Fire (Australian,CE & UK CA Specs)	
130	1706059	1	Decal - Warning Explosion/Fire (Brazil Specs)	
130	1706060	1	Decal - Warning Explosion/Fire (China Specs)	
130	1706064	1	Decal - Warning Explosion/Fire (CSA Specs)	
130	1706061	1	Decal - Warning Explosion/Fire (Korean Specs)	
130	1706063	1	Decal - Warning Explosion/Fire (Latin American Specs)	
136	1001125387	1	Decal - Ultra Low Sulfur Fuel (ANSI & CSA Specs)	
136	1001139654	1	Decal - Ultra Low Sulfur Fuel (CE & UK CA Specs)	
156	1001214029	Ref	EAC Decal Installation (Russian/CIS Specs)	
156	1001173703	1	Decal - EAC (Russian/CIS Specs)	
245	1001236984	Ref	Clearsky Decals Installation	A
245A	1001116208	1	Decal - Clearsky	
245B	1001120989	1	Decal - Radio Frequency	
640	1001143852	1	Decal - Emissions Compliance (Diesel Machines) (Not Shown - Located near SN Nameplate) (ANSI Export, Australian, CE, China, Korean & UK CA Specs)	

SECTION 10 - RECOMMENDED SERVICE PARTS STOCK

SECTION 10 - RECOMMENDED SERVICE PARTS STOCK

SECTION 10 - RECOMMENDED SERVICE PARTS STOCK

FIGURE 10-1. RECOMMENDED SERVICE PARTS STOCK

ITEM	PART NUMBER	QTY	DESCRIPTION	REV
		Ref	Note: The following list will service one machine (built to current production per date on the front cover) with emergency repair parts which can be installed in the field. Parts from the list should be replaced when inventory is depleted to keep service parts stock supplied. For further information, contact your JLG dealer or the JLG Industries Parts Department.	
	4360542	1	Breaker, Circuit (Generator Installation)	
	1001181045	1	Breaker, 16Amp (Breaker Box Kit) (1 Double Breaker - CE & UK CA)	
	1001152479	1	Breaker, 16 Amp (Double) (1 Double & 1 Single Breaker Box - CE & UK CA)	
	1001152482	1	Breaker, 30mA (Breaker Box Kit) (1 Double & 1 Single Breaker - CE & UK CA)	
	70001965	1	Coil (Leveling Jacks Installation)	
	1001244932	1	Control, Scissor Display (Platform Control Box)	
	1001247682	1	Controller, Drive/Steer Assembly (Platform Control Box)	
		Ref	Engine (Diesel)	
	7015004	12	Filter, Air	
	1001190545	12	Filter, Fuel	
	1001248057	12	Filter, Oil	
	70007021	12	Filter, Water/Fuel Separator	
	1001246587	1	Module, ECU	
		Ref	Engine (Dual Fuel)	
	70007141	12	Filter, Air	
	1001127172	12	Filter, Carbon Canister	
	1001255422	12	Filter, Fuel Strainer	
	1001248057	12	Filter, Oil	
	1001253824	1	Module, ECU	
	1001248371	12	Filter, Filler/Breather (Hydraulic Tank)	
	70007035	12	Filter, Hydraulic (Hydraulic Tank)	
	8229242	2	Fuse 5A (Chassis Harness)	
	8229244	2	Fuse 15A (Chassis Harness)	
	2860030	1	Key, Replacement	
	2940074	1	Latch, Platform	
	1001244929	1	Module, Ground Control (Note: Re-calibration Required when Replaced) (Electrical Components Installation)	
	1600387	1	Module, Load Sense (Note: Re-calibration Required when Replaced) (Arms Installation)	
	3740080	1	Relay, 12V 20/40A	
	1001227516	1	Sensor, Pressure (Leveling Jacks)	
	1001246658	1	Sensor, Proximity (Leveling Jack Cylinder)	
	1001128478	1	Sensor, Temperature (Main Control Valve)	
	1001244934	1	Sensor, Tilt (Axle Installation, Arms Assembly, & Electrical Components)	
	4360475	1	Switch, Emergency Stop (Ground Control & Platform Control Box)	
	4360469	1	Switch, Key (Ground Control Assembly)	
	4360387	1	Switch, Push Button (Ground Control Assembly)	
	1001226749	1	Switch, Pushbutton (Platform Control Box)	
	4360524	1	Switch, Toggle (Ground Control Assembly)	

SECTION 11 - SPECIAL OPTIONS/ACCESSORIES/KITS

SECTION 11 - SPECIAL OPTIONS/ACCESSORIES/KITS

SECTION 11 - SPECIAL OPTIONS/ACCESSORIES/KITS

FIGURE 11-1. SPECIAL OPTIONS/ACCESSORIES/KITS

ITEM	PART NUMBER	QTY	DESCRIPTION	REV
		Ref	Note: This list is to accommodate machines ordered with special equipment. Options may not be applicable to all models. For more specific parts information contact JLG Parts Department.	
		Ref	SPECIAL OPTIONS/ACCESSORIES/KITS	
		Ref	ClearSky (Telematics) Installation (Factory Installed) Options:	
	1001251506	Ref	ClearSky (Telematics) Installation - 3 Wire (Factory Installed) (ANSI and CSA Specs)	
	1001251522	Ref	ClearSky (Telematics) Installation - 3 Wire (Factory Installed) (ANSI Export, Korean, CE & UK CA Specs)	
	1001249646	Ref	ClearSky (Telematics) Installation - Canbus (Factory Installed) (ANSI and CSA Specs)	
	1001249647	Ref	ClearSky (Telematics) Installation - Canbus (Factory Installed) (ANSI Export, Korean, CE & UK CA Specs)	
	1001249648	Ref	ClearSky (Telematics) Installation - Canbus (Factory Installed) (Australian Specs)	
		Ref	Electrical Connector Kits	
	1001148902	Ref	Electrical Connector Kit - Amp/Tyco Electrical Connectors	
	1001148903	Ref	Electrical Connector Kit - Deutsch DT Electrical Connectors	
	1001148904	Ref	Electrical Connector Kit - Deutsch HD Electrical Connectors	
	1001148905	Ref	Electrical Connector Kit - Packard Electrical Connectors	
	1001148906	Ref	Electrical Connector Kit - Various Electrical Connectors	
	1001246132	Ref	Engine Sub-FAPL (Diesel)	
	1001246133	Ref	Engine Sub-FAPL (Dual Fuel)	
	1001249053	Ref	Fan Guard Installation	
	1001255164	Ref	Footswitch Installation (Korean Specs)	
	1001249310	Ref	Mobile Control Installation (Factory Installed)	
	1001267646	Ref	Platform Divider (SkyShield - Social Distancing) Shield Installation (Factory Installed)	
	1001269100	Ref	Platform Divider (SkyShield - Social Distancing) Shield Add-on Kit (Dealer Installed)	
	1001268572	Ref	Platform Worklights Installation RT4069 (Factory Installed)	
	1001268574	Ref	Platform Worklights Installation RT4769 (Factory Installed)	
	1001253150	Ref	Rail Mounted Pipe Rack Installation (Factory Installed)	
	1001255478	Ref	Rail Padding Kit	
	1001266156	Ref	Service Kits & Tools	
		Ref	Tools for Service	
	2901443	Ref	Analyzer Kit	
	1001249695	Ref	Analyzer and Cable Kit	
	1001249941	Ref	Analyzer and Cable Kit (Battery Powered)	
	1001137005	Ref	Cable Kit, Software	
	7002821	Ref	Crimper, Wire	
	7002823	Ref	Pin Extractor - Universal (For Electrical Connectors with Pins and Sockets)	
	4460510	Ref	Pin Extractor - 12-14 Gauge (For Removal of Pin/Sockets from Deutsch Connectors)	
	4460467	Ref	Pin Extractor - 16-18 Gauge (For Removal of Pin/Sockets from Deutsch Connectors)	
	7016654	Ref	Screwdriver, Magnetic	
	7002822	Ref	Screwdriver, Potentiometer	
	7004275	Ref	Seal Tool 1in (For Cylinders)	
	7004276	Ref	Seal Tool 1-1/2in (For Cylinders)	

SECTION 11 - SPECIAL OPTIONS/ACCESSORIES/KITS

ITEM	PART NUMBER	QTY	DESCRIPTION	REV
	7002828	Ref	Stripper, Wire	

SECTION 11 - SPECIAL OPTIONS/ACCESSORIES/KITS

PART NUMBER INDEX

SECTION 11 - SPECIAL OPTIONS/ACCESSORIES/KITS

0100011.....13, 15, 17, 21, 23, 25, 51, 53, 57, 59, 61, 63, 79, 81, 85, 87, 96, 109, 111, 127, 129, 131, 147, 149, 151, 153, 155, 157, 159, 166, 169, 175, 177, 179, 187, 191, 193	323, 325, 327, 329, 331, 333, 335, 337, 339, 341, 343, 345	1001103761 51, 53	1001129256.....139
0100019.....23, 25, 51, 53	0760612 96	1001104498 269	1001130309.....57, 59, 65
0100020.....157, 159	0760614 15, 85	1001106736 261	1001130900.....265
0100035.....79, 81, 99	0760807 13, 15, 17	1001107854 269	1001131270.....319, 327, 333, 341
0100048.....151, 153, 155	0760808 131, 185	1001108603 193	1001131324.....135
0100051.....121, 141	0760810 96	1001110188 85, 87	1001131391.....119, 139
0140030.....193	076081251, 53, 163, 171, 185	1001113961 262	1001131740.....151, 153
0140043.....91	0760814 69	1001116208 347	1001132170.....285
0275216.....239, 305	0760815 99, 111, 131	1001116694 279	1001137005.....352
0275217.....241, 307	0760817 111	1001116716 289	1001139141.....21
0275452.....243, 309	0760820 131	1001116732 262, 265, 269, 273, 289	1001139219.....121, 141
0275453.....245, 311	0761008 185	1001116733 265, 269, 289	1001139654.....347
0275454.....247, 313	0761010 79, 81	1001116734 262, 265, 269, 273, 289	1001142984.....139
0340045.....125, 145	0761012 21, 96	1001116749 269	1001143852.....347
0400003.....121, 141	0761015 47, 49	1001116752 265, 269	1001144295.....261
0440162.....21	0761217 51, 53	1001116763 269	1001144296.....265, 269
0440237.....21	0761616 13, 15, 17	1001116808 291	1001145548.....163, 171
0440241.....166, 174	0770812 96	1001116812 265	1001146043.....145
0440264.....166, 174	0771010 79, 81	1001116815 265	1001146588.....121
0630587.91, 93, 119, 139	0771012 23, 25	1001116816 265, 269	1001148902.....352
0630613.....123, 143	077101479, 81, 109, 157, 159	1001116950 261	1001148903.....352
0630615.....187	0771015 13, 15	1001117022 265	1001148904.....352
0641611.....157, 159	0771618 57, 59, 61, 63	1001117023 265	1001148905.....352
0681609.....111, 131	0771619 23, 157, 159	1001117024 289	1001148906.....352
0681812.....39	0771620 23, 25	1001117025 269	1001150735.....301
0700517.....187	0780608 119	1001117069 265, 269	1001150889.....301
0700612.....166, 174	0780610 151, 153, 155	1001117070 269	1001151395.....21
0700617.....187, 237, 239, 241, 243, 245, 247, 249	0780618 121	1001117110 269	1001152266.....261
0700618.....163, 171	0781024 119	1001118274 218, 222	1001152479.....350
0700619.....187	0811606 157, 159	1001118282 262, 265, 269, 273, 289	1001152482.....350
0700624.....166	0840052 121	1001118511 13, 15	1001152483.....259
0700626.....174	0860520... 319, 321, 323, 325, 327, 329, 331, 333, 335, 337, 339, 341, 343, 345	1001118518 13, 15	1001152486.....243, 245, 259
0700817.....187	0861731 ... 249, 303, 309, 311, 313	1001118519 13, 15	1001152729.....143
0700818.....187	0861781 305, 307	1001118657 265	1001156351.....287
0700819.....187	0861880 257	1001118658 262, 265	1001156541.....275, 277
0700822.....218, 222	0861890 13, 15, 21	1001118659 265	1001156819.....139
0701012.....185	0961950. 13, 15, 17, 166, 174	1001118743 265	1001159186.....262
070101551, 53, 163, 166, 171, 174	0962220.13, 15, 166, 174	1001118744 262, 265, 269	1001161497.....131
0701020.....151, 153, 155	0962406 174	1001118745 262, 265, 269	1001162112.....329, 343
0701022.....163, 171	1001026127 139	1001118746 111, 119, 131, 151, 153, 155	1001162114.....329, 343
0701024.....166, 174	1001091102 101, 103, 105	1001118878 169	1001162115.....329, 343
0701026.....166, 174	1001094708 319, 321, 323, 325, 327, 329, 331, 333, 335, 337, 339, 341, 343, 345	1001118938 265, 269	1001162864.....319, 321, 323, 325, 327, 329, 331, 333, 335, 337, 339, 341, 343, 345
0701027.....174	1001095650 39	1001119020 291	1001165035.....131
0701028.....174	1001096070 239, 241, 247, 257	1001119412 289	1001168018.....109, 151, 153, 155
0701029.....163, 171	1001096653 79, 81	1001119630 222	1001171482.....89
0701622.....51, 53	1001097150 257, 259	1001119929 151, 153, 155	1001173703.....347
0710819.....131	1001099560 166, 174	1001120264 57, 59	1001174486.....119, 139
0711017.....17	1001100341 305	1001120989 347	1001176469.....87
0711224.....13, 15, 17	1001100342 307	1001125387 347	1001176626.....193
0711616.....25	1001100345 309	1001125677 261, 279	1001179586.....121, 141
0741008.....85, 87	1001100346 313	1001125784 261, 301	1001181045.....257, 350
0760505.....141	1001100347 311	1001125785 261	1001182680.....89
0760507.....187	1001100451 69, 139	1001126391 269	1001182997.....119, 139
0760606.....293, 297		1001126393 269	1001183406.....79, 81
0760608.....163, 171, 187		1001127172 139, 350	1001184682.....93
0760610..85, 87, 96, 183, 185, 239, 241, 243, 245, 247, 319, 321,		1001128128 262, 265, 269, 273, 289	1001184705.....269
		1001128478 83, 350	1001184716.....269
		1001129255 139	1001184717.....269
			1001184718.....269
			1001184722.....269
			1001184768.....269

SECTION 11 - SPECIAL OPTIONS/ACCESSORIES/KITS

1001184769.....	269	1001242539.....	103, 105	1001247370.....	171, 174	1001248823.....	171
1001184832.....	262	1001242816.....	39, 41	1001247377.....	166	1001248834.....	13, 15
1001186483.....	121	1001243256.....	51, 53, 203	1001247378.....	175	1001248840.....	187
1001187455.....	269	1001243266.....	25, 39	1001247380.....	51, 53, 55	1001248851.....	25
1001187781.....	141	1001243268.....	39	1001247382.....	17, 19	1001248861.....	119, 139
1001189171.....	259	1001243296.....	111, 115	1001247383.....	193	1001248863.....	51, 53, 279
1001189172.....	259	1001243300.....	131, 135	1001247425.....	47	1001248868.....	218, 222
1001189762.....	163, 171	1001244106.....	131, 133	1001247443.....	193	1001248869.....	218, 222
1001190545.....	119, 350	1001244107.....	111, 113	1001247454.....	117	1001248871.....	218, 222
1001192401.....	261	1001244381.....	183	1001247462.....	218, 222	1001248872.....	218, 222
1001193336.....	79	1001244382.....	185	1001247472.....	85, 87, 261	1001248873.....	218, 222
1001194421.....	253	1001244391.....	15, 17	1001247521.....	163, 171	1001248874.....	222
1001195137.....	187	1001244392.....	21	1001247522.....	166, 174	1001248933.....	185
1001197405.....	166, 174	1001244462.....	261	1001247524.....	166, 174	1001248986.....	187
1001201885.....	301	1001244775.....	71	1001247560.....	125, 145	1001248990.....	185
1001202910.....	218, 222	1001244865.....	59, 63	1001247581.....	117	1001248991.....	185
1001205250.....	262	1001244888.....	187	1001247582.....	117	1001249048.....	293, 295
1001205824.....	218, 222	1001244904.....	169	1001247584.....	111, 117	1001249049.....	193, 301
1001207109.....	81	1001244929.....	85, 87, 350	1001247589.....	117	1001249053.....	352
1001211777.....	319, 333	1001244932.....	193, 350	1001247612.....	109	1001249091.....	163, 171, 315
1001211779.....	319, 325, 333, 339	1001244934.....	15, 17, 85, 87, 166, 174, 350	1001247630.....	79, 81	1001249095.....	262
1001212268.....	237, 239, 241, 243, 245, 247, 249	1001245046.....	13, 15, 17, 201	1001247637.....	96	1001249122.....	143
1001213010.....	123, 143	1001245250.....	183	1001247638.....	96	1001249123.....	143
1001213584.....	155	1001245381.....	43	1001247667.....	163, 171	1001249178.....	218, 223
1001214029.....	347	1001245440.....	43	1001247669.....	163, 166, 171, 174	1001249181.....	218, 222
1001214174.....	23, 33	1001245479.....	185	1001247670.....	166, 174	1001249190.....	295, 299
1001214556.....	147	1001245653.....	201	1001247671.....	163, 171	1001249231.....	218, 222
1001215447.....	347	1001246090.....	79	1001247672.....	166	1001249244.....	261
1001215747.....	325, 339	1001246101.....	69	1001247672.....	166	1001249259.....	193
1001215751.....	329, 343	1001246104.....	17, 213	1001247682.....	193, 195, 350	1001249282.....	17, 255
1001215752.....	325, 339	1001246105.....	218	1001247804.....	147	1001249297.....	21
1001215754.....	331, 345	1001246107.....	21, 209	1001247810.....	147	1001249306.....	105
1001215755.....	327, 341	1001246132.....	352	1001247835.....	166, 174	1001249307.....	103
1001215898.....	261	1001246133.....	352	1001247887.....	96	1001249309.....	93
1001216650.....	323, 337	1001246134.....	151	1001248038.....	139	1001249310.....	352
1001217457.....	166, 174	1001246135.....	155	1001248039.....	85, 87	1001249323.....	21
1001218676.....	123, 143	1001246392.....	197	1001248043.....	96	1001249340.....	73
1001220668.....	293, 297	1001246395.....	197	1001248047.....	131	1001249341.....	71
1001223055.....	319, 333	1001246553.....	99	1001248047.....	131	1001249342.....	71
1001223431.....	265	1001246555.....	79, 81, 99	1001248056.....	115, 135	1001249343.....	73
1001223453.....	319, 333	1001246583.....	193	1001248057.....	115, 135, 350	1001249344.....	73
1001223794.....	265	1001246584.....	193	1001248099.....	127	1001249352.....	71, 73, 75
1001223797.....	265	1001246587.....	115, 350	1001248134.....	121, 265	1001249353.....	71
1001223971.....	327, 341	1001246658.....	203, 350	1001248160.....	69	1001249354.....	73
1001224048.....	329, 343	1001246746.....	123	1001248162.....	96	1001249407.....	51, 53
1001224049.....	331, 345	1001246778.....	143	1001248162.....	96	1001249464.....	151, 153, 155, 273
1001224051.....	325, 339	1001246779.....	143	1001248196.....	13, 15, 17	1001249637.....	166, 174
1001224052.....	323, 337	1001246823.....	193	1001248222.....	265	1001249646.....	352
1001225804.....	69	1001246856.....	79	1001248223.....	265	1001249647.....	352
1001226116.....	333, 335, 337, 339, 341, 343, 345	1001246859.....	262	1001248224.....	265	1001249647.....	352
1001226221.....	96	1001246863.....	193	1001248227.....	265	1001249648.....	352
1001226749.....	193, 350	1001246864.....	193	1001248228.....	265	1001249695.....	352
1001226830.....	163, 171, 285	1001246864.....	193	1001248229.....	265	1001249701.....	218, 222
1001227516.....	51, 53, 350	1001246883.....	96	1001248289.....	141, 269	1001249703.....	223
1001228370.....	327, 341	1001246885.....	51	1001248300.....	23	1001249802.....	69, 289
1001228533.....	166, 174	1001246959.....	23, 35	1001248307.....	125	1001249850.....	218, 223
1001230488.....	265	1001246979.....	193	1001248313.....	145	1001249882.....	187
1001231801.....	347	1001247019.....	13, 15	1001248339.....	218, 222	1001249883.....	187
1001234069.....	121, 141	1001247021.....	81	1001248347.....	121, 141	1001249884.....	188
1001234348.....	96	1001247028.....	127	1001248349.....	81	1001249914.....	51
1001236984.....	347	1001247074.....	85	1001248371.....	99, 350	1001249915.....	51
1001237778.....	269	1001247267.....	123, 143	1001248413.....	129, 149	1001249941.....	352
1001239224.....	103, 105	1001247295.....	17	1001248414.....	129, 149	1001250088.....	17
		1001247313.....	193	1001248500.....	139	1001250089.....	17
		1001247353.....	47	1001248671.....	201	1001250090.....	17
		1001247369.....	163, 166	1001248822.....	163	1001250091.....	17

SECTION 11 - SPECIAL OPTIONS/ACCESSORIES/KITS

1001250307.....215	1001255004.....243	1001256768.....331	1001260528.....174
1001250308.....215	1001255005.....245	1001256769.....327	1001260529.....174
1001250309.....215	1001255006.....239	1001256770.....321	1001260540.....223
1001250310.....215	1001255007.....241	1001256781.....347	1001260897.....166
1001250311.....215	1001255008.....247	1001256782.....347	1001261118.....239, 241,
1001250312.....215	1001255082.....197	1001256792.....347	243, 245, 247
1001250336.....109	1001255164.....352	1001256799.....347	1001261123.....185
1001250342.....51, 53, 215	1001255324.....135	1001256865.....319, 321,	1001261270.....174
1001250353.....51, 53	1001255341.....135	323, 325, 327, 329,	1001261273.....175
1001250355.....185	1001255342.....135	331, 333, 335, 337,	1001262098.....193
1001250356.....185	1001255394.....169, 177,	339, 341, 343, 345	1001262140.....45
1001250418.....213	205	1001256875.....17	1001262141.....174, 277
1001250419.....213	1001255416.....135	1001256889.....166	1001262142.....174, 283
1001250450.....119	1001255422.....135, 350	1001257076.....193	1001262179.....175
1001250468.....218, 223	1001255431.....135	1001257077.....193	1001262197.....175
1001250519.....129, 149	1001255435.....135	1001257454.....96	1001262198.....175
1001250521.....129, 149	1001255447.....135	1001257587.....163, 171	1001262199.....175
1001250525.....129, 149	1001255448.....135	1001257688.....96	1001262398.....347
1001250627.....185	1001255461.....193	1001257689.....96	1001262399.....187
1001250636.....115, 135	1001255478.....352	1001257752.....166	1001262400.....187
1001250640.....185	1001255526.....21	1001257754.....166	1001262404.....175
1001250678.....91	1001255529.....135	1001257755.....166	1001262407.....175
1001250682.....193	1001255606.....143	1001257756.....167	1001262454.....187
1001250692.....193	1001255809.....123, 143	1001257757.....167	1001262495.....187
1001250772.....109	1001255843.....123, 143	1001257758.....167	1001262630.....123, 143
1001250829.....187	1001255848.....123, 143	1001257760.....167, 175	1001262636.....123, 143
1001250830.....187	1001255851.....123, 143	1001257884.....89	1001262639.....185
1001250888.....25, 37	1001255857.....123, 143	1001258004.....159	1001262640.....185
1001250934.....127	1001255872.....111	1001258006.....157	1001262646.....123, 143
1001251231.....85, 87, 89	1001255873.....109	1001258113.....159	1001262943.....119, 139
1001251287.....131	1001255874.....119	1001258188.....43, 45	1001262994.....45
1001251288.....131	1001255875.....121	1001258223.....297, 299	1001263049.....151, 153
1001251328.....183	1001255876.....127	1001258287.....75	1001263050.....155
1001251490.....135	1001255877.....125	1001258493.....222	1001263077.....155
1001251506.....352	1001255878.....123	1001258814.....167	1001263081.....45
1001251522.....352	1001255902.....179, 207	1001258921.....89	1001263162.....222
1001252477.....111	1001255936.....129	1001258923.....297	1001263163.....347
1001252478.....111	1001256029.....143	1001258936.....187	1001263246.....155
1001252596.....123, 143	1001256030.....145	1001259024.....157, 159	1001263269.....187
1001252996.....131	1001256031.....131	1001259047.....159	1001263303.....223
1001253149.....187	1001256032.....149	1001259135.....166, 275	1001263304.....223
1001253150.....352	1001256033.....139	1001259139.....166, 174,	1001263345.....101, 105
1001253717.....111	1001256034.....141	281	1001263438.....123
1001253800.....193	1001256035.....147	1001259202.....75	1001263449.....87, 253
1001253824.....135, 350	1001256097.....111	1001259284.....59, 63	1001263476.....123, 143
1001253839.....151, 153,	1001256128.....166, 169	1001259386.....75	1001263628.....187
155	1001256209.....143	1001259429.....59	1001263629.....187
1001254083.....218, 223	1001256312.....121, 141	1001259497.....166, 174	1001263657.....119, 139
1001254119.....193	1001256341.....177	1001259529.....175	1001263658.....119, 139
1001254298.....218, 223	1001256397.....179	1001259530.....175	1001263659.....119, 139
1001254363.....347	1001256460.....174, 179	1001259531.....175	1001263662.....163, 171
1001254550.....157	1001256461.....174, 177	1001259532.....175	1001263804.....111
1001254551.....159	1001256554.....119	1001259533.....175	1001263928.....87
1001254613.....237, 239,	1001256561.....49	1001259534.....175	1001263930.....96
241, 243, 245, 247, 249	1001256562.....49	1001259535.....175	1001264263.....135
1001254635.....123, 143	1001256675.....347	1001259536.....175	1001264264.....135
1001254650.....115	1001256676.....347	1001259537.....175	1001264269.....135
1001254651.....115, 135	1001256713.....153	1001259538.....175	1001264346.....319, 321,
1001254653.....115	1001256723.....119	1001260250.....218	323, 325, 327, 329,
1001254690.....131	1001256763.....319, 321,	1001260252.....215	331, 347
1001254691.....147	323, 325, 327, 329,	1001260253.....213	1001264839.....151, 153
1001254820.....293	331, 333, 335, 337,	1001260255.....218, 223	1001264939.....163, 171,
1001254861.....69	339, 341, 343, 345	1001260334.....96	291
1001254888.....121, 141	1001256764.....319	1001260352.....174	1001264956.....333
1001255001.....237	1001256765.....329	1001260406.....174	1001264957.....343
1001255002.....249	1001256766.....325	1001260485.....13	1001264958.....339
1001255003.....251	1001256767.....323	1001260527.....174	1001264959.....337

SECTION 11 - SPECIAL OPTIONS/ACCESSORIES/KITS

1001264960 345	1001271971..... 151, 153, 155	1704277.....319, 321, 323, 325, 327, 329, 331, 333, 335, 337, 339, 341, 343, 345	2220500 171
1001264961 341	1001272777.... 15, 17, 85, 87	1704412.....319, 321, 323, 325, 327, 329, 331, 333, 335, 337, 339, 341, 343, 345	2220501 213
1001264963 335	1001274463..... 111	1704684.....327, 341	2220504 215
1001264973 333, 335, 337, 339, 341, 343, 345, 347	1001274495..... 53	1704687 327, 341	2220582 218, 222
1001265053 87	1001274559..... 89, 193	1704690.....347	2220596 218, 222
1001265082 57, 61	1001275530..... 151, 153, 155	1704691 331, 345	2220654 222
1001265192 57	1001277830..... 131	1704694 331, 345	2220775 222
1001265193 61	1001277831..... 111, 131	1704697 347	2220828 218, 222
1001265194 63	1001277832..... 111, 131	1704698 347	2220865 69
1001265225 287	1001278239..... 111	1704699 323, 337	2220881 37
1001265226 287	1001279004..... 131, 137	1704702 323, 337	2220883 27, 37, 201, 218, 222
1001265532 191	1001283427..... 43, 45	1704972 347	2220885 37, 201, 218
1001265579 319, 321, 323, 325, 327, 329, 331, 333, 335, 337, 339, 341, 343, 345	1001284972..... 163, 171	1705040 327, 341	2220886 27, 37, 201
1001265580 319, 321, 323, 325, 327, 329, 331, 333, 335, 337, 339, 341, 343, 345	1001288396..... 139	1705041 331, 345	2220888 27
1001265581 347	1001292287..... 321	1705043 323, 337	2220940 218, 222
1001265582 347	1001294421..... 187	1705044 325, 339	2220947 69, 218, 222
1001265585 17	1001299770..... 139	1705045 323, 337	2220998 218, 222
1001265684 185	1001300357..... 139	1705046 325, 339	2221040 218, 222
1001265744 169	1008675309..... 119	1705047 325, 339	2221086 213, 218, 222
1001265761 169	1060379 197	1705048 323, 337	2221116 17
1001265821 185	1060908 257, 259	1705049 323, 337	2400044 85, 87
1001265846 187	1061020 163, 171	1705050 325, 339	2400066 262
1001265848 166	1062255 69, 121, 141	1705051 325, 339	2540045 57, 59, 183
1001265916 191	1120555 197	1705052 323, 337	2560088 187
1001266156 352	1309435 129, 149	1705053 323, 337	2560176 187
1001266233 .. 57, 59, 287	1320058 139	1705054 323, 337	2600216 96
1001266448 131	1320061 157, 159	1705055 323, 337	2600253 187
1001266885 123	1320220 157, 159	1705056 323, 337	2600285 187
1001267646 352	1320223 123, 143	1705057 323, 337	2700100 197
1001267649 101	1320244 141	1705058 323, 337	2720015 119
1001268572 352	1320265 119, 139	1705059 347	2720058 119
1001268574 352	1321296 139	1705060 347	2720271 119
1001268776 111, 119, 131	1321682 125, 145	1705061 347	2780267 23, 25, 29
1001269045 111, 119, 151, 153, 155	1580023 197	1705062 347	2860030 89, 350
1001269100 352	1580024 197	1705063 347	2901443 352
1001269132 197	1600387 163, 171, 350	1705064 347	2902431 237, 303
1001269792 151, 155	1671207 303	1705065 347	2940074 187, 350
1001269793 153	1700818 347	1705066 347	2940127 187
1001269794 151, 153, 155	1701214 347	1705067 347	3020029 163, 171
1001269797 151, 153, 155	1701505 347	1705068 347	3160348 23, 25, 27
1001269799 151, 153, 155	1701542 347	1705069 347	3251242 155
1001269800 151, 153, 155	1701640 ... 319, 321, 323, 325, 327, 329, 331, 333, 335, 337, 339, 341, 343, 345	1705070 321, 335	3251243 151, 153
1001269865 151, 153	1701785 347	1705071 321, 335	3252507 ... 241, 243, 245, 247, 249, 251
1001269872 127	1702720 347	1705072 321, 335	3290305 101, 103, 105
1001269894 151, 153	1703162 123, 143	1705073 321, 335	3290405 ... 163, 171, 193, 237, 239, 241, 243, 245, 247, 249
1001269936 155	1703464 237	1705074 321, 335	3290406 193
1001269937 155	1703687 ... 319, 321, 323, 325, 327, 329, 331, 333, 335, 337, 339, 341, 343, 345	1705075 321, 335	3290505 96
1001270098 163, 166, 171, 174	1703816 319, 333	1705076 321, 335	3290506 187
1001270103 79, 81, 83	1703818 319, 333	1705077 321, 335	3290601 151, 153, 155
1001270481 269	1703819 ... 193, 319, 321, 323, 325, 327, 329, 331, 333, 335, 337, 339, 341, 343, 345	1705078 321, 335	3290605 ... 79, 81, 85, 87, 91, 93, 96, 183, 185, 239, 241, 243, 245, 247, 319, 321, 323, 325, 327, 329, 331, 333, 335, 337, 339, 341, 343, 345
1001271360 53	1703821 319, 333	1705079 321, 335	3290606 ... 166, 174, 187, 237, 239, 241, 243, 245, 247, 249, 293, 297
1001271580 17	1703822 ... 319, 321, 323, 325, 327, 329, 331	1705080 321, 335	3290801 96
	1704271 347	1705081 321, 335	3290805 163, 171, 185
		1705082 321, 335	3290806 185, 187
		1705083 321, 335	3290807 69
		1705084 321, 335	
		1705085 321, 335	
		1705086 321, 335	
		1705087 321, 335	
		1705088 321, 335	
		1705089 321, 335	
		1705090 321, 335	
		1705091 321, 335	
		1705092 321, 335	
		1705093 321, 335	
		1705094 321, 335	
		1705095 321, 335	
		1705096 321, 335	
		1705097 321, 335	
		1705098 321, 335	
		1705099 321, 335	
		1705100 321, 335	
		1705101 321, 335	
		1705102 321, 335	
		1705103 321, 335	
		1705104 321, 335	
		1705105 321, 335	
		1705106 321, 335	
		1705107 321, 335	
		1705108 321, 335	
		1705109 321, 335	
		1705110 321, 335	
		1705111 321, 335	
		1705112 321, 335	
		1705113 321, 335	
		1705114 321, 335	
		1705115 321, 335	
		1705116 321, 335	
		1705117 321, 335	
		1705118 321, 335	
		1705119 321, 335	
		1705120 321, 335	
		1705121 321, 335	
		1705122 321, 335	
		1705123 321, 335	
		1705124 321, 335	
		1705125 321, 335	
		1705126 321, 335	
		1705127 321, 335	
		1705128 321, 335	
		1705129 321, 335	
		1705130 321, 335	
		1705131 321, 335	
		1705132 321, 335	
		1705133 321, 335	
		1705134 321, 335	
		1705135 321, 335	
		1705136 321, 335	
		1705137 321, 335	
		1705138 321, 335	
		1705139 321, 335	
		1705140 321, 335	
		1705141 321, 335	
		1705142 321, 335	
		1705143 321, 335	
		1705144 321, 335	
		1705145 321, 335	
		1705146 321, 335	
		1705147 321, 335	
		1705148 321, 335	
		1705149 321, 335	
		1705150 321, 335	
		1705151 321, 335	
		1705152 321, 335	
		1705153 321, 335	
		1705154 321, 335	
		1705155 321, 335	
		1705156 321, 335	
		1705157 321, 335	
		1705158 321, 335	
		1705159 321, 335	
		1705160 321, 335	
		1705161 321, 335	
		1705162 321, 335	
		1705163 321, 335	
		1705164 321, 335	
		1705165 321, 335	
		1705166 321, 335	
		1705167 321, 335	
		1705168 321, 335	
		1705169 321, 335	
		1705170 321, 335	
		1705171 321, 335	
		1705172 321, 335	
		1705173 321, 335	
		1705174 321, 335	
		1705175 321, 335	
		1705176 321, 335	
		1705177 321, 335	
		1705178 321, 335	
		1705179 321, 335	
		1705180 321, 335	
		1705181 321, 335	
		1705182 321, 335	
		1705183 321, 335	
		1705184 321, 335	
		1705185 321, 335	
		1705186 321, 335	
		1705187 321, 335	
		1705188 321, 335	
		1705189 321, 335	
		1705190 321, 335	
		1705191 321, 335	
		1705192 321, 335	
		1705193 321, 335	
		1705194 321, 335	
		1705195 321, 335	
		1705196 321, 335	
		1705197 321, 335	
		1705198 321, 335	
		1705199 321, 335	
		1705200 321, 335	
		1705201 321, 335	
		1705202 321, 335	
		1705203 321, 335	
		1705204 321, 335	
		1705205 321, 335	
		1705206 321, 335	
		1705207 321, 335	
		1705208 321, 335	
		1705209 321, 335	
		1705210 321, 335	
		1705211 321, 335	
		1705212 321, 335	
		1705213 321, 335	
		1705214 321, 335	
		1705215 321, 335	
		1705216 321, 335	
		1705217 321, 335	
		1705218 321, 335	
		1705219 321, 335	
		1705220 321, 335	
		1705221 321, 335	
		1705222 321, 335	
		1705223 321, 335	
		1705224 321, 335	
		1705225 321, 335	

SECTION 11 - SPECIAL OPTIONS/ACCESSORIES/KITS

3291001.....151, 153, 155	4240017. 51, 53, 87, 237,	4460754 ... 261, 275, 277,	4640858.....201
3291002.....151, 153, 155	239, 241, 243, 245,	295, 299	4641122.....71, 73, 75
3291005....17, 47, 49, 51,	247, 249, 251	4460761 261, 285	4711400.....166, 197
53, 157, 159	4240018 ... 163, 166, 171,	4460836 285	4711500.....96
3291006.....185, 187	174, 218, 222, 293, 297	4460871 261, 262, 301	4712600.....21
3291007....163, 166, 171,	4240033.... 151, 153, 155	4460872 261	4740229.....13, 15, 17
174, 185	4340853 197	4460873 262, 301	4740480.... 166, 174, 197
3291601.....51, 53	4340854 197	4460874 261	4751300.....85, 87
3292002.....185	4360387 87, 89, 350	4460875 261	4751500.57, 59, 166, 174
3300048....237, 239, 241,	4360436 119, 139	4460876 262	4751600.....157, 159
243, 245, 247, 249, 251	4360469 89, 350	4460878 262	4761800.....39
3300106.....71, 73, 75	4360475 89, 193, 350	4460884 ... 255, 261, 291,	4811400.... 163, 171, 193,
3300408.....85, 87	4360524 89, 350	315	237, 239, 241, 243,
3311501.....96	4360542 350	4460887 262	245, 247, 249
3311502.....96	4400281 157, 159	4460891 69, 103, 105,	4811600.....96, 141, 187
3311505.....57, 59	4420051 51, 53, 347	255, 261, 265, 269,	4811602.....187
3311605.....157, 159	4420062 185	279, 281, 283, 289, 299	4811700....15, 17, 79, 81,
3311801.....23, 25	4420070 47, 49	4460892 261, 279	85, 87, 91, 93, 96, 163,
3321402.....166	4460019 270, 289	4460894 261, 279	166, 171, 174, 183,
3331211 51, 53, 151, 153,	4460071 ... 237, 239, 241,	4460897 93, 253, 261,	185, 187, 193, 237,
155	243, 245, 247, 249, 251	265, 270, 283, 289	239, 241, 243, 245,
3331611....23, 25, 57, 59,	4460138 237	4460905 261, 262, 301	247, 249, 319, 321,
61, 63, 157, 159	4460142 265	4460906 ... 151, 153, 155,	323, 325, 327, 329,
3422219.....197	4460144 262	273	331, 333, 335, 337,
3422592.....13, 15	4460183 262, 301	4460911 279, 301	339, 341, 343, 345
3422744.....187	4460227 261	4460917 285	4811702..85, 87, 96, 151,
3422938.....163, 171	4460247 265	4460918 291, 301	153, 155, 239, 241,
3422943.....163, 171	4460259 262	4460928 262, 291	243, 245, 247
3423151.....166, 174	4460260 262	4460929 285	4811900....13, 15, 17, 51,
3431622.....21	4460265 301	4460930 261	99, 111, 131, 185, 187,
3450303.....193	4460267 301	4460931 255	218, 222
3450304.....166, 174	4460268 ... 151, 153, 155,	4460932 315	4811902..53, 69, 96, 123,
3450405.....166	262	4460933 ... 261, 279, 285,	143, 163, 171, 187
3450608.....21	4460294 285	291	4812000....17, 23, 25, 51,
3460334.....197	4460315 ... 237, 239, 241,	4460941 266, 269	53, 79, 81, 151, 153,
3520026.....89	243, 245, 247, 249	4460942 265, 269	155, 157, 159, 163,
3520072.....187	4460321 ... 151, 153, 155	4460943 ... 262, 266, 269,	171, 185, 187
3537609.....187	4460346 303	275, 277, 291, 295,	4812002....47, 49, 79, 81,
3580324.....151, 153	4460418 262	299, 301	96, 109
3740080.....273, 350	4460419 262	4460944 ... 255, 261, 262,	4812100 51, 53, 151, 153,
3760170.....197	4460424 262	265, 275, 277, 285,	155
3760493.....166, 174	4460464 93, 253, 255,	295, 299, 315	4846181.....187
3841258.....13, 15, 17	261, 262, 265, 266,	4460945 265	4871700....151, 153, 155
3900355.....197	269, 270, 273, 275,	4460950 265, 269, 279	4891600.....111, 131
3900394.....185	277, 279, 283, 289,	4460956 257	4891800.....23, 25
3931412.....197	291, 295, 299, 301, 315	4460957 257	5241000 13, 15, 111, 119,
3931508.....197	4460465 69, 103, 105,	4460968 239, 241	131, 151, 153, 155
3960526.....23, 25	253, 255, 261, 262,	4460970 279, 295, 299	5241200.....13, 15, 17
4010308....101, 103, 105	265, 269, 275, 277,	4460993 69	5241600....23, 25, 51, 53,
4010403.....85, 87	279, 281, 283, 285,	4460994 69, 289	57, 59, 61, 63, 157, 159
4010405002.....193	289, 291, 295, 299	4461008 269	5250508.....121, 141
4010408....237, 239, 241,	4460466 ... 253, 261, 262,	4461016 301	5250605.....111, 131
243, 245, 247, 249	265, 266, 269, 273,	4461054 269	5250608....123, 125, 139,
4010414.....193	279, 285, 289, 291,	4461070 261	143, 145, 151, 153, 155
4010615....15, 17, 85, 87	295, 299, 301	4461095 262	5250611....123, 139, 143,
4010618.....187	4460467 352	4461118 269	151, 153, 155
4031510.....193	4460493 255	4461196 305	5250612.....139
4031511.....163, 171	4460497 301	4461198 305	5250808.....119, 139
4031707.....169	4460510 352	4461199 307	5250810....109, 123, 127,
4031713.....179	4460518 285, 291	4461201 307	129, 143, 147, 149, 153
4031720.....177	4460536 253, 273	4461205 309, 311	5250812.43, 45, 131, 147
4031908.....131	4460539 ... 253, 262, 265,	4461244 309	5250813.....127
4031920.....51, 53	269, 279	4461245 311	5250814.....147
4031924.....17	4460608 269	4461246 313	5250815....111, 123, 131,
4060802.....89	4460662 ... 243, 245, 247,	4461249 313	143
4160214.....193	303	4461271 262	5250816.....131
4240003.....197	4460752 291	4461290 262	5250818.....131

SECTION 11 - SPECIAL OPTIONS/ACCESSORIES/KITS

5250821 111, 129, 149	70002998 41	70005736..... 135	70007772..... 83
5251011 151, 153, 155	70002999 41	70005739..... 135	70007773..... 83
5251224 ... 109, 151, 153, 155	70003000 41	70005740..... 135	70007775..... 19
5260600 69, 119, 121, 123, 125, 139, 141, 143, 145	70003060 115	70005743..... 135	70007776..... 19
5260800 ... 111, 121, 123, 127, 129, 131, 141, 143, 147, 149, 153	70003064 115	70005744..... 135	70007777..... 19
5261000 ... 119, 123, 143, 151, 153, 155	70003507 65	70006576..... 69	70007778..... 19
5261200 ... 109, 151, 153, 155	70003558 65	70006577..... 69	70007779..... 19
70000082 195	70003559 65	70006578..... 69	70007780..... 19
70000084 195	70003560 65	70006579..... 69	70007947..... 205
70000683 195	70003561 65	70006666..... 115	70007948..... 205
70000684 195	70003562 65	70006786..... 83	70007949..... 205
70000685 195	70003563 65	70007021..... 119, 350	70007950..... 205, 207
70000686 195	70003564 65	70007035..... 99, 350	70008088..... 135
70000797 27	70003565 65	70007141..... 350	70008089..... 135
70001119 41	70003566 65	7000731..... 30	70008114..... 39
70001250 195	70003567 65	70007310..... 113	70008144..... 41
70001251 195	70003568 65	70007314..... 113	70008147..... 41
70001252 195	70003569 65	70007315..... 113, 133	70008148..... 41
70001253 195	70003570 65	70007316..... 113, 133	70008149..... 41
70001349 29	70003571 65	70007506..... 195	70008150..... 41
70001365 13, 15, 17	70003572 65	70007607..... 209	70008151..... 41
70001368 41	70003573 65	70007608..... 209	70008152..... 41
70001965 51, 53, 350	70003574 65	70007609..... 209	70008153..... 41
7000206 29	70003575 65	70007610..... 209	70008154..... 41
70002085 41	70003576 65	70007642..... 113, 133	70008155..... 41
7000229 29	70003577 65	70007643..... 113, 133	70008156..... 41
7000230 29	70003578 65	70007644..... 113, 133	70008157..... 41
70002316 115	70003579 65	70007645..... 113, 133	70008158..... 41
70002317 115	70003580 65	70007646..... 113, 133	70008346..... 37
70002318 115, 135	70003581 65	70007647..... 113, 133	70008347..... 37
7000232 29	70003582 65	70007648..... 113, 133	70008348..... 37
70002326 115, 135	70003583 65	70007649..... 113, 133	70008349..... 37
70002327 115	70003584 65	70007650..... 133	70008350..... 37
70002386 83	70003585 65	70007651..... 133	70008351..... 37
70002419 115	70003586 65	70007652..... 133	70008352..... 37
7000246 29	70003587 65	70007653..... 133	70008353..... 37
7000248 29	70003588 65	70007654..... 133	70008354..... 37
7000253 29	70003589 65	70007655..... 133	70008355..... 37
70002554 115	70003590 65	70007656..... 133	70008356..... 37
7000257 29	70003591 65	70007657..... 133	70008357..... 37
7000258 29	70003592 65	70007658..... 113, 133	70008394..... 115
7000261 29	70003593 65	70007659..... 113, 133	70008395..... 115
7000262 29	70003594 65	70007660..... 113	70008568..... 207
7000263 29	70003595 66	70007661..... 113	70008569..... 207
70002770 65	70003596 66	70007662..... 113	70008570..... 207
70002771 65	70003597 66	70007663..... 113	70008571..... 207
70002774 65	70003598 66	70007664..... 113	70008572..... 207
70002776 65	70003599 66	70007665..... 113	7001626..... 209
70002777 65	70003600 66	70007678..... 201	7001630..... 209
70002783 65	70003601 66	70007679..... 201	7001913..... 41
70002963 19	70003602 66	70007709..... 203	7001998..... 29
70002989 41	70003603 66	70007710..... 203	7002821..... 352
70002990 41	70003604 66	70007711..... 203	7002822..... 352
70002991 41	70003605 66	70007712..... 203	7002823..... 352
70002992 41	70003789 83	70007715..... 205	7002828..... 353
70002993 41	70004042 41	70007760..... 55	70030103..... 19
70002994 41	70004294 135	70007761..... 55	7004275..... 352
70002995 41	70004311 115, 135	70007762..... 55	7004276..... 352
70002996 41	70004398 115	70007763..... 83	70046028. 319, 321, 323, 325, 327, 329, 331, 333, 335, 337, 339, 341, 343, 345
70002997 41	70004400 115	70007764..... 83	
	70004524 115, 135	70007765..... 83	
	70005220 115	70007766..... 83	
	70005599 37	70007767..... 83	7007437..... 27
	70005728 135	70007768..... 83	7007438..... 27
	70005733 135	70007769..... 83	7007439..... 27
	70005734 135	70007770..... 83	7007446..... 27
	70005735 135	70007771..... 83	7007601..... 29

SECTION 11 - SPECIAL OPTIONS/ACCESSORIES/KITS

7007640.....	29, 41	7020175	89, 193	7024134	41	7027365.....	195
7010429.....	29	7020176	89, 193	7024182	29, 30	7027367.....	195
7010543.....	83	7021249	27	7024189	30	7027388.....	65
7010545.....	19	7021275	27	7024190	30	7027391.....	65
7011311.....	37	7021276	27	7024191	30	7027395.....	65
7011344.....	37	7021277	27	7024192	30	7027398.....	65
7011346.....	37	7022302	27	7024193	30	7027628.....	13, 15, 17
7012925.....	83	7022305	27	7024194	30	7027765.....	195
7012941.....	83	7022310	27	7024196	30	7027766.....	195
7012972.....	19	7022311	27	7024197	30	8036246.....	37
7015004.....	125, 145, 350	7022312	27	7024497	51, 53	80463053.....	335
7016654.....	352	7022314	27	7024502 ...	13, 15, 17, 51, 53	80630.....	119, 139
7017022.....	41	7022326	27	7024506	51, 53	80633030.....	218, 222
7017059.....	29	7022328	27	7024705	29	8220029.....	269
7017067.....	29	7022368	27	7024712	29	8220045.....	270
7017070.....	29	7022371	27	7024713	29	8220051.....	301
7017080.....	29	7022372	27	7024714	29	8220111.....	265, 273
7017402.....	83	7023124	115	7024715	29	8220164.....	262, 265
7017901.....	115	7023141	115	7024716	29	8229242.....	262, 350
7017922.....	115	7023144	115	7024717	29	8229244.....	262, 350
7017955.....	115, 135	7023148	115	7024718	30	8310441.....	139
7020033.....	33	7023149	115	7024726	41	8310623.....	123, 127, 143
7020035.....	33	7023164	115	7024738	41	83451104.....	218, 222
7020036.....	33	7023170	115, 135	7024741	41	8405009.....	131
7020037.....	33	7023810	37	7024854	27	8405201.....	145
7020038.....	33	7023907	27	7024868	27	8406110.....	123, 143
7020039.....	33	7023908	27	7026004	37	8769139.....	129, 149
7020040.....	33	7023910	27	7026016	37	8770223.....	218, 222
7020041.....	33	7024108	41			H000071	19



**Corporate Office
JLG Industries, Inc.
1 JLG Drive
McConnellsburg, PA 17233-9533 USA
☎ (717) 485-5161 (Corporate)
☎ (877) 554-5438 (Customer Support)
📠 (717) 485-6417**

**Visit our website for JLG Worldwide Locations.
www.jlg.com**



OSHKOSH™