



---

# Illustrated Parts Manual

***Model  
R2646***

**PVC  
2110**

**P/N  
31219975**

**February 1, 2023 - Rev D**

**ANSI**

**CE**



**UK  
CA**

**AS/NZS**



An Oshkosh Corporation Company



## **REVISION LOG**

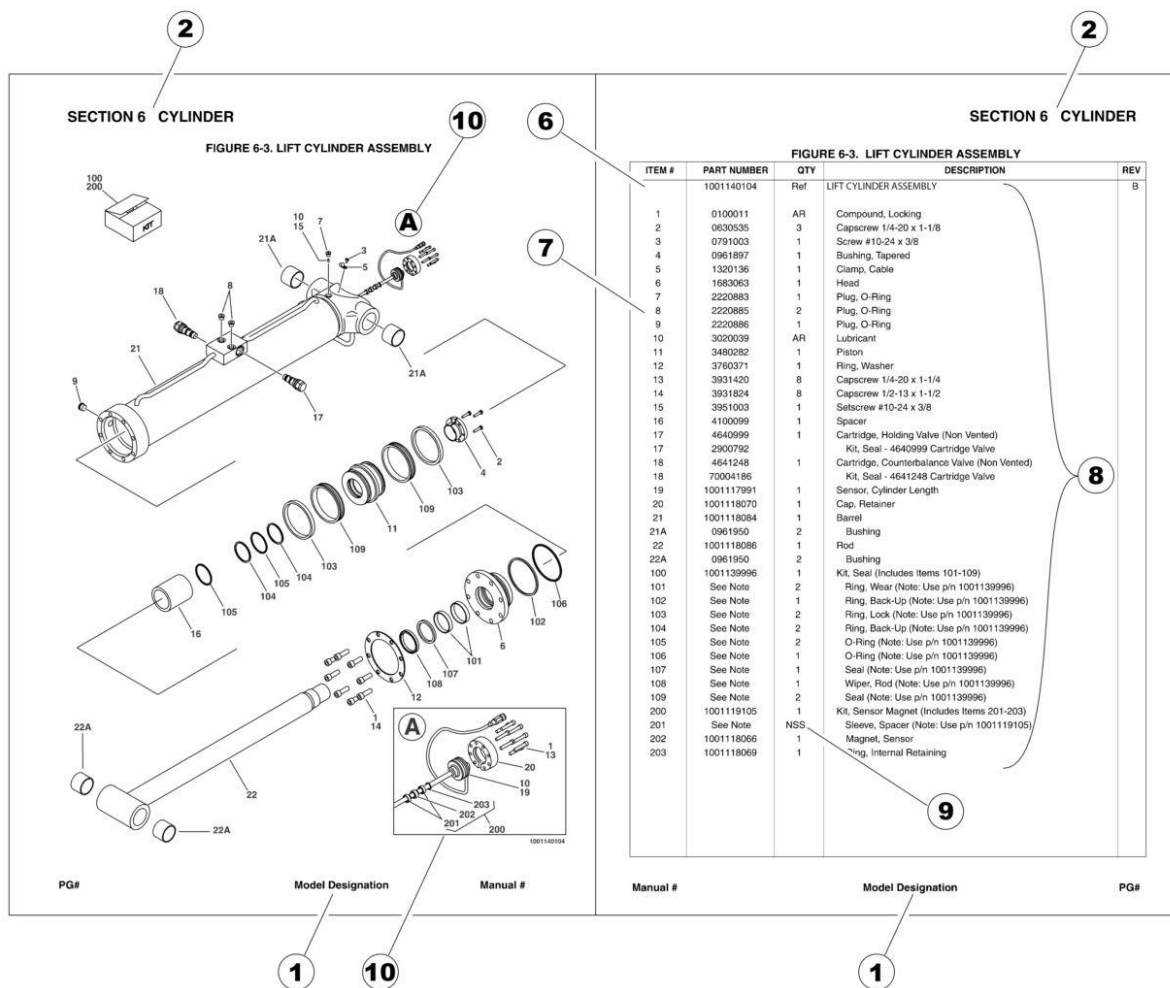
October 15, 2021 - A - Original Issue of Manual (Edited to B/M 1001500000 Rev D & 1001274475 Rev D)

April 15, 2022 - B - Revised Manual (Edited to B/M 1001500000 Rev E & 1001274475 Rev D)

October 10, 2022 - C - Revised Manual (Edited to B/M 1001500000 Rev E, 1001274475 Rev D &  
1001291526 Rev A)

February 1, 2023 - D - Revised Manual (Edited to B/M 1001500000 Rev F, 1001274475 Rev D &  
1001291526 Rev A)

# GENERAL INFORMATION



## 1) MACHINE IDENTIFICATION

Machines are identified by model and in some cases a combination of models, serial number (SN) or regional standard (i.e ANSI, CE, CSA). Components may also be identified by SN or manufacturer. Common components that may be identified by these characteristics are engines and hydraulic components.

## 2) PARTS MANUAL ORGANIZATION

Product information in this manual is organized under section titles. Frame, Cylinder, Hydraulic and Electrical are a few examples. Each section is organized by figure and page number. The information within the Figure is then organized by item number, part number, description and corresponding illustration (s).

## 3) TABLE OF CONTENTS (NOT SHOWN)

A table of contents is found toward the beginning of the manual. Figure number, description and page number are provided for quick reference to the page containing the related information.

## 4) RECOMMENDED SPARE PARTS (NOT SHOWN)

The Recommended Spare Parts List, located near the end of the manual, reference most frequently used maintenance parts.

## 5) PART NUMBER INDEX (NOT SHOWN)

A numerical index listing all part numbers and the corresponding page number(s) appears at the back of the manual.



# GENERAL INFORMATION

## 6) NON-SERVICED PARTS

In some instances, it is necessary to display non-serviced parts, assemblies or installations. In the case of assemblies and installations there will be a Ref in the Qty. column. In case of parts that are not available for service within assemblies or components, there will be a NSS (Not Sold Separately) or NLA (No Longer Available) listed in the Qty. column of the manual.

## 7) PARTS LIST ITEM NUMBERS

Numbers shown in the item# column correspond to numbers used in the associated illustration (s). Item numbers which are missing from the sequence in the parts list are not used on that page.

## 8) INDENTED PARTS DESCRIPTION

An indented part description is included in the item under which it is indented.

## 9) ABBREVIATION AND SYMBOLS

AC.....	Alternating Current	L.....	Liter
ADE.....	Advanced Design Electronics	LB(LBS).....	Pounds
AG.....	Agricultural	LCD.....	Liquid Crystal Display
ANSI.....	American National Standards Institute	LED.....	Light Emitting Diodes
AR.....	As Required	LH.....	Left Hand
ASSY.....	Assembly	LRC.....	Low Rated Countries
AUS.....	Australia	LSS.....	Load Sensing System
AUX.....	Auxiliary	M(m).....	Metric/Meter
AWG.....	American Wire Gauge	MM(mm).....	Milimeter
B/M.....	Bill of Material	mA.....	Miliamps
CAC.....	Charge Air Cooler	NLA.....	No Longer Available
CE.....	European Conformity	NPT.....	National Pipe Threads
CCW.....	Counter Clockwise	NSS.....	Not Sold Separately
CM.....	Centimeter	OD.....	Outside Diameter
CW.....	Clockwise	ORB.....	O-Ring Boss
CSA.....	Canadian Standards Association	ORFS.....	O-Ring Face Seal
CYL.....	Cylinder	OZ (oz).....	Ounces
DIA.....	Diameter	PG.....	Page
DC.....	Direct Current	PN.....	Part Number
DEF.....	Diesel Exhaust Fluid	QT(qt.).....	Quarts
EMS.....	Emergency Stop	QTY.....	Quantity
ENG.....	Engine	REF.....	Reference
FT(ft).....	Feet	REV.....	Revision Level
GA(Ga).....	Gauge	RH.....	Right Hand
HRC.....	High Rated Countries	SAE.....	Society of Automotive Engineers
HVAC.....	Heating, Ventilating, and Air Conditioning	SN.....	Serial Number
HYD.....	Hydraulic	SPEC(S).....	Specifications
Hz.....	Hertz	T/T.....	Turntable
ID.....	Inside Diameter	UGM.....	Universal Ground Module
IN.....	inches	V.....	Volts
ISO.....	International Organization for Standards	W.....	Watts
JIC.....	Joint Industry Council	#.....	Number
KG.....	Kilogram		

## 10) ILLUSTRATION REFERENCE LETTERS

When necessary, illustrations may contain reference letters that are intended to track information (i. e. hoses, harnesses) from one point to another or to track visual enlargement of components to show details that may be located in another area on the illustration.

*Note: Due to continuous product improvements, JLG Industries, Inc. reserves the right to make specification changes without prior notification. Contact JLG Industries, Inc. for updated information.*



# TABLE OF CONTENTS

SECTION 1 - FRAME.....	11
FIGURE 1-1. STEER INSTALLATION.....	12
FIGURE 1-2. DRIVE/BRAKE INSTALLATION .....	14
FIGURE 1-3. DRIVE MOTOR ASSEMBLY .....	16
FIGURE 1-4. TIRE/WHEEL INSTALLATION.....	18
FIGURE 1-5. POTHOLE PROTECTION SYSTEM INSTALLATION .....	20
FIGURE 1-6. TILT SENSOR INSTALLATION .....	22
FIGURE 1-7. BATTERY CHARGER INSTALLATION - DELTA-Q (WITHOUT COMMUNICATION PORT) (MACHINES WITH SN STARTING WITH B2 & M2)) .....	24
FIGURE 1-8. BATTERY CHARGER INSTALLATION - DELTA-Q (WITH COMMUNICATION PORT) (MACHINES WITH SN STARTING WITH B2 & M2)) .....	26
FIGURE 1-9. BATTERY CHARGER INSTALLATION - DELTA-Q (MACHINES WITH SN STARTING WITH 12) .....	28
FIGURE 1-10. BATTERY CHARGER INSTALLATION - EAGLE PERFORMANCE .....	30
FIGURE 1-11. BATTERY CHARGER INSTALLATION - GREEN POWER.....	32
FIGURE 1-12. STROBE LIGHT INSTALLATION - SINGLE (AMBER) (WITH GUARD).....	34
FIGURE 1-13. STROBE LIGHT INSTALLATION - DUAL (AMBER) (WITH GUARD) .....	36
FIGURE 1-14. ALARM INSTALLATION (AMBIENT/WHITE NOISE) .....	38
FIGURE 1-15. LADDER INSTALLATION.....	40
FIGURE 1-16. FRAME COVERS INSTALLATION.....	42
SECTION 2 - GROUND CONTROLS .....	45
FIGURE 2-1. HYDRAULIC COMPONENTS INSTALLATION (MACHINES WITH SN STARTING WITH 12 & B2) (SN 1200040832 to Present).....	46
FIGURE 2-2. HYDRAULIC COMPONENTS INSTALLATION (MACHINES WITH SN STARTING WITH 12 & M2) (Prior to SN 1200040832) .....	48
FIGURE 2-3. MAIN VALVE ASSEMBLY .....	50
FIGURE 2-4. MOTOR AND PUMP ASSEMBLY.....	52
FIGURE 2-5. ELECTRICAL COMPONENTS INSTALLATION (MACHINES WITH SN STARTING WITH B2 & M2).....	54
FIGURE 2-6. ELECTRICAL COMPONENTS INSTALLATION #1 (MACHINES WITH SN STARTING WITH 12) .....	56
FIGURE 2-7. ELECTRICAL COMPONENTS INSTALLATION #2 (MACHINES WITH SN STARTING WITH 12) .....	58
FIGURE 2-8. ACCESS CONTROL KEYPAD INSTALLATION .....	60
FIGURE 2-9. MOBILE CONTROL INSTALLATION.....	62
FIGURE 2-10. MDI INSTALLATION.....	64
FIGURE 2-11. BATTERIES INSTALLATION - STANDARD 6V-220AH .....	66
FIGURE 2-12. BATTERIES INSTALLATION - STANDARD 6V-250AH .....	68
FIGURE 2-13. BATTERIES INSTALLATION - AGM 6V-220AH.....	70
FIGURE 2-14. BATTERIES INSTALLATION - AGM EVCG 6V-220AH.....	72
FIGURE 2-15. BATTERIES INSTALLATION - 6V-220AH (TROJAN) .....	74
FIGURE 2-16. INVERTER INSTALLATION (R1932I & R1932).....	76
FIGURE 2-17. DOORS INSTALLATION .....	78
SECTION 3 - SCISSORS ARMS .....	81
FIGURE 3-1. ARMS INSTALLATION (KOREAN,CHINA, AUSTRALIAN, CE & UK CA SPECS).....	82
FIGURE 3-2. ARMS INSTALLATION (ANSI, ANSI EXPORT, JAPANESE & CSA SPECS) .....	86
FIGURE 3-3. ARM GUARDS INSTALLATION .....	90
SECTION 4 - PLATFORM.....	93
FIGURE 4-1. PLATFORM INSTALLATION.....	94
FIGURE 4-2. PLATFORM EXTENSION INSTALLATION .....	96
FIGURE 4-3. RAILS INSTALLATION (SIDE BY SIDE) .....	98
FIGURE 4-4. RAILS INSTALLATION (TUBE IN TUBE) (MACHINES WITH SN STARTING WITH B2) .....	100
FIGURE 4-5. RAILS INSTALLATION (TUBE IN TUBE) (MACHINES WITH SN STARTING WITH M2).....	102
FIGURE 4-6. EXTENSION HANDLES INSTALLATION .....	104
FIGURE 4-7. GATE LATCH INSTALLATION - OPTIONAL.....	106
FIGURE 4-8. PLATFORM CONSOLE INSTALLATION.....	108
FIGURE 4-9. DRIVE/STEER CONTROLLER ASSEMBLY .....	110
FIGURE 4-10. ELECTRICIANS TREE ACCESSORY .....	112
FIGURE 4-11. ELECTRICIAN PACKAGE INSTALLATION.....	114
FIGURE 4-12. ELECTRICIAN TREE INSTALLATION .....	116
FIGURE 4-13. MACHINIST VISE ACCESSORY .....	118
FIGURE 4-14. OVERHEAD PROTECTION INSTALLATION (KOREAN SPECS) .....	120
FIGURE 4-15. PANEL CARRIER INSTALLATION.....	122

# TABLE OF CONTENTS

FIGURE 4-16. PIPE RACK ASSEMBLY ACCESSORY .....	124
FIGURE 4-17. PIPE RACKS INSTALLATION.....	126
FIGURE 4-18. PLUMBER PACKAGE INSTALLATION.....	128
FIGURE 4-19. USB/PHONE CRADLE INSTALLATION.....	130
FIGURE 4-20. WOKSTATION INSTALLATION .....	132
FIGURE 4-21. WORKLIGHT INSTALLATION .....	134
FIGURE 4-22. WORKSTATION ACCESSORY .....	136
 SECTION 5 - CYLINDER.....	 139
FIGURE 5-1. STEER CYLINDER ASSEMBLY .....	140
FIGURE 5-2. LIFT CYLINDER ASSEMBLY .....	142
 SECTION 6 - HYDRAULIC.....	 145
FIGURE 6-1. HYDRAULIC COMPONENTS INSTALLATION (MACHINES WITH SN STARTING WITH B2) .....	146
FIGURE 6-2. HYDRAULIC COMPONENTS INSTALLATION (MACHINES WITH SN STARTING WITH M2) .....	148
 SECTION 7 - ELECTRICAL.....	 151
FIGURE 7-1. AC BOX AT PLATFORM INSTALLATION - 110V GFI (ALL SPECS EXCEPT AUSTRALIAN, CE & UK CA SPECS) .....	152
FIGURE 7-2. AC BOX AT PLATFORM INSTALLATION - 110V IEC YELLOW (CE & UK CA SPECS).....	154
FIGURE 7-3. AC BOX AT PLATFORM INSTALLATION - 220V IEC BLUE (CE & UK CA SPECS) .....	156
FIGURE 7-4. AC BOX AT PLATFORM INSTALLATION - 220V CEE7 POST GROUND (CE & UK CA SPECS) .....	158
FIGURE 7-5. AC BOX AT PLATFORM INSTALLATION - 220V CEE7 SIDE GROUND (CE & UK CA SPECS).....	160
FIGURE 7-6. AC BOX AT PLATFORM INSTALLATION - 220V AFSINT 107 (CE & UK CA SPECS).....	162
FIGURE 7-7. AC BOX AT PLATFORM INSTALLATION - 220V LOCALLY SUPPLIED .....	164
FIGURE 7-8. AC BOX AT PLATFORM INSTALLATION - 220V (AUSTRALIAN SPECS) .....	166
FIGURE 7-9. AC BOX AT PLATFORM INSTALLATION - 220V CHINA PLUG (CHINA SPECS).....	168
FIGURE 7-10. BREAKER BOX KIT (AUSTRALIAN SPEC).....	170
FIGURE 7-11. BREAKER BOX KIT WITH 1 DOUBLE BREAKER (CE & UK CA SPECS).....	172
FIGURE 7-12. BREAKER BOX KIT WITH 3 BREAKERS (CE & UK CA SPECS) .....	174
FIGURE 7-13. CAN SPLICE HARNESS (CHARGER WITH COMMUNICATION PORT) .....	176
FIGURE 7-14. CHARGER HARNESS (CHARGER WITH COMMUNICATION PORT) .....	178
FIGURE 7-15. CHASSIS HARNESS (Prior to SN M200064150, Prior to SN 1200040832).....	180
FIGURE 7-16. CHASSIS HARNESS WITH CLEARSKY (SN M2000264150 to Present, SN 1200040832 to Present) .....	184
FIGURE 7-17. CHARGER PLUG INSTALLATION - CUSTOMER SPPLIED PLUG (ALL SPECS) .....	188
FIGURE 7-18. CHARGER PLUG INSTALLATION - 110V PLUG (ANSI, ANSI EXPORT, CSA & JAPANESE SPECS) .....	190
FIGURE 7-19. CHARGER PLUG INSTALLATION - 110V IEC YELLOW (CE & UK CA SPECS) .....	192
FIGURE 7-20. CHARGER PLUG INSTALLATION - 220V IEC BLUE (CE & UK CA SPECS) .....	194
FIGURE 7-21. CHARGER PLUG INSTALLATION - 220V CEE7 (CE & UK CA SPECS).....	196
FIGURE 7-22. CHARGER PLUG INSTALLATION - 220V AFSINT 107 (CE & UK CA SPECS).....	198
FIGURE 7-23. CHARGER PLUG INSTALLATION (AUSTRALIAN SPECS).....	200
FIGURE 7-24. CHARGER PLUG INSTALLATION (CHINA SPECS).....	202
FIGURE 7-25. CHARGER PLUG INSTALLATION (KOREAN SPECS) .....	204
FIGURE 7-26. GROUND TO PLATFORM CABLE INSTALLATION - WITHOUT PLATFORM COIL CABLE (MACHINES WITH SN STARTING WITH B2 & M2) .....	206
FIGURE 7-27. GROUND TO PLATFORM CABLE INSTALLATION - WITHOUT PLATFORM COIL CABLE & WITH FOOTSWITCH (MACHINES WITH SN STARTING WITH B2) .....	208
FIGURE 7-28. GROUND TO PLATFORM CABLE INSTALLATION - WITH PLATFORM COIL CABLE (MACHINES WITH SN STARTING WITH B2 & M2).....	210
FIGURE 7-29. GROUND TO PLATFORM CABLE INSTALLATION - WITH PLATFORM COIL CABLE & FOOTSWITCH (MACHINES WITH SN STARTING WITH B2) .....	212
FIGURE 7-30. GROUND TO PLATFORM CABLE INSTALLATION - PLATFORM STRAIGHT CABLE ONLY (MACHINES WITH SN STARTING WITH 12).....	214
FIGURE 7-31. GROUND TO PLATFORM CABLE INSTALLATION - PLATFORM COIL CABLE ONLY (MACHINES WITH SN STARTING WITH 12).....	216
FIGURE 7-32. GROUND TO PLATFORM CABLE INSTALLATION - ARMS CABLE ONLY (MACHINES WITH SN STARTING WITH 12).....	218
FIGURE 7-33. LIFT DOWN HARNESS.....	220
FIGURE 7-34. JUMPER HARNESS TO LIFT DOWN.....	222
FIGURE 7-35. PLATFORM CONTROL BOX HARNESS .....	224
FIGURE 7-36. RECEPTACLE BOX KIT - 110V GFI .....	226
FIGURE 7-37. RECEPTACLE BOX KIT - 110V IEC YELLOW (CE & UK CA SPEC).....	228
FIGURE 7-38. RECEPTACLE BOX KIT - 220V IEC BLUE(CE & UK CA SPEC) .....	230
FIGURE 7-39. RECEPTACLE BOX KIT - 220V CEE7 POST GROUND (CE & UK CA SPEC).....	232

# TABLE OF CONTENTS

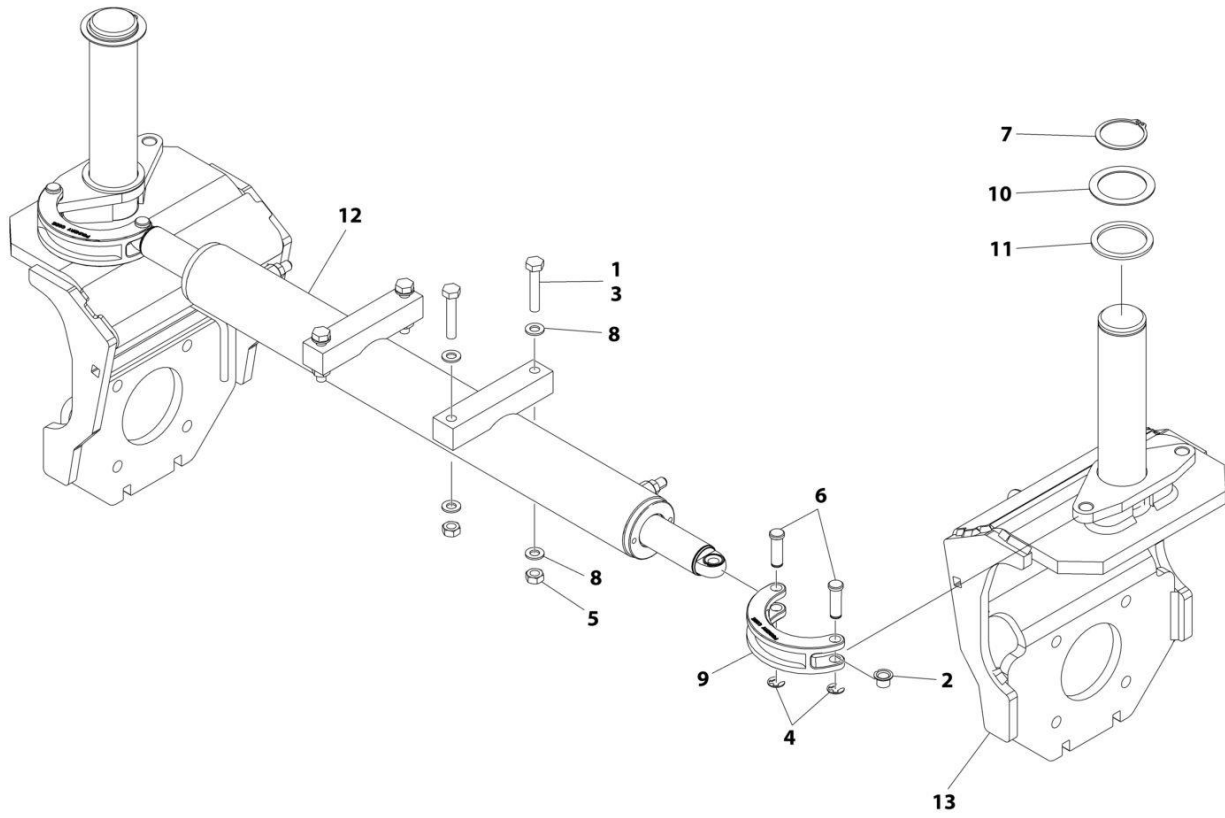
FIGURE 7-40. RECEPTACLE BOX KIT - 220V CEE7 SIDE GROUND (CE & UK CA SPEC).....	234
FIGURE 7-41. RECEPTACLE BOX KIT - 220V AFSINT 107 (CE & UK CA SPEC).....	236
SECTION 8 - DECALS.....	239
FIGURE 8-1. DECAL INSTALLATION (ANSI SPECS).....	240
FIGURE 8-2. DECAL INSTALLATION (AUSTRALIAN SPECS).....	242
FIGURE 8-3. DECAL INSTALLATION (BRAZIL SPECS).....	244
FIGURE 8-4. DECAL INSTALLATION (CE & UK CA SPECS).....	246
FIGURE 8-5. DECAL INSTALLATION (CHINA SPECS).....	248
FIGURE 8-6. DECAL INSTALLATION (CSA SPECS).....	250
FIGURE 8-7. DECAL INSTALLATION (KOREAN SPECS).....	252
FIGURE 8-8. DECAL INSTALLATION (LATIN AMERICAN SPECS).....	254
FIGURE 8-9. DECAL INSTALLATIONS - OPTIONS.....	256
SECTION 9 - RECOMMENDED SERVICE PARTS STOCK.....	259
FIGURE 9-1. RECOMMENDED SERVICE PARTS STOCK.....	260
SECTION 10 - SPECIAL OPTIONS.....	261
FIGURE 10-1. SPECIAL OPTIONS.....	262
PART NUMBER INDEX.....	265



**SECTION 1 - FRAME**

# SECTION 1 - FRAME

## FIGURE 1-1. STEER INSTALLATION



ART\_1001234316



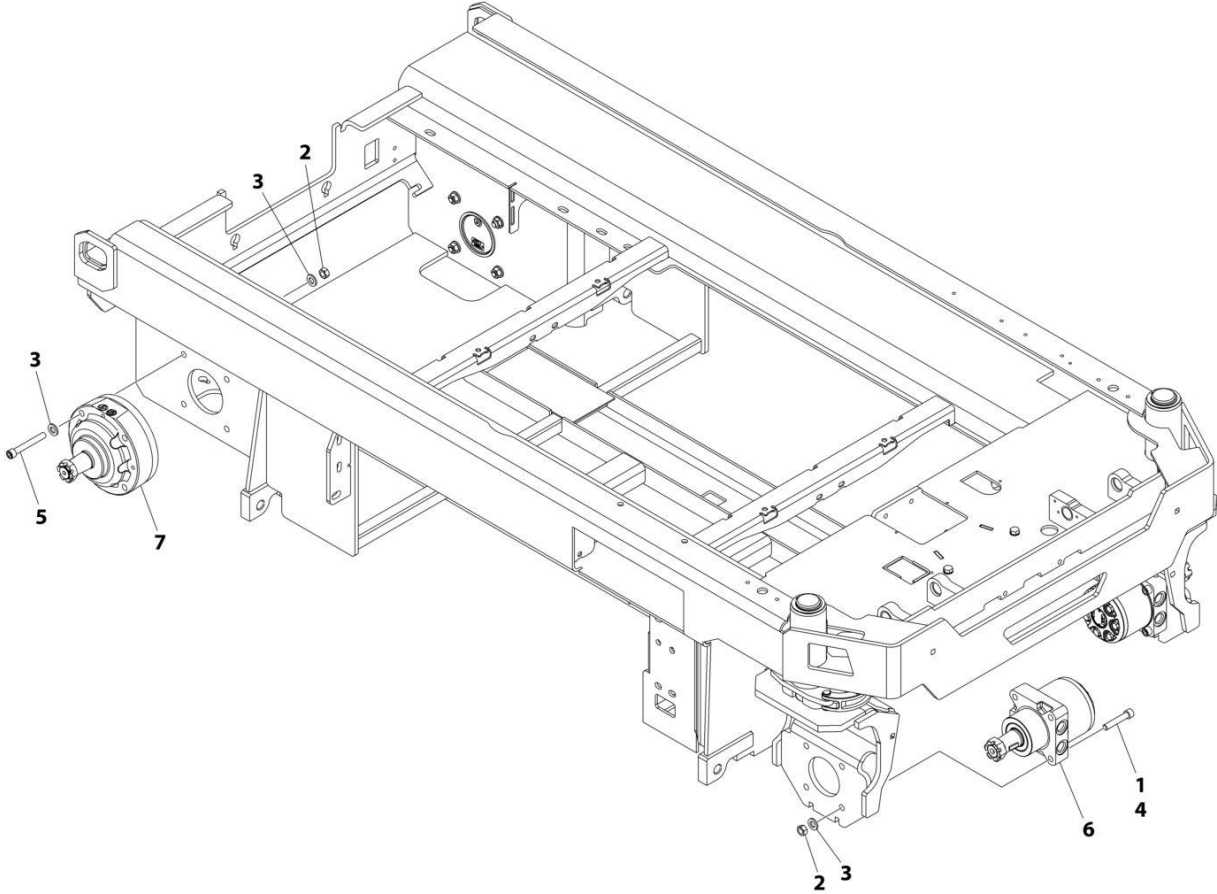
## SECTION 1 - FRAME

### FIGURE 1-1. STEER INSTALLATION

ITEM	PART NUMBER	QTY	DESCRIPTION	REV
	1001234316	Ref	STEER INSTALLATION	B
1	0100011	AR	Compound, Locking	
2	0440259	2	Bearing	
3	0761019	4	Bolt M10 x 55	
4	1380153	4	E-Clip	
5	3291001	4	Nut M10	
6	3423037	4	Pin	
7	3760217	2	Ring, Retaining	
8	4812000	8	Washer M10	
9	4846757	2	Link	
10	1001197396	2	Washer	
11	1001205751	2	Washer	
12	1001233449	1	Steer Cylinder Assembly (See Separate Breakdown in Cylinder Section)	
13	1001234838	2	Spindle	

**SECTION 1 - FRAME**

**FIGURE 1-2. DRIVE/BRAKE INSTALLATION**



ART\_1001234529

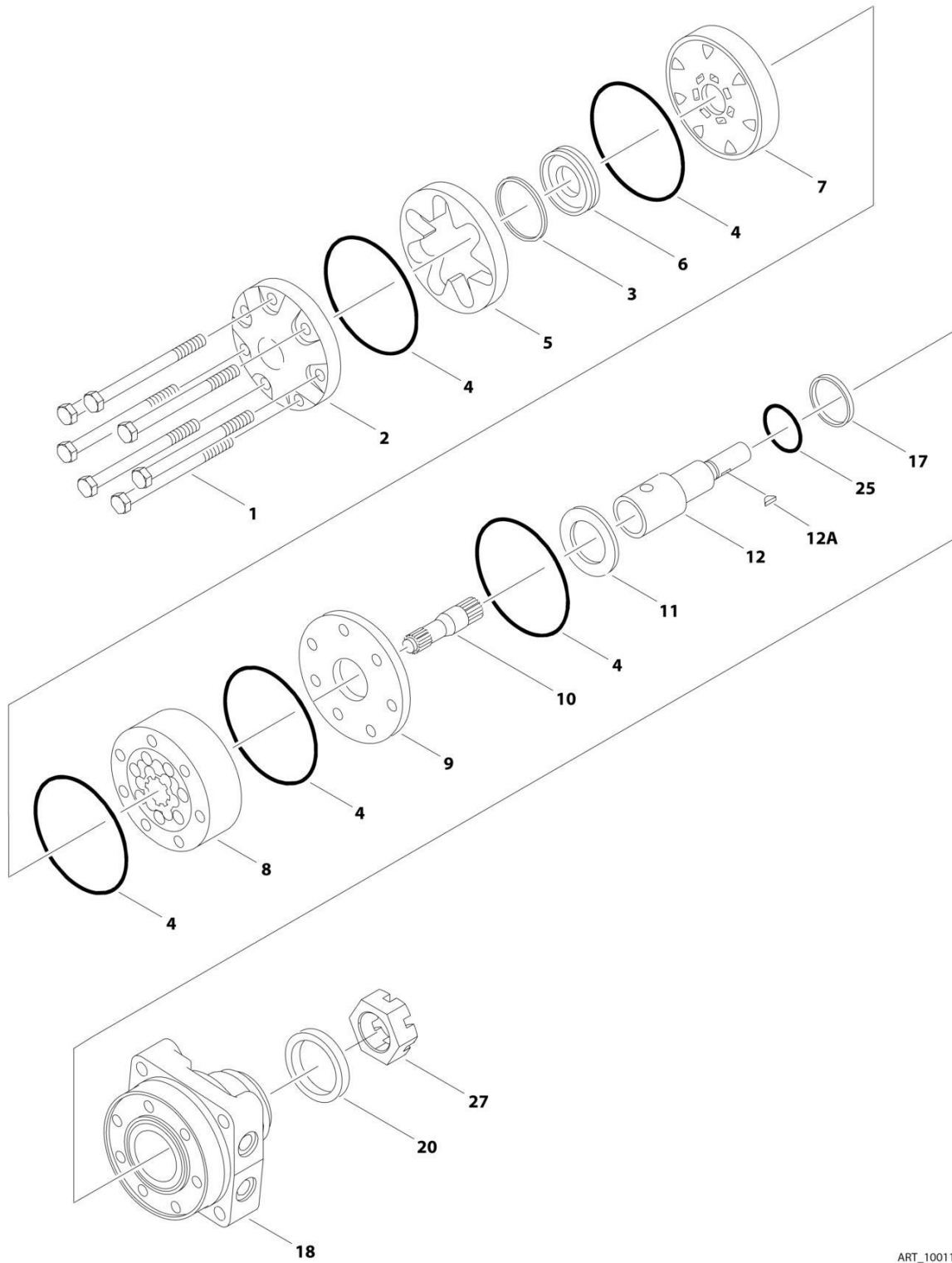
# SECTION 1 - FRAME

## FIGURE 1-2. DRIVE/BRAKE INSTALLATION

ITEM	PART NUMBER	QTY	DESCRIPTION	REV
	1001234529	Ref	DRIVE/BRAKE INSTALLATION	B
1	0100011	AR	Compound, Locking	
2	3331211	16	Nut M12	
3	5241200	24	Washer M12	
4	5272117	8	Capscrew M12 x 65	
5	5272122	8	Capscrew M12 x 90	
6	1001199937	2	Drive Motor Assembly (See Separate Breakdown in this Section)	
7	1001202773	2	Drive Brake Assembly (Note: No Internal Service Parts Available)	
7	70005918	1	Key, Shaft	
7	70005919	1	Nut 1-1/8	

# SECTION 1 - FRAME

## FIGURE 1-3. DRIVE MOTOR ASSEMBLY



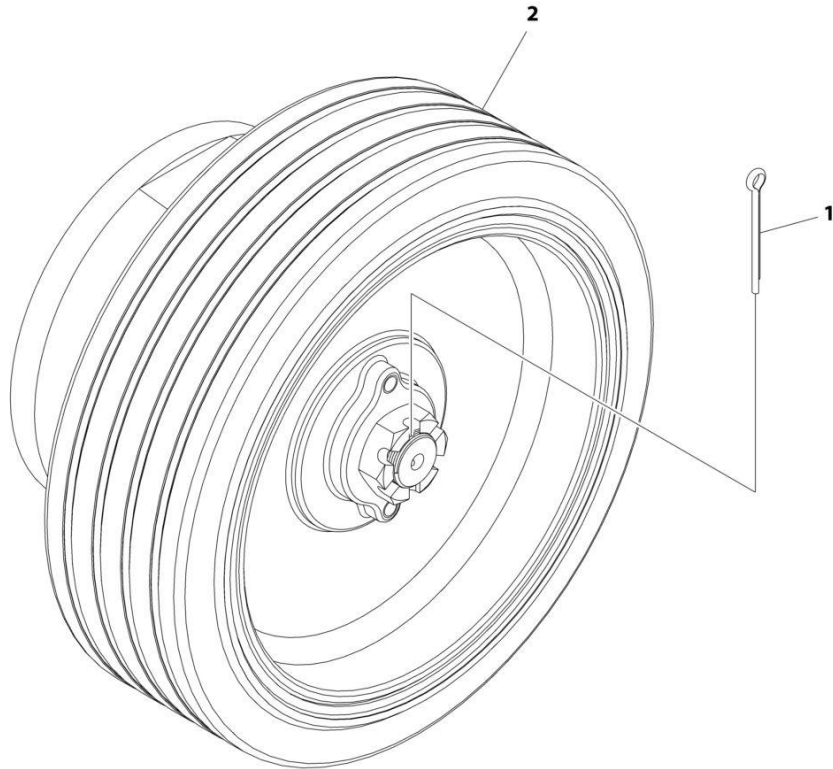
ART\_1001199937

FIGURE 1-3. DRIVE MOTOR ASSEMBLY

ITEM	PART NUMBER	QTY	DESCRIPTION	REV
	1001199937	Ref	DRIVE MOTOR ASSEMBLY	D
1	70005806	7	Bolt	
2	7023328	1	Cover	
3	7023318	1	Seal, Commutator	
4	7023310	5	Ring, Seal	
5	7023315	1	Commutator (Includes Item 6)	
6	See Note	NSS	Ring, Commutator (Use p/n 7023315)	
7	70005812	1	Manifold	
8	70000278	1	Rotor Set	
9	7023311	1	Plate, Wear	
10	70005814	1	Link, Drive	
11	7023308	1	Bearing, Thrust	
12	70005813	1	Shaft	
12A	7023324	1	Key, Shaft	
17	70005809	1	Washer, Backup	
18	See Note	NSS	Housing Assembly (Use p/n 1001199937)	
20	7023319	1	Seal, Dirt and Water	
25	70005808	1	Ring, Backup	
27	70005807	1	Nut	

# SECTION 1 - FRAME

## FIGURE 1-4. TIRE/WHEEL INSTALLATION



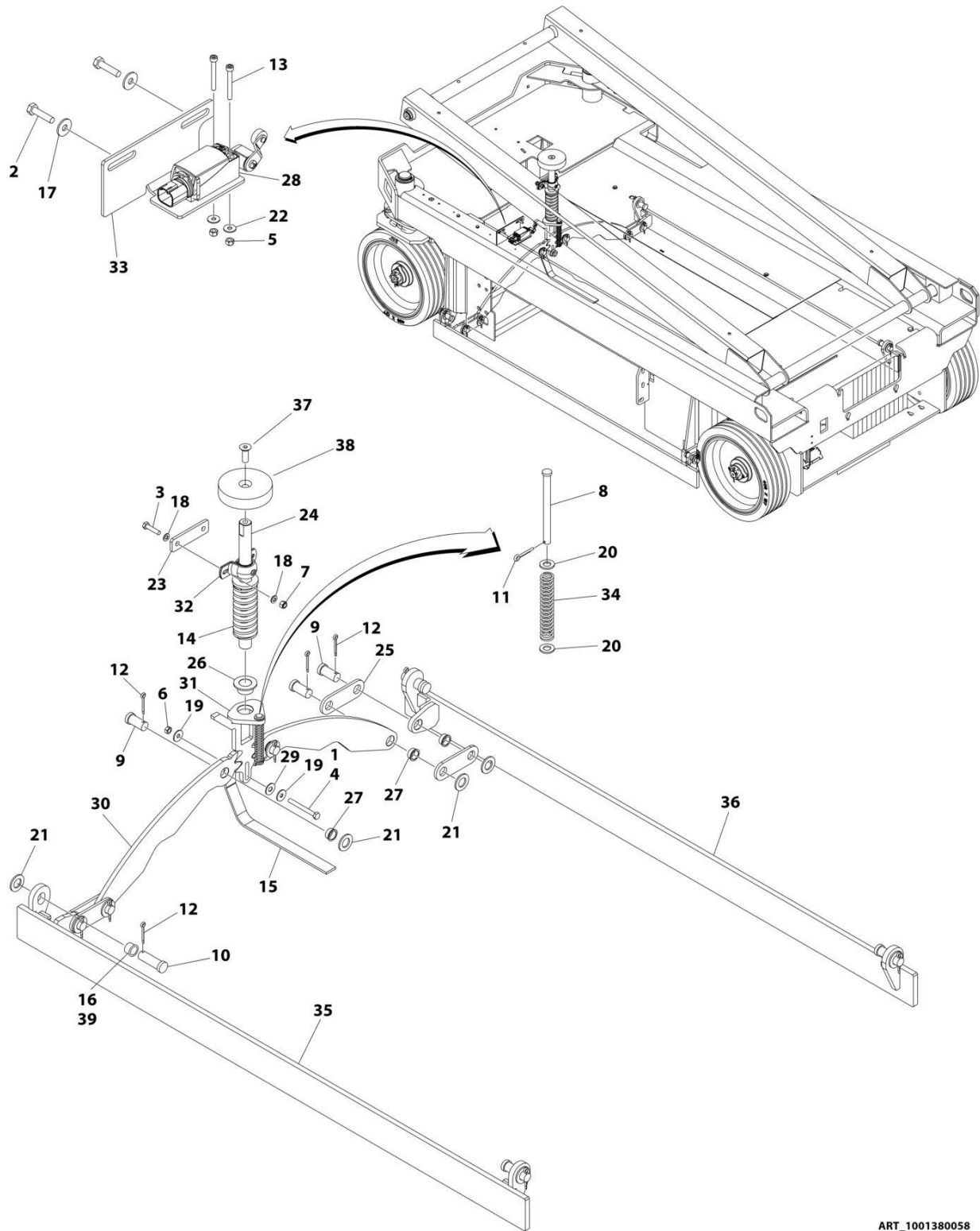
ART\_1001213928

**FIGURE 1-4. TIRE/WHEEL INSTALLATION**

<b>ITEM</b>	<b>PART NUMBER</b>	<b>QTY</b>	<b>DESCRIPTION</b>	<b>REV</b>
		Ref	Note: Must Replace Tire and Wheel Assemblies in pairs per axle.	
1	3450508	4	Pin, Cotter 5/32 x 2	
2	1001212187	4	Tire and Wheel	

# SECTION 1 - FRAME

## FIGURE 1-5. POTHOLE PROTECTION SYSTEM INSTALLATION



ART\_1001380058



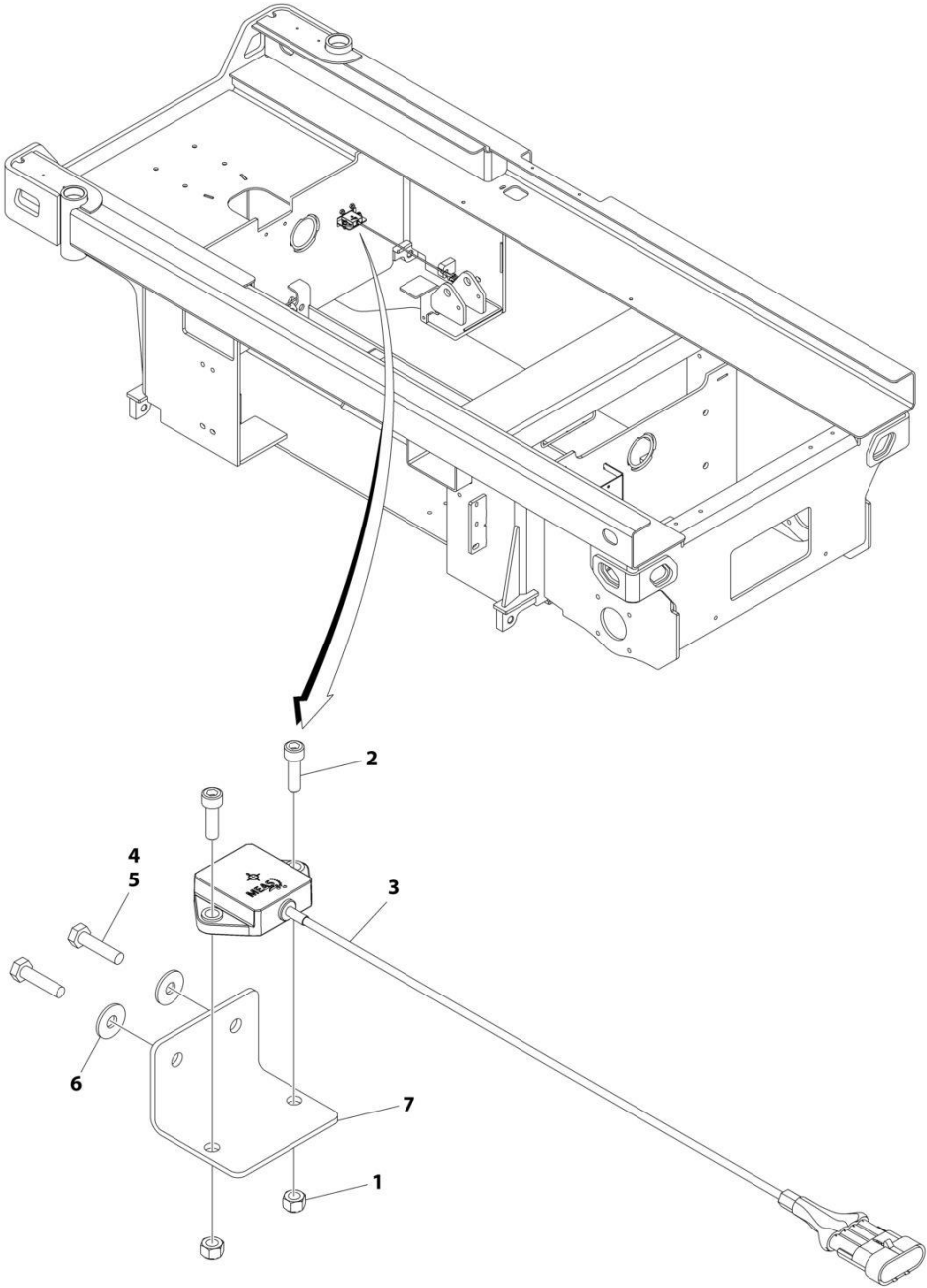
## SECTION 1 - FRAME

**FIGURE 1-5. POTHOLE PROTECTION SYSTEM INSTALLATION**

ITEM	PART NUMBER	QTY	DESCRIPTION	REV
	1001380058	Ref	POTHOLE PROTECTION SYSTEM INSTALLATION	D
1	0100011	AR	Compound, Locking	
2	0700612	2	Bolt M6 x 25	
3	0700815	2	Bolt M8 x 35	
4	0700823	1	Bolt M8 x 75	
5	3290405	2	Nut M4	
6	3290801	1	Nut M8	
7	3290805	2	Nut M8	
8	3430636	1	Pin	
9	3431212	6	Pin	
10	3431218	4	Pin	
11	3450403	1	Pin, Cotter 1/8 x 3/4	
12	3450505	10	Pin, Cotter 5/32 x 1/2	
13	4031511	2	Capscrew M4 x 35	
14	4160202	1	Spring	
15	4240147	1	Strap, Anti-Static	
16	4740086	NLA	Washer (Use Item 39)	
17	4811702	2	Washer M6	
18	4811900	4	Washer M8	
19	4811902	2	Washer M8	
20	4812000	2	Washer M10	
21	4812500	10	Washer M20	
22	1001091102	2	Washer M4	
23	1001202987	1	Plate, Mounting	
24	1001214528	1	Actuator (Upper) (Cylindrical Shaft Machined at Top - as Shown)	
24	1001202988	1	Actuator (Upper) (Full Length Cylindrical Shaft - Not Shown)	
25	1001202999	4	Link	
26	1001203869	1	Bearing	
27	1001203870	6	Bearing	
28	1001203871	1	Switch, Limit	
29	1001203872	1	Washer	
30	1001213597	2	Plate, Pinion	
31	1001214526	1	Actuator (Lower)	
32	1001215953	1	Bearing	
33	1001218307	1	Plate, Sensor Mounting	
34	1001227855	1	Spring	
35	1001234797	1	Bar (LH)	
36	1001234798	1	Bar (RH)	
37	1001110302	1	Screw M12 x 35	
38	1001214534	1	Pad	
39	0440263	4	Bearing, Flange	

**SECTION 1 - FRAME**

**FIGURE 1-6. TILT SENSOR INSTALLATION**



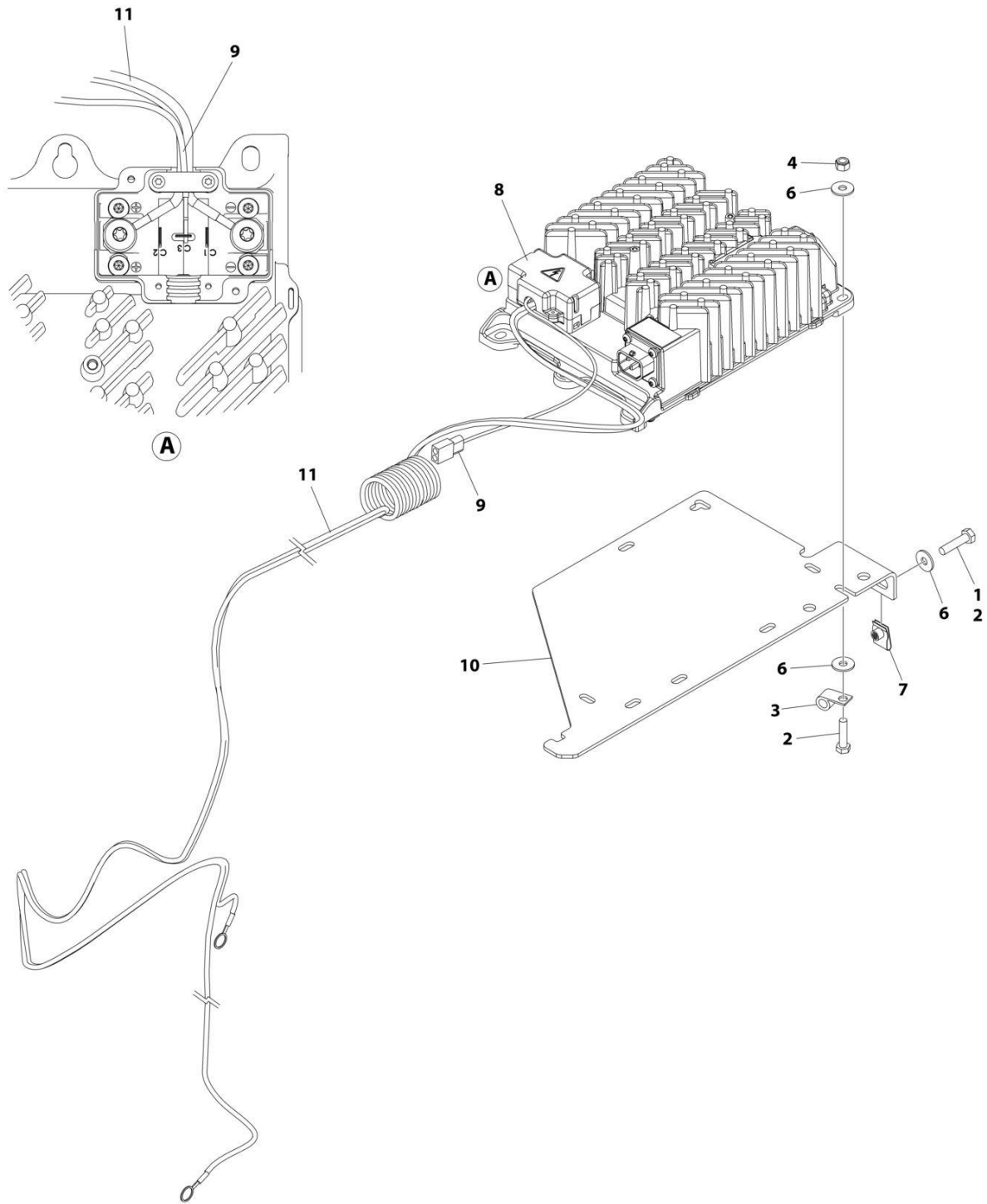
ART\_1001214217

**FIGURE 1-6. TILT SENSOR INSTALLATION**

<b>ITEM</b>	<b>PART NUMBER</b>	<b>QTY</b>	<b>DESCRIPTION</b>	<b>REV</b>
	1001214217	Ref	TILT SENSOR INSTALLATION	D
1	3290601	2	Nut M6	
2	4031708	2	Capscrew M6 x 20	
3	1001186466	1	Sensor, Tilt	
4	0100011	AR	Compound, Locking	
5	0700612	2	Bolt M6 x 25	
6	4811702	2	Washer M6	
7	1001217059	1	Plate, Mounting	

# SECTION 1 - FRAME

FIGURE 1-7. BATTERY CHARGER INSTALLATION - DELTA-Q (WITHOUT COMMUNICATION PORT)  
(MACHINES WITH SN STARTING WITH B2 & M2)



ART\_1001263256

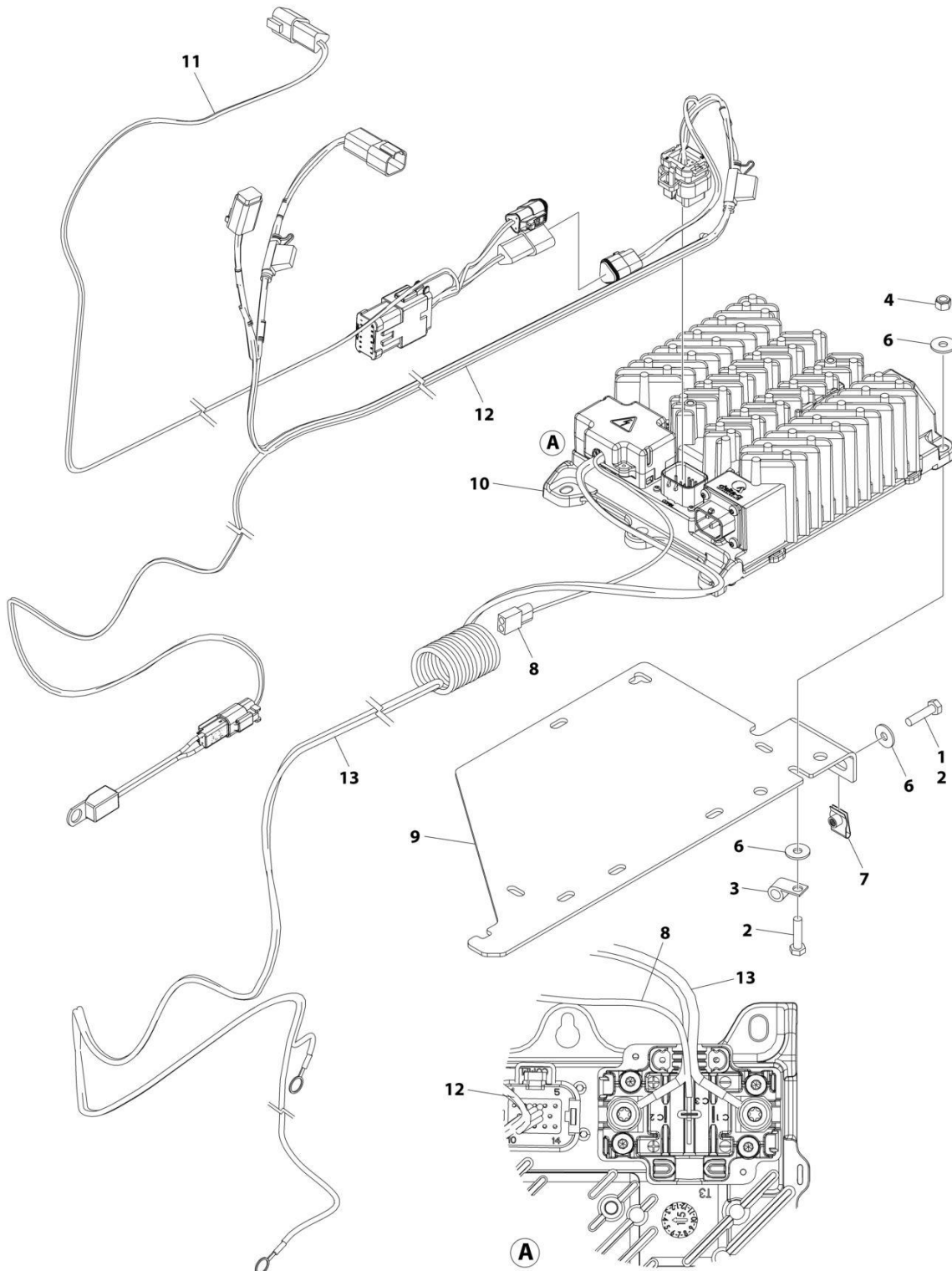
## SECTION 1 - FRAME

**FIGURE 1-7. BATTERY CHARGER INSTALLATION - DELTA-Q (WITHOUT COMMUNICATION PORT)  
(MACHINES WITH SN STARTING WITH B2 & M2))**

ITEM	PART NUMBER	QTY	DESCRIPTION	REV
	1001263256	Ref	BATTERY CHARGER INSTALLATION - DELTA-Q	A
1	0100011	AR	Compound, Locking	
2	0760612	5	Bolt M6 x 25	
3	1321293	1	Clamp	
4	3290605	3	Nut M6	
5	4240017	AR	Tie-Strap (Not Shown)	
6	4811702	8	Washer M6	
7	1001130220	2	Nut, Tinnerman M6	
8	1001200561	1	Charger, Battery - Delta-Q	
9	1001207009	1	Charger Interlock Harness	
9	4460424	1	Receptacle, Female - 2 Position	
9	4460227	2	Pin, Male	
10	1001236139	1	Bracket	
11	1001256642	1	Charger DC Connection Harness	

# SECTION 1 - FRAME

## FIGURE 1-8. BATTERY CHARGER INSTALLATION - DELTA-Q (WITH COMMUNICATION PORT) (MACHINES WITH SN STARTING WITH B2 & M2)



ART\_1001263257

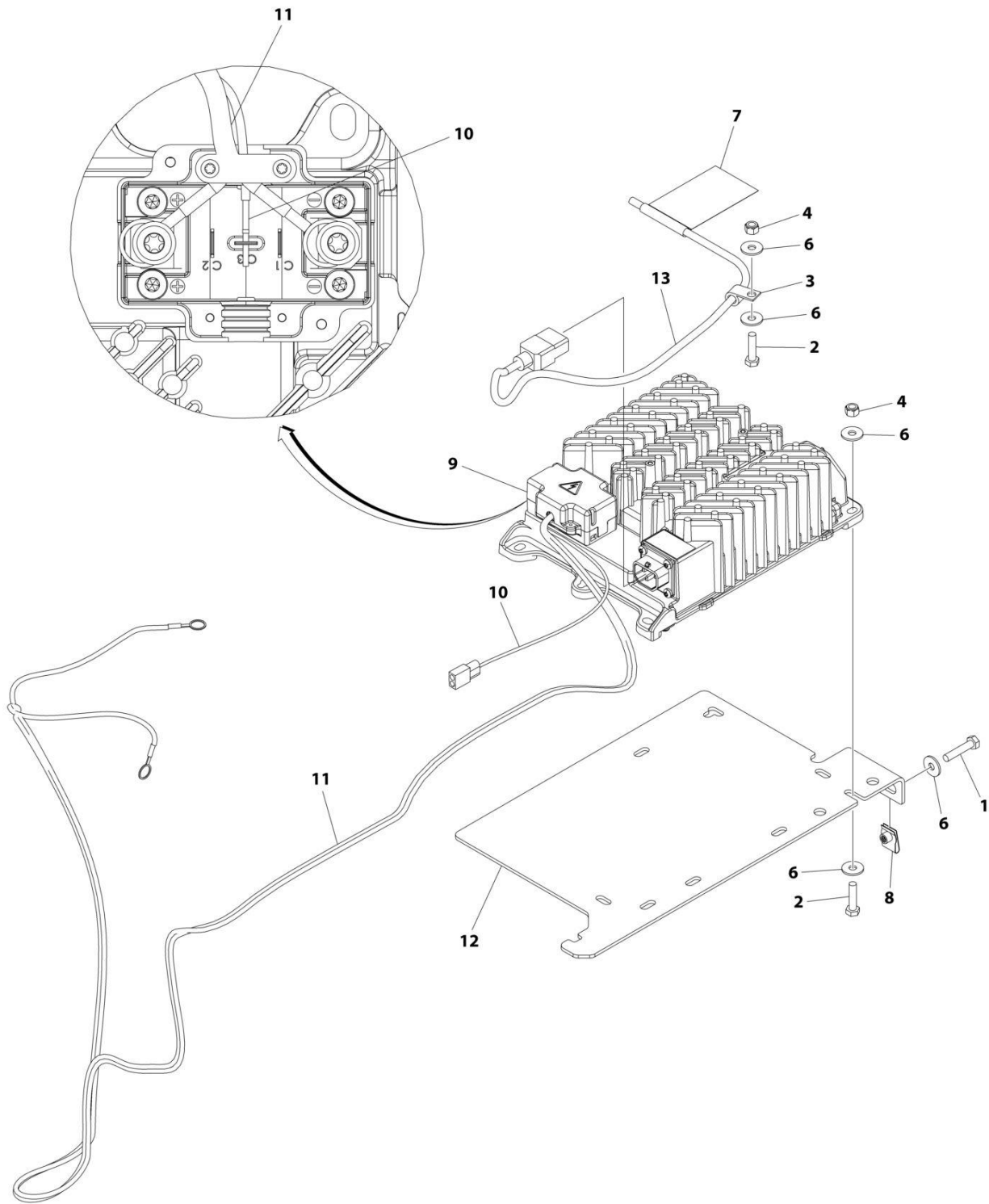
## SECTION 1 - FRAME

**FIGURE 1-8. BATTERY CHARGER INSTALLATION - DELTA-Q (WITH COMMUNICATION PORT)  
(MACHINES WITH SN STARTING WITH B2 & M2))**

ITEM	PART NUMBER	QTY	DESCRIPTION	REV
	1001263257	Ref	BATTERY CHARGER INSTALLATION - DELTA-Q	A
1	0100011	AR	Compound, Locking	
2	0760612	5	Bolt M6 x 25	
3	1321293	1	Clamp	
4	3290605	3	Nut M6	
5	4240017	AR	Tie-Strap (Not Shown)	
6	4811702	8	Washer M6	
7	1001130220	2	Nut, Tinnerman M6	
8	1001207009	1	Charger Interlock Harness	
8	4460424	1	Receptacle, Female - 2 Position	
8	4460227	2	Pin, Male	
9	1001236139	1	Bracket	
10	1001253952	1	Charger, Battery - Delta-Q	
11	1001254027	1	Can Splice Harness (See Separate Breakdown in ELECTRICAL Section)	
12	1001254028	1	Charger To Battery Harness (See Separate Breakdown in ELECTRICAL Section)	
13	1001256642	1	Battery Charger to DC Connection Cable	

# SECTION 1 - FRAME

FIGURE 1-9. BATTERY CHARGER INSTALLATION - DELTA-Q (MACHINES WITH SN STARTING WITH 12)



ART\_1001235153



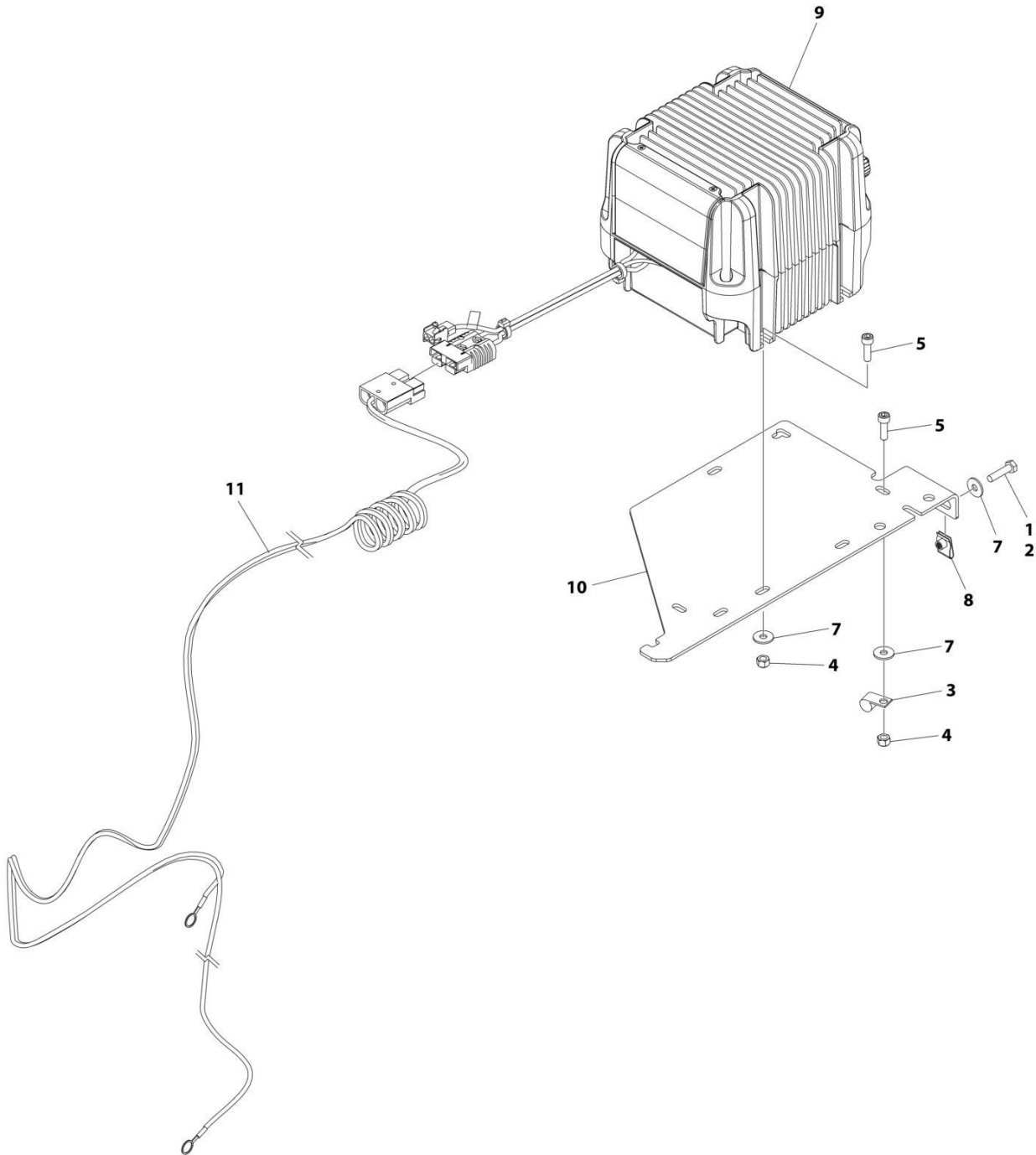
## SECTION 1 - FRAME

**FIGURE 1-9. BATTERY CHARGER INSTALLATION - DELTA-Q (MACHINES WITH SN STARTING WITH 12)**

ITEM	PART NUMBER	QTY	DESCRIPTION	REV
	1001235153	Ref	BATTERY CHARGER INSTALLATION - DELTA-Q (LOCALLY SUPPLIED PLUG)	C
1	0700614	2	Bolt M6 x 30	
2	0760612	3	Bolt M6 x 25	
3	1321293	1	Clamp	
4	3290605	3	Nut M6	
5	4240017	AR	Tie-Strap (Not Shown)	
6	4811702	8	Washer M6	
7	1001102489	1	Decal - Charger	
8	1001130220	2	Nut, Tinnerman M6	
9	1001200561	1	Charger, Battery - Delta-Q	
10	1001207009	1	Charger Interlock Harness	
10	4460424	1	Receptacle, Female - 2 Position	
10	4460227	2	Pin, Male	
11	1001235105	1	Charger DC Connection Harness	
12	1001236139	1	Bracket	
13	1001207974	1	Cable, Charger AC Input	

# SECTION 1 - FRAME

## FIGURE 1-10. BATTERY CHARGER INSTALLATION - EAGLE PERFORMANCE



ART\_1001263259

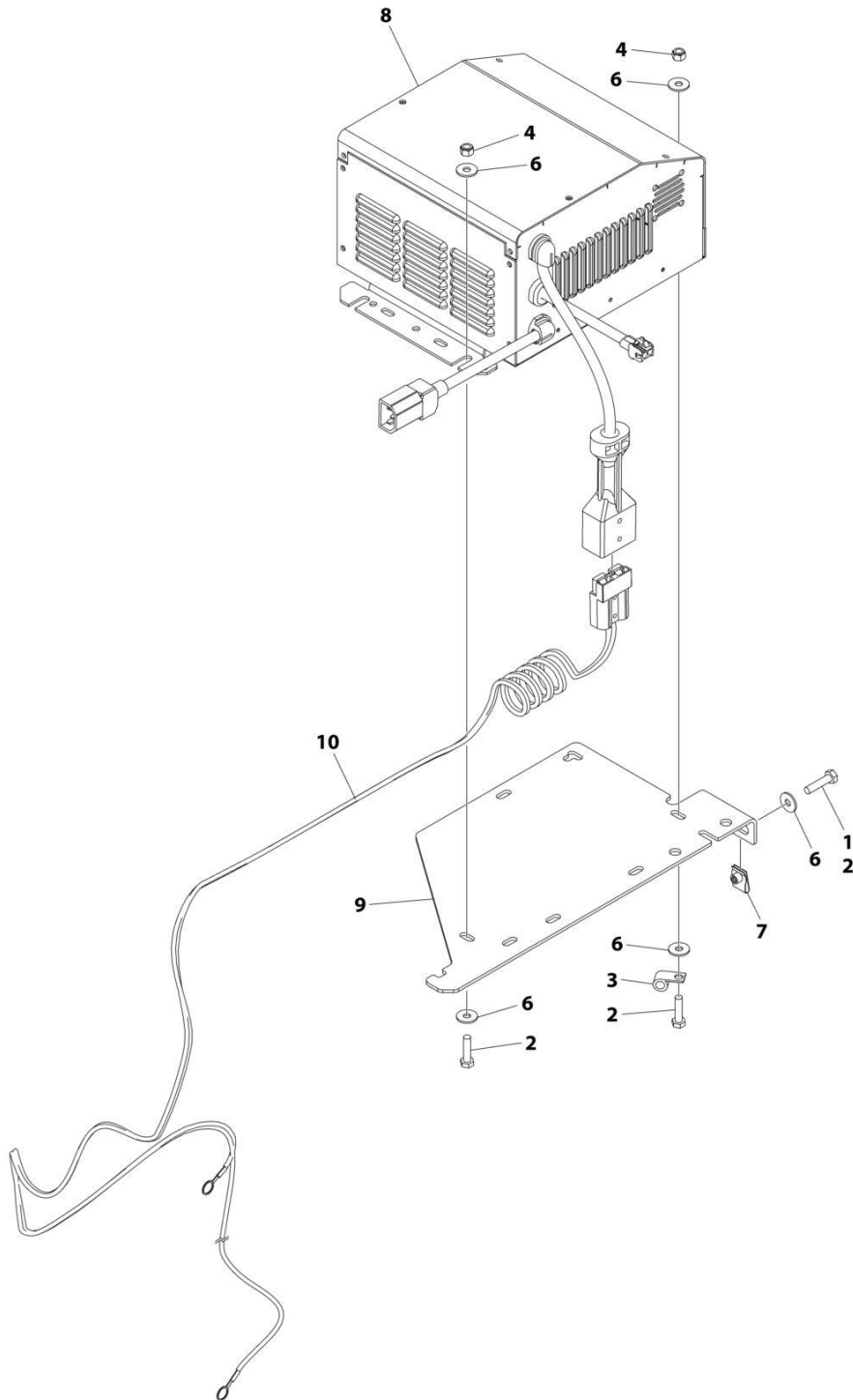
## SECTION 1 - FRAME

### FIGURE 1-10. BATTERY CHARGER INSTALLATION - EAGLE PERFORMANCE

ITEM	PART NUMBER	QTY	DESCRIPTION	REV
	1001263259	Ref	BATTERY CHARGER INSTALLATION - GREEN POWER	A
1	0100011	AR	Compound, Locking	
2	0700612	2	Bolt M6 x 25	
3	1321293	1	Clamp, Cable	
4	3290605	4	Nut M6	
5	4031708	4	Capscrew M6 x 20	
6	4240017	AR	Tie-Strap (Not Shown)	
7	4811702	6	Washer M6	
8	1001130220	2	Nut, Tinnerman M6	
9	1001205598	1	Charger, Battery Green Power	
10	1001236139	1	Bracket	
11	1001256643	1	Charger DC Connection Harness	

# SECTION 1 - FRAME

## FIGURE 1-11. BATTERY CHARGER INSTALLATION - GREEN POWER



ART\_1001263258

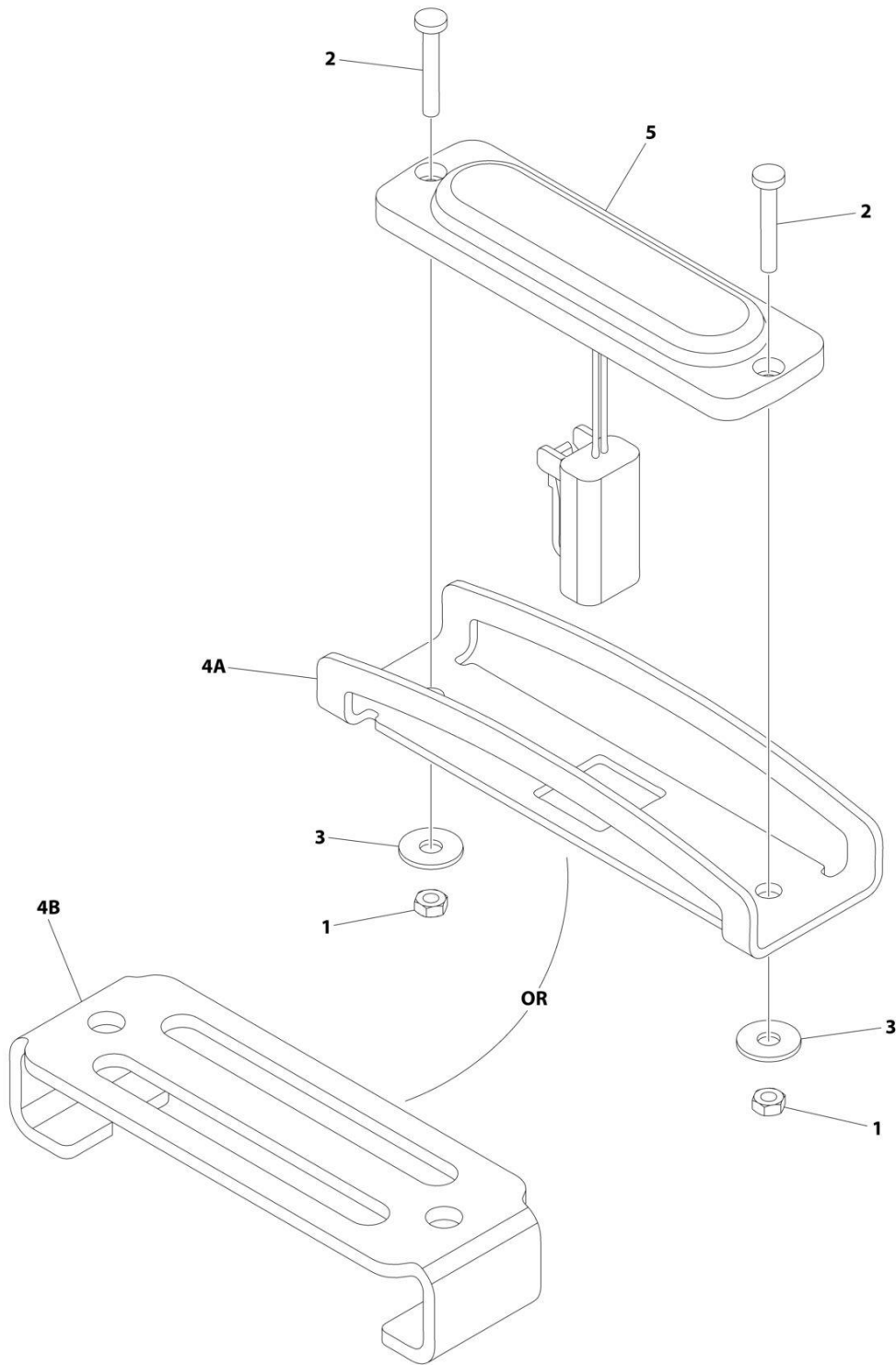
## SECTION 1 - FRAME

### FIGURE 1-11. BATTERY CHARGER INSTALLATION - GREEN POWER

ITEM	PART NUMBER	QTY	DESCRIPTION	REV
	1001263258	Ref	BATTERY CHARGER INSTALLATION - EAGLE PERFORMANCE	A
1	0100011	AR	Compound, Locking	
2	0760612	5	Bolt M6 x 20	
3	1321293	1	Clamp	
4	3290605	3	Nut M6	
5	4240017	AR	Tie-Strap (Not Shown)	
6	4811702	8	Washer M6	
7	1001130220	2	Nut, Tinnerman M6	
8	1001206995	1	Charger, Battery - Eagle Performance	
9	1001236139	1	Bracket	
10	1001256643	1	Charger DC Connection Harness	

# SECTION 1 - FRAME

## FIGURE 1-12. STROBE LIGHT INSTALLATION - SINGLE (AMBER) (WITH GUARD)



ART\_1001242697

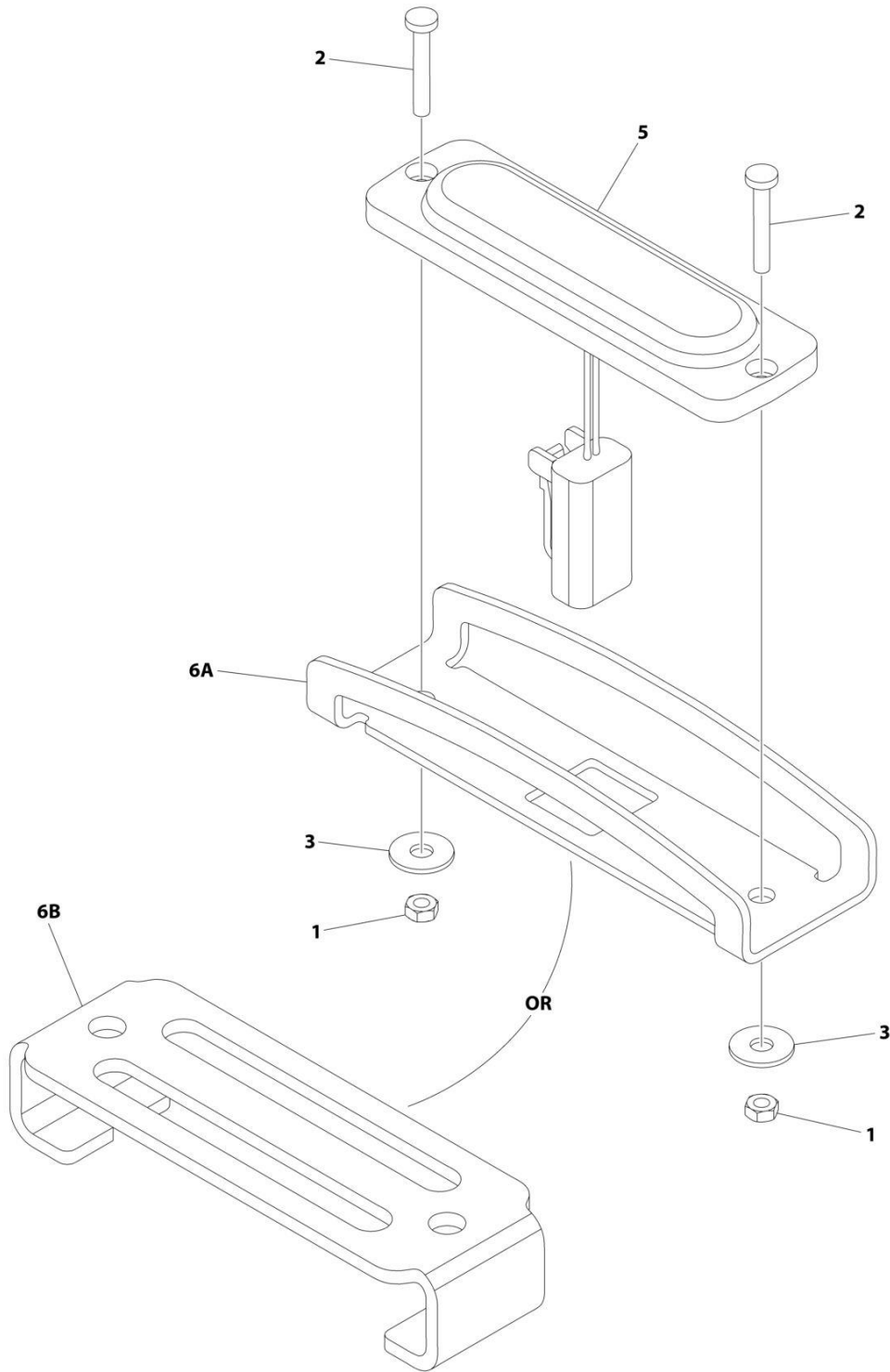
## SECTION 1 - FRAME

**FIGURE 1-12. STROBE LIGHT INSTALLATION - SINGLE (AMBER) (WITH GUARD)**

ITEM	PART NUMBER	QTY	DESCRIPTION	REV
	1001242697	Ref	STROBE LIGHT INSTALLATION - SINGLE (AMBER) (WITH GUARD)	D
1	3290305	2	Nut M3	
2	4010310	2	Screw M3 x 20	
3	1001091102	2	Washer M4	
4A	1001242539	1	Guard	
4B	1001239661	1	Cover	
5	1001239224	1	Light, Strobe	
5	4460891	1	Plug, Male - 2 Position	
5	4460465	2	Socket, Female	

# SECTION 1 - FRAME

## FIGURE 1-13. STROBE LIGHT INSTALLATION - DUAL (AMBER) (WITH GUARD)



ART\_1001242990



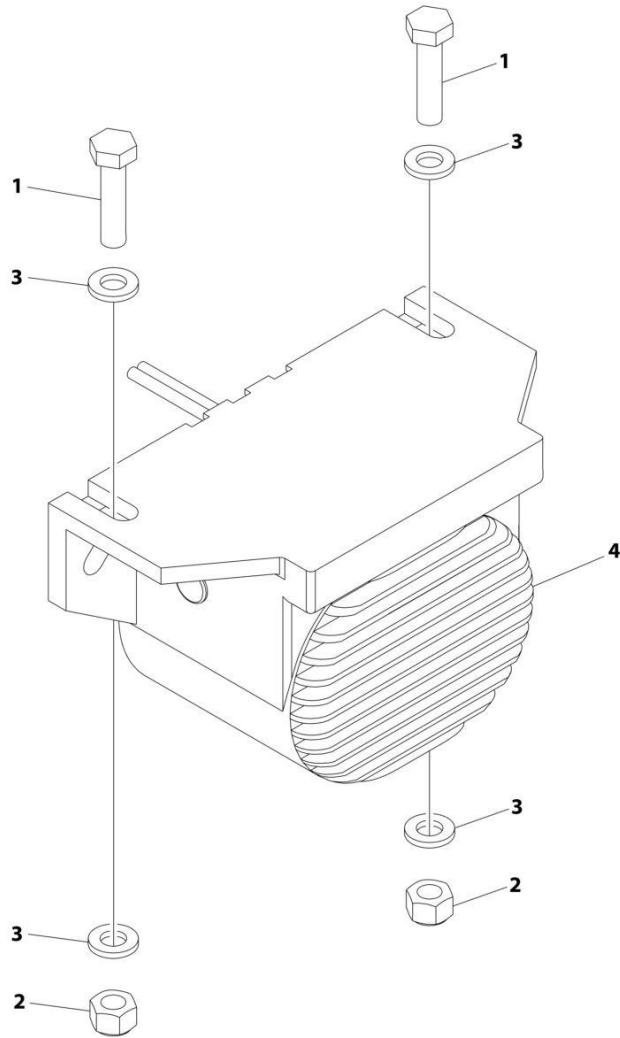
## SECTION 1 - FRAME

**FIGURE 1-13. STROBE LIGHT INSTALLATION - DUAL (AMBER) (WITH GUARD)**

ITEM	PART NUMBER	QTY	DESCRIPTION	REV
	1001242990	Ref	STROBE LIGHT INSTALLATION - DUAL (AMBER) (WITH GUARD)	D
1	3290305	4	Nut M3	
2	4010310	4	Screw M3 x 20	
3	1001091102	4	Washer M4	
4	1001215216	1	Strobe Light Jumper Harness (Not Shown)	
4	4460897	2	Receptacle, Female - 2 Position	
4	4460464	4	Pin, Male	
4	4460891	1	Plug, Male - 2 Position	
4	4460465	2	Socket, Female	
5	1001239224	2	Light, Strobe	
5	4460891	1	Plug, Male - 2 Position	
5	4460465	2	Socket, Female	
6A	1001242539	2	Guard	
6B	1001239661	2	Cover	
7	4240018	AR	Tie-Strap (Not Shown)	

# SECTION 1 - FRAME

## FIGURE 1-14. ALARM INSTALLATION (AMBIENT/WHITE NOISE)



ART\_1001204495

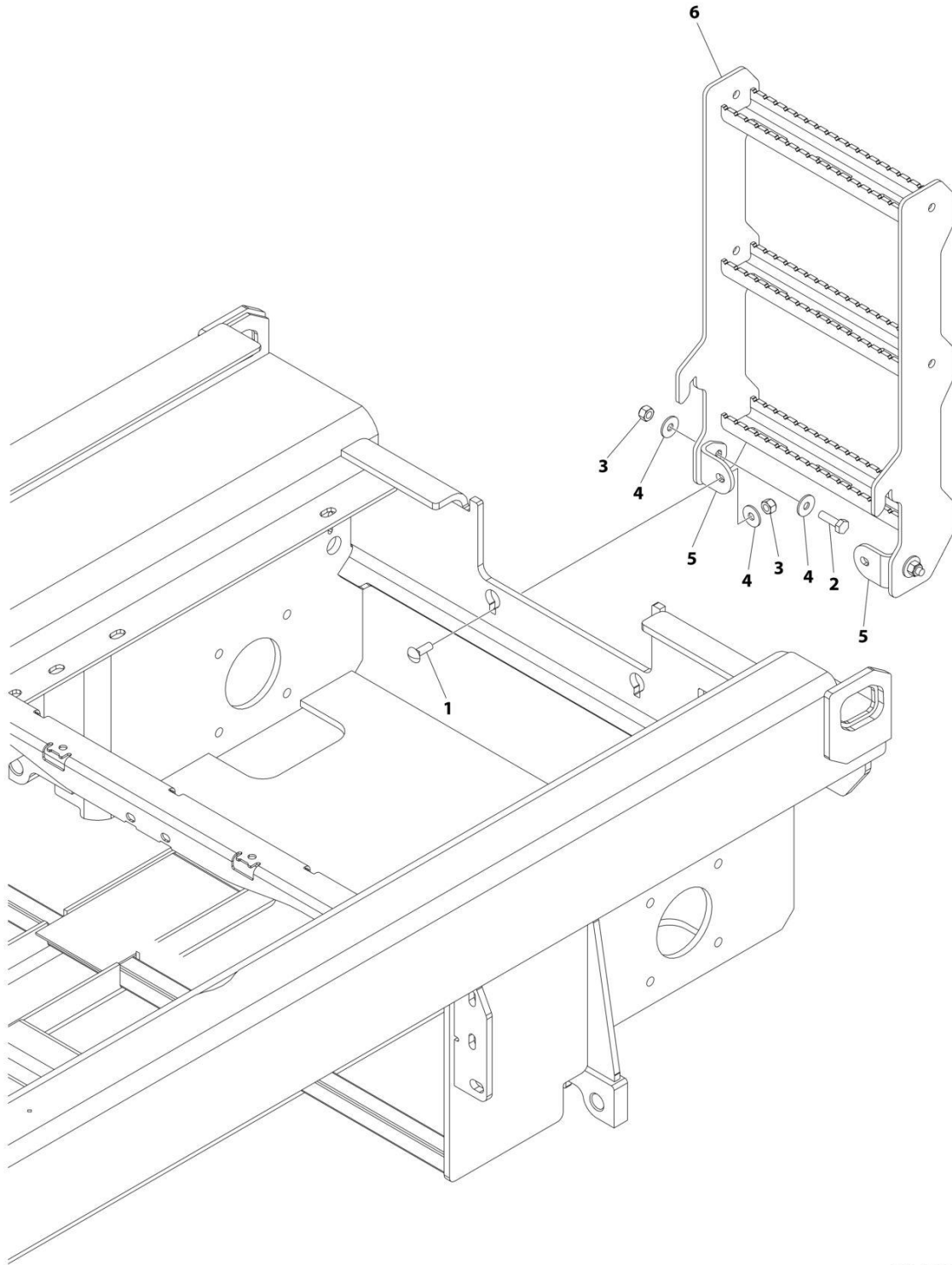
**SECTION 1 - FRAME**

**FIGURE 1-14. ALARM INSTALLATION (AMBIENT/WHITE NOISE)**

<b>ITEM</b>	<b>PART NUMBER</b>	<b>QTY</b>	<b>DESCRIPTION</b>	<b>REV</b>
	1001204495	Ref	ALARM INSTALLATION (AMBIENT/WHITE NOISE)	B
1	0760612	2	Bolt M6 x 25	
2	3290605	2	Nut M6	
3	4811700	4	Washer M6	
4	1001182806	1	Alarm	
4	4460897	1	Receptacle, Female - 2 Position	
4	4460464	2	Pin, Male	

# SECTION 1 - FRAME

## FIGURE 1-15. LADDER INSTALLATION



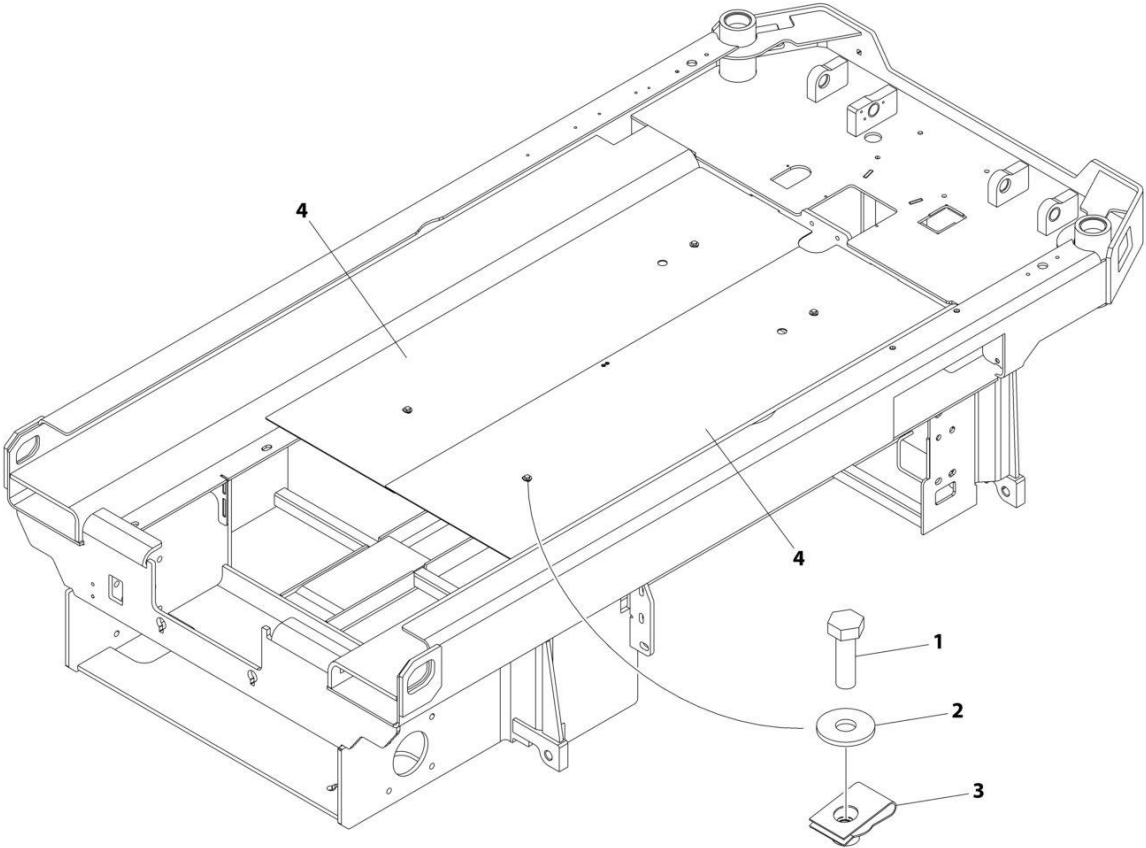
ART\_1001272192

**FIGURE 1-15. LADDER INSTALLATION**

<b>ITEM</b>	<b>PART NUMBER</b>	<b>QTY</b>	<b>DESCRIPTION</b>	<b>REV</b>
	1001272192	Ref	LADDER INSTALLATION	B
1	0630613	2	Bolt M10 x 30	
2	0761015	2	Bolt M10 x 35	
3	3291005	4	Nut M10	
4	4812002	6	Washer M10	
5	1001235955	2	Bracket	
6	1001272189	1	Ladder	

**SECTION 1 - FRAME**

**FIGURE 1-16. FRAME COVERS INSTALLATION**



ART\_1001236968

**FIGURE 1-16. FRAME COVERS INSTALLATION**

<b>ITEM</b>	<b>PART NUMBER</b>	<b>QTY</b>	<b>DESCRIPTION</b>	<b>REV</b>
	1001236968	Ref	FRAME COVERS INSTALLATION	A
1	0760610	4	Bolt M6 x 20	
2	4811702	4	Washer M6	
3	1001130220	4	Nut, Tinnerman M6	
4	1001236531	2	Cover	

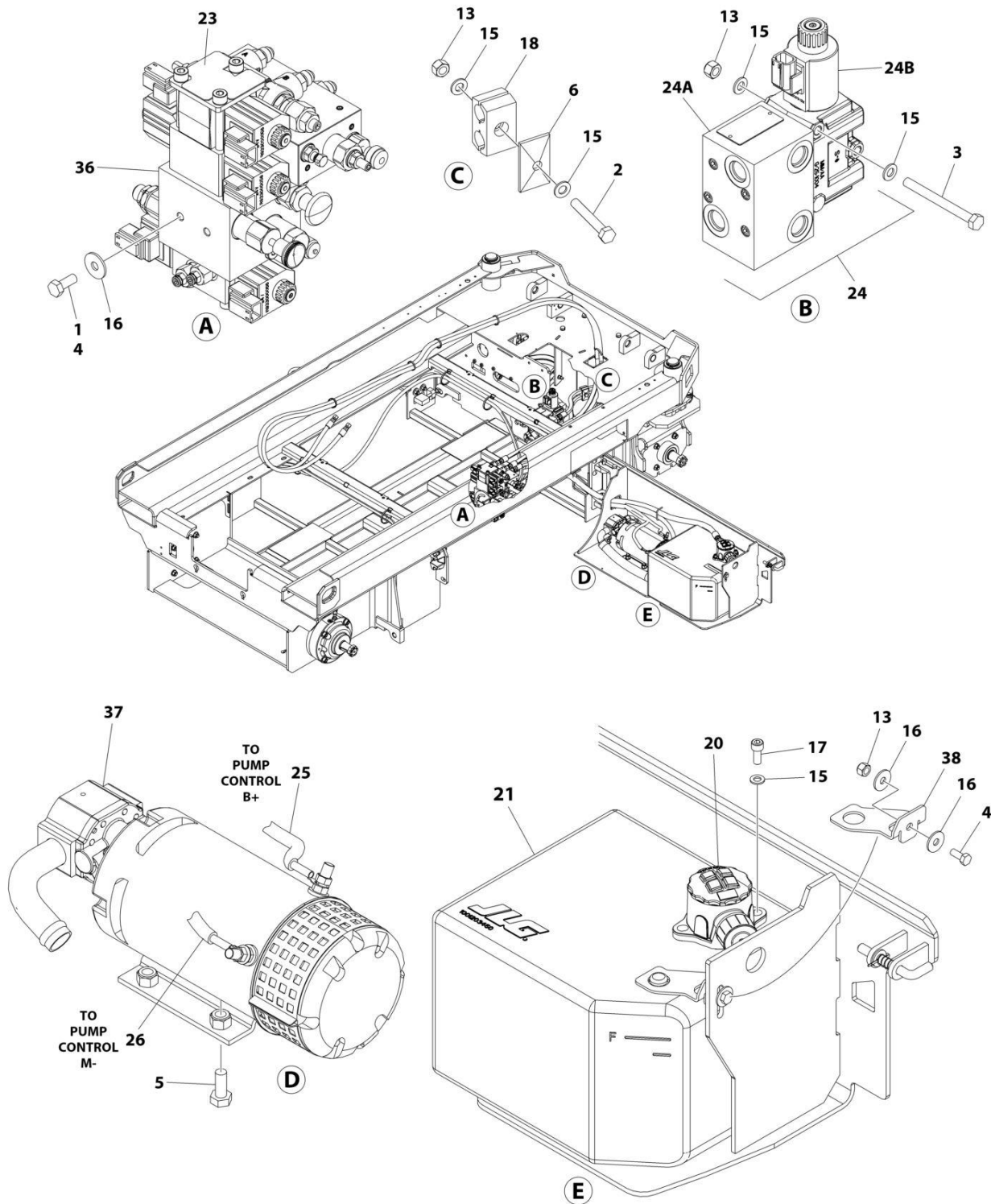




**SECTION 2 - GROUND CONTROLS**

# SECTION 2 - GROUND CONTROLS

FIGURE 2-1. HYDRAULIC COMPONENTS INSTALLATION (MACHINES WITH SN STARTING WITH 12 & B2) (SN 1200040832 to Present)



ART\_1001284638\_10F2

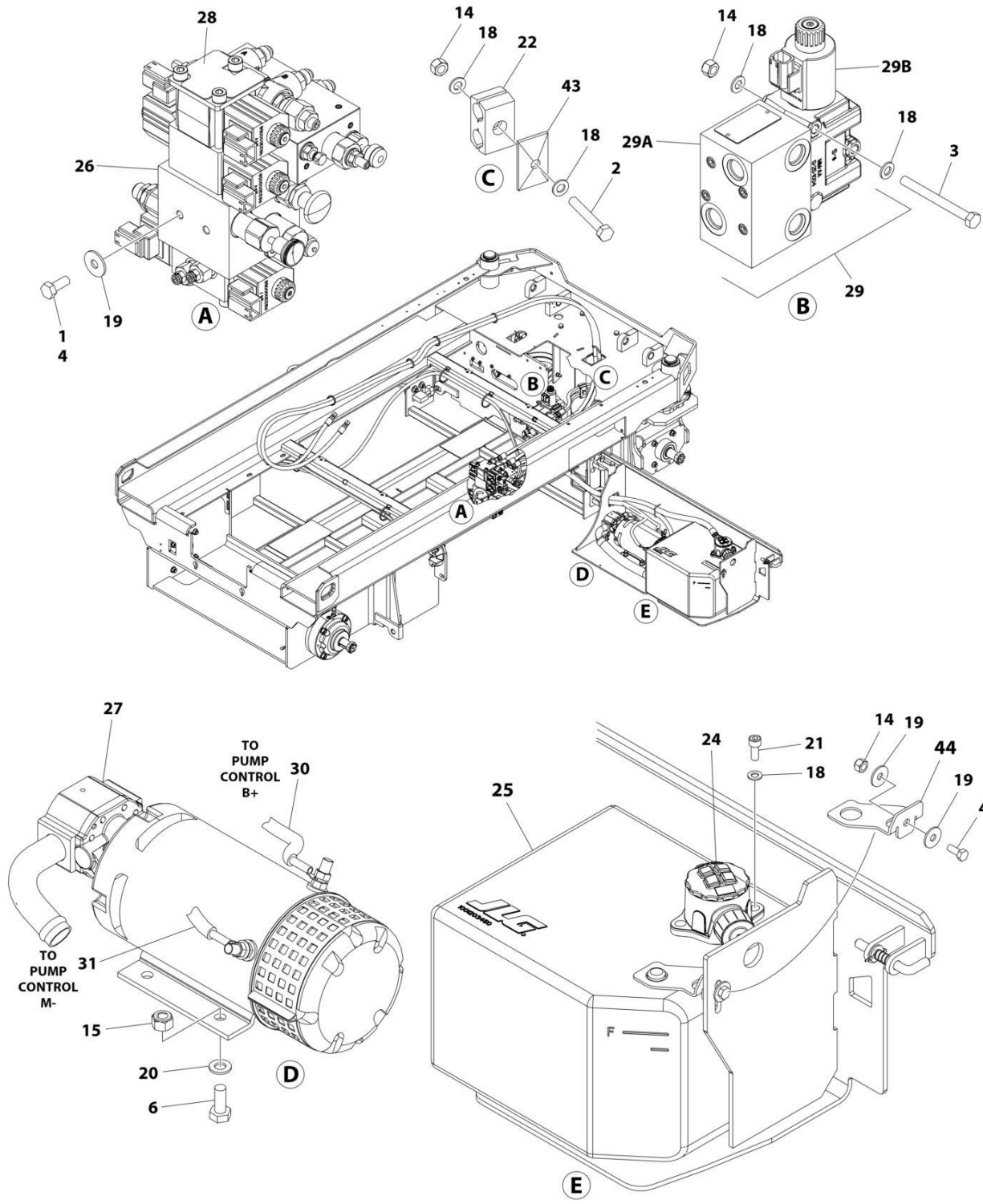
## SECTION 2 - GROUND CONTROLS

**FIGURE 2-1. HYDRAULIC COMPONENTS INSTALLATION (MACHINES WITH SN STARTING WITH 12 & B2) (SN 1200040832 to Present)**

ITEM	PART NUMBER	QTY	DESCRIPTION	REV
	1001284638	Ref	HYDRAULIC COMPONENTS INSTALLATION	A
1	0100011	AR	Compound, Locking	
2	0700819	2	Bolt M8 x 55	
3	0700825	2	Bolt M8 x 85	
4	0760810	3	Bolt M8 x 20	
5	0761012	2	Bolt M8 x 25	
6	1321752	2	Clamp	
13	3290805	5	Nut M8	
14	4240017	AR	Tie-Strap (Not Shown)	
15	4811900	10	Washer M8	
16	4811902	4	Washer M8	
17	5271808	2	Capscrew M8 x 20	
18	8750014	2	Clamp	
20	1001202851	1	Filter, Hydraulic	
20	70005423	1	Filter Element Kit (Includes Element, Cap O-Ring and Bowl O-Ring)	
21	1001203450	1	Tank, Hydraulic	
23	1001212294	1	Decal - Manifold	
24	1001215434	1	Traction Valve Assembly	
24	70006295	4	Screw	
24A	70004465	1	Valve, Flow Divider	
24A	70004164	1	Seal Kit - 70004465 Valve	
24B	70006296	1	Valve, Diverter	
24B	70006297	1	Coil	
24B	70006298	1	Seal, Interface	
24B	70006299	1	Coil Seal & Nut Kit	
25	1001234628	1	Cable, Pump (+)	
26	1001234629	1	Cable, Pump (-)	
36	1001248679	1	Main Valve Assembly (See Separate Breakdown in this Section)	
37	1001269480	2	Motor/Pump Assembly (Note: Service Parts Not Available at Time of Printing)	
37		Ref	Seal and Mounting Kit (Includes Shaft Seal, Retaining Ring, Gasket and Pump Mounting Hardware)	
37		Ref	Replacement Motor	
37		Ref	Replacement Pump	
38	1001269730	1	Bracket	

# SECTION 2 - GROUND CONTROLS

FIGURE 2-2. HYDRAULIC COMPONENTS INSTALLATION (MACHINES WITH SN STARTING WITH 12 & M2) (Prior to SN 1200040832)



ART\_1001380008\_G\_10F2

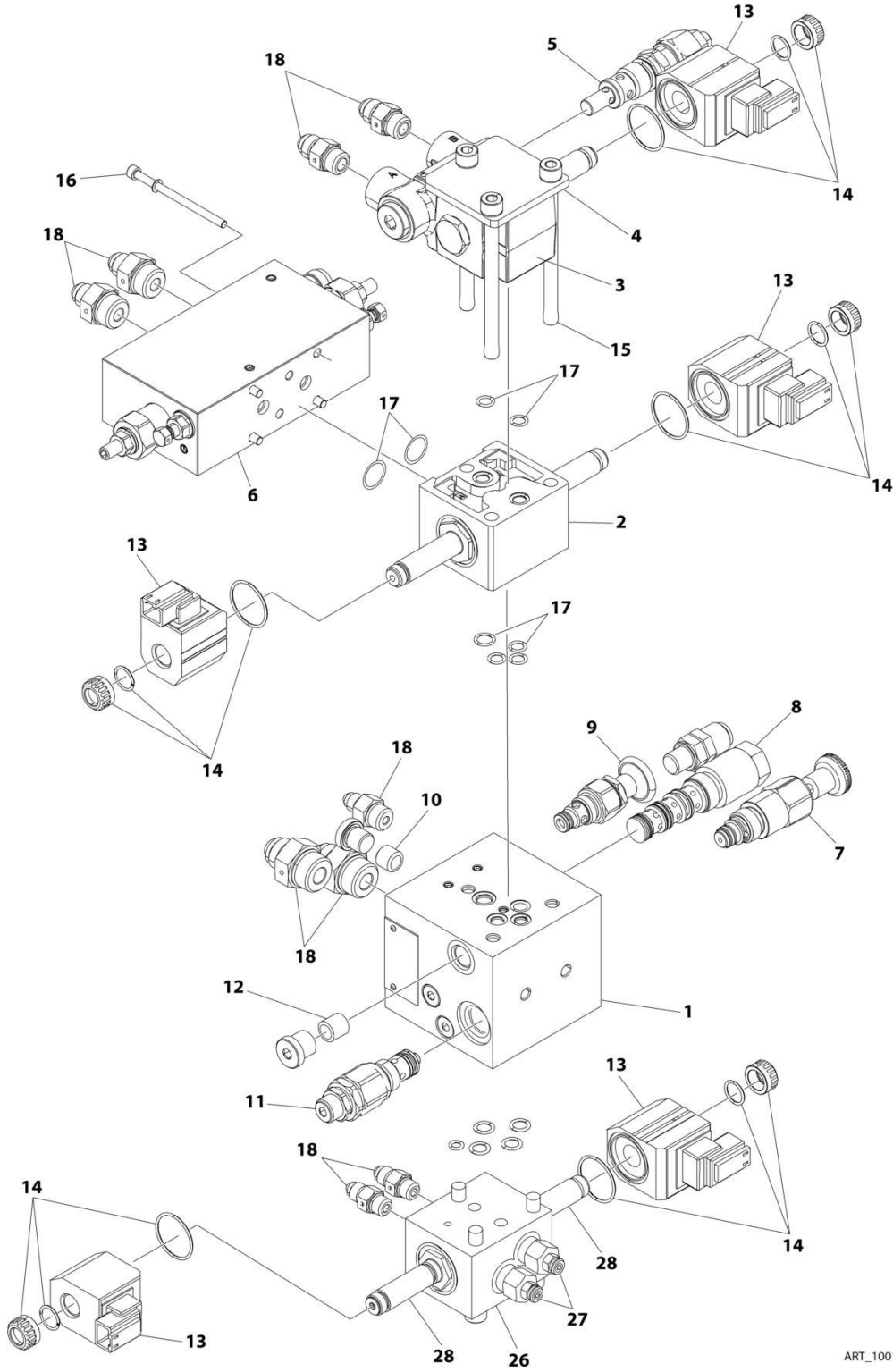
## SECTION 2 - GROUND CONTROLS

**FIGURE 2-2. HYDRAULIC COMPONENTS INSTALLATION (MACHINES WITH SN STARTING WITH 12 & M2) (Prior to SN 1200040832)**

ITEM	PART NUMBER	QTY	DESCRIPTION	REV
	1001380008	Ref	HYDRAULIC COMPONENTS INSTALLATION	G
1	0100011	AR	Compound, Locking	
2	0700819	2	Bolt M8 x 55	
3	0700825	2	Bolt M8 x 85	
4	0760810	3	Bolt M8 x 20	
6	0761012	2	Bolt M8 x 25	
14	3290805	5	Nut M8	
15	3291005	2	Nut M10	
16	4240017	AR	Tie-Strap (Not Shown)	
18	4811900	AR	Washer M8	
19	4811902	4	Washer M8	
20	4812000	2	Washer M10	
21	5271808	2	Capscrew M8 x 20	
22	8750014	2	Clamp	
24	1001202851	1	Filter, Hydraulic	
24	70005423	1	Filter Element Kit (Includes Element, Cap O-Ring and Bowl O-Ring)	
24	70007946	1	O-Ring, Bowl	
25	1001203450	1	Tank, Hydraulic	
26	1001248679	1	Main Valve Assembly (See Separate Breakdown in this Section)	
27	1001204719	1	Motor/Pump Assembly (See Separate Breakdown in this Section)	
27	70005815	1	Replacement Motor	
27	70005817	1	Replacement Pump	
27	70005816	1	Seal and Mounting Kit (Includes Shaft Seal, Retaining Ring, Gasket and Pump Mounting Hardware)	
28	1001212294	1	Decal - Manifold	
29	1001215434	1	Traction Valve Assembly	
29	70006295	4	Screw	
29A	70004465	1	Valve, Flow Divider	
29A	70004164	1	Seal Kit - 70004465 Valve	
29B	70006296	1	Valve, Diverter	
29B	70006297	1	Coil	
29B	70006298	1	Seal, Interface	
29B	70006299	1	Coil Seal & Nut Kit	
30	1001234628	1	Cable, Pump (+)	
31	1001234629	1	Cable, Pump (-)	
43	1321752	2	Clamp	
44	1001269730	1	Bracket, Tank Mounting	

# SECTION 2 - GROUND CONTROLS

## FIGURE 2-3. MAIN VALVE ASSEMBLY



ART\_1001248679

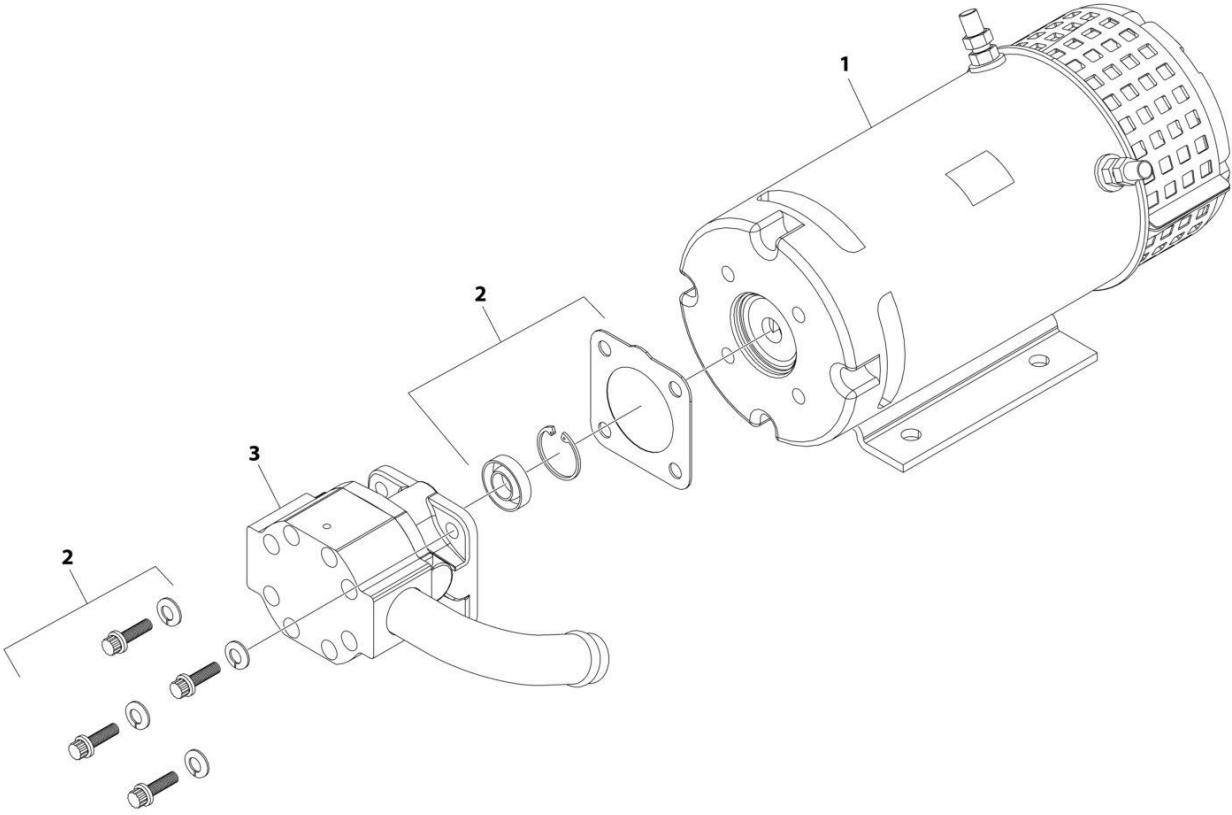
## SECTION 2 - GROUND CONTROLS

### FIGURE 2-3. MAIN VALVE ASSEMBLY

ITEM	PART NUMBER	QTY	DESCRIPTION	REV
	1001248679	Ref	MAIN VALVE ASSEMBLY	D
1	70007595	1	Valve Assembly (Includes Items 7-9)	
2	70005903	1	Valve Assembly - Lower Drive	
3	70007594	1	Valve Assembly - Lift	
4	70005911	1	Plate	
5	70005909	1	Valve, Cartridge	
6	70007593	1	Valve Assembly - Upperr Drive	
7	70005900	1	Valve, Cartridge	
8	70005898	1	Valve, Cartridge	
9	70005899	1	Valve, Cartridge	
10	70007598	1	Restrictor, Flow	
11	70007596	1	Cartridge, Valve	
12	70007597	1	Orifice	
13	70005893	5	Coil	
14	70021209	5	Coil Nut Kit	
15	70007599	1	Bolt Kit	
16	70007600	1	Bolt Kit	
17	70007601	1	Seal Kit	
18	70007602	1	Fitting Kit	
26	NPN	1	Valve Assembly - Steer	
27	70006301	2	Valve, Cartridge - Relief	
28	NPN	2	Valve, Solenoid Cartridge	

**SECTION 2 - GROUND CONTROLS**

**FIGURE 2-4. MOTOR AND PUMP ASSEMBLY**



ART\_1001204719



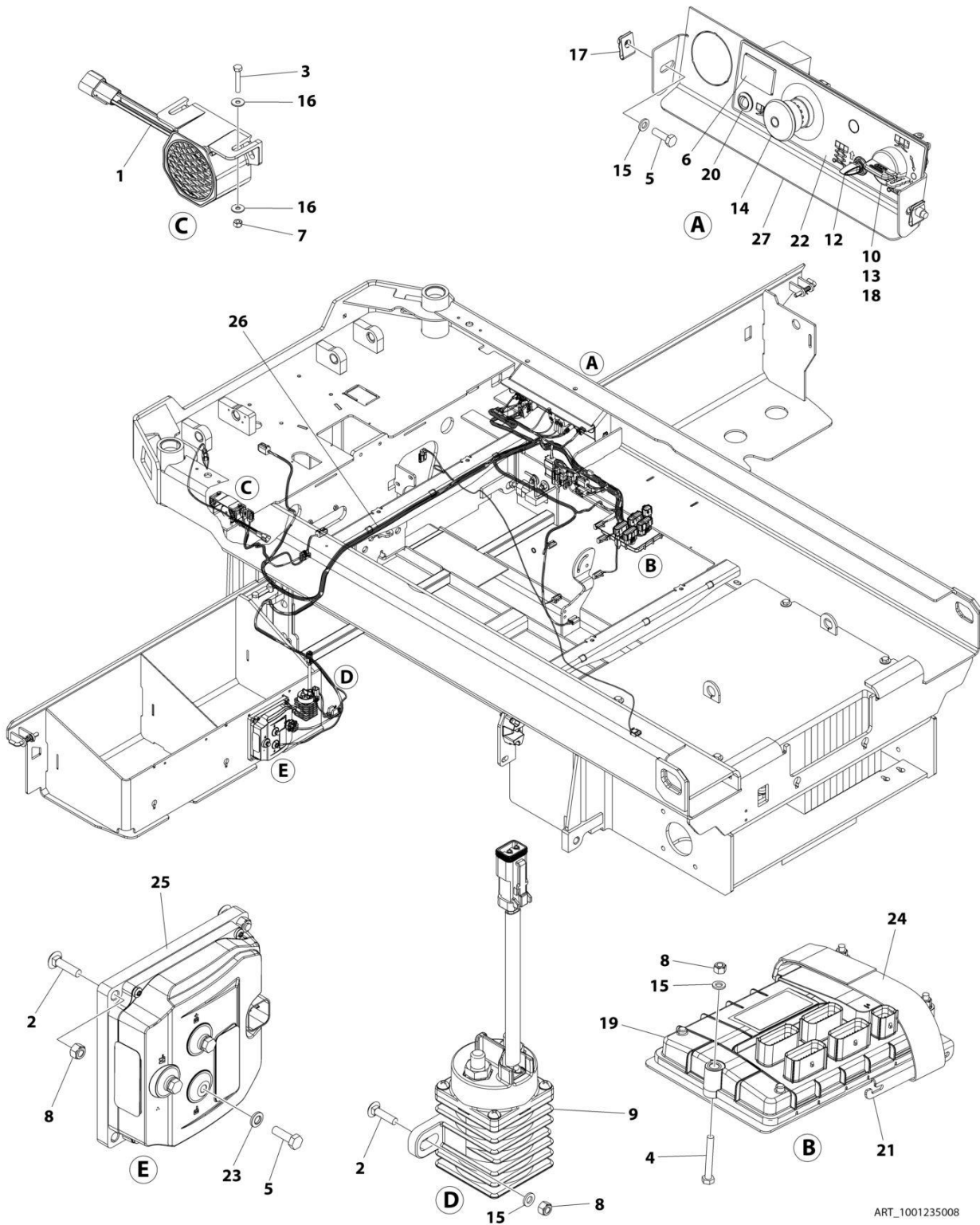
## SECTION 2 - GROUND CONTROLS

### FIGURE 2-4. MOTOR AND PUMP ASSEMBLY

ITEM	PART NUMBER	QTY	DESCRIPTION	REV
	1001204719	Ref	MOTOR AND PUMP ASSEMBLY	A
1	70005815	1	Motor	
2	70005816	1	Seal/Mounting Kit	
3	70005817	1	Pump	

# SECTION 2 - GROUND CONTROLS

## FIGURE 2-5. ELECTRICAL COMPONENTS INSTALLATION (MACHINES WITH SN STARTING WITH B2 & M2)



ART\_1001235008

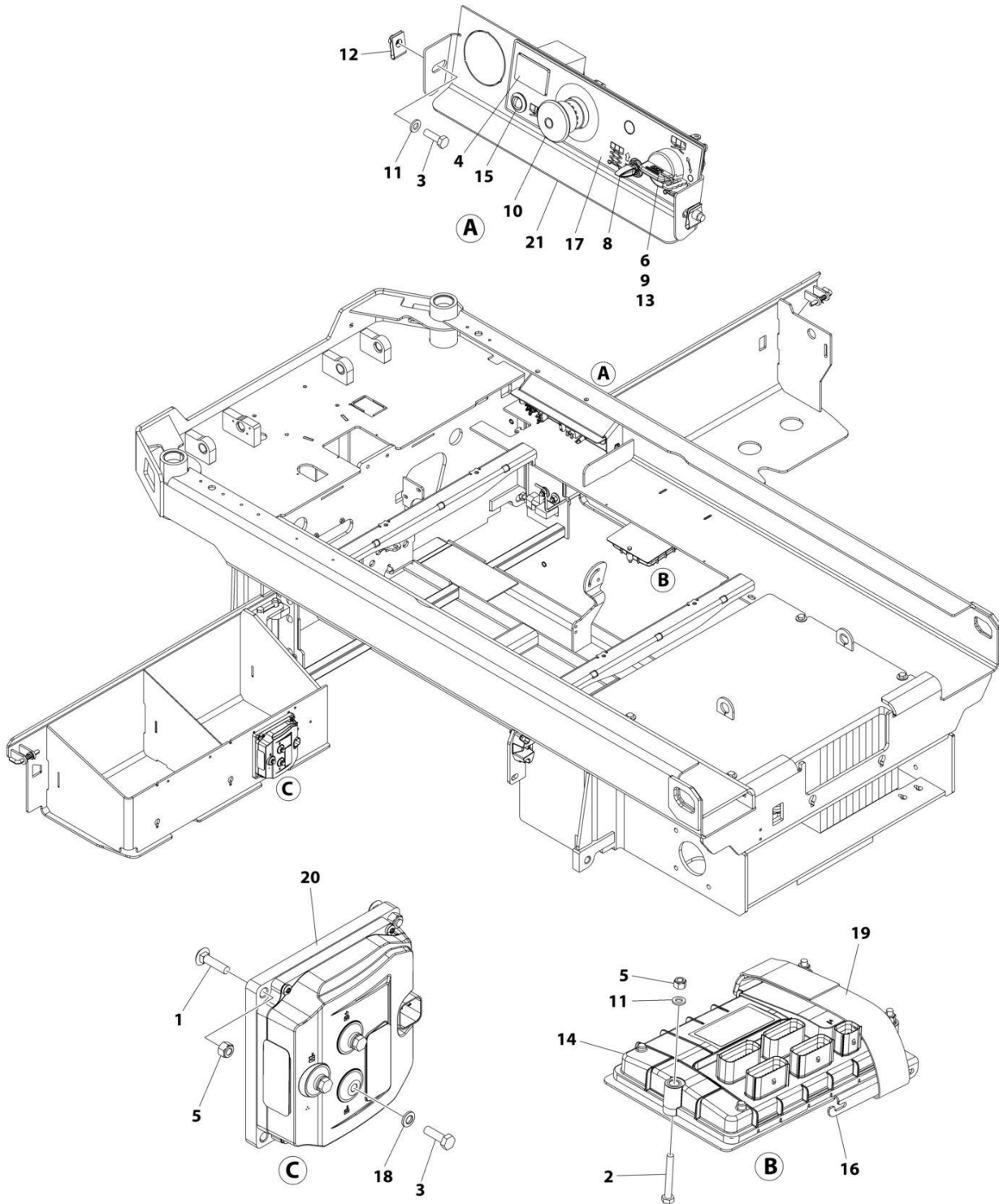
## SECTION 2 - GROUND CONTROLS

**FIGURE 2-5. ELECTRICAL COMPONENTS INSTALLATION (MACHINES WITH SN STARTING WITH B2 & M2)**

ITEM	PART NUMBER	QTY	DESCRIPTION	REV
	1001235008	Ref	ELECTRICAL COMPONENTS INSTALLATION	C
1	0140043	1	Alarm	
2	0630587	4	Bolt M6 x 25	
3	0700412	2	Bolt M4 x 25	
4	0700617	3	Bolt M6 x 45	
5	0760610	5	Bolt M6 x 20	
6	2420172	1	Hourmeter	
7	3290405	2	Nut M4	
8	3290605	7	Nut M6	
9	3740150	1	Relay	
10	3910804	3	Screw #8 x 1/4	
11	4240017	AR	Tie-Strap (Not Shown)	
12	4360328	1	Switch, Toggle	
13	4360469	1	Switch, Key	
13	2860030	1 Set	Key, Replacement	
14	4360475	1	Switch, Emergency Stop (Metal)	
14	7020175	1	Cap	
14	7020176	1	Block, Contact	
14	1001274559	1	Switch, Emergency Stop (Plastic)	
15	4811700	7	Washer M6	
16	1001091102	4	Washer M4	
17	1001130220	2	Nut Tinnerman M6	
18	1001130590	1	Plate	
19	1001200629	1	Module, Control (Note: Recalibration Required when Replaced)	
20	1001200631	1	Light, Indicator (Red)	
21	1001207494	1	Bracket	
22	1001209682	1	Decal - Ground Control	
23	1001210966	3	Washer	
24	1001215762	1	Strap, Clinch	
25	1001216062	1	Module, Power (Note: Recalibration Required when Replaced)	
26	1001234479	1	Chassis Harness (See Separate Breakdown in ELECTRICAL SECTION)	
27	1001235559	1	Support	

# SECTION 2 - GROUND CONTROLS

FIGURE 2-6. ELECTRICAL COMPONENTS INSTALLATION #1 (MACHINES WITH SN STARTING WITH 12)



ART\_1001237887

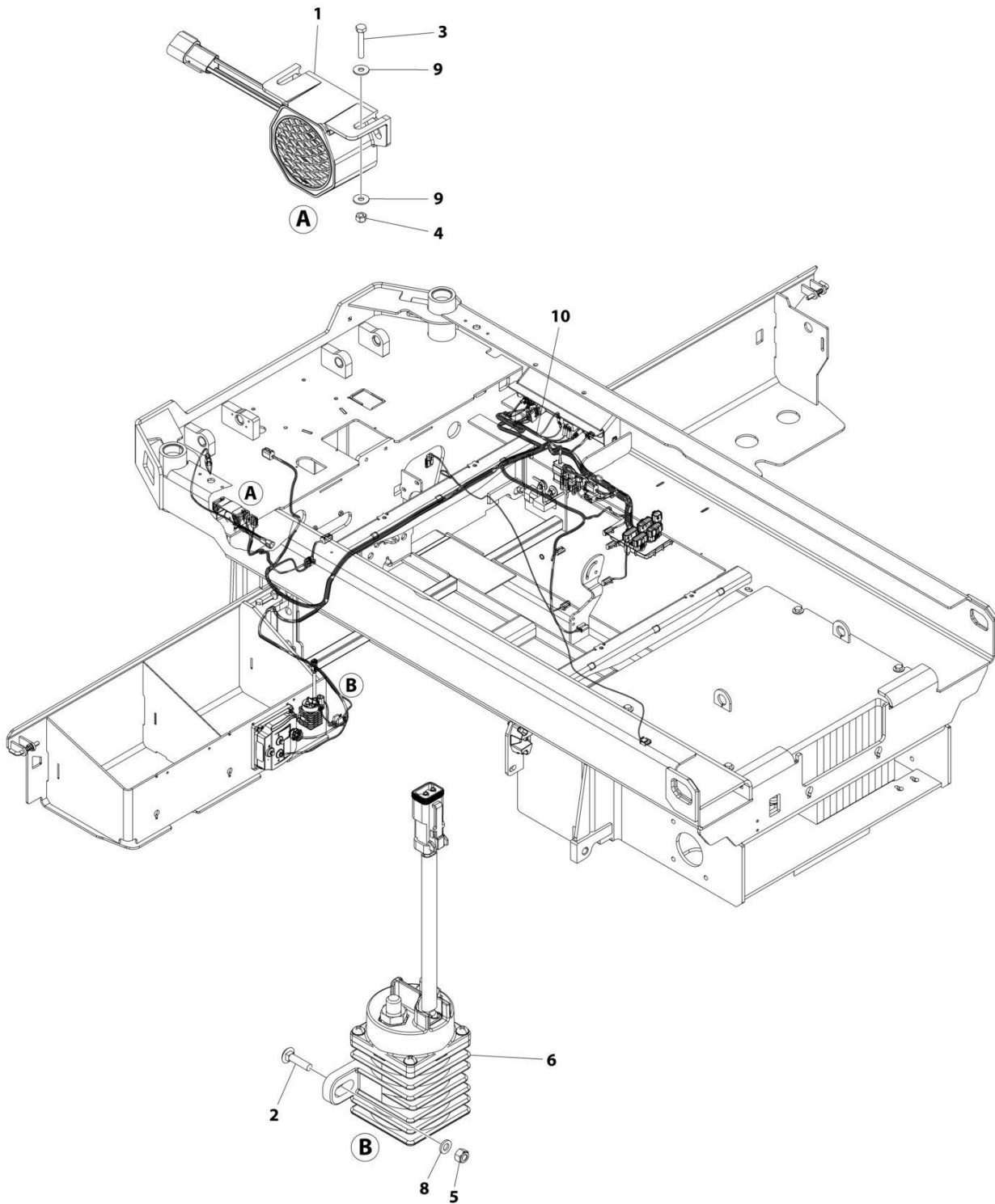
## SECTION 2 - GROUND CONTROLS

**FIGURE 2-6. ELECTRICAL COMPONENTS INSTALLATION #1 (MACHINES WITH SN STARTING WITH 12)**

ITEM	PART NUMBER	QTY	DESCRIPTION	REV
	1001237887	Ref	ELECTRICAL COMPONENTS INSTALLATION	B
1	0630587	2	Bolt M6 x 25	
2	0700617	3	Bolt M6 x 45	
3	0760610	5	Bolt M6 x 20	
4	2420172	1	Hourmeter	
5	3290605	5	Nut M6	
6	3910804	3	Screw #8 x 1/4	
7	4240017	AR	Tie-Strap (Not Shown)	
8	4360328	1	Switch, Toggle	
9	4360469	1	Switch, Key	
9	2860030	1 Set	Key, Replacement	
10	4360475	1	Switch, Emergency Stop (Metal)	
10	7020175	1	Cap	
10	7020176	1	Block, Contact	
10	1001274559	1	Switch, Emergency Stop (Plastic)	
11	4811700	5	Washer M6	
12	1001130220	2	Nut Tinnerman M6	
13	1001130590	1	Plate	
14	1001200629	1	Module, Control (Note: Recalibration Required when Replaced)	
15	1001200631	1	Light, Indicator (Red)	
16	1001207494	1	Bracket	
17	1001209682	1	Decal - Ground Control	
18	1001210966	3	Washer	
19	1001215762	1	Strap, Clinch	
20	1001216062	1	Module, Power (Note: Recalibration Required when Replaced)	
21	1001235559	1	Support	

## SECTION 2 - GROUND CONTROLS

FIGURE 2-7. ELECTRICAL COMPONENTS INSTALLATION #2 (MACHINES WITH SN STARTING WITH 12)



ART\_1001239386

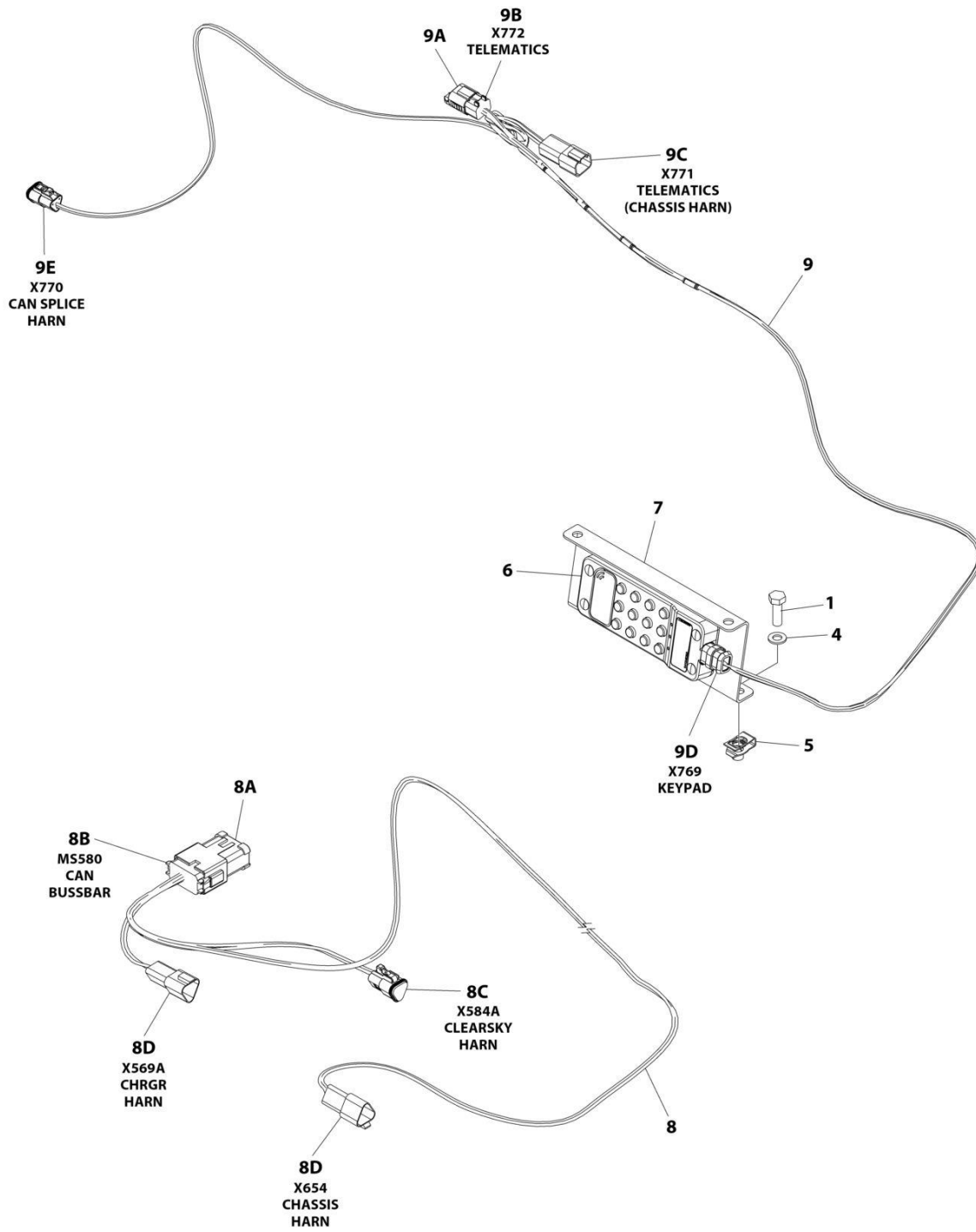
## SECTION 2 - GROUND CONTROLS

**FIGURE 2-7. ELECTRICAL COMPONENTS INSTALLATION #2 (MACHINES WITH SN STARTING WITH 12)**

ITEM	PART NUMBER	QTY	DESCRIPTION	REV
	1001239386	Ref	ELECTRICAL COMPONENTS INSTALLATION	B
1	0140043	1	Alarm	
2	0630587	2	Bolt M6 x 25	
3	0700412	2	Bolt M4 x 25	
4	3290405	2	Nut M4	
5	3290605	2	Nut M6	
6	3740150	1	Relay	
7	4240017	AR	Tie-Strap (Not Shown)	
8	4811700	2	Washer M6	
9	1001091102	4	Washer M4	
10	1001283410	1	Chassis Harness with ClearSky (See Separate Breakdown in ELECTRICAL SECTION)	

# SECTION 2 - GROUND CONTROLS

## FIGURE 2-8. ACCESS CONTROL KEYPAD INSTALLATION



ART\_1001258356



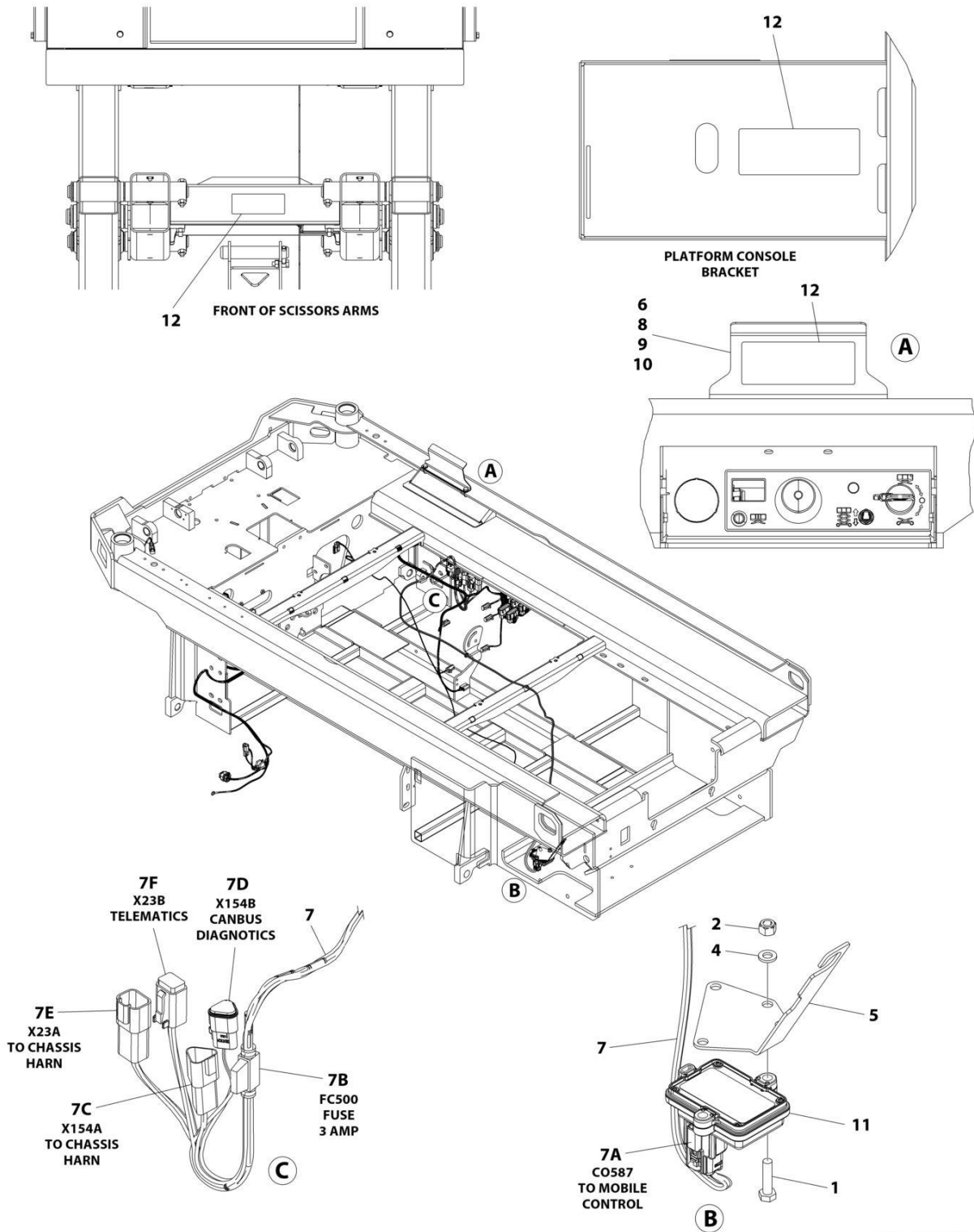
## SECTION 2 - GROUND CONTROLS

**FIGURE 2-8. ACCESS CONTROL KEYPAD INSTALLATION**

ITEM	PART NUMBER	QTY	DESCRIPTION	REV
	1001258356	Ref	ACCESS CONTROL KEYPAD INSTALLATION	A
1	0760812	2	Bolt, M8 x 25	
2	1062255	AR	Tie-Strap (Not Shown)	
3	4240032	AR	Tie-Strap (Not Shown)	
4	4811900	2	Washer M8	
5	1001118274	2	Nut, Tinnerman	
6	1001238392	1	Keypad	
7	1001248773	1	Bracket	
8	1001254027	1	Access Control Keypad Can Splice Harness	
8A	1001125677	AR	Connector, Bus Bar - 12 Position	
8B	4460933	1	Plug, Male - 12 Position	
8B	4460944	6	Socket, Female	
8B	4460466	6	Plug, Terminal	
8C	1001118812	1	Plug, Male - 3 Position	
8C	4460944	2	Socket, Female	
8C	4460466	1	Plug, Terminal	
8D	1001144147	2	Receptacle, Female - 3 Position	
8D	4460943	4	Pin, Male	
8D	4460466	2	Plug, Terminal	
9	1001258691	1	Access Control Keypad Harness	
9A	1001192401	1	Dustcap	
9B	4460884	1	Plug, Male - 4 Position	
9B	4460465	4	Socket, Female	
9C	4460932	1	Receptacle, Female - 4 Position	
9C	4460464	4	Pin, Male	
9D	1001210079	1	Plug, Male - 4 Position	
9D	4460465	2	Socket, Female	
9D	4460944	2	Socket, Female	
9E	1001116812	1	Plug, Male - 3 Position	
9E	4460944	2	Socket, Female	
9E	4460466	1	Plug, Terminal	

# SECTION 2 - GROUND CONTROLS

## FIGURE 2-9. MOBILE CONTROL INSTALLATION



ART\_1001245353

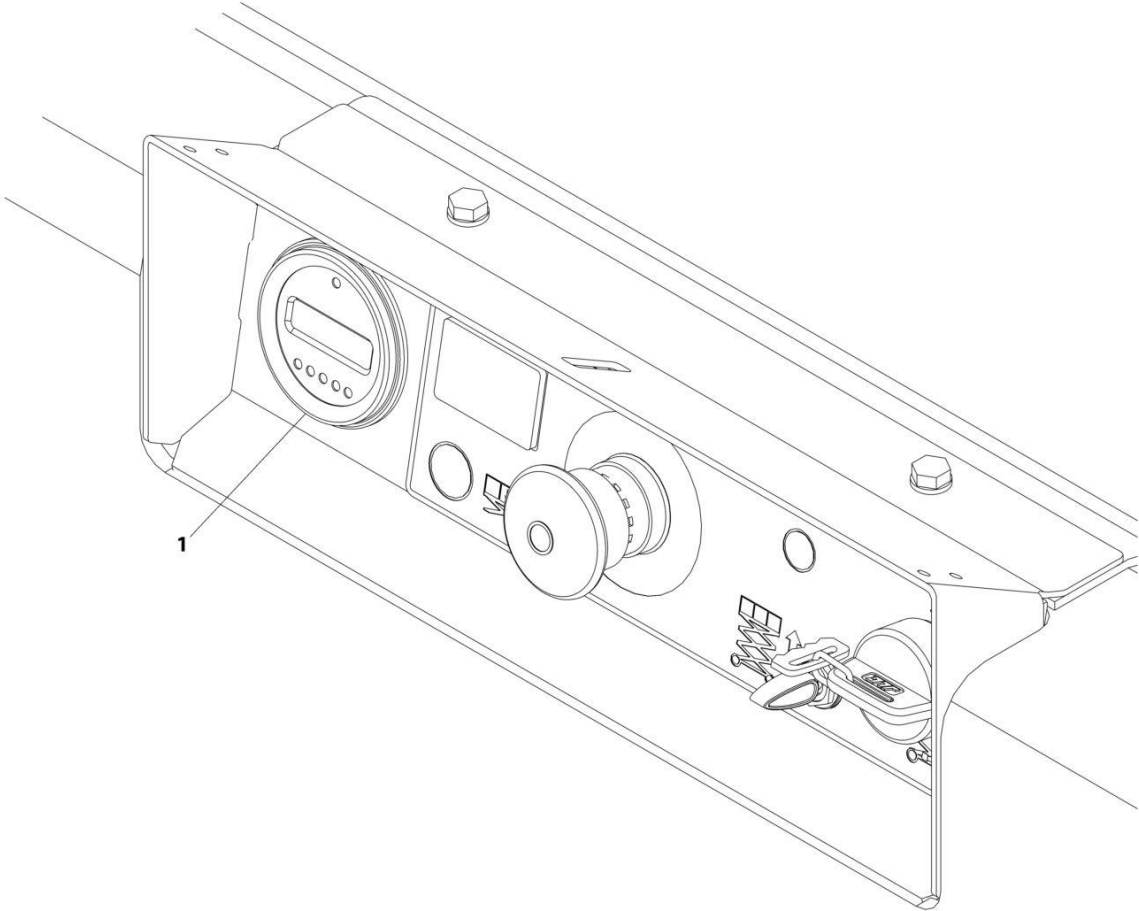
## SECTION 2 - GROUND CONTROLS

**FIGURE 2-9. MOBILE CONTROL INSTALLATION**

ITEM	PART NUMBER	QTY	DESCRIPTION	REV
	1001245353	Ref	MOBILE CONTROL INSTALLATION	C
1	0700612	2	Bolt M6 x 25	
2	3290605	2	Nut M6	
3	4240017	AR	Tie-Strap (Not Shown)	
4	4811700	2	Washer M6	
5	1001244394	1	Bracket, Module	
6	1001244885	1	Plate, Decal	
7	1001245299	1	Mobile Control Harness	
7A	1001205409	1	Connector - 8 Position	
7A	1001162887	4	Terminal	
7A	1001163340	4	Plug, Terminal	
7B	2400060	1	Fuseholder with Cap	
7B	1001196635	1	Fuse 3 Amp	
7C	1001144147	1	Receptacle, Female - 3 Position	
7C	4460943	2	Pin, Male	
7C	4460466	1	Plug, Terminal	
7D	1001116812	1	Plug, Male - 3 Position	
7D	4460944	2	Socket, Female	
7D	4460466	1	Plug, Terminal	
7E	4460932	1	Receptacle, Female - 4 Position	
7E	4460464	4	Pin, Terminal	
7F	4460884	1	Pin, Male	
7F	4460465	4	Socket, Female	
8	0760810	2	Bolt M8 x 20	
9	4811900	2	Washer M8	
10	1001118274	2	Nut Tinnerman M8	
11	1001245293	1	Control, Mobile	
12	1001248768	3	Decal, Mobile Control	
13	3121792	1	Manual, Mobile Control (Not Shown)	

**SECTION 2 - GROUND CONTROLS**

**FIGURE 2-10. MDI INSTALLATION**



ART\_1001207293

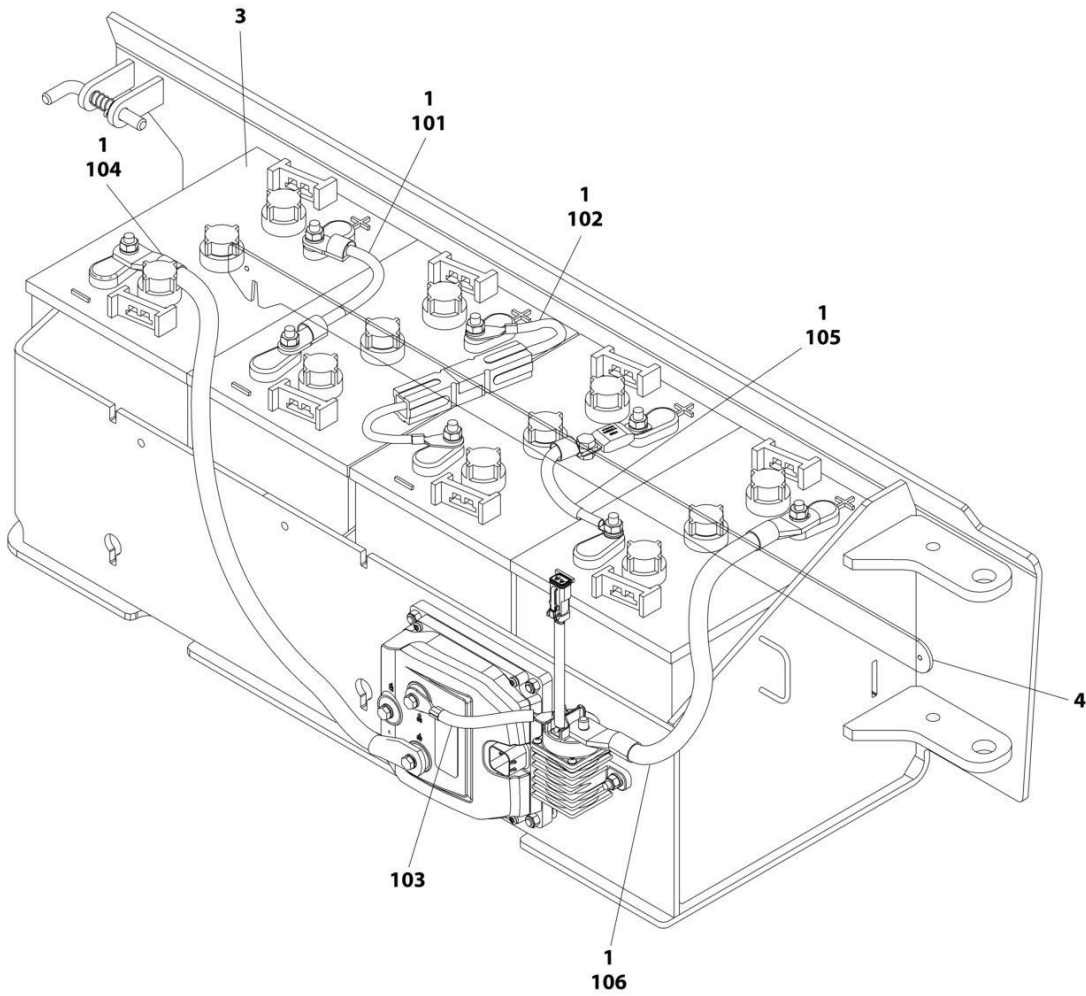
## SECTION 2 - GROUND CONTROLS

FIGURE 2-10. MDI INSTALLATION

ITEM	PART NUMBER	QTY	DESCRIPTION	REV
1	1001207293 1001200632	Ref 1	MDI INSTALLATION Gauge, MDI	B

## SECTION 2 - GROUND CONTROLS

FIGURE 2-11. BATTERIES INSTALLATION - STANDARD 6V-220AH



ART\_1001236632

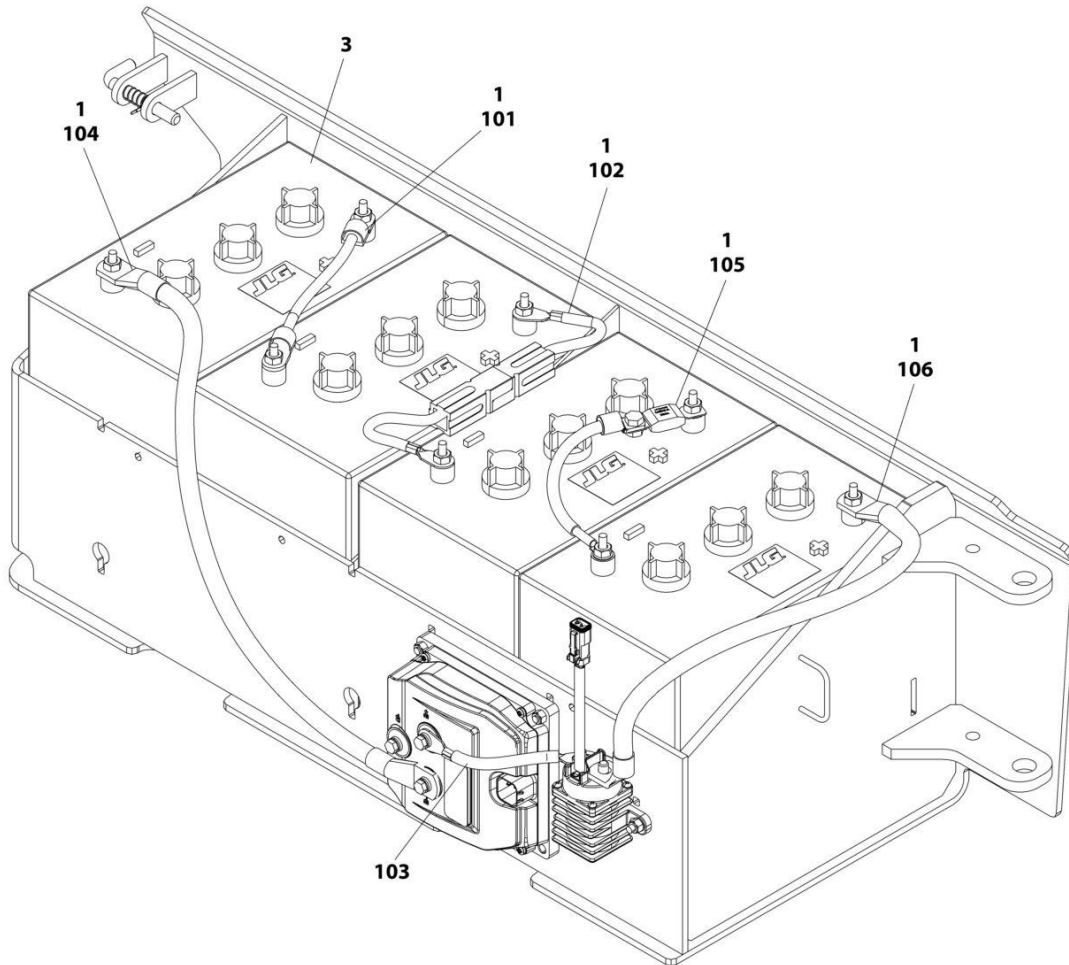
## SECTION 2 - GROUND CONTROLS

**FIGURE 2-11. BATTERIES INSTALLATION - STANDARD 6V-220AH**

ITEM	PART NUMBER	QTY	DESCRIPTION	REV
	1001236632	Ref	BATTERIES INSTALLATION	B
1	0100051	AR	Grease, Terminal	
2	4240017	AR	Tie-Strap (Not Shown)	
3	1001216180	4	Battery	
4	1001239269	1	Bar	
100	1001228123	1	Battery Cable Kit (Not Shown)	
101	1060998	1	Cable, Positive to Negative	
102	4923328	1	Cable, Positive to Negative	
103	1001201708	1	Cable, Contactor to Pump Control B+	
104	1001201711	1	Cable, Battery Negative to Pump Control B-	
105	1001210401	1	Cable, Battery Fuse	
106	1001229110	1	Cable, Battery Positive to Contactor	

## SECTION 2 - GROUND CONTROLS

FIGURE 2-12. BATTERIES INSTALLATION - STANDARD 6V-250AH



ART\_1001235834



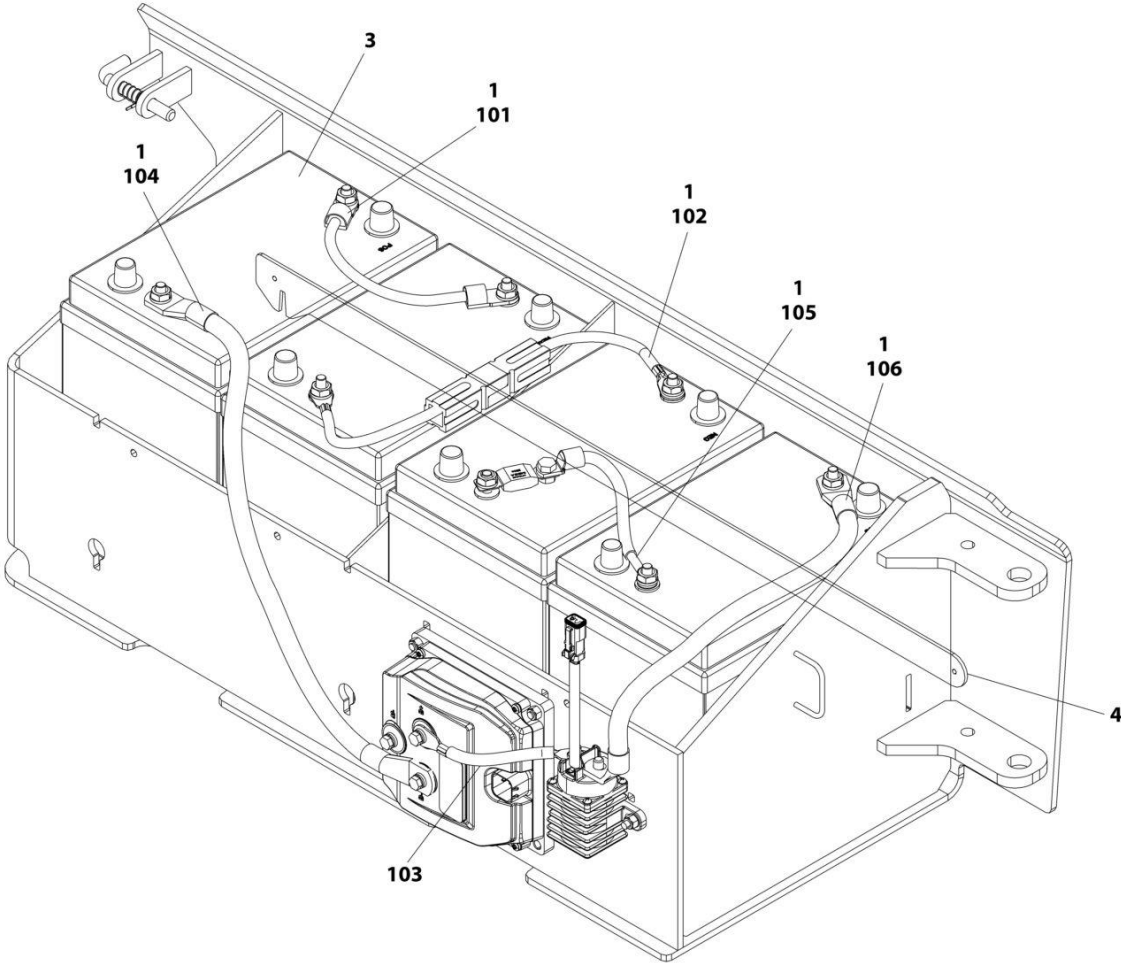
## SECTION 2 - GROUND CONTROLS

**FIGURE 2-12. BATTERIES INSTALLATION - STANDARD 6V-250AH**

ITEM	PART NUMBER	QTY	DESCRIPTION	REV
	1001235834	Ref	BATTERIES INSTALLATION	A
1	0100051	AR	Grease, Terminal	
2	4240017	AR	Tie-Strap (Not Shown)	
3	1001235106	4	Battery	
100	1001228123	1	Battery Cable Kit (Not Shown)	
101	1060998	1	Cable, Positive to Negative	
102	4923328	1	Cable, Positive to Negative	
103	1001201708	1	Cable, Contactor to Pump Control B+	
104	1001201711	1	Cable, Battery Negative to Pump Control B-	
105	1001210401	1	Cable, Battery Fuse	
106	1001229110	1	Cable, Battery Positive to Contactor	

# SECTION 2 - GROUND CONTROLS

FIGURE 2-13. BATTERIES INSTALLATION - AGM 6V-220AH



ART\_1001237989

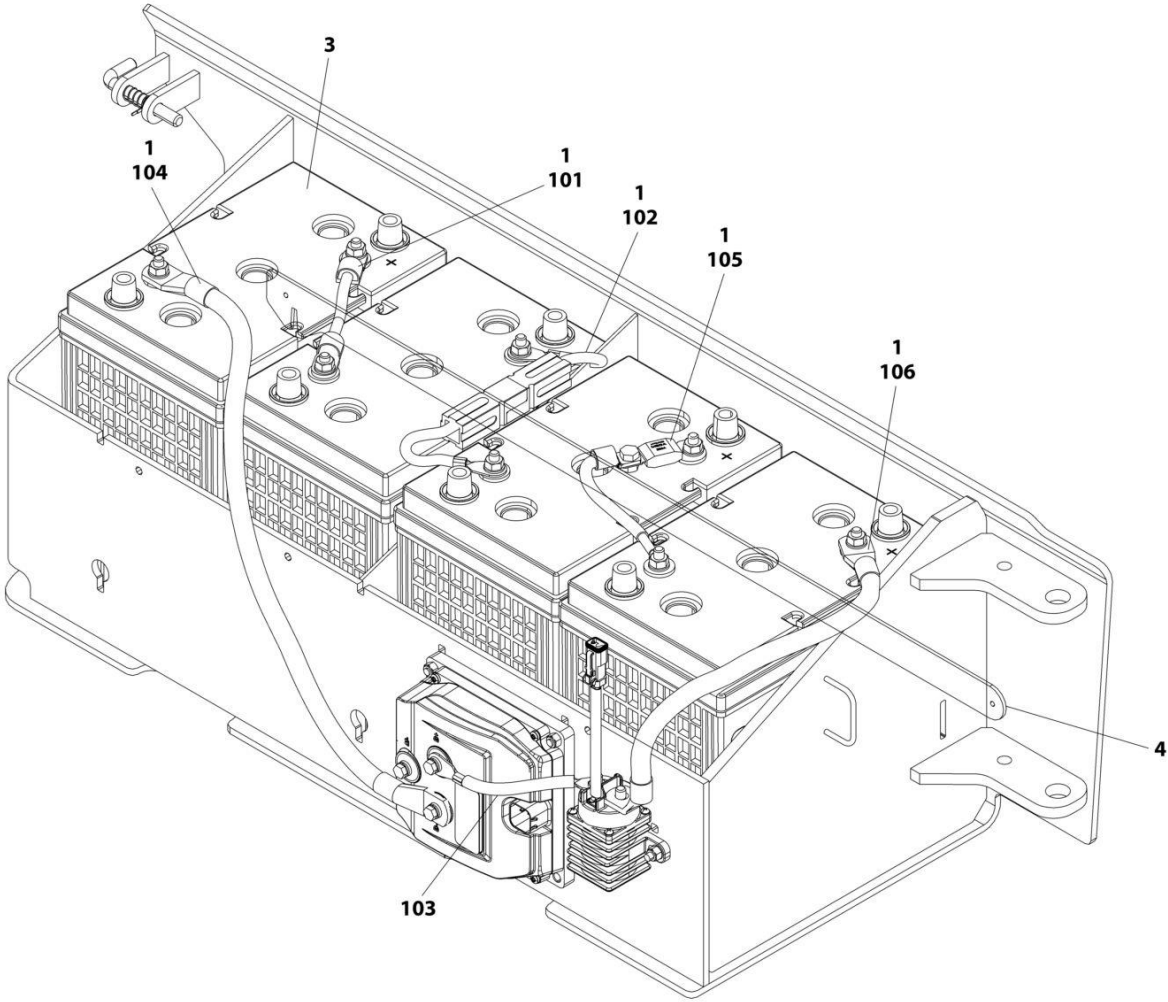
## SECTION 2 - GROUND CONTROLS

**FIGURE 2-13. BATTERIES INSTALLATION - AGM 6V-220AH**

ITEM	PART NUMBER	QTY	DESCRIPTION	REV
	1001237989	Ref	BATTERIES INSTALLATION	B
1	0100051	AR	Grease, Terminal	
2	4240017	AR	Tie-Strap (Not Shown)	
3	1001112112	4	Battery	
4	1001239269	1	Bar	
100	1001228123	1	Battery Cable Kit (Not Shown)	
101	1060998	1	Cable, Positive to Negative	
102	4923328	1	Cable, Positive to Negative	
103	1001201708	1	Cable, Contactor to Pump Control B+	
104	1001201711	1	Cable, Battery Negative to Pump Control B-	
105	1001210401	1	Cable, Battery Fuse	
106	1001229110	1	Cable, Battery Positive to Contactor	

# SECTION 2 - GROUND CONTROLS

FIGURE 2-14. BATTERIES INSTALLATION - AGM EVCG 6V-220AH



ART\_1001237991

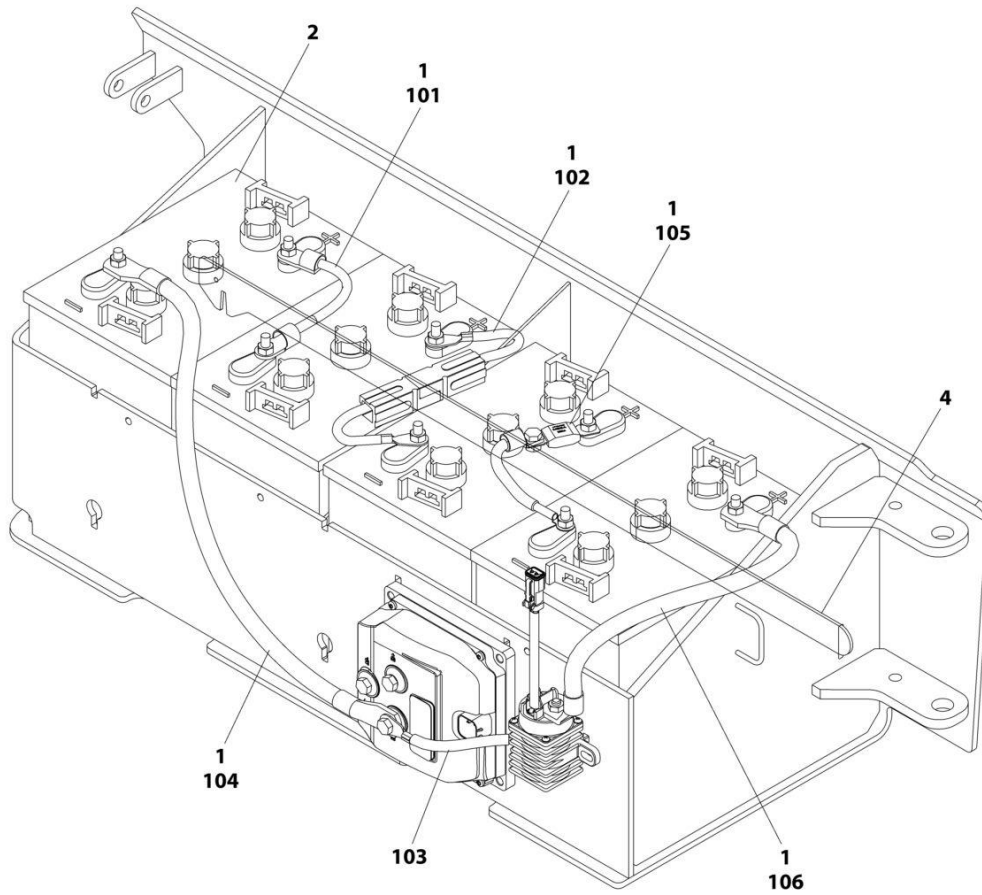
## SECTION 2 - GROUND CONTROLS

**FIGURE 2-14. BATTERIES INSTALLATION - AGM EVCG 6V-220AH**

ITEM	PART NUMBER	QTY	DESCRIPTION	REV
	1001237991	Ref	BATTERIES INSTALLATION	B
1	0100051	AR	Grease, Terminal	
2	4240017	AR	Tie-Strap (Not Shown)	
3	1001214347	4	Battery	
4	1001239269	1	Bar	
100	1001228123	1	Battery Cable Kit (Not Shown)	
101	1060998	1	Cable, Positive to Negative	
102	4923328	1	Cable, Positive to Negative	
103	1001201708	1	Cable, Contactor to Pump Control B+	
104	1001201711	1	Cable, Battery Negative to Pump Control B-	
105	1001210401	1	Cable, Battery Fuse	
106	1001229110	1	Cable, Battery Positive to Contactor	

## SECTION 2 - GROUND CONTROLS

FIGURE 2-15. BATTERIES INSTALLATION - 6V-220AH (TROJAN)



ART\_1001249054

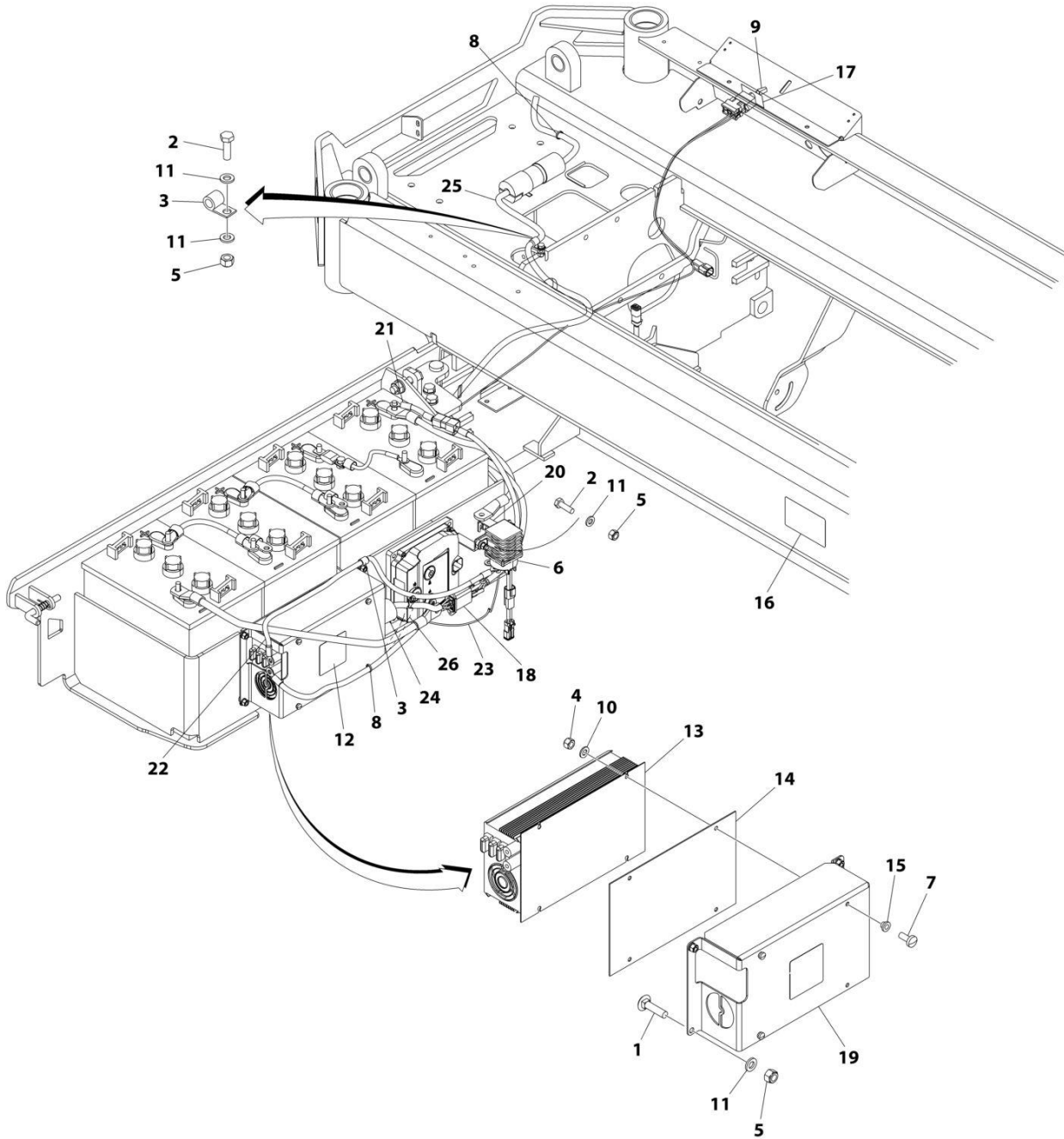
## SECTION 2 - GROUND CONTROLS

**FIGURE 2-15. BATTERIES INSTALLATION - 6V-220AH (TROJAN)**

ITEM	PART NUMBER	QTY	DESCRIPTION	REV
	1001249054	Ref	BATTERIES INSTALLATION	B
1	0100051	AR	Grease, Terminal	
2	1001258498	4	Battery	
3	4240017	AR	Tie-Strap (Not Shown)	
4	1001239269	1	Bar	
100	1001228123	1	Battery Cable Kit (Not Shown)	
101	1060998	1	Cable, Positive to Negative	
102	4923328	1	Cable, Positive to Negative	
103	1001201708	1	Cable, Contactor to Pump Control B+	
104	1001201711	1	Cable, Battery Negative to Pump Control B-	
105	1001210401	1	Cable, Battery Fuse	
106	1001229110	1	Cable, Battery Positive to Contactor	

## SECTION 2 - GROUND CONTROLS

FIGURE 2-16. INVERTER INSTALLATION (R1932I & R1932)



ART\_1001209920



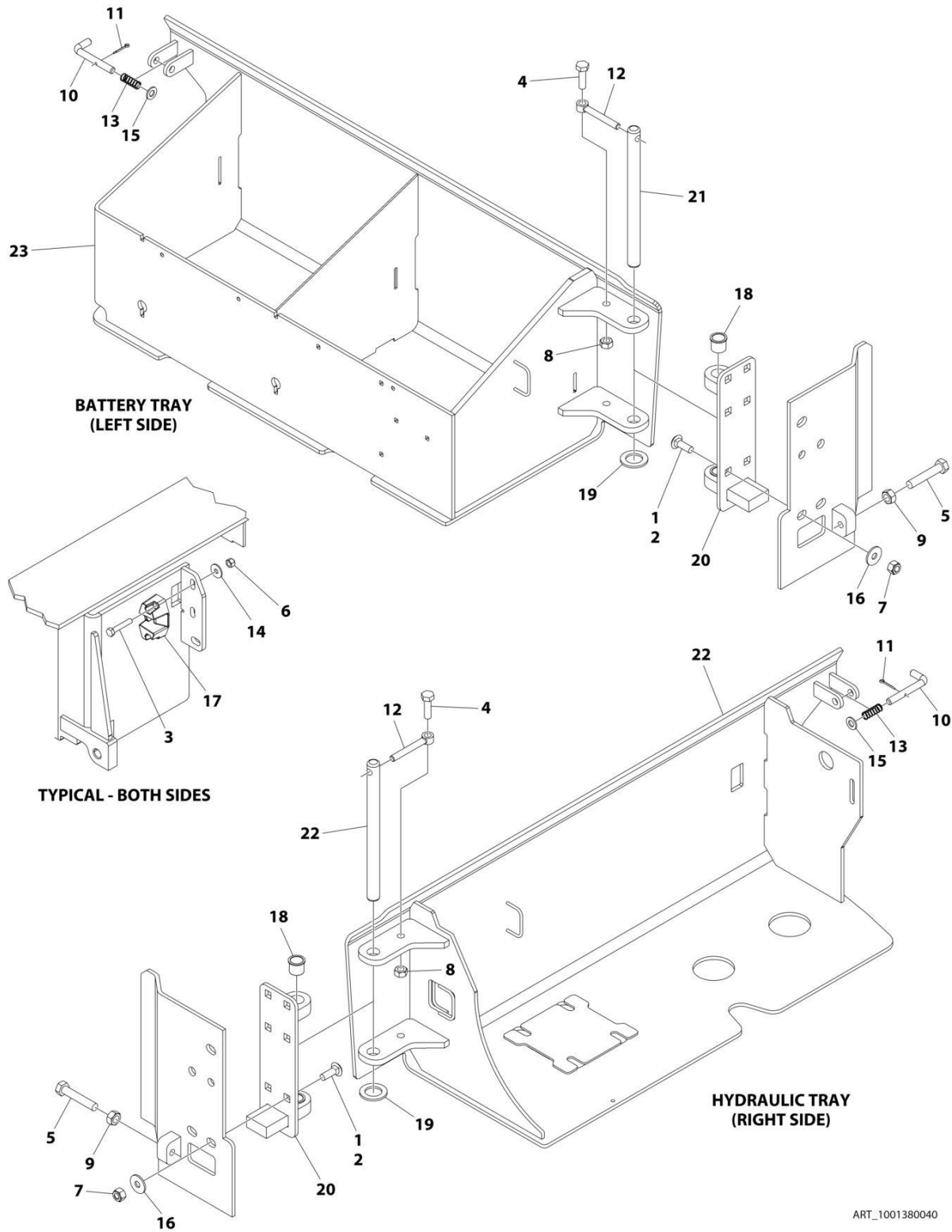
## SECTION 2 - GROUND CONTROLS

**FIGURE 2-16. INVERTER INSTALLATION (R1932I & R1932)**

ITEM	PART NUMBER	QTY	DESCRIPTION	REV
	1001209920	Ref	INVERTER INSTALLATION (OPTIONAL)	B
1	0630587	4	Bolt M6 x 25	
2	0760610	3	Bolt M6 x 20	
3	1321293	2	Clamp	
4	3290405	3	Nut M4	
5	3290605	7	Nut M6	
6	3740150	1	Relay	
7	1001101540	3	Screw M4 x 14	
8	4240017	AR	Tie-Strap	
9	4360336	1	Switch, Toggle	
10	4811400	3	Washer M4	
11	4811700	8	Washer M6	
12	1001125483	1	Decal - Pressure Wash	
13	1001136757	1	Inverter	
14	1001142173	1	Insulate	
15	1001142174	3	Washer 1/8	
16	1001143009	1	Decal - Inverter	
17	1001143010	1	Decal - On/Off Inverter	
18	1001157547	1	Filter, AC	
19	1001210440	1	Support	
20	1001210605	1	Support	
21	1001210878	1	Cable, Battery + to Inverter Contactor	
22	1001210879	1	Cable, Inverter Contactor to Inverter +	
23	1001210880	1	Inverter Harness	
23	4460897	2	Receptacle, Female - 2 Position	
23	4460464	4	Pin, Male	
23	4460418	1	Plug, Male - 6 Position	
23	4460419	2	Terminal	
24	1001210881	1	Cable, Inverter to AC Filter	
25	1001210882	1	Cable, AC Filter to AC Plug	
26	1001210967	1	Cable, Pump Control B- to Inverter	

# SECTION 2 - GROUND CONTROLS

## FIGURE 2-17. DOORS INSTALLATION



ART\_1001380040

## SECTION 2 - GROUND CONTROLS

### FIGURE 2-17. DOORS INSTALLATION

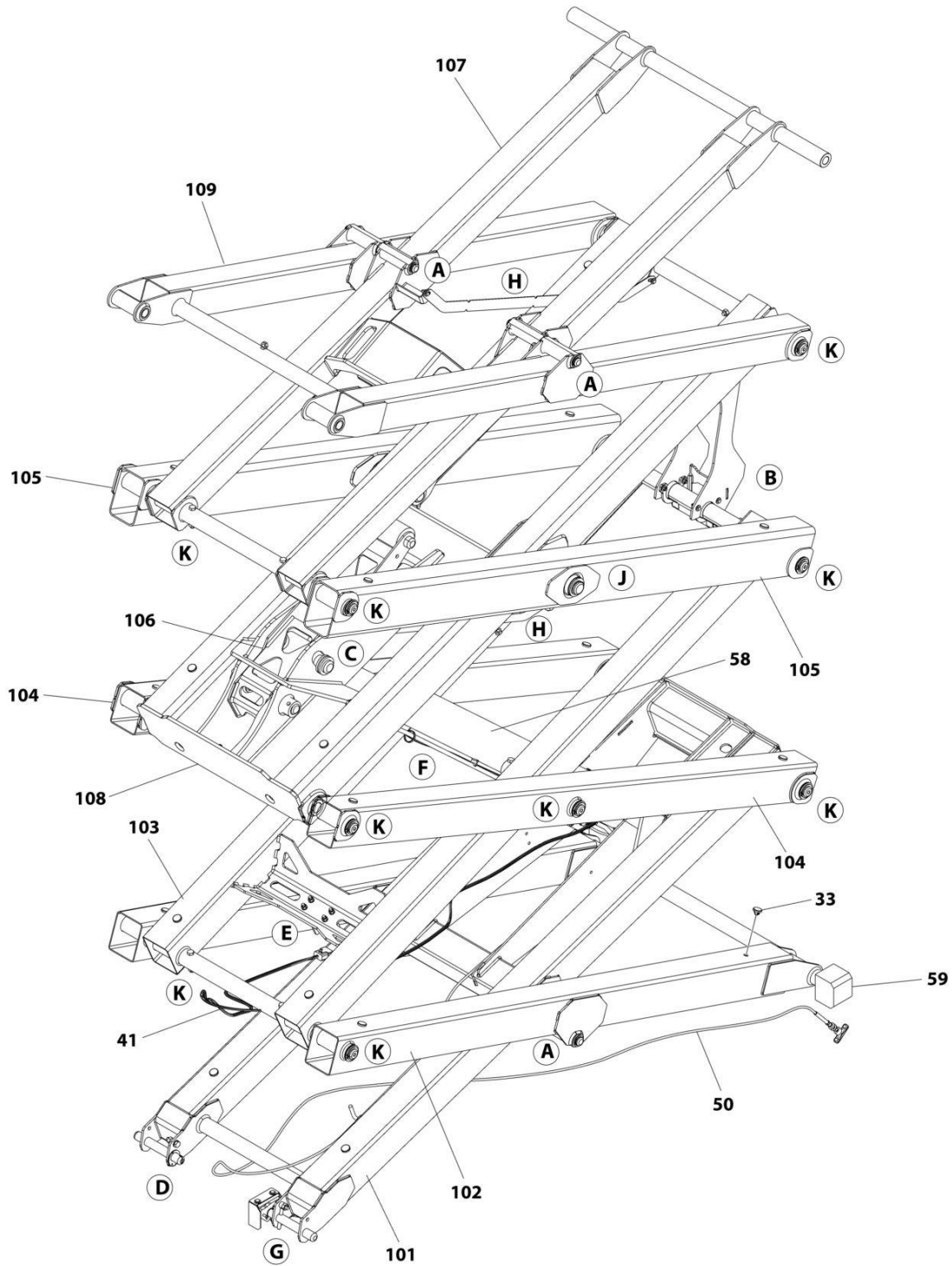
ITEM	PART NUMBER	QTY	DESCRIPTION	REV
	1001380040	Ref	DOORS INSTALLATION	B
1	0100011	AR	Compound, Locking	
2	0630613	10	Bolt M10 x 30	
3	0700817	4	Bolt M8 x 45	
4	0701015	2	Bolt M10 x 35	
5	0761221	2	Bolt M12 x 65	
6	3290805	4	Nut M8	
7	3291005	10	Nut M10	
8	3291007	2	Nut M10	
9	3291201	2	Nut M12	
10	3423243	2	Pin	
11	3450303	2	Pin, Cotter 3/32 x 3/4	
12	3841143	2	Keeper, Pin	
13	4160214	2	Spring	
14	4811902	4	Washer M8	
15	4812000	AR	Washer M10	
16	4812002	10	Washer M10	
17	1001214810	2	Support	
18	1001218573	4	Bearing	
19	1001229792	2	Washer	
20	1001234858	2	Hinge	
21	1001234862	2	Pin	
22	1001380041	1	Tray, Hydraulic	
23	1001380042	1	Tray, Battery	



**SECTION 3 - SCISSORS ARMS**

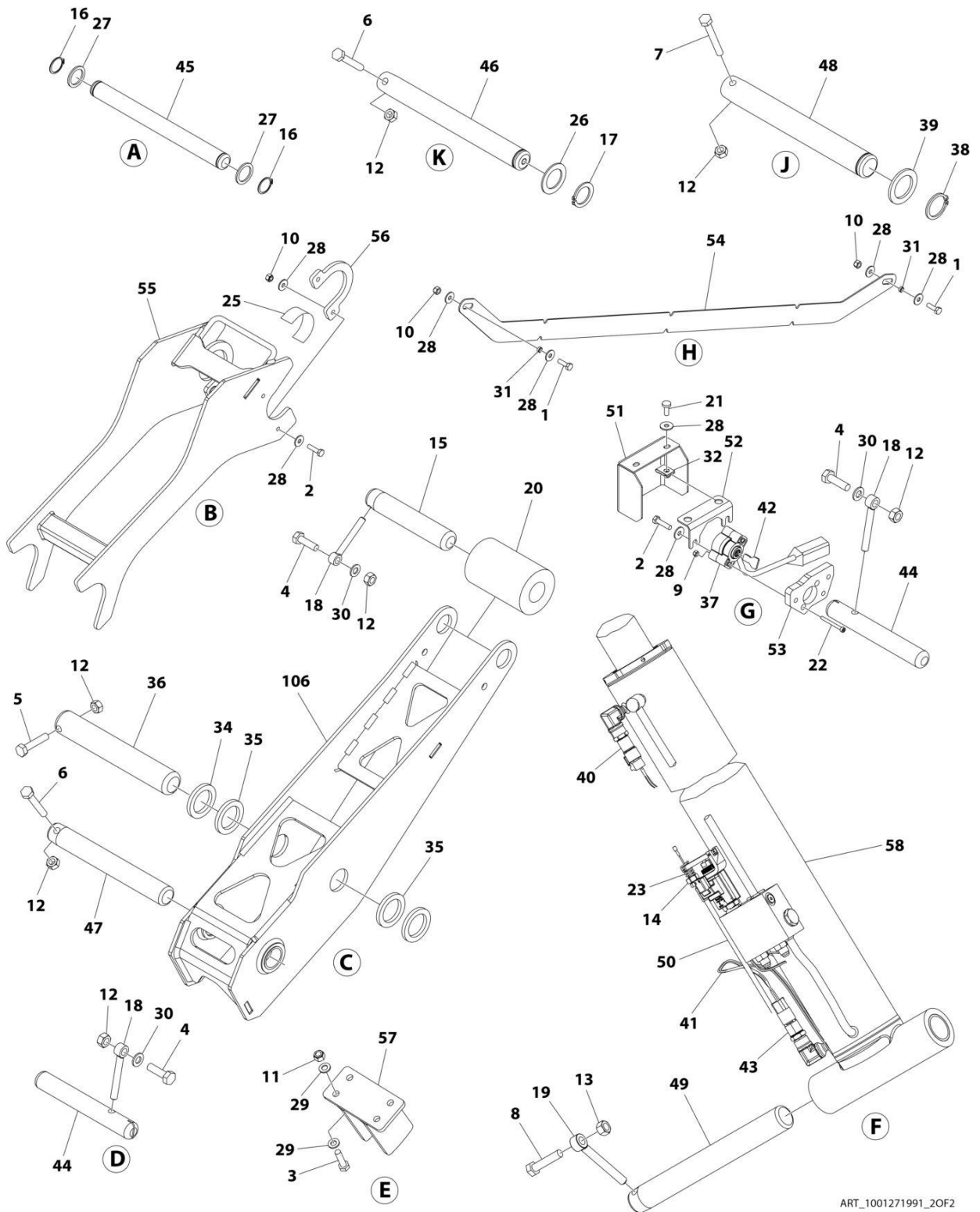
# SECTION 3 - SCISSORS ARMS

FIGURE 3-1. ARMS INSTALLATION (KOREAN,CHINA, AUSTRALIAN, CE & UK CA SPECS)



ART\_1001271991\_10F2

# SECTION 3 - SCISSORS ARMS



ART\_1001271991\_2OF2

## SECTION 3 - SCISSORS ARMS

FIGURE 3-1. ARMS INSTALLATION (KOREAN,CHINA, AUSTRALIAN, CE & UK CA SPECS)

ITEM	PART NUMBER	QTY	DESCRIPTION	REV
	1001271991	Ref	SCISSORS ARMS INSTALLATION	B
1	0700610	4	Bolt M6 x 20	
2	0700612	7	Bolt M6 x 25	
3	0700814	4	Bolt M8 x 30	
4	0701015	3	Bolt M10 x 35	
5	0701018	1	Bolt M10 x 50	
6	0701021	15	Bolt M10 x 65	
7	0701024	2	Bolt M10 x 80	
8	0701219	1	Bolt M12 x 55	
9	3290405	2	Nut M4	
10	3290605	8	Nut M6	
11	3290805	4	Nut M8	
12	3291007	21	Nut M10	
13	3291207	1	Nut M12	
14	3321402	1	Nut 1/4	
15	3422998	1	Pin	
16	3760115	8	Ring, Retaining	
17	3760387	14	Ring, Retaining	
18	3841143	3	Keeper, Pin	
19	3841203	1	Keeper, Pin	
20	3860104	1	Roller	
21	4010608	2	Screw M6 x 16	
22	4031512	2	Capscrew M4 x 40	
23	4160078	1	Spring	
24	4240017	AR	Tie-Strap (Not Shown)	
25	4420062	15 in/ 37cm	Tape	
26	4740438	14	Washer	
27	4740531	8	Washer	
28	4811702	21	Washer M6	
29	4811900	8	Washer M8	
30	4812000	3	Washer M10	
31	1001128888	4	Washer	
32	1001130220	2	Nut Tinnerman M6	
33	1001137675	24	Bumper	
34	1001139000	1	Plate	
35	1001139002	2	Pad	
36	1001139003	1	Pin	
37	1001146963	1	Sensor, Angle	
38	1001214689	2	Ring, Retaining	
39	1001217457	2	Washer	
40	1001225164	1	Sensor, Pressure Transducer	
41	1001233795	1	Lift Down Harness (See Separate Breakdown in ELECTRICAL Section)	
42	1001234204	1	Key (Aluminun)	
43	1001235104	1	Sensor, Pressure Transducer	
44	1001236165	2	Pin	
45	1001236167	4	Pin	
46	1001236169	14	Pin	
47	1001236170	1	Pin	

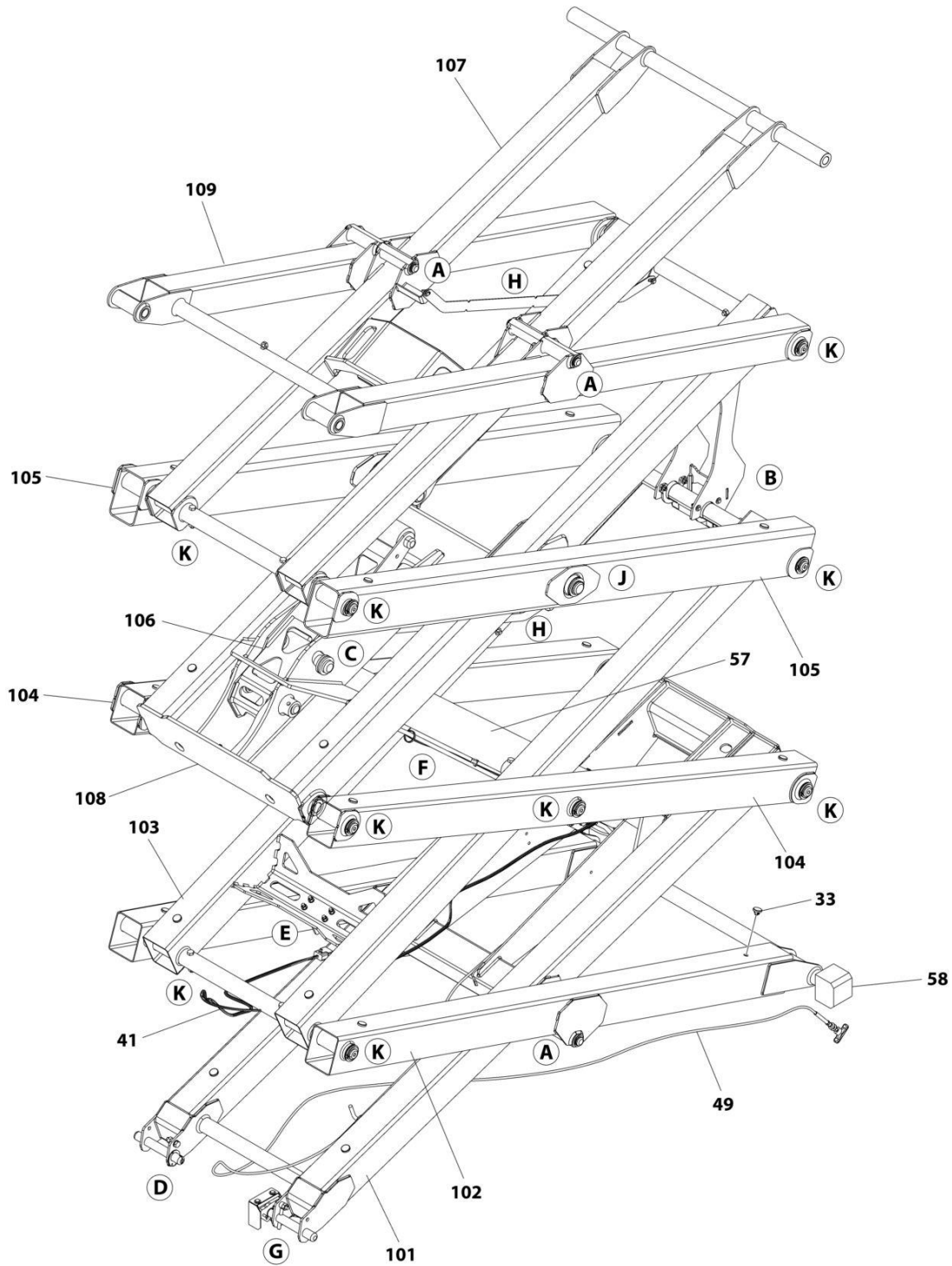


## SECTION 3 - SCISSORS ARMS

ITEM	PART NUMBER	QTY	DESCRIPTION	REV
48	1001236171	2	Pin	
49	1001236172	1	Pin	
50	1001236269	1	Cable, Manual Descent	
51	1001236486	1	Cover	
52	1001236487	1	Plate	
53	1001236488	1	Plate	
54	1001237824	2	Plate	
55	1001238684	1	Arm, Prop	
56	1001239479	2	Plate	
57	1001243348	1	Adapter	
58	1001244417	1	Lift Cylinder Assembly (See Separate Breakdown in CYLINDER Section)	
59	1001247707	2	Block, Side	
100	1001271866	1	Arm Kit	
101	1001241662	1	Arm - Inner 1	
101	0440264	4	Bushing	
102	1001241663	1	Arm - Outer 1	
102	0440264	2	Bushing (Center)	
102	0440265	2	Bushing (End)	
103	1001241664	1	Arm - Inner 2	
104	1001241665	2	Arm - Outer 2	
104	0440265	12	Bushing (6 per Arm)	
105	1001241667	2	Arm - Outer 3 and Outer 4	
105	0440265	8	Bushing (End) (4 per Arm)	
105	0962272	4	Bushing (Center) (2 per Arm)	
106	1001241671	1	Kicker	
106	0440265	2	Bushing	
107	1001271651	1	Arm - Inboard Assembly	
107	0440264	2	Bushing (Center)	
108	1001271839	1	Arm - Inboard 3 Assembly	
108	0440264	4	Bushing (Center & Connected End)	
108	0440265	2	Bushing (Independent End)	
109	1001272456	1	Arm - Outboard Assembly	

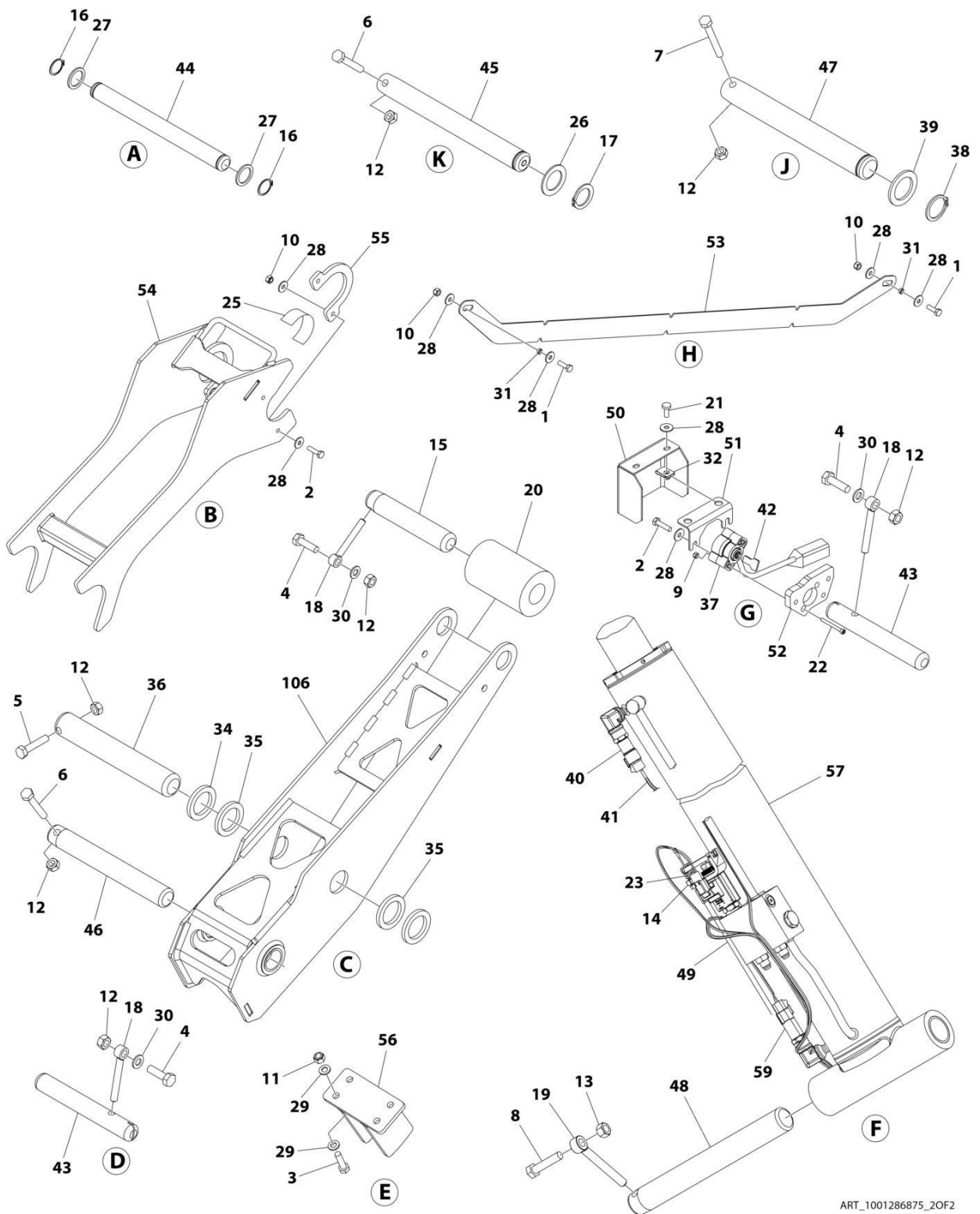
# SECTION 3 - SCISSORS ARMS

FIGURE 3-2. ARMS INSTALLATION (ANSI, ANSI EXPORT, JAPANESE & CSA SPECS)



ART\_1001286875\_10F2

# SECTION 3 - SCISSORS ARMS



ART\_1001286875\_2OF2

## SECTION 3 - SCISSORS ARMS

FIGURE 3-2. ARMS INSTALLATION (ANSI, ANSI EXPORT, JAPANESE & CSA SPECS)

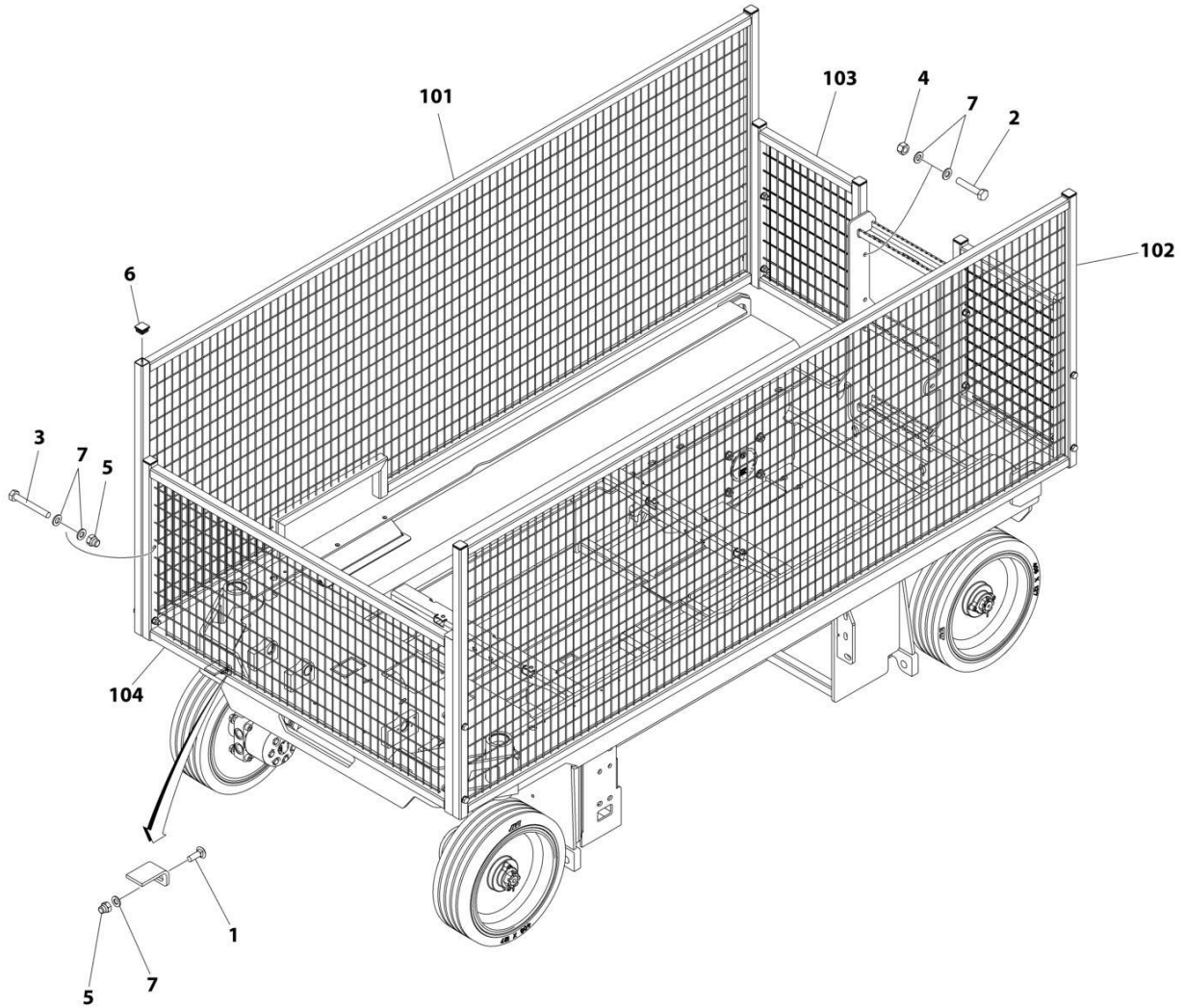
ITEM	PART NUMBER	QTY	DESCRIPTION	REV
	1001286875	Ref	SCISSORS ARMS INSTALLATION	A
1	0700610	4	Bolt M6 x 20	
2	0700612	7	Bolt M6 x 25	
3	0700814	4	Bolt M8 x 30	
4	0701015	3	Bolt M10 x 35	
5	0701018	1	Bolt M10 x 50	
6	0701021	15	Bolt M10 x 65	
7	0701024	2	Bolt M10 x 80	
8	0701219	1	Bolt M12 x 55	
9	3290405	2	Nut M4	
10	3290605	8	Nut M6	
11	3290805	4	Nut M8	
12	3291007	21	Nut M10	
13	3291207	1	Nut M12	
14	3321402	1	Nut 1/4	
15	3422998	1	Pin	
16	3760115	8	Ring, Retaining	
17	3760387	14	Ring, Retaining	
18	3841143	3	Keeper, Pin	
19	3841203	1	Keeper, Pin	
20	3860104	1	Roller	
21	4010608	2	Screw M6 x 16	
22	4031512	2	Capscrew M4 x 40	
23	4160078	1	Spring	
24	4240017	AR	Tie-Strap (Not Shown)	
25	4420062	15 in/ 37cm	Tape	
26	4740438	14	Washer	
27	4740531	8	Washer	
28	4811702	21	Washer M6	
29	4811900	8	Washer M8	
30	4812000	3	Washer M10	
31	1001128888	4	Washer	
32	1001130220	2	Nut Tinnerman M6	
33	1001137675	24	Bumper	
34	1001139000	1	Plate	
35	1001139002	2	Pad	
36	1001139003	1	Pin	
37	1001146963	1	Sensor, Angle	
38	1001214689	2	Ring, Retaining	
39	1001217457	2	Washer	
40	1001225164	1	Sensor, Pressure Transducer	
41	1001233795	1	Lift Down Harness (See Separate Breakdown in ELECTRICAL Section)	
42	1001234204	1	Key (Aluminun)	
43	1001236165	2	Pin	
44	1001236167	4	Pin	
45	1001236169	14	Pin	
46	1001236170	1	Pin	
47	1001236171	2	Pin	

## SECTION 3 - SCISSORS ARMS

ITEM	PART NUMBER	QTY	DESCRIPTION	REV
48	1001236172	1	Pin	
49	1001236269	1	Cable, Manual Descent	
50	1001236486	1	Cover	
51	1001236487	1	Plate	
52	1001236488	1	Plate	
53	1001237824	2	Plate	
54	1001238684	1	Arm, Prop	
55	1001239479	2	Plate	
56	1001243348	1	Adapter	
57	1001244417	1	Lift Cylinder Assembly (See Separate Breakdown in CYLINDER Section)	
58	1001247707	2	Block, Side	
59	1001285320	1	Sensor, Pressure Transducer	
60	1001285829	1	Harness, Jumper to Lift Down (Not Shown) (See Separate Breakdown in ELECTRICAL Section)	
100	1001271866	1	Arm Kit	
101	1001241662	1	Arm - Inner 1	
101	0440264	4	Bushing	
102	1001241663	1	Arm - Outer 1	
102	0440264	4	Bushing (Center)	
102	0440265	4	Bushing (End)	
103	1001241664	1	Arm - Inner 2	
104	1001241665	2	Arm - Outer 2	
104	0440265	6	Bushing (6 per Arm)	
105	1001241667	2	Arm - Outer 3 and Outer 4	
105	0440265	4	Bushing (End) (4 per Arm)	
105	0962272	2	Bushing (Center) (2 per Arm)	
106	1001241671	1	Kicker	
106	0440265	2	Bushing	
107	1001271651	1	Arm - Inboard Assembly	
107	0440264	4	Bushing (Center)	
108	1001271839	1	Arm - Inboard 3 Assembly	
109	1001272456	1	Arm - Outboard Assembly	
109	0440264	8	Bushing (Center & Connected End)	
109	0440265	4	Bushing (Independent End)	

# SECTION 3 - SCISSORS ARMS

## FIGURE 3-3. ARM GUARDS INSTALLATION



ART\_1001380024

## SECTION 3 - SCISSORS ARMS

**FIGURE 3-3. ARM GUARDS INSTALLATION**

ITEM	PART NUMBER	QTY	DESCRIPTION	REV
	1001380024	Ref	ARM GUARD INSTALLATION	A
1	0630613	2	Bolt M10 x 30	
2	0701019	4	Bolt M10 x 55	
3	0701024	8	Bolt M10 x 80	
4	3291005	4	Nut M10	
5	3291006	10	Nut M10	
6	3520072	10	Plug	
7	4812000	26	Washer M10	
100	1001239943	1	Arm Guard Kit (Not Shown)	
101	1001239892	1	Guard, Arm (RH)	
102	1001239894	1	Guard, Arm (LH)	
103	1001239899	2	Guard, Arm (Rear)	
104	1001239904	1	Guard, Arm (Front)	

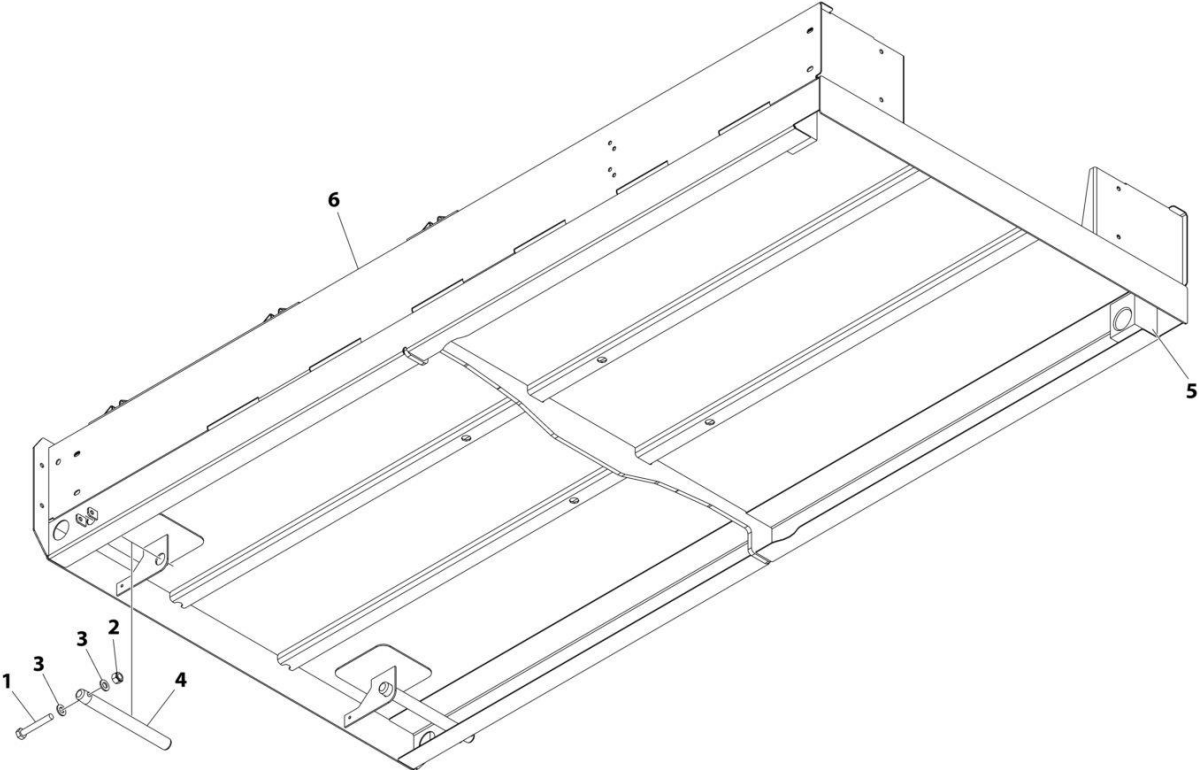




**SECTION 4 - PLATFORM**

**SECTION 4 - PLATFORM**

**FIGURE 4-1. PLATFORM INSTALLATION**



ART\_1001271886

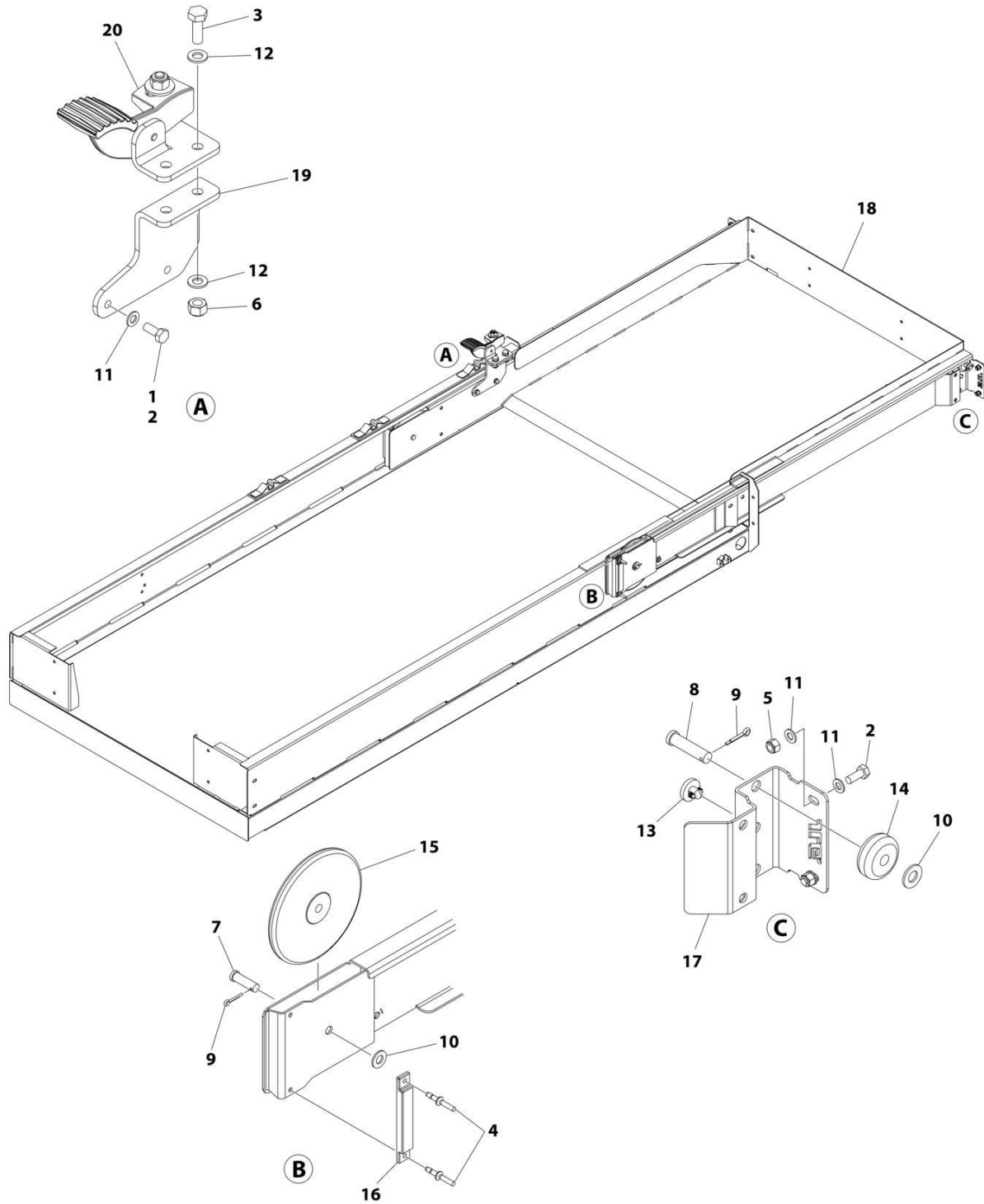
## SECTION 4 - PLATFORM

### FIGURE 4-1. PLATFORM INSTALLATION

ITEM	PART NUMBER	QTY	DESCRIPTION	REV
	1001271886	Ref	PLATFORM INSTALLATION	B
1	0700819	2	Bolt M8 x 55	
2	3290805	2	Nut M8	
3	4811900	4	Washer M8	
4	1001235590	2	Pin	
5	1001247706	2	Block, Slide	
6	1001271615	1	Platform	

# SECTION 4 - PLATFORM

## FIGURE 4-2. PLATFORM EXTENSION INSTALLATION



ART\_1001234381

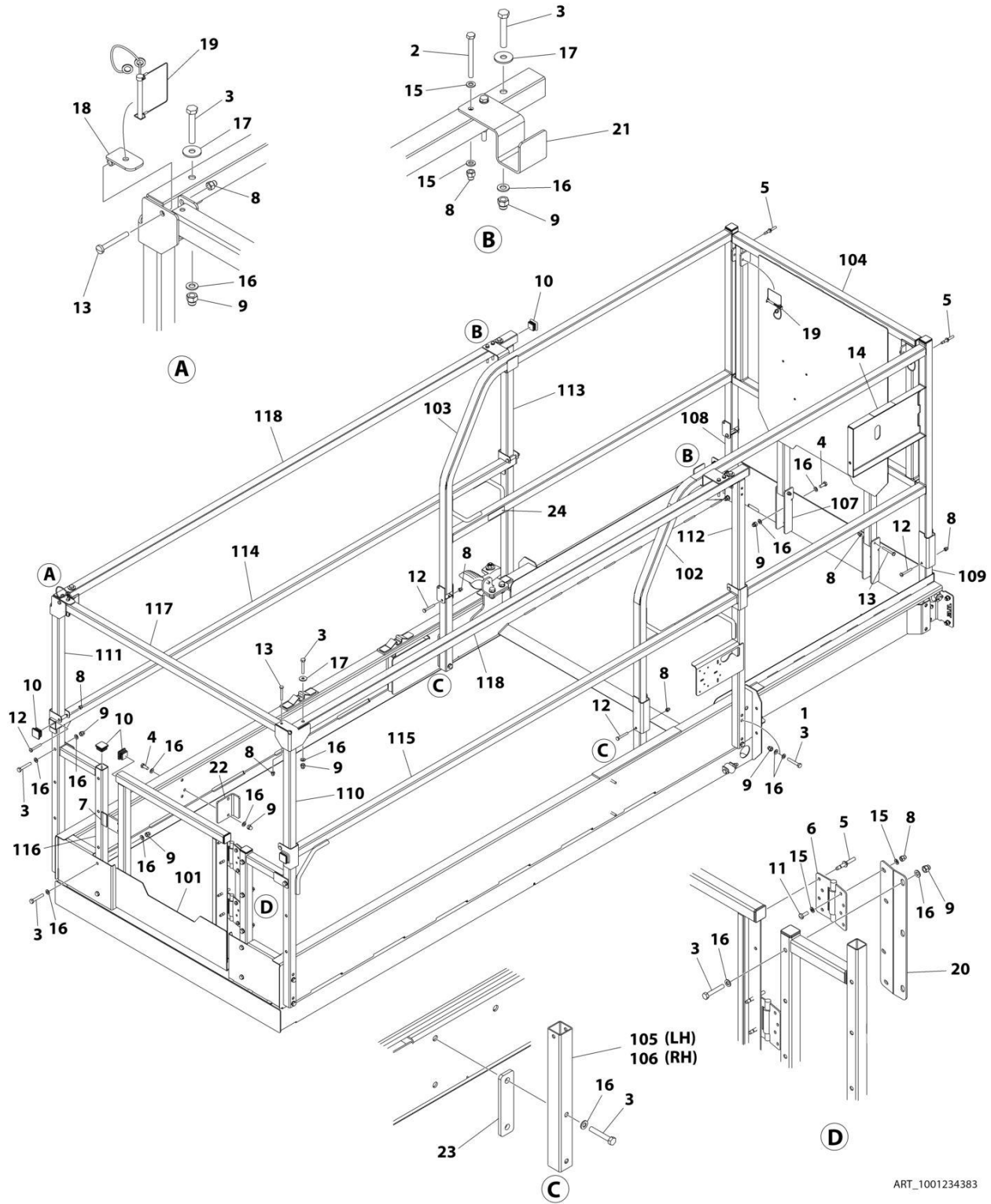
## SECTION 4 - PLATFORM

**FIGURE 4-2. PLATFORM EXTENSION INSTALLATION**

ITEM	PART NUMBER	QTY	DESCRIPTION	REV
	1001234381	Ref	PLATFORM EXTENSION INSTALLATION	C
1	0100011	AR	Compound, Locking	
2	0760810	6	Bolt M8 x 20	
3	0761014	2	Bolt M10 x 30	
4	2080040	4	Fastener	
5	3290805	4	Nut M8	
6	3291005	2	Nut M10	
7	3430813	2	Pin	
8	3430816	2	Pin	
9	3450403	4	Pin, Cotter	
10	4711800	4	Washer 1/2	
11	4811900	10	Washer M8	
12	4812000	4	Washer M10	
13	1001137675	2	Bumper	
14	1001205422	2	Roller (Front)	
15	1001205430	2	Roller (Rear)	
16	1001208852	2	Pad	
17	1001210064	2	Support	
18	1001213470	1	Extension, Platform	
19	1001213838	1	Latch Assembly	
20	1001234407	1	Bracket	

# SECTION 4 - PLATFORM

## FIGURE 4-3. RAILS INSTALLATION (SIDE BY SIDE)



ART\_1001234383

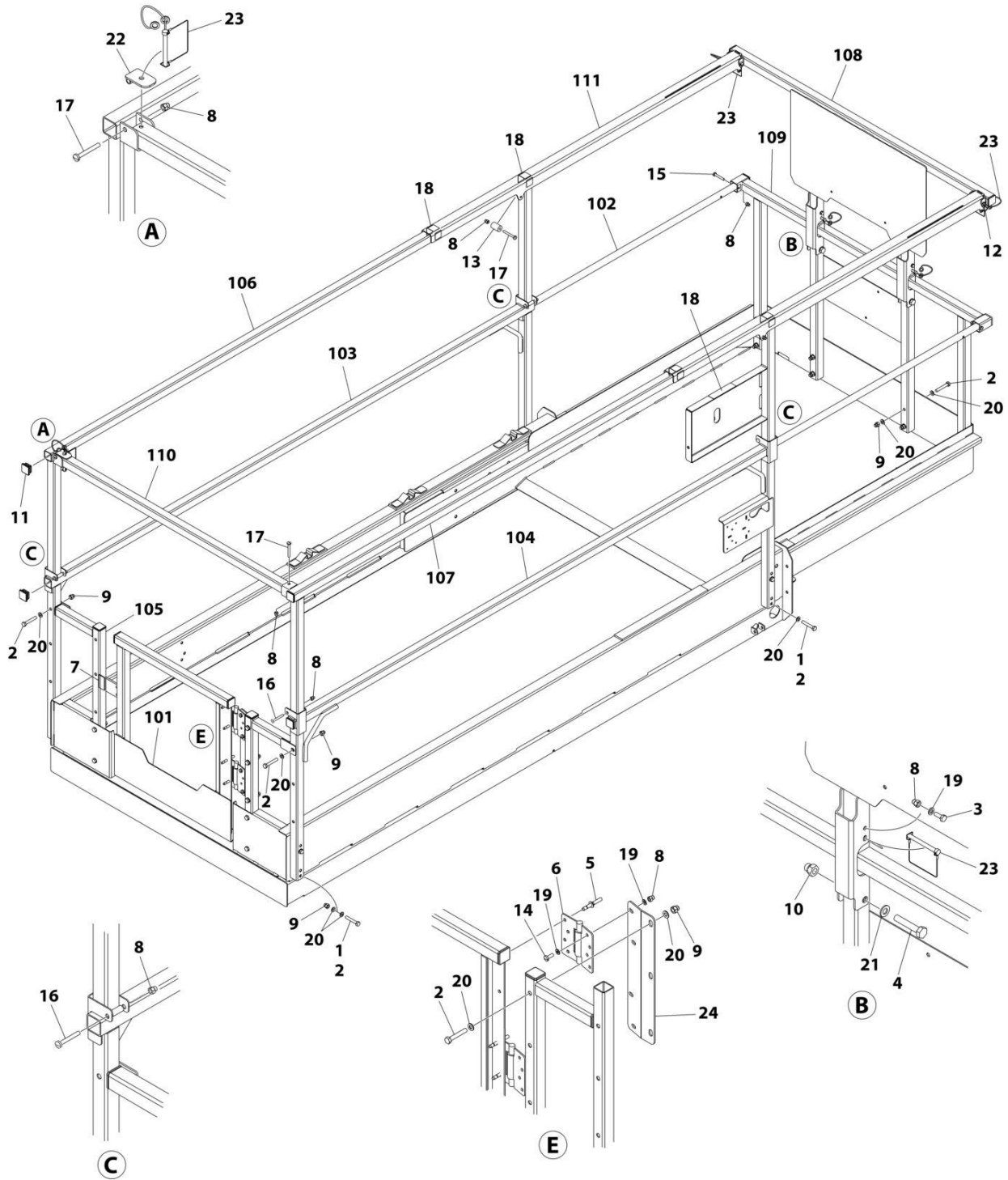
## SECTION 4 - PLATFORM

**FIGURE 4-3. RAILS INSTALLATION (SIDE BY SIDE)**

ITEM	PART NUMBER	QTY	DESCRIPTION	REV
	1001234383	Ref	RAILS INSTALLATION (SIDE BY SIDE)	G
1	0100011	AR	Compound, Locking	
2	0700621	AR	Bolt M6 x 65	
2	0700618	AR	Bolt M6 x 50	
3	0700818	29	Bolt M8 x 50	
4	0760810	6	Bolt M8 x 20	
5	2080040	6	Fastener	
6	2600281	2	Hinge	
7	3080007	1	Magnet, Gate	
8	3290606	20	Nut M6	
9	3290806	31	Nut M8	
10	3520072	18	Plug	
11	4010608	4	Screw M6 x 16	
12	4010617	8	Screw M6 x 45	
13	4010618	4	Screw M6 x 50	
14	4420062	4 in/ 10cm	Tape	
15	4811700	16	Washer M6	
16	4811900	66	Washer M8	
17	4811902	4	Washer M8	
18	1001154378	1	Bracket	
19	1001187587	3	Pin, Snap with Lanyard	
20	1001210586	1	Support	
21	1001237911	2	Bracket	
22	1001232622	1	Bracket	
23	1001235287	2	Plate	
24	1704277	2	Decal - Lanyard Attach Graphic	
100	1001235960	1	Rail Kit (Not Shown)	
101	1001210302	1	Gate	
102	1001213915	1	Rail, Extension Side (RH)	
103	1001213916	1	Rail, Extension Side (LH)	
104	1001213931	1	Rail, Extension Front	
105	1001222861	1	Tube Rail (Lower LH)	
106	1001222869	1	Tube Rail (Lower RH)	
107	1001223053	2	Bracket	
108	1001223165	1	Tube, Extension (Lower LH)	
109	1001223166	1	Tube, Extension (Lower RH)	
110	1001229739	1	Rail Rear (Upper RH)	
111	1001229740	1	Rail Rear (Upper LH)	
112	1001229741	1	Rail Front (Upper RH)	
113	1001229742	1	Rail Front (Upper LH)	
114	1001234006	1	Rail Rear (Lower LH)	
115	1001234007	1	Rail Rear (Lower RH)	
116	1001234008	2	Rail, Gate Mount	
117	1001234268	1	Tube, Rear Top	
118	1001235286	2	Rail, Side Top	

# SECTION 4 - PLATFORM

FIGURE 4-4. RAILS INSTALLATION (TUBE IN TUBE) (MACHINES WITH SN STARTING WITH B2)



ART\_1001289977



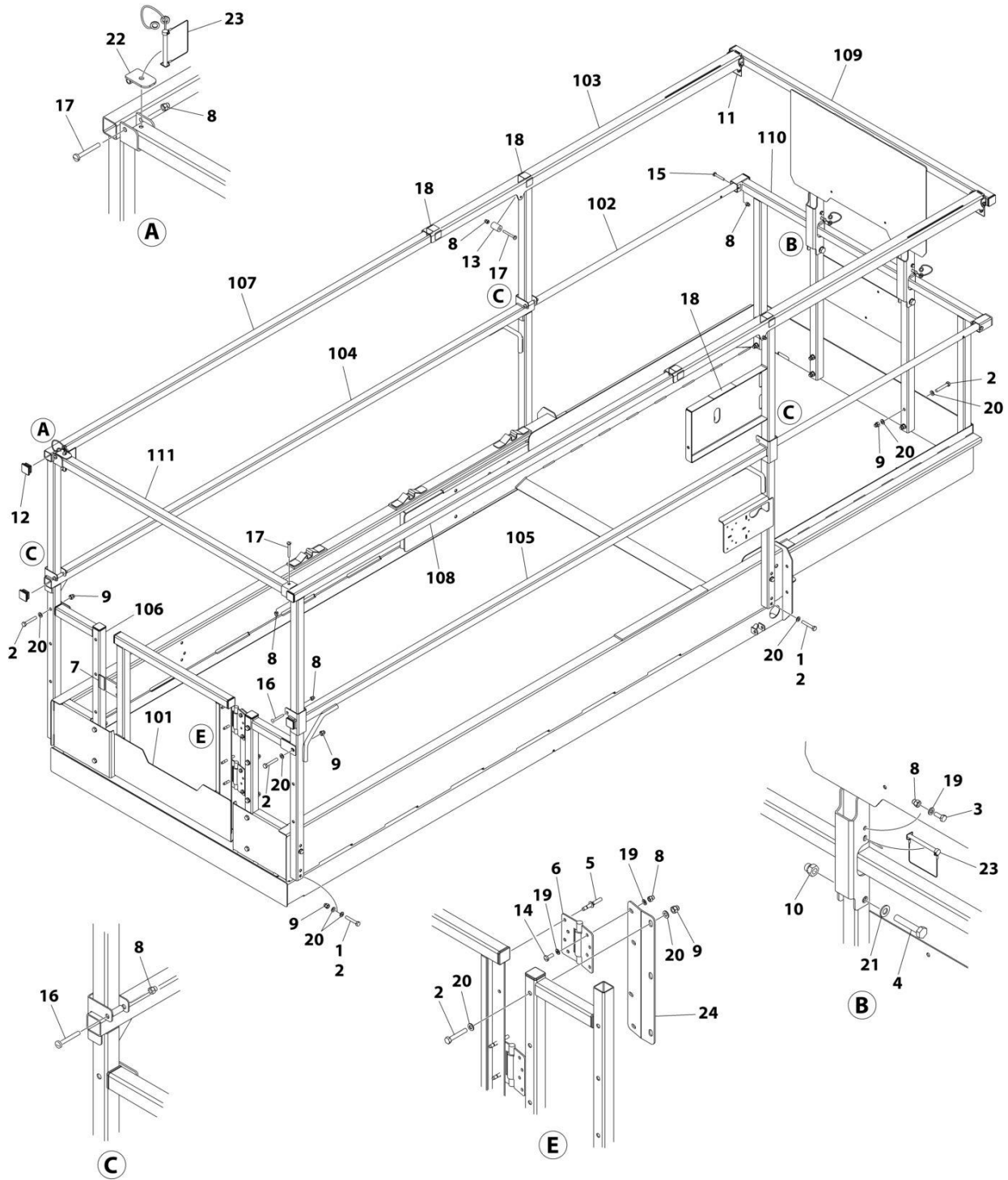
## SECTION 4 - PLATFORM

**FIGURE 4-4. RAILS INSTALLATION (TUBE IN TUBE) (MACHINES WITH SN STARTING WITH B2)**

ITEM	PART NUMBER	QTY	DESCRIPTION	REV
	1001289977	Ref	RAILS INSTALLATION (TUBE IN TUBE)	A
1	0100011	AR	Compound, Locking	
2	0700818	25	Bolt M8 x 50	
3	0760608	2	Bolt M6 x 16	
4	0761019	2	Bolt M10 x 55	
5	2080040	4	Fastener	
6	2600281	2	Hinge	
7	3080007	1	Magnet, Gate	
8	3290606	16	Nut M6	
9	3290806	21	Nut M8	
10	3291006	2	Nut M10	
11	3520072	14	Plug	
12	3760170	2	Ring, Split	
13	3860111	2	Roller	
14	4010608	4	Screw M6 x 16	
15	4010616	2	Screw M6 x 40	
16	4010617	4	Screw M6 x 45	
17	4010618	4	Screw M6 x 50	
18	4420062	16 in/ 40cm	Tape	
19	4811700	10	Washer M6	
20	4811900	50	Washer M8	
21	4812000	2	Washer M10	
22	1001154378	1	Bracket	
23	1001187587	3	Pin, Snap with Lanyard	
24	1001210586	1	Support	
100	1001289976	1	Rail Kit (Not Shown)	
101	1001210302	1	Gate	
102	1001213415	2	Rod, Extension MID	
103	1001234006	1	Rail, Side MID (LH)	
104	1001234007	1	Rail, Side MID (RH)	
105	1001234008	2	Rail, Rear	
106	1001234141	1	Rail, Side Top (LH)	
107	1001234142	1	Rail, Side Top (RH)	
108	1001234266	1	Rail, Extension Top Front	
109	1001234267	1	Rail, Extension MID Front	
110	1001234268	1	Tube, Rear Top	
111	1001289052	2	Rail, Extension Top	

# SECTION 4 - PLATFORM

FIGURE 4-5. RAILS INSTALLATION (TUBE IN TUBE) (MACHINES WITH SN STARTING WITH M2)



ART\_1001234382

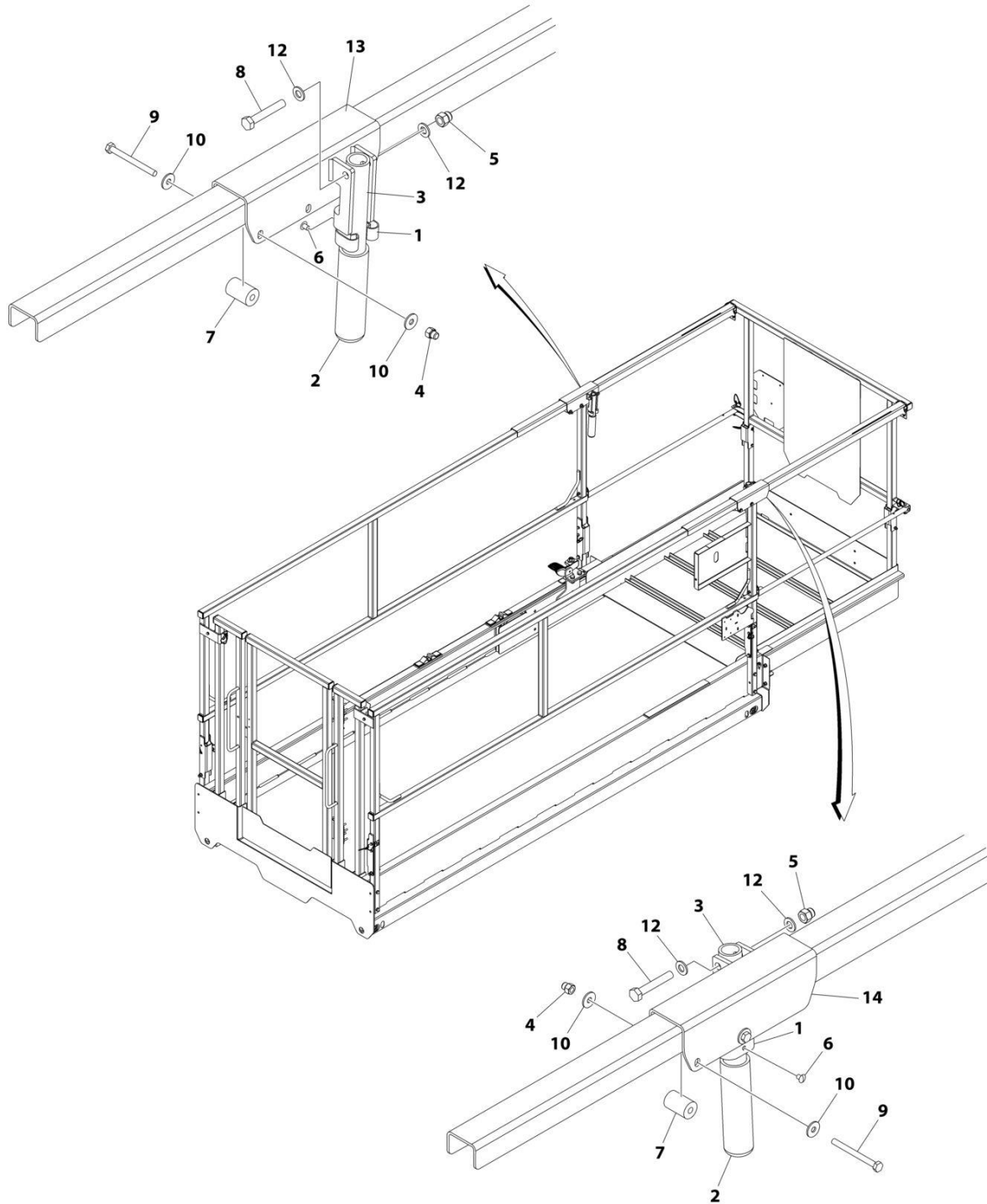
## SECTION 4 - PLATFORM

**FIGURE 4-5. RAILS INSTALLATION (TUBE IN TUBE) (MACHINES WITH SN STARTING WITH M2)**

ITEM	PART NUMBER	QTY	DESCRIPTION	REV
	1001234382	Ref	RAILS INSTALLATION (TUBE IN TUBE)	D
1	0100011	AR	Compound, Locking	
2	0700818	25	Bolt M8 x 50	
3	0760608	2	Bolt M6 x 16	
4	0761019	2	Bolt M10 x 55	
5	2080040	4	Fastener	
6	2600281	2	Hinge	
7	3080007	1	Magnet, Gate	
8	3290606	16	Nut M6	
9	3290806	21	Nut M8	
10	3291006	2	Nut M10	
11	3422219	2	Pin, Snap	
12	3520072	14	Plug	
13	3860111	2	Roller	
14	4010608	4	Screw M6 x 16	
15	4010616	2	Screw M6 x 40	
16	4010617	4	Screw M6 x 45	
17	4010618	4	Screw M6 x 50	
18	4420062	16 in/ 40cm	Tape	
19	4811700	10	Washer M6	
20	4811900	50	Washer M8	
21	4812000	2	Washer M10	
22	1001154378	1	Bracket	
23	1001187587	3	Pin, Snap with Lanyard	
24	1001210586	1	Support	
100	1001235959	1	Rail Kit (Not Shown)	
101	1001210302	1	Gate	
102	1001213415	2	Rod, Extension MID	
103	1001213416	2	Rail, Extension Top	
104	1001234006	1	Rail, Side MID (LH)	
105	1001234007	1	Rail, Side MID (RH)	
106	1001234008	2	Rail, Rear	
107	1001234141	1	Rail, Side Top (LH)	
108	1001234142	1	Rail, Side Top (RH)	
109	1001234266	1	Rail, Extension Top Front	
110	1001234267	1	Rail, Extension MID Front	
111	1001234268	1	Tube, Rear Top	

# SECTION 4 - PLATFORM

## FIGURE 4-6. EXTENSION HANDLES INSTALLATION



ART\_1001215446\_E

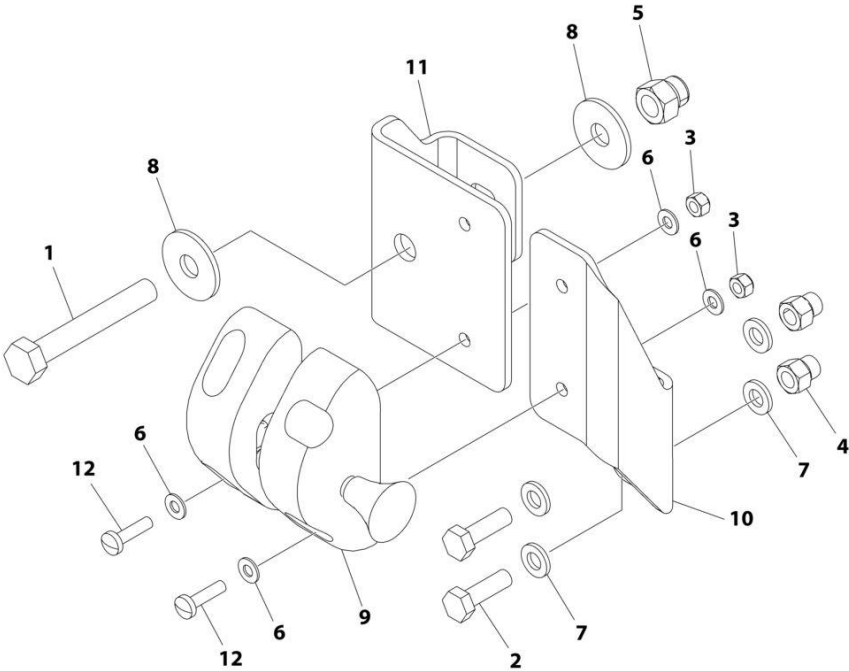
## SECTION 4 - PLATFORM

**FIGURE 4-6. EXTENSION HANDLES INSTALLATION**

ITEM	PART NUMBER	QTY	DESCRIPTION	REV
	1001215446	Ref	EXTENSION HANDLES INSTALLATION (OPTIONAL)	E
1	1380132	2	Clip	
2	2560088	2	Grip	
3	2560190	2	Handle	
4	3290606	2	Nut M6	
5	3290806	2	Nut M8	
6	3820019	2	Rivet	
7	3860111	2	Roller	
8	0700818	AR	Bolt M8 x 50	
9	0700621	AR	Bolt M6 x 65	
10	4811702	AR	Washer M6	
12	4811900	AR	Washer M8	
13	1001235560	1	Bracket (LH)	
14	1001235561	1	Bracket (RH)	

**SECTION 4 - PLATFORM**

**FIGURE 4-7. GATE LATCH INSTALLATION - OPTIONAL**



ART\_1001220995

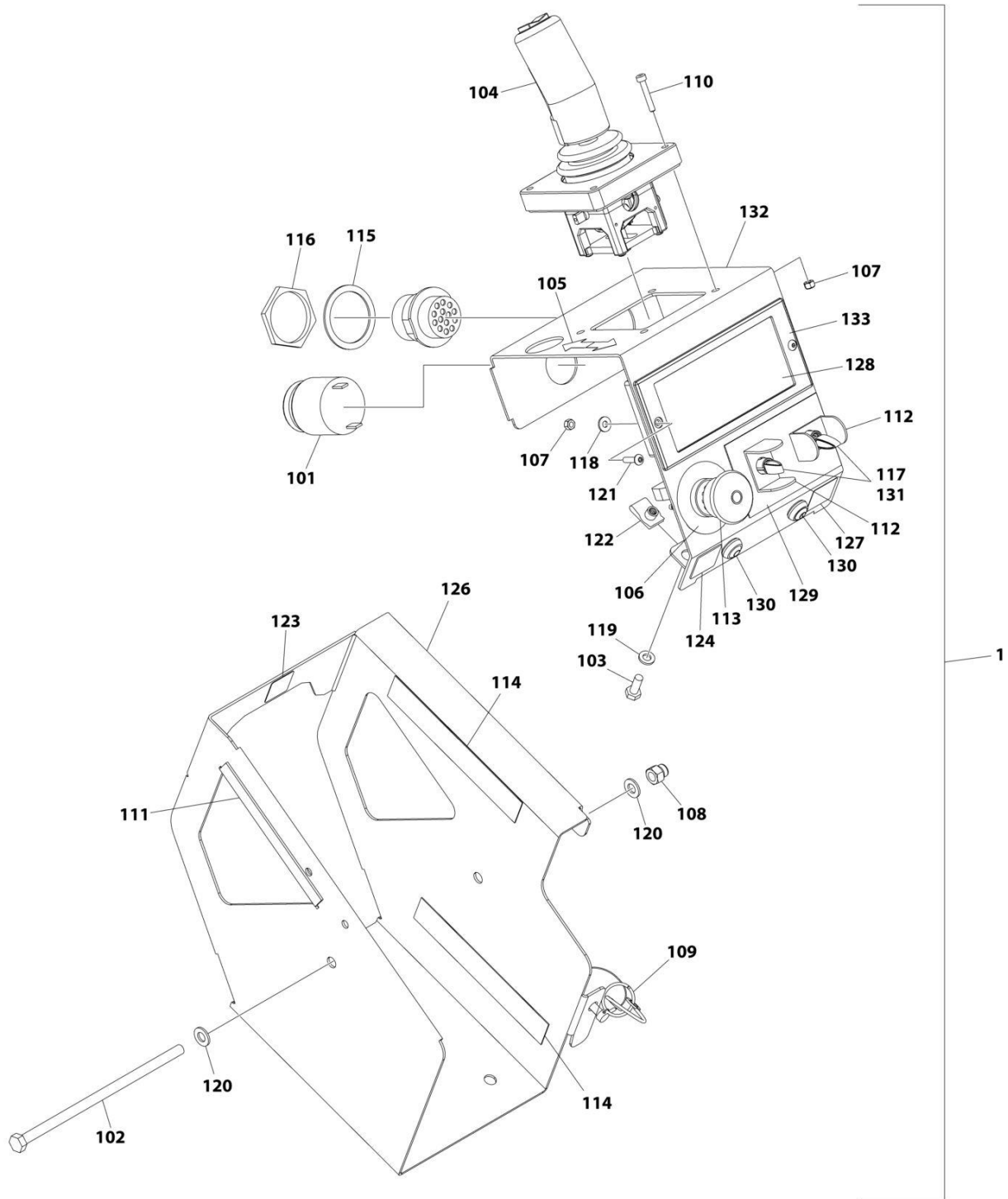
## SECTION 4 - PLATFORM

### FIGURE 4-7. GATE LATCH INSTALLATION - OPTIONAL

ITEM	PART NUMBER	QTY	DESCRIPTION	REV
	1001220995	Ref	GATE LATCH INSTALLATION	B
1	0700819	1	Bolt M8 x 55	
2	0760610	2	Bolt M6 x 20	
3	3290405	4	Nut M4	
4	3290606	2	Nut M6	
5	3290806	1	Nut M8	
6	4811400	8	Washer M4	
7	4811700	4	Washer M6	
8	4811902	2	Washer M8	
9	1001134821	1	Latch	
10	1001220409	1	Mount	
11	1001220410	1	Plate	
12	4010408	4	Screw M4 x 16	

# SECTION 4 - PLATFORM

## FIGURE 4-8. PLATFORM CONSOLE INSTALLATION



ART\_1001274659



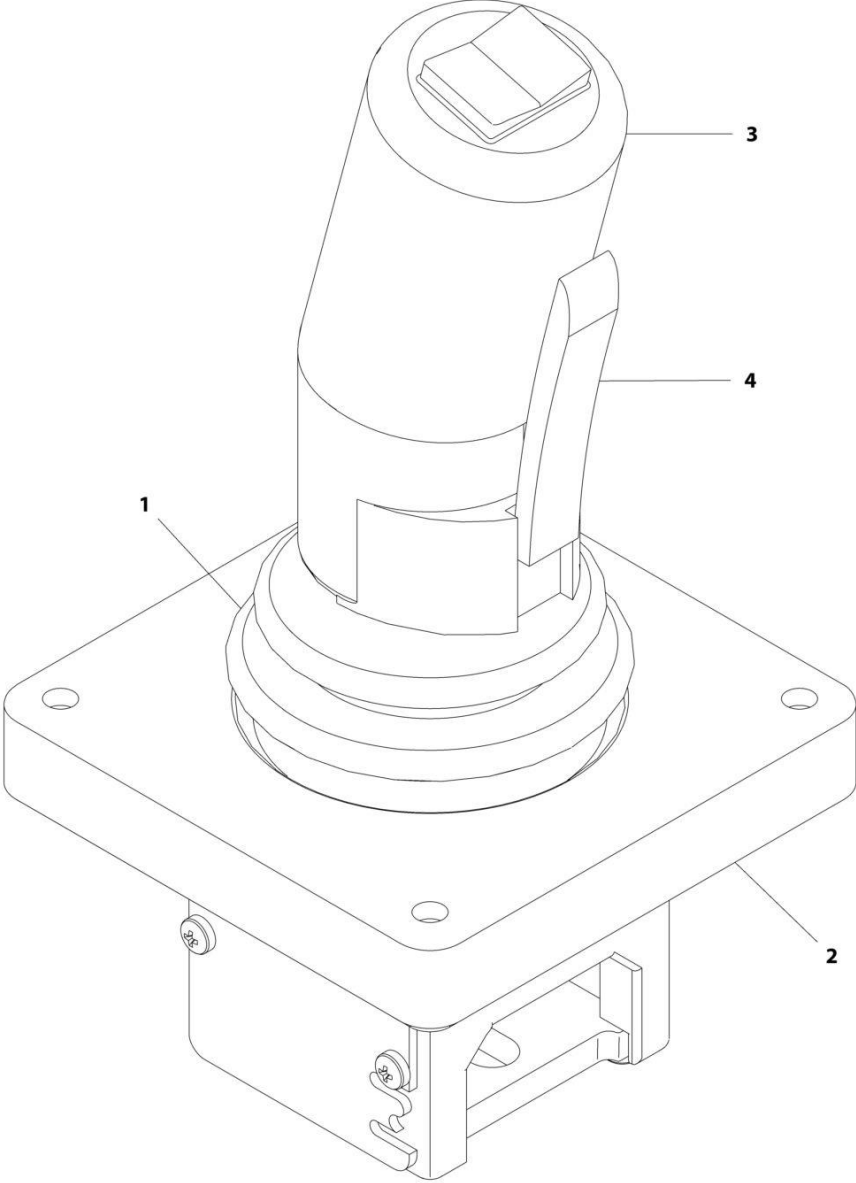
## SECTION 4 - PLATFORM

**FIGURE 4-8. PLATFORM CONSOLE INSTALLATION**

ITEM	PART NUMBER	QTY	DESCRIPTION	REV
	1001274659	Ref	PLATFORM CONTROL INSTALLATION (LED)	A
1	1001274604	1	Platform Control Box	B
101	0140030	1	Alarm	
102	0700835	1	Bolt M8 x 180	
103	0760610	2	Bolt M6 x 20	
104	1600402	1	Controller Assembly (See Separate Breakdown in this Section)	
105	1703819	1	Decal - Arrow	
106	1704260	1	Decal - Emergency Stop	
107	3290405	6	Nut M4	
108	3290806	1	Nut M8	
109	3423278	1	Pin, Snap with Lanyard	
110	4031509	4	Capscrew M4 x 25	
111	4060803	6 in/ 14cm	Flex-Trim	
112	4060906	2	Guard, Switch	
113	4360475	1	Switch, Emergency Stop	
113	7020175	1	Cap	
113	7020176	1	Block, Contact	
114	4420062	12 in/ 30cm	Tape	
115	4460496	1	Washer, Terminal	
116	4460497	1	Nut, Terminal	
117	4711700	2	Washer 7/16	
118	4811400	2	Washer M4	
119	4811700	2	Washer M6	
120	4811900	2	Washer M8	
121	1001047064	2	Screw M4 x 15	
122	1001130220	2	Nut, Tinnerman M6	
123	1001132358	1	Decal - Steer	
124	1001132361	1	Decal - Horn	
125	1001200819	1	Platform Control Box Harness (Not Shown) (See Separate Breakdown in ELECTRICAL Section)	
126	1001209596	1	Plate, Box (Outside)	
127	1001213886	1	Decal - Indoor/Outdoor	
128	1001218285	1	Decal - Platform Control	
129	1001220893	1	Decal - Lift/Drive Function	
130	1001226749	2	Switch, Push Button	
131	1001258446	2	Switch, Toggle	
132	1001262655	1	Plate, Box (Inside)	
133	1001274605	1	Module, Platform Control	

**SECTION 4 - PLATFORM**

**FIGURE 4-9. DRIVE/STEER CONTROLLER ASSEMBLY**



ART\_1600402

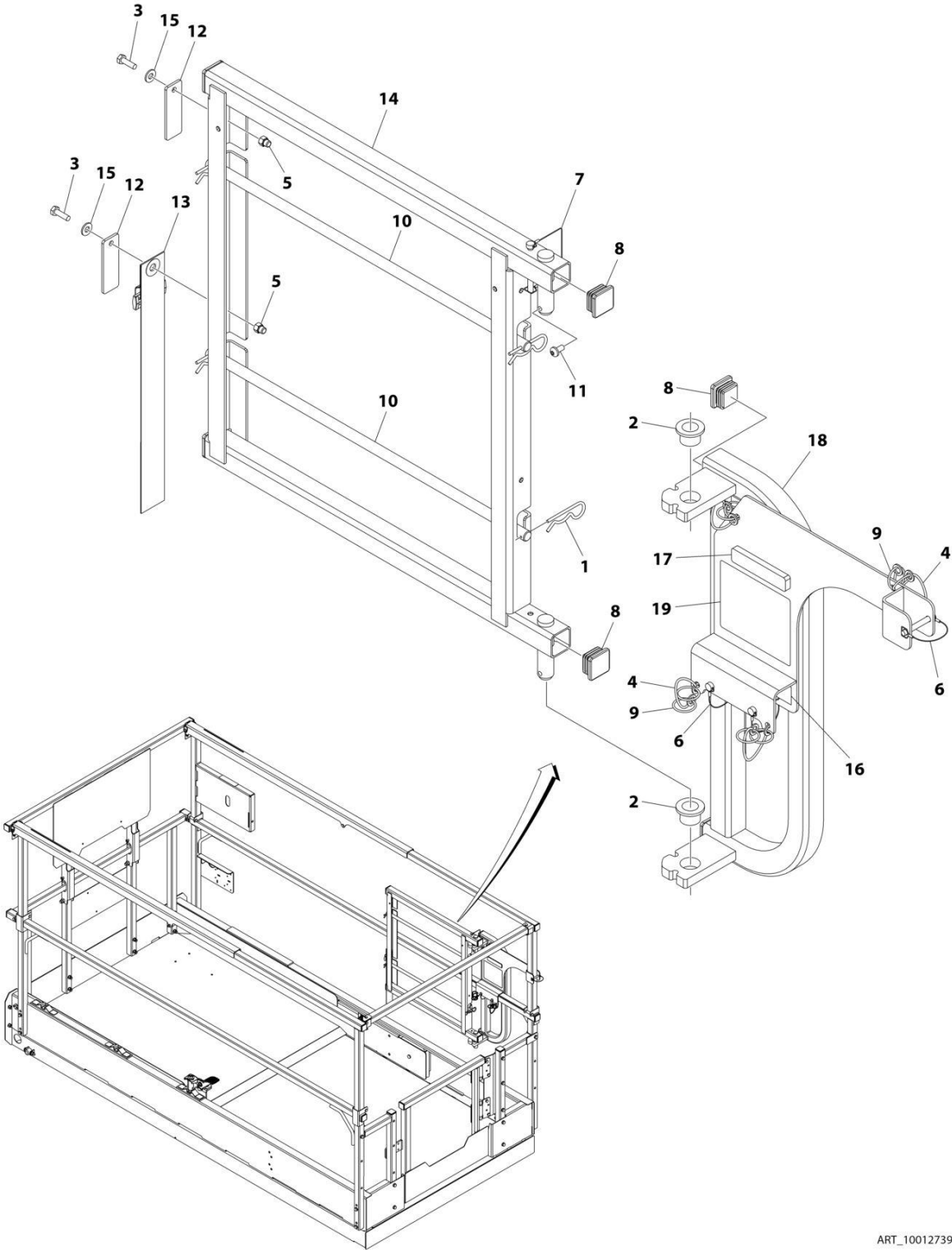
## SECTION 4 - PLATFORM

**FIGURE 4-9. DRIVE/STEER CONTROLLER ASSEMBLY**

ITEM	PART NUMBER	QTY	DESCRIPTION	REV
	1600402	Ref	DRIVE/STEER CONTROLLER ASSEMBLY	A
1	70001250	1	Boot, Panel	
2	70001252	1	Gasket, Mounting	
2	70001251	1	Bezel, Mounting	
3	70003650	1	Handle Repair Kit (Includes handle gasket, item#4 push button and item #4 lever installed in front handle half, back handle half, top actuator, boot and hardware.)	
3	70000084	1	Cap, Rubber	
3	70000082	1	Microswitch	
3	7027766	1	Ring, Retaining	
3	7027365	1	Actuator, Handle	
3	70001253	1	Gasket, Handle	
3	70000683	4	Washer, Neoprene	
3	70000685	2	Spacer, Plastic	
3	70000686	2	Screw (Top)	
3	70000684	2	Screw (Bottom)	
4	7027367	1	Switch, Push Button	
4	7027765	1	Lever, Enable	

**SECTION 4 - PLATFORM**

**FIGURE 4-10. ELECTRICIANS TREE ACCESSORY**



ART\_1001273907

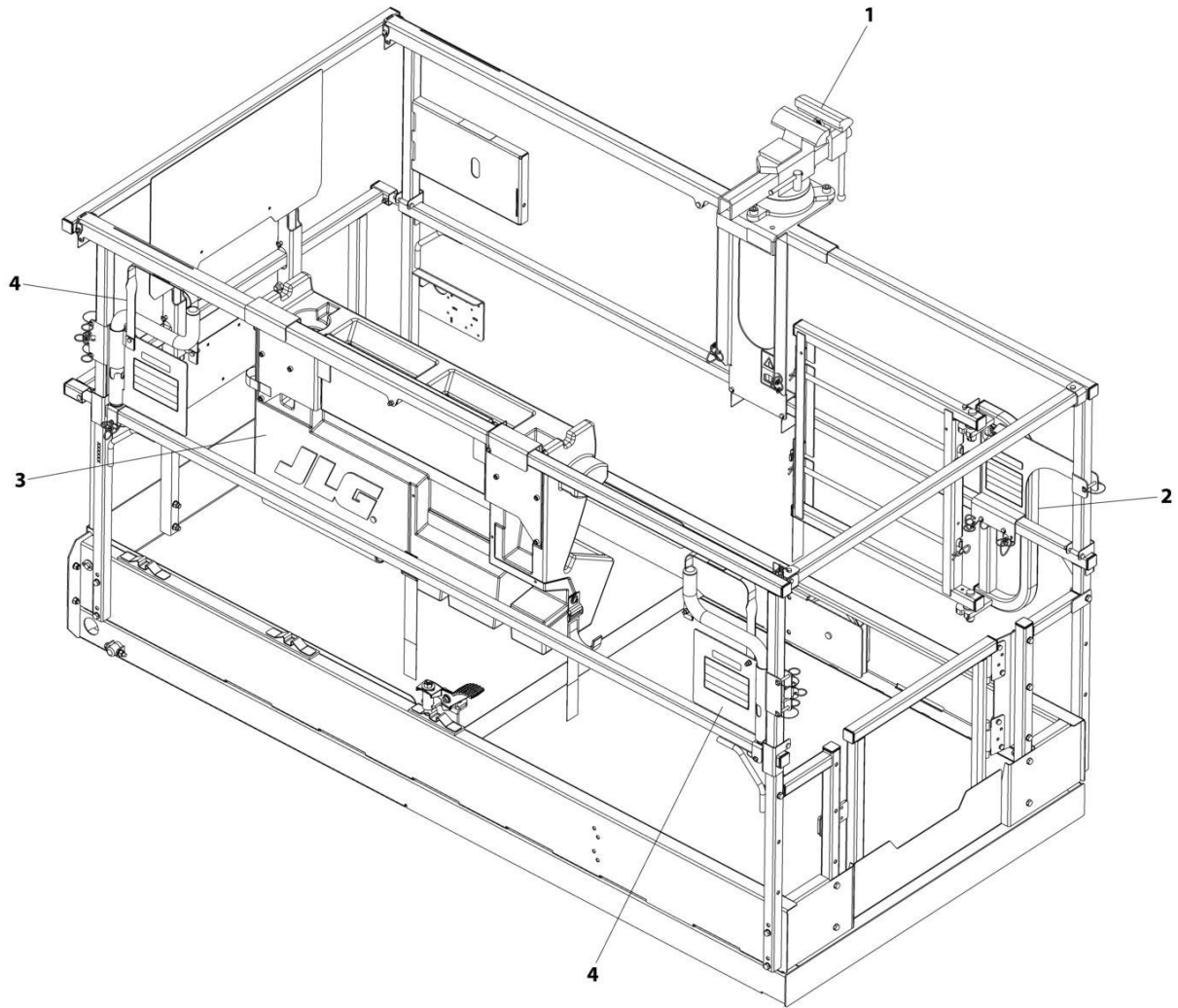
## SECTION 4 - PLATFORM

**FIGURE 4-10. ELECTRICIANS TREE ACCESSORY**

ITEM	PART NUMBER	QTY	DESCRIPTION	REV
	1001273907	Ref	ELECTRICIANS TREE ACCESSORY	A
1	80325	4	Hairpin, Cotter	
2	0440223	2	Bearing, Oilite Flange	
3	0700610	2	Bolt M6 x 20	
4	1060379	4	Lanyard	
5	3290606	2	Nut M6	
6	3421453	3	Pin	
7	3422219	1	Pin	
8	3520072	6	Plug	
9	3760170	8	Ring, Split	
10	3841675	2	Rod	
11	4191706	1	Bolt M6 x 12	
12	4220227	2	Stop, Spool Rod	
13	4240003	1	Strap	
14	4340947	1	Mount, Spool Rack	
15	4711400	2	Washer 1/4	
16	1001189762	3 ft	Tape	
17	1001252626	1	Decal - Accessory Weight	
18	1001273909	1	Support, Base Pivot	
19	1001274838	1	Decal - Electrical Tree Capacity	

# SECTION 4 - PLATFORM

## FIGURE 4-11. ELECTRICIAN PACKAGE INSTALLATION



ART\_1001273844

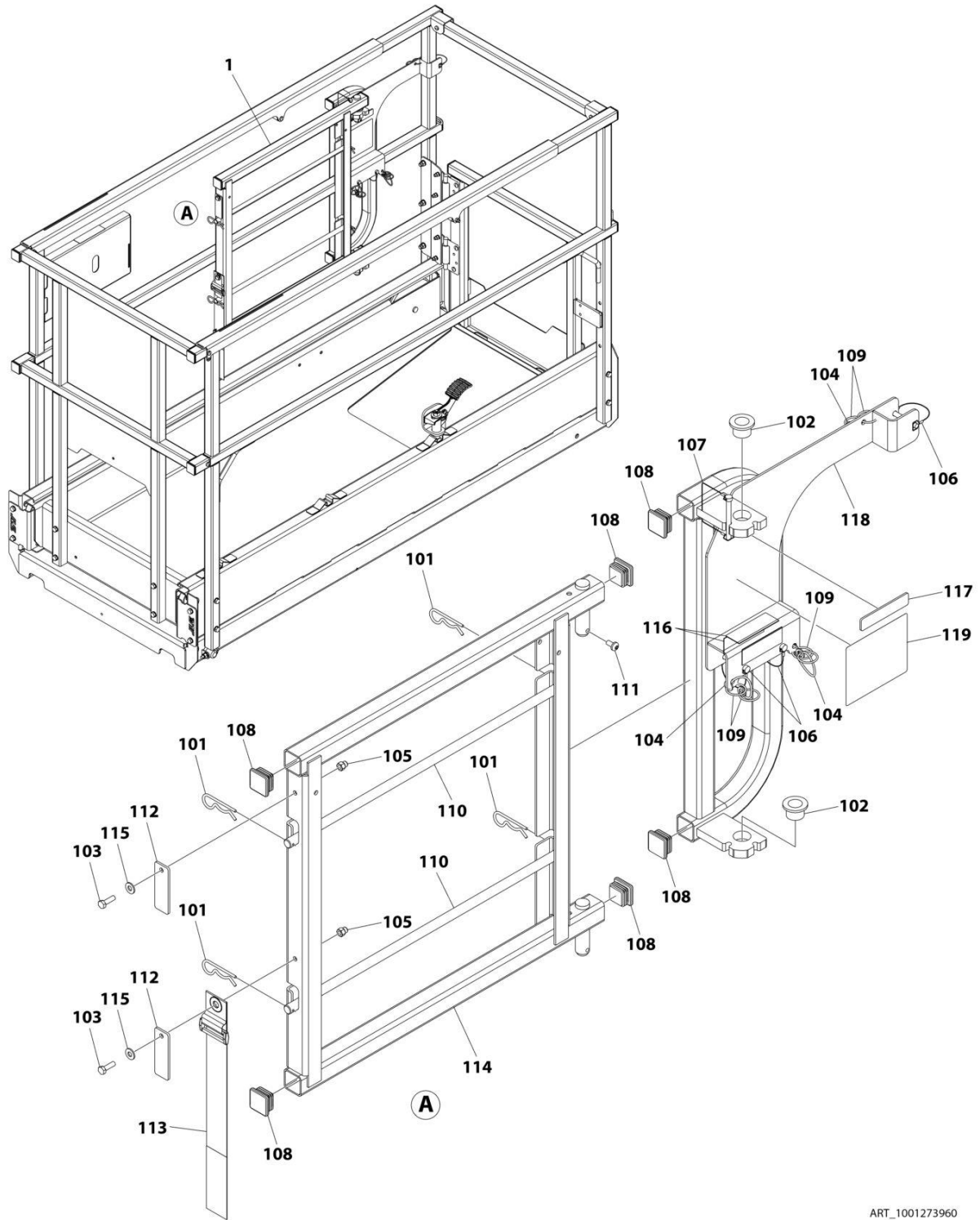
## SECTION 4 - PLATFORM

### FIGURE 4-11. ELECTRICIAN PACKAGE INSTALLATION

ITEM	PART NUMBER	QTY	DESCRIPTION	REV
	1001273844	Ref	ELECTRICIANS PACKAGE INSTALLATION	A
1	1001273453	1	Machinist Vise Accessory (See Separate Breakdown in this Section)	
2	1001273907	1	Electrician Tree Accessory (See Separate Breakdown in this Section)	
3	1001273957	1	Workstation Accessory (See Separate Breakdown in this Section)	
4	1001273959	2	Pipe Rack Assembly Accessory (See Separate Breakdown in this Section)	

# SECTION 4 - PLATFORM

## FIGURE 4-12. ELECTRICIAN TREE INSTALLATION



ART\_1001273960



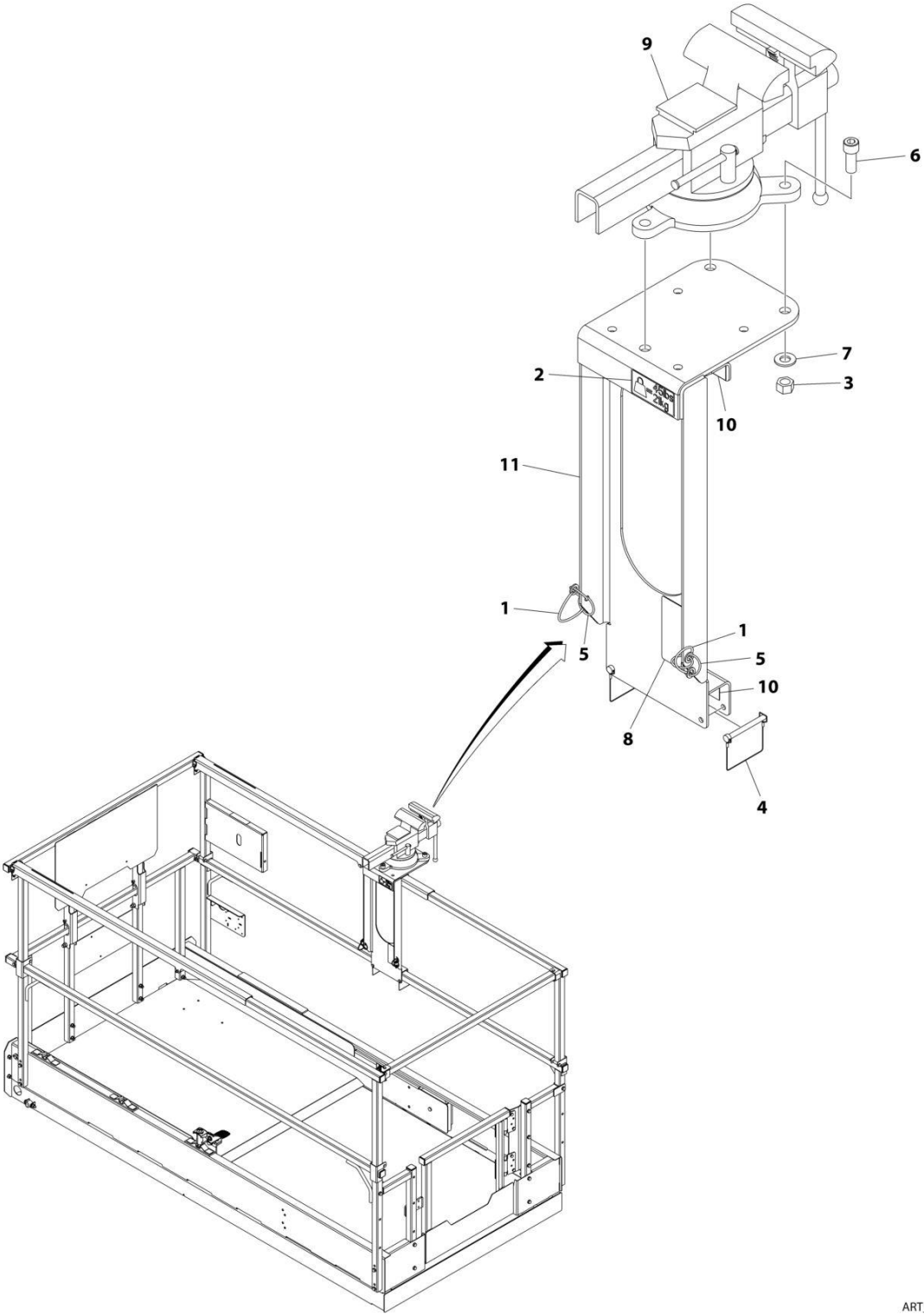
## SECTION 4 - PLATFORM

**FIGURE 4-12. ELECTRICIAN TREE INSTALLATION**

ITEM	PART NUMBER	QTY	DESCRIPTION	REV
	1001273960	Ref	ELECTRICIAN TREE INSTALLATION	A
1	1001273907	1	Electrician Tree Accessory	A
101	80325	4	Hairpin, Cotter	
102	0440223	2	Bushing	
103	0700610	2	Bolt M6 x 20	
104	1060379	4	Lanyard	
105	3290606	2	Cap, Nut M6 x 1	
106	3421453	3	Pin	
107	3422219	1	Pin	
108	3520072	6	Plug, Cap	
109	3760170	8	Ring	
110	3841675	2	Rod	
111	4191706	1	Screw M6 x 12	
112	4220227	2	Stop, Spool Rod	
113	4240003	1	Strap	
114	4340947	1	Mount, Spool Rack	
115	4711400	2	Washer 1/4	
116	1001189762	3	Tape	
117	1001252626	1	Decal - ACCY Weight	
118	1001273909	1	Support	
119	1001274838	1	Decal	

SECTION 4 - PLATFORM

FIGURE 4-13. MACHINIST VISE ACCESSORY



ART\_1001273453

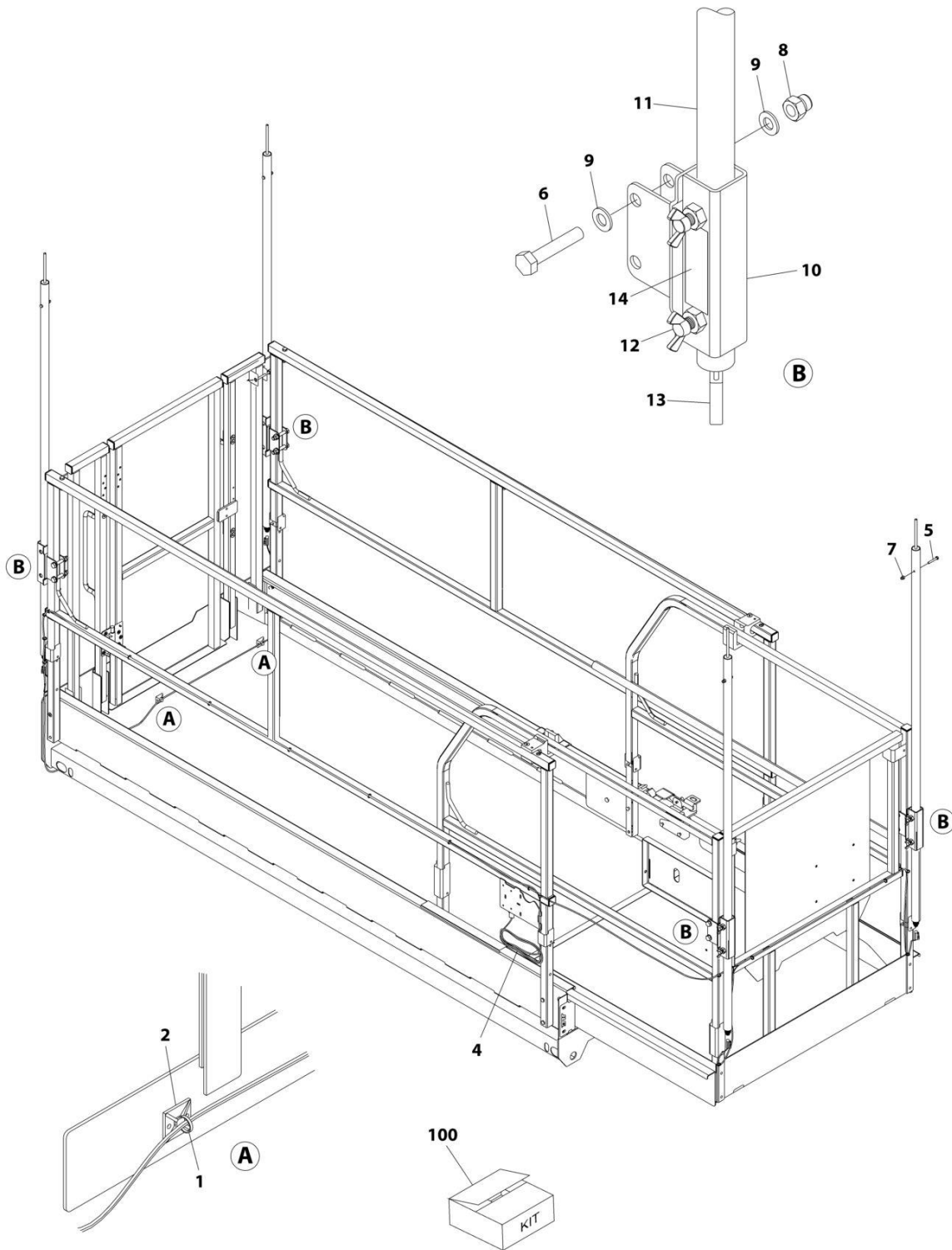
## SECTION 4 - PLATFORM

### FIGURE 4-13. MACHINIST VISE ACCESSORY

ITEM	PART NUMBER	QTY	DESCRIPTION	REV
	1001273453	Ref	MACHINIST VISE ACCESSORY	A
1	1060379	2	Lanyard	
2	1705985	1	Decal - Weight	
3	3271805	3	Nut 1/2	
4	3422219	2	Pin, Snap	
5	3760170	4	Ring, Split	
6	3931820	3	Bolt 1/2 x 1	
7	4711800	3	Washer 1/2	
8	8005670	1	Decal - Instruction Read Operators Manual	
9	1001157050	1	Attachment, Machinists Vise	
10	1001189762	6 ft	Tape	
11	1001273470	1	Mount, Vise	

# SECTION 4 - PLATFORM

## FIGURE 4-14. OVERHEAD PROTECTION INSTALLATION (KOREAN SPECS)



ART\_1001226901

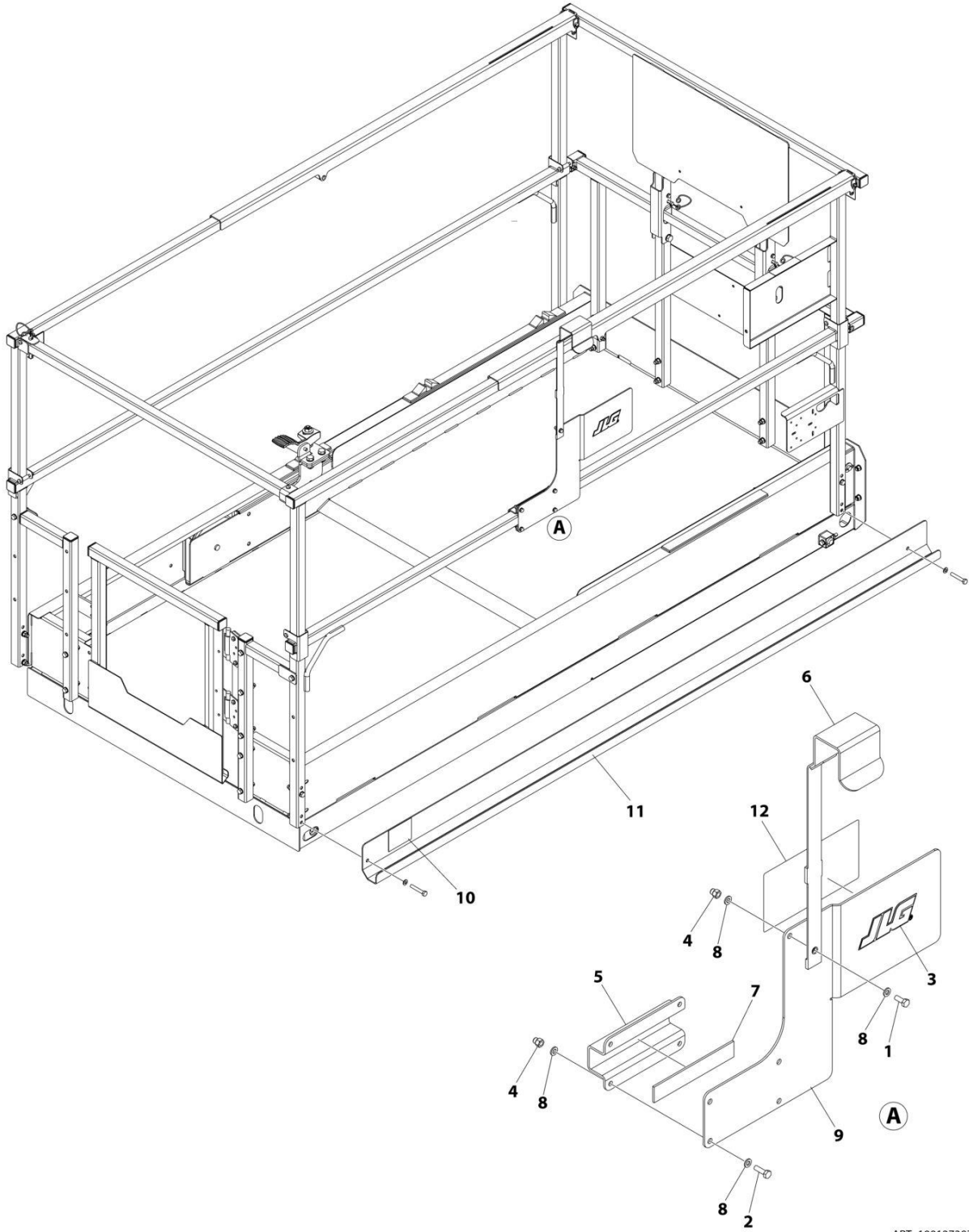
## SECTION 4 - PLATFORM

**FIGURE 4-14. OVERHEAD PROTECTION INSTALLATION (KOREAN SPECS)**

ITEM	PART NUMBER	QTY	DESCRIPTION	REV
	1001226901	Ref	OVERHEAD PROTECTION INSTALLATION (KOREAN SPECS)	A
1	4240017	AR	Tie-Strap	
2	4460234	2	Mount, Tie-Strap	
4	1001227728	1	Overhead Protection Harness	A
4	4460891	4	Plug, Male - 2 Position (X503-X506)	
4	4460465	8	Socket, Female	
4	4460536	1	Receptacle, Female - 3 Position (X507)	
4	4460464	2	Pin, Male	
4	4460466	1	Plug, Terminal	
5	0700616	4	Bolt M6 x 40	
6	0701019	8	Bolt M10 x 55	
7	3290606	4	Nut M6	
8	3291006	8	Nut M10	
9	4812000	16	Washer M10	
10	1001221275	4	Bracket	
11	1001221276	4	Tube	
12	1001222914	8	Thumb Screw	
13	1001226277	4	Switch, Overhead Protection	
14	1001228184	1	Decal - Overhaed Protection Weight	
100	1001221244	1	Overhead Protection Kit (Includes Items 5-14)	

# SECTION 4 - PLATFORM

## FIGURE 4-15. PANEL CARRIER INSTALLATION



ART\_1001273970

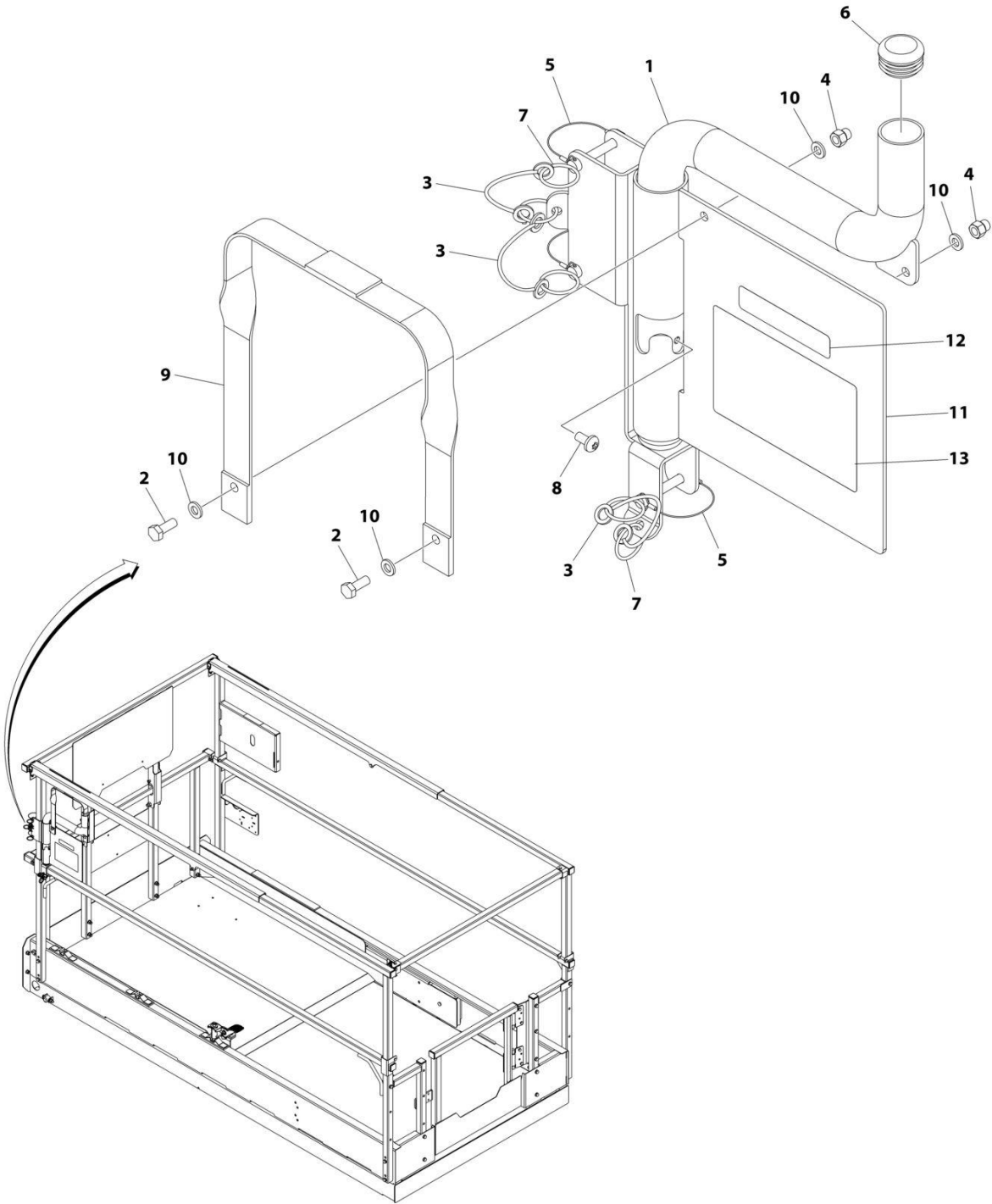
## SECTION 4 - PLATFORM

**FIGURE 4-15. PANEL CARRIER INSTALLATION**

ITEM	PART NUMBER	QTY	DESCRIPTION	REV
	1001273970	Ref	PANEL CARRIER INSTALLATION	A
1	0760608	1	Bolt M6 x 16	
2	0760610	4	Bolt M6 x 20	
3	1702010	1	Decal - JLG	
4	3290606	5	Nut M6	
5	3574505	1	Bracket	
6	4240165	1	Tie Strap	
7	4420037	150 mm	Tape	
8	4811700	10	Washer M6	
9	1001235863	1	Plate	
10	1001253726	1	Decal - Accessory	
11	1001273968	1	Channel, Panel Carrier	
12	1001275539	1	Decal - Panel Carrier Capacity	

**SECTION 4 - PLATFORM**

**FIGURE 4-16. PIPE RACK ASSEMBLY ACCESSORY**



ART\_1001273959



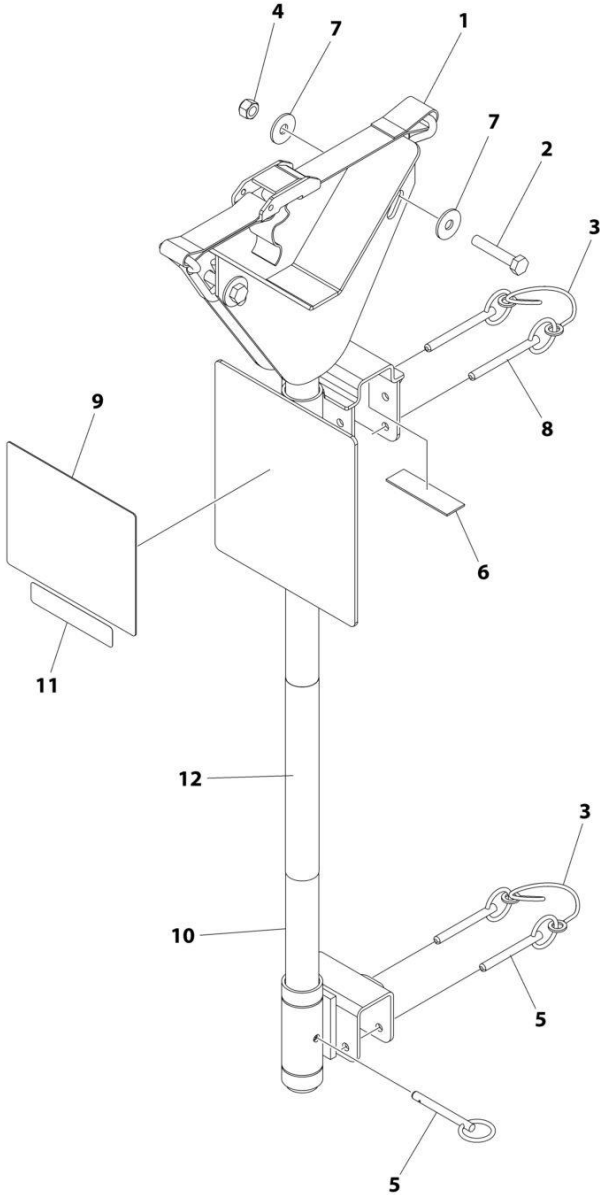
## SECTION 4 - PLATFORM

**FIGURE 4-16. PIPE RACK ASSEMBLY ACCESSORY**

ITEM	PART NUMBER	QTY	DESCRIPTION	REV
	1001273959	Ref	PIPE RACK ASSEMBLY ACCESSORY	A
1	0240054	1	Pipe	
2	0700608	2	Bolt M6 x 16	
3	1060379	3	Lanyard	
4	3290606	2	Nut M6	
5	3421453	3	Pin	
6	3520176	2	Plug	
7	3760170	5	Ring	
8	4191706	1	Bolt M6 x 12	
9	4240164	1	Strap	
10	4811700	4	Washer M6	
11	1001180205	1	Pipe Rack Weldment	
12	1001251855	2	Decal - Accessory Weight	
13	1001275538	2	Decal - Pipe Rack Capacity	

**SECTION 4 - PLATFORM**

**FIGURE 4-17. PIPE RACKS INSTALLATION**



ART\_1001270855

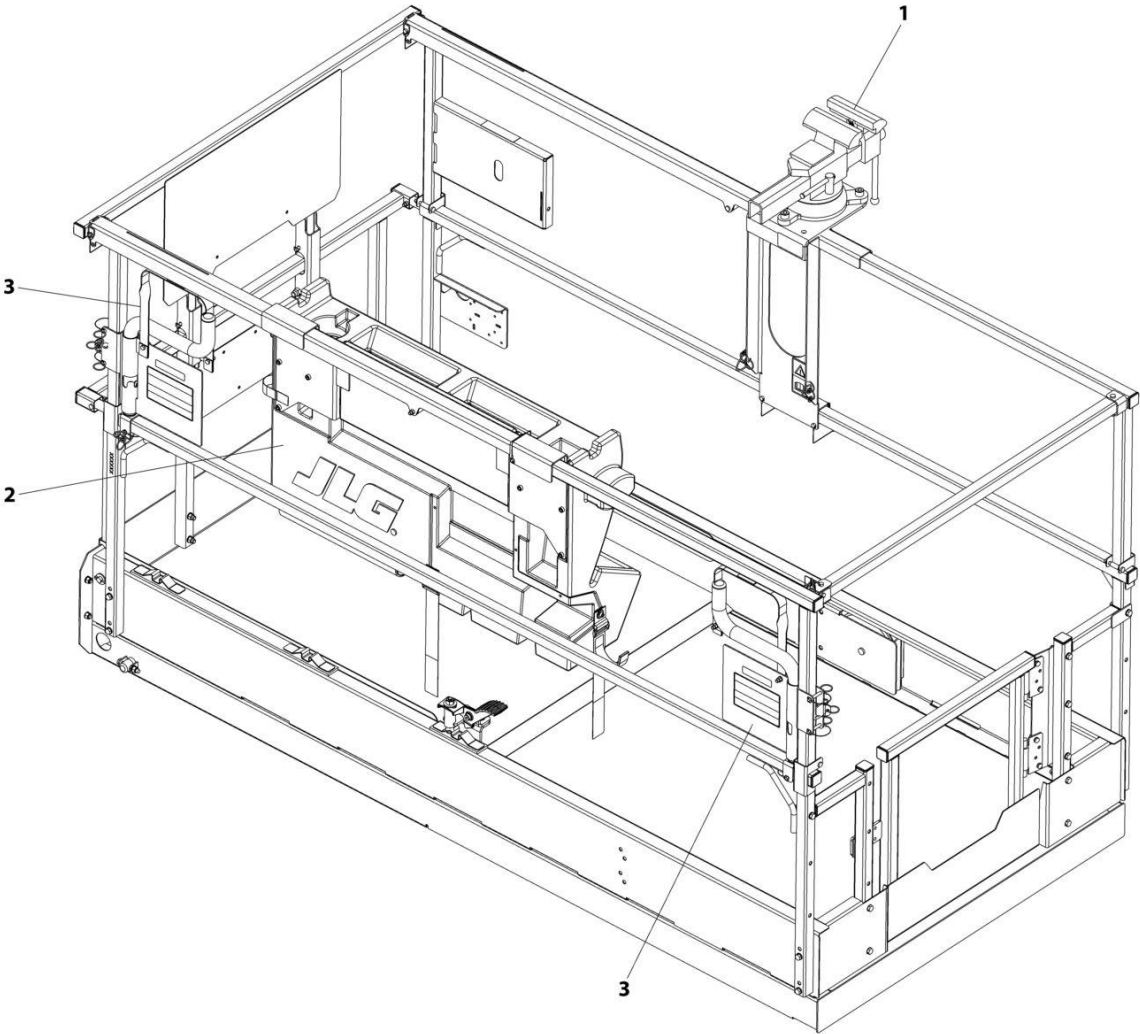
## SECTION 4 - PLATFORM

**FIGURE 4-17. PIPE RACKS INSTALLATION**

ITEM	PART NUMBER	QTY	DESCRIPTION	REV
	1001270855	Ref	PIPE RACK INSTALLATION	C
1	0480100	2	Tie-Strap	
2	0700817	4	Bolt M8 x 45	
3	1060379	4	Lanyard	
4	3290805	4	Nut M8	
5	3422661	6	Pin	
6	4420062	AR	Tape	
7	4811902	8	Washer M8	
8	1001235941	4	Pin	
9	1001287711	2	Decal - Pipe Rack Capacity	
10	1001270533	2	Rack Pipe	
11	1001270631	2	Decal - ACCY Weight	
12	1001271412	2	Decal - JLG	

**SECTION 4 - PLATFORM**

**FIGURE 4-18. PLUMBER PACKAGE INSTALLATION**



ART\_1001273845

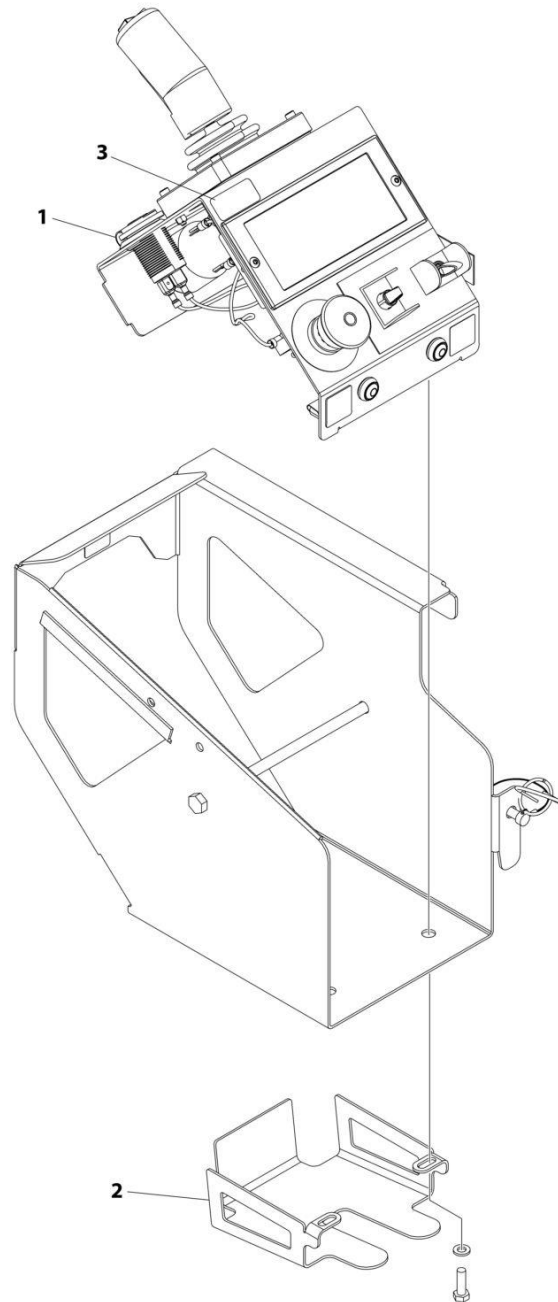
## SECTION 4 - PLATFORM

### FIGURE 4-18. PLUMBER PACKAGE INSTALLATION

ITEM	PART NUMBER	QTY	DESCRIPTION	REV
	1001273845	Ref	PLUMBERS PACKAGE INSTALLATION	A
1	1001273453	1	Machinist Vise Accessory	
2	1001273957	1	Workstation Accessory	
3	1001273959	2	Pipe Rack Assembly Accessory	

# SECTION 4 - PLATFORM

## FIGURE 4-19. USB/PHONE CRADLE INSTALLATION



ART\_1001262150

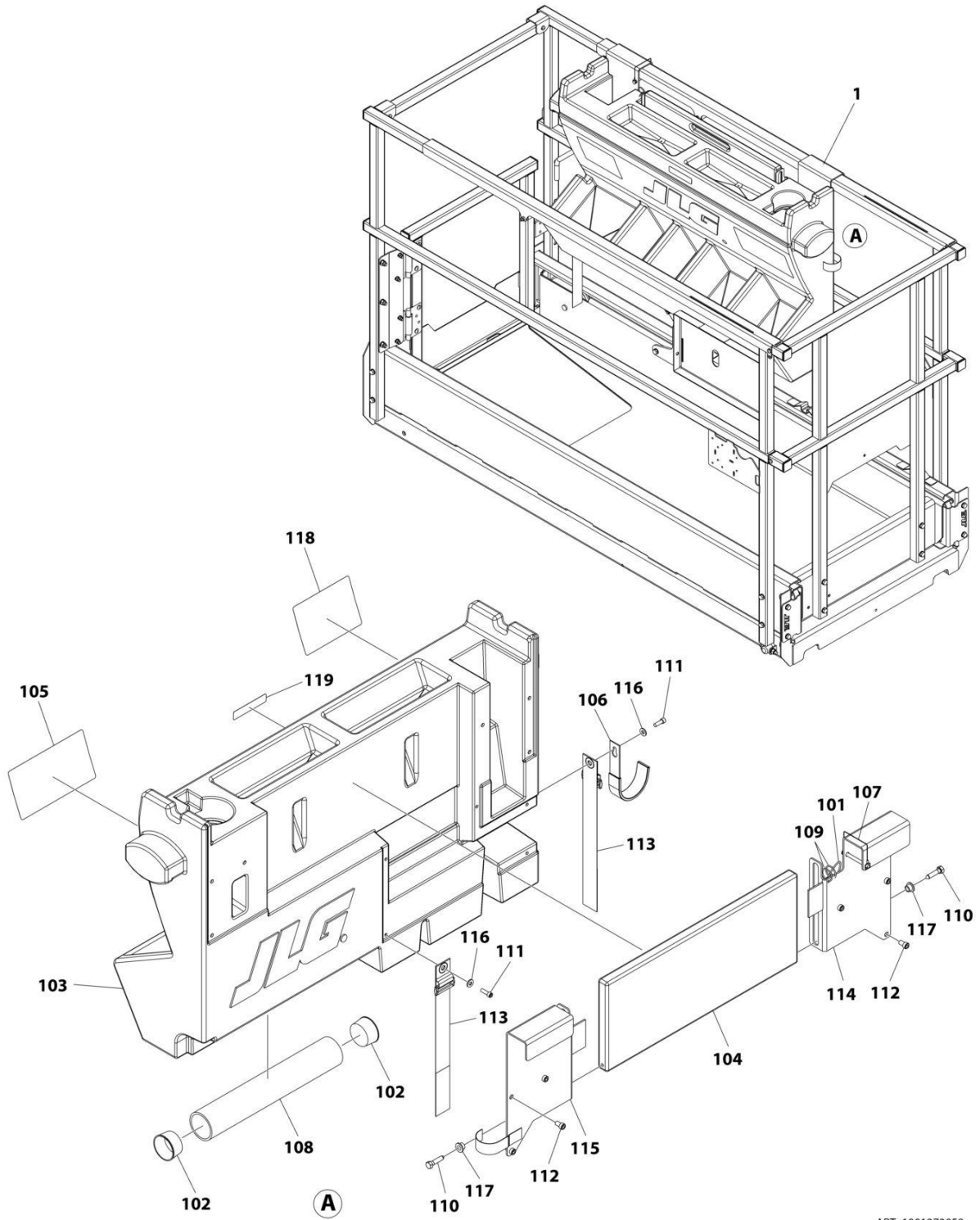
## SECTION 4 - PLATFORM

**FIGURE 4-19. USB/PHONE CRADLE INSTALLATION**

ITEM	PART NUMBER	QTY	DESCRIPTION	REV
	1001262150	Ref	USB/PHONE CRADLE INSTALLATION	B
1	1001253800	1	Terminal, USB Receptacle	
2	1001261131	1	Bracket, Phone	
3	1001274168	1	Decal, USB Charge	

# SECTION 4 - PLATFORM

## FIGURE 4-20. WOKSTATION INSTALLATION



ART\_1001273958



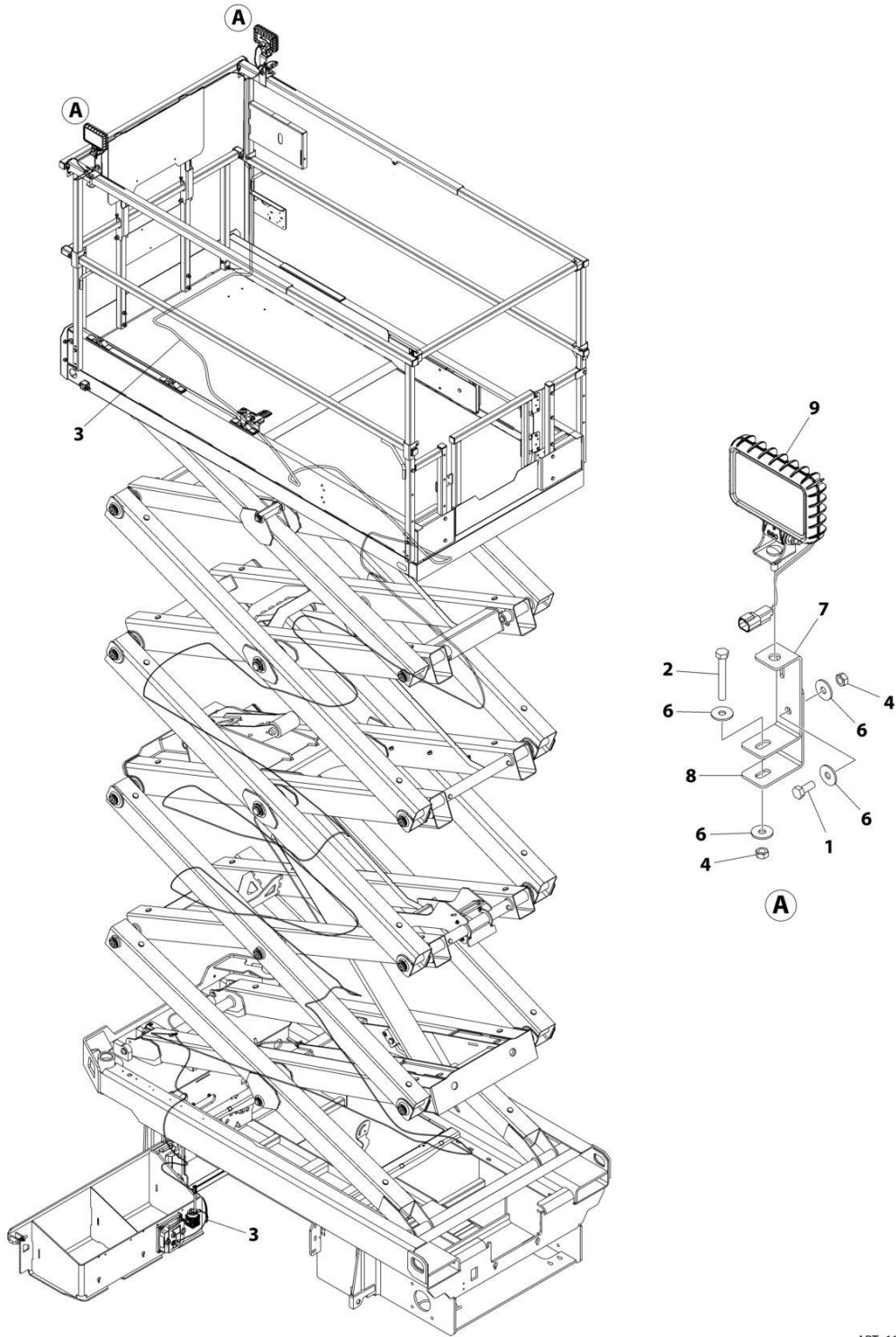
## SECTION 4 - PLATFORM

**FIGURE 4-20. WOKSTATION INSTALLATION**

ITEM	PART NUMBER	QTY	DESCRIPTION	REV
	1001273958	Ref	WORKSTATION INSTALLATION	A
1	1001273957	1	Workstation Accessory	A
101	1060379	1	Lanyard	
102	1120555	2	Cap	
103	1580023	1	Container, Work Bench	
104	1580024	1	Tray, Work Surface	
105	1705997	1	Decal - Workstation	
106	2700100	1	Hook, Hanger	
107	3422219	1	Pin	
108	3460334	1	Pipe	
109	3760170	2	Ring	
110	3900355	2	Screw	
111	3931412	2	Bolt 1/4 x 3/4	
112	3931508	6	Bolt 5/16 x 1/2	
113	4240003	2	Strap	
114	4340853	1	Mount, Channel (RH)	
115	4340854	1	Mount, Channel (LH)	
116	4711400	2	Washer 1/4	
117	4740480	2	Washer, Plastic Insert	
118	1001274837	1	Decal - Workstation Capacity	
119	1001275631	1	Decal - ACCY Weight	

# SECTION 4 - PLATFORM

## FIGURE 4-21. WORKLIGHT INSTALLATION



ART\_1001273967

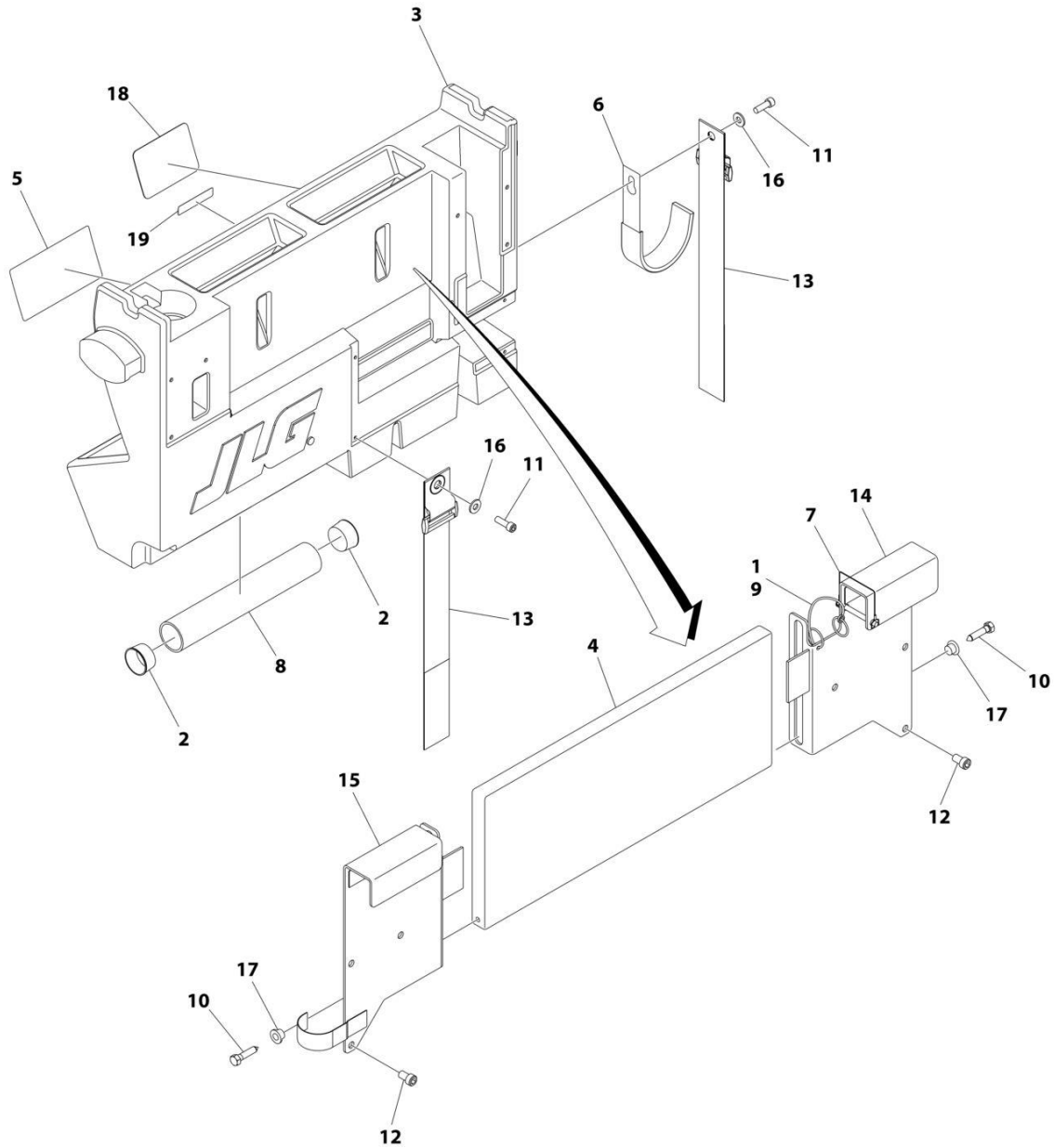
## SECTION 4 - PLATFORM

**FIGURE 4-21. WORKLIGHT INSTALLATION**

ITEM	PART NUMBER	QTY	DESCRIPTION	REV
	1001273967	Ref	WORKLIGHT INSTALLATION	A
1	0760810	2	Bolt M8 x 20	
2	0760820	2	Bolt M8 x 60	
3	1061044	1	Cable, Worklight	
4	3290801	4	Nut M8	
5	4240033	AR	Tie-Strap (Not Shown)	
6	4811902	8	Washer M8	
7	1001273961	2	Bracket	
8	1001273962	2	Bracket	
9	1001273964	2	Lamp, Worklight Kit	
9	1001232586	1	Lamp, Work Light LED W/ Switch	
9	1001274026	1	Harness, Light	

# SECTION 4 - PLATFORM

## FIGURE 4-22. WORKSTATION ACCESSORY



ART\_1001273957

## SECTION 4 - PLATFORM

**FIGURE 4-22. WORKSTATION ACCESSORY**

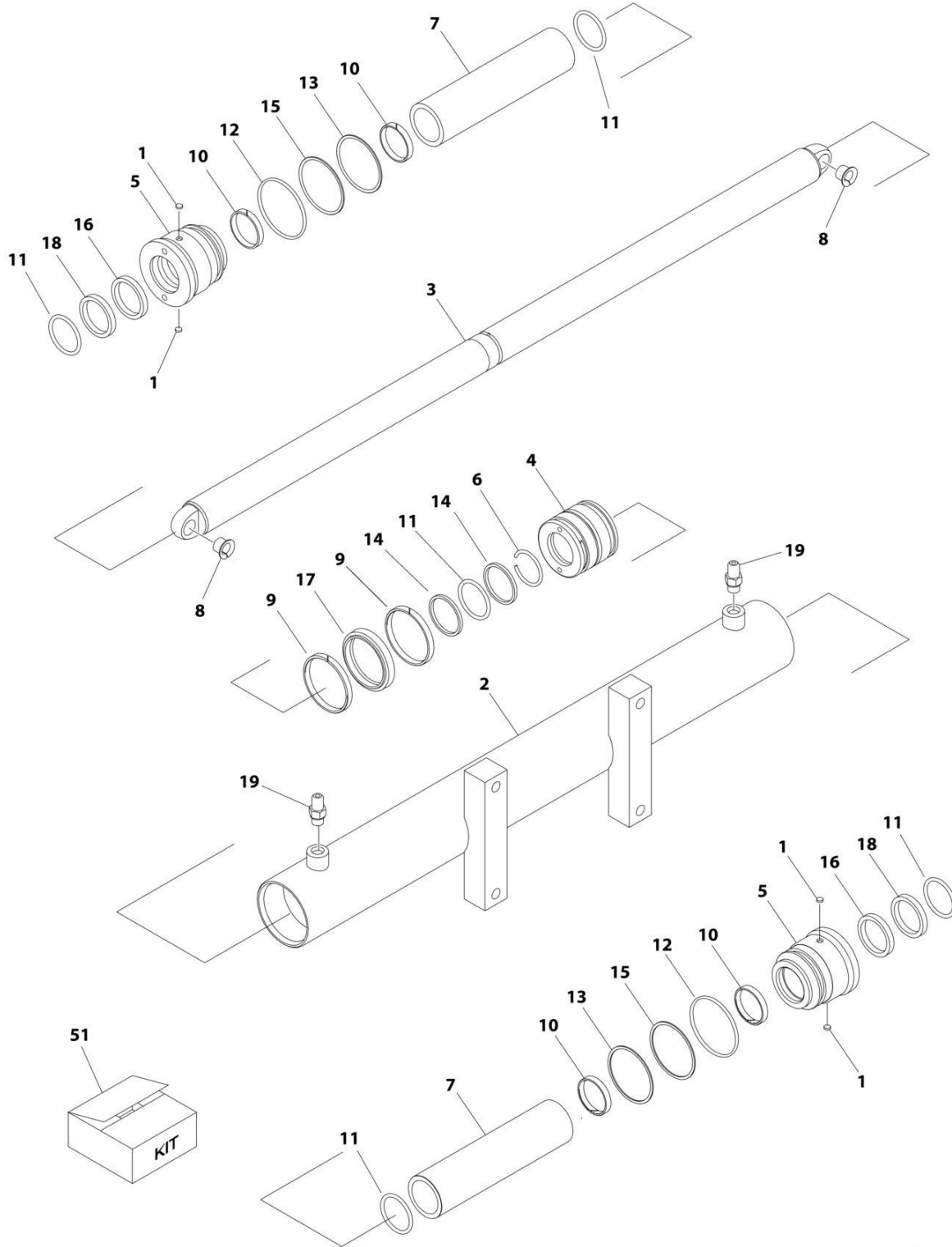
ITEM	PART NUMBER	QTY	DESCRIPTION	REV
	1001273957	Ref	WORKSTATION ACCESSORY	A
1	1060379	1	Lanyard	
2	1120555	2	Cap	
3	1580023	1	Container, Work Bench	
4	1580024	1	Tray, Work Surface	
5	1705997	1	Decal - Workstation	
6	2700100	1	Hook	
7	3422219	1	Pin	
8	3460334	1	Pipe	
9	3760170	2	Ring	
10	3900355	2	Bolt 5/16	
11	3931412	2	Bolt 1/4 x 3/4	
12	3931508	6	Bolt 5/16 x 1/2	
13	4240003	2	Strap	
14	4340853	1	Mount, RH Channel	
15	4340854	1	Mount, LH Channel	
16	4711400	2	Washer 1/4	
17	4740480	2	Washer	
18	1001274837	1	Decal - Workstation Capacity	
19	1001275631	1	Decal - Accessory Weight	



**SECTION 5 - CYLINDER**

# SECTION 5 - CYLINDER

## FIGURE 5-1. STEER CYLINDER ASSEMBLY



ART\_1001233449



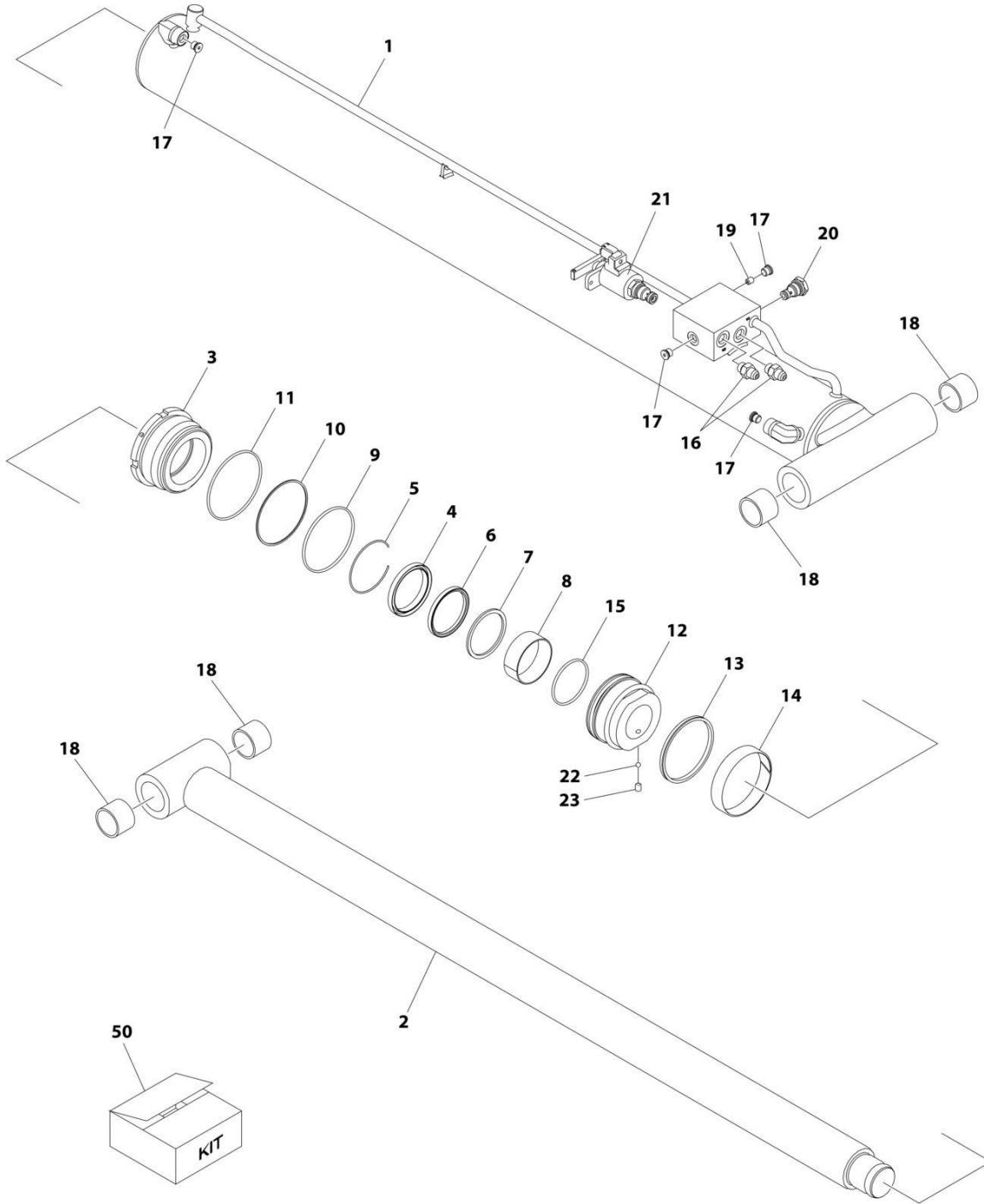
## SECTION 5 - CYLINDER

### FIGURE 5-1. STEER CYLINDER ASSEMBLY

ITEM	PART NUMBER	QTY	DESCRIPTION	REV
	1001233449	Ref	STEER CYLINDER ASSEMBLY	C
		Ref	<b>Note: Original Cylinder May Have Been Replaced with Service Replacement. Identify PN Stamped on Cylinder Before Ordering Parts.</b>	
1	70003636	4	Lock	
2	See Note	NSS	Barrel (Note: Purchase Complete Assembly)	
3	70007074	1	Rod	
4	70007075	1	Piston	
5	70007076	2	Head	
6	70007077	1	Ring	
7	70007078	2	Spacer	
8	0440259	2	Bearing	
9	See Note	NSS	Ring, Wear (Note: Use Item 51)	
10	See Note	NSS	Ring, Wear (Note: Use Item 51)	
11	See Note	NSS	O-Ring (Note: Use Item 51)	
12	See Note	NSS	O-Ring (Note: Use Item 51)	
13	See Note	NSS	O-Ring (Note: Use Item 51)	
14	See Note	NSS	Ring, Back-Up (Note: Use Item 51)	
15	See Note	NSS	Ring, Back-Up (Note: Use Item 51)	
16	See Note	NSS	Seal (Note: Use Item 51)	
17	See Note	NSS	Seal, Stop (Not Shown) (Note: Use Item 51)	
18	See Note	NSS	Wiper (Note: Use Item 51)	
19	70007079	2	Fitting, Straight	
51	70007080	1	Seal Kit - 1001233449 Cylinder (Includes Items 9-18)	

# SECTION 5 - CYLINDER

## FIGURE 5-2. LIFT CYLINDER ASSEMBLY



ART\_1001244417

## SECTION 5 - CYLINDER

### FIGURE 5-2. LIFT CYLINDER ASSEMBLY

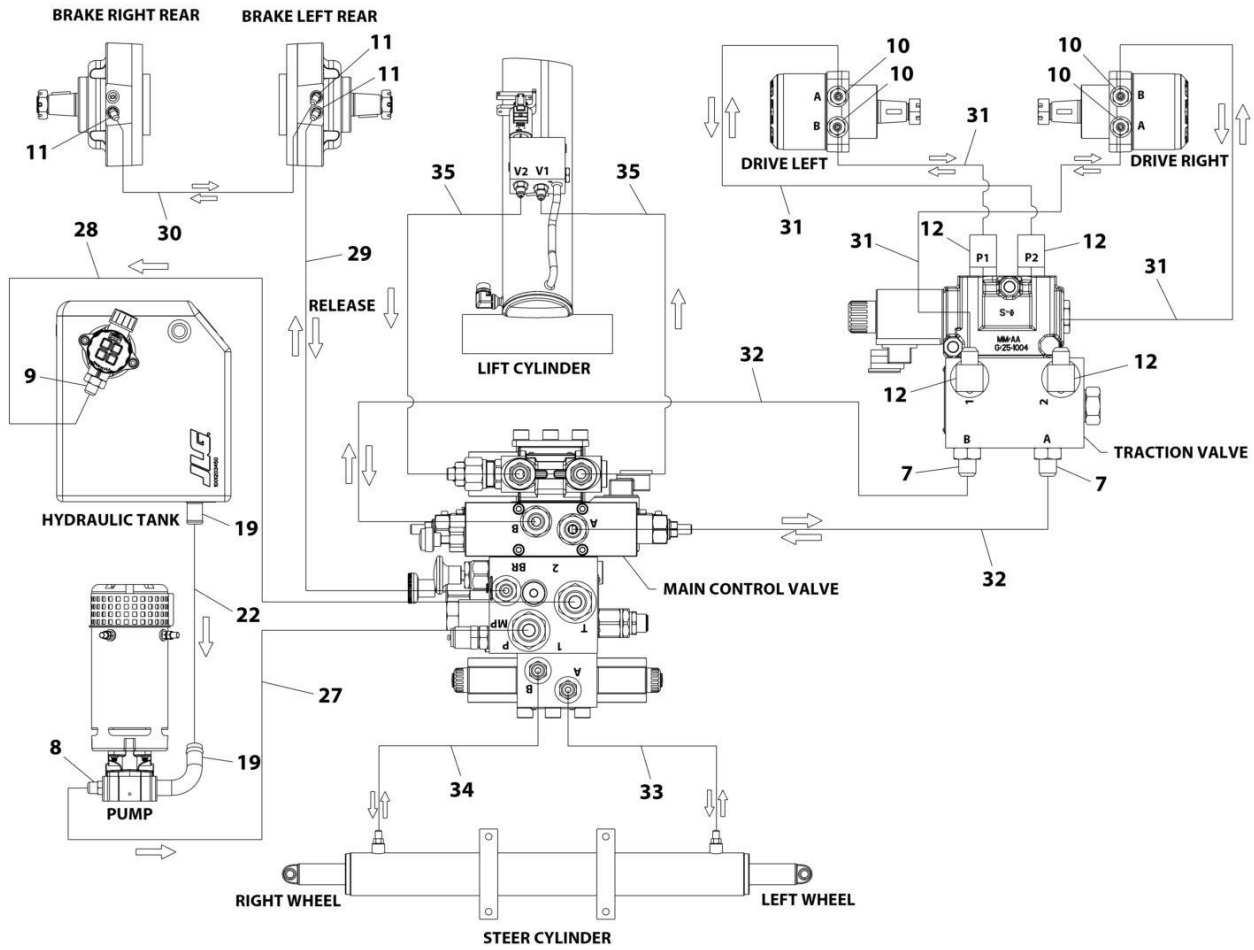
ITEM	PART NUMBER	QTY	DESCRIPTION	REV
	1001244417	Ref	LIFT CYLINDER ASSEMBLY	C
		Ref	<b>Note: Original Cylinder May Have Been Replaced with Service Replacement. Identify PN Stamped on Cylinder Before Ordering Parts.</b>	
1	See Note:	NSS	Barrel (Note: Purchase Complete Part)	
2	70007050	1	Rod	
3	70007051	1	Head	
4	See Note	NSS	Wiper (Note: Use Item 50)	
5	70050795	1	Ring, Retaining	
6	See Note	NSS	Seal, Rod (Note: Use Item 50)	
7	See Note	NSS	Ring, Back-up (Note: Use Item 50)	
8	70007052	1	Bearing	
9	See Note	NSS	O-Ring (Note: Use Item 50)	
10	See Note	NSS	Ring, Back-up (Note: Use Item 50)	
11	See Note	NSS	O-Ring (Note: Use Item 50)	
12	70007053	1	Piston	
13	See Note	NSS	Seal, Piston (Note: Use Item 50)	
14	See Note	NSS	Ring, Wear (Note: Use Item 50)	
15	See Note	NSS	O-Ring (Note: Use Item 50)	
16	70007054	2	Fitting	
17	2220883	4	Plug	
18	0961948	4	Bearing	
19	70007055	1	Orifice	
20	70004585	1	Cartridge, Valve	
21	70005236	1	Cartridge, Solenoid Valve	
22	70022564	1	Ball	
23	70023369	1	Setscrew	
50	70007056	1	Seal Kit - 1001244417 Cylinder (Includes Items 4, 6, 7, 9-11 & 13-15)	



**SECTION 6 - HYDRAULIC**

# SECTION 6 - HYDRAULIC

## FIGURE 6-1. HYDRAULIC COMPONENTS INSTALLATION (MACHINES WITH SN STARTING WITH B2)



ART\_1001284638\_2OF2

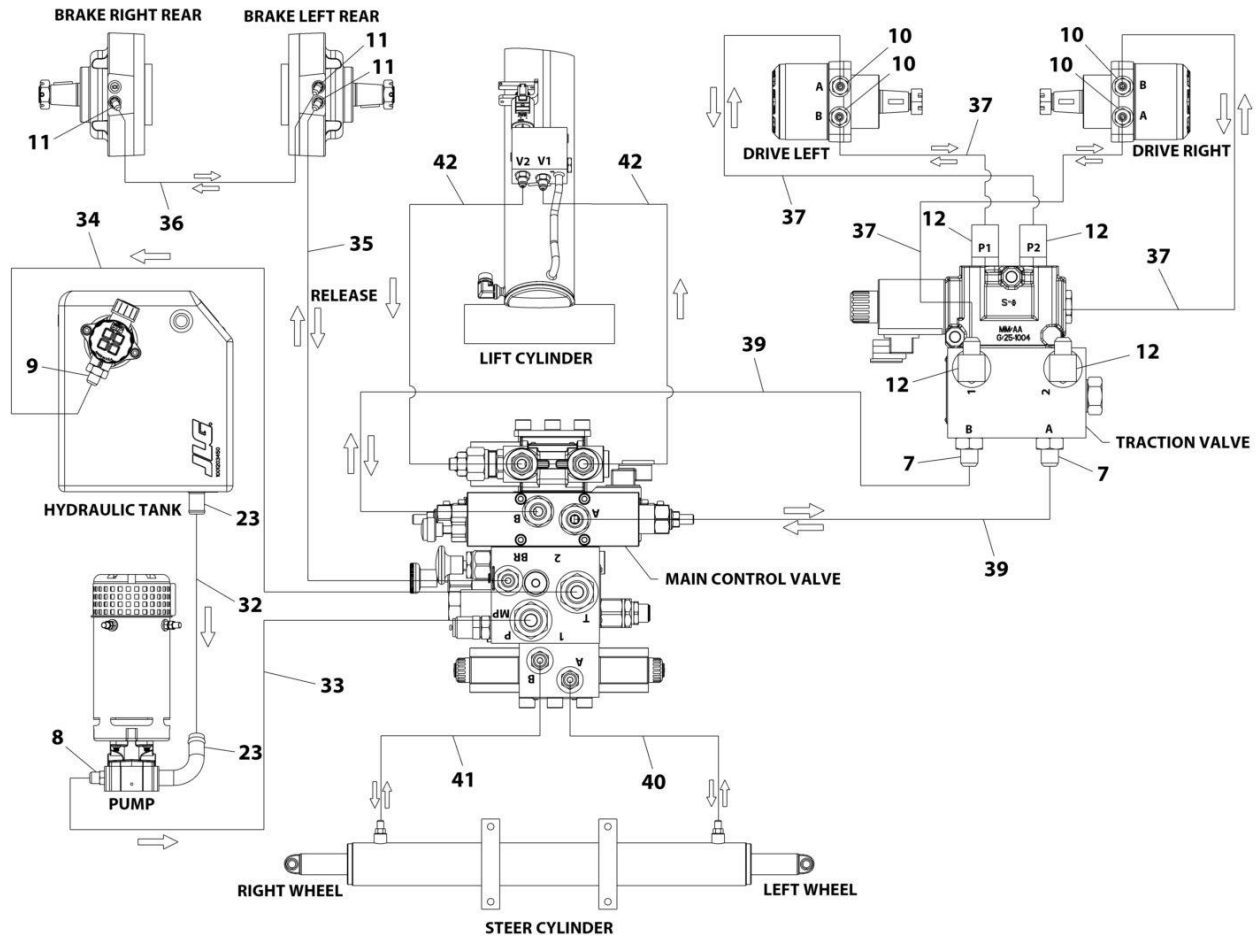
## SECTION 6 - HYDRAULIC

**FIGURE 6-1. HYDRAULIC COMPONENTS INSTALLATION (MACHINES WITH SN STARTING WITH B2)**

ITEM	PART NUMBER	QTY	DESCRIPTION	REV
	1001284638	Ref	HYDRAULIC COMPONENTS INSTALLATION	A
7	2220372	2	Fitting, Straight - JIC/ORB	
8	2220373	1	Fitting, Straight - JIC/ORB	
9	2220375	1	Fitting, Straight - JIC/ORB	
10	2220497	4	Fitting, Straight - JIC/ORB	
11	2220502	3	Fitting, 45 JIC/ORB	
12	2220628	4	Fitting, 90 JIC/ORB	
19	1001143501	2	Clamp, T-Bolt Heavy Duty	
22	1001203835	1	Hose	
27	1001236800	1	Hose	
28	1001236801	1	Hose	
29	1001236802	1	Hose	
30	1001236803	1	Hose	
31	1001236804	4	Hose	
32	1001236806	2	Hose	
33	1001236807	1	Hose	
34	1001236808	1	Hose	
35	1001236809	2	Hose	

# SECTION 6 - HYDRAULIC

## FIGURE 6-2. HYDRAULIC COMPONENTS INSTALLATION (MACHINES WITH SN STARTING WITH M2)



ART\_1001380008\_G\_2OF2



## SECTION 6 - HYDRAULIC

**FIGURE 6-2. HYDRAULIC COMPONENTS INSTALLATION (MACHINES WITH SN STARTING WITH M2)**

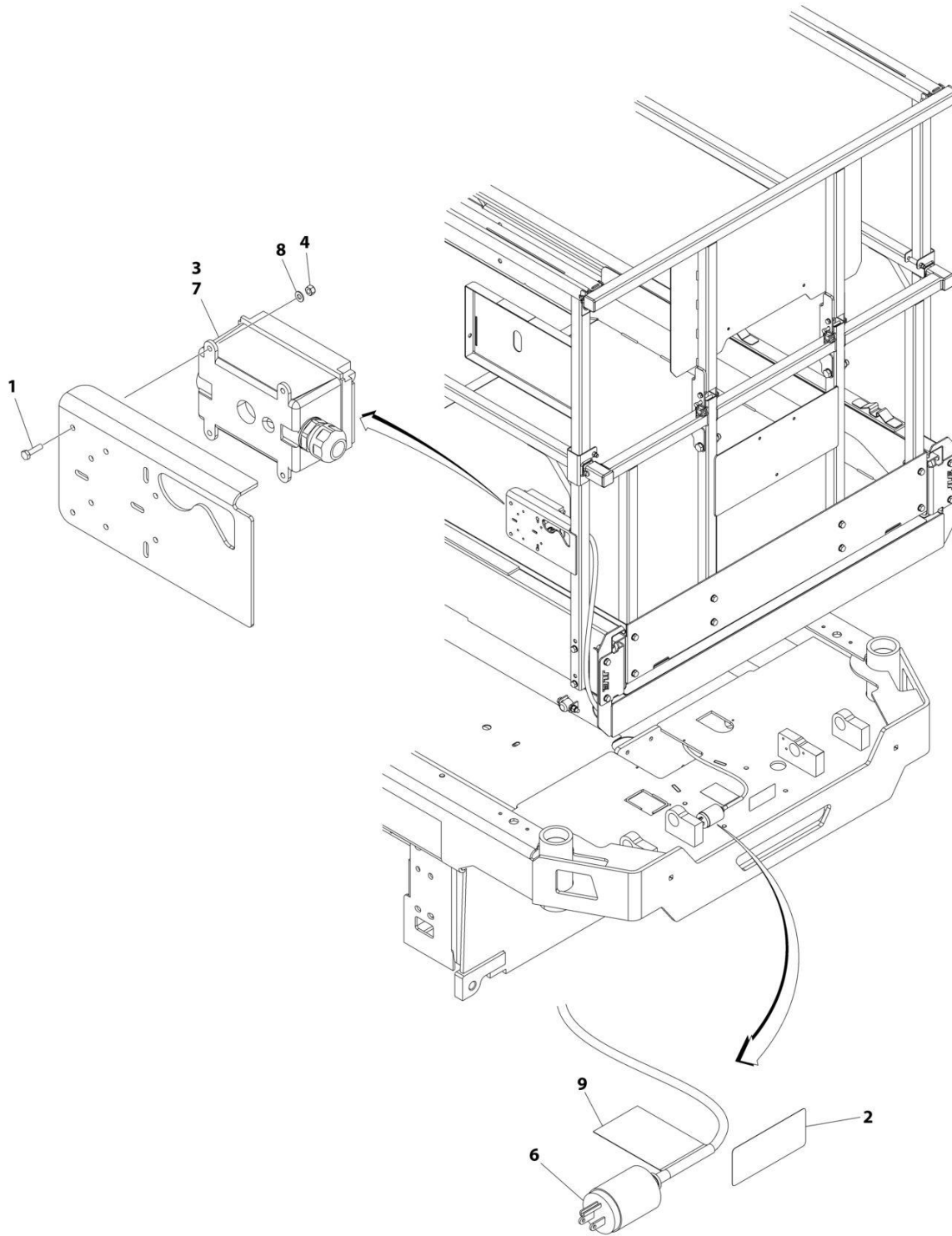
ITEM	PART NUMBER	QTY	DESCRIPTION	REV
	1001380008	Ref	HYDRAULIC COMPONENTS INSTALLATION	G
7	2220372	2	Fitting, Straight - JIC/ORB	
8	2220373	1	Fitting, Straight - JIC/ORB	
9	2220375	1	Fitting, Straight - JIC/ORB	
10	2220497	4	Fitting, Straight - JIC/ORB	
11	2220502	3	Fitting, 45 JIC/ORB	
12	2220628	4	Fitting, 90 JIC/ORB	
23	1001143501	2	Clamp, T-Bolt Heavy Duty	
32	1001203835	1	Hose	
33	1001236800	1	Hose	
34	1001236801	1	Hose	
35	1001236802	1	Hose	
36	1001236803	1	Hose	
37	1001236804	4	Hose	
39	1001236806	2	Hose	
40	1001236807	1	Hose	
41	1001236808	1	Hose	
42	1001236809	2	Hose	



**SECTION 7 - ELECTRICAL**

# SECTION 7 - ELECTRICAL

FIGURE 7-1. AC BOX AT PLATFORM INSTALLATION - 110V GFI (ALL SPECS EXCEPT AUSTRALIAN, CE & UK CA SPECS)



ART\_1001237400

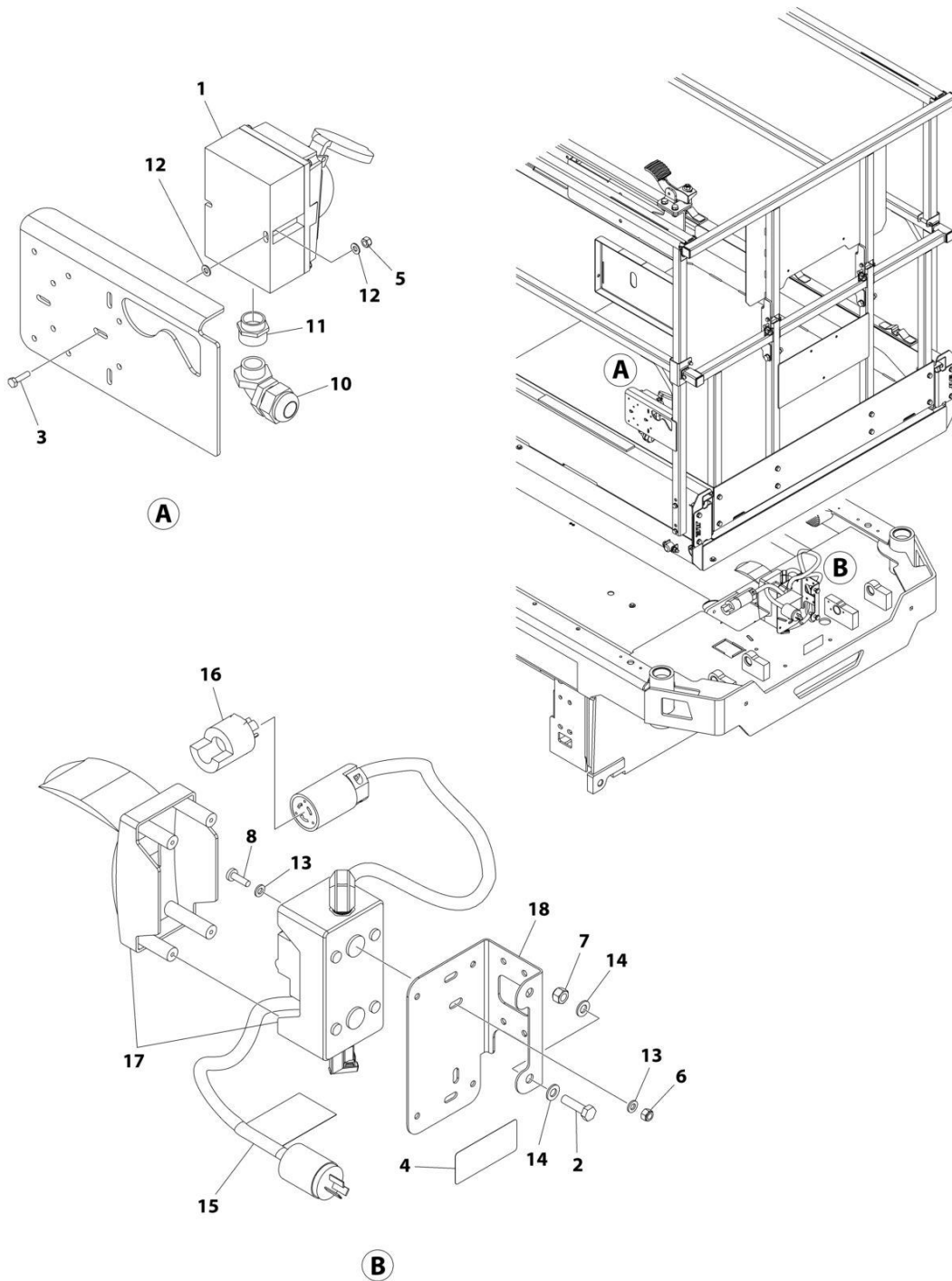
## SECTION 7 - ELECTRICAL

**FIGURE 7-1. AC BOX AT PLATFORM INSTALLATION - 110V GFI (ALL SPECS EXCEPT AUSTRALIAN, CE & UK CA SPECS)**

ITEM	PART NUMBER	QTY	DESCRIPTION	REV
	1001237400	Ref	AC BOX AT PLATFORM INSTALLATION - 110V GFI	C
1	0760408	4	Bolt M4 x 16	
2	1703464	1	Decal - AC Power	
3	2902431	1	Receptacle Box Kit (See Separate Breakdown in this Section)	
4	3290405	4	Nut M4	
5	4240017	AR	Tie-Strap (Not Shown)	
6	4460138	1	Plug, Male - AC	
7	4460315	1	Terminal	
8	4811400	4	Washer M4	
9	1001102258	1	Decal - AC Label	

# SECTION 7 - ELECTRICAL

FIGURE 7-2. AC BOX AT PLATFORM INSTALLATION - 110V IEC YELLOW (CE & UK CA SPECS)



ART\_1001238133

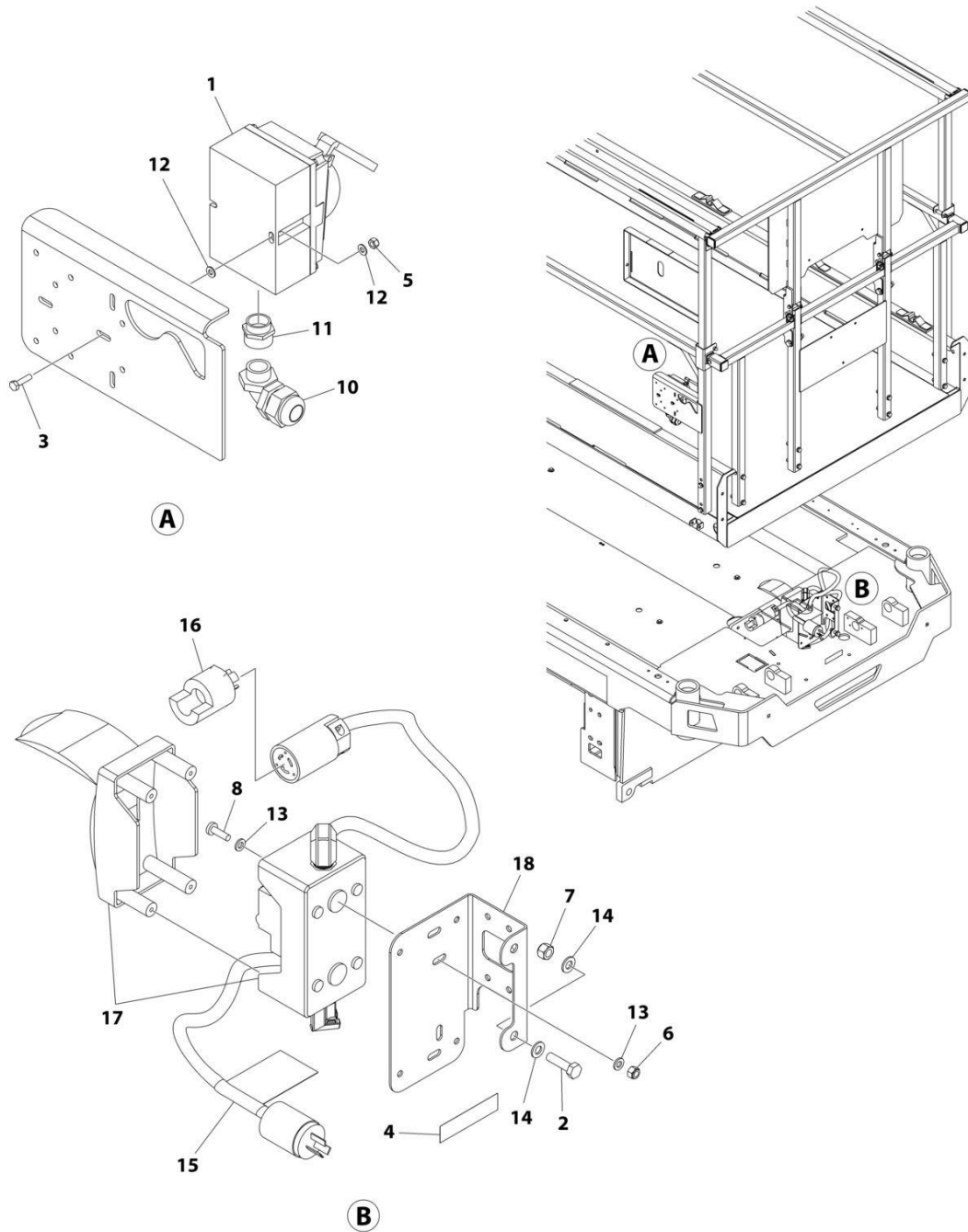
## SECTION 7 - ELECTRICAL

**FIGURE 7-2. AC BOX AT PLATFORM INSTALLATION - 110V IEC YELLOW (CE & UK CA SPECS)**

ITEM	PART NUMBER	QTY	DESCRIPTION	REV
	1001238133	Ref	AC BOX AT PLATFORM INSTALLATION - 110V IEC YELLOW	B
1	0275216	1	Receptacle Box Kit - 110V IEC Yellow (See Separate Breakdown in this Section)	
2	0700814	2	Bolt M8 x 30	
3	0760408	2	Bolt M4 x 16	
4	1703464	1	Decal - AC Power	
5	3290405	2	Nut M4	
6	3290605	2	Nut M6	
7	3290805	2	Nut M8	
8	4010610	2	Screw M6 x 20	
9	4240017	AR	Tie-Strap (Not Shown)	
10	4461257	1	Connector, Strain Relief	
11	4461258	1	Connector, Adapter	
12	4811400	4	Washer M4	
13	4811700	4	Washer M6	
14	4811900	4	Washer M8	
15	1001102258	1	Decal - AC Label	
16	1001120204	1	Plug, Male Twist	
17	1001209776	1	Breaker Box Kit (See Separate Breakdown in this Section)	
18	1001238198	1	Bracket	

# SECTION 7 - ELECTRICAL

## FIGURE 7-3. AC BOX AT PLATFORM INSTALLATION - 220V IEC BLUE (CE & UK CA SPECS)



ART\_1001238134



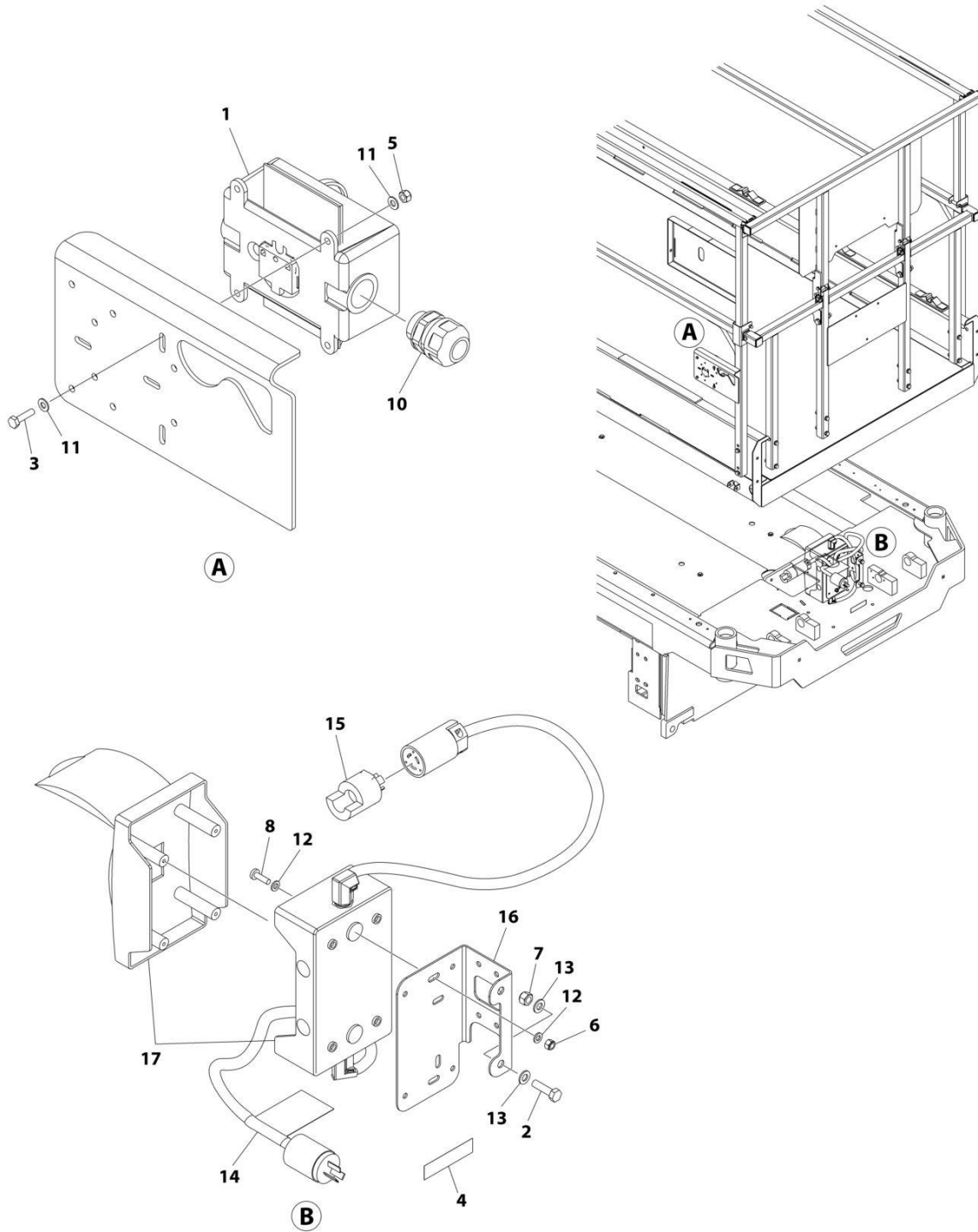
## SECTION 7 - ELECTRICAL

**FIGURE 7-3. AC BOX AT PLATFORM INSTALLATION - 220V IEC BLUE (CE & UK CA SPECS)**

ITEM	PART NUMBER	QTY	DESCRIPTION	REV
	1001238134	Ref	AC BOX AT PLATFORM INSTALLATION - 220V IEC BLUE	A
1	0275217	1	Receptacle Box Kit - 220V IEC Blue (See Separate Breakdown in this Section)	
2	0700814	2	Bolt M8 x 30	
3	0760408	2	Bolt M4 x 16	
4	3252507	1	Decal - AC Power	
5	3290405	2	Nut M4	
6	3290605	2	Nut M6	
7	3290805	2	Nut M8	
8	4010610	2	Screw M6 x 20	
9	4240017	AR	Tie-Strap (Not Shown)	
10	4461257	1	Connector, Strain Relief	
11	4461258	1	Connector, Adapter	
12	4811400	4	Washer M4	
13	4811700	4	Washer M6	
14	4811900	4	Washer M8	
15	1001102258	1	Decal - AC Label	
16	1001120204	1	Plug, Male Twist	
17	1001209776	1	Breaker Box Kit (See Separate Breakdown in this Section)	
18	1001238198	1	Bracket	

# SECTION 7 - ELECTRICAL

FIGURE 7-4. AC BOX AT PLATFORM INSTALLATION - 220V CEE7 POST GROUND (CE & UK CA SPECS)



ART\_1001238130

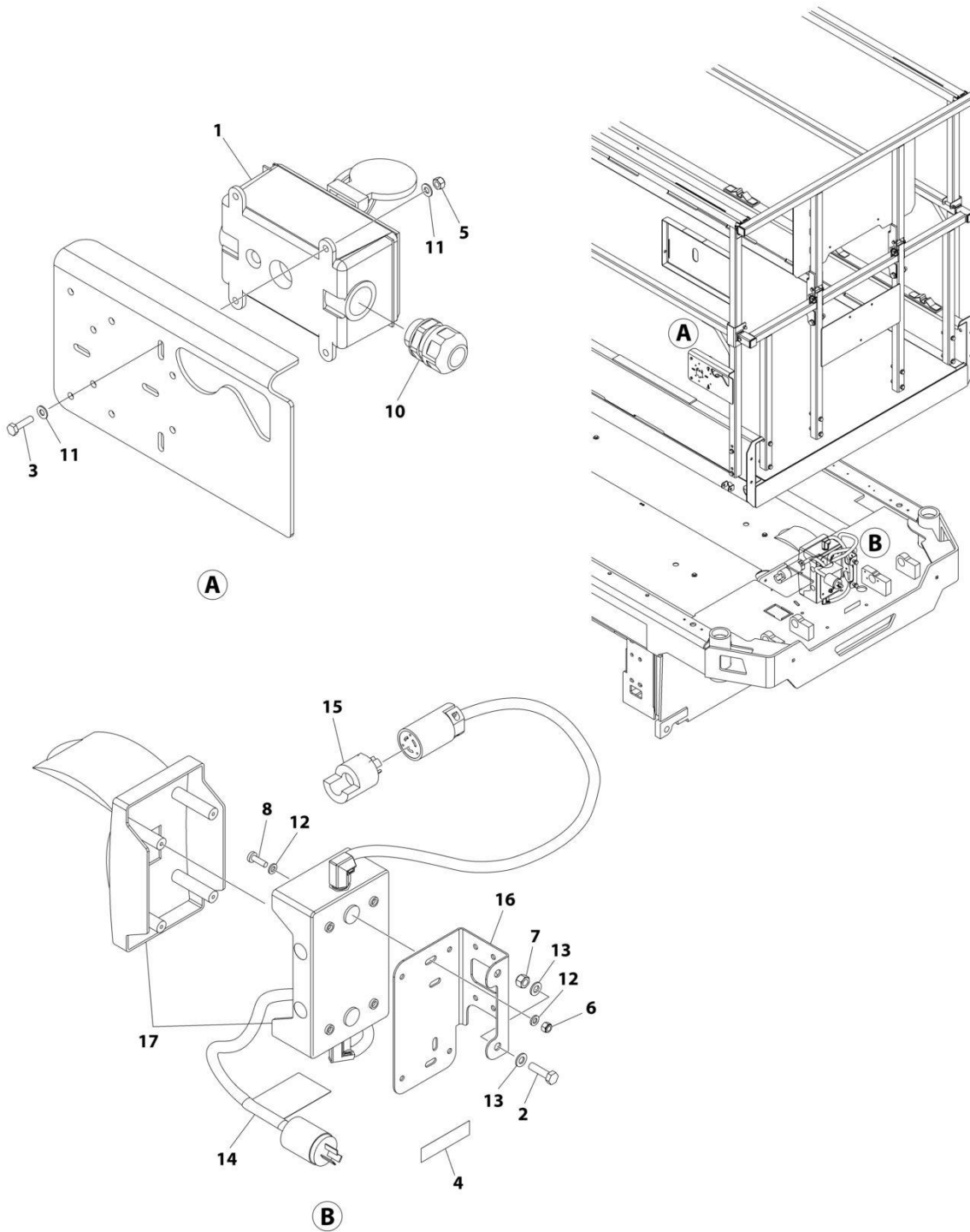
## SECTION 7 - ELECTRICAL

**FIGURE 7-4. AC BOX AT PLATFORM INSTALLATION - 220V CEE7 POST GROUND (CE & UK CA SPECS)**

ITEM	PART NUMBER	QTY	DESCRIPTION	REV
	1001238130	Ref	AC BOX AT PLATFORM INSTALLATION - 220V CEE7 POST GROUND	B
1	0275452	1	Receptacle Box Kit - 220V CEE7 Post Ground (See Separate Breakdown in this Section)	
2	0700814	2	Screw M8 x 30	
3	0760408	4	Bolt M4 x 16	
4	3252507	1	Decal - AC Power	
5	3290405	4	Nut M4	
6	3290605	2	Nut M6	
7	3290805	2	Nut M8	
8	4010610	2	Screw M6 x 20	
9	4240017	AR	Tie-Strap (Not Shown)	
10	4460662	1	Connector, Strain Relief	
11	4811400	8	Washer M4	
12	4811700	4	Washer M6	
13	4811900	4	Washer M8	
14	1001102258	1	Decal - AC Label	
15	1001120204	1	Plug, Male Twist	
16	1001238198	1	Bracket	
17	1001209482	1	Breaker Box Kit (See Separate Breakdown in this Section)	

# SECTION 7 - ELECTRICAL

## FIGURE 7-5. AC BOX AT PLATFORM INSTALLATION - 220V CEE7 SIDE GROUND (CE & UK CA SPECS)



ART\_1001238131

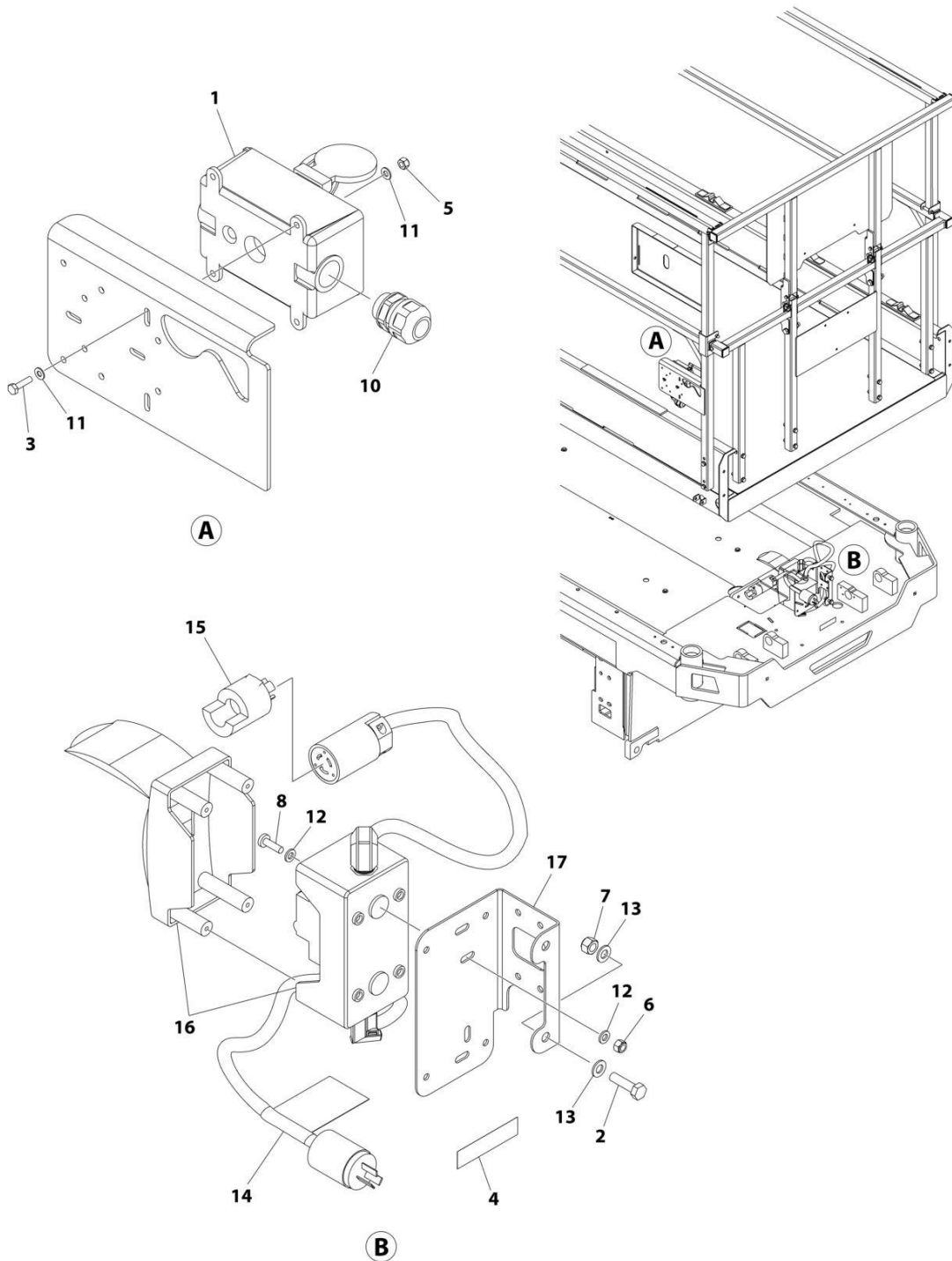
## SECTION 7 - ELECTRICAL

**FIGURE 7-5. AC BOX AT PLATFORM INSTALLATION - 220V CEE7 SIDE GROUND (CE & UK CA SPECS)**

ITEM	PART NUMBER	QTY	DESCRIPTION	REV
	1001238131	Ref	AC BOX AT PLATFORM INSTALLATION - 220V CEE7 SIDE GROUND	B
1	0275453	1	Receptacle Box Kit - 220V CEE7 Side Ground (See Separate Breakdown in this Section)	
2	0700814	2	Bolt M8 x 30	
3	0760408	4	Bolt M4 x 16	
4	3252507	1	Decal - AC Power	
5	3290405	4	Nut M4	
6	3290605	2	Nut M6	
7	3290805	2	Nut M8	
8	4010610	2	Screw M6 x 20	
9	4240017	AR	Tie-Strap (Not Shown)	
10	4460662	1	Connector, Strain Relief	
11	4811400	8	Washer M4	
12	4811700	4	Washer M6	
13	4811900	4	Washer M8	
14	1001102258	1	Decal - AC Label	
15	1001120204	1	Plug, Male Twist	
16	1001238198	1	Bracket	
17	1001209482	1	Breaker Box Kit (See Separate Breakdown in this Section)	

# SECTION 7 - ELECTRICAL

FIGURE 7-6. AC BOX AT PLATFORM INSTALLATION - 220V AFSINT 107 (CE & UK CA SPECS)



ART\_1001238132

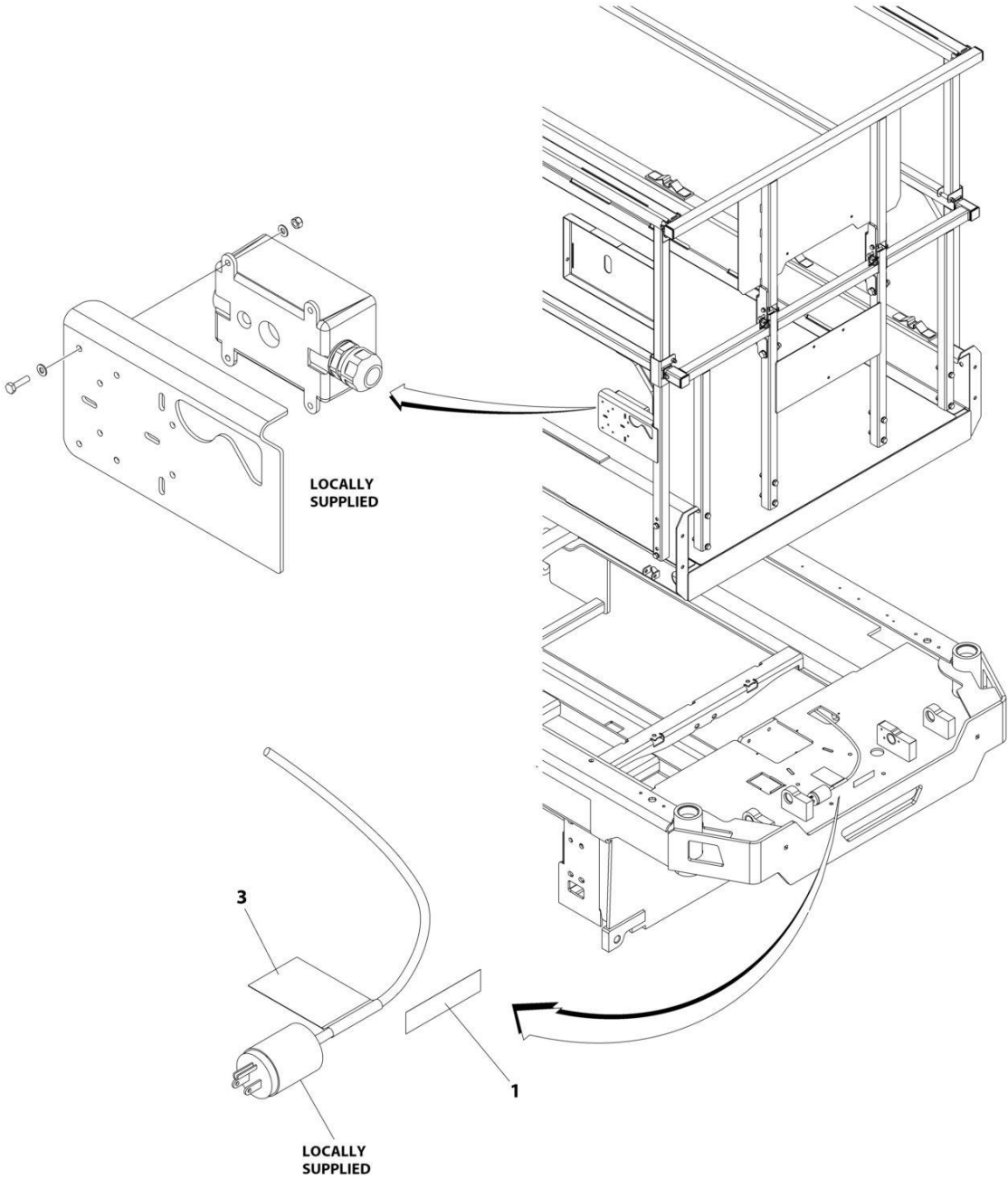
## SECTION 7 - ELECTRICAL

**FIGURE 7-6. AC BOX AT PLATFORM INSTALLATION - 220V AFSINT 107 (CE & UK CA SPECS)**

ITEM	PART NUMBER	QTY	DESCRIPTION	REV
	1001238132	Ref	AC BOX AT PLATFORM INSTALLATION - 220V AFSINT 107	B
1	0275454	1	Receptacle Box Kit - 220V AFSINT 107 (See Separate Breakdown in this Section)	
2	0700814	2	Bolt M8 x 30	
3	0760408	4	Bolt M4 x 16	
4	3252507	1	Decal - AC Power	
5	3290405	4	Nut M4	
6	3290605	2	Nut M6	
7	3290805	2	Nut M8	
8	4010610	2	Screw M6 x 20	
9	4240017	AR	Tie-Strap (Not Shown)	
10	4460662	1	Connector, Strain Relief	
11	4811400	8	Washer M4	
12	4811700	4	Washer M6	
13	4811900	4	Washer M8	
14	1001102258	1	Decal - AC Label	
15	1001120204	1	Plug, Male Twist	
16	1001209776	1	Breaker Box Kit (See Separate Breakdown in this Section)	
17	1001238198	1	Bracket	

**SECTION 7 - ELECTRICAL**

**FIGURE 7-7. AC BOX AT PLATFORM INSTALLATION - 220V LOCALLY SUPPLIED**



ART\_1001237401



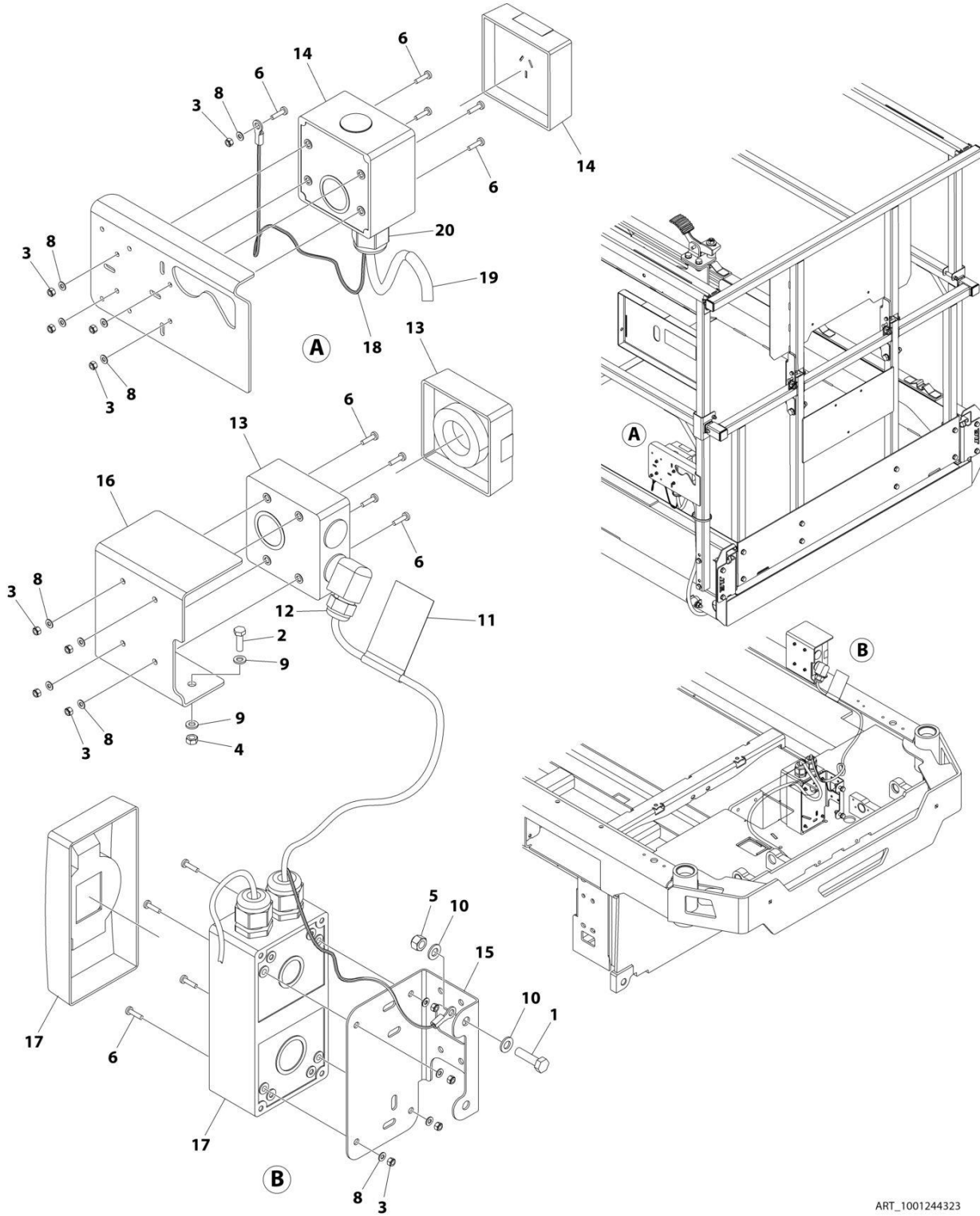
## SECTION 7 - ELECTRICAL

**FIGURE 7-7. AC BOX AT PLATFORM INSTALLATION - 220V LOCALLY SUPPLIED**

ITEM	PART NUMBER	QTY	DESCRIPTION	REV
	1001237401	Ref	AC BOX AT PLATFORM INSTALLATION - 220V LOCALLY SUPPLIED COMPONENTS (ALL SPECS)	C
1	3252507	1	Decal - 220 Volt	
2	4240017	AR	Tie-Strap (Not Shown)	
3	1001102258	1	Decal - AC Label	

# SECTION 7 - ELECTRICAL

## FIGURE 7-8. AC BOX AT PLATFORM INSTALLATION - 220V (AUSTRALIAN SPECS)



ART\_1001244323

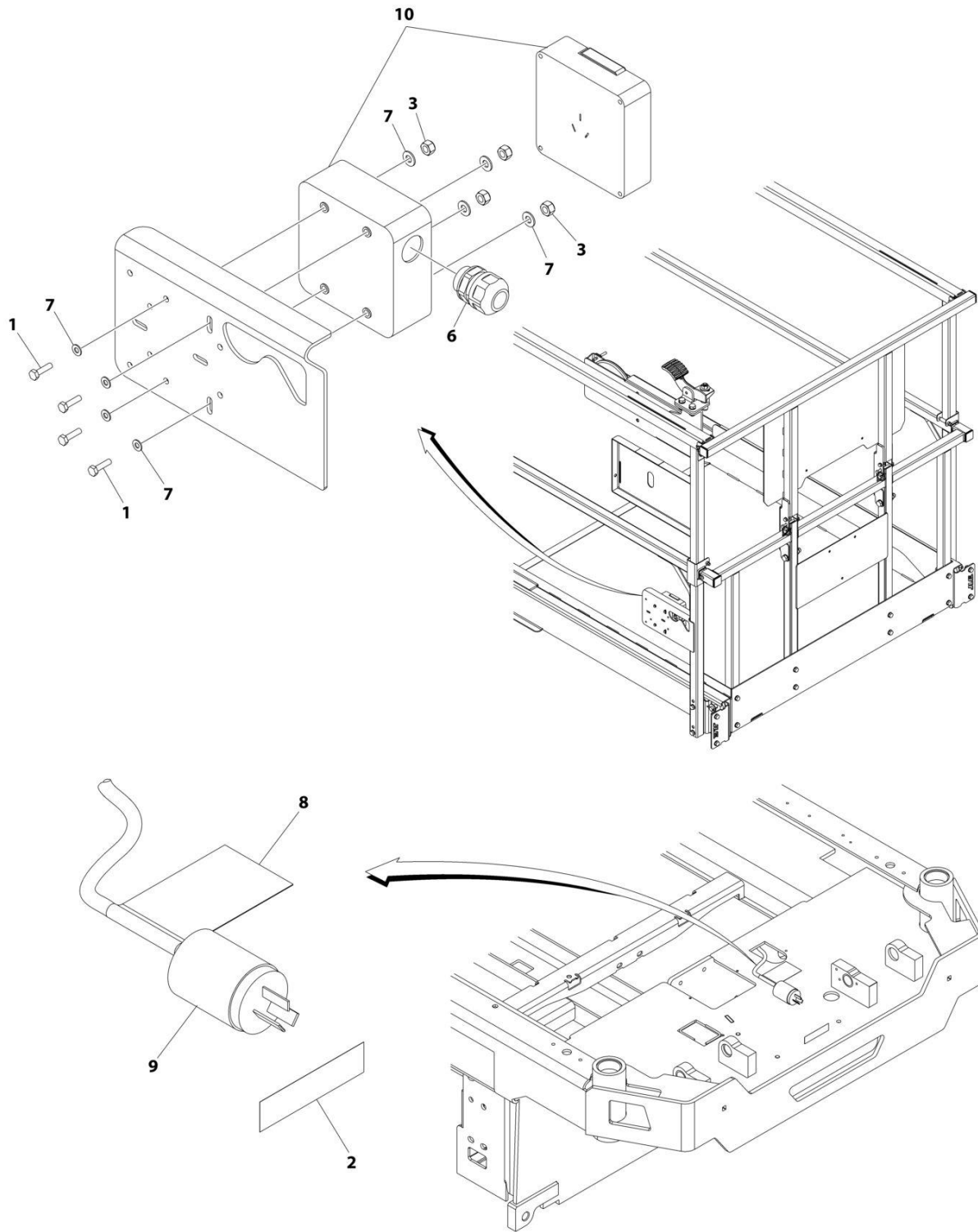
## SECTION 7 - ELECTRICAL

**FIGURE 7-8. AC BOX AT PLATFORM INSTALLATION - 220V (AUSTRALIAN SPECS)**

ITEM	PART NUMBER	QTY	DESCRIPTION	REV
	1001244323	Ref	AC BOX AT PLATFORM INSTALLATION - 220V (AUSTRALIAN SPECS)	B
1	0700814	2	Bolt M8 x 30	
2	0760610	2	Bolt M6 x 20	
3	3290405	13	Nut M4	
4	3290601	2	Nut M6	
5	3290805	2	Nut M8	
6	4010408	13	Screw M4 x 16	
7	4240017	AR	Tie-Strap (Not Shown)	
8	4811400	13	Washer M4	
9	4811700	4	Washer M6	
10	4811900	4	Washer M8	
11	1001102258	1	Decal - AC Label	
12	1001103471	1	Connector Strain Relief 90	
13	1001227267	1	Receptacle Australian - 230V	
14	1001227268	1	Receptacle Australian - 230V	
15	1001238198	1	Bracket	
16	1001244900	1	Bracket	
17	1001245739	1	Box and Breaker Electrical Assembly (See Separate Breakdown in this Section)	
18	1001245744	1	Earth/Ground Link Harness	
19	1001245747	1	Conduit	
20	1001097150	1	Terminal	

# SECTION 7 - ELECTRICAL

## FIGURE 7-9. AC BOX AT PLATFORM INSTALLATION - 220V CHINA PLUG (CHINA SPECS)



ART\_1001238135

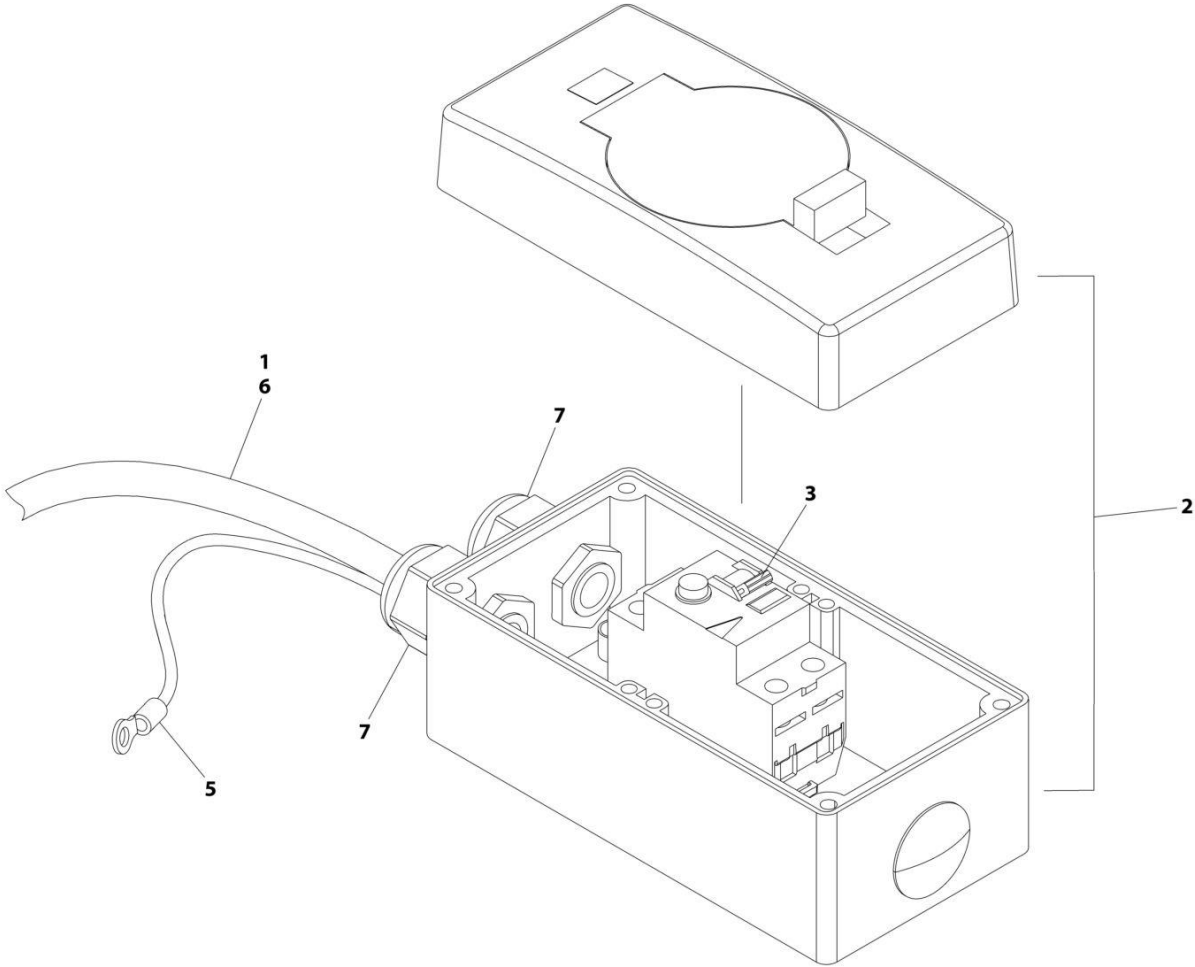
## SECTION 7 - ELECTRICAL

**FIGURE 7-9. AC BOX AT PLATFORM INSTALLATION - 220V CHINA PLUG (CHINA SPECS)**

ITEM	PART NUMBER	QTY	DESCRIPTION	REV
	1001238135	Ref	AC BOX AT PLATFORM INSTALLATION - 220V CHINA PLUG (CHINA SPECS)	A
1	0760408	4	Bolt M4 x 16	
2	3252507	1	Decal - 220 Volt	
3	3290405	4	Nut M4	
4	4240017	AR	Tie-Strap (Not Shown)	
5	4460315	1	Terminal (Not Shown)	
6	4460968	1	Connector, Strain Relief	
7	4811400	8	Washer M4	
8	1001102258	1	Decal - AC Label	
9	1001187816	1	Plug	
10	1001188116	1	Box	

**SECTION 7 - ELECTRICAL**

**FIGURE 7-10. BREAKER BOX KIT (AUSTRALIAN SPEC)**



ART\_1001245739

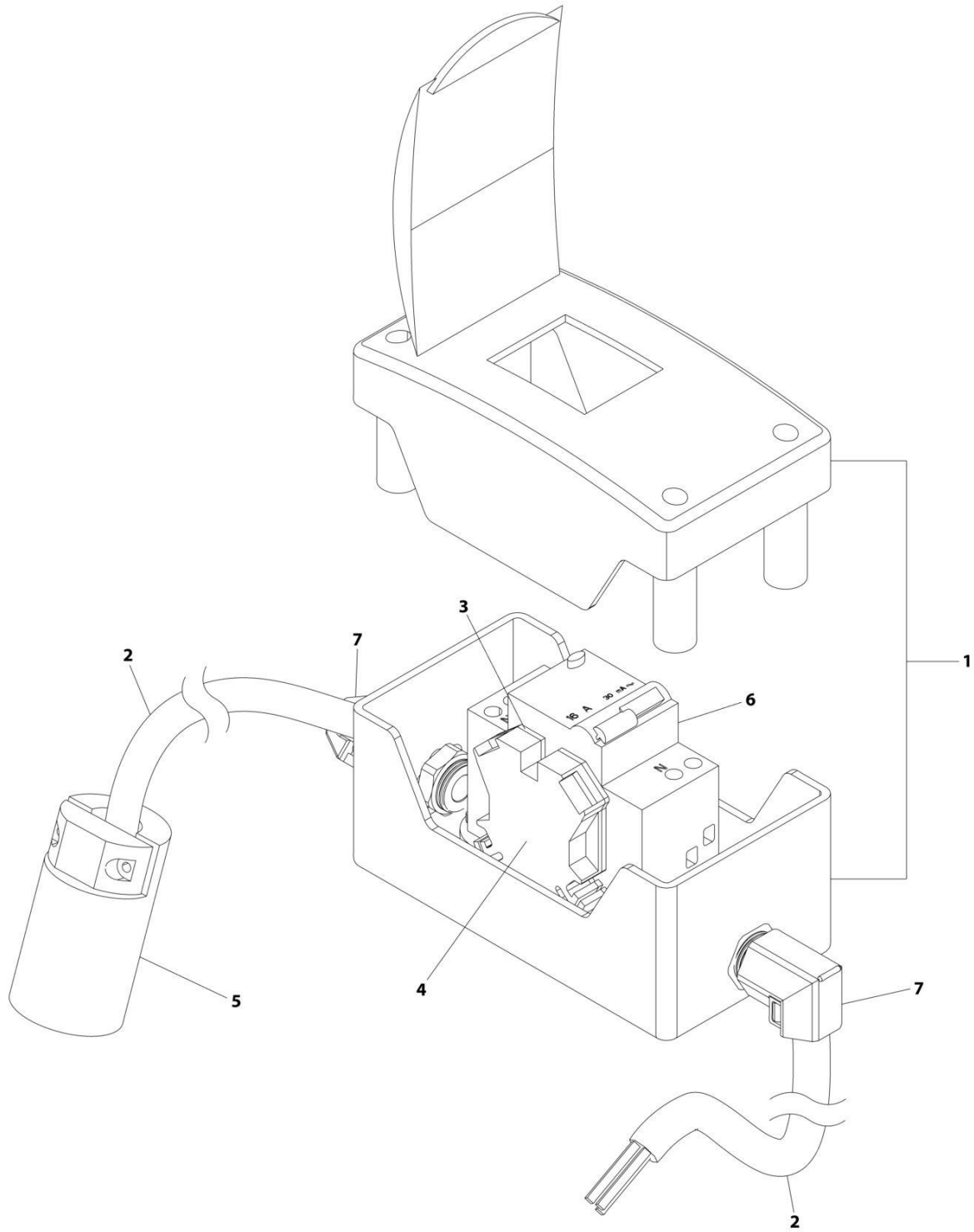
## SECTION 7 - ELECTRICAL

### FIGURE 7-10. BREAKER BOX KIT (AUSTRALIAN SPEC)

ITEM	PART NUMBER	QTY	DESCRIPTION	REV
1	1001245739	Ref	BREAKER BOX KIT	B
	1060908	825 mm/ 32.5in	Cable	
2	1001227269	1	Enclosure	
3	1001228191	1	Breaker	
4	1001245743	1	Terminal (Not Shown)	
5	1001245744	1	Earth/Ground Link Harness	
6	1001125927	1	Conduit	
7	1001097150	2	Connector	

# SECTION 7 - ELECTRICAL

## FIGURE 7-11. BREAKER BOX KIT WITH 1 DOUBLE BREAKER (CE & UK CA SPECS)



ART\_1001209776



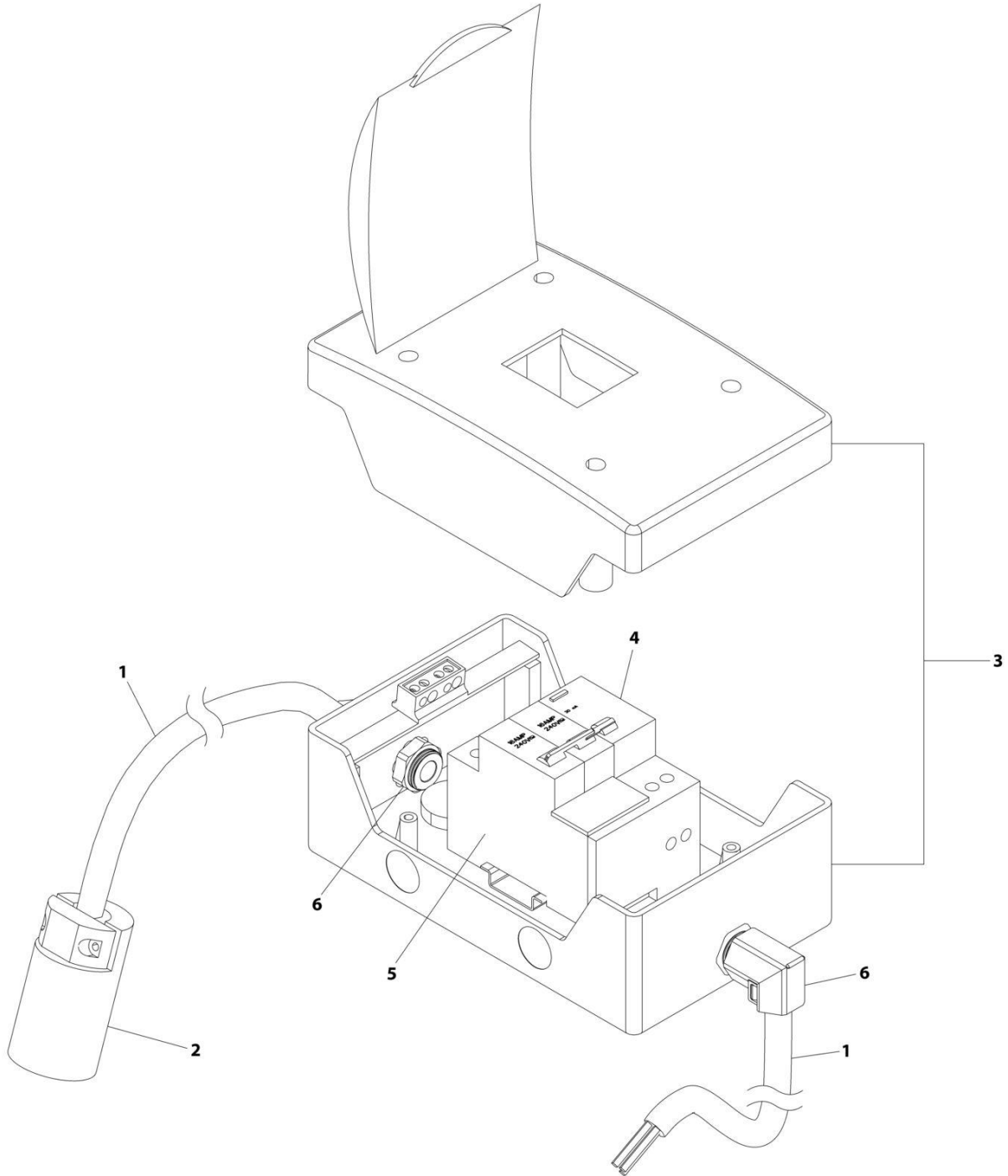
## SECTION 7 - ELECTRICAL

**FIGURE 7-11. BREAKER BOX KIT WITH 1 DOUBLE BREAKER (CE & UK CA SPECS)**

ITEM	PART NUMBER	QTY	DESCRIPTION	REV
	1001209776	Ref	BREAKER BOX KIT WITH 1 DOUBLE BREAKER	F
1	0861880	1	Box	
2	1060908	126 in /3.2m	Cable, 12/3	
3	4460956	1	Barrier, Terminal	
4	4460957	1	Block, Terminal	
5	1001120205	1	Connector, Female Twist	
6	1001181045	1	Breaker 30mAmp/16 Amp	
7	1001217164	2	Connector, Strain Relief 90	

# SECTION 7 - ELECTRICAL

FIGURE 7-12. BREAKER BOX KIT WITH 3 BREAKERS (CE & UK CA SPECS)



ART\_1001209482

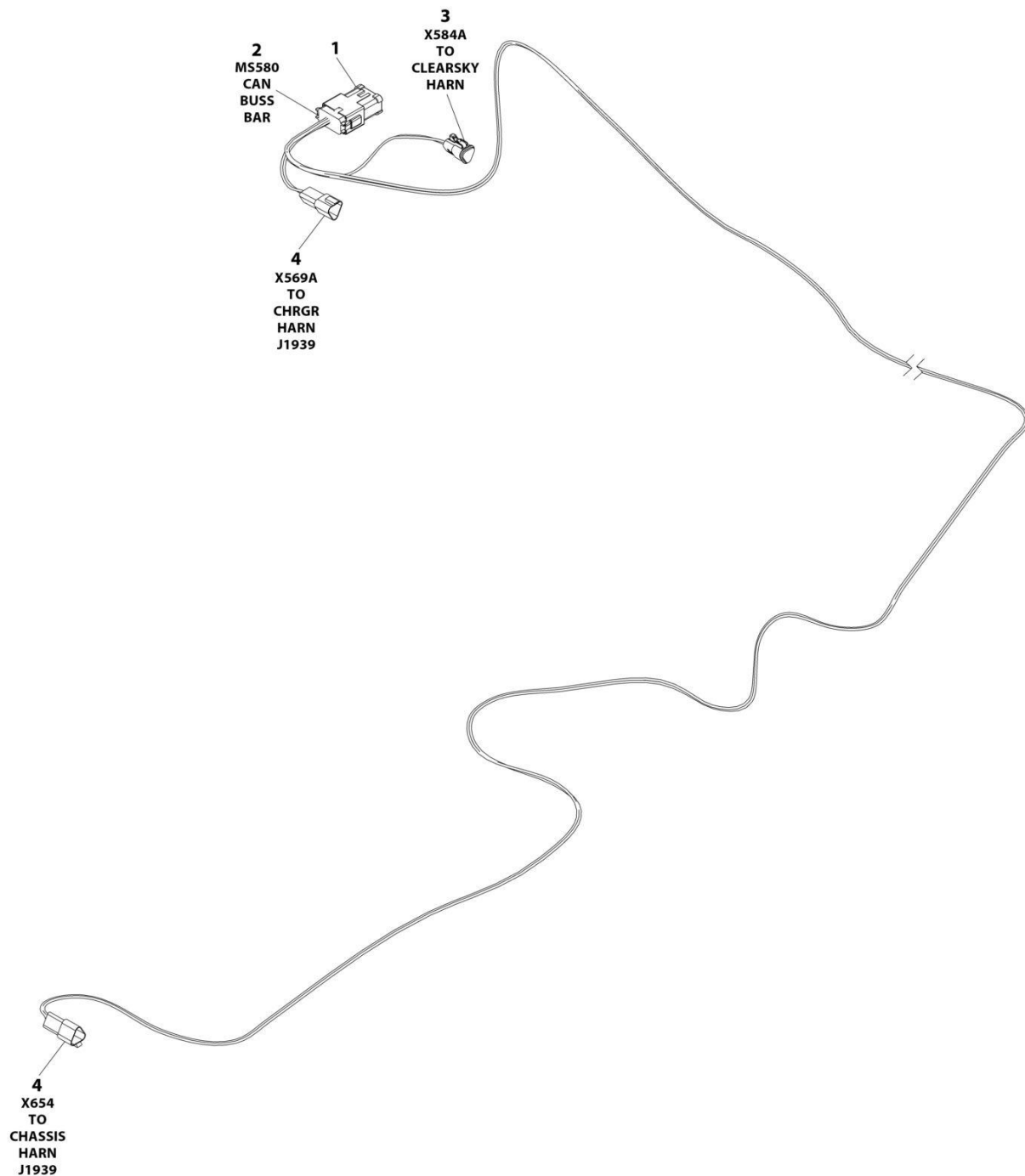
## SECTION 7 - ELECTRICAL

**FIGURE 7-12. BREAKER BOX KIT WITH 3 BREAKERS (CE & UK CA SPECS)**

ITEM	PART NUMBER	QTY	DESCRIPTION	REV
1	1001209482	Ref	BREAKER BOX KIT WITH 3 BREAKERS	G
	1060908	126 in /3.2m	Cable, 12/3	
2	1001120205	1	Connector, Female Twist	
3	1001152483	1	Box	
4	1001189171	1	Breaker, 30mAmp	
5	1001189172	1	Breaker 16 Amp, Double	
6	1001217164	2	Connector, Strain Relief 90	

# SECTION 7 - ELECTRICAL

## FIGURE 7-13. CAN SPLICE HARNESS (CHARGER WITH COMMUNICATION PORT)



ART\_1001254027

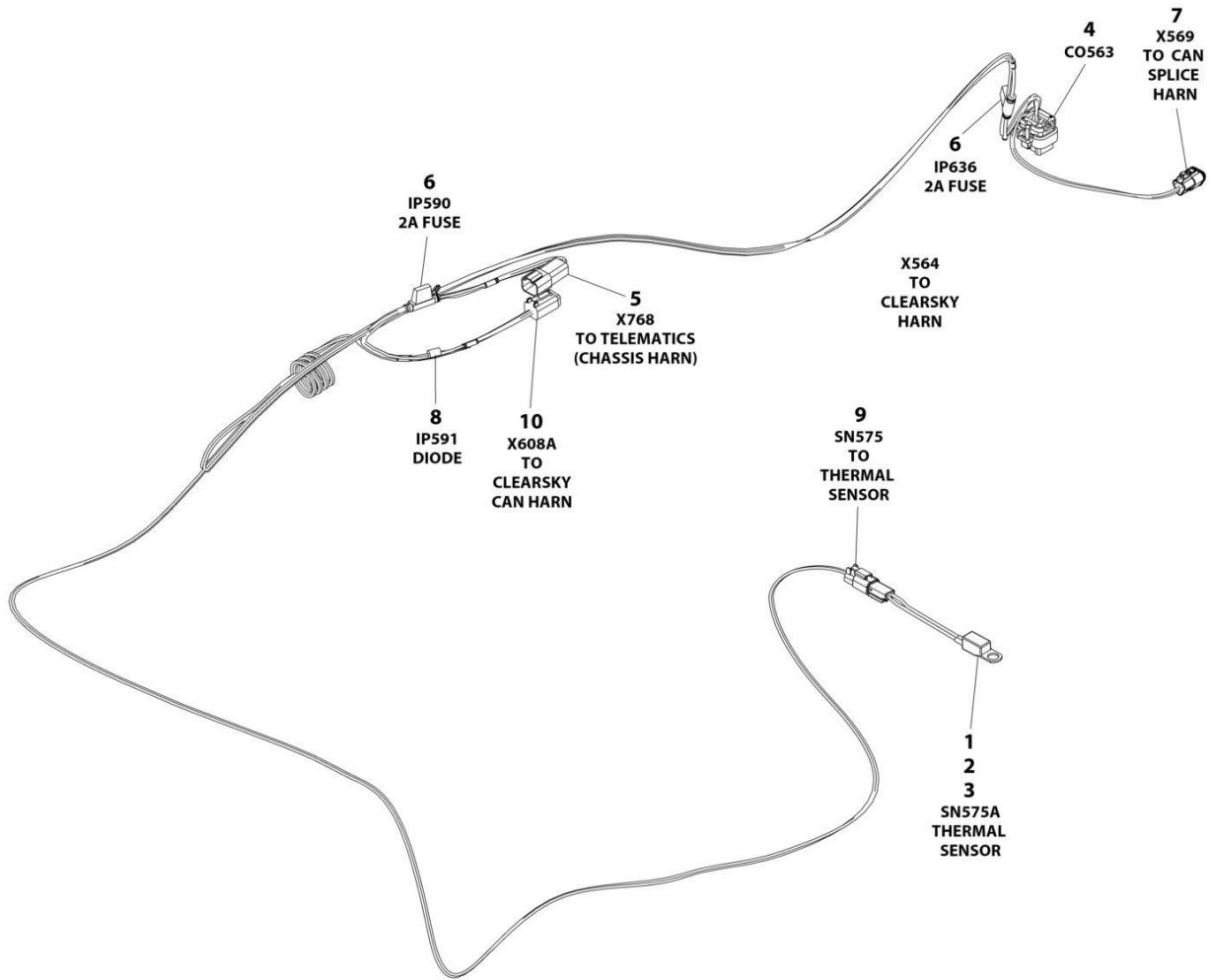
## SECTION 7 - ELECTRICAL

### FIGURE 7-13. CAN SPLICE HARNESS (CHARGER WITH COMMUNICATION PORT)

ITEM	PART NUMBER	QTY	DESCRIPTION	REV
	1001254027	Ref	CAN SPLICE HARNESS	A
1	1001125677	1	Connector, Bus Bar - 12 Position	
2	4460933	1	Plug, Male - 12 Position	
2	4460944	6	Socket, Female	
2	4460466	6	Plug, Terminal	
3	1001118812	1	Plug, Male - 3 Position	
3	4460944	2	Socket, Female	
3	4460466	1	Plug, Terminal	
4	1001144147	2	Receptacle, Female - 3 Position	
4	4460943	4	Pin, Male	
4	4460466	2	Plug, Terminal	

# SECTION 7 - ELECTRICAL

## FIGURE 7-14. CHARGER HARNESS (CHARGER WITH COMMUNICATION PORT)



ART\_1001254028\_C

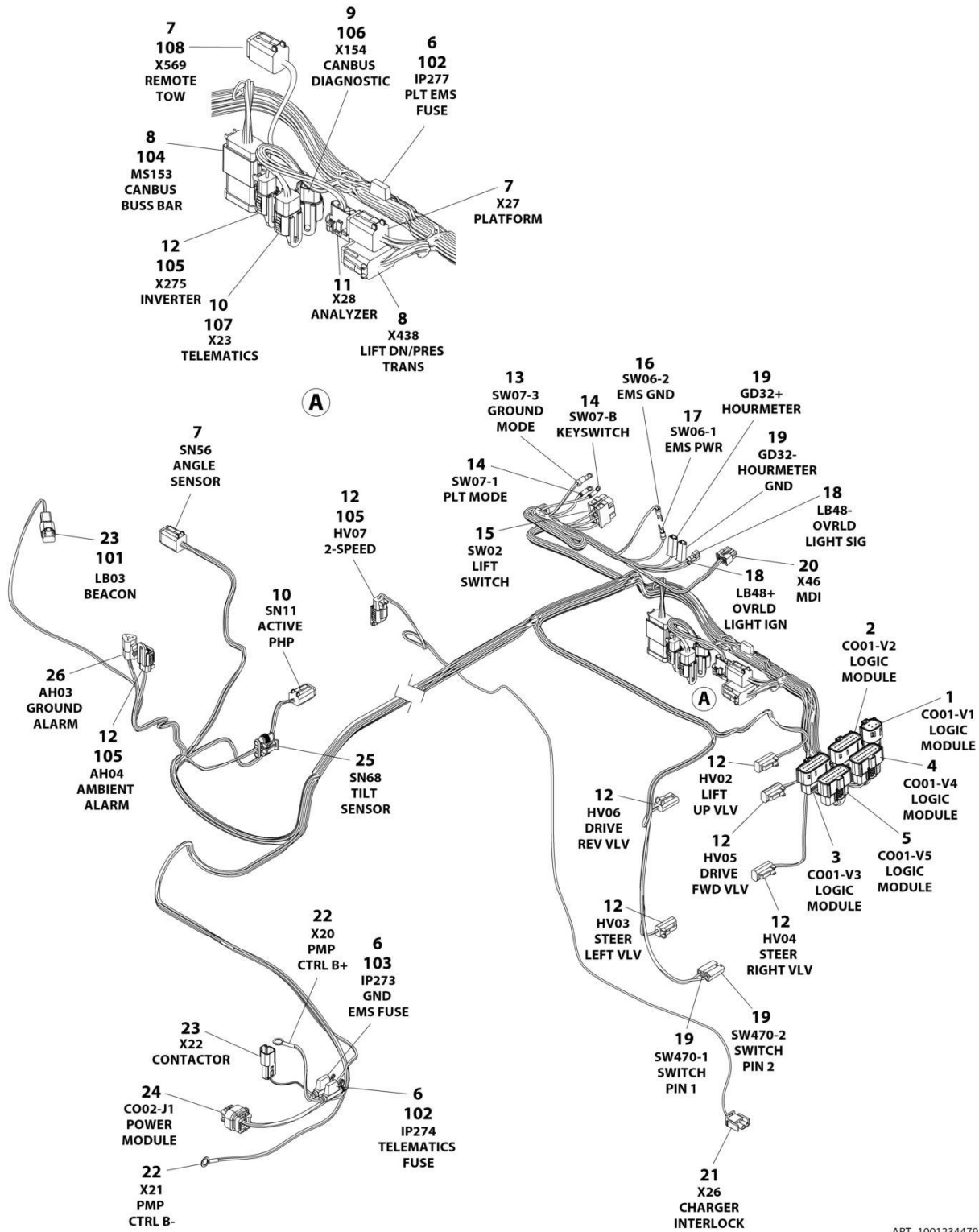
## SECTION 7 - ELECTRICAL

**FIGURE 7-14. CHARGER HARNESS (CHARGER WITH COMMUNICATION PORT)**

ITEM	PART NUMBER	QTY	DESCRIPTION	REV
	1001254028	Ref	CHARGER HARNESS	C
1	4460464	2	Pin, Male	
2	4460897	1	Receptacle, Female - 2 Position	
3	1001102771	1	Sensor, Temperature	
4	4460872	1	Connector - 14 Position	
4	4460871	6	Terminal	
4	4460905	8	Plug, Terminal	
5	4460932	1	Receptacle, Female - 4 Position	
5	4460464	1	Pin, Male	
6	2400060	2	Fuseholder With Cover	
6	1001196634	2	Fuse 2A	
7	1001116812	1	Plug, Male - 3 Position	
7	4460944	2	Socket, Female	
7	4460466	1	Plug, Terminal	
8	3990001	1	Diode	
9	4460891	1	Plug, Male - 2 Position	
9	4460465	2	Socket, Female	
10	4460884	1	Plug, Male - 4 Position	
10	4460465	4	Socket, Female	

# SECTION 7 - ELECTRICAL

FIGURE 7-15. CHASSIS HARNESS (Prior to SN M200064150, Prior to SN 1200040832)



ART\_1001234479



## SECTION 7 - ELECTRICAL

**FIGURE 7-15. CHASSIS HARNESS (Prior to SN M200064150, Prior to SN 1200040832)**

ITEM	PART NUMBER	QTY	DESCRIPTION	REV
	1001234479	Ref	CHASSIS HARNESS	D
1	1001205409	1	Connector - 8 Position	
1	1001162887	6	Terminal	
1	1001163340	2	Plug, Terminal	
2	1001205410	1	Connector - 20 Position	
2	1001162887	12	Terminal	
2	1001163340	8	Plug, Terminal	
3	1001162886	1	Connector - 20 Position	
3	1001162887	16	Terminal	
3	1001163340	4	Plug, Terminal	
4	1001205411	1	Connector - 20 Position	
4	1001162887	16	Terminal	
4	1001163340	4	Plug, Terminal	
5	1001205412	1	Connector - 20 Position	
5	1001162887	18	Terminal	
5	1001163340	2	Plug, Terminal	
6	2400060	3	Holder/Cover, Fuse	
7	4460894	3	Plug, Male - 6 Position	
7	4460465	14	Socket, Female	
7	4460944	2	Socket, Female	
7	4460466	2	Plug, Terminal	
8	4460933	2	Plug, Male - 12 Position	
8	4460465	22	Socket, Female	
8	4460466	2	Plug, Terminal	
9	1001116812	1	Receptacle, Female - 3 Position	
9	4060944	2	Socket, Female	
9	4460466	1	Plug, Terminal	
10	4460884	2	Plug, Male - 4 Position	
10	4460465	8	Socket, Female	
11	4460761	1	Plug, Male - 4 Position	
11	4460227	4	Socket, Female	
12	4460891	8	Plug, Male - 2 Position	
12	4460465	16	Socket, Female	
12	4460466	1	Plug, Terminal	
13	4460042	1	Terminal, Ring	
14	4460247	2	Terminal, Ring	
15	4460418	1	Connector - 6 Position	
15	1001159186	3	Terminal	
16	4460115	1	Terminal, Ring	
17	4460183	1	Terminal, Ring	
18	1001201885	2	Terminal	
19	4460260	4	Cover, Terminal	
16	4460259	4	Terminal	
20	1001151629	1	Plug, Male - 8 Position	
20	4461023	2	Terminal	
20	4460877	2	Terminal	
21	4460320	1	Plug, Male - 2 Position	
21	4460226	1	Socket, Female	
22	4460256	2	Terminal	
23	4460897	2	Receptacle, Female - 2 Position	

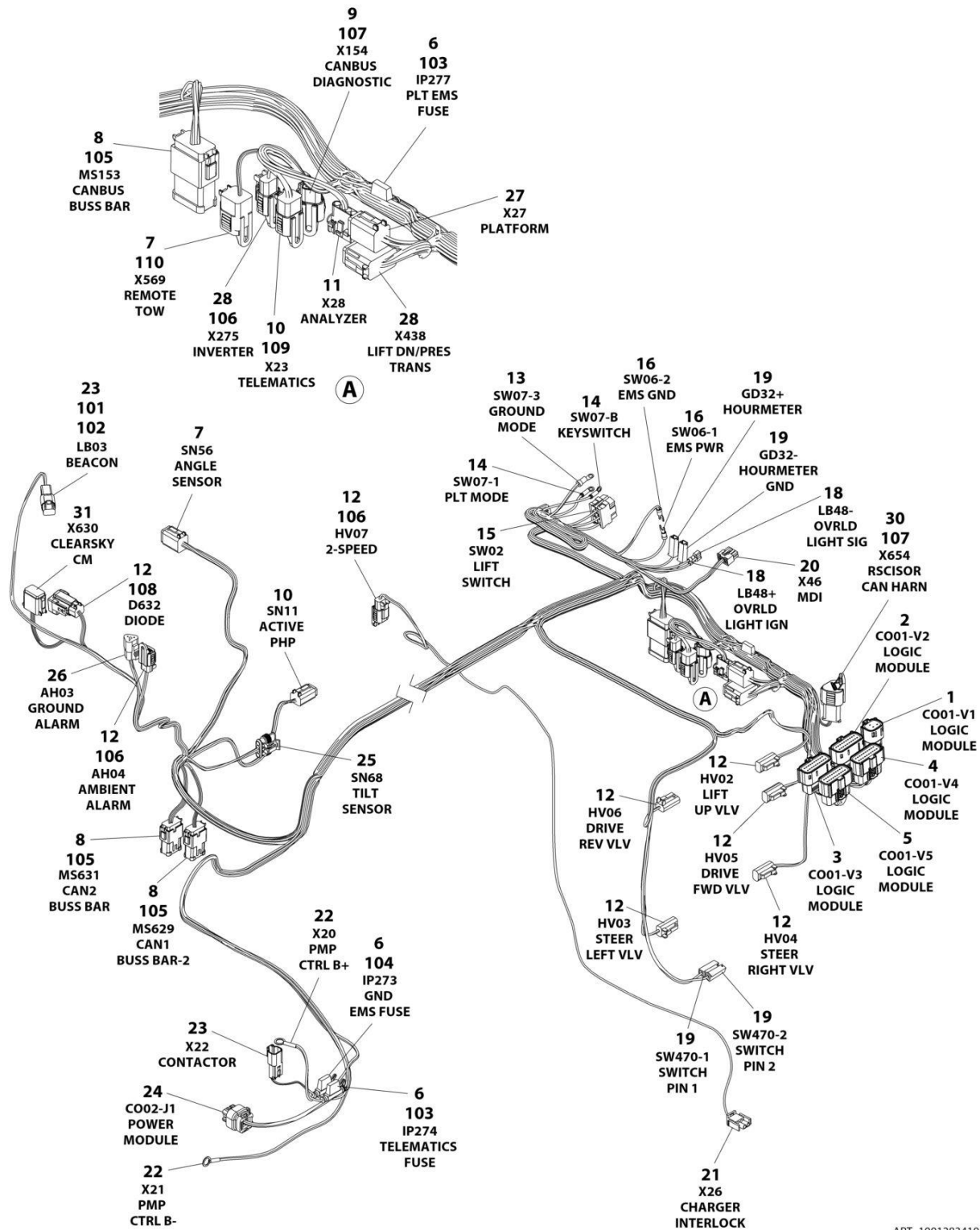
## SECTION 7 - ELECTRICAL

ITEM	PART NUMBER	QTY	DESCRIPTION	REV
23	4460464	4	Pin, Male	
24	1001113961	1	Connector - 8 Position	
24	4460871	4	Socket, Female	
24	4460905	4	Plug, Terminal	
25	1001103012	1	Plug, Male - 4 Position	
25	1001196589	4	Terminal	
25	1001104498	4	Seal Terminal	
26	4460539	1	Plug, Male - 3 Position	
26	4460465	3	Socket, Female	
101	4460891	1	Plug, Male - 4 Position	
102	8229242	2	Fuse 5 Amp	
103	8229244	1	Fuse, 15 Amp	
104	1001125677	1	Connector, Bussbar	
105	1001144295	3	Cap - 2 Position	
106	1001144296	1	Cap - 3 Position	
107	1001192401	1	Cap, Dust	
108	1001213448	1	Connector, Dust Cap	



# SECTION 7 - ELECTRICAL

FIGURE 7-16. CHASSIS HARNESS WITH CLEARSKY (SN M2000264150 to Present, SN 1200040832 to Present)



ART\_1001283410

## SECTION 7 - ELECTRICAL

**FIGURE 7-16. CHASSIS HARNESS WITH CLEARSKY (SN M2000264150 to Present, SN 1200040832 to Present)**

ITEM	PART NUMBER	QTY	DESCRIPTION	REV
	1001283410	Ref	CHASSIS HARNESS	B
1	1001205409	1	Connector	
1	1001162887	8	Terminal	
2	1001205410	1	Connector	
2	1001162887	14	Terminal	
2	1001163340	6	Plug	
3	1001162886	1	Connector	
3	1001162887	16	Terminal	
3	1001163340	4	Plug	
4	1001205411	1	Connector	
4	1001162887	17	Terminal	
4	1001163340	3	Plug	
5	1001205412	1	Connector	
5	1001162887	19	Terminal	
5	1001163340	1	Plug	
6	2400060	3	Holder/Cover, Fuse	
7	4460894	2	Connector	
7	4460465	10	Socket	
7	4460466	2	Plug	
8	4460933	3	Connector	
8	4460944	24	Socket	
8	4460466	12	Plug	
9	1001116812	1	Connector	
9	4060944	2	Socket	
9	4460466	1	Plug	
10	4460884	3	Connector	
10	4460465	12	Socket	
11	4460761	1	Connector	
11	4460227	4	Socket	
12	4460891	7	Connector	
12	4460465	14	Socket	
13	4460042	1	Terminal, Ring	
14	4460247	2	Terminal, Ring	
15	4460418	1	Connector	
15	1001159186	3	Terminal	
16	4460115	2	Terminal, Ring	
18	1001201885	2	Terminal	
19	4460260	4	Connector	
19	4460259	4	Terminal	
20	1001151629	1	Connector	
20	4461023	2	Socket (Gold)	
20	4460877	2	Socket (Tin)	
21	4460320	1	Connector	
21	4460226	1	Socket	
22	4460019	2	Terminal	
23	4460897	2	Connector	
23	4460464	4	Pin	
24	1001113961	1	Connector	
24	4460871	4	Socket	

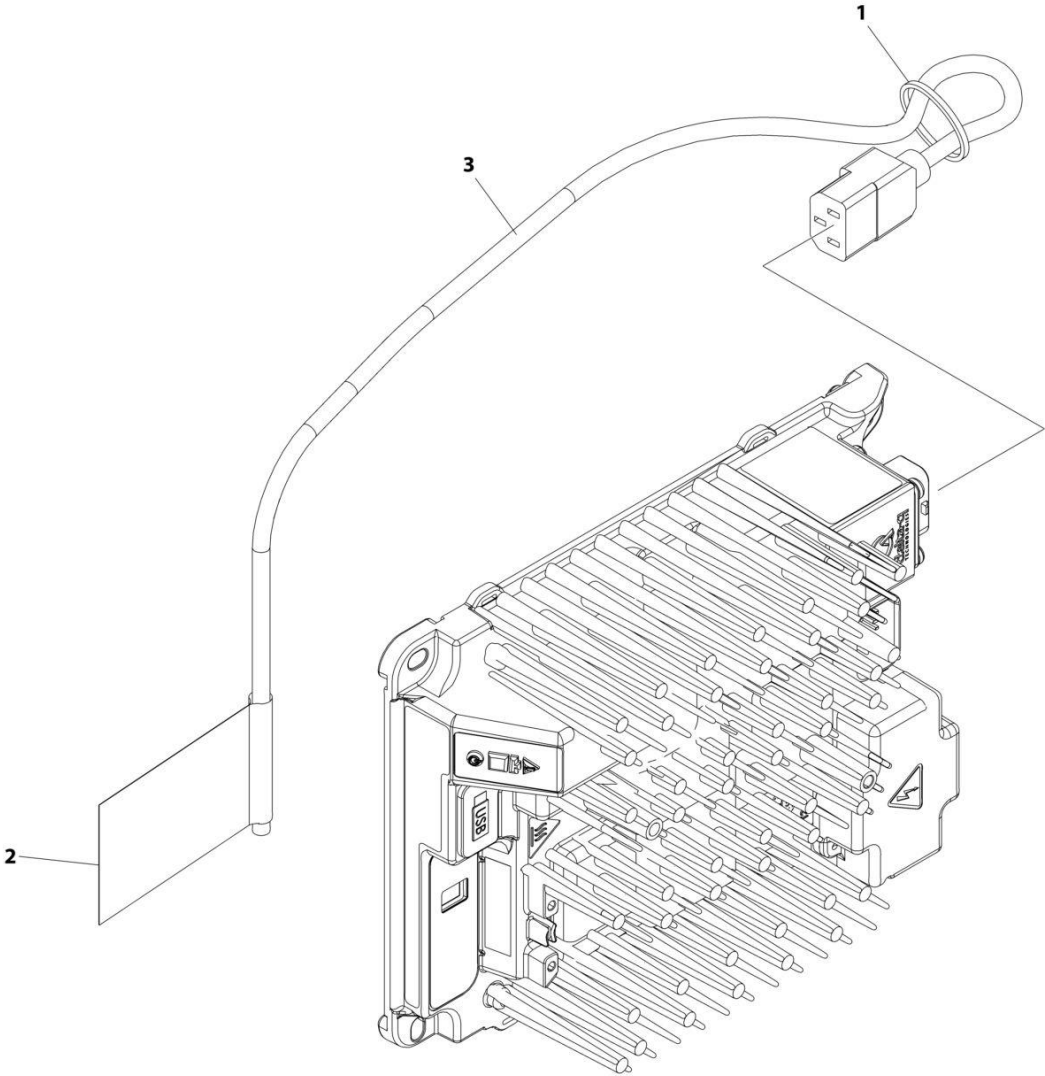
## SECTION 7 - ELECTRICAL

ITEM	PART NUMBER	QTY	DESCRIPTION	REV
24	4460905	4	Plug	
25	1001103012	1	Connector	
25	1001196589	4	Terminal	
25	1001104498	4	Seal,Terminal	
26	4460539	1	Connector	
26	4460465	3	Socket	
27	4460894	1	Connector	
27	4460465	4	Socket (Nickel)	
27	4460944	2	Socket (Gold)	
28	4460933	1	Connector	
28	4460465	10	Socket	
28	4460466	2	Plug	
29	4460891	1	Connector	
29	4460465	1	Socket	
29	4460466	1	Plug	
30	4460965	1	Connector	
30	4460944	2	Socket	
30	4460466	1	Plug	
31	4460930	1	Connector	
31	4460465	8	Socket	
101	4460466	2	Plug	
102	4460891	1	Connector	
103	8229242	2	Fuse, 5 Amp	
104	8229244	1	Fuse, 15 Amp	
105	1001125677	1	Connector, Bussbar	
106	1001144295	3	Cap - 2 Position	
107	1001144296	1	Cap - 3 Position	
108	1001152266	3	Connector	
109	1001192401	1	Cap, Dust	
110	1001213448	2	Connector, Dust Cap	



# SECTION 7 - ELECTRICAL

## FIGURE 7-17. CHARGER PLUG INSTALLATION - CUSTOMER SUPPLIED PLUG (ALL SPECS)



ART\_1001248631



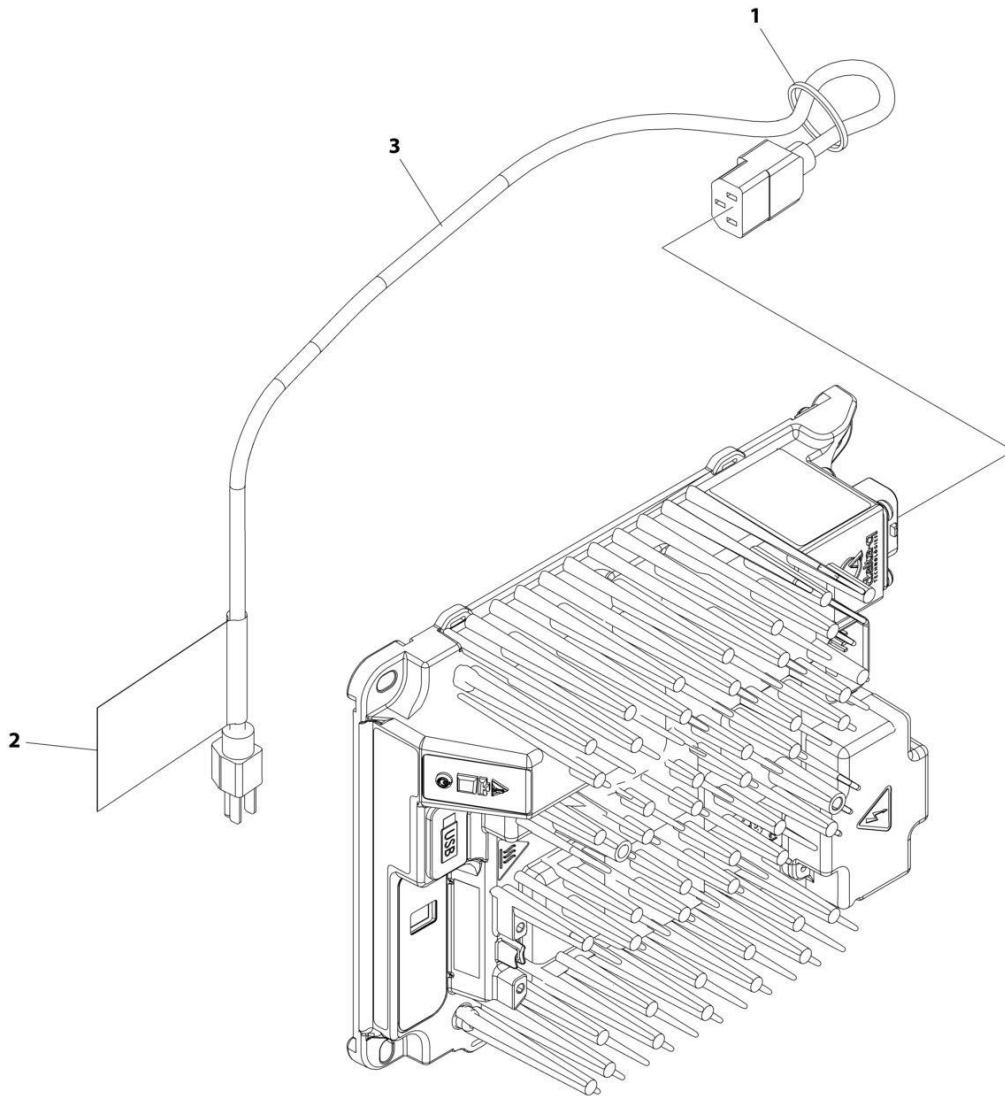
## SECTION 7 - ELECTRICAL

**FIGURE 7-17. CHARGER PLUG INSTALLATION - CUSTOMER SUPPLIED PLUG (ALL SPECS)**

ITEM	PART NUMBER	QTY	DESCRIPTION	REV
	1001248631	Ref	CHARGER PLUG INSTALLATION	B
1	4240017	AR	Tie-Strap	
2	1001102489	1	Decal - Charger	
3	1001207974	1	Cable, Charger Plug (No Plug)	

# SECTION 7 - ELECTRICAL

FIGURE 7-18. CHARGER PLUG INSTALLATION - 110V PLUG (ANSI, ANSI EXPORT, CSA & JAPANESE SPECS)



ART\_1001248632

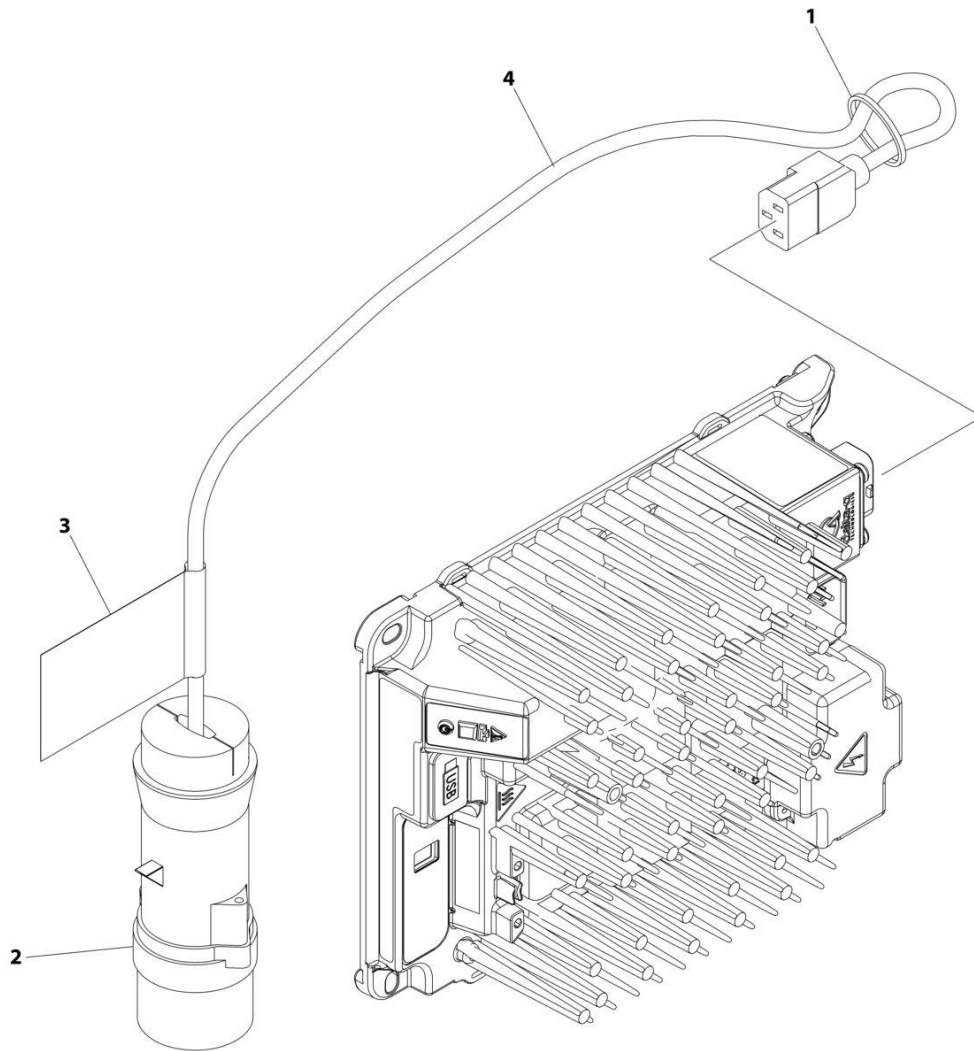
## SECTION 7 - ELECTRICAL

**FIGURE 7-18. CHARGER PLUG INSTALLATION - 110V PLUG (ANSI, ANSI EXPORT, CSA & JAPANESE SPECS)**

ITEM	PART NUMBER	QTY	DESCRIPTION	REV
	1001248632	Ref	CHARGER PLUG INSTALLATION	B
1	4240017	AR	Tie-Strap	
2	1001102489	1	Decal - Charger	
3	1001207970	1	Cable, Charger Plug	

# SECTION 7 - ELECTRICAL

FIGURE 7-19. CHARGER PLUG INSTALLATION - 110V IEC YELLOW (CE & UK CA SPECS)



ART\_1001258771

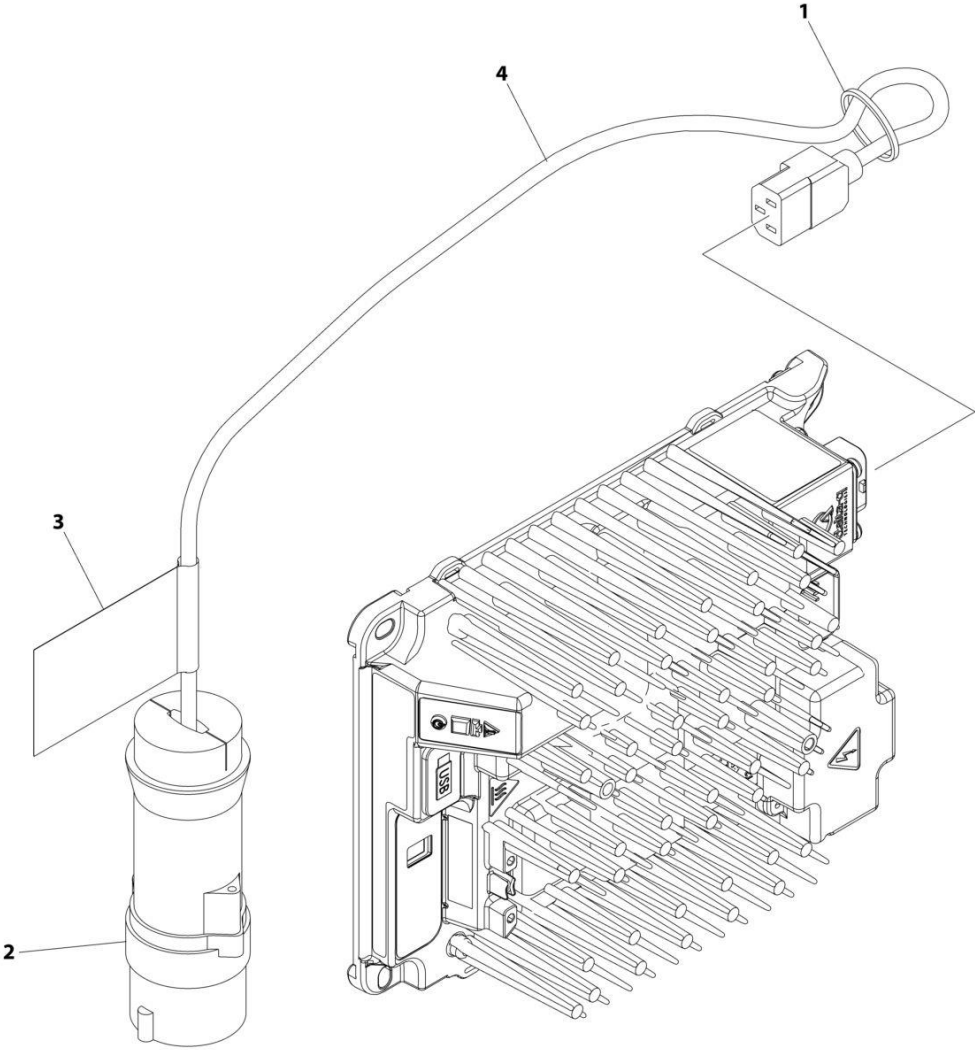
## SECTION 7 - ELECTRICAL

**FIGURE 7-19. CHARGER PLUG INSTALLATION - 110V IEC YELLOW (CE & UK CA SPECS)**

ITEM	PART NUMBER	QTY	DESCRIPTION	REV
	1001258771	Ref	CHARGER PLUG INSTALLATION	A
1	4240017	AR	Tie-Strap	
2	4461196	1	Terminal	
3	1001102489	1	Decal - Charger	
4	1001207974	1	Cable, Charger Plug (No Plug)	

**SECTION 7 - ELECTRICAL**

**FIGURE 7-20. CHARGER PLUG INSTALLATION - 220V IEC BLUE (CE & UK CA SPECS)**



ART\_1001258772

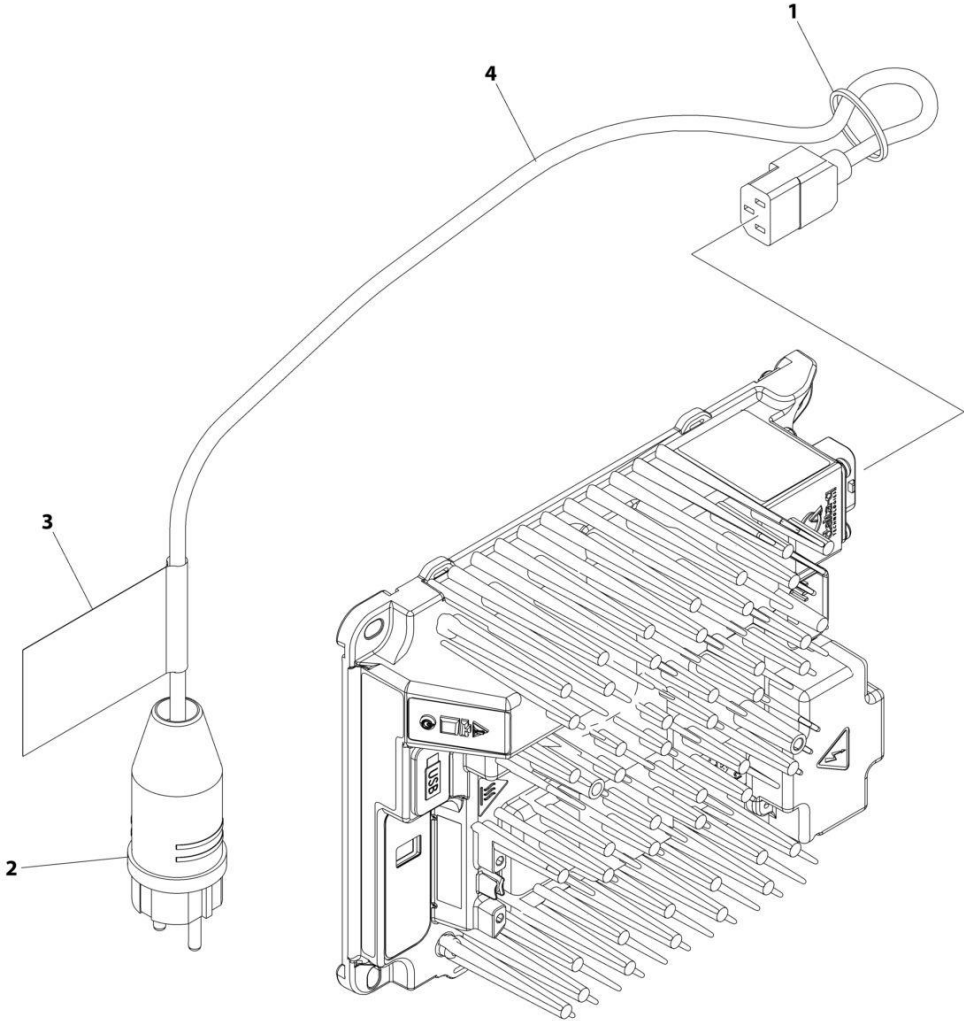
## SECTION 7 - ELECTRICAL

**FIGURE 7-20. CHARGER PLUG INSTALLATION - 220V IEC BLUE (CE & UK CA SPECS)**

ITEM	PART NUMBER	QTY	DESCRIPTION	REV
	1001258772	Ref	CHARGER PLUG INSTALLATION	A
1	4240017	AR	Tie-Strap	
2	4461199	1	Terminal	
3	1001102489	1	Decal - Charger	
4	1001207974	1	Cable, Charger Plug (No Plug)	

**SECTION 7 - ELECTRICAL**

**FIGURE 7-21. CHARGER PLUG INSTALLATION - 220V CEE7 (CE & UK CA SPECS)**



ART\_1001258768



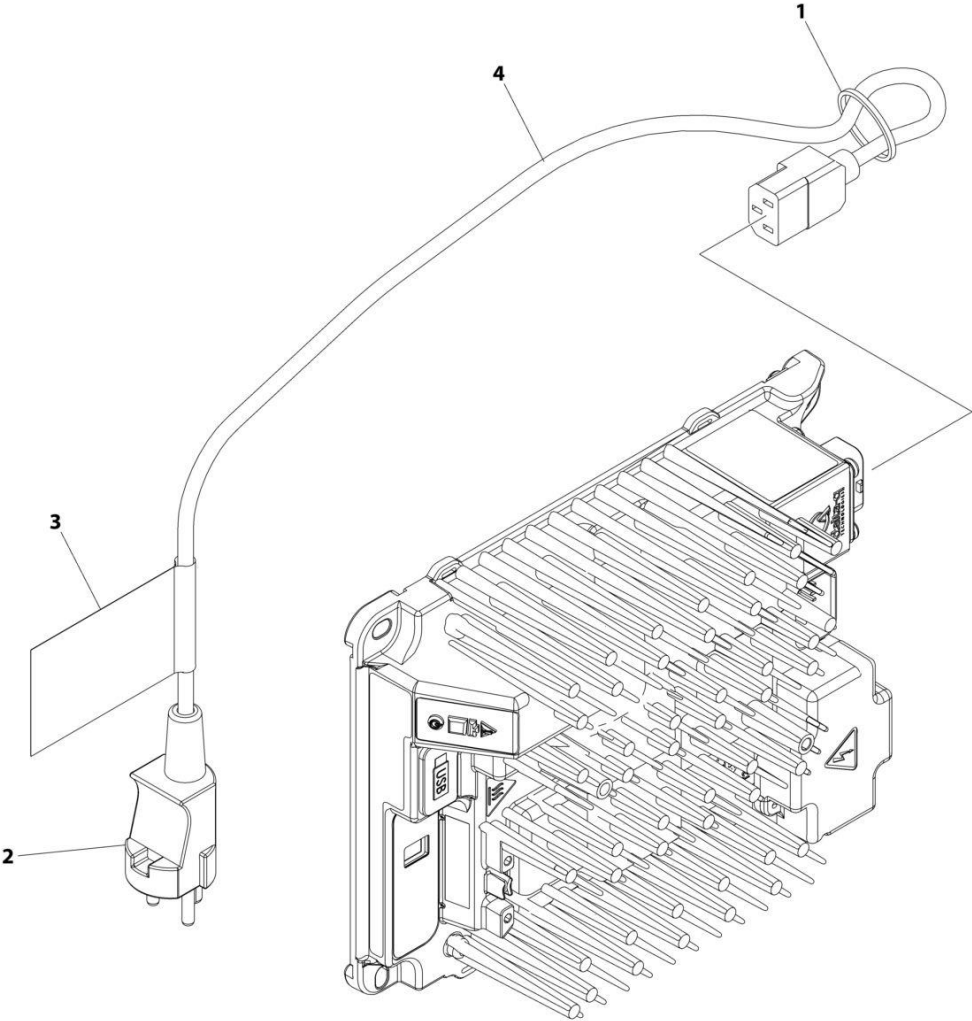
## SECTION 7 - ELECTRICAL

**FIGURE 7-21. CHARGER PLUG INSTALLATION - 220V CEE7 (CE & UK CA SPECS)**

ITEM	PART NUMBER	QTY	DESCRIPTION	REV
	1001258768	Ref	CHARGER PLUG INSTALLATION	A
1	4240017	AR	Tie-Strap	
2	4461205	1	Terminal	
3	1001102489	1	Decal - Charger	
4	1001207974	1	Cable, Charger Plug (No Plug)	

**SECTION 7 - ELECTRICAL**

**FIGURE 7-22. CHARGER PLUG INSTALLATION - 220V AFSINT 107 (CE & UK CA SPECS)**



ART\_1001258770

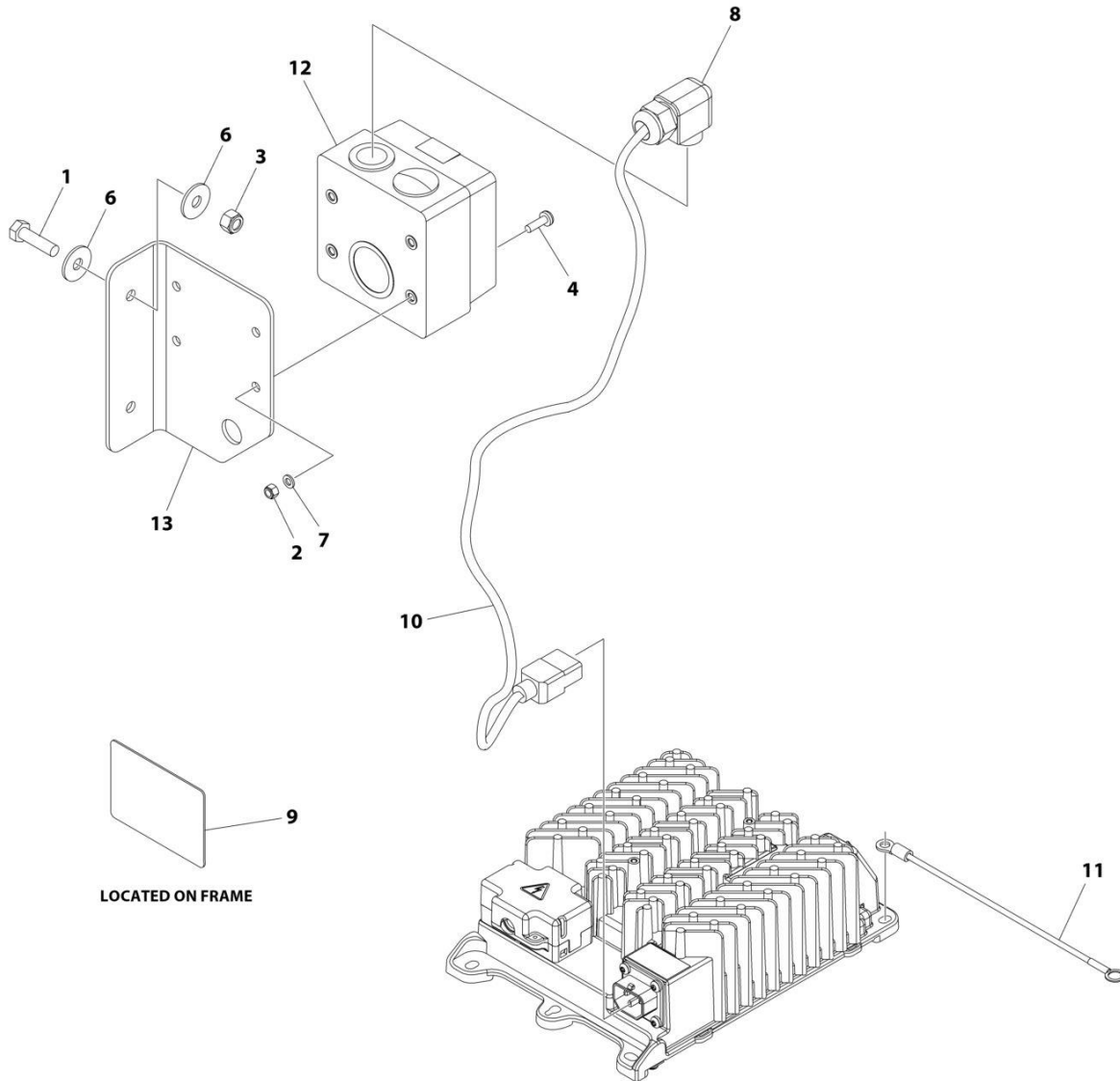
## SECTION 7 - ELECTRICAL

**FIGURE 7-22. CHARGER PLUG INSTALLATION - 220V AFSINT 107 (CE & UK CA SPECS)**

ITEM	PART NUMBER	QTY	DESCRIPTION	REV
	1001258770	Ref	CHARGER PLUG INSTALLATION	A
1	4240017	AR	Tie-Strap	
2	4461249	1	Terminal	
3	1001102489	1	Decal - Charger	
4	1001207974	1	Cable, Charger Plug (No Plug)	

# SECTION 7 - ELECTRICAL

## FIGURE 7-23. CHARGER PLUG INSTALLATION (AUSTRALIAN SPECS)



ART\_1001263295

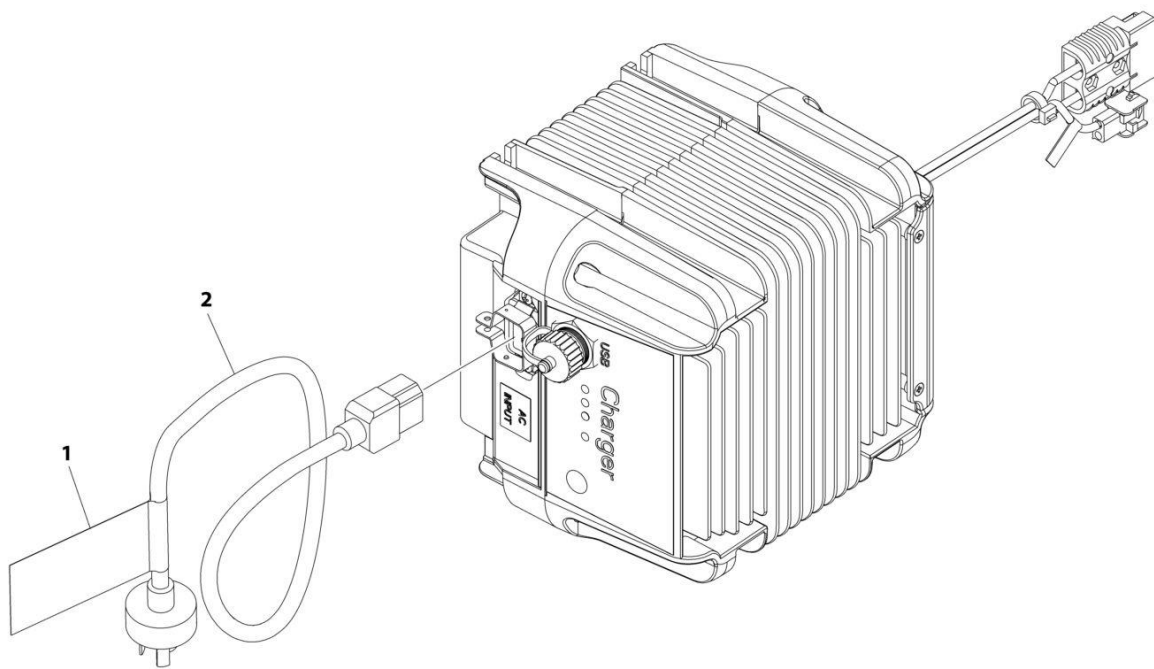
## SECTION 7 - ELECTRICAL

**FIGURE 7-23. CHARGER PLUG INSTALLATION (AUSTRALIAN SPECS)**

ITEM	PART NUMBER	QTY	DESCRIPTION	REV
	1001263295	Ref	CHARGER PLUG INSTALLATION	A
1	0700814	2	Bolt M8 x 30	
2	3290505	4	Nut M5	
3	3290805	2	Nut M8	
4	3900381	4	Screw M5 x 16	
5	4240017	AR	Tie Strap (Not Shown)	
6	4811902	4	Washer M8	
7	4831600	4	Washer M5	
8	1001103471	1	Connector Strain Relief 90	
9	1001134280	1	Decal - Charger	
10	1001207974	1	Cable, Charger AC Input	
11	1001227219	1	Ground Harness	
12	1001227267	1	Receptacle Australian - 230V	
13	1001249890	1	Bracket	

## SECTION 7 - ELECTRICAL

FIGURE 7-24. CHARGER PLUG INSTALLATION (CHINA SPECS)



ART\_1001263294

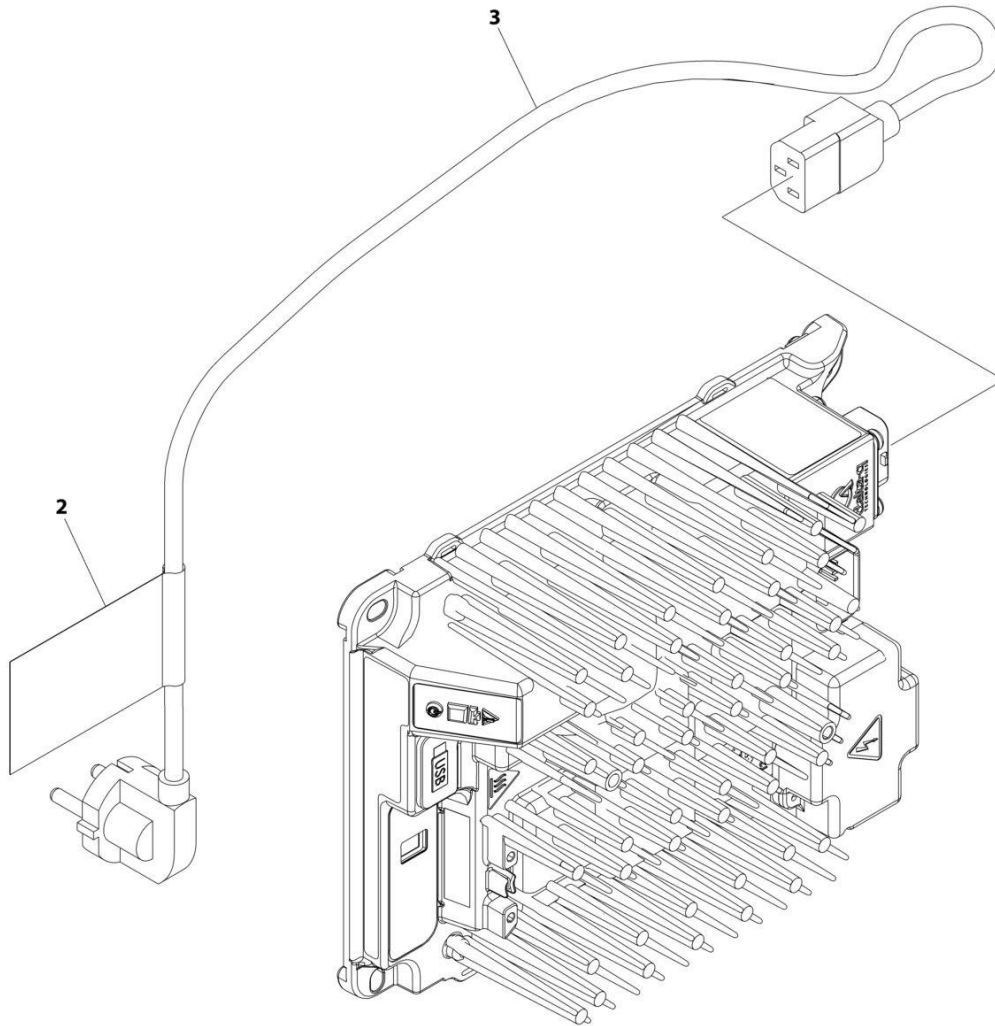
## SECTION 7 - ELECTRICAL

**FIGURE 7-24. CHARGER PLUG INSTALLATION (CHINA SPECS)**

ITEM	PART NUMBER	QTY	DESCRIPTION	REV
	1001263294	Ref	CHARGER PLUG INSTALLATION	A
1	1001102489	1	Decal - Charger Label	
2	1001207973	1	Cable, Charger AC Input	

# SECTION 7 - ELECTRICAL

## FIGURE 7-25. CHARGER PLUG INSTALLATION (KOREAN SPECS)



ART\_1001248634



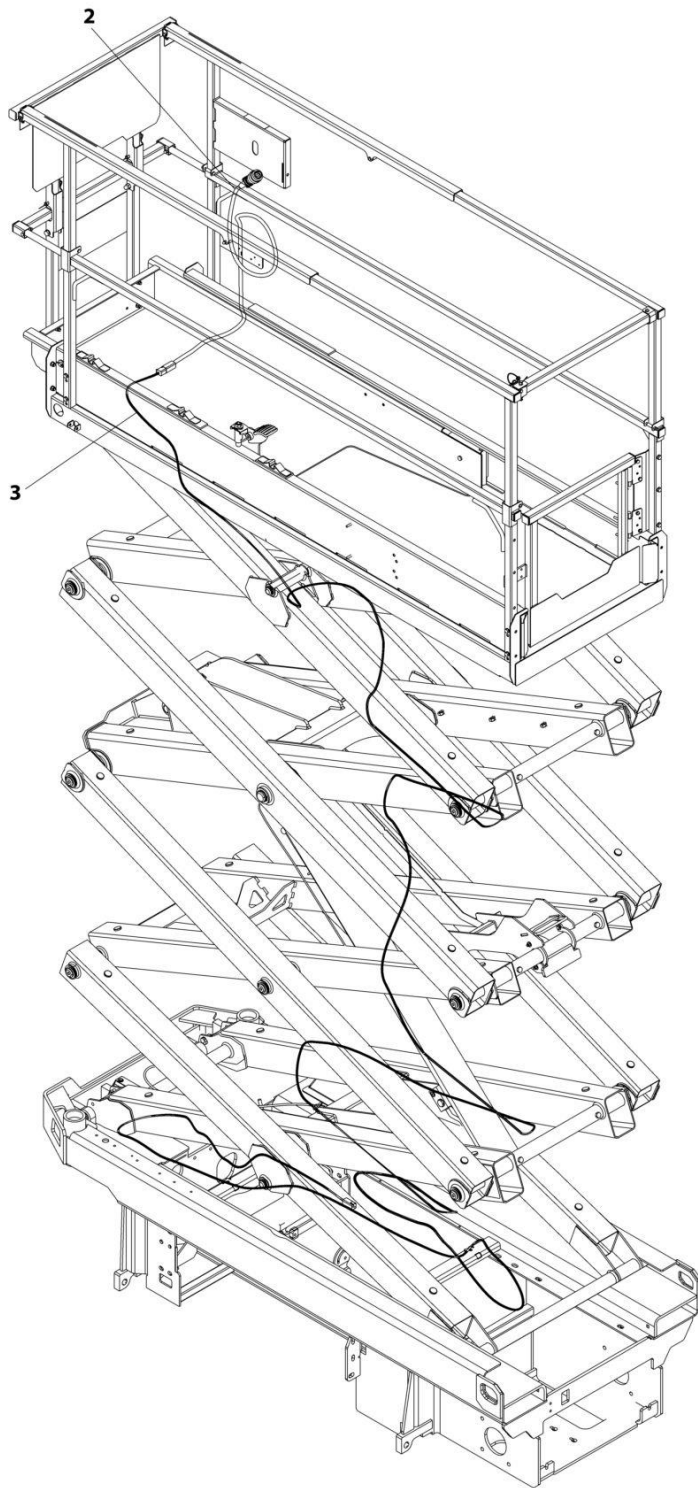
## SECTION 7 - ELECTRICAL

**FIGURE 7-25. CHARGER PLUG INSTALLATION (KOREAN SPECS)**

ITEM	PART NUMBER	QTY	DESCRIPTION	REV
	1001248634	Ref	CHARGER PLUG INSTALLATION	A
1	4240017	AR	Tie-Strap (Not Shown)	
2	1001102489	1	Decal - Charger Label	
3	1001221949	1	Cable, Charger AC Input	

## SECTION 7 - ELECTRICAL

FIGURE 7-26. GROUND TO PLATFORM CABLE INSTALLATION - WITHOUT PLATFORM COIL CABLE  
(MACHINES WITH SN STARTING WITH B2 & M2)



ART\_1001239675

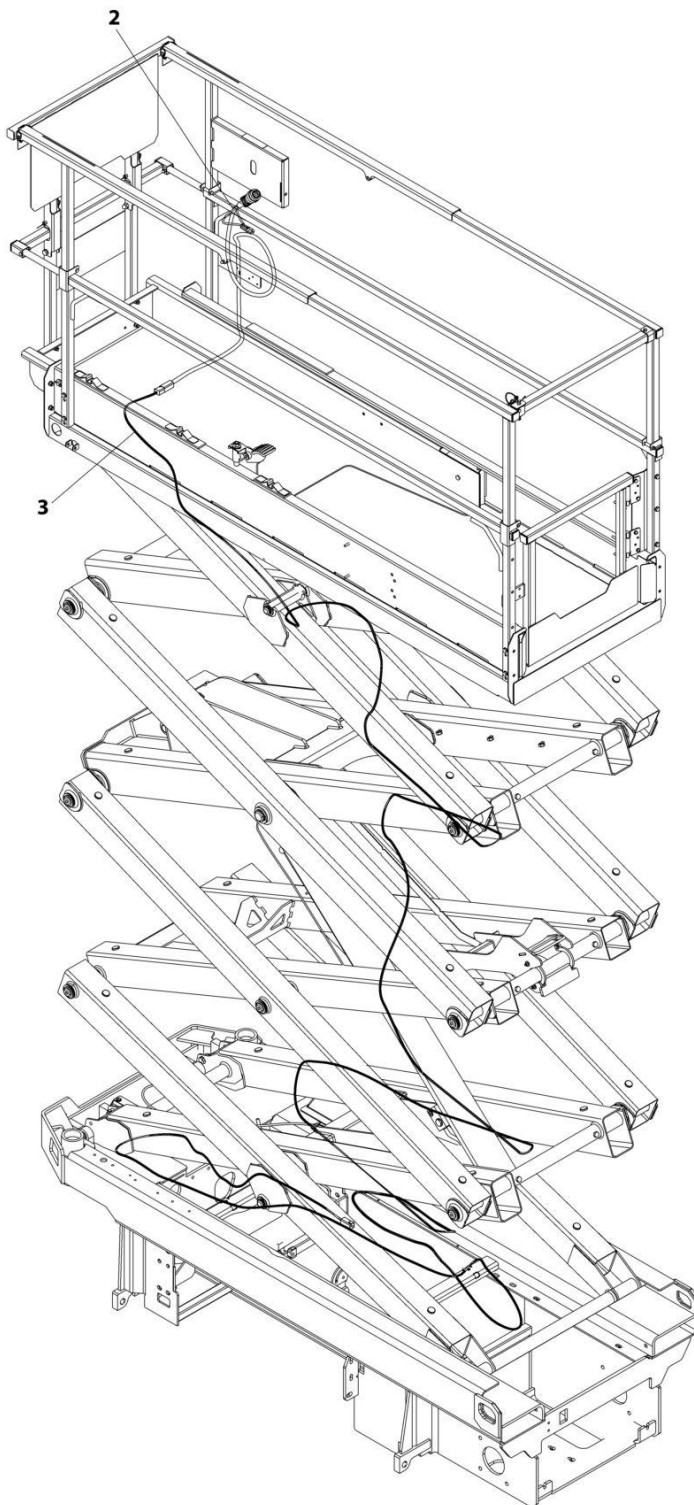
## SECTION 7 - ELECTRICAL

**FIGURE 7-26. GROUND TO PLATFORM CABLE INSTALLATION - WITHOUT PLATFORM COIL CABLE  
(MACHINES WITH SN STARTING WITH B2 & M2)**

ITEM	PART NUMBER	QTY	DESCRIPTION	REV
	1001239675	Ref	GROUND TO PLATFORM CABLE INSTALLATION - WITHOUT PLATFORM COIL CABLE	F
1	4240017	AR	Tie-Strap (Not Shown)	
2	1001200812	1	Platform Harness	
2	4460899	1	Receptacle, Female - 6 Position (To Item 3)	
2	4460464	4	Pin, Male	
2	4460943	2	Pin, Male	
2	4460754	1	Connector - 14 Position (To Console Box)	
2	4460465	8	Socket, Female	
2	4460466	6	Plug, Terminal	
3	1001237132	1	Cable Assembly - Ground to Platform	
3	4460894	1	Plug, Male - 6 Position (To Platform Harness Item 2)	
3	4460465	4	Socket, Female	
3	4460944	2	Socket, Female	
3	4460899	1	Receptacle, Female - 6 Position (To Chassis Harness)	
3	4460464	4	Pin, Male	
3	4460943	2	Pin, Male	

## SECTION 7 - ELECTRICAL

FIGURE 7-27. GROUND TO PLATFORM CABLE INSTALLATION - WITHOUT PLATFORM COIL CABLE & WITH FOOTSWITCH (MACHINES WITH SN STARTING WITH B2)



ART\_1001239677

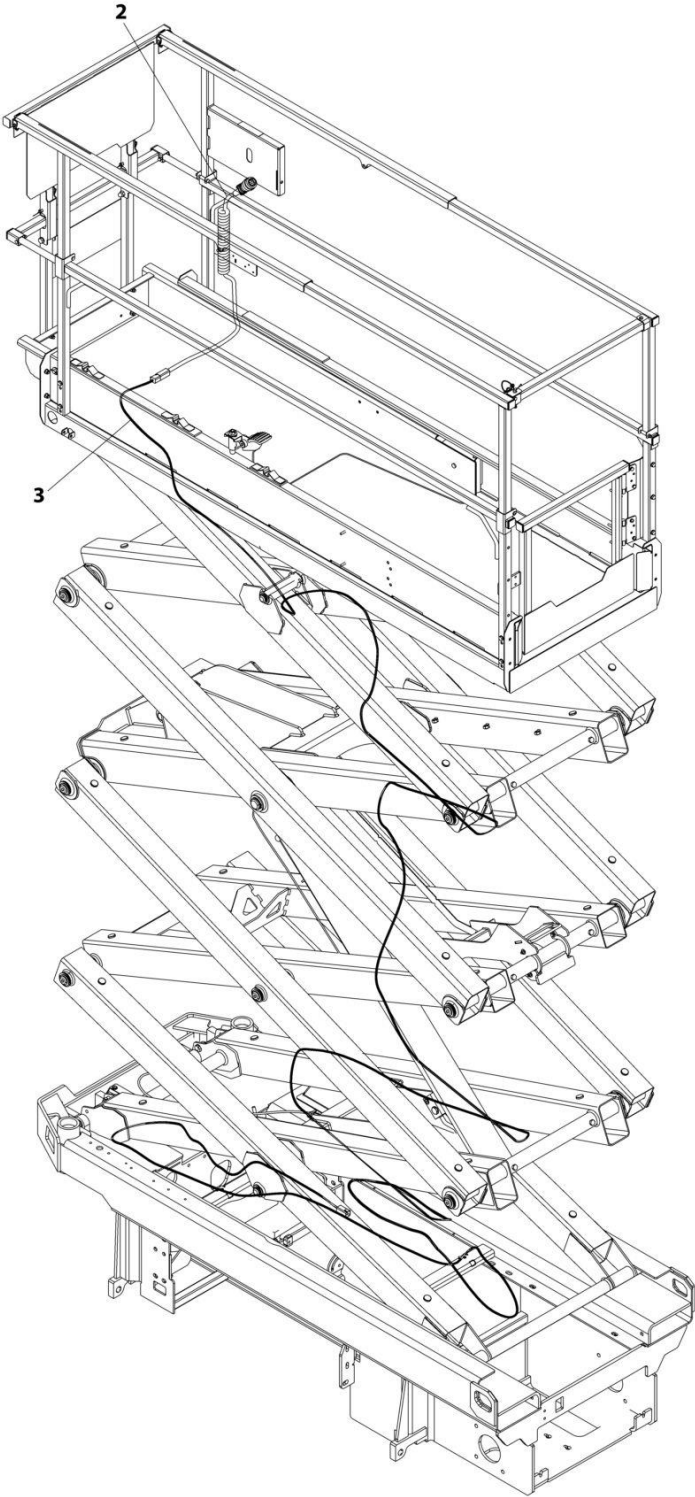
## SECTION 7 - ELECTRICAL

**FIGURE 7-27. GROUND TO PLATFORM CABLE INSTALLATION - WITHOUT PLATFORM COIL CABLE & WITH FOOTSWITCH (MACHINES WITH SN STARTING WITH B2)**

ITEM	PART NUMBER	QTY	DESCRIPTION	REV
	1001239677	Ref	GROUND TO PLATFORM CABLE INSTALLATION - WITHOUT PLATFORM COIL CABLE AND WITH FOOTSWITCH	F
1	4240017	AR	Tie-Strap (Not Shown)	
2	1001223263	1	Platform Harness	
2	4460899	1	Receptacle, Female - 6 Position (To Item 3)	
2	4460464	4	Pin, Male	
2	4460943	2	Pin, Male	
2	4460754	1	Connector - 14 Position (To Console Box)	
2	4460465	8	Socket, Female	
2	4460944	2	Socket, Female	
2	4460466	4	Plug, Terminal	
2	4460891	1	Plug, Male - 2 Position (To Footswitch)	
2	4460465	2	Socket, Female	
2	4460897	1	Receptacle, Female - 2 Position (Footswitch Jumper)	
2	4460464	2	Pin, Male	
2	4460539	1	Plug, Male - 3 Position (To Overhead Switches)	
2	4460465	2	Socket, Female	
2	4460466	1	Plug, Terminal	
3	1001237132	1	Cable Assembly - Ground to Platform	
3	4460894	1	Plug, Male - 6 Position (To Platform Harness Item 2)	
3	4460465	4	Socket, Female	
3	4460944	2	Socket, Female	
3	4460899	1	Receptacle, Female - 6 Position (To Chassis Harness)	
3	4460464	4	Pin, Male	
3	4460943	2	Pin, Male	

**SECTION 7 - ELECTRICAL**

**FIGURE 7-28. GROUND TO PLATFORM CABLE INSTALLATION - WITH PLATFORM COIL CABLE  
(MACHINES WITH SN STARTING WITH B2 & M2)**



ART\_1001239676

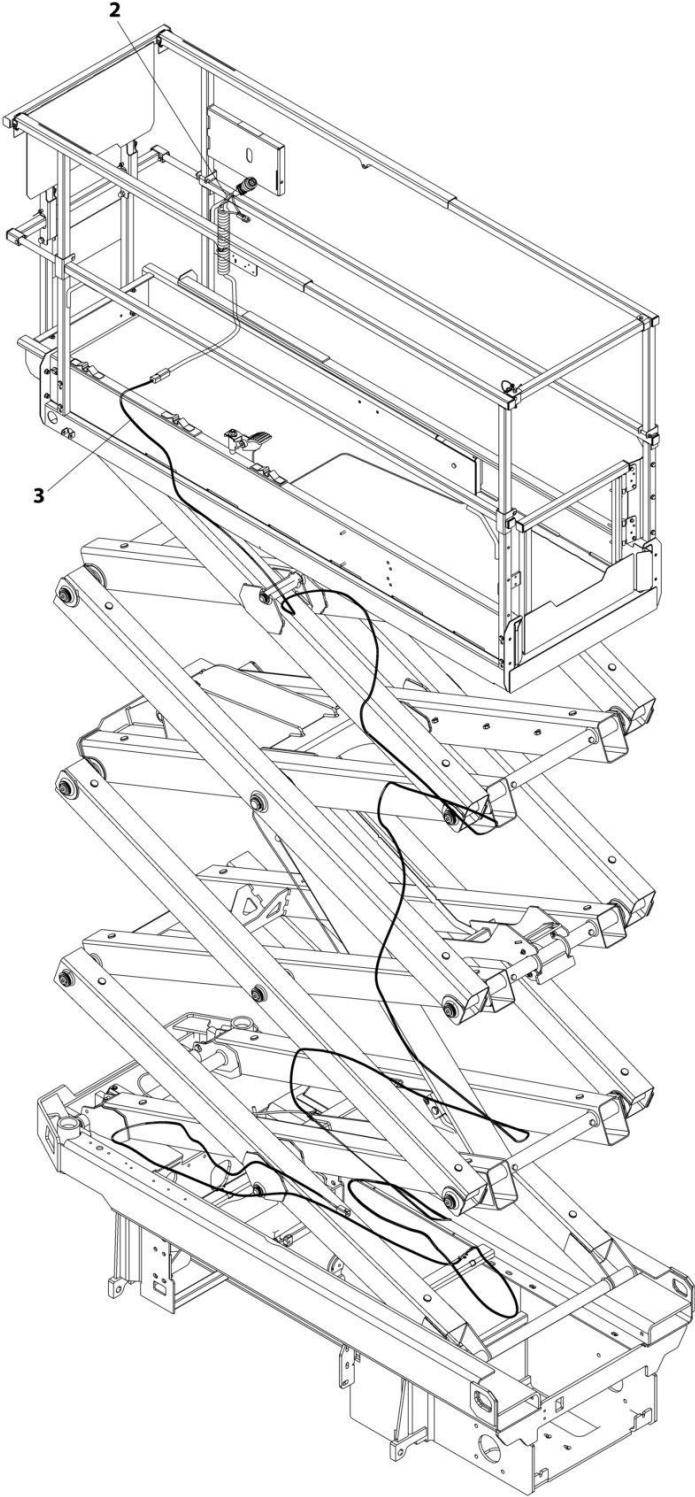
## SECTION 7 - ELECTRICAL

**FIGURE 7-28. GROUND TO PLATFORM CABLE INSTALLATION - WITH PLATFORM COIL CABLE  
(MACHINES WITH SN STARTING WITH B2 & M2)**

ITEM	PART NUMBER	QTY	DESCRIPTION	REV
	1001239676	Ref	GROUND TO PLATFORM CABLE INSTALLATION - WITH PLATFORM COIL CABLE	F
1	4240017	AR	Tie-Strap (Not Shown)	
2	1001202184	1	Platform Harness	
2	4460899	1	Receptacle, Female - 6 Position (To Item 3)	
2	4460464	4	Pin, Male	
2	4460943	2	Pin, Male	
2	4460754	1	Connector - 14 Position (To Console Box)	
2	4460465	8	Socket, Female	
2	4460466	6	Plug, Terminal	
3	1001237132	1	Cable Assembly - Ground to Platform	
3	4460894	1	Plug, Male - 6 Position (To Platform Harness Item 2)	
3	4460465	4	Socket, Female	
3	4460944	2	Socket, Female	
3	4460899	1	Receptacle, Female - 6 Position (To Chassis Harness)	
3	4460464	4	Pin, Male	
3	4460943	2	Pin, Male	

**SECTION 7 - ELECTRICAL**

**FIGURE 7-29. GROUND TO PLATFORM CABLE INSTALLATION - WITH PLATFORM COIL CABLE & FOOTSWITCH (MACHINES WITH SN STARTING WITH B2)**



ART\_1001239678



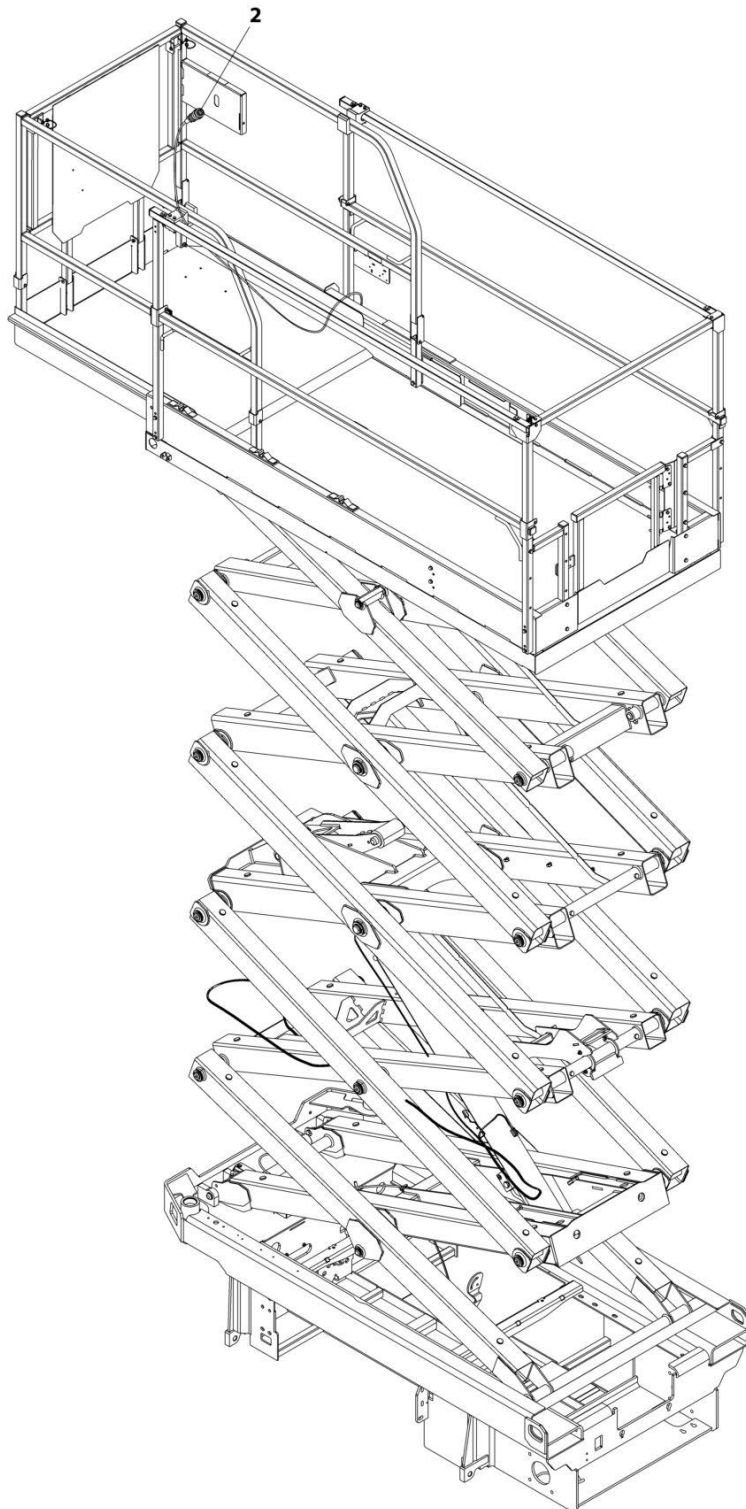
## SECTION 7 - ELECTRICAL

**FIGURE 7-29. GROUND TO PLATFORM CABLE INSTALLATION - WITH PLATFORM COIL CABLE & FOOTSWITCH (MACHINES WITH SN STARTING WITH B2)**

ITEM	PART NUMBER	QTY	DESCRIPTION	REV
	1001239678	Ref	GROUND TO PLATFORM CABLE INSTALLATION - WITH PLATFORM COIL CABLE AND FOOTSWITCH	F
1	4240017	AR	Tie-Strap (Not Shown)	
2	1001223262	1	Platform Harness	
2	4460899	1	Receptacle, Female - 6 Position (To Item 3)	
2	4460464	4	Pin, Male	
2	4460943	2	Pin, Male	
2	4460754	1	Connector - 14 Position (To Console Box)	
2	4460465	8	Socket, Female	
2	4460944	2	Socket, Female	
2	4460466	4	Plug, Terminal	
2	4460891	1	Plug, Male - 2 Position (To Footswitch)	
2	4460465	2	Socket, Female	
2	4460897	1	Receptacle, Female - 2 Position (Footswitch Jumper)	
2	4460464	2	Pin, Male	
2	4460539	1	Plug, Male - 3 Position (To Overhead Switches)	
2	4460465	2	Socket, Female	
2	4460466	1	Plug, Terminal	
3	1001237132	1	Cable Assembly - Ground to Platform	
3	4460894	1	Plug, Male - 6 Position (To Platform Harness Item 2)	
3	4460465	4	Socket, Female	
3	4460944	2	Socket, Female	
3	4460899	1	Receptacle, Female - 6 Position (To Chassis Harness)	
3	4460464	4	Pin, Male	
3	4460943	2	Pin, Male	

## SECTION 7 - ELECTRICAL

FIGURE 7-30. GROUND TO PLATFORM CABLE INSTALLATION - PLATFORM STRAIGHT CABLE ONLY (MACHINES WITH SN STARTING WITH 12)



ART\_1001223650

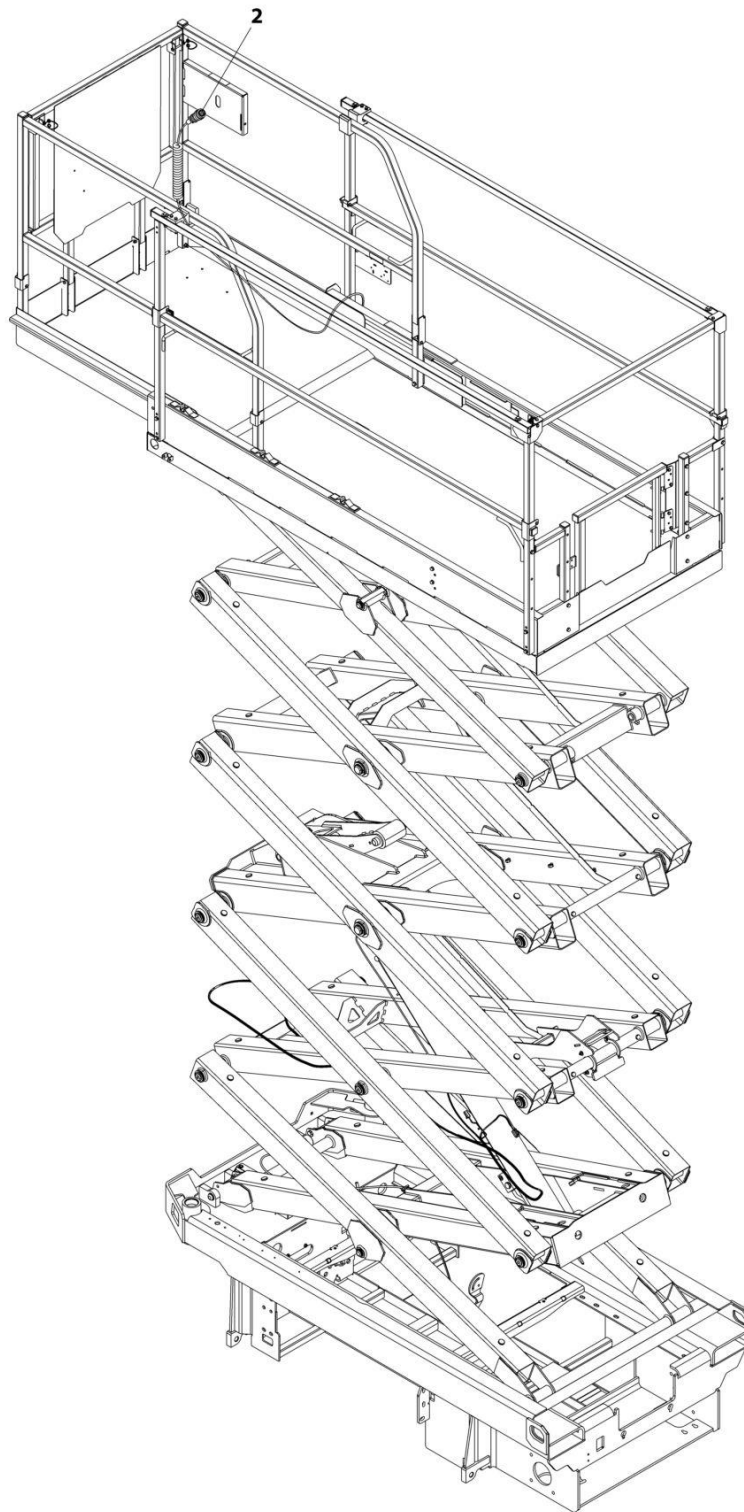
## SECTION 7 - ELECTRICAL

**FIGURE 7-30. GROUND TO PLATFORM CABLE INSTALLATION - PLATFORM STRAIGHT CABLE ONLY (MACHINES WITH SN STARTING WITH 12)**

ITEM	PART NUMBER	QTY	DESCRIPTION	REV
	1001223650	Ref	GROUND TO PLATFORM CABLE INSTALLATION	A
1	4240017	AR	Tie-Strap (Not Shown)	
2	1001200812	1	Platform Harness	
2	4460899	1	Receptacle, Female - 6 position (To Platform/AC Cable Connector)	
2	4460464	4	Pin, Male	
2	4460943	2	Pin, Male	
2	4460754	1	Connector - 14 Position (To Console Box)	
2	4460465	8	Socket, Female	
2	4460466	6	Plug, Terminal	

## SECTION 7 - ELECTRICAL

FIGURE 7-31. GROUND TO PLATFORM CABLE INSTALLATION - PLATFORM COIL CABLE ONLY  
(MACHINES WITH SN STARTING WITH 12)



ART\_1001223651

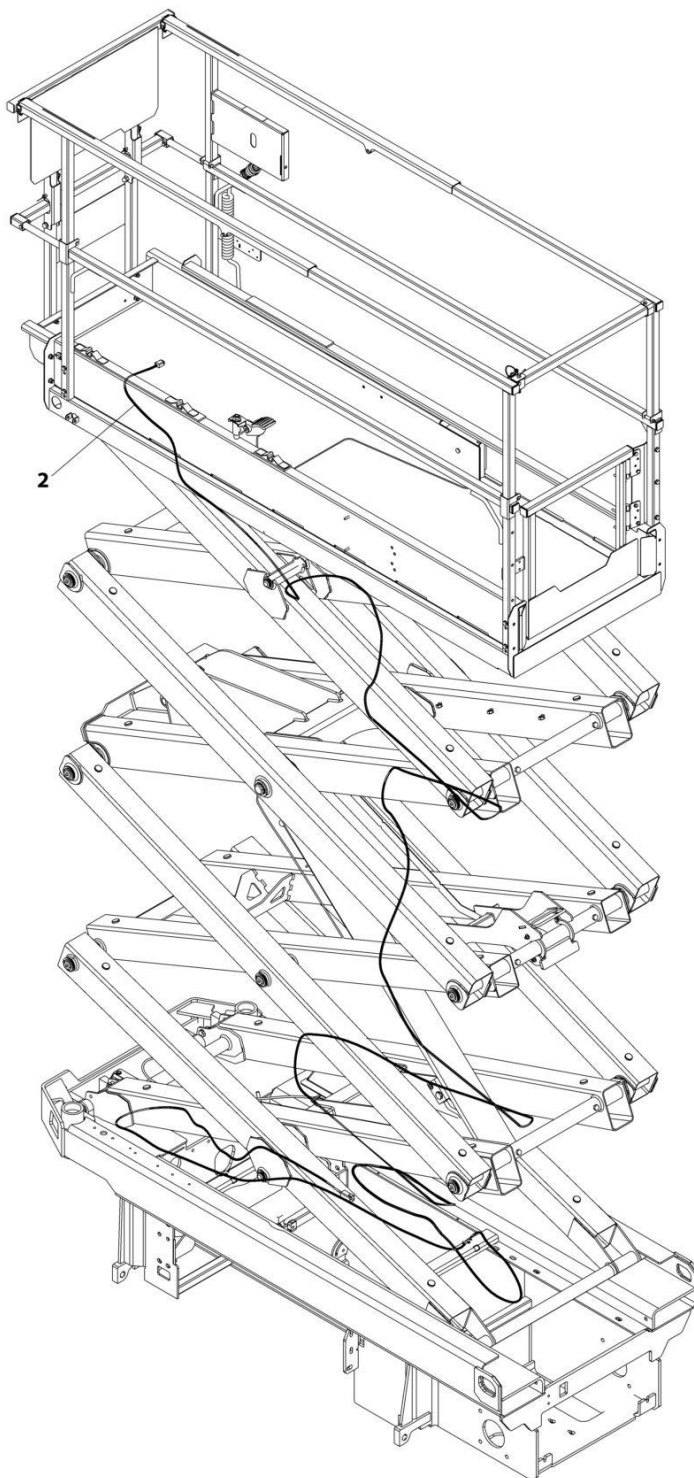
## SECTION 7 - ELECTRICAL

**FIGURE 7-31. GROUND TO PLATFORM CABLE INSTALLATION - PLATFORM COIL CABLE ONLY  
(MACHINES WITH SN STARTING WITH 12)**

ITEM	PART NUMBER	QTY	DESCRIPTION	REV
	1001223651	Ref	GROUND TO PLATFORM CABLE INSTALLATION	A
1	4240017	AR	Tie-Strap (Not Shown)	
2	1001202184	1	Platform Harness	
2	4460899	1	Receptacle, Female - 6 position (To Platform/AC Cable Connector)	
2	4460464	4	Pin, Male	
2	4460943	2	Pin, Male	
2	4460754	1	Connector - 14 Position (To Console Box)	
2	4460465	8	Socket, Female	
2	4460466	6	Plug, Terminal	

## SECTION 7 - ELECTRICAL

FIGURE 7-32. GROUND TO PLATFORM CABLE INSTALLATION - ARMS CABLE ONLY (MACHINES WITH SN STARTING WITH 12)



ART\_1001239679

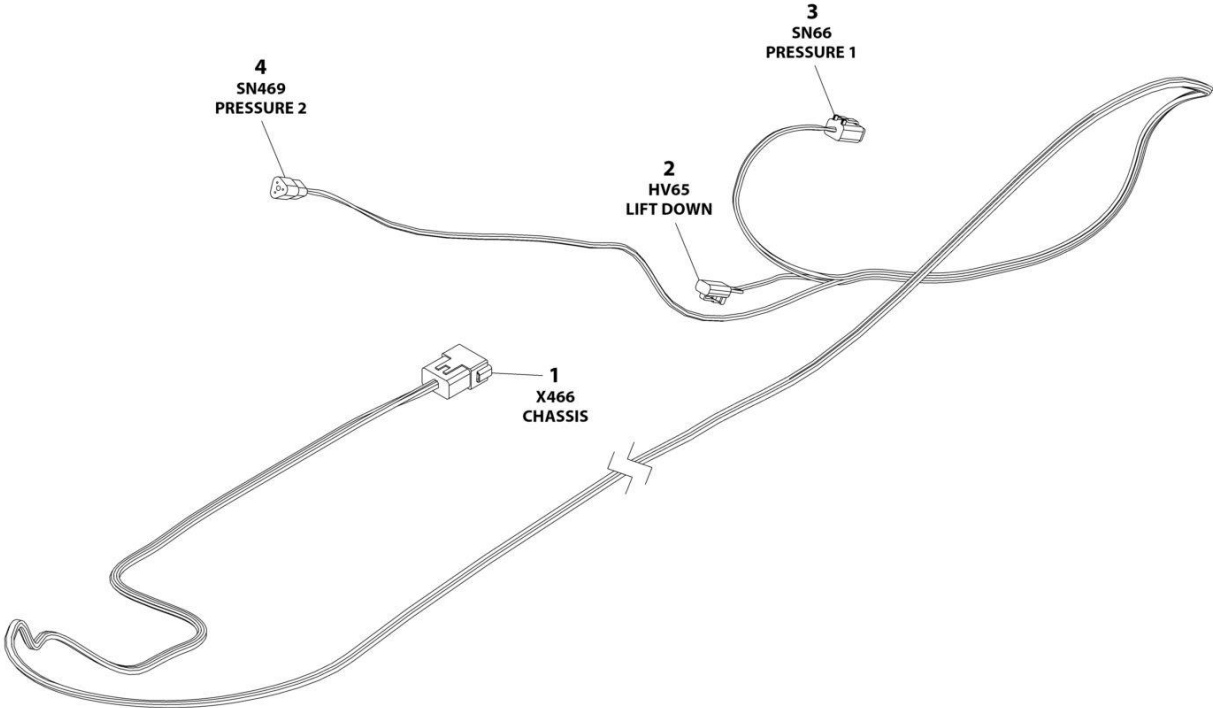
## SECTION 7 - ELECTRICAL

**FIGURE 7-32. GROUND TO PLATFORM CABLE INSTALLATION - ARMS CABLE ONLY (MACHINES WITH SN STARTING WITH 12)**

ITEM	PART NUMBER	QTY	DESCRIPTION	REV
	1001239679	Ref	GROUND TO PLATFORM CABLE INSTALLATION	F
1	4240017	AR	Tie-Strap (Not Shown)	
2	1001237132	1	Cable Assembly - Ground to Platform	
2	4460894	1	Plug, Male - 6 Position (To Platform Harness Item 2)	
2	4460465	4	Socket, Female	
2	4460944	2	Socket, Female	
2	4460899	1	Receptacle, Female - 6 Position (To Chassis Harness)	
2	4460464	4	Pin, Male	
2	4460943	2	Pin, Male	

**SECTION 7 - ELECTRICAL**

**FIGURE 7-33. LIFT DOWN HARNESS**



ART\_1001233795



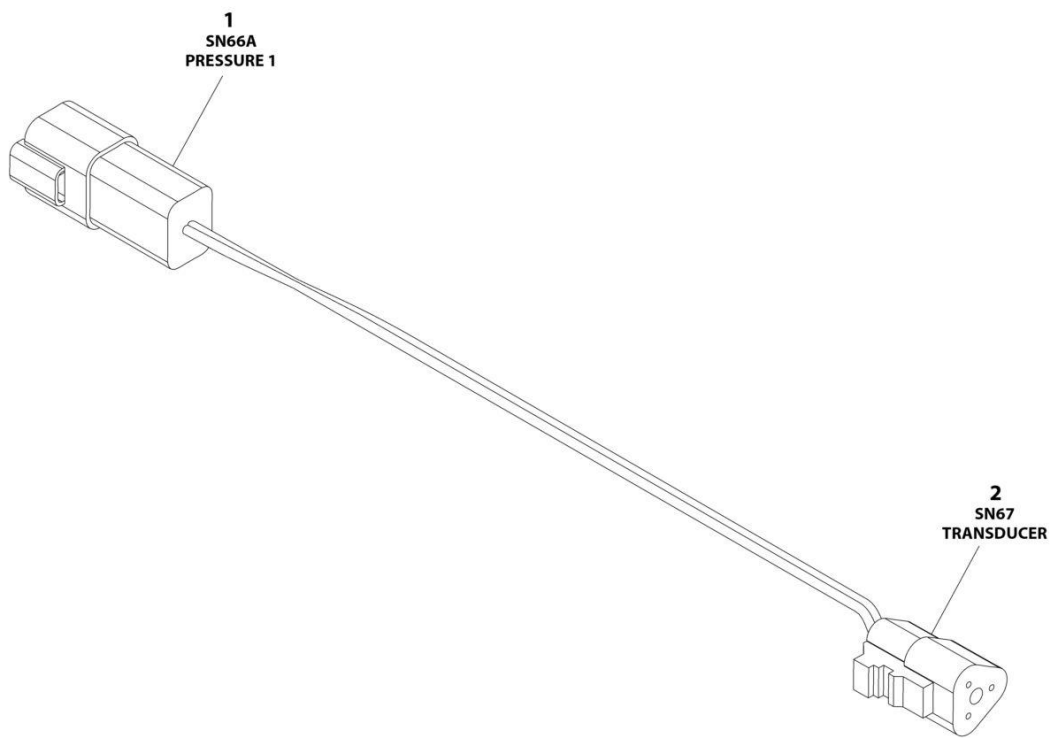
## SECTION 7 - ELECTRICAL

### FIGURE 7-33. LIFT DOWN HARNESS

ITEM	PART NUMBER	QTY	DESCRIPTION	REV
	1001233795	Ref	LIFT DOWN HARNESS	D
1	4460970	1	Receptacle, Female - 12 Position	
1	4460464	9	Pin, Male	
1	4460466	3	Plug, Terminal	
2	4460891	1	Plug, Male - 4 Position	
2	4460465	2	Socket, Female	
3	4460884	1	Plug, Male - 4 Position	
3	4460465	4	Socket, Female	
4	4460539	1	Plug, Male - 3 Position	
4	4460465	3	Socket, Female	

# SECTION 7 - ELECTRICAL

## FIGURE 7-34. JUMPER HARNESS TO LIFT DOWN



ART\_1001285829

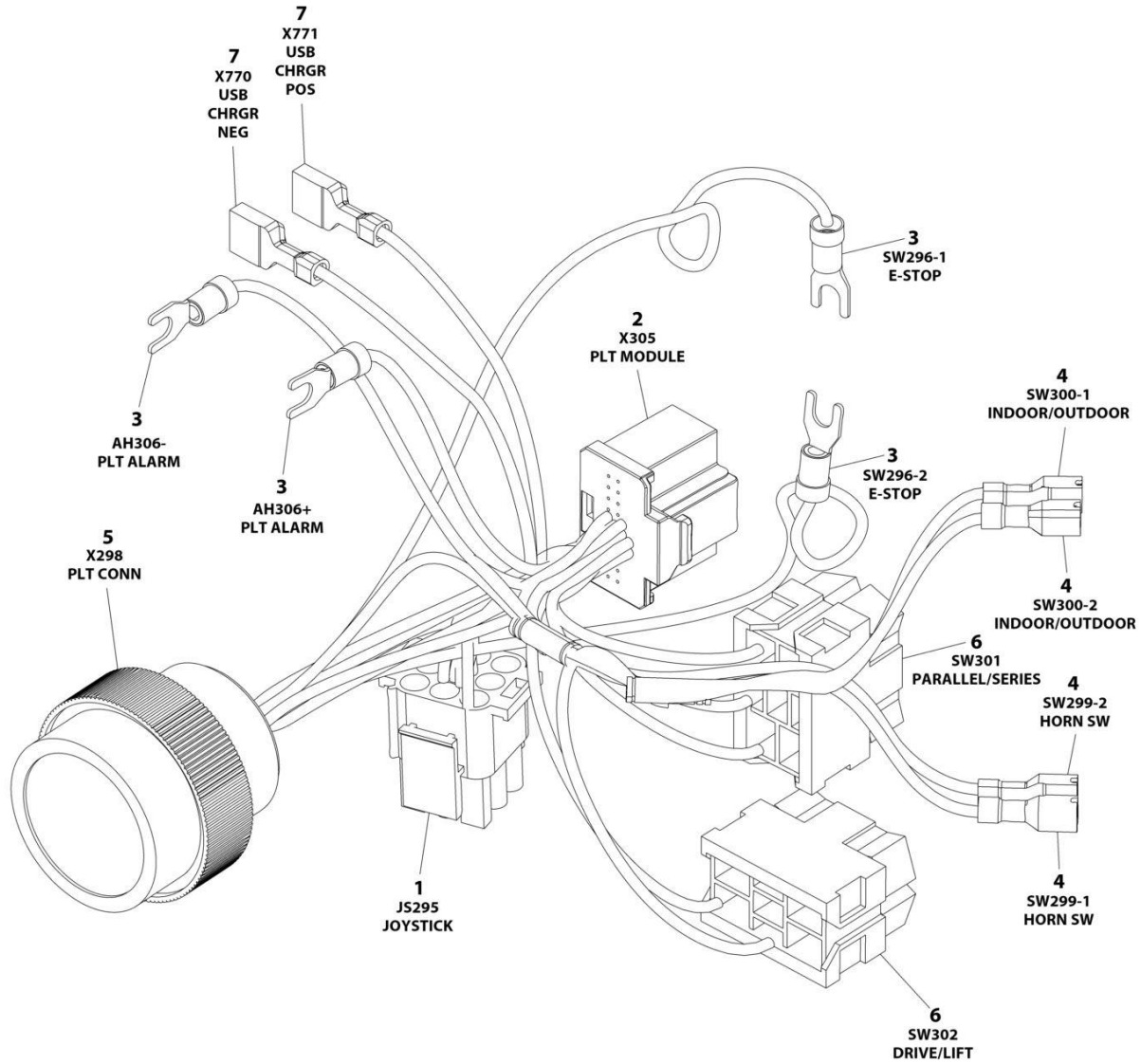
## SECTION 7 - ELECTRICAL

### FIGURE 7-34. JUMPER HARNESS TO LIFT DOWN

ITEM	PART NUMBER	QTY	DESCRIPTION	REV
	1001285829	Ref	JUMPER HARNESS TO LIFT DOWN	C
1	4460932	1	Connector	
1	4460464	2	Pin	
1	4460466	2	Plug	
2	4460539	1	Connector	
2	4460465	2	Pin	
2	4460466	1	Plug	

# SECTION 7 - ELECTRICAL

## FIGURE 7-35. PLATFORM CONTROL BOX HARNESS



ART\_1001200819

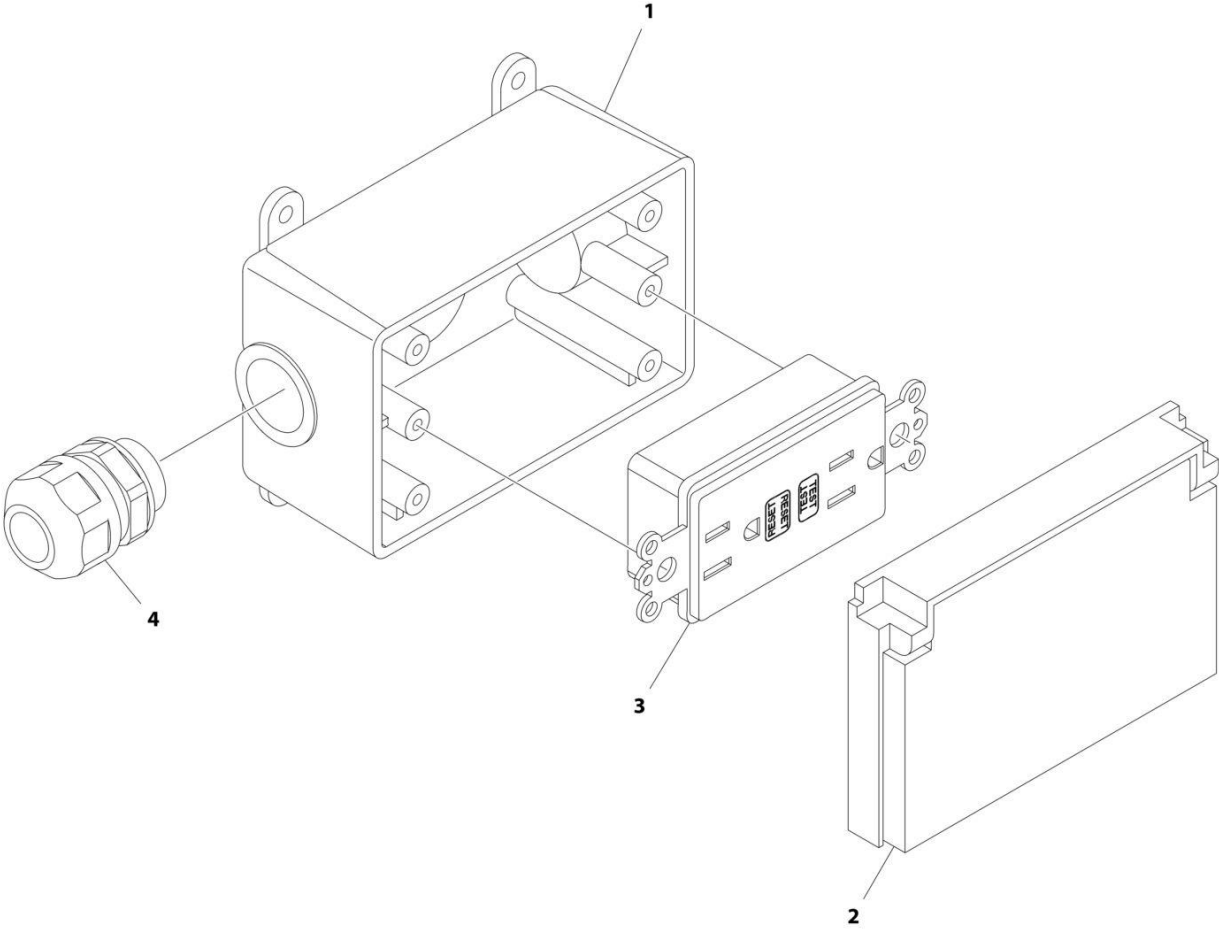
## SECTION 7 - ELECTRICAL

### FIGURE 7-35. PLATFORM CONTROL BOX HARNESS

ITEM	PART NUMBER	QTY	DESCRIPTION	REV
	1001200819	Ref	PLATFORM CONTROL BOX HARNESS	E
1	4460265	1	Plug, Male - 9 Position	
1	4460267	6	Pin, Male	
2	1001212036	1	Connector - 20 Position	
2	1001212035	16	Terminal	
3	4460183	4	Terminal, Fork	
4	1001201885	4	Terminal with Cover	
5	4461016	1	Connector - 14 Position	
5	4460464	8	Pin, Male	
5	4460466	6	Plug, Terminal	
6	4460418	2	Connector - 6 Position	
6	1001159186	5	Terminal	
7	1001194421	2	Terminal	

**SECTION 7 - ELECTRICAL**

**FIGURE 7-36. RECEPTACLE BOX KIT - 110V GFI**



ART\_2902431

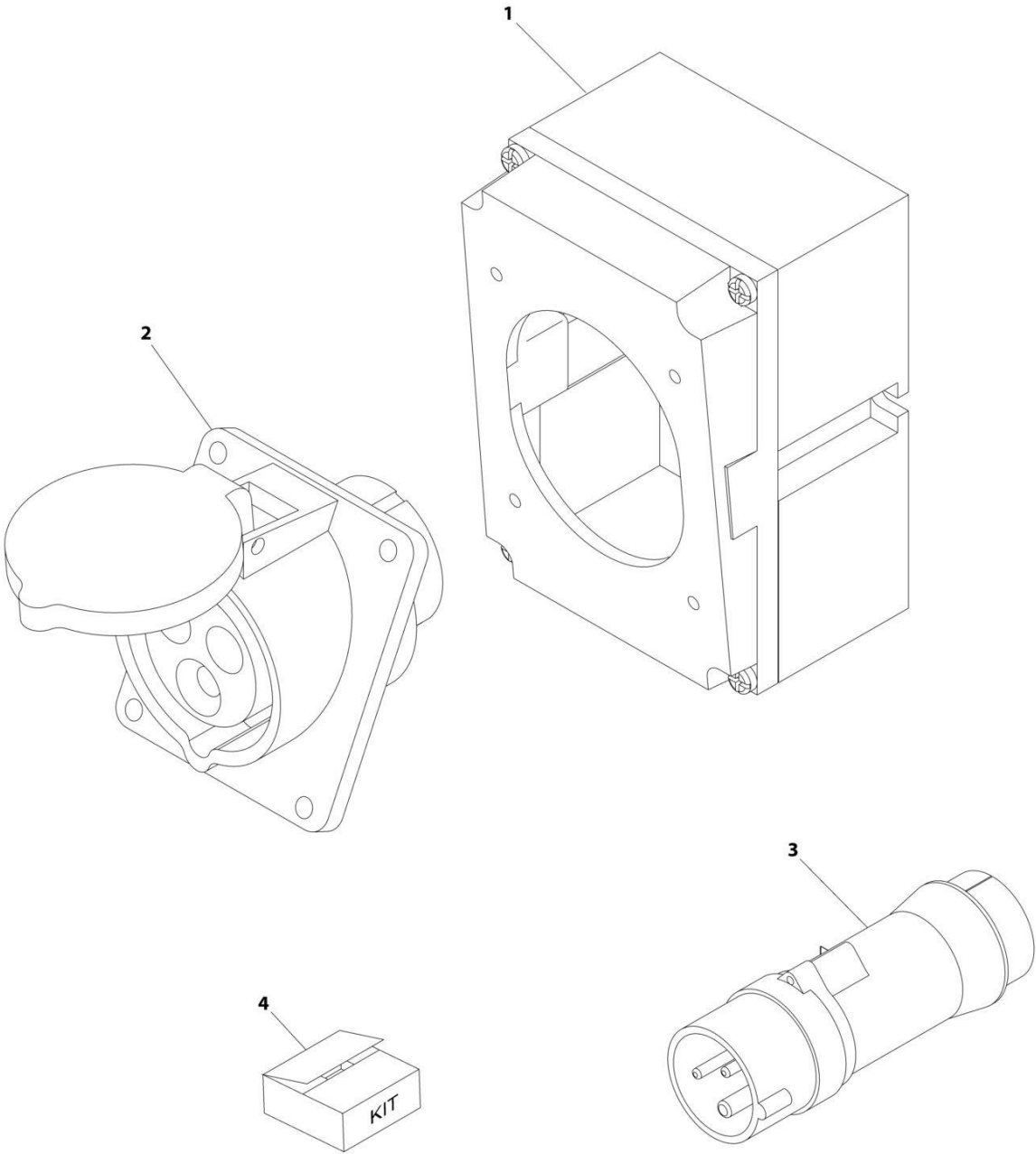
## SECTION 7 - ELECTRICAL

### FIGURE 7-36. RECEPTACLE BOX KIT - 110V GFI

ITEM	PART NUMBER	QTY	DESCRIPTION	REV
	2902431	Ref	RECEPTACLE BOX KIT - 110V GFI	D
1	0861731	1	Box, Receptacle	
2	1671207	1	Cover, Receptacle	
3	4460346	1	Receptacle	
4	4460662	1	Connector, Strain Relief	

**SECTION 7 - ELECTRICAL**

**FIGURE 7-37. RECEPTACLE BOX KIT - 110V IEC YELLOW (CE & UK CA SPEC)**



ART\_0275216



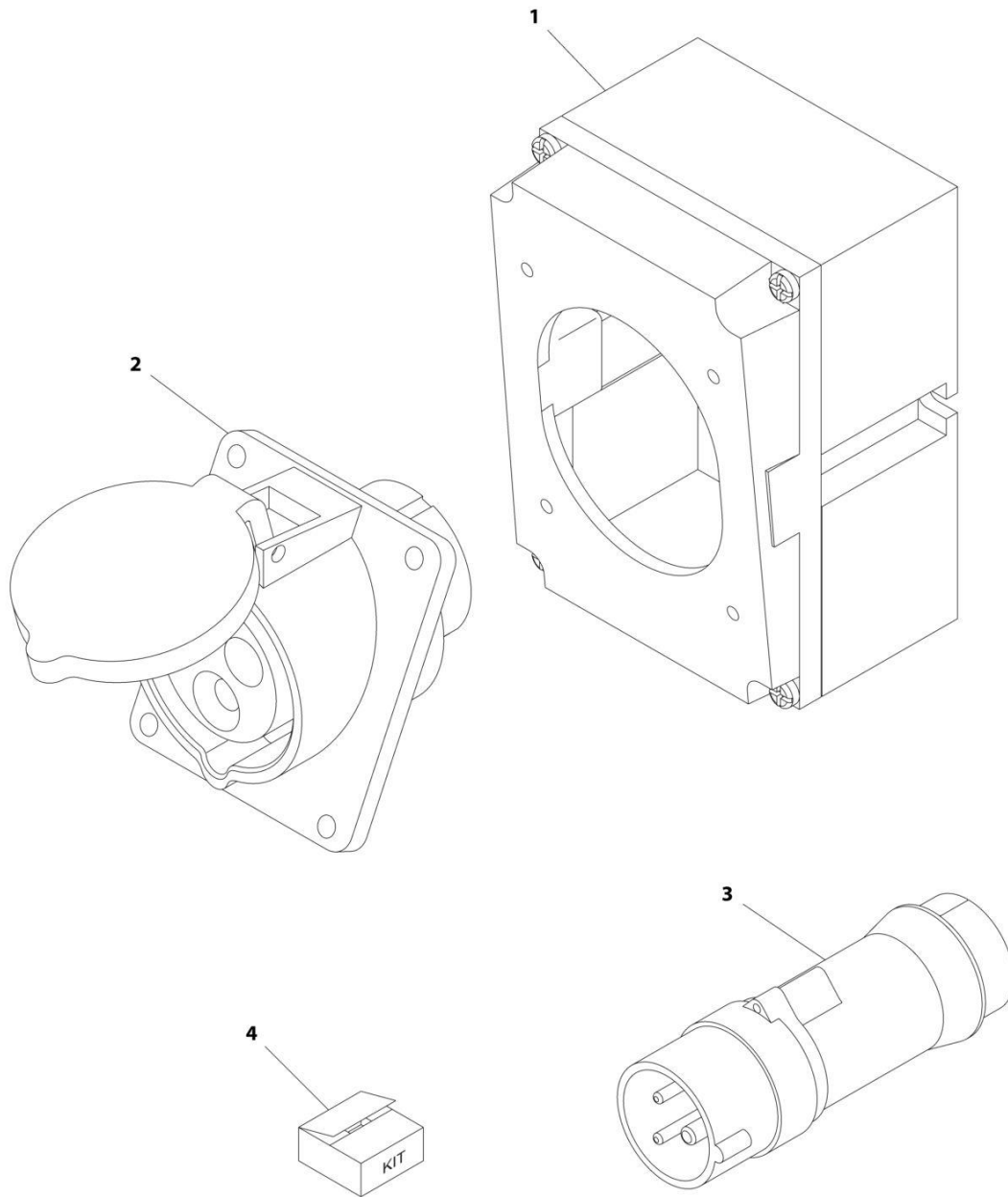
## SECTION 7 - ELECTRICAL

**FIGURE 7-37. RECEPTACLE BOX KIT - 110V IEC YELLOW (CE & UK CA SPEC)**

ITEM	PART NUMBER	QTY	DESCRIPTION	REV
	0275216	Ref	RECEPTACLE BOX KIT - 110V IEC YELLOW	B
1	0861781	1	Box, Switch	
2	4461198	1	Receptacle	
3	4461196	1	Plug, Male	
4	1001100341	1	Plug and Socket Kit (Includes Items 1-3 and Female Plug p/n 4461197)	

# SECTION 7 - ELECTRICAL

FIGURE 7-38. RECEPTACLE BOX KIT - 220V IEC BLUE(CE & UK CA SPEC)



ART\_0275217

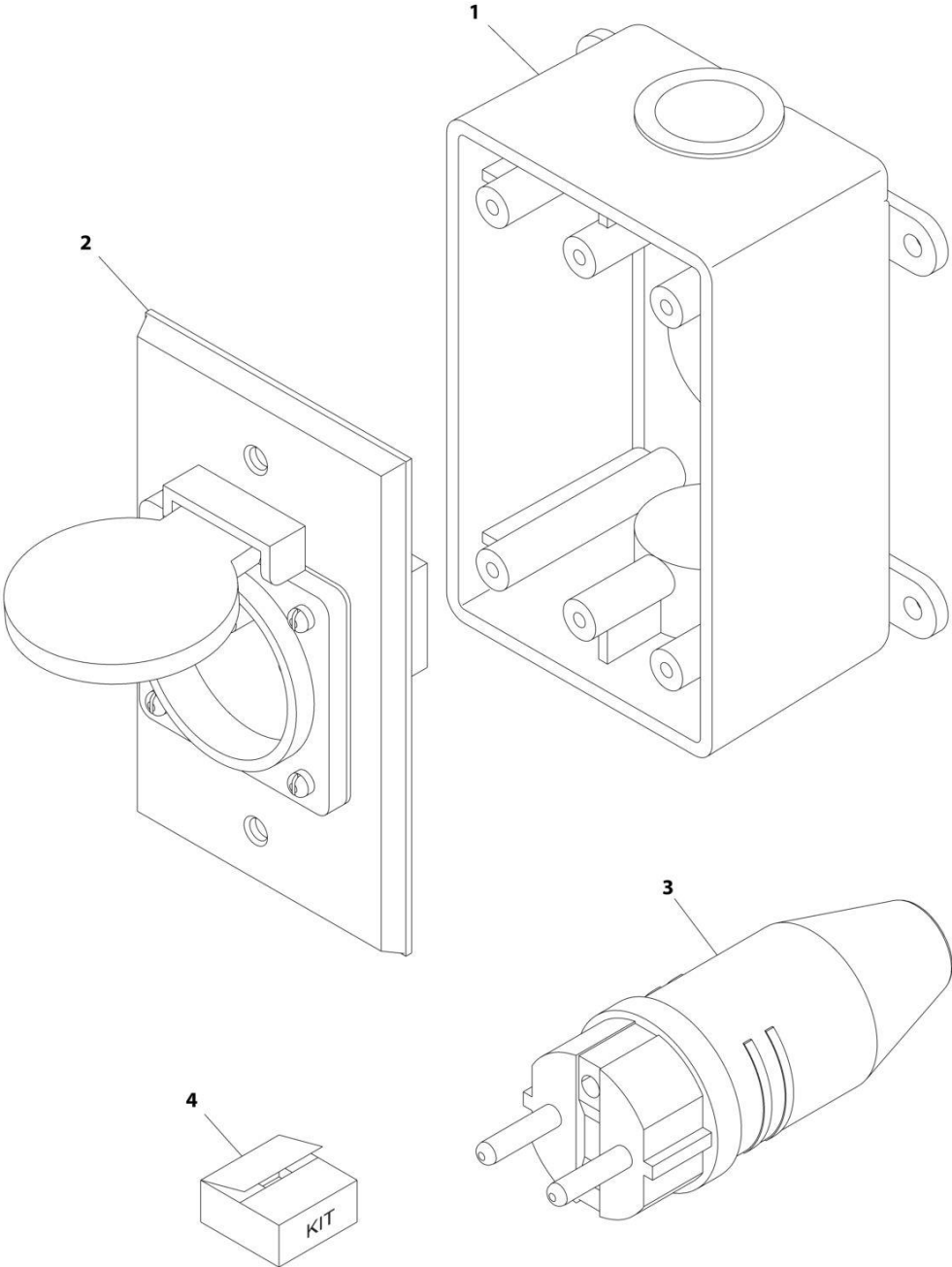
## SECTION 7 - ELECTRICAL

**FIGURE 7-38. RECEPTACLE BOX KIT - 220V IEC BLUE(CE & UK CA SPEC)**

ITEM	PART NUMBER	QTY	DESCRIPTION	REV
	0275217	Ref	RECEPTACLE BOX KIT - 220V IEC BLUE	B
1	0861781	1	Box, Switch	
2	4461201	1	Receptacle	
3	4461199	1	Plug, Male	
4	1001100342	1	Plug and Socket Kit (Includes Items 1-3 and Female Plug p/n 4461200)	

**SECTION 7 - ELECTRICAL**

**FIGURE 7-39. RECEPTACLE BOX KIT - 220V CEE7 POST GROUND (CE & UK CA SPEC)**



ART\_0275452-C

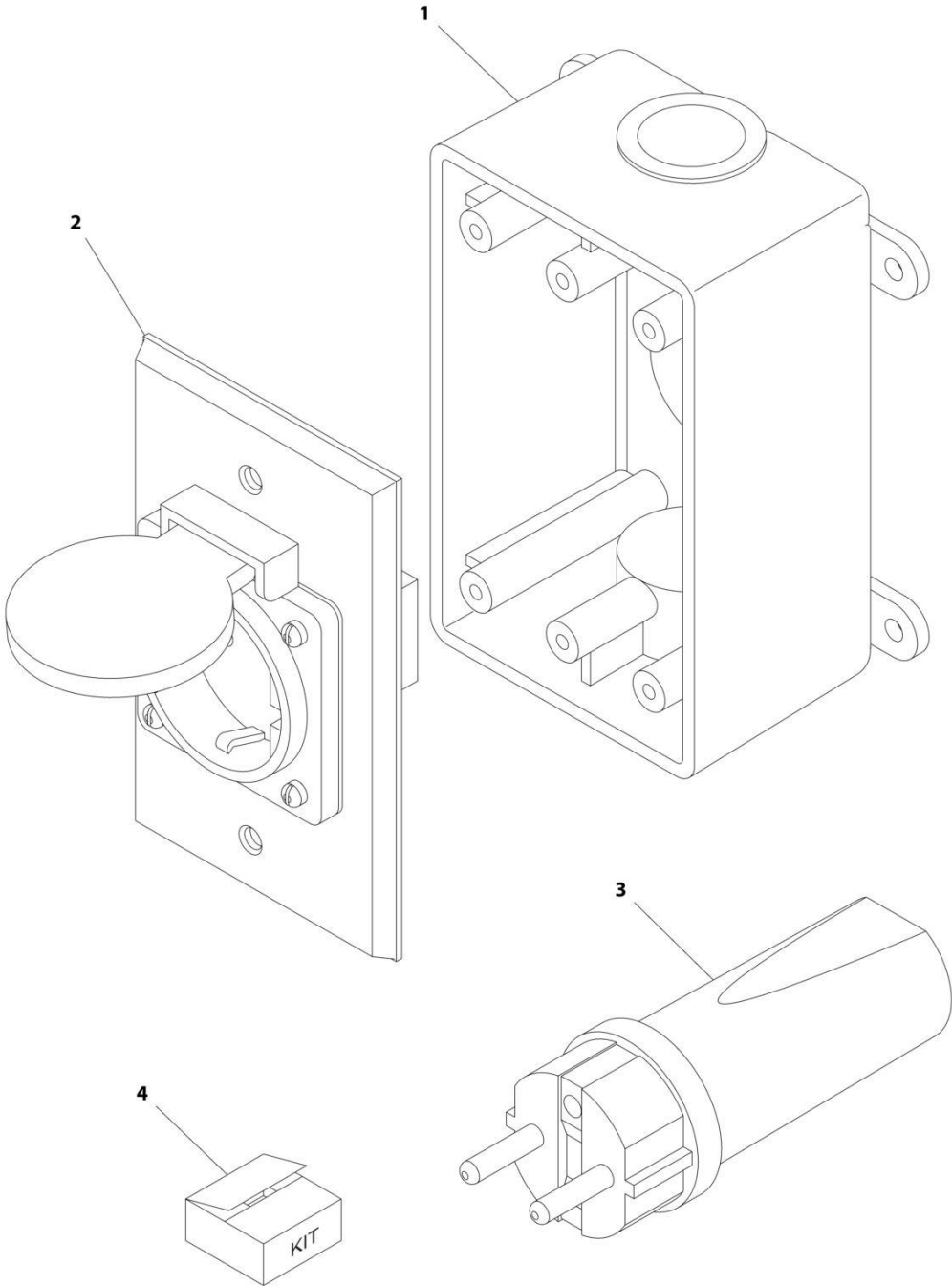
## SECTION 7 - ELECTRICAL

**FIGURE 7-39. RECEPTACLE BOX KIT - 220V CEE7 POST GROUND (CE & UK CA SPEC)**

ITEM	PART NUMBER	QTY	DESCRIPTION	REV
	0275452	Ref	RECEPTACLE BOX KIT - 220V CEE7 POST GROUND 2IN X 4IN BOX	C
1	0861731	1	Box, Switch	
2	4461244	1	Receptacle	
3	4461205	1	Plug, Male	
4	1001100345	1	Plug and Socket Kit (Includes Items 1-3 and Female Plug p/n 4461203)	

**SECTION 7 - ELECTRICAL**

**FIGURE 7-40. RECEPTACLE BOX KIT - 220V CEE7 SIDE GROUND (CE & UK CA SPEC)**



ART\_0275453

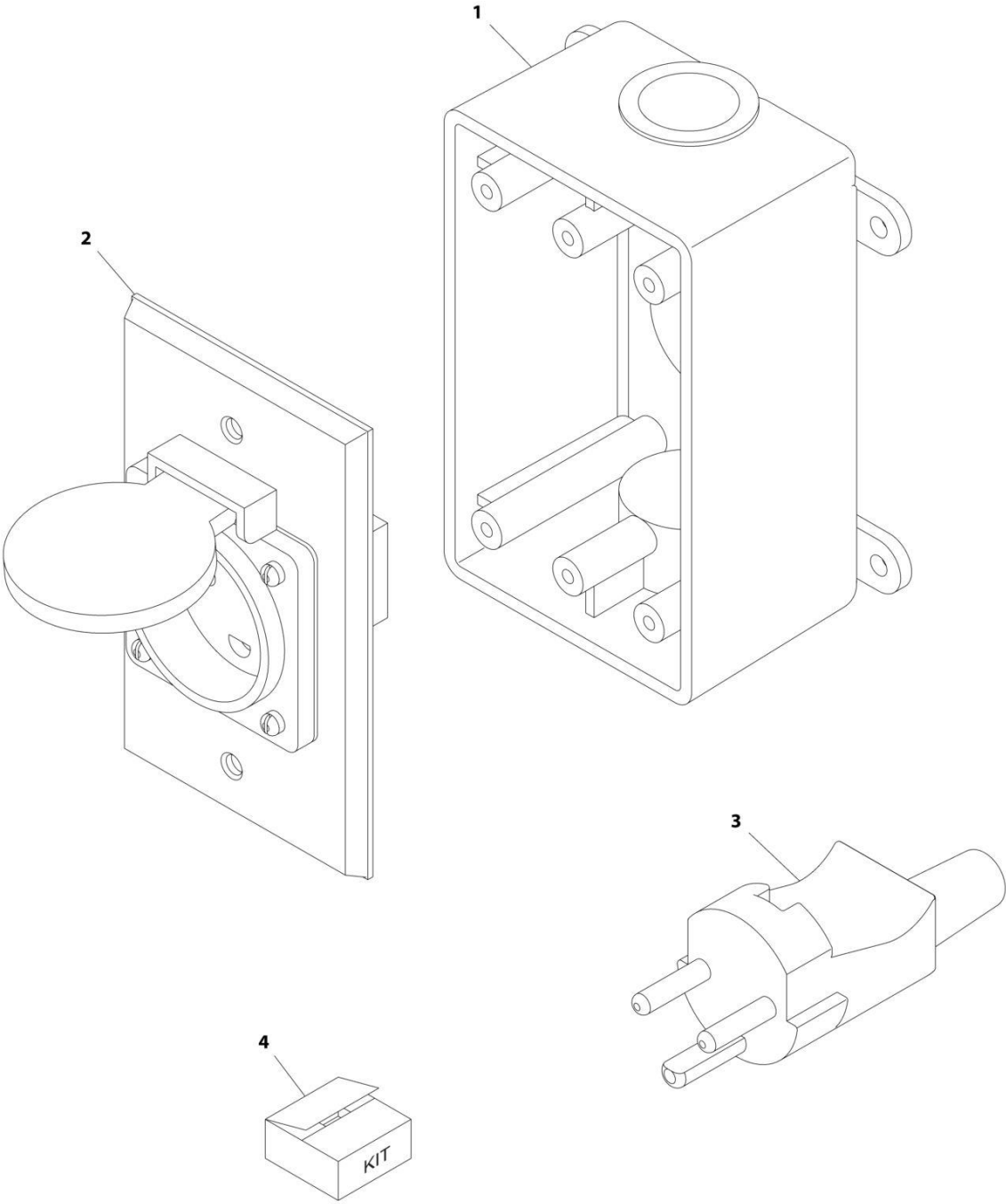
## SECTION 7 - ELECTRICAL

**FIGURE 7-40. RECEPTACLE BOX KIT - 220V CEE7 SIDE GROUND (CE & UK CA SPEC)**

ITEM	PART NUMBER	QTY	DESCRIPTION	REV
	0275453	Ref	RECEPTACLE BOX KIT - 220V CEE7 SIDE GROUND	B
1	0861731	1	Box, Switch	
2	4461245	1	Receptacle	
3	4461205	1	Plug, Male	
4	1001100347	1	Plug and Socket Kit (Includes Items 1-3 and Female Plug p/n 4461206)	

**SECTION 7 - ELECTRICAL**

**FIGURE 7-41. RECEPTACLE BOX KIT - 220V AFSINT 107 (CE & UK CA SPEC)**



ART\_0275454



## SECTION 7 - ELECTRICAL

**FIGURE 7-41. RECEPTACLE BOX KIT - 220V AFSINT 107 (CE & UK CA SPEC)**

ITEM	PART NUMBER	QTY	DESCRIPTION	REV
	0275454	Ref	RECEPTACLE BOX KIT - 220V AFSINT 107	B
1	0861731	1	Box, Switch	
2	4461246	1	Receptacle	
3	4461249	1	Plug, Male	
4	1001100346	1	Plug and Socket Kit (Includes Items 1-3 and Female Plug p/n 4461250)	



**SECTION 8 - DECALS**



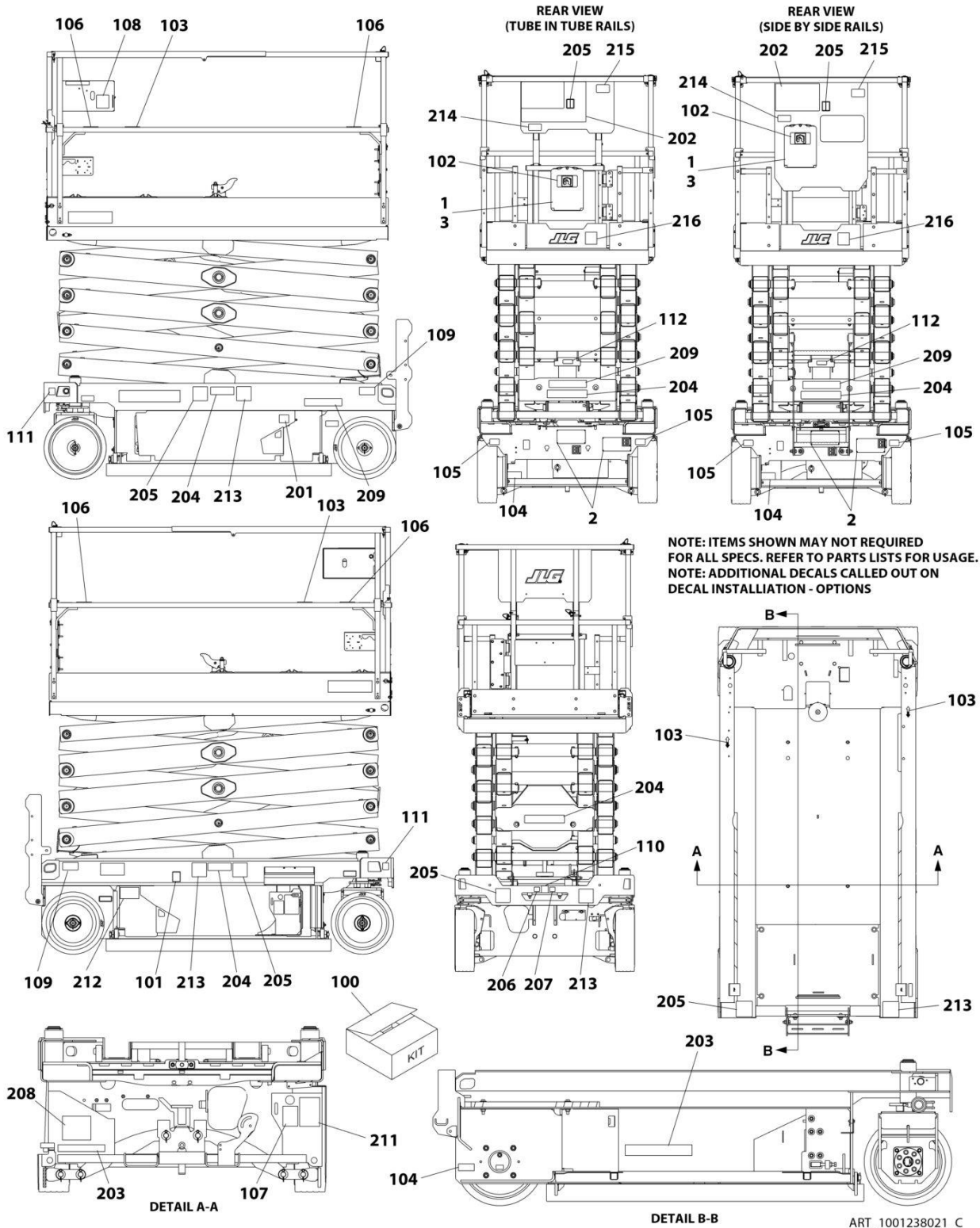
## SECTION 8 - DECALS

**FIGURE 8-1. DECAL INSTALLATION (ANSI SPECS)**

ITEM	PART NUMBER	QTY	DESCRIPTION	REV
	1001238014	Ref	DECAL INSTALLATION (ENGLISH LANGUAGE)	D
	1001237749	Ref	DECAL REFERENCE CHART	H
1	2080040	3	Fastener	
2	2080057	4	Fastener	
3	8990147	1	Holder, Manual	
100	1001239270	1	Master Decal Kit	D
101	1701504	1	Decal - Hydraulic Oil	
102	1701640	1	Decal - Manual	
103	1703819	4	Decal - Direction Arrow	
104	1001248126	1	Decal - Manual Descent Instructions	
105	1704016	2	Decal - Fork Lift	
106	1704277	4	Decal - Lanyard Attach	
107	1704412	1	Decal - Hydraulic Oil	
108	1001132359	1	Decal - Control Box Locate	
109	1001162864	2	Decal - Lift Point/Tie Down	
110	1001212290	1	Decal - Tie Down	
111	1001212291	2	Decal - Lifting Lug	
112	1001237899	1	Decal - Arms Prop	
201	1702155	1	Decal - Battery Disconnect	
202	1703816	1	Decal - Danger/Warning	
203	1001146794	1	Decal - Battery/Charger Service	
204	1001211777	4	Decal - Crushing Hazard	
205	1001211779	4	Decal - Electrocution	
206	1001212292	1	Decal - No Lifting	
207	1001212293	1	Decal - No Forklift	
208	1001237538	1	Decal - Battery Spacer	
209	1703813	2	Decal - Warning Battery Ventilation	
211	1001131270	1	Decal - Patent	
212	1001223055	1	Decal - Yearly Inspection	
214	1001228370	1	Decal - ICES	
215	1001231801	1	Decal - Warning Prop 65	

# SECTION 8 - DECALS

## FIGURE 8-2. DECAL INSTALLATION (AUSTRALIAN SPECS)



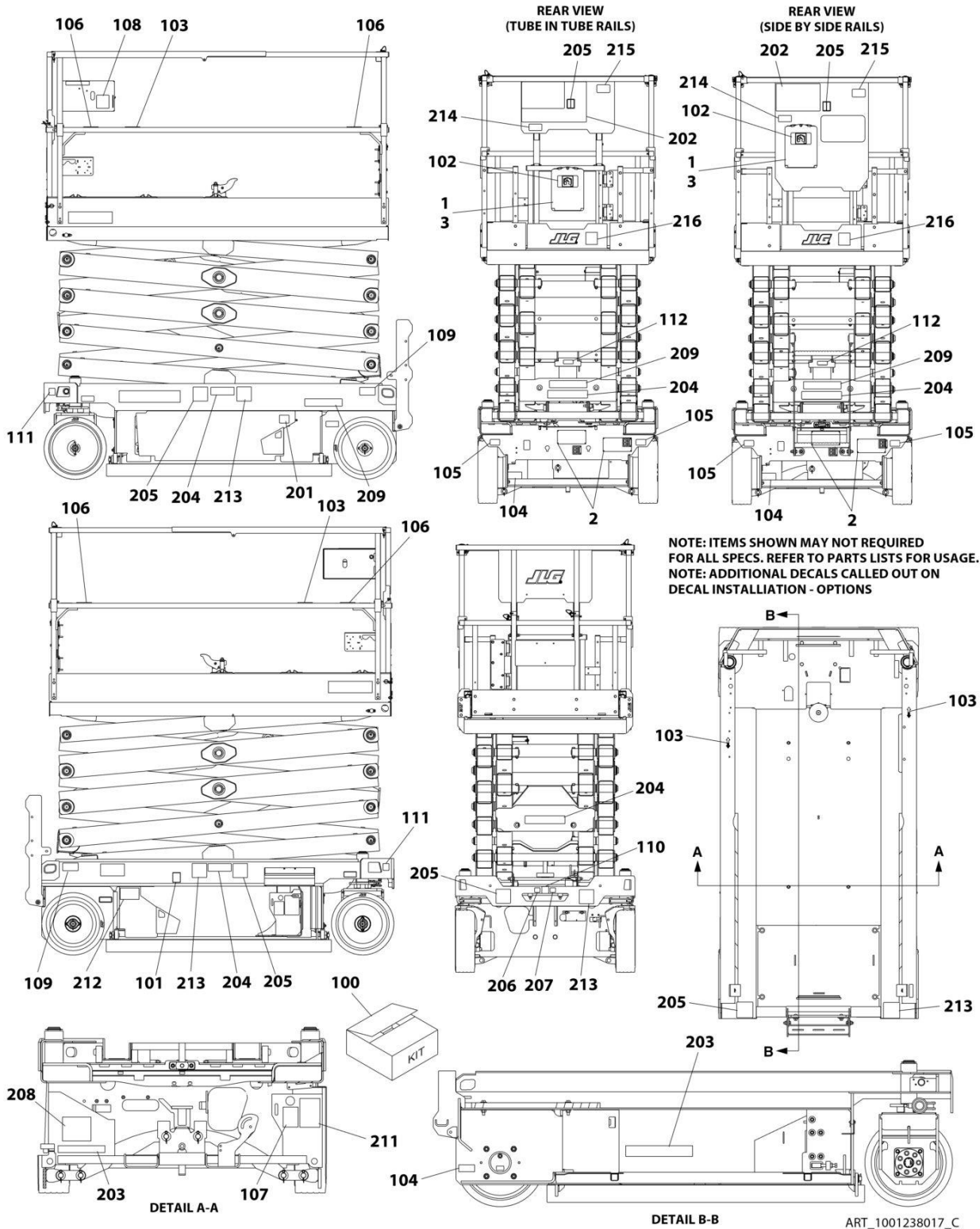
## SECTION 8 - DECALS

**FIGURE 8-2. DECAL INSTALLATION (AUSTRALIAN SPECS)**

ITEM	PART NUMBER	QTY	DESCRIPTION	REV
	1001238021	Ref	DECAL INSTALLATION (ENGLISH LANGUAGE)	C
	1001237749	Ref	DECAL REFERENCE CHART	H
1	2080040	3	Fasteners	
2	2080057	4	Fasteners	
3	8990147	1	Holder, Manual	
100	1001239270	1	Master Decal Kit	D
101	1701504	1	Decal - Hydraulic Oil	
102	1701640	1	Decal - Manual	
103	1703819	4	Decal - Direction Arrow	
104	1001248126	1	Decal - Manual Descent Instructions	
105	1704016	2	Decal - Fork Lift	
106	1704277	4	Decal - Lanyard Attach Graphic	
107	1704412	1	Decal - Hydraulic Oil	
108	1001132359	1	Decal - Control Box Locate	
109	1001162864	2	Decal - Lift Point/Tie Down	
110	1001212290	1	Decal - Tie Down	
111	1001212291	2	Decal - Lifting Lug	
112	1001237899	1	Decal - Arms Prop	
201	1702155	1	Decal - Battery Disconnect	
203	1001146794	1	Decal - Battery/Charger Service	
204	1705673	4	Decal - Crushing	
205	1705671	5	Decal - Electrocution	
206	1001212292	1	Decal - No Lifting	
207	1001212293	1	Decal - No Forklift	
208	1001237538	1	Decal - Battery Spacer	
209	1705670	2	Decal - Fire Hazard	

# SECTION 8 - DECALS

## FIGURE 8-3. DECAL INSTALLATION (BRAZIL SPECS)





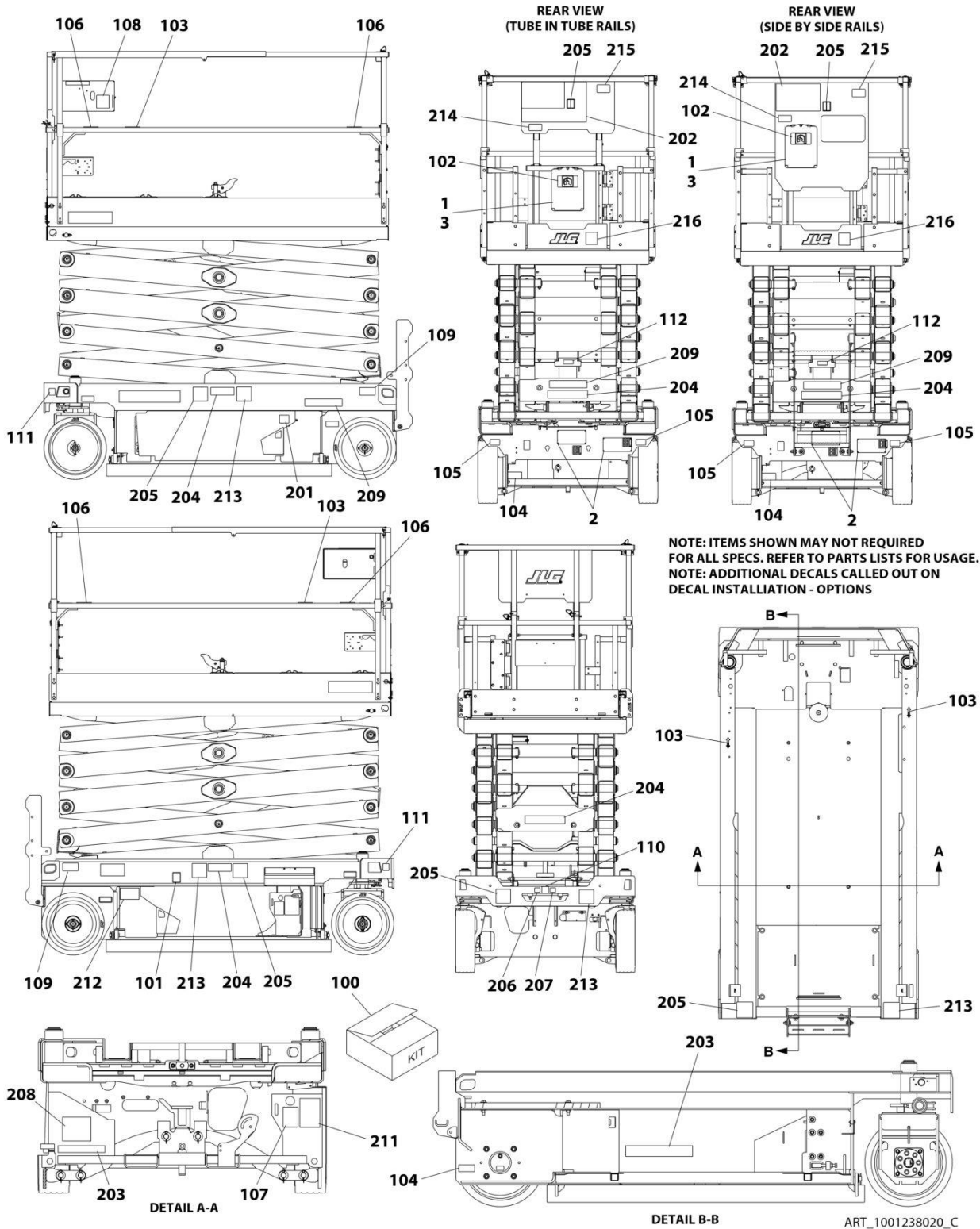
## SECTION 8 - DECALS

**FIGURE 8-3. DECAL INSTALLATION (BRAZIL SPECS)**

ITEM	PART NUMBER	QTY	DESCRIPTION	REV
	1001238017	Ref	DECAL INSTALLATION (SPANISH/PORTUGUESE LANGUAGE)	C
	1001237749	Ref	DECAL REFERENCE CHART	H
1	2080040	3	Fastener	
2	2080057	4	Fastener	
3	8990147	1	Holder, Manual	
100	1001239270	1	Master Decal Kit	D
101	1701504	1	Decal - Hydraulic Oil	
102	1701640	1	Decal - Manual	
103	1703819	4	Decal - Direction Arrow	
104	1001248126	1	Decal - Manual Descent Instructions	
105	1704016	2	Decal - Fork Lift	
106	1704277	4	Decal - Lanyard Attach	
107	1704412	1	Decal - Hydraulic Oil	
108	1001132359	1	Decal - Control Box Locate	
109	1001162864	2	Decal - Lift Point/Tie Down	
110	1001212290	1	Decal - Tie Down	
111	1001212291	2	Decal - Lifting Lug	
112	1001237899	1	Decal - Arms Prop	
201	1702155	1	Decal - Battery Disconnect	
202	1704699	1	Decal - Danger/Warning	
203	1001146794	1	Decal - Battery/Charger Service	
204	1001216650	4	Decal - Crushing Hazard	
205	1001215748	4	Decal - Electrocution	
206	1001212292	1	Decal - No Lifting	
207	1001212293	1	Decal - No Forklift	
208	1001237538	1	Decal - Battery Spacer	
209	1704341	2	Decal - Warning Battery Ventilation	
212	1001224052	1	Decal - Yearly Inspection	
213	1001216648	4	Decal - Danger Electrocution	

# SECTION 8 - DECALS

## FIGURE 8-4. DECAL INSTALLATION (CE & UK CA SPECS)



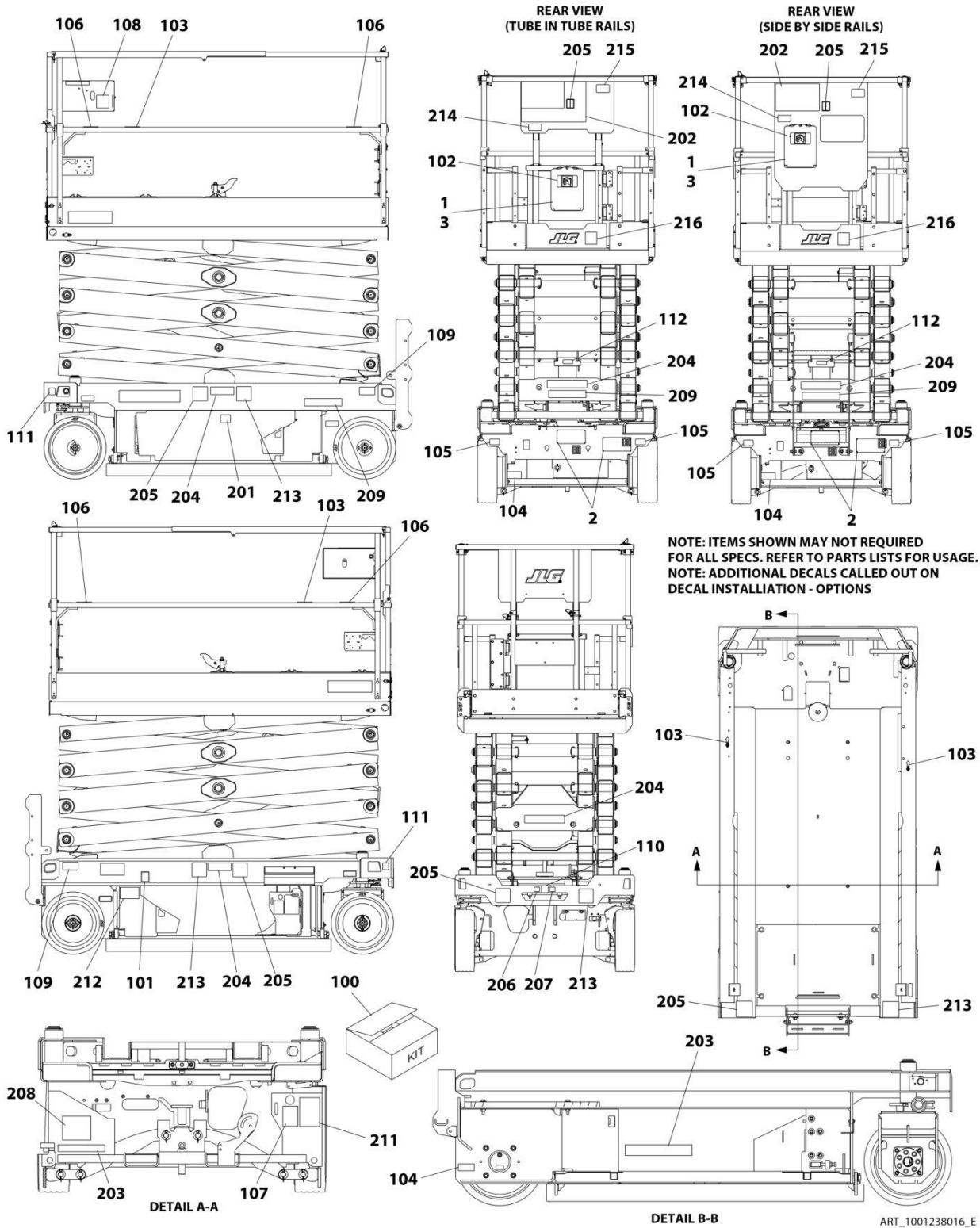
## SECTION 8 - DECALS

**FIGURE 8-4. DECAL INSTALLATION (CE & UK CA SPECS)**

ITEM	PART NUMBER	QTY	DESCRIPTION	REV
	1001238020	Ref	DECAL INSTALLATION (ENGLISH LANGUAGE)	C
	1001237749	Ref	DECAL REFERENCE CHART	H
1	2080040	3	Fastener	
2	2080057	4	Fastener	
3	8990147	1	Holder, Manual	
100	1001239270	1	Master Decal Kit	D
101	1701504	1	Decal - Hydraulic Oil	
102	1701640	1	Decal - Manual	
103	1703819	4	Decal - Direction Arrow	
104	1001248126	1	Decal - Manual Descent Instructions	
105	1704016	2	Decal - Fork Lift	
106	1704277	4	Decal - Lanyard Attach	
107	1704412	1	Decal - Hydraulic Oil	
108	1001132359	1	Decal - Control Box Locate	
109	1001162864	2	Decal - Lift Point/Tie Down	
110	1001212290	1	Decal - Tie Down	
111	1001212291	2	Decal - Lifting Lug	
112	1001237899	1	Decal - Arms Prop	
201	1702155	1	Decal - Battery Disconnect	
203	1001146795	1	Decal - Battery/Charger Service	
204	1705673	4	Decal - Crushing	
205	1705671	5	Decal - Electrocution	
206	1001212292	1	Decal - No Lifting	
207	1001212293	1	Decal - No Forklift	
208	1001237538	1	Decal - Battery Spacer	
209	1705670	2	Decal - Fire Hazard	

# SECTION 8 - DECALS

## FIGURE 8-5. DECAL INSTALLATION (CHINA SPECS)



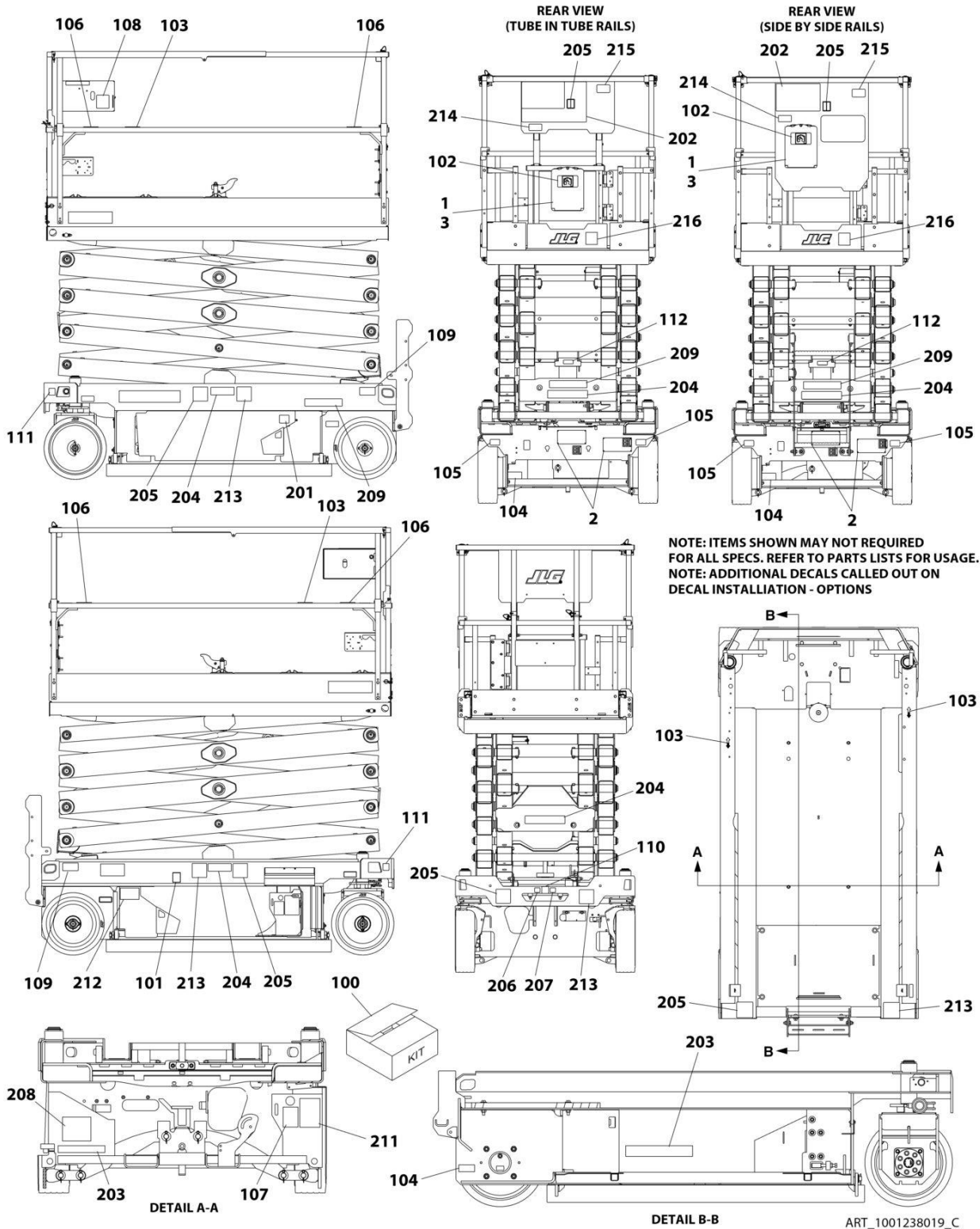
## SECTION 8 - DECALS

**FIGURE 8-5. DECAL INSTALLATION (CHINA SPECS)**

ITEM	PART NUMBER	QTY	DESCRIPTION	REV
	1001238016	Ref	DECAL INSTALLATION (ENGLISH/CHINESE LANGUAGE)	E
	1001237749	Ref	DECAL REFERENCE CHART	H
1	2080040	3	Fastener	
2	2080057	4	Fastener	
3	8990147	1	Holder, Manual	
100	1001239270	1	Master Decal Kit	D
101	1701504	1	Decal - Hydraulic Oil	
102	1701640	1	Decal - Manual	
103	1703819	4	Decal - Direction Arrow	
104	1001248126	1	Decal - Manual Descent Instructions	
105	1704016	2	Decal - Fork Lift	
106	1704277	4	Decal - Lanyard Attach	
107	1704412	1	Decal - Hydraulic Oil	
108	1001132359	1	Decal - Control Box Locate	
109	1001162864	2	Decal - Lift Point/Tie Down	
110	1001212290	1	Decal - Tie Down	
111	1001212291	2	Decal - Lifting Lug	
112	1001237899	1	Decal - Arms Prop	
201	1702155	1	Decal - Battery Disconnect	
202	1705195	1	Decal - Danger/Warning	
203	1001146794	1	Decal - Battery/Charger Service	
204	1001215752	4	Decal - Crushing Hazard	
205	1001211779	4	Decal - Electrocution	
206	1001212292	1	Decal - No Lifting	
207	1001212293	1	Decal - No Forklift	
208	1001237538	1	Decal - Battery Spacer	
209	1704344	2	Decal - Warning Battery Ventilation	
212	1001224051	1	Decal - Yearly Inspection	
213	1001215747	4	Decal - Danger Electrocution	
216	1001244298	1	Decal - Wechat QR Code	

# SECTION 8 - DECALS

## FIGURE 8-6. DECAL INSTALLATION (CSA SPECS)



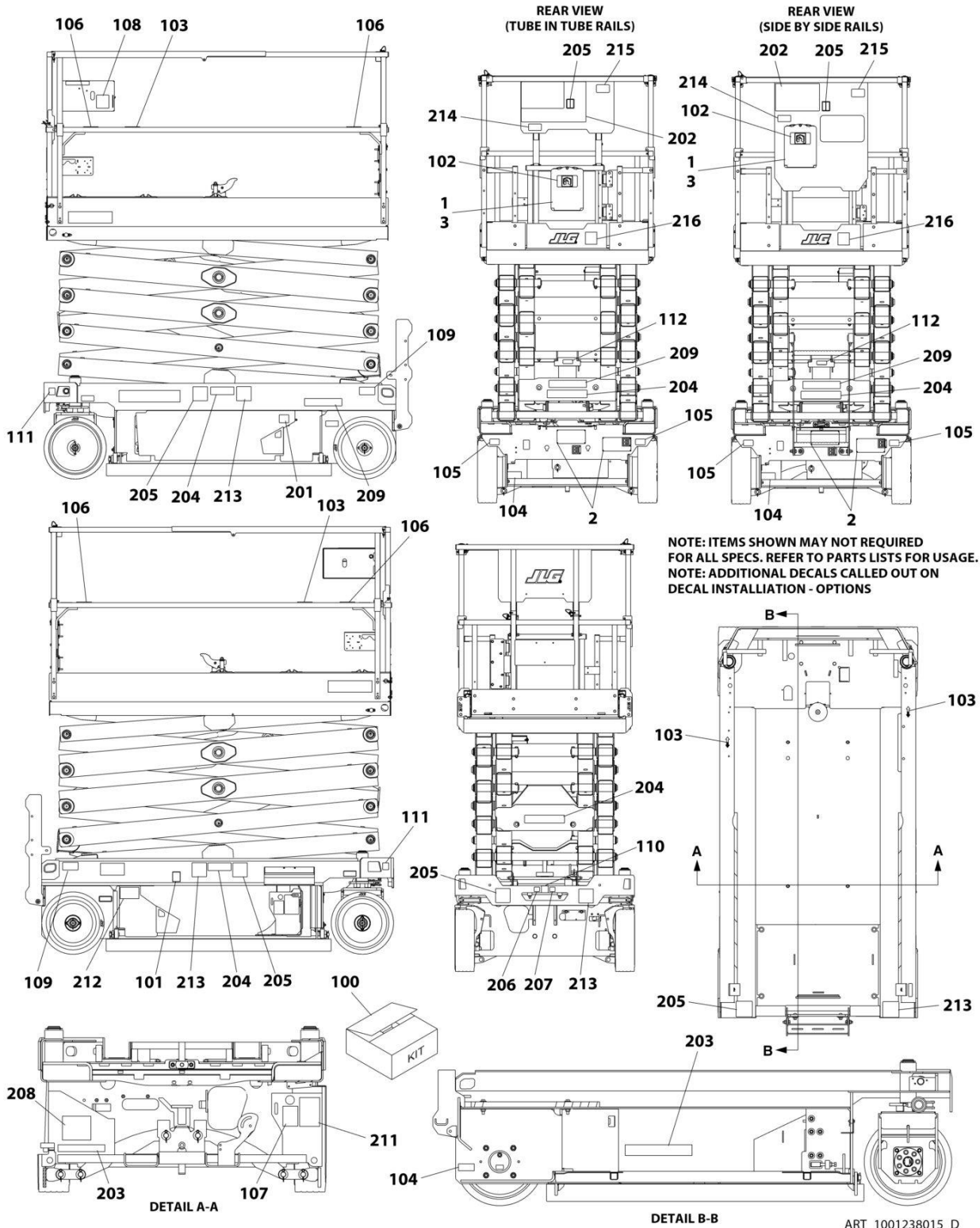
## SECTION 8 - DECALS

**FIGURE 8-6. DECAL INSTALLATION (CSA SPECS)**

ITEM	PART NUMBER	QTY	DESCRIPTION	REV
	1001238019	Ref	DECAL INSTALLATION (ENGLISH/FRENCH LANGUAGE)	C
	1001237749	Ref	DECAL REFERENCE CHART	F
1	2080040	3	Fastener	
2	2080057	4	Fastener	
3	8990147	1	Holder, Manual	
100	1001239270	1	Master Decal Kit	D
101	1701504	1	Decal - Hydraulic Oil	
102	1701640	1	Decal - Manual	
103	1703819	4	Decal - Direction Arrow	
104	1001248126	1	Decal - Manual Descent Instructions	
105	1704016	2	Decal - Fork Lift	
106	1704277	4	Decal - Lanyard Attach	
107	1704412	1	Decal - Hydraulic Oil	
108	1001132359	1	Decal - Control Box Locate	
109	1001162864	2	Decal - Lift Point/Tie Down	
110	1001212290	1	Decal - Tie Down	
111	1001212291	2	Decal - Lifting Lug	
112	1001237899	1	Decal - Arms Prop	
201	1702155	1	Decal - Battery Disconnect	
202	1704684	1	Decal - Danger/Warning	
203	1001146794	1	Decal - Battery/Charger Service	
204	1705311	4	Decal - Crushing Hazard	
205	1001211779	4	Decal - Electrocution	
206	1001212292	1	Decal - No Lifting	
207	1001212293	1	Decal - No Forklift	
208	1001237538	2	Decal - Battery Spacer	
209	1704340	1	Decal - Warning Battery Ventilation	
211	1001131270	1	Decal - Patent	
212	1001223971	1	Decal - Yearly Inspection	
213	1001215749	4	Decal - Danger Electrocution	
214	1001228370	1	Decal - ICES	
215	1001231801	1	Decal - Warning Prop 65	

# SECTION 8 - DECALS

## FIGURE 8-7. DECAL INSTALLATION (KOREAN SPECS)





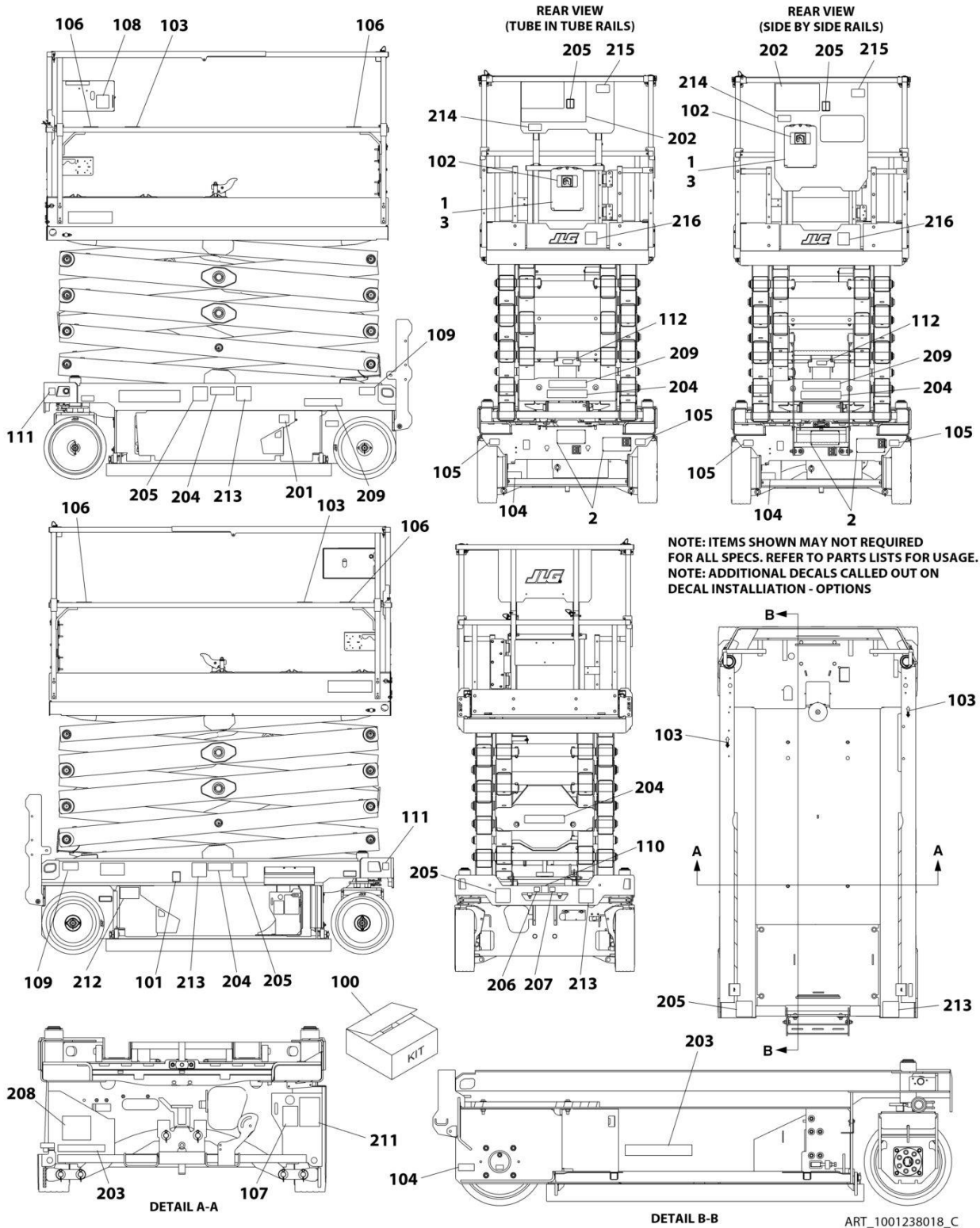
## SECTION 8 - DECALS

**FIGURE 8-7. DECAL INSTALLATION (KOREAN SPECS)**

ITEM	PART NUMBER	QTY	DESCRIPTION	REV
	1001238015	Ref	DECAL INSTALLATION (ENGLISH/KOREAN LANGUAGES)	D
	1001237749	Ref	DECAL REFERENCE CHART	H
1	2080040	3	Fastener	
2	2080057	4	Fastener	
3	8990147	1	Holder, Manual	
100	1001239270	1	Master Decal Kit	D
101	1701504	1	Decal - Hydraulic Oil	
102	1701640	1	Decal - Manual	
103	1703819	4	Decal - Direction Arrow	
104	1001248126	1	Decal - Manual Descent Instructions	
105	1704016	2	Decal - Fork Lift	
106	1704277	4	Decal - Lanyard Attach	
107	1704412	1	Decal - Hydraulic Oil	
108	1001132359	1	Decal - Control Box Locate	
109	1001162864	2	Decal - Lift Point/Tie Down	
110	1001212290	1	Decal - Tie Down	
111	1001212291	2	Decal - Lifting Lug	
112	1001237899	1	Decal - Arms Prop	
201	1702155	1	Decal - Battery Disconnect	
202	1001162115	1	Decal - Danger/Warning	
203	1001146794	1	Decal - Battery/Charger Service	
204	1001215751	4	Decal - Crushing Hazard	
205	1001211779	4	Decal - Electrocution	
206	1001212292	1	Decal - No Lifting	
207	1001212293	1	Decal - No Forklift	
208	1001237538	1	Decal - Battery Spacer	
209	1707022	2	Decal - Warning Battery Ventilation	
212	1001224048	1	Decal - Yearly Inspection	
213	1001215750	4	Decal - Danger Electrocution	

# SECTION 8 - DECALS

## FIGURE 8-8. DECAL INSTALLATION (LATIN AMERICAN SPECS)



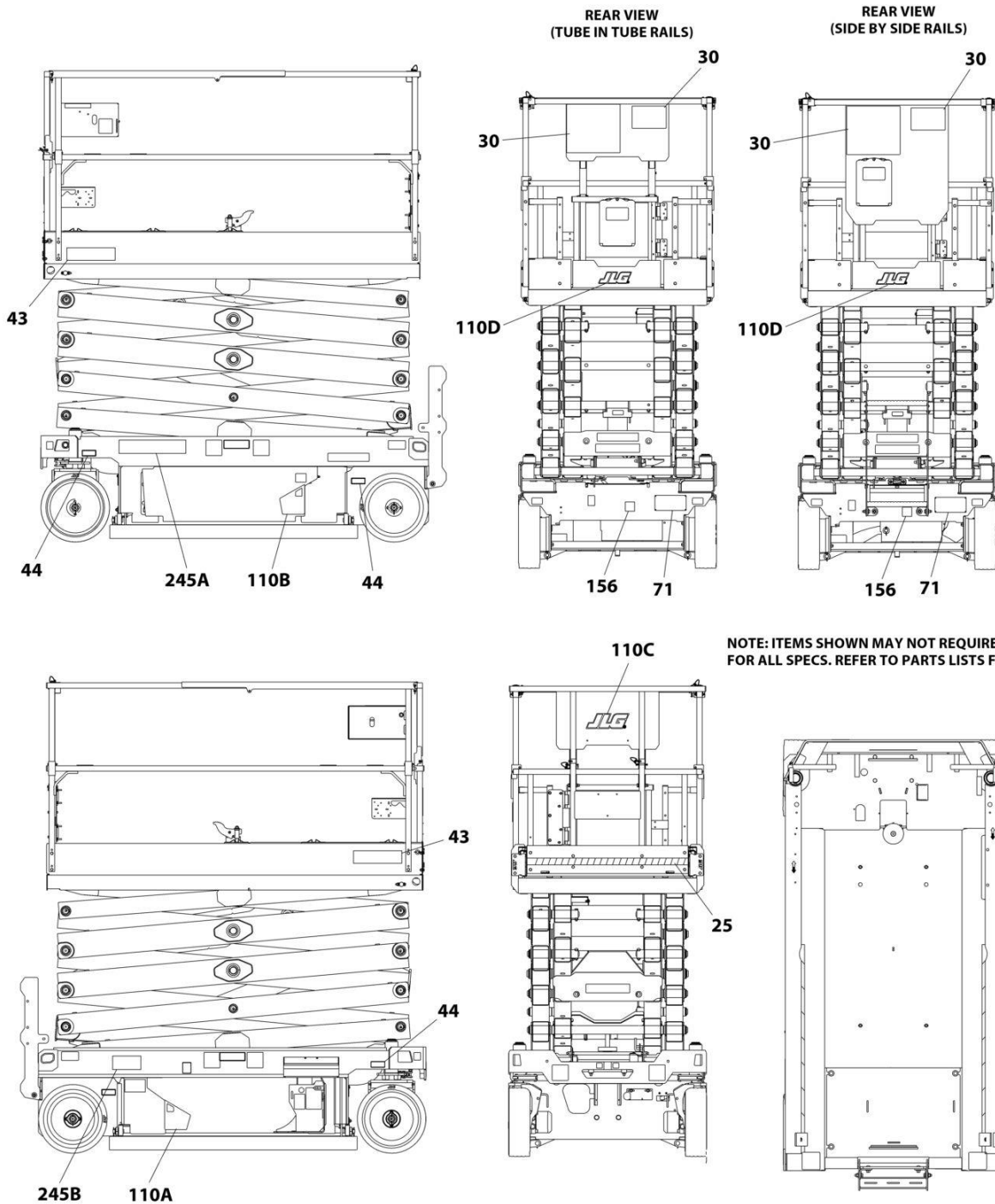
## SECTION 8 - DECALS

**FIGURE 8-8. DECAL INSTALLATION (LATIN AMERICAN SPECS)**

ITEM	PART NUMBER	QTY	DESCRIPTION	REV
	1001238018	Ref	DECAL INSTALLATION (ENGLISH/SPANISH LANGUAGES)	C
	1001237749	Ref	DECAL REFERENCE CHART	F
1	2080040	3	Fastener	
2	2080057	4	Fastener	
3	8990147	1	Holder, Manual	
100	1001239270	1	Master Decal Kit	D
101	1701504	1	Decal - Hydraulic Oil	
102	1701640	1	Decal - Manual	
103	1703819	4	Decal - Direction Arrow	
104	1001248126	1	Decal - Manual Descent Instructions	
105	1704016	2	Decal - Fork Lift	
106	1704277	4	Decal - Lanyard Attach	
107	1704412	1	Decal - Hydraulic Oil	
108	1001132359	1	Decal - Control Box Locate	
109	1001162864	2	Decal - Lift Point/Tie Down	
110	1001212290	1	Decal - Tie Down	
111	1001212291	2	Decal - Lifting Lug	
112	1001237899	1	Decal - Arms Prop	
201	1702155	1	Decal - Battery Disconnect	
202	1704691	1	Decal - Danger/Warning	
203	1001146794	1	Decal - Battery/Charger Service	
204	1705316	4	Decal - Crushing Hazard	
205	1001211779	4	Decal - Electrocution	
206	1001212292	1	Decal - No Lifting	
207	1001212293	1	Decal - No Forklift	
208	1001237538	1	Decal - Battery Spacer	
209	1704339	2	Decal - Warning Battery Ventilation	
212	1001224049	1	Decal - Yearly Inspection	
213	1001215748	4	Decal - Danger Electrocution	

# SECTION 8 - DECALS

## FIGURE 8-9. DECAL INSTALLATIONS - OPTIONS



NOTE: ITEMS SHOWN MAY NOT REQUIRED FOR ALL SPECS. REFER TO PARTS LISTS FOR USAGE.

ART\_DECAL\_OPTIONS

## SECTION 8 - DECALS

**FIGURE 8-9. DECAL INSTALLATIONS - OPTIONS**

ITEM	PART NUMBER	QTY	DESCRIPTION	REV
		Ref	DECAL INSTALLATION - OPTIONS:	
25	1001217894	Ref	Corner Stripes Installation	
25	4420051	43 in/110cm	Tape, Safety	
30		Ref	Decal - Capacity Options	
30	1001274210	1	Decal - Capacity (1200 LB/ 5440 KG)	
30	1001274242	Ref	Decal - Capacity (with Backing Plate)	
30	1001274210	1	Decal - Capacity (1200 LB/ 5440 KG)	
30	1001216865	1	Plate, Decal Mounting (Not Shown)	
43	1001271693	2	Decal - Model Designation - R2646	
44	1706312	4	Decal - Maximum Tire Load	
71	See Note	NSS	Decal - Manufacturing Serial Number (Note: Not Available for Purchase)	
110	1001255102	Ref	JLG Decal Installation	A
110A	1001255104	1	Decal - Door (RH)	
110B	1001255105	1	Decal - Door (LH)	
110C	1001256675	1	Decal - JLG	
110D	1001256676	1	Decal - JLG	
156	1001173703	1	Decal - EAC (Russian/CIS Specs)	
245	1001236984	Ref	Decal Installation - ClearSky	B
245A	1001116208	1	Decal - ClearSky	
245B	1001120989	1	Decal - Radio Frequency	



## **SECTION 9 - RECOMMENDED SERVICE PARTS STOCK**

## **SECTION 9 - RECOMMENDED SERVICE PARTS STOCK**

## SECTION 9 - RECOMMENDED SERVICE PARTS STOCK

FIGURE 9-1. RECOMMENDED SERVICE PARTS STOCK

ITEM	PART NUMBER	QTY	DESCRIPTION	REV
		Ref	Note: The following list will service one machine (built to current production per date on the front cover) with emergency repair parts which can be installed in the field. Parts from the list should be replaced when inventory is depleted to keep service parts stock supplied. For further information, contact your JLG dealer or the JLG Industries Parts Department.	
		Ref	STANDARD PARTS	
	70005423	6	Hydraulic Filter Service Kit	
	70006297	1	Coil	
	70005893	1	Coil	
	3740150	1	Relay	
	4360328	1	Switch, Toggle	
	4360469	1	Switch, Key	
	2860030	1	Key, Replacement	
	4360475	1	Switch, Mushroom	
	3080007	1	Magnet, Latch	
	1600402	1	Controller, Drive/Steer	
	4360345	1	Switch, Toggle	
	1001200633	1	Switch, Push Button	
	8229242	2	Fuse 5Amp	
	8229244	2	Fuse 15 Amp	
		Ref	VARIABLE PARTS	
	1001203871	1	Switch, Roller	
	1001186466	1	Sensor, Tilt	
	1001200629	1	Module, Control	
	1001216062	1	Module, Power	
	4360336	1	Switch, Toggle (Machines with Inverter)	
	1001225164	1	Sensor, Pressure Transducer	
	1001235104	1	Sensor, Pressure Transducer	
	1001228112	1	Module, Platform	
	1001181045	1	Breaker 30mAmp/16Amp (CE & UK CA Specs Machines)	
	1001189171	1	Breaker 30mAmp (CE & UK CA Specs Machines)	
	1001189172	1	Breaker 16Amp Double (CE & UK CA Specs Machines)	



**SECTION 10 - SPECIAL OPTIONS**

## SECTION 10 - SPECIAL OPTIONS

**FIGURE 10-1. SPECIAL OPTIONS**

ITEM	PART NUMBER	QTY	DESCRIPTION	REV
		Ref	Note: This list is to accommodate machines ordered with special equipment. Options may not be applicable to all models. For more specific parts information contact the JLG Parts Department.	
		Ref	SPECIAL OPTIONS	
	1001236903	Ref	Antivandalism Package (Factory Installed)	
	1001249639	Ref	Antivandalism Add-on Kit (Dealer Installed)	
	1001284956	Ref	Battery Heater Kit	
	1001255597	Ref	Can Battery Charger Kit (Dealer Installed)	
		Ref	ClearSky Installation Options (Factory Installed):	
	1001229107	Ref	ClearSky Installation - 3-Wire (ANSI & CSA Specs)	
	1001233237	Ref	ClearSky Installation - 3-Wire (ANSI Export, CE & UK CA Specs)	
	1001251146	Ref	ClearSky Installation - Canbus 3G (ANSI, ANSI Export, Australian, CE, CSA & UK CA Specs)	
	1001251144	Ref	ClearSky Installation - Canbus 4G (All Specs except China Specs)	
	1001246531	Ref	ClearSky Installation - Canbus 4G (China Specs)	
		Ref	ClearSky Add-on Kit Options (Dealer Installed):	
	1001265376	Ref	ClearSky Add-on Kit - Canbus (ANSI, ANSI Export & CSA Specs) (Dealer Installed):	
	1001237257	Ref	ClearSky Add-on Kit - Canbus (ANSI Export, CE & UK CA Specs) (Dealer Installed):	
	1001248502	Ref	ClearSky Add-on Kit - Canbus (Australian Specs) (Dealer Installed):	
	1001248503	Ref	ClearSky Add-on Kit - Canbus (China) (Dealer Installed):	
	1001248689	Ref	ClearSky Add-on Kit - Access Control (Dealer Installed):	
	1001276923	Ref	ClearSky Add-on Kit - GT1030 (Dealer Installed) (Contact JLG for Approved Countries)	
	1001278848	Ref	ClearSky Add-on Kit - GT1030 (Dealer Installed) (Contact JLG for Approved Countries)	
	1001287777	Ref	Decal Kit - Master	
	1001234319	Ref	Drive Motor Covers installation	
		Ref	Electrical Connector Kits	
	1001148902	Ref	Amp/Tyco Electrical Connector Kit	
	1001148903	Ref	Deutsch DT Electrical Connector Kit	
	1001148904	Ref	Deutsch HD Electrical Connector Kit	
	1001148905	Ref	Packard Electrical Connector Kit	
	1001148906	Ref	Various Electrical Connector Kit	
	1001274475	Ref	European Subassembly Kit	
	1001218728	Ref	Fire Extinguisher Installation	
	1001248843	Ref	Foot Latch Add-on Kit (Dealer Installed)	
	1001236547	Ref	Footswitch Installation (Japanese & Korean Specs Only)	
	1001270121	1	Hostile Package Installation	
	1001269646	Ref	Heavy Duty Tool Tray/Work Surface Kit (Dealer Installed)	
	1001220933	Ref	Height Restrictor Switch Installation	
	1001249638	Ref	Inverter Add-on Kit (Dealer Installed)	
	1001250532	Ref	Mobile Control Add-on Kit (Dealer Installed)	
	1001229076	Ref	Noise Reduction Add-on Kit (Dealer Installed)	
	1001229728	Ref	Overhead Protection Add-on Kit (Dealer Installed)	
	1001281413	Ref	Panel Carrier Kit	
	1001270721	Ref	Pipe Racks Kit (Dealer Installed)	

## SECTION 10 - SPECIAL OPTIONS

ITEM	PART NUMBER	QTY	DESCRIPTION	REV
	1001269651	Ref	Platform Control Box Cover Add-on Kit (Dealer Installed)	
	1001225790	Ref	Platform Extension Handles Add-on Kit (Dealer Installed)	
	1001262557	Ref	Platform Self Closing Gate Add-on Kit (Dealer Installed)	
	1001262558	Ref	Platform Self Closing Gate Add-on Kit (Dealer Installed)	
	1001281416	Ref	Platform Worklights Kit	
	1001234453	Ref	Remote Tow Installation	
	1001224583	Ref	Service Kits List	Y
	1001254721	Ref	SkySense Level 1 Add-on Kit (Dealer Installed)	
	1001254542	Ref	SkySense Level 2 Add-on Kit (Dealer Installed)	
	1001255883	Ref	SkySense Level 1 Installation (Factory Installed)	
	1001255669	Ref	SkySense Level 2 Installation (Factory Installed)	
	1001249229	Ref	Strobe (Single) Light Add-on Kit (Dealer Installed)	
	1001249230	Ref	Strobe (Dual) Light Add-on Kit (Dealer Installed)	
		Ref	Tools for Service	
	2901443	1	Analyzer Kit	
	1001232474	1	Benchtop Harness	
	8896941	1	Wire Stripper	
	7002821	1	Wire Crimper (To install wire ends to wires)	
	7002823	1	Pin/Socket Extractor - Universal (To Remove Pins/Sockets from Connectors)	
	4460467	1	Extractor - 16-18 Gauge (For Removal Pins/Sockets from Deutsch Connectors)	
	4460510	1	Extractor - 12-14 Gauge (For Removal of Pins/Sockets from Deutsch Connectors)	
	7002822	1	Screwdriver, Potentiometer (To Adjust Drive Controllers)	
	7016654	1	Screwdriver, Magnetic	
	7004275	1	Seal Installation Tool - 1in	
	7004276	1	Seal Installation Tool - 1-1/2in	
	7002826	1	Seal Installation Tool - 2in	
	1001264614	Ref	Tool Tray	
	1001281951	Ref	USB Power Port Kit	
	1001262959	Ref	Voltage Regulator Location Add-on Kit (Dealler Installed)	
	1001281944	Ref	White Noise Alarm Kit	



**PART NUMBER INDEX**

## SECTION 10 - SPECIAL OPTIONS

0100011.....13, 15, 21, 23, 25, 27, 31, 33, 47, 49, 79, 97, 99, 101, 103	0861880..... 173	1001146794 ..... 241, 243, 245, 249, 251, 253, 255	1001203871.....21, 260
0100051.....67, 69, 71, 73, 75	0961948 ..... 143	1001146795 ..... 247	1001203872.....21
0140030..... 109	0962272 ..... 85, 89	1001146963 ..... 84, 88	1001204495..... 39
0140043.....55, 59	1001047064 ..... 109	1001148902 ..... 262	1001204719..... 49, 53
0240054.....125	1001091102... 21, 35, 37, 55, 59	1001148903 ..... 262	1001205409.63, 181, 185
0275216.....155, 229	1001097150 ..... 167, 171	1001148904 ..... 262	1001205410..... 181, 185
0275217.....157, 231	1001100341 ..... 229	1001148905 ..... 262	1001205411..... 181, 185
0275452.....159, 233	1001100342 ..... 231	1001148906 ..... 262	1001205412..... 181, 185
0275453.....161, 235	1001100345 ..... 233	1001151629 ..... 181, 185	1001205422..... 97
0275454.....163, 237	1001100346 ..... 237	1001152266 ..... 186	1001205430..... 97
0440223.....113, 117	1001100347 ..... 235	1001152483 ..... 175	1001205598..... 31
0440259.....13, 141	1001101540 ..... 77	1001152483 ..... 175	1001205751..... 13
0440263.....21	1001102258 ..... 153, 155, 157, 159, 161, 163, 165, 167, 169	1001154378 99, 101, 103	1001206995..... 33
0440264.....85, 89	100110248929, 189, 191, 193, 195, 197, 199, 203, 205	1001157050 ..... 119	1001207009..... 25, 27, 29
0440265.....85, 89	1001102771 ..... 179	1001157547 ..... 77	1001207293..... 65
0480100.....127	1001103012 ..... 182, 186	1001159186 ..... 181, 185, 225	1001207494..... 55, 57
0630587.....55, 57, 59, 77	1001103471 ..... 167, 201	1001162115 ..... 253	1001207970..... 191
0630613.....41, 79, 91	1001104498 ..... 182, 186	1001162864 ..... 241, 243, 245, 247, 249, 251, 253, 255	1001207973..... 203
0700412.....55, 59	1001110302 ..... 21	1001162886 ..... 181, 185	1001207974 29, 189, 193, 195, 197, 199, 201
0700608.....125	1001112112 ..... 71	1001162887 63, 181, 185	1001208852..... 97
0700610.84, 88, 113, 117	1001113961 ..... 182, 185	1001163340 63, 181, 185	1001209482..... 159, 161, 175
0700612....21, 23, 31, 63, 84, 88	1001116208 ..... 257	1001173703 ..... 257	1001209596..... 109
0700614.....29	1001116812. 61, 63, 179, 181, 185	1001180205 ..... 125	1001209682..... 55, 57
0700616.....121	1001118274 ..... 61, 63	1001181045 ..... 173, 260	1001209776..... 155, 157, 163, 173
0700617 .....55, 57	1001118812 ..... 61, 177	1001182806 ..... 39	1001209920..... 77
0700618.....99	1001120204 .... 155, 157, 159, 161, 163	1001186466 ..... 23, 260	1001210064..... 97
0700621 .....99, 105	1001120205 ..... 173, 175	1001187587 99, 101, 103	1001210079..... 61
0700814.84, 88, 155, 157, 159, 161, 163, 167, 201	1001120989 ..... 257	1001187816 ..... 169	1001210302.99, 101, 103
0700815.....21	1001125483 ..... 77	1001188116 ..... 169	1001210401.... 67, 69, 71, 73, 75
0700817.....79, 127	1001125677 61, 177, 182, 186	1001189171 ..... 175, 260	1001210440..... 77
0700818.....99, 101, 103, 105	1001125927 ..... 171	1001189172 ..... 175, 260	1001210586.99, 101, 103
0700819...47, 49, 95, 107	1001128888 ..... 84, 88	1001189762 ..... 113, 117, 119	1001210605..... 77
0700823.....21	1001130220 ... 25, 27, 29, 31, 33, 43, 55, 57, 84, 88, 109	1001192401 61, 182, 186	1001210878..... 77
0700825.....47, 49	1001130590 ..... 55, 57	1001194421 ..... 225	1001210879..... 77
0700835 .....109	1001131270 ..... 241, 251	1001196589 ..... 182, 186	1001210880..... 77
0701015.....79, 84, 88	1001132358 ..... 109	1001196634 ..... 179	1001210881..... 77
0701018.....84, 88	1001132359 ..... 241, 243, 245, 247, 249, 251, 253, 255	1001196635 ..... 63	1001210882..... 77
0701019.....91, 121	1001132361 ..... 109	1001197396 ..... 13	1001210966..... 55, 57
0701021.....84, 88	1001134280 ..... 201	1001199937 ..... 15, 17	1001210967..... 77
0701024.....84, 88, 91	1001134821 ..... 107	1001200561 ..... 25, 29	1001211777..... 241
0701219.....84, 88	1001136757 ..... 77	1001200629 .. 55, 57, 260	1001211779..... 241, 249, 251, 253, 255
0760408.... 153, 155, 157, 159, 161, 163, 169	1001137675 .... 84, 88, 97	1001200631 ..... 55, 57	1001212035..... 225
0760608..... 101, 103, 123	1001139000 ..... 84, 88	1001200632 ..... 65	1001212036..... 225
0760610....43, 55, 57, 77, 107, 109, 123, 167	1001139002 ..... 84, 88	1001200633 ..... 260	1001212065..... 77
0760612....25, 27, 29, 33, 39	1001139003 ..... 84, 88	1001200812 ..... 207, 215	1001210966..... 55, 57
0760810....47, 49, 63, 97, 99, 135	1001142173 ..... 77	1001200819 ..... 109, 225	1001210967..... 77
0760812.....61	1001142174 ..... 77	1001201708 ... 67, 69, 71, 73, 75	1001211777..... 241
0760820.....135	1001143009 ..... 77	1001201711 ... 67, 69, 71, 73, 75	1001211779..... 241, 249, 251, 253, 255
0761012.....47, 49	1001143010 ..... 77	1001201885 ..... 181, 185, 225	1001212035..... 225
0761014.....97	1001143501 ..... 147, 149	1001202184 ..... 211, 217	1001212036..... 225
0761015.....41	1001144147 .. 61, 63, 177	1001202773 ..... 15	1001212187..... 19
0761019.....13, 101, 103	1001144295 ..... 182, 186	1001202851 ..... 47, 49	1001212290..... 241, 243, 245, 247, 249, 251, 253, 255
0761221 .....79	1001144296 ..... 182, 186	1001202987 ..... 21	1001212291..... 241, 243, 245, 247, 249, 251, 253, 255
0861731....227, 233, 235, 237		1001202988 ..... 21	1001212292..... 241, 243, 245, 247, 249, 251, 253, 255
0861781.....229, 231		1001202999 ..... 21	1001212293..... 241, 243, 245, 247, 249, 251, 253, 255
		1001203450 ..... 47, 49	1001212294..... 47, 49
		1001203835 ..... 147, 149	1001213415..... 101, 103
		1001203869 ..... 21	1001213416..... 103
		1001203870 ..... 21	1001213448..... 182, 186
			1001213470..... 97

## SECTION 10 - SPECIAL OPTIONS

1001213597 .....	21	1001226901.....	121	1001235863.....	123	1001238392 .....	61
1001213838 .....	97	1001227219.....	201	1001235941.....	127	1001238684 .....	85, 89
1001213886 .....	109	1001227267.....	167, 201	1001235955.....	41	1001239224 .....	35, 37
1001213915 .....	99	1001227268.....	167	1001235959.....	103	1001239269 ...	67, 71, 73, 75
1001213916 .....	99	1001227269.....	171	1001235960.....	99	1001239270 .....	241, 243, 245, 247, 249, 251, 253, 255
1001213931 .....	99	1001227728.....	121	1001236139....	25, 27, 29, 31, 33	1001239386 .....	59
1001214217 .....	23	1001227855.....	21	1001236165.....	84, 88	1001239479 .....	85, 89
1001214347 .....	73	1001228112.....	260	1001236167.....	84, 88	1001239661 .....	35, 37
1001214526 .....	21	1001228123....	67, 69, 71, 73, 75	1001236169.....	84, 88	1001239675 .....	207
1001214528 .....	21	1001228184.....	121	1001236170.....	84, 88	1001239676 .....	211
1001214534 .....	21	1001228191.....	171	1001236171.....	85, 88	1001239677 .....	209
1001214689 .....	84, 88	1001228370.....	241, 251	1001236172.....	85, 89	1001239678 .....	213
1001214810 .....	79	1001229076.....	262	1001236269.....	85, 89	1001239679 .....	219
1001215216 .....	37	1001229107.....	262	1001236486.....	85, 89	1001239892 .....	91
1001215434 .....	47, 49	1001229110....	67, 69, 71, 73, 75	1001236487.....	85, 89	1001239894 .....	91
1001215446 .....	105	1001229728.....	262	1001236531.....	43	1001239899 .....	91
1001215747 .....	249	1001229739.....	99	1001236547.....	262	1001239904 .....	91
1001215748 .....	245, 255	1001229740.....	99	1001236632.....	67	1001239943 .....	91
1001215749 .....	251	1001229741.....	99	1001236800.....	147, 149	1001241662 .....	85, 89
1001215750 .....	253	1001229742.....	99	1001236801.....	147, 149	1001241663 .....	85, 89
1001215751 .....	253	1001229792.....	79	1001236802.....	147, 149	1001241664 .....	85, 89
1001215752 .....	249	1001231801.....	241, 251	1001236803.....	147, 149	1001241665 .....	85, 89
1001215762 .....	55, 57	1001232474.....	263	1001236804.....	147, 149	1001241667 .....	85, 89
1001215953 .....	21	1001232586.....	135	1001236806.....	147, 149	1001241671 .....	85, 89
1001216062 .....	55, 57, 260	1001232622.....	99	1001236807.....	147, 149	1001242539 .....	35, 37
1001216180 .....	67	1001233237.....	262	1001236808.....	147, 149	1001242697 .....	35
1001216648 .....	245	1001233449.....	13, 141	1001236809.....	147, 149	1001242990 .....	37
1001216650 .....	245	1001233795....	84, 88, 221	1001236903.....	262	1001243348 .....	85, 89
1001216865 .....	257	1001234006.99	101, 103	1001236968.....	43	1001244298 .....	249
1001217059 .....	23	1001234007.99	101, 103	1001236984.....	257	1001244323 .....	167
1001217164 .....	173, 175	1001234008.99	101, 103	1001237132.....	207, 209, 211, 213, 219	1001244394 .....	63
1001217457 .....	84, 88	1001234141.....	101, 103	1001237257 .....	262	1001244417 .....	85, 89, 143
1001217894 .....	257	1001234142.....	101, 103	1001237400.....	153	1001244885 .....	63
1001218285 .....	109	1001234204.....	84, 88	1001237401.....	165	1001244900 .....	167
1001218307 .....	21	1001234266.....	101, 103	1001237538....	241, 243, 245, 247, 249, 251, 253, 255	1001245293 .....	63
1001218573 .....	79	1001234267.....	101, 103	1001237749....	241, 243, 245, 247, 249, 251, 253, 255	1001245299 .....	63
1001218728 .....	262	1001234268.99	101, 103	1001237911.....	99	1001245353 .....	63
1001220409 .....	107	1001234316.....	13	1001237989.....	71	1001245739 .....	167, 171
1001220410 .....	107	1001234319.....	262	1001237991.....	73	1001245743 .....	171
1001220893 .....	109	1001234381.....	97	1001238014.....	241	1001245744 .....	167, 171
1001220933 .....	262	1001234382.....	103	1001238015.....	253	1001245747 .....	167
1001220995 .....	107	1001234383.....	99	1001238016.....	249	1001246531 .....	262
1001221244 .....	121	1001234384.....	97	1001238017.....	245	1001247706 .....	95
1001221275 .....	121	1001234407.....	99	1001238018.....	255	1001247707 .....	85, 89
1001221276 .....	121	1001234407.....	97	1001238019.....	251	1001248126 ....	241, 243, 245, 247, 249, 251, 253, 255
1001221949 .....	205	1001234453.....	263	1001238020.....	247	1001248502 .....	262
1001222861 .....	99	1001234479.....	55, 181	1001238021.....	243	1001248503 .....	262
1001222869 .....	99	1001234529.....	15	1001238130.....	159	1001248631 .....	189
1001222914 .....	121	1001234628.....	47, 49	1001238131.....	161	1001248632 .....	191
1001223053 .....	99	1001234629.....	47, 49	1001238132.....	163	1001248634 .....	205
1001223055 .....	241	1001234797.....	21	1001238133.....	155	1001248679 ....	47, 49, 51
1001223165 .....	99	1001234798.....	21	1001238134.....	157	1001248689 .....	262
1001223166 .....	99	1001234838.....	13	1001238135.....	169	1001248768 .....	63
1001223262 .....	213	1001234858.....	79	1001238198....	155, 157, 159, 161, 163, 167	1001248773 .....	61
1001223263 .....	209	1001234862.....	79	1001238199....	155, 157, 159, 161, 163, 167	1001248843 .....	262
1001223650 .....	215	1001235008.....	55	1001239015.....	253	1001249054 .....	75
1001223651 .....	217	1001235104.....	84, 260	1001239016.....	249	1001249229 .....	263
1001223971 .....	251	1001235105.....	29	1001239017.....	245	1001249230 .....	263
1001224048 .....	253	1001235106.....	69	1001239018.....	255	1001249638 .....	262
1001224049 .....	255	1001235153.....	29	1001239019.....	251	1001249639 .....	262
1001224051 .....	249	1001235286.....	99	1001239020.....	247	1001249890 .....	201
1001224052 .....	245	1001235287.....	99	1001239021.....	243	1001250532 .....	262
1001224583 .....	263	1001235559.....	55, 57	1001239022.....	243		
1001225164 .....	84, 88, 260	1001235560.....	105	1001239023.....	243		
1001225790 .....	263	1001235561.....	105	1001239024.....	243		
1001226277 .....	121	1001235590.....	95	1001239025.....	243		
1001226749 .....	109	1001235834.....	69	1001239026.....	243		

## SECTION 10 - SPECIAL OPTIONS

1001251144.....262	1001273845.....129	1580024.....133, 137	3252507....157, 159, 161, 163, 165, 169
1001251146.....262	1001273907....113, 115, 117	1600402....109, 111, 260	3271805.....119
1001251855.....125	1001273909....113, 117	1671207.....227	3290305.....35, 37
1001252626....113, 117	1001273957....115, 129, 133, 137	1701504...241, 243, 245, 247, 249, 251, 253, 255	3290405....21, 55, 59, 77, 84, 88, 107, 109, 153, 155, 157, 159, 161, 163, 167, 169
1001253726.....123	1001273958.....133	1701640...241, 243, 245, 247, 249, 251, 253, 255	3290505.....201
1001253800.....131	1001273959....115, 125, 129	1702010.....123	3290601.....23, 167
1001253952.....27	1001273960.....117	1702155...241, 243, 245, 247, 249, 251, 253, 255	3290605....25, 27, 29, 31, 33, 39, 55, 57, 59, 63, 77, 84, 88, 155, 157, 159, 161, 163
1001254027...27, 61, 177	1001273961.....135	1703464.....153, 155	3290606....99, 101, 103, 105, 107, 113, 117, 121, 123, 125
1001254028....27, 179	1001273962.....135	1703813.....241	3290801.....21, 135
1001254542.....263	1001273964.....135	1703816.....241	3290805....21, 47, 49, 79, 84, 88, 95, 97, 127, 155, 157, 159, 161, 163, 167, 201
1001254721.....263	1001273967.....135	1703819...109, 241, 243, 245, 247, 249, 251, 253, 255	3290806....99, 101, 103, 105, 107, 109
1001255102.....257	1001273968.....123	1704016...241, 243, 245, 247, 249, 251, 253, 255	3291001.....13
1001255104.....257	1001273970.....123	1704260.....109	3291005....41, 49, 79, 91, 97
1001255105.....257	1001274026.....135	1704277....99, 241, 243, 245, 247, 249, 251, 253, 255	3291006....91, 101, 103, 121
1001255597.....262	1001274168.....131	1704339.....255	3291007.....79, 84, 88
1001255669.....263	1001274210.....257	1704340.....251	3291201.....79
1001255883.....263	1001274242.....257	1704341.....245	3291207.....84, 88
1001256642....25, 27	1001274475.....262	1704344.....249	3321402.....84, 88
1001256643....31, 33	1001274559....55, 57	1704412...241, 243, 245, 247, 249, 251, 253, 255	3331211.....15
1001256675.....257	1001274604.....109	1704684.....251	3421453....113, 117, 125
1001256676.....257	1001274605.....109	1704691.....255	3422219....103, 113, 117, 119, 133, 137
1001258356.....61	1001274659.....109	1704699.....245	3422661.....127
1001258446.....109	1001274837....133, 137	1705195.....249	3422998.....84, 88
1001258498.....75	1001274838....113, 117	1705311.....251	3423037.....13
1001258691.....61	1001275538.....125	1705316.....255	3423243.....79
1001258768.....197	1001275539.....123	1705670.....243, 247	3423278.....109
1001258770.....199	1001275631....133, 137	1705671.....243, 247	3430636.....21
1001258771.....193	1001275632.....262	1705673.....243, 247	3430813.....97
1001258772.....195	1001275633....133, 137	1705985.....119	3430816.....97
1001261131.....131	1001276923.....262	1705997.....133, 137	3431212.....21
1001262150.....131	1001278848.....262	1706312.....257	3431218.....21
1001262257.....263	1001281413.....262	1707022.....253	3450303.....79
1001262558.....263	1001281416.....263	2080040 97, 99, 101, 103, 241, 243, 245, 247, 249, 251, 253, 255	3450403.....21, 97
1001262655.....109	1001281944.....263	2080057...241, 243, 245, 247, 249, 251, 253, 255	3450505.....21
1001262959.....263	1001281951.....263	2220372.....147, 149	3450508.....19
1001263256.....25	1001283410....59, 185	2220373.....147, 149	3460334.....133, 137
1001263257.....27	1001284638....47, 147	2220497.....147, 149	3520072 91, 99, 101, 103, 113, 117
1001263258....33	1001284956.....262	2220502.....147, 149	3520176.....125
1001263259.....31	1001285320.....89	2220628.....147, 149	3574505.....123
1001263294.....203	1001285829....89, 223	2220883.....143	3740150...55, 59, 77, 260
1001263295.....201	1001286875.....88	2400060....63, 179, 181, 185	3760115.....84, 88
1001264614.....263	1001287711.....127	2420172.....55, 57	3760170....101, 113, 117, 119, 125, 133, 137
1001265376.....262	1001287777.....262	2560088.....105	3760217.....13
1001269480.....47	1001289052.....101	2560190.....105	3760387.....84, 88
1001269646.....262	1001289976.....101	2600281....99, 101, 103	3820019.....105
1001269651.....263	1001289977.....101	2700100.....133, 137	3841143.....79, 84, 88
1001269730....47, 49	1001380008....49, 149	2860030....55, 57, 260	3841203.....84, 88
1001270121.....262	1001380024.....91	2901443.....263	3841675.....113, 117
1001270533.....127	1001380040.....79	2902431.....153, 227	3860104.....84, 88
1001270631.....127	1001380041.....79	3080007....99, 101, 103, 260	
1001270721.....262	1001380042.....79	3121792.....63	
1001270855.....127	1001380058.....21		
1001271412.....127	1060379...113, 117, 119, 125, 127, 133, 137		
1001271615.....95	1060908....171, 173, 175		
1001271651....85, 89	1060998...67, 69, 71, 73, 75		
1001271693.....257	1061044.....135		
1001271839....85, 89	1062255.....61		
1001271866....85, 89	1120555.....133, 137		
1001271886.....95	1321293...25, 27, 29, 31, 33, 77		
1001271991.....84	1321752.....47, 49		
1001272189.....41	1380132.....105		
1001272192.....41	1380153.....13		
1001272456....85, 89	1580023.....133, 137		
1001273453....115, 119, 129			
1001273470.....119			
1001273844.....115			



## SECTION 10 - SPECIAL OPTIONS

3860111 .... 101, 103, 105	4460234 ..... 121	4460965.....186	70003650..... 111
3900355 ..... 133, 137	4460247 ..... 181, 185	4460968.....169	70004164 ..... 47, 49
3900381 ..... 201	4460256 ..... 181	4460970.....221	70004465 ..... 47, 49
3910804 ..... 55, 57	4460259 ..... 181, 185	4461016.....225	70004585 ..... 143
3931412 ..... 133, 137	4460260 ..... 181, 185	4461023..... 181, 185	70005236 ..... 143
3931508 ..... 133, 137	4460265 ..... 225	4461196..... 193, 229	70005423 ..... 47, 49, 260
3931820 ..... 119	4460267 ..... 225	4461198..... 229	70005806 ..... 17
3990001 ..... 179	4460315 ..... 153, 169	4461199..... 195, 231	70005807 ..... 17
4010310 ..... 35, 37	4460320 ..... 181, 185	4461201..... 231	70005808 ..... 17
4010408 ..... 107, 167	4460346 ..... 227	4461205..... 197, 233, 235	70005809 ..... 17
4010608 . 84, 88, 99, 101, 103	4460418 .... 77, 181, 185, 225	4461244..... 233	70005812 ..... 17
4010610 ... 155, 157, 159, 161, 163	4460419 ..... 77	4461245..... 235	70005813 ..... 17
4010616 ..... 101, 103	4460424 ..... 25, 27, 29	4461246..... 237	70005814 ..... 17
4010617 ..... 99, 101, 103	4460464 ... 37, 39, 61, 63, 77, 121, 179, 182, 185, 207, 209, 211, 213, 215, 217, 219, 221, 223, 225	4461249..... 199, 237	70005815 ..... 49, 53
4010618 ..... 99, 101, 103	4460465 ... 35, 37, 61, 63, 121, 179, 181, 182, 185, 186, 207, 209, 211, 213, 215, 217, 219, 221, 223	4461257..... 155, 157	70005816 ..... 49, 53
4031509 ..... 109	4460466 61, 63, 121, 177, 179, 181, 185, 186, 207, 209, 211, 213, 215, 217, 221, 223, 225	4461258..... 155, 157	70005817 ..... 49, 53
4031511 ..... 21	4460467 ..... 263	4711400.... 113, 117, 133, 137	70005893 ..... 51, 260
4031512 ..... 84, 88	4460496 ..... 109	4711700..... 109	70005898 ..... 51
4031708 ..... 23, 31	4460497 ..... 109	4711800..... 97, 119	70005899 ..... 51
4060803 ..... 109	4460510 ..... 263	4740086..... 21	70005900 ..... 51
4060906 ..... 109	4460536 ..... 121	4740438..... 84, 88	70005903 ..... 51
4060944 ..... 181, 185	4460539 ... 182, 186, 209, 213, 221, 223	4740480..... 133, 137	70005909 ..... 51
4160078 ..... 84, 88	4460662 ... 159, 161, 163, 227	4740531..... 84, 88	70005911 ..... 51
4160202 ..... 21	4460754 ... 207, 209, 211, 213, 215, 217	4811400..... 77, 107, 109, 153, 155, 157, 159, 161, 163, 167, 169	70005918 ..... 15
4160214 ..... 79	4460761 ..... 181, 185	4811700.... 39, 55, 57, 59, 63, 77, 99, 101, 103, 107, 109, 123, 125, 155, 157, 159, 161, 163, 167	70005919 ..... 15
4191706 .... 113, 117, 125	4460871 .... 179, 182, 185	4811702.... 21, 23, 25, 27, 29, 31, 33, 43, 84, 88, 105	70006295 ..... 47, 49
4220227 ..... 113, 117	4460872 ..... 179	4811900.... 21, 47, 49, 61, 63, 84, 88, 95, 97, 99, 101, 103, 105, 109, 155, 157, 159, 161, 163, 167	70006296 ..... 47, 49
4240003 ... 113, 117, 133, 137	4460877 ..... 181, 185	4811902.... 21, 47, 49, 79, 99, 107, 127, 135, 201	70006297 ..... 47, 49, 260
4240017 ... 25, 27, 29, 31, 33, 47, 49, 55, 57, 59, 63, 67, 69, 71, 73, 75, 77, 84, 88, 121, 153, 155, 157, 159, 161, 163, 165, 167, 169, 189, 191, 193, 195, 197, 199, 201, 205, 207, 209, 211, 213, 215, 217, 219	4460884 61, 63, 179, 181, 185, 221	4812000.... 13, 21, 49, 79, 84, 88, 91, 97, 101, 103, 121	70006298 ..... 47, 49
4240018 ..... 37	4460891 35, 37, 121, 179, 181, 182, 185, 186, 209, 213, 221	4812002..... 41, 79	70006299 ..... 47, 49
4240032 ..... 61	4460894 ... 181, 185, 186, 207, 209, 211, 213, 219	4812500..... 21	70006301 ..... 51
4240033 ..... 135	4460897 . 37, 39, 77, 179, 181, 185, 209, 213	4831600..... 201	70007050 ..... 143
4240147 ..... 21	4460899 ... 207, 209, 211, 213, 215, 217, 219	4846757..... 13	70007051 ..... 143
4240164 ..... 125	4460905 .... 179, 182, 186	4923328.... 67, 69, 71, 73, 75	70007052 ..... 143
4240165 ..... 123	4460930 ..... 186	5241200..... 15	70007053 ..... 143
4340853 ..... 133, 137	4460932 61, 63, 179, 223	5271808..... 47, 49	70007054 ..... 143
4340854 ..... 133, 137	4460933 .... 61, 177, 181, 185, 186	5272117 ..... 15	70007055 ..... 143
4340947 ..... 113, 117	4460943 61, 63, 177, 207, 209, 211, 213, 215, 217, 219	5272122 ..... 15	70007056 ..... 143
4360328 ..... 55, 57, 260	4460944 61, 63, 177, 179, 181, 185, 186, 207, 209, 211, 213, 219	70000082 ..... 111	70007074 ..... 141
4360336 ..... 77, 260	4460956 ..... 173	70000084 ..... 111	70007075 ..... 141
4360345 ..... 260	4460957 ..... 173	70000278 ..... 17	70007076 ..... 141
4360469 ..... 55, 57, 260		70000683 ..... 111	70007077 ..... 141
4360475 55, 57, 109, 260		70000684 ..... 111	70007078 ..... 141
4420037 ..... 123		70000685 ..... 111	70007079 ..... 141
4420051 ..... 257		70000686 ..... 111	70007080 ..... 141
4420062 . 84, 88, 99, 101, 103, 109, 127		70001250 ..... 111	70007593 ..... 51
4460019 ..... 185		70001251 ..... 111	70007594 ..... 51
4460042 ..... 181, 185		70001252 ..... 111	70007595 ..... 51
4460115 ..... 181, 185		70001253 ..... 111	70007596 ..... 51
4460138 ..... 153		70003636 ..... 141	70007597 ..... 51
4460183 ..... 181, 225			70007598 ..... 51
4460226 ..... 181, 185			70007599 ..... 51
4460227 . 25, 27, 29, 181, 185			70007600 ..... 51

## SECTION 10 - SPECIAL OPTIONS

7020175.....	55, 57, 109	7023318 .....	17	7027765 .....	111	8750014.....	47, 49
7020176.....	55, 57, 109	7023319 .....	17	7027766 .....	111	8896941.....	263
7023308.....	17	7023324 .....	17	8005670 .....	119	8990147....	241, 243, 245,
7023310.....	17	7023328 .....	17	80325 .....	113, 117	247, 249, 251, 253, 255	
7023311.....	17	7027365 .....	111	8229242 ....	182, 186, 260		
7023315.....	17	7027367 .....	111	8229244 ....	182, 186, 260		





**Corporate Office  
JLG Industries, Inc.  
1 JLG Drive  
McConnellsburg, PA 17233-9533 USA  
☎ (717) 485-5161 (Corporate)  
☎ (877) 554-5438 (Customer Support)  
📠 (717) 485-6417**

**Visit our website for JLG Worldwide Locations.  
[www.jlg.com](http://www.jlg.com)**



**OSHKOSH™**