



Illustrated Parts Manual

Model **520AJ HC3**

PVC
2101

P/N
31215985
July 15, 2023 - Rev E

CE
EAC
AS/NZS



An Oshkosh Corporation Company

REVISION LOG

March 30, 2021 - A - Original Issue of Manual (Edited to B/M 1001246976 Revision C)

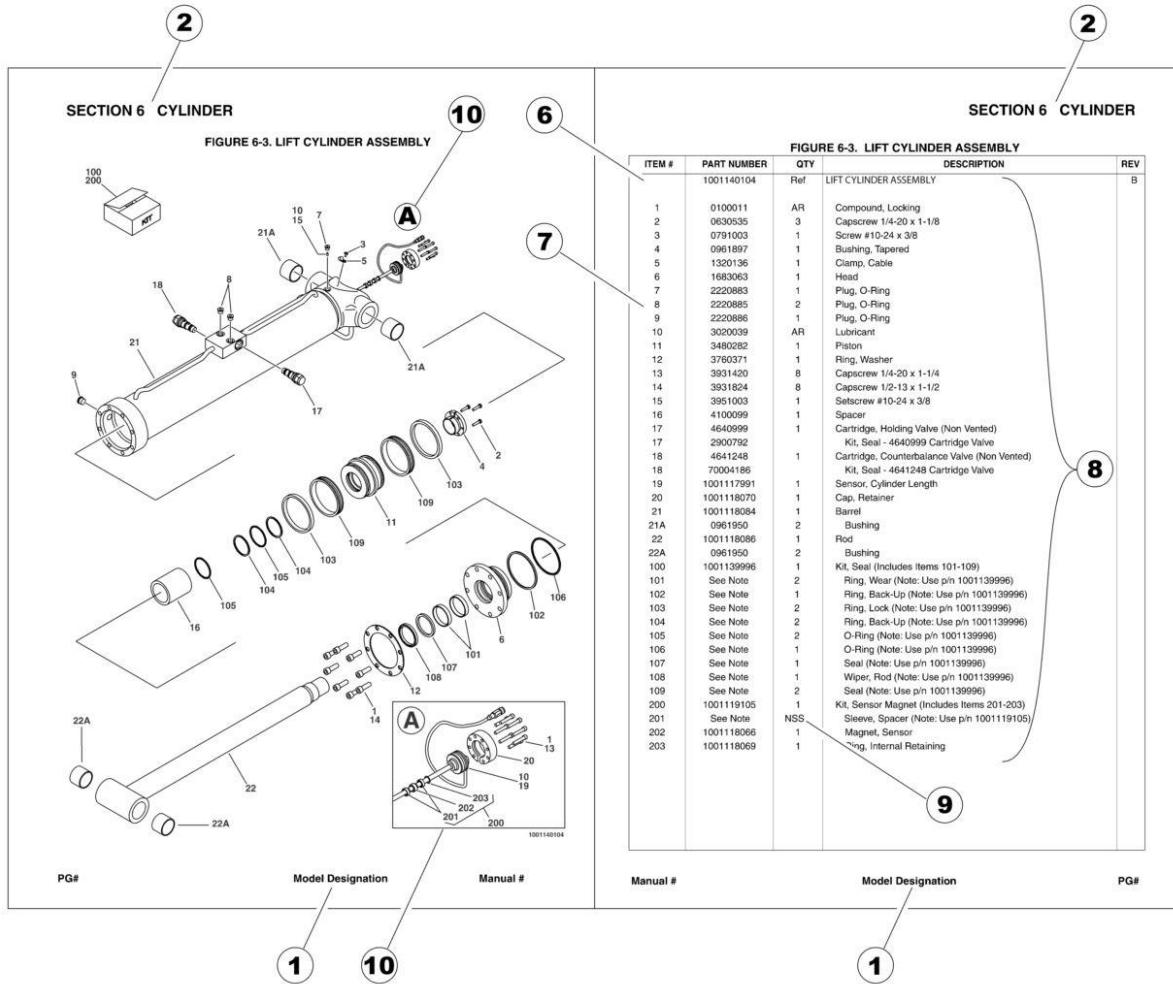
June 14, 2021 - B - Revised Manual (Edited to B/M 1001246976 Revision C)

July 15, 2021 - C - Revised Manual (Edited to B/M 1001246976 Revision C)

July 11, 2022 - D - Revised Manual (Edited to B/M 1001246976 Revision C)

July 15, 2023 - E - Revised Manual (Edited to B/M 1001246976 Revision C)

GENERAL INFORMATION



1) MACHINE IDENTIFICATION

Machines are identified by model and in some cases a combination of models, serial number (SN) or regional standard (i.e ANSI, CE, CSA). Components may also be identified by SN or manufacturer. Common components that may be identified by these characteristics are engines and hydraulic components.

2) PARTS MANUAL ORGANIZATION

Product information in this manual is organized under section titles. Frame, Cylinder, Hydraulic and Electrical are a few examples. Each section is organized by figure and page number. The information within the Figure is then organized by item number, part number, description and corresponding illustration (s).

3) TABLE OF CONTENTS (NOT SHOWN)

A table of contents is found toward the beginning of the manual. Figure number, description and page number are provided for quick reference to the page containing the related information.

4) RECOMMENDED SPARE PARTS (NOT SHOWN)

The Recommended Spare Parts List, located near the end of the manual, reference most frequently used maintenance parts.

5) PART NUMBER INDEX (NOT SHOWN)

A numerical index listing all part numbers and the corresponding page number(s) appears at the back of the manual.

GENERAL INFORMATION

6) NON-SERVICED PARTS

In some instances, it is necessary to display non-serviced parts, assemblies or installations. In the case of assemblies and installations there will be a Ref in the Qty. column. In case of parts that are not available for service within assemblies or components, there will be a NSS (Not Sold Separately) or NLA (No Longer Available) listed in the Qty. column of the manual.

7) PARTS LIST ITEM NUMBERS

Numbers shown in the item# column correspond to numbers used in the associated illustration (s). Item numbers which are missing from the sequence in the parts list are not used on that page.

8) INDENTED PARTS DESCRIPTION

An indented part description is included in the item under which it is indented.

9) ABBREVIATION AND SYMBOLS

| | | | |
|-------------|--|--------------|---------------------------------|
| AC..... | Alternating Current | L..... | Liter |
| ADE..... | Advanced Design Electronics | LB(LBS)..... | Pounds |
| AG..... | Agricultural | LCD..... | Liquid Crystal Display |
| ANSI..... | American National Standards Institute | LED..... | Light Emitting Diodes |
| AR..... | As Required | LH..... | Left Hand |
| ASSY..... | Assembly | LRC..... | Low Rated Countries |
| AUS..... | Australia | LSS..... | Load Sensing System |
| AUX..... | Auxiliary | M(m)..... | Metric/Meter |
| AWG..... | American Wire Gauge | MM(mm)..... | Milimeter |
| B/M..... | Bill of Material | mA..... | Miliamps |
| CAC..... | Charge Air Cooler | NLA..... | No Longer Available |
| CE..... | European Conformity | NPT..... | National Pipe Threads |
| CCW..... | Counter Clockwise | NSS..... | Not Sold Separately |
| CM..... | Centimeter | OD..... | Outside Diameter |
| CW..... | Clockwise | ORB..... | O-Ring Boss |
| CSA..... | Canadian Standards Association | ORFS..... | O-Ring Face Seal |
| CYL..... | Cylinder | OZ (oz)..... | Ounces |
| DIA..... | Diameter | PG..... | Page |
| DC..... | Direct Current | PN..... | Part Number |
| DEF..... | Diesel Exhaust Fluid | QT(qt.)..... | Quarts |
| EMS..... | Emergency Stop | QTY..... | Quantity |
| ENG..... | Engine | REF..... | Reference |
| FT(ft)..... | Feet | REV..... | Revision Level |
| GA(Ga)..... | Gauge | RH..... | Right Hand |
| HRC..... | High Rated Countries | SAE..... | Society of Automotive Engineers |
| HVAC..... | Heating, Ventilating, and Air Conditioning | SN..... | Serial Number |
| HYD..... | Hydraulic | SPEC(S)..... | Specifications |
| Hz..... | Hertz | T/T..... | Turntable |
| ID..... | Inside Diameter | UGM..... | Universal Ground Module |
| IN..... | inches | V..... | Volts |
| ISO..... | International Organization for Standards | W..... | Watts |
| JIC..... | Joint Industry Council | #..... | Number |
| KG..... | Kilogram | | |

10) ILLUSTRATION REFERENCE LETTERS

When necessary, illustrations may contain reference letters that are intended to track information (i. e. hoses, harnesses) from one point to another or to track visual enlargement of components to show details that may be located in another area on the illustration.

Note: Due to continuous product improvements, JLG Industries, Inc. reserves the right to make specification changes without prior notification. Contact JLG Industries, Inc. for updated information.

TABLE OF CONTENTS

| | |
|--|-----|
| SECTION 1 - FRAME..... | 11 |
| FIGURE 1-1. AXLE INSTALLATION | 12 |
| FIGURE 1-2. STEER INSTALLATION | 14 |
| FIGURE 1-3. WHEEL DRIVE INSTALLATION | 16 |
| FIGURE 1-4. DRIVE MOTOR ASSEMBLY | 18 |
| FIGURE 1-5. DRIVE HUB ASSEMBLY | 20 |
| FIGURE 1-6. FRAME SHIELD INSTALLATION | 24 |
| FIGURE 1-7. TIRE AND WHEEL INSTALLATION - 33 X 12-20 FOAM FILLED | 26 |
| FIGURE 1-8. TIRE AND WHEEL INSTALLATION - 33 X 12-20 SOLID NON-MARKING | 28 |
| FIGURE 1-9. TIRE AND WHEEL INSTALLATION - 33/1550 X 16.5 FOAM-FILLED | 30 |
| FIGURE 1-10. VALVES INSTALLATION - FRAME MOUNTED | 32 |
| FIGURE 1-11. TRACTION VALVE ASSEMBLY | 34 |
| SECTION 2 - TURNTABLE | 37 |
| FIGURE 2-1. VALVES INSTALLATION - TURNTABLE MOUNTED | 38 |
| FIGURE 2-2. MAIN VALVE ASSEMBLY | 40 |
| FIGURE 2-3. AUXILIARY PUMP ASSEMBLY | 42 |
| FIGURE 2-4. SWING DRIVE AND TURNTABLE BEARING INSTALLATION | 44 |
| FIGURE 2-5. SWING MOTOR ASSEMBLY | 46 |
| FIGURE 2-6. TURNTABLE BEARING ASSEMBLY | 48 |
| FIGURE 2-7. TURNTABLE COVERS INSTALLATION | 50 |
| FIGURE 2-8. TURNTABLE LOCK INSTALLATION | 52 |
| FIGURE 2-9. TANKS INSTALLATION | 54 |
| FIGURE 2-10. DRIVE ORIENTATION INSTALLATION | 56 |
| FIGURE 2-11. GROUND CONTROL ASSEMBLY (ANSI EXPORT AND AUSTRALIAN SPECS) | 58 |
| FIGURE 2-12. GROUND CONTROL ASSEMBLY (CE(LRC) & RUSSIA SPECS) | 60 |
| FIGURE 2-13. GROUND CONTROL ASSEMBLY (CE SPECS) | 62 |
| FIGURE 2-14. LIGHT PANEL INSTALLATION - GROUND CONTROL | 64 |
| FIGURE 2-15. ELECTRICAL SYSTEM INSTALLATION | 66 |
| FIGURE 2-16. BEACON LIGHT INSTALLATION - AMBER | 70 |
| FIGURE 2-17. BEACON LIGHT INSTALLATION - BLUE | 72 |
| FIGURE 2-18. BEACON LIGHT INSTALLATION - RED | 74 |
| FIGURE 2-19. WHITE NOISE AMBIENT ALARM INSTALLATION | 76 |
| FIGURE 2-20. WHITE NOISE ALARM INSTALLATION | 78 |
| FIGURE 2-21. BATTERY AND CABLE INSTALLATION | 80 |
| FIGURE 2-22. HOODS INSTALLATION | 82 |
| FIGURE 2-23. HOOD ASSEMBLY - TANK SIDE (ROMANIAN BUILT MACHINES) | 86 |
| FIGURE 2-24. HOOD ASSEMBLY - ENGINE SIDE (ROMANIAN BUILT MACHINES) | 88 |
| SECTION 3 - ENGINE | 91 |
| FIGURE 3-1. ENGINE INSTALLATION - DEUTZ D2011 ENGINE (WITHOUT ARCTIC PACKAGE) (ANSI EXPORT, AUSTRALIAN, CE (LRC) AND RUSSIA SPECS) | 92 |
| FIGURE 3-2. ENGINE AND PUMP SUB-ASSEMBLY - DEUTZ D2011 (WITHOUT ARCTIC PACKAGE) (ANSI EXPORT, AUSTRALIAN, CE (LRC) AND RUSSIA SPECS) | 96 |
| FIGURE 3-3. ENGINE ASSEMBLY - DEUTZ D2011 ENGINE (WITHOUT ARCTIC PACKAGE) (ANSI EXPORT, AUSTRALIAN, CE (LRC) AND RUSSIA SPECS) | 98 |
| FIGURE 3-4. ENGINE COMPONENTS - DEUTZ D2011 | 102 |
| FIGURE 3-5. ENGINE INSTALLATION - DEUTZ D2.9L4 ENGINE (STAGE V) (CE SPECS) | 106 |
| FIGURE 3-6. ENGINE AND PUMP SUB-ASSEMBLY - DEUTZ D2.9L4 ENGINE (STAGE V) (CE SPECS) | 112 |
| FIGURE 3-7. ENGINE ASSEMBLY - DEUTZ D2.9L4 ENGINE (STAGE V) (CE SPECS) | 114 |
| FIGURE 3-8. ENGINE COMPONENTS - DEUTZ D2.9L4 ENGINE (STAGE V) (CE SPECS) | 120 |
| FIGURE 3-9. MOTOR MOUNT INSTALLATION (STAGE V ENGINES WITHOUT GENERATOR) | 124 |
| FIGURE 3-10. MOTOR MOUNT INSTALLATION (STAGE V ENGINES WITH GENERATOR) | 126 |
| FIGURE 3-11. BRACKET ASSEMBLY - FUEL PUMP AND FILTER (DEUTZ D2.9L4 ENGINE) (STAGE V) | 128 |
| FIGURE 3-12. BREATHER HEATER INSTALLATION - DEUTZ D2.9L4 ENGINES (STAGE V) (CE SPECS) | 130 |
| FIGURE 3-13. PUMP COUPLING KIT - DEUTZ ENGINES | 132 |
| FIGURE 3-14. PISTON PUMP ASSEMBLY | 134 |
| FIGURE 3-15. SPARK ARRESTOR INSTALLATION - DEUTZ D2011 ENGINE | 138 |
| FIGURE 3-16. ENGINE BAFFLE INSTALLATION - WITH DEUTZ ENGINES | 140 |
| FIGURE 3-17. GENERATOR INSTALLATION - 4000W/50HZ (DEUTZ D2011 ENGINE) | 142 |
| FIGURE 3-18. GENERATOR INSTALLATION - 7500W/50HZ (DEUTZ D2011 ENGINE) | 146 |
| SECTION 4 - BOOM | 151 |

TABLE OF CONTENTS

| | |
|---|-----|
| FIGURE 4-1. BOOMS AND CYLINDERS INSTALLATION | 152 |
| FIGURE 4-2. JIB INSTALLATION | 154 |
| FIGURE 4-3. MAIN BOOM ASSEMBLY | 156 |
| FIGURE 4-4. TOWER BOOM ASSEMBLY | 158 |
| FIGURE 4-5. ROTATOR ASSEMBLY | 160 |
| FIGURE 4-6. PLATFORM SUPPORT INSTALLATION | 162 |
| FIGURE 4-7. VALVES INSTALLATION - BOOM MOUNTED | 164 |
| FIGURE 4-8. UPRIGHT VALVE ASSEMBLY | 166 |
| FIGURE 4-9. BOOM VALVE ASSEMBLY | 168 |
| | |
| SECTION 5 - PLATFORM | 171 |
| | |
| FIGURE 5-1. PLATFORM ASSEMBLY - 30IN X 3FT- SIDE DROP BAR ENTRY | 172 |
| FIGURE 5-2. PLATFORM ASSEMBLY - 30IN X 4FT - SIDE DROP BAR ENTRY | 174 |
| FIGURE 5-3. PLATFORM ASSEMBLY - 30IN X 5FT- SIDE DROP BAR ENTRY | 176 |
| FIGURE 5-4. PLATFORM ASSEMBLY - 30IN X 5FT- SIDE GATE ENTRY | 178 |
| FIGURE 5-5. PLATFORM ASSEMBLY - 30IN X 6FT- SIDE DROP BAR ENTRY | 180 |
| FIGURE 5-6. PLATFORM ASSEMBLY - 30IN X 6FT- SIDE GATE ENTRY | 182 |
| FIGURE 5-7. CONSOLE BOX INSTALLATION | 184 |
| FIGURE 5-8. PLATFORM CONSOLE BOX ASSEMBLY | 186 |
| FIGURE 5-9. LIGHT PANEL INSTALLATION – PLATFORM CONSOLE | 190 |
| FIGURE 5-10. CONTROLLER ASSEMBLY - DRIVE AND STEER | 192 |
| FIGURE 5-11. CONTROLLER ASSEMBLY - LIFT AND SWING | 194 |
| FIGURE 5-12. FOOTSWITCH ASSEMBLY | 198 |
| FIGURE 5-13. TRAY ASSEMBLY | 200 |
| FIGURE 5-14. SKYEYE INSTALLATION | 202 |
| FIGURE 5-15. SKYGUARD BAR INSTALLATION | 204 |
| FIGURE 5-16. SKYLINE INSTALLATION | 206 |
| FIGURE 5-17. SKYGLAZIER INSTALLATION (AUSTRALIAN SPECS) (Prior to SN E300008410) | 208 |
| FIGURE 5-18. SKYGLAZIER INSTALLATION (AUSTRALIAN SPECS) (SN E300008410 to Present) | 210 |
| FIGURE 5-19. SOFT TOUCH INSTALLATION (WITHOUT FALL ARREST) | 212 |
| FIGURE 5-20. SOFT TOUCH INSTALLATION (WITH FALL ARREST) | 214 |
| FIGURE 5-21. FALL ARREST INSTALLATION (BOLT-ON) (5FT/1.52M PLATFORM) | 216 |
| FIGURE 5-22. USB CHARGER INSTALLATION | 218 |
| | |
| SECTION 6 - CYLINDER | 221 |
| | |
| FIGURE 6-1. AXLE LOCKOUT CYLINDER ASSEMBLY | 222 |
| FIGURE 6-2. LEVEL CYLINDER ASSEMBLY | 224 |
| FIGURE 6-3. JIB CYLINDER ASSEMBLY | 226 |
| FIGURE 6-4. MASTER CYLINDER ASSEMBLY | 228 |
| FIGURE 6-5. STEER CYLINDER ASSEMBLY | 230 |
| FIGURE 6-6. TELESCOPE CYLINDER ASSEMBLY | 232 |
| FIGURE 6-7. TOWER LIFT CYLINDER ASSEMBLY | 234 |
| FIGURE 6-8. UPPER LIFT CYLINDER ASSEMBLY | 236 |
| | |
| SECTION 7 - HYDRAULIC | 239 |
| | |
| FIGURE 7-1. HYDRAULIC SYSTEM INSTALLATION | 240 |
| | |
| SECTION 8 - ELECTRICAL | 247 |
| | |
| FIGURE 8-1. AC BOX AT PLATFORM INSTALLATION - 110V IEC YELLOW (CE AND RUSSIA SPECS WITH 4000W/50HZ GENERATOR) | 248 |
| FIGURE 8-2. AC BOX AT PLATFORM INSTALLATION - 110V IEC 60309 YELLOW WITHOUT 2500W GENERATOR (CE AND RUSSIA SPECS) | 250 |
| FIGURE 8-3. AC BOX AT PLATFORM INSTALLATION - 220V IEC BLUE (CE AND RUSSIA SPECS WITH 4000W/50HZ GENERATOR) | 252 |
| FIGURE 8-4. AC BOX AT PLATFORM INSTALLATION - 220V IEC 60309 BLUE WITHOUT 2500W GENERATOR (CE AND RUSSIA SPECS) | 254 |
| FIGURE 8-5. AC BOX AT PLATFORM INSTALLATION - 220V CEE7 POST GROUND (2X4 BOX) WITHOUT 2500W GENERATOR (CE AND RUSSIA SPECS) | 256 |
| FIGURE 8-6. AC BOX AT PLATFORM INSTALLATION - 220V CEE7 SIDE GROUND (2X4 BOX) WITHOUT 2500W GENERATOR (CE AND RUSSIA SPECS) | 258 |
| FIGURE 8-7. AC BOX AT PLATFORM INSTALLATION - 220V CEE7 2IN X 4IN POST GROUND (CE AND RUSSIA SPECS WITH 4000W/50HZ GENERATOR) | 260 |

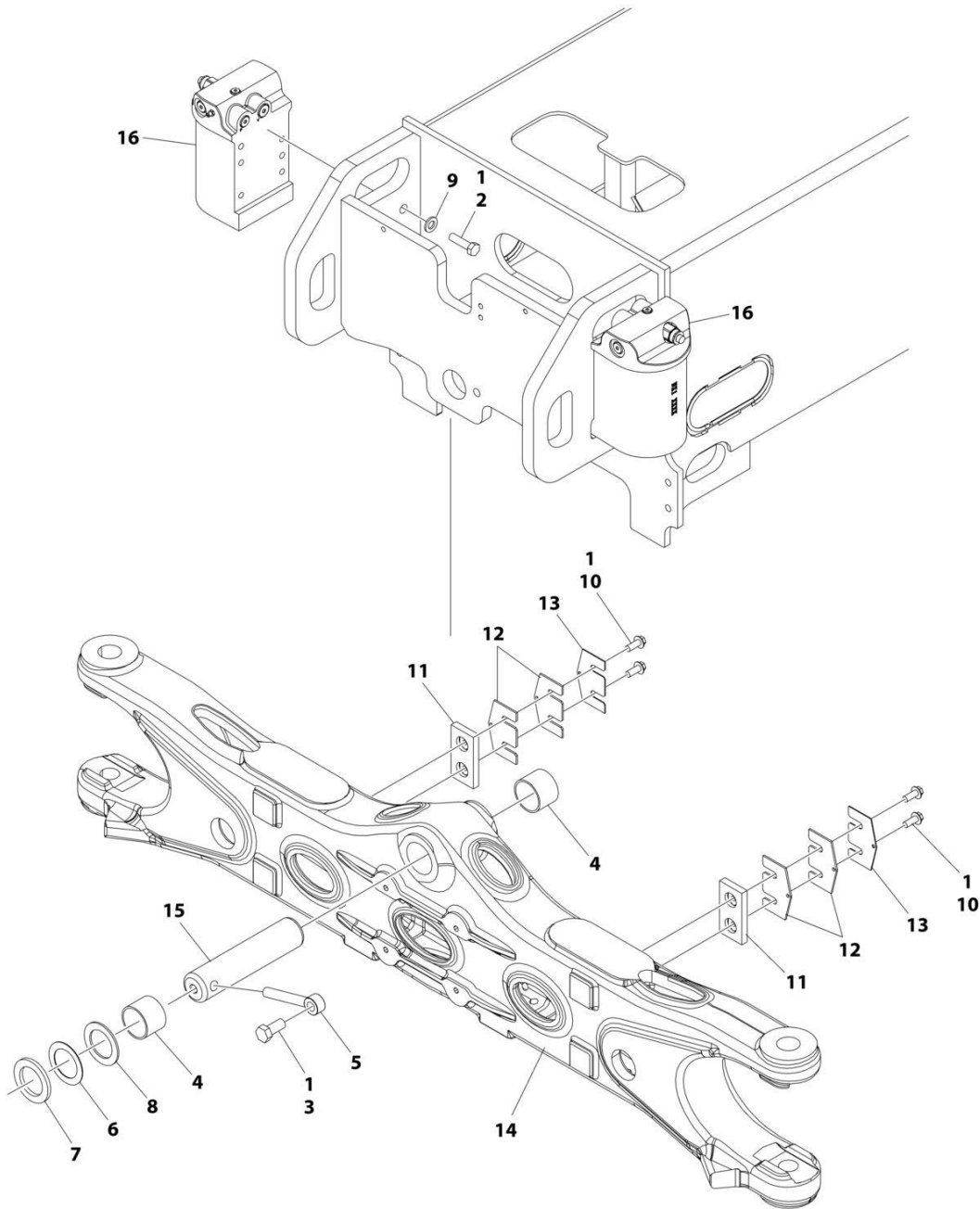
TABLE OF CONTENTS

| | |
|---|-----|
| FIGURE 8-8. AC BOX AT PLATFORM INSTALLATION - 220V CEE7 2IN X 4IN SIDE GROUND (CE AND RUSSIA SPECS WITH 4000W/50HZ GENERATOR)..... | 262 |
| FIGURE 8-9. AC BOX AT PLATFORM INSTALLATION - 220V AFSINT107 (CE AND RUSSIA SPECS WITH 4000W/50HZ GENERATOR) | 264 |
| FIGURE 8-10. AC BOX AT PLATFORM INSTALLATION - 220V AFSINT 107 KEYED GROUND (2X4 BOX) WITHOUT 2500W GENERATOR (CE AND RUSSIA SPECS) | 266 |
| FIGURE 8-11. AC BOX AT PLATFORM INSTALLATION - 220V CUSTOMER SUPPLIED COMPONENTS (ALL SPECS) | 268 |
| FIGURE 8-12. AC CABLE INSTALLATION - WITH TWO BREAKERS (CE AND RUSSIA SPECS) | 270 |
| FIGURE 8-13. AC CABLE INSTALLATION - WITH THREE BREAKERS (CE AND RUSSIA SPECS) | 272 |
| FIGURE 8-14. BATTERY DISCONNECT SWITCH..... | 274 |
| FIGURE 8-15. BEACON LIGHT HARNESS (BLUE AND RED BEACON LIGHT) | 276 |
| FIGURE 8-16. BOOM CABLES & CLAMPS INSTALLATION (4000W GENERATOR) | 278 |
| FIGURE 8-17. BOOM CABLES & CLAMPS INSTALLATION (7500W SKYPOWER GENERATOR)..... | 282 |
| FIGURE 8-18. BOOM HARNESS - MAIN BOOM..... | 286 |
| FIGURE 8-19. BOOM HARNESS - MAIN BOOM (8/5 4000W GENERATOR) | 288 |
| FIGURE 8-20. BOOM HARNESS - TOWER BOOM | 290 |
| FIGURE 8-21. BOOM HARNESS - TOWER BOOM (8/5 4000W GENERATOR)..... | 292 |
| FIGURE 8-22. BOOM SENSORS INSTALLATION | 294 |
| FIGURE 8-23. BOOM SENSORS HARNESS..... | 296 |
| FIGURE 8-24. BREAKER BOX KIT WITH SINGLE DOUBLE POLE BREAKER (CE SPEC) | 298 |
| FIGURE 8-25. BREAKER BOX KIT WITH THREE BREAKERS (CE SPEC) | 300 |
| FIGURE 8-26. BREAKER BOX KIT - 30MA/16 AMP | 302 |
| FIGURE 8-27. CAPACITY HARNESS..... | 304 |
| FIGURE 8-28. CHASSIS SOLENOID HARNESS | 306 |
| FIGURE 8-29. ENGINE HARNESS - DEUTZ D2011 | 308 |
| FIGURE 8-30. ENGINE HARNESS - DEUTZ D2.9L4 ENGINE (STAGE V)..... | 310 |
| FIGURE 8-31. FUEL HARNESS - DEUTZ D2.9L4 ENGINE | 314 |
| FIGURE 8-32. GENERATOR HARNESS - 2500W GENERATOR (50HZ) | 316 |
| FIGURE 8-33. GENERATOR HARNESS - 4000W GENERATOR..... | 318 |
| FIGURE 8-34. GROUND CONTROL PANEL HARNESS | 320 |
| FIGURE 8-35. PLATFORM CONSOLE BOX HARNESS..... | 322 |
| FIGURE 8-36. PLATFORM INTERFACE HARNESS..... | 326 |
| FIGURE 8-37. RECEPTACLE BOX KIT - 110V IEC YELLOW (CE SPEC) | 328 |
| FIGURE 8-38. RECEPTACLE BOX KIT - 220V IEC BLUE (CE SPEC) | 330 |
| FIGURE 8-39. RECEPTACLE BOX KIT - 220V CEE7 POST GROUND 2IN X 4IN BOX (CE SPEC)..... | 332 |
| FIGURE 8-40. RECEPTACLE BOX KIT - 220V CEE7 SIDE GROUND 2IN X 4IN BOX (CE SPEC) | 334 |
| FIGURE 8-41. RECEPTACLE BOX KIT - 220V AFSINT 107 (CE SPEC) | 336 |
| FIGURE 8-42. SKYEYE INTERMEDIATE HARNESS | 338 |
| FIGURE 8-43. SKYEYE RECEIVER HARNESS | 340 |
| FIGURE 8-44. SKYEYE EMITTER HARNESS | 342 |
| FIGURE 8-45. SKYLINE HARNESS..... | 344 |
| FIGURE 8-46. TRANSPORT HARNESS | 346 |
| FIGURE 8-47. TURNABLE HARNESS | 348 |
| FIGURE 8-48. VALVE HARNESS - BOOM VALVE | 352 |
| FIGURE 8-49. VALVE HARNESS - MAIN VALVE | 354 |
| FIGURE 8-50. VALVE HARNESS - PLATFORM VALVE | 356 |
| SECTION 9 - DECALS | 359 |
| FIGURE 9-1. DECAL INSTALLATION - AUSTRALIAN SPEC (ENGLISH LANGUAGE) | 360 |
| FIGURE 9-2. DECAL INSTALLATION - CE & RUSSIA SPEC (ENGLISH LANGUAGE) | 362 |
| FIGURE 9-3. DECAL INSTALLATION - CHINESE SPEC (CHINESE/ENGLISH LANGUAGES) | 364 |
| FIGURE 9-4. DECAL INSTALLATION - OPTIONS | 366 |
| SECTION 10 - RECOMMENDED SERVICE PARTS STOCK..... | 369 |
| FIGURE 10-1. RECOMMENDED SERVICE PARTS STOCK | 370 |
| SECTION 11 - SPECIAL OPTIONS | 373 |
| FIGURE 11-1. SPECIAL OPTIONS..... | 374 |
| PART NUMBER INDEX | 377 |

SECTION 1 - FRAME

SECTION 1 - FRAME

FIGURE 1-1. AXLE INSTALLATION



ART_1001264981

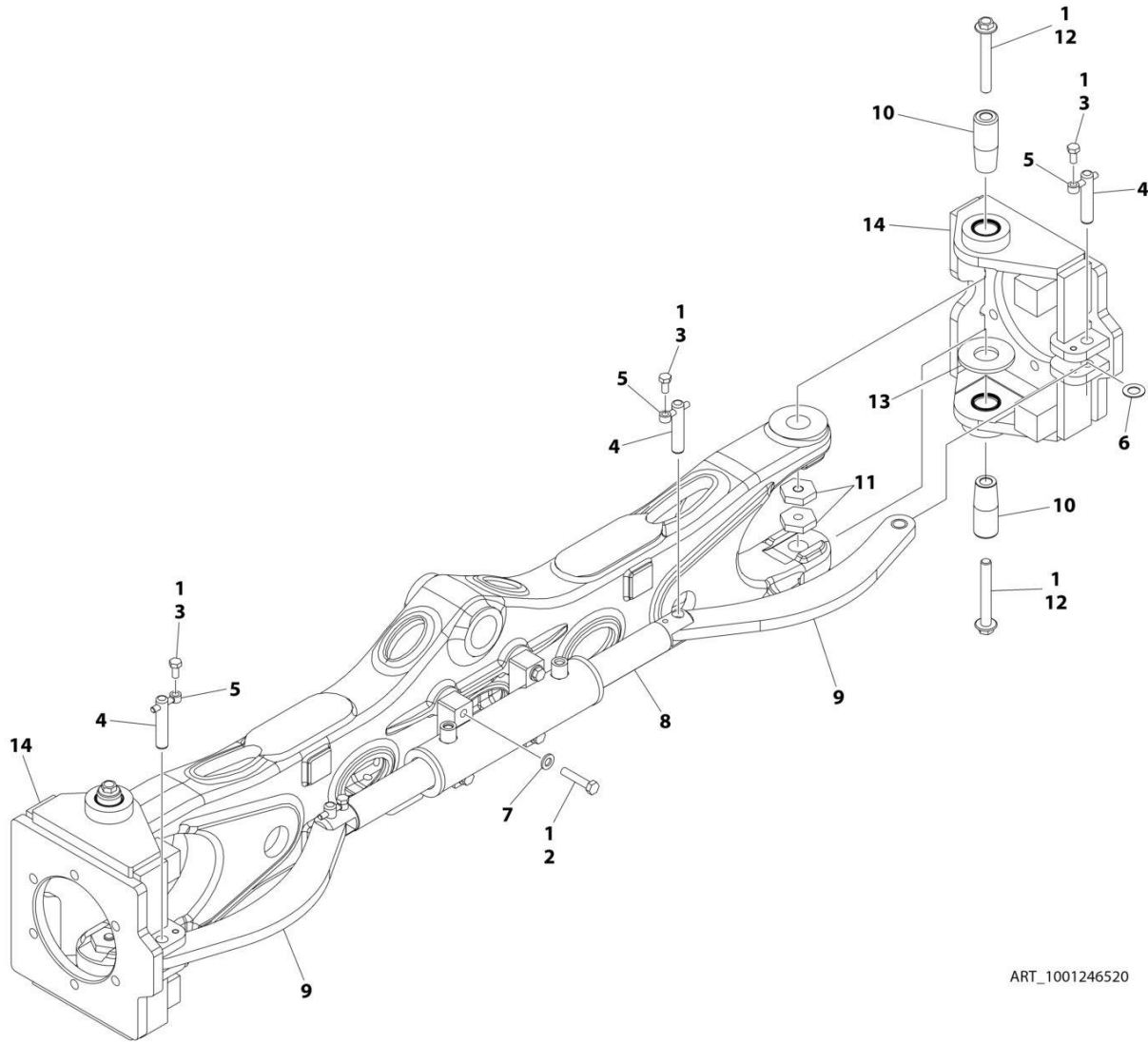
SECTION 1 - FRAME

FIGURE 1-1. AXLE INSTALLATION

| ITEM | PART NUMBER | QTY | DESCRIPTION | REV |
|------|-------------|-----|---|-----|
| | 1001264981 | Ref | AXLE INSTALLATION | B |
| 1 | 0100011 | AR | Compound, Locking | |
| 2 | 0701217 | 8 | Bolt M12 x 45 | |
| 3 | 0761615 | 1 | Bolt M16 x 35 | |
| 4 | 0961950 | 2 | Bearing | |
| 5 | 3841258 | 1 | Keeper, Pin | |
| 6 | 4071101 | AR | Shim | |
| 7 | 4740158 | AR | Washer | |
| 8 | 4740229 | AR | Washer | |
| 9 | 5241200 | 8 | Washer M12 | |
| 10 | 5251012 | 4 | Bolt M10 x 25 | |
| 11 | 1001118511 | 2 | Pad, Wear | |
| 12 | 1001118518 | AR | Shim 11Ga | |
| 13 | 1001118519 | AR | Shim 16Ga | |
| 14 | 1001162995 | 1 | Axle | |
| 15 | 1001185030 | 1 | Pin | |
| 16 | 1001256179 | 2 | Axle Lockout Cylinder Assembly (See Separate Breakdown in CYLINDER Section) | |

SECTION 1 - FRAME

FIGURE 1-2. STEER INSTALLATION



ART_1001246520

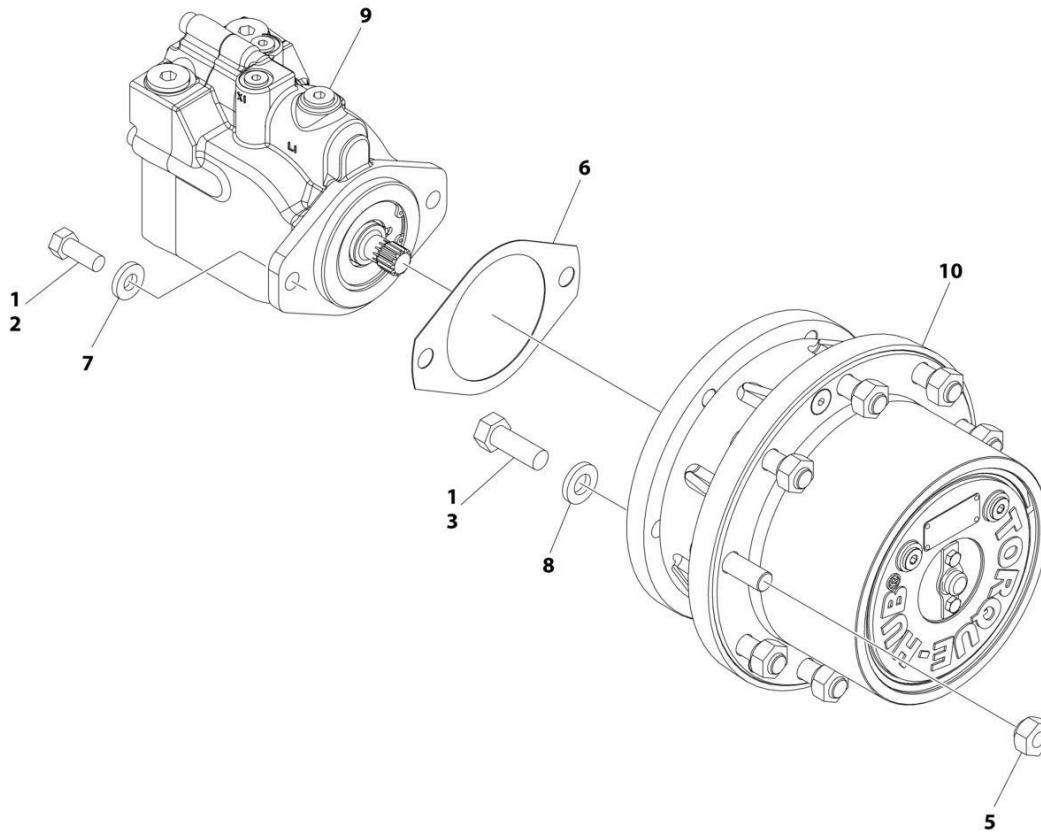
SECTION 1 - FRAME

FIGURE 1-2. STEER INSTALLATION

| ITEM | PART NUMBER | QTY | DESCRIPTION | REV |
|------|-------------|-----|--|-----|
| | 1001246520 | Ref | STEER INSTALLATION - WITHOUT TOW PACKAGE | A |
| 1 | 0100011 | AR | Compound, Locking | |
| 2 | 0711220 | 4 | Bolt M12 x 60 Grade 10.9 | |
| 3 | 0761011 | 4 | Bolt M10 x 22 | |
| 4 | 3423304 | 4 | Pin | |
| 5 | 3841520 | 4 | Keeper | |
| 6 | 4740086 | 4 | Washer | |
| 7 | 5241200 | 4 | Washer M12 | |
| 8 | 1001163178 | 1 | Steer Cylinder Assembly (See Separate Breakdown in CYLINDER Section) | |
| 9 | 1001163179 | 2 | Link | |
| 9 | 1001164209 | 4 | Bearing (2 Per Link) | |
| 10 | 1001163405 | 4 | Kingpin | |
| 11 | 1001176848 | 4 | Nut M16 | |
| 12 | 1001190368 | 4 | Bolt M16 x 120 | |
| 13 | 1001233139 | 2 | Bearing, Thrust | |
| 14 | 1001246551 | 2 | Spindle | |
| 14 | 0961948 | 4 | Bearing (2 Per Spindle) | |
| 14 | 1001163716 | 2 | Seal (1 Per Spindle) | |

SECTION 1 - FRAME

FIGURE 1-3. WHEEL DRIVE INSTALLATION



ART_1001254652

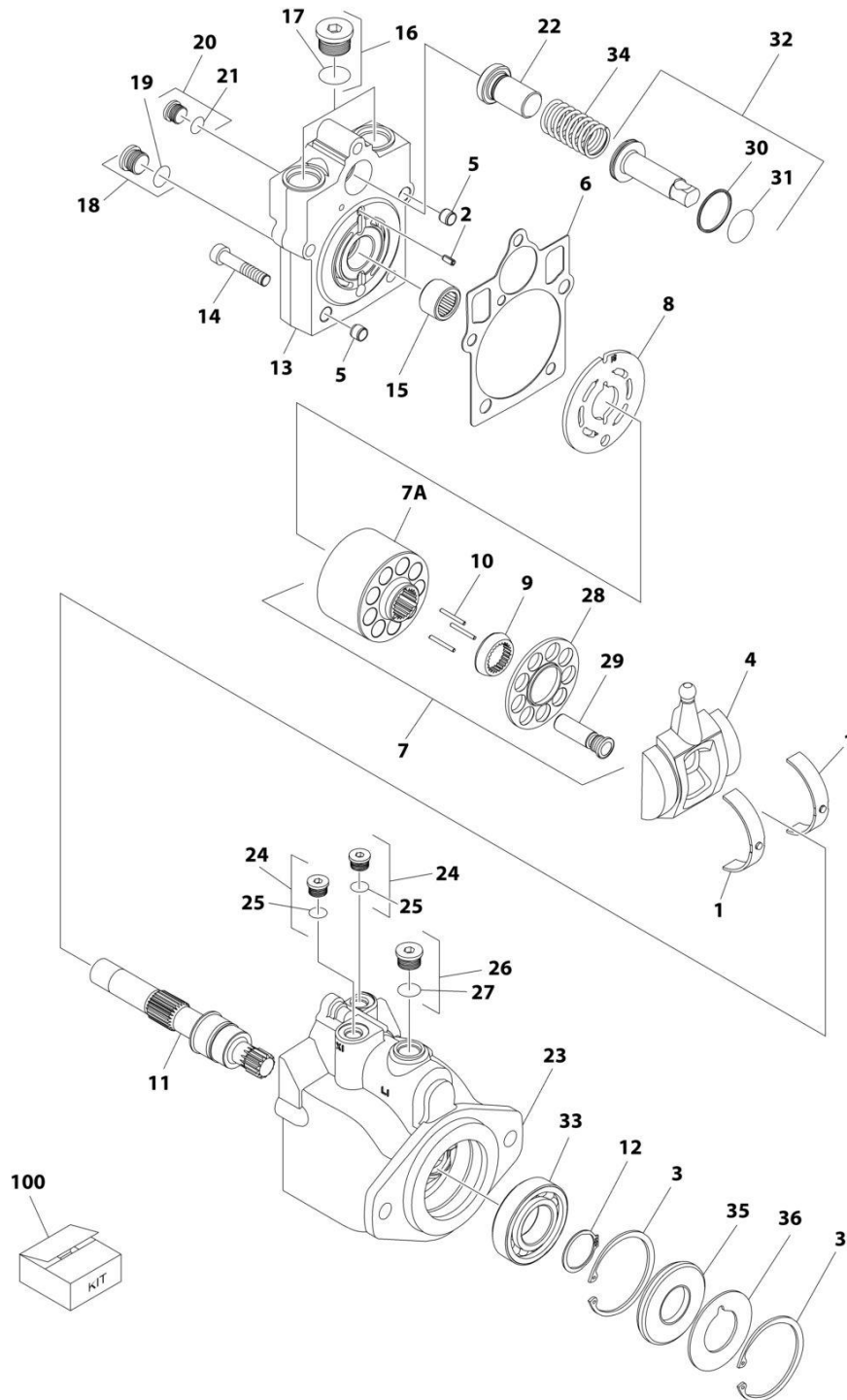
SECTION 1 - FRAME

FIGURE 1-3. WHEEL DRIVE INSTALLATION

| ITEM | PART NUMBER | QTY | DESCRIPTION | REV |
|------|-------------|-----|---|-----|
| | 1001254652 | Ref | WHEEL DRIVE INSTALLATION (4WD) | C |
| 1 | 0100011 | AR | Compound, Locking | |
| 2 | 0681810 | 8 | Bolt 1/2 x 1-1/4 Grade 8 | |
| 3 | 0682013 | 24 | Bolt 5/8 x 1-5/8 Grade 8 | |
| 4 | 3020008 | AR | Lubricant, Gear (Not Shown) | |
| 5 | 3300106 | 36 | Lugnut | |
| 6 | 3960526 | 4 | Gasket, Brake | |
| 7 | 4891800 | 8 | Washer 1/2 | |
| 8 | 4892000 | 24 | Washer 5/8 | |
| 9 | 1001245759 | 4 | Drive Motor Assembly (See Separate Breakdown in this Section) | |
| 10 | 1001252541 | 4 | Drive Hub Assembly (See Separate Breakdown in this Section) | |

SECTION 1 - FRAME

FIGURE 1-4. DRIVE MOTOR ASSEMBLY



ART_1001245759

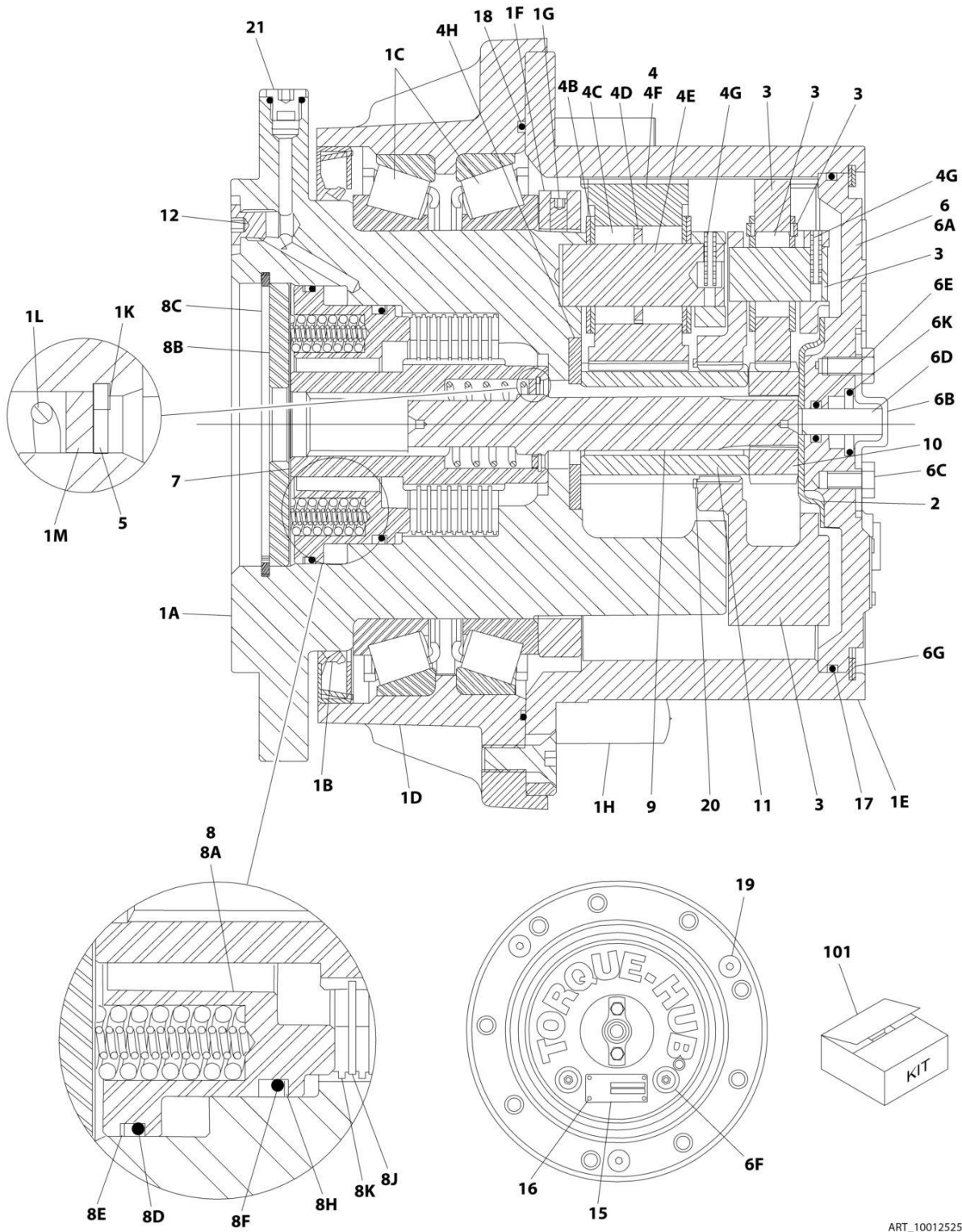
SECTION 1 - FRAME

FIGURE 1-4. DRIVE MOTOR ASSEMBLY

| ITEM | PART NUMBER | QTY | DESCRIPTION | REV |
|------|-------------|-----|--|-----|
| | 1001245759 | Ref | DRIVE MOTOR ASSEMBLY | C |
| 1 | 70007145 | 1 | Bearing Kit | |
| 2 | 7007446 | 1 | Pin | |
| 3 | 7007438 | 2 | Ring, Retaining | |
| 4 | 70000794 | 1 | Swash Plate | |
| 5 | 70003628 | 2 | Pin | |
| 6 | See Note | NSS | Gasket (Note: Use Item 100) | |
| 7 | 7027740 | 1 | Cylinder Block Kit (Includes Items 7A, 9, 28 & 29) | |
| 7A | 70007146 | 1 | Block, Cylinder | |
| 8 | 70000854 | 1 | Plate, Valve | |
| 9 | 70000856 | 1 | Guide, Slipper Retainer | |
| 10 | 7021275 | 3 | Pin, Slipper Hold Down | |
| 11 | 7023910 | 1 | Shaft | |
| 12 | 7007439 | 1 | Ring, Retaining | |
| 13 | 70000795 | 1 | Cap, End - Axial | |
| 14 | 7022368 | 5 | Screw | |
| 15 | 7021249 | 1 | Bearing, Needle | |
| 16 | 7007419 | 1 | Plug (Includes Item 17) | |
| 17 | See Note | NSS | O-Ring (Note: Use Item 17 or 100) | |
| 18 | 7022321 | 1 | Plug (Includes Item 19) | |
| 19 | See Note | NSS | O-Ring (Note: Use Item 19 or 100) | |
| 20 | 2220883 | 1 | Plug (Includes Item 21) | |
| 21 | See Note | NSS | O-Ring (Note: Use Item 21 or 100) | |
| 22 | 70007142 | 1 | Seat, Spring | |
| 23 | 70001932 | 1 | Housing | |
| 24 | 7007420 | 2 | Plug (Includes Item 25) | |
| 25 | See Note | NSS | O-Ring (Note: Use Item 25 or 100) | |
| 26 | 7022321 | 1 | Plug (Includes Item 27) | |
| 27 | See Note | NSS | O-Ring (Note: Use Item 27 or 100) | |
| 28 | 7000857 | 1 | Retainer, Slipper | |
| 29 | 7024865 | 9 | Piston Assembly | |
| 30 | See Note | NSS | O-Ring (Note: Use Item 100) | |
| 31 | See Note | NSS | Ring, Seal (Note: Use Item 100) | |
| 32 | 7024871 | 1 | Piston, Servo (Includes Items 30 & 31) | |
| 33 | 70007143 | 1 | Bearing | |
| 34 | 7022326 | 1 | Spring | |
| 35 | See Note | 1 | Seal, Lip (Note: Use Item 100) | |
| 36 | 7022371 | 1 | Washer, Support | |
| 37 | | Ref | KIT OPTIONS: | |
| 100 | 7022328 | 1 | Seal Kit (Includes Items 6, 17, 19, 21, 25, 27, 30 & 35) | |

SECTION 1 - FRAME

FIGURE 1-5. DRIVE HUB ASSEMBLY



ART_1001252541

SECTION 1 - FRAME

FIGURE 1-5. DRIVE HUB ASSEMBLY

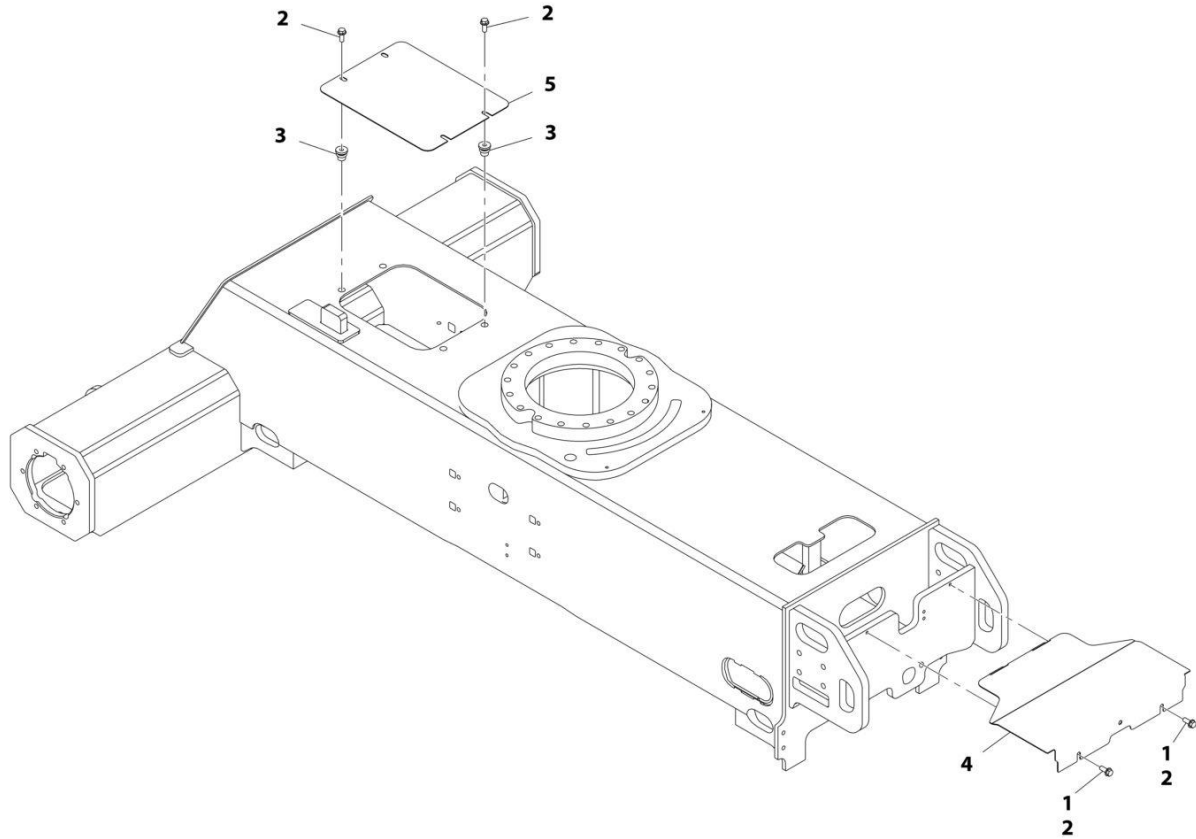
| ITEM | PART NUMBER | QTY | DESCRIPTION | REV |
|------|-------------|-----|---|-----|
| | 1001252541 | Ref | DRIVE HUB AND BRAKE ASSEMBLY | C |
| 1 | See Note | Ref | Spindle Sub-Assembly (Note : Not Shown - Not Available as Assembly. Purchase Individual Components) | |
| 1A | 7024729 | 1 | Spindle | |
| 1B | 70001119 | 1 | Seal, Lip | |
| 1C | 7024735 | 2 | Bearing, Tapered | |
| 1D | See Note | NSS | Housing (Note: Not Available for Purchase) | |
| 1E | 7024730 | 1 | Gear, Ring | |
| 1F | 70003000 | 1 | Nut, Bearing | |
| 1G | 70002996 | 2 | Screw | |
| 1H | 7007640 | 9 | Stud | |
| 1K | 70005613 | 1 | Ring, Retaining (Internal) | |
| 1L | 7024124 | 1 | Spring | |
| 1M | 7024129 | 1 | Thrust washer | |
| 2 | 7024741 | 1 | Spacer, Thrust | |
| 3 | 70007171 | 1 | Carrier, Sub-Assembly (Note: Sold as an Assembly Only) | |
| 4 | 70007172 | 1 | Planet Gear Sub-Assembly | |
| 4B | 7024740 | 12 | Thrust washer | |
| 4C | 7024734 | 84 | Bearing, Needle | |
| 4D | 7024736 | 3 | Spacer, Thrust | |
| 4E | 7024726 | 3 | Shaft, Planet | |
| 4F | See Note | NSS | Gear, Planet (Note : Use PN 70007172) | |
| 4G | 7001913 | 3 | Pin, Roll | |
| 4H | 7024742 | 1 | Thrust washer | |
| 5 | 7017027 | 1 | Ring, Retaining (External) | |
| 6 | 70001368 | 1 | Cover Gear Sub-Assembly | |
| 6A | See Note | NSS | Flange, Plate/Cover (Note: Use Item 6) | |
| 6B | 7017093 | 1 | Cap, Disengage | |
| 6C | 7000216 | 2 | Bolt 1/4 x 1/2 | |
| 6D | 7024739 | 1 | Pin, Dowel | |
| 6E | 7017095 | 1 | O-Ring | |
| 6F | 7017072 | 2 | Plug | |
| 6G | 7024738 | 1 | Ring, Retaining (Internal) | |
| 6K | See Note | NSS | O-Ring (Note: Not Available for Purchase) | |
| 7 | 70007170 | 1 | Coupling Sub-Assembly | |
| 8 | 70007173 | 1 | Brake Sub-Assembly | |
| 8A | See Note | NSS | Housing, Brake (Note: Use PN 70007173) | |
| 8B | See Note | NSS | Spacer | |
| 8C | 70004039 | 1 | Ring, Retaining | |
| 8D | 70002070 | 1 | O-Ring | |
| 8E | 70002071 | 1 | Ring, Back-up | |
| 8F | 70002073 | 1 | O-Ring | |
| 8H | 70002072 | 1 | Ring, Back-up | |
| 8J | 70007175 | 8 | Rotor, Brake | |
| 8K | 70007176 | 9 | Stator, Brake | |
| 9 | 70005606 | 1 | Shaft, Input | |
| 10 | 70007174 | 1 | Gear, Sun | |
| 11 | 7024723 | 1 | Gear, Sun | |
| 12 | 7017082 | 1 | Plug | |
| 15 | See Note | NSS | Plate, ID (Note: Not Available for Purchase) | |

SECTION 1 - FRAME

| ITEM | PART NUMBER | QTY | DESCRIPTION | REV |
|------|-------------|-----|---|-----|
| 16 | See Note | NSS | Rivet (Note: Not Available for Purchase) | |
| 17 | 7024134 | 1 | O-Ring | |
| 18 | 70002997 | 1 | O-Ring | |
| 19 | 7017022 | 5 | Bolt (Not Shown) | |
| 20 | 7024737 | 1 | Ring, Retaining (External) | |
| 21 | 70007177 | 1 | Plug | |
| 101 | 7024744 | 1 | Seal Kit (Includes Items 1B, 1F, 1G, 17, 18 & 19) | |

SECTION 1 - FRAME

FIGURE 1-6. FRAME SHIELD INSTALLATION



ART_1001162105

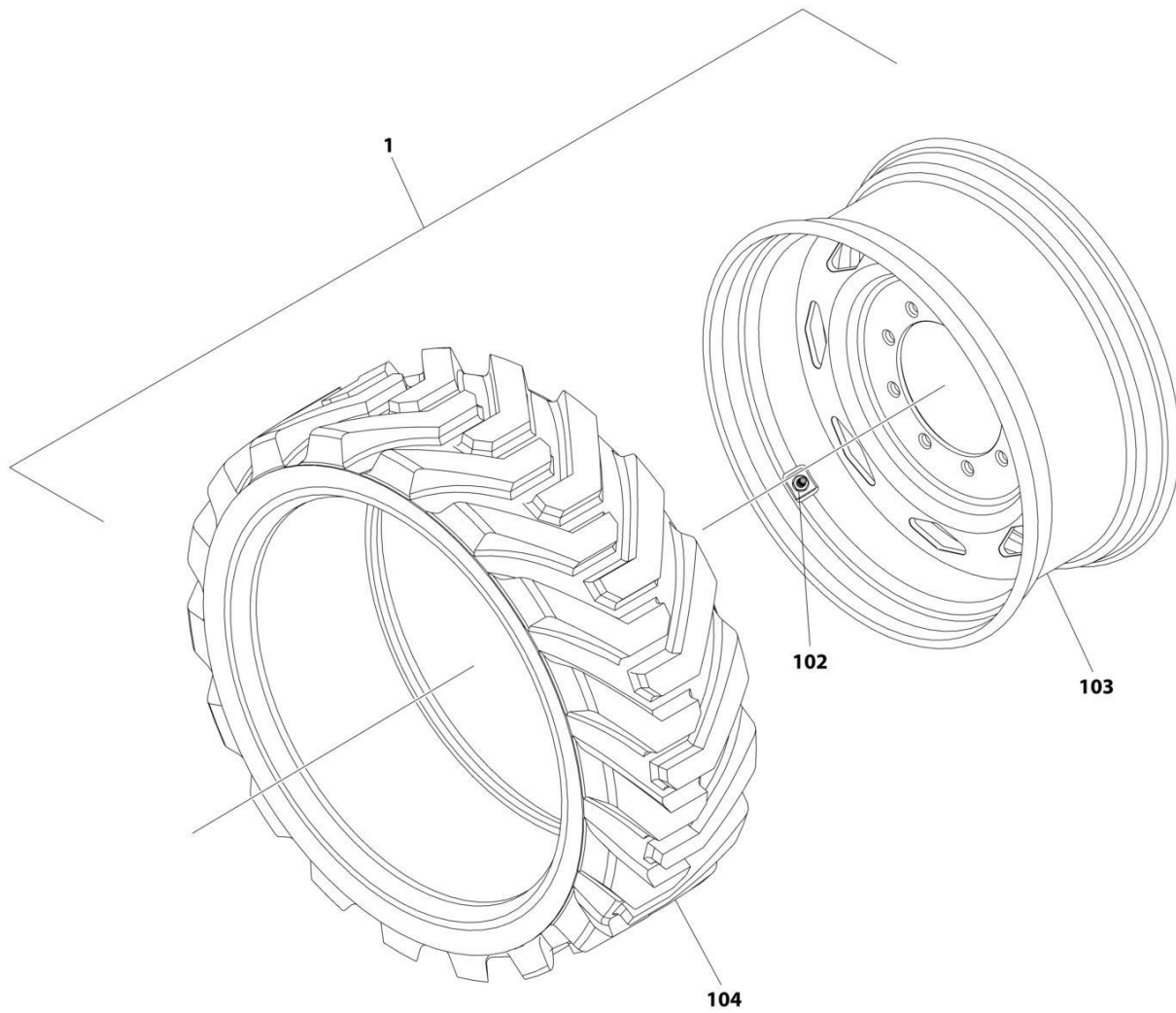
SECTION 1 - FRAME

FIGURE 1-6. FRAME SHIELD INSTALLATION

| ITEM | PART NUMBER | QTY | DESCRIPTION | REV |
|------|-------------|-----|---------------------------|-----|
| | 1001162105 | Ref | FRAME SHIELD INSTALLATION | B |
| 1 | 0100011 | AR | Compound, Locking | |
| 2 | 5251012 | 6 | Bolt, M10 x 25 | |
| 3 | 1001180916 | 4 | Nut | |
| 4 | 1001162107 | 1 | Plate, Valve Cover | |
| 5 | 1001165968 | 1 | Plate, Cover | |

SECTION 1 - FRAME

FIGURE 1-7. TIRE AND WHEEL INSTALLATION - 33 X 12-20 FOAM FILLED



ART_1001245211

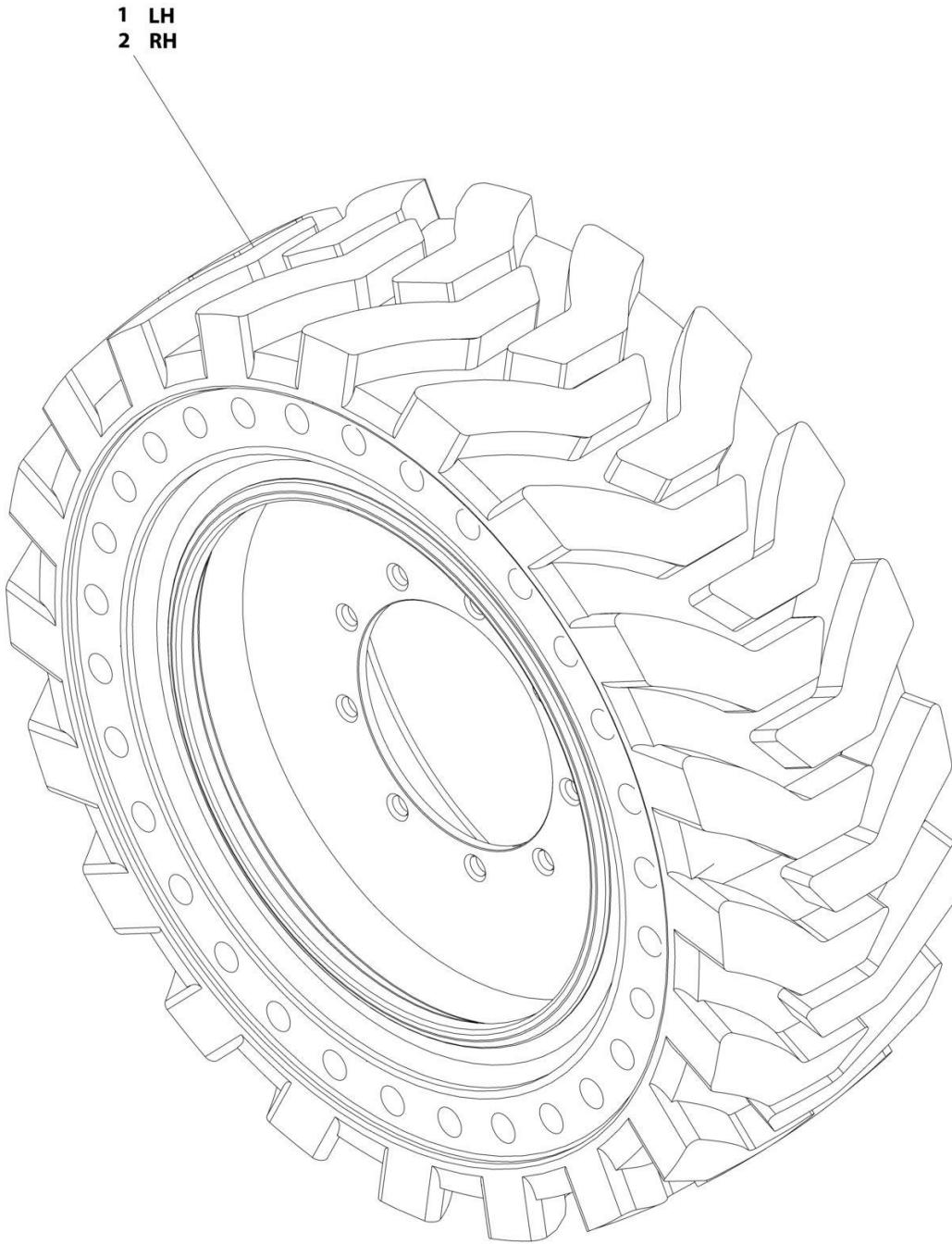
SECTION 1 - FRAME

FIGURE 1-7. TIRE AND WHEEL INSTALLATION - 33 X 12-20 FOAM FILLED

| ITEM | PART NUMBER | QTY | DESCRIPTION | REV |
|------|-------------|-----|--|-----|
| | 1001245211 | Ref | TIRE AND WHEEL INSTALLATION - 33 x 12D610 FOAM-FILLED | A |
| | | Ref | Note: Assemblies may require ballast/foam filling to manufacturer's specifications prior to installing on a machine. Refer to Operation and Safety or Service and Maintenance Manuals. | |
| | | Ref | Note: Purchase individual tire and/or rim only if able to foam fill tire and wheel assembly, otherwise, purchase complete assembly. | |
| 1 | 1001245197 | 2 | Tire and Wheel Assembly - 33 x 12 (RH Side) | |
| 1 | 1001245198 | 2 | Tire and Wheel Assembly - 33 x 12 (LH Side) | |
| 102 | 4641122 | 1 | Valve | |
| 103 | 1001245195 | 1 | Wheel | |
| 104 | 1001245196 | 1 | Tire - 33 x 12 | |

SECTION 1 - FRAME

FIGURE 1-8. TIRE AND WHEEL INSTALLATION - 33 X 12-20 SOLID NON-MARKING



ART_1001169062

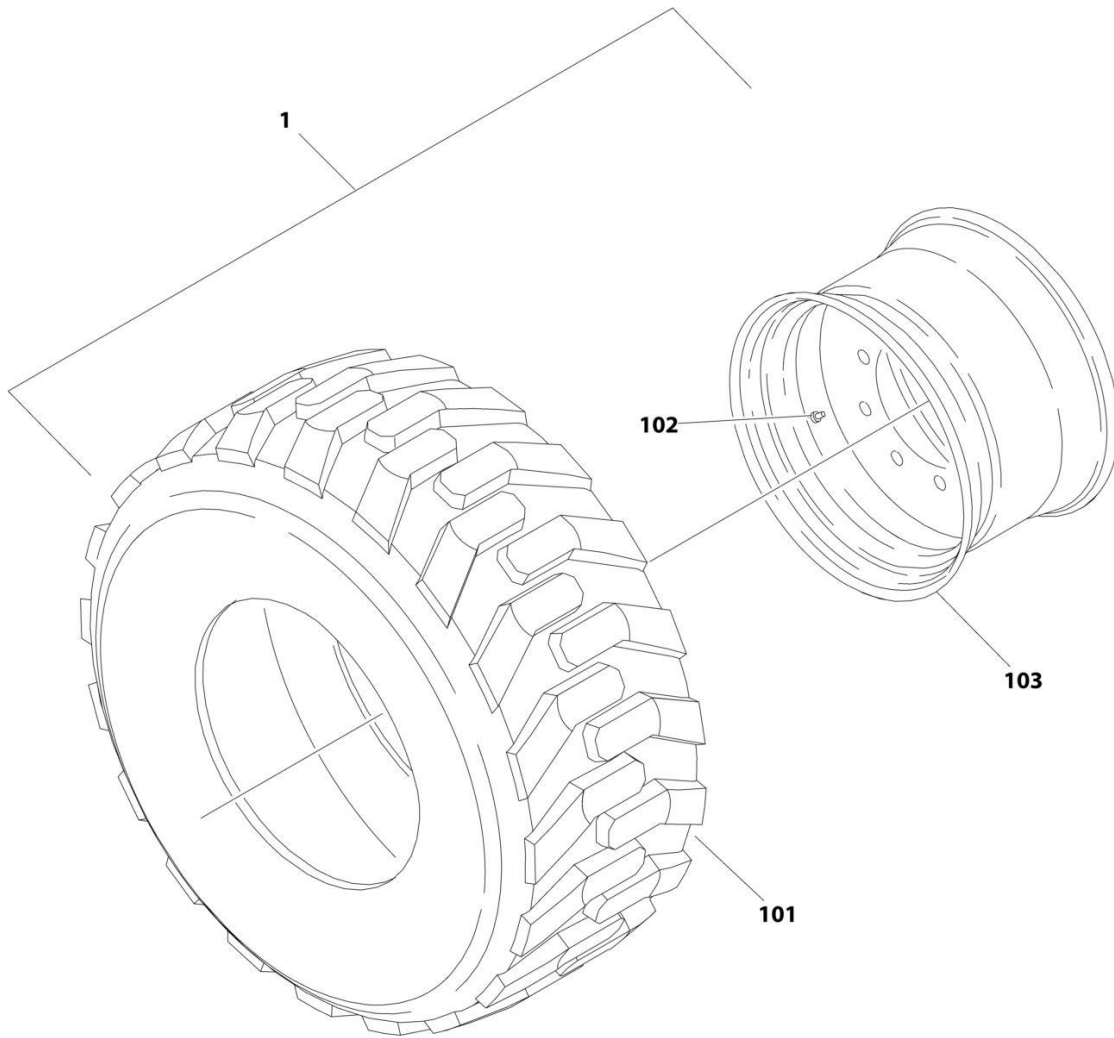
SECTION 1 - FRAME

FIGURE 1-8. TIRE AND WHEEL INSTALLATION - 33 X 12-20 SOLID NON-MARKING

| ITEM | PART NUMBER | QTY | DESCRIPTION | REV |
|------|-------------|-----|--|-----|
| | 1001169062 | Ref | TIRE AND WHEEL INSTALLATION - 33 X 12-20 SOLID NON-MARKING | A |
| | | Ref | Note: Due to critical stable weights, only replace tire and wheel assemblies with like components. | |
| 1 | 1001170098 | 2 | Tire and Wheel Assembly - 33 x 12-20 Solid Non-Marking (LH Side) | |
| 2 | 1001170099 | 2 | Tire and Wheel Assembly - 33 x 12-20 Solid Non-Marking (RH Side) | |

SECTION 1 - FRAME

FIGURE 1-9. TIRE AND WHEEL INSTALLATION - 33/1550 X 16.5 FOAM-FILLED



ART_1001169075

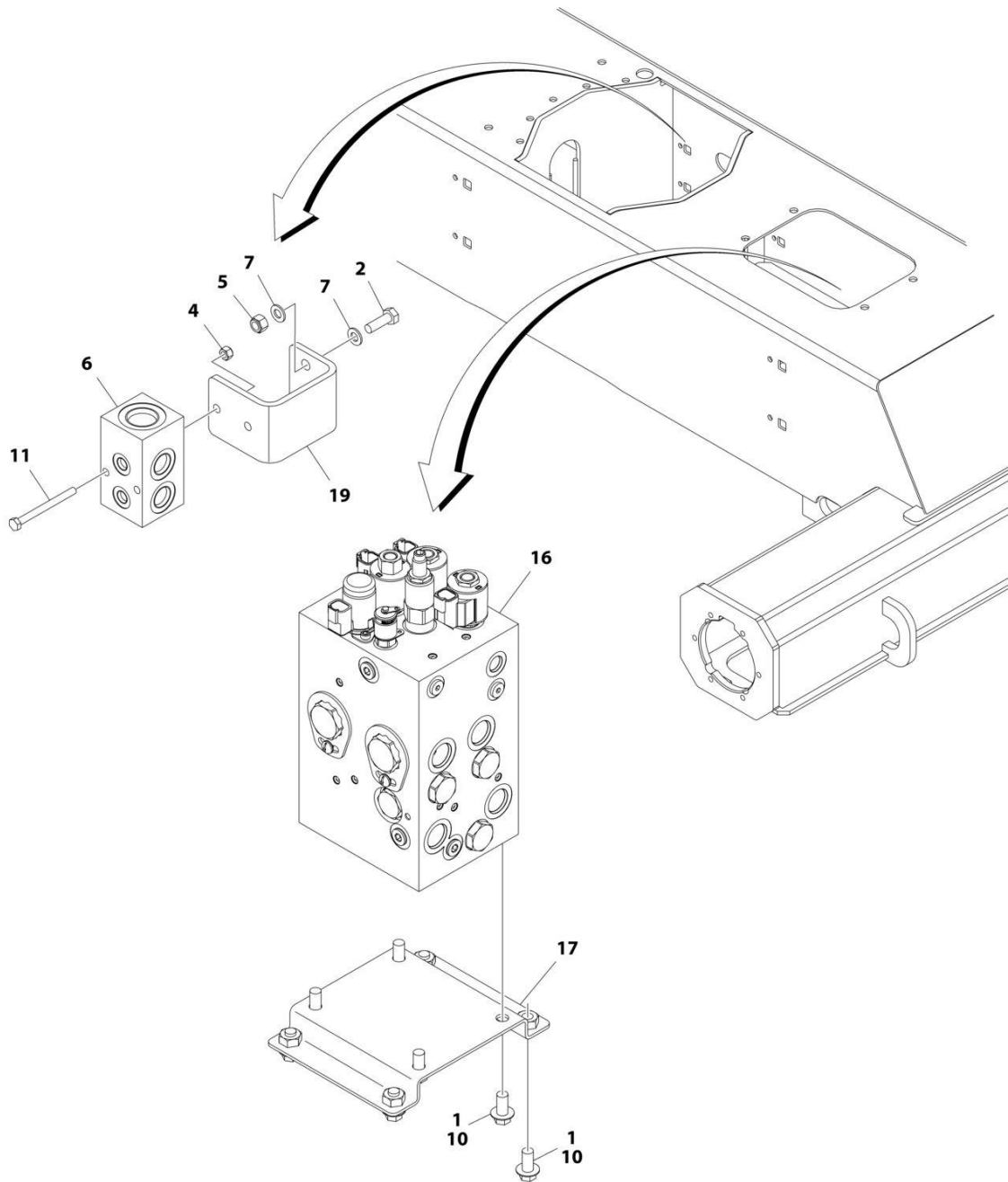
SECTION 1 - FRAME

FIGURE 1-9. TIRE AND WHEEL INSTALLATION - 33/1550 X 16.5 FOAM-FILLED

| ITEM | PART NUMBER | QTY | DESCRIPTION | REV |
|------|-------------|-----|--|-----|
| | 1001169075 | Ref | TIRE AND WHEEL INSTALLATION - 33/1550 X 16.5 FOAM-FILLED | A |
| | | Ref | Note: Assemblies may require ballast/foam filling to manufacturer's specifications prior to installing on a machine. Refer to Operation and Safety or Service and Maintenance Manuals. Purchase individual tire and/or rim only if able to foam fill tire and wheel assembly, otherwise, purchase complete assembly. | |
| 1 | 0258011 | 2 | Tire and Wheel Assembly (RH Side) | I |
| 1 | 0258012 | 2 | Tire and Wheel Assembly (LH Side) | I |
| 101 | 4520217 | 4 | Tire, 33/1550 x 16.5 | |
| 102 | 8786514 | 4 | Valve, Stem | |
| 103 | 4860179 | 4 | Rim, Wheel | |

SECTION 1 - FRAME

FIGURE 1-10. VALVES INSTALLATION - FRAME MOUNTED



ART_1001271795_10F3

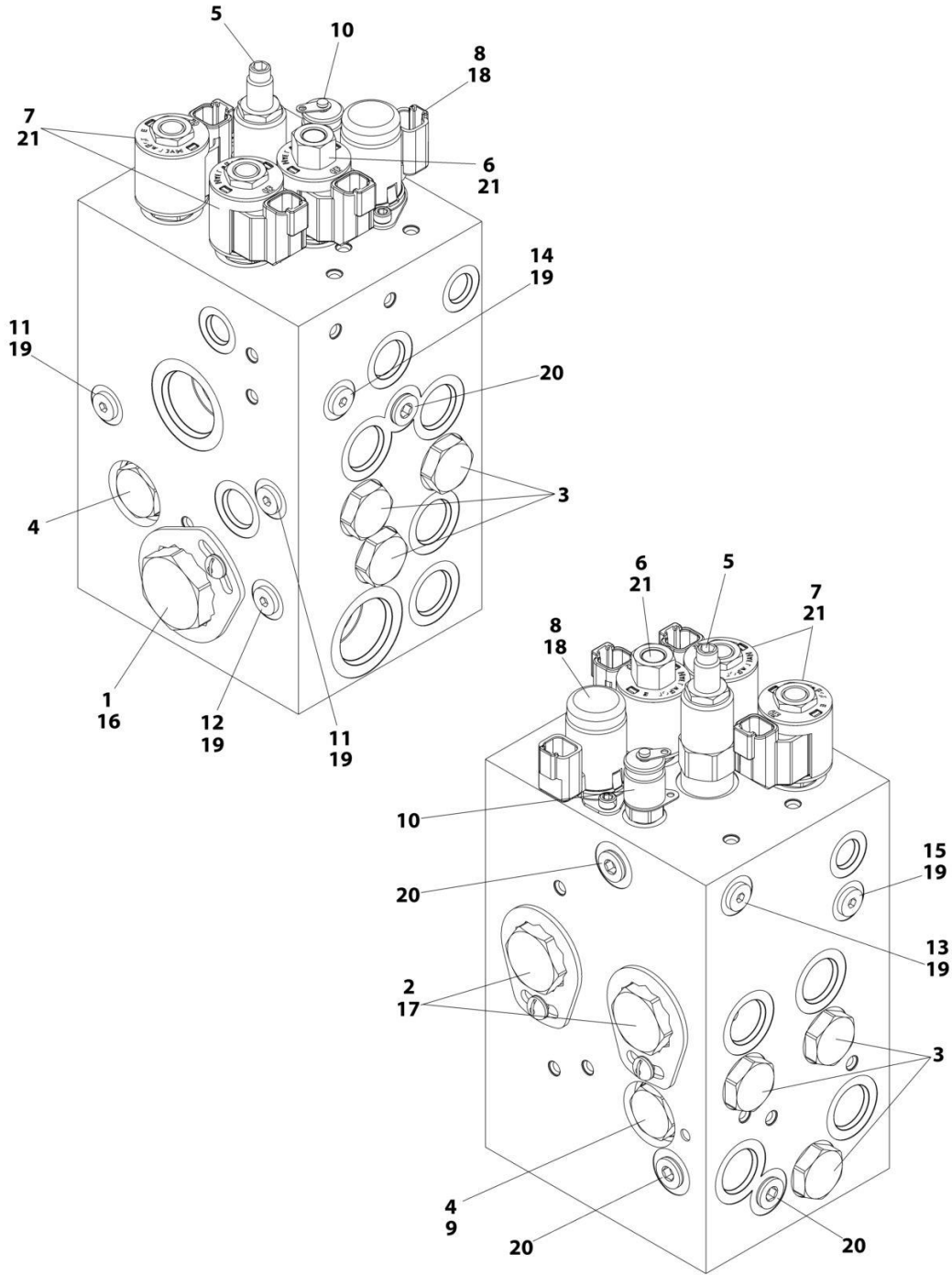
SECTION 1 - FRAME

FIGURE 1-10. VALVES INSTALLATION - FRAME MOUNTED

| ITEM | PART NUMBER | QTY | DESCRIPTION | REV |
|------|-------------|-----|--|-----|
| | 1001271795 | Ref | 4WD VALVES INSTALLATION - BOOM MOUNTED | B |
| 1 | 0100011 | AR | Compound, Locking | |
| 2 | 0760812 | 2 | Bolt M8 x 25 | |
| 4 | 3290605 | 2 | Nut M6 | |
| 5 | 3290805 | 2 | Nut M8 | |
| 6 | 4641155 | 1 | Junction Valve Assembly | |
| 7 | 4811900 | 4 | Washer M8 | |
| 10 | 5251010 | 15 | Bolt M10 x 25 | |
| 11 | 1001096653 | 2 | Bolt M6 x 70 | |
| 16 | 1001162539 | 1 | Traction Valve Assembly (See Separate Breakdown in this Section) | |
| 17 | 1001179517 | 1 | Bracket | |
| 19 | 1001197221 | 1 | Bracket | |

SECTION 1 - FRAME

FIGURE 1-11. TRACTION VALVE ASSEMBLY



ART_1001162539

SECTION 1 - FRAME

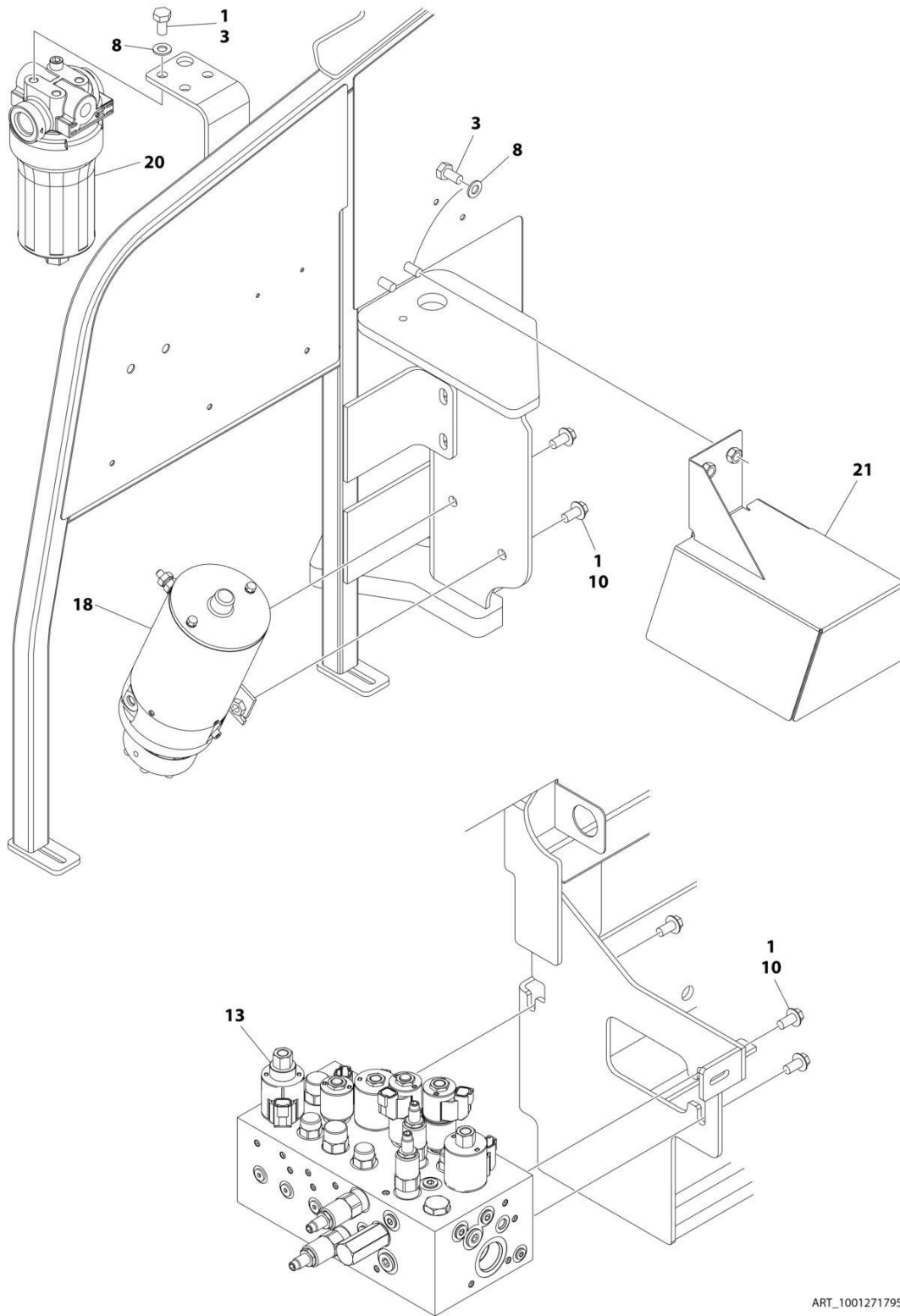
FIGURE 1-11. TRACTION VALVE ASSEMBLY

| ITEM | PART NUMBER | QTY | DESCRIPTION | REV |
|------|-------------|-----|-------------------------------|-----|
| | 1001162539 | Ref | TRACTION VALVE ASSEMBLY - 4WD | D |
| 1 | 70004017 | 1 | Cartridge, Flow Divider | |
| 1 | 7021625 | 1 | Seal Kit - 70004017 Valve | |
| 2 | 70004885 | 2 | Cartridge, Flow Divider | |
| 2 | 70004577 | 2 | Seal Kit - 70004885 Valve | |
| 3 | 7022397 | 6 | Cartridge, Check Valve | |
| 3 | 7022399 | 6 | Seal Kit - 7022397 Valve | |
| 4 | 7021639 | 2 | Cartridge, Check Valve | |
| 4 | 2900756 | 2 | Seal Kit - 7021639 Valve | |
| 5 | 70004886 | 1 | Cartridge, Relief Valve | |
| 5 | 7017496 | 1 | Seal Kit - 70004886 Valve | |
| 6 | 7017410 | 1 | Cartridge, Solenoid Less Coil | |
| 6 | 7012967 | 1 | Seal Kit - 7017410 Valve | |
| 7 | 7012974 | 2 | Cartridge, Solenoid Less Coil | |
| 7 | 7010543 | 2 | Seal Kit - 7012974 Valve | |
| 8 | 70004887 | 1 | Cartridge, Solenoid Less Coil | |
| 8 | 70023606 | 1 | Seal Kit - 70004887 Valve | |
| 8 | 7024885 | 1 | Coil | |
| 9 | 7024881 | 1 | Piston, Pilot | |
| 10 | 2221086 | 1 | Fitting, Diagnostic | |
| 11 | 70003975 | 2 | Orifice | |
| 12 | 70002209 | 1 | Orifice | |
| 13 | 70002063 | 1 | Orifice | |
| 14 | 70004884 | 1 | Orifice | |
| 15 | 70004883 | 1 | Orifice | |
| 16 | 70000781 | 1 | Locking Kit | |
| 17 | 70002962 | 2 | Locking Kit | |
| 18 | 70004888 | 2 | Screw | |
| 19 | 2220883 | 6 | Plug #4 | |
| 20 | 2220885 | 5 | Plug #6 | |
| 21 | 70002386 | 3 | Coil | |

SECTION 2 - TURNTABLE

SECTION 2 - TURNTABLE

FIGURE 2-1. VALVES INSTALLATION - TURNTABLE MOUNTED



ART_1001271795_20F3

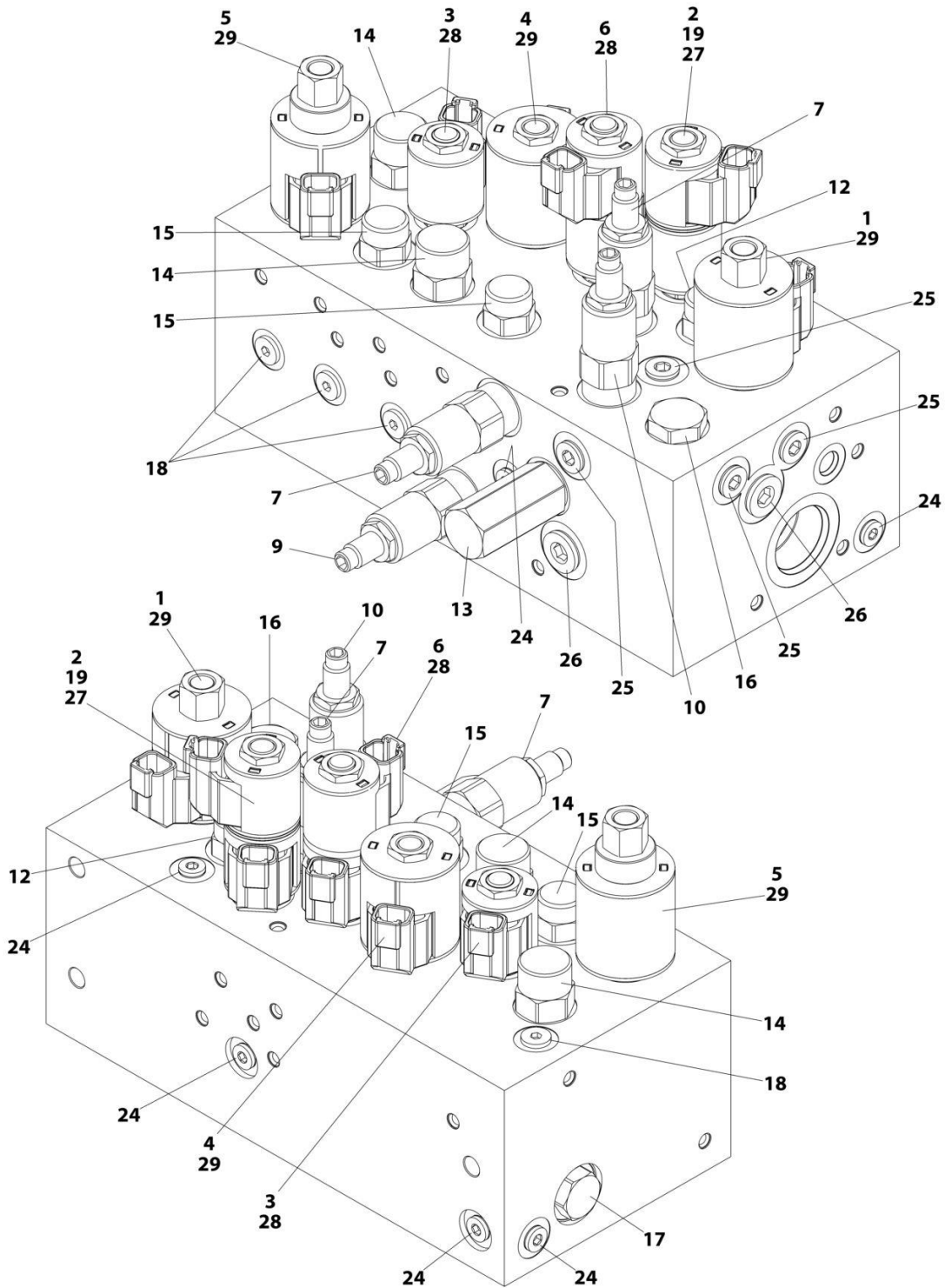
SECTION 2 - TURNTABLE

FIGURE 2-1. VALVES INSTALLATION - TURNTABLE MOUNTED

| ITEM | PART NUMBER | QTY | DESCRIPTION | REV |
|------|-------------|-----|--|-----|
| | 1001271795 | Ref | 4WD VALVES INSTALLATION - BOOM MOUNTED | B |
| 1 | 0100011 | AR | Compound, Locking | |
| 3 | 0761010 | 5 | Bolt M10 x 20 | |
| 8 | 4812000 | 5 | Washer M10 | |
| 10 | 5251010 | 15 | Bolt M10 x 25 | |
| 13 | 1001162534 | 1 | Main Valve Assembly (See Separate Breakdown in this Section) | |
| 18 | 1001185821 | 1 | Auxiliary Pump Assembly (See Separate Breakdown in this Section) | |
| 20 | 1001208874 | 1 | Filter, Charge Pump | |
| 20 | 70010383 | 1 | Element, Filter (Includes O-Ring) | |
| 21 | 1001265186 | 1 | Cover | |

SECTION 2 - TURNTABLE

FIGURE 2-2. MAIN VALVE ASSEMBLY



ART_1001162534

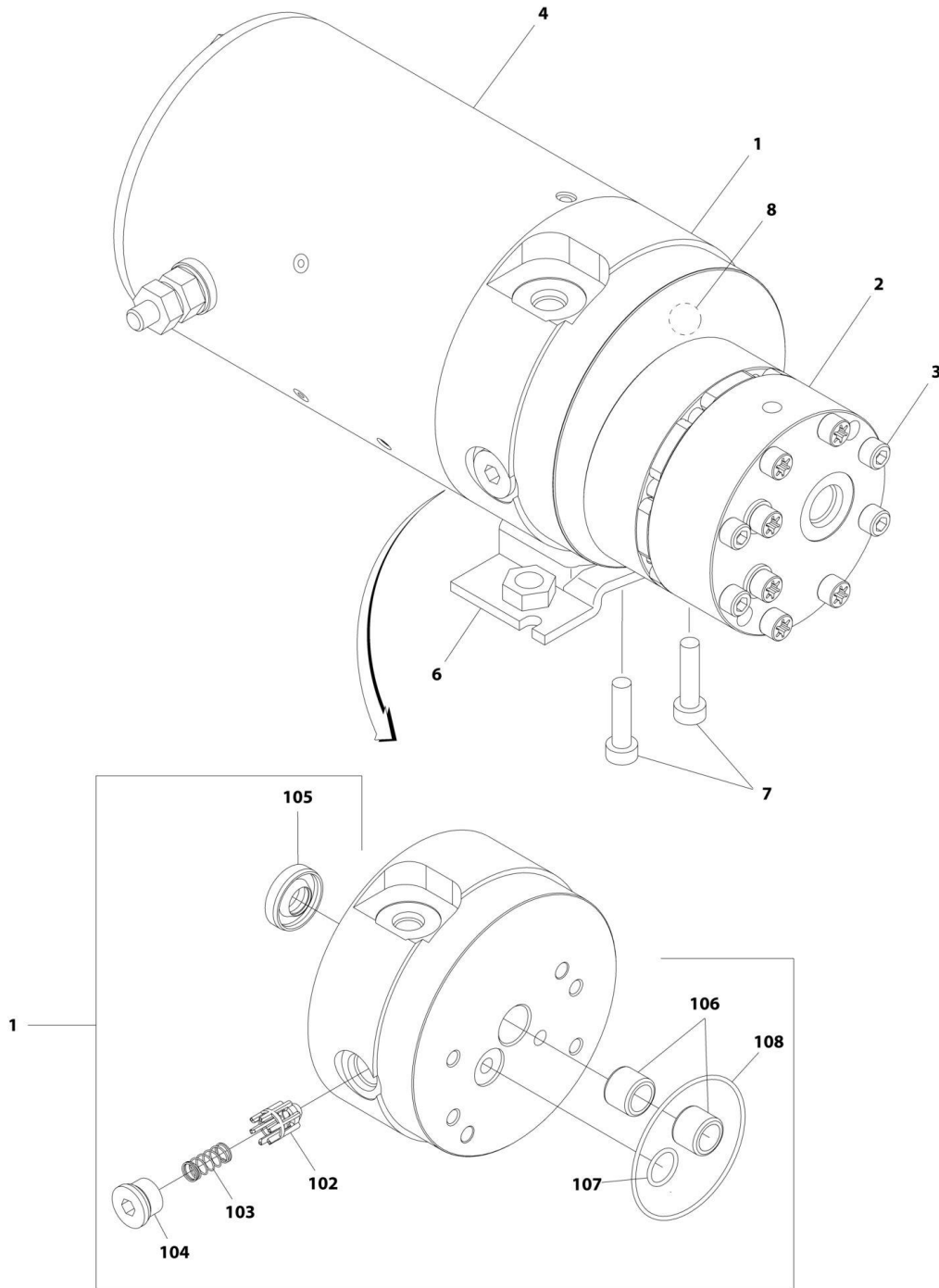
SECTION 2 - TURNTABLE

FIGURE 2-2. MAIN VALVE ASSEMBLY

| ITEM | PART NUMBER | QTY | DESCRIPTION | REV |
|------|-------------|-----|--|-----|
| | 1001162534 | Ref | MAIN VALVE ASSEMBLY | F |
| 1 | 70005069 | 1 | Cartridge, Solenoid Less Coil (Main Dump) | |
| 1 | 7022399 | 1 | Seal Kit - 70005069 Valve | |
| 1 | 70003977 | 1 | Nut, Coil | |
| 2 | 70005217 | 1 | Cartridge, Solenoid Less Coil (Steer) | |
| 2 | 70005071 | 1 | Seal Kit - 70005217 Valve | |
| 2 | 7022390 | 1 | Nut, Coil | |
| 3 | 70005094 | 1 | Cartridge, Solenoid Less Coil (Main Lift Up) | |
| 3 | 7023936 | 1 | Seal Kit - 70005094 Valve | |
| 3 | 7022390 | 1 | Nut, Coil | |
| 4 | 70005076 | 1 | Cartridge, Solenoid Less Coil (Tower Lift Up) | |
| 4 | 7022399 | 1 | Seal Kit - 70005076 Valve | |
| 4 | 7022390 | 1 | Nut, Coil | |
| 5 | 70005095 | 1 | Cartridge, Solenoid Less Coil (Flow Control) | |
| 5 | 7022399 | 1 | Seal Kit - 70005095 Valve | |
| 5 | 70003977 | 1 | Nut, Coil | |
| 6 | 70005096 | 1 | Cartridge, Solenoid Less Coil (Swing) | |
| 6 | 70005071 | 1 | Seal Kit - 70005096 Valve | |
| 7 | 70005097 | 1 | Cartridge, Solenoid Less Coil | |
| 7 | 70005082 | 2 | Seal Kit - 70005097 Valve | |
| 9 | 70005098 | 1 | Cartridge, Relief Valve | |
| 9 | 7023936 | 1 | Seal Kit - 70005098 Valve | |
| 10 | 70005080 | 1 | Cartridge, Relief Valve | |
| 10 | 7022399 | 1 | Seal Kit - 70005080 Valve | |
| 12 | 70005218 | 1 | Cartridge, Valve | |
| 12 | 70005082 | 1 | Seal Kit - 70005218 Valve | |
| 13 | 70005084 | 1 | Cartridge, Valve | |
| 13 | 70005085 | 1 | Seal Kit - 70005084 Valve | |
| 14 | 70005099 | 2 | Cartridge, Valve | |
| 14 | 70005087 | 2 | Seal Kit - 70005099 Valve | |
| 15 | 70005088 | 2 | Cartridge, Valve | |
| 15 | 7023900 | 2 | Seal Kit - 70005088 Valve | |
| 16 | 70005100 | 1 | Cartridge, Check Valve | |
| 16 | 7022399 | 1 | Seal Kit - 70005100 Valve | |
| 17 | 70005089 | 1 | Cartridge, Check Valve | |
| 17 | 7023936 | 1 | Seal Kit - 70005089 Valve | |
| 18 | 70005090 | 5 | Cartridge, Check Valve | |
| 18 | 70005092 | 5 | Seal Kit - 70005092 Valve | |
| 19 | See Note | 1 | Disc, Check Valve (Note: Not Available for Purchase) | |
| 24 | 91164059 | 7 | Plug | |
| 25 | 91164079 | 4 | Plug | |
| 26 | 91164057 | 2 | Plug | |
| 27 | 70005219 | 2 | Coil | |
| 28 | 70002386 | 3 | Coil | |
| 29 | 70003788 | 3 | Coil | |

SECTION 2 - TURNTABLE

FIGURE 2-3. AUXILIARY PUMP ASSEMBLY



ART_1001185821

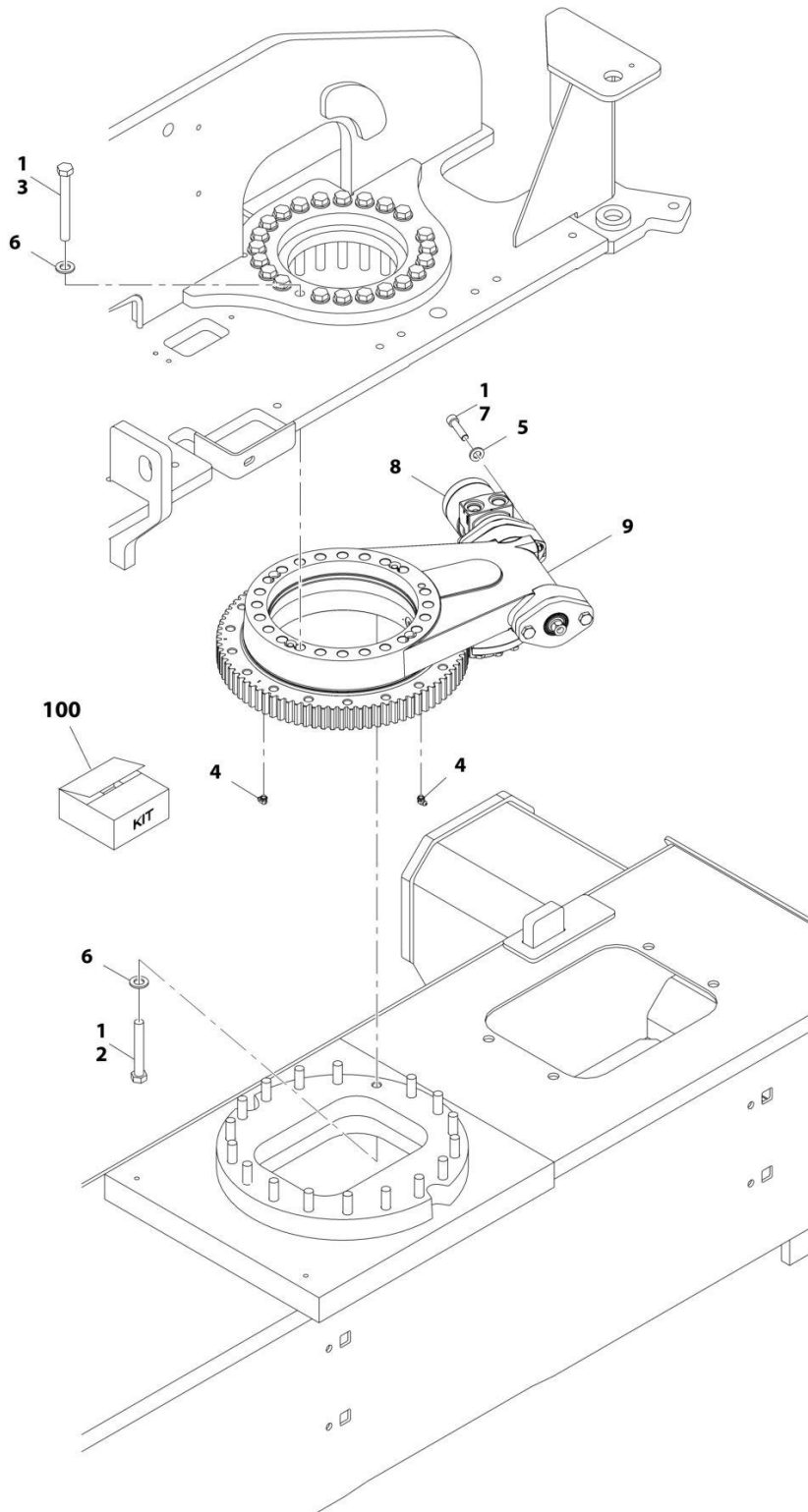
SECTION 2 - TURNTABLE

FIGURE 2-3. AUXILIARY PUMP ASSEMBLY

| ITEM | PART NUMBER | QTY | DESCRIPTION | REV |
|------|-------------|-----|--|-----|
| | 1001185821 | Ref | AUXILIARY PUMP ASSEMBLY | B |
| 1 | 70005065 | 1 | Base Assembly (See Items 102-108 for Breakdown) | |
| 2 | 70005066 | 1 | Pump Assembly (Note: No Seal Kit or Internal Components are Available - Purchase Complete Pump Assembly) | |
| 3 | 70005067 | 4 | Capscrew 1/4 x 2-3/4 | |
| 4 | 70004013 | 1 | Motor Assembly (Note: No Internal Components are Available - Purchase Complete Motor Assembly) | |
| 6 | 70004014 | 1 | Bracket | |
| 7 | 70004000 | 2 | Capscrew 3/8 x 1 | |
| 8 | 70005068 | 1 | Relief Valve Assembly | |
| | 70005065 | Ref | BASE ASSEMBLY | |
| 102 | See Note | NSS | Poppet, Check (Note: Use p/n 70005065) | |
| 103 | See Note | NSS | Spring (Note: Use p/n 70005065) | |
| 104 | See Note | NSS | Plug (Note: Use p/n 70005065) | |
| 105 | 7026330 | 1 | Seal, Shaft | |
| 106 | 70005139 | 2 | Bearing | |
| 107 | 70003612 | 1 | O-Ring | |
| 108 | 70004267 | 1 | O-Ring | |

SECTION 2 - TURNTABLE

FIGURE 2-4. SWING DRIVE AND TURNTABLE BEARING INSTALLATION



ART_1001165946

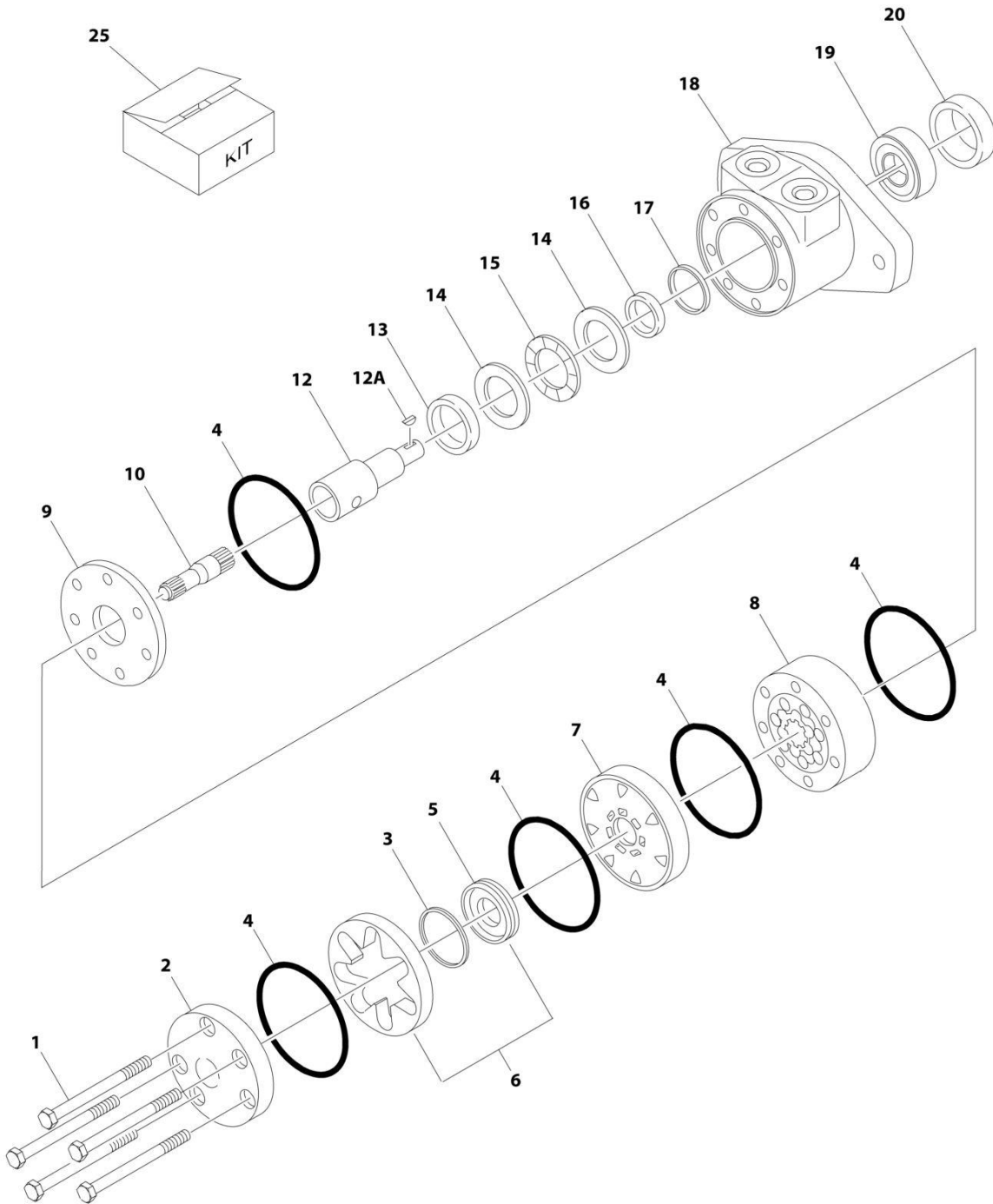
SECTION 2 - TURNTABLE

FIGURE 2-4. SWING DRIVE AND TURNTABLE BEARING INSTALLATION

| ITEM | PART NUMBER | QTY | DESCRIPTION | REV |
|------|-------------|-----|---|-----|
| | 1001165946 | Ref | SWING DRIVE AND TURNTABLE BEARING INSTALLATION | B |
| 1 | 0100019 | AR | Compound, Locking | |
| 2 | 0711628 | 18 | Bolt M16 x 110 Grade 10.9 | |
| 3 | 0711631 | 23 | Bolt M16 x 140 | |
| 4 | 2160001 | 2 | Fitting, Grease 90 | |
| 5 | 5241200 | 2 | Washer M12 | |
| 6 | 5241600 | 41 | Washer M16 | |
| 7 | 5272114 | 2 | Capscrew M12 x 50 Grade 12.9 | |
| 8 | 1001104850 | 1 | Swing Motor Assembly (See Separate Breakdown in this Section) | |
| 9 | 1001133972 | 1 | Turntable Bearing Assembly (See Separate Breakdown in this Section) | |
| 100 | 1001206436 | 1 | Turntable Bearing Kit (Includes Items 2-7 & 9) | |

SECTION 2 - TURNTABLE

FIGURE 2-5. SWING MOTOR ASSEMBLY



ART_1001104850

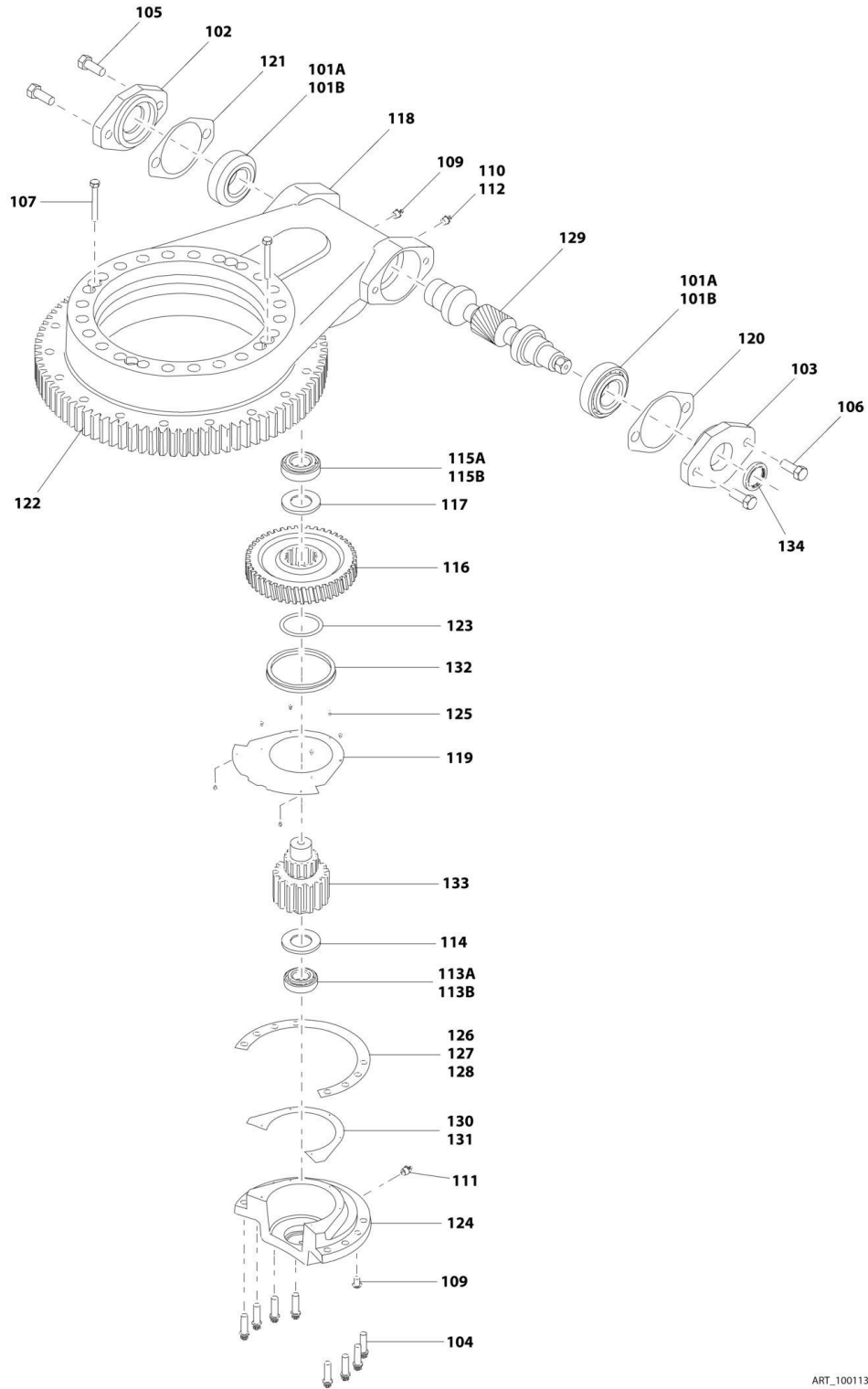
SECTION 2 - TURNTABLE

FIGURE 2-5. SWING MOTOR ASSEMBLY

| ITEM | PART NUMBER | QTY | DESCRIPTION | REV |
|------|-------------|-----|---|-----|
| | 1001104850 | Ref | SWING MOTOR ASSEMBLY | A |
| 1 | See Note | 5 | Bolt (Note: Not Available for Purchase) | |
| 2 | 7004035 | 1 | Cover, End | |
| 3 | 7023318 | 1 | Seal, Commutator | |
| 4 | 7004036 | 5 | O-Ring | |
| 5 | See Note | NSS | Commutator (Note: Use Item 6) | |
| 6 | 7024453 | 1 | Commutator and Ring Assembly (Includes Item 5) | |
| 7 | 7024379 | 1 | Manifold | |
| 8 | 70002206 | 1 | Rotor Set | |
| 9 | 7024380 | 1 | Plate, Wear | |
| 10 | 70002207 | 1 | Link, Drive | |
| 12 | 70000088 | 1 | Shaft, Coupling | |
| 12A | 70000089 | 1 | Key | |
| 13 | 7024381 | 1 | Bushing, Inner | |
| 14 | 7004043 | 1 | Thrustwasher | |
| 15 | 7004044 | 1 | Bearing, Thrust | |
| 16 | 7004049 | 1 | Seal, Inner Shaft | |
| 17 | 7004045 | 1 | Ring, Back-up | |
| 18 | See Note | NSS | Housing (Note: Not Available - Purchase Complete Motor) | |
| 19 | 7024390 | 1 | Bearing | |
| 20 | 7004047 | 1 | Seal, Outer Shaft | |
| 25 | 7024389 | 1 | Seal Kit (Includes Items 3, 4, 16, 17 & 20) | |

SECTION 2 - TURNTABLE

FIGURE 2-6. TURNTABLE BEARING ASSEMBLY



ART_1001133972

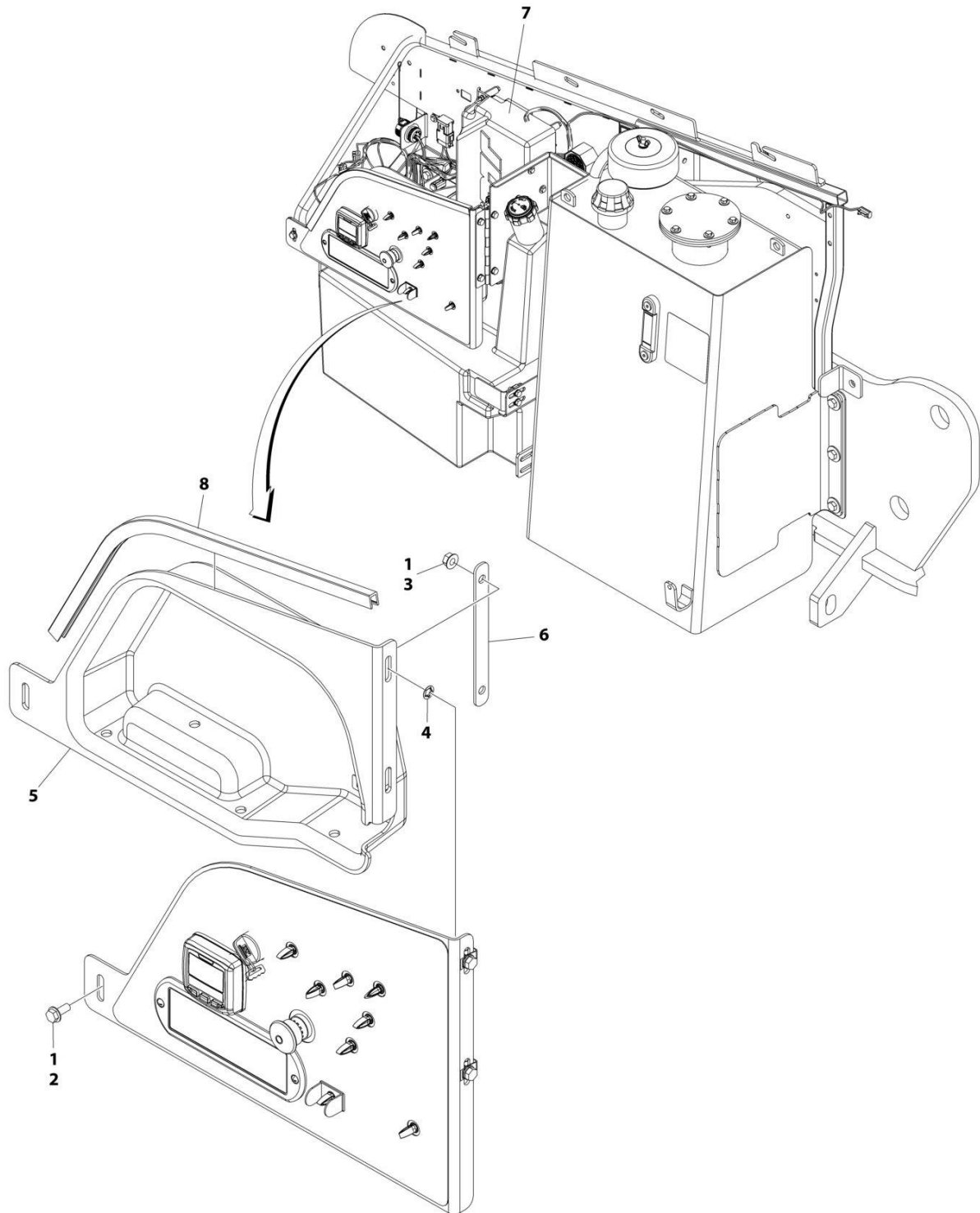
SECTION 2 - TURNTABLE

FIGURE 2-6. TURNTABLE BEARING ASSEMBLY

| ITEM | PART NUMBER | QTY | DESCRIPTION | REV |
|------|-------------|-----|--|-----|
| | 1001133972 | Ref | TURNTABLE BEARING ASSEMBLY | D |
| 101A | 7026042 | 2 | Cup, Bearing | |
| 101B | 7026043 | 2 | Cone, Bearing | |
| 102 | 7027356 | 1 | Adapter, Motor | |
| 103 | 7027354 | 1 | Cap, Worm | |
| 104 | 70004249 | 8 | Bolt M10 x 35 Grade 10.9 | |
| 105 | 70004250 | 2 | Bolt M12 x 30 Grade 10.9 | |
| 106 | 70004251 | 2 | Bolt M12 x 40 Grade 10.9 | |
| 107 | 70004252 | 2 | Bolt M8 x 65mm | |
| 109 | 70000865 | 1 | Plug | |
| 110 | 70002649 | 1 | Vent, Pressure | |
| 111 | 70002651 | 1 | Fitting, Grease | |
| 112 | 7026044 | 1 | Bushing, Reducer | |
| 113A | 7026045 | 1 | Cup, Bearing | |
| 113B | 7026047 | 1 | Cone, Bearing | |
| 114 | 7026046 | 1 | Ring, Grease | |
| 115A | 7026048 | 1 | Cup, Bearing | |
| 115B | 7026049 | 1 | Cone, Bearing | |
| 116 | 7026050 | 1 | Worm-Gear | |
| 117 | 7026052 | 1 | Spacer, Washer | |
| 118 | See Note | 1 | Housing (Note: Not Available - Purchase Complete Assembly) | |
| 119 | 7026053 | 1 | Cover, Gear | |
| 120 | 7027350 | AR | Shim, Blue (.005in) | |
| 120 | 7027351 | AR | Shim, Clear (.0075in) | |
| 120 | 7027352 | AR | Shim, Brown (.010in) | |
| 121 | 7027353 | | Shim, Yellow (.020in) | |
| 122 | 70004253 | 1 | Bearing, Turntable | |
| 123 | 70004254 | 1 | O-Ring | |
| 124 | 70004255 | 1 | Cap, Gear | |
| 125 | 70004256 | 8 | Bolt M4 x 8 | |
| 126 | 70004257 | AR | Shim, Green (.003) | |
| 127 | 70004258 | AR | Shim, Blue (.005) | |
| 128 | 70004259 | AR | Shim, Natural (.0075) | |
| 129 | 7026057 | 1 | Gear, Worm | |
| 130 | 70004260 | AR | Shim, Blue (.005) | |
| 131 | 70004261 | AR | Shim, Yellow (.020) | |
| 132 | 70004262 | 1 | Seal, Oil | |
| 133 | 7026051 | 1 | Pinion, Output | |
| 134 | 70004263 | 1 | Seal, Oil | |

SECTION 2 - TURNTABLE

FIGURE 2-7. TURNTABLE COVERS INSTALLATION



ART_1001219129

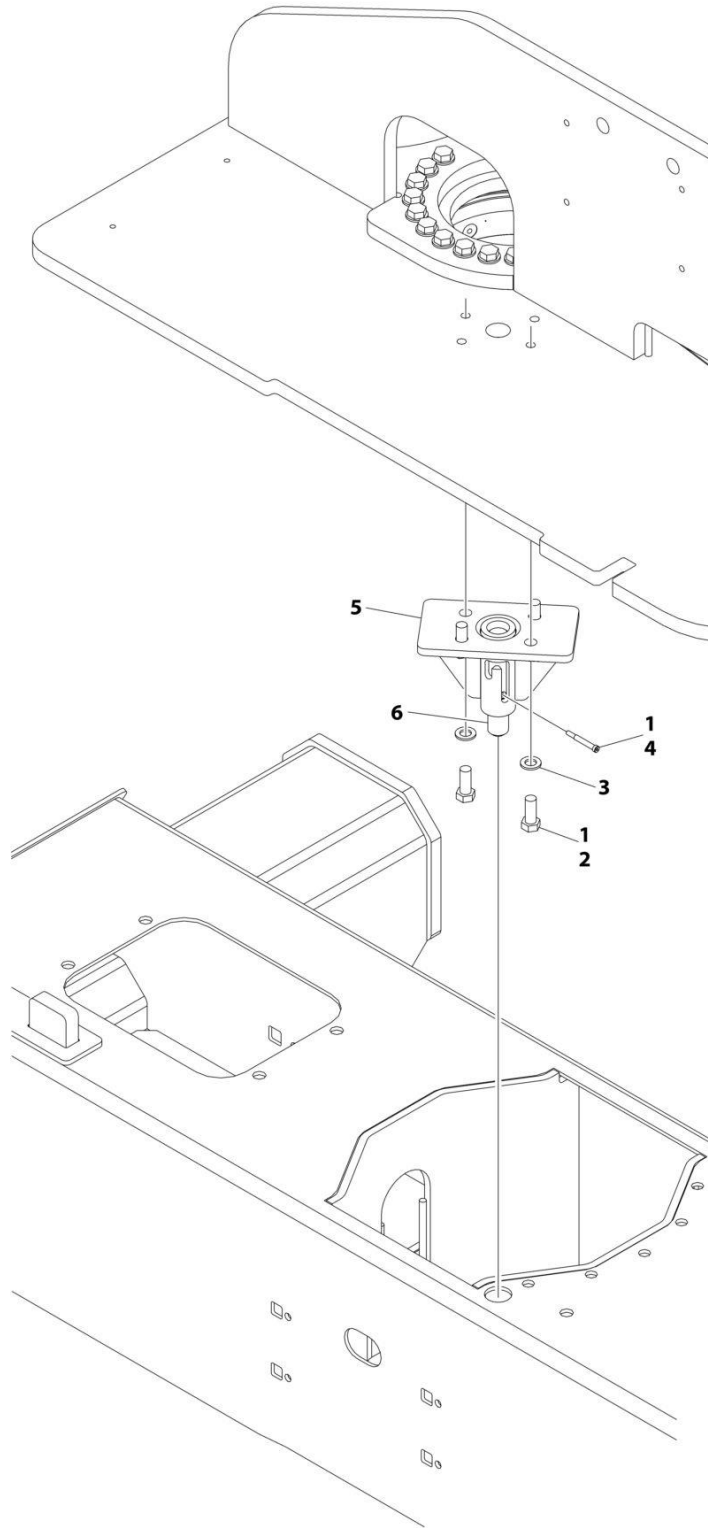
SECTION 2 - TURNTABLE

FIGURE 2-7. TURNTABLE COVERS INSTALLATION

| ITEM | PART NUMBER | QTY | DESCRIPTION | REV |
|------|-------------|-----------|-------------------------------|-----|
| | 1001219129 | Ref | TURNTABLE COVERS INSTALLATION | A |
| 1 | 0100011 | AR | Compound, Locking | |
| 2 | 5250812 | 1 | Bolt M8 x 25 | |
| 3 | 5260800 | 2 | Nut M8 | |
| 4 | 1001119228 | 2 | Nut M8 | |
| 5 | 1001218533 | 1 | Cover | |
| 6 | 1001218535 | 1 | Plate, Mounting | |
| 7 | 1001218537 | 1 | Cover | |
| 8 | 4060806 | 2 ft/0.6m | Shield, Flex | |

SECTION 2 - TURNTABLE

FIGURE 2-8. TURNTABLE LOCK INSTALLATION



ART_1001275935

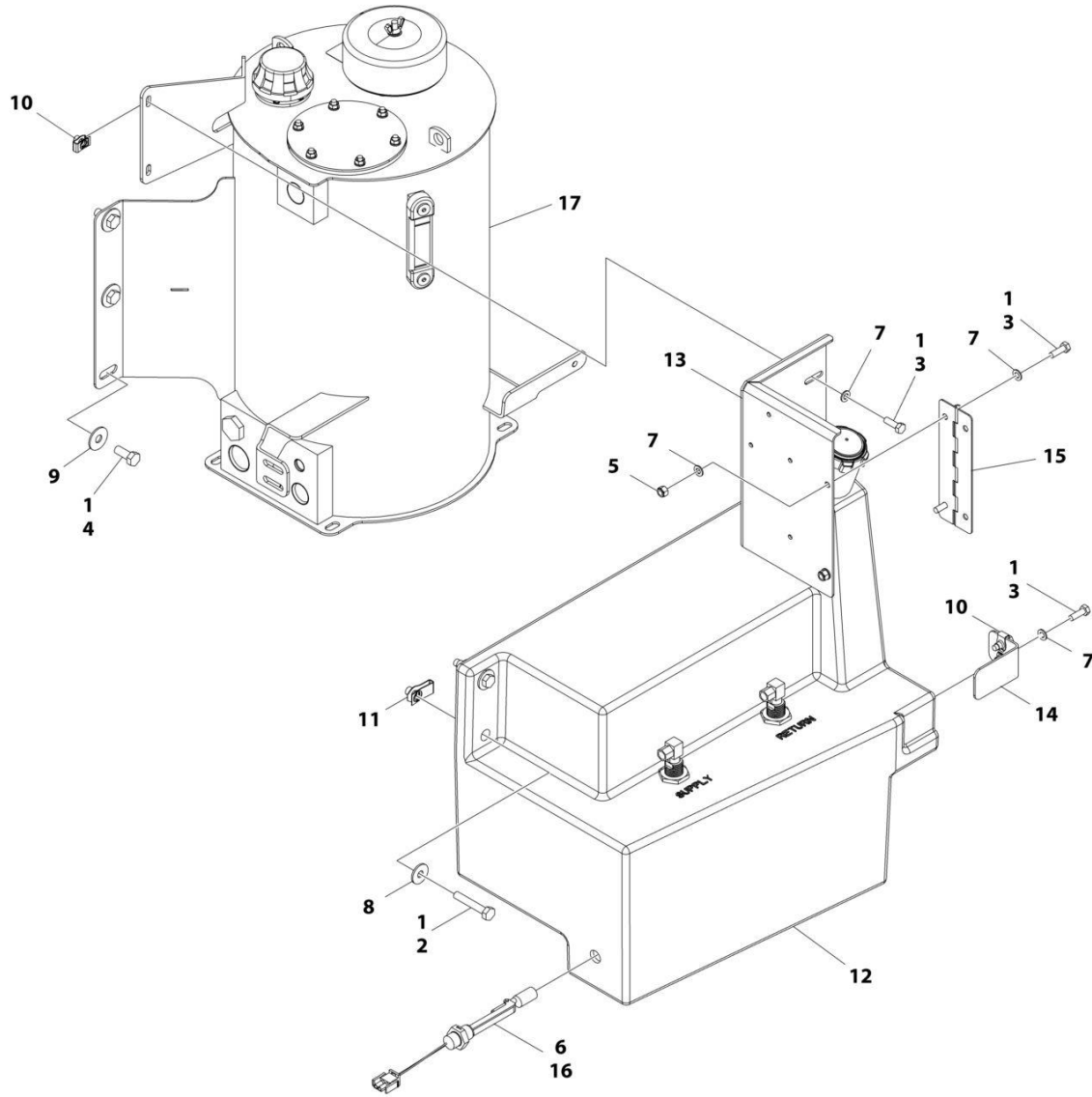
SECTION 2 - TURNTABLE

FIGURE 2-8. TURNTABLE LOCK INSTALLATION

| ITEM | PART NUMBER | QTY | DESCRIPTION | REV |
|-------------|--------------------|------------|----------------------------------|------------|
| | 1001275935 | Ref | TURNTABLE LOCK INSTALLATION | A |
| 1 | 0100011 | AR | Compound, Locking | |
| 2 | 0701616 | 4 | Bolt M16 x 40 | |
| 3 | 4812300 | 4 | Washer M16 | |
| 4 | 1001157466 | 1 | Bolt M10 x 30 | |
| 5 | 1001177821 | 1 | Support, Lock | |
| 6 | 1001177834 | 1 | Pin, Lock | |
| 7 | 1001275936 | 1 | Decal - Lift Diagram (Not Shown) | |

SECTION 2 - TURNTABLE

FIGURE 2-9. TANKS INSTALLATION



ART_1001207347

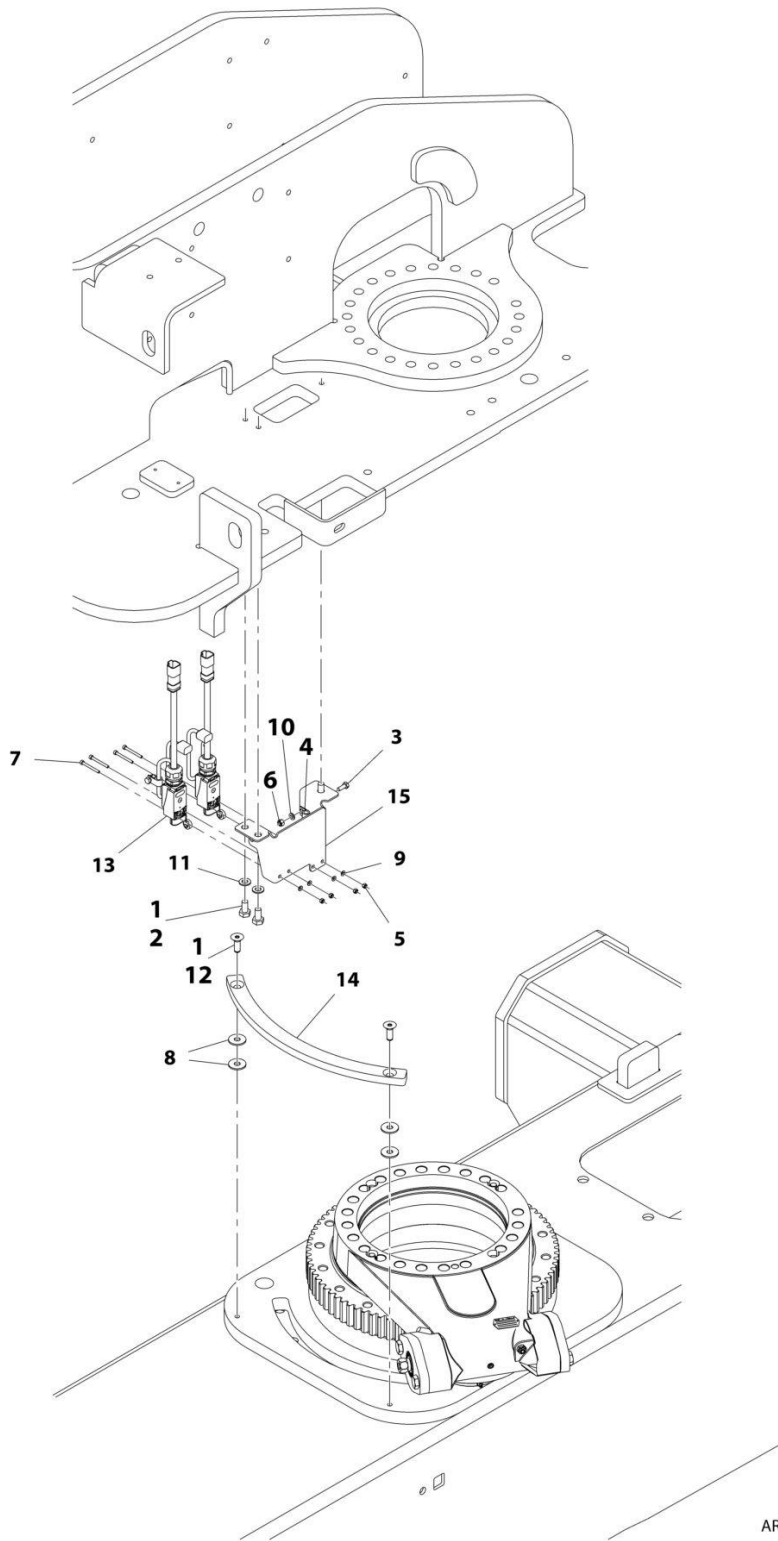
SECTION 2 - TURNTABLE

FIGURE 2-9. TANKS INSTALLATION

| ITEM | PART NUMBER | QTY | DESCRIPTION | REV |
|------|-------------|-----|--|-----|
| | 1001207347 | Ref | TANKS INSTALLATION - DIESEL MACHINES | B |
| 1 | 0100011 | AR | Compound, Locking | |
| 2 | 0701020 | 2 | Bolt M10 x 60 | |
| 3 | 0760812 | 6 | Bolt M8 x 25 | |
| 4 | 0761214 | 6 | Bolt M12 x 30 | |
| 5 | 3290805 | 2 | Nut M8 | |
| 6 | 4360436 | 1 | Switch, Fuel Level | |
| 6 | 4460320 | 1 | Plug, Male - 2 Position | |
| 6 | 4460267 | 1 | Pin, Male | |
| 7 | 4811900 | 8 | Washer M8 | |
| 8 | 4812002 | 2 | Washer M10 | |
| 9 | 4812102 | 6 | Washer M12 | |
| 10 | 1001118274 | 4 | Nut M8 | |
| 11 | 1001118972 | 2 | Nut M10 | |
| 12 | 1001163061 | 1 | Fuel Tank Assembly | |
| 12 | 1001193336 | 1 | Cap, Fuel | |
| 12 | 70004876 | 2 | Tube, Pick-up | |
| 12 | 0100020 | AR | Compound, Locking | |
| 13 | 1001169898 | 1 | Support, Ground Control | |
| 14 | 1001170480 | 1 | Support, Tank | |
| 15 | 1001179339 | 1 | Hinge | |
| 16 | 1001182997 | AR | Adhesive | |
| 17 | 1001206916 | 1 | Hydraulic Tank Assembly | |
| 17 | 70003614 | 1 | Filter Kit (Includes Hydraulic Element, Breather Element and Gasket) | |
| 17 | 70002838 | 1 | Fill Cap Assembly (Includes Cap, Chain and Fill Basket) | |
| 17 | 7024441 | 1 | Gauge, Sight | |
| 17 | 70002112 | 1 | Plug, Drain | |

SECTION 2 - TURNTABLE

FIGURE 2-10. DRIVE ORIENTATION INSTALLATION



ART_1001166767

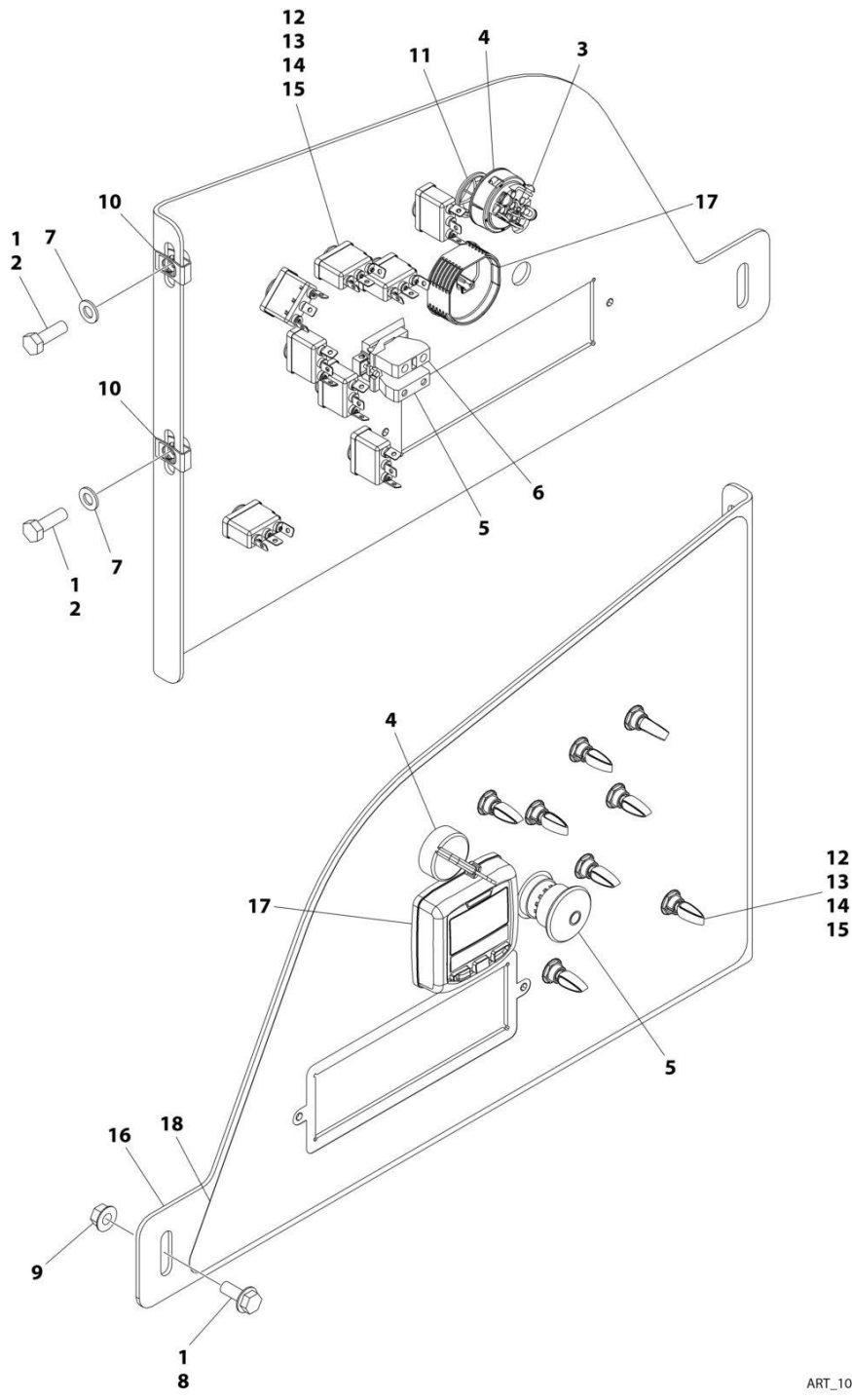
SECTION 2 - TURNTABLE

FIGURE 2-10. DRIVE ORIENTATION INSTALLATION

| ITEM | PART NUMBER | QTY | DESCRIPTION | REV |
|------|-------------|-----|---------------------------------|-----|
| | 1001166767 | Ref | DRIVE ORIENTATION INSTALLATION | F |
| 1 | 0100011 | AR | Compound, Locking | |
| 2 | 0761010 | 3 | Bolt M10 x 20 | |
| 3 | 0760608 | 2 | Bolt M6 x 16 | |
| 4 | 1321293 | 2 | Clamp, Cable | |
| 5 | 3290405 | 4 | Nut M4 | |
| 6 | 3290605 | 2 | Nut M6 | |
| 7 | 4031512 | 4 | Capscrew M4 x 40 | |
| 8 | 4812002 | 4 | Washer M10 | |
| 9 | 4811400 | 4 | Washer M4 | |
| 10 | 4811700 | 2 | Washer M6 | |
| 11 | 4812000 | 3 | Washer M10 | |
| 12 | 8310614 | 2 | Screw M10 x 30 | |
| 13 | 1001119176 | 2 | Switch, Limit | |
| 13 | 1001129407 | 1 | Receptacle, Female - 4 Position | |
| 13 | 4460464 | 4 | Pin, Male | |
| 14 | 1001162106 | 1 | Cam | |
| 15 | 1001166768 | 1 | Bracket | |
| 16 | 8881800 | AR | Tie-Strap (Not Shown) | |

SECTION 2 - TURNTABLE

FIGURE 2-11. GROUND CONTROL ASSEMBLY (ANSI EXPORT AND AUSTRALIAN SPECS)



ART_1001246450

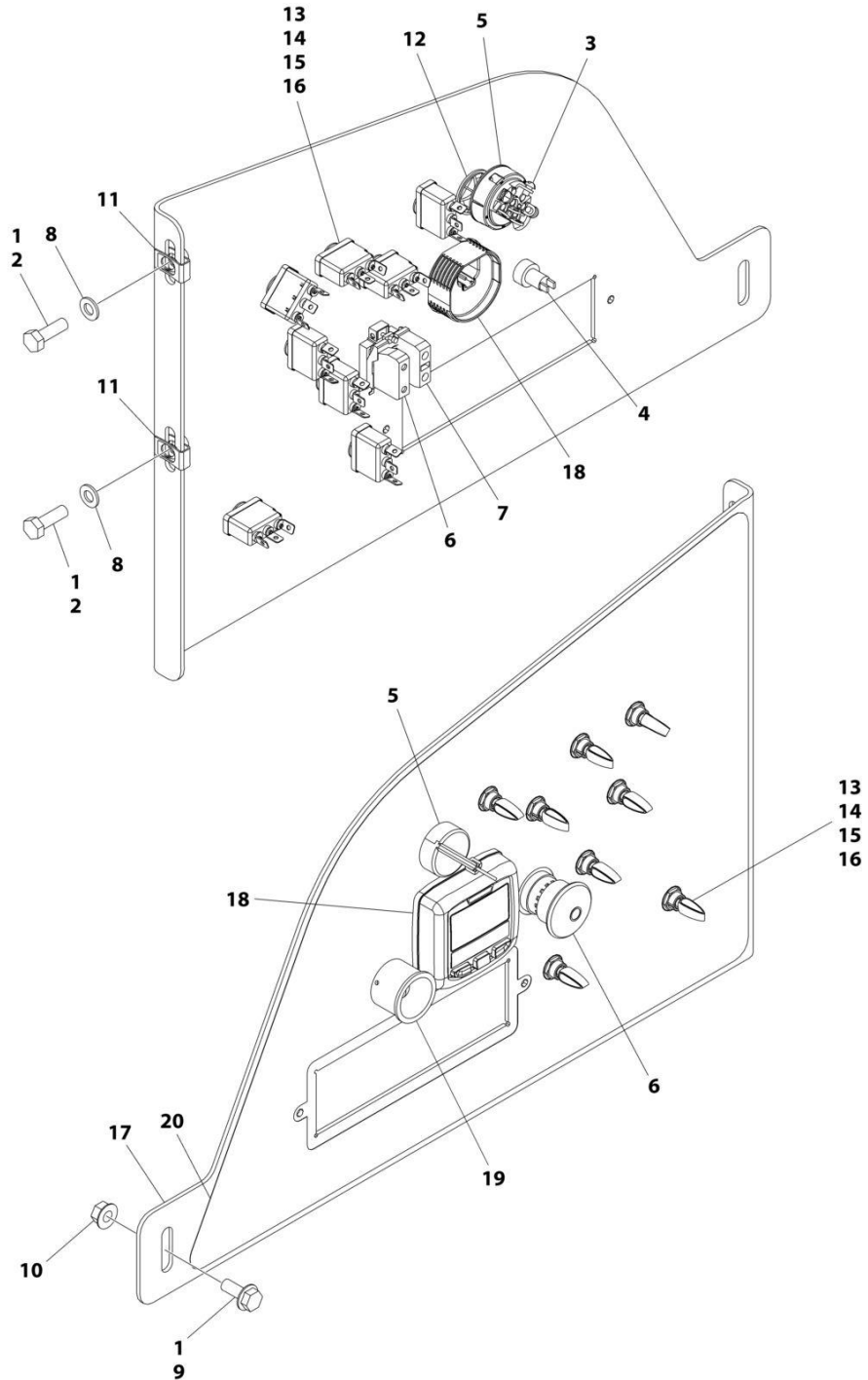
SECTION 2 - TURNTABLE

FIGURE 2-11. GROUND CONTROL ASSEMBLY (ANSI EXPORT AND AUSTRALIAN SPECS)

| ITEM | PART NUMBER | QTY | DESCRIPTION | REV |
|------|-------------|-----|-------------------------|-----|
| | 1001246450 | Ref | GROUND CONTROL ASSEMBLY | B |
| 1 | 0100011 | AR | Compound, Locking | |
| 2 | 0760812 | 2 | Bolt M8 x 25 | |
| 3 | 3910804 | 3 | Screw M8 x 1/4 | |
| 4 | 4360469 | 1 | Switch, Key | |
| 4 | 2860030 | 1 | Key, Replacement | |
| 5 | 4360475 | 1 | Switch, Emergency | |
| 5 | 7020175 | 1 | Cap | |
| 5 | 7020176 | 1 | Block, Contact | |
| 6 | 4360476 | 1 | Block, Contact | |
| 7 | 4811900 | 2 | Washer M8 | |
| 8 | 5250810 | 1 | Bolt M8 x 20 | |
| 9 | 5260800 | 1 | Nut M8 | |
| 10 | 1001118274 | 2 | Nut M8 | |
| 11 | 1001151393 | 1 | Shim .063 | |
| 12 | 1001155043 | 8 | Washer | |
| 13 | 1001155044 | 8 | Nut, Special 15/32-32 | |
| 14 | 1001155045 | 8 | Switch, Toggle | |
| 15 | 1001162807 | 8 | Washer | |
| 16 | 1001264735 | 1 | Panel, Ground Control | |
| 17 | 1001171482 | 1 | Gauge, Display | |
| 18 | 1001264733 | 1 | Decal - Ground Control | |

SECTION 2 - TURNTABLE

FIGURE 2-12. GROUND CONTROL ASSEMBLY (CE(LRC) & RUSSIA SPECS)



ART_1001246451

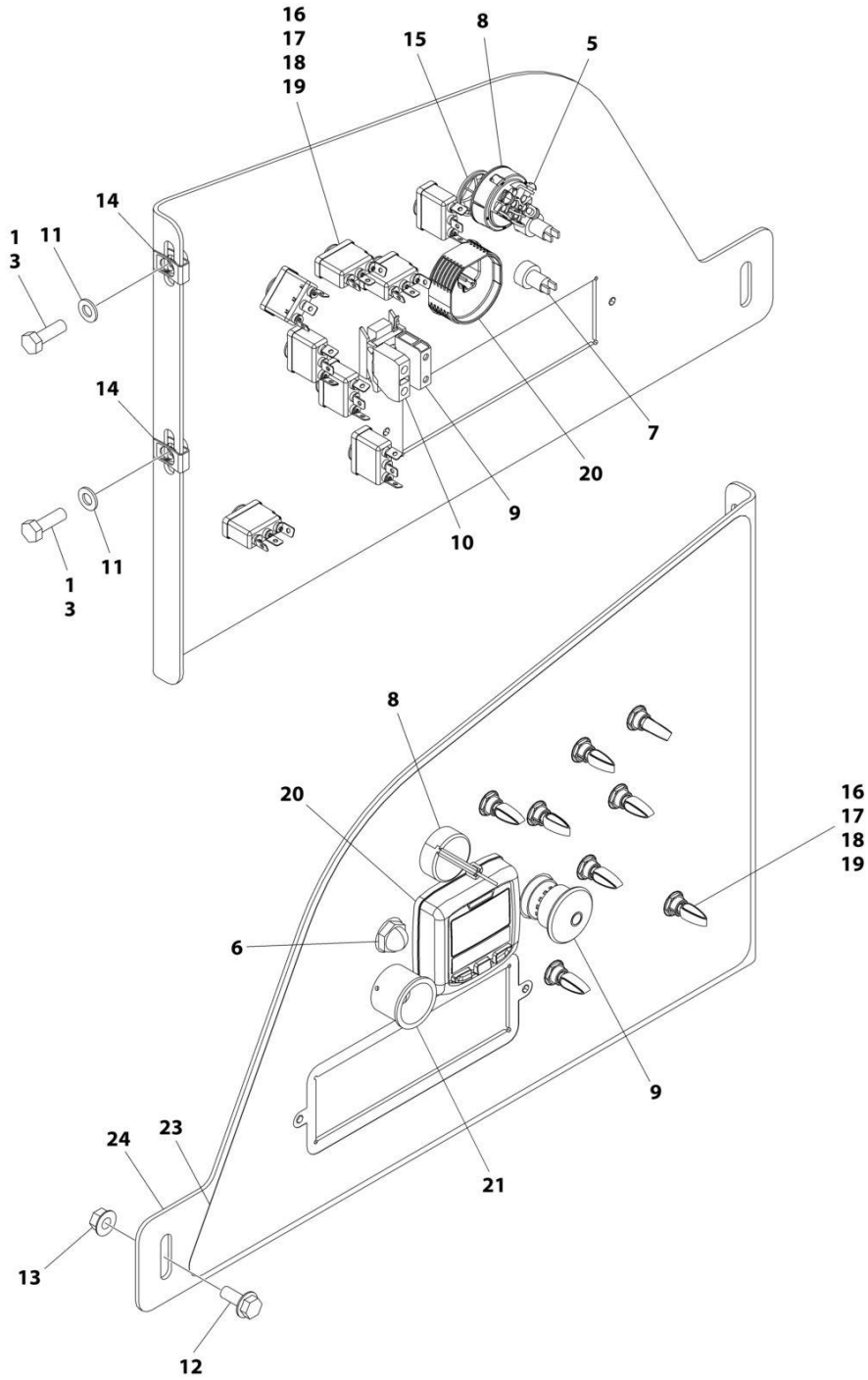
SECTION 2 - TURNTABLE

FIGURE 2-12. GROUND CONTROL ASSEMBLY (CE(LRC) & RUSSIA SPECS)

| ITEM | PART NUMBER | QTY | DESCRIPTION | REV |
|------|-------------|-----|-------------------------|-----|
| | 1001246451 | Ref | GROUND CONTROL ASSEMBLY | B |
| 1 | 0100011 | AR | Compound, Locking | |
| 2 | 0760812 | 2 | Bolt M8 x 25 | |
| 3 | 3910804 | 3 | Screw M8 x 1/4 | |
| 4 | 4360387 | 1 | Switch, Push Button | |
| 5 | 4360469 | 1 | Switch, Key | |
| 5 | 2860030 | 1 | Key, Replacement | |
| 6 | 4360475 | 1 | Switch, Emergency | |
| 6 | 7020175 | 1 | Cap | |
| 6 | 7020176 | 1 | Block, Contact | |
| 7 | 4360476 | 1 | Block, Contact | |
| 8 | 4811900 | 2 | Washer M8 | |
| 9 | 5250810 | 1 | Bolt M8 x 20 | |
| 10 | 5260800 | 1 | Nut M8 | |
| 11 | 1001118274 | 2 | Nut M8 | |
| 12 | 1001151393 | 1 | Shim .063 | |
| 13 | 1001155043 | 8 | Washer | |
| 14 | 1001155044 | 8 | Nut, Special 15/32-32 | |
| 15 | 1001155045 | 8 | Switch, Toggle | |
| 16 | 1001162807 | 8 | Washer | |
| 17 | 1001264735 | 1 | Panel, Ground Control | |
| 18 | 1001171482 | 1 | Gauge, Display | |
| 19 | 1001176469 | 1 | Shroud, Switch | |
| 20 | 1001264732 | 1 | Decal - Ground Control | |

SECTION 2 - TURNTABLE

FIGURE 2-13. GROUND CONTROL ASSEMBLY (CE SPECS)



ART_1001245656

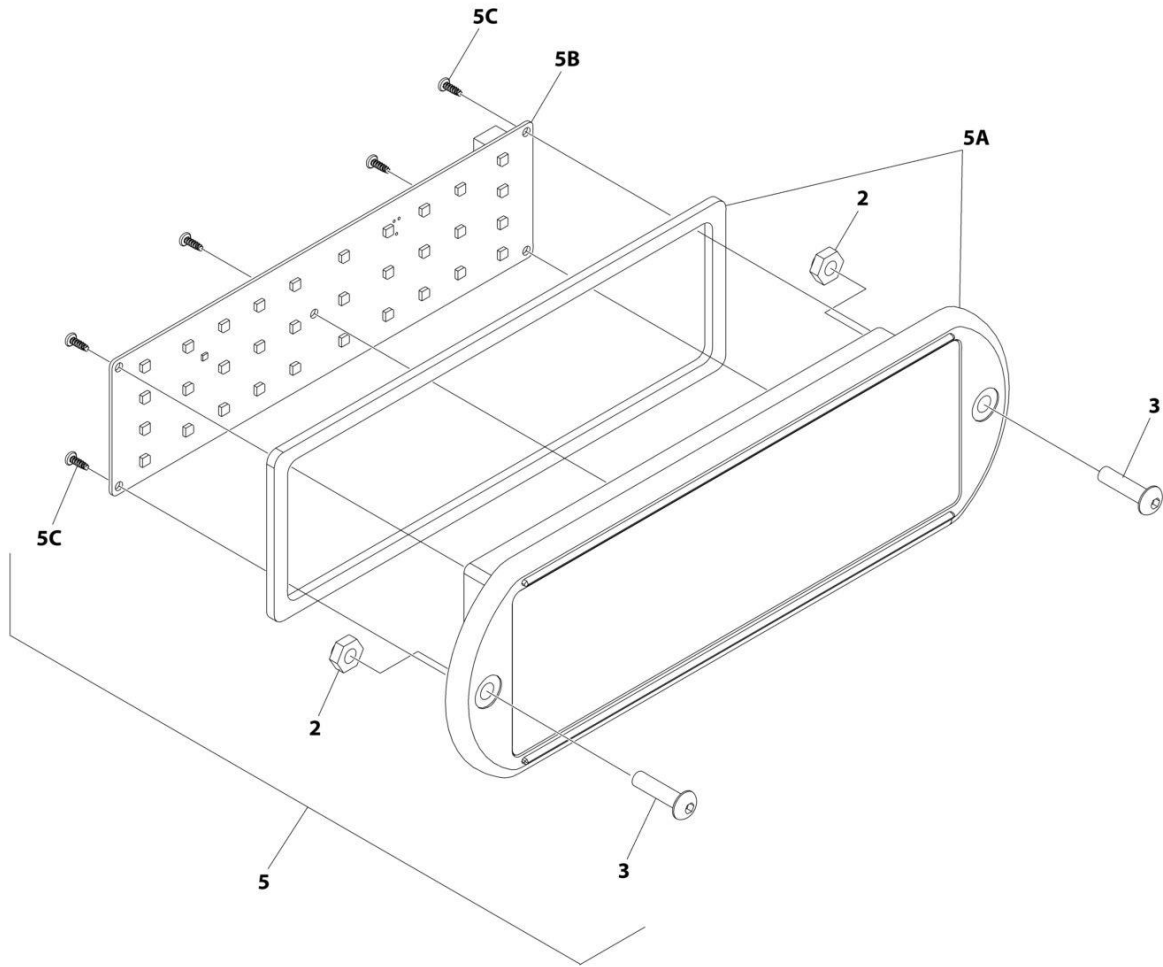
SECTION 2 - TURNTABLE

FIGURE 2-13. GROUND CONTROL ASSEMBLY (CE SPECS)

| ITEM | PART NUMBER | QTY | DESCRIPTION | REV |
|------|-------------|-----|-------------------------|-----|
| | 1001245656 | Ref | GROUND CONTROL ASSEMBLY | C |
| 1 | 0100011 | AR | Compound, Locking | |
| 3 | 0760812 | 2 | Bolt M8 x 25 | |
| 5 | 3910804 | 3 | Screw M8 x 1/4 | |
| 6 | 4360274 | 1 | Switch, Push Button | |
| 7 | 4360387 | 1 | Switch, Push Button | |
| 8 | 4360469 | 1 | Switch, Key | |
| 8 | 2860030 | 1 | Key, Replacement | |
| 9 | 4360475 | 1 | Switch, Emergency | |
| 9 | 7020175 | 1 | Cap | |
| 9 | 7020176 | 1 | Block, Contact | |
| 10 | 4360476 | 1 | Block, Contact | |
| 11 | 4811900 | 2 | Washer M8 | |
| 12 | 5250810 | 1 | Bolt M8 x 20 | |
| 13 | 5260800 | 1 | Nut M8 | |
| 14 | 1001118274 | 2 | Nut M8 | |
| 15 | 1001151393 | 1 | Shim .063 | |
| 16 | 1001155043 | 8 | Washer | |
| 17 | 1001155044 | 8 | Nut, Special 15/32-32 | |
| 18 | 1001155045 | 8 | Switch, Toggle | |
| 19 | 1001162807 | 8 | Washer | |
| 20 | 1001171482 | 1 | Gauge, Display | |
| 21 | 1001176469 | 1 | Shroud, Switch | |
| 23 | 1001264731 | 1 | Decal - Ground Control | |
| 24 | 1001264735 | 1 | Panel, Ground Control | |

SECTION 2 - TURNTABLE

FIGURE 2-14. LIGHT PANEL INSTALLATION – GROUND CONTROL



ART_1001241404_10F2

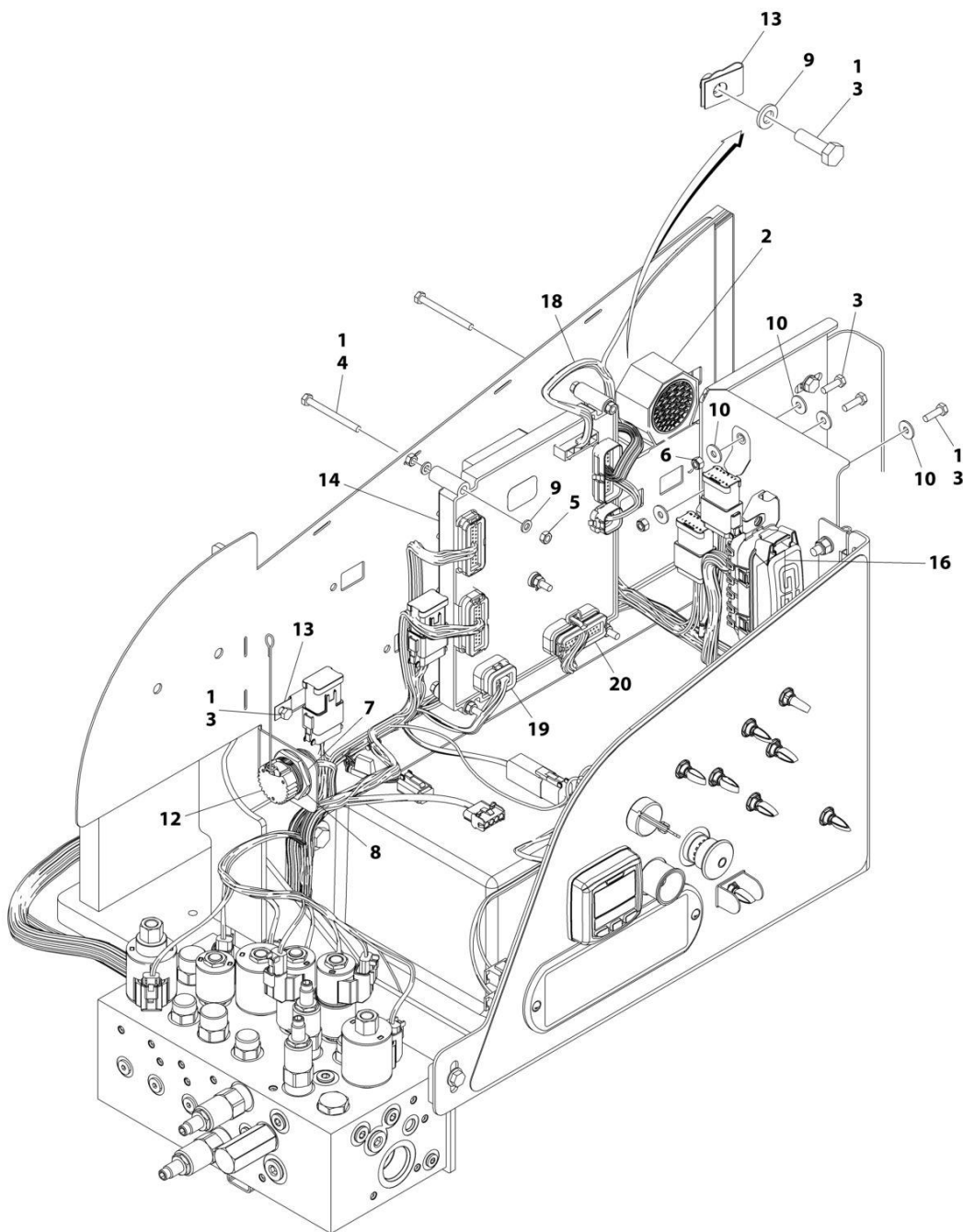
SECTION 2 - TURNTABLE

FIGURE 2-14. LIGHT PANEL INSTALLATION – GROUND CONTROL

| ITEM | PART NUMBER | QTY | DESCRIPTION | REV |
|------|-------------|-----|---|-----|
| | 1001241404 | Ref | LIGHT PANEL INSTALLATION - GROUND CONTROL | B |
| 2 | 3300408 | 2 | Nut, Nylon Insert | |
| 3 | 0630518 | 2 | Screw #10 x 3/4 | |
| 5 | 1001237547 | 1 | Light Panel Assembly | G |
| 5A | 1001236092 | 1 | Lens, I-Con (Includes Gasket) | |
| 5B | 1001187807 | 1 | Panel, LED Light | |
| 5C | | Ref | Screw | |

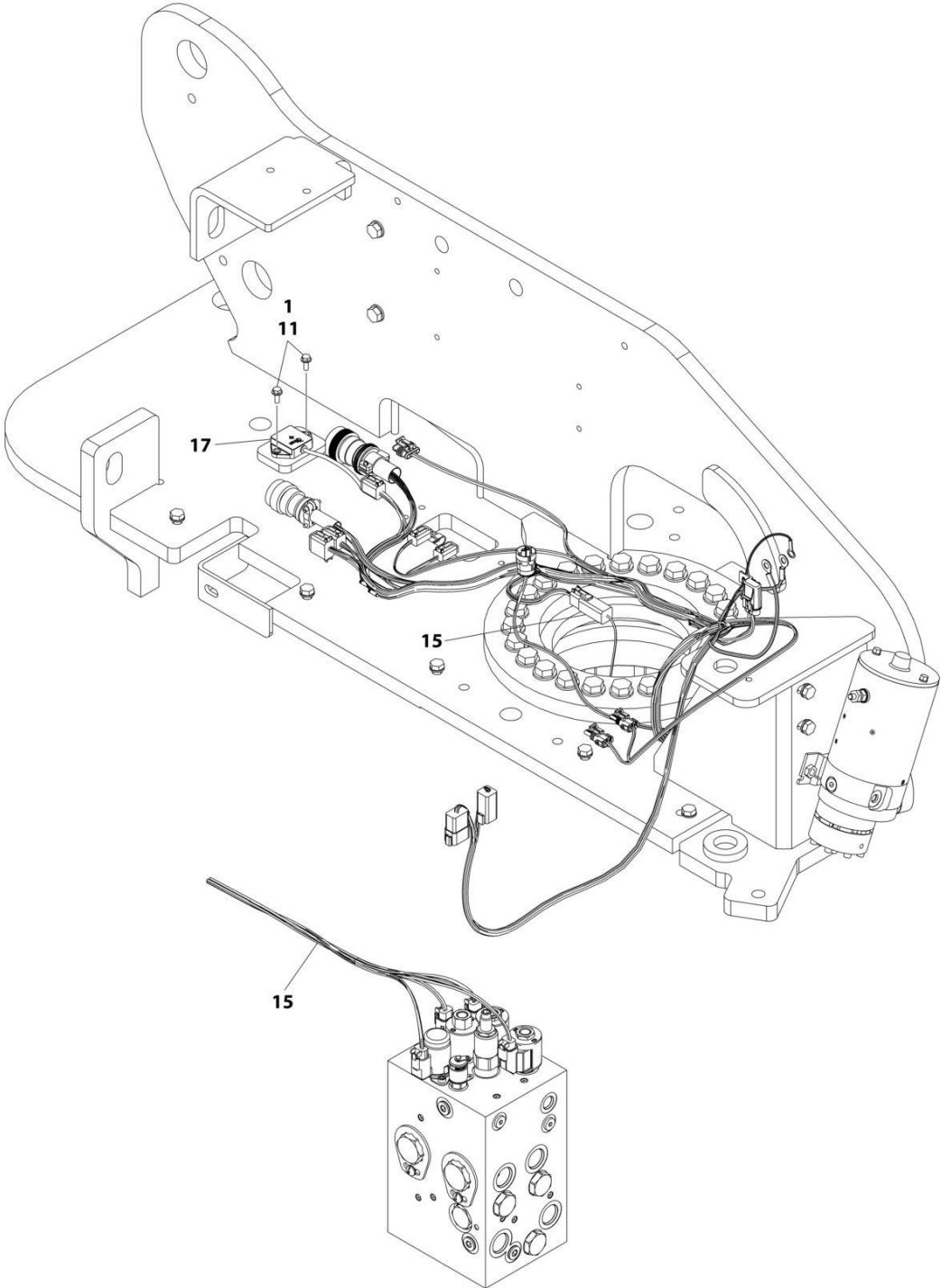
SECTION 2 - TURNTABLE

FIGURE 2-15. ELECTRICAL SYSTEM INSTALLATION



ART_1001246369_10F2

SECTION 2 - TURNTABLE



DETAIL OF TRACTION VALVE

ART_1001246369_2OF2

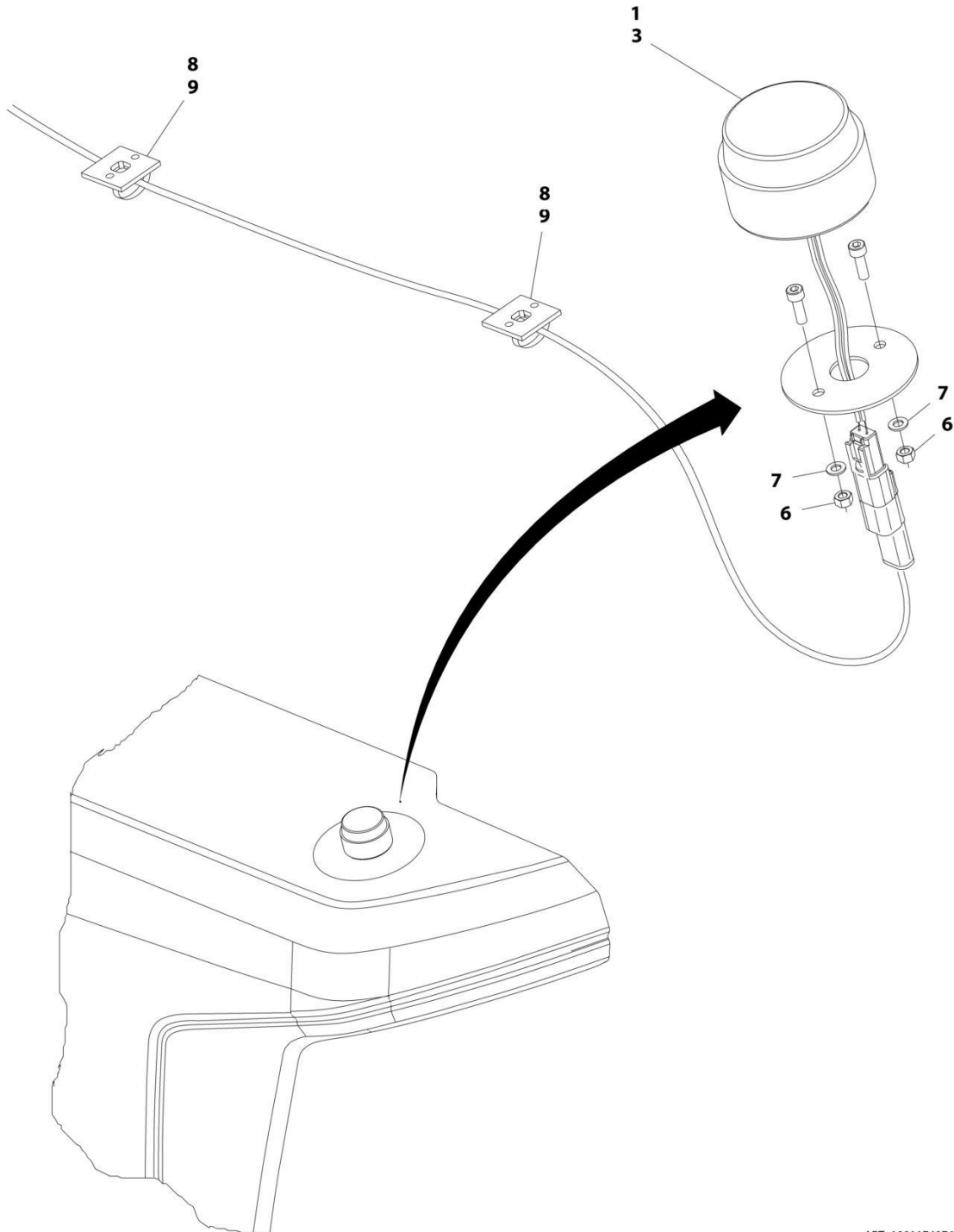
SECTION 2 - TURNTABLE

FIGURE 2-15. ELECTRICAL SYSTEM INSTALLATION

| ITEM | PART NUMBER | QTY | DESCRIPTION | REV |
|------|-------------|-----|---|-----|
| | 1001246369 | Ref | ELECTRICAL SYSTEM INSTALLATION | A |
| 1 | 0100011 | AR | Compound, Locking | |
| 2 | 0140043 | 1 | Alarm | |
| 3 | 0760610 | 7 | Bolt M6 x 20 | |
| 4 | 0760621 | 5 | Bolt M6 x 65 | |
| 5 | 3290601 | 10 | Nut M6 | |
| 6 | 3290605 | 2 | Nut M6 | |
| 7 | 4460496 | 1 | Washer, Terminal | |
| 8 | 4460497 | 1 | Nut, Terminal | |
| 9 | 4811700 | 12 | Washer M6 | |
| 10 | 4811702 | 7 | Washer M6 | |
| 11 | 5250608 | 2 | Bolt M6 x 16 | |
| 12 | 1001106736 | 1 | Cap, Dust | |
| 13 | 1001130220 | 3 | Nut, Tinnerman M6 | |
| 14 | 1001170094 | 1 | Module, Ground Control | |
| | See Note | Ref | Note: Re-calibration Required when Replaced | |
| 15 | 1001179236 | 1 | Chassis Solenoid Harness (See Separate Breakdown in ELECTRICAL SECTION) | |
| 16 | 1001196637 | 1 | Decal - Fuse Box | |
| 17 | 1001219601 | 1 | Sensor | |
| 17 | See Note | 1 | Receptacle, Female - 4 Position (Note: Not Available for Purchase) | |
| 17 | See Note | 4 | Pin, Male (Note: Not Available for Purchase) | |
| 18 | 1001244293 | 1 | Turntable Harness (See Separate Breakdown in ELECTRICAL SECTION) | |
| 19 | 1001244294 | 1 | Valve Harness - Main Valve (See Separate Breakdown in ELECTRICAL SECTION) | |
| 20 | 1001244295 | 1 | Ground Control Panel Harness (See Separate Breakdown in ELECTRICAL SECTION) | |

SECTION 2 - TURNTABLE

FIGURE 2-16. BEACON LIGHT INSTALLATION - AMBER



ART_1001174976

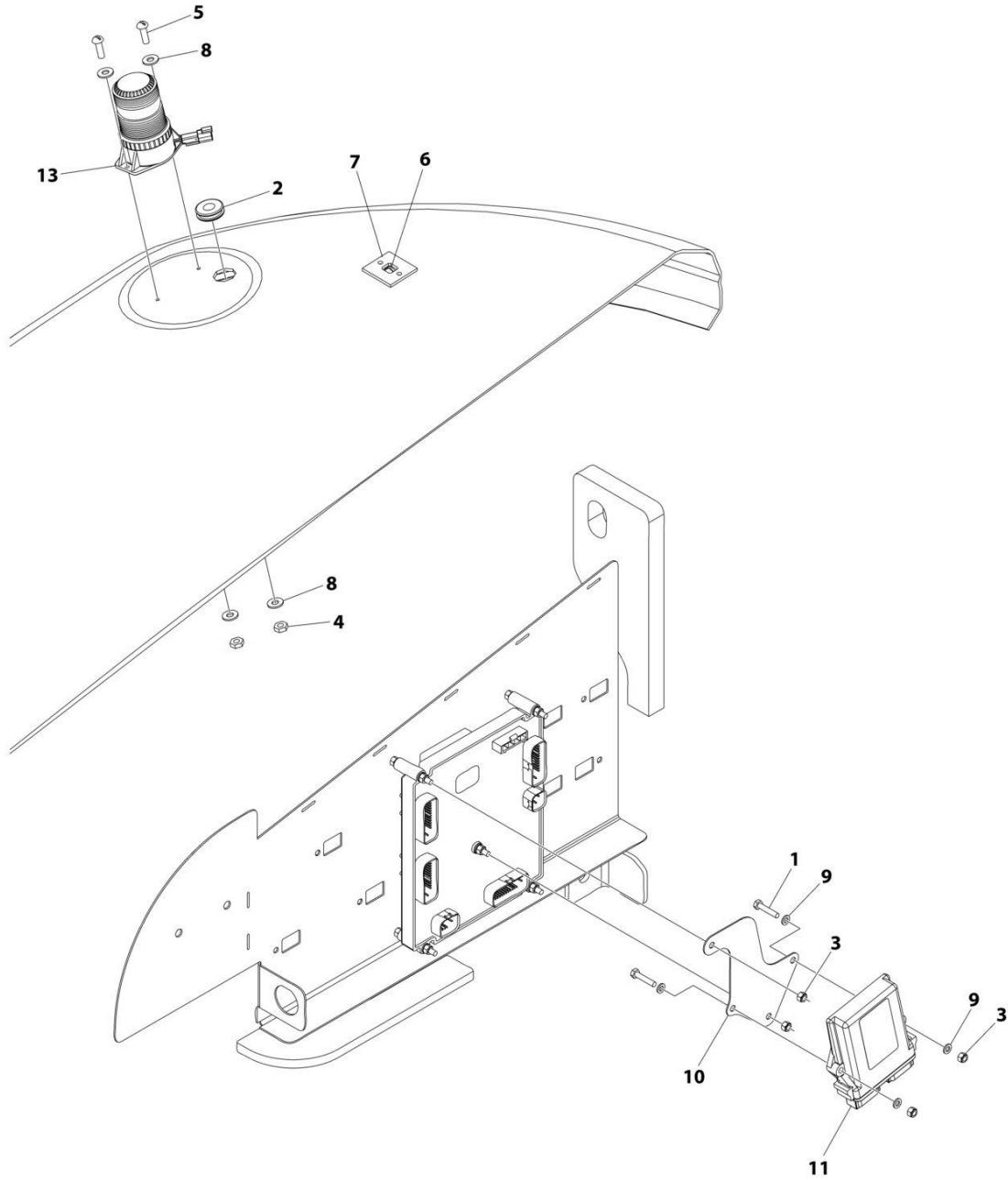
SECTION 2 - TURNTABLE

FIGURE 2-16. BEACON LIGHT INSTALLATION - AMBER

| ITEM | PART NUMBER | QTY | DESCRIPTION | REV |
|------|-------------|-----|-----------------------------------|-----|
| | 1001174976 | Ref | BEACON LIGHT INSTALLATION - AMBER | D |
| 1 | 0100048 | AR | Compound, Silicone | |
| 3 | 1001181405 | 1 | Lamp, Strobe | |
| 3 | 4460897 | 1 | Receptacle, Female - 2 Position | |
| 3 | 4460464 | 2 | Pin, Male | |
| 6 | 3290505 | 2 | Nut M5 | |
| 7 | 4811600 | 2 | Washer M5 | |
| 8 | 4240032 | AR | Tie-Strap | |
| 9 | 4460234 | 2 | Mount, Tie-Strap | |

SECTION 2 - TURNTABLE

FIGURE 2-17. BEACON LIGHT INSTALLATION - BLUE



ART_1001242855

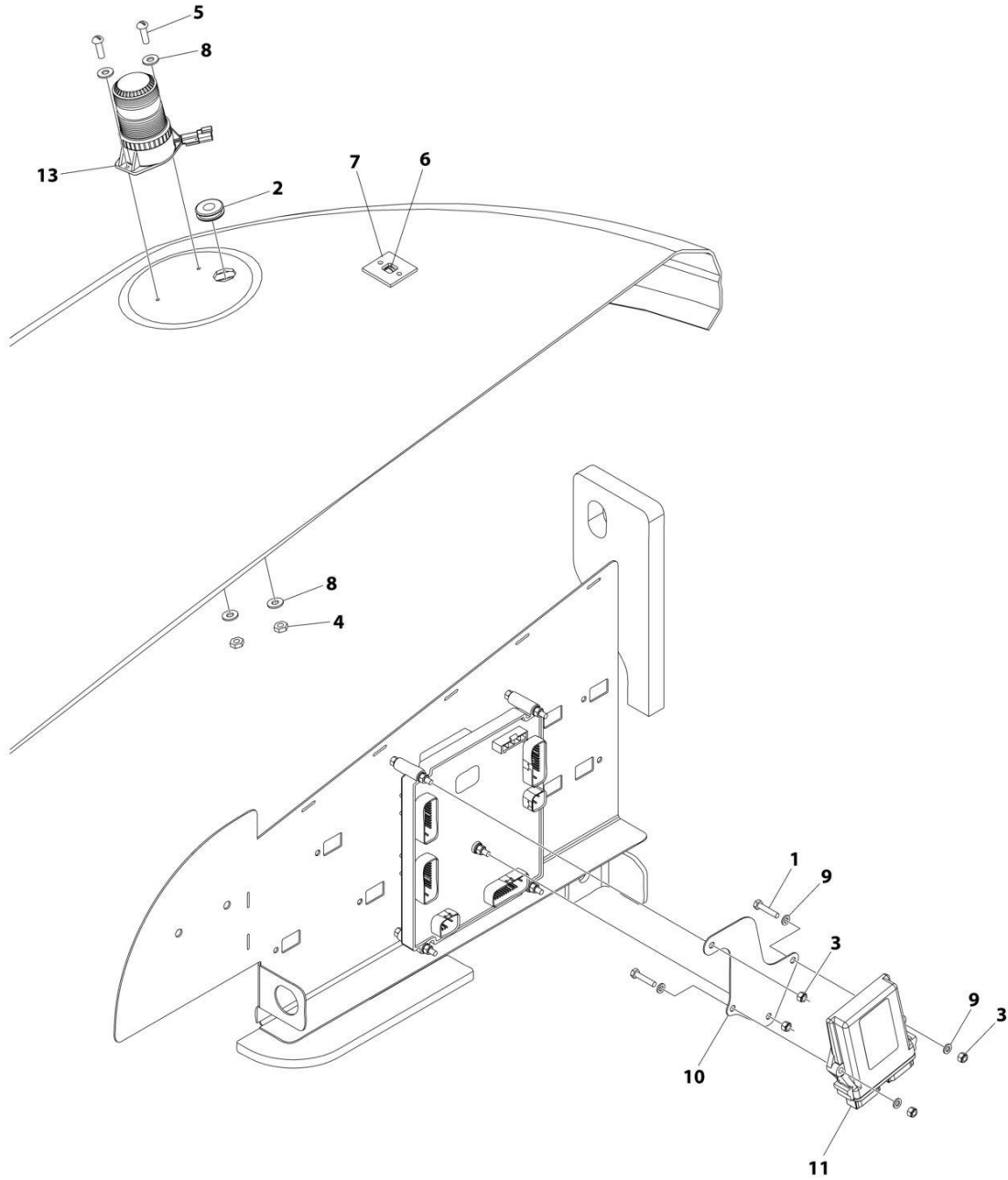
SECTION 2 - TURNTABLE

FIGURE 2-17. BEACON LIGHT INSTALLATION - BLUE

| ITEM | PART NUMBER | QTY | DESCRIPTION | REV |
|------|-------------|-----|---|-----|
| | 1001242855 | Ref | BEACON LIGHT INSTALLATION - BLUE | A |
| 1 | 0760614 | 2 | Bolt M6 x 30 | |
| 2 | 2540020 | 1 | Grommet | |
| 3 | 3290605 | 4 | Nut M6 | |
| 4 | 3311005 | 2 | Nut #10 | |
| 5 | 3911010 | 2 | Screw #10 x 5/8 | |
| 6 | 4240032 | AR | Tie-Strap | |
| 7 | 4460488 | AR | Terminal, Mounting | |
| 8 | 4711000 | 4 | Washer #10 | |
| 9 | 4811700 | 4 | Washer M6 | |
| 10 | 1001100433 | 1 | Mount, Module | |
| 11 | 1001142683 | 1 | Module, Control | |
| 12 | 1001142736 | 1 | Beacon Harness (Not Shown - See Separate Breakdown in ELECTRICAL SECTION) | |
| 13 | 1001200910 | 1 | Light, Beacon | |
| 13 | 4460897 | 1 | Receptacle, Female - 2 Position | |
| 13 | 4460943 | 2 | Pin, Male | |

SECTION 2 - TURNTABLE

FIGURE 2-18. BEACON LIGHT INSTALLATION - RED



ART_1001242856

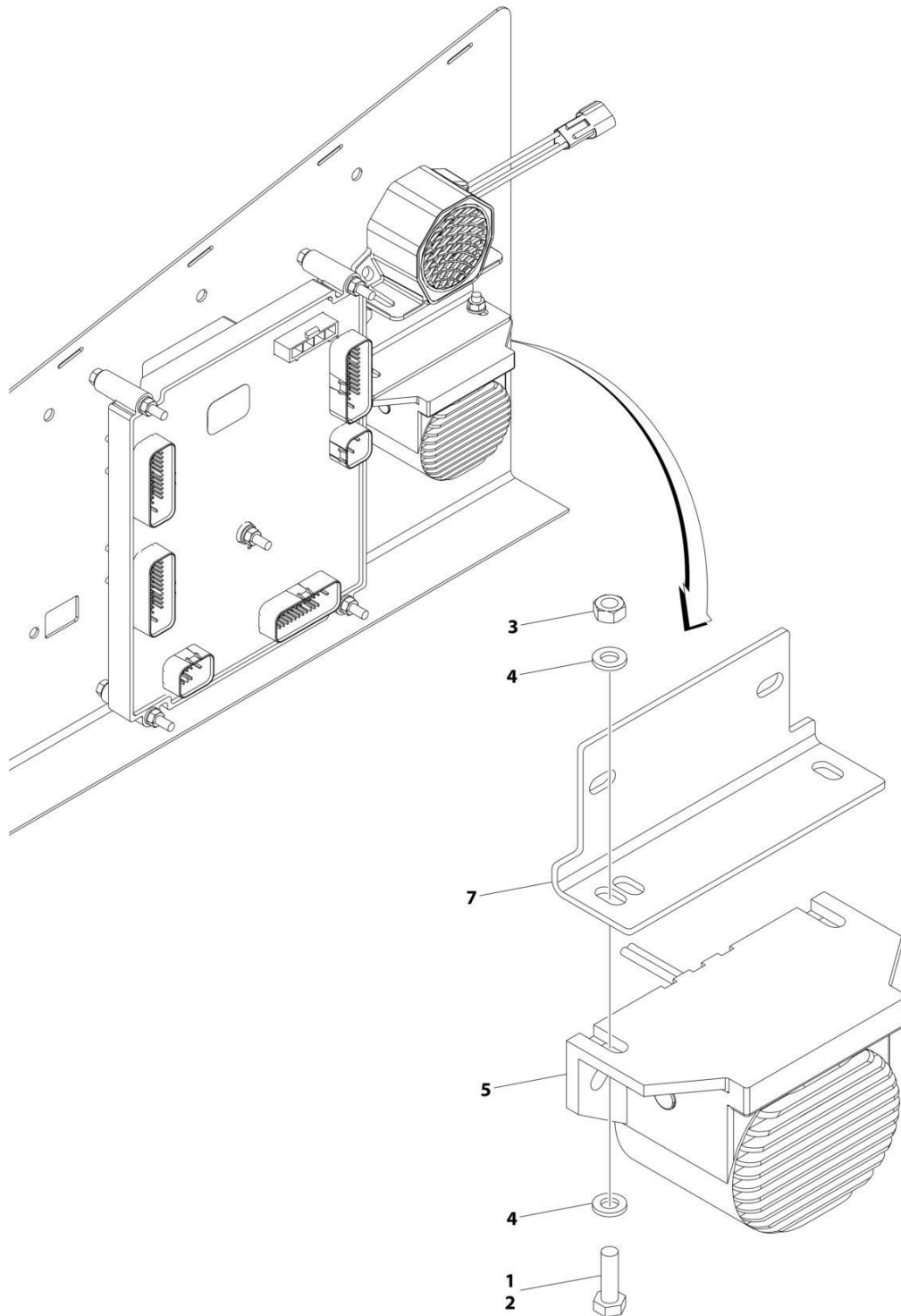
SECTION 2 - TURNTABLE

FIGURE 2-18. BEACON LIGHT INSTALLATION - RED

| ITEM | PART NUMBER | QTY | DESCRIPTION | REV |
|------|-------------|-----|---|-----|
| | 1001242856 | Ref | BEACON LIGHT INSTALLATION - RED | A |
| 1 | 0760614 | 2 | Bolt M6 x 30 | |
| 2 | 2540020 | 1 | Grommet | |
| 3 | 3290605 | 4 | Nut M6 | |
| 4 | 3311005 | 2 | Nut #10 | |
| 5 | 3911010 | 2 | Screw #10 x 5/8 | |
| 6 | 4240032 | AR | Tie-Strap | |
| 7 | 4460488 | AR | Terminal, Mounting | |
| 8 | 4711000 | 4 | Washer #10 | |
| 9 | 4811700 | 4 | Washer M6 | |
| 10 | 1001100433 | 1 | Mount, Module | |
| 11 | 1001142683 | 1 | Module, Control | |
| 12 | 1001142736 | 1 | Beacon Harness (Not Shown - See Separate Breakdown in ELECTRICAL Section) | |
| 13 | 1001207004 | 1 | Light, Beacon | |
| 13 | 4460897 | 1 | Receptacle, Female - 2 Position | |
| 13 | 4460943 | 2 | Pin, Male | |

SECTION 2 - TURNTABLE

FIGURE 2-19. WHITE NOISE AMBIENT ALARM INSTALLATION



ART_1001209617

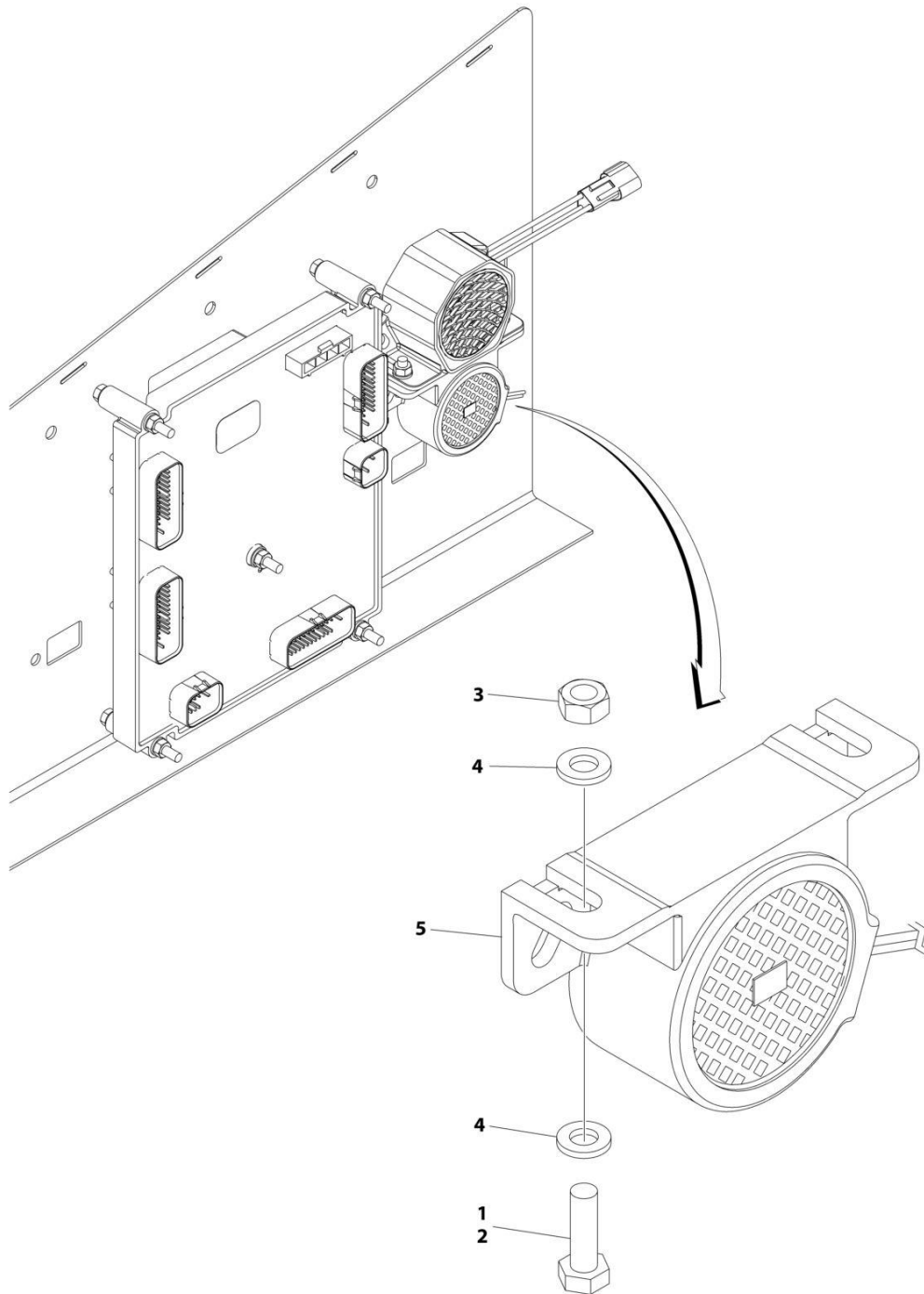
SECTION 2 - TURNTABLE

FIGURE 2-19. WHITE NOISE AMBIENT ALARM INSTALLATION

| ITEM | PART NUMBER | QTY | DESCRIPTION | REV |
|------|-------------|-----|--|-----|
| | 1001209617 | Ref | WHITE NOISE AMBIENT ALARM INSTALLATION | C |
| 1 | 0100011 | AR | Compound, Locking | |
| 2 | 0760610 | 2 | Bolt M6 x 20 | |
| 3 | 3290601 | 2 | Nut M6 | |
| 4 | 4811700 | 4 | Washer M6 | |
| 5 | 1001182806 | 1 | Alarm | |
| 6 | 1001190663 | 1 | Harness, Jumper (Not Shown) | |
| 6 | 4460891 | 1 | Connector – 2 Position | |
| 6 | 4460465 | 2 | Socket, Female | |
| 6 | 4460871 | 2 | Socket, Female | |
| 7 | 1001231886 | 1 | Plate | |

SECTION 2 - TURNTABLE

FIGURE 2-20. WHITE NOISE ALARM INSTALLATION



ART_1001263174

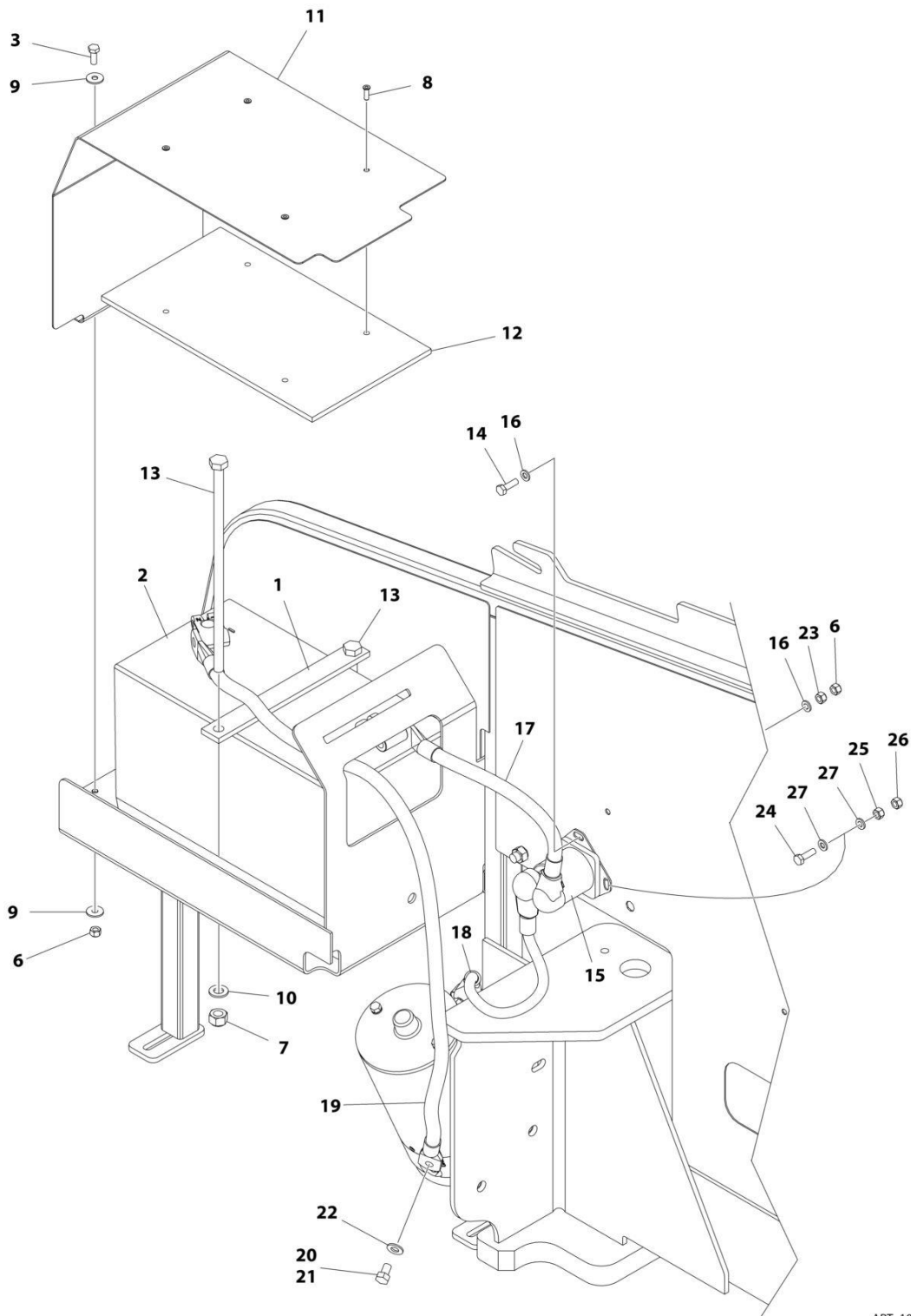
SECTION 2 - TURNTABLE

FIGURE 2-20. WHITE NOISE ALARM INSTALLATION

| ITEM | PART NUMBER | QTY | DESCRIPTION | REV |
|------|-------------|-----|--------------------------------|-----|
| | 1001263174 | Ref | WHITE NOISE ALARM INSTALLATION | A |
| 1 | 0100011 | AR | Compound, Locking | |
| 2 | 0760610 | 2 | Bolt M6 x 20 | |
| 3 | 3290601 | 2 | Nut M6 | |
| 4 | 4811700 | 4 | Washer M6 | |
| 5 | 1001184682 | 1 | Alarm | |
| 6 | 1001190663 | 1 | Harness, Jumper (Not Shown) | |
| 6 | 4460891 | 1 | Connector – 2 Position | |
| 6 | 4460465 | 2 | Socket, Female | |
| 6 | 4460871 | 2 | Socket, Female | |

SECTION 2 - TURNTABLE

FIGURE 2-21. BATTERY AND CABLE INSTALLATION



ART_1001166316_H

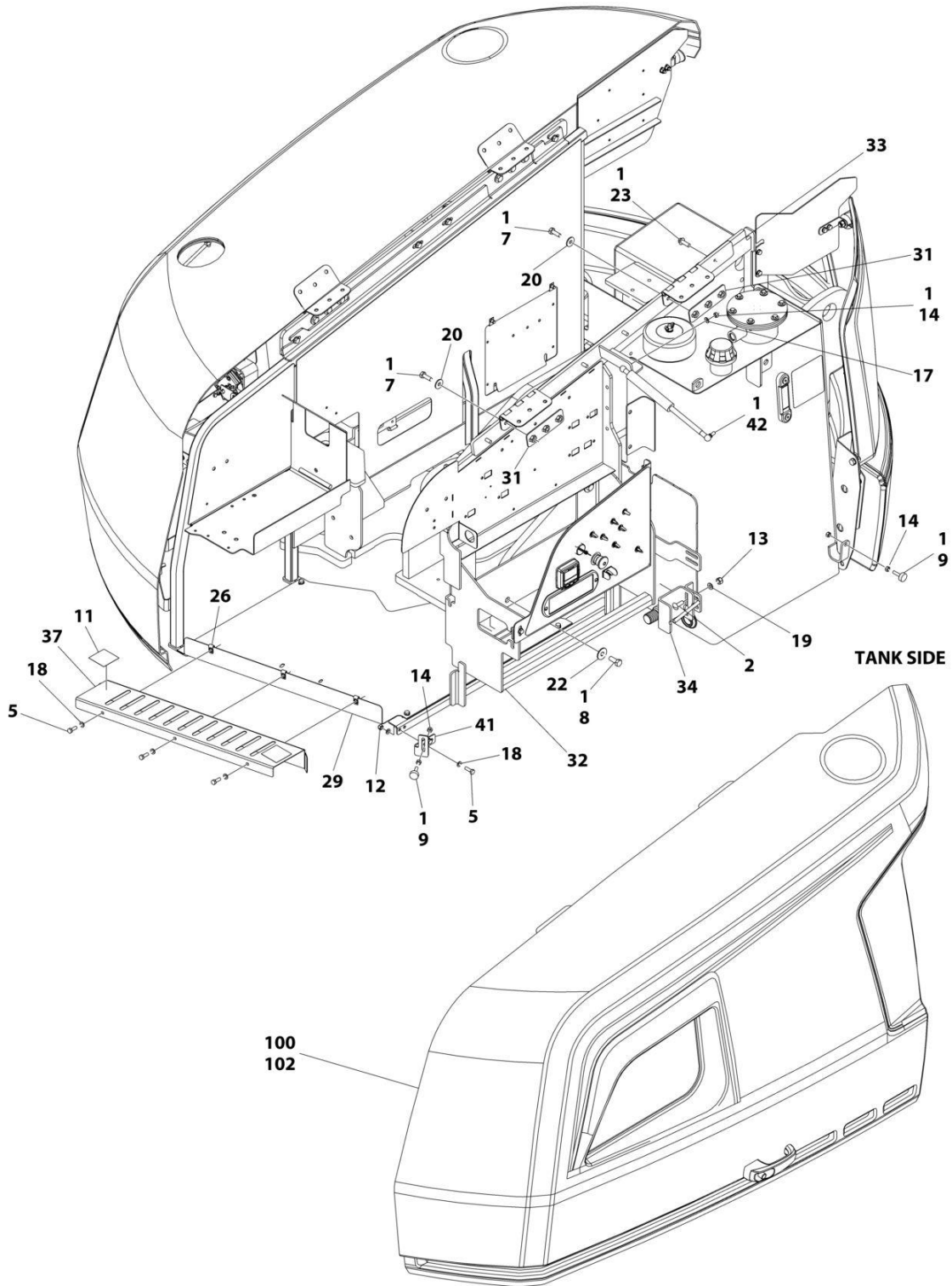
SECTION 2 - TURNTABLE

FIGURE 2-21. BATTERY AND CABLE INSTALLATION

| ITEM | PART NUMBER | QTY | DESCRIPTION | REV |
|------|-------------|-----|--|-----|
| | 1001166316 | Ref | BATTERY AND CABLE INSTALLATION | H |
| 1 | 0361810 | 1 | Bar, Hold-down | |
| 2 | 0400075 | 1 | Battery | |
| 3 | 0760610 | 2 | Bolt M6 x 20 | |
| 6 | 3290605 | 3 | Nut M6 | |
| 7 | 3291005 | 2 | Nut M10 | |
| 8 | 3820032 | 4 | Rivet | |
| 9 | 4811702 | 4 | Washer M6 | |
| 10 | 4812000 | 2 | Washer M10 | |
| 11 | 1001117240 | 1 | Cover | |
| 12 | 1001119278 | 1 | Insulation | |
| 13 | 1001119280 | 2 | Bolt M16 x 260 | |
| 14 | 0760612 | 1 | Bolt M6 x 25 | |
| 15 | 3740067 | 1 | Relay | |
| 15 | 3300220 | 2 | Nut 3/8 | |
| 15 | 1001111424 | 2 | Washer 3/8 | |
| 15 | 3321001 | 1 | Nut #10 | |
| 15 | 4761000 | 1 | Washer #10 | |
| 16 | 4811700 | 2 | Washer M6 | |
| 17 | 1001171678 | 1 | Cable, Battery (Positive + to Aux Relay) | |
| 18 | 1001171679 | 1 | Cable, Battery (Aux Relay to Aux Pump) | |
| 19 | 1001171680 | 1 | Cable, Battery (Negative – to Aux Pump) | |
| 20 | 0100011 | AR | Compound, Locking | |
| 21 | 0641504 | 1 | Bolt 5/16 x 1/2 | |
| 22 | 4711500 | 1 | Washer 5/16 | |
| 23 | 3290601 | 2 | Nut M6 | |
| 24 | 0760512 | 1 | Bolt M5 x 25 | |
| 25 | 3290501 | 1 | Nut M5 | |
| 26 | 3290505 | 1 | Nut M5 | |
| 27 | 4811600 | 2 | Washer M5 | |

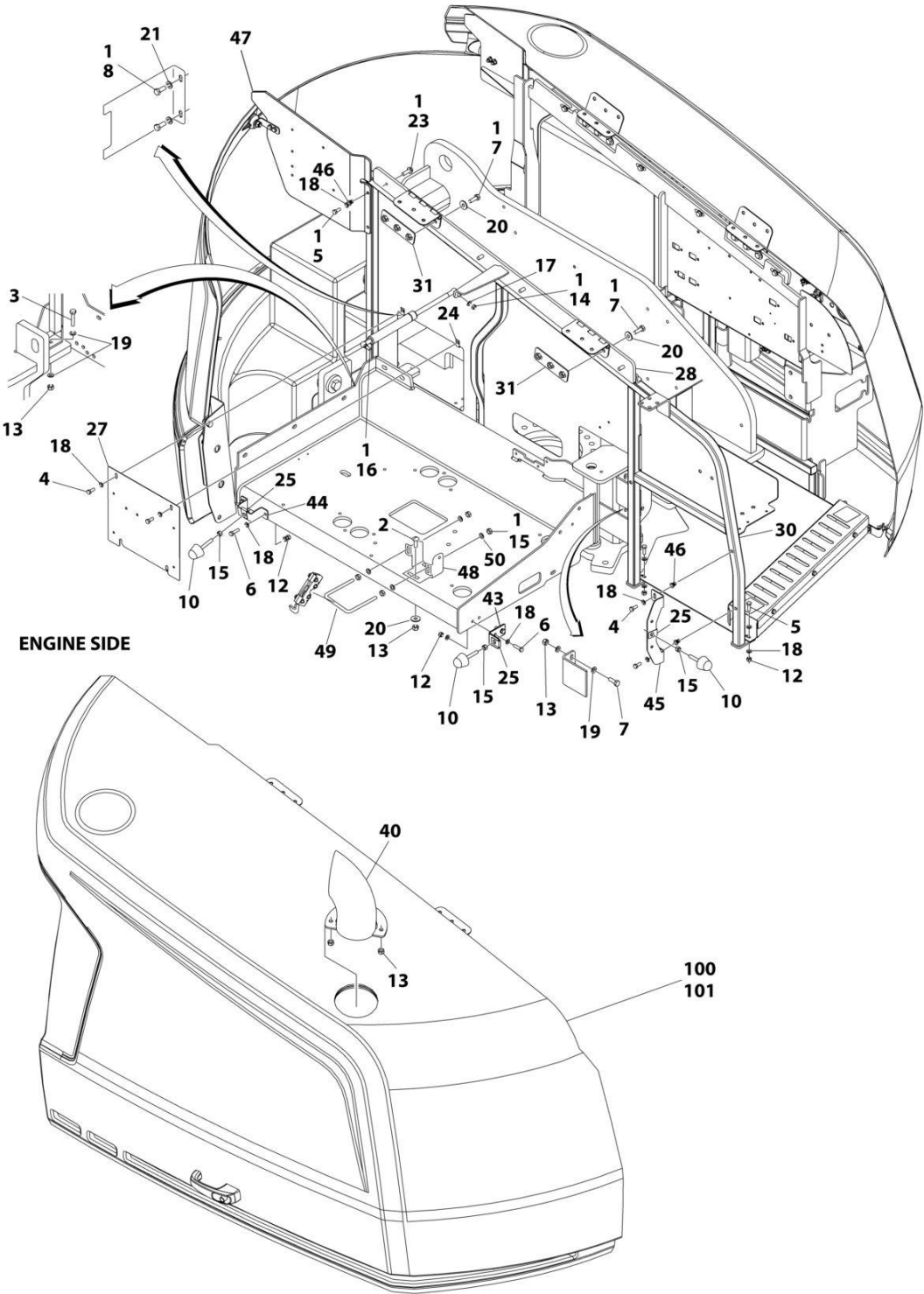
SECTION 2 - TURNTABLE

FIGURE 2-22. HOODS INSTALLATION



ART_1001241286_D_10F2

SECTION 2 - TURNTABLE



ART_1001241286_D_20F2

SECTION 2 - TURNTABLE

FIGURE 2-22. HOODS INSTALLATION

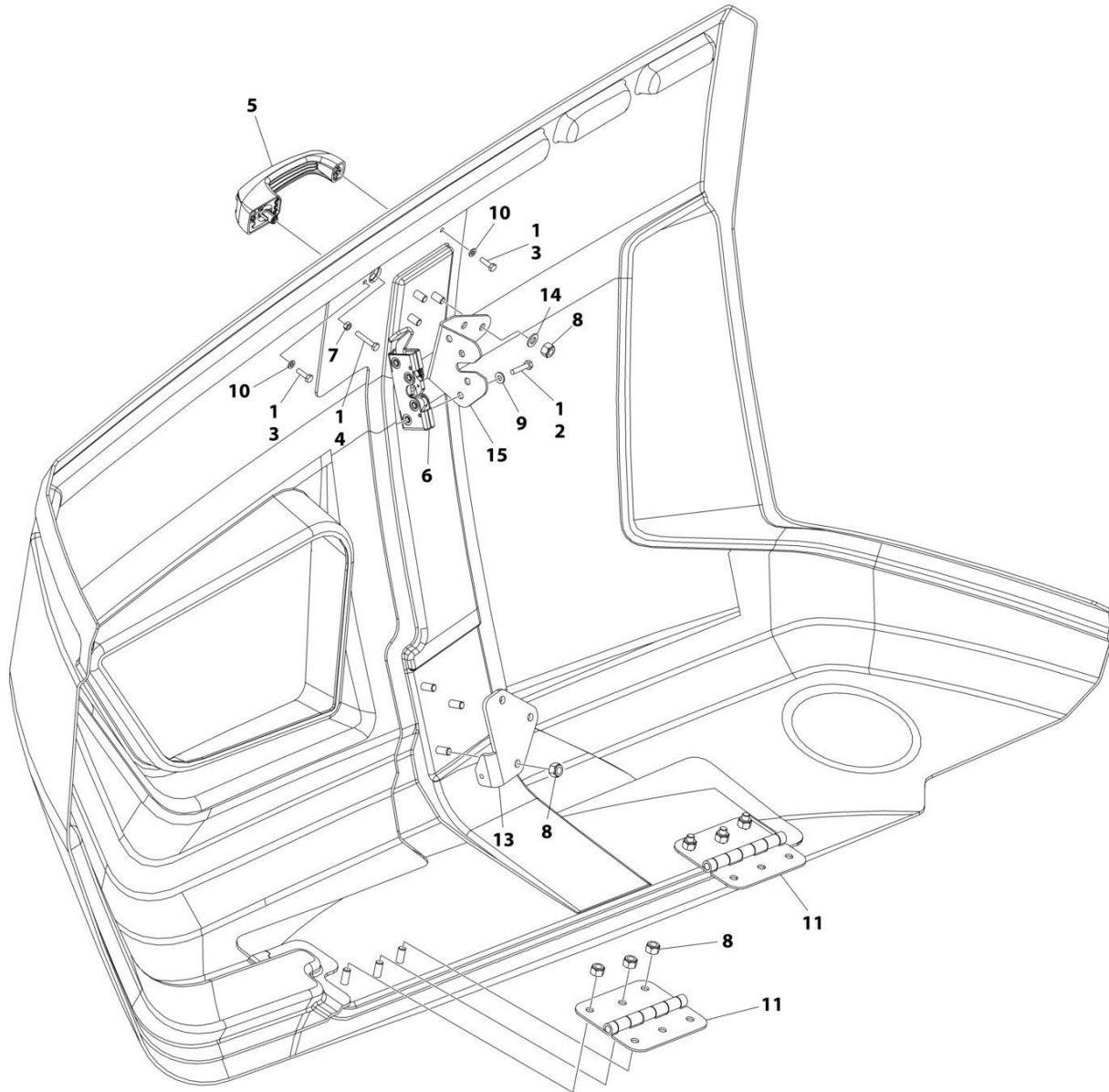
| ITEM | PART NUMBER | QTY | DESCRIPTION | REV |
|------|-------------|-----|--|-----|
| | 1001241286 | Ref | HOODS INSTALLATION | D |
| 1 | 0100011 | AR | Compound, Locking | |
| 2 | 0630613 | 4 | Bolt M10 x 30 | |
| 3 | 0701018 | 5 | Bolt M10 x 50 | |
| 4 | 0760810 | 4 | Bolt M8 x 20 | |
| 5 | 0760812 | 11 | Bolt M8 x 25 | |
| 6 | 0760814 | 4 | Bolt M8 x 30 | |
| 7 | 0761014 | 14 | Bolt M10 x 30 | |
| 8 | 0761214 | 6 | Bolt M12 x 30 | |
| 9 | 0940049 | 2 | Bumper | |
| 10 | 0940071 | 3 | Bumper | |
| 11 | 1701691 | 2 | Decal - No Step | |
| 12 | 3290805 | 10 | Nut M8 | |
| 13 | 3291005 | 14 | Nut M10 | |
| 14 | 3311501 | 6 | Nut 5/16 | |
| 15 | 3311601 | 7 | Nut 3/8 | |
| 16 | 4160182 | 1 | Spring, Gas | |
| 17 | 4711500 | 2 | Washer 5/16 | |
| 18 | 4811900 | 29 | Washer M8 | |
| 19 | 4812000 | 16 | Washer M10 | |
| 20 | 4812002 | 14 | Washer M10 | |
| 21 | 4812100 | 2 | Washer M12 | |
| 22 | 4812102 | 4 | Washer M12 | |
| 23 | 5251014 | 8 | Bolt M10 x 30 | |
| 24 | 8310686 | 2 | Nut, Retainer M8 | |
| 25 | 88662523 | 3 | Nut, Tinnerman | |
| 26 | 1001118274 | 3 | Nut M8 | |
| 27 | 1001167149 | 1 | Panel, Filler | |
| 28 | 1001167159 | 1 | Mount | |
| 29 | 1001167163 | 1 | Tray | |
| 30 | 1001167169 | 1 | Mount | |
| 31 | 1001169046 | 4 | Nut | |
| 32 | 1001211716 | 1 | Support, Hood | |
| 33 | 1001170018 | 1 | Mount | |
| 34 | 1001170022 | 1 | Mount | |
| 37 | 1001171216 | 1 | Cover | |
| 40 | 1001233899 | 1 | Pipe, Exhaust | |
| 41 | 1001179904 | 1 | Mount | |
| 42 | 1001182169 | 1 | Spring, Gas | |
| 43 | 1001182875 | 1 | Mount | |
| 44 | 1001182877 | 1 | Mount | |
| 45 | 1001182879 | 1 | Mount | |
| 46 | 1001191832 | 4 | Rivnut M8 | |
| 47 | 1001211717 | 1 | Panel, Filler | |
| 48 | 1001250291 | 1 | Bracket | |
| 49 | 1001243414 | 1 | U-Bolt | |
| 50 | 4891600 | 4 | Washer 3/8 | |
| 100 | 1001285789 | 1 | Hood Kit (Includes Items 101-102) | A |
| 101 | 1001241295 | 1 | Hood Assembly - Engine Side (See Separate Breakdown in this Section) | |

SECTION 2 - TURNTABLE

| ITEM | PART NUMBER | QTY | DESCRIPTION | REV |
|------|-------------|-----|--|-----|
| 102 | 1001285788 | 1 | Hood Assembly - Tank Side (See Separate Breakdown in this Section) | |

SECTION 2 - TURNTABLE

FIGURE 2-23. HOOD ASSEMBLY - TANK SIDE (ROMANIAN BUILT MACHINES)



NOTE: REPLACEMENT DECALS MUST BE ORDERED SEPARATELY - SEE DECAL SECTION.

ART_1001241296

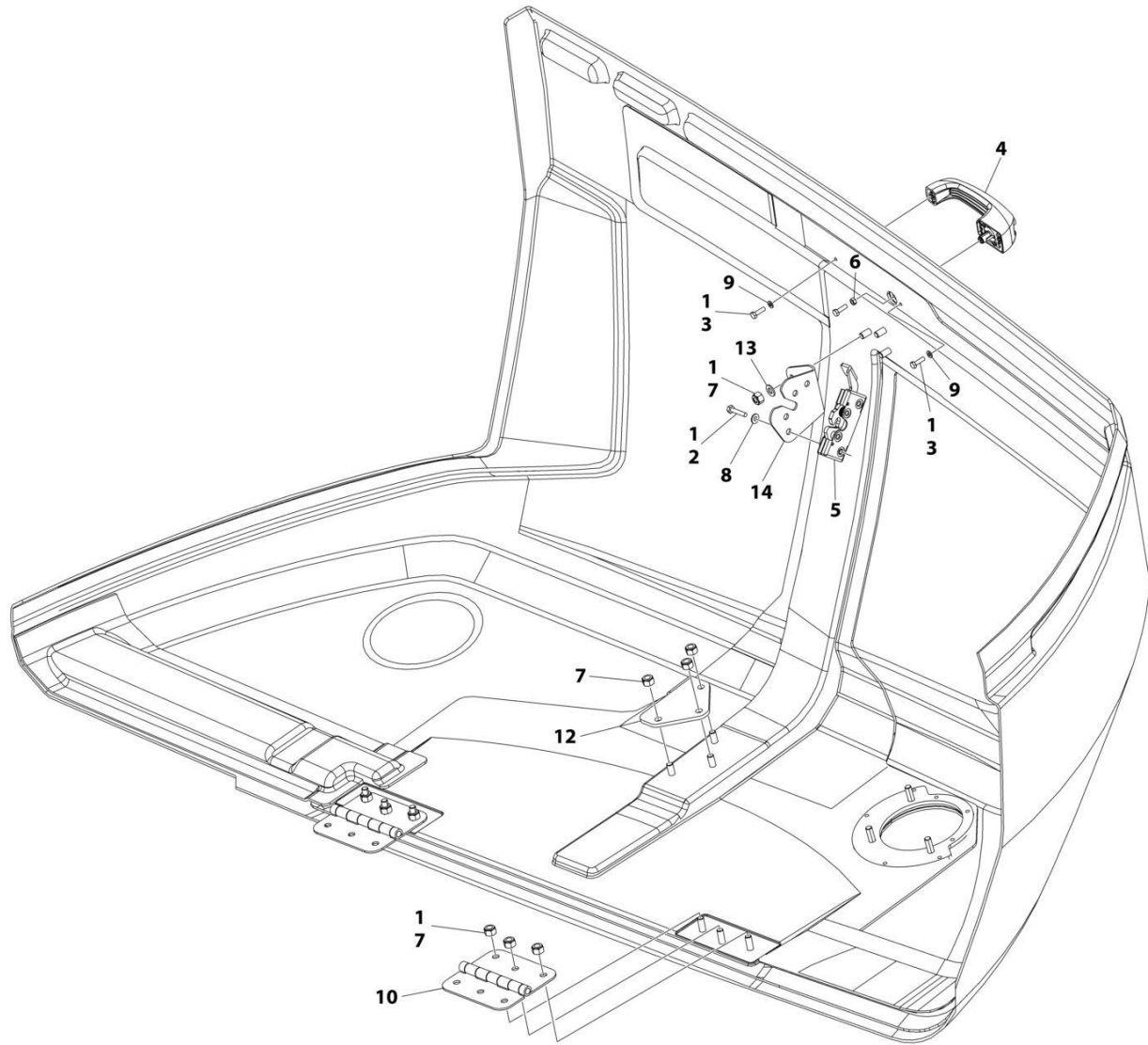
SECTION 2 - TURNTABLE

FIGURE 2-23. HOOD ASSEMBLY - TANK SIDE (ROMANIAN BUILT MACHINES)

| ITEM | PART NUMBER | QTY | DESCRIPTION | REV |
|------|-------------|-----|---------------------------|-----|
| | 1001241296 | Ref | HOOD ASSEMBLY - TANK SIDE | C |
| 1 | 0100011 | AR | Compound, Locking | |
| 2 | 0641410 | 4 | Bolt 1/4 x 1-1/4 | |
| 3 | 0760610 | 2 | Bolt M6 x 20 | |
| 4 | 0760615 | 1 | Bolt M6 x 35 | |
| 5 | 2560187 | 1 | Handle | |
| 6 | 2940173 | 1 | Latch | |
| 7 | 3290601 | 1 | Nut M6 | |
| 8 | 3291005 | 12 | Nut M10 | |
| 9 | 4711400 | 4 | Washer 1/4 | |
| 10 | 4811700 | 2 | Washer M6 | |
| 11 | 1001259230 | 2 | Hinge | |
| 13 | 1001170475 | 1 | Bracket | |
| 14 | 4812000 | 3 | Washer M10 | |
| 15 | 1001203322 | 1 | Support | |

SECTION 2 - TURNTABLE

FIGURE 2-24. HOOD ASSEMBLY - ENGINE SIDE (ROMANIAN BUILT MACHINES)



NOTE: REPLACEMENT DECALS MUST BE ORDERED SEPARATELY - SEE DECAL SECTION.

ART_1001241295

SECTION 2 - TURNTABLE

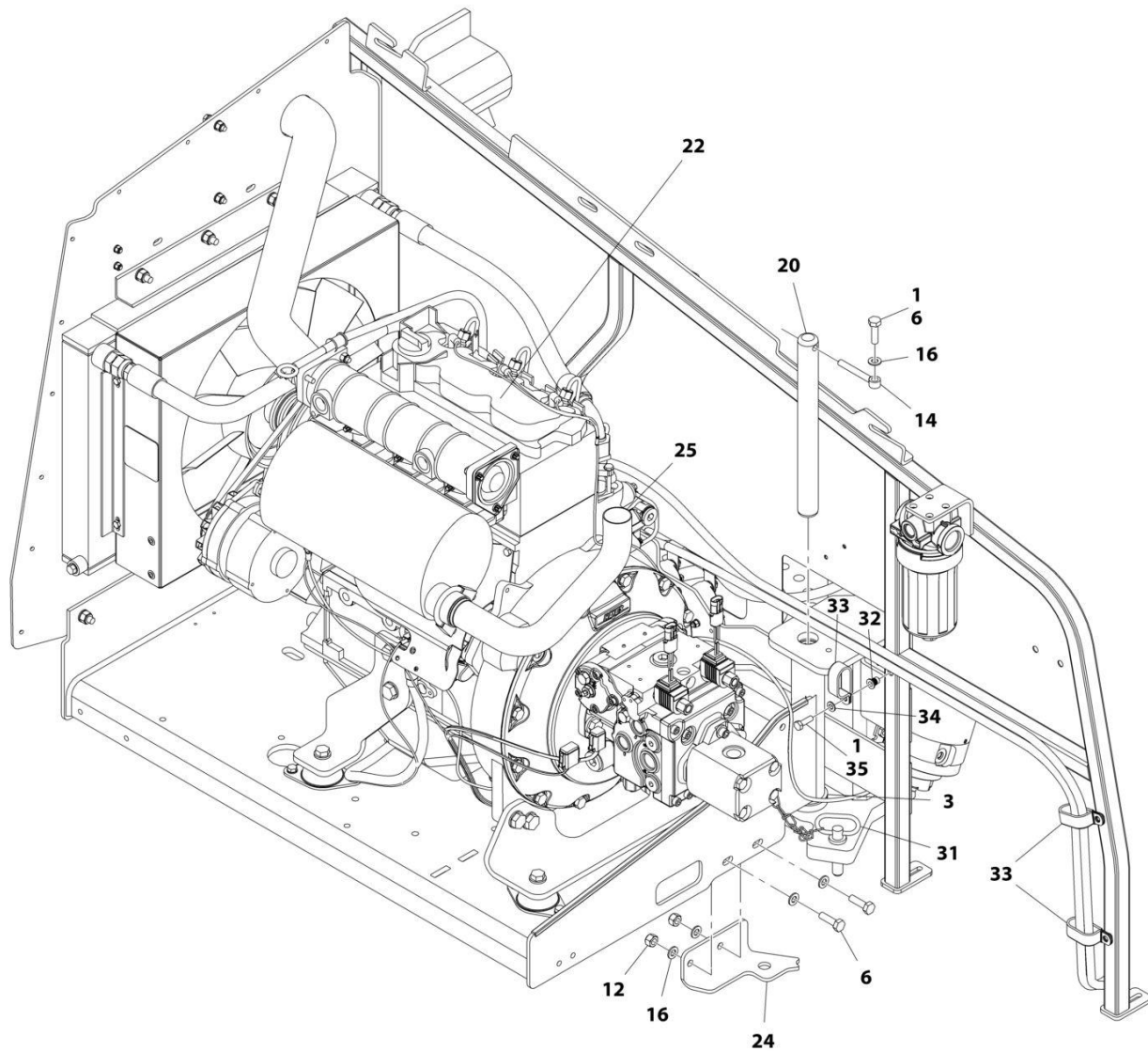
FIGURE 2-24. HOOD ASSEMBLY - ENGINE SIDE (ROMANIAN BUILT MACHINES)

| ITEM | PART NUMBER | QTY | DESCRIPTION | REV |
|------|-------------|-----|-----------------------------|-----|
| | 1001241295 | Ref | HOOD ASSEMBLY - ENGINE SIDE | C |
| 1 | 0100011 | AR | Compound, Locking | |
| 2 | 0641410 | 4 | Bolt 1/4 x 1-1/4 | |
| 3 | 0760610 | 3 | Bolt M6 x 20 | |
| 4 | 2560187 | 1 | Handle | |
| 5 | 2940173 | 1 | Latch | |
| 6 | 3290601 | 1 | Nut M6 | |
| 7 | 3291005 | 12 | Nut M10 | |
| 8 | 4711400 | 4 | Washer 1/4 | |
| 9 | 4811700 | 2 | Washer M6 | |
| 10 | 1001259230 | 2 | Hinge | |
| 12 | 1001178228 | 1 | Bracket | |
| 13 | 4812000 | 3 | Washer M10 | |
| 14 | 1001202830 | 1 | Support | |

SECTION 3 - ENGINE

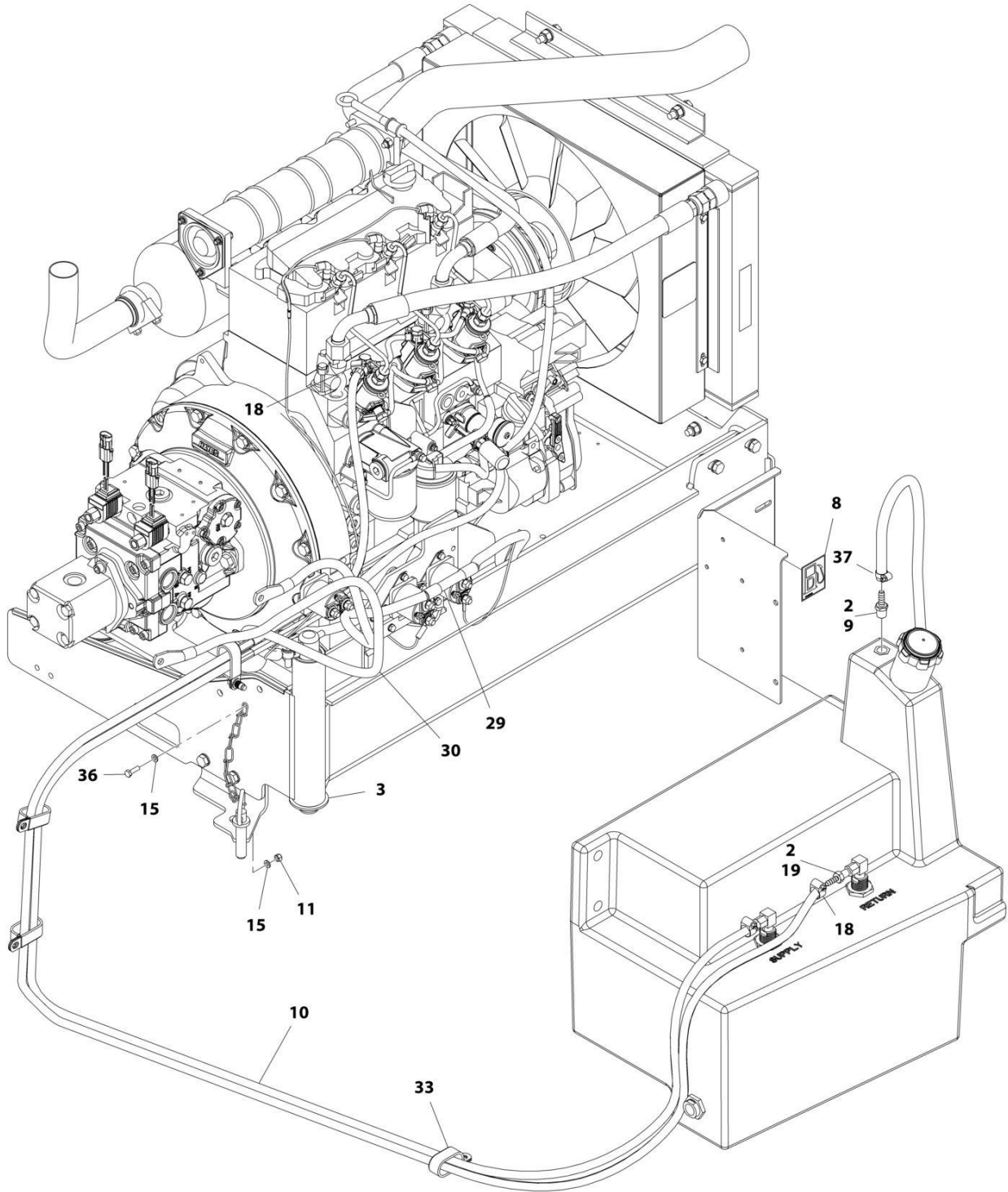
SECTION 3 - ENGINE

FIGURE 3-1. ENGINE INSTALLATION - DEUTZ D2011 ENGINE (WITHOUT ARCTIC PACKAGE) (ANSI EXPORT, AUSTRALIAN, CE (LRC) AND RUSSIA SPECS)



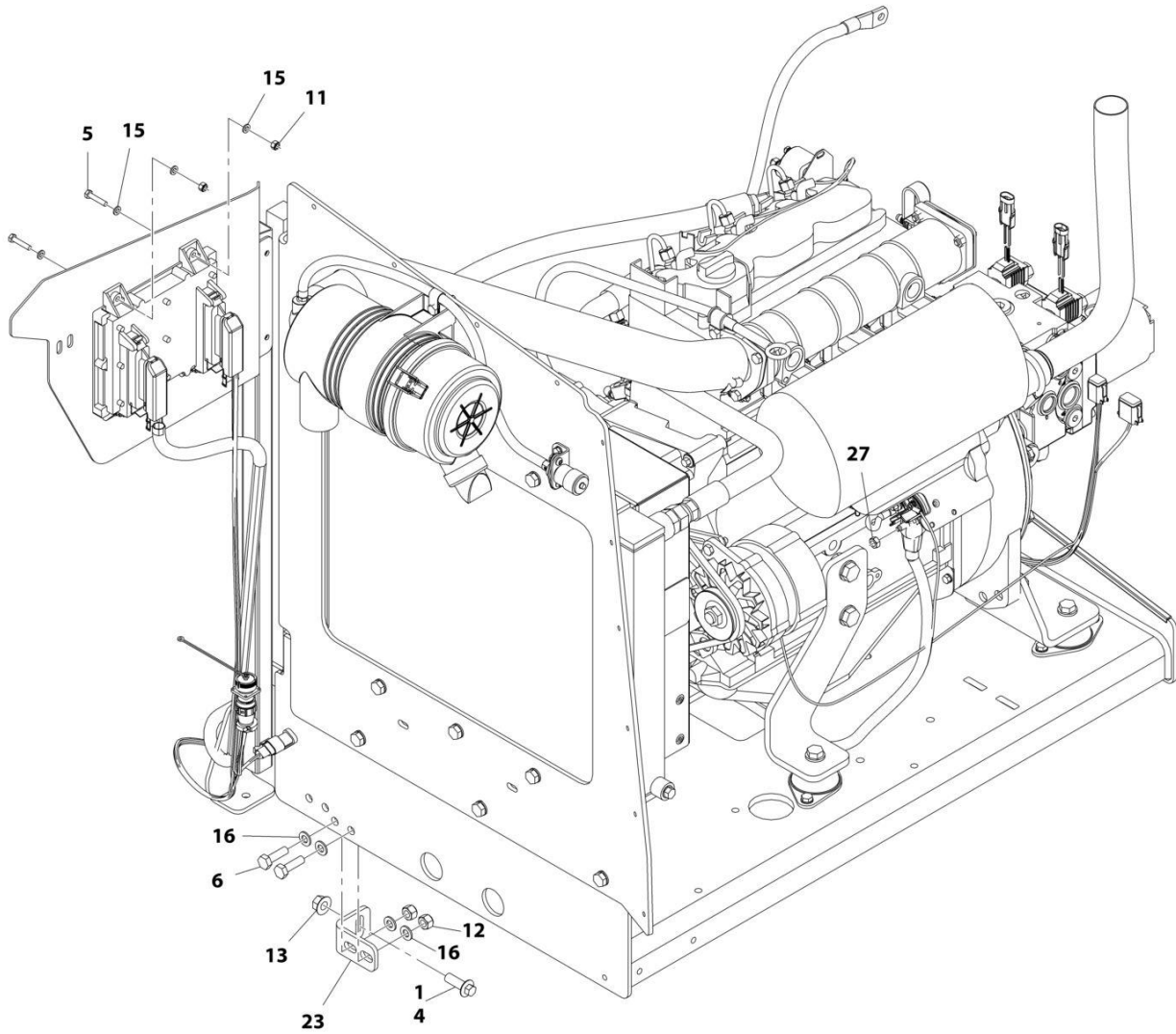
ART_1001166305_10F3

SECTION 3 - ENGINE



ART_1001166305_20F3

SECTION 3 - ENGINE



ART_1001166305_3OF3

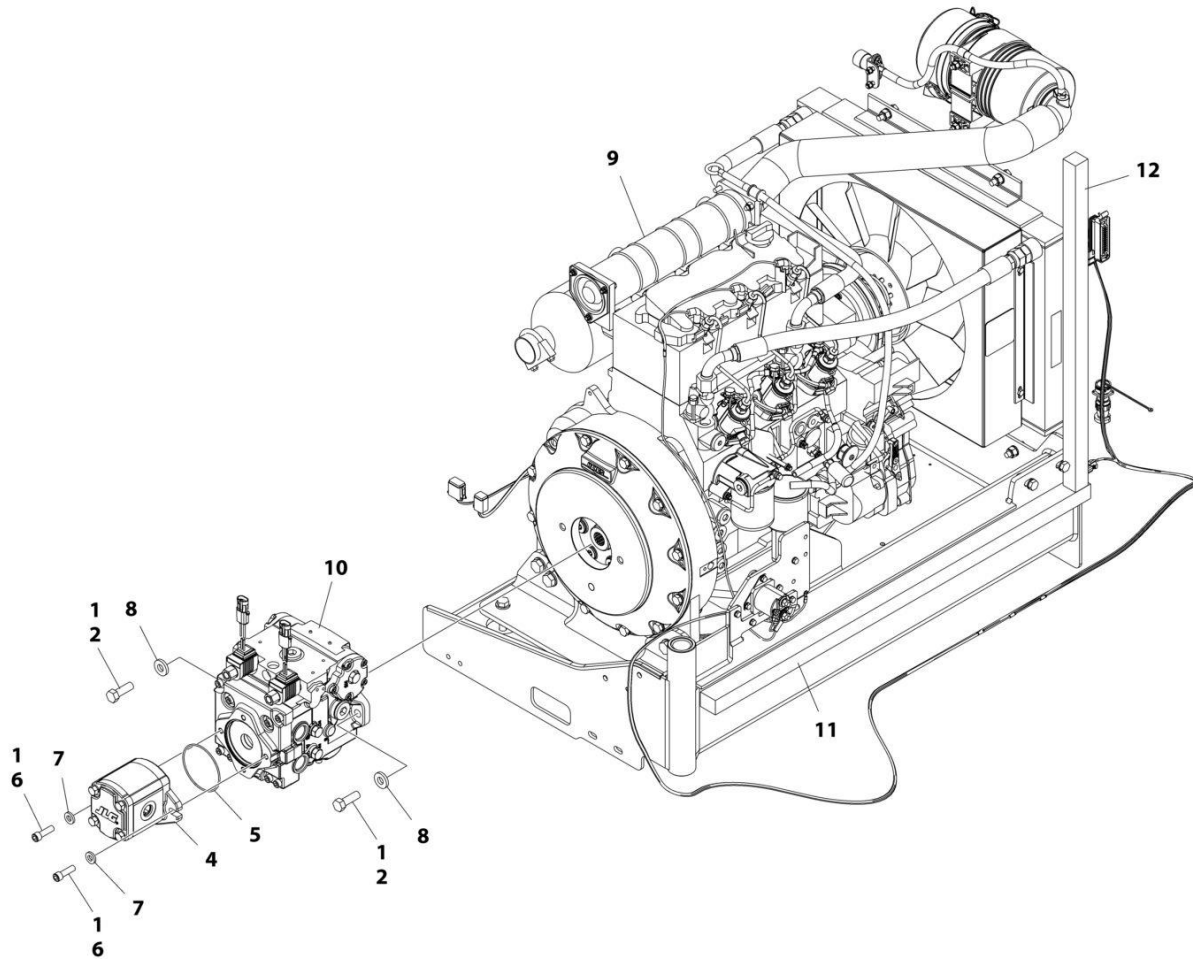
SECTION 3 - ENGINE

FIGURE 3-1. ENGINE INSTALLATION - DEUTZ D2011 ENGINE (WITHOUT ARCTIC PACKAGE) (ANSI EXPORT, AUSTRALIAN, CE (LRC) AND RUSSIA SPECS)

| ITEM | PART NUMBER | QTY | DESCRIPTION | REV |
|------|-------------|----------------|--|-----|
| | 1001166305 | Ref | ENGINE INSTALLATION - DEUTZ D2011 ENGINE (WITHOUT ARCTIC PACKAGE) | F |
| 1 | 0100011 | AR | Compound, Locking | |
| 2 | 0100020 | AR | Sealant, Pipe | |
| 3 | 0440162 | 1 | Bearing | |
| 4 | 5251215 | 1 | Bolt M12 x 35 | |
| 5 | 0760614 | 4 | Bolt M6 x 30 | |
| 6 | 0761015 | 5 | Bolt M10 x 35 | |
| 7 | 1704972 | 1 | Decal - Warning Explosion/Fire | |
| 8 | 1701505 | 1 | Decal - Diesel Fuel | |
| 9 | 2180876 | 1 | Fitting, Barbed | |
| 10 | 2720058 | 22 ft /6.7m | Hose | |
| 11 | 3290605 | 5 | Nut M6 | |
| 12 | 3291005 | 4 | Nut M10 | |
| 13 | 5261200 | 1 | Nut, Flange M12 Grade 10.9 | |
| 14 | 3841143 | 1 | Keeper, Pin | |
| 15 | 4811700 | 10 | Washer M6 | |
| 16 | 4812000 | 9 | Washer M10 | |
| 18 | 8410013 | 4 | Clamp | |
| 19 | 2180348 | 2 | Fitting, Barbed | |
| 20 | 1001135196 | 1 | Pin | |
| 22 | 1001166021 | 1 | Engine and Pump Sub-Assembly - Deutz D2011 (Without Arctic Package) (See Separate Breakdown in this Section) | |
| 23 | 1001167512 | 1 | Bracket, Engine | |
| 24 | 1001169823 | 1 | Bracket, Engine | |
| 25 | 1001172202 | 1 | Pipe, Exhaust | |
| 27 | 3290801 | 1 | Nut M8 | |
| 29 | 1001171681 | 1 | Cable, Battery (Red) (Battery Positive to Auxiliary Power Relay) | |
| 30 | 1001171682 | 1 | Cable, Battery (Black) (Battery Negative to Auxiliary Power Pump) | |
| 31 | 3422532 | 1 | Pin | |
| 32 | 1001191832 | 1 | Nut, Rivet, M8 | |
| 33 | 1321716 | 4 | Clamp | |
| 34 | 4811900 | 1 | Washer M8 | |
| 35 | 0760812 | 1 | Bolt M8 x 25 | |
| 36 | 0760610 | 1 | Bolt M6 x 20 | |
| 37 | 1320022 | 1 | Clamp | |

SECTION 3 - ENGINE

FIGURE 3-2. ENGINE AND PUMP SUB-ASSEMBLY - DEUTZ D2011 (WITHOUT ARCTIC PACKAGE)
(ANSI EXPORT, AUSTRALIAN, CE (LRC) AND RUSSIA SPECS)



ART_1001166021_G

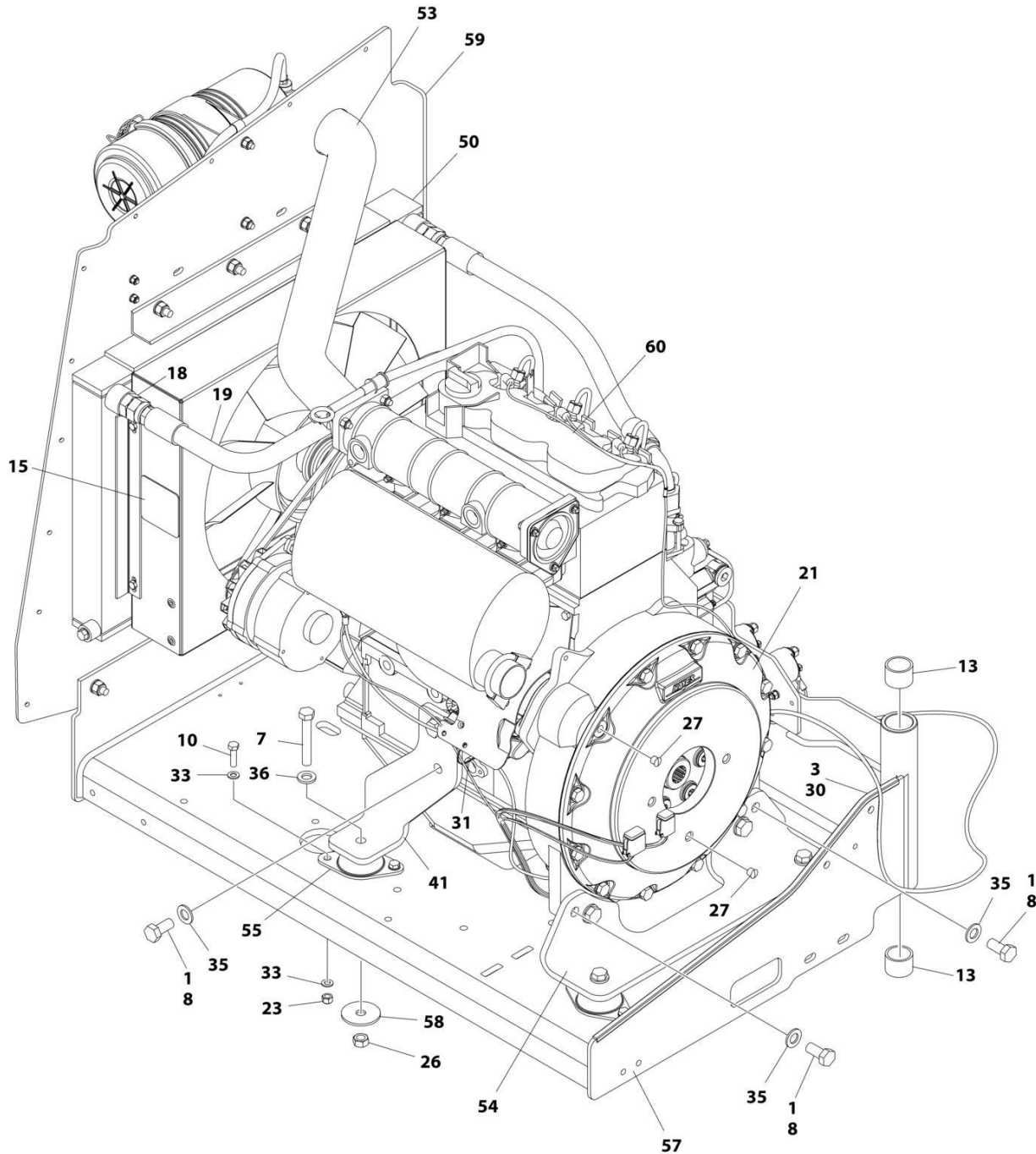
SECTION 3 - ENGINE

**FIGURE 3-2. ENGINE AND PUMP SUB-ASSEMBLY - DEUTZ D2011 (WITHOUT ARCTIC PACKAGE)
(ANSI EXPORT, AUSTRALIAN, CE (LRC) AND RUSSIA SPECS)**

| ITEM | PART NUMBER | QTY | DESCRIPTION | REV |
|------|-------------|-----|---|-----|
| | 1001166021 | Ref | ENGINE AND PUMP SUB-ASSEMBLY - DEUTZ D2011 (WITHOUT ARCTIC PACKAGE) | G |
| 1 | 0100011 | AR | Compound, Locking | |
| 2 | 0641812 | 2 | Bolt 1/2 x 1-1/2 | |
| 4 | 1001214207 | 1 | Gear Pump Assembly | |
| 4 | 70006356 | 1 | Seal Kit | |
| 5 | 3790152 | 1 | O-Ring | |
| 6 | 3931618 | 2 | Capscrew 3/8 x 1-1/8 | |
| 7 | 4891600 | 2 | Washer 3/8 Hardened | |
| 8 | 4891800 | 2 | Washer 1/2 Hardened | |
| 9 | 1001166020 | 1 | Engine Assembly - Deutz D2011 Engine (Without Arctic Package) (See Separate Breakdown in this Section) | |
| 10 | 1001167036 | 1 | Piston Pump Assembly (See Separate Breakdown in this Section) | |
| 11 | 1001171953 | 1 | Seal | |
| 12 | 1001171954 | 1 | Seal | |

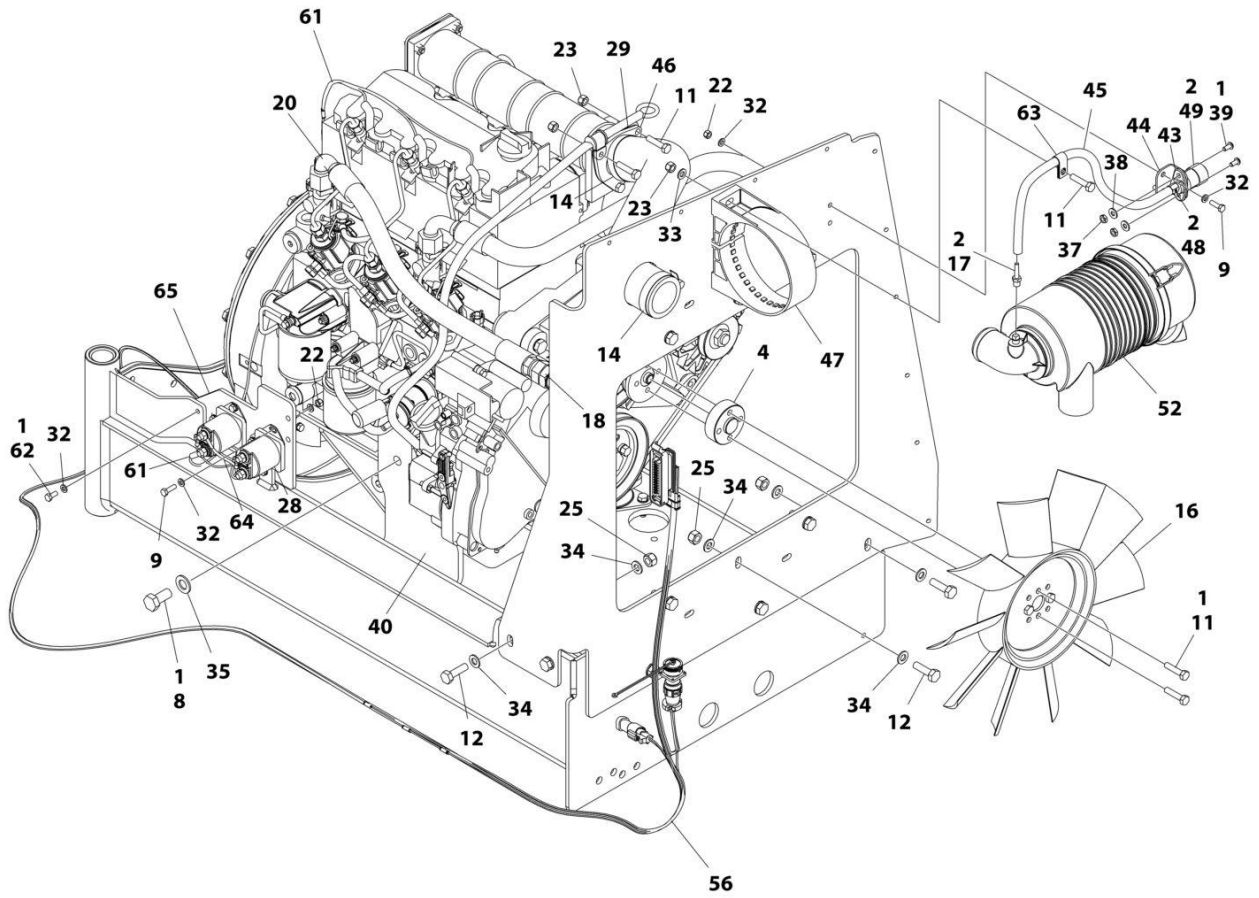
SECTION 3 - ENGINE

FIGURE 3-3. ENGINE ASSEMBLY - DEUTZ D2011 ENGINE (WITHOUT ARCTIC PACKAGE) (ANSI EXPORT, AUSTRALIAN, CE (LRC) AND RUSSIA SPECS)



ART_1001166020_10F2

SECTION 3 - ENGINE



ART_1001166020_2OF2

SECTION 3 - ENGINE

FIGURE 3-3. ENGINE ASSEMBLY - DEUTZ D2011 ENGINE (WITHOUT ARCTIC PACKAGE) (ANSI EXPORT, AUSTRALIAN, CE (LRC) AND RUSSIA SPECS)

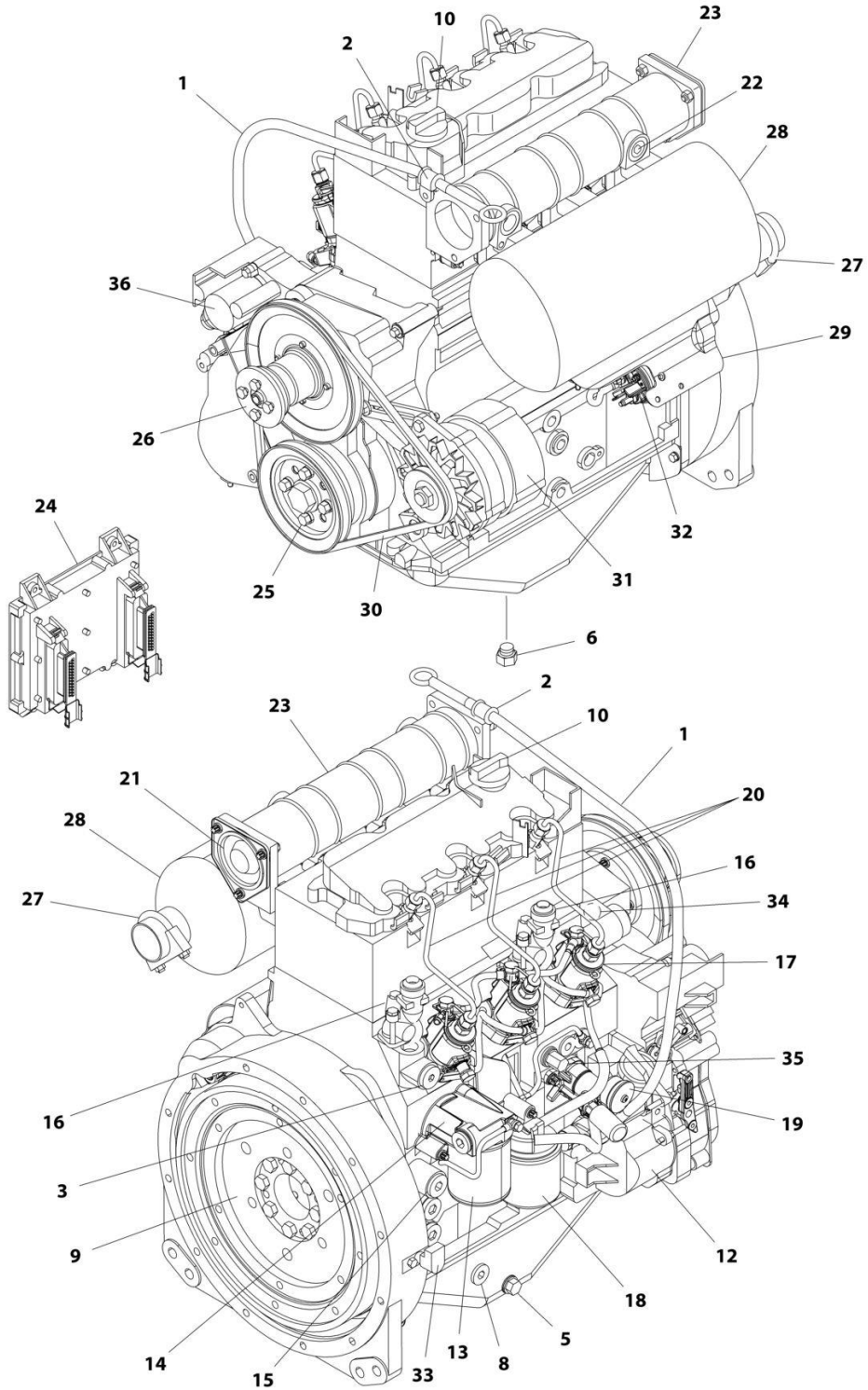
| ITEM | PART NUMBER | QTY | DESCRIPTION | REV |
|------|-------------|-------------------|---|-----|
| | 1001166020 | Ref | ENGINE ASSEMBLY - DEUTZ D2011 ENGINE (WITHOUT ARCTIC PACKAGE) | O |
| 1 | 0100011 | AR | Compound, Locking | |
| 2 | 0100020 | AR | Sealant, Pipe | |
| 3 | 0100081 | AR | Adhesive | |
| 4 | 0080231 | 1 | Spacer, Fan | |
| 7 | 0711224 | 4 | Bolt M12 x 80 Grade 10.9 | |
| 8 | 0771414 | 8 | Bolt M14 x 30 Grade 10.9 | |
| 9 | 0760610 | 6 | Bolt M6 x 20 | |
| 10 | 0760814 | 8 | Bolt M8 x 30 | |
| 11 | 0760815 | 9 | Bolt M8 x 35 | |
| 12 | 0761015 | 11 | Bolt M10 x 35 | |
| 13 | 0961951 | 2 | Bushing | |
| 14 | 1320016 | 2 | Clamp | |
| 15 | 1703162 | 2 | Decal - Caution Fan | |
| 16 | 2060025 | 1 | Fan | |
| 17 | 2220315 | 1 | Fitting, Barbed | |
| 18 | 2220451 | 2 | Fitting, Straight JIC/ORB | |
| 19 | 2720398 | 1 | Hose | |
| 20 | 2720447 | 1 | Hose | |
| 21 | 2902065 | 1 | Pump Coupling Kit (See Separate Breakdown in this Section) | |
| 22 | 3290605 | 6 | Nut M6 x 1 | |
| 23 | 3290805 | 13 | Nut M8 x 1-1/4 | |
| 25 | 3291005 | 11 | Nut M10 x 1-1/2 | |
| 26 | 3331215 | 4 | Nut M12 x 1-3/4 | |
| 27 | 3520054 | 2 | Plug | |
| 28 | 3740067 | 2 | Relay Assembly | |
| 28 | 3300220 | 2 | Nut | |
| 28 | 3321001 | 1 | Nut #10 | |
| 28 | 3740140 | 1 | Relay | |
| 28 | 4761000 | 1 | Washer #10 | |
| 28 | 1001111424 | 2 | Washer | |
| 29 | 3960407 | 1 | Gasket | |
| 30 | 4060805 | 2.25 ft/ 0.69m | Trim-Flex | |
| 31 | 4240099 | AR | Tie-Strap | |
| 32 | 4811700 | 15 | Washer M6 | |
| 33 | 4811900 | 20 | Washer M8 | |
| 34 | 4812000 | 22 | Washer M10 | |
| 35 | 4812200 | 8 | Washer M14 | |
| 36 | 5241200 | 4 | Washer M12 | |
| 37 | 8305401 | 2 | Nut, Jam | |
| 38 | 8307109 | 2 | Washer, .250 | |
| 39 | 8310548 | 2 | Screw 1/4 x 1/2 | |
| 40 | 1001132195 | 1 | Bracket, Engine Mount | |
| 41 | 1001132196 | 1 | Bracket, Engine Mount | |
| 43 | 1001138173 | 1 | Support, Service Indicator | |
| 44 | 1001138175 | 1 | Bracket, Service Indicator | |
| 45 | 1001138248 | 2 ft/ | Tube | |

SECTION 3 - ENGINE

| ITEM | PART NUMBER | QTY | DESCRIPTION | REV |
|------|-------------|-------|---|-----|
| | | 0.61m | | |
| 46 | 1001139819 | 1 | Adapter, Air Intake | |
| 47 | 1001141694 | 1 | Clamp, Air Cleaner | |
| 48 | 1001141995 | 1 | Fitting, Barbed | |
| 49 | 1001143390 | 1 | Indicator | |
| 50 | 1001150998 | 1 | Radiator | |
| 52 | 1001165388 | 1 | Air Cleaner Assembly | |
| 52 | 70003783 | 1 | Element, Air Cleaner | |
| 53 | 1001165389 | 1 | Hose | |
| 54 | 1001166717 | 1 | Bracket, Engine Mount | |
| 55 | 1001166718 | 4 | Isolator, Engine Mount | |
| 56 | 1001167111 | 1 | Harness Engine - Deutz D2011 (See Separate Breakdown in ELECTRICAL SECTION) | |
| 57 | 1001167520 | 1 | Tray, Engine | |
| 58 | 1001168018 | 4 | Washer, Snubbing | |
| 59 | 1001168059 | 1 | Plate, Radiator Mounting | |
| 60 | 1001170693 | 1 | Engine, Deutz D2011 (See Separate Breakdown in this Section) | |
| 61 | 4923451 | 1 | Harness, Glow Plugs | |
| 62 | 0760614 | 3 | Bolt M6 x 30 | |
| 63 | 8406109 | 1 | Clip | |
| 64 | 1001178859 | 1 | Cable, Alternator | |
| 65 | 1001214975 | 1 | Bracket | |

SECTION 3 - ENGINE

FIGURE 3-4. ENGINE COMPONENTS - DEUTZ D2011



ART_1001170693

SECTION 3 - ENGINE

FIGURE 3-4. ENGINE COMPONENTS - DEUTZ D2011

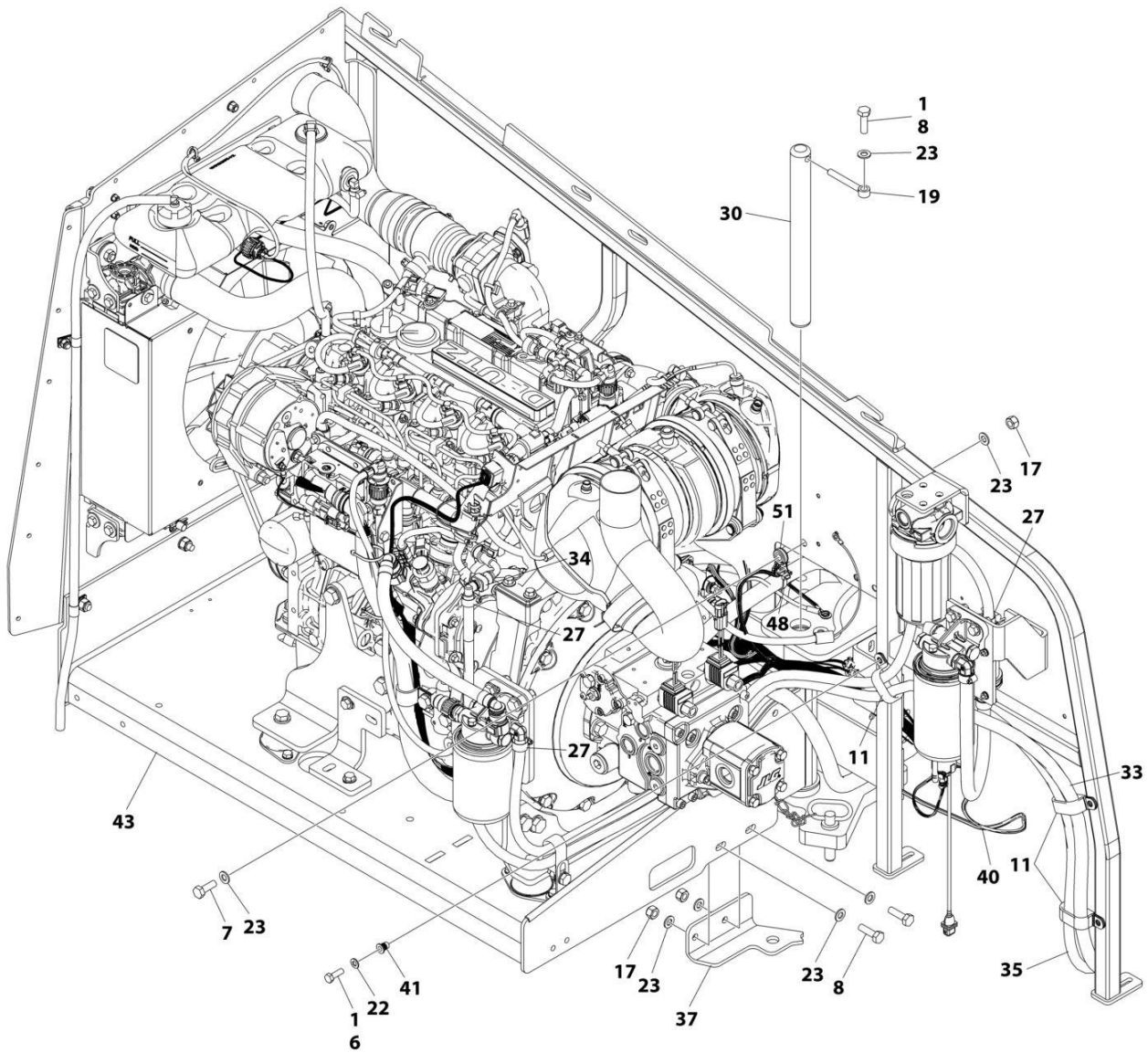
| ITEM | PART NUMBER | QTY | DESCRIPTION | REV |
|------|-------------|-----|---|-----|
| | 1001170693 | Ref | ENGINE COMPONENTS - DEUTZ D2011 | C |
| 1 | 70001002 | 1 | Tube, Dipstick | |
| 1 | 7020403 | 1 | Seal, Tube | |
| 1 | 7020026 | 1 | Dipstick | |
| 2 | 70001654 | 1 | Clamp | |
| 2 | 70001655 | 1 | Bolt | |
| 3 | 70003475 | 1 | Thermostat | |
| 3 | 7020460 | 1 | Spring | |
| 4 | | Ref | Seal and Gasket Options (Not Shown): | |
| 4 | 70002718 | 1 | Seal, Rear Main | |
| 4 | 7020430 | 1 | Gasket, Valve Cover | |
| 4 | 70003479 | 1 | Gasket, Head - 1 Notch | |
| 4 | 70003480 | 1 | Gasket, Head - 2 Notch | |
| 4 | 70003481 | 1 | Gasket, Head - 3 Notch | |
| 5 | 70025088 | 1 | Plug | |
| 6 | 70025667 | 1 | Plug | |
| 7 | 70025123 | 22 | Bolt, Torx (Oil Pan Bolts) (Not Shown) | |
| 8 | 7020492 | 1 | Seal | |
| 8 | 70025084 | 1 | Plug | |
| 9 | 70001870 | 1 | Flywheel | |
| 9 | 7024579 | 1 | Ring Gear (Part of Flywheel) | |
| 9 | 70025139 | 8 | Bolt | |
| 10 | 7020465 | 1 | Cap, Oil Fill | |
| 11 | 70000800 | 1 | Timing Belt/Idler Kit (Includes Timing Belt, Tensioner and Tensioner Bolt) (Not Shown) | |
| 12 | 70001850 | 1 | Pump, Lubricating | |
| 12 | 7020468 | 1 | Seal, Pump to Engine Block (Not Shown) | |
| 13 | 7016331 | 1 | Filter, Oil | |
| 14 | 70003472 | 1 | Bracket, Oil Filter (Includes Plug with Seal, Temperature Sensor, Control Valve and Compression Spring) | |
| 14 | 7027236 | 1 | Sensor, Temperature | |
| 14 | 70025082 | 1 | Seal, Plug | |
| 14 | 70025091 | 1 | Plug | |
| 14 | 70003473 | 1 | Gasket, Bracket to Engine Block (Not Shown) | |
| 15 | 70001181 | 1 | Valve | |
| 15 | 70025091 | 1 | Plug | |
| 15 | 70025082 | 1 | Seal, Plug | |
| 16 | 70004268 | 2 | Connector, Radiator Neck | |
| 16 | 70004269 | 2 | Seal, Radiator Neck to Engine Block | |
| 17 | 70000912 | 3 | Pump, Fuel Injector - A Spec | |
| 17 | 70000913 | 3 | Pump, Fuel Injector - B Spec | |
| 17 | 70000914 | 3 | Pump, Fuel Injector - C Spec | |
| 17 | 70000915 | 3 | Pump, Fuel Injector - D Spec | |
| 17 | 70003464 | 3 | O-Ring, Pump to Engine Block | |
| 18 | 7020023 | 1 | Filter, Fuel | |
| 18 | 70003463 | 1 | Filter, Fuel - RME Resistant | |
| 18 | 70001423 | 1 | Bracket, Fuel Filter | |
| 19 | 70000916 | 1 | Pump Fuel Supply | |
| 19 | 70000917 | 1 | O-Seal Between Fuel Pump and Engine Block | |
| 19 | 70000918 | 1 | Sealing Ring Between Hand Pump and Supply Pump | |

SECTION 3 - ENGINE

| ITEM | PART NUMBER | QTY | DESCRIPTION | REV |
|------|-------------|-----|--|-----|
| 19 | 7000919 | 1 | Pump, Hand | |
| 19 | 70001435 | 1 | Repair Kit | |
| 19 | 70025694 | 2 | Bolt, Torx | |
| 20 | 70000931 | 3 | Pipe, High Pressure | |
| 21 | 70003469 | 1 | Flange, Intake | |
| 21 | 70003468 | 1 | Seal | |
| 22 | 70025084 | 1 | Plug | |
| 22 | 7020492 | 1 | Seal, Plug | |
| 23 | 7027903 | 1 | Manifold, Air Intake | |
| 23 | 70001871 | 3 | Gasket Between Manifold and Engine Block | |
| 24 | See Note | 1 | Module, Engine Control (Note: Not Currently Available) | |
| 24 | 7027796 | 1 | Cable, Electrical Between Module and Engine Harness (Not Shown) | |
| 24 | 70001872 | 1 | Harness, Engine (Connects to p/n 70004060) (Not Shown) | |
| 24 | 70004060 | 1 | Plug, Connector Located on Cable Near Module (Not Shown) | |
| 24 | 70004059 | 1 | Plug, Analyzer (Not Shown) | |
| 25 | 70025123 | 4 | Bolt, Torx | |
| 26 | 70000787 | 1 | Support, Fan (Includes Support, Internal Shaft, Bearings and Circlip) | |
| 27 | 70001844 | 1 | Clamp | |
| 28 | See Note | 1 | Muffler (Note: See Separate Breakdown in this Section) | |
| 28 | 7020471 | 3 | Gasket, Exhaust Between Muffler and Engine Block | |
| 28 | 70004270 | 6 | Stud, Muffler | |
| 29 | 70001498 | 1 | Shield, Starter | |
| 29 | 70025693 | 3 | Bolt | |
| 30 | 70004102 | 1 | V-Belt | |
| 31 | 70004056 | 1 | Alternator (Includes Voltage Regulator and Gaskets, Fan and Fan Mounting Hardware) | |
| 31 | 70001868 | 1 | Regulator, Voltage | |
| 31 | 70001866 | 1 | Gasket Set, Voltage Regulator | |
| 31 | 70025131 | 1 | Fan | |
| 31 | 70025086 | 1 | Nut, Fan | |
| 31 | 70000851 | 1 | Bracket, Alternator Mounting | |
| 31 | 70002234 | 1 | Bracket, Alternator Adjustment | |
| 31 | 70004103 | 1 | Harness, Alternator (Not Shown) | |
| 32 | 7020479 | 1 | Starter | |
| 32 | 70025121 | 2 | Bolt, Starter Mounting | |
| 32 | 70004058 | 1 | Relay | |
| 32 | 70004062 | 1 | Harness, Starter (Not Shown) | |
| 33 | 7024565 | 1 | Sensor, Speed | |
| 33 | 70003931 | 1 | Bolt | |
| 33 | 70003932 | 1 | Spacer, Sleeve | |
| 34 | 7027791 | 1 | Sensor, Temperature | |
| 35 | 7027790 | 1 | Sensor, Oil Pressure | |
| 36 | 7027792 | 1 | Actuator | |
| 37 | 70000345 | 3 | Plug, Glow (Not Shown) | |

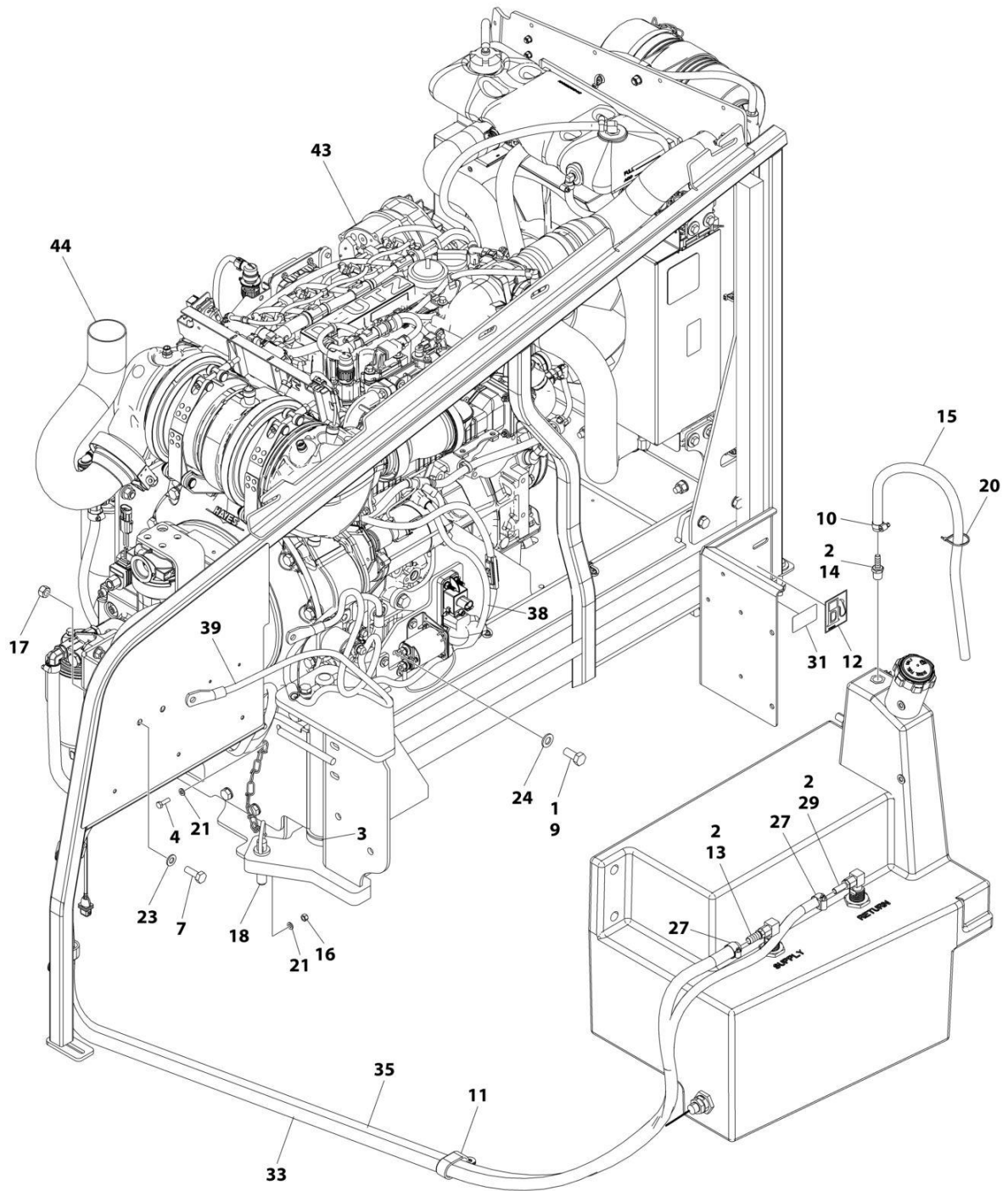
SECTION 3 - ENGINE

FIGURE 3-5. ENGINE INSTALLATION - DEUTZ D2.9L4 ENGINE (STAGE V) (CE SPECS)



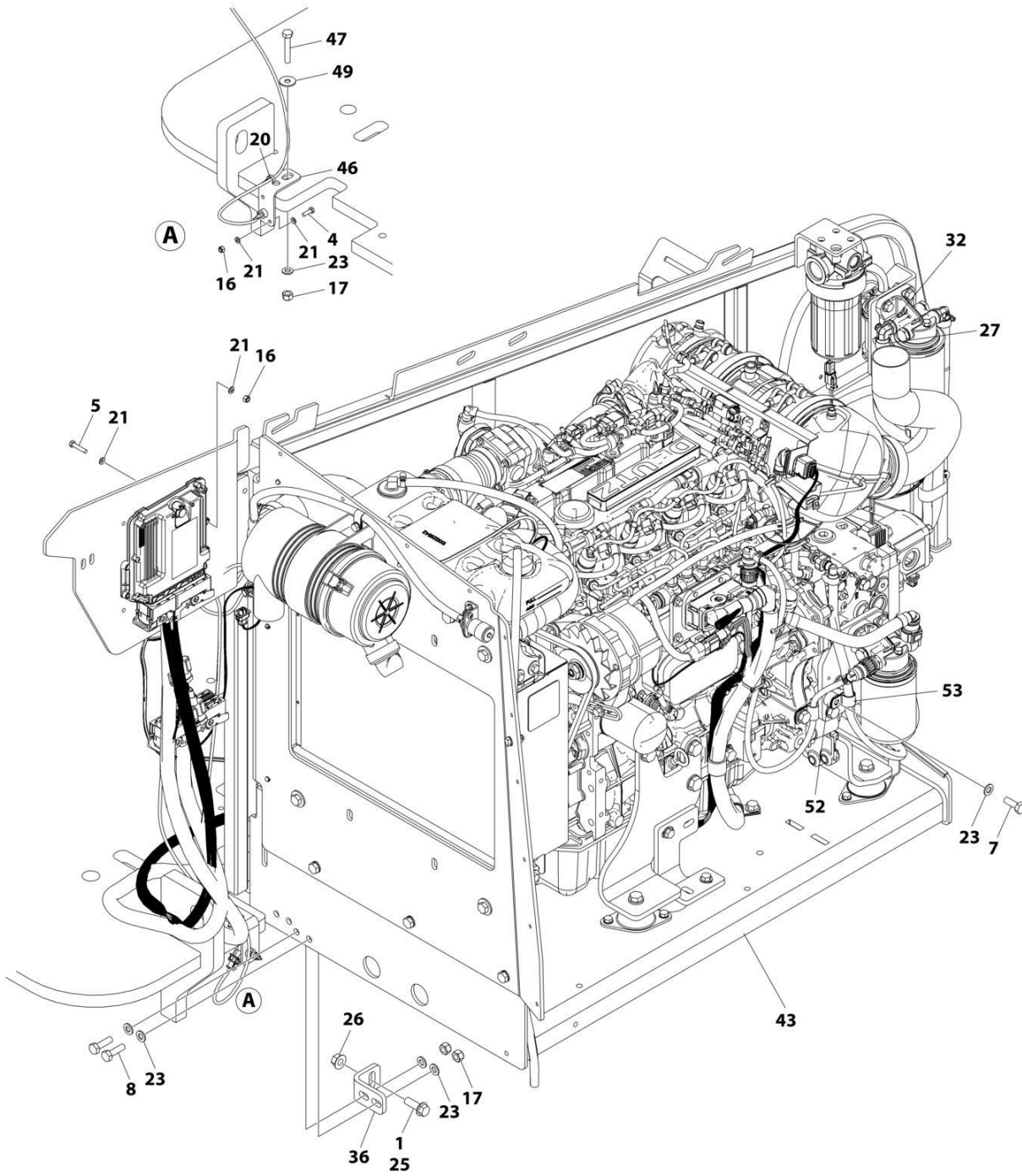
ART_1001244287_H_10F3

SECTION 3 - ENGINE



ART_1001244287_H_20F3

SECTION 3 - ENGINE



ART_1001244287_H_30F3

SECTION 3 - ENGINE

FIGURE 3-5. ENGINE INSTALLATION - DEUTZ D2.9L4 ENGINE (STAGE V) (CE SPECS)

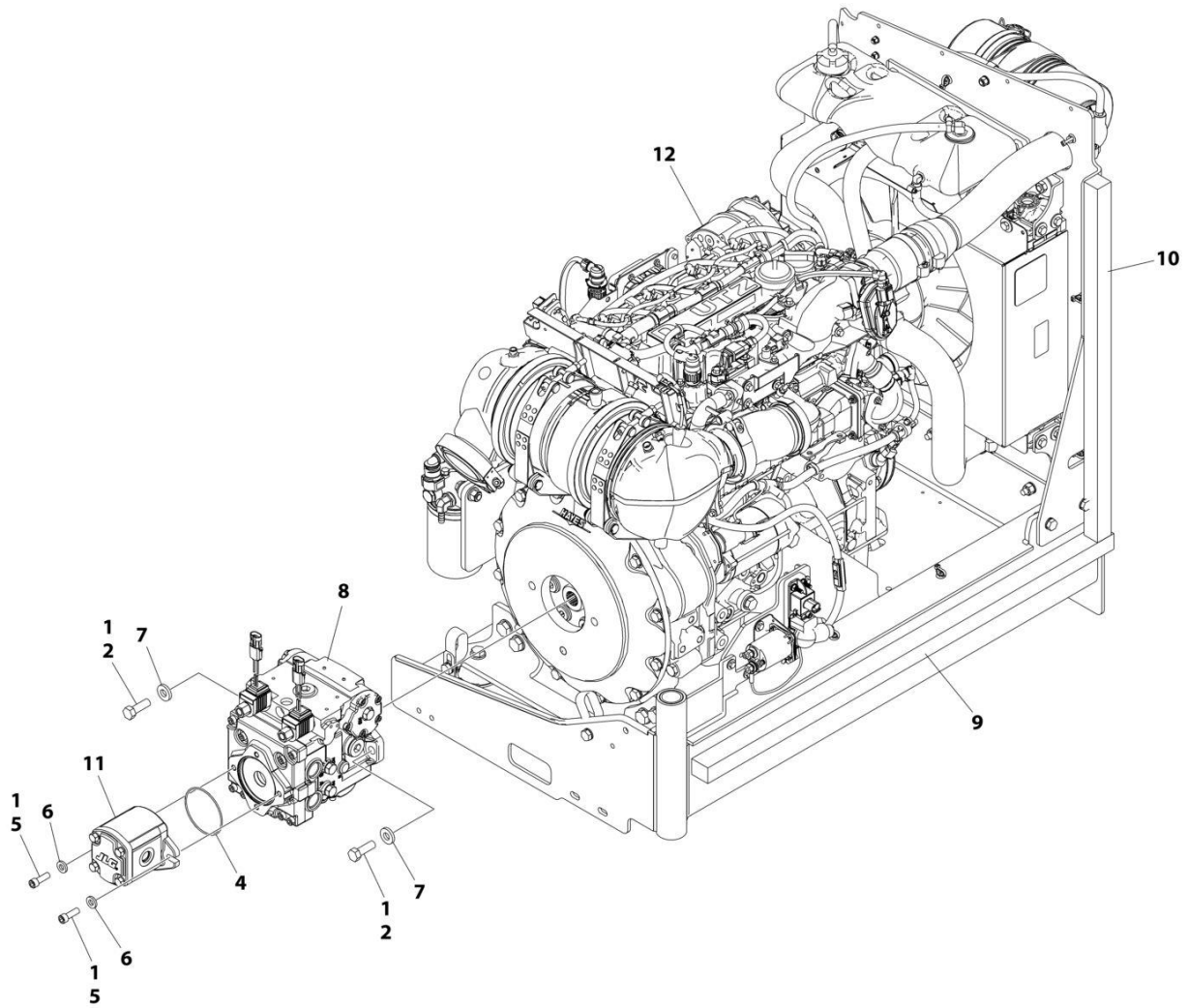
| ITEM | PART NUMBER | QTY | DESCRIPTION | REV |
|------|-------------|--------------------|---|-----|
| | 1001244287 | Ref | ENGINE INSTALLATION - DEUTZ D2.9L4 ENGINE (STAGE V) | H |
| 1 | 0100011 | AR | Compound, Locking | |
| 2 | 0100020 | AR | Sealant, Pipe | |
| 3 | 0440162 | 1 | Bearing | |
| 4 | 0760610 | 2 | Bolt M6 x 20 | |
| 5 | 0760614 | 4 | Bolt M6 x 30 | |
| 6 | 0760812 | 1 | Bolt M8 x 25 | |
| 7 | 0761014 | 4 | Bolt M10 x 30 | |
| 8 | 0761015 | 5 | Bolt M10 x 35 | |
| 9 | 0771212 | 1 | Bolt M12 x 25 | |
| 10 | 1320022 | 1 | Clamp | |
| 11 | 1321716 | 4 | Clamp | |
| 12 | 1701505 | 1 | Decal - Diesel Fuel | |
| 13 | 2180832 | 1 | Fitting, Barbed | |
| 14 | 2180876 | 1 | Fitting, Barbed | |
| 15 | 2720058 | 2 ft /0.6m | Hose | |
| 16 | 3290605 | 6 | Nut M6 | |
| 17 | 3291005 | 8 | Nut M10 | |
| 18 | 3422532 | 1 | Pin | |
| 19 | 3841143 | 1 | Keeper, Pin | |
| 20 | 4240099 | AR | Tie-Strap | |
| 21 | 4811700 | 12 | Washer M6 | |
| 22 | 4811900 | 1 | Washer M8 | |
| 23 | 4812000 | 15 | Washer M10 | |
| 24 | 4812100 | 1 | Washer M12 | |
| 25 | 5251215 | 1 | Bolt M12 x 35 | |
| 26 | 5261200 | 1 | Nut, Flange M12 Grade 10.9 | |
| 27 | 8405006 | 6 | Clamp | |
| 29 | 2220767 | AR | Fitting, Barbed 90 | |
| 29 | 8430007 | AR | Fitting, Barbed | |
| 30 | 1001135196 | 1 | Pin | |
| 31 | 1001139654 | 1 | Decal - Ultra Low Sulfur Diesel | |
| 32 | 1001142501 | 1 | Fitting, Barbed 90 | |
| 33 | 1001154405 | 7.25 ft /2.21m | Hose | |
| 34 | 1001155823 | 1 | Coupling, Quick Disconnect 90 | |
| 35 | 1001165035 | 17.25 ft /5.26m | Hose | |
| 36 | 1001167512 | 1 | Bracket | |
| 37 | 1001169823 | 1 | Plate, Engine Lock | |
| 38 | 1001171683 | 1 | Cable, Battery (Red) (Battery Positive to Auxiliary Power Relay) | |
| 39 | 1001171684 | 1 | Cable, Battery (Black) (Battery Negative to Auxiliary Power Pump) | |
| 40 | 1001181358 | 1 | Harness, Fuel Pump (See Separate Breakdown in ELECTRICAL SECTION) | |
| 41 | 1001191832 | 1 | Nut, Rivet M8 | |
| 43 | 1001277600 | 1 | Engine and Pump Sub-Assembly - Deutz D2.9L4 (Without Arctic Package) (See Separate Breakdown in this Section) | |
| 44 | 1001247440 | 1 | Pipe, Exhaust | |
| 46 | 1001256879 | 1 | Bracket | |
| 47 | 0701020 | 1 | Bolt M10 x 60 | |

SECTION 3 - ENGINE

| ITEM | PART NUMBER | QTY | DESCRIPTION | REV |
|------|-------------|-----|-------------|-----|
| 48 | 1062255 | 1 | Tie-Strap | |
| 49 | 4812002 | 1 | Washer M10 | |
| 51 | 1001156107 | 1 | Holder | |
| 52 | 1001220266 | 1 | Spacer | |
| 53 | 1320061 | 1 | Clamp | |

SECTION 3 - ENGINE

FIGURE 3-6. ENGINE AND PUMP SUB-ASSEMBLY - DEUTZ D2.9L4 ENGINE (STAGE V) (CE SPECS)



ART_1001244285

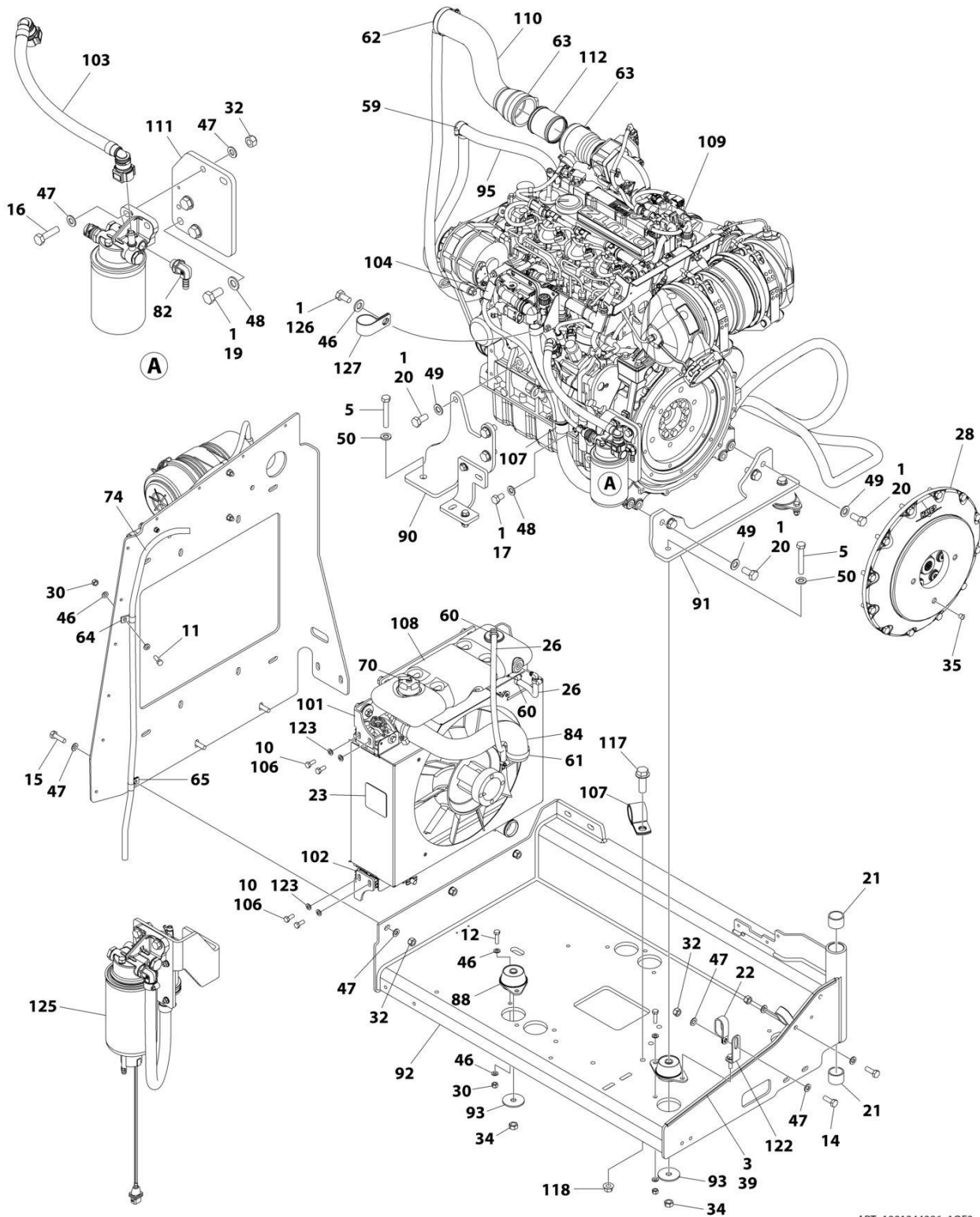
SECTION 3 - ENGINE

FIGURE 3-6. ENGINE AND PUMP SUB-ASSEMBLY - DEUTZ D2.9L4 ENGINE (STAGE V) (CE SPECS)

| ITEM | PART NUMBER | QTY | DESCRIPTION | REV |
|------|-------------|-----|--|-----|
| | 1001244285 | Ref | ENGINE AND PUMP SUB-ASSEMBLY - DEUTZ (STAGE V) ENGINE | E |
| 1 | 0100011 | AR | Compound, Locking | |
| 2 | 0641812 | 2 | Bolt 1/2 x 1-1/2 | |
| 4 | 3790152 | 1 | O-Ring | |
| 5 | 3931618 | 2 | Capscrew, 3/8 x 1-1/8 | |
| 6 | 4891600 | 2 | Washer, 3/8 Hardened | |
| 7 | 4891800 | 2 | Washer 1/2 Hardened | |
| 8 | 1001167036 | 1 | Piston Pump Assembly (See Separate Breakdown in this Section) | |
| 9 | 1001171953 | 1 | Seal | |
| 10 | 1001171954 | 1 | Seal | |
| 11 | 1001214207 | 1 | Gear Pump Assembly | |
| 11 | 70006356 | 1 | Seal Kit - 1001214207 Pump | |
| 12 | 1001244286 | 1 | Engine Assembly, Deutz (Stage V) Engine (See Separate Breakdown in this Section) | |

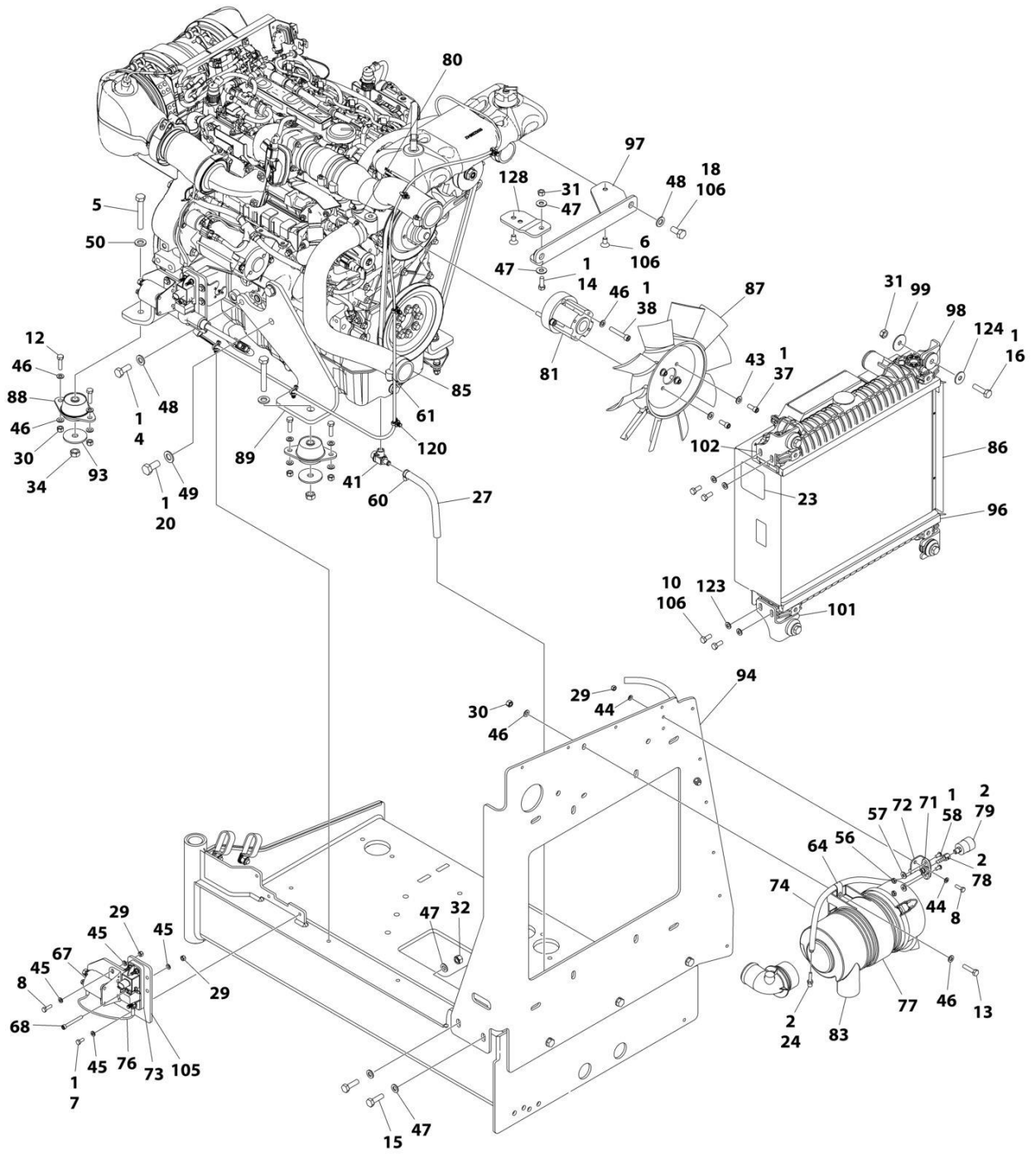
SECTION 3 - ENGINE

FIGURE 3-7. ENGINE ASSEMBLY – DEUTZ D2.9L4 ENGINE (STAGE V) (CE SPECS)



ART_1001244286_10F2

SECTION 3 - ENGINE



ART_1001244286_2OF2

SECTION 3 - ENGINE

FIGURE 3-7. ENGINE ASSEMBLY – DEUTZ D2.9L4 ENGINE (STAGE V) (CE SPECS)

| ITEM | PART NUMBER | QTY | DESCRIPTION | REV |
|------|-------------|-------------------|--|-----|
| | 1001244286 | Ref | ENGINE ASSEMBLY, DEUTZ (STAGE V) ENGINE | K |
| 1 | 0100011 | AR | Compound, Locking | |
| 2 | 0100020 | AR | Sealant, Pipe | |
| 3 | 0100081 | AR | Adhesive | |
| 4 | 0711214 | 1 | Bolt M12 x 30 | |
| 5 | 0711224 | AR | Bolt M12 x 80 | |
| 6 | 0741606 | 2 | Screw 3/8 x 3/4 | |
| 7 | 0760607 | 3 | Bolt M6 x 14 | |
| 8 | 0760610 | 4 | Bolt M6 x 20 | |
| 10 | 0760810 | 8 | Bolt M8 x 20 | |
| 11 | 0760812 | 1 | Bolt M8 x 25 | |
| 12 | 0760814 | AR | Bolt M8 x 30 | |
| 13 | 0760815 | 2 | Bolt M8 x 35 | |
| 14 | 0761014 | 3 | Bolt M10 x 30 | |
| 15 | 0761015 | 5 | Bolt M8 x 35 | |
| 16 | 0761016 | 6 | Bolt M10 x 40 | |
| 17 | 0761210 | 1 | Bolt M12 x 20 | |
| 18 | 0761212 | 2 | Bolt M12 x 25 | |
| 19 | 0771212 | 3 | Bolt M12 x 25 | |
| 20 | 0771414 | 9 | Bolt M14 x 30 | |
| 21 | 0961951 | 2 | Bushing | |
| 22 | 1321716 | 2 | Clamp | |
| 23 | 1703162 | 2 | Decal - Caution Fan | |
| 24 | 2220315 | 1 | Fitting, Barbed | |
| 26 | 2720015 | 1.94 ft /0.59m | Hose | |
| 27 | 2720340 | 0.66 ft/ 0.20m | Hose | |
| 28 | 2902065 | 1 | Pump Coupling Kit (See Separate Breakdown in this Section) | |
| 29 | 3290605 | 5 | Nut M6 | |
| 30 | 3290805 | AR | Nut M8 | |
| 31 | 3291001 | 5 | Nut M10 | |
| 32 | 3291005 | 9 | Nut M10 | |
| 34 | 3331215 | 4 | Nut M12 x 1.75 | |
| 35 | 3520054 | 1 | Plug | |
| 37 | 3931512 | 4 | Capscrew, 5/16 x 3/4 | |
| 38 | 4031914 | 4 | Bolt M8 x 50 | |
| 39 | 4060805 | 2.03 ft /0.62m | Flex-Trim | |
| 40 | 4240099 | AR | Tie-Strap (Not Shown) | |
| 41 | 4640751 | 1 | Valve, Oil Drain | |
| 43 | 4711500 | 4 | Washer 5/16 | |
| 44 | 4811700 | 4 | Washer M6 | |
| 45 | 4811702 | 8 | Washer M6 | |
| 46 | 4811900 | AR | Washer M8 | |
| 47 | 4812000 | 20 | Washer M10 | |
| 48 | 4812100 | 7 | Washer M12 | |
| 49 | 4812200 | AR | Washer M14 | |
| 50 | 5241200 | AR | Washer M12 | |
| 56 | 8305401 | 2 | Nut Jam | |

SECTION 3 - ENGINE

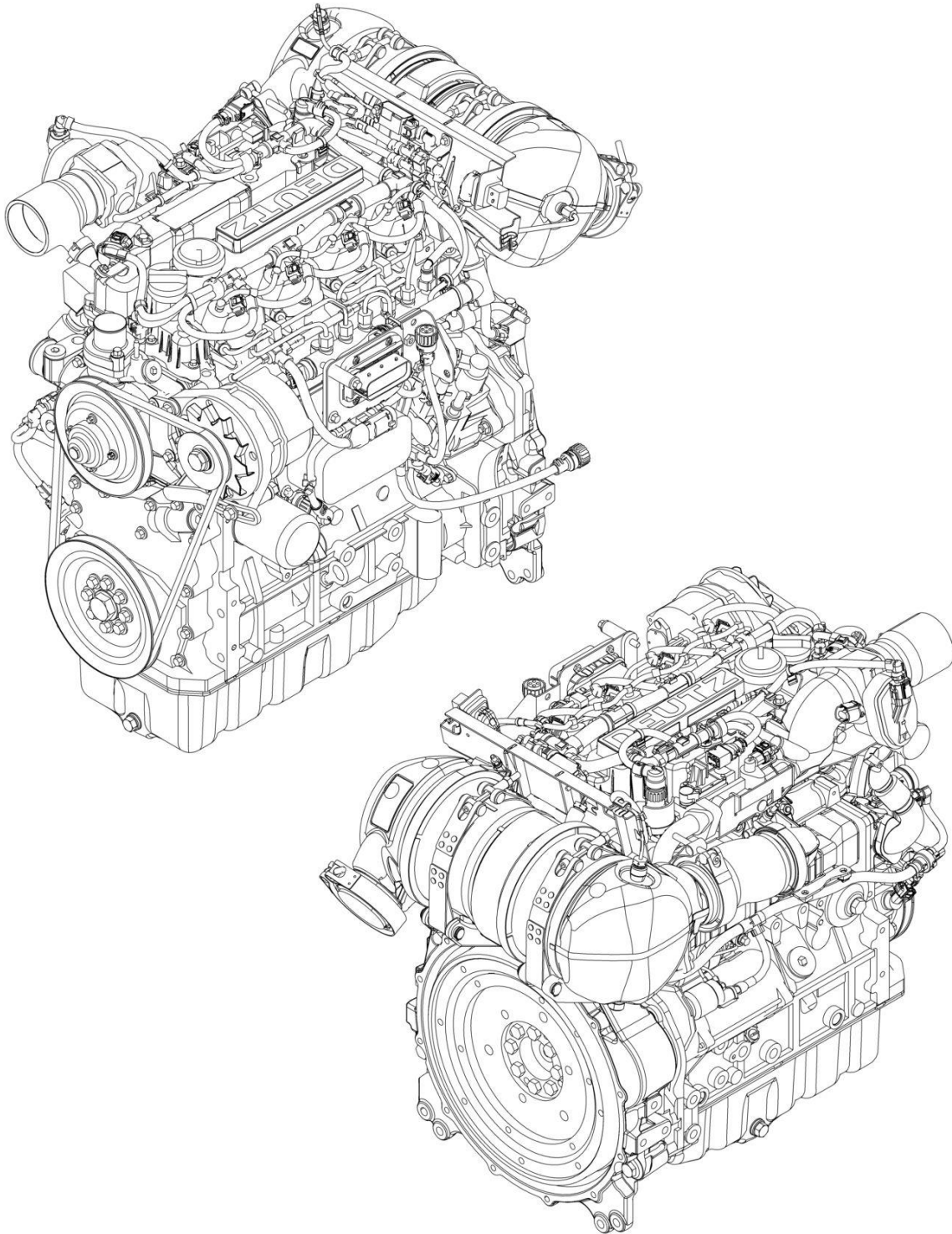
| ITEM | PART NUMBER | QTY | DESCRIPTION | REV |
|------|-------------|-------------------|--|-----|
| 57 | 8307109 | 2 | Washer 1/4 | |
| 58 | 8310548 | 2 | Screw 1/4 x 1/2 | |
| 59 | 8405007 | 2 | Clamp | |
| 60 | 8405009 | 5 | Clamp | |
| 61 | 8405104 | 4 | Clamp | |
| 62 | 8405202 | 1 | Clamp | |
| 63 | 8405204 | 2 | Clamp | |
| 64 | 8406109 | 2 | Clip | |
| 65 | 8406110 | 1 | Clip | |
| 67 | 1001117308 | 1 | Relay, 200Amp | |
| 68 | 1001118878 | 1 | Bolt M6 x 55 | |
| 70 | 1001136834 | 1 | Cap, Tank | |
| 71 | 1001138173 | 1 | Support, Service Indicator | |
| 72 | 1001138175 | 1 | Bracket, Service Indicator | |
| 73 | 1001138228 | 1 | Relay, Power Module | |
| 74 | 1001138248 | 5.09 ft /1.55m | Tube | |
| 76 | 1001141304 | 1 | Harness, Glow Plug | |
| 77 | 1001141694 | 1 | Clamp, Air Cleaner | |
| 78 | 1001141995 | 1 | Fitting, Barbed | |
| 79 | 1001143390 | 1 | Indicator | |
| 80 | 1001143797 | 1 | Fitting, Barbed | |
| 81 | 1001144116 | 1 | Spacer, Fan | |
| 82 | 1001152489 | 1 | Fitting, Barbed 90 | |
| 83 | 1001165388 | 1 | Air Cleaner Assembly | |
| 83 | 70003783 | 1 | Element, Air Cleaner | |
| 84 | 1001165405 | 1 | Hose, Upper Radiator | |
| 85 | 1001165406 | 1 | Hose, Lower Radiator | |
| 86 | 1001165722 | 1 | Radiator | |
| 87 | 1001165849 | 1 | Fan | |
| 88 | 1001166718 | AR | Mount, Motor | |
| 89 | 1001166921 | 1 | Plate, Engine Mount | |
| 90 | 1001166922 | 1 | Plate, Engine Mount (Prior to PVC2107) | |
| 91 | 1001166924 | 1 | Plate, Engine Mount | |
| 92 | 1001167520 | 1 | Tray, Engine | |
| 93 | 1001168018 | AR | Washer, Special | |
| 94 | 1001168026 | 1 | Plate, Radiator Mounting | |
| 95 | 1001168099 | 1 | Hose | |
| 96 | 1001168166 | 2 | Seal | |
| 97 | 1001260420 | 1 | Bracket (note: may require P/N 1001260412) | |
| 98 | 1001169054 | 4 | Isolator | |
| 99 | 1001169138 | 4 | Washer, Snubbing | |
| 101 | 1001169967 | 2 | Bracket | |
| 102 | 1001170035 | 2 | Bracket | |
| 103 | 1001177359 | 1 | Hose | |
| 104 | 1001178788 | 1 | Cable, Alternator | |
| 105 | 1001179903 | 1 | Bracket | |
| 106 | 1001180620 | AR | Adhesive | |
| 107 | 1001191620 | 2 | Clamp | |
| 108 | 1001230635 | 1 | Tank, Surge (Includes Items 62, 70, & 73) | |
| 109 | 1001232545 | 1 | Engine, Deutz 2.9L4 (Stage V) (See Separate Breakdown in this Section) | |

SECTION 3 - ENGINE

| ITEM | PART NUMBER | QTY | DESCRIPTION | REV |
|------|-------------|-----|--|-----|
| 110 | 1001236780 | 1 | Hose, Air Intake | |
| 111 | 1001258804 | 1 | Mount, Fuel Filter | |
| 112 | 1001238911 | 1 | Pipe, Air Intake | |
| 113 | 1001245839 | 1 | Harness, Engine (Not Shown - See Separate Breakdown in ELECTRICAL Section) | |
| 117 | 5251215 | 1 | Bolt M12 x 35 | |
| 118 | 5261200 | 1 | Nut, Flange M12 Class10 | |
| 120 | 1001146588 | AR | Tie-Strap (Not Shown) | |
| 122 | 1001223122 | 1 | Support | |
| 123 | 4811902 | 8 | Washer M8 | |
| 124 | 4812002 | 4 | Washer M10 | |
| 125 | 1001235949 | 1 | Bracket (See Separate Breakdown in this Section) | |
| 126 | 0760808 | 1 | Bolt M8 x 16 | |
| 127 | 8406201 | 1 | Clip | |
| 128 | 1001260412 | 1 | Bracket | |

SECTION 3 - ENGINE

FIGURE 3-8. ENGINE COMPONENTS - DEUTZ D2.9L4 ENGINE (STAGE V) (CE SPECS)



ART_1001232545

SECTION 3 - ENGINE

FIGURE 3-8. ENGINE COMPONENTS - DEUTZ D2.9L4 ENGINE (STAGE V) (CE SPECS)

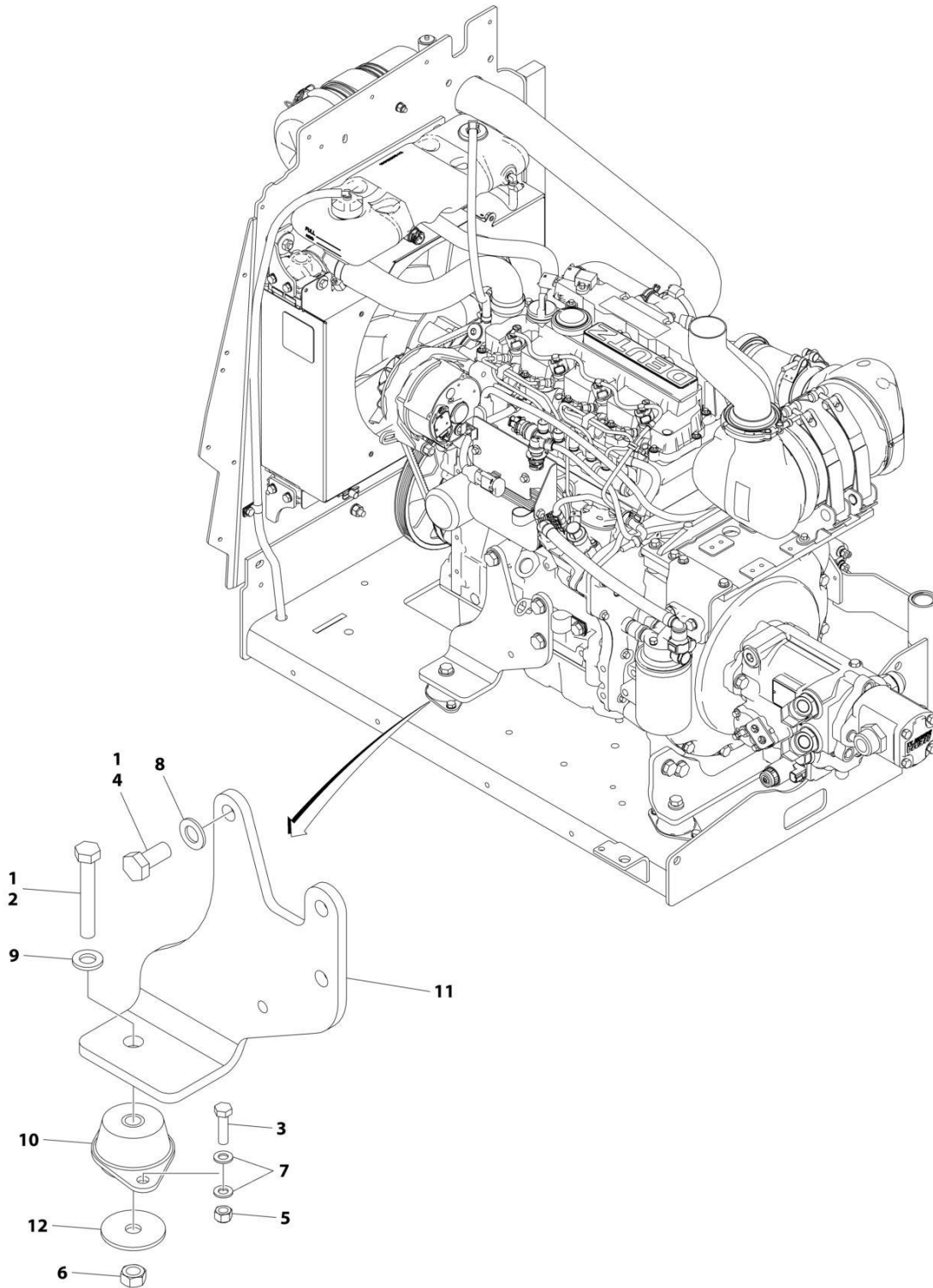
| ITEM | PART NUMBER | QTY | DESCRIPTION | REV |
|------|-------------|-----|---|-----|
| | 1001232545 | Ref | DEUTZ ENGINE COMPONENTS | H |
| | | Ref | Note: For complete list of parts, contact JLG Parts Department | |
| | | Ref | Air Intake System Components | |
| | | Ref | Charge Air Pipe | |
| | 70025168 | 1 | Intake Pipe | |
| | | Ref | Mixing Tube | |
| | | Ref | Throttle Valve | |
| | | Ref | Cooling System Components | |
| | 70029797 | 1 | Pump, Coolant (Includes Gasket & Seals) | |
| | 70007603 | 1 | Thermostat | |
| | 70005184 | 1 | O-Ring | |
| | 70005931 | 1 | Gasket | |
| | 70025142 | 1 | Cover | |
| | | Ref | Electrical System Components | |
| | 70029512 | 1 | Module, ECU/ECM | |
| | 70007784 | 1 | Alternator | |
| | 70031143 | 1 | Module, Alternator Control | |
| | 70029015 | 1 | Fan, Alternator | |
| | 70029402 | 1 | Nut, Alternator Fan | |
| | 70029403 | 1 | Nut, Alternator Power Stud | |
| | 70029404 | 1 | Washer, Alternator Power Stud Spring | |
| | 70031144 | 1 | Starter (Includes Solenoid) | |
| | 70025099 | 1 | Bolt, Starter Mounting | |
| | 70026210 | 1 | Sender, Tacho-Generator (Speed) (On Rear of Block) (Includes Seal) | |
| | 70024916 | 1 | Sender, Tacho-Generator (Speed) (On Cover) (Includes Seal) | |
| | 70024918 | 1 | Sender, Temperature (Includes Seal) (On Air Intake Manifold) | |
| | | Ref | Sensor, Pressure (Includes Seal) (On Air Intake Manifold) | |
| | 70024504 | 1 | Sensor, Pressure (Includes Seal) (On Fuel Filter & Side of Block) | |
| | 70005504 | 1 | Sensor, Pressure (Includes Seal) (On Exhaust Manifold) | |
| | 70027405 | 1 | Sensor, Temperature (Includes Seal) (On Exhaust Manifold) | |
| | 70000345 | 4 | Plug, Glow | |
| | | Ref | Exhaust System Components | |
| | | Ref | Valve, EGR | |
| | 70025130 | 8 | Bolt, Exhaust Manifold | |
| | 70025164 | 1 | Gasket, Exhaust Manifold | |
| | | Ref | Outlet, Muffler | |
| | | Ref | Muffler | |
| | | Ref | Bracket, Muffler Mounting | |
| | 70004504 | 1 | Compensator, Exhaust | |
| | | Ref | Fuel System Components | |
| | | Ref | Pump, High Pressure | |
| | 70004281 | 1 | Injector (Includes Sealing washer, Clamp & O-Ring) | |
| | 70006144 | 1 | Pump, Fuel Supply (Includes Clamps) | |
| | 70024961 | 1 | Filter, Fuel (Pre-Filter Assembly) (Includes Head, Spin on filter, Sensor Cable & Seal) | |
| | 70025153 | 1 | Filter, Fuel Spin On | |
| | 70024513 | 1 | Sensor Cable (Includes Seal) | |
| | 70025160 | 1 | Filter, Fuel (Assembly) (Includes Head & Spin on Filter) | |
| | 70025161 | 1 | Filter, Fuel Spin On | |

SECTION 3 - ENGINE

| ITEM | PART NUMBER | QTY | DESCRIPTION | REV |
|------|-------------|-----|---|-----|
| | 70004508 | 1 | Vol. Control Valve (Includes O-Ring & Gasket) | |
| | | Ref | Lubricating System Components | |
| | 7020465 | 2 | Cap, Oil Fill | |
| | 70005941 | 2 | Plug, Oil Drain | |
| | 70005942 | 2 | Seal, Oil Drain Plug | |
| | 70005172 | 1 | Pump, Oil (Includes Seal & Gasket) | |
| | 7016331 | 1 | Filter, Oil | |
| | 70024494 | 1 | Cooler, Oil | |
| | 70024925 | 1 | Gasket, Oil Cooler | |
| | 70024904 | 1 | Dipstick (Includes Seal) | |
| | | Ref | Mechanical Components | |
| | 70001870 | 1 | Flywheel (includes Gear) | |
| | 70024913 | 1 | V-Belt | |
| | | Ref | Gasket Set - Complete | |

SECTION 3 - ENGINE

FIGURE 3-9. MOTOR MOUNT INSTALLATION (STAGE V ENGINES WITHOUT GENERATOR)



ART_1001244024

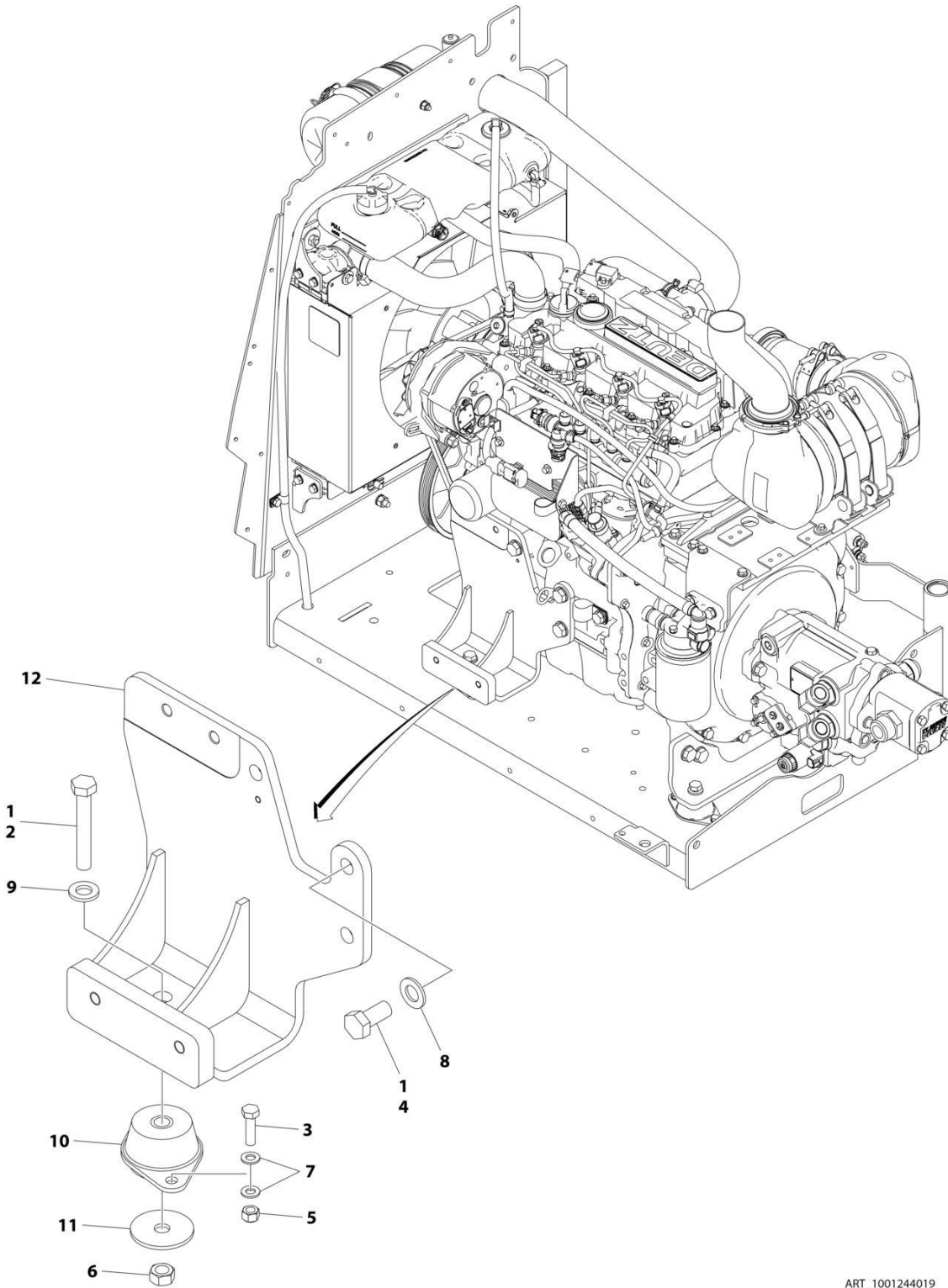
SECTION 3 - ENGINE

FIGURE 3-9. MOTOR MOUNT INSTALLATION (STAGE V ENGINES WITHOUT GENERATOR)

| ITEM | PART NUMBER | QTY | DESCRIPTION | REV |
|------|-------------|-----|--------------------------|-----|
| | 1001244024 | Ref | MOTOR MOUNT INSTALLATION | A |
| 1 | 0100011 | AR | Compound, Locking | |
| 2 | 0711224 | 1 | Bolt M12 x 80 | |
| 3 | 0760814 | 2 | Bolt M8 x 30 | |
| 4 | 0771414 | 3 | Bolt M14 x 30 | |
| 5 | 3290805 | 2 | Nut M8 | |
| 6 | 3331211 | 1 | Nut M12 | |
| 7 | 4811900 | 4 | Washer M8 | |
| 8 | 4812200 | 3 | Washer M14 | |
| 9 | 5241200 | 1 | Washer M12 | |
| 10 | 1001166718 | 1 | Mount, Motor | |
| 11 | 1001166922 | 1 | Mount | |
| 12 | 1001168018 | 1 | Washer | |

SECTION 3 - ENGINE

FIGURE 3-10. MOTOR MOUNT INSTALLATION (STAGE V ENGINES WITH GENERATOR)



ART_1001244019

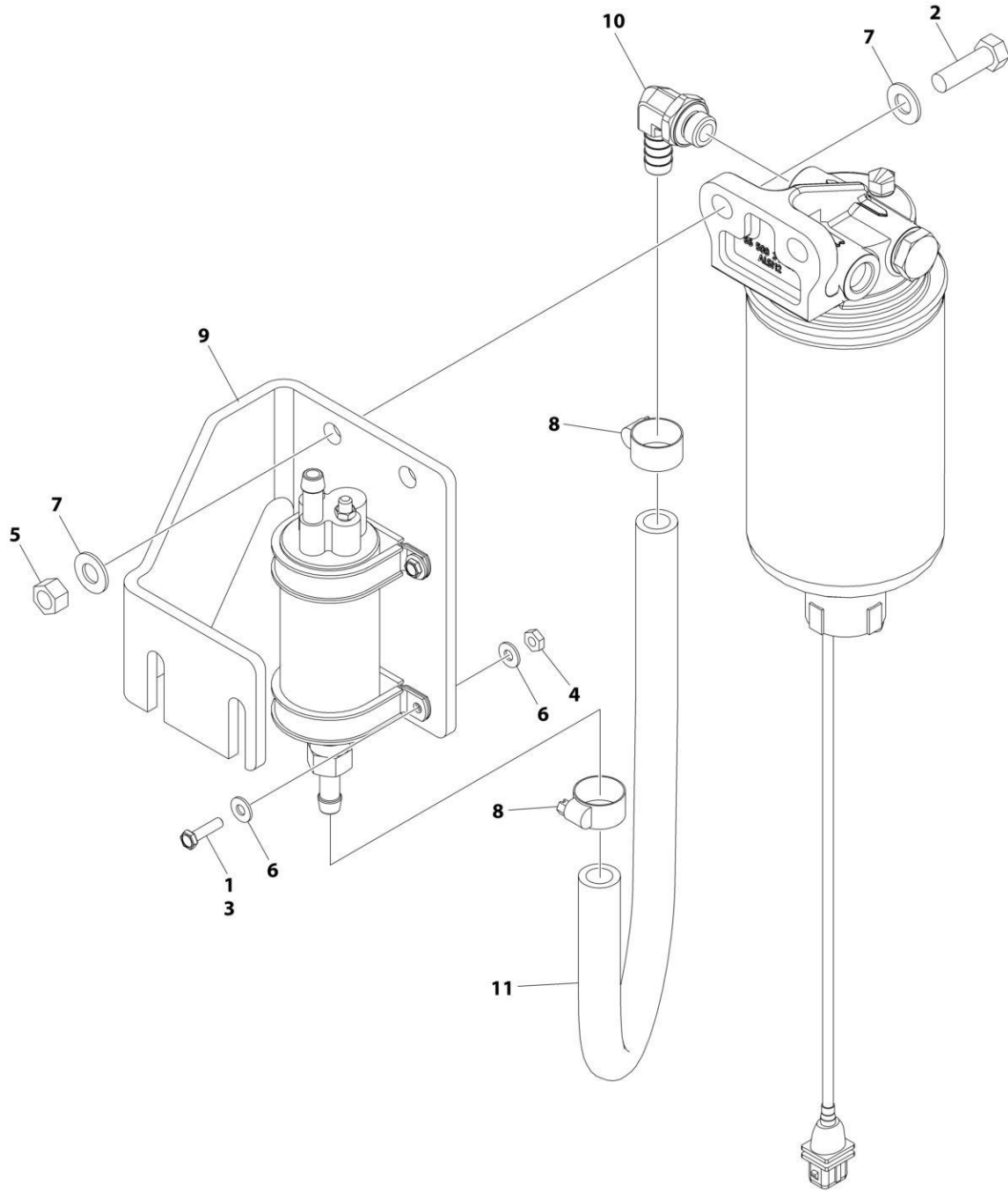
SECTION 3 - ENGINE

FIGURE 3-10. MOTOR MOUNT INSTALLATION (STAGE V ENGINES WITH GENERATOR)

| ITEM | PART NUMBER | QTY | DESCRIPTION | REV |
|------|-------------|-----|--------------------------|-----|
| | 1001244019 | Ref | MOTOR MOUNT INSTALLATION | A |
| 1 | 0100011 | AR | Compound, Locking | |
| 2 | 0711224 | 1 | Bolt M12 x 80 | |
| 3 | 0760814 | 2 | Bolt M8 x 30 | |
| 4 | 0771414 | 3 | Bolt M14 x 30 | |
| 5 | 3290805 | 2 | Nut M8 | |
| 6 | 3331211 | 1 | Nut M12 | |
| 7 | 4811900 | 4 | Washer M8 | |
| 8 | 4812200 | 3 | Washer M14 | |
| 9 | 5241200 | 1 | Washer M12 | |
| 10 | 1001166718 | 1 | Mount, Motor | |
| 11 | 1001168018 | 1 | Washer | |
| 12 | 1001168207 | 1 | Mount | |

SECTION 3 - ENGINE

FIGURE 3-11. BRACKET ASSEMBLY - FUEL PUMP AND FILTER (DEUTZ D2.9L4 ENGINE) (STAGE V)



ART_1001235949

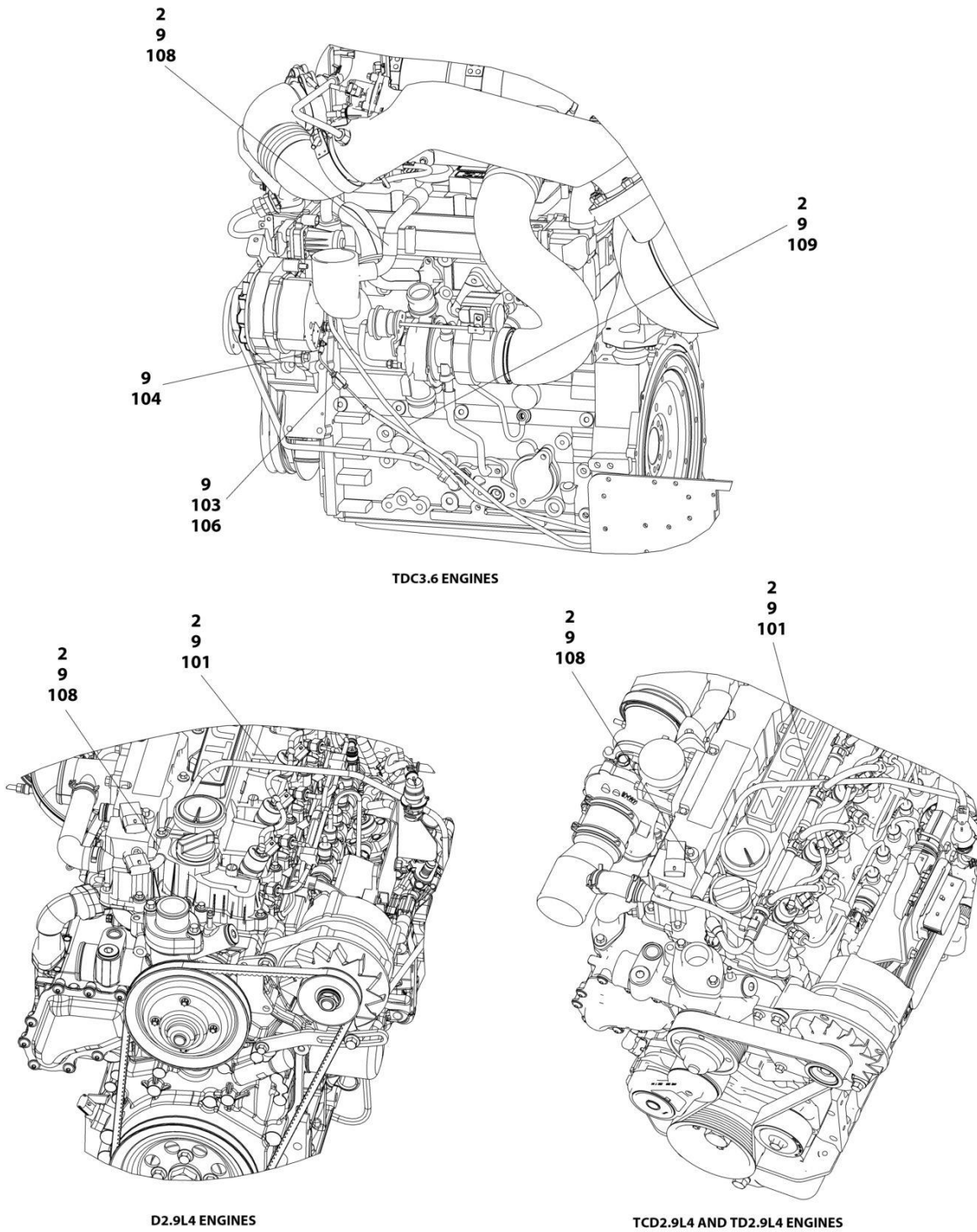
SECTION 3 - ENGINE

FIGURE 3-11. BRACKET ASSEMBLY - FUEL PUMP AND FILTER (DEUTZ D2.9L4 ENGINE) (STAGE V)

| ITEM | PART NUMBER | QTY | DESCRIPTION | REV |
|------|-------------|-----------------|---|-----|
| | 1001235949 | Ref | BRACKET ASSEMBLY - FUEL PUMP AND FILTER (DEUTZ D2.9L4 (STAGE V) ENGINE) | A |
| 1 | 0100035 | AR | Compound, Locking | |
| 2 | 0641610 | 2 | Bolt 3/8 x 1-1/4 | |
| 3 | 0721006 | 4 | Bolt #10 x 3/4 | |
| 4 | 3311001 | 4 | Nut #10 | |
| 5 | 3311605 | 2 | Nut 3/8 | |
| 6 | 4711000 | 8 | Washer #10 | |
| 7 | 4711600 | 4 | Washer 3/8 | |
| 8 | 8405006 | 2 | Clamp | |
| 9 | 1001141870 | 1 | Plate, Fuel Pump Mount | |
| 10 | 1001142501 | 1 | Fitting, Elbow Barbed | |
| 11 | 1001154405 | 1.5 ft /0.4m | Hose | |

SECTION 3 - ENGINE

FIGURE 3-12. BREATHER HEATER INSTALLATION - DEUTZ D2.9L4 ENGINES (STAGE V) (CE SPECS)



ART_1001233763

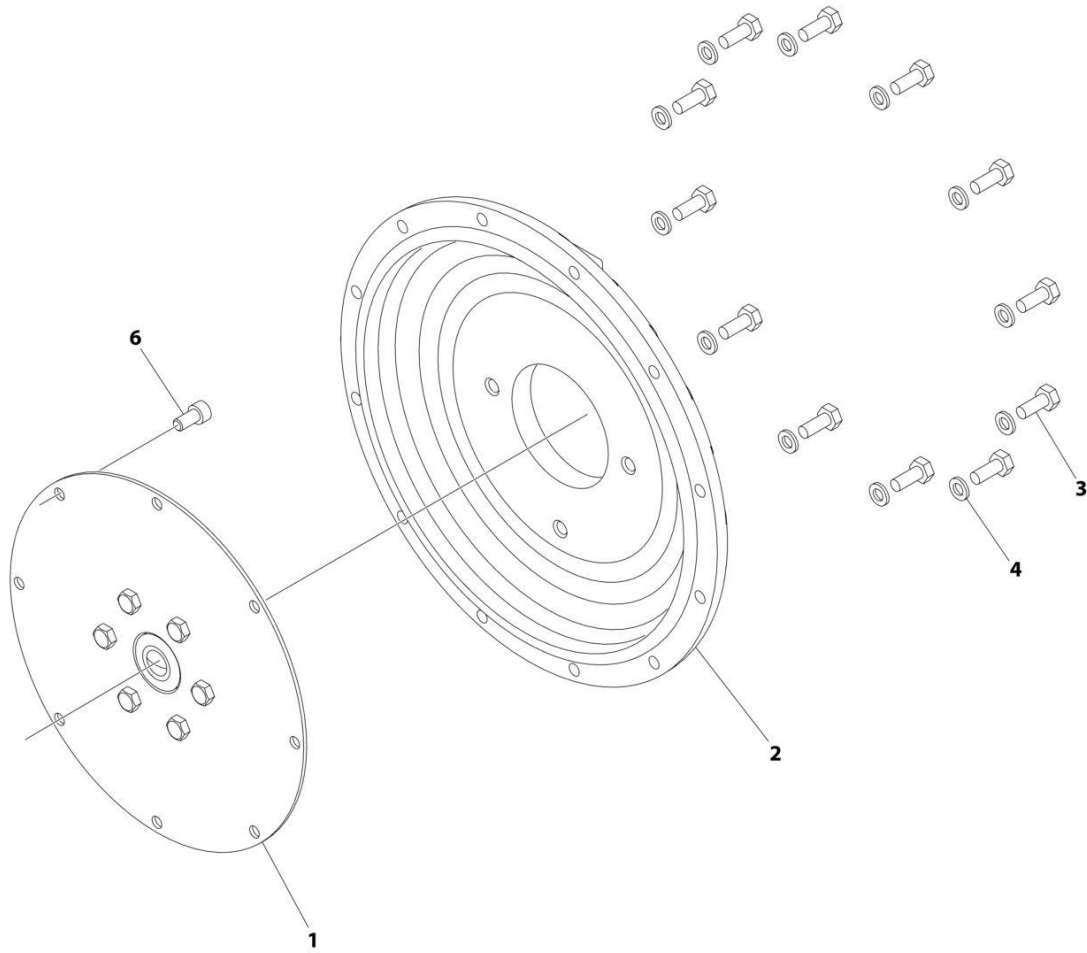
SECTION 3 - ENGINE

FIGURE 3-12. BREATHER HEATER INSTALLATION - DEUTZ D2.9L4 ENGINES (STAGE V) (CE SPECS)

| ITEM | PART NUMBER | QTY | DESCRIPTION | REV |
|------|-------------|-----|--|-----|
| | 1001233763 | Ref | BREATHER HEATER INSTALLATION - DEUTZ ENGINES | D |
| 2 | 4240099 | AR | Tie-Strap | |
| 9 | 1001243895 | 1 | Breather Heater Harness | C |
| 101 | 2820035 | AR | Insulation | |
| 103 | 2400060 | 1 | Fuseholder with Cover | |
| 104 | 4460043 | 1 | Terminal, Ring | |
| 105 | 4460722 | 1 | Terminal, Ring (Not Shown) | |
| 106 | 1001196634 | 1 | Fuse - 2 Amp | |
| 108 | 1001232842 | 1 | Breather Heater Kit | |

SECTION 3 - ENGINE

FIGURE 3-13. PUMP COUPLING KIT – DEUTZ ENGINES



ART_2902065

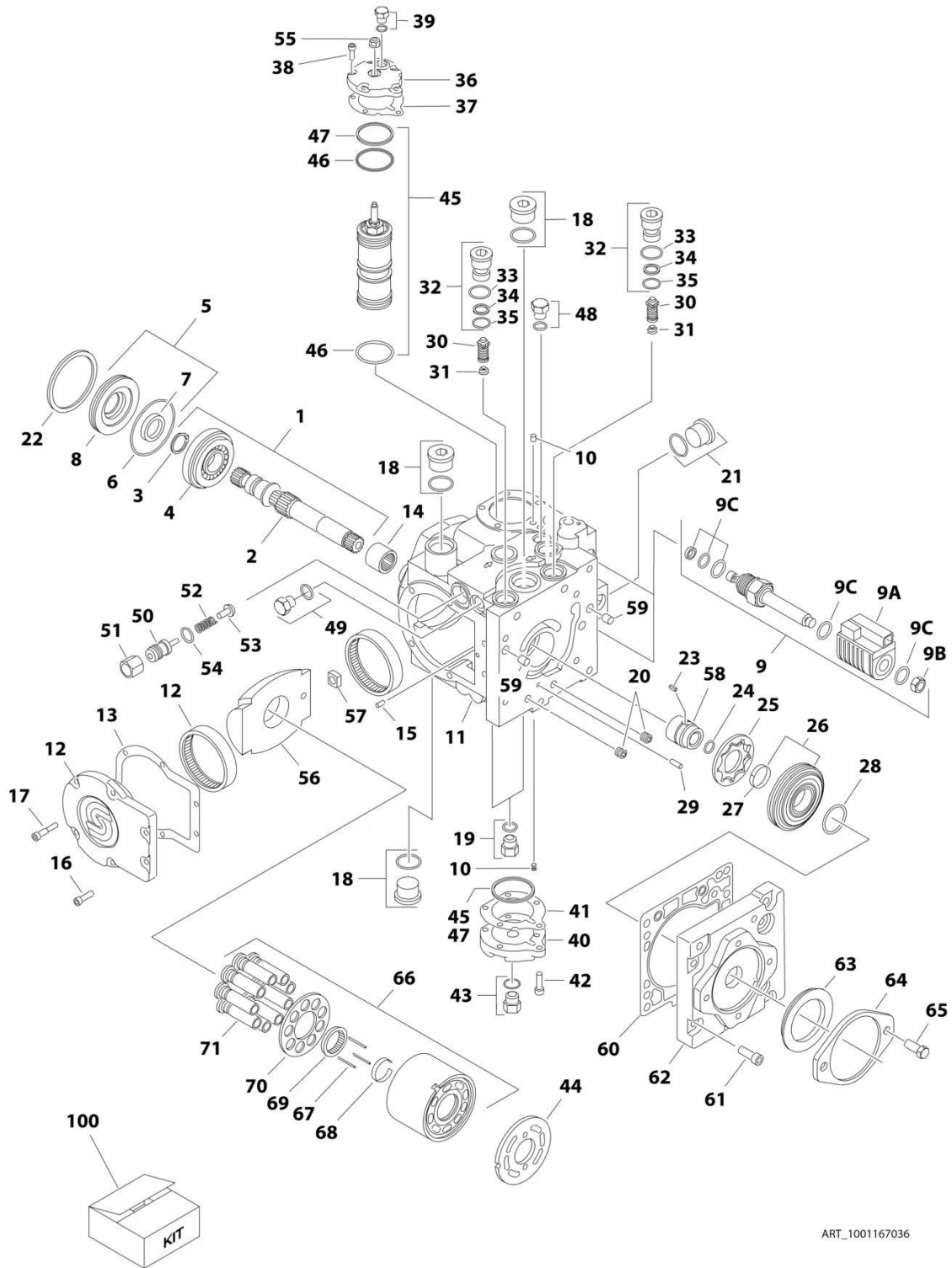
SECTION 3 - ENGINE

FIGURE 3-13. PUMP COUPLING KIT – DEUTZ ENGINES

| ITEM | PART NUMBER | QTY | DESCRIPTION | REV |
|------|-------------|-----|--|-----|
| | 2902065 | Ref | PUMP COUPLING KIT | L |
| 1 | 70000793 | 1 | Coupling, Hayes | |
| 2 | See Note | NSS | Plate, Pump Adapter (Note: Use p/n 2902065) | |
| 3 | See Note | NSS | Bolt M10 x 30 Grade 10.9 (Note: Use p/n 2902065) | |
| 4 | See Note | NSS | Washer M10 (Note: Use p/n 2902065) | |
| 6 | See Note | NSS | Bolt M10 x 20 Grade 10.9 (Note: Use p/n 2902065) | |

SECTION 3 - ENGINE

FIGURE 3-14. PISTON PUMP ASSEMBLY



ART_1001167036

SECTION 3 - ENGINE

FIGURE 3-14. PISTON PUMP ASSEMBLY

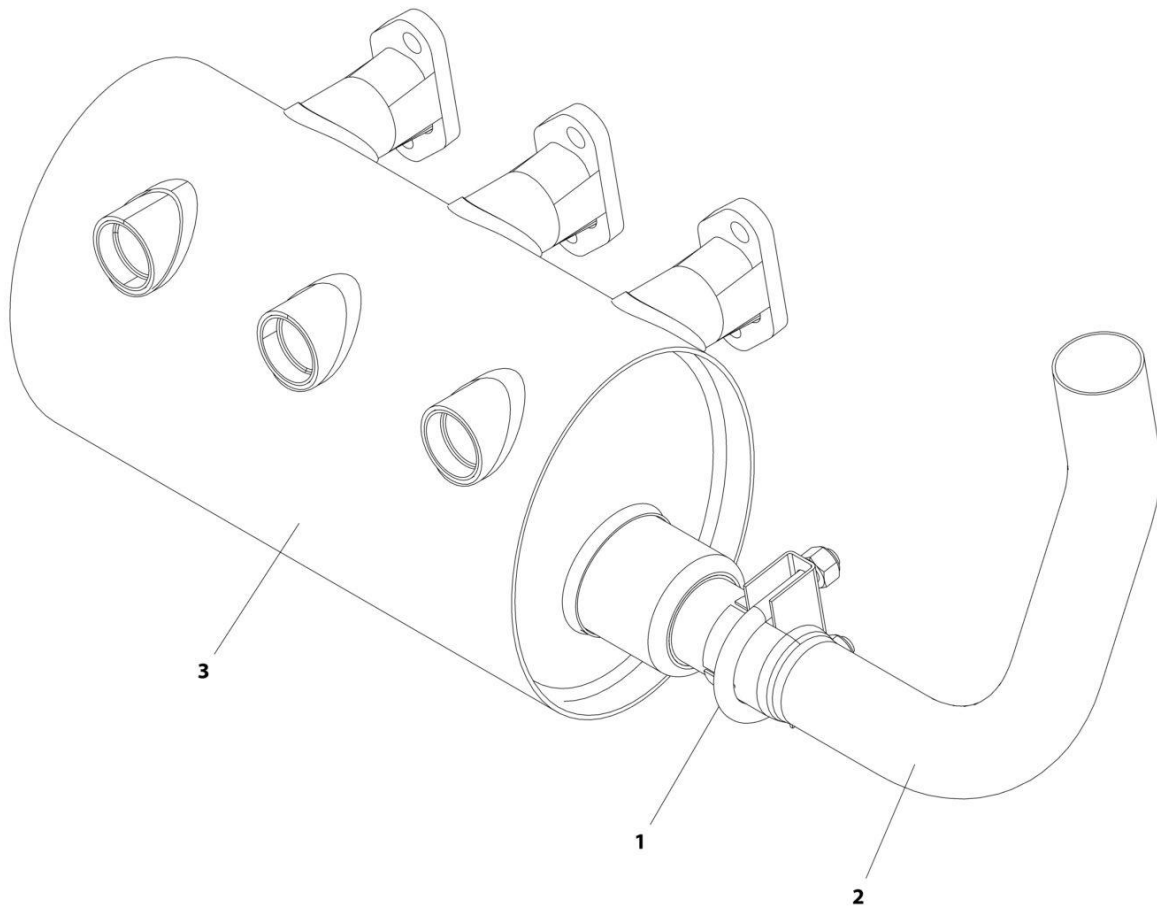
| ITEM | PART NUMBER | QTY | DESCRIPTION | REV |
|------|-------------|-----|---|-----|
| | 1001167036 | Ref | PISTON PUMP ASSEMBLY | B |
| 1 | 7021240 | 1 | Shaft Assembly (Includes Items 2-4) | |
| 2 | 7021237 | 1 | Shaft | |
| 3 | 7021238 | 1 | Ring, Retaining | |
| 4 | 7021239 | 1 | Bearing, Roller | |
| 5 | 70004896 | 1 | Shaft Seal Kit (Includes Items 6-8) | |
| 6 | 7021241 | 1 | O-Ring | |
| 7 | 7021242 | 1 | Seal, Lip | |
| 8 | 7021243 | 1 | Carrier, Seal Shaft | |
| 9 | 7024855 | 2 | Solenoid Assembly | |
| 9A | 70004897 | 2 | Coil (1 Per Assembly) | |
| 9B | 7024857 | 2 | Nut (1 Per Assembly) | |
| 9C | 7024858 | 2 | Seal Kit - 7024855 Cartridge (1 Per Assembly) | |
| 10 | 70004889 | 2 | Orifice | |
| 11 | See Note | NSS | Housing Assembly (Note: Not Available for Purchase) | |
| 12 | 7021248 | 1 | Side Cover Assembly (Includes Item 13) | |
| 13 | 70004891 | 1 | Gasket | |
| 14 | 7021249 | 1 | Bearing, Needle | |
| 15 | See Note | NSS | Pin (Note: Not Available for Purchase) | |
| 16 | 70004890 | 2 | Screw | |
| 17 | 70004892 | 4 | Screw | |
| 18 | 7007419 | 2 | Plug Assembly (Includes O-Ring) | |
| 19 | 7007420 | 2 | Plug Assembly (Includes O-Ring) | |
| 20 | See Note | NSS | Plug (Note: Not Available for Purchase) | |
| 21 | 7007419 | 1 | Plug Assembly (Includes O-Ring) | |
| 22 | 7021257 | 1 | Ring, Retaining | |
| 23 | 70004893 | 1 | Key | |
| 24 | 7022341 | 1 | Ring, Retaining | |
| 25 | 7021258 | 1 | Gerotor | |
| 26 | 70004894 | 1 | Gerotor Cover Assembly (Includes Item 27) | |
| 27 | 7021259 | 1 | Bearing, Journal | |
| 28 | 7021262 | 1 | O-Ring | |
| 29 | See Note | NSS | Pin (Note: Not Available for Purchase) | |
| 30 | 7021263 | 2 | Bypass Valve Assembly | |
| 31 | 7024800 | 2 | Spring | |
| 32 | 7021265 | 2 | Bypass Valve Assembly (Includes Items 32-34) | |
| 33 | 7007415 | 2 | O-Ring | |
| 34 | 7021293 | 2 | Ring, Back-up | |
| 35 | 7022300 | 2 | O-Ring | |
| 36 | 70004895 | 1 | Cover, Servo | |
| 37 | 7021253 | 1 | Gasket | |
| 38 | 70004892 | 5 | Screw | |
| 39 | 7007420 | 1 | Plug Assembly (Includes O-Ring) | |
| 40 | 7021268 | 1 | Cover, Servo | |
| 41 | 7021253 | 1 | Gasket | |
| 42 | 70004892 | 5 | Screw | |
| 43 | 7007420 | 1 | Plug Assembly (Includes O-Ring) | |
| 44 | 7021281 | 1 | Plate, Valve | |
| 45 | 70004898 | 1 | Servo Piston Kit (Includes Items 46 & 47) | |
| 46 | 7007495 | 2 | O-Ring | |

SECTION 3 - ENGINE

| ITEM | PART NUMBER | QTY | DESCRIPTION | REV |
|------|-------------|-----|---|-----|
| 47 | 7007493 | 2 | O-Ring | |
| 48 | 7007420 | 1 | Plug Assembly (Includes O-Ring) | |
| 49 | 70004900 | 1 | Plug Assembly (Includes O-Ring) | |
| 50 | 7022346 | 1 | Adjuster | |
| 51 | 7021290 | 1 | Nut | |
| 52 | 7022347 | 1 | Spring | |
| 53 | 70004901 | 1 | Poppet | |
| 54 | 7007415 | 1 | O-Ring | |
| 55 | 70004902 | 1 | Nut, Seal | |
| 56 | 70004903 | 1 | Swash Plate | |
| 57 | 70004904 | 1 | Bearing Assembly | |
| 58 | 70004905 | 1 | Coupling | |
| 59 | 7001481 | 2 | Pin | |
| 60 | 70002257 | 1 | Gasket | |
| 61 | 70004906 | 8 | Screw | |
| 62 | 70004907 | 1 | Cover, Charge Pump | |
| 63 | 70004908 | 1 | Seal | |
| 64 | 7021299 | 1 | Plate, Cover | |
| 65 | 7007289 | 2 | Screw | |
| 66 | 70004909 | 1 | Cylinder Block Assembly (Includes Items 67-71) | |
| 67 | 70004910 | 3 | Pin, Slipper Hold Down | |
| 68 | 7021276 | 1 | Retainer, Hold Down Pin | |
| 69 | 7021277 | 1 | Guide, Slipper Retainer | |
| 70 | 7021278 | 1 | Retainer, Slipper | |
| 71 | 70004911 | 1 | Piston Assembly | |
| 100 | 70004899 | 1 | Seal Kit (Includes Items 5-8, 33-35, 37, 41, 46, 47 & 54) | |

SECTION 3 - ENGINE

FIGURE 3-15. SPARK ARRESTOR INSTALLATION - DEUTZ D2011 ENGINE



ART_1001174378

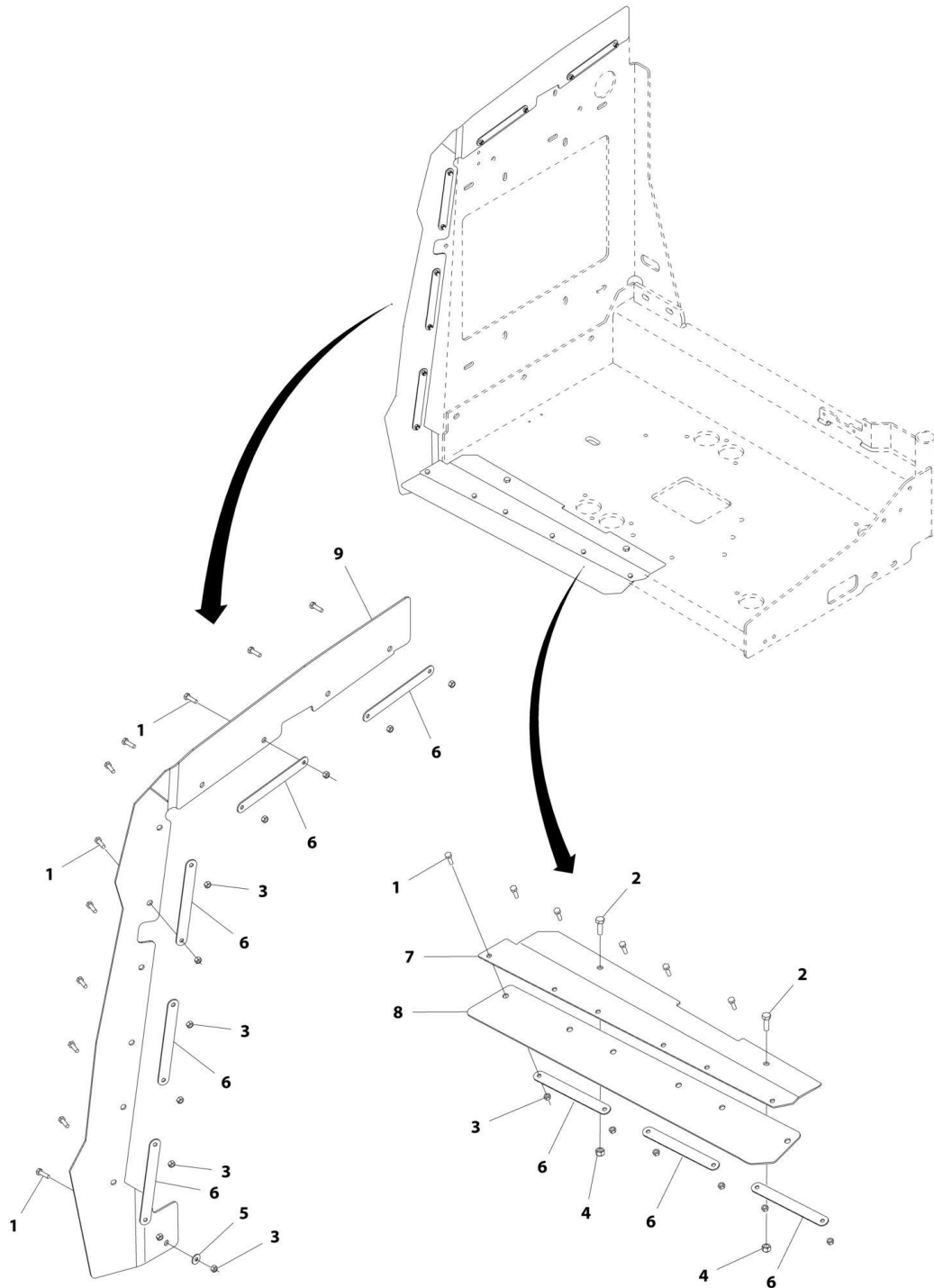
SECTION 3 - ENGINE

FIGURE 3-15. SPARK ARRESTOR INSTALLATION - DEUTZ D2011 ENGINE

| ITEM | PART NUMBER | QTY | DESCRIPTION | REV |
|------|-------------|-----|--|-----|
| | 1001174378 | Ref | SPARK ARRESTOR INSTALLATION - DEUTZ D2011 ENGINE | A |
| 1 | 1320176 | 1 | Clamp | |
| 2 | 1001169525 | 1 | Pipe, Exhaust | |
| 3 | 1001170224 | 1 | Muffler, Spark Arresting | |

SECTION 3 - ENGINE

FIGURE 3-16. ENGINE Baffle INSTALLATION - WITH DEUTZ ENGINES



ART_1001172265

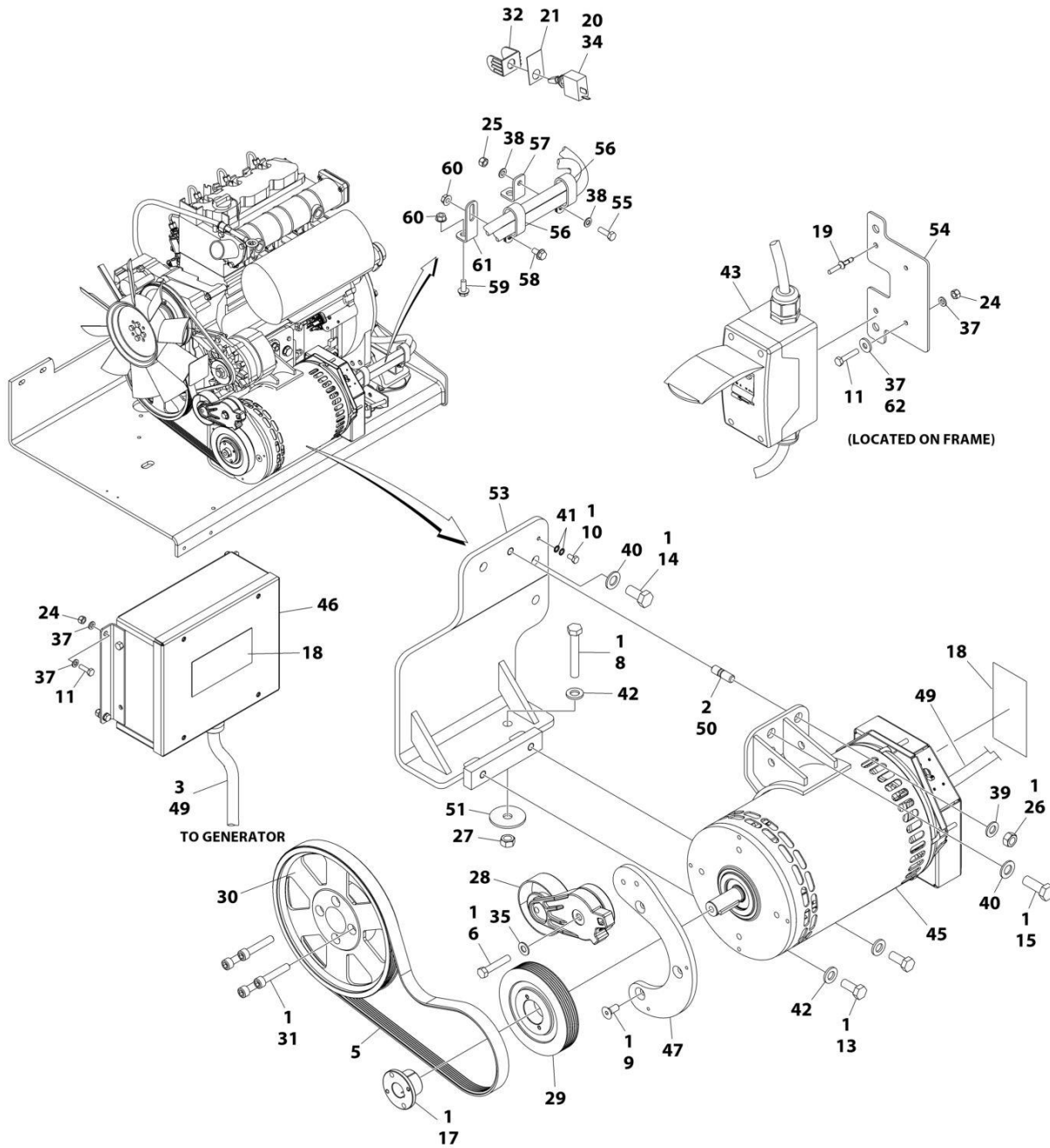
SECTION 3 - ENGINE

FIGURE 3-16. ENGINE BAFFLE INSTALLATION - WITH DEUTZ ENGINES

| ITEM | PART NUMBER | QTY | DESCRIPTION | REV |
|------|-------------|-----|--|-----|
| | 1001172265 | Ref | ENGINE BAFFLE INSTALLATION - WITH DEUTZ/GM ENGINES | B |
| 1 | 0760610 | 17 | Bolt M6 x 20 | |
| 2 | 0760812 | 2 | Bolt M8 x 25 | |
| 3 | 3290605 | 17 | Nut M6 | |
| 4 | 3290805 | 2 | Nut M8 | |
| 5 | 4811702 | 1 | Washer M6 | |
| 6 | 1001167164 | 8 | Plate, Support | |
| 7 | 1001170663 | 1 | Bracket | |
| 8 | 1001170664 | 1 | Seal | |
| 9 | 1001172264 | 1 | Seal | |

SECTION 3 - ENGINE

FIGURE 3-17. GENERATOR INSTALLATION - 4000W/50HZ (DEUTZ D2011 ENGINE)



ART_1001173984

SECTION 3 - ENGINE

FIGURE 3-17. GENERATOR INSTALLATION - 4000W/50HZ (DEUTZ D2011 ENGINE)

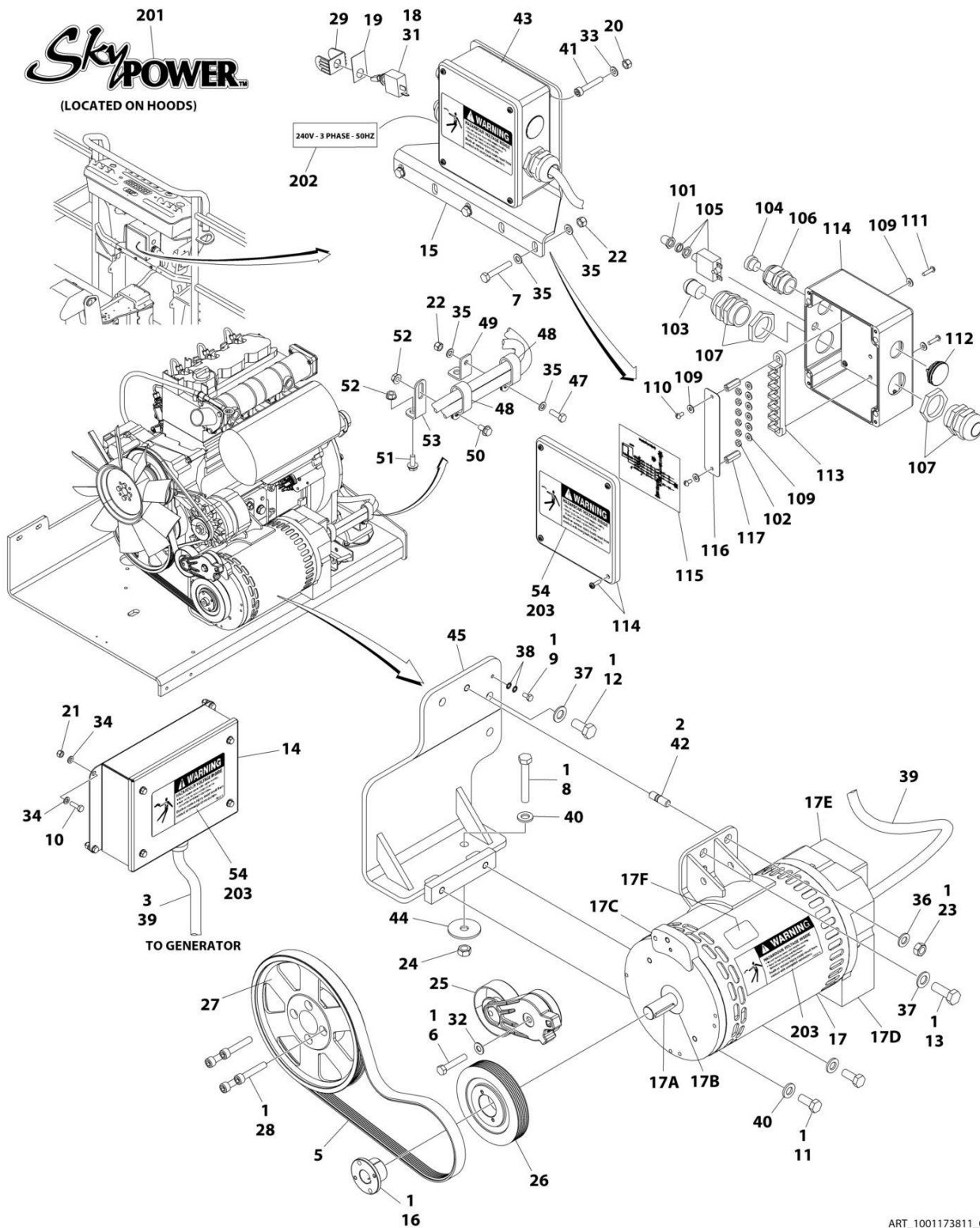
| ITEM | PART NUMBER | QTY | DESCRIPTION | REV |
|------|-------------|-----|---|-----|
| | 1001173984 | Ref | GENERATOR INSTALLATION - 4000W/50HZ (DEUTZ D2011 ENGINE) | J |
| 1 | 0100011 | AR | Compound, Locking | |
| 2 | 0100019 | AR | Compound, Locking | |
| 3 | 0100048 | AR | Grease, Dielectric | |
| 4 | 0100079 | AR | Sealant (Not Shown) | |
| 5 | 0480126 | 1 | Belt | |
| 6 | 0641616 | 1 | Bolt 3/8 x 2 | |
| 8 | 0711224 | 1 | Bolt M12 x 80 Grade 10.9 | |
| 9 | 0741607 | 3 | Screw 3/8 x 7/8 | |
| 10 | 0760606 | 1 | Bolt M6 x 12 | |
| 11 | 0760610 | AR | Bolt M6 x 20 | |
| 11 | 0760614 | AR | Bolt M6 x 30 | |
| 13 | 0761214 | 2 | Bolt M12 x 30 | |
| 14 | 0771414 | 2 | Bolt M14 x 30 Grade 10.9 | |
| 15 | 0771416 | 1 | Bolt M14 x 40 | |
| 17 | 0962520 | 1 | Bushing | |
| 18 | 1705489 | AR | Decal - Hazardous Voltage | |
| 19 | 2080040 | 2 | Fastener, Huck | |
| 20 | 2820031 | AR | Heat Shrink | |
| 21 | See Note | 1 | Nameplate (Note: Not Available for Purchase) | |
| 24 | 3290605 | 6 | Nut M6 | |
| 25 | 3290805 | 1 | Nut M8 | |
| 26 | 3291201 | 1 | Nut M12 | |
| 27 | 3331211 | 1 | Nut M12 | |
| 28 | 3580317 | 1 | Pulley | |
| 29 | 3580319 | 1 | Pulley | |
| 30 | 3580320 | 1 | Pulley | |
| 31 | 4032015 | 4 | Bolt M10 x 55 | |
| 32 | 4060802 | 1 | Guard, Switch | |
| 33 | 4240099 | AR | Tie-Strap (Not Shown) | |
| 34 | 4360336 | 1 | Switch, Toggle | |
| 35 | 4711600 | 1 | Washer 3/8 | |
| 37 | 4811700 | AR | Washer M6 | |
| 38 | 4811900 | 1 | Washer M8 | |
| 39 | 4812100 | 1 | Washer M12 | |
| 40 | 4812200 | 3 | Washer M14 | |
| 41 | 4871700 | 2 | Washer M6 | |
| 42 | 5241200 | 3 | Washer M12 Hardened | |
| 43 | 1001096070 | 1 | Breaker Box Kit (50Hz) (See Separate Breakdown in ELECTRICAL Section) | |
| 45 | 1001138565 | 1 | Generator Assembly | |
| 45 | 70003709 | 1 | Ring, Retaining (External) | |
| 45 | 70003708 | 1 | Ring, Retaining (Internal) | |
| 45 | 70001966 | 1 | Bearing | |
| 45 | 70004092 | 1 | Endbell (Shaft End) | |
| 45 | 70004171 | 1 | Key | |
| 45 | 70004676 | 1 | Rotor | |
| 45 | 70004677 | 1 | Stator | |
| 45 | 70004678 | 1 | Endbell (Rear) | |

SECTION 3 - ENGINE

| ITEM | PART NUMBER | QTY | DESCRIPTION | REV |
|------|-------------|-----|---|-----|
| 45 | 70004679 | 1 | Cover, Endbell (Rear) | |
| 45 | 70004680 | 1 | Enclosure, Wiring | |
| 45 | 70004681 | 1 | Cover, Enclosure | |
| 45 | 70004682 | 1 | Switch, Reset (Located on Enclosure Cover) | |
| 45 | 70004683 | 1 | Connector, Strain Relief (Located on Enclosure Cover) | |
| 46 | 1001138566 | 1 | Box, Control | |
| 46 | 70006552 | 1 | Capacitor | |
| 46 | 70006553 | 1 | Relay | |
| 47 | 1001139357 | 1 | Mount, Tensioner | |
| 49 | 1001152532 | 1 | Harness, Generator (See Separate Breakdown in ELECTRICAL Section) | |
| 50 | 1001196382 | 1 | Stud | |
| 51 | 1001168018 | 1 | Washer, Snubbing | |
| 53 | 1001173925 | 1 | Mount | |
| 54 | 1001174158 | 1 | Mount | |
| 55 | 0760812 | 1 | Bolt M8 x 25 | |
| 56 | 1321716 | 2 | Clamp | |
| 57 | 1001148641 | 1 | Bracket | |
| 58 | 5250808 | 1 | Bolt M8 x 16 | |
| 59 | 5250810 | 1 | Bolt M8 x 20 | |
| 60 | 5260800 | 2 | Nut M8 | |
| 61 | 1001223122 | 1 | Support | |
| 62 | 4811702 | AR | Washer M6 | |

SECTION 3 - ENGINE

FIGURE 3-18. GENERATOR INSTALLATION - 7500W/50HZ (DEUTZ D2011 ENGINE)



ART_1001173811_G

SECTION 3 - ENGINE

FIGURE 3-18. GENERATOR INSTALLATION - 7500W/50HZ (DEUTZ D2011 ENGINE)

| ITEM | PART NUMBER | QTY | DESCRIPTION | REV |
|------|-------------|-----|--|-----|
| | 1001173811 | Ref | GENERATOR INSTALLATION - 7500W/50HZ (DEUTZ D2011 ENGINE) | G |
| 1 | 0100011 | AR | Compound, Locking | |
| 2 | 0100019 | AR | Compound, Locking | |
| 3 | 0100048 | AR | Grease, Dielectric | |
| 4 | 0100079 | AR | Sealant (Not Shown) | |
| 5 | 0480126 | 1 | Belt | |
| 6 | 0641616 | 1 | Bolt 3/8 x 2 | |
| 7 | 0700818 | 3 | Bolt M8 x 50 | |
| 8 | 0711224 | 1 | Bolt M12 x 80 Grade 10.9 | |
| 9 | 0760606 | 1 | Bolt M6 x 12 | |
| 10 | 0760610 | 4 | Bolt M6 x 20 | |
| 11 | 0761214 | 2 | Bolt M12 x 30 | |
| 12 | 0771414 | 2 | Bolt M14 x 30 Grade 10.9 | |
| 13 | 0771416 | 1 | Bolt M14 x 40 | |
| 14 | 0861572 | 1 | Control Box Assembly | |
| 14 | 7024488 | 1 | Card, Circuit - Generator Power | |
| 14 | See Note | NSS | Fuse (Note: Not Available - Purchase Locally) | |
| 14 | 7024489 | 1 | Card, Circuit - Control | |
| 14 | 70000619 | 1 | Harness, Control Box (Internal) | |
| 15 | 0902888 | 1 | Bracket | |
| 16 | 0962520 | 1 | Bushing | |
| 17 | 2460048 | 1 | Generator Assembly | |
| 17 | 70001100 | 1 | Rotor (Includes p/n 70001384 & 70000863) (Not Shown) | |
| 17 | 70001384 | 1 | Bearing, Ball Radial (Not Shown) | |
| 17 | 70000863 | 1 | Fan (Not Shown) | |
| 17 | 70002088 | 1 | Stator (Not Shown) | |
| 17 | 70002297 | 1 | Stud | |
| 17 | 70003631 | 1 | Brushholder Assembly (Not Shown) | |
| 17A | 70004171 | 1 | Key | |
| 17B | 70001966 | 1 | Bearing, Ball Radial (Located in Belt Tensioner Endbell) | |
| 17B | 70003708 | 1 | Ring, Internal Retaining (Located in Belt Tensioner Endbell) | |
| 17B | 70003709 | 1 | Ring, External Retaining (Located in Belt Tensioner Endbell) | |
| 17C | 70001953 | 1 | Endbell, Belt Tensioner | |
| 17D | 70004169 | 1 | Endbell, Brush Block | |
| 17E | 70004169 | 1 | Shroud | |
| 17E | See Note | NSS | Insulator, Endbell (Note: Not Available for Purchase) | |
| 17E | 7027799 | 1 | Block, Connector 6 Position (Not Shown) | |
| 17E | 70002460 | 1 | Nut, Brass (Attaches p/n 7027799 to Cover) (Not Shown) | |
| 17E | 7024485 | 1 | Breaker, Circuit 30Amp (Not Shown) | |
| 17E | 70001696 | 1 | Boot, Breaker (Not Shown) | |
| 17E | 7026626 | 1 | Connector, 6 Position (Includes Seal) (Not Shown - Plugs into Item 39) | |
| 17E | 7026597 | 1 | Connector, with Leads (Not Shown) | |
| 17E | 7026188 | 1 | Clamp, Cable Options (Not Shown) | |
| 17E | 70004169 | 1 | Plate, End Panel | |
| 17E | 70001974 | 1 | Decal - Terminal Connections | |
| 17F | 70001973 | 1 | Decal - Warning Moving Parts | |
| 18 | 2820031 | AR | Heat Shrink | |
| 19 | 3252764 | 1 | Nameplate | |

SECTION 3 - ENGINE

| ITEM | PART NUMBER | QTY | DESCRIPTION | REV |
|------|-------------|-----|--|-----|
| 20 | 3290505 | 4 | Nut M5 | |
| 21 | 3290605 | 4 | Nut M6 | |
| 22 | 3290805 | 4 | Nut M8 | |
| 23 | 3291201 | 1 | Nut M12 | |
| 24 | 3331211 | 1 | Nut M12 | |
| 25 | 3580317 | 1 | Pulley | |
| 26 | 3580319 | 1 | Pulley | |
| 27 | 3580320 | 1 | Pulley | |
| 28 | 4032015 | 4 | Bolt M10 x 55 | |
| 29 | 4060802 | 1 | Guard, Switch | |
| 30 | 4240099 | AR | Tie-Strap (Not Shown) | |
| 31 | 4360336 | 1 | Switch, Toggle | |
| 32 | 4711600 | 1 | Washer 3/8 | |
| 33 | 4811600 | 4 | Washer M5 | |
| 34 | 4811700 | 8 | Washer M6 | |
| 35 | 4811900 | 8 | Washer M8 | |
| 36 | 4812100 | 1 | Washer M12 | |
| 37 | 4812200 | 3 | Washer M14 | |
| 38 | 4871700 | 2 | Washer M6 | |
| 39 | 4922925 | 1 | Harness, Generator | |
| 39 | 4460225 | 1 | Plug, Male 6 Position (Plugs into Generator) | |
| 39 | See Note | NSS | Socket, Female (Use with 4460225) | |
| 39 | See Note | NSS | Seal, Plug (Use with 4460225) | |
| 39 | See Note | NSS | Seal, Interface (Use with 4460225) | |
| 40 | 5241200 | 3 | Washer M12 Hardened | |
| 41 | 1001104029 | 4 | Screw M5 x 30 | |
| 42 | 1001196382 | 1 | Stud | |
| 43 | 1001157525 | 1 | Junction Box Assembly (See Items 101-117 for Breakdown) | |
| 44 | 1001168018 | 1 | Washer, Snubbing | |
| 45 | 1001173925 | 1 | Mount | |
| 46 | 1001174675 | 1 | Wiring Diagram (Not Shown) | |
| 46 | 4922641 | 1 | Harness, On/Off Switch (Not Shown - Located at Platform) | |
| 47 | 0760812 | 1 | Bolt M8 x 25 | |
| 48 | 1321716 | 2 | Clamp | |
| 49 | 1001148641 | 1 | Bracket | |
| 50 | 5250808 | 1 | Bolt M8 x 16 | |
| 51 | 5250810 | 1 | Bolt M8 x 20 | |
| 52 | 5260800 | 2 | Nut M8 | |
| 53 | 1001223122 | 1 | Support | |
| 54 | 1705489 | 2 | Decal - Hazardous Voltage | |
| | 1001157525 | Ref | JUNCTION BOX ASSEMBLY | B |
| 101 | 3300396 | 1 | Cover, Fuse | |
| 102 | 3311001 | 6 | Nut #10 | |
| 103 | 3520189 | 1 | Plug | |
| 104 | 3520192 | 1 | Plug | |
| 105 | 4360070 | 1 | Circuit Breaker - 15Amp | |
| 106 | 4460425 | 1 | Connector, Strain Relief | |
| 107 | 4460426 | 2 | Connector, Strain Relief | |
| 109 | 4711000 | 10 | Flatwasher #10 | |
| 110 | 10702077 | 2 | Screw #10 x 3/8 | |
| 111 | 10702082 | 2 | Screw #10 x 3/4 | |

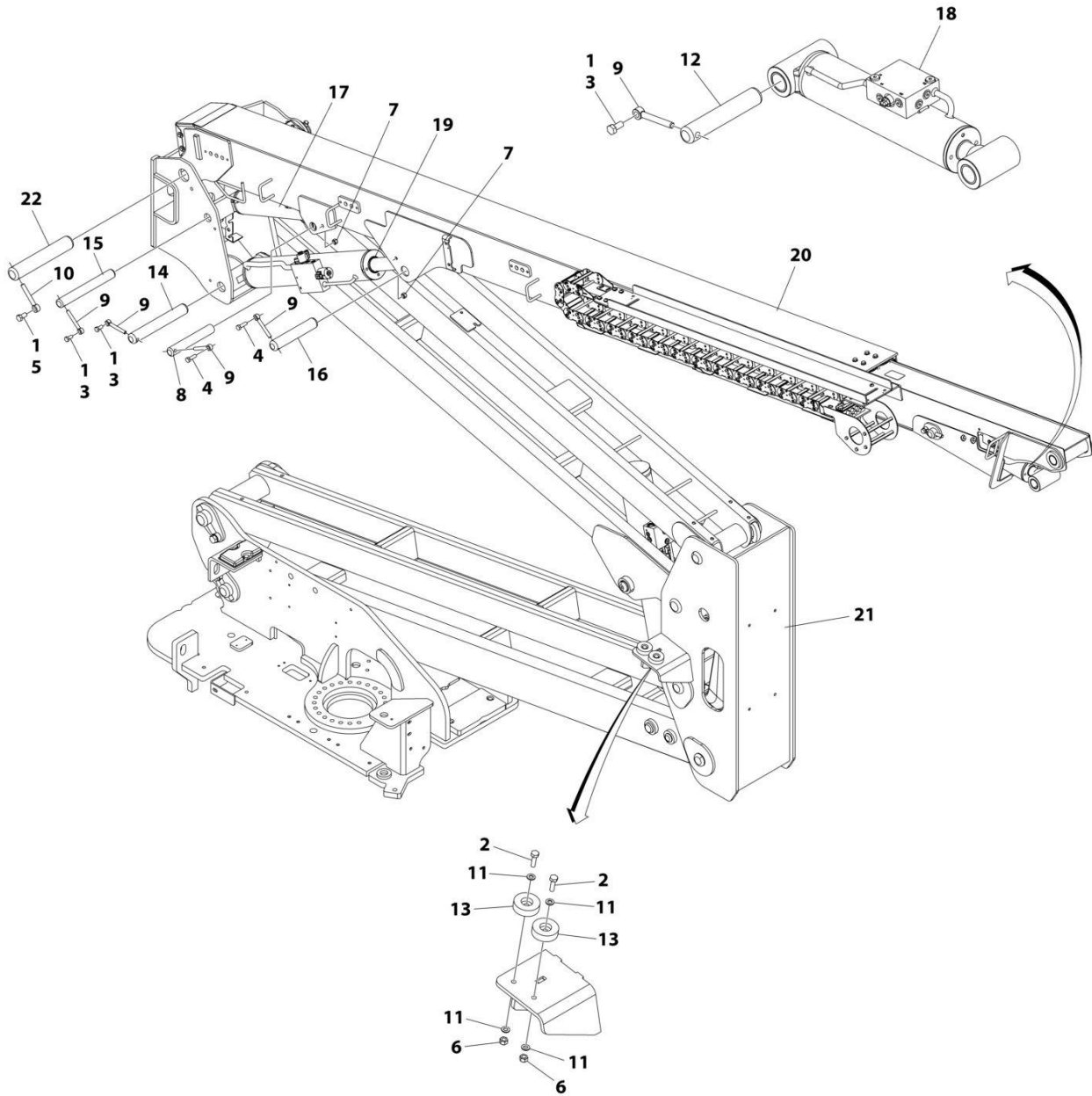
SECTION 3 - ENGINE

| ITEM | PART NUMBER | QTY | DESCRIPTION | REV |
|------|-------------|-----|-------------------------------|-----|
| 112 | 1001152525 | 1 | Plug | |
| 113 | 1001157520 | 1 | Block, Terminal | |
| 114 | 1001157521 | 1 | Box, Junction | |
| 115 | 1001157528 | 1 | Decal - Wiring Schematic | |
| 116 | 1001158007 | 1 | Cover, PVC | |
| 117 | 1001158008 | 2 | Stand-Off | |
| | 0272589 | Ref | DECAL INSTALLATION | A |
| 201 | 1705460 | 2 | Decal - SkyPower | |
| 202 | 1705461 | 1 | Decal - 240V - 3 Phase - 50Hz | |
| 203 | 1705489 | 3 | Decal - Hazardous Voltage | |

SECTION 4 - BOOM

SECTION 4 - BOOM

FIGURE 4-1. BOOMS AND CYLINDERS INSTALLATION



ART_1001256093

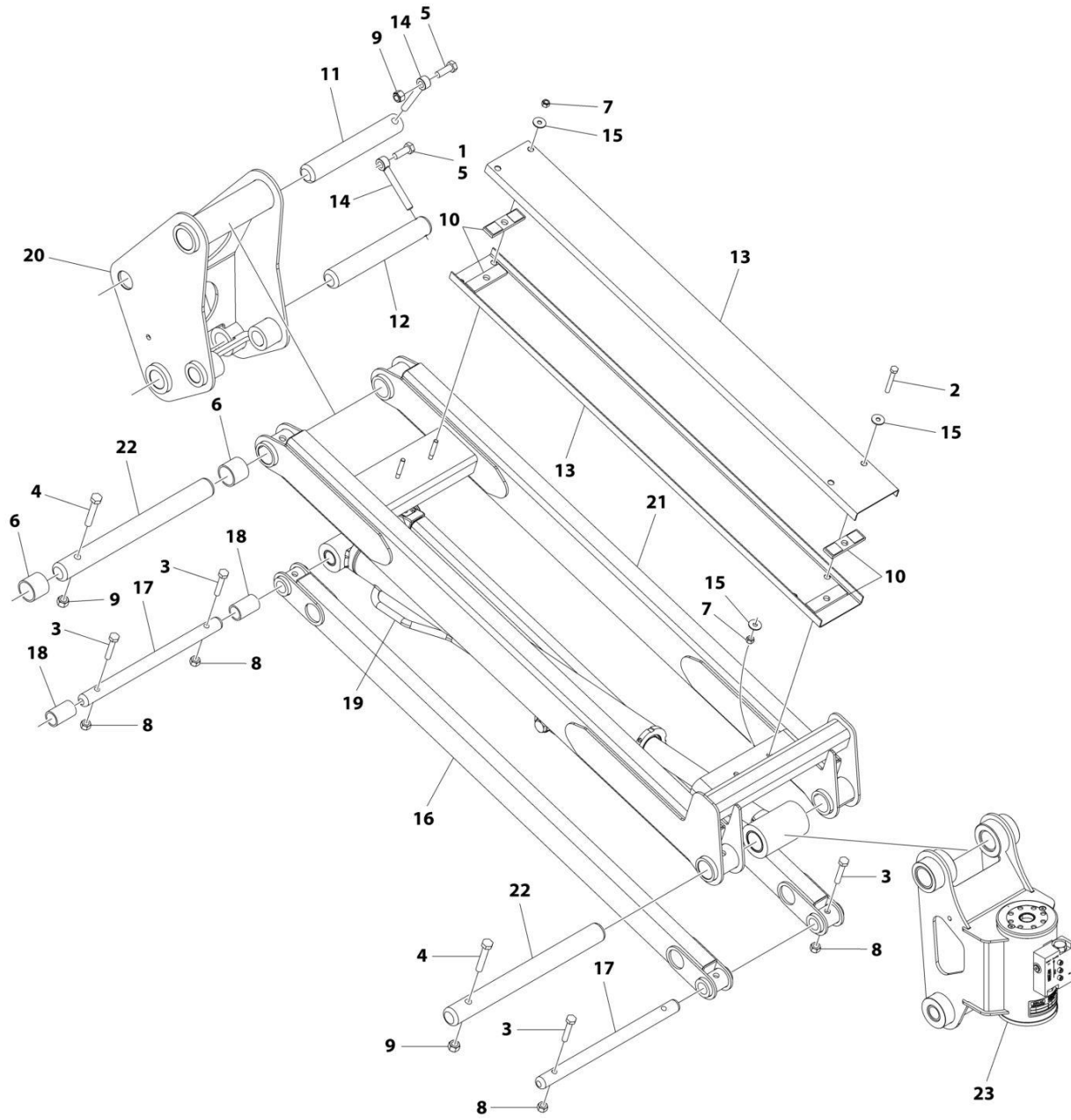
SECTION 4 - BOOM

FIGURE 4-1. BOOMS AND CYLINDERS INSTALLATION

| ITEM | PART NUMBER | QTY | DESCRIPTION | REV |
|------|-------------|-----|---|-----|
| | 1001256093 | Ref | BOOM INSTALLATION | A |
| 1 | 0100011 | AR | Compound, Locking | |
| 2 | 0761015 | 2 | Bolt M10 x 35 | |
| 3 | 0761212 | 3 | Bolt M12 x 25 | |
| 4 | 0761216 | 2 | Bolt M12 x 40 | |
| 5 | 0761614 | 1 | Bolt M16 x 30 | |
| 6 | 3291005 | 2 | Nut M10 | |
| 7 | 3291205 | 2 | Nut M12 | |
| 8 | 3422793 | 1 | Pin | |
| 9 | 3841203 | 5 | Keeper, Pin | |
| 10 | 3841258 | 1 | Keeper, Pin | |
| 11 | 4812000 | 4 | Washer M10 | |
| 12 | 1001109528 | 1 | Pin | |
| 13 | 1001112607 | 2 | Block, Boom Rest | |
| 14 | 1001116546 | 1 | Pin | |
| 15 | 1001169247 | 1 | Pin | |
| 16 | 1001237949 | 1 | Pin | |
| 17 | 1001255970 | 1 | Master Cylinder Assembly (See Separate Breakdown in CYLINDER Section) | |
| 18 | 1001255971 | 1 | Level Cylinder Assembly (See Separate Breakdown in CYLINDER Section) | |
| 19 | 1001255973 | 1 | Upper Lift Cylinder Assembly (See Separate Breakdown in CYLINDER Section) | |
| 20 | 1001256095 | 1 | Main Boom Assembly (See Separate Breakdown in this Section) | |
| 21 | 1001256096 | 1 | Tower Boom Assembly (See Separate Breakdown in this Section) | |
| 22 | 1001256910 | 1 | Pin | |

SECTION 4 - BOOM

FIGURE 4-2. JIB INSTALLATION



ART_1001259058

FIGURE 4-2. JIB INSTALLATION

| ITEM | PART NUMBER | QTY | DESCRIPTION | REV |
|------|-------------|-----|--|-----|
| | 1001259058 | Ref | JIB INSTALLATION | B |
| 1 | 0100011 | AR | Compound, Locking | |
| 2 | 0700820 | 2 | Bolt M8 x 60 | |
| 3 | 0701019 | 4 | Bolt M10 x 55 | |
| 4 | 0701222 | 2 | Bolt M12 x 70 | |
| 5 | 0761215 | 2 | Bolt M12 x 35 | |
| 6 | 0962272 | 2 | Bearing | |
| 7 | 3290805 | 4 | Nut M8 | |
| 8 | 3291005 | 4 | Nut M10 | |
| 9 | 3291205 | 3 | Nut M12 | |
| 10 | 3340860 | 4 | Pad, Rubber | |
| 11 | 3422793 | 1 | Pin | |
| 12 | 3422814 | 1 | Pin | |
| 13 | 3572551 | 2 | Channel | |
| 14 | 3841203 | 2 | Keeper, Pin | |
| 15 | 4811902 | 6 | Washer M8 | |
| 16 | 1001259196 | 2 | Link (Lower) | |
| 17 | 1001182064 | 2 | Pin | |
| 18 | 1001182695 | 2 | Bearing, Composite | |
| 19 | 1001255969 | 1 | Jib Cylinder Assembly (See Separate Breakdown in CYLINDER Section) | |
| 20 | 1001255991 | 1 | Pivot | |
| 21 | 1001256002 | 1 | Link (Upper) | |
| 22 | 1001256790 | 2 | Pin | |
| 23 | 1001270730 | 1 | Rotator Assembly (See Separate Breakdown in this Section) | |

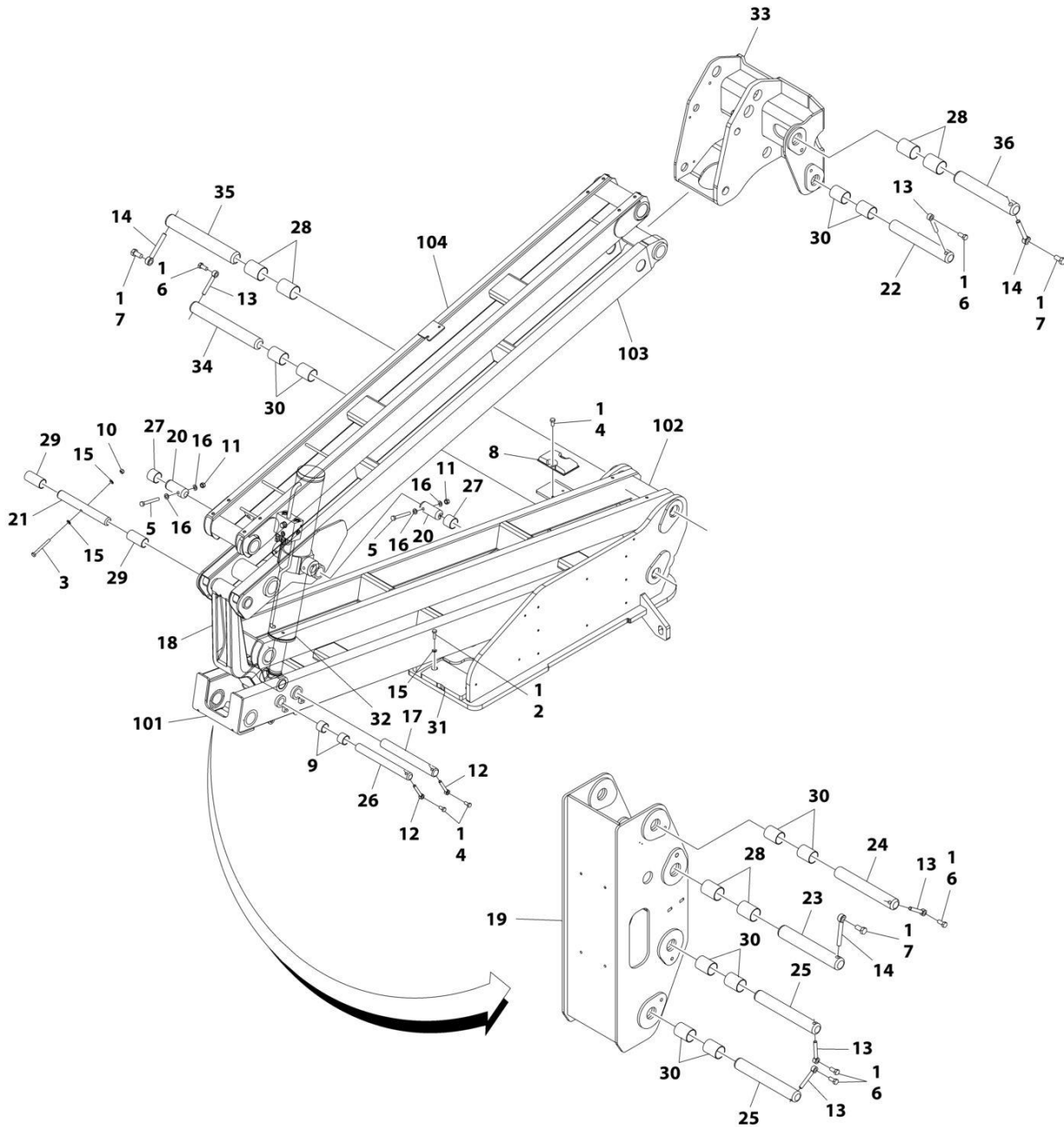
SECTION 4 - BOOM

FIGURE 4-3. MAIN BOOM ASSEMBLY

| ITEM | PART NUMBER | QTY | DESCRIPTION | REV |
|------|-------------|-----|--|-----|
| | 1001256095 | Ref | MAIN BOOM ASSEMBLY | E |
| 1 | 0100011 | AR | Compound, Locking | |
| 2 | 0711227 | 4 | Bolt M12 x 100 | |
| 3 | 0760812 | 4 | Bolt M8 x 25 | |
| 4 | 0961948 | 2 | Bearing | |
| 5 | 1670836 | 1 | Cover | |
| 6 | 3291005 | 10 | Nut M10 | |
| 7 | 3760351 | 4 | Ring, Retaining | |
| 8 | 3900351 | 8 | Bolt M10 x 30 | |
| 9 | 4070897 | 12 | Shim | |
| 10 | 4070898 | 12 | Shim | |
| 11 | 4811902 | 4 | Washer M8 | |
| 12 | 4812000 | 18 | Washer M10 | |
| 13 | 5241200 | 4 | Washer M12 | |
| 14 | 5251009 | 8 | Bolt M10 x 18 | |
| 15 | 5251010 | 20 | Bolt M10 x 20 | |
| 16 | 5251012 | 4 | Bolt M10 x 25 | |
| 17 | 8310668 | 2 | Bolt M10 x 25 | |
| 18 | 1001118274 | 4 | Nut M8 | |
| 19 | 1001169302 | 2 | Bearing | |
| 20 | 1001169304 | 12 | Pad, Wear | |
| 21 | 1001169305 | 4 | Pad, Wear | |
| 22 | 1001169402 | 4 | Shim | |
| 23 | 1001169403 | 2 | Shim | |
| 24 | 1001170226 | 1 | Cover, Upper Boom | |
| 25 | 1001170334 | 1 | Push Tube, Hose Cover | |
| 26 | 1001180541 | 2 | Pin | |
| 27 | 1001224894 | 1 | Power Track | |
| 30 | 1001255329 | 1 | Mount, Weldment Carrier Tube | |
| 31 | 1001256125 | 1 | Boom, Base Weldment | |
| 32 | 1001256126 | 1 | Boom, Fly Weldment | |
| 33 | 1001266711 | 1 | Telescopic Cylinder (See Separate Breakdown in CYLINDER Section) | |
| 34 | 0700822 | 2 | Bolt M8 x 70 | |
| 35 | 1001273302 | 1 | Clamp | |
| 36 | 1001273303 | 1 | Plate | |
| 41 | 3290805 | 2 | Nut, Lock M8 | |
| 42 | 4811900 | 4 | Washer M8 | |

SECTION 4 - BOOM

FIGURE 4-4. TOWER BOOM ASSEMBLY



ART_1001256096

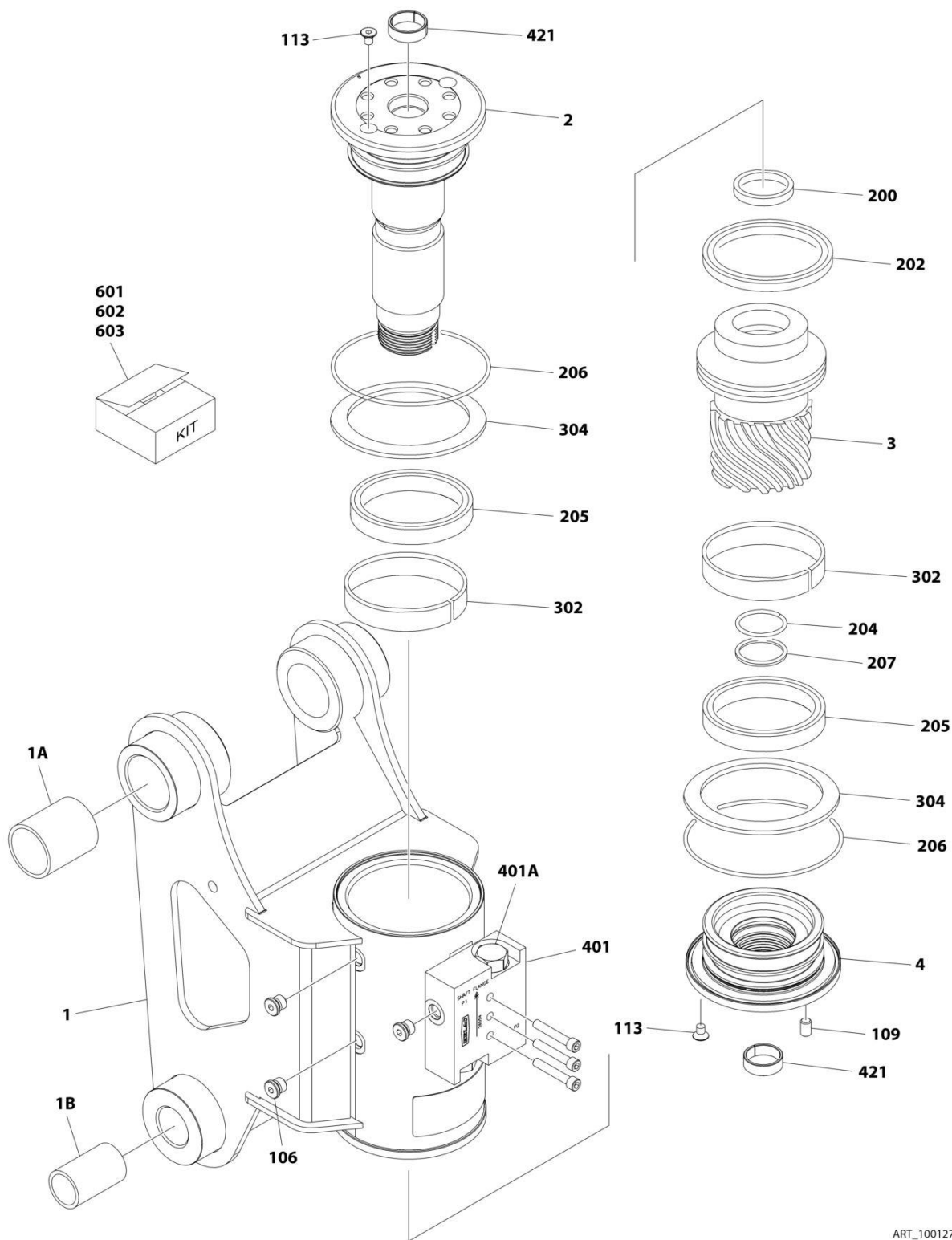
SECTION 4 - BOOM

FIGURE 4-4. TOWER BOOM ASSEMBLY

| ITEM | PART NUMBER | QTY | DESCRIPTION | REV |
|------|-------------|-----|--|-----|
| | 1001256096 | Ref | TOWER BOOM ASSEMBLY | A |
| 1 | 0100011 | AR | Compound, Locking | |
| 2 | 0701015 | 2 | Bolt M10 x 35 | |
| 3 | 0701027 | 1 | Bolt M10 x 100 | |
| 4 | 0761212 | 4 | Bolt M12 x 25 | |
| 5 | 0761227 | 2 | Bolt M12 x 100 | |
| 6 | 0761615 | 5 | Bolt M16 x 35 | |
| 7 | 0762016 | 3 | Bolt M20 x 40 | |
| 8 | 0940048 | 1 | Bumper | |
| 9 | 0961948 | 2 | Bearing | |
| 10 | 3291005 | 1 | Nut M10 | |
| 11 | 3291205 | 2 | Nut M12 | |
| 12 | 3841203 | 2 | Keeper, Pin | |
| 13 | 3841258 | 5 | Keeper, Pin | |
| 14 | 3841287 | 3 | Keeper, Pin | |
| 15 | 4812000 | 4 | Washer M10 | |
| 16 | 4812100 | 4 | Washer M12 | |
| 17 | 1001155093 | 1 | Pin | |
| 18 | 1001166096 | 1 | Link, Timing | |
| 19 | 1001166853 | 1 | Upright, Lower | |
| 20 | 1001169240 | 2 | Pin | |
| 21 | 1001169241 | 1 | Pin | |
| 22 | 1001169242 | 1 | Pin | |
| 23 | 1001169295 | 1 | Pin | |
| 24 | 1001169296 | 1 | Pin | |
| 25 | 1001169297 | 2 | Pin | |
| 26 | 1001169298 | 1 | Pin | |
| 27 | 1001169299 | 2 | Bearing | |
| 28 | 1001169300 | 6 | Bearing | |
| 29 | 1001169301 | 2 | Bearing | |
| 30 | 1001169302 | 10 | Bearing | |
| 31 | 1001180056 | 1 | Pad, Wear | |
| 32 | 1001255968 | 1 | Tower Lift Cylinder (See Separate Breakdown in CYLINDER Section) | |
| 33 | 1001256098 | 1 | Upright, Upper | |
| 34 | 1001256911 | 1 | Pin | |
| 35 | 1001258264 | 1 | Pin | |
| 36 | 1001258265 | 1 | Pin | |
| 100 | 1001256099 | 1 | Tower Boom Kit (Not Shown - Includes Items 101-104) | |
| 101 | 1001256100 | 1 | Boom, Lower Tower | |
| 102 | 1001256101 | 1 | Boom, Lower Link | |
| 103 | 1001256102 | 1 | Boom, Upper Tower | |
| 104 | 1001256103 | 1 | Boom, Upper Link | |

SECTION 4 - BOOM

FIGURE 4-5. ROTATOR ASSEMBLY



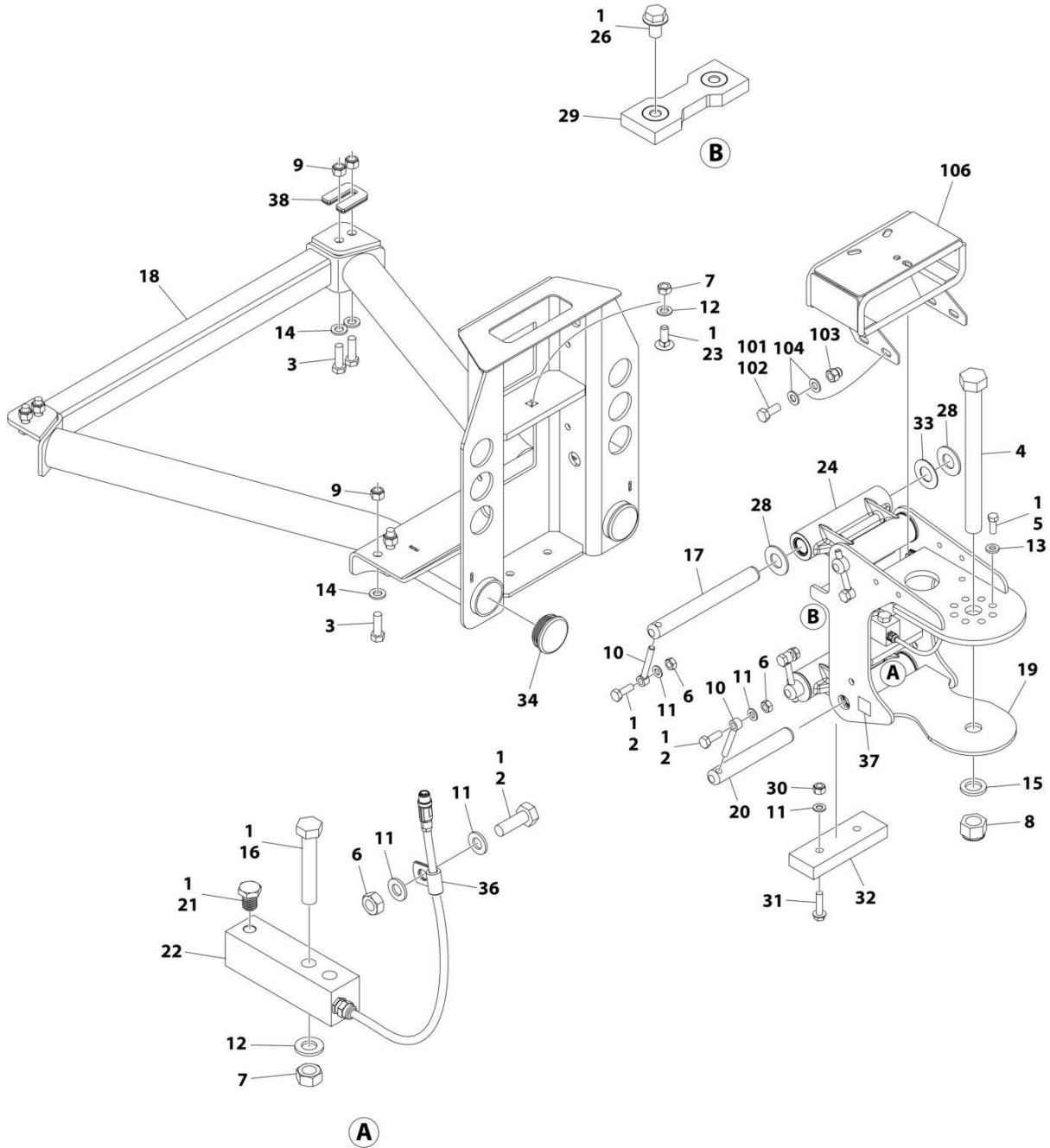
ART_1001270730

FIGURE 4-5. ROTATOR ASSEMBLY

| ITEM | PART NUMBER | QTY | DESCRIPTION | REV |
|------|-------------|-----|---|-----|
| | 1001270730 | Ref | ROTATOR ASSEMBLY | A |
| 1 | See Note | NSS | Housing (Note: Purchase Complete Assembly) | |
| 1A | 1001182695 | 2 | Bushing | |
| 1B | 0962348 | 2 | Bushing | |
| 2 | 7017162 | 1 | Shaft | |
| 3 | 7017163 | 1 | Piston | |
| 4 | 7017164 | 1 | Cap, End | |
| 106 | See Note | NSS | Plug (Note: Purchase P/N 7017142) | |
| 109 | See Note | NSS | Pin (Note: Purchase P/N 7017142) | |
| 113 | See Note | NSS | Screw (Note: Purchase P/N 7017142) | |
| 200 | See Note | NSS | Seal, Piston (Note: Purchase P/N 70000342) | |
| 202 | See Note | NSS | Seal, Piston (Note: Purchase P/N 70000342) | |
| 204 | See Note | NSS | O-Ring (Note: Use P/N 70000342) | |
| 205 | See Note | NSS | Seal, Shaft (Note: Purchase P/N 70000342) | |
| 206 | See Note | NSS | O-Ring (Note: Use P/N 70000342) | |
| 207 | See Note | NSS | Ring, Back-up (Note: Purchase P/N 70000342) | |
| 302 | See Note | NSS | Bearing, Shaft (Note: Purchase P/N 7017159) | |
| 304 | See Note | NSS | Washer, Thrust (Note: Purchase P/N 7017159) | |
| 401 | 7017172 | 1 | Counterbalance Valve Assembly | |
| 401A | 7017192 | 2 | Valve Cartridge (No Seal Kit Available) | |
| 421 | 7017195 | 2 | Bushing | |
| 601 | 70000342 | NSS | Seal Kit (Includes Items 200-207) | |
| 602 | 7017159 | NSS | Bearing Kit (Includes Items 302 & 304) | |
| 603 | 7017142 | NSS | Hardware Kit (Includes Items 106-113) | |

SECTION 4 - BOOM

FIGURE 4-6. PLATFORM SUPPORT INSTALLATION



ART_1001167596_N

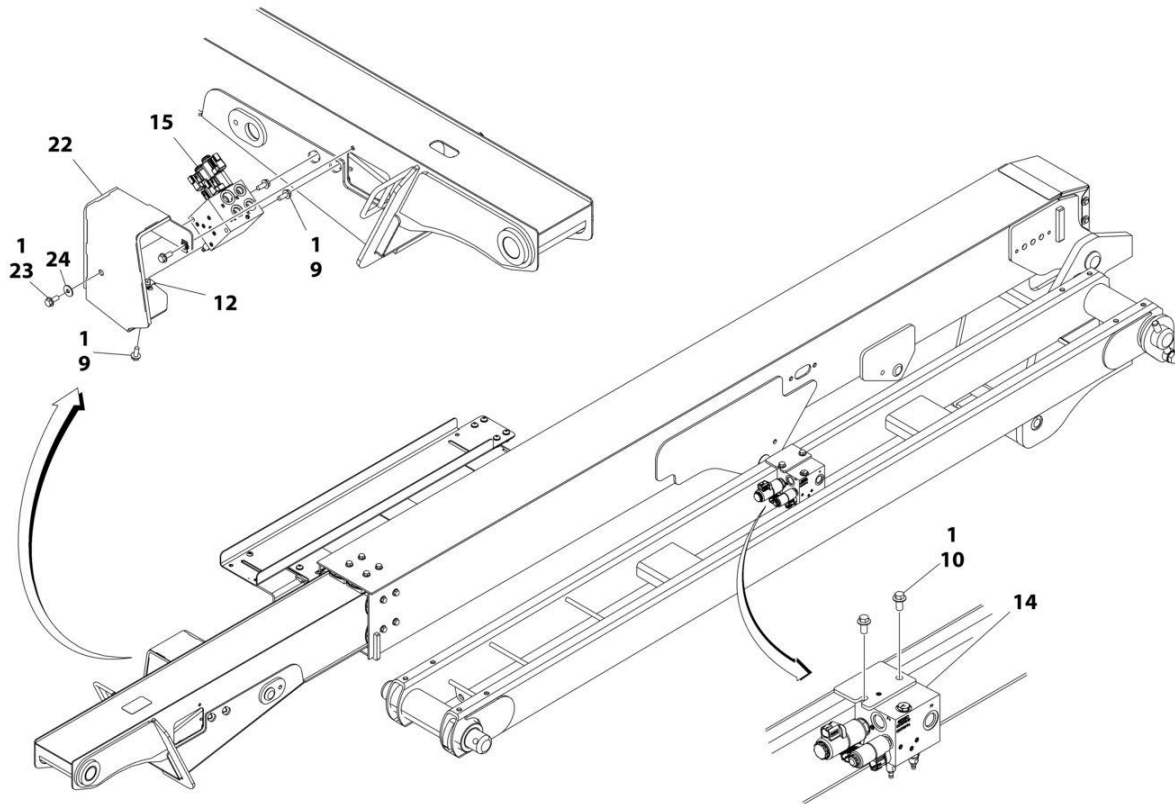
SECTION 4 - BOOM

FIGURE 4-6. PLATFORM SUPPORT INSTALLATION

| ITEM | PART NUMBER | QTY | DESCRIPTION | REV |
|------|-------------|-----|------------------------------------|-----|
| | 1001167596 | Ref | PLATFORM SUPPORT INSTALLATION | N |
| 1 | 0100011 | AR | Compound, Locking | |
| 2 | 0761014 | 5 | Bolt M10 x 30 | |
| 3 | 0761216 | 8 | Bolt M12 x 40 | |
| 4 | 1001255133 | 1 | Bolt 1 x 11 | |
| 5 | 0681608 | 8 | Bolt 3/8 x 1 | |
| 6 | 3291001 | 5 | Nut M10 | |
| 7 | 3291201 | 3 | Nut M12 | |
| 8 | 1001174040 | 1 | Nut 1 | |
| 9 | 3291205 | 8 | Nut M12 | |
| 10 | 3841143 | 4 | Keeper, Pin | |
| 11 | 4812000 | 8 | Washer M10 | |
| 12 | 4812100 | 3 | Washer M12 | |
| 13 | 4891600 | 8 | Washer 3/8 | |
| 14 | 5241200 | 8 | Washer M12 | |
| 15 | 4892600001 | 1 | Washer 1 | |
| 16 | 1001098828 | 2 | Bolt M12 x 70 Grade 10.9 | |
| 17 | 1001167565 | 2 | Pin | |
| 18 | 1001200494 | 1 | Support, Platform | |
| 19 | 1001167567 | 1 | Support, Rotator | |
| 20 | 1001168402 | 2 | Pin | |
| 21 | 1001188622 | 1 | Screw | |
| 22 | 1001247468 | 1 | Loadcell | |
| 23 | 1001188844 | 1 | Bolt M12 x 35 | |
| 24 | 1001201351 | 2 | Link | |
| 24 | 1001187382 | 4 | Bearing | |
| 24 | 1001187383 | 4 | Seal | |
| 26 | 5251008 | 2 | Bolt M10 x 16 | |
| 28 | 1001189002 | 8 | Bearing | |
| 29 | 1001190985 | 1 | Pad, Wear | |
| 30 | 3291005 | 2 | Nut M10 | |
| 31 | 5251016 | 2 | Bolt M10 x 40 | |
| 32 | 1001200491 | 1 | Pad, Wear | |
| 33 | 1001189001 | 4 | Bearing | |
| 34 | 1001204725 | 2 | Plug | |
| 36 | 91203039 | 1 | Clamp | |
| 37 | 1001216630 | 2 | Decal - Tie Down/No Lift | |
| 38 | 1001238421 | Ref | Kit, Platform Leveling (Not Shown) | |
| | 1001202687 | Ref | VALVE MOUNT INSTALLATION | B |
| 101 | 0100011 | AR | Compound, Locking | |
| 102 | 0760810 | 4 | Bolt M8 x 20 | |
| 103 | 3290806 | 4 | Nut M8 | |
| 104 | 4811900 | 8 | Washer M8 | |
| 106 | 1001208994 | 1 | Mount, Valve | |

SECTION 4 - BOOM

FIGURE 4-7. VALVES INSTALLATION - BOOM MOUNTED



ART_1001271795_30F3

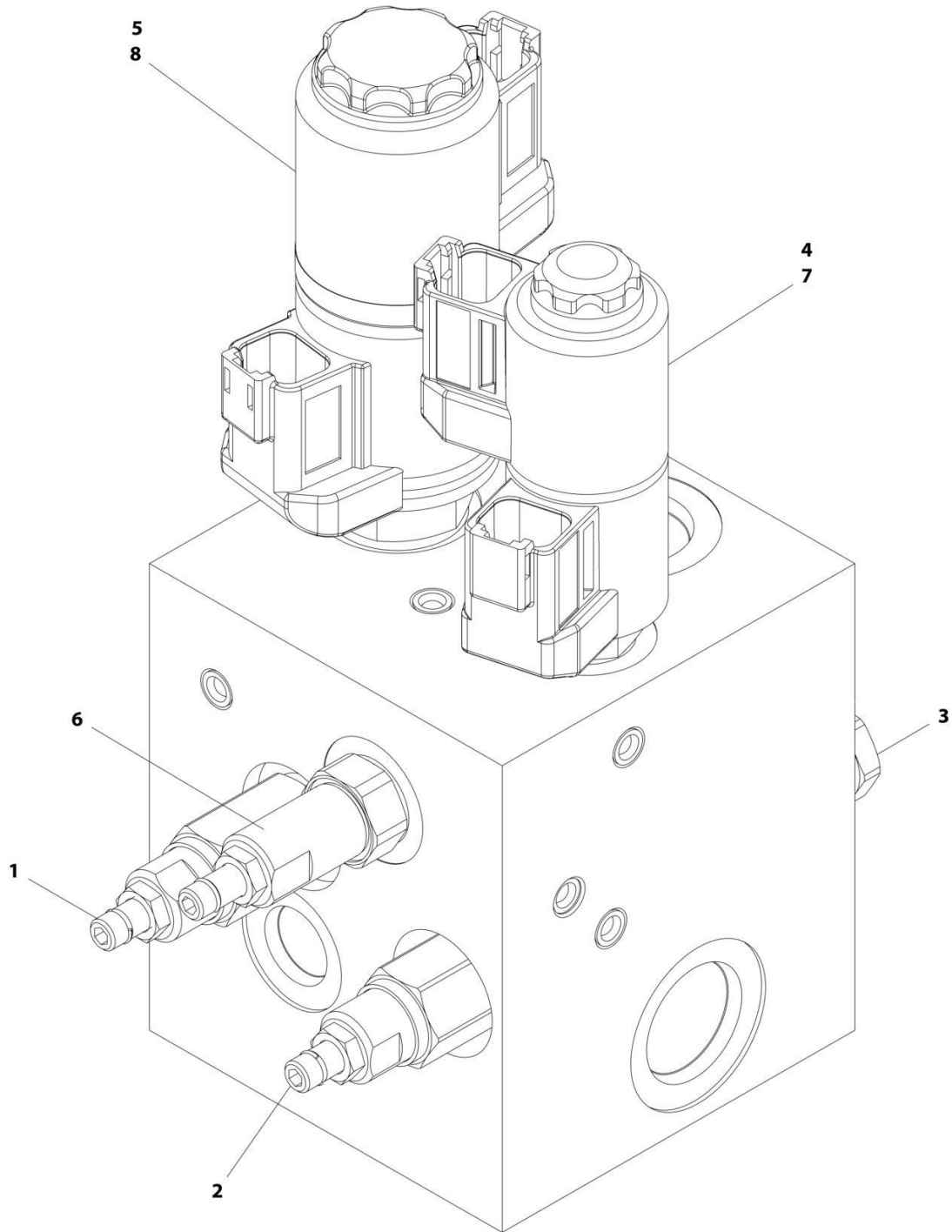
SECTION 4 - BOOM

FIGURE 4-7. VALVES INSTALLATION - BOOM MOUNTED

| ITEM | PART NUMBER | QTY | DESCRIPTION | REV |
|------|-------------|-----|---|-----|
| | 1001271795 | Ref | 4WD VALVES INSTALLATION - BOOM MOUNTED | B |
| 1 | 0100011 | AR | Compound, Locking | |
| 9 | 5250810 | 4 | Bolt M8 x 20 Class 10.9 | |
| 10 | 5251010 | 15 | Bolt M10 x 25 Class 10.9 | |
| 12 | 1001118274 | 2 | Nut, Tinnerman M8 | |
| 14 | 1001162535 | 1 | Upright Valve Assembly (See Separate Breakdown in this Section) | |
| 15 | 1001162536 | 1 | Boom Valve Assembly (See Separate Breakdown in this Section) | |
| 22 | 1001265186 | 1 | Shield, Fly Boom Valve | |
| 23 | 0770810 | 1 | Bolt M8 x 20 Class 10.9 | |
| 24 | 4811902 | 1 | Washer M8 | |

SECTION 4 - BOOM

FIGURE 4-8. UPRIGHT VALVE ASSEMBLY



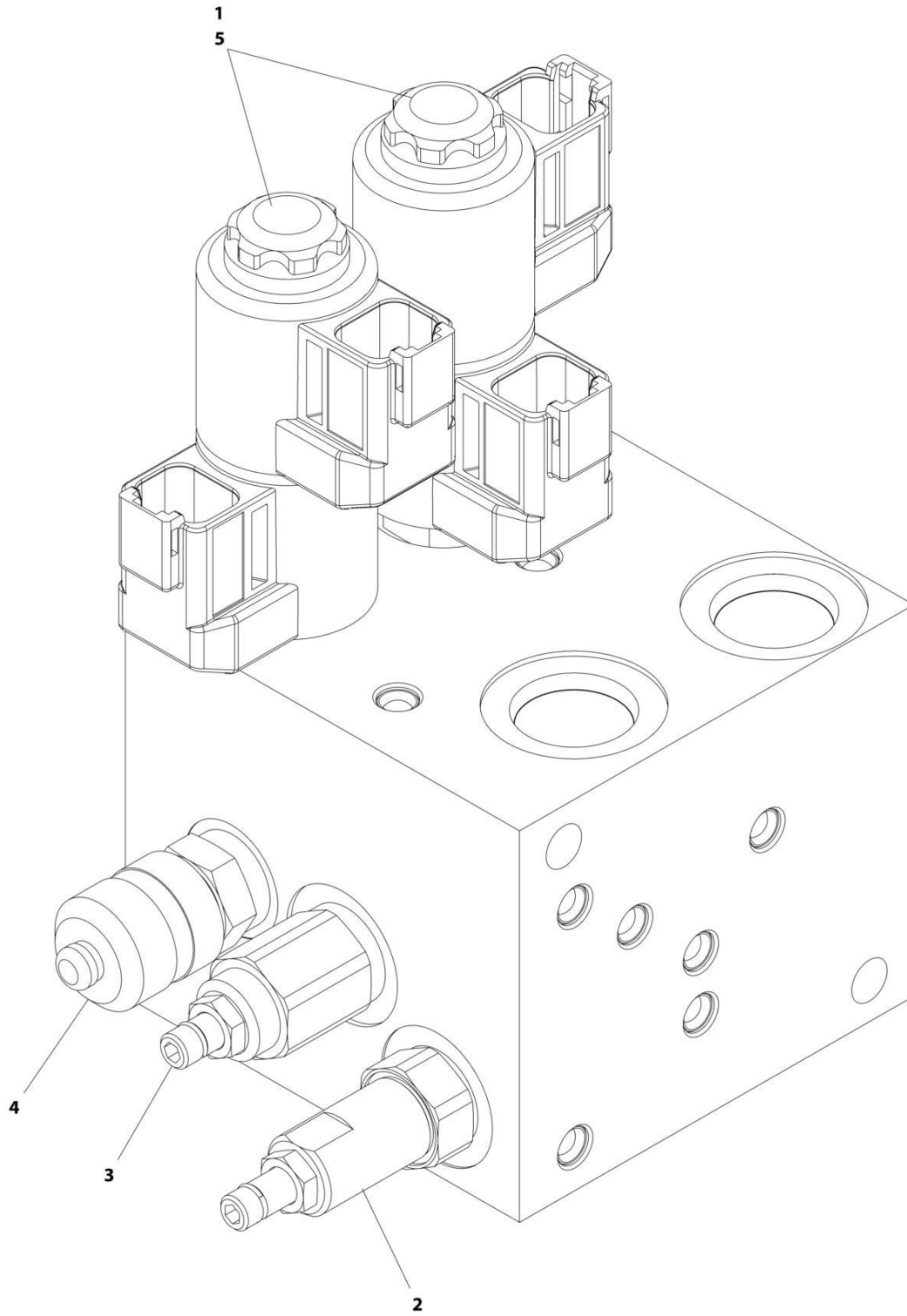
ART_1001162535

FIGURE 4-8. UPRIGHT VALVE ASSEMBLY

| ITEM | PART NUMBER | QTY | DESCRIPTION | REV |
|------|-------------|-----|-------------------------------------|-----|
| | 1001162535 | Ref | UPRIGHT VALVE ASSEMBLY | D |
| 1 | 70004864 | 1 | Cartridge, Valve | |
| 1 | 70004875 | 1 | Seal Kit - 70004864 Valve | |
| 2 | 70004865 | 1 | Cartridge, Valve | |
| 2 | 70004875 | 1 | Seal Kit - 70004865 Valve | |
| 3 | 70004866 | 1 | Cartridge, Relief Valve | |
| 3 | 70004867 | 1 | Seal Kit - 70004866 Valve | |
| 4 | 70004868 | 1 | Cartridge, Solenoid Valve Less Coil | |
| 4 | 70004869 | 1 | Seal Kit - 70004868 Valve | |
| 5 | 7027625 | 1 | Cartridge, Solenoid Valve Less Coil | |
| 5 | 70000100 | 1 | Seal Kit - 7027625 Valve | |
| 6 | 70006660 | 1 | Cartridge, Valve | |
| 6 | 70004867 | 1 | Seal Kit - 70006660 Valve | |
| 7 | 70004871 | 2 | Coil | |
| 8 | 7027628 | 2 | Coil | |

SECTION 4 - BOOM

FIGURE 4-9. BOOM VALVE ASSEMBLY



ART_1001162536_G

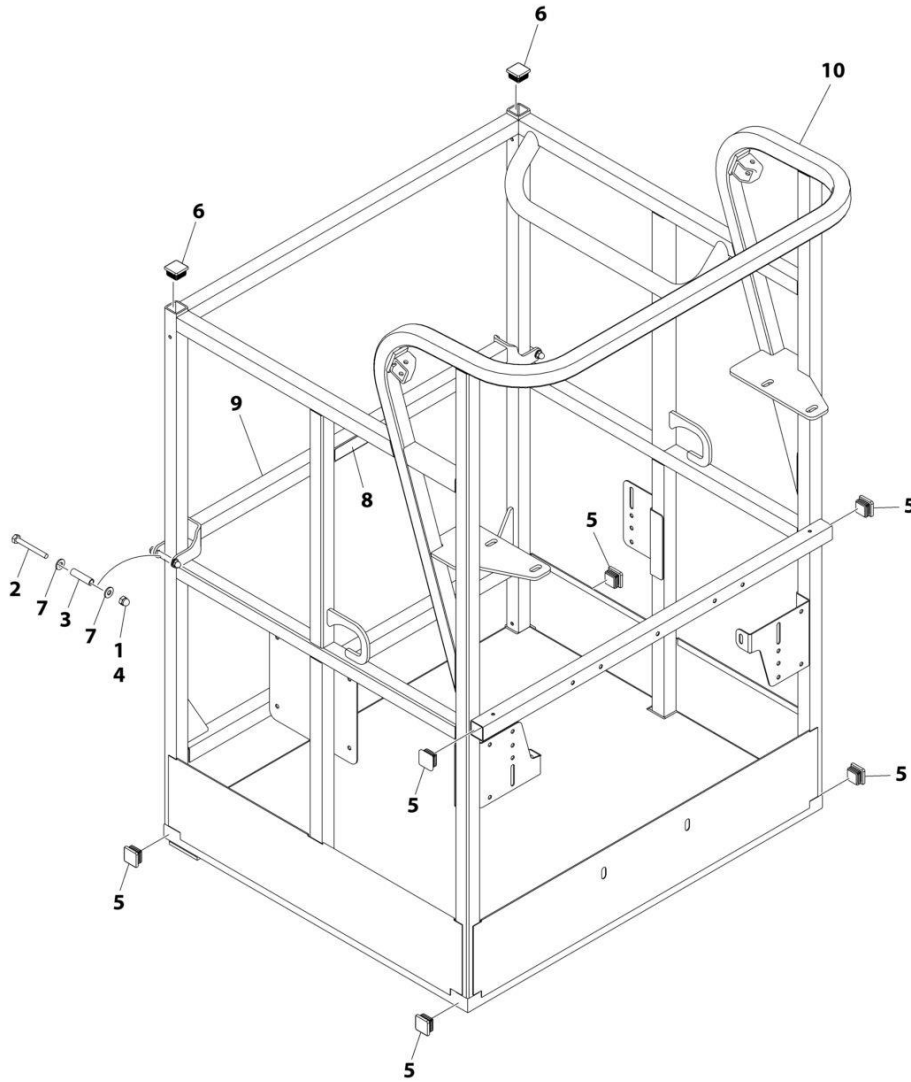
FIGURE 4-9. BOOM VALVE ASSEMBLY

| ITEM | PART NUMBER | QTY | DESCRIPTION | REV |
|------|-------------|-----|-------------------------------------|-----|
| | 1001162536 | Ref | BOOM VALVE ASSEMBLY | G |
| 1 | 70005243 | 2 | Cartridge, Solenoid Valve Less Coil | |
| 1 | 70004869 | 2 | Seal Kit - 70005243 Valve | |
| 2 | 70004873 | 1 | Cartridge, Valve | |
| 2 | 70004867 | 1 | Seal Kit - 70004873 Valve | |
| 3 | 70007556 | 1 | Cartridge, Valve | |
| 3 | 70004867 | 1 | Seal Kit - 70006970 Valve | |
| 4 | 2221086 | 1 | Fitting, Test | |
| 5 | 70004871 | 4 | Coil | |

SECTION 5 - PLATFORM

SECTION 5 - PLATFORM

FIGURE 5-1. PLATFORM ASSEMBLY - 30IN X 3FT- SIDE DROP BAR ENTRY



ART_1001228215

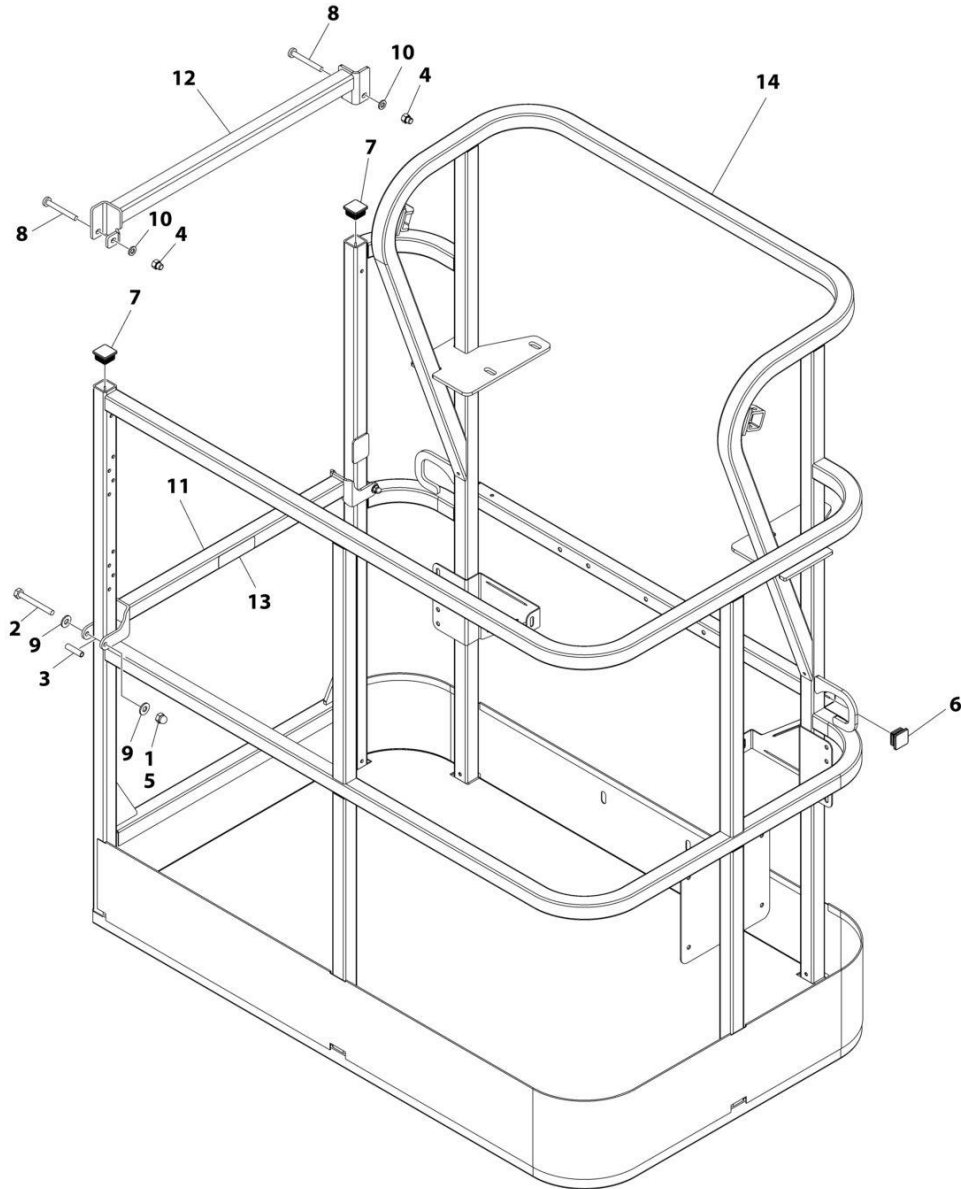
SECTION 5 - PLATFORM

FIGURE 5-1. PLATFORM ASSEMBLY - 30IN X 3FT- SIDE DROP BAR ENTRY

| ITEM | PART NUMBER | QTY | DESCRIPTION | REV |
|------|-------------|-----|---|-----|
| | 1001228215 | Ref | PLATFORM ASSEMBLY | A |
| | See Note | Ref | Note: Platform and Mesh must be ordered separately for Platforms with Mesh. See SPECIAL OPTIONS SECTION for Mesh Installations. | |
| | See Note | Ref | Note: Replacement Decals Must be Ordered Separately - See DECAL SECTION. | |
| 1 | 0100011 | AR | Compound, Locking | |
| 2 | 0641418 | 2 | Bolt 1/4 x 2-1/4 | |
| 3 | 0961845 | 2 | Bushing | |
| 4 | 3300151 | 2 | Nut 1/4 | |
| 5 | 3520072 | 6 | Cap, Plug | |
| 6 | 3520198 | 2 | Cap, Plug | |
| 7 | 4711400 | 4 | Washer 1/4 | |
| 8 | 1001140429 | 1 | Decal - Drop Bar | |
| 9 | 1001226872 | 1 | Bar, Drop | |
| 10 | See Note | NSS | Platform (Note: Not Available - Purchase Platform Assembly) | |

SECTION 5 - PLATFORM

FIGURE 5-2. PLATFORM ASSEMBLY - 30IN X 4FT - SIDE DROP BAR ENTRY



ART_1001186375

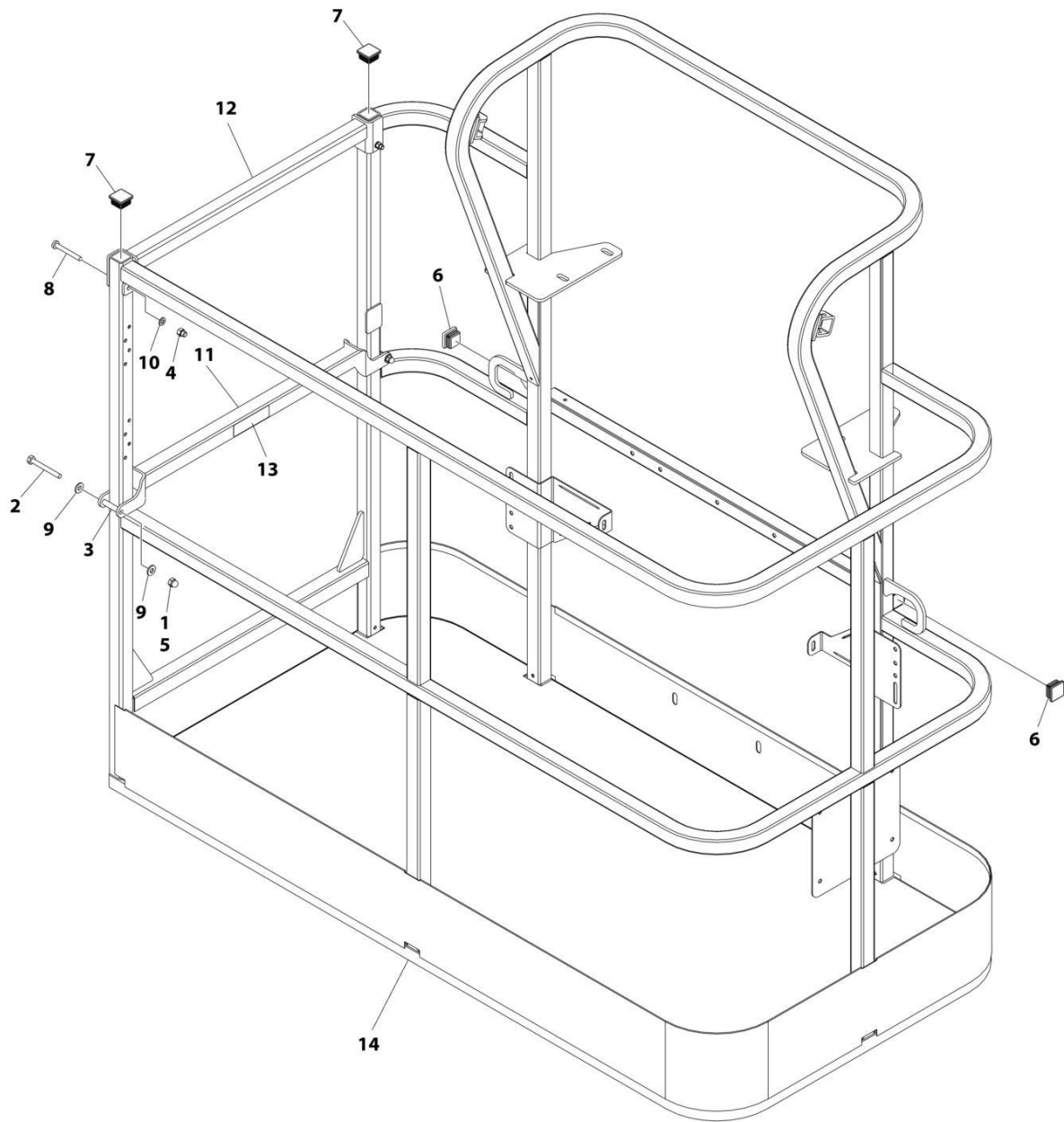
SECTION 5 - PLATFORM

FIGURE 5-2. PLATFORM ASSEMBLY - 30IN X 4FT - SIDE DROP BAR ENTRY

| ITEM | PART NUMBER | QTY | DESCRIPTION | REV |
|------|-------------|-----|---|-----|
| | 1001186375 | Ref | PLATFORM ASSEMBLY | B |
| | | Ref | Note: Platform and Mesh must be ordered separately for Platforms with Mesh. See SPECIAL OPTIONS SECTION for Mesh Installations. | |
| | | Ref | Note: Replacement Decals Must be Ordered Separately - See DECALS SECTION. | |
| 1 | 0100011 | AR | Compound, Locking | |
| 2 | 0641418 | 2 | Bolt 1/4 x 2-1/4 | |
| 3 | 0961845 | 2 | Bushing | |
| 4 | 3290606 | 2 | Nut M6 | |
| 5 | 3300151 | 2 | Nut 1/4 | |
| 6 | 3520072 | 2 | Plug | |
| 7 | 3520198 | 2 | Plug | |
| 8 | 4010618 | 2 | Screw M6 x 50 | |
| 9 | 4711400 | 4 | Washer 1/4 | |
| 10 | 4811700 | 2 | Washer M6 | |
| 11 | 1001138494 | 1 | Bar, Drop | |
| 12 | 1001138514 | 1 | Rail - Top | |
| 13 | 1001140429 | 1 | Decal - Drop Bar | |
| 14 | See Note | 1 | Platform (Note: Not Available - Purchase Platform Assembly) | |

SECTION 5 - PLATFORM

FIGURE 5-3. PLATFORM ASSEMBLY - 30IN X 5FT- SIDE DROP BAR ENTRY



ART_1001186377

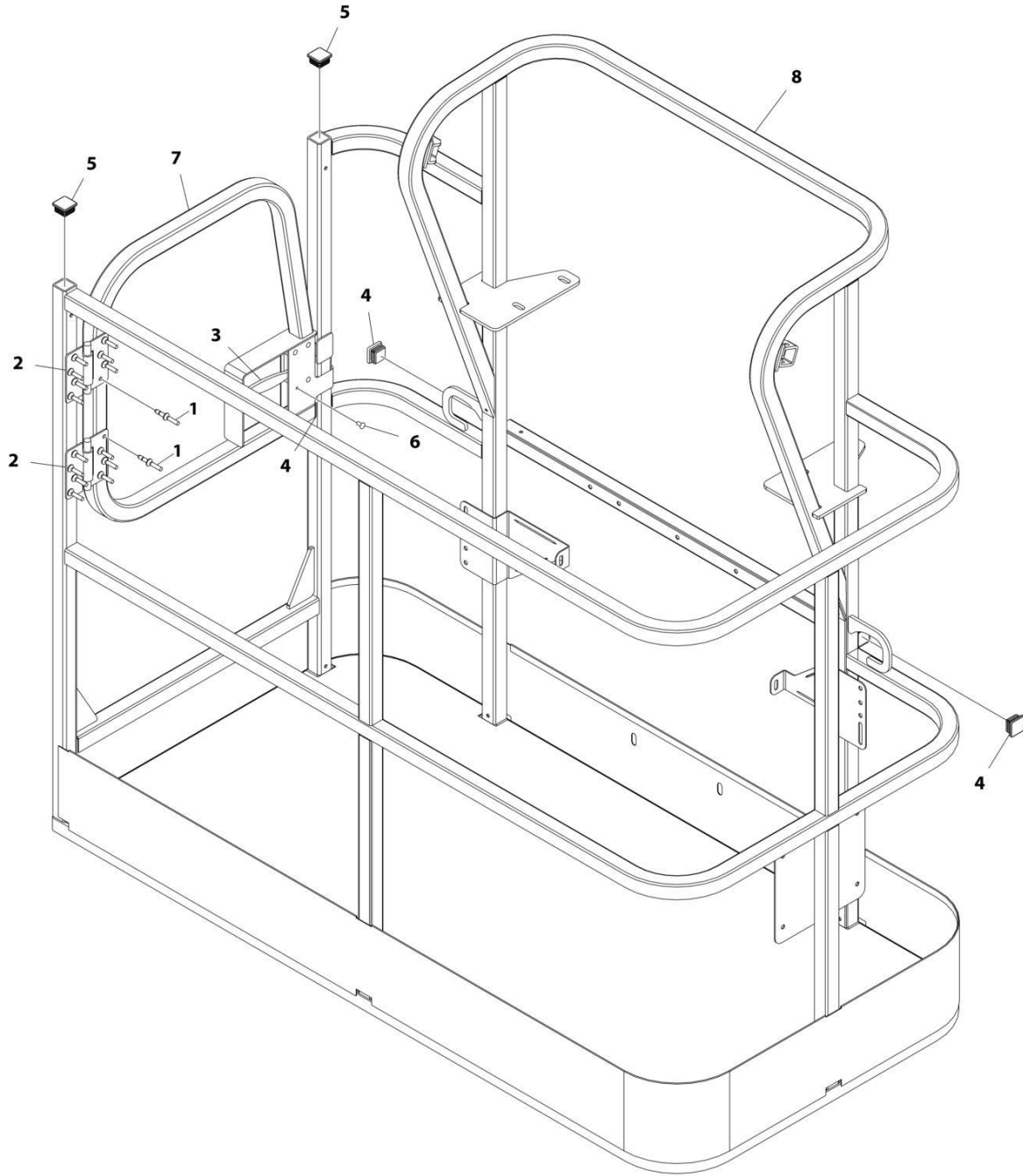
SECTION 5 - PLATFORM

FIGURE 5-3. PLATFORM ASSEMBLY - 30IN X 5FT- SIDE DROP BAR ENTRY

| ITEM | PART NUMBER | QTY | DESCRIPTION | REV |
|------|-------------|-----|---|-----|
| | 1001186377 | Ref | PLATFORM ASSEMBLY | C |
| | | Ref | Note: Platform and Mesh must be ordered separately for Platforms with Mesh. See SPECIAL OPTIONS SECTION for Mesh Installations. | |
| | | Ref | Note: Replacement Decals Must be Ordered Separately - See DECALS SECTION. | |
| 1 | 0100011 | AR | Compound, Locking | |
| 2 | 0641420 | 2 | Bolt 1/4 x 2-1/2 | |
| 3 | 0961845 | 2 | Bushing | |
| 4 | 3290606 | 2 | Nut M6 | |
| 5 | 3300151 | 2 | Nut 1/4 | |
| 6 | 3520072 | 2 | Plug | |
| 7 | 3520198 | 2 | Plug | |
| 8 | 4010618 | 2 | Screw M6 x 50 | |
| 9 | 4711400 | 4 | Washer 1/4 | |
| 10 | 4811700 | 2 | Washer M6 | |
| 11 | 1001138494 | 1 | Bar, Drop | |
| 12 | 1001138514 | 1 | Rail (Top) | |
| 13 | 1001140429 | 1 | Decal - Drop Bar | |
| 14 | See Note | NSS | Platform (Note: Not Available - Purchase Platform Assembly) | |

SECTION 5 - PLATFORM

FIGURE 5-4. PLATFORM ASSEMBLY - 30IN X 5FT- SIDE GATE ENTRY



ART_1001186386

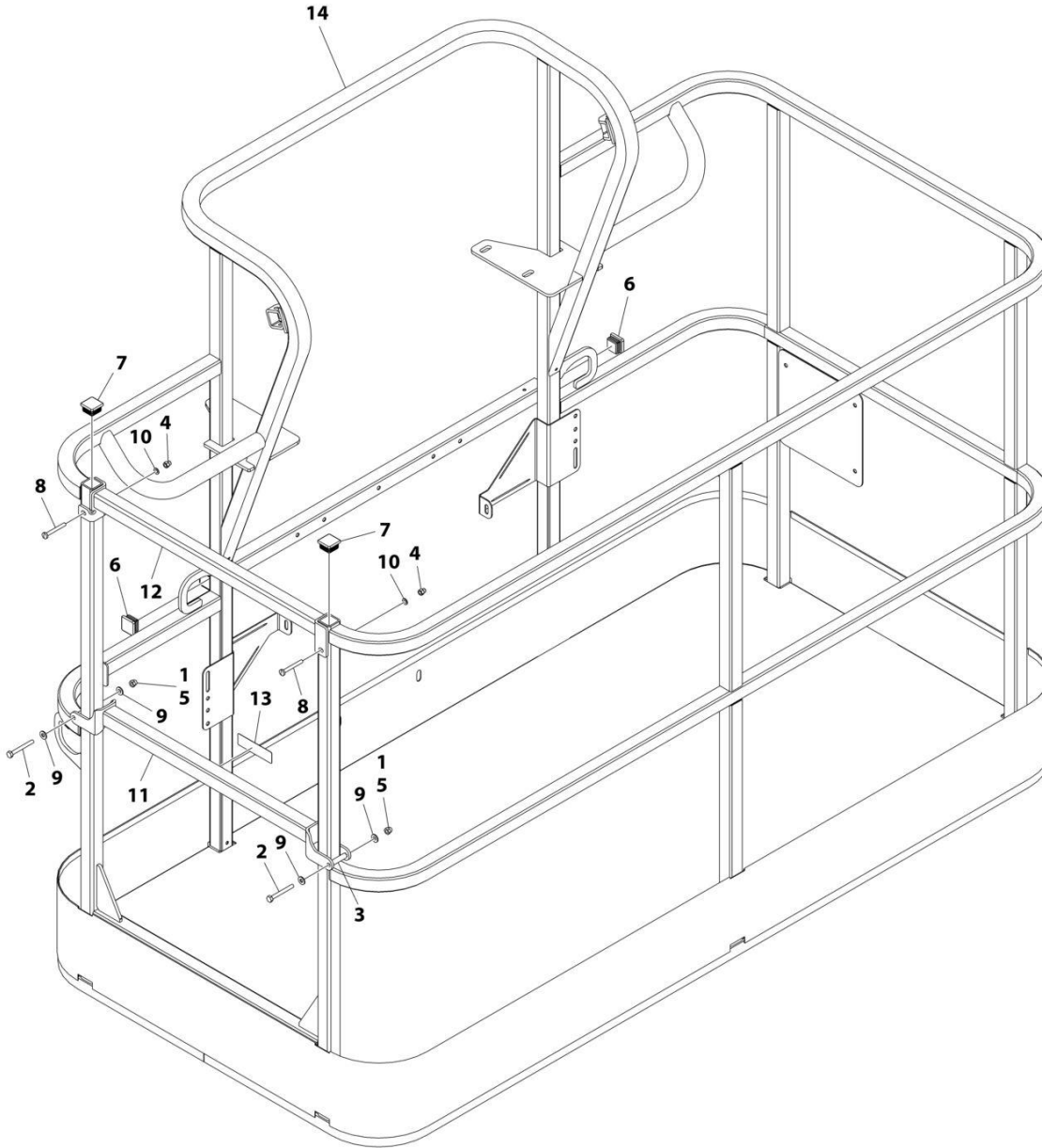
SECTION 5 - PLATFORM

FIGURE 5-4. PLATFORM ASSEMBLY - 30IN X 5FT- SIDE GATE ENTRY

| ITEM | PART NUMBER | QTY | DESCRIPTION | REV |
|------|-------------|-----|---|-----|
| | 1001186386 | Ref | PLATFORM ASSEMBLY | C |
| | | Ref | Note: Platform and Mesh must be ordered separately for Platforms with Mesh. See SPECIAL OPTIONS SECTION for Mesh Installations. | |
| | | Ref | Note: Replacement Decals Must be Ordered Separately - See DECALS SECTION. | |
| 1 | 2080040 | 16 | Fastener, Huck | |
| 2 | 2600281 | 2 | Hinge, Self-Closing | |
| 3 | 2940074 | 1 | Latch | |
| 4 | 3520072 | 3 | Plug | |
| 5 | 3520198 | 2 | Plug | |
| 6 | 3820020 | 4 | Rivet | |
| 7 | 1001144629 | 1 | Gate | |
| 8 | See Note | NSS | Platform (Note: Not Available - Purchase Platform Assembly) | |

SECTION 5 - PLATFORM

FIGURE 5-5. PLATFORM ASSEMBLY - 30IN X 6FT- SIDE DROP BAR ENTRY



ART_1001186378

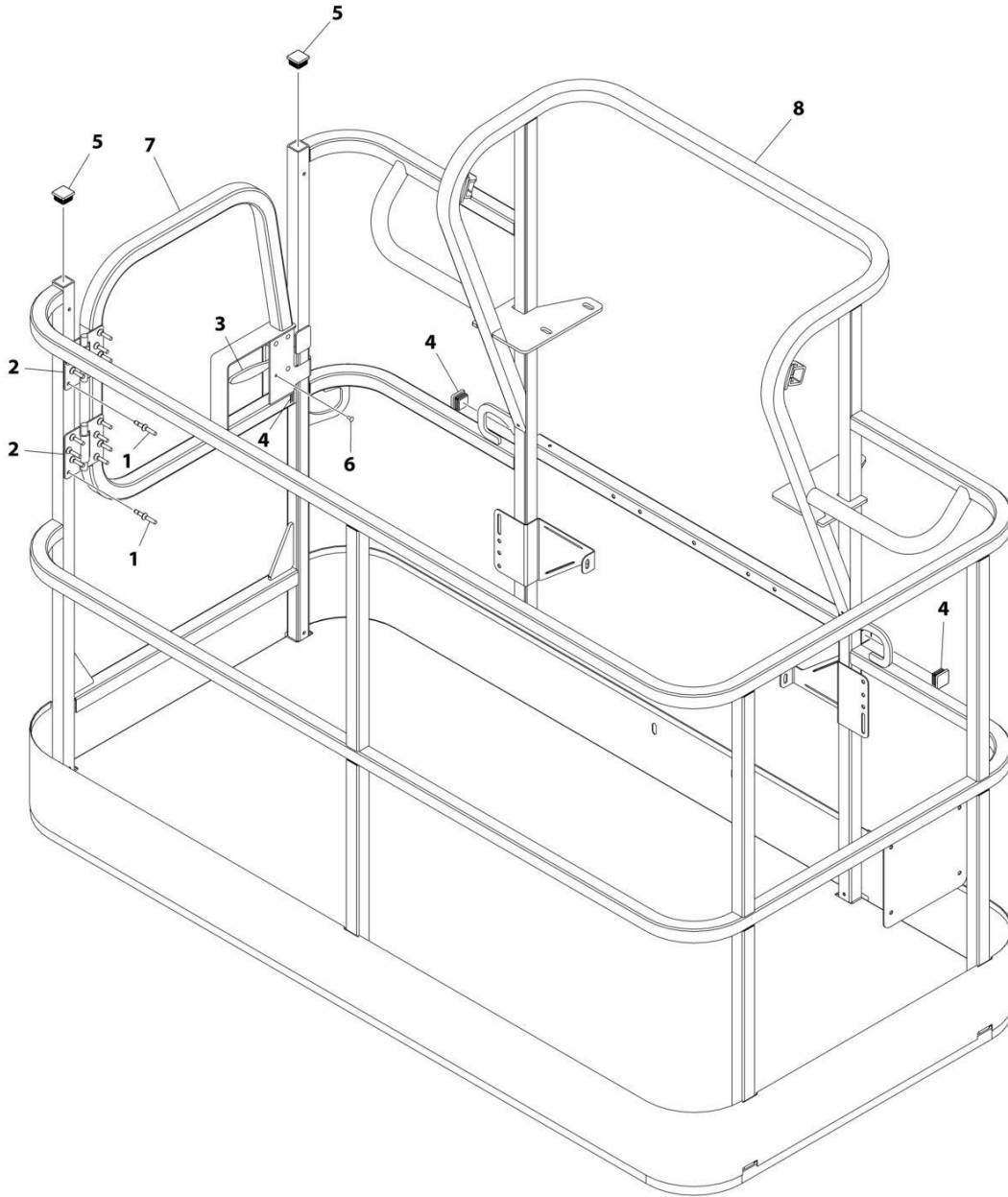
SECTION 5 - PLATFORM

FIGURE 5-5. PLATFORM ASSEMBLY - 30IN X 6FT- SIDE DROP BAR ENTRY

| ITEM | PART NUMBER | QTY | DESCRIPTION | REV |
|------|-------------|-----|---|-----|
| | 1001186378 | Ref | PLATFORM ASSEMBLY | C |
| | | Ref | Note: Platform and Mesh must be ordered separately for Platforms with Mesh. See SPECIAL OPTIONS SECTION for Mesh Installations. | |
| | | Ref | Note: Replacement Decals Must be Ordered Separately - See DECALS SECTION. | |
| 1 | 0100011 | AR | Compound, Locking | |
| 2 | 0641418 | 2 | Bolt 1/4 x 2-1/4 | |
| 3 | 0961845 | 2 | Bushing | |
| 4 | 3290606 | 2 | Nut M6 | |
| 5 | 3300151 | 2 | Nut 1/4 | |
| 6 | 3520072 | 2 | Plug | |
| 7 | 3520198 | 2 | Plug | |
| 8 | 4010618 | 2 | Screw M6 x 50 | |
| 9 | 4711400 | 4 | Washer 1/4 | |
| 10 | 4811700 | 2 | Washer M6 | |
| 11 | 1001138494 | 1 | Bar, Drop | |
| 12 | 1001138514 | 1 | Rail (Top) | |
| 13 | 1001140429 | 1 | Decal - Drop Bar | |
| 14 | See Note | NSS | Platform (Note: Not Available - Purchase Platform Assembly) | |

SECTION 5 - PLATFORM

FIGURE 5-6. PLATFORM ASSEMBLY - 30IN X 6FT- SIDE GATE ENTRY



ART_1001186385

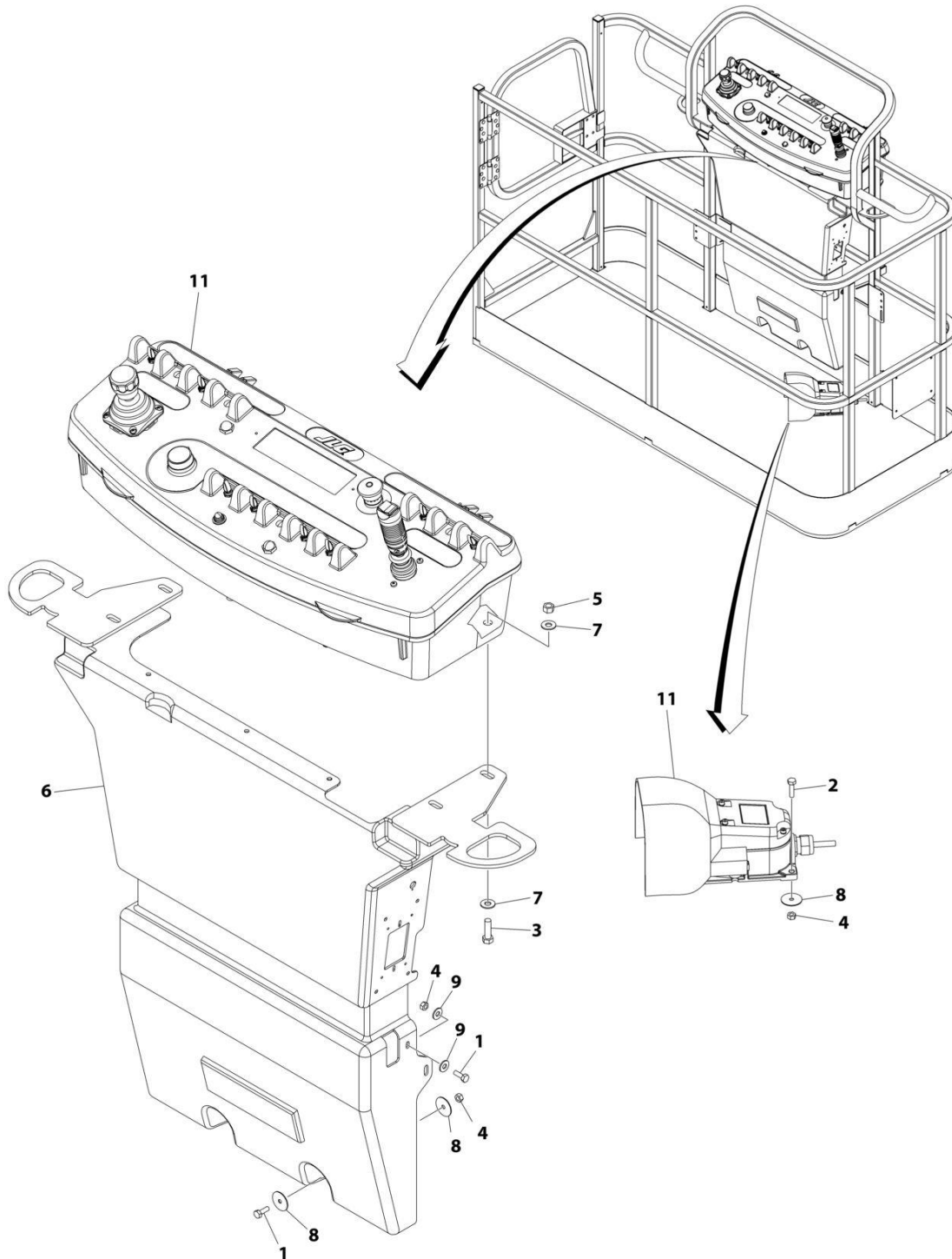
SECTION 5 - PLATFORM

FIGURE 5-6. PLATFORM ASSEMBLY - 30IN X 6FT- SIDE GATE ENTRY

| ITEM | PART NUMBER | QTY | DESCRIPTION | REV |
|------|-------------|-----|---|-----|
| | 1001186385 | Ref | PLATFORM ASSEMBLY | D |
| | | Ref | Note: Platform and Mesh must be ordered separately for Platforms with Mesh. See SPECIAL OPTIONS SECTION for Mesh Installations. | |
| | | Ref | Note: Replacement Decals Must be Ordered Separately - See DECALS SECTION. | |
| 1 | 2080040 | 16 | Fastener, Huck | |
| 2 | 2600281 | 2 | Hinge | |
| 3 | 2940074 | 1 | Latch | |
| 4 | 3520072 | 3 | Plug | |
| 5 | 3520198 | 2 | Plug | |
| 6 | 3820020 | 4 | Rivet | |
| 7 | 1001144629 | 1 | Gate | |
| 8 | See Note | NSS | Platform (Note: Not Available - Purchase Platform Assembly) | |

SECTION 5 - PLATFORM

FIGURE 5-7. CONSOLE BOX INSTALLATION



ART_1001246436

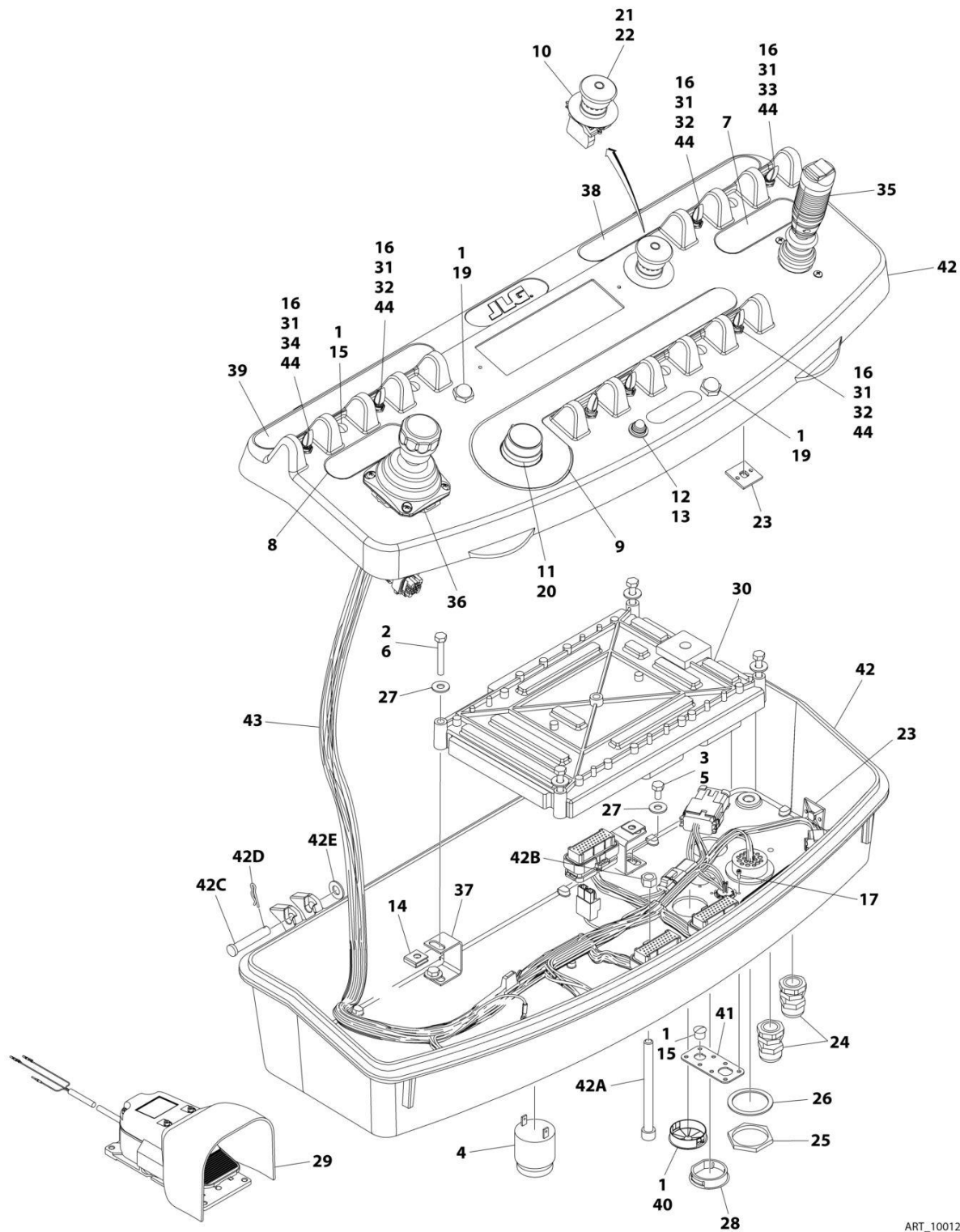
SECTION 5 - PLATFORM

FIGURE 5-7. CONSOLE BOX INSTALLATION

| ITEM | PART NUMBER | QTY | DESCRIPTION | REV |
|------|-------------|-----|--|-----|
| | 1001246436 | Ref | CONSOLE BOX INSTALLATION | A |
| 1 | 0641406 | 4 | Bolt 1/4 x 3/4 | |
| 2 | 0641408 | 3 | Bolt 1/4 x 1 | |
| 3 | 0641610 | 4 | Bolt 3/8 x 1-1/4 | |
| 4 | 3311405 | 7 | Nut Lock 1/4 | |
| 5 | 3311605 | 4 | Nut Lock 3/8 | |
| 6 | 3380434 | 1 | Panel, Decal Mount | |
| 7 | 4751600 | 8 | Washer 3/8 | |
| 8 | 4740362 | 7 | Washer 1/4 | |
| 9 | 4751400 | 4 | Washer 1/4 | |
| 10 | 1001164728 | 1 | Harness, Platform Valve (Not Shown - See Separate Breakdown in ELECTRICAL SECTION) | |
| 11 | 1001246435 | 1 | Platform Console Box Assembly (See Separate Breakdown in this Section) | |

SECTION 5 - PLATFORM

FIGURE 5-8. PLATFORM CONSOLE BOX ASSEMBLY



ART_1001246435

SECTION 5 - PLATFORM

FIGURE 5-8. PLATFORM CONSOLE BOX ASSEMBLY

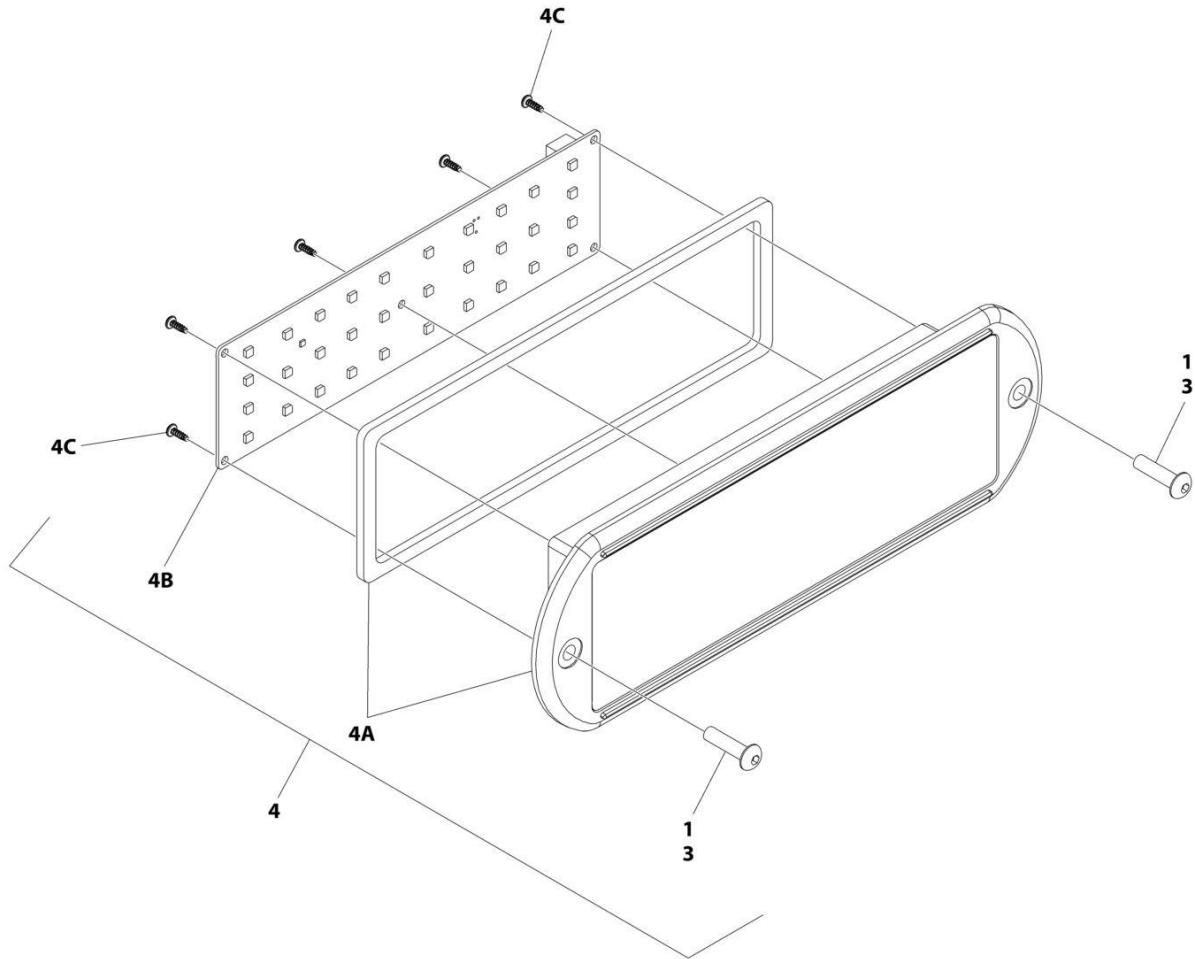
| ITEM | PART NUMBER | QTY | DESCRIPTION | REV |
|------|-------------|-----|---|-----|
| | 1001246435 | Ref | PLATFORM CONSOLE BOX ASSEMBLY | B |
| 1 | 0100009 | AR | Sealant | |
| 2 | 0100048 | AR | Grease, Dielectric | |
| 3 | 0100035 | AR | Compound, Locking | |
| 4 | 0140011 | 1 | Alarm | |
| 5 | 0641405 | 4 | Bolt 1/4 x 5/8 | |
| 6 | 0641414 | 4 | Bolt 1/4 x 1-3/4 | |
| 7 | 1702565 | 1 | Decal - Drive and Steer | |
| 8 | 1702566 | 1 | Decal - Lift and Swing | |
| 9 | 1702567 | 1 | Decal - Function Speed | |
| 10 | 1704260 | 1 | Decal - EMS | |
| 11 | 2560136 | 1 | Handle, Knob | |
| 12 | 2920028 | 1 | Light, Indicator | |
| 13 | 2920029 | 1 | Bulb, Light | |
| 14 | 3300353 | 4 | Nut | |
| 15 | 3520054 | 5 | Plug | |
| 16 | 3790012 | 8 | O-Ring | |
| 17 | 3900349 | 8 | Screw | |
| 18 | 4240099 | AR | Tie-Strap (Not Shown) | |
| 19 | 4360387 | 2 | Switch, Pushbutton | |
| 20 | 4360407 | 1 | Switch, Potentiometer | |
| 21 | 4360475 | 1 | Switch, Emergency | |
| 21 | 7020175 | 1 | Cap, Red | |
| 21 | 7020176 | 1 | Contact Block | |
| 22 | 4360476 | 1 | Block, Contact | |
| 23 | 4460234 | 4 | Terminal | |
| 24 | 4460428 | 2 | Connector, Strain Relief | |
| 25 | 4460470 | 1 | Nut | |
| 26 | 4460471 | 1 | Washer | |
| 27 | 4751400 | 8 | Washer 1/4 | |
| 28 | 1001110434 | 1 | Plug | |
| 29 | 1001117174 | 1 | Footswitch Assembly (See Separate Breakdown in this Section) | |
| 30 | 1001118412 | 1 | Module, Control | |
| 31 | 1001155044 | 8 | Nut 15/32 | |
| 32 | 1001155045 | 6 | Switch, Toggle | |
| 33 | 1001159256 | 1 | Switch, Toggle | |
| 34 | 1001161709 | 1 | Switch, Toggle | |
| 35 | 1001166538 | NLA | Controller Assembly (Drive and Steer) (Use p/n 1001212415) (See Separate Breakdown in this Section) | |
| 36 | 1001166539 | NLA | Controller Assembly (Lift and Swing) (See Separate Breakdown in this Section) (Note: Use p/n 1001129555 as Replacement) | |
| 37 | 1001172760 | 4 | Bracket | |
| 38 | 1001184618 | 1 | Decal - Stop | |
| 39 | 1001184626 | 1 | Decal - Horn | |
| 40 | 1001185281 | 1 | Plug | |
| 41 | 1001213882 | 1 | Connector, Mounting | |
| 42 | 1001215228 | 1 | Platform Console Box | |
| 42A | 0630568 | 1 | Capscrew 3/8 x 4-1/2 | |
| 42B | 3311601 | 1 | Nut 3/8 | |
| 42C | 3430616 | 2 | Pin, Clevis | |

SECTION 5 - PLATFORM

| ITEM | PART NUMBER | QTY | DESCRIPTION | REV |
|------|-------------|-----|--|-----|
| 42D | 3470003 | 2 | Hairpin | |
| 42E | 4711600 | 2 | Washer 3/8 | |
| 43 | 1001238254 | 1 | Harness, Platform Console Box (See Separate Breakdown in ELECTRICAL SECTION) | |
| 44 | 4740397 | 7 | Spacer | |

SECTION 5 - PLATFORM

FIGURE 5-9. LIGHT PANEL INSTALLATION – PLATFORM CONSOLE



ART_1001241404_20F2

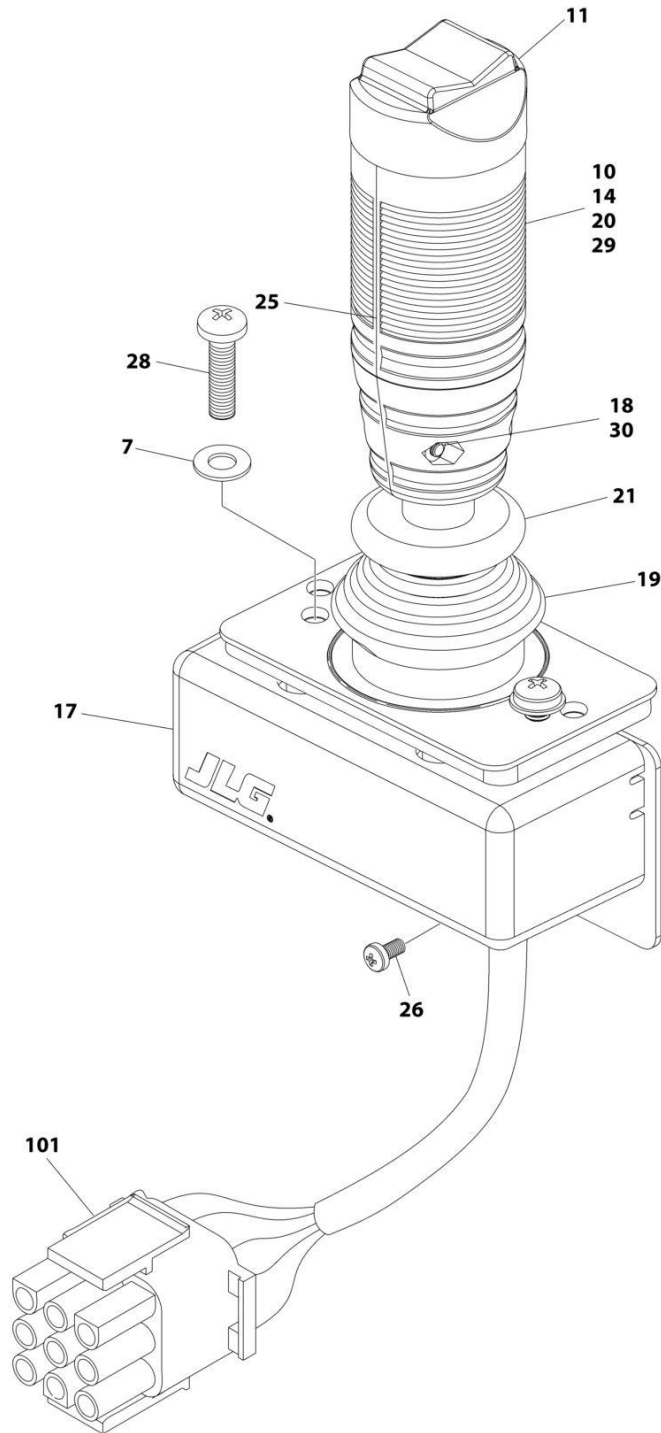
SECTION 5 - PLATFORM

FIGURE 5-9. LIGHT PANEL INSTALLATION – PLATFORM CONSOLE

| ITEM | PART NUMBER | QTY | DESCRIPTION | REV |
|------|-------------|-----|---|-----|
| | 1001241404 | Ref | LIGHT PANEL INSTALLATION - PLATFORM CONSOLE | B |
| 1 | 0100035 | AR | Compound, Locking | |
| 3 | 0630518 | 2 | Screw #10 x 3/4 | |
| 4 | 1001237545 | 1 | Light Panel Electrical Assembly | G |
| 4A | 1001236089 | 1 | Lens, I-Con (Includes Gasket) | |
| 4B | 1001187807 | 1 | Panel, LED Light | |
| 4C | | Ref | Screw | |

SECTION 5 - PLATFORM

FIGURE 5-10. CONTROLLER ASSEMBLY - DRIVE AND STEER



ART_1001166538

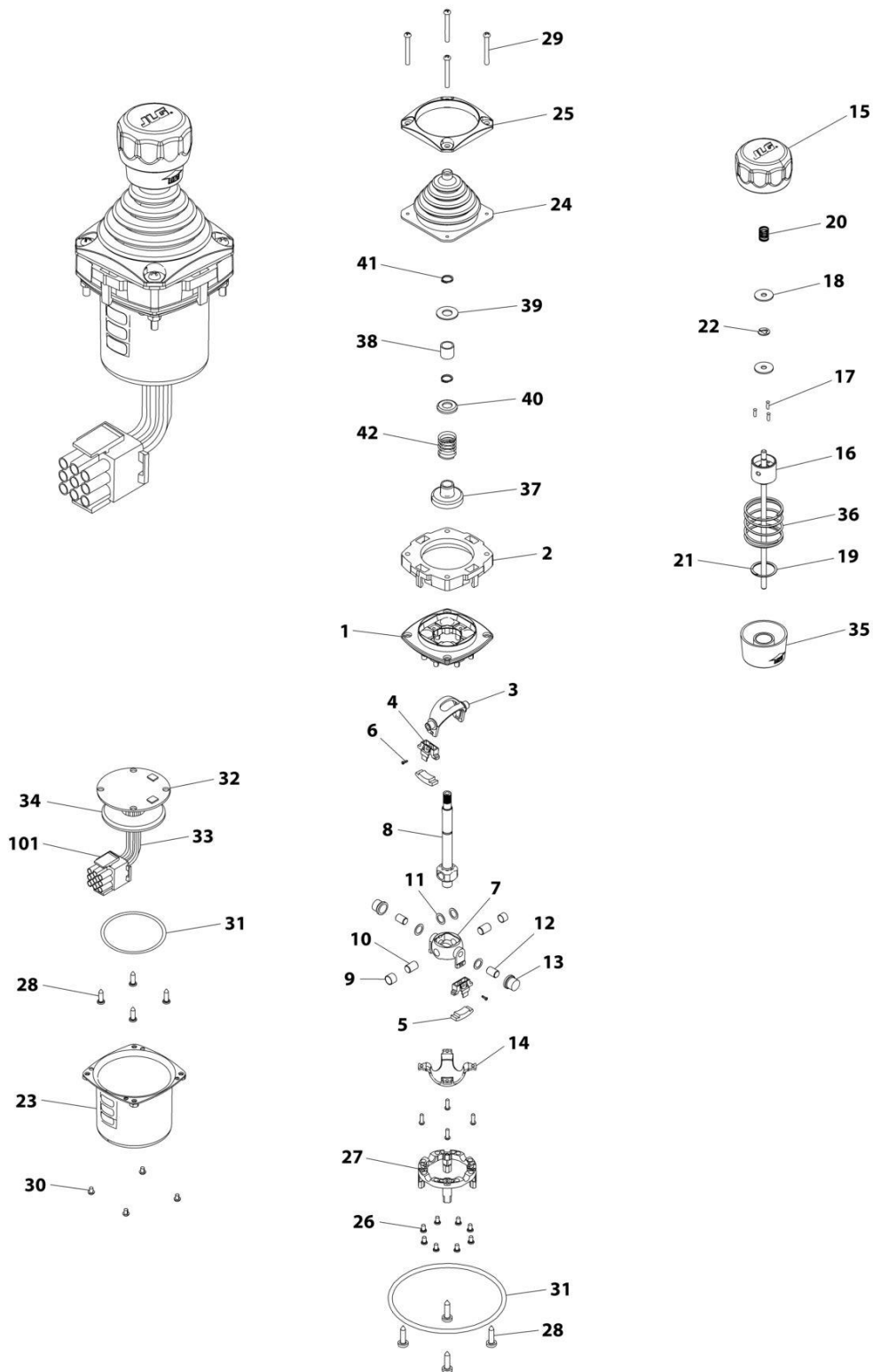
SECTION 5 - PLATFORM

FIGURE 5-10. CONTROLLER ASSEMBLY - DRIVE AND STEER

| ITEM | PART NUMBER | QTY | DESCRIPTION | REV |
|------|-------------|-----|--|-----|
| | 1001166538 | Ref | CONTROLLER ASSEMBLY - DRIVE AND STEER | G |
| | | Ref | Note: For Replacement, Use p/n 1001212415. | |
| 7 | 70004738 | 2 | Washer | |
| 10 | 70004739 | 1 | Roller | |
| 11 | 70004740 | 1 | Boot, Switch | |
| 14 | 70004741 | 2 | Half, Handle | |
| 17 | 70004742 | 1 | Enclosure | |
| 18 | 70004743 | 4 | Nut | |
| 19 | 70004744 | NLA | Boot, Controller (Use p/n 70005230 Boot/Base Assembly) | |
| 20 | 70004745 | NLA | Tube, Locking (Use p/n 70005230 Boot/Base Assembly) | |
| 21 | 70004746 | NLA | Disc, Locking (Use p/n 70005230 Boot/Base Assembly) | |
| 25 | 70004747 | 2 | Seal, Rope | |
| 26 | 70004748 | 1 | Screw M3 x 6 | |
| 28 | 70004749 | 2 | Screw M5 x 20 | |
| 29 | 70004750 | 1 | Pin, Dowel | |
| 30 | 70004751 | 4 | Screw M3 x 16 | |
| 101 | 4460265 | 1 | Connector - 9 Position | |
| 101 | 4460226 | 7 | Socket, Female | |

SECTION 5 - PLATFORM

FIGURE 5-11. CONTROLLER ASSEMBLY - LIFT AND SWING



ART_1001166539

SECTION 5 - PLATFORM

FIGURE 5-11. CONTROLLER ASSEMBLY - LIFT AND SWING

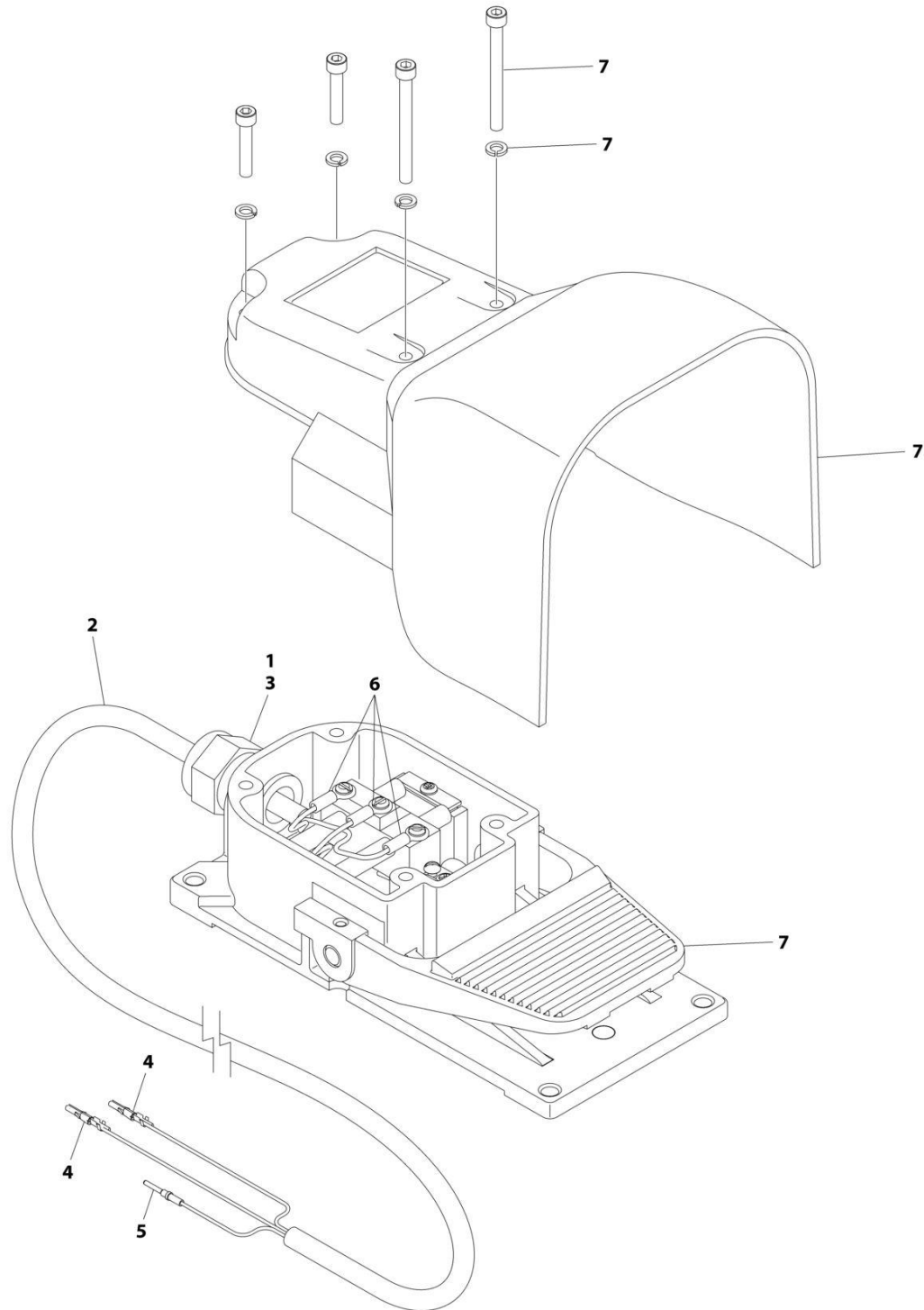
| ITEM | PART NUMBER | QTY | DESCRIPTION | REV |
|------|-------------|-----|---|-----|
| | 1001166539 | Ref | CONTROLLER ASSEMBLY | E |
| | | Ref | Note: Original Equipment Controller May Have Been Replaced with Service Replacement Controller. Visually Identify Controller Before Ordering Parts. | |
| | | Ref | Note: For Replacement, Use p/n 1001129555 | |
| 1 | See Note | NSS | Main Cast Body (Note: Not Available - Purchase Complete Assembly) | |
| 2 | 70004752 | 1 | Adapter | |
| 3 | See Note | NSS | Pivot Arm, Plastic (Note: Not Available - Purchase Complete Assembly) | |
| 4 | See Note | NSS | Holder, Magnet (Note: Not Available - Purchase Complete Assembly) | |
| 5 | See Note | NSS | Arc, Magnet (Note: Not Available - Purchase Complete Assembly) | |
| 6 | See Note | NSS | Screw (Note: Not Available for Purchase) | |
| 7 | See Note | NSS | Pivot Arm, Cast (Note: Not Available - Purchase Complete Assembly) | |
| 8 | See Note | NSS | Shaft, Main (Note: Not Available - Purchase Complete Assembly) | |
| 9 | See Note | NSS | Bearing (Note: Not Available - Purchase Complete Assembly) | |
| 10 | See Note | NSS | Pin (Note: Not Available - Purchase Complete Assembly) | |
| 11 | See Note | NSS | Shim (Note: Not Available - Purchase Complete Assembly) | |
| 12 | See Note | NSS | Pin (Note: Not Available - Purchase Complete Assembly) | |
| 13 | See Note | NSS | Bearing (Note: Not Available - Purchase Complete Assembly) | |
| 14 | See Note | NSS | Dome, Centering (Note: Not Available - Purchase Complete Assembly) | |
| 15 | 70004753 | 1 | Cap | |
| 16 | 70004754 | 1 | Insert, Cap | |
| 17 | 70004755 | 3 | Pin | |
| 18 | 70004756 | 2 | Washer | |
| 19 | 70004757 | 1 | Pin, Centering | |
| 20 | 70004758 | 1 | Spring | |
| 21 | 70004759 | 1 | Ring, Retaining | |
| 22 | 70004760 | 1 | E-Ring | |
| 23 | 70004761 | 1 | Can, Enclosure | |
| 24 | 70004762 | 1 | Boot | |
| 25 | 70004763 | 1 | Bezel | |
| 26 | See Note | NSS | Screw (Note: Not Available for Purchase) | |
| 27 | See Note | NSS | Base Mounting (Note: Not Available - Purchase Complete Assembly) | |
| 28 | See Note | NSS | Screw (Note: Not Available for Purchase) | |
| 29 | 70004764 | 4 | Screw | |
| 30 | 70004765 | 4 | Screw | |
| 31 | 70004766 | 1 | O-Ring | |
| 32 | See Note | NSS | Plate (Note: Not Available - Purchase Complete Assembly) | |
| 33 | See Note | NSS | Harness (Note: Not Available - Purchase Complete Assembly) | |
| 34 | 70004767 | 1 | Grommet, Rubber | |
| 35 | 70004768 | 1 | Housing | |
| 36 | 70004769 | 1 | Spring | |
| 37 | 70004770 | 1 | Stopper | |
| 38 | 70004771 | 1 | Spacer | |
| 39 | 70004772 | 1 | Washer | |
| 40 | 70004773 | 1 | Disc | |

SECTION 5 - PLATFORM

| ITEM | PART NUMBER | QTY | DESCRIPTION | REV |
|------|-------------|-----|------------------------|-----|
| 41 | 70004774 | 2 | Ring, Retaining | |
| 42 | 70004775 | 1 | Spring | |
| 101 | 4460265 | 1 | Connector - 9 Position | |
| 101 | 4460226 | 6 | Socket, Female | |

SECTION 5 - PLATFORM

FIGURE 5-12. FOOTSWITCH ASSEMBLY



ART_1001117174

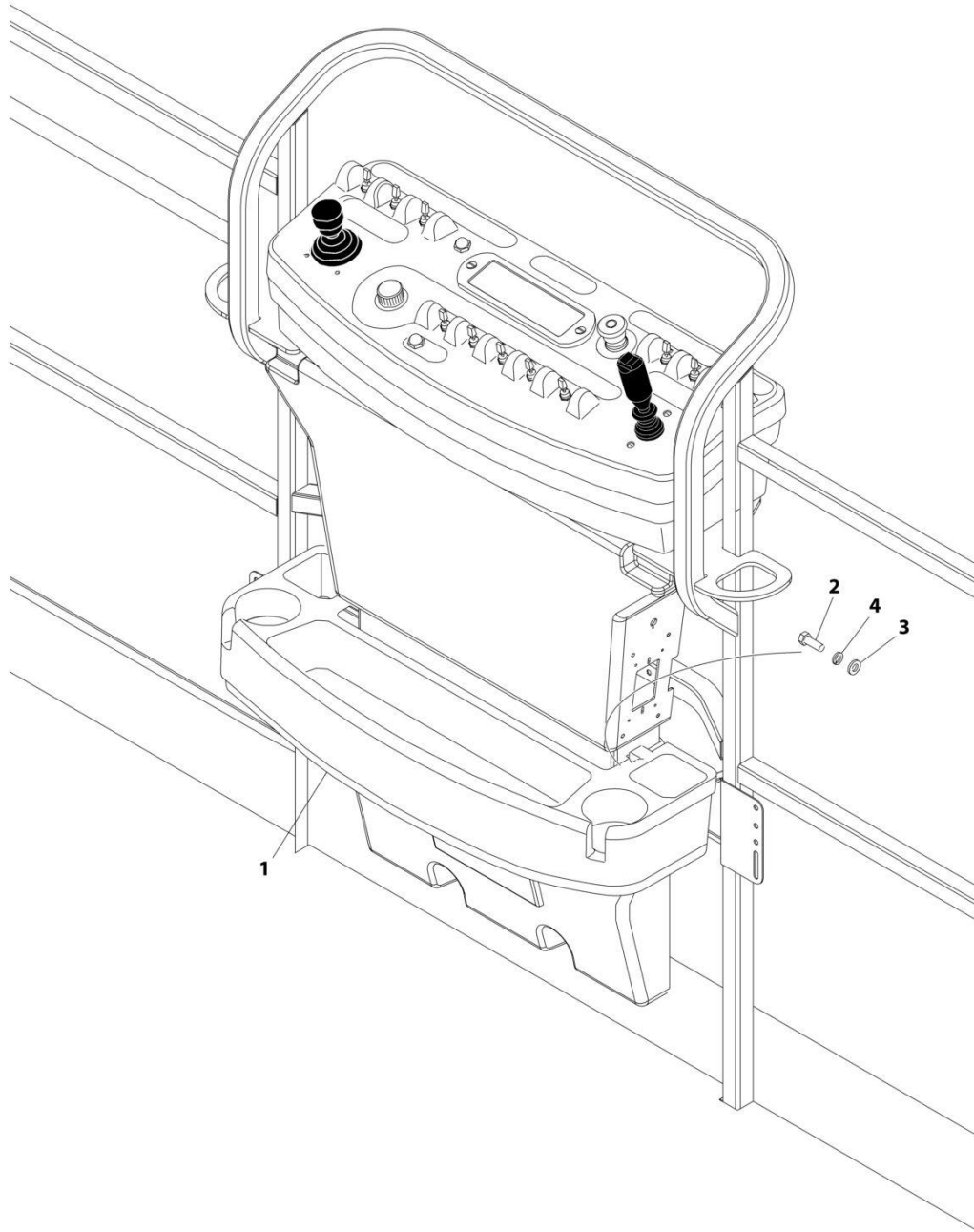
SECTION 5 - PLATFORM

FIGURE 5-12. FOOTSWITCH ASSEMBLY

| ITEM | PART NUMBER | QTY | DESCRIPTION | REV |
|------|-------------|-----------------|--------------------------|-----|
| | 1001117174 | Ref | FOOTSWITCH ASSEMBLY | C |
| 1 | 0100020 | AR | Sealant | |
| 2 | 1060918 | 7.5 ft/ 2.3m | Cable, Electrical - 18/3 | |
| 3 | 4460071 | 1 | Connector, Strain Relief | |
| 4 | 4460226 | 2 | Socket, Female | |
| 5 | 4460464 | 1 | Pin, Male | |
| 6 | 1001098122 | 3 | Terminal | |
| 7 | 1001117172 | 1 | Footswitch | |
| 7 | 70002902 | 1 | Switch, 20Amp | |
| 7 | 70002903 | 1 | Gasket | |
| 7 | 70002905 | 1 | Cover | |
| 7 | 70002904 | 1 | Kit, Replacement Bolt | |

SECTION 5 - PLATFORM

FIGURE 5-13. TRAY ASSEMBLY



ART_1580012

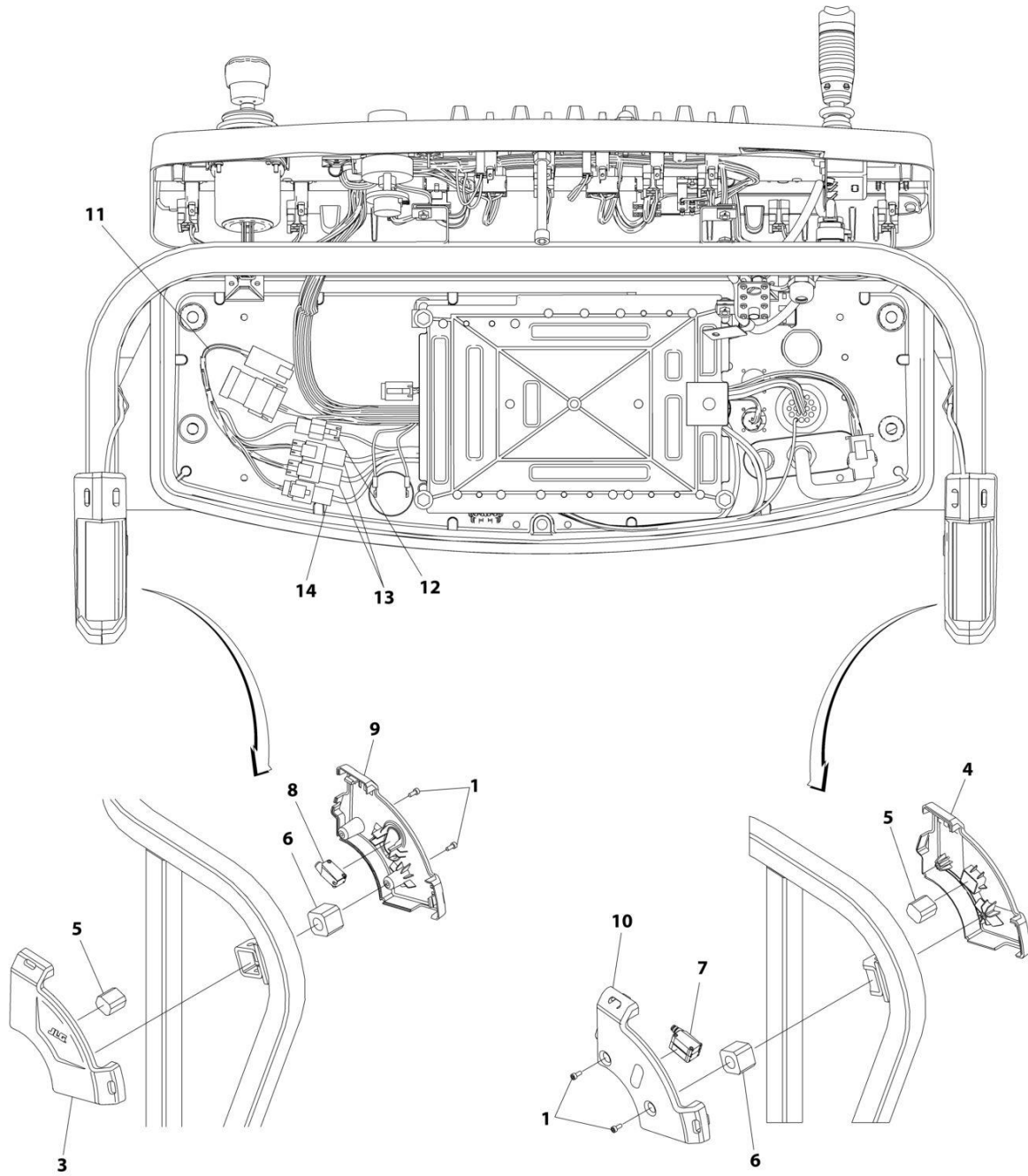
SECTION 5 - PLATFORM

FIGURE 5-13. TRAY ASSEMBLY

| ITEM | PART NUMBER | QTY | DESCRIPTION | REV |
|------|-------------|-----|---|-----|
| | 1580012 | Ref | TRAY ASSEMBLY | C |
| 1 | See Note | NSS | Tray, Storage (Center) (Note: Purchase p/n 1580012) | |
| 2 | 0641406 | 2 | Bolt 1/4 x 3/4 | |
| 3 | 4751400 | 2 | Washer 1/4 | |
| 4 | 4761400 | 2 | Washer 1/4 | |

SECTION 5 - PLATFORM

FIGURE 5-14. SKYEYE INSTALLATION



ART_1001229341

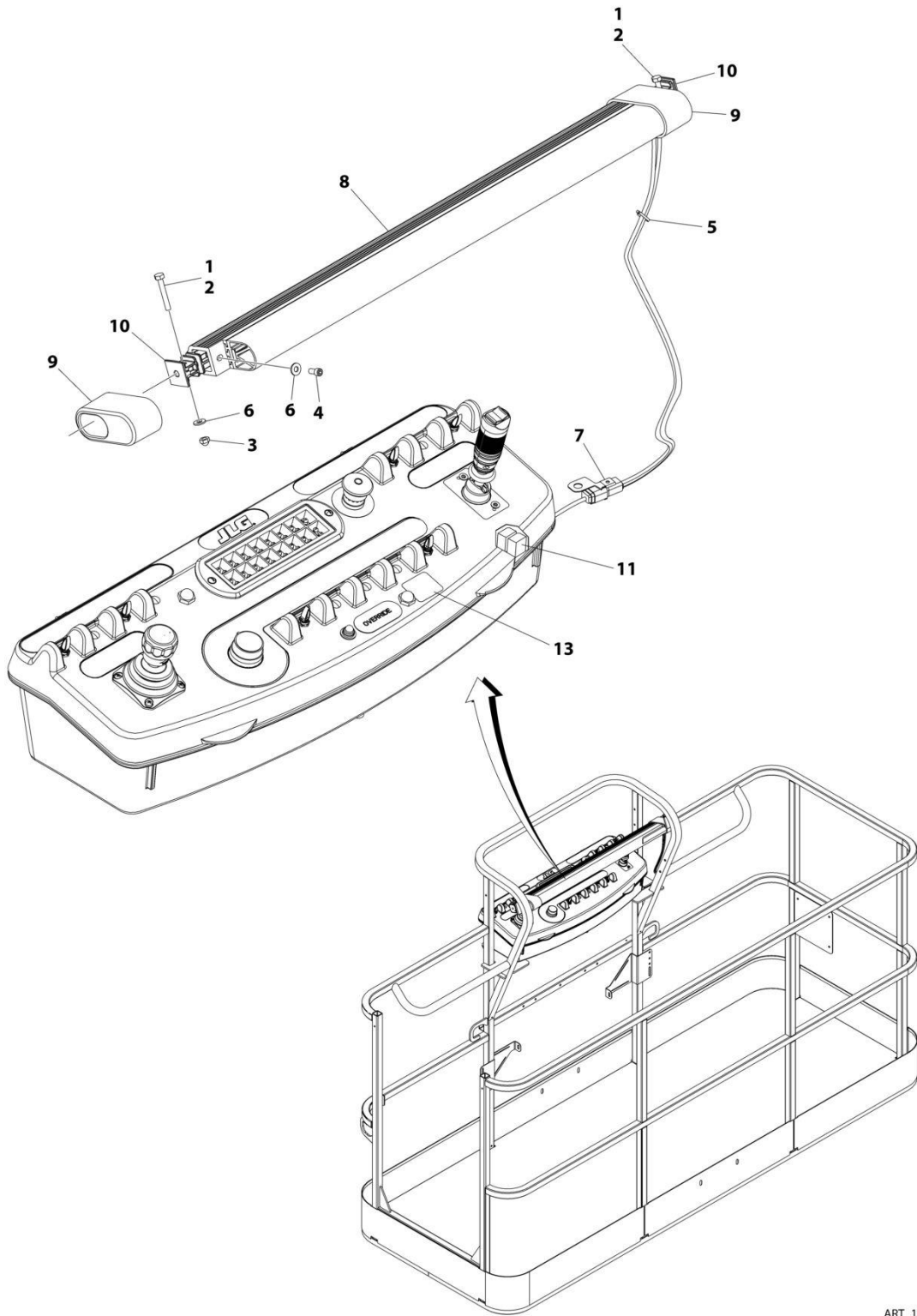
SECTION 5 - PLATFORM

FIGURE 5-14. SKYEYE INSTALLATION

| ITEM | PART NUMBER | QTY | DESCRIPTION | REV |
|------|-------------|-----|---|-----|
| | 1001229341 | Ref | SKYEYE INSTALLATION | B |
| 1 | 4031505 | 4 | Bolt M4 x 10 | |
| 2 | 4240033 | AR | Tie-Strap (Not Shown) | |
| 3 | 1001227633 | 1 | Housing, LH Outer | |
| 4 | 1001227634 | 1 | Housing, RH Outer | |
| 5 | 1001227985 | 2 | Shim | |
| 6 | 1001227987 | 2 | Shim | |
| 7 | 1001228224 | 2 | Sensor, Receiver | |
| 8 | 1001228225 | 1 | Sensor, Emitter | |
| 9 | 1001232164 | 1 | Housing, LH Inner | |
| 10 | 1001232165 | 1 | Housing, RH Inner | |
| 11 | 1001237865 | 1 | Harness, Skyeye Intermediate (See Separate Breakdown in ELECTRICAL Section) | |
| 12 | 1001238319 | NLA | Harness, Skyeye Drain Jumper | |
| 12 | 1001187674 | 1 | Plug, Male - 2 Position | |
| 12 | 4460942 | 1 | Terminal | |
| 12 | 4460466 | 1 | Plug, Terminal | |
| 12 | 4460508 | 1 | Pin, Male | |
| 13 | 1001237863 | 2 | Harness, Skyeye Receiver (See Separate Breakdown in ELECTRICAL Section) | |
| 14 | 1001237864 | 1 | Harness, Skyeye Emitter (See Separate Breakdown in ELECTRICAL Section) | |

SECTION 5 - PLATFORM

FIGURE 5-15. SKYGUARD BAR INSTALLATION



ART_1001238495

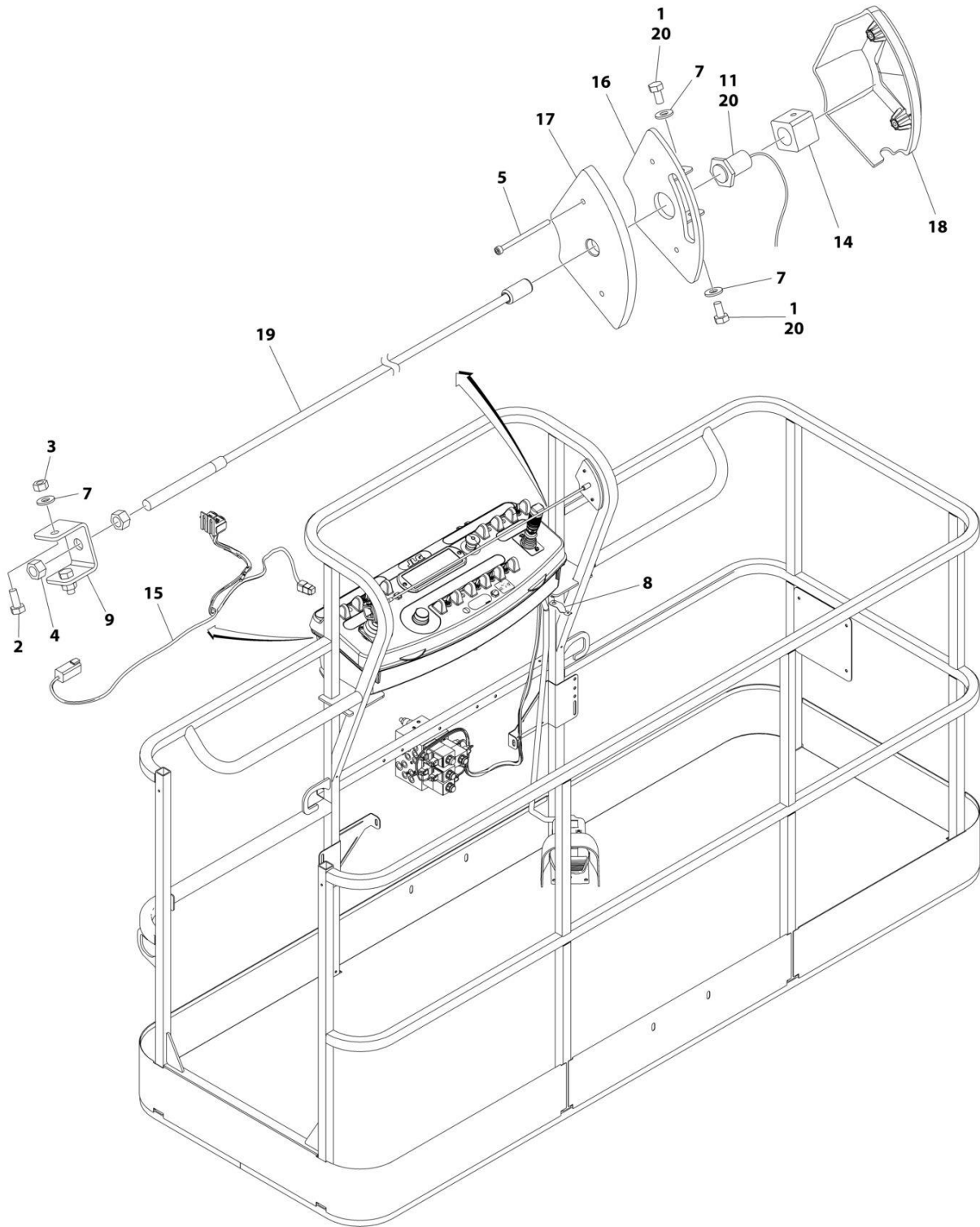
SECTION 5 - PLATFORM

FIGURE 5-15. SKYGUARD BAR INSTALLATION

| ITEM | PART NUMBER | QTY | DESCRIPTION | REV |
|------|-------------|-----|--|-----|
| | 1001238495 | Ref | SKYGUARD BAR INSTALLATION | A |
| 1 | 0100011 | AR | Compound, Locking | |
| 2 | 0641414 | 2 | Bolt 1/4 x 1-3/4 | |
| 3 | 3300430 | 2 | Nut 1/4 | |
| 4 | 3931408 | 2 | Capscrew 1/4 x 1/2 | |
| 5 | 4240033 | 8 | Tie-Strap | |
| 6 | 4711400 | 6 | Washer 1/4 | |
| 7 | 1001120328 | 1 | Mount | |
| 8 | 1001137673 | 1 | SkyGuard Switch Assembly | |
| 9 | 1001186517 | 2 | Cover, Platform Sensor | |
| 10 | 1001209664 | 2 | Support, Block | |
| 11 | 1001186431 | 2 | Relay | |
| 12 | 1001225580 | 1 | Interface Harness Assembly (Not Shown - Located Inside Console Box) (See Separate Breakdown in ELECTRICAL Section) | |
| 13 | 1001144433 | 1 | Decal - No Weight SkyGuard | |

SECTION 5 - PLATFORM

FIGURE 5-16. SKYLINE INSTALLATION



ART_1001238559_D

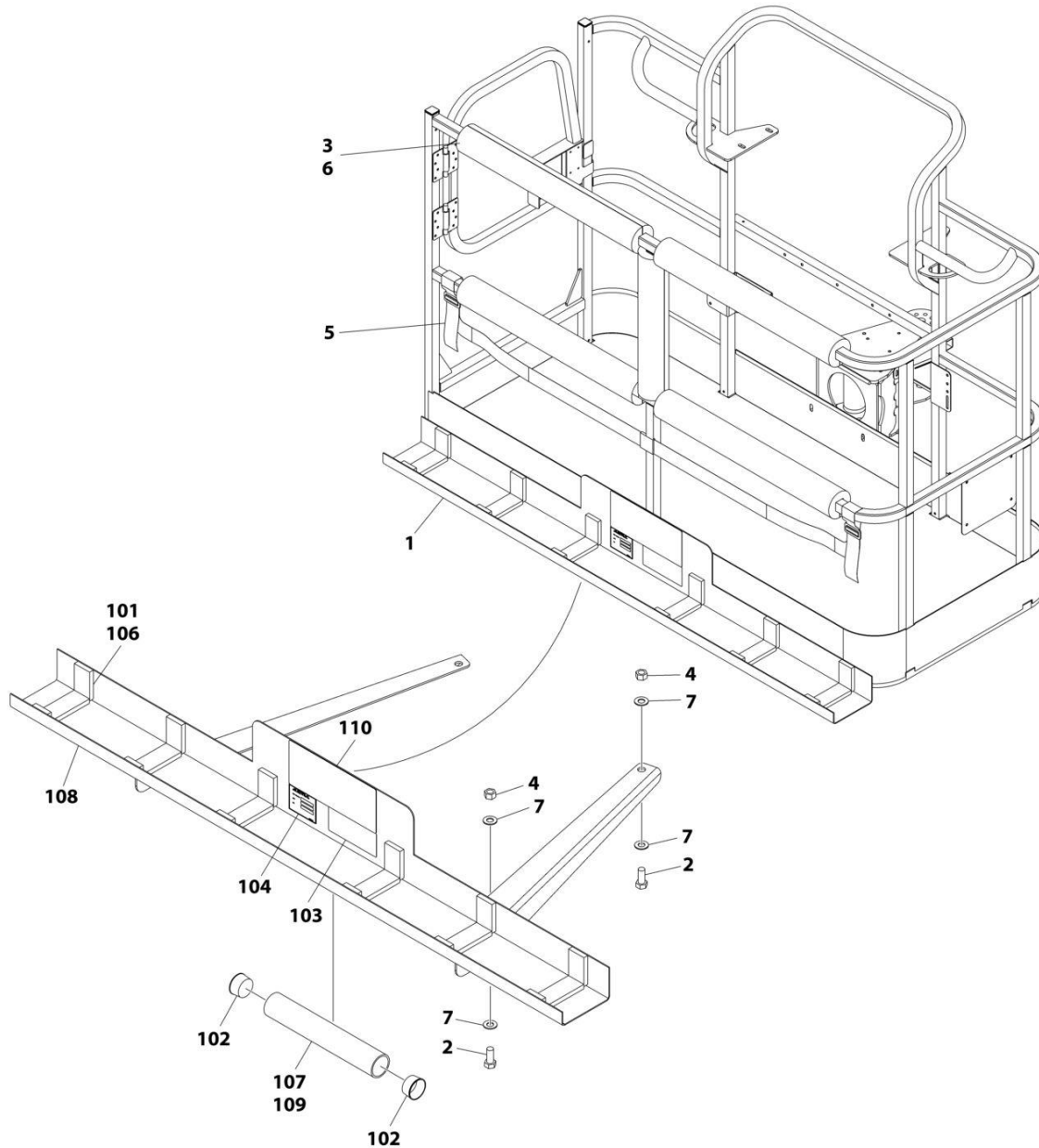
SECTION 5 - PLATFORM

FIGURE 5-16. SKYLINE INSTALLATION

| ITEM | PART NUMBER | QTY | DESCRIPTION | REV |
|------|-------------|-----|---|-----|
| | 1001238559 | Ref | SKYLINE INSTALLATION | D |
| 1 | 0641404 | 2 | Bolt 1/4 x 1/2 | |
| 2 | 0641405 | 2 | Bolt 1/4 x 5/8 | |
| 3 | 3311405 | 2 | Nut 1/4 | |
| 4 | 3311601 | 2 | Nut 3/8 | |
| 5 | 4031516 | 2 | Capscrew M4 x 60 | |
| 6 | 4240033 | AR | Tie-Strap (Not Shown) | |
| 7 | 4711400 | 4 | Washer 1/4 | |
| 8 | 1001120328 | 1 | Mount | |
| 9 | 1001232642 | 1 | Bracket | |
| 11 | 1001232667 | 1 | Sensor, Proximity | |
| 14 | 1001236552 | 1 | Block | |
| 15 | 1001238418 | 1 | Harness, Skyline (See Separate Breakdown in ELECTRICAL Section) | |
| 16 | 1001238472 | 1 | Mount | |
| 17 | 1001254473 | 1 | Housing, LH | |
| 18 | 1001241965 | 1 | Housing, RH | |
| 19 | 1001254472 | 1 | Rod | |
| 20 | 0100011 | AR | Compound, Locking | |

SECTION 5 - PLATFORM

FIGURE 5-17. SKYGLAZIER INSTALLATION (AUSTRALIAN SPECS) (Prior to SN E300008410)



ART_1001173975

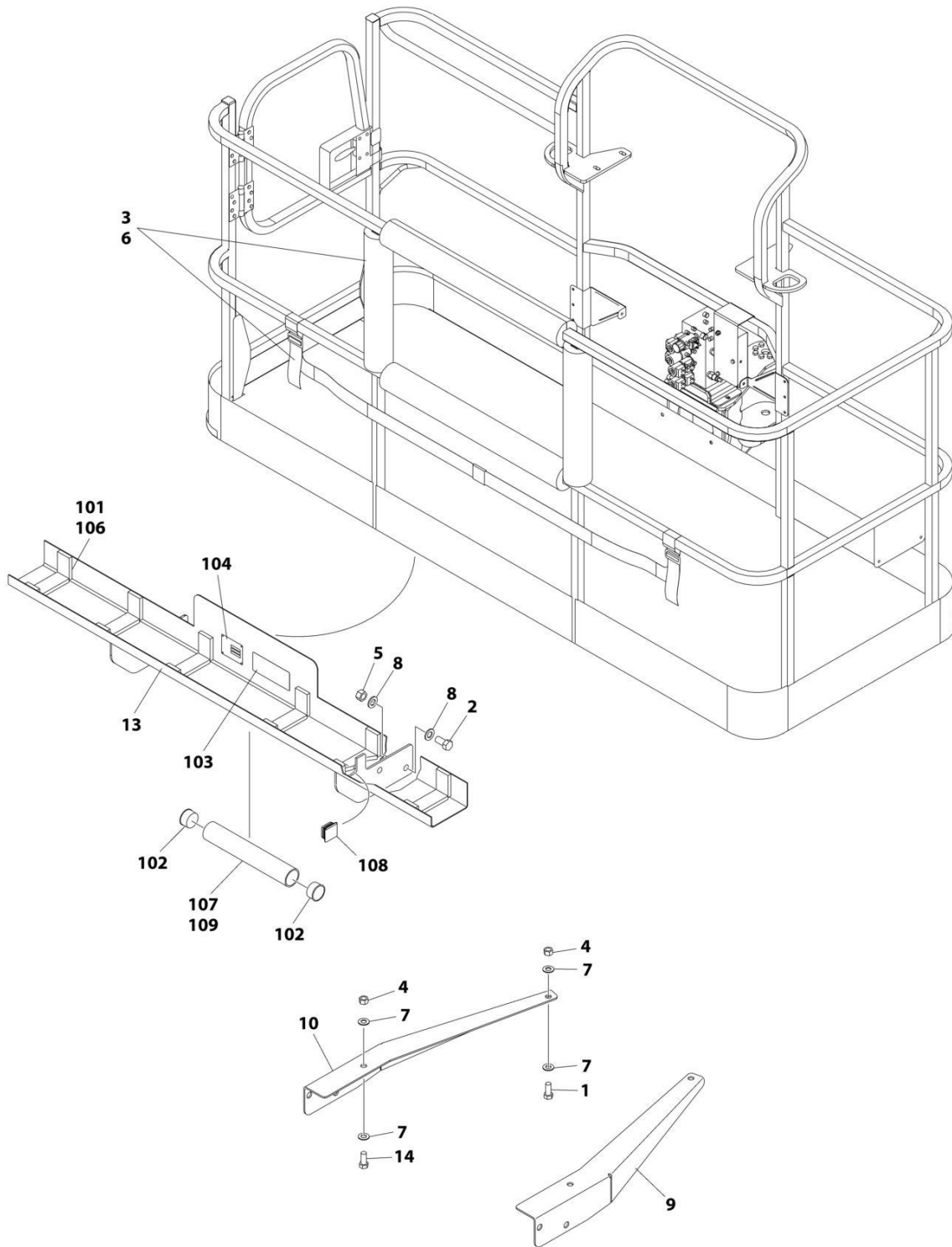
SECTION 5 - PLATFORM

FIGURE 5-17. SKYGLAZIER INSTALLATION (AUSTRALIAN SPECS) (Prior to SN E300008410)

| ITEM | PART NUMBER | QTY | DESCRIPTION | REV |
|------|-------------|-----|--|-----|
| | 1001173975 | Ref | SKYGLAZIER INSTALLATION | B |
| 1 | 1001173973 | 1 | Tray Assembly (See Items 101-110 for Breakdown) | |
| 2 | 0642012 | 4 | Bolt 5/8 x 1-1/2 | |
| 3 | 0940199 | 1 | Bumper Kit | |
| 4 | 3312005 | 4 | Nut 5/8 | |
| 5 | 4240149 | 1 | Strap Kit | |
| 6 | 4420014 | AR | Tape | |
| 7 | 4712000 | 8 | Washer 5/8 | |
| | 1001173973 | Ref | TRAY ASSEMBLY | C |
| 101 | 0100081 | AR | Adhesive | |
| 102 | 1120555 | 2 | Cap, Tube | |
| 103 | 1701509 | 1 | Decal - Manual | |
| 104 | See Note | NSS | Nameplate - Serial Number (Note: Not Available for Purchase) | |
| 106 | 3340956 | 1 | Pad Kit | |
| 107 | 3460334 | 1 | Tube | |
| 108 | 4341415 | 1 | Support | |
| 109 | 4420066 | AR | Tape, Double Sided | |
| 110 | 1001229138 | 1 | Decal - Glazier Capacity | |

SECTION 5 - PLATFORM

FIGURE 5-18. SKYGLAZIER INSTALLATION (AUSTRALIAN SPECS) (SN E30008410 to Present)



ART_1001172578_C

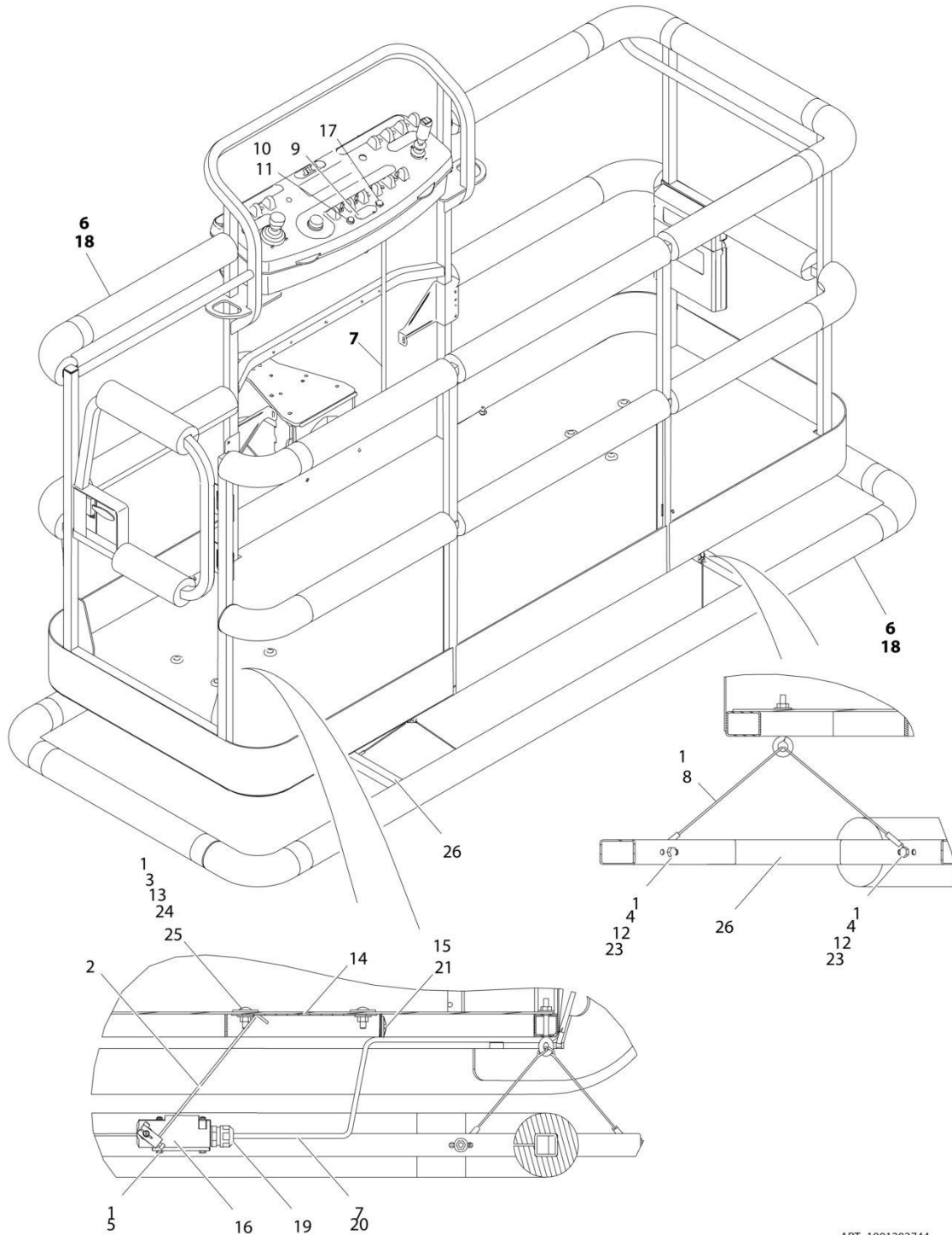
SECTION 5 - PLATFORM

FIGURE 5-18. SKYGLAZIER INSTALLATION (AUSTRALIAN SPECS) (SN E30008410 to Present)

| ITEM | PART NUMBER | QTY | DESCRIPTION | REV |
|------|-------------|-----|--|-----|
| | 1001172578 | Ref | SKYGLAZIER INSTALLATION | C |
| 1 | 0642012 | 2 | Bolt 5/8 x 1-1/2 | |
| 2 | 0642212 | 4 | Bolt 3/4 x 1-1/2 | |
| 3 | 2902212 | 1 | Bumpers and Strap Kit | |
| 3 | 0940102 | 1 | Bumper Only | |
| 3 | 4240149 | 1 | Strap Only | |
| 4 | 3312005 | 1 | Nut 5/8 | |
| 5 | 3312205 | 4 | Nut 3/4 | |
| 6 | 4420014 | AR | Tape | |
| 7 | 4712000 | 6 | Washer 5/8 | |
| 8 | 4712200 | 8 | Washer 3/4 | |
| 9 | 1001099366 | 1 | Support | |
| 10 | 1001099367 | 1 | Support | |
| 13 | 1001172577 | 1 | Tray Assembly (See Items 101-109 for Breakdown) | |
| 14 | 8310129 | 2 | Bolt 3/4 x 2-1/2 | |
| | 1001172577 | Ref | TRAY ASSEMBLY | C |
| 101 | 0100081 | AR | Adhesive | |
| 102 | 1120555 | 2 | Cap, Tube | |
| 103 | 1701509 | 1 | Decal - Manual | |
| 104 | See Note | NSS | Nameplate - Serial Number (Note: Not Available for Purchase) | |
| 106 | 3340956 | 1 | Pad Kit | |
| 107 | 3460334 | 1 | Tube | |
| 108 | 3520071 | 2 | Plug | |
| 109 | 4420066 | AR | Tape, Double Sided | |

SECTION 5 - PLATFORM

FIGURE 5-19. SOFT TOUCH INSTALLATION (WITHOUT FALL ARREST)



ART_1001202744

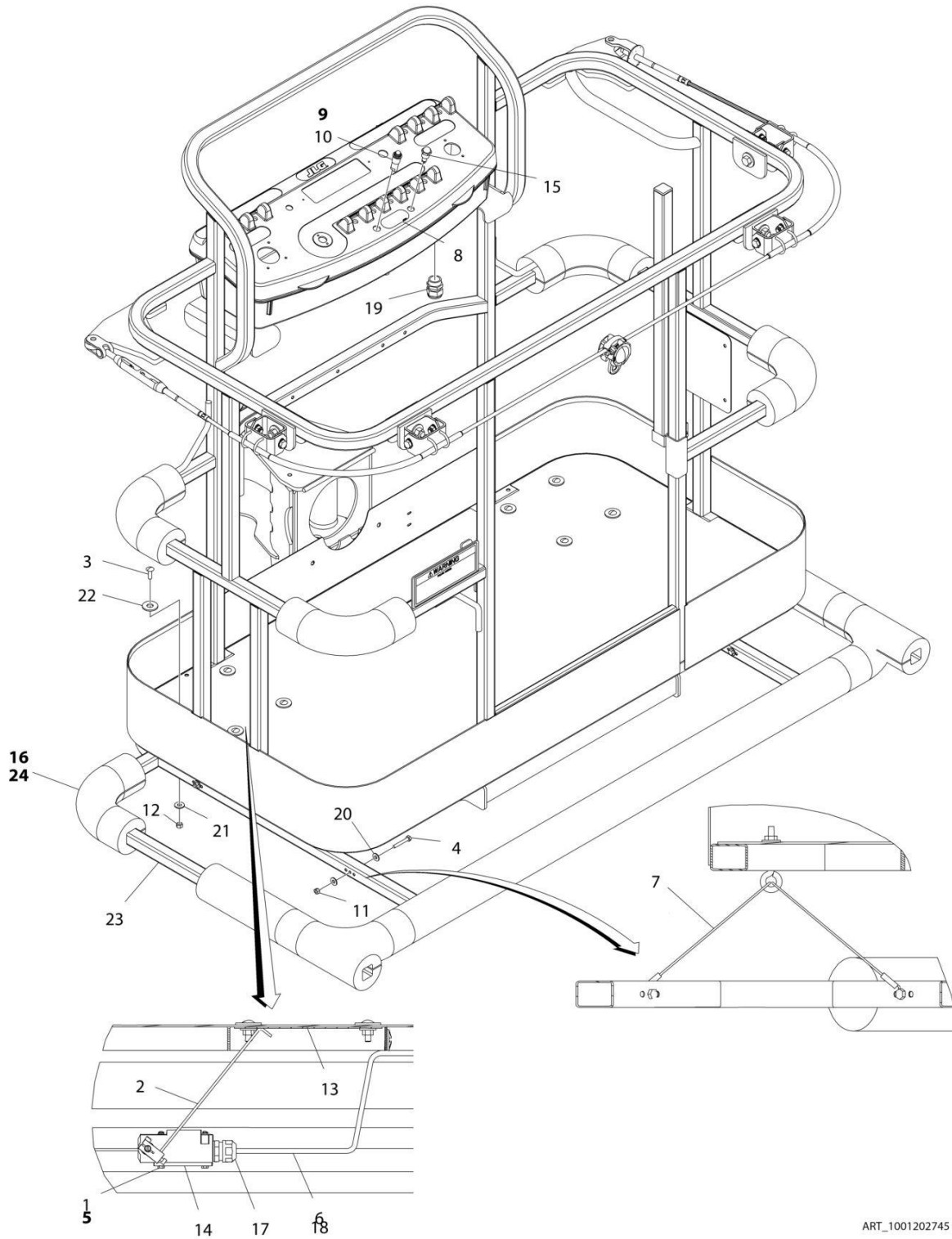
SECTION 5 - PLATFORM

FIGURE 5-19. SOFT TOUCH INSTALLATION (WITHOUT FALL ARREST)

| ITEM | PART NUMBER | QTY | DESCRIPTION | REV |
|------|-------------|-----------------|--|-----|
| | 1001202744 | Ref | SOFT TOUCH INSTALLATION - 6FT/1.8M PLATFORM | B |
| 1 | 0100011 | AR | Compound, Locking | |
| 2 | 0200048 | 2 | Arm, Switch | |
| 3 | 0630462 | 8 | Bolt, Carriage | |
| 4 | 0641414 | 8 | Bolt 1/4 x 1-3/4 | |
| 5 | 0721005 | 4 | Bolt #10 x 5/8 | |
| 6 | 0940167 | 1 | Bumper Kits (Includes Corners and Enough Straight Material for One Platform) | |
| 7 | 1060341 | 15 ft /4.57m | Cable, Electrical - 16/2 | |
| 8 | 1060903 | 4 | Wire Rope and Eyebolt Assembly | |
| 9 | 1702938 | 1 | Decal - Soft Touch Override | |
| 10 | 2920028 | 1 | Lamp, Indicator | |
| 11 | 2920029 | 1 | Bulb, Light | |
| 12 | 3311401 | 8 | Nut 1/4 | |
| 13 | 3311501 | 8 | Nut 5/16 | |
| 14 | 3575705 | 2 | Plate, Switch Strike | |
| 15 | 4240099 | AR | Tie-Strap | |
| 16 | 4360057 | 2 | Switch, Limit | |
| 17 | 4360387 | 1 | Switch, Push Button | |
| 18 | 4420068 | 1 | Tape, Adhesive | |
| 18 | 1001197017 | AR | Tie-Strap | |
| 19 | 4460049 | 2 | Connector, Strain Relief | |
| 20 | 4460226 | 4 | Socket, Female | |
| 21 | 4460234 | 2 | Tie-Strap Mount | |
| 22 | 4460425 | 1 | Connector, Strain Relief (Not Shown - Located on bottom of console box) | |
| 23 | 4751400 | 16 | Washer 1/4 | |
| 24 | 4751500 | 8 | Washer 5/16 | |
| 25 | 4751800 | 8 | Washer 1/2 | |
| 26 | 4846370 | 1 | Rail, Soft Touch | |

SECTION 5 - PLATFORM

FIGURE 5-20. SOFT TOUCH INSTALLATION (WITH FALL ARREST)



ART_1001202745

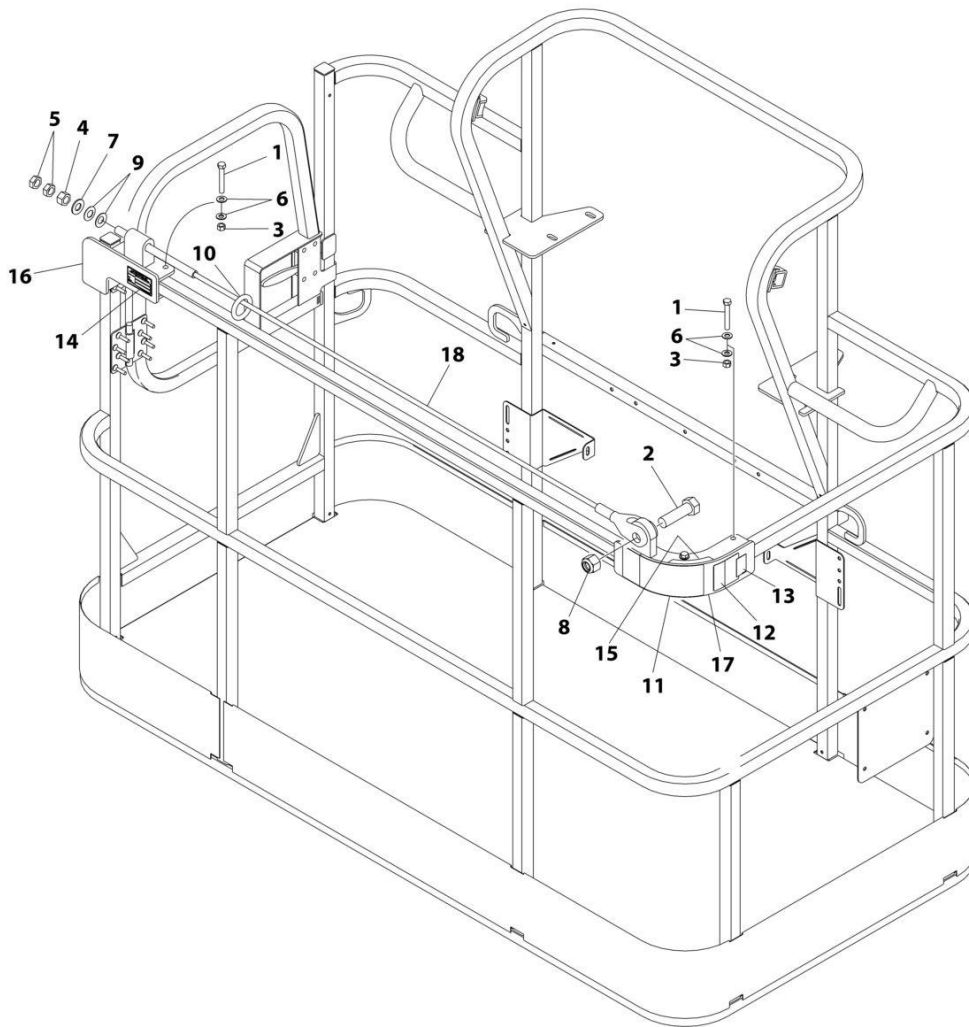
SECTION 5 - PLATFORM

FIGURE 5-20. SOFT TOUCH INSTALLATION (WITH FALL ARREST)

| ITEM | PART NUMBER | QTY | DESCRIPTION | REV |
|------|-------------|-----------------|--|-----|
| | 1001202745 | Ref | SOFT TOUCH INSTALLATION - 5FT/1.52M PLATFORM WITH FALL ARREST | B |
| 1 | 0100011 | AR | Compound, Locking | |
| 2 | 0200048 | 2 | Arm, Switch | |
| 3 | 0630462 | 8 | Bolt, Carriage | |
| 4 | 0641414 | 8 | Bolt 1/4 x 1-3/4 | |
| 5 | 0721005 | 4 | Bolt #10 x 5/8 | |
| 6 | 1060341 | 15 ft /4.57m | Cable, Electrical - 16/2 | |
| 7 | 1060903 | 4 | Wire Rope and Eyebolt Assembly | |
| 8 | 1702938 | 1 | Decal - Soft Touch Override | |
| 9 | 2920028 | 1 | Lamp, Indicator | |
| 10 | 2920029 | 1 | Bulb, Light | |
| 11 | 3311405 | 8 | Nut 1/4 | |
| 12 | 3311501 | 8 | Nut 5/16 | |
| 13 | 3575705 | 2 | Plate, Switch Strike | |
| 14 | 4360057 | 2 | Switch, Limit | |
| 15 | 4360387 | 1 | Switch, Push Button | |
| 16 | 4420068 | 1 | Tape, Adhesive | |
| 16 | 1001197017 | AR | Tie-Strap | |
| 17 | 4460049 | 2 | Connector, Strain Relief | |
| 18 | 4460226 | 4 | Socket, Female | |
| 19 | 4460425 | 1 | Connector, Strain Relief | |
| 20 | 4751400 | 16 | Washer 1/4 | |
| 21 | 4751500 | 8 | Washer 5/16 | |
| 22 | 4751800 | 8 | Washer 1/2 | |
| 23 | 1001115641 | 1 | Rail, Soft Touch | |
| 24 | 1001115848 | 1 | Bumper Kits (Includes Corners and Enough Straight Material for One Platform) | |

SECTION 5 - PLATFORM

FIGURE 5-21. FALL ARREST INSTALLATION (BOLT-ON) (5FT/1.52M PLATFORM)



ART_1001257275

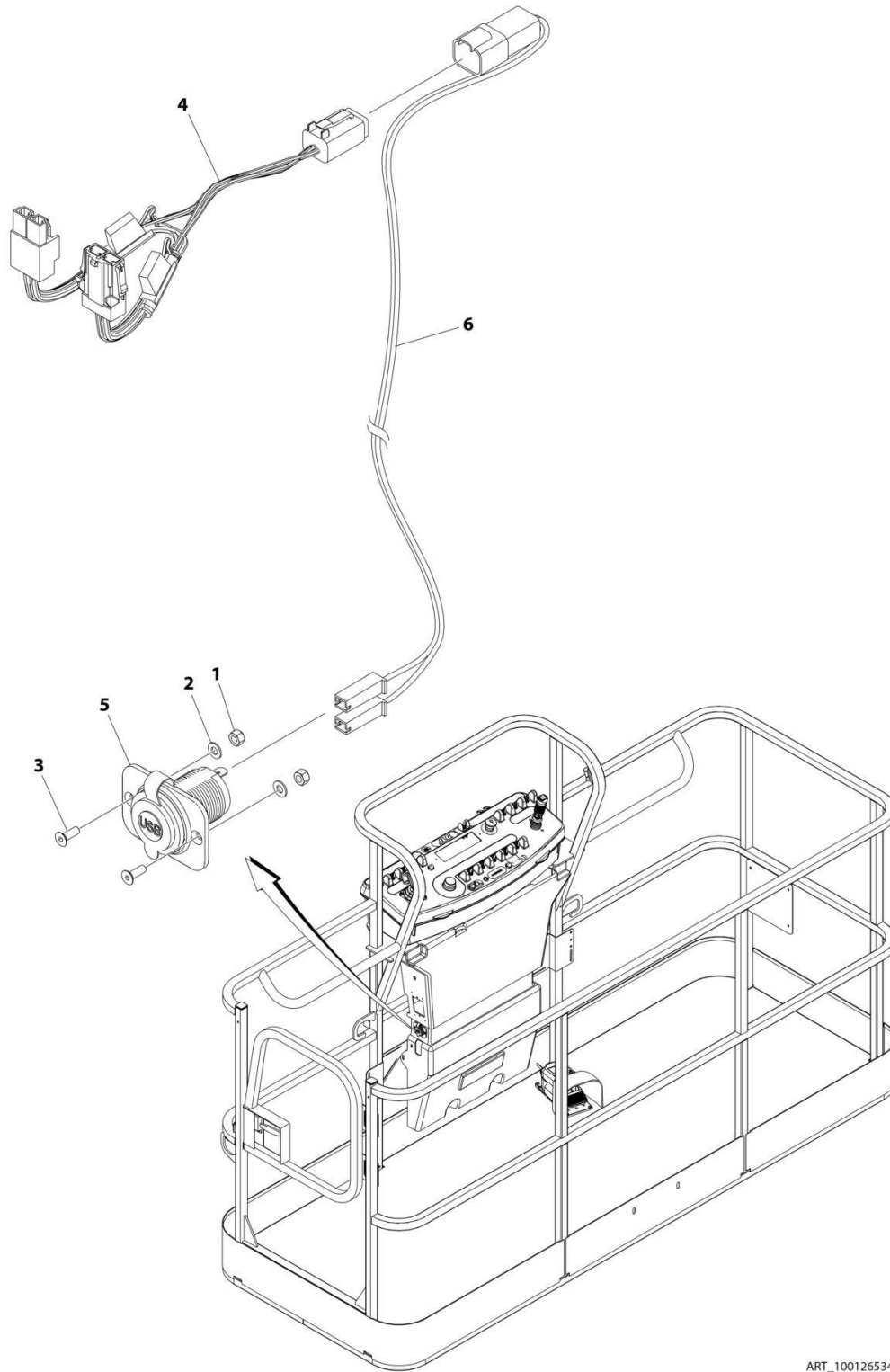
SECTION 5 - PLATFORM

FIGURE 5-21. FALL ARREST INSTALLATION (BOLT-ON) (5FT/1.52M PLATFORM)

| ITEM | PART NUMBER | QTY | DESCRIPTION | REV |
|------|-------------|-----|--|-----|
| | 1001257275 | Ref | FALL ARREST INSTALLATION (BOLT - ON) 6FT/1.82M PLATFORM | A |
| 1 | 0681620 | 6 | Bolt 3/8 x 2-1/2 | |
| 2 | 0682424 | 1 | Bolt 7/8 x 3 | |
| 3 | 3271605 | 6 | Nut 3/8 | |
| 4 | 3272001 | 1 | Nut 5/8 | |
| 5 | 3312002 | 2 | Nut 5/8 | |
| 6 | 4711600 | 12 | Washer 3/8 | |
| 7 | 4712000 | 1 | Washer 5/8 | |
| 8 | 88521214 | 1 | Nut 7/8 | |
| 9 | 1001236891 | 2 | Washer | |
| 10 | 1001236895 | 1 | Ring | |
| 11 | 1001238263 | 1 | Decal - Warning Falling Hazard | |
| 12 | 1001248140 | 1 | Decal - Bolt Fall Arrest Re-Cert | |
| 13 | 1001248141 | 1 | Decal - Incription | |
| 14 | See Note | NSS | Nameplate - Manufacturers Serial Number (Note: Not Available for Purchase) | |
| 15 | 1001252629 | 1 | Decal - Weight | |
| 16 | 1001257271 | 1 | Bracket (RH) | |
| 17 | 1001257274 | 1 | Bracket (LH) | |
| 18 | 1001258005 | 1 | Rope | |

SECTION 5 - PLATFORM

FIGURE 5-22. USB CHARGER INSTALLATION



ART_1001265342

SECTION 5 - PLATFORM

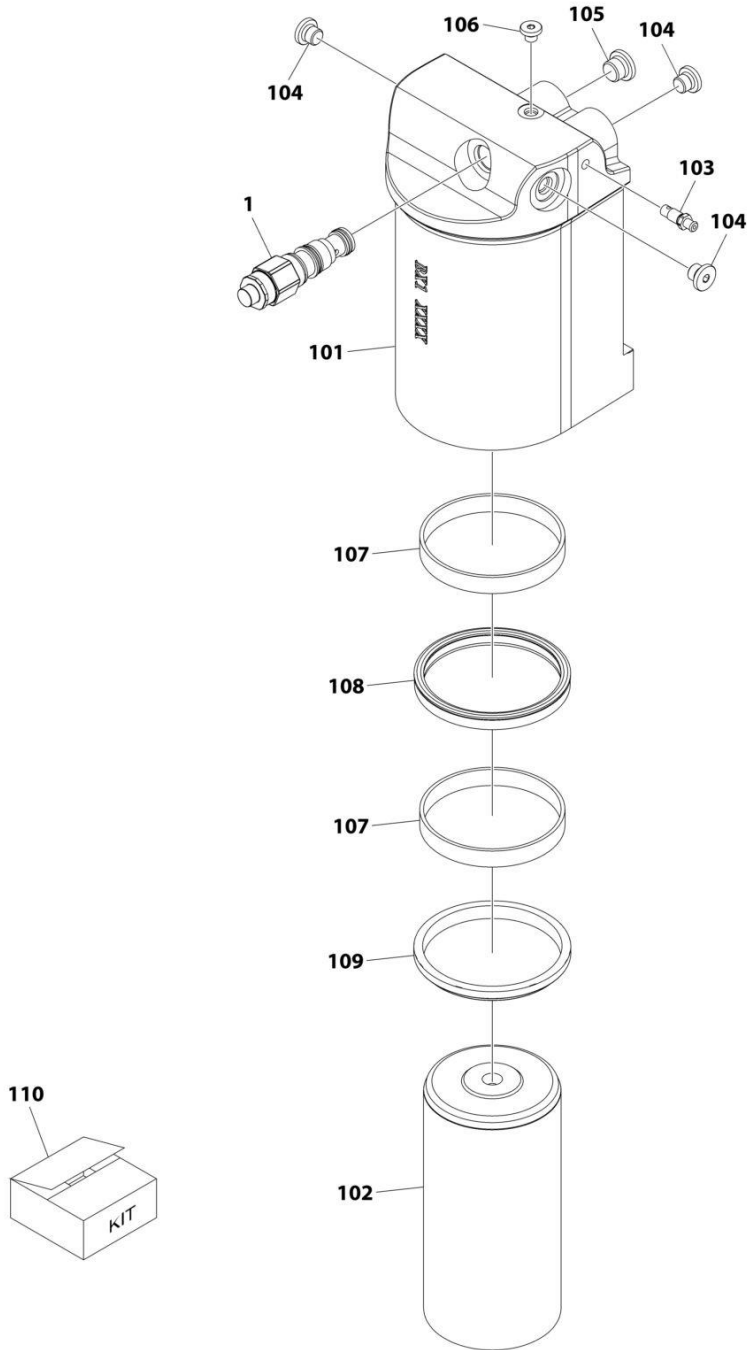
FIGURE 5-22. USB CHARGER INSTALLATION

| ITEM | PART NUMBER | QTY | DESCRIPTION | REV |
|------|-------------|-----|----------------------------------|-----|
| | 1001265342 | Ref | USB CHARGER INSTALLATION | A |
| 1 | 3290405 | 2 | Nut M4 | |
| 2 | 4811400 | 2 | Washer M4 | |
| 3 | 1001097244 | 2 | Screw M4 x 12 | |
| 4 | 1001120484 | 1 | Harness, Work Lights | |
| 4 | 4460879 | 1 | Plug, Male - 2 Position | |
| 4 | 4460887 | 2 | Terminal | |
| 4 | 2400060 | 2 | Fuseholder Includes Cover | |
| 4 | 8229249 | 2 | Fuse, 3 Amp | |
| 4 | 4460884 | 1 | Connector - 4 Position | |
| 4 | 4460465 | 4 | Socket, Female | |
| 4 | 1001120471 | 1 | Connector - 2 Position | |
| 4 | 1001120477 | 2 | Terminal | |
| 5 | 1001210636 | 1 | Receptacle, USB | |
| 6 | 1001265163 | 1 | Harness, USB | A |
| 6 | 4460260 | 2 | Cover, Terminal | |
| 6 | 4460259 | 2 | Terminal | |
| 6 | 4460932 | 1 | Receptacle, Bussbar - 4 Position | |
| 6 | 4460464 | 2 | Pin, Male | |
| 6 | 4460466 | 2 | Plug, Terminal | |

SECTION 6 - CYLINDER

SECTION 6 - CYLINDER

FIGURE 6-1. AXLE LOCKOUT CYLINDER ASSEMBLY



ART_1001256179

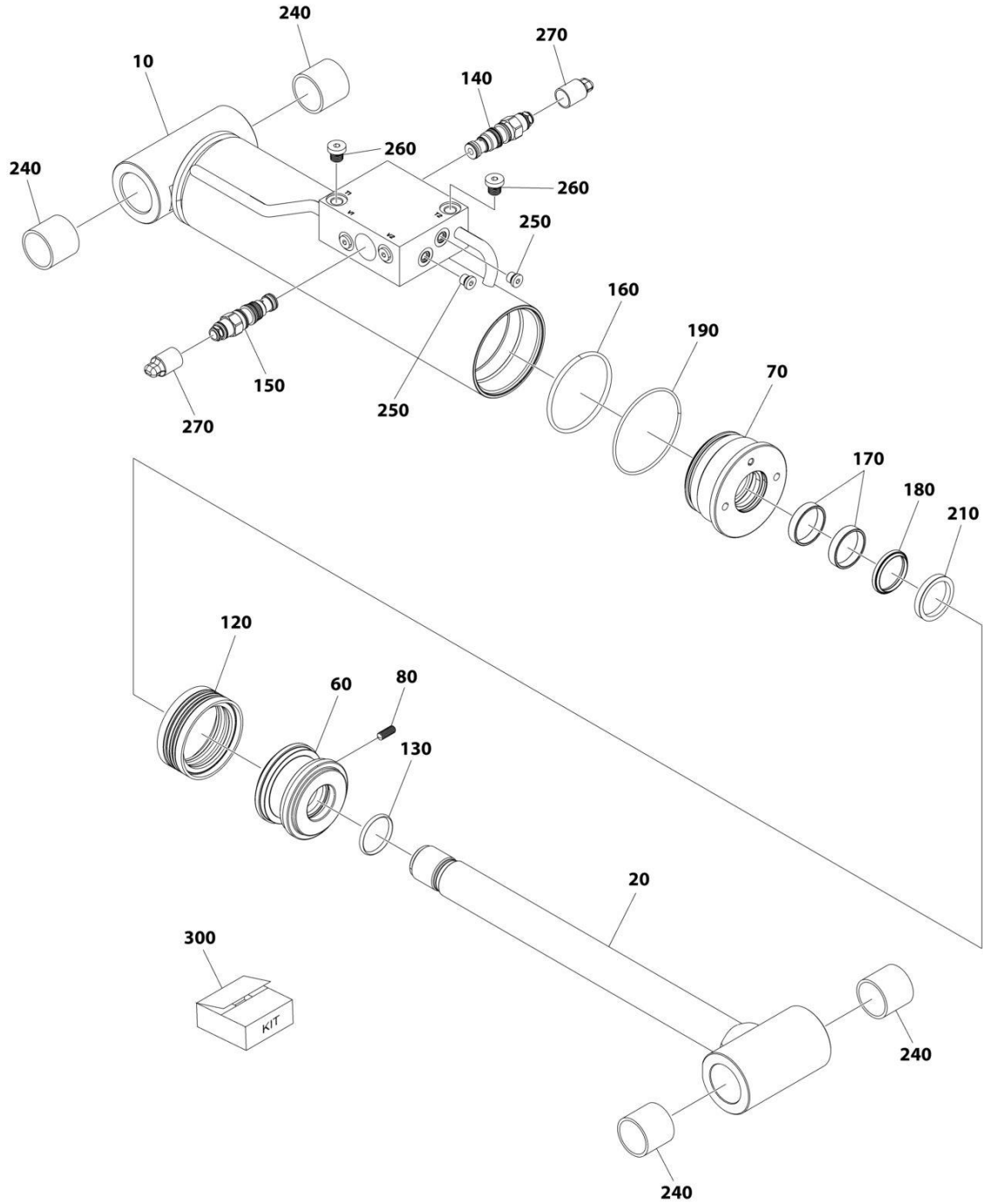
SECTION 6 - CYLINDER

FIGURE 6-1. AXLE LOCKOUT CYLINDER ASSEMBLY

| ITEM | PART NUMBER | QTY | DESCRIPTION | REV |
|------|-------------|-----|---|-----|
| | 1001256179 | Ref | MASTER CYLINDER ASSEMBLY | A |
| | | Ref | Note: Original Cylinder May Have Been Replaced with Service Replacement. Identify PN Stamped on Cylinder Before Ordering Parts. | |
| 1 | 1001117372 | 1 | Cartridge, Valve | |
| 1 | 70002842 | 1 | Seal Kit - 1001117372 | |
| 101 | See Note | NSS | Tube (Note: Not Available for Purchase) | |
| 102 | 70008244 | 1 | Rod | |
| 103 | 70008246 | 1 | Plug, Bleeder | |
| 104 | 2220883 | 3 | Plug 7/16 | |
| 105 | 2220885 | 1 | Plug 9/16 | |
| 106 | 2220881 | 1 | Plug 5/16 | |
| 107 | See Note | NSS | Ring, Wear (Note: Use Item 110) | |
| 108 | See Note | NSS | Seal, Rod (Note: Use Item 110) | |
| 109 | See Note | NSS | Wiper, Rod (Note: Use Item 110) | |
| 110 | 70008247 | 1 | Seal Kit (Includes Items 107-109) | |

SECTION 6 - CYLINDER

FIGURE 6-2. LEVEL CYLINDER ASSEMBLY



ART_1001255971

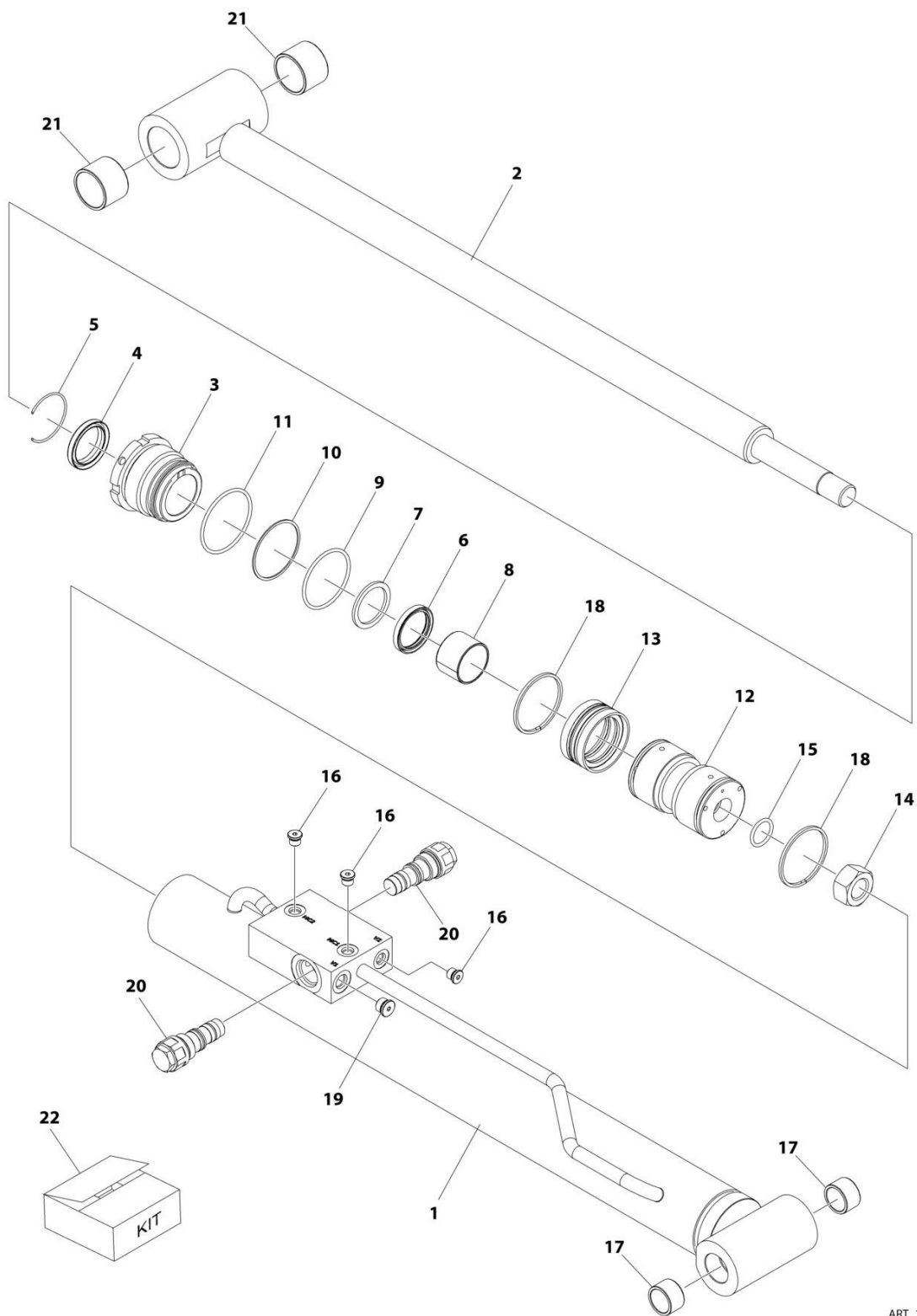
SECTION 6 - CYLINDER

FIGURE 6-2. LEVEL CYLINDER ASSEMBLY

| ITEM | PART NUMBER | QTY | DESCRIPTION | REV |
|------|-------------|-----|---|-----|
| | 1001255971 | Ref | CYLINDER ASSEMBLY | B |
| | | Ref | Note: Original Cylinder May Have Been Replaced with Service Replacement. Identify PN Stamped on Cylinder Before Ordering Parts. | |
| 10 | See Note | NSS | Barrel | |
| 20 | 70007728 | 1 | Rod | |
| 60 | 70007720 | 1 | Piston Head | |
| 70 | 70007721 | 1 | Screwed Gland | |
| 80 | 70007722 | 1 | Screw M8 | |
| 120 | See Note | NSS | Piston Seal (Note: Use Item 300) | |
| 130 | See Note | NSS | O-Ring (Note: Use Item 300) | |
| 140 | 1001168209 | 1 | Counterbalance, Valve | |
| 140 | 2900770 | 1 | Seal Kit - 1001168209 Valve | |
| 150 | 1001168210 | 1 | Counterbalance, Valve | |
| 150 | 2900770 | 1 | Seal Kit - 1001168210 Valve | |
| 160 | See Note | NSS | O-Ring (Note: Use Item 300) | |
| 170 | See Note | NSS | Ring (Note: Use Item 300) | |
| 180 | See Note | NSS | Seal (Note: Use Item 300) | |
| 190 | See Note | NSS | O-Ring (Note: Use Item 300) | |
| 210 | See Note | NSS | Wiper (Note: Use Item 300) | |
| 240 | 70007723 | 4 | Bushing | |
| 250 | 70025619 | 2 | Plug | |
| 260 | 70024262 | 2 | Plug | |
| 300 | 70007729 | 1 | Seal Kit - 1001255971 Cylinder (Includes Items 120 ,130 & 160-210) | |

SECTION 6 - CYLINDER

FIGURE 6-3. JIB CYLINDER ASSEMBLY



ART_1001255969

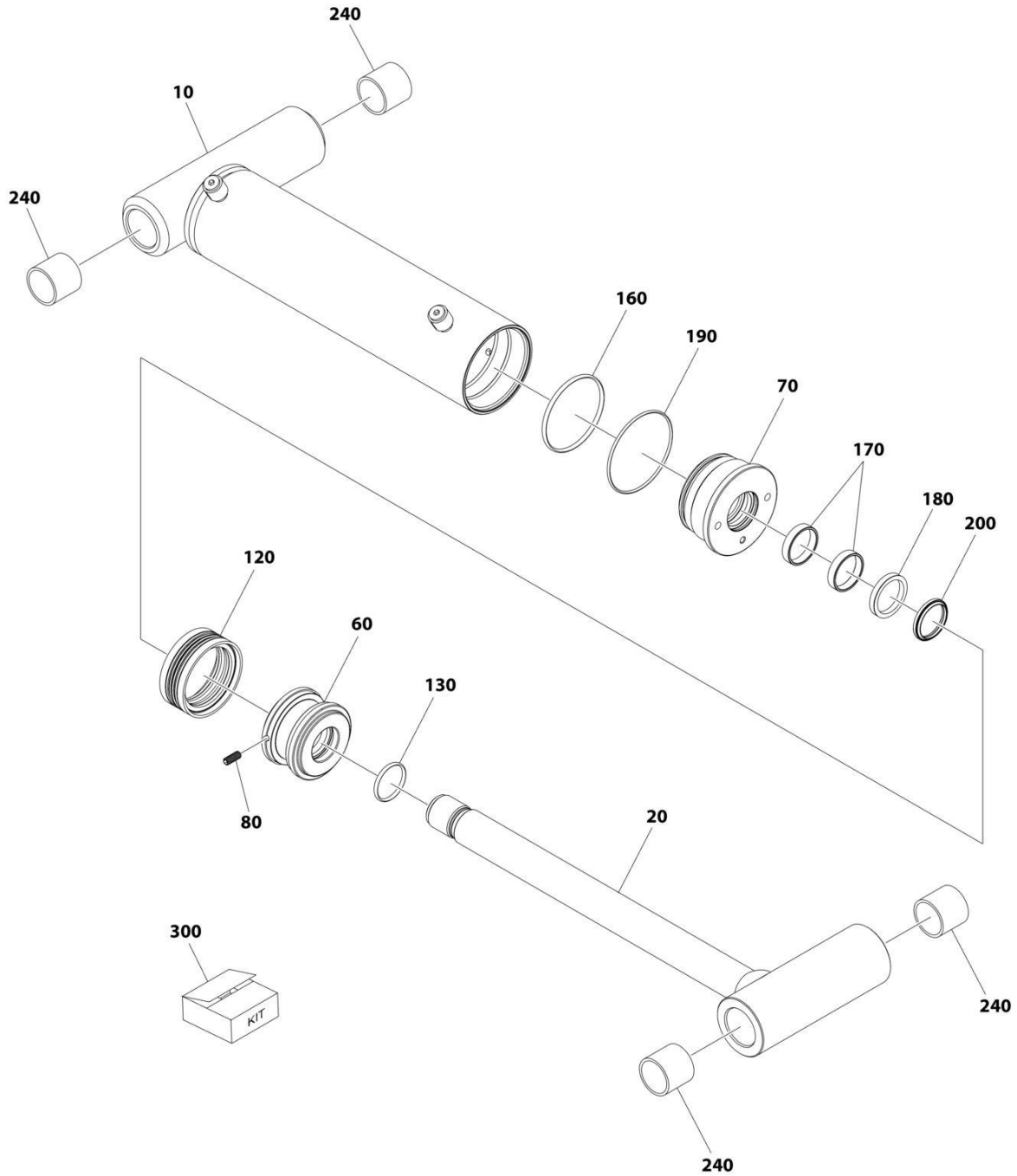
SECTION 6 - CYLINDER

FIGURE 6-3. JIB CYLINDER ASSEMBLY

| ITEM | PART NUMBER | QTY | DESCRIPTION | REV |
|------|-------------|-----|---|-----|
| | 1001255969 | Ref | LIFT CYLINDER ASSEMBLY - JIB | B |
| | | Ref | Note: Original Cylinder May Have Been Replaced with Service Replacement. Identify PN Stamped on Cylinder Before Ordering Parts. | |
| 1 | NSS | 1 | Barrel | |
| 2 | 70007738 | 1 | Rod | |
| 3 | 70007739 | 1 | Head | |
| 4 | See Note | 1 | Wiper (Note: Use Item 220) | |
| 5 | 70002373 | 1 | Ring, Retaining | |
| 6 | See Note | 1 | Seal, Rod (Note: Use Item 220) | |
| 7 | See Note | 1 | Ring, Back-up (Note: Use Item 220) | |
| 8 | 70005143 | 1 | Bearing, Dry | |
| 9 | See Note | 1 | O-Ring (Note: Use Item 220) | |
| 10 | See Note | 1 | Ring, Back-up (Note: Use Item 220) | |
| 11 | See Note | 1 | O-Ring (Note: Use Item 220) | |
| 12 | 70007740 | 1 | Piston | |
| 13 | See Note | 1 | Seal, Piston (Note: Use Item 220) | |
| 14 | 70002335 | 1 | Nut | |
| 15 | See Note | 1 | O-Ring (Note: Use Item 220) | |
| 16 | 2220883 | 3 | Plug | |
| 17 | 0962292 | 2 | Bearing | |
| 18 | 70007741 | 2 | Ring, Piston | |
| 19 | 2220885 | 1 | Plug | |
| 20 | 4640509 | 2 | Cartridge, Valve | |
| 20 | 2900792 | 2 | Seal Kit - 4640509 Valve | |
| 21 | 0961948 | 2 | Bearing | |
| 22 | 70007742 | 1 | Seal Kit (Includes Items 4,6,7,9-11,13 & 15) | |

SECTION 6 - CYLINDER

FIGURE 6-4. MASTER CYLINDER ASSEMBLY



ART_1001255970

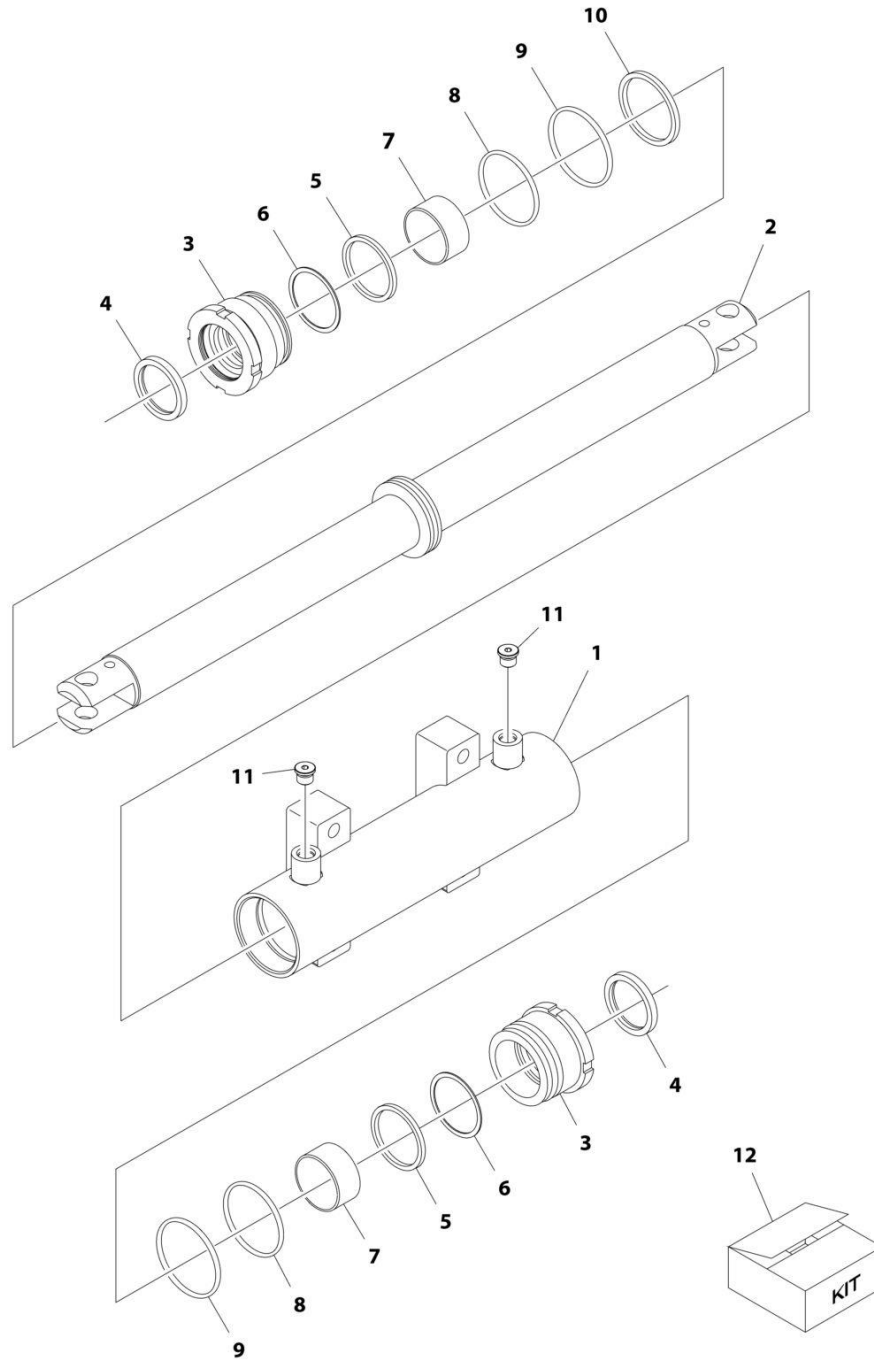
SECTION 6 - CYLINDER

FIGURE 6-4. MASTER CYLINDER ASSEMBLY

| ITEM | PART NUMBER | QTY | DESCRIPTION | REV |
|------|-------------|-----|---|-----|
| | 1001255970 | Ref | CYLINDER ASSEMBLY | B |
| | | Ref | Note: Original Cylinder May Have Been Replaced with Service Replacement. Identify PN Stamped on Cylinder Before Ordering Parts. | |
| 10 | See Note | NSS | Barrel | |
| 20 | 70007719 | 1 | Rod | |
| 60 | 70007720 | 1 | Piston Head | |
| 70 | 70007721 | 1 | Screwed Gland | |
| 80 | 70007722 | 1 | Screw M8 | |
| 120 | See Note | NSS | Piston Seal (Note: Use Item 300) | |
| 130 | See Note | NSS | O-Ring (Note: Use Item 300) | |
| 160 | See Note | NSS | O-Ring (Note: Use Item 300) | |
| 170 | See Note | NSS | Ring (Note: Use Item 300) | |
| 180 | See Note | NSS | Seal (Note: Use Item 300) | |
| 190 | See Note | NSS | O-Ring (Note: Use Item 300) | |
| 200 | See Note | NSS | Wiper (Note: Use Item 300) | |
| 240 | 70007723 | 4 | Bushing | |
| 300 | 70007724 | 1 | Seal Kit - 1001255971 Cylinder (Includes Items 120 ,130 & 160-200) | |

SECTION 6 - CYLINDER

FIGURE 6-5. STEER CYLINDER ASSEMBLY



ART_1001163178

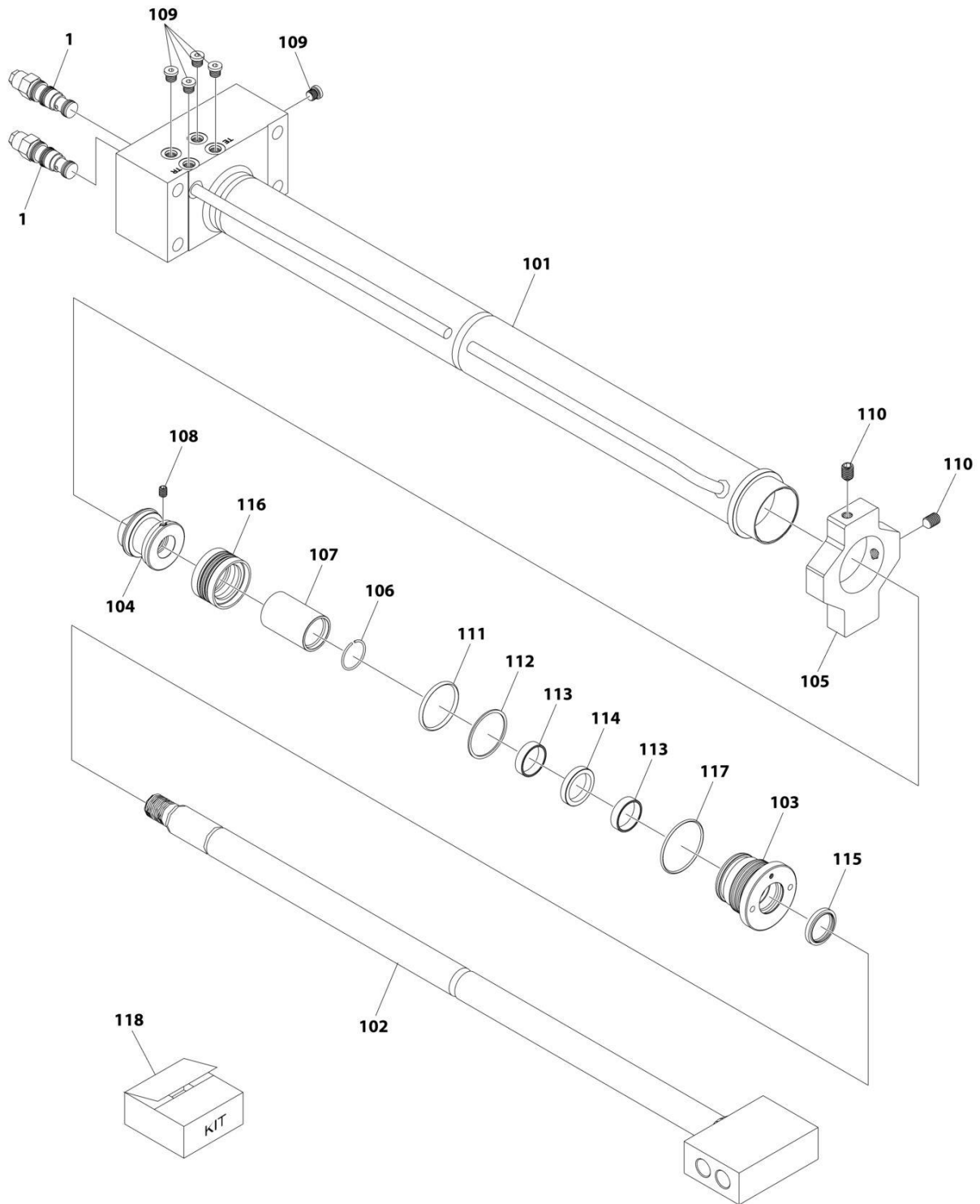
SECTION 6 - CYLINDER

FIGURE 6-5. STEER CYLINDER ASSEMBLY

| ITEM | PART NUMBER | QTY | DESCRIPTION | REV |
|------|-------------|-----|---|-----|
| | 1001163178 | Ref | STEER CYLINDER ASSEMBLY | E |
| | | Ref | Note: Original Cylinder May Have Been Replaced with Service Replacement. Identify PN Stamped on Cylinder Before Ordering Parts. | |
| 1 | 70005150 | 1 | Barrel | |
| 2 | 70005151 | 1 | Rod | |
| 3 | 70005152 | 2 | Head | |
| 4 | See Note | NSS | Wiper (Note: Use Item 12) | |
| 5 | See Note | NSS | Seal, Rod (Note: Use Item 12) | |
| 6 | See Note | NSS | Ring, Back-up (Note: Use Item 12) | |
| 7 | 70005153 | 2 | Bearing, Dry | |
| 8 | See Note | NSS | O-Ring (Note: Use Item 12) | |
| 9 | See Note | NSS | O-Ring (Note: Use Item 12) | |
| 10 | See Note | NSS | Seal, Piston (Note: Use Item 12) | |
| 11 | See Note | 2 | Plug 9/16 (Note: Not Available for Purchase) | |
| 12 | 70005154 | 1 | Seal Kit - 1001163178 Cylinder (Includes Items 4-6 & 8-10) | |

SECTION 6 - CYLINDER

FIGURE 6-6. TELESCOPE CYLINDER ASSEMBLY



ART_1001266711

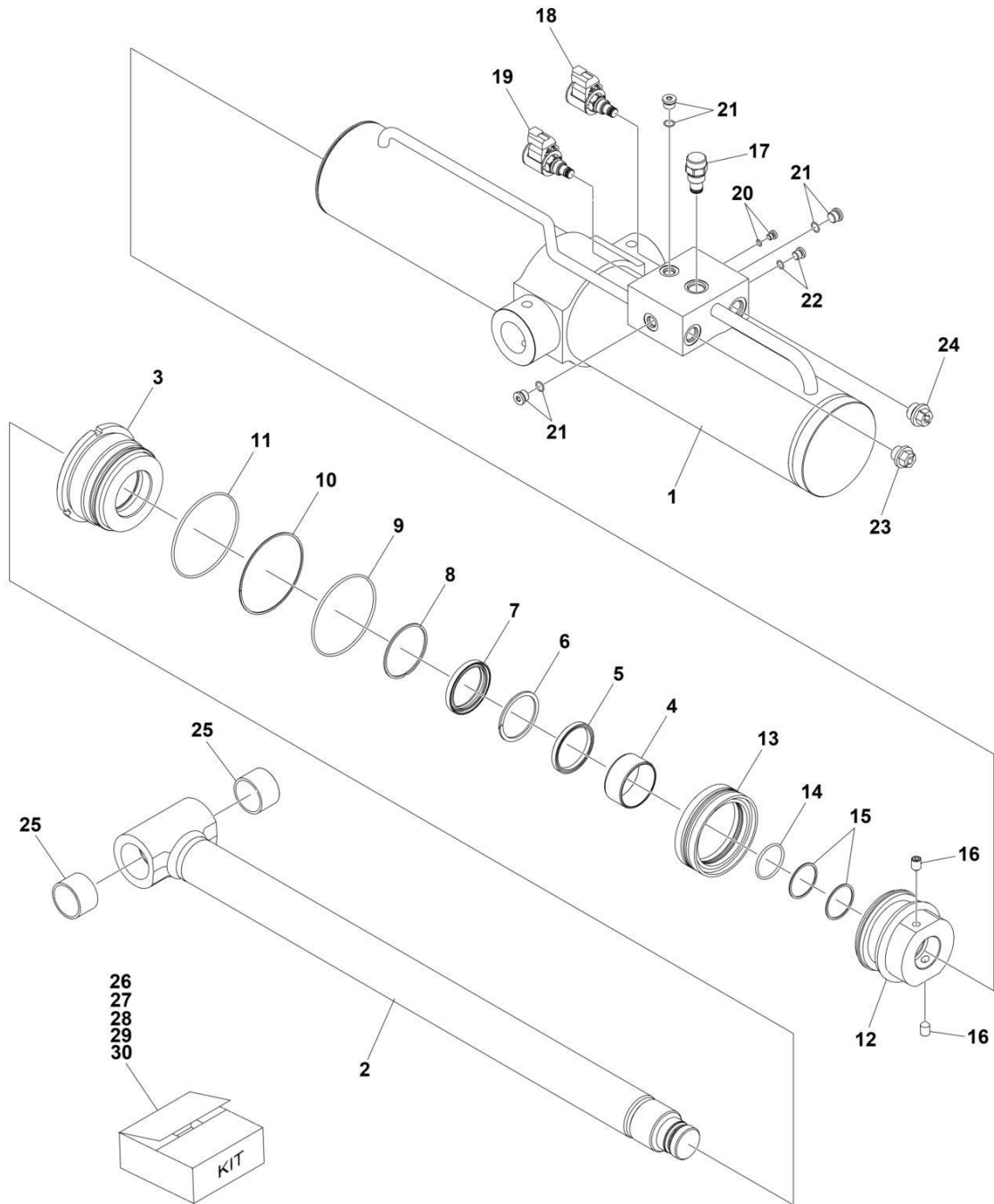
SECTION 6 - CYLINDER

FIGURE 6-6. TELESCOPE CYLINDER ASSEMBLY

| ITEM | PART NUMBER | QTY | DESCRIPTION | REV |
|------|-------------|-----|---|-----|
| | 1001266711 | Ref | TELESCOPE CYLINDER ASSEMBLY | B |
| | | Ref | Note: Original Cylinder May Have Been Replaced with Service Replacement. Identify PN Stamped on Cylinder Before Ordering Parts. | |
| 1 | 4640771 | 2 | Valve, Motor Control | |
| 1 | 2900770 | 2 | Seal Kit - 4640771 Valve | |
| 101 | See Note | NSS | Barrel (Note: Not Available for Purchase) | |
| 102 | See Note | NSS | Rod (Note: Not Available for Purchase) | |
| 103 | 70008135 | 1 | Head | |
| 104 | 70008136 | 1 | Piston | |
| 105 | 70008137 | 1 | Mount | |
| 106 | 70008138 | 1 | Ring, Wire | |
| 107 | 70008139 | 1 | Spacer | |
| 108 | 70027088 | 1 | Setscrew | |
| 109 | 70025619 | 5 | Plug | |
| 110 | 70008140 | 2 | Setscrew | |
| 111 | See Note | NSS | O-Ring (Note: Use Item 118) | |
| 112 | See Note | NSS | Ring, Backup (Note: Use Item 118) | |
| 113 | See Note | NSS | Ring (Note: Use Item 118) | |
| 114 | See Note | NSS | Seal, Head (Note: Use Item 118) | |
| 115 | See Note | NSS | Seal, Wiper (Note: Use Item 118) | |
| 116 | See Note | NSS | Seal (Note: Use Item 118) | |
| 117 | See Note | NSS | O-Ring (Note: Use Item 118) | |
| 118 | 70008141 | 1 | Seal Kit (Includes Items 111-117) | |

SECTION 6 - CYLINDER

FIGURE 6-7. TOWER LIFT CYLINDER ASSEMBLY



ART_1001255968

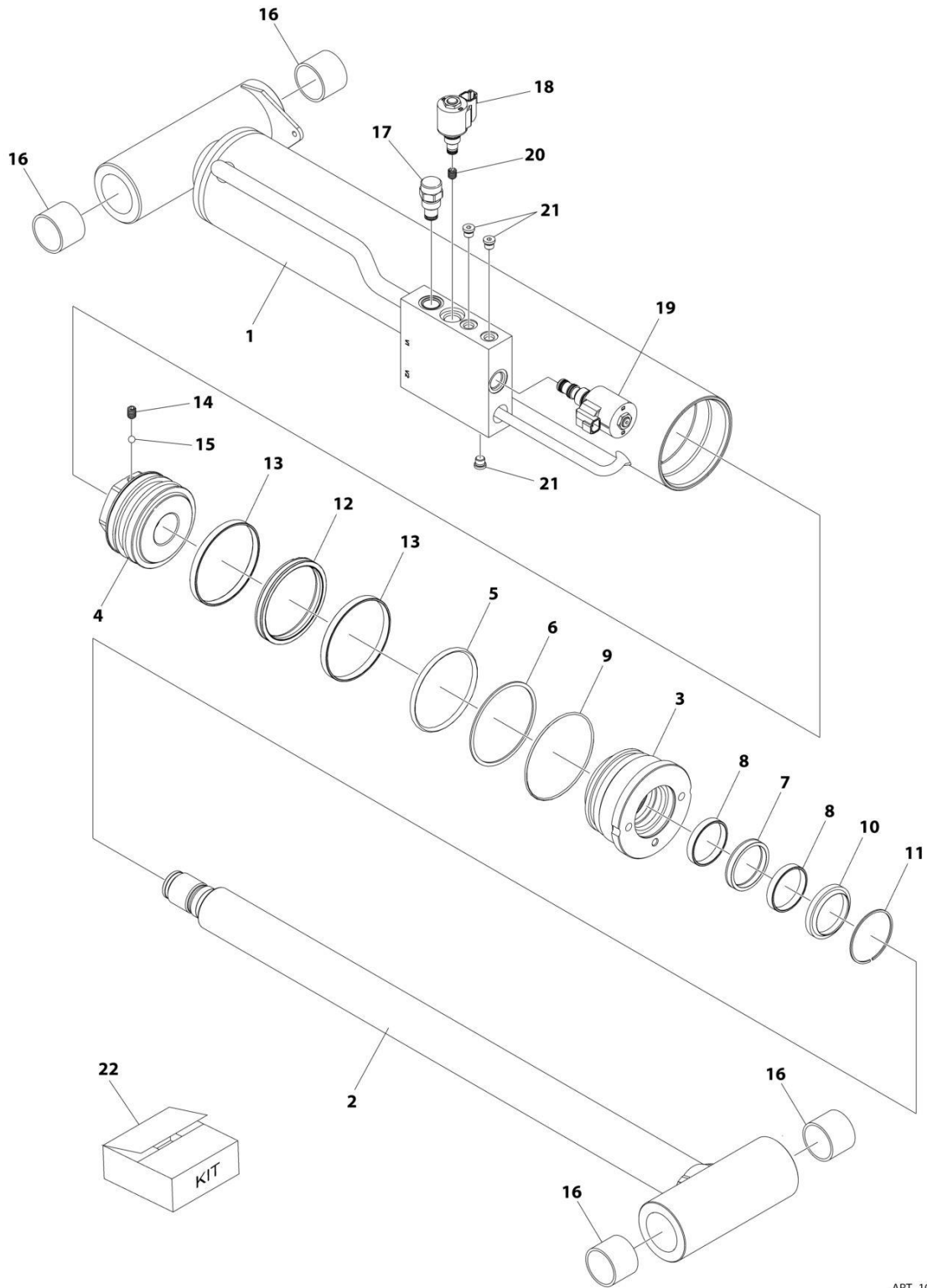
SECTION 6 - CYLINDER

FIGURE 6-7. TOWER LIFT CYLINDER ASSEMBLY

| ITEM | PART NUMBER | QTY | DESCRIPTION | REV |
|------|-------------|-----|--|-----|
| | 1001255968 | Ref | TOWER LIFT CYLINDER | D |
| 1 | NSS | 1 | Barrel | |
| 2 | NSS | 1 | Rod (Note: Use Item 26) | |
| 3 | NSS | 1 | Head (Note: Use Item 27) | |
| 4 | NSS | 1 | Bushing (Note: Use Item 27) | |
| 5 | NSS | 1 | Seal Kit (Note: Use Item 28) | |
| 6 | NSS | 1 | Ring (Note: Use Item 28) | |
| 7 | NSS | 1 | Wiper (Note: Use Item 28) | |
| 8 | NSS | 1 | Ring, Retaining (Note: Use Item 28) | |
| 9 | NSS | 1 | O-Ring (Note: Use Item 28) | |
| 10 | NSS | 1 | Ring, Back-up (Note: Use Item 28) | |
| 11 | NSS | 1 | O-Ring (Note: Use Item 28) | |
| 12 | NSS | 1 | Piston (Note: Use Item 28) | |
| 13 | NSS | 1 | Seal (Note: Use Item 28) | |
| 14 | NSS | 1 | O-Ring (Note: Use Item 28) | |
| 15 | NSS | 1 | Ring, Back-up (Note: Use Item 28) | |
| 16 | NSS | 1 | Setscrew (Note: Use Item 28) | |
| 17 | 4641390 | 1 | Cartridge, Check Valve | |
| 17 | 7017496 | 1 | Seal Kit - 4641390 Valve | |
| 18 | 1001164709 | 1 | Cartridge, Solenoid Valve (Including Coil) | |
| 18 | 7017467 | 1 | Cartridge, Solenoid Valve (Less Coil) | |
| 18 | 7012998 | 1 | Seal Kit - 1001164709 & 7017467 Valves | |
| 18 | 70002386 | 1 | Coil | |
| 19 | 1001166208 | 1 | Cartridge, Solenoid Valve (Including Coil) | |
| 19 | 7024884 | 1 | Cartridge, Solenoid Valve (Less Coil) | |
| 19 | 7012967 | 1 | Seal Kit - 1001166208& 7024884 Valves | |
| 20 | NSS | 1 | Plug + O-Ring (Note: Use Item 30) | |
| 21 | NSS | 1 | Plug + O-Ring (Note: Use Item 30) | |
| 22 | NSS | 1 | Plug + O-Ring (Note: Use Item 30) | |
| 23 | NSS | 1 | Dust Cap | |
| 24 | NSS | 1 | Dust Cap | |
| 25 | NSS | 1 | Bushing (Note: Use Item 26) | |
| 26 | 70007743 | 1 | Rod Kit (Includes Items 2 & 25) | |
| 27 | 70007744 | 1 | Head Kit (Includes Items 3 & 4) | |
| 28 | 70007745 | 1 | Seal Kit (Includes Items 5-11 & 13-15) | |
| 29 | 70007746 | 1 | Piston Kit (Includes Items 12 & 16) | |
| 30 | 70007747 | 1 | Plug Kit (Includes Items 20 - 22) | |

SECTION 6 - CYLINDER

FIGURE 6-8. UPPER LIFT CYLINDER ASSEMBLY



ART_1001255973

SECTION 6 - CYLINDER

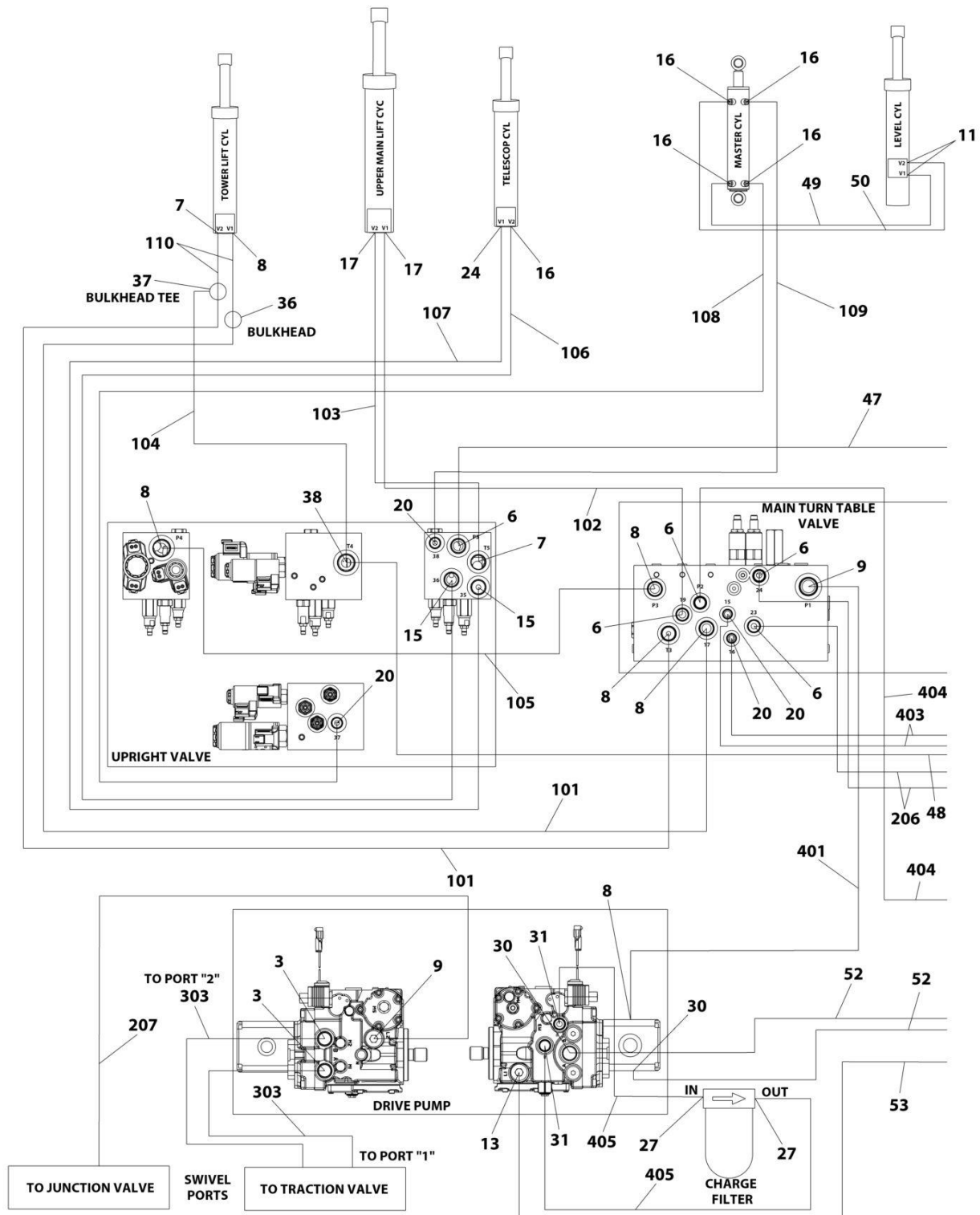
FIGURE 6-8. UPPER LIFT CYLINDER ASSEMBLY

| ITEM | PART NUMBER | QTY | DESCRIPTION | REV |
|------|-------------|-----|---|-----|
| | 1001255973 | Ref | LIFT CYLINDER ASSEMBLY - UPPER LIFT | B |
| | | Ref | Note: Original Cylinder May Have Been Replaced with Service Replacement. Identify PN Stamped on Cylinder Before Ordering Parts. | |
| 1 | NSS | 1 | Barrel | |
| 2 | 70007731 | 1 | Rod | |
| 3 | 70007732 | 1 | Head | |
| 4 | 70007733 | 1 | Piston | |
| 5 | See Note | 1 | O-Ring (Note: Use Item 22) | |
| 6 | See Note | 1 | Ring, Back-up (Note: Use Item 22) | |
| 7 | See Note | 1 | Seal, Rod (Note: Use Item 22) | |
| 8 | See Note | 2 | Ring, Bearing (Note: Use Item 22) | |
| 9 | See Note | 1 | O-Ring (Note: Use Item 22) | |
| 10 | See Note | 1 | Wiper (Note: Use Item 22) | |
| 11 | 70025627 | 1 | Ring, Snap | |
| 12 | See Note | 1 | Seal, Piston (Note: Use Item 22) | |
| 13 | See Note | 2 | Ring, Bearing (Note: Use Item 22) | |
| 14 | 70007734 | 1 | Setscrew | |
| 15 | 70025614 | 1 | Ball | |
| 16 | 70007735 | 4 | Bushing | |
| 17 | 4641390 | 1 | Cartridge, Check Valve | |
| 17 | 7017496 | 1 | Seal Kit - 4641390 Valve | |
| 18 | 1001164709 | 1 | Cartridge, Solenoid Valve (Includes Coil) | |
| 18 | 70002386 | 1 | Coil | |
| 18 | 7017467 | 1 | Cartridge, Solenoid Valve Less Coil | |
| 18 | 7012967 | 1 | Seal Kit - 1001164709 & 7017467 Valves | |
| 19 | 1001206625 | 1 | Cartridge, Solenoid Valve (Includes Coil) | |
| 19 | 70003788 | 1 | Coil | |
| 19 | 70006104 | 1 | Cartridge, Solenoid Valve Less Coil | |
| 19 | 70006105 | 1 | Seal Kit - 1001206625 & 70006104 Valves | |
| 19 | 7022390 | 1 | Nut, Coil | |
| 20 | 70007736 | 1 | Plug, Orifice | |
| 21 | 70025619 | 3 | Plug | |
| 22 | 70007737 | 1 | Seal Kit (Includes Items 5-10, 12 & 13) | |

SECTION 7 - HYDRAULIC

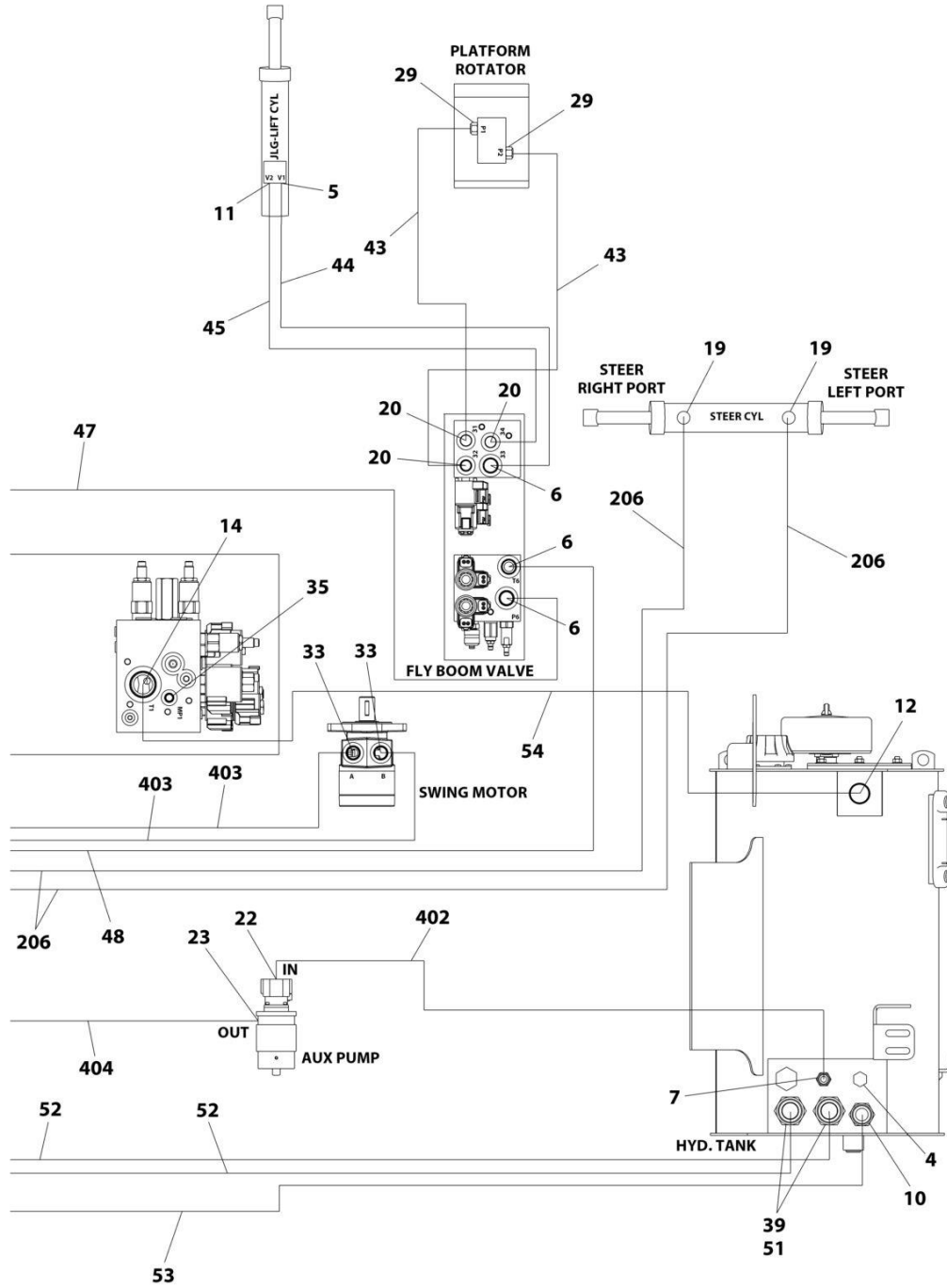
SECTION 7 - HYDRAULIC

FIGURE 7-1. HYDRAULIC SYSTEM INSTALLATION



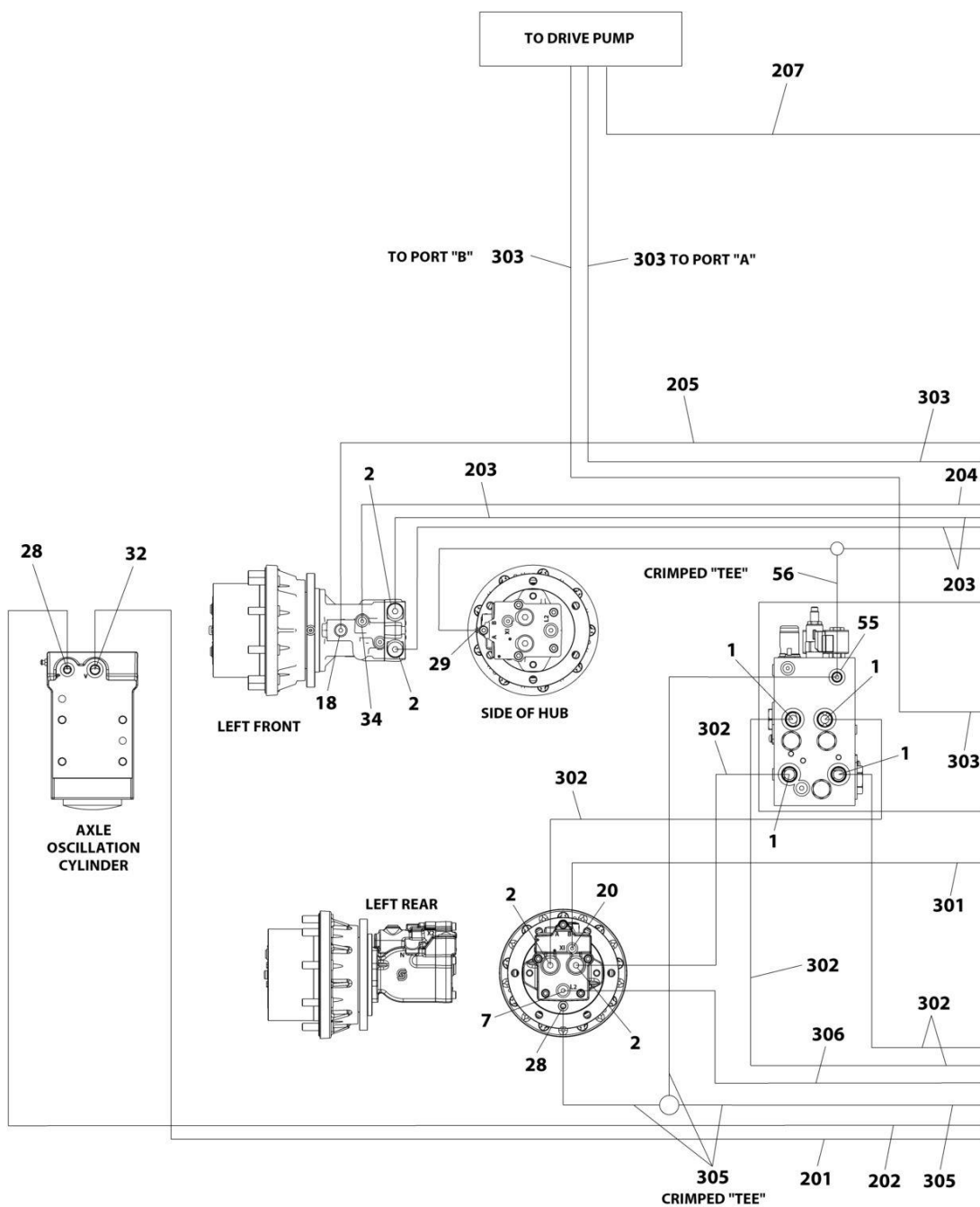
ART_1001255412_10F4

SECTION 7 - HYDRAULIC



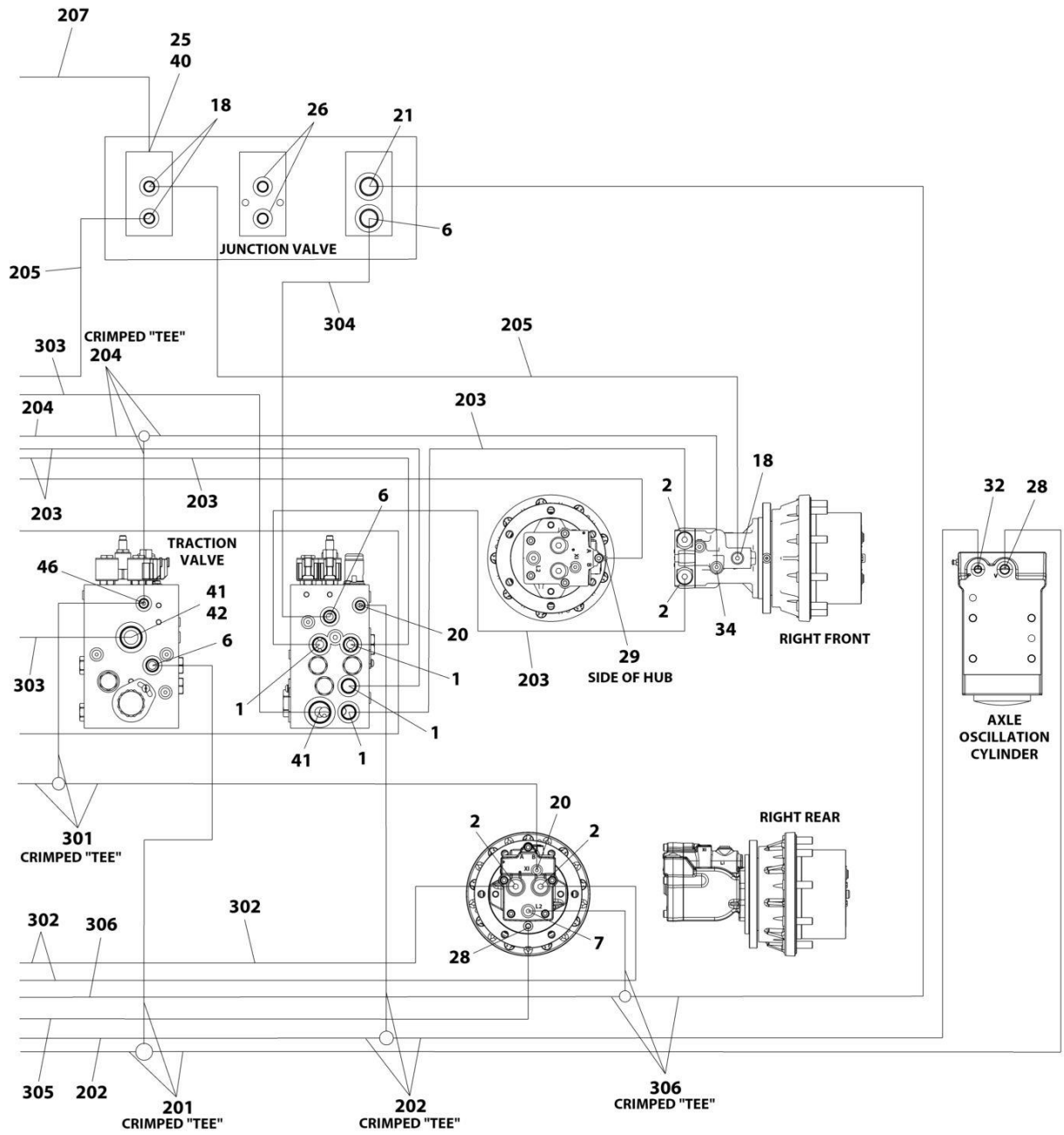
ART_1001255412_2OF4

SECTION 7 - HYDRAULIC



ART_1001255412_30F4

SECTION 7 - HYDRAULIC



ART_1001255412_4OF4

SECTION 7 - HYDRAULIC

FIGURE 7-1. HYDRAULIC SYSTEM INSTALLATION

| ITEM | PART NUMBER | QTY | DESCRIPTION | REV |
|------|-------------|-----|-------------------------------|-----|
| | 1001255412 | Ref | HYDRAULIC SYSTEM INSTALLATION | C |
| 1 | 2110810 | 8 | Fitting, Straight ORFS/ORB | |
| 2 | 2110812 | 8 | Fitting, Straight ORFS/ORB | |
| 3 | 2151212 | 2 | Fitting, 45 ORFS/ORB | |
| 4 | 2220238 | 1 | Plug | |
| 5 | 2220371 | 1 | Fitting, Straight JIC/ORB | |
| 6 | 2220372 | 11 | Fitting, Straight JIC/ORB | |
| 7 | 2220373 | 5 | Fitting, Straight JIC/ORB | |
| 8 | 2220374 | 6 | Fitting, Straight JIC/ORB | |
| 9 | 2220375 | 2 | Fitting, Straight JIC/ORB | |
| 10 | 2220377 | 1 | Fitting, Straight JIC/ORB | |
| 11 | 2220415 | 3 | Fitting, Straight JIC/ORB | |
| 12 | 2220435 | 1 | Fitting, Straight JIC/ORB | |
| 13 | 2220451 | 1 | Fitting, Straight JIC/ORB | |
| 14 | 2220465 | 1 | Fitting, 90 JIC/ORB | |
| 15 | 2220468 | 2 | Fitting, Straight JIC/ORB | |
| 16 | 2220472 | 5 | Fitting, 90 JIC/ORB | |
| 17 | 2220497 | 2 | Fitting, Straight JIC/ORB | |
| 18 | 2220500 | 4 | Fitting, 45 JIC/ORB | |
| 19 | 2220501 | 2 | Fitting, 45 JIC/ORB | |
| 20 | 2220582 | 10 | Fitting, Straight JIC/ORB | |
| 21 | 2220596 | 1 | Fitting, 90 JIC/ORB | |
| 22 | 2220600 | 1 | Fitting, Straight JIC/ORB | |
| 23 | 2220603 | 1 | Fitting, Straight JIC/ORB | |
| 24 | 2220628 | 1 | Fitting, 90 JIC/ORB | |
| 25 | 2220811 | 1 | Fitting, Straight FORB/ORB | |
| 26 | 2220883 | 2 | Plug #4 | |
| 27 | 2220906 | 2 | Fitting, 90 JIC/ORB | |
| 28 | 2220923 | 4 | Fitting, Straight JIC/ORB | |
| 29 | 2220940 | 4 | Fitting, Elbow | |
| 30 | 2220946 | 2 | Fitting, Straight JIC/ORB | |
| 31 | 2220947 | 2 | Fitting, Straight JIC/ORB | |
| 32 | 2220998 | 2 | Fitting, Straight JIC/ORB | |
| 33 | 2221033 | 2 | Fitting, Straight JIC/ORB | |
| 34 | 2221040 | 2 | Fitting, 45 JIC/ORB | |
| 35 | 2221086 | 1 | Fitting, Diagnostic | |
| 36 | 2230025 | 1 | Fitting, Straight JIC/JIC | |
| 37 | 8760477 | 1 | Fitting, Tee JIC/JIC/JIC | |
| 38 | 8770289 | 1 | Fitting, Tee JIC/ORB/JIC | |
| 39 | 80633030 | 2 | Clamp, Hose | |
| 40 | 1001119627 | 1 | Fitting, Straight JIC/ORB | |
| 41 | 1001142679 | 2 | Fitting, Straight ORFS/ORB | |
| 42 | 1001143936 | 1 | Fitting, 90 FORB/ORB | |
| 43 | 1001173046 | 2 | Hose | |
| 44 | 1001173048 | 1 | Hose | |
| 45 | 1001173049 | 1 | Hose | |
| 46 | 1001175024 | 1 | Fitting, Tee JIC/JIC/ORB | |
| 47 | 1001176299 | 1 | Hose | |
| 48 | 1001176300 | 1 | Hose | |
| 49 | 1001176301 | 1 | Hose | |

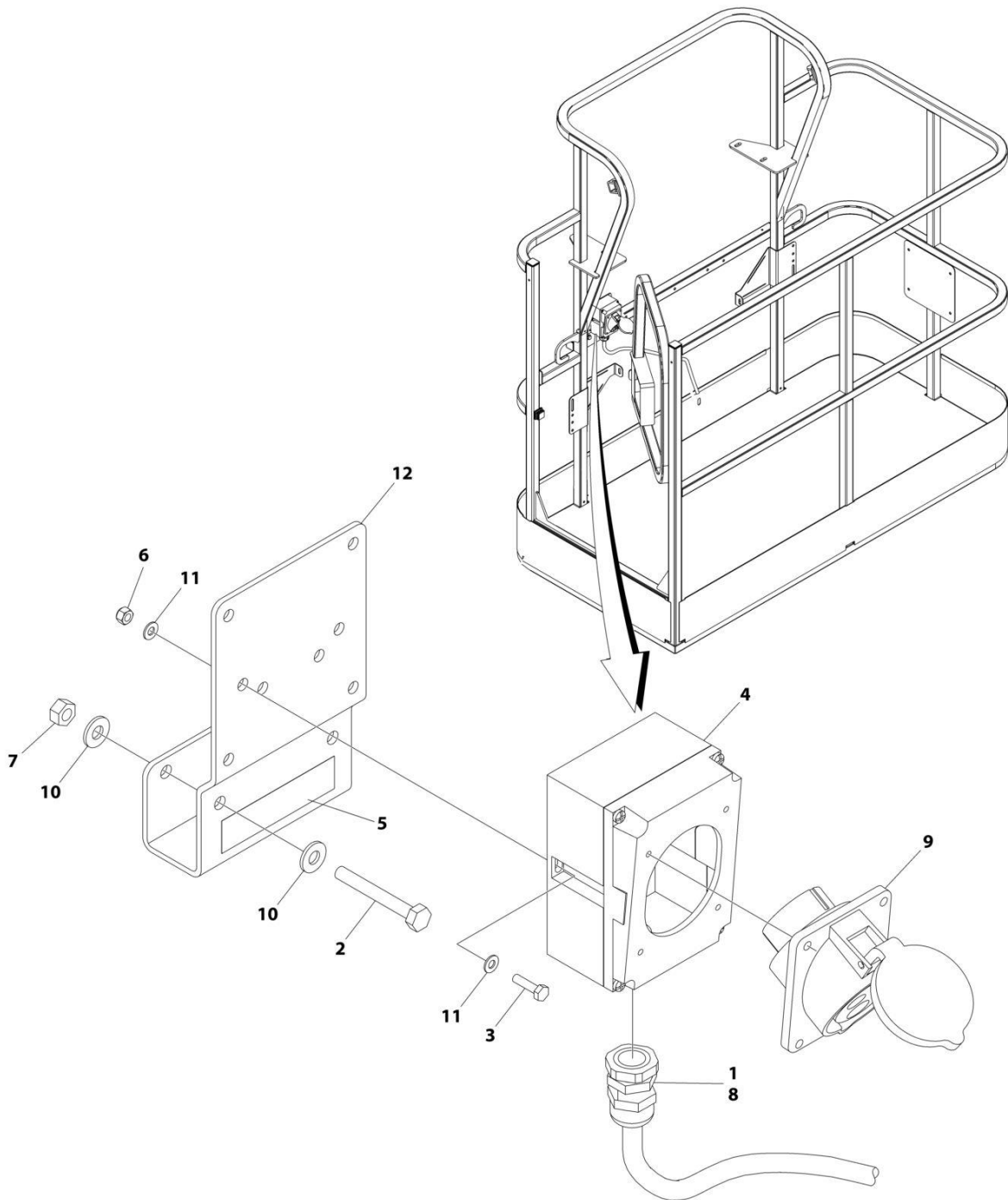
SECTION 7 - HYDRAULIC

| ITEM | PART NUMBER | QTY | DESCRIPTION | REV |
|------|-------------|-----|----------------------------------|-----|
| 50 | 1001176302 | 1 | Hose | |
| 51 | 1001202910 | 2 | Fitting, Straight MORB | |
| 52 | 1001207335 | 2 | Hose | |
| 53 | 1001207336 | 1 | Hose | |
| 54 | 1001210356 | 1 | Tube | |
| 55 | 1001210823 | 1 | Fitting | |
| 56 | 1001255930 | 1 | Hose | |
| 100 | 1001194424 | 1 | Hose Kit - Lower (Not Shown) | |
| 101 | 1001173006 | 2 | Hose | |
| 102 | 1001173034 | 1 | Hose | |
| 103 | 1001173035 | 1 | Hose | |
| 104 | 1001173036 | 1 | Hose | |
| 105 | 1001173037 | 1 | Hose | |
| 106 | 1001173038 | 1 | Hose | |
| 107 | 1001173039 | 1 | Hose | |
| 108 | 1001173042 | 1 | Hose | |
| 109 | 1001173043 | 1 | Hose | |
| 110 | 1001180035 | 2 | Hose | |
| 200 | 1001194427 | 1 | Hose Kit - Front (Not Shown) | |
| 201 | 1001173053 | 1 | Hose | |
| 202 | 1001173054 | 1 | Hose | |
| 203 | 1001173055 | 4 | Hose | |
| 204 | 1001173056 | 1 | Hose | |
| 206 | 1001173057 | 2 | Hose | |
| 206 | 1001173058 | 2 | Hose | |
| 207 | 1001173066 | 1 | Hose | |
| 300 | 1001267278 | 1 | Hose Kit - Rear (Not Shown) | |
| 301 | 1001173052 | 1 | Hose | |
| 302 | 1001173059 | 4 | Hose | |
| 303 | 1001173062 | 2 | Hose | |
| 304 | 1001197039 | 1 | Hose | |
| 305 | 1001267275 | 1 | Hose | |
| 306 | 1001267277 | 1 | Hose | |
| 400 | 1001252926 | 1 | Hose Kit - Turntable (Not Shown) | |
| 401 | 2752504 | 1 | Hose | |
| 402 | 2752519 | 1 | Hose | |
| 403 | 1001173027 | 2 | Hose | |
| 404 | 1001173028 | 1 | Hose | |
| 405 | 1001173029 | 2 | Hose | |

SECTION 8 - ELECTRICAL

SECTION 8 - ELECTRICAL

FIGURE 8-1. AC BOX AT PLATFORM INSTALLATION - 110V IEC YELLOW (CE AND RUSSIA SPECS WITH 4000W/50HZ GENERATOR)



ART_1001194203

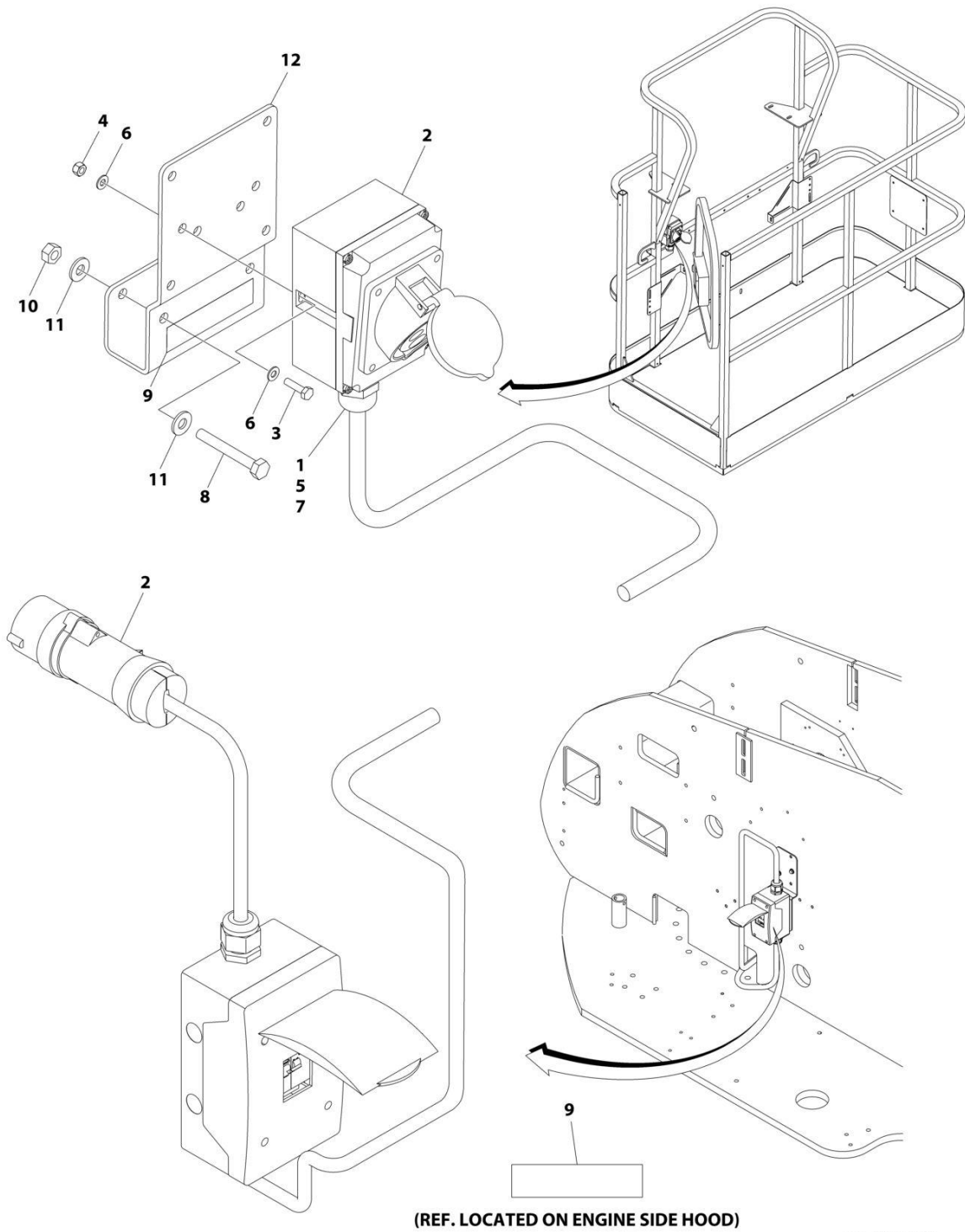
SECTION 8 - ELECTRICAL

FIGURE 8-1. AC BOX AT PLATFORM INSTALLATION - 110V IEC YELLOW (CE AND RUSSIA SPECS WITH 4000W/50HZ GENERATOR)

| ITEM | PART NUMBER | QTY | DESCRIPTION | REV |
|------|-------------|-----|---------------------------------|-----|
| | 1001194203 | Ref | AC BOX AT PLATFORM INSTALLATION | B |
| 1 | 0100020 | AR | Sealant, Pipe | |
| 2 | 0641416 | 2 | Bolt 1/4 x 2 | |
| 3 | 0700408 | 2 | Bolt M4 x 16 | |
| 4 | 0861781 | 1 | Box, Switch | |
| 5 | 1705325 | 1 | Decal - 110V | |
| 6 | 3290405 | 2 | Nut M4 | |
| 7 | 3311405 | 2 | Nut 1/4 | |
| 8 | 4460968 | 1 | Connector, Strain Relief | |
| 9 | 4461198 | 1 | Receptacle | |
| 10 | 4711400 | 4 | Washer 1/4 | |
| 11 | 4811400 | 4 | Washer M4 | |
| 12 | 1001193018 | 1 | Bracket, AC Receptacle | |

SECTION 8 - ELECTRICAL

FIGURE 8-2. AC BOX AT PLATFORM INSTALLATION - 110V IEC 60309 YELLOW WITHOUT 2500W GENERATOR (CE AND RUSSIA SPECS)



ART_1001091969

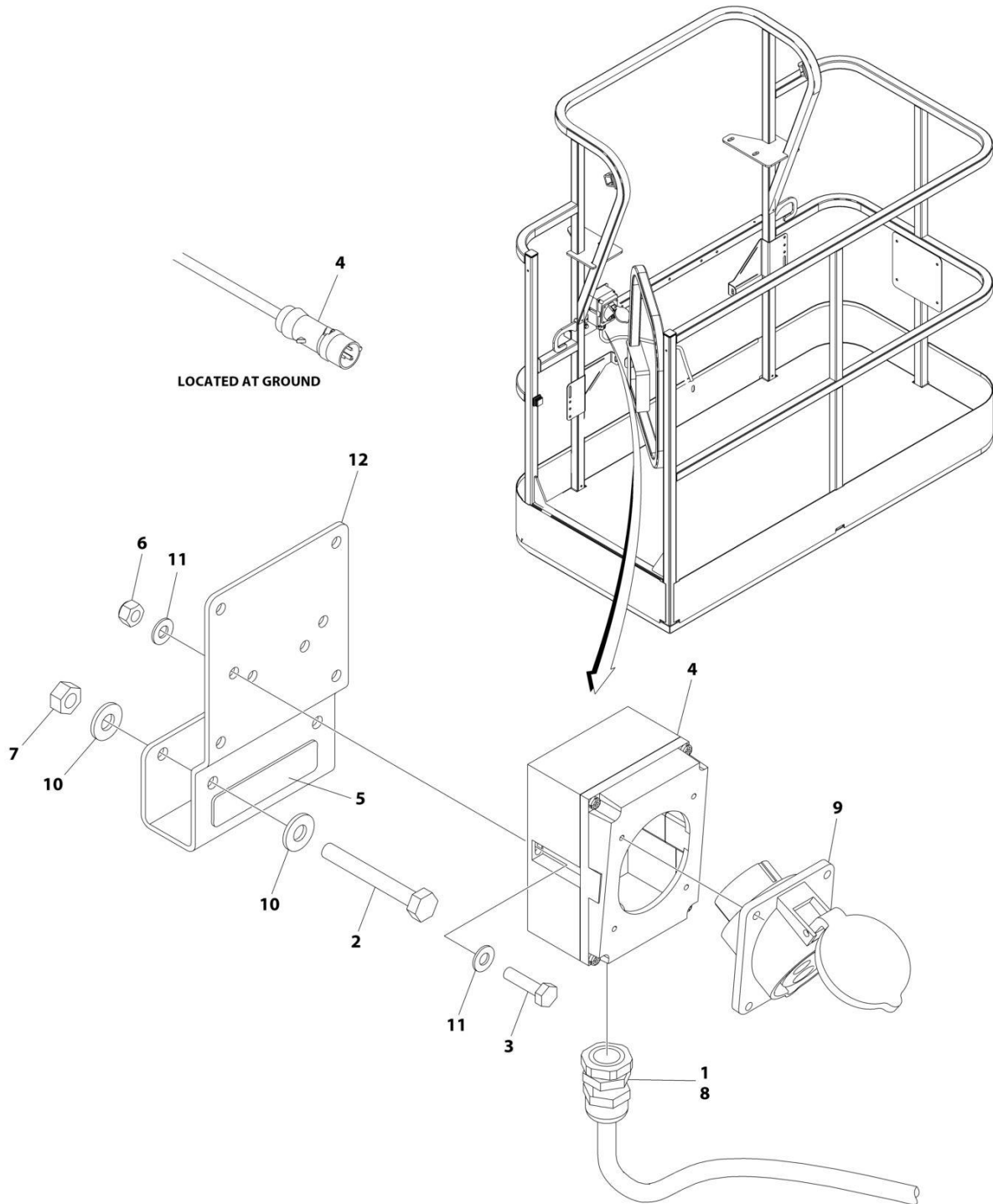
SECTION 8 - ELECTRICAL

FIGURE 8-2. AC BOX AT PLATFORM INSTALLATION - 110V IEC 60309 YELLOW WITHOUT 2500W GENERATOR (CE AND RUSSIA SPECS)

| ITEM | PART NUMBER | QTY | DESCRIPTION | REV |
|------|-------------|-----|---|-----|
| | 1001091969 | Ref | AC BOX AT PLATFORM INSTALLATION - 110V IEC YELLOW | D |
| 1 | 0100020 | AR | Sealant, Pipe | |
| 2 | 0275216 | 1 | Receptacle Box Kit (See Separate Breakdown in this Section) | |
| 3 | 0700408 | 2 | Bolt M4 x 16 | |
| 4 | 3290405 | 2 | Nut M4 | |
| 5 | 1001101196 | 1 | Adapter | |
| 6 | 4811400 | 4 | Washer M4 | |
| 7 | 1001101191 | 1 | Connector, Strain Relief | |
| 8 | 0641416 | 2 | Bolt 1/4 x 2 | |
| 9 | 1705325 | 2 | Decal - 110V | |
| 10 | 3311405 | 2 | Nut 1/4 | |
| 11 | 4711400 | 4 | Washer 1/4 | |
| 12 | 1001193018 | 1 | Bracket | |

SECTION 8 - ELECTRICAL

FIGURE 8-3. AC BOX AT PLATFORM INSTALLATION - 220V IEC BLUE (CE AND RUSSIA SPECS WITH 4000W/50HZ GENERATOR)



ART_1001194204

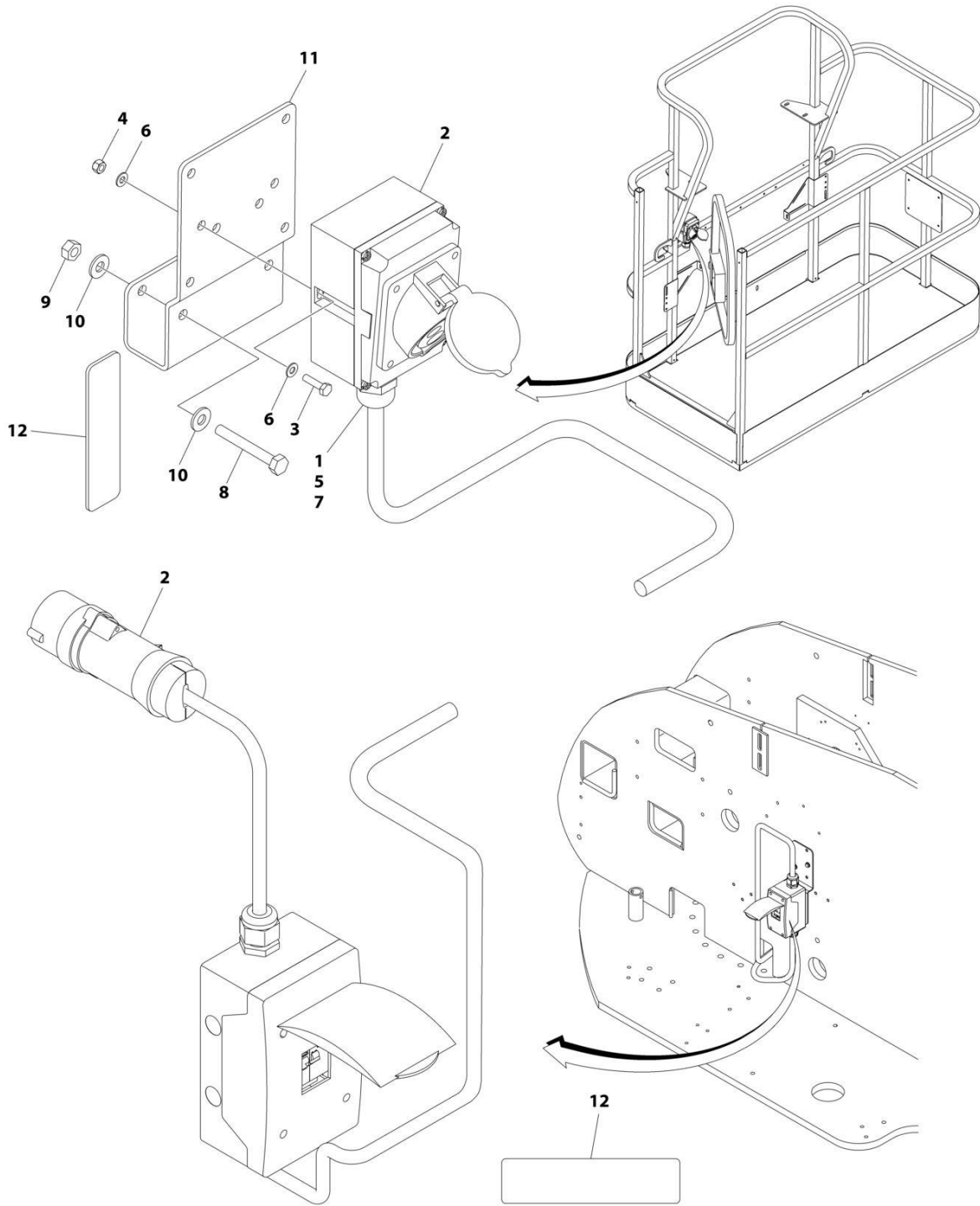
SECTION 8 - ELECTRICAL

FIGURE 8-3. AC BOX AT PLATFORM INSTALLATION - 220V IEC BLUE (CE AND RUSSIA SPECS WITH 4000W/50HZ GENERATOR)

| ITEM | PART NUMBER | QTY | DESCRIPTION | REV |
|------|-------------|-----|---------------------------------|-----|
| | 1001194204 | Ref | AC BOX AT PLATFORM INSTALLATION | B |
| 1 | 0100020 | AR | Sealant, Pipe | |
| 2 | 0641416 | 2 | Bolt 1/4 x 2 | |
| 3 | 0700408 | 2 | Bolt M4 x 16 | |
| 4 | 0861781 | 1 | Box, Switch | |
| 5 | 3251242 | 1 | Decal - 240V/50Hz | |
| 6 | 3290405 | 2 | Nut M4 | |
| 7 | 3311405 | 2 | Nut 1/4 | |
| 8 | 4460968 | 1 | Connector, Strain Relief | |
| 9 | 4461201 | 1 | Receptacle | |
| 10 | 4711400 | 4 | Washer 1/4 | |
| 11 | 4811400 | 4 | Washer M4 | |
| 12 | 1001193018 | 1 | Bracket, AC Receptacle | |

SECTION 8 - ELECTRICAL

FIGURE 8-4. AC BOX AT PLATFORM INSTALLATION - 220V IEC 60309 BLUE WITHOUT 2500W GENERATOR (CE AND RUSSIA SPECS)



(REF. LOCATED ON ENGINE SIDE HOOD)

ART_1001091970

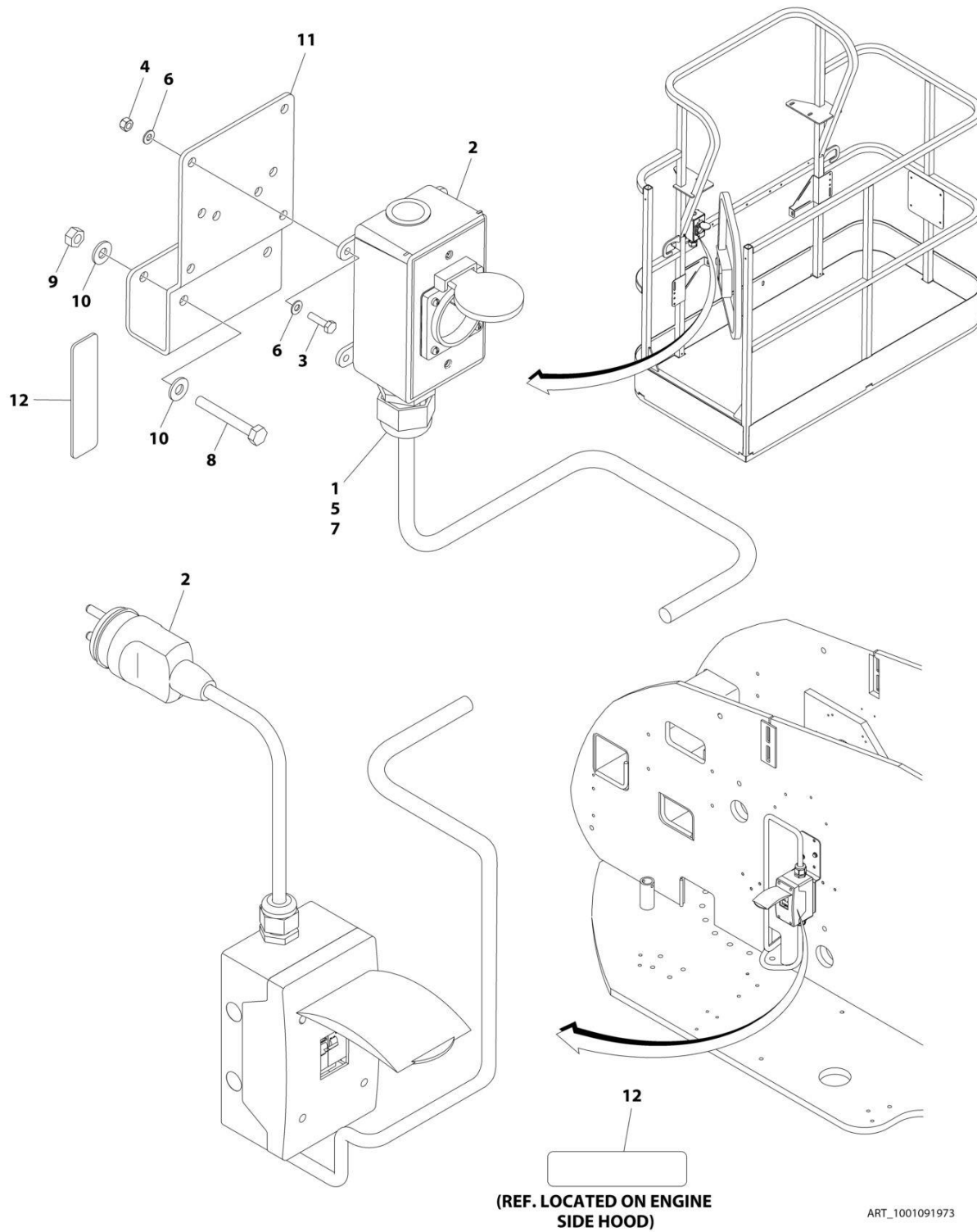
SECTION 8 - ELECTRICAL

FIGURE 8-4. AC BOX AT PLATFORM INSTALLATION - 220V IEC 60309 BLUE WITHOUT 2500W GENERATOR (CE AND RUSSIA SPECS)

| ITEM | PART NUMBER | QTY | DESCRIPTION | REV |
|------|-------------|-----|---|-----|
| | 1001091970 | Ref | AC BOX AT PLATFORM INSTALLATION - 220V IEC BLUE | D |
| 1 | 0100020 | AR | Sealant, Pipe | |
| 2 | 0275217 | 1 | Receptacle Box Kit (See Separate Breakdown in this Section) | |
| 3 | 0700408 | 2 | Bolt M4 x 16 | |
| 4 | 3290405 | 2 | Nut M4 | |
| 5 | 1001101196 | 1 | Adapter | |
| 6 | 4811400 | 4 | Washer M4 | |
| 7 | 1001101191 | 1 | Connector, Strain Relief | |
| 8 | 0641416 | 2 | Bolt 1/4 x 2 | |
| 9 | 3311405 | 2 | Nut 1/4 | |
| 10 | 4711400 | 4 | Washer 1/4 | |
| 11 | 1001193018 | 1 | Bracket | |
| 12 | 3251242 | 2 | Decal - 240V/50Hz | |

SECTION 8 - ELECTRICAL

FIGURE 8-5. AC BOX AT PLATFORM INSTALLATION - 220V CEE7 POST GROUND (2X4 BOX) WITHOUT 2500W GENERATOR (CE AND RUSSIA SPECS)



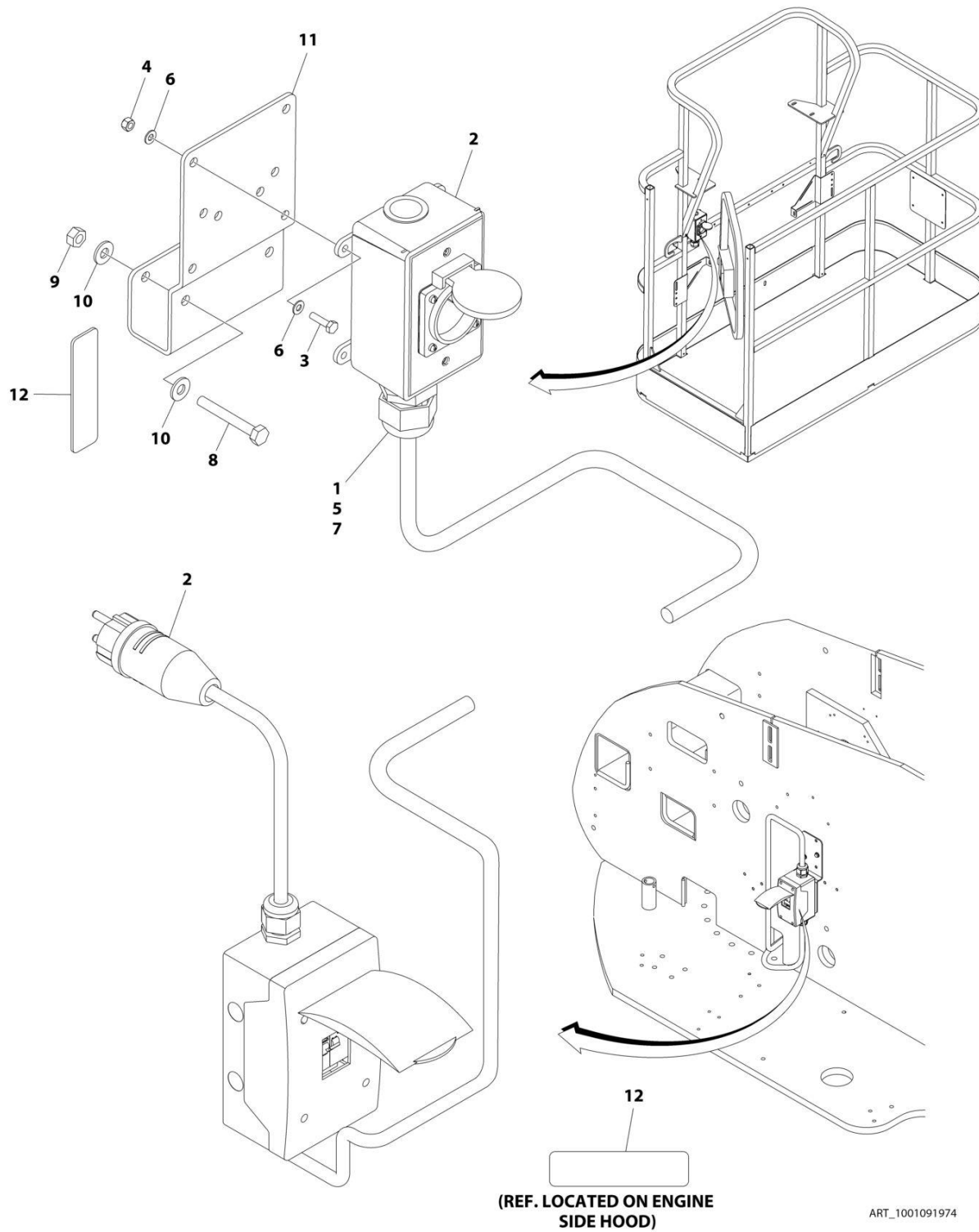
SECTION 8 - ELECTRICAL

**FIGURE 8-5. AC BOX AT PLATFORM INSTALLATION - 220V CEE7 POST GROUND (2X4 BOX)
WITHOUT 2500W GENERATOR (CE AND RUSSIA SPECS)**

| ITEM | PART NUMBER | QTY | DESCRIPTION | REV |
|------|-------------|-----|--|-----|
| | 1001091973 | Ref | AC BOX AT PLATFORM INSTALLATION - 220V CEE7 2X4 BOX POST GROUND | F |
| 1 | 0100020 | AR | Sealant, Pipe | |
| 2 | 0275452 | 1 | Receptacle Box Kit (See Separate Breakdown in this Section) | |
| 3 | 0700408 | 4 | Bolt M4 x 16 | |
| 4 | 3290405 | 4 | Nut M4 | |
| 5 | 1001101197 | 1 | Adapter | |
| 6 | 4811400 | 8 | Washer M4 | |
| 7 | 1001101191 | 1 | Connector, Strain Relief | |
| 8 | 0641416 | 2 | Bolt 1/4 x 2 | |
| 9 | 3311405 | 2 | Nut 1/4 | |
| 10 | 4711400 | 4 | Washer 1/4 | |
| 11 | 1001193018 | 1 | Bracket | |
| 12 | 3251242 | 2 | Decal - 240V/50Hz | |
| 13 | 4460806 | 2 | Terminal, Fork (Not Shown) | |
| 14 | 1001205958 | 1 | Terminal (Not Shown) | |

SECTION 8 - ELECTRICAL

**FIGURE 8-6. AC BOX AT PLATFORM INSTALLATION - 220V CEE7 SIDE GROUND (2X4 BOX)
WITHOUT 2500W GENERATOR (CE AND RUSSIA SPECS)**



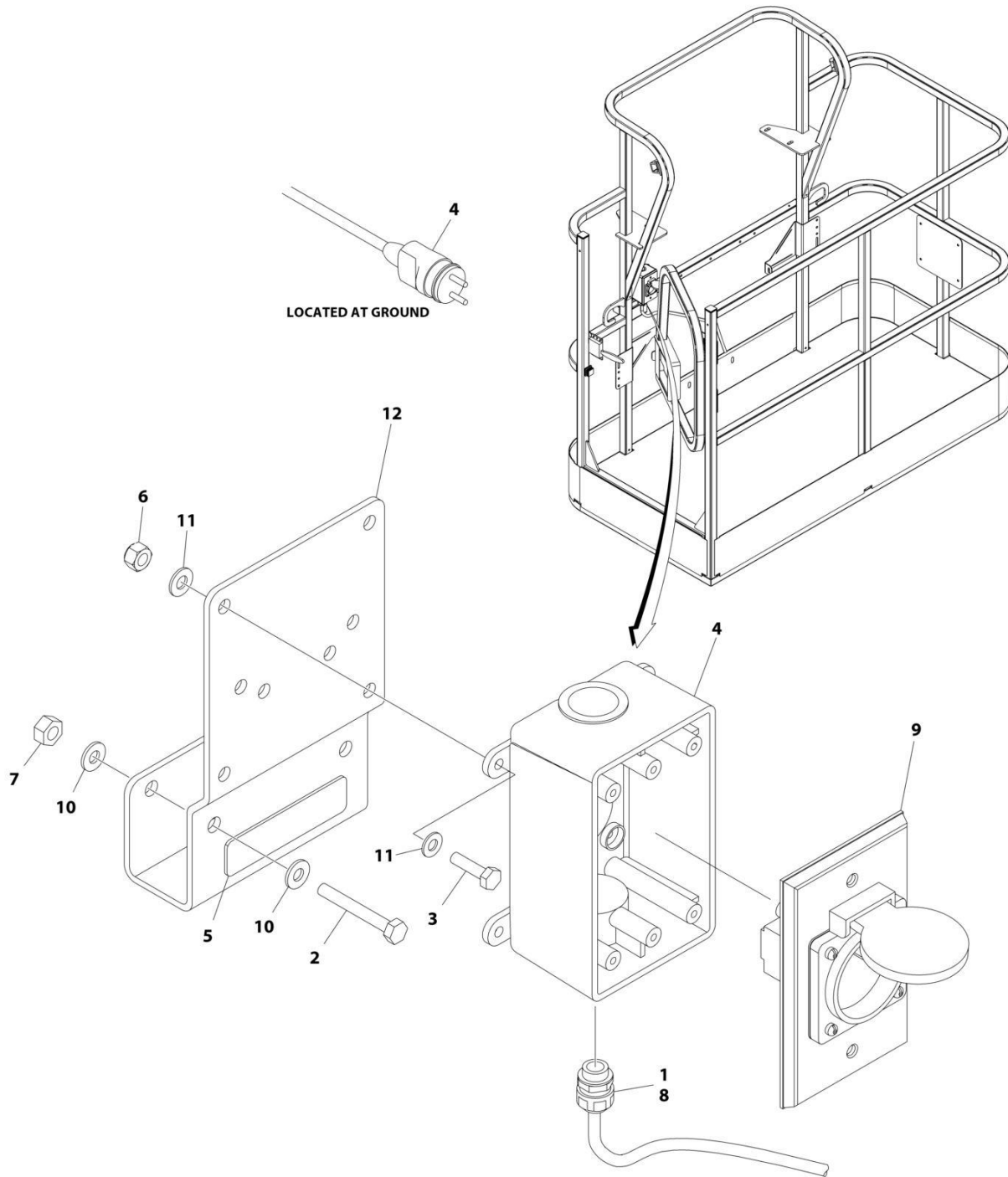
SECTION 8 - ELECTRICAL

**FIGURE 8-6. AC BOX AT PLATFORM INSTALLATION - 220V CEE7 SIDE GROUND (2X4 BOX)
WITHOUT 2500W GENERATOR (CE AND RUSSIA SPECS)**

| ITEM | PART NUMBER | QTY | DESCRIPTION | REV |
|------|-------------|-----|--|-----|
| | 1001091974 | Ref | AC BOX AT PLATFORM INSTALLATION - 220V CEE7 2X4 BOX SIDE GROUND | F |
| 1 | 0100020 | AR | Sealant, Pipe | |
| 2 | 0275453 | 1 | Receptacle Box Kit (See Separate Breakdown in this Section) | |
| 3 | 0700408 | 4 | Bolt M4 x 16 | |
| 4 | 3290405 | 4 | Nut M4 | |
| 5 | 1001101197 | 1 | Adapter | |
| 6 | 4811400 | 8 | Washer M4 | |
| 7 | 1001101191 | 1 | Connector, Strain Relief | |
| 8 | 0641416 | 2 | Bolt 1/4 x 2 | |
| 9 | 3311405 | 2 | Nut 1/4 | |
| 10 | 4711400 | 4 | Washer 1/4 | |
| 11 | 1001193018 | 1 | Bracket | |
| 12 | 3251242 | 2 | Decal - 240V/50Hz | |
| 13 | 4460806 | 2 | Terminal, Fork (Not Shown) | |
| 14 | 1001205958 | 1 | Terminal (Not Shown) | |

SECTION 8 - ELECTRICAL

FIGURE 8-7. AC BOX AT PLATFORM INSTALLATION - 220V CEE7 2IN X 4IN POST GROUND (CE AND RUSSIA SPECS WITH 4000W/50HZ GENERATOR)



ART_1001194197

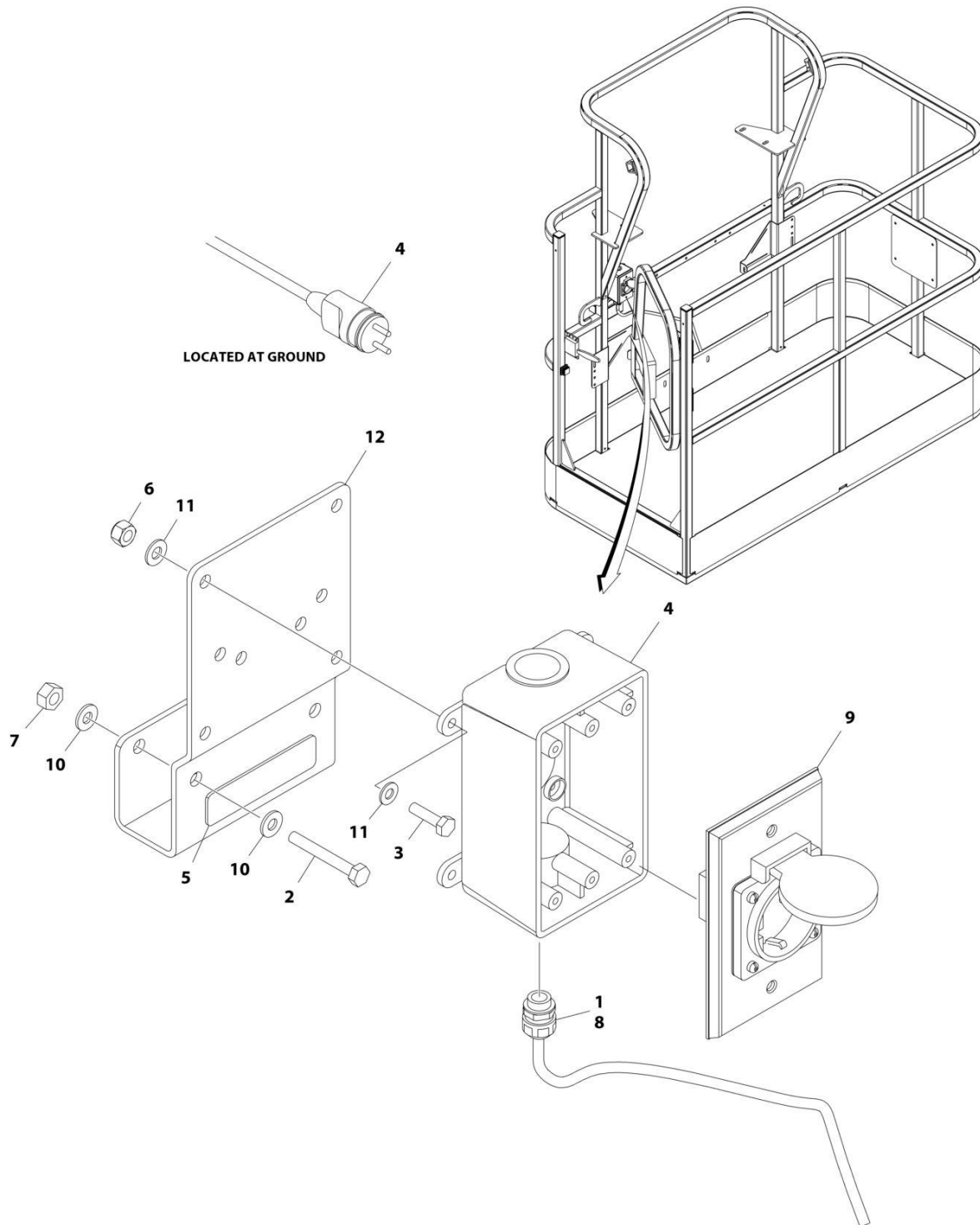
SECTION 8 - ELECTRICAL

FIGURE 8-7. AC BOX AT PLATFORM INSTALLATION - 220V CEE7 2IN X 4IN POST GROUND (CE AND RUSSIA SPECS WITH 4000W/50HZ GENERATOR)

| ITEM | PART NUMBER | QTY | DESCRIPTION | REV |
|------|-------------|-----|---------------------------------|-----|
| | 1001194197 | Ref | AC BOX AT PLATFORM INSTALLATION | B |
| 1 | 0100020 | AR | Sealant, Pipe | |
| 2 | 0641416 | 2 | Bolt 1/4 x 2 | |
| 3 | 0700408 | 4 | Bolt M4 x 16 | |
| 4 | 0861731 | 1 | Box, Switch | |
| 5 | 3251242 | 1 | Decal - 240V/50Hz | |
| 6 | 3290405 | 4 | Nut M4 | |
| 7 | 3311405 | 2 | Nut 1/4 | |
| 8 | 4460662 | 1 | Connector, Strain Relief | |
| 9 | 4461244 | 1 | Receptacle | |
| 10 | 4711400 | 4 | Washer 1/4 | |
| 11 | 4811400 | 8 | Washer M4 | |
| 12 | 1001193018 | 1 | Bracket, AC Receptacle | |
| 13 | 4460806 | 2 | Terminal, Fork (Not Shown) | |
| 14 | 1001205958 | 1 | Terminal (Not Shown) | |

SECTION 8 - ELECTRICAL

FIGURE 8-8. AC BOX AT PLATFORM INSTALLATION - 220V CEE7 2IN X 4IN SIDE GROUND (CE AND RUSSIA SPECS WITH 4000W/50HZ GENERATOR)



ART_1001194198

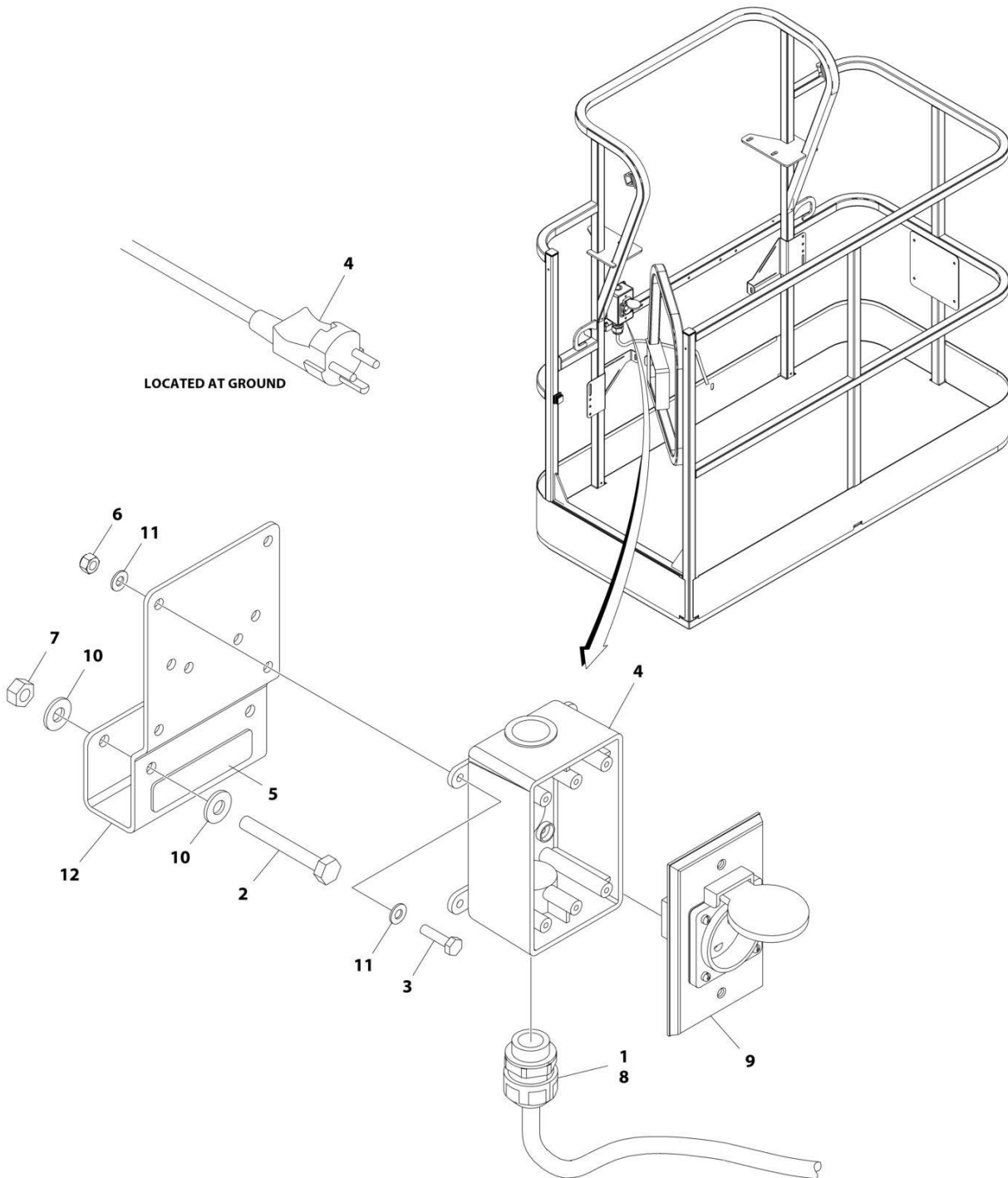
SECTION 8 - ELECTRICAL

FIGURE 8-8. AC BOX AT PLATFORM INSTALLATION - 220V CEE7 2IN X 4IN SIDE GROUND (CE AND RUSSIA SPECS WITH 4000W/50HZ GENERATOR)

| ITEM | PART NUMBER | QTY | DESCRIPTION | REV |
|------|-------------|-----|---------------------------------|-----|
| | 1001194198 | Ref | AC BOX AT PLATFORM INSTALLATION | B |
| 1 | 0100020 | AR | Sealant, Pipe | |
| 2 | 0641416 | 2 | Bolt 1/4 x 2 | |
| 3 | 0700408 | 4 | Bolt M4 x 16 | |
| 4 | 0861731 | 1 | Box, Switch | |
| 5 | 3251242 | 1 | Decal - 240V/50Hz | |
| 6 | 3290405 | 4 | Nut M4 | |
| 7 | 3311405 | 2 | Nut 1/4 | |
| 8 | 4460662 | 1 | Connector, Strain Relief | |
| 9 | 4461245 | 1 | Receptacle | |
| 10 | 4711400 | 4 | Washer 1/4 | |
| 11 | 4811400 | 8 | Washer M4 | |
| 12 | 1001193018 | 1 | Bracket, AC Receptacle | |
| 13 | 4460806 | 2 | Terminal, Fork (Not Shown) | |
| 14 | 1001205958 | 1 | Terminal (Not Shown) | |

SECTION 8 - ELECTRICAL

FIGURE 8-9. AC BOX AT PLATFORM INSTALLATION - 220V AFSINT107 (CE AND RUSSIA SPECS WITH 4000W/50HZ GENERATOR)



ART_1001194200

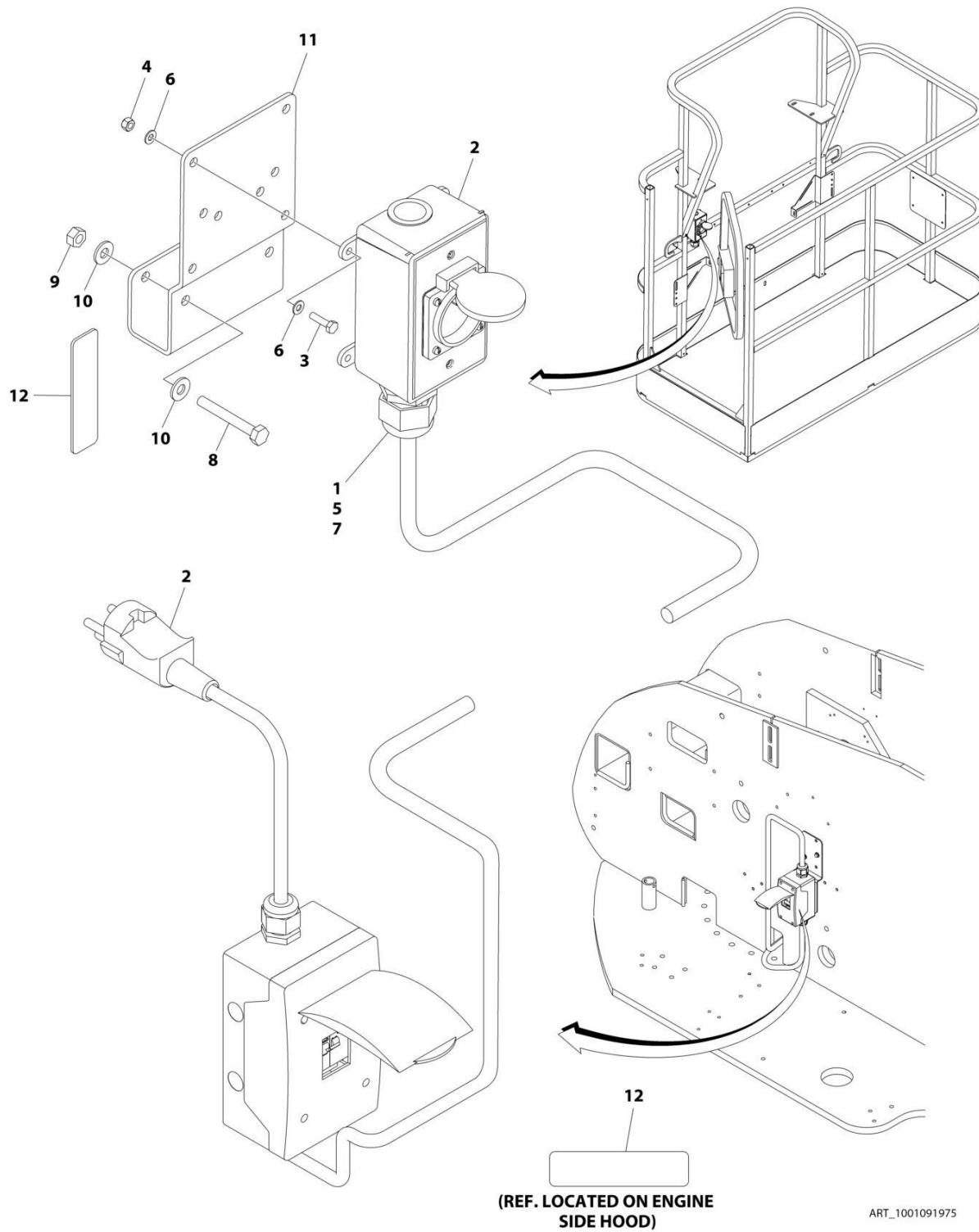
SECTION 8 - ELECTRICAL

FIGURE 8-9. AC BOX AT PLATFORM INSTALLATION - 220V AFSINT107 (CE AND RUSSIA SPECS WITH 4000W/50HZ GENERATOR)

| ITEM | PART NUMBER | QTY | DESCRIPTION | REV |
|------|-------------|-----|---------------------------------|-----|
| | 1001194200 | Ref | AC BOX AT PLATFORM INSTALLATION | B |
| 1 | 0100020 | AR | Sealant, Pipe | |
| 2 | 0641416 | 2 | Bolt 1/4 x 2 | |
| 3 | 0700408 | 4 | Bolt M4 x 16 | |
| 4 | 0861731 | 1 | Box, Switch | |
| 5 | 3251242 | 1 | Decal - 240V/50Hz | |
| 6 | 3290405 | 4 | Nut M4 | |
| 7 | 3311405 | 2 | Nut 1/4 | |
| 8 | 4460662 | 1 | Connector, Strain Relief | |
| 9 | 4461246 | 1 | Receptacle | |
| 10 | 4711400 | 4 | Washer 1/4 | |
| 11 | 4811400 | 8 | Washer M4 | |
| 12 | 1001193018 | 1 | Bracket, AC Receptacle | |
| 13 | 1001205958 | 1 | Terminal (Not Shown) | |

SECTION 8 - ELECTRICAL

FIGURE 8-10. AC BOX AT PLATFORM INSTALLATION - 220V AFSINT 107 KEYED GROUND (2X4 BOX) WITHOUT 2500W GENERATOR (CE AND RUSSIA SPECS)



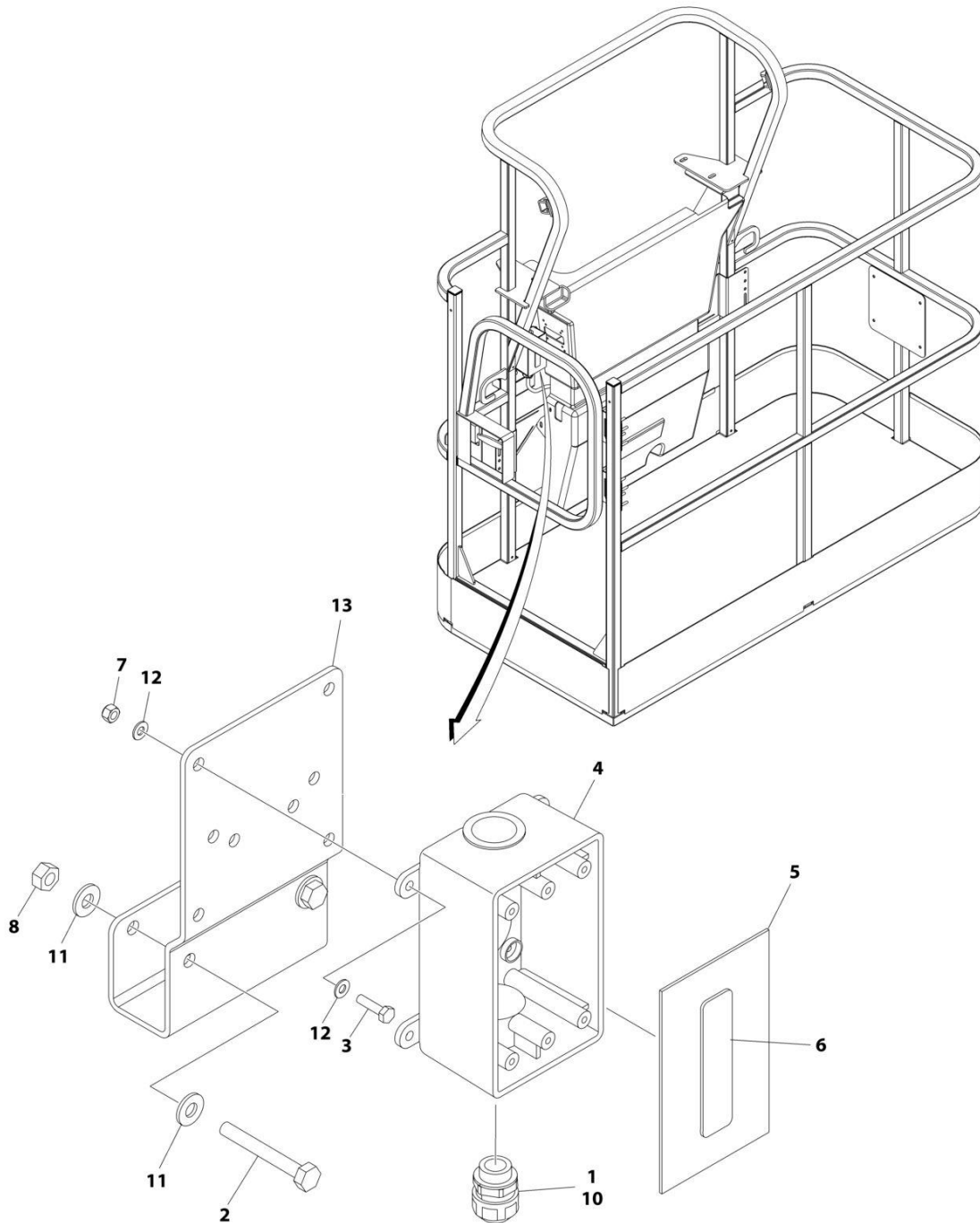
SECTION 8 - ELECTRICAL

FIGURE 8-10. AC BOX AT PLATFORM INSTALLATION - 220V AFSINT 107 KEYED GROUND (2X4 BOX) WITHOUT 2500W GENERATOR (CE AND RUSSIA SPECS)

| ITEM | PART NUMBER | QTY | DESCRIPTION | REV |
|------|-------------|-----|--|-----|
| | 1001091975 | Ref | AC BOX AT PLATFORM INSTALLATION - 220V AFSINT 107 2X4 BOX KEYED GROUND | F |
| 1 | 0100020 | AR | Sealant, Pipe | |
| 2 | 0275454 | 1 | Receptacle Box Kit (See Separate Breakdown in this Section) | |
| 3 | 0700408 | 4 | Bolt M4 x 16 | |
| 4 | 3290405 | 4 | Nut M4 | |
| 5 | 1001101197 | 1 | Adapter | |
| 6 | 4811400 | 8 | Washer M4 | |
| 7 | 1001101191 | 1 | Connector, Strain Relief | |
| 8 | 0641416 | 2 | Bolt 1/4 x 2 | |
| 9 | 3311405 | 2 | Nut 1/4 | |
| 10 | 4711400 | 4 | Washer 1/4 | |
| 11 | 1001193018 | 1 | Bracket | |
| 12 | 3251242 | 2 | Decal - 240V/50Hz | |
| 13 | 1001205958 | 3 | Terminal (Not Shown) | |

SECTION 8 - ELECTRICAL

FIGURE 8-11. AC BOX AT PLATFORM INSTALLATION - 220V CUSTOMER SUPPLIED COMPONENTS (ALL SPECS)



ART_1001194365

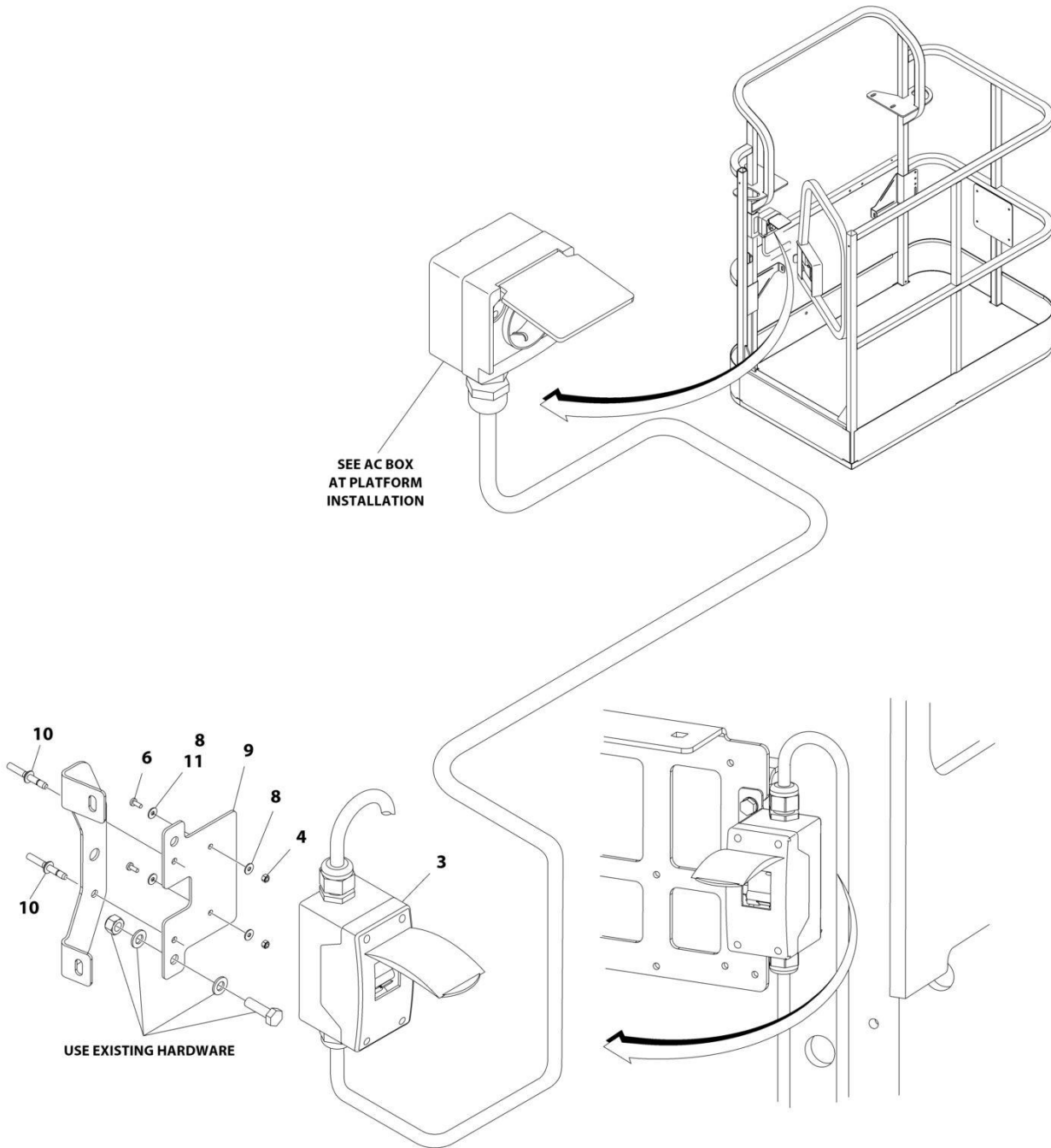
SECTION 8 - ELECTRICAL

**FIGURE 8-11. AC BOX AT PLATFORM INSTALLATION - 220V CUSTOMER SUPPLIED COMPONENTS
(ALL SPECS)**

| ITEM | PART NUMBER | QTY | DESCRIPTION | REV |
|------|-------------|-----|---|-----|
| | 1001194365 | Ref | AC BOX AT PLATFORM INSTALLATION - BOX WITH COVER (2X4 BOX) | A |
| 1 | 0100020 | AR | Sealant | |
| 2 | 0641416 | 2 | Bolt 1/4 x 2 | |
| 3 | 0700408 | 4 | Bolt M4 x 16 | |
| 4 | 0861731 | 1 | Box, Switch | |
| 5 | 1670603 | 1 | Cover | |
| 6 | 3251242 | 1 | Decal - 240V/50Hz | |
| 7 | 3290405 | 4 | Nut M4 | |
| 8 | 3311405 | 2 | Nut 1/4 | |
| 9 | 4460384 | 3 | Terminal (Not Shown) | |
| 10 | 4460662 | 1 | Connector, Strain Relief | |
| 11 | 4711400 | 4 | Washer 1/4 | |
| 12 | 4811400 | 8 | Washer M4 | |
| 13 | 1001193018 | 1 | Bracket, AC Receptacle | |

SECTION 8 - ELECTRICAL

FIGURE 8-12. AC CABLE INSTALLATION - WITH TWO BREAKERS (CE AND RUSSIA SPECS)



ART_1001167312

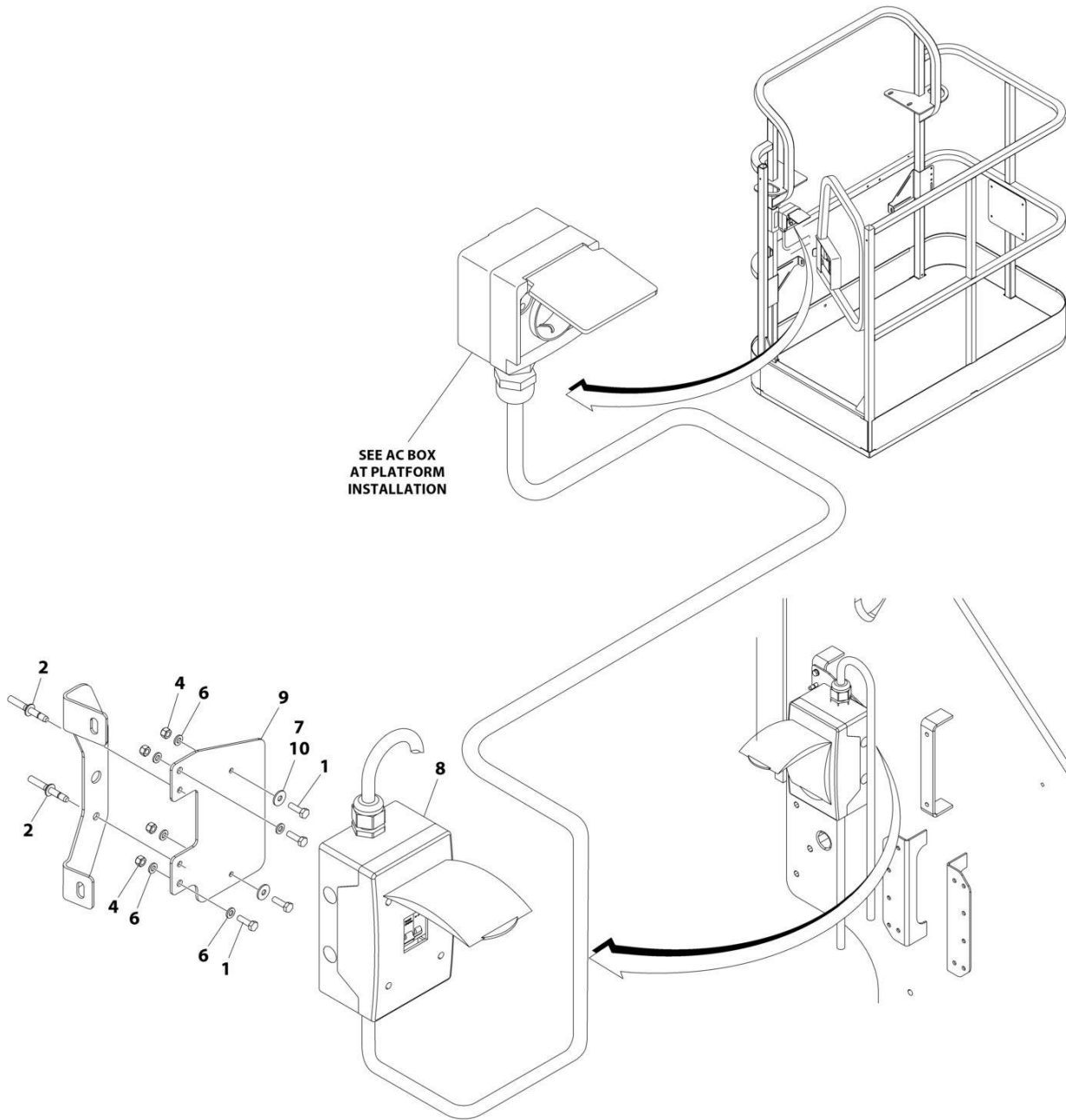
SECTION 8 - ELECTRICAL

FIGURE 8-12. AC CABLE INSTALLATION - WITH TWO BREAKERS (CE AND RUSSIA SPECS)

| ITEM | PART NUMBER | QTY | DESCRIPTION | REV |
|------|-------------|-----|--|-----|
| | 1001167312 | Ref | AC CABLE INSTALLATION - WITH TWO BREAKERS | G |
| 3 | 2902549 | 1 | Breaker Box Kit - CE Spec (See Separate Breakdown in this Section) | |
| 4 | 3290405 | 2 | Nut M4 | |
| 4 | 3290605 | 2 | Nut M6 | |
| 6 | 4010405 | AR | Screw M4 x 10 | |
| 6 | 0760610 | AR | Screw M6 x 20 | |
| 6 | 0760614 | AR | Screw M6 x 30 | |
| 8 | 1001091102 | 2 | Washer M4 | |
| 8 | 4811700 | AR | Washer M6 | |
| 9 | 1001174158 | 1 | Bracket | |
| 10 | 2080040 | 2 | Fastener, Huck | |
| 11 | 4811702 | 2 | Washer M6 | |

SECTION 8 - ELECTRICAL

FIGURE 8-13. AC CABLE INSTALLATION - WITH THREE BREAKERS (CE AND RUSSIA SPECS)



ART_1001209677

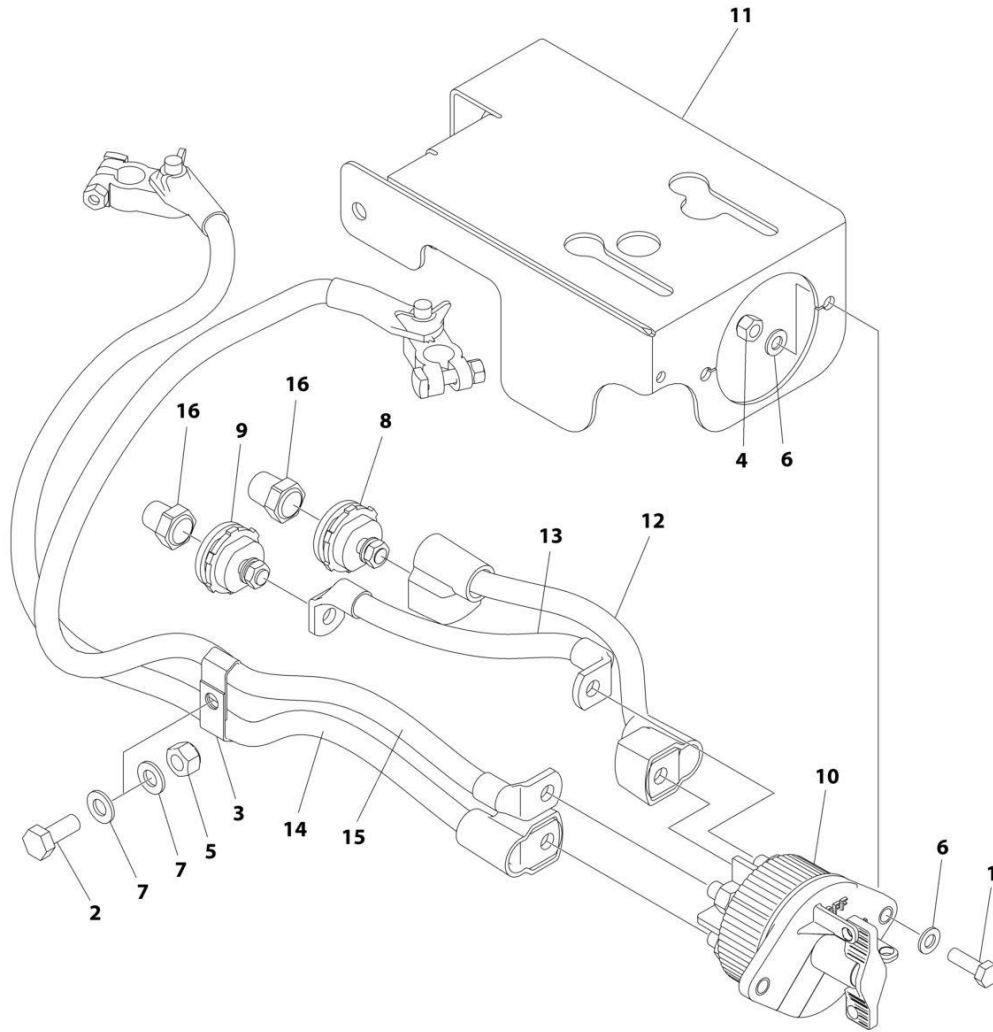
SECTION 8 - ELECTRICAL

FIGURE 8-13. AC CABLE INSTALLATION - WITH THREE BREAKERS (CE AND RUSSIA SPECS)

| ITEM | PART NUMBER | QTY | DESCRIPTION | REV |
|------|-------------|-----|--|-----|
| | 1001209677 | Ref | AC CABLE INSTALLATION - WITH THREE BREAKERS | B |
| 1 | 0760610 | AR | Bolt M6 x 20 | |
| 1 | 4010405 | AR | Bolt M4 x 10 | |
| 2 | 2080040 | AR | Fastener, Huck | |
| 4 | 3290605 | AR | Nut M6 | |
| 6 | 4811700 | 4 | Washer M6 | |
| 7 | 1001091102 | AR | Washer M4 | |
| 8 | 1001152485 | 1 | Breaker Box Kit (See Separate Breakdown in this Section) | |
| 9 | 1001209832 | 1 | Bracket | |
| 10 | 4811702 | AR | Washer M6 | |

SECTION 8 - ELECTRICAL

FIGURE 8-14. BATTERY DISCONNECT SWITCH



ART_1001214397

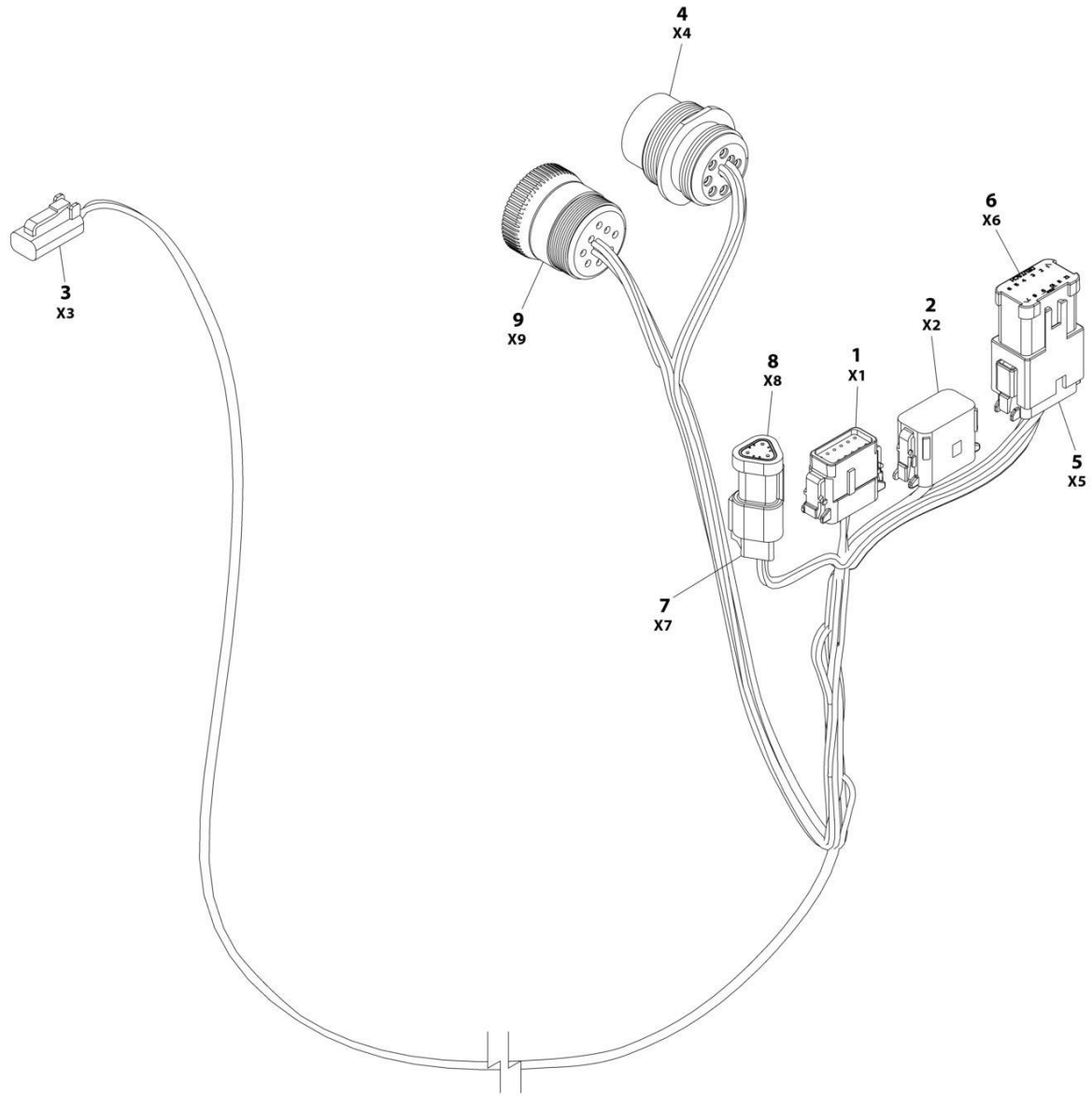
SECTION 8 - ELECTRICAL

FIGURE 8-14. BATTERY DISCONNECT SWITCH

| ITEM | PART NUMBER | QTY | DESCRIPTION | REV |
|------|-------------|-----|--------------------------------------|-----|
| | 1001214397 | Ref | BATTERY DISCONNECT SWITCH | A |
| 1 | 0760812 | 2 | Bolt M8 x 25 | |
| 2 | 0761012 | 1 | Bolt M10 x 25 | |
| 3 | 1320223 | 2 | Clamp | |
| 4 | 3290805 | 2 | Nut M8 | |
| 5 | 3291005 | 1 | Nut M10 | |
| 6 | 4811900 | 4 | Washer M8 | |
| 7 | 4812000 | 2 | Washer M10 | |
| 8 | 1001214570 | 1 | Connector (Red) | |
| 9 | 1001214571 | 1 | Connector (Black) | |
| 10 | 1001225346 | 1 | Switch | |
| 11 | 1001226530 | 1 | Mount | |
| 12 | 1001237878 | 1 | Cable, Battery Disconnect (Positive) | |
| 13 | 1001237879 | 1 | Cable, Battery Disconnect (Negative) | |
| 14 | 1001237880 | 1 | Cable (Positive) | |
| 15 | 1001237881 | 1 | Cable (Negative) | |
| 16 | 1001206476 | 1 | Connector | |

SECTION 8 - ELECTRICAL

FIGURE 8-15. BEACON LIGHT HARNESS (BLUE AND RED BEACON LIGHT)



ART_1001142736

SECTION 8 - ELECTRICAL

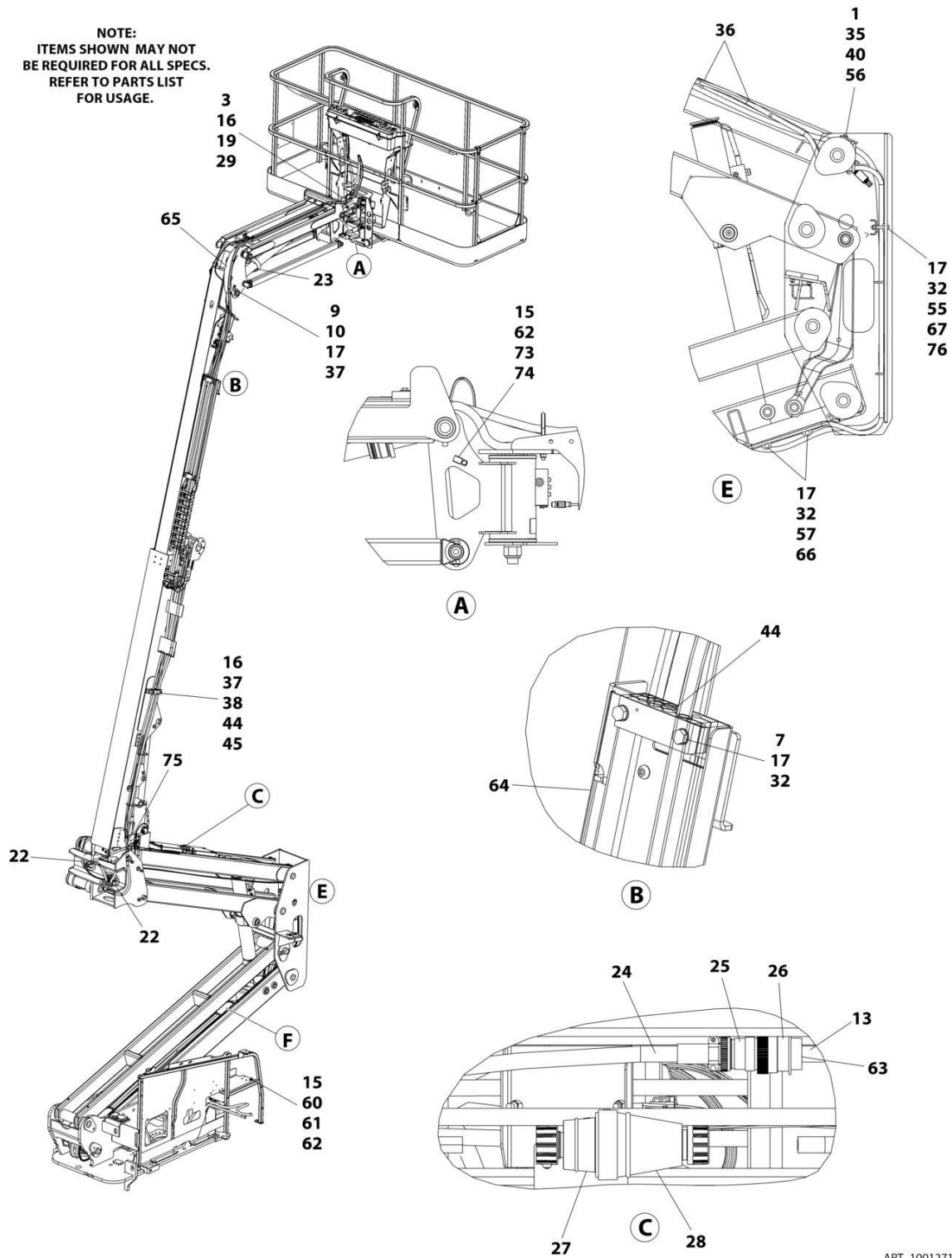
FIGURE 8-15. BEACON LIGHT HARNESS (BLUE AND RED BEACON LIGHT)

| ITEM | PART NUMBER | QTY | DESCRIPTION | REV |
|------|-------------|-----|--------------------------|-----|
| | 1001142736 | Ref | STROBE LIGHT HARNESS | F |
| 1 | 1001116808 | 1 | Plug, Male - 12 Position | |
| 1 | 4460928 | 3 | Socket, Female | |
| 1 | 4460518 | 9 | Plug, Terminal | |
| 2 | 1001116774 | 1 | Plug, Male - 12 Position | |
| 2 | 4460928 | 3 | Socket, Female | |
| 2 | 4460518 | 9 | Plug, Terminal | |
| 3 | 4460891 | 1 | Plug, Male - 2 Position | |
| 3 | 4460465 | 2 | Socket, Female | |
| 4 | 1001112612 | 1 | Connector - 9 Position | |
| 4 | 4460464 | 6 | Pin, Male | |
| 4 | 4460466 | 3 | Plug, Terminal | |
| 5 | 4460933 | 1 | Plug, Male - 12 Position | |
| 5 | 4460465 | 12 | Socket, Female | |
| 6 | 1001119020 | 1 | Bussbar - 12 Position | |
| 7 | 4461095 | 1 | Plug, Male - 3 Position | |
| 7 | 4460465 | 3 | Socket, Female | |
| 8 | 4461070 | 1 | Bussbar - 3 Position | |
| 9 | 1001112796 | 1 | Connector - 9 Position | |
| 9 | 4460465 | 6 | Socket, Female | |
| 9 | 4460466 | 3 | Plug, Terminal | |

SECTION 8 - ELECTRICAL

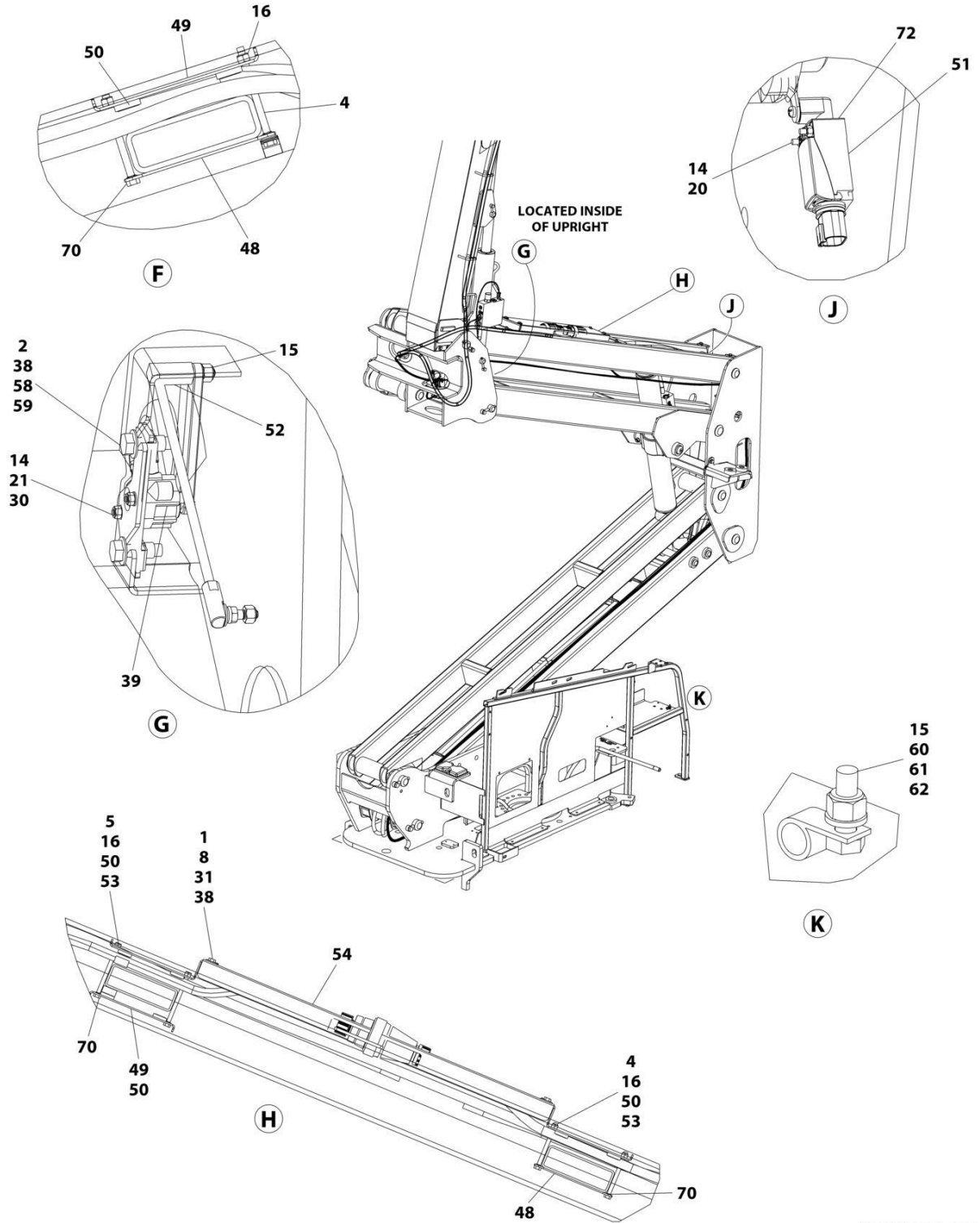
FIGURE 8-16. BOOM CABLES & CLAMPS INSTALLATION (4000W GENERATOR)

NOTE:
ITEMS SHOWN MAY NOT
BE REQUIRED FOR ALL SPECS.
REFER TO PARTS LIST
FOR USAGE.



ART_1001271179_10F2

SECTION 8 - ELECTRICAL



ART_1001271179_2OF2

SECTION 8 - ELECTRICAL

FIGURE 8-16. BOOM CABLES & CLAMPS INSTALLATION (4000W GENERATOR)

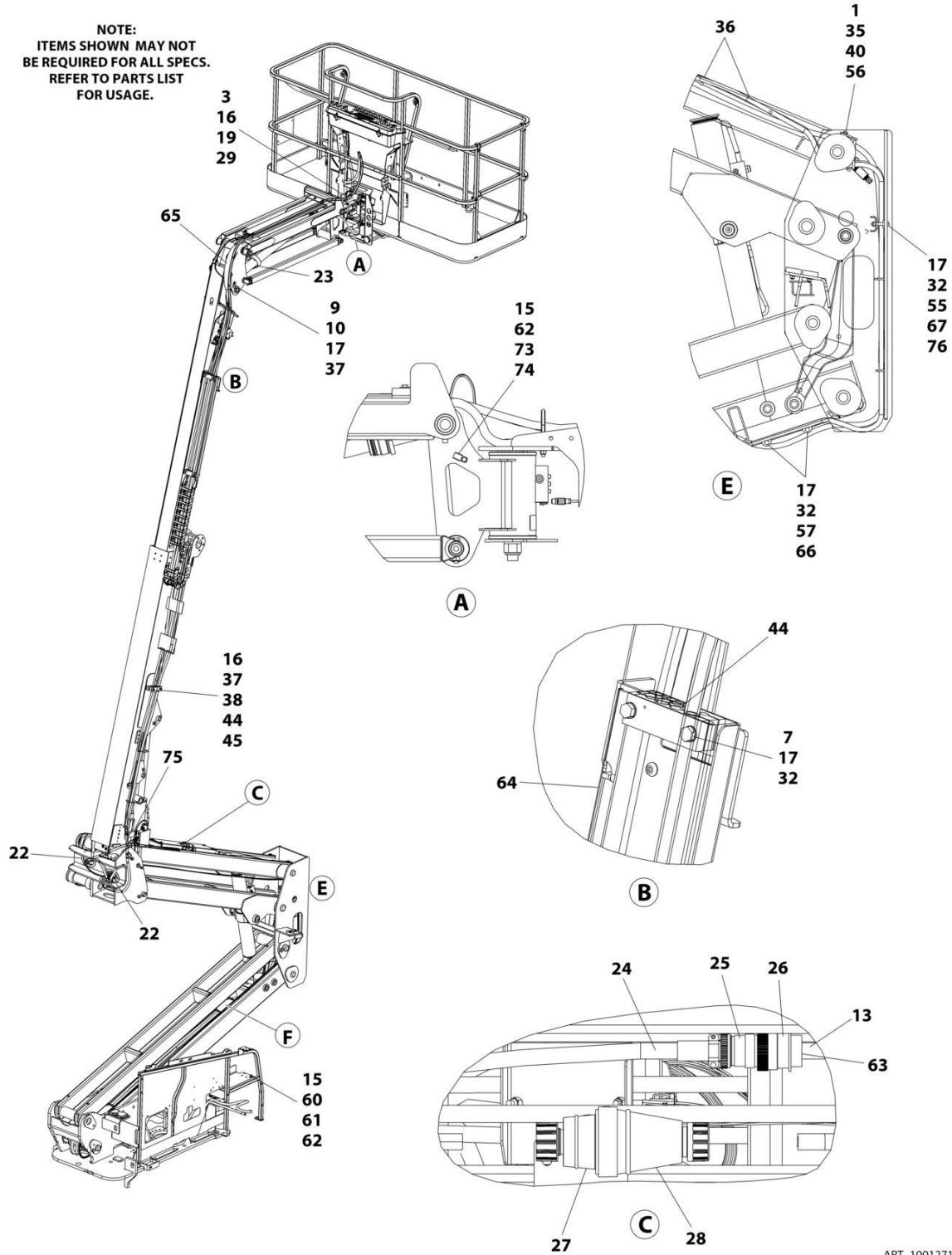
| ITEM | PART NUMBER | QTY | DESCRIPTION | REV |
|------|-------------|------------------|---|-----|
| | 1001271179 | 1 | BOOM CABLES AND CLAMPS INSTALLATION | F |
| 1 | 0100011 | AR | Compound, Locking | |
| 2 | 0100081 | AR | Adhesive | |
| 3 | 0760814 | 2 | Bolt M8 x 30 | |
| 4 | 0700827 | 6 | Bolt M8 x 100 | |
| 5 | 0700828 | 2 | Bolt M8 x 110 | |
| 7 | 0701024 | 4 | Bolt M10 x 80 | |
| 8 | 0760812 | 4 | Bolt M8 x 25 | |
| 9 | 0761012 | 1 | Bolt M10 x 25 | |
| 10 | 1320130 | 1 | Clamp | |
| 13 | 2820031 | AR | Heat Shrink | |
| 14 | 3290405 | 4 | Nut M4 | |
| 15 | 3290605 | 5 | Nut M6 | |
| 16 | 3290805 | 12 | Nut M8 | |
| 17 | 3291005 | 9 | Nut M10 | |
| 19 | 3841340 | 1 | Loop, Hose | |
| 20 | 4010418 | 2 | Screw M4 x 50 | |
| 21 | 4031511 | 2 | Capscrew M4 x 35 | |
| 22 | 4060808 | 27.5 in /8.4m | Flex-Trim | |
| 23 | 4240156 | 1 | Strap, Clinch | |
| 24 | 4460473 | AR | Clamp, Cable | |
| 25 | 4460865 | 1 | Connector - 19 Position | |
| 26 | 4460866 | 1 | Connector - 19 Position | |
| 29 | 4811900 | 4 | Washer M8 | |
| 30 | 4811400 | 2 | Washer M4 | |
| 31 | 4811902 | 4 | Washer M8 | |
| 32 | 4812000 | 13 | Washer M10 | |
| 33 | 1001176951 | 1 | Harness, Tower Boom (See Separate Breakdown in this Section) | |
| 34 | 1001174749 | 1 | Harness, Tower Boom AC Cable (See Separate Breakdown in this Section) | |
| 35 | 5251014 | 2 | Bolt M10 x 30 | |
| 36 | 8881800 | AR | Tie-Strap | |
| 37 | 5281918 | 2 | Screw M8 x 70 | |
| 38 | 1001118274 | AR | Nut M8 | |
| 39 | 1001118971 | 1 | Sensor, Angle | |
| 39 | 70005667 | 1 | Arm | |
| 40 | 1001118972 | 2 | Nut M10 | |
| 43 | 1001164738 | 1 | Harness, Boom Valve (See Separate Breakdown in this Section) | |
| 44 | 1001273302 | 3 | Block, Clamping | |
| 45 | 1001273303 | 1 | Plate | |
| 48 | 1001171553 | 3 | Plate, Clamping | |
| 49 | 1001171555 | 3 | Plate, Clamping | |
| 50 | 1001171559 | 10 | Pad | |
| 51 | 1001172271 | 1 | Switch, Limit | |
| 52 | 1001238466 | 1 | Link, Sensor (Note: Sold as Assembly Only) | |
| 53 | 1001178448 | 2 | Plate, Clamping | |
| 54 | 1001178449 | 1 | Cover | |
| 55 | 1001178644 | 1 | Plate | |
| 56 | 1001260306 | 1 | Bracket | |

SECTION 8 - ELECTRICAL

| ITEM | PART NUMBER | QTY | DESCRIPTION | REV |
|------|-------------|-----|-----------------|-----|
| 57 | 1001182561 | 2 | Roller | |
| 58 | 5250812 | 2 | Bolt M8 x 25 | |
| 59 | 1001179266 | 1 | Plate, Mounting | |
| 60 | 0760610 | 1 | Bolt M6 x 20 | |
| 61 | 1320043 | 1 | Clamp | |
| 62 | 4811700 | 5 | Washer M6 | |
| 63 | 4460466 | AR | Plug, Terminal | |
| 64 | 1001181875 | 1 | Cover | |
| 65 | 1001181923 | 1 | Shield, Hose | |
| 66 | 1001119280 | 2 | Bolt M10 x 260 | |
| 67 | 1001185747 | 2 | Pad | |
| 70 | 1001119228 | 8 | Nut M8 | |
| 72 | 4750800 | AR | Washer #8 | |
| 73 | 1320041 | 2 | Clamp | |
| 74 | 0760612 | 2 | Bolt M6 x 25 | |
| 75 | 1001143645 | 1 | Strap | |
| 76 | 0701022 | AR | Bolt M10 x 70 | |

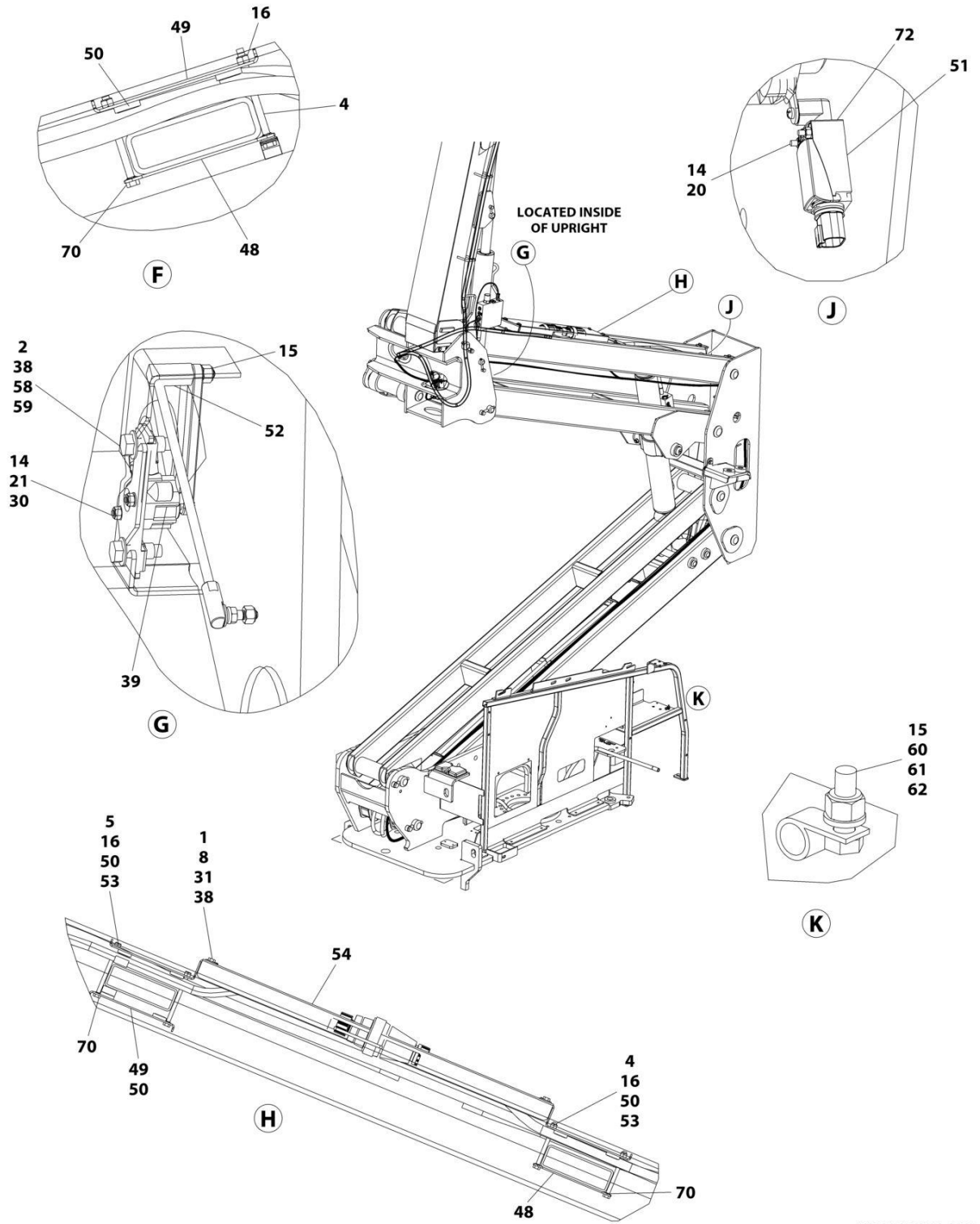
SECTION 8 - ELECTRICAL

FIGURE 8-17. BOOM CABLES & CLAMPS INSTALLATION (7500W SKYPOWER GENERATOR)



ART_1001271180_10F2

SECTION 8 - ELECTRICAL



ART_1001271180_2OF2

SECTION 8 - ELECTRICAL

FIGURE 8-17. BOOM CABLES & CLAMPS INSTALLATION (7500W SKYPOWER GENERATOR)

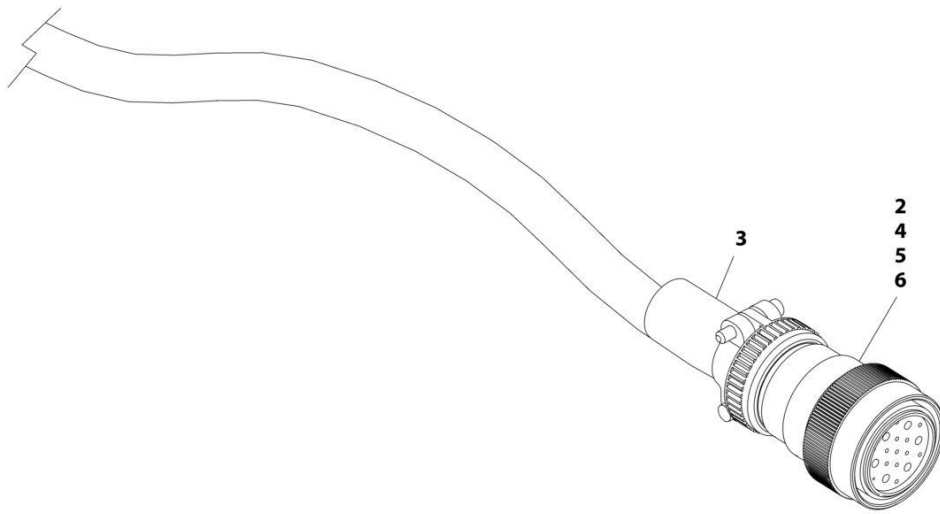
| ITEM | PART NUMBER | QTY | DESCRIPTION | REV |
|------|-------------|-------------------|--|-----|
| | 1001271180 | Ref | BOOM CABLES AND CLAMPS INSTALLATION | F |
| 1 | 0100011 | AR | Compound, Locking | |
| 2 | 0100081 | AR | Adhesive | |
| 3 | 0760814 | 2 | Bolt M8 x 30 | |
| 4 | 0700827 | 6 | Bolt M8 x 100 | |
| 5 | 0700828 | 2 | Bolt M8 x 110 | |
| 7 | 0701024 | 4 | Bolt M10 x 80 | |
| 8 | 0760812 | 4 | Bolt M8 x 25 | |
| 9 | 0761012 | 1 | Bolt M10 x 25 | |
| 10 | 1320130 | 1 | Clamp | |
| 13 | 2820031 | AR | Heat Shrink | |
| 14 | 3290405 | 4 | Nut M4 | |
| 15 | 3290605 | 4 | Nut M6 | |
| 16 | 3290805 | 12 | Nut M8 | |
| 17 | 3291005 | 9 | Nut M10 | |
| 19 | 3841340 | 1 | Loop, Hose | |
| 20 | 4010418 | 2 | Screw M4 x 50 | |
| 21 | 4031511 | 2 | Capscrew M4 x 35 | |
| 22 | 4060808 | 27.5 in/ 8.38m | Flex-Trim | |
| 23 | 4240156 | 1 | Strap, Clinch | |
| 24 | 4460473 | AR | Clamp, Cable | |
| 25 | 4460865 | 1 | Connector - 19 Position | |
| 26 | 4460866 | 1 | Connector - 19 Position | |
| 27 | 1001218622 | 1 | Terminal, Turnlock Plug | |
| 28 | 1001218623 | 1 | Terminal, Turnlock Connector | |
| 29 | 4811900 | 4 | Washer M8 | |
| 30 | 4811400 | 2 | Washer M4 | |
| 31 | 4811902 | 4 | Washer M8 | |
| 32 | 4812000 | 13 | Washer M10 | |
| 33 | 1001176951 | 1 | Harness, Tower Boom (Not Shown - See Separate Breakdown in this Section) | |
| 34 | 4922929 | 1 | Harness, Tower Boom – 8/5 – Lower Generator Cable (Not Shown) | |
| 35 | 5251014 | 2 | Bolt M10 x 30 | |
| 36 | 8881800 | AR | Tie-Strap | |
| 37 | 5281918 | 2 | Screw M8 x 70 | |
| 38 | 1001118274 | AR | Nut M8 | |
| 39 | 1001118971 | 1 | Sensor, Angle | |
| 39 | 70005667 | 1 | Arm | |
| 40 | 1001118972 | 2 | Nut M10 | |
| 41 | 1001172335 | 1 | Harness, Main Boom (Not Shown - See Separate Breakdown in this Section) | |
| 42 | 1001172343 | 1 | Harness, Main Boom – 8/5 – Upper Generator Cable (Not Shown) | |
| 43 | 1001164738 | 1 | Harness, Boom Valve (Not Shown - See Separate Breakdown in this Section) | |
| 44 | 1001273302 | 3 | Block, Clamping | |
| 45 | 1001273303 | 1 | Plate | |
| 48 | 1001171553 | 3 | Plate, Clamping | |
| 49 | 1001171555 | 3 | Plate, Clamping | |
| 50 | 1001171559 | 10 | Pad | |

SECTION 8 - ELECTRICAL

| ITEM | PART NUMBER | QTY | DESCRIPTION | REV |
|------|-------------|-----|--|-----|
| 51 | 1001172271 | 1 | Switch, Limit | |
| 52 | 1001238466 | 1 | Link, Sensor (Note: Sold as Assembly Only) | |
| 53 | 1001178448 | 2 | Plate, Clamping | |
| 54 | 1001178449 | 1 | Cover | |
| 55 | 1001178644 | 1 | Plate | |
| 56 | 1001260306 | 1 | Bracket | |
| 57 | 1001182561 | 2 | Roller | |
| 58 | 5250812 | 2 | Bolt M8 x 25 | |
| 59 | 1001179266 | 1 | Plate, Mounting | |
| 62 | 4811700 | 4 | Washer M6 | |
| 63 | 4460466 | AR | Plug, Terminal | |
| 64 | 1001181875 | 1 | Cover | |
| 65 | 1001181923 | 1 | Shield, Hose | |
| 66 | 1001119280 | 2 | Bolt M10 x 260 | |
| 67 | 1001185747 | 2 | Pad | |
| 70 | 1001119228 | 8 | Nut M8 | |
| 72 | 4750800 | AR | Washer #8 | |
| 73 | 1320041 | 2 | Clamp | |
| 74 | 0760612 | 2 | Bolt M6 x 25 | |
| 75 | 1001143645 | 1 | Strap | |
| 76 | 0701022 | AR | Bolt M10 x 70 | |

SECTION 8 - ELECTRICAL

FIGURE 8-18. BOOM HARNESS - MAIN BOOM



ART_1001172335

SECTION 8 - ELECTRICAL

FIGURE 8-18. BOOM HARNESS - MAIN BOOM

| ITEM | PART NUMBER | QTY | DESCRIPTION | REV |
|------|-------------|-----|---------------------------------|-----|
| | 1001172335 | Ref | BOOM HARNESS - 450A (MAIN BOOM) | E |
| 2 | 4460865 | 1 | Connector - 19 Position | |
| 3 | 4460473 | 1 | Clamp | |
| 4 | 4460465 | 20 | Socket, Female | |
| 5 | 4460509 | 8 | Socket, Female | |
| 6 | 4460466 | 5 | Plug, Socket | |

SECTION 8 - ELECTRICAL

FIGURE 8-19. BOOM HARNESS - MAIN BOOM (8/5 4000W GENERATOR)



ART_1001172336

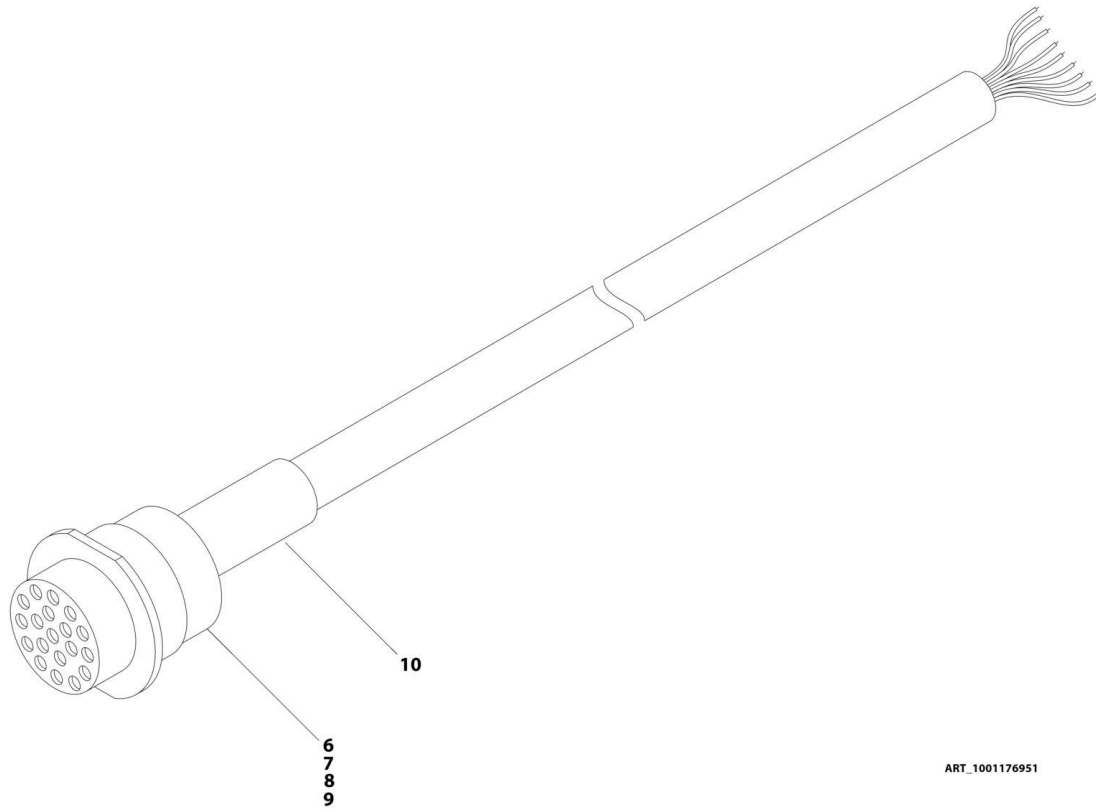
SECTION 8 - ELECTRICAL

FIGURE 8-19. BOOM HARNESS - MAIN BOOM (8/5 4000W GENERATOR)

| ITEM | PART NUMBER | QTY | DESCRIPTION | REV |
|------|-------------|------------------|--|-----|
| | 1001172336 | Ref | BOOM HARNESS - 450A (MAIN BOOM AC CABLE) | C |
| 1 | 1001120204 | 1 | Plug, Male | |
| 4 | 1060461 | 494 in /12.6m | Cable, Electrical - 12/3 | |

SECTION 8 - ELECTRICAL

FIGURE 8-20. BOOM HARNESS - TOWER BOOM



ART_1001176951

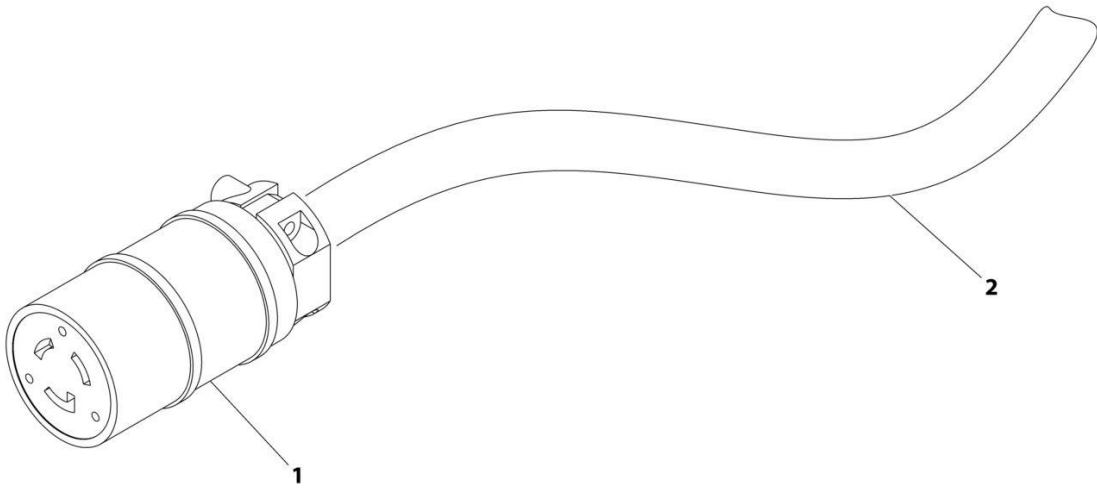
SECTION 8 - ELECTRICAL

FIGURE 8-20. BOOM HARNESS - TOWER BOOM

| ITEM | PART NUMBER | QTY | DESCRIPTION | REV |
|------|-------------|-----|---------------------------|-----|
| | 1001176951 | Ref | BOOM HARNESS - TOWER BOOM | E |
| 6 | 4460466 | 5 | Plug, Terminal | |
| 7 | 4460464 | 20 | Pin, Male | |
| 8 | 4460508 | 8 | Pin, Male | |
| 9 | 4460866 | 1 | Connector - 19 Position | |
| 10 | 2820031 | AR | Heat Shrink | |

SECTION 8 - ELECTRICAL

FIGURE 8-21. BOOM HARNESS - TOWER BOOM (8/5 4000W GENERATOR)



ART_1001174749

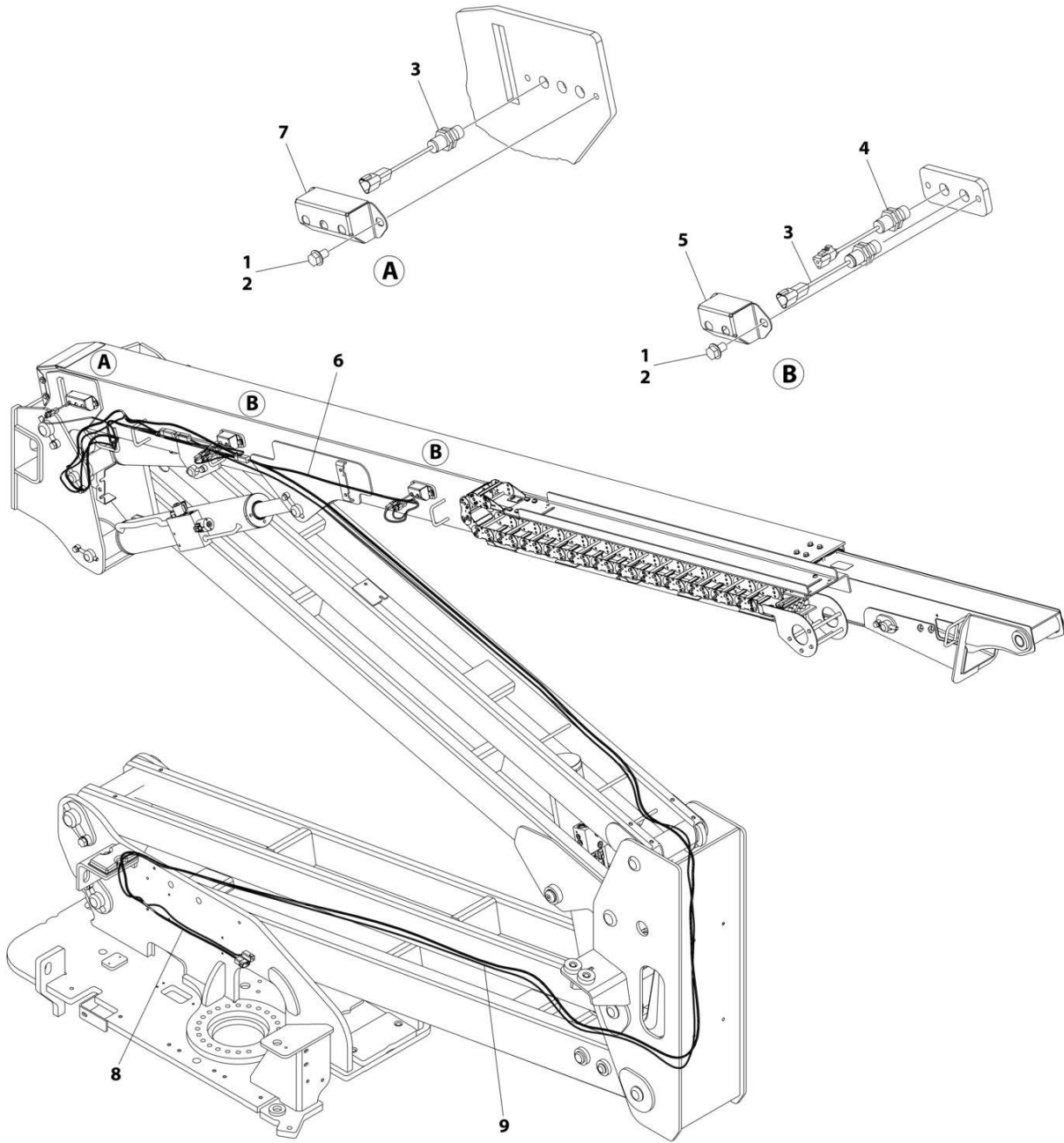
SECTION 8 - ELECTRICAL

FIGURE 8-21. BOOM HARNESS - TOWER BOOM (8/5 4000W GENERATOR)

| ITEM | PART NUMBER | QTY | DESCRIPTION | REV |
|------|-------------|----------------|------------------------------------|-----|
| | 1001174749 | Ref | BOOM HARNESS - TOWER BOOM AC CABLE | C |
| 1 | 1001120205 | 1 | Connector, Female | |
| 2 | 1060461 | 28 ft/ 8.5m | Electrical Cable, 12/3 | |

SECTION 8 - ELECTRICAL

FIGURE 8-22. BOOM SENSORS INSTALLATION



ART_1001266649

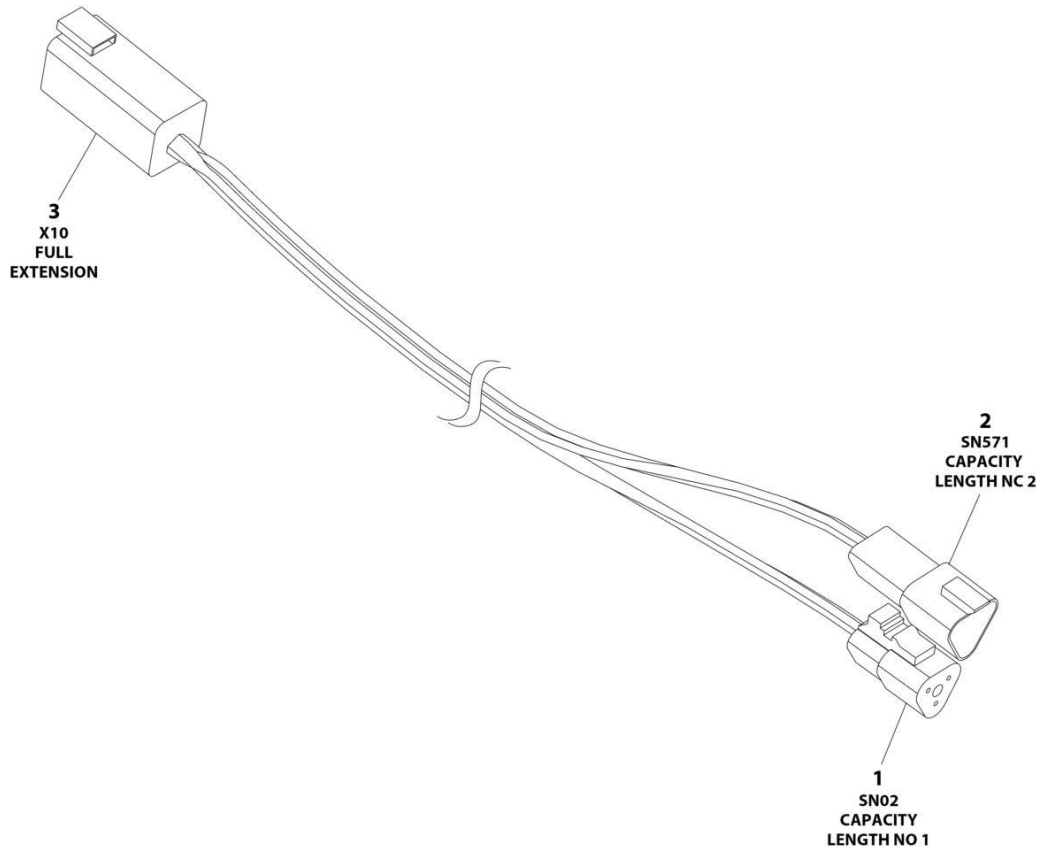
SECTION 8 - ELECTRICAL

FIGURE 8-22. BOOM SENSORS INSTALLATION

| ITEM | PART NUMBER | QTY | DESCRIPTION | REV |
|------|-------------|-----|---|-----|
| | 1001266649 | Ref | BOOM SENSORS INSTALLATION | C |
| 1 | 0100011 | AR | Compound, Locking | |
| 2 | 5251008 | 6 | Bolt M10 x 16 | |
| 3 | 1001170847 | 3 | Sensor, Proximity | |
| 4 | 1001182570 | 2 | Sensor, Proximity | |
| 5 | 1001204715 | 2 | Bracket | |
| 6 | 1001238192 | 1 | Harness, Boom Sensor (See Separate Breakdown in this Section) | |
| 7 | 1001256527 | 1 | Bracket | |
| 8 | 1001263007 | 1 | Harness, Capacity (See Separate Breakdown in this Section) | |
| 9 | 1001263008 | 1 | Harness, Transport (See Separate Breakdown in this Section) | |

SECTION 8 - ELECTRICAL

FIGURE 8-23. BOOM SENSORS HARNESS



ART_1001238192

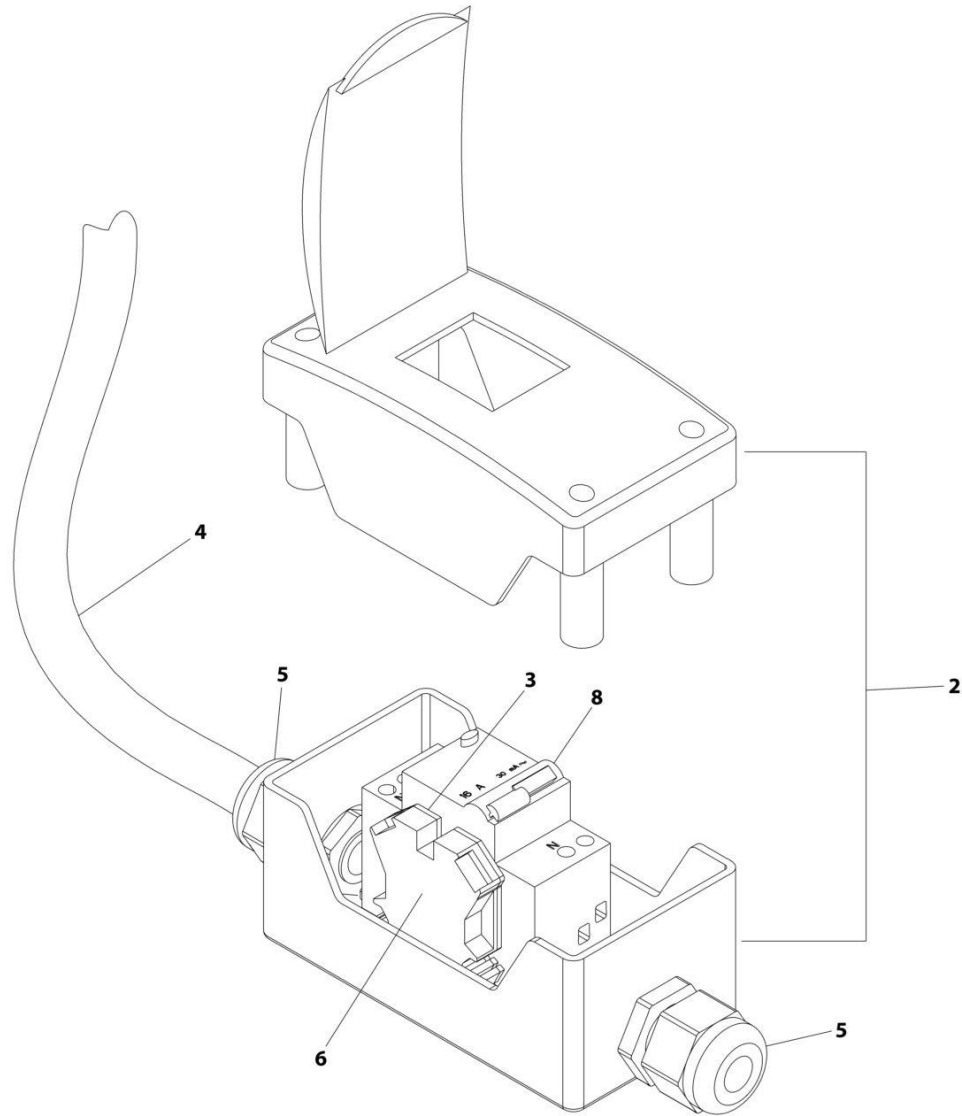
SECTION 8 - ELECTRICAL

FIGURE 8-23. BOOM SENSORS HARNESS

| ITEM | PART NUMBER | QTY | DESCRIPTION | REV |
|------|-------------|-----|--|-----|
| | 1001238192 | Ref | BOOM SENSOR / CAPACITY PROXIMITY HARNESS | B |
| 1 | 4460539 | 1 | Plug, Male - 3 Position | |
| 1 | 4460465 | 3 | Socket, Female | |
| 2 | 4460536 | 1 | Receptacle, Female - 3 Position | |
| 2 | 4640464 | 3 | Pin, Male | |
| 3 | 4460899 | 1 | Receptacle, Female - 6 Position | |
| 3 | 4460464 | 6 | Pin, Male | |

SECTION 8 - ELECTRICAL

FIGURE 8-24. BREAKER BOX KIT WITH SINGLE DOUBLE POLE BREAKER (CE SPEC)



ART_2902549

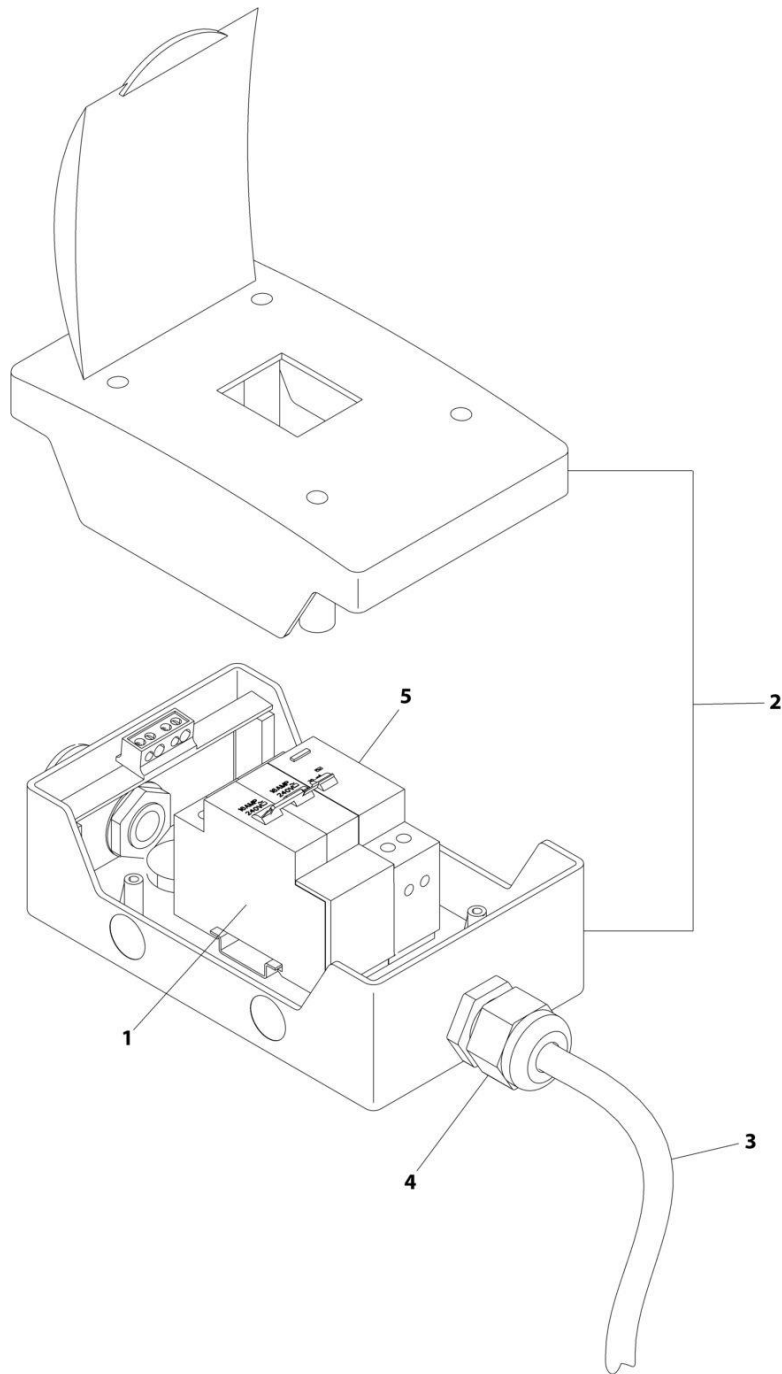
SECTION 8 - ELECTRICAL

FIGURE 8-24. BREAKER BOX KIT WITH SINGLE DOUBLE POLE BREAKER (CE SPEC)

| ITEM | PART NUMBER | QTY | DESCRIPTION | REV |
|------|-------------|-----------|--|-----|
| | 2902549 | Ref | BREAKER BOX KIT - 110/220V 16AMP BREAKER | F |
| 2 | 0861880 | 1 | Box | |
| 3 | 4460956 | 1 | Barrier, Terminal | |
| 4 | 1060908 | 6 ft/1.8m | Cable, 12/3 | |
| 5 | 1001097150 | 2 | Connector, Strain Relief | |
| 6 | 4460957 | 1 | Block, Terminal | |
| 8 | 1001181045 | 1 | Breaker, Combination 16Amp/30mAmp | |

SECTION 8 - ELECTRICAL

FIGURE 8-25. BREAKER BOX KIT WITH THREE BREAKERS (CE SPEC)



ART_1001152485_F

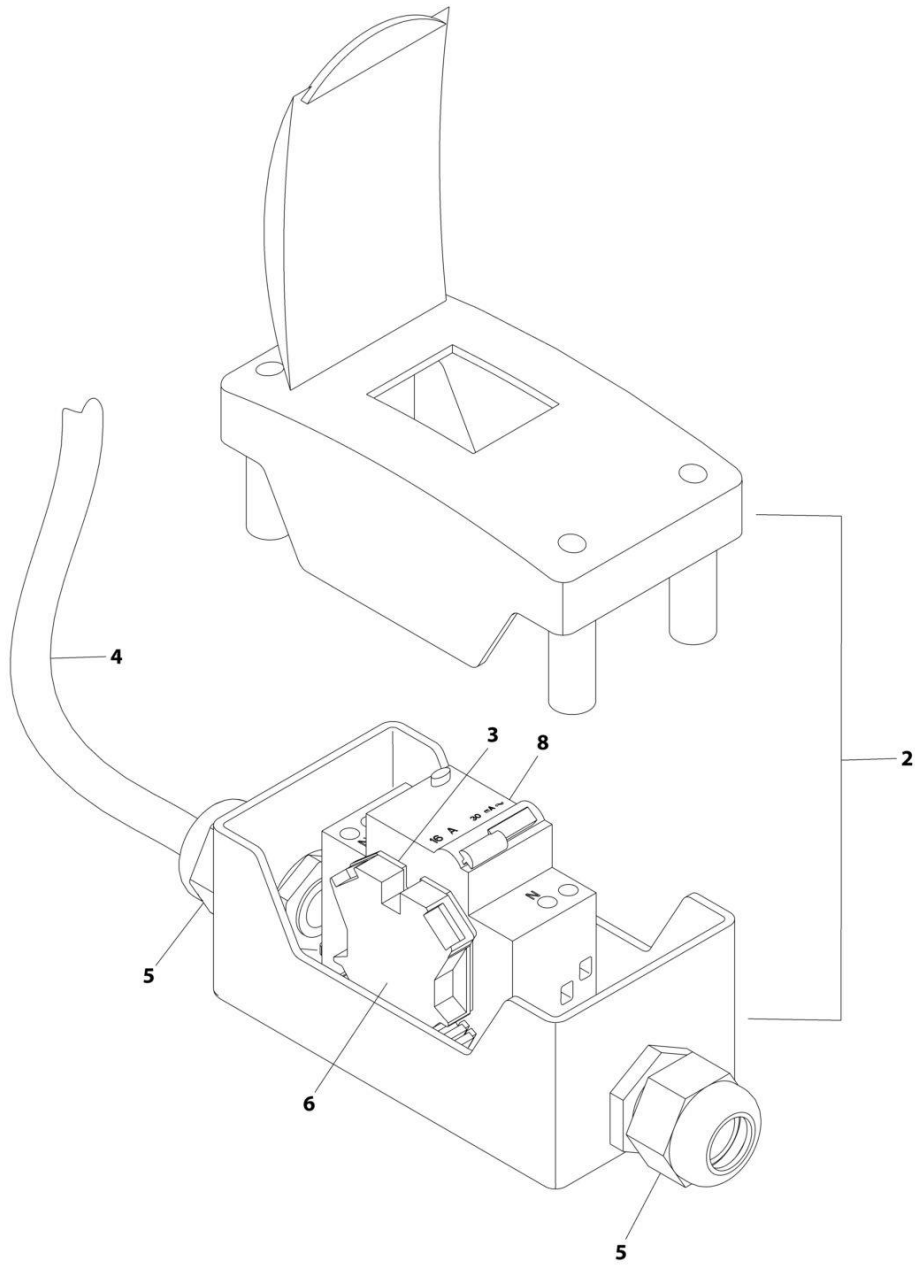
SECTION 8 - ELECTRICAL

FIGURE 8-25. BREAKER BOX KIT WITH THREE BREAKERS (CE SPEC)

| ITEM | PART NUMBER | QTY | DESCRIPTION | REV |
|------|-------------|-----------|-----------------------------------|-----|
| | 1001152485 | Ref | BREAKER BOX KIT WITH TWO BREAKERS | F |
| 1 | 1001189172 | 1 | Breaker 16Amp Double | |
| 2 | 1001152483 | 1 | Box | |
| 3 | 1060908 | 6 ft/1.8m | Cable, 12/3 | |
| 4 | 1001097150 | 2 | Connector, Strain Relief | |
| 5 | 1001189171 | 1 | Breaker, 30mA | |

SECTION 8 - ELECTRICAL

FIGURE 8-26. BREAKER BOX KIT - 30MA/16 AMP



ART_1001096070

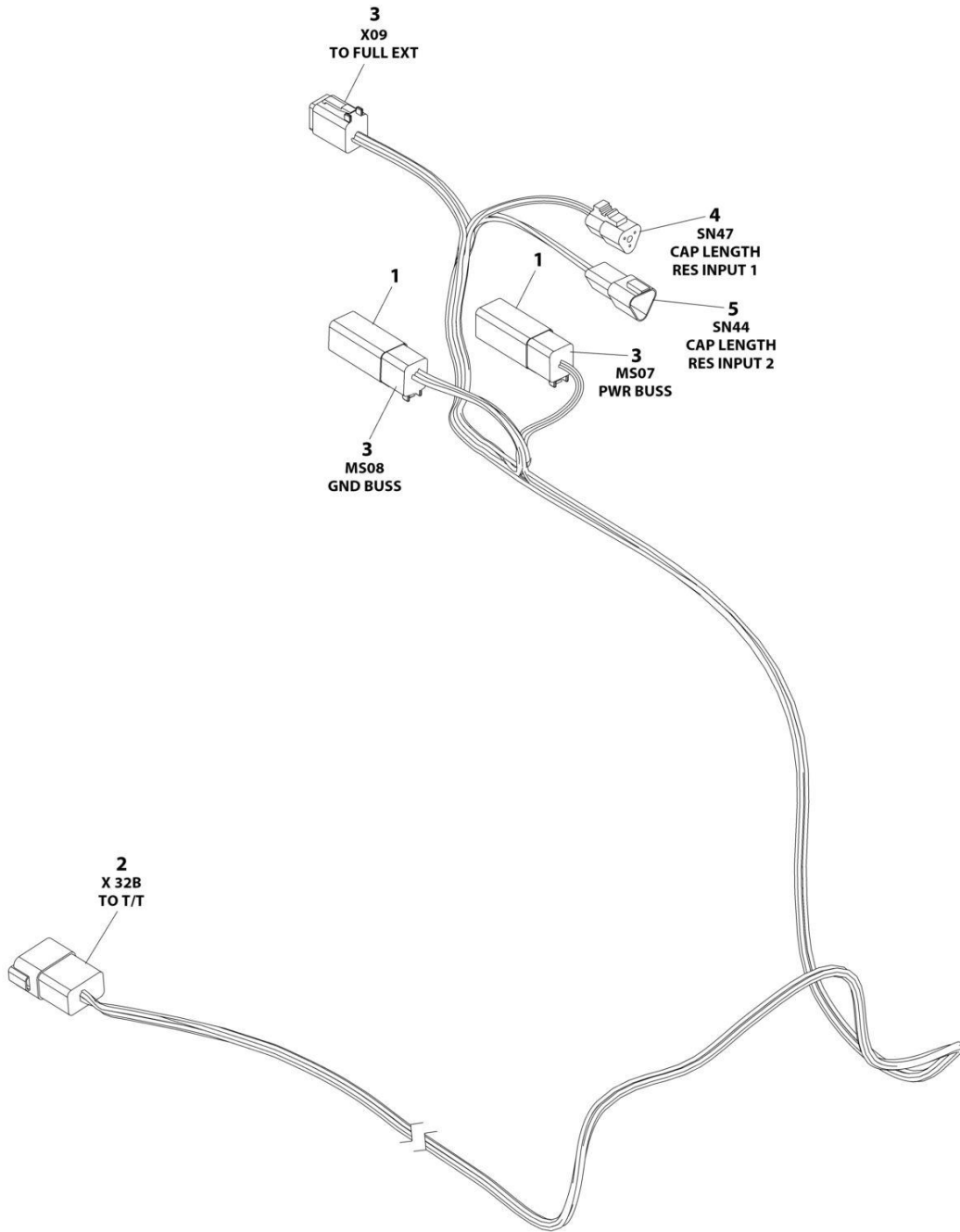
SECTION 8 - ELECTRICAL

FIGURE 8-26. BREAKER BOX KIT - 30MA/16 AMP

| ITEM | PART NUMBER | QTY | DESCRIPTION | REV |
|------|-------------|----------------|-----------------------------|-----|
| | 1001096070 | Ref | BREAKER BOX KIT | E |
| 2 | 0861880 | 1 | Box | |
| 3 | 4460956 | 1 | Barrier, Terminal Block End | |
| 4 | 1060908 | 12 ft/ 3.6m | Cable, 12/3 | |
| 5 | 1001097150 | 2 | Connector, Strain Relief | |
| 6 | 4460957 | 1 | Block, Terminal | |
| 8 | 1001181045 | 1 | Breaker, 16Amp | |

SECTION 8 - ELECTRICAL

FIGURE 8-27. CAPACITY HARNESS



ART_1001263007

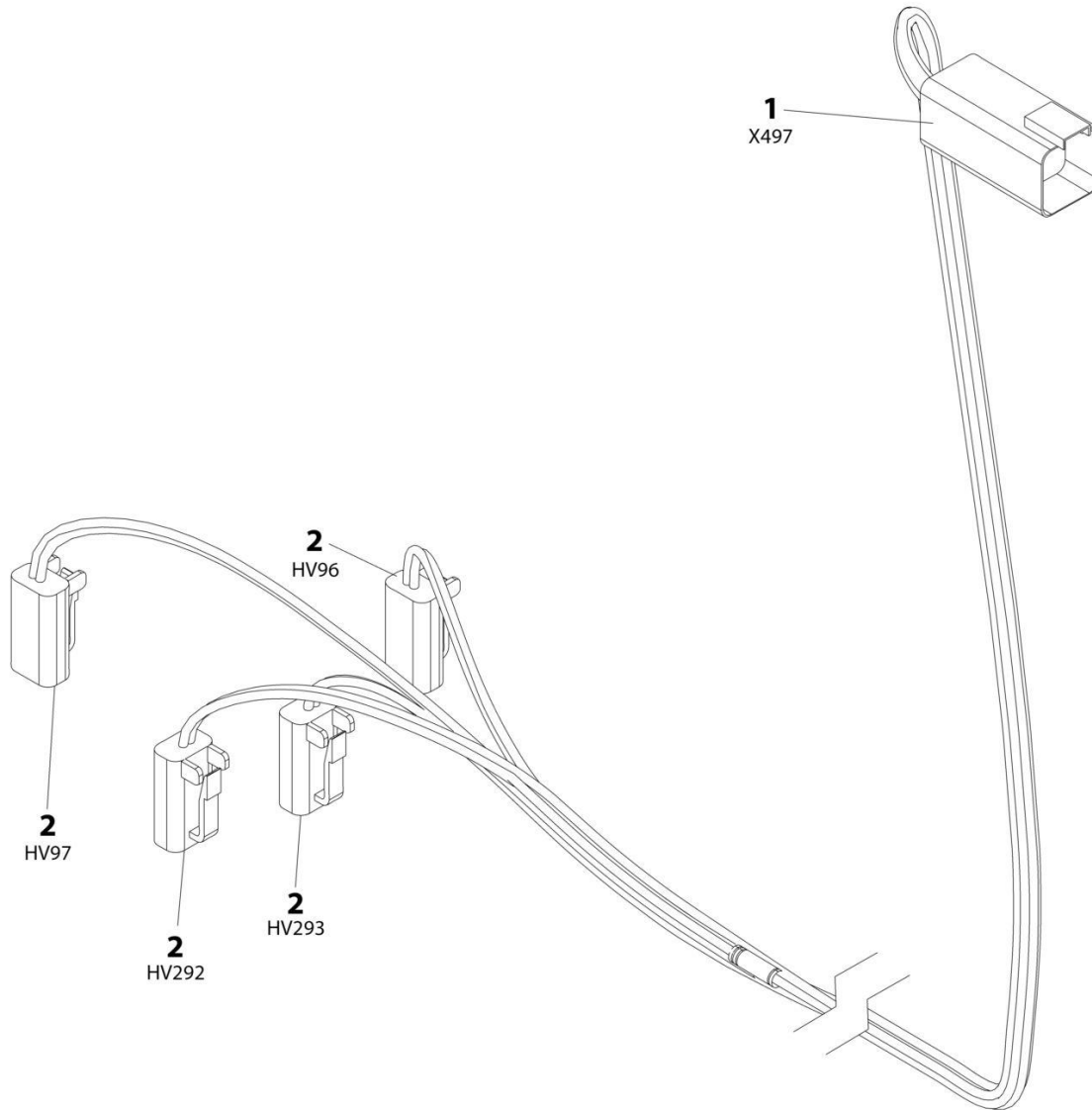
SECTION 8 - ELECTRICAL

FIGURE 8-27. CAPACITY HARNESS

| ITEM | PART NUMBER | QTY | DESCRIPTION | REV |
|------|-------------|-----|---------------------------------|-----|
| | 1001263007 | Ref | CAPACITY HARNESS | C |
| 1 | 4460892 | 2 | Bussbar - 6 Position | |
| 2 | 4460931 | 1 | Receptacle, Female - 8 Position | |
| 2 | 4460464 | 6 | Pin, Male | |
| 2 | 4460466 | 2 | Plug, Terminal | |
| 3 | 4460894 | 3 | Plug, Male - 6 Position | |
| 3 | 4460465 | 16 | Socket, Female | |
| 3 | 4460466 | 2 | Plug, Terminal | |
| 4 | 4460539 | 1 | Plug, Male - 3 Position | |
| 4 | 4460465 | 3 | Socket, Female | |
| 5 | 4460536 | 1 | Receptacle, Female | |
| 5 | 4460464 | 3 | Pin, Male | |

SECTION 8 - ELECTRICAL

FIGURE 8-28. CHASSIS SOLENOID HARNESS



ART_1001179236

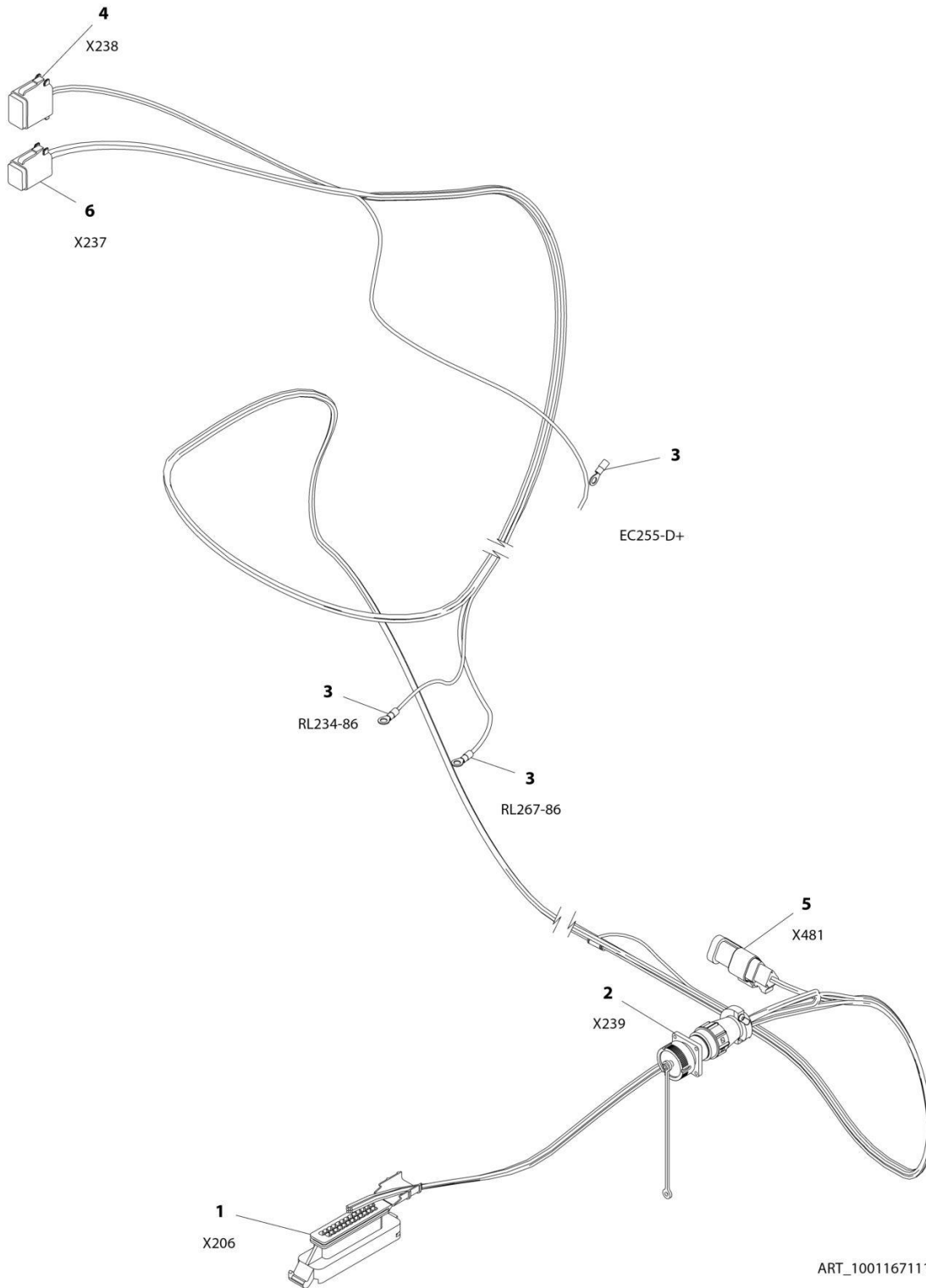
SECTION 8 - ELECTRICAL

FIGURE 8-28. CHASSIS SOLENOID HARNESS

| ITEM | PART NUMBER | QTY | DESCRIPTION | REV |
|------|-------------|-----|---------------------------------|-----|
| | 1001179236 | Ref | CHASSIS SOLENOID HARNESS | A |
| 1 | 4460899 | 1 | Receptacle, Female - 6 Position | |
| 1 | 4460464 | 6 | Pin, Male | |
| 2 | 4460891 | 4 | Plug, Male - 2 Position | |
| 2 | 4460465 | 8 | Socket, Female | |

SECTION 8 - ELECTRICAL

FIGURE 8-29. ENGINE HARNESS - DEUTZ D2011



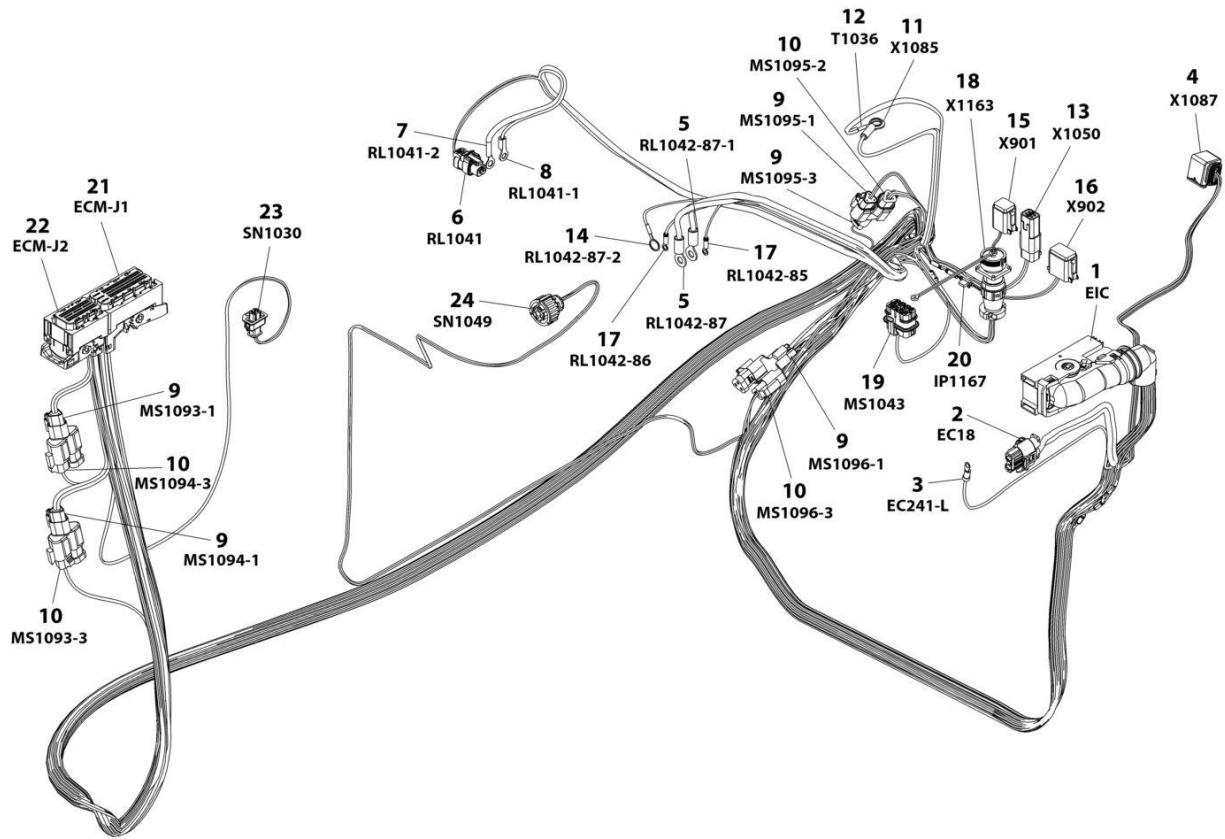
SECTION 8 - ELECTRICAL

FIGURE 8-29. ENGINE HARNESS - DEUTZ D2011

| ITEM | PART NUMBER | QTY | DESCRIPTION | REV |
|------|-------------|-----|-------------------------------------|-----|
| | 1001167111 | Ref | ENGINE HARNESS - DEUTZ D2011 | B |
| 1 | 4461052 | 1 | Connector - 25 Position | |
| 1 | 4461005 | 7 | Terminal | |
| 1 | 4461008 | 18 | Plug, Terminal | |
| 2 | 2902443 | 1 | Receptacle Kit | |
| 2 | 4461071 | 8 | Socket, Female | |
| 2 | 4461072 | 1 | Receptacle with Flange - 8 Position | |
| 2 | 4461073 | 1 | Cap, Dust | |
| 2 | 4461074 | 1 | Shell, Black | |
| 3 | 4460313 | 3 | Terminal, Ring | |
| 4 | 4460930 | 1 | Plug, Male - 8 Position | |
| 4 | 4460465 | 2 | Socket, Female | |
| 4 | 4460466 | 6 | Seal, Terminal | |
| 5 | 4461095 | 1 | Plug, Male - 3 Position | |
| 5 | 4460465 | 3 | Socket, Female | |
| 6 | 4460894 | 1 | Plug, Male - 6 Position | |
| 6 | 4460465 | 6 | Socket, Female | |

SECTION 8 - ELECTRICAL

FIGURE 8-30. ENGINE HARNESS - DEUTZ D2.9L4 ENGINE (STAGE V)



ART_1001245839

SECTION 8 - ELECTRICAL

FIGURE 8-30. ENGINE HARNESS - DEUTZ D2.9L4 ENGINE (STAGE V)

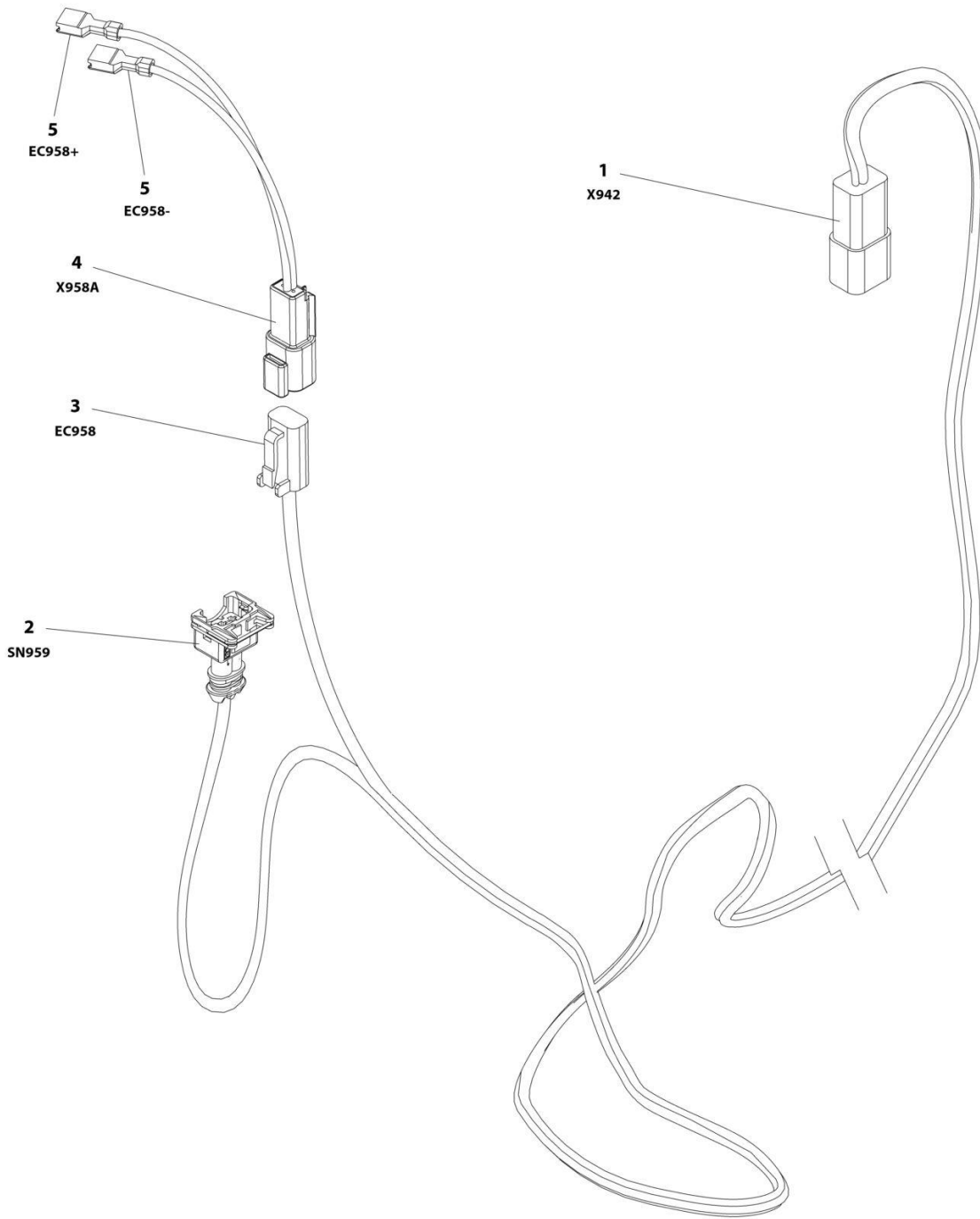
| ITEM | PART NUMBER | QTY | DESCRIPTION | REV |
|------|-------------|-----|-------------------------------------|-----|
| | 1001245839 | Ref | ENGINE HARNESS - DEUTZ (STAGE V) | F |
| 1 | 1001126362 | 1 | Connector - 62 Position | |
| 1 | 1001126363 | 37 | Terminal | |
| 1 | 1001126391 | 7 | Seal, Terminal | |
| 1 | 1001126392 | 12 | Terminal | |
| 1 | 4461008 | 4 | Seal, Terminal | |
| 1 | 1001167632 | 2 | Terminal | |
| 1 | 1001126364 | 36 | Seal, Terminal | |
| 1 | 1001223459 | 12 | Seal, Terminal | |
| 1 | 4461054 | 2 | Seal, Terminal | |
| 2 | 1001142938 | 1 | Connector - 2 Position | |
| 2 | 1001142940 | 2 | Terminal | |
| 2 | 1001142941 | 2 | Seal, Terminal | |
| 3 | 4460042 | 1 | Terminal, Ring | |
| 4 | 1001239202 | 1 | Connector - 8 Position | |
| 4 | 1001126363 | 7 | Terminal | |
| 4 | 1001126391 | 1 | Seal, Terminal | |
| 4 | 1001126364 | 7 | Seal, Terminal | |
| 5 | 1001117107 | 2 | Terminal, Ring | |
| 6 | 1001116952 | 1 | Plug, Male - 2 Position | |
| 6 | 4460465 | 2 | Socket, Female | |
| 7 | 1001117106 | 1 | Terminal, Ring | |
| 8 | 4460043 | 1 | Terminal, Ring | |
| 9 | 1001116812 | 5 | Connector, 3 Position | |
| 9 | 4460944 | 10 | Socket, Female | |
| 9 | 4460466 | 5 | Plug, Terminal | |
| 10 | 4460539 | 4 | Plug, Male - 3 Position | |
| 10 | 4460944 | 8 | Socket, Female | |
| 10 | 4460466 | 4 | Plug, Terminal | |
| 11 | 8220164 | 1 | Terminal, Ring | |
| 12 | 4460019 | 1 | Terminal, Ring | |
| 13 | 4460884 | 1 | Plug, Male - 4 Position | |
| 13 | 4460465 | 2 | Socket, Female | |
| 13 | 4460942 | 2 | Socket, Female | |
| 14 | 4460703 | 1 | Terminal, Ring | |
| 15 | 4460894 | 1 | Plug, Male - 6 Position | |
| 15 | 4460465 | 2 | Socket, Female | |
| 15 | 4460944 | 2 | Socket, Female | |
| 15 | 4460465 | 2 | Socket, Female | |
| 16 | 4460930 | 1 | Plug, Male - 8 Position | |
| 16 | 4460465 | 1 | Socket, Female | |
| 16 | 4460466 | 7 | Plug, Terminal | |
| 17 | 4460247 | 2 | Terminal, Ring | |
| 18 | 2902443 | 1 | Receptacle Kit | |
| 18 | 4461071 | 8 | Socket, Female | |
| 18 | 4461072 | 1 | Receptacle with Flange - 8 Position | |
| 18 | 4461073 | 1 | Cap, Dust | |
| 18 | 4461074 | 1 | Shell, Black | |
| 19 | 80484084 | 1 | Connector - 8 Position | |
| 19 | 4460746 | 3 | Terminal | |

SECTION 8 - ELECTRICAL

| ITEM | PART NUMBER | QTY | DESCRIPTION | REV |
|------|-------------|-----|-------------------------|-----|
| 19 | 1001234800 | 1 | Terminal | |
| 19 | 4460748 | 4 | Plug, Terminal | |
| 19 | 4460458 | 4 | Seal | |
| 20 | 1001170764 | 1 | Holder, Fuse | |
| 20 | 1001197719 | 1 | Fuse 0.5 Watt | |
| 21 | 1001133956 | 1 | Connector, 94 Position | |
| 21 | 1001182361 | 8 | Terminal | |
| 21 | 1001126351 | 3 | Terminal | |
| 21 | 1001230934 | 25 | Terminal | |
| 21 | 1001230935 | 55 | Plug, Terminal | |
| 21 | 1001252527 | 4 | Terminal | |
| 21 | 1001230936 | 1 | Plug, Terminal | |
| 21 | 1001182365 | 8 | Seal | |
| 22 | 1001133957 | 1 | Connector - 60 Position | |
| 22 | 1001230936 | 11 | Plug, Terminal | |
| 22 | 1001126351 | 13 | Terminal | |
| 22 | 1001230935 | 10 | Plug, Terminal | |
| 22 | 1001230934 | 26 | Terminal | |
| 23 | 1001126487 | 1 | Connector - 2 Position | |
| 23 | 1001167635 | 2 | Terminal | |
| 23 | 1001126485 | 2 | Seal | |
| 24 | 1001133714 | 1 | Plug, Male - 4 Position | |
| 24 | 1001133715 | 3 | Terminal | |
| 24 | 1001135651 | 1 | Plug, Terminal | |
| 24 | 1001135650 | 2 | Seal | |

SECTION 8 - ELECTRICAL

FIGURE 8-31. FUEL HARNESS - DEUTZ D2.9L4 ENGINE



ART_1001181358

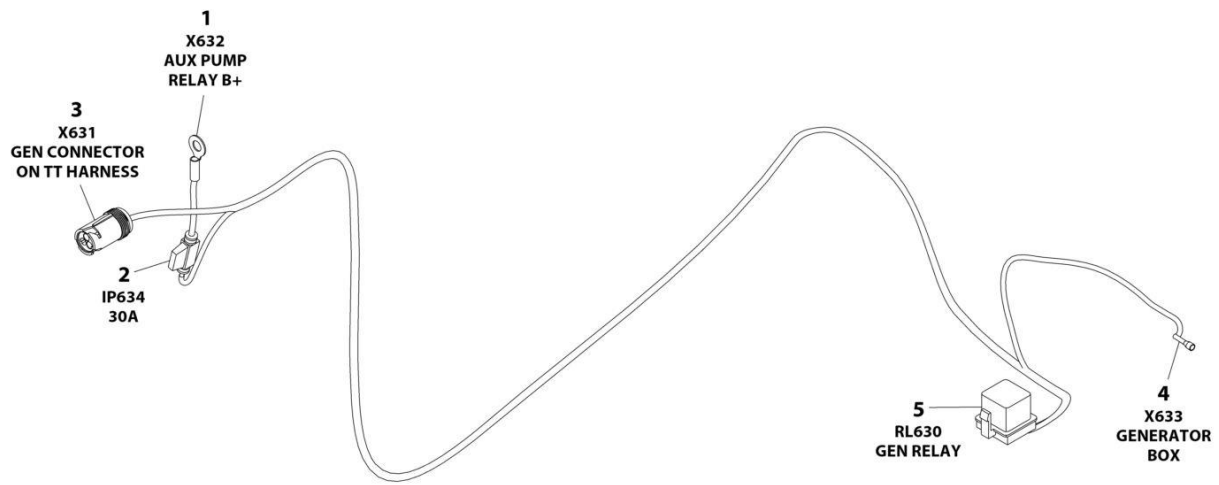
SECTION 8 - ELECTRICAL

FIGURE 8-31. FUEL HARNESS - DEUTZ D2.9L4 ENGINE

| ITEM | PART NUMBER | QTY | DESCRIPTION | REV |
|------|-------------|-----|------------------------------------|-----|
| | 1001181358 | Ref | FUEL HARNESS - DEUTZ D2.9L4 ENGINE | D |
| 1 | 4460932 | 1 | Receptacle, Female - 4 Position | |
| 1 | 4460464 | 2 | Pin, Male | |
| 1 | 4460941 | 2 | Pin, Male | |
| 2 | 1001116983 | 1 | Plug, Male - 2 Position | |
| 2 | 4461060 | 2 | Socket, Female | |
| 2 | 4461054 | 2 | Seal | |
| 3 | 4460891 | 1 | Plug, Male - 2 Position | |
| 3 | 4460942 | 2 | Socket, Female | |
| 4 | 4460897 | 1 | Receptacle, Female - 2 Position | |
| 4 | 4460941 | 2 | Pin, Male | |
| 5 | 8220051 | 2 | Coupler, Female | |

SECTION 8 - ELECTRICAL

FIGURE 8-32. GENERATOR HARNESS - 2500W GENERATOR (50HZ)



ART_1001187352

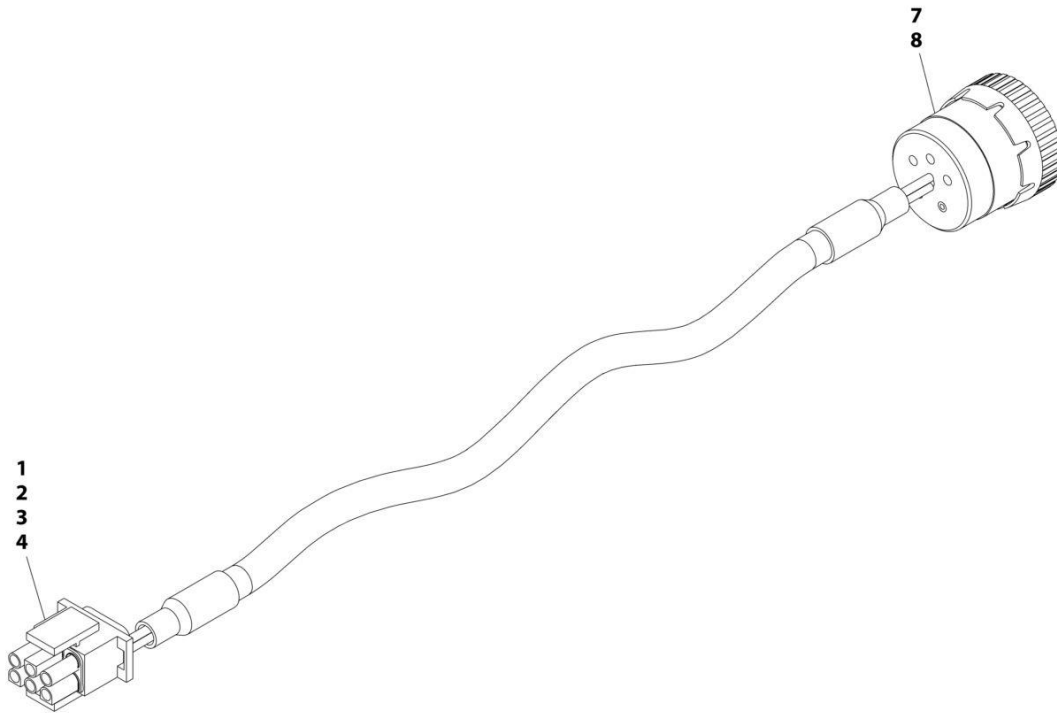
SECTION 8 - ELECTRICAL

FIGURE 8-32. GENERATOR HARNESS - 2500W GENERATOR (50HZ)

| ITEM | PART NUMBER | QTY | DESCRIPTION | REV |
|------|-------------|-----|--|-----|
| | 1001187352 | Ref | GENERATOR HARNESS - 2500W GENERATOR (50HZ) | A |
| 1 | 8220045 | 1 | Terminal, Ring | |
| 2 | 2400060 | 1 | Holder, Fuse | |
| 2 | 8229245 | 1 | Fuse 30Amp | |
| 3 | 1001154726 | 1 | Connector - 3 Position | |
| 3 | 4460464 | 2 | Pin, Male | |
| 3 | 4460466 | 1 | Plug, Terminal | |
| 4 | 1001100231 | 1 | Terminal | |
| 5 | 1001117057 | 1 | Plug, Relay | |
| 5 | 1001116734 | 2 | Terminal | |
| 5 | 1001116732 | 2 | Terminal | |

SECTION 8 - ELECTRICAL

FIGURE 8-33. GENERATOR HARNESS - 4000W GENERATOR



ART_1001152532

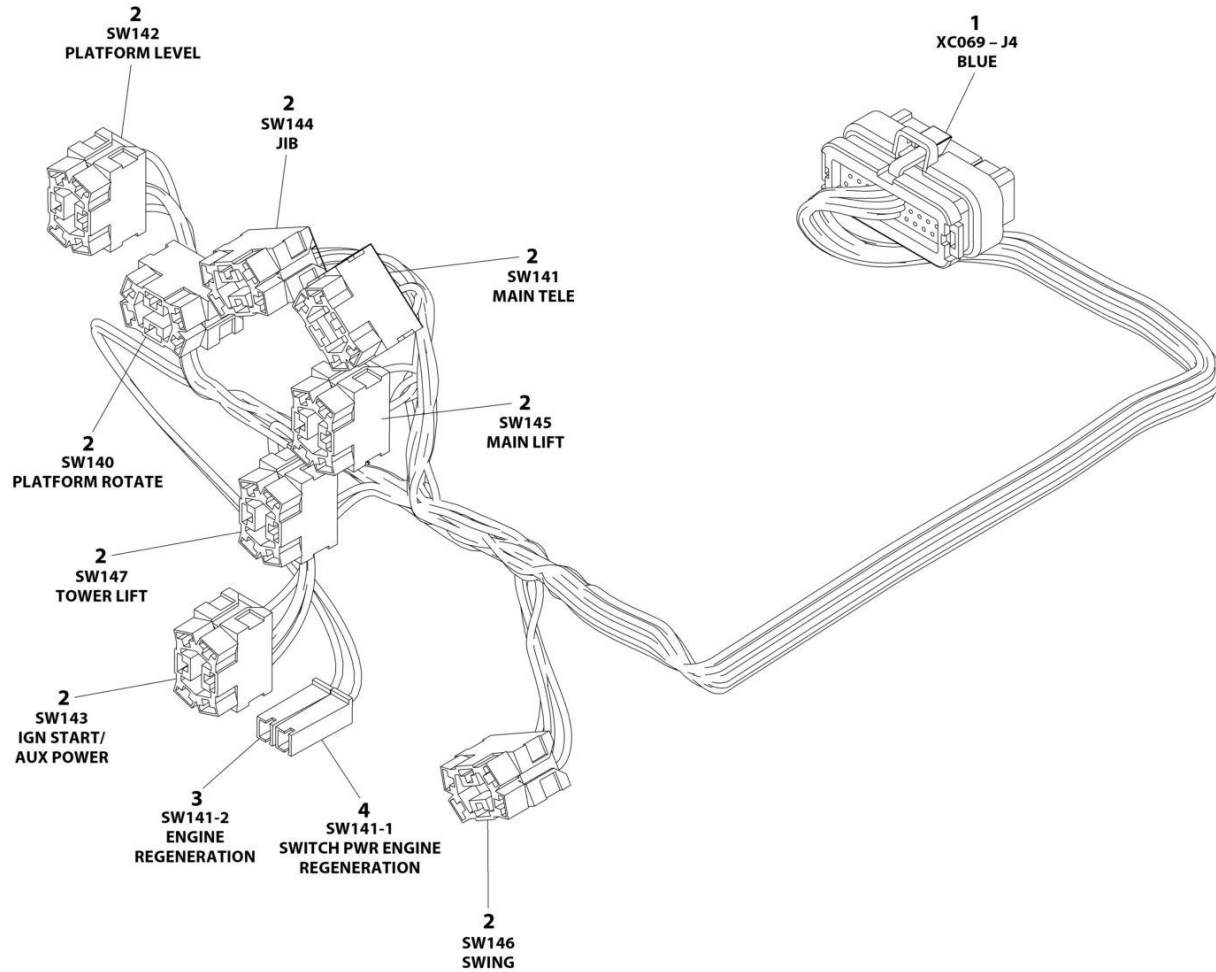
SECTION 8 - ELECTRICAL

FIGURE 8-33. GENERATOR HARNESS - 4000W GENERATOR

| ITEM | PART NUMBER | QTY | DESCRIPTION | REV |
|------|-------------|-----|------------------------|-----|
| | 1001152532 | Ref | GENERATOR HARNESS | A |
| 1 | 4460225 | 1 | Connector - 6 Position | |
| 2 | 4460268 | 2 | Socket, Female | |
| 3 | 4460807 | 1 | Seal | |
| 4 | 4460808 | 1 | Seal | |
| 7 | 4460465 | 2 | Socket, Female | |
| 8 | 77363233 | 1 | Connector - 6 Position | |

SECTION 8 - ELECTRICAL

FIGURE 8-34. GROUND CONTROL PANEL HARNESS



ART_1001244295

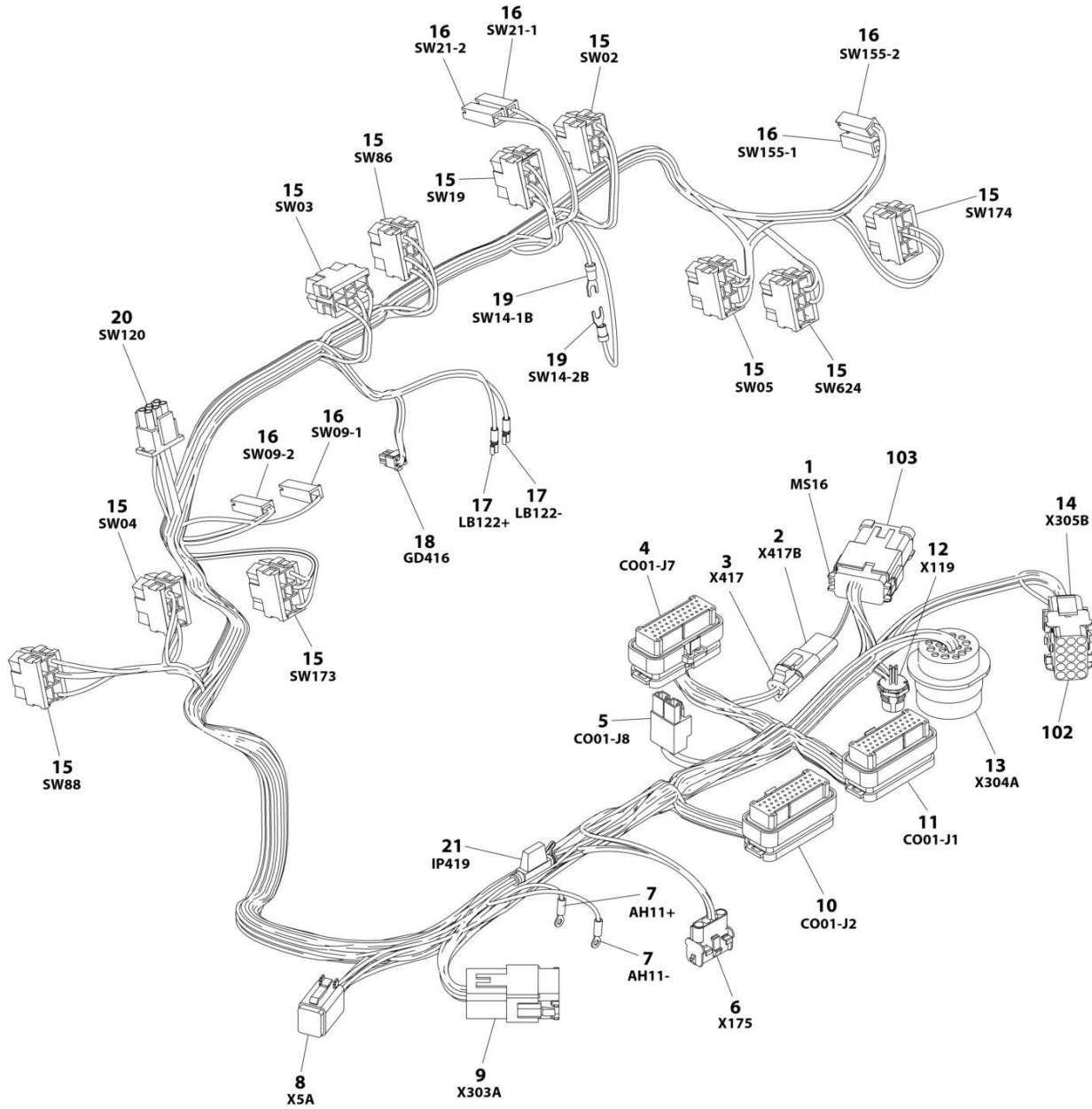
SECTION 8 - ELECTRICAL

FIGURE 8-34. GROUND CONTROL PANEL HARNESS

| ITEM | PART NUMBER | QTY | DESCRIPTION | REV |
|------|-------------|-----|------------------------------|-----|
| | 1001244295 | Ref | GROUND CONTROL PANEL HARNESS | C |
| 1 | 4460876 | 1 | Connector - 35 Position | |
| 1 | 4460871 | 18 | Socket, Female | |
| 1 | 4460905 | 17 | Plug, Terminal | |
| 2 | 4460418 | 8 | Connector - 6 Position | |
| 2 | 4460419 | 16 | Terminal | |
| 2 | 1001159186 | 16 | Terminal | |
| 3 | 4460260 | 2 | Housing, Terminal | |
| 3 | 4460259 | 2 | Terminal | |
| 4 | 4460260 | 1 | Terminal, Housing | |
| 4 | 4460259 | 1 | Terminal | |

SECTION 8 - ELECTRICAL

FIGURE 8-35. PLATFORM CONSOLE BOX HARNESS



ART_1001238254

SECTION 8 - ELECTRICAL

FIGURE 8-35. PLATFORM CONSOLE BOX HARNESS

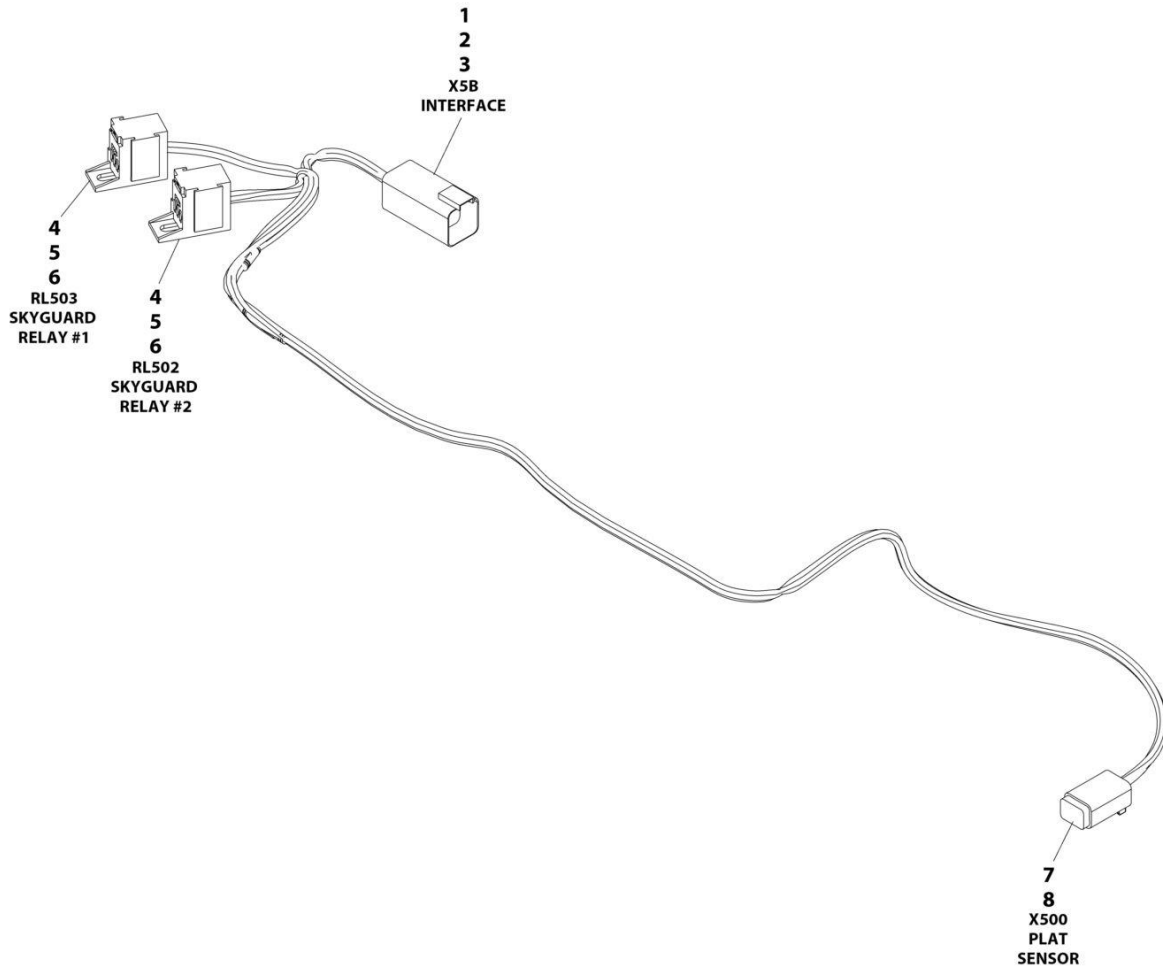
| ITEM | PART NUMBER | QTY | DESCRIPTION | REV |
|------|-------------|-----|--|-----|
| | 1001238254 | Ref | PLATFORM CONSOLE BOX HARNESS | H |
| 1 | 4460933 | 1 | Plug, Male - 12 Position | |
| 1 | 4460465 | 10 | Socket, Female | |
| 1 | 4460466 | 2 | Plug, Terminal | |
| 2 | 4460536 | 1 | Receptacle, Female - 3 Position | |
| 2 | 4460464 | 2 | Pin, Male | |
| 2 | 4460466 | 1 | Plug, Terminal | |
| 3 | 4460539 | 1 | Plug, Male - 3 Position | |
| 3 | 4460465 | 2 | Socket, Female | |
| 3 | 4460466 | 1 | Plug, Terminal | |
| 4 | 4460873 | 1 | Connector - 35 Position | |
| 4 | 4460871 | 21 | Socket, Female | |
| 4 | 4460905 | 14 | Plug, Terminal | |
| 5 | 4460879 | 1 | Plug, Male - 2 Position | |
| 5 | 4460887 | 2 | Terminal | |
| 6 | 4460761 | 1 | Receptacle, Female - 4 Position | |
| 6 | 4460267 | 4 | Pin, Male | |
| 7 | 1001098122 | 2 | Terminal, Ring | |
| 8 | 4460894 | 1 | Plug, Male - 6 Position | |
| 8 | 4460465 | 6 | Socket, Female | |
| 9 | 4460970 | 1 | Receptacle, Female - 12 Position | |
| 9 | 1001116693 | 9 | Pin, Male | |
| 9 | 4460466 | 1 | Plug, Terminal | |
| 9 | 4460464 | 2 | Pin, Male | |
| 10 | 4460875 | 1 | Connector - 35 Position | |
| 10 | 4460871 | 12 | Socket, Female | |
| 10 | 4460905 | 23 | Plug, Terminal | |
| 11 | 4460874 | 1 | Connector - 35 Position | |
| 11 | 4460871 | 27 | Socket, Female | |
| 11 | 4460905 | 8 | Plug, Terminal | |
| 12 | 1001213447 | 1 | Connector - 4 Position | |
| 12 | See Note | NSS | Terminal (Note: Purchase p/n 1001213447) | |
| 13 | 4460866 | 1 | Connector - 19 Position | |
| 13 | 4460464 | 5 | Pin, Male | |
| 13 | 4460466 | 11 | Plug, Terminal | |
| 13 | 4460508 | 1 | Pin, Male | |
| 14 | 4460434 | 1 | Connector - 15 Position | |
| 14 | 4460267 | 8 | Pin, Male | |
| 15 | 4460418 | 10 | Connector - 6 Position | |
| 15 | 4460419 | 45 | Terminal | |
| 16 | 4460260 | 6 | Housing, Terminal | |
| 16 | 4460259 | 8 | Terminal | |
| 17 | 1001271497 | 2 | Terminal | |
| 18 | 1001237667 | 1 | Plug, Male - 6 Position | |
| 18 | 1001237668 | 4 | Terminal | |
| 19 | 4460183 | 2 | Terminal, Fork | |
| 20 | 4460225 | 1 | Plug, Male - 6 Position | |
| 20 | 4460227 | 6 | Pin, Male (Note: Used on Pump Potentiometer Connection Only) | |
| 21 | 2400060 | 1 | Fuse Holder | |
| 102 | 4460708 | 1 | Connector, Bussbar - 15 Position | |

SECTION 8 - ELECTRICAL

| ITEM | PART NUMBER | QTY | DESCRIPTION | REV |
|------|-------------|-----|-----------------------------------|-----|
| 103 | 1001125677 | 1 | Connector, Bussbar - 12 Posititon | |

SECTION 8 - ELECTRICAL

FIGURE 8-36. PLATFORM INTERFACE HARNESS



ART_1001225580

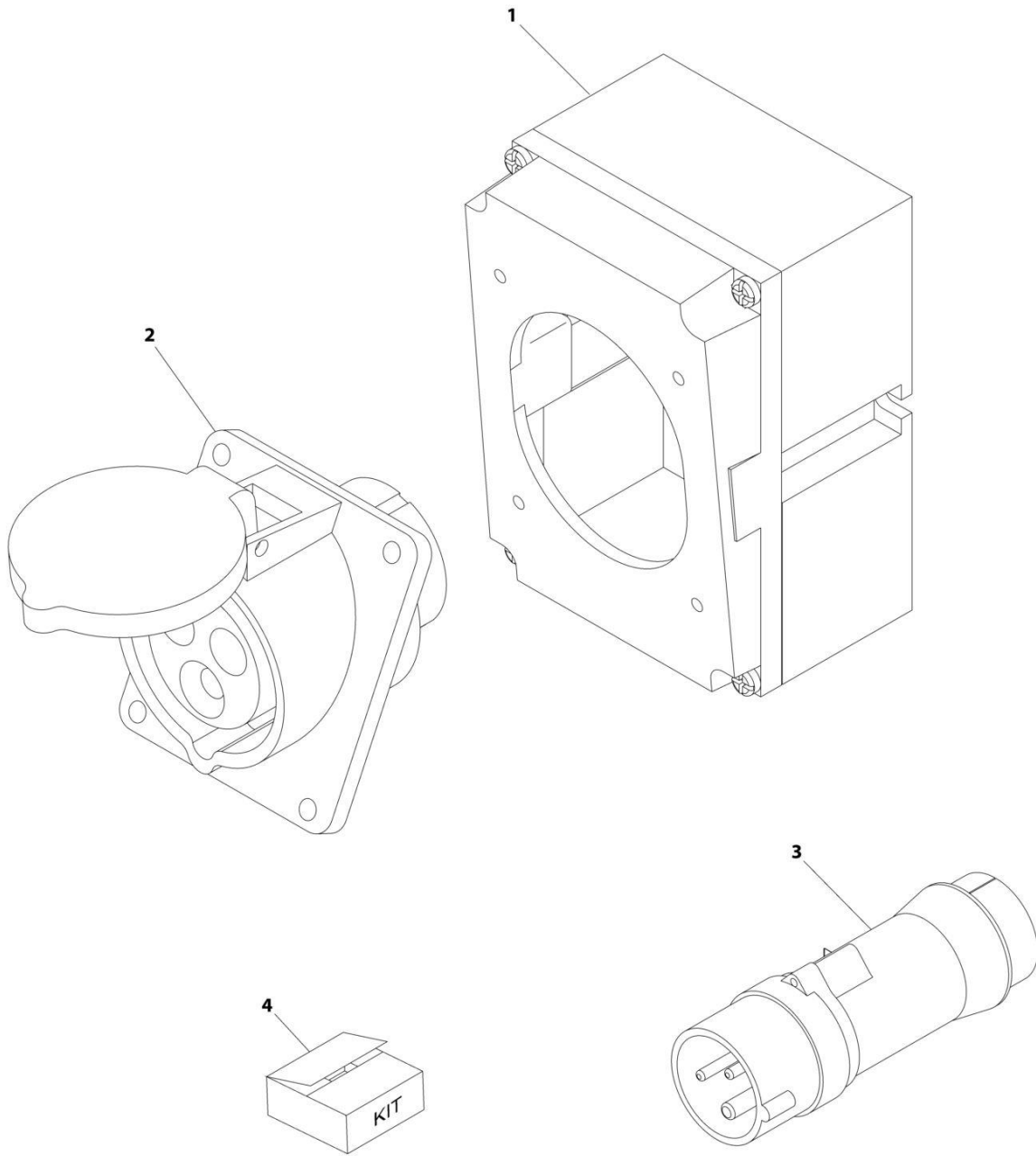
SECTION 8 - ELECTRICAL

FIGURE 8-36. PLATFORM INTERFACE HARNESS

| ITEM | PART NUMBER | QTY | DESCRIPTION | REV |
|------|-------------|-----|-------------------------------------|-----|
| | 1001225580 | Ref | INTERFACE HARNESS - WITH 1 CELL LSS | D |
| 1 | 4460899 | 1 | Connector | |
| 2 | 4460464 | 4 | Terminal | |
| 3 | 4460466 | 2 | Plug | |
| 4 | 1001186432 | 2 | Connector | |
| 5 | 1001116720 | 4 | Terminal | |
| 6 | 1001118388 | 4 | Terminal | |
| 7 | 4460884 | 1 | Connector | |
| 8 | 4460465 | 4 | Terminal | |

SECTION 8 - ELECTRICAL

FIGURE 8-37. RECEPTACLE BOX KIT - 110V IEC YELLOW (CE SPEC)



ART_0275216

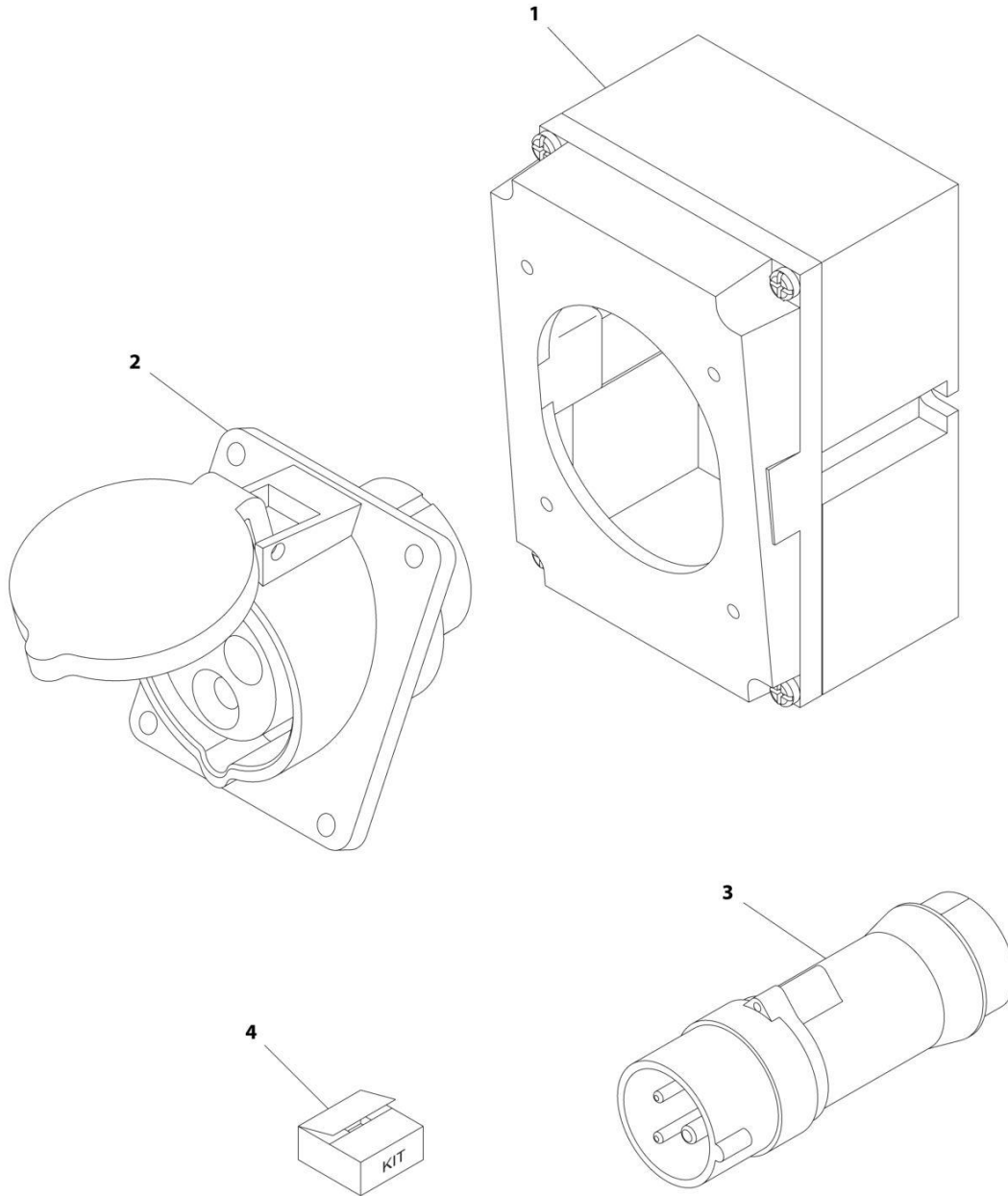
SECTION 8 - ELECTRICAL

FIGURE 8-37. RECEPTACLE BOX KIT - 110V IEC YELLOW (CE SPEC)

| ITEM | PART NUMBER | QTY | DESCRIPTION | REV |
|------|-------------|-----|--|-----|
| | 0275216 | Ref | RECEPTACLE BOX KIT - 110V IEC YELLOW | B |
| 1 | 0861781 | 1 | Box, Switch | |
| 2 | 4461198 | 1 | Receptacle | |
| 3 | 4461196 | 1 | Plug, Male | |
| 4 | 1001100341 | 1 | Plug and Socket Kit (Includes Items 1-3 and Female Plug p/n 4461197) | |

SECTION 8 - ELECTRICAL

FIGURE 8-38. RECEPTACLE BOX KIT - 220V IEC BLUE (CE SPEC)



ART_0275217

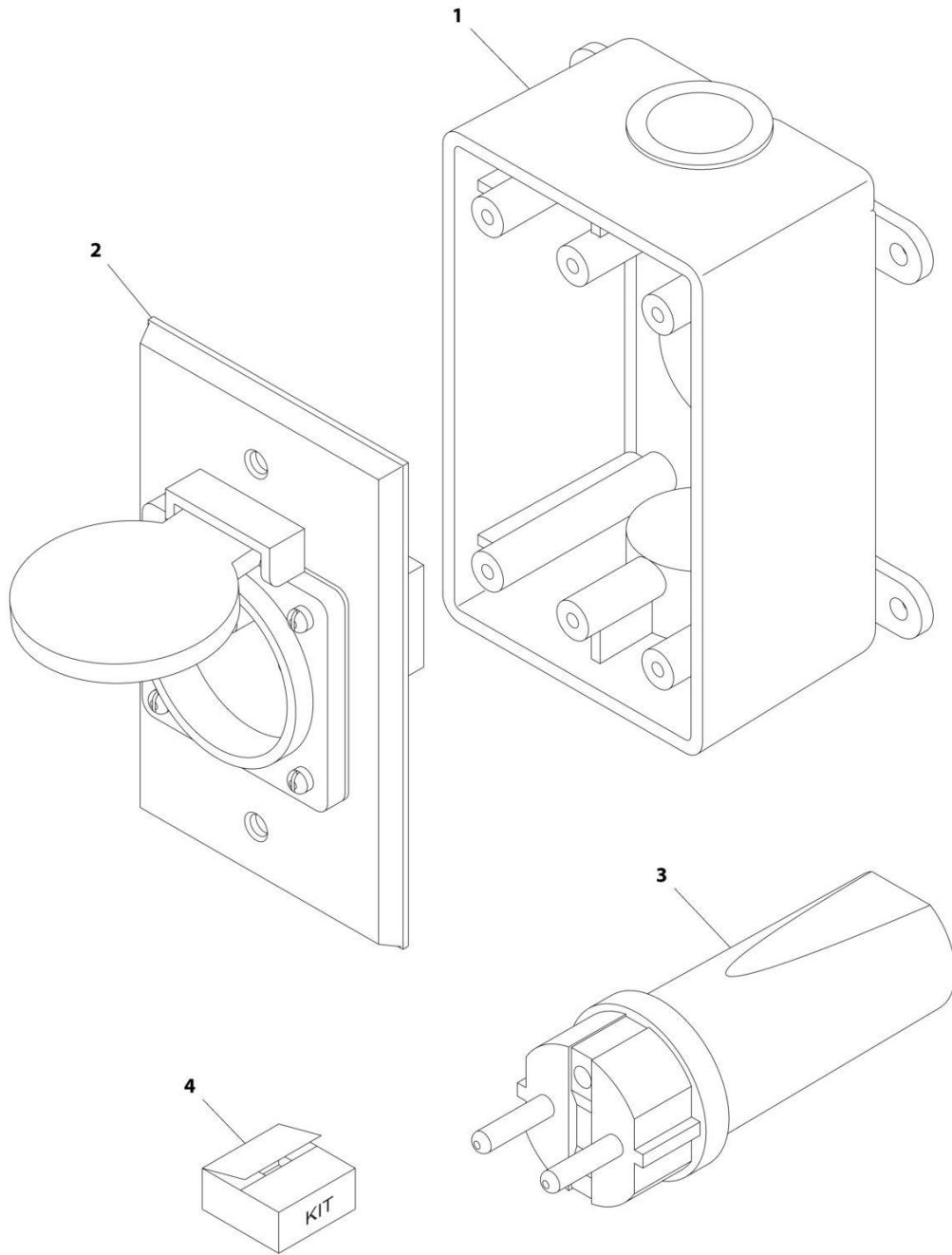
SECTION 8 - ELECTRICAL

FIGURE 8-38. RECEPTACLE BOX KIT - 220V IEC BLUE (CE SPEC)

| ITEM | PART NUMBER | QTY | DESCRIPTION | REV |
|------|-------------|-----|--|-----|
| | 0275217 | Ref | RECEPTACLE BOX KIT - 220V IEC BLUE | B |
| 1 | 0861781 | 1 | Box, Switch | |
| 2 | 4461201 | 1 | Receptacle | |
| 3 | 4461199 | 1 | Plug, Male | |
| 4 | 1001100342 | 1 | Plug and Socket Kit (Includes Items 1-3 and Female Plug p/n 4461200) | |

SECTION 8 - ELECTRICAL

FIGURE 8-39. RECEPTACLE BOX KIT - 220V CEE7 POST GROUND 2IN X 4IN BOX (CE SPEC)



ART_0275452

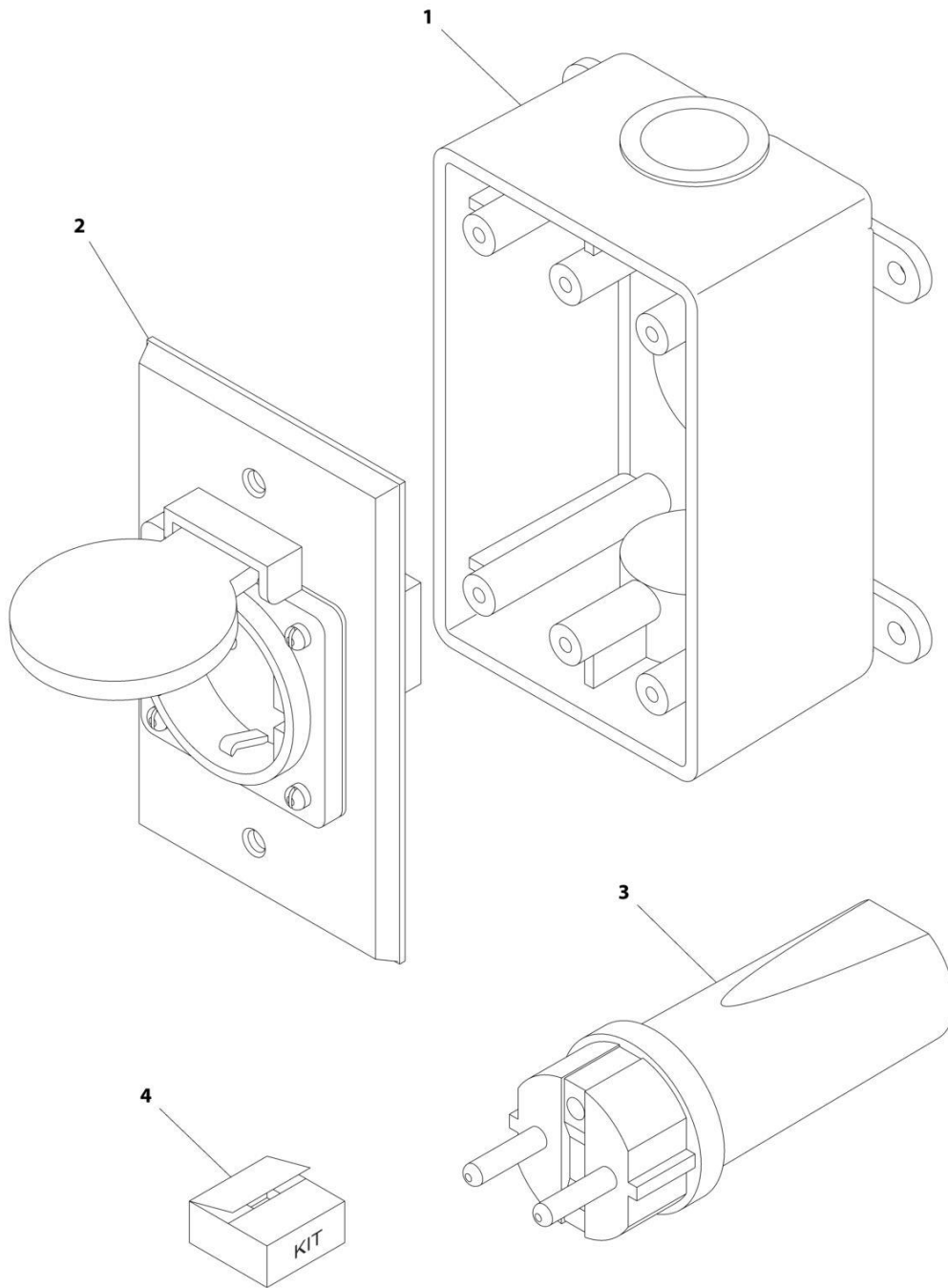
SECTION 8 - ELECTRICAL

FIGURE 8-39. RECEPTACLE BOX KIT - 220V CEE7 POST GROUND 2IN X 4IN BOX (CE SPEC)

| ITEM | PART NUMBER | QTY | DESCRIPTION | REV |
|------|-------------|-----|--|-----|
| | 0275452 | Ref | RECEPTACLE BOX KIT - 220V CEE7 POST GROUND | C |
| 1 | 0861731 | 1 | Box, Switch | |
| 2 | 4461244 | 1 | Receptacle | |
| 3 | 4461205 | 1 | Plug, Male | |
| 4 | 1001100345 | 1 | Plug and Socket Kit (Includes Items 1-3 and Female Plug p/n 4461206) | |

SECTION 8 - ELECTRICAL

FIGURE 8-40. RECEPTACLE BOX KIT - 220V CEE7 SIDE GROUND 2IN X 4IN BOX (CE SPEC)



ART_0275453

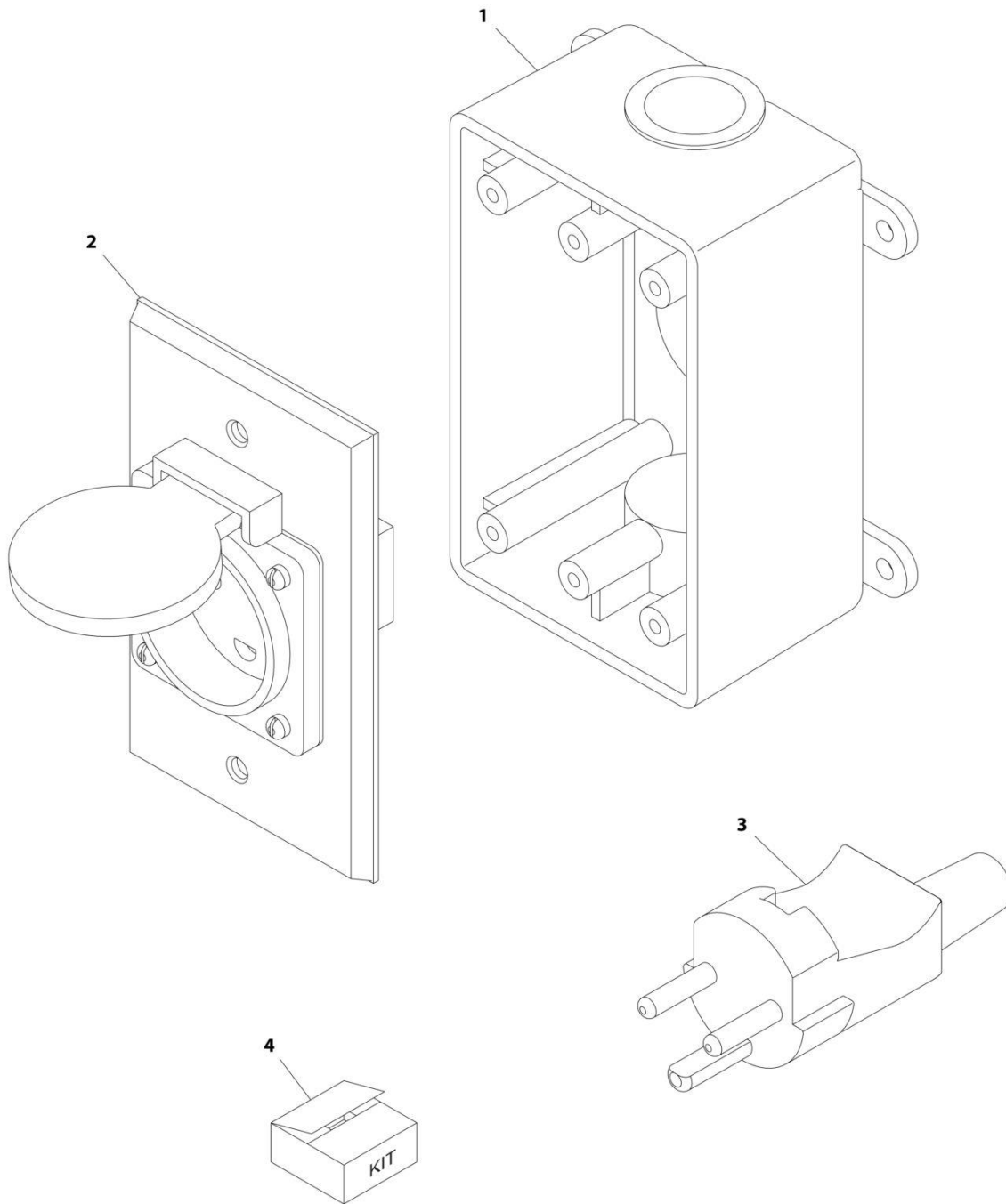
SECTION 8 - ELECTRICAL

FIGURE 8-40. RECEPTACLE BOX KIT - 220V CEE7 SIDE GROUND 2IN X 4IN BOX (CE SPEC)

| ITEM | PART NUMBER | QTY | DESCRIPTION | REV |
|------|-------------|-----|--|-----|
| | 0275453 | Ref | RECEPTACLE BOX KIT - 220V CEE7 SIDE GROUND | B |
| 1 | 0861731 | 1 | Box, Switch | |
| 2 | 4461245 | 1 | Receptacle | |
| 3 | 4461205 | 1 | Plug, Male | |
| 4 | 1001100347 | 1 | Plug and Socket Kit (Includes Items 1-3 and Female Plug p/n 4461206) | |

SECTION 8 - ELECTRICAL

FIGURE 8-41. RECEPTACLE BOX KIT - 220V AFSINT 107 (CE SPEC)



ART_0275454

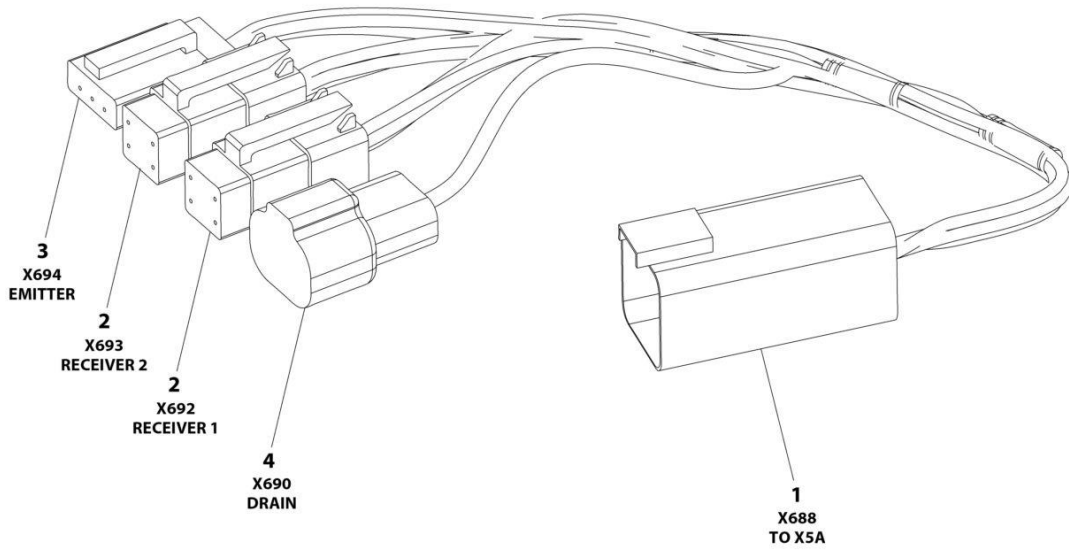
SECTION 8 - ELECTRICAL

FIGURE 8-41. RECEPTACLE BOX KIT - 220V AFSINT 107 (CE SPEC)

| ITEM | PART NUMBER | QTY | DESCRIPTION | REV |
|------|-------------|-----|--|-----|
| | 0275454 | Ref | RECEPTACLE BOX KIT - 220V AFSINT 107 | B |
| 1 | 0861731 | 1 | Box, Switch | |
| 2 | 4461246 | 1 | Receptacle | |
| 3 | 4461249 | 1 | Plug, Male | |
| 4 | 1001100346 | 1 | Plug and Socket Kit (Includes Items 1-3 and Female Plug p/n 4461250) | |

SECTION 8 - ELECTRICAL

FIGURE 8-42. SKYEYE INTERMEDIATE HARNESS



ART_1001237865

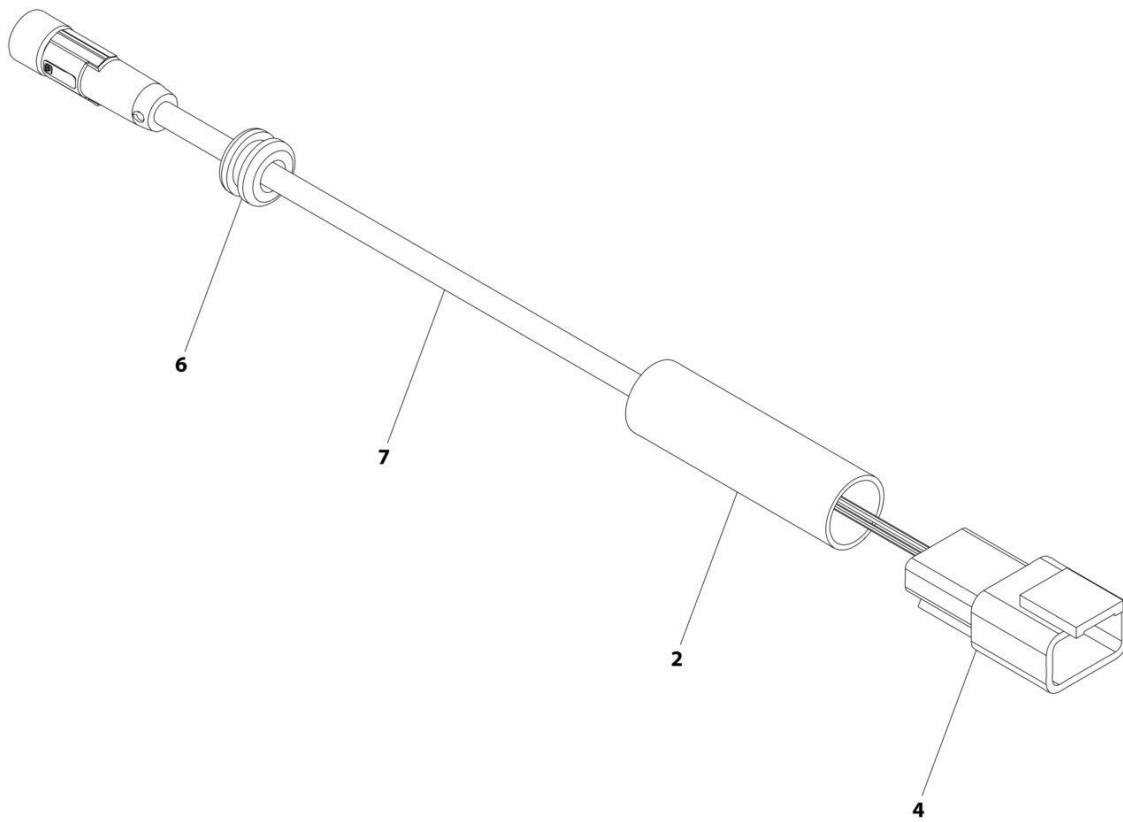
SECTION 8 - ELECTRICAL

FIGURE 8-42. SKYEYE INTERMEDIATE HARNESS

| ITEM | PART NUMBER | QTY | DESCRIPTION | REV |
|------|-------------|-----|-----------------------------|-----|
| | 1001237865 | Ref | SKYEYE INTERMEDIATE HARNESS | A |
| 1 | 4460899 | 1 | Connector - 6 Position | |
| 1 | 4460943 | 4 | Pin, Male | |
| 1 | 4460466 | 2 | Plug, Terminal | |
| 2 | 4461077 | 2 | Connector - 4 Position | |
| 2 | 1001119619 | 8 | Socket, Female | |
| 3 | 4460911 | 1 | Connector - 3 Position | |
| 3 | 1001119619 | 3 | Socket, Female | |
| 4 | 1001187681 | 1 | Connector - 2 Position | |
| 4 | 4460941 | 1 | Pin, Male | |
| 4 | 4460466 | 1 | Plug, Terminal | |

SECTION 8 - ELECTRICAL

FIGURE 8-43. SKYEYE RECEIVER HARNESS



ART_1001237863_B

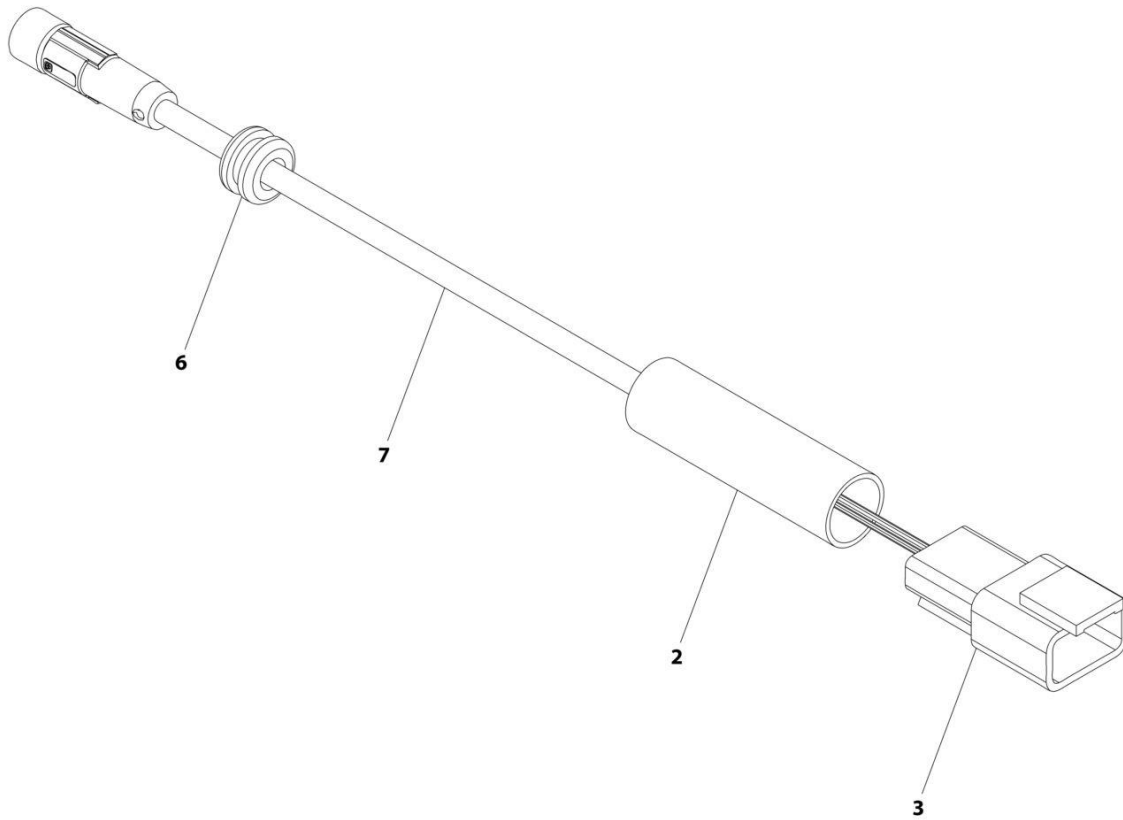
SECTION 8 - ELECTRICAL

FIGURE 8-43. SKYEYE RECEIVER HARNESS

| ITEM | PART NUMBER | QTY | DESCRIPTION | REV |
|------|-------------|-----|--------------------------|-----|
| | 1001237863 | Ref | SKYEYE RECEIVER HARNESS | B |
| 2 | 2820247 | AR | Tubing, Heat Shrink | |
| 4 | 1001097051 | 1 | Connector - 4 Position | |
| 4 | 1001119620 | 4 | Pin, Male | |
| 6 | 1001227996 | 1 | Grommet | |
| 7 | 1001258495 | 1 | Cable, M8 Female Cordset | |

SECTION 8 - ELECTRICAL

FIGURE 8-44. SKYEYE EMITTER HARNESS



ART_1001237864_B

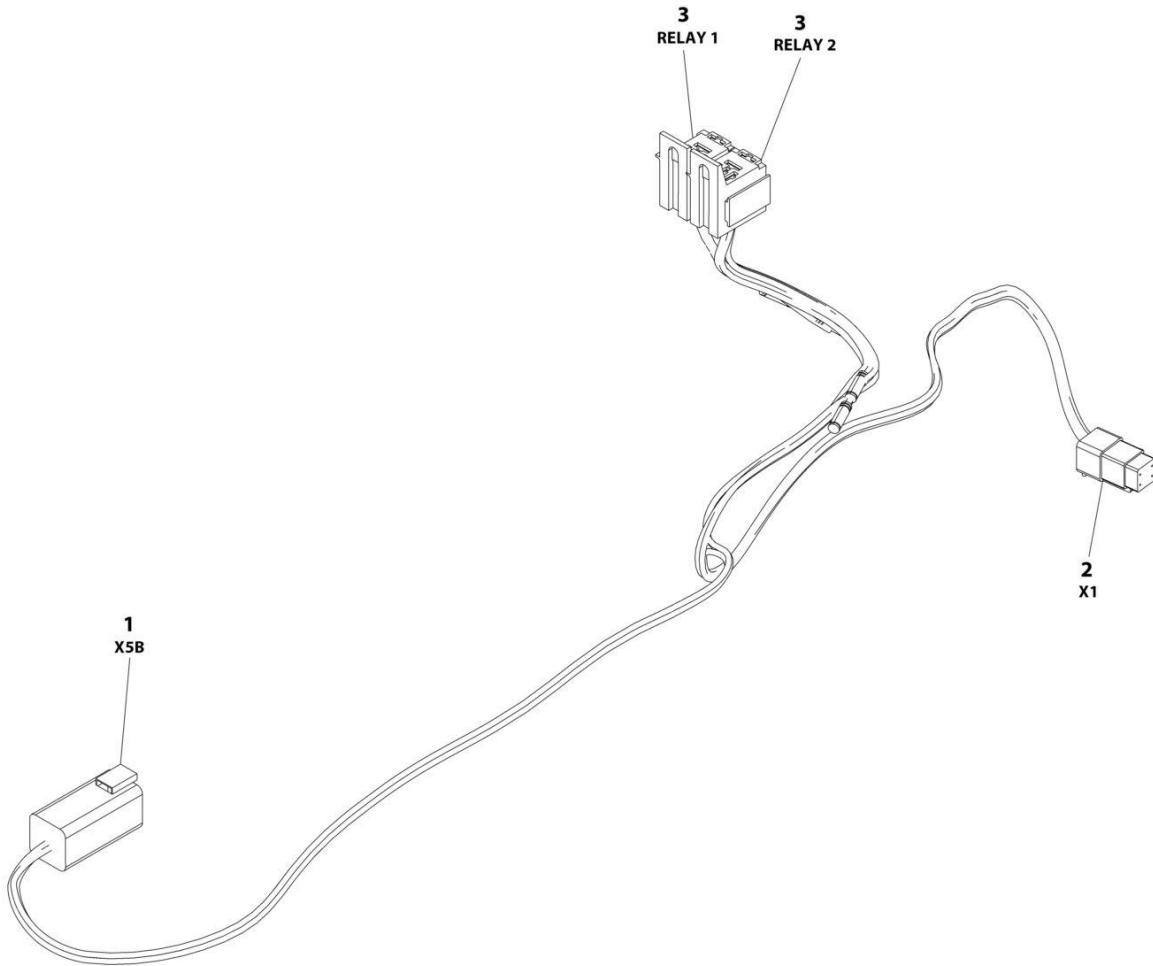
SECTION 8 - ELECTRICAL

FIGURE 8-44. SKYEYE EMITTER HARNESS

| ITEM | PART NUMBER | QTY | DESCRIPTION | REV |
|------|-------------|-----|--------------------------|-----|
| | 1001237864 | Ref | SKYEYE EMITTER HARNESS | B |
| 2 | 2820247 | AR | Tubing, Heat Shrink | |
| 3 | 4460910 | 1 | Connector - 3 Position | |
| 3 | 1001119620 | 3 | Pin, Male | |
| 6 | 1001227996 | 1 | Grommet | |
| 7 | 1001258495 | 1 | Cable, M8 Female Cordset | |

SECTION 8 - ELECTRICAL

FIGURE 8-45. SKYLINE HARNESS



ART_1001238418

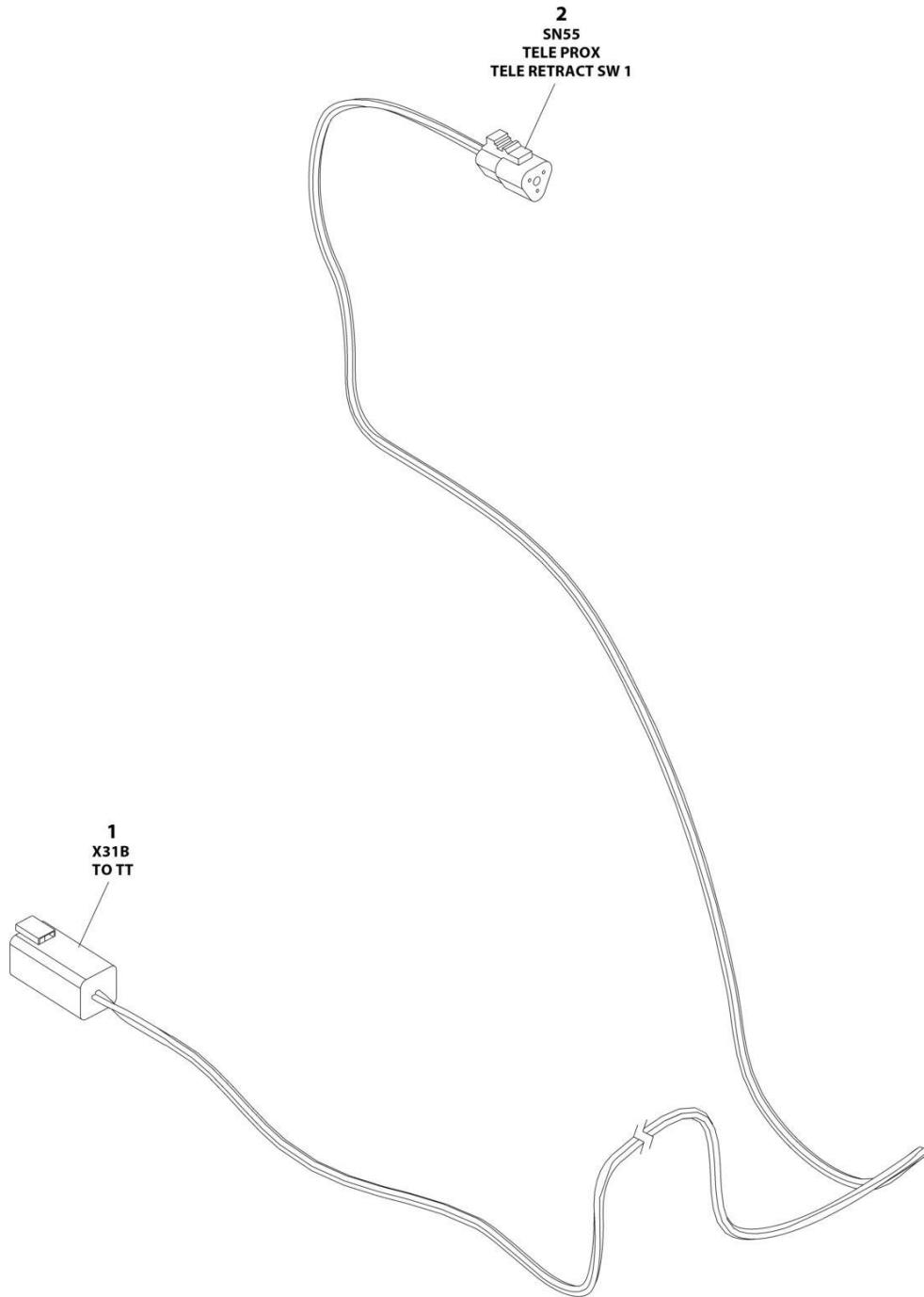
SECTION 8 - ELECTRICAL

FIGURE 8-45. SKYLINE HARNESS

| ITEM | PART NUMBER | QTY | DESCRIPTION | REV |
|------|-------------|-----|------------------------|-----|
| | 1001238418 | Ref | SKYLINE HARNESS | B |
| 1 | 4460899 | 1 | Connector - 6 Position | |
| 1 | 4460464 | 4 | Pin, Male | |
| 1 | 4460466 | 2 | Plug, Terminal | |
| 2 | 4461077 | 1 | Connector - 4 Position | |
| 2 | 1001126009 | 4 | Socket, Female | |
| 3 | 1001186432 | 2 | Plug, Relay | |
| 3 | 1001118388 | 5 | Terminal | |
| 3 | 1001118384 | 3 | Terminal | |
| 3 | 3740086 | 2 | Relay | |

SECTION 8 - ELECTRICAL

FIGURE 8-46. TRANSPORT HARNESS



ART_1001263008

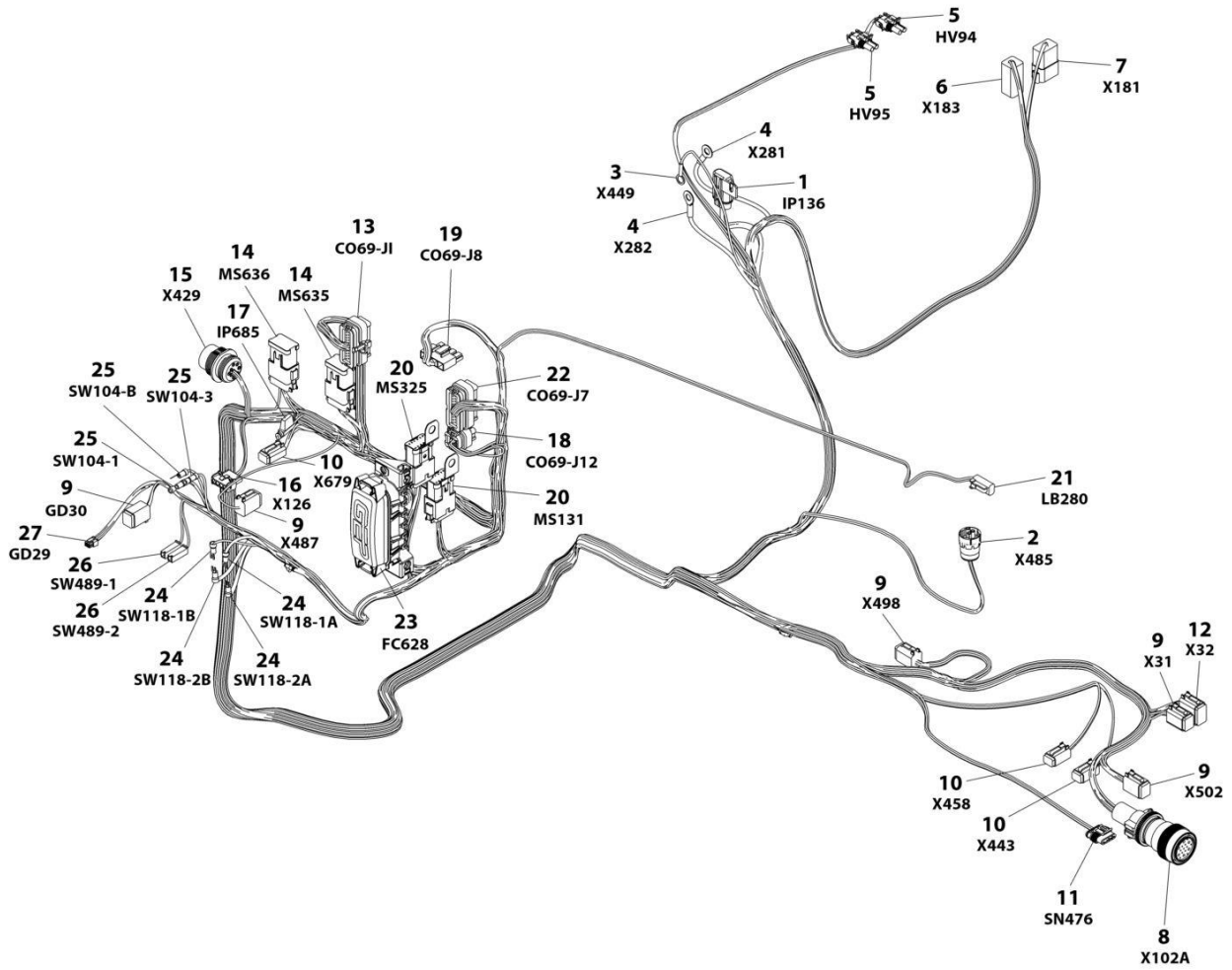
SECTION 8 - ELECTRICAL

FIGURE 8-46. TRANSPORT HARNESS

| ITEM | PART NUMBER | QTY | DESCRIPTION | REV |
|------|-------------|-----|---------------------------------|-----|
| | 1001263008 | Ref | TRANSPORT HARNESS | B |
| 1 | 4460899 | 1 | Receptacle, Female - 6 Position | |
| 1 | 4460464 | 3 | Pin, Male | |
| 1 | 4460466 | 3 | Plug, Terminal | |
| 2 | 4460539 | 1 | Plug, Male - 3 Position | |
| 2 | 4460465 | 3 | Socket, Female | |

SECTION 8 - ELECTRICAL

FIGURE 8-47. TURNTABLE HARNESS



ART_1001244293

SECTION 8 - ELECTRICAL

FIGURE 8-47. TURNTABLE HARNESS

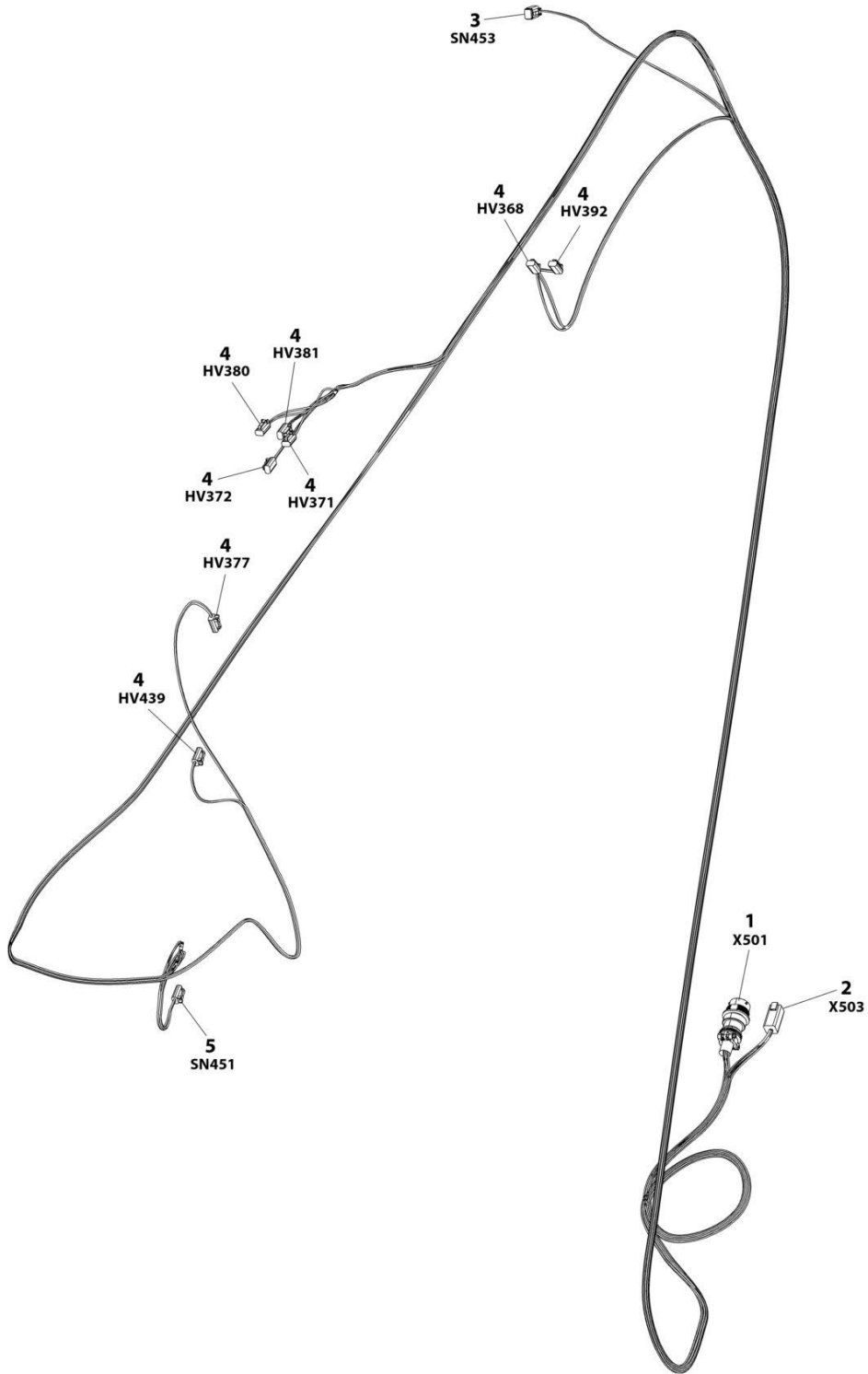
| ITEM | PART NUMBER | QTY | DESCRIPTION | REV |
|------|-------------|-----|---|-----|
| | 1001244293 | Ref | TURNTABLE HARNESS | D |
| 1 | 1001117070 | 1 | Fuseholder with 30Amp Fuse | |
| 1 | See Note | 1 | Fuse 30Amp (Note: Not Available - Purchase Locally) | |
| 1 | 1001116734 | 2 | Terminal, Female | |
| 2 | 4460967 | 1 | Connector - 3 Position | |
| 2 | 4460465 | 3 | Socket, Female | |
| 3 | 4460247 | 1 | Terminal, Ring | |
| 4 | 8220045 | 2 | Terminal, Ring | |
| 5 | 4460742 | 2 | Plug, Male - 2 Position | |
| 5 | 4460743 | 4 | Socket, Female | |
| 5 | 4460458 | 4 | Seal, Terminal | |
| 6 | 4460899 | 1 | Receptacle, Female - 6 Position | |
| 6 | 4460464 | 3 | Pin, Male | |
| 6 | 4460943 | 2 | Pin, Male | |
| 6 | 4460466 | 1 | Plug, Terminal | |
| 7 | 4460931 | 1 | Receptacle, Female | |
| 7 | 4460464 | 5 | Pin, Male | |
| 7 | 4460466 | 3 | Plug, Terminal | |
| 8 | 4460865 | 1 | Connector - 19 Position | |
| 8 | 4460465 | 6 | Socket, Female | |
| 8 | 4460509 | 2 | Socket, Female | |
| 8 | 4460466 | 11 | Plug, Terminal | |
| 8 | 1321647 | 1 | Clamp | |
| 9 | 4460894 | 5 | Plug, Male - 6 Position | |
| 9 | 4460465 | 24 | Socket, Female | |
| 9 | 4460466 | 6 | Plug, Terminal | |
| 10 | 4460884 | 3 | Plug, Male - 4 Position | |
| 10 | 4460465 | 8 | Socket, Female | |
| 10 | 4460466 | 4 | Plug, Terminal | |
| 11 | 1001103012 | 1 | Connector - 4 Position | |
| 11 | 1001107854 | 4 | Socket, Female | |
| 11 | 1001104498 | 4 | Seal, Terminal | |
| 12 | 4460930 | 1 | Plug, Male - 8 Position | |
| 12 | 4460465 | 6 | Socket, Female | |
| 12 | 4460466 | 2 | Seal, Terminal | |
| 13 | 4460874 | 1 | Connector - 35 Position | |
| 13 | 4460871 | 21 | Socket, Female | |
| 14 | 4460905 | 14 | Plug, Terminal | |
| 14 | 4460836 | 2 | Connector - 12 Position | |
| 14 | 4460465 | 16 | Socket, Female | |
| 14 | 4460466 | 8 | Plug, Terminal | |
| 14 | 4460837 | 2 | Bussbar - 12 Position | |
| 15 | 1001112612 | 1 | Connector - 9 Position | |
| 15 | 4460464 | 3 | Pin, Male | |
| 15 | 4460943 | 2 | Pin, Male (Gold) | |
| 15 | 4460466 | 4 | Plug, Terminal | |
| 16 | 4460761 | 1 | Receptacle, Female - 4 Position | |
| 16 | 4460267 | 4 | Pin, Male | |
| 17 | 2400060 | 1 | Holder, Fuse | |
| 17 | 8229242 | 1 | Fuse 5Amp | |

SECTION 8 - ELECTRICAL

| ITEM | PART NUMBER | QTY | DESCRIPTION | REV |
|------|-------------|-----|--------------------------|-----|
| 18 | 1001113961 | 1 | Plug, Male - 8 Position | |
| 18 | 4460871 | 5 | Socket, Female | |
| 18 | 4460905 | 3 | Plug, Terminal | |
| 19 | 4460878 | 1 | Plug, Male - 4 Position | |
| 19 | 4460887 | 4 | Terminal | |
| 20 | 4460933 | 2 | Plug, Male - 12 Position | |
| 20 | 4460465 | 12 | Socket, Female | |
| 20 | 4460466 | 11 | Plug, Terminal | |
| 20 | 1001125677 | 2 | Bussbar - 12 Position | |
| 20 | 1001120328 | 2 | Clip, Mounting | |
| 21 | 4460891 | 1 | Plug, Male - 2 Position | |
| 21 | 4460465 | 2 | Socket, Female | |
| 22 | 4460873 | 1 | Connector - 35 Position | |
| 22 | 4460871 | 28 | Socket, Female | |
| 22 | 4460905 | 7 | Plug, Terminal | |
| 23 | 1001185964 | 1 | Fuse Box Assembly | |
| 23 | 8229244 | 2 | Fuse 15Amp | |
| 23 | 8229242 | 4 | Fuse 5Amp | |
| 23 | 1001196635 | 1 | Fuse 3Amp | |
| 23 | 1001129285 | 2 | Fuse with Diode | |
| 23 | 1001095704 | 1 | Relay | |
| 23 | 1001116728 | 14 | Terminal, Female | |
| 23 | 8220125 | 9 | Terminal, Female | |
| 23 | 4460748 | 25 | Plug, Terminal | |
| 23 | 4460458 | 14 | Seal, Terminal | |
| 23 | 80963067 | 9 | Seal, Cable | |
| 24 | 4460806 | 4 | Terminal, Fork | |
| 25 | 4460142 | 3 | Terminal, Ring | |
| 26 | 4460260 | 2 | Housing, Terminal | |
| 26 | 4460259 | 2 | Terminal | |
| 27 | 1001237667 | 1 | Connector - 6 Position | |
| 27 | 1001237668 | 5 | Socket, Female | |

SECTION 8 - ELECTRICAL

FIGURE 8-48. VALVE HARNESS - BOOM VALVE



ART_1001164738

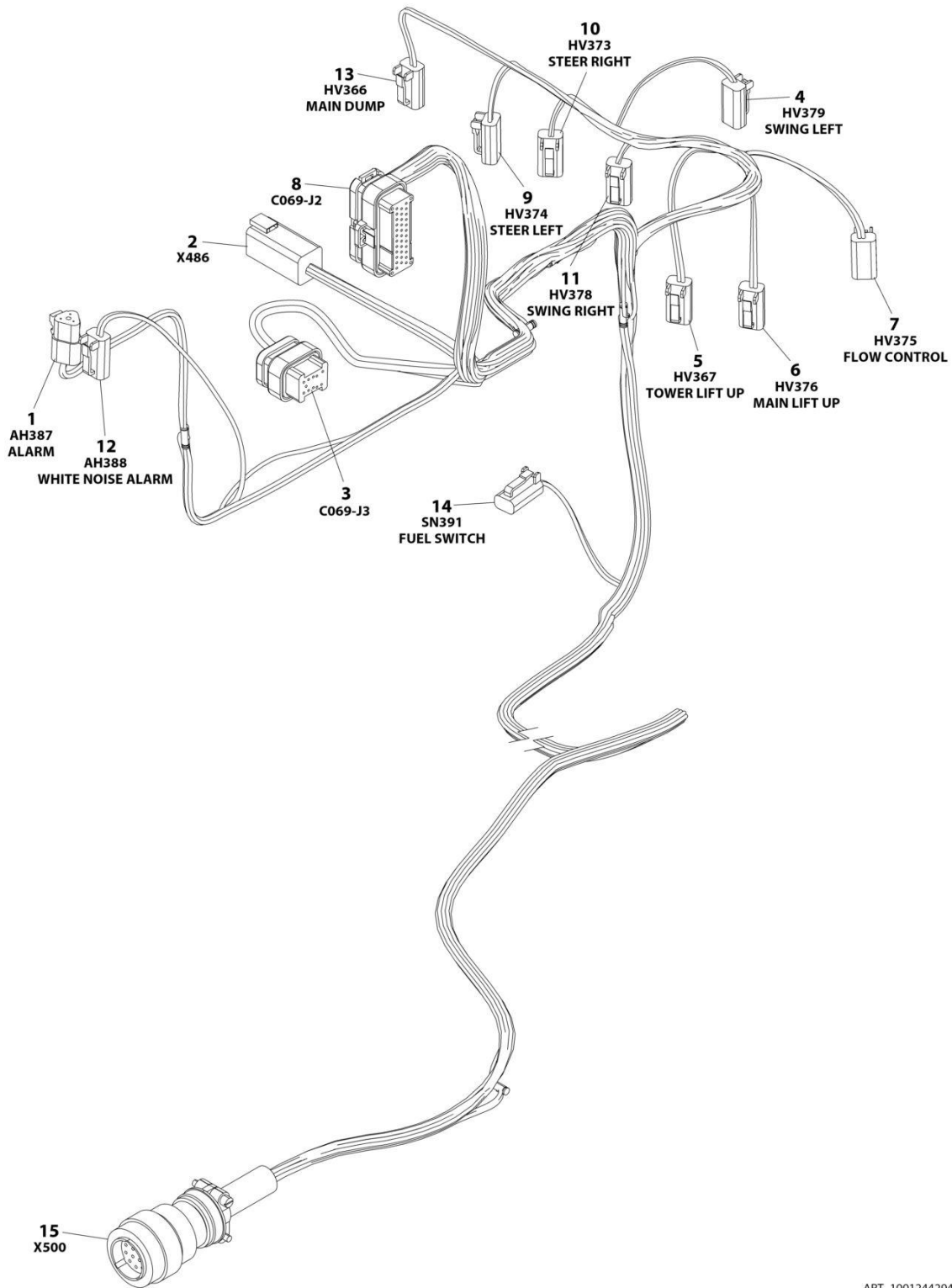
SECTION 8 - ELECTRICAL

FIGURE 8-48. VALVE HARNESS - BOOM VALVE

| ITEM | PART NUMBER | QTY | DESCRIPTION | REV |
|------|-------------|-----|-------------------------|-----|
| | 1001164738 | Ref | BOOM VALVE HARNESS | I |
| 1 | 1001156541 | 1 | Connector - 19 Position | |
| 1 | 4460464 | 13 | Pin, Male | |
| 1 | 4460466 | 1 | Plug, Terminal | |
| 2 | 4460899 | 1 | Connector - 6 Position | |
| 2 | 4460464 | 6 | Pin, Male | |
| 3 | 4460884 | 1 | Plug, Male - 4 Position | |
| 3 | 4460465 | 2 | Socket, Female | |
| 3 | 4460466 | 2 | Plug, Terminal | |
| 4 | 4460891 | 8 | Plug, Male - 2 Position | |
| 4 | 4460465 | 16 | Socket, Female | |
| 5 | 1001230931 | 1 | Plug, Male - 6 Position | |
| 5 | 1001116748 | 6 | Terminal | |

SECTION 8 - ELECTRICAL

FIGURE 8-49. VALVE HARNESS - MAIN VALVE



ART_1001244294

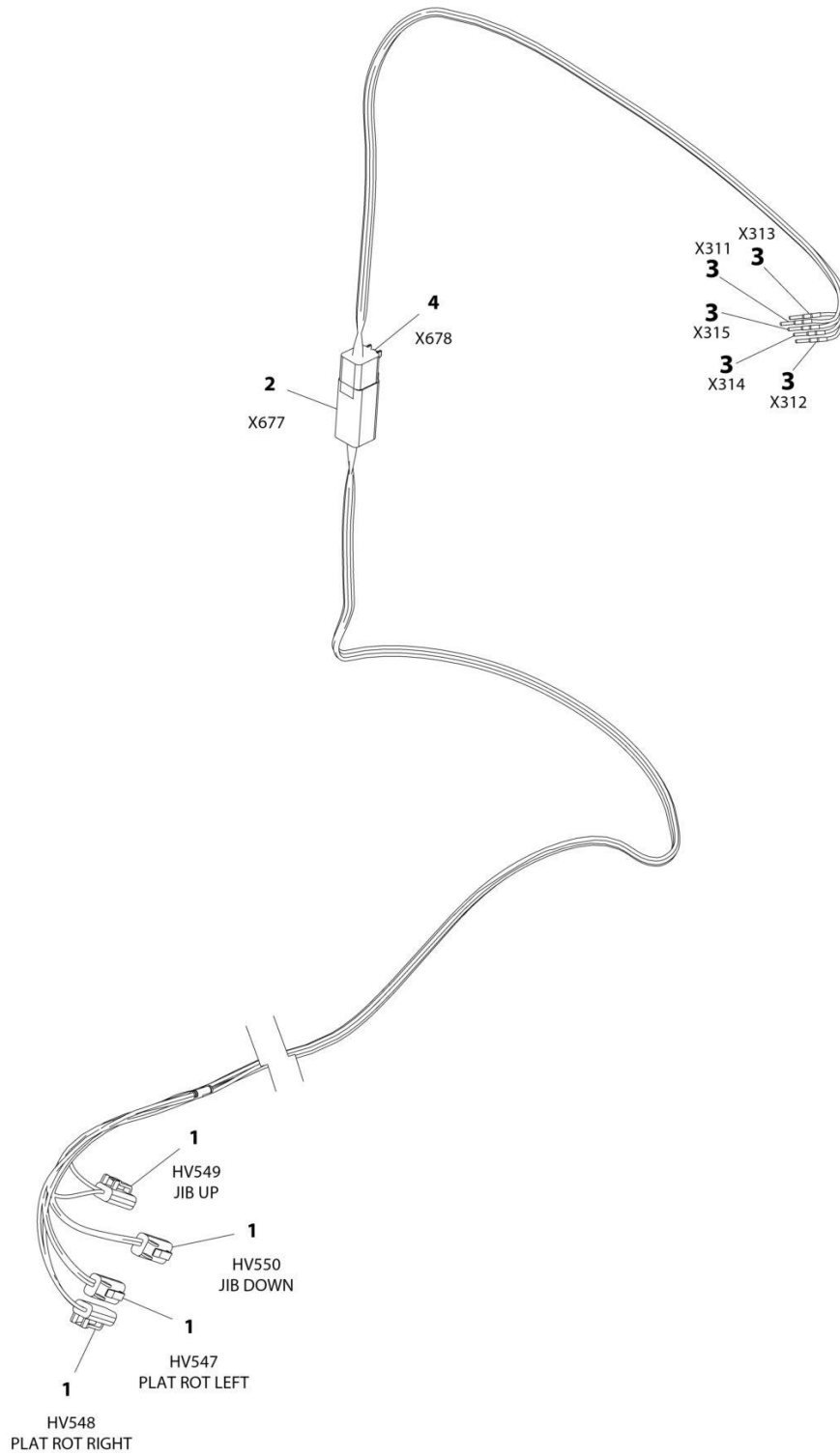
SECTION 8 - ELECTRICAL

FIGURE 8-49. VALVE HARNESS - MAIN VALVE

| ITEM | PART NUMBER | QTY | DESCRIPTION | REV |
|------|-------------|-----|-------------------------|-----|
| | 1001244294 | Ref | TRACTION HARNESS | B |
| 1 | 4460539 | 1 | Plug, Male - 3 Position | |
| 1 | 4460465 | 3 | Socket, Female | |
| 2 | 4460899 | 1 | Connector - 6 Position | |
| 2 | 4460464 | 4 | Pin, Male | |
| 2 | 4460466 | 2 | Plug, Terminal | |
| 3 | 4460872 | 1 | Connector - 14 Position | |
| 3 | 4460871 | 9 | Terminal, Female | |
| 3 | 4460905 | 5 | Seal, Terminal | |
| 4 | 4460891 | 1 | Connector - 2 Position | |
| 4 | 4460465 | 2 | Socket, Female | |
| 5 | 4460891 | 1 | Connector - 2 Position | |
| 5 | 4460465 | 2 | Socket, Female | |
| 6 | 4460891 | 1 | Connector - 2 Position | |
| 6 | 4460465 | 2 | Socket, Female | |
| 7 | 4460891 | 1 | Connector - 2 Position | |
| 7 | 4460465 | 2 | Socket, Female | |
| 8 | 4460875 | 1 | Connector - 35 Position | |
| 8 | 4460871 | 26 | Socket, Female | |
| 8 | 4460905 | 9 | Plug, Terminal | |
| 9 | 4460891 | 1 | Plug, Male - 2 Position | |
| 9 | 4460465 | 2 | Socket, Female | |
| 10 | 4460891 | 1 | Connector - 2 Position | |
| 10 | 4460465 | 2 | Socket, Female | |
| 11 | 4460891 | 1 | Connector - 2 Position | |
| 11 | 4460465 | 2 | Socket, Female | |
| 12 | 4460891 | 1 | Connector - 2 Position | |
| 12 | 4460465 | 2 | Socket, Female | |
| 13 | 4460891 | 1 | Connector - 2 Position | |
| 13 | 4460465 | 2 | Socket, Female | |
| 14 | 4460424 | 1 | Connector - 2 Position | |
| 14 | 4460268 | 2 | Socket, Female | |
| 15 | 4460754 | 1 | Connector - 14 Position | |
| 15 | 4460465 | 13 | Socket, Female | |
| 15 | 4460466 | 1 | Plug, Terminal | |

SECTION 8 - ELECTRICAL

FIGURE 8-50. VALVE HARNESS - PLATFORM VALVE



ART_1001164728

SECTION 8 - ELECTRICAL

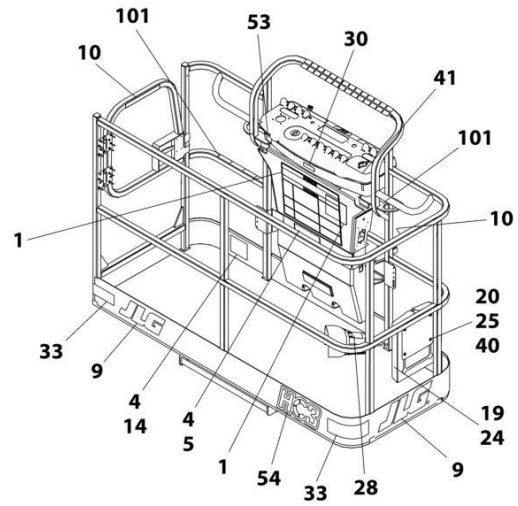
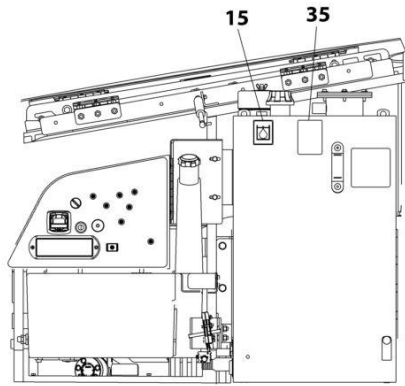
FIGURE 8-50. VALVE HARNESS - PLATFORM VALVE

| ITEM | PART NUMBER | QTY | DESCRIPTION | REV |
|------|-------------|-----|---------------------------------|-----|
| | 1001164728 | Ref | VALVE HARNESS - PLATFORM VALVE | D |
| 1 | 4460891 | 4 | Plug, Male - 2 Position | |
| 1 | 4460465 | 8 | Socket, Female | |
| 2 | 4460899 | 1 | Receptacle, Female - 6 Position | |
| 2 | 4460464 | 5 | Pin, Male | |
| 2 | 4460466 | 1 | Plug, Terminal | |
| 3 | 4460465 | 5 | Socket, Female | |
| 4 | 4460894 | 1 | Plug, Male - 6 Position | |
| 4 | 4460465 | 5 | Socket, Female | |
| 4 | 4460466 | 1 | Plug, Terminal | |

SECTION 9 - DECALS

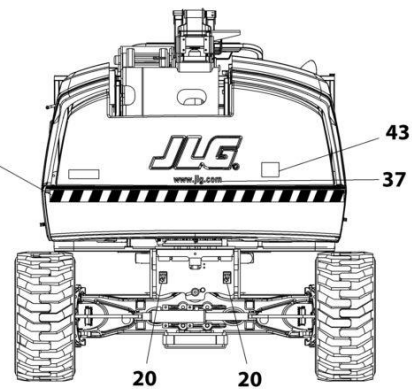
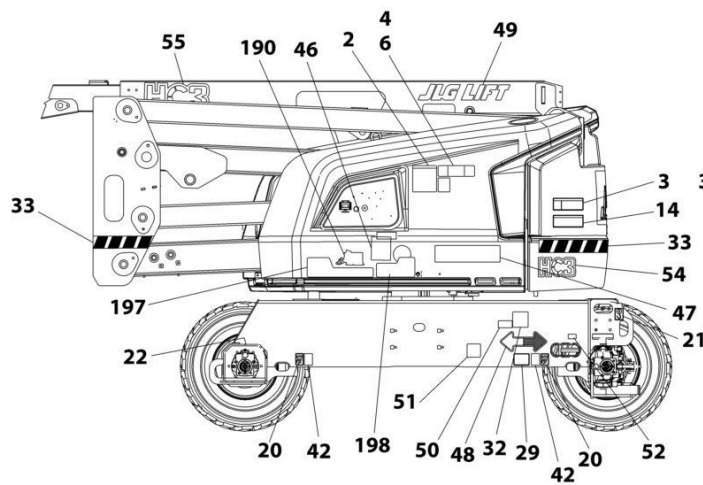
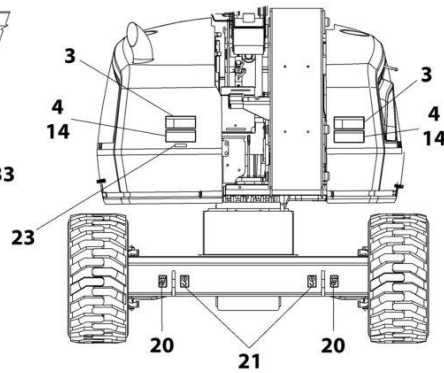
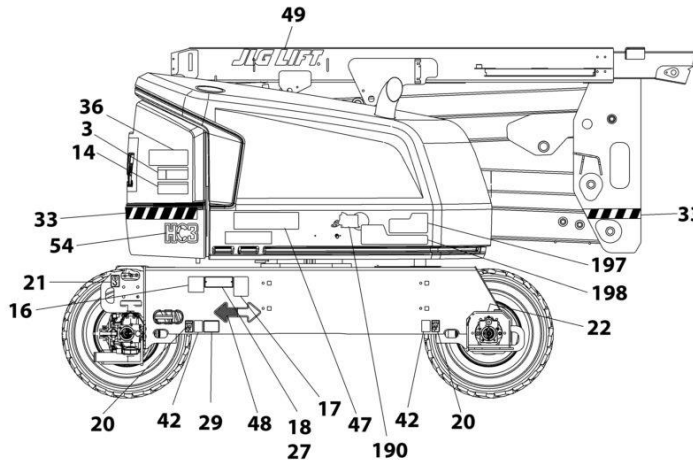
SECTION 9 - DECALS

FIGURE 9-1. DECAL INSTALLATION - AUSTRALIAN SPEC (ENGLISH LANGUAGE)



NOTE: SOME DECALS ARE CALLED OUT ON DECAL INSTALLATION - OPTIONS.

NOTE: ITEMS SHOWN MAY NOT BE REQUIRED FOR ALL SPECS. REFER TO PARTS LIST FOR USAGE.



ART_1001254301

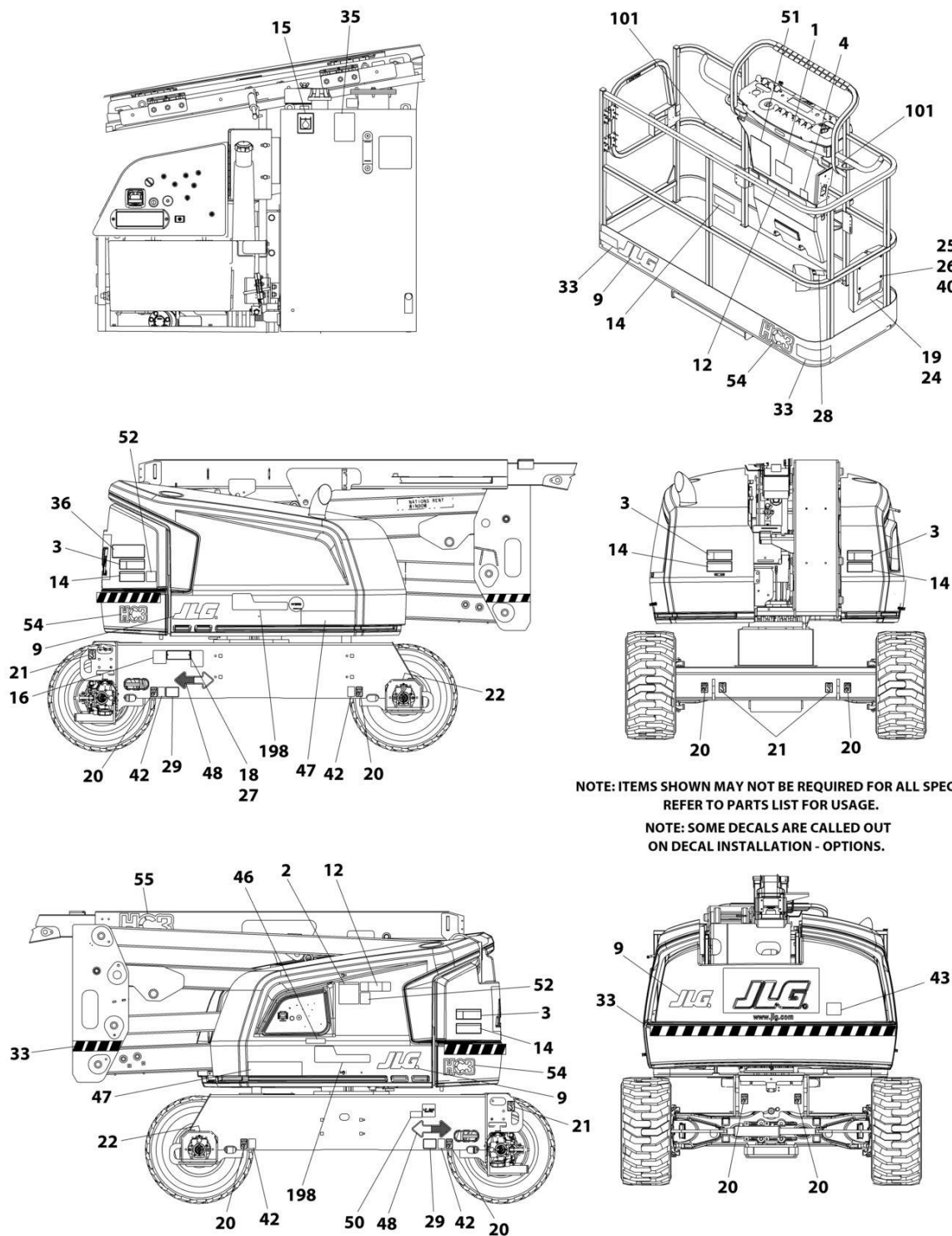
SECTION 9 - DECALS

FIGURE 9-1. DECAL INSTALLATION - AUSTRALIAN SPEC (ENGLISH LANGUAGE)

| ITEM | PART NUMBER | QTY | DESCRIPTION | REV |
|------|-------------|-----|---|-----|
| | 1001254314 | Ref | DECAL INSTALLATION - REFERENCE CHART | C |
| | 1001254301 | Ref | DECAL INSTALLATION | E |
| 1 | 1705921 | 1 | Decal - Tipping/Electrocution | |
| 2 | 1705822 | 1 | Decal - Electrocution/Safety Manual | |
| 3 | 1705961 | 4 | Decal - Danger/Electrocution | |
| 4 | 1001234439 | 2 | Decal - Warning | |
| 14 | 1701518 | 6 | Decal - Warning/Crushing | |
| 15 | 1701504 | 1 | Decal - Hydraulic Oil | |
| 16 | See Note | NSS | Decal - Bar Code (Note: Not Available for Purchase) | |
| 18 | | Ref | Nameplate - Manufacturers Serial Number | |
| 19 | 1701509 | 1 | Decal - Manual | |
| 20 | 1702300 | 8 | Decal - Tie Down /Lift | |
| 21 | 1701500 | 4 | Decal - Tie Down /Lift | |
| 22 | 1703687 | 2 | Decal - Arrow | |
| 24 | 0860520 | 1 | Box, Manual Storage | |
| 25 | 4751400 | 4 | Washer 1/4 | |
| 26 | 3311405 | 4 | Nut 1/4 | |
| 27 | 3820001 | 2 | Rivet | |
| 28 | 1705828 | 1 | Decal - Footswitch | |
| 35 | 1704412 | 1 | Decal - Hydraulic Fluid | |
| 36 | 1001274782 | 1 | Decal - Lift Diagram | |
| 37 | 1704885 | 1 | Decal - Website | |
| 40 | 0641406 | 4 | Bolt 1/4 x 3/4 | |
| 42 | 1701499 | 4 | Decal - Tie Down /Lift | |
| 43 | 1001204510 | 1 | Decal - Sound Power Level | |
| 46 | 1001112551 | 1 | Decal - Emergency Controls | |
| 48 | 1701529 | 2 | Decal - Arrow | |
| 100 | 1001232026 | 1 | Decal - Platform Lanyard Kit (Not Shown) | |
| 101 | 1704277 | 3 | Decal - Attach Lanyard Here | |

SECTION 9 - DECALS

FIGURE 9-2. DECAL INSTALLATION - CE & RUSSIA SPEC (ENGLISH LANGUAGE)



NOTE: ITEMS SHOWN MAY NOT BE REQUIRED FOR ALL SPECS.
REFER TO PARTS LIST FOR USAGE.

NOTE: SOME DECALS ARE CALLED OUT
ON DECAL INSTALLATION - OPTIONS.

ART_1001254307

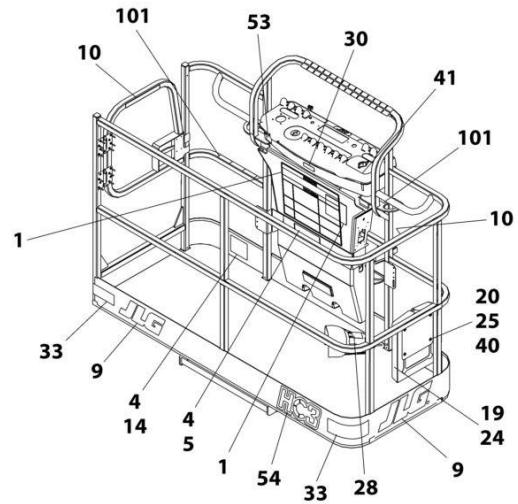
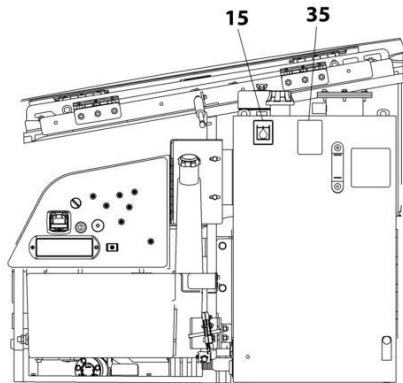
SECTION 9 - DECALS

FIGURE 9-2. DECAL INSTALLATION - CE & RUSSIA SPEC (ENGLISH LANGUAGE)

| ITEM | PART NUMBER | QTY | DESCRIPTION | REV |
|------|-------------|-----|---|-----|
| | 1001254315 | Ref | DECAL INSTALLATION - REFERENCE CHART | B |
| | 1001254307 | Ref | DECAL INSTALLATION | E |
| 1 | 1705921 | 1 | Decal - Tipping/Electrocution | |
| 2 | 1705822 | 1 | Decal - Electrocution/Safety Manual | |
| 3 | 1705961 | 4 | Decal - Danger Electrocution | |
| 4 | 1001244301 | 1 | Decal - No Platform to Ground | |
| 9 | 1702773 | 4 | Decal - JLG | |
| 12 | 1001234439 | 2 | Decal - Max Capacity | |
| 14 | 1701518 | 6 | Decal - Warning/Crushing | |
| 15 | 1701504 | 1 | Decal - Hydraulic Oil | |
| 16 | See Note | NSS | Decal - Bar Code (Note: Not Available for Purchase) | |
| 18 | | Ref | Nameplate - Manufacturers Serial Number | |
| 19 | 1701509 | 1 | Decal - Manual | |
| 20 | 1702300 | 8 | Decal - Tie Down /Lift | |
| 21 | 1701500 | 4 | Decal - Tie Down /Lift | |
| 22 | 1703687 | 2 | Decal - Arrow | |
| 24 | 0860520 | 1 | Box, Manual Storage | |
| 25 | 4751400 | 4 | Washer 1/4 | |
| 26 | 3311405 | 4 | Nut 1/4 | |
| 27 | 3820001 | 2 | Rivet | |
| 28 | 1705828 | 1 | Decal - Footswitch | |
| 35 | 1704412 | 1 | Decal - Hydraulic Fluid | |
| 36 | 1001274782 | 1 | Decal - Lift Diagram | |
| 40 | 0641406 | 4 | BoI 1/4 x 3/4 | |
| 42 | 1701499 | 4 | Decal - No Tie Down/Lift | |
| 46 | 1001189882 | 1 | Decal - MSSO | |
| 48 | 1701529 | 2 | Decal - Arrow | |
| 52 | 1001244298 | 2 | Decal - Wechat | |
| 54 | 1001244212 | 3 | Decal - HC3 | |
| 55 | 1001256906 | 1 | Decal - HC3 | |
| 100 | 1001232026 | 1 | Decal - Platform Lanyard Kit (Not Shown) | |
| 101 | 1704277 | 3 | Decal - Attach Lanyard Here | |

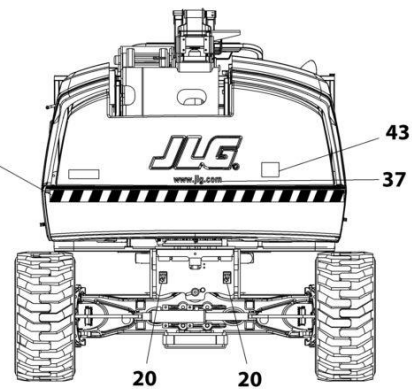
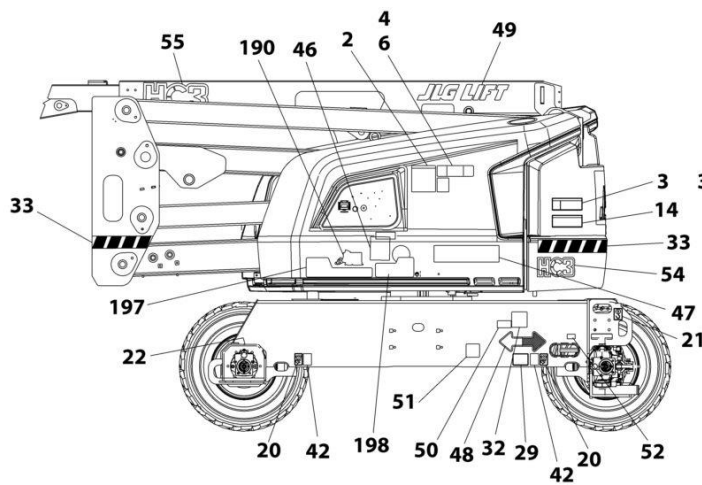
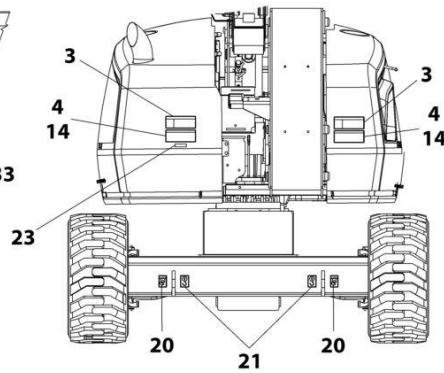
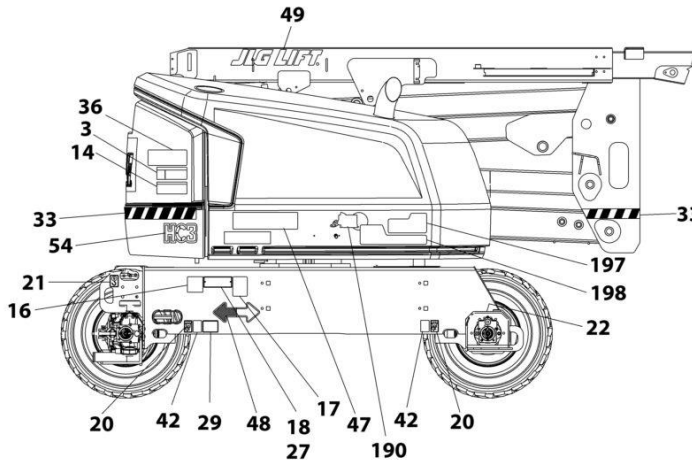
SECTION 9 - DECALS

FIGURE 9-3. DECAL INSTALLATION - CHINESE SPEC (CHINESE/ENGLISH LANGUAGES)



NOTE: SOME DECALS ARE CALLED OUT ON DECAL INSTALLATION - OPTIONS.

NOTE: ITEMS SHOWN MAY NOT BE REQUIRED FOR ALL SPECS. REFER TO PARTS LIST FOR USAGE.



ART_1001254305

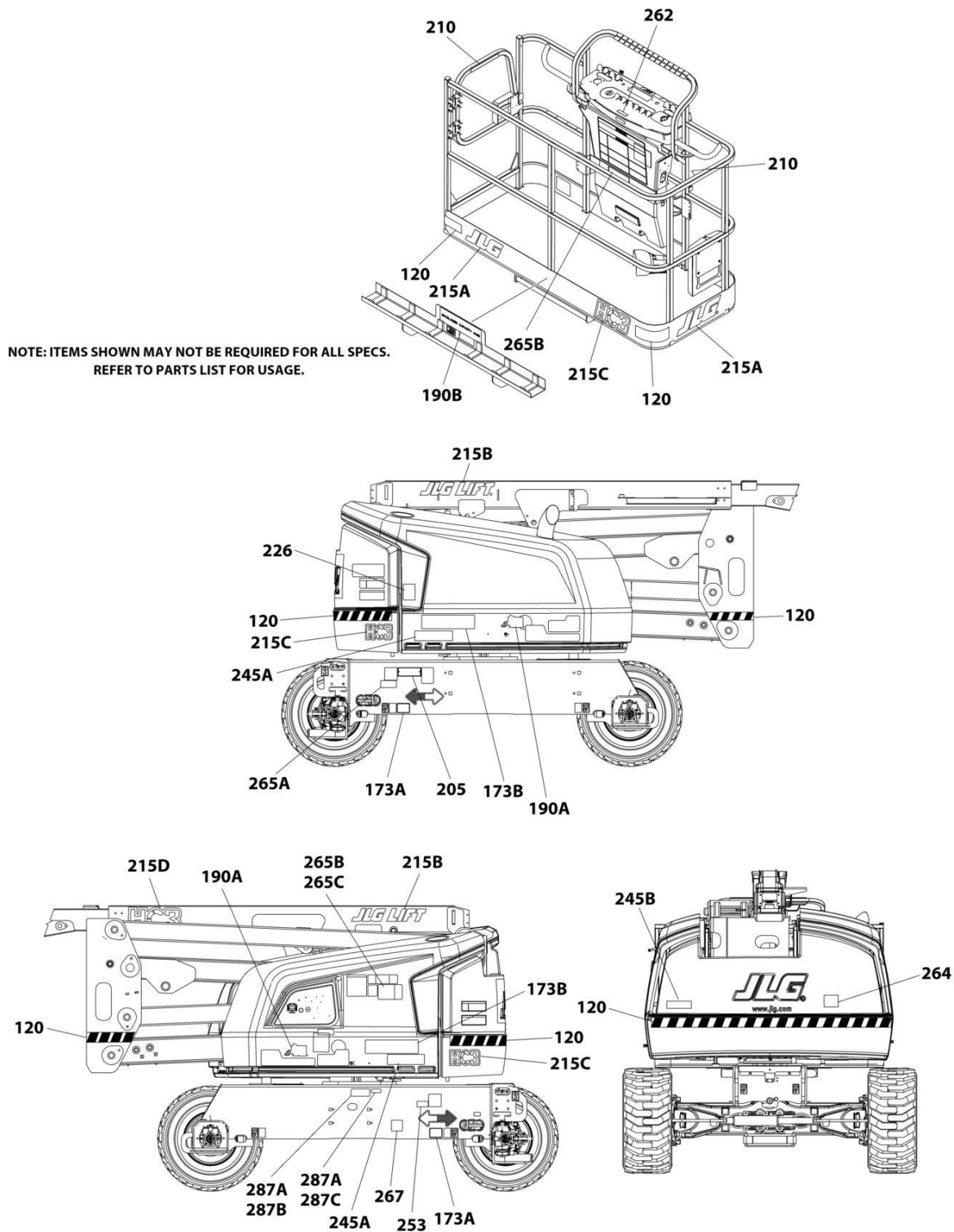
SECTION 9 - DECALS

FIGURE 9-3. DECAL INSTALLATION - CHINESE SPEC (CHINESE/ENGLISH LANGUAGES)

| ITEM | PART NUMBER | QTY | DESCRIPTION | REV |
|------|-------------|-----|---|-----|
| | 1001254314 | Ref | DECAL INSTALLATION - REFERENCE CHART | C |
| | 1001254305 | Ref | DECAL INSTALLATION | D |
| 1 | 1703925 | 1 | Decal - Danger/Warning | |
| 2 | 1001116849 | 1 | Decal - Warning Inspection | |
| 3 | 1703937 | 4 | Decal - Danger Electrocution | |
| 4 | 1703949 | 4 | Decal - Warning/Crushing | |
| 5 | 1001234435 | 1 | Decal - Warning | |
| 6 | 1001234436 | 1 | Decal - Warning | |
| 10 | 1705968 | 2 | Decal - No Hands | |
| 14 | 1703943 | 2 | Decal - Warning/Crushing | |
| 15 | 1701504 | 1 | Decal - Hydraulic Oil | |
| 16 | See Note | NSS | Decal - Bar Code (Note: Not Available for Purchase) | |
| 18 | | Ref | Nameplate - Manufacturers Serial Number | |
| 19 | 1701509 | 1 | Decal - Manual | |
| 20 | 1702300 | 8 | Decal - Tie Down /Lift | |
| 21 | 1701500 | 4 | Decal - Tie Down /Lift | |
| 22 | 1703687 | 2 | Decal - Arrow | |
| 24 | 0860520 | 1 | Box, Manual Storage | |
| 25 | 4751400 | 4 | Washer 1/4 | |
| 26 | 3311405 | 4 | Nut 1/4 | |
| 27 | 3820001 | 2 | Rivet | |
| 28 | 1703982 | 1 | Decal - Footswitch | |
| 35 | 1704412 | 1 | Decal - Hydraulic Fluid | |
| 36 | 1001274782 | 1 | Decal - Lift Diagram | |
| 37 | 1704885 | 1 | Decal - Website | |
| 40 | 0641406 | 4 | Bolt 1/4 x 3/4 | |
| 41 | 1705430 | 1 | Decal - Drive/Steer | |
| 42 | 1701499 | 4 | Decal - No Tie Down/Lift | |
| 48 | 1701529 | 2 | Decal - Arrow | |
| 51 | 1001224050 | 1 | Decal - Yearly Inspection | |
| 100 | 1001232026 | 1 | Decal - Platform Lanyard Kit (Not Shown) | |
| 101 | 1704277 | 3 | Decal - Attach Lanyard Here | |

SECTION 9 - DECALS

FIGURE 9-4. DECAL INSTALLATION - OPTIONS



ART_DECAL_OPTIONS

SECTION 9 - DECALS

FIGURE 9-4. DECAL INSTALLATION - OPTIONS

| ITEM | PART NUMBER | QTY | DESCRIPTION | REV |
|------|-------------|-------------------|---|-----|
| | 1001254314 | Ref | DECAL INSTALLATION - REFERENCE CHART (ALL SPECS EXCEPT CE SPECS) | C |
| | 1001254315 | Ref | DECAL INSTALLATION - REFERENCE CHART (CE SPECS) | B |
| | 1001246976 | Ref | DECAL INSTALLATION - OPTIONS | F |
| 120 | 1001188883 | Ref | Warning Stripes Installation | A |
| 120 | 4420051 | 21.5 ft /6.55m | Tape, Safety | |
| 173 | 1001255846 | Ref | Model Decal Installation | C |
| 173A | 1001255850 | 2 | Decal - Max Tire Load | |
| 173B | 1001267313 | 2 | Decal - 520AJ HC3 | |
| 190 | 1001262105 | Ref | SkyGlazier Decal Installaion (Australian Specs) | A |
| 190A | 1705358 | 2 | Decal - SkyGlazier | |
| 190B | 1001262117 | 2 | Decal - SkyGlazier Capacity | |
| 205 | See Note | 1 | Nameplate - Manufacturers Serial Number (Note: Not Available for Purchase) | |
| 210 | 1705968 | 2 | Decal - No Hands (China Specs) | |
| 215 | 1001254311 | Ref | JLG Logo Installation | C |
| 215A | 1702773 | 2 | Decal - JLG | |
| 215B | 1702774 | 2 | Decal - JLG Lift (3in) | |
| 215C | 1001244212 | 3 | Decal - HC3 | |
| 215D | 1001256906 | 1 | Decal - HC3 | |
| 226 | 1706098 | 1 | Decal - Warning Explosion/Fire | |
| 245 | 1001127096 | Ref | Decal - ClearSky | |
| 245A | 1001116208 | 2 | Decal - ClearSky | |
| 245B | 1001120989 | 1 | Decal - Radio Frequency | |
| 253 | 1001143852 | 1 | Decal - Emissions Compliance (Deutz D2011 Engines/Deutz D2011 Engines (Stage V)/Deutz D2.9L4 Engines (Stage V)) | |
| 262 | 1001141300 | 1 | Decal - SkyGuard Override | |
| 262 | 1001141302 | 1 | Decal - SkyGuard Override with Soft Touch | |
| 264 | 1001204510 | 1 | Decal - Sound Power (102 Db) | |
| 264 | 1001130492 | 1 | Decal - Sound Power (105 Db) | |
| 265 | 1001271605 | Ref | Soft -Touch Decal Installation (Without Fall Arrest) (Pictograph) | |
| 265 | 1001271588 | Ref | Soft -Touch Decal Installation (Without Fall Arrest) (English Language) | |
| 265 | 1001276688 | Ref | Soft -Touch Decal Installation (Without Fall Arrest) (English/Chinese Languages) | |
| 265 | 1001276692 | Ref | Soft -Touch Decal Installation (Without Fall Arrest) (English/Spanish Languages) | |
| 265 | 1001276690 | Ref | Soft -Touch Decal Installation (Without Fall Arrest) (Spanish/Portuguese Languages) | |
| 265 | 1001271606 | Ref | Soft -Touch Decal Installation (With Fall Arrest) (Pictograph) | |
| 265 | 1001271589 | Ref | Soft -Touch Decal Installation (With Fall Arrest) (English Language) | |
| 265 | 1001276689 | Ref | Soft -Touch Decal Installation (With Fall Arrest) (English/Chinese Languages) | |
| 265 | 1001276693 | Ref | Soft -Touch Decal Installation (With Fall Arrest) (English/Spanish Languages) | |
| 265 | 1001276691 | Ref | Soft -Touch Decal Installation (Without Fall Arrest) (Spanish/Portuguese Languages) | |
| 265A | 1001195490 | 1 | Decal - Soft-Touch (Pictograph) | |
| 265A | 1001195491 | 1 | Decal - Soft-Touch (English Language) | |
| 265A | 1001271708 | 1 | Decal - Soft-Touch (English/Chinese Languages) | |

SECTION 9 - DECALS

| ITEM | PART NUMBER | QTY | DESCRIPTION | REV |
|------|-------------|-----|--|-----|
| 265A | 1001271711 | 1 | Decal - Soft-Touch (English/Spanish Languages) | |
| 265A | 1001271707 | 1 | Decal - Soft-Touch (Spanish/Portuguese Languages) | |
| 265B | 1001277484 | 1 | Decal - Warning (Without Fall Arrest) (Pictograph) | |
| 265B | 1001277481 | 1 | Decal - Warning (Without Fall Arrest) (English Language) | |
| 265B | 1001278197 | 1 | Decal - Warning (Without Fall Arrest) (English/Chinese Languages) | |
| 265B | 1001278249 | 1 | Decal - Warning (Without Fall Arrest) (English/Spanish Languages) | |
| 265B | 1001278209 | 1 | Decal - Warning (Without Fall Arrest) (Spanish/Portuguese Languages) | |
| 265B | 1001277483 | 1 | Decal - Warning (With Fall Arrest) (English Language) | |
| 265B | 1001278199 | 1 | Decal - Warning (With Fall Arrest) (English/Chinese Languages) | |
| 265B | 1001278251 | 1 | Decal - Warning (With Fall Arrest) (English/Spanish Languages) | |
| 265B | 1001278216 | 1 | Decal - Warning (With Fall Arrest) (Spanish/Portuguese Languages) | |
| 265C | 1001277482 | 1 | Decal - Warning (Without Fall Arrest) (English Language) | |
| 265C | 1001278198 | 1 | Decal - Warning (Without Fall Arrest) (English/Chinese Languages) | |
| 265C | 1001278250 | 1 | Decal - Warning (Without Fall Arrest) (English/Spanish Languages) | |
| 265C | 1001278215 | 1 | Decal - Warning (Without Fall Arrest) (Spanish/Portuguese Languages) | |
| 265C | 1001277486 | 1 | Decal - Warning (With Fall Arrest) (English Language) | |
| 265C | 1001278208 | 1 | Decal - Warning (With Fall Arrest) (English/Chinese Languages) | |
| 265C | 1001278252 | 1 | Decal - Warning (With Fall Arrest) (English/Spanish Languages) | |
| 265C | 1001278217 | 1 | Decal - Warning (With Fall Arrest) (Spanish/Portuguese Languages) | |
| 267 | 1001200131 | 1 | Decal - Quick Start Reference (Loxam Rental) (Danish Spec) | |
| 267 | 1001200129 | 1 | Decal - Quick Start Reference (Loxam Rental) (Dutch Spec) | |
| 267 | 1001181145 | 1 | Decal - Quick Start Reference (Loxam Rental) (English Spec) | |
| 267 | 1001200128 | 1 | Decal - Quick Start Reference (Loxam Rental) (French Spec) | |
| 267 | 1001200130 | 1 | Decal - Quick Start Reference (Loxam Rental) (German Spec) | |
| 267 | 1001200134 | 1 | Decal - Quick Start Reference (Loxam Rental) (Norwegians Spec) | |
| 267 | 1001200133 | 1 | Decal - Quick Start Reference (Loxam Rental) (Spanish Spec) | |
| 267 | 1001200132 | 1 | Decal - Quick Start Reference (Loxam Rental) (Swedish Spec) | |
| 287 | 1001239371 | Ref | Eco Label Installation (China Specs Only) | A |
| 287A | 3820001 | 8 | Rivet | |
| 287B | 1001232904 | 1 | Decal - Eco Label | |
| 287C | 1001236396 | 1 | Plate, Mein Code | |

SECTION 10 - RECOMMENDED SERVICE PARTS STOCK

SECTION 10 - RECOMMENDED SERVICE PARTS STOCK

SECTION 10 - RECOMMENDED SERVICE PARTS STOCK

FIGURE 10-1. RECOMMENDED SERVICE PARTS STOCK

| ITEM | PART NUMBER | QTY | DESCRIPTION | REV |
|------|-------------|-----|---|-----|
| | | Ref | Note: The following list will service one machine (built to current production per date on the front cover) with emergency repair parts which can be installed in the field. Parts from the list should be replaced when inventory is depleted to keep service parts stock supplied. For further information, contact your JLG dealer or the JLG Industries Parts Department. | |
| | | Ref | STANDARD PARTS | |
| | 4360476 | 1 | Block, Contact | |
| | 7024885 | 1 | Coil | |
| | 7027628 | 1 | Coil | |
| | 70002386 | 1 | Coil | |
| | 70003788 | 1 | Coil | |
| | 70004871 | 1 | Coil | |
| | 70004897 | 1 | Coil | |
| | 70005219 | 1 | Coil | |
| | 70003783 | 1 | Element, Air Cleaner | |
| | 70010383 | 1 | Element, Filter | |
| | 1001196635 | 2 | Fuse 3Amp | |
| | 8229242 | 2 | Fuse 5Amp | |
| | 8229244 | 2 | Fuse 15Amp | |
| | 1001129285 | 2 | Fuse with Diode | |
| | 2860030 | 1 | Key, Replacement | |
| | 1001095704 | 1 | Relay | |
| | 4360475 | 1 | Switch, Emergency Stop | |
| | 4360469 | 1 | Switch, Key (All Specs except CE Specs) | |
| | 4360407 | 1 | Switch, Potentiometer | |
| | 4360387 | 1 | Switch, Push Button | |
| | 4360336 | 1 | Switch, Toggle | |
| | 1001155045 | 1 | Switch, Toggle | |
| | 1001159256 | 1 | Switch, Toggle | |
| | 1001161709 | 1 | Switch, Toggle | |
| | | Ref | VARIABLE PARTS | |
| | 7024485 | 1 | Breaker, Circuit 30Amp (7500W/50HZ Generator) | |
| | 1001181045 | 1 | Breaker, Combination 16Amp/30mAmp (Breaker Box with Single Breaker) | |
| | 1001189171 | 1 | Breaker, 30mA (Breaker Box with Three Breakers) | |
| | 1001189172 | 1 | Breaker 16Amp Double (Breaker Box with Three Breakers) | |
| | 4360070 | 1 | Circuit Breaker - 15Amp (7500W/50HZ Generator) | |
| | 1001166538 | 1 | Controller Assembly (Drive and Steer) | |
| | 1001166539 | 1 | Controller Assembly (Lift and Swing) | |
| | 70025161 | 1 | Filter, Fuel (Deutz D2.9L4 (Stage V) Engines) | |
| | 70025153 | 1 | Filter, Fuel Pre (Deutz D2.9L4 (Stage V) Engines) | |
| | 70003463 | 1 | Filter, Fuel - RME Resistant (Deutz D2011 Engine) | |
| | 7020023 | 1 | Filter, Fuel (Deutz D2011 Engine) | |
| | 7016331 | 1 | Filter, Oil (Deutz D2011 Engine) | |
| | 1001117174 | 1 | Footswitch Assembly | |
| | 1001197719 | 2 | Fuse 0.5 Watt (Deutz D2.9L4 Engine) | |
| | 1001196634 | 2 | Fuse - 2 Amp (Deutz D2.9L4 Breather Heater) | |
| | 8229249 | 2 | Fuse, 3 Amp (USB Charger) | |
| | 8229245 | 2 | Fuse 30Amp (2500W/50HZ Generator) | |

SECTION 10 - RECOMMENDED SERVICE PARTS STOCK

| ITEM | PART NUMBER | QTY | DESCRIPTION | REV |
|------|-------------|-----|---|-----|
| | 2940074 | 1 | Latch (Platforms with Side Entry) | |
| | 1001142683 | 1 | Module, Control (Blue and Red Beacons) | |
| | 1001118412 | 1 | Module, Control (Platform Console Box) | |
| | 1001170094 | 1 | Module, Ground Control | |
| | 3740080 | 1 | Relay (2500W/50HZ Generator) | |
| | 70006553 | 1 | Relay (4000W/50HZ Generator) | |
| | 3740140 | 1 | Relay (Deutz D2011 Engine) | |
| | 70004058 | 1 | Relay (Deutz D2011 Engine) | |
| | 1001186431 | 1 | Relay (SkyGuard) | |
| | 3740086 | 1 | Relay (SkyLine) | |
| | 1001117308 | 1 | Relay, 200Amp (Deutz D2.9L4 Engine) | |
| | 1001138228 | 1 | Relay, Power Module (Deutz D2.9L4 Engine) | |
| | 1001219601 | 1 | Sensor | |
| | 1001118971 | 1 | Sensor, Angle | |
| | 1001228225 | 1 | Sensor, Emitter (SkyEye) | |
| | 7027790 | 1 | Sensor, Oil Pressure (Deutz D2011 Engine) | |
| | 1001232667 | 1 | Sensor, Proximity (SkyLine) | |
| | 1001228224 | 1 | Sensor, Receiver (SkyEye) | |
| | 1001237902 | 1 | Sensor, SkySense | |
| | 7024565 | 1 | Sensor, Speed (Deutz D2011 Engine) | |
| | 1001225346 | 1 | Switch (Battery Disconnect) | |
| | 4360274 | 1 | Switch, Push Button (CE Specs) | |
| | 70004682 | 1 | Switch, Reset (4000W/50HZ Generators) | |

SECTION 11 - SPECIAL OPTIONS

SECTION 11 - SPECIAL OPTIONS

FIGURE 11-1. SPECIAL OPTIONS

| ITEM | PART NUMBER | QTY | DESCRIPTION | REV |
|------|-------------|-----|---|-----|
| | Note | Ref | Note: This list is to accommodate machines ordered with special equipment. Options may not be applicable to all models. For more specific parts information contact JLG Parts Department. | |
| | | Ref | MISCELLANEOUS SPECIAL OPTIONS | |
| | 1001174661 | Ref | Airline Installation | |
| | 1001264942 | Ref | Bellows Installation | |
| | 1001266660 | Ref | Boom Wiper Installation | |
| | 1001236123 | Ref | Boom Wiper Cover Installation | |
| | 1001233763 | Ref | Breather Heater Installation (Factory Installed) | |
| | 1001233047 | Ref | Breather Heater Add-On Kit (Dealer Installed) | |
| | 1001172045 | Ref | Cable Carrier Tray Installation | |
| | | Ref | ClearSky Telematics (Factory Installed) | |
| | 1001228960 | Ref | ClearSky (Telematics) Installation (Factory Installed) 3G Canbus Connection (ANSI Export, CE & UK CA Specs) | |
| | 1001227278 | Ref | ClearSky (Telematics) Installation (Factory Installed) 4G Canbus Connection (All Specs) | |
| | 1001233237 | Ref | ClearSky (Telematics) Installation (Factory Installed) 3-Wire Connection (CE & UK CA Specs) | |
| | 1001246433 | Ref | ClearSky (Telematics) Installation (Factory Installed) 3-Wire Connection (Australian Specs) | |
| | 1001246434 | Ref | ClearSky (Telematics) Installation (Factory Installed) 3-Wire Connection (China Specs) | |
| | | Ref | ClearSky (Telematics) Installations (Dealer Installed) | |
| | 1001243183 | Ref | ClearSky (Telematics) Added-on Kit (Dealer Installed) (ANSI Export, CE & UK CA Specs) | |
| | 1001243184 | Ref | ClearSky (Telematics) Added-on Kit (Dealer Installed) (CE & UK CA Specs) | |
| | 1001242639 | Ref | ClearSky (Telematics) Access Control Installation Kit (Dealer Installed) (ANSI, ANSI Export, CSA, CE & UK CA Specs) | |
| | 1001246142 | Ref | ClearSky (Telematics) Service Kit (Dealer Installed) (Australian Specs) | |
| | 1001255807 | Ref | Cold Weather Package - Deutz D2.9L4 Engines (Stage V) | |
| | 1001174767 | Ref | Cold Weather Package - Deutz D2011 Engines | |
| | 1001186976 | Ref | Cold Weather Transformer Installation (Required with Deutz D2011 Engines) | |
| | 0272031 | Ref | Container/Transport Wheels Installation - 33/1550 x 16.5 Tires | |
| | 1001243331 | Ref | Fan Cover Installation - Deutz D2011 Engines | |
| | 1001172751 | Ref | Fan Guard Installation - Deutz D2.9L4 Engines (Stage V) (CE & UK CA Specs) | |
| | 1001139099 | Ref | Fire Extinguisher Installation | |
| | 1001117294 | Ref | Foot Switch Shield Installation | |
| | 1001202749 | Ref | Fuel Cap Cover (Black) | |
| | 1001220003 | Ref | Ground Control and UGM Covers Add-On Kit (Dealer Installed) | |
| | 1001266662 | Ref | Hostile Weather Package | |
| | 1001258231 | Ref | Hydraulic Load Installation | |
| | 1001265688 | Ref | Hydraulic Tank Lock Installation | |
| | 1001172001 | Ref | Lights Installation - Headlights and Taillights | |
| | 1001120466 | Ref | Lights Installation - Platform Worklights | |
| | 1001183407 | Ref | Low Temperature Cutout Installation (Russian Specs) | |
| | 1001253618 | Ref | Module Box Assembly Kit (Service Kit for P/N 1001246867) | |
| | 1001253619 | Ref | Module Box Assembly Kit (Service Kit for P/N 1001246860) | |

SECTION 11 - SPECIAL OPTIONS

| ITEM | PART NUMBER | QTY | DESCRIPTION | REV |
|------|-------------|-----|--|-----|
| | 1001173664 | Ref | Oil Cooler Installation - Deutz D2011 Engines | R |
| | 1001164493 | Ref | Oil Cooler Installation - Deutz D2.9L4 Engines (Stage V) | |
| | 1001110974 | Ref | Platform Console Cover Installation | |
| | 1580013 | Ref | Platform Corner Storage Tray | |
| | 1001267283 | Ref | Platform Hose/Cable Protection | |
| | 1001238421 | Ref | Platform Leveling Kit | |
| | 0274095 | Ref | Platform Rail Extension Installation - 30in x 72in Platforms | |
| | 1001209059 | Ref | Platform Work Surface Installation | |
| | 1001233080 | Ref | Pump Rotation Kit (Re-orient Gear Pump 90 Degrees) | |
| | 1001247800 | Ref | Quad Tracks Replacement Kit | |
| | 1001204110 | Ref | Service Kits | |
| | 1001247073 | Ref | SkyEye Retrofit Kit | |
| | 1001241547 | Ref | SkyEye LH Housing Retrofit Kit | |
| | 1001241548 | Ref | SkyEye RH Retrofit Kit | |
| | 1001250595 | Ref | SkyGuard 6 Pin Retrofit Kit | |
| | 1001203510 | Ref | SkyGuard - Without Beacon | |
| | 1001203511 | Ref | SkyGuard Beacon Kit (Blue Light) | |
| | 1001210036 | Ref | SkyGuard Beacon Kit (Red Light) | |
| | 1001250035 | Ref | SkyGuard Platform Sensor Kit | |
| | 1001249052 | Ref | SkyGuard Retrofit Kit | |
| | 1001262016 | Ref | SkyLine Add-On Kit (Dealer Installed) | |
| | 1001250465 | Ref | SkySense (EDS) Level 1 Booms Installation (Factory Installed) | |
| | 1001250466 | Ref | SkySense (EDS) Level 2 Booms Installation (Factory Installed) | |
| | 1001252033 | Ref | SkySense Enhanced Detection System (EDS) Level 1 (2-Bar) Add-on Kit (Dealer Installed) | |
| | 1001252034 | Ref | SkySense Enhanced Detection System (EDS) Level 2 (3-Bar) Add-on Kit (Dealer Installed) | |
| | | Ref | Tools: | |
| | 1001249695 | Ref | Analyzer and Cable Kit | |
| | 1001249941 | Ref | Analyzer and Cable Kit (Battery Powered) | |
| | 1001206436 | Ref | Turntable Bearing Kit | |
| | 1001262959 | Ref | Voltage Regulator Relocation Kit | |
| | 1001270716 | Ref | White Noise Alarm Add-On Kit (Dealer Installed) | |
| | 1001270755 | Ref | White Noise Alarm (Ambient) Add-On Kit (Dealer Installed) | |

PART NUMBER INDEX

SECTION 11 - SPECIAL OPTIONS

| | | | |
|--|---|--|---|
| 0080231..... 100 | 068201317 | 0761227..... 159 | 1001106736.....68 |
| 0100009..... 187 | 0682424217 | 0761614..... 153 | 1001107854.....349 |
| 0100011.....13, 15, 17, 25, 33, 39, 51, 53, 55, 57, 59, 61, 63, 68, 77, 79, 81, 84, 87, 89, 95, 97, 100, 109, 113, 116, 125, 127, 143, 147, 153, 155, 157, 159, 163, 165, 173, 175, 177, 181, 205, 207, 213, 215, 280, 284, 295 | 0700408 249, 251, 253, 255, 257, 259, 261, 263, 265, 267, 269 | 0761615..... 13, 159 | 1001109528..... 153 |
| 0100019.....45, 143, 147 | 0700818 147 | 0762016..... 159 | 1001110434..... 187 |
| 0100020 55, 95, 100, 109, 116, 199, 249, 251, 253, 255, 257, 259, 261, 263, 265, 267, 269 | 0700820 155 | 0770810..... 165 | 1001110974.....375 |
| 0100035.....129, 187, 191 | 0700822 157 | 0771212..... 109, 116 | 1001111424.....81, 100 |
| 0100048.....71, 143, 147, 187 | 0700827280, 284 | 0771414.....100, 116, 125, 127, 143, 147 | 1001112551..... 361 |
| 0100079..... 143, 147 | 0700828280, 284 | 0771416..... 143, 147 | 1001112607..... 153 |
| 0100081.....100, 116, 209, 211, 280, 284 | 0701015 159 | 0860520.....361, 363, 365 | 1001112612.....277, 349 |
| 0140011..... 187 | 0701018 84 | 0861572..... 147 | 1001112796.....277 |
| 0140043..... 68 | 0701019 155 | 0861731.....261, 263, 265, 269, 333, 335, 337 | 1001113961..... 350 |
| 0200048..... 213, 215 | 070102055, 109 | 0861781.....249, 253, 329, 331 | 1001115641.....215 |
| 0258011..... 31 | 0701022281, 285 | 0861880.....299, 303 | 1001115848.....215 |
| 0258012..... 31 | 0701024280, 284 | 0902888..... 147 | 1001116208..... 367 |
| 0272031..... 374 | 0701027 159 | 0940048..... 159 | 1001116546..... 153 |
| 0272589..... 149 | 0701217 13 | 0940049..... 84 | 1001116693.....323 |
| 0274095..... 375 | 0701222 155 | 0940071..... 84 | 1001116720.....327 |
| 0275216.....251, 329 | 070161653 | 0940102..... 211 | 1001116728..... 350 |
| 0275217.....255, 331 | 0711214 116 | 0940167..... 213 | 1001116732..... 317 |
| 0275452.....257, 333 | 0711220 15 | 0940199..... 209 | 1001116734.....317, 349 |
| 0275453.....259, 335 | 0711224 100, 116, 125, 127, 143, 147 | 0961845.....173, 175, 177, 181 | 1001116748..... 353 |
| 0275454.....267, 337 | 0711227 157 | 0961948.....15, 157, 159, 227 | 1001116774.....277 |
| 0361810..... 81 | 071162845 | 0961950..... 13 | 1001116808.....277 |
| 0400075..... 81 | 071163145 | 0961951..... 100, 116 | 1001116812.....311 |
| 0440162.....95, 109 | 0721005213, 215 | 0962272..... 155 | 1001116849.....365 |
| 0480126..... 143, 147 | 0721006 129 | 0962292..... 227 | 1001116952..... 311 |
| 0630462.....213, 215 | 0741606 116 | 0962348..... 161 | 1001116983..... 315 |
| 0630518.....65, 191 | 0741607 143 | 0962520..... 143, 147 | 1001117057..... 317 |
| 0630568..... 187 | 076051281 | 1001091102271, 273 | 1001117070.....349 |
| 0630613..... 84 | 0760606143, 147 | 1001091969 251 | 1001117106..... 311 |
| 0641404..... 207 | 0760607 116 | 1001091970 255 | 1001117107..... 311 |
| 0641405..... 187, 207 | 076060857 | 1001091973 257 | 1001117172..... 199 |
| 0641406.....185, 201, 361, 363, 365 | 0760610 68, 77, 79, 81, 87, 89, 95, 100, 109, 116, 141, 143, 147, 271, 273, 281 | 1001091974 259 | 1001117174.....187, 199, 370 |
| 0641408..... 185 | 0760612 81, 281, 285 | 1001091975 267 | 1001117240..... 81 |
| 0641410.....87, 89 | 0760614 .. 73, 75, 95, 101, 109, 143, 271 | 1001095704350, 370 | 1001117294..... 374 |
| 0641414.....187, 205, 213, 215 | 076061587 | 1001096070 143, 303 | 1001117308.....117, 371 |
| 0641416.....249, 251, 253, 255, 257, 259, 261, 263, 265, 267, 269 | 076062168 | 1001096653 33 | 1001117372.....223 |
| 0641418.....173, 175, 181 | 0760808 118 | 1001097051 341 | 1001118274.... 55, 59, 61, 63, 84, 157, 165, 280, 284 |
| 0641420..... 177 | 0760810 84, 116, 163 | 1001097150299, 301, 303 | 1001118384.....345 |
| 0641504..... 81 | 0760812 33, 55, 59, 61, 63, 84, 95, 109, 116, 141, 144, 148, 157, 275, 280, 284 | 1001097244 219 | 1001118388.....327, 345 |
| 0641610..... 129, 185 | 0760814 84, 100, 116, 125, 127, 280, 284 | 1001098122 199, 323 | 1001118412.....187, 371 |
| 0641616..... 143, 147 | 0760815100, 116 | 1001098828 163 | 1001118511..... 13 |
| 0641812.....97, 113 | 076101039, 57 | 1001099366 211 | 1001118518..... 13 |
| 0642012.....209, 211 | 0761011 15 | 1001099367 211 | 1001118519..... 13 |
| 0642212..... 211 | 0761012 275, 280, 284 | 1001099701 211 | 1001118878..... 117 |
| 0681608..... 163 | 0761014 84, 109, 116, 163 | 1001100231 317 | 1001118971.....280, 284, 371 |
| 0681620..... 217 | 0761015 95, 100, 109, 116, 153 | 1001100341 329 | 1001118972.55, 280, 284 |
| 0681810..... 17 | 0761016 116 | 1001100342 331 | 1001119020.....277 |
| | 0761210 116 | 1001100345 333 | 1001119176..... 57 |
| | 0761212 116, 153, 159 | 1001100346 337 | 1001119228.51, 281, 285 |
| | 0761214 .55, 84, 143, 147 | 1001100347 335 | 1001119278..... 81 |
| | 0761215 155 | 100110043373, 75 | 1001119280.81, 281, 285 |
| | 0761216153, 163 | 1001101191251, 255, 257, 259, 267 | 1001119619..... 339 |
| | | 1001101196251, 255 | 1001119620.....341, 343 |
| | | 1001101197257, 259, 267 | 1001119627.....244 |
| | | 1001103012 349 | 1001120204.....289 |
| | | 1001104029 148 | 1001120205.....293 |
| | | 1001104498 349 | 1001120328.....205, 207, 350 |
| | | 100110485045, 47 | 1001120466..... 374 |
| | | | 1001120471.....219 |
| | | | 1001120477.....219 |

SECTION 11 - SPECIAL OPTIONS

| | | | |
|----------------------------|----------------------------|-----------------------------|---------------------------|
| 1001120484.....219 | 1001148641.....144, 148 | 1001166539.....187, 195, | 1001170224.....139 |
| 1001120989.....367 | 1001150998.....101 | 370 | 1001170226.....157 |
| 1001125677.....324, 350 | 1001151393.....59, 61, 63 | 1001166717.....101 | 1001170334.....157 |
| 1001126009.....345 | 1001152483.....301 | 1001166718.....101, 117, | 1001170475.....87 |
| 1001126351.....312 | 1001152485.....273, 301 | 125, 127 | 1001170480.....55 |
| 1001126362.....311 | 1001152489.....117 | 1001166767.....57 | 1001170663.....141 |
| 1001126363.....311 | 1001152525.....149 | 1001166768.....57 | 1001170664.....141 |
| 1001126364.....311 | 1001152532.....144, 319 | 1001166853.....159 | 1001170693.....101, 103 |
| 1001126391.....311 | 1001154405.....109, 129 | 1001166921.....117 | 1001170764.....312 |
| 1001126392.....311 | 1001154726.....317 | 1001166922.....117, 125 | 1001170847.....295 |
| 1001126485.....312 | 1001155043.....59, 61, 63 | 1001166924.....117 | 1001171216.....84 |
| 1001126487.....312 | 1001155044.....59, 61, 63, | 1001167036.....97, 113, 135 | 1001171482.....59, 61, 63 |
| 1001127096.....367 | 187 | 1001167111.....101, 309 | 1001171553.....280, 284 |
| 1001129285.....350, 370 | 1001155045.....59, 61, 63, | 1001167149.....84 | 1001171555.....280, 284 |
| 1001129407.....57 | 187, 370 | 1001167159.....84 | 1001171559.....280, 284 |
| 1001130220.....68 | 1001155093.....159 | 1001167163.....84 | 1001171678.....81 |
| 1001130492.....367 | 1001155823.....109 | 1001167164.....141 | 1001171679.....81 |
| 1001132195.....100 | 1001156107.....110 | 1001167169.....84 | 1001171680.....81 |
| 1001132196.....100 | 1001156541.....353 | 1001167312.....271 | 1001171681.....95 |
| 1001133714.....312 | 1001157466.....53 | 1001167512.....95, 109 | 1001171682.....95 |
| 1001133715.....312 | 1001157520.....149 | 1001167520.....101, 117 | 1001171683.....109 |
| 1001133956.....312 | 1001157521.....149 | 1001167565.....163 | 1001171684.....109 |
| 1001133957.....312 | 1001157525.....148 | 1001167567.....163 | 1001171953.....97, 113 |
| 1001133972.....45, 49 | 1001157528.....149 | 1001167596.....163 | 1001171954.....97, 113 |
| 1001135196.....95, 109 | 1001158007.....149 | 1001167632.....311 | 1001172001.....374 |
| 1001135650.....312 | 1001158008.....149 | 1001167635.....312 | 1001172045.....374 |
| 1001135651.....312 | 1001159186.....321 | 1001168018.....101, 117, | 1001172202.....95 |
| 1001136834.....117 | 1001159256.....187, 370 | 125, 127, 144, 148 | 1001172264.....141 |
| 1001137673.....205 | 1001161709.....187, 370 | 1001168026.....117 | 1001172265.....141 |
| 1001138173.....100, 117 | 1001162105.....25 | 1001168059.....101 | 1001172271.....280, 285 |
| 1001138175.....100, 117 | 1001162106.....57 | 1001168099.....117 | 1001172335.....284, 287 |
| 1001138228.....117, 371 | 1001162107.....25 | 1001168166.....117 | 1001172336.....289 |
| 1001138248.....100, 117 | 1001162534.....39, 41 | 1001168207.....127 | 1001172343.....284 |
| 1001138494.....175, 177, | 1001162535.....165, 167 | 1001168209.....225 | 1001172577.....211 |
| 181 | 1001162536.....165, 169 | 1001168210.....225 | 1001172578.....211 |
| 1001138514.....175, 177, | 1001162539.....33, 35 | 1001168402.....163 | 1001172751.....374 |
| 181 | 1001162807.....59, 61, 63 | 1001169046.....84 | 1001172760.....187 |
| 1001138565.....143 | 1001162995.....13 | 1001169054.....117 | 1001173006.....245 |
| 1001138566.....144 | 1001163061.....55 | 1001169062.....29 | 1001173027.....245 |
| 1001139099.....374 | 1001163178.....15, 231 | 1001169075.....31 | 1001173028.....245 |
| 1001139357.....144 | 1001163179.....15 | 1001169138.....117 | 1001173029.....245 |
| 1001139654.....109 | 1001163405.....15 | 1001169240.....159 | 1001173034.....245 |
| 1001139819.....101 | 1001163716.....15 | 1001169241.....159 | 1001173035.....245 |
| 1001140429.....173, 175, | 1001164209.....15 | 1001169242.....159 | 1001173036.....245 |
| 177, 181 | 1001164493.....375 | 1001169247.....153 | 1001173037.....245 |
| 1001141300.....367 | 1001164709.....235, 237 | 1001169295.....159 | 1001173038.....245 |
| 1001141302.....367 | 1001164728.....185, 357 | 1001169296.....159 | 1001173039.....245 |
| 1001141304.....117 | 1001164738.....280, 284, | 1001169297.....159 | 1001173042.....245 |
| 1001141694.....101, 117 | 353 | 1001169298.....159 | 1001173043.....245 |
| 1001141870.....129 | 1001165035.....109 | 1001169299.....159 | 1001173046.....244 |
| 1001141995.....101, 117 | 1001165388.....101, 117 | 1001169300.....159 | 1001173048.....244 |
| 1001142501.....109, 129 | 1001165389.....101 | 1001169301.....159 | 1001173049.....244 |
| 1001142679.....244 | 1001165405.....117 | 1001169302.....157, 159 | 1001173052.....245 |
| 1001142683.....73, 75, 371 | 1001165406.....117 | 1001169304.....157 | 1001173053.....245 |
| 1001142736.....73, 75, 277 | 1001165722.....117 | 1001169305.....157 | 1001173054.....245 |
| 1001142938.....311 | 1001165849.....117 | 1001169402.....157 | 1001173055.....245 |
| 1001142940.....311 | 1001165946.....45 | 1001169403.....157 | 1001173056.....245 |
| 1001142941.....311 | 1001165968.....25 | 1001169525.....139 | 1001173057.....245 |
| 1001143390.....101, 117 | 1001166020.....97, 100 | 1001169823.....95, 109 | 1001173058.....245 |
| 1001143645.....281, 285 | 1001166021.....95, 97 | 1001169898.....55 | 1001173059.....245 |
| 1001143797.....117 | 1001166096.....159 | 1001169967.....117 | 1001173062.....245 |
| 1001143852.....367 | 1001166208.....235 | 1001170018.....84 | 1001173066.....245 |
| 1001143936.....244 | 1001166305.....95 | 1001170022.....84 | 1001173664.....375 |
| 1001144116.....117 | 1001166316.....81 | 1001170035.....117 | 1001173811.....147 |
| 1001144433.....205 | 1001166538.....187, 193, | 1001170094.....68, 371 | 1001173925.....144, 148 |
| 1001144629.....179, 183 | 370 | 1001170098.....29 | 1001173973.....209 |
| 1001146588.....118 | | 1001170099.....29 | 1001173975.....209 |

SECTION 11 - SPECIAL OPTIONS

| | | | | | | | |
|------------------|------------------|------------------|---|------------------|---------------------------------|------------------|------------------|
| 1001173984 | 143 | 1001186377 | 177 | 1001203510 | 375 | 1001229341 | 203 |
| 1001174040 | 163 | 1001186378 | 181 | 1001203511 | 375 | 1001230635 | 117 |
| 1001174158 | 144, 271 | 1001186385 | 183 | 1001204110 | 375 | 1001230931 | 353 |
| 1001174378 | 139 | 1001186386 | 179 | 1001204510 | 361, 367 | 1001230934 | 312 |
| 1001174661 | 374 | 1001186431 | 205, 371 | 1001204715 | 295 | 1001230935 | 312 |
| 1001174675 | 148 | 1001186432 | 327, 345 | 1001204725 | 163 | 1001230936 | 312 |
| 1001174749 | 280, 293 | 1001186517 | 205 | 1001205958 | 257, 259, 261, 263, 265, 267 | 1001231886 | 77 |
| 1001174767 | 374 | 1001186976 | 374 | 1001206436 | 45, 375 | 1001232026 | 361, 363, 365 |
| 1001174976 | 71 | 1001187352 | 317 | 1001206476 | 275 | 1001232164 | 203 |
| 1001175024 | 244 | 1001187382 | 163 | 1001206625 | 237 | 1001232165 | 203 |
| 1001176299 | 244 | 1001187383 | 163 | 1001206916 | 55 | 1001232545 | 117, 121 |
| 1001176300 | 244 | 1001187674 | 203 | 1001207004 | 75 | 1001232642 | 207 |
| 1001176301 | 244 | 1001187681 | 339 | 1001207335 | 245 | 1001232667 | 207, 371 |
| 1001176302 | 245 | 1001187807 | 65, 191 | 1001207336 | 245 | 1001232842 | 131 |
| 1001176469 | 61, 63 | 1001188622 | 163 | 1001207347 | 55 | 1001232904 | 368 |
| 1001176848 | 15 | 1001188844 | 163 | 1001208874 | 39 | 1001233047 | 374 |
| 1001176951 | 280, 284, 291 | 1001188883 | 367 | 1001208994 | 163 | 1001233080 | 375 |
| 1001177359 | 117 | 1001189001 | 163 | 1001209059 | 375 | 1001233139 | 15 |
| 1001177821 | 53 | 1001189002 | 163 | 1001209617 | 77 | 1001233237 | 374 |
| 1001177834 | 53 | 1001189171 | 301, 370 | 1001209664 | 205 | 1001233763 | 131, 374 |
| 1001178228 | 89 | 1001189172 | 301, 370 | 1001209677 | 273 | 1001233899 | 84 |
| 1001178448 | 280, 285 | 1001189882 | 363 | 1001209832 | 273 | 1001234435 | 365 |
| 1001178449 | 280, 285 | 1001190368 | 15 | 1001210036 | 375 | 1001234436 | 365 |
| 1001178644 | 280, 285 | 1001190663 | 77, 79 | 1001210356 | 245 | 1001234439 | 361, 363 |
| 1001178788 | 117 | 1001190985 | 163 | 1001210636 | 219 | 1001234800 | 312 |
| 1001178859 | 101 | 1001191620 | 117 | 1001210823 | 245 | 1001235949 | 118, 129 |
| 1001179236 | 68, 307 | 1001191832 | 84, 95, 109 | 1001210823 | 245 | 1001236089 | 191 |
| 1001179266 | 281, 285 | 1001193018 | 249, 251, 253, 255, 257, 259, 261, 263, 265, 267, 269 | 1001211716 | 84 | 1001236092 | 65 |
| 1001179339 | 55 | 1001193336 | 55 | 1001211717 | 84 | 1001236123 | 374 |
| 1001179517 | 33 | 1001194197 | 261 | 1001213447 | 323 | 1001236396 | 368 |
| 1001179903 | 117 | 1001194198 | 263 | 1001213882 | 187 | 1001236552 | 207 |
| 1001179904 | 84 | 1001194200 | 265 | 1001214207 | 97, 113 | 1001236780 | 118 |
| 1001180035 | 245 | 1001194203 | 249 | 1001214397 | 275 | 1001236891 | 217 |
| 1001180056 | 159 | 1001194204 | 253 | 1001214570 | 275 | 1001236895 | 217 |
| 1001180541 | 157 | 1001194365 | 269 | 1001214571 | 275 | 1001237545 | 191 |
| 1001180620 | 117 | 1001194424 | 245 | 1001214975 | 101 | 1001237547 | 65 |
| 1001180916 | 25 | 1001194427 | 245 | 1001215228 | 187 | 1001237667 | 323, 350 |
| 1001181045 | 299, 303, 370 | 1001195490 | 367 | 1001216630 | 163 | 1001237668 | 323, 350 |
| 1001181145 | 368 | 1001195491 | 367 | 1001218533 | 51 | 1001237863 | 203, 341 |
| 1001181358 | 109, 315 | 1001195491 | 367 | 1001218535 | 51 | 1001237864 | 203, 343 |
| 1001181405 | 71 | 1001196382 | 144, 148 | 1001218537 | 51 | 1001237865 | 203, 339 |
| 1001181875 | 281, 285 | 1001196382 | 144, 148 | 1001218622 | 284 | 1001237865 | 203, 339 |
| 1001181923 | 281, 285 | 1001196634 | 131, 370 | 1001218623 | 284 | 1001237878 | 275 |
| 1001182064 | 155 | 1001196635 | 350, 370 | 1001219129 | 51 | 1001237879 | 275 |
| 1001182169 | 84 | 1001196637 | 68 | 1001219601 | 68, 371 | 1001237880 | 275 |
| 1001182361 | 312 | 1001197017 | 213, 215 | 1001220003 | 374 | 1001237881 | 275 |
| 1001182365 | 312 | 1001197039 | 245 | 1001220266 | 110 | 1001237902 | 371 |
| 1001182561 | 281, 285 | 1001197221 | 33 | 1001223122 | 118, 144, 148 | 1001237949 | 153 |
| 1001182570 | 295 | 1001197719 | 312, 370 | 1001223459 | 311 | 1001238192 | 295, 297 |
| 1001182695 | 155, 161 | 1001200128 | 368 | 1001224050 | 365 | 1001238254 | 188, 323 |
| 1001182806 | 77 | 1001200129 | 368 | 1001224894 | 157 | 1001238263 | 217 |
| 1001182875 | 84 | 1001200130 | 368 | 1001225346 | 275, 371 | 1001238319 | 203 |
| 1001182877 | 84 | 1001200131 | 368 | 1001225346 | 275, 371 | 1001238418 | 207, 345 |
| 1001182879 | 84 | 1001200132 | 368 | 1001225580 | 205, 327 | 1001238421 | 163, 375 |
| 1001182997 | 55 | 1001200133 | 368 | 1001226530 | 275 | 1001238466 | 280, 285 |
| 1001183407 | 374 | 1001200134 | 368 | 1001226872 | 173 | 1001238472 | 207 |
| 1001184618 | 187 | 1001200491 | 163 | 1001227278 | 374 | 1001238495 | 205 |
| 1001184626 | 187 | 1001200494 | 163 | 1001227633 | 203 | 1001238559 | 207 |
| 1001184682 | 79 | 1001200910 | 73 | 1001227634 | 203 | 1001238911 | 118 |
| 1001185030 | 13 | 1001201351 | 163 | 1001227985 | 203 | 1001239202 | 311 |
| 1001185281 | 187 | 1001202687 | 163 | 1001227987 | 203 | 1001239371 | 368 |
| 1001185281 | 187 | 1001202744 | 213 | 1001227996 | 341, 343 | 1001241286 | 84 |
| 1001185747 | 281, 285 | 1001202745 | 215 | 1001228215 | 173 | 1001241295 | 84, 89 |
| 1001185821 | 39, 43 | 1001202749 | 374 | 1001228224 | 203, 371 | 1001241296 | 87 |
| 1001185964 | 350 | 1001202830 | 89 | 1001228225 | 203, 371 | 1001241404 | 65, 191 |
| 1001186375 | 175 | 1001202910 | 245 | 1001228960 | 374 | 1001241547 | 375 |
| | | 1001203322 | 87 | 1001229138 | 209 | 1001241548 | 375 |

SECTION 11 - SPECIAL OPTIONS

| | | | |
|----------------------------------|----------------------------|----------------------------------|---|
| 1001241965207 | 1001254315363, 367 | 1001265688 374 | 1320016 100 |
| 1001242639374 | 1001254472207 | 1001266649295 | 132002295, 109 |
| 100124285573 | 1001254473207 | 1001266660 374 | 1320041281, 285 |
| 100124285675 | 1001254652 17 | 1001266662 374 | 1320043281 |
| 1001243183374 | 1001255133163 | 1001266711157, 233 | 1320061110 |
| 1001243184374 | 1001255329157 | 1001267275245 | 1320130280, 284 |
| 1001243331374 | 1001255412244 | 1001267277245 | 1320176139 |
| 100124341484 | 1001255807374 | 1001267278245 | 1320223275 |
| 1001243895131 | 1001255846367 | 1001267283375 | 132129357 |
| 1001244019127 | 1001255850367 | 1001267313367 | 1321647349 |
| 1001244024125 | 1001255930245 | 1001270716375 | 132171695, 109, 116, 144, 148 |
| 1001244212363, 367 | 1001255968159, 235 | 1001270730155, 161 | 1580012201 |
| 1001244285113 | 1001255969155, 227 | 1001270755375 | 1580013375 |
| 1001244286113, 116 | 1001255970153, 229 | 1001271179280 | 1670603269 |
| 1001244287109 | 1001255971153, 225 | 1001271180284 | 1670836157 |
| 100124429368, 349 | 1001255973153, 237 | 1001271497323 | 1701499361, 363, 365 |
| 100124429468, 355 | 1001255991155 | 1001271588367 | 1701500361, 363, 365 |
| 100124429568, 321 | 1001256002155 | 1001271589367 | 1701504361, 363, 365 |
| 1001244298363 | 1001256093153 | 1001271605367 | 170150595, 109 |
| 1001244301363 | 1001256095153, 157 | 1001271606367 | 1701509209, 211, 361, 363, 365 |
| 100124519527 | 1001256096153, 159 | 1001271707368 | 1701518361, 363 |
| 100124519627 | 1001256098159 | 1001271708367 | 1701529361, 363, 365 |
| 100124519727 | 1001256099159 | 1001271711368 | 170169184 |
| 100124519827 | 1001256100159 | 100127179533, 39, 165 | 1702300361, 363, 365 |
| 100124521127 | 1001256101159 | 1001273302157, 280, 284 | 1702565187 |
| 100124565663 | 1001256102159 | 1001273303157, 280, 284 | 1702566187 |
| 100124575917, 19 | 1001256103159 | 1001274782361, 363, 365 | 1702567187 |
| 1001245839118, 311 | 1001256125157 | 100127593553 | 1702774367 |
| 1001246142374 | 1001256126157 | 100127593653 | 1702938213, 215 |
| 100124636968 | 100125617913, 223 | 1001276688367 | 1703162100, 116 |
| 1001246433374 | 1001256527295 | 1001276689367 | 1703687361, 363, 365 |
| 1001246434374 | 1001256790155 | 1001276690367 | 1703925365 |
| 1001246435185, 187 | 1001256879109 | 1001276691367 | 1703937365 |
| 1001246436185 | 1001256906363, 367 | 1001276692367 | 1703943365 |
| 100124645059 | 1001256910153 | 1001276693367 | 1703949365 |
| 100124645161 | 1001256911159 | 1001277481368 | 1703982365 |
| 100124652015 | 1001257271217 | 1001277482368 | 1704260187 |
| 100124655115 | 1001257274217 | 1001277483368 | 1704277361, 363, 365 |
| 1001246976367 | 1001257275217 | 1001277484368 | 1704412361, 363, 365 |
| 1001247073375 | 1001258005217 | 1001277486368 | 1704885361, 365 |
| 1001247440109 | 1001258231374 | 1001277600109 | 170497295 |
| 1001247468163 | 1001258264159 | 1001278197368 | 1705325249, 251 |
| 1001247800375 | 1001258265159 | 1001278198368 | 1705358367 |
| 1001248140217 | 1001258495341, 343 | 1001278199368 | 1705430365 |
| 1001248141217 | 1001258804118 | 1001278208368 | 1705460149 |
| 1001249052375 | 1001259058155 | 1001278209368 | 1705461149 |
| 1001249695375 | 1001259196155 | 1001278215368 | 1705489143, 148, 149 |
| 1001249941375 | 100125923087, 89 | 1001278216368 | 1705822361, 363 |
| 1001250035375 | 1001260306280, 285 | 1001278217368 | 1705828361, 363 |
| 100125029184 | 1001260412118 | 1001278249368 | 1705921361, 363 |
| 1001250465375 | 1001260420117 | 1001278250368 | 1705961361, 363 |
| 1001250466375 | 1001262016375 | 1001278251368 | 1705968365, 367 |
| 1001250595375 | 1001262105367 | 1001278252368 | 1706098367 |
| 1001252033375 | 1001262117367 | 100128578885 | 2060025100 |
| 1001252034375 | 1001262959375 | 100128578984 | 2080040143, 179, 183, 271, 273 |
| 1001252527312 | 1001263007295, 305 | 1060341213, 215 | 2110810244 |
| 100125254117, 21 | 1001263008295, 347 | 1060461289, 293 | 2110812244 |
| 1001252629217 | 100126317479 | 1060903213, 215 | 2151212244 |
| 1001252926245 | 100126473163 | 1060908299, 301, 303 | 216000145 |
| 1001253618374 | 100126473261 | 1060918199 | 218034895 |
| 1001253619374 | 100126473359 | 1062255110 | 2180832109 |
| 1001254301361 | 100126473559, 61, 63 | 10702077148 | 218087695, 109 |
| 1001254305365 | 1001264942374 | 10702082148 | 2220238244 |
| 1001254307363 | 100126498113 | 1120555209, 211 | |
| 1001254311367 | 1001265163219 | | |
| 1001254314361, 365, 367 | 100126518639, 165 | | |
| | 1001265342219 | | |

SECTION 11 - SPECIAL OPTIONS

| | | | | | | | |
|----------------------------------|----------------------------|---------------|---|--------------|---|---|--|
| 2220315..... | 100, 116 | 3020008 | 17 | 3430616..... | 187 | 4360070..... | 148, 370 |
| 2220371..... | 244 | 3251242 | 253, 255, 257, 259, 261, 263, 265, 267, 269 | 3460334..... | 209, 211 | 4360274..... | 63, 371 |
| 2220372..... | 244 | 3252764 | 147 | 3470003..... | 188 | 4360336..... | 143, 148, 370 |
| 2220373..... | 244 | 3271605 | 217 | 3520054..... | 100, 116, 187 | 4360387 61, 63, 187, 213, 215, 370 | |
| 2220374..... | 244 | 3272001 | 217 | 3520071..... | 211 | 4360407..... | 187, 370 |
| 2220375..... | 244 | 3290405 | 57, 219, 249, 251, 253, 255, 257, 259, 261, 263, 265, 267, 269, 271, 280, 284 | 3520072..... | 173, 175, 177, 179, 181, 183 | 4360436..... | 55 |
| 2220377..... | 244 | 3290501 | 81 | 3520189..... | 148 | 4360469... 59, 61, 63, 370 | |
| 2220415..... | 244 | 3290505 | 71, 81, 148 | 3520192..... | 148 | 4360475.. 59, 61, 63, 187, 370 | |
| 2220451..... | 100, 244 | 3290601 | 68, 77, 79, 81, 87, 89 | 3520198..... | 173, 175, 177, 179, 181, 183 | 4360476.. 59, 61, 63, 187, 370 | |
| 2220465..... | 244 | 3290605 | 33, 57, 68, 73, 75, 81, 95, 100, 109, 116, 141, 143, 148, 271, 273, 280, 284 | 3572551..... | 155 | 4420014..... | 209, 211 |
| 2220468..... | 244 | 3290801 | 95 | 3575705..... | 213, 215 | 4420051..... | 367 |
| 2220472..... | 244 | 3290805 | 33, 55, 84, 100, 116, 125, 127, 141, 143, 148, 155, 157, 275, 280, 284 | 3580317..... | 143, 148 | 4420066..... | 209, 211 |
| 2220497..... | 244 | 3290806 | 163 | 3580319..... | 143, 148 | 4420068..... | 213, 215 |
| 2220500..... | 244 | 3291001 | 116, 163 | 3580320..... | 143, 148 | 4460019..... | 311 |
| 2220501..... | 244 | 3291005 | 81, 84, 87, 89, 95, 100, 109, 116, 153, 155, 157, 159, 163, 275, 280, 284 | 3740067..... | 81, 100 | 4460042..... | 311 |
| 2220582..... | 244 | 3291201 | 143, 148, 163 | 3740080..... | 371 | 4460043..... | 131, 311 |
| 2220596..... | 244 | 3291205 | 153, 155, 159, 163 | 3740086..... | 345, 371 | 4460049..... | 213, 215 |
| 2220600..... | 244 | 3300106 | 17 | 3740140..... | 100, 371 | 4460071..... | 199 |
| 2220603..... | 244 | 3300151 | 173, 175, 177, 181 | 3760351..... | 157 | 4460142..... | 350 |
| 2220628..... | 244 | 3300220 | 81, 100 | 3790012..... | 187 | 4460183..... | 323 |
| 2220767..... | 109 | 3300353 | 187 | 3790152..... | 97, 113 | 4460225..... | 148, 319, 323 |
| 2220811..... | 244 | 3300396 | 148 | 3820001..... | 361, 363, 365, 368 | 4460226..... | 193, 196, 199, 213, 215 |
| 2220881..... | 223 | 3300408 | 65 | 3820020..... | 179, 183 | 4460227..... | 323 |
| 2220883 19, 35, 223, 227, 244 | | 3300430 | 205 | 3820032..... | 81 | 4460234..... | 71, 187, 213 |
| 2220885..... | 35, 223, 227 | 3311001 | 129, 148 | 3841143..... | 95, 109, 163 | 4460247..... | 311, 349 |
| 2220906..... | 244 | 3311005 | 73, 75 | 3841203..... | 153, 155, 159 | 4460259..... | 219, 321, 323, 350 |
| 2220923..... | 244 | 3311401 | 213 | 3841258..... | 13, 153, 159 | 4460260 | 219, 321, 323, 350 |
| 2220940..... | 244 | 3311405 | 185, 207, 215, 249, 251, 253, 255, 257, 259, 261, 263, 265, 267, 269, 361, 363, 365 | 3841287..... | 159 | 4460265..... | 193, 196 |
| 2220946..... | 244 | 3311501 | 84, 213, 215 | 3841340..... | 280, 284 | 4460267..... | 55, 323, 349 |
| 2220947..... | 244 | 3311601 | 84, 187, 207 | 3841520..... | 15 | 4460268..... | 319, 355 |
| 2220998..... | 244 | 3312002 | 217 | 3900349..... | 187 | 4460313..... | 309 |
| 2221033..... | 244 | 3312005 | 209, 211 | 3900351..... | 157 | 4460320..... | 55 |
| 2221040..... | 244 | 3312205 | 211 | 3910804..... | 59, 61, 63 | 4460384..... | 269 |
| 2221086..... | 35, 169, 244 | 3321001 | 81, 100 | 3911010..... | 73, 75 | 4460418..... | 321, 323 |
| 2230025..... | 244 | 3331211 | 125, 127, 143, 148 | 3931408..... | 205 | 4460419..... | 321, 323 |
| 2400060..... | 131, 219, 317, 323, 349 | 3331215 | 100, 116 | 3931512..... | 116 | 4460424..... | 355 |
| 2460048..... | 147 | 3340860 | 155 | 3931618..... | 97, 113 | 4460425..... | 148, 213, 215 |
| 2540020..... | 73, 75 | 3340956 | 209, 211 | 3960407..... | 100 | 4460426..... | 148 |
| 2560136..... | 187 | 3380434 | 185 | 3960526..... | 17 | 4460428..... | 187 |
| 2560187..... | 87, 89 | 3422532 | 95, 109 | 4010405..... | 271, 273 | 4460434..... | 323 |
| 2600281..... | 179, 183 | 3422793 | 153, 155 | 4010418..... | 280, 284 | 4460458..... | 312, 349, 350 |
| 2720015..... | 116 | 3422814 | 155 | 4010418..... | 280, 284 | 4460464 57, 71, 199, 219, 277, 291, 297, 305, 307, 315, 317, 323, 327, 345, 347, 349, 353, 355, 357 | |
| 2720058..... | 95, 109 | 3423304 | 15 | 4010618..... | 175, 177, 181 | 4460465 77, 79, 219, 277, 287, 297, 305, 307, 309, 311, 319, 323, 327, 347, 349, 350, 353, 355, 357 | |
| 2720340..... | 116 | | | 4031505..... | 203 | 4460466..... | 203, 219, 277, 281, 285, 287, 291, 305, 309, 311, 317, 323, 327, 339, 345, 347, 349, 350, 353, 355, 357 |
| 2720398..... | 100 | | | 4031511..... | 280, 284 | 4460470..... | 187 |
| 2720447..... | 100 | | | 4031512..... | 57 | 4460471..... | 187 |
| 2752504..... | 245 | | | 4031516..... | 207 | 4460473..... | 280, 284, 287 |
| 2752519..... | 245 | | | 4031914..... | 116 | 4460488..... | 73, 75 |
| 2820031..... | 143, 147, 280, 284, 291 | | | 4032015..... | 143, 148 | | |
| 2820035..... | 131 | | | 4060802..... | 143, 148 | | |
| 2820247..... | 341, 343 | | | 4060805..... | 100, 116 | | |
| 2860030..... | 59, 61, 63, 370 | | | 4060806..... | 51 | | |
| 2900756..... | 35 | | | 4060808..... | 280, 284 | | |
| 2900770..... | 225, 233 | | | 4070897..... | 157 | | |
| 2900792..... | 227 | | | 4070898..... | 157 | | |
| 2902065..... | 100, 116, 133 | | | 4071101..... | 13 | | |
| 2902212..... | 211 | | | 4160182..... | 84 | | |
| 2902443..... | 309, 311 | | | 4240032..... | 71, 73, 75 | | |
| 2902549..... | 271, 299 | | | 4240033..... | 203, 205, 207 | | |
| 2920028..... | 187, 213, 215 | | | 4240099..... | 100, 109, 116, 131, 143, 148, 187, 213 | | |
| 2920029..... | 187, 213, 215 | | | 4240149..... | 209, 211 | | |
| 2940074..... | 179, 183, 371 | | | 4240156..... | 280, 284 | | |
| 2940173..... | 87, 89 | | | 4341415..... | 209 | | |
| | | | | 4360057..... | 213, 215 | | |

SECTION 11 - SPECIAL OPTIONS

| | | | |
|-----------------------------|------------------------------|-----------------------------|-----------------------------|
| 446049668 | 4460970 323 | 4811900.....33, 55, 59, 61, | 7000086549 |
| 446049768 | 4461005309 | 63, 84, 95, 100, 109, | 70000912 103 |
| 4460508203, 291, 323 | 4461008309, 311 | 116, 125, 127, 143, | 70000913 103 |
| 4460509 287, 349 | 4461052309 | 148, 157, 163, 275, | 70000914 103 |
| 4460518277 | 4461054311, 315 | 280, 284 | 70000915 103 |
| 4460536297, 305, 323 | 4461060 315 | 4811902.....118, 155, 157, | 70000916 103 |
| 4460539297, 305, 311, | 4461070277 | 165, 280, 284 | 70000917 103 |
| 323, 347, 355 | 4461071309, 311 | 4812000.....39, 57, 81, 84, | 70000918 103 |
| 4460662261, 263, 265, | 4461072309, 311 | 87, 89, 95, 100, 109, | 70000919 104 |
| 269 | 4461073309, 311 | 116, 153, 157, 159, | 70000931 104 |
| 4460703311 | 4461074309, 311 | 163, 275, 280, 284 | 70001002 103 |
| 4460708323 | 4461077339, 345 | 4812002...55, 57, 84, 110, | 70001100 147 |
| 4460722131 | 4461095277, 309 | 118 | 7000111921 |
| 4460742349 | 4461196329 | 4812100.....84, 109, 116, | 70001181 103 |
| 4460743349 | 4461198249, 329 | 143, 148, 159, 163 | 7000136821 |
| 4460746311 | 4461199331 | 4812102.....55, 84 | 70001384 147 |
| 4460748 312, 350 | 4461201253, 331 | 4812200.....100, 116, 125, | 70001423 103 |
| 4460754355 | 4461205333, 335 | 127, 143, 148 | 70001435 104 |
| 4460761 323, 349 | 4461244261, 333 | 4812300..... 53 | 70001498 104 |
| 4460806257, 259, 261, | 4461245263, 335 | 4846370..... 213 | 70001654 103 |
| 263, 350 | 4461246265, 337 | 4860179..... 31 | 70001655 103 |
| 4460807319 | 4461249337 | 4871700..... 143, 148 | 70001696 147 |
| 4460808319 | 4520217 31 | 4891600 .84, 97, 113, 163 | 70001844 104 |
| 4460836349 | 4640464297 | 489180017, 97, 113 | 70001850 103 |
| 4460837349 | 4640509227 | 4892000 17 | 70001866 104 |
| 4460865280, 284, 287, | 4640751116 | 4892600001 163 | 70001868 104 |
| 349 | 4640771233 | 4922641 148 | 70001870103, 122 |
| 4460866280, 284, 291, | 464112227 | 4922925..... 148 | 70001871 104 |
| 323 | 4641155 33 | 4922929..... 284 | 70001872 104 |
| 4460871 77, 79, 321, 323, | 4641390235, 237 | 4923451 101 | 70001932 19 |
| 349, 350, 355 | 4711000 .73, 75, 129, 148 | 5241200...13, 15, 45, 100, | 70001953 147 |
| 4460872355 | 4711400 87, 89, 173, 175, | 116, 125, 127, 143, | 70001966143, 147 |
| 4460873 323, 350 | 177, 181, 205, 207, | 148, 157, 163 | 70001973 147 |
| 4460874 323, 349 | 249, 251, 253, 255, | 5241600..... 45 | 70001974 147 |
| 4460875 323, 355 | 257, 259, 261, 263, | 5250608..... 68 | 70002063 35 |
| 4460876321 | 265, 267, 269 | 5250808.....144, 148 | 70002070 21 |
| 4460878350 | 4711500 81, 84, 116 | 5250810...59, 61, 63, 144, | 70002071 21 |
| 4460879 219, 323 | 4711600 129, 143, 148, | 148, 165 | 70002072 21 |
| 4460884219, 311, 327, | 188, 217 | 5250812.....51, 281, 285 | 70002073 21 |
| 349, 353 | 4712000 209, 211, 217 | 5251008..... 163, 295 | 70002088 147 |
| 4460887219, 323, 350 | 4712200211 | 5251009..... 157 | 70002112 55 |
| 4460891 77, 79, 277, 307, | 4740086 15 | 5251010 .33, 39, 157, 165 | 700021621 |
| 315, 350, 353, 355, 357 | 4740158 13 | 5251012.....13, 25, 157 | 70002206 47 |
| 4460892305 | 4740229 13 | 5251014.....84, 280, 284 | 70002207 47 |
| 4460894305, 309, 311, | 4740362185 | 5251016 163 | 70002209 35 |
| 323, 349, 357 | 4740397188 | 5251215.....95, 109, 118 | 70002234 104 |
| 4460897 ...71, 73, 75, 315 | 4750800281, 285 | 5260800.....51, 59, 61, 63, | 70002257 136 |
| 4460899297, 307, 327, | 4751400 185, 187, 201, | 144, 148 | 70002297 147 |
| 339, 345, 347, 349, | 213, 215, 361, 363, 365 | 5261200.....95, 109, 118 | 70002335 227 |
| 353, 355, 357 | 4751500213, 215 | 5272114 45 | 70002373 227 |
| 4460905321, 323, 349, | 4751600185 | 5281918.....280, 284 | 70002386 35, 41, 235, |
| 350, 355 | 4751800213, 215 | 70000088 47 | 237, 370 |
| 4460910343 | 476100081, 100 | 70000089 47 | 70002460 147 |
| 4460911339 | 4761400201 | 70000100 167 | 70002649 49 |
| 4460928277 | 4811400 57, 219, 249, | 70000342 161 | 70002651 49 |
| 4460930309, 311, 349 | 251, 253, 255, 257, | 70000345 104, 121 | 70002718 103 |
| 4460931 305, 349 | 259, 261, 263, 265, | 70000619 147 | 7000283855 |
| 4460932 219, 315 | 267, 269, 280, 284 | 70000781 35 | 70002842 223 |
| 4460933277, 323, 350 | 4811600 71, 81, 148 | 70000787 104 | 70002902 199 |
| 4460941 315, 339 | 4811700 57, 68, 73, 75, | 70000793 133 | 70002903 199 |
| 4460942203, 311, 315 | 77, 79, 81, 87, 89, 95, | 70000794 19 | 70002904 199 |
| 4460943 .73, 75, 339, 349 | 100, 109, 116, 143, | 70000795 19 | 70002905 199 |
| 4460944311 | 148, 175, 177, 181, | 70000800 103 | 70002962 35 |
| 4460956 299, 303 | 271, 273, 281, 285 | 70000851 104 | 7000299621 |
| 4460957 299, 303 | 4811702 68, 81, 116, 141, | 70000854 19 | 70002997 22 |
| 4460967349 | 144, 271, 273 | 70000856 19 | 7000300021 |
| 4460968 249, 253 | | 70000863 147 | 70003463103, 370 |

SECTION 11 - SPECIAL OPTIONS

| | | | | | | | |
|---------------|---------------|---------------|---------------|---------------|----------|---------------|----------|
| 70003464..... | 103 | 70004738..... | 193 | 70004902..... | 136 | 70007173..... | 21 |
| 70003468..... | 104 | 70004739..... | 193 | 70004903..... | 136 | 70007174..... | 21 |
| 70003469..... | 104 | 70004740..... | 193 | 70004904..... | 136 | 70007175..... | 21 |
| 70003472..... | 103 | 70004741..... | 193 | 70004905..... | 136 | 70007176..... | 21 |
| 70003473..... | 103 | 70004742..... | 193 | 70004906..... | 136 | 70007177..... | 22 |
| 70003475..... | 103 | 70004743..... | 193 | 70004907..... | 136 | 70007556..... | 169 |
| 70003479..... | 103 | 70004744..... | 193 | 70004908..... | 136 | 70007603..... | 121 |
| 70003480..... | 103 | 70004745..... | 193 | 70004909..... | 136 | 70007719..... | 229 |
| 70003481..... | 103 | 70004746..... | 193 | 70004910..... | 136 | 70007720..... | 225, 229 |
| 70003612..... | 43 | 70004747..... | 193 | 70004911..... | 136 | 70007721..... | 225, 229 |
| 70003614..... | 55 | 70004748..... | 193 | 70005065..... | 43 | 70007722..... | 225, 229 |
| 70003628..... | 19 | 70004749..... | 193 | 70005066..... | 43 | 70007723..... | 225, 229 |
| 70003631..... | 147 | 70004750..... | 193 | 70005067..... | 43 | 70007724..... | 229 |
| 70003708..... | 143, 147 | 70004751..... | 193 | 70005068..... | 43 | 70007728..... | 225 |
| 70003709..... | 143, 147 | 70004752..... | 195 | 70005069..... | 41 | 70007729..... | 225 |
| 70003783..... | 101, 117, 370 | 70004753..... | 195 | 70005071..... | 41 | 70007731..... | 237 |
| 70003788..... | 41, 237, 370 | 70004754..... | 195 | 70005076..... | 41 | 70007732..... | 237 |
| 70003931..... | 104 | 70004755..... | 195 | 70005080..... | 41 | 70007733..... | 237 |
| 70003932..... | 104 | 70004756..... | 195 | 70005082..... | 41 | 70007734..... | 237 |
| 70003975..... | 35 | 70004757..... | 195 | 70005084..... | 41 | 70007735..... | 237 |
| 70003977..... | 41 | 70004758..... | 195 | 70005085..... | 41 | 70007736..... | 237 |
| 70004000..... | 43 | 70004759..... | 195 | 70005087..... | 41 | 70007737..... | 237 |
| 70004013..... | 43 | 70004760..... | 195 | 70005088..... | 41 | 70007738..... | 227 |
| 70004014..... | 43 | 70004761..... | 195 | 70005089..... | 41 | 70007739..... | 227 |
| 70004017..... | 35 | 70004762..... | 195 | 70005090..... | 41 | 70007740..... | 227 |
| 70004039..... | 21 | 70004763..... | 195 | 70005092..... | 41 | 70007741..... | 227 |
| 70004056..... | 104 | 70004764..... | 195 | 70005094..... | 41 | 70007742..... | 227 |
| 70004058..... | 104, 371 | 70004765..... | 195 | 70005095..... | 41 | 70007743..... | 235 |
| 70004059..... | 104 | 70004766..... | 195 | 70005096..... | 41 | 70007744..... | 235 |
| 70004060..... | 104 | 70004767..... | 195 | 70005097..... | 41 | 70007745..... | 235 |
| 70004062..... | 104 | 70004768..... | 195 | 70005098..... | 41 | 70007746..... | 235 |
| 70004092..... | 143 | 70004769..... | 195 | 70005099..... | 41 | 70007747..... | 235 |
| 70004102..... | 104 | 70004770..... | 195 | 70005100..... | 41 | 70007784..... | 121 |
| 70004103..... | 104 | 70004771..... | 195 | 70005139..... | 43 | 70008135..... | 233 |
| 70004169..... | 147 | 70004772..... | 195 | 70005143..... | 227 | 70008136..... | 233 |
| 70004171..... | 143, 147 | 70004773..... | 195 | 70005150..... | 231 | 70008137..... | 233 |
| 70004249..... | 49 | 70004774..... | 196 | 70005151..... | 231 | 70008138..... | 233 |
| 70004250..... | 49 | 70004775..... | 196 | 70005152..... | 231 | 70008139..... | 233 |
| 70004251..... | 49 | 70004864..... | 167 | 70005153..... | 231 | 70008140..... | 233 |
| 70004252..... | 49 | 70004865..... | 167 | 70005154..... | 231 | 70008141..... | 233 |
| 70004253..... | 49 | 70004866..... | 167 | 70005172..... | 122 | 70008244..... | 223 |
| 70004254..... | 49 | 70004867..... | 167, 169 | 70005184..... | 121 | 70008246..... | 223 |
| 70004255..... | 49 | 70004868..... | 167 | 70005217..... | 41 | 70008247..... | 223 |
| 70004256..... | 49 | 70004869..... | 167, 169 | 70005218..... | 41 | 7000857..... | 19 |
| 70004257..... | 49 | 70004871..... | 167, 169, 370 | 70005219..... | 41, 370 | 70010383..... | 39, 370 |
| 70004258..... | 49 | 70004873..... | 169 | 70005243..... | 169 | 7001481..... | 136 |
| 70004259..... | 49 | 70004875..... | 167 | 70005504..... | 121 | 7001913..... | 21 |
| 70004260..... | 49 | 70004876..... | 55 | 70005606..... | 21 | 70023606..... | 35 |
| 70004261..... | 49 | 70004883..... | 35 | 70005613..... | 21 | 70024262..... | 225 |
| 70004262..... | 49 | 70004884..... | 35 | 70005667..... | 280, 284 | 70024494..... | 122 |
| 70004263..... | 49 | 70004885..... | 35 | 70005931..... | 121 | 70024504..... | 121 |
| 70004267..... | 43 | 70004886..... | 35 | 70005941..... | 122 | 70024513..... | 121 |
| 70004268..... | 103 | 70004887..... | 35 | 70005942..... | 122 | 70024904..... | 122 |
| 70004269..... | 103 | 70004888..... | 35 | 70006104..... | 237 | 70024913..... | 122 |
| 70004270..... | 104 | 70004889..... | 135 | 70006105..... | 237 | 70024916..... | 121 |
| 70004281..... | 121 | 70004890..... | 135 | 70006144..... | 121 | 70024918..... | 121 |
| 70004504..... | 121 | 70004891..... | 135 | 70006356..... | 97, 113 | 70024925..... | 122 |
| 70004508..... | 122 | 70004892..... | 135 | 70006552..... | 144 | 70024961..... | 121 |
| 70004577..... | 35 | 70004893..... | 135 | 70006553..... | 144, 371 | 70025082..... | 103 |
| 70004676..... | 143 | 70004894..... | 135 | 70006660..... | 167 | 70025084..... | 103, 104 |
| 70004677..... | 143 | 70004895..... | 135 | 70007142..... | 19 | 70025086..... | 104 |
| 70004678..... | 143 | 70004896..... | 135 | 70007143..... | 19 | 70025088..... | 103 |
| 70004679..... | 144 | 70004897..... | 135, 370 | 70007145..... | 19 | 70025091..... | 103 |
| 70004680..... | 144 | 70004898..... | 135 | 70007146..... | 19 | 70025099..... | 121 |
| 70004681..... | 144 | 70004899..... | 136 | 70007170..... | 21 | 70025121..... | 104 |
| 70004682..... | 144, 371 | 70004900..... | 136 | 70007171..... | 21 | 70025123..... | 103, 104 |
| 70004683..... | 144 | 70004901..... | 136 | 70007172..... | 21 | 70025130..... | 121 |

SECTION 11 - SPECIAL OPTIONS

| | | | | | | | |
|----------------|---------------|---------------|-----------------|---------------|----------|----------------|---------------|
| 70025131 | 104 | 7017172 | 161 | 7023900 | 41 | 7027236 | 103 |
| 70025139 | 103 | 7017192 | 161 | 7023910 | 19 | 7027350 | 49 |
| 70025142 | 121 | 7017195 | 161 | 7023936 | 41 | 7027351 | 49 |
| 70025153 | 121, 370 | 7017410 | 35 | 7024124 | 21 | 7027352 | 49 |
| 70025160 | 121 | 7017467 | 235, 237 | 7024129 | 21 | 7027353 | 49 |
| 70025161 | 121, 370 | 7017496 | 35, 235, 237 | 7024134 | 22 | 7027354 | 49 |
| 70025164 | 121 | 7020023 | 103, 370 | 7024379 | 47 | 7027356 | 49 |
| 70025168 | 121 | 7020026 | 103 | 7024380 | 47 | 7027625 | 167 |
| 70025614 | 237 | 7020175 ... | 59, 61, 63, 187 | 7024381 | 47 | 7027628 | 167, 370 |
| 70025619 ... | 225, 233, 237 | 7020176 ... | 59, 61, 63, 187 | 7024389 | 47 | 7027740 | 19 |
| 70025627 | 237 | 7020403 | 103 | 7024390 | 47 | 7027790 | 104, 371 |
| 70025667 | 103 | 7020430 | 103 | 7024441 | 55 | 7027791 | 104 |
| 70025693 | 104 | 7020460 | 103 | 7024453 | 47 | 7027792 | 104 |
| 70025694 | 104 | 7020465 | 103, 122 | 7024485 | 147, 370 | 7027796 | 104 |
| 70026210 | 121 | 7020468 | 103 | 7024488 | 147 | 7027799 | 147 |
| 70027088 | 233 | 7020471 | 104 | 7024489 | 147 | 7027903 | 104 |
| 70027405 | 121 | 7020479 | 104 | 7024565 | 104, 371 | 77363233 | 319 |
| 70029015 | 121 | 7020492 | 103, 104 | 7024579 | 103 | 80484084 | 311 |
| 70029402 | 121 | 7021237 | 135 | 7024723 | 21 | 80633030 | 244 |
| 70029403 | 121 | 7021238 | 135 | 7024726 | 21 | 80963067 | 350 |
| 70029404 | 121 | 7021239 | 135 | 7024729 | 21 | 8220045 | 317, 349 |
| 70029512 | 121 | 7021240 | 135 | 7024730 | 21 | 8220051 | 315 |
| 70029797 | 121 | 7021241 | 135 | 7024734 | 21 | 8220125 | 350 |
| 70031143 | 121 | 7021242 | 135 | 7024735 | 21 | 8220164 | 311 |
| 70031144 | 121 | 7021243 | 135 | 7024736 | 21 | 8229242 | 349, 350, 370 |
| 7004035 | 47 | 7021248 | 135 | 7024737 | 22 | 8229244 | 350, 370 |
| 7004036 | 47 | 7021249 | 19, 135 | 7024738 | 21 | 8229245 | 317, 370 |
| 7004043 | 47 | 7021253 | 135 | 7024739 | 21 | 8229249 | 219, 370 |
| 7004044 | 47 | 7021257 | 135 | 7024740 | 21 | 8305401 | 100, 116 |
| 7004045 | 47 | 7021258 | 135 | 7024741 | 21 | 8307109 | 100, 117 |
| 7004047 | 47 | 7021259 | 135 | 7024742 | 21 | 8310129 | 211 |
| 7004049 | 47 | 7021262 | 135 | 7024744 | 22 | 8310548 | 100, 117 |
| 7007289 | 136 | 7021263 | 135 | 7024800 | 135 | 8310614 | 57 |
| 7007415 | 135, 136 | 7021265 | 135 | 7024855 | 135 | 8310668 | 157 |
| 7007419 | 19, 135 | 7021268 | 135 | 7024857 | 135 | 8310686 | 84 |
| 7007420 | 19, 135, 136 | 7021275 | 19 | 7024858 | 135 | 8405006 | 109, 129 |
| 7007438 | 19 | 7021276 | 136 | 7024865 | 19 | 8405007 | 117 |
| 7007439 | 19 | 7021277 | 136 | 7024871 | 19 | 8405009 | 117 |
| 7007446 | 19 | 7021278 | 136 | 7024881 | 35 | 8405104 | 117 |
| 7007493 | 136 | 7021281 | 135 | 7024884 | 235 | 8405202 | 117 |
| 7007495 | 135 | 7021290 | 136 | 7024885 | 35, 370 | 8405204 | 117 |
| 7007640 | 21 | 7021293 | 135 | 7026042 | 49 | 8406109 | 101, 117 |
| 7010543 | 35 | 7021299 | 136 | 7026043 | 49 | 8406110 | 117 |
| 7012967 | 35, 235, 237 | 7021625 | 35 | 7026044 | 49 | 8406201 | 118 |
| 7012974 | 35 | 7021639 | 35 | 7026045 | 49 | 8410013 | 95 |
| 7012998 | 235 | 7022300 | 135 | 7026046 | 49 | 8430007 | 109 |
| 7016331 | 103, 122, 370 | 7022321 | 19 | 7026047 | 49 | 8760477 | 244 |
| 7017022 | 22 | 7022326 | 19 | 7026048 | 49 | 8770289 | 244 |
| 7017027 | 21 | 7022328 | 19 | 7026049 | 49 | 8786514 | 31 |
| 7017072 | 21 | 7022341 | 135 | 7026050 | 49 | 88521214 | 217 |
| 7017082 | 21 | 7022346 | 136 | 7026051 | 49 | 88662523 | 84 |
| 7017093 | 21 | 7022347 | 136 | 7026052 | 49 | 8881800 | 57, 280, 284 |
| 7017095 | 21 | 7022368 | 19 | 7026053 | 49 | 91164057 | 41 |
| 7017142 | 161 | 7022371 | 19 | 7026057 | 49 | 91164059 | 41 |
| 7017159 | 161 | 7022390 | 41, 237 | 7026188 | 147 | 91164079 | 41 |
| 7017162 | 161 | 7022397 | 35 | 7026330 | 43 | 91203039 | 163 |
| 7017163 | 161 | 7022399 | 35, 41 | 7026597 | 147 | | |
| 7017164 | 161 | 7023318 | 47 | 7026626 | 147 | | |



**Corporate Office
JLG Industries, Inc.
1 JLG Drive
McConnellsburg, PA 17233-9533 USA
☎ (717) 485-5161 (Corporate)
☎ (877) 554-5438 (Customer Support)
📠 (717) 485-6417**

**Visit our website for JLG Worldwide Locations.
www.jlg.com**



OSHKOSH™