



Illustrated Parts Manual

Model
520AJ

PVC
2201

P/N
31219922

July 15, 2023 - Rev D

CE
EAC
UK
CA
AS/NZS



An Oshkosh Corporation Company

REVISION LOG

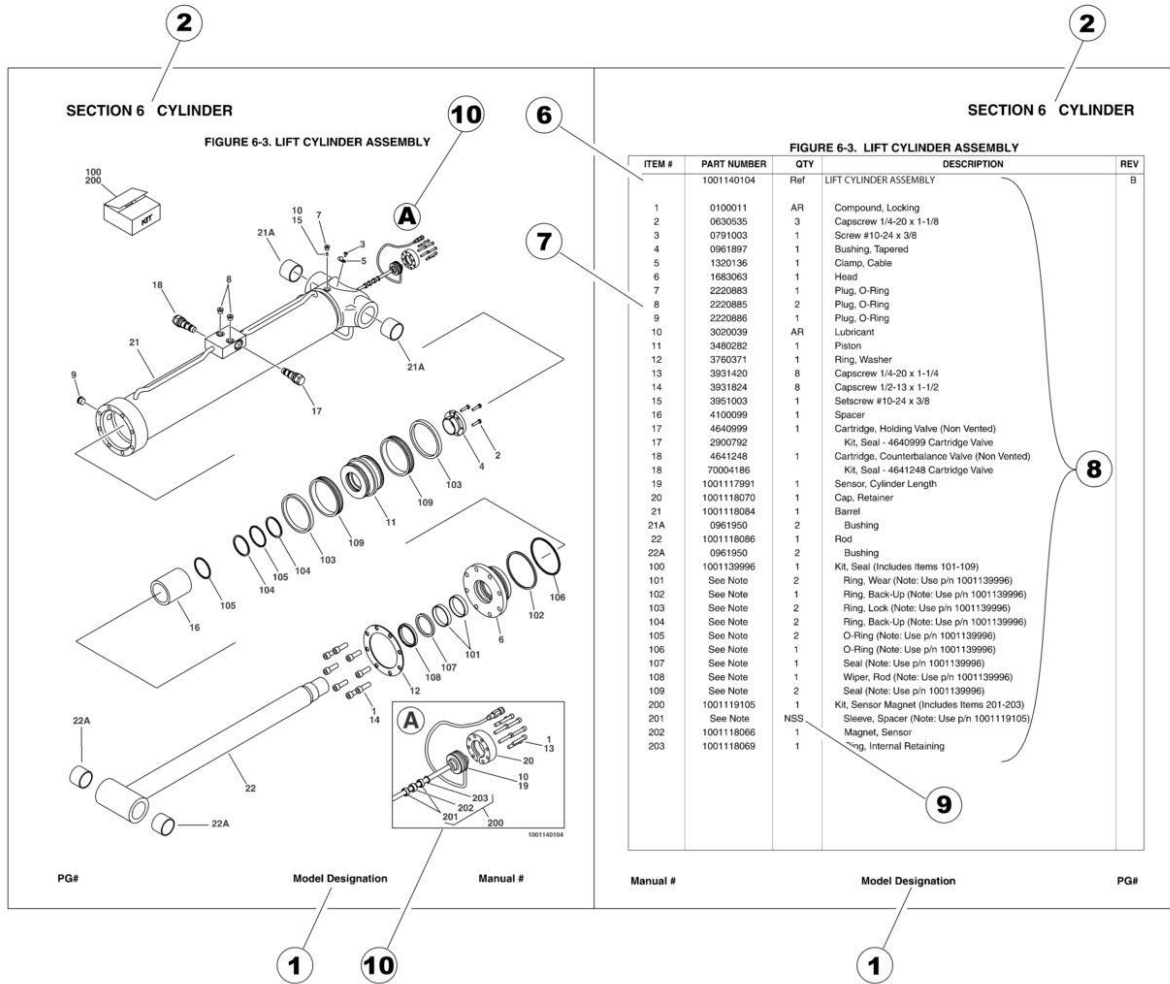
January 10, 2022 - A - Original Issue of Manual (Edited to B/M 1001247248 AC)

July 11, 2022 - B - Revised Manual (Edited to B/M 1001247248 AE)

January 9, 2023 - C - Revised Manual (Edited to B/M 1001247248 AQ)

July 15, 2023 - D - Revised Manual (Edited to B/M 1001247248 AQ)

GENERAL INFORMATION



1) MACHINE IDENTIFICATION

Machines are identified by model and in some cases a combination of models, serial number (SN) or regional standard (i.e ANSI, CE, CSA). Components may also be identified by SN or manufacturer. Common components that may be identified by these characteristics are engines and hydraulic components.

2) PARTS MANUAL ORGANIZATION

Product information in this manual is organized under section titles. Frame, Cylinder, Hydraulic and Electrical are a few examples. Each section is organized by figure and page number. The information within the Figure is then organized by item number, part number, description and corresponding illustration (s).

3) TABLE OF CONTENTS (NOT SHOWN)

A table of contents is found toward the beginning of the manual. Figure number, description and page number are provided for quick reference to the page containing the related information.

4) RECOMMENDED SPARE PARTS (NOT SHOWN)

The Recommended Spare Parts List, located near the end of the manual, reference most frequently used maintenance parts.

5) PART NUMBER INDEX (NOT SHOWN)

A numerical index listing all part numbers and the corresponding page number(s) appears at the back of the manual.

GENERAL INFORMATION

6) NON-SERVICED PARTS

In some instances, it is necessary to display non-serviced parts, assemblies or installations. In the case of assemblies and installations there will be a Ref in the Qty. column. In case of parts that are not available for service within assemblies or components, there will be a NSS (Not Sold Separately) or NLA (No Longer Available) listed in the Qty. column of the manual.

7) PARTS LIST ITEM NUMBERS

Numbers shown in the item# column correspond to numbers used in the associated illustration (s). Item numbers which are missing from the sequence in the parts list are not used on that page.

8) INDENTED PARTS DESCRIPTION

An indented part description is included in the item under which it is indented.

9) ABBREVIATION AND SYMBOLS

AC.....	Alternating Current	L.....	Liter
ADE.....	Advanced Design Electronics	LB(LBS).....	Pounds
AG.....	Agricultural	LCD.....	Liquid Crystal Display
ANSI.....	American National Standards Institute	LED.....	Light Emitting Diodes
AR.....	As Required	LH.....	Left Hand
ASSY.....	Assembly	LRC.....	Low Rated Countries
AUS.....	Australia	LSS.....	Load Sensing System
AUX.....	Auxiliary	M(m).....	Metric/Meter
AWG.....	American Wire Gauge	MM(mm).....	Milimeter
B/M.....	Bill of Material	mA.....	Miliamps
CAC.....	Charge Air Cooler	NLA.....	No Longer Available
CE.....	European Conformity	NPT.....	National Pipe Threads
CCW.....	Counter Clockwise	NSS.....	Not Sold Separately
CM.....	Centimeter	OD.....	Outside Diameter
CW.....	Clockwise	ORB.....	O-Ring Boss
CSA.....	Canadian Standards Association	ORFS.....	O-Ring Face Seal
CYL.....	Cylinder	OZ (oz).....	Ounces
DIA.....	Diameter	PG.....	Page
DC.....	Direct Current	PN.....	Part Number
DEF.....	Diesel Exhaust Fluid	QT(qt.).....	Quarts
EMS.....	Emergency Stop	QTY.....	Quantity
ENG.....	Engine	REF.....	Reference
FT(ft).....	Feet	REV.....	Revision Level
GA(Ga).....	Gauge	RH.....	Right Hand
HRC.....	High Rated Countries	SAE.....	Society of Automotive Engineers
HVAC.....	Heating, Ventilating, and Air Conditioning	SN.....	Serial Number
HYD.....	Hydraulic	SPEC(S).....	Specifications
Hz.....	Hertz	T/T.....	Turntable
ID.....	Inside Diameter	UGM.....	Universal Ground Module
IN.....	inches	V.....	Volts
ISO.....	International Organization for Standards	W.....	Watts
JIC.....	Joint Industry Council	#.....	Number
KG.....	Kilogram		

10) ILLUSTRATION REFERENCE LETTERS

When necessary, illustrations may contain reference letters that are intended to track information (i. e. hoses, harnesses) from one point to another or to track visual enlargement of components to show details that may be located in another area on the illustration.

Note: Due to continuous product improvements, JLG Industries, Inc. reserves the right to make specification changes without prior notification. Contact JLG Industries, Inc. for updated information.

TABLE OF CONTENTS

SECTION 1 - FRAME.....	13
FIGURE 1-1. AXLE INSTALLATION	14
FIGURE 1-2. STEER INSTALLATION WITHOUT TOW PACKAGE	16
FIGURE 1-3. STEER INSTALLATION WITH TOW PACKAGE.....	18
FIGURE 1-4. WHEEL DRIVE INSTALLATION (4WD).....	20
FIGURE 1-5. DRIVE HUB AND BRAKE ASSEMBLY - REAR	22
FIGURE 1-6. DRIVE HUB ASSEMBLY - FRONT.....	26
FIGURE 1-7. DRIVE MOTOR ASSEMBLY (4WD)	28
FIGURE 1-8. FRAME SHIELD INSTALLATION	30
FIGURE 1-9. TIRE AND WHEEL INSTALLATION - 33 X 12-20 SOLID NON-MARKING	32
FIGURE 1-10. TIRE AND WHEEL INSTALLATION - 33/1550 X 16.5 FOAM-FILLED	34
FIGURE 1-11. TIRE AND WHEEL INSTALLATION - 315/55 D20 FOAM FILLED	36
FIGURE 1-12. TIRE AND WHEEL INSTALLATION - 315/55 D20 FOAM FILLED NON-MARKING	38
FIGURE 1-13. 4WD VALVES INSTALLATION - FRAME MOUNTED	40
FIGURE 1-14. TRACTION VALVE ASSEMBLY - 4WD.....	42
FIGURE 1-15. TOW PACKAGE INSTALLATION (OPTIONAL)	44
FIGURE 1-16. TOW BAR ASSEMBLY.....	46
SECTION 2 - TURNTABLE.....	49
FIGURE 2-1. 4WD VALVES INSTALLATION - TURNTABLE MOUNTED	50
FIGURE 2-2. MAIN VALVE ASSEMBLY	52
FIGURE 2-3. AUXILIARY PUMP ASSEMBLY.....	54
FIGURE 2-4. SWING DRIVE AND TURNTABLE BEARING INSTALLATION.....	56
FIGURE 2-5. SWING MOTOR ASSEMBLY	58
FIGURE 2-6. TURNTABLE BEARING ASSEMBLY	60
FIGURE 2-7. TURNTABLE COVERS INSTALLATION	62
FIGURE 2-8. TURNTABLE LOCK INSTALLATION.....	64
FIGURE 2-9. TANKS INSTALLATION (17 GAL HYDRAULIC TANK)	66
FIGURE 2-10. TANKS INSTALLATION (36 GAL HYDRAULIC TANK).....	68
FIGURE 2-11. HYDRAULIC TANK ASSEMBLY - 17 GAL	70
FIGURE 2-12. DRIVE ORIENTATION INSTALLATION	72
FIGURE 2-13. GROUND CONTROL ASSEMBLY (ANSI EXPORT, CHINA & AUSTRALIAN SPECS)	74
FIGURE 2-14. GROUND CONTROL ASSEMBLY (CE(LRC), CIS/EAC & UK CA SPECS).....	76
FIGURE 2-15. GROUND CONTROL ASSEMBLY (CE & UK CA SPECS).....	78
FIGURE 2-16. LIGHT PANEL INSTALLATION – GROUND CONTROL	80
FIGURE 2-17. ELECTRICAL SYSTEM INSTALLATION (WITH 1001170094 GROUND CONTROL MODULE)	82
FIGURE 2-18. ELECTRICAL SYSTEM INSTALLATION (WITH 1001280340 GROUND CONTROL MODULE)	86
FIGURE 2-19. ELECTRICAL SYSTEM INSTALLATION (WITH 1001280340 GROUND CONTROL MODULE)	88
FIGURE 2-20. BREAKER BOX KIT - THREE BREAKERS	90
FIGURE 2-21. BEACON LIGHT INSTALLATION - AMBER	92
FIGURE 2-22. BEACON LIGHT INSTALLATION - BLUE	94
FIGURE 2-23. BEACON LIGHT INSTALLATION - RED	96
FIGURE 2-24. BATTERY AND CABLE INSTALLATION.....	98
FIGURE 2-25. HOODS INSTALLATION (ABS).....	100
FIGURE 2-26. HOODS INSTALLATION (STEEL).....	104

TABLE OF CONTENTS

FIGURE 2-27. HOOD ASSEMBLY (ABS) - TANK SIDE	108
FIGURE 2-28. HOOD ASSEMBLY (ABS) - ENGINE SIDE	110
FIGURE 2-29. HOOD ASSEMBLY (STEEL) - ENGINE SIDE.....	112
FIGURE 2-30. HOOD ASSEMBLY (STEEL) - TANK SIDE	114
FIGURE 2-31. WHITE NOISE ALARM INSTALLATION	116
FIGURE 2-32. WHITE NOISE AMBIENT ALARM INSTALLATION	118
SECTION 3 - ENGINE	121
FIGURE 3-1. ENGINE INSTALLATION - DEUTZ D2011 ENGINE (WITHOUT ARCTIC PACKAGE) (ANSI EXPORT, AUSTRALIAN, CE (LRC), CHINA, CIS/EAC & UK CA SPECS)	122
FIGURE 3-2. ENGINE AND PUMP SUB-ASSEMBLY - DEUTZ D2011 (WITHOUT ARCTIC PACKAGE) (ANSI EXPORT, AUSTRALIAN, CE (LRC), CIS/EAC & UK CA SPECS)	126
FIGURE 3-3. ENGINE ASSEMBLY - DEUTZ D2011 ENGINE (WITHOUT ARCTIC PACKAGE) (ANSI EXPORT, AUSTRALIAN, CE (LRC), CIS/EAC & UK CA SPECS).....	128
FIGURE 3-4. ENGINE COMPONENTS - DEUTZ D2011.....	132
FIGURE 3-5. ENGINE INSTALLATION - DEUTZ D2.9L4 ENGINE (STAGE V) (CE & UK CA SPECS).....	136
FIGURE 3-6. ENGINE AND PUMP SUB-ASSEMBLY - DEUTZ D2.9L4 ENGINE (STAGE V) (CE & UK CA SPECS)	142
FIGURE 3-7. ENGINE ASSEMBLY – DEUTZ D2.9L4 ENGINE (STAGE V) (CE & UK CA SPECS).....	144
FIGURE 3-8. ENGINE COMPONENTS - DEUTZ D2.9L4 ENGINE (STAGE V) (CE & UK CA SPECS)	150
FIGURE 3-9. BRACKET ASSEMBLY - FUEL PUMP AND FILTER (DEUTZ D2.9L4 ENGINE) (STAGE V).....	154
FIGURE 3-10. BREATHER HEATER INSTALLATION - DEUTZ D2.9L4 ENGINES (STAGE V) (CE & UK CA SPECS)	156
FIGURE 3-11. MOTOR MOUNT INSTALLATION - (STAGE V & CHINA IV ENGINE WITHOUT GENERATOR).....	158
FIGURE 3-12. MOTOR MOUNT INSTALLATION - (STAGE V & CHINA IV ENGINE WITH GENERATOR)	160
FIGURE 3-13. ENGINE INSTALLATION - DEUTZ D2.9L4 ENGINE (CHINA IV)	162
FIGURE 3-14. ENGINE INSTALLATION - DEUTZ D2.9L4 ENGINE (CHINA IV)	164
FIGURE 3-15. ENGINE INSTALLATION - DEUTZ D2.9L4 ENGINE (CHINA IV)	166
FIGURE 3-16. ENGINE AND PUMP SUB-ASSEMBLY - DEUTZ D2.9L4 ENGINE (CHINA IV).....	170
FIGURE 3-17. ENGINE ASSEMBLY - DEUTZ D2.9L4 ENGINE (CHINA IV)	172
FIGURE 3-18. ENGINE ASSEMBLY - DEUTZ D2.9L4 ENGINE (CHINA IV)	174
FIGURE 3-19. ENGINE COMPONENTS - DEUTZ D2.9L4 (CHINA IV).....	178
FIGURE 3-20. BRACKET ASSEMBLY - FUEL PUMP AND FILTER (DEUTZ D2.9L4 CHINA IV ENGINE)	180
FIGURE 3-21. FUEL/WATER SEPARATOR ASSEMBLY (DEUTZ D2.9L4 CHINA IV ENGINE)	182
FIGURE 3-22. PUMP COUPLING KIT – DEUTZ ENGINES	184
FIGURE 3-23. PISTON PUMP ASSEMBLY.....	186
FIGURE 3-24. SPARK ARRESTOR INSTALLATION - DEUTZ D2011 ENGINE	190
FIGURE 3-25. ENGINE BAFFLE INSTALLATION - WITH DEUTZ ENGINES.....	192
FIGURE 3-26. GENERATOR INSTALLATION - 4000W/50HZ (DEUTZ D2011 ENGINE).....	194
FIGURE 3-27. GENERATOR INSTALLATION - 4000W/50HZ (DEUTZ ENGINE) (STAGE V)	198
FIGURE 3-28. GENERATOR INSTALLATION - 7500W/50HZ (DEUTZ D2011 ENGINE).....	202
SECTION 4 - BOOM.....	207
FIGURE 4-1. CYLINDERS INSTALLATION (Prior to SN B300015268, Except SN B300014977 through B300014987, Except SN B300015050 through B300015051, Except SN B300015062 through B300015099, Including B300015409, Excluding B300015056 and B300015158)	208
FIGURE 4-2. CYLINDERS INSTALLATION (SN B300015268 to Present, SN B300014977 through B300014987, SN B300015050 through B300015051, SN B300015062 through B300015099, Including B300015056 and B300015158, Excluding B300015409)	210
FIGURE 4-3. BOOM INSTALLATION	212

TABLE OF CONTENTS

FIGURE 4-4. JIB INSTALLATION	214
FIGURE 4-5. MAIN BOOM ASSEMBLY	216
FIGURE 4-6. TOWER BOOM ASSEMBLY	218
FIGURE 4-7. ROTATOR ASSEMBLY	220
FIGURE 4-8. PLATFORM SUPPORT INSTALLATION.....	222
FIGURE 4-9. VALVES INSTALLATION - BOOM MOUNTED	224
FIGURE 4-10. UPRIGHT VALVE ASSEMBLY	226
FIGURE 4-11. BOOM VALVE ASSEMBLY	228
SECTION 5 - PLATFORM.....	231
FIGURE 5-1. PLATFORM ASSEMBLY - 30IN X 4FT (76CM X 1.22M) - SIDE DROP-BAR ENTRY	232
FIGURE 5-2. PLATFORM ASSEMBLY - 30IN X 5FT (76CM X 1.52M) - SIDE GATE ENTRY	234
FIGURE 5-3. PLATFORM ASSEMBLY - 30IN X 5FT (76CM X 1.52M) - SIDE DROP-BAR ENTRY	236
FIGURE 5-4. PLATFORM ASSEMBLY - 30IN X 6FT (76CM X 1.83M) - SIDE GATE ENTRY	238
FIGURE 5-5. PLATFORM ASSEMBLY - 30IN X 6FT (76CM X 1.83M) - SIDE DROP-BAR ENTRY	240
FIGURE 5-6. CONSOLE BOX INSTALLATION	242
FIGURE 5-7. PLATFORM CONSOLE BOX ASSEMBLY	244
FIGURE 5-8. LIGHT PANEL INSTALLATION – PLATFORM CONSOLE	246
FIGURE 5-9. CONTROLLER ASSEMBLY - DRIVE AND STEER.....	248
FIGURE 5-10. CONTROLLER ASSEMBLY - LIFT AND SWING	250
FIGURE 5-11. FOOTSWITCH ASSEMBLY.....	254
FIGURE 5-12. TRAY ASSEMBLY	256
FIGURE 5-13. SKYEYE INSTALLATION	258
FIGURE 5-14. SKYGUARD BAR INSTALLATION	260
FIGURE 5-15. SKYLINE INSTALLATION	262
FIGURE 5-16. SKYGLAZIER INSTALLATION (AUSTRALIAN SPECS)	264
FIGURE 5-17. SKYSENSE MID TUBE SENSOR ASSEMBLY	266
FIGURE 5-18. SKYSENSE OVERHEAD SENSOR ASSEMBLY	268
FIGURE 5-19. FALL ARREST INSTALLATION (BOLT-ON) (4FT/1.22M PLATFORM)	270
FIGURE 5-20. FALL ARREST INSTALLATION (BOLT-ON) (5FT/1.52M PLATFORM)	272
FIGURE 5-21. USB CHARGER INSTALLATION	274
SECTION 6 - CYLINDER.....	277
FIGURE 6-1. AXLE LOCKOUT CYLINDER ASSEMBLY	278
FIGURE 6-2. LEVEL (PLATFORM SLAVE) CYLINDER ASSEMBLY (Prior to SN B300015268, Except SN B300014977 through B300014987, Except SN B300015050 through B300015051, Except SN B300015062 through B300015099, Including B300015409, Excluding B300015056 and B300015158)	280
FIGURE 6-3. LEVEL (PLATFORM SLAVE) CYLINDER ASSEMBLY (SN B300015268 to Present, SN B300014977 through B300014987, SN B300015050 through B300015051, SN B300015062 through B300015099, Including B300015056 and B300015158, Excluding B300015409)	282
FIGURE 6-4. LIFT CYLINDER ASSEMBLY - JIB (Prior to SN B300015268, Except SN B300014977 through B300014987, Except SN B300015050 through B300015051, Except SN B300015062 through B300015099, Including B300015409, Excluding B300015056 and B300015158).....	284
FIGURE 6-5. LIFT CYLINDER ASSEMBLY - JIB (SN B300015268 to Present, SN B300014977 through B300014987, SN B300015050 through B300015051, SN B300015062 through B300015099, Including B300015056 and B300015158, Excluding B300015409)	286
FIGURE 6-6. LIFT CYLINDER ASSEMBLY - MAIN BOOM	288
FIGURE 6-7. LIFT CYLINDER ASSEMBLY - TOWER BOOM.....	290

TABLE OF CONTENTS

FIGURE 6-8. MASTER CYLINDER ASSEMBLY (Prior to SN B300015268, Except SN B300014977 through B300014987, Except SN B300015050 through B300015051, Except SN B300015062 through B300015099, Including B300015409, Excluding B300015056 and B300015158)	292
FIGURE 6-9. MASTER CYLINDER ASSEMBLY (SN B300015268 to Present, SN B300014977 through B300014987, SN B300015050 through B300015051, SN B300015062 through B300015099, Including B300015056 and B300015158, Excluding B300015409).....	294
FIGURE 6-10. STEER CYLINDER ASSEMBLY	296
FIGURE 6-11. TELESCOPE CYLINDER ASSEMBLY	298
SECTION 7 - HYDRAULIC	301
FIGURE 7-1. HYDRAULIC SYSTEM INSTALLATION.....	302
SECTION 8 - ELECTRICAL.....	309
FIGURE 8-1. AC BOX AT PLATFORM INSTALLATION - 110V IEC YELLOW (CE, CIS/EAC & UK CA SPECS WITH 4000W/50HZ GENERATOR)	310
FIGURE 8-2. AC BOX AT PLATFORM INSTALLATION - 110V IEC 60309 YELLOW WITHOUT 2500W GENERATOR (CE, CIS/EAC & UK CA SPECS)	312
FIGURE 8-3. AC BOX AT PLATFORM INSTALLATION - 220V IEC BLUE (CE, CIS/EAC & UK CA SPECS WITH 4000W/50HZ GENERATOR)	314
FIGURE 8-4. AC BOX AT PLATFORM INSTALLATION - 220V IEC 60309 BLUE WITHOUT 2500W GENERATOR (CE, CIS/EAC & UK CA SPECS).....	316
FIGURE 8-5. AC BOX AT PLATFORM INSTALLATION - 220V CEE7 POST GROUND (2X4 BOX) WITHOUT 2500W GENERATOR (CE, CIS/EAC & UK CA SPECS)	318
FIGURE 8-6. AC BOX AT PLATFORM INSTALLATION - 220V CEE7 SIDE GROUND (2X4 BOX) WITHOUT 2500W GENERATOR (CE, CIS/EAC & UK CA SPECS)	320
FIGURE 8-7. AC BOX AT PLATFORM INSTALLATION - 220V CEE7 2IN X 4IN POST GROUND (CE, CIS/EAC & UK CA SPECS WITH 4000W/50HZ GENERATOR)	322
FIGURE 8-8. AC BOX AT PLATFORM INSTALLATION - 220V CEE7 2IN X 4IN SIDE GROUND (CE, CIS/EAC & UK CA SPECS WITH 4000W/50HZ GENERATOR)	324
FIGURE 8-9. AC BOX AT PLATFORM INSTALLATION - 220V AFSINT107 (CE, CIS/EAC & UK CA SPECS WITH 4000W/50HZ GENERATOR)	326
FIGURE 8-10. AC BOX AT PLATFORM INSTALLATION - 220V AFSINT 107 KEYED GROUND (2X4 BOX) WITHOUT 2500W GENERATOR (CE AND RUSSIA SPECS)	328
FIGURE 8-11. AC BOX AT PLATFORM INSTALLATION - 220V CUSTOMER SUPPLIED COMPONENTS (ALL SPECS).....	330
FIGURE 8-12. AC CABLE INSTALLATION - WITH TWO BREAKERS (CE, CIS/EAC & UK CA SPECS)	332
FIGURE 8-13. AC CABLE INSTALLATION - WITH THREE BREAKERS (CE, CIS/EAC & UK CA SPECS).....	334
FIGURE 8-14. BATTERY DISCONNECT SWITCH	336
FIGURE 8-15. BEACON LIGHT HARNESS (BLUE AND RED BEACON LIGHT)	338
FIGURE 8-16. BOOM CABLES & CLAMPS INSTALLATION (4000W GENERATOR).....	340
FIGURE 8-17. BOOM CABLES & CLAMPS INSTALLATION (7500W SKYPOWER GENERATOR)	344
FIGURE 8-18. BOOM HARNESS - MAIN BOOM	348
FIGURE 8-19. BOOM HARNESS - MAIN BOOM (8/5 4000W GENERATOR)	350
FIGURE 8-20. BOOM HARNESS - TOWER BOOM.....	352
FIGURE 8-21. BOOM HARNESS - TOWER BOOM (8/5 4000W GENERATOR).....	354
FIGURE 8-22. BREAKER BOX KIT WITH SINGLE DOUBLE POLE BREAKER (CE & UK CA SPEC).....	356
FIGURE 8-23. BREAKER BOX KIT WITH THREE BREAKERS (CE & UK CA SPEC)	358
FIGURE 8-24. BREAKER BOX KIT - 30MA/16 AMP	360
FIGURE 8-25. CHASSIS SOLENOID HARNESS	362
FIGURE 8-26. ENGINE HARNESS - DEUTZ D2011	364
FIGURE 8-27. ENGINE HARNESS - DEUTZ D2.9L4 ENGINE (STAGE V)	366
FIGURE 8-28. FUEL HARNESS - DEUTZ D2.9L4 ENGINE.....	370

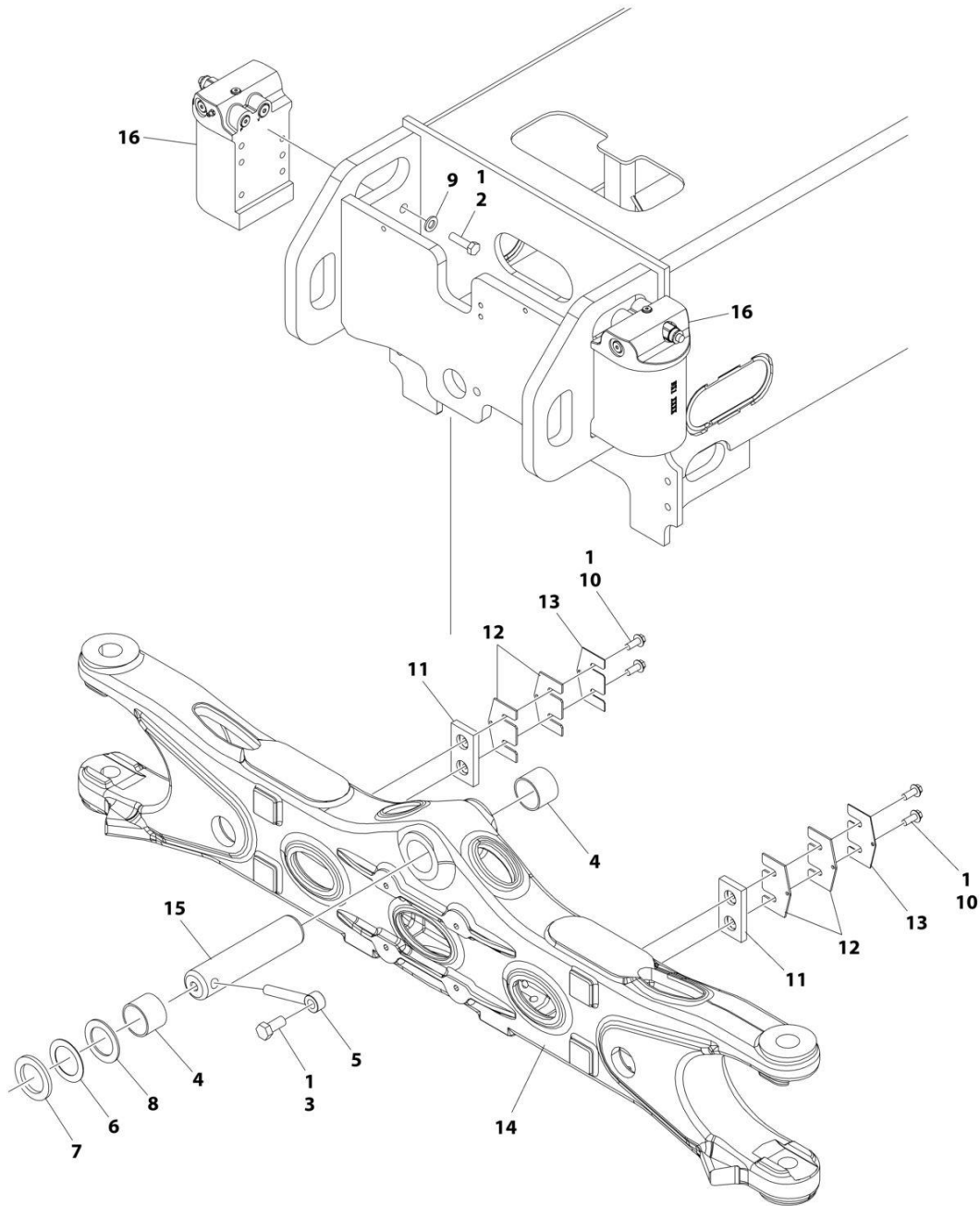
TABLE OF CONTENTS

FIGURE 8-29. GENERATOR HARNESS - 2500W GENERATOR (50HZ).....	372
FIGURE 8-30. GENERATOR HARNESS - 4000W GENERATOR.....	374
FIGURE 8-31. GROUND CONTROL PANEL HARNESS.....	376
FIGURE 8-32. PLATFORM CONSOLE BOX HARNESS	378
FIGURE 8-33. PLATFORM INTERFACE HARNESS	380
FIGURE 8-34. RECEPTACLE BOX KIT - 110V IEC YELLOW (CE, CIS/EAC & UK CA SPEC)	382
FIGURE 8-35. RECEPTACLE BOX KIT - 220V IEC BLUE (CE, CIS/EAC & UK CA SPEC).....	384
FIGURE 8-36. RECEPTACLE BOX KIT - 220V CEE7 POST GROUND 2IN X 4IN BOX (CE, CIS/EAC & UK CA SPEC)	386
FIGURE 8-37. RECEPTACLE BOX KIT - 220V CEE7 SIDE GROUND 2IN X 4IN BOX (CE, CIS/EAC & UK CA SPEC)	388
FIGURE 8-38. RECEPTACLE BOX KIT - 220V AFSINT 107 (CE, CIS/EAC & UK CA SPEC)	390
FIGURE 8-39. SKYEYE INTERMEDIATE HARNESS.....	392
FIGURE 8-40. SKYEYE RECEIVER HARNESS	394
FIGURE 8-41. SKYEYE EMITTER HARNESS.....	396
FIGURE 8-42. SKYLINE HARNESS.....	398
FIGURE 8-43. TURNTABLE HARNESS	400
FIGURE 8-44. VALVE HARNESS - BOOM VALVE.....	404
FIGURE 8-45. VALVE HARNESS - MAIN VALVE.....	406
FIGURE 8-46. VALVE HARNESS - PLATFORM VALVE	408
SECTION 9 - DECALS.....	411
FIGURE 9-1. DECAL INSTALLATION – ANSI, ANSI EXPORT AND CSA SPECS (ENGLISH)	412
FIGURE 9-2. DECAL INSTALLATION - AUSTRALIAN SPEC (ENGLISH)	414
FIGURE 9-3. DECAL INSTALLATION - CE & UK CA SPEC (ENGLISH)	416
FIGURE 9-4. DECAL INSTALLATION - CHINESE SPEC (CHINESE/ENGLISH)	418
FIGURE 9-5. DECAL INSTALLATION - OPTIONS	420
FIGURE 9-6. TOW BAR DECAL INSTALLATION - ENGLISH LANGUAGE (ANSI EXPORT, CE, CIS/EAC & UK CA SPECS) .	422
FIGURE 9-7. TOW BAR DECAL INSTALLATION - SPANISH LANGUAGE (CE, CIS/EAC & UK CA SPECS)	424
SECTION 10 - RECOMMENDED SERVICE PARTS STOCK	427
FIGURE 10-1. RECOMMENDED SERVICE PARTS STOCK	428
SECTION 11 - SPECIAL OPTIONS/ACCESSORIES/KITS	431
FIGURE 11-1. SPECIAL OPTIONS/ACCESSORIES/KITS	432
PART NUMBER INDEX	435

SECTION 1 - FRAME

SECTION 1 - FRAME

FIGURE 1-1. AXLE INSTALLATION



ART_1001264981

SECTION 1 - FRAME

FIGURE 1-1. AXLE INSTALLATION

ITEM	PART NUMBER	QTY	DESCRIPTION	REV
	1001264981	Ref	AXLE INSTALLATION	B
1	0100011	AR	Compound, Locking	
2	0701217	8	Bolt M12 x 45	
3	0761615	1	Bolt M16 x 35	
4	0961950	2	Bearing	
5	3841258	1	Keeper, Pin	
6	4071101	AR	Shim	
7	4740158	AR	Washer	
8	4740229	AR	Washer	
9	5241200	8	Washer M12	
10	5251012	4	Bolt M10 x 25	
11	1001118511	2	Pad, Wear	
12	1001118518	AR	Shim 11Ga	
13	1001118519	AR	Shim 16Ga	
14	1001162995	1	Axle	
15	1001185030	1	Pin	
16	1001256179	2	Axle Lockout Cylinder Assembly (See Separate Breakdown in CYLINDER Section)	

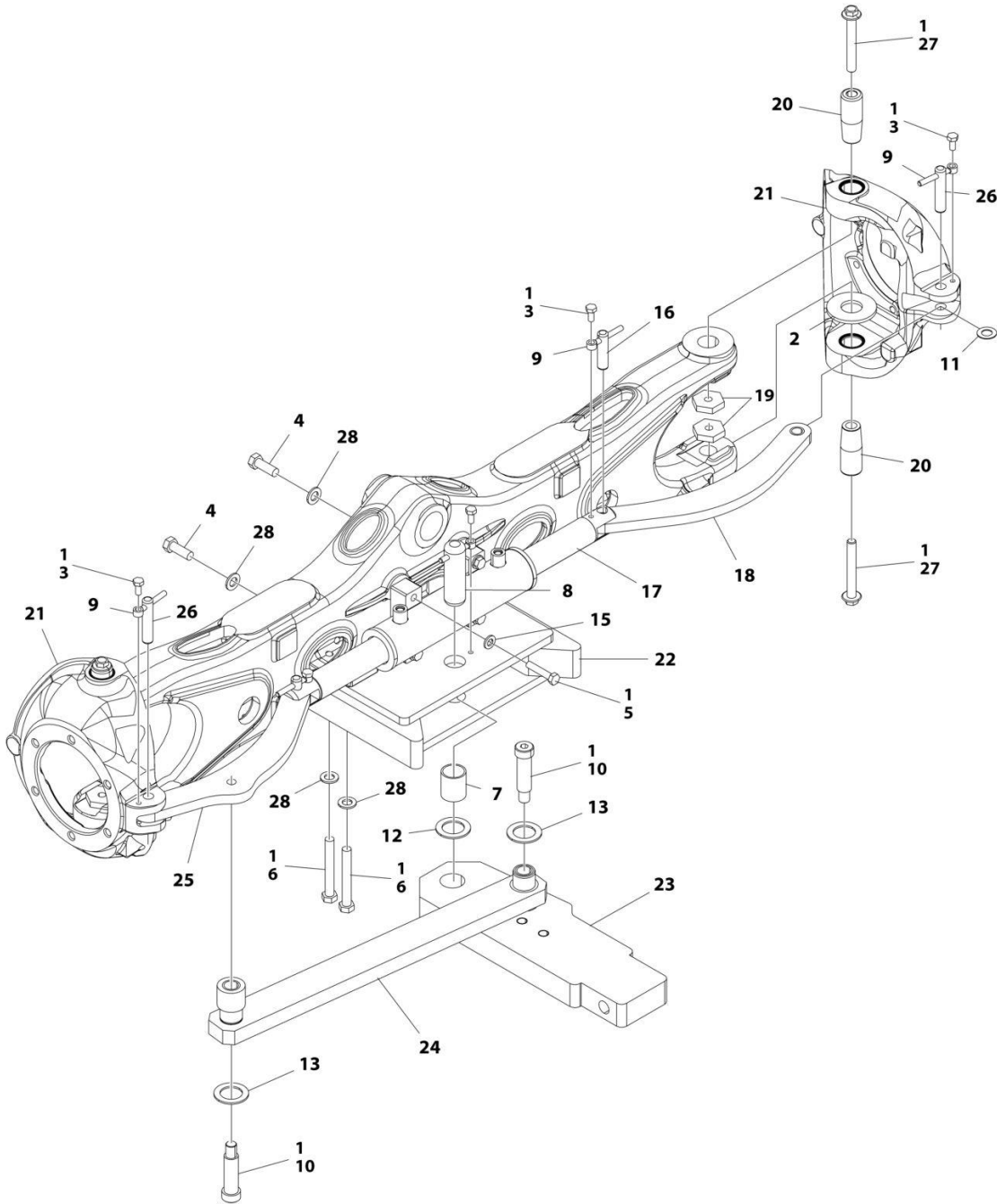
SECTION 1 - FRAME

FIGURE 1-2. STEER INSTALLATION WITHOUT TOW PACKAGE

ITEM	PART NUMBER	QTY	DESCRIPTION	REV
	1001164092	Ref	STEER INSTALLATION WITHOUT TOW PACKAGE	F
1	0100011	AR	Compound, Locking	
2	1001233139	2	Bearing, Thrust	
3	0761011	4	Bolt M10 x 22	
4	0711220	4	Bolt M12 x 60 Grade 10.9	
5	1001190368	4	Bolt M16 x 120	
6	3841143	4	Keeper, Pin	
7	4740086	4	Washer	
8	5241200	4	Washer M12	
10	1001163178	1	Steer Cylinder Assembly (See Separate Breakdown in CYLINDER SECTION)	
11	1001163179	2	Link	
11	1001164209	4	Bearing (2 Per Link)	
12	1001176848	4	Nut M16	
13	1001163405	4	Kingpin	
14	1001163715	2	Spindle	
14	0961948	4	Bearing (2 Per Spindle)	
14	1001163716	8	Seal (4 Per Spindle)	
15	3423304	4	Pin	

SECTION 1 - FRAME

FIGURE 1-3. STEER INSTALLATION WITH TOW PACKAGE



ART_1001164095

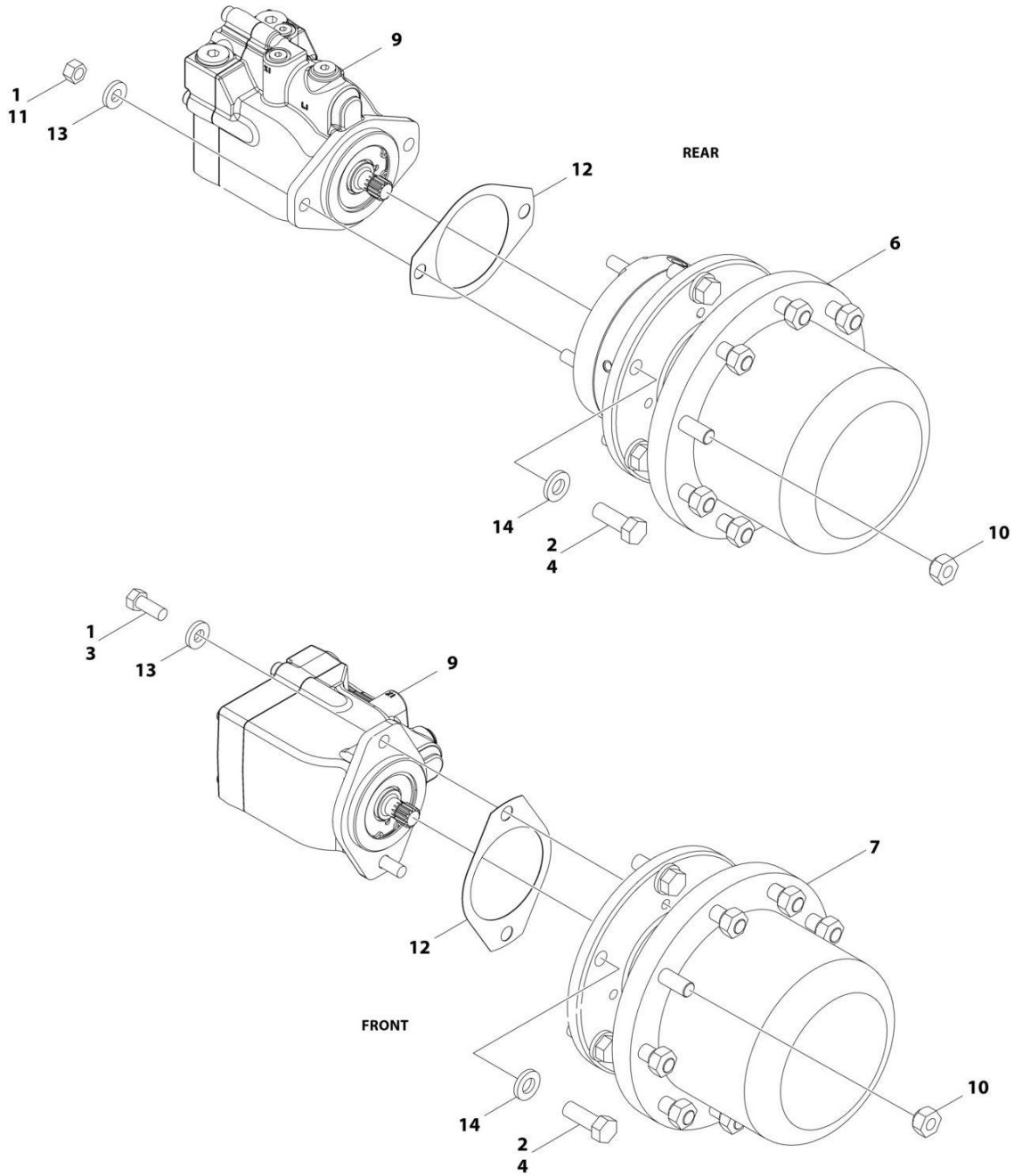
SECTION 1 - FRAME

FIGURE 1-3. STEER INSTALLATION WITH TOW PACKAGE

ITEM	PART NUMBER	QTY	DESCRIPTION	REV
	1001164095	Ref	STEER INSTALLATION WITH TOW PACKAGE	D
1	0100011	AR	Compound, Locking	
2	0440271	2	Bearing, Thrust	
3	0761011	5	Bolt M10 x 22	
4	0701617	2	Bolt M16 x 45	
5	0711220	4	Bolt M12 x 60 Grade 10.9	
6	0711629	4	Bolt M16 x 120	
7	0962348	1	Bearing	
8	3422848	1	Pin	
9	3841143	5	Keeper, Pin	
10	3900295	2	Bolt 1 X 3	
11	4740086	4	Washer	
12	4740155	1	Washer	
13	4740491	2	Washer	
15	5241200	4	Washer M12	
16	1001139586	2	Pin	
17	1001163178	1	Steer Cylinder Assembly (See Separate Breakdown in CYLINDER SECTION)	
18	1001163179	1	Link	
18	1001164209	2	Bearing	
19	1001176848	4	Nut M16	
20	1001163405	4	Kingpin	
21	1001163715	2	Spindle	
21	0961948	4	Bearing (2 per Spindle)	
21	1001163716	8	Seal (4 per Spindle)	
22	1001163717	1	Bracket, Tow	
23	1001163722	1	Plate	
24	1001163724	1	Link	
24	0962292	4	Bearing	
25	1001163726	1	Link	
25	1001164209	2	Bearing	
26	3423304	2	Pin	
27	1001190368	4	Bolt M16 x 120	
28	5241600	6	Washer M16	

SECTION 1 - FRAME

FIGURE 1-4. WHEEL DRIVE INSTALLATION (4WD)



ART_1001166239

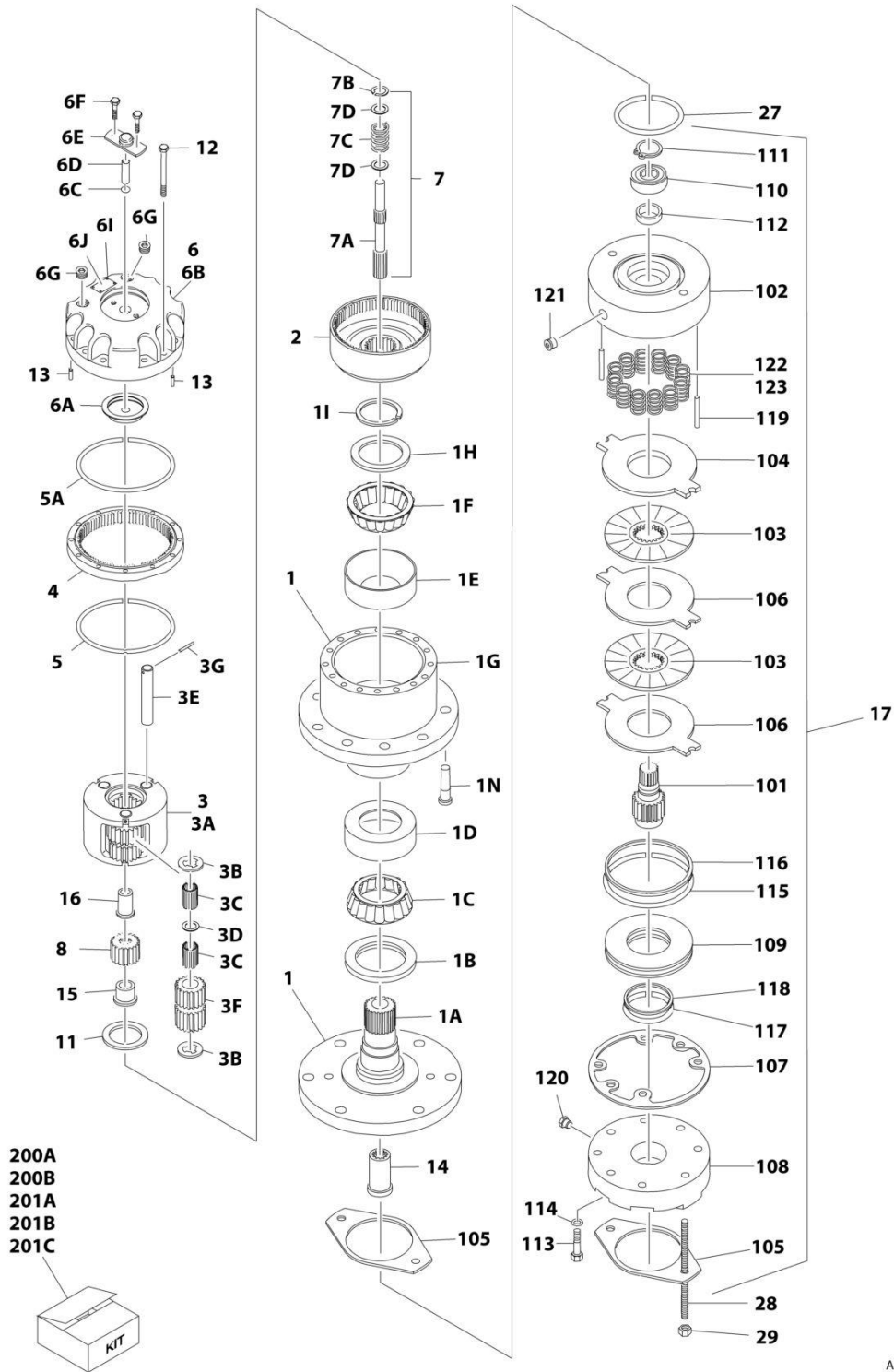
SECTION 1 - FRAME

FIGURE 1-4. WHEEL DRIVE INSTALLATION (4WD)

ITEM	PART NUMBER	QTY	DESCRIPTION	REV
	1001166239	Ref	WHEEL DRIVE INSTALLATION (4WD)	E
1	0100011	AR	Compound, Locking	
2	0100019	AR	Compound, Locking	
3	0681810	4	Bolt 1/2 x 1-1/4 Grade 8	
4	0682014	24	Bolt 5/8 x 1-3/4 Grade 8	
6	2780267	2	Drive Hub Assembly - Rear (See Separate Breakdown in this Section)	
7	2780268	2	Drive Hub Assembly - Front (See Separate Breakdown in this Section)	
9	3160348	4	Drive Motor Assembly (See Separate Breakdown in this Section)	
10	3300106	36	Lugnut	
11	3311801	4	Nut 1/2	
12	3960526	4	Gasket, Brake	
13	4891800	8	Washer 1/2	
14	4892000	24	Washer 5/8	

SECTION 1 - FRAME

FIGURE 1-5. DRIVE HUB AND BRAKE ASSEMBLY - REAR



SECTION 1 - FRAME

FIGURE 1-5. DRIVE HUB AND BRAKE ASSEMBLY - REAR

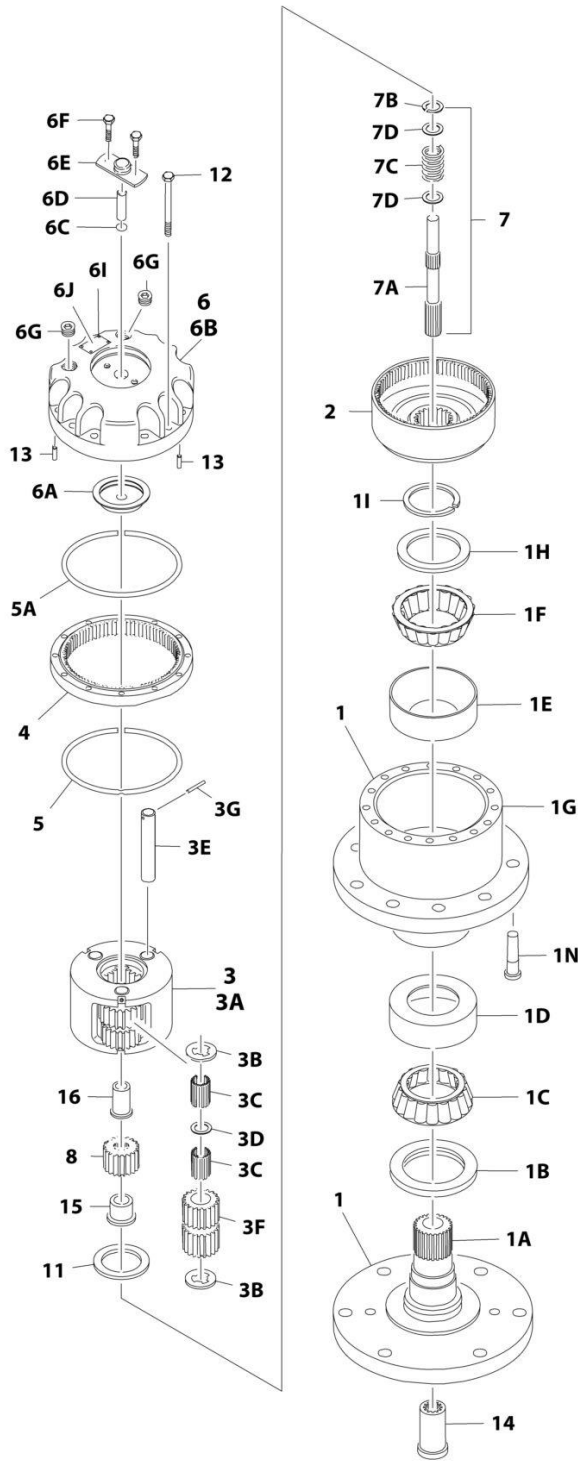
ITEM	PART NUMBER	QTY	DESCRIPTION	REV
	2780267	Ref	DRIVE HUB AND BRAKE ASSEMBLY - REAR	I
1	See Note	1	Spindle/Housing Assembly (Note: Purchase Individual Components)	
1A	7017059	1	Spindle	
1B	7001998	1	Seal	
1C	7010429	1	Cone, Bearing (Includes Item 1D)	
1D	7010429	1	Cup, Bearing (Includes Item 1C)	
1E	7000257	1	Cup, Bearing	
1F	7000258	1	Cone, Bearing	
1G	7007601	1	Housing/Ring Gear	
1H	7000232	1	Washer, Thrust	
1I	7000229	1	Ring, Retaining	
1N	7007640	9	Stud, Wheel	
2	7000246	1	Gear, Internal	
3	7024712	1	Carrier Assembly	
3A	See Note	1	Carrier (Note: Use Item 3)	
3B	See Note	6	Ring, Retaining (Note: Use Item 3)	
3C	See Note	AR	Bearing, Needle (Note: Use Item 3)	
3D	See Note	3	Washer, Thrust (Note: Use Item 3)	
3E	See Note	3	Shaft, Planet (Note: Use Item 3)	
3F	See Note	3	Gear, Planet (Note: Use Item 3)	
3G	See Note	3	Roll Pin (Note: Use Item 3)	
4	7000248	1	Ring Gear	
5	7000230	1	O-Ring	
5A	7017070	1	O-Ring	
6	70001349	1	Cover Assembly Kit	
6A	See Note	1	Spacer, Thrust (Note: Use Item 6)	
6B	See Note	1	Plate, Cover (Note: Use Item 6)	
6C	See Note	1	O-Ring (Note: Use Item 6)	
6D	See Note	1	Rod, Disconnect (Note: Use Item 6)	
6E	See Note	1	Cap, Disengage (Note: Use Item 6)	
6F	See Note	2	Bolt (Note: Use Item 6)	
6G	See Note	1	Plug, Pipe (Note: Use Item 6)	
6I	See Note	4	Rivet (Note: Not Available for Purchase)	
6J	See Note	1	Plate, ID (Note: Not Available for Purchase)	
7		Ref	Input Shaft Assembly	
7A	7024714	1	Shaft	
7B	7000261	1	Ring, Retaining	
7C	7000262	1	Spring	
7D	7000263	2	Spacer, Thrust	
8	7024713	1	Gear, Sun	
11	7000253	1	Washer, Thrust	
12	7017067	12	Bolt	
13	7017080	4	Pin, Dowel	
14	7000206	1	Coupling	
15	7024715	1	Spacer, Input	
16	7024716	1	Spacer, Input	
17	7024182	1	Brake Assembly (See Items 101-123 for Breakdown)	
27	7024705	1	O-Ring	
28	7024717	2	Rod, Threaded	

SECTION 1 - FRAME

ITEM	PART NUMBER	QTY	DESCRIPTION	REV
29	7024718	2	Nut 1/2in-13NC	
	7024182	Ref	BRAKE ASSEMBLY	
101	7024189	1	Shaft	
102	See Note	1	Housing (Note: Use Item 17)	
103	See Note	2	Plate, Friction (Note: Use Item 201B)	
104	See Note	1	Plate, Pressure (Note: Use Item 201B)	
105	7000731	2	Gasket	
106	See Note	2	Plate, Outer (Note: Use Item 201B)	
107	See Note	1	Gasket (Note: Use Item 200A, 201B or 201C)	
108	7024191	1	Cylinder	
109	7024192	1	Piston	
110	See Note	1	Bearing, Ball (Note: Use Item 201C)	
111	See Note	1	Ring, Retaining (Note: Use Item 201C)	
112	See Note	1	Seal, Shaft (Note: Use Item 201C)	
113	See Note	6	Capscrew (Note: Use Item 17)	
114	See Note	6	Lockwasher (Note: Use Item 17)	
115	See Note	1	O-Ring (Note: Use Item 200B)	
116	See Note	1	Ring, Back-up (Note: Use Item 200B)	
117	See Note	1	O-Ring (Note: Use Item 200B)	
118	See Note	1	Ring, Back-up (Note: Use Item 200B)	
119	7024190	2	Pin, Dowel	
120	See Note	1	Plug (Note: Use Item 17)	
121	See Note	2	Plug (Note: Use Item 17)	
122	See Note	12	Spring Kit (Natural) (Note: Use Item 201A)	
123	See Note	2	Spring Kit (Blue) (Note: Use Item 201A)	
		Ref	Kit Options	
200		Ref	Seal Kit Options:	
200A	See Note	1	Hub Seal Kit (Note: Purchase Individual Components)	
200B	7024194	1	Brake Seal Kit (Includes Items 105, 107 & 115-118)	
201		Ref	Repair Kit Options:	
201A	7024196	1	Brake Spring Kit (Includes 12 Natural Colored and 2 Blue Colored Springs Items 122 & 123)	
201B	7024193	1	Brake Friction Disc Kit (Includes Items 103, 104, 106 & 107)	
201C	7024197	1	Brake Bearing Kit (Includes Items 107 & 110-112)	

SECTION 1 - FRAME

FIGURE 1-6. DRIVE HUB ASSEMBLY - FRONT



ART_2780268

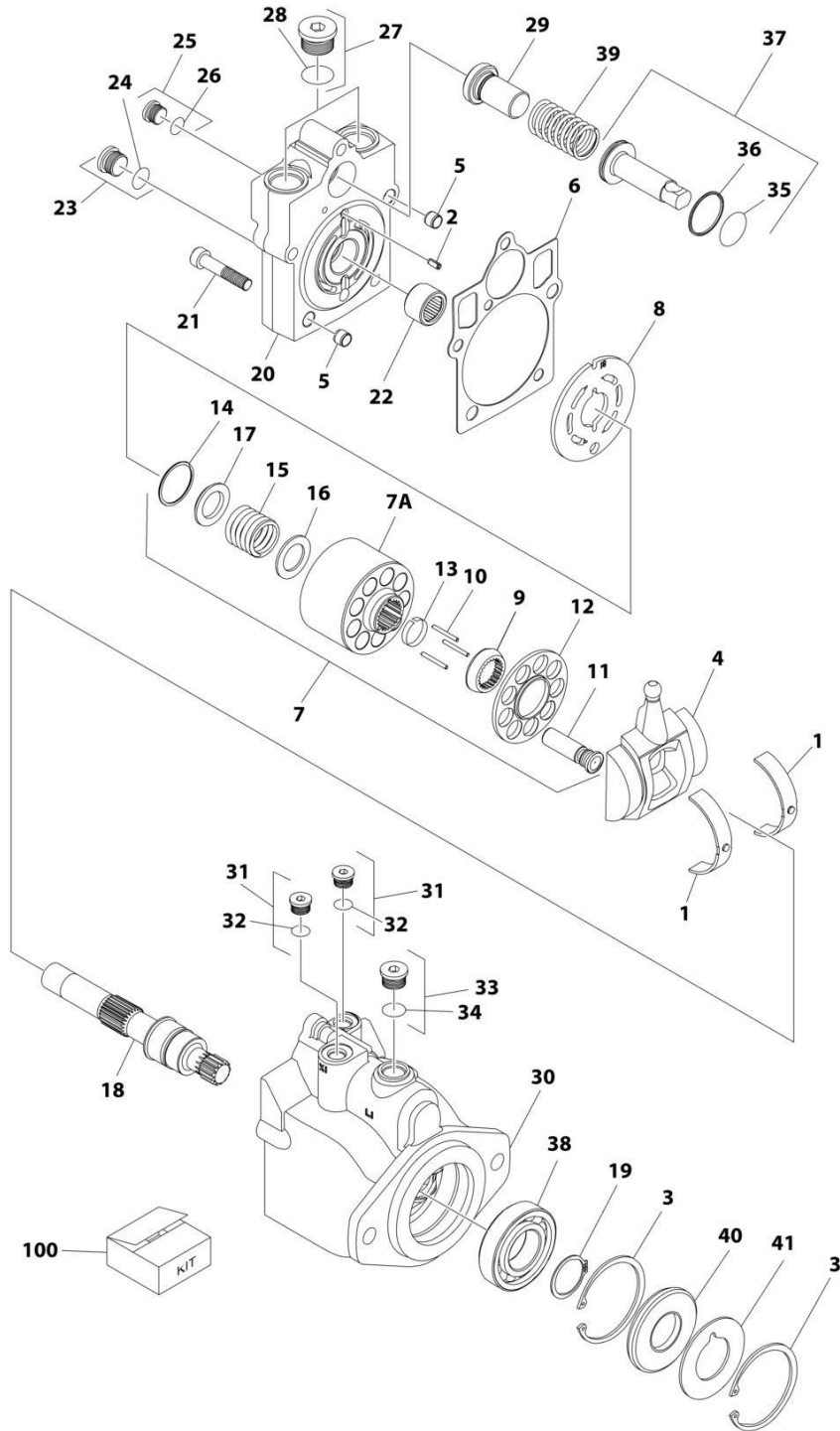
SECTION 1 - FRAME

FIGURE 1-6. DRIVE HUB ASSEMBLY - FRONT

ITEM	PART NUMBER	QTY	DESCRIPTION	REV
	2780268	Ref	DRIVE HUB ASSEMBLY - FRONT	F
1	See Note	1	Spindle/Housing Assembly (Note: Purchase Individual Components)	
1A	7017059	1	Spindle	
1B	7001998	1	Seal	
1C	7010429	1	Cone, Bearing (Includes Item 1D)	
1D	7010429	1	Cup, Bearing (Includes Item 1C)	
1E	7000257	1	Cup, Bearing	
1F	7000258	1	Cone, Bearing	
1G	7007601	1	Housing/Ring Gear	
1H	7000232	1	Washer, Thrust	
1I	7000229	1	Ring, Retaining	
1N	7007640	9	Stud, Wheel	
2	7000246	1	Gear, Internal	
3	7024712	1	Carrier Assembly	
3A	See Note	1	Carrier (Note: Use Item 3)	
3B	See Note	6	Ring, Retaining (Note: Use Item 3)	
3C	See Note	AR	Bearing, Needle (Note: Use Item 3)	
3D	See Note	3	Washer, Thrust (Note: Use Item 3)	
3E	See Note	3	Shaft, Planet (Note: Use Item 3)	
3F	See Note	3	Gear, Planet (Note: Use Item 3)	
3G	See Note	3	Roll Pin (Note: Use Item 3)	
4	7000248	1	Ring Gear	
5	7000230	1	O-Ring	
5A	7017070	1	O-Ring	
6	70001349	1	Cover Assembly Kit	
6A	See Note	1	Spacer, Thrust (Note: Use Item 6)	
6B	See Note	1	Plate, Cover (Note: Use Item 6)	
6C	See Note	1	O-Ring (Note: Use Item 6)	
6D	See Note	1	Rod, Disconnect (Note: Use Item 6)	
6E	See Note	1	Cap, Disengage (Note: Use Item 6)	
6F	See Note	2	Bolt (Note: Use Item 6)	
6G	See Note	1	Plug, Pipe (Note: Use Item 6)	
6I	See Note	4	Rivet (Note: Not Available for Purchase)	
6J	See Note	1	Plate, ID (Note: Not Available for Purchase)	
7		Ref	Input Shaft Assembly	
7A	7024714	1	Shaft	
7B	7000261	1	Ring, Retaining	
7C	7000262	1	Spring	
7D	7000263	2	Spacer, Thrust	
8	7024713	1	Gear, Sun	
11	7000253	1	Washer, Thrust	
12	7017067	12	Bolt	
13	7017080	4	Pin, Dowel	
14	7000206	1	Coupling	
15	7024715	1	Spacer, Input	
16	7024716	1	Spacer, Input	

SECTION 1 - FRAME

FIGURE 1-7. DRIVE MOTOR ASSEMBLY (4WD)



ART_3160348

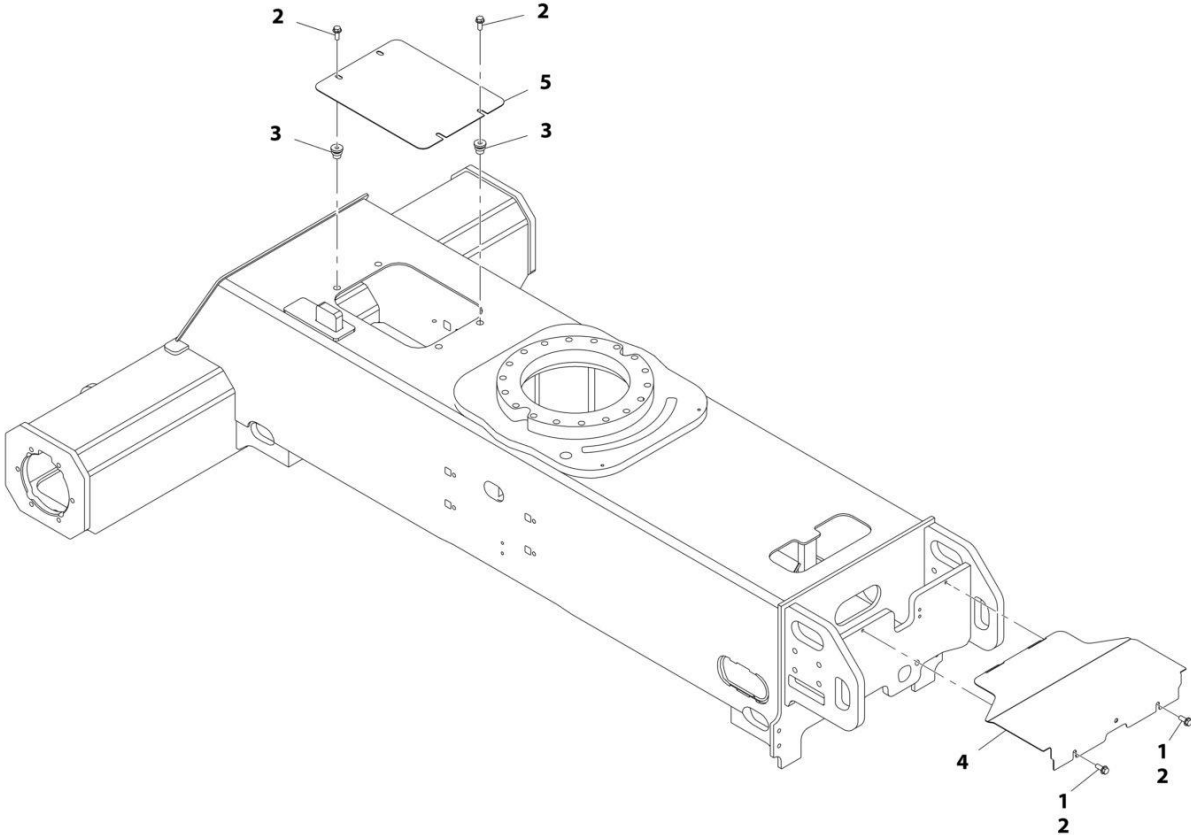
SECTION 1 - FRAME

FIGURE 1-7. DRIVE MOTOR ASSEMBLY (4WD)

ITEM	PART NUMBER	QTY	DESCRIPTION	REV
	3160348	Ref	DRIVE MOTOR ASSEMBLY	D
1	7022302	2	Bearing, Journal	
2	7007446	1	Pin	
3	7007438	2	Ring, Retaining	
4	7022305	1	Swash Plate	
5	See Note	2	Pin (Note: Not Available for Purchase)	
6	See Note	NSS	Gasket (Note: Use Item 100)	
7	7023907	1	Cylinder Block Kit (Includes Items 7A & 9-17)	
7A	See Note	NSS	Block, Cylinder (Note: Use Item 7)	
8	7023908	1	Plate, Valve	
9	7021277	1	Guide, Slipper Retainer	
10	7021275	3	Pin, Slipper Hold Down	
11	See Note	NSS	Piston Assembly (Note: Use Item 7)	
12	7022310	1	Retainer, Slipper	
13	7021276	1	Retainer, Hold Down Pin	
14	7022311	1	Ring, Retaining	
15	7022312	1	Spring	
16	7024868	1	Washer	
17	7022314	1	Retainer, Spring	
18	7023910	1	Shaft	
19	7007439	1	Ring, Retaining	
20	70000797	1	Cap, End - Axial	
21	7022368	5	Screw	
22	7021249	1	Bearing, Needle	
23	2220886	1	Plug (Includes Item 24)	
24	See Note	1	O-Ring (Note: Use Item 23 or 100)	
25	2220883	1	Plug (Includes Item 26)	
26	See Note	NSS	O-Ring (Note: Use Item 25 or 100)	
27	2220888	2	Plug (Includes Item 28)	
28	See Note	NSS	O-Ring (Note: Use Item 27 or 100)	
29	7022372	1	Seat, Spring	
30	See Note	NSS	Housing (Note: Not Available - Purchase Complete Assembly)	
31	2220883	2	Plug (Includes Item 32)	
32	See Note	NSS	O-Ring (Note: Use Item 31 or 100)	
33	2220886	1	Plug (Includes Item 34)	
34	See Note	NSS	O-Ring (Note: Use Item 33 or 100)	
35	See Note	NSS	O-Ring (Note: Use Item 100)	
36	See Note	NSS	Ring, Seal (Note: Use Item 100)	
37	7024854	1	Piston, Servo (Includes Items 35 & 36)	
38	7007437	1	Bearing	
39	7022326	1	Spring	
40	See Note	1	Seal, Lip (Note: Use Item 100)	
41	7022371	1	Washer, Support	
		Ref	KIT OPTIONS:	
100	7022328	1	Seal Kit (Includes Items 6, 24, 26, 28, 32, 34, 35, 36 & 40)	

SECTION 1 - FRAME

FIGURE 1-8. FRAME SHIELD INSTALLATION



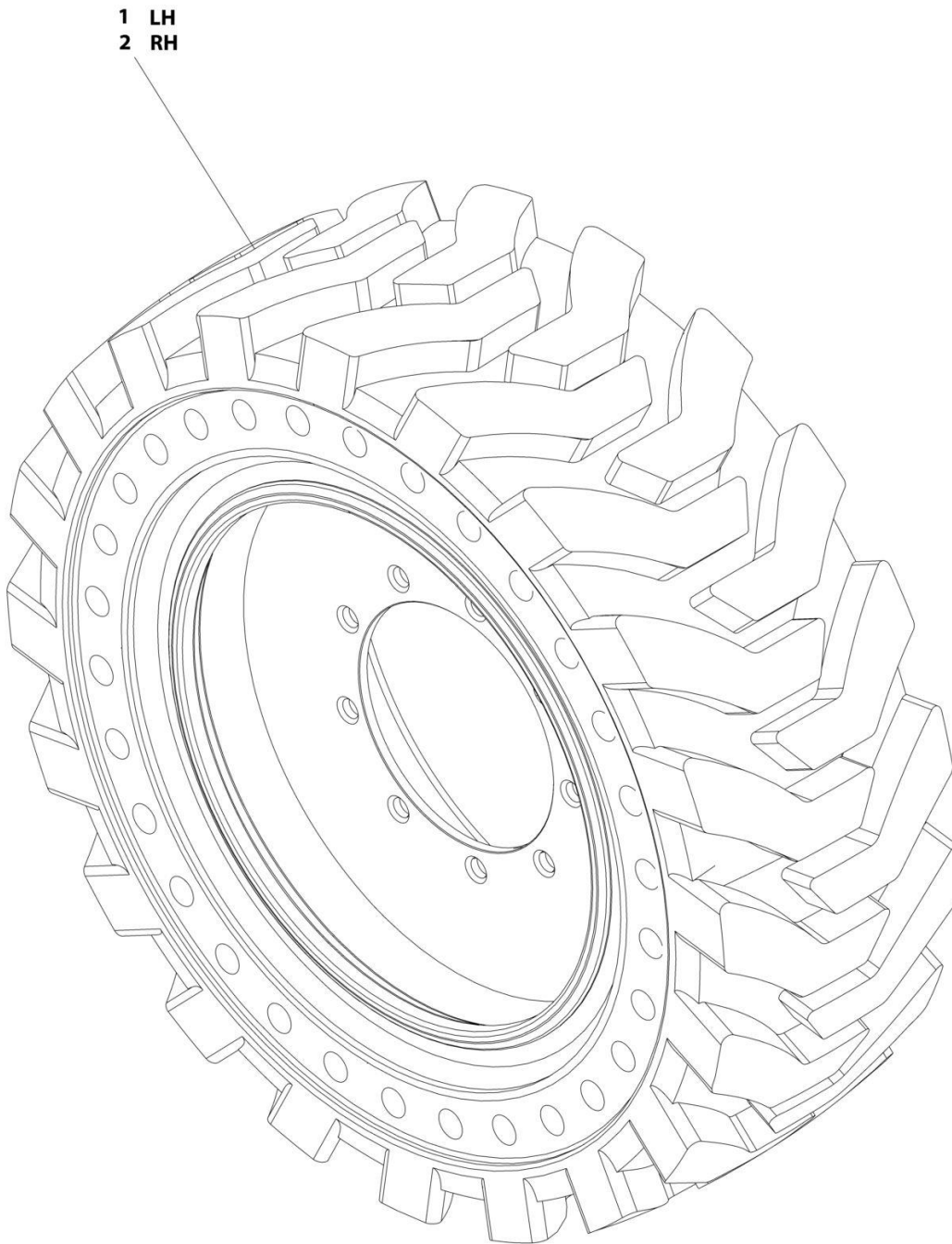
ART_1001162105

FIGURE 1-8. FRAME SHIELD INSTALLATION

ITEM	PART NUMBER	QTY	DESCRIPTION	REV
	1001162105	Ref	FRAME SHIELD INSTALLATION	B
1	0100011	AR	Compound, Locking	
2	5251012	6	Bolt, M10 x 25	
3	1001180916	4	Nut	
4	1001162107	1	Plate, Valve Cover	
5	1001165968	1	Plate, Cover	

SECTION 1 - FRAME

FIGURE 1-9. TIRE AND WHEEL INSTALLATION - 33 X 12-20 SOLID NON-MARKING



ART_1001169062

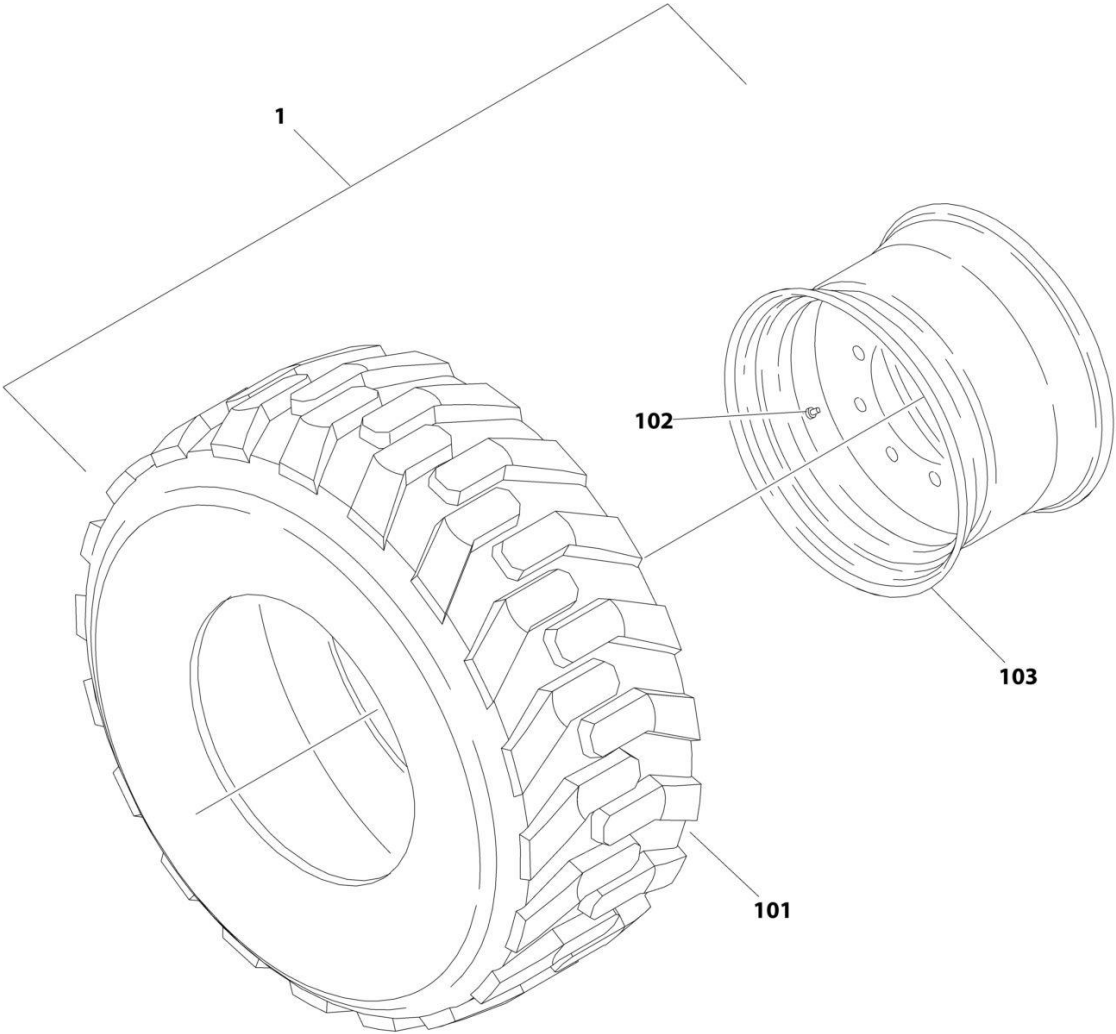
SECTION 1 - FRAME

FIGURE 1-9. TIRE AND WHEEL INSTALLATION - 33 X 12-20 SOLID NON-MARKING

ITEM	PART NUMBER	QTY	DESCRIPTION	REV
	1001169062	Ref	TIRE AND WHEEL INSTALLATION - 33 X 12-20 SOLID NON-MARKING	A
		Ref	Note: Due to critical stable weights, only replace tire and wheel assemblies with like components.	
1	1001170098	2	Tire and Wheel Assembly - 33 x 12-20 Solid Non-Marking (LH Side)	
2	1001170099	2	Tire and Wheel Assembly - 33 x 12-20 Solid Non-Marking (RH Side)	

SECTION 1 - FRAME

FIGURE 1-10. TIRE AND WHEEL INSTALLATION - 33/1550 X 16.5 FOAM-FILLED



ART_1001169075

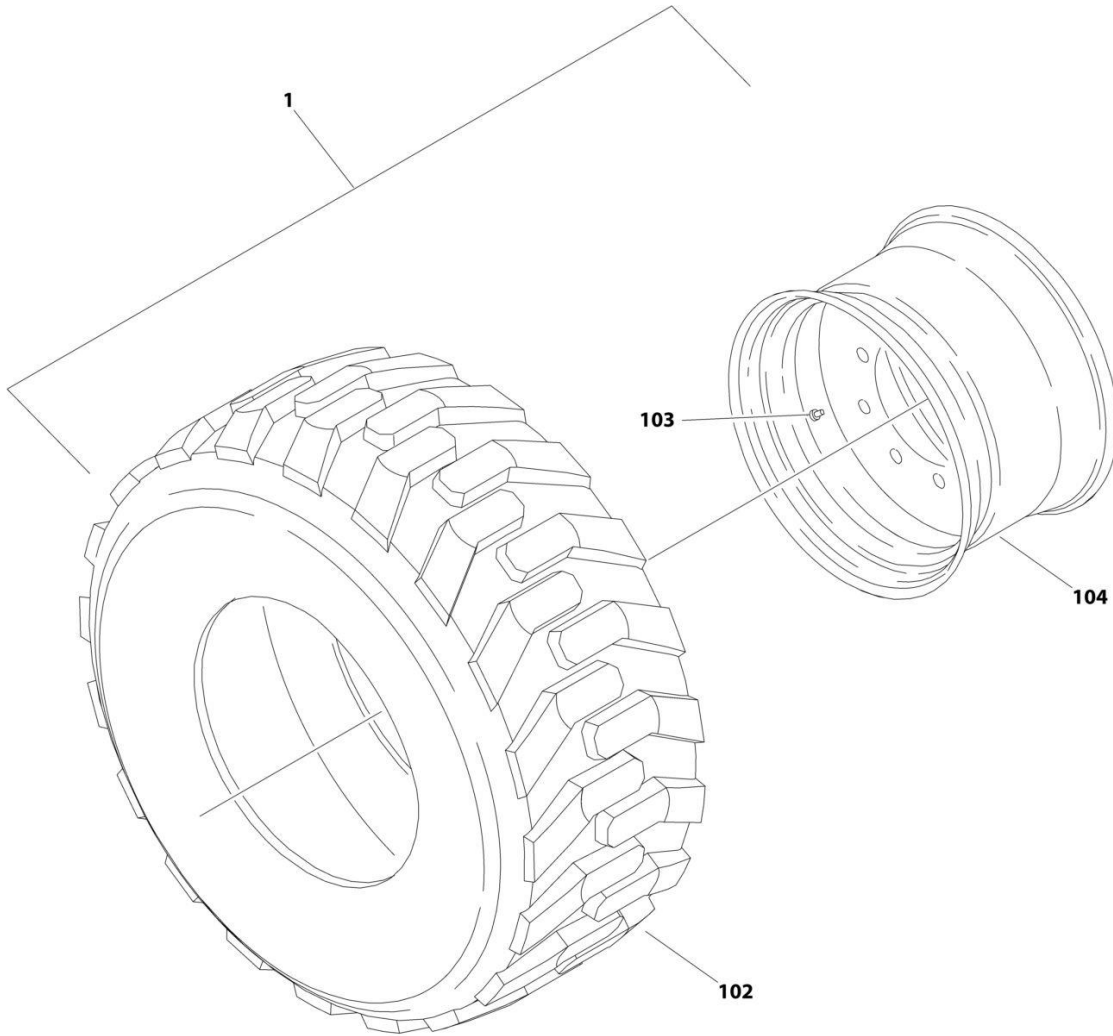
SECTION 1 - FRAME

FIGURE 1-10. TIRE AND WHEEL INSTALLATION - 33/1550 X 16.5 FOAM-FILLED

ITEM	PART NUMBER	QTY	DESCRIPTION	REV
	1001169075	Ref	TIRE AND WHEEL INSTALLATION - 33/1550 X 16.5 FOAM-FILLED	A
		Ref	Note: Assemblies may require ballast/foam filling to manufacturer's specifications prior to installing on a machine. Refer to Operation and Safety or Service and Maintenance Manuals. Purchase individual tire and/or rim only if able to foam fill tire and wheel assembly, otherwise, purchase complete assembly.	
1	0258011	2	Tire and Wheel Assembly (RH Side)	I
1	0258012	2	Tire and Wheel Assembly (LH Side)	I
101	4520217	4	Tire, 33/1550 x 16.5	
102	8786514	4	Valve, Stem	
103	4860179	4	Rim, Wheel	

SECTION 1 - FRAME

FIGURE 1-11. TIRE AND WHEEL INSTALLATION - 315/55 D20 FOAM FILLED



ART_1001166157

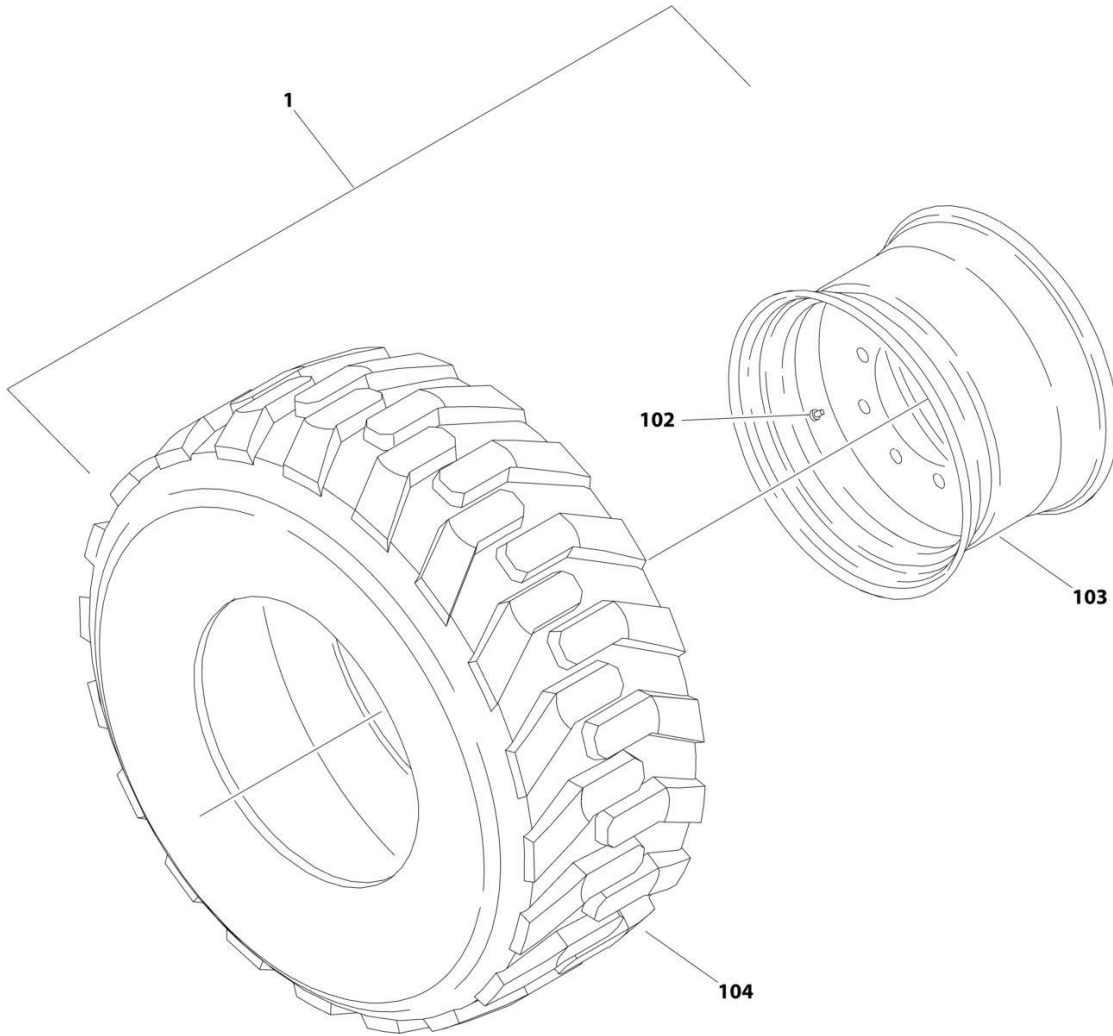
SECTION 1 - FRAME

FIGURE 1-11. TIRE AND WHEEL INSTALLATION - 315/55 D20 FOAM FILLED

ITEM	PART NUMBER	QTY	DESCRIPTION	REV
	1001166157	Ref	TIRE AND WHEEL INSTALLATION - 315/55 D20 FOAM FILLED	A
		Ref	Note: Assemblies may require ballast/foam filling to manufacturer's specifications prior to installing on a machine. Refer to Operation and Safety or Service and Maintenance Manuals. Purchase individual tire and/or rim only if able to foam fill tire and wheel assembly, otherwise, purchase complete assembly.	
1	1001166155	2	Tire and Wheel Assembly (LH Side)	I
1	1001166156	2	Tire and Wheel Assembly (RH Side)	I
102	4520608	4	Tire IN315/55/D20	
103	4641122	4	Valve, Stem	
104	1001166153	4	Rim, Wheel	

SECTION 1 - FRAME

FIGURE 1-12. TIRE AND WHEEL INSTALLATION - 315/55 D20 FOAM FILLED NON-MARKING



ART_1001169058

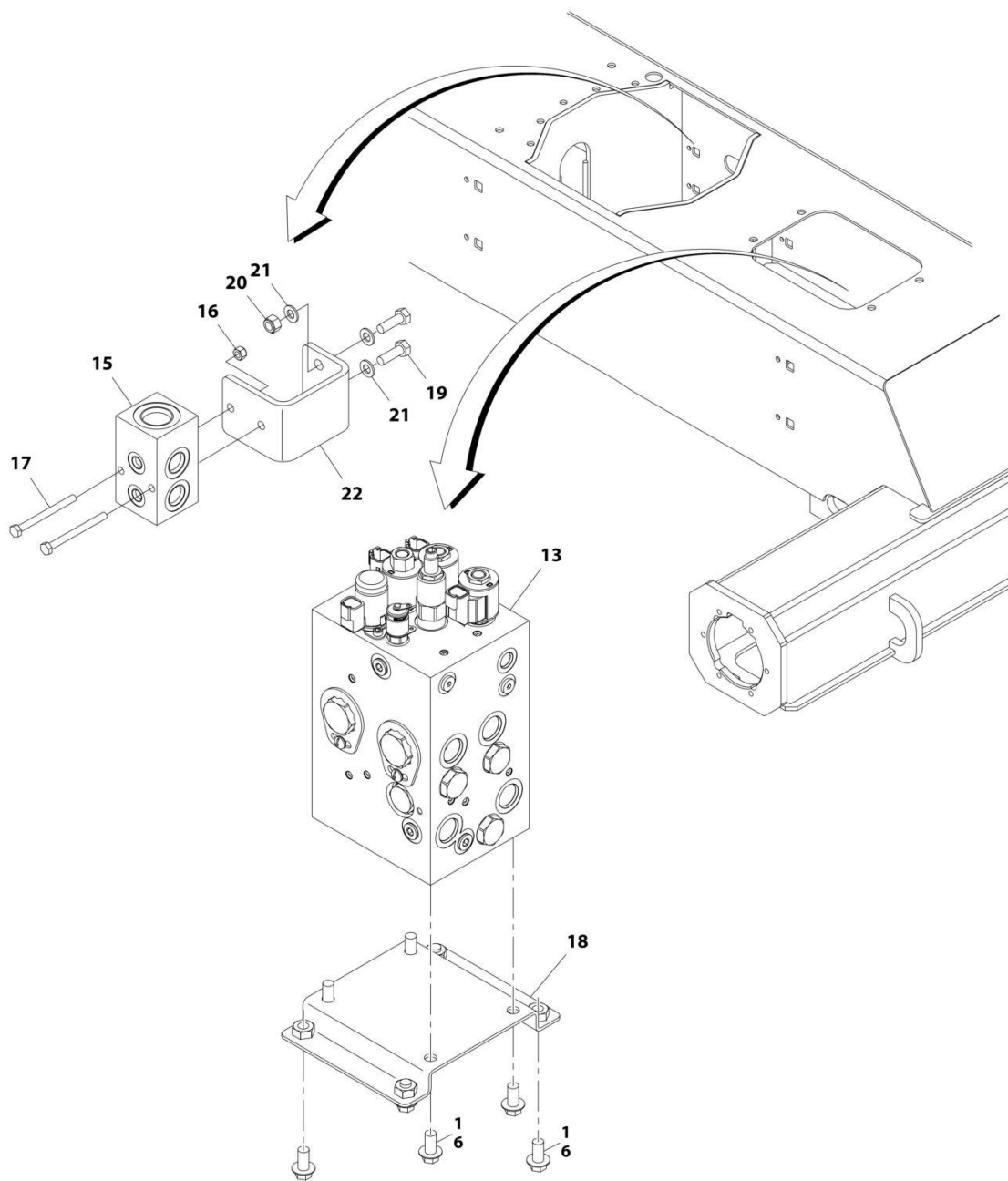
SECTION 1 - FRAME

FIGURE 1-12. TIRE AND WHEEL INSTALLATION - 315/55 D20 FOAM FILLED NON-MARKING

ITEM	PART NUMBER	QTY	DESCRIPTION	REV
	1001169058	Ref	TIRE AND WHEEL INSTALLATION - 315/55 D20 FOAM FILLED NON-MARKING	A
		Ref	Note: Assemblies may require ballast/foam filling to manufacturer's specifications prior to installing on a machine. Refer to Operation and Safety or Service and Maintenance Manuals. Purchase individual tire and/or rim only if able to foam fill tire and wheel assembly, otherwise, purchase complete assembly.	
1	1001170459	2	Tire and Wheel Assembly (RH Side)	F
1	1001170460	2	Tire and Wheel Assembly (LH Side)	F
102	4641122	4	Valve, Stem	
103	1001166153	4	Rim, Wheel	
104	1001170458	4	Tire 315/55 D20 Non Marking	

SECTION 1 - FRAME

FIGURE 1-13. 4WD VALVES INSTALLATION - FRAME MOUNTED



ART_1001165948_10F3

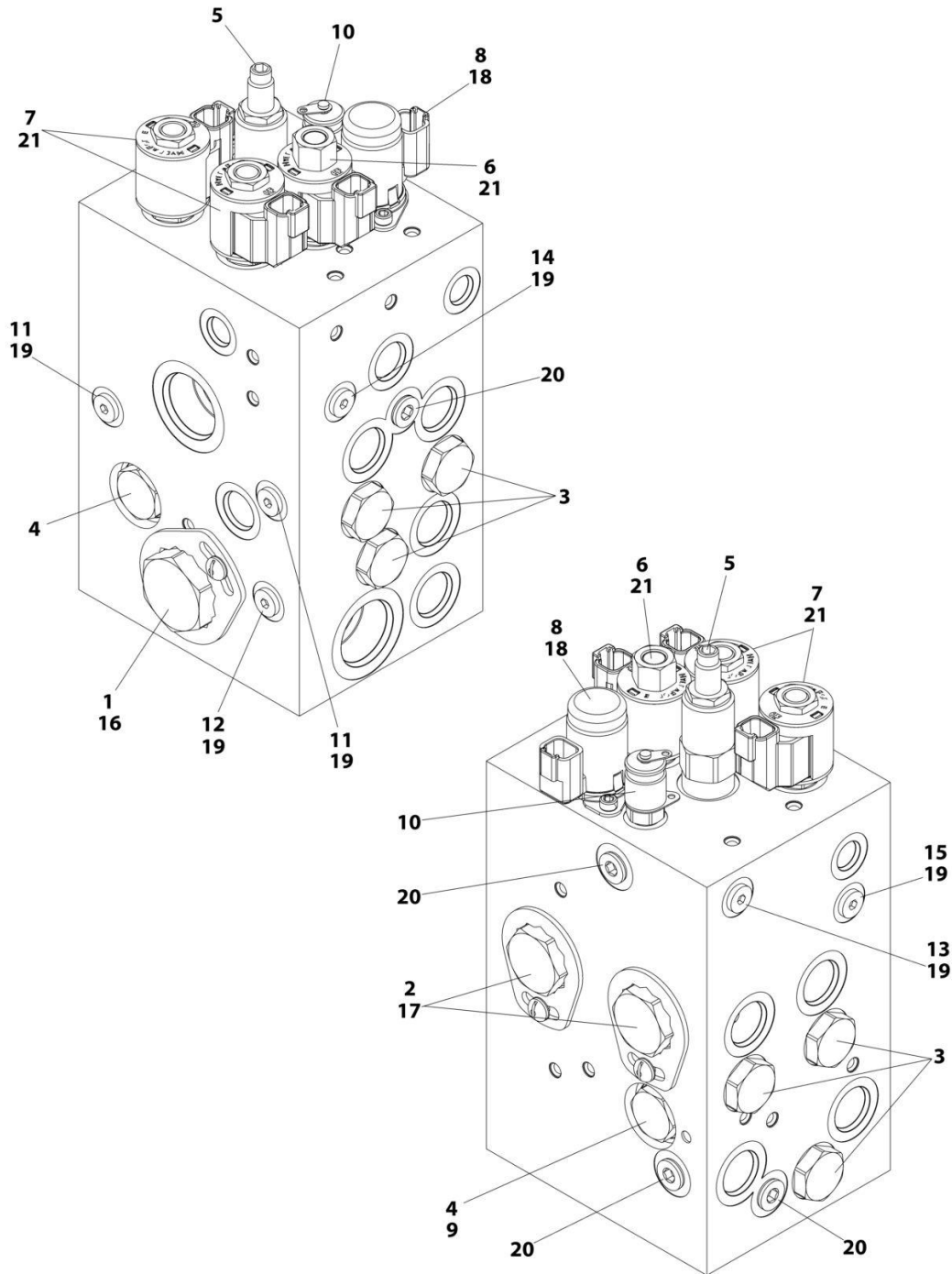
SECTION 1 - FRAME

FIGURE 1-13. 4WD VALVES INSTALLATION - FRAME MOUNTED

ITEM	PART NUMBER	QTY	DESCRIPTION	REV
	1001165948	Ref	4WD VALVES INSTALLATION - FRAME MOUNTED	J
1	0100011	AR	Compound, Locking	
3	0760812	1	Bolt M8 x 25	
6	5251010	4	Bolt M10 x 20 Class 10.9	
13	1001162539	1	Traction Valve Assembly (See Separate Breakdown in this Section)	
15	4641155	1	Junction Valve Assembly	
16	3290605	2	Nut, M6	
17	1001096653	2	Bolt M6 x 70	
18	1001179517	1	Bracket	
19	0760812	1	Bolt M8 x 25	
20	3290805	1	Nut M8	
21	4811900	1	Washer M8	
22	1001197221	1	Bracket	

SECTION 1 - FRAME

FIGURE 1-14. TRACTION VALVE ASSEMBLY - 4WD



ART_1001162539

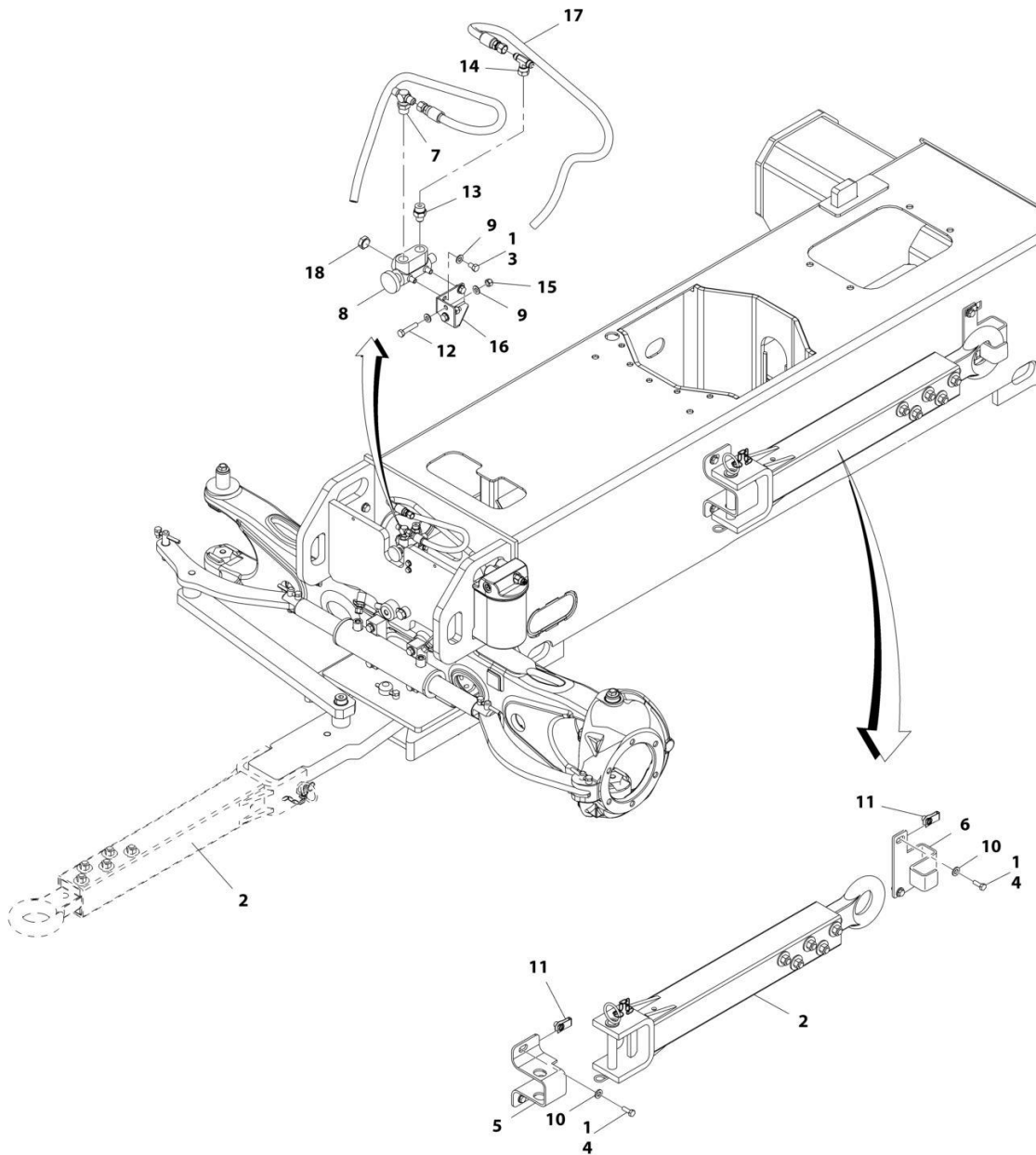
SECTION 1 - FRAME

FIGURE 1-14. TRACTION VALVE ASSEMBLY - 4WD

ITEM	PART NUMBER	QTY	DESCRIPTION	REV
	1001162539	Ref	TRACTION VALVE ASSEMBLY - 4WD	D
1	70004017	1	Cartridge, Flow Divider	
1	7021625	1	Seal Kit - 70004017 Valve	
2	70004885	2	Cartridge, Flow Divider	
2	70004577	2	Seal Kit - 70004885 Valve	
3	7022397	6	Cartridge, Check Valve	
3	7022399	6	Seal Kit - 7022397 Valve	
4	7021639	2	Cartridge, Check Valve	
4	2900756	2	Seal Kit - 7021639 Valve	
5	70004886	1	Cartridge, Relief Valve	
5	7017496	1	Seal Kit - 70004886 Valve	
6	7017410	1	Cartridge, Solenoid Less Coil	
6	7012967	1	Seal Kit - 7017410 Valve	
7	7012974	2	Cartridge, Solenoid Less Coil	
7	7010543	2	Seal Kit - 7012974 Valve	
8	70004887	1	Cartridge, Solenoid Less Coil	
8	70023606	1	Seal Kit - 70004887 Valve	
8	7024885	1	Coil	
9	7024881	1	Piston, Pilot	
10	2221086	1	Fitting, Diagnostic	
11	70003975	2	Orifice	
12	70002209	1	Orifice	
13	70002063	1	Orifice	
14	70004884	1	Orifice	
15	70004883	1	Orifice	
16	70000781	1	Locking Kit	
17	70002962	2	Locking Kit	
18	70004888	2	Screw	
19	2220883	6	Plug #4	
20	2220885	5	Plug #6	
21	70002386	3	Coil	

SECTION 1 - FRAME

FIGURE 1-15. TOW PACKAGE INSTALLATION (OPTIONAL)



ART_1001166232

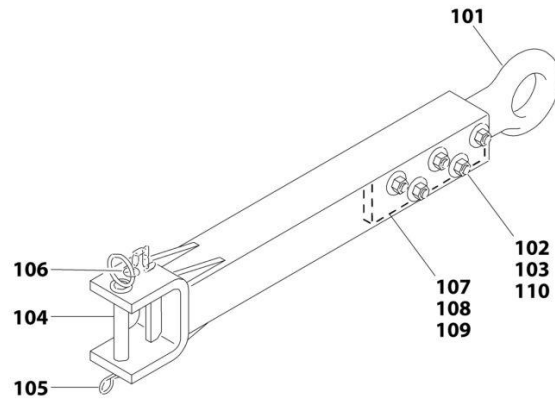
SECTION 1 - FRAME

FIGURE 1-15. TOW PACKAGE INSTALLATION (OPTIONAL)

ITEM	PART NUMBER	QTY	DESCRIPTION	REV
	1001166232	Ref	TOW PACKAGE INSTALLATION (OPTIONAL)	D
1	0100011	AR	Compound, Locking	
2	0363019	1	Tow Bar Assembly (See Separate Breakdown in this Section)	
3	0641504	2	Bolt 5/16 x 1/2	
4	0701014	4	Bolt M10 x 30	
5	0902733	1	Bracket	
6	0902734	1	Bracket	
7	2221052	1	Fitting, Tee JIC/ORB/JIC	
8	4640261	1	Steer/Tow Select Valve Assembly	
9	4711500	6	Washer 5/16	
10	5241200	4	Washer M12	
11	1001118972	4	Nut M10	
12	0700816	2	Bolt M8 x 40	
13	2220372	1	Fitting, Straight JIC/ORB	
14	2220579	1	Fitting, Tee JIC/FSJIC/JIC	
15	3290805	2	Nut M8	
16	1001181527	1	Bracket	
17	1001181913	2	Hose	
18	2220238	1	Plug	

SECTION 1 - FRAME

FIGURE 1-16. TOW BAR ASSEMBLY



ART_0363019

SECTION 1 - FRAME

FIGURE 1-16. TOW BAR ASSEMBLY

ITEM	PART NUMBER	QTY	DESCRIPTION	REV
	0363019	Ref	TOW BAR ASSEMBLY	B
101	0360406	1	Pintle, Draw Eye	
102	0682040	5	Bolt 5/8 x 5	
103	3312005	5	Nut 5/8	
104	3420352	1	Pin, Towing	
105	3420372	1	Hairpin	
106	3760170	1	Ring, Split	
107	4070450	2	Shim (.07)	
108	4070560	2	Shim (.88)	
109	4070561	2	Shim (.12)	
110	4752000	10	Washer 5/8	

SECTION 2 - TURNTABLE

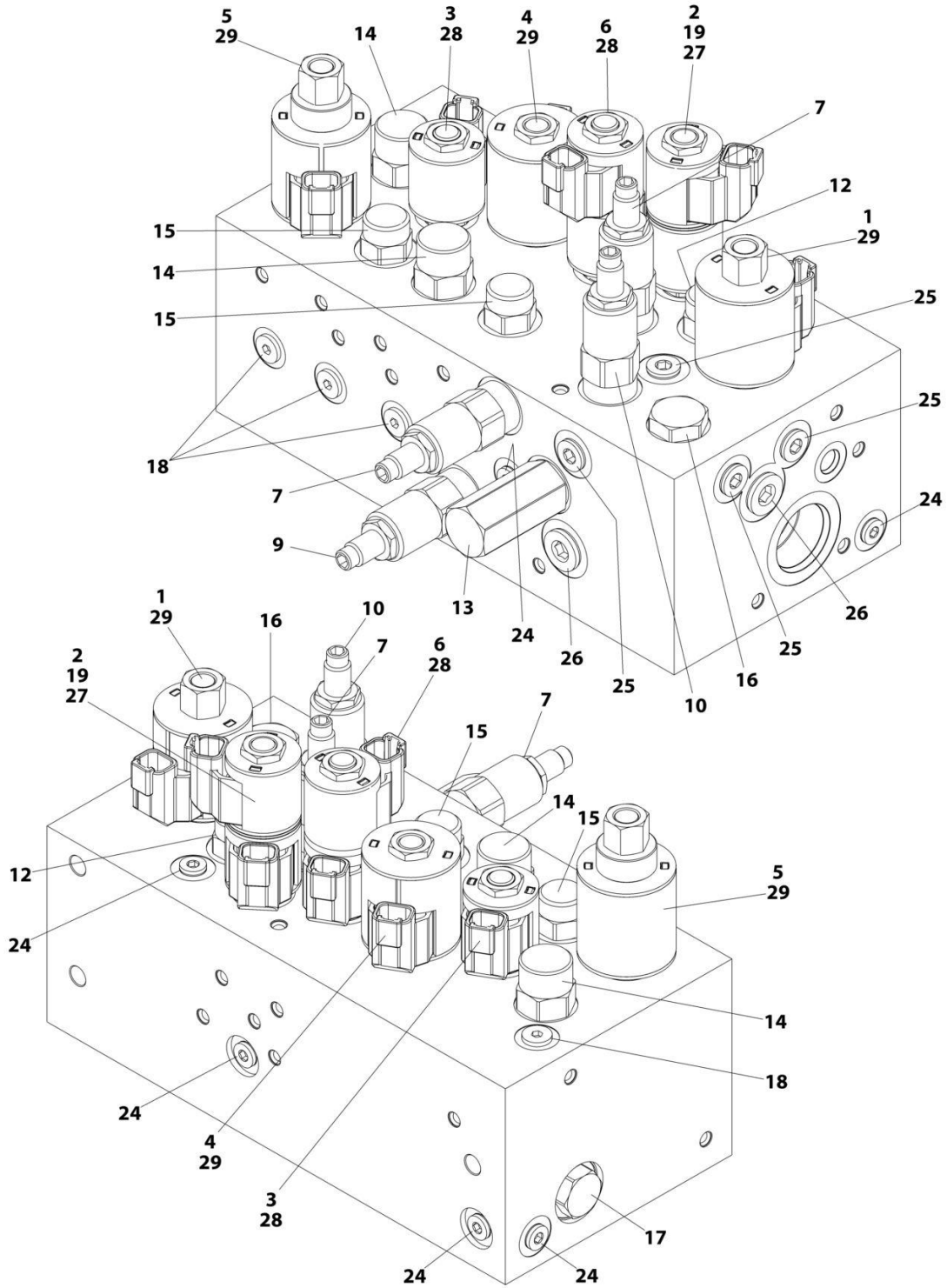
SECTION 2 - TURNTABLE

FIGURE 2-1. 4WD VALVES INSTALLATION - TURNTABLE MOUNTED

ITEM	PART NUMBER	QTY	DESCRIPTION	REV
	1001165948	Ref	4WD VALVES INSTALLATION - TURNTABLE MOUNTED	J
1	0100011	AR	Compound, Locking	
2	0641605	AR	Bolt 3/8 x 5/8	
6	5251010	15	Bolt M10 x 20 Class 10.9	
7	1001208874	1	Filter, Charge Pump	
7	70010383	1	Element, Filter (Includes O-Ring)	
9	1001185821	1	Auxiliary Pump Assembly (See Separate Breakdown in this Section)	
10	1001162534	1	Main Valve Assembly (See Separate Breakdown in this Section)	
23	0761010	AR	Bolt M10 x 20	
24	4812000	AR	Washer M10	
25	1001234295	1	Cover	

SECTION 2 - TURNTABLE

FIGURE 2-2. MAIN VALVE ASSEMBLY



ART_1001162534

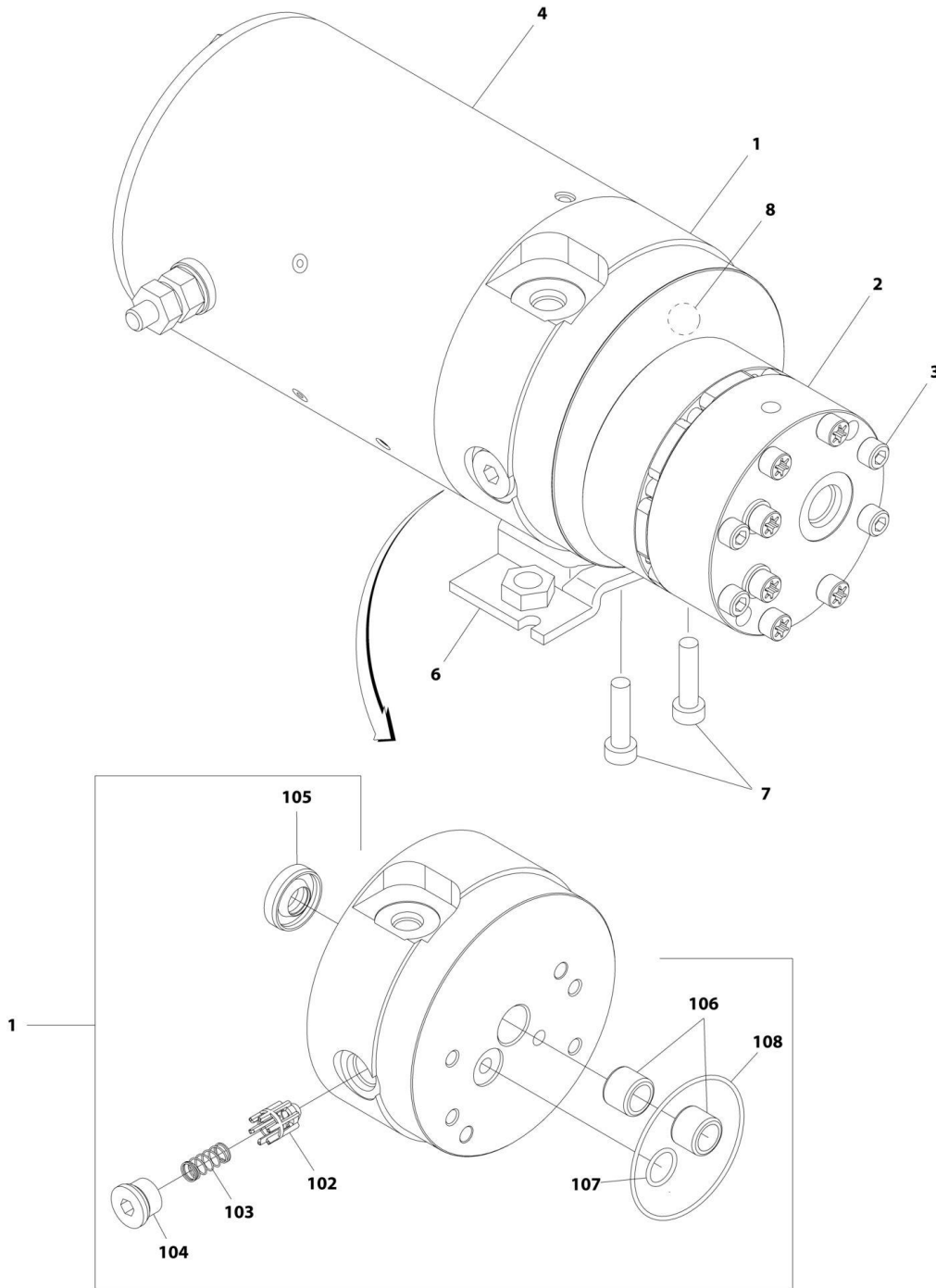
SECTION 2 - TURNTABLE

FIGURE 2-2. MAIN VALVE ASSEMBLY

ITEM	PART NUMBER	QTY	DESCRIPTION	REV
	1001162534	Ref	MAIN VALVE ASSEMBLY	F
1	70005069	1	Cartridge, Solenoid Less Coil (Main Dump)	
1	7022399	1	Seal Kit - 70005069 Valve	
1	70003977	1	Nut, Coil	
2	70005217	1	Cartridge, Solenoid Less Coil (Steer)	
2	70005071	1	Seal Kit - 70005217 Valve	
2	7022390	1	Nut, Coil	
3	70005094	1	Cartridge, Solenoid Less Coil (Main Lift Up)	
3	7023936	1	Seal Kit - 70005094 Valve	
3	7022390	1	Nut, Coil	
4	70005076	1	Cartridge, Solenoid Less Coil (Tower Lift Up)	
4	7022399	1	Seal Kit - 70005076 Valve	
4	7022390	1	Nut, Coil	
5	70005095	1	Cartridge, Solenoid Less Coil (Flow Control)	
5	7022399	1	Seal Kit - 70005095 Valve	
5	70003977	1	Nut, Coil	
6	70005096	1	Cartridge, Solenoid Less Coil (Swing)	
6	70005071	1	Seal Kit - 70005096 Valve	
7	70005097	1	Cartridge, Solenoid Less Coil	
7	70005082	2	Seal Kit - 70005097 Valve	
9	70005098	1	Cartridge, Relief Valve	
9	7023936	1	Seal Kit - 70005098 Valve	
10	70005080	1	Cartridge, Relief Valve	
10	7022399	1	Seal Kit - 70005080 Valve	
12	70005218	1	Cartridge, Valve	
12	70005082	1	Seal Kit - 70005218 Valve	
13	70005084	1	Cartridge, Valve	
13	70005085	1	Seal Kit - 70005084 Valve	
14	70005099	2	Cartridge, Valve	
14	70005087	2	Seal Kit - 70005099 Valve	
15	70005088	2	Cartridge, Valve	
15	7023900	2	Seal Kit - 70005088 Valve	
16	70005100	1	Cartridge, Check Valve	
16	7022399	1	Seal Kit - 70005100 Valve	
17	70005089	1	Cartridge, Check Valve	
17	7023936	1	Seal Kit - 70005089 Valve	
18	70005090	5	Cartridge, Check Valve	
18	70005092	5	Seal Kit - 70005092 Valve	
19	See Note	1	Disc, Check Valve (Note: Not Available for Purchase)	
24	91164059	7	Plug	
25	91164079	4	Plug	
26	91164057	2	Plug	
27	70005219	2	Coil	
28	70002386	3	Coil	
29	70003788	3	Coil	

SECTION 2 - TURNTABLE

FIGURE 2-3. AUXILIARY PUMP ASSEMBLY



ART_1001185821

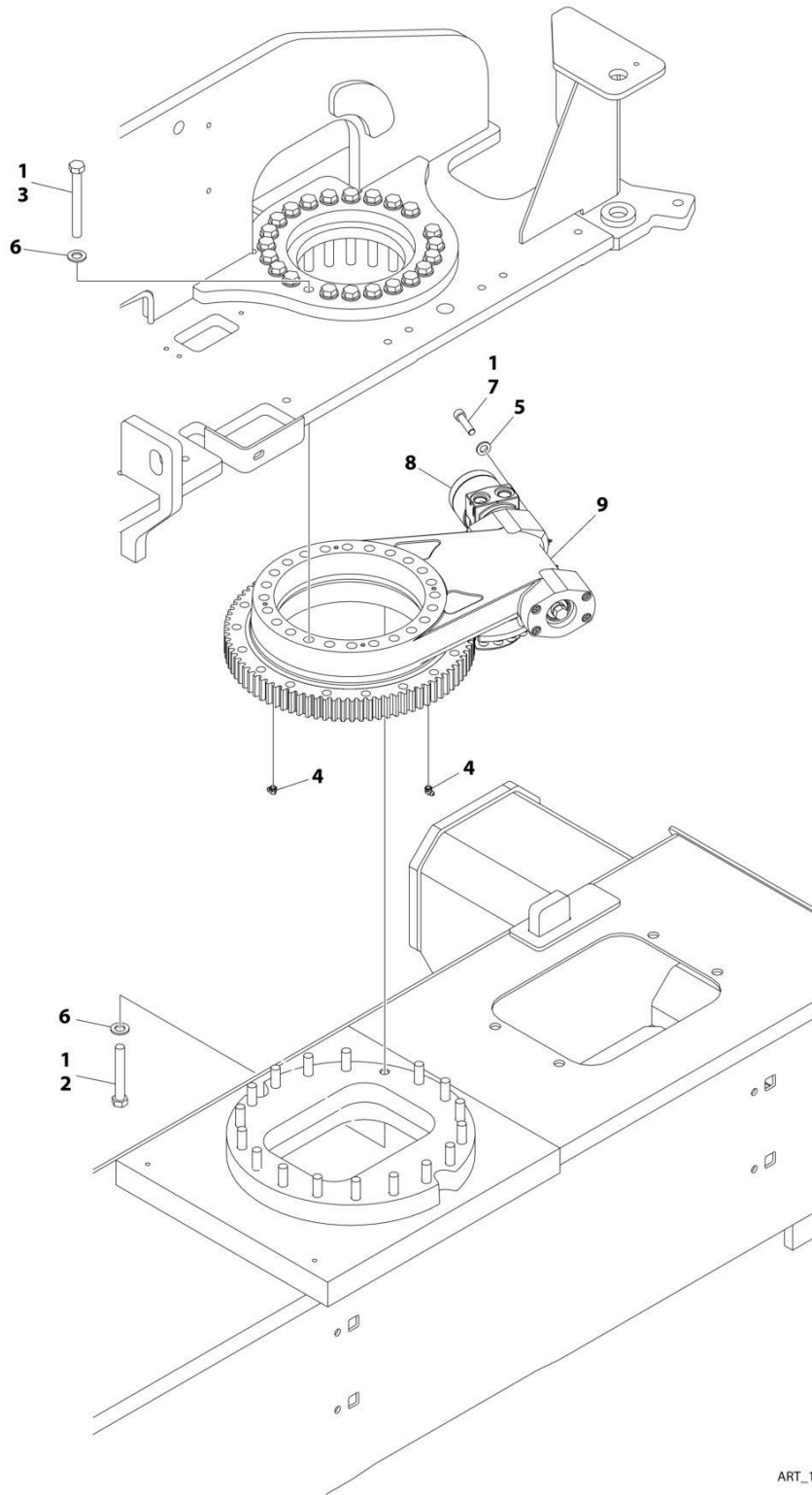
SECTION 2 - TURNTABLE

FIGURE 2-3. AUXILIARY PUMP ASSEMBLY

ITEM	PART NUMBER	QTY	DESCRIPTION	REV
	1001185821	Ref	AUXILIARY PUMP ASSEMBLY	B
1	70005065	1	Base Assembly (See Items 102-108 for Breakdown)	
2	70005066	1	Pump Assembly (Note: No Seal Kit or Internal Components are Available - Purchase Complete Pump Assembly)	
3	70005067	4	Capscrew 1/4 x 2-3/4	
4	70004013	1	Motor Assembly (Note: No Internal Components are Available - Purchase Complete Motor Assembly)	
6	70004014	1	Bracket	
7	70004000	2	Capscrew 3/8 x 1	
8	70005068	1	Relief Valve Assembly	
	70005065	Ref	BASE ASSEMBLY	
102	See Note	NSS	Poppet, Check (Note: Use p/n 70005065)	
103	See Note	NSS	Spring (Note: Use p/n 70005065)	
104	See Note	NSS	Plug (Note: Use p/n 70005065)	
105	7026330	1	Seal, Shaft	
106	70005139	2	Bearing	
107	70003612	1	O-Ring	
108	70004267	1	O-Ring	

SECTION 2 - TURNTABLE

FIGURE 2-4. SWING DRIVE AND TURNTABLE BEARING INSTALLATION



ART_1001277273

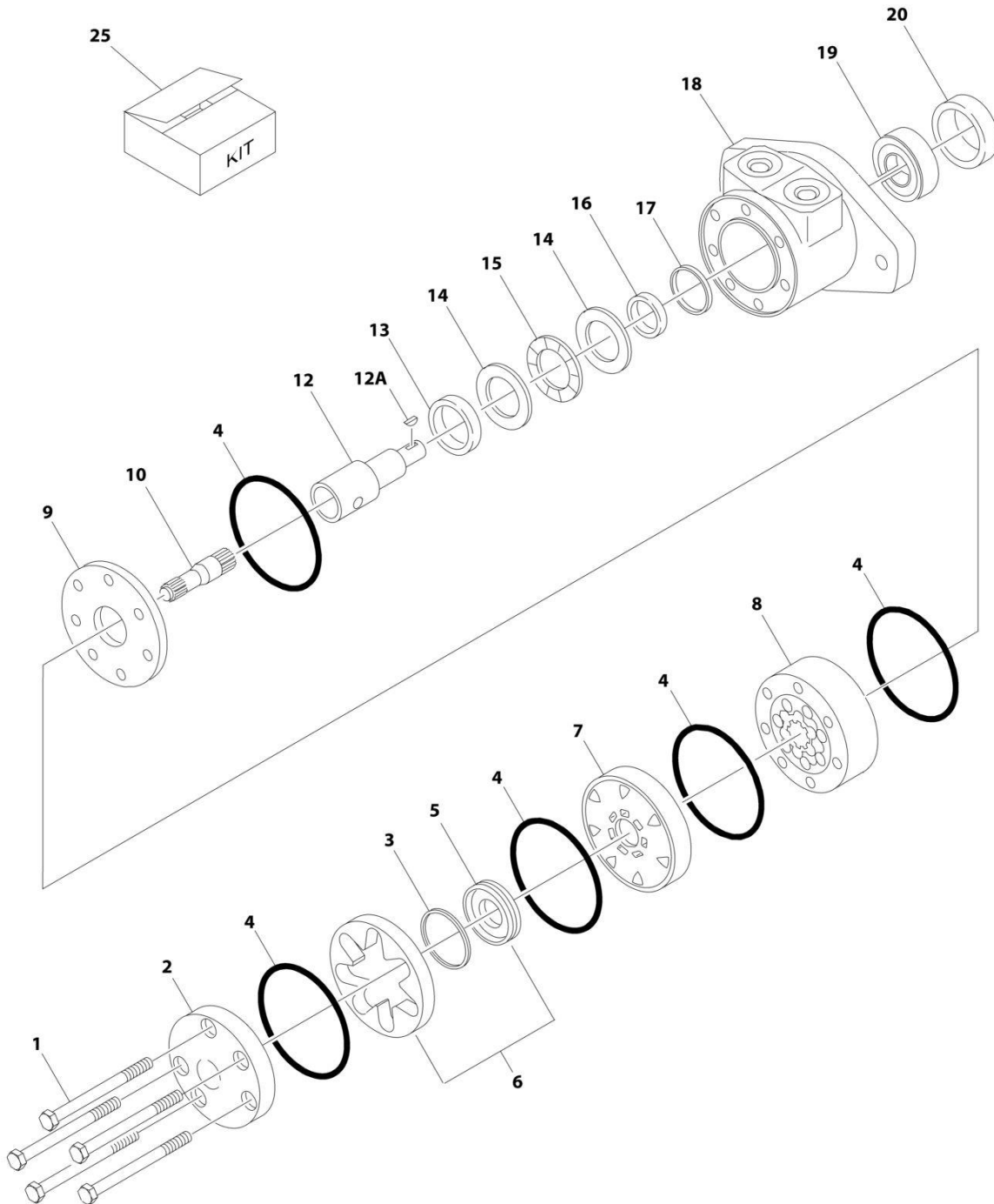
SECTION 2 - TURNTABLE

FIGURE 2-4. SWING DRIVE AND TURNTABLE BEARING INSTALLATION

ITEM	PART NUMBER	QTY	DESCRIPTION	REV
	1001277273	Ref	SWING DRIVE AND TURNTABLE BEARING INSTALLATION	A
1	0100019	AR	Compound, Locking	
2	0711628	18	Bolt M16 x 110 Grade 10.9	
3	0711631	23	Bolt M16 x 140	
4	2160001	2	Fitting, Grease 90	
5	5241200	2	Washer M12	
6	5241600	41	Washer M16	
7	5272114	2	Capscrew M12 x 50 Grade 12.9	
8	1001104850	1	Swing Motor Assembly (See Separate Breakdown in this Section)	
9	1001277009	1	Turntable Bearing Assembly (See Separate Breakdown in this Section)	

SECTION 2 - TURNTABLE

FIGURE 2-5. SWING MOTOR ASSEMBLY



ART_1001104850

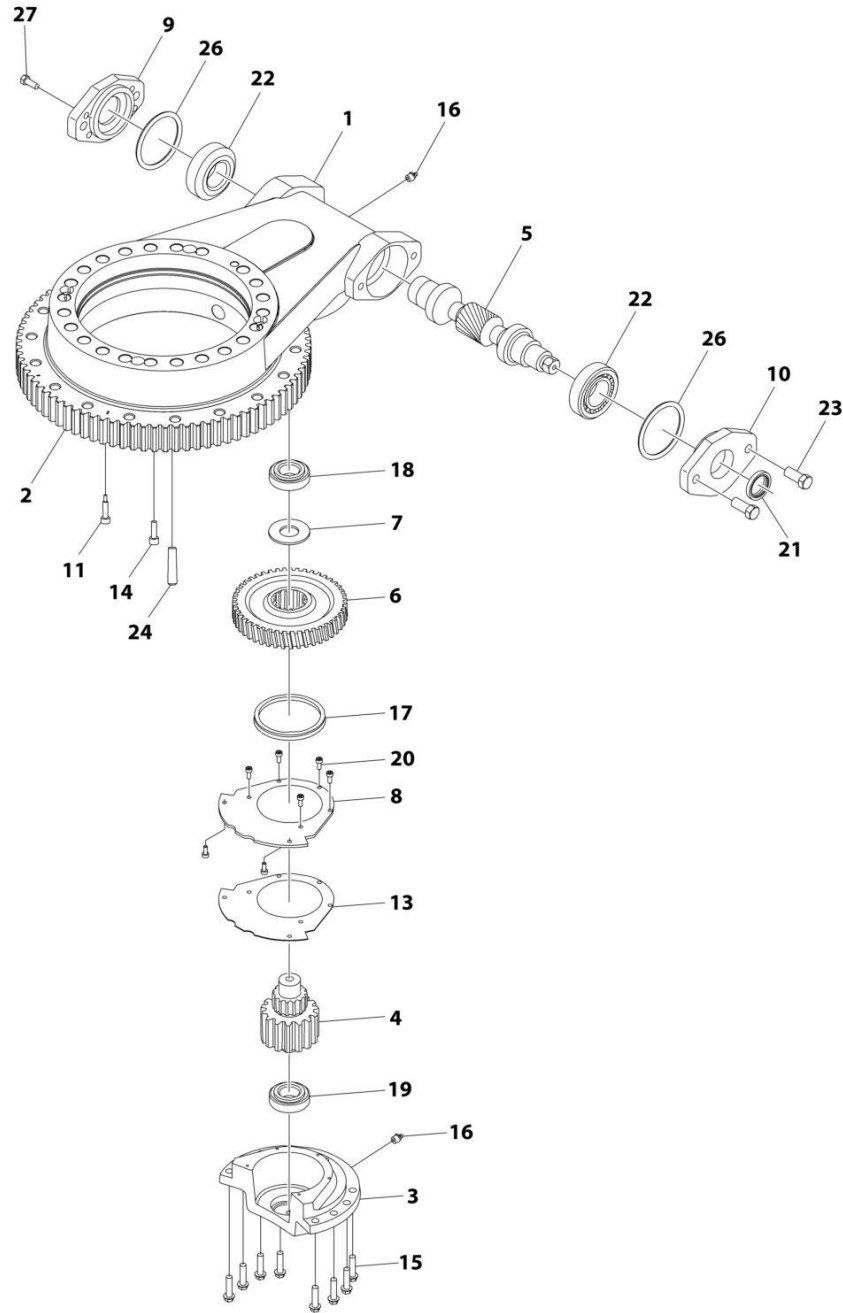
SECTION 2 - TURNTABLE

FIGURE 2-5. SWING MOTOR ASSEMBLY

ITEM	PART NUMBER	QTY	DESCRIPTION	REV
	1001104850	Ref	SWING MOTOR ASSEMBLY	A
1	See Note	5	Bolt (Note: Not Available for Purchase)	
2	7004035	1	Cover, End	
3	7023318	1	Seal, Commutator	
4	7004036	5	O-Ring	
5	See Note	NSS	Commutator (Note: Use Item 6)	
6	7024453	1	Commutator and Ring Assembly (Includes Item 5)	
7	7024379	1	Manifold	
8	70002206	1	Rotor Set	
9	7024380	1	Plate, Wear	
10	70002207	1	Link, Drive	
12	70000088	1	Shaft, Coupling	
12A	70000089	1	Key	
13	7024381	1	Bushing, Inner	
14	7004043	1	Thrustwasher	
15	7004044	1	Bearing, Thrust	
16	7004049	1	Seal, Inner Shaft	
17	7004045	1	Ring, Back-up	
18	See Note	NSS	Housing (Note: Not Available - Purchase Complete Motor)	
19	7024390	1	Bearing	
20	7004047	1	Seal, Outer Shaft	
25	7024389	1	Seal Kit (Includes Items 3, 4, 16, 17 & 20)	

SECTION 2 - TURNTABLE

FIGURE 2-6. TURNTABLE BEARING ASSEMBLY



ART_1001277009

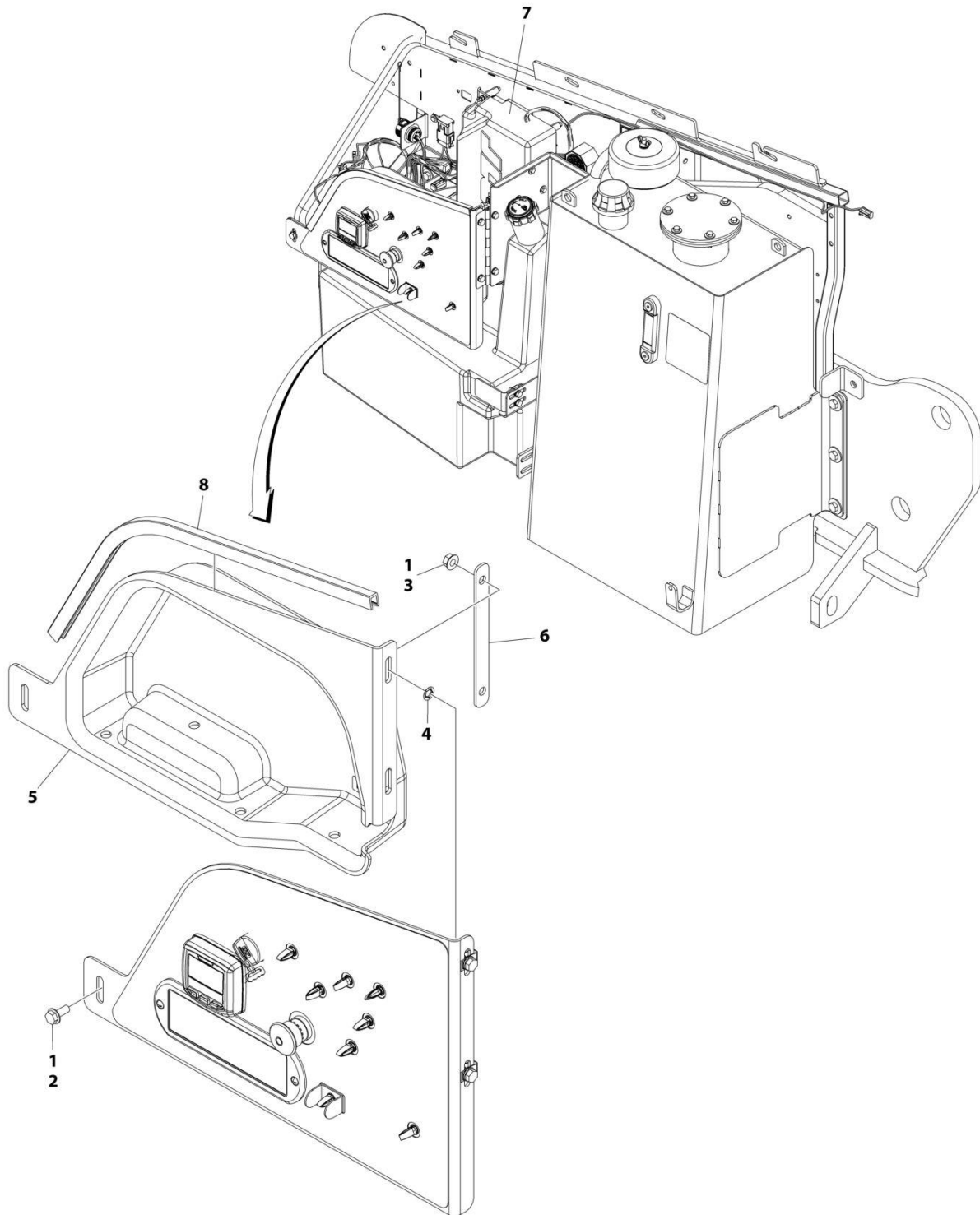
SECTION 2 - TURNTABLE

FIGURE 2-6. TURNTABLE BEARING ASSEMBLY

ITEM	PART NUMBER	QTY	DESCRIPTION	REV
	1001277009	Ref	TURNTABLE BEARING ASSEMBLY	A
1	See Note	NSS	Housing (Note: Not Sold Separately)	
2	70008371	1	Ring, Slewing	
3	70008372	1	Cap, Gear	
4	70008373	1	Gear, Pinion	
5	70008374	1	Gear, Worm	
6	70008375	1	Gear, Worm Wheel	
7	70008376	1	Adapter, Worm Wheel Gear	
8	70008377	1	Cover, Gear	
9	70008378	1	Adapter, Motor	
10	70008379	1	Cover	
11	70008380	2	Bolt, Positioning	
12	See Note	NSS	Plate, Serial Number (Not Shown) (Note: Not Sold Separately)	
13	70008381	AR	Shim	
14	70008382	4	Bolt M8 x 40 Class 12.9	
15	70008383	8	Bolt M10 x 30 Class 12.9	
16	70008384	2	Fitting, Grease	
17	70008385	1	Seal	
18	70008386	1	Bearing	
19	70008387	1	Bearing	
20	70008388	7	Bolt M4 x 8	
21	70008389	1	Seal	
22	70008390	2	Bearing	
23	70008391	4	Bolt M12 x 35	
24	70008392	2	Cotter, Tapered	
25	See Note	NSS	Rivet (Not Shown) (Note: Not Sold Separately)	
26	70008393	AR	Shim	
27	4031707	4	Bolt M5 x 16	

SECTION 2 - TURNTABLE

FIGURE 2-7. TURNTABLE COVERS INSTALLATION



ART_1001219129

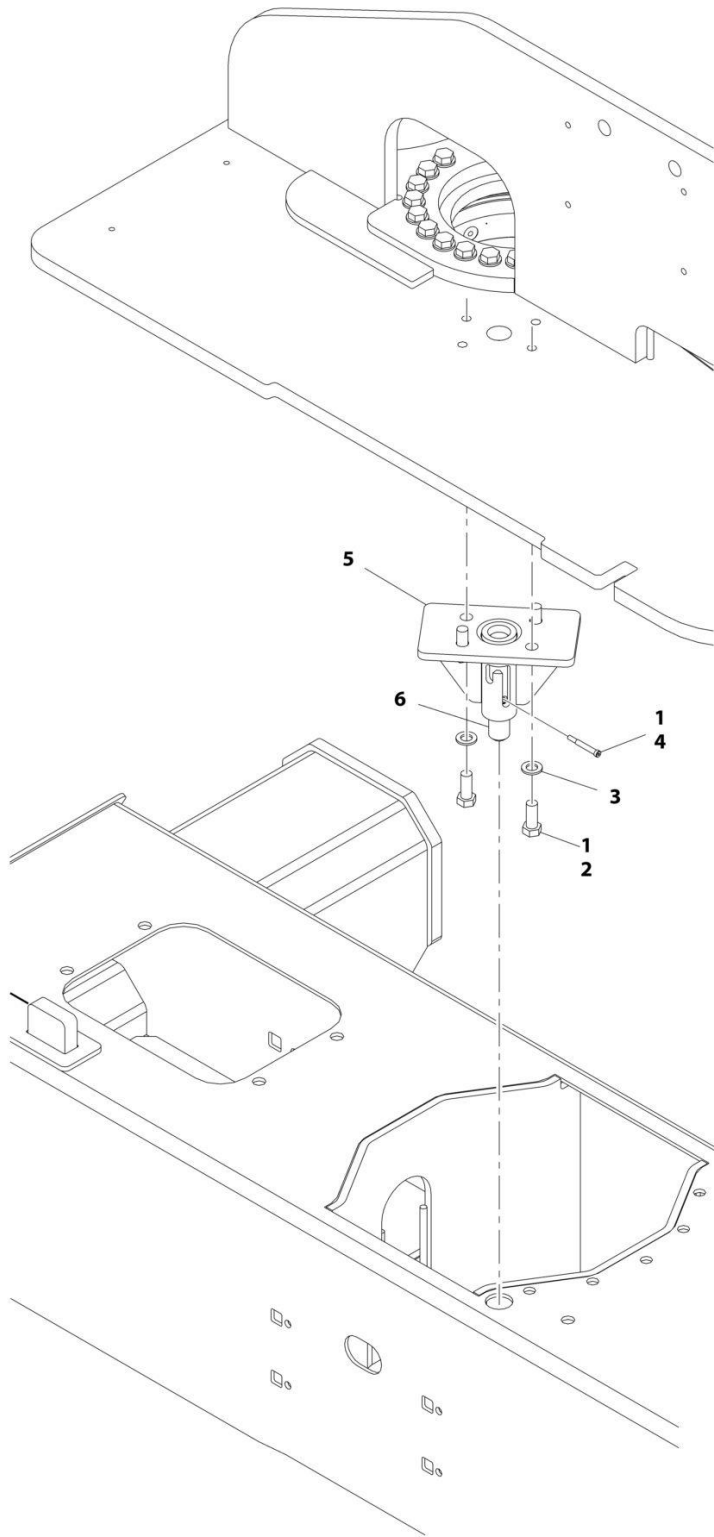
SECTION 2 - TURNTABLE

FIGURE 2-7. TURNTABLE COVERS INSTALLATION

ITEM	PART NUMBER	QTY	DESCRIPTION	REV
	1001219129	Ref	TURNTABLE COVERS INSTALLATION	A
1	0100011	AR	Compound, Locking	
2	5250812	1	Bolt M8 x 25	
3	5260800	2	Nut M8	
4	1001119228	2	Nut M8	
5	1001218533	1	Cover	
6	1001218535	1	Plate, Mounting	
7	1001218537	1	Cover	
8	4060806	2 ft/0.6m	Shield, Flex	

SECTION 2 - TURNTABLE

FIGURE 2-8. TURNTABLE LOCK INSTALLATION



ART_1001177820

SECTION 2 - TURNTABLE

FIGURE 2-8. TURNTABLE LOCK INSTALLATION

ITEM	PART NUMBER	QTY	DESCRIPTION	REV
	1001177820	Ref	TURNTABLE LOCK INSTALLATION	B
1	0100011	AR	Compound, Locking	
2	0701616	4	Bolt M16 x 40	
3	4812300	4	Washer M16	
4	1001157466	1	Bolt M10 x 30	
5	1001177821	1	Support, Lock	
6	1001177834	1	Pin, Lock	
7	1001223118	1	Decal – Lift Diagram (Not Shown)	

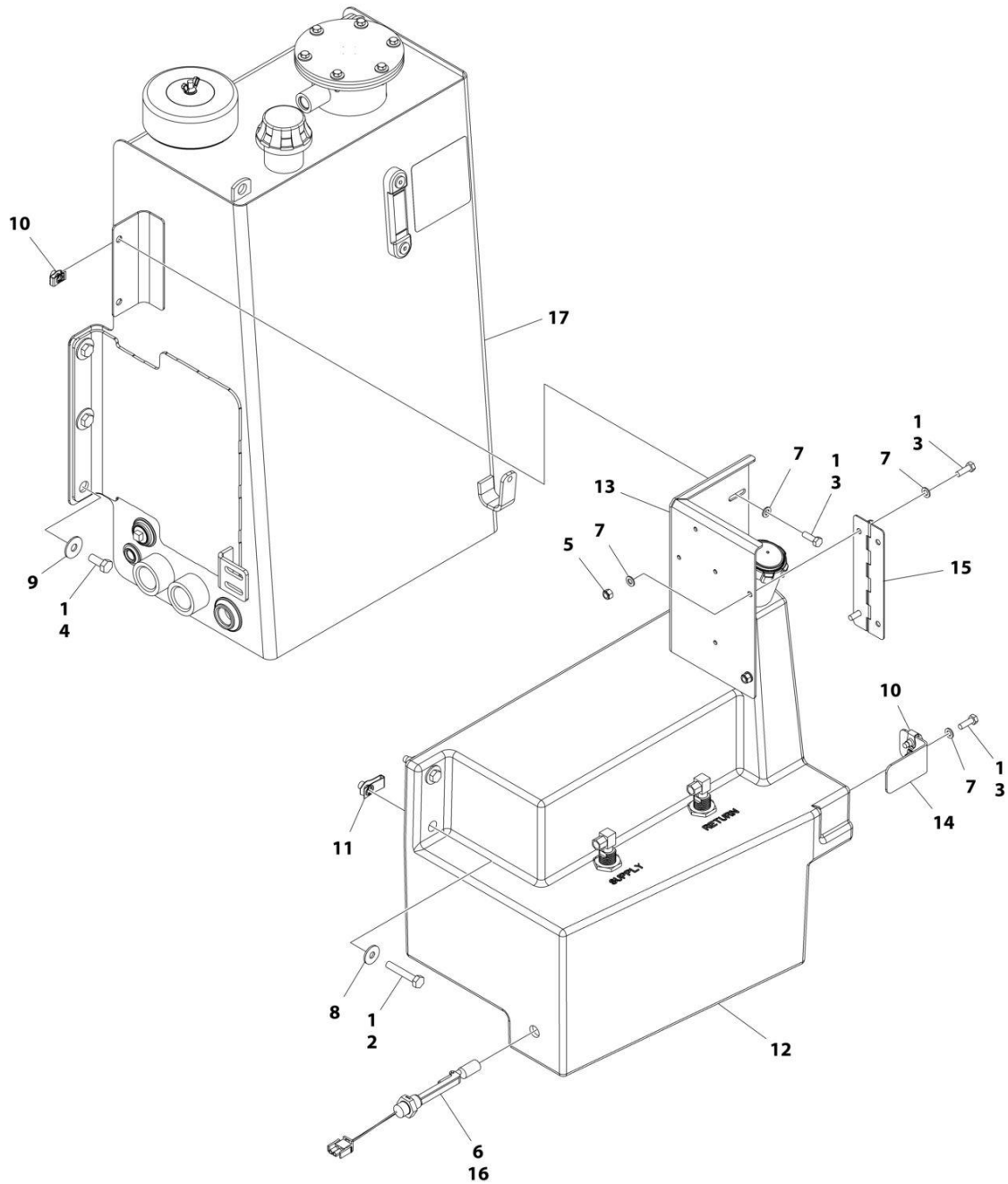
SECTION 2 - TURNTABLE

FIGURE 2-9. TANKS INSTALLATION (17 GAL HYDRAULIC TANK)

ITEM	PART NUMBER	QTY	DESCRIPTION	REV
	1001282831	Ref	TANKS INSTALLATION - DIESEL MACHINES	A
1	0100011	AR	Compound, Locking	
2	0701020	2	Bolt M10 x 60	
3	0760812	6	Bolt M8 x 25	
4	0761214	6	Bolt M12 x 30	
5	3290805	2	Nut M8	
6	4360436	1	Switch, Fuel Level	
6	4460320	1	Plug, Male - 2 Position	
6	4460267	1	Pin, Male	
7	4811900	8	Washer M8	
8	4812002	2	Washer M10	
9	4812102	6	Washer M12	
10	1001118274	4	Nut M8	
11	1001118972	2	Nut M10	
12	1001163061	1	Fuel Tank Assembly	
12	1001193336	1	Cap, Fuel	
12	70004876	2	Tube, Pick-up	
12	0100020	AR	Compound, Locking	
13	1001169898	1	Support, Ground Control	
14	1001170480	1	Support, Tank	
15	1001179339	1	Hinge	
16	1001182997	AR	Adhesive	
17	1001274525	1	Hydraulic Tank Assembly (See Separate Breakdown in this Section)	

SECTION 2 - TURNTABLE

FIGURE 2-10. TANKS INSTALLATION (36 GAL HYDRAULIC TANK)



ART_1001286651

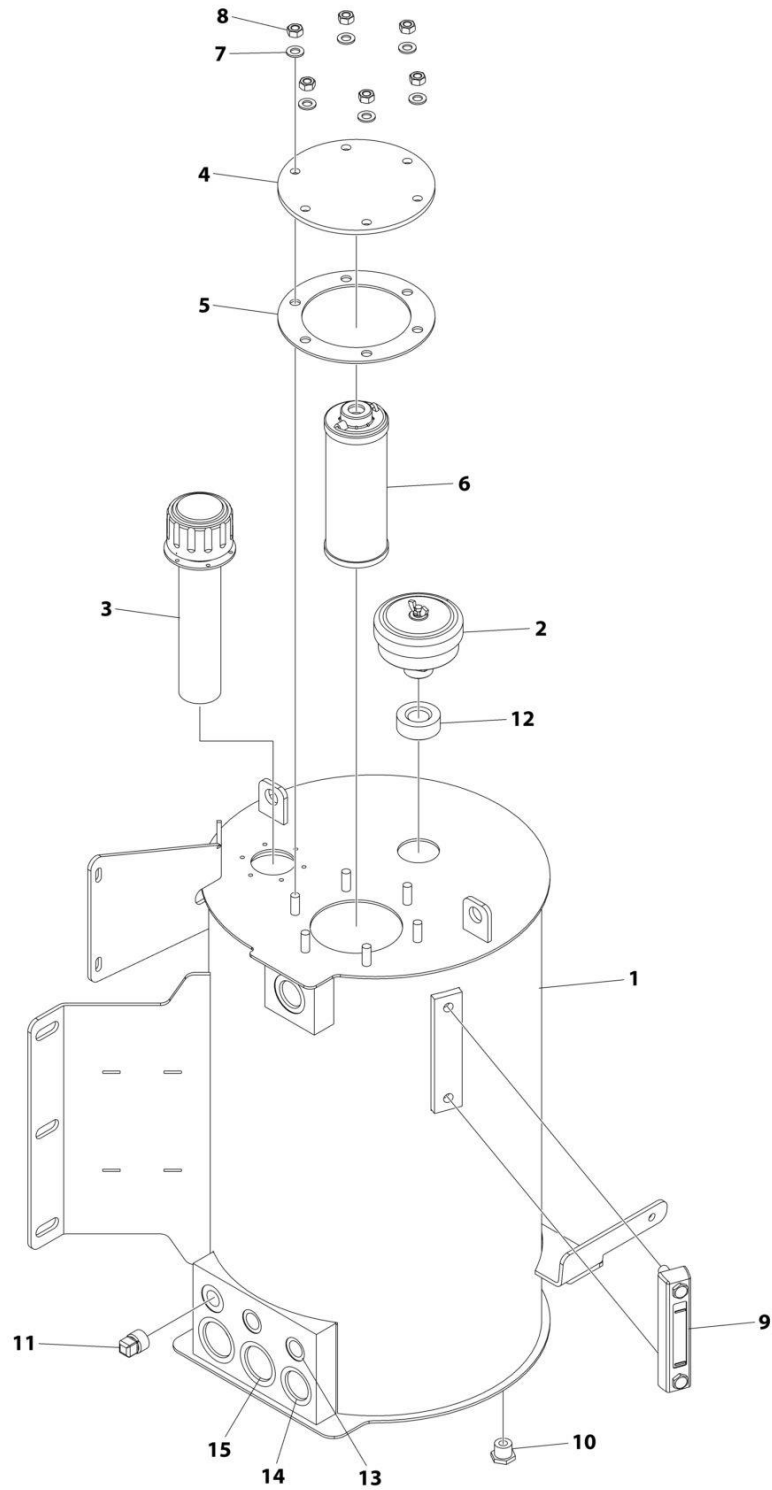
SECTION 2 - TURNTABLE

FIGURE 2-10. TANKS INSTALLATION (36 GAL HYDRAULIC TANK)

ITEM	PART NUMBER	QTY	DESCRIPTION	REV
	1001286651	Ref	TANKS INSTALLATION - DIESEL MACHINES	A
1	0100011	AR	Compound, Locking	
2	0701020	2	Bolt M10 x 60	
3	0760812	6	Bolt M8 x 25	
4	0761214	6	Bolt M12 x 30	
5	3290805	2	Nut M8	
6	4360436	1	Switch, Fuel Level	
6	4460320	1	Plug, Male - 2 Position	
6	4460267	1	Pin, Male	
7	4811900	8	Washer M8	
8	4812002	2	Washer M10	
9	4812102	6	Washer M12	
10	1001118274	4	Nut M8	
11	1001118972	2	Nut M10	
12	1001163061	1	Fuel Tank Assembly	
12	1001193336	1	Cap, Fuel	
12	70004876	2	Tube, Pick-up	
12	0100020	AR	Compound, Locking	
13	1001169898	1	Support, Ground Control	
14	1001170480	1	Support, Tank	
15	1001179339	1	Hinge	
16	1001182997	AR	Adhesive	
17	1001286650	1	Hydraulic Tank Assembly	
17	70003614	1	Filter Kit (Includes Hydraulic Element, Breather Element and Gasket)	

SECTION 2 - TURNTABLE

FIGURE 2-11. HYDRAULIC TANK ASSEMBLY - 17 GAL



ART_1001274525

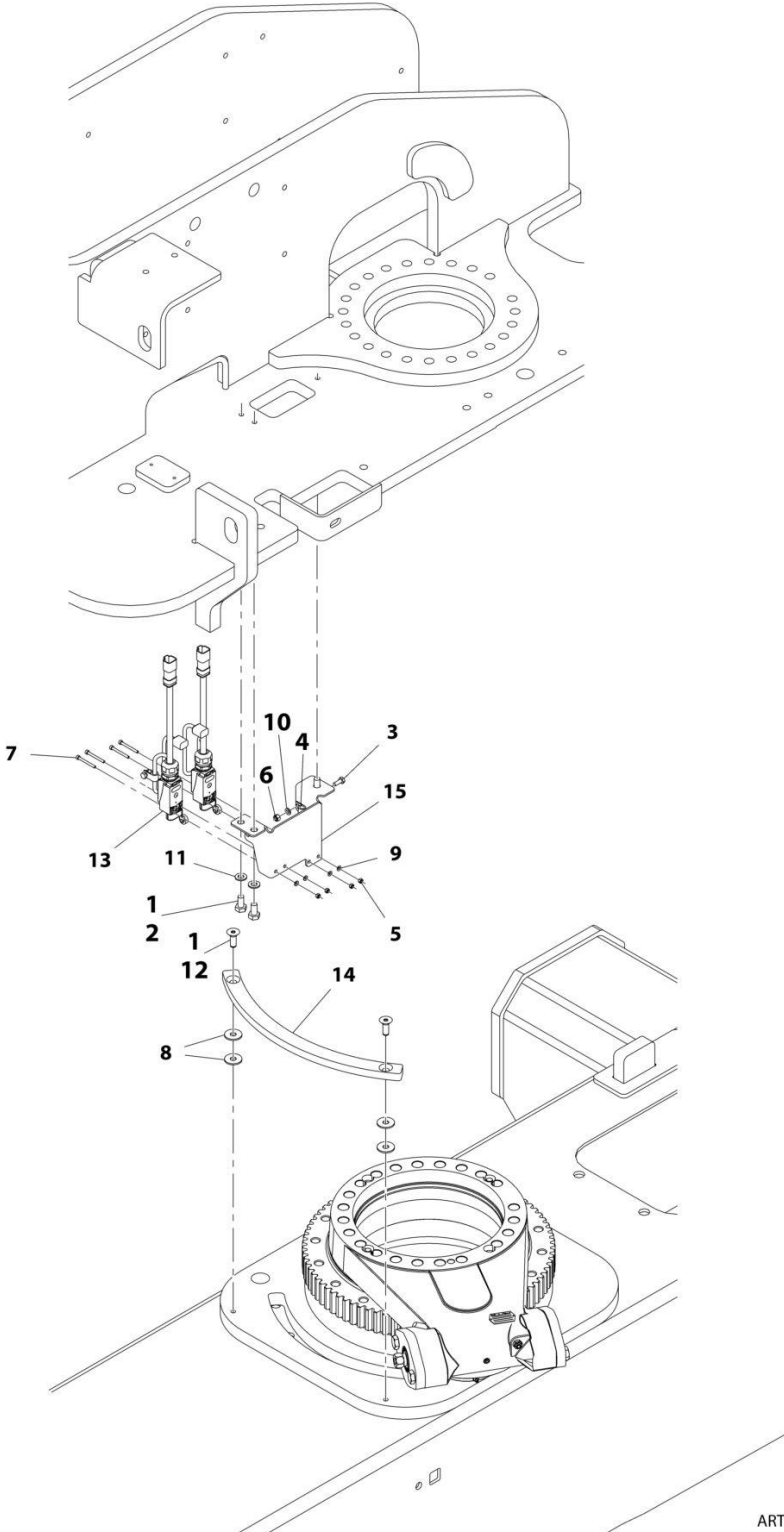
SECTION 2 - TURNTABLE

FIGURE 2-11. HYDRAULIC TANK ASSEMBLY - 17 GAL

ITEM	PART NUMBER	QTY	DESCRIPTION	REV
	1001274525	Ref	HYDRAULIC TANK ASSEMBLY	A
1	See Note	NSS	Tank (Note: Not Available for Purchase)	
2	70008258	1	Breather	
3	70008253	1	Cap, Fill	
4	70008259	1	Cover	
5	70008260	1	Gasket	
6	70008261	1	Filter	
7	70008262	6	Washer	
8	70008263	6	Nut M10	
9	70008264	1	Gauge, Level	
10	70008254	1	Plug 7/8	
11	70008265	1	Plug	
12	70008266	1	O-Ring	
13	70008256	2	Cover 3/4	
14	70008267	2	Cover 1-5/16	
15	70008268	2	Cover 1-5/8	

SECTION 2 - TURNTABLE

FIGURE 2-12. DRIVE ORIENTATION INSTALLATION



ART_1001166767

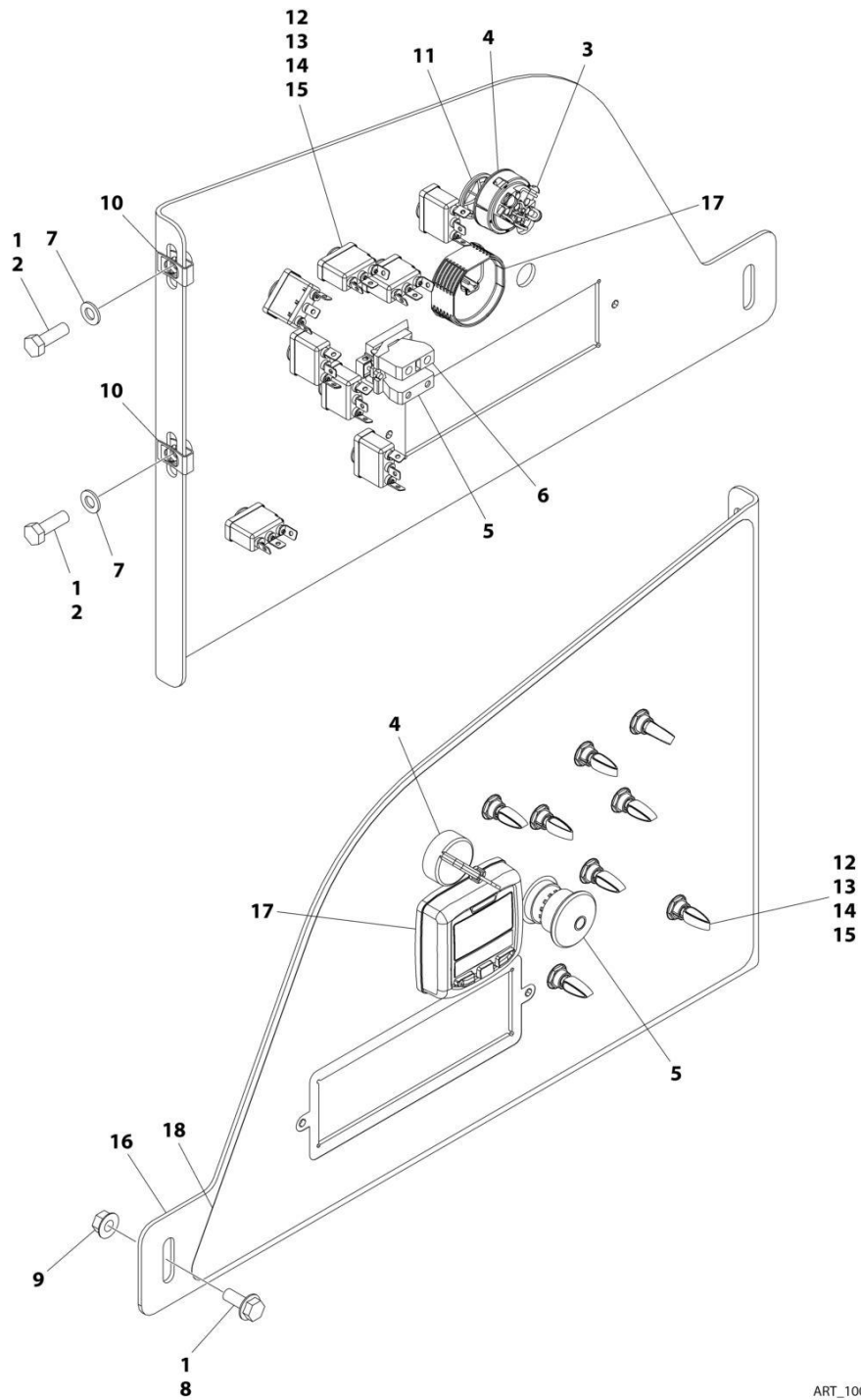
SECTION 2 - TURNTABLE

FIGURE 2-12. DRIVE ORIENTATION INSTALLATION

ITEM	PART NUMBER	QTY	DESCRIPTION	REV
	1001166767	Ref	DRIVE ORIENTATION INSTALLATION	F
1	0100011	AR	Compound, Locking	
2	0761010	3	Bolt M10 x 20	
3	0760608	2	Bolt M6 x 16	
4	1321293	2	Clamp, Cable	
5	3290405	4	Nut M4	
6	3290605	2	Nut M6	
7	4031512	4	Capscrew M4 x 40	
8	4812002	4	Washer M10	
9	4811400	4	Washer M4	
10	4811700	2	Washer M6	
11	4812000	3	Washer M10	
12	8310614	2	Screw M10 x 30	
13	1001119176	2	Switch, Limit	
13	1001129407	1	Receptacle, Female - 4 Position	
13	4460464	4	Pin, Male	
14	1001162106	1	Cam	
15	1001166768	1	Bracket	
16	8881800	AR	Tie-Strap (Not Shown)	

SECTION 2 - TURNTABLE

FIGURE 2-13. GROUND CONTROL ASSEMBLY (ANSI EXPORT, CHINA & AUSTRALIAN SPECS)



ART_1001246450_C

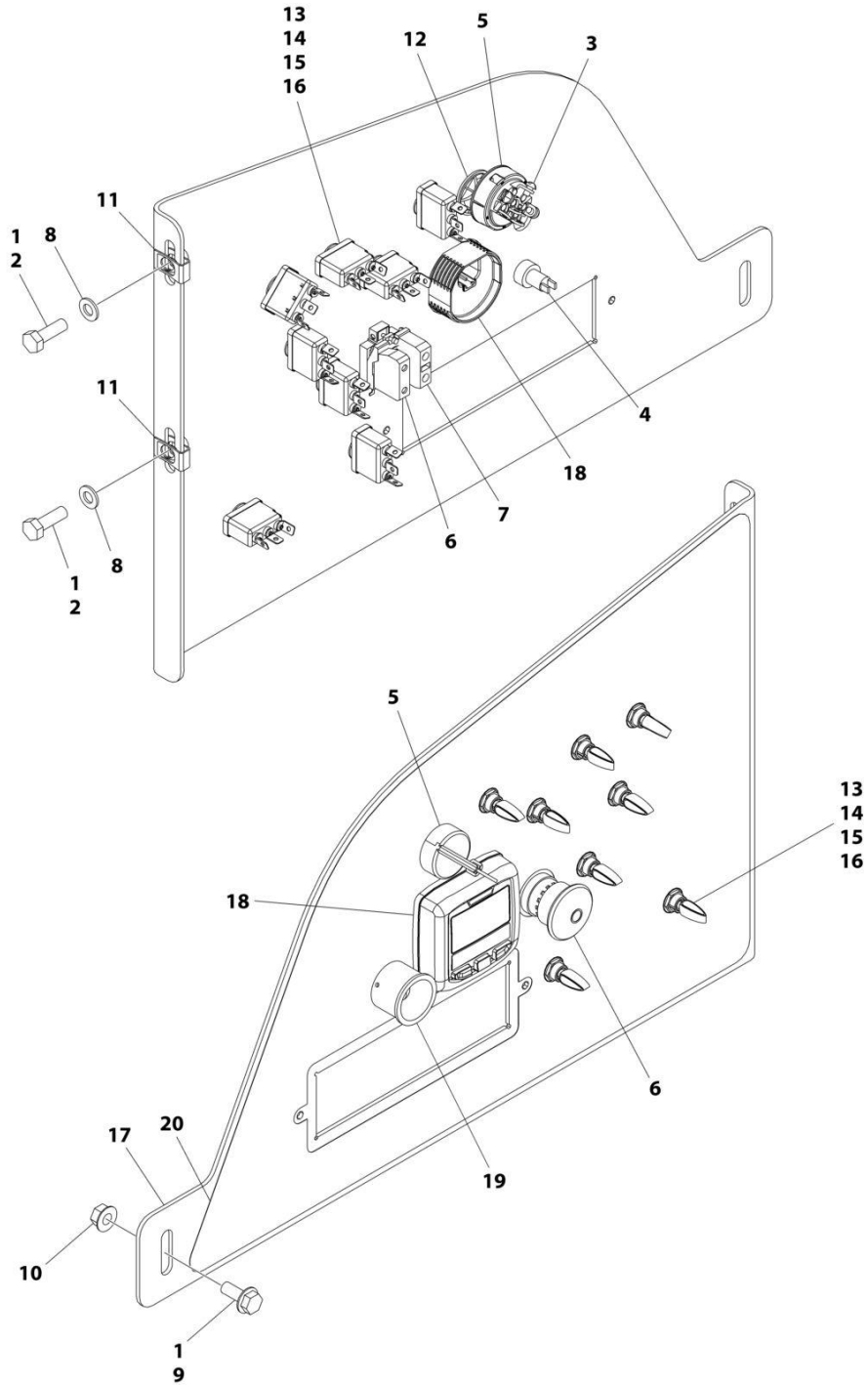
SECTION 2 - TURNTABLE

FIGURE 2-13. GROUND CONTROL ASSEMBLY (ANSI EXPORT, CHINA & AUSTRALIAN SPECS)

ITEM	PART NUMBER	QTY	DESCRIPTION	REV
	1001246450	Ref	GROUND CONTROL ASSEMBLY	C
1	0100011	AR	Compound, Locking	
2	0760812	2	Bolt M8 x 25	
3	3910804	3	Screw M8 x 1/4	
4	4360469	1	Switch, Key	
4	2860030	1	Key, Replacement	
5	1001274559	1	Switch, Emergency	
6	4360476	1	Block, Contact	
7	4811900	2	Washer M8	
8	5250810	1	Bolt M8 x 20	
9	5260800	1	Nut M8	
10	1001118274	2	Nut M8	
11	1001151393	1	Shim .063	
12	1001155043	8	Washer	
13	1001155044	8	Nut, Special 15/32-32	
14	1001155045	8	Switch, Toggle	
15	1001162807	8	Washer	
16	1001264735	1	Panel, Ground Control	
17	1001171482	1	Gauge, Display	
18	1001264733	1	Decal - Ground Control	

SECTION 2 - TURNTABLE

FIGURE 2-14. GROUND CONTROL ASSEMBLY (CE(LRC), CIS/EAC & UK CA SPECS)



ART_1001246451_C

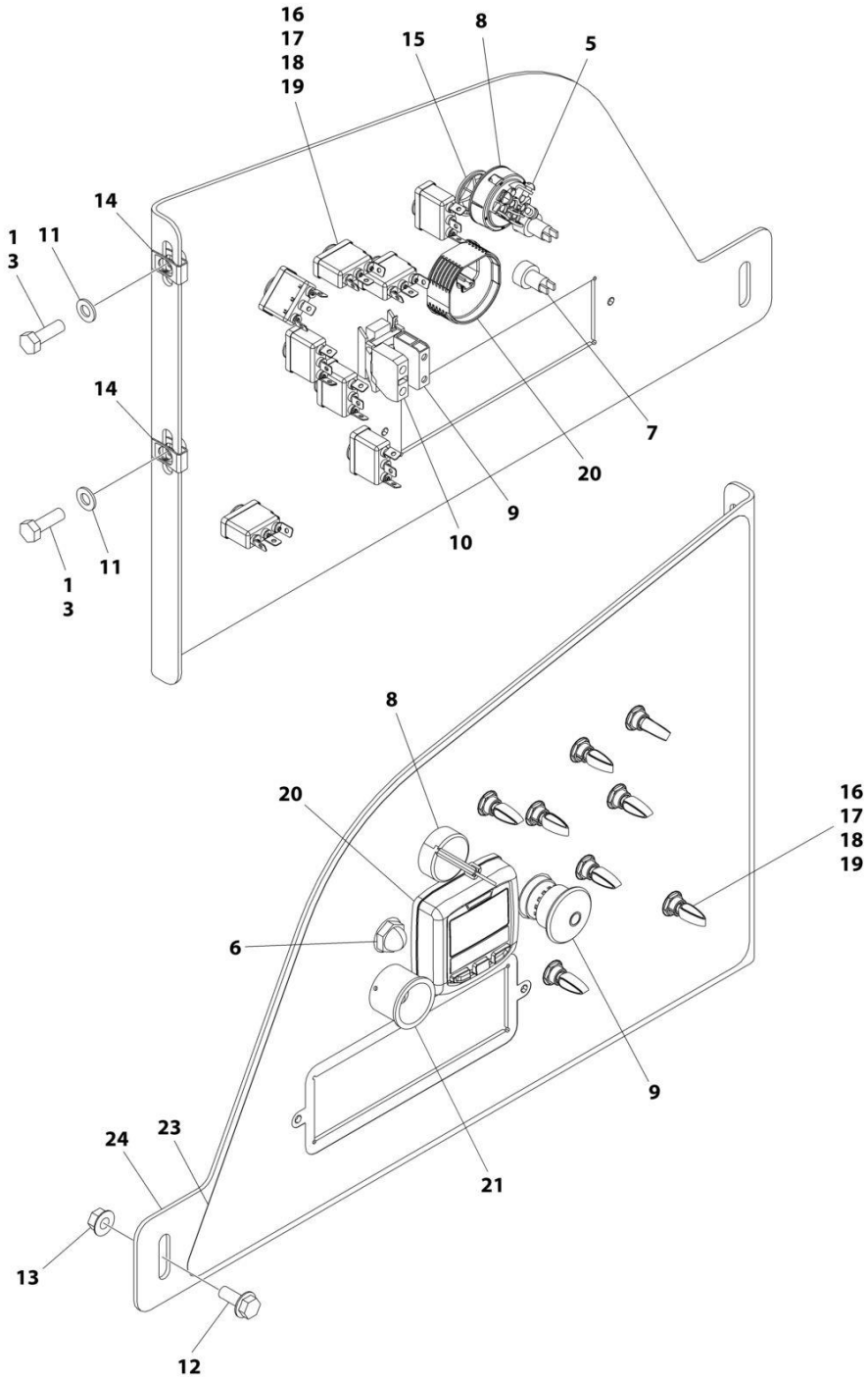
SECTION 2 - TURNTABLE

FIGURE 2-14. GROUND CONTROL ASSEMBLY (CE(LRC), CIS/EAC & UK CA SPECS)

ITEM	PART NUMBER	QTY	DESCRIPTION	REV
	1001246451	Ref	GROUND CONTROL ASSEMBLY	C
1	0100011	AR	Compound, Locking	
2	0760812	2	Bolt M8 x 25	
3	3910804	3	Screw M8 x 1/4	
4	4360387	1	Switch, Push Button	
5	4360469	1	Switch, Key	
5	2860030	1	Key, Replacement	
6	1001274559	1	Switch, Emergency	
7	4360476	1	Block, Contact	
8	4811900	2	Washer M8	
9	5250810	1	Bolt M8 x 20	
10	5260800	1	Nut M8	
11	1001118274	2	Nut M8	
12	1001151393	1	Shim .063	
13	1001155043	8	Washer	
14	1001155044	8	Nut, Special 15/32-32	
15	1001155045	8	Switch, Toggle	
16	1001162807	8	Washer	
17	1001264735	1	Panel, Ground Control	
18	1001171482	1	Gauge, Display	
19	1001176469	1	Shroud, Switch	
20	1001264732	1	Decal - Ground Control	

SECTION 2 - TURNTABLE

FIGURE 2-15. GROUND CONTROL ASSEMBLY (CE & UK CA SPECS)



ART_1001245656_D

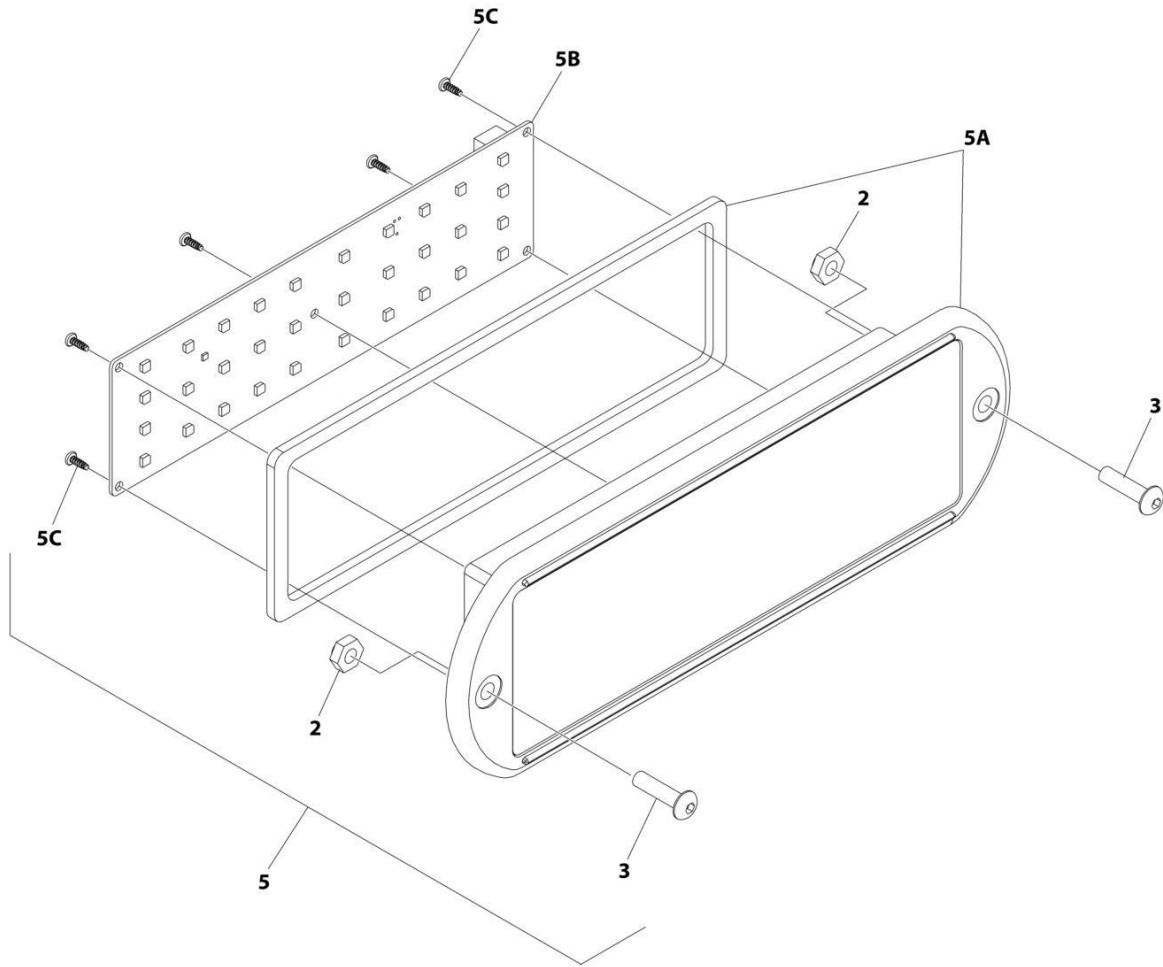
SECTION 2 - TURNTABLE

FIGURE 2-15. GROUND CONTROL ASSEMBLY (CE & UK CA SPECS)

ITEM	PART NUMBER	QTY	DESCRIPTION	REV
	1001245656	Ref	GROUND CONTROL ASSEMBLY	D
1	0100011	AR	Compound, Locking	
3	0760812	2	Bolt M8 x 25	
5	3910804	3	Screw M8 x 1/4	
6	4360274	1	Switch, Push Button	
7	4360387	1	Switch, Push Button	
8	4360469	1	Switch, Key	
8	2860030	1	Key, Replacement	
9	1001274559	1	Switch, Emergency	
10	4360476	1	Block, Contact	
11	4811900	2	Washer M8	
12	5250810	1	Bolt M8 x 20	
13	5260800	1	Nut M8	
14	1001118274	2	Nut M8	
15	1001151393	1	Shim .063	
16	1001155043	8	Washer	
17	1001155044	8	Nut, Special 15/32-32	
18	1001155045	8	Switch, Toggle	
19	1001162807	8	Washer	
20	1001171482	1	Gauge, Display	
21	1001176469	1	Shroud, Switch	
23	1001264731	1	Decal - Ground Control	
24	1001264735	1	Panel, Ground Control	

SECTION 2 - TURNTABLE

FIGURE 2-16. LIGHT PANEL INSTALLATION – GROUND CONTROL



ART_1001241404_10F2

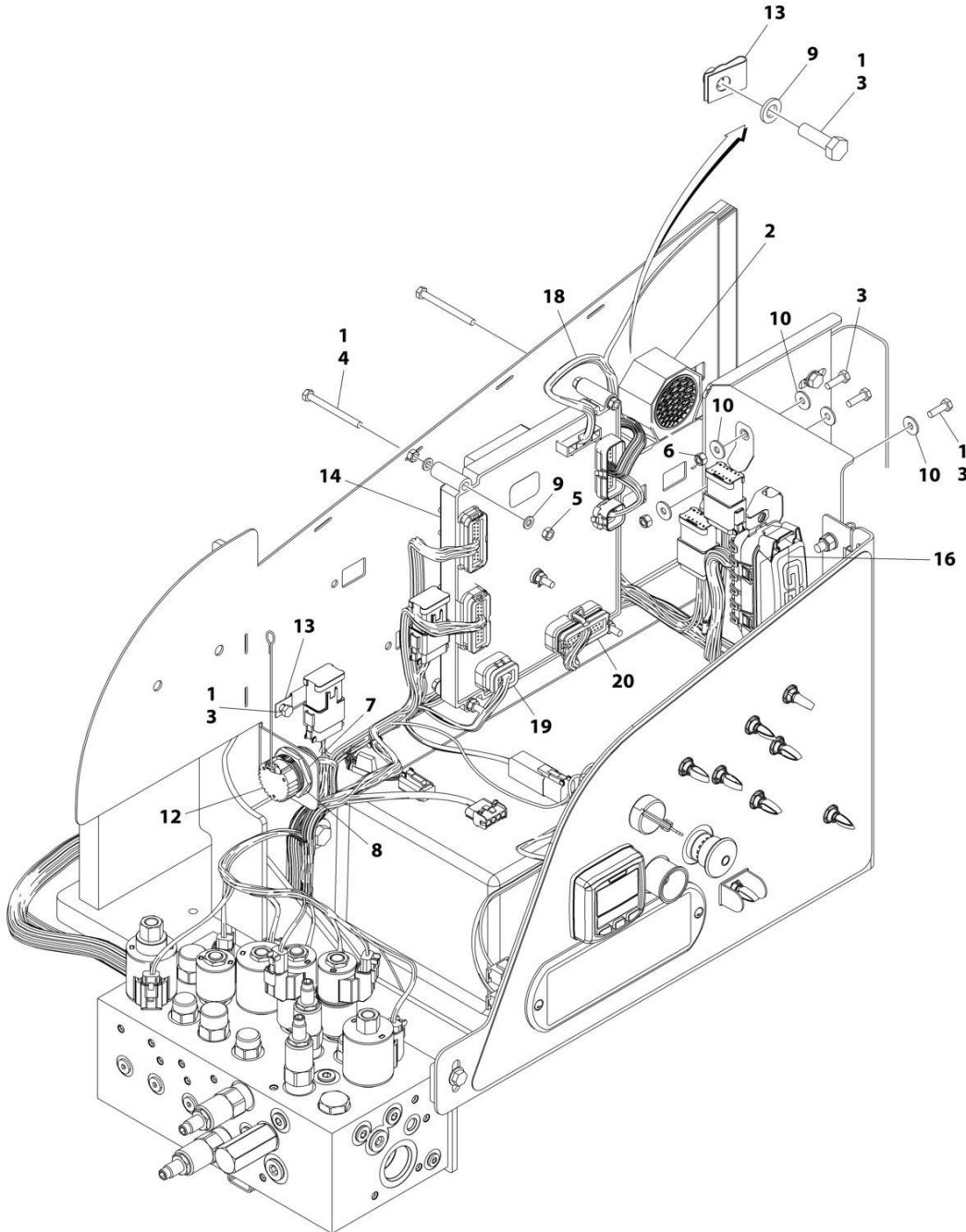
SECTION 2 - TURNTABLE

FIGURE 2-16. LIGHT PANEL INSTALLATION – GROUND CONTROL

ITEM	PART NUMBER	QTY	DESCRIPTION	REV
	1001241404	Ref	LIGHT PANEL INSTALLATION - GROUND CONTROL	B
2	3300408	2	Nut, Nylon Insert	
3	0630518	2	Screw #10 x 3/4	
5	1001237547	1	Light Panel Assembly	G
5A	1001236092	1	Lens, I-Con (Includes Gasket)	
5B	1001187807	1	Panel, LED Light	
5C		Ref	Screw	

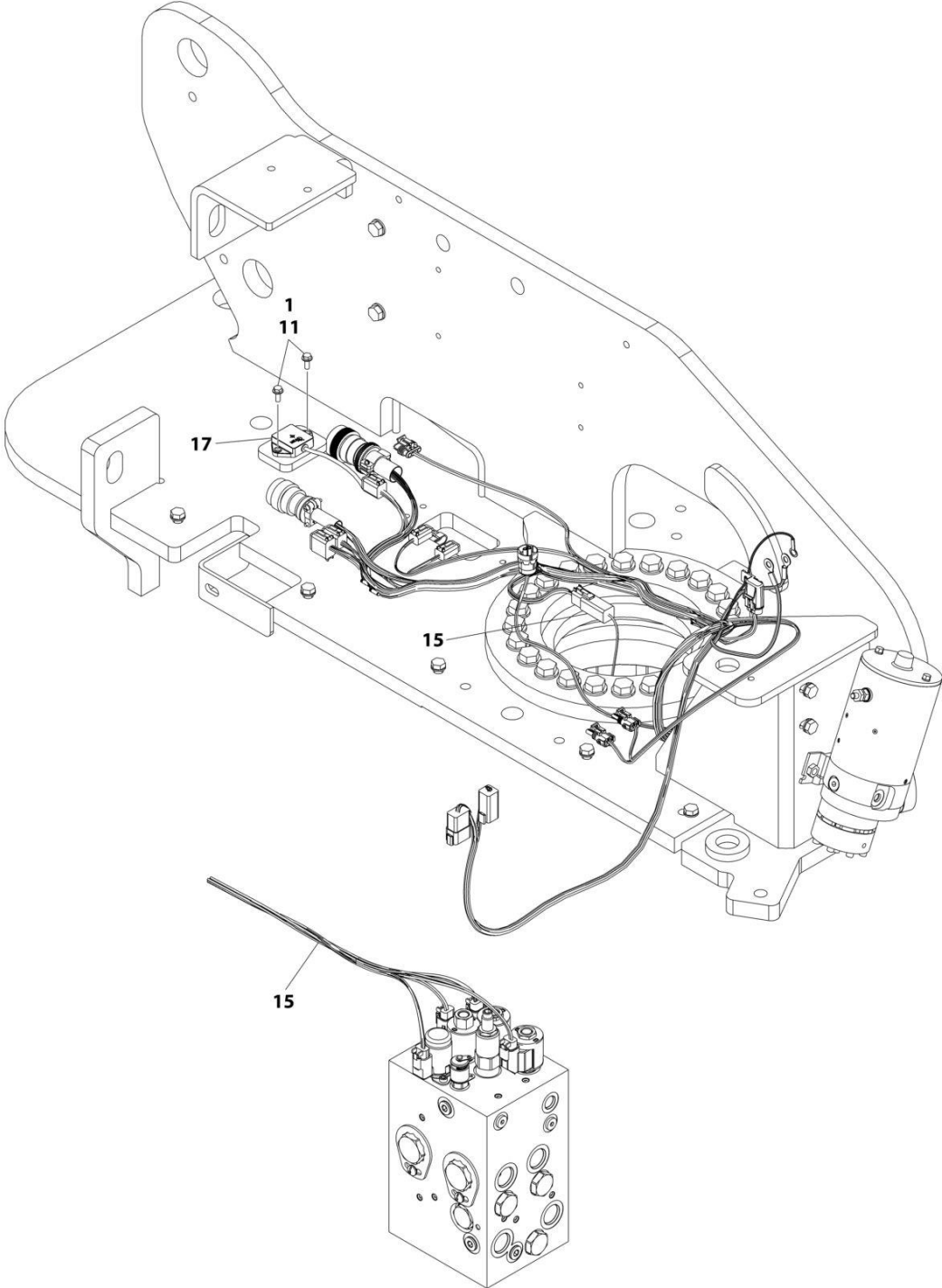
SECTION 2 - TURNTABLE

FIGURE 2-17. ELECTRICAL SYSTEM INSTALLATION (WITH 1001170094 GROUND CONTROL MODULE)



ART_1001246369_10F2

SECTION 2 - TURNTABLE



DETAIL OF TRACTION VALVE

ART_1001246369_2OF2

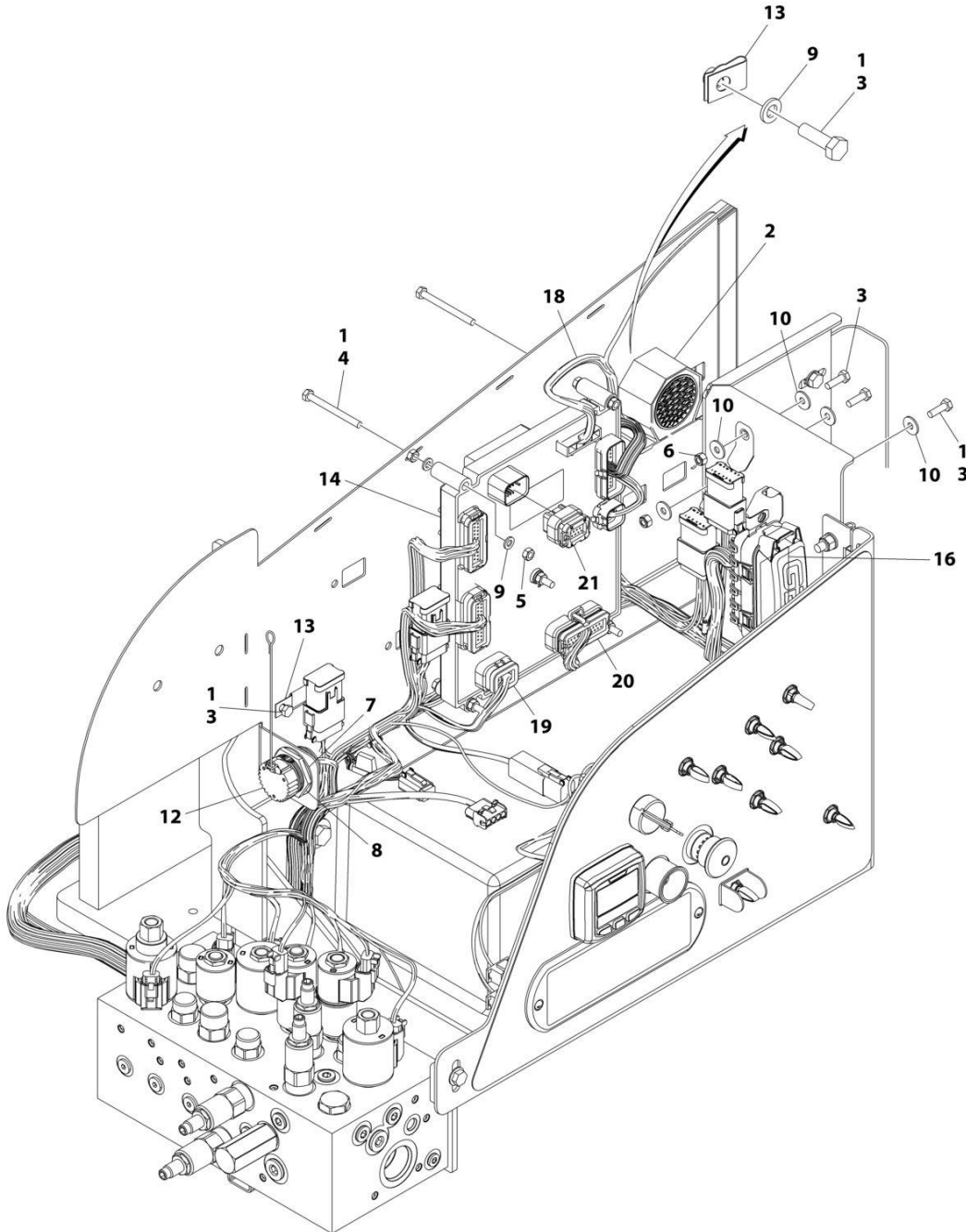
SECTION 2 - TURNTABLE

FIGURE 2-17. ELECTRICAL SYSTEM INSTALLATION (WITH 1001170094 GROUND CONTROL MODULE)

ITEM	PART NUMBER	QTY	DESCRIPTION	REV
	1001246369	Ref	ELECTRICAL SYSTEM INSTALLATION	A
1	0100011	AR	Compound, Locking	
2	0140043	1	Alarm	
3	0760610	7	Bolt M6 x 20	
4	0760621	5	Bolt M6 x 65	
5	3290601	10	Nut M6	
6	3290605	2	Nut M6	
7	4460496	1	Washer, Terminal	
8	4460497	1	Nut, Terminal	
9	4811700	12	Washer M6	
10	4811702	7	Washer M6	
11	5250608	2	Bolt M6 x 16	
12	1001106736	1	Cap, Dust	
13	1001130220	3	Nut, Tinnerman M6	
14	1001170094	1	Module, Ground Control	
	See Note	Ref	Note: Re-calibration Required when Replaced	
15	1001179236	1	Chassis Solenoid Harness (See Separate Breakdown in ELECTRICAL SECTION)	
16	1001196637	1	Decal - Fuse Box	
17	1001219601	1	Sensor	
17	See Note	1	Receptacle, Female - 4 Position (Note: Not Available for Purchase)	
17	See Note	4	Pin, Male (Note: Not Available for Purchase)	
18	1001244293	1	Turntable Harness (See Separate Breakdown in ELECTRICAL SECTION)	
19	1001244294	1	Valve Harness - Main Valve (See Separate Breakdown in ELECTRICAL SECTION)	
20	1001244295	1	Ground Control Panel Harness (See Separate Breakdown in ELECTRICAL SECTION)	

SECTION 2 - TURNTABLE

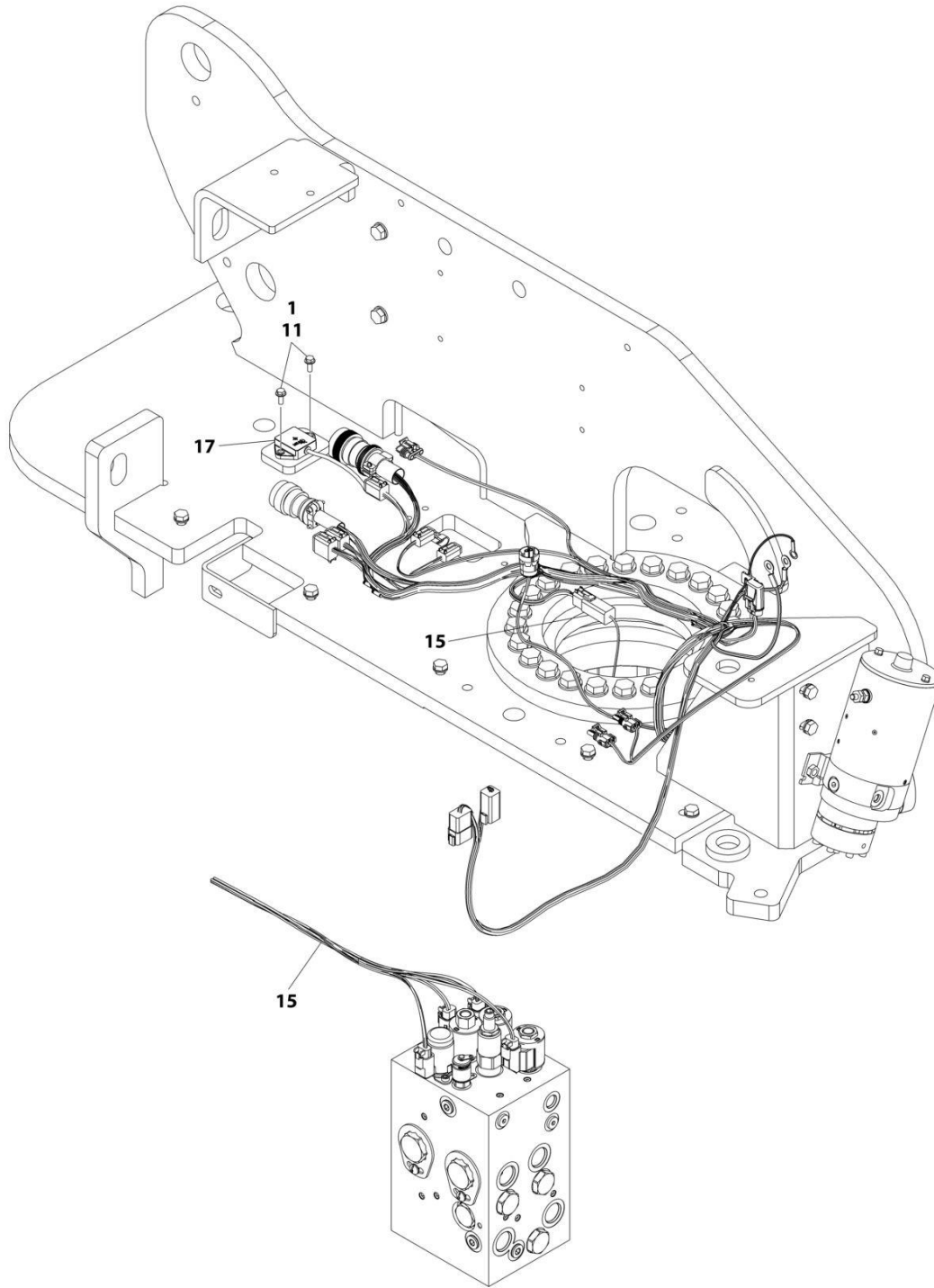
FIGURE 2-18. ELECTRICAL SYSTEM INSTALLATION (WITH 1001280340 GROUND CONTROL MODULE)



ART_1001246369_B_10F2

SECTION 2 - TURNTABLE

FIGURE 2-19. ELECTRICAL SYSTEM INSTALLATION (WITH 1001280340 GROUND CONTROL MODULE)



DETAIL OF TRACTION VALVE

ART_1001246369_B_2OF2

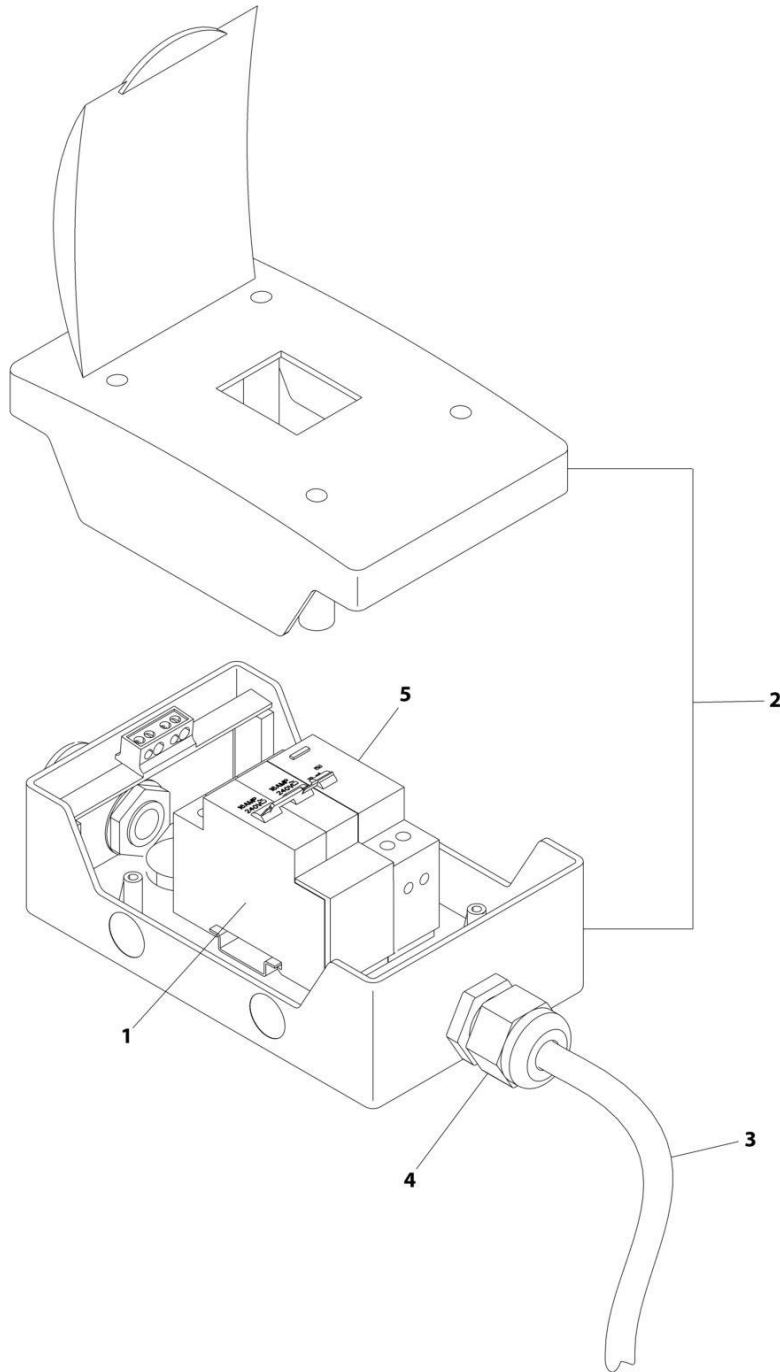
SECTION 2 - TURNTABLE

FIGURE 2-19. ELECTRICAL SYSTEM INSTALLATION (WITH 1001280340 GROUND CONTROL MODULE)

ITEM	PART NUMBER	QTY	DESCRIPTION	REV
	1001246369	Ref	ELECTRICAL SYSTEM INSTALLATION	B
1	0100011	AR	Compound, Locking	
2	0140043	1	Alarm	
3	0760610	7	Bolt M6 x 20	
4	0760621	5	Bolt M6 x 65	
5	3290601	10	Nut M6	
6	3290605	2	Nut M6	
7	4460496	1	Washer, Terminal	
8	4460497	1	Nut, Terminal	
9	4811700	12	Washer M6	
10	4811702	7	Washer M6	
11	5250608	2	Bolt M6 x 16	
12	1001106736	1	Cap, Dust	
13	1001130220	3	Nut, Tinnerman M6	
14	1001280340	1	Module, Ground Control	
	See Note	Ref	Note: Re-calibration Required when Replaced	
15	1001179236	1	Chassis Solenoid Harness (See Separate Breakdown in ELECTRICAL Section)	
16	1001196637	1	Decal - Fuse Box	
17	1001219601	1	Sensor	
17	See Note	1	Receptacle, Female - 4 Position (Note: Not Available for Purchase)	
17	See Note	4	Pin, Male (Note: Not Available for Purchase)	
18	1001244293	1	Turntable Harness (See Separate Breakdown in ELECTRICAL Section)	
19	1001244294	1	Valve Harness - Main Valve (See Separate Breakdown in ELECTRICAL Section)	
20	1001244295	1	Ground Control Panel Harness (See Separate Breakdown in ELECTRICAL Section)	
21	1001246859	1	Connector	

SECTION 2 - TURNTABLE

FIGURE 2-20. BREAKER BOX KIT - THREE BREAKERS



ART_1001152485_F

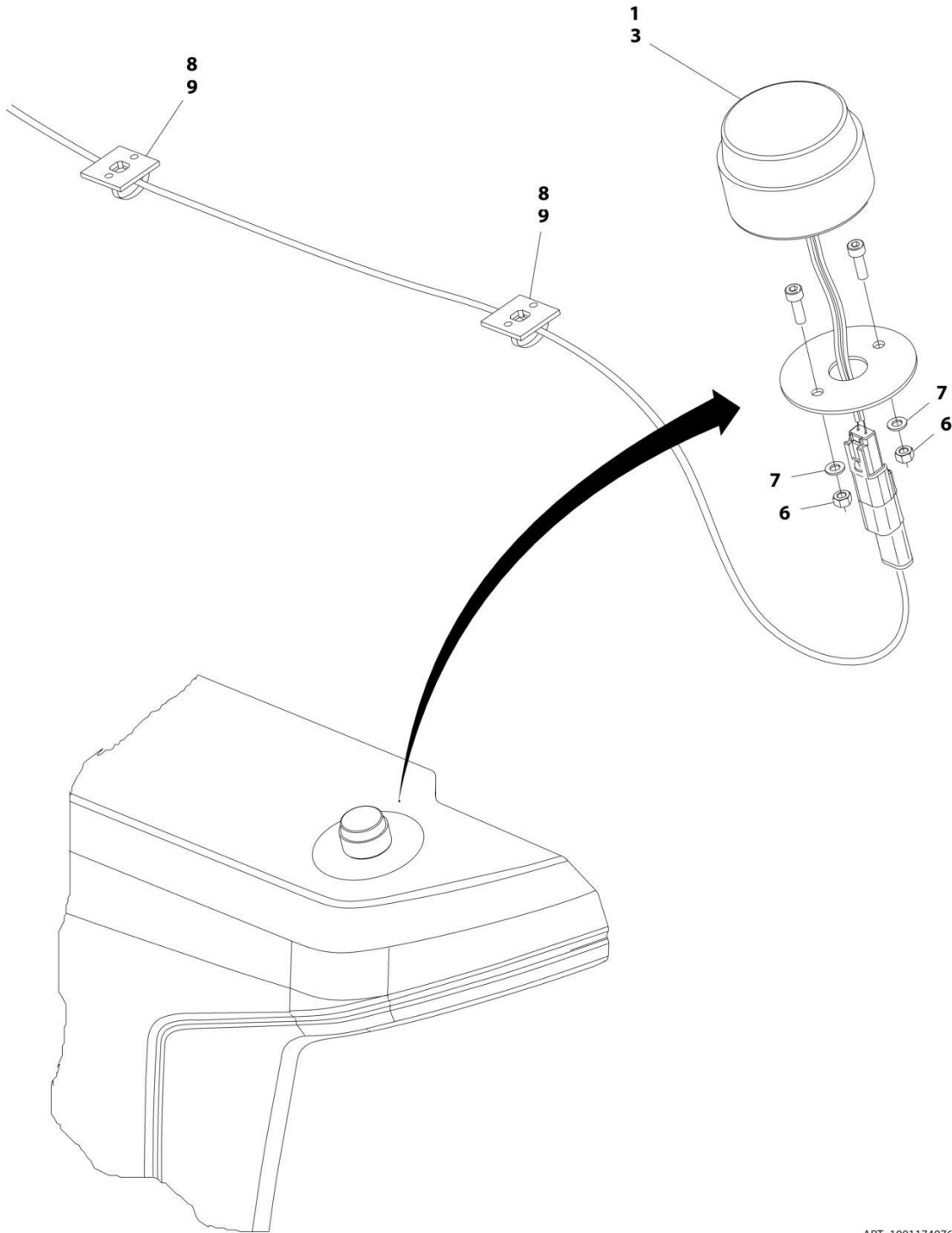
SECTION 2 - TURNTABLE

FIGURE 2-20. BREAKER BOX KIT - THREE BREAKERS

ITEM	PART NUMBER	QTY	DESCRIPTION	REV
	1001152485	Ref	BREAKER BOX KIT WITH TWO BREAKERS	F
1	1001189172	1	Breaker 16Amp Double	
2	1001152483	1	Box	
3	1060908	6 ft/1.8m	Cable, 12/3	
4	1001097150	2	Connector, Strain Relief	
5	1001189171	1	Breaker, 30mA	

SECTION 2 - TURNTABLE

FIGURE 2-21. BEACON LIGHT INSTALLATION - AMBER



ART_1001174976

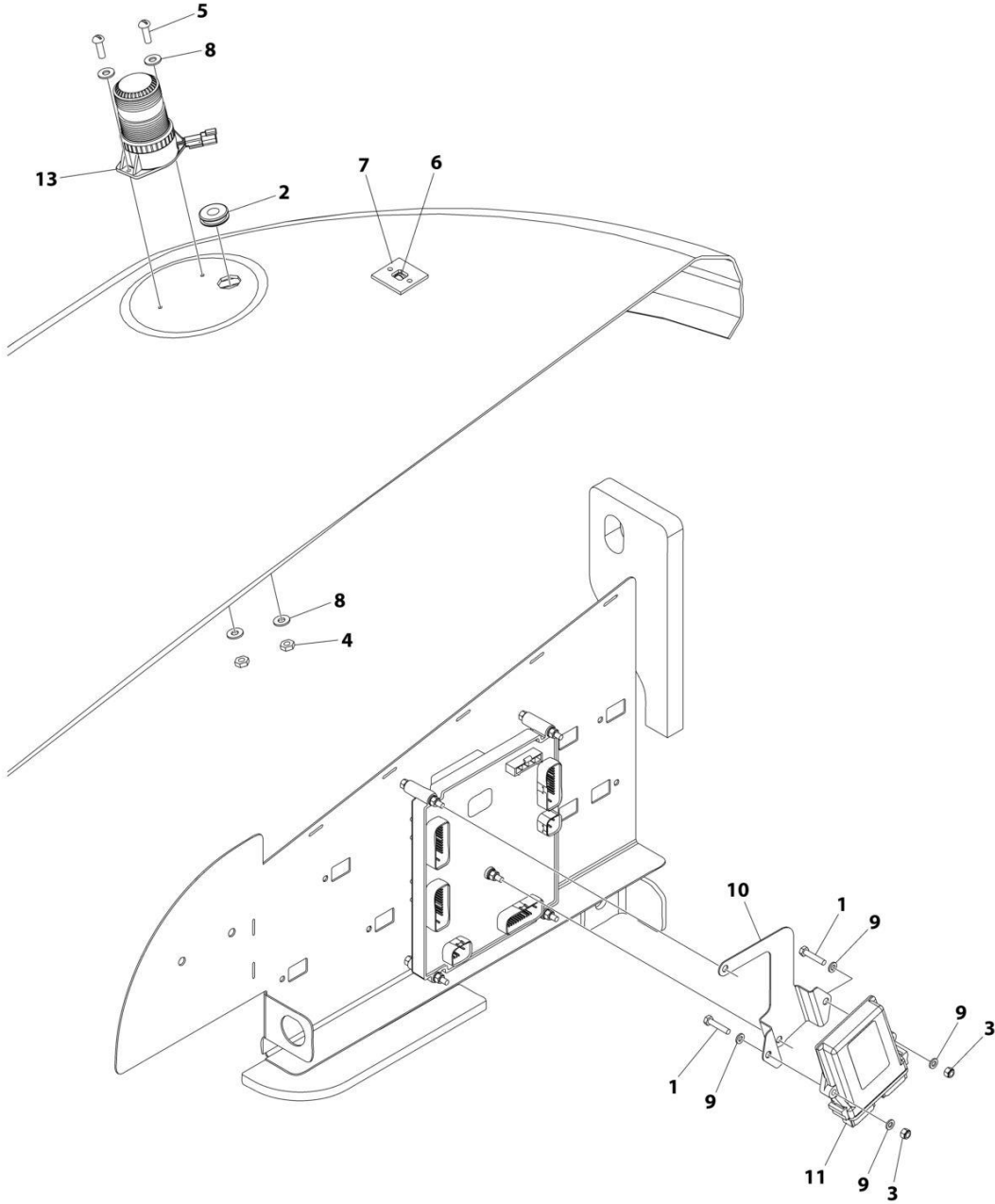
SECTION 2 - TURNTABLE

FIGURE 2-21. BEACON LIGHT INSTALLATION - AMBER

ITEM	PART NUMBER	QTY	DESCRIPTION	REV
	1001174976	Ref	BEACON LIGHT INSTALLATION - AMBER	D
1	0100048	AR	Compound, Silicone	
3	1001181405	1	Lamp, Strobe	
3	4460897	1	Receptacle, Female - 2 Position	
3	4460464	2	Pin, Male	
6	3290505	2	Nut M5	
7	4811600	2	Washer M5	
8	4240032	AR	Tie-Strap	
9	4460234	2	Mount, Tie-Strap	

SECTION 2 - TURNTABLE

FIGURE 2-22. BEACON LIGHT INSTALLATION - BLUE



ART_1001242855_B

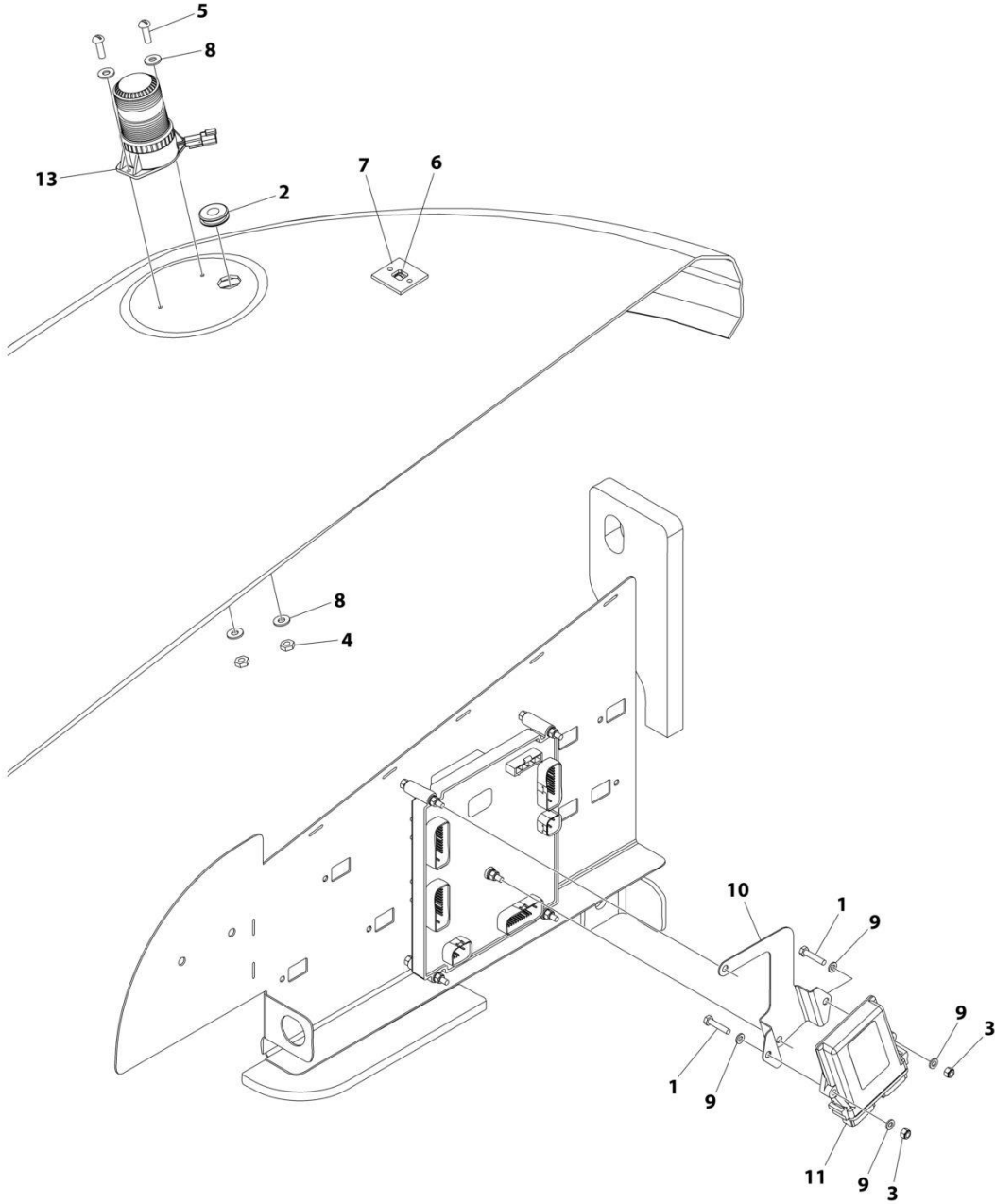
SECTION 2 - TURNTABLE

FIGURE 2-22. BEACON LIGHT INSTALLATION - BLUE

ITEM	PART NUMBER	QTY	DESCRIPTION	REV
	1001242855	Ref	BEACON LIGHT INSTALLATION - BLUE	B
1	0760614	2	Bolt M6 x 30	
2	2540020	1	Grommet	
3	3290605	2	Nut M6	
4	3311005	2	Nut #10	
5	3911010	2	Screw #10 x 5/8	
6	4240032	AR	Tie-Strap	
7	4460488	AR	Terminal, Mounting	
8	4711000	4	Washer #10	
9	4811700	4	Washer M6	
10	1001276626	1	Mount, Module	
11	1001142683	1	Module, Control	
12	1001142736	1	Beacon Harness (Not Shown - See Separate Breakdown in ELECTRICAL Section)	
13	1001200910	1	Light, Beacon	
13	4460897	1	Receptacle, Female - 2 Position	
13	4460943	2	Pin, Male	

SECTION 2 - TURNTABLE

FIGURE 2-23. BEACON LIGHT INSTALLATION - RED



ART_1001242856_B

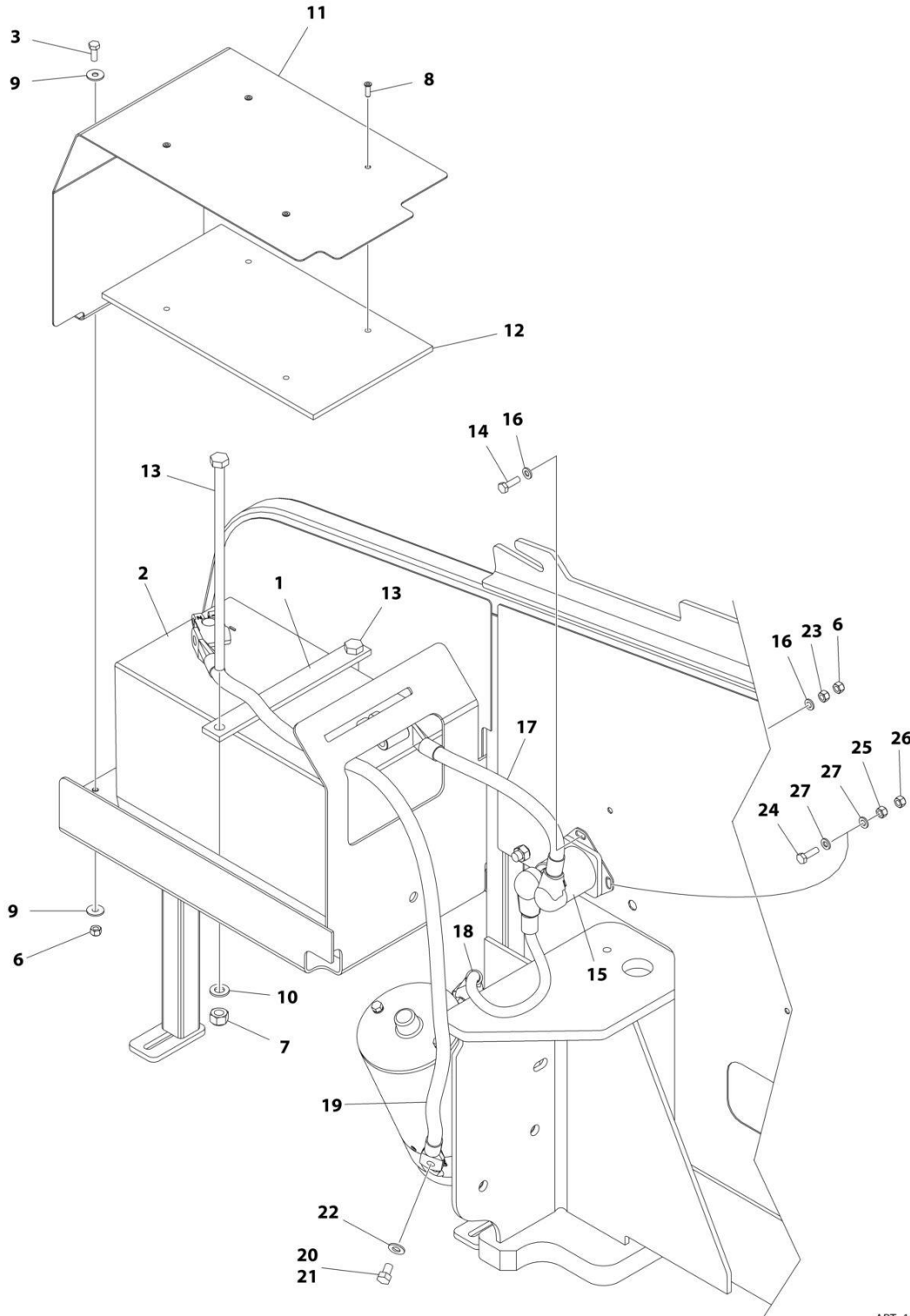
SECTION 2 - TURNTABLE

FIGURE 2-23. BEACON LIGHT INSTALLATION - RED

ITEM	PART NUMBER	QTY	DESCRIPTION	REV
	1001242856	Ref	BEACON LIGHT INSTALLATION - RED	B
1	0760614	2	Bolt M6 x 30	
2	2540020	1	Grommet	
3	3290605	2	Nut M6	
4	3311005	2	Nut #10	
5	3911010	2	Screw #10 x 5/8	
6	4240032	AR	Tie-Strap	
7	4460488	AR	Terminal, Mounting	
8	4711000	4	Washer #10	
9	4811700	4	Washer M6	
10	1001276626	1	Mount, Module	
11	1001142683	1	Module, Control	
12	1001142736	1	Beacon Harness (Not Shown - See Separate Breakdown in ELECTRICAL Section)	
13	1001207004	1	Light, Beacon	
13	4460897	1	Receptacle, Female - 2 Position	
13	4460943	2	Pin, Male	

SECTION 2 - TURNTABLE

FIGURE 2-24. BATTERY AND CABLE INSTALLATION



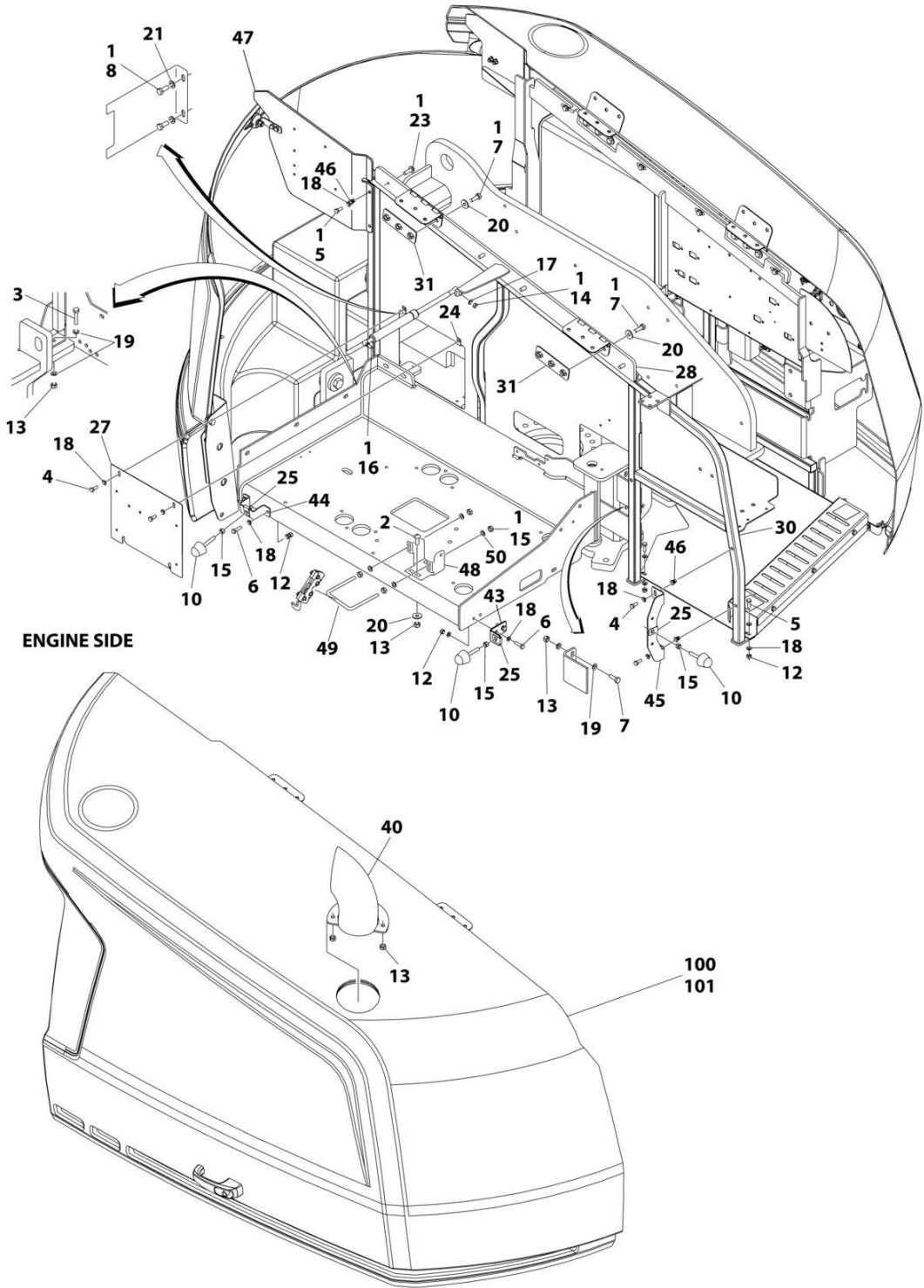
ART_1001166316_H

SECTION 2 - TURNTABLE

FIGURE 2-24. BATTERY AND CABLE INSTALLATION

ITEM	PART NUMBER	QTY	DESCRIPTION	REV
	1001166316	Ref	BATTERY AND CABLE INSTALLATION	H
1	0361810	1	Bar, Hold-down	
2	0400075	1	Battery	
3	0760610	2	Bolt M6 x 20	
6	3290605	3	Nut M6	
7	3291005	2	Nut M10	
8	3820032	4	Rivet	
9	4811702	4	Washer M6	
10	4812000	2	Washer M10	
11	1001117240	1	Cover	
12	1001119278	1	Insulation	
13	1001119280	2	Bolt M16 x 260	
14	0760612	1	Bolt M6 x 25	
15	3740067	1	Relay	
15	3300220	2	Nut 3/8	
15	1001111424	2	Washer 3/8	
15	3321001	1	Nut #10	
15	4761000	1	Washer #10	
16	4811700	2	Washer M6	
17	1001171678	1	Cable, Battery (Positive + to Aux Relay)	
18	1001171679	1	Cable, Battery (Aux Relay to Aux Pump)	
19	1001171680	1	Cable, Battery (Negative – to Aux Pump)	
20	0100011	AR	Compound, Locking	
21	0641504	1	Bolt 5/16 x 1/2	
22	4711500	1	Washer 5/16	
23	3290601	2	Nut M6	
24	0760512	1	Bolt M5 x 25	
25	3290501	1	Nut M5	
26	3290505	1	Nut M5	
27	4811600	2	Washer M5	

SECTION 2 - TURNTABLE



ART_1001241286_D_20F2

SECTION 2 - TURNTABLE

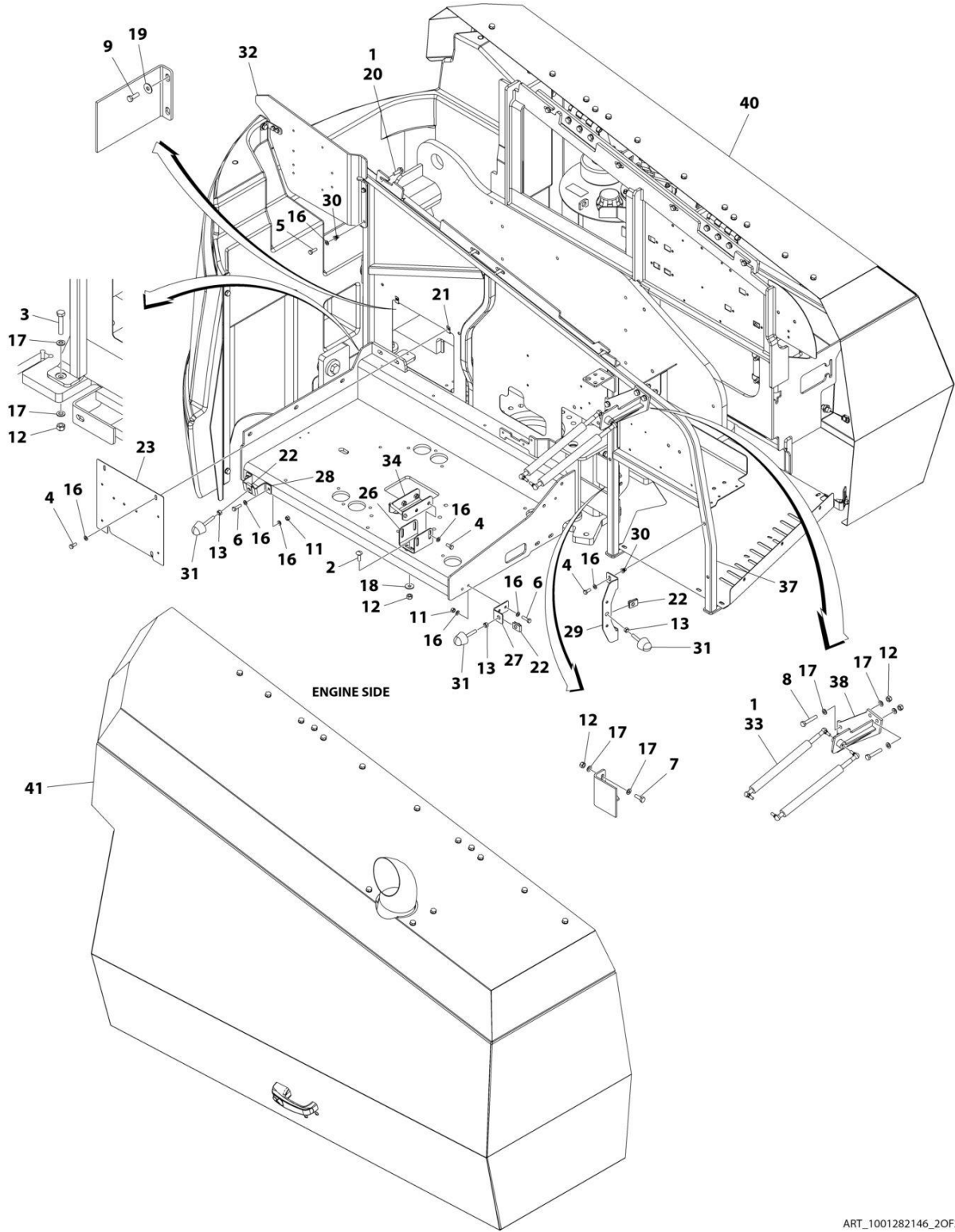
FIGURE 2-25. HOODS INSTALLATION (ABS)

ITEM	PART NUMBER	QTY	DESCRIPTION	REV
	1001241286	Ref	HOODS INSTALLATION	D
1	0100011	AR	Compound, Locking	
2	0630613	4	Bolt M10 x 30	
3	0701018	5	Bolt M10 x 50	
4	0760810	4	Bolt M8 x 20	
5	0760812	11	Bolt M8 x 25	
6	0760814	4	Bolt M8 x 30	
7	0761014	14	Bolt M10 x 30	
8	0761214	6	Bolt M12 x 30	
9	0940049	2	Bumper	
10	0940071	3	Bumper	
11	1701691	2	Decal - No Step	
12	3290805	10	Nut M8	
13	3291005	14	Nut M10	
14	3311501	6	Nut 5/16	
15	3311601	7	Nut 3/8	
16	4160182	1	Spring, Gas	
17	4711500	2	Washer 5/16	
18	4811900	29	Washer M8	
19	4812000	16	Washer M10	
20	4812002	14	Washer M10	
21	4812100	2	Washer M12	
22	4812102	4	Washer M12	
23	5251014	8	Bolt M10 x 30	
24	8310686	2	Nut, Retainer M8	
25	88662523	3	Nut, Tinnerman	
26	1001118274	3	Nut M8	
27	1001167149	1	Panel, Filler	
28	1001167159	1	Mount	
29	1001167163	1	Tray	
30	1001167169	1	Mount	
31	1001169046	4	Nut	
32	1001211716	1	Support, Hood	
33	1001170018	1	Mount	
34	1001170022	1	Mount	
37	1001171216	1	Cover	
40	1001233899	1	Pipe, Exhaust	
41	1001179904	1	Mount	
42	1001182169	1	Spring, Gas	
43	1001182875	1	Mount	
44	1001182877	1	Mount	
45	1001182879	1	Mount	
46	1001191832	4	Rivnut M8	
47	1001211717	1	Panel, Filler	
48	1001250291	1	Bracket	
49	1001243414	1	U-Bolt	
50	4891600	4	Washer 3/8	
100	1001285789	1	Hood Kit (Includes Items 101-102)	A
101	1001241295	1	Hood Assembly - Engine Side (See Separate Breakdown in this Section)	

SECTION 2 - TURNTABLE

ITEM	PART NUMBER	QTY	DESCRIPTION	REV
102	1001285788	1	Hood Assembly - Tank Side (See Separate Breakdown in this Section)	

SECTION 2 - TURNTABLE



ART_1001282146_20F2

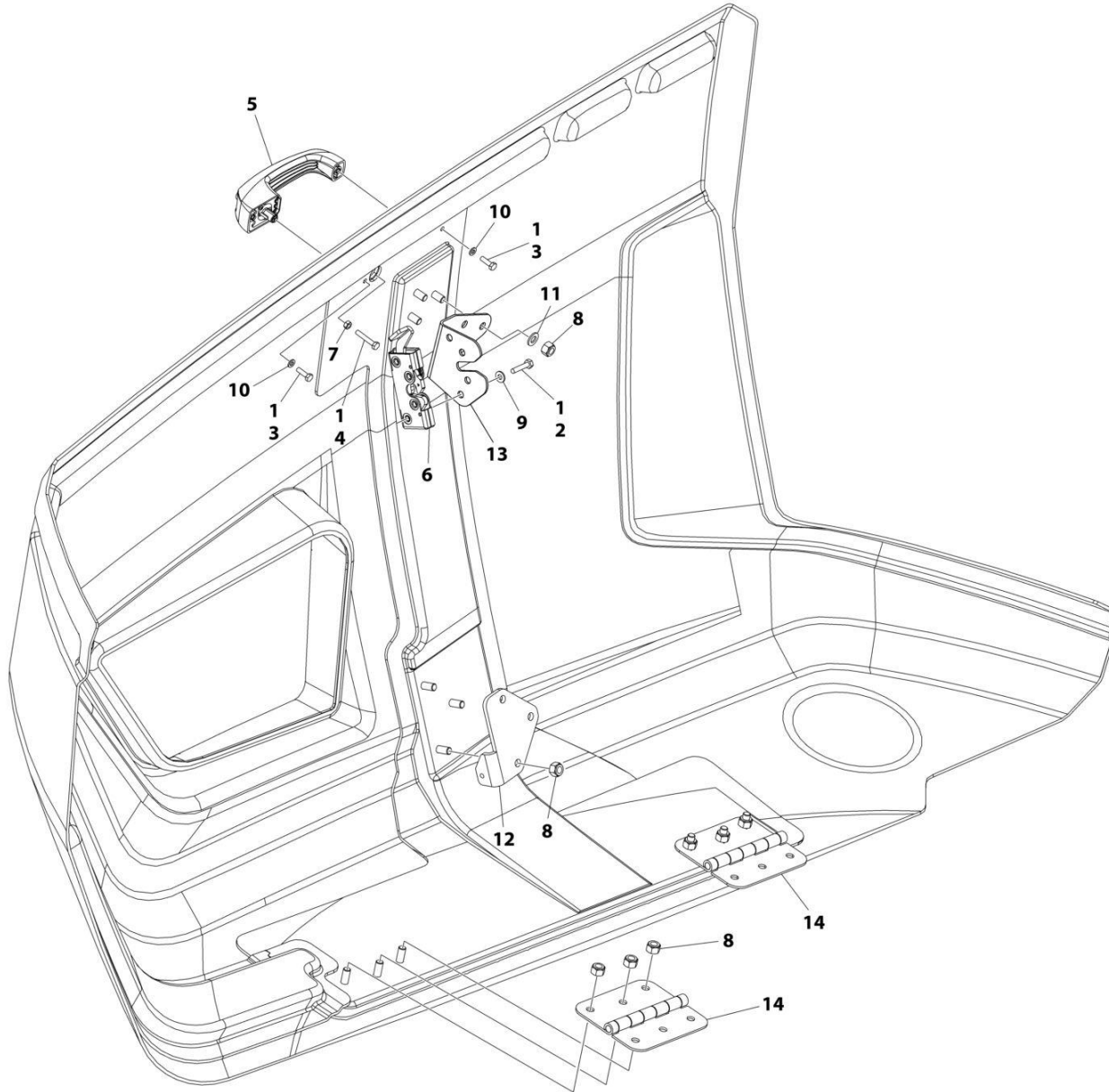
SECTION 2 - TURNTABLE

FIGURE 2-26. HOODS INSTALLATION (STEEL)

ITEM	PART NUMBER	QTY	DESCRIPTION	REV
	1001282146	Ref	HOODS INSTALLATION (STEEL)	B
1	0100011	AR	Compound, Locking	
2	0630613	4	Bolt M10 x 30	
3	0701019	5	Bolt M10 x 55	
4	0760810	8	Bolt M8 x 20	
5	0760812	4	Bolt M8 x 25	
6	0760814	4	Bolt M8 x 30	
7	0761014	2	Bolt M10 x 30	
8	0761020	4	Bolt M12 x 60	
9	0761215	6	Bolt M12 x 35	
10	0940088	1	Bumper	
11	3290805	6	Nut M8	
12	3291005	15	Nut M10	
13	3311601	4	Nut 3/8	
14	3321501	1	Nut 5/16	
15	3520072	1	Plug	
16	4811900	22	Washer M8	
17	4812000	24	Washer M10	
18	4812002	2	Washer M10	
19	4812102	6	Washer M12	
20	5251014	8	Bolt M10 x 30	
21	8310686	2	Nut, Retainer M8	
22	88662523	4	Nut, Tinnerman	
23	1001167149	1	Panel, Filler	
24	1001167163	1	Tray	
25	1001170022	1	Mount	
26	1001170859	1	Mount	
27	1001182875	1	Mount	
28	1001182877	1	Mount	
29	1001182879	1	Mount	
30	1001191832	4	Rivnut M8	
31	1001206314	4	Bumper	
32	1001211717	1	Panel, Filler	
33	1001213794	2	Spring, Gas	
34	1001223777	1	Support, Striker	
35	1001269476	1	Mount	
36	1001279651	1	Support, Hood	
37	1001280240	1	Mount	
38	1001280242	1	Mount	
39	1001280549	2	Spring, Gas	
40	1001285988	1	Hood Assembly - Tank Side (See Separate Breakdown in this Section)	
41	1001282143	1	Hood Assembly - Engine Side (See Separate Breakdown in this Section)	

SECTION 2 - TURNTABLE

FIGURE 2-27. HOOD ASSEMBLY (ABS) - TANK SIDE



NOTE: REPLACEMENT DECALS MUST BE ORDERED SEPARATELY - SEE DECAL SECTION.

ART_1001285788

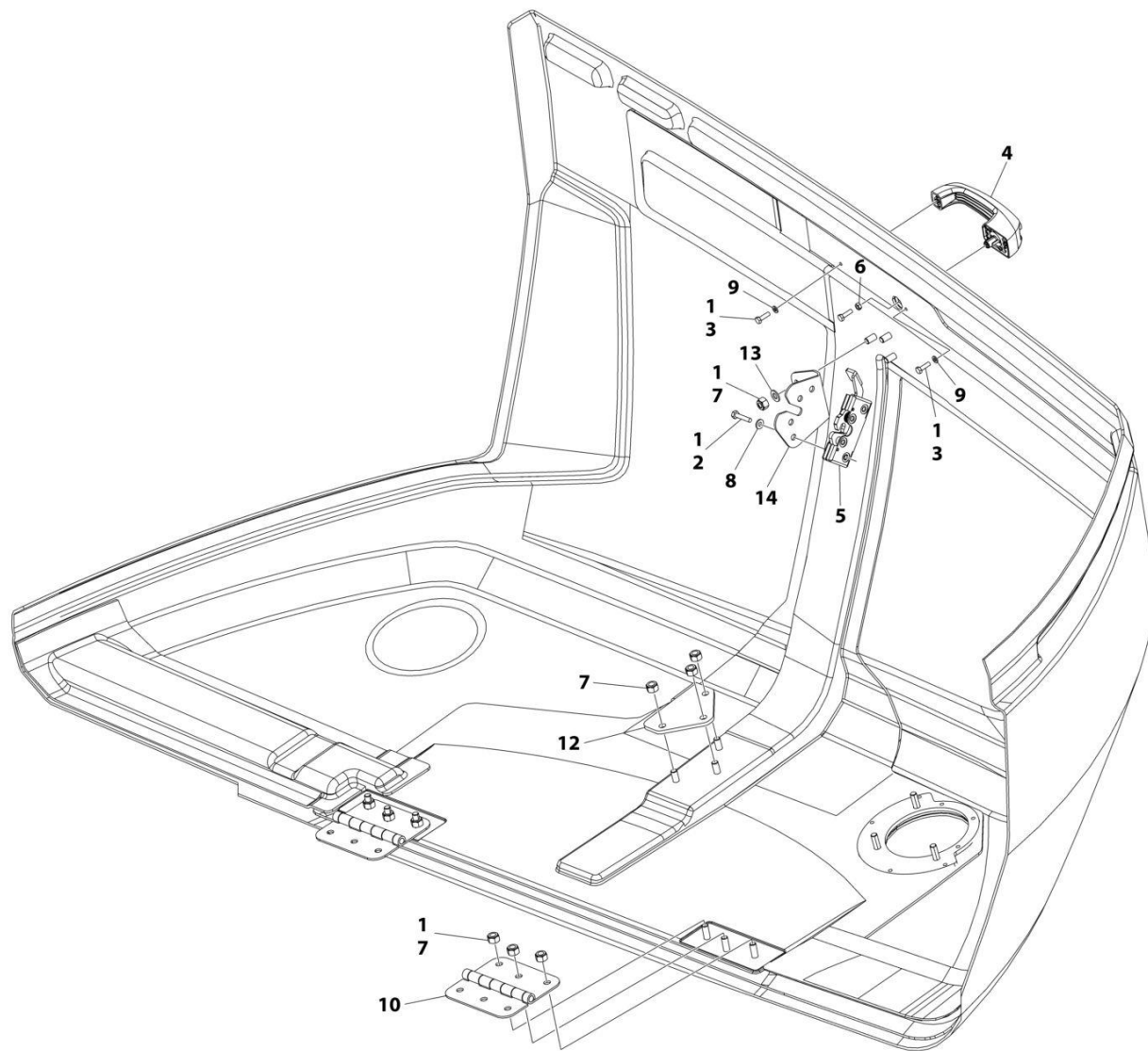
SECTION 2 - TURNTABLE

FIGURE 2-27. HOOD ASSEMBLY (ABS) - TANK SIDE

ITEM	PART NUMBER	QTY	DESCRIPTION	REV
	1001285788	Ref	HOOD ASSEMBLY - TANK SIDE	A
1	0100011	AR	Compound, Locking	
2	0641410	4	Bolt 1/4 x 1-1/4	
3	0760610	2	Bolt M6 x 20	
4	0760615	1	Bolt M6 x 35	
5	2560187	1	Handle	
6	2940173	1	Latch	
7	3290601	1	Nut M6	
8	3291005	12	Nut, Lock M10	
9	4711400	4	Washer 1/4	
10	4811700	2	Washer M6	
11	4812000	3	Washer M10	
12	1001170475	1	Bracket	
13	1001203322	1	Support	
14	1001259230	2	Hinge	

SECTION 2 - TURNTABLE

FIGURE 2-28. HOOD ASSEMBLY (ABS) - ENGINE SIDE



NOTE: REPLACEMENT DECALS MUST BE ORDERED SEPARATELY - SEE DECAL SECTION.

ART_1001241295

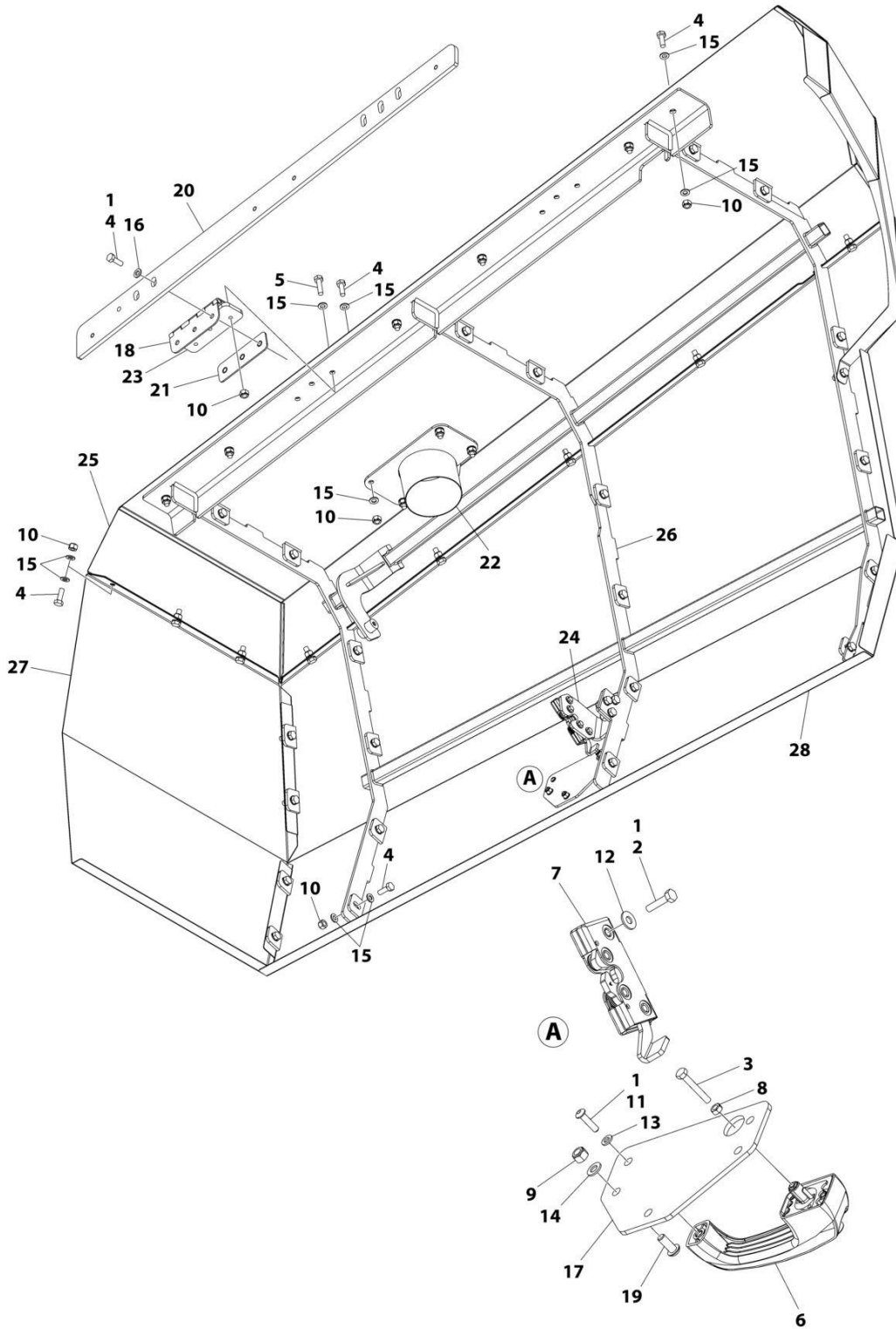
SECTION 2 - TURNTABLE

FIGURE 2-28. HOOD ASSEMBLY (ABS) - ENGINE SIDE

ITEM	PART NUMBER	QTY	DESCRIPTION	REV
	1001241295	Ref	HOOD ASSEMBLY - ENGINE SIDE	C
1	0100011	AR	Compound, Locking	
2	0641410	4	Bolt 1/4 x 1-1/4	
3	0760610	3	Bolt M6 x 20	
4	2560187	1	Handle	
5	2940173	1	Latch	
6	3290601	1	Nut M6	
7	3291005	12	Nut M10	
8	4711400	4	Washer 1/4	
9	4811700	2	Washer M6	
10	1001259230	2	Hinge	
12	1001178228	1	Bracket	
13	4812000	3	Washer M10	
14	1001202830	1	Support	

SECTION 2 - TURNTABLE

FIGURE 2-29. HOOD ASSEMBLY (STEEL) - ENGINE SIDE



ART_1001282143

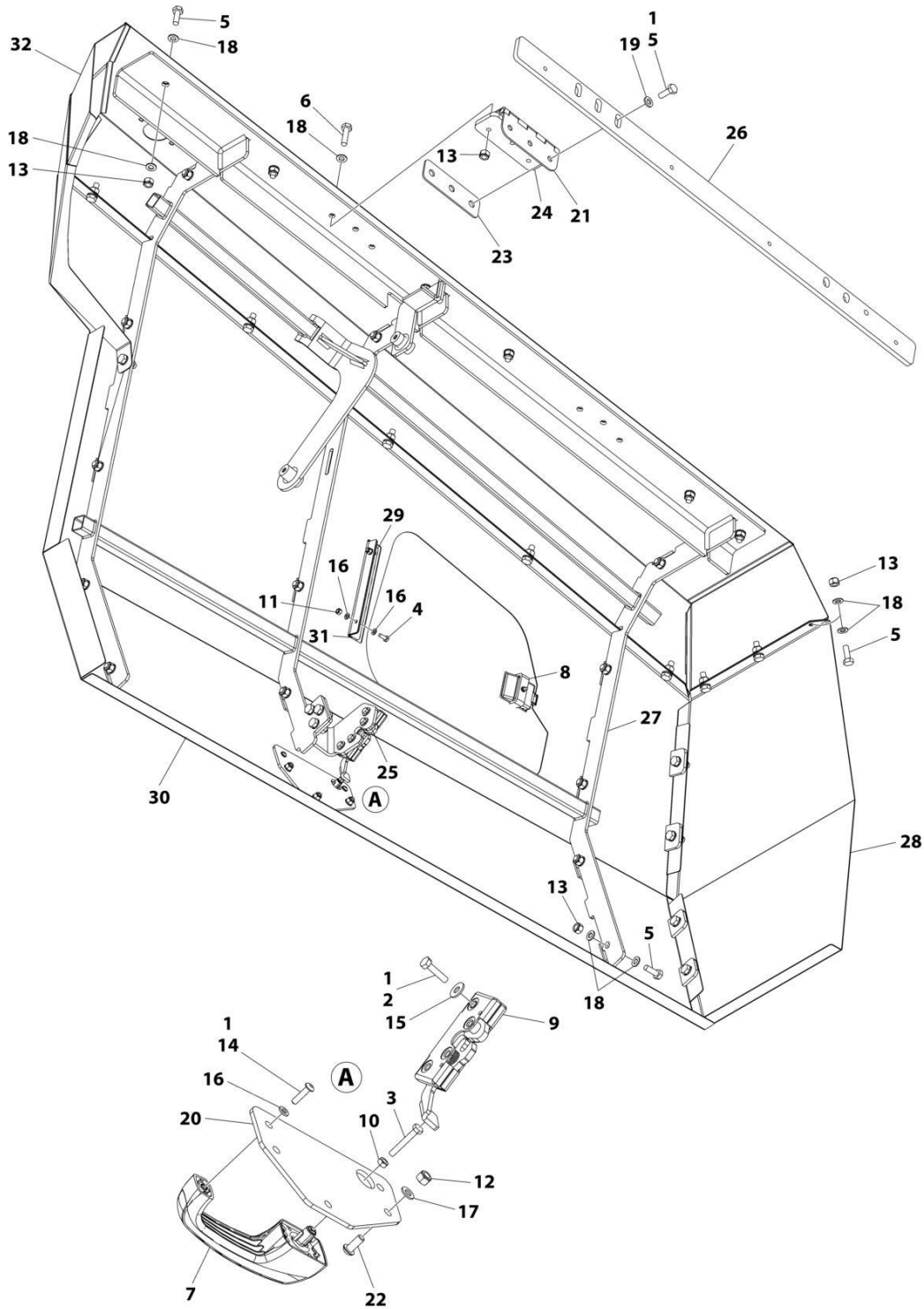
SECTION 2 - TURNTABLE

FIGURE 2-29. HOOD ASSEMBLY (STEEL) - ENGINE SIDE

ITEM	PART NUMBER	QTY	DESCRIPTION	REV
	1001282143	Ref	HOOD ASSEMBLY (STEEL) - ENGINE SIDE	A
1	0100011	AR	Compound, Locking	
2	0641409	4	Bolt 1/4 x 1/8	
3	0700616	1	Bolt M6 x 40	
4	0761014	50	Bolt M10 x 30	
5	0761016	6	Bolt M10 x 40	
6	2560187	1	Handle	
7	2940173	1	Latch	
8	3290601	1	Nut M6	
9	3290805	3	Nut M8 x 1-1/4	
10	3291005	50	Nut M10 x 1-1/2	
11	3900363	2	Screw M6 x 25	
12	4751400	4	Washer 1/4	
13	4811700	2	Washer M6	
14	4811900	3	Washer M8	
15	4812000	94	Washer M10	
16	5241000	6	Washer M10	
17	1001116290	1	Plate	
18	1001139384	2	Hinge	
19	1001164726	3	Screw M8 x 20	
20	1001167157	1	Mount, Hood	
21	1001169046	2	Nut	
22	1001194888	1	Pipe, Exhaust	
23	1001202333	2	Plate, Nut	
24	1001263664	1	Bracket	
25	1001263669	1	Panel (Top)	
26	1001263677	1	Bracket	
27	1001263693	1	Panel (End)	
28	1001265389	1	Panel (Side)	

SECTION 2 - TURNTABLE

FIGURE 2-30. HOOD ASSEMBLY (STEEL) - TANK SIDE



ART_1001285988

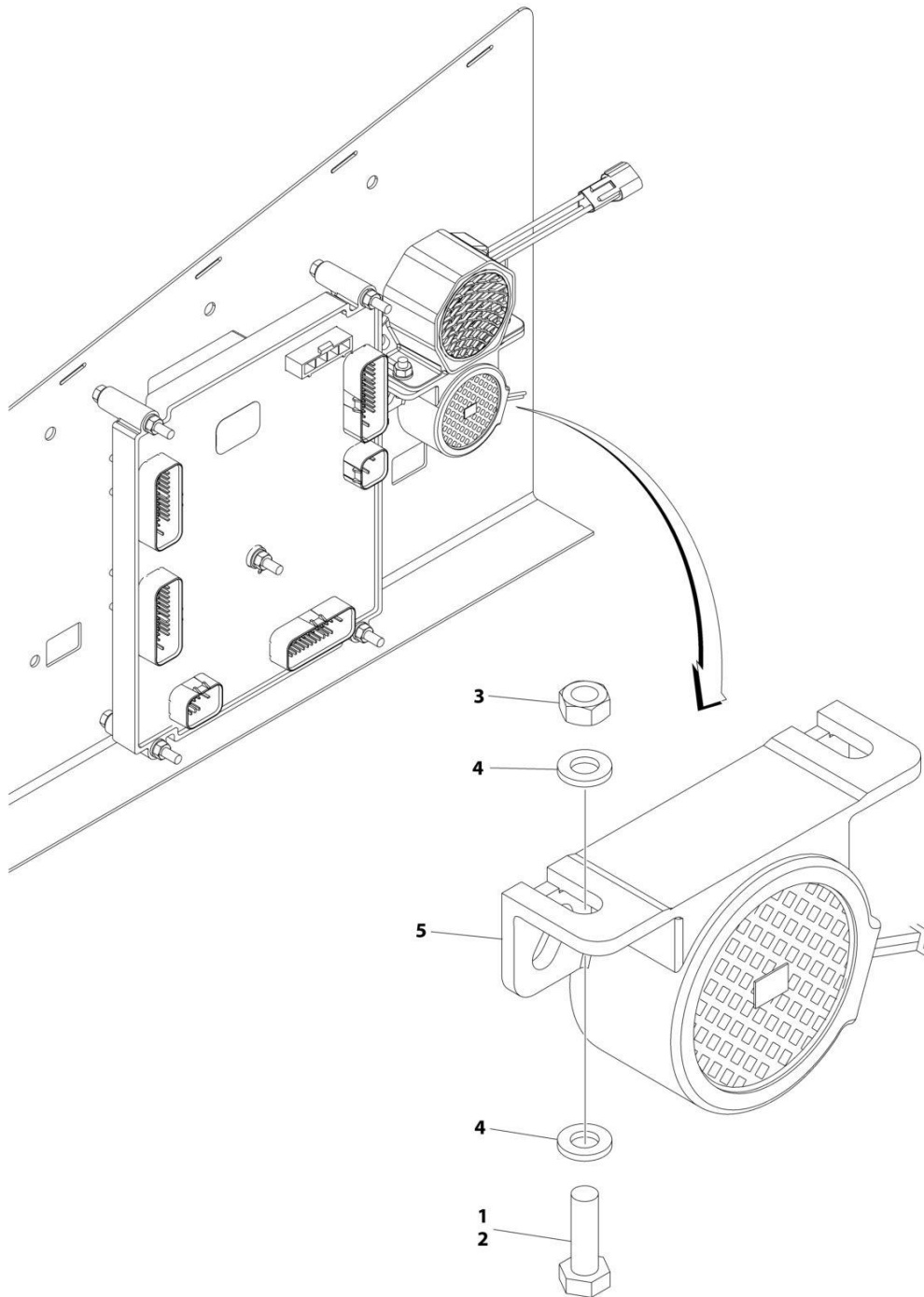
SECTION 2 - TURNTABLE

FIGURE 2-30. HOOD ASSEMBLY (STEEL) - TANK SIDE

ITEM	PART NUMBER	QTY	DESCRIPTION	REV
	1001285988	Ref	HOOD ASSEMBLY (STEEL) - TANK SIDE	A
1	0100011	AR	Compound, Locking	
2	0641409	4	Bolt 1/4 x 1/8	
3	0700616	1	Bolt M6 x 40	
4	0760608	2	Bolt M6 x 16	
5	0761014	42	Bolt M10 x 30	
6	0761016	6	Bolt M10 x 40	
7	2560187	1	Handle	
8	2940045	1	Latch	
9	2940173	1	Latch	
10	3290601	1	Nut M6	
11	3290605	2	Nut M6	
12	3290805	3	Nut M8 x 1-1/4	
13	3291005	42	Nut M10 x 1-1/2	
14	3900363	2	Screw M6 x 25	
15	4751400	4	Washer 1/4	
16	4811700	6	Washer M6	
17	4811900	3	Washer M8	
18	4812000	78	Washer M10	
19	5241000	6	Washer M10	
20	1001116290	1	Plate	
21	1001139384	2	Hinge	
22	1001164726	3	Screw M8 x 20	
23	1001169046	2	Nut	
24	1001202333	2	Plate, Nut	
25	1001263663	1	Bracket	
26	1001263668	1	Plate, Hinge	
27	1001263678	1	Bracket	
28	1001263694	1	Panel (End)	
29	1001263787	1	Door	
30	1001265390	1	Panel (Side)	
31	1001281623	4.88 ft/1.49m	Seal	
32	1001285640	1	Panel (Top)	

SECTION 2 - TURNTABLE

FIGURE 2-31. WHITE NOISE ALARM INSTALLATION



ART_1001263174

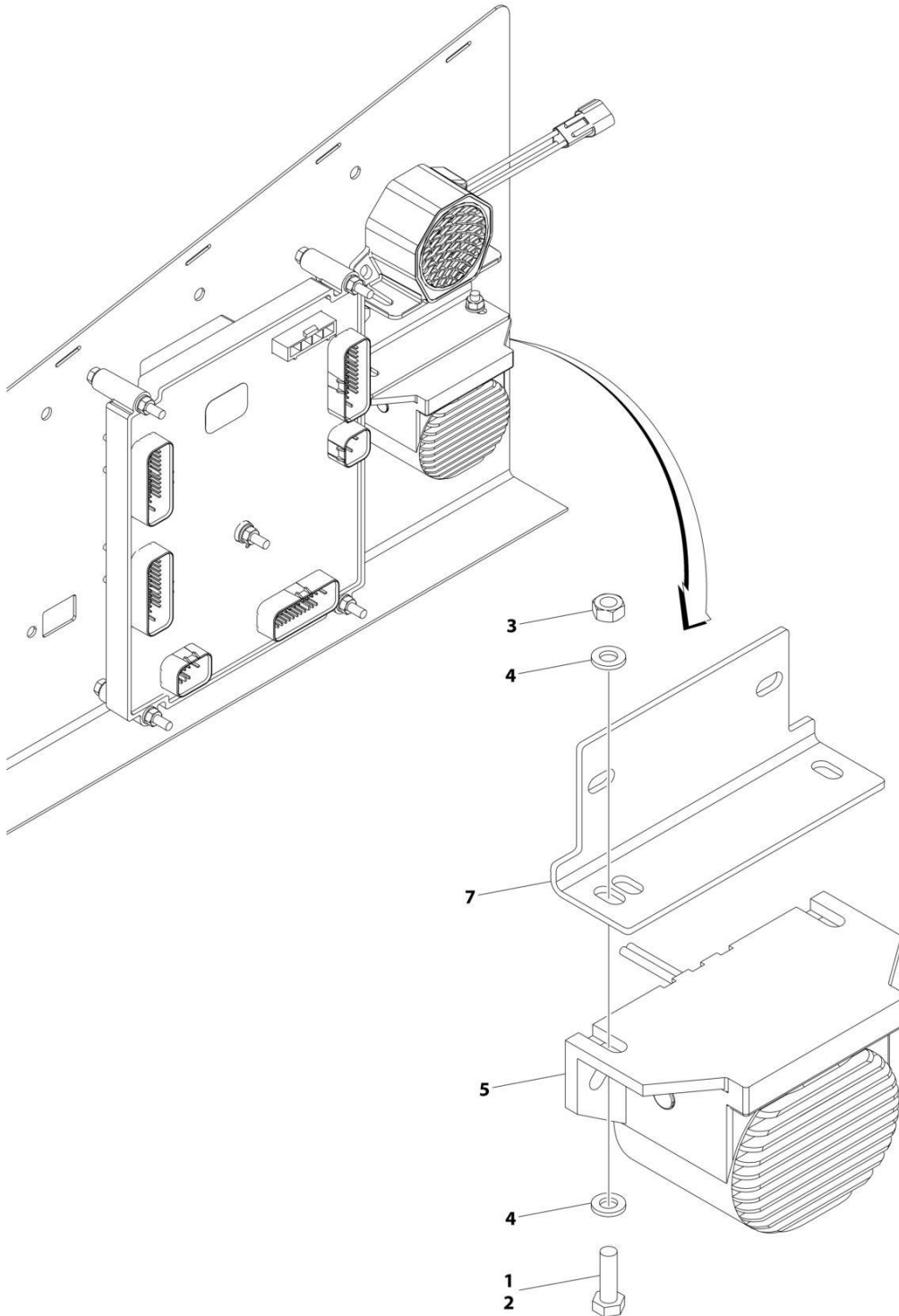
SECTION 2 - TURNTABLE

FIGURE 2-31. WHITE NOISE ALARM INSTALLATION

ITEM	PART NUMBER	QTY	DESCRIPTION	REV
	1001263174	Ref	WHITE NOISE ALARM INSTALLATION	A
1	0100011	AR	Compound, Locking	
2	0760610	2	Bolt M6 x 20	
3	3290601	2	Nut M6	
4	4811700	4	Washer M6	
5	1001184682	1	Alarm	
6	1001190663	1	Harness, Jumper (Not Shown)	
6	4460891	1	Connector – 2 Position	
6	4460465	2	Socket, Female	
6	4460871	2	Socket, Female	

SECTION 2 - TURNTABLE

FIGURE 2-32. WHITE NOISE AMBIENT ALARM INSTALLATION



ART_1001209617

SECTION 2 - TURNTABLE

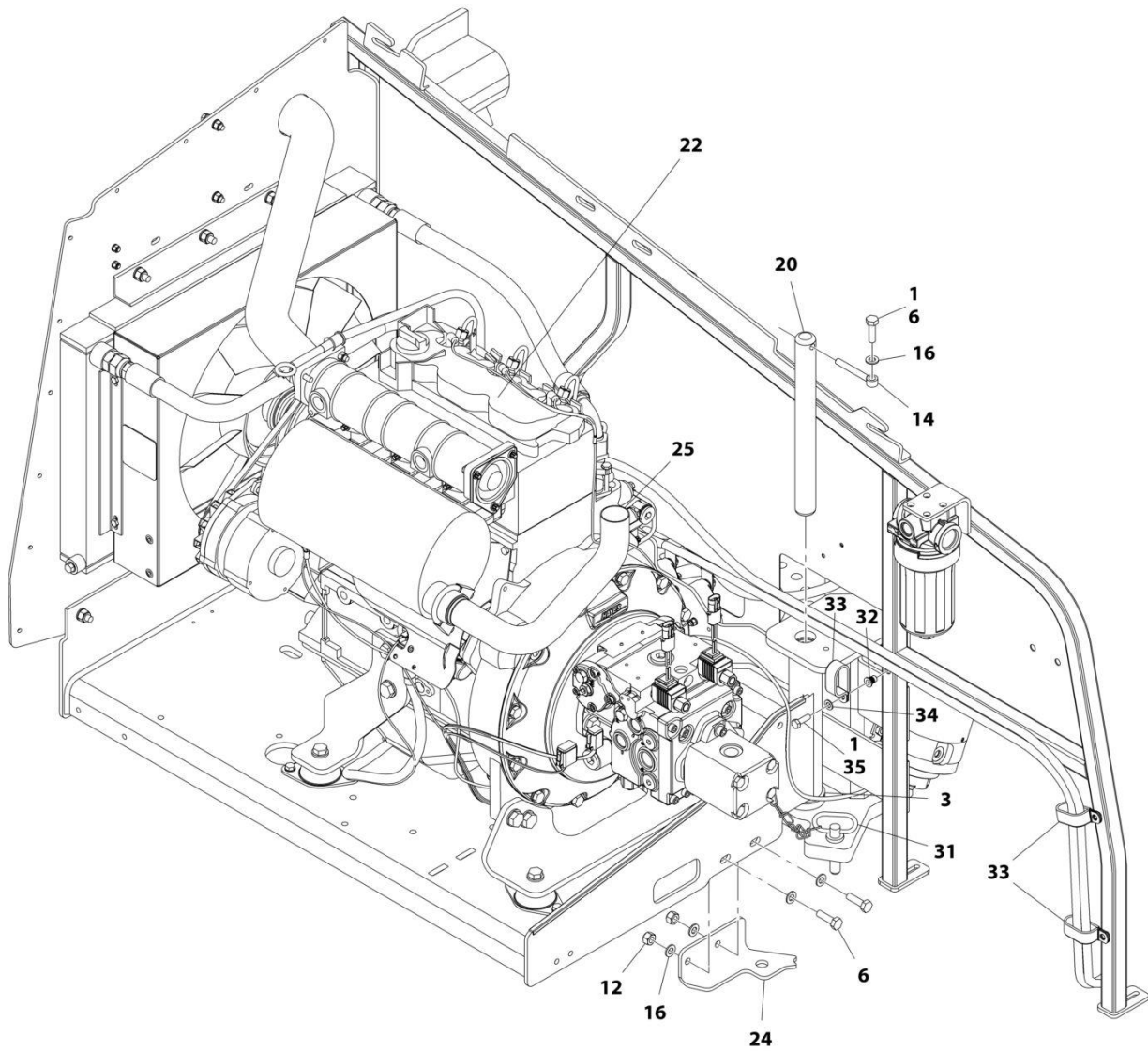
FIGURE 2-32. WHITE NOISE AMBIENT ALARM INSTALLATION

ITEM	PART NUMBER	QTY	DESCRIPTION	REV
	1001209617	Ref	WHITE NOISE AMBIENT ALARM INSTALLATION	C
1	0100011	AR	Compound, Locking	
2	0760610	2	Bolt M6 x 20	
3	3290601	2	Nut M6	
4	4811700	4	Washer M6	
5	1001182806	1	Alarm	
6	1001190663	1	Harness, Jumper (Not Shown)	
6	4460891	1	Connector – 2 Position	
6	4460465	2	Socket, Female	
6	4460871	2	Socket, Female	
7	1001231886	1	Plate	

SECTION 3 - ENGINE

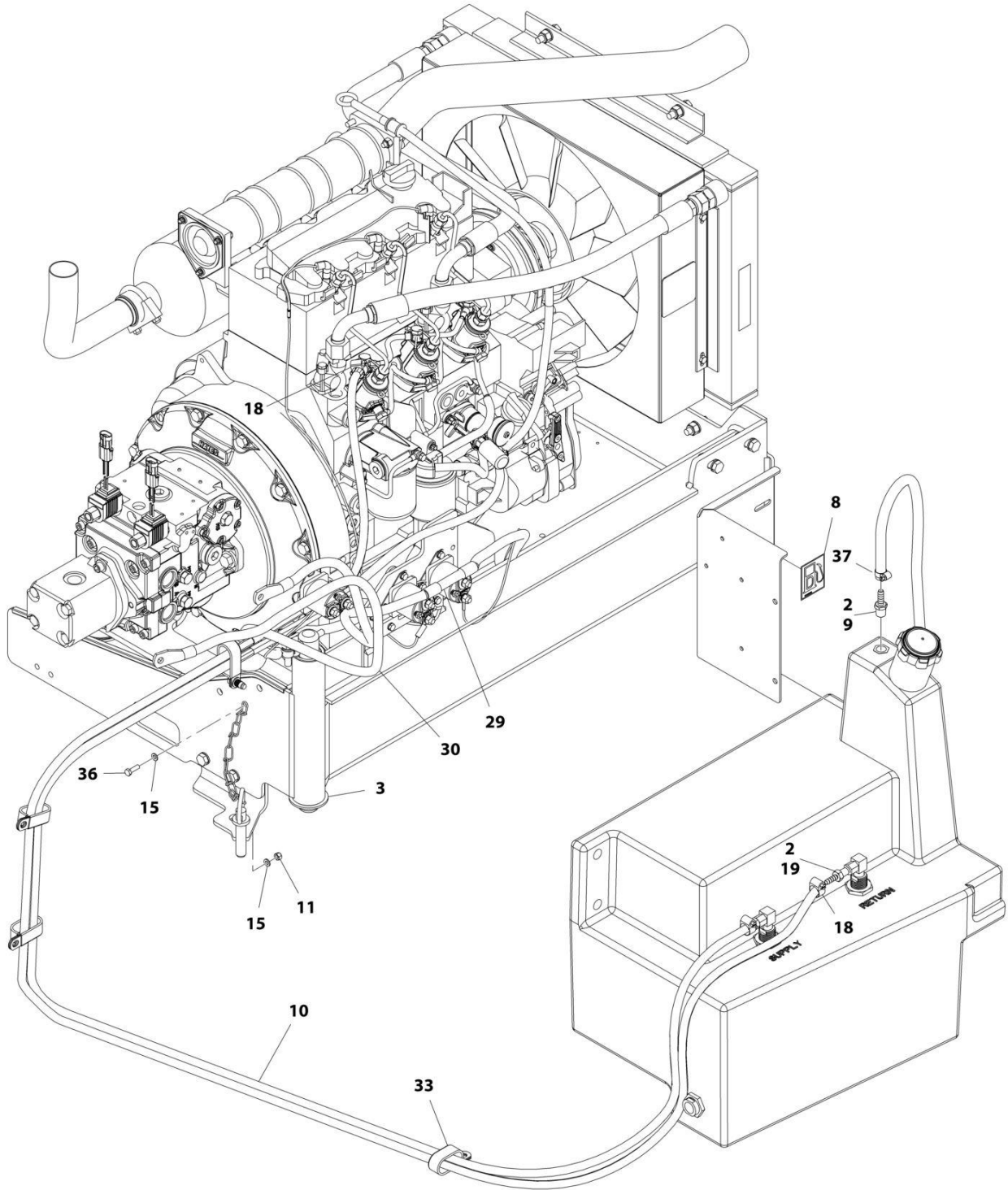
SECTION 3 - ENGINE

FIGURE 3-1. ENGINE INSTALLATION - DEUTZ D2011 ENGINE (WITHOUT ARCTIC PACKAGE) (ANSI EXPORT, AUSTRALIAN, CE (LRC), CHINA, CIS/EAC & UK CA SPECS)



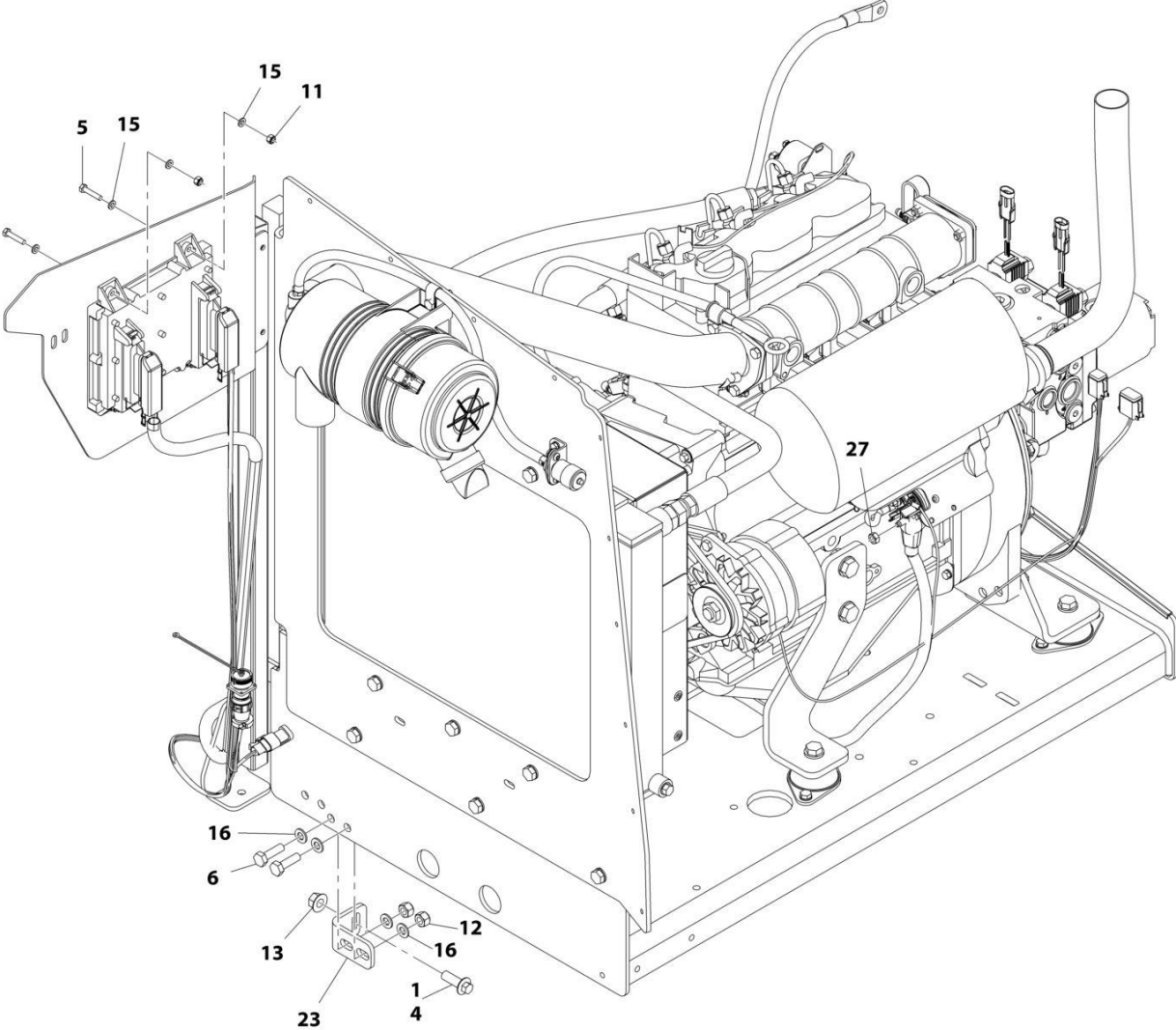
ART_1001166305_1OF3

SECTION 3 - ENGINE



ART_1001166305_20F3

SECTION 3 - ENGINE



ART_1001166305_3OF3

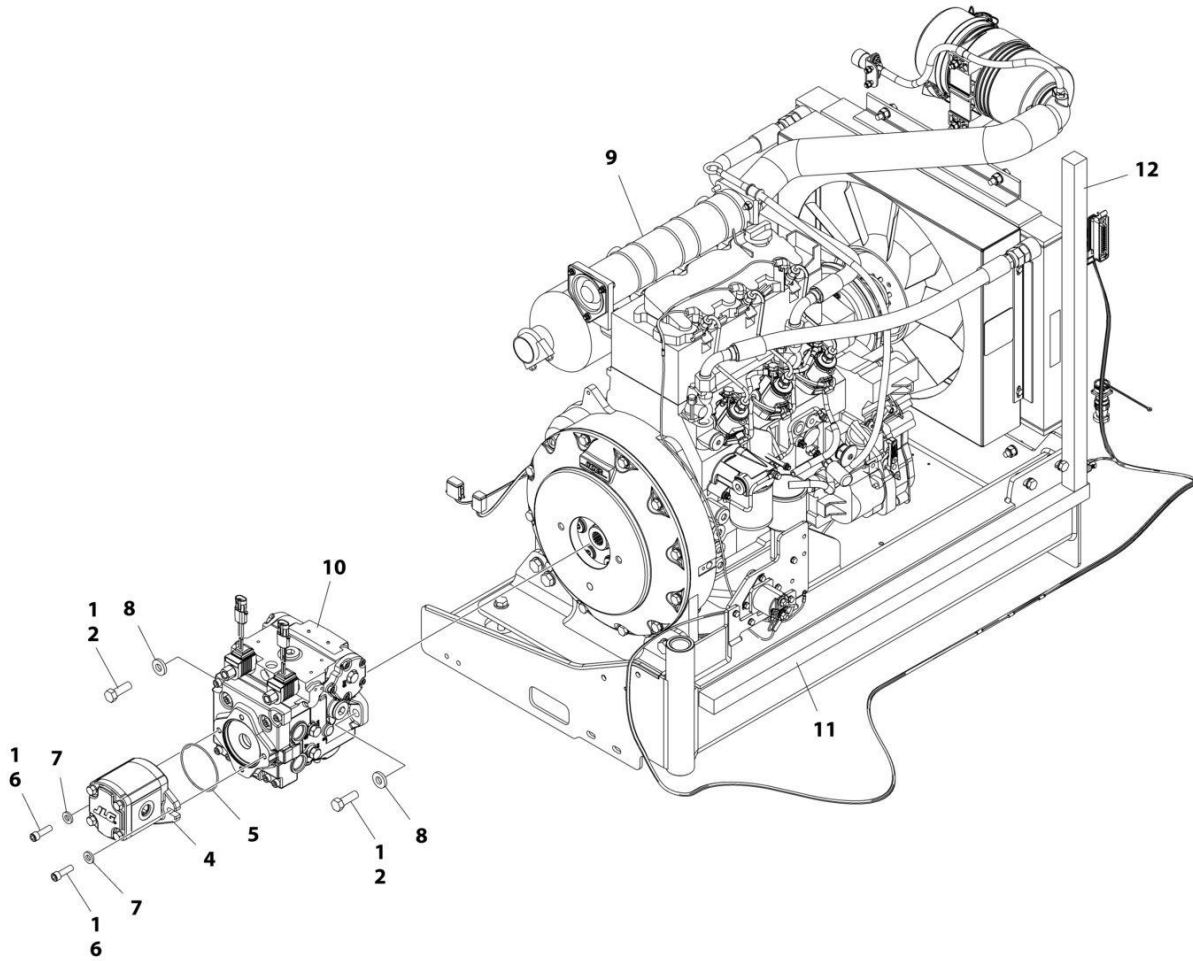
SECTION 3 - ENGINE

FIGURE 3-1. ENGINE INSTALLATION - DEUTZ D2011 ENGINE (WITHOUT ARCTIC PACKAGE) (ANSI EXPORT, AUSTRALIAN, CE (LRC), CHINA, CIS/EAC & UK CA SPECS)

ITEM	PART NUMBER	QTY	DESCRIPTION	REV
	1001166305	Ref	ENGINE INSTALLATION - DEUTZ D2011 ENGINE (WITHOUT ARCTIC PACKAGE)	F
1	0100011	AR	Compound, Locking	
2	0100020	AR	Sealant, Pipe	
3	0440162	1	Bearing	
4	5251215	1	Bolt M12 x 35	
5	0760614	4	Bolt M6 x 30	
6	0761015	5	Bolt M10 x 35	
7	1704972	1	Decal - Warning Explosion/Fire	
8	1701505	1	Decal - Diesel Fuel	
9	2180876	1	Fitting, Barbed	
10	2720058	22 ft /6.7m	Hose	
11	3290605	5	Nut M6	
12	3291005	4	Nut M10	
13	5261200	1	Nut, Flange M12 Grade 10.9	
14	3841143	1	Keeper, Pin	
15	4811700	10	Washer M6	
16	4812000	9	Washer M10	
18	8410013	4	Clamp	
19	2180348	2	Fitting, Barbed	
20	1001135196	1	Pin	
22	1001166021	1	Engine and Pump Sub-Assembly - Deutz D2011 (Without Arctic Package) (See Separate Breakdown in this Section)	
23	1001167512	1	Bracket, Engine	
24	1001169823	1	Bracket, Engine	
25	1001172202	1	Pipe, Exhaust	
27	3290801	1	Nut M8	
29	1001171681	1	Cable, Battery (Red) (Battery Positive to Auxiliary Power Relay)	
30	1001171682	1	Cable, Battery (Black) (Battery Negative to Auxiliary Power Pump)	
31	3422532	1	Pin	
32	1001191832	1	Nut, Rivet, M8	
33	1321716	4	Clamp	
34	4811900	1	Washer M8	
35	0760812	1	Bolt M8 x 25	
36	0760610	1	Bolt M6 x 20	
37	1320022	1	Clamp	

SECTION 3 - ENGINE

**FIGURE 3-2. ENGINE AND PUMP SUB-ASSEMBLY - DEUTZ D2011 (WITHOUT ARCTIC PACKAGE)
(ANSI EXPORT, AUSTRALIAN, CE (LRC), CIS/EAC & UK CA SPECS)**



ART_1001166021_G

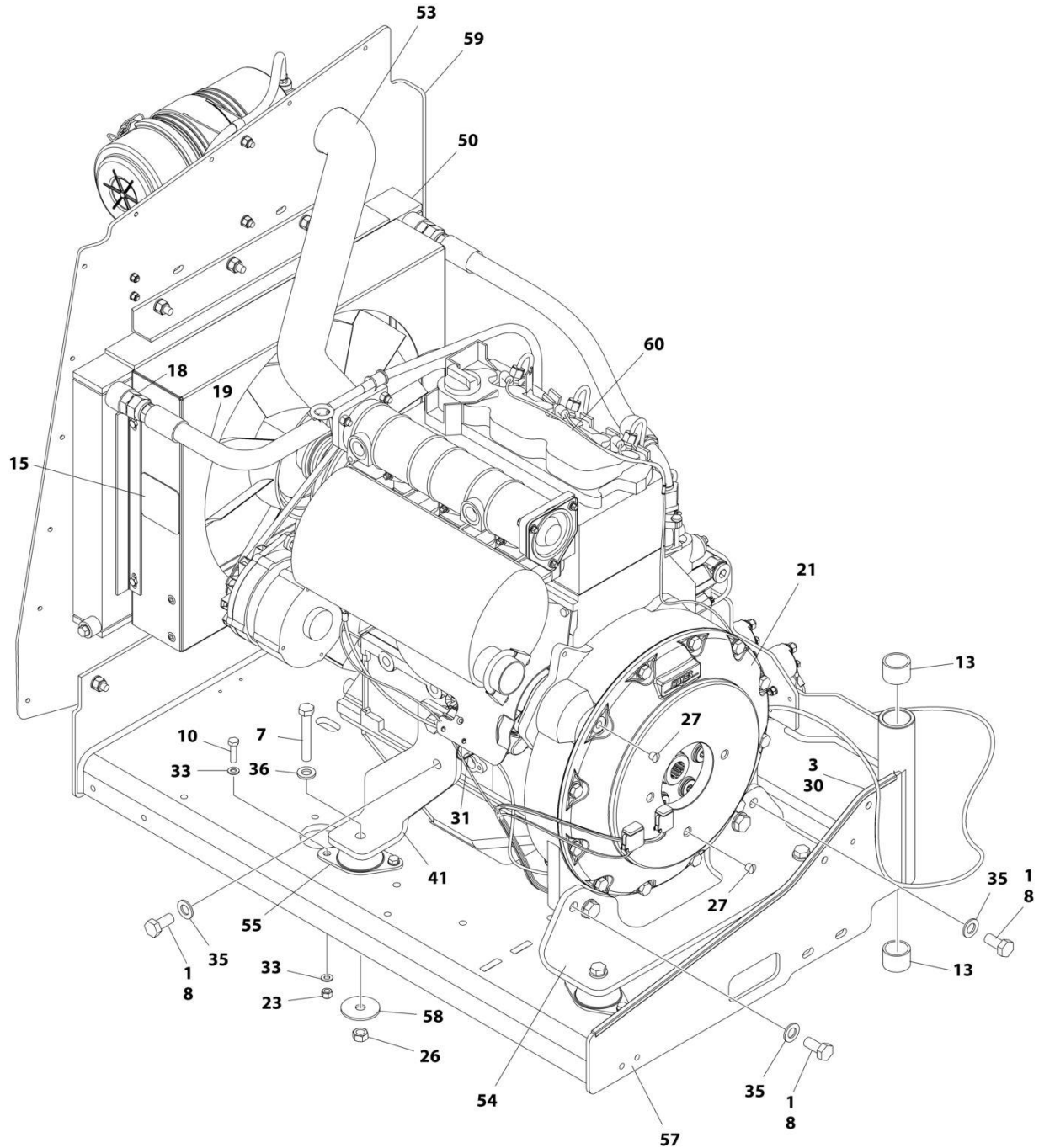
SECTION 3 - ENGINE

**FIGURE 3-2. ENGINE AND PUMP SUB-ASSEMBLY - DEUTZ D2011 (WITHOUT ARCTIC PACKAGE)
(ANSI EXPORT, AUSTRALIAN, CE (LRC), CIS/EAC & UK CA SPECS)**

ITEM	PART NUMBER	QTY	DESCRIPTION	REV
	1001166021	Ref	ENGINE AND PUMP SUB-ASSEMBLY - DEUTZ D2011 (WITHOUT ARCTIC PACKAGE)	G
1	0100011	AR	Compound, Locking	
2	0641812	2	Bolt 1/2 x 1-1/2	
4	1001214207	1	Gear Pump Assembly	
4	70006356	1	Seal Kit	
5	3790152	1	O-Ring	
6	3931618	2	Capscrew 3/8 x 1-1/8	
7	4891600	2	Washer 3/8 Hardened	
8	4891800	2	Washer 1/2 Hardened	
9	1001166020	1	Engine Assembly - Deutz D2011 Engine (Without Arctic Package) (See Separate Breakdown in this Section)	
10	1001167036	1	Piston Pump Assembly (See Separate Breakdown in this Section)	
11	1001171953	1	Seal	
12	1001171954	1	Seal	

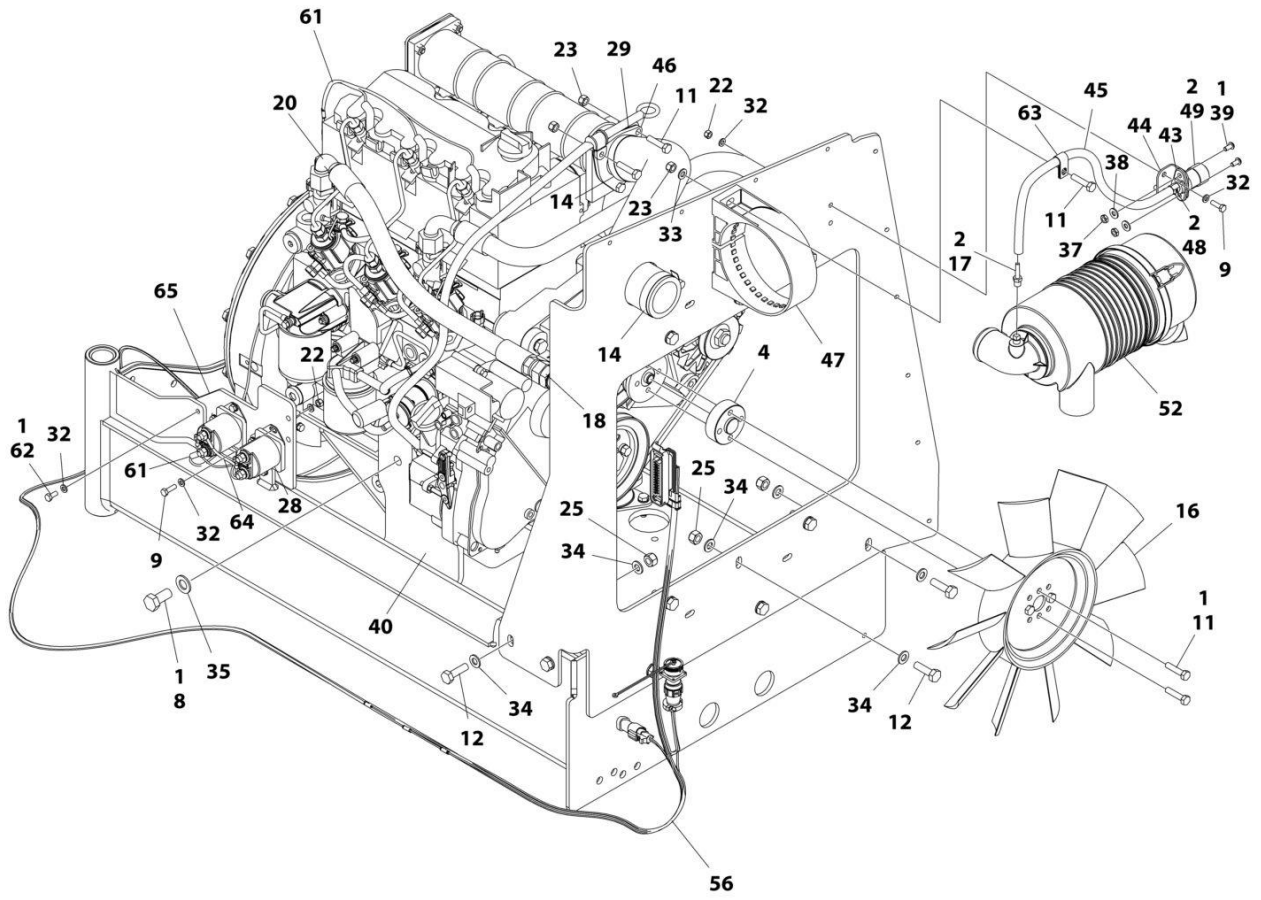
SECTION 3 - ENGINE

FIGURE 3-3. ENGINE ASSEMBLY - DEUTZ D2011 ENGINE (WITHOUT ARCTIC PACKAGE) (ANSI EXPORT, AUSTRALIAN, CE (LRC), CIS/EAC & UK CA SPECS)



ART_1001166020_10F2

SECTION 3 - ENGINE



ART_1001166020_20F2

SECTION 3 - ENGINE

FIGURE 3-3. ENGINE ASSEMBLY - DEUTZ D2011 ENGINE (WITHOUT ARCTIC PACKAGE) (ANSI EXPORT, AUSTRALIAN, CE (LRC), CIS/EAC & UK CA SPECS)

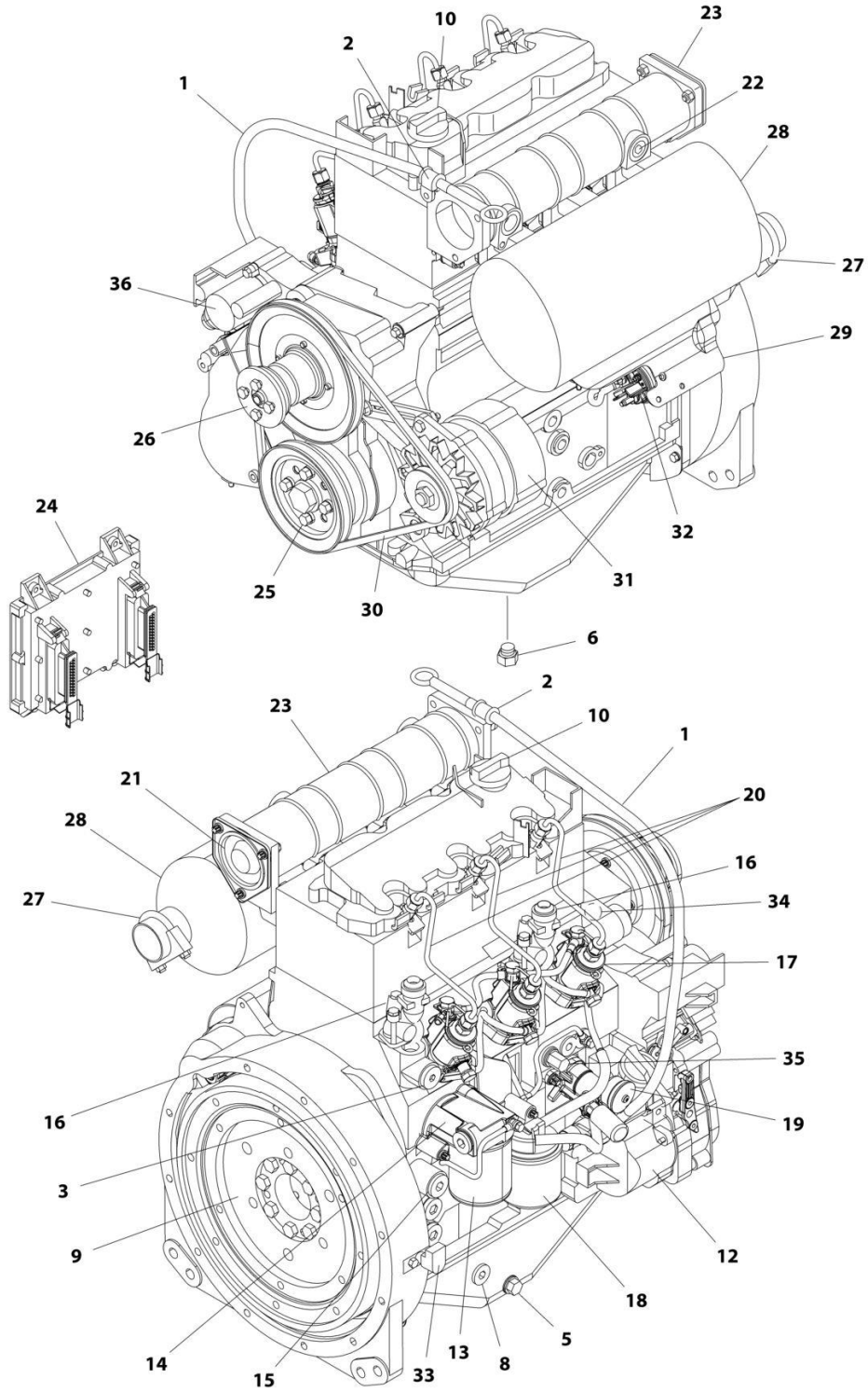
ITEM	PART NUMBER	QTY	DESCRIPTION	REV
	1001166020	Ref	ENGINE ASSEMBLY - DEUTZ D2011 ENGINE (WITHOUT ARCTIC PACKAGE)	O
1	0100011	AR	Compound, Locking	
2	0100020	AR	Sealant, Pipe	
3	0100081	AR	Adhesive	
4	0080231	1	Spacer, Fan	
7	0711224	4	Bolt M12 x 80 Grade 10.9	
8	0771414	8	Bolt M14 x 30 Grade 10.9	
9	0760610	6	Bolt M6 x 20	
10	0760814	8	Bolt M8 x 30	
11	0760815	9	Bolt M8 x 35	
12	0761015	11	Bolt M10 x 35	
13	0961951	2	Bushing	
14	1320016	2	Clamp	
15	1703162	2	Decal - Caution Fan	
16	2060025	1	Fan	
17	2220315	1	Fitting, Barbed	
18	2220451	2	Fitting, Straight JIC/ORB	
19	2720398	1	Hose	
20	2720447	1	Hose	
21	2902065	1	Pump Coupling Kit (See Separate Breakdown in this Section)	
22	3290605	6	Nut M6 x 1	
23	3290805	13	Nut M8 x 1-1/4	
25	3291005	11	Nut M10 x 1-1/2	
26	3331215	4	Nut M12 x 1-3/4	
27	3520054	2	Plug	
28	3740067	2	Relay Assembly	
28	3300220	2	Nut	
28	3321001	1	Nut #10	
28	3740140	1	Relay	
28	4761000	1	Washer #10	
28	1001111424	2	Washer	
29	3960407	1	Gasket	
30	4060805	2.25 ft/ 0.69m	Trim-Flex	
31	4240099	AR	Tie-Strap	
32	4811700	15	Washer M6	
33	4811900	20	Washer M8	
34	4812000	22	Washer M10	
35	4812200	8	Washer M14	
36	5241200	4	Washer M12	
37	8305401	2	Nut, Jam	
38	8307109	2	Washer, .250	
39	8310548	2	Screw 1/4 x 1/2	
40	1001132195	1	Bracket, Engine Mount	
41	1001132196	1	Bracket, Engine Mount	
43	1001138173	1	Support, Service Indicator	
44	1001138175	1	Bracket, Service Indicator	

SECTION 3 - ENGINE

ITEM	PART NUMBER	QTY	DESCRIPTION	REV
45	1001138248	2 ft/ 0.61m	Tube	
46	1001139819	1	Adapter, Air Intake	
47	1001141694	1	Clamp, Air Cleaner	
48	1001141995	1	Fitting, Barbed	
49	1001143390	1	Indicator	
50	1001150998	1	Radiator	
52	1001165388	1	Air Cleaner Assembly	
52	70003783	1	Element, Air Cleaner	
53	1001165389	1	Hose	
54	1001166717	1	Bracket, Engine Mount	
55	1001166718	4	Isolator, Engine Mount	
56	1001167111	1	Harness Engine - Deutz D2011 (See Separate Breakdown in ELECTRICAL SECTION)	
57	1001167520	1	Tray, Engine	
58	1001168018	4	Washer, Snubbing	
59	1001168059	1	Plate, Radiator Mounting	
60	1001170693	1	Engine, Deutz D2011 (See Separate Breakdown in this Section)	
61	4923451	1	Harness, Glow Plugs	
62	0760614	3	Bolt M6 x 30	
63	8406109	1	Clip	
64	1001178859	1	Cable, Alternator	
65	1001214975	1	Bracket	

SECTION 3 - ENGINE

FIGURE 3-4. ENGINE COMPONENTS - DEUTZ D2011



ART_1001170693

SECTION 3 - ENGINE

FIGURE 3-4. ENGINE COMPONENTS - DEUTZ D2011

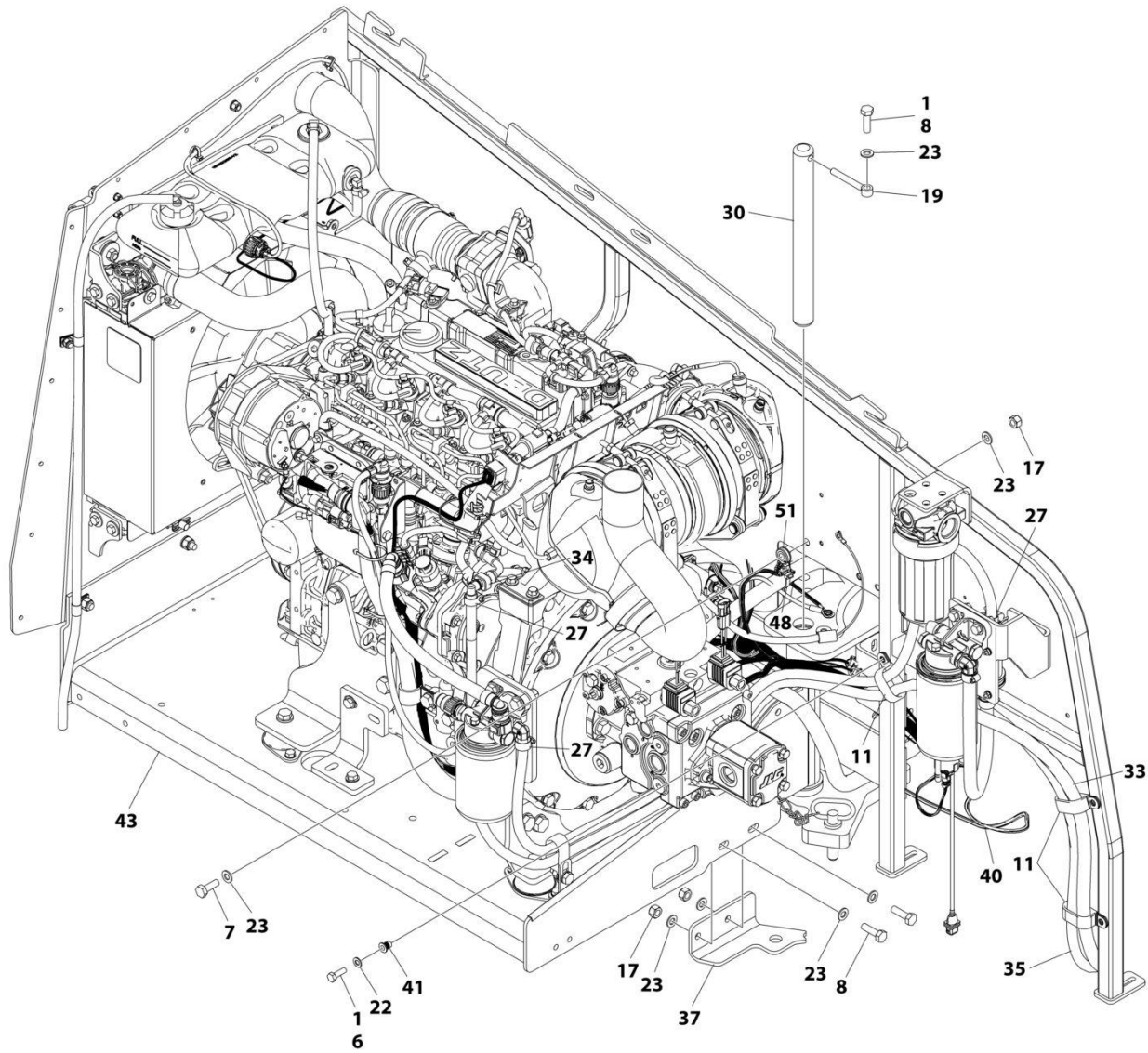
ITEM	PART NUMBER	QTY	DESCRIPTION	REV
	1001170693	Ref	ENGINE COMPONENTS - DEUTZ D2011	C
1	70001002	1	Tube, Dipstick	
1	7020403	1	Seal, Tube	
1	7020026	1	Dipstick	
2	70001654	1	Clamp	
2	70001655	1	Bolt	
3	70003475	1	Thermostat	
3	7020460	1	Spring	
4		Ref	Seal and Gasket Options (Not Shown):	
4	70002718	1	Seal, Rear Main	
4	7020430	1	Gasket, Valve Cover	
4	70003479	1	Gasket, Head - 1 Notch	
4	70003480	1	Gasket, Head - 2 Notch	
4	70003481	1	Gasket, Head - 3 Notch	
5	70025088	1	Plug	
6	70025667	1	Plug	
7	70025123	22	Bolt, Torx (Oil Pan Bolts) (Not Shown)	
8	7020492	1	Seal	
8	70025084	1	Plug	
9	70001870	1	Flywheel	
9	7024579	1	Ring Gear (Part of Flywheel)	
9	70025139	8	Bolt	
10	7020465	1	Cap, Oil Fill	
11	70000800	1	Timing Belt/Idler Kit (Includes Timing Belt, Tensioner and Tensioner Bolt) (Not Shown)	
12	70001850	1	Pump, Lubricating	
12	7020468	1	Seal, Pump to Engine Block (Not Shown)	
13	7016331	1	Filter, Oil	
14	70003472	1	Bracket, Oil Filter (Includes Plug with Seal, Temperature Sensor, Control Valve and Compression Spring)	
14	7027236	1	Sensor, Temperature	
14	70025082	1	Seal, Plug	
14	70025091	1	Plug	
14	70003473	1	Gasket, Bracket to Engine Block (Not Shown)	
15	70001181	1	Valve	
15	70025091	1	Plug	
15	70025082	1	Seal, Plug	
16	70004268	2	Connector, Radiator Neck	
16	70004269	2	Seal, Radiator Neck to Engine Block	
17	70000912	3	Pump, Fuel Injector - A Spec	
17	70000913	3	Pump, Fuel Injector - B Spec	
17	70000914	3	Pump, Fuel Injector - C Spec	
17	70000915	3	Pump, Fuel Injector - D Spec	
17	70003464	3	O-Ring, Pump to Engine Block	
18	7020023	1	Filter, Fuel	
18	70003463	1	Filter, Fuel - RME Resistant	
18	70001423	1	Bracket, Fuel Filter	
19	70000916	1	Pump Fuel Supply	
19	70000917	1	O-Seal Between Fuel Pump and Engine Block	
19	70000918	1	Sealing Ring Between Hand Pump and Supply Pump	

SECTION 3 - ENGINE

ITEM	PART NUMBER	QTY	DESCRIPTION	REV
19	70000919	1	Pump, Hand	
19	70001435	1	Repair Kit	
19	70025694	2	Bolt, Torx	
20	70000931	3	Pipe, High Pressure	
21	70003469	1	Flange, Intake	
21	70003468	1	Seal	
22	70025084	1	Plug	
22	7020492	1	Seal, Plug	
23	7027903	1	Manifold, Air Intake	
23	70001871	3	Gasket Between Manifold and Engine Block	
24	See Note	1	Module, Engine Control (Note: Not Currently Available)	
24	7027796	1	Cable, Electrical Between Module and Engine Harness (Not Shown)	
24	70001872	1	Harness, Engine (Connects to p/n 70004060) (Not Shown)	
24	70004060	1	Plug, Connector Located on Cable Near Module (Not Shown)	
24	70004059	1	Plug, Analyzer (Not Shown)	
25	70025123	4	Bolt, Torx	
26	70000787	1	Support, Fan (Includes Support, Internal Shaft, Bearings and Circlip)	
27	70001844	1	Clamp	
28	See Note	1	Muffler (Note: See Separate Breakdown in this Section)	
28	7020471	3	Gasket, Exhaust Between Muffler and Engine Block	
28	70004270	6	Stud, Muffler	
29	70001498	1	Shield, Starter	
29	70025693	3	Bolt	
30	70004102	1	V-Belt	
31	70004056	1	Alternator (Includes Voltage Regulator and Gaskets, Fan and Fan Mounting Hardware)	
31	70001868	1	Regulator, Voltage	
31	70001866	1	Gasket Set, Voltage Regulator	
31	70025131	1	Fan	
31	70025086	1	Nut, Fan	
31	70000851	1	Bracket, Alternator Mounting	
31	70002234	1	Bracket, Alternator Adjustment	
31	70004103	1	Harness, Alternator (Not Shown)	
32	7020479	1	Starter	
32	70025121	2	Bolt, Starter Mounting	
32	70004058	1	Relay	
32	70004062	1	Harness, Starter (Not Shown)	
33	7024565	1	Sensor, Speed	
33	70003931	1	Bolt	
33	70003932	1	Spacer, Sleeve	
34	7027791	1	Sensor, Temperature	
35	7027790	1	Sensor, Oil Pressure	
36	7027792	1	Actuator	
37	70000345	3	Plug, Glow (Not Shown)	

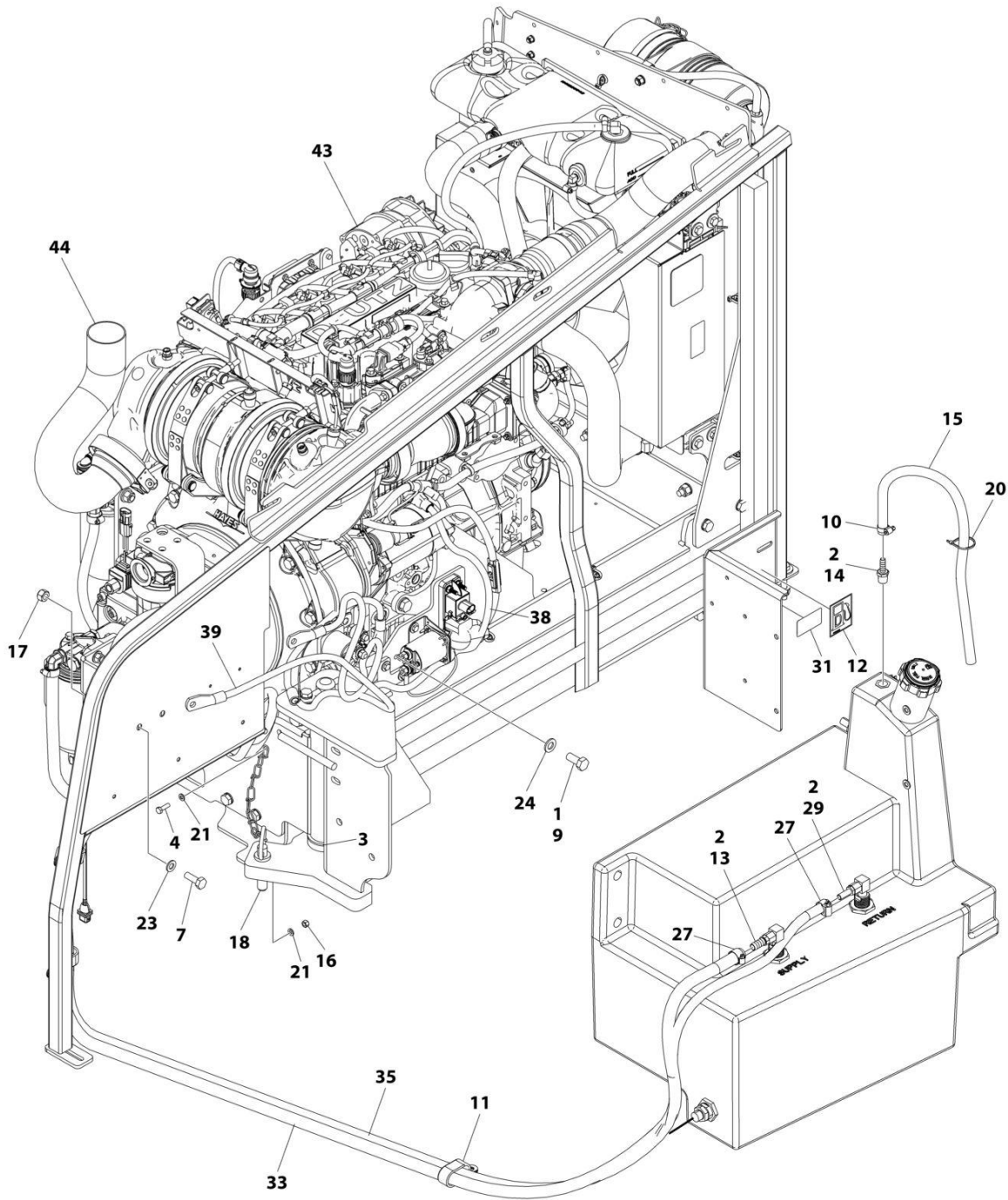
SECTION 3 - ENGINE

FIGURE 3-5. ENGINE INSTALLATION - DEUTZ D2.9L4 ENGINE (STAGE V) (CE & UK CA SPECS)



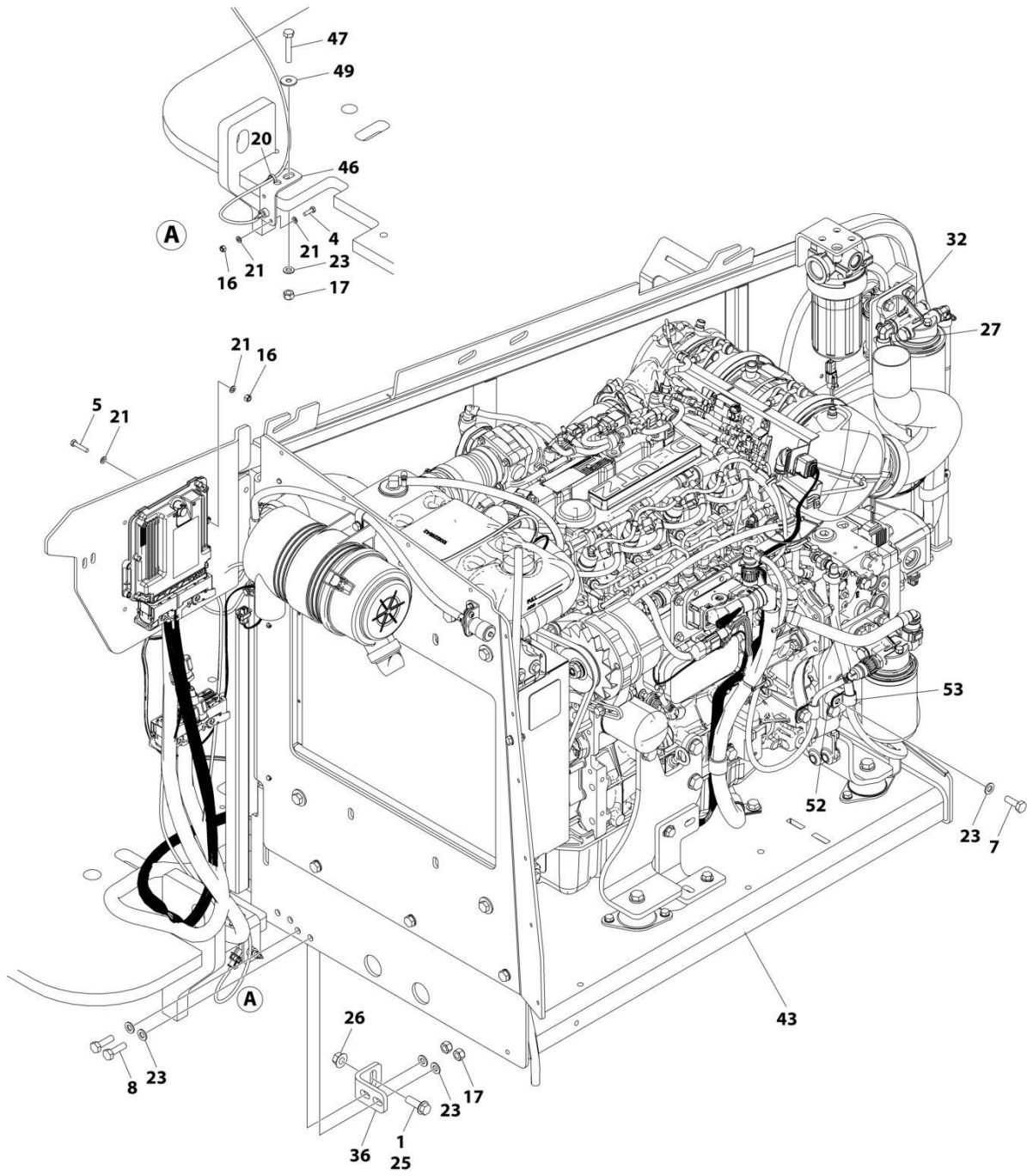
ART_1001244287_10F3

SECTION 3 - ENGINE



ART_1001244287_2OF3

SECTION 3 - ENGINE



ART_1001244287_3OF3

SECTION 3 - ENGINE

FIGURE 3-5. ENGINE INSTALLATION - DEUTZ D2.9L4 ENGINE (STAGE V) (CE & UK CA SPECS)

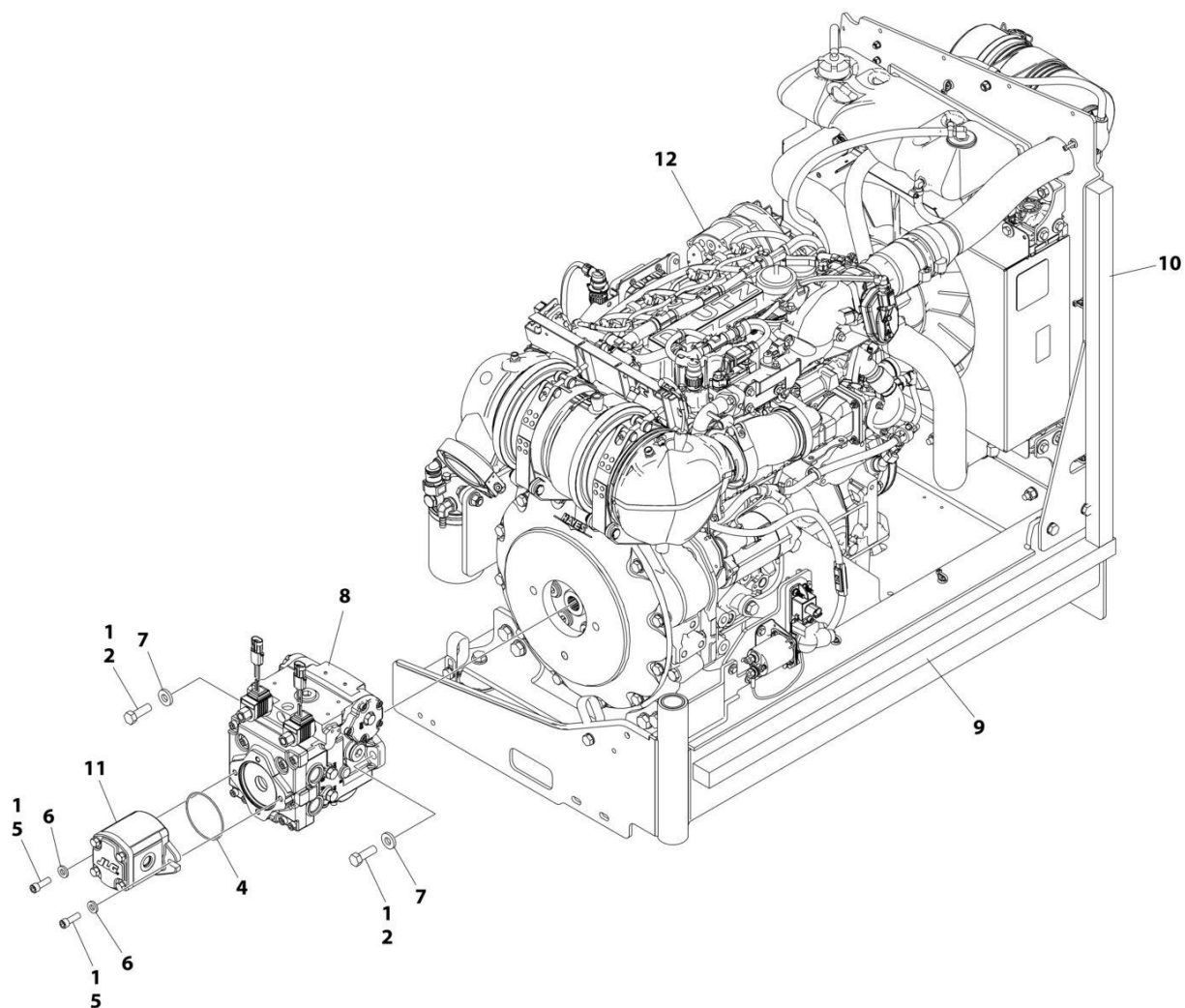
ITEM	PART NUMBER	QTY	DESCRIPTION	REV
	1001244287	Ref	ENGINE INSTALLATION - DEUTZ D2.9L4 ENGINE (STAGE V)	G
1	0100011	AR	Compound, Locking	
2	0100020	AR	Sealant, Pipe	
3	0440162	1	Bearing	
4	0760610	2	Bolt M6 x 20	
5	0760614	4	Bolt M6 x 30	
6	0760812	1	Bolt M8 x 25	
7	0761014	4	Bolt M10 x 30	
8	0761015	5	Bolt M10 x 35	
9	0771212	1	Bolt M12 x 25 Class 10.9	
10	1320022	1	Clamp	
11	1321716	4	Clamp	
12	1701505	1	Decal - Diesel Fuel	
13	2180832	1	Fitting, Barbed	
14	2180876	1	Fitting, Barbed	
15	2720058	2 ft /0.6m	Hose	
16	3290605	6	Nut, Lock M6	
17	3291005	8	Nut, Lock M10	
18	3422532	1	Pin	
19	3841143	1	Keeper, Pin	
20	4240099	AR	Tie-Strap	
21	4811700	12	Washer M6	
22	4811900	1	Washer M8	
23	4812000	15	Washer M10	
24	4812100	1	Washer M12	
25	5251215	1	Bolt M12 x 35	
26	5261200	1	Nut, Flange M12 Grade 10.9	
27	8405006	6	Clamp	
29	2220767	AR	Fitting, Barbed 90	
29	8430007	AR	Fitting, Barbed	
30	1001135196	1	Pin	
31	1001139654	1	Decal - Ultra Low Sulfur Diesel	
32	1001142501	1	Fitting, Barbed 90	
33	1001154405	7.25 ft /2.21m	Hose	
34	1001155823	1	Coupling, Quick Disconnect 90	
35	1001165035	17.25 ft /5.26m	Hose	
36	1001167512	1	Bracket	
37	1001169823	1	Plate, Engine Lock	
38	1001171683	1	Cable, Battery (Red) (Battery Positive to Auxiliary Power Relay)	
39	1001171684	1	Cable, Battery (Black) (Battery Negative to Auxiliary Power Pump)	
40	1001181358	1	Harness, Fuel Pump (See Separate Breakdown in ELECTRICAL SECTION)	
41	1001191832	1	Nut, Rivet M8	
43	1001244285	1	Engine and Pump Sub-Assembly - Deutz D2.9L4 (Without Arctic Package) (See Separate Breakdown in this Section)	
44	1001247440	1	Pipe, Exhaust	
46	1001256879	1	Bracket	
47	0701020	1	Bolt M10 x 60	

SECTION 3 - ENGINE

ITEM	PART NUMBER	QTY	DESCRIPTION	REV
48	1062255	1	Tie-Strap	
49	4812002	1	Washer M10	
51	1001156107	1	Holder	
52	1001220266	1	Spacer	
53	1320061	1	Clamp	

SECTION 3 - ENGINE

FIGURE 3-6. ENGINE AND PUMP SUB-ASSEMBLY - DEUTZ D2.9L4 ENGINE (STAGE V) (CE & UK CA SPECS)



ART_1001244285

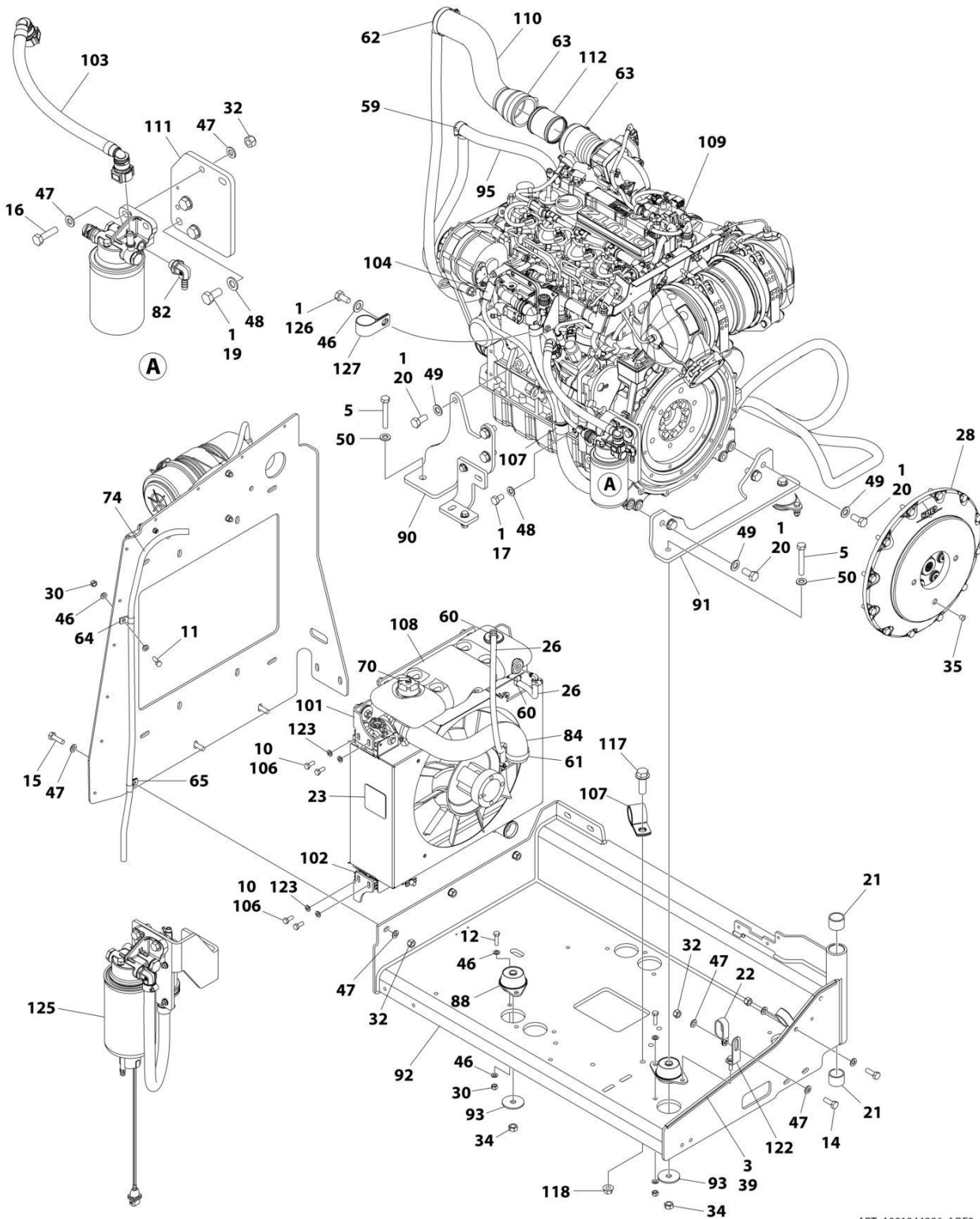
SECTION 3 - ENGINE

FIGURE 3-6. ENGINE AND PUMP SUB-ASSEMBLY - DEUTZ D2.9L4 ENGINE (STAGE V) (CE & UK CA SPECS)

ITEM	PART NUMBER	QTY	DESCRIPTION	REV
	1001244285	Ref	ENGINE AND PUMP SUB-ASSEMBLY - DEUTZ (STAGE V) ENGINE	E
1	0100011	AR	Compound, Locking	
2	0641812	2	Bolt 1/2 x 1-1/2	
4	3790152	1	O-Ring	
5	3931618	2	Capscrew, 3/8 x 1-1/8	
6	4891600	2	Washer, 3/8 Hardened	
7	4891800	2	Washer 1/2 Hardened	
8	1001167036	1	Piston Pump Assembly (See Separate Breakdown in this Section)	
9	1001171953	1	Seal	
10	1001171954	1	Seal	
11	1001214207	1	Gear Pump Assembly	
11	70006356	1	Seal Kit - 1001214207 Pump	
12	1001244286	1	Engine Assembly, Deutz (Stage V) Engine (See Separate Breakdown in this Section)	

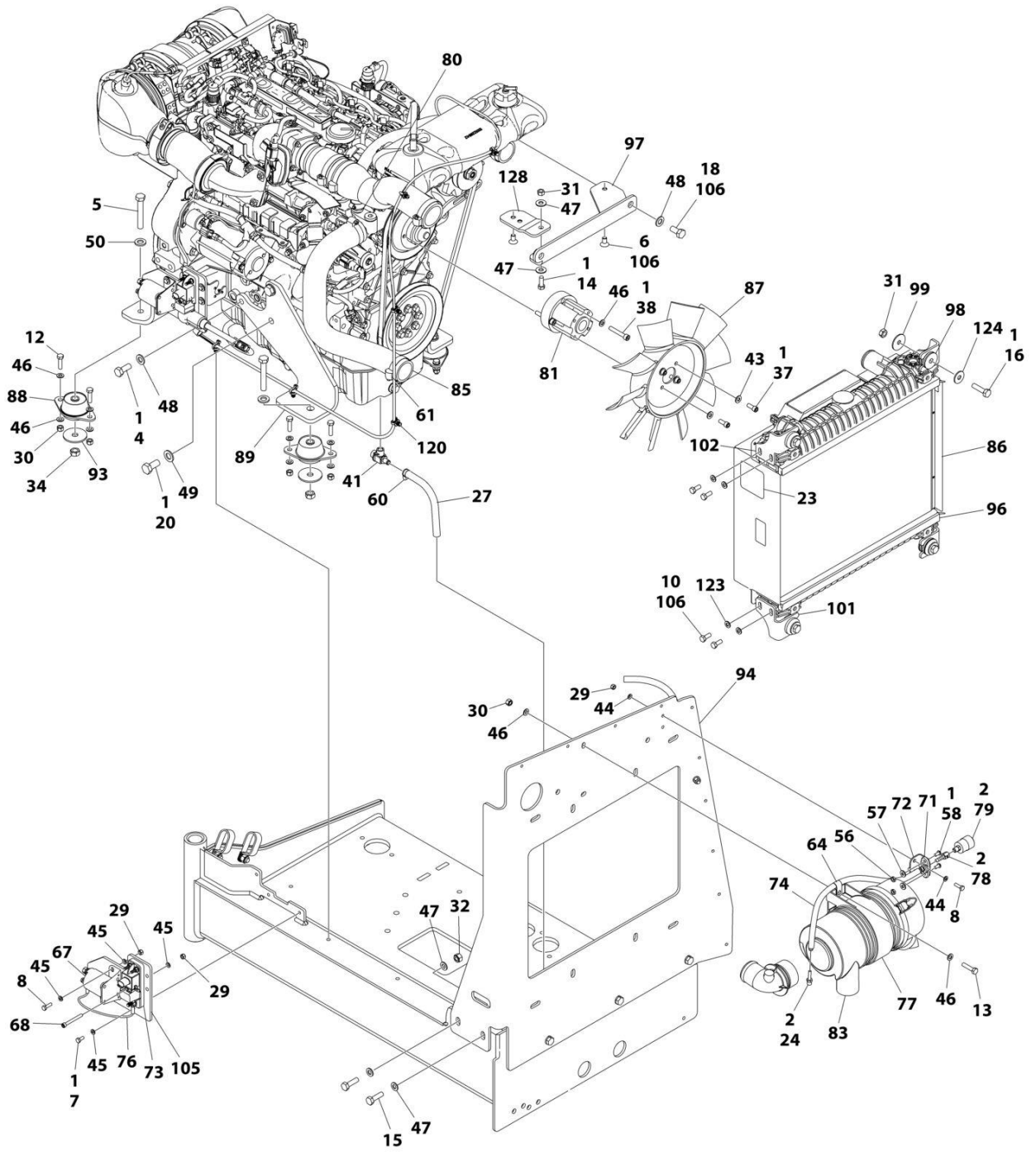
SECTION 3 - ENGINE

FIGURE 3-7. ENGINE ASSEMBLY – DEUTZ D2.9L4 ENGINE (STAGE V) (CE & UK CA SPECS)



ART_1001244286_10F2

SECTION 3 - ENGINE



ART_1001244286_2OF2

SECTION 3 - ENGINE

FIGURE 3-7. ENGINE ASSEMBLY – DEUTZ D2.9L4 ENGINE (STAGE V) (CE & UK CA SPECS)

ITEM	PART NUMBER	QTY	DESCRIPTION	REV
	1001244286	Ref	ENGINE ASSEMBLY, DEUTZ (STAGE V) ENGINE	K
1	0100011	AR	Compound, Locking	
2	0100020	AR	Sealant, Pipe	
3	0100081	AR	Adhesive	
4	0711214	1	Bolt M12 x 30	
5	0711224	AR	Bolt M12 x 80	
6	0741606	2	Screw 3/8 x 3/4	
7	0760607	3	Bolt M6 x 14	
8	0760610	4	Bolt M6 x 20	
10	0760810	8	Bolt M8 x 20	
11	0760812	1	Bolt M8 x 25	
12	0760814	AR	Bolt M8 x 30	
13	0760815	2	Bolt M8 x 35	
14	0761014	3	Bolt M10 x 30	
15	0761015	5	Bolt M8 x 35	
16	0761016	6	Bolt M10 x 40	
17	0761210	1	Bolt M12 x 20	
18	0761212	2	Bolt M12 x 25	
19	0771212	3	Bolt M12 x 25	
20	0771414	9	Bolt M14 x 30	
21	0961951	2	Bushing	
22	1321716	2	Clamp	
23	1703162	2	Decal - Caution Fan	
24	2220315	1	Fitting, Barbed	
26	2720015	1.94 ft /0.59m	Hose	
27	2720340	0.66 ft/ 0.20m	Hose	
28	2902065	1	Pump Coupling Kit (See Separate Breakdown in this Section)	
29	3290605	5	Nut M6	
30	3290805	AR	Nut M8	
31	3291001	5	Nut M10	
32	3291005	9	Nut M10	
34	3331215	4	Nut M12 x 1.75	
35	3520054	1	Plug	
37	3931512	4	Capscrew, 5/16 x 3/4	
38	4031914	4	Bolt M8 x 50	
39	4060805	2.03 ft /0.62m	Flex-Trim	
40	4240099	AR	Tie-Strap (Not Shown)	
41	4640751	1	Valve, Oil Drain	
43	4711500	4	Washer 5/16	
44	4811700	4	Washer M6	
45	4811702	8	Washer M6	
46	4811900	AR	Washer M8	
47	4812000	20	Washer M10	
48	4812100	7	Washer M12	
49	4812200	AR	Washer M14	
50	5241200	AR	Washer M12	
56	8305401	2	Nut Jam	

SECTION 3 - ENGINE

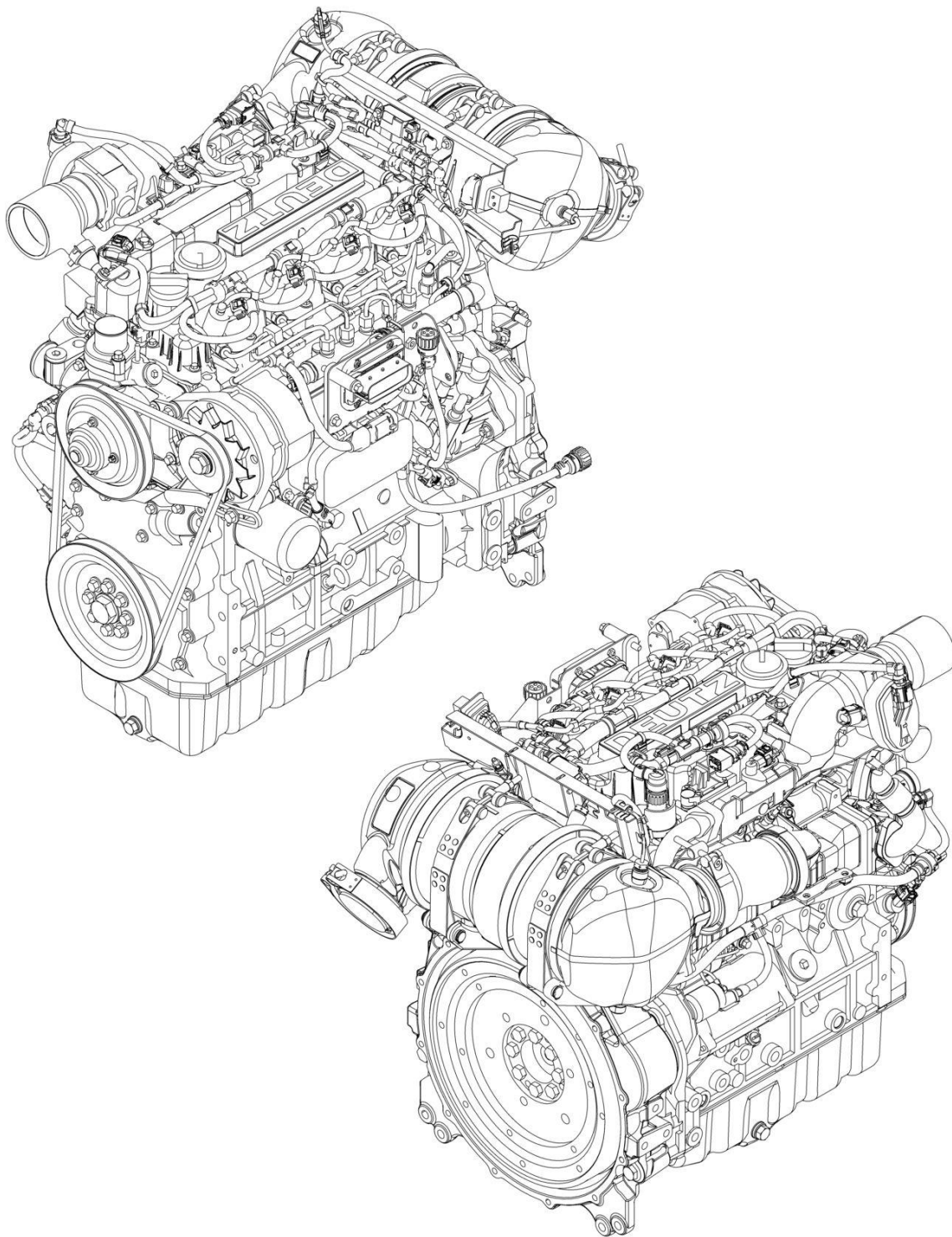
ITEM	PART NUMBER	QTY	DESCRIPTION	REV
57	8307109	2	Washer 1/4	
58	8310548	2	Screw 1/4 x 1/2	
59	8405007	2	Clamp	
60	8405009	5	Clamp	
61	8405104	4	Clamp	
62	8405202	1	Clamp	
63	8405204	2	Clamp	
64	8406109	2	Clip	
65	8406110	1	Clip	
67	1001117308	1	Relay, 200Amp	
68	1001118878	1	Bolt M6 x 55	
70	1001136834	1	Cap, Tank	
71	1001138173	1	Support, Service Indicator	
72	1001138175	1	Bracket, Service Indicator	
73	1001138228	1	Relay, Power Module	
74	1001138248	5.09 ft /1.55m	Tube	
76	1001141304	1	Harness, Glow Plug	
77	1001141694	1	Clamp, Air Cleaner	
78	1001141995	1	Fitting, Barbed	
79	1001143390	1	Indicator	
80	1001143797	1	Fitting, Barbed	
81	1001144116	1	Spacer, Fan	
82	1001152489	1	Fitting, Barbed 90	
83	1001165388	1	Air Cleaner Assembly	
83	70003783	1	Element, Air Cleaner	
84	1001165405	1	Hose, Upper Radiator	
85	1001165406	1	Hose, Lower Radiator	
86	1001165722	1	Radiator	
87	1001165849	1	Fan	
88	1001166718	AR	Mount, Motor	
89	1001166921	1	Plate, Engine Mount	
90	1001166922	1	Plate, Engine Mount (Prior to PVC2107)	
91	1001166924	1	Plate, Engine Mount	
92	1001167520	1	Tray, Engine	
93	1001168018	AR	Washer, Special	
94	1001168026	1	Plate, Radiator Mounting	
95	1001168099	1	Hose	
96	1001168166	2	Seal	
97	1001260420	1	Bracket (note: may require P/N 1001260412)	
98	1001169054	4	Isolator	
99	1001169138	4	Washer, Snubbing	
101	1001169967	2	Bracket	
102	1001170035	2	Bracket	
103	1001177359	1	Hose	
104	1001178788	1	Cable, Alternator	
105	1001179903	1	Bracket	
106	1001180620	AR	Adhesive	
107	1001191620	2	Clamp	
108	1001230635	1	Tank, Surge (Includes Items 62, 70, & 73)	
109	1001232545	1	Engine, Deutz 2.9L4 (Stage V) (See Separate Breakdown in this Section)	

SECTION 3 - ENGINE

ITEM	PART NUMBER	QTY	DESCRIPTION	REV
110	1001236780	1	Hose, Air Intake	
111	1001258804	1	Mount, Fuel Filter	
112	1001238911	1	Pipe, Air Intake	
113	1001245839	1	Harness, Engine (Not Shown - See Separate Breakdown in ELECTRICAL Section)	
117	5251215	1	Bolt M12 x 35	
118	5261200	1	Nut, Flange M12 Class10	
120	1001146588	AR	Tie-Strap (Not Shown)	
122	1001223122	1	Support	
123	4811902	8	Washer M8	
124	4812002	4	Washer M10	
125	1001235949	1	Bracket (See Separate Breakdown in this Section)	
126	0760808	1	Bolt M8 x 16	
127	8406201	1	Clip	
128	1001260412	1	Bracket	

SECTION 3 - ENGINE

FIGURE 3-8. ENGINE COMPONENTS - DEUTZ D2.9L4 ENGINE (STAGE V) (CE & UK CA SPECS)



ART_1001232545

SECTION 3 - ENGINE

FIGURE 3-8. ENGINE COMPONENTS - DEUTZ D2.9L4 ENGINE (STAGE V) (CE & UK CA SPECS)

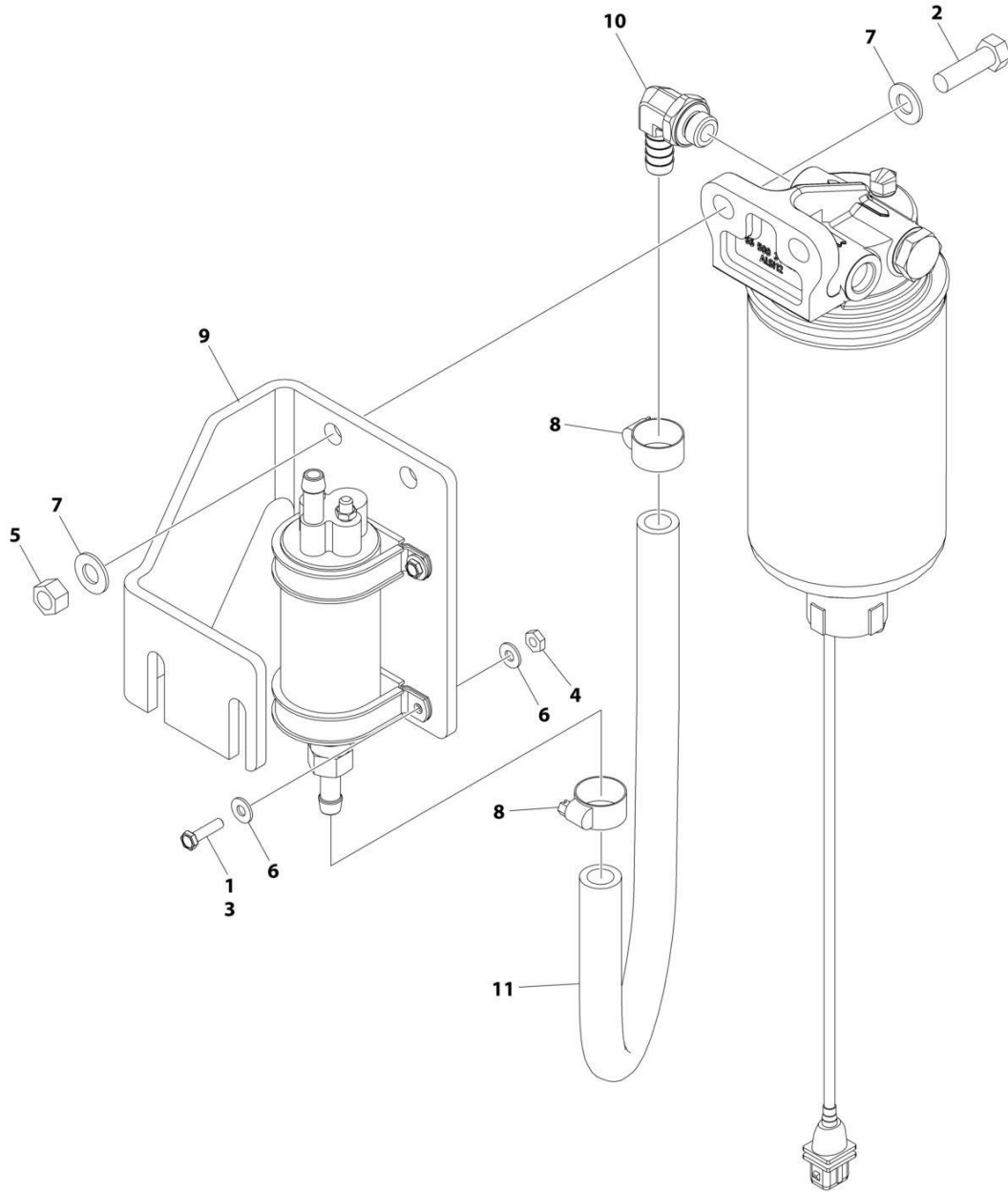
ITEM	PART NUMBER	QTY	DESCRIPTION	REV
	1001232545	Ref	DEUTZ ENGINE COMPONENTS	H
		Ref	Note: For complete list of parts, contact JLG Parts Department	
		Ref	Air Intake System Components	
		Ref	Charge Air Pipe	
	70025168	1	Intake Pipe	
		Ref	Mixing Tube	
		Ref	Throttle Valve	
		Ref	Cooling System Components	
	70029797	1	Pump, Coolant (Includes Gasket & Seals)	
	70007603	1	Thermostat	
	70005184	1	O-Ring	
	70005931	1	Gasket	
	70025142	1	Cover	
		Ref	Electrical System Components	
	70029512	1	Module, ECU/ECM	
	70007784	1	Alternator	
	70031143	1	Module, Alternator Control	
	70029015	1	Fan, Alternator	
	70029402	1	Nut, Alternator Fan	
	70029403	1	Nut, Alternator Power Stud	
	70029404	1	Washer, Alternator Power Stud Spring	
	70031144	1	Starter (Includes Solenoid)	
	70025099	1	Bolt, Starter Mounting	
	70026210	1	Sender, Tacho-Generator (Speed) (On Rear of Block) (Includes Seal)	
	70024916	1	Sender, Tacho-Generator (Speed) (On Cover) (Includes Seal)	
	70024918	1	Sender, Temperature (Includes Seal) (On Air Intake Manifold)	
		Ref	Sensor, Pressure (Includes Seal) (On Air Intake Manifold)	
	70024504	1	Sensor, Pressure (Includes Seal) (On Fuel Filter & Side of Block)	
	70005504	1	Sensor, Pressure (Includes Seal) (On Exhaust Manifold)	
	70027405	1	Sensor, Temperature (Includes Seal) (On Exhaust Manifold)	
	70000345	4	Plug, Glow	
		Ref	Exhaust System Components	
		Ref	Valve, EGR	
	70025130	8	Bolt, Exhaust Manifold	
	70025164	1	Gasket, Exhaust Manifold	
		Ref	Outlet, Muffler	
		Ref	Muffler	
		Ref	Bracket, Muffler Mounting	
	70004504	1	Compensator, Exhaust	
		Ref	Fuel System Components	
		Ref	Pump, High Pressure	
	70004281	1	Injector (Includes Sealing washer, Clamp & O-Ring)	
	70006144	1	Pump, Fuel Supply (Includes Clamps)	
	70024961	1	Filter, Fuel (Pre-Filter Assembly) (Includes Head, Spin on filter, Sensor Cable & Seal)	
	70025153	1	Filter, Fuel Spin On	
	70024513	1	Sensor Cable (Includes Seal)	
	70025160	1	Filter, Fuel (Assembly) (Includes Head & Spin on Filter)	
	70025161	1	Filter, Fuel Spin On	

SECTION 3 - ENGINE

ITEM	PART NUMBER	QTY	DESCRIPTION	REV
	70004508	1	Vol. Control Valve (Includes O-Ring & Gasket)	
		Ref	Lubricating System Components	
	7020465	2	Cap, Oil Fill	
	70005941	2	Plug, Oil Drain	
	70005942	2	Seal, Oil Drain Plug	
	70005172	1	Pump, Oil (Includes Seal & Gasket)	
	7016331	1	Filter, Oil	
	70024494	1	Cooler, Oil	
	70024925	1	Gasket, Oil Cooler	
	70024904	1	Dipstick (Includes Seal)	
		Ref	Mechanical Components	
	70001870	1	Flywheel (includes Gear)	
	70024913	1	V-Belt	
		Ref	Gasket Set - Complete	

SECTION 3 - ENGINE

FIGURE 3-9. BRACKET ASSEMBLY - FUEL PUMP AND FILTER (DEUTZ D2.9L4 ENGINE) (STAGE V)



ART_1001235949

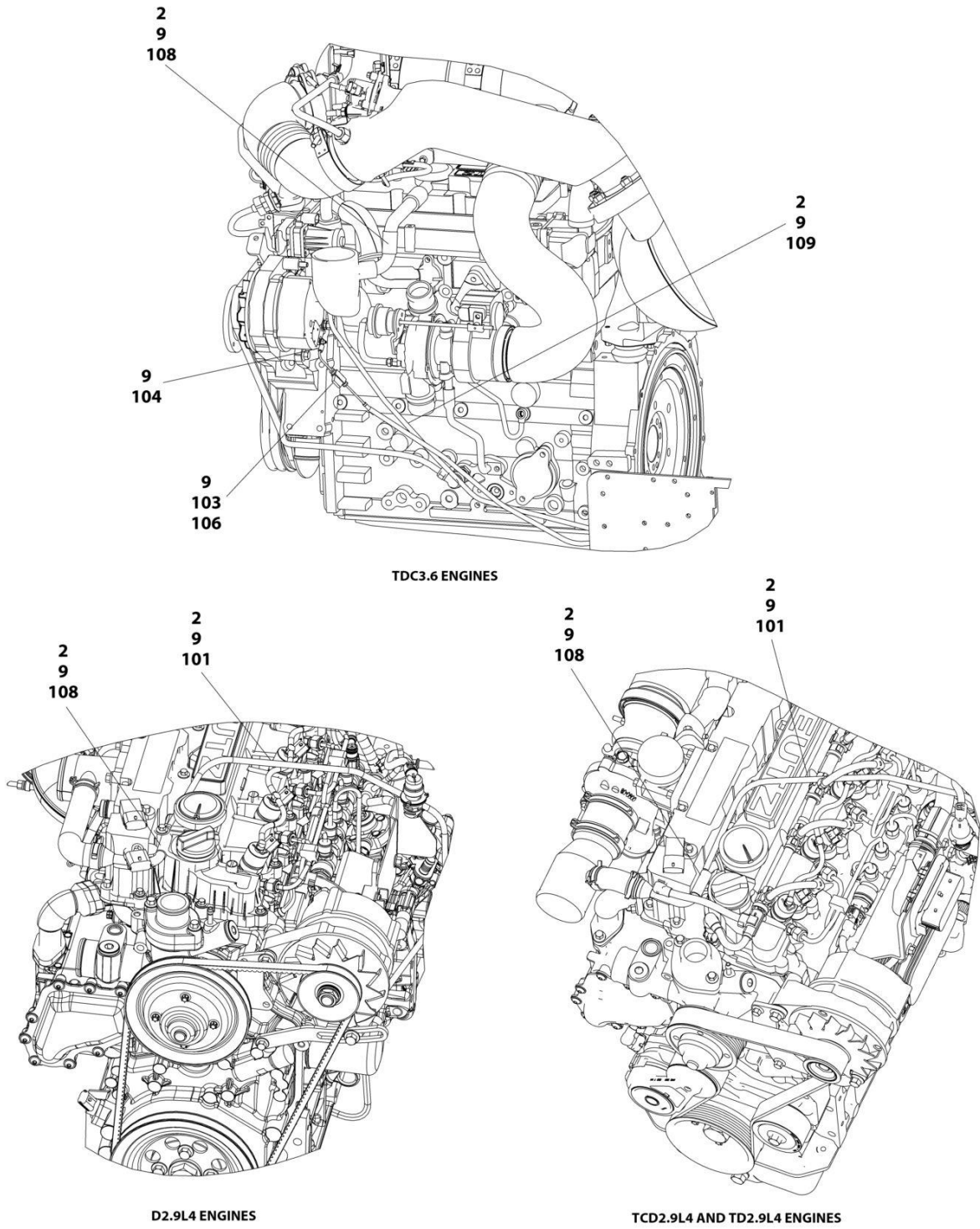
SECTION 3 - ENGINE

FIGURE 3-9. BRACKET ASSEMBLY - FUEL PUMP AND FILTER (DEUTZ D2.9L4 ENGINE) (STAGE V)

ITEM	PART NUMBER	QTY	DESCRIPTION	REV
	1001235949	Ref	BRACKET ASSEMBLY - FUEL PUMP AND FILTER (DEUTZ D2.9L4 (STAGE V) ENGINE)	A
1	0100035	AR	Compound, Locking	
2	0641610	2	Bolt 3/8 x 1-1/4	
3	0721006	4	Bolt #10 x 3/4	
4	3311001	4	Nut #10	
5	3311605	2	Nut 3/8	
6	4711000	8	Washer #10	
7	4711600	4	Washer 3/8	
8	8405006	2	Clamp	
9	1001141870	1	Plate, Fuel Pump Mount	
10	1001142501	1	Fitting, Elbow Barbed	
11	1001154405	1.5 ft /0.4m	Hose	

SECTION 3 - ENGINE

FIGURE 3-10. BREATHER HEATER INSTALLATION - DEUTZ D2.9L4 ENGINES (STAGE V) (CE & UK CA SPECS)



ART_1001233763

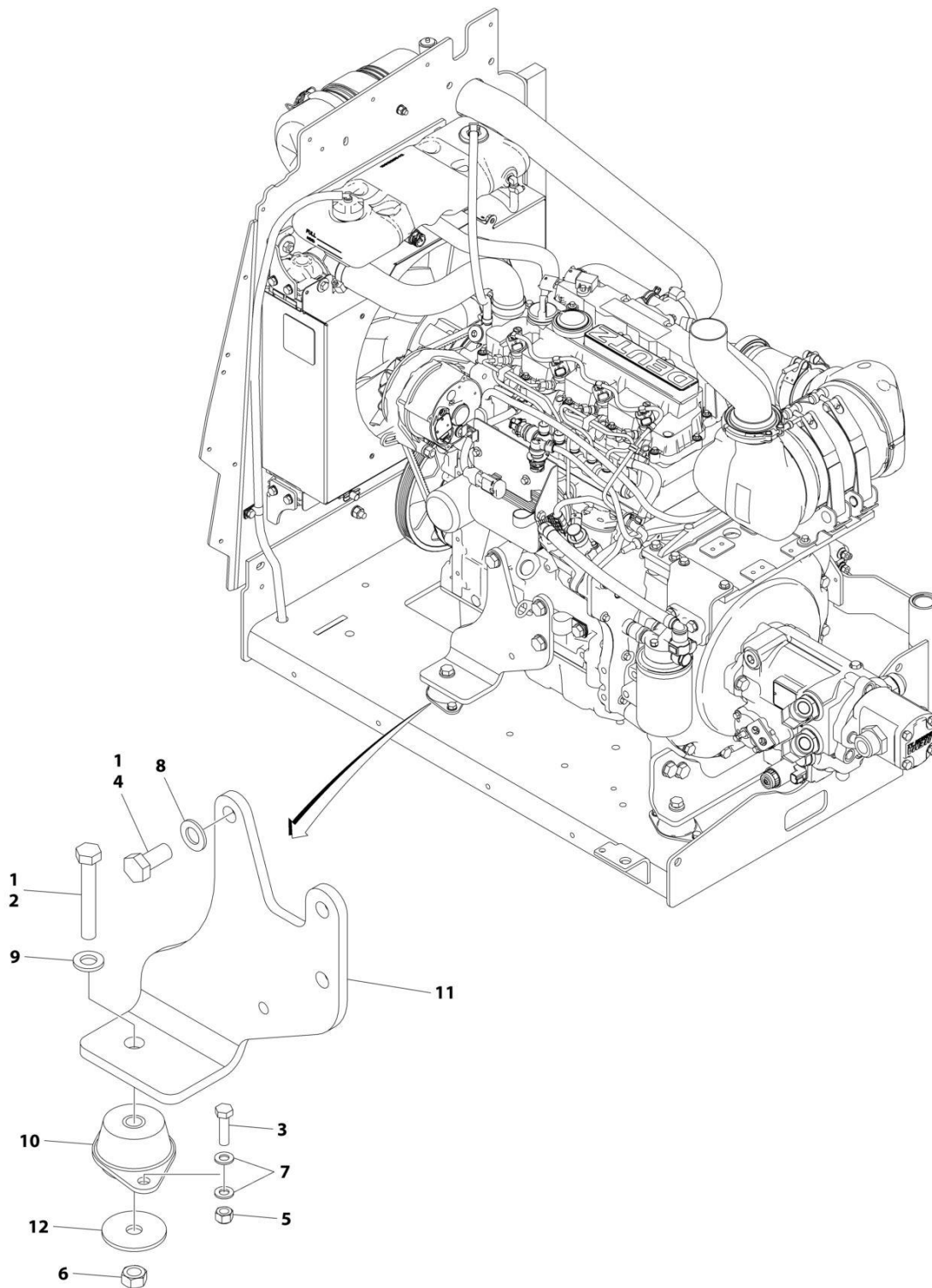
SECTION 3 - ENGINE

FIGURE 3-10. BREATHER HEATER INSTALLATION - DEUTZ D2.9L4 ENGINES (STAGE V) (CE & UK CA SPECS)

ITEM	PART NUMBER	QTY	DESCRIPTION	REV
	1001233763	Ref	BREATHER HEATER INSTALLATION - DEUTZ ENGINES	D
2	4240099	AR	Tie-Strap	
9	1001243895	1	Breather Heater Harness	C
101	2820035	AR	Insulation	
103	2400060	1	Fuseholder with Cover	
104	4460043	1	Terminal, Ring	
105	4460722	1	Terminal, Ring (Not Shown)	
106	1001196634	1	Fuse - 2 Amp	
108	1001232842	1	Breather Heater Kit	

SECTION 3 - ENGINE

FIGURE 3-11. MOTOR MOUNT INSTALLATION - (STAGE V & CHINA IV ENGINE WITHOUT GENERATOR)



ART_1001244024

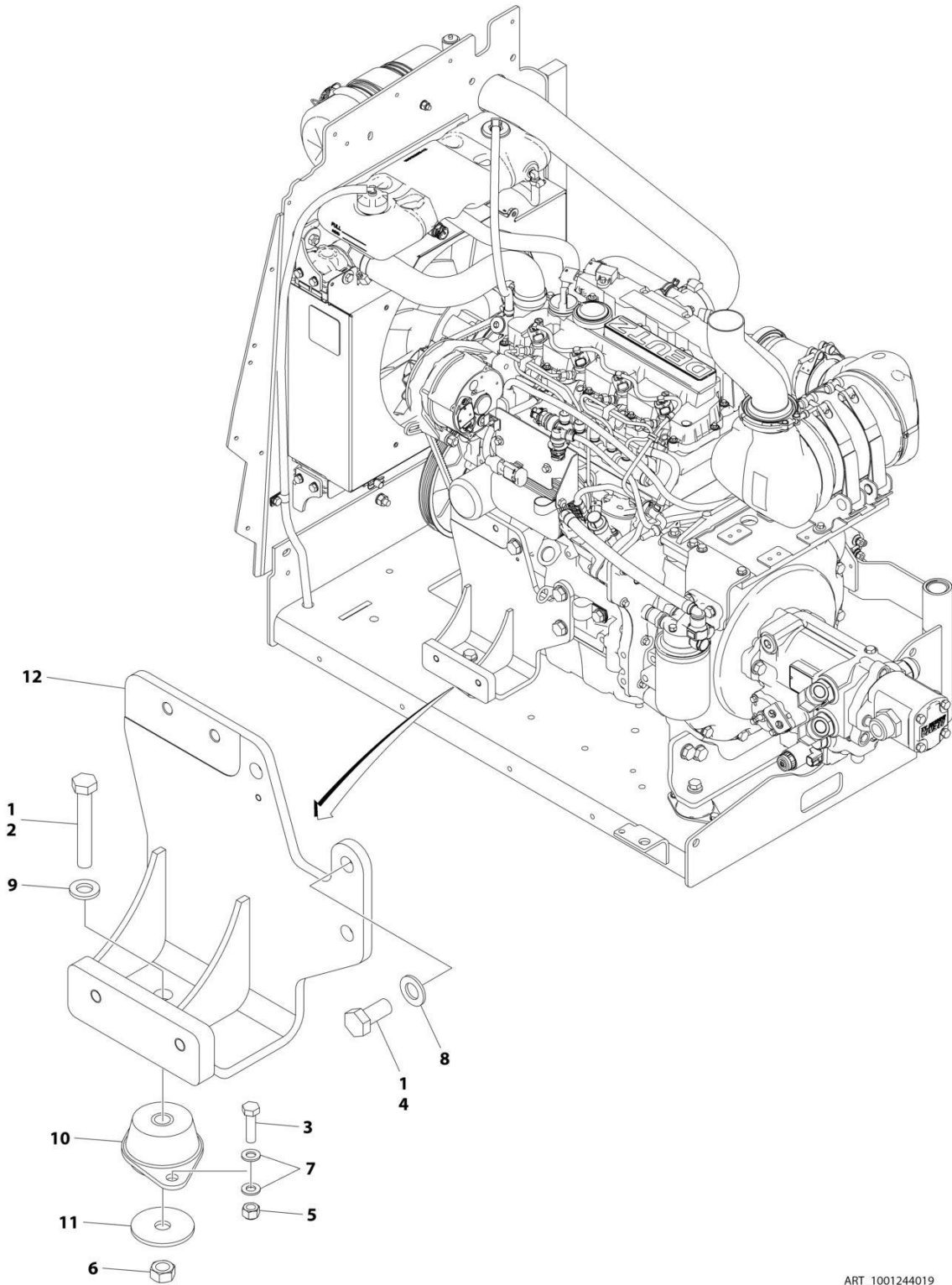
SECTION 3 - ENGINE

FIGURE 3-11. MOTOR MOUNT INSTALLATION - (STAGE V & CHINA IV ENGINE WITHOUT GENERATOR)

ITEM	PART NUMBER	QTY	DESCRIPTION	REV
	1001244024	Ref	MOTOR MOUNT INSTALLATION	A
1	0100011	AR	Compound, Locking	
2	0711224	1	Bolt M12 x 80	
3	0760814	2	Bolt M8 x 30	
4	0771414	3	Bolt M14 x 30	
5	3290805	2	Nut M8	
6	3331211	1	Nut M12	
7	4811900	4	Washer M8	
8	4812200	3	Washer M14	
9	5241200	1	Washer M12	
10	1001166718	1	Mount, Motor	
11	1001166922	1	Mount	
12	1001168018	1	Washer	

SECTION 3 - ENGINE

FIGURE 3-12. MOTOR MOUNT INSTALLATION - (STAGE V & CHINA IV ENGINE WITH GENERATOR)



ART_1001244019

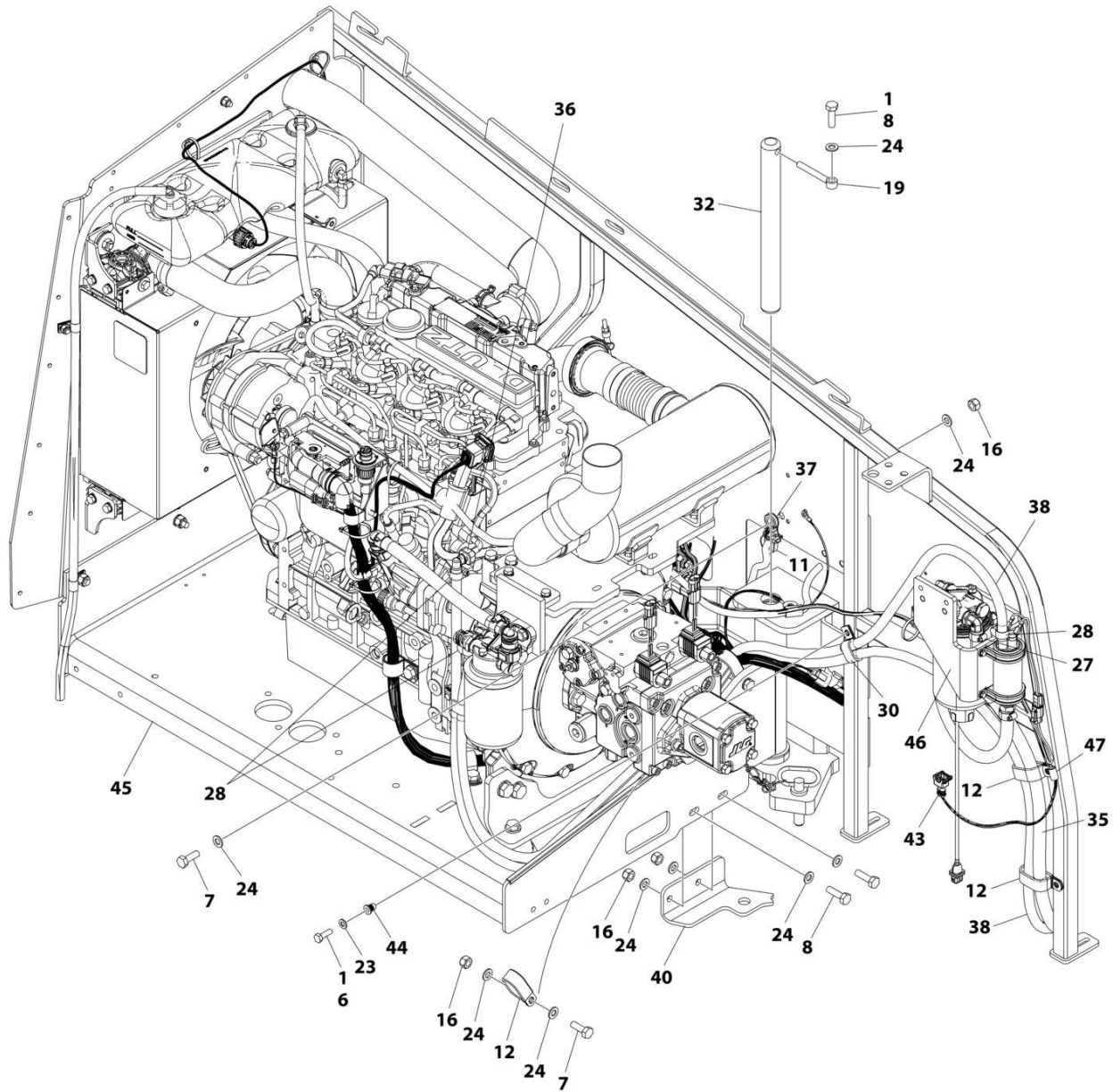
SECTION 3 - ENGINE

FIGURE 3-12. MOTOR MOUNT INSTALLATION - (STAGE V & CHINA IV ENGINE WITH GENERATOR)

ITEM	PART NUMBER	QTY	DESCRIPTION	REV
	1001244019	Ref	MOTOR MOUNT INSTALLATION	A
1	0100011	AR	Compound, Locking	
2	0711224	1	Bolt M12 x 80	
3	0760814	2	Bolt M8 x 30	
4	0771414	3	Bolt M14 x 30	
5	3290805	2	Nut M8	
6	3331211	1	Nut M12	
7	4811900	4	Washer M8	
8	4812200	3	Washer M14	
9	5241200	1	Washer M12	
10	1001166718	1	Mount, Motor	
11	1001168018	1	Washer	
12	1001168207	1	Mount	

SECTION 3 - ENGINE

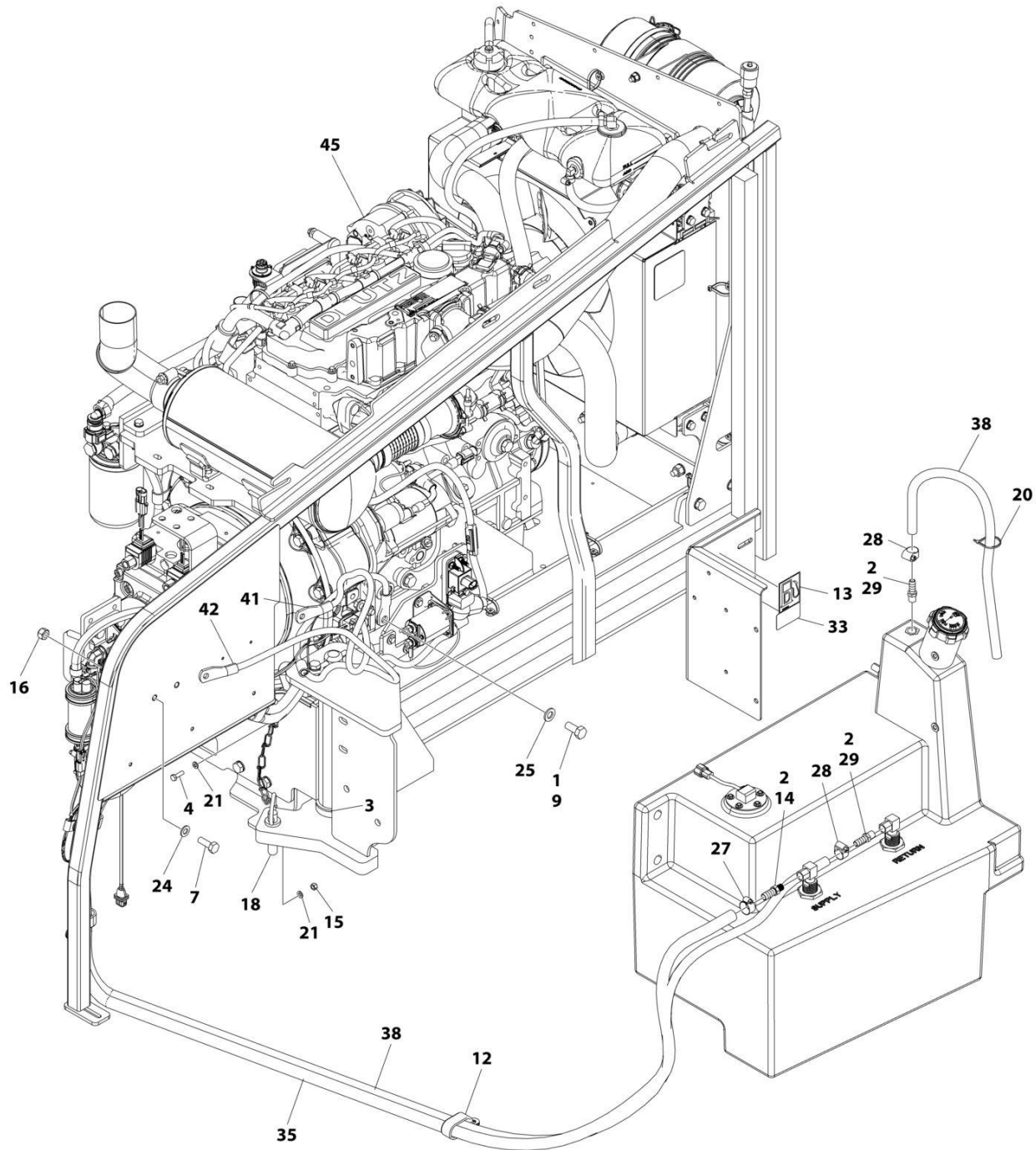
FIGURE 3-13. ENGINE INSTALLATION - DEUTZ D2.9L4 ENGINE (CHINA IV)



ART_1001258339_10F3

SECTION 3 - ENGINE

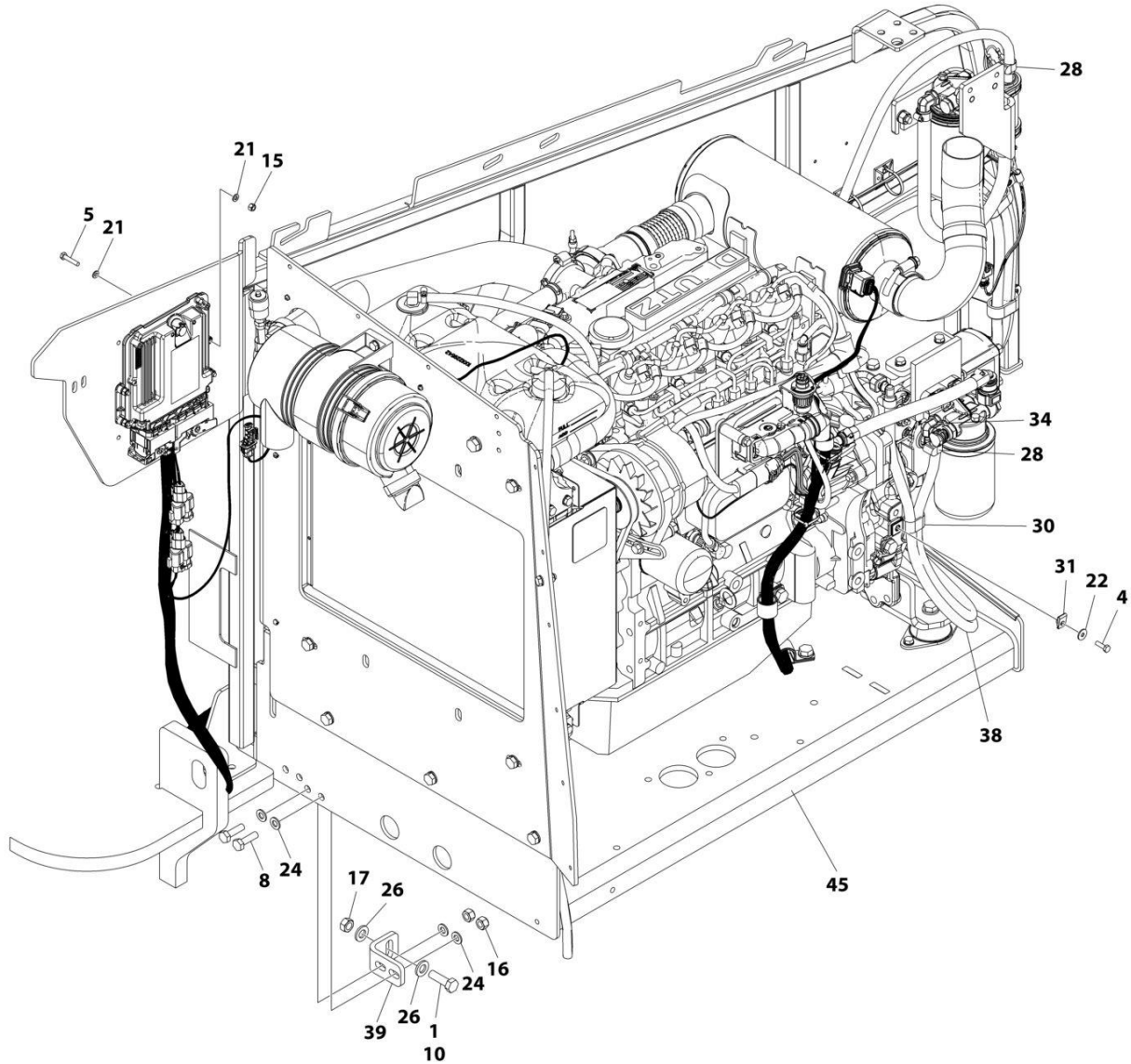
FIGURE 3-14. ENGINE INSTALLATION - DEUTZ D2.9L4 ENGINE (CHINA IV)



ART_1001258339_20F3

SECTION 3 - ENGINE

FIGURE 3-15. ENGINE INSTALLATION - DEUTZ D2.9L4 ENGINE (CHINA IV)



ART_1001258339_3OF3

SECTION 3 - ENGINE

FIGURE 3-15. ENGINE INSTALLATION - DEUTZ D2.9L4 ENGINE (CHINA IV)

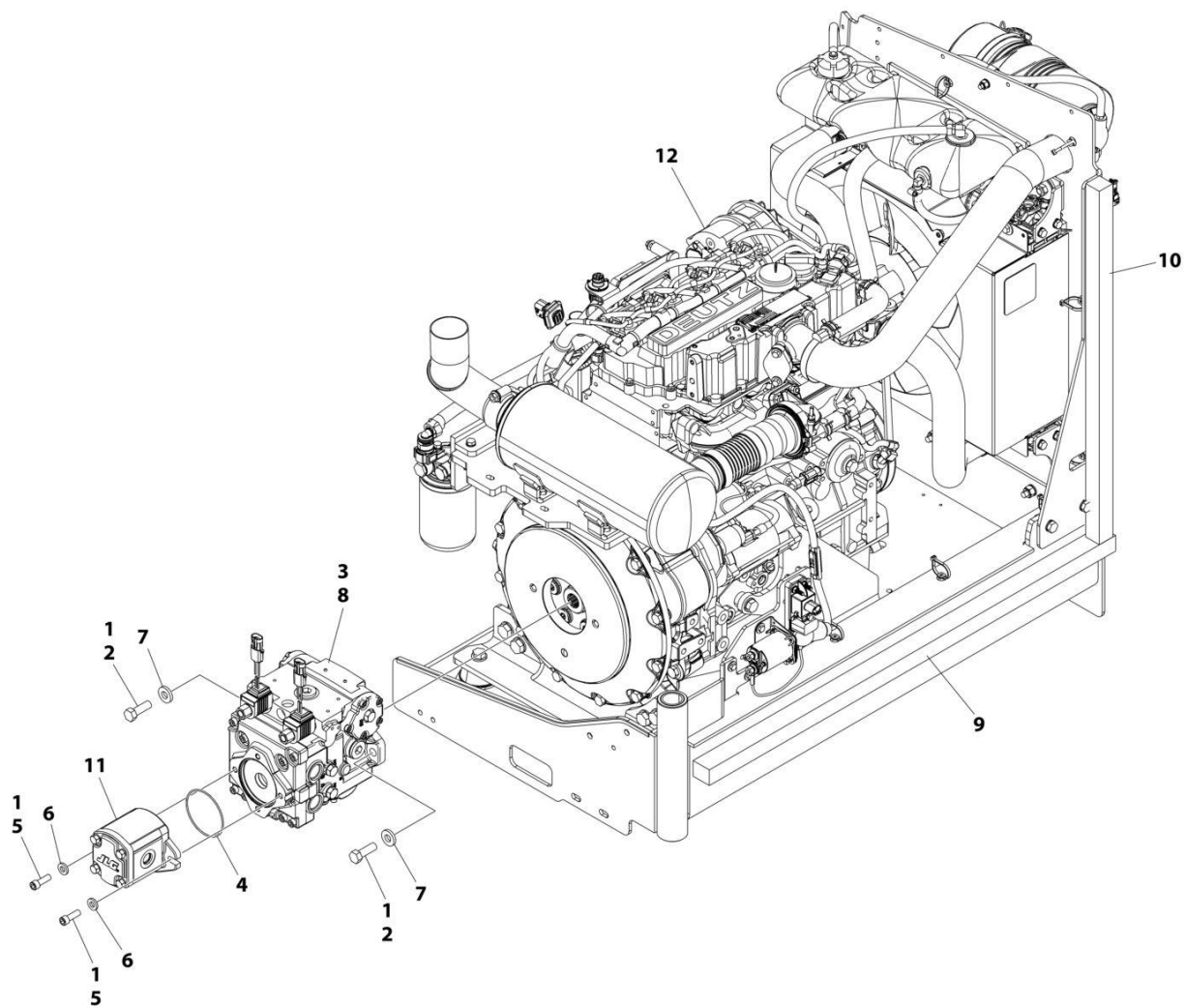
ITEM	PART NUMBER	QTY	DESCRIPTION	REV
	1001258339	Ref	ENGINE INSTALLATION - DEUTZ D2.9L4 ENGINE (CHINA IV)	A
1	0100011	AR	Compound, Locking	
2	0100020	AR	Sealant, Pipe	
3	0440162	1	Bearing	
4	0760610	2	Bolt M6 x 20	
5	0760614	4	Bolt M6 x 30	
6	0760812	1	Bolt M8 x 25	
7	0761014	5	Bolt M10 x 30	
8	0761015	5	Bolt M10 x 35	
9	0761210	1	Bolt M12 x 20	
10	0761216	1	Bolt M12 x 40	
11	1062255	AR	Tie-Strap	
12	1321716	5	Clamp	
13	1701505	1	Decal - Diesel Fuel	
14	2180832	1	Fitting, Barbed	
15	3290605	5	Nut M6	
16	3291005	9	Nut M10	
17	3331215	1	Nut M12	
18	3422532	1	Pin	
19	3841143	1	Keeper, Pin	
20	4240099	AR	Tie-Strap	
21	4811700	10	Washer M6	
22	4811702	1	Washer M6	
23	4811900	1	Washer M8	
24	4812000	19	Washer M10	
25	4812100	1	Washer M12	
26	5241200	2	Washer M12	
27	8405006	2	Clamp	
28	8410013	5	Clamp	
29	8430007	2	Fitting, Barbed	
30	1001026127	2	Clamp	
31	1001130220	1	Nut M6	
32	1001135196	1	Pin	
33	1001139654	1	Decal	
34	1001152489	1	Fitting, Barbed	
35	1001154405	7.25 ft /2.21m	Hose	
36	1001155823	1	Coupling, Quick Disconnect 90	
37	1001156107	1	Holder, Cable	
38	1001165035	17.25 ft /5.26m	Hose	
39	1001167512	1	Bracket	
40	1001169823	1	Plate, Engine Lock	
41	1001171683	1	Cable, Battery (Red) (Battery Positive to Auxiliary Power Relay)	
42	1001171684	1	Cable, Battery (Black) (Battery Negative to Auxiliary Power Pump)	
43	1001181358	1	Harness, Fuel Pump (See Separate Breakdown in ELECTRICAL Section)	
44	1001191832	1	Nut, Rivet M8	
45	1001258338	1	Engine and Pump Sub-Assembly - Deutz D2.9L4 China IV (See Separate Breakdown in this Section)	

SECTION 3 - ENGINE

ITEM	PART NUMBER	QTY	DESCRIPTION	REV
46	1001258385	1	Fuel Filter (See Separate Breakdown in this section)	
47	1320263	1	Clamp	
48	4460488	2	Terminal (Not shown)	

SECTION 3 - ENGINE

FIGURE 3-16. ENGINE AND PUMP SUB-ASSEMBLY - DEUTZ D2.9L4 ENGINE (CHINA IV)



ART_1001258338

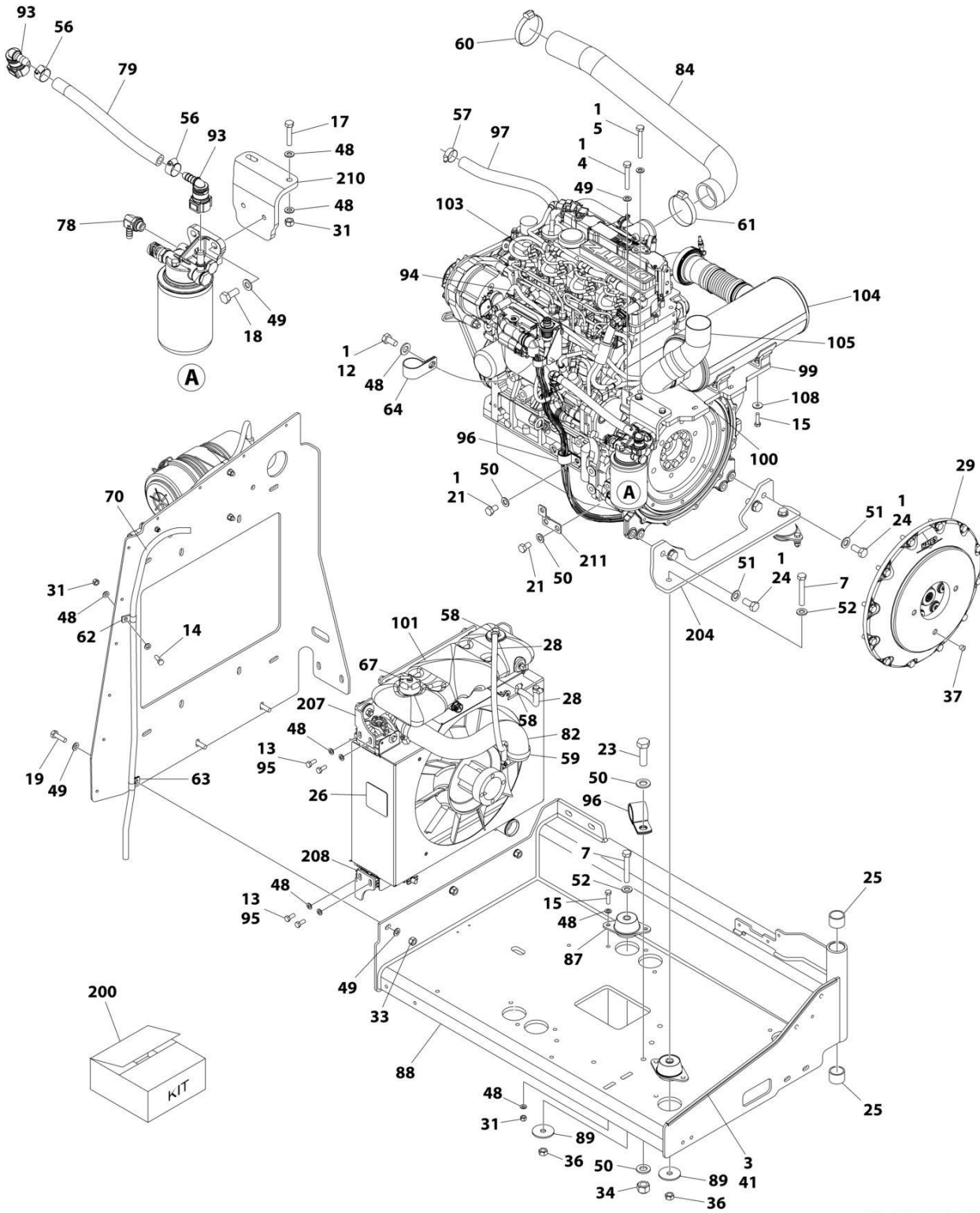
SECTION 3 - ENGINE

FIGURE 3-16. ENGINE AND PUMP SUB-ASSEMBLY - DEUTZ D2.9L4 ENGINE (CHINA IV)

ITEM	PART NUMBER	QTY	DESCRIPTION	REV
	1001258338	Ref	ENGINE AND PUMP SUB-ASSEMBLY - DEUTZ D2.9L4 ENGINE (CHINA IV)	A
1	0100011	AR	Compound, Locking	
2	0641812	2	Bolt 1/2 x 1-1/2	
3	3020037	AR	Grease	
4	3790152	1	O-Ring	
5	3931618	2	Capscrew 3/8 x 1-1/8	
6	4891600	2	Washer 3/8 Hardened	
7	4891800	2	Washer 1/2 Hardened	
8	1001167036	1	Piston Pump Assembly (See Separate Breakdown in this Section)	
9	1001171953	1	Seal	
10	1001171954	1	Seal	
11	1001214207	1	Gear Pump Assembly	
11	70006356	1	Seal Kit - 1001214207 Pump	
13	1001258337	1	Engine Assembly, Deutz D2.9L4 (China IV) Engine (See Separate Breakdown in this Section)	

SECTION 3 - ENGINE

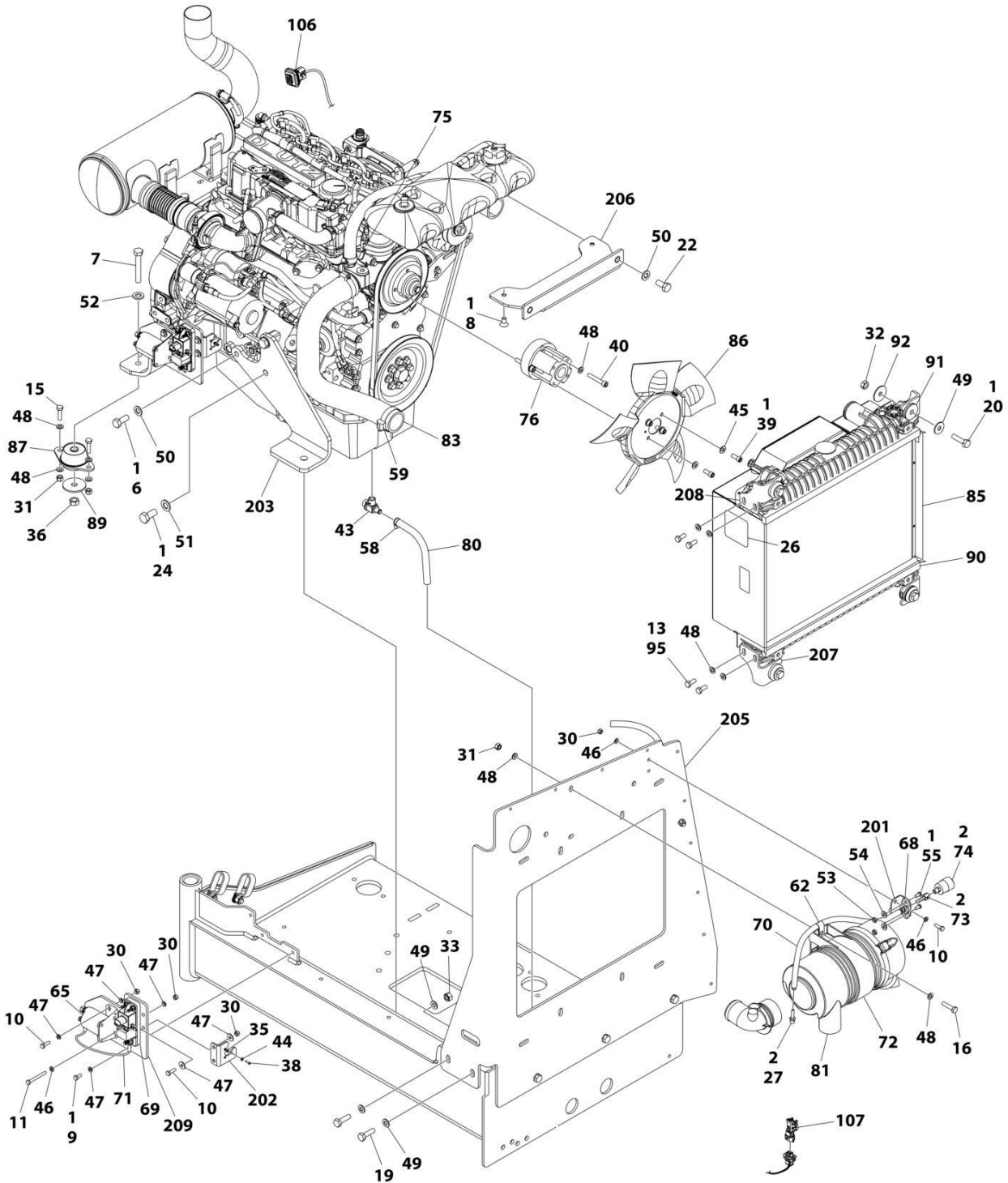
FIGURE 3-17. ENGINE ASSEMBLY - DEUTZ D2.9L4 ENGINE (CHINA IV)



ART_1001258337_10F2

SECTION 3 - ENGINE

FIGURE 3-18. ENGINE ASSEMBLY - DEUTZ D2.9L4 ENGINE (CHINA IV)



ART_1001258337_20F2

SECTION 3 - ENGINE

FIGURE 3-18. ENGINE ASSEMBLY - DEUTZ D2.9L4 ENGINE (CHINA IV)

ITEM	PART NUMBER	QTY	DESCRIPTION	REV
	1001258337	Ref	ENGINE ASSEMBLY - DEUTZ D2.9L4 ENGINE (CHINA IV)	C
1	0100011	AR	Compound, Locking	
2	0100020	AR	Sealant, Pipe	
3	0100081	AR	Adhesive	
4	0701022	2	Bolt M10 x 70	
5	0701025	2	Bolt M10 x 85	
6	0711214	1	Bolt M12 x 30	
7	0711224	AR	Bolt M12 x 80	
8	0741606	2	Screw 3/8 x 3/4	
9	0760607	3	Bolt M6 x 14	
10	0760610	6	Bolt M6 x 20	
11	0760619	1	Bolt M6 x 55	
12	0760808	1	Bolt M8 x 16	
13	0760810	8	Bolt M8 x 20	
14	0760812	1	Bolt M8 x 25	
15	0760814	10	Bolt M8 x 30	
16	0760815	2	Bolt M8 x 35	
17	0760816	2	Bolt M8 x 40	
18	0761012	2	Bolt M10 x 25	
19	0761015	5	Bolt M8 x 35	
20	0761016	4	Bolt M10 x 40	
21	0761210	3	Bolt M12 x 20	
22	0761212	2	Bolt M12 x 25	
23	0761216	1	Bolt M12 x 40	
24	0771414	AR	Bolt M14 x 30	
25	0961951	2	Bushing	
26	1703162	2	Decal - Caution Fan	
27	2220315	1	Fitting, Barbed	
28	2720015	2.17 ft /0.64m	Hose	
29	2902065	1	Pump Coupling Kit (See Separate Breakdown in this Section)	
30	3290605	7	Nut M6	
31	3290805	AR	Nut M8	
32	3291001	4	Nut M10	
33	3291005	5	Nut M10	
34	3291205	1	Nut M12	
35	3310401	4	Nut #4	
36	3331215	AR	Nut M12 x 1.75	
37	3520054	1	Plug	
38	3910408	3	Screw #4 x 1/2	
39	3931512	4	Capscrew 5/16 x 3/4	
40	4031914	4	Bolt M8 x 50	
41	4060805	2.02 ft /0.62m	Flex-Trim	
42	4240099	AR	Tie-Strap (Not Shown)	
43	4640751	1	Valve, Oil Drain	
44	4710400	3	Washer #4	
45	4711500	4	Washer 5/16	
46	4811700	5	Washer M6	
47	4811702	12	Washer M6	

SECTION 3 - ENGINE

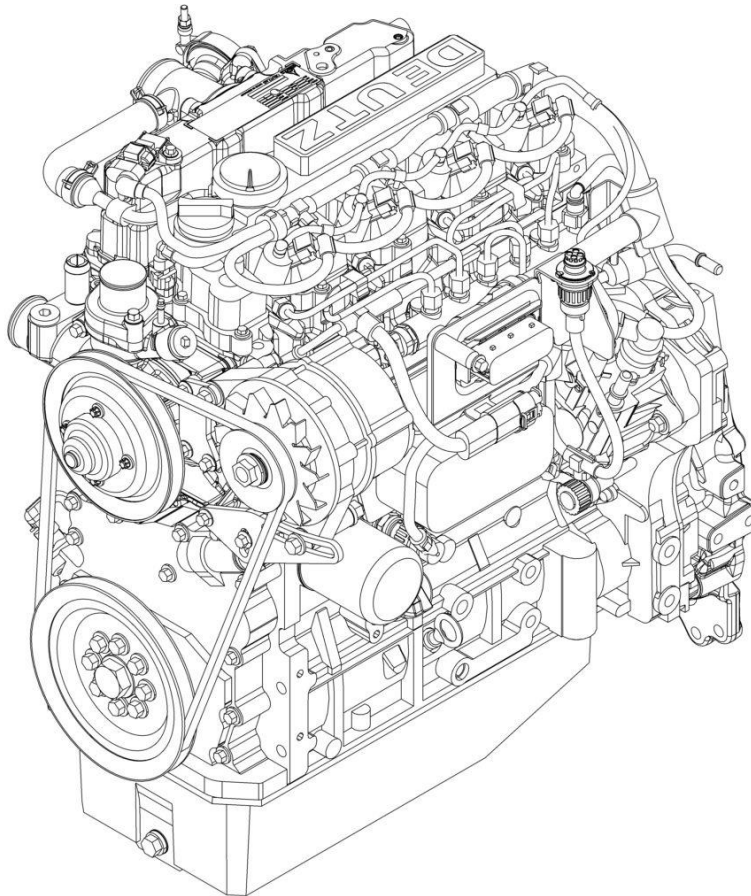
ITEM	PART NUMBER	QTY	DESCRIPTION	REV
48	4811900	35	Washer M8	
49	4812000	20	Washer M10	
50	4812100	8	Washer M12	
51	4812200	6	Washer M14	
52	5241200	3	Washer M12	
53	8305401	2	Nut, Jam	
54	8307109	2	Washer 1/4	
55	8310548	2	Screw 1/4 x 1/2	
56	8405006	2	Clamp	
57	8405007	2	Clamp	
58	8405009	5	Clamp	
59	8405104	4	Clamp	
60	8405202	1	Clamp	
61	8405204	1	Clamp	
62	8406109	2	Clip	
63	8406110	1	Clip	
64	8406201	1	Clip	
65	1001117308	1	Relay, 200Amp	
67	1001136834	1	Cap, Tank	
68	1001138173	1	Support, Service Indicator	
69	1001138228	1	Relay, Power Module	
70	1001138248	5.2 ft /1.58m	Tube	
71	1001141304	1	Harness, Glow Plug	
72	1001141694	1	Clamp, Air Cleaner	
73	1001141995	1	Fitting, Barbed	
74	1001143390	1	Indicator	
75	1001143797	1	Fitting, Barbed	
76	1001286568	1	Spacer Fan	
77	1001146588	AR	Tie-Strap (Not Shown)	
78	1001152489	1	Fitting, Barbed 90	
79	1001154405	9.45 in /24cm	Hose, Fuel	
80	1001165035	7.09 in /18cm	Hose, Fuel	
81	1001165388	1	Air Cleaner Assembly	
81	70003783	1	Element, Air Cleaner	
82	1001165405	1	Hose, Upper Radiator	
83	1001165406	1	Hose, Lower Radiator	
84	1001165721	1	Hose, Air Intake	
85	1001287643	1	Radiator	
86	1001288266	1	Fan	
87	1001166718	3	Mount, Motor	
88	1001167520	1	Tray, Engine	
89	1001168018	3	Washer, Special	
90	1001168166	2	Seal	
91	1001169054	4	Isolator	
92	1001169138	4	Washer, Snubbing	
93	1001170982	2	Adapter	
94	1001178788	1	Cable, Alternator	
95	1001180620	AR	Adhesive	
96	1001191620	2	Clamp	

SECTION 3 - ENGINE

ITEM	PART NUMBER	QTY	DESCRIPTION	REV
97	1001193049	1.31 ft /.40m	Hose, Coolant	
99	1001221203	1	Bracket	
100	1001221212	1	Clamp	
101	1001230635	1	Tank, Surge	
102	1001245839	1	Harness, Engine (Not Shown - See Separate Breakdown in ELECTRICAL Section)	
103	1001258112	1	Engine, Deutz 2.9L4 (China IV) (See Separate Breakdown in this Section)	
104	1001280270	1	Muffler	
105	1001260575	1	Pipe, Exhaust	
106	1001281985	1	Connector	
107	1001281986	1	Connector	
108	4811902	4	Washer M8	
200	1001258629	1	Kit, Engine Parts	
201	1001138175	1	Bracket	
202	1001139240	1	Bracket	
203	1001166921	1	Plate	
204	1001166924	1	Plate	
205	1001168026	1	Plate	
206	1001168950	1	Bracket	
207	1001169967	2	Bracket	
208	1001170035	2	Bracket	
209	1001179903	1	Bracket	
210	1001231805	1	Bracket	
211	1001258502	1	Bracket	

SECTION 3 - ENGINE

FIGURE 3-19. ENGINE COMPONENTS - DEUTZ D2.9L4 (CHINA IV)



ART_1001258112

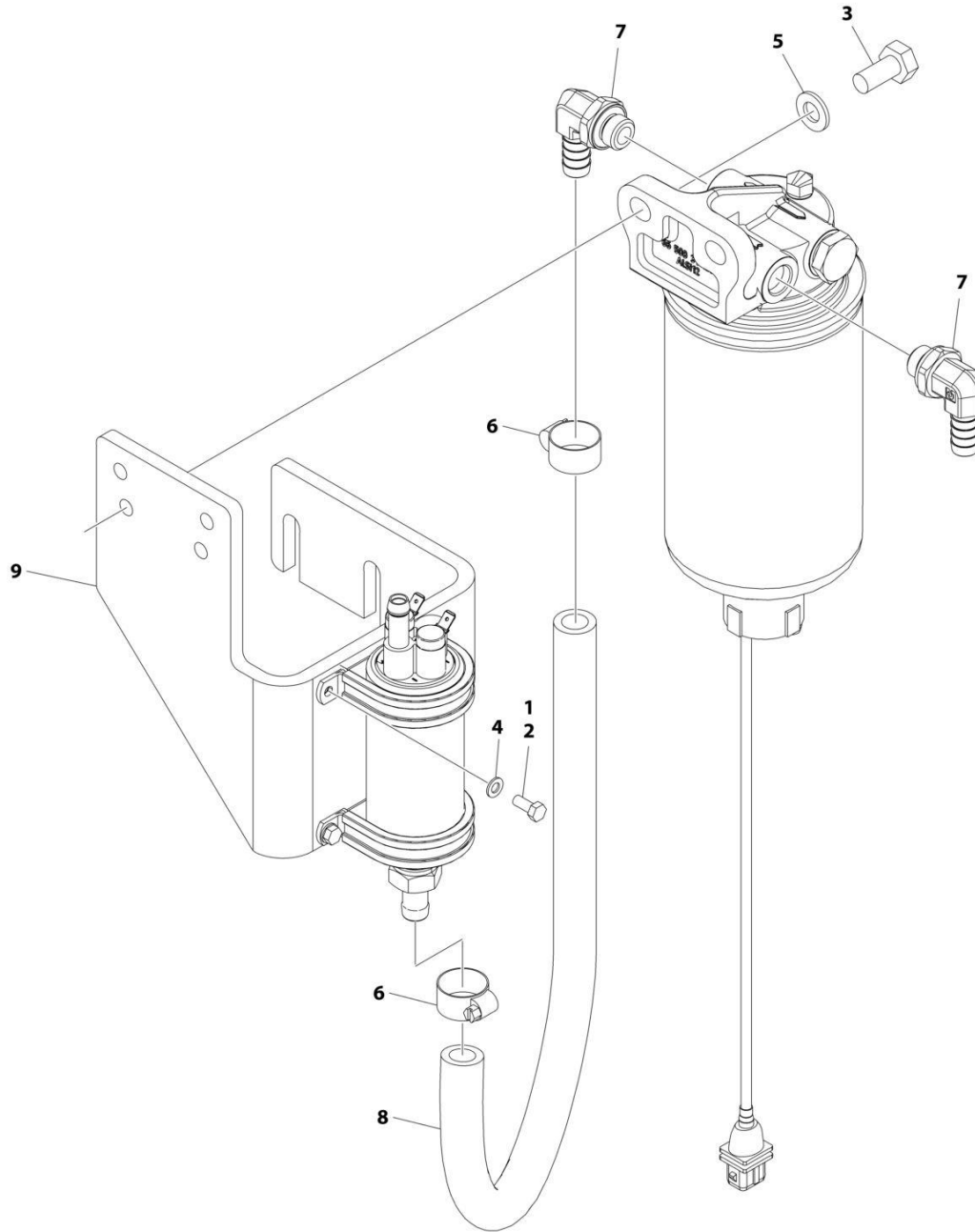
SECTION 3 - ENGINE

FIGURE 3-19. ENGINE COMPONENTS - DEUTZ D2.9L4 (CHINA IV)

ITEM	PART NUMBER	QTY	DESCRIPTION	REV
	1001258112	Ref	DEUTZ D2.9L4 ENGINE COMPONENTS	B
	See Note	Ref	Note: No Service Parts Available at Time of Printing.	

SECTION 3 - ENGINE

FIGURE 3-20. BRACKET ASSEMBLY - FUEL PUMP AND FILTER (DEUTZ D2.9L4 CHINA IV ENGINE)



ART_1001258385

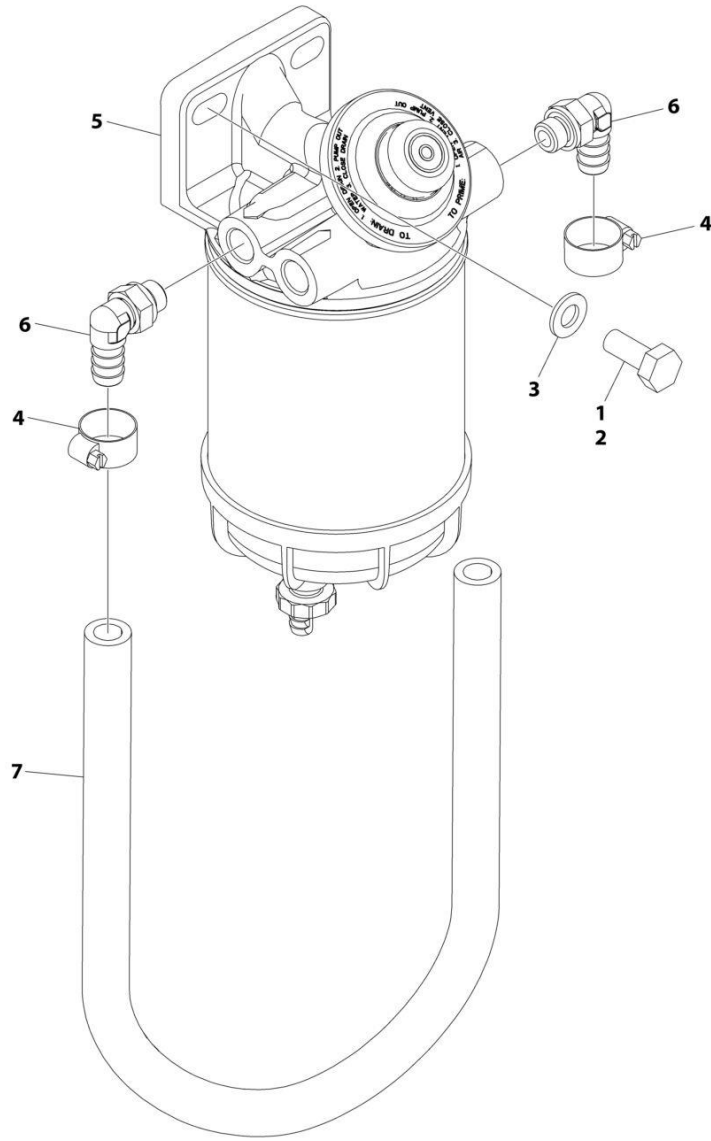
SECTION 3 - ENGINE

FIGURE 3-20. BRACKET ASSEMBLY - FUEL PUMP AND FILTER (DEUTZ D2.9L4 CHINA IV ENGINE)

ITEM	PART NUMBER	QTY	DESCRIPTION	REV
	1001258385	Ref	BRACKET ASSEMBLY - FUEL PUMP AND FILTER (DEUTZ D2.9L4 CHINA IV ENGINE)	B
1	0100011	AR	Compound, Locking	
2	0760506	4	Bolt M5 x 12	
3	0761011	2	Bolt M10 x 22	
4	4811600	4	Washer M5	
5	4812000	2	Washer M10	
6	8405006	2	Clamp	
7	1001142501	2	Fitting, Elbow Barbed	
8	1001154405	1.64 ft /.50m	Hose	
9	1001298141	1	Bracket	

SECTION 3 - ENGINE

FIGURE 3-21. FUEL/WATER SEPARATOR ASSEMBLY (DEUTZ D2.9L4 CHINA IV ENGINE)



ART_1001258406

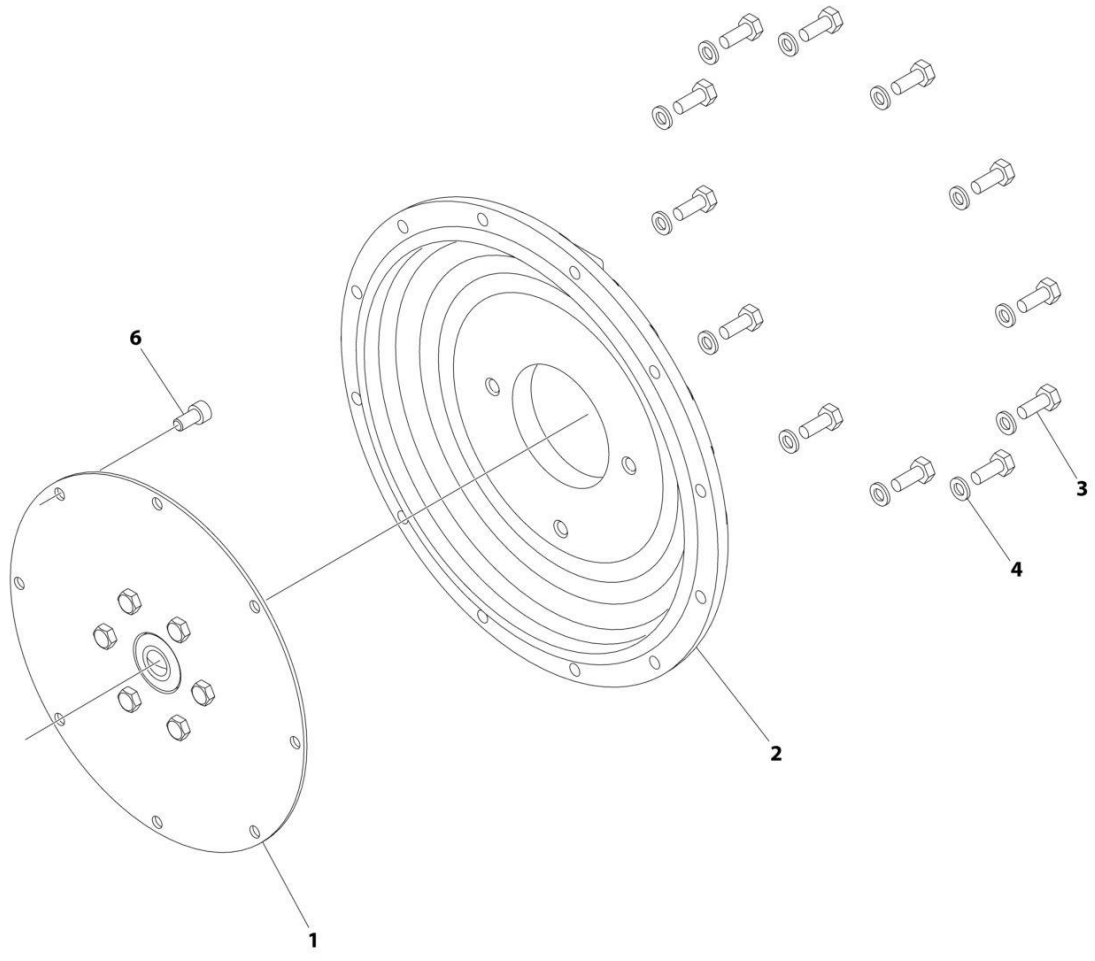
SECTION 3 - ENGINE

FIGURE 3-21. FUEL/WATER SEPARATOR ASSEMBLY (DEUTZ D2.9L4 CHINA IV ENGINE)

ITEM	PART NUMBER	QTY	DESCRIPTION	REV
	1001258406	Ref	FUEL/WATER SEPARATOR ASSEMBLY	A
1	0100011	AR	Compound, Locking	
2	0761012	2	Bolt M10 x 25	
3	4812000	2	Washer M10	
4	8405006	2	Clamp	
5	1001149452	1	Filter, Water Separator	
6	1001258505	2	Fitting, Barbed	
7	1001154405	2.13 ft/.65m	Hose	

SECTION 3 - ENGINE

FIGURE 3-22. PUMP COUPLING KIT – DEUTZ ENGINES



ART_2902065

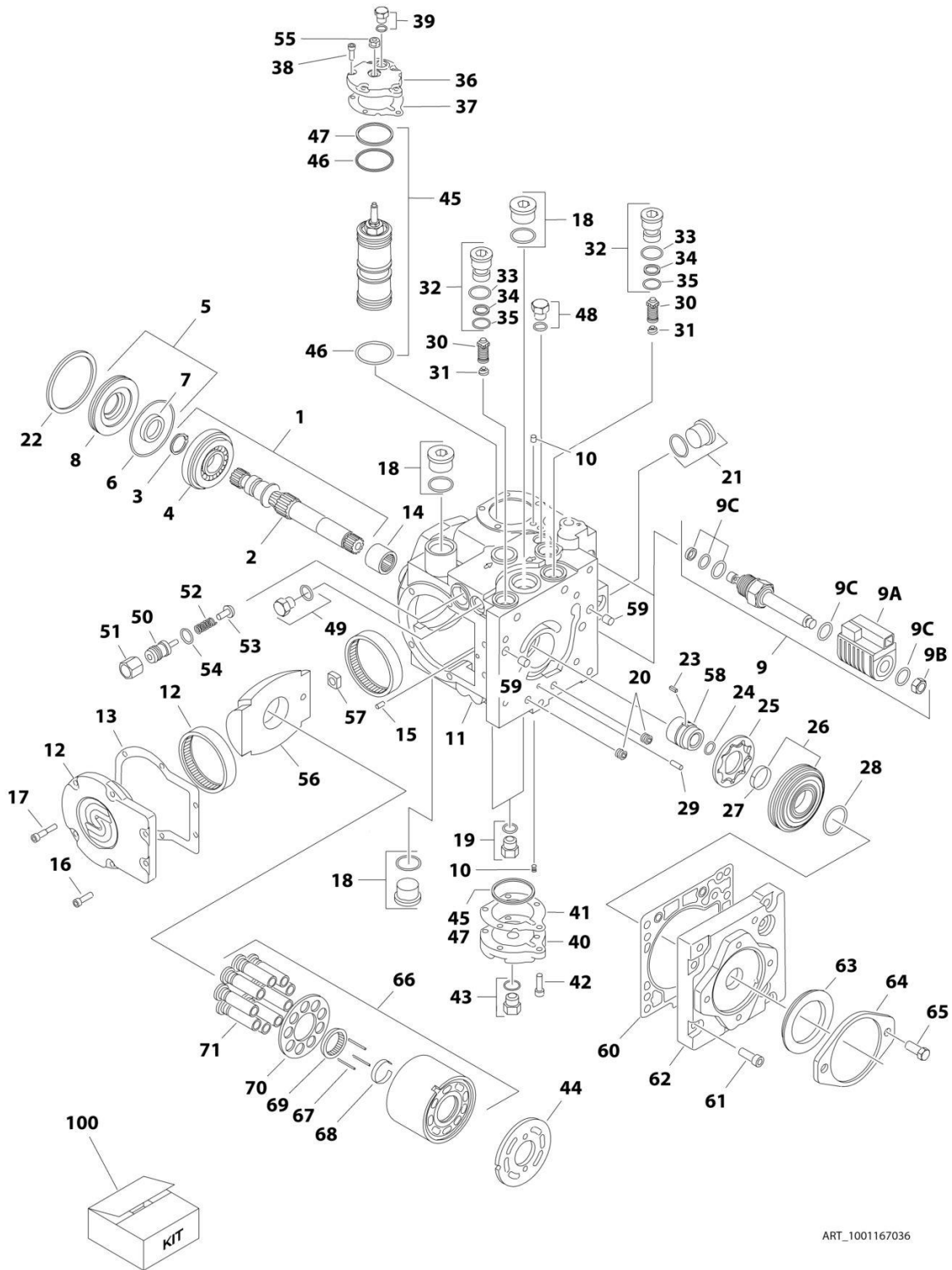
SECTION 3 - ENGINE

FIGURE 3-22. PUMP COUPLING KIT – DEUTZ ENGINES

ITEM	PART NUMBER	QTY	DESCRIPTION	REV
	2902065	Ref	PUMP COUPLING KIT	L
1	70000793	1	Coupling, Hayes	
2	See Note	NSS	Plate, Pump Adapter (Note: Use p/n 2902065)	
3	See Note	NSS	Bolt M10 x 30 Grade 10.9 (Note: Use p/n 2902065)	
4	See Note	NSS	Washer M10 (Note: Use p/n 2902065)	
6	See Note	NSS	Bolt M10 x 20 Grade 10.9 (Note: Use p/n 2902065)	

SECTION 3 - ENGINE

FIGURE 3-23. PISTON PUMP ASSEMBLY



ART_1001167036

SECTION 3 - ENGINE

FIGURE 3-23. PISTON PUMP ASSEMBLY

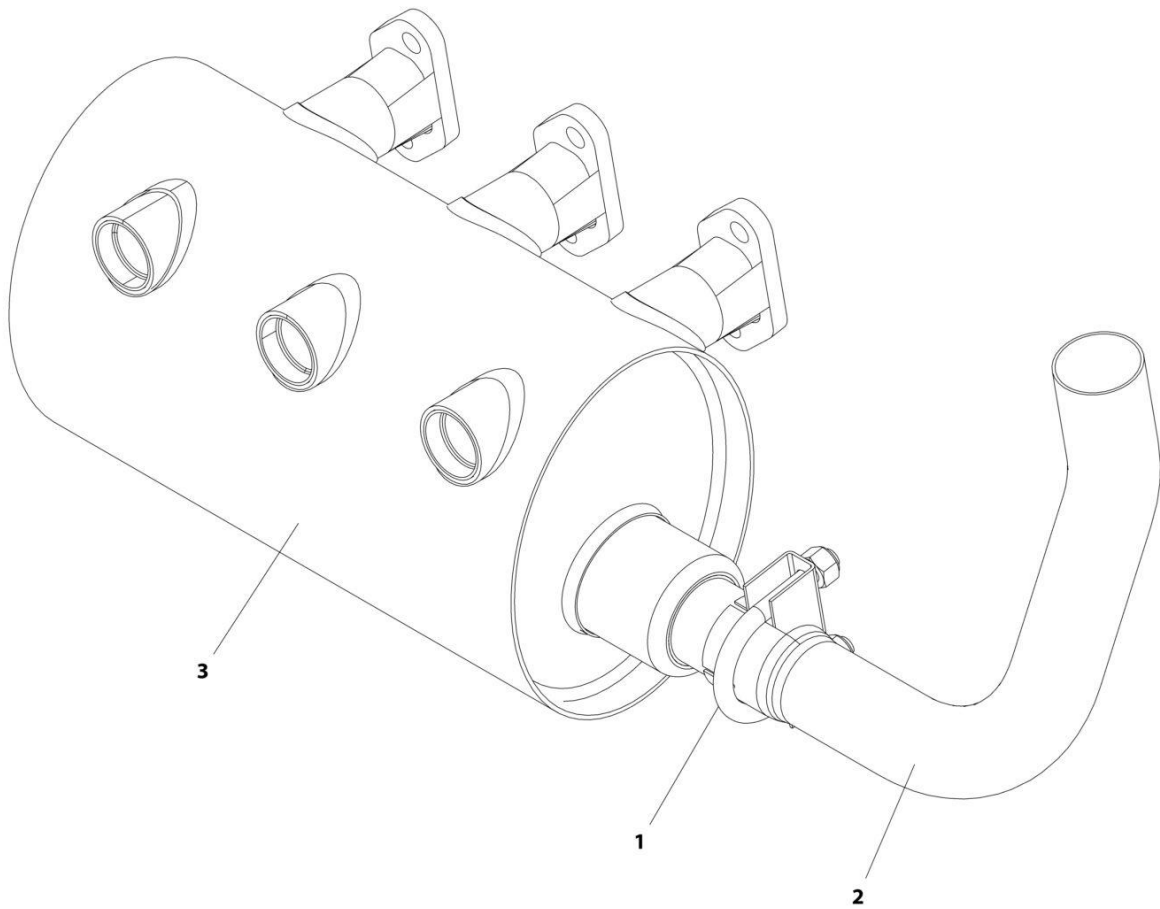
ITEM	PART NUMBER	QTY	DESCRIPTION	REV
	1001167036	Ref	PISTON PUMP ASSEMBLY	B
1	7021240	1	Shaft Assembly (Includes Items 2-4)	
2	7021237	1	Shaft	
3	7021238	1	Ring, Retaining	
4	7021239	1	Bearing, Roller	
5	70004896	1	Shaft Seal Kit (Includes Items 6-8)	
6	7021241	1	O-Ring	
7	7021242	1	Seal, Lip	
8	7021243	1	Carrier, Seal Shaft	
9	7024855	2	Solenoid Assembly	
9A	70004897	2	Coil (1 Per Assembly)	
9B	7024857	2	Nut (1 Per Assembly)	
9C	7024858	2	Seal Kit - 7024855 Cartridge (1 Per Assembly)	
10	70004889	2	Orifice	
11	See Note	NSS	Housing Assembly (Note: Not Available for Purchase)	
12	7021248	1	Side Cover Assembly (Includes Item 13)	
13	70004891	1	Gasket	
14	7021249	1	Bearing, Needle	
15	See Note	NSS	Pin (Note: Not Available for Purchase)	
16	70004890	2	Screw	
17	70004892	4	Screw	
18	7007419	2	Plug Assembly (Includes O-Ring)	
19	7007420	2	Plug Assembly (Includes O-Ring)	
20	See Note	NSS	Plug (Note: Not Available for Purchase)	
21	7007419	1	Plug Assembly (Includes O-Ring)	
22	7021257	1	Ring, Retaining	
23	70004893	1	Key	
24	7022341	1	Ring, Retaining	
25	7021258	1	Gerotor	
26	70004894	1	Gerotor Cover Assembly (Includes Item 27)	
27	7021259	1	Bearing, Journal	
28	7021262	1	O-Ring	
29	See Note	NSS	Pin (Note: Not Available for Purchase)	
30	7021263	2	Bypass Valve Assembly	
31	7024800	2	Spring	
32	7021265	2	Bypass Valve Assembly (Includes Items 32-34)	
33	7007415	2	O-Ring	
34	7021293	2	Ring, Back-up	
35	7022300	2	O-Ring	
36	70004895	1	Cover, Servo	
37	7021253	1	Gasket	
38	70004892	5	Screw	
39	7007420	1	Plug Assembly (Includes O-Ring)	
40	7021268	1	Cover, Servo	
41	7021253	1	Gasket	
42	70004892	5	Screw	
43	7007420	1	Plug Assembly (Includes O-Ring)	
44	7021281	1	Plate, Valve	
45	70004898	1	Servo Piston Kit (Includes Items 46 & 47)	
46	7007495	2	O-Ring	

SECTION 3 - ENGINE

ITEM	PART NUMBER	QTY	DESCRIPTION	REV
47	7007493	2	O-Ring	
48	7007420	1	Plug Assembly (Includes O-Ring)	
49	70004900	1	Plug Assembly (Includes O-Ring)	
50	7022346	1	Adjuster	
51	7021290	1	Nut	
52	7022347	1	Spring	
53	70004901	1	Poppet	
54	7007415	1	O-Ring	
55	70004902	1	Nut, Seal	
56	70004903	1	Swash Plate	
57	70004904	1	Bearing Assembly	
58	70004905	1	Coupling	
59	7001481	2	Pin	
60	70002257	1	Gasket	
61	70004906	8	Screw	
62	70004907	1	Cover, Charge Pump	
63	70004908	1	Seal	
64	7021299	1	Plate, Cover	
65	7007289	2	Screw	
66	70004909	1	Cylinder Block Assembly (Includes Items 67-71)	
67	70004910	3	Pin, Slipper Hold Down	
68	7021276	1	Retainer, Hold Down Pin	
69	7021277	1	Guide, Slipper Retainer	
70	7021278	1	Retainer, Slipper	
71	70004911	1	Piston Assembly	
100	70004899	1	Seal Kit (Includes Items 5-8, 33-35, 37, 41, 46, 47 & 54)	

SECTION 3 - ENGINE

FIGURE 3-24. SPARK ARRESTOR INSTALLATION - DEUTZ D2011 ENGINE



ART_1001174378

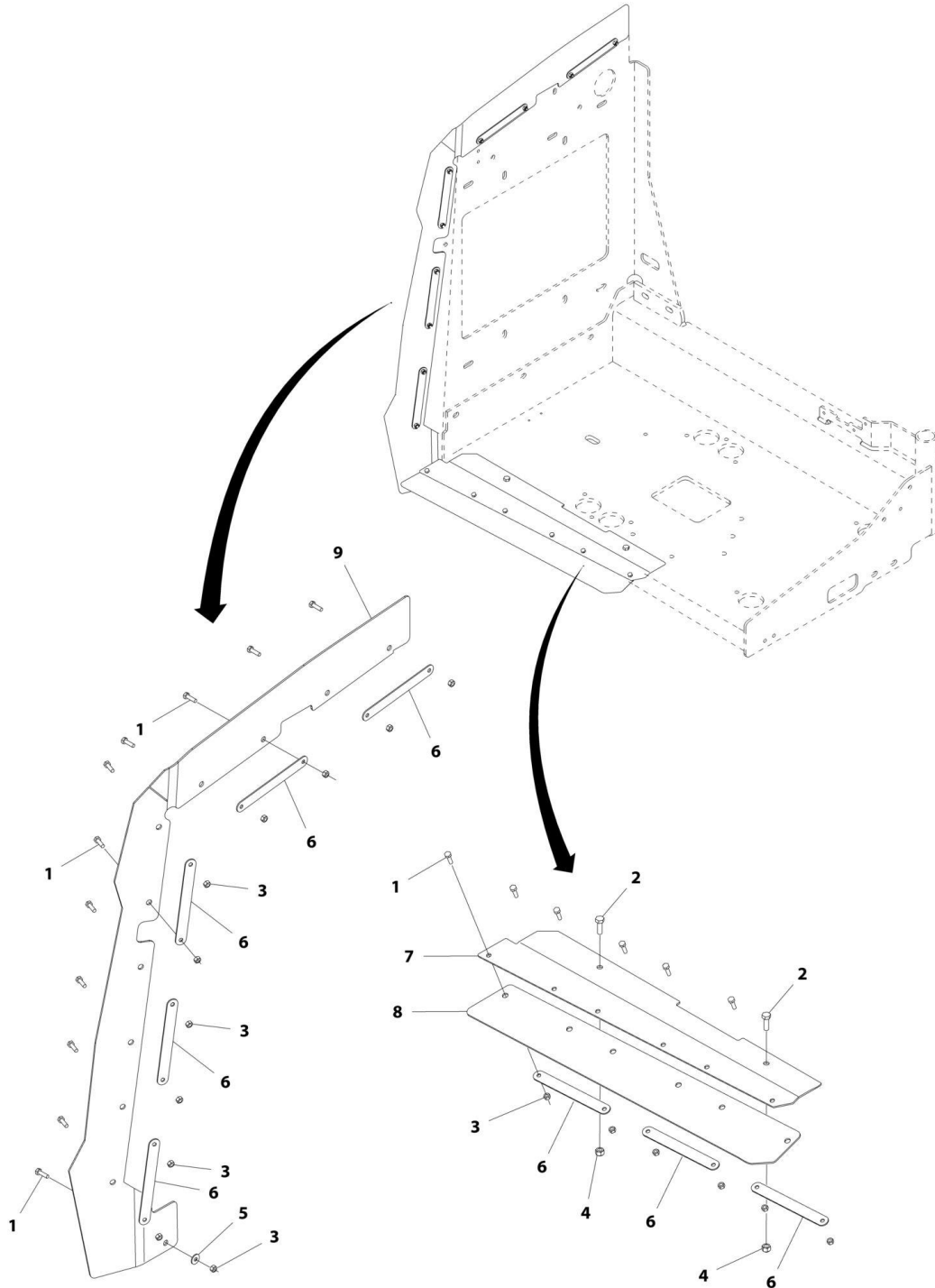
SECTION 3 - ENGINE

FIGURE 3-24. SPARK ARRESTOR INSTALLATION - DEUTZ D2011 ENGINE

ITEM	PART NUMBER	QTY	DESCRIPTION	REV
	1001174378	Ref	SPARK ARRESTOR INSTALLATION - DEUTZ D2011 ENGINE	A
1	1320176	1	Clamp	
2	1001169525	1	Pipe, Exhaust	
3	1001170224	1	Muffler, Spark Arresting	

SECTION 3 - ENGINE

FIGURE 3-25. ENGINE Baffle INSTALLATION - WITH DEUTZ ENGINES



ART_1001172265

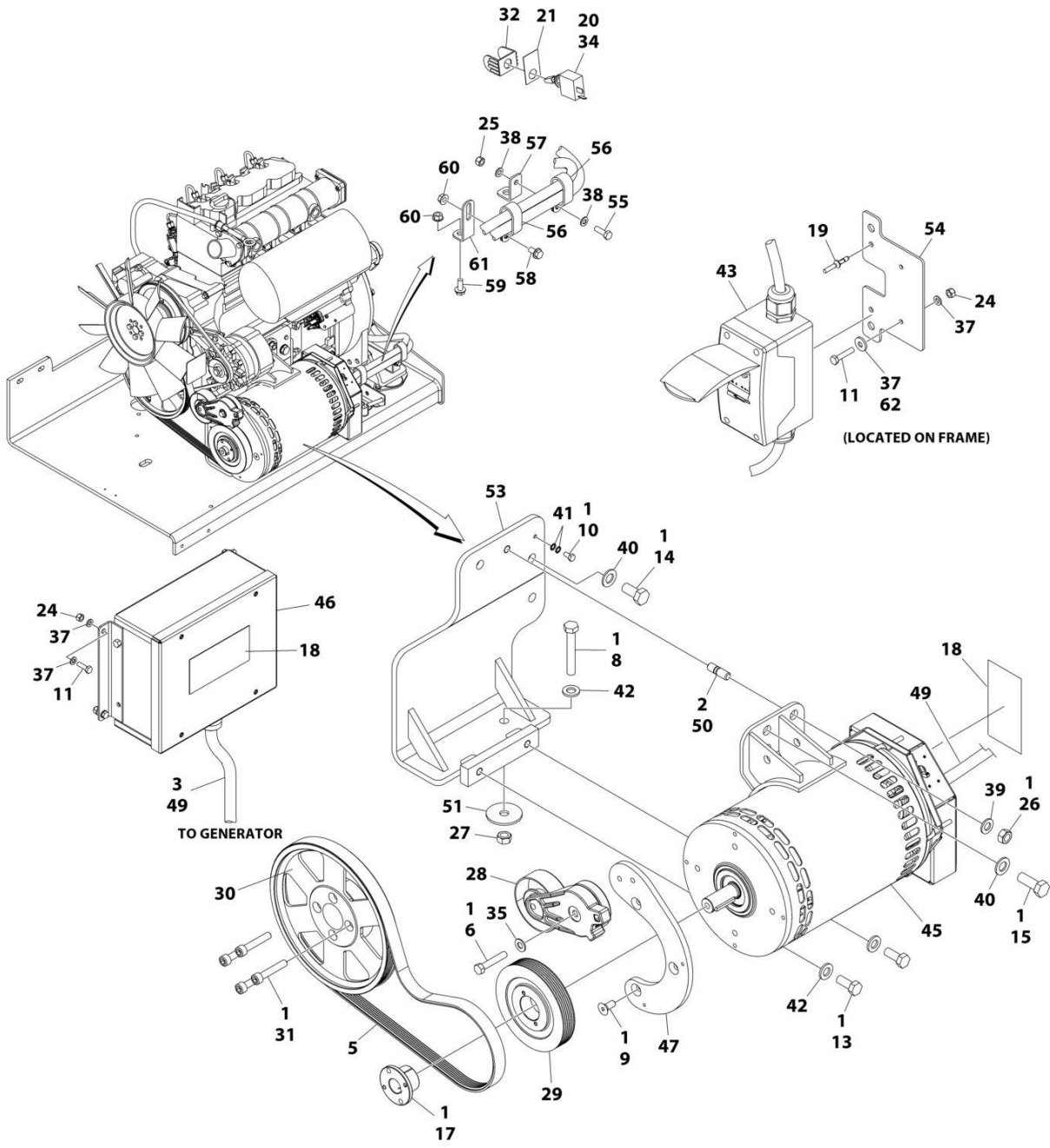
SECTION 3 - ENGINE

FIGURE 3-25. ENGINE BAFFLE INSTALLATION - WITH DEUTZ ENGINES

ITEM	PART NUMBER	QTY	DESCRIPTION	REV
	1001172265	Ref	ENGINE BAFFLE INSTALLATION - WITH DEUTZ/GM ENGINES	B
1	0760610	17	Bolt M6 x 20	
2	0760812	2	Bolt M8 x 25	
3	3290605	17	Nut M6	
4	3290805	2	Nut M8	
5	4811702	1	Washer M6	
6	1001167164	8	Plate, Support	
7	1001170663	1	Bracket	
8	1001170664	1	Seal	
9	1001172264	1	Seal	

SECTION 3 - ENGINE

FIGURE 3-26. GENERATOR INSTALLATION - 4000W/50HZ (DEUTZ D2011 ENGINE)



ART_1001173984

SECTION 3 - ENGINE

FIGURE 3-26. GENERATOR INSTALLATION - 4000W/50HZ (DEUTZ D2011 ENGINE)

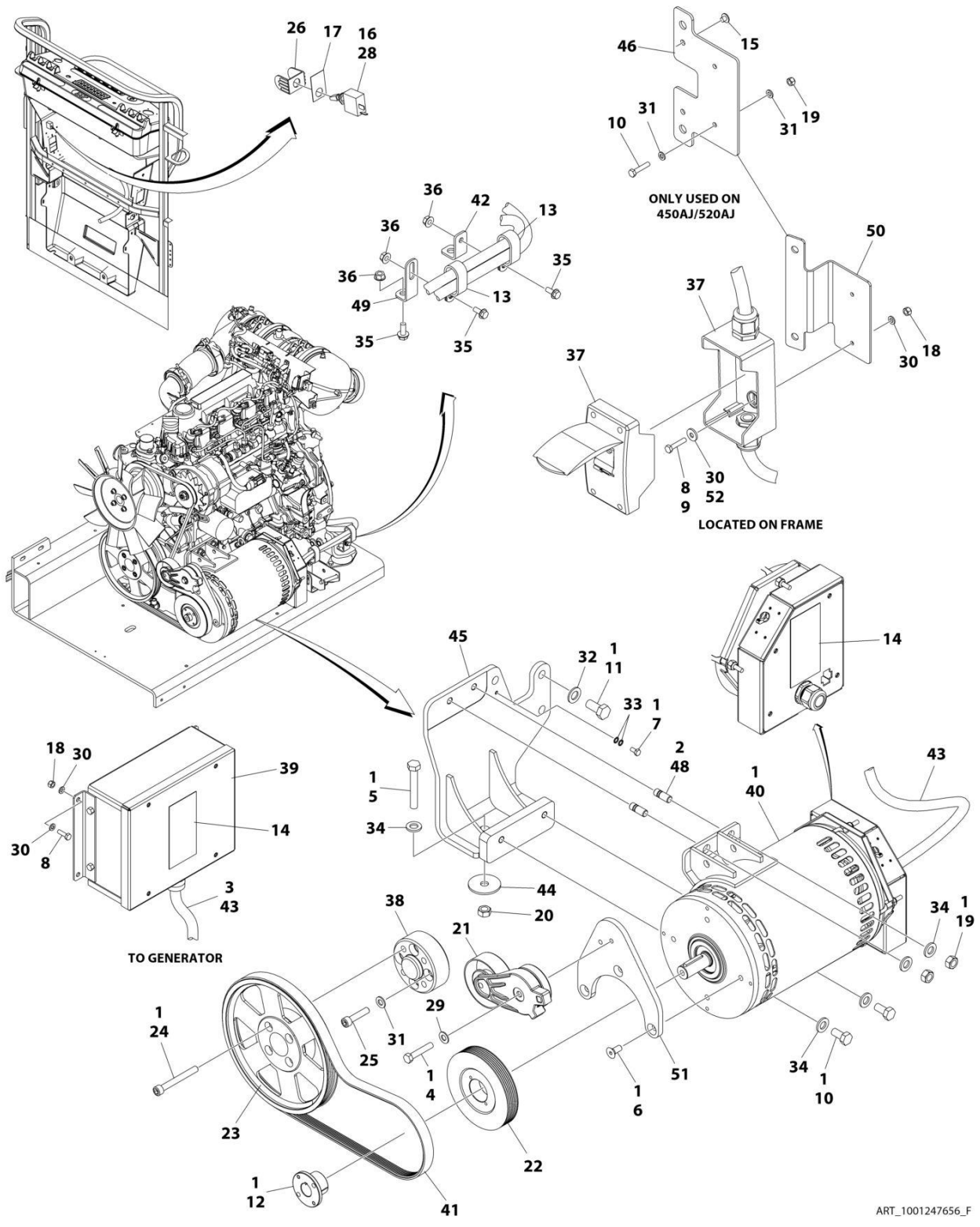
ITEM	PART NUMBER	QTY	DESCRIPTION	REV
	1001173984	Ref	GENERATOR INSTALLATION - 4000W/50HZ (DEUTZ D2011 ENGINE)	J
1	0100011	AR	Compound, Locking	
2	0100019	AR	Compound, Locking	
3	0100048	AR	Grease, Dielectric	
4	0100079	AR	Sealant (Not Shown)	
5	0480126	1	Belt	
6	0641616	1	Bolt 3/8 x 2	
8	0711224	1	Bolt M12 x 80 Grade 10.9	
9	0741607	3	Screw 3/8 x 7/8	
10	0760606	1	Bolt M6 x 12	
11	0760610	AR	Bolt M6 x 20	
11	0760614	AR	Bolt M6 x 30	
13	0761214	2	Bolt M12 x 30	
14	0771414	2	Bolt M14 x 30 Grade 10.9	
15	0771416	1	Bolt M14 x 40	
17	0962520	1	Bushing	
18	1705489	AR	Decal - Hazardous Voltage	
19	2080040	2	Fastener, Huck	
20	2820031	AR	Heat Shrink	
21	See Note	1	Nameplate (Note: Not Available for Purchase)	
24	3290605	6	Nut M6	
25	3290805	1	Nut M8	
26	3291201	1	Nut M12	
27	3331211	1	Nut M12	
28	3580317	1	Pulley	
29	3580319	1	Pulley	
30	3580320	1	Pulley	
31	4032015	4	Bolt M10 x 55	
32	4060802	1	Guard, Switch	
33	4240099	AR	Tie-Strap (Not Shown)	
34	4360336	1	Switch, Toggle	
35	4711600	1	Washer 3/8	
37	4811700	AR	Washer M6	
38	4811900	1	Washer M8	
39	4812100	1	Washer M12	
40	4812200	3	Washer M14	
41	4871700	2	Washer M6	
42	5241200	3	Washer M12 Hardened	
43	1001096070	1	Breaker Box Kit (50Hz) (See Separate Breakdown in ELECTRICAL Section)	
45	1001138565	1	Generator Assembly	
45	70003709	1	Ring, Retaining (External)	
45	70003708	1	Ring, Retaining (Internal)	
45	70001966	1	Bearing	
45	70004092	1	Endbell (Shaft End)	
45	70004171	1	Key	
45	70004676	1	Rotor	
45	70004677	1	Stator	
45	70004678	1	Endbell (Rear)	

SECTION 3 - ENGINE

ITEM	PART NUMBER	QTY	DESCRIPTION	REV
45	70004679	1	Cover, Endbell (Rear)	
45	70004680	1	Enclosure, Wiring	
45	70004681	1	Cover, Enclosure	
45	70004682	1	Switch, Reset (Located on Enclosure Cover)	
45	70004683	1	Connector, Strain Relief (Located on Enclosure Cover)	
46	1001138566	1	Box, Control	
46	70006552	1	Capacitor	
46	70006553	1	Relay	
47	1001139357	1	Mount, Tensioner	
49	1001152532	1	Harness, Generator (See Separate Breakdown in ELECTRICAL Section)	
50	1001196382	1	Stud	
51	1001168018	1	Washer, Snubbing	
53	1001173925	1	Mount	
54	1001174158	1	Mount	
55	0760812	1	Bolt M8 x 25	
56	1321716	2	Clamp	
57	1001148641	1	Bracket	
58	5250808	1	Bolt M8 x 16	
59	5250810	1	Bolt M8 x 20	
60	5260800	2	Nut M8	
61	1001223122	1	Support	
62	4811702	AR	Washer M6	

SECTION 3 - ENGINE

FIGURE 3-27. GENERATOR INSTALLATION - 4000W/50HZ (DEUTZ ENGINE) (STAGE V)



ART_1001247656_F

SECTION 3 - ENGINE

FIGURE 3-27. GENERATOR INSTALLATION - 4000W/50HZ (DEUTZ ENGINE) (STAGE V)

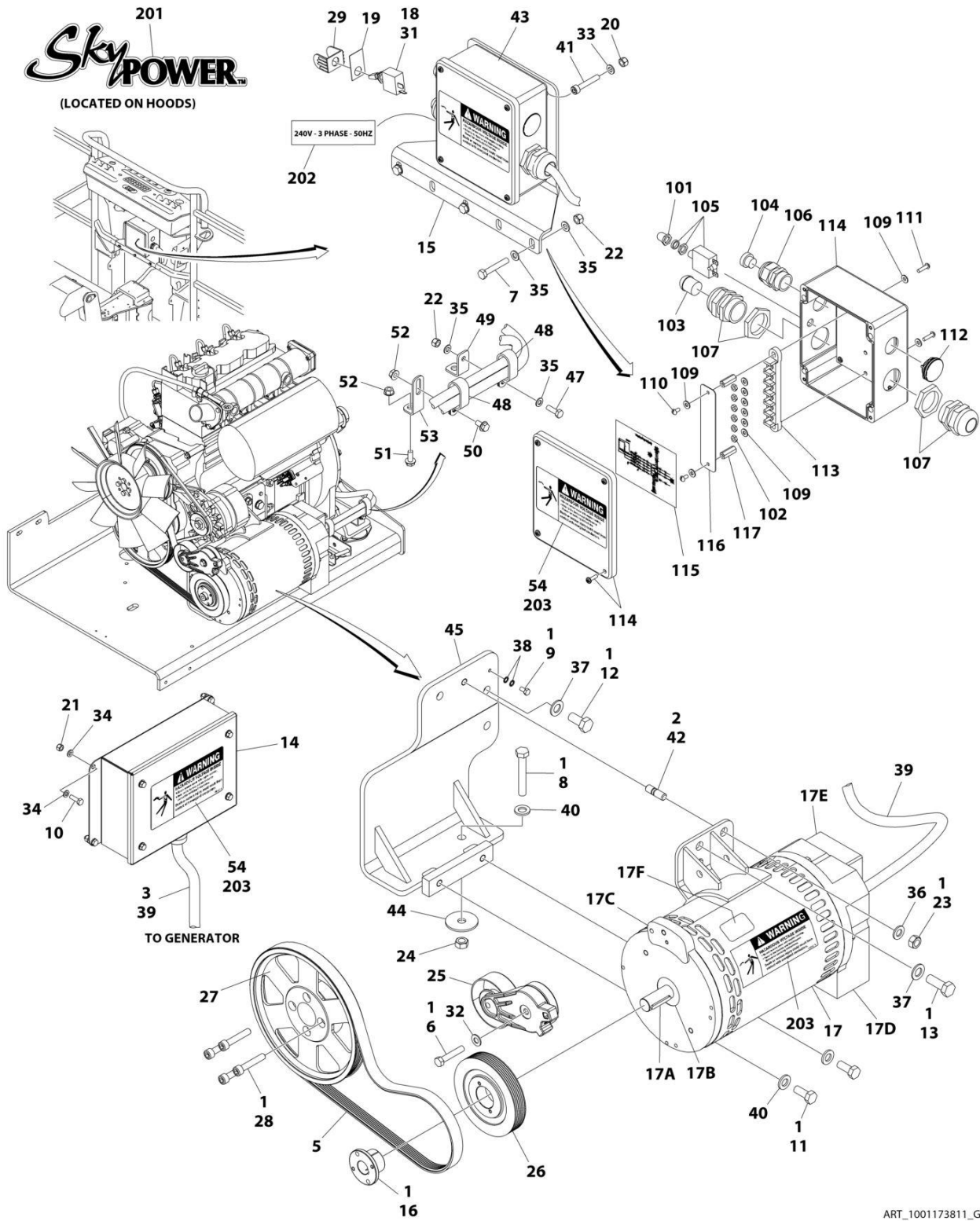
ITEM	PART NUMBER	QTY	DESCRIPTION	REV
	1001247656	Ref	GENERATOR INSTALLATION - 4000W/50HZ (DEUTZ (STAGE V) ENGINE)	F
1	0100011	AR	Compound, Locking	
2	0100019	AR	Compound, Locking	
3	0100048	AR	Grease, Dielectric	
4	0641616	1	Bolt 3/8 x 2	
5	0711224	AR	Bolt M12 x 80	
6	0741607	3	Screw 3/8 x 7/8	
7	0760606	1	Bolt M6 x 12	
8	0760610	AR	Bolt M6 x 20	
9	0760614	AR	Bolt M6 x 30	
10	0761212	2	Bolt M12 x 25	
11	0771414	AR	Bolt M14 x 30	
12	0962520	1	Bushing	
13	1321716	2	Clamp	
14	1705489	2	Decal - Hazardous Voltage	
15	2080040	2	Fastener, Huck	
16	2820031	0.33 ft /0.10m	Heat Shrink	
17	3251102	1	Nameplate, Generator	
18	3290605	AR	Nut M6	
19	3291201	2	Nut M12	
20	3331211	AR	Nut M12	
21	3580317	1	Pulley	
22	3580319	1	Pulley	
23	1001260432	1	Pulley	
24	1001261085	4	Capscrew M10 x 85	
25	1001261045	4	Capscrew M10 x 45	
26	4060802	1	Guard, Switch	
27	4240099	AR	Tie-Strap (Not Shown)	
28	4360336	1	Switch, Toggle	
29	4711600	1	Washer 3/8	
30	4811700	12	Washer M6	
31	4812000	4	Washer M14	
32	4812200	AR	Washer M14	
33	4871700	2	Washer M6	
34	5241200	AR	Washer M12 Hardened	
35	5250810	3	Bolt M8 x 20	
36	5260800	3	Nut M8	
37	1001096070	1	Breaker Box Kit (50Hz) (See Separate Breakdown in ELECTRICAL Section)	
38	1001135679	1	Adapter	
39	1001138566	1	Box, Control	
40	1001140347	1	Generator, 4000W/ 50HZ - Deutz Engine	
40	70003709	1	Ring, Retaining (External)	
40	70003708	1	Ring, Retaining (Internal)	
40	70001966	1	Bearing	
40	70004092	1	Endbell (Shaft End)	
40	70004099	1	Key	
40	70004676	1	Rotor	

SECTION 3 - ENGINE

ITEM	PART NUMBER	QTY	DESCRIPTION	REV
40	70004686	1	Stator	
40	70004678	1	Endbell (Rear)	
40	70004679	1	Cover, Endbell (Rear)	
40	70004680	1	Enclosure, Wiring	
40	70004681	1	Cover, Enclosure	
40	70004682	1	Switch, Reset (Located on Enclosure Cover)	
40	70004683	1	Connector, Strain Relief (Located on Enclosure Cover)	
41	1001148059	1	Belt, Generator	
42	1001148641	1	Bracket	
43	1001152532	1	Harness, Generator (See Separate Breakdown in ELECTRICAL Section)	
44	1001168018	AR	Washer, Snubbing	
45	1001168207	AR	Support (Prior to PVC 2107)	
46	1001174158	1	Mount	
47	1001174675	1	Wiring Diagram (Not Shown)	
48	1001196382	2	Stud	
49	1001223122	1	Support	
50	1001230784	1	Bracket	
51	1001248190	1	Support	
52	4811702	4	Washer M6	
		Ref	ELECTRICAL DIAGRAM COMPONENTS	
101	4922641	1	Generator Switch Harness (Not Shown)	

SECTION 3 - ENGINE

FIGURE 3-28. GENERATOR INSTALLATION - 7500W/50HZ (DEUTZ D2011 ENGINE)



ART_1001173811_G

SECTION 3 - ENGINE

FIGURE 3-28. GENERATOR INSTALLATION - 7500W/50HZ (DEUTZ D2011 ENGINE)

ITEM	PART NUMBER	QTY	DESCRIPTION	REV
	1001173811	Ref	GENERATOR INSTALLATION - 7500W/50HZ (DEUTZ D2011 ENGINE)	G
1	0100011	AR	Compound, Locking	
2	0100019	AR	Compound, Locking	
3	0100048	AR	Grease, Dielectric	
4	0100079	AR	Sealant (Not Shown)	
5	0480126	1	Belt	
6	0641616	1	Bolt 3/8 x 2	
7	0700818	3	Bolt M8 x 50	
8	0711224	1	Bolt M12 x 80 Grade 10.9	
9	0760606	1	Bolt M6 x 12	
10	0760610	4	Bolt M6 x 20	
11	0761214	2	Bolt M12 x 30	
12	0771414	2	Bolt M14 x 30 Grade 10.9	
13	0771416	1	Bolt M14 x 40	
14	0861572	1	Control Box Assembly	
14	7024488	1	Card, Circuit - Generator Power	
14	See Note	NSS	Fuse (Note: Not Available - Purchase Locally)	
14	7024489	1	Card, Circuit - Control	
14	70000619	1	Harness, Control Box (Internal)	
15	0902888	1	Bracket	
16	0962520	1	Bushing	
17	2460048	1	Generator Assembly	
17	70001100	1	Rotor (Includes p/n 70001384 & 70000863) (Not Shown)	
17	70001384	1	Bearing, Ball Radial (Not Shown)	
17	70000863	1	Fan (Not Shown)	
17	70002088	1	Stator (Not Shown)	
17	70002297	1	Stud	
17	70003631	1	Brushholder Assembly (Not Shown)	
17A	70004171	1	Key	
17B	70001966	1	Bearing, Ball Radial (Located in Belt Tensioner Endbell)	
17B	70003708	1	Ring, Internal Retaining (Located in Belt Tensioner Endbell)	
17B	70003709	1	Ring, External Retaining (Located in Belt Tensioner Endbell)	
17C	70001953	1	Endbell, Belt Tensioner	
17D	70004169	1	Endbell, Brush Block	
17E	70004169	1	Shroud	
17E	See Note	NSS	Insulator, Endbell (Note: Not Available for Purchase)	
17E	7027799	1	Block, Connector 6 Position (Not Shown)	
17E	70002460	1	Nut, Brass (Attaches p/n 7027799 to Cover) (Not Shown)	
17E	7024485	1	Breaker, Circuit 30Amp (Not Shown)	
17E	70001696	1	Boot, Breaker (Not Shown)	
17E	7026626	1	Connector, 6 Position (Includes Seal) (Not Shown - Plugs into Item 39)	
17E	7026597	1	Connector, with Leads (Not Shown)	
17E	7026188	1	Clamp, Cable Options (Not Shown)	
17E	70004169	1	Plate, End Panel	
17E	70001974	1	Decal - Terminal Connections	
17F	70001973	1	Decal - Warning Moving Parts	
18	2820031	AR	Heat Shrink	
19	3252764	1	Nameplate	

SECTION 3 - ENGINE

ITEM	PART NUMBER	QTY	DESCRIPTION	REV
20	3290505	4	Nut M5	
21	3290605	4	Nut M6	
22	3290805	4	Nut M8	
23	3291201	1	Nut M12	
24	3331211	1	Nut M12	
25	3580317	1	Pulley	
26	3580319	1	Pulley	
27	3580320	1	Pulley	
28	4032015	4	Bolt M10 x 55	
29	4060802	1	Guard, Switch	
30	4240099	AR	Tie-Strap (Not Shown)	
31	4360336	1	Switch, Toggle	
32	4711600	1	Washer 3/8	
33	4811600	4	Washer M5	
34	4811700	8	Washer M6	
35	4811900	8	Washer M8	
36	4812100	1	Washer M12	
37	4812200	3	Washer M14	
38	4871700	2	Washer M6	
39	4922925	1	Harness, Generator	
39	4460225	1	Plug, Male 6 Position (Plugs into Generator)	
39	See Note	NSS	Socket, Female (Use with 4460225)	
39	See Note	NSS	Seal, Plug (Use with 4460225)	
39	See Note	NSS	Seal, Interface (Use with 4460225)	
40	5241200	3	Washer M12 Hardened	
41	1001104029	4	Screw M5 x 30	
42	1001196382	1	Stud	
43	1001157525	1	Junction Box Assembly (See Items 101-117 for Breakdown)	
44	1001168018	1	Washer, Snubbing	
45	1001173925	1	Mount	
46	1001174675	1	Wiring Diagram (Not Shown)	
46	4922641	1	Harness, On/Off Switch (Not Shown - Located at Platform)	
47	0760812	1	Bolt M8 x 25	
48	1321716	2	Clamp	
49	1001148641	1	Bracket	
50	5250808	1	Bolt M8 x 16	
51	5250810	1	Bolt M8 x 20	
52	5260800	2	Nut M8	
53	1001223122	1	Support	
54	1705489	2	Decal - Hazardous Voltage	
	1001157525	Ref	JUNCTION BOX ASSEMBLY	B
101	3300396	1	Cover, Fuse	
102	3311001	6	Nut #10	
103	3520189	1	Plug	
104	3520192	1	Plug	
105	4360070	1	Circuit Breaker - 15Amp	
106	4460425	1	Connector, Strain Relief	
107	4460426	2	Connector, Strain Relief	
109	4711000	10	Flatwasher #10	
110	10702077	2	Screw #10 x 3/8	
111	10702082	2	Screw #10 x 3/4	

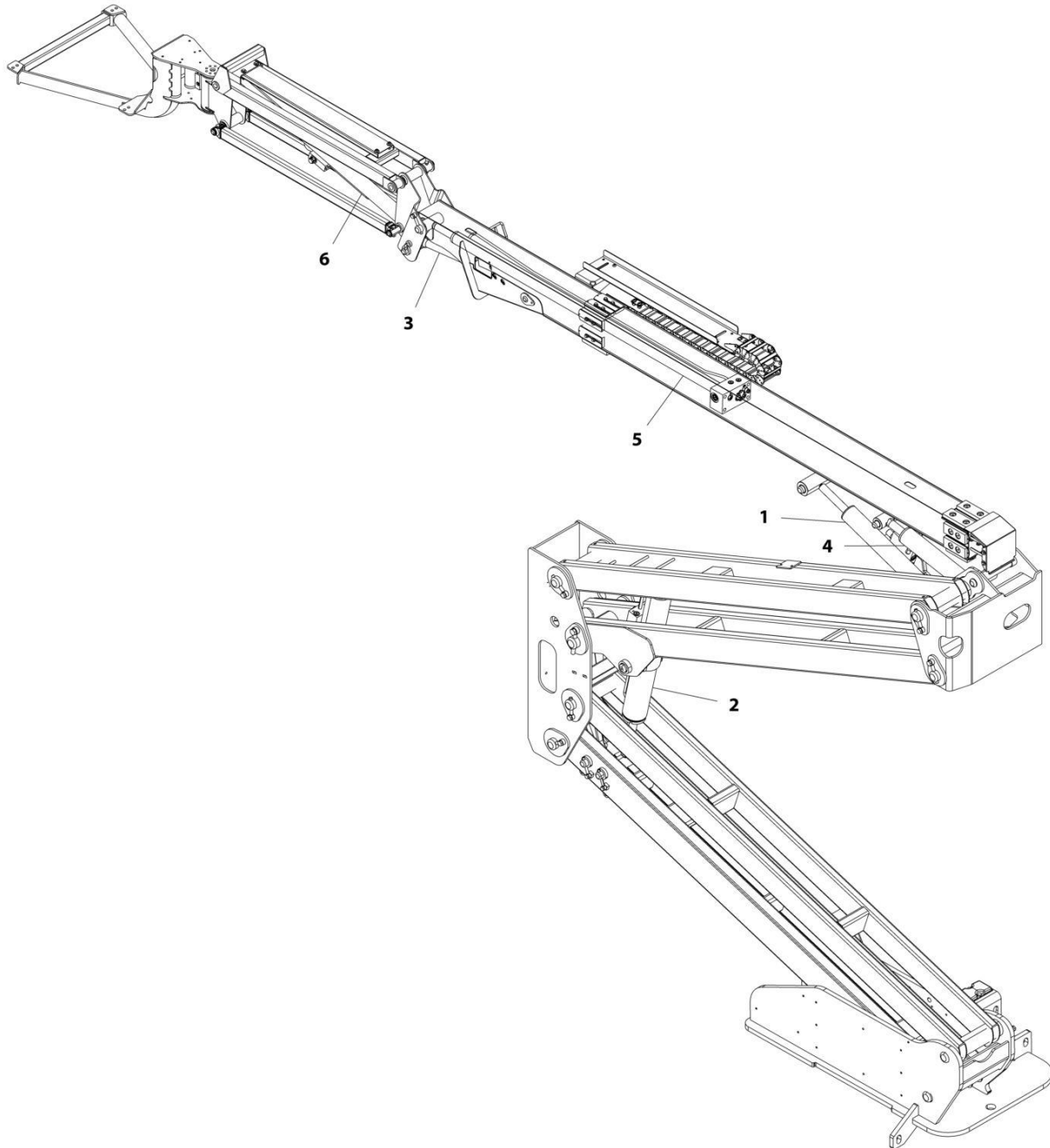
SECTION 3 - ENGINE

ITEM	PART NUMBER	QTY	DESCRIPTION	REV
112	1001152525	1	Plug	
113	1001157520	1	Block, Terminal	
114	1001157521	1	Box, Junction	
115	1001157528	1	Decal - Wiring Schematic	
116	1001158007	1	Cover, PVC	
117	1001158008	2	Stand-Off	
	0272589	Ref	DECAL INSTALLATION	A
201	1705460	2	Decal - SkyPower	
202	1705461	1	Decal - 240V - 3 Phase - 50Hz	
203	1705489	3	Decal - Hazardous Voltage	

SECTION 4 - BOOM

SECTION 4 - BOOM

FIGURE 4-1. CYLINDERS INSTALLATION (Prior to SN B300015268, Except SN B300014977 through B300014987, Except SN B300015050 through B300015051, Except SN B300015062 through B300015099, Including B300015409, Excluding B300015056 and B300015158)



ART_1001163863

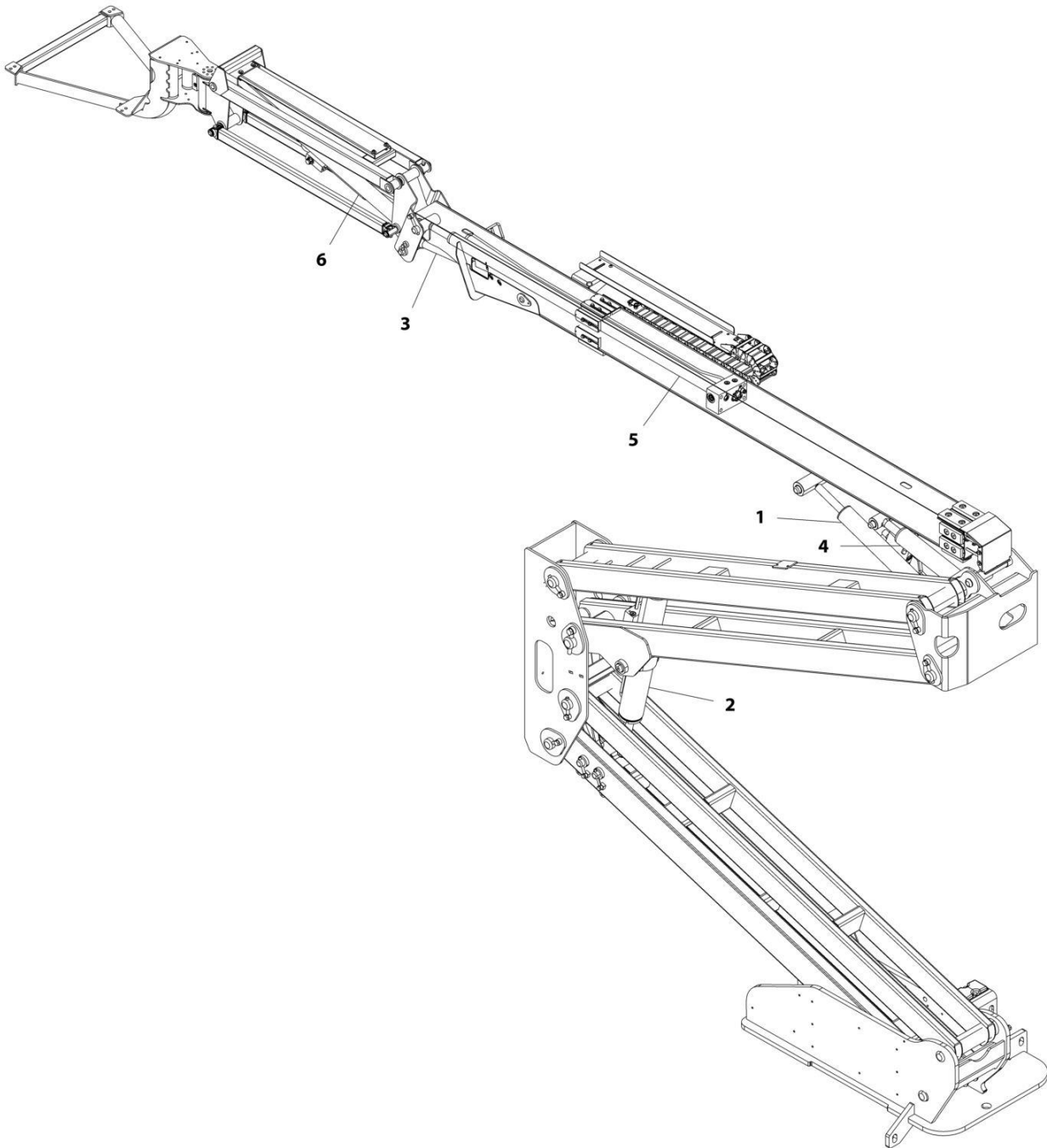
SECTION 4 - BOOM

FIGURE 4-1. CYLINDERS INSTALLATION (Prior to SN B300015268, Except SN B300014977 through B300014987, Except SN B300015050 through B300015051, Except SN B300015062 through B300015099, Including B300015409, Excluding B300015056 and B300015158)

ITEM	PART NUMBER	QTY	DESCRIPTION	REV
	1001163863	Ref	CYLINDERS INSTALLATION	D
1	1001266738	1	Lift Cylinder Assembly - Main Boom (See Separate Breakdown in CYLINDER Section)	
2	1001254716	1	Lift Cylinder Assembly - Tower Boom (See Separate Breakdown in CYLINDER Section)	
3	1001161716	1	Level (Platform Slave) Cylinder Assembly (See Separate Breakdown in CYLINDER Section)	
4	1001161717	1	Master Cylinder Assembly (See Separate Breakdown in CYLINDER Section)	
5	1001266711	1	Telescope Cylinder Assembly (See Separate Breakdown in CYLINDER Section)	
6	1001163767	1	Lift Cylinder Assembly - Jib (See Separate Breakdown in CYLINDER Section)	

SECTION 4 - BOOM

FIGURE 4-2. CYLINDERS INSTALLATION (SN B300015268 to Present, SN B300014977 through B300014987, SN B300015050 through B300015051, SN B300015062 through B300015099, Including B300015056 and B300015158, Excluding B300015409)



ART_1001163863_E

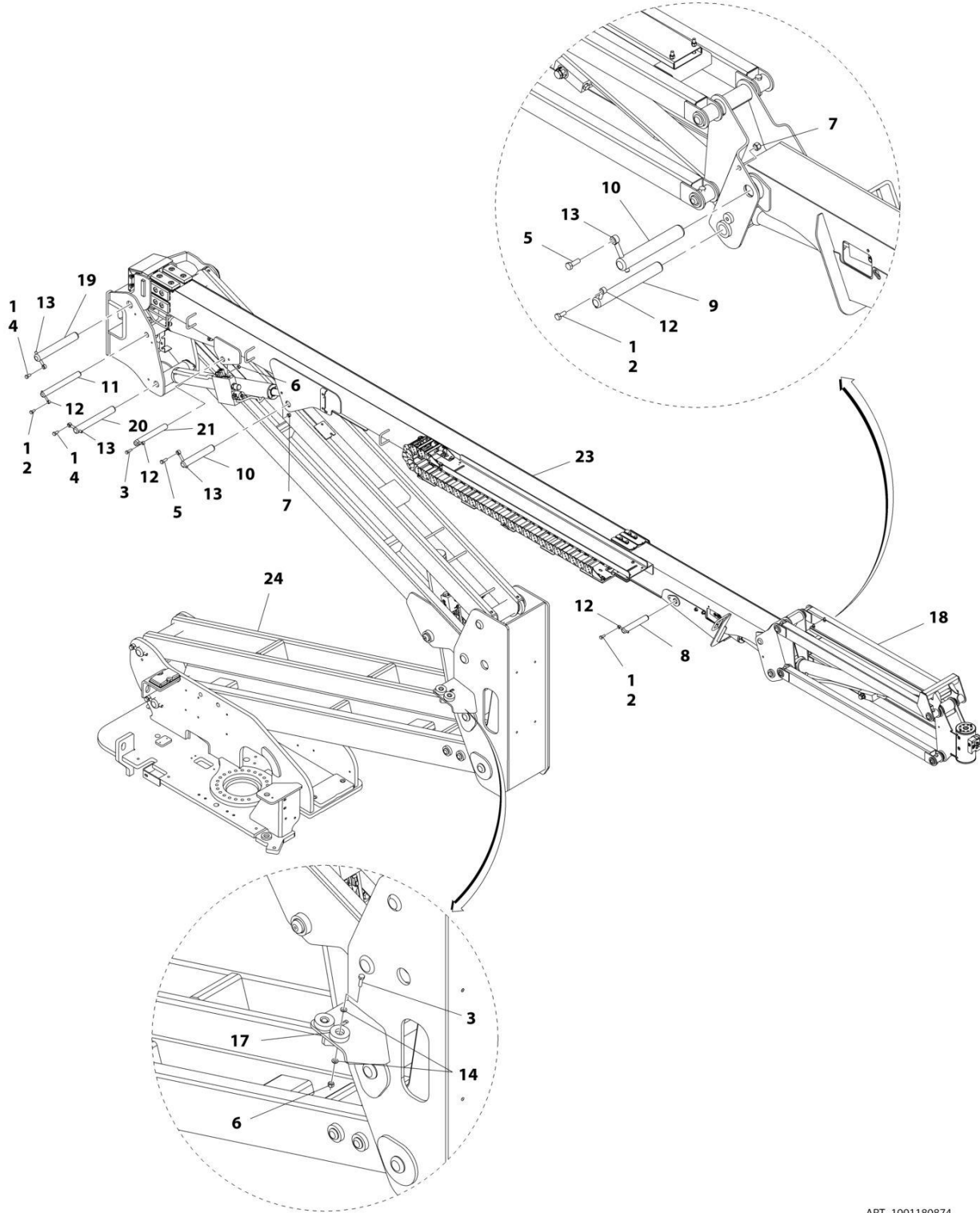
SECTION 4 - BOOM

FIGURE 4-2. CYLINDERS INSTALLATION (SN B300015268 to Present, SN B300014977 through B300014987, SN B300015050 through B300015051, SN B300015062 through B300015099, Including B300015056 and B300015158, Excluding B300015409)

ITEM	PART NUMBER	QTY	DESCRIPTION	REV
	1001163863	Ref	CYLINDERS INSTALLATION	E
1	1001266738	1	Lift Cylinder Assembly - Main Boom (See Separate Breakdown in CYLINDER Section)	
2	1001254716	1	Lift Cylinder Assembly - Tower Boom (See Separate Breakdown in CYLINDER Section)	
3	1001253629	1	Level (Platform Slave) Cylinder Assembly (See Separate Breakdown in CYLINDER Section)	
4	1001253628	1	Master Cylinder Assembly (See Separate Breakdown in CYLINDER Section)	
5	1001266711	1	Telescope Cylinder Assembly (See Separate Breakdown in CYLINDER Section)	
6	1001285271	1	Lift Cylinder Assembly - Jib (See Separate Breakdown in CYLINDER Section)	

SECTION 4 - BOOM

FIGURE 4-3. BOOM INSTALLATION



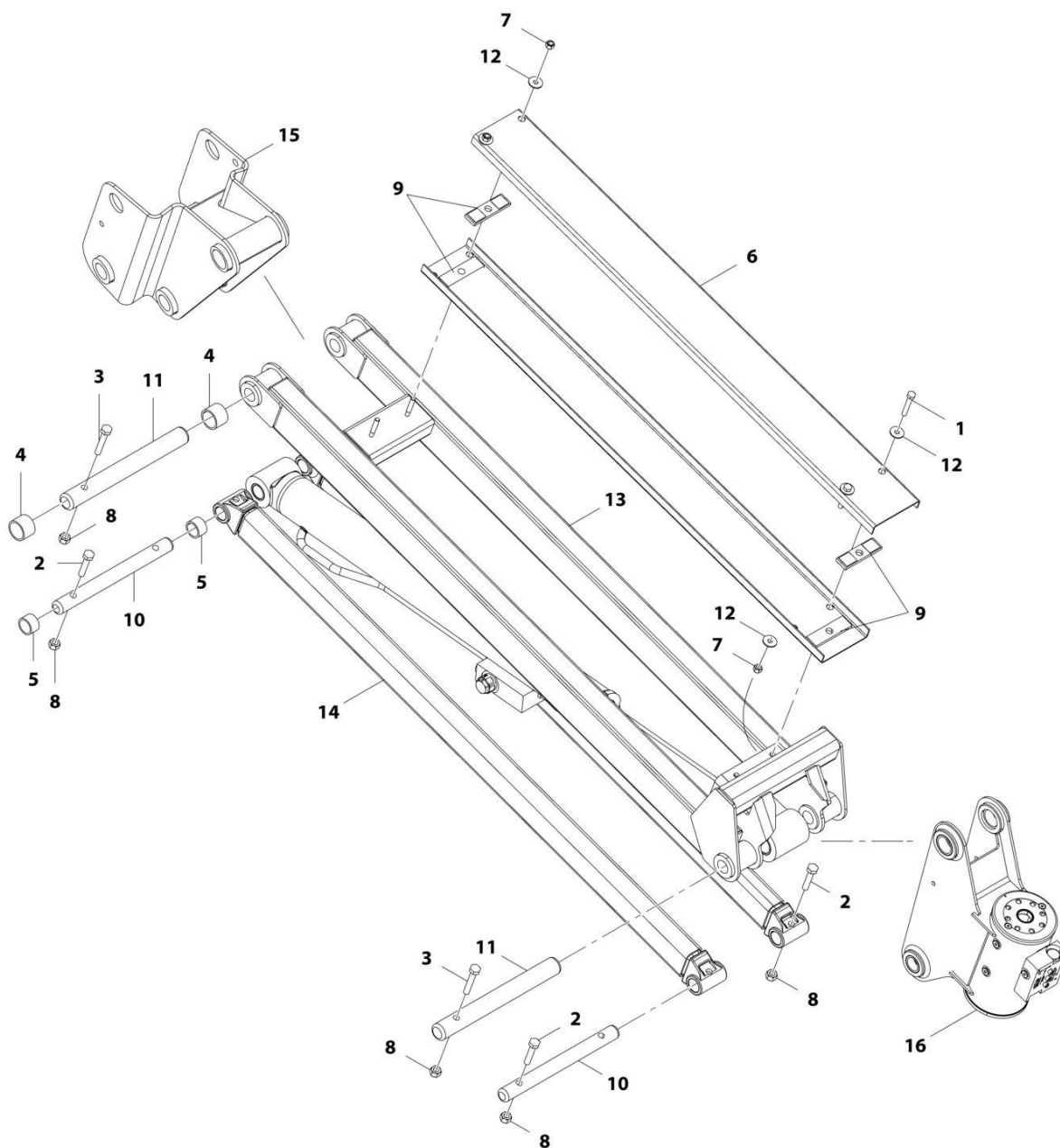
ART_1001180874

FIGURE 4-3. BOOM INSTALLATION

ITEM	PART NUMBER	QTY	DESCRIPTION	REV
	1001180874	Ref	BOOM INSTALLATION	C
1	0100011	AR	Compound, Locking	
2	0761012	3	Bolt, M10 x 25mm	
3	0761015	3	Bolt, M10 x 35mm	
4	0761212	2	Bolt, M12 x 25mm	
5	0761215	2	Bolt, M12 x 35mm	
6	3291005	3	Nut, Lock M10 x 1.5	
7	3291205	2	Nut, Lock M12 x 1.75	
8	3422755	1	Pin	
9	3422792	1	Pin	
10	3422793	2	Pin	
11	3422806	1	Pin	
12	3841143	4	Keeper, Pin	
13	3841203	4	Keeper, Pin	
14	4812000	4	Washer, M10	
17	1001112607	2	Block, Boom Rest	
18	1001164017	1	Jib Installation (See JIB INSTALLATION for Breakdown)	
19	1001169246	1	Pin	
20	1001169247	1	Pin	
21	3423038	1	Pin	
23	1001179626	1	Main Boom Assembly (See MAIN BOOM ASSEMBLY for Breakdown)	
24	1001180006	1	Tower Boom Assembly (See TOWER BOOM ASSEMBLY for Breakdown)	

SECTION 4 - BOOM

FIGURE 4-4. JIB INSTALLATION



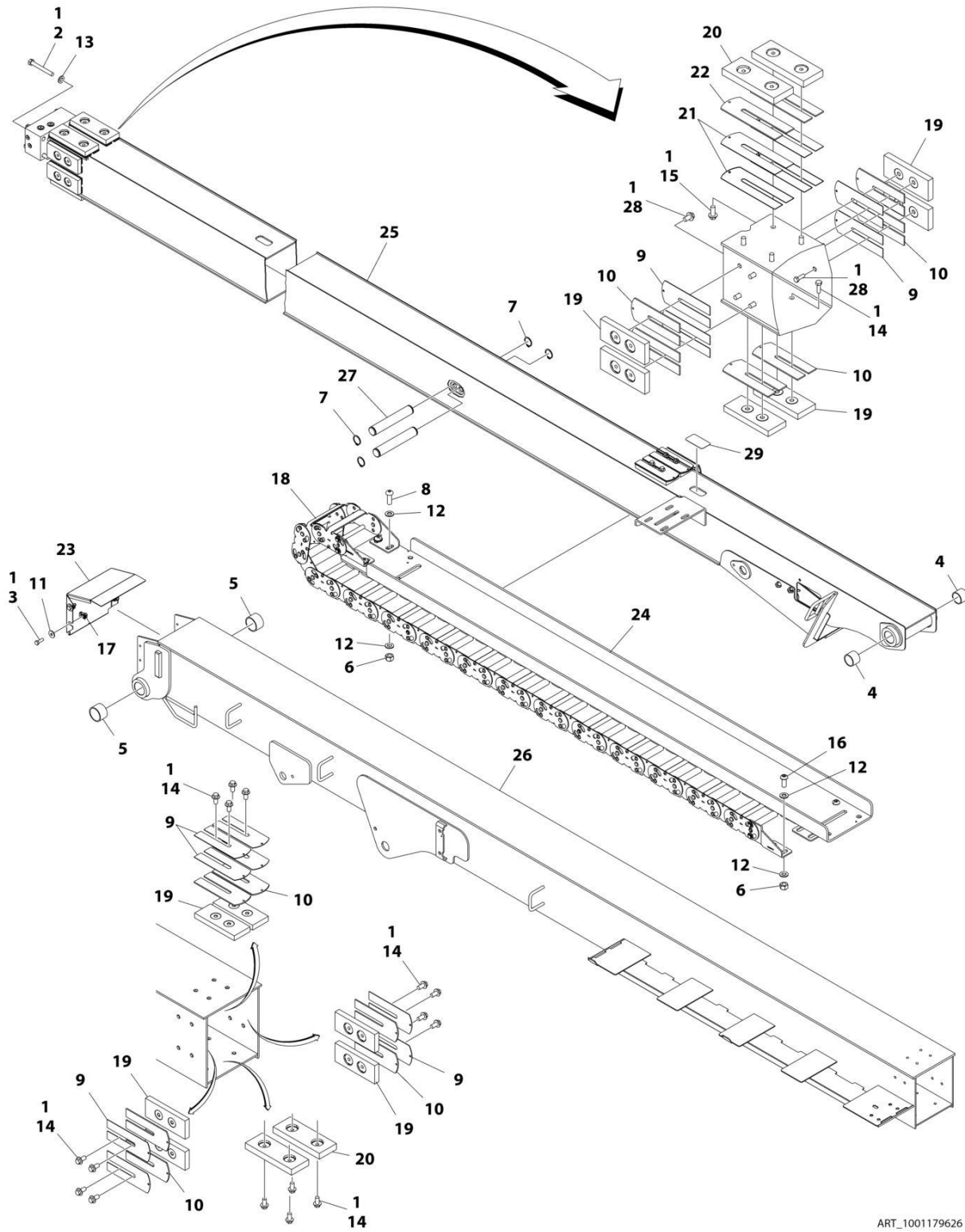
ART_1001164017

FIGURE 4-4. JIB INSTALLATION

ITEM	PART NUMBER	QTY	DESCRIPTION	REV
	1001164017	Ref	JIB INSTALLATION	D
1	0700820	2	Bolt M8 x 60	
2	0701019	4	Bolt M8 x 55	
3	0701020	2	Bolt M10 x 60	
4	0961951	2	Bushing	
5	0962292	2	Bearing	
6	3572551	2	Channel	
7	3290805	4	Nut M8	
8	3291005	6	Nut M10	
9	3340860	4	Pad, Rubber	
10	3422791	2	Pin	
11	1001116550	2	Pin	
12	4811902	6	Washer M8	
13	1001183171	1	Link (Upper)	
14	4846689	2	Link (Lower)	
15	1001163937	1	Pivot	
16	1001217779	1	Rotator Assembly (See Separate Breakdown in this Section)	

SECTION 4 - BOOM

FIGURE 4-5. MAIN BOOM ASSEMBLY



ART_1001179626

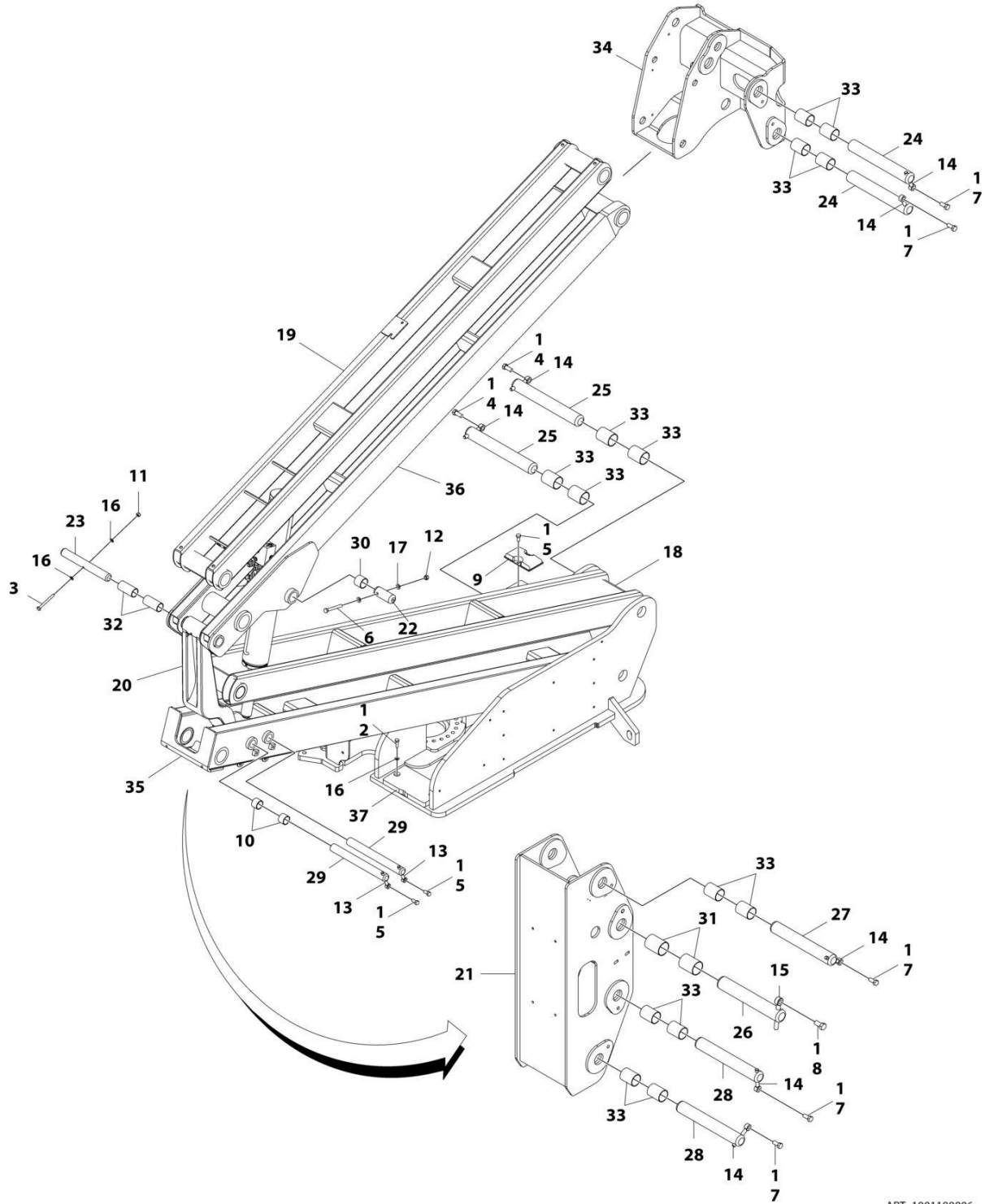
SECTION 4 - BOOM

FIGURE 4-5. MAIN BOOM ASSEMBLY

ITEM	PART NUMBER	QTY	DESCRIPTION	REV
	1001179626	Ref	MAIN BOOM ASSEMBLY	D
1	0100011	AR	Compound, Locking	
2	0711227	4	Bolt M12 x 100	
3	0760812	4	Bolt M8 x 25	
4	0961948	2	Bearing	
5	0961949	2	Bearing	
6	3291005	10	Nut M10	
7	3760351	4	Ring, Retaining	
8	3900351	4	Screw M10 x 30	
9	4070897	12	Shim	
10	4070898	12	Shim	
11	4811902	4	Washer M8	
12	4812000	18	Washer M10	
13	5241200	4	Washer M12 Hardened	
14	5251010	20	Bolt M10 x 20	
15	5251012	4	Bolt M10 x 25	
16	8310668	6	Screw M10 x 25 Grade 10.9	
17	1001118274	4	Nut M8	
18	1001224894	1	Powertrack Assembly	
18	70006256	1	Link, Repair	
18	70006272	1	Feet, Mounting	
19	1001169304	12	Pad, Wear	
20	1001169305	4	Pad, Wear	
21	1001169402	4	Shim	
22	1001169403	2	Shim	
23	1001170226	1	Cover, Boom End	
24	1001170334	1	Tube, Carrier	
25	1001178554	1	Fly, Boom	
26	1001178555	1	Base, Boom	
27	1001180541	2	Pin	
28	5251009	8	Bolt M10 x 18	
29	1670836	1	Cover	

SECTION 4 - BOOM

FIGURE 4-6. TOWER BOOM ASSEMBLY



ART_1001180006

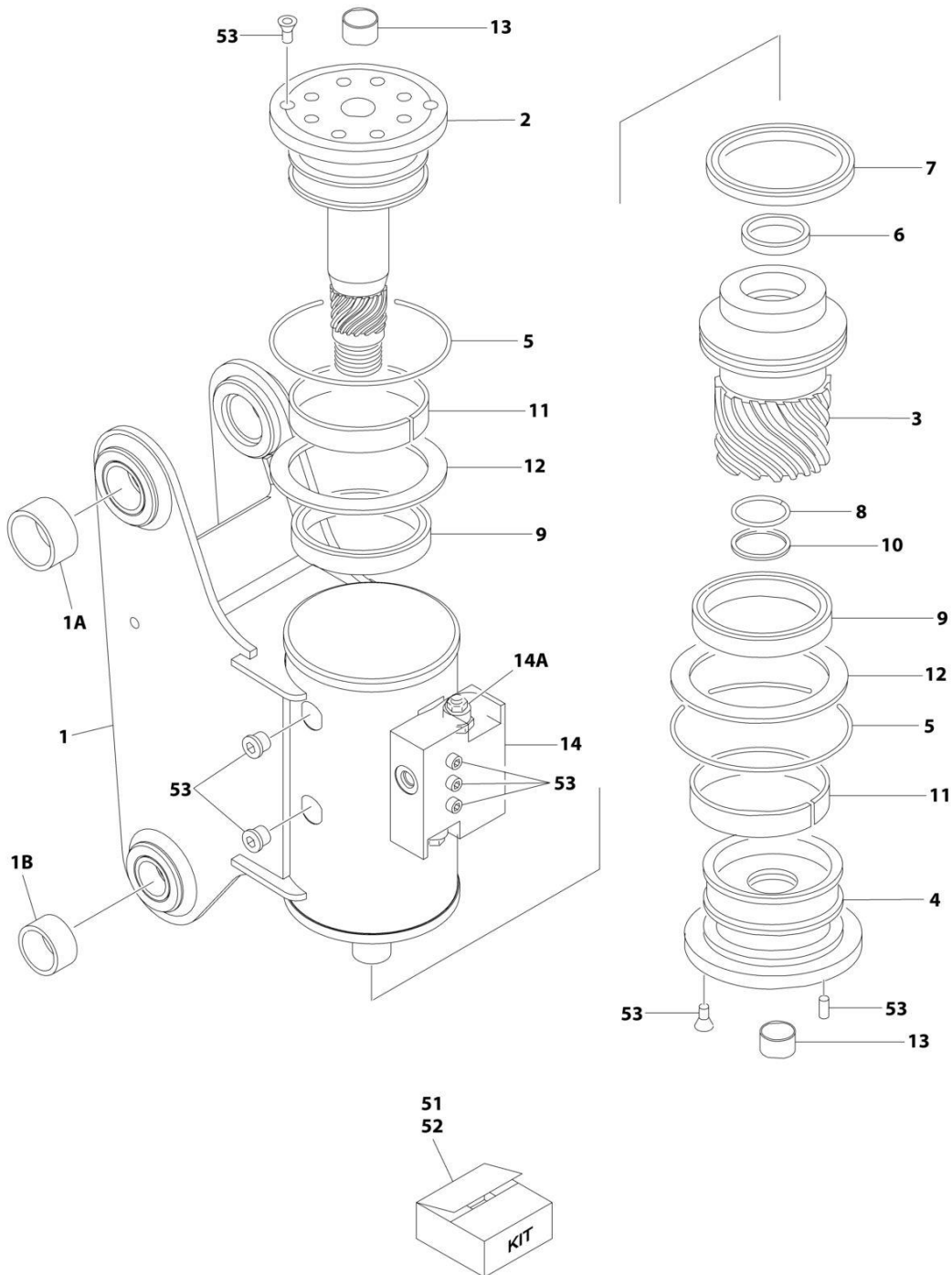
SECTION 4 - BOOM

FIGURE 4-6. TOWER BOOM ASSEMBLY

ITEM	PART NUMBER	QTY	DESCRIPTION	REV
	1001180006	Ref	TOWER BOOM ASSEMBLY - 450A	B
1	0100011	AR	Compound, Locking	
2	0701015	2	Bolt M10 x 35	
3	0701027	1	Bolt M10 x 100	
4	0701616	2	Bolt M16 x 40	
5	0761212	4	Bolt M12 x 25	
6	0761227	2	Bolt M12 x 100	
7	0761615	5	Bolt M16 x 35	
8	0762016	1	Bolt M20 x 40	
9	0940048	1	Bumper	
10	0961948	2	Bearing	
11	3291005	1	Nut M10	
12	3291205	2	Nut M12	
13	3841203	2	Keeper, Pin	
14	3841258	7	Keeper, Pin	
15	3841287	1	Keeper, Pin	
16	4812000	4	Washer M10	
17	4812100	4	Washer M12	
18	1001160859	1	Link, Lower Tower Boom	
19	1001160872	1	Link, Upper Tower Boom	
20	1001166096	1	Link, Timing	
21	1001166853	1	Upright, Lower	
22	1001169240	2	Pin	
23	1001169241	1	Pin	
24	1001169242	2	Pin	
25	1001169249	2	Pin	
26	1001169295	1	Pin	
27	1001169296	1	Pin	
28	1001169297	2	Pin	
29	1001169298	2	Pin	
30	1001169299	2	Bearing	
31	1001169300	2	Bearing	
32	1001169301	2	Bearing	
33	1001169302	14	Bearing	
34	1001174065	1	Upright, Upper	
35	1001178133	1	Tower Boom (Lower)	
36	1001178135	1	Tower, Boom (Upper)	
37	1001180056	1	Pad, Wear	
38	1001227993	1	Tower Boom Kit (Not Shown – Includes Items 18, 19, 35 & 36)	

SECTION 4 - BOOM

FIGURE 4-7. ROTATOR ASSEMBLY



ART_1001217779

FIGURE 4-7. ROTATOR ASSEMBLY

ITEM	PART NUMBER	QTY	DESCRIPTION	REV
	1001217779	Ref	ROTATOR ASSEMBLY	B
1	See Note	NSS	Housing (Note: Purchase Complete Assembly)	
1A	0962257	2	Bushing	
1B	0961947	2	Bushing	
2	7017162	1	Shaft	
3	7017163	1	Piston	
4	7017164	1	Cap, End	
5	See Note	NSS	O-Ring (Note: Use p/n 70000342)	
6	See Note	NSS	Seal, Rod (Note: Purchase p/n 70000342)	
7	See Note	NSS	Seal, Piston (Note: Purchase p/n 70000342)	
8	See Note	NSS	Seal, Cap (Note: Purchase p/n 70000342)	
9	See Note	NSS	Packing, Bearing (Note: Purchase p/n 70000342)	
10	See Note	NSS	Ring, Back-up (Note: Purchase p/n 70000342)	
11	See Note	NSS	Bearing, Shaft (Note: Purchase p/n 7017159)	
12	See Note	NSS	Washer, Thrust (Note: Purchase p/n 7017159)	
13	7017195	2	Bushing	
14	7017172	1	Counterbalance Valve Assembly	
14A	7017192	2	Valve Cartridge (No Seal Kit Available)	
51	70000342	1	Seal Kit (Includes Items 5-10)	
52	7017159	1	Bearing Kit (Includes Items 11 & 12)	
53	7017142	1	Hardware Kit	

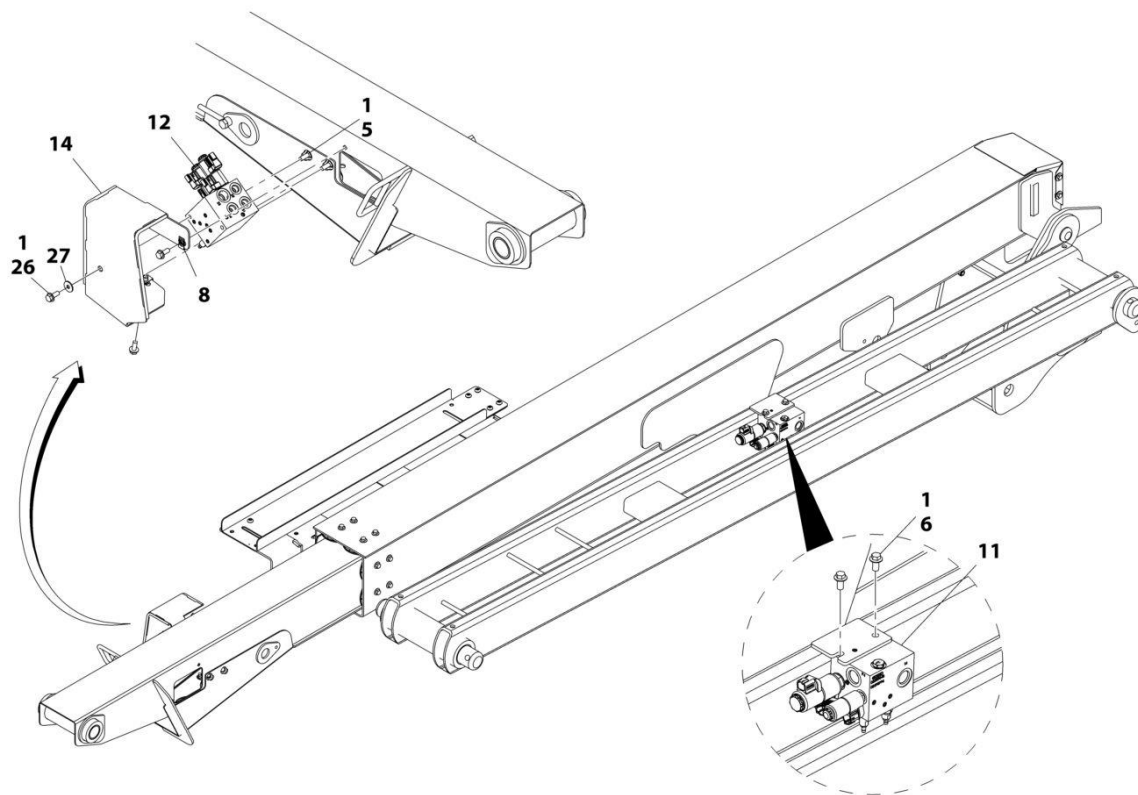
SECTION 4 - BOOM

FIGURE 4-8. PLATFORM SUPPORT INSTALLATION

ITEM	PART NUMBER	QTY	DESCRIPTION	REV
	1001167596	Ref	PLATFORM SUPPORT INSTALLATION	N
1	0100011	AR	Compound, Locking	
2	0761014	5	Bolt M10 x 30	
3	0761216	8	Bolt M12 x 40	
4	1001255133	1	Bolt 1 x 11 GRD8	
5	0681608	8	Bolt 3/8 x 1 GRD8	
6	3291001	5	Nut M10	
7	3291201	3	Nut M12	
8	1001174040	1	Nut 1	
9	3291205	8	Nut M12	
10	3841143	4	Keeper, Pin	
11	4812000	8	Washer M10	
12	4812100	3	Washer M12	
13	4891600	8	Washer 3/8	
14	5241200	8	Washer M12	
15	4892600001	1	Washer 1	
16	1001098828	2	Bolt M12 x 70 CL10.9	
17	1001167565	2	Pin	
18	1001200494	1	Support, Platform	
19	1001167567	1	Support, Rotator	
20	1001168402	2	Pin	
21	1001188622	1	Screw	
22	1001247468	1	Loadcell	
23	1001188844	1	Bolt M12 x 35	
24	1001201351	2	Link	
24	1001187382	4	Bearing	
24	1001187383	4	Seal	
26	5251008	2	Bolt M10 x 16 CL10.9	
28	1001189002	8	Bearing	
29	1001190985	1	Pad, Wear	
30	3291005	2	Nut M10	
31	5251016	2	Bolt M10 x 40 CL10.9	
32	1001200491	1	Pad, Wear	
33	1001189001	4	Bearing	
34	1001204725	2	Plug	
36	91203039	1	Clamp	
37	1001216630	2	Decal - Tie Down/No Lift	
38	1001238421	Ref	Kit, Platform Leveling (Not Shown)	
	1001202687	Ref	VALVE MOUNT INSTALLATION	B
101	0100011	AR	Compound, Locking	
102	0760810	4	Bolt M8 x 20	
103	3290806	4	Nut M8	
104	4811900	8	Washer M8	
106	1001208994	1	Mount, Valve	

SECTION 4 - BOOM

FIGURE 4-9. VALVES INSTALLATION - BOOM MOUNTED



ART_1001165948_30F3

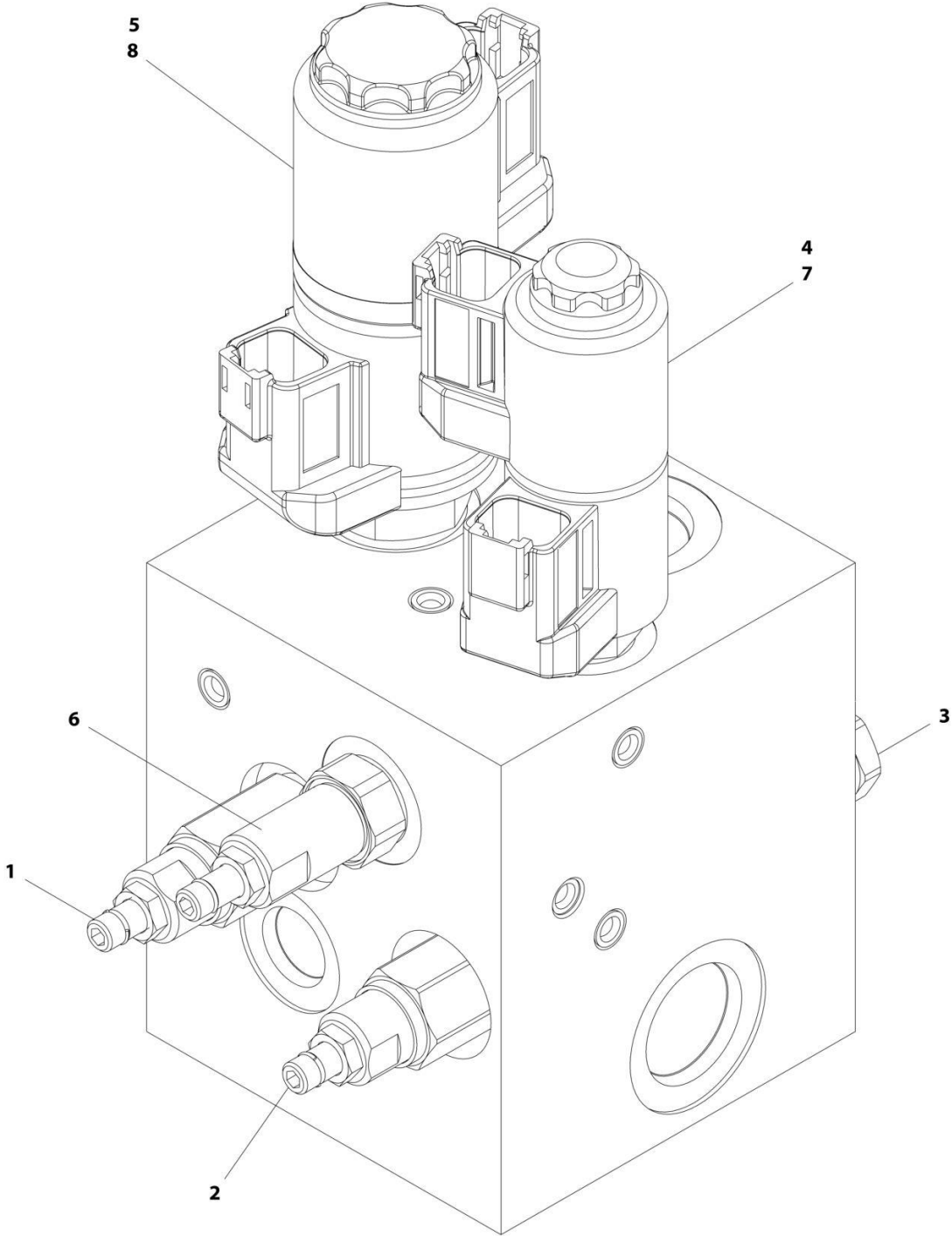
SECTION 4 - BOOM

FIGURE 4-9. VALVES INSTALLATION - BOOM MOUNTED

ITEM	PART NUMBER	QTY	DESCRIPTION	REV
	1001165948	Ref	4WD VALVES INSTALLATION - 450AJ BOOM MOUNTED	J
1	0100011	AR	Compound, Locking	
5	5250810	4	Bolt M8 x 20 Class 10.9	
6	5251010	2	Bolt M10 x 20 Class 10.9	
8	1001118274	2	Nut, Tinnerman M8	
11	1001162535	1	Upright Valve Assembly (See Separate Breakdown in this Section)	
12	1001162536	1	Boom Valve Assembly (See Separate Breakdown in this Section)	
14	1001170375	1	Shield (Prior to SN 0300280962, Prior to SN B300011406, Prior to SN E300008862)	
14	1001265186	1	Shield (SN 0300280962 to Present, SN E300008862 to Present, Including B300011406)	
26	0770810	1	Bolt M8 x 20 Class 10.9	
27	4811902	1	Washer M8	

SECTION 4 - BOOM

FIGURE 4-10. UPRIGHT VALVE ASSEMBLY



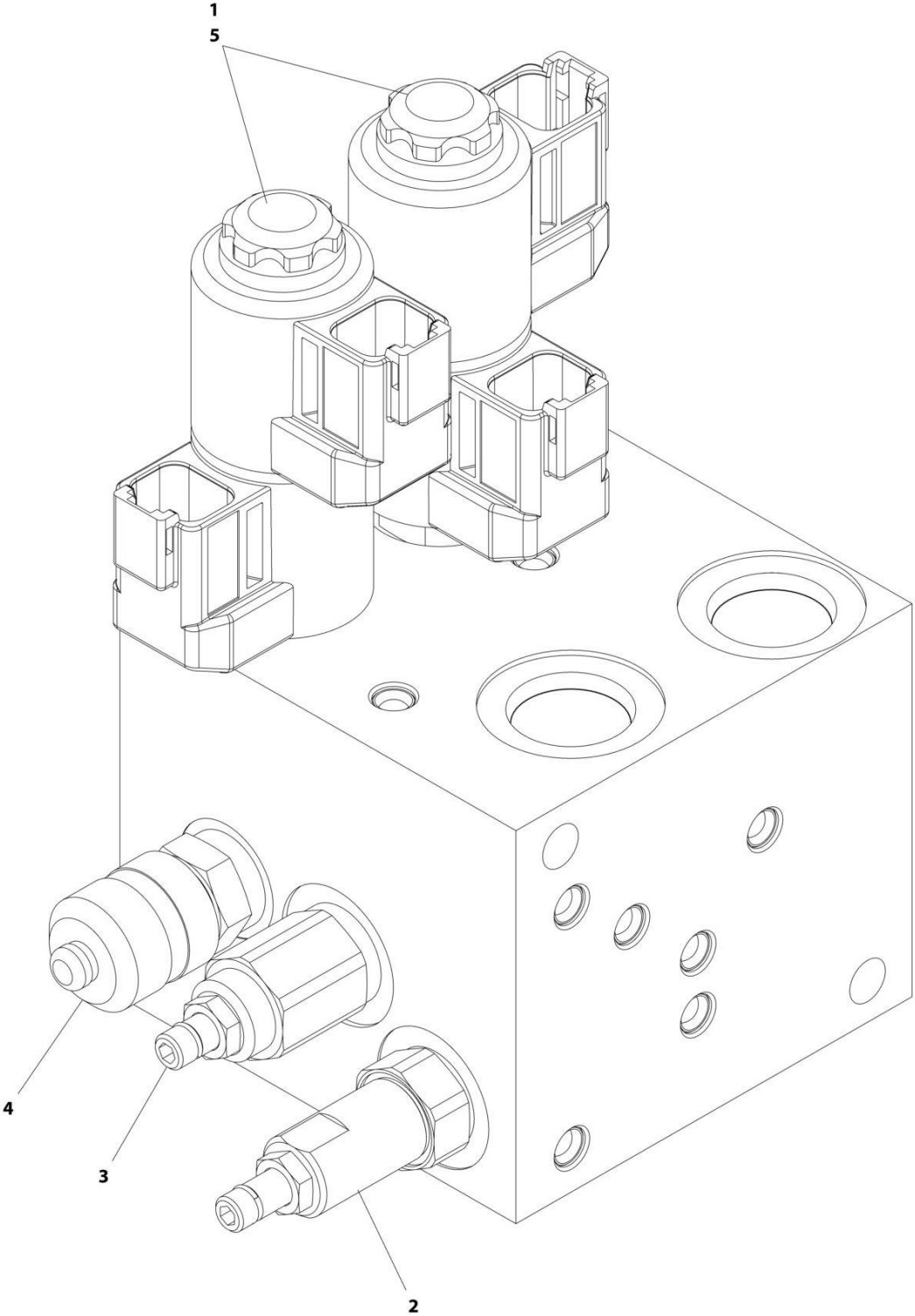
ART_1001162535

FIGURE 4-10. UPRIGHT VALVE ASSEMBLY

ITEM	PART NUMBER	QTY	DESCRIPTION	REV
	1001162535	Ref	UPRIGHT VALVE ASSEMBLY	D
1	70004864	1	Cartridge, Valve	
1	70004875	1	Seal Kit - 70004864 Valve	
2	70004865	1	Cartridge, Valve	
2	70004875	1	Seal Kit - 70004865 Valve	
3	70004866	1	Cartridge, Relief Valve	
3	70004867	1	Seal Kit - 70004866 Valve	
4	70004868	1	Cartridge, Solenoid Valve Less Coil	
4	70004869	1	Seal Kit - 70004868 Valve	
5	7027625	1	Cartridge, Solenoid Valve Less Coil	
5	70000100	1	Seal Kit - 7027625 Valve	
6	70006660	1	Cartridge, Valve	
6	70004867	1	Seal Kit - 70006660 Valve	
7	70004871	2	Coil	
8	7027628	2	Coil	

SECTION 4 - BOOM

FIGURE 4-11. BOOM VALVE ASSEMBLY



ART_1001162536_G

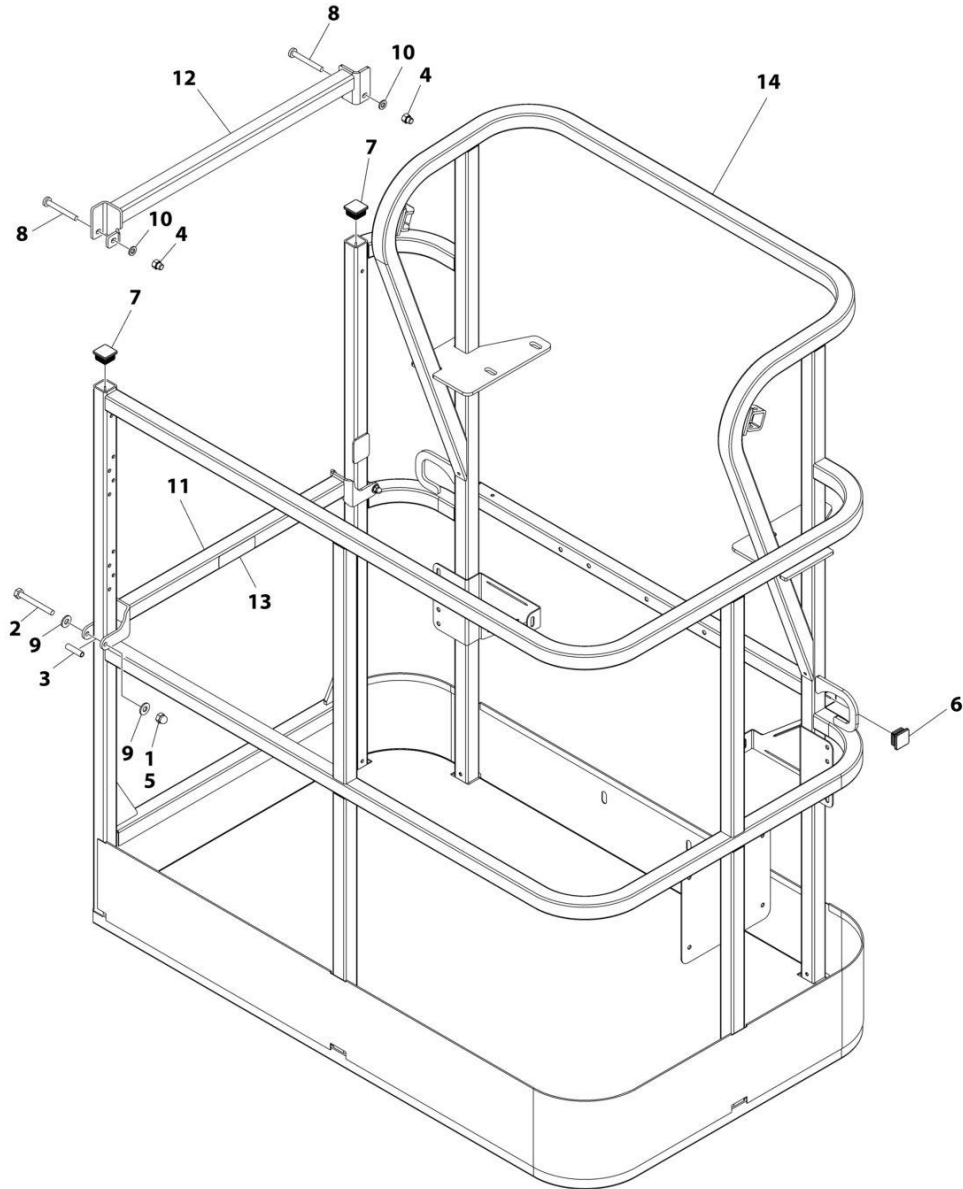
FIGURE 4-11. BOOM VALVE ASSEMBLY

ITEM	PART NUMBER	QTY	DESCRIPTION	REV
	1001162536	Ref	BOOM VALVE ASSEMBLY	G
1	70005243	2	Cartridge, Solenoid Valve Less Coil	
1	70004869	2	Seal Kit - 70005243 Valve	
2	70004873	1	Cartridge, Valve	
2	70004867	1	Seal Kit - 70004873 Valve	
3	70007556	1	Cartridge, Valve	
3	70004867	1	Seal Kit - 70006970 Valve	
4	2221086	1	Fitting, Test	
5	70004871	4	Coil	

SECTION 5 - PLATFORM

SECTION 5 - PLATFORM

FIGURE 5-1. PLATFORM ASSEMBLY - 30IN X 4FT (76CM X 1.22M) - SIDE DROP-BAR ENTRY



ART_1001186375

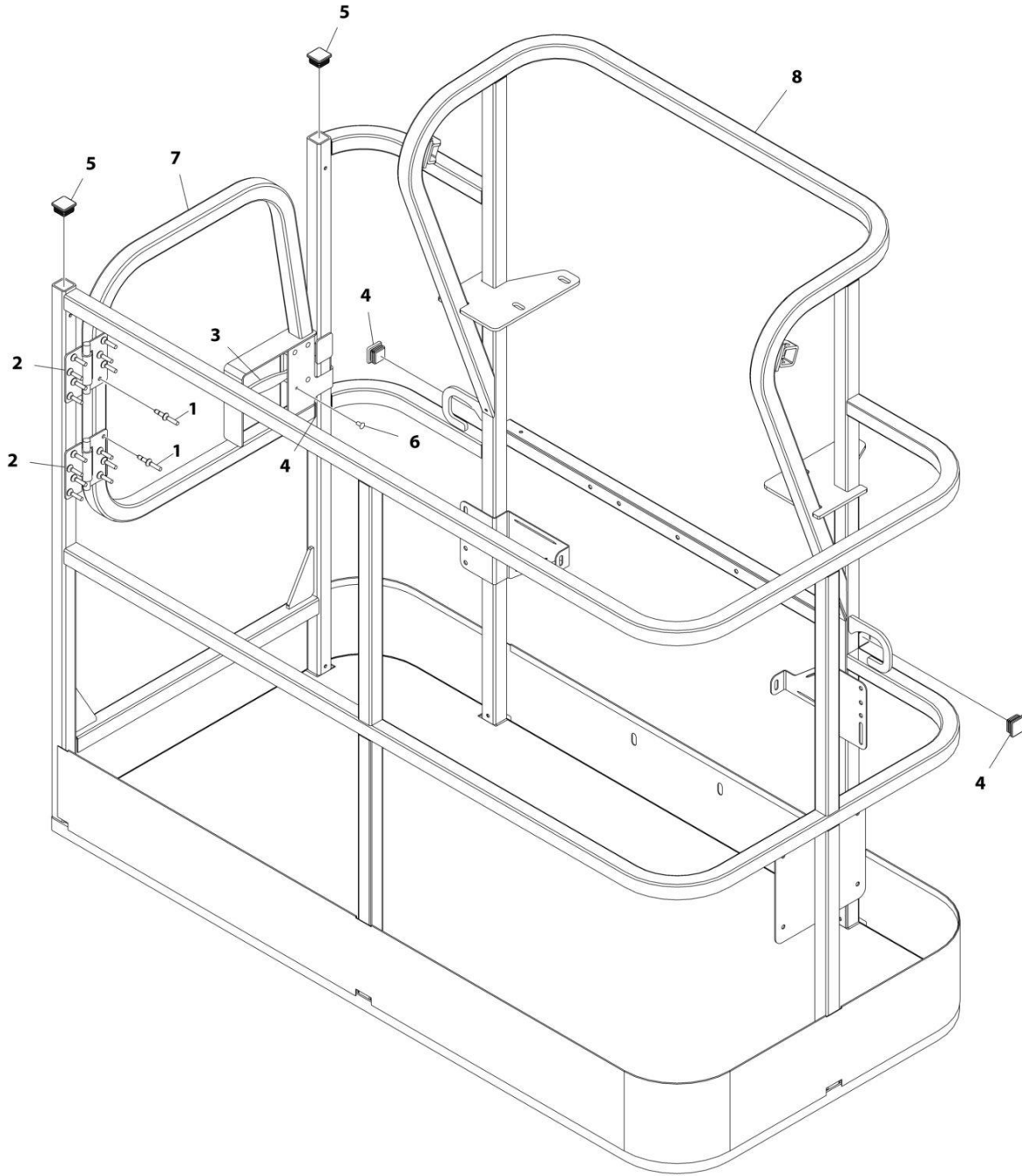
SECTION 5 - PLATFORM

FIGURE 5-1. PLATFORM ASSEMBLY - 30IN X 4FT (76CM X 1.22M) - SIDE DROP-BAR ENTRY

ITEM	PART NUMBER	QTY	DESCRIPTION	REV
	1001186375	Ref	PLATFORM ASSEMBLY	B
		Ref	Note: Platform and Mesh must be ordered separately for Platforms with Mesh. See SPECIAL OPTIONS SECTION for Mesh Installations.	
		Ref	Note: Replacement Decals Must be Ordered Separately - See DECALS SECTION.	
1	0100011	AR	Compound, Locking	
2	0641418	2	Bolt 1/4 x 2-1/4	
3	0961845	2	Bushing	
4	3290606	2	Nut M6	
5	3300151	2	Nut 1/4	
6	3520072	2	Plug	
7	3520198	2	Plug	
8	4010618	2	Screw M6 x 50	
9	4711400	4	Washer 1/4	
10	4811700	2	Washer M6	
11	1001138494	1	Bar, Drop	
12	1001138514	1	Rail - Top	
13	1001140429	1	Decal - Drop Bar	
14	See Note	1	Platform (Note: Not Available - Purchase Platform Assembly)	

SECTION 5 - PLATFORM

FIGURE 5-2. PLATFORM ASSEMBLY - 30IN X 5FT (76CM X 1.52M) - SIDE GATE ENTRY



ART_1001186386

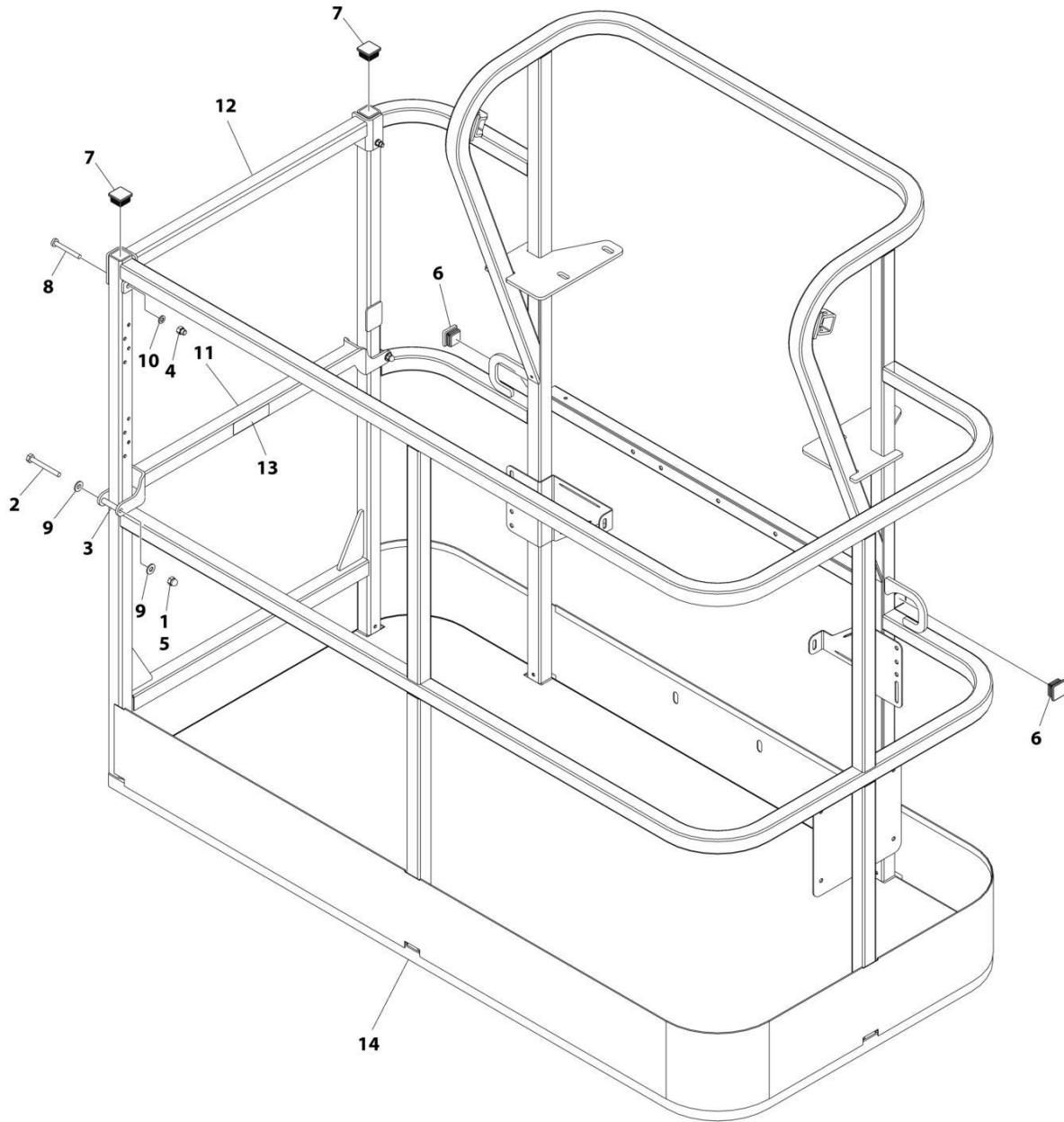
SECTION 5 - PLATFORM

FIGURE 5-2. PLATFORM ASSEMBLY - 30IN X 5FT (76CM X 1.52M) - SIDE GATE ENTRY

ITEM	PART NUMBER	QTY	DESCRIPTION	REV
	1001186386	Ref	PLATFORM ASSEMBLY	C
		Ref	Note: Platform and Mesh must be ordered separately for Platforms with Mesh. See SPECIAL OPTIONS SECTION for Mesh Installations.	
		Ref	Note: Replacement Decals Must be Ordered Separately - See DECALS SECTION.	
1	2080040	16	Fastener, Huck	
2	2600281	2	Hinge, Self-Closing	
3	2940074	1	Latch	
4	3520072	3	Plug	
5	3520198	2	Plug	
6	3820020	4	Rivet	
7	1001144629	1	Gate	
8	See Note	NSS	Platform (Note: Not Available - Purchase Platform Assembly)	

SECTION 5 - PLATFORM

FIGURE 5-3. PLATFORM ASSEMBLY - 30IN X 5FT (76CM X 1.52M) - SIDE DROP-BAR ENTRY



ART_1001186377

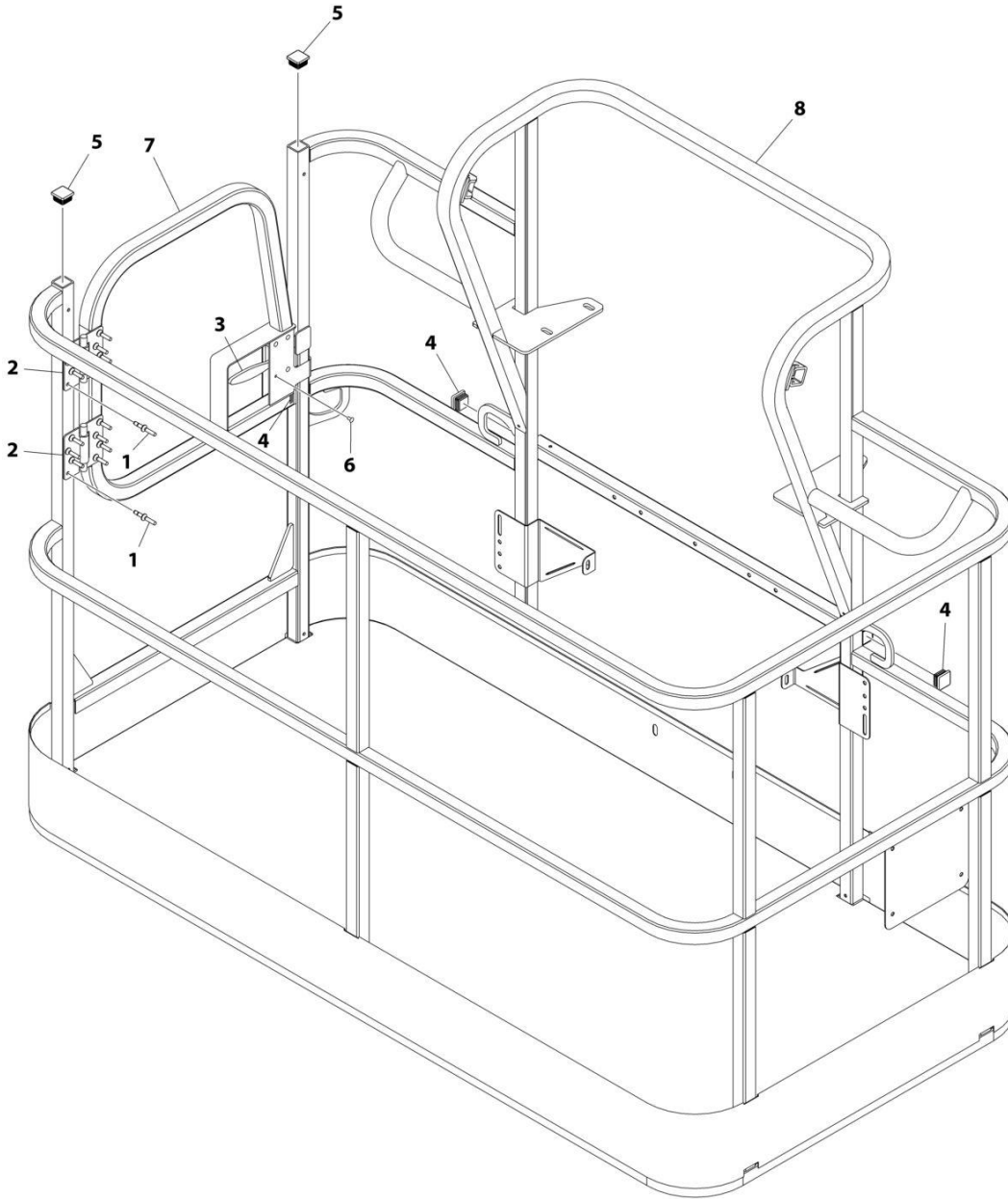
SECTION 5 - PLATFORM

FIGURE 5-3. PLATFORM ASSEMBLY - 30IN X 5FT (76CM X 1.52M) - SIDE DROP-BAR ENTRY

ITEM	PART NUMBER	QTY	DESCRIPTION	REV
	1001186377	Ref	PLATFORM ASSEMBLY	C
		Ref	Note: Platform and Mesh must be ordered separately for Platforms with Mesh. See SPECIAL OPTIONS SECTION for Mesh Installations.	
		Ref	Note: Replacement Decals Must be Ordered Separately - See DECALS SECTION.	
1	0100011	AR	Compound, Locking	
2	0641420	2	Bolt 1/4 x 2-1/2	
3	0961845	2	Bushing	
4	3290606	2	Nut M6	
5	3300151	2	Nut 1/4	
6	3520072	2	Plug	
7	3520198	2	Plug	
8	4010618	2	Screw M6 x 50	
9	4711400	4	Washer 1/4	
10	4811700	2	Washer M6	
11	1001138494	1	Bar, Drop	
12	1001138514	1	Rail (Top)	
13	1001140429	1	Decal - Drop Bar	
14	See Note	NSS	Platform (Note: Not Available - Purchase Platform Assembly)	

SECTION 5 - PLATFORM

FIGURE 5-4. PLATFORM ASSEMBLY - 30IN X 6FT (76CM X 1.83M) - SIDE GATE ENTRY



ART_1001186385

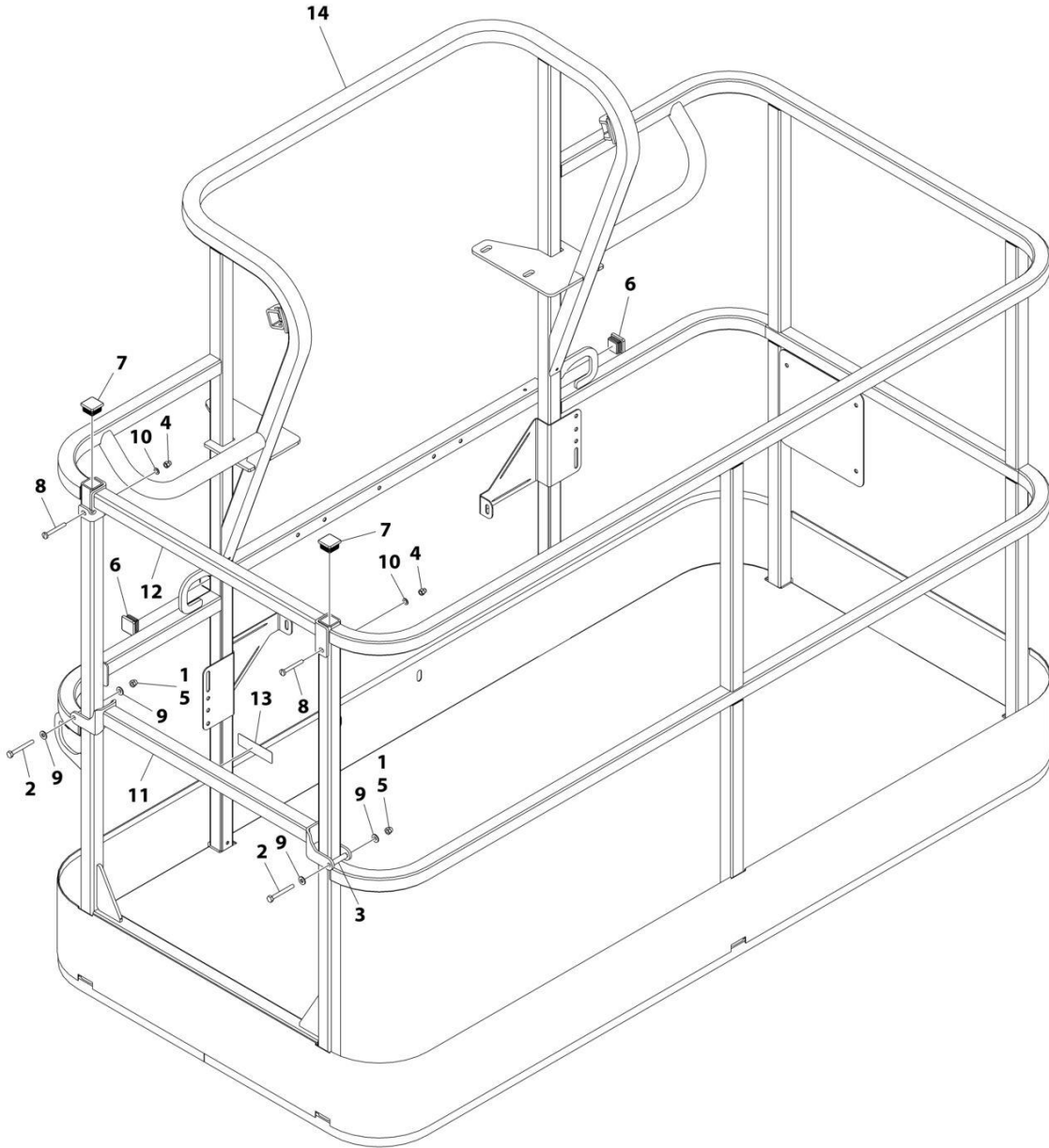
SECTION 5 - PLATFORM

FIGURE 5-4. PLATFORM ASSEMBLY - 30IN X 6FT (76CM X 1.83M) - SIDE GATE ENTRY

ITEM	PART NUMBER	QTY	DESCRIPTION	REV
	1001186385	Ref	PLATFORM ASSEMBLY	D
		Ref	Note: Platform and Mesh must be ordered separately for Platforms with Mesh. See SPECIAL OPTIONS SECTION for Mesh Installations.	
		Ref	Note: Replacement Decals Must be Ordered Separately - See DECALS SECTION.	
1	2080040	16	Fastener, Huck	
2	2600281	2	Hinge	
3	2940074	1	Latch	
4	3520072	3	Plug	
5	3520198	2	Plug	
6	3820020	4	Rivet	
7	1001144629	1	Gate	
8	See Note	NSS	Platform (Note: Not Available - Purchase Platform Assembly)	

SECTION 5 - PLATFORM

FIGURE 5-5. PLATFORM ASSEMBLY - 30IN X 6FT (76CM X 1.83M) - SIDE DROP-BAR ENTRY



ART_1001186378

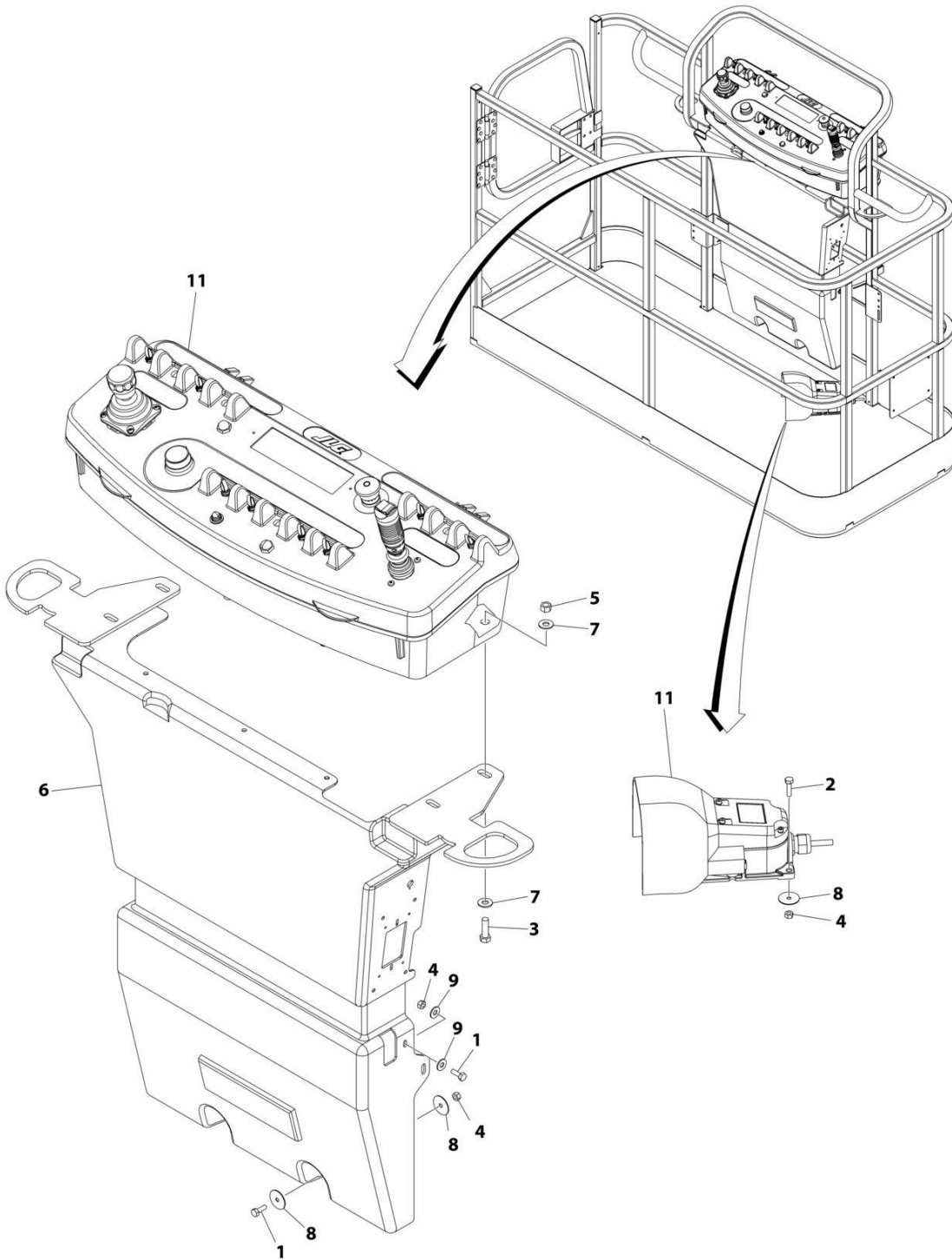
SECTION 5 - PLATFORM

FIGURE 5-5. PLATFORM ASSEMBLY - 30IN X 6FT (76CM X 1.83M) - SIDE DROP-BAR ENTRY

ITEM	PART NUMBER	QTY	DESCRIPTION	REV
	1001186378	Ref	PLATFORM ASSEMBLY	C
		Ref	Note: Platform and Mesh must be ordered separately for Platforms with Mesh. See SPECIAL OPTIONS SECTION for Mesh Installations.	
		Ref	Note: Replacement Decals Must be Ordered Separately - See DECALS SECTION.	
1	0100011	AR	Compound, Locking	
2	0641418	2	Bolt 1/4 x 2-1/4	
3	0961845	2	Bushing	
4	3290606	2	Nut M6	
5	3300151	2	Nut 1/4	
6	3520072	2	Plug	
7	3520198	2	Plug	
8	4010618	2	Screw M6 x 50	
9	4711400	4	Washer 1/4	
10	4811700	2	Washer M6	
11	1001138494	1	Bar, Drop	
12	1001138514	1	Rail (Top)	
13	1001140429	1	Decal - Drop Bar	
14	See Note	NSS	Platform (Note: Not Available - Purchase Platform Assembly)	

SECTION 5 - PLATFORM

FIGURE 5-6. CONSOLE BOX INSTALLATION



ART_1001246436

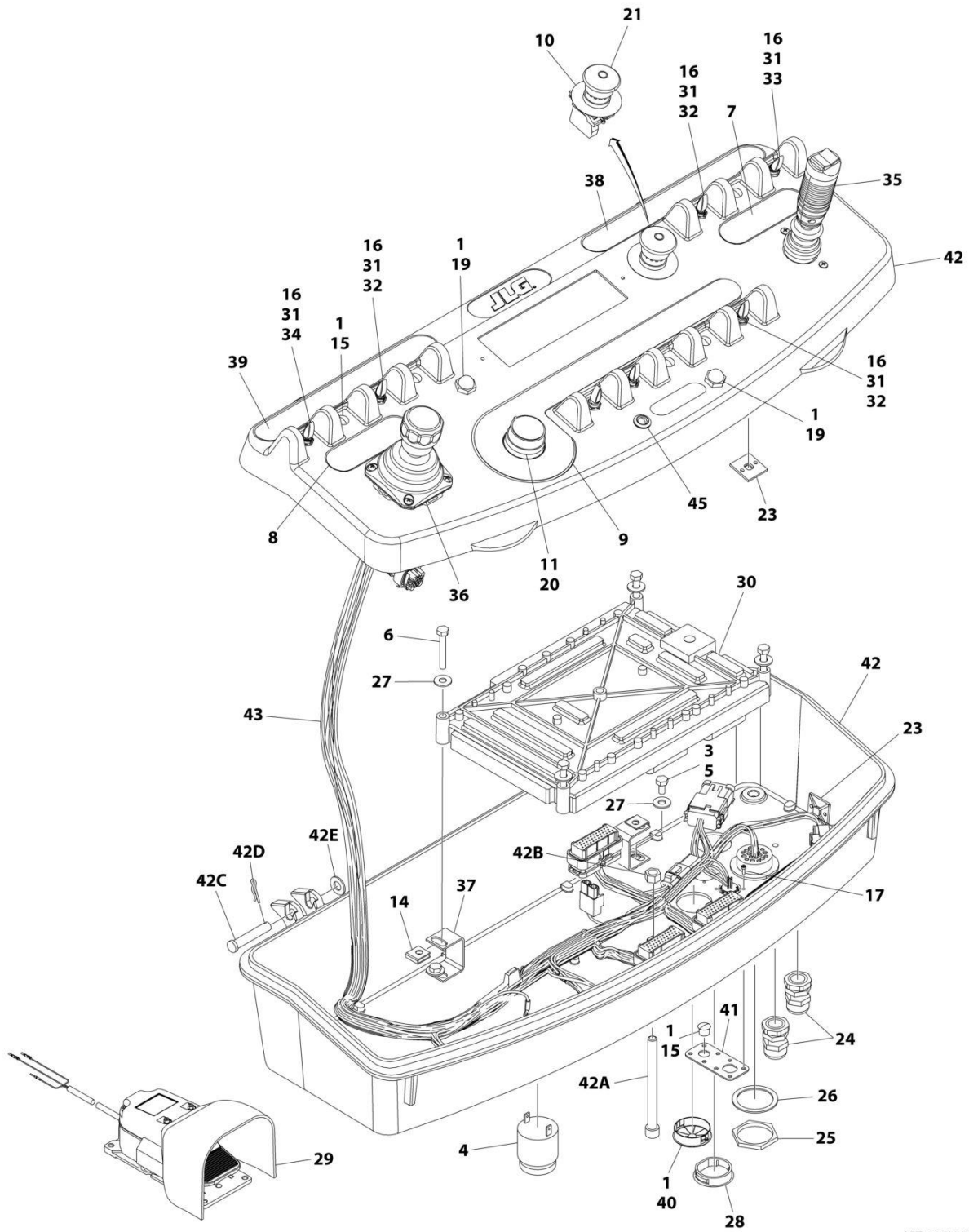
SECTION 5 - PLATFORM

FIGURE 5-6. CONSOLE BOX INSTALLATION

ITEM	PART NUMBER	QTY	DESCRIPTION	REV
	1001246436	Ref	CONSOLE BOX INSTALLATION	A
1	0641406	4	Bolt 1/4 x 3/4	
2	0641408	3	Bolt 1/4 x 1	
3	0641610	4	Bolt 3/8 x 1-1/4	
4	3311405	7	Nut Lock 1/4	
5	3311605	4	Nut Lock 3/8	
6	3380434	1	Panel, Decal Mount	
7	4751600	8	Washer 3/8	
8	4740362	7	Washer 1/4	
9	4751400	4	Washer 1/4	
10	1001164728	1	Harness, Platform Valve (Not Shown - See Separate Breakdown in ELECTRICAL SECTION)	
11	1001246435	1	Platform Console Box Assembly (See Separate Breakdown in this Section)	

SECTION 5 - PLATFORM

FIGURE 5-7. PLATFORM CONSOLE BOX ASSEMBLY



ART_1001246435_C

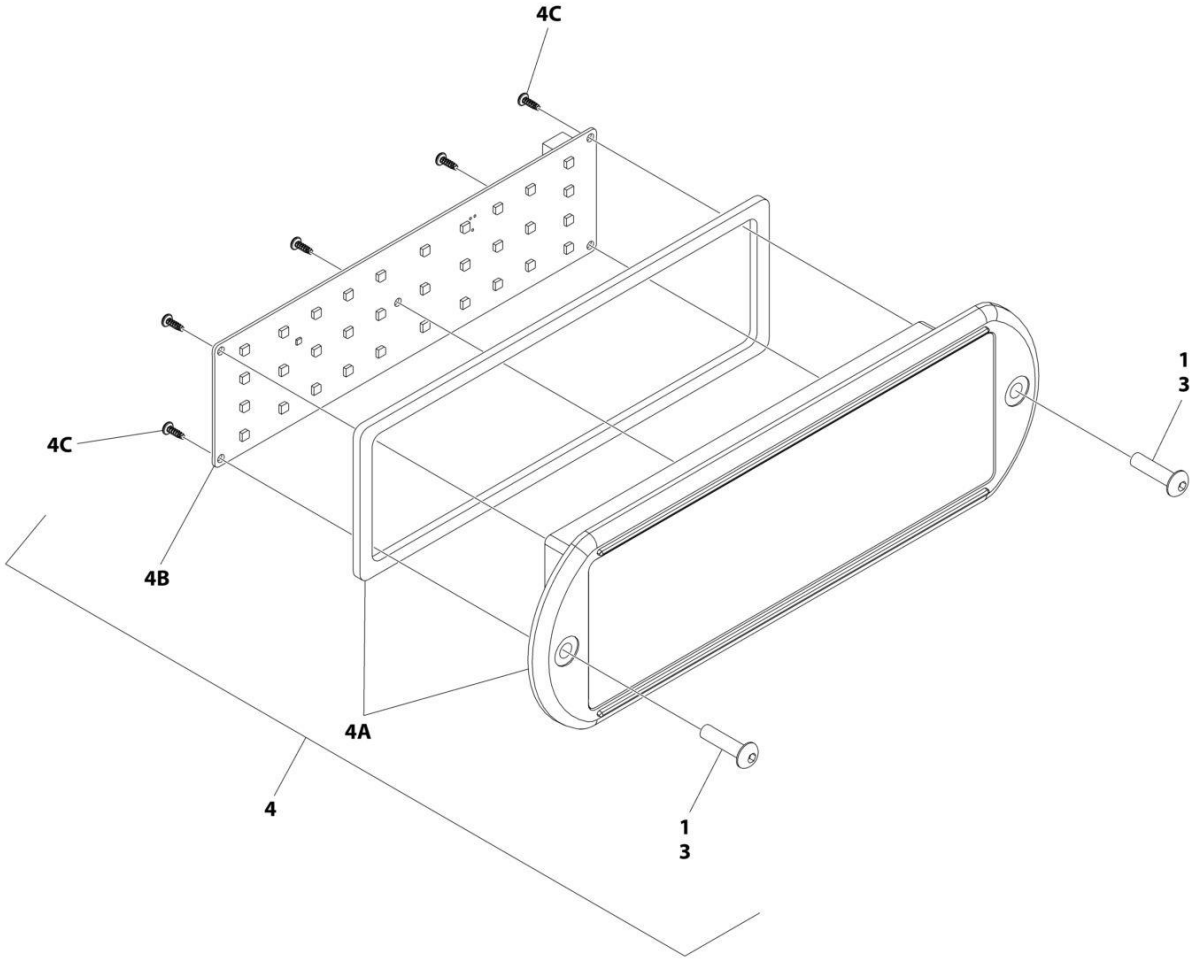
SECTION 5 - PLATFORM

FIGURE 5-7. PLATFORM CONSOLE BOX ASSEMBLY

ITEM	PART NUMBER	QTY	DESCRIPTION	REV
	1001246435	Ref	PLATFORM CONSOLE BOX ASSEMBLY	C
1	0100009	AR	Sealant	
3	0100035	AR	Compound, Locking	
4	0140011	1	Alarm	
5	0641405	4	Bolt 1/4 x 5/8	
6	0641414	4	Bolt 1/4 x 1-3/4	
7	1702565	1	Decal - Drive and Steer	
8	1702566	1	Decal - Lift and Swing	
9	1702567	1	Decal - Function Speed	
10	1704260	1	Decal - EMS	
11	2560136	1	Handle, Knob	
14	3300353	4	Nut	
15	3520054	5	Plug	
16	3790012	8	O-Ring	
17	3900349	8	Screw	
18	4240099	AR	Tie-Strap (Not Shown)	
19	4360387	2	Switch, Pushbutton	
20	4360407	1	Switch, Potentiometer	
21	1001274559	1	Switch, Emergency	
23	4460234	6	Mount, Tie-Strap	
24	4460428	2	Connector, Strain Relief	
25	4460470	1	Nut	
26	4460471	1	Washer	
27	4751400	8	Washer 1/4	
28	1001110434	1	Plug	
29	1001117174	1	Footswitch Assembly (See Separate Breakdown in this Section)	
30	1001118412	1	Module, Control	
31	1001155044	8	Nut 15/32	
32	1001155045	6	Switch, Toggle	
33	1001159256	1	Switch, Toggle	
34	1001161709	1	Switch, Toggle	
35	1001166538	NLA	Controller Assembly (Drive and Steer) (Use p/n 1001212415) (See Separate Breakdown in this Section)	
36	1001166539	NLA	Controller Assembly (Lift and Swing) (See Separate Breakdown in this Section) (Note: Use p/n 1001129555 as Replacement)	
37	1001172760	4	Bracket	
38	1001184618	1	Decal - Stop	
39	1001184626	1	Decal - Horn	
40	1001185281	1	Plug	
41	1001213882	1	Connector, Mounting	
42	1001215228	1	Platform Console Box	
42A	0630568	1	Capscrew 3/8 x 4-1/2	
42B	3311601	1	Nut 3/8	
42C	3430616	2	Pin, Clevis	
42D	3470003	2	Hairpin	
42E	4711600	2	Washer 3/8	
43	1001238254	1	Harness, Platform Console Box (See Separate Breakdown in ELECTRICAL SECTION)	
45	1001206532	1	Lamp, Indicator	

SECTION 5 - PLATFORM

FIGURE 5-8. LIGHT PANEL INSTALLATION – PLATFORM CONSOLE



ART_1001241404_20F2

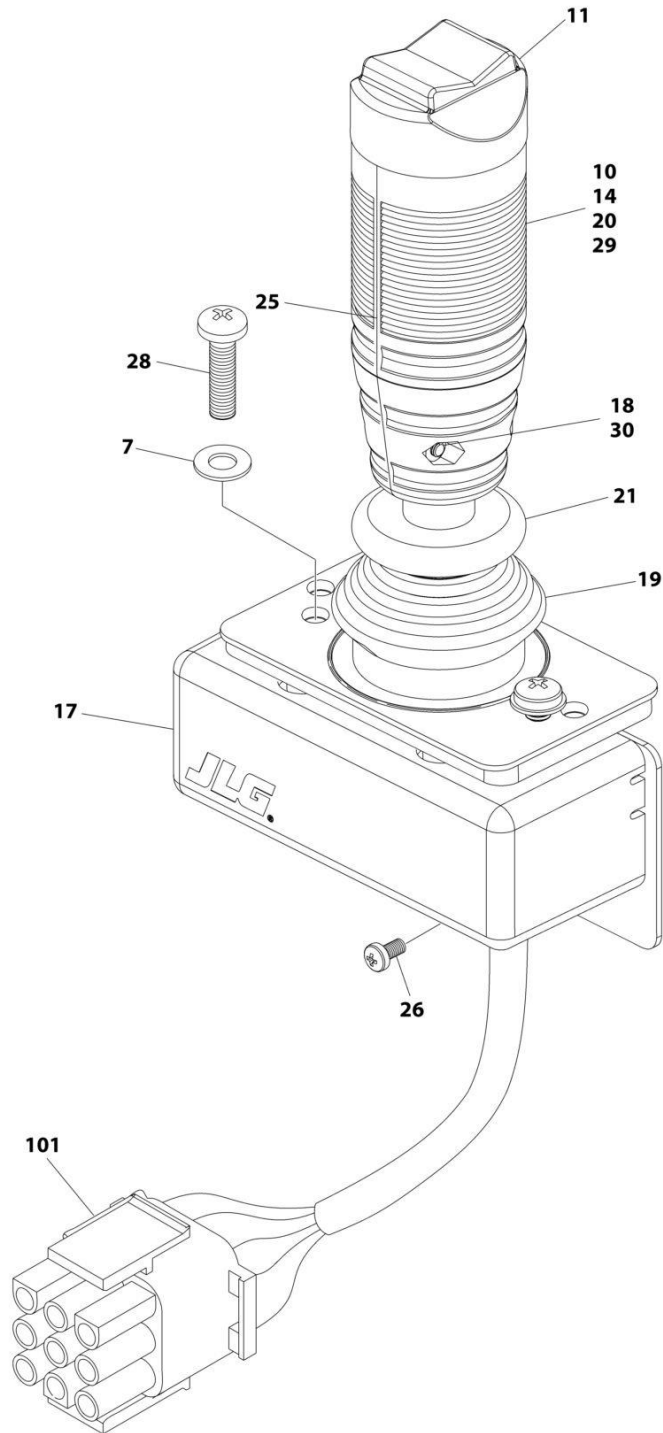
SECTION 5 - PLATFORM

FIGURE 5-8. LIGHT PANEL INSTALLATION – PLATFORM CONSOLE

ITEM	PART NUMBER	QTY	DESCRIPTION	REV
	1001241404	Ref	LIGHT PANEL INSTALLATION - PLATFORM CONSOLE	B
1	0100035	AR	Compound, Locking	
3	0630518	2	Screw #10 x 3/4	
4	1001237545	1	Light Panel Electrical Assembly	G
4A	1001236089	1	Lens, I-Con (Includes Gasket)	
4B	1001187807	1	Panel, LED Light	
4C		Ref	Screw	

SECTION 5 - PLATFORM

FIGURE 5-9. CONTROLLER ASSEMBLY - DRIVE AND STEER



ART_1001166538

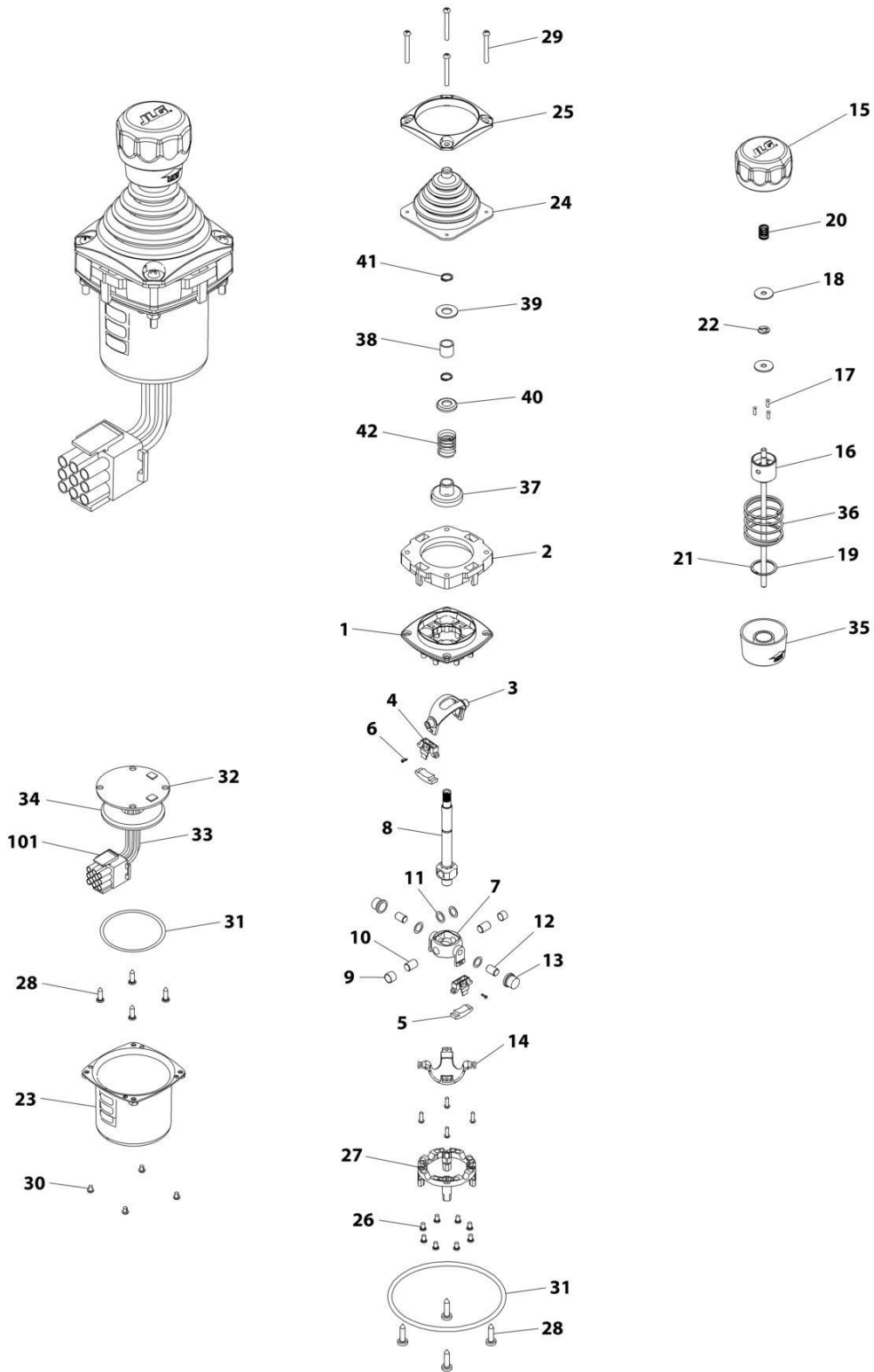
SECTION 5 - PLATFORM

FIGURE 5-9. CONTROLLER ASSEMBLY - DRIVE AND STEER

ITEM	PART NUMBER	QTY	DESCRIPTION	REV
	1001166538	Ref	CONTROLLER ASSEMBLY - DRIVE AND STEER	G
		Ref	Note: For Replacement, Use p/n 1001212415.	
7	70004738	2	Washer	
10	70004739	1	Roller	
11	70004740	1	Boot, Switch	
14	70004741	2	Half, Handle	
17	70004742	1	Enclosure	
18	70004743	4	Nut	
19	70004744	NLA	Boot, Controller (Use p/n 70005230 Boot/Base Assembly)	
20	70004745	NLA	Tube, Locking (Use p/n 70005230 Boot/Base Assembly)	
21	70004746	NLA	Disc, Locking (Use p/n 70005230 Boot/Base Assembly)	
25	70004747	2	Seal, Rope	
26	70004748	1	Screw M3 x 6	
28	70004749	2	Screw M5 x 20	
29	70004750	1	Pin, Dowel	
30	70004751	4	Screw M3 x 16	
101	4460265	1	Connector - 9 Position	
101	4460226	7	Socket, Female	

SECTION 5 - PLATFORM

FIGURE 5-10. CONTROLLER ASSEMBLY - LIFT AND SWING



ART_1001166539

SECTION 5 - PLATFORM

FIGURE 5-10. CONTROLLER ASSEMBLY - LIFT AND SWING

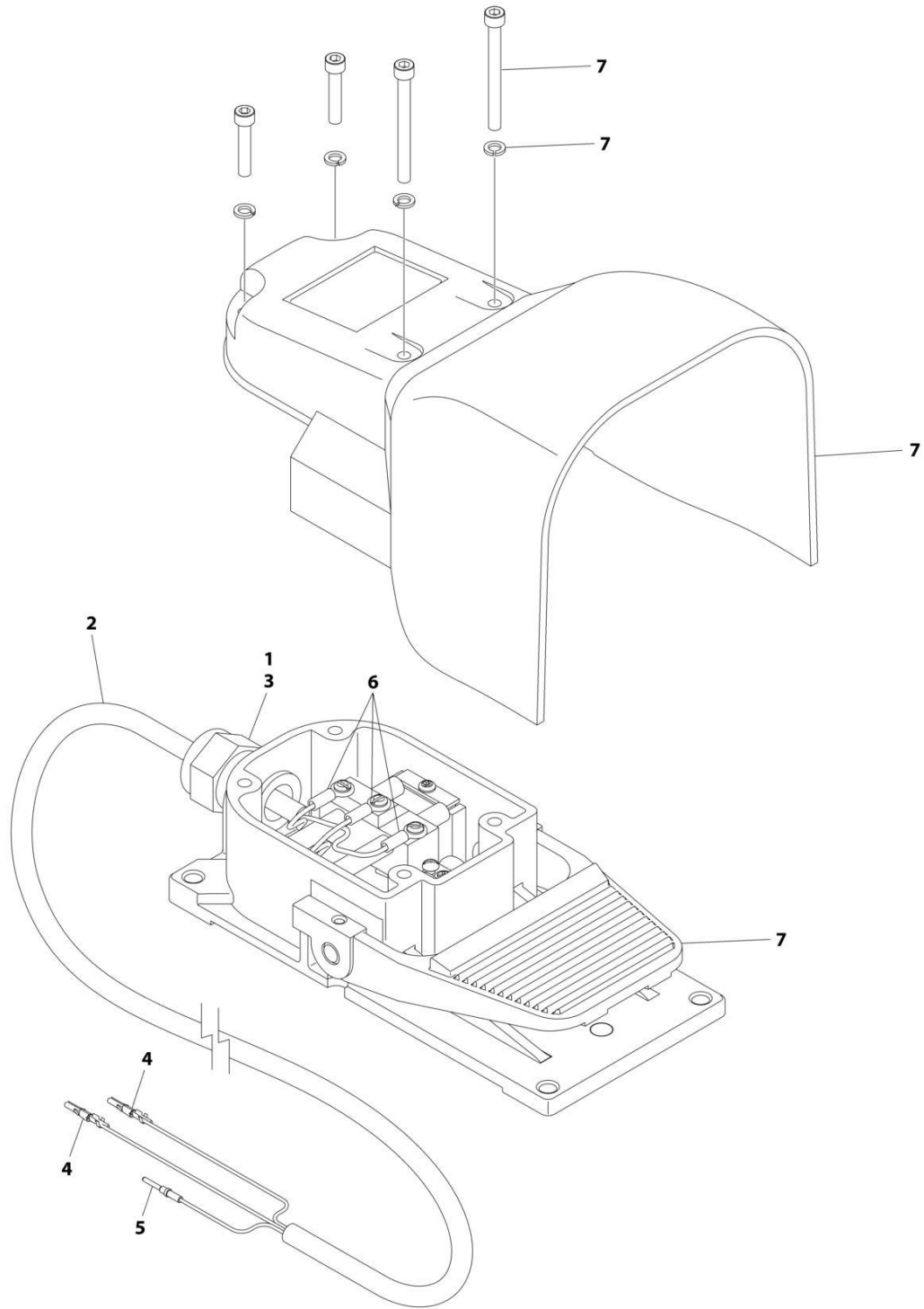
ITEM	PART NUMBER	QTY	DESCRIPTION	REV
	1001166539	Ref	CONTROLLER ASSEMBLY	E
		Ref	Note: Original Equipment Controller May Have Been Replaced with Service Replacement Controller. Visually Identify Controller Before Ordering Parts.	
		Ref	Note: For Replacement, Use p/n 1001129555	
1	See Note	NSS	Main Cast Body (Note: Not Available - Purchase Complete Assembly)	
2	70004752	1	Adapter	
3	See Note	NSS	Pivot Arm, Plastic (Note: Not Available - Purchase Complete Assembly)	
4	See Note	NSS	Holder, Magnet (Note: Not Available - Purchase Complete Assembly)	
5	See Note	NSS	Arc, Magnet (Note: Not Available - Purchase Complete Assembly)	
6	See Note	NSS	Screw (Note: Not Available for Purchase)	
7	See Note	NSS	Pivot Arm, Cast (Note: Not Available - Purchase Complete Assembly)	
8	See Note	NSS	Shaft, Main (Note: Not Available - Purchase Complete Assembly)	
9	See Note	NSS	Bearing (Note: Not Available - Purchase Complete Assembly)	
10	See Note	NSS	Pin (Note: Not Available - Purchase Complete Assembly)	
11	See Note	NSS	Shim (Note: Not Available - Purchase Complete Assembly)	
12	See Note	NSS	Pin (Note: Not Available - Purchase Complete Assembly)	
13	See Note	NSS	Bearing (Note: Not Available - Purchase Complete Assembly)	
14	See Note	NSS	Dome, Centering (Note: Not Available - Purchase Complete Assembly)	
15	70004753	1	Cap	
16	70004754	1	Insert, Cap	
17	70004755	3	Pin	
18	70004756	2	Washer	
19	70004757	1	Pin, Centering	
20	70004758	1	Spring	
21	70004759	1	Ring, Retaining	
22	70004760	1	E-Ring	
23	70004761	1	Can, Enclosure	
24	70004762	1	Boot	
25	70004763	1	Bezel	
26	See Note	NSS	Screw (Note: Not Available for Purchase)	
27	See Note	NSS	Base Mounting (Note: Not Available - Purchase Complete Assembly)	
28	See Note	NSS	Screw (Note: Not Available for Purchase)	
29	70004764	4	Screw	
30	70004765	4	Screw	
31	70004766	1	O-Ring	
32	See Note	NSS	Plate (Note: Not Available - Purchase Complete Assembly)	
33	See Note	NSS	Harness (Note: Not Available - Purchase Complete Assembly)	
34	70004767	1	Grommet, Rubber	
35	70004768	1	Housing	
36	70004769	1	Spring	
37	70004770	1	Stopper	
38	70004771	1	Spacer	
39	70004772	1	Washer	
40	70004773	1	Disc	

SECTION 5 - PLATFORM

ITEM	PART NUMBER	QTY	DESCRIPTION	REV
41	70004774	2	Ring, Retaining	
42	70004775	1	Spring	
101	4460265	1	Connector - 9 Position	
101	4460226	6	Socket, Female	

SECTION 5 - PLATFORM

FIGURE 5-11. FOOTSWITCH ASSEMBLY



ART_100117174

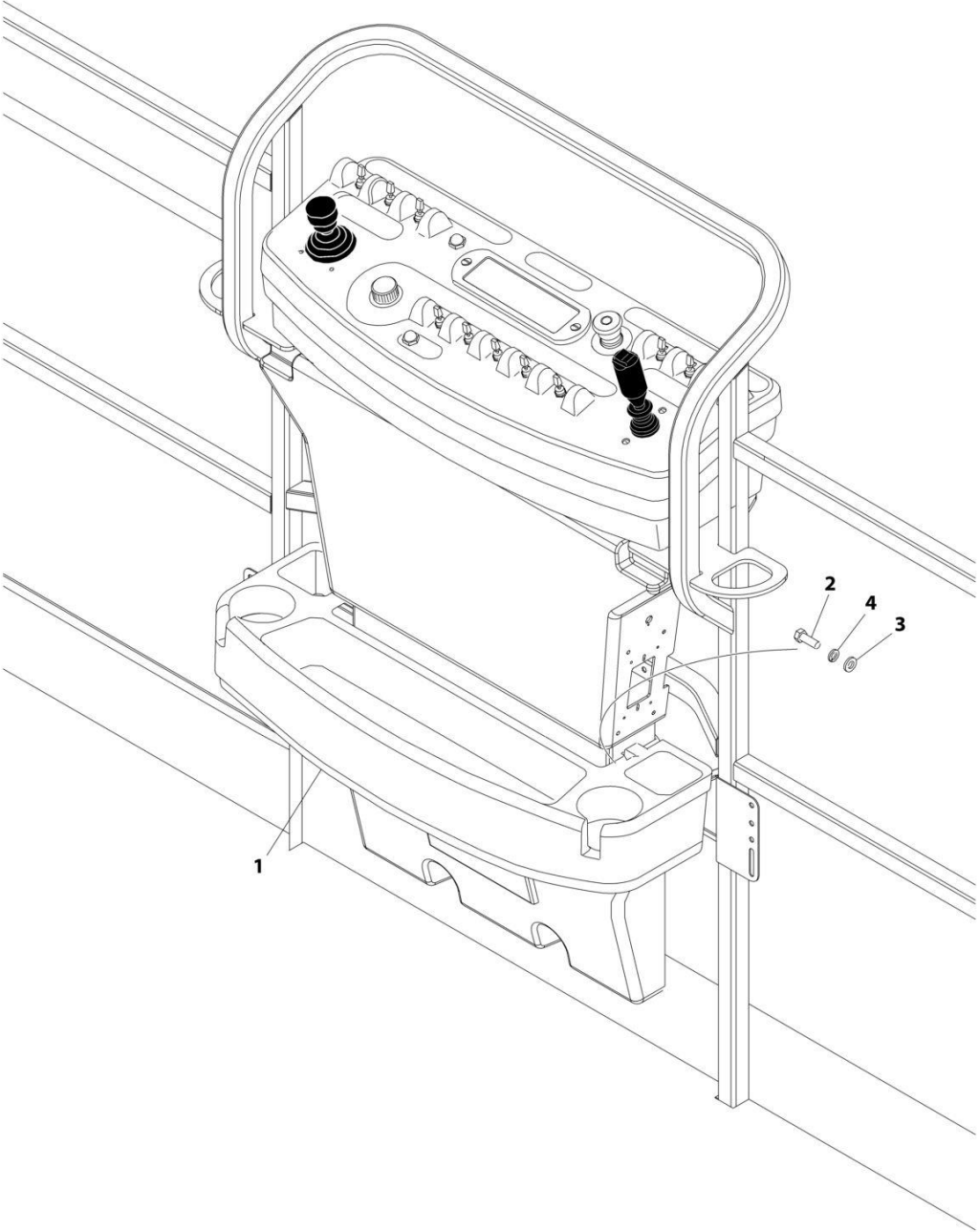
SECTION 5 - PLATFORM

FIGURE 5-11. FOOTSWITCH ASSEMBLY

ITEM	PART NUMBER	QTY	DESCRIPTION	REV
	1001117174	Ref	FOOTSWITCH ASSEMBLY	C
1	0100020	AR	Sealant	
2	1060918	7.5 ft/ 2.3m	Cable, Electrical - 18/3	
3	4460071	1	Connector, Strain Relief	
4	4460226	2	Socket, Female	
5	4460464	1	Pin, Male	
6	1001098122	3	Terminal	
7	1001117172	1	Footswitch	
7	70002902	1	Switch, 20Amp	
7	70002903	1	Gasket	
7	70002905	1	Cover	
7	70002904	1	Kit, Replacement Bolt	

SECTION 5 - PLATFORM

FIGURE 5-12. TRAY ASSEMBLY



ART_1580012

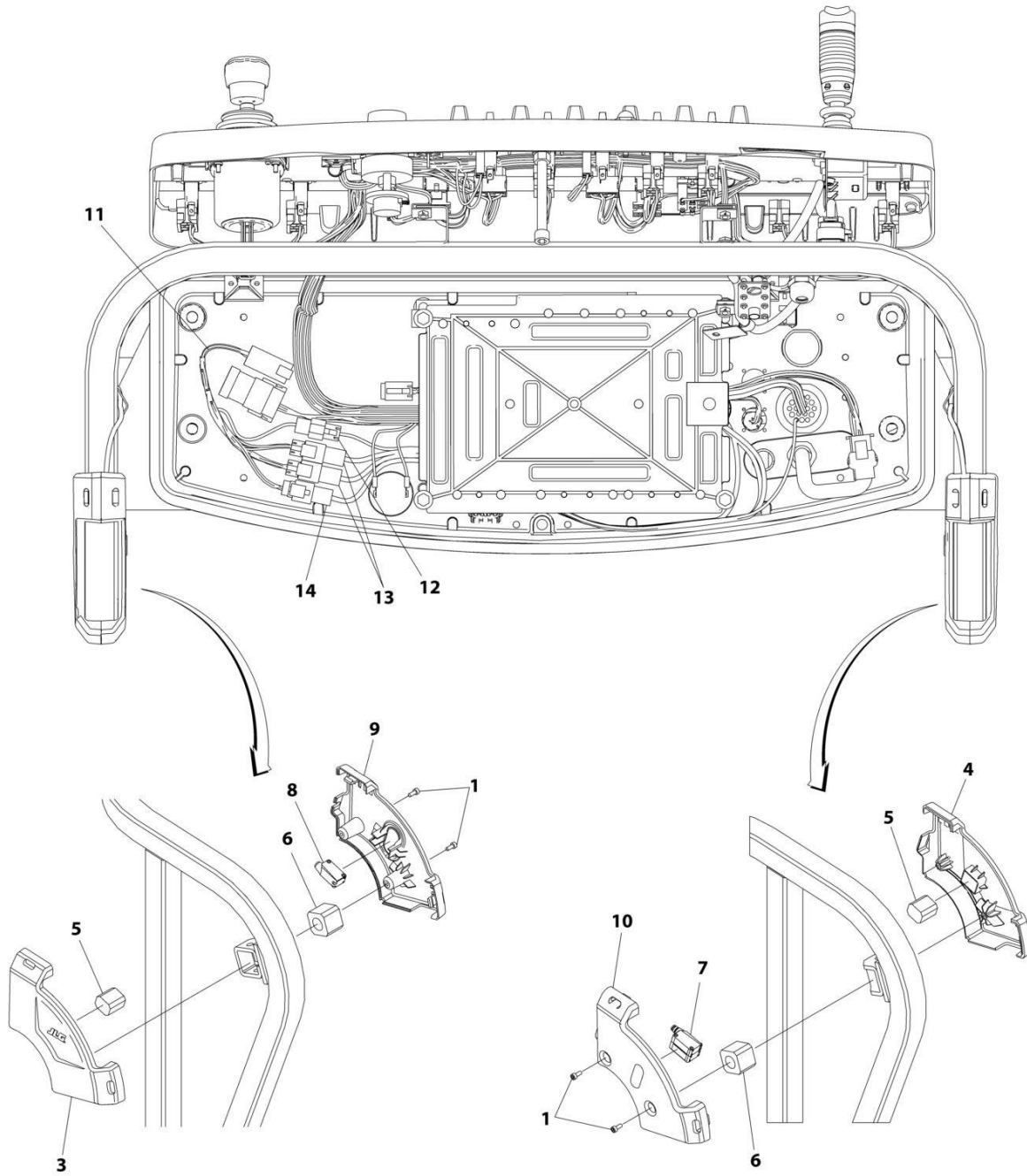
SECTION 5 - PLATFORM

FIGURE 5-12. TRAY ASSEMBLY

ITEM	PART NUMBER	QTY	DESCRIPTION	REV
	1580012	Ref	TRAY ASSEMBLY	C
1	See Note	NSS	Tray, Storage (Center) (Note: Purchase p/n 1580012)	
2	0641406	2	Bolt 1/4 x 3/4	
3	4751400	2	Washer 1/4	
4	4761400	2	Washer 1/4	

SECTION 5 - PLATFORM

FIGURE 5-13. SKYEYE INSTALLATION



ART_1001229341

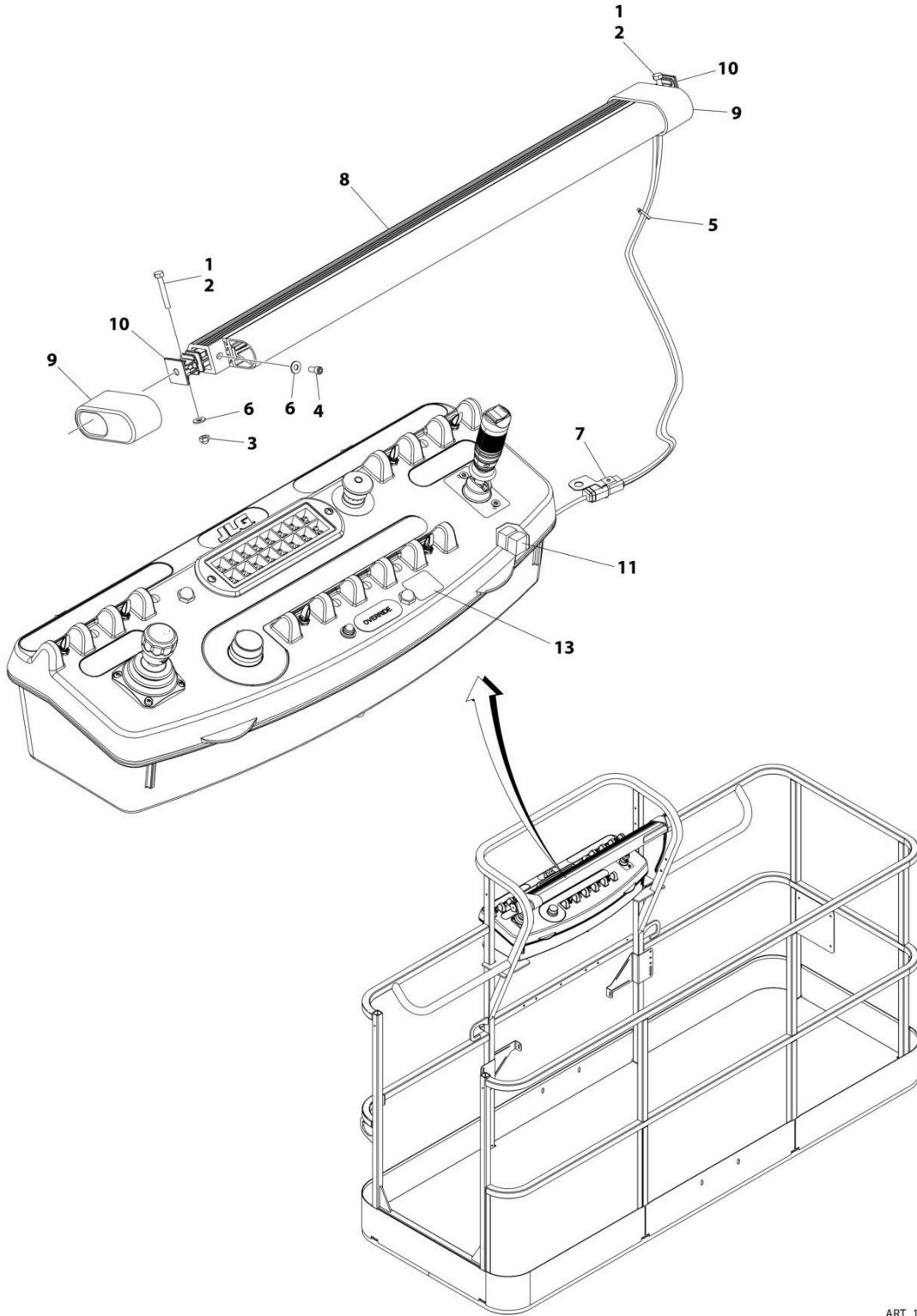
SECTION 5 - PLATFORM

FIGURE 5-13. SKYEYE INSTALLATION

ITEM	PART NUMBER	QTY	DESCRIPTION	REV
	1001229341	Ref	SKYEYE INSTALLATION	B
1	4031505	4	Bolt M4 x 10	
2	4240033	AR	Tie-Strap (Not Shown)	
3	1001227633	1	Housing, LH Outer	
4	1001227634	1	Housing, RH Outer	
5	1001227985	2	Shim	
6	1001227987	2	Shim	
7	1001228224	2	Sensor, Receiver	
8	1001228225	1	Sensor, Emitter	
9	1001232164	1	Housing, LH Inner	
10	1001232165	1	Housing, RH Inner	
11	1001237865	1	Harness, Skyeeye Intermediate (See Separate Breakdown in ELECTRICAL Section)	
12	1001238319	NLA	Harness, Skyeeye Drain Jumper	
12	1001187674	1	Plug, Male - 2 Position	
12	4460942	1	Terminal	
12	4460466	1	Plug, Terminal	
12	4460508	1	Pin, Male	
13	1001237863	2	Harness, Skyeeye Receiver (See Separate Breakdown in ELECTRICAL Section)	
14	1001237864	1	Harness, Skyeeye Emitter (See Separate Breakdown in ELECTRICAL Section)	

SECTION 5 - PLATFORM

FIGURE 5-14. SKYGUARD BAR INSTALLATION



ART_1001238495

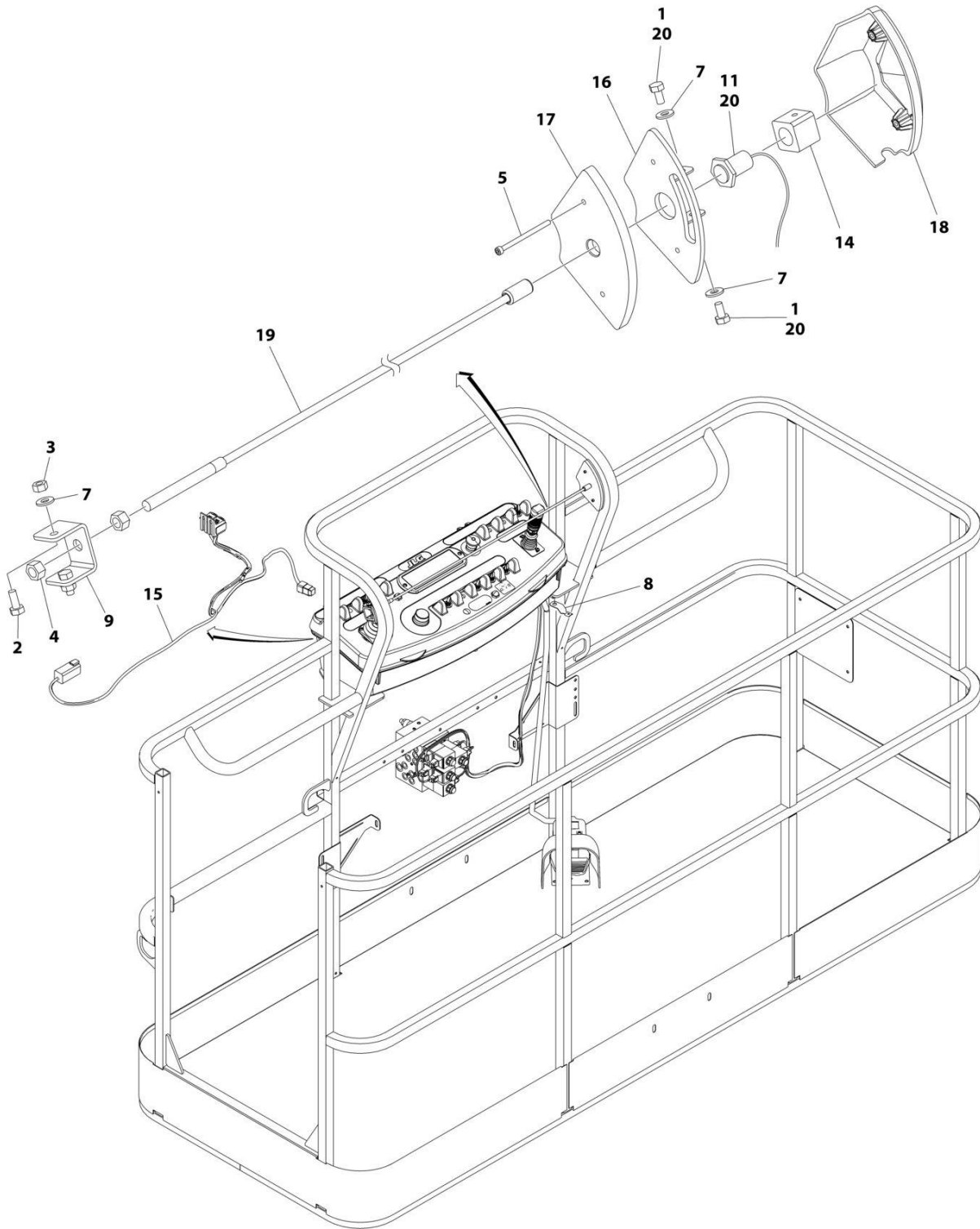
SECTION 5 - PLATFORM

FIGURE 5-14. SKYGUARD BAR INSTALLATION

ITEM	PART NUMBER	QTY	DESCRIPTION	REV
	1001238495	Ref	SKYGUARD BAR INSTALLATION	A
1	0100011	AR	Compound, Locking	
2	0641414	2	Bolt 1/4 x 1-3/4	
3	3300430	2	Nut 1/4	
4	3931408	2	Capscrew 1/4 x 1/2	
5	4240033	8	Tie-Strap	
6	4711400	6	Washer 1/4	
7	1001120328	1	Mount	
8	1001137673	1	SkyGuard Switch Assembly	
9	1001186517	2	Cover, Platform Sensor	
10	1001209664	2	Support, Block	
11	1001186431	2	Relay	
12	1001225580	1	Interface Harness Assembly (Not Shown - Located Inside Console Box) (See Separate Breakdown in ELECTRICAL Section)	
13	1001144433	1	Decal - No Weight SkyGuard	

SECTION 5 - PLATFORM

FIGURE 5-15. SKYLINE INSTALLATION



ART_1001238559_D

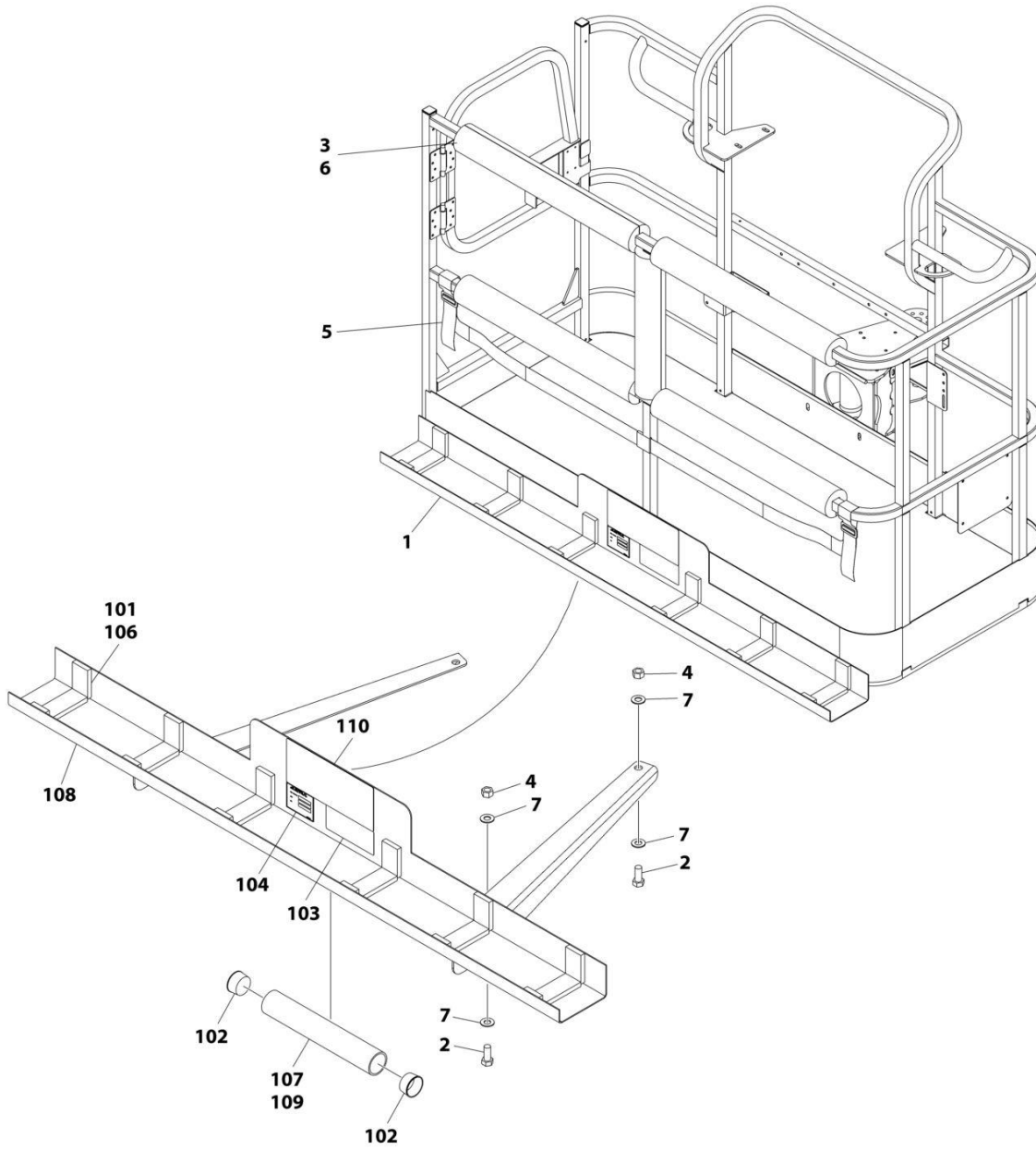
SECTION 5 - PLATFORM

FIGURE 5-15. SKYLINE INSTALLATION

ITEM	PART NUMBER	QTY	DESCRIPTION	REV
	1001238559	Ref	SKYLINE INSTALLATION	D
1	0641404	2	Bolt 1/4 x 1/2	
2	0641405	2	Bolt 1/4 x 5/8	
3	3311405	2	Nut 1/4	
4	3311601	2	Nut 3/8	
5	4031516	2	Capscrew M4 x 60	
6	4240033	AR	Tie-Strap (Not Shown)	
7	4711400	4	Washer 1/4	
8	1001120328	1	Mount	
9	1001232642	1	Bracket	
11	1001232667	1	Sensor, Proximity	
14	1001236552	1	Block	
15	1001238418	1	Harness, Skyline (See Separate Breakdown in ELECTRICAL Section)	
16	1001238472	1	Mount	
17	1001254473	1	Housing, LH	
18	1001241965	1	Housing, RH	
19	1001254472	1	Rod	
20	0100011	AR	Compound, Locking	

SECTION 5 - PLATFORM

FIGURE 5-16. SKYGLAZIER INSTALLATION (AUSTRALIAN SPECS)



ART_1001173975

SECTION 5 - PLATFORM

FIGURE 5-16. SKYGLAZIER INSTALLATION (AUSTRALIAN SPECS)

ITEM	PART NUMBER	QTY	DESCRIPTION	REV
	1001173975	Ref	SKYGLAZIER INSTALLATION	B
1	1001173973	1	Tray Assembly (See Items 101-110 for Breakdown)	
2	0642012	4	Bolt 5/8 x 1-1/2	
3	0940199	1	Bumper Kit	
4	3312005	4	Nut 5/8	
5	4240149	1	Strap Kit	
6	4420014	AR	Tape	
7	4712000	8	Washer 5/8	
	1001173973	Ref	TRAY ASSEMBLY	C
101	0100081	AR	Adhesive	
102	1120555	2	Cap, Tube	
103	1701509	1	Decal - Manual	
104	See Note	NSS	Nameplate - Serial Number (Note: Not Available for Purchase)	
106	3340956	1	Pad Kit	
107	3460334	1	Tube	
108	4341415	1	Support	
109	4420066	AR	Tape, Double Sided	
110	1001229138	1	Decal - Glazier Capacity	

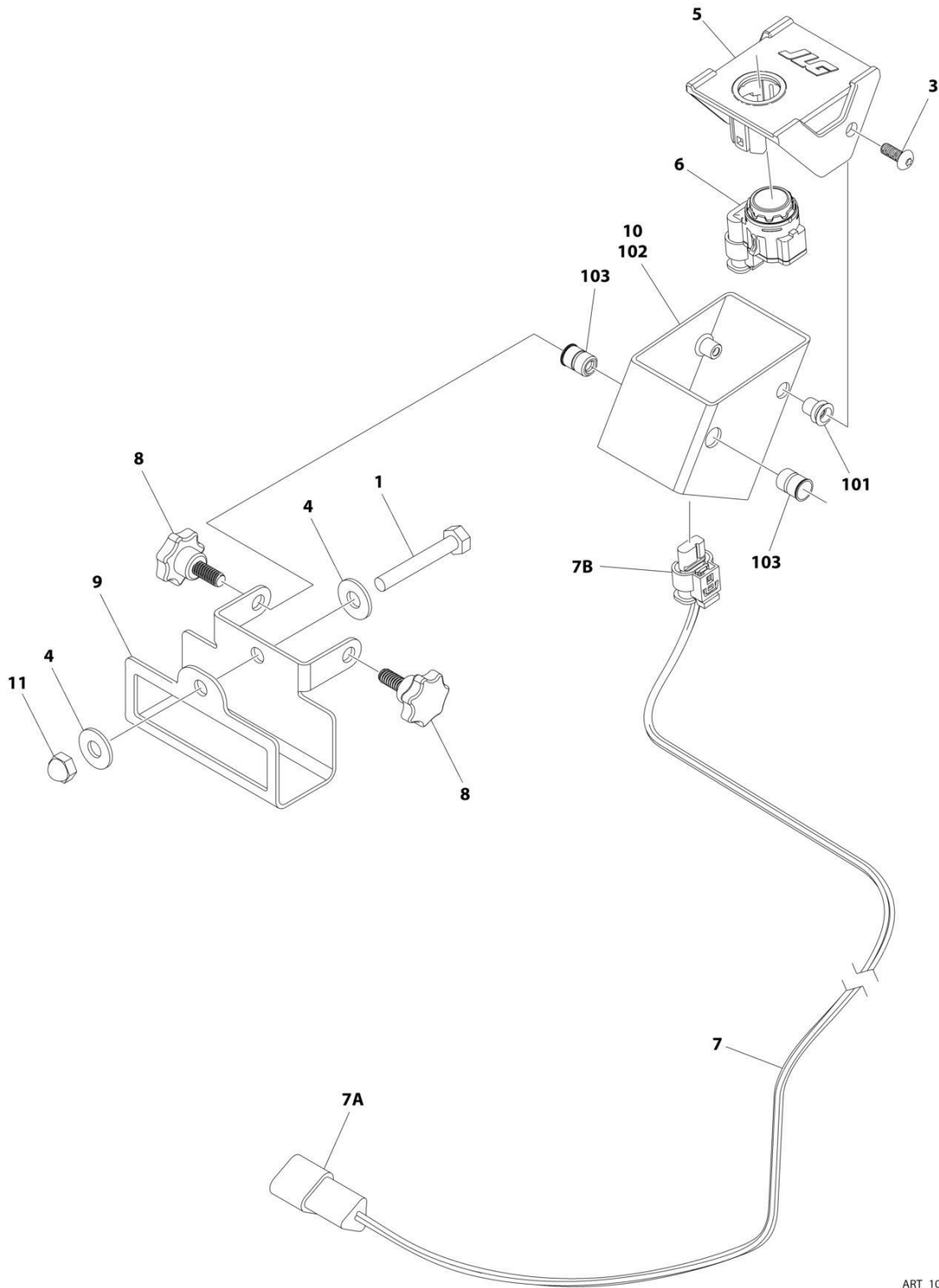
SECTION 5 - PLATFORM

FIGURE 5-17. SKYSENSE MID TUBE SENSOR ASSEMBLY

ITEM	PART NUMBER	QTY	DESCRIPTION	REV
	1001243205	Ref	SKYSENSE MID TUBE SENSOR ASSEMBLY	C
1	0641408	1	Bolt 1/4 x 1	
2	0641414	2	Bolt 1/4 x 1-3/4	
3	1001260525	6	Screw #10 x 1/2	
4	4711400	3	Washer 1/4	
5	1001260524	1	Clamp	
6	1001237902	3	Sensor, SkySense	
7	1001241162	3	Mount, Sensor	
8	1001243092	1	Tube Assembly (Includes items 101 through 104)	C
9	1001244336	1	Harness, SkySense Mid Tube	D
9A	1001237898	1	Connector	
9A	1001237888	3	Terminal	
9B	1001237898	1	Connector	
9B	1001237888	3	Terminal	
9C	1001237898	1	Connector	
9C	1001237888	3	Terminal	
9D	4460931	1	Connector	
9D	4460943	7	Pin	
9D	4460466	1	Plug	
10	1001246389	1	Decal (Not Shown)	
11	1001247252	1	Grommet	
101	2080069	6	Fastener	
104	1001258730	3	Rivnut	

SECTION 5 - PLATFORM

FIGURE 5-18. SKYSENSE OVERHEAD SENSOR ASSEMBLY



ART_1001244733

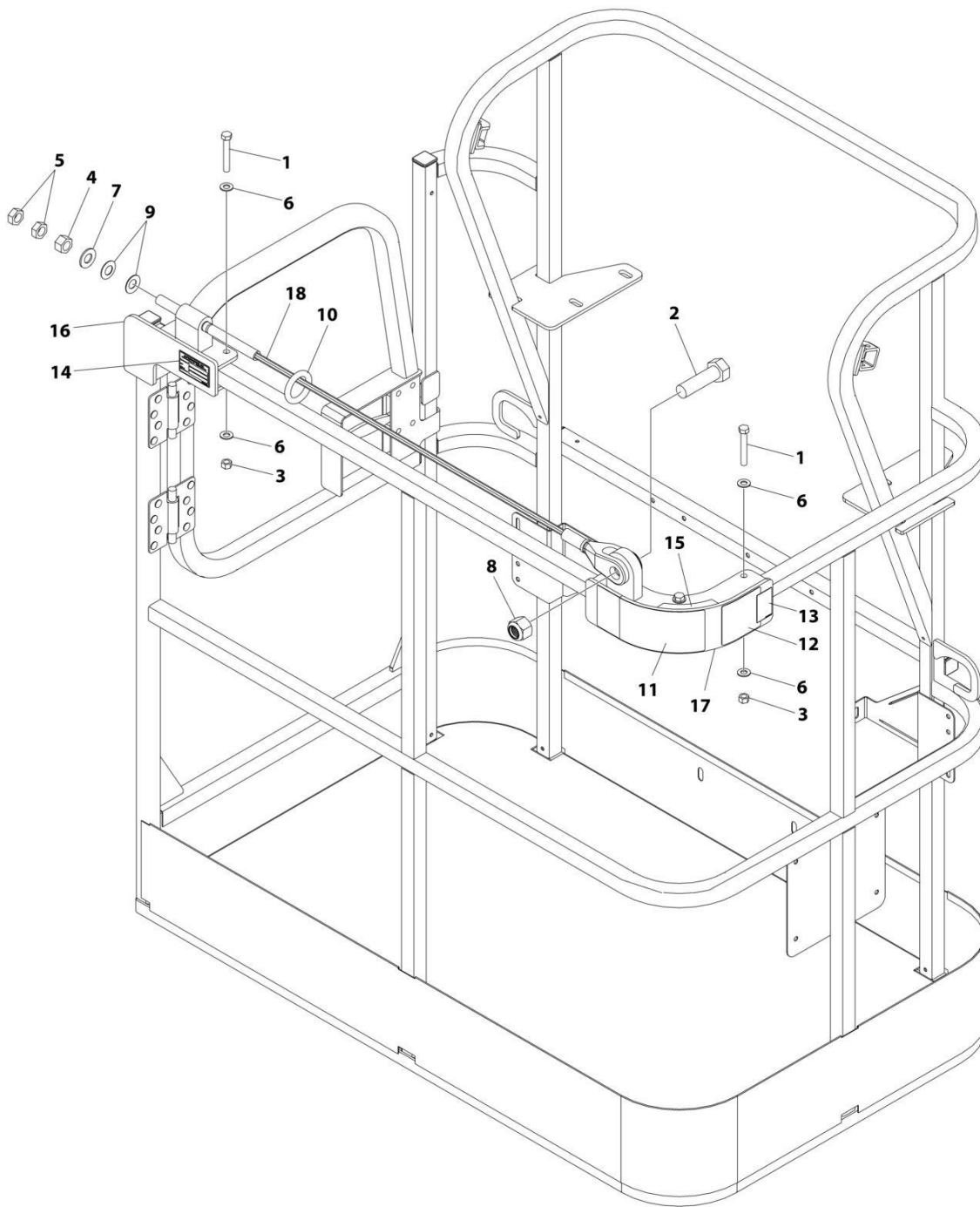
SECTION 5 - PLATFORM

FIGURE 5-18. SKYSENSE OVERHEAD SENSOR ASSEMBLY

ITEM	PART NUMBER	QTY	DESCRIPTION	REV
	1001244733	Ref	SKYSENSE OVERHEAD SENSOR ASSEMBLY	D
1	0641414	1	Bolt 1/4 x 1-3/4	
3	1001260525	2	Screw #10 x 1/2	
4	4751400	2	Washer 1/4	
5	1001237891	1	Mount, Sensor	
6	1001237902	1	Sensor, SkySense	
7	1001244335	1	Harness, SkySense Overhead	D
7A	4460536	1	Connector	
7A	4460943	3	Pin	
7B	1001237898	1	Connector	
7B	1001237888	1	Terminal	
8	1001244671	2	Knob	
9	1001244709	1	Bracket, Mounting	
10	1001244732	1	Housing Assembly (Includes items 101 through 103)	B
11	3300430	1	Nut	
101	2080069	2	Fastener	
102	1001244710	1	Housing, Sensor	
103	1001258730	2	Rivnut	

SECTION 5 - PLATFORM

FIGURE 5-19. FALL ARREST INSTALLATION (BOLT-ON) (4FT/1.22M PLATFORM)



ART_1001261338

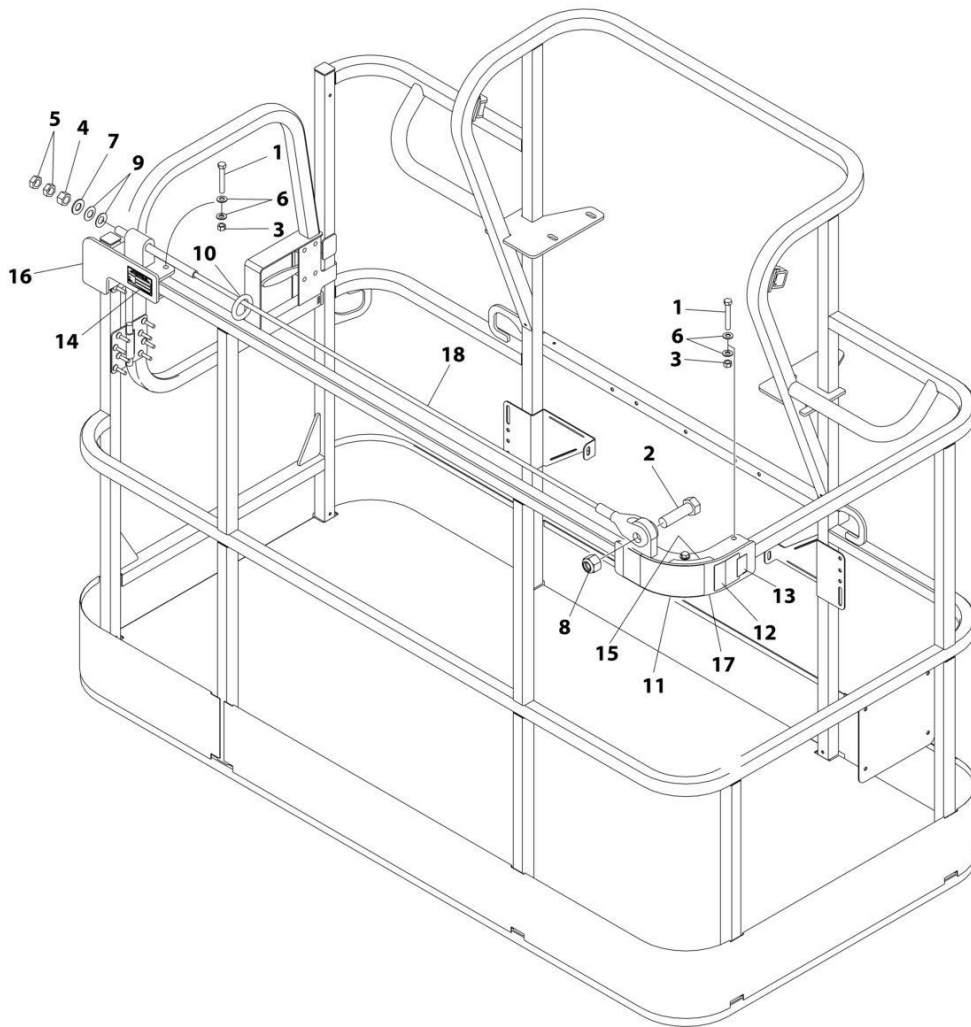
SECTION 5 - PLATFORM

FIGURE 5-19. FALL ARREST INSTALLATION (BOLT-ON) (4FT/1.22M PLATFORM)

ITEM	PART NUMBER	QTY	DESCRIPTION	REV
	1001261338	Ref	FALL ARREST INSTALLATION	A
1	0681620	6	Bolt 3/8 x 2-1/2	
2	0682424	1	Bolt 7/8 x 3	
3	3271605	6	Nut 3/8	
4	3272001	1	Nut 5/8	
5	3312002	2	Nut 5/8	
6	4711600	12	Washer 3/8	
7	4712000	1	Washer 5/8	
8	88521214	1	Nut 7/8	
9	1001236891	2	Washer	
10	1001236895	1	Ring	
11	1001238263	1	Decal - Warning Falling Hazard	
12	1001248140	1	Decal - Bolt Fall Arrest Re-Cert	
13	1001248141	1	Decal - Incription	
14	See Note	NSS	Nameplate - Manufacturers Serial Number (Note: Not Available for Purchase)	
15	1001252629	1	Decal - Weight	
16	1001257271	1	Bracket (RH)	
17	1001257274	1	Bracket (LH)	
18	1001261335	1	Rope	

SECTION 5 - PLATFORM

FIGURE 5-20. FALL ARREST INSTALLATION (BOLT-ON) (5FT/1.52M PLATFORM)



ART_1001257275

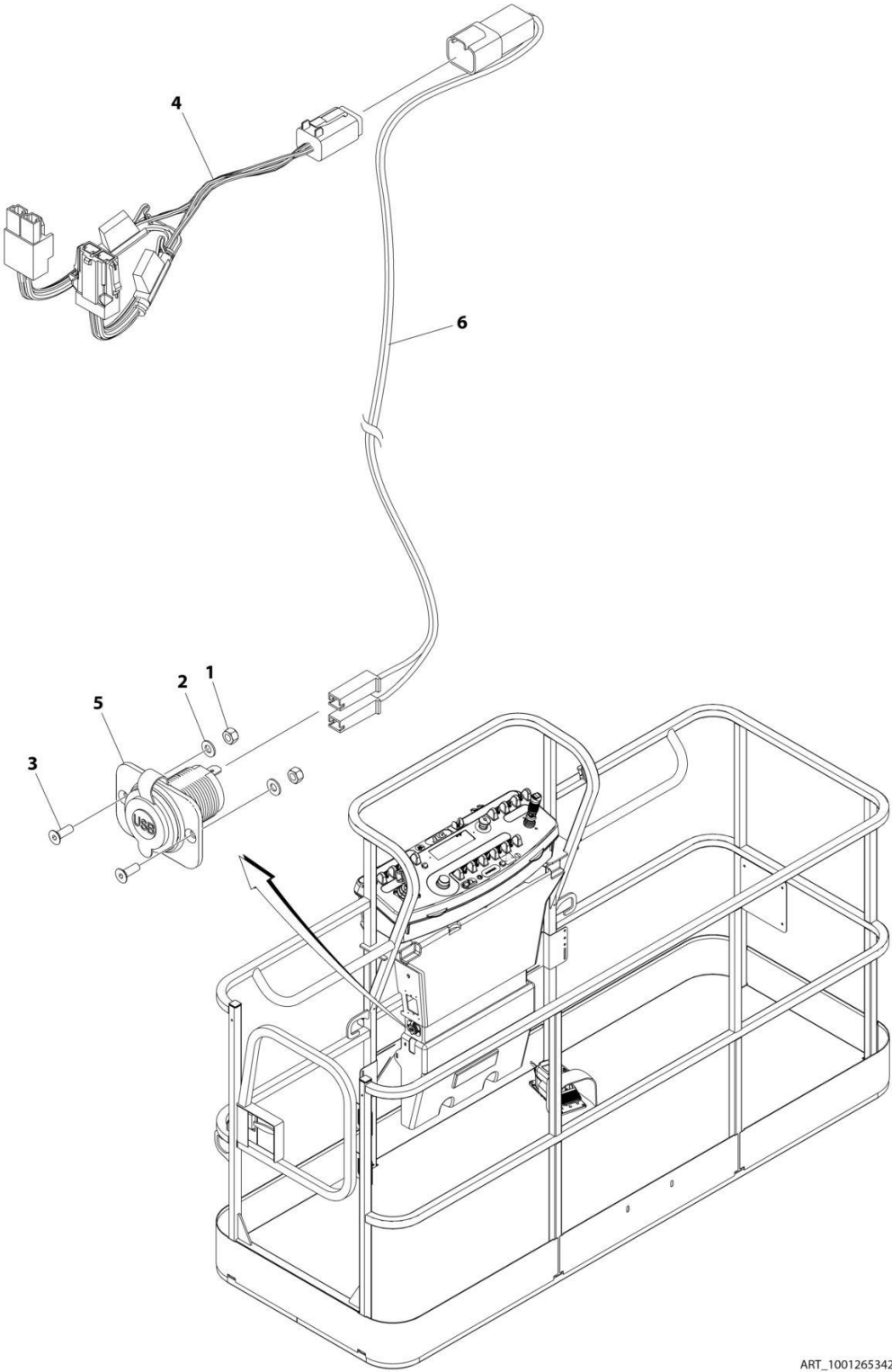
SECTION 5 - PLATFORM

FIGURE 5-20. FALL ARREST INSTALLATION (BOLT-ON) (5FT/1.52M PLATFORM)

ITEM	PART NUMBER	QTY	DESCRIPTION	REV
	1001257275	Ref	FALL ARREST INSTALLATION (BOLT - ON) 6FT/1.82M PLATFORM	A
1	0681620	6	Bolt 3/8 x 2-1/2	
2	0682424	1	Bolt 7/8 x 3	
3	3271605	6	Nut 3/8	
4	3272001	1	Nut 5/8	
5	3312002	2	Nut 5/8	
6	4711600	12	Washer 3/8	
7	4712000	1	Washer 5/8	
8	88521214	1	Nut 7/8	
9	1001236891	2	Washer	
10	1001236895	1	Ring	
11	1001238263	1	Decal - Warning Falling Hazard	
12	1001248140	1	Decal - Bolt Fall Arrest Re-Cert	
13	1001248141	1	Decal - Incription	
14	See Note	NSS	Nameplate - Manufacturers Serial Number (Note: Not Available for Purchase)	
15	1001252629	1	Decal - Weight	
16	1001257271	1	Bracket (RH)	
17	1001257274	1	Bracket (LH)	
18	1001258005	1	Rope	

SECTION 5 - PLATFORM

FIGURE 5-21. USB CHARGER INSTALLATION



ART_1001265342

SECTION 5 - PLATFORM

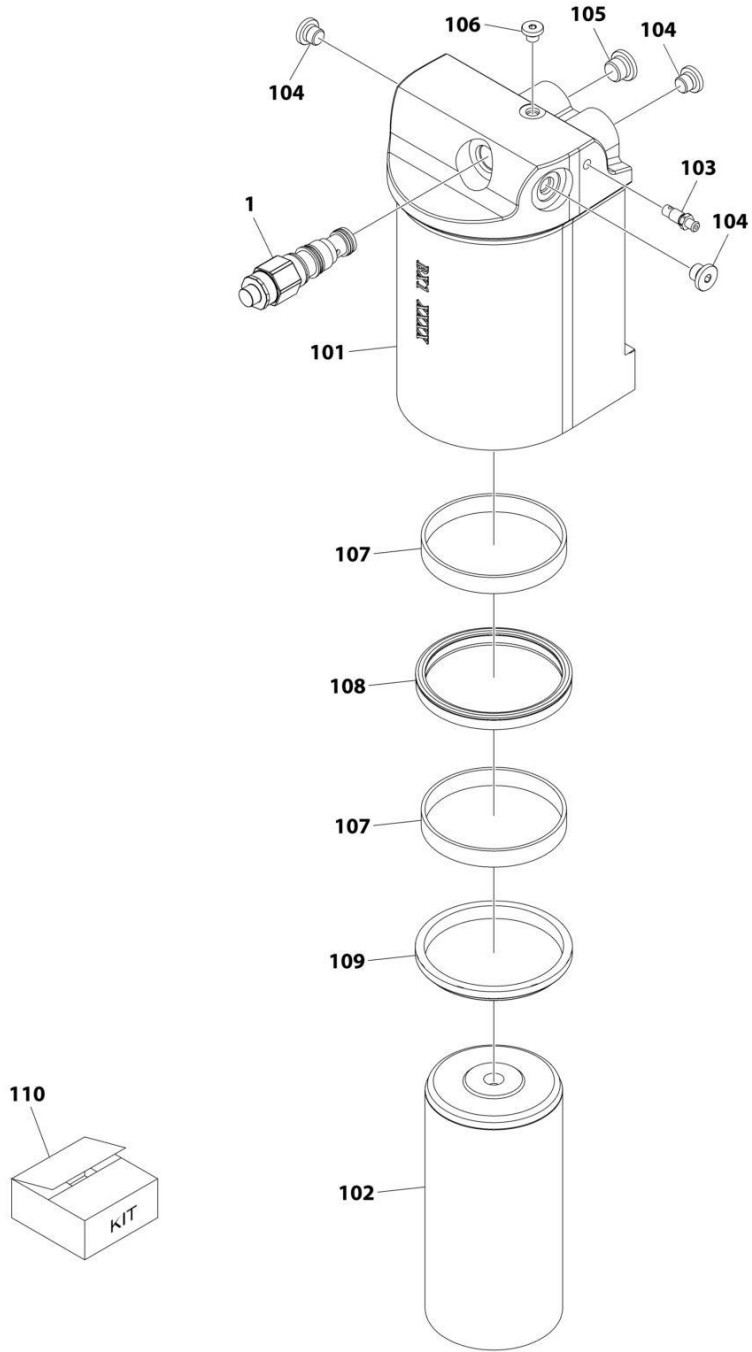
FIGURE 5-21. USB CHARGER INSTALLATION

ITEM	PART NUMBER	QTY	DESCRIPTION	REV
	1001265342	Ref	USB CHARGER INSTALLATION	A
1	3290405	2	Nut M4	
2	4811400	2	Washer M4	
3	1001097244	2	Screw M4 x 12	
4	1001120484	1	Harness, Work Lights	
4	4460879	1	Plug, Male - 2 Position	
4	4460887	2	Terminal	
4	2400060	2	Fuseholder Includes Cover	
4	8229249	2	Fuse, 3 Amp	
4	4460884	1	Connector - 4 Position	
4	4460465	4	Socket, Female	
4	1001120471	1	Connector - 2 Position	
4	1001120477	2	Terminal	
5	1001210636	1	Receptacle, USB	
6	1001265163	1	Harness, USB	A
6	4460260	2	Cover, Terminal	
6	4460259	2	Terminal	
6	4460932	1	Receptacle, Bussbar - 4 Position	
6	4460464	2	Pin, Male	
6	4460466	2	Plug, Terminal	

SECTION 6 - CYLINDER

SECTION 6 - CYLINDER

FIGURE 6-1. AXLE LOCKOUT CYLINDER ASSEMBLY



ART_1001256179

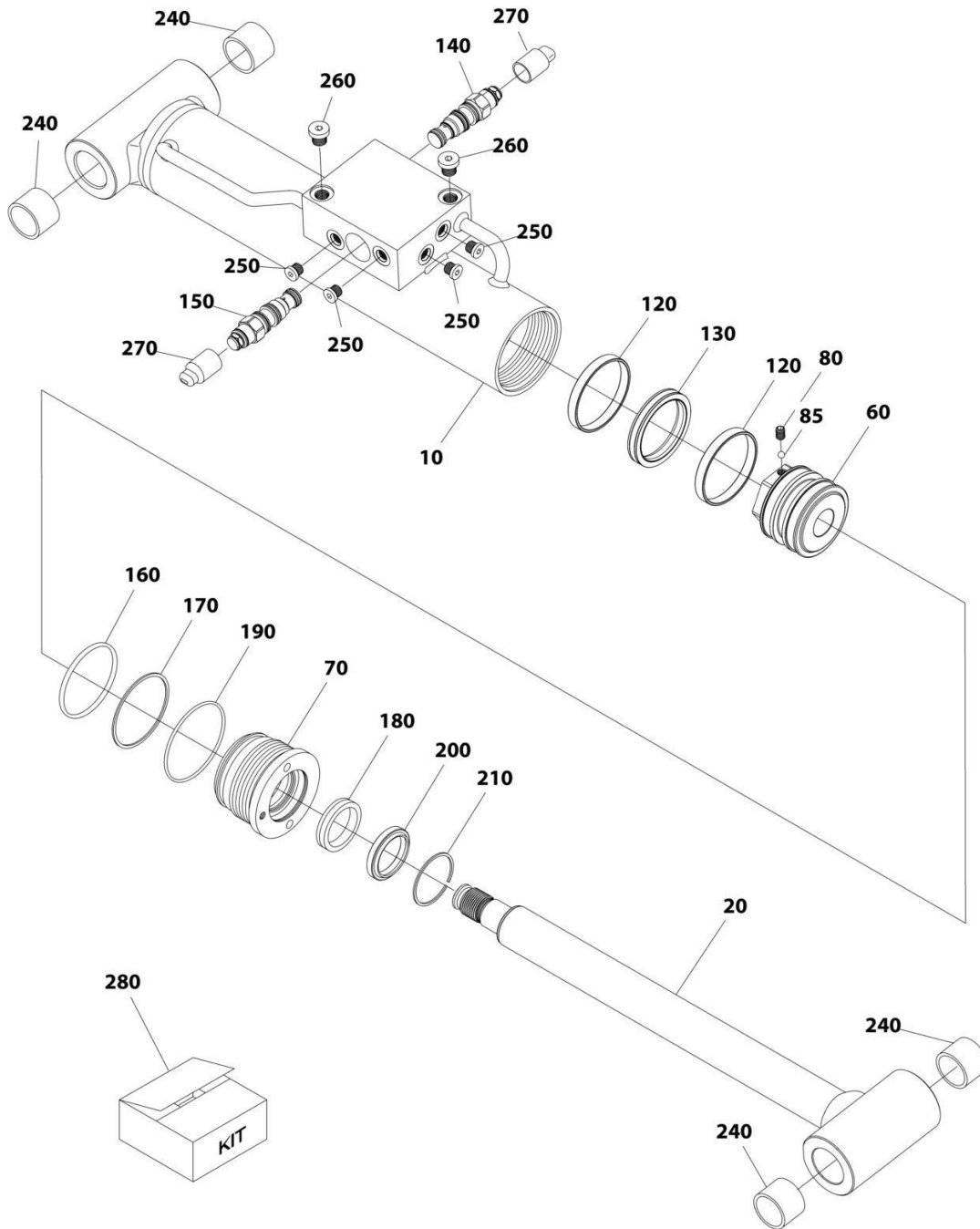
SECTION 6 - CYLINDER

FIGURE 6-1. AXLE LOCKOUT CYLINDER ASSEMBLY

ITEM	PART NUMBER	QTY	DESCRIPTION	REV
	1001256179	Ref	MASTER CYLINDER ASSEMBLY	A
		Ref	Note: Original Cylinder May Have Been Replaced with Service Replacement. Identify PN Stamped on Cylinder Before Ordering Parts.	
1	1001117372	1	Cartridge, Valve	
1	70002842	1	Seal Kit - 1001117372	
101	See Note	NSS	Tube (Note: Not Available for Purchase)	
102	70008244	1	Rod	
103	70008246	1	Plug, Bleeder	
104	2220883	3	Plug 7/16	
105	2220885	1	Plug 9/16	
106	2220881	1	Plug 5/16	
107	See Note	NSS	Ring, Wear (Note: Use Item 110)	
108	See Note	NSS	Seal, Rod (Note: Use Item 110)	
109	See Note	NSS	Wiper, Rod (Note: Use Item 110)	
110	70008247	1	Seal Kit (Includes Items 107-109)	

SECTION 6 - CYLINDER

FIGURE 6-2. LEVEL (PLATFORM SLAVE) CYLINDER ASSEMBLY (Prior to SN B300015268, Except SN B300014977 through B300014987, Except SN B300015050 through B300015051, Except SN B300015062 through B300015099, Including B300015409, Excluding B300015056 and B300015158)



ART_1001161716

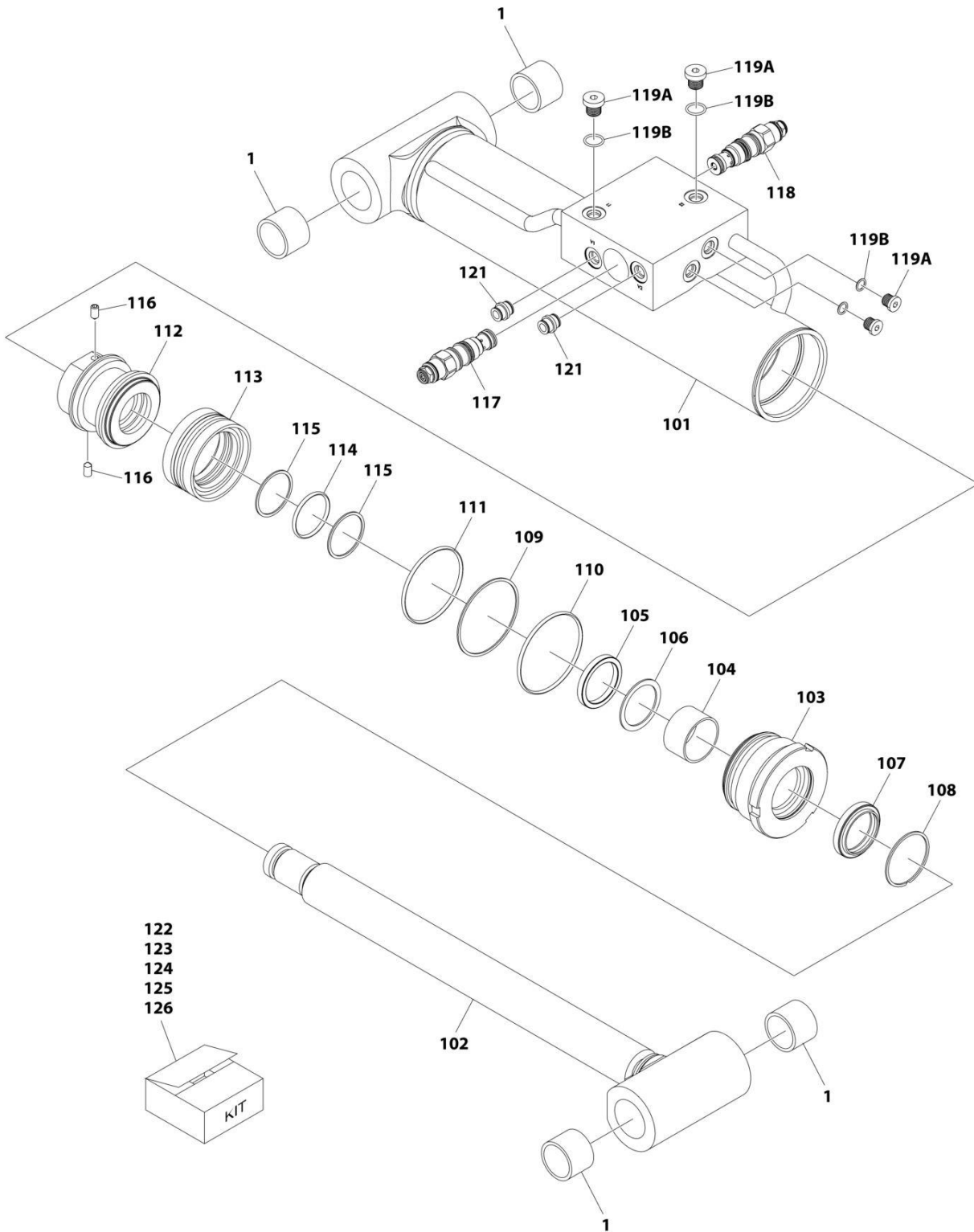
SECTION 6 - CYLINDER

FIGURE 6-2. LEVEL (PLATFORM SLAVE) CYLINDER ASSEMBLY (Prior to SN B300015268, Except SN B300014977 through B300014987, Except SN B300015050 through B300015051, Except SN B300015062 through B300015099, Including B300015409, Excluding B300015056 and B300015158)

ITEM	PART NUMBER	QTY	DESCRIPTION	REV
	1001161716	Ref	LEVEL (PLATFORM SLAVE) CYLINDER ASSEMBLY	D
		Ref	Note: Original Cylinder May Have Been Replaced with Service Replacement. Identify PN Stamped on Cylinder Before Ordering Parts.	
10	70005010	1	Barrel	
20	70005011	1	Rod	
60	70005012	1	Piston	
70	70003837	1	Head	
80	70005013	1	Setscrew	
85	70005014	1	Ball	
120	See Note	NSS	Ring, Bearing (Note: Use Item 280)	
130	See Note	NSS	Seal, Piston (Note: Use Item 280)	
140	70002413	1	Cartridge, Valve	
140	2900770	1	Seal Kit - 70002413 Valve	
150	1001168210	1	Cartridge, Valve	
150	2900770	1	Seal Kit - 1001168210 Valve	
160	See Note	NSS	O-Ring (Note: Use Item 280)	
170	See Note	NSS	Seal (Note: Use Item 280)	
180	See Note	NSS	Seal (Note: Use Item 280)	
190	See Note	NSS	O-Ring (Note: Use Item 280)	
200	See Note	NSS	Wiper (Note: Use Item 280)	
210	70003838	1	Ring, Retaining	
240	0961951	4	Bushing	
250	70025619	4	Plug 7/16	
260	70024262	2	Plug 1/4	
270	See Note	2	Plug, Shipping (Note: Not Available for Purchase)	
280	70005016	1	Seal Kit - 1001161716 Cylinder (Includes Items 120 ,130 & 160-200)	

SECTION 6 - CYLINDER

FIGURE 6-3. LEVEL (PLATFORM SLAVE) CYLINDER ASSEMBLY (SN B300015268 to Present, SN B300014977 through B300014987, SN B300015050 through B300015051, SN B300015062 through B300015099, Including B300015056 and B300015158, Excluding B300015409)



ART_1001253629

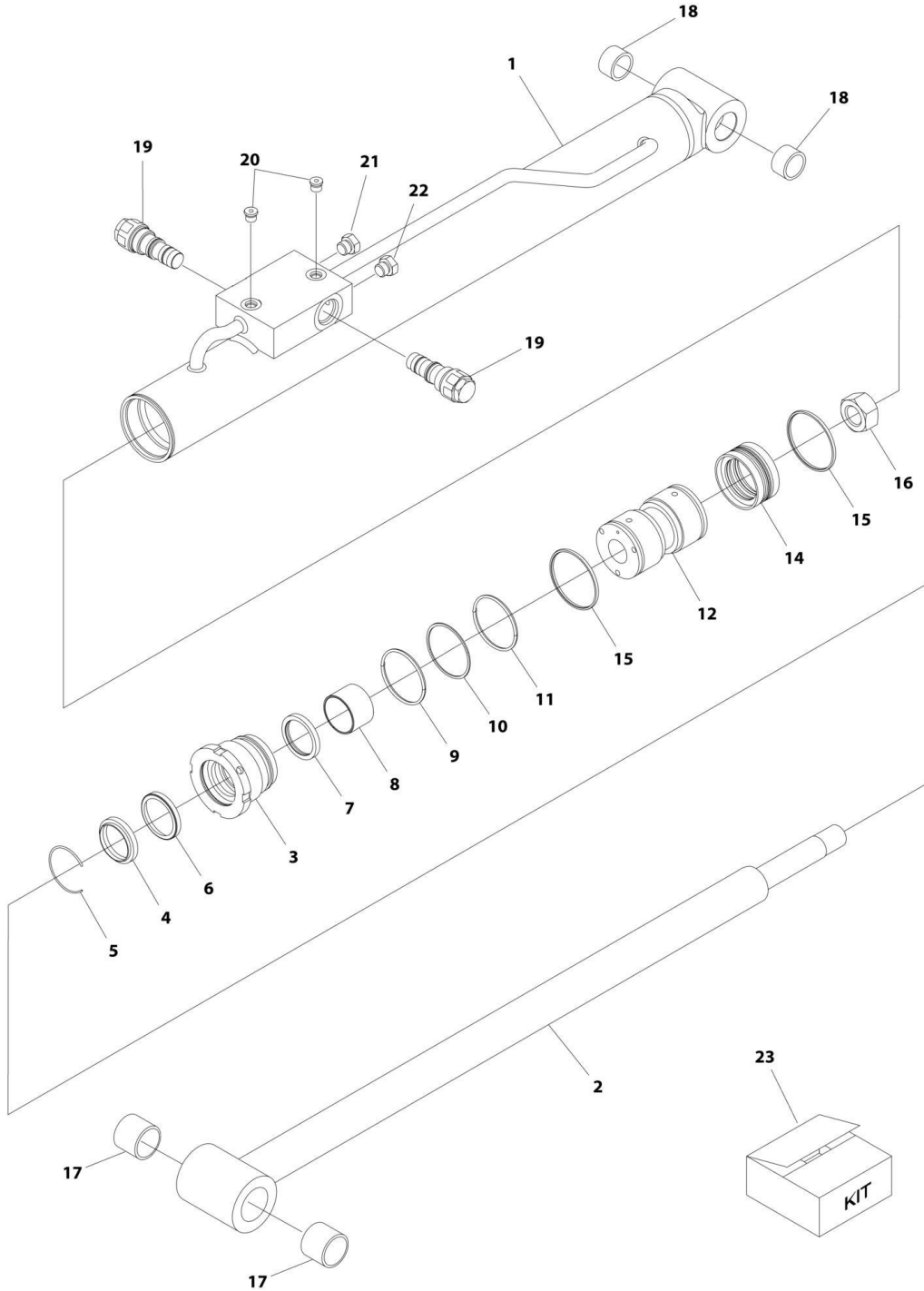
SECTION 6 - CYLINDER

FIGURE 6-3. LEVEL (PLATFORM SLAVE) CYLINDER ASSEMBLY (SN B300015268 to Present, SN B300014977 through B300014987, SN B300015050 through B300015051, SN B300015062 through B300015099, Including B300015056 and B300015158, Excluding B300015409)

ITEM	PART NUMBER	QTY	DESCRIPTION	REV
	1001253629	Ref	LEVEL (PLATFORM SLAVE) CYLINDER ASSEMBLY	A
		Ref	Note: Original Cylinder May Have Been Replaced with Service Replacement. Identify PN Stamped on Cylinder Before Ordering Parts.	
1	0961951	4	Bushing	
101	See Note	NSS	Tube (Note: Not Available for Purchase)	
102	See Note	NSS	Rod (Note: Use Item 122)	
103	See Note	NSS	Cover, Rod (Note: Use Item 123)	
104	See Note	NSS	Bushing, Rod (Note: Use Item 123)	
105	See Note	NSS	U-Packing (Note: Use Item 124)	
106	See Note	NSS	Ring, Backup (Note: Use Item 124)	
107	See Note	NSS	Wiper, Dust (Note: Use Item 124)	
108	See Note	NSS	Ring, Retaining (Note: Use Item 124)	
109	See Note	NSS	O-Ring (Note: Use Item 124)	
110	See Note	NSS	Ring, Backup (Note: Use Item 124)	
111	See Note	NSS	O-Ring (Note: Use Item 124)	
112	See Note	NSS	Piston (Note: Use Item 125)	
113	See Note	NSS	Seal, Compact (Note: Use Item 124)	
114	See Note	NSS	O-Ring (Note: Use Item 124)	
115	See Note	NSS	Ring, Backup (Note: Use Item 124)	
116	See Note	NSS	Setscrew (Note: Use Item 125)	
117	1001168210	1	Valve, Counterbalance (1500PSI)	
118	70002413	1	Valve, Counterbalance (3200PSI)	
119A	See Note	NSS	Plug (Note: Use Item 126)	
119B	See Note	NSS	O-Ring (Note: Use Item 126)	
120	See Note	NSS	Cap, Dust (Note: Not Available for Purchase) (Not Shown)	
121	See Note	NSS	Pin Bush (Note: Use Item 122)	
122	70008242	1	Rod Kit (Includes Items 102 & 121)	
123	70008238	1	Rod Cover Kit (Includes Items 103 & 104)	
124	70008239	1	Seal Kit (Includes Items 105-111 & 113-115)	
125	70008240	1	Piston Kit (Includes Items 112 & 116)	
126	70008243	1	Plug Kit (Includes Items 119A & 119B)	

SECTION 6 - CYLINDER

FIGURE 6-4. LIFT CYLINDER ASSEMBLY - JIB (Prior to SN B300015268, Except SN B300014977 through B300014987, Except SN B300015050 through B300015051, Except SN B300015062 through B300015099, Including B300015409, Excluding B300015056 and B300015158)



ART_1001163767

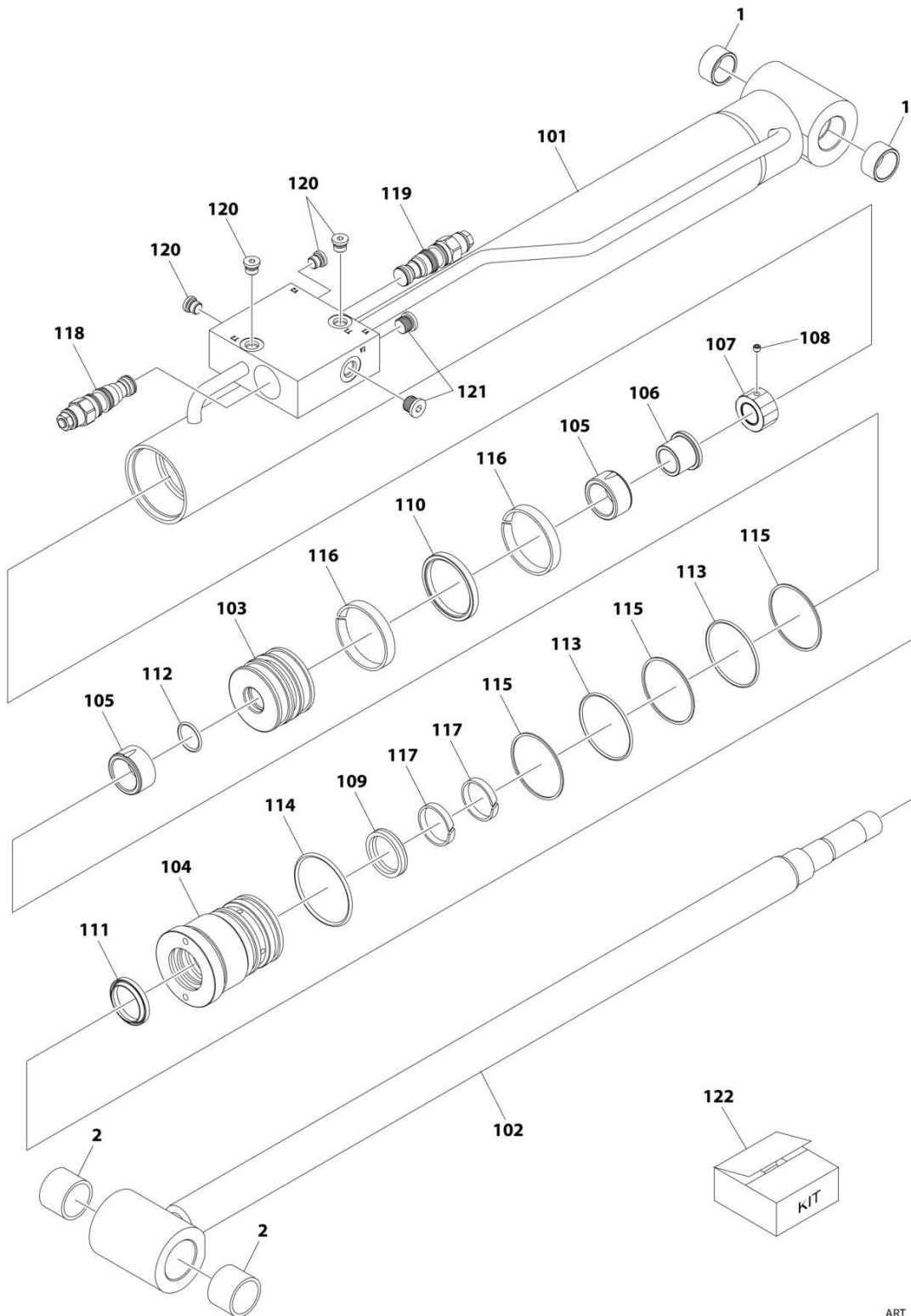
SECTION 6 - CYLINDER

FIGURE 6-4. LIFT CYLINDER ASSEMBLY - JIB (Prior to SN B300015268, Except SN B300014977 through B300014987, Except SN B300015050 through B300015051, Except SN B300015062 through B300015099, Including B300015409, Excluding B300015056 and B300015158)

ITEM	PART NUMBER	QTY	DESCRIPTION	REV
	1001163767	Ref	LIFT CYLINDER ASSEMBLY - JIB	B
		Ref	Note: Original Cylinder May Have Been Replaced with Service Replacement. Identify PN Stamped on Cylinder Before Ordering Parts.	
1	70005155	1	Barrel	
2	70005156	1	Rod	
3	70005157	1	Head	
4	See Note	NSS	Wiper (Note: Use Item 23)	
5	70002373	1	Ring, Retaining	
6	See Note	NSS	Seal, Rod (Note: Use Item 23)	
7	See Note	NSS	Ring, Back-up (Note: Use Item 23)	
8	70005143	1	Bearing, Dry	
9	See Note	NSS	O-Ring (Note: Use Item 23)	
10	See Note	NSS	Ring, Back-up (Note: Use Item 23)	
11	See Note	NSS	O-Ring (Note: Use Item 23)	
12	70002371	1	Piston	
13	See Note	NSS	O-Ring (Note: Use Item 23)	
14	See Note	NSS	Seal, Piston (Note: Use Item 23)	
15	See Note	NSS	Ring, Piston (Note: Use Item 23)	
16	70002335	2	Nut	
17	70005158	2	Bushing	
18	70005159	2	Bushing	
19	4640509	2	Cartridge, Valve	
19	2900792	2	Seal Kit - 4640509 Valve	
20	70023370	2	Plug 7/16	
21	See Note	1	Plug 7/16 (Note: Not Available for Purchase)	
22	See Note	1	Plug 9/16 (Note: Not Available for Purchase)	
23	70005160	1	Seal Kit - 1001163767 Cylinder (Includes Items 4, 6, 7, 9-11 & 13-15)	

SECTION 6 - CYLINDER

FIGURE 6-5. LIFT CYLINDER ASSEMBLY - JIB (SN B300015268 to Present, SN B300014977 through B300014987, SN B300015050 through B300015051, SN B300015062 through B300015099, Including B300015056 and B300015158, Excluding B300015409)



ART_1001285271

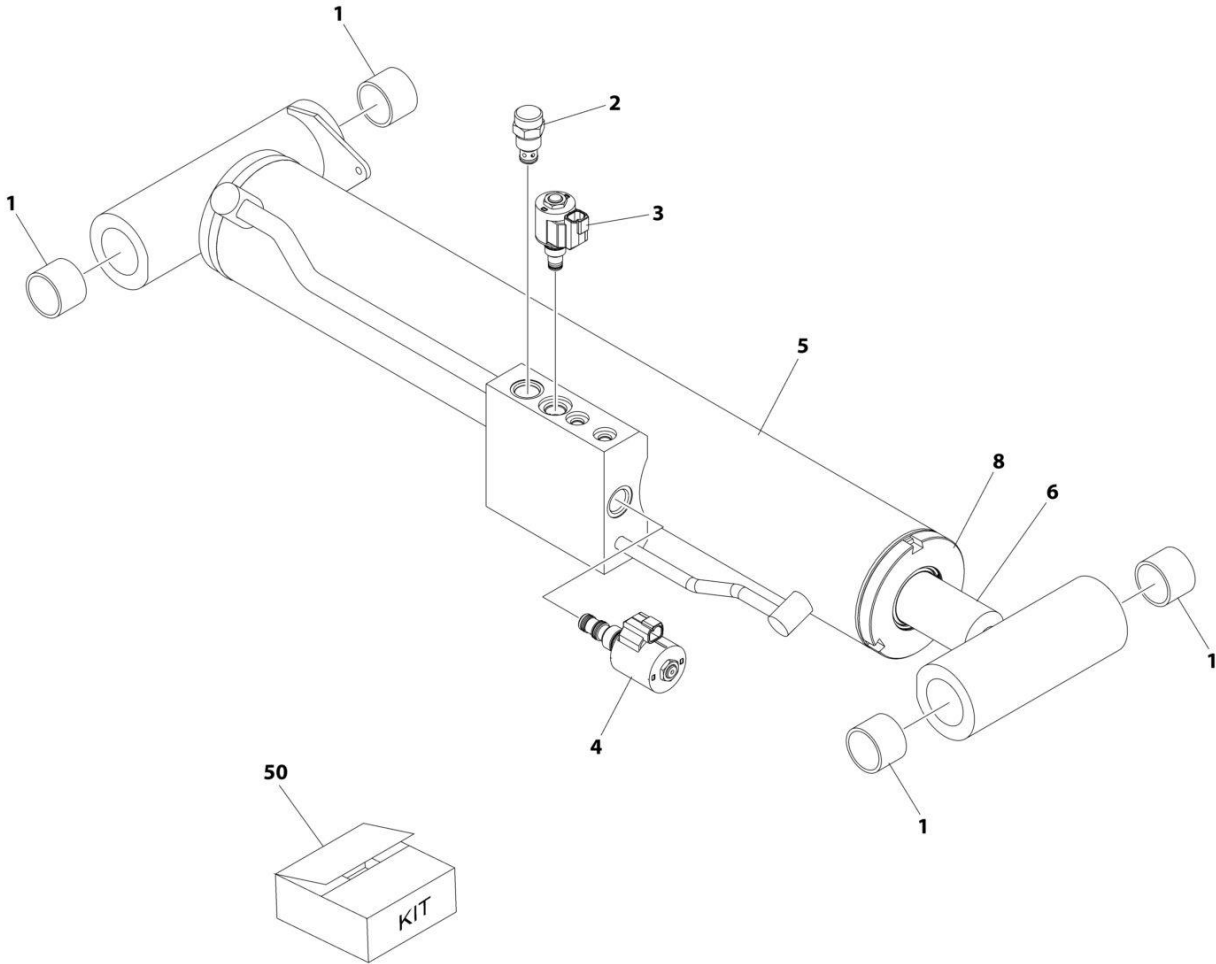
SECTION 6 - CYLINDER

FIGURE 6-5. LIFT CYLINDER ASSEMBLY - JIB (SN B300015268 to Present, SN B300014977 through B300014987, SN B300015050 through B300015051, SN B300015062 through B300015099, Including B300015056 and B300015158, Excluding B300015409)

ITEM	PART NUMBER	QTY	DESCRIPTION	REV
	1001285271	Ref	LIFT CYLINDER ASSEMBLY - JIB	B
		Ref	Note: Original Cylinder May Have Been Replaced with Service Replacement. Identify PN Stamped on Cylinder Before Ordering Parts.	
1	0961947	2	Bushing	
2	0961951	2	Bushing	
101	See Note	NSS	Tube (Note: Not Available for Purchase)	
102	70006914	1	Rod	
103	70006915	1	Piston	
104	70006916	1	Head	
105	70006917	2	Bushing	
106	70006918	1	Tube, Guide	
107	70006919	1	Nut	
108	70008292	1	Setscrew	
109	See Note	NSS	Seal, Rod (Note: Use Item 122)	
110	See Note	NSS	Seal, Piston (Note: Use Item 122)	
111	See Note	NSS	Wiper (Note: Use Item 122)	
112	See Note	NSS	O-Ring (Note: Use Item 122)	
113	See Note	NSS	O-Ring (Note: Use Item 122)	
114	See Note	NSS	O-Ring (Note: Use Item 122)	
115	See Note	NSS	Ring, Backup (Note: Use Item 122)	
116	See Note	NSS	Ring, Wear (Note: Use Item 122)	
117	See Note	NSS	Ring, Wear (Note: Use Item 122)	
118	70026441	1	Valve, Counterbalance	
118	2900770	1	Seal Kit - 70026441 Valve	
119	70008294	1	Valve, Counterbalance	
119	2900770	1	Seal Kit - 70008294 Valve	
120	2220883	4	Plug 7/16	
121	2220885	2	Plug 9/16	
122	70008293	1	Seal Kit (Includes Items 109-117)	

SECTION 6 - CYLINDER

FIGURE 6-6. LIFT CYLINDER ASSEMBLY - MAIN BOOM



ART_1001266738

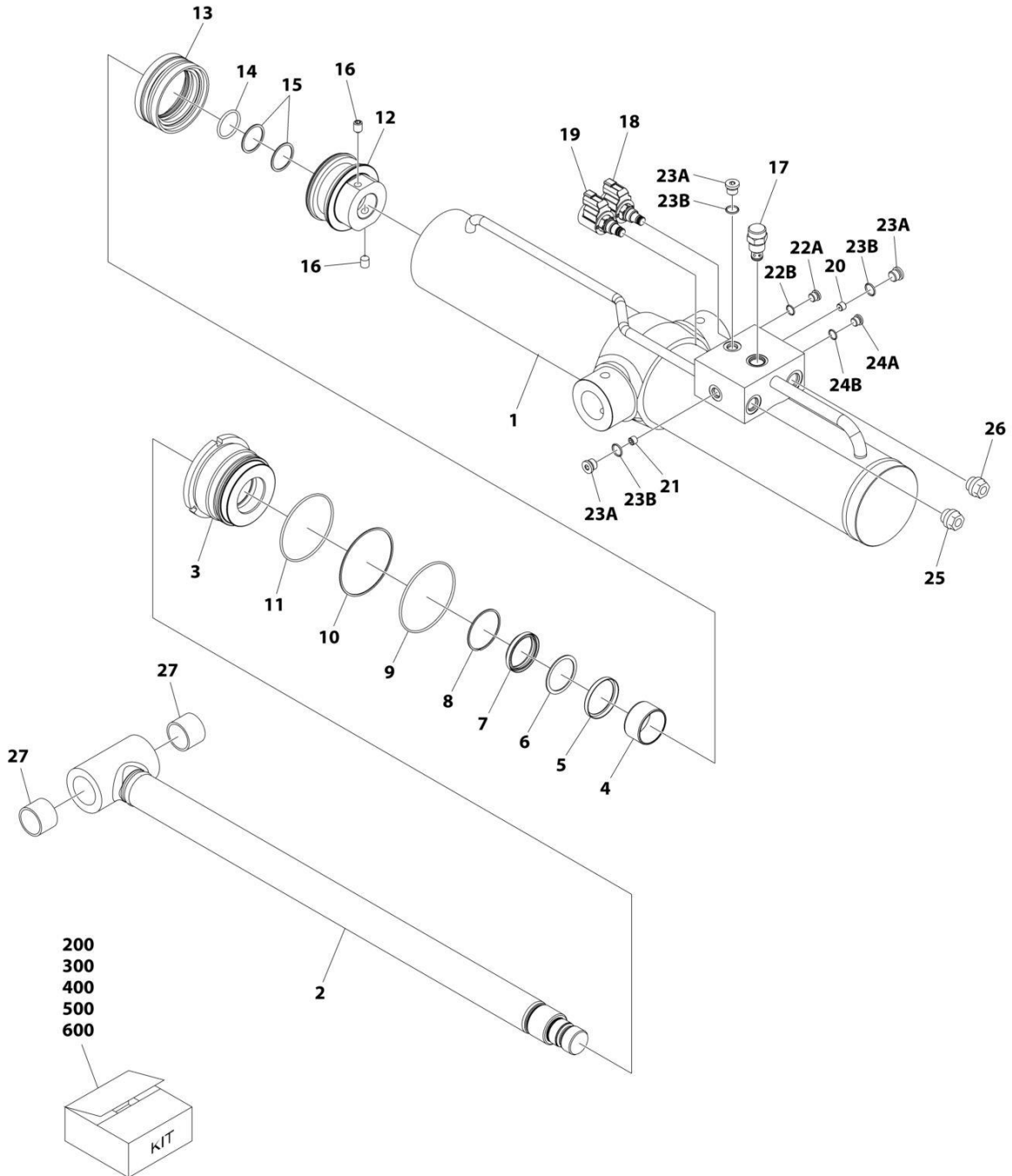
SECTION 6 - CYLINDER

FIGURE 6-6. LIFT CYLINDER ASSEMBLY - MAIN BOOM

ITEM	PART NUMBER	QTY	DESCRIPTION	REV
	1001266738	Ref	LIFT CYLINDER ASSEMBLY - MAIN BOOM	B
		Ref	Note: Original Cylinder May Have Been Replaced with Service Replacement. Identify PN Stamped on Cylinder Before Ordering Parts.	
1	0961948	4	Bushing	
2	4641390	1	Cartridge, Valve - Check	
2	7017496	1	Seal Kit - 4641390 Valve	
3	1001164709	1	Cartridge, Valve - ON/OFF	
3	7017467	1	Cartridge, Valve Less Coil	
3	7012998	1	Seal Kit - 1001164709 & 7017467 Valves	
3	70002386	1	Coil	
4	1001206625	1	Cartridge, Valve - Proportional	
4	70006104	1	Cartridge, Valve Less Coil	
4	70006105	1	Seal Kit - 1001206625 & 70006104 Valves	
4	70003788	1	Coil	
4	7022390	1	Nut, Coil	
5	See Note	NSS	Barrel (Note: Use PN 1001266738)	
6	See Note	NSS	Rod (Note: Use PN 1001266738)	
7	See Note	NSS	Piston (Not Shown) (Note: Use PN 1001266738)	
8	See Note	NSS	Head (Note: Use PN 1001266738)	
50	70007901	1	Seal Kit - 1001266738 Cylinder	

SECTION 6 - CYLINDER

FIGURE 6-7. LIFT CYLINDER ASSEMBLY - TOWER BOOM



ART_1001254716

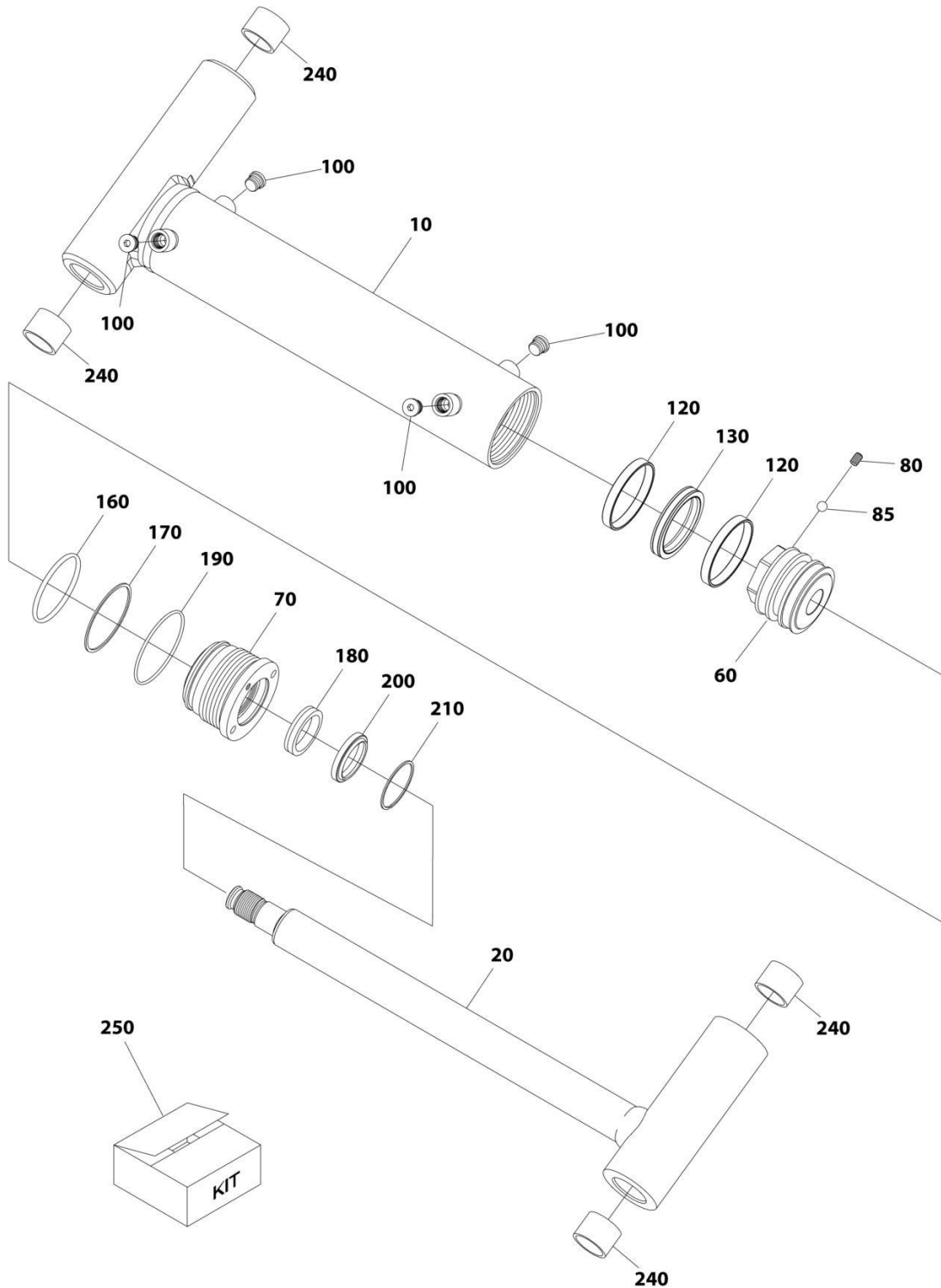
SECTION 6 - CYLINDER

FIGURE 6-7. LIFT CYLINDER ASSEMBLY - TOWER BOOM

ITEM	PART NUMBER	QTY	DESCRIPTION	REV
	1001254716	Ref	LIFT CYLINDER ASSEMBLY - TOWER BOOM	B
		Ref	Note: Original Cylinder May Have Been Replaced with Service Replacement. Identify PN Stamped on Cylinder Before Ordering Parts.	
1	See Note	NSS	Barrel (Note: Use PN 1001254716)	
2	See Note	NSS	Rod (Note: Use Item 200)	
3	See Note	NSS	Head (Note: Use Item 300)	
4	See Note	NSS	Ring, Wear (Note: Use Item 300)	
5	See Note	NSS	Seal (Note: Use Item 400)	
6	See Note	NSS	Ring, Back-up (Note: Use Item 400)	
7	See Note	NSS	Wiper (Note: Use Item 400)	
8	See Note	NSS	Ring, Retaining (Note: Use Item 400)	
9	See Note	NSS	O-Ring (Note: Use Item 400)	
10	See Note	NSS	Ring, Back-up (Note: Use Item 400)	
11	See Note	NSS	O-Ring (Note: Use Item 400)	
12	See Note	NSS	Piston (Note: Use Item 500)	
13	See Note	NSS	Seal (Note: Use Item 400)	
14	See Note	NSS	O-Ring (Note: Use Item 400)	
15	See Note	NSS	Ring, Back-up (Note: Use Item 400)	
16	See Note	NSS	Set Screw (Note: Use Item 500)	
17	4641390	1	Cartridge, Counterbalance Valve	
17	7017496	1	Seal Kit - 4641390 Valve	
18	1001164709	1	Cartridge, Solenoid Valve	
18	7012967	1	Seal Kit - 1001164709 Valve	
18	70002386	1	Coil	
19	1001166208	1	Cartridge, Solenoid Valve	
19	7012967	1	Seal Kit - 1001166208 Valve	
19	70002386	1	Coil	
20	See Note	NSS	Orifice (Note: Use PN 1001254716)	
21	See Note	NSS	Orifice (Note: Use PN 1001254716)	
22A	See Note	NSS	Plug (Note: Use Item 600)	
22B	See Note	NSS	O-Ring (Note: Use Item 600)	
23A	See Note	NSS	Plug (Note: Use Item 600)	
23B	See Note	NSS	O-Ring (Note: Use Item 600)	
24A	See Note	NSS	Plug (Note: Use Item 600)	
24B	See Note	NSS	O-Ring (Note: Use Item 600)	
25	See Note	NSS	Dust Cap (Note: Shipping Use Only)	
26	See Note	NSS	Dust Cap (Note: Shipping Use Only)	
27	0961948	2	Bushing (Note: Use Item 200)	
200	70007886	1	Rod Kit (Includes Items 2 & 27)	
300	70007887	1	Head Kit (Includes Items 3 & 4)	
400	70007888	1	Seal Kit (Includes Items 5-11 & 13-15)	
500	70007889	1	Piston Kit (Includes Items 12 & 16)	
600	70007890	1	Plug Kit (Includes Items 22A-24B)	

SECTION 6 - CYLINDER

FIGURE 6-8. MASTER CYLINDER ASSEMBLY (Prior to SN B300015268, Except SN B300014977 through B300014987, Except SN B300015050 through B300015051, Except SN B300015062 through B300015099, Including B300015409, Excluding B300015056 and B300015158)



ART_1001161717

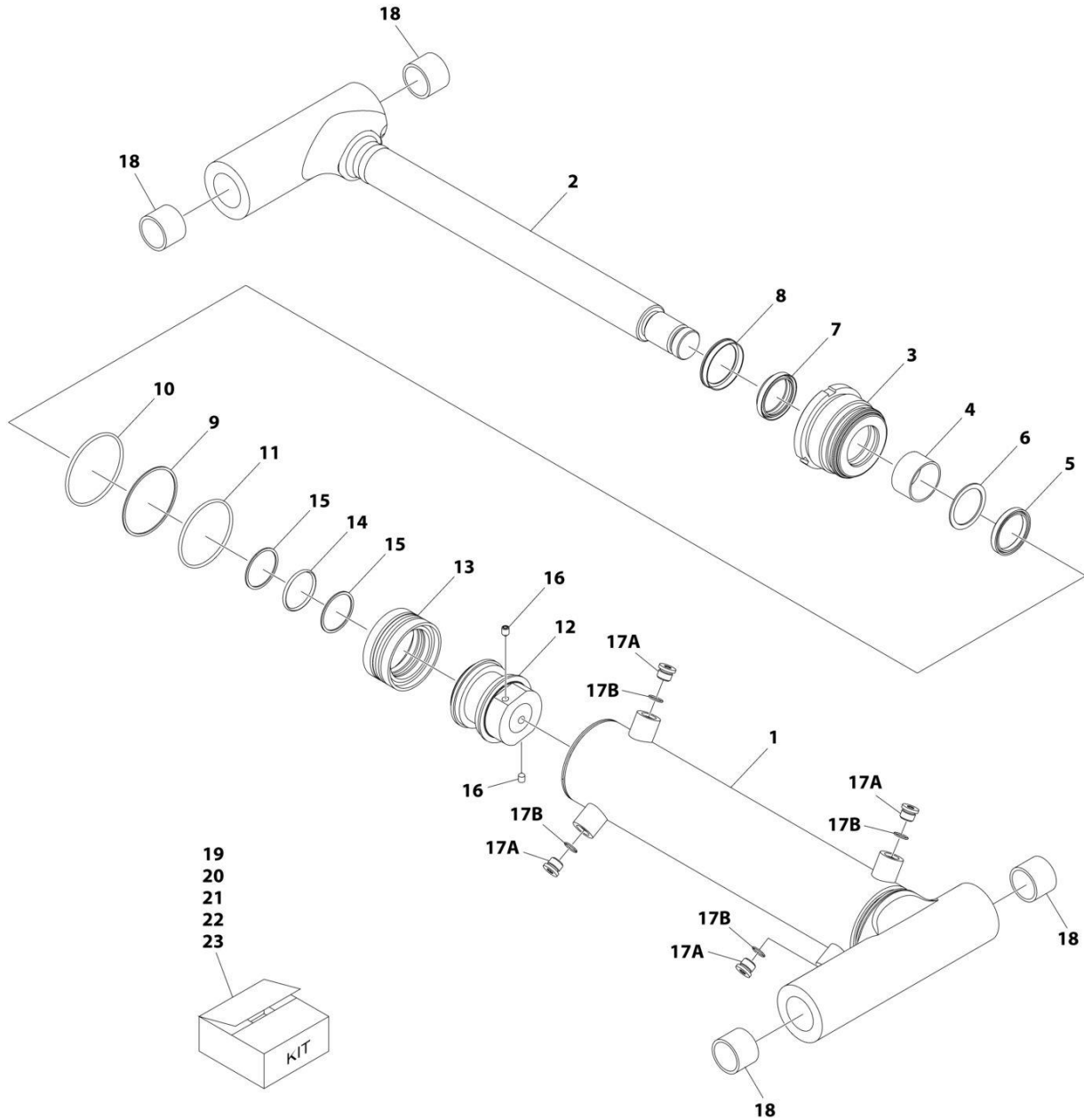
SECTION 6 - CYLINDER

FIGURE 6-8. MASTER CYLINDER ASSEMBLY (Prior to SN B300015268, Except SN B300014977 through B300014987, Except SN B300015050 through B300015051, Except SN B300015062 through B300015099, Including B300015409, Excluding B300015056 and B300015158)

ITEM	PART NUMBER	QTY	DESCRIPTION	REV
	1001161717	Ref	MASTER CYLINDER ASSEMBLY	D
		Ref	Note: Original Cylinder May Have Been Replaced with Service Replacement. Identify PN Stamped on Cylinder Before Ordering Parts.	
10	70005017	1	Barrel	
20	70005018	1	Rod	
60	70005012	1	Piston	
70	70003837	1	Head	
80	70005013	1	Setscrew	
85	70005014	1	Ball	
100	70025959	4	Plug 9/16	
120	See Note	NSS	Ring, Piston (Note: Use Item 250)	
130	See Note	NSS	Seal (Note: Use Item 250)	
160	See Note	NSS	O-Ring (Note: Use Item 250)	
170	See Note	NSS	Ring (Note: Use Item 250)	
180	See Note	NSS	Seal (Note: Use Item 250)	
190	See Note	NSS	O-Ring (Note: Use Item 250)	
200	See Note	NSS	Wiper (Note: Use Item 250)	
210	70003838	1	Ring, Retaining	
240	0961951	4	Bushing	
250	70005016	1	Seal Kit - 1001161717 Cylinder (Includes Items 120-200)	

SECTION 6 - CYLINDER

FIGURE 6-9. MASTER CYLINDER ASSEMBLY (SN B300015268 to Present, SN B300014977 through B300014987, SN B300015050 through B300015051, SN B300015062 through B300015099, Including B300015056 and B300015158, Excluding B300015409)



ART_1001253628

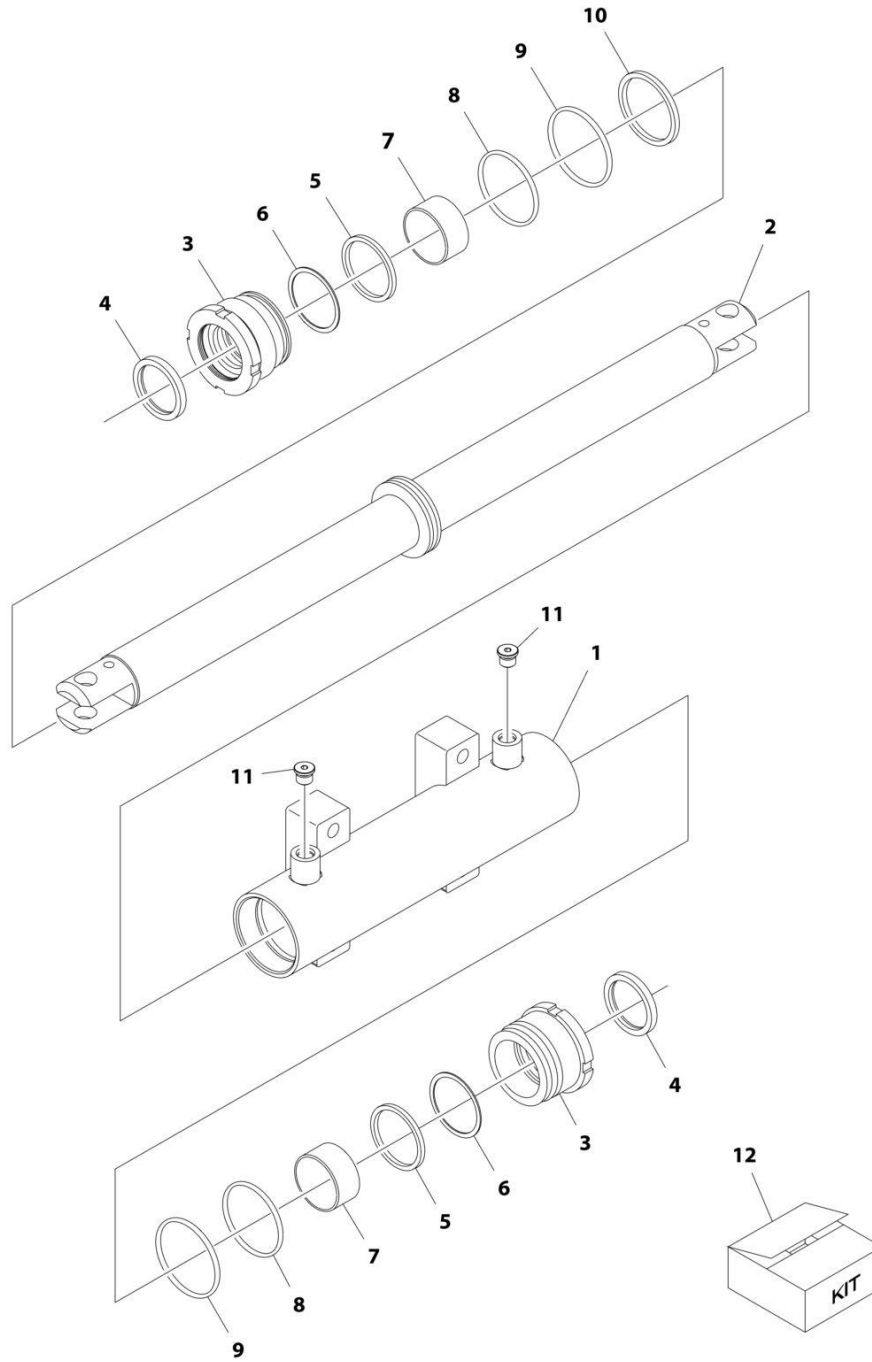
SECTION 6 - CYLINDER

FIGURE 6-9. MASTER CYLINDER ASSEMBLY (SN B300015268 to Present, SN B300014977 through B300014987, SN B300015050 through B300015051, SN B300015062 through B300015099, Including B300015056 and B300015158, Excluding B300015409)

ITEM	PART NUMBER	QTY	DESCRIPTION	REV
	1001253628	Ref	MASTER CYLINDER ASSEMBLY	A
		Ref	Note: Original Cylinder May Have Been Replaced with Service Replacement. Identify PN Stamped on Cylinder Before Ordering Parts.	
1	See Note	NSS	Tube (Note: Not Available for Purchase)	
2	See Note	NSS	Rod (Note: Use Item 19)	
3	See Note	NSS	Cover, Rod (Note: Use Item 19)	
4	See Note	NSS	Bushing, Rod (Note: Use Item 20)	
5	See Note	NSS	U-Packing (Note: Use Item 21)	
6	See Note	NSS	Ring, Backup (Note: Use Item 21)	
7	See Note	NSS	Wiper, Dust (Note: Use Item 21)	
8	See Note	NSS	Ring, Retaining (Note: Use Item 21)	
9	See Note	NSS	O-Ring (Note: Use Item 21)	
10	See Note	NSS	Ring, Backup (Note: Use Item 21)	
11	See Note	NSS	O-Ring (Note: Use Item 21)	
12	See Note	NSS	Piston (Note: Use Item 22)	
13	See Note	NSS	Seal, Compact (Note: Use Item 21)	
14	See Note	NSS	O-Ring (Note: Use Item 21)	
15	See Note	NSS	Ring, Backup (Note: Use Item 21)	
16	See Note	NSS	Setscrew (Note: Use Item 22)	
17A	See Note	NSS	Plug (Note: Use Item 23)	
17B	See Note	NSS	O-Ring (Note: Use Item 23)	
18	See Note	NSS	Bushing (Note: Use Item 19)	
19	70008237	1	Rod Assembly Kit (Includes Items 2 & 18)	
20	70008238	1	Rod Cover Kit (Includes Items 3 & 4)	
21	70008239	1	Seal Kit (Includes Items 5-11 & 13-15)	
22	70008240	1	Piston Kit (Includes Items 12 & 16)	
23	70008241	1	Plug Kit (Includes Items 17A & 17B)	

SECTION 6 - CYLINDER

FIGURE 6-10. STEER CYLINDER ASSEMBLY



ART_1001163178

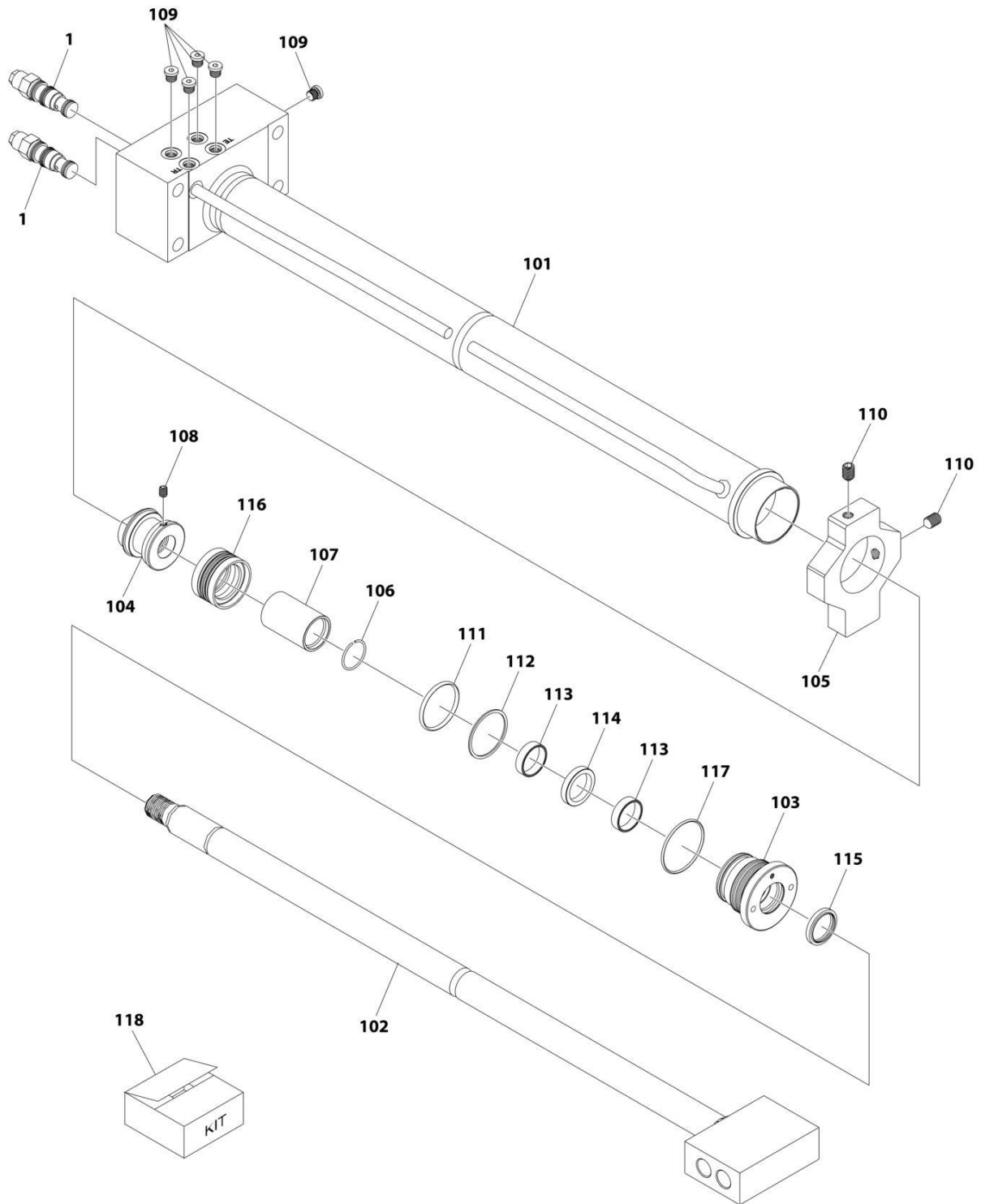
SECTION 6 - CYLINDER

FIGURE 6-10. STEER CYLINDER ASSEMBLY

ITEM	PART NUMBER	QTY	DESCRIPTION	REV
	1001163178	Ref	STEER CYLINDER ASSEMBLY	E
		Ref	Note: Original Cylinder May Have Been Replaced with Service Replacement. Identify PN Stamped on Cylinder Before Ordering Parts.	
1	70005150	1	Barrel	
2	70005151	1	Rod	
3	70005152	2	Head	
4	See Note	NSS	Wiper (Note: Use Item 12)	
5	See Note	NSS	Seal, Rod (Note: Use Item 12)	
6	See Note	NSS	Ring, Back-up (Note: Use Item 12)	
7	70005153	2	Bearing, Dry	
8	See Note	NSS	O-Ring (Note: Use Item 12)	
9	See Note	NSS	O-Ring (Note: Use Item 12)	
10	See Note	NSS	Seal, Piston (Note: Use Item 12)	
11	See Note	2	Plug 9/16 (Note: Not Available for Purchase)	
12	70005154	1	Seal Kit - 1001163178 Cylinder (Includes Items 4-6 & 8-10)	

SECTION 6 - CYLINDER

FIGURE 6-11. TELESCOPE CYLINDER ASSEMBLY



ART_1001266711

SECTION 6 - CYLINDER

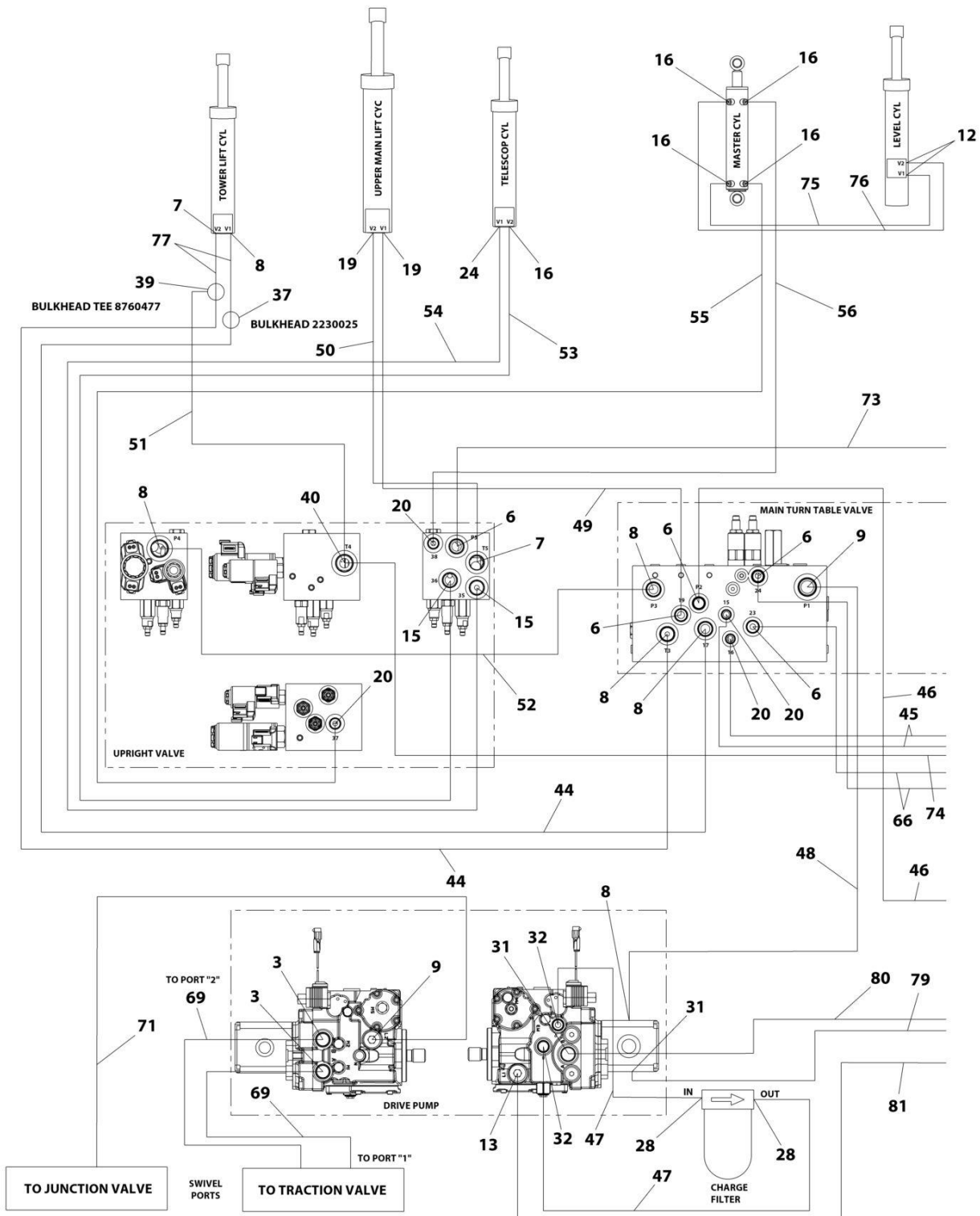
FIGURE 6-11. TELESCOPE CYLINDER ASSEMBLY

ITEM	PART NUMBER	QTY	DESCRIPTION	REV
	1001266711	Ref	TELESCOPE CYLINDER ASSEMBLY	B
		Ref	Note: Original Cylinder May Have Been Replaced with Service Replacement. Identify PN Stamped on Cylinder Before Ordering Parts.	
1	4640771	2	Valve, Motor Control	
1	2900770	2	Seal Kit - 4640771 Valve	
101	See Note	NSS	Barrel (Note: Not Available for Purchase)	
102	See Note	NSS	Rod (Note: Not Available for Purchase)	
103	70008135	1	Head	
104	70008136	1	Piston	
105	70008137	1	Mount	
106	70008138	1	Ring, Wire	
107	70008139	1	Spacer	
108	70027088	1	Setscrew	
109	70025619	5	Plug	
110	70008140	2	Setscrew	
111	See Note	NSS	O-Ring (Note: Use Item 118)	
112	See Note	NSS	Ring, Backup (Note: Use Item 118)	
113	See Note	NSS	Ring (Note: Use Item 118)	
114	See Note	NSS	Seal, Head (Note: Use Item 118)	
115	See Note	NSS	Seal, Wiper (Note: Use Item 118)	
116	See Note	NSS	Seal (Note: Use Item 118)	
117	See Note	NSS	O-Ring (Note: Use Item 118)	
118	70008141	1	Seal Kit (Includes Items 111-117)	

SECTION 7 - HYDRAULIC

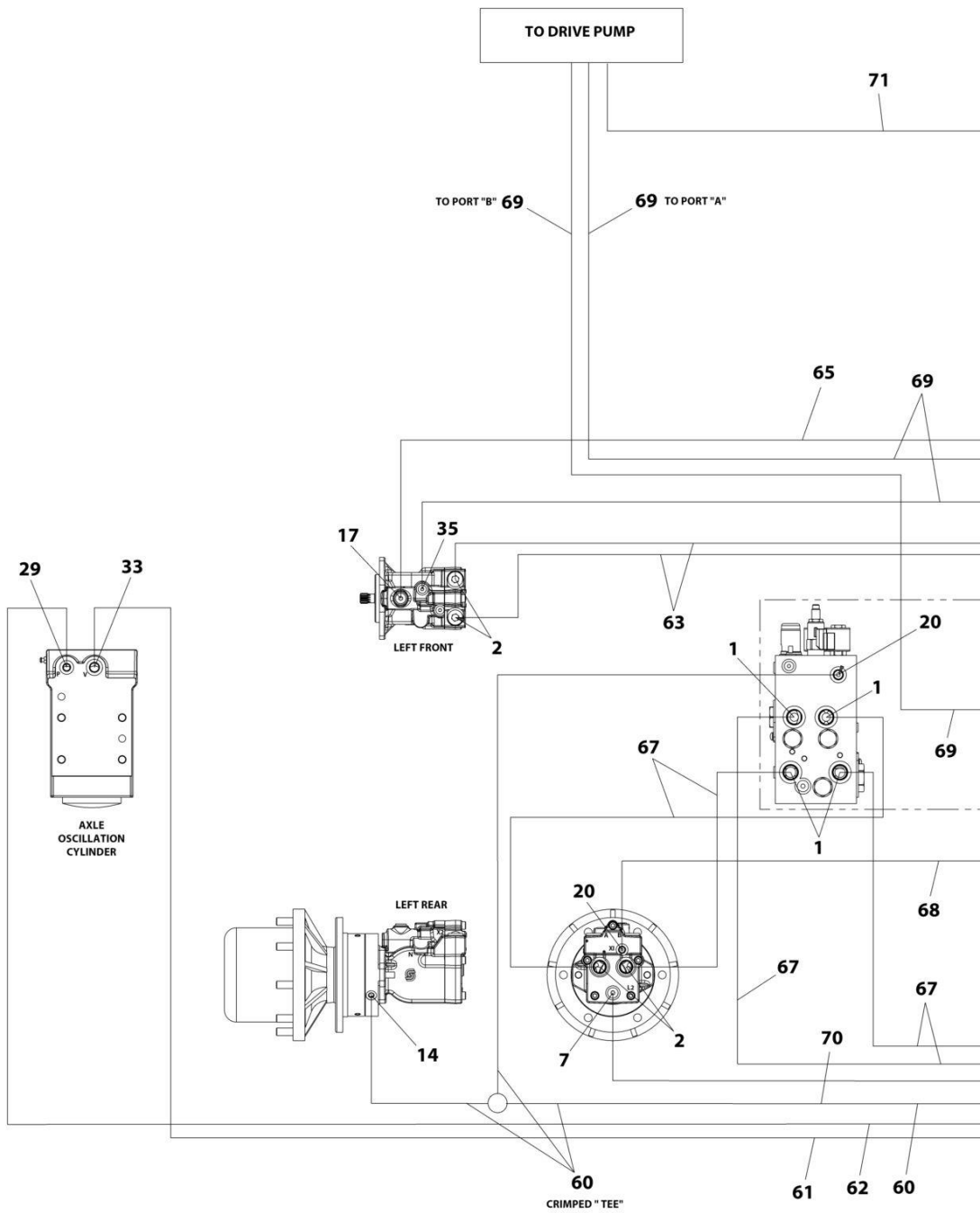
SECTION 7 - HYDRAULIC

FIGURE 7-1. HYDRAULIC SYSTEM INSTALLATION



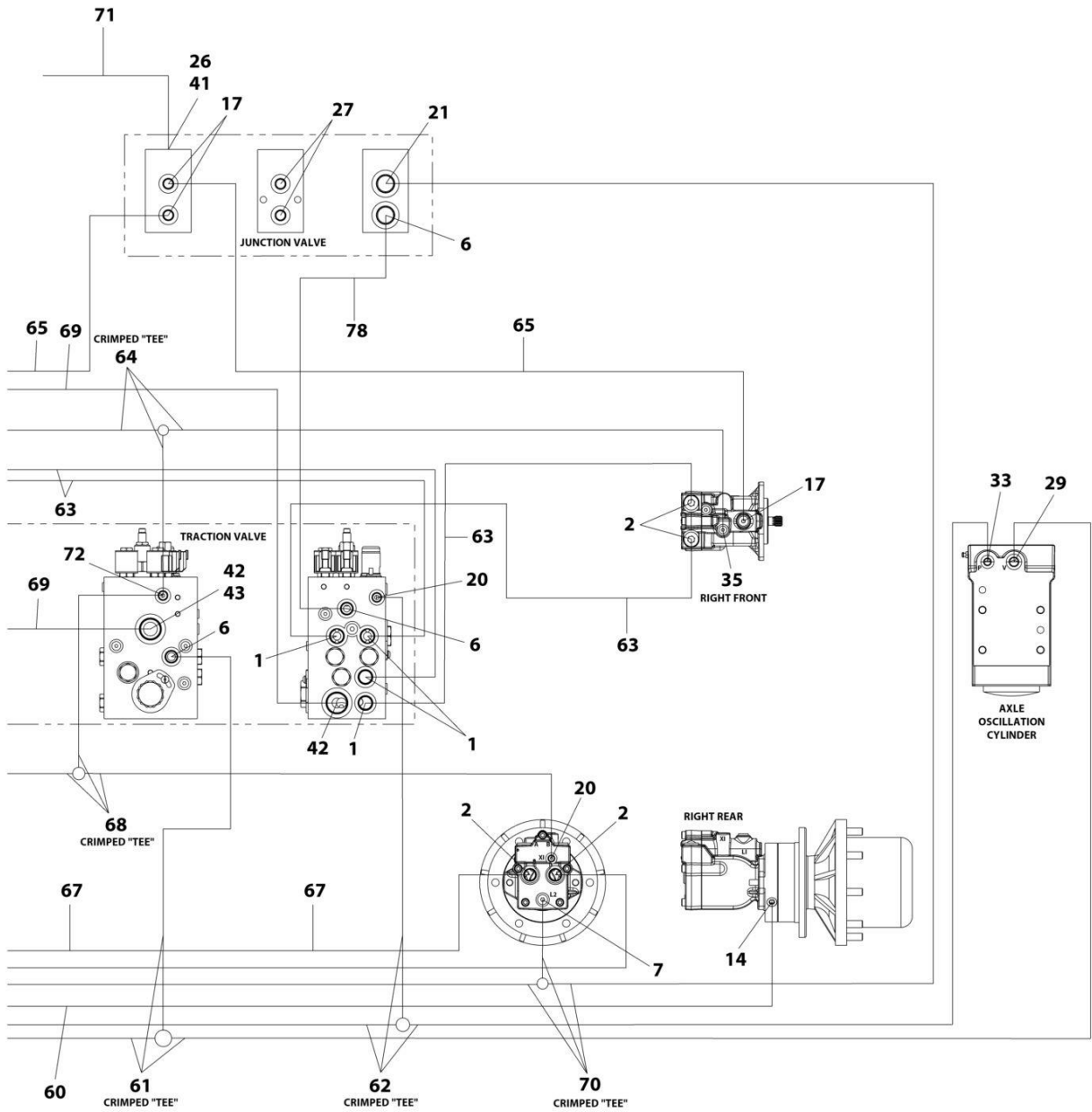
ART_1001207356_10F4

SECTION 7 - HYDRAULIC



ART_1001207356_30F4

SECTION 7 - HYDRAULIC



ART_1001207356_4OF4

SECTION 7 - HYDRAULIC

FIGURE 7-1. HYDRAULIC SYSTEM INSTALLATION

ITEM	PART NUMBER	QTY	DESCRIPTION	REV
	1001207356	Ref	HYDRAULIC SYSTEM INSTALLATION	C
1	2110810	8	Fitting, Straight ORFS/ORB	
2	2110812	8	Fitting, Straight ORFS/ORB	
3	2151212	2	Fitting, 45 ORFS/ORB	
4	2220238	1	Plug	
5	2220371	1	Fitting, Straight JIC/ORB	
6	2220372	11	Fitting, Straight JIC/ORB	
7	2220373	5	Fitting, Straight JIC/ORB	
8	2220374	6	Fitting, Straight JIC/ORB	
9	2220375	2	Fitting, Straight JIC/ORB	
10	2220377	1	Fitting, Straight JIC/ORB	
11	1001202910	2	Fitting, Straight MORB	
12	2220415	3	Fitting, Straight JIC/ORB	
13	2220451	1	Fitting, Straight JIC/ORB	
14	2220466	2	Fitting, 90 JIC/ORB	
15	2220468	2	Fitting, Straight JIC/ORB	
16	2220472	5	Fitting, 90 JIC/ORB	
17	2220500	4	Fitting, 45 JIC/ORB	
18	2220501	2	Fitting, 45 JIC/ORB	
19	2220497	2	Fitting, Straight JIC/ORB	
20	2220582	11	Fitting, Straight JIC/ORB	
21	2220596	1	Fitting, 90 JIC/ORB	
22	2220600	1	Fitting, Straight JIC/ORB	
23	2220603	1	Fitting, Straight JIC/ORB	
24	2220628	1	Fitting, 90 JIC/ORB	
25	2220465	1	Fitting, 90 JIC/ORB	
26	2220811	1	Fitting, Straight FORB/ORB	
27	2220883	2	Plug #4	
28	2220906	2	Fitting, 90 JIC/ORB	
29	2220923	2	Fitting, Straight JIC/ORB	
30	2220940	2	Fitting, Elbow	
31	2220946	2	Fitting, Straight JIC/ORB	
32	2220947	2	Fitting, Straight JIC/ORB	
33	2220998	2	Fitting, Straight JIC/ORB	
34	2221033	2	Fitting, Straight JIC/ORB	
35	2221040	2	Fitting, 45 JIC/ORB	
36	2221086	1	Fitting, Diagnostic	
37	2230025	1	Fitting, Straight JIC/JIC	
38	2752519	1	Hose	
39	8760477	1	Fitting, Tee JIC/JIC/JIC	
40	8770289	1	Fitting, Tee JIC/ORB/JIC	
41	1001119627	1	Fitting, Straight JIC/ORB	
42	1001142679	2	Fitting, Straight ORFS/ORB	
43	1001143936	1	Fitting, 90 FORB/ORB	
44	1001173006	2	Hose	
45	1001173027	2	Hose	
46	1001173028	1	Hose	
47	1001173029	2	Hose	
48	2752504	1	Hose	
49	1001173034	1	Hose	

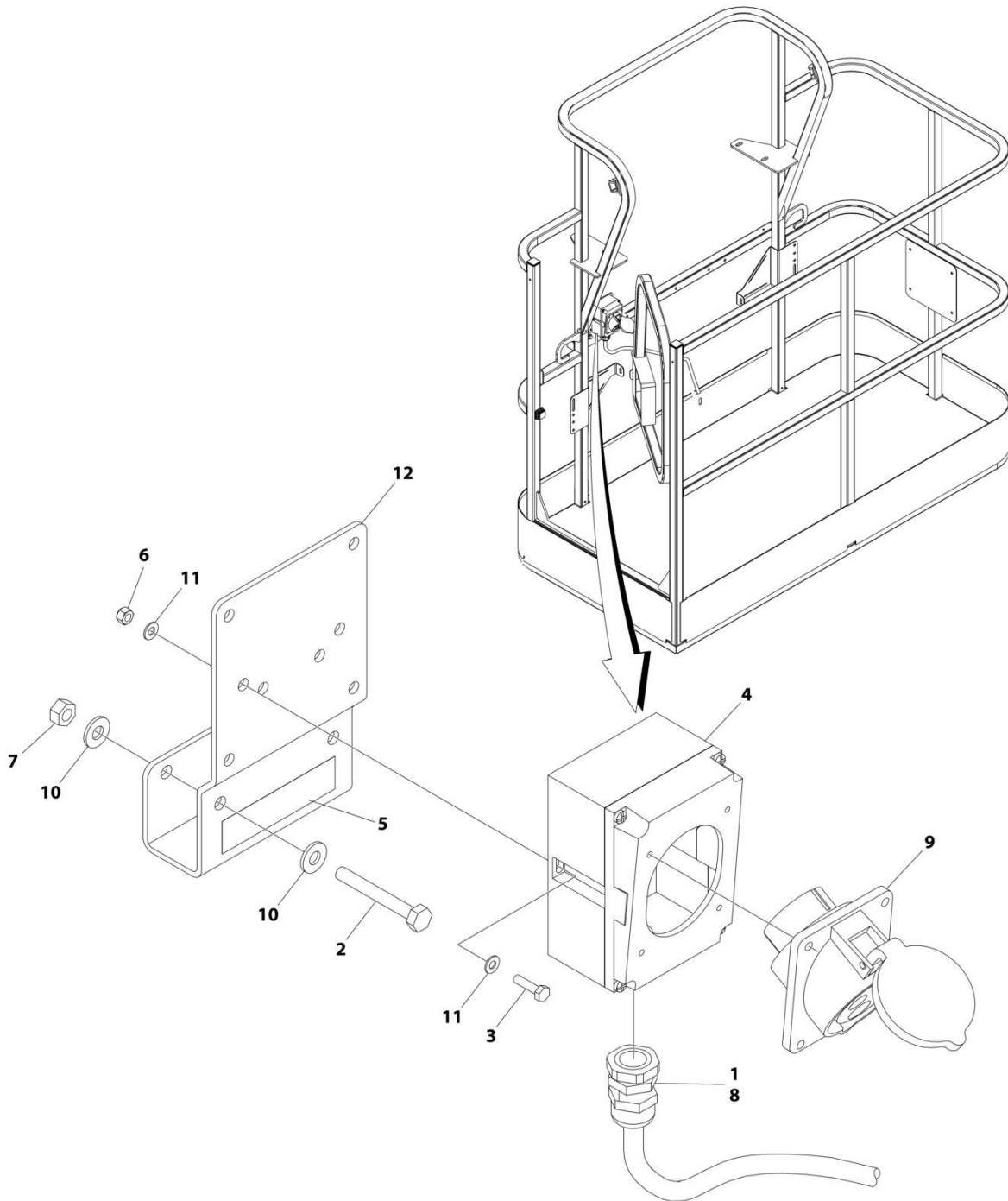
SECTION 7 - HYDRAULIC

ITEM	PART NUMBER	QTY	DESCRIPTION	REV
50	1001173035	1	Hose	
51	1001173036	1	Hose	
52	1001173037	1	Hose	
53	1001173038	1	Hose	
54	1001173039	1	Hose	
55	1001173042	1	Hose	
56	1001173043	1	Hose	
57	1001173046	2	Hose	
58	1001173048	1	Hose	
59	1001173049	1	Hose	
60	1001173052	1	Hose	
61	1001173053	1	Hose	
62	1001173054	1	Hose	
63	1001173055	4	Hose	
64	1001173056	1	Hose	
65	1001173057	2	Hose	
66	1001173058	2	Hose	
67	1001173059	4	Hose	
68	1001173061	1	Hose	
69	1001173062	2	Hose	
70	1001173063	1	Hose	
71	1001173066	1	Hose	
72	1001175024	1	Fitting, Tee JIC/JIC/ORB	
73	1001176299	1	Hose	
74	1001176300	1	Hose	
75	1001176301	1	Hose	
76	1001176302	1	Hose	
77	1001180035	2	Hose	
78	1001197039	1	Hose	
79	1001207335	1	Hose	
80	1001207335	1	Hose	
81	1001207336	1	Hose	
82	1001210356	1	Tube	
83	80633030	2	Clamp, Hose	
84	2220435	1	Fitting, Straight JIC/ORB	

SECTION 8 - ELECTRICAL

SECTION 8 - ELECTRICAL

FIGURE 8-1. AC BOX AT PLATFORM INSTALLATION - 110V IEC YELLOW (CE, CIS/EAC & UK CA SPECS WITH 4000W/50HZ GENERATOR)



ART_1001194203

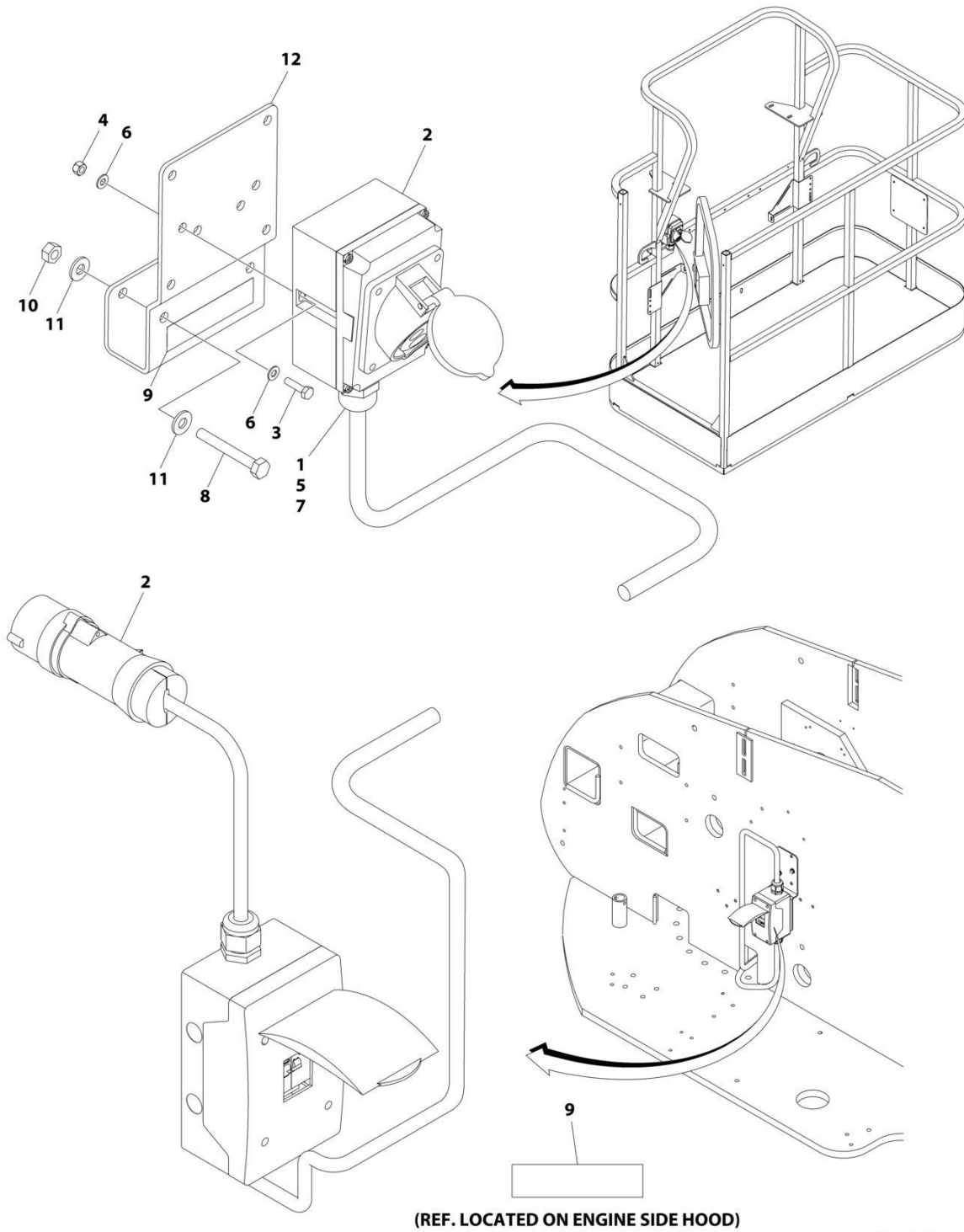
SECTION 8 - ELECTRICAL

FIGURE 8-1. AC BOX AT PLATFORM INSTALLATION - 110V IEC YELLOW (CE, CIS/EAC & UK CA SPECS WITH 4000W/50HZ GENERATOR)

ITEM	PART NUMBER	QTY	DESCRIPTION	REV
	1001194203	Ref	AC BOX AT PLATFORM INSTALLATION	B
1	0100020	AR	Sealant, Pipe	
2	0641416	2	Bolt 1/4 x 2	
3	0700408	2	Bolt M4 x 16	
4	0861781	1	Box, Switch	
5	1705325	1	Decal - 110V	
6	3290405	2	Nut M4	
7	3311405	2	Nut 1/4	
8	4460968	1	Connector, Strain Relief	
9	4461198	1	Receptacle	
10	4711400	4	Washer 1/4	
11	4811400	4	Washer M4	
12	1001193018	1	Bracket, AC Receptacle	

SECTION 8 - ELECTRICAL

FIGURE 8-2. AC BOX AT PLATFORM INSTALLATION - 110V IEC 60309 YELLOW WITHOUT 2500W GENERATOR (CE, CIS/EAC & UK CA SPECS)



ART_1001091969

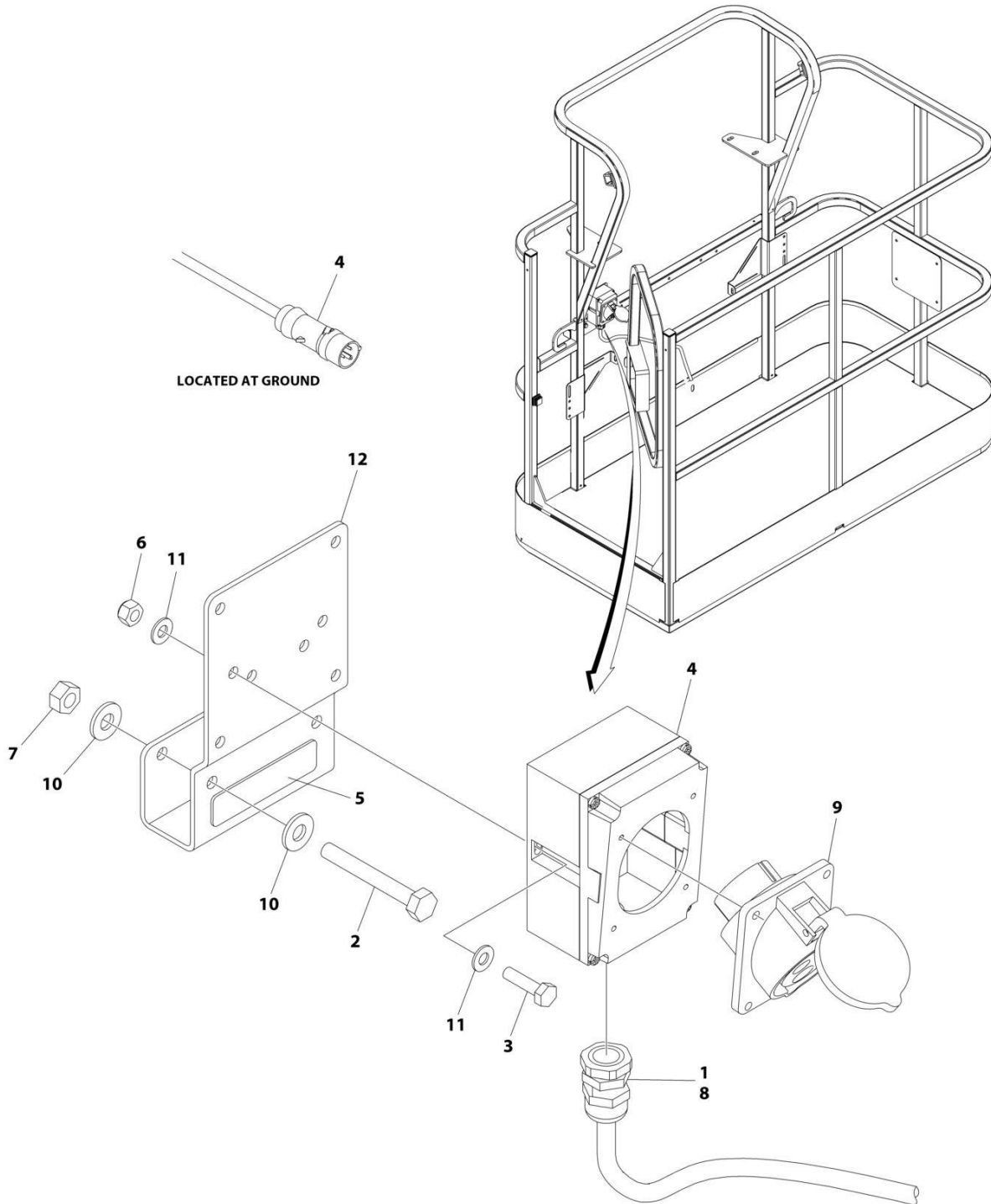
SECTION 8 - ELECTRICAL

FIGURE 8-2. AC BOX AT PLATFORM INSTALLATION - 110V IEC 60309 YELLOW WITHOUT 2500W GENERATOR (CE, CIS/EAC & UK CA SPECS)

ITEM	PART NUMBER	QTY	DESCRIPTION	REV
	1001091969	Ref	AC BOX AT PLATFORM INSTALLATION - 110V IEC YELLOW	D
1	0100020	AR	Sealant, Pipe	
2	0275216	1	Receptacle Box Kit (See Separate Breakdown in this Section)	
3	0700408	2	Bolt M4 x 16	
4	3290405	2	Nut M4	
5	1001101196	1	Adapter	
6	4811400	4	Washer M4	
7	1001101191	1	Connector, Strain Relief	
8	0641416	2	Bolt 1/4 x 2	
9	1705325	2	Decal - 110V	
10	3311405	2	Nut 1/4	
11	4711400	4	Washer 1/4	
12	1001193018	1	Bracket	

SECTION 8 - ELECTRICAL

FIGURE 8-3. AC BOX AT PLATFORM INSTALLATION - 220V IEC BLUE (CE, CIS/EAC & UK CA SPECS WITH 4000W/50HZ GENERATOR)



ART_1001194204

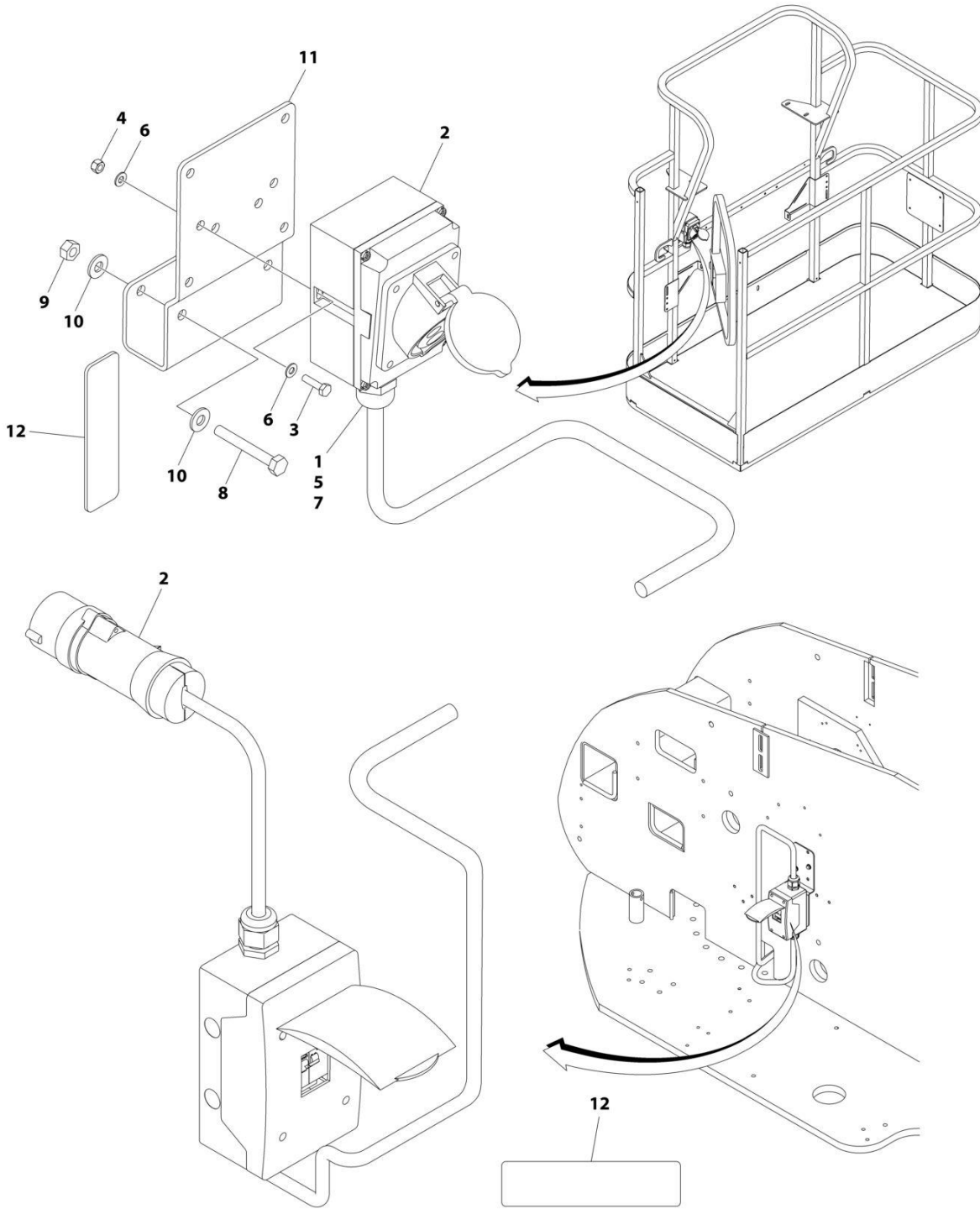
SECTION 8 - ELECTRICAL

FIGURE 8-3. AC BOX AT PLATFORM INSTALLATION - 220V IEC BLUE (CE, CIS/EAC & UK CA SPECS WITH 4000W/50HZ GENERATOR)

ITEM	PART NUMBER	QTY	DESCRIPTION	REV
	1001194204	Ref	AC BOX AT PLATFORM INSTALLATION	B
1	0100020	AR	Sealant, Pipe	
2	0641416	2	Bolt 1/4 x 2	
3	0700408	2	Bolt M4 x 16	
4	0861781	1	Box, Switch	
5	3251242	1	Decal - 240V/50Hz	
6	3290405	2	Nut M4	
7	3311405	2	Nut 1/4	
8	4460968	1	Connector, Strain Relief	
9	4461201	1	Receptacle	
10	4711400	4	Washer 1/4	
11	4811400	4	Washer M4	
12	1001193018	1	Bracket, AC Receptacle	

SECTION 8 - ELECTRICAL

FIGURE 8-4. AC BOX AT PLATFORM INSTALLATION - 220V IEC 60309 BLUE WITHOUT 2500W GENERATOR (CE, CIS/EAC & UK CA SPECS)



(REF. LOCATED ON ENGINE SIDE HOOD)

ART_1001091970

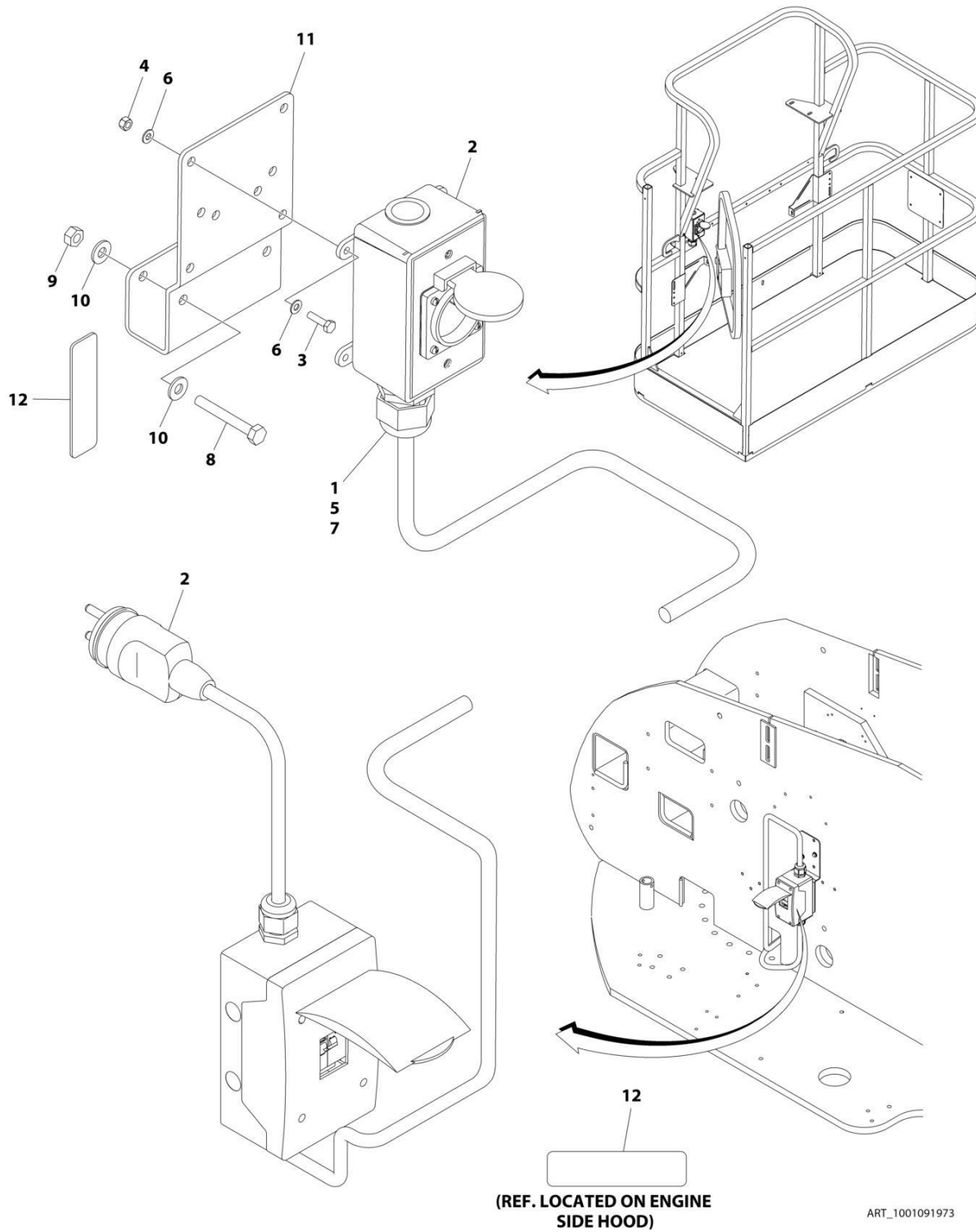
SECTION 8 - ELECTRICAL

FIGURE 8-4. AC BOX AT PLATFORM INSTALLATION - 220V IEC 60309 BLUE WITHOUT 2500W GENERATOR (CE, CIS/EAC & UK CA SPECS)

ITEM	PART NUMBER	QTY	DESCRIPTION	REV
	1001091970	Ref	AC BOX AT PLATFORM INSTALLATION - 220V IEC BLUE	D
1	0100020	AR	Sealant, Pipe	
2	0275217	1	Receptacle Box Kit (See Separate Breakdown in this Section)	
3	0700408	2	Bolt M4 x 16	
4	3290405	2	Nut M4	
5	1001101196	1	Adapter	
6	4811400	4	Washer M4	
7	1001101191	1	Connector, Strain Relief	
8	0641416	2	Bolt 1/4 x 2	
9	3311405	2	Nut 1/4	
10	4711400	4	Washer 1/4	
11	1001193018	1	Bracket	
12	3251242	2	Decal - 240V/50Hz	

SECTION 8 - ELECTRICAL

**FIGURE 8-5. AC BOX AT PLATFORM INSTALLATION - 220V CEE7 POST GROUND (2X4 BOX)
WITHOUT 2500W GENERATOR (CE, CIS/EAC & UK CA SPECS)**



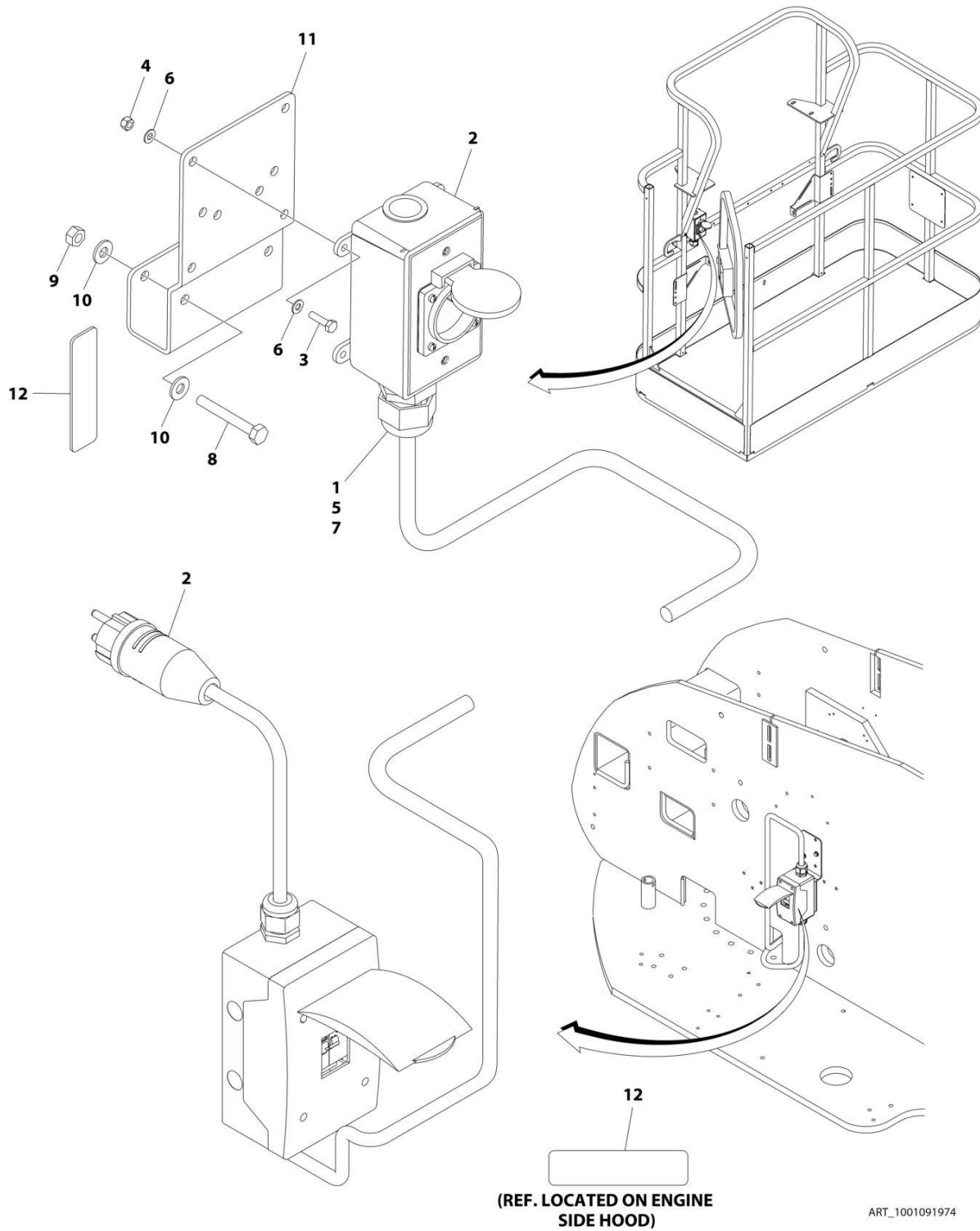
SECTION 8 - ELECTRICAL

**FIGURE 8-5. AC BOX AT PLATFORM INSTALLATION - 220V CEE7 POST GROUND (2X4 BOX)
WITHOUT 2500W GENERATOR (CE, CIS/EAC & UK CA SPECS)**

ITEM	PART NUMBER	QTY	DESCRIPTION	REV
	1001091973	Ref	AC BOX AT PLATFORM INSTALLATION - 220V CEE7 2X4 BOX POST GROUND	F
1	0100020	AR	Sealant, Pipe	
2	0275452	1	Receptacle Box Kit (See Separate Breakdown in this Section)	
3	0700408	4	Bolt M4 x 16	
4	3290405	4	Nut M4	
5	1001101197	1	Adapter	
6	4811400	8	Washer M4	
7	1001101191	1	Connector, Strain Relief	
8	0641416	2	Bolt 1/4 x 2	
9	3311405	2	Nut 1/4	
10	4711400	4	Washer 1/4	
11	1001193018	1	Bracket	
12	3251242	2	Decal - 240V/50Hz	
13	4460806	2	Terminal, Fork (Not Shown)	
14	1001205958	1	Terminal (Not Shown)	

SECTION 8 - ELECTRICAL

**FIGURE 8-6. AC BOX AT PLATFORM INSTALLATION - 220V CEE7 SIDE GROUND (2X4 BOX)
WITHOUT 2500W GENERATOR (CE, CIS/EAC & UK CA SPECS)**



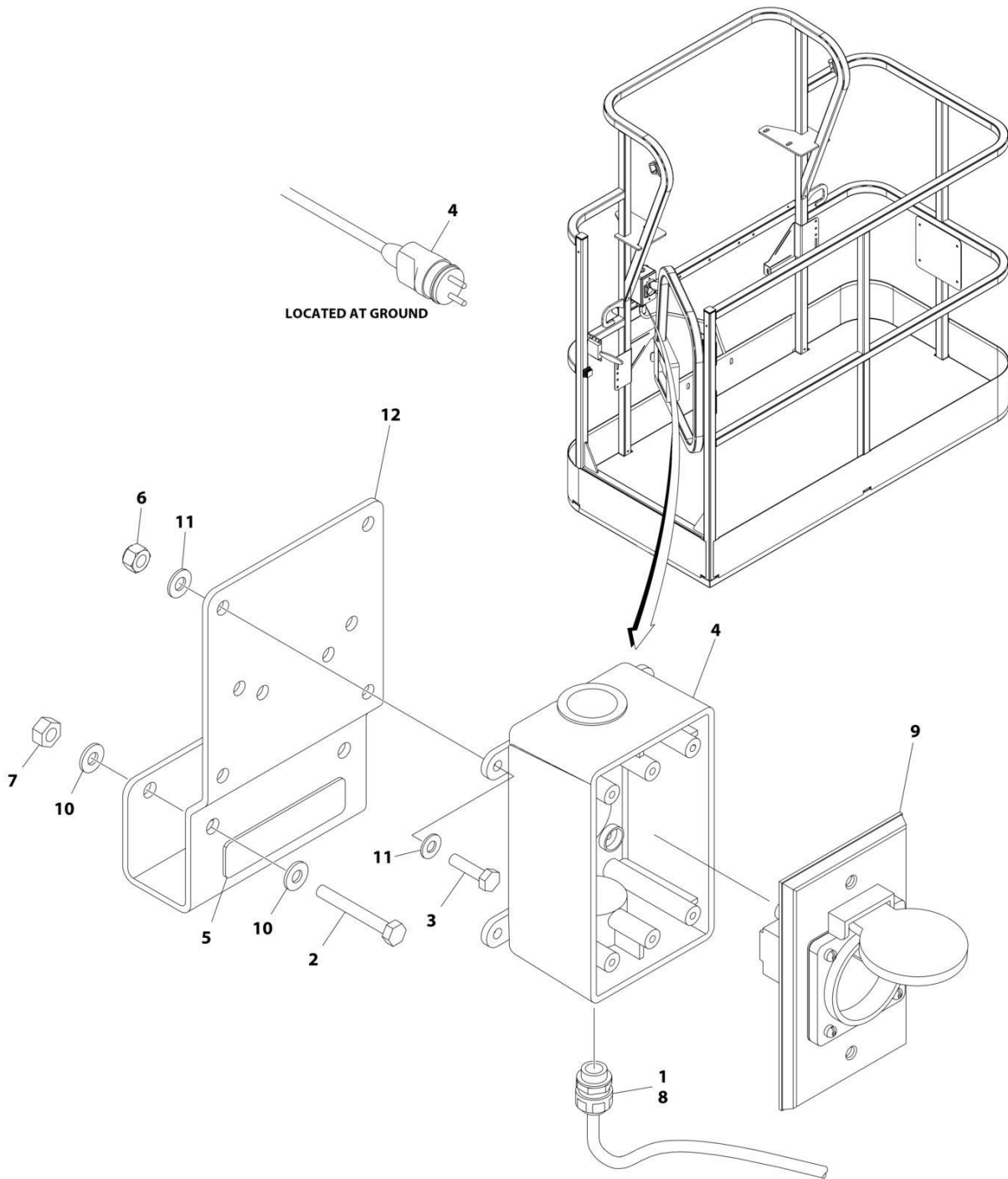
SECTION 8 - ELECTRICAL

**FIGURE 8-6. AC BOX AT PLATFORM INSTALLATION - 220V CEE7 SIDE GROUND (2X4 BOX)
WITHOUT 2500W GENERATOR (CE, CIS/EAC & UK CA SPECS)**

ITEM	PART NUMBER	QTY	DESCRIPTION	REV
	1001091974	Ref	AC BOX AT PLATFORM INSTALLATION - 220V CEE7 2X4 BOX SIDE GROUND	F
1	0100020	AR	Sealant, Pipe	
2	0275453	1	Receptacle Box Kit (See Separate Breakdown in this Section)	
3	0700408	4	Bolt M4 x 16	
4	3290405	4	Nut M4	
5	1001101197	1	Adapter	
6	4811400	8	Washer M4	
7	1001101191	1	Connector, Strain Relief	
8	0641416	2	Bolt 1/4 x 2	
9	3311405	2	Nut 1/4	
10	4711400	4	Washer 1/4	
11	1001193018	1	Bracket	
12	3251242	2	Decal - 240V/50Hz	
13	4460806	2	Terminal, Fork (Not Shown)	
14	1001205958	1	Terminal (Not Shown)	

SECTION 8 - ELECTRICAL

FIGURE 8-7. AC BOX AT PLATFORM INSTALLATION - 220V CEE7 2IN X 4IN POST GROUND (CE, CIS/EAC & UK CA SPECS WITH 4000W/50HZ GENERATOR)



ART_1001194197

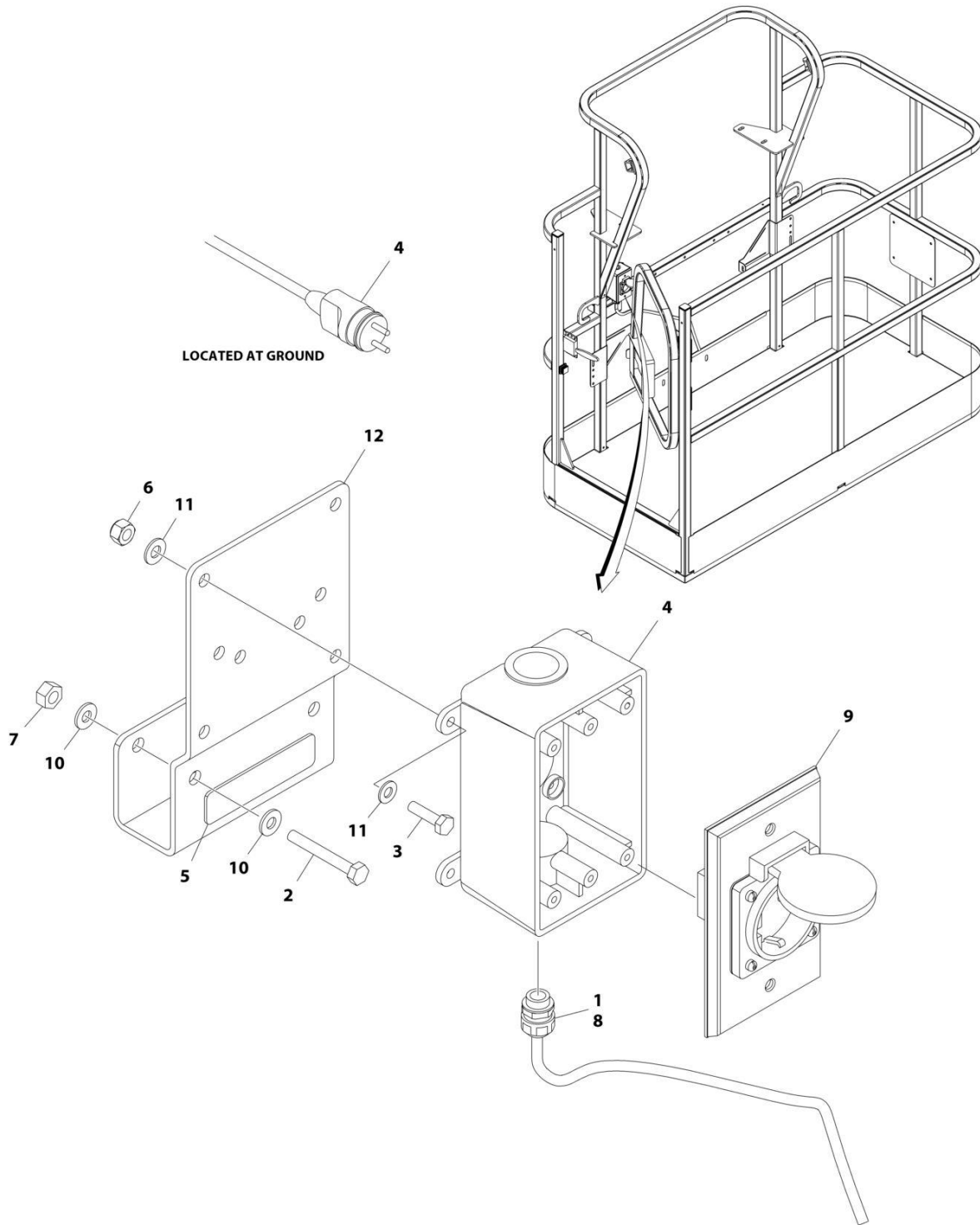
SECTION 8 - ELECTRICAL

FIGURE 8-7. AC BOX AT PLATFORM INSTALLATION - 220V CEE7 2IN X 4IN POST GROUND (CE, CIS/EAC & UK CA SPECS WITH 4000W/50HZ GENERATOR)

ITEM	PART NUMBER	QTY	DESCRIPTION	REV
	1001194197	Ref	AC BOX AT PLATFORM INSTALLATION	B
1	0100020	AR	Sealant, Pipe	
2	0641416	2	Bolt 1/4 x 2	
3	0700408	4	Bolt M4 x 16	
4	0861731	1	Box, Switch	
5	3251242	1	Decal - 240V/50Hz	
6	3290405	4	Nut M4	
7	3311405	2	Nut 1/4	
8	4460662	1	Connector, Strain Relief	
9	4461244	1	Receptacle	
10	4711400	4	Washer 1/4	
11	4811400	8	Washer M4	
12	1001193018	1	Bracket, AC Receptacle	
13	4460806	2	Terminal, Fork (Not Shown)	
14	1001205958	1	Terminal (Not Shown)	

SECTION 8 - ELECTRICAL

FIGURE 8-8. AC BOX AT PLATFORM INSTALLATION - 220V CEE7 2IN X 4IN SIDE GROUND (CE, CIS/EAC & UK CA SPECS WITH 4000W/50HZ GENERATOR)



ART_1001194198

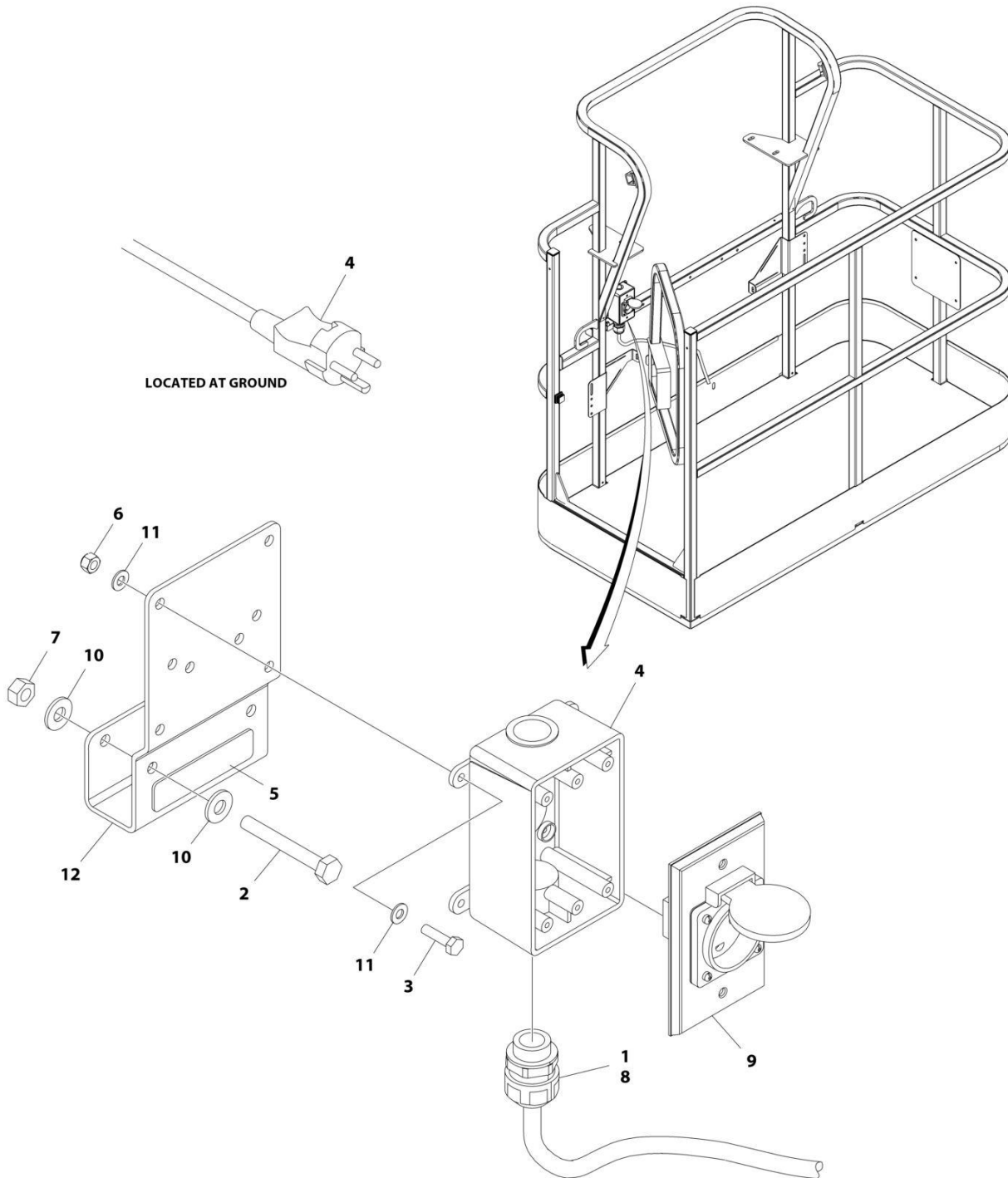
SECTION 8 - ELECTRICAL

FIGURE 8-8. AC BOX AT PLATFORM INSTALLATION - 220V CEE7 2IN X 4IN SIDE GROUND (CE, CIS/EAC & UK CA SPECS WITH 4000W/50HZ GENERATOR)

ITEM	PART NUMBER	QTY	DESCRIPTION	REV
	1001194198	Ref	AC BOX AT PLATFORM INSTALLATION	B
1	0100020	AR	Sealant, Pipe	
2	0641416	2	Bolt 1/4 x 2	
3	0700408	4	Bolt M4 x 16	
4	0861731	1	Box, Switch	
5	3251242	1	Decal - 240V/50Hz	
6	3290405	4	Nut M4	
7	3311405	2	Nut 1/4	
8	4460662	1	Connector, Strain Relief	
9	4461245	1	Receptacle	
10	4711400	4	Washer 1/4	
11	4811400	8	Washer M4	
12	1001193018	1	Bracket, AC Receptacle	
13	4460806	2	Terminal, Fork (Not Shown)	
14	1001205958	1	Terminal (Not Shown)	

SECTION 8 - ELECTRICAL

FIGURE 8-9. AC BOX AT PLATFORM INSTALLATION - 220V AFSINT107 (CE, CIS/EAC & UK CA SPECS WITH 4000W/50HZ GENERATOR)



ART_1001194200

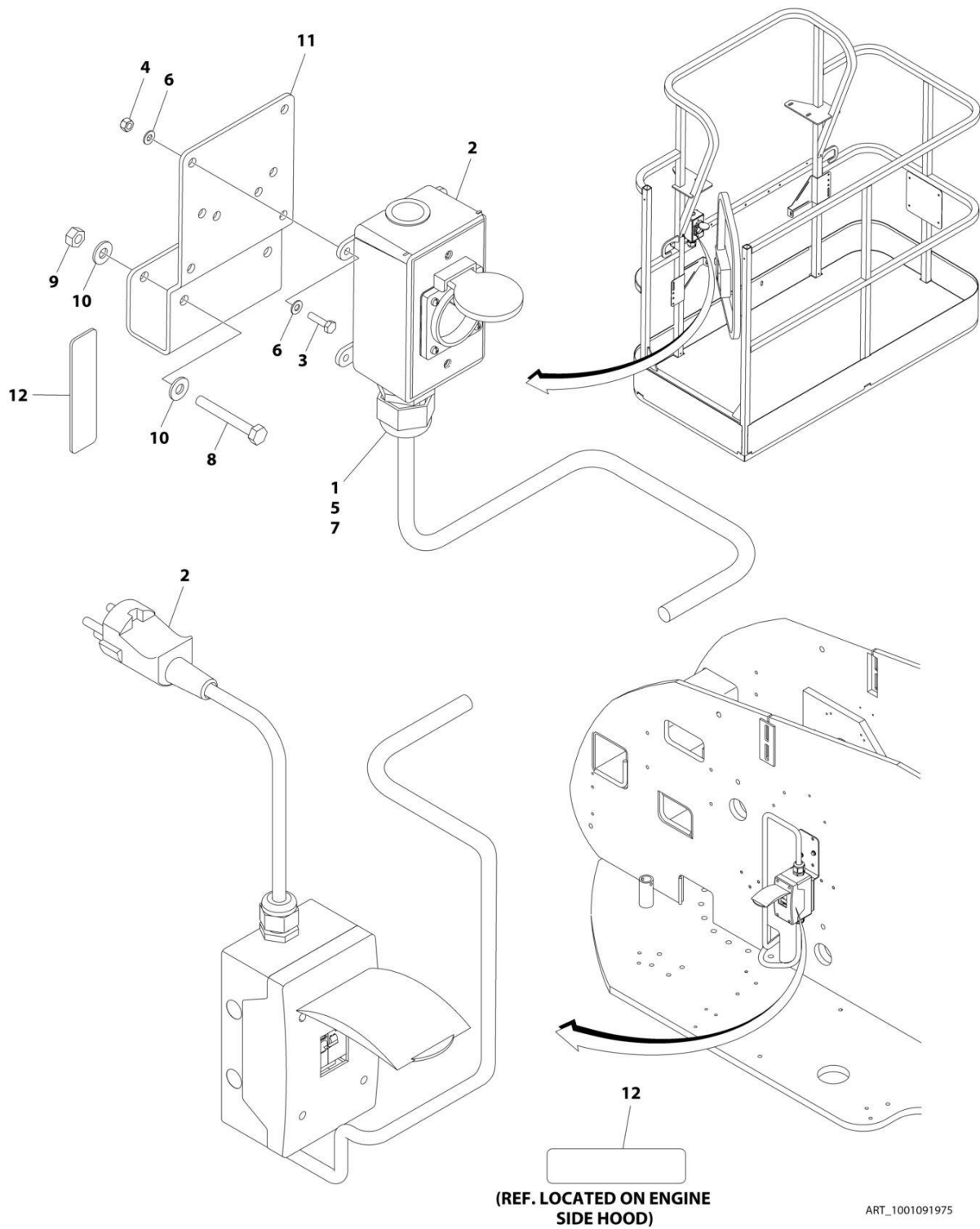
SECTION 8 - ELECTRICAL

FIGURE 8-9. AC BOX AT PLATFORM INSTALLATION - 220V AFSINT107 (CE, CIS/EAC & UK CA SPECS WITH 4000W/50HZ GENERATOR)

ITEM	PART NUMBER	QTY	DESCRIPTION	REV
	1001194200	Ref	AC BOX AT PLATFORM INSTALLATION	B
1	0100020	AR	Sealant, Pipe	
2	0641416	2	Bolt 1/4 x 2	
3	0700408	4	Bolt M4 x 16	
4	0861731	1	Box, Switch	
5	3251242	1	Decal - 240V/50Hz	
6	3290405	4	Nut M4	
7	3311405	2	Nut 1/4	
8	4460662	1	Connector, Strain Relief	
9	4461246	1	Receptacle	
10	4711400	4	Washer 1/4	
11	4811400	8	Washer M4	
12	1001193018	1	Bracket, AC Receptacle	
13	1001205958	1	Terminal (Not Shown)	

SECTION 8 - ELECTRICAL

FIGURE 8-10. AC BOX AT PLATFORM INSTALLATION - 220V AFSINT 107 KEYED GROUND (2X4 BOX) WITHOUT 2500W GENERATOR (CE AND RUSSIA SPECS)



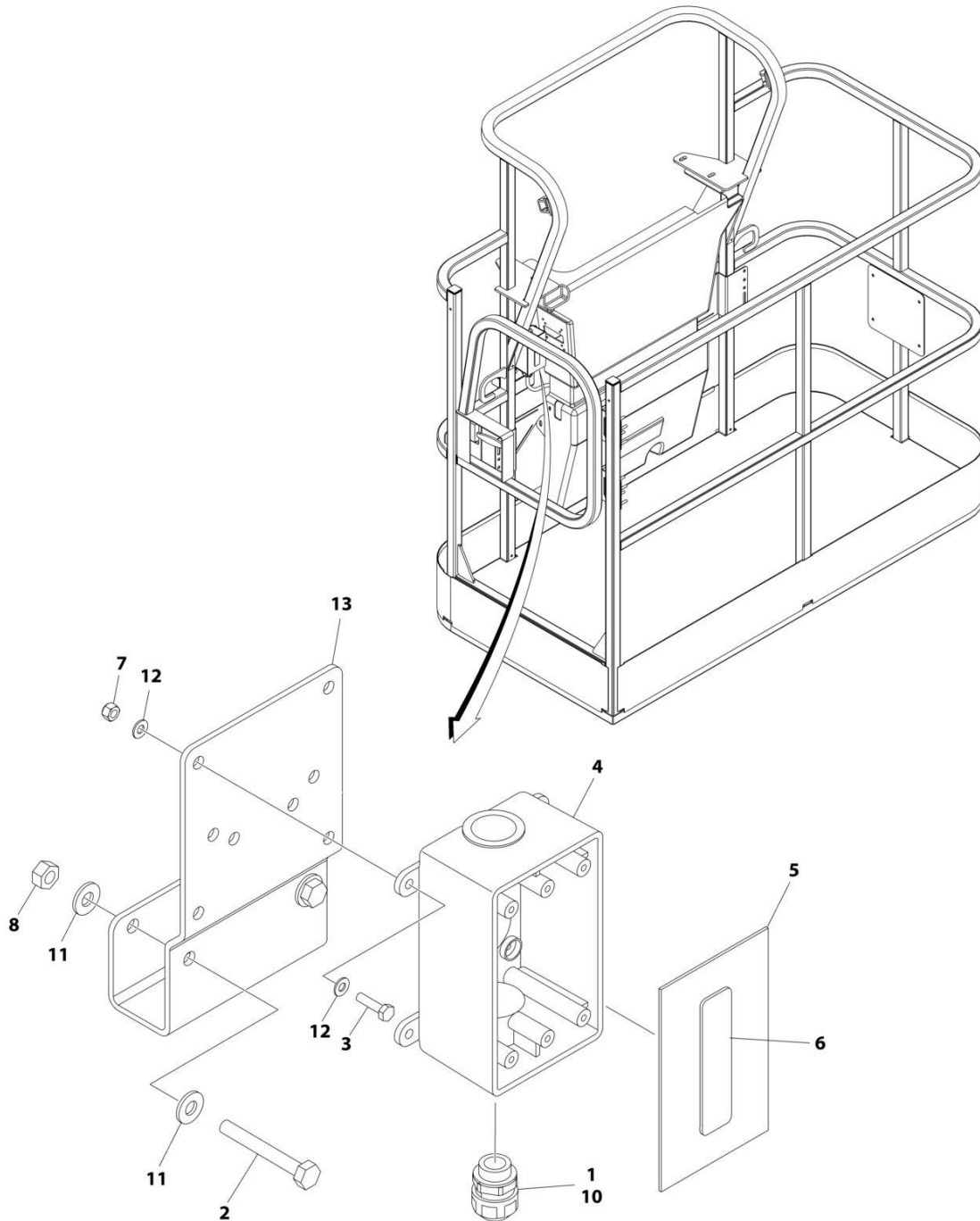
SECTION 8 - ELECTRICAL

FIGURE 8-10. AC BOX AT PLATFORM INSTALLATION - 220V AFSINT 107 KEYED GROUND (2X4 BOX) WITHOUT 2500W GENERATOR (CE AND RUSSIA SPECS)

ITEM	PART NUMBER	QTY	DESCRIPTION	REV
	1001091975	Ref	AC BOX AT PLATFORM INSTALLATION - 220V AFSINT 107 2X4 BOX KEYED GROUND	F
1	0100020	AR	Sealant, Pipe	
2	0275454	1	Receptacle Box Kit (See Separate Breakdown in this Section)	
3	0700408	4	Bolt M4 x 16	
4	3290405	4	Nut M4	
5	1001101197	1	Adapter	
6	4811400	8	Washer M4	
7	1001101191	1	Connector, Strain Relief	
8	0641416	2	Bolt 1/4 x 2	
9	3311405	2	Nut 1/4	
10	4711400	4	Washer 1/4	
11	1001193018	1	Bracket	
12	3251242	2	Decal - 240V/50Hz	
13	1001205958	3	Terminal (Not Shown)	

SECTION 8 - ELECTRICAL

FIGURE 8-11. AC BOX AT PLATFORM INSTALLATION - 220V CUSTOMER SUPPLIED COMPONENTS
(ALL SPECS)



ART_1001194365

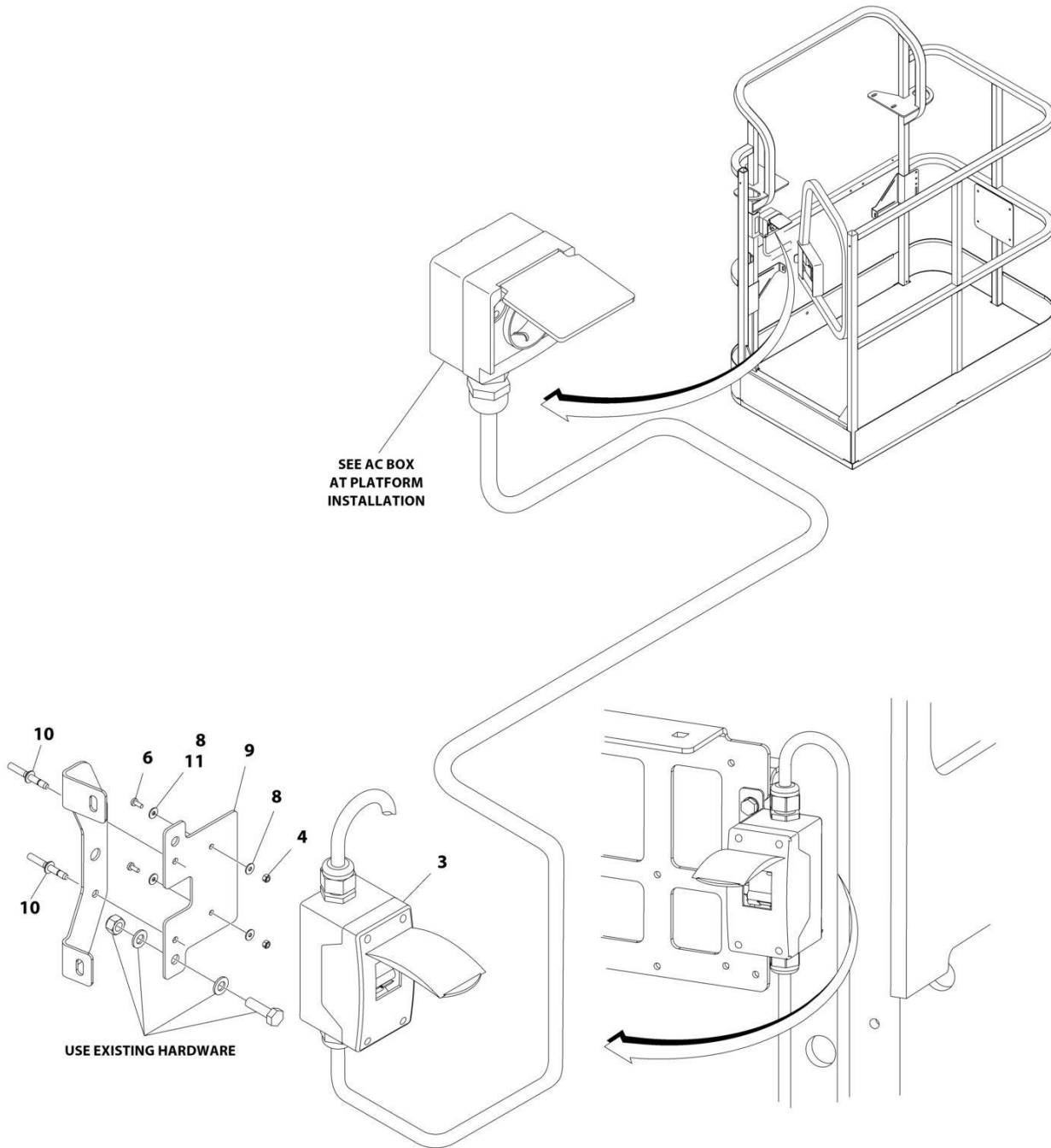
SECTION 8 - ELECTRICAL

**FIGURE 8-11. AC BOX AT PLATFORM INSTALLATION - 220V CUSTOMER SUPPLIED COMPONENTS
(ALL SPECS)**

ITEM	PART NUMBER	QTY	DESCRIPTION	REV
	1001194365	Ref	AC BOX AT PLATFORM INSTALLATION - BOX WITH COVER (2X4 BOX)	A
1	0100020	AR	Sealant	
2	0641416	2	Bolt 1/4 x 2	
3	0700408	4	Bolt M4 x 16	
4	0861731	1	Box, Switch	
5	1670603	1	Cover	
6	3251242	1	Decal - 240V/50Hz	
7	3290405	4	Nut M4	
8	3311405	2	Nut 1/4	
9	4460384	3	Terminal (Not Shown)	
10	4460662	1	Connector, Strain Relief	
11	4711400	4	Washer 1/4	
12	4811400	8	Washer M4	
13	1001193018	1	Bracket, AC Receptacle	

SECTION 8 - ELECTRICAL

FIGURE 8-12. AC CABLE INSTALLATION - WITH TWO BREAKERS (CE, CIS/EAC & UK CA SPECS)



ART_1001167312

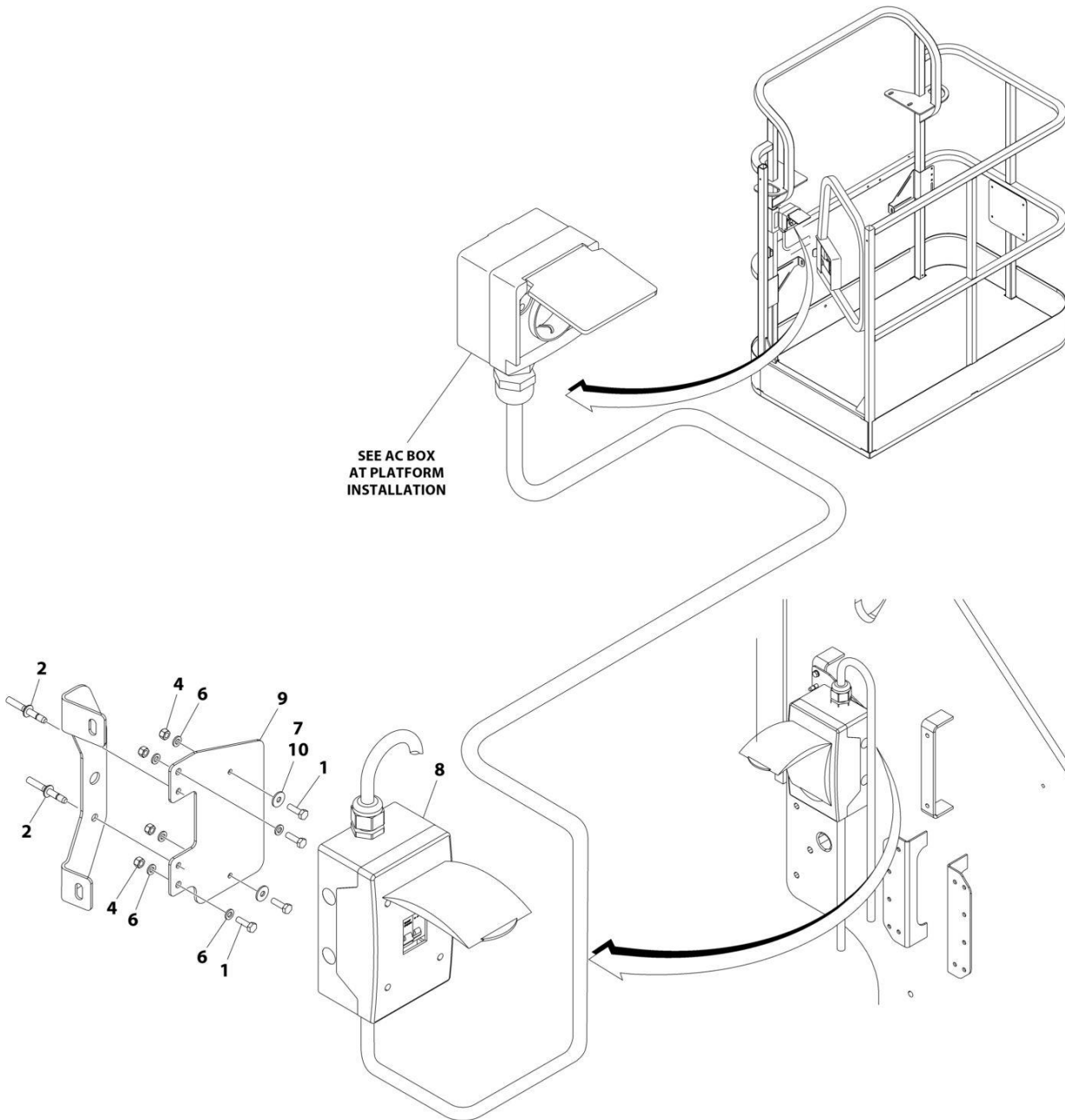
SECTION 8 - ELECTRICAL

FIGURE 8-12. AC CABLE INSTALLATION - WITH TWO BREAKERS (CE, CIS/EAC & UK CA SPECS)

ITEM	PART NUMBER	QTY	DESCRIPTION	REV
	1001167312	Ref	AC CABLE INSTALLATION - WITH TWO BREAKERS	G
3	2902549	1	Breaker Box Kit - CE Spec (See Separate Breakdown in this Section)	
4	3290405	2	Nut M4	
4	3290605	2	Nut M6	
6	4010405	AR	Screw M4 x 10	
6	0760610	AR	Screw M6 x 20	
6	0760614	AR	Screw M6 x 30	
8	1001091102	2	Washer M4	
8	4811700	AR	Washer M6	
9	1001174158	1	Bracket	
10	2080040	2	Fastener, Huck	
11	4811702	2	Washer M6	

SECTION 8 - ELECTRICAL

FIGURE 8-13. AC CABLE INSTALLATION - WITH THREE BREAKERS (CE, CIS/EAC & UK CA SPECS)



ART_1001209677

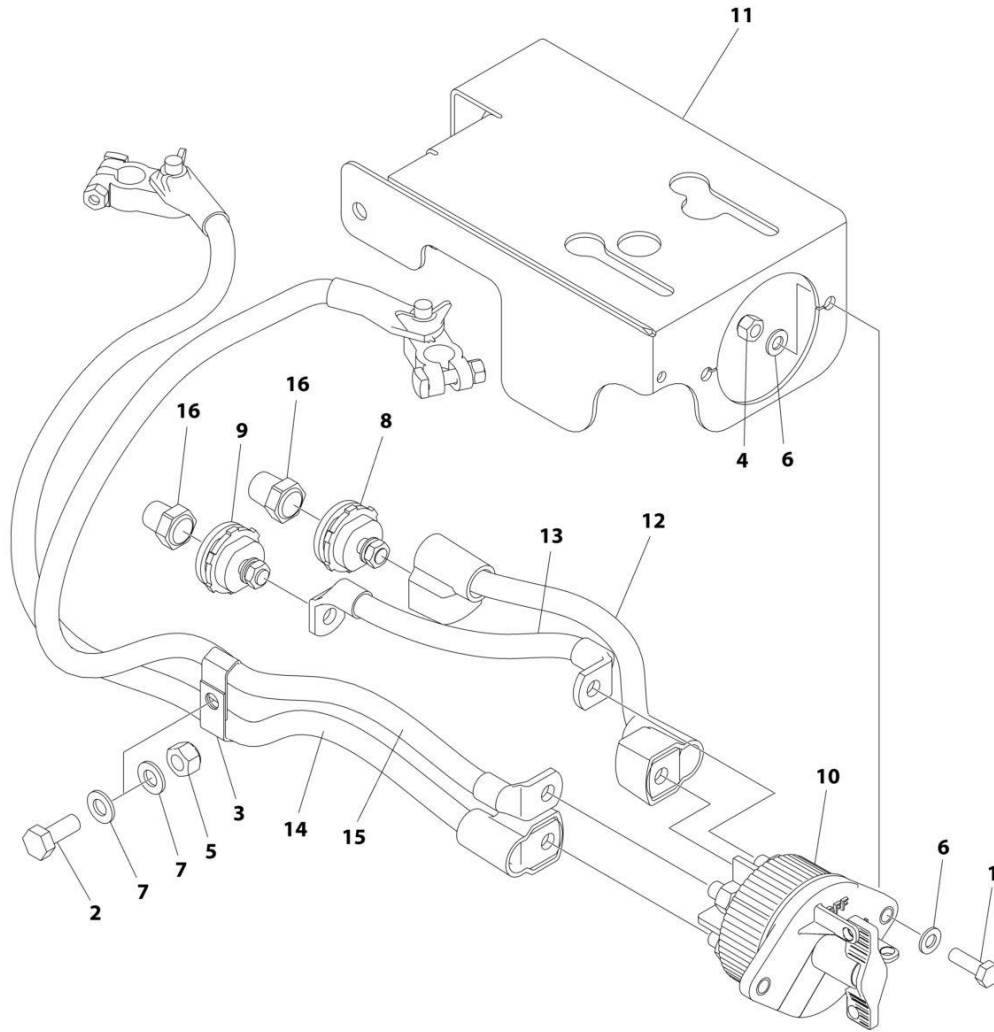
SECTION 8 - ELECTRICAL

FIGURE 8-13. AC CABLE INSTALLATION - WITH THREE BREAKERS (CE, CIS/EAC & UK CA SPECS)

ITEM	PART NUMBER	QTY	DESCRIPTION	REV
	1001209677	Ref	AC CABLE INSTALLATION - WITH THREE BREAKERS	B
1	0760610	AR	Bolt M6 x 20	
1	4010405	AR	Bolt M4 x 10	
2	2080040	AR	Fastener, Huck	
4	3290605	AR	Nut M6	
6	4811700	4	Washer M6	
7	1001091102	AR	Washer M4	
8	1001152485	1	Breaker Box Kit (See Separate Breakdown in this Section)	
9	1001209832	1	Bracket	
10	4811702	AR	Washer M6	

SECTION 8 - ELECTRICAL

FIGURE 8-14. BATTERY DISCONNECT SWITCH



ART_1001214397

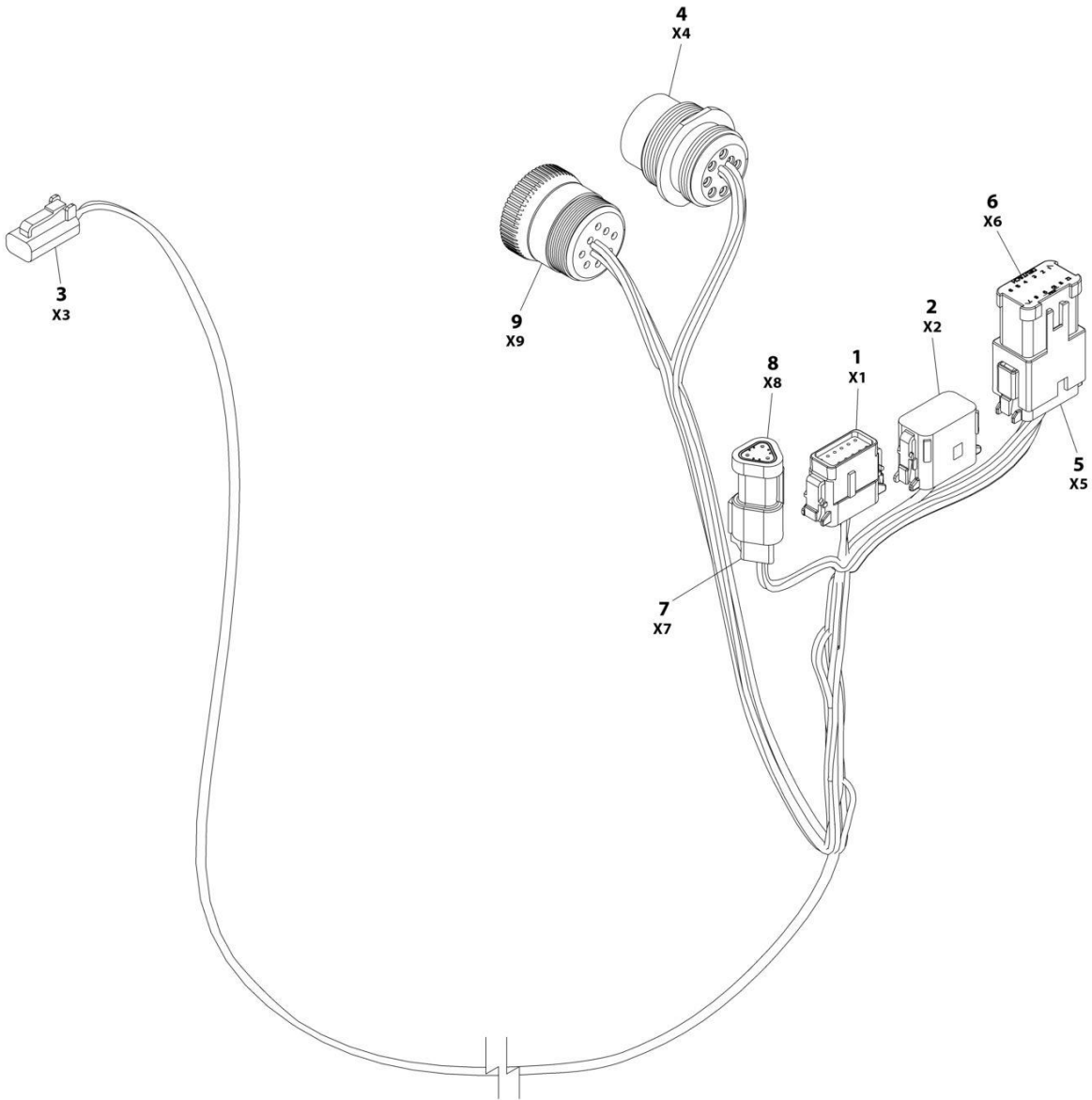
SECTION 8 - ELECTRICAL

FIGURE 8-14. BATTERY DISCONNECT SWITCH

ITEM	PART NUMBER	QTY	DESCRIPTION	REV
	1001214397	Ref	BATTERY DISCONNECT SWITCH	A
1	0760812	2	Bolt M8 x 25	
2	0761012	1	Bolt M10 x 25	
3	1320223	2	Clamp	
4	3290805	2	Nut M8	
5	3291005	1	Nut M10	
6	4811900	4	Washer M8	
7	4812000	2	Washer M10	
8	1001214570	1	Connector (Red)	
9	1001214571	1	Connector (Black)	
10	1001225346	1	Switch	
11	1001226530	1	Mount	
12	1001237878	1	Cable, Battery Disconnect (Positive)	
13	1001237879	1	Cable, Battery Disconnect (Negative)	
14	1001237880	1	Cable (Positive)	
15	1001237881	1	Cable (Negative)	
16	1001206476	1	Connector	

SECTION 8 - ELECTRICAL

FIGURE 8-15. BEACON LIGHT HARNESS (BLUE AND RED BEACON LIGHT)



ART_1001142736

SECTION 8 - ELECTRICAL

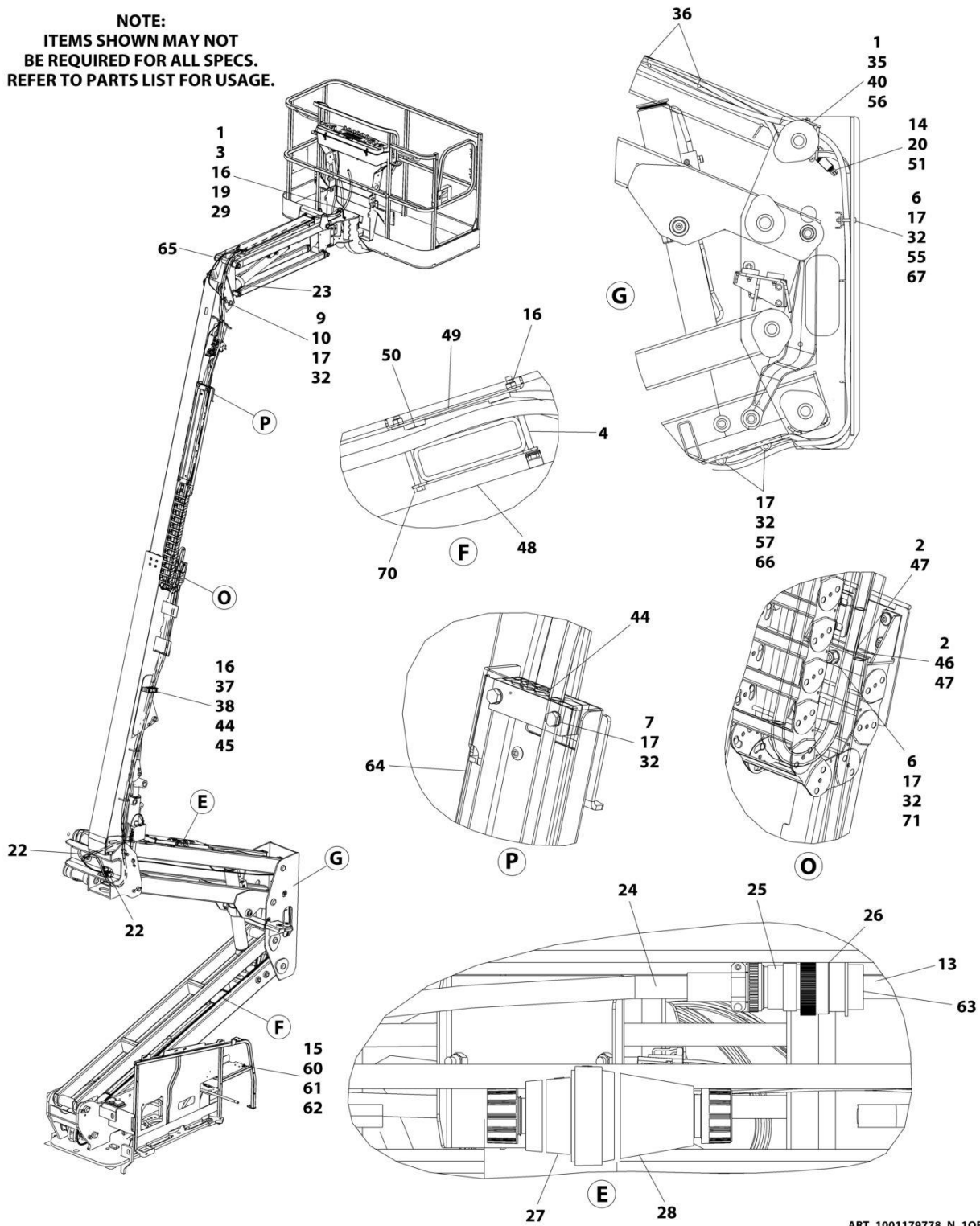
FIGURE 8-15. BEACON LIGHT HARNESS (BLUE AND RED BEACON LIGHT)

ITEM	PART NUMBER	QTY	DESCRIPTION	REV
	1001142736	Ref	STROBE LIGHT HARNESS	F
1	1001116808	1	Plug, Male - 12 Position	
1	4460928	3	Socket, Female	
1	4460518	9	Plug, Terminal	
2	1001116774	1	Plug, Male - 12 Position	
2	4460928	3	Socket, Female	
2	4460518	9	Plug, Terminal	
3	4460891	1	Plug, Male - 2 Position	
3	4460465	2	Socket, Female	
4	1001112612	1	Connector - 9 Position	
4	4460464	6	Pin, Male	
4	4460466	3	Plug, Terminal	
5	4460933	1	Plug, Male - 12 Position	
5	4460465	12	Socket, Female	
6	1001119020	1	Bussbar - 12 Position	
7	4461095	1	Plug, Male - 3 Position	
7	4460465	3	Socket, Female	
8	4461070	1	Bussbar - 3 Position	
9	1001112796	1	Connector - 9 Position	
9	4460465	6	Socket, Female	
9	4460466	3	Plug, Terminal	

SECTION 8 - ELECTRICAL

FIGURE 8-16. BOOM CABLES & CLAMPS INSTALLATION (4000W GENERATOR)

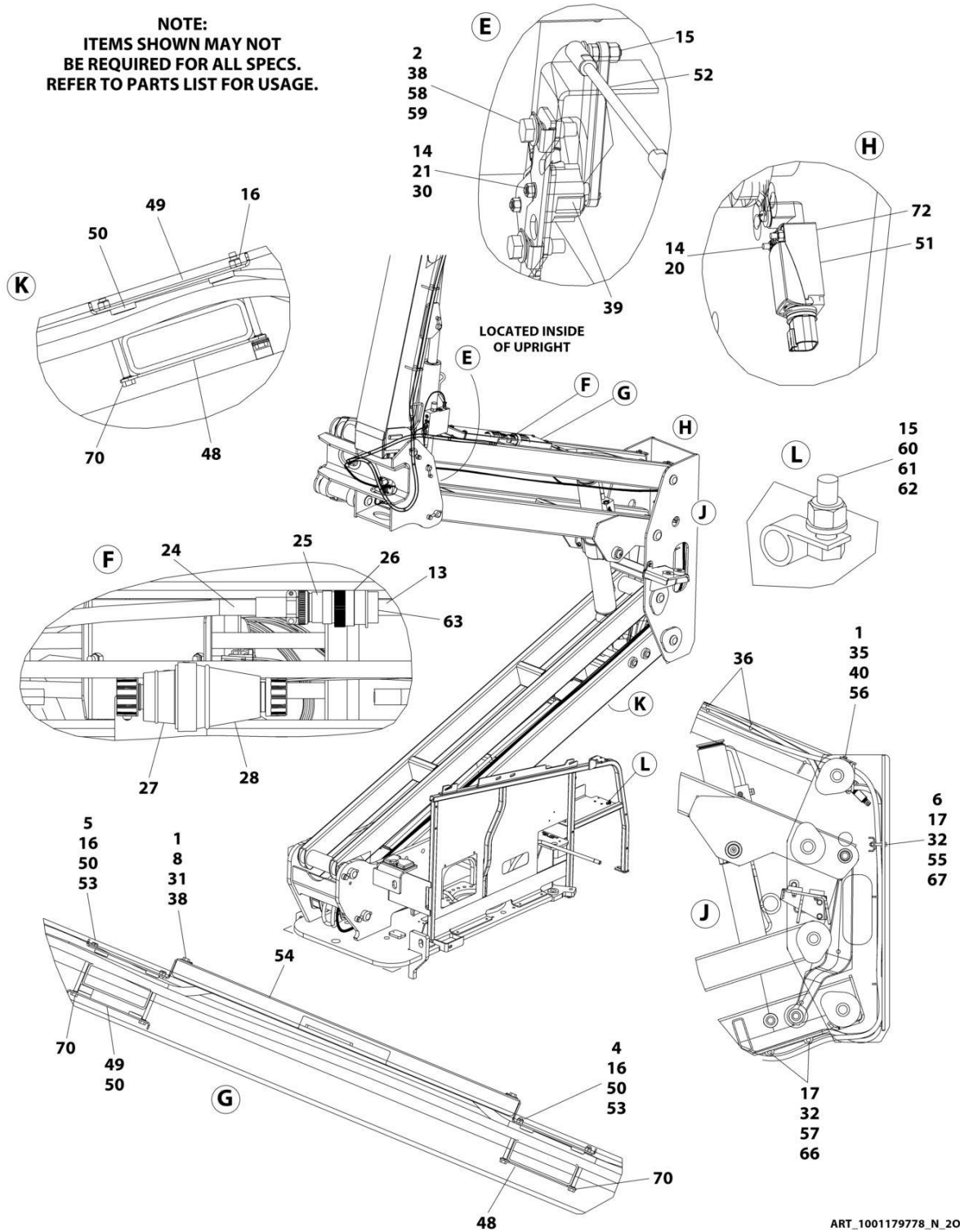
NOTE:
 ITEMS SHOWN MAY NOT
 BE REQUIRED FOR ALL SPECS.
 REFER TO PARTS LIST FOR USAGE.



ART_1001179778_N_10F2

SECTION 8 - ELECTRICAL

NOTE:
ITEMS SHOWN MAY NOT
BE REQUIRED FOR ALL SPECS.
REFER TO PARTS LIST FOR USAGE.



ART_1001179778_N_20F2

SECTION 8 - ELECTRICAL

FIGURE 8-16. BOOM CABLES & CLAMPS INSTALLATION (4000W GENERATOR)

ITEM	PART NUMBER	QTY	DESCRIPTION	REV
	1001179778	Ref	BOOM CABLES AND CLAMPS INSTALLATION	N
1	0100011	AR	Compound, Locking	
2	0100081	AR	Adhesive	
3	0760814	2	Bolt M8 x 30	
4	0700827	6	Bolt M8 x 100	
5	0700828	2	Bolt M8 x 110	
6	0701021	3	Bolt M10 x 65	
7	0701024	4	Bolt M10 x 80	
8	0760812	4	Bolt M8 x 25	
9	0761012	1	Bolt M10 x 25	
10	1320130	1	Clamp	
13	2820031	AR	Heat Shrink	
14	3290405	4	Nut M4	
15	3290605	3	Nut M6	
16	3290805	12	Nut M8	
17	3291005	10	Nut M10	
19	3841340	1	Loop, Hose	
20	4010417	2	Screw M4 x 45	
20	4010418	2	Screw M4 x 50	
21	4031511	2	Capscrew M4 x 35	
22	4060808	27.5 in /8.4m	Flex-Trim	
23	4240156	2	Strap, Clinch	
24	4460473	AR	Clamp, Cable	
25	4460865	1	Connector - 19 Position	
26	4460866	1	Connector - 19 Position	
29	4811900	4	Washer M8	
30	4811400	2	Washer M4	
31	4811902	4	Washer M8	
32	4812000	13	Washer M10	
33	1001176951	1	Harness, Tower Boom (Not Shown - See Separate Breakdown in this Section)	
34	1001174749	1	Harness, Tower Boom AC Cable (Not Shown - See Separate Breakdown in this Section)	
35	5251014	2	Bolt M10 x 30	
36	8881800	AR	Tie-Strap	
37	5281918	2	Screw M8 x 70	
37	5281920	2	Screw M8 x 80	
38	1001118274	8	Nut M8	
39	1001118971	1	Sensor, Angle	
39	70005667	1	Arm	
40	1001118972	2	Nut M10	
41	1001172335	1	Harness, Main Boom (Not Shown - See Separate Breakdown in this Section)	
42	1001172336	1	Harness, Main Boom AC Cable (Not Shown - See Separate Breakdown in this Section)	
43	1001164738	1	Harness, Boom Valve (Not Shown - See Separate Breakdown in this Section)	
44	1001273302	3	Block, Clamping	
45	1001273303	1	Plate	
46	1001168472	1	Plate, Clamping	

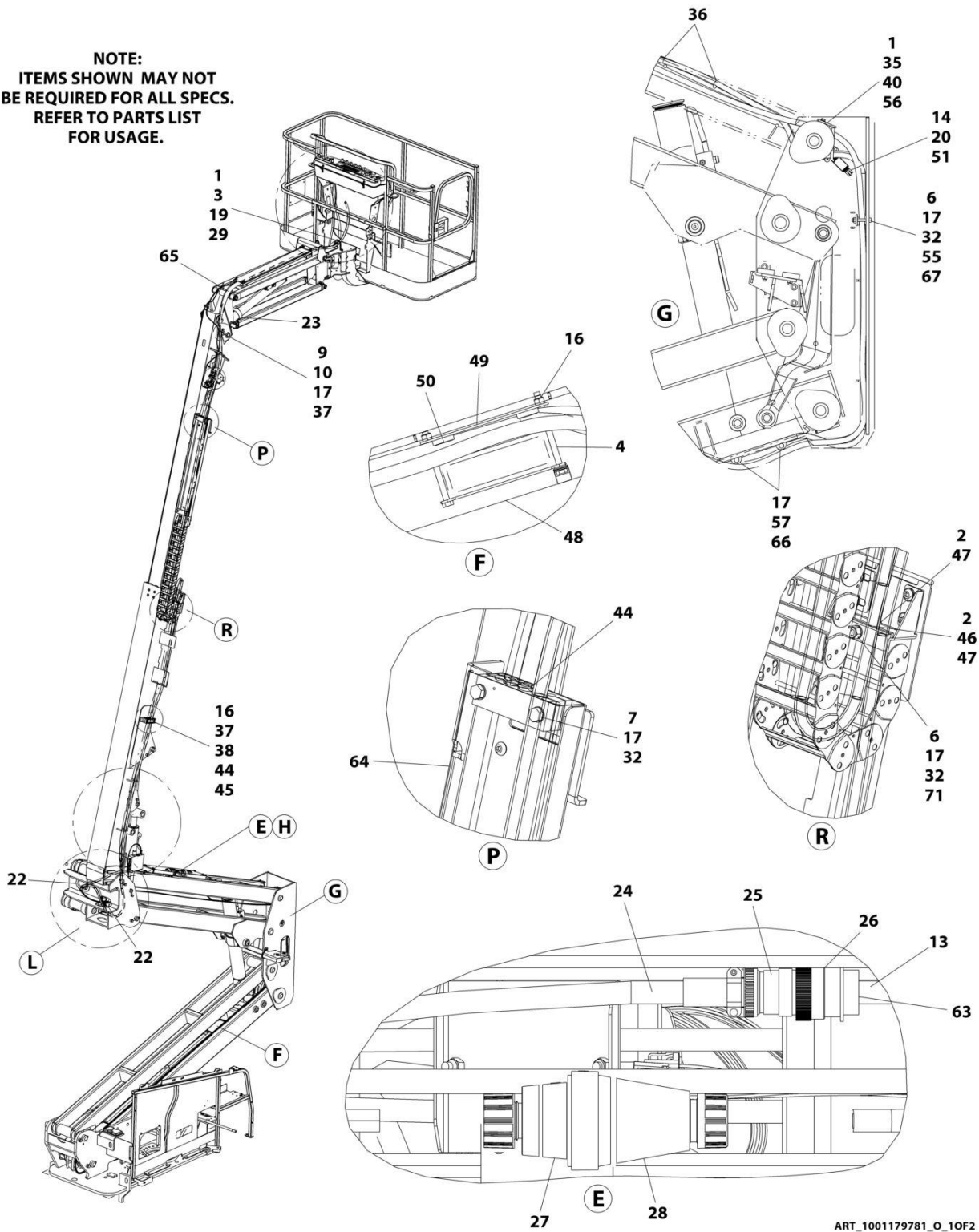
SECTION 8 - ELECTRICAL

ITEM	PART NUMBER	QTY	DESCRIPTION	REV
47	1001168473	2	Clamp, Rubber	
48	1001171553	3	Plate, Clamping	
49	1001171555	3	Plate, Clamping	
50	1001171559	10	Pad	
51	1001172271	1	Switch, Limit	
52	1001238466	1	Link, Sensor (Note: Sold as Assembly Only)	
53	1001178448	2	Plate, Clamping	
54	1001178449	1	Cover	
55	1001178644	1	Plate	
56	1001260306	1	Bracket	
57	1001182561	2	Roller	
58	5250812	2	Bolt M8 x 25	
59	1001179266	1	Plate, Mounting	
60	0760610	1	Bolt M6 x 20	
61	1320043	1	Clamp	
62	4811700	1	Washer M6	
63	4460466	AR	Plug, Terminal	
64	1001181875	1	Cover	
65	1001181923	1	Shield, Hose	
66	1001119280	2	Bolt M10 x 260	
67	1001185747	2	Pad	
70	1001119228	8	Nut M8	
71	8310070	1	Pushnut 3/8	
72	4750800	AR	Washer #8	

SECTION 8 - ELECTRICAL

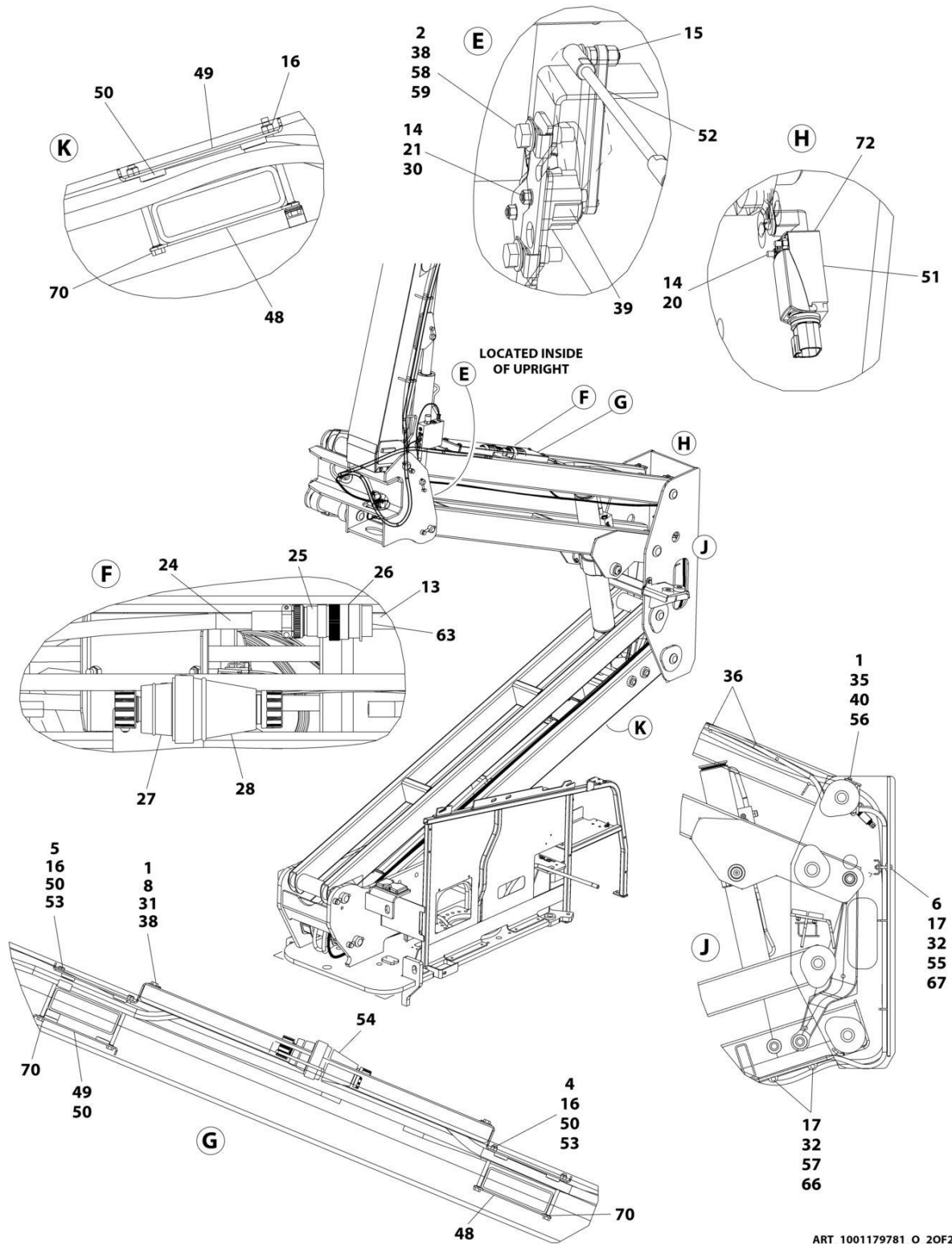
FIGURE 8-17. BOOM CABLES & CLAMPS INSTALLATION (7500W SKYPOWER GENERATOR)

NOTE:
ITEMS SHOWN MAY NOT
BE REQUIRED FOR ALL SPECS.
REFER TO PARTS LIST
FOR USAGE.



ART_1001179781_O_10F2

SECTION 8 - ELECTRICAL



ART_1001179781_O_20F2

SECTION 8 - ELECTRICAL

FIGURE 8-17. BOOM CABLES & CLAMPS INSTALLATION (7500W SKYPOWER GENERATOR)

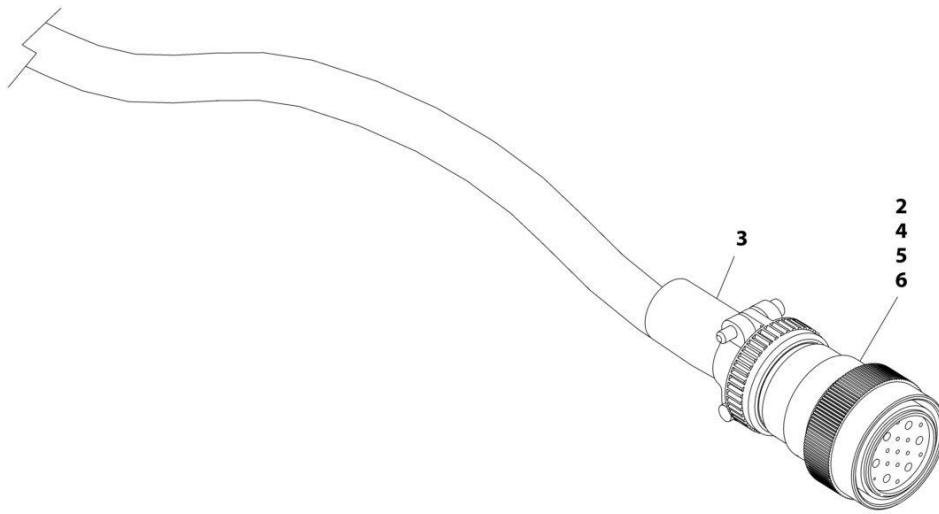
ITEM	PART NUMBER	QTY	DESCRIPTION	REV
	1001179228	Ref	BOOM CABLES AND CLAMPS INSTALLATION - REFERENCE CHART	P
	1001179781	Ref	BOOM CABLES AND CLAMPS INSTALLATION	P
1	0100011	AR	Compound, Locking	
2	0100081	AR	Adhesive	
3	0760814	2	Bolt M8 x 30	
4	0700827	6	Bolt M8 x 100	
5	0700828	2	Bolt M8 x 110	
6	0701021	3	Bolt M10 x 65	
7	0701024	4	Bolt M10 x 80	
8	0760812	4	Bolt M8 x 25	
9	0761012	1	Bolt M10 x 25	
10	1320130	1	Clamp	
13	2820031	AR	Heat Shrink	
14	3290405	4	Nut M4	
15	3290605	2	Nut M6	
16	3290805	12	Nut M8	
17	3291005	10	Nut M10	
19	3841340	1	Loop, Hose	
20	4010418	2	Screw M4 x 50	
21	4031511	2	Capscrew M4 x 35	
22	4060808	27.5 in/ 8.38m	Flex-Trim	
23	4240156	2	Strap, Clinch	
24	4460473	AR	Clamp, Cable	
25	4460865	1	Connector - 19 Position	
26	4460866	1	Connector - 19 Position	
27	1001218622	1	Terminal, Turnlock Plug	
28	1001218623	1	Terminal, Turnlock Connector	
29	4811900	4	Washer M8	
30	4811400	2	Washer M4	
31	4811902	4	Washer M8	
32	4812000	13	Washer M10	
33	1001176951	1	Harness, Tower Boom (Not Shown - See Separate Breakdown in this Section)	
34	4922929	1	Harness, Tower Boom - 8/5 - Lower Generator Cable (Not Shown)	
35	5251014	2	Bolt M10 x 30	
36	8881800	AR	Tie-Strap	
37	5281918	2	Screw M8 x 70	
37	5281920	2	Screw M8 x 80	
38	1001118274	8	Nut M8	
39	1001118971	1	Sensor, Angle	
39	70005667	1	Arm	
40	1001118972	2	Nut M10	
41	1001172335	1	Harness, Main Boom (Not Shown - See Separate Breakdown in this Section)	
42	1001172343	1	Harness, Main Boom - 8/5 - Upper Generator Cable (Not Shown)	
43	1001164738	1	Harness, Boom Valve (Not Shown - See Separate Breakdown in this Section)	
44	1001273302	3	Block, Clamping	

SECTION 8 - ELECTRICAL

ITEM	PART NUMBER	QTY	DESCRIPTION	REV
45	1001273303	1	Plate	
46	1001168472	1	Plate, Clamping	
47	1001168473	2	Clamp, Rubber	
48	1001171553	3	Plate, Clamping	
49	1001171555	3	Plate, Clamping	
50	1001171559	10	Pad	
51	1001172271	1	Switch, Limit	
52	1001238466	1	Link, Sensor (Note: Sold as Assembly Only)	
53	1001178448	2	Plate, Clamping	
54	1001178449	1	Cover	
55	1001178644	1	Plate	
56	1001260306	1	Bracket	
57	1001182561	2	Roller	
58	5250812	2	Bolt M8 x 25	
59	1001179266	1	Plate, Mounting	
63	4460466	AR	Plug, Terminal	
64	1001181875	1	Cover	
65	1001181923	1	Shield, Hose	
66	1001119280	2	Bolt M10 x 260	
67	1001185747	2	Pad	
70	1001119228	8	Nut M8	
71	8310070	1	Pushnut 3/8	
72	4750800	AR	Washer #8	

SECTION 8 - ELECTRICAL

FIGURE 8-18. BOOM HARNESS - MAIN BOOM



ART_1001172335

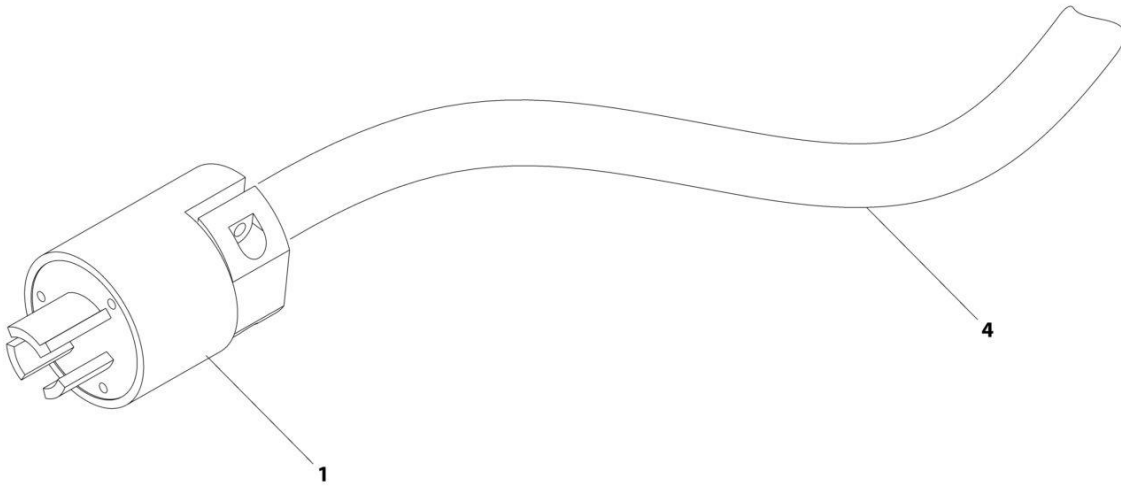
SECTION 8 - ELECTRICAL

FIGURE 8-18. BOOM HARNESS - MAIN BOOM

ITEM	PART NUMBER	QTY	DESCRIPTION	REV
	1001172335	Ref	BOOM HARNESS - 450A (MAIN BOOM)	E
2	4460865	1	Connector - 19 Position	
3	4460473	1	Clamp	
4	4460465	20	Socket, Female	
5	4460509	8	Socket, Female	
6	4460466	5	Plug, Socket	

SECTION 8 - ELECTRICAL

FIGURE 8-19. BOOM HARNESS - MAIN BOOM (8/5 4000W GENERATOR)



ART_1001172336

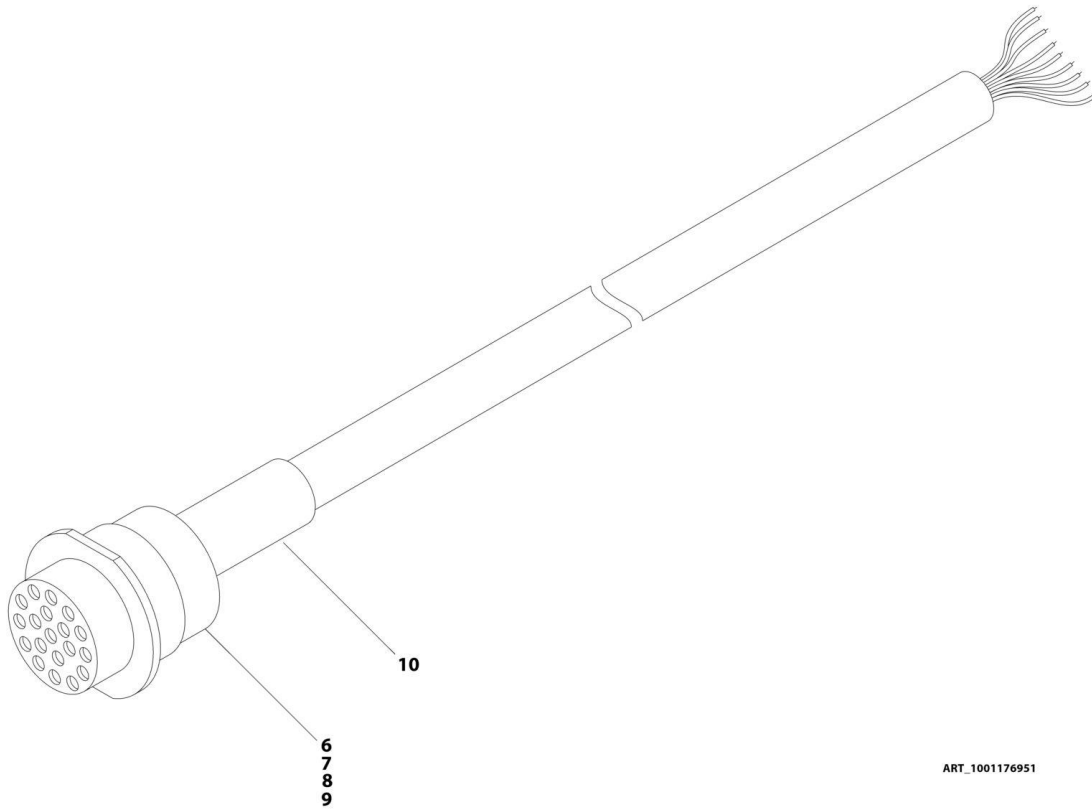
SECTION 8 - ELECTRICAL

FIGURE 8-19. BOOM HARNESS - MAIN BOOM (8/5 4000W GENERATOR)

ITEM	PART NUMBER	QTY	DESCRIPTION	REV
1	1001172336	Ref	BOOM HARNESS - 450A (MAIN BOOM AC CABLE)	C
4	1001120204	1	Plug, Male	
	1060461	494 in /12.6m	Cable, Electrical - 12/3	

SECTION 8 - ELECTRICAL

FIGURE 8-20. BOOM HARNESS - TOWER BOOM



ART_1001176951

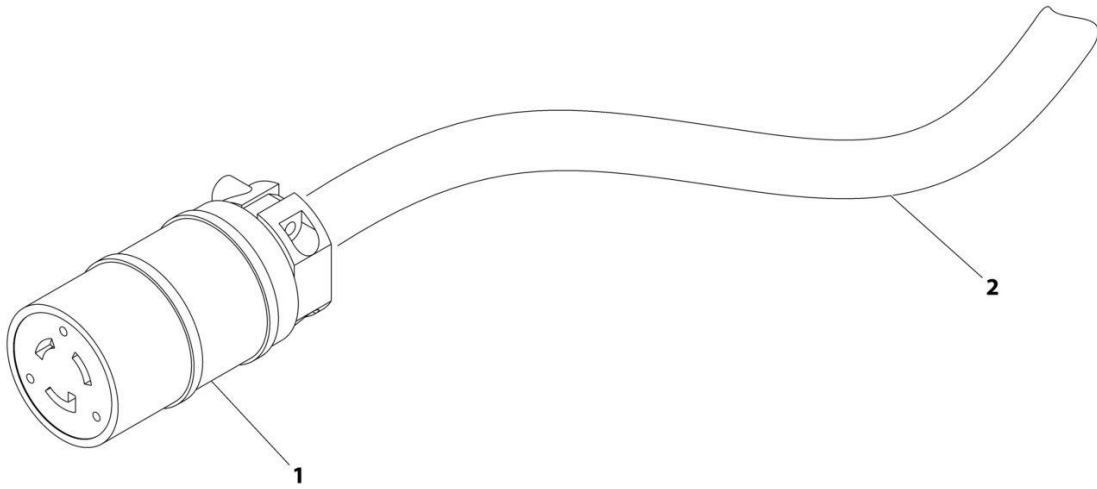
SECTION 8 - ELECTRICAL

FIGURE 8-20. BOOM HARNESS - TOWER BOOM

ITEM	PART NUMBER	QTY	DESCRIPTION	REV
	1001176951	Ref	BOOM HARNESS - TOWER BOOM	E
6	4460466	5	Plug, Terminal	
7	4460464	20	Pin, Male	
8	4460508	8	Pin, Male	
9	4460866	1	Connector - 19 Position	
10	2820031	AR	Heat Shrink	

SECTION 8 - ELECTRICAL

FIGURE 8-21. BOOM HARNESS - TOWER BOOM (8/5 4000W GENERATOR)



ART_1001174749

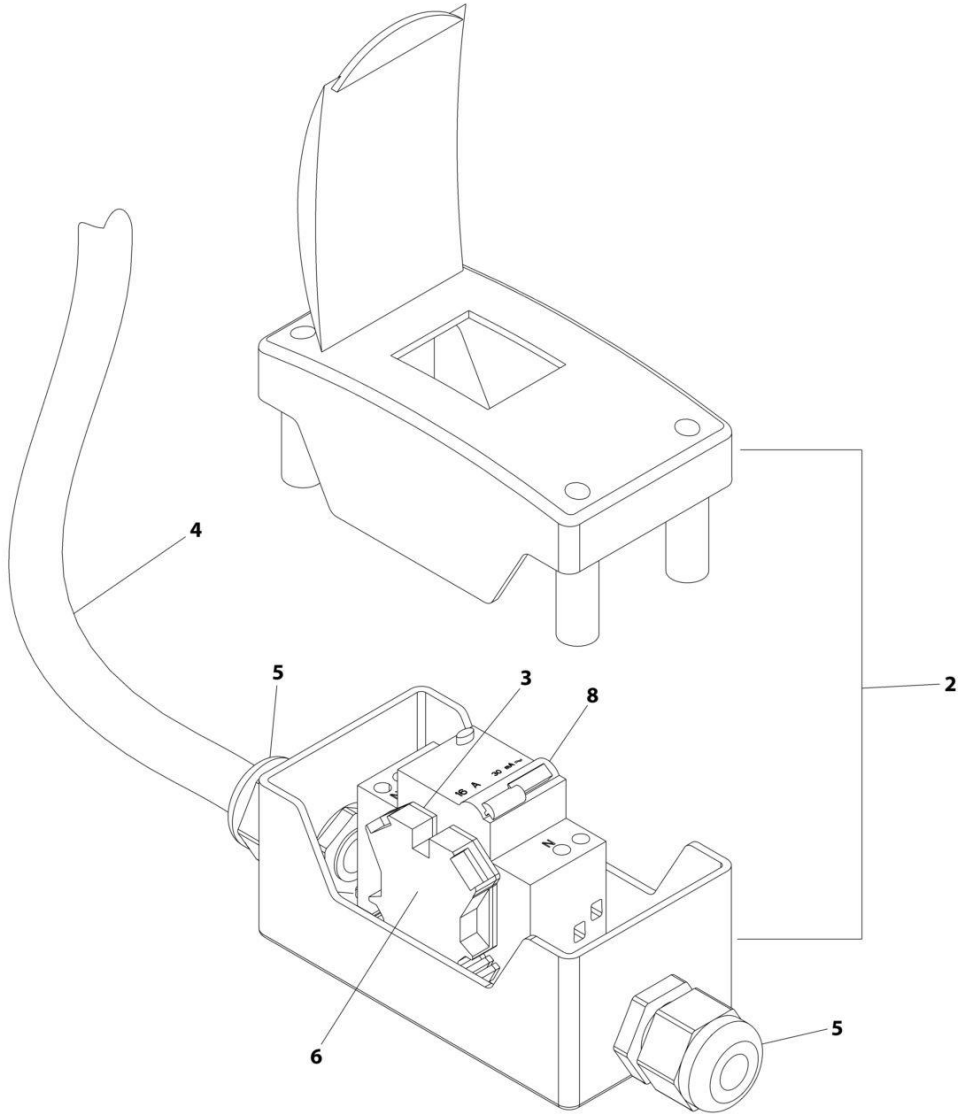
SECTION 8 - ELECTRICAL

FIGURE 8-21. BOOM HARNESS - TOWER BOOM (8/5 4000W GENERATOR)

ITEM	PART NUMBER	QTY	DESCRIPTION	REV
	1001174749	Ref	BOOM HARNESS - TOWER BOOM AC CABLE	C
1	1001120205	1	Connector, Female	
2	1060461	28 ft/ 8.5m	Electrical Cable, 12/3	

SECTION 8 - ELECTRICAL

FIGURE 8-22. BREAKER BOX KIT WITH SINGLE DOUBLE POLE BREAKER (CE & UK CA SPEC)



ART_2902549

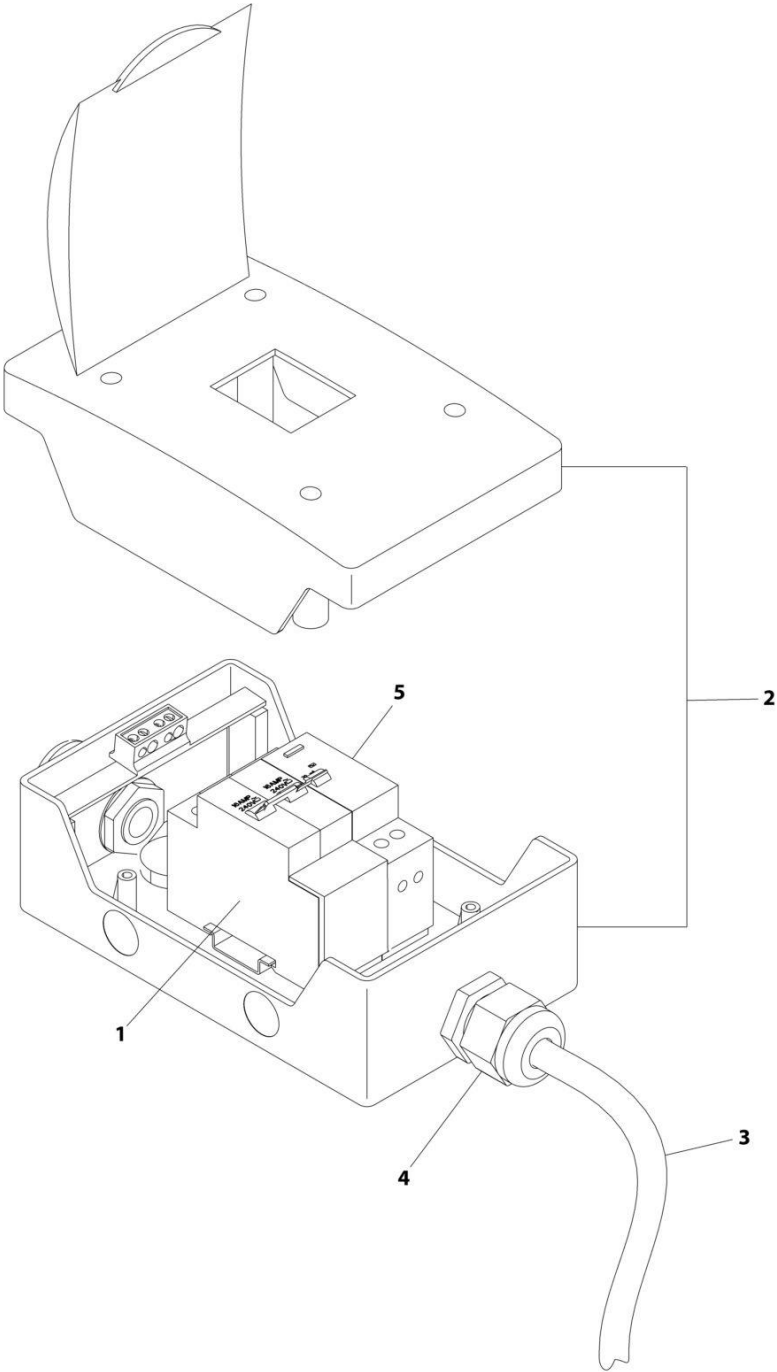
SECTION 8 - ELECTRICAL

FIGURE 8-22. BREAKER BOX KIT WITH SINGLE DOUBLE POLE BREAKER (CE & UK CA SPEC)

ITEM	PART NUMBER	QTY	DESCRIPTION	REV
	2902549	Ref	BREAKER BOX KIT - 110/220V 16AMP BREAKER	F
2	0861880	1	Box	
3	4460956	1	Barrier, Terminal	
4	1060908	6 ft/1.8m	Cable, 12/3	
5	1001097150	2	Connector, Strain Relief	
6	4460957	1	Block, Terminal	
8	1001181045	1	Breaker, Combination 16Amp/30mAmp	

SECTION 8 - ELECTRICAL

FIGURE 8-23. BREAKER BOX KIT WITH THREE BREAKERS (CE & UK CA SPEC)



ART_1001152485_F

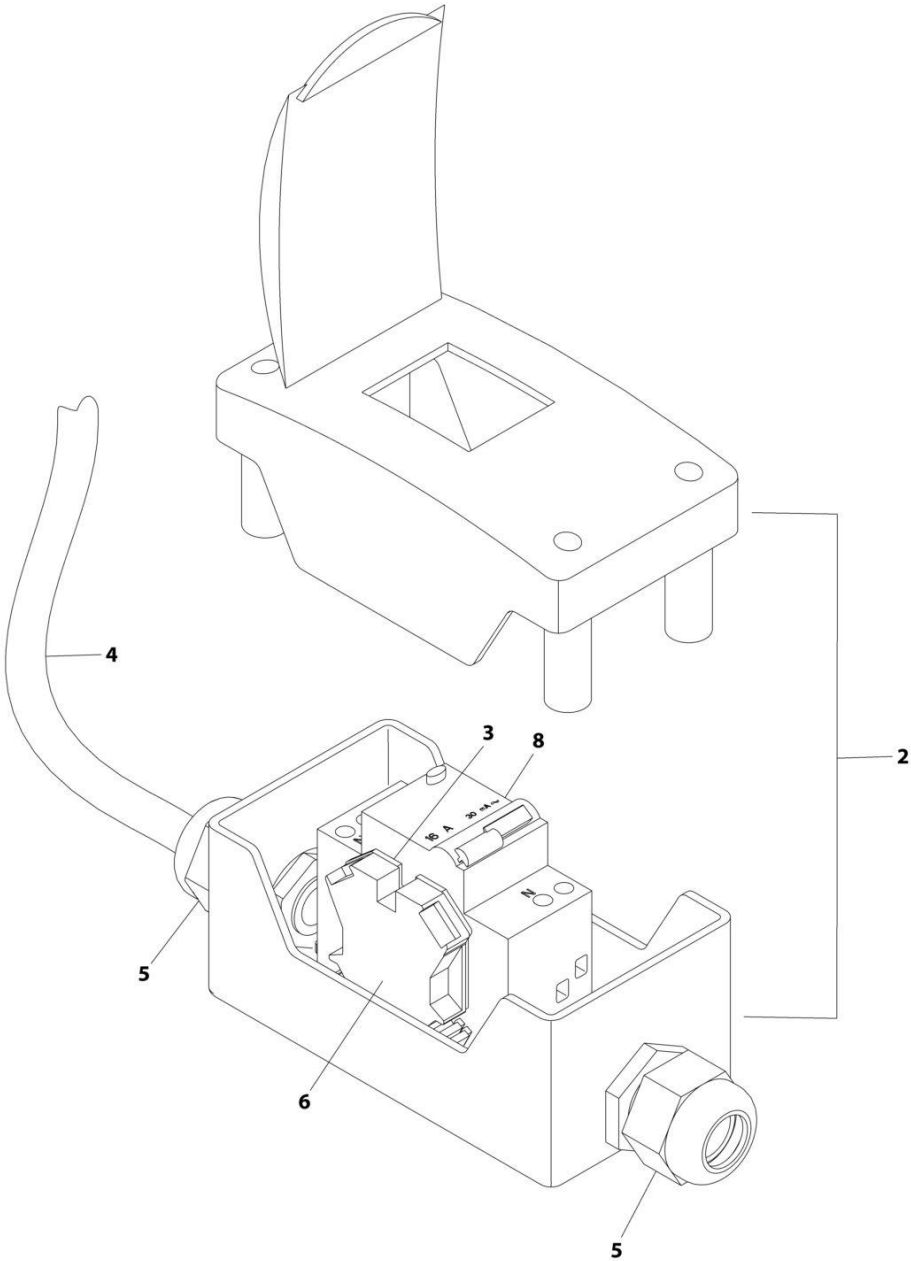
SECTION 8 - ELECTRICAL

FIGURE 8-23. BREAKER BOX KIT WITH THREE BREAKERS (CE & UK CA SPEC)

ITEM	PART NUMBER	QTY	DESCRIPTION	REV
	1001152485	Ref	BREAKER BOX KIT WITH TWO BREAKERS	F
1	1001189172	1	Breaker 16Amp Double	
2	1001152483	1	Box	
3	1060908	6 ft/1.8m	Cable, 12/3	
4	1001097150	2	Connector, Strain Relief	
5	1001189171	1	Breaker, 30mA	

SECTION 8 - ELECTRICAL

FIGURE 8-24. BREAKER BOX KIT - 30MA/16 AMP



ART_1001096070

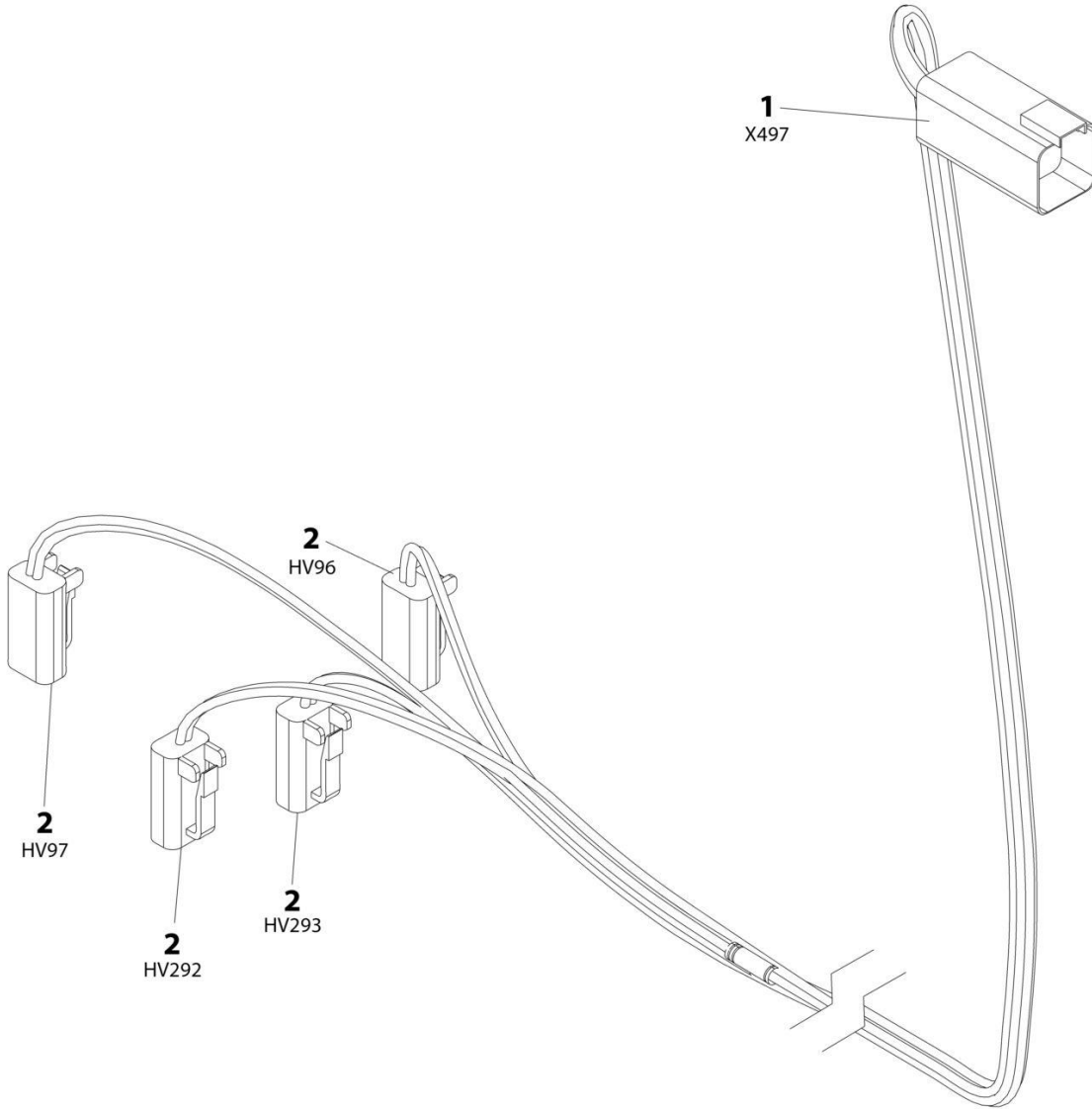
SECTION 8 - ELECTRICAL

FIGURE 8-24. BREAKER BOX KIT - 30MA/16 AMP

ITEM	PART NUMBER	QTY	DESCRIPTION	REV
	1001096070	Ref	BREAKER BOX KIT	E
2	0861880	1	Box	
3	4460956	1	Barrier, Terminal Block End	
4	1060908	12 ft/ 3.6m	Cable, 12/3	
5	1001097150	2	Connector, Strain Relief	
6	4460957	1	Block, Terminal	
8	1001181045	1	Breaker, 16Amp	

SECTION 8 - ELECTRICAL

FIGURE 8-25. CHASSIS SOLENOID HARNESS



ART_1001179236

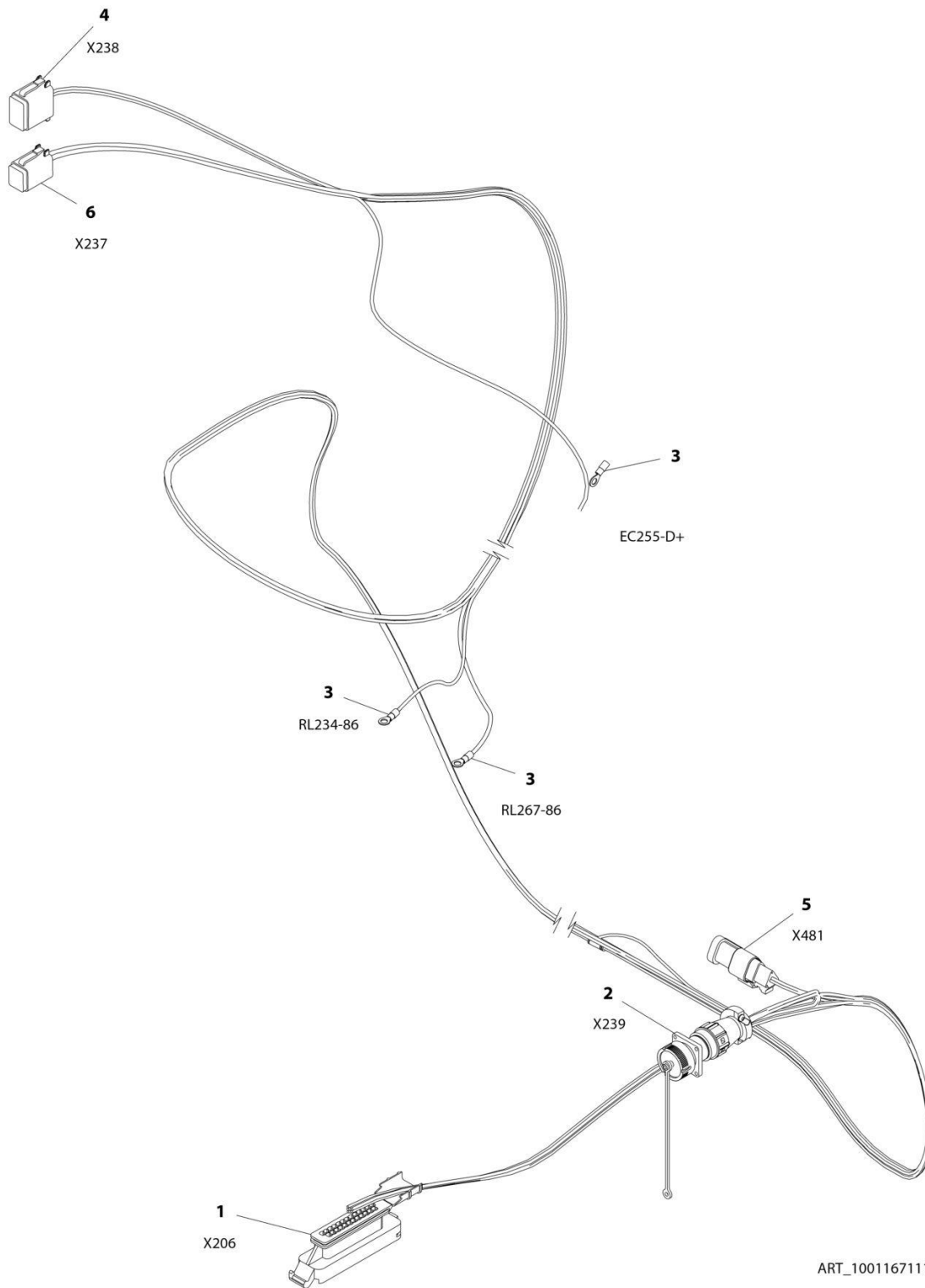
SECTION 8 - ELECTRICAL

FIGURE 8-25. CHASSIS SOLENOID HARNESS

ITEM	PART NUMBER	QTY	DESCRIPTION	REV
	1001179236	Ref	CHASSIS SOLENOID HARNESS	A
1	4460899	1	Receptacle, Female - 6 Position	
1	4460464	6	Pin, Male	
2	4460891	4	Plug, Male - 2 Position	
2	4460465	8	Socket, Female	

SECTION 8 - ELECTRICAL

FIGURE 8-26. ENGINE HARNESS - DEUTZ D2011



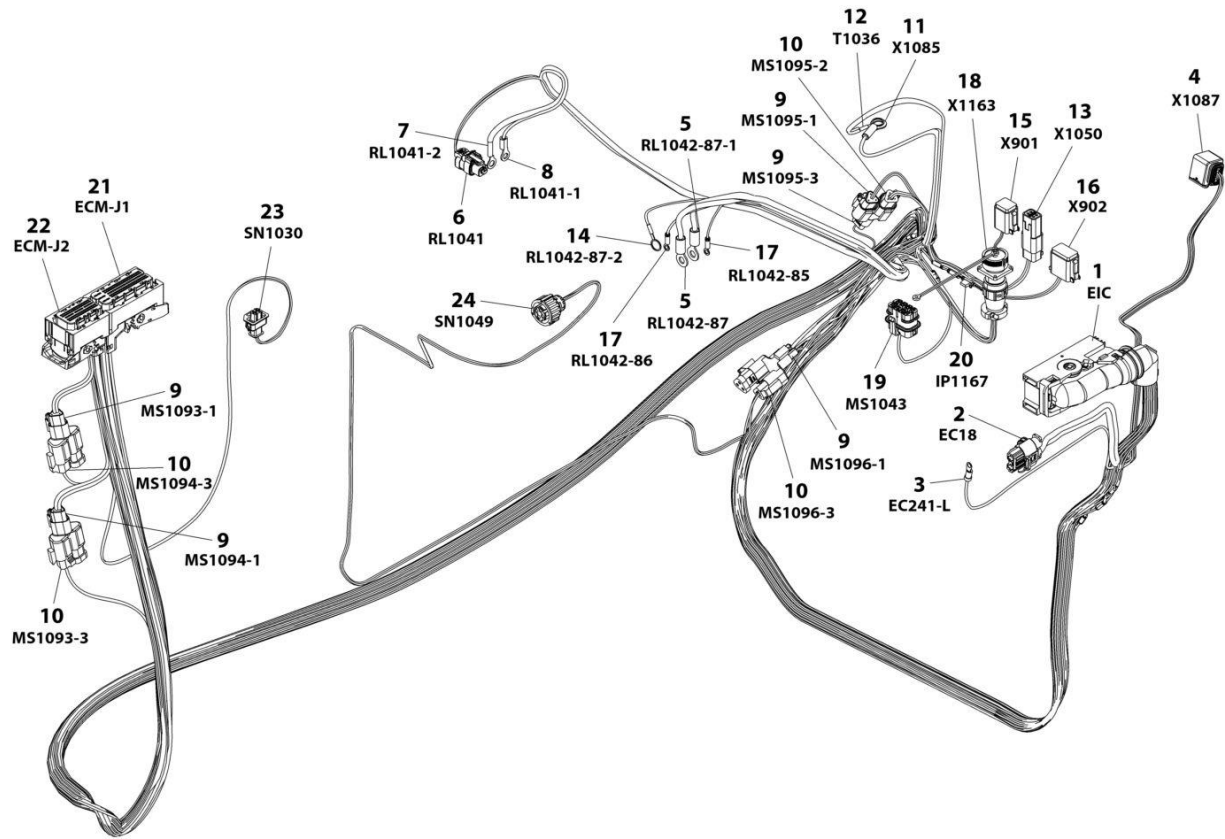
SECTION 8 - ELECTRICAL

FIGURE 8-26. ENGINE HARNESS - DEUTZ D2011

ITEM	PART NUMBER	QTY	DESCRIPTION	REV
	1001167111	Ref	ENGINE HARNESS - DEUTZ D2011	B
1	4461052	1	Connector - 25 Position	
1	4461005	7	Terminal	
1	4461008	18	Plug, Terminal	
2	2902443	1	Receptacle Kit	
2	4461071	8	Socket, Female	
2	4461072	1	Receptacle with Flange - 8 Position	
2	4461073	1	Cap, Dust	
2	4461074	1	Shell, Black	
3	4460313	3	Terminal, Ring	
4	4460930	1	Plug, Male - 8 Position	
4	4460465	2	Socket, Female	
4	4460466	6	Seal, Terminal	
5	4461095	1	Plug, Male - 3 Position	
5	4460465	3	Socket, Female	
6	4460894	1	Plug, Male - 6 Position	
6	4460465	6	Socket, Female	

SECTION 8 - ELECTRICAL

FIGURE 8-27. ENGINE HARNESS - DEUTZ D2.9L4 ENGINE (STAGE V)



ART_1001245839

SECTION 8 - ELECTRICAL

FIGURE 8-27. ENGINE HARNESS - DEUTZ D2.9L4 ENGINE (STAGE V)

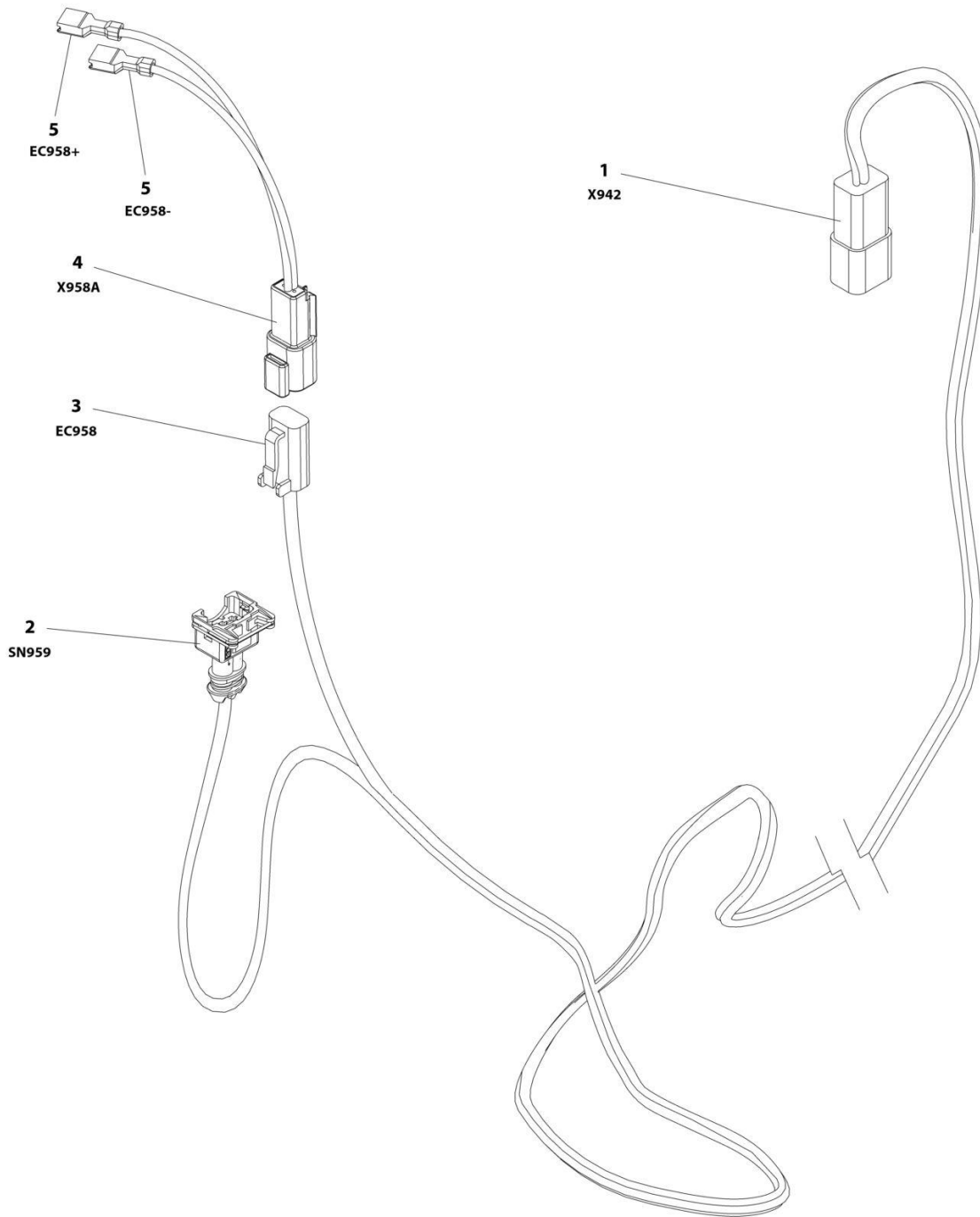
ITEM	PART NUMBER	QTY	DESCRIPTION	REV
	1001245839	Ref	ENGINE HARNESS - DEUTZ (STAGE V)	F
1	1001126362	1	Connector - 62 Position	
1	1001126363	37	Terminal	
1	1001126391	7	Seal, Terminal	
1	1001126392	12	Terminal	
1	4461008	4	Seal, Terminal	
1	1001167632	2	Terminal	
1	1001126364	36	Seal, Terminal	
1	1001223459	12	Seal, Terminal	
1	4461054	2	Seal, Terminal	
2	1001142938	1	Connector - 2 Position	
2	1001142940	2	Terminal	
2	1001142941	2	Seal, Terminal	
3	4460042	1	Terminal, Ring	
4	1001239202	1	Connector - 8 Position	
4	1001126363	7	Terminal	
4	1001126391	1	Seal, Terminal	
4	1001126364	7	Seal, Terminal	
5	1001117107	2	Terminal, Ring	
6	1001116952	1	Plug, Male - 2 Position	
6	4460465	2	Socket, Female	
7	1001117106	1	Terminal, Ring	
8	4460043	1	Terminal, Ring	
9	1001116812	5	Connector, 3 Position	
9	4460944	10	Socket, Female	
9	4460466	5	Plug, Terminal	
10	4460539	4	Plug, Male - 3 Position	
10	4460944	8	Socket, Female	
10	4460466	4	Plug, Terminal	
11	8220164	1	Terminal, Ring	
12	4460019	1	Terminal, Ring	
13	4460884	1	Plug, Male - 4 Position	
13	4460465	2	Socket, Female	
13	4460942	2	Socket, Female	
14	4460703	1	Terminal, Ring	
15	4460894	1	Plug, Male - 6 Position	
15	4460465	2	Socket, Female	
15	4460944	2	Socket, Female	
15	4460465	2	Socket, Female	
16	4460930	1	Plug, Male - 8 Position	
16	4460465	1	Socket, Female	
16	4460466	7	Plug, Terminal	
17	4460247	2	Terminal, Ring	
18	2902443	1	Receptacle Kit	
18	4461071	8	Socket, Female	
18	4461072	1	Receptacle with Flange - 8 Position	
18	4461073	1	Cap, Dust	
18	4461074	1	Shell, Black	
19	80484084	1	Connector - 8 Position	
19	4460746	3	Terminal	

SECTION 8 - ELECTRICAL

ITEM	PART NUMBER	QTY	DESCRIPTION	REV
19	1001234800	1	Terminal	
19	4460748	4	Plug, Terminal	
19	4460458	4	Seal	
20	1001170764	1	Holder, Fuse	
20	1001197719	1	Fuse 0.5 Watt	
21	1001133956	1	Connector, 94 Position	
21	1001182361	8	Terminal	
21	1001126351	3	Terminal	
21	1001230934	25	Terminal	
21	1001230935	55	Plug, Terminal	
21	1001252527	4	Terminal	
21	1001230936	1	Plug, Terminal	
21	1001182365	8	Seal	
22	1001133957	1	Connector - 60 Position	
22	1001230936	11	Plug, Terminal	
22	1001126351	13	Terminal	
22	1001230935	10	Plug, Terminal	
22	1001230934	26	Terminal	
23	1001126487	1	Connector - 2 Position	
23	1001167635	2	Terminal	
23	1001126485	2	Seal	
24	1001133714	1	Plug, Male - 4 Position	
24	1001133715	3	Terminal	
24	1001135651	1	Plug, Terminal	
24	1001135650	2	Seal	

SECTION 8 - ELECTRICAL

FIGURE 8-28. FUEL HARNESS - DEUTZ D2.9L4 ENGINE



ART_1001181358

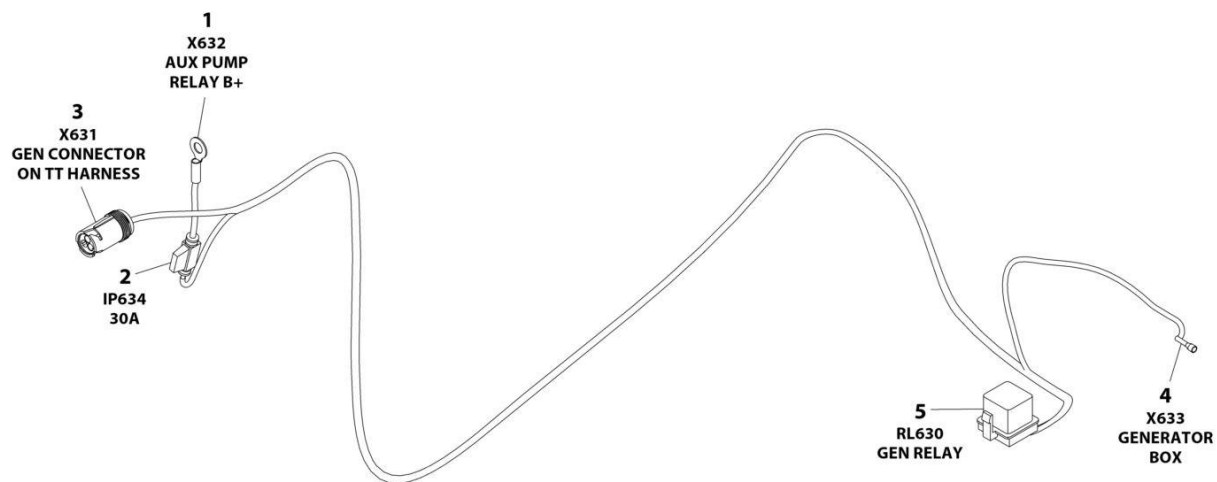
SECTION 8 - ELECTRICAL

FIGURE 8-28. FUEL HARNESS - DEUTZ D2.9L4 ENGINE

ITEM	PART NUMBER	QTY	DESCRIPTION	REV
	1001181358	Ref	FUEL HARNESS - DEUTZ D2.9L4 ENGINE	D
1	4460932	1	Receptacle, Female - 4 Position	
1	4460464	2	Pin, Male	
1	4460941	2	Pin, Male	
2	1001116983	1	Plug, Male - 2 Position	
2	4461060	2	Socket, Female	
2	4461054	2	Seal	
3	4460891	1	Plug, Male - 2 Position	
3	4460942	2	Socket, Female	
4	4460897	1	Receptacle, Female - 2 Position	
4	4460941	2	Pin, Male	
5	8220051	2	Coupler, Female	

SECTION 8 - ELECTRICAL

FIGURE 8-29. GENERATOR HARNESS - 2500W GENERATOR (50HZ)



ART_1001187352

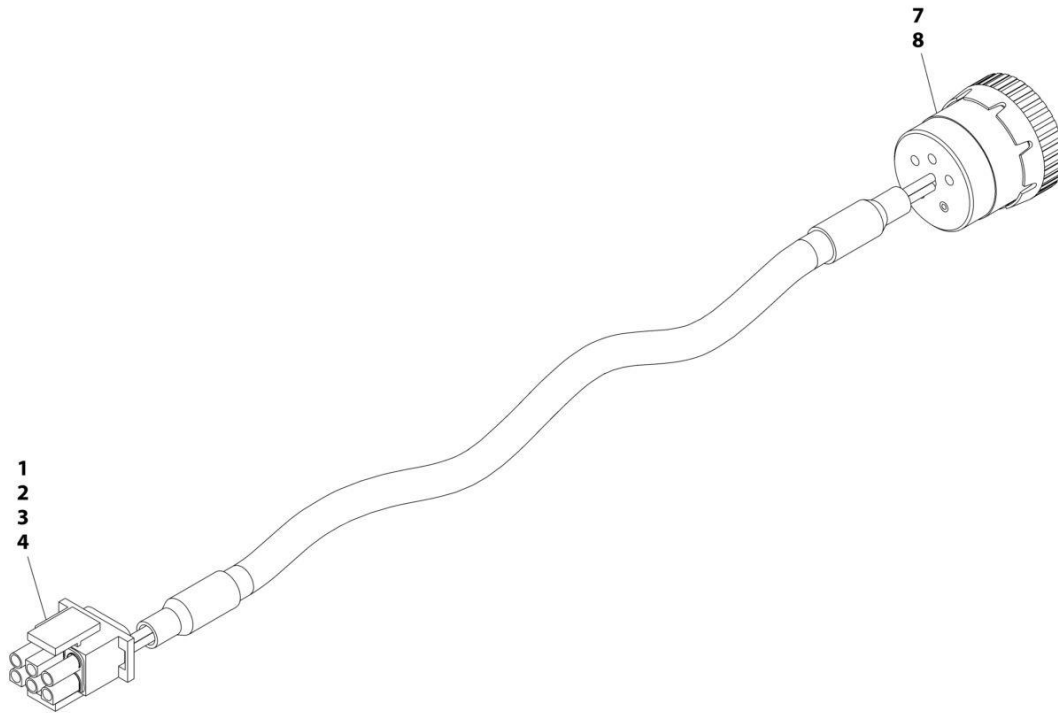
SECTION 8 - ELECTRICAL

FIGURE 8-29. GENERATOR HARNESS - 2500W GENERATOR (50HZ)

ITEM	PART NUMBER	QTY	DESCRIPTION	REV
	1001187352	Ref	GENERATOR HARNESS - 2500W GENERATOR (50HZ)	A
1	8220045	1	Terminal, Ring	
2	2400060	1	Holder, Fuse	
2	8229245	1	Fuse 30Amp	
3	1001154726	1	Connector - 3 Position	
3	4460464	2	Pin, Male	
3	4460466	1	Plug, Terminal	
4	1001100231	1	Terminal	
5	1001117057	1	Plug, Relay	
5	1001116734	2	Terminal	
5	1001116732	2	Terminal	

SECTION 8 - ELECTRICAL

FIGURE 8-30. GENERATOR HARNESS - 4000W GENERATOR



ART_1001152532

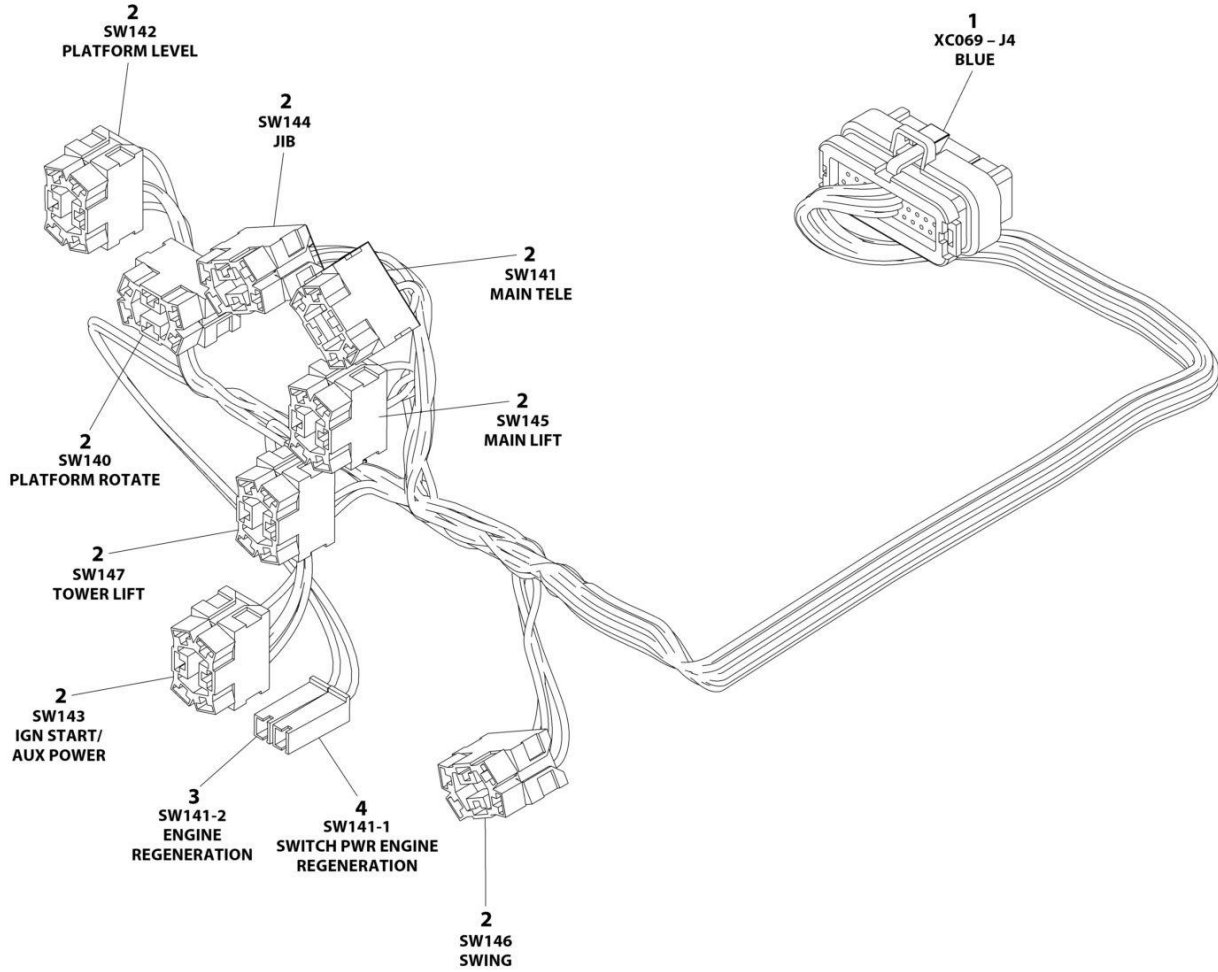
SECTION 8 - ELECTRICAL

FIGURE 8-30. GENERATOR HARNESS - 4000W GENERATOR

ITEM	PART NUMBER	QTY	DESCRIPTION	REV
	1001152532	Ref	GENERATOR HARNESS	A
1	4460225	1	Connector - 6 Position	
2	4460268	2	Socket, Female	
3	4460807	1	Seal	
4	4460808	1	Seal	
7	4460465	2	Socket, Female	
8	77363233	1	Connector - 6 Position	

SECTION 8 - ELECTRICAL

FIGURE 8-31. GROUND CONTROL PANEL HARNESS



ART_1001244295

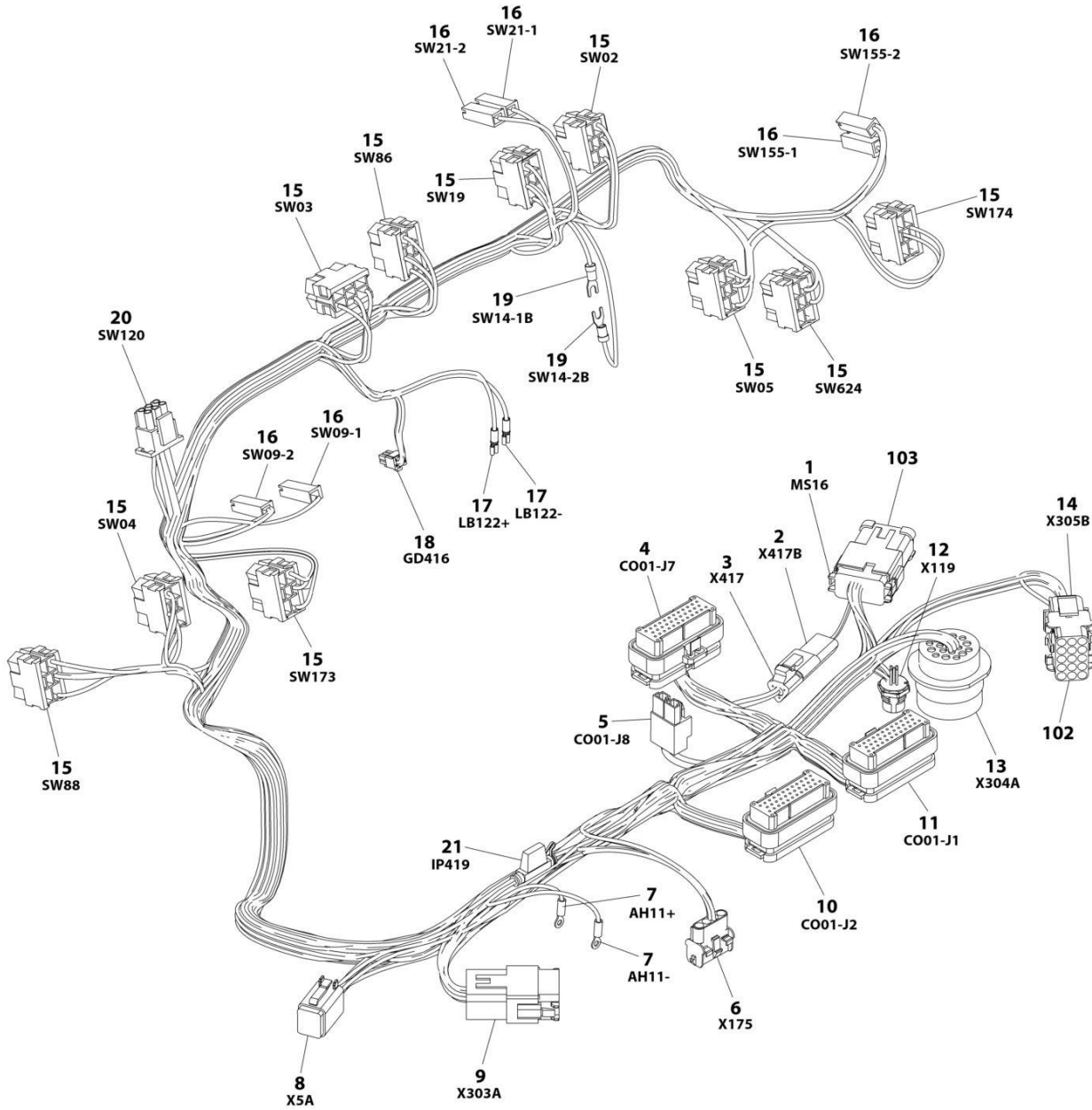
SECTION 8 - ELECTRICAL

FIGURE 8-31. GROUND CONTROL PANEL HARNESS

ITEM	PART NUMBER	QTY	DESCRIPTION	REV
	1001244295	Ref	GROUND CONTROL PANEL HARNESS	C
1	4460876	1	Connector - 35 Position	
1	4460871	18	Socket, Female	
1	4460905	17	Plug, Terminal	
2	4460418	8	Connector - 6 Position	
2	4460419	16	Terminal	
2	1001159186	16	Terminal	
3	4460260	2	Housing, Terminal	
3	4460259	2	Terminal	
4	4460260	1	Terminal, Housing	
4	4460259	1	Terminal	

SECTION 8 - ELECTRICAL

FIGURE 8-32. PLATFORM CONSOLE BOX HARNESS



ART_1001238254

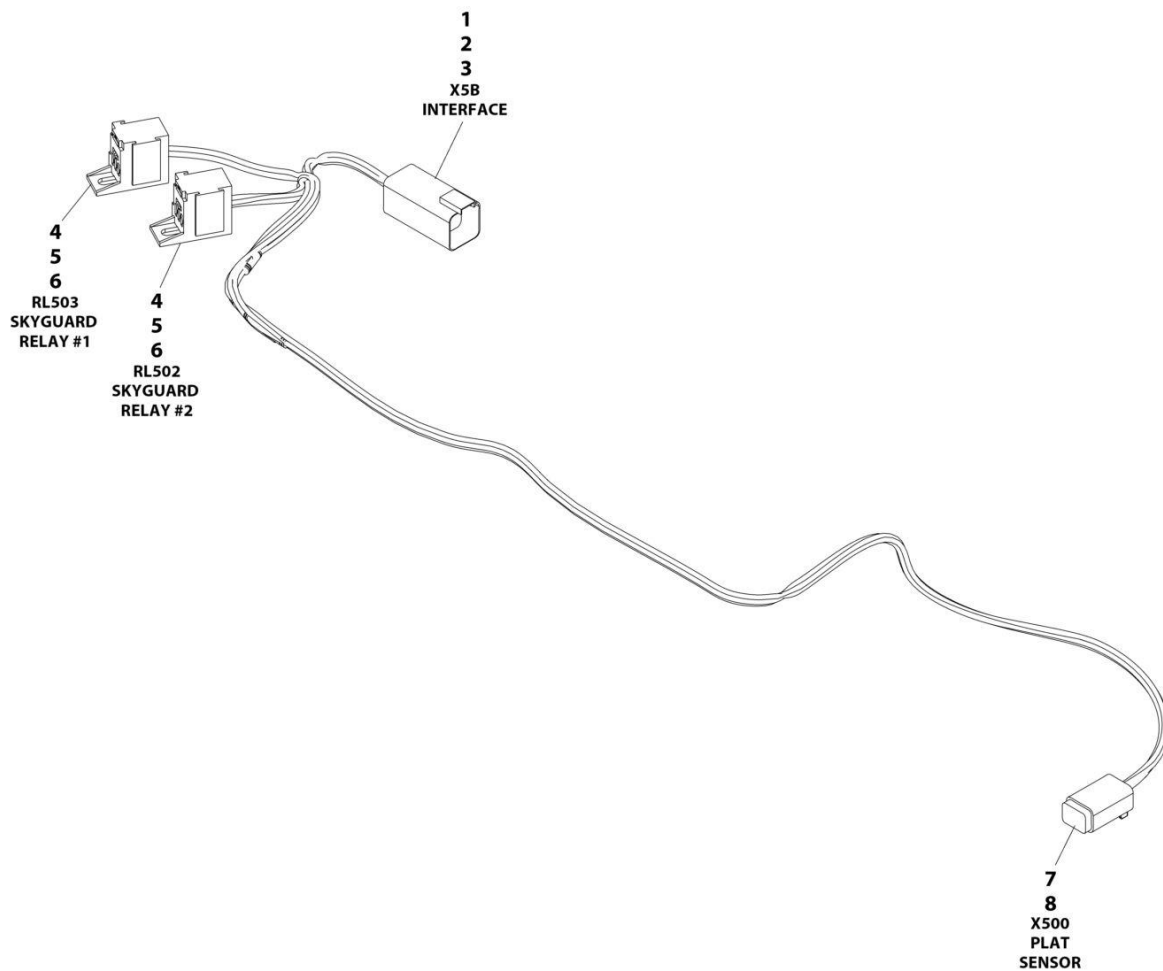
SECTION 8 - ELECTRICAL

FIGURE 8-32. PLATFORM CONSOLE BOX HARNESS

ITEM	PART NUMBER	QTY	DESCRIPTION	REV
	1001238254	Ref	PLATFORM CONSOLE BOX HARNESS	I
1	4460933	1	Plug, Male - 12 Position	
1	4460465	10	Socket, Female	
1	4460466	2	Plug, Terminal	
2	4460536	1	Receptacle, Female - 3 Position	
2	4460464	2	Pin, Male	
2	4460466	1	Plug, Terminal	
3	4460539	1	Plug, Male - 3 Position	
3	4460465	2	Socket, Female	
3	4460466	1	Plug, Terminal	
4	4460873	1	Connector - 35 Position	
4	4460871	21	Socket, Female	
4	4460905	14	Plug, Terminal	
5	4460879	1	Plug, Male - 2 Position	
5	4460887	2	Terminal	
6	4460761	1	Receptacle, Female - 4 Position	
6	4460267	4	Pin, Male	
7	1001098122	2	Terminal, Ring	
8	4460894	1	Plug, Male - 6 Position	
8	4460465	6	Socket, Female	
9	4460970	1	Receptacle, Female - 12 Position	
9	1001116693	11	Pin, Male	
9	4460466	1	Plug, Terminal	
10	4460875	1	Connector - 35 Position	
10	4460871	12	Socket, Female	
10	4460905	23	Plug, Terminal	
11	4460874	1	Connector - 35 Position	
11	4460871	27	Socket, Female	
11	4460905	8	Plug, Terminal	
12	1001213447	1	Connector - 4 Position	
12	See Note	NSS	Terminal (Note: Purchase p/n 1001213447)	
13	4460866	1	Connector - 19 Position	
13	4460464	5	Pin, Male	
13	4460466	11	Plug, Terminal	
13	4460508	1	Pin, Male	
14	4460434	1	Connector - 15 Position	
14	4460267	8	Pin. Male	
15	4460418	10	Connector - 6 Position	
15	4460419	45	Terminal	
16	4460260	6	Housing, Terminal	
16	4460259	8	Terminal	
17	1001271497	2	Terminal	
18	1001237667	1	Plug, Male - 6 Position	
18	1001237668	4	Terminal	
19	4460183	2	Terminal, Fork	
20	4460225	1	Plug, Male - 6 Position	
20	4460227	6	Pin, Male (Note: Used on Pump Potentiometer Connection Only)	
21	2400060	1	Fuse Holder	
102	4460708	1	Connector, Bussbar - 15 Position	
103	1001125677	1	Connector, Bussbar - 12 Position	

SECTION 8 - ELECTRICAL

FIGURE 8-33. PLATFORM INTERFACE HARNESS



ART_1001225580

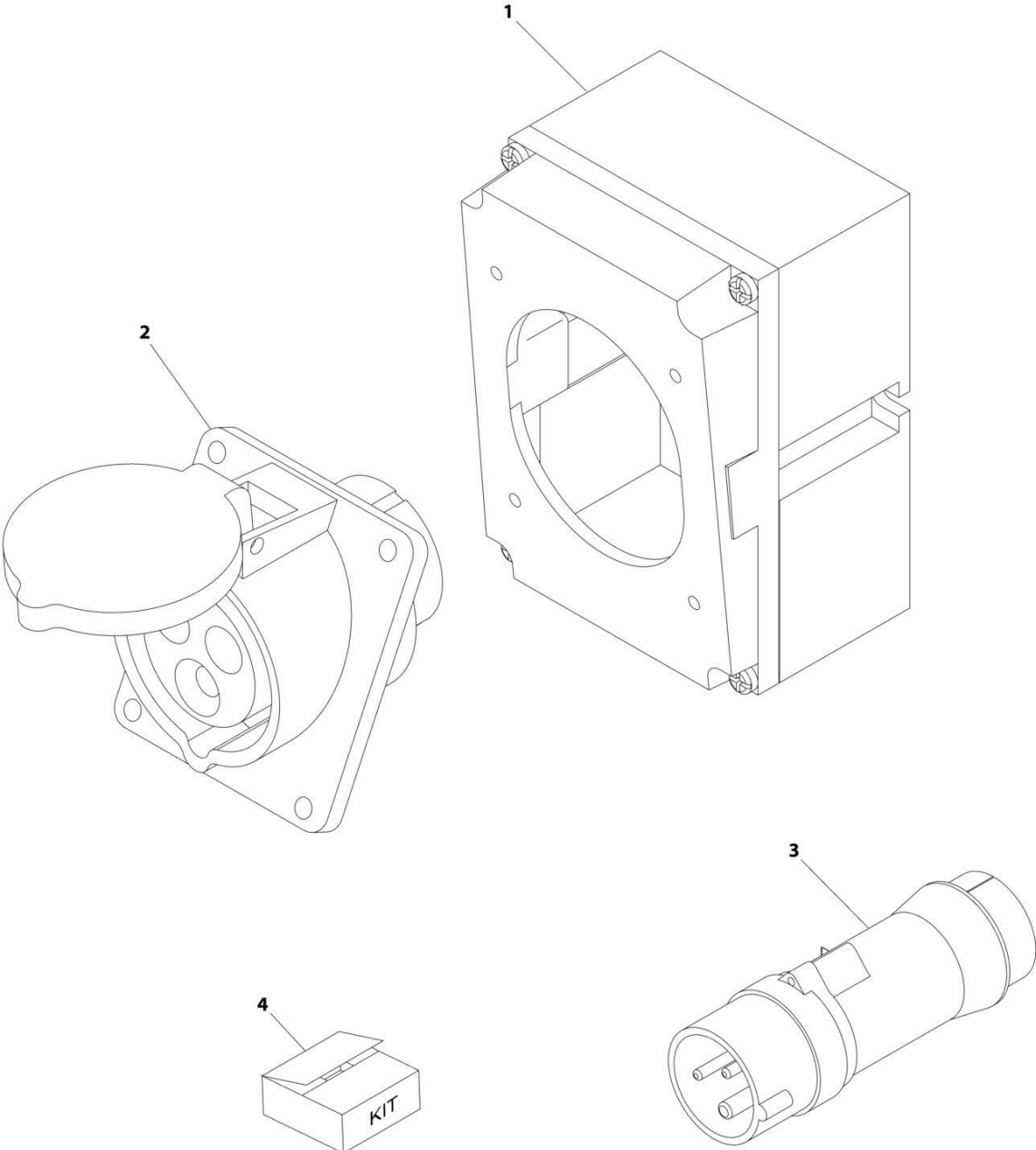
SECTION 8 - ELECTRICAL

FIGURE 8-33. PLATFORM INTERFACE HARNESS

ITEM	PART NUMBER	QTY	DESCRIPTION	REV
	1001225580	Ref	INTERFACE HARNESS - WITH 1 CELL LSS	D
1	4460899	1	Connector	
2	4460464	4	Terminal	
3	4460466	2	Plug	
4	1001186432	2	Connector	
5	1001116720	4	Terminal	
6	1001118388	4	Terminal	
7	4460884	1	Connector	
8	4460465	4	Terminal	

SECTION 8 - ELECTRICAL

FIGURE 8-34. RECEPTACLE BOX KIT - 110V IEC YELLOW (CE, CIS/EAC & UK CA SPEC)



ART_0275216

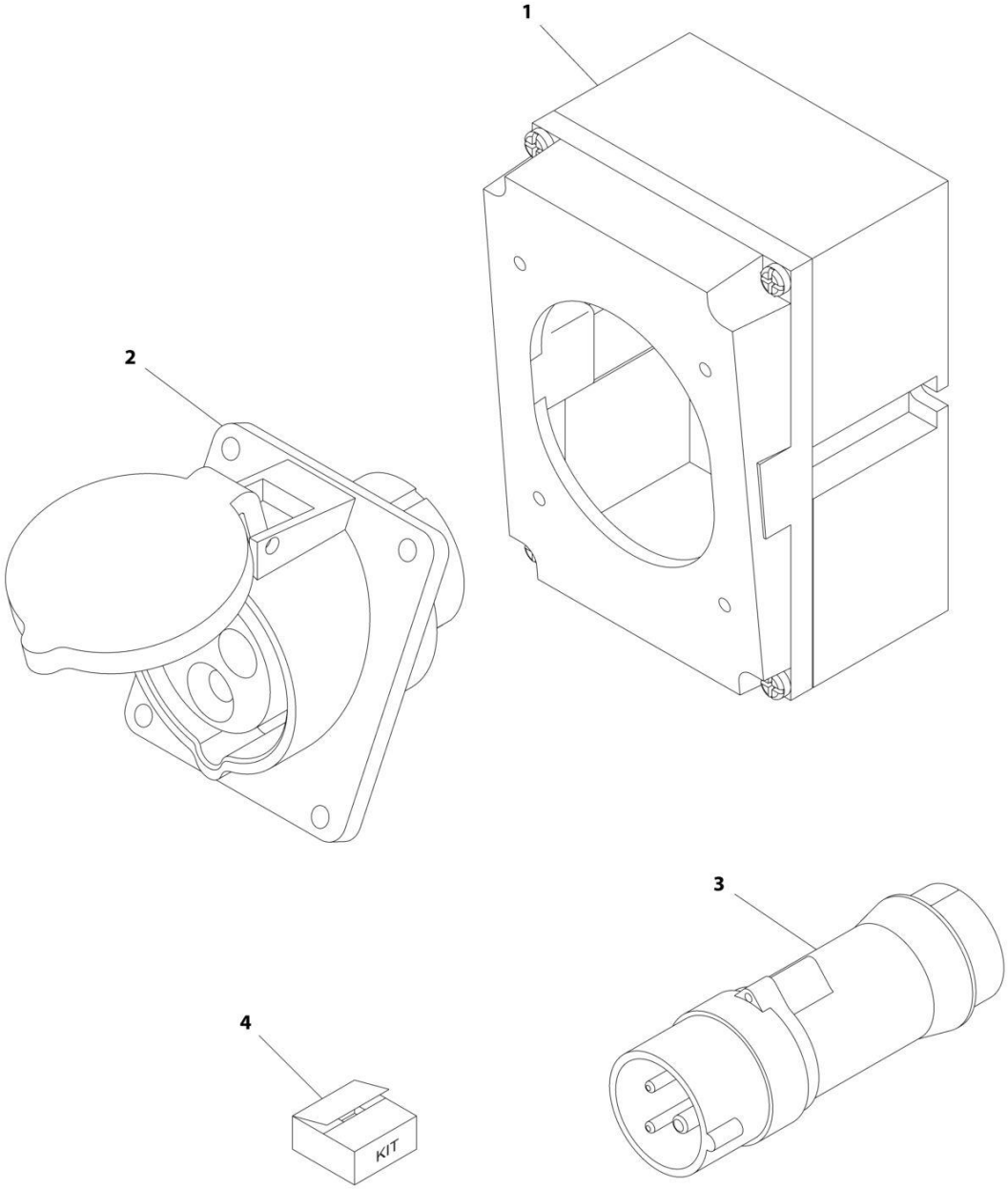
SECTION 8 - ELECTRICAL

FIGURE 8-34. RECEPTACLE BOX KIT - 110V IEC YELLOW (CE, CIS/EAC & UK CA SPEC)

ITEM	PART NUMBER	QTY	DESCRIPTION	REV
	0275216	Ref	RECEPTACLE BOX KIT - 110V IEC YELLOW	B
1	0861781	1	Box, Switch	
2	4461198	1	Receptacle	
3	4461196	1	Plug, Male	
4	1001100341	1	Plug and Socket Kit (Includes Items 1-3 and Female Plug p/n 4461197)	

SECTION 8 - ELECTRICAL

FIGURE 8-35. RECEPTACLE BOX KIT - 220V IEC BLUE (CE, CIS/EAC & UK CA SPEC)



ART_0275217

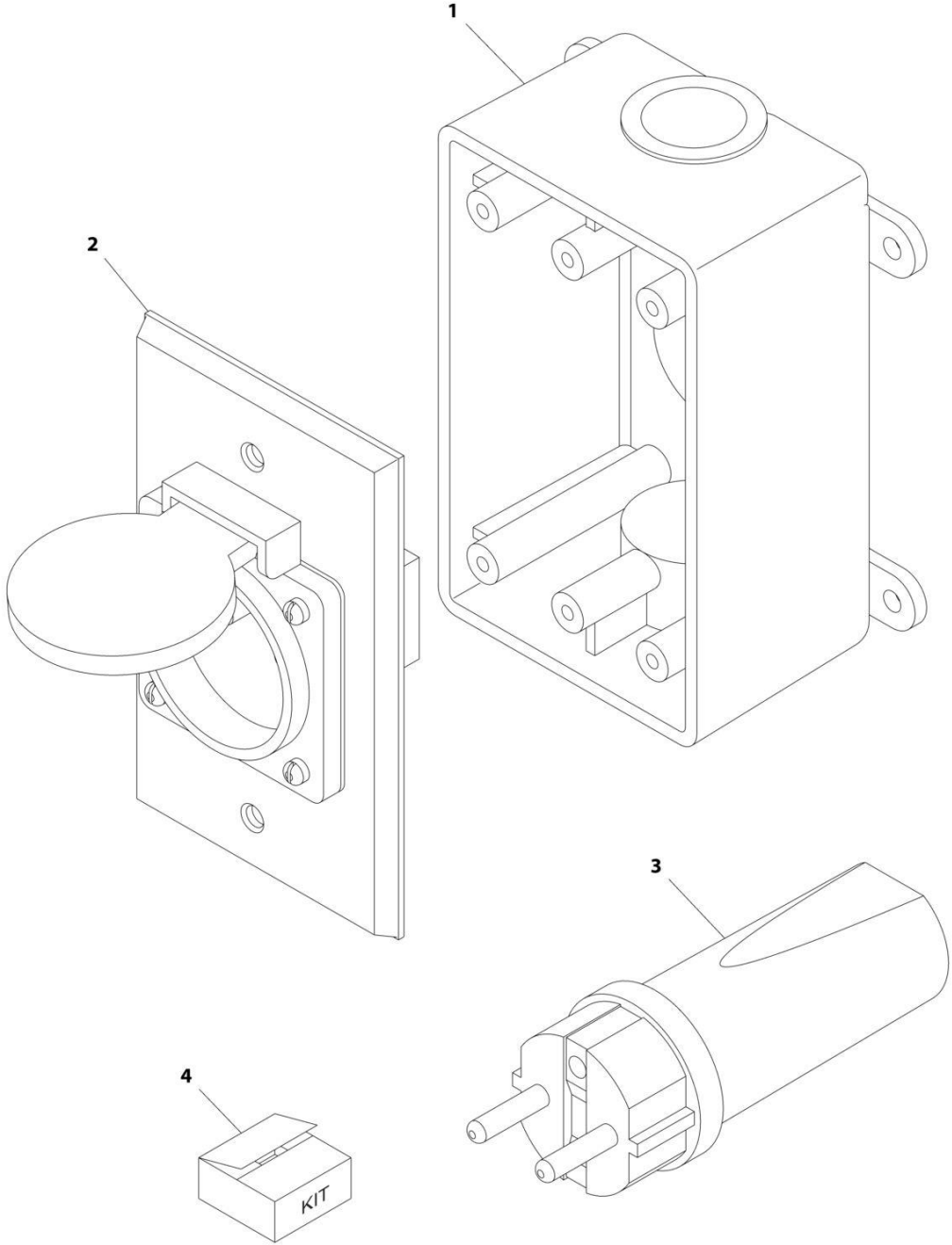
SECTION 8 - ELECTRICAL

FIGURE 8-35. RECEPTACLE BOX KIT - 220V IEC BLUE (CE, CIS/EAC & UK CA SPEC)

ITEM	PART NUMBER	QTY	DESCRIPTION	REV
	0275217	Ref	RECEPTACLE BOX KIT - 220V IEC BLUE	B
1	0861781	1	Box, Switch	
2	4461201	1	Receptacle	
3	4461199	1	Plug, Male	
4	1001100342	1	Plug and Socket Kit (Includes Items 1-3 and Female Plug p/n 4461200)	

SECTION 8 - ELECTRICAL

FIGURE 8-36. RECEPTACLE BOX KIT - 220V CEE7 POST GROUND 2IN X 4IN BOX (CE, CIS/EAC & UK CA SPEC)



ART_0275452

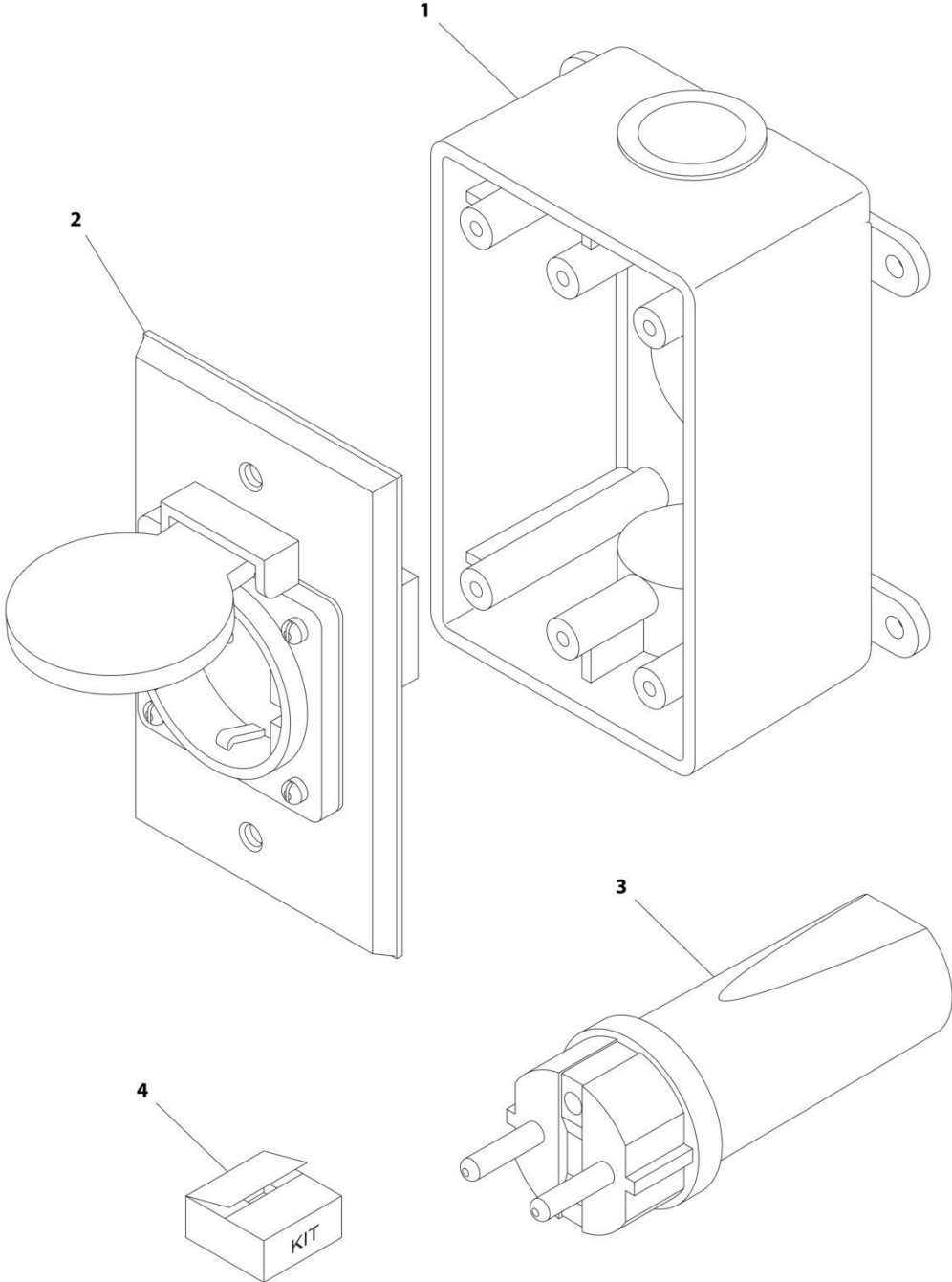
SECTION 8 - ELECTRICAL

FIGURE 8-36. RECEPTACLE BOX KIT - 220V CEE7 POST GROUND 2IN X 4IN BOX (CE, CIS/EAC & UK CA SPEC)

ITEM	PART NUMBER	QTY	DESCRIPTION	REV
	0275452	Ref	RECEPTACLE BOX KIT - 220V CEE7 POST GROUND	C
1	0861731	1	Box, Switch	
2	4461244	1	Receptacle	
3	4461205	1	Plug, Male	
4	1001100345	1	Plug and Socket Kit (Includes Items 1-3 and Female Plug p/n 4461206)	

SECTION 8 - ELECTRICAL

FIGURE 8-37. RECEPTACLE BOX KIT - 220V CEE7 SIDE GROUND 2IN X 4IN BOX (CE, CIS/EAC & UK CA SPEC)



ART_0275453

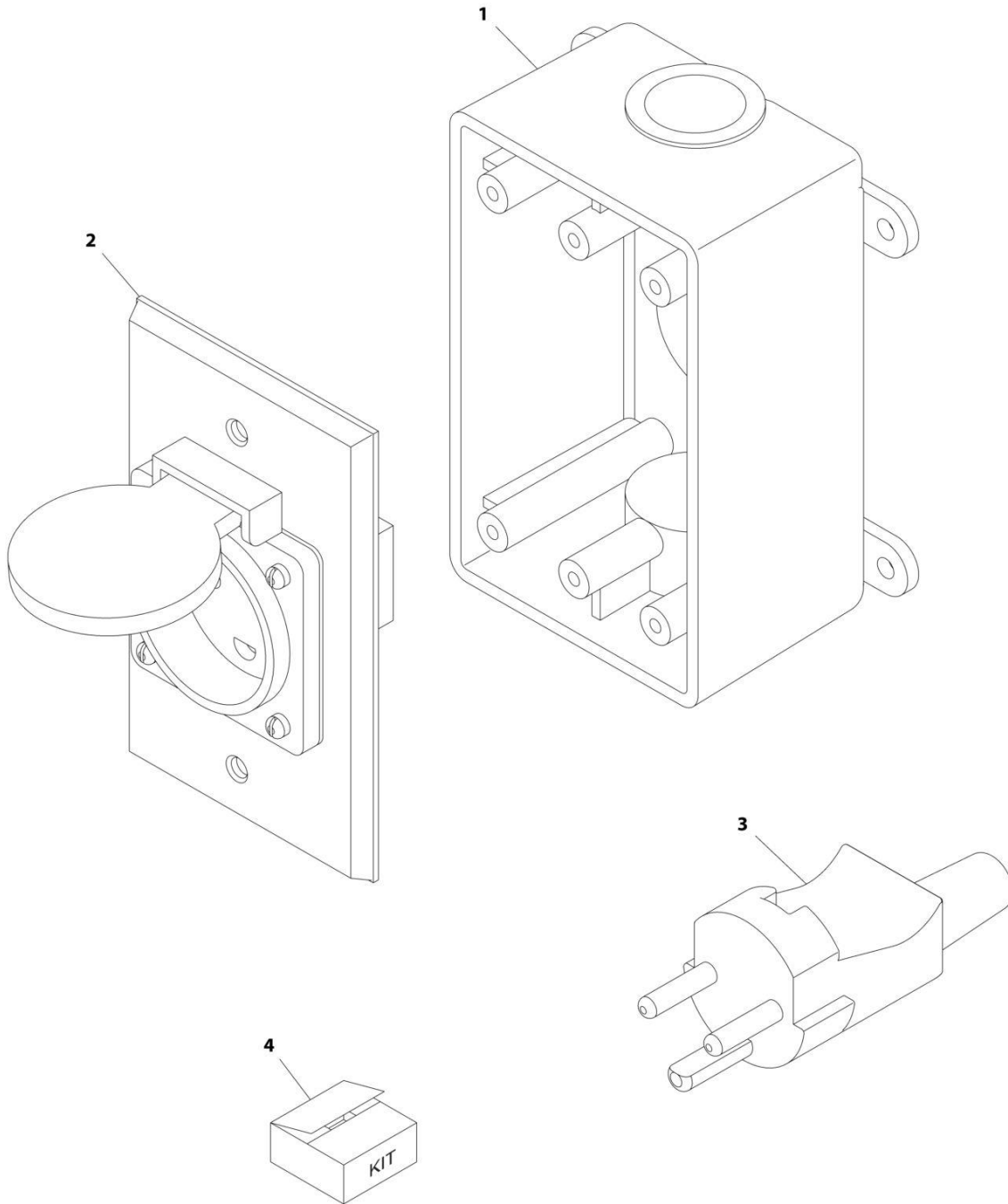
SECTION 8 - ELECTRICAL

FIGURE 8-37. RECEPTACLE BOX KIT - 220V CEE7 SIDE GROUND 2IN X 4IN BOX (CE, CIS/EAC & UK CA SPEC)

ITEM	PART NUMBER	QTY	DESCRIPTION	REV
	0275453	Ref	RECEPTACLE BOX KIT - 220V CEE7 SIDE GROUND	B
1	0861731	1	Box, Switch	
2	4461245	1	Receptacle	
3	4461205	1	Plug, Male	
4	1001100347	1	Plug and Socket Kit (Includes Items 1-3 and Female Plug p/n 4461206)	

SECTION 8 - ELECTRICAL

FIGURE 8-38. RECEPTACLE BOX KIT - 220V AFSINT 107 (CE, CIS/EAC & UK CA SPEC)



ART_0275454

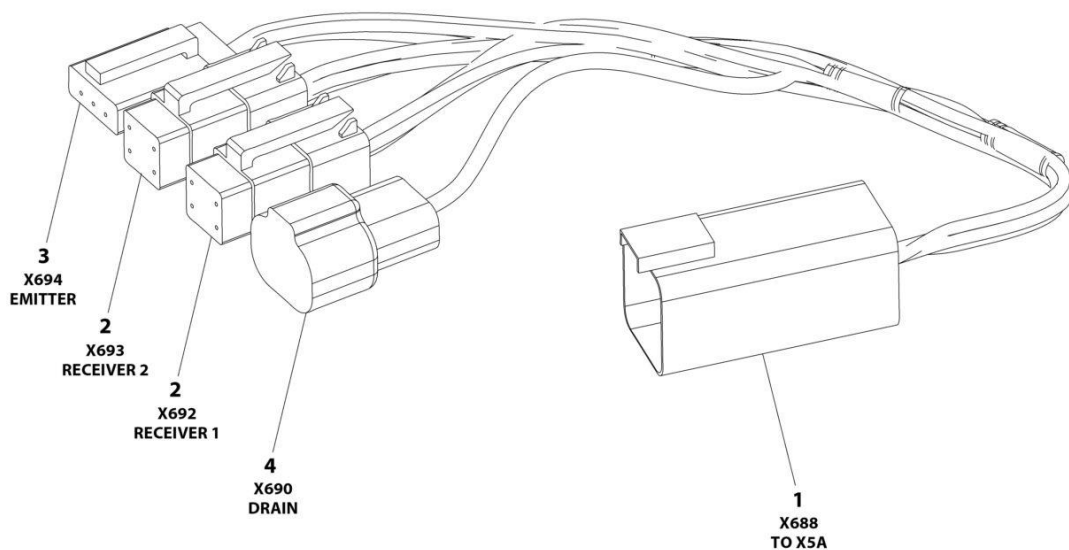
SECTION 8 - ELECTRICAL

FIGURE 8-38. RECEPTACLE BOX KIT - 220V AFSINT 107 (CE, CIS/EAC & UK CA SPEC)

ITEM	PART NUMBER	QTY	DESCRIPTION	REV
	0275454	Ref	RECEPTACLE BOX KIT - 220V AFSINT 107	B
1	0861731	1	Box, Switch	
2	4461246	1	Receptacle	
3	4461249	1	Plug, Male	
4	1001100346	1	Plug and Socket Kit (Includes Items 1-3 and Female Plug p/n 4461250)	

SECTION 8 - ELECTRICAL

FIGURE 8-39. SKYEYE INTERMEDIATE HARNESS



ART_1001237865

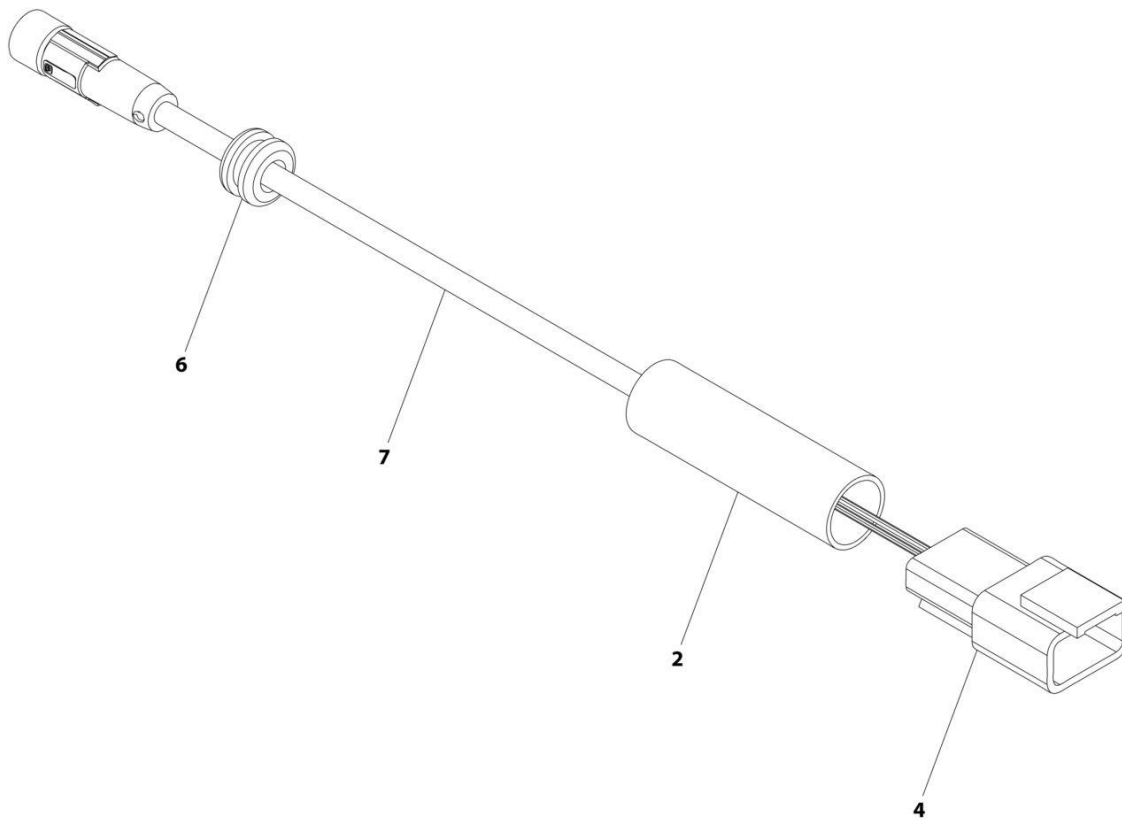
SECTION 8 - ELECTRICAL

FIGURE 8-39. SKYEYE INTERMEDIATE HARNESS

ITEM	PART NUMBER	QTY	DESCRIPTION	REV
	1001237865	Ref	SKYEYE INTERMEDIATE HARNESS	A
1	4460899	1	Connector - 6 Position	
1	4460943	4	Pin, Male	
1	4460466	2	Plug, Terminal	
2	4461077	2	Connector - 4 Position	
2	1001119619	8	Socket, Female	
3	4460911	1	Connector - 3 Position	
3	1001119619	3	Socket, Female	
4	1001187681	1	Connector - 2 Position	
4	4460941	1	Pin, Male	
4	4460466	1	Plug, Terminal	

SECTION 8 - ELECTRICAL

FIGURE 8-40. SKYEYE RECEIVER HARNESS



ART_1001237863_B

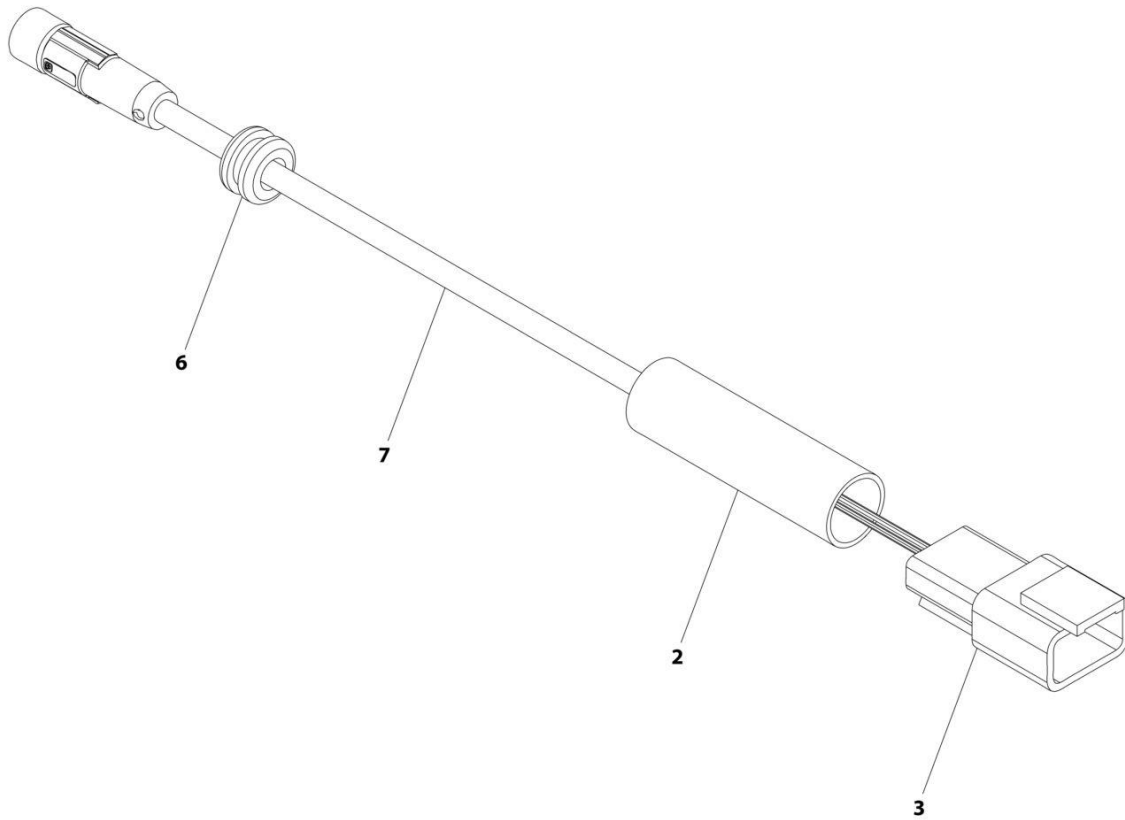
SECTION 8 - ELECTRICAL

FIGURE 8-40. SKYEYE RECEIVER HARNESS

ITEM	PART NUMBER	QTY	DESCRIPTION	REV
	1001237863	Ref	SKYEYE RECEIVER HARNESS	B
2	2820247	AR	Tubing, Heat Shrink	
4	1001097051	1	Connector - 4 Position	
4	1001119620	4	Pin, Male	
6	1001227996	1	Grommet	
7	1001258495	1	Cable, M8 Female Cordset	

SECTION 8 - ELECTRICAL

FIGURE 8-41. SKYEYE EMITTER HARNESS



ART_1001237864_B

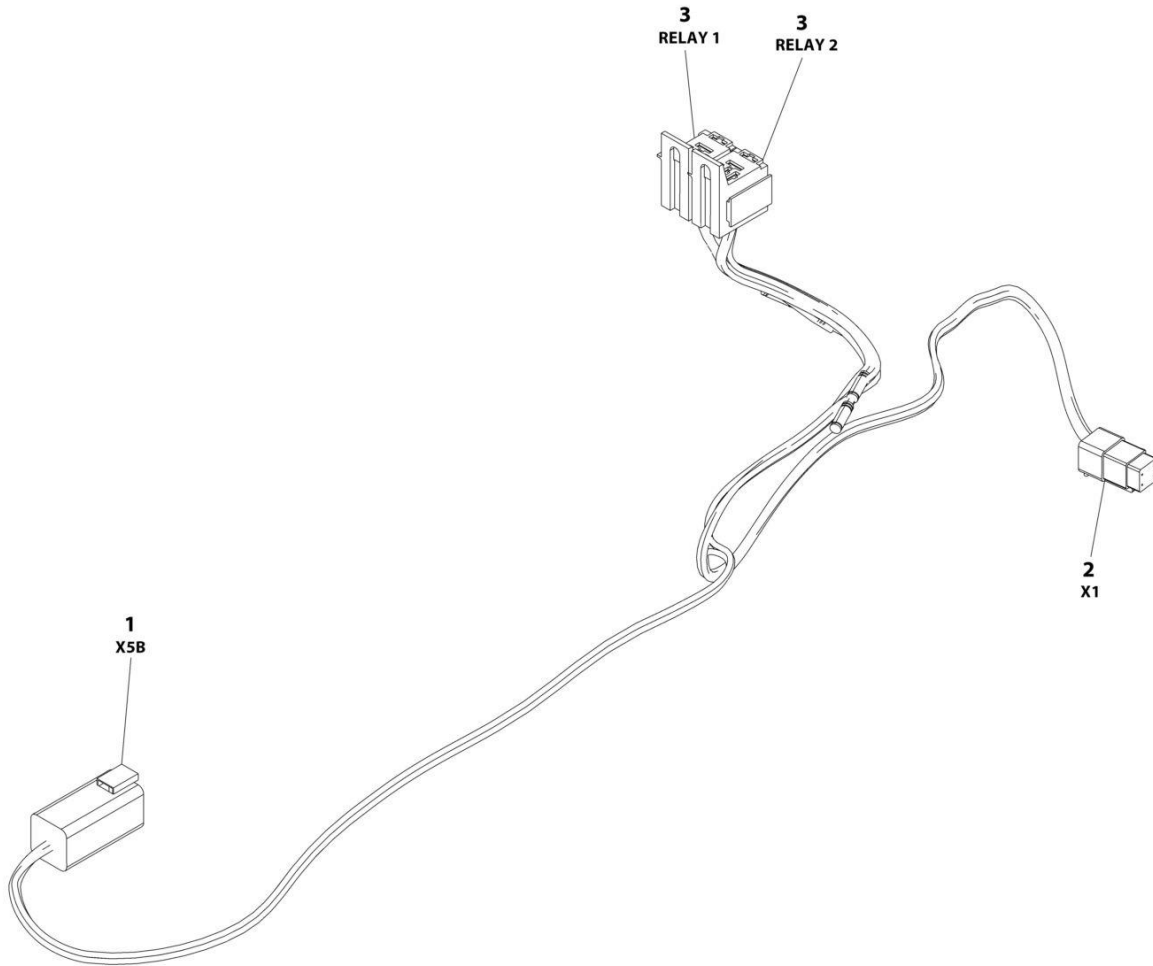
SECTION 8 - ELECTRICAL

FIGURE 8-41. SKYEYE EMITTER HARNESS

ITEM	PART NUMBER	QTY	DESCRIPTION	REV
	1001237864	Ref	SKYEYE EMITTER HARNESS	B
2	2820247	AR	Tubing, Heat Shrink	
3	4460910	1	Connector - 3 Position	
3	1001119620	3	Pin, Male	
6	1001227996	1	Grommet	
7	1001258495	1	Cable, M8 Female Cordset	

SECTION 8 - ELECTRICAL

FIGURE 8-42. SKYLINE HARNESS



ART_1001238418

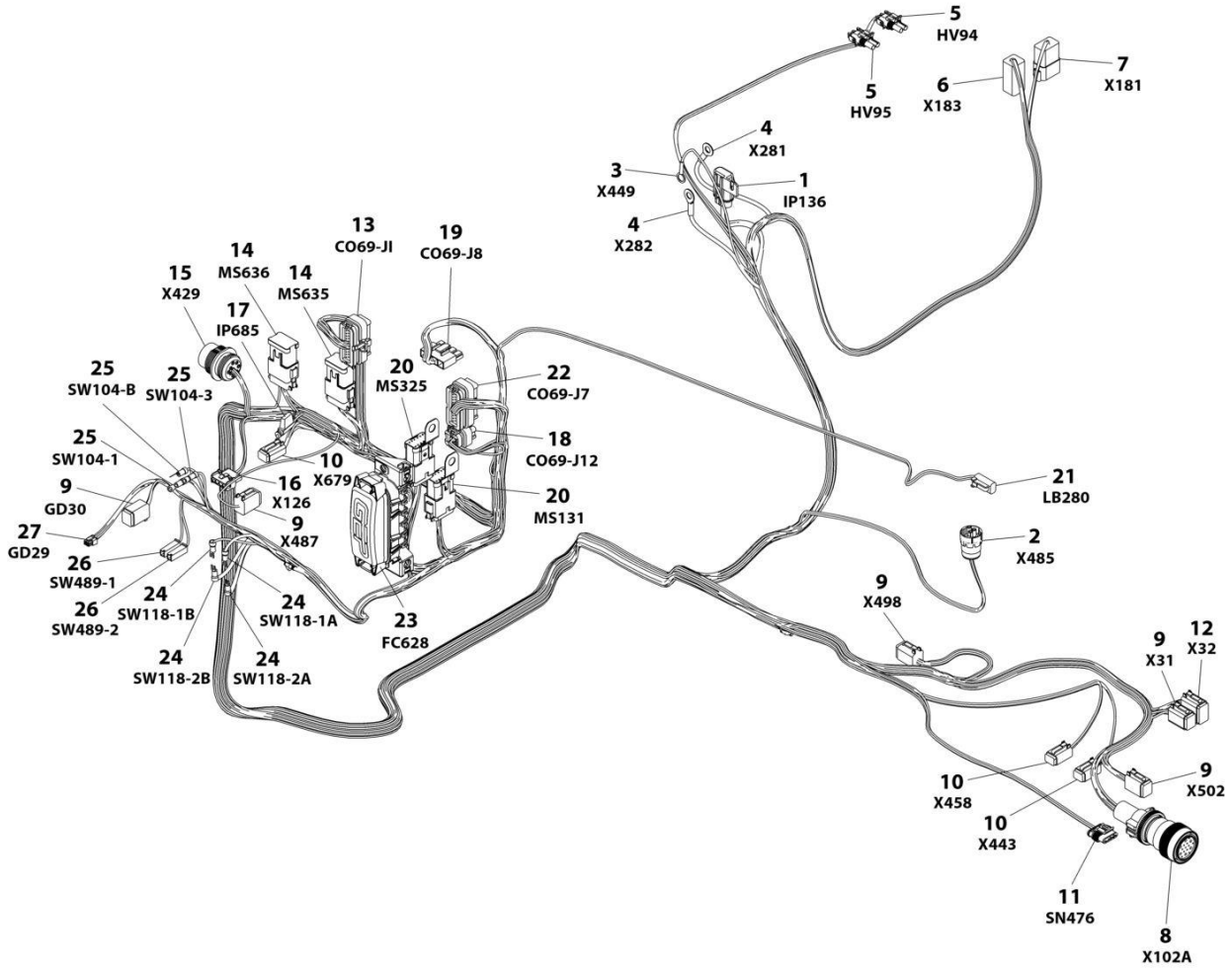
SECTION 8 - ELECTRICAL

FIGURE 8-42. SKYLINE HARNESS

ITEM	PART NUMBER	QTY	DESCRIPTION	REV
	1001238418	Ref	SKYLINE HARNESS	B
1	4460899	1	Connector - 6 Position	
1	4460464	4	Pin, Male	
1	4460466	2	Plug, Terminal	
2	4461077	1	Connector - 4 Position	
2	1001126009	4	Socket, Female	
3	1001186432	2	Plug, Relay	
3	1001118388	5	Terminal	
3	1001118384	3	Terminal	
3	3740086	2	Relay	

SECTION 8 - ELECTRICAL

FIGURE 8-43. TURNTABLE HARNESS



ART_1001244293

SECTION 8 - ELECTRICAL

FIGURE 8-43. TURNTABLE HARNESS

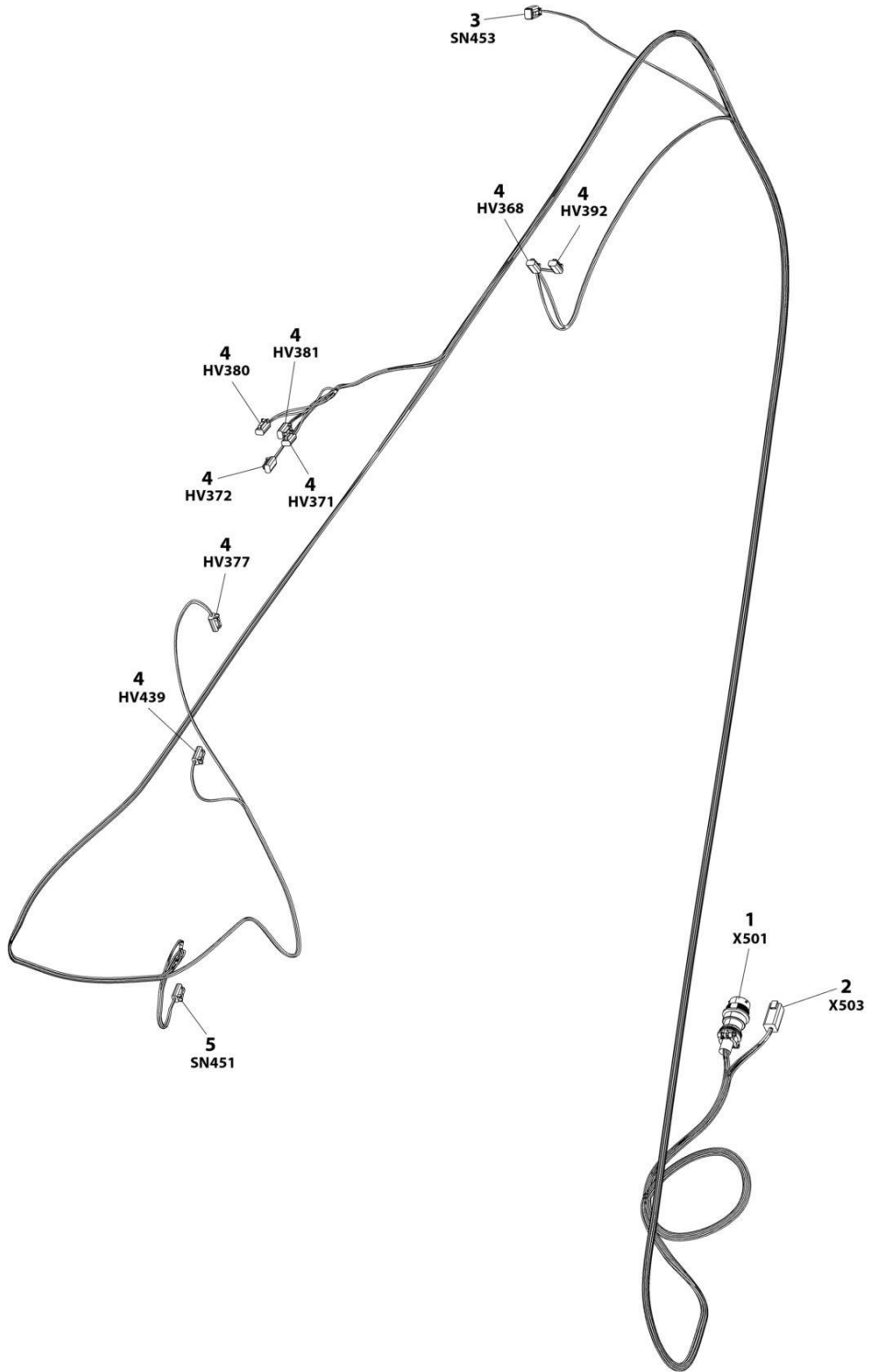
ITEM	PART NUMBER	QTY	DESCRIPTION	REV
	1001244293	Ref	TURNTABLE HARNESS	D
1	1001117070	1	Fuseholder with 30Amp Fuse	
1	See Note	1	Fuse 30Amp (Note: Not Available - Purchase Locally)	
1	1001116734	2	Terminal, Female	
2	4460967	1	Connector - 3 Position	
2	4460465	3	Socket, Female	
3	4460247	1	Terminal, Ring	
4	8220045	2	Terminal, Ring	
5	4460742	2	Plug, Male - 2 Position	
5	4460743	4	Socket, Female	
5	4460458	4	Seal, Terminal	
6	4460899	1	Receptacle, Female - 6 Position	
6	4460464	3	Pin, Male	
6	4460943	2	Pin, Male	
6	4460466	1	Plug, Terminal	
7	4460931	1	Receptacle, Female	
7	4460464	5	Pin, Male	
7	4460466	3	Plug, Terminal	
8	4460865	1	Connector - 19 Position	
8	4460465	6	Socket, Female	
8	4460509	2	Socket, Female	
8	4460466	11	Plug, Terminal	
8	1321647	1	Clamp	
9	4460894	5	Plug, Male - 6 Position	
9	4460465	24	Socket, Female	
9	4460466	6	Plug, Terminal	
10	4460884	3	Plug, Male - 4 Position	
10	4460465	8	Socket, Female	
10	4460466	4	Plug, Terminal	
11	1001103012	1	Connector - 4 Position	
11	1001107854	4	Socket, Female	
11	1001104498	4	Seal, Terminal	
12	4460930	1	Plug, Male - 8 Position	
12	4460465	6	Socket, Female	
12	4460466	2	Seal, Terminal	
13	4460874	1	Connector - 35 Position	
13	4460871	21	Socket, Female	
14	4460905	14	Plug, Terminal	
14	4460836	2	Connector - 12 Position	
14	4460465	16	Socket, Female	
14	4460466	8	Plug, Terminal	
14	4460837	2	Bussbar - 12 Position	
15	1001112612	1	Connector - 9 Position	
15	4460464	3	Pin, Male	
15	4460943	2	Pin, Male (Gold)	
15	4460466	4	Plug, Terminal	
16	4460761	1	Receptacle, Female - 4 Position	
16	4460267	4	Pin, Male	
17	2400060	1	Holder, Fuse	
17	8229242	1	Fuse 5Amp	

SECTION 8 - ELECTRICAL

ITEM	PART NUMBER	QTY	DESCRIPTION	REV
18	1001113961	1	Plug, Male - 8 Position	
18	4460871	5	Socket, Female	
18	4460905	3	Plug, Terminal	
19	4460878	1	Plug, Male - 4 Position	
19	4460887	4	Terminal	
20	4460933	2	Plug, Male - 12 Position	
20	4460465	12	Socket, Female	
20	4460466	11	Plug, Terminal	
20	1001125677	2	Bussbar - 12 Position	
20	1001120328	2	Clip, Mounting	
21	4460891	1	Plug, Male - 2 Position	
21	4460465	2	Socket, Female	
22	4460873	1	Connector - 35 Position	
22	4460871	28	Socket, Female	
22	4460905	7	Plug, Terminal	
23	1001185964	1	Fuse Box Assembly	
23	8229244	2	Fuse 15Amp	
23	8229242	4	Fuse 5Amp	
23	1001196635	1	Fuse 3Amp	
23	1001129285	2	Fuse with Diode	
23	1001095704	1	Relay	
23	1001116728	14	Terminal, Female	
23	8220125	9	Terminal, Female	
23	4460748	25	Plug, Terminal	
23	4460458	14	Seal, Terminal	
23	80963067	9	Seal, Cable	
24	4460806	4	Terminal, Fork	
25	4460142	3	Terminal, Ring	
26	4460260	2	Housing, Terminal	
26	4460259	2	Terminal	
27	1001237667	1	Connector - 6 Position	
27	1001237668	5	Socket, Female	

SECTION 8 - ELECTRICAL

FIGURE 8-44. VALVE HARNESS - BOOM VALVE



ART_1001164738

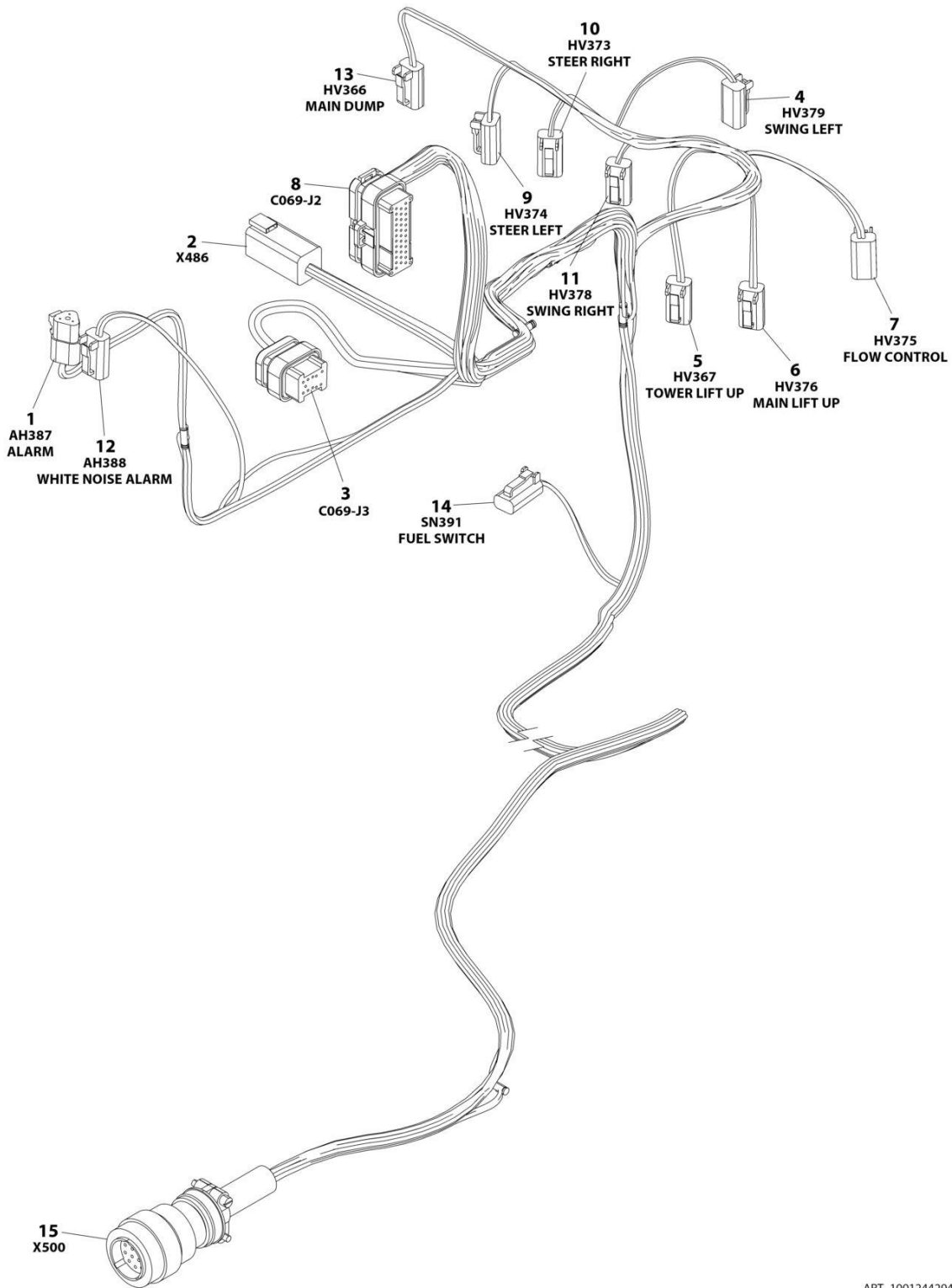
SECTION 8 - ELECTRICAL

FIGURE 8-44. VALVE HARNESS - BOOM VALVE

ITEM	PART NUMBER	QTY	DESCRIPTION	REV
	1001164738	Ref	BOOM VALVE HARNESS	1
1	1001156541	1	Connector - 19 Position	
1	4460464	13	Pin, Male	
1	4460466	1	Plug, Terminal	
2	4460899	1	Connector - 6 Position	
2	4460464	6	Pin, Male	
3	4460884	1	Plug, Male - 4 Position	
3	4460465	2	Socket, Female	
3	4460466	2	Plug, Terminal	
4	4460891	8	Plug, Male - 2 Position	
4	4460465	16	Socket, Female	
5	1001230931	1	Plug, Male - 6 Position	
5	1001116748	6	Terminal	

SECTION 8 - ELECTRICAL

FIGURE 8-45. VALVE HARNESS - MAIN VALVE



ART_1001244294

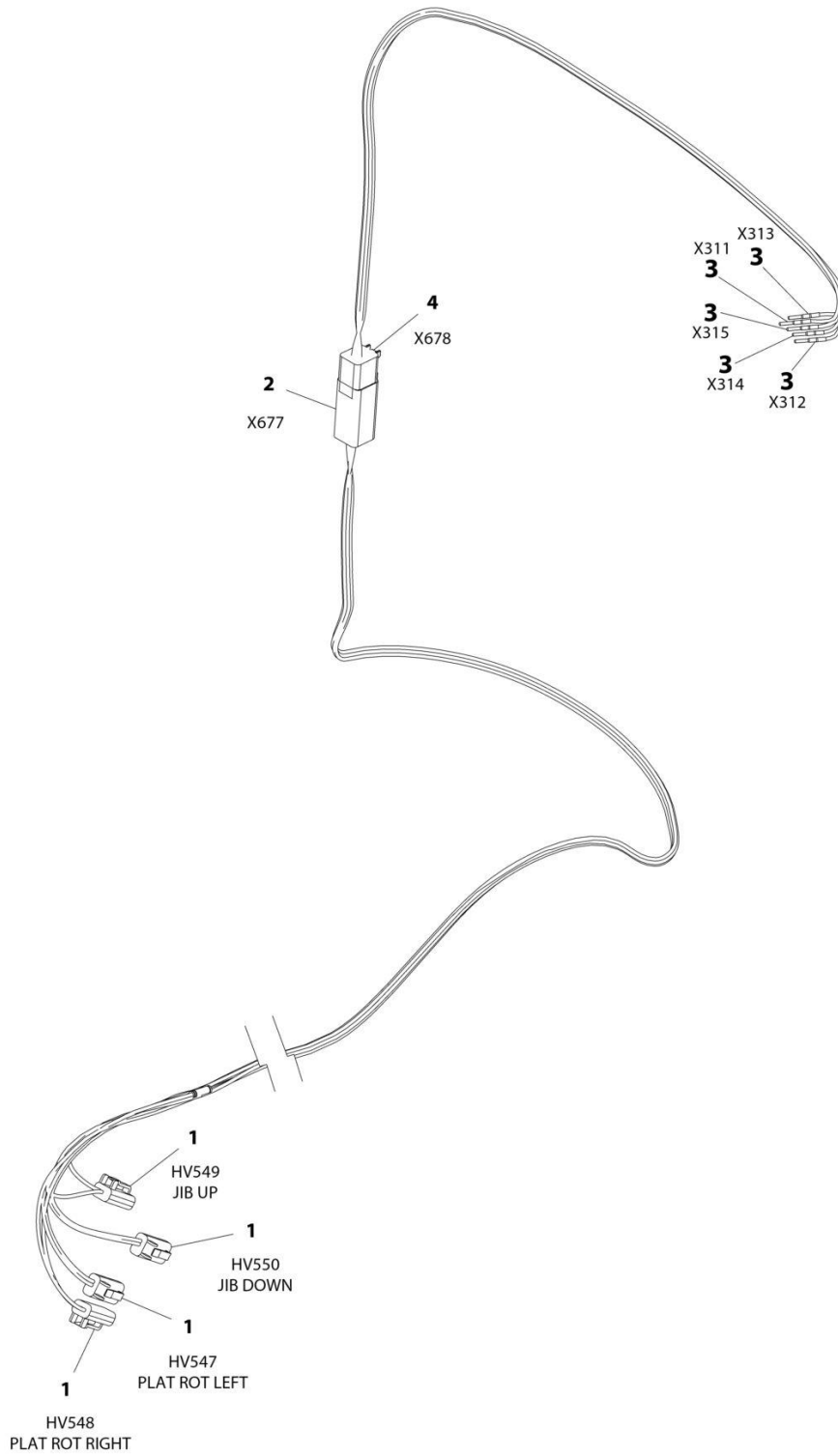
SECTION 8 - ELECTRICAL

FIGURE 8-45. VALVE HARNESS - MAIN VALVE

ITEM	PART NUMBER	QTY	DESCRIPTION	REV
	1001244294	Ref	TRACTION HARNESS	B
1	4460539	1	Plug, Male - 3 Position	
1	4460465	3	Socket, Female	
2	4460899	1	Connector - 6 Position	
2	4460464	4	Pin, Male	
2	4460466	2	Plug, Terminal	
3	4460872	1	Connector - 14 Position	
3	4460871	9	Terminal, Female	
3	4460905	5	Seal, Terminal	
4	4460891	1	Connector - 2 Position	
4	4460465	2	Socket, Female	
5	4460891	1	Connector - 2 Position	
5	4460465	2	Socket, Female	
6	4460891	1	Connector - 2 Position	
6	4460465	2	Socket, Female	
7	4460891	1	Connector - 2 Position	
7	4460465	2	Socket, Female	
8	4460875	1	Connector - 35 Position	
8	4460871	26	Socket, Female	
8	4460905	9	Plug, Terminal	
9	4460891	1	Plug, Male - 2 Position	
9	4460465	2	Socket, Female	
10	4460891	1	Connector - 2 Position	
10	4460465	2	Socket, Female	
11	4460891	1	Connector - 2 Position	
11	4460465	2	Socket, Female	
12	4460891	1	Connector - 2 Position	
12	4460465	2	Socket, Female	
13	4460891	1	Connector - 2 Position	
13	4460465	2	Socket, Female	
14	4460424	1	Connector - 2 Position	
14	4460268	2	Socket, Female	
15	4460754	1	Connector - 14 Position	
15	4460465	13	Socket, Female	
15	4460466	1	Plug, Terminal	

SECTION 8 - ELECTRICAL

FIGURE 8-46. VALVE HARNESS - PLATFORM VALVE



ART_1001164728

SECTION 8 - ELECTRICAL

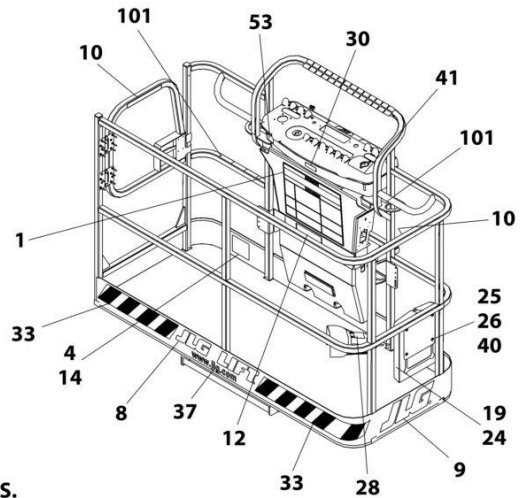
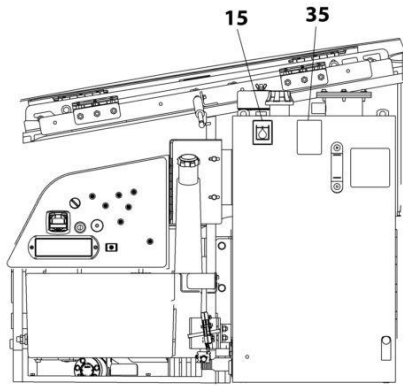
FIGURE 8-46. VALVE HARNESS - PLATFORM VALVE

ITEM	PART NUMBER	QTY	DESCRIPTION	REV
	1001164728	Ref	VALVE HARNESS - PLATFORM VALVE	D
1	4460891	4	Plug, Male - 2 Position	
1	4460465	8	Socket, Female	
2	4460899	1	Receptacle, Female - 6 Position	
2	4460464	5	Pin, Male	
2	4460466	1	Plug, Terminal	
3	4460465	5	Socket, Female	
4	4460894	1	Plug, Male - 6 Position	
4	4460465	5	Socket, Female	
4	4460466	1	Plug, Terminal	

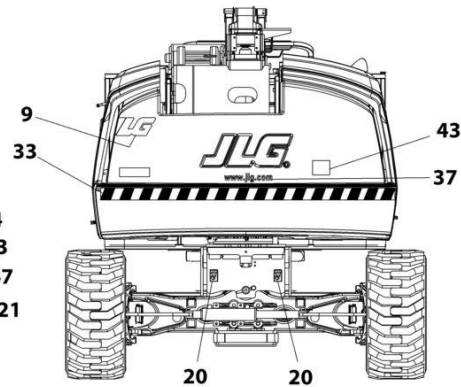
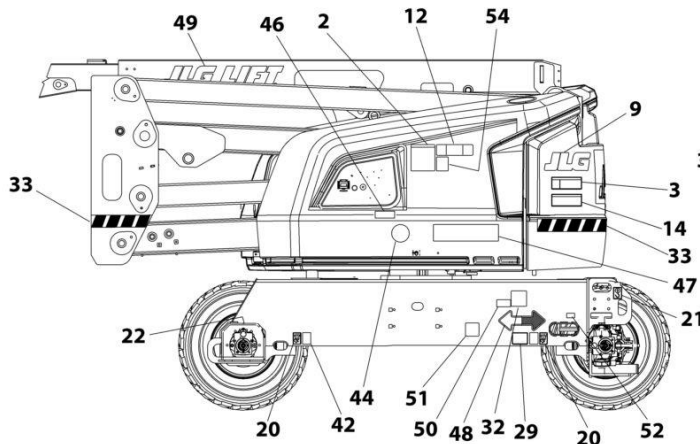
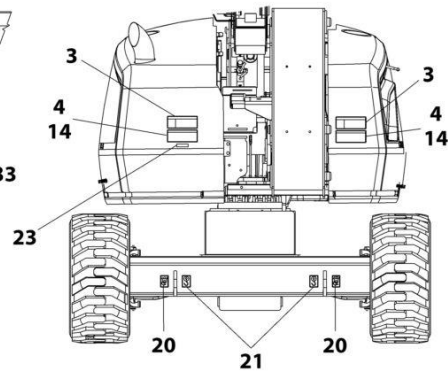
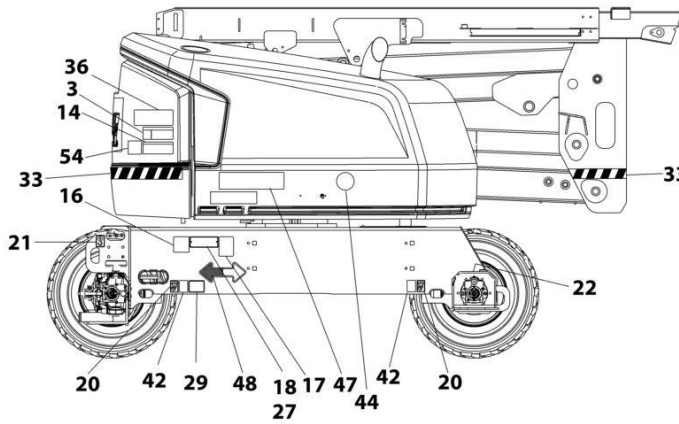
SECTION 9 - DECALS

SECTION 9 - DECALS

FIGURE 9-1. DECAL INSTALLATION – ANSI, ANSI EXPORT AND CSA SPECS (ENGLISH)



NOTE: SOME DECALS ARE CALLED OUT ON OPTIONAL DECALS INSTALLATION.
NOTE: ITEMS SHOWN MAY NOT BE REQUIRED FOR ALL SPECS. REFER TO PARTS LIST FOR USAGE.



ART_1001246402

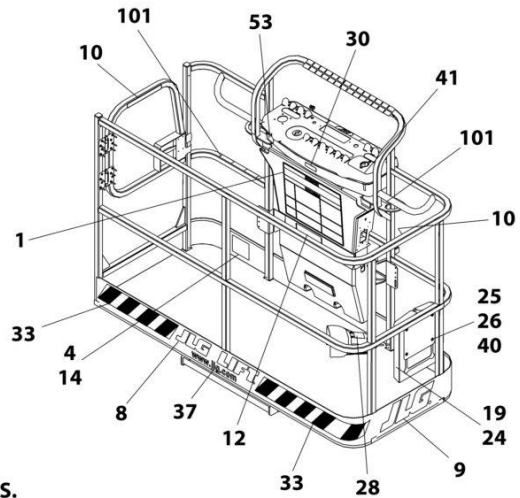
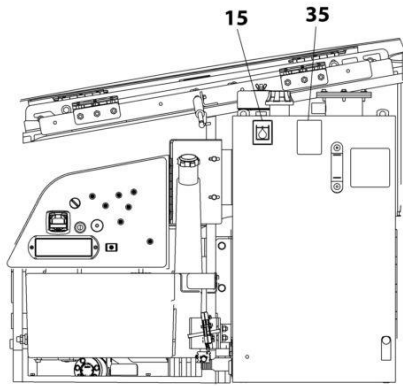
SECTION 9 - DECALS

FIGURE 9-1. DECAL INSTALLATION – ANSI, ANSI EXPORT AND CSA SPECS (ENGLISH)

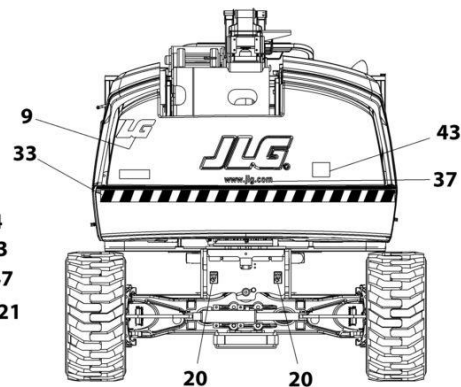
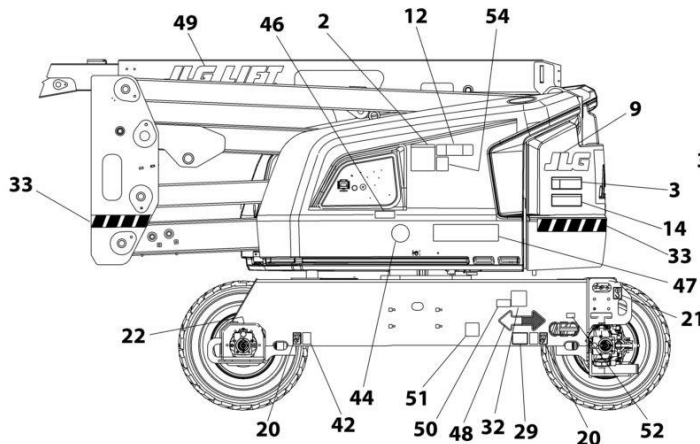
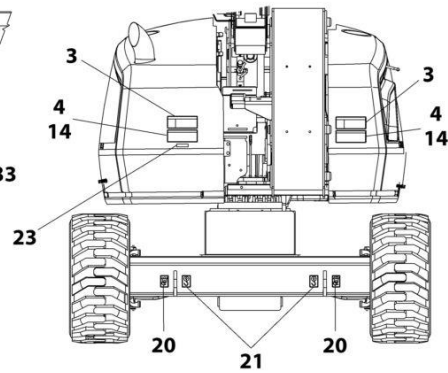
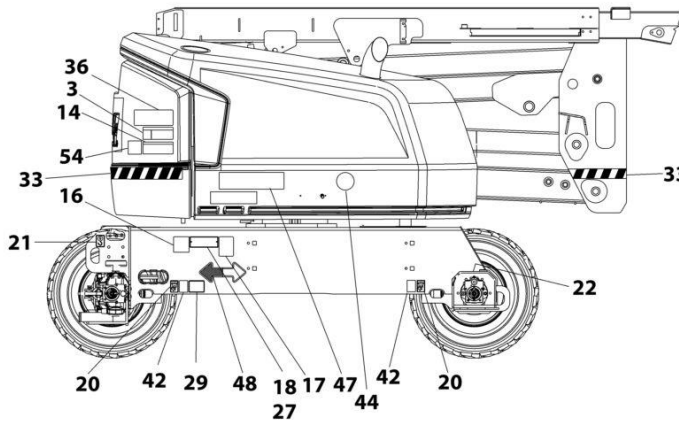
ITEM	PART NUMBER	QTY	DESCRIPTION	REV
	1001248008	Re	DECAL INSTALLATION - REFERENCE CHART	C
	1001246402	Re	DECAL INSTALLATION	D
1	1703797	1	Decal - Danger/Warning	
2	1705336	1	Decal - Danger/Warning	
3	1703805	4	Decal - Danger/Electrocution	
4	1703804	4	Decal - Warning/Crushing	
8		Ref	Decal, JLG (See DECAL INSTALLATION - OPTIONS)	
9		Ref	Decal, JLG (See DECAL INSTALLATION - OPTIONS)	
10	1702868	2	Decal - No Hands	
12	1001255511	2	Decal - Max Capacity	
14	1703953	2	Decal - Warning/Crushing	
15	1701504	1	Decal - Hydraulic Oil	
16	See Note	NSS	Decal - Bar Code (Note: Not Available for Purchase)	
17	1001131269	1	Decal - Patent	
18		Ref	Nameplate - Manufacturers Serial Number (See DECAL INSTALLATION - OPTIONS)	
19	1701509	1	Decal - Manual	
20	1702300	8	Decal - Tie Down /Lift	
21	1701500	4	Decal - Tie Down /Lift	
22	1703687	2	Decal - Arrow	
23	3251243	1	Nameplate 120V-60Hz	
24	0860520	1	Box, Manual Storage	
25	4751400	4	Washer, 1/4	
26	3311405	4	Nut, Lock 1/4-20	
27	3820001	2	Rivet	
28	3252347	1	Decal - Footswitch	
29		Ref	Decal - Max Tire Load (See DECAL INSTALLATION - OPTIONS)	
32		Ref	Decal - LP (See DECAL INSTALLATION - OPTIONS)	
33		Ref	Warning Stripes Installation (See DECAL INSTALLATION - OPTIONS)	
35	1704412	1	Decal - Hydraulic Fluid	
36	1001284875	1	Decal - Lift Diagram (Without Turntable Lock)	
36	1001223118	1	Decal - Lift Diagram (With Turntable Lock)	
37	1704885	2	Decal - Website	
40	0641406	4	Bolt, 1/4-20 x 3/4	
41	1705351	1	Decal - Drive/Steer	
42	1701499	4	Decal - Tie Down /Lift	
43	3251813	1	Decal - USA	
47		Ref	Decal - Model Designation (See DECAL INSTALLATION - OPTIONS)	
48	1701529	2	Decal - Arrow	
51	1001223055	1	Decal - Yearly Inspection	
52	1001223453	1	Decal - Ices (Canada)	
100	1001232026	1	Decal - Platform Lanyard Kit (Not Shown)	
101	1704277	3	Decal - Attach Lanyard Here	

SECTION 9 - DECALS

FIGURE 9-2. DECAL INSTALLATION - AUSTRALIAN SPEC (ENGLISH)



NOTE: SOME DECALS ARE CALLED OUT ON OPTIONAL DECALS INSTALLATION.
NOTE: ITEMS SHOWN MAY NOT BE REQUIRED FOR ALL SPECS. REFER TO PARTS LIST FOR USAGE.



ART_1001162522

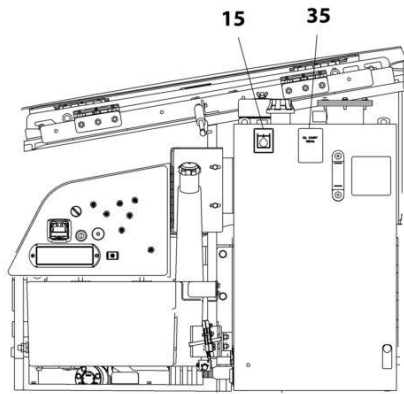
SECTION 9 - DECALS

FIGURE 9-2. DECAL INSTALLATION - AUSTRALIAN SPEC (ENGLISH)

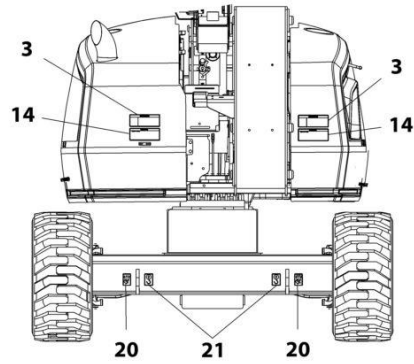
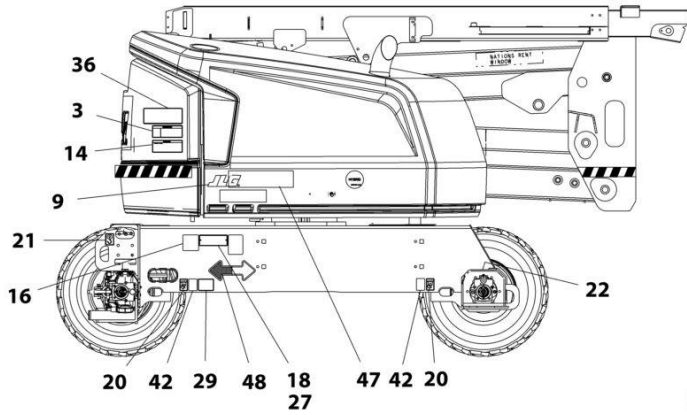
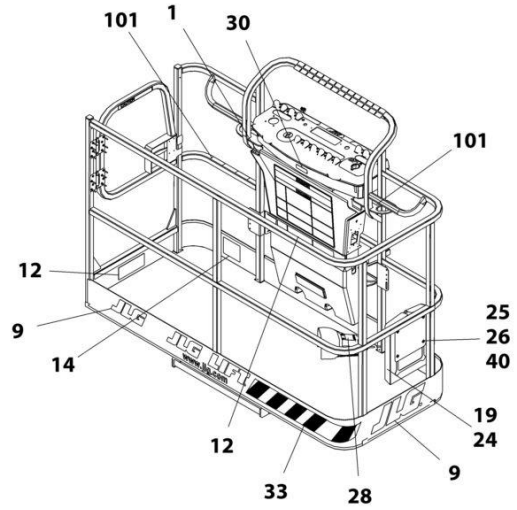
ITEM	PART NUMBER	QTY	DESCRIPTION	REV
	1001248008	Ref	DECAL INSTALLATION - REFERENCE CHART	C
	1001162522	Ref	DECAL INSTALLATION	I
1	1001162429	1	Decal - Tipping/Electrocution	
2	1705822	1	Decal - Electrocution/Safety Manual	
3	1705961	4	Decal - Danger Electrocution	
8		Ref	Decal, JLG (See DECAL INSTALLATION - OPTIONS)	
9		Ref	Decal, JLG (See DECAL INSTALLATION - OPTIONS)	
12	1001190913	2	Decal - Max Capacity	
14	1701518	6	Decal - Warning/Crushing	
15	1701504	1	Decal - Hydraulic Oil	
16	See Note	NSS	Decal - Bar Code (Note: Not Available for Purchase)	
18		Ref	Nameplate - Manufacturers Serial Number (See DECAL INSTALLATION - OPTIONS)	
19	1701509	1	Decal - Manual	
20	1702300	8	Decal - Tie Down /Lift	
21	1701500	4	Decal - Tie Down /Lift	
22	1703687	2	Decal - Arrow	
24	0860520	1	Box, Manual Storage	
25	4751400	4	Washer, 1/4	
26	3311405	4	Nut, Lock 1/4-20	
27	3820001	4	Rivet	
28	1705828	1	Decal - Footswitch	
29		Ref	Decal - Max Tire Load (See DECAL INSTALLATION - OPTIONS)	
33		Ref	Warning Stripes Installation (See DECAL INSTALLATION - OPTIONS)	
35	1704412	1	Decal - Hydraulic Fluid	
36	1001284875	1	Decal - Lift Diagram (Without Turntable Lock)	
36	1001223118	1	Decal - Lift Diagram (With Turntable Lock)	
37	1704885	2	Decal - Website	
40	0641406	4	Bolt, 1/4-20 x 3/4	
42	1701499	4	Decal - No Tie Down/Lift	
43	1001204510	1	Decal - Sound Power Level	
46	1001112551	1	Decal - Emergency Controls	
47		Ref	Decal - Model Designation (See DECAL INSTALLATION - OPTIONS)	
48	1701529	2	Decal - Arrow	
49		Ref	Decal, JLG (See DECAL INSTALLATION - OPTIONS)	
50		Ref	Decal - Emissions Compliance (See DECAL INSTALLATION - OPTIONS)	
100	1001232026	1	Decal - Platform Lanyard Kit (Not Shown)	
101	1704277	3	Decal - Attach Lanyard Here	

SECTION 9 - DECALS

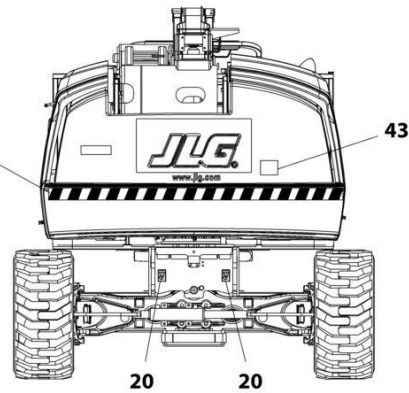
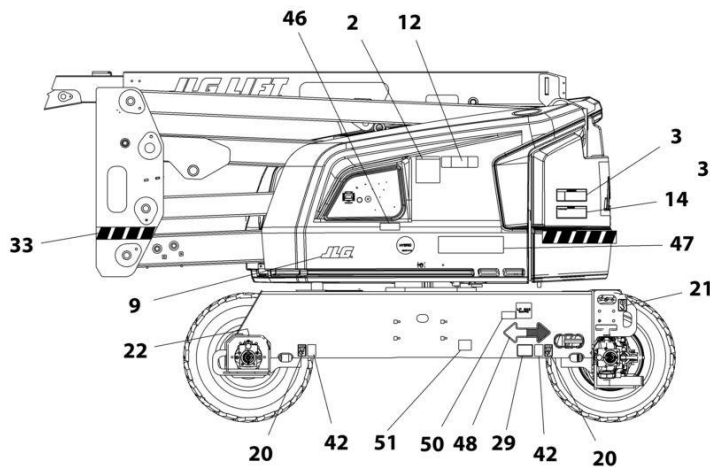
FIGURE 9-3. DECAL INSTALLATION - CE & UK CA SPEC (ENGLISH)



NOTE: SOME DECALS ARE CALLED OUT ON OPTIONAL DECALS INSTALLATION.



NOTE: ITEMS SHOWN MAY NOT BE REQUIRED FOR ALL SPECS. REFER TO PARTS LIST FOR USAGE.



ART_1001162528

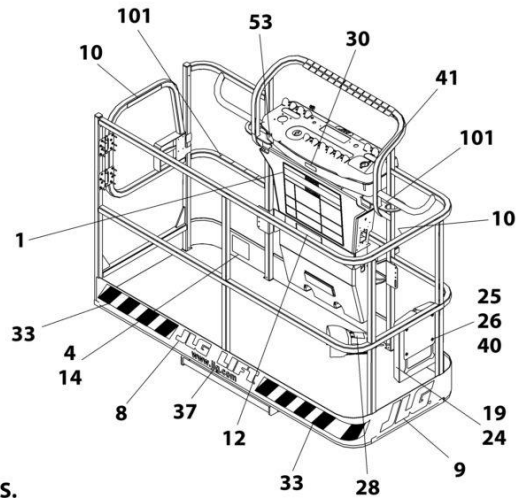
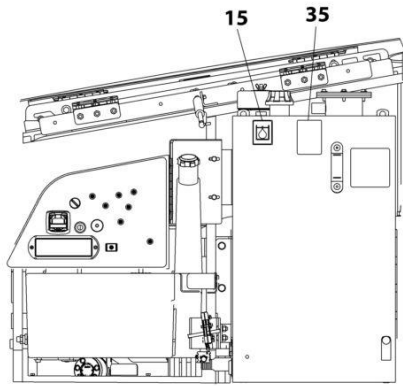
SECTION 9 - DECALS

FIGURE 9-3. DECAL INSTALLATION - CE & UK CA SPEC (ENGLISH)

ITEM	PART NUMBER	QTY	DESCRIPTION	REV
	1001217904	Ref	DECAL INSTALLATION - REFERENCE CHART	G
	1001162528	Ref	DECAL INSTALLATION	J
1	1001162429	1	Decal - Tipping/Electrocution	
2	1705822	1	Decal - Electrocution/Safety Manual	
3	1705961	4	Decal - Danger Electrocution	
9	1702773	3	Decal - JLG	
12	1001190913	1	Decal - Max Capacity	
14	1701518	6	Decal - Warning/Crushing	
15	1701504	1	Decal - Hydraulic Oil	
16	See Note	NSS	Decal - Bar Code (Note: Not Available for Purchase)	
19	1701509	1	Decal - Manual	
20	1702300	8	Decal - Tie Down /Lift	
21	1701500	4	Decal - Tie Down /Lift	
22	1703687	2	Decal - Arrow	
24	0860520	1	Box, Manual Storage	
25	4751400	4	Washer, 1/4	
26	3311405	4	Nut, Lock 1/4-20	
27	3820001	4	Rivet	
28	1705828	1	Decal - Footswitch	
35	1704412	1	Decal - Hydraulic Fluid	
36	1001172217	1	Decal - Lift Diagram (Without Turntable Lock)	
36	1001223118	1	Decal - Lift Diagram (With Turntable Lock)	
40	0641406	4	Bolt, 1/4-20 x 3/4	
42	1701499	4	Decal - No Tie Down/Lift	
43	1001204510	1	Decal - Sound Power Level	
46	1001189882	1	Decal - MSSO	
48	1701529	2	Decal - Arrow	
100	1001232026	1	Decal - Platform Lanyard Kit (Not Shown)	
101	1704277	3	Decal - Attach Lanyard Here	

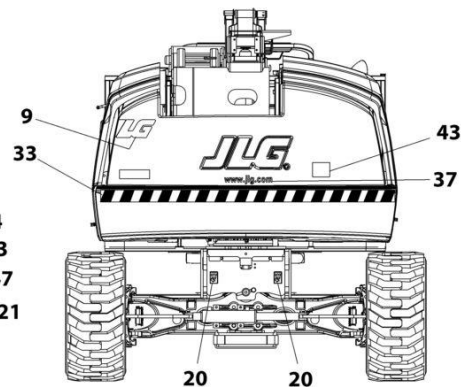
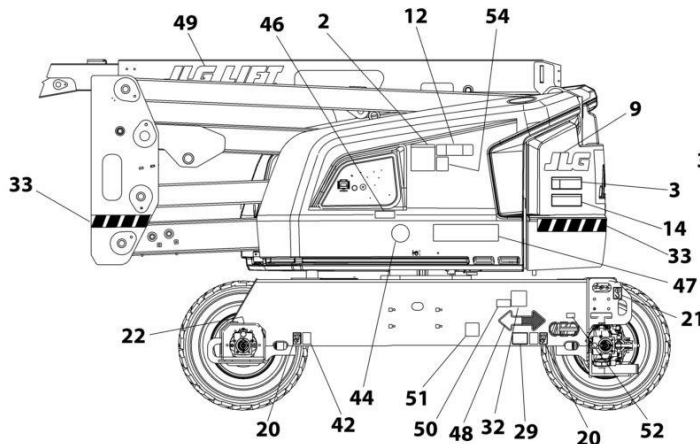
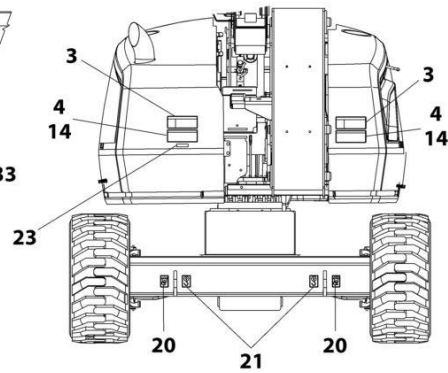
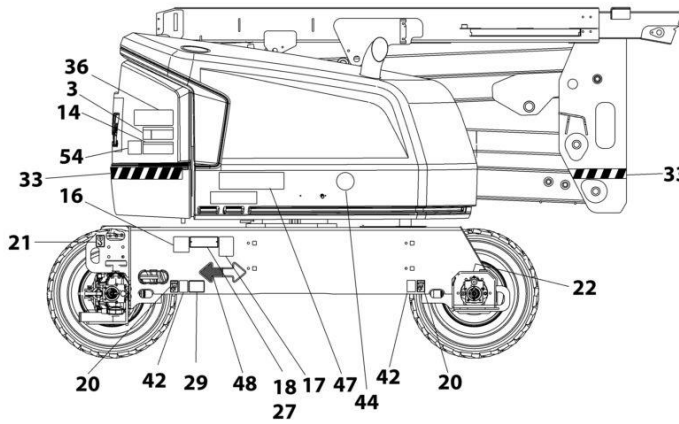
SECTION 9 - DECALS

FIGURE 9-4. DECAL INSTALLATION - CHINESE SPEC (CHINESE/ENGLISH)



NOTE: SOME DECALS ARE CALLED OUT ON OPTIONAL DECALS INSTALLATION.

NOTE: ITEMS SHOWN MAY NOT BE REQUIRED FOR ALL SPECS. REFER TO PARTS LIST FOR USAGE.



ART_1001246206

SECTION 9 - DECALS

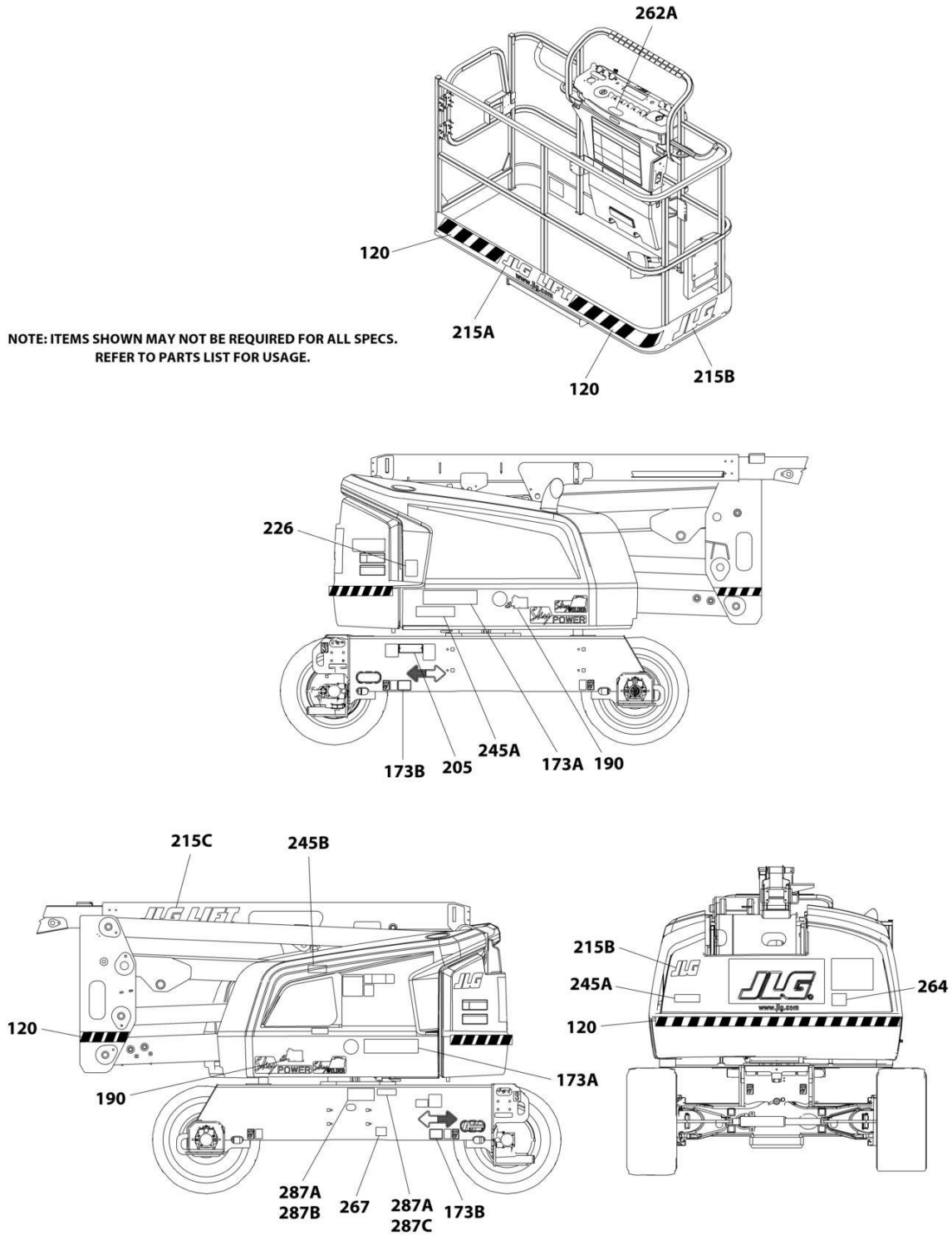
FIGURE 9-4. DECAL INSTALLATION - CHINESE SPEC (CHINESE/ENGLISH)

ITEM	PART NUMBER	QTY	DESCRIPTION	REV
	1001248008	Ref	DECAL INSTALLATION - REFERENCE CHART	C
	1001256206	Ref	DECAL INSTALLATION	B
1	1703925	1	Decal - Danger/Warning	
2	1001116849	1	Decal - Warning Inspection	
3	1703937	4	Decal - Danger Electrocution	
4	1703949	4	Decal - Warning/Crushing	
8		Ref	Decal, JLG (See DECAL INSTALLATION - OPTIONS)	
9		Ref	Decal, JLG (See DECAL INSTALLATION - OPTIONS)	
10	1705968	2	Decal - No Hands	
12	1001255514	2	Decal - Max Capacity	
14	1703943	2	Chinese Spec Decals (Chinese/English)	
15	1701504	1	Decal - Hydraulic Oil	
16	See Note	NSS	Decal - Bar Code (Note: Not Available for Purchase)	
18		Ref	Nameplate - Manufacturers Serial Number (See DECAL INSTALLATION - OPTIONS)	
19	1701509	1	Decal - Manual	
20	1702300	8	Decal - Tie Down /Lift	
21	1701500	4	Decal - Tie Down /Lift	
22	1703687	2	Decal - Arrow	
24	0860520	1	Box, Manual Storage	
25	4751400	4	Washer, 1/4	
26	3311405	4	Nut, Lock 1/4-20	
27	3820001	4	Rivet	
28	1703982	1	Decal - Footswitch	
29		Ref	Decal - Max Tire Load (See DECAL INSTALLATION - OPTIONS)	
33		Ref	Warning Stripes Installation (See DECAL INSTALLATION - OPTIONS)	
35	1704412	1	Decal - Hydraulic Fluid	
36	1001284875	1	Decal - Lift Diagram	
37	1704885	2	Decal - Website	
40	0641406	4	Bolt, 1/4-20 x 3/4	
41	1705430	1	Decal - Drive/Steer	
42	1701499	4	Decal - No Tie Down/Lift	
47		Ref	Decal - Model Designation (See DECAL INSTALLATION - OPTIONS)	
48	1701529	2	Decal - Arrow	
49		Ref	Decal, JLG (See DECAL INSTALLATION - OPTIONS)	
50		Ref	Decal - Emissions Compliance (See DECAL INSTALLATION - OPTIONS)	
51	1001224050	1	Decal - Yearly Inspection	
100	1001232026	1	Decal - Platform Lanyard Kit (Not Shown)	
101	1704277	3	Decal - Attach Lanyard Here	

SECTION 9 - DECALS

FIGURE 9-5. DECAL INSTALLATION - OPTIONS

NOTE: ITEMS SHOWN MAY NOT BE REQUIRED FOR ALL SPECS.
REFER TO PARTS LIST FOR USAGE.



ART_DECAL_OPTIONS

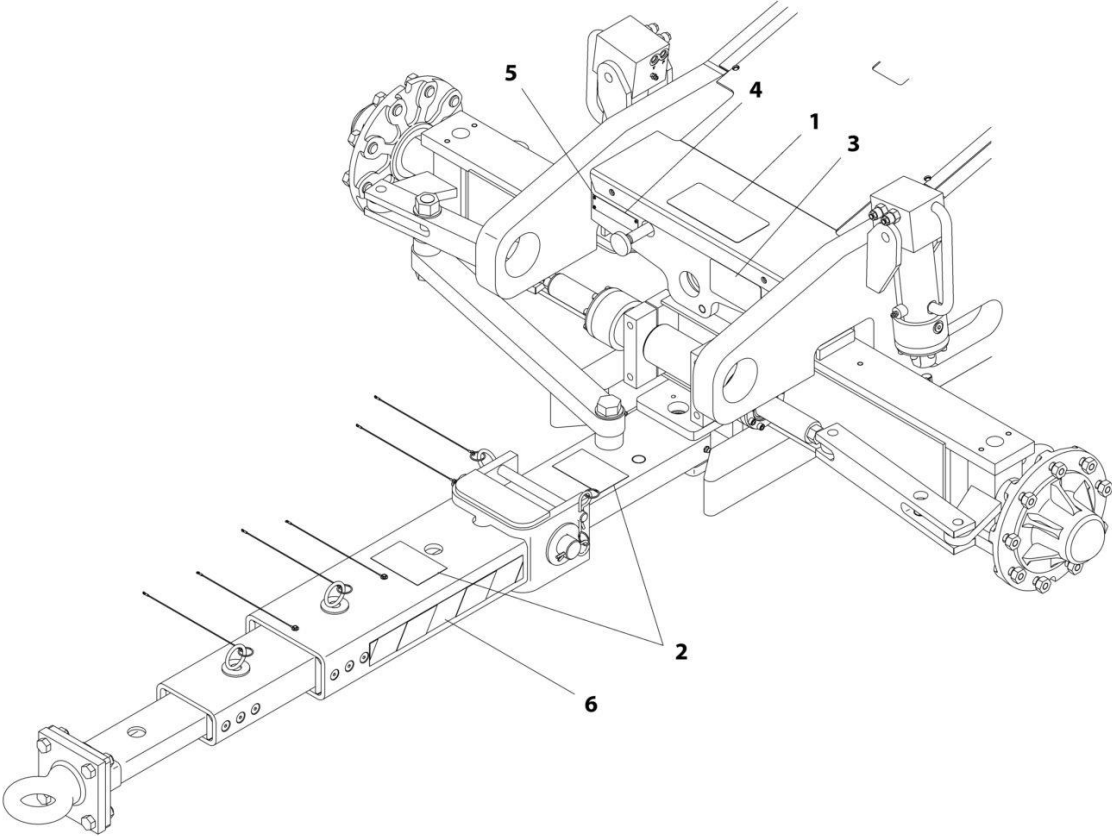
SECTION 9 - DECALS

FIGURE 9-5. DECAL INSTALLATION - OPTIONS

ITEM	PART NUMBER	QTY	DESCRIPTION	REV
	1001248008	Ref	DECAL INSTALLATION - REFERENCE CHART (ALL SPECS EXCEPT CE SPECS)	B
	1001217904	Ref	DECAL INSTALLATION - REFERENCE CHART (CE & UK CA SPECS)	E
	1001247248	Ref	DECAL INSTALLATION - OPTIONS	
120	1001188883	Ref	Warning Stripes Installation	A
120	4420051	21.5 ft /6.55m	Tape, Safety	
173	1001173076	Ref	Model Decal Installation - 520AJ	D
173A	1001267313	2	Decal - 520AJ	
190	1705358	2	Decal - SkyGlazier (Australian Specs)	
205	See Note	1	Nameplate - Manufacturers Serial Number (Note: Not Available for Purchase)	
	1001166085	Ref	JLG Logo Installation	C
215A	1702774	1	Decal - JLG Lift (3in)	
215B	1702773	1	Decal - JLG	
215C	1702860	1	Decal - JLG Lift (5in)	
226	1706098	1	Decal - Warning Explosion/Fire)	
245	1001127096	Ref	Decal - ClearSky	
245A	1001116208	2	Decal - ClearSky	
245B	1001120989	1	Decal - Radio Frequency	
262A	1001141300	1	Decal - SkyGuard Override	
264	1001204510	1	Decal - Sound Power (102 Db)	
264	1001130492	1	Decal - Sound Power (105 Db)	
267	1001200131	1	Decal - Quick Start Reference (Loxam Rental) (Danish Spec)	
267	1001200129	1	Decal - Quick Start Reference (Loxam Rental) (Dutch Spec)	
267	1001181145	1	Decal - Quick Start Reference (Loxam Rental) (English Spec)	
267	1001200128	1	Decal - Quick Start Reference (Loxam Rental) (French Spec)	
267	1001200130	1	Decal - Quick Start Reference (Loxam Rental) (German Spec)	
267	1001200134	1	Decal - Quick Start Reference (Loxam Rental) (Norwegians Spec)	
267	1001200133	1	Decal - Quick Start Reference (Loxam Rental) (Spanish Spec)	
267	1001200132	1	Decal - Quick Start Reference (Loxam Rental) (Swedish Spec)	
287	1001239371	Ref	Eco Label Installation	A
287A	3820001	8	Rivet	
287B	1001232904	1	Decal - Eco Label	
287C	1001236396	1	Nameplate - Mein Code	

SECTION 9 - DECALS

FIGURE 9-6. TOW BAR DECAL INSTALLATION - ENGLISH LANGUAGE (ANSI EXPORT, CE, CIS/EAC & UK CA SPECS)



ART_0270115

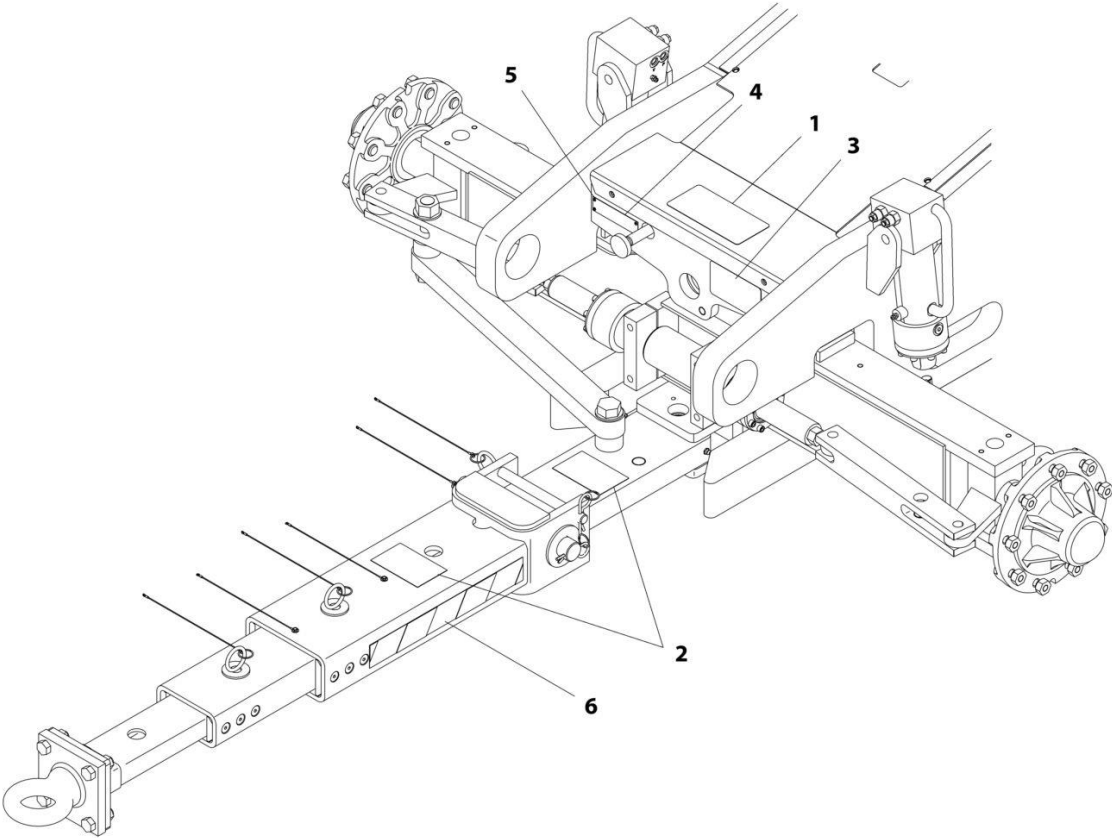
SECTION 9 - DECALS

FIGURE 9-6. TOW BAR DECAL INSTALLATION - ENGLISH LANGUAGE (ANSI EXPORT, CE, CIS/EAC & UK CA SPECS)

ITEM	PART NUMBER	QTY	DESCRIPTION	REV
	0270115	Ref	TOW BAR DECAL INSTALLATION	A
1	1704482	1	Decal - Tow Instructions	
2	1704578	3	Decal - Crushing	
3	1703450	1	Decal - Warning	
4	3250872	1	Nameplate - Steer/Tow Select Valve	
5	3820001	4	Rivet	
6	4420051	43 in /109.2cm	Tape, Safety	

SECTION 9 - DECALS

FIGURE 9-7. TOW BAR DECAL INSTALLATION - SPANISH LANGUAGE (CE, CIS/EAC & UK CA SPECS)



ART_0270116

SECTION 9 - DECALS

FIGURE 9-7. TOW BAR DECAL INSTALLATION - SPANISH LANGUAGE (CE, CIS/EAC & UK CA SPECS)

ITEM	PART NUMBER	QTY	DESCRIPTION	REV
	0270116	Ref	TOW BAR DECAL INSTALLATION	A
1	1704455	1	Decal - Tow Instructions	
2	1701518	3	Decal - Crushing	
3	1704456	1	Decal - Warning	
4	3252692	1	Nameplate - Steer/Tow Select Valve	
5	3820001	4	Rivet	
6	4420051	43 in /109.2cm	Tape, Safety	

SECTION 10 - RECOMMENDED SERVICE PARTS STOCK

SECTION 10 - RECOMMENDED SERVICE PARTS STOCK

SECTION 10 - RECOMMENDED SERVICE PARTS STOCK

FIGURE 10-1. RECOMMENDED SERVICE PARTS STOCK

ITEM	PART NUMBER	QTY	DESCRIPTION	REV
		Ref	Note: The following list will service one machine (built to current production per date on the front cover) with emergency repair parts which can be installed in the field. Parts from the list should be replaced when inventory is depleted to keep service parts stock supplied. For further information, contact your JLG dealer or the JLG Industries Parts Department.	
	7024485	1	Breaker, Circuit 30Amp (7500W/50HZ Generator)	
	1001181045	1	Breaker, Combination 16Amp/30mAmp (Breaker Box with Single Breaker)	
	1001189172	1	Breaker 16Amp Double (Breaker Box with Three Breakers)	
	1001189171	1	Breaker, 30mA (Breaker Box with Three Breakers)	
	4360070	1	Circuit Breaker - 15Amp (7500W/50HZ Generator)	
	7024885	1	Coil (Traction Valve)	
	70002386	1	Coil (Traction, & Main Control Valves)	
	70005219	1	Coil (Main Control Valve)	
	70003788	1	Coil (Main Control Valve)	
	70004897	1	Coil (Piston Pump)	
	70004871	1	Coil (Upright & Boom Valves)	
	7027628	1	Coil (Upright Valve)	
	1001212415	1	Controller Assembly (Drive and Steer)	
	1001129555	1	Controller Assembly (Lift and Swing)	
	4360407	1	Controller, Speed (Platform Controls)	
	70010383	1	Element, Filter (Charge Pump)	
		Ref	Engine - Deutz D2011	
	70003783	12	Element, Air Cleaner	
	7020023	12	Filter, Fuel	
	70003463	12	Filter, Fuel - RME Resistant	
	7016331	12	Filter, Oil	
	3740140	1	Relay, 100Amp	
	70004058	1	Relay	
		Ref	Engine - Deutz D2.9L4 (Stage V)	
	70003783	12	Element, Air Cleaner	
	70025161	12	Filter, Fuel	
	70025153	12	Filter, Fuel Pre	
	7016331	12	Filter, Oil	
	70029512	1	Module, Engine Control	
	1001117308	1	Relay, 200Amp	
	1001138228	1	Relay, Power Module	
		Ref	Engine - Deutz D2.9L4 (China IV)	
	70003783	12	Element, Air Cleaner	
	1001117308	1	Relay, 200Amp	
	1001138228	1	Relay, Power Module	
	70003614	12	Filter Kit (Includes Hydraulic Element, Breather Element and Gasket) (Hydraulic Tank)	
	1001117174	1	Footswitch Assembly	
	1001196634	2	Fuse - 2 Amp (Deutz D2.9L4 Breather Heater)	
	8229249	2	Fuse, 3 Amp (USB Charger)	
	1001197719	2	Fuse 0.5 Watt (Deutz D2.9L4 Engine Harness)	
	8229245	2	Fuse 30Amp (2500W/50HZ Generator)	
	8229242	2	Fuse 5Amp (Turntable Harness)	

SECTION 10 - RECOMMENDED SERVICE PARTS STOCK

ITEM	PART NUMBER	QTY	DESCRIPTION	REV
	8229244	2	Fuse 15Amp (Turntable HHarness)	
	1001196635	2	Fuse 3Amp (Turntable Harness)	
	1001129285	2	Fuse with Diode (Turntable Harness)	
	2860030	1	Key, Replacement	
	2940074	1	Latch (Platforms with Side Entry)	
	1001170094	1	Module, Ground Control	
	1001142683	1	Module, Control (Blue and Red Beacons)	
	1001118412	1	Module, Control (Platform Console Box)	
	70006553	1	Relay (4000W/50HZ Generator)	
	1001186431	1	Relay (SkyGuard)	
	3740086	1	Relay (SkyLine)	
	1001095704	1	Relay, (Turntable Harness)	
	1001219601	1	Sensor (At Ground Controls)	
	1001228225	1	Sensor, Emitter (SkyEye)	
	1001228224	1	Sensor, Receiver (SkyEye)	
	1001232667	1	Sensor, Proximity (SkyLine)	
	1001237902	1	Sensor (SkySense)	
	1001118971	1	Sensor, Angle (Boom)	
	1001119176	1	Switch, Limit (Drive Orientation)	
	4360469	1	Switch, Key (Ground Controls)	
	4360475	1	Switch, Emergency Stop (Ground & Platform Controls)	
	4360476	1	Switch, Contact Block (Ground & Platform Controls)	
	1001155045	1	Switch, Toggle (Ground & Platform Controls)	
	4360387	1	Switch, Push Button (Ground & Platform Controls)	
	4360274	1	Switch, Push Button (Ground Controls)	
	4360336	1	Switch, Toggle (Generator)	
	1001159256	1	Switch, Toggle (Platform Controls)	
	1001161709	1	Switch, Toggle (Platform Controls)	
	1001137673	1	Switch, Bar (SkyGuard)	
	1001172271	1	Switch, Limit (Boom)	

SECTION 11 - SPECIAL OPTIONS/ACCESSORIES/KITS

SECTION 11 - SPECIAL OPTIONS/ACCESSORIES/KITS

SECTION 11 - SPECIAL OPTIONS/ACCESSORIES/KITS

FIGURE 11-1. SPECIAL OPTIONS/ACCESSORIES/KITS

ITEM	PART NUMBER	QTY	DESCRIPTION	REV
	Note	Ref	Note: This list is to accommodate machines ordered with special equipment. Options may not be applicable to all models. For more specific parts information contact JLG Parts Department.	
		Ref	SPECIAL OPTIONS/ACCESSORIES/KITS	
	1001174661	Ref	Airline Installation	
	1001236123	Ref	Boom Wiper Cover Installation	
	1001172045	Ref	Cable Carrier Tray Installation	
		Ref	ClearSky Telematics (Factory Installed)	
	1001228960	Ref	ClearSky (Telematics) Installation (Factory Installed) 3G Canbus Connection (ANSI Export, CE & UK CA Specs)	
	1001227278	Ref	ClearSky (Telematics) Installation (Factory Installed) 4G Canbus Connection (All Specs)	
	1001276610	Ref	ClearSky (Telematics) Installation (Factory Installed) 3-Wire Connection (All Specs Except China Specs)	
	1001246433	Ref	ClearSky (Telematics) Installation (Factory Installed) 3-Wire Connection (Australian Specs)	
	1001246434	Ref	ClearSky (Telematics) Installation (Factory Installed) 3-Wire Connection (China Specs)	
		Ref	ClearSky (Telematics) Installations (Dealer Installed)	
	1001243183	Ref	ClearSky (Telematics) Add-on Kit (Dealer Installed) (ANSI Export, CE & UK CA Specs)	
	1001243184	Ref	ClearSky (Telematics) Add-on Kit (Dealer Installed) (CE & UK CA Specs)	
	1001276923	Ref	ClearSky (Telematics) Add-on Kit (Dealer Installed) (Contact JLG for Approved Countries)	
	1001242639	Ref	ClearSky (Telematics) Access Control Installation Kit (Dealer Installed) (ANSI, ANSI Export, CSA, CE & UK CA Specs)	
	1001246142	Ref	ClearSky (Telematics) Service Kit (Dealer Installed) (Australian Specs)	
	1001174766	Ref	Cold Weather Package - Deutz D2.9L4 Engines (Stage V)	
	1001255807	Ref	Cold Weather Package - Deutz D2.9L4 Engines (Stage V)	
	1001282099	Ref	Cold Weather Package - Deutz D2.9L4 Engines (China IV)	
	1001174767	Ref	Cold Weather Package - Deutz D2011 Engines	
	1001186976	Ref	Cold Weather Transformer Installation (Required with Deutz D2011 Engines)	
	0272031	Ref	Container/Transport Wheels Installation - 33/1550 x 16.5 Tires	
	1001233047	Ref	Crankcase Breather Heater Kit	
	1001287936	1	Decal Kit - Machine	
	1001287937	1	Decal Kit - Platform	
	1001287938	1	Decal Kit - Console Box	
	70006428	Ref	Drive Hub Bearing and Seal Kit (For Hub Assembly 2780267 & 2780268)	
	70006429	Ref	Drive Hub Seal Kit (For Hub Assembly 2780267 & 2780268)	
	1001243331	Ref	Fan Cover Installation - Deutz D2011 Engines	
	1001172751	Ref	Fan Guard Installation - Deutz D2.9L4 Engines (Stage V) (CE & UK CA Specs)	
		Ref	Filter Kits:	
	1001139099	Ref	Fire Extinguisher Installation	
	1001274833	Ref	Floor Mat Add-on Kit (30x48 Platform) (Dealer Installed)	
	1001274832	Ref	Floor Mat Add-on Kit (30x60 Platform) (Dealer Installed)	
	1001274831	Ref	Floor Mat Add-on Kit (30x72 Platform) (Dealer Installed)	
	1001202749	Ref	Fuel Cap Cover (Black)	

SECTION 11 - SPECIAL OPTIONS/ACCESSORIES/KITS

ITEM	PART NUMBER	QTY	DESCRIPTION	REV
	1001220003	Ref	Ground Control and UGM Covers Kit	
	1001258231	Ref	Hydraulic Load Installation (Deutz D2011, Deutz D2.9L4 and Stage V Engines)	
	1001265688	Ref	Hydraulic Tank Lock Instalalton	
	1001172001	Ref	Lights Installation - Headlights and Taillights	
	1001120466	Ref	Lights Installation - Platform Worklights	
	1001183407	Ref	Low Temperature Cutout Installation (Russian Specs)	
	1001253618	Ref	Module Box Assembly Kit (Service Kit for P/N 1001246867)	
	1001253619	Ref	Module Box Assembly Kit (Service Kit for P/N 1001246860)	
	1001173664	Ref	Oil Cooler Installation - Deutz D2011 Engines	
	1001164493	Ref	Oil Cooler Installation - Deutz D2.9L4 Engines (Stage V)/D2.9L4 (China IV)	
	1001272166	Ref	Pipe Rack Kit	
	1001236122	Ref	Platform Console Cover Installation (Plastic)	
	1580013	Ref	Platform Corner Storage Tray	
	1001267283	Ref	Platform Hose/Cable Protection	
	1001238421	Ref	Platform Leveling Kit	
	1001266799	Ref	Platform Plastic Mesh to Mid Rail Installation - 30in x 60in Platforms	
	1001209059	Ref	Platform Work Surface Installation	
	1001233080	Ref	Pump Rotation Kit (Re-orient Gear Pump 90 Degrees)	
	1001247800	Ref	Quad Tracks Replacement Kit	
	1001204110	Ref	Service Kits	S
	1001247073	Ref	SkyEye Retrofit Kit	
	1001241547	Ref	SkyEye LH Housing Retrofit Kit	
	1001241548	Ref	SkyEye RH Retrofit Kit	
	1001250595	Ref	SkyGuard 6 Pin Retrofit Kit	
	1001203510	Ref	SkyGuard - Without Beacon	
	1001203511	Ref	SkyGuard Beacon Kit (Blue Light)	
	1001210036	Ref	SkyGuard Beacon Kit (Red Light)	
	1001250035	Ref	SkyGuard Platform Sensor Kit	
	1001249052	Ref	SkyGuard Retrofit Kit	
	1001262016	Ref	SkyLine Kit	
	1001250465	Ref	SkySense (EDS) Level 1 Booms Installation (Factory Installed)	
	1001250466	Ref	SkySense (EDS) Level 2 Booms Installation (Factory Installed)	
	1001252033	Ref	SkySense Enhanced Detection System (EDS) Level 1 (2-Bar) Add-on Kit (Dealer Installed)	
	1001252034	Ref	SkySense Enhanced Detection System (EDS) Level 2 (3-Bar) Add-on Kit (Dealer Installed)	
		Ref	Tools:	
	1001249695	Ref	Analyzer and Cable Kit	
	1001249941	Ref	Analyzer and Cable Kit (Battery Powered)	
	1001206436	Ref	Turntable Bearing Kit	
	1001274249	Ref	USB Charger Add-on Kit (Dealer Installed)	
	1001270716	Ref	White Noise Alarm Add-on Kit (Dealer Installed)	
	1001270755	Ref	White Noise Alarm (Ambient) Add-on Kit (Dealer Installed)	

SECTION 11 - SPECIAL OPTIONS/ACCESSORIES/KITS

PART NUMBER INDEX

SECTION 11 - SPECIAL OPTIONS/ACCESSORIES/KITS

0080231.....130	0641610..... 155, 243	0760814 ... 102, 106, 130,	1001096070..... 195, 199,
0100009.....245	0641616.... 195, 199, 203	146, 159, 161, 175,	361
0100011.... 15, 17, 19, 21,	0641812.... 127, 143, 171	342, 346	1001096653.....41
31, 41, 45, 51, 63, 65,	0642012..... 265	0760815 130, 146, 175	1001097051.....395
67, 69, 73, 75, 77, 79,	0681608..... 223	0760816 175	100109715091, 357, 359,
84, 89, 99, 102, 106,	0681620..... 271, 273	0761010 51, 73	361
109, 111, 113, 115,	0681810..... 21	0761011 17, 19, 181	1001097244.....275
117, 119, 125, 127,	0682014..... 21	0761012 ... 175, 183, 213,	1001098122.....255, 379
130, 139, 143, 146,	0682040..... 47	337, 342, 346	1001098828.....223
159, 161, 167, 171,	0682424..... 271, 273	0761014 ... 102, 106, 113,	1001100231.....373
175, 181, 183, 195,	0700408... 311, 313, 315,	115, 139, 146, 167, 223	1001100341.....383
199, 203, 213, 217,	317, 319, 321, 323,	0761015 ... 125, 130, 139,	1001100342.....385
219, 223, 225, 233,	325, 327, 329, 331	146, 167, 175, 213	1001100345.....387
237, 241, 261, 263,	0700616..... 113, 115	0761016 ... 113, 115, 146,	1001100346.....391
342, 346	0700816 45	175	1001100347.....389
010001921, 57, 195, 199,	0700818 203	0761020 106	1001101191.....313, 317,
203	0700820 215	0761210 146, 167, 175	319, 321, 329
010002067, 69, 125, 130,	0700827 342, 346	0761212 ... 146, 175, 199,	1001101196.....313, 317
139, 146, 167, 175,	0700828 342, 346	213, 219	1001101197.....319, 321,
255, 311, 313, 315,	0701014 45	076121467, 69, 102, 195,	329
317, 319, 321, 323,	0701015 219	203	1001103012.....401
325, 327, 329, 331	0701018 102	0761215 106, 213	1001104029.....204
0100035..... 155, 245, 247	0701019 106, 215	0761216 167, 175, 223	1001104498.....401
0100048.....93, 195, 199,	0701020.67, 69, 139, 215	0761227 219	1001104850.....57, 59
203	0701021 342, 346	0761615 15, 219	1001106736.....84, 89
0100079..... 195, 203	0701022 175	0762016 219	1001107854.....401
0100081.... 130, 146, 175,	0701024 342, 346	0770810 225	1001110434.....245
265, 342, 346	0701025 175	0771212 139, 146	1001111424.....99, 130
0140011 245	0701027 219	0771414 ... 130, 146, 159,	1001112551.....415
0140043.....84, 89	0701217 15	161, 175, 195, 199, 203	1001112607.....213
0258011 35	0701616 65, 219	0771416 195, 203	1001112612.....339, 401
0258012 35	0701617 19	0860520 ... 413, 415, 417,	1001112796.....339
0270115.....423	0711214 146, 175	419	1001113961.....402
0270116.....425	0711220 17, 19	0861572 203	1001116208.....421
0272031 432	0711224 ... 130, 146, 159,	0861731 ... 323, 325, 327,	1001116290..... 113, 115
0272589.....205	161, 175, 195, 199, 203	331, 387, 389, 391	1001116550.....215
0275216.....313, 383	0711227 217	0861781 ... 311, 315, 383,	1001116693.....379
0275217.....317, 385	0711628 57	385	1001116720.....381
0275452.....319, 387	0711629 19	0861880 357, 361	1001116728.....402
0275453.....321, 389	0711631 57	0902733 45	1001116732.....373
0275454.....329, 391	0721006 155	0902734 45	1001116734.....373, 401
0360406.....47	0741606 146, 175	0902888 203	1001116748.....405
0361810.....99	0741607 195, 199	0940048 219	1001116774.....339
0363019.....45, 47	0760506 181	0940049 102	1001116808.....339
0400075.....99	0760512 99	0940071 102	1001116812.....367
0440162.... 125, 139, 167	0760606.... 195, 199, 203	0940088 106	1001116849.....419
0440271 19	0760607 146, 175	0940199 265	1001116952.....367
0480126..... 195, 203	0760608 73, 115	0961845 233, 237, 241	1001116983.....371
0630518.....81, 247	0760610. 84, 89, 99, 109,	0961947 221, 287	1001117057.....373
0630568.....245	111, 117, 119, 125,	0961948 17, 19, 217, 219,	1001117070.....401
0630613..... 102, 106	130, 139, 146, 167,	289, 291	1001117106.....367
0641404.....263	175, 193, 195, 199,	0961949 217	1001117107.....367
0641405.....245, 263	203, 333, 335, 343	0961950 15	1001117172.....255
0641406.... 243, 257, 413,	0760612 99	0961951 ... 130, 146, 175,	1001117174.....245, 255,
415, 417, 419	076061495, 97, 125, 131,	215, 281, 283, 287, 293	428
0641408.....243, 267	139, 167, 195, 199, 333	0962257 221	1001117240.....99
0641409..... 113, 115	0760615 109	0962292 19, 215	1001117308.....147, 176,
0641410..... 109, 111	0760619 175	0962348 19	428
0641414.... 245, 261, 267,	0760621 84, 89	0962520 195, 199, 203	1001117372.....279
269	0760808 148, 175	1001026127 167	1001118274.... 67, 69, 75,
0641416.... 311, 313, 315,	0760810 ... 102, 106, 146,	1001091102 333, 335	77, 79, 102, 217, 225,
317, 319, 321, 323,	175, 223	1001091969 313	342, 346
325, 327, 329, 331	0760812 ... 41, 67, 69, 75,	1001091970 317	1001118384.....399
0641418.....233, 241	77, 79, 102, 106, 125,	1001091973 319	1001118388.....381, 399
0641420.....237	139, 146, 167, 175,	1001091974 321	1001118412.....245, 429
0641504.....45, 99	193, 196, 204, 217,	1001091975 329	1001118511..... 15
0641605.....51	337, 342, 346	1001095704 402, 429	1001118518..... 15

SECTION 11 - SPECIAL OPTIONS/ACCESSORIES/KITS

1001118519..... 15	1001139099.....432	1001160872.....219	1001166718..... 131, 147, 159, 161, 176
1001118878..... 147	1001139240..... 177	1001161709.....245, 429	1001166767..... 73
1001118971..... 342, 346, 429	1001139357..... 196	1001161716.....209, 281	1001166768..... 73
1001118972... 45, 67, 69, 342, 346	1001139384..... 113, 115	1001161717.....209, 293	1001166853..... 219
1001119020..... 339	1001139586..... 19	1001162105.....31	1001166921..... 147, 177
1001119176..... 73, 429	1001139654..... 139, 167	1001162106.....73	1001166922..... 147, 159
1001119228 63, 343, 347	1001139819..... 131	1001162107.....31	1001166924..... 147, 177
1001119278..... 99	1001140347..... 199	1001162429.....415, 417	1001167036..... 127, 143, 171, 187
1001119280 99, 343, 347	1001140429..... 233, 237, 241	1001162522.....415	1001167111..... 131, 365
1001119619..... 393	1001141300.....421	1001162534.....51, 53	1001167149..... 102, 106
1001119620..... 395, 397	1001141304..... 147, 176	1001162535.....225, 227	1001167157..... 113
1001119627..... 306	1001141694..... 131, 147, 176	1001162536.....225, 229	1001167159..... 102
1001120204..... 351	1001141870..... 155	1001162539.....41, 43	1001167163..... 102, 106
1001120205..... 355	1001141995..... 131, 147, 176	1001162807.....75, 77, 79	1001167164..... 193
1001120328..... 261, 263, 402	1001141995..... 131, 147, 176	1001162995.....15	1001167169..... 102
1001120466..... 433	1001142501..... 139, 155, 181	1001163061.....67, 69	1001167312..... 333
1001120471..... 275	1001142679.....306	1001163178...17, 19, 297	1001167512..... 125, 139, 167
1001120477..... 275	1001142679.....306	1001163179..... 17, 19	1001167520..... 131, 147, 176
1001120484..... 275	1001142683...95, 97, 429	1001163405..... 17, 19	1001167565..... 223
1001120989..... 421	1001142736...95, 97, 339	1001163715..... 17, 19	1001167567..... 223
1001125677..... 379, 402	1001142938.....367	1001163716..... 17, 19	1001167596..... 223
1001126009..... 399	1001142940.....367	1001163717.....19	1001167632..... 367
1001126351..... 368	1001142941.....367	1001163722.....19	1001167635..... 368
1001126362..... 367	1001143390..... 131, 147, 176	1001163724.....19	1001168018..... 131, 147, 159, 161, 176, 196, 200, 204
1001126363..... 367	1001143797..... 147, 176	1001163726.....19	1001168026..... 147, 177
1001126364..... 367	1001143936.....306	1001163767.....209, 285	1001168059..... 131
1001126391..... 367	1001144116..... 147	1001163863.....209, 211	1001168099..... 147
1001126392..... 367	1001144433.....261	1001163937.....215	1001168166..... 147, 176
1001126485..... 368	1001144629..... 235, 239	1001164017.....213, 215	1001168207..... 161, 200
1001126487..... 368	1001146588..... 148, 176	1001164092.....17	1001168210..... 281, 283
1001127096..... 421	1001148059.....200	1001164095.....19	1001168402..... 223
1001129285..... 402, 429	1001148641..... 196, 200, 204	1001164209..... 17, 19	1001168472..... 342, 347
1001129407..... 73	1001149452..... 183	1001164493.....433	1001168473..... 343, 347
1001129555..... 428	1001150998..... 131	1001164709.....289, 291	1001168950..... 177
1001130220.. 84, 89, 167	1001151393.....75, 77, 79	1001164726.....113, 115	1001169046..... 102, 113, 115
1001130492..... 421	1001152483..... 91, 359	1001164728.....243, 409	1001169054..... 147, 176
1001131269..... 413	1001152485.91, 335, 359	1001164738.....342, 346, 405	1001169058..... 39
1001132195..... 130	1001152489..... 147, 167, 176	1001165035..... 139, 167, 176	1001169062..... 33
1001132196..... 130	1001152525.....205	1001165388..... 131, 147, 176	1001169075..... 35
1001133714..... 368	1001152532..... 196, 200, 375	1001165389.....131	1001169138..... 147, 176
1001133715..... 368	1001154405..... 139, 155, 167, 176, 181, 183	1001165405..... 147, 176	1001169240..... 219
1001133956..... 368	1001154726.....373	1001165406..... 147, 176	1001169241..... 219
1001133957..... 368	1001155043.....75, 77, 79	1001165721.....176	1001169242..... 219
1001135196..... 125, 139, 167	1001155044...75, 77, 79, 245	1001165722.....147	1001169246..... 213
1001135650..... 368	1001155045....75, 77, 79, 245, 429	1001165849.....147	1001169247..... 213
1001135651..... 368	1001155823..... 139, 167	1001165948...41, 51, 225	1001169249..... 219
1001135679..... 199	1001156107..... 140, 167	1001165968.....31	1001169295..... 219
1001136834..... 147, 176	1001156541.....405	1001166020..... 127, 130	1001169296..... 219
1001137673..... 261, 429	1001157466..... 65	1001166021..... 125, 127	1001169297..... 219
1001138173..... 130, 147, 176	1001157520.....205	1001166085.....421	1001169298..... 219
1001138175..... 130, 147, 177	1001157521.....205	1001166096.....219	1001169299..... 219
1001138228..... 147, 176, 428	1001157525.....204	1001166153.....37, 39	1001169300..... 219
1001138248..... 131, 147, 176	1001157528.....205	1001166155.....37	1001169301..... 219
1001138494..... 233, 237, 241	1001158007.....205	1001166156.....37	1001169302..... 219
1001138514..... 233, 237, 241	1001158008.....205	1001166157.....37	1001169304..... 217
1001138565..... 195	1001159186.....377	1001166208.....291	1001169305..... 217
1001138566..... 196, 199	1001159256.....245, 429	1001166232.....45	1001169402..... 217
	1001160859.....219	1001166239.....21	1001169403..... 217
		1001166305.....125	1001169525..... 191
		1001166316.....99	
		1001166538.....245, 249	
		1001166539.....245, 251	
		1001166717.....131	

SECTION 11 - SPECIAL OPTIONS/ACCESSORIES/KITS

1001169823.....125, 139, 167	1001173046..... 307	1001180035 307	1001193018.....311, 313, 315, 317, 319, 321, 323, 325, 327, 329, 331
1001169898.....67, 69	1001173048..... 307	1001180056 219	1001193049.....177
1001169967..... 147, 177	1001173049..... 307	1001180541 217	1001193336.....67, 69
1001170018.....102	1001173052..... 307	1001180620 147, 176	1001194197.....323
1001170022.....102, 106	1001173053..... 307	1001180874 213	1001194198.....325
1001170035..... 147, 177	1001173054..... 307	1001180916 31	1001194200.....327
1001170094.....84, 429	1001173055..... 307	1001181045 357, 361, 428	1001194203.....311
1001170098.....33	1001173056..... 307	1001181145 421	1001194204.....315
1001170099.....33	1001173057..... 307	1001181358 139, 167, 371	1001194365.....331
1001170224.....191	1001173058..... 307	1001181405 93	1001194888.....113
1001170226.....217	1001173059..... 307	1001181527 45	1001196382.....196, 200, 204
1001170334.....217	1001173061..... 307	1001181875 343, 347	1001196634.....157, 428
1001170375.....225	1001173062..... 307	1001181913 45	1001196635.....402, 429
1001170458.....39	1001173063..... 307	1001181923 343, 347	1001196637.....84, 89
1001170459.....39	1001173066..... 307	1001182169 102	1001197039.....307
1001170460.....39	1001173076..... 421	1001182361 368	1001197221.....41
1001170475.....109	1001173664..... 433	1001182365 368	1001197719.....368, 428
1001170480.....67, 69	1001173811..... 203	1001182561 343, 347	1001200128.....421
1001170663.....193	1001173925 196, 204	1001182806 119	1001200129.....421
1001170664.....193	1001173973..... 265	1001182875 102, 106	1001200130.....421
1001170693.....131, 133	1001173975..... 265	1001182877 102, 106	1001200131.....421
1001170764.....368	1001173984..... 195	1001182879 102, 106	1001200132.....421
1001170859.....106	1001174040..... 223	1001182997 67, 69	1001200133.....421
1001170982.....176	1001174065..... 219	1001183171 215	1001200134.....421
1001171216.....102	1001174158 196, 200, 333	1001183407 433	1001200491.....223
1001171482.....75, 77, 79	1001174378..... 191	1001184618 245	1001200494.....223
1001171553.....343, 347	1001174661..... 432	1001184626 245	1001200910.....95
1001171555.....343, 347	1001174675 200, 204	1001184682 117	1001201351.....223
1001171559.....343, 347	1001174749 342, 355	1001185030 15	1001202333.....113, 115
1001171678.....99	1001174766..... 432	1001185281 245	1001202687.....223
1001171679.....99	1001174767..... 432	1001185747 343, 347	1001202749.....432
1001171680.....99	1001174976..... 93	1001185821 51, 55	1001202830.....111
1001171681.....125	1001175024..... 307	1001185964 402	1001202910.....306
1001171682.....125	1001176299..... 307	1001186375 233	1001203322.....109
1001171683.....139, 167	1001176300..... 307	1001186377 237	1001203510.....433
1001171684.....139, 167	1001176301..... 307	1001186378 241	1001203511.....433
1001171953.....127, 143, 171	1001176302..... 307	1001186385 239	1001204110.....433
1001171954.....127, 143, 171	1001176469 77, 79	1001186386 235	1001204510.....415, 417, 421
1001172001.....433	1001176848 17, 19	1001186431 261, 429	1001204725.....223
1001172045.....432	1001176951 342, 346, 353	1001186432 381, 399	1001205958.....319, 321, 323, 325, 327, 329
1001172202.....125	1001177359..... 147	1001186517 261	1001206314.....106
1001172217.....417	1001177820..... 65	1001186976 432	1001206436.....433
1001172264.....193	1001177821..... 65	1001187352 373	1001206476.....337
1001172265.....193	1001177834..... 65	1001187382 223	1001206532.....245
1001172271.....343, 347, 429	1001178133..... 219	1001187383 223	1001206625.....289
1001172335.....342, 346, 349	1001178135..... 219	1001187674 259	1001207004.....97
1001172336.....342, 351	1001178228..... 111	1001187681 393	1001207335.....307
1001172343.....346	1001178448 343, 347	1001187807 81, 247	1001207336.....307
1001172751.....432	1001178449 343, 347	1001188622 223	1001207356.....306
1001172760.....245	1001178554 217	1001188844 223	1001208874.....51
1001173006.....306	1001178555 217	1001188883 421	1001208994.....223
1001173027.....306	1001178644 343, 347	1001189001 223	1001209059.....433
1001173028.....306	1001178788 147, 176	1001189002 223	1001209617.....119
1001173029.....306	1001178788 147, 176	1001189171 91, 359, 428	1001209664.....261
1001173034.....306	1001178859..... 131	1001189172 91, 359, 428	1001209677.....335
1001173035.....307	1001179228..... 346	1001189882 417	1001209832.....335
1001173036.....307	1001179236 .. 84, 89, 363	1001190368 17, 19	1001210036.....433
1001173037.....307	1001179266 343, 347	1001190663 117, 119	1001210356.....307
1001173038.....307	1001179339 67, 69	1001190913 415, 417	1001210636.....275
1001173039.....307	1001179517 41	1001190985 223	1001211716.....102
1001173042.....307	1001179626 213, 217	1001191620 147, 176	1001211717.....102, 106
1001173043.....307	1001179778 342	1001191832 102, 106, 125, 139, 167	1001212415.....428
	1001179781 346		
	1001179903 147, 177		
	1001179904 102		
	1001180006 213, 219		

SECTION 11 - SPECIAL OPTIONS/ACCESSORIES/KITS

1001213447 379	1001233080..... 433	1001244294... 84, 89, 407	1001258231 433
1001213794 106	1001233139..... 17	1001244295... 84, 89, 377	1001258337 171, 175
1001213882 245	1001233763..... 157	1001244335 269	1001258338 167, 171
1001214207 127, 143, 171	1001233899..... 102	1001244336 267	1001258339 167
1001214397 337	1001234295..... 51	1001244671 269	1001258385 168, 181
1001214570 337	1001234800..... 368	1001244709 269	1001258406 183
1001214571 337	1001235949..... 148, 155	1001244710 269	1001258495 395, 397
1001214975 131	1001236089..... 247	1001244732 269	1001258502 177
1001215228 245	1001236092..... 81	1001244733 269	1001258505 183
1001216630 223	1001236122..... 433	1001245656 79	1001258629 177
1001217779 215, 221	1001236123..... 432	1001245839..... 148, 177, 367	1001258730 267, 269
1001217904 417, 421	1001236396..... 421	1001246142 432	1001258804 148
1001218533 63	1001236552..... 263	1001246369 84, 89	1001259230 109, 111
1001218535 63	1001236780..... 148	1001246389 267	1001260306 343, 347
1001218537 63	1001236891..... 271, 273	1001246402 413	1001260412 148
1001218622 346	1001236895..... 271, 273	1001246403 432	1001260420 147
1001218623 346	1001237545..... 247	1001246433 432	1001260432 199
1001219129 63	1001237547..... 81	1001246434 432	1001260524 267
1001219601 .. 84, 89, 429	1001237667..... 379, 402	1001246435 243, 245	1001260525 267, 269
1001220003 433	1001237668..... 379, 402	1001246436 243	1001260575 177
1001220266 140	1001237863..... 259, 395	1001246450 75	1001261045 199
1001221203 177	1001237864..... 259, 397	1001246451 77	1001261085 199
1001221212 177	1001237865..... 259, 393	1001246859 89	1001261335 271
1001223055 413	1001237878..... 337	1001247073 433	1001261338 271
1001223118 65, 413, 415, 417	1001237879..... 337	1001247248 421	1001262016 433
1001223122 148, 196, 200, 204	1001237880..... 337	1001247252 267	1001263174 117
1001223453 413	1001237881..... 337	1001247440 139	1001263663 115
1001223459 367	1001237888..... 267, 269	1001247468 223	1001263664 113
1001223777 106	1001237891..... 269	1001247656 199	1001263668 115
1001224050 419	1001237898..... 267, 269	1001247800 433	1001263669 113
1001224894 217	1001237902..... 267, 269, 429	1001248008..... 413, 415, 419, 421	1001263677 113
1001225346 337	1001238254..... 245, 379	1001248140 271, 273	1001263678 115
1001225580 261, 381	1001238263..... 271, 273	1001248141 271, 273	1001263693 113
1001226530 337	1001238319..... 259	1001248190 200	1001263694 115
1001227278 432	1001238418..... 263, 399	1001248905 433	1001263787 115
1001227633 259	1001238421..... 223, 433	1001249052 433	1001264731 79
1001227634 259	1001238466..... 343, 347	1001249695 433	1001264732 77
1001227985 259	1001238472..... 263	1001249941 433	1001264733 75
1001227987 259	1001238495..... 261	1001250035 433	1001264735 75, 77, 79
1001227993 219	1001238559..... 263	1001250291 102	1001264981 15
1001227996 395, 397	1001238911..... 148	1001250465 433	1001265163 275
1001228224 259, 429	1001239202..... 367	1001250466 433	1001265186 225
1001228225 259, 429	1001239371..... 421	1001250595 433	1001265342 275
1001228960 432	1001241162..... 267	1001252033 433	1001265389 113
1001229138 265	1001241286..... 102	1001252034 433	1001265390 115
1001229341 259	1001241295..... 102, 111	1001252527 368	1001265688 433
1001230635 147, 177	1001241404..... 81, 247	1001252629 271, 273	1001266711 209, 211, 299
1001230784 200	1001241547..... 433	1001253618 433	1001266738 209, 211, 289
1001230931 405	1001241548..... 433	1001253619 433	1001266799 433
1001230934 368	1001241965..... 263	1001253628 211, 295	1001267283 433
1001230935 368	1001242639..... 432	1001253629 211, 283	1001267313 421
1001230936 368	1001242855..... 95	1001254472 263	1001269476 106
1001231805 177	1001242856..... 97	1001254716 209, 211, 291	1001270716 433
1001231886 119	1001243092..... 267	1001255133 223	1001270755 433
1001232026 413, 415, 417, 419	1001243183..... 432	1001255511 413	1001271497 379
1001232164 259	1001243184..... 432	1001255514 419	1001272166 433
1001232165 259	1001243205..... 267	1001255807 432	1001273302 342, 346
1001232545 147, 151	1001243331..... 432	1001256179 15, 279	1001273303 342, 347
1001232642 263	1001243414..... 102	1001256206 419	1001274249 433
1001232667 263, 429	1001243895..... 157	1001256879 139	1001274525 67, 71
1001232842 157	1001244019..... 161	1001257271 271, 273	1001274559 ... 75, 77, 79, 245
1001232904 421	1001244024..... 159	1001257274 271, 273	1001274831 432
1001233047 432	1001244285..... 139, 143	1001257275 273	1001274832 432
	1001244286..... 143, 146	1001258005 273	1001274833 432
	1001244287..... 139	1001258112 177, 179	
	1001244293... 84, 89, 401		

SECTION 11 - SPECIAL OPTIONS/ACCESSORIES/KITS

1001276610.....432	1701518 415, 417, 425	2220374 306	2940045.....115
1001276626.....95, 97	1701529 ... 413, 415, 417, 419	2220375 306	2940074.....235, 239, 429
1001276923.....432	1701691 102	2220377 306	2940173....109, 111, 113, 115
1001277009.....57, 61	1702300 ... 413, 415, 417, 419	2220415 306	3020037.....171
1001277273.....57	1702565 245	2220435 307	3160348.....21, 29
1001279651.....106	1702566 245	2220451 130, 306	3250872.....423
1001280240.....106	1702567 245	2220465 306	3251102.....199
1001280242.....106	1702773 417, 421	2220466 306	3251242....315, 317, 319, 321, 323, 325, 327, 329, 331
1001280270.....177	1702774 421	2220468 306	3251243.....413
1001280340.....89	1702860 421	2220472 306	3251813.....413
1001280549.....106	1702868 413	2220497 306	3252347.....413
1001281623.....115	1703162 ... 130, 146, 175	2220500 306	3252692.....425
1001281985.....177	1703450 423	2220501 306	3252764.....203
1001281986.....177	1703687 ... 413, 415, 417, 419	2220579 45	3271605.....271, 273
1001282099.....432	1703797 413	2220582 306	3272001.....271, 273
1001282143....106, 113	1703804 413	2220596 306	3290405....73, 275, 311, 313, 315, 317, 319, 321, 323, 325, 327, 329, 331, 333, 342, 346
1001282146.....106	1703805 413	2220600 306	3290501.....99
1001282831.....67	1703925 419	2220603 306	3290505.....93, 99, 204
1001284875....413, 415, 419	1703937 419	2220628 306	3290601..84, 89, 99, 109, 111, 113, 115, 117, 119
1001285271.....211, 287	1703943 419	2220767 139	3290605....41, 73, 84, 89, 95, 97, 99, 115, 125, 130, 139, 146, 167, 175, 193, 195, 199, 204, 333, 335, 342, 346
1001285640.....115	1703949 419	2220811 306	3290606....233, 237, 241
1001285788....103, 109	1703953 413	2220881 279	3290801.....125
1001285789.....102	1703982 419	2220883 29, 43, 279, 287, 306	3290805....41, 45, 67, 69, 102, 106, 113, 115, 130, 146, 159, 161, 175, 193, 195, 204, 215, 337, 342, 346
1001285988....106, 115	1704260 245	2220885 43, 279, 287	3290806.....223
1001286568.....176	1704277 ... 413, 415, 417, 419	2220886 29	3291001....146, 175, 223
1001286650.....69	1704412 ... 413, 415, 417, 419	2220888 29	3291005....99, 102, 106, 109, 111, 113, 115, 125, 130, 139, 146, 167, 175, 213, 215, 217, 219, 223, 337, 342, 346
1001286651.....69	1704455 425	2220906 306	3291201....195, 199, 204, 223
1001287643.....176	1704456 425	2220923 306	3291205....175, 213, 219, 223
1001287936.....432	1704482 423	2220940 306	3300106.....21
1001287937.....432	1704578 423	2220946 306	3300151....233, 237, 241
1001287938.....432	1704885 413, 415, 419	2220947 306	3300220.....99, 130
1001288266.....176	1704972 125	2220998 306	3300353.....245
1001298141.....181	1705325 311, 313	2221033 306	3300396.....204
1060461 351, 355	1705336 413	2221040 306	3300408.....81
1060908....91, 357, 359, 361	1705351 413	2221052 45	3300430.....261, 269
1060918.....255	1705358 421	2221086 43, 229, 306	3310401.....175
1062255.....140, 167	1705430 419	2230025 306	3311001.....155, 204
10702077.....204	1705460 205	2400060 ... 157, 275, 373, 379, 401	3311005.....95, 97
10702082.....204	1705461 205	2460048 203	3311405....243, 263, 311, 313, 315, 317, 319, 321, 323, 325, 327, 329, 331, 413, 415, 417, 419
1120555.....265	1705489 ... 195, 199, 204, 205	2540020 95, 97	3311501.....102
1320016.....130	1705822 415, 417	2560136 245	
1320022.....125, 139	1705828 415, 417	2560187 ... 109, 111, 113, 115	
1320043.....343	1705961 415, 417	2600281 235, 239	
1320061.....140	1705968 419	2720015 146, 175	
1320130.....342, 346	1706098 421	2720058 125, 139	
1320176.....191	2060025 130	2720340 146	
1320223.....337	2080040 ... 195, 199, 235, 239, 333, 335	2720398 130	
1320263.....168	2080069 267, 269	2720447 130	
1321293.....73	2110810 306	2752504 306	
1321647 401	2110812 306	2752519 306	
1321716....125, 139, 146, 167, 196, 199, 204	2151212 306	2780267 21, 23	
1580012.....257	2160001 57	2780268 21, 27	
1580013.....433	2180348 125	2820031 ... 195, 199, 203, 342, 346, 353	
1670603.....331	2180832 139, 167	2820035 157	
1670836.....217	2180876 125, 139	2820247 395, 397	
1701499....413, 415, 417, 419	2220238 45, 306	2860030 .. 75, 77, 79, 429	
1701500....413, 415, 417, 419	2220315 130, 146, 175	2900756 43	
1701504....413, 415, 417, 419	2220371 306	2900770 281, 287, 299	
1701505....125, 139, 167	2220372 45, 306	2900792 285	
1701509....265, 413, 415, 417, 419	2220373 306	2902065 ... 130, 146, 175, 185	
		2902443 365, 367	
		2902549 333, 357	

SECTION 11 - SPECIAL OPTIONS/ACCESSORIES/KITS

3311601 ... 102, 106, 245, 263	3931618 127, 143, 171	4460418.....377, 379	4460891 ... 117, 119, 339, 363, 371, 402, 405, 407, 409
3311605 155, 243	3960407 130	4460419.....377, 379	4460894 ... 365, 367, 379, 401, 409
3311801 21	3960526 21	4460424.....407	4460897 ...93, 95, 97, 371
3312002 271, 273	4010405 333, 335	4460425.....204	4460899 ... 363, 381, 393, 399, 401, 405, 407, 409
3312005 47, 265	4010417 342	4460426.....204	4460905 ... 377, 379, 401, 402, 407
3321001 99, 130	4010418 342, 346	4460428.....245	4460910 397
3321501 106	4010618 233, 237, 241	4460434.....379	4460911 393
3331211 ... 159, 161, 195, 199, 204	4031505 259	4460458.....368, 401, 402	4460928 339
3331215 ... 130, 146, 167, 175	4031511 342, 346	4460464 73, 93, 255, 275, 339, 353, 363, 371, 373, 379, 381, 399, 401, 405, 407, 409	4460930 365, 367, 401
3340860 215	4031512 73	4460465 ... 117, 119, 275, 339, 349, 363, 365, 367, 375, 379, 381, 401, 402, 405, 407, 409	4460931 267, 401
3340956 265	4031516 263	4460466 ... 259, 267, 275, 339, 343, 347, 349, 353, 365, 367, 373, 379, 381, 393, 399, 401, 402, 405, 407, 409	4460932 275, 371
3380434 243	4031707 61	4460470.....245	4460933 ... 339, 379, 402
3420352 47	4031914 146, 175	4460471.....245	4460941 371, 393
3420372 47	4032015 195, 204	4460473 ... 342, 346, 349	4460942 ... 259, 367, 371
3422532 ... 125, 139, 167	4060802 ... 195, 199, 204	4460488 95, 97, 168	4460943 95, 97, 267, 269, 393, 401
3422755 213	4060805 ... 130, 146, 175	4460496 84, 89	4460944 367
3422791 215	4060806 63	4460497 84, 89	4460956 357, 361
3422792 213	4060808 342, 346	4460508 ... 259, 353, 379	4460957 357, 361
3422793 213	4070450 47	4460509 349, 401	4460967 401
3422806 213	4070560 47	4460518 339	4460968 311, 315
3422848 19	4070561 47	4460536 269, 379	4460970 379
3423038 213	4070897 217	4460539 ... 367, 379, 407	4461005 365
3423304 17, 19	4070898 217	4460662 ... 323, 325, 327, 331	4461008 365, 367
3430616 245	4071101 15	4460703 367	4461052 365
3460334 265	4160182 102	4460708 379	4461054 367, 371
3470003 245	4240032 93, 95, 97	4460722 157	4461060 371
3520054 ... 130, 146, 175, 245	4240033 ... 259, 261, 263	4460742 401	4461070 339
3520072 ... 106, 233, 235, 237, 239, 241	4240099 ... 130, 139, 146, 157, 167, 175, 195, 199, 204, 245	4460743 401	4461071 365, 367
3520189 204	4240149 265	4460746 367	4461072 365, 367
3520192 204	4240156 342, 346	4460748 368, 402	4461073 365, 367
3520198 ... 233, 235, 237, 239, 241	4341415 265	4460754 407	4461074 365, 367
3572551 215	4360070 204, 428	4460761 379, 401	4461077 393, 399
3580317 ... 195, 199, 204	4360274 79, 429	4460806 ... 319, 321, 323, 325, 402	4461095 339, 365
3580319 ... 195, 199, 204	4360336 ... 195, 199, 204, 429	4460807 375	4461196 383
3580320 195, 204	4360387 77, 79, 245, 429	4460808 375	4461198 311, 383
3740067 99, 130	4360407 245, 428	4460836 401	4461199 385
3740086 399, 429	4360436 67, 69	4460837 401	4461201 315, 385
3740140 130, 428	4360469 .. 75, 77, 79, 429	4460865 ... 342, 346, 349, 401	4461205 387, 389
3760170 47	4360475 429	4460866 ... 342, 346, 353, 379	4461244 323, 387
3760351 217	4360476 .. 75, 77, 79, 429	4460871 ... 117, 119, 377, 379, 401, 402, 407	4461245 325, 389
3790012 245	4420014 265	4460872 407	4461246 327, 391
3790152 ... 127, 143, 171	4420051 ... 421, 423, 425	4460873 379, 402	4461249 391
3820001 ... 413, 415, 417, 419, 421, 423, 425	4420066 265	4460874 379, 401	4520217 35
3820020 235, 239	4460019 367	4460875 379, 407	4520608 37
3820032 99	4460042 367	4460876 377	4640261 45
3841143 17, 19, 125, 139, 167, 213, 223	4460043 157, 367	4460877 402	4640509 285
3841203 213, 219	4460071 255	4460878 402	4640751 146, 175
3841258 15, 219	4460142 402	4460879 275, 379	4640771 299
3841287 219	4460183 379	4460884 ... 275, 367, 381, 401, 405	4641122 37, 39
3841340 342, 346	4460225 ... 204, 375, 379	4460887 ... 275, 379, 402	4641155 41
3900295 19	4460226 ... 249, 252, 255		4641390 289, 291
3900349 245	4460227 379		4710400 175
3900351 217	4460234 93, 245		4711000 95, 97, 155, 204
3900363 113, 115	4460247 367, 401		4711400 ... 109, 111, 233, 237, 241, 261, 263, 267, 311, 313, 315, 317, 319, 321, 323, 325, 327, 329, 331
3910408 175	4460259 ... 275, 377, 379, 402		4711500 45, 99, 102, 146, 175
3910804 75, 77, 79	4460260 ... 275, 377, 379, 402		
3911010 95, 97	4460265 249, 252		
3931408 261	4460267 67, 69, 379, 401		
3931512 146, 175	4460268 375, 407		
	4460313 365		
	4460320 67, 69		
	4460384 331		

SECTION 11 - SPECIAL OPTIONS/ACCESSORIES/KITS

4711600.....155, 195, 199, 204, 245, 271, 273	4923451 131	70001966 .. 195, 199, 203	70004059.....134
4712000.....265, 271, 273	5241000 113, 115	70001973 203	70004060.....134
4740086.....17, 19	5241200 ... 15, 17, 19, 45, 57, 130, 146, 159, 161, 167, 176, 195, 199, 204, 217, 223	70001974 203	70004062.....134
4740155.....19	5241600 19, 57	7000206 23, 27	70004092..... 195, 199
4740158.....15	5250608 84, 89	70002063 43	70004099.....199
4740229.....15	5250808 196, 204	70002088 203	70004102.....134
4740362.....243	5250810. 75, 77, 79, 196, 199, 204, 225	70002206 59	70004103.....134
4740491.....19	5251008 223	70002207 59	70004169.....203
4750800.....343, 347	5251009 217	70002209 43	70004171..... 195, 203
4751400.... 113, 115, 243, 245, 257, 269, 413, 415, 417, 419	5251010 .41, 51, 217, 225	70002234 134	70004267.....55
4751600.....243	5251012 15, 31, 217	70002257 188	70004268.....133
4752000.....47	5251014 ... 102, 106, 342, 346	7000229 23, 27	70004269.....133
4761000.....99, 130	5251016 223	70002297 203	70004270.....134
4761400.....257	5251215 125, 139, 148	7000230 23, 27	70004281.....151
4811400.....73, 275, 311, 313, 315, 317, 319, 321, 323, 325, 327, 329, 331, 342, 346	5260800 ... 63, 75, 77, 79, 196, 199, 204	7000232 23, 27	70004504.....151
4811600.93, 99, 181, 204	5261200 125, 139, 148	70002335 285	70004508.....152
4811700....73, 84, 89, 95, 97, 99, 109, 111, 113, 115, 117, 119, 125, 130, 139, 146, 167, 175, 195, 199, 204, 233, 237, 241, 333, 335, 343	5272114 57	70002371 285	70004577.....43
4811702..84, 89, 99, 146, 167, 175, 193, 196, 200, 333, 335	5281918 342, 346	70002373 285	70004676..... 195, 199
4811900....41, 67, 69, 75, 77, 79, 102, 106, 113, 115, 125, 130, 139, 146, 159, 161, 167, 176, 195, 204, 223, 337, 342, 346	5281920 342, 346	70002386 43, 53, 289, 291, 428	70004677.....195
4811902....148, 177, 215, 217, 225, 342, 346	70000088 59	70002413 281, 283	70004678..... 195, 200
4812000..51, 73, 99, 102, 106, 109, 111, 113, 115, 125, 130, 139, 146, 167, 176, 181, 183, 199, 213, 217, 219, 223, 337, 342, 346	70000089 59	7000246 23, 27	70004679..... 196, 200
4812002..67, 69, 73, 102, 106, 140, 148	70000100 227	70002460 203	70004680..... 196, 200
4812100....102, 139, 146, 167, 176, 195, 204, 219, 223	70000342 221	7000248 23, 27	70004681..... 196, 200
4812102.67, 69, 102, 106	70000345 134, 151	7000253 23, 27	70004682..... 196, 200
4812200....130, 146, 159, 161, 176, 195, 199, 204	70000619 203	7000257 23, 27	70004683..... 196, 200
4812300.....65	70000781 43	7000258 23, 27	70004686.....200
4846689.....215	70000787 134	7000261 23, 27	70004738.....249
4860179.....35	70000793 185	7000262 23, 27	70004739.....249
4871700.... 195, 199, 204	70000797 29	7000263 23, 27	70004740.....249
4891600.... 102, 127, 143, 171, 223	70000800 133	70002718 133	70004741.....249
4891800.....21, 127, 143, 171	70000851 134	70002842 279	70004742.....249
4892000.....21	70000863 203	70002902 255	70004743.....249
4892600001.....223	70000912 133	70002903 255	70004744.....249
4922641.....200, 204	70000913 133	70002904 255	70004745.....249
4922925.....204	70000914 133	70002905 255	70004746.....249
4922929.....346	70000915 133	70002962 43	70004747.....249
	70000916 133	70003463 133, 428	70004748.....249
	70000917 133	70003464 133	70004749.....249
	70000918 133	70003468 134	70004750.....249
	70000919 134	70003469 134	70004751.....249
	70000931 134	70003472 133	70004752.....251
	70001002 133	70003473 133	70004753.....251
	70001100 203	70003475 133	70004754.....251
	70001181 133	70003479 133	70004755.....251
	70001349 23, 27	70003480 133	70004756.....251
	70001384 203	70003481 133	70004757.....251
	70001423 133	70003612 55	70004758.....251
	70001435 134	70003614 69, 428	70004759.....251
	70001498 134	70003631 203	70004760.....251
	70001654 133	70003708 .. 195, 199, 203	70004761.....251
	70001655 133	70003709 .. 195, 199, 203	70004762.....251
	70001696 203	70003783 . 131, 147, 176, 428	70004763.....251
	70001844 134	70003788 53, 289, 428	70004764.....251
	70001850 133	70003837 281, 293	70004765.....251
	70001866 134	70003838 281, 293	70004766.....251
	70001868 134	70003931 134	70004767.....251
	70001870 133, 152	70003932 134	70004768.....251
	70001871 134	70003975 43	70004769.....251
	70001872 134	70003977 53	70004770.....251
	70001953 203	70004000 55	70004771.....251
		70004013 55	70004772.....251
		70004014 55	70004773.....251
		70004017 43	70004774.....252
		70004056 134	70004775.....252
		70004058 134, 428	70004864.....227
			70004865.....227
			70004866.....227

SECTION 11 - SPECIAL OPTIONS/ACCESSORIES/KITS

70004867	227, 229	70005139	55	70008247	279	70025142	151
70004868	227	70005143	285	70008253	71	70025153	151, 428
70004869	227, 229	70005150	297	70008254	71	70025160	151
70004871	227, 229, 428	70005151	297	70008256	71	70025161	151, 428
70004873	229	70005152	297	70008258	71	70025164	151
70004875	227	70005153	297	70008259	71	70025168	151
70004876	67, 69	70005154	297	70008260	71	70025619	281, 299
70004883	43	70005155	285	70008261	71	70025667	133
70004884	43	70005156	285	70008262	71	70025693	134
70004885	43	70005157	285	70008263	71	70025694	134
70004886	43	70005158	285	70008264	71	70025959	293
70004887	43	70005159	285	70008265	71	70026210	151
70004888	43	70005160	285	70008266	71	70026441	287
70004889	187	70005172	152	70008267	71	70027088	299
70004890	187	70005184	151	70008268	71	70027405	151
70004891	187	70005217	53	70008292	287	70029015	151
70004892	187	70005218	53	70008293	287	70029402	151
70004893	187	70005219	53, 428	70008294	287	70029403	151
70004894	187	70005243	229	70008371	61	70029404	151
70004895	187	70005504	151	70008372	61	70029512	151, 428
70004896	187	70005667	342, 346	70008373	61	70029797	151
70004897	187, 428	70005931	151	70008374	61	70031143	151
70004898	187	70005941	152	70008375	61	70031144	151
70004899	188	70005942	152	70008376	61	7004035	59
70004900	188	70006104	289	70008377	61	7004036	59
70004901	188	70006105	289	70008378	61	7004043	59
70004902	188	70006144	151	70008379	61	7004044	59
70004903	188	70006256	217	70008380	61	7004045	59
70004904	188	70006272	217	70008381	61	7004047	59
70004905	188	70006356	127, 143, 171	70008382	61	7004049	59
70004906	188	70006428	432	70008383	61	7007289	188
70004907	188	70006429	432	70008384	61	7007415	187, 188
70004908	188	70006552	196	70008385	61	7007419	187
70004909	188	70006553	196, 429	70008386	61	7007420	187, 188
70004910	188	70006660	227	70008387	61	7007437	29
70004911	188	70006914	287	70008388	61	7007438	29
70005010	281	70006915	287	70008389	61	7007439	29
70005011	281	70006916	287	70008390	61	7007446	29
70005012	281, 293	70006917	287	70008391	61	7007493	188
70005013	281, 293	70006918	287	70008392	61	7007495	187
70005014	281, 293	70006919	287	70008393	61	7007601	23, 27
70005016	281, 293	7000731	24	70010383	51, 428	7007640	23, 27
70005017	293	70007556	229	7001481	188	7010429	23, 27
70005018	293	70007603	151	7001998	23, 27	7010543	43
70005065	55	70007784	151	70023370	285	7012967	43, 291
70005066	55	70007886	291	70023606	43	7012974	43
70005067	55	70007887	291	70024262	281	7012998	289
70005068	55	70007888	291	70024494	152	7016331	133, 152, 428
70005069	53	70007889	291	70024504	151	7017059	23, 27
70005071	53	70007890	291	70024513	151	7017067	23, 27
70005076	53	70007901	289	70024904	152	7017070	23, 27
70005080	53	70008135	299	70024913	152	7017080	23, 27
70005082	53	70008136	299	70024916	151	7017142	221
70005084	53	70008137	299	70024918	151	7017159	221
70005085	53	70008138	299	70024925	152	7017162	221
70005087	53	70008139	299	70024961	151	7017163	221
70005088	53	70008140	299	70025082	133	7017164	221
70005089	53	70008141	299	70025084	133, 134	7017172	221
70005090	53	70008237	295	70025086	134	7017192	221
70005092	53	70008238	283, 295	70025088	133	7017195	221
70005094	53	70008239	283, 295	70025091	133	7017410	43
70005095	53	70008240	283, 295	70025099	151	7017467	289
70005096	53	70008241	295	70025121	134	7017496	43, 289, 291
70005097	53	70008242	283	70025123	133, 134	7020023	133, 428
70005098	53	70008243	283	70025130	151	7020026	133
70005099	53	70008244	279	70025131	134	7020403	133
70005100	53	70008246	279	70025139	133	7020430	133

SECTION 11 - SPECIAL OPTIONS/ACCESSORIES/KITS

7020460.....	133	7022311.....	29	7024489.....	203	8220051.....	371
7020465.....	133, 152	7022312.....	29	7024565.....	134	8220125.....	402
7020468.....	133	7022314.....	29	7024579.....	133	8220164.....	367
7020471.....	134	7022326.....	29	7024705.....	23	8229242.....	401, 402, 428
7020479.....	134	7022328.....	29	7024712.....	23, 27	8229244.....	402, 429
7020492.....	133, 134	7022341.....	187	7024713.....	23, 27	8229245.....	373, 428
7021237.....	187	7022346.....	188	7024714.....	23, 27	8229249.....	275, 428
7021238.....	187	7022347.....	188	7024715.....	23, 27	8305401.....	130, 146, 176
7021239.....	187	7022368.....	29	7024716.....	23, 27	8307109.....	130, 147, 176
7021240.....	187	7022371.....	29	7024717.....	23	8310070.....	343, 347
7021241.....	187	7022372.....	29	7024718.....	24	8310548.....	130, 147, 176
7021242.....	187	7022390.....	53, 289	7024800.....	187	8310614.....	73
7021243.....	187	7022397.....	43	7024854.....	29	8310668.....	217
7021248.....	187	7022399.....	43, 53	7024855.....	187	8310686.....	102, 106
7021249.....	29, 187	7023318.....	59	7024857.....	187	8405006.....	139, 155, 167, 176, 181, 183
7021253.....	187	7023900.....	53	7024858.....	187	8405007.....	147, 176
7021257.....	187	7023907.....	29	7024868.....	29	8405009.....	147, 176
7021258.....	187	7023908.....	29	7024881.....	43	8405104.....	147, 176
7021259.....	187	7023910.....	29	7024885.....	43, 428	8405202.....	147, 176
7021262.....	187	7023936.....	53	7026188.....	203	8405204.....	147, 176
7021263.....	187	7024182.....	23, 24	7026330.....	55	8405204.....	147, 176
7021265.....	187	7024189.....	24	7026597.....	203	8406109.....	131, 147, 176
7021268.....	187	7024190.....	24	7026626.....	203	8406110.....	147, 176
7021275.....	29	7024191.....	24	7027236.....	133	8406201.....	148, 176
7021276.....	29, 188	7024192.....	24	7027625.....	227	8410013.....	125, 167
7021277.....	29, 188	7024193.....	24	7027628.....	227, 428	8430007.....	139, 167
7021278.....	188	7024194.....	24	7027790.....	134	8760477.....	306
7021281.....	187	7024196.....	24	7027791.....	134	8770289.....	306
7021290.....	188	7024197.....	24	7027792.....	134	8786514.....	35
7021293.....	187	7024379.....	59	7027796.....	134	88521214.....	271, 273
7021299.....	188	7024380.....	59	7027799.....	203	88662523.....	102, 106
7021625.....	43	7024381.....	59	7027903.....	134	8881800.....	73, 342, 346
7021639.....	43	7024389.....	59	77363233.....	375	91164057.....	53
7022300.....	187	7024390.....	59	80484084.....	367	91164059.....	53
7022302.....	29	7024453.....	59	80633030.....	307	91164079.....	53
7022305.....	29	7024485.....	203, 428	80963067.....	402	91203039.....	223
7022310.....	29	7024488.....	203	8220045.....	373, 401		



**Corporate Office
JLG Industries, Inc.
1 JLG Drive
McConnellsburg, PA 17233-9533 USA
☎ (717) 485-5161 (Corporate)
☎ (877) 554-5438 (Customer Support)
📠 (717) 485-6417**

**Visit our website for JLG Worldwide Locations.
www.jlg.com**



OSHKOSH™