



# *Illustrated Parts Manual*

*Models*

*742*

to Prior to SN 0160100493

**31211313**

May 6, 2024 - Rev H



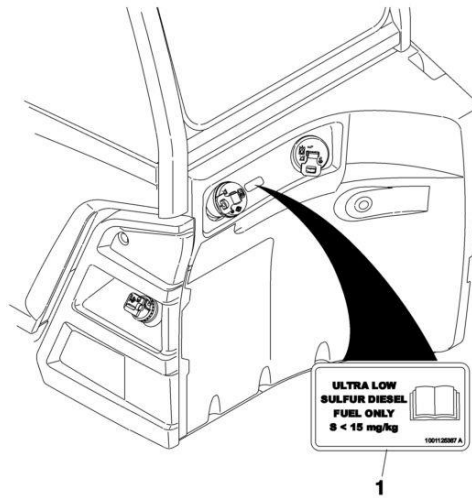


## EFFECTIVITY PAGE

April 6, 2018 - A - Original Issue of Manual  
July 18, 2018 - B - Revised Manual  
October 31, 2018 - C - Revised Rev 1  
May 22, 2020 - D - Revised  
September 4, 2020 - E - Revised  
March 26, 2021 - F - Revised  
September 20, 2021 - G - Revised  
May 6, 2024 - H - Revised

## Machine Configuration

---



**Two configurations of each machine are included in this manual. Determine if machine is equipped with Ultra Low Sulfur Fuel Decal (1).**

**If equipped with the Ultra Low Sulfur decal, all specific references to this machine configuration will be referred to as Ultra Low Sulfur (ULS) from this point forward.**

**If not equipped with the Ultra Low Sulfur decal, all specific references to this machine configuration will be referred to as Low Sulfur (LS) from this point forward.**

# GENERAL INFORMATION

**SECTION 9 - HYDRAULIC COMPONENTS (PRIOR TO SN XXXXXXXXX)**  
FIGURE 9-3 EXTEND/RETRACT CYLINDER - XXXXX

MODEL XXXXXXXXX

**SECTION 9 - HYDRAULIC COMPONENTS (PRIOR TO SN XXXXXXXXX)**  
FIGURE 9-3 EXTEND/RETRACT CYLINDER - XXXXX

ITEM	PART NUMBER	QTY	DESCRIPTION	REV
1	1001144195	1	Extend/Retract Cylinder - XXXXX	E
2	70025592	1	Assembly, Barrel	
3	70025593	1	Assembly, Rod	
4	70025594	1	Gland	
5	70025595	1	Head, Piston	
6	70025596	1	Screw, Locking	
7	70025596	1	Spacer	
8	Kit	1	O-Ring	
9	Kit	1	Ring, Back-Up	
10	Kit	1	Ring, Rod Bearing	
11	Kit	1	O-Ring	
12	Kit	1	Seal, Rod	
13	Kit	1	Ring, Rod Bearing	
14	Kit	1	Seal, Rod	
15	Kit	2	Seal, Wiper	
16	Kit	2	Ring, Piston Bearing	
17	Kit	1	Seal, Piston	
101	70025597	1	Kit, Seal (includes items 7 thru 17)	

MODEL XXXXXXXXX

## 1) MACHINE IDENTIFICATION

Machines are identified by model and in some cases a combination of models, serial number (SN) or regional standard (e.g. ANSI, CE, CSA, AUS). Components may also be identified by SN or manufacturer. Common components that may be identified by these characteristics are attachments, engine, transmission and hydraulic components.

## 2) PARTS MANUAL ORGANIZATION

Product information in this manual is organized under section titles. Frame, Engine and Electrical are a few examples. Each section is organized by Figure and page number. The information within the Figure is then organized by item number, part number, description and corresponding illustration(s).

## 3) TABLE OF CONTENTS (NOT SHOWN)

A table of contents (TOC) is found toward the beginning of the manual. Figure number, description and page number are provided for quick reference to the page containing the related information.

## 4) RECOMMENDED SPARE PARTS (NOT SHOWN)

The Recommended Spare Parts List, located near the end of the manual, reference most frequently used maintenance parts.

## 5) PART NUMBER INDEX (NOT SHOWN)

A numerical index listing all part numbers and the corresponding page number(s) appears at the back of the manual.

## 6) NON-SERVICED PARTS

In some instances, it is necessary to display non-serviced parts, assemblies or installations. In the case of assemblies and installations there will be a Ref in the QTY column and a note after the item description stating what is available for service within. In the case of parts that are not available for service within assemblies or components, there will be a NSS (Not Sold Separately) listed in the part number column of the manual.

## 7) PARTS LIST ITEM NUMBERS

Numbers shown in the item column correspond to numbers used in the associated illustration(s). Item numbers which are missing from sequence and are not shown in the illustration(s) are not used on that page.

## 8) INDENTED PARTS DESCRIPTION

An indented part description is included in the item under which it is indented.

**9) ABBREVIATION AND SYMBOLS**

AC.....Alternating Current  
A/C.....Air Conditioning  
ADE.....Advanced Design Electronics  
AG.....Agriculture  
AMP.....Amperage  
ANSI.....American National Standards Institute  
AR.....As Required  
ASSY.....Assembly  
AUS.....Australia  
AUX.....Auxiliary  
AWG.....American Wire Gauge  
CAC.....Charge Air Cooler  
CE.....European Conformity  
CM.....Centimeter  
CONST.....Construction  
CSA.....Canadian Standards Association  
DEF.....Diesel Exhaust Fluid  
DIA.....Diameter  
DC.....Direct Current  
DTZ.....Decentralized Transmission Zeros  
ECU.....Electronic Control Unit  
EMS.....Emergency Stop  
FNR.....Forward Neutral Reverse  
FT.....Foot  
GA.....Gauge  
GR.....Grade  
HBP.....High Boom Pivot  
HHP.....High Horse Power  
HOC.....Hydraulic Oil Cooler  
HRC.....High Rated Countries  
HVAC.....Heating Ventilating, and Air Conditioning  
ID.....Inside Diameter  
IN.....Inch  
ISO.....International Organization for Standards  
ITSDF...Industrial Truck Standards Development Foundation  
JIC.....Joint Industry Council  
KG.....Kilogram  
KW.....Kilowatt  
L.....Liter  
LB.....Pound  
LBP.....Low Boom Pivot

LCD.....Liquid Crystal Display  
LED.....Light Emitting Diode  
LH.....Left Hand  
LHD.....Left Hand Drive  
LHP.....Low Horse Power  
LMIS.....Load Management Indicator System  
LRC.....Low Rated Countries  
LS.....Low Sulfur  
LSI.....Load Stability Indicator  
LSS.....Load Sensing System  
M<sup>3</sup>.....Cubic Meter  
MA.....Milliamp  
M(m).....Metric/Meter  
MM.....Millimeter  
N.....Newton  
NACD.....North America Construction Division  
NLA.....No Longer Available  
NSS.....Not Sold Separately  
OD.....Outside Diameter  
ORB.....O-Ring Boss  
ORFS.....O-Ring Face Seal  
OZ.....Ounce  
PR.....Ply Rating  
QT.....Quart  
QTY.....Quantity  
REF.....Reference  
REV.....Revision  
RH.....Right Hand  
RHD.....Right Hand Drive  
RHO.....Remote Hydraulic Oil Cooler  
RUS.....Russia  
SAE.....Society of Automotive Engineers  
SAHR.....Spring Applied Hydraulically Released  
SN.....Serial Number  
SPD.....Speed  
TLU.....Torque Look Up  
UGM.....Universal Ground Module  
V.....Volts  
W.....Watts  
#.....Number

**10) ILLUSTRATION REFERENCE LETTERS**

When necessary, illustrations may contain reference letters that are intended to track information from one point to another in the illustration such as harnesses and hoses or any other information that has been separated in the illustration.

Note: Due to continuous product improvements, JLG Industries, Inc. reserves the right to make specification changes without prior notification. Contact JLG Industries, Inc. for updated information.

# TABLE OF CONTENTS

SECTION 1 - FRAME AND ATTACHING PARTS.....	21
FIGURE 1-1. FRAME (NO OUTRIGGERS).....	22
FIGURE 1-2. ENGINE ENCLOSURE INSTALLATION.....	24
FIGURE 1-3. ENGINE ENCLOSURE COVER INSTALLATION.....	26
FIGURE 1-4. HOOD ASSEMBLY.....	28
FIGURE 1-5. HOOD ASSEMBLY.....	30
FIGURE 1-6. COVER INSTALLATION (NO OUTRIGGERS) (ULS) (SN 0160084796 through 0160087885).....	32
FIGURE 1-7. COVER INSTALLATION (NO OUTRIGGERS) (ULS) (SN 0160087886 through 0160100493).....	34
FIGURE 1-8. COVER INSTALLATION (NO OUTRIGGERS) (LS).....	36
FIGURE 1-9. COUNTERWEIGHT INSTALLATION.....	38
FIGURE 1-10. TANK INSTALLATION.....	40
FIGURE 1-11. FUEL TANK INSTALLATION.....	42
FIGURE 1-12. HYDRAULIC TANK INSTALLATION.....	44
FIGURE 1-13. FUEL CAP ASSEMBLY.....	46
FIGURE 1-14. MIRROR INSTALLATION.....	48
FIGURE 1-15. BOOM PROP INSTALLATION (ANSI).....	50
FIGURE 1-16. BOOM PROP INSTALLATION (CSA).....	52
FIGURE 1-17. BOOM PROP BRACKET.....	54
SECTION 2 - BOOM.....	57
FIGURE 2-1. BOOM ASSEMBLY.....	58
FIGURE 2-2. FIRST BOOM SECTION ASSEMBLY.....	60
FIGURE 2-3. SECOND BOOM SECTION ASSEMBLY.....	62
FIGURE 2-4. THIRD BOOM SECTION ASSEMBLY.....	64
FIGURE 2-5. RETRACT CHAIN INSTALLATION.....	66
FIGURE 2-6. EXTEND CHAIN INSTALLATION.....	68
FIGURE 2-7. PINS INSTALLATION.....	70
FIGURE 2-8. RETRACT CHAIN SHEAVE.....	72
FIGURE 2-9. CHAIN SHEAVE ASSEMBLY.....	74
FIGURE 2-10. HOSE BRACKET INSTALLATION.....	76
FIGURE 2-11. BOOM PINNING INSTALLATION.....	78
FIGURE 2-12. LIFT CYLINDER PINS INSTALLATION.....	80
FIGURE 2-13. COMPENSATION CYLINDER PINS INSTALLATION.....	82
FIGURE 2-14. BOOM PIVOT PIN INSTALLATION.....	84
FIGURE 2-15. MANUAL QUICK COUPLER INSTALLATION.....	86
FIGURE 2-16. HYDRAULIC QUICK COUPLER INSTALLATION.....	88
FIGURE 2-17. BOOM PIN INSTALLATION.....	90
FIGURE 2-18. TILT CYLINDER PIN INSTALLATION.....	92
FIGURE 2-19. BOOM ANGLE INDICATOR INSTALLATION.....	94
FIGURE 2-20. BOOM BRUSHES INSTALLATION.....	96
FIGURE 2-21. QUICK COUPLER ASSEMBLY.....	98
SECTION 3 - ATTACHMENTS.....	101
FIGURE 3-1. CARRIAGE ASSEMBLY (1270MM).....	102
FIGURE 3-2. CARRIAGE ASSEMBLY (1524 MM).....	104

# TABLE OF CONTENTS

FIGURE 3-3. CARRIAGE ASSEMBLY (1829 MM) .....	106
FIGURE 3-4. 90 SWING CARRIAGE ASSEMBLY (72 INCH) .....	108
FIGURE 3-5. SIDE SHIFT CARRIAGE (5.5 TON - 1270 MM) .....	110
FIGURE 3-6. DUAL FORK CARRIAGE ASSEMBLY .....	112
FIGURE 3-7. DUAL FORK CARRIAGE VALVE ASSEMBLY.....	114
FIGURE 3-8. PALLET FORK (2.36X4X48) .....	116
FIGURE 3-9. PALLET FORK (2.36X5X48) .....	118
FIGURE 3-10. PALLET FORK (2.36X4X48) .....	120
FIGURE 3-11. FORK - PALLET (2.4X4X60).....	122
FIGURE 3-12. LUMBER FORK (50X180X1540).....	124
FIGURE 3-13. LUMBER FORK (60X150X1524).....	126
FIGURE 3-14. PALLET FORK (2.00X6X72) .....	128
FIGURE 3-15. BLOCKING FORK (50X50X1220) .....	130
FIGURE 3-16. FORK CLAMPS INSTALL .....	132
FIGURE 3-17. FORK EXTENSIONS (62X163X2286).....	134
FIGURE 3-18. FORK MOUNTED BUCKET (1.0 M <sup>3</sup> ).....	136
FIGURE 3-19. BUCKET 1.0 YD <sup>3</sup> (ANSI - JLG) .....	138
FIGURE 3-20. BUCKET (1.15 M <sup>3</sup> ).....	140
FIGURE 3-21. BUCKET (102 INCH).....	142
FIGURE 3-22. TRUSS BOOM (0.9 TON - 3.7M) .....	144
FIGURE 3-23. TRUSS BOOM (15 FOOT) .....	146
FIGURE 3-24. ADJUSTABLE TRUSS BOOM .....	148
FIGURE 3-25. TRUSS BOOM (1.8 TON - 1M FT WITH WINCH).....	150
FIGURE 3-26. TRUSS BOOM (0.9 TON - 3.7M WITH WINCH) .....	152
FIGURE 3-27. ADJUSTABLE TRUSS BOOM INSTALLATION (FORK MOUNTED).....	154
FIGURE 3-28. FORK MOUNTED HOOK (4 TON) .....	156
FIGURE 3-29. CRANE HOOK .....	158
FIGURE 3-30. FORK MOUNTED BASKET .....	160
FIGURE 3-31. FORK MOUNTED BASKET .....	162
FIGURE 3-32. FORK MOUNTED BASKET .....	164
FIGURE 3-33. FORK MOUNTED PLATFORM.....	166
FIGURE 3-34. FORK POSITIONING CARRIAGE WITH FORKS (4.5 TON) (SN 0160082569 through 0160084857) .....	168
FIGURE 3-35. SWEEPER - HOPPER ASSEMBLY .....	170
FIGURE 3-36. FORK MOUNTED TRASH HOPPER .....	172
FIGURE 3-37. DRYWALL SWING CARRIAGE INSTALLATION .....	174
FIGURE 3-38. ROTATING DRYWALL CARRIAGE .....	176
FIGURE 3-39. DRYWALL BOARD HANDLER .....	178
FIGURE 3-40. PIVOT FRAME GROUP .....	180
FIGURE 3-41. DRYWALL CYLINDER .....	182
FIGURE 3-42. DRYWALL HYDRAULIC GROUP .....	184
FIGURE 3-43. DRYWALL VALVE ASSEMBLY .....	186
FIGURE 3-44. DRYWALL CYLINDER .....	188
FIGURE 3-45. DRYWALL FORK GROUP .....	190
FIGURE 3-46. SIDE TILT ELECTRIC MAST (8 FOOT).....	192
FIGURE 3-47. SIDE TILT ELECTRIC MAST (8 FOOT).....	194



# TABLE OF CONTENTS

FIGURE 3-48. SIDE TILT ELECTRIC MAST (8 FOOT) .....	196
FIGURE 3-49. KIT DECAL .....	200
FIGURE 3-50. MAIN LIFT CYLINDER.....	202
FIGURE 3-51. SIDE TILT CARRIAGE ASSEMBLY (72 INCH) .....	204
FIGURE 3-52. SIDE TILTING CARRIAGE (4.5 TON - 1270 MM) .....	206
FIGURE 3-53. SIDE TILT CARRIAGE ASSEMBLY (50 INCH) .....	208
FIGURE 3-54. SIDE TILTING CARRIAGE (4.5 TON - 1575 MM) .....	210
FIGURE 3-55. SIDE TILTING CARRIAGE (4.5 TON - 1829 MM) .....	212
FIGURE 3-56. PALLET FORK (2.36X5X72).....	214
FIGURE 3-57. MAST (8 FOOT).....	216
FIGURE 3-58. MAST (8 FOOT).....	218
FIGURE 3-59. PO CHECK VALVE.....	222
SECTION 4 - ENGINE AND ATTACHING PARTS .....	225
FIGURE 4-1. ENGINE INSTALLATION (ULS) .....	226
FIGURE 4-2. ENGINE INSTALLATION, 74HP (ULS).....	228
FIGURE 4-3. ENGINE INSTALLATION (LS).....	230
FIGURE 4-4. ENGINE MOUNTING INSTALLATION .....	232
FIGURE 4-5. 3.8L ENGINE (ULS).....	234
FIGURE 4-6. ENGINE, 74HP .....	236
FIGURE 4-7. 3.8L ENGINE (LS).....	238
FIGURE 4-8. FAN INSTALLATION .....	240
FIGURE 4-9. PRIMARY FUEL FILTER INSTALLATION (ULS) .....	242
FIGURE 4-10. PRIMARY FUEL FILTER INSTALLATION (LS).....	244
FIGURE 4-11. FAN INSTALLATION, 74HP (ULS) .....	246
FIGURE 4-12. AIR CLEANER LINES INSTALLATION (ULS).....	248
FIGURE 4-13. AIR CLEANER LINES INSTALLATION (LS).....	250
FIGURE 4-14. AIR CLEANER INSTALLATION (ULS) .....	252
FIGURE 4-15. AIR CLEANER INSTALLATION (LS).....	254
FIGURE 4-16. AIR CLEANER ASSEMBLY (74.4KW).....	256
FIGURE 4-17. AIR CLEANER ASSEMBLY (90/100KW).....	258
FIGURE 4-18. AIR INTAKE DUCT INSTALLATION.....	260
FIGURE 4-19. AIR INTAKE SHUT OFF VALVE INSTALLATION .....	262
FIGURE 4-20. DEF LINES INSTALLATION .....	264
FIGURE 4-21. COOLING PACKAGE INSTALLATION (ULS) .....	266
FIGURE 4-22. COOLING PACKAGE INSTALLATION (LS) .....	268
FIGURE 4-23. RADIATOR COOLING PACKAGE.....	270
FIGURE 4-24. HOC LINES INSTALLATION .....	272
FIGURE 4-25. COOLANT LINES INSTALLATION (ULS).....	274
FIGURE 4-26. COOLANT LINES INSTALLATION (LS) .....	276
FIGURE 4-27. CAC LINES INSTALLATION (ULS) .....	278
FIGURE 4-28. CAC LINES INSTALLATION (LS).....	280
FIGURE 4-29. TOC LINES INSTALLATION.....	282
FIGURE 4-30. SURGE TANK INSTALLATION .....	284
FIGURE 4-31. FAN GUARD INSTALLATION .....	286
FIGURE 4-32. EXHAUST INSTALLATION (ULS) .....	288

# TABLE OF CONTENTS

FIGURE 4-33. EXHAUST INSTALLATION .....	290
FIGURE 4-34. EXHAUST INSTALLATION (LS) .....	292
FIGURE 4-35. ENGINE PARTS INSTALLATION (NO HEATER) .....	294
FIGURE 4-36. ENGINE PARTS INSTALLATION (HEATER).....	296
FIGURE 4-37. A/C PUMP INSTALLATION (ULS).....	298
FIGURE 4-38. A/C PUMP INSTALLATION (LS) .....	300
FIGURE 4-39. FUEL TANK ASSEMBLY.....	302
FIGURE 4-40. FUEL TANK ASSEMBLY (Prior to SN 0160075554) .....	304
FIGURE 4-41. DEF TANK INSTALLATION .....	306
FIGURE 4-42. DEF TANK ASSEMBLY (SN 0160084796 through 0160091768) .....	308
FIGURE 4-43. DEF TANK ASSEMBLY (SN 0160091769 through 0160100493) .....	310
FIGURE 4-44. DEF PUMP AND CONTROL INSTALLATION.....	312
FIGURE 4-45. DEF PUMP LINES INSTALLATION .....	314
FIGURE 4-46. FUEL LINES INSTALLATION (ULS) .....	316
FIGURE 4-47. FUEL LINES INSTALLATION (LS).....	320
FIGURE 4-48. MUFFLER INSTALLATION (LS) .....	324
FIGURE 4-49. A/C LINES INSTALLATION.....	326
FIGURE 4-50. UREA PUMP .....	328
FIGURE 4-51. HEATER BREATHER - 110 HP .....	330
FIGURE 4-52. HEATER BREATHER - 74 HP .....	332
FIGURE 4-53. DEF BREATHER VALVE .....	334
SECTION 5 - DRIVETRAIN .....	337
FIGURE 5-1. DRIVETRAIN INSTALLATION .....	338
FIGURE 5-2. DRIVETRAIN INSTALLATION, 74HP.....	340
FIGURE 5-3. FRONT AXLE INSTALLATION.....	342
FIGURE 5-4. FRONT AXLE INSTALLATION, 74HP .....	344
FIGURE 5-5. REAR AXLE INSTALLATION .....	346
FIGURE 5-6. REAR AXLE INSTALLATION, 74HP .....	348
FIGURE 5-7. DRIVE SHAFTS INSTALLATION .....	350
FIGURE 5-8. FRONT AXLE MOUNTING INSTALLATION .....	352
FIGURE 5-9. FRONT AXLE MOUNTING INSTALLATION, 74HP .....	354
FIGURE 5-10. FRONT AXLE LINES INSTALLATION .....	356
FIGURE 5-11. REAR AXLE MOUNTING INSTALLATION.....	358
FIGURE 5-12. REAR AXLE MOUNTING INSTALLATION, 74HP.....	360
FIGURE 5-13. REAR AXLE LINES INSTALLATION.....	362
FIGURE 5-14. FRONT DRIVE SHAFT INSTALLATION .....	364
FIGURE 5-15. REAR DRIVE SHAFT INSTALLATION.....	366
FIGURE 5-16. FRONT AXLE .....	368
FIGURE 5-17. FRONT AXLE, CENTRAL HOUSING.....	370
FIGURE 5-18. FRONT AXLE, DIFFERENTIAL.....	372
FIGURE 5-19. FRONT AXLE, HUB REDUCTION .....	374
FIGURE 5-20. FRONT AXLE, BRAKES.....	376
FIGURE 5-21. FRONT AXLE, STEERING .....	378
FIGURE 5-22. FRONT AXLE, TRUNION.....	380
FIGURE 5-23. FRONT AXLE, DIFFERENTIAL.....	382

# TABLE OF CONTENTS

FIGURE 5-24. FRONT AXLE, REDUCTION BUSHING .....	384
FIGURE 5-25. FRONT AXLE, PLANET GEAR CARRIER .....	386
FIGURE 5-26. FRONT AXLE, RING GEAR SUPPORT .....	388
FIGURE 5-27. FRONT AXLE, PLANET GEAR .....	390
FIGURE 5-28. FRONT AXLE, TRUNION KIT .....	392
FIGURE 5-29. FRONT AXLE, 74HP .....	394
FIGURE 5-30. FRONT AXLE, CENTRAL HOUSING 74HP .....	396
FIGURE 5-31. FRONT AXLE, DIFFERENTIAL 74HP .....	398
FIGURE 5-32. FRONT AXLE, HUB REDUCTION 74HP .....	400
FIGURE 5-33. FRONT AXLE, BRAKES 74HP .....	404
FIGURE 5-34. FRONT AXLE, STEERING 74HP .....	406
FIGURE 5-35. FRONT AXLE, TRUNION 74HP .....	408
FIGURE 5-36. REAR AXLE .....	410
FIGURE 5-37. REAR AXLE, CENTRAL HOUSING .....	412
FIGURE 5-38. REAR AXLE, DIFFERENTIAL .....	414
FIGURE 5-39. REAR AXLE, HUB REDUCTION .....	416
FIGURE 5-40. REAR AXLE, BRAKES .....	418
FIGURE 5-41. REAR AXLE, STEERING .....	420
FIGURE 5-42. REAR AXLE, TRUNION .....	422
FIGURE 5-43. REAR AXLE, DIFFERENTIAL KIT .....	424
FIGURE 5-44. REAR AXLE, REDUCTION BUSHING .....	426
FIGURE 5-45. REAR AXLE, PLANET GEAR CARRIER KIT .....	428
FIGURE 5-46. REAR AXLE, RING GEAR SUPPORT KIT .....	430
FIGURE 5-47. REAR AXLE, PLANET GEAR KIT .....	432
FIGURE 5-48. REAR AXLE, PISTON KIT .....	434
FIGURE 5-49. REAR AXLE, SUPPORT KIT .....	436
FIGURE 5-50. REAR AXLE, 74HP .....	438
FIGURE 5-51. REAR AXLE, CENTRAL HOUSING 74HP .....	440
FIGURE 5-52. REAR AXLE, DIFFERENTIAL 74HP (742) .....	442
FIGURE 5-53. REAR AXLE, HUB REDUCTION 74HP (742) .....	444
FIGURE 5-54. REAR AXLE, BRAKES 74HP (742) .....	448
FIGURE 5-55. REAR AXLE, STEERING 74HP (742) .....	450
FIGURE 5-56. REAR AXLE, TRUNION 74HP (742) .....	452
FIGURE 5-57. REAR DRIVE SHAFT ASSEMBLY .....	454
FIGURE 5-58. TRANSMISSION INSTALLATION .....	456
FIGURE 5-59. TRANSMISSION INSTALLATION .....	458
FIGURE 5-60. POWERSHIFT TRANSMISSION .....	460
FIGURE 5-61. TRANSMISSION, ENGINE CONNECTION .....	464
FIGURE 5-62. TRANSMISSION, CONVERTER .....	466
FIGURE 5-63. TRANSMISSION, INPUT .....	468
FIGURE 5-64. TRANSMISSION, HOUSING GROUP 1 .....	470
FIGURE 5-65. TRANSMISSION, HOUSING GROUP 2 .....	472
FIGURE 5-66. TRANSMISSION, CLUTCH GROUP 1 .....	474
FIGURE 5-67. TRANSMISSION, CLUTCH GROUP 2 .....	476
FIGURE 5-68. TRANSMISSION, COUPLING GROUP 1 .....	478

# TABLE OF CONTENTS

FIGURE 5-69. TRANSMISSION, COUPLING GROUP 2.....	480
FIGURE 5-70. TRANSMISSION, COUPLING GROUP 3.....	482
FIGURE 5-71. TRANSMISSION, COUPLING GROUP 4.....	484
FIGURE 5-72. TRANSMISSION, OUTPUT.....	486
FIGURE 5-73. TRANSMISSION, POWER TAKE-OFF .....	488
FIGURE 5-74. TRANSMISSION, CONTROL UNIT.....	490
FIGURE 5-75. TRANSMISSION, SHIFT SYSTEM .....	492
FIGURE 5-76. TRANSMISSION, PRESSURE REGULATOR .....	494
FIGURE 5-77. TRANSMISSION, PRESSURE OIL PUMP.....	496
FIGURE 5-78. TRANSMISSION, INDUCTIVE TRANSMITTER.....	498
FIGURE 5-79. TRANSMISSION, FILTER.....	500
FIGURE 5-80. TRANSMISSION, ACCESSORIES GROUP 1 .....	502
FIGURE 5-81. TRANSMISSION, PERIPHERALS GROUP 1 .....	504
FIGURE 5-82. TRANSMISSION, ACCESSORIES GROUP 2 .....	506
FIGURE 5-83. TRANSMISSION, TRANSFER BOX.....	508
FIGURE 5-84. TRANSMISSION, TRANSFER BOX HOUSING 1 .....	510
FIGURE 5-85. TRANSMISSION, TRANSFER BOX HOUSING 2.....	512
FIGURE 5-86. TRANSMISSION, TRANSFER BOX HOUSING INPUT .....	514
FIGURE 5-87. TRANSMISSION, TRANSFER BOX HOUSING OUTPUT 1 .....	516
FIGURE 5-88. TRANSMISSION, TRANSFER BOX HOUSING OUTPUT 2.....	518
FIGURE 5-89. TIRE/WHEEL SET 370/75-28 - AIR.....	520
FIGURE 5-90. TIRE/WHEEL ASSEMBLY 370/75-28 - AIR .....	522
FIGURE 5-91. TIRE SET, 370/75-28 PNEUMATIC NON-MARKING.....	524
FIGURE 5-92. TIRE & WHEEL ASSY, 370/75-28 PNEUMATIC NON-MARKING .....	526
FIGURE 5-93. TIRE/WHEEL SET 370/75-28 - FOAM .....	528
FIGURE 5-94. TIRE SET, 370/75-28 FOAM NON-MARKING .....	530
FIGURE 5-95. TIRE/WHEEL SET 13-24 16PR - AIR.....	532
FIGURE 5-96. TIRE/WHEEL RIGHT ASSEMBLY 13-24 16PR - AIR .....	534
FIGURE 5-97. TIRE/WHEEL LEFT ASSEMBLY 13-24 16PR - AIR .....	536
FIGURE 5-98. TIRE/WHEEL SET 13-24 12PR - FOAM.....	538
FIGURE 5-99. TIRE/WHEEL SET 315/95-28 - SOLID.....	540
FIGURE 5-100. TIRE/WHEEL SET 13-24 - SOLID (Prior to SN 0160083905).....	542
FIGURE 5-101. FENDER INSTALLATION .....	544
FIGURE 5-102. CAB FENDER INSTALLATION REAR (LH) .....	546
FIGURE 5-103. RH FENDER ASSEMBLY (Prior to SN 0160073783).....	548
FIGURE 5-104. LH FENDER ASSEMBLY (Prior to SN 0160073783) .....	550
FIGURE 5-105. WHEEL CHOCK INSTALLATION .....	552
FIGURE 5-106. TOOLBOX INSTALLATION.....	554
SECTION 6 - CAB .....	557
FIGURE 6-1. CAB MOUNTING.....	558
FIGURE 6-2. CAB MOUNTS INSTALLATION .....	560
FIGURE 6-3. FRONT CAB OUTRIGGER INSTALLATION.....	562
FIGURE 6-4. OROPS CAB INSTALLATION.....	564
FIGURE 6-5. EROPS CAB INSTALLATION .....	566
FIGURE 6-6. CAB, TRIM KIT.....	568

# TABLE OF CONTENTS

FIGURE 6-7. CAB, TRIM KIT .....	570
FIGURE 6-8. OPEN CAB ASSEMBLY .....	572
FIGURE 6-9. OPEN CAB PLUG GROUP.....	574
FIGURE 6-10. OPEN CAB FRONT COVER INSTALLATION .....	576
FIGURE 6-11. CAB, EPD CAULK .....	578
FIGURE 6-12. ENCLOSED CAB ASSEMBLY.....	580
FIGURE 6-13. REAR WINDOW INSTALLATION.....	582
FIGURE 6-14. REAR WINDOW INSTALLATION (WO/WIPER) (ANSI).....	584
FIGURE 6-15. REAR WINDOW INSTALLATION (WO/WIPER) (ISO) .....	586
FIGURE 6-16. REAR WINDOW INSTALLATION (WO/WIPER) (ENG/SPAN).....	588
FIGURE 6-17. REAR WINDOW ASSEMBLY .....	590
FIGURE 6-18. DOOR INSTALLATION.....	592
FIGURE 6-19. DOOR UPPER GLASS ASSEMBLY.....	594
FIGURE 6-20. DOOR UPPER GLASS ASSEMBLY (Prior to SN 0160084796) .....	596
FIGURE 6-21. CAB LATCH ASSEMBLY.....	598
FIGURE 6-22. CAB DOOR TRIGGER ASSEMBLY .....	600
FIGURE 6-23. CAB FENDER INSTALLATION .....	602
FIGURE 6-24. DOOR ASSEMBLY .....	604
FIGURE 6-25. CAB DOOR.....	606
FIGURE 6-26. DOOR STRAP INSTALLATION.....	608
FIGURE 6-27. ENCLOSED CAB PLUG GROUP .....	610
FIGURE 6-28. BASIC MIRROR INSTALLATION .....	612
FIGURE 6-29. FRONT COVER INSTALLATION .....	614
FIGURE 6-30. FRONT COVER INSTALLATION (Prior to SN 0160101057).....	616
FIGURE 6-31. FILTER TRAY PANEL .....	618
FIGURE 6-32. FRONT DUCT COVER.....	620
FIGURE 6-33. LEVEL INDICATOR INSTALLATION.....	622
FIGURE 6-34. SEAT INSTALLATION .....	624
FIGURE 6-35. SEAT.....	626
FIGURE 6-36. SEAT BELT INSTALLATION (3 INCH) .....	628
FIGURE 6-37. SEAT BELT INSTALLATION (3IN) (Prior to SN 0160085525).....	630
FIGURE 6-38. HEATER INSTALLATION.....	632
FIGURE 6-39. HEATER AND A/C INSTALLATION (CAB PARTS).....	634
FIGURE 6-40. HEATER AND A/C INSTALLATION (CAB PARTS).....	636
FIGURE 6-41. HEATER AND A/C ASSEMBLY (Prior to SN 0160077679).....	638
FIGURE 6-42. HEATER AND A/C.....	640
FIGURE 6-43. HEATER AND A/C.....	642
FIGURE 6-44. HEATER ASSEMBLY .....	644
FIGURE 6-45. HEATER .....	646
FIGURE 6-46. HEATER .....	648
FIGURE 6-47. HVAC CAB ACTUATOR.....	650
FIGURE 6-48. CAB CONDENSER ASSEMBLY.....	652
FIGURE 6-49. A/C RECEIVER DRIER.....	654
FIGURE 6-50. CONDENSER.....	656
FIGURE 6-51. FRONT WIPER INSTALLATION.....	658

# TABLE OF CONTENTS

FIGURE 6-52. REAR WIPER INSTALLATION .....	660
FIGURE 6-53. ROOF WIPER INSTALLATION .....	662
FIGURE 6-54. HEADLINER INSTALLATION.....	664
FIGURE 6-55. OPEN CAB TRIM INSTALLATION (Prior to SN 0160081650) .....	666
FIGURE 6-56. OPEN CAB TRIM INSTALLATION (Prior to SN 0160081650) .....	668
FIGURE 6-57. ENCLOSED CAB TRIM INSTALLATION .....	670
FIGURE 6-58. ARMREST .....	674
FIGURE 6-59. ROOF CAP INSTALLATION (A/C) .....	676
FIGURE 6-60. ROOF CAP INSTALLATION (NO A/C).....	678
FIGURE 6-61. NON SKID TAPE INSTALLATION.....	680
FIGURE 6-62. EXTERNAL WINDOW RELEASE INSTALLATION (CAN & ISO).....	682
FIGURE 6-63. WASHER TANK INSTALLATION.....	684
FIGURE 6-64. CAB GUARD INSTALLATION (TOP AND FRONT) .....	686
FIGURE 6-65. CAB GUARD INSTALLATION (TOP) .....	688
FIGURE 6-66. CAB GUARD INSTALLATION (FRONT) .....	690
FIGURE 6-67. ROOF PIGTAIL CAP INSTALLATION.....	692
FIGURE 6-68. ROOF PIGTAIL INSTALLATION .....	694
FIGURE 6-69. RETRACTABLE SUNSCREEN INSTALLATION.....	696
FIGURE 6-70. QUICK COUPLER CYLINDER ASSEMBLY.....	698
FIGURE 6-71. NO SUNSCREEN INSTALLATION .....	700
FIGURE 6-72. WASHER BOTTLE .....	702
SECTION 7 - CONTROLS.....	705
FIGURE 7-1. BRAKE PEDAL INSTALLATION .....	706
FIGURE 7-2. BRAKE PEDAL.....	708
FIGURE 7-3. BRAKE PEDAL PLATE .....	710
FIGURE 7-4. ACCELERATOR PEDAL INSTALLATION.....	712
FIGURE 7-5. ACCELERATOR PEDAL .....	714
FIGURE 7-6. STEERING COLUMN INSTALLATION .....	716
FIGURE 7-7. STEERING COLUMN INSTALLATION (EMERGENCY STEERING).....	718
FIGURE 7-8. STEERING WHEEL INSTALLATION .....	720
FIGURE 7-9. STEERING WHEEL.....	722
FIGURE 7-10. HORN BUTTON INSTALLATION .....	724
FIGURE 7-11. JOYSTICK INSTALLATION (2 ROLLER, 0 BUTTON) .....	726
FIGURE 7-12. COLUMN CLAMP INSTALLATION .....	728
FIGURE 7-13. WIPER-TURN SWITCH.....	730
FIGURE 7-14. JOYSTICK .....	732
FIGURE 7-15. JOYSTICK.....	734
SECTION 8 - HYDRAULIC CIRCUITS .....	737
FIGURE 8-1. MAIN HYDRAULIC INSTALLATION (110HP) .....	738
FIGURE 8-2. MAIN HYDRAULIC INSTALLATION (74HP) .....	740
FIGURE 8-3. MAIN HYDRAULIC INSTALLATION (EMERGENCY STEERING) .....	742
FIGURE 8-4. MAIN HYDRAULIC INSTALLATION - 74HP (EMERGENCY STEERING NO.....	744
FIGURE 8-5. VALVE INSTALLATION (NO OUTRIGGERS).....	746
FIGURE 8-6. VALVE INSTALLATION.....	748

# TABLE OF CONTENTS

FIGURE 8-7. PISTON PUMP INSTALLATION .....	750
FIGURE 8-8. PISTON PUMP INSTALLATION .....	752
FIGURE 8-9. MAIN HYDRAULICS INSTALLATION.....	754
FIGURE 8-10. MAIN HYDRAULICS INSTALLATION.....	758
FIGURE 8-11. FRAME LEVEL HYDRAULICS INSTALLATION (NO OUTRIGGERS) .....	762
FIGURE 8-12. FRAME LEVEL HYDRAULICS INSTALL (NO OUTRIGGERS) .....	764
FIGURE 8-13. CAB HYDRAULIC INSTALLATION.....	766
FIGURE 8-14. CAB HYDRAULICS INSTALLATION .....	768
FIGURE 8-15. CAB HYDRAULIC INSTALLATION.....	770
FIGURE 8-16. CAB HYDRAULIC INSTALLATION (EMERGENCY STEERING).....	772
FIGURE 8-17. BOOM HYDRAULIC INSTALLATION .....	774
FIGURE 8-18. BOOM HYDRAULIC INSTALLATION .....	776
FIGURE 8-19. MAIN CONTROL VALVE INSTALLATION.....	778
FIGURE 8-20. MAIN CONTROL VALVE INSTALLATION.....	780
FIGURE 8-21. MAIN HYDRAULIC VALVES INSTALLATION .....	782
FIGURE 8-22. MAIN CONTROL VALVE ASSEMBLY .....	784
FIGURE 8-23. MAIN CONTROL VALVE ASSEMBLY .....	786
FIGURE 8-24. MAIN CONTROL VALVE .....	788
FIGURE 8-25. STEERING SELECT AND FRAME LEVEL VALVE INSTALLATION.....	790
FIGURE 8-26. PARK BRAKE INSTALLATION.....	792
FIGURE 8-27. PARK BRAKE INSTALLATION (Prior to SN 0160101057) .....	794
FIGURE 8-28. VALVE INSTALLATION - PARKING BRAKE .....	796
FIGURE 8-29. PARK BRAKE VALVE ASSEMBLY .....	798
FIGURE 8-30. PISTON PUMP ASSEMBLY .....	800
FIGURE 8-31. PISTON PUMP ASSEMBLY .....	802
FIGURE 8-32. FRAME LEVEL INSTALLATION .....	804
FIGURE 8-33. FRAME LEVEL VALVE ASSEMBLY.....	806
FIGURE 8-34. STEERING SELECT VALVE MOUNTING INSTALLATION .....	808
FIGURE 8-35. STEERING SELECT VALVE INSTALLATION.....	810
FIGURE 8-36. STEERING SELECT VALVE ASSEMBLY .....	812
FIGURE 8-37. REAR AXLE STABILIZER INSTALLATION .....	814
FIGURE 8-38. COUNTERBALANCE VALVE INSTALLATION (LIFT - GLS NO RIDE CONTROL) .....	816
FIGURE 8-39. COUNTERBALANCE VALVE INSTALLATION.....	818
FIGURE 8-40. COUNTERBALANCE VALVE INSTALLATION (LIFT - GLS RIDE CONTROL).....	820
FIGURE 8-41. COUNTERBALANCE VALVE INSTALLATION.....	822
FIGURE 8-42. COUNTERBALANCE VALVE HYDRAULIC LINES (LIFT - RIDE CONTROL) .....	824
FIGURE 8-43. INTGRATED RECOVERY VALVE.....	826
FIGURE 8-44. BOOM HYDRAULIC TUBES INSTALLATION .....	828
FIGURE 8-45. BOOM AUXILIARY HYDRAULICS INSTALLATION.....	830
FIGURE 8-46. BOOM AUXILIARY HYDRAULICS (HYDRAULIC COUPLER) .....	832
FIGURE 8-47. BOOM AUXILIARY HYDRAULICS (SIDE MOUNTED).....	834
FIGURE 8-48. QUICK COUPLER VALVE ASSEMBLY.....	836
FIGURE 8-49. HYDRAULIC QUICK COUPLER ASSEMBLY .....	838
FIGURE 8-50. QUICK COUPLER CYLINDER ASSEMBLY .....	840
FIGURE 8-51. BOOM ANGLE SENSOR INSTALLATION .....	842

# TABLE OF CONTENTS

FIGURE 8-52. EMERGENCY STEERING MANIFOLD.....	844
FIGURE 8-53. AIR SHUT OFF VALVE .....	846
FIGURE 8-54. PRIORITY FUNCTION MANIFOLD INSTALLATION .....	848
FIGURE 8-55. PRIORITY FUNCTION MANIFOLD VALVE ASSEMBLY .....	850
SECTION 9 - HYDRAULIC COMPONENTS .....	853
FIGURE 9-1. CYLINDER GROUP INSTALLATION.....	854
FIGURE 9-2. CYLINDER GROUP INSTALLATION - 74HP.....	856
FIGURE 9-3. LIFT CYLINDER .....	858
FIGURE 9-4. LIFT CYLINDER .....	860
FIGURE 9-5. TILT CYLINDER ASSEMBLY .....	862
FIGURE 9-6. TILT CYLINDER .....	864
FIGURE 9-7. TILT CYLINDER .....	866
FIGURE 9-8. COMPENSATION CYLINDER .....	868
FIGURE 9-9. COMPENSATION CYLINDER .....	870
FIGURE 9-10. FRAME LEVEL CYLINDER INSTALLATION .....	872
FIGURE 9-11. FRAME LEVEL CYLINDER.....	874
FIGURE 9-12. EXTEND/RETRACT CYLINDER ASSEMBLY .....	876
FIGURE 9-13. EXTEND/RETRACT CYLINDER .....	878
FIGURE 9-14. EXTEND/RETRACT CYLINDER .....	880
FIGURE 9-15. EXTEND/RETRACT CYLINDER .....	882
FIGURE 9-16. REAR AXLE STABILIZER CYLINDER INSTALLATION.....	884
FIGURE 9-17. REAR AXLE STABILITY CYLINDER.....	886
FIGURE 9-18. SIDE TILT CYLINDER.....	888
FIGURE 9-19. REAR AXLE STABILITY VALVE (Prior to SN 0160080899) .....	890
FIGURE 9-20. REAR AXLE STABILIZER VALVE .....	892
FIGURE 9-21. MAIN CONTROL VALVE.....	894
FIGURE 9-22. MAIN CONTROL VALVE.....	896
FIGURE 9-23. GEAR PUMP .....	898
FIGURE 9-24. PISTON PUMP .....	900
FIGURE 9-25. STEERING ORBITAL VALVE .....	902
FIGURE 9-26. STEERING SELECT VALVE.....	904
FIGURE 9-27. HYDRAULIC PARK BRAKE RELEASE VALVE .....	906
FIGURE 9-28. HYDRAULIC FILTER.....	908
FIGURE 9-29. FRAME LEVEL VALVE .....	910
FIGURE 9-30. FRAME LEVEL AND OUTRIGGER VALVE .....	912
FIGURE 9-31. FORK POSITIONING CYLINDER .....	914
FIGURE 9-32. DIVERTOR VALVE.....	916
FIGURE 9-33. QUICK COUPLER CYLINDER.....	918
FIGURE 9-34. SAHR BRAKE VALVE .....	920
FIGURE 9-35. SWING CARRIAGE CYLINDER.....	922
FIGURE 9-36. SIDE SHIFT CARRIAGE CYLINDER .....	924
FIGURE 9-37. TANK HYDRAULIC .....	926
FIGURE 9-38. FLOW DIVIDER VALVE .....	928
FIGURE 9-39. PARK BRAKE VALVE .....	930
FIGURE 9-40. PRIORITY MANIFOLD VALVE.....	932



# TABLE OF CONTENTS

SECTION 10 - ELECTRICAL .....	935
FIGURE 10-1. MAIN ELECTRICAL INSTALLATION (ULS) .....	936
FIGURE 10-2. MAIN ELECTRICAL INSTALLATION (ULS) (74 HP) .....	938
FIGURE 10-3. MAIN ELECTRICAL INSTALLATION (LS) .....	940
FIGURE 10-4. ELECTRICAL FRAME INSTALLATION .....	942
FIGURE 10-5. POWER DISTRIBUTION ELECTRICAL BOX .....	944
FIGURE 10-6. ENGINE BAY WIRING INSTALLATION (ULS) .....	946
FIGURE 10-7. ENGINE BAY WIRING INSTALLATION, 74HP (ULS) .....	948
FIGURE 10-8. ENGINE BAY WIRING INSTALLATION (LS) .....	950
FIGURE 10-9. FRAME WIRING INSTALLATION (ULS) .....	952
FIGURE 10-10. FRAME WIRING INSTALLATION (ULS) .....	954
FIGURE 10-11. FRAME WIRING INSTALLATION (LS) .....	956
FIGURE 10-12. ENGINE BAY ELECTRICAL INSTALLATION .....	958
FIGURE 10-13. ENGINE BAY ELECTRICAL INSTALLATION (ULS) .....	960
FIGURE 10-14. ENGINE WIRING INSTALLATION, 74HP (ULS) .....	962
FIGURE 10-15. ENGINE ECU INSTALLATION (LS) .....	964
FIGURE 10-16. ENGINE WIRING INSTALLATION (LS) .....	966
FIGURE 10-17. ENGINE WIRING INSTALLATION (ULS) .....	970
FIGURE 10-18. ENGINE ECU INSTALLATION (ULS) .....	974
FIGURE 10-19. BOOM AUXILIARY ELECTRIC INSTALLATION .....	976
FIGURE 10-20. BOOM AUXILIARY ELECTRIC HARNESS INSTALLATION .....	978
FIGURE 10-21. BATTERY INSTALLATION .....	980
FIGURE 10-22. BATTERY INSTALLATION .....	982
FIGURE 10-23. ARCTIC WEATHER PACKAGE INSTALLATION - 110 HP (ULS) .....	984
FIGURE 10-24. ARCTIC WEATHER PACKAGE INSTALLATION - 74 HP (ULS) .....	986
FIGURE 10-25. ARCTIC COLD WEATHER PACKAGE INSTALLATION (LS) .....	988
FIGURE 10-26. FUEL FILTER HEATER INSTALLATION .....	990
FIGURE 10-27. ARTIC BATTERIES INSTALLATION .....	992
FIGURE 10-28. HYDRAULIC TANK HEATER INSTALLATION .....	994
FIGURE 10-29. BACKUP ALARM INSTALLATION (120 DB) .....	996
FIGURE 10-30. BACKUP ALARM INSTALLATION (97 DB) .....	998
FIGURE 10-31. WHITE NOISE BACKUP ALARM INSTALLATION .....	1000
FIGURE 10-32. CAB ELECTRICAL INSTALLATION .....	1002
FIGURE 10-33. DASH ELECTRICAL INSTALLATION .....	1004
FIGURE 10-34. DASH ELECTRICAL INSTALLATION (LS) .....	1006
FIGURE 10-35. SWITCH LIGHT INSTALLATION .....	1008
FIGURE 10-36. USB CHARGER INSTALLATION .....	1010
FIGURE 10-37. OPEN CAB ELECTRICAL INSTALLATION WITH OPTIONS .....	1012
FIGURE 10-38. MULTIFUNCTION DISPLAY INSTALLATION .....	1014
FIGURE 10-39. ENCLOSED CAB ELECTRICAL INSTALLATION WITH OPTIONS .....	1016
FIGURE 10-40. REVERSE CAMERA INSTALLATION .....	1018
FIGURE 10-41. REVERSE CAMERA, NO HED .....	1020
FIGURE 10-42. REVERSE SENSOR INSTALLATION .....	1022
FIGURE 10-43. TELEMATICS READY INSTALLATION .....	1024
FIGURE 10-44. ROAD LIGHTS INSTALLATION .....	1026

# TABLE OF CONTENTS

FIGURE 10-45. CAB WORKLIGHTS INSTALLATION (NO A/C) .....	1028
FIGURE 10-46. CAB WORKLIGHTS INSTALLATION (NO A/C - LED) .....	1030
FIGURE 10-47. CAB WORKLIGHTS INSTALLATION (A/C) .....	1032
FIGURE 10-48. CAB WORKLIGHTS INSTALLATION (A/C - LED) .....	1034
FIGURE 10-49. BOOM WORK LIGHTS INSTALLATION .....	1036
FIGURE 10-50. BOOM WORK LIGHTS INSTALLATION (LED) .....	1038
FIGURE 10-51. BOOM LIGHTS INSTALLATION .....	1040
FIGURE 10-52. BOOM LED LIGHTS INSTALLATION .....	1042
FIGURE 10-53. BOOM WORKLIGHTS HARNESS .....	1044
FIGURE 10-54. BEACON INSTALLATION .....	1046
FIGURE 10-55. BEACON INSTALLATION (LED) .....	1048
FIGURE 10-56. RIDE CONTROL CB VALVE HARNESS INSTALLATION (LIFT) .....	1050
FIGURE 10-57. FRONT FRAME HARNESS .....	1052
FIGURE 10-58. REAR FRAME HARNESS .....	1058
FIGURE 10-59. REAR FRAME HARNESS .....	1062
FIGURE 10-60. ENGINE HARNESS .....	1066
FIGURE 10-61. ENGINE HARNESS .....	1072
FIGURE 10-62. ENGINE HARNESS .....	1078
FIGURE 10-63. ENGINE HARNESS (LS) .....	1082
FIGURE 10-64. ENGINE CHASSIS HARNESS (ULS) .....	1086
FIGURE 10-65. ENGINE HARNESS (ULS) (74HP) .....	1090
FIGURE 10-66. TBAP HARNESS .....	1094
FIGURE 10-67. BOOM ELECTRICAL HARNESS INSTALLATION .....	1096
FIGURE 10-68. BOOM HARNESS .....	1098
FIGURE 10-69. PLATFORM HARNESS .....	1100
FIGURE 10-70. CAB HARNESS .....	1102
FIGURE 10-71. OPTION 1 CAB HARNESS .....	1106
FIGURE 10-72. FRONT FRAME HEADLIGHT HARNESS .....	1110
FIGURE 10-73. TAIL LIGHTS HARNESS .....	1112
FIGURE 10-74. ROOF PIGTAIL HARNESS .....	1114
FIGURE 10-75. ROOF PIGTAIL HARNESS (Prior to SN 0160101057) .....	1116
FIGURE 10-76. OPTION 2 CAB HARNESS .....	1118
FIGURE 10-77. OPTION 2 ELECTRICAL BOARD ASSEMBLY .....	1120
FIGURE 10-78. CAB OPTION HARNESS .....	1122
FIGURE 10-79. TELEMATICS READY HARNESS .....	1124
FIGURE 10-80. STANDARD ELECTRICAL BOARD ASSEMBLY .....	1126
FIGURE 10-81. OPTION 1 ELECTRICAL BOARD ASSEMBLY .....	1128
FIGURE 10-82. CUMMUNICATION ANALYSER CABLE .....	1130
FIGURE 10-83. TELEMATICS HARNESS .....	1132
FIGURE 10-84. CLEARSKY INSTALLATION 3-WIRE (ANSI) .....	1134
FIGURE 10-85. CLEARSKY INSTALLATION 3-WIRE (CE) .....	1136
FIGURE 10-86. CUSTOMER SUPPLIED TELEMATICS CANBUS .....	1138
FIGURE 10-87. GATEWAY CONTROLLER .....	1140
FIGURE 10-88. HVAC ACTUATORS HARNESS .....	1142
FIGURE 10-89. TELEMATICS CANBUS INSTALLATION (CLEARSKY 2) (ANSI) .....	1144

# TABLE OF CONTENTS

FIGURE 10-90. TELEMATICS CANBUS INSTALLATION (CLEARSKY 2) (CE) .....	1146
FIGURE 10-91. 4WARD TELEMATIC, HARNESS (CLEARSKY 2) .....	1148
FIGURE 10-92. A/C OPTION HARNESS .....	1150
FIGURE 10-93. CAB AIR SHUT OFF VALVE HARNESS .....	1152
FIGURE 10-94. ENGINE AIR SHUT OFF VALVE HARNESS.....	1154
FIGURE 10-95. TELEMATICS HARNESS .....	1158
FIGURE 10-96. REVERSE SENSOR HARNESS.....	1160
FIGURE 10-97. RIDE CONTROL CB VALVE HARNESS (LIFT) .....	1162
FIGURE 10-98. DEF PURGE LIGHT HARNESS .....	1164
FIGURE 10-99. CUMMINS BREATHER HEATER HARNESS.....	1166
FIGURE 10-100. REVERSE CAMERA OPTION HARNESS, NO HED .....	1168
SECTION 11 - DECALS.....	1171
FIGURE 11-1. CAPACITY CHART HOLDER INSTALLATION .....	1172
FIGURE 11-2. BRAND AND MODEL DECAL INSTALLATION.....	1174
FIGURE 11-3. CAPACITY CHART BOOKLET .....	1176
FIGURE 11-4. CAPACITY CHART BOOKLET .....	1178
FIGURE 11-5. REVERSE SENSOR SYSTEM DECAL (ENGLISH) .....	1180
FIGURE 11-6. REVERSE SENSOR SYSTEM DECAL .....	1182
FIGURE 11-7. REVERSE SENSING SYSTEM DECAL, (ENGLISH/FRENCH) .....	1184
FIGURE 11-8. CLEARSKY DECAL INSTALLATION.....	1186
FIGURE 11-9. DECAL INSTALLATION (ANSI) (110 HP).....	1188
FIGURE 11-10. DECAL INSTALLATION (ISO) (110 HP).....	1192
FIGURE 11-11. DECAL INSTALLATION (CSA ENGLISH/FRENCH) (110 HP) .....	1196
FIGURE 11-12. DECAL INSTALLATION (ANSI) (74 HP).....	1200
FIGURE 11-13. DECAL INSTALLATION (ISO) (74 HP).....	1204
FIGURE 11-14. DECAL INSTALLATION (CSA ENGLISH/FRENCH) (74 HP) .....	1208
FIGURE 11-15. REVERSE SENSOR SYSTEM DECAL (ENGLISH/SPANISH) .....	1212
FIGURE 11-16. DECAL INSTALLATION (742, 943, 1043) (110 HP PUERTO RICO ENGL.....	1214
FIGURE 11-17. DECAL INSTALLATION.....	1216
FIGURE 11-18. DECAL INSTALLATION.....	1218
FIGURE 11-19. DECAL INSTALLATION.....	1220
SECTION 12 - RECOMMENDED SPARE PARTS .....	1223
FIGURE 12-1. RECOMMENDED SPARE PARTS .....	1224
PART NUMBER INDEX .....	1227

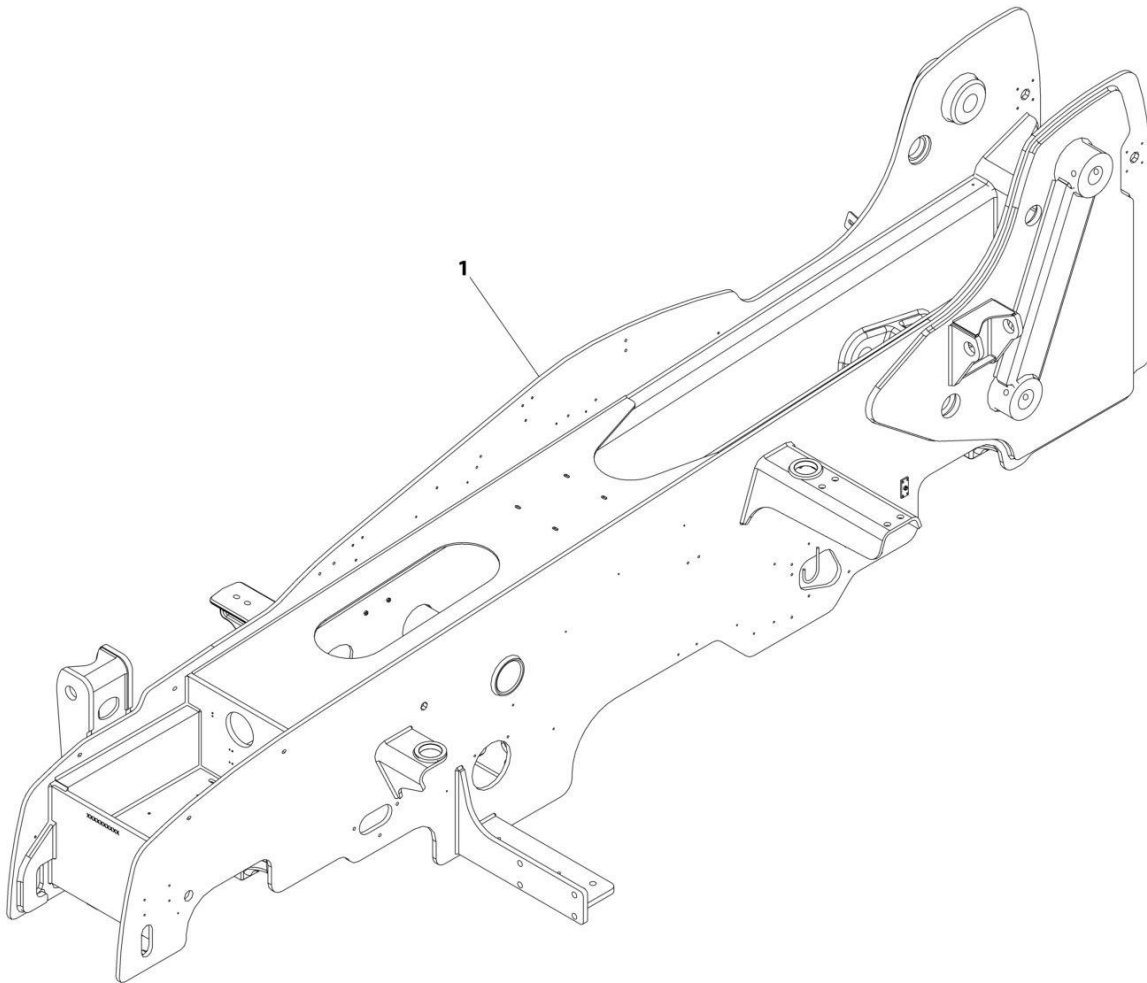


## **SECTION 1 - FRAME AND ATTACHING PARTS**

## **SECTION 1 - FRAME AND ATTACHING PARTS**

# SECTION 1 - FRAME AND ATTACHING PARTS

FIGURE 1-1. FRAME (NO OUTRIGGERS)



ART\_1001220553J-C

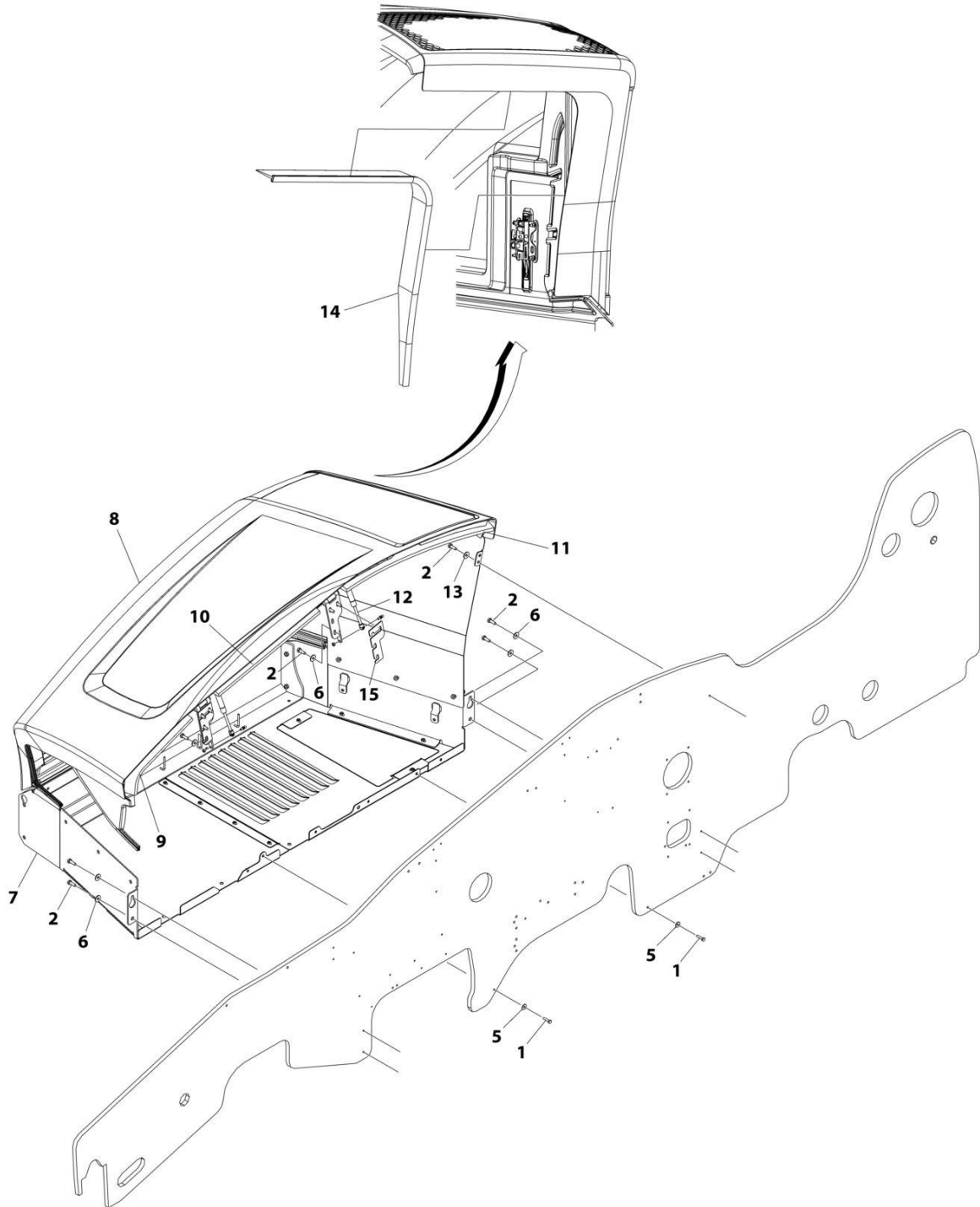
# SECTION 1 - FRAME AND ATTACHING PARTS

## FIGURE 1-1. FRAME (NO OUTRIGGERS)

ITEM	PART NUMBER	QTY	DESCRIPTION	REV
1	1001220553J	1	Frame (No Outriggers)	C

# SECTION 1 - FRAME AND ATTACHING PARTS

## FIGURE 1-2. ENGINE ENCLOSURE INSTALLATION



ART\_1001160253-J



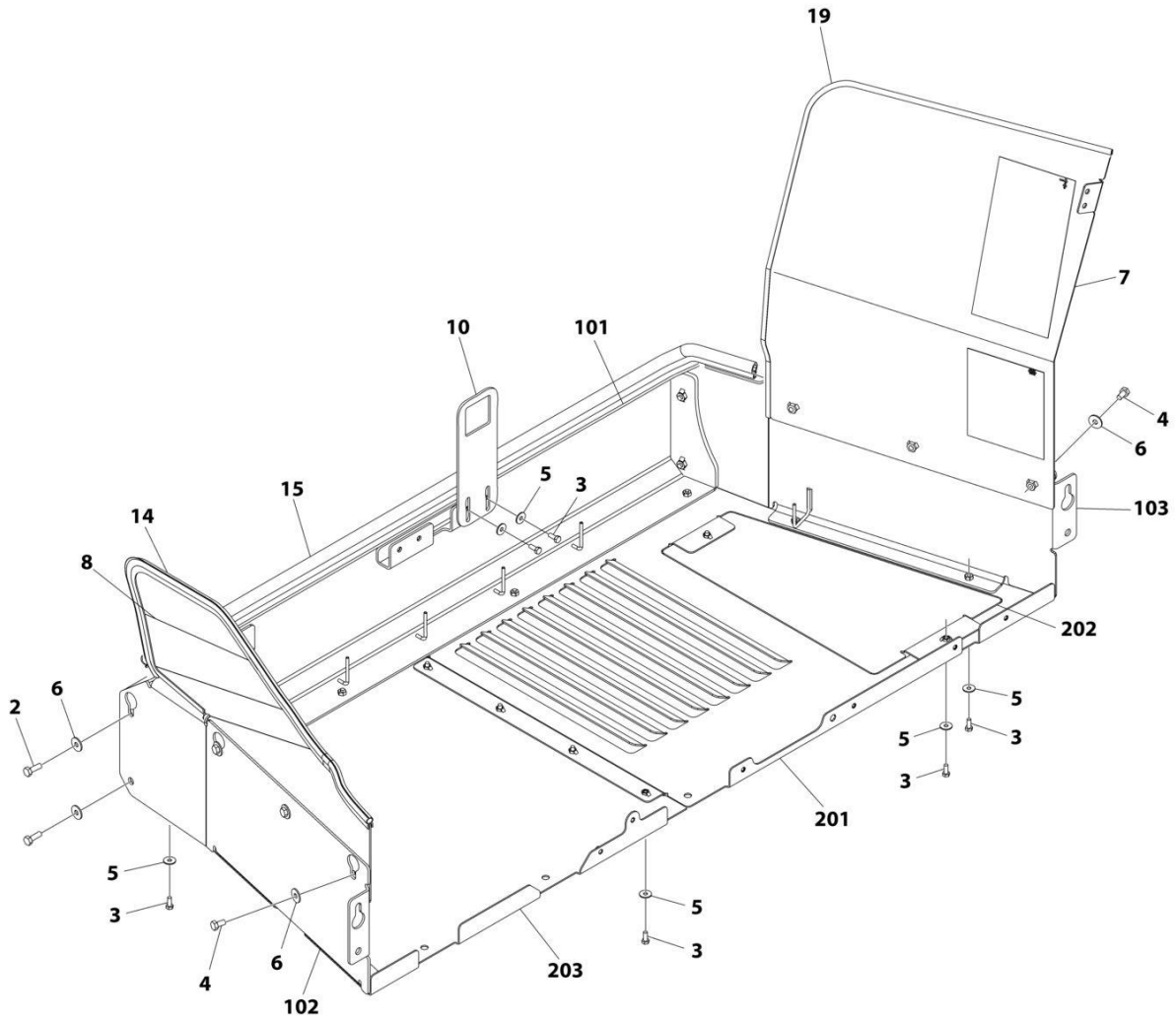
# SECTION 1 - FRAME AND ATTACHING PARTS

## FIGURE 1-2. ENGINE ENCLOSURE INSTALLATION

ITEM	PART NUMBER	QTY	DESCRIPTION	REV
	1001160253	Ref	Engine Enclosure Installation	J
1	0760815	2	Bolt, M8X35	
2	0701014	11	Bolt, M10X30	
5	4811902	2	Washer, M8	
6	4812002	10	Washer, M10	
7	1001162239	Ref	Installation, Engine Enclosure Cover (See Separate Breakdown in this Section)	
8	1001235963	Ref	Assembly, Hood (See Separate Breakdown in this Section)	
9	1001203932	1	Seal	
10	1001203933	1	Seal	
11	1001203934	1	Seal	
12	1001171885	2	Spring, Gas	
13	4812000	1	Washer, M10	
14	1001197339	1	Trim, Lock Seal	
15	1001241836	AR	Shim	

# SECTION 1 - FRAME AND ATTACHING PARTS

## FIGURE 1-3. ENGINE ENCLOSURE COVER INSTALLATION



ART\_1001162239-N

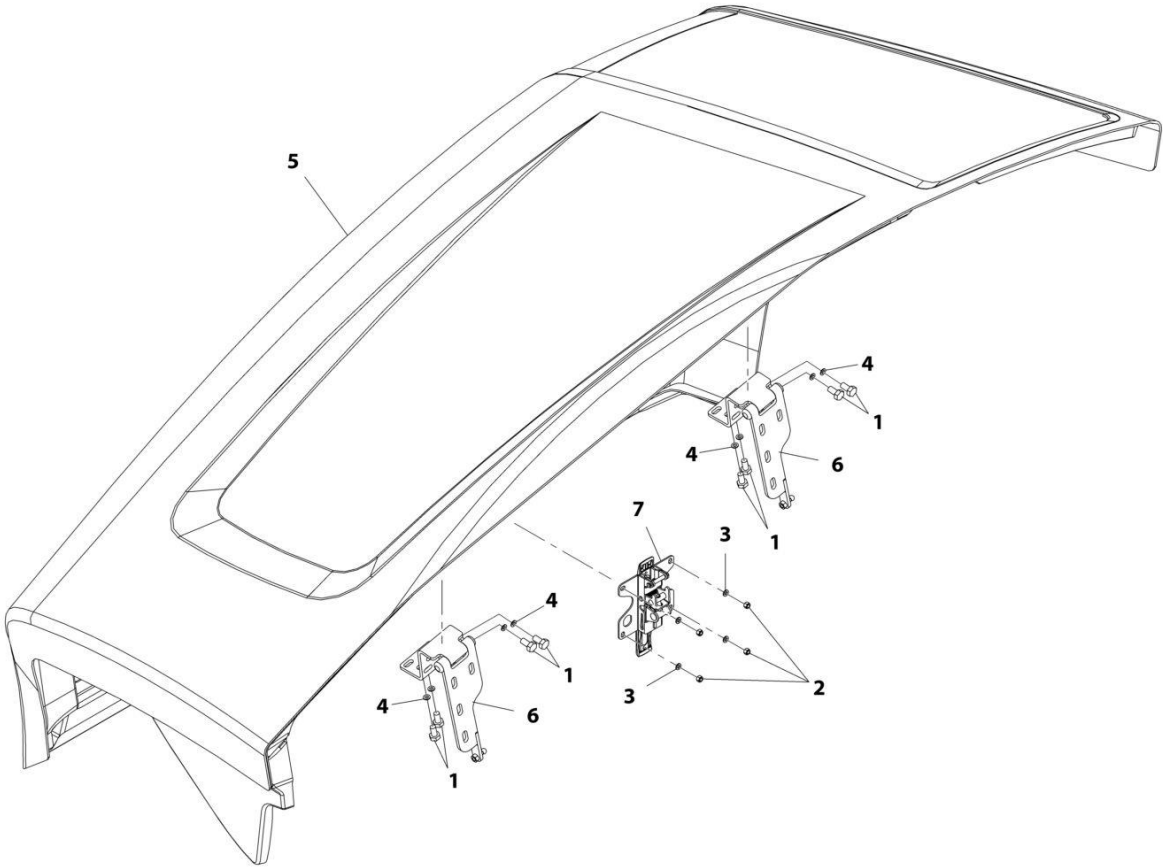
# SECTION 1 - FRAME AND ATTACHING PARTS

## FIGURE 1-3. ENGINE ENCLOSURE COVER INSTALLATION

ITEM	PART NUMBER	QTY	DESCRIPTION	REV
	1001162239	Ref	Engine Enclosure Cover Installation	N
2	0701014	4	Bolt, M10X30	
3	0760810	16	Bolt, M8X20	
4	0761010	6	Bolt, M10X20	
5	4811902	16	Washer, M8	
6	4812002	10	Washer, M10	
7	1001204086	1	Plate, Rear Cover	
8	1001184076	1	Panel, Front Cover	
10	1001209388	1	Latch, Hood	
14	1001003227	1375 mm	Seal	
15	1001204486	1795 mm	Seal	
19	90206198	1345 mm	Trim, Edge	
101	1001162240J	1	Panel, Side Skirt	
102	1001213126J	1	Panel, Front Skirt	
103	1001196426J	1	Panel, Rear Skirt	
201	1001196422	1	Panel, Bottom Cover	
202	1001169265	1	Panel, Access	
203	1001196404	1	Panel, Engine Pod	

**SECTION 1 - FRAME AND ATTACHING PARTS**

**FIGURE 1-4. HOOD ASSEMBLY**



ART\_1001168834-K

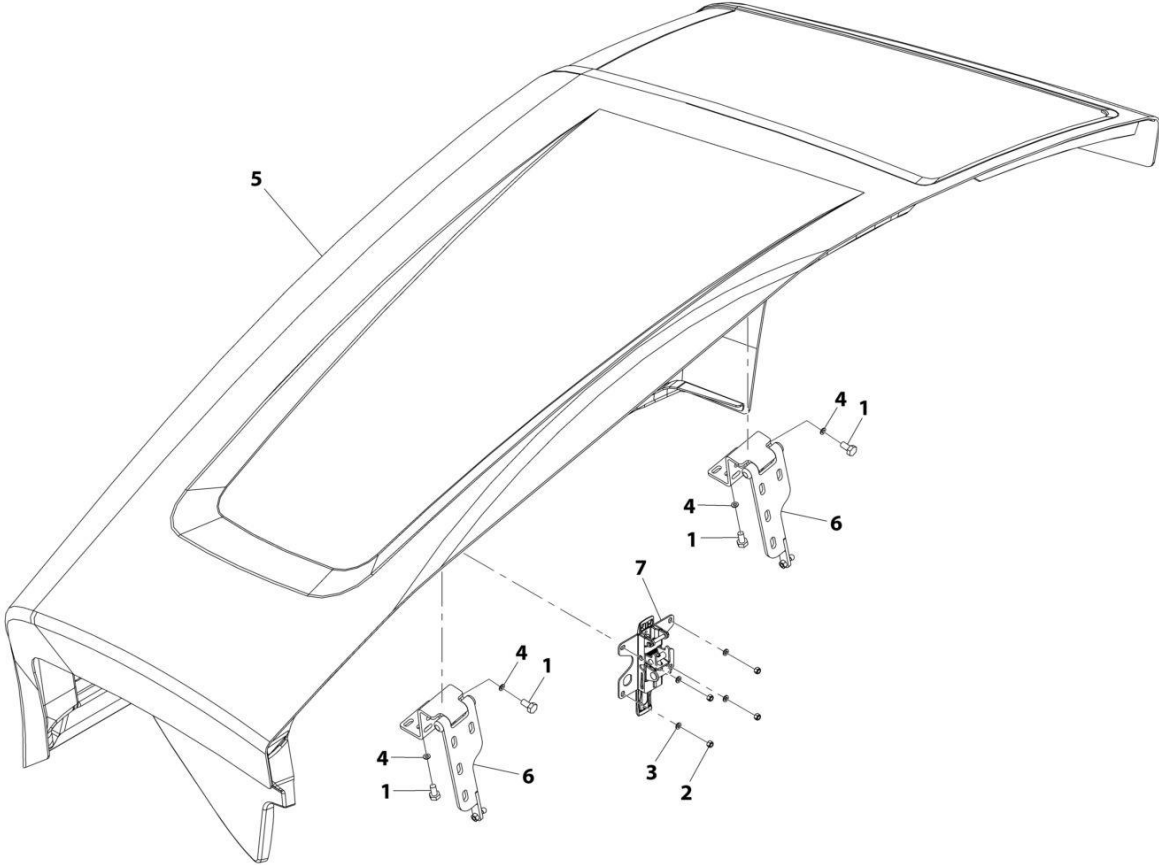
# SECTION 1 - FRAME AND ATTACHING PARTS

## FIGURE 1-4. HOOD ASSEMBLY

ITEM	PART NUMBER	QTY	DESCRIPTION	REV
	1001168834	NLA	Hood Assembly (no longer available, use items 1 thru 7 for service or 1001235963 for replacement)	K
1	0761010	8	Bolt, M10X20	
2	3290605	4	Nut, Lock M6X1	
3	4811700	4	Washer, M6	
4	4812000	8	Washer, M10	
5	1001166698	1	Hood	
6	1001209387	2	Hinge, Hood	
7	1001132168	1	Latch, Hood	

**SECTION 1 - FRAME AND ATTACHING PARTS**

**FIGURE 1-5. HOOD ASSEMBLY**



ART\_1001235963-B

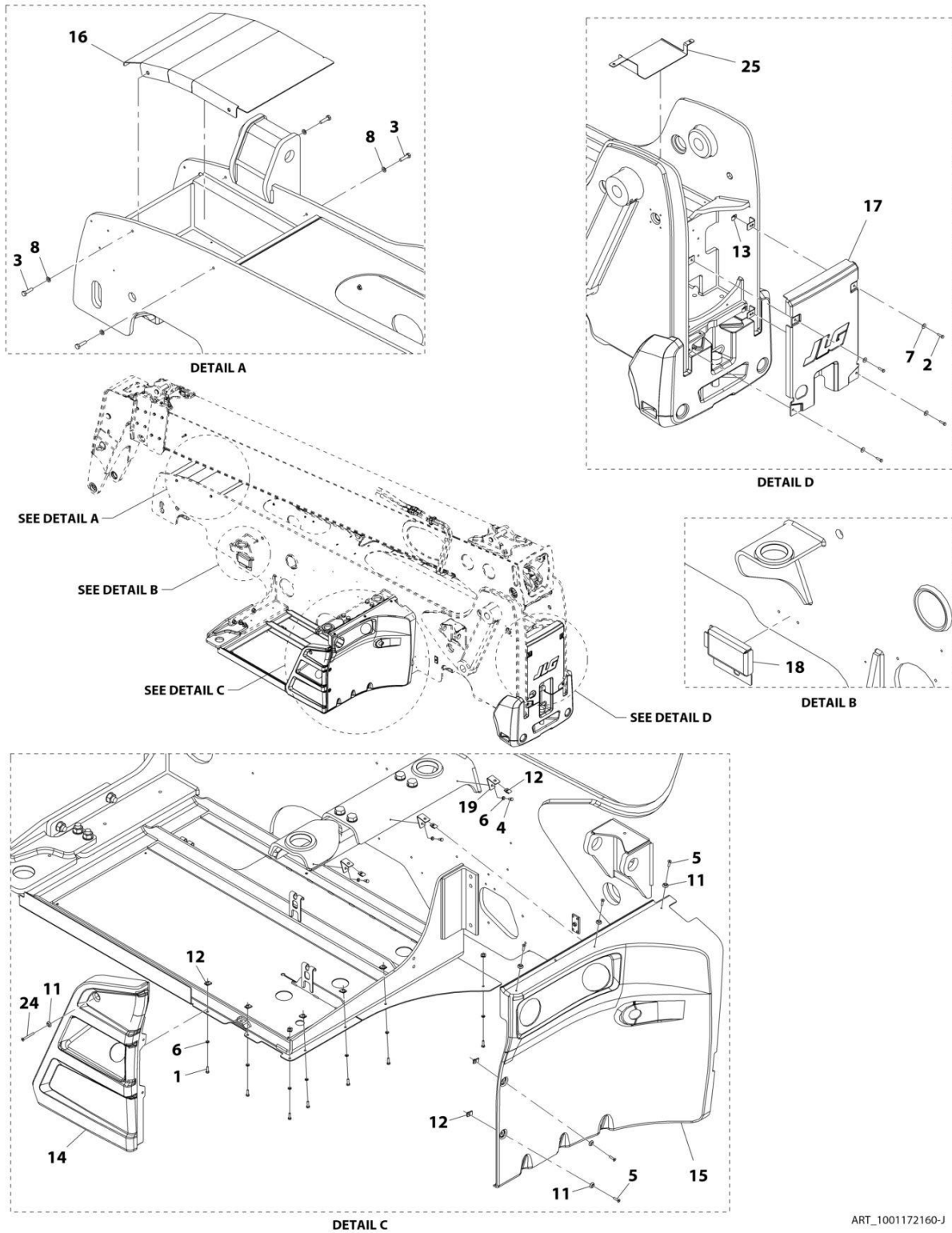
# SECTION 1 - FRAME AND ATTACHING PARTS

## FIGURE 1-5. HOOD ASSEMBLY

ITEM	PART NUMBER	QTY	DESCRIPTION	REV
	1001235963	Ref	Hood Assembly	B
1	0761010	8	Bolt, M10X20	
2	3290605	4	Nut, Lock M6X1	
3	4811700	4	Washer, M6	
4	4812000	8	Washer, M10	
5	1001234455	1	Hood	
6	1001209387	2	Hinge, Hood	
7	1001132168	1	Latch, Hood	

# SECTION 1 - FRAME AND ATTACHING PARTS

FIGURE 1-6. COVER INSTALLATION (NO OUTRIGGERS) (ULS) (SN 0160084796 through 0160087885)



ART\_1001172160-J



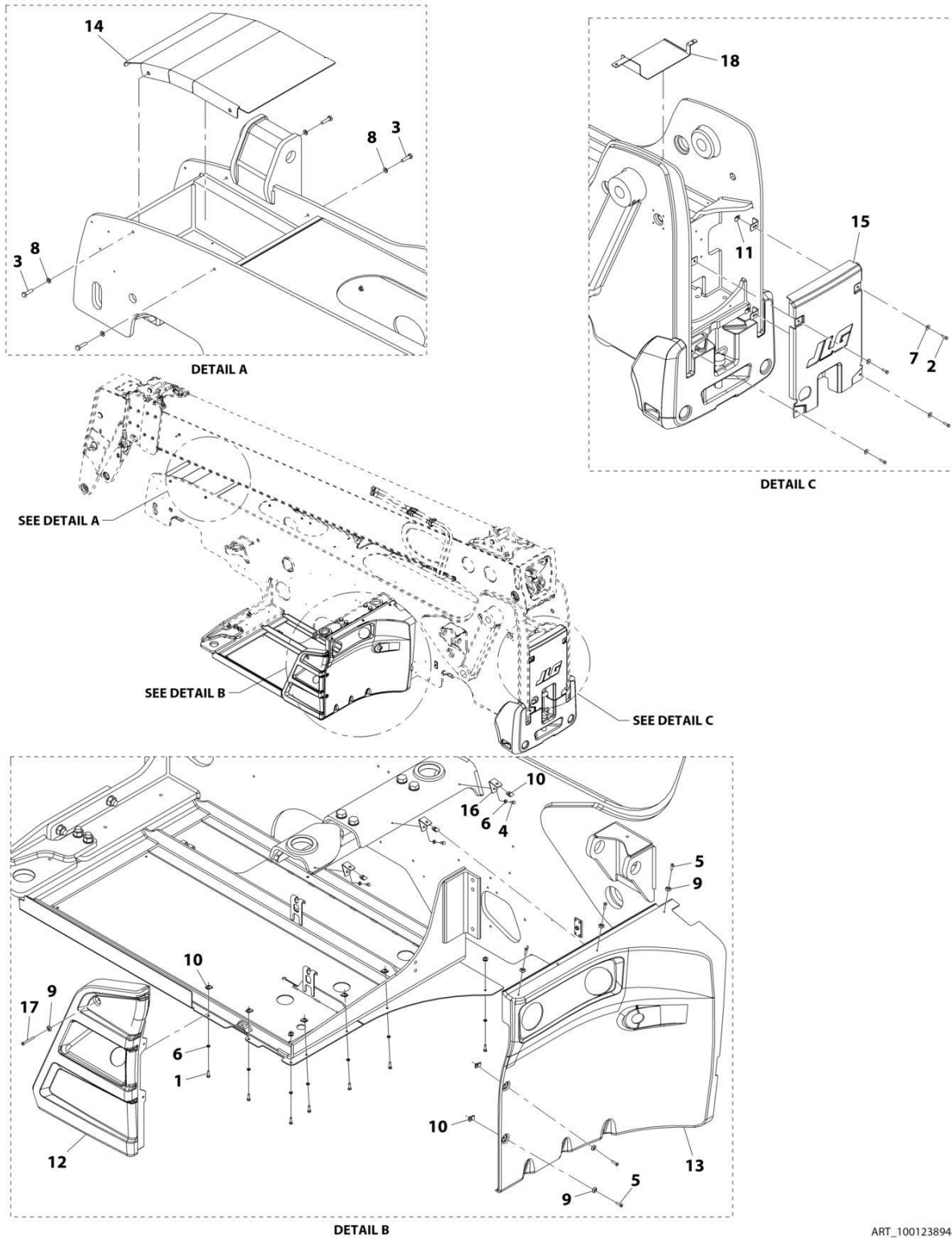
## SECTION 1 - FRAME AND ATTACHING PARTS

**FIGURE 1-6. COVER INSTALLATION (NO OUTRIGGERS) (ULS) (SN 0160084796 through 0160087885)**

ITEM	PART NUMBER	QTY	DESCRIPTION	REV
	1001172160	Ref	Cover Installation (No Outriggers) (ULS)	J
1	0700610	7	Bolt, M6X20	
2	0700814	4	Bolt, M8X30	
3	0701016	4	Bolt, M10X40	
4	0760606	3	Bolt, M6X12	
5	3900379	5	Bolt, M6X25	
6	4811700	10	Washer, M6	
7	4811902	4	Washer, M8	
8	4812000	4	Washer, M10	
11	1001097540	6	Washer, M6	
12	1001130220	12	Nut, M6	
13	1001149160	4	Nut, M8	
14	1001168760	1	Cover, Side Tank	
15	1001168761	1	Cover, Rear Tank	
16	1001207343	1	Shield, Battery	
17	1001170645	1	Cover	
18	1001201646	1	Shield, Inspection Port	
19	1001171772	3	Bracket	
24	1001112902	1	Screw, M6	
25	1001204488	1	Cover, Rear Frame Module	

# SECTION 1 - FRAME AND ATTACHING PARTS

FIGURE 1-7. COVER INSTALLATION (NO OUTRIGGERS) (ULS) (SN 0160087886 through 0160100493)



ART\_1001238948-A

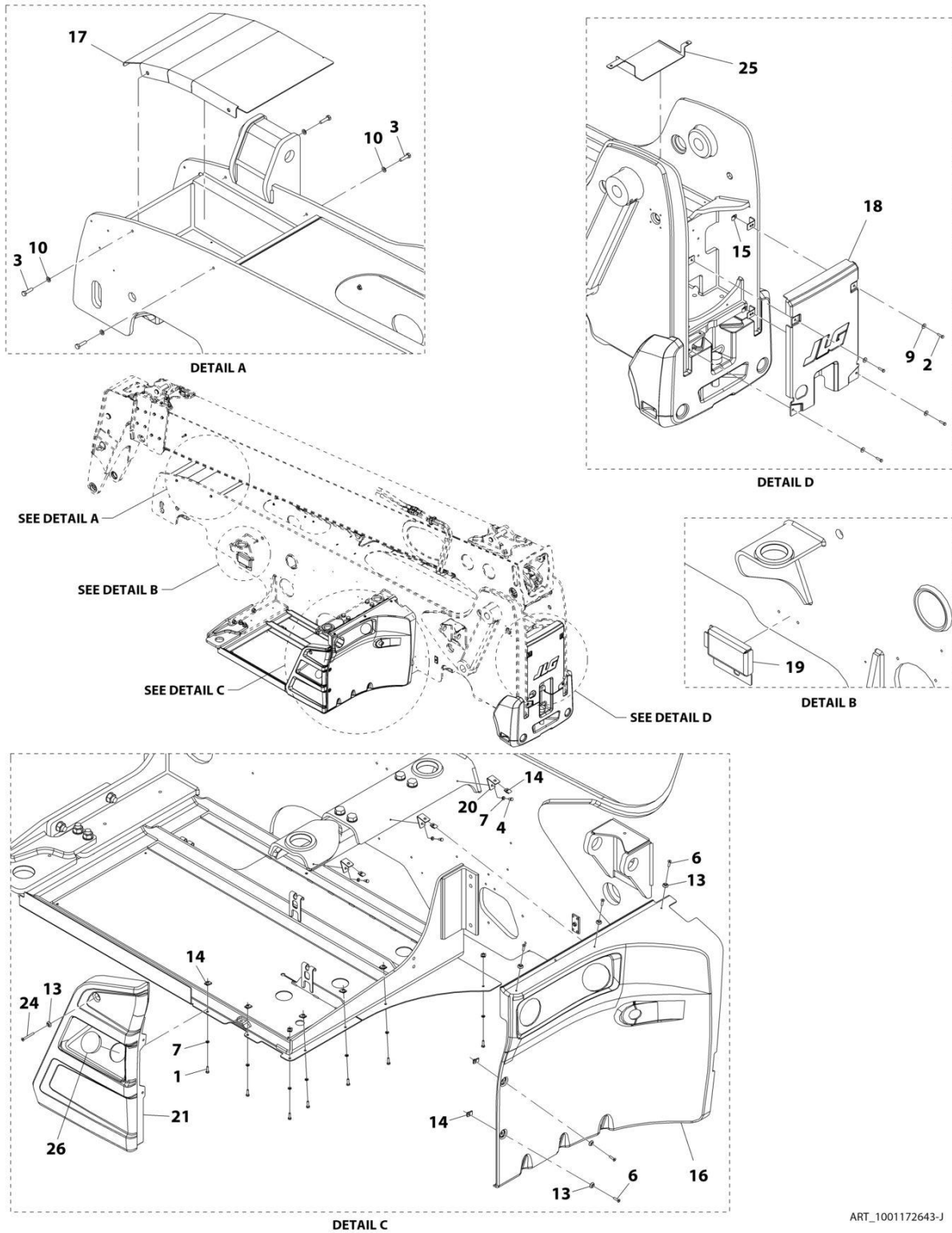
## SECTION 1 - FRAME AND ATTACHING PARTS

**FIGURE 1-7. COVER INSTALLATION (NO OUTRIGGERS) (ULS) (SN 0160087886 through 0160100493)**

ITEM	PART NUMBER	QTY	DESCRIPTION	REV
	1001238948	Ref	Cover Installation (No Outriggers) (ULS)	A
1	0700610	7	Bolt, M6X20	
2	0700814	4	Bolt, M8X30	
3	0701016	4	Bolt, M10X40	
4	0760606	3	Bolt, M6X12	
5	3900379	5	Screw, M6-1X25 Grade 10.9	
6	4811700	10	Washer, M6	
7	4811902	4	Washer, M8	
8	4812000	4	Washer, M10	
9	1001097540	6	Washer, M6	
10	1001130220	12	Nut, M6	
11	1001149160	4	Nut, M8	
12	1001168760	1	Cover, Side Tank	
13	1001168761	1	Cover, Rear Tank	
14	1001207343	1	Shield, Battery	
15	1001170645	1	Cover	
16	1001171772	3	Bracket	
17	1001112902	1	Screw, M6	
18	1001204488	1	Cover, Rear Frame Module	

# SECTION 1 - FRAME AND ATTACHING PARTS

## FIGURE 1-8. COVER INSTALLATION (NO OUTRIGGERS) (LS)



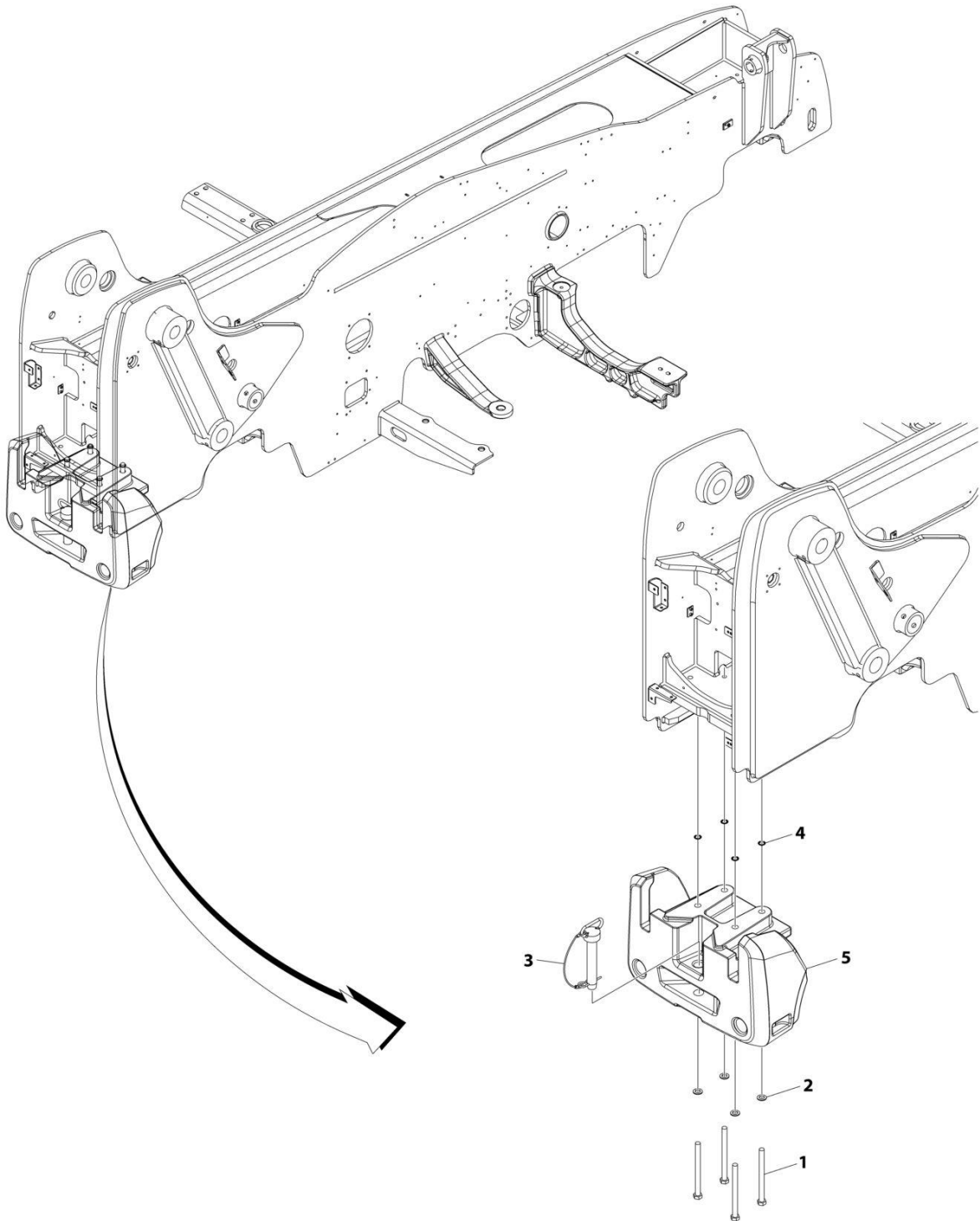
## SECTION 1 - FRAME AND ATTACHING PARTS

**FIGURE 1-8. COVER INSTALLATION (NO OUTRIGGERS) (LS)**

ITEM	PART NUMBER	QTY	DESCRIPTION	REV
	1001172643	Ref	Cover Installation (No Outriggers), 74HP (LS) (642,742,943)	J
1	0700610	7	Bolt, M6X20	
2	0700814	4	Bolt, M8X30	
3	0701016	4	Bolt, M10X40	
4	0760606	3	Bolt, M6X12	
6	3900379	5	Screw, M6-1X25	
7	4811700	10	Washer, M6	
9	4811902	4	Washer, M8	
10	4812000	4	Washer, M10	
13	1001097540	6	Washer, M6	
14	1001130220	12	Nut, M6	
15	1001149160	4	Nut, M8	
16	1001168761	1	Cover, Rear Tank	
17	1001207343	1	Shield, Battery	
18	1001170645	1	Cover	
19	1001201646	1	Shield, Inspection Port	
20	1001171772	3	Bracket	
21	1001168760	1	Cover, Side Tank	
24	1001112902	1	Screw, M6	
25	1001204488	1	Cover, Rear Frame Module	
26	1001206746	1	Cap, Side Tank Cover	

# SECTION 1 - FRAME AND ATTACHING PARTS

## FIGURE 1-9. COUNTERWEIGHT INSTALLATION



ART\_1001218487

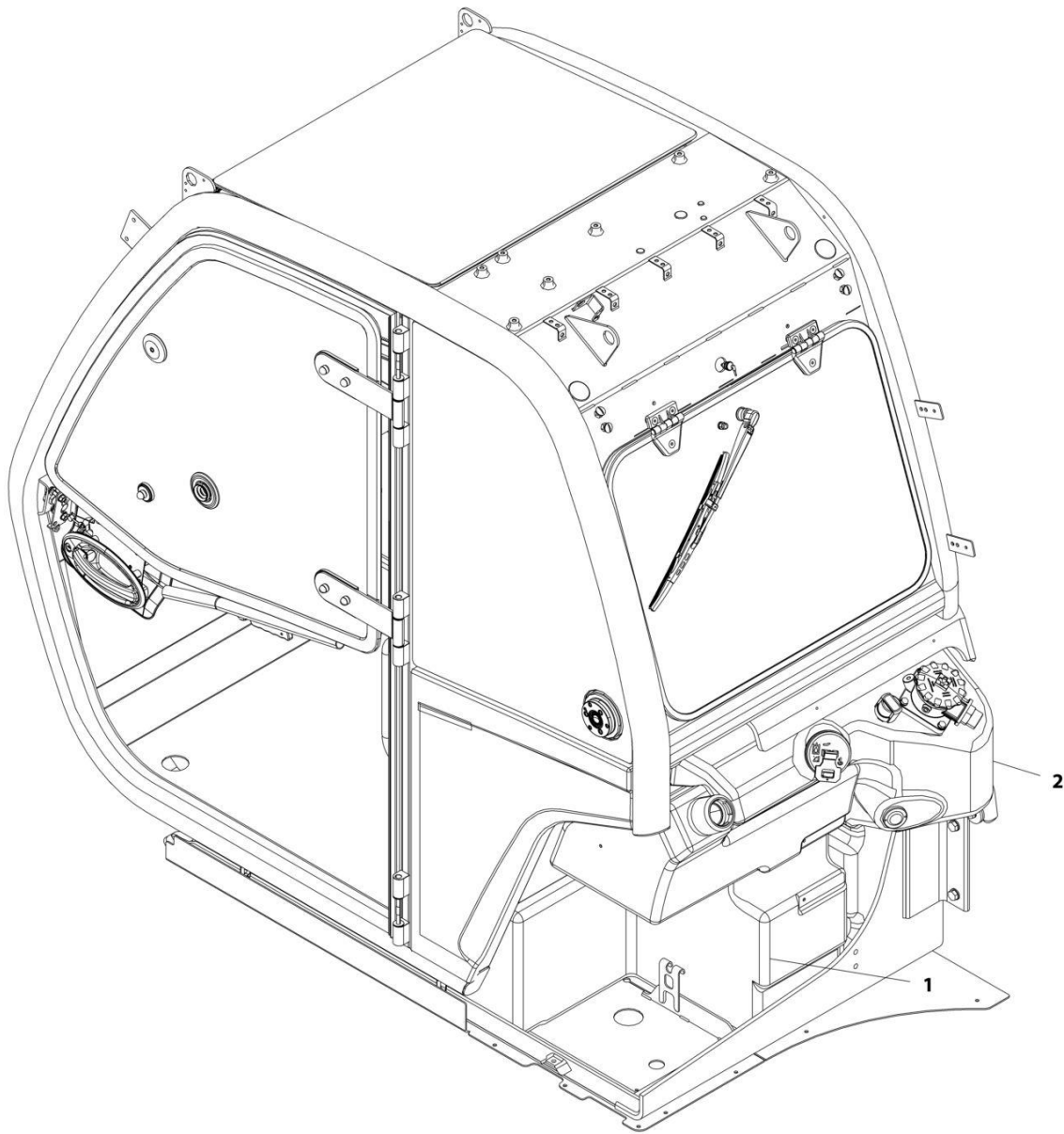
# SECTION 1 - FRAME AND ATTACHING PARTS

## FIGURE 1-9. COUNTERWEIGHT INSTALLATION

ITEM	PART NUMBER	QTY	DESCRIPTION	REV
	1001218487	Ref	Counterweight Installation	B
1	0712042	4	Bolt, M20X250 Grade 10.9	
2	8310620	4	Washer, M20	
3	1001160250	1	Pin, Hitch	
4	1001218341	4	Washer	
5	1001177653J	1	Counterweight	

# SECTION 1 - FRAME AND ATTACHING PARTS

## FIGURE 1-10. TANK INSTALLATION



ART\_1001160735-A



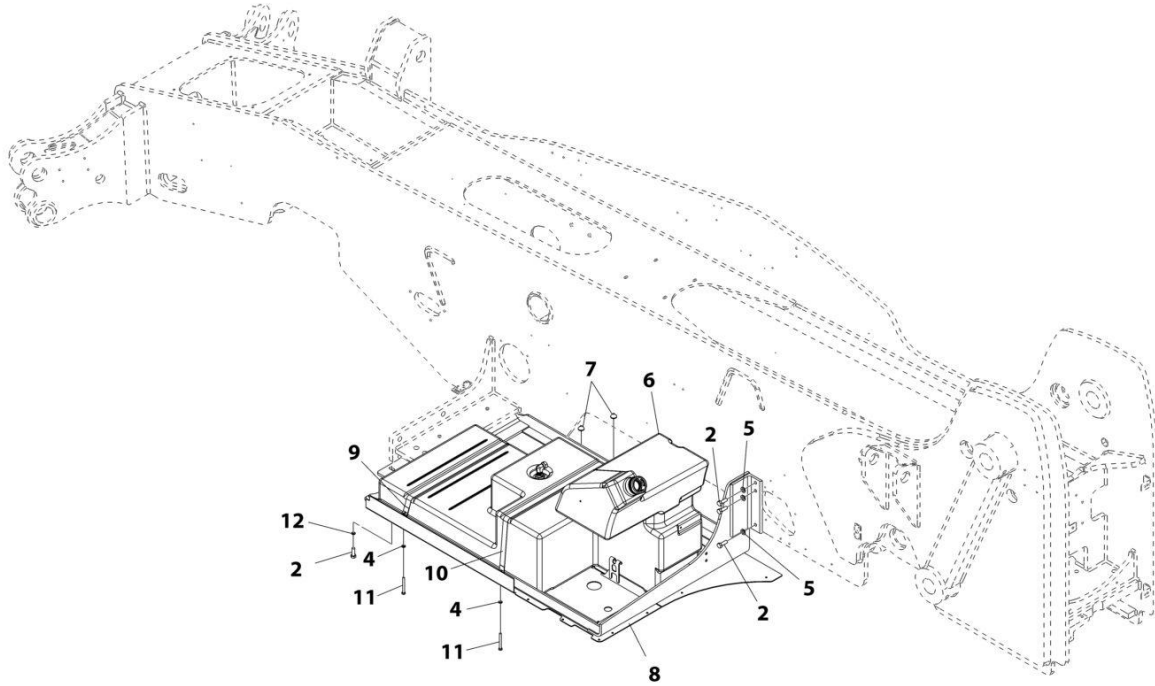
# SECTION 1 - FRAME AND ATTACHING PARTS

## FIGURE 1-10. TANK INSTALLATION

ITEM	PART NUMBER	QTY	DESCRIPTION	REV
	1001160735	Ref	Tank Installation	A
1	1001171153	1	Installation, Fuel Tank (See Separate Breakdown in this Section)	
2	1001171154	1	Installation, Hydraulic Tank (See Separate Breakdown in this Section)	

# SECTION 1 - FRAME AND ATTACHING PARTS

## FIGURE 1-11. FUEL TANK INSTALLATION



ART\_1001171153-H

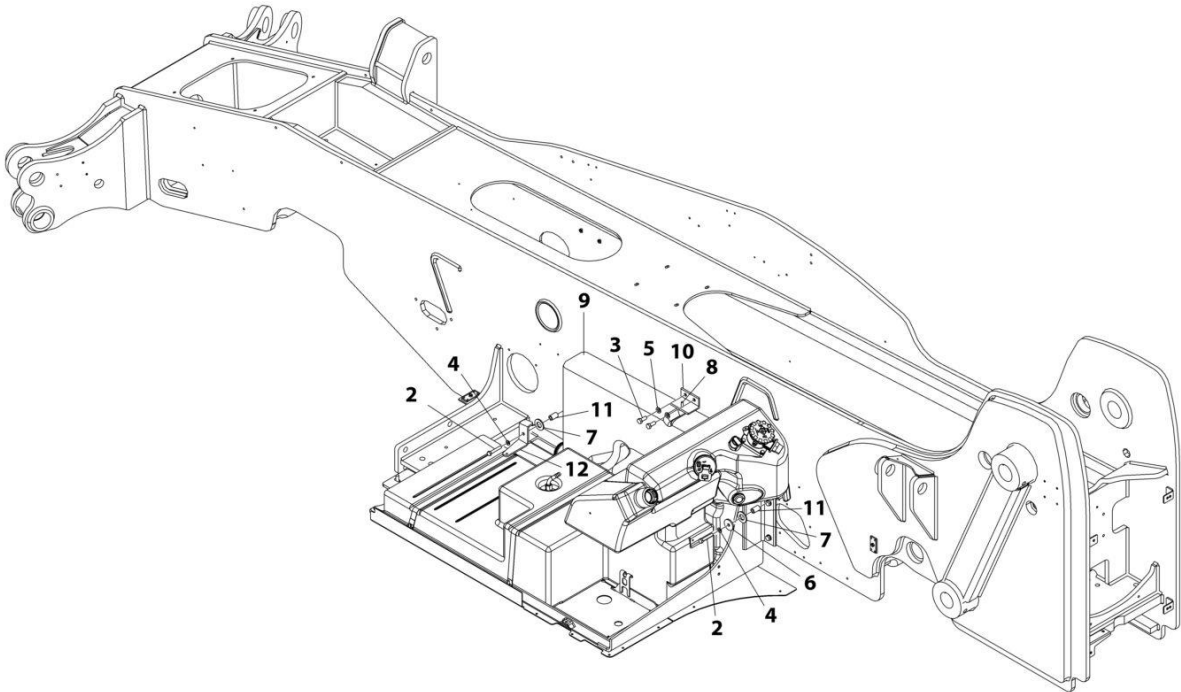
# SECTION 1 - FRAME AND ATTACHING PARTS

## FIGURE 1-11. FUEL TANK INSTALLATION

ITEM	PART NUMBER	QTY	DESCRIPTION	REV
	1001171153	Ref	Fuel Tank Installation	H
2	0761215	6	Bolt, M12X35	
4	4811900	2	Washer, M8	
5	4812100	3	Washer, M12	
6	1001211432	1	Tank, Fuel (See Separate Breakdown in ENGINE AND ATTACHING PARTS Section)	
7	1001169454	4	Mount, Buffer	
8	1001169602	1	Support, Tank Plate	
9	1001170071	1	Strap, Tank	
10	1001170072	1	Strap, Tank	
11	0760823	2	Bolt, M8X75	
12	4812102	3	Washer, M12	

**SECTION 1 - FRAME AND ATTACHING PARTS**

**FIGURE 1-12. HYDRAULIC TANK INSTALLATION**



ART\_1001171154-E

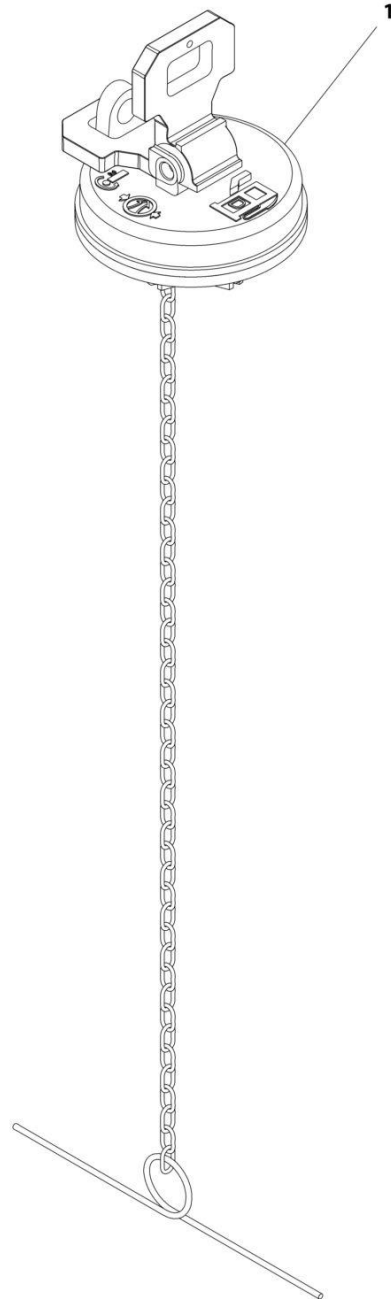
# SECTION 1 - FRAME AND ATTACHING PARTS

## FIGURE 1-12. HYDRAULIC TANK INSTALLATION

ITEM	PART NUMBER	QTY	DESCRIPTION	REV
	1001171154	Ref	Hydraulic Tank Installation	E
2	0701020	2	Bolt, M10X60	
3	0761214	2	Bolt, M12X30	
4	4812000	2	Washer, M10	
5	4812100	2	Washer, M12	
6	1001172147	1	Washer, M10	
7	1001172146	2	Washer, Rubber	
8	1001008575	1	Bumper, Conical	
9	1001163067	1	Tank, Hydraulic (See Separate Breakdown in HYDRAULIC COMPONENTS Section)	
10	1001169461	1	Bracket	
11	1001171179	2	Spacer	
12	1001210707	1	Bracket	

# SECTION 1 - FRAME AND ATTACHING PARTS

FIGURE 1-13. FUEL CAP ASSEMBLY



ART\_1001194978-A

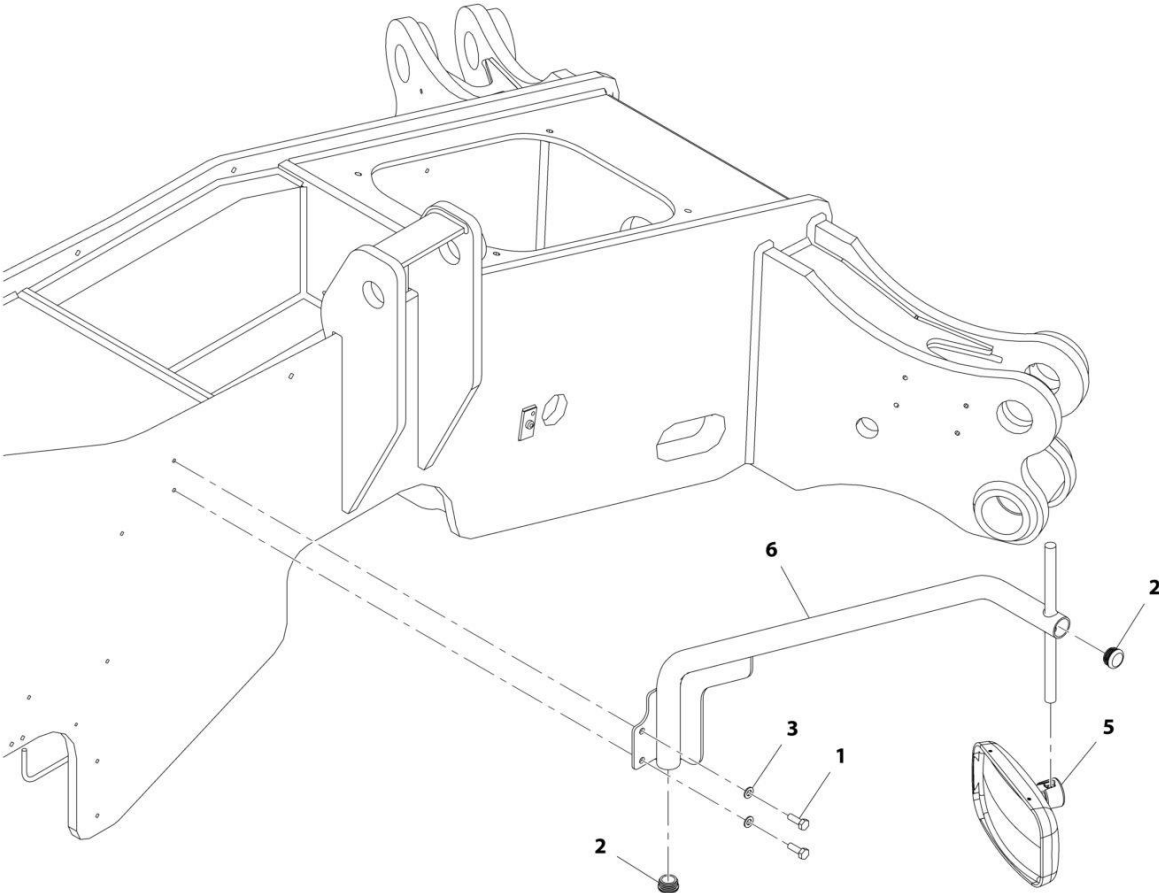
# SECTION 1 - FRAME AND ATTACHING PARTS

## FIGURE 1-13. FUEL CAP ASSEMBLY

ITEM	PART NUMBER	QTY	DESCRIPTION	REV
1	1001194978	1	Fuel Cap Assembly	A

**SECTION 1 - FRAME AND ATTACHING PARTS**

**FIGURE 1-14. MIRROR INSTALLATION**



ART\_1001160255-D



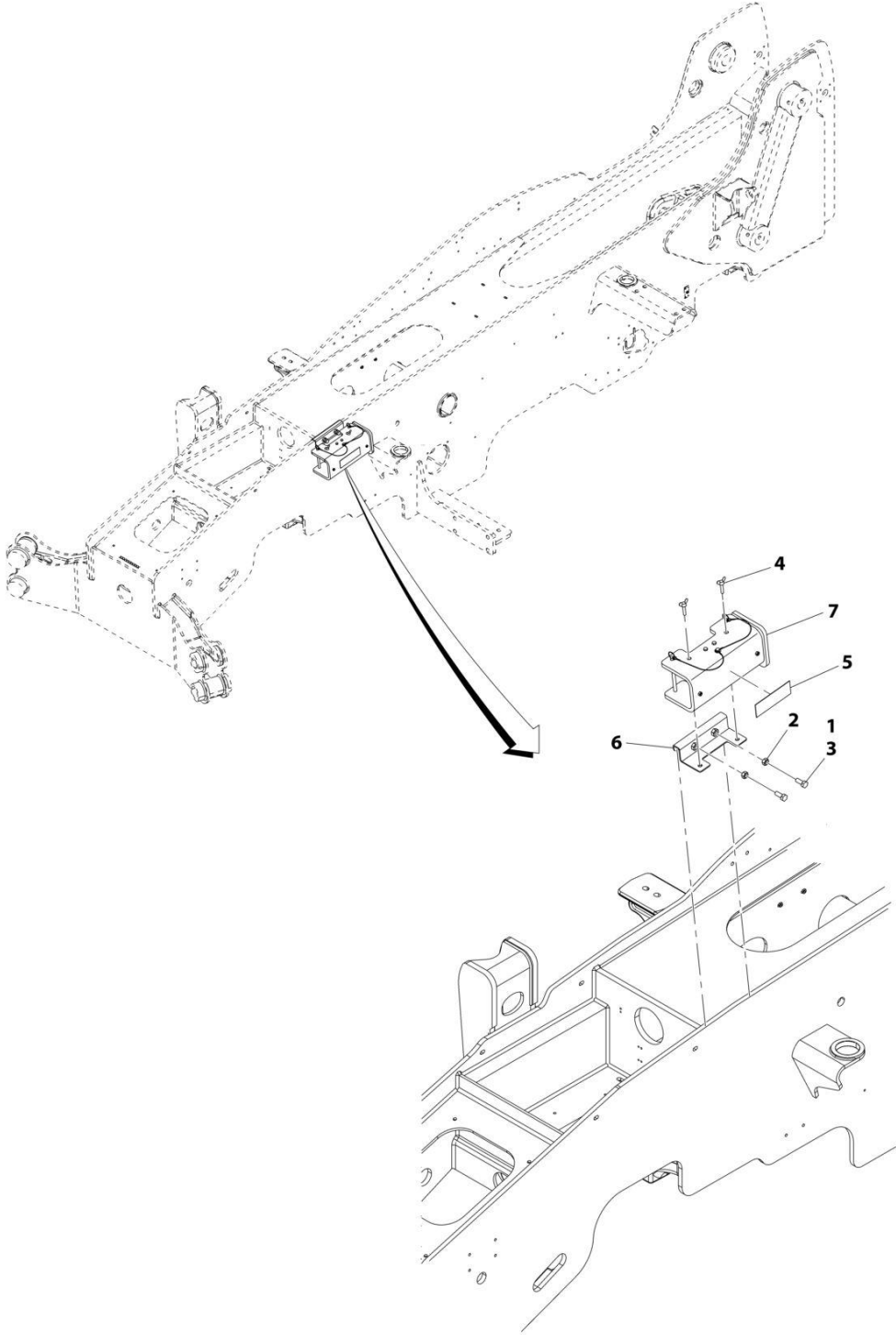
# SECTION 1 - FRAME AND ATTACHING PARTS

## FIGURE 1-14. MIRROR INSTALLATION

ITEM	PART NUMBER	QTY	DESCRIPTION	REV
	1001160255	Ref	Mirror Installation	D
1	0701014	2	Bolt, M10X30 Grade 8	
2	3520186	2	Plug	
3	4812000	2	Washer, M10	
5	1001191635	1	Mirror, Convex	
6	1001191603	1	Bracket	

# SECTION 1 - FRAME AND ATTACHING PARTS

FIGURE 1-15. BOOM PROP INSTALLATION (ANSI)



ART\_1001232338-A

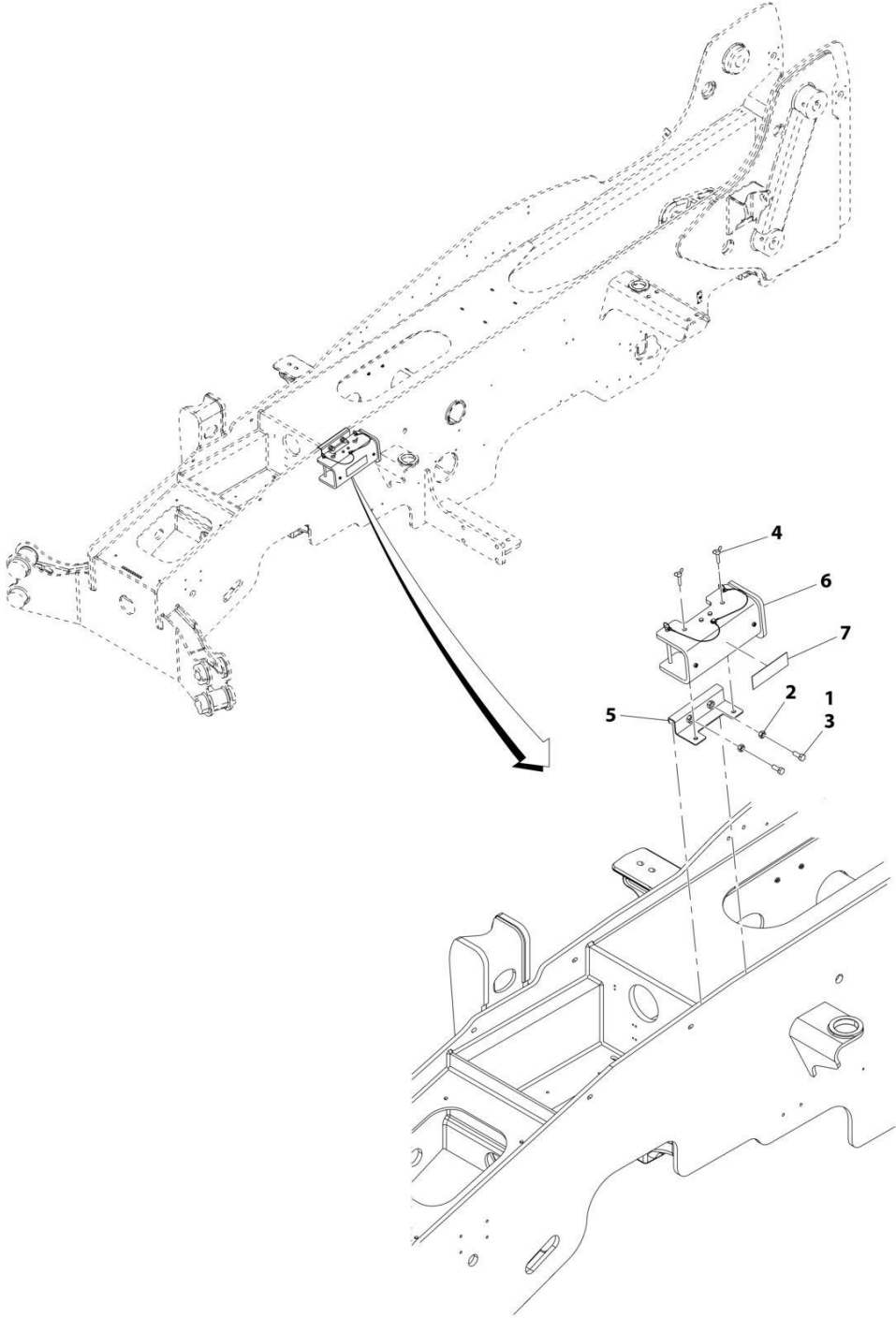
# SECTION 1 - FRAME AND ATTACHING PARTS

## FIGURE 1-15. BOOM PROP INSTALLATION (ANSI)

ITEM	PART NUMBER	QTY	DESCRIPTION	REV
	1001232338	Ref	Boom Prop Installation (ANSI)	A
1	0761214	2	Bolt, M12X30	
2	3291201	2	Nut, M12X1.75	
3	1001095650	AR	Compound, Locking	
4	1001101458	2	Wing Bolt, M8X40	
5	1001232147	1	Decal, Warning	
6	1001232299	1	Bracket, Mount	
7	1001232336	Ref	Bracket, Boom Prop (See Separate Breakdown in this Section)	

**SECTION 1 - FRAME AND ATTACHING PARTS**

**FIGURE 1-16. BOOM PROP INSTALLATION (CSA)**



ART\_1001234139-A

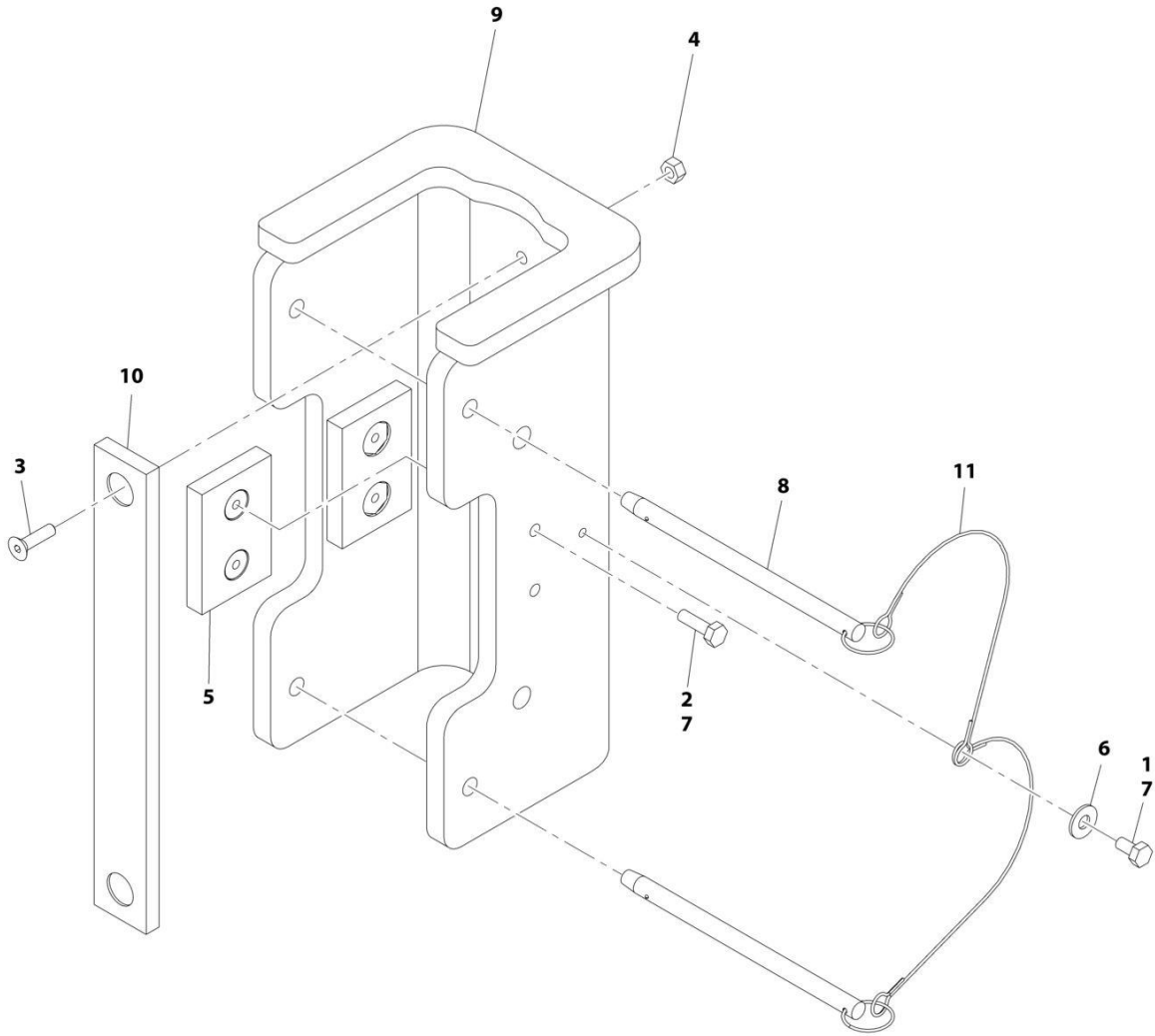
# SECTION 1 - FRAME AND ATTACHING PARTS

## FIGURE 1-16. BOOM PROP INSTALLATION (CSA)

ITEM	PART NUMBER	QTY	DESCRIPTION	REV
	1001234139	Ref	Boom Prop Installation (Canada)	A
1	0761214	2	Bolt, M12X30	
2	3291201	2	Nut, M12X1.75	
3	1001095650	AR	Compound, Locking	
4	1001101458	2	Wing Bolt, M8X40	
5	1001232299	1	Bracket, Mount	
6	1001232336	Ref	Bracket, Boom Prop (See Separate Breakdown in this Section)	
7	1001234253	1	Decal, Warning	

# SECTION 1 - FRAME AND ATTACHING PARTS

## FIGURE 1-17. BOOM PROP BRACKET



ART\_1001232336-A

# SECTION 1 - FRAME AND ATTACHING PARTS

## FIGURE 1-17. BOOM PROP BRACKET

ITEM	PART NUMBER	QTY	DESCRIPTION	REV
	1001232336	Ref	Boom Prop Bracket	A
1	0641404	1	Bolt, 1/4-20X1/2	
2	0641407	4	Bolt, 1/4-20X7/8	
3	0741408	2	Bolt, 1/4-20	
4	3311405	2	Nut, Lock 1/4-20	
5	3340829	2	Pad, Wear	
6	4751400	1	Washer	
7	1001095650	AR	Compound, Locking	
8	1001164019	2	Pin, Ball Locking	
9	1001232588	1	Bracket	
10	4679000268	1	Pad, Wear	
11	1001164183	2	Lanyard, Boom Prop	





**SECTION 2 - BOOM**

# SECTION 2 - BOOM

## FIGURE 2-1. BOOM ASSEMBLY

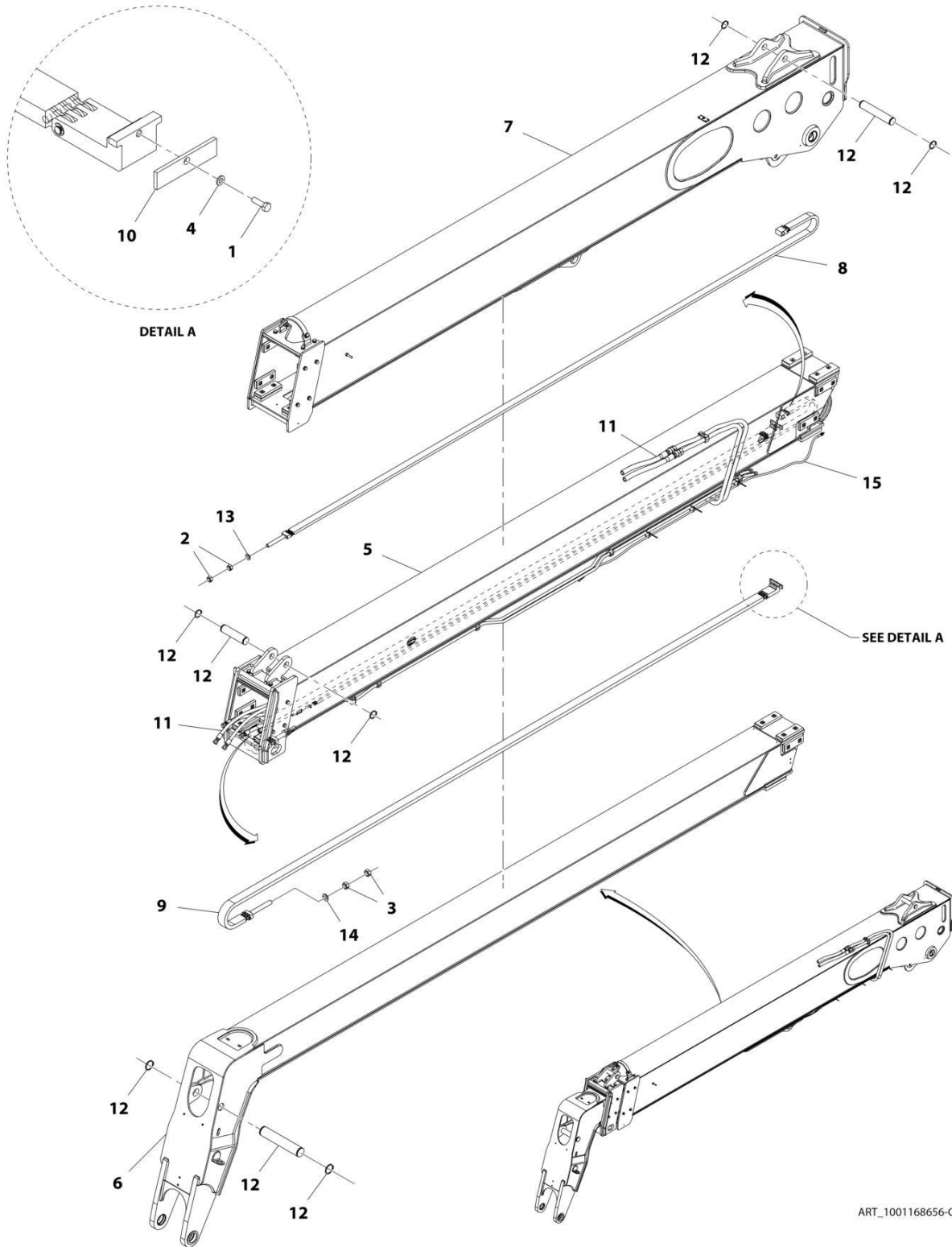
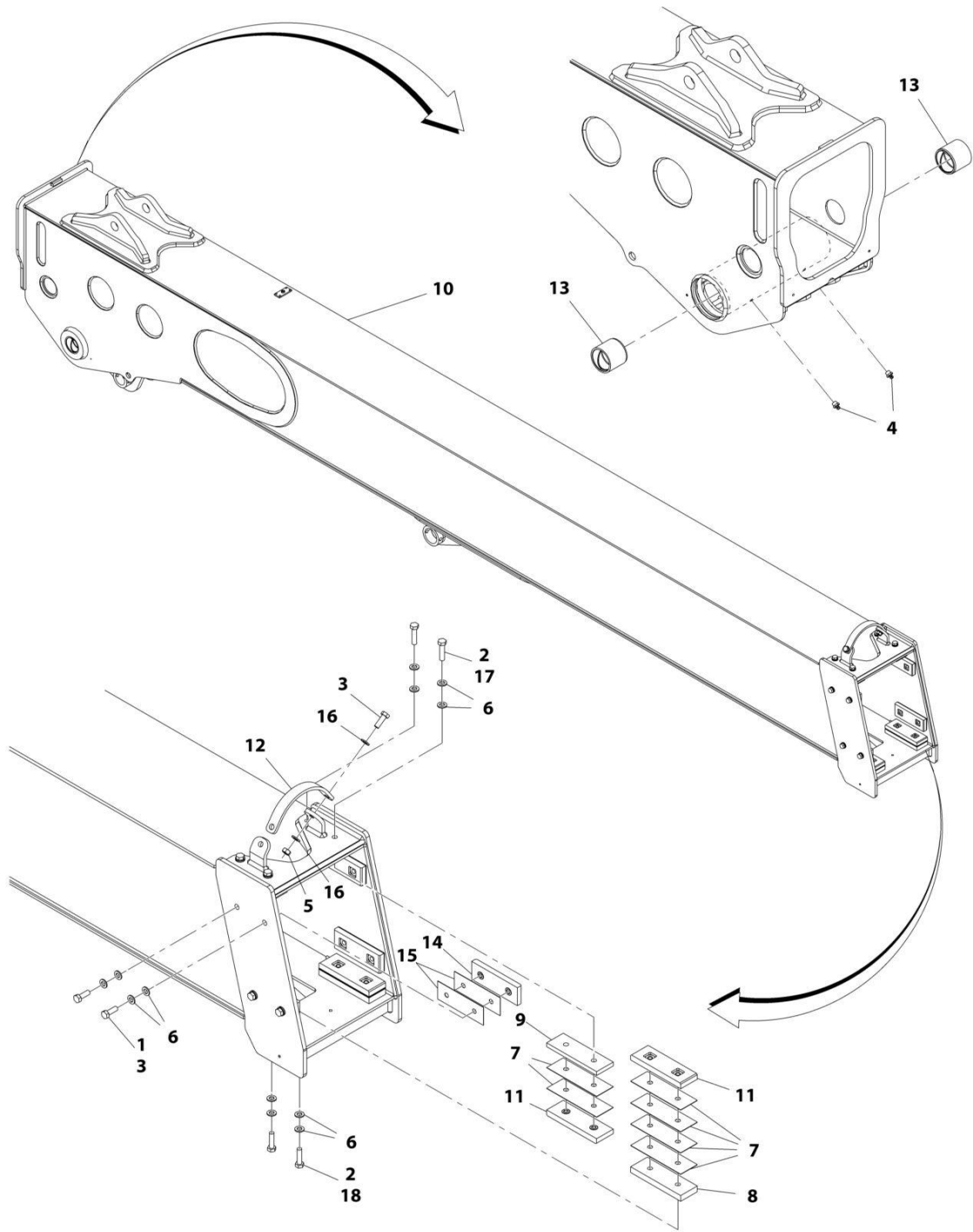


FIGURE 2-1. BOOM ASSEMBLY

ITEM	PART NUMBER	QTY	DESCRIPTION	REV
	1001168656	1	Boom Assembly	C
1	0700610	1	Bolt, M6X20	
2	3332011	2	Nut, M20X2.5	
3	3332411	2	Nut, M24X3	
4	4811700	1	Washer, M6	
5	1001168574	1	Assembly, Second Boom Section (See Separate Breakdown in this Section)	
6	1001168735	1	Assembly, Third Boom Section (See Separate Breakdown in this Section)	
7	1001168963	1	Assembly, First Boom Section (See Separate Breakdown in this Section)	
8	1001169278	Ref	Installation, Retract Chain (See Separate Breakdown in this Section)	
9	1001169326	Ref	Installation, Extend Chain (See Separate Breakdown in this Section)	
10	1001171451	1	Plate	
11	1001173470	Ref	Installation, Boom Hydraulic Tubes (See Separate Breakdown in Hydraulic Circuits Section)	
12	1001173542	Ref	Installation Pins (See Separate Breakdown in this Section)	
13	4812500	1	Washer, M20	
14	4812700	1	Washer, M24	
15	1001186859	1	Hose	

# SECTION 2 - BOOM

## FIGURE 2-2. FIRST BOOM SECTION ASSEMBLY



ART\_1001168963-F

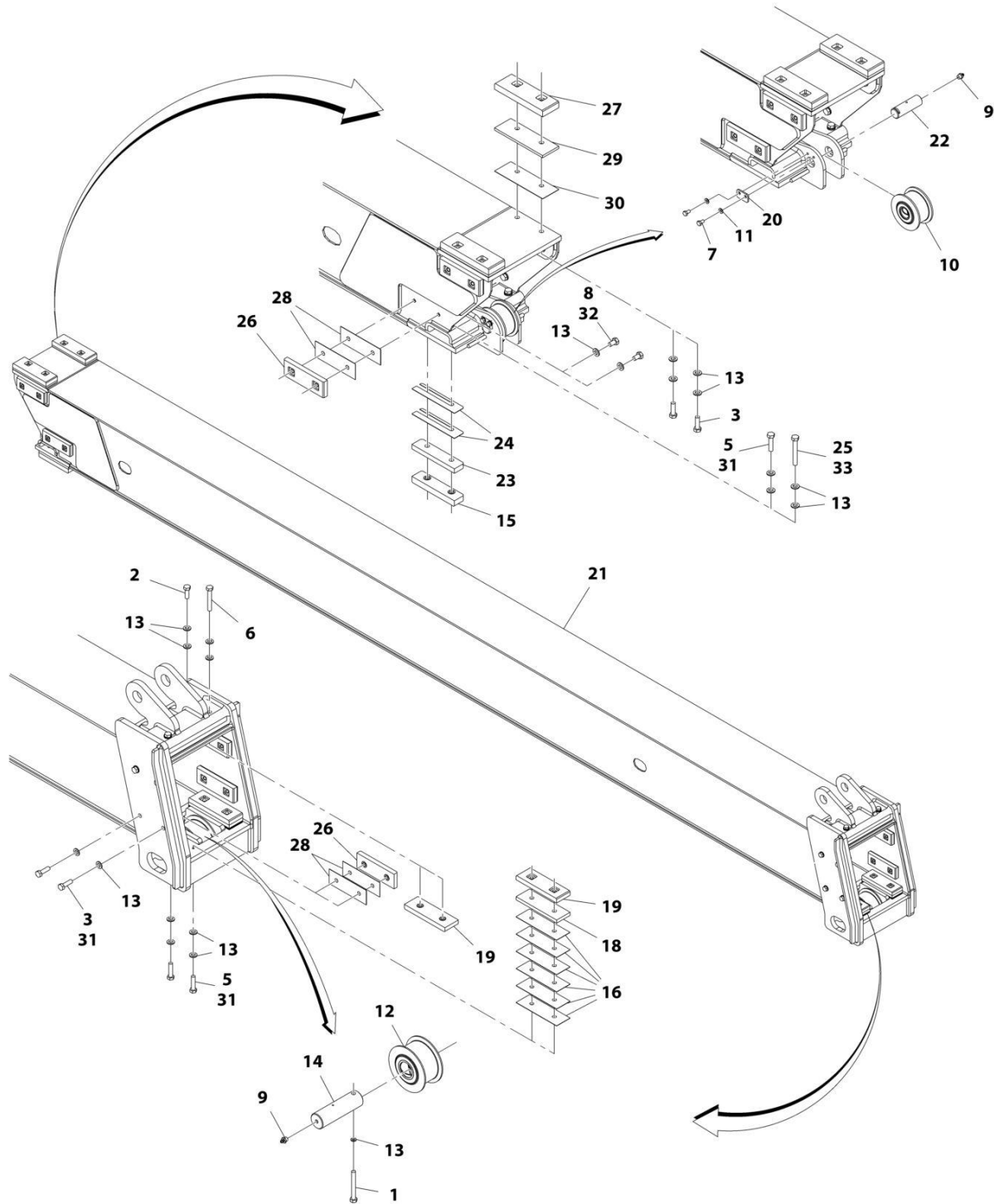
## SECTION 2 - BOOM

**FIGURE 2-2. FIRST BOOM SECTION ASSEMBLY**

ITEM	PART NUMBER	QTY	DESCRIPTION	REV
	1001168963	Ref	First Boom Section Assembly	F
1	0711214	AR	Bolt, M12X30	
2	0711217	4	Bolt, M12X45	
3	0711215	10	Bolt, M12X35	
4	2160016	2	Fitting, Grease	
5	3291201	2	Nut, M12X1.75 Grade 8	
6	1001125117	AR	Washer, M12	
7	1001163034	AR	Plate	
8	1001163038	2	Plate	
9	1001163136	2	Plate	
10	1001168964J	1	Boom, First	
11	1001165171	4	Pad	
12	1001168987	1	Strap	
13	1001188246	2	Bearing, Boom Pivot	
14	1001165172	4	Pad	
15	1001165367	AR	Plate	
16	4812100	4	Washer, M12	
17	0711218	4	Bolt, 12X50 Grade 10.9	
18	0711216	AR	Bolt, M12X40 Grade 10.9	

# SECTION 2 - BOOM

## FIGURE 2-3. SECOND BOOM SECTION ASSEMBLY



ART\_1001168574-E

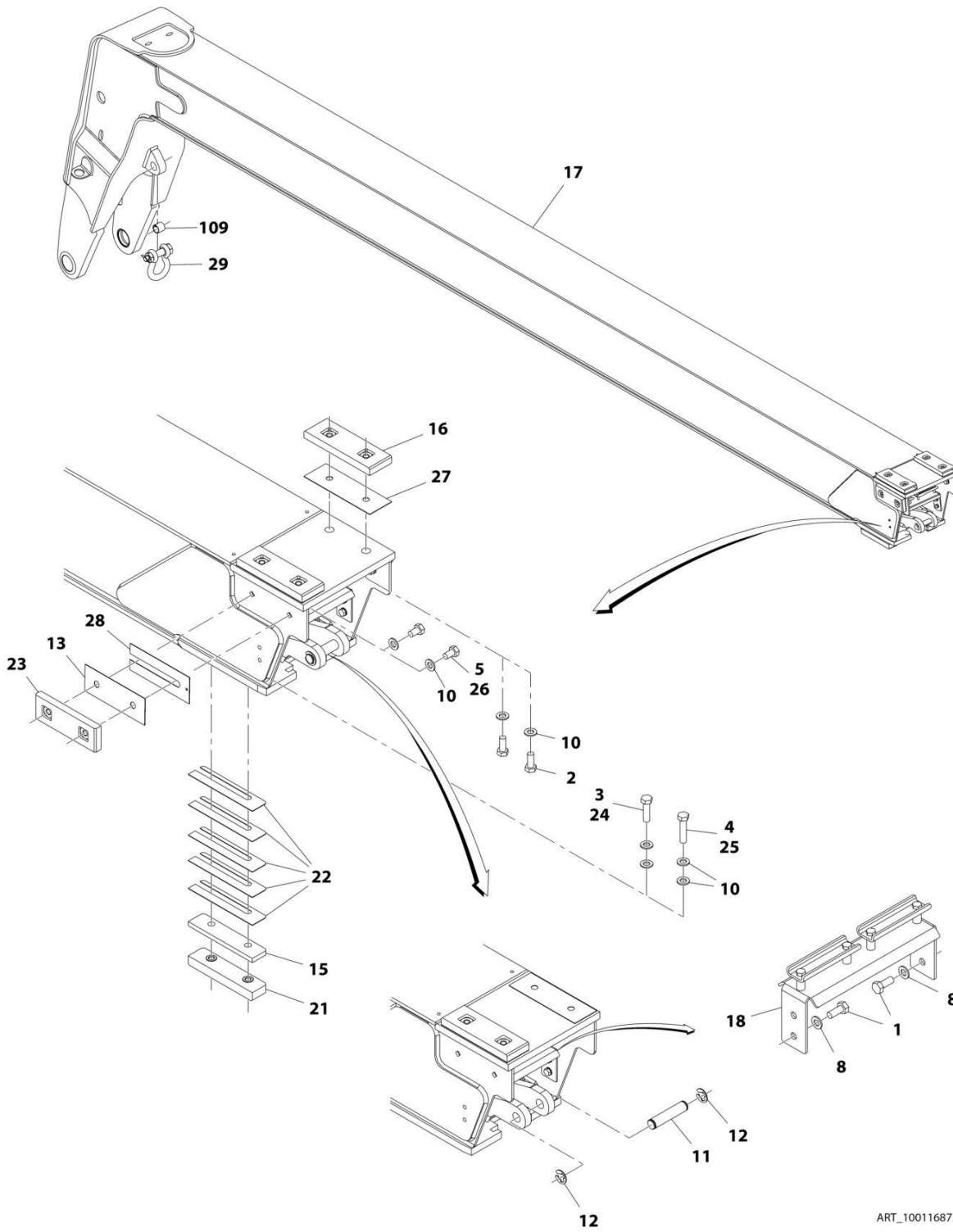
## SECTION 2 - BOOM

**FIGURE 2-3. SECOND BOOM SECTION ASSEMBLY**

ITEM	PART NUMBER	QTY	DESCRIPTION	REV
	1001168574	Ref	Second Boom Section Assembly	E
1	0701227	1	Bolt, M12X100	
2	0711215	2	Bolt, M12X35 Grade 10.9	
3	0711216	12	Bolt, M12X40 Grade 10.9	
5	0711218	6	Bolt, M12X50 Grade 10.9	
6	0711224	2	Bolt, M12X80 Grade 10.9	
7	0760807	2	Bolt, M8X14	
8	0771210	8	Bolt, M12X20 Grade 10.9	
9	2160016	2	Fitting, Grease	
10	7138986	1	Sheave, Retract Chain (See Separate Breakdown in this Section)	
11	4811900	2	Washer, M8	
12	1001101867	1	Assembly, Chain Sheave (See Separate Breakdown in this Section)	
13	1001125117	AR	Washer, M12	
14	1001161055	1	Pin	
15	1001163029	2	Pad	
16	1001163034	AR	Plate	
18	1001163136	2	Plate	
19	1001165171	4	Pad	
20	1001168561	1	Bracket	
21	1001168575	1	Boom, Second	
22	1001168587	1	Pin, Boom Chain Pulley	
23	1001189492	2	Plate	
24	1001189793	AR	Shim	
25	0711226	2	Bolt, M12X90 Grade 10.9	
26	1001165172	8	Pad	
27	1001165173	2	Pad	
28	1001165367	AR	Plate	
29	1001190187	2	Plate	
30	1001163108	AR	Plate	
31	0711217	AR	Bolt, M12X45	
32	0771212	AR	Bolt, M12X25	
33	0711225	AR	Bolt, M12X85	

# SECTION 2 - BOOM

## FIGURE 2-4. THIRD BOOM SECTION ASSEMBLY



ART\_1001168735-H



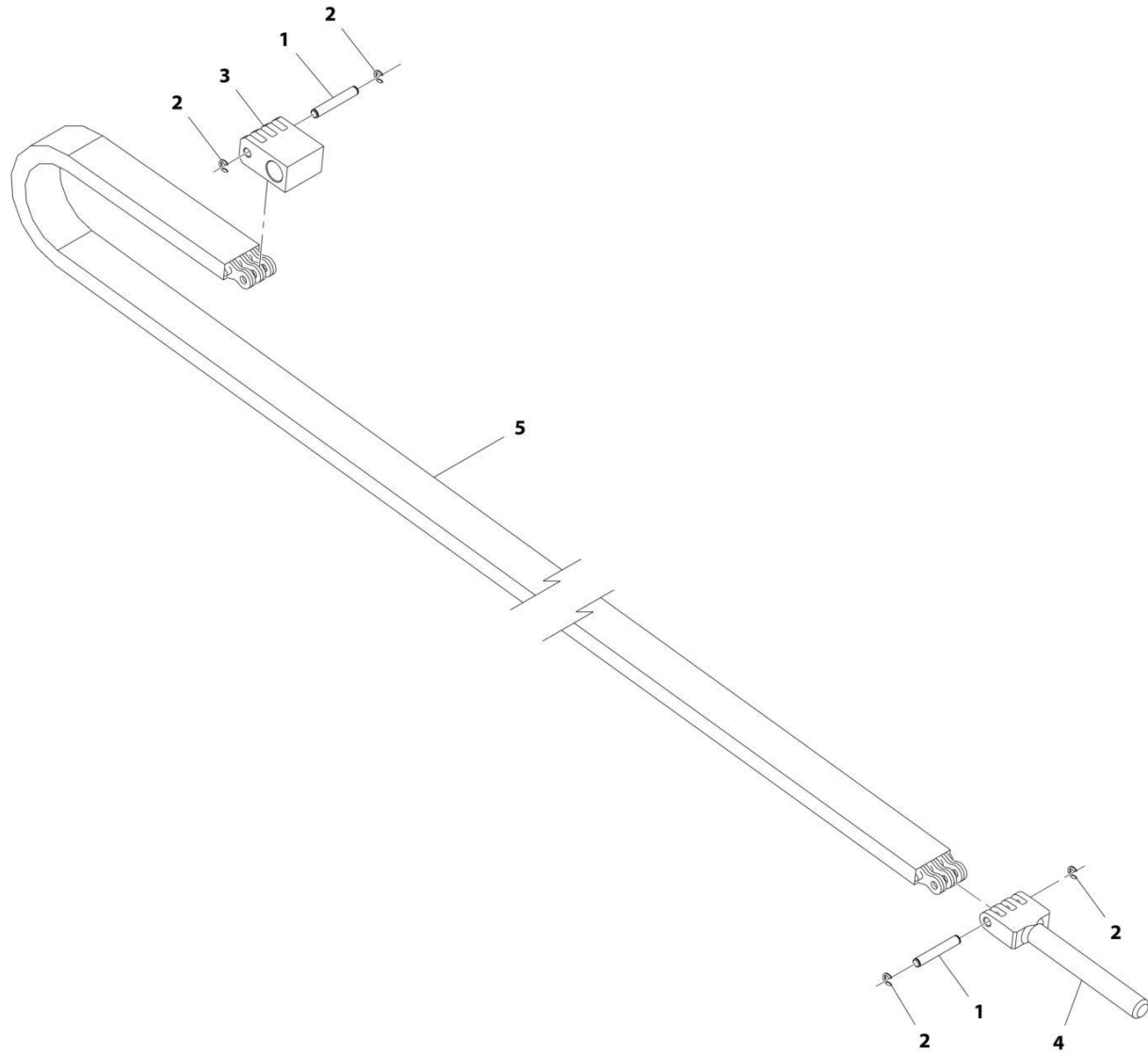
## SECTION 2 - BOOM

**FIGURE 2-4. THIRD BOOM SECTION ASSEMBLY**

ITEM	PART NUMBER	QTY	DESCRIPTION	REV
	1001168735	Ref	Third Boom Section Assembly	H
1	0760810	4	Bolt, M8X20	
2	0711214	4	Bolt, M12X30 Grade 10.9	
3	0711217	2	Bolt, M12X45	
4	0711219	2	Bolt, M12X55 Grade 10.9	
5	0771210	4	Bolt, M12X20 Grade 10.9	
8	4811900	4	Washer, M8	
10	1001125117	AR	Washer, M12	
11	1001163712	1	Pin	
12	1001163704	2	Ring, M15	
13	1001165367	AR	Plate	
15	1001168589	2	Plate	
16	1001165171	2	Pad	
17	1001168736	1	Boom, Third Section	
18	1001168755	Ref	Installation, Hose Bracket (See Separate Breakdown in this Section)	
21	1001163029	2	Pad	
22	1001189793	AR	Shim	
23	1001165172	2	Pad	
24	0711216	AR	Bolt, M12X40 Grade 10.9	
25	0711218	AR	Bolt, M12X50 Grade 10.9	
26	0771212	AR	Bolt, M12X25 Grade 10.9	
27	1001163034	AR	Plate	
28	1001200989	AR	Plate	
29	1001204045	1	Clevis	
109	1001204047	1	Sleeve	

# SECTION 2 - BOOM

## FIGURE 2-5. RETRACT CHAIN INSTALLATION



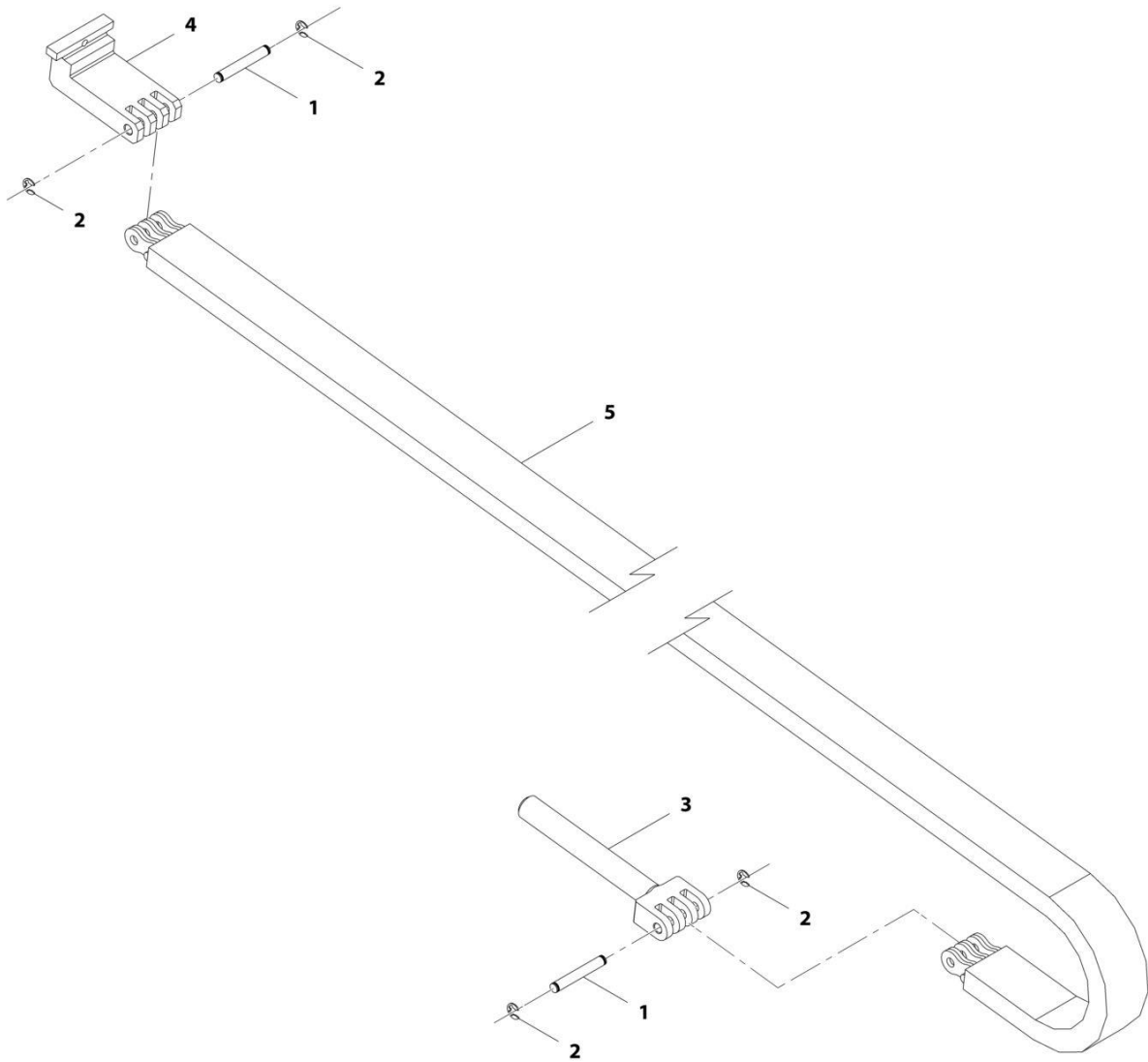
ART\_1001169278-B

FIGURE 2-5. RETRACT CHAIN INSTALLATION

ITEM	PART NUMBER	QTY	DESCRIPTION	REV
	1001169278	Ref	Retract Chain Installation	B
1	1001187785	2	Pin, Clevis	
2	1001166163	4	Ring, External M6	
3	1001166233	1	Clevis, Chain	
4	1001166235	1	Clevis, Chain	
5	1001169279	1	Chain, Retract	

# SECTION 2 - BOOM

## FIGURE 2-6. EXTEND CHAIN INSTALLATION



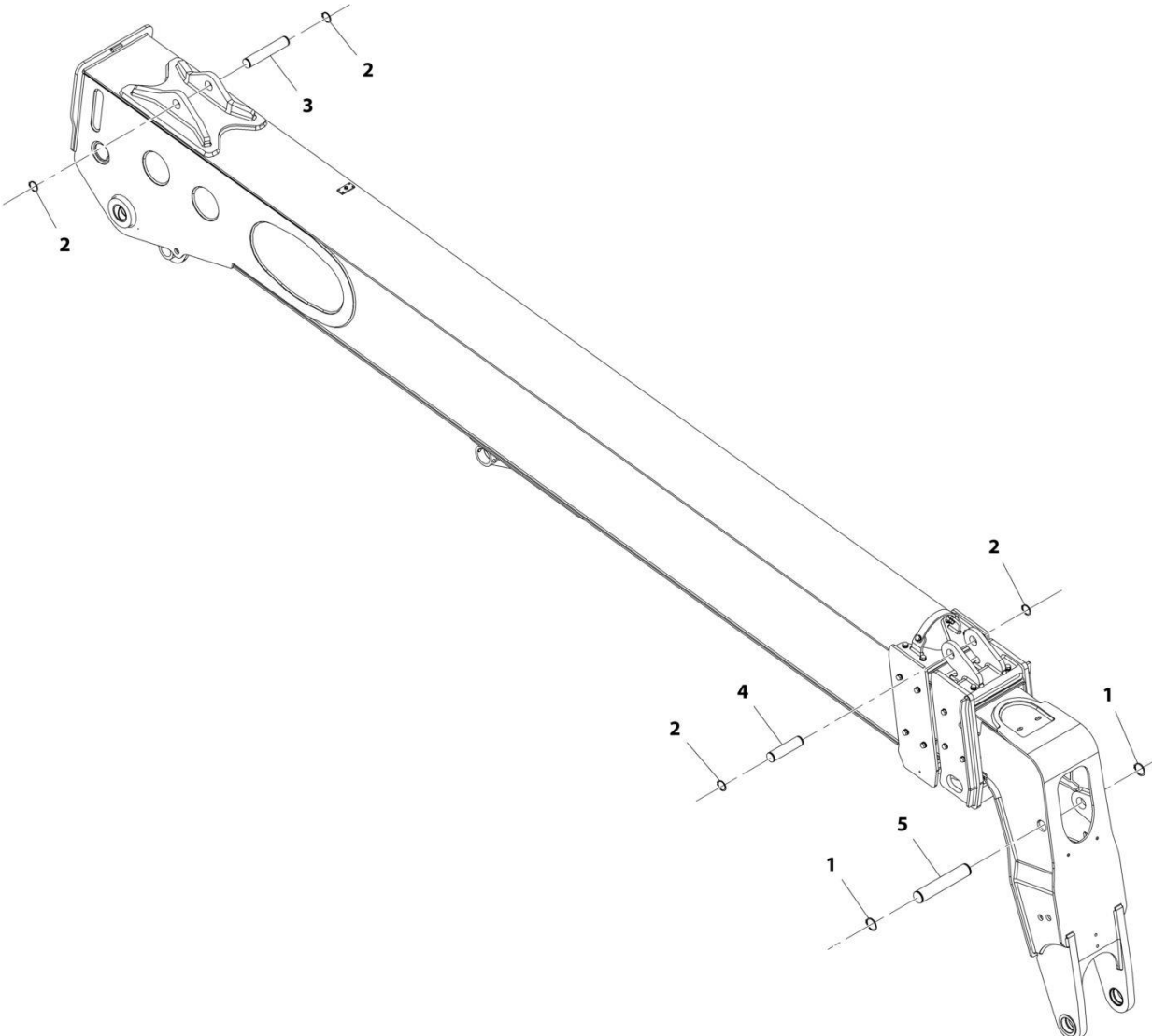
ART\_1001169326-A

**FIGURE 2-6. EXTEND CHAIN INSTALLATION**

ITEM	PART NUMBER	QTY	DESCRIPTION	REV
	1001169326	Ref	Extend Chain Installation	A
1	1001163841	2	Pin, Clevis	
2	1001164039	4	Ring, External M8	
3	1001165590	1	Clevis, Chain	
4	1001165739	1	Clevis, Chain	
5	1001169327	1	Chain, Extend	

**SECTION 2 - BOOM**

**FIGURE 2-7. PINS INSTALLATION**



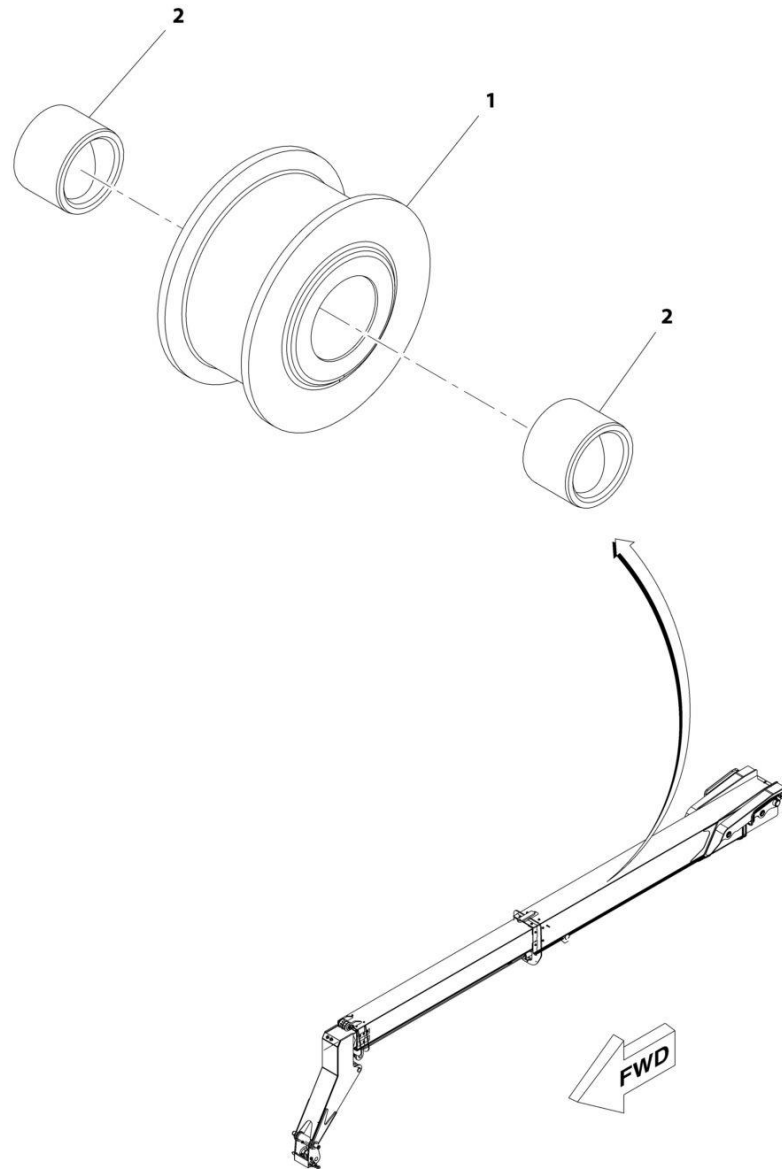
ART\_1001173542-B

FIGURE 2-7. PINS INSTALLATION

ITEM	PART NUMBER	QTY	DESCRIPTION	REV
	1001173542	Ref	Pins Installation	B
1	3760493	2	Ring, Retaining M5	
2	3760491	4	Ring, Retaining M40	
3	1001173543	1	Pin	
4	1001173544	1	Pin	
5	1001174726	1	Pin, Tilt Cylinder	

## SECTION 2 - BOOM

FIGURE 2-8. RETRACT CHAIN SHEAVE



ART\_7138986-C

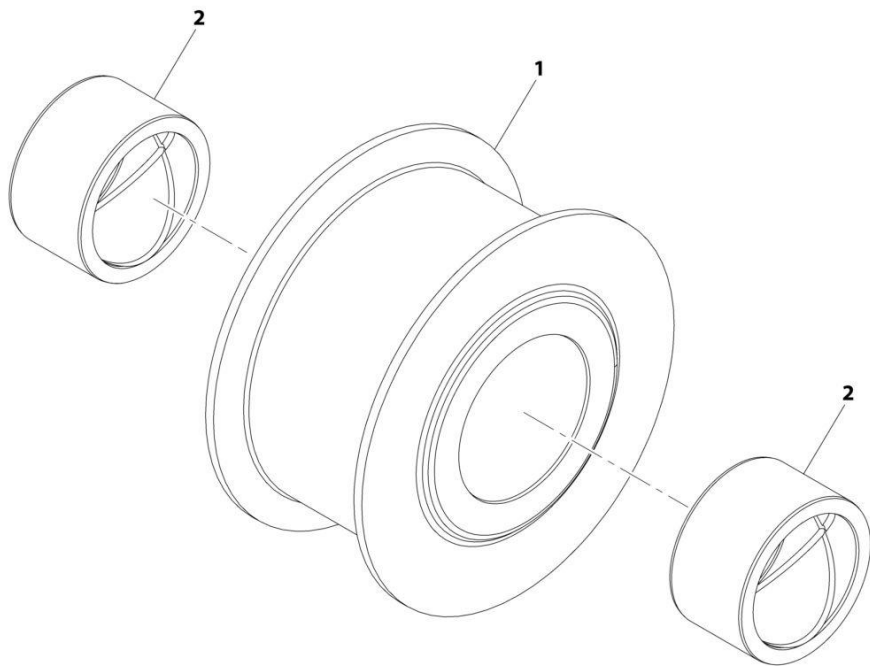


FIGURE 2-8. RETRACT CHAIN SHEAVE

ITEM	PART NUMBER	QTY	DESCRIPTION	REV
	7138986	Ref	Retract Chain Sheave	C
1	7138978	NSS	Sheave, Retract Chain (Use PN 713898)	
2	7138979	2	Bushing, Sheave Retract Chain	

## SECTION 2 - BOOM

FIGURE 2-9. CHAIN SHEAVE ASSEMBLY



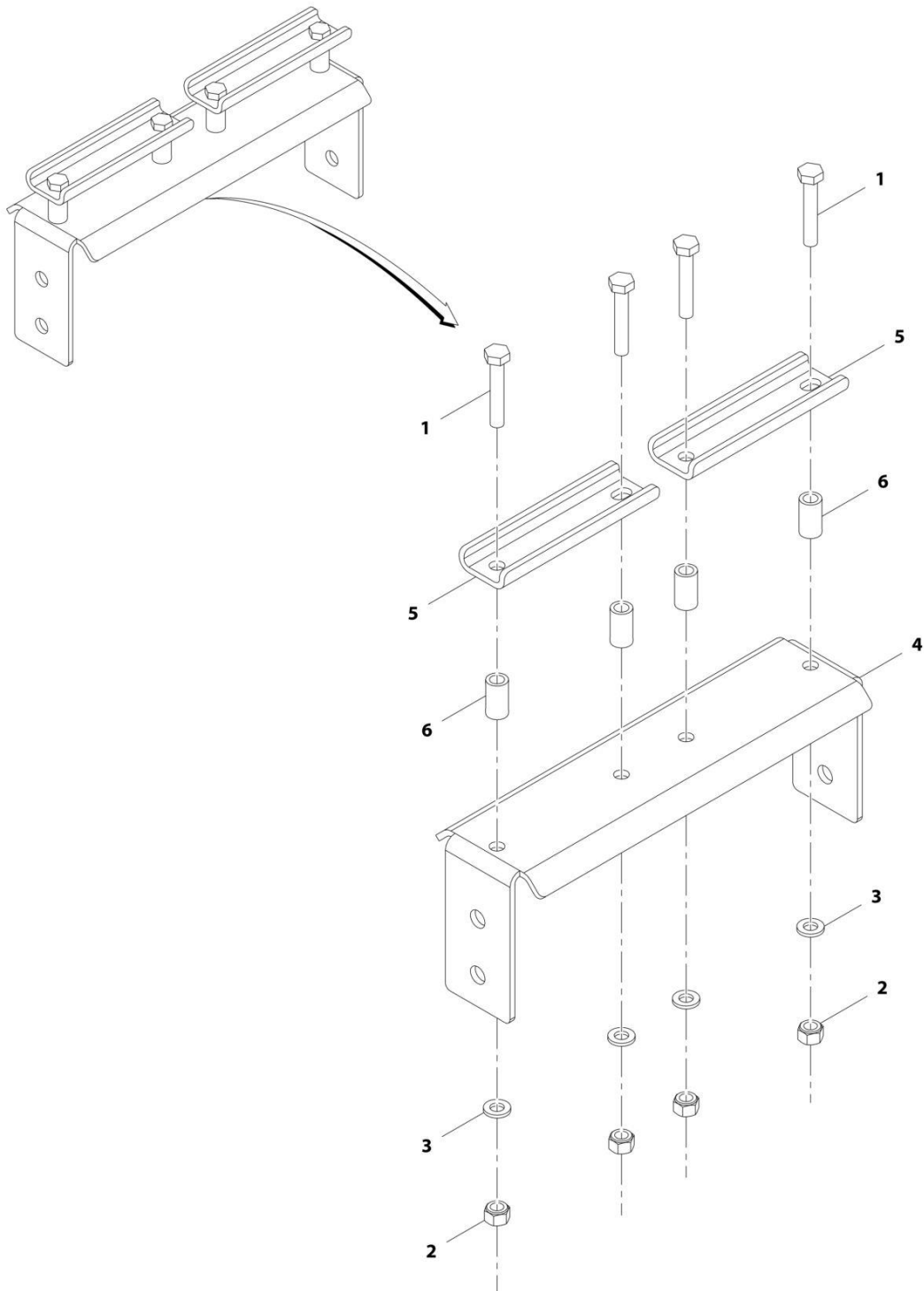
ART\_1001101867-B

FIGURE 2-9. CHAIN SHEAVE ASSEMBLY

ITEM	PART NUMBER	QTY	DESCRIPTION	REV
	1001101867	Ref	Chain Sheave Assembly	B
1	7114032	1	Sheave, Chain	
2	7117502	2	Bushing, Sheave Chain	

# SECTION 2 - BOOM

## FIGURE 2-10. HOSE BRACKET INSTALLATION



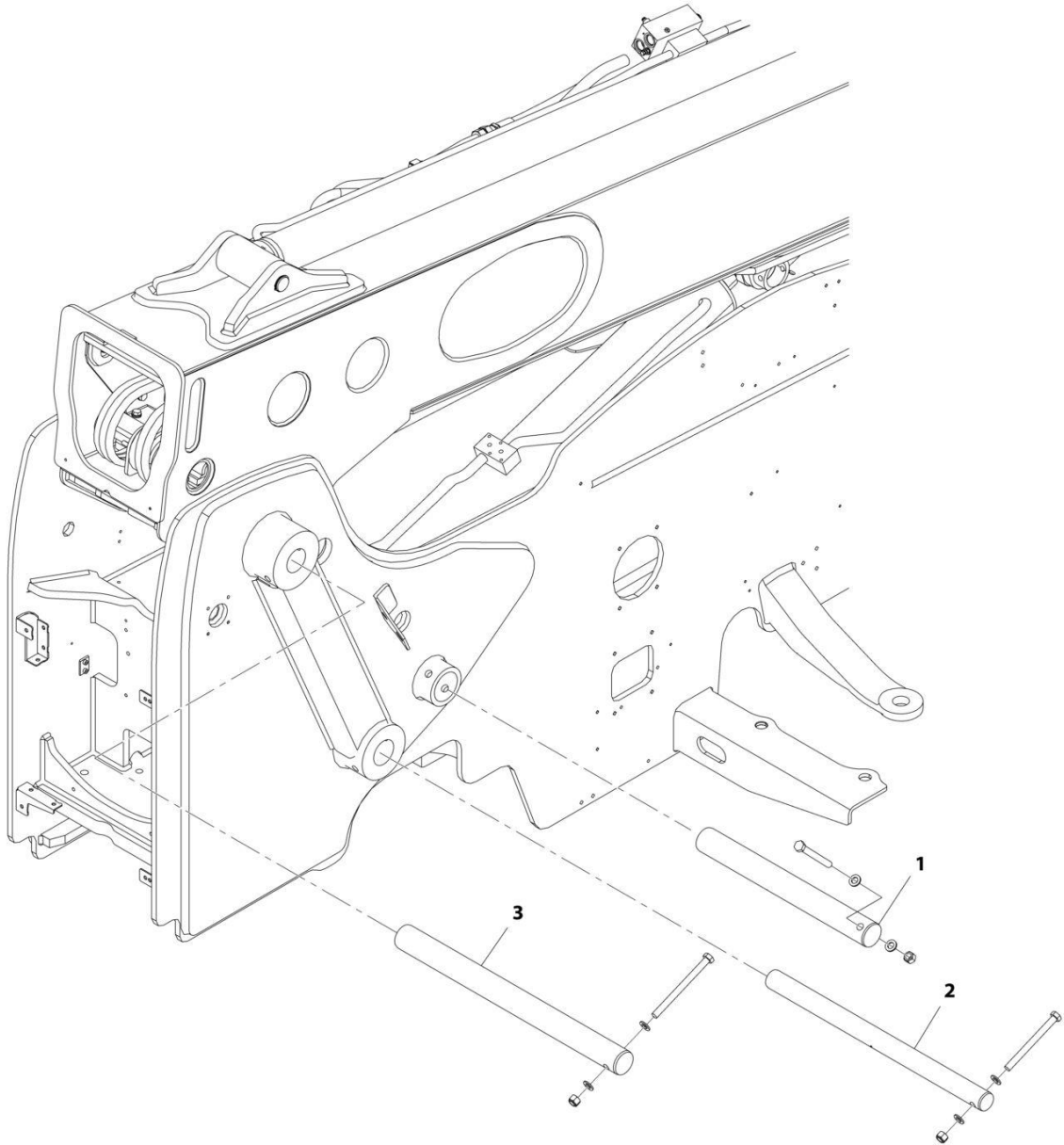
ART\_1001168755-B

FIGURE 2-10. HOSE BRACKET INSTALLATION

ITEM	PART NUMBER	QTY	DESCRIPTION	REV
	1001168755	Ref	Hose Bracket Installation	B
1	0760615	4	Bolt, M6X35	
2	3290605	4	Nut, Lock M6X1 Grade 8	
3	4811700	4	Washer, M6	
4	1001168757	1	Bracket	
5	1001169209	2	Plate	
6	1001169214	4	Spacer	

# SECTION 2 - BOOM

## FIGURE 2-11. BOOM PINNING INSTALLATION



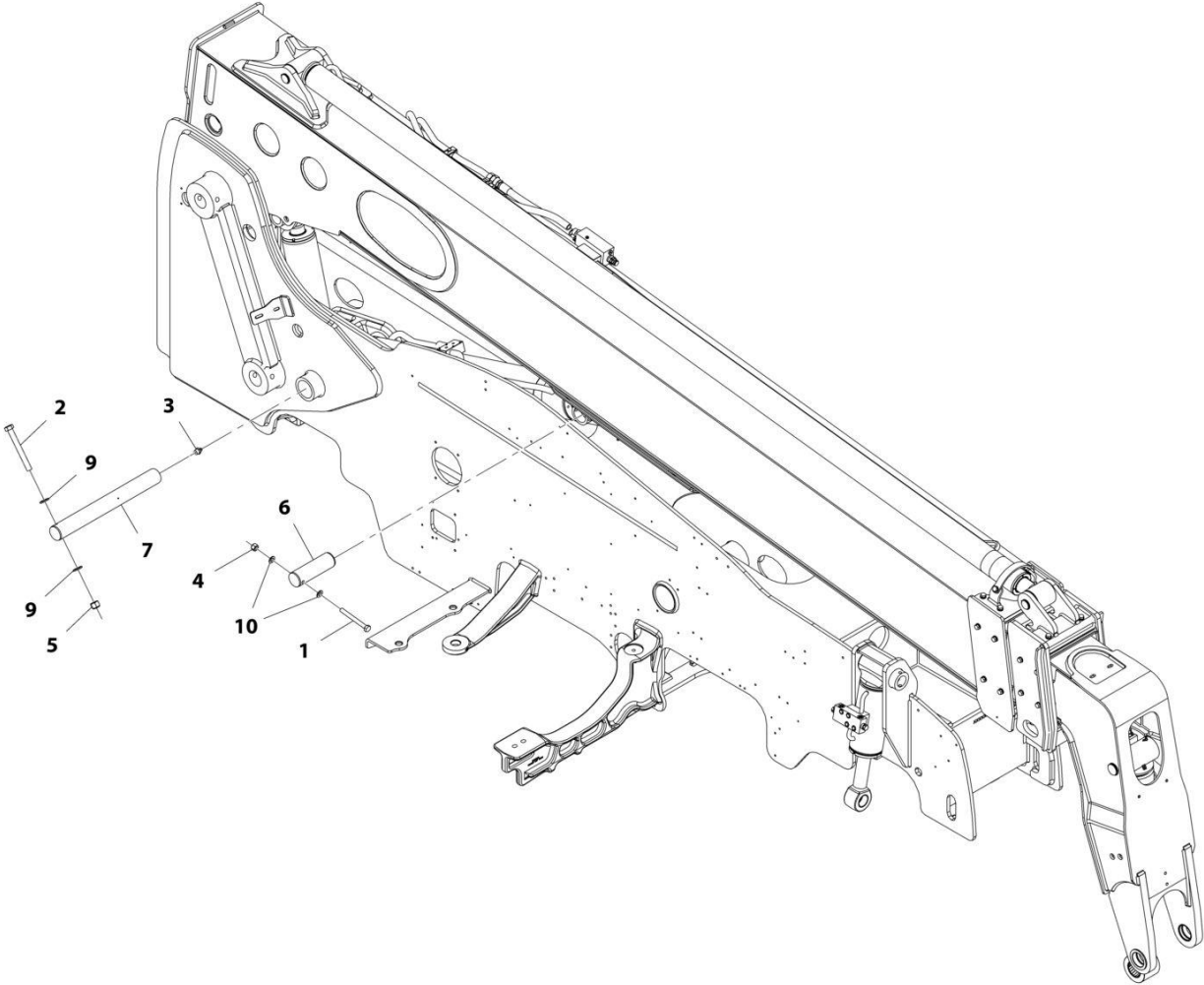
ART\_1001168634-B

**FIGURE 2-11. BOOM PINNING INSTALLATION**

ITEM	PART NUMBER	QTY	DESCRIPTION	REV
	1001168634	Ref	Boom Pinning Installation	C
1	1001173111	Ref	Installation, Lift Cylinder Pins (See Separate Breakdown in this Section)	
2	1001173114	Ref	Installation, Compensation Cylinder Pins (See Separate Breakdown in this Section)	
3	1001173117	Ref	Installation, Boom Pivot Pin (See Separate Breakdown in this Section)	

**SECTION 2 - BOOM**

**FIGURE 2-12. LIFT CYLINDER PINS INSTALLATION**



ART\_1001173111-F

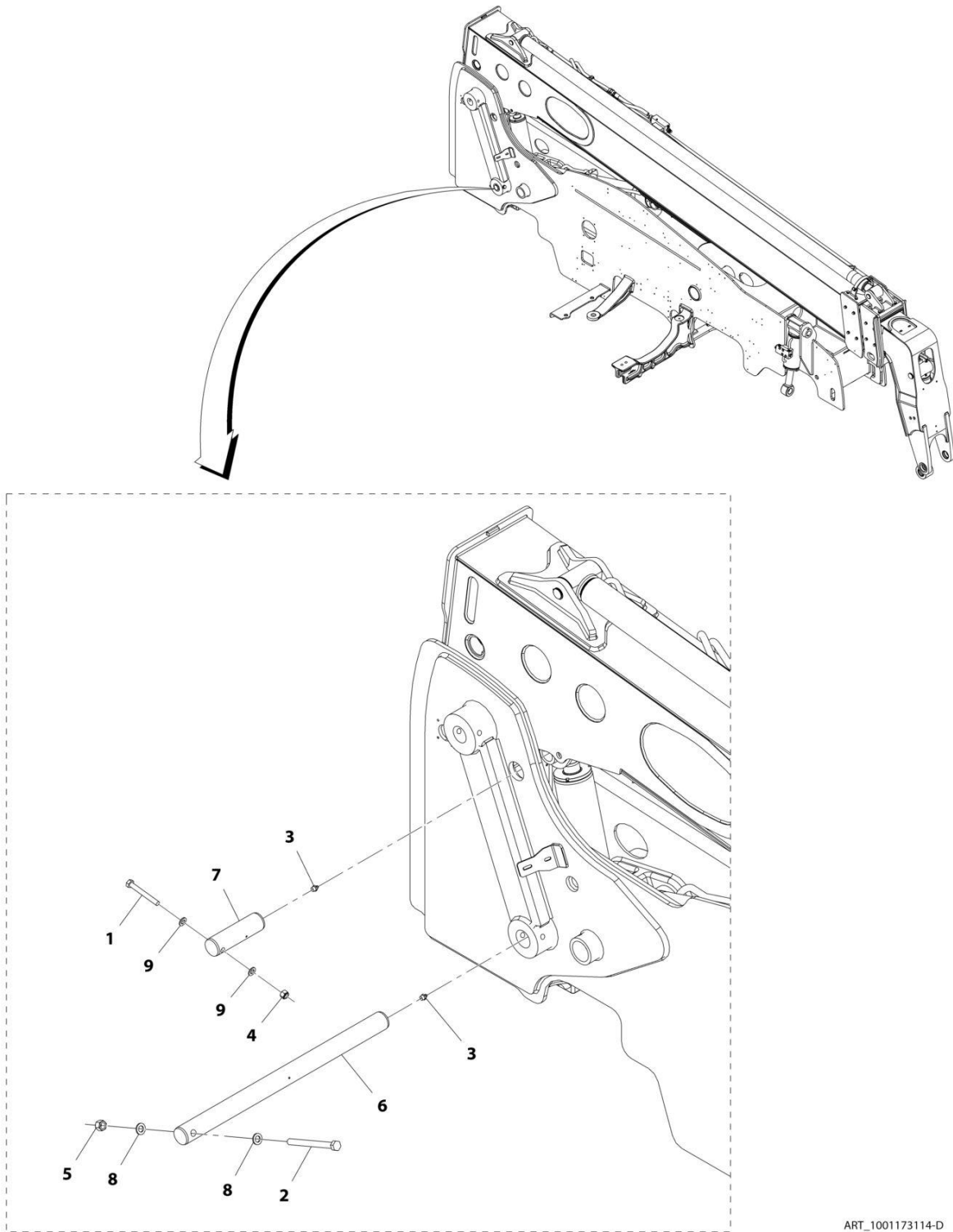


FIGURE 2-12. LIFT CYLINDER PINS INSTALLATION

ITEM	PART NUMBER	QTY	DESCRIPTION	REV
	1001173111	Ref	Lift Cylinder Pins Installation	F
1	0711228	1	Bolt, M12X110	
2	0711631	1	Bolt, M16X140	
3	2160016	1	Fitting, Grease	
4	3291205	1	Nut, Lock M12X1.75 Grade 8	
5	3291605	1	Nut, Lock M16X2 Grade 8	
6	1001205336	1	Pin, Cylinder	
7	1001173113	1	Pin, Cylinder	
9	4812300	2	Washer, M16	
10	4812100	2	Washer, M12	

# SECTION 2 - BOOM

## FIGURE 2-13. COMPENSATION CYLINDER PINS INSTALLATION



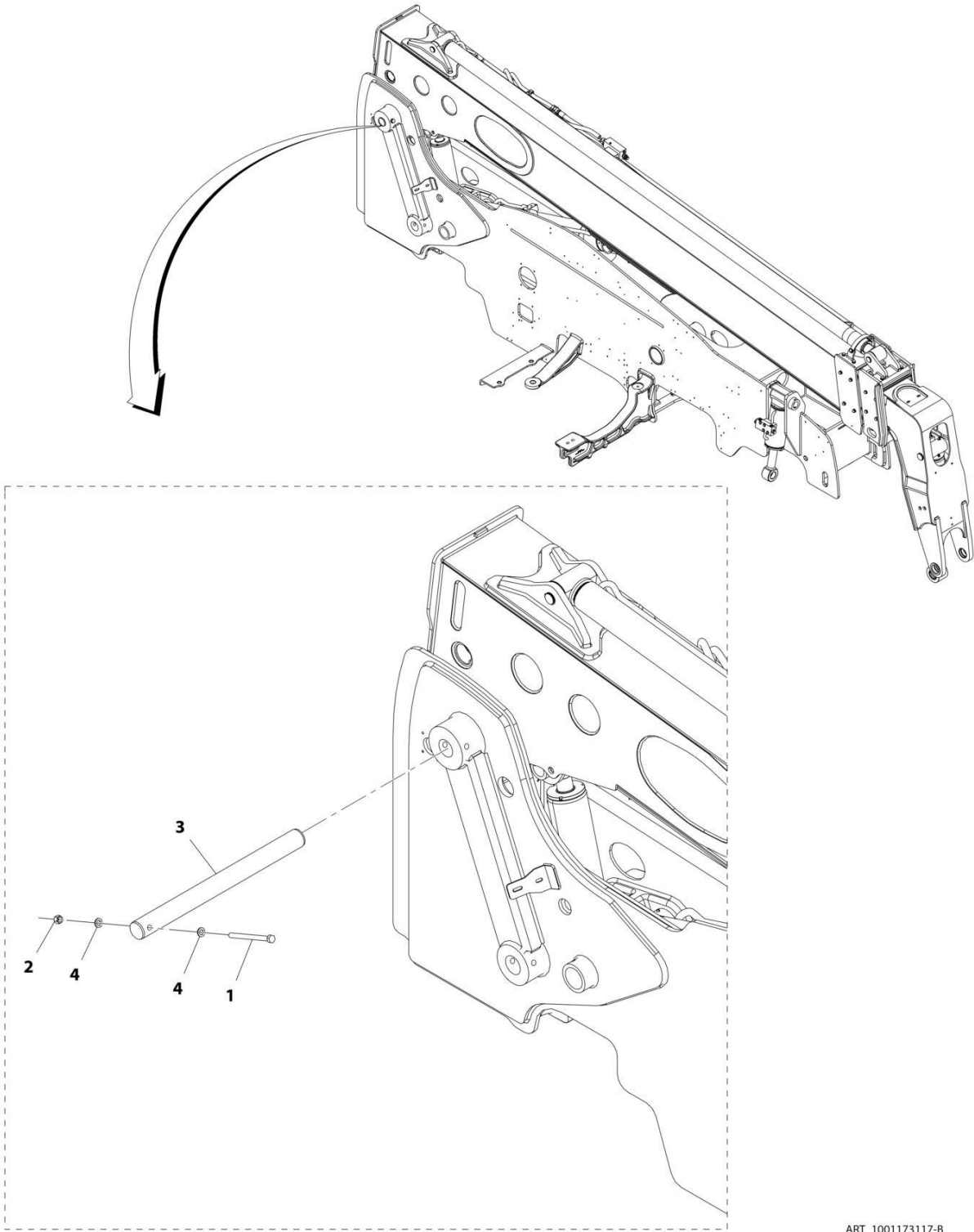
ART\_1001173114-D

FIGURE 2-13. COMPENSATION CYLINDER PINS INSTALLATION

ITEM	PART NUMBER	QTY	DESCRIPTION	REV
	1001173114	Ref	Compensation Cylinder Pins Installation	D
1	0711227	1	Bolt, M12X100 Grade 10.9	
2	0711635	1	Bolt, M16X180 Grade 10.9	
3	2160016	2	Fitting, Grease	
4	3291205	1	Nut, Lock M12X1.75 Grade 8	
5	3291605	1	Nut, Lock M16X2 Grade 8	
6	1001173115	1	Pin, Cylinder Base	
7	1001173116	1	Pin, Cylinder End	
8	4812300	2	Washer, M16	
9	4812100	2	Washer, M12	

**SECTION 2 - BOOM**

**FIGURE 2-14. BOOM PIVOT PIN INSTALLATION**



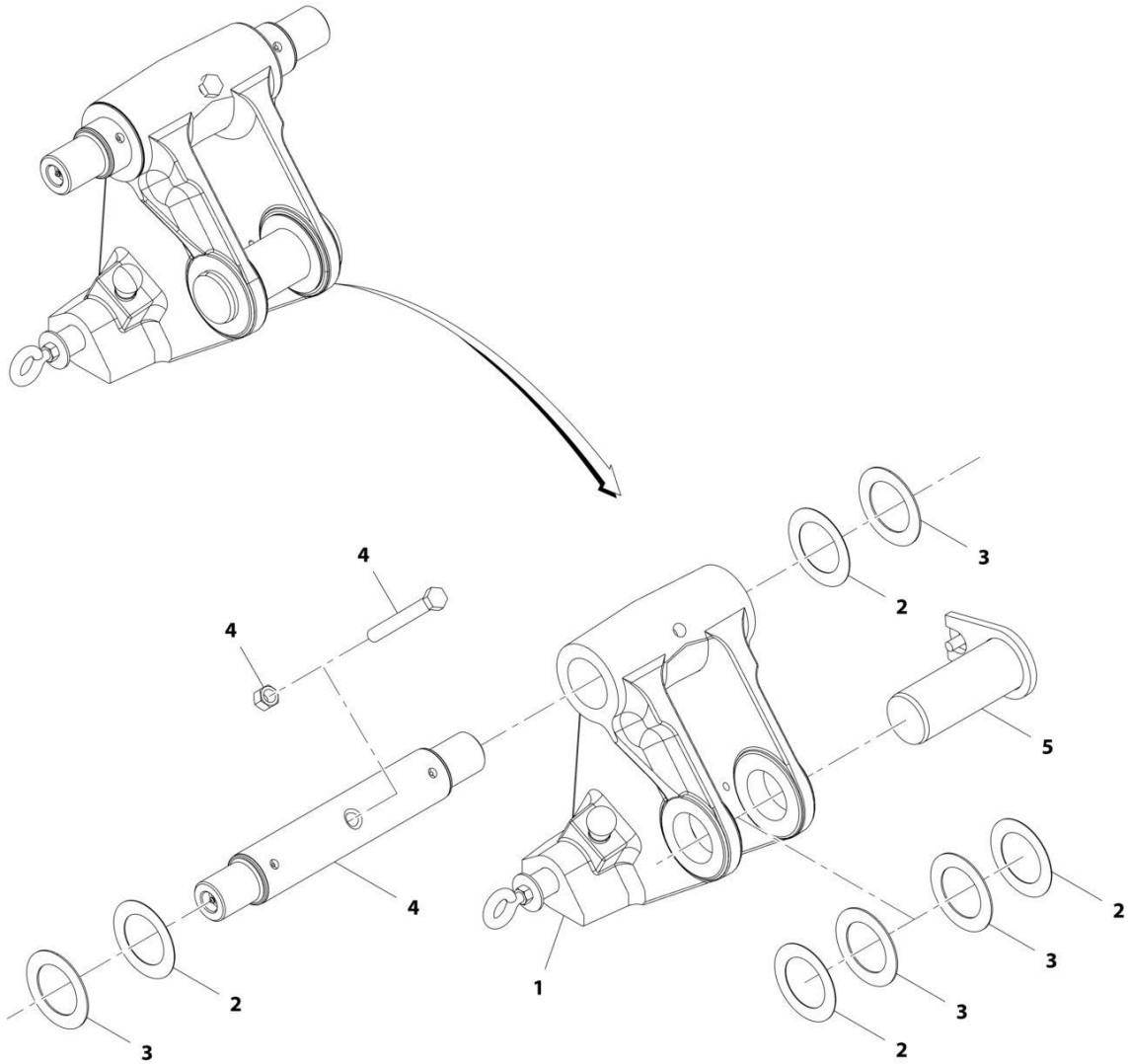
ART\_1001173117-B

**FIGURE 2-14. BOOM PIVOT PIN INSTALLATION**

ITEM	PART NUMBER	QTY	DESCRIPTION	REV
	1001173117	Ref	Boom Pivot Pin Installation	C
1	1001091951	1	Bolt, M16X200	
2	3291605	1	Nut, Lock M16X2 Grade 8	
3	1001173118	1	Pin	
4	4812300	2	Washer, M16	

# SECTION 2 - BOOM

## FIGURE 2-15. MANUAL QUICK COUPLER INSTALLATION



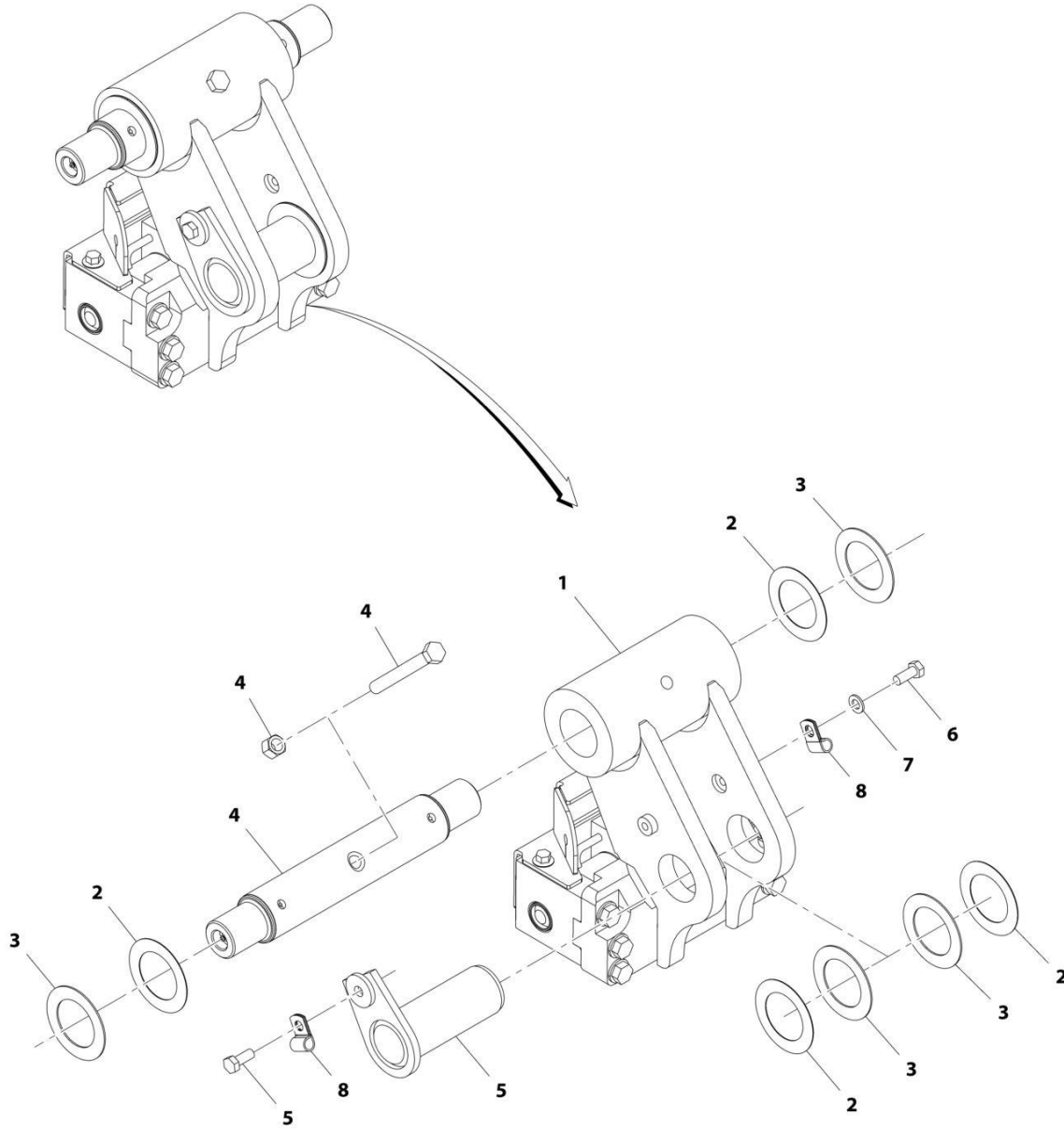
ART\_1001170628-A

**FIGURE 2-15. MANUAL QUICK COUPLER INSTALLATION**

ITEM	PART NUMBER	QTY	DESCRIPTION	REV
	1001170628	Ref	Manual Quick Coupler Installation	A
1	1001171764	1	Coupling, Quick Connect (See Separate Breakdown in this Section)	
2	1001164884	AR	Shim	
3	1001164885	AR	Shim	
4	1001167761	Ref	Installation, Boom Pin (See Separate Breakdown in this Section)	
5	1001167762	Ref	Installation, Tilt Cylinder Pin (See Separate Breakdown in this Section)	

# SECTION 2 - BOOM

## FIGURE 2-16. HYDRAULIC QUICK COUPLER INSTALLATION



ART\_1001170631-B

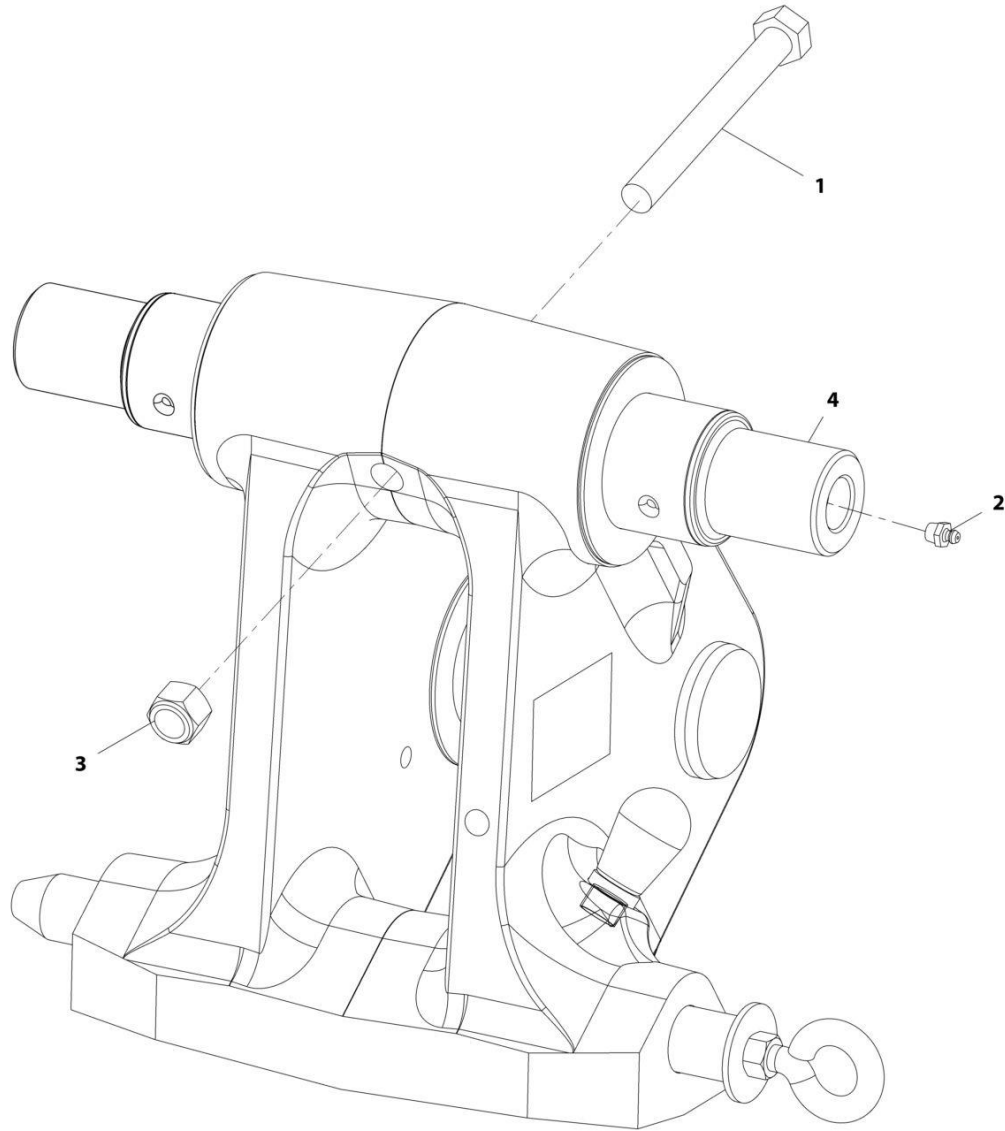


FIGURE 2-16. HYDRAULIC QUICK COUPLER INSTALLATION

ITEM	PART NUMBER	QTY	DESCRIPTION	REV
	1001170631	Ref	Hydraulic Quick Coupler Installation	B
1	1001172134	1	Assembly, Hydraulic Quick Coupler (See Separate Breakdown in HYDRAULIC COMPONENTS Section)	
2	1001164884	AR	Shim	
3	1001164885	AR	Shim	
4	1001167761	Ref	Installation, Boom Pin (See Separate Breakdown in this Section)	
5	1001167762	Ref	Installation, Tilt Cylinder Pin (See Separate Breakdown in this Section)	
6	0761214	1	Capscrew, M12X30	
7	4812100	1	Washer, M12	
8	1001080996	2	Clamp	

## SECTION 2 - BOOM

FIGURE 2-17. BOOM PIN INSTALLATION



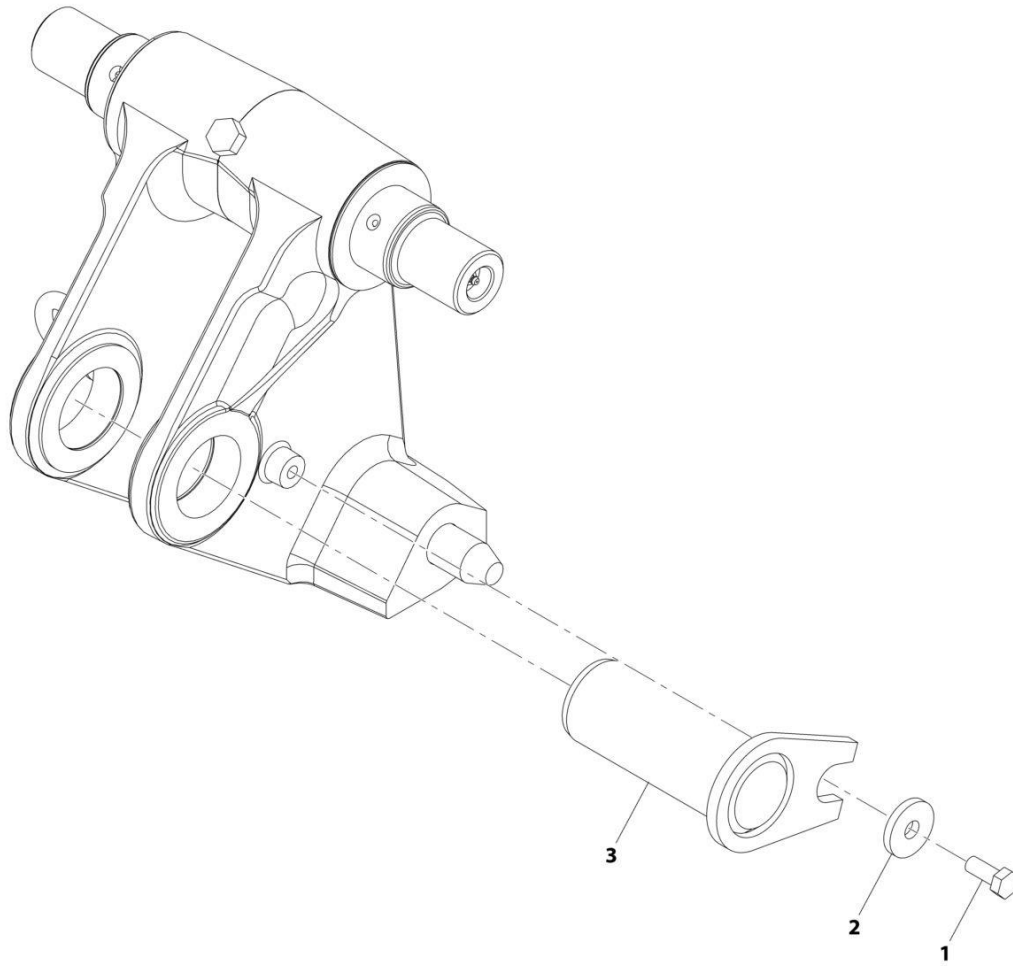
ART\_1001167761-B

FIGURE 2-17. BOOM PIN INSTALLATION

ITEM	PART NUMBER	QTY	DESCRIPTION	REV
	1001167761	Ref	Boom Pin Installation	B
1	0711631	1	Bolt, M16X140	
2	2160016	2	Fitting, Straight	
3	3291605	1	Nut, Lock M16X2	
4	1001164871	1	Pin	

## SECTION 2 - BOOM

FIGURE 2-18. TILT CYLINDER PIN INSTALLATION



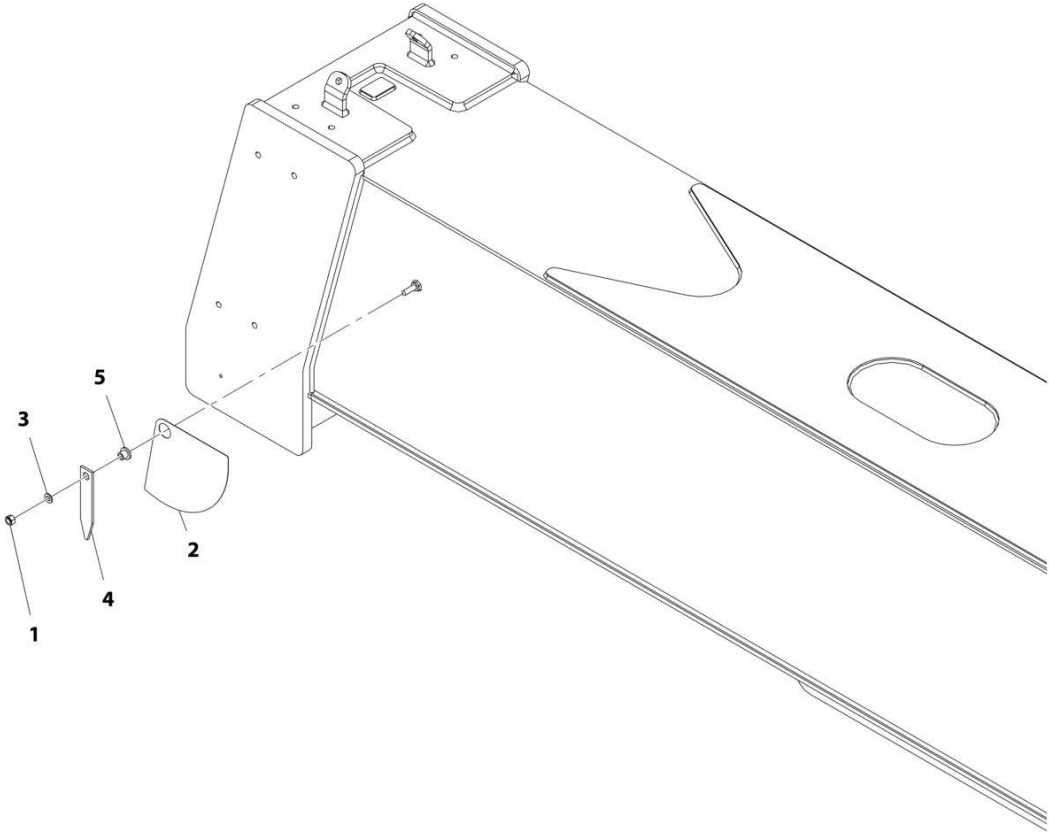
ART\_1001167762-A

FIGURE 2-18. TILT CYLINDER PIN INSTALLATION

ITEM	PART NUMBER	QTY	DESCRIPTION	REV
	1001167762	Ref	Tilt Cylinder Pin Installation	A
1	0761214	1	Bolt, M12X30	
2	4740003	1	Washer	
3	1001164881	1	Pin	

**SECTION 2 - BOOM**

**FIGURE 2-19. BOOM ANGLE INDICATOR INSTALLATION**



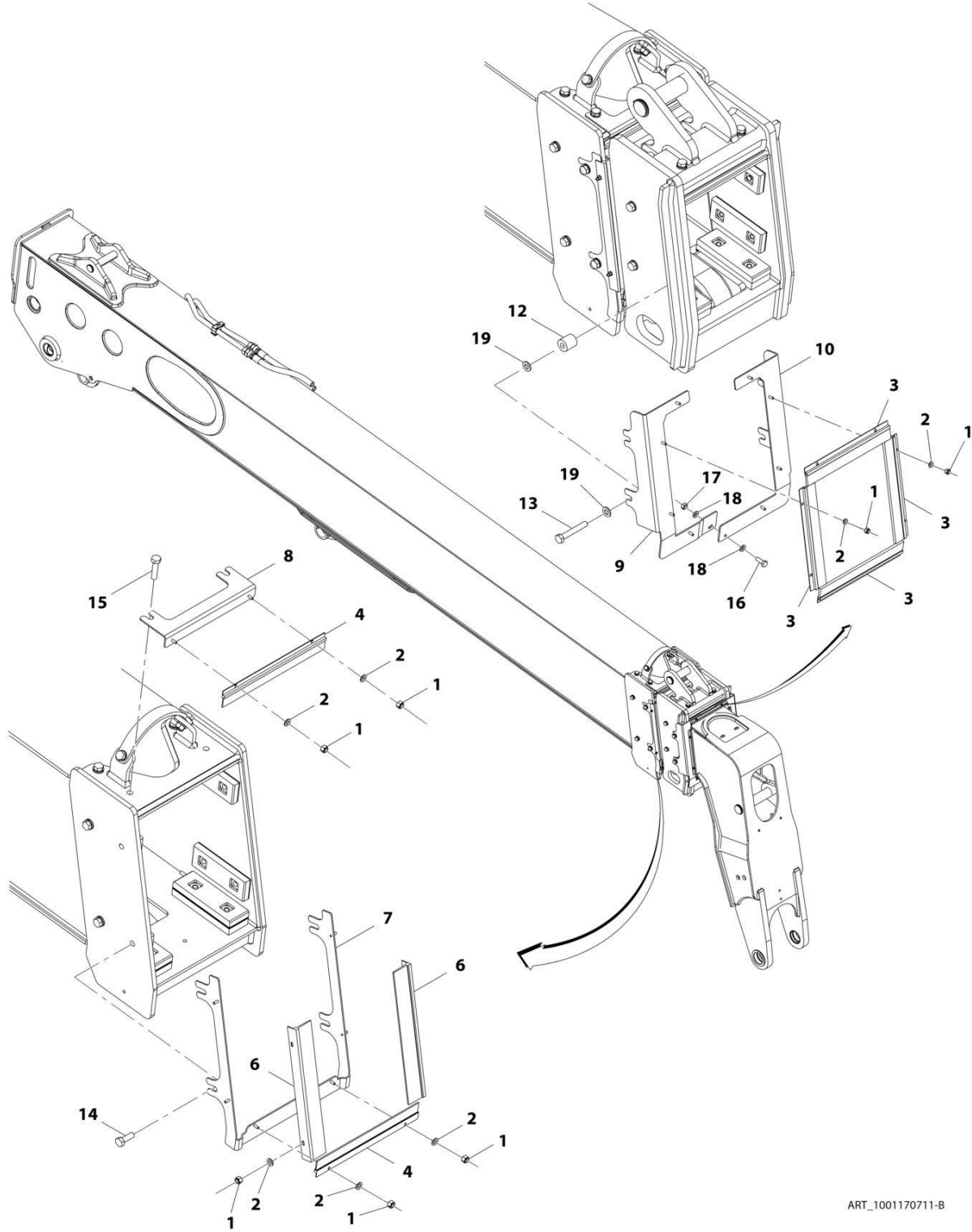
ART\_1001167806-B

FIGURE 2-19. BOOM ANGLE INDICATOR INSTALLATION

ITEM	PART NUMBER	QTY	DESCRIPTION	REV
	1001167806	Ref	Boom Angle Indicator Installation	B
1	3291005	1	Nut, Lock M10X1.5 Grade 8	
2	4105262	1	Decal, Boom Angle Indicator	
3	4812000	1	Washer, M10	
4	1001098769	1	Plate	
5	1001171808	1	Spacer	

# SECTION 2 - BOOM

## FIGURE 2-20. BOOM BRUSHES INSTALLATION



ART\_1001170711-B



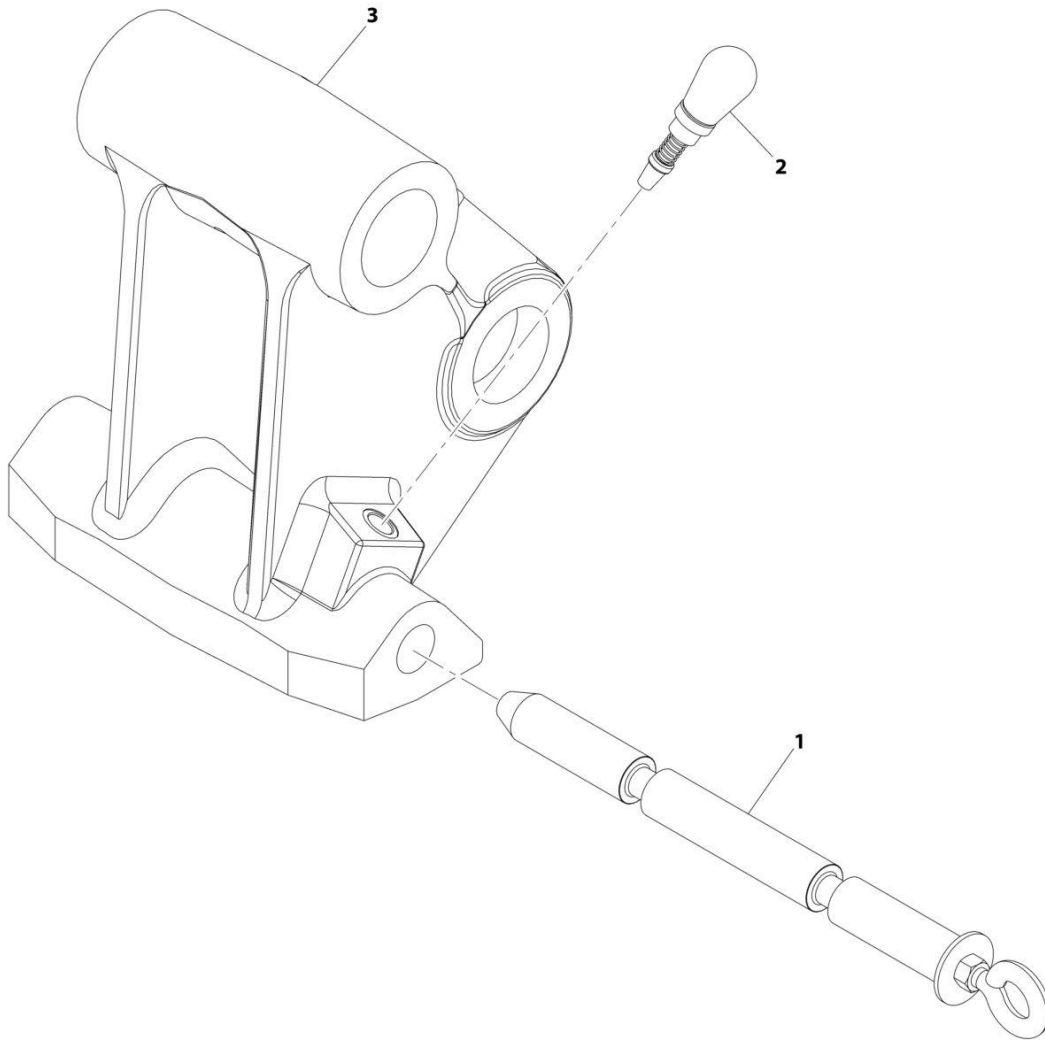
## SECTION 2 - BOOM

**FIGURE 2-20. BOOM BRUSHES INSTALLATION**

ITEM	PART NUMBER	QTY	DESCRIPTION	REV
	1001170711	Ref	Boom Brushes Installation	B
1	3290505	16	Nut, Lock M5X0.8 Grade 8	
2	4811600	16	Washer, M5	
3	1001172995	4	Brush, Boom	
4	1001172997	2	Brush, Boom	
6	1001172999	2	Brush, Boom	
7	1001175485	1	Bracket, Boom Brush	
8	1001175486	1	Bracket, Boom Brush	
9	1001196931	1	Bracket, Boom Brush	
10	1001196929	1	Bracket, Boom Brush	
12	1001193577	4	Spacer	
13	0701224	4	Bolt, M12X80	
14	0711215	4	Bolt, M12X35 Grade 10.9	
15	0711218	2	Bolt, M12X50 Grade 10.9	
16	0760608	1	Bolt, M6X16	
17	3290601	1	Nut, M6X1	
18	4811700	2	Washer, M6	
19	1001125117	4	Washer, M12	

## SECTION 2 - BOOM

FIGURE 2-21. QUICK COUPLER ASSEMBLY



ART\_1001171764-A

FIGURE 2-21. QUICK COUPLER ASSEMBLY

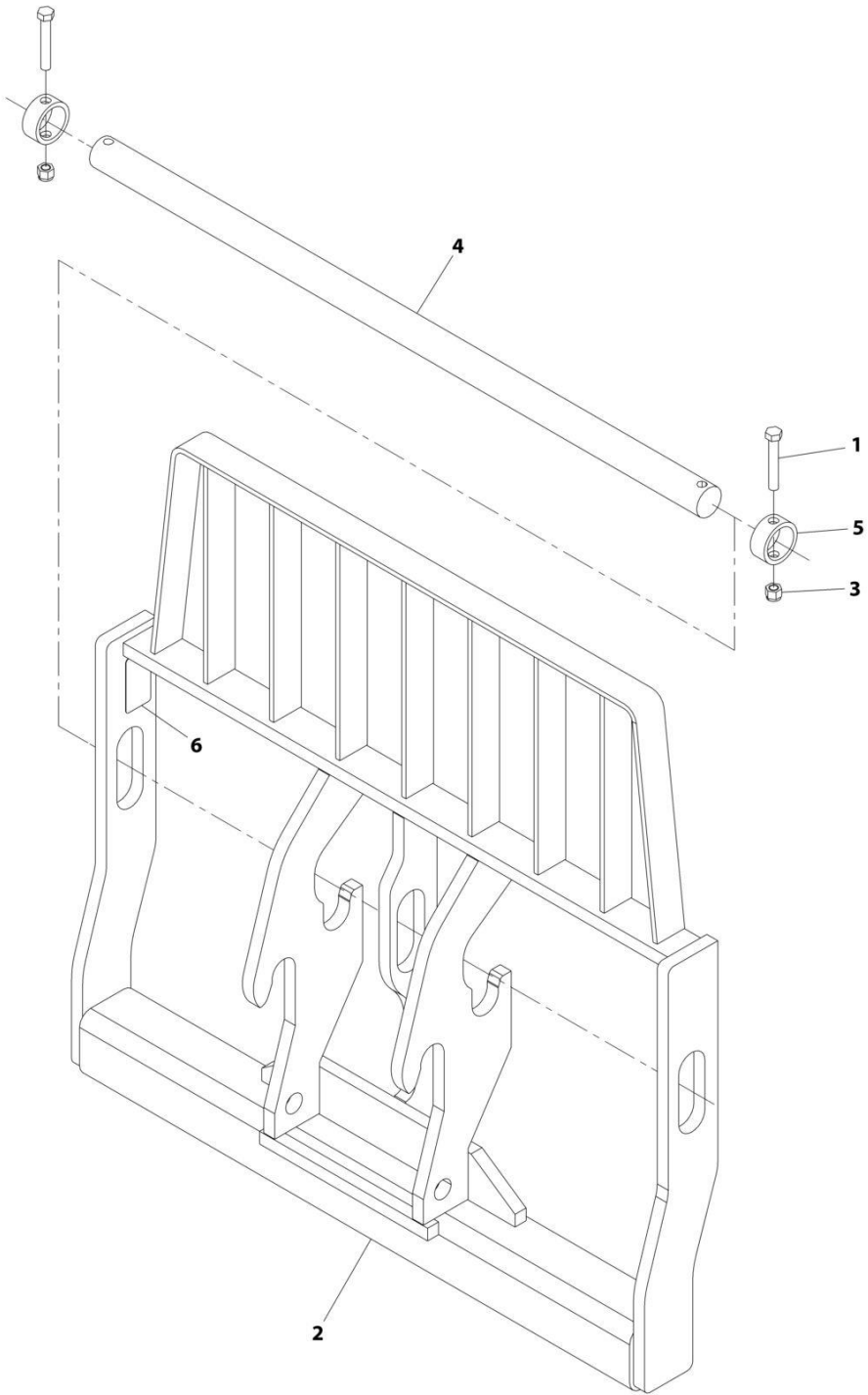
ITEM	PART NUMBER	QTY	DESCRIPTION	REV
	1001171764	Ref	Quick Coupler Assembly	A
1	1001105441	1	Pin	
2	1001143692	1	Pin, Poppin	
3	1001164567	1	Coupling, Quick Connect	



**SECTION 3 - ATTACHMENTS**

**SECTION 3 - ATTACHMENTS**

**FIGURE 3-1. CARRIAGE ASSEMBLY (1270MM)**



ART\_1170021-H

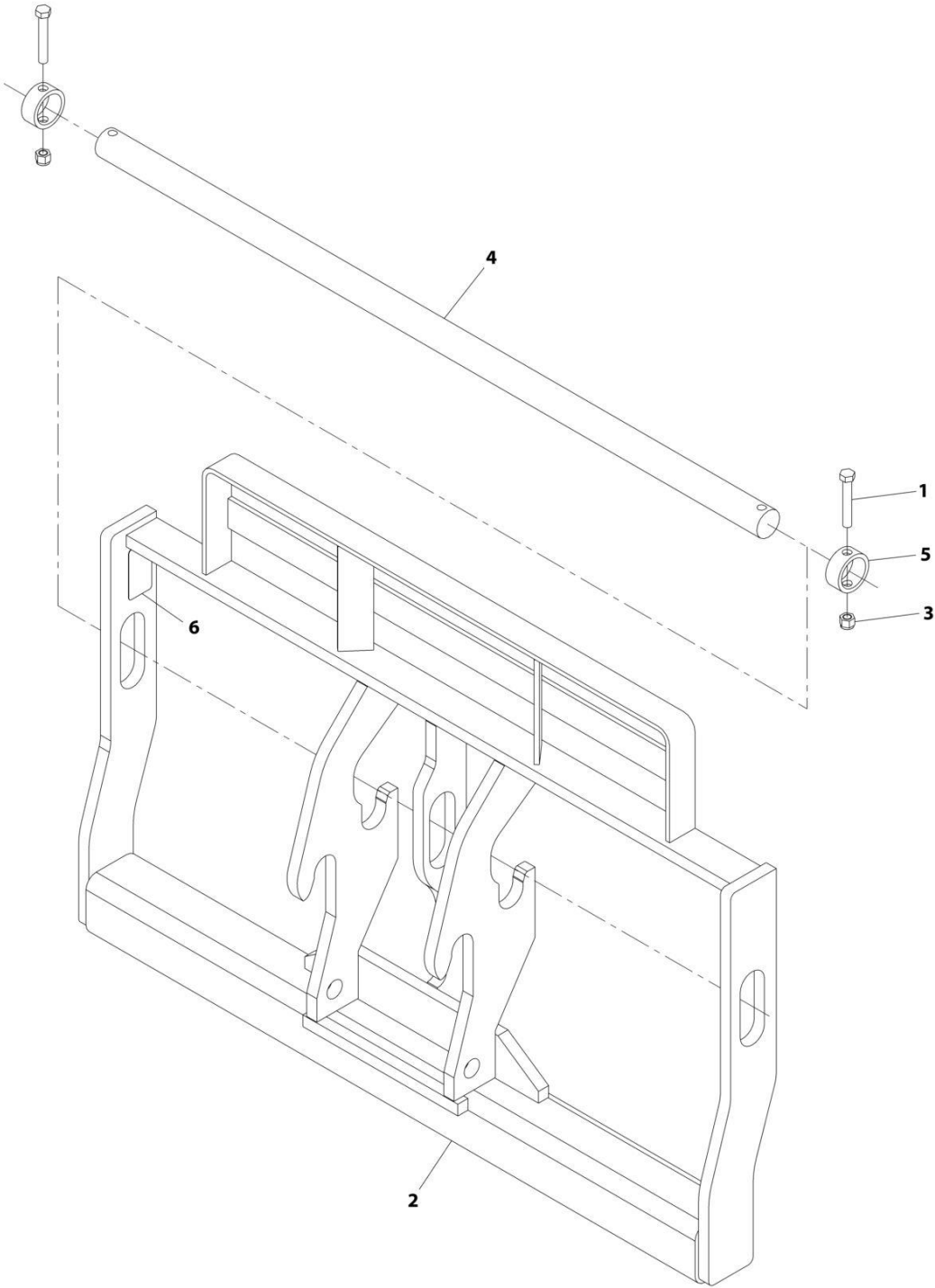
## SECTION 3 - ATTACHMENTS

### FIGURE 3-1. CARRIAGE ASSEMBLY (1270MM)

ITEM	PART NUMBER	QTY	DESCRIPTION	REV
	1170021	Ref	Carriage Assembly (50 INCH)	H
1	0642032	2	Bolt, 5/8-11X4	
2	1170012	1	Weldment, Carriage	
3	3300240	2	Nut, Lock 5/8-11	
4	3423275	1	Pin, Fork	
5	90200003	2	Collar, Fork Pin	
6	See Note	NSS	S/N Plate (Note: Stamped Part - Not Available for Purchase)	

**SECTION 3 - ATTACHMENTS**

**FIGURE 3-2. CARRIAGE ASSEMBLY (1524 MM)**



ART\_1170024-H



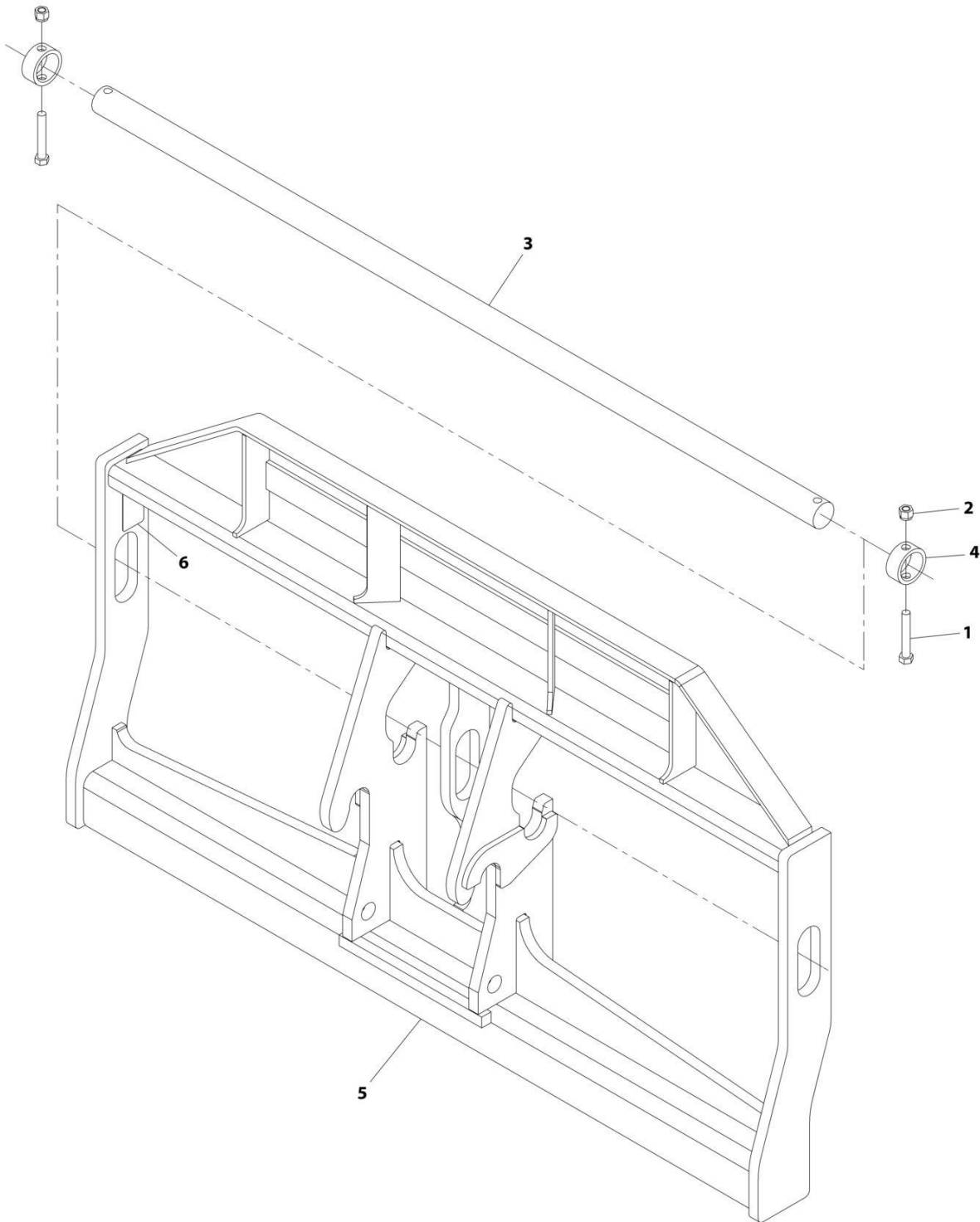
## SECTION 3 - ATTACHMENTS

### FIGURE 3-2. CARRIAGE ASSEMBLY (1524 MM)

ITEM	PART NUMBER	QTY	DESCRIPTION	REV
	1170024	Ref	Carriage Assembly (1524 MM)	H
1	0642032	2	Bolt 5/8 x 4	
2	See Note	NSS	Carriage (Note: Purchase Complete Assembly)	
3	3300240	2	Nut 5/8	
4	3423242	1	Pin	
5	90200003	2	Sleeve	
6	See Note	NSS	S/N Plate (Note: Stamped Part - Not Available for Purchase)	

**SECTION 3 - ATTACHMENTS**

**FIGURE 3-3. CARRIAGE ASSEMBLY (1829 MM)**



ART\_1001211516-D

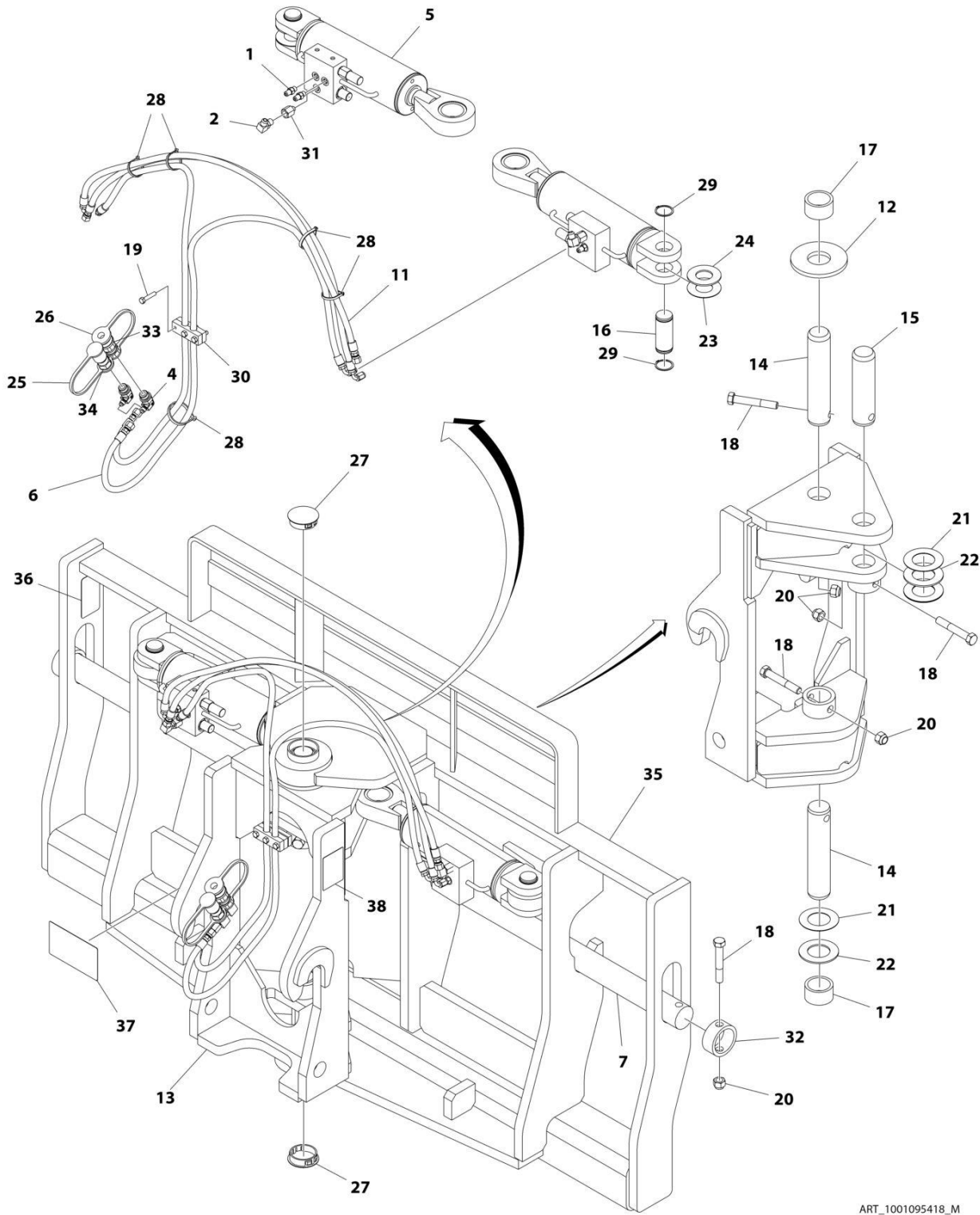
## SECTION 3 - ATTACHMENTS

### FIGURE 3-3. CARRIAGE ASSEMBLY (1829 MM)

ITEM	PART NUMBER	QTY	DESCRIPTION	REV
	1001211516	Ref	CARRIAGE ASSEMBLY (72 INCH)	D
1	0642032	2	Bolt 5/8 x 4	
2	3300240	2	Nut 5/8	
3	3423276	1	Pin	
4	90200003	2	Sleeve	
5	See Note	NSS	Carriage (Note: Purchase Complete Assembly)	
6	See Note	NSS	S/N Plate (Note: Stamped Part - Not Available for Purchase)	

# SECTION 3 - ATTACHMENTS

## FIGURE 3-4. 90 SWING CARRIAGE ASSEMBLY (72 INCH)



ART\_1001095418\_M

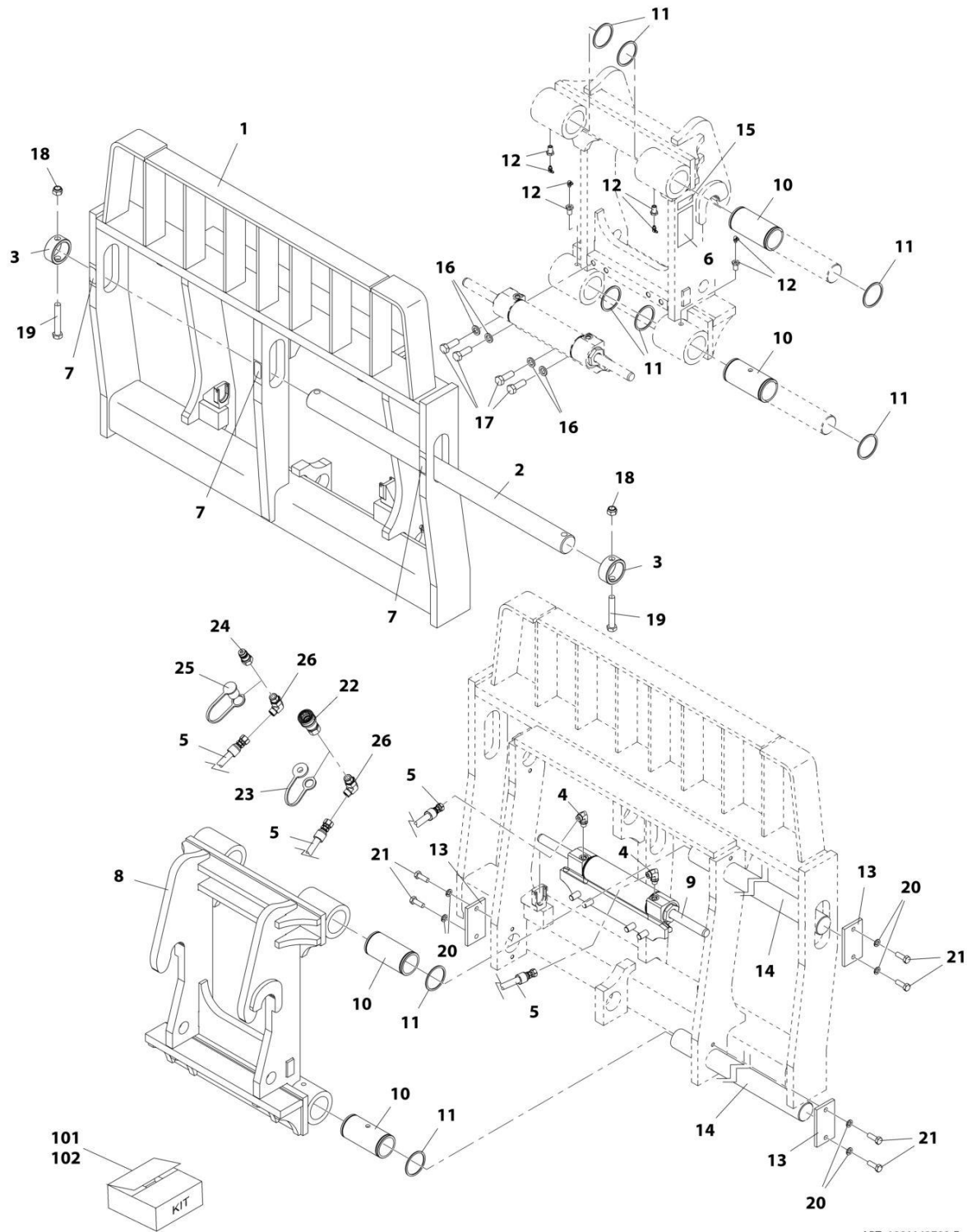
## SECTION 3 - ATTACHMENTS

**FIGURE 3-4. 90 SWING CARRIAGE ASSEMBLY (72 INCH)**

ITEM	PART NUMBER	QTY	DESCRIPTION	REV
	1001095418	Ref	90 SWING CARRIAGE ASSEMBLY (72 INCH)	Q
1	2220415	4	Fitting, Straight ORFS	
2	2220473	2	Fitting, 90 ORFS	
4	1001211139	2	Adapter, 90	
5	1001103182	2	Swing Carriage Cylinder (See Separate Breakdown in HYDRAULIC COMPONENTS Section)	
6	2717287	2	Hose 58in (Boom Front Disconnect)	
6	1001301599	1	Hose 66in (Boom Side Disconnect)	
6	1001301600	1	Hose 46in (Boom Side Disconnect)	
7	3423276	1	Pin	
11	6604662	2	Hose	
12	7062922	1	Washer	
13	N.S.S.	1	Pivot	
14	7110702	2	Pin	
15	7110712	1	Pin	
16	7110722	2	Pin	
17	8065062	2	Bushing	
18	8303634	5	Bolt 5/8 x 4	
19	8303715	3	Bolt 5/16 x 1-1/2	
20	8305643	5	Nut 5/8	
21	8307904	AR	Washer	
22	8307918	AR	Washer	
23	8310160	AR	Washer	
24	8310161	AR	Washer	
25	8420053	1	Cap	
26	8420055	1	Plug	
27	8580315	2	Plug	
28	8584001	5	Tie Wrap	
29	8642207	4	Ring, Retaining	
30	8769132	2	Clamp	
31	8770016	2	Fitting, Straight ORFS	
32	90200003	2	Collar	
33	91403413	1	Fitting, Straight ORFS	
34	91403414	1	Fitting, Straight	
35	N.S.S.	1	Carriage	
36	N.S.S.	1	Plate	
37	1001110704	1	Decal, Warning Crushing Hazard	
38	1001111190	2	Decal, Warning	

# SECTION 3 - ATTACHMENTS

## FIGURE 3-5. SIDE SHIFT CARRIAGE (5.5 TON - 1270 MM)



ART\_1001142790-E

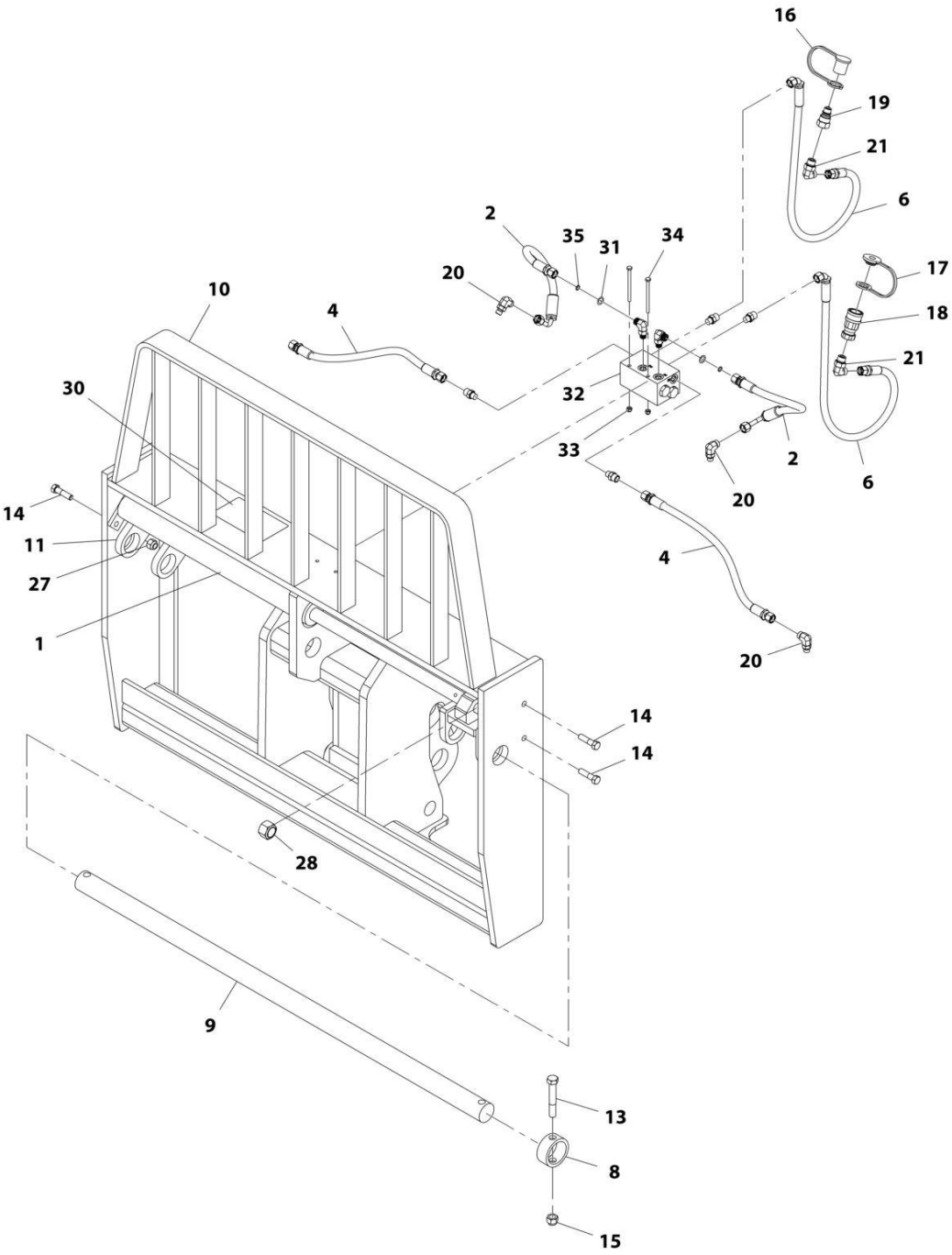
## SECTION 3 - ATTACHMENTS

**FIGURE 3-5. SIDE SHIFT CARRIAGE (5.5 TON - 1270 MM)**

ITEM	PART NUMBER	QTY	DESCRIPTION	REV
	1001142790	Ref	Side Shift Carriage (5.5 ton - 1270 MM)	E
1	N.S.S.	1	Weldment	
2	70024535	1	Shaft	
3	70024536	2	Collar	
4	70024123	2	Fitting, 90	
5	70024537	2	Hose	
6	N.S.S.	1	S/N Plate	
7	70024538	3	Decal, Warning	
8	N.S.S.	1	Weldment	
9	70024539	1	Cylinder, Side Shift (ANSI) (See Separate Breakdown in HYDRAULIC COMPONENTS Section)	
10	70024540	4	Bushing	
11	70024541	8	Circlip	
12	70024542	4	Fitting, Grease	
13	70024543	4	Retainer	
14	70024544	2	Shaft	
15	N.S.S.	1	S/N Plate	
16	70024551	4	Washer, Lock M16	
17	70024552	4	Bolt, M16X45	
18	70024553	2	Nut, Hex M16	
19	70024554	2	Bolt, M16X100	
20	70022997	8	Washer, Lock M12	
21	70024555	8	Bolt, M12X35	
22	91403413	1	Fitting, Straight	
23	8420055	1	Plug	
24	91403414	1	Fitting, Straight	
25	8420053	1	Cap, Dust	
26	70024550	2	Fitting, 90	
101	70024545	1	Kit, Hydraulic Repair (includes items 5 & 22 thru 26)	
102	70024546	1	Kit, Retainer (includes items 13, 20 & 21)	

SECTION 3 - ATTACHMENTS

FIGURE 3-6. DUAL FORK CARRIAGE ASSEMBLY



ART\_7301568-J



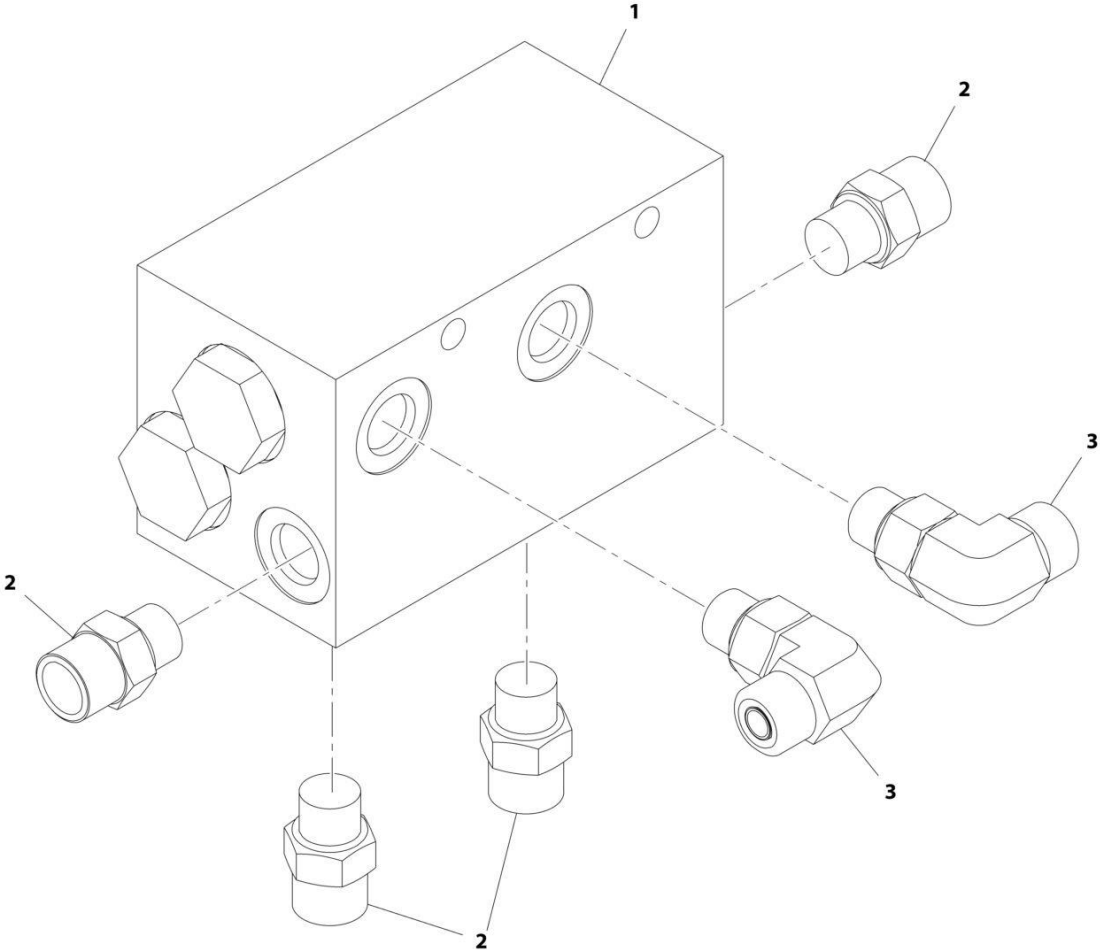
## SECTION 3 - ATTACHMENTS

### FIGURE 3-6. DUAL FORK CARRIAGE ASSEMBLY

ITEM	PART NUMBER	QTY	DESCRIPTION	REV
	7301568	Ref	Dual Fork Carriage Assembly	J
1	2717283	2	Cylinder, Fork Positioning (See Separate Breakdown in HYDRAULIC COMPONENTS Section)	
2	2717160	2	Hose	
4	2717161	2	Hose	
6	2717162	2	Hose	
8	90200003	2	Collar, Fork Pin	
9	90451058	1	Shaft, Fork	
10	N.S.S.	1	Weldment, Carriage	
11	N.S.S.	2	Weldment, Fork Adapter	
13	8303634	2	Bolt, 5/8-11X4	
14	8303658	4	Bolt, 1/2-13X2	
15	8305643	2	Nut, Lock 5/8-11	
16	8420053	1	Cap, Dust	
17	8420055	1	Plug, Dust	
18	91403413	1	Fitting, Straight	
19	91403414	1	Fitting, Straight	
20	2130606	4	Fitting, 90	
21	2130608	2	Fitting, 90	
27	8310302	4	Nut, Lock 1/2-13	
28	10705034	2	Nut, Lock 1-14	
30	4110473	1	Decal, Warning Route Hoses	
31	7139918	2	Disk, Orifice	
32	4641502	1	Assembly, Dual Fork Carriage Valve (See Separate Breakdown in this Section)	
33	8305624	2	Nut, Lock 1/4-20	
34	8310435	2	Bolt, 1/4-20X3-3/4	
35	8630003	2	O-Ring	

**SECTION 3 - ATTACHMENTS**

**FIGURE 3-7. DUAL FORK CARRIAGE VALVE ASSEMBLY**



ART\_4641502-B

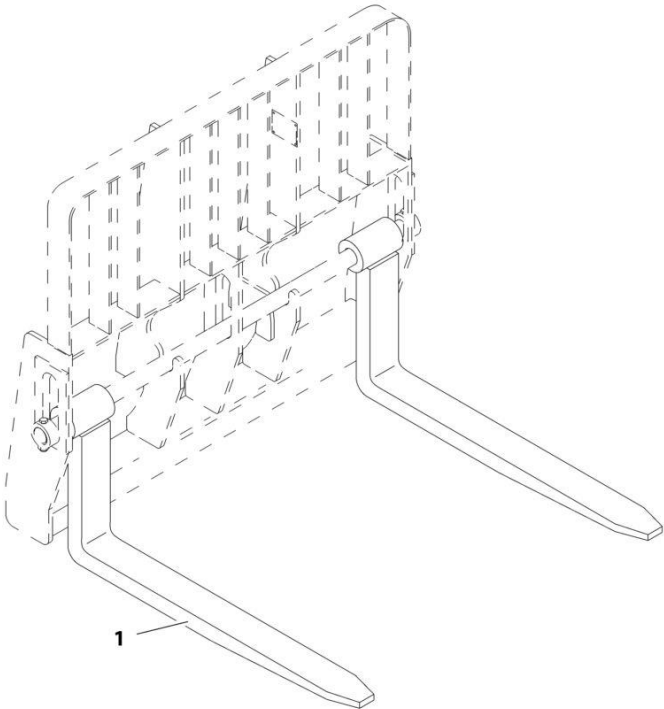
## SECTION 3 - ATTACHMENTS

### FIGURE 3-7. DUAL FORK CARRIAGE VALVE ASSEMBLY

ITEM	PART NUMBER	QTY	DESCRIPTION	REV
	4641502	Ref	Dual Fork Carriage Valve Assembly	B
1	4641501	1	Valve, Flow Divider (See Separate Breakdown in this Section)	
2	2110606	4	Fitting, Straight ORFS	
3	2130606	2	Fitting, 90	

**SECTION 3 - ATTACHMENTS**

**FIGURE 3-8. PALLET FORK (2.36X4X48)**



ART\_2340045

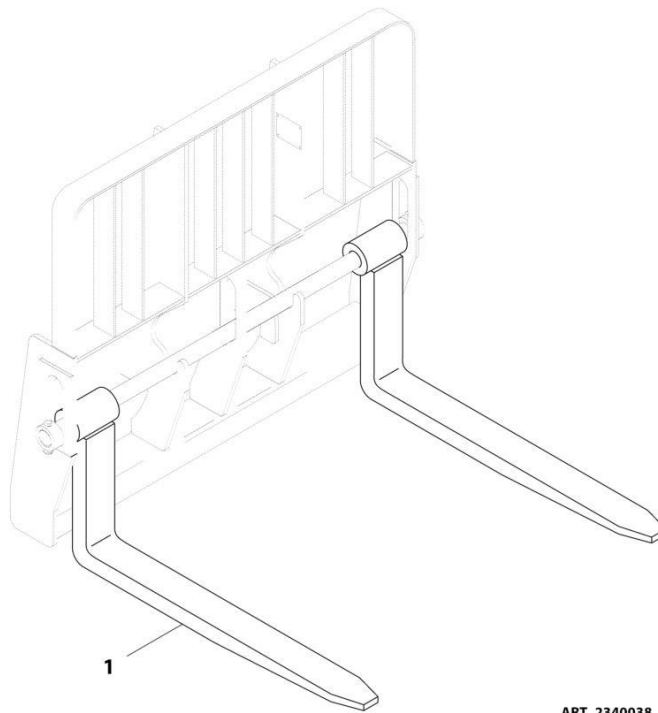
## SECTION 3 - ATTACHMENTS

**FIGURE 3-8. PALLET FORK (2.36X4X48)**

ITEM	PART NUMBER	QTY	DESCRIPTION	REV
1	2340045	2	Pallet Fork (2.36X4X48)	
	Note	Ref	<b>FORKS RATED LESS THAN THE ATTACHMENT OR MACHINE'S CAPACITY DECREASES CAPACITY OF THE ATTACHMENT OR MACHINE TO THAT OF THE FORKS. FORKS RATED MORE THAN THE ATTACHMENT OR MACHINE'S CAPACITY DO NOT INCREASE ATTACHMENT OR MACHINE'S CAPACITY.</b>	
	Note	Ref	<b>PLEASE CONSULT JLG PARTS DEPARTMENT TO DETERMINE THE CORRECT FORKS APPLICABLE TO YOUR SPECIFIC CARRIAGE ASSEMBLY AND APPLICATION.</b>	

## SECTION 3 - ATTACHMENTS

FIGURE 3-9. PALLET FORK (2.36X5X48)



ART\_2340038

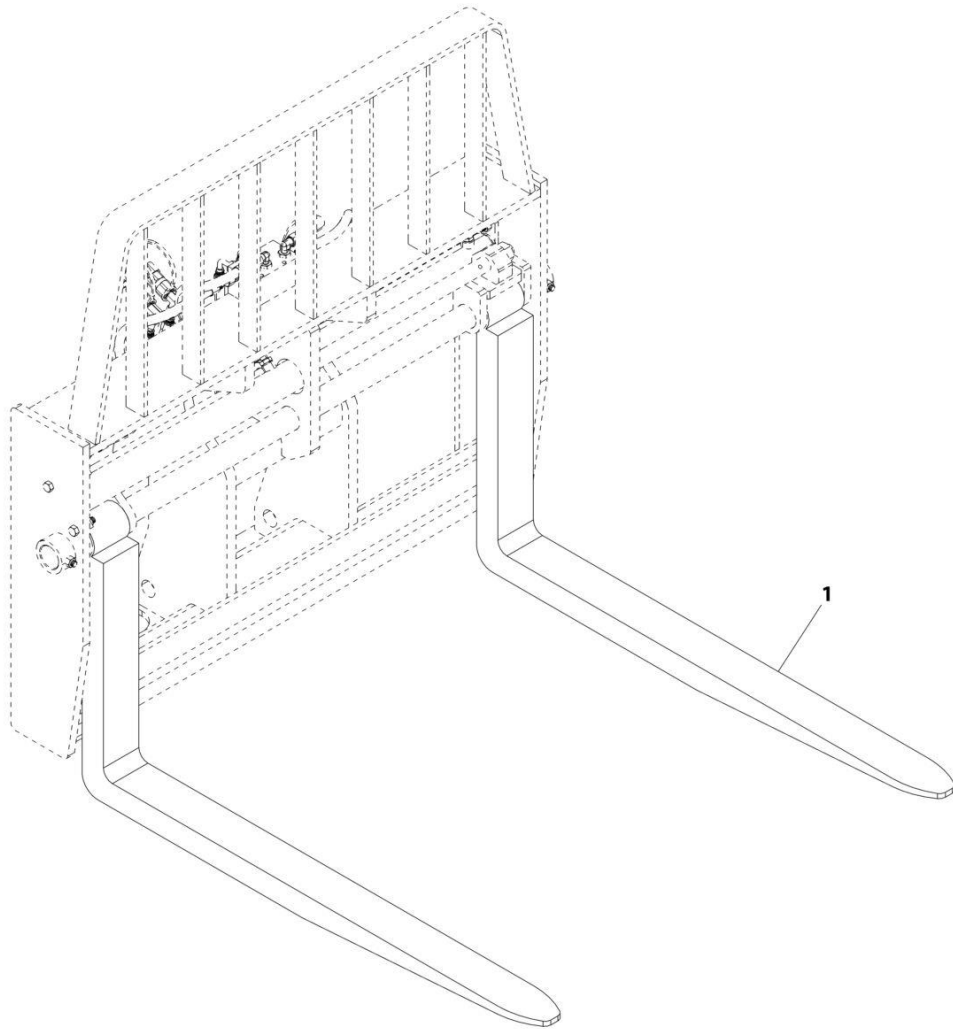
## SECTION 3 - ATTACHMENTS

**FIGURE 3-9. PALLET FORK (2.36X5X48)**

ITEM	PART NUMBER	QTY	DESCRIPTION	REV
1	2340038	2	Pallet Fork (2.36X5X48)	B
	Note	Ref	<b>FORKS RATED LESS THAN THE ATTACHMENT OR MACHINE'S CAPACITY DECREASES CAPACITY OF THE ATTACHMENT OR MACHINE TO THAT OF THE FORKS. FORKS RATED MORE THAN THE ATTACHMENT OR MACHINE'S CAPACITY DO NOT INCREASE ATTACHMENT OR MACHINE'S CAPACITY.</b>	
	Note	Ref	<b>PLEASE CONSULT JLG PARTS DEPARTMENT TO DETERMINE THE CORRECT FORKS APPLICABLE TO YOUR SPECIFIC CARRIAGE ASSEMBLY AND APPLICATION.</b>	

## SECTION 3 - ATTACHMENTS

FIGURE 3-10. PALLET FORK (2.36X4X48)



ART\_7301408



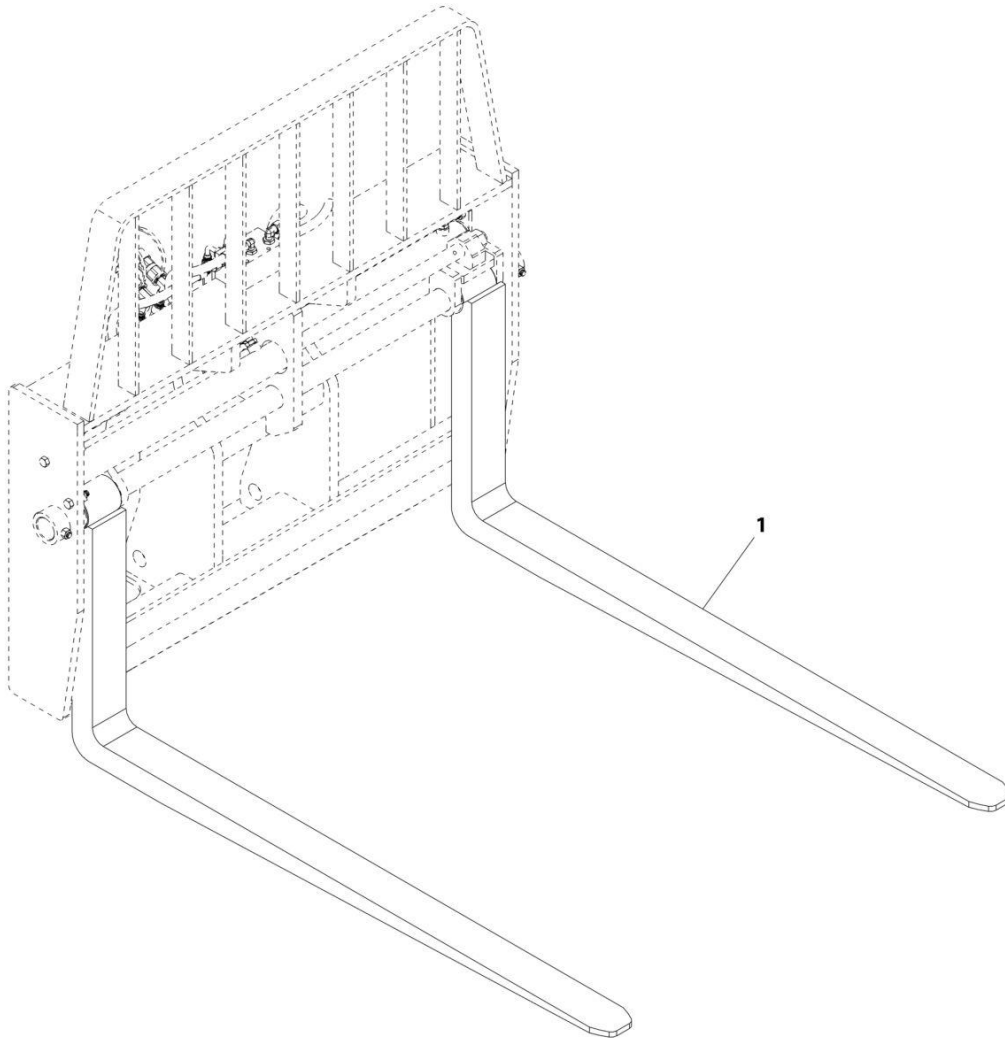
## SECTION 3 - ATTACHMENTS

**FIGURE 3-10. PALLET FORK (2.36X4X48)**

ITEM	PART NUMBER	QTY	DESCRIPTION	REV
1	7301408	2	Pallet Fork (2.36X4X48)	D
N1	Note	Ref	<b>FORKS RATED LESS THAN THE ATTACHMENT OR MACHINE'S CAPACITY DECREASES CAPACITY OF THE ATTACHMENT OR MACHINE TO THAT OF THE FORKS. FORKS RATED MORE THAN THE ATTACHMENT OR MACHINE'S CAPACITY DO NOT INCREASE ATTACHMENT OR MACHINE'S CAPACITY.</b>	
N2	Note	Ref	<b>PLEASE CONSULT JLG PARTS DEPARTMENT TO DETERMINE THE CORRECT FORKS APPLICABLE TO YOUR SPECIFIC CARRIAGE ASSEMBLY AND APPLICATION.</b>	

# SECTION 3 - ATTACHMENTS

FIGURE 3-11. FORK - PALLET (2.4X4X60)



ART\_1001227379

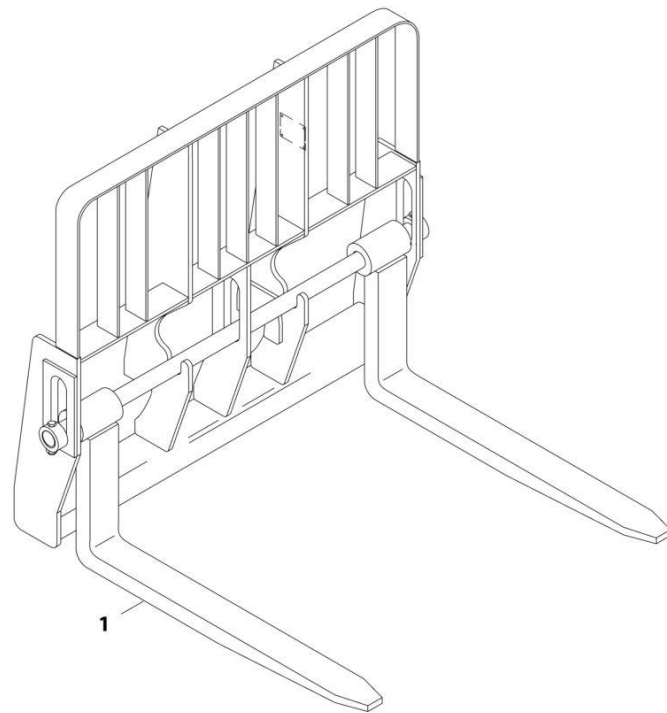
## SECTION 3 - ATTACHMENTS

**FIGURE 3-11. FORK - PALLET (2.4X4X60)**

ITEM	PART NUMBER	QTY	DESCRIPTION	REV
1	1001227379	2	Pallet Fork (2.36X4X60)	A
N1	Note	Ref	<b>FORKS RATED LESS THAN THE ATTACHMENT OR MACHINE'S CAPACITY DECREASES CAPACITY OF THE ATTACHMENT OR MACHINE TO THAT OF THE FORKS. FORKS RATED MORE THAN THE ATTACHMENT OR MACHINE'S CAPACITY DO NOT INCREASE ATTACHMENT OR MACHINE'S CAPACITY.</b>	
N2	Note	Ref	<b>PLEASE CONSULT JLG PARTS DEPARTMENT TO DETERMINE THE CORRECT FORKS APPLICABLE TO YOUR SPECIFIC CARRIAGE ASSEMBLY AND APPLICATION.</b>	

## SECTION 3 - ATTACHMENTS

FIGURE 3-12. LUMBER FORK (50X180X1540)



ART\_1001097110-A

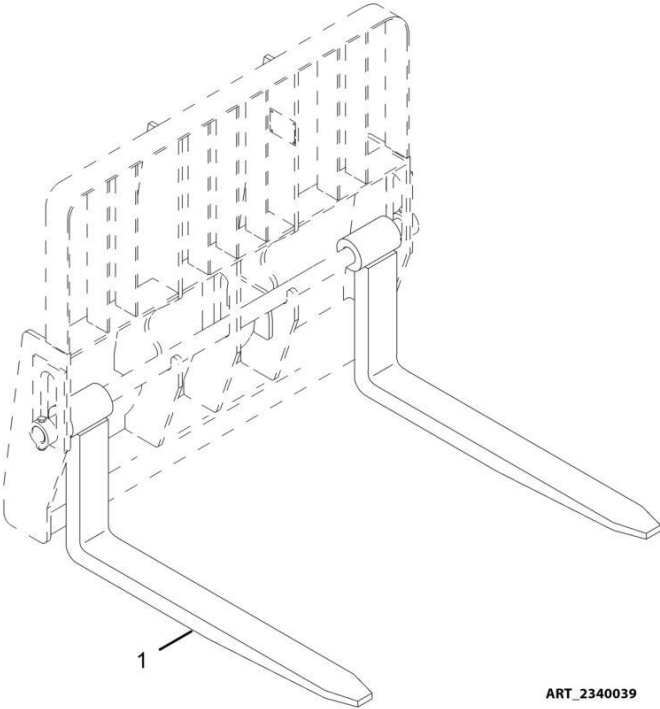
## SECTION 3 - ATTACHMENTS

**FIGURE 3-12. LUMBER FORK (50X180X1540)**

ITEM	PART NUMBER	QTY	DESCRIPTION	REV
1	1001097110	2	Lumber Fork (2.00X7X60)	A
	Note	Ref	<b>FORKS RATED LESS THAN THE ATTACHMENT OR MACHINE'S CAPACITY DECREASES CAPACITY OF THE ATTACHMENT OR MACHINE TO THAT OF THE FORKS. FORKS RATED MORE THAN THE ATTACHMENT OR MACHINE'S CAPACITY DO NOT INCREASE ATTACHMENT OR MACHINE'S CAPACITY.</b>	
	Note	Ref	<b>PLEASE CONSULT JLG PARTS DEPARTMENT TO DETERMINE THE CORRECT FORKS APPLICABLE TO YOUR SPECIFIC CARRIAGE ASSEMBLY AND APPLICATION.</b>	

**SECTION 3 - ATTACHMENTS**

**FIGURE 3-13. LUMBER FORK (60X150X1524)**



ART\_2340039

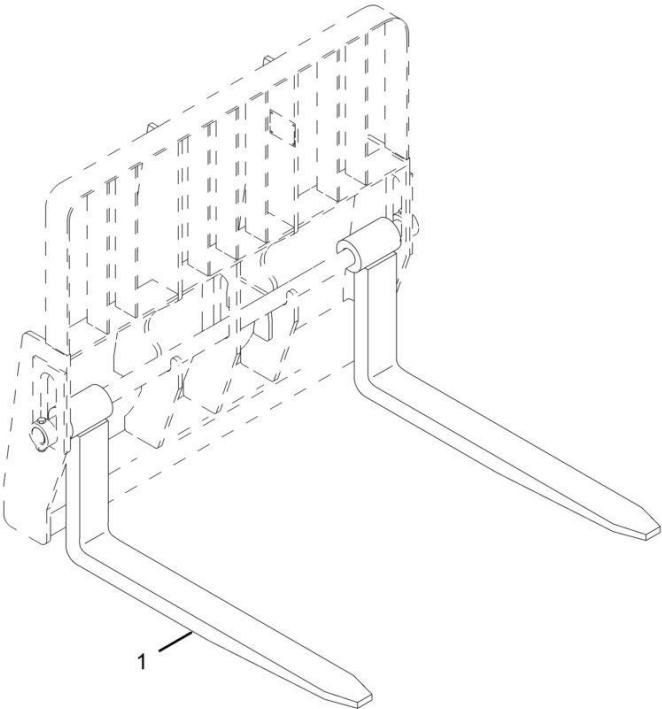
## SECTION 3 - ATTACHMENTS

**FIGURE 3-13. LUMBER FORK (60X150X1524)**

ITEM	PART NUMBER	QTY	DESCRIPTION	REV
1	2340039	2	Lumber Fork (60X150X1524)	
	Note	Ref	<b>FORKS RATED LESS THAN THE ATTACHMENT OR MACHINE'S CAPACITY DECREASES CAPACITY OF THE ATTACHMENT OR MACHINE TO THAT OF THE FORKS. FORKS RATED MORE THAN THE ATTACHMENT OR MACHINE'S CAPACITY DO NOT INCREASE ATTACHMENT OR MACHINE'S CAPACITY.</b>	
	Note	Ref	<b>PLEASE CONSULT JLG PARTS DEPARTMENT TO DETERMINE THE CORRECT FORKS APPLICABLE TO YOUR SPECIFIC CARRIAGE ASSEMBLY AND APPLICATION.</b>	

**SECTION 3 - ATTACHMENTS**

**FIGURE 3-14. PALLET FORK (2.00X6X72)**



ART\_1001092391



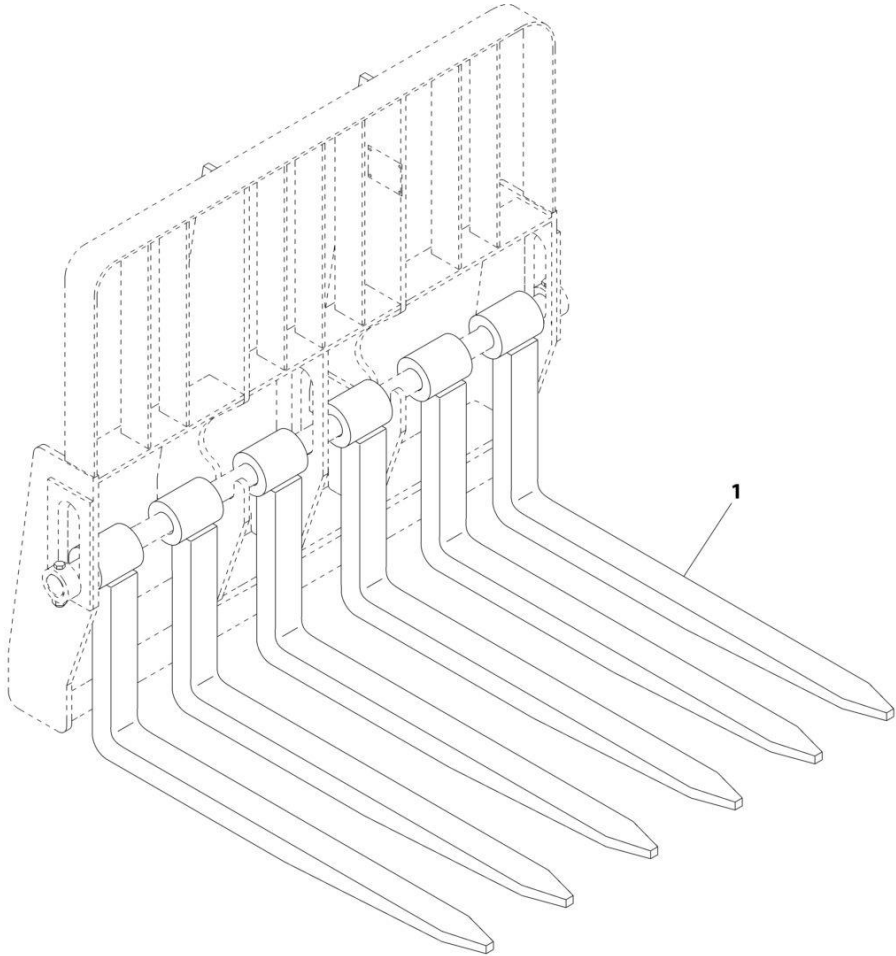
## SECTION 3 - ATTACHMENTS

**FIGURE 3-14. PALLET FORK (2.00X6X72)**

ITEM	PART NUMBER	QTY	DESCRIPTION	REV
1	1001092391	2	Dual Taper Fork (2.00X6X72)	C
N1	Note	Ref	<b>FORKS RATED LESS THAN THE ATTACHMENT OR MACHINE'S CAPACITY DECREASES CAPACITY OF THE ATTACHMENT OR MACHINE TO THAT OF THE FORKS. FORKS RATED MORE THAN THE ATTACHMENT OR MACHINE'S CAPACITY DO NOT INCREASE ATTACHMENT OR MACHINE'S CAPACITY.</b>	
N2	Note	Ref	<b>PLEASE CONSULT JLG PARTS DEPARTMENT TO DETERMINE THE CORRECT FORKS APPLICABLE TO YOUR SPECIFIC CARRIAGE ASSEMBLY AND APPLICATION.</b>	

**SECTION 3 - ATTACHMENTS**

**FIGURE 3-15. BLOCKING FORK (50X50X1220)**



ART\_2340037

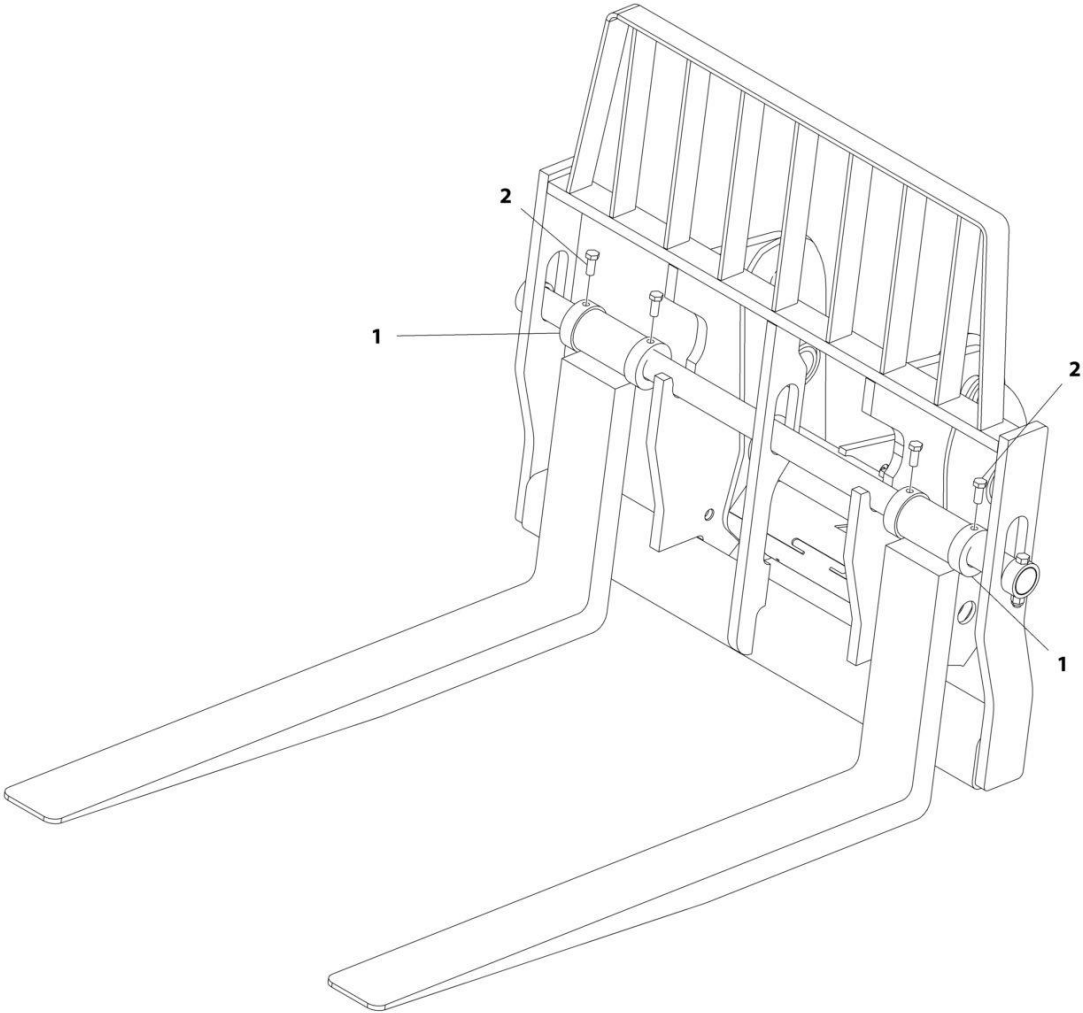
## SECTION 3 - ATTACHMENTS

**FIGURE 3-15. BLOCKING FORK (50X50X1220)**

ITEM	PART NUMBER	QTY	DESCRIPTION	REV
1	2340037	1	Cubing Fork (2.00X2X48)	A
	Note	Ref	<b>FORKS RATED LESS THAN THE ATTACHMENT OR MACHINE'S CAPACITY DECREASES CAPACITY OF THE ATTACHMENT OR MACHINE TO THAT OF THE FORKS. FORKS RATED MORE THAN THE ATTACHMENT OR MACHINE'S CAPACITY DO NOT INCREASE ATTACHMENT OR MACHINE'S CAPACITY.</b>	
	Note	Ref	<b>PLEASE CONSULT JLG PARTS DEPARTMENT TO DETERMINE THE CORRECT FORKS APPLICABLE TO YOUR SPECIFIC CARRIAGE ASSEMBLY AND APPLICATION.</b>	

**SECTION 3 - ATTACHMENTS**

**FIGURE 3-16. FORK CLAMPS INSTALL**



ART\_1001094134-A

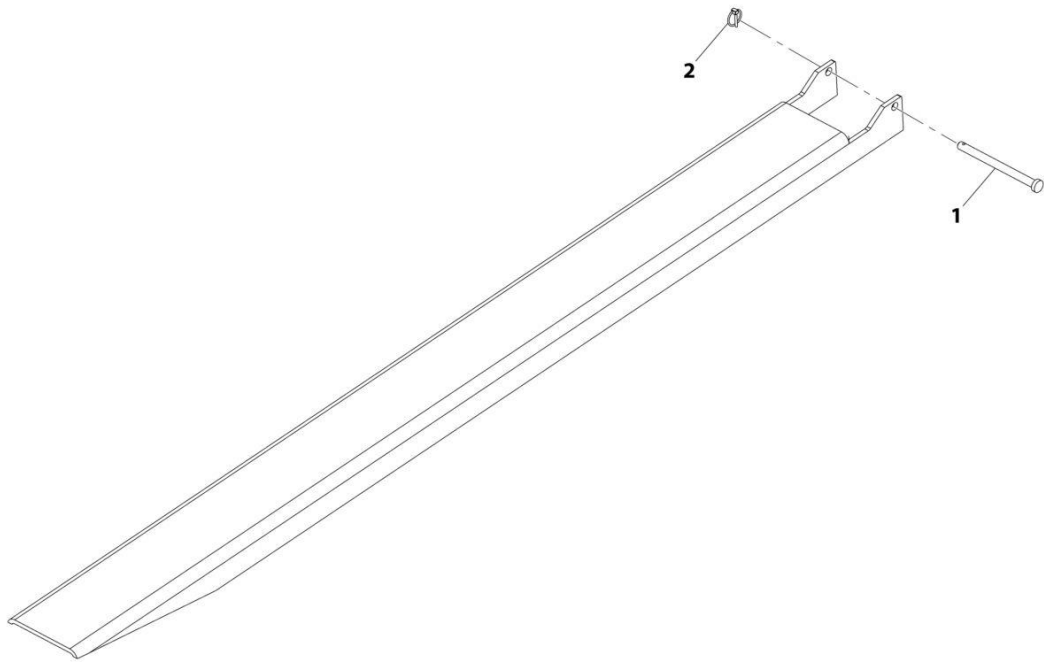
## SECTION 3 - ATTACHMENTS

### FIGURE 3-16. FORK CLAMPS INSTALL

ITEM	PART NUMBER	QTY	DESCRIPTION	REV
	1001094134	Ref	Fork Clamps Installation	A
1	1001094136	4	Clamp, Fork	
2	10700681	4	Bolt, 0.625-18X1.5	

# SECTION 3 - ATTACHMENTS

FIGURE 3-17. FORK EXTENSIONS (62X163X2286)



ART\_1001137512-D

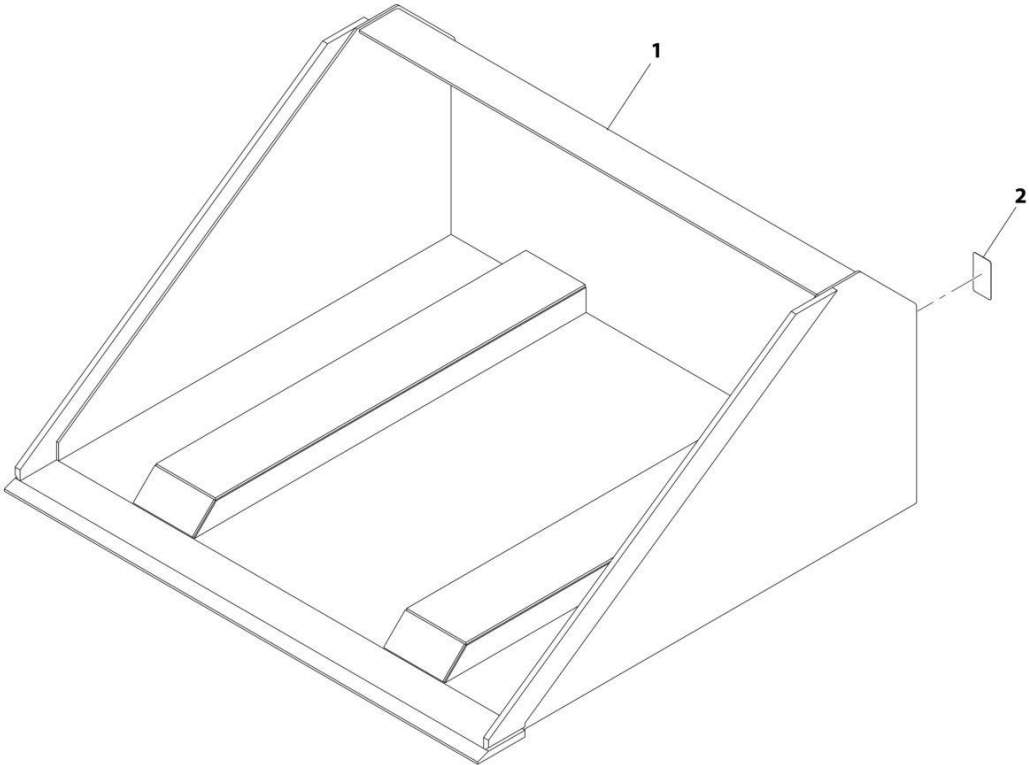
## SECTION 3 - ATTACHMENTS

**FIGURE 3-17. FORK EXTENSIONS (62X163X2286)**

ITEM	PART NUMBER	QTY	DESCRIPTION	REV
	1001137512	2 pr	Fork Extensions (62X163X2286)	D
1	70024306	1	Pin	
2	70024307	1	Clip	

**SECTION 3 - ATTACHMENTS**

**FIGURE 3-18. FORK MOUNTED BUCKET (1.0 M<sup>3</sup>)**



ART\_1001195970-D



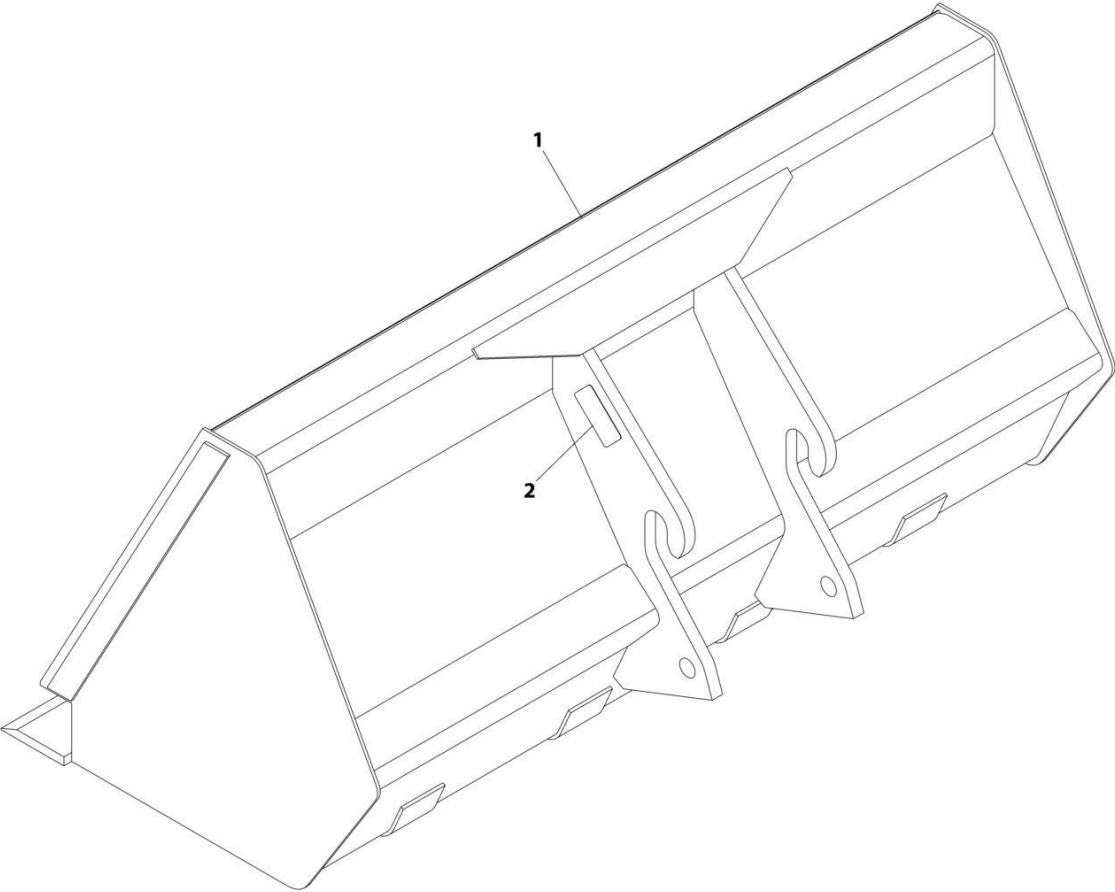
## SECTION 3 - ATTACHMENTS

**FIGURE 3-18. FORK MOUNTED BUCKET (1.0 M<sup>3</sup>)**

ITEM	PART NUMBER	QTY	DESCRIPTION	REV
1	1001195970	Ref	Bucket 1.0 m <sup>3</sup> (Fork Mounted)	E
2	See Note	NSS	S/N Plate (Note: Stamped Part - Not Available for Purchase)	

**SECTION 3 - ATTACHMENTS**

**FIGURE 3-19. BUCKET 1.0 YD<sup>3</sup> (ANSI - JLG)**



ART\_1001100822-F

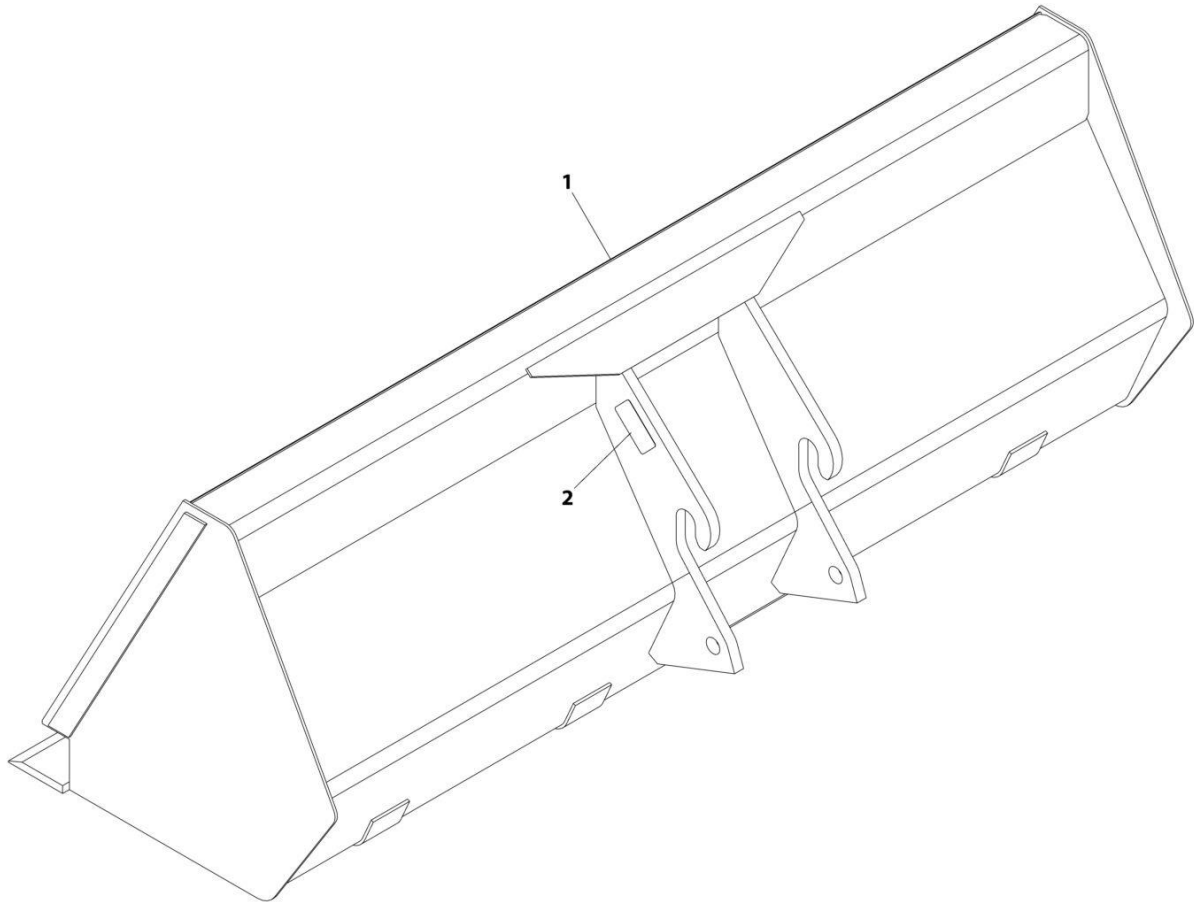
## SECTION 3 - ATTACHMENTS

**FIGURE 3-19. BUCKET 1.0 YD<sup>3</sup> (ANSI - JLG)**

ITEM	PART NUMBER	QTY	DESCRIPTION	REV
	1001100822	Ref	BUCKET 1.0 YD <sup>3</sup> (ANSI - JLG)	F
1	1001100265	1	Bucket Weldment	
2	N.S.S.	1	S/N Plate	

# SECTION 3 - ATTACHMENTS

FIGURE 3-20. BUCKET (1.15 M<sup>3</sup>)



ART\_1001100823-F

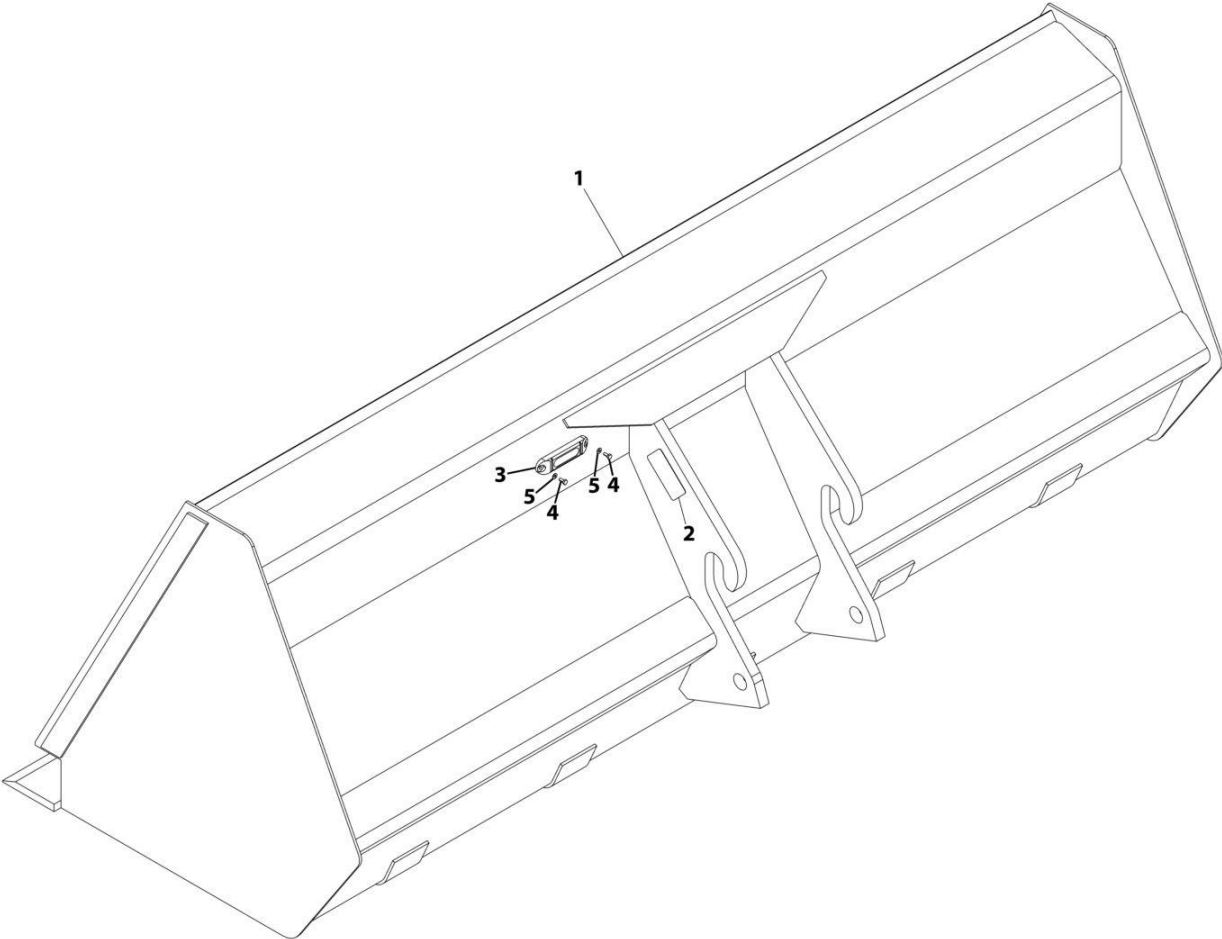
## SECTION 3 - ATTACHMENTS

**FIGURE 3-20. BUCKET (1.15 M<sup>3</sup>)**

ITEM	PART NUMBER	QTY	DESCRIPTION	REV
	1001100823	Ref	BUCKET (1.15 M <sup>3</sup> )	F
1	1001100266	1	Bucket	
2	N.S.S.	1	S/N Plate	

**SECTION 3 - ATTACHMENTS**

**FIGURE 3-21. BUCKET (102 INCH)**



ART\_1001100824

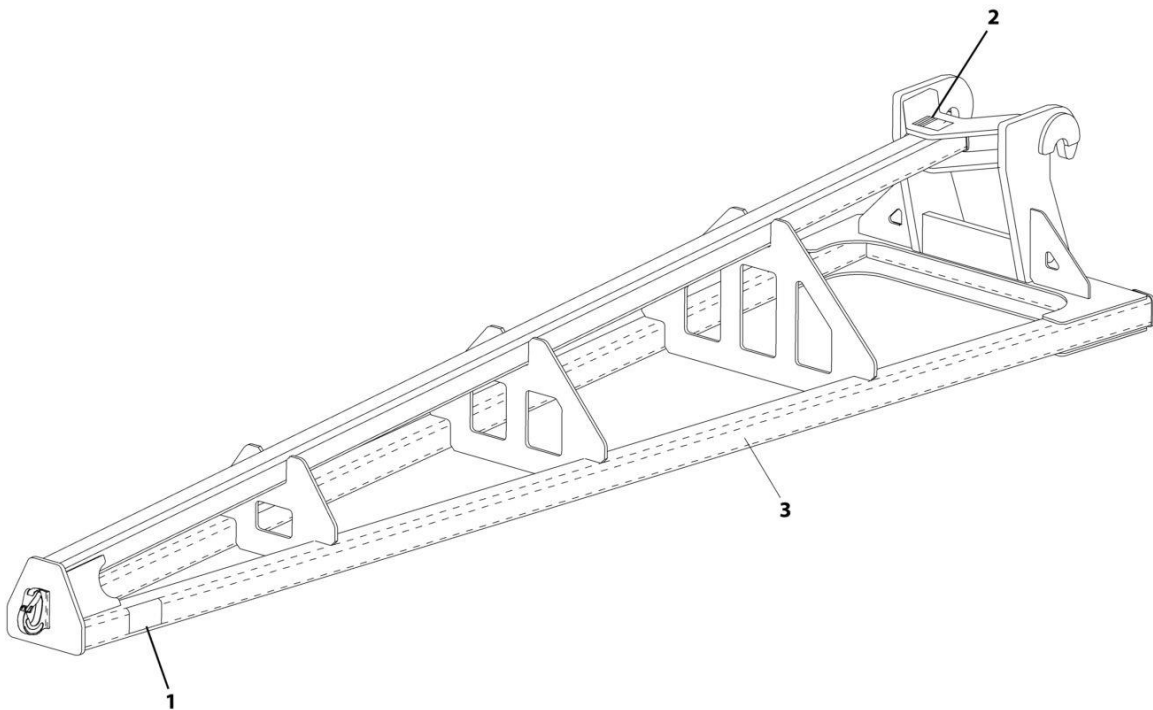
## SECTION 3 - ATTACHMENTS

### FIGURE 3-21. BUCKET (102 INCH)

ITEM	PART NUMBER	QTY	DESCRIPTION	REV
	1001100824	Ref	Bucket (102 Inch)	H
1	1001100267	NLA	Bucket (Note: Purchase PN 1001100824)	
2	See Note	NSS	S/N Plate (Note: Stamped Part - Not Available for Purchase)	
3	1001227670	1	Tag, RFID	
4	0760405	2	Bolt M4 x 10	
5	4811400	2	Washer M4	

## SECTION 3 - ATTACHMENTS

FIGURE 3-22. TRUSS BOOM (0.9 TON - 3.7M)



ART\_1001099902



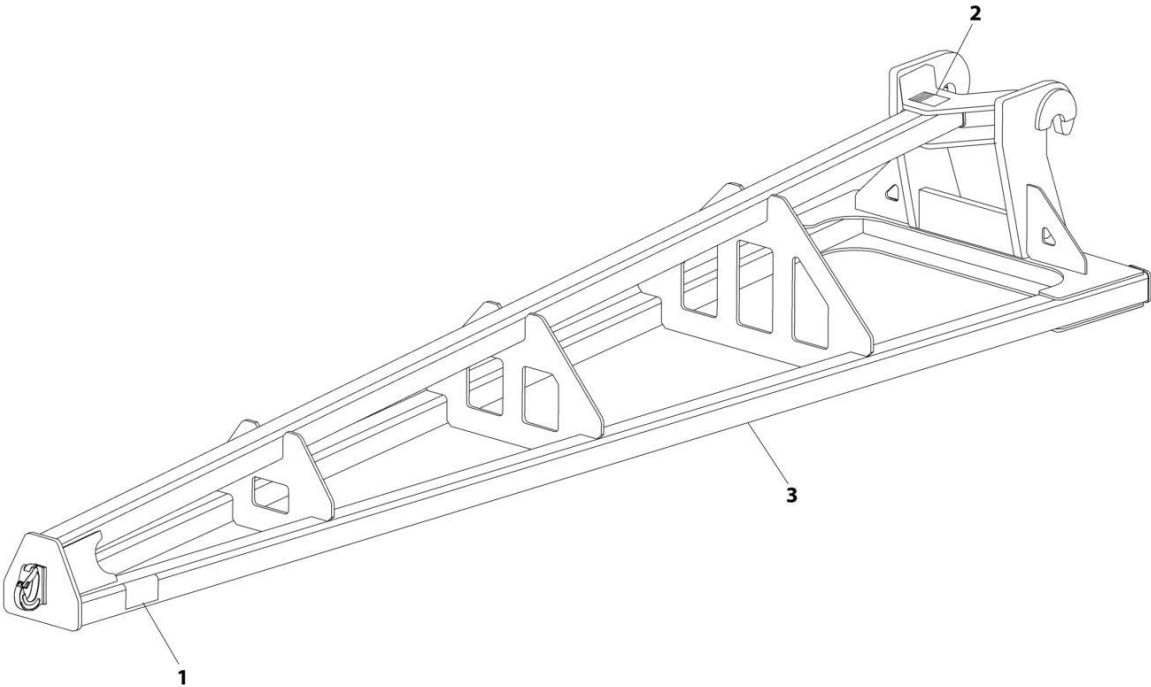
## SECTION 3 - ATTACHMENTS

**FIGURE 3-22. TRUSS BOOM (0.9 TON - 3.7M)**

ITEM	PART NUMBER	QTY	DESCRIPTION	REV
	1001099902	Ref	TRUSS BOOM (0.9 TON - 3.7M)	E
1	4110422	2	Decal, Danger Swinging Loads	
2	N.S.S.	1	S/N Plate	
3	N.S.S.	1	Boom, Truss	

**SECTION 3 - ATTACHMENTS**

**FIGURE 3-23. TRUSS BOOM (15 FOOT)**



ART\_1001099901

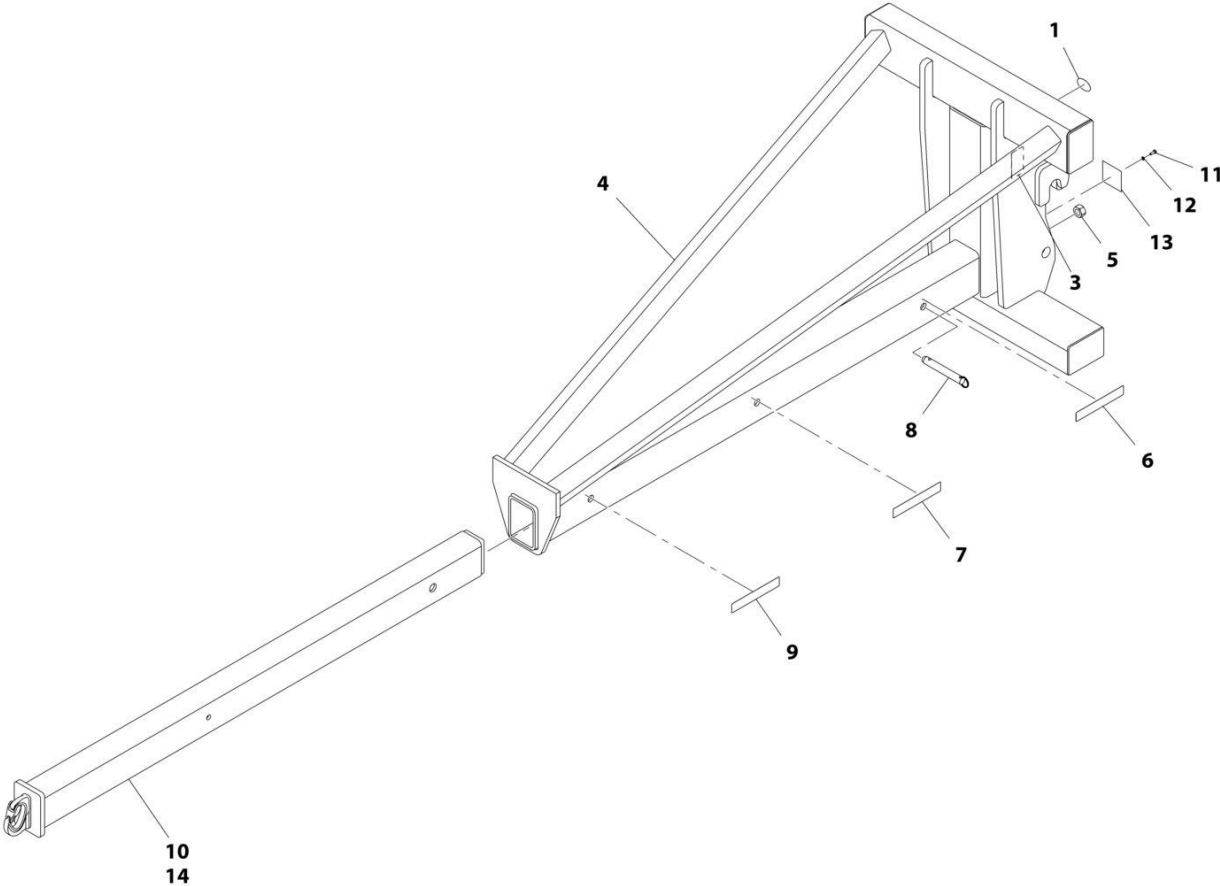
## SECTION 3 - ATTACHMENTS

### FIGURE 3-23. TRUSS BOOM (15 FOOT)

ITEM	PART NUMBER	QTY	DESCRIPTION	REV
	1001099901	Ref	TRUSS BOOM (15 FOOT)	F
1	4110422	2	Decal, Danger Swinging Loads	
2	See Note	NSS	S/N Plate (Note: Stamped Part - Not Available for Purchase)	
3	See Note	NSS	Boom, Truss (Note: Purchase Complete Assembly)	

**SECTION 3 - ATTACHMENTS**

**FIGURE 3-24. ADJUSTABLE TRUSS BOOM**



ART\_1001176515-C

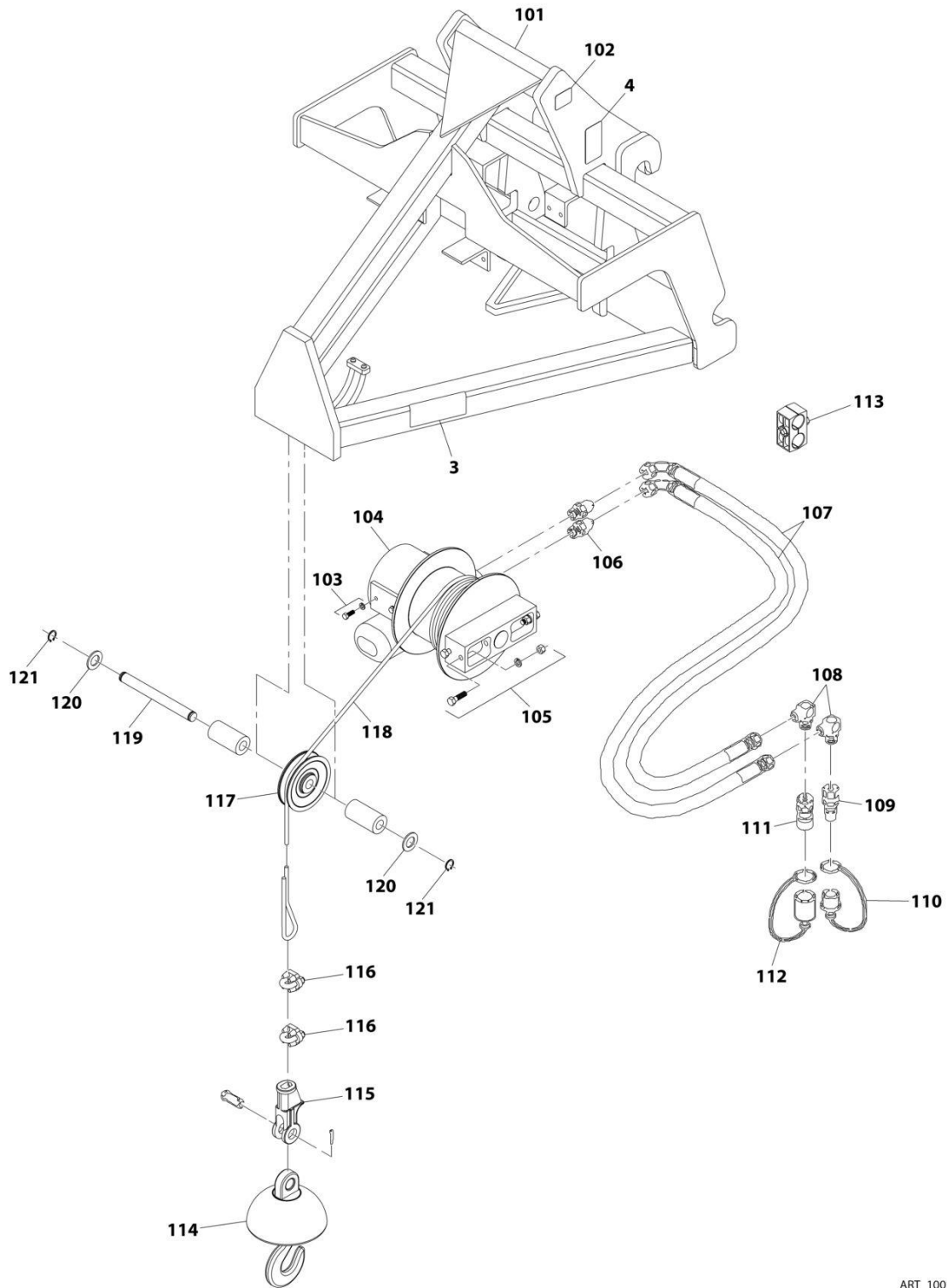
## SECTION 3 - ATTACHMENTS

**FIGURE 3-24. ADJUSTABLE TRUSS BOOM**

ITEM	PART NUMBER	QTY	DESCRIPTION	REV
	1001176515	Ref	ADJUSTABLE TRUSS BOOM	C
1	90554016	1	Decal, Made in USA	
3	See Note	NSS	S/N Plate (Note: Stamped Part - Not Available for Purchase)	
4	See Note	NSS	Truss Boom (Note: Purchase Complete Assembly)	
5	70021440	1	Nut	
6	70024062	2	Decal, 4000 lbs cap	
7	70026944	2	Decal, 3000 lbs cap	
8	70026946	1	Pin	
9	70026699	2	Decal, 2000 lbs cap	
10	70026747	1	Seal	
11	90554033	1	Bolt 3/4 x 1/4	
12	90554034	1	Washer 1/4	
13	70026948	1	Plate, Stop	
14	70026949	1	Boom, Telescopic	

# SECTION 3 - ATTACHMENTS

## FIGURE 3-25. TRUSS BOOM (1.8 TON - 1M FT WITH WINCH)



ART\_1001100967-F

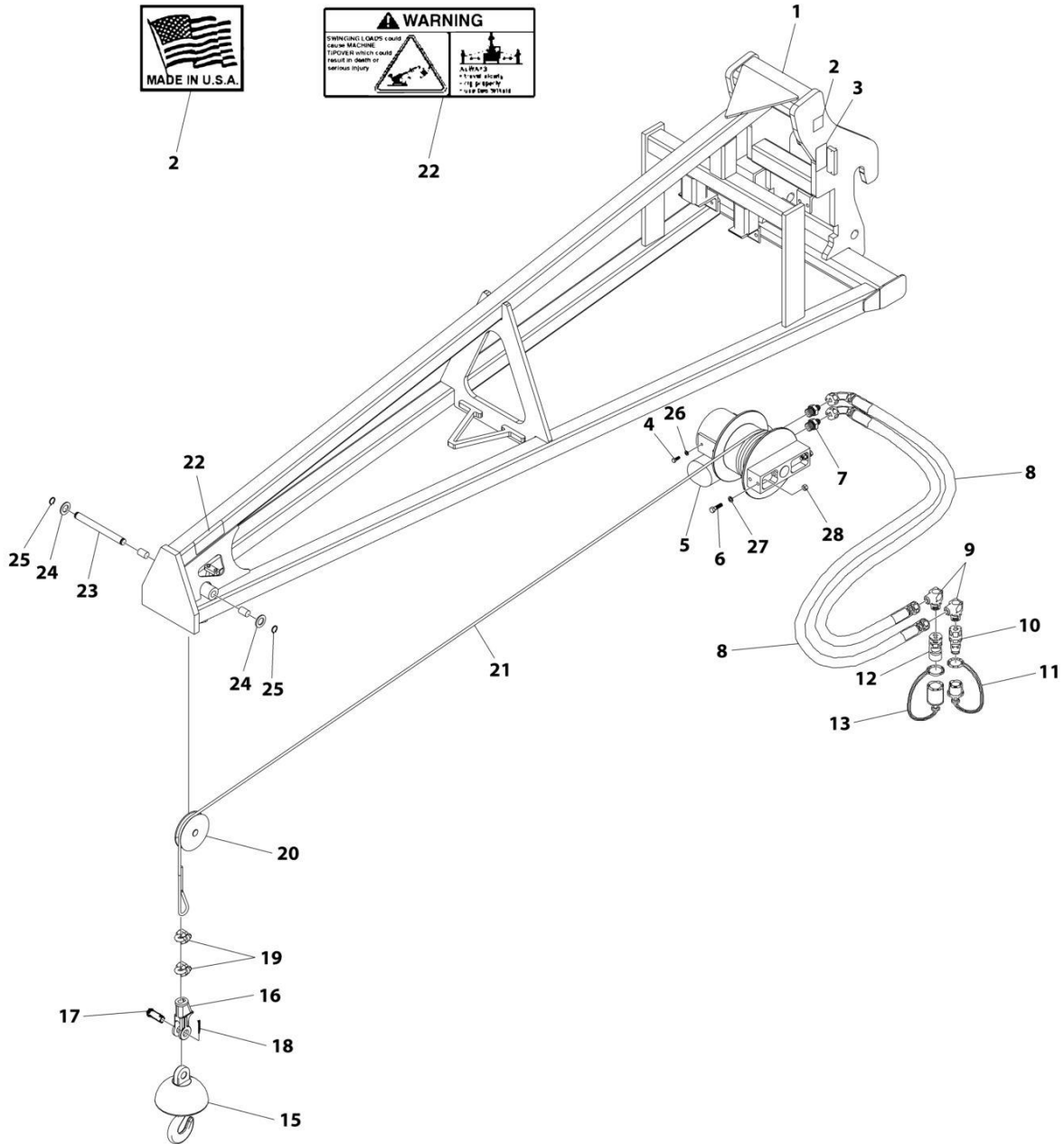
## SECTION 3 - ATTACHMENTS

**FIGURE 3-25. TRUSS BOOM (1.8 TON - 1M FT WITH WINCH)**

ITEM	PART NUMBER	QTY	DESCRIPTION	REV
	1001100967	Ref	TRUSS BOOM ASSEMBLY (3 FOOT WITH WINCH) (INCLUDES ITEMS 3, 4 & 101 THRU 121)	F
3	4110422	2	Decal, Danger, Swinging Loads	
4	N.S.S.	1	Plate, Serial Number	
101	N.S.S.	1	Truss Boom Frame	
102	90554016	1	Decal	
103	70021349	4	Bolt	
103	90554042	4	Washer	
104	70021921	1	Winch, Truss Boom	
105	70024059	4	Bolt	
105	90554054	4	Nut	
105	90554020	4	Washer	
106	70021415	2	Fitting	
107	70021977	2	Hose 32in (Boom Front Disconnect)	
107	70031445	2	Hose 48in (Boom Side Disconnect)	
108	70022527	2	Fitting, 90	
109	91403414	1	Fitting, Straight	
110	8420053	1	Cap	
111	91403413	1	Fitting, Straight	
112	8420055	1	Plug	
113	70021387	1	Clamp	
114	70021978	1	Ball Swivel Safety Hook	
115	70021979	1	Assembly, Socket	
116	70022528	2	Clamp	
117	70021935	1	Pulley	
118	70022028	1	Cable	
119	70022529	1	Pin	
120	70027009	2	Washer	
121	70026698	2	Ring, Snap	

# SECTION 3 - ATTACHMENTS

## FIGURE 3-26. TRUSS BOOM (0.9 TON - 3.7M WITH WINCH)



ART\_1001099351



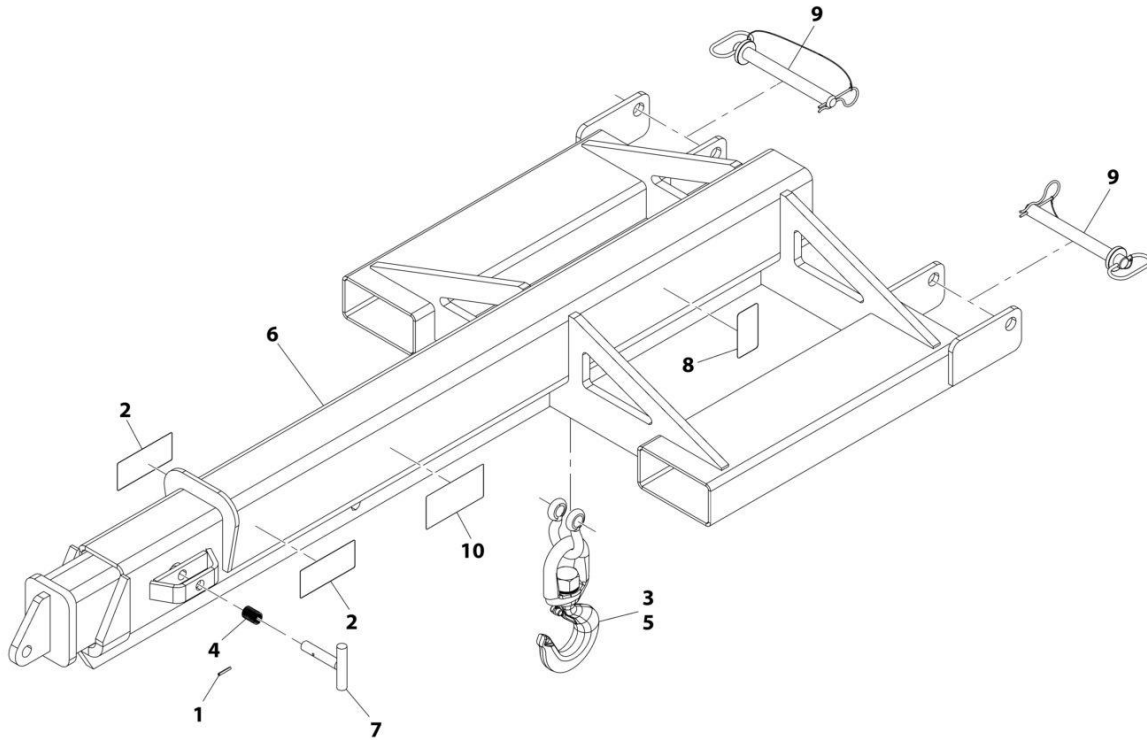
## SECTION 3 - ATTACHMENTS

**FIGURE 3-26. TRUSS BOOM (0.9 TON - 3.7M WITH WINCH)**

ITEM	PART NUMBER	QTY	DESCRIPTION	REV
	1001099351	Ref	TRUSS BOOM (0.9 TON - 3.7M WITH WINCH)	L
1	See Note	NSS	Frame, Truss Boom (Note: Purchase Complete Assembly)	
2	90554016	1	Decal, Made in USA	
	See Note	NSS	S/N Plate (Note: Stamped Part - Not Available for Purchase)	
4	70021349	4	Bolt 3/8 x 1	
5	70021921	1	Motor, Truss Boom Winch	
6	70024059	2	Bolt 1/2 x 1-3/4	
7	70021415	2	Connector	
8	70021977	2	Hose 32in (Boom Front Disconnect)	
8	70031445	2	Hose 48in (Boom Side Disconnect)	
9	70022527	2	Fitting, 90	
10	7029692	1	Fitting, Straight	
11	90554062	1	Cap, Dust	
12	70021342	1	Fitting, Straight	
13	90554076	1	Cap, Dust	
15	70021978	1	Ball Swivel with Safety Hook	
16	70021979	1	Assembly, Socket (includes items 17 thru 18)	
17	See Note	NSS	Pin (Note: Use Item 16)	
18	See Note	NSS	Pin, Cotter (Note: Use Item 16)	
19	70022528	2	Clamp	
20	70021935	1	Pulley	
21	70022028	1	Cable	
22	4110422	2	Decal, Warning Swinging Loads	
23	70022529	1	Pin	
24	70024060	2	Washer	
25	70026698	2	Ring, Snap	
26	90554042	4	Washer 3/8	
27	90554020	2	Washer 1/2	
28	90554054	2	Nut 1/2	

# SECTION 3 - ATTACHMENTS

## FIGURE 3-27. ADJUSTABLE TRUSS BOOM INSTALLATION (FORK MOUNTED)



ART\_1001230241-H

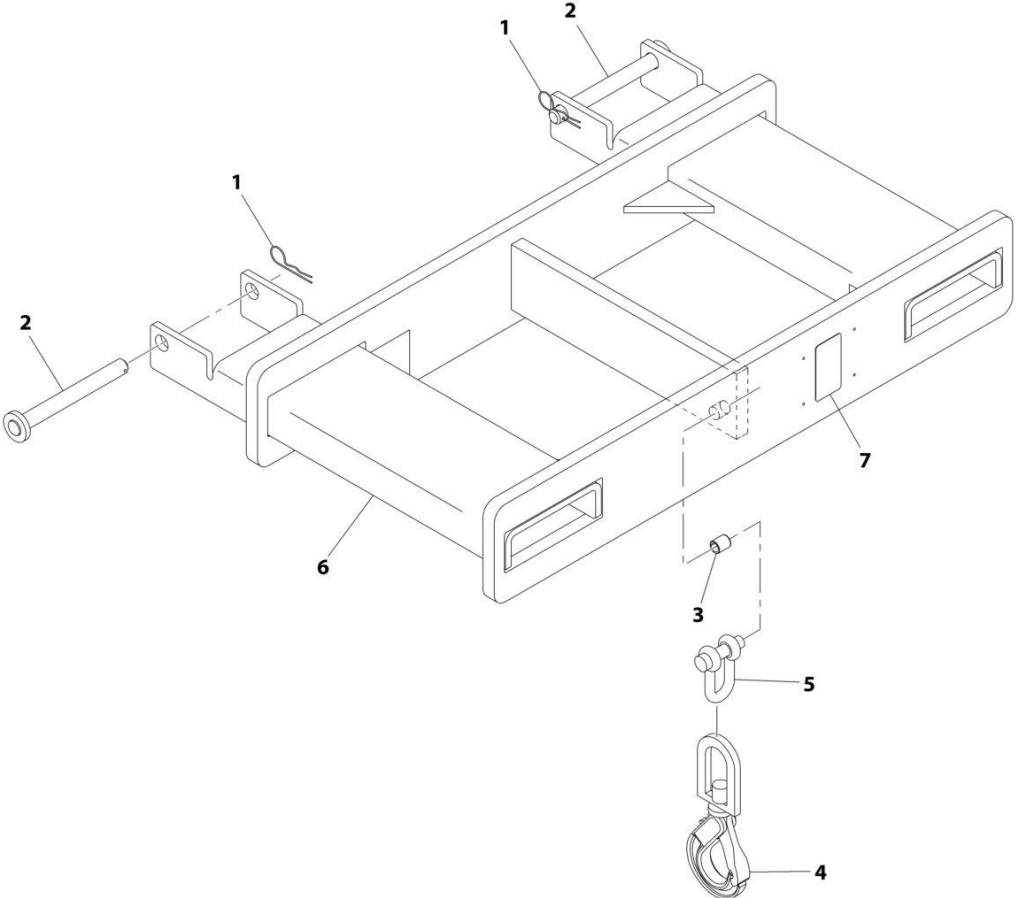
## SECTION 3 - ATTACHMENTS

**FIGURE 3-27. ADJUSTABLE TRUSS BOOM INSTALLATION (FORK MOUNTED)**

ITEM	PART NUMBER	QTY	DESCRIPTION	REV
	1001230241	Ref	Adjustable Truss Boom Installation (Fork Mounted)	J
1	3440620	1	Pin	
2	4110422	2	Decal, Danger Swinging Loads	
3	91403448	1	Hook, Swivel	
4	1001128890	1	Spring	
5	1001146160	1	Shackle	
6	See Note	NSS	Boom, Truss - Adjustable (Note: Purchase Complete Assembly)	
7	1001230239	1	Pin	
8	See Note	NSS	SN Plate (Note: Stamped Part - Not Available for Purchase)	
9	1001231692	2	Pin	
10	1001232500	1	Decal, Load Capacities	

**SECTION 3 - ATTACHMENTS**

**FIGURE 3-28. FORK MOUNTED HOOK (4 TON)**



ART\_1001097205-I

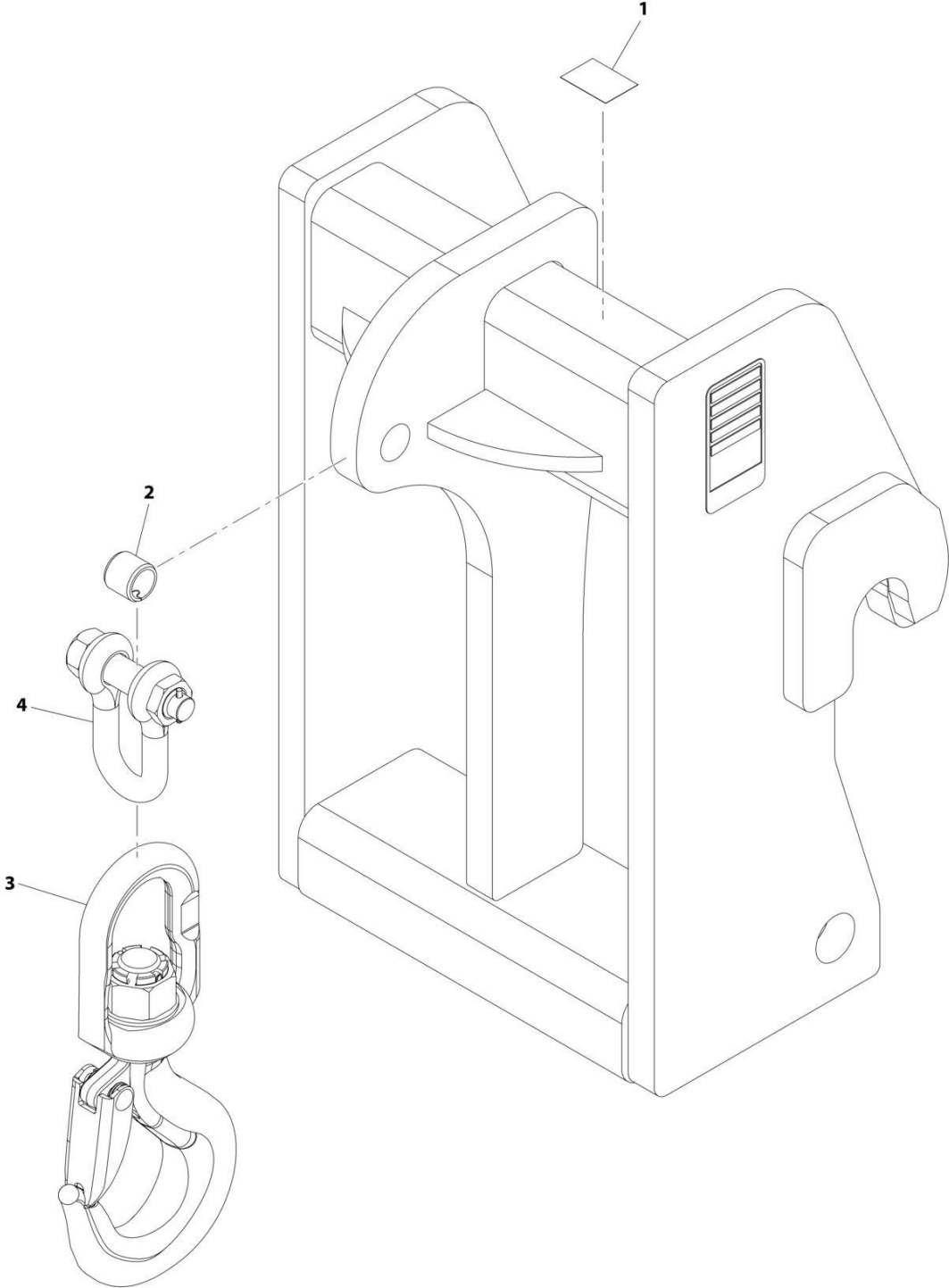
## SECTION 3 - ATTACHMENTS

### FIGURE 3-28. FORK MOUNTED HOOK (4 TON)

ITEM	PART NUMBER	QTY	DESCRIPTION	REV
	1001097205	Ref	Fork Mounted Hook (4 Ton)	J
1	7029520	2	Pin, Cotter	
2	1001093171	2	Pin	
3	70020555	1	Bushing	
4	90554080	1	Hook	
5	7029521	1	Shackle	
6	See Note	NSS	Frame, Hook (Note: Purchase Complete Assembly)	
7	See Note	NSS	S/N Plate (Note: Stamped Part - Not Available for Purchase)	

**SECTION 3 - ATTACHMENTS**

**FIGURE 3-29. CRANE HOOK**



ART\_1001207606-C

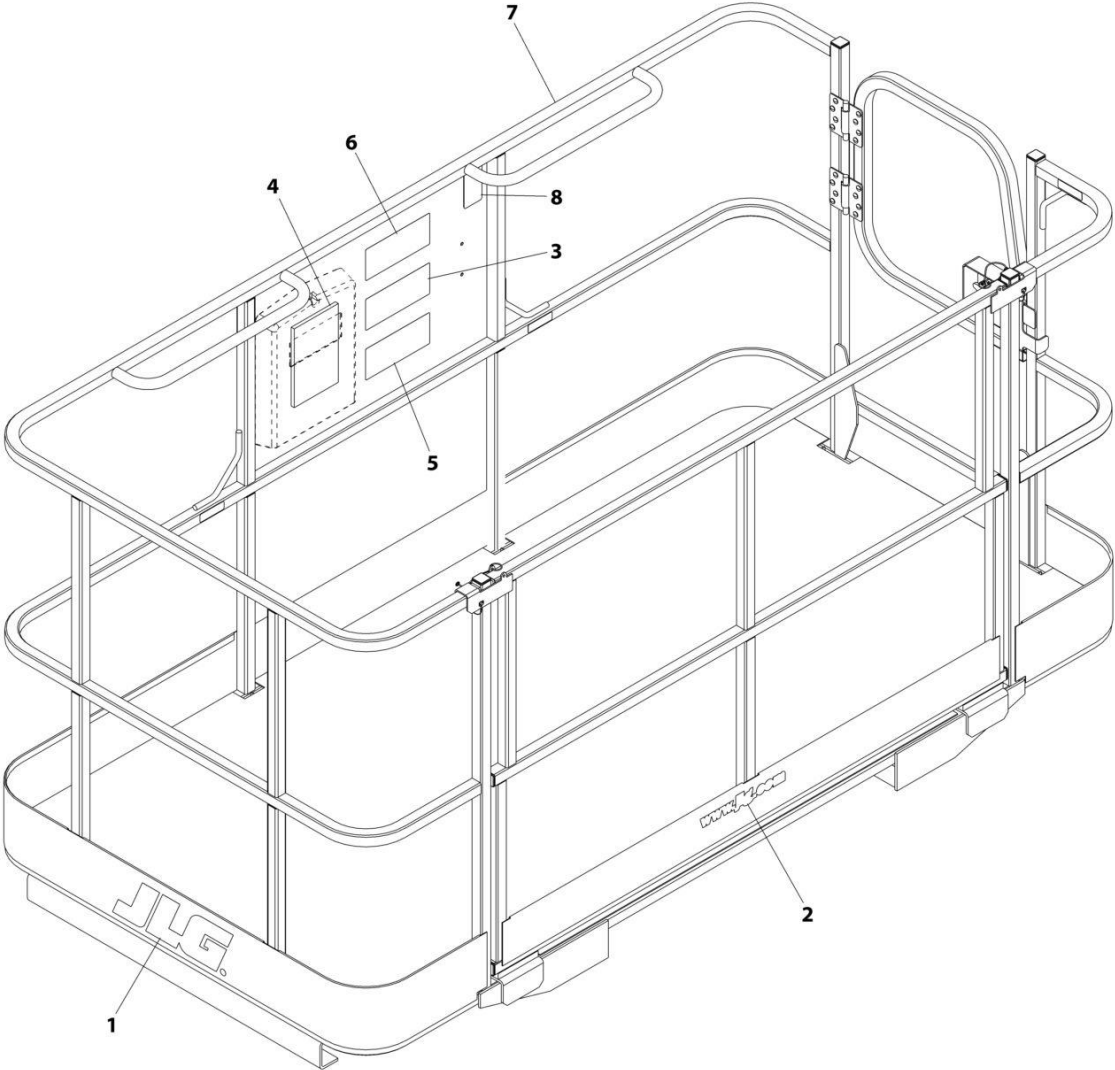
## SECTION 3 - ATTACHMENTS

### FIGURE 3-29. CRANE HOOK

ITEM	PART NUMBER	QTY	DESCRIPTION	REV
	1001207606	Ref	COUPLER MOUNTED HOOK	C
1	90554016	1	Decal	
2	70020555	1	Bushing	
3	70026745	1	Hook Swivel	
4	70026746	1	Shackle Chain	

**SECTION 3 - ATTACHMENTS**

**FIGURE 3-30. FORK MOUNTED BASKET**



ART\_1001103637-G



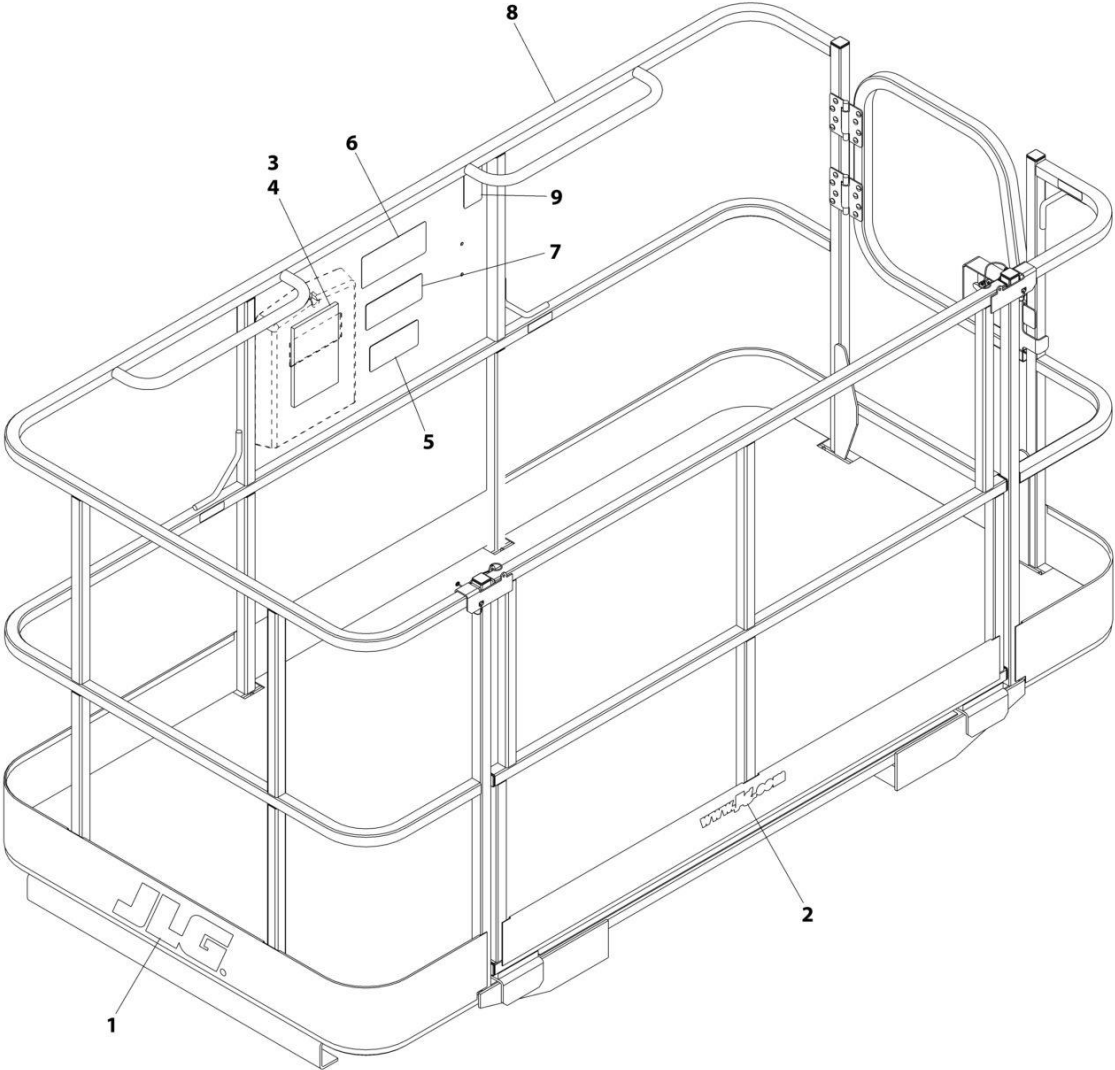
## SECTION 3 - ATTACHMENTS

### FIGURE 3-30. FORK MOUNTED BASKET

ITEM	PART NUMBER	QTY	DESCRIPTION	REV
	1001103637	Ref	Fork Mounted Basket (ASME)	G
1	1702773	2	Decal, JLG	
2	1704885	1	Decal, Website	
3	1706892	1	Decal, Platform Warning	
4	31200160	1	Manual, Personnel Work Platform Operation and Safety	
5	1001092481	1	Decal, Warning Attachment	
6	1001092482	1	Decal, Platform Capacity	
7	1001096162	1	Platform, Fork Mounted (See Separate Breakdown in this Section)	
8	N.S.S.	1	S/N Plate	

**SECTION 3 - ATTACHMENTS**

**FIGURE 3-31. FORK MOUNTED BASKET**



ART\_1001103730-G

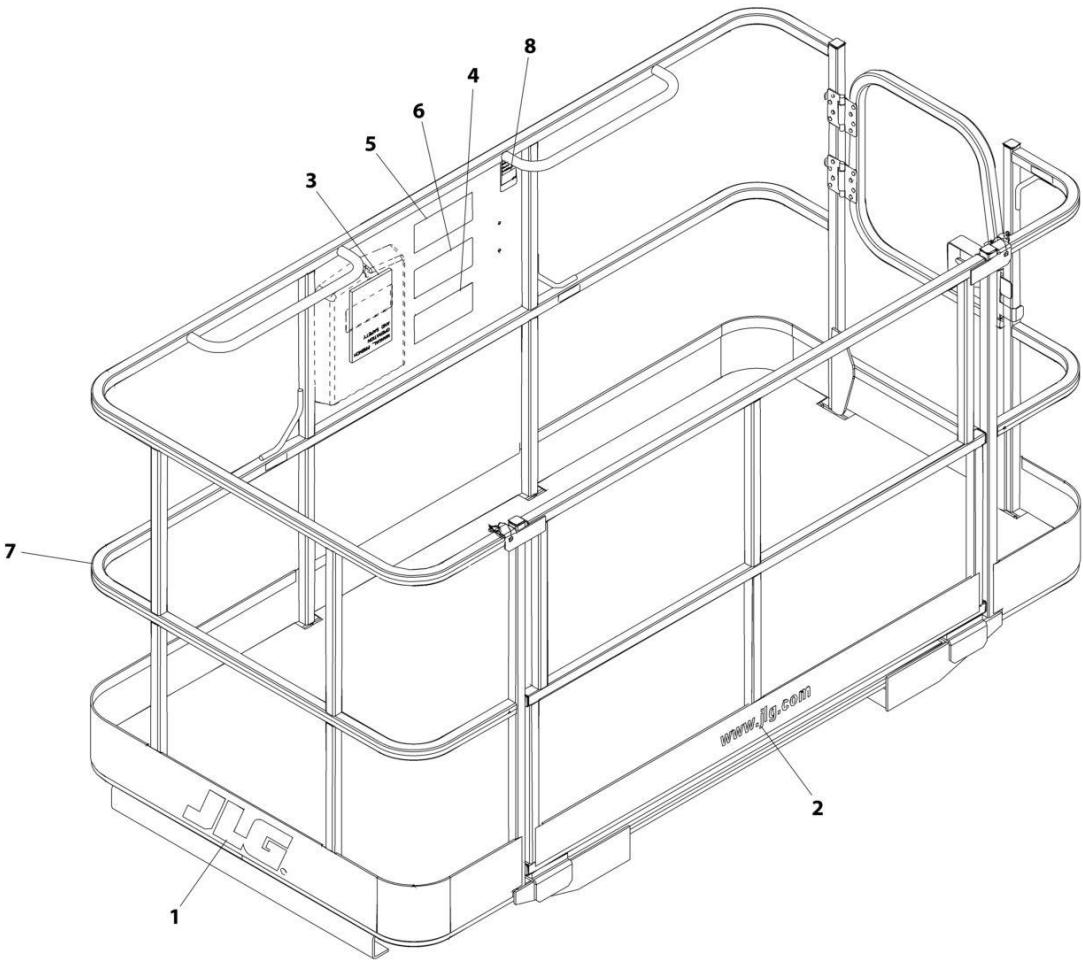
## SECTION 3 - ATTACHMENTS

### FIGURE 3-31. FORK MOUNTED BASKET

ITEM	PART NUMBER	QTY	DESCRIPTION	REV
	1001103730	Ref	Fork Mounted Basket (ISO)	G
1	1702773	2	Decal, JLG	
2	1704885	1	Decal, Website	
3	31200387	1	Manual, Operation and Safety, Spanish	
4	31200388	1	Manual, Operation and Safety, Portuguese	
5	1001096021	1	Decal, Warning Attachment	
6	1001096023	1	Decal, Platform Capacity	
7	1001096025	1	Decal, Platform Warning	
8	1001096162	1	Platform, Fork Mounted (ANSI) (See Separate Breakdown in this Section)	
9	N.S.S.	1	S/N Plate	

**SECTION 3 - ATTACHMENTS**

**FIGURE 3-32. FORK MOUNTED BASKET**



ART\_1001103736-G

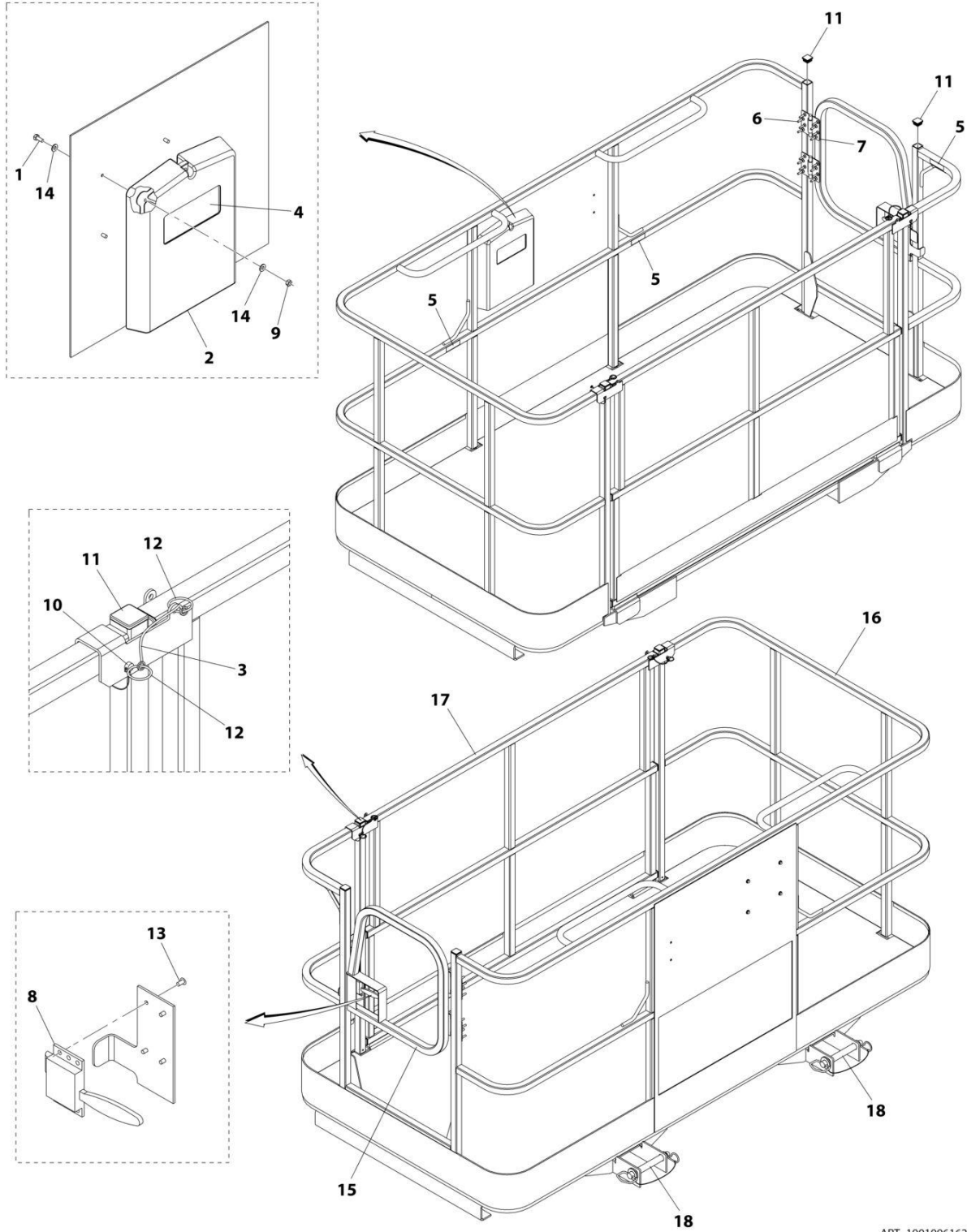
## SECTION 3 - ATTACHMENTS

**FIGURE 3-32. FORK MOUNTED BASKET**

ITEM	PART NUMBER	QTY	DESCRIPTION	REV
	1001103736	Ref	Fork Mounted Basket (France)	G
1	1702773	2	Decal, JLG	
2	1704885	1	Decal, Website	
3	31200386	1	Manual, Operation and Safety (French)	
4	1001096019	1	Decal, Warning Attachment (French)	
5	1001096020	1	Decal, Platform Capacity (French)	
6	1001096024	1	Decal, Platform Warning (French)	
7	1001096162	1	Platform, Fork Mounted (ANSI) (See Separate Breakdown in this Section)	
8	N.S.S.	1	S/N Plate	

# SECTION 3 - ATTACHMENTS

## FIGURE 3-33. FORK MOUNTED PLATFORM



ART\_1001096162-N

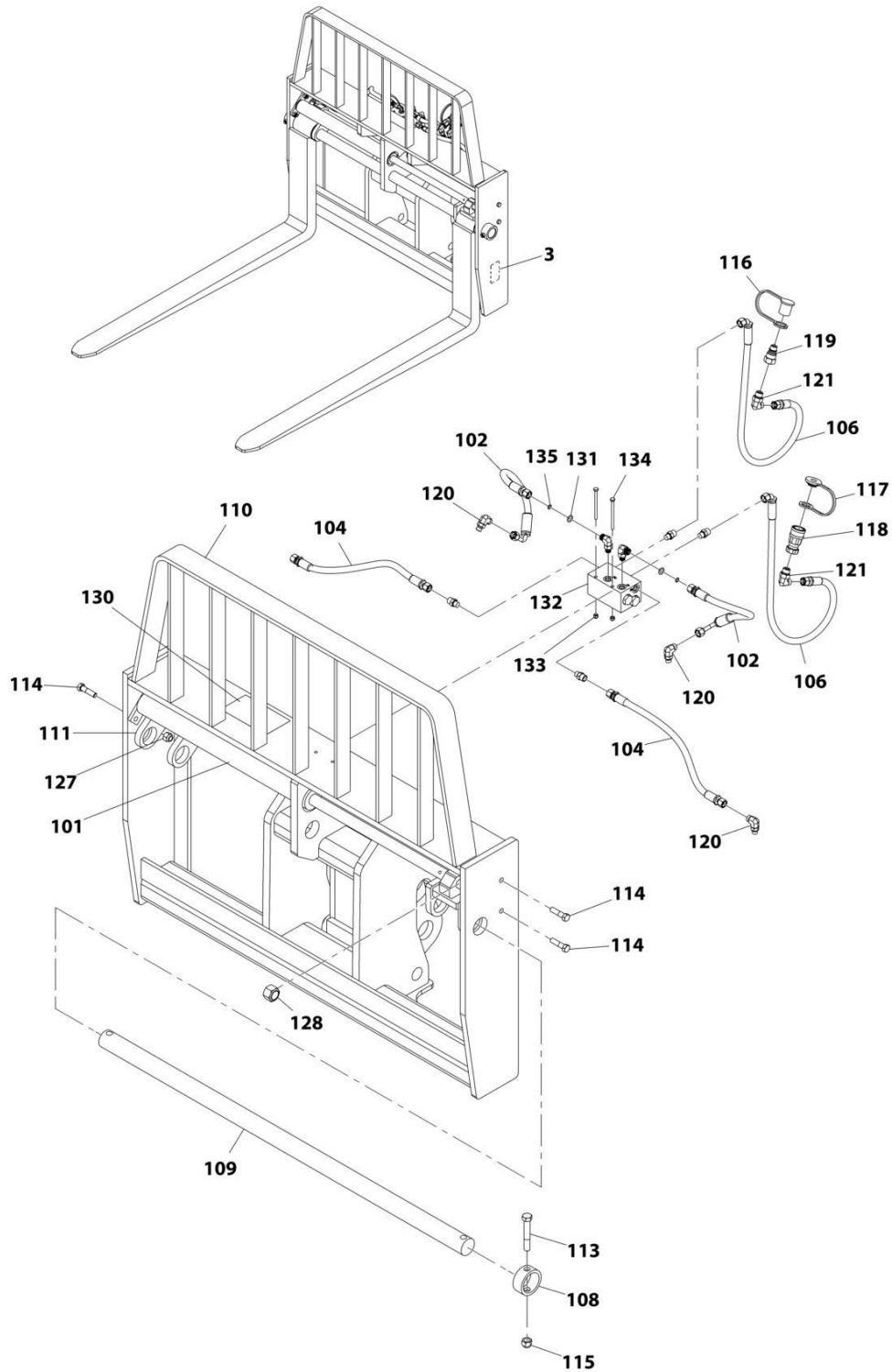
## SECTION 3 - ATTACHMENTS

**FIGURE 3-33. FORK MOUNTED PLATFORM**

ITEM	PART NUMBER	QTY	DESCRIPTION	REV
	1001096162	Ref	Fork Mounted Platform (ANSI)	N
1	0641405	4	Bolt, 1/4 x 5/8	
2	0860520	1	Box, Manual Storage	
3	1060379	2	Cable, Lanyard	
4	1701509	1	Decal, Manual	
5	1704277	3	Decal, Lanyard Attach	
6	2080040	16	Fastener	
7	2600281	2	Hinge	
8	2940074	1	Latch	
9	3311405	4	Nut 1/4	
10	3421453	2	Pin	
11	3520072	10	Plug	
12	3760170	4	Ring	
13	3820020	4	Rivet	
14	4711400	8	Washer, 1/4	
15	1001144629J	1	Gate	
16	N.S.S.	1	Platform, Fork Mounted	
17	1001095810	1	Gate	
18	1001102813	2	Pin, Hitch	

# SECTION 3 - ATTACHMENTS

FIGURE 3-34. FORK POSITIONING CARRIAGE WITH FORKS (4.5 TON) (SN 0160082569 through 0160084857)



ART\_7301295-J



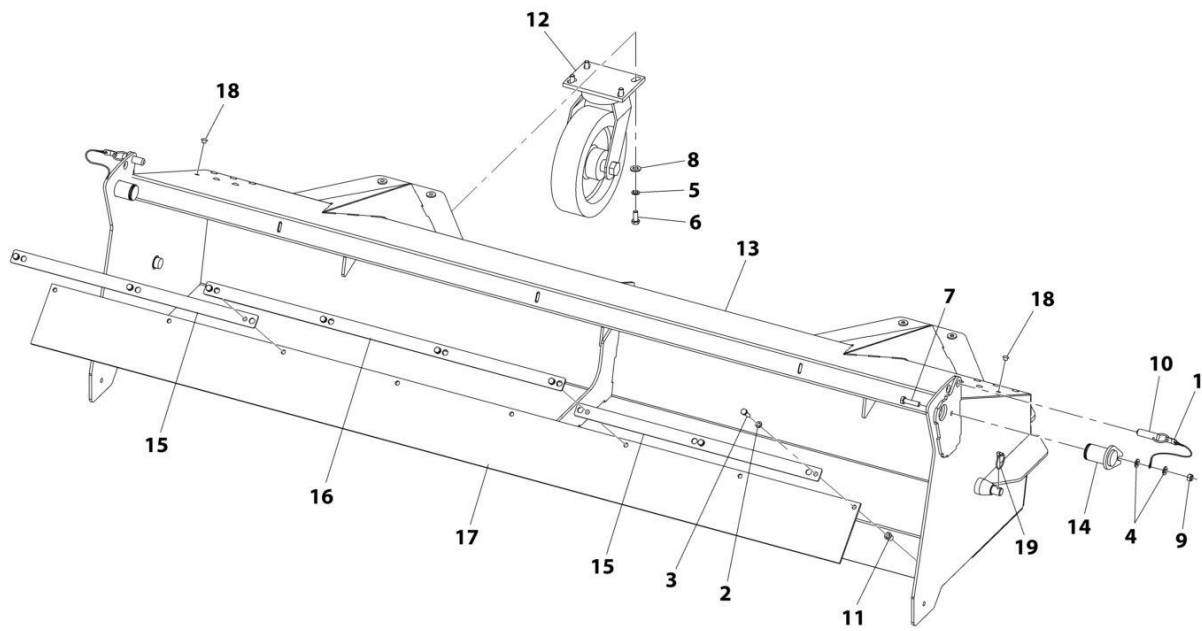
## SECTION 3 - ATTACHMENTS

**FIGURE 3-34. FORK POSITIONING CARRIAGE WITH FORKS (4.5 TON) (SN 0160082569 through 0160084857)**

ITEM	PART NUMBER	QTY	DESCRIPTION	REV
	7301295	Ref	FORK POSITIONING CARRIAGE (4.5 TON)	J
3	N.S.S.	1	S/N Plate	
101	2717283	2	Cylinder, Fork Positioning (See Separate Breakdown in HYDRAULIC COMPONENTS Section)	
102	2717160	2	Hose	
104	2717161	2	Hose	
106	2717162	1	Hose 36in (Boom Front Disconnect)	
106	70031443	1	Hose 44in (Boom Side Disconnect)	
108	90200003	2	Collar, Fork Pin	
109	90451058	1	Shaft, Fork	
110	N.S.S.	1	Weldment, Carriage	
111	N.S.S.	1	Weldment, Fork Adapter	
113	8303634	2	Bolt 5/8 x 4	
114	8303658	4	Bolt 1/2 x 2	
115	8305643	2	Nut 5/8	
116	8420053	1	Cap, Dust	
117	8420055	1	Plug, Dust	
118	91403413	1	Adapter, Quick Disconnect	
119	91403414	1	Adapter, Quick Disconnect	
120	2130606	4	Adapter, 90 Straight	
121	2130608	2	Adapter, 90 Straight	
127	8310302	4	Nut 1/2	
128	10705034	2	Nut 1	
130	4110473	1	Decal, Warning Route Hoses	
131	7139918	2	Disk, Orifice	
132	4641502	1	Assembly, Dual Fork Carriage Valve (See Separate Breakdown in HYDRAULIC COMPONENTS Section)	
133	8305624	2	Nut 1/4	
134	8310435	2	Bolt 1/4 x 3-3/4	
135	8630003	2	O-Ring	

# SECTION 3 - ATTACHMENTS

## FIGURE 3-35. SWEEPER - HOPPER ASSEMBLY



ART\_1001202904\_1-B

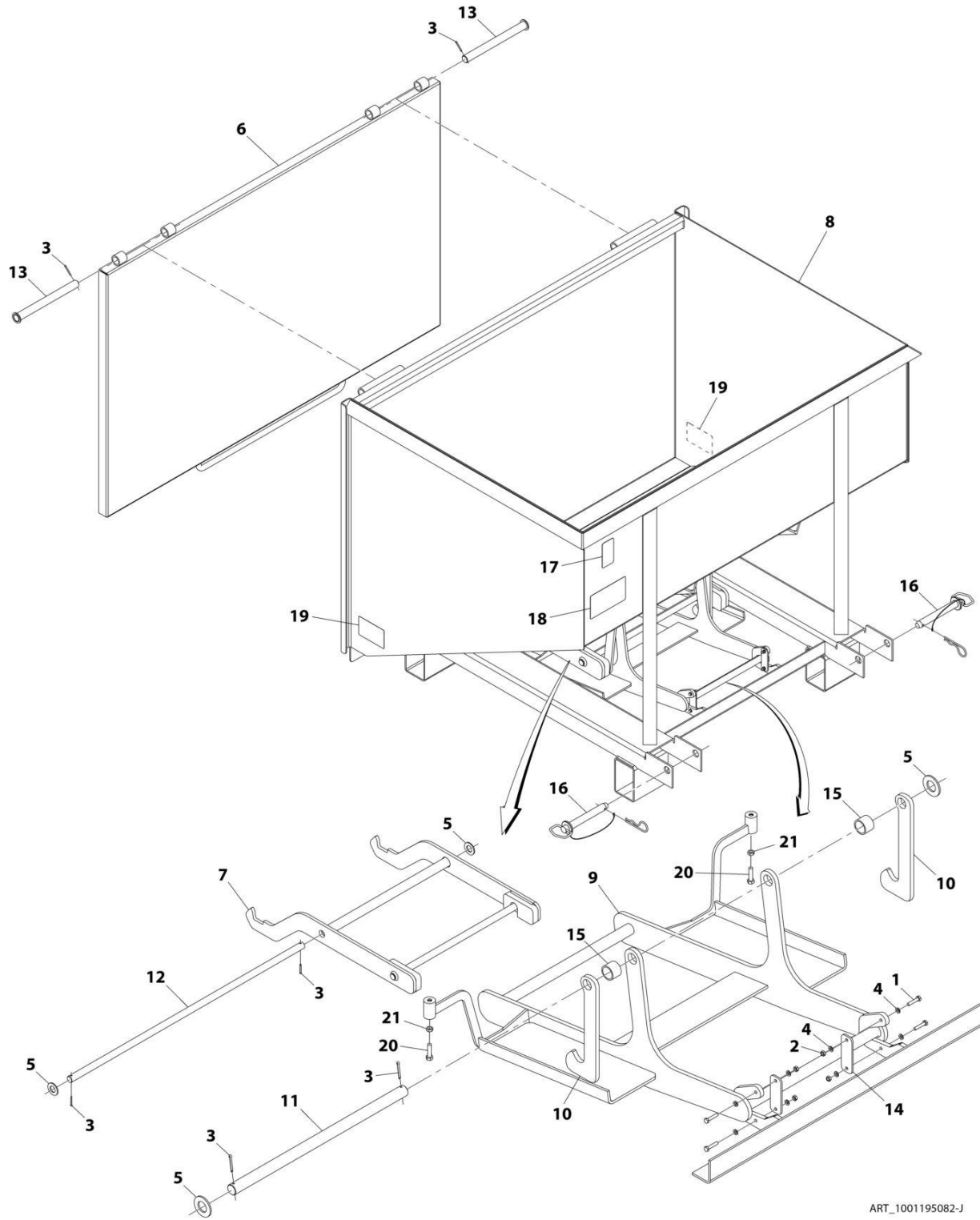
## SECTION 3 - ATTACHMENTS

**FIGURE 3-35. SWEEPER - HOPPER ASSEMBLY**

ITEM	PART NUMBER	QTY	DESCRIPTION	REV
	1001202904	Ref	SWEEPER ASSEMBLY - HOPPER	
1	70029725	2	Lanyard	
2	70029734	8	Washer	
3	70029735	8	Screw	
4	70029738	4	Washer	
5	70029739	8	Washer	
6	70029740	8	Screw	
7	70029742	2	Screw	
8	70029743	8	Washer	
9	70029747	2	Nut	
10	70029750	2	Pin	
11	70029756	8	Nut	
12	70029762	2	Assembly, Caster	
13	See Note	NSS	Hopper (Note: Purchase Complete Assembly)	
14	70029777	2	Pin	
15	70029780	2	Plate	
16	70029781	1	Plate	
17	70029785	1	Flap	
18	70029792	12	Plug	
19	70029794	2	Pin, Lynch	

# SECTION 3 - ATTACHMENTS

## FIGURE 3-36. FORK MOUNTED TRASH HOPPER



ART\_1001195082-J

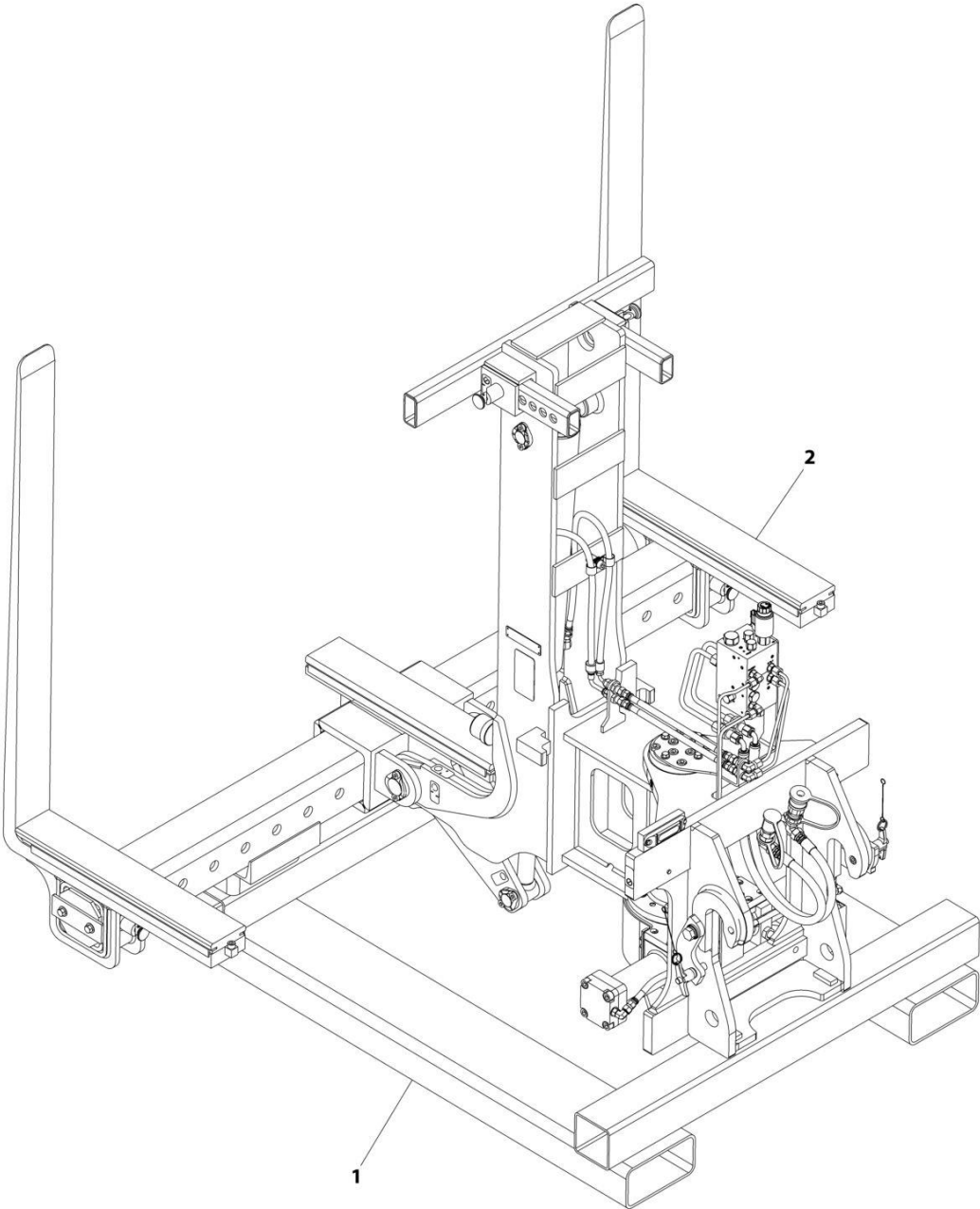
## SECTION 3 - ATTACHMENTS

**FIGURE 3-36. FORK MOUNTED TRASH HOPPER**

ITEM	PART NUMBER	QTY	DESCRIPTION	REV
	1001195082	Ref	Fork Mounted Trash Hopper	J
1	0700614	4	Bolt, M6X30	
2	3290601	4	Nut, M6X1 Grade 8	
3	3391410	6	Pin	
4	4811700	8	Washer, M6	
5	5242400	4	Washer, M24	
6	1001192711	1	Door Assembly	
7	1001192720	1	Hook Assembly	
8	N.S.S.	1	Weldment, Trash Hopper	
9	1001192875	1	Tray Assembly	
10	1001192876	2	Arm, Swing	
11	1001192877	1	Rod, Swing	
12	1001193525	1	Bar	
13	1001193540	2	Pin	
14	1001193729	2	Plate	
15	1001198355	2	Spacer	
16	1001102813	2	Pin	
17	N.S.S.	1	S/N Plate	
18	1001203503	1	Decal, Trash Hopper Operation	
19	1706302	2	Decal, Pinch Point	
20	0641510	2	Bolt, 5/16-18 x 1-1/4	
21	3311502	2	Nut, 5/16-18	

**SECTION 3 - ATTACHMENTS**

**FIGURE 3-37. DRYWALL SWING CARRIAGE INSTALLATION**



ART\_1001246022\_B

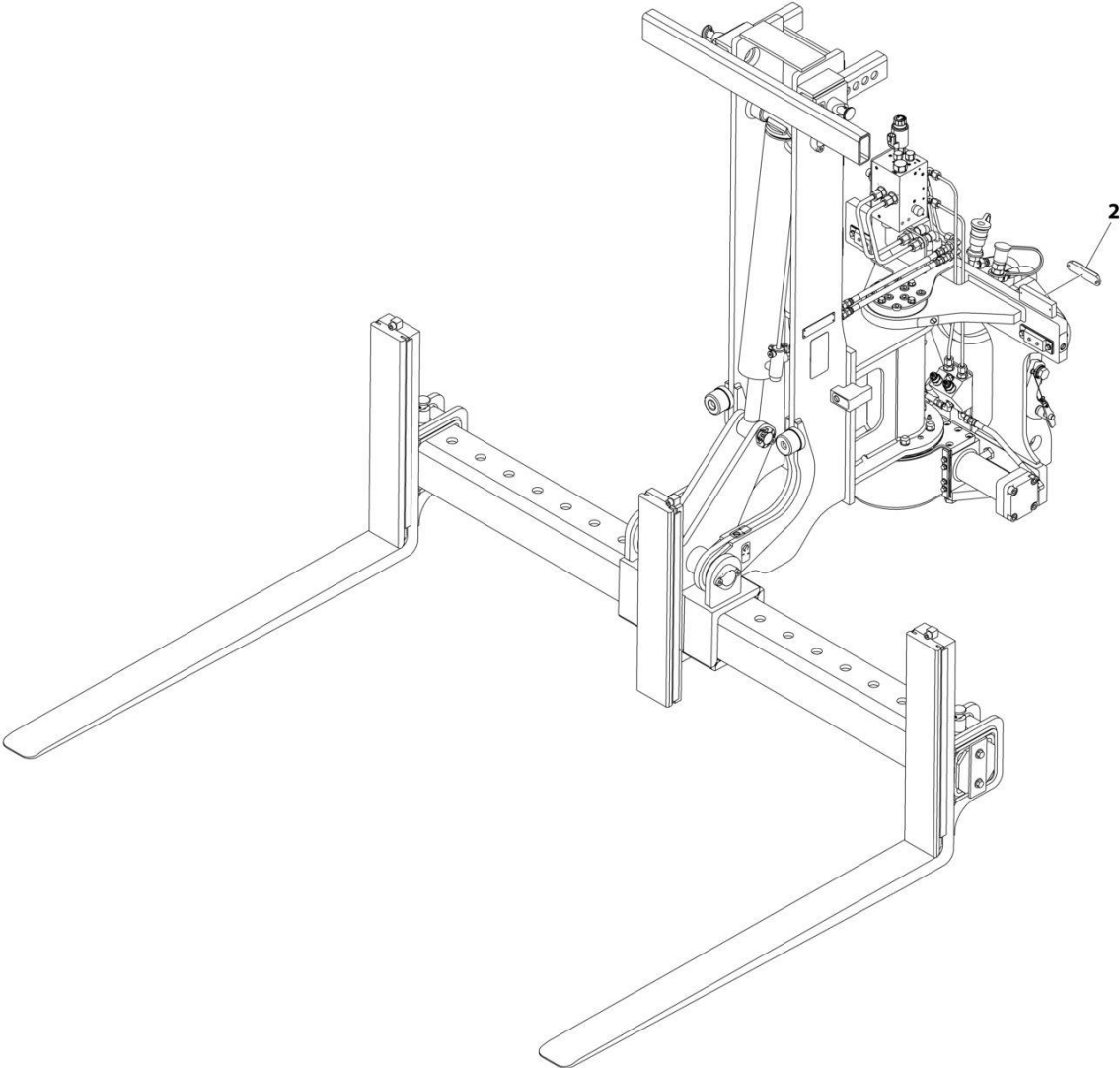
## SECTION 3 - ATTACHMENTS

**FIGURE 3-37. DRYWALL SWING CARRIAGE INSTALLATION**

ITEM	PART NUMBER	QTY	DESCRIPTION	REV
	1001246022	Ref	DRYWALL SWING CARRIAGE INSTALLATION	B
1	1001243214	1	Drywall Cradle	
2	1001230765	1	Rotating Drywall Carriage (See Separate Breakdown in this Section)	

**SECTION 3 - ATTACHMENTS**

**FIGURE 3-38. ROTATING DRYWALL CARRIAGE**



ART\_1001230765\_D



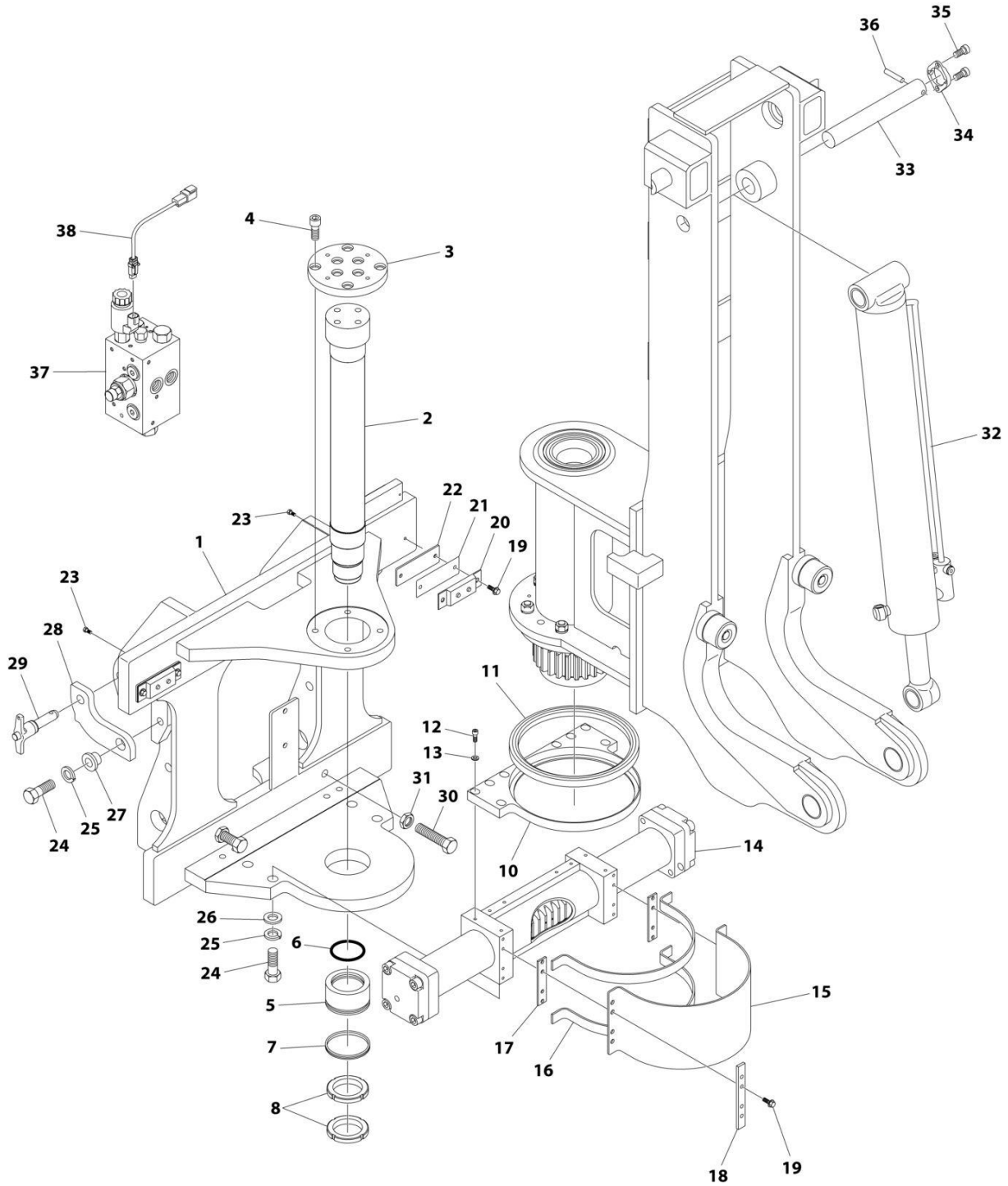
## SECTION 3 - ATTACHMENTS

**FIGURE 3-38. ROTATING DRYWALL CARRIAGE**

ITEM	PART NUMBER	QTY	DESCRIPTION	REV
	1001230765	Ref	ROTATING DRYWALL CARRIAGE	D
		Ref	Drywall Board Handler (See Separate Breakdown in this Section)	
		Ref	Drywall Pivot Frame Group (See Separate Breakdown in this Section)	
		Ref	Drywall Cylinder (See Separate Breakdown in this Section)	
		Ref	Drywall Hydraulic Group (See Separate Breakdown in this Section)	
		Ref	Drywall Valve Assembly (See Separate Breakdown in this Section)	
		Ref	Drywall Cylinder (See Separate Breakdown in this Section)	
		Ref	Drywall Fork Group (See Separate Breakdown in this Section)	
2	1001227670	1	Tag, RFID	

# SECTION 3 - ATTACHMENTS

## FIGURE 3-39. DRYWALL BOARD HANDLER



ART\_1001230765\_1

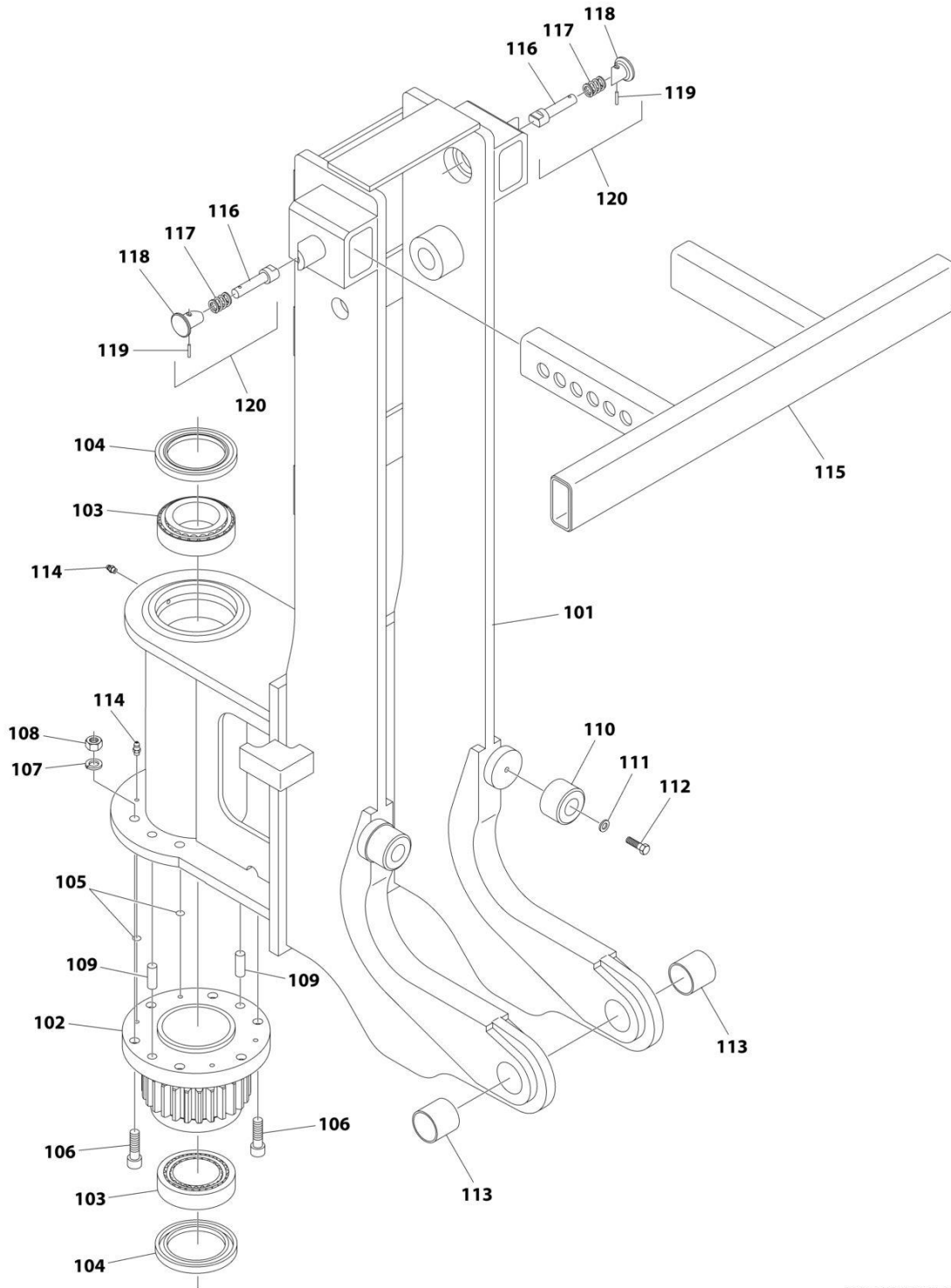
## SECTION 3 - ATTACHMENTS

**FIGURE 3-39. DRYWALL BOARD HANDLER**

ITEM	PART NUMBER	QTY	DESCRIPTION	REV
	1001230765	Ref	Drywall - Board Handler	
1	70029608	1	Carriage, Hook Mount	
2	70029609	1	Pivot Shaft	
3	70029610	1	Cap	
4	70029611	8	Screw	
5	70029612	1	Spacer	
6	70029613	1	O-Ring	
7	70029614	1	Dual Seal	
8	70029615	2	Locknut	
10	70029616	1	Upper Housing Assembly	
11	70029648	1	Shaft Seal	
12	70029617	8	Screw	
13	70026480	8	Washer	
14	70029586	1	Cylinder Assembly	
15	70029618	1	Cover Assembly (includes Items 16 & 17)	
16	N.S.S.	2	Gasket	
17	N.S.S.	2	Gasket	
18	70029619	2	Plate	
19	70029620	12	Screw	
20	70029621	2	Cushion	
21	70029622	AR	Shim	
22	70029623	AR	Shim	
23	70029624	2	Screw	
24	70024552	6	Screw	
25	70024551	6	Lockwasher	
26	70029625	4	Washer	
27	70029626	2	Shoulder Boss	
28	70029627	2	Lock Plate	
29	70029628	2	Ball Lock Pin	
30	70029629	2	Screw	
31	70029630	2	Jam Nut	
32	70029587	1	Cylinder Assembly	
33	70029631	1	Pin	
34	70028702	1	Pin Retainer	
35	70028701	2	Screw	
36	70028703	1	Grooved Pin	
37	70029595	1	Valve Assembly	
38	70029588	1	Cable Assembly	

# SECTION 3 - ATTACHMENTS

## FIGURE 3-40. PIVOT FRAME GROUP



ART\_1001230765\_2

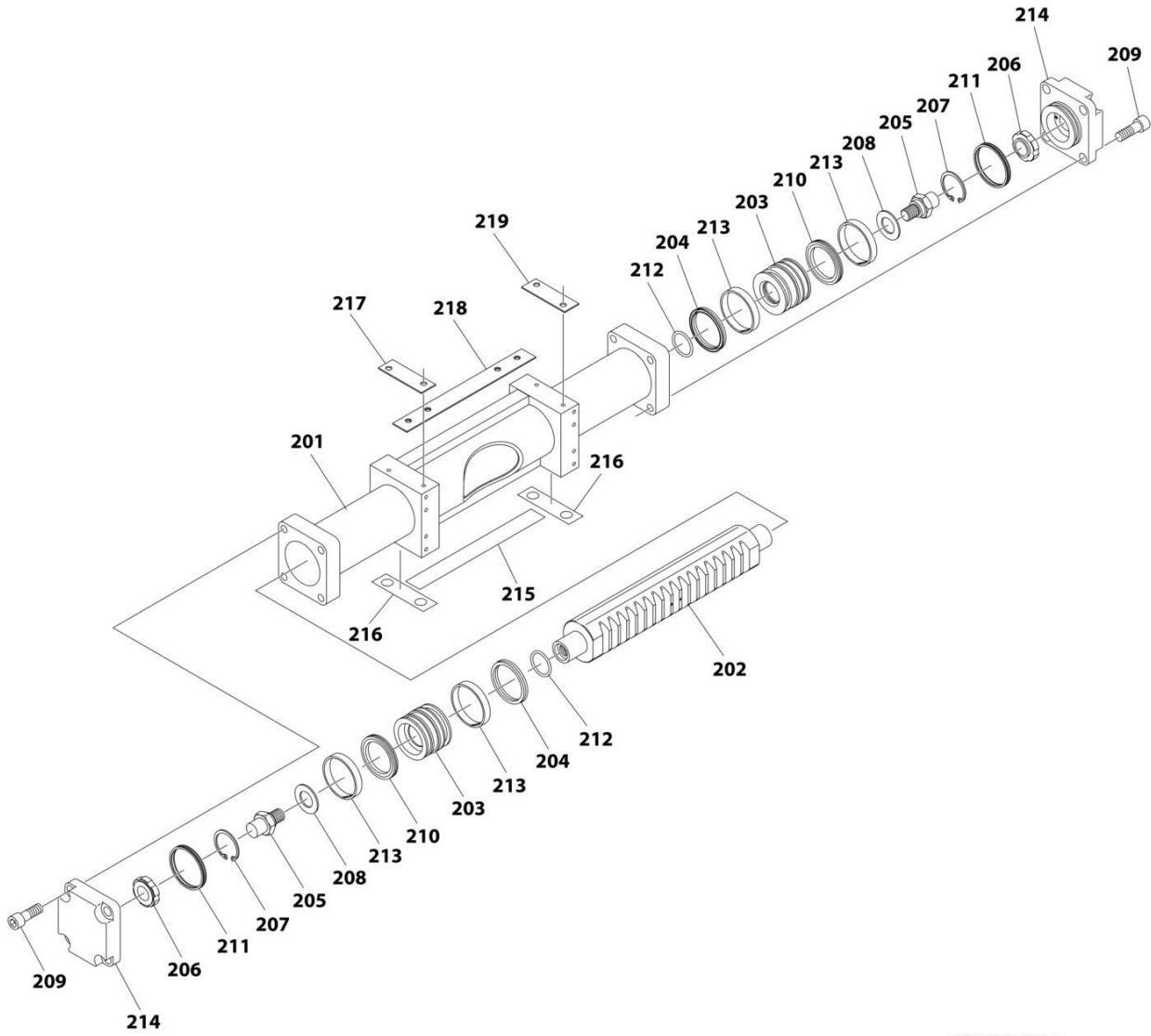
## SECTION 3 - ATTACHMENTS

### FIGURE 3-40. PIVOT FRAME GROUP

ITEM	PART NUMBER	QTY	DESCRIPTION	REV
	1001230765	Ref	Drywall - Pivot Frame Group	
101	70029632	1	Pivot Frame	
102	70029633	1	Pinion Gear	
103	70029634	2	Bearing	
104	70029635	2	Shaft Seal	
105	70029636	2	O-Ring	
106	70024684	6	Screw	
107	70029637	6	Lockwasher	
108	70029638	6	Nut	
109	70029639	2	Dowel Pin	
110	70029640	2	Bumper	
111	70024721	2	Washer, M8	
112	70029641	2	Screw	
113	70029642	2	Bearing	
114	70024679	3	Grease Fitting	
115	70029643	1	Load Support	
116	70028154	1	Pin	
117	70028155	1	Spring	
118	70024759	1	Knob	
119	70024761	1	Spring Pin	
120	70028153	2	Pin Kit (includes Items 116 thru 119)	

# SECTION 3 - ATTACHMENTS

## FIGURE 3-41. DRYWALL CYLINDER



ART\_1001230765\_3

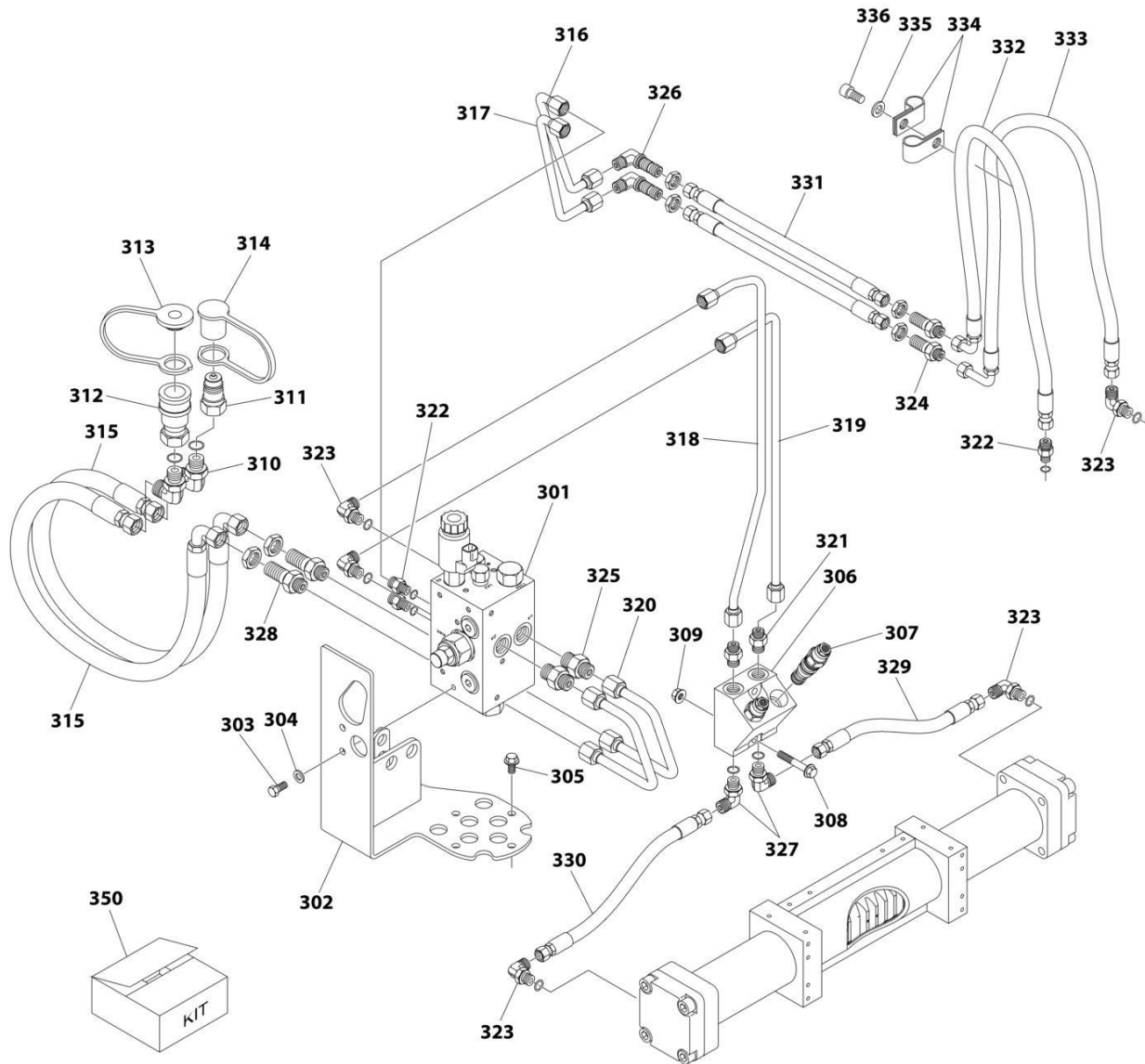
## SECTION 3 - ATTACHMENTS

### FIGURE 3-41. DRYWALL CYLINDER

ITEM	PART NUMBER	QTY	DESCRIPTION	REV
201	1001230765	Ref	Drywall - Cylinder	
	N.S.S.	1	Barrel	
		Ref	<b>Note: Original Cylinder May Have Been Replaced with Service Replacement. Identify PN Stamped on Cylinder Before Ordering Parts.</b>	
202	70029644	1	Rod	
203	70029645	3	Piston	
204	70029646	2	Wiper	
205	70029681	2	Cushion Spear	
206	70029682	2	Cushion	
207	70029683	2	Retaining Ring	
208	70029684	2	Washer	
209	70029685	8	Screw	
210	70029686	2	Piston Seal	
211	70029687	2	Dual Seal	
212	70029688	2	O-Ring	
213	70029689	4	Wear Ring	
214	70029690	2	End Cap	
215	70029691	1	Gasket Tape	
216	70029692	2	Gasket Tape	
217	70029693	1	Gasket, RH	
218	70029694	1	Gasket, Rear	
219	70029695	1	Gasket, LH	

# SECTION 3 - ATTACHMENTS

## FIGURE 3-42. DRYWALL HYDRAULIC GROUP



ART\_1001230765\_4



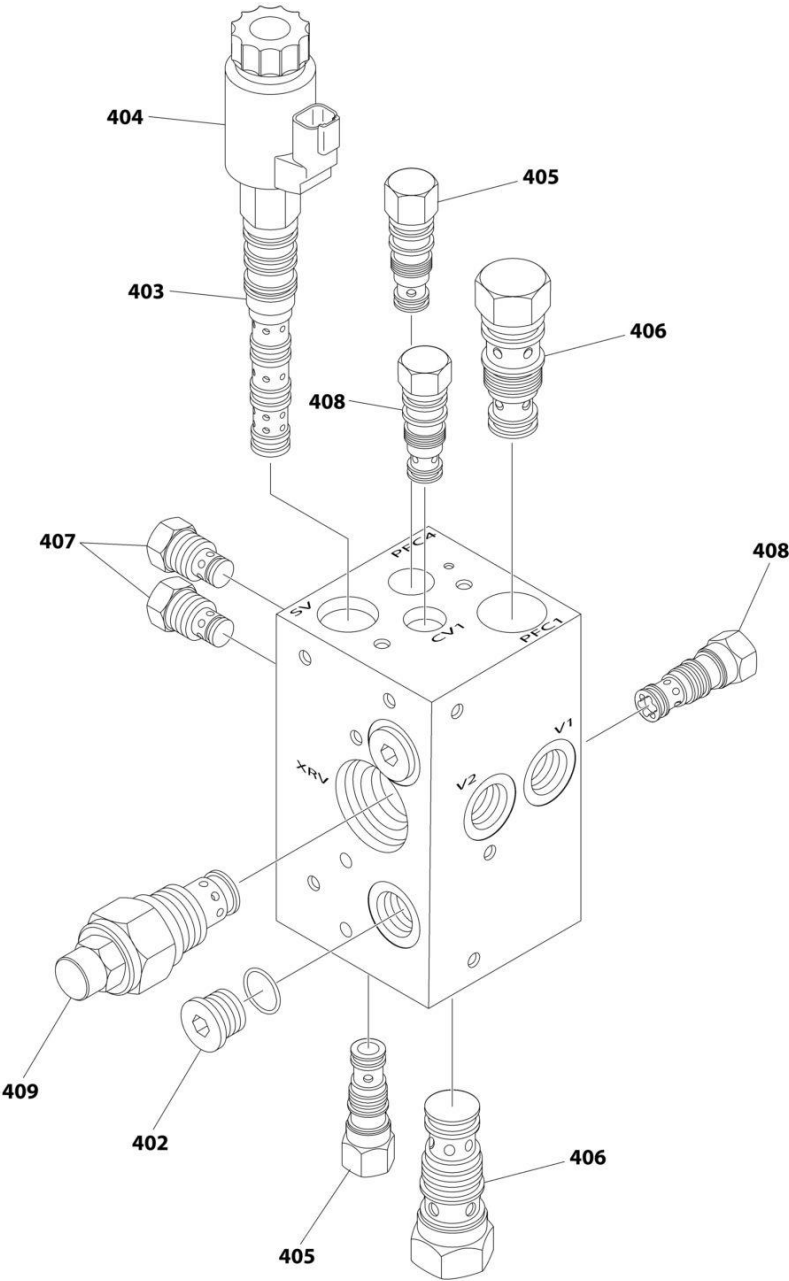
## SECTION 3 - ATTACHMENTS

**FIGURE 3-42. DRYWALL HYDRAULIC GROUP**

ITEM	PART NUMBER	QTY	DESCRIPTION	REV
	1001230765	Ref	Drywall - Hydraulic Group	
301	70029595	1	Valve Assembly	
302	70029659	1	Valve Mounting Bracket	
303	70028130	2	Screw	
304	70024721	2	Washer	
305	70029660	4	Bolt	
306	70029661	1	Inline Valve Body	
307	70029662	2	Cartridge, Counterbalance	
308	70029663	2	Screw	
309	70029664	2	Nut	
310	70024127	2	Adapter	
311	91403414	1	Quick Disconnect, Male	
312	91403413	1	Quick Disconnect, Female	
313	8420055	1	Dust Cap	
314	8420053	1	Dust Plug	
315	70029665	2	Hose 30in (Boom Front Disconnect)	
315	70031447	2	Hose 42in (Boom Side Disconnect)	
316	70029666	1	Tube	
317	70029667	1	Tube	
318	70029668	1	Tube	
319	70029669	1	Tube	
320	70029670	2	Tube	
321	70029671	2	Fitting	
322	70029672	3	Fitting	
323	70029673	5	Fitting	
324	70028768	2	Fitting	
325	70029674	2	Fitting	
326	70029675	2	Fitting	
327	70028661	2	Fitting	
328	70023000	2	Bulkhead Union Elbow	
329	70029676	1	Hose, 310 mm	
330	70029677	1	Hose, 255 mm	
331	70029678	2	Hose, 340 mm	
332	70029679	1	Hose, 800 mm	
333	70029680	1	Hose, 805 mm	
334	70026481	2	Hose Clamp	
335	70026482	1	Washer	
336	70028672	1	Screw	
350	70031440	1	Disconnect Hose Kit (Boom Front Disconnect) (Includes Items 310-315)	
350	70031441	1	Disconnect Hose Kit (Boom Side Disconnect) (Includes Items 310-315)	

**SECTION 3 - ATTACHMENTS**

**FIGURE 3-43. DRYWALL VALVE ASSEMBLY**



ART\_1001230765\_5

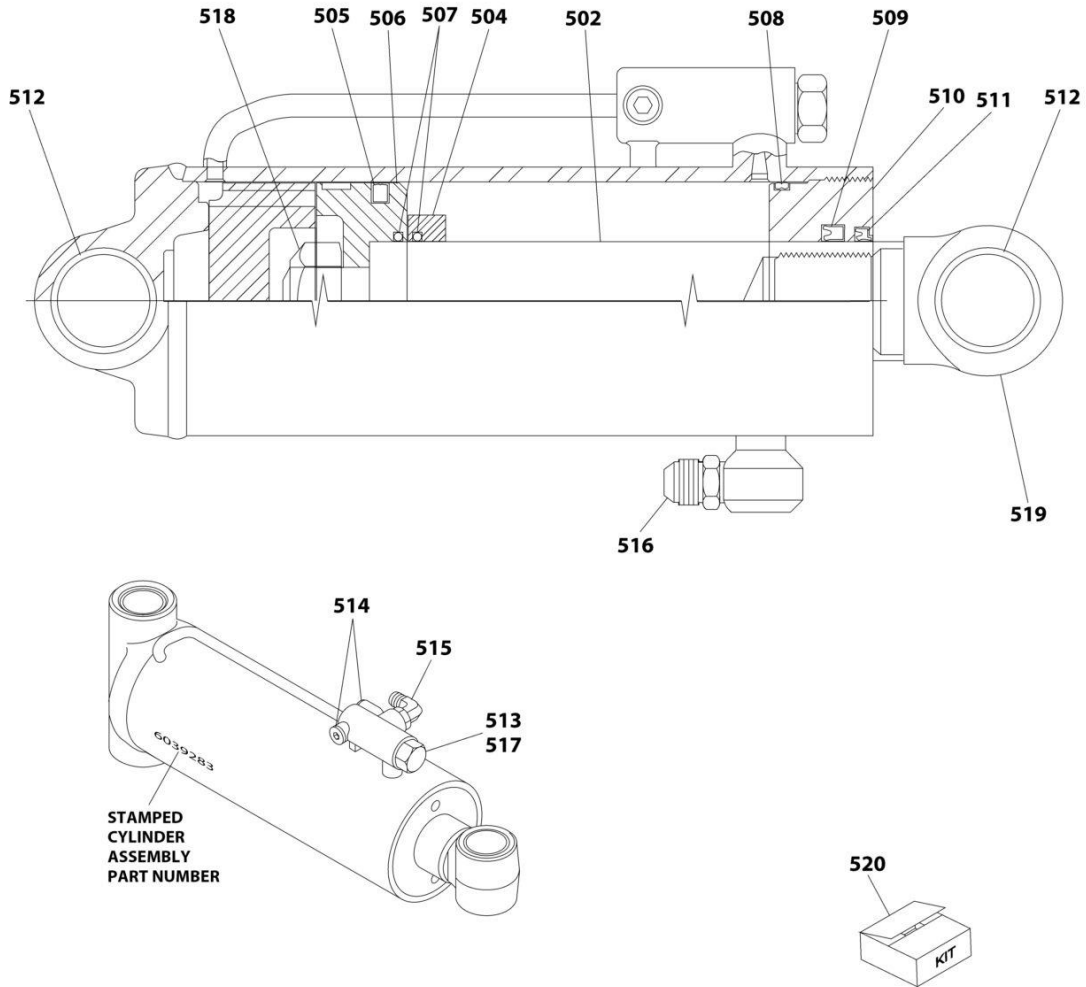
## SECTION 3 - ATTACHMENTS

### FIGURE 3-43. DRYWALL VALVE ASSEMBLY

ITEM	PART NUMBER	QTY	DESCRIPTION	REV
	1001230765	Ref	Drywall - Valve Assembly	
402	70028119	2	Plug	
403	70029596	1	Cartridge, Directional Control	
404	70029597	1	Coil, 12V	
405	70029598	2	Cartridge, Flow Control	
406	70029599	2	Cartridge, Flow Control	
407	70029600	2	Cartridge, Check	
408	70029601	2	Cartridge, Check	
409	70029602	1	Cartridge, Pressure Control	

# SECTION 3 - ATTACHMENTS

## FIGURE 3-44. DRYWALL CYLINDER



ART\_1001230765\_6

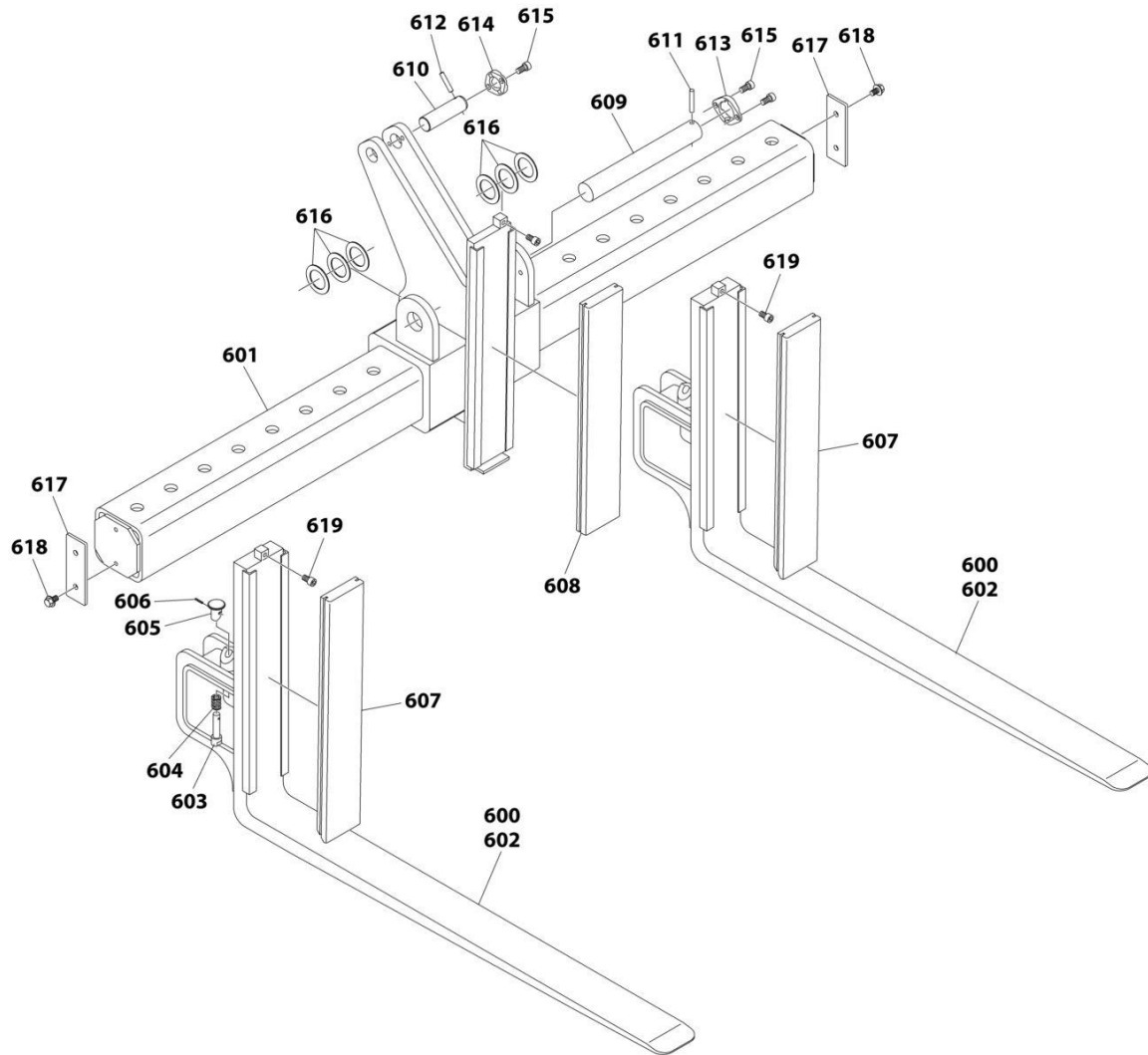
## SECTION 3 - ATTACHMENTS

### FIGURE 3-44. DRYWALL CYLINDER

ITEM	PART NUMBER	QTY	DESCRIPTION	REV
502	1001230765	Ref	Drywall - Cylinder	
	70029593	1	Rod Assembly (Includes Item 512 & 519)	
		Ref	<b>Note: Original Cylinder May Have Been Replaced with Service Replacement. Identify PN Stamped on Cylinder Before Ordering Parts.</b>	
504	70029603	1	Spacer, Piston	
505	N.S.S.	1	Piston Seal	
506	70029594	1	Piston	
507	N.S.S.	2	O-Ring	
508	N.S.S.	1	Dual Seal	
509	N.S.S.	1	Rod Seal	
510	70029604	1	Retainer	
511	N.S.S.	1	Rod Wiper	
512	70029605	2	Bushing	
513	70024733	1	Valve, Check	
514	70024129	2	Fitting	
515	70029606	1	Fitting	
516	70029607	1	Fitting	
517	70024734	1	Check Valve Service Kit	
518	70026503	1	Nut	
519	70029647	1	Rod End	
520	70029592	1	Service Kit, Cylinder (Includes Items 505, 507 thru 511)	

# SECTION 3 - ATTACHMENTS

## FIGURE 3-45. DRYWALL FORK GROUP



ART\_1001230765\_7

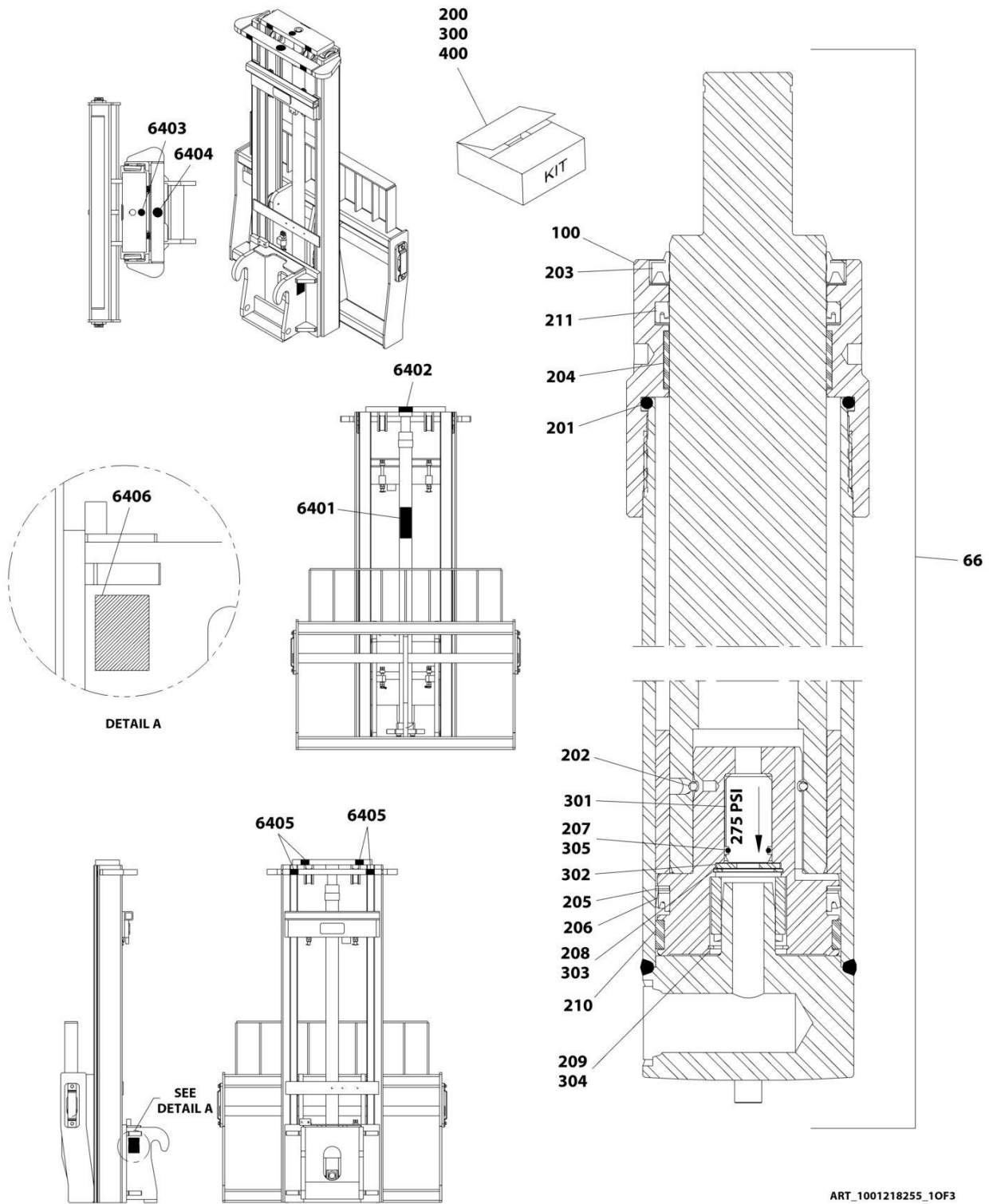
## SECTION 3 - ATTACHMENTS

**FIGURE 3-45. DRYWALL FORK GROUP**

ITEM	PART NUMBER	QTY	DESCRIPTION	REV
	1001230765	Ref	Drywall - Fork Group	
600	70029649	2	Fork Assembly	
601	70029650	1	Fork Mount Assembly	
602	70029651	1	Fork	
	70028153	1	Pin Kit (includes Items 603 thru 606)	
603	70028154	1	Pin	
604	70028155	1	Spring	
605	70024759	1	Knob	
606	70024761	1	Spring Pin	
607	70029652	2	Bumper	
608	70029653	1	Bumper	
609	70029654	1	Pin	
610	70029655	1	Pin	
611	70028706	1	Pin	
612	70028703	1	Pin	
613	70028707	1	Retainer	
614	70028702	1	Retainer	
615	70028701	4	Bolt	
616	70028708	6	Shim	
617	70029656	2	Retainer	
618	70029657	4	Screw	
619	70029658	3	Screw	

# SECTION 3 - ATTACHMENTS

## FIGURE 3-46. SIDE TILT ELECTRIC MAST (8 FOOT)



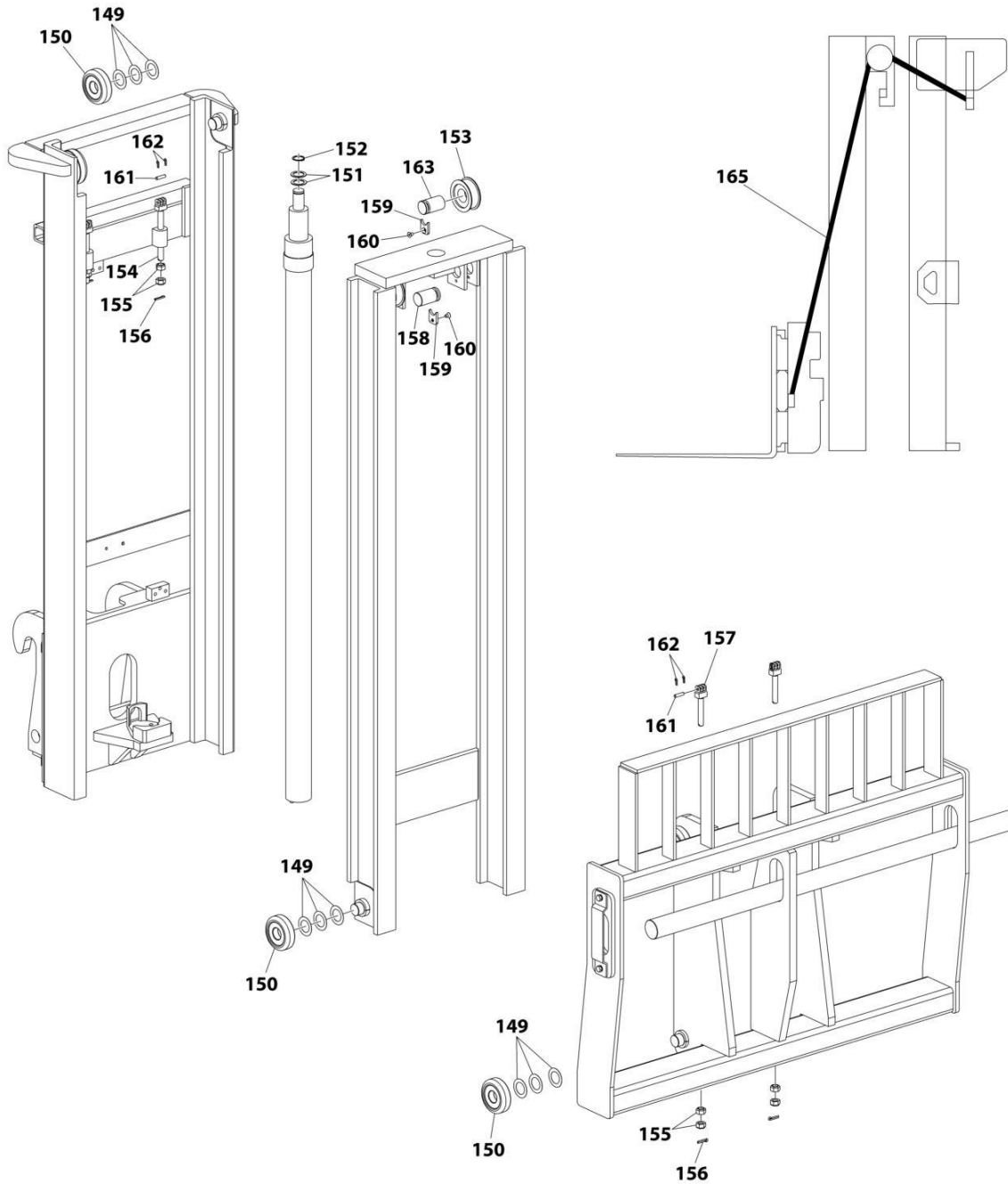
ART\_1001218255\_10F3





# SECTION 3 - ATTACHMENTS

## FIGURE 3-47. SIDE TILT ELECTRIC MAST (8 FOOT)

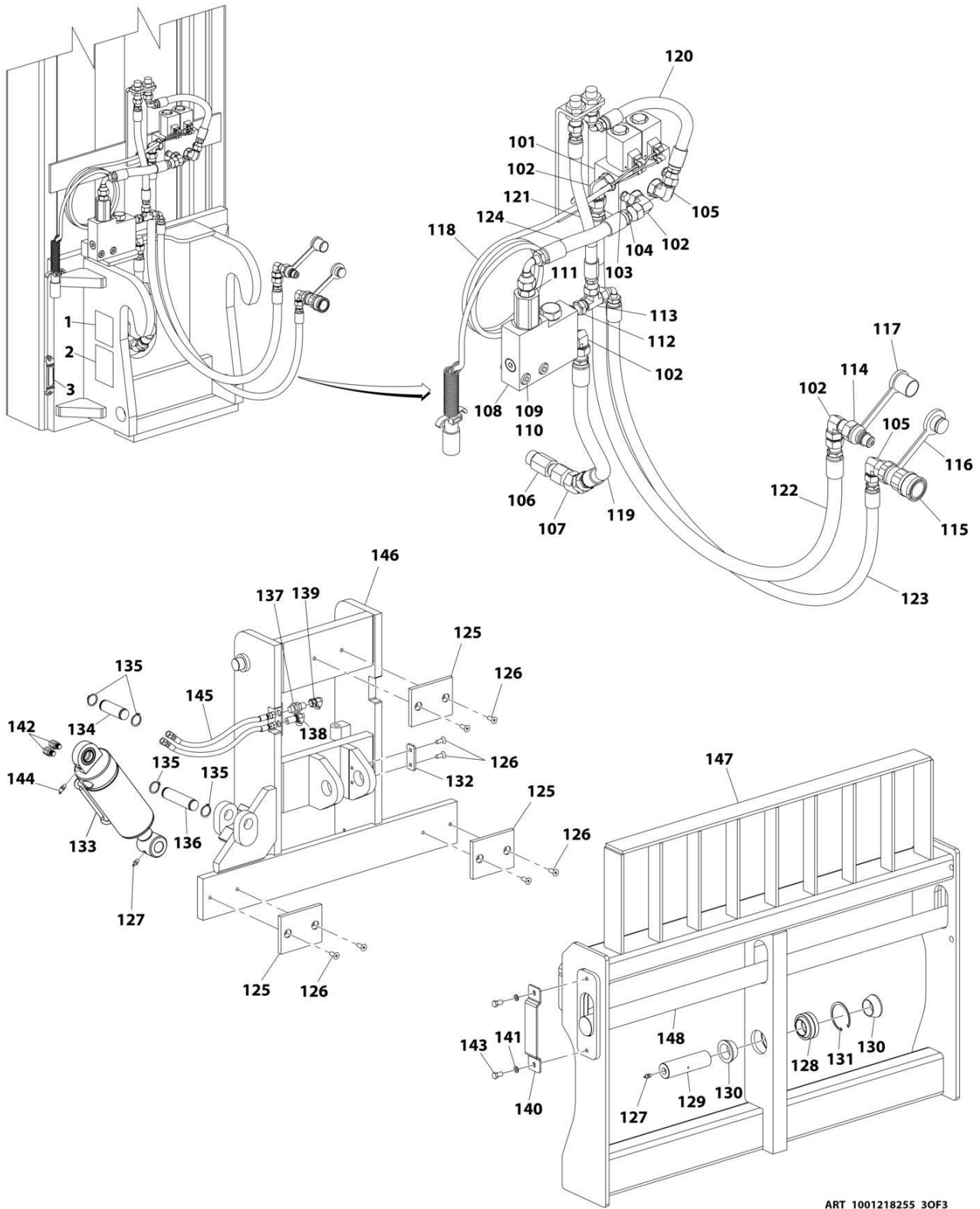


ART\_1001218255\_20F3



# SECTION 3 - ATTACHMENTS

## FIGURE 3-48. SIDE TILT ELECTRIC MAST (8 FOOT)



ART\_1001218255\_30F3

## SECTION 3 - ATTACHMENTS

**FIGURE 3-48. SIDE TILT ELECTRIC MAST (8 FOOT)**

ITEM	PART NUMBER	QTY	DESCRIPTION	REV
	1001218255	Ref	Side Tilt Electric Mast (8 Foot)	F
1	1001111190	2	Decal, Hose Routing	
2	See Note	NSS	S/N Plate (Note: Stamped Part - Not Available for Purchase)	
3	1001227670	1	Tag, RFID	
101	70022933	1	Solenoid Valve Bank	
102	70022934	4	Fitting, 90	
103	70022948	2	Washer, Lock M8	
104	70022951	2	Screw, M8X60	
105	70022935	2	Elbow, Straight Thread	
106	70022936	1	Limitter, Flow	
107	70022937	1	Fitting, 45	
108	70022932	1	Assembly, PO Check Valve	
108	N.S.S.	1	Manifold	
108	70022931	1	Cartridge, PO Check Valve	
108	70023010	1	Check, PO	
109	70022949	2	Washer, Lock M10	
110	70022950	2	Bolt	
111	70022938	1	Fitting, Straight	
112	70022939	1	Fitting, Straight	
113	70022940	1	Tee Fitting	
114	91403414	1	Adapter, Male Quick Disconnect	
115	91403413	1	Adapter, Female Quick Disconnect	
116	8420055	1	Cover, Dust	
117	8420053	1	Cover, Dust	
118	70022941	1	Harness	
119	70022942	1	Hose	
120	70022943	1	Hose	
121	70022944	1	Hose	
122	70022945	1	Hose	
123	70022946	1	Hose	
124	70022947	1	Hose	
125	70022972	3	Wear Pad	
126	70022971	8	Capscrew, Flat Head	
127	70023001	2	Grease Fitting	
128	70022975	1	Spherical Bearing	
129	70022973	1	Pivot Shaft	
130	70022974	2	Beveled Spacer	
131	70022988	1	Ring, Retaining	
132	70022976	1	Retainer Plate	
133	2716143	1	Tilt Cylinder	
134	70022977	1	Pin	
135	70023016	4	Ring, Snap	
136	70022978	1	Pin	
137	70023000	1	Fitting	
138	70022999	1	Elbow	
139	70022982	1	Elbow, Straight Thread	
140	70022980	2	Keeper, Fork Pin	
141	70022949	4	Washer, Lock M10	
142	70022939	2	Fitting, Straight	
143	70022998	4	Screw, M10X20	

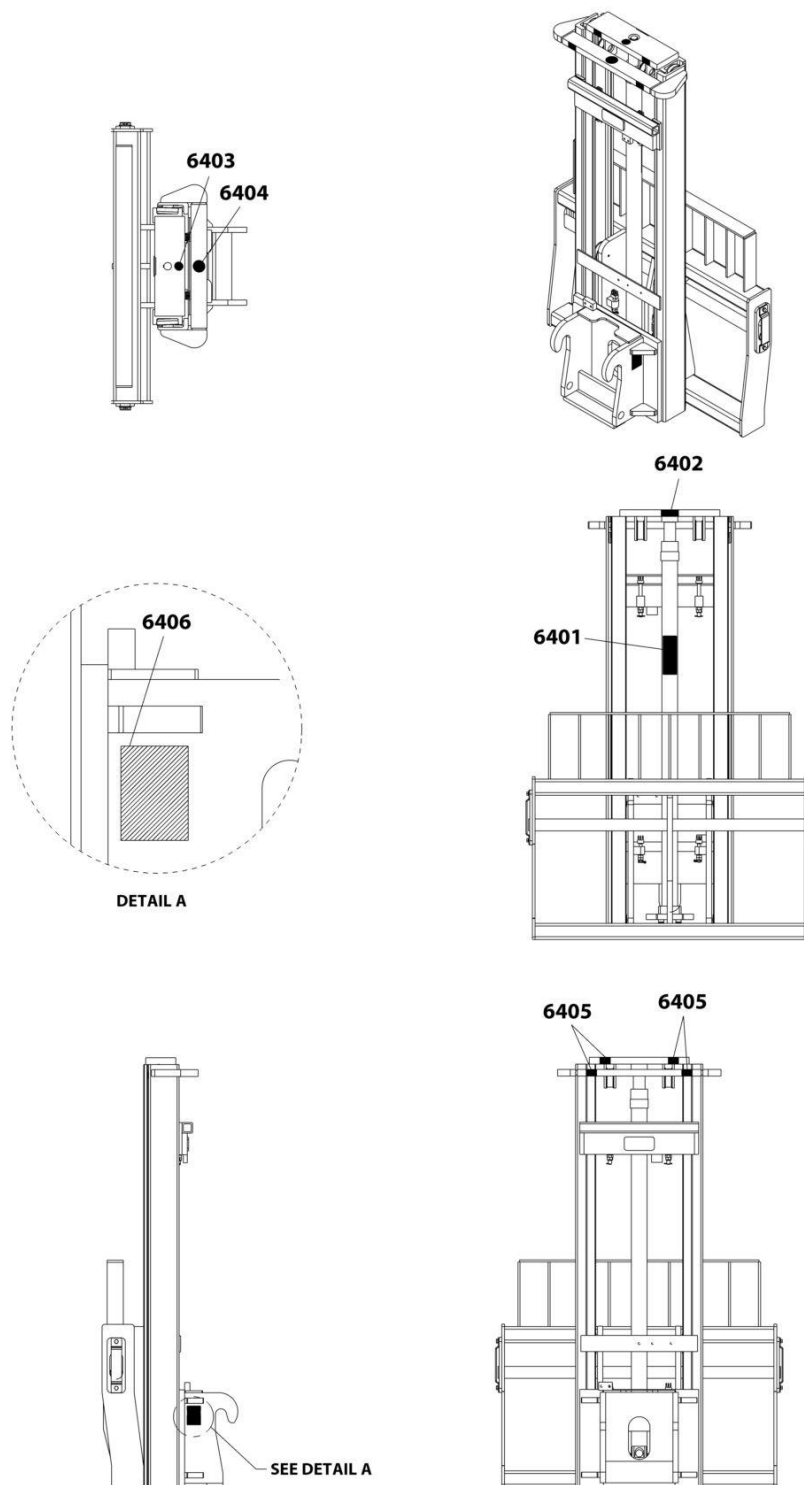
## SECTION 3 - ATTACHMENTS

ITEM	PART NUMBER	QTY	DESCRIPTION	REV
144	70022966	1	Grease Fitting 30	
145	70022979	2	Hose	
146	70025353	1	Spine Weldment	
147	N.S.S.	1	Front Frame Weldment	
148	70022990	1	Pin, Fork	
149	70023014	24	Shim	
150	70022987	8	Bearing, Ball	
151	70027951	2	Washer, Shim	
152	70023016	1	Ring, Snap	
153	70022969	2	Assembly, Sheave	
154	70022960	2	Anchor, Chain	
155	70022957	8	Nut, 5/8-18	
156	70022993	4	Pin, Cotter	
157	70022995	2	Anchor, Chain	
158	70022984	1	Shaft, Sheave	
159	70022970	2	Bar, Retainer	
160	70023003	2	Capscrew	
161	70022994	4	Pin, Chain Anchor	
162	70022992	8	Pin, Cotter	
163	70022985	1	Shaft, Sheave	
164	70023925	1	Kit, Decal (Not Shown) (See Separate Breakdown in this Section)	
165	70023009	2	Chain, Lift	
166	70023008	1	Cylinder, Main Lift (Not Shown) (See Separate Breakdown in this Section)	



# SECTION 3 - ATTACHMENTS

## FIGURE 3-49. KIT DECAL



ART\_70023925-A



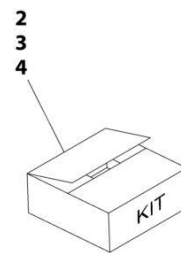
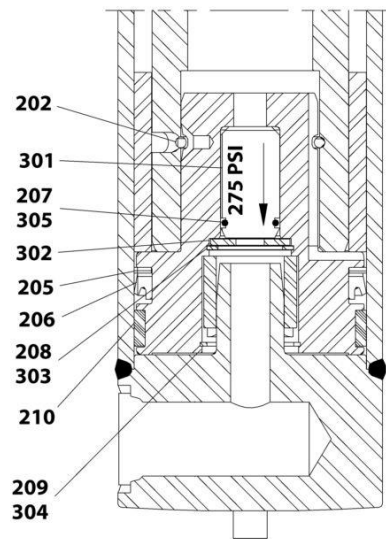
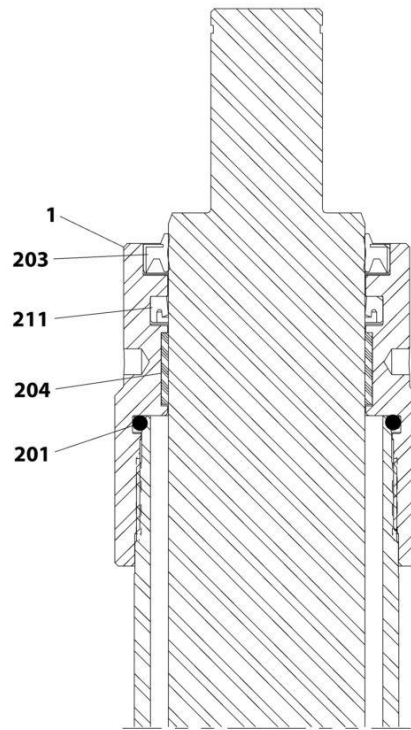
## SECTION 3 - ATTACHMENTS

### FIGURE 3-49. KIT DECAL

ITEM	PART NUMBER	QTY	DESCRIPTION	REV
	70023925	Ref	Kit, Decal	A
6401	Kit	1	Decal, Warning	
6402	Kit	1	Decal, Warning	
6403	Kit	1	Decal, No Step	
6404	Kit	1	Decal, No Step	
6405	Kit	4	Decal, Hands Off	
6406	Kit	2	Decal, Hose Routing	

# SECTION 3 - ATTACHMENTS

## FIGURE 3-50. MAIN LIFT CYLINDER



ART\_70023008-A

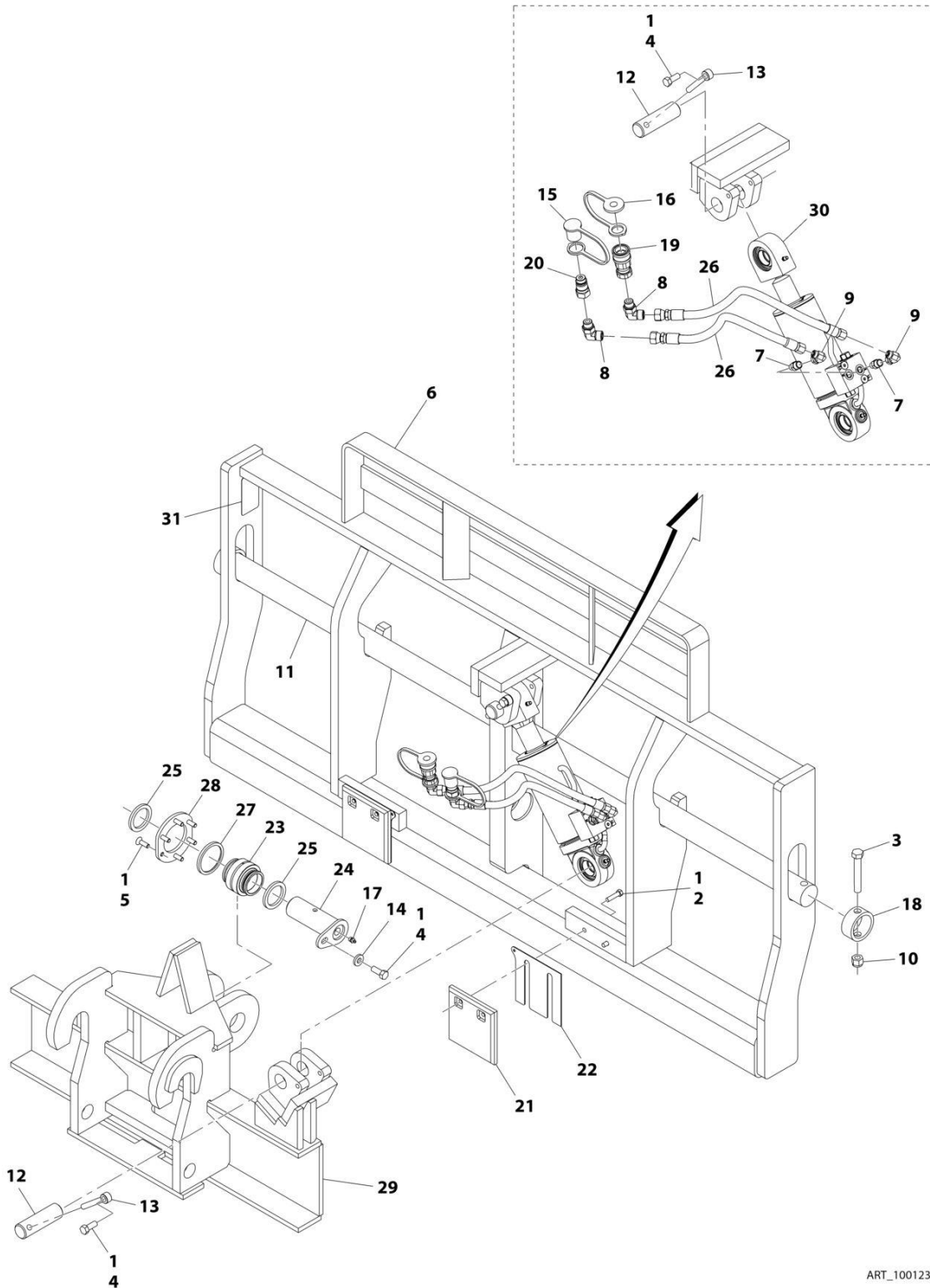
## SECTION 3 - ATTACHMENTS

### FIGURE 3-50. MAIN LIFT CYLINDER

ITEM	PART NUMBER	QTY	DESCRIPTION	REV
	70023008	Ref	Main Lift Cylinder	A
1	70023004	1	Retainer/Gland	
2	70023005	1	Seal Kit, Main Lift Cylinder	
201	Kit	1	O-Ring	
202	Kit	1	Wire, Pull	
203	Kit	1	Wiper	
204	Kit	1	Bushing	
205	Kit	1	Ring, Nylon	
206	Kit	1	Seal, Piston	
207	Kit	1	O-Ring	
208	Kit	1	Circlip	
209	Kit	1	Ring, Retaining	
210	Kit	1	Ring, Wear	
211	Kit	1	Seal, Rod	
3	70023006	1	Kit, Check Valve	
301	Kit	1	Valve, Check	
302	Kit	1	Washer	
303	Kit	1	Circlip	
304	Kit	1	Ring, Retaining	
304	Kit	1	O-Ring	
4	70023007	1	Kit, Shim	

# SECTION 3 - ATTACHMENTS

## FIGURE 3-51. SIDE TILT CARRIAGE ASSEMBLY (72 INCH)



ART\_1001233385-C

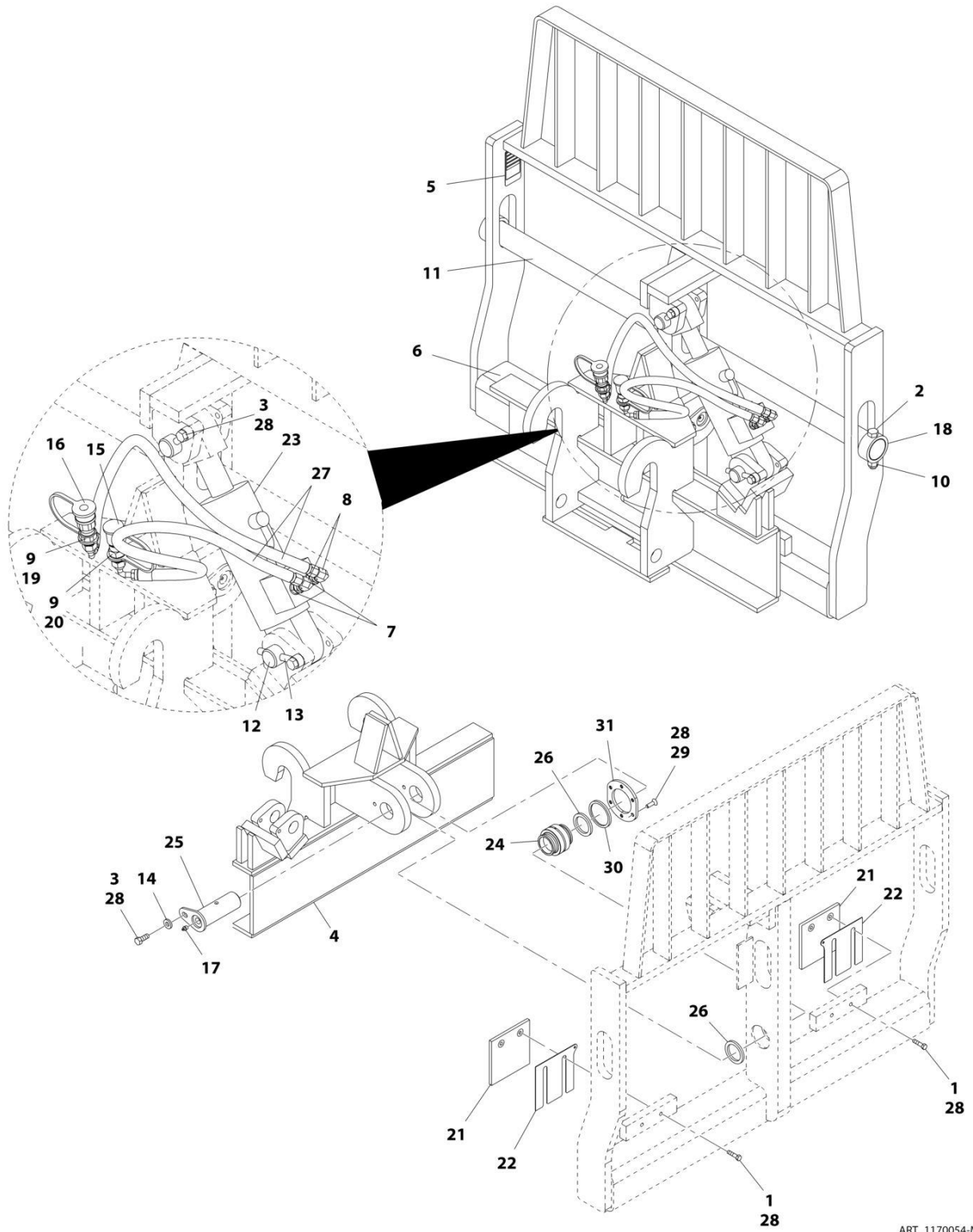
## SECTION 3 - ATTACHMENTS

**FIGURE 3-51. SIDE TILT CARRIAGE ASSEMBLY (72 INCH)**

ITEM	PART NUMBER	QTY	DESCRIPTION	REV
	1001233385	Ref	Side Tilt Carriage Assembly (72 Inch)	C
1	0100011	AR	Compound, Locking	
2	0641612	4	Bolt, 3/8X1-1/2	
3	0642032	2	Bolt, 5/8X4	
4	0681810	3	Bolt, 1/2X1-1/4	
5	0741610	6	Screw, 3/8X1-1/4	
6	See Note	NSS	Carriage, Side tilt (Note: Purchase Complet Assembly)	
7	2110606	2	Adapter, Straight	
8	2130808	2	Adapter, 90	
9	2172106	2	Adapter, 90	
10	3300240	2	Nut 5/8	
11	3423276	1	Pin, Fork	
12	3423307	2	Pin, Side Tilt Cylinder	
13	3841203	2	Keeper, Rod	
14	4891800	1	Washer, 1/2	
15	8420053	1	Cap, Dust	
16	8420055	1	Plug, Dust	
17	88671001	1	Fitting, Grease	
18	90200003	2	Collar, Fork Pin	
19	91403413	1	Adapter	
20	91403414	1	Adapter	
21	1001090063	2	Pad, Wear	
22	1001090064	AR	Shim, Wear Pad	
23	1001090140	1	Bearing, Side Tilt Spherical	
24	1001099113	1	Pin, Side Tilt Frame Pivot	
25	1001099115	2	Sleeve, Tilt Bearing Spacer	
26	1001239734	2	Hose	
27	1001120914	1	Shim, Bearing Retainer	
28	1001120915	1	Plate, Bearing Retainer	
29	1001133072	1	Carriage, Base Pivot	
30	1001163414	1	Cylinder, Side Tilt (See Separate Breakdown in HYDRAULIC COMPONENTS Section)	
31	See Note	NSS	S/N Plate (Note: Stamped Part - Not Available for Purchase)	

# SECTION 3 - ATTACHMENTS

## FIGURE 3-52. SIDE TILTING CARRIAGE (4.5 TON - 1270 MM)



ART\_1170054-M

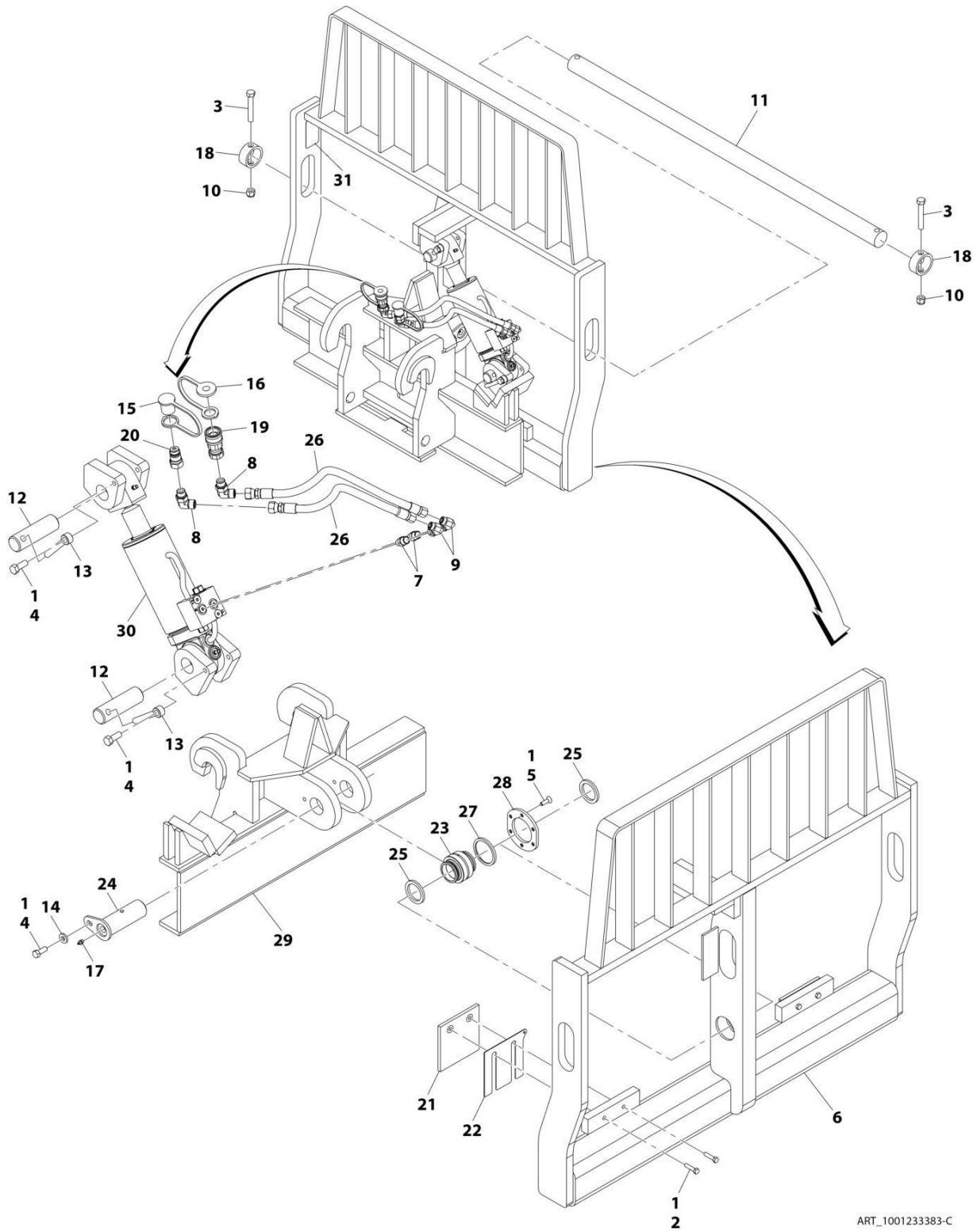
## SECTION 3 - ATTACHMENTS

**FIGURE 3-52. SIDE TILTING CARRIAGE (4.5 TON - 1270 MM)**

ITEM	PART NUMBER	QTY	DESCRIPTION	REV
	1170054	1	Side Tilting Carriage (4.5 ton - 1270 MM)	M
1	0641612	4	Bolt, 3/8-16X1-1/2	
2	0642032	2	Bolt, 5/8-11X4	
3	0681810	3	Bolt, 1/2-13X1-1/4	
4	1001133072	1	Carriage, Base Pivot	
5	N.S.S.	1	Plate, Serial Number	
6	N.S.S.	1	Carriage, Side Tilt	
7	2110606	2	Fitting, Straight ORFS	
8	2172106	2	Fitting, 90 ORFS	
9	2110808	2	Fitting, Straight ORFS	
10	3300240	2	Nut, Locking 5/8-11	
11	3423275	1	Pin, Fork	
12	3423307	2	Pin	
13	3841203	2	Keeper	
14	4891800	1	Flatwasher	
15	8420053	1	Cap	
16	8420055	1	Plug	
17	88671001	1	Fitting, Grease	
18	90200003	2	Collar	
19	91403413	1	Fitting	
20	91403414	1	Fitting	
21	1001090063	2	Pad	
22	1001090064	AR	Shim	
23	1001163414	1	Cylinder, Side Tilt (See Separate Breakdown in HYDRAULIC COMPONENTS Section)	
24	1001090140	1	Bearing	
25	1001099113	1	Pin	
26	1001099115	2	Sleeve	
27	1001102378	2	Hose	
28	0100011	AR	Compound, Locking	
29	0741610	6	Screw, 3/8-16X1.25	
30	1001120914	1	Shim	
31	1001120915	1	Plate	

# SECTION 3 - ATTACHMENTS

## FIGURE 3-53. SIDE TILT CARRIAGE ASSEMBLY (50 INCH)



ART\_1001233383-C



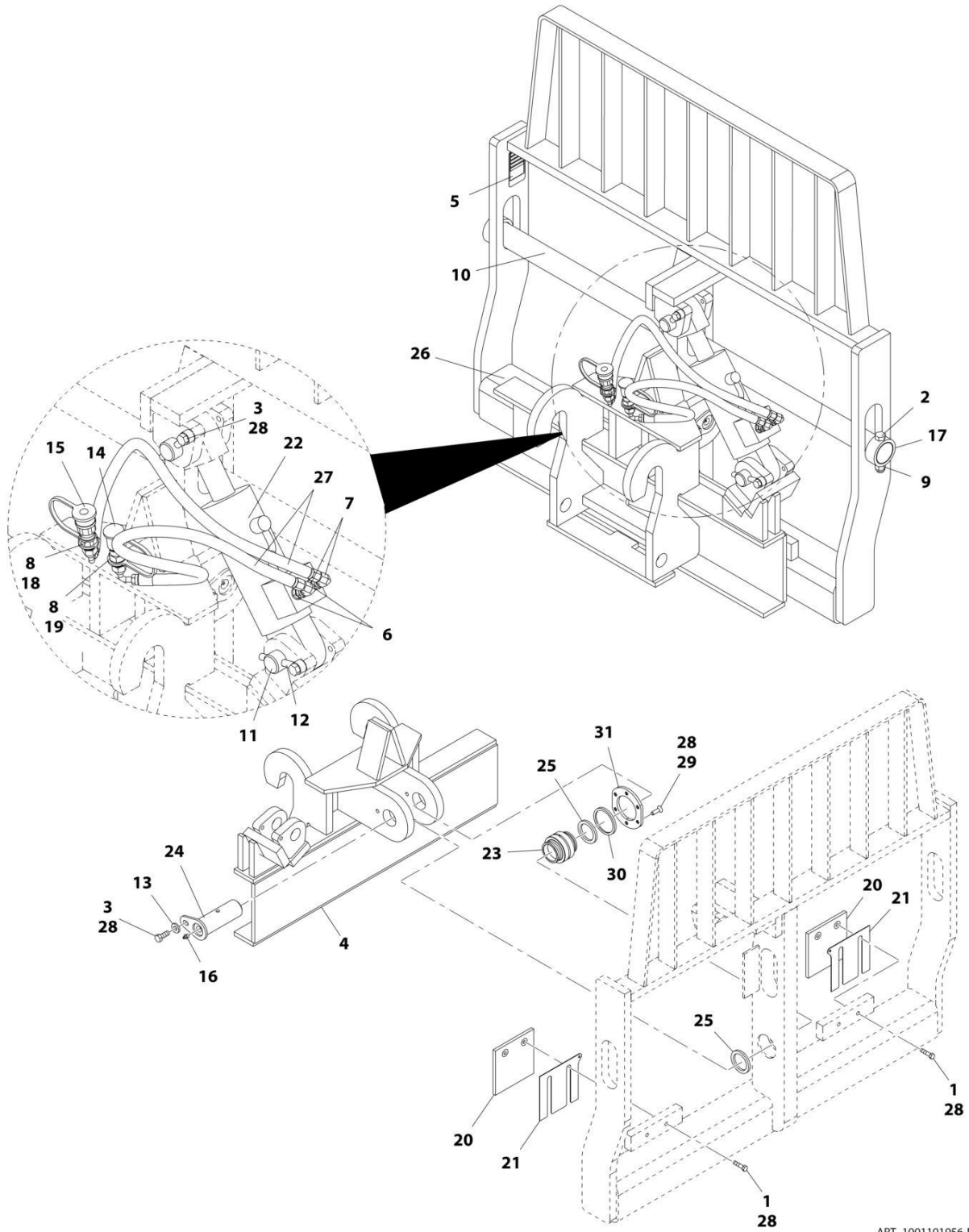
## SECTION 3 - ATTACHMENTS

**FIGURE 3-53. SIDE TILT CARRIAGE ASSEMBLY (50 INCH)**

ITEM	PART NUMBER	QTY	DESCRIPTION	REV
	1001233383	Ref	SIDE TILT CARRIAGE ASSEMBLY (50 INCH)	C
1	0100011	AR	Compound, Locking	
2	0641612	4	Bolt 3/8 x 1-1/2	
3	0642032	2	Bolt 5/8 x 4	
4	0681810	3	Bolt 1/2 x 1-1/4	
5	0741610	6	Screw 3/8 x 1.25	
6	See Note	NLA	Carriage (Note: Purchase Complete Assembly)	
7	2110606	2	Fitting, Straight ORFS	
8	2130808	2	Adapter, 90	
9	2172106	2	Fitting, 90 ORFS	
10	3300240	2	Nut 5/8	
11	3423275	1	Pin	
12	3423307	2	Pin	
13	3841203	2	Keeper	
14	4891800	1	Flatwasher	
15	8420053	1	Cap	
16	8420055	1	Plug	
17	88671001	1	Fitting, Grease	
18	90200003	2	Collar	
19	91403413	1	Fitting, Straight	
20	91403414	1	Fitting, Straight	
21	1001090063	2	Pad	
22	1001090064	AR	Shim	
23	1001090140	1	Bearing	
24	1001099113	1	Pin	
25	1001099115	2	Sleeve	
26	1001239734	2	Hose	
27	1001120914	1	Shim	
28	1001120915	1	Plate	
29	See Note	NSS	Carriage, Base Pivot (Note: Purchase Complete Assembly)	
30	1001163414	1	Cylinder, Side Tilt (See Separate Breakdown in HYDRAULIC COMPONENTS Section)	
31	See Note	NSS	S/N Plate (Note: Stamped Part - Not Available for Purchase)	

# SECTION 3 - ATTACHMENTS

## FIGURE 3-54. SIDE TILTING CARRIAGE (4.5 TON - 1575 MM)



ART\_1001101956-N

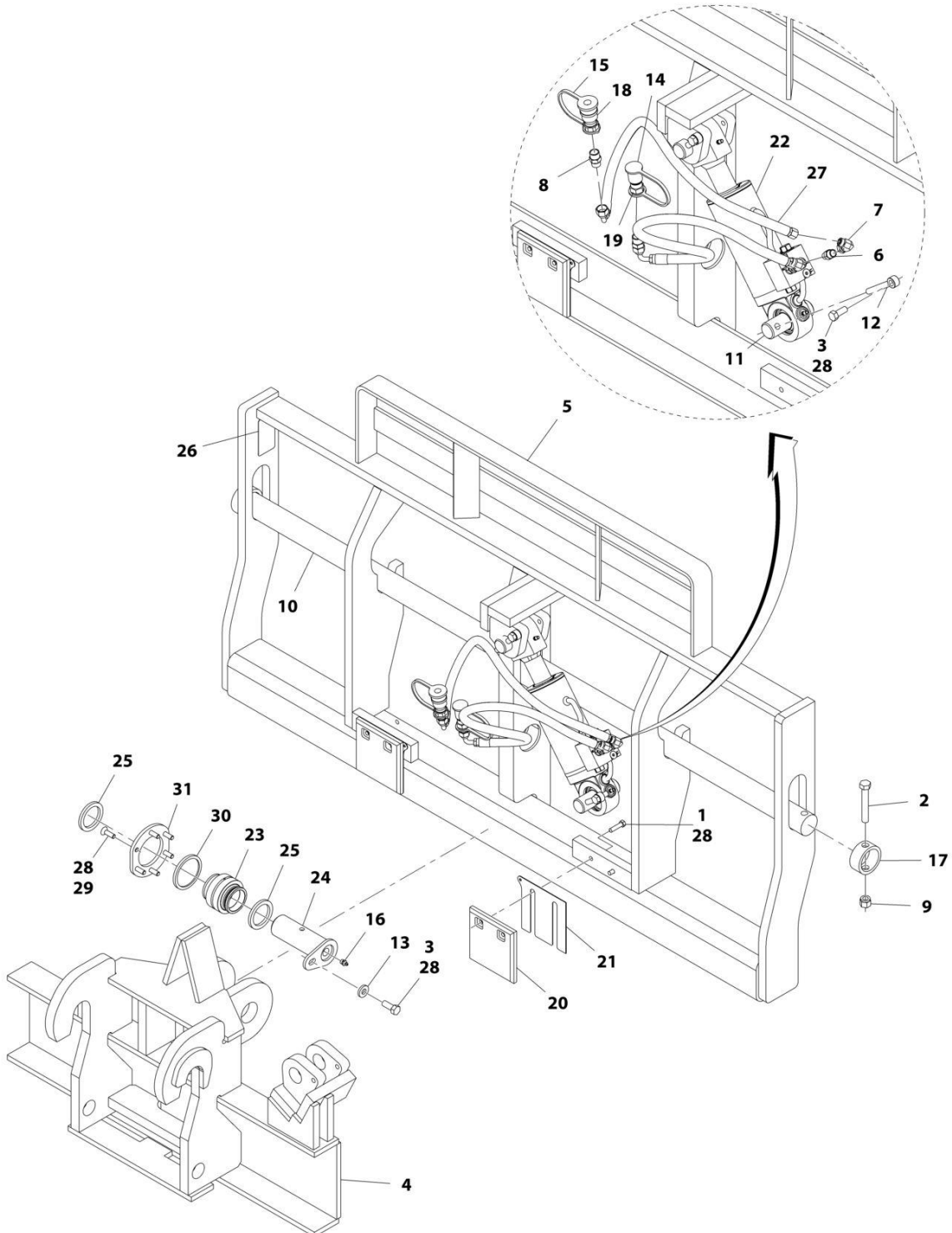
## SECTION 3 - ATTACHMENTS

**FIGURE 3-54. SIDE TILTING CARRIAGE (4.5 TON - 1575 MM)**

ITEM	PART NUMBER	QTY	DESCRIPTION	REV
	1001101956	Ref	Side Tilting Carriage (4.5 ton - 1575 MM)	N
1	0641612	4	Bolt, 3/8-16X1-1/2	
2	0642032	2	Bolt, 5/8-11X4	
3	0681810	3	Bolt, 1/2-13X1-1/4	
4	1001133072	1	Carriage, Base Pivot	
5	N.S.S.	1	Plate, Serial Number	
6	2110606	2	Fitting, Straight ORFS	
7	2172106	2	Fitting, 90 ORFS	
8	2110808	2	Fitting, Straight ORFS	
9	3300240	2	Nut, Locking 5/8-11	
10	3423242	1	Pin, Fork	
11	3423307	2	Pin	
12	3841203	2	Keeper	
13	4891800	1	Flatwasher	
14	8420053	1	Cap	
15	8420055	1	Plug	
16	88671001	1	Fitting, Grease	
17	90200003	2	Collar	
18	91403413	1	Fitting	
19	91403414	1	Fitting	
20	1001090063	2	Pad	
21	1001090064	AR	Shim	
22	1001163414	1	Cylinder, Side Tilt (See Separate Breakdown in HYDRAULIC COMPONENTS Section)	
23	1001090140	1	Bearing	
24	1001099113	1	Pin, Frame Pivot	
25	1001099115	2	Spacer	
26	N.S.S.	1	Carriage, Side Tilting	
27	1001102378	2	Hose	
28	0100011	AR	Compound, Locking	
29	0741610	6	Screw, 3/8-16X1.25	
30	1001120914	1	Shim	
31	1001120915	1	Plate	

# SECTION 3 - ATTACHMENTS

## FIGURE 3-55. SIDE TILTING CARRIAGE (4.5 TON - 1829 MM)



ART\_1170057-M

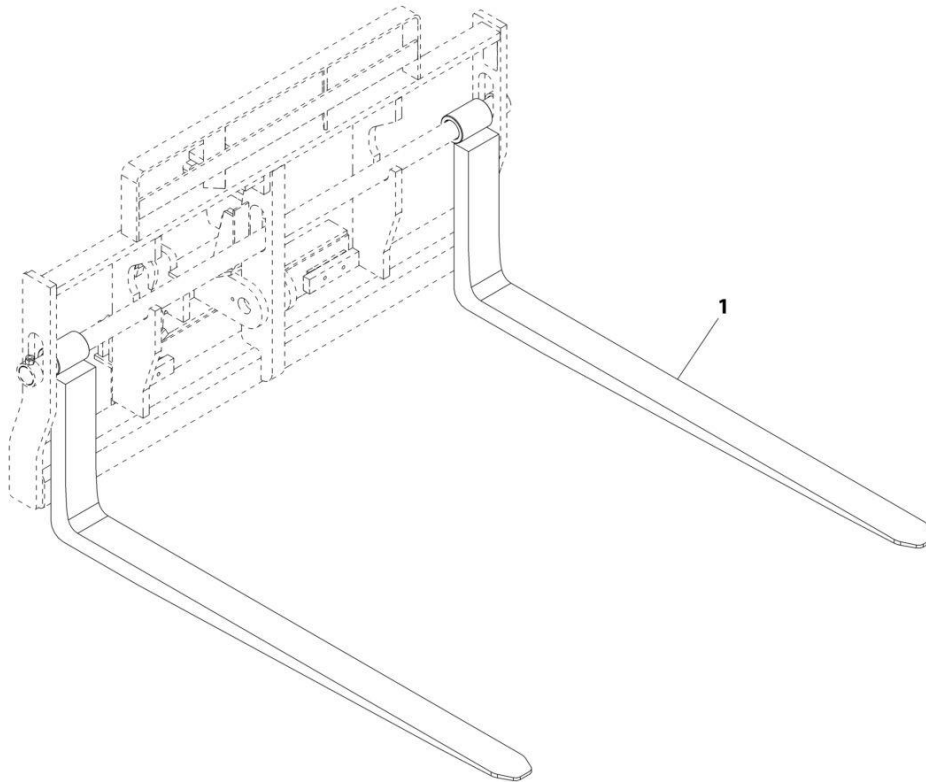
## SECTION 3 - ATTACHMENTS

**FIGURE 3-55. SIDE TILTING CARRIAGE (4.5 TON - 1829 MM)**

ITEM	PART NUMBER	QTY	DESCRIPTION	REV
	1170057	Ref	Side Tilting Carriage (4.5 ton - 1829 MM)	M
1	0641612	4	Bolt, 3/8-16X1-1/2	
2	0642032	2	Bolt, 5/8-11X4	
3	0681810	3	Bolt, 1/2-13X1-1/4	
4	1001133072	1	Carriage, Base Pivot	
5	N.S.S.	1	Carriage, Side Tilting	
6	2110606	2	Fitting, Straight ORFS	
7	2172106	2	Fitting, 90 ORFS	
8	2110808	2	Fitting, Straight ORFS	
9	3300240	2	Nut, Locking 5/8-11	
10	3423276	1	Pin, Fork	
11	3423307	2	Pin	
12	3841203	2	Keeper	
13	4891800	1	Flatwasher	
14	8420053	1	Cap	
15	8420055	1	Plug	
16	88671001	1	Fitting, Grease	
17	90200003	2	Collar	
18	91403413	1	Fitting	
19	91403414	1	Fitting	
20	1001090063	2	Pad	
21	1001090064	AR	Shim	
22	N.S.S.	1	Cylinder, Side Tilt (See Separate Breakdown in HYDRAULIC COMPONENTS Section)	
23	1001090140	1	Bearing	
24	1001099113	1	Pin	
25	1001099115	2	Sleeve	
26	N.S.S.	1	Plate, Serial Number	
27	1001102378	2	Hose	
28	0100011	AR	Compound, Locking	
29	0741610	6	Screw, 3/8-16X1.25	
30	1001120914	1	Shim	
31	1001120915	1	Plate	

# SECTION 3 - ATTACHMENTS

FIGURE 3-56. PALLET FORK (2.36X5X72)



ART\_1001232355

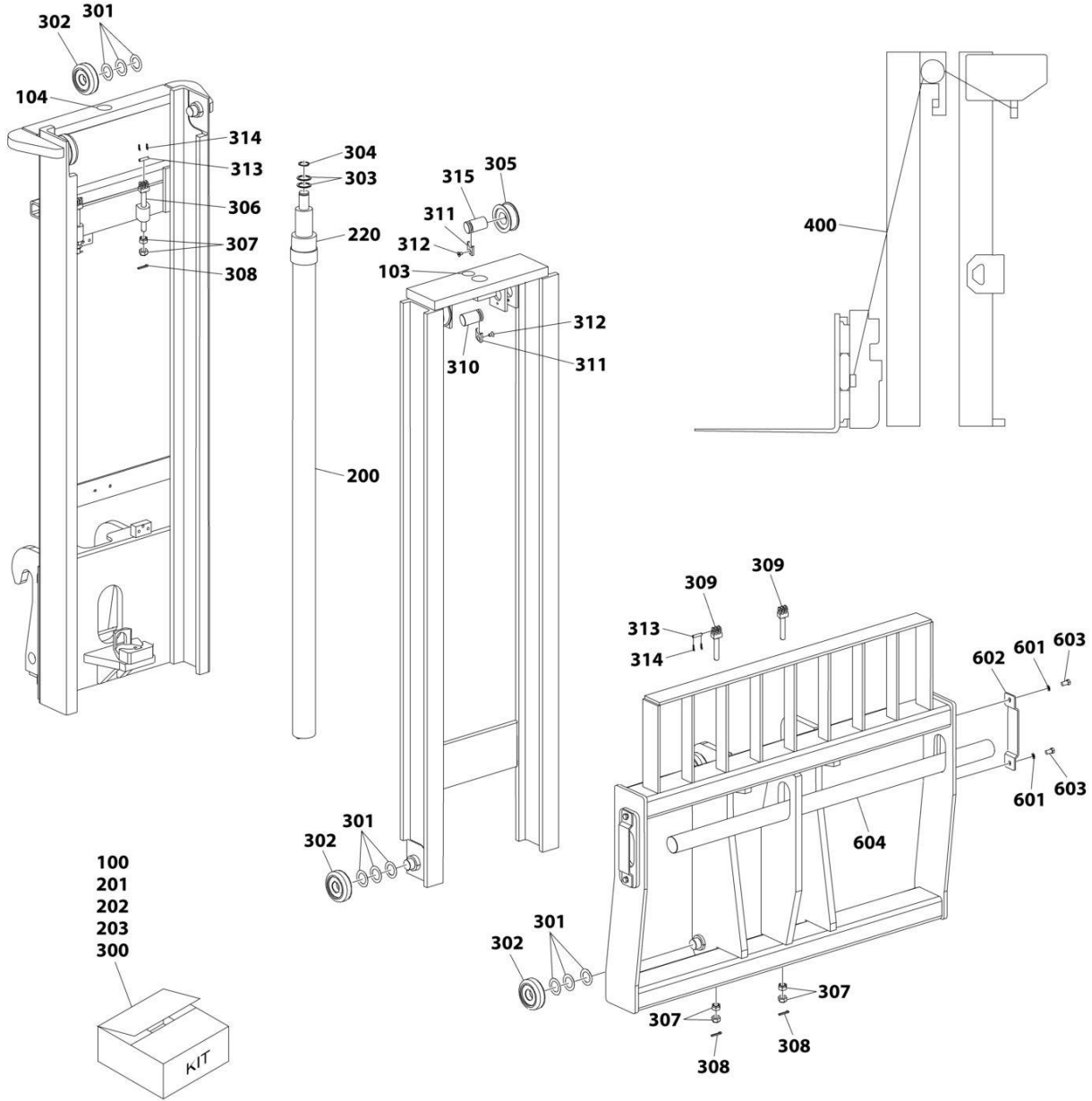
## SECTION 3 - ATTACHMENTS

**FIGURE 3-56. PALLET FORK (2.36X5X72)**

ITEM	PART NUMBER	QTY	DESCRIPTION	REV
	1001232355	1 pr	Pallet Fork (2.36X5X72)	A
	Note	Ref	<b>FORKS RATED LESS THAN THE ATTACHMENT OR MACHINE'S CAPACITY DECREASES CAPACITY OF THE ATTACHMENT OR MACHINE TO THAT OF THE FORKS. FORKS RATED MORE THAN THE ATTACHMENT OR MACHINE'S CAPACITY DO NOT INCREASE ATTACHMENT OR MACHINE'S CAPACITY.</b>	
	Note	Ref	<b>PLEASE CONSULT JLG PARTS DEPARTMENT TO DETERMINE THE CORRECT FORKS APPLICABLE TO YOUR SPECIFIC CARRIAGE ASSEMBLY AND APPLICATION.</b>	

# SECTION 3 - ATTACHMENTS

## FIGURE 3-57. MAST (8 FOOT)



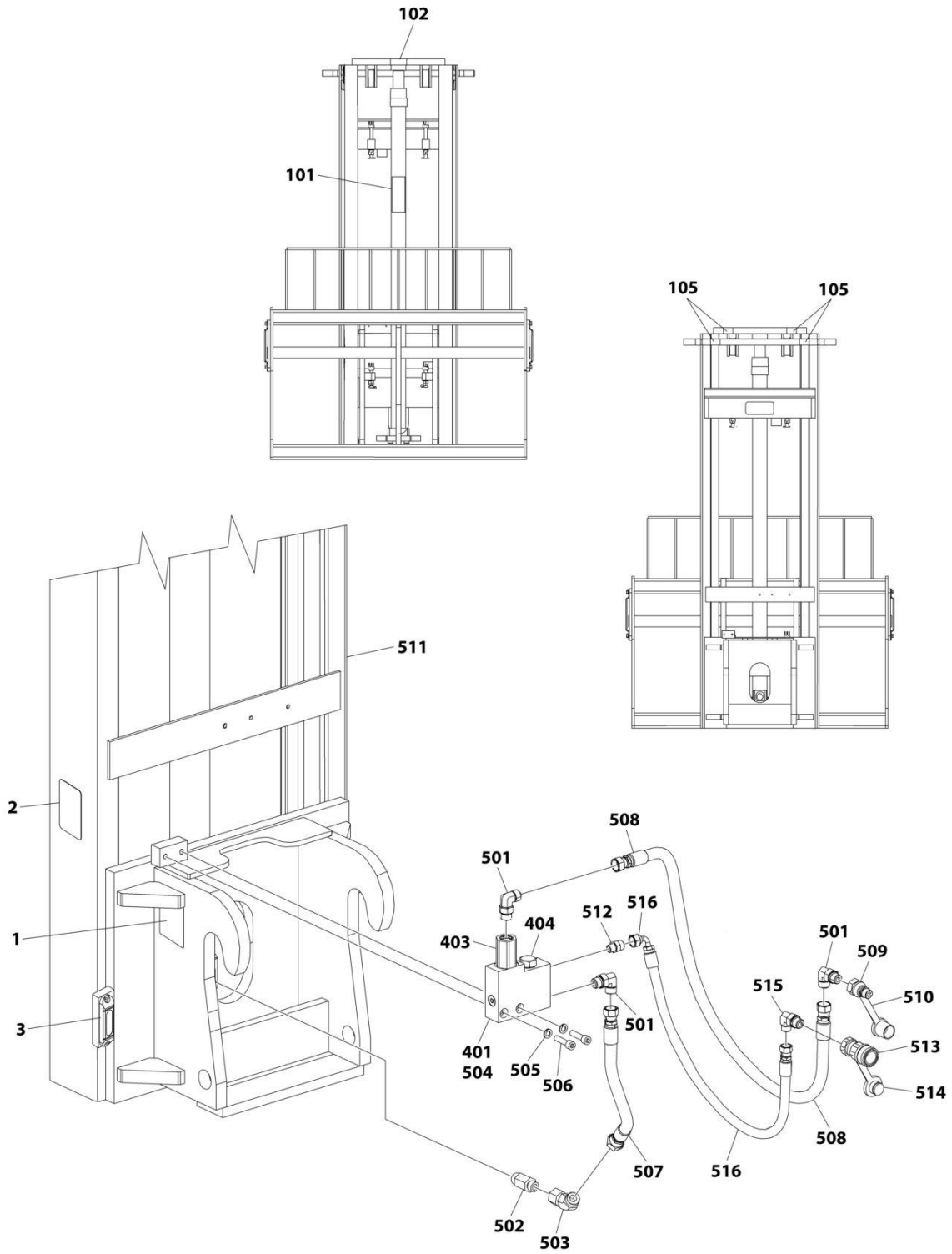
ART\_1001108668\_1OF2





# SECTION 3 - ATTACHMENTS

## FIGURE 3-58. MAST (8 FOOT)



ART\_1001108668\_20F2

## SECTION 3 - ATTACHMENTS

### FIGURE 3-58. MAST (8 FOOT)

ITEM	PART NUMBER	QTY	DESCRIPTION	REV
	1001108668	Ref	MAST ASSEMBLY - 8FT	G
1	See Note	NSS	Nameplate, Serial Number (Note: Not Available for Purchase)	
2	1001111190	2	Decal - Warning	
3	1001227670	1	RFID Tag	
100	70023925	1	Decal Kit (includes items 1, Warning, No Step & Hose Routing Decals)	
101	See Note	NSS	Decal, Warning (Use Item 100)	
102	See Note	NSS	Decal, Warning (Use Item 100)	
103	See Note	NSS	Decal, No Step (Use Item 100)	
104	See Note	NSS	Decal, No Step (Use Item 100)	
105	See Note	NSS	Decal, Hands Off (Use Item 100)	
200	70023008	1	Cylinder Assembly - Lift (includes items 201-203 & 220. No Other Service Parts Available)	
201	70023005	1	Seal Kit - 70023008 Cylinder (includes Seals & Seal Retaining Hardware)	
202	70023006	1	Check Valve Kit (includes Mounting O-Rings & Hardware)	
203	70023007	1	Shim Kit (Includes items 303)	
220	70023004	1	Head/Retainer	
300	70023015	1	Mast Kit (includes items 100 & 301-315)	
301	70023014	24	Shim	
302	70022987	8	Bearing, Ball	
303	See Note	NLA	Shim (Note: Use item 203)	
304	70023016	1	Ring, Retaining	
305	70022969	2	Sheave	
306	70022960	2	Anchor, Chain	
307	70022957	8	Nut 5/8	
308	70022993	4	Pin, Cotter	
309	70022995	2	Anchor, Chain	
310	70022984	1	Shaft, Sheave	
311	70022970	2	Bar	
312	70023003	2	Screw	
313	70022994	4	Pin	
314	70022992	8	Pin, Cotter	
315	70022985	1	Shaft, Sheave	
400	70023009	2	Chain, Hoist	
401	70022932	1	Valve Assembly - Lowering Control	
403	70022931	1	Cartridge, Valve	
404	70023010	1	Cartridge, Valve	
501	70022934	3	Fitting, 90	
502	70022936	1	Fitting, Flow Limiter	
503	70022937	1	Fitting, 45	
504	70022932	1	Valve Assembly - Lowering Control (Note: Duplicate of Item 401 - Only Qty 1 Used)	
505	70022949	2	Washer, M10	
506	70022950	2	Bolt M10	
507	70022942	1	Hose	
508	70022952	1	Hose	
509	91403414	1	Fitting, Quick Disconnect Coupling (Male)	
510	91043126	1	Cap, Dust	
511	70023015	1	Mast Kit (Note: Duplicate of Item 300 - Only Qty 1 Used)	

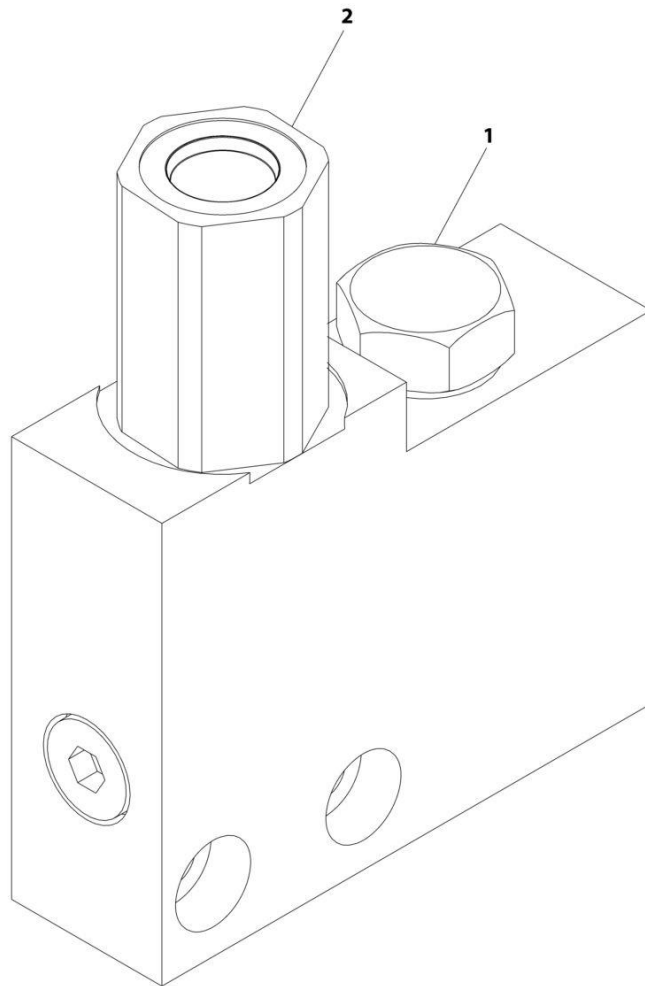
### SECTION 3 - ATTACHMENTS

ITEM	PART NUMBER	QTY	DESCRIPTION	REV
512	70022939	1	Fitting, Straight	
513	91403413	1	Fitting, Quick Disconnect Coupling (Female)	
514	91043125	1	Cap, Dust	
515	70022935	1	Fitting, 90	
516	70022946	1	Hose	
601	70022949	4	Washer M10	
602	70022980	2	Keeper, Pin	
603	70022998	4	Bolt M10 x 20	
604	70022990	1	Pin, Fork	



## SECTION 3 - ATTACHMENTS

FIGURE 3-59. PO CHECK VALVE



ART\_70022932-A

## SECTION 3 - ATTACHMENTS

### FIGURE 3-59. PO CHECK VALVE

ITEM	PART NUMBER	QTY	DESCRIPTION	REV
	70022932	Ref	PO Check Valve	A
1	70022931	1	Cartridge, PO Check Valve	
2	70023010	1	Check, PO	



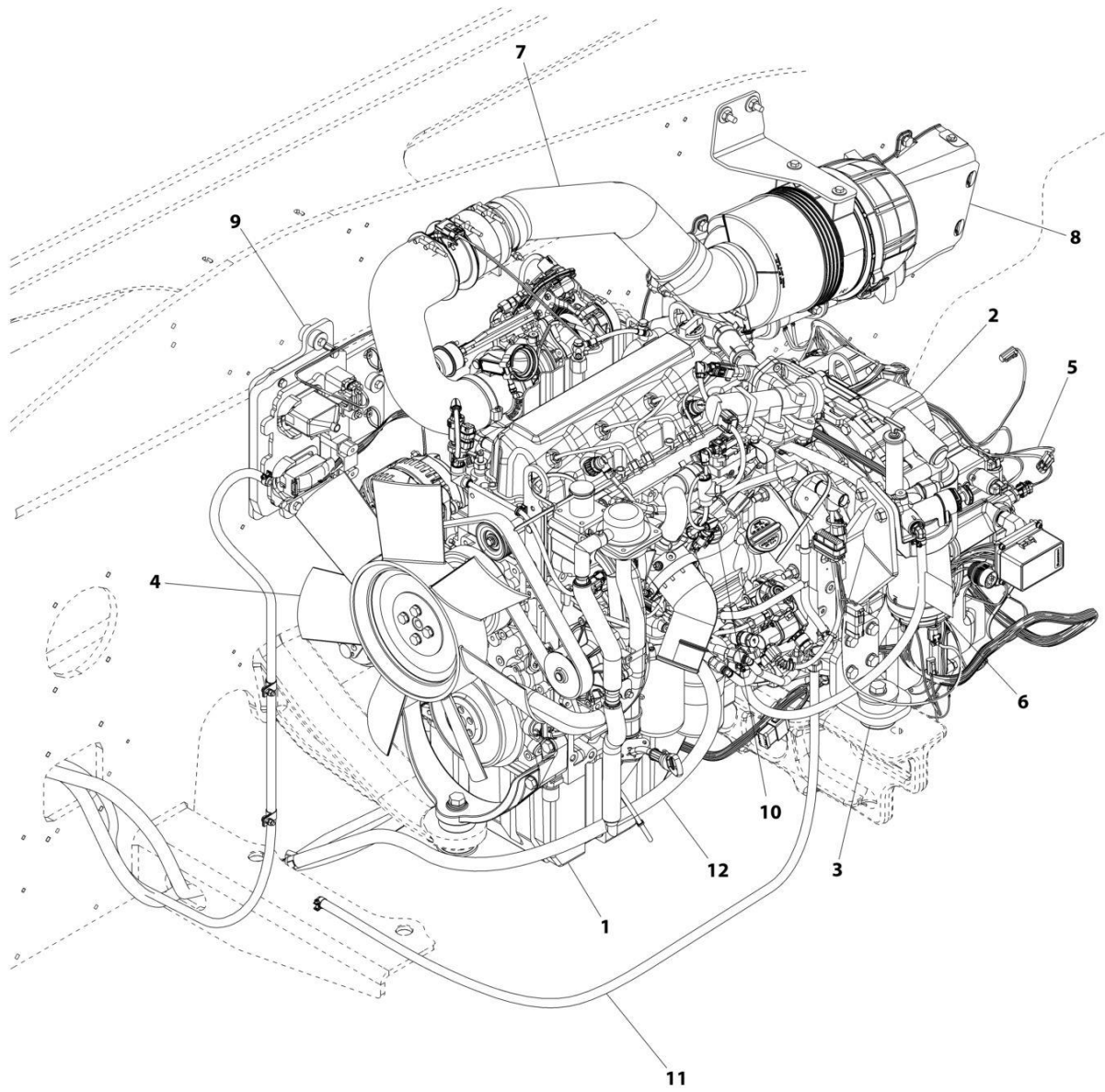


## **SECTION 4 - ENGINE AND ATTACHING PARTS**

## **SECTION 4 - ENGINE AND ATTACHING PARTS**

# SECTION 4 - ENGINE AND ATTACHING PARTS

## FIGURE 4-1. ENGINE INSTALLATION (ULS)



ART\_1001169009-H

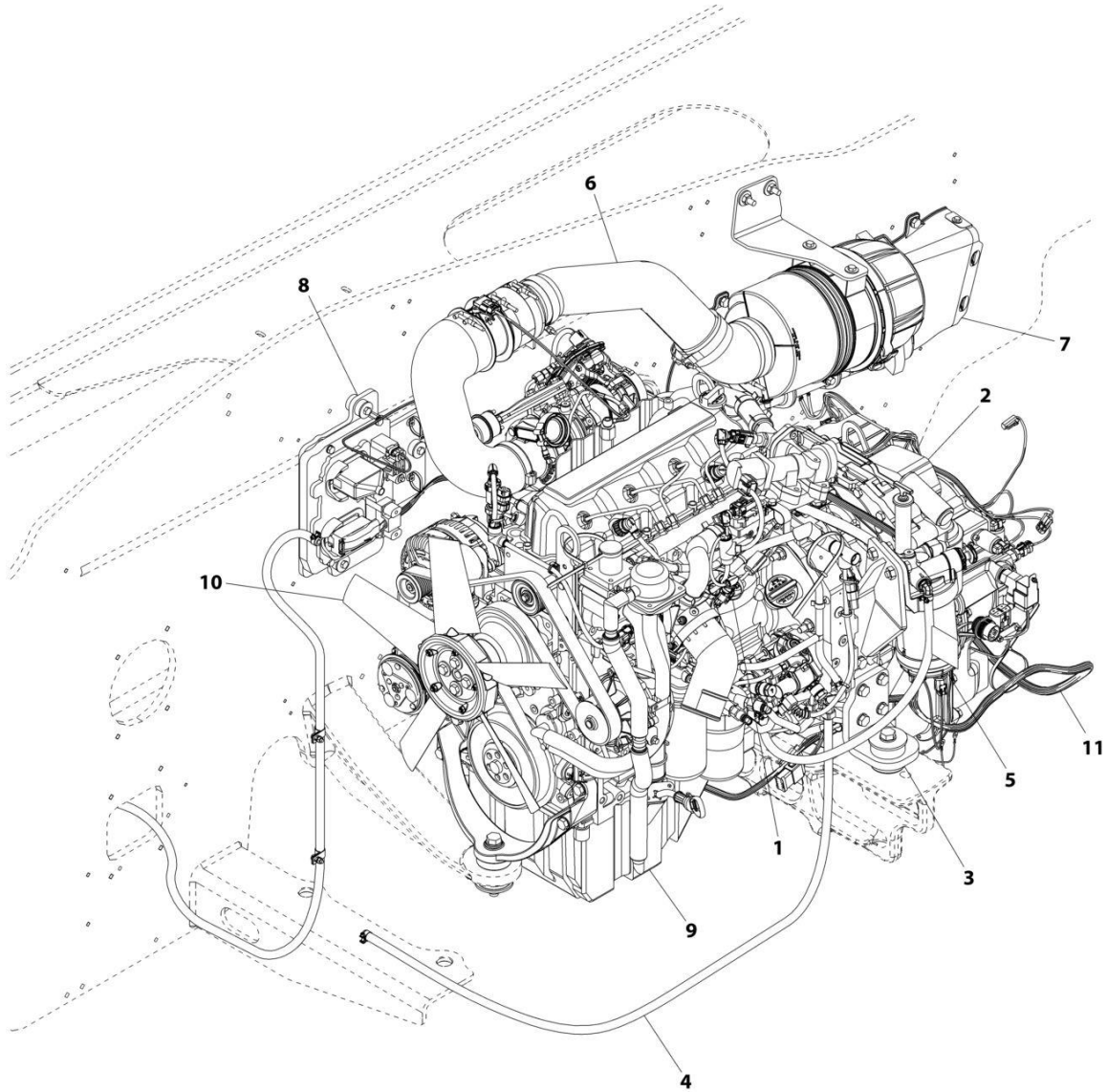
## SECTION 4 - ENGINE AND ATTACHING PARTS

**FIGURE 4-1. ENGINE INSTALLATION (ULS)**

ITEM	PART NUMBER	QTY	DESCRIPTION	REV
	1001169009	Ref	Engine Installation, 110HP (ULS)	H
1	1001154511	Ref	Engine, 110HP (ULS) (See Separate Breakdown in this Section)	
2	1001161664	Ref	Installation, Transmission (See Separate Breakdown in DRIVETRAIN Section)	
3	1001163227	Ref	Installation, Engine Mounting (See Separate Breakdown in this Section)	
4	1001163230	Ref	Installation, Fan (See Separate Breakdown in this Section)	
5	1001163233	Ref	Installation, Engine Wiring (ULS) (See Separate Breakdown in ELECTRICAL Section)	
6	1001163235	Ref	Installation, Primary Fuel Filter (See Separate Breakdown in this Section)	
7	1001169011	Ref	Installation, Air Cleaner Lines (See Separate Breakdown in this Section)	
8	1001169012	Ref	Installation, Air Cleaner (See Separate Breakdown in this Section)	
9	1001194286	Ref	Installation, Engine ECU (See Separate Breakdown in ELECTRICAL Section)	
10	1062255	1	Strap, Tie	
11	1001163231	Ref	Installation, Fuel Lines (See Separate Breakdown in this Section)	
12	1001163232	Ref	Installation, DEF Lines (See Separate Breakdown in this Section)	

# SECTION 4 - ENGINE AND ATTACHING PARTS

FIGURE 4-2. ENGINE INSTALLATION, 74HP (ULS)



ART\_1001225230-B

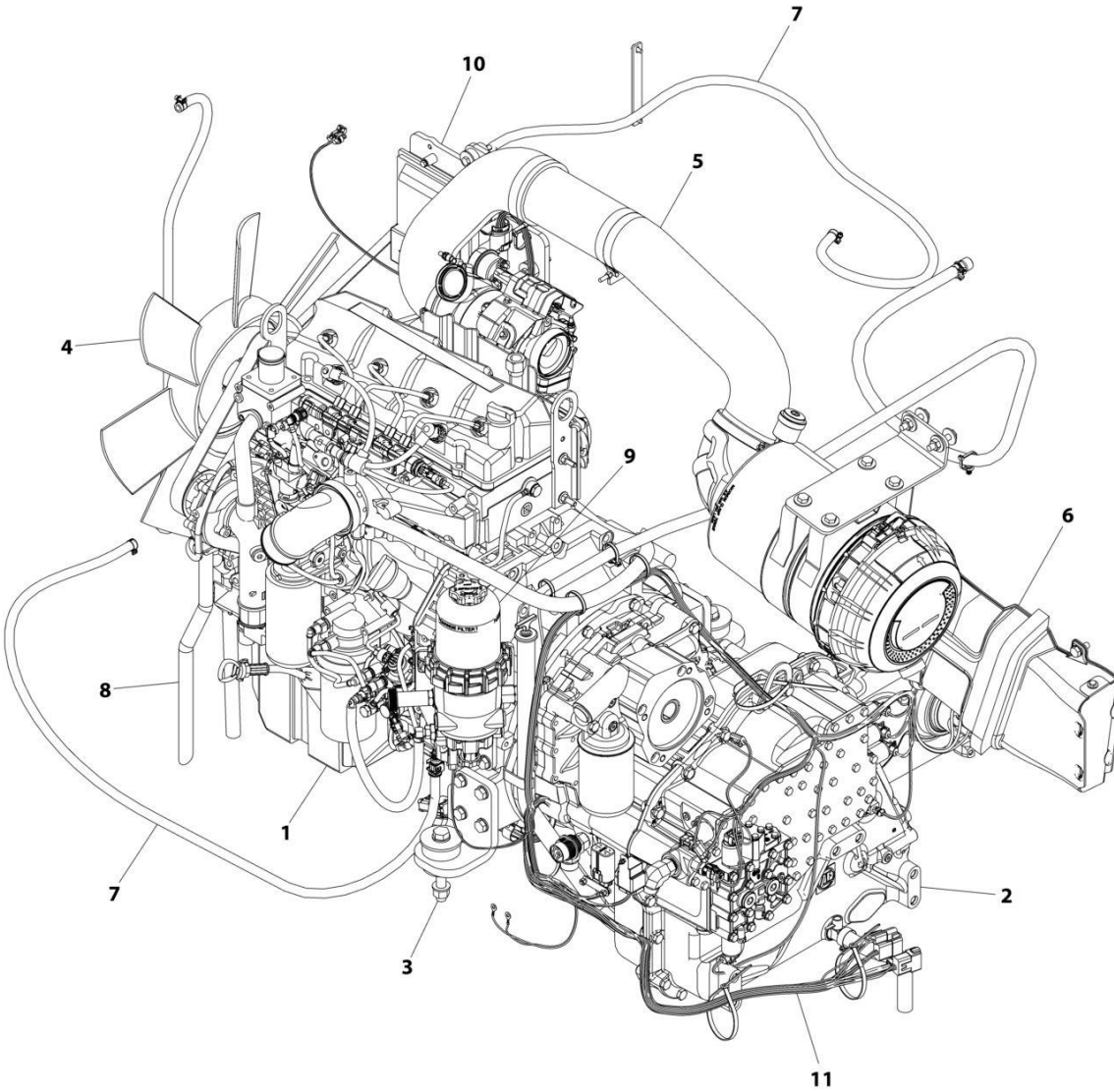
## SECTION 4 - ENGINE AND ATTACHING PARTS

**FIGURE 4-2. ENGINE INSTALLATION, 74HP (ULS)**

ITEM	PART NUMBER	QTY	DESCRIPTION	REV
	1001225230	Ref	Engine Installation, 74HP (ULS)	B
1	1062255	1	Strap, Tie	
2	1001227962	Ref	Installation, Transmission (See Separate Breakdown in DRIVETRAIN Section)	
3	1001163227	Ref	Installation, Engine Mounting (See Separate Breakdown in this Section)	
4	1001163231	Ref	Installation, Fuel Lines (See Separate Breakdown in this Section)	
5	1001163235	Ref	Installation, Primary Fuel Filter (See Separate Breakdown in this Section)	
6	1001169011	Ref	Installation, Air Cleaner Lines (See Separate Breakdown in this Section)	
7	1001169012	Ref	Installation, Air Cleaner (See Separate Breakdown in this Section)	
8	1001194286	Ref	Installation, Engine ECU (See Separate Breakdown in ELECTRICAL Section)	
9	1001196665	Ref	Engine, 74HP (See Separate Breakdown in this Section)	
10	1001225231	Ref	Installation, Fan (See Separate Breakdown in this Section)	
11	1001225232	Ref	Installation, Engine Wiring (See Separate Breakdown in ELECTRICAL Section)	

# SECTION 4 - ENGINE AND ATTACHING PARTS

## FIGURE 4-3. ENGINE INSTALLATION (LS)



ART\_1001160396-D

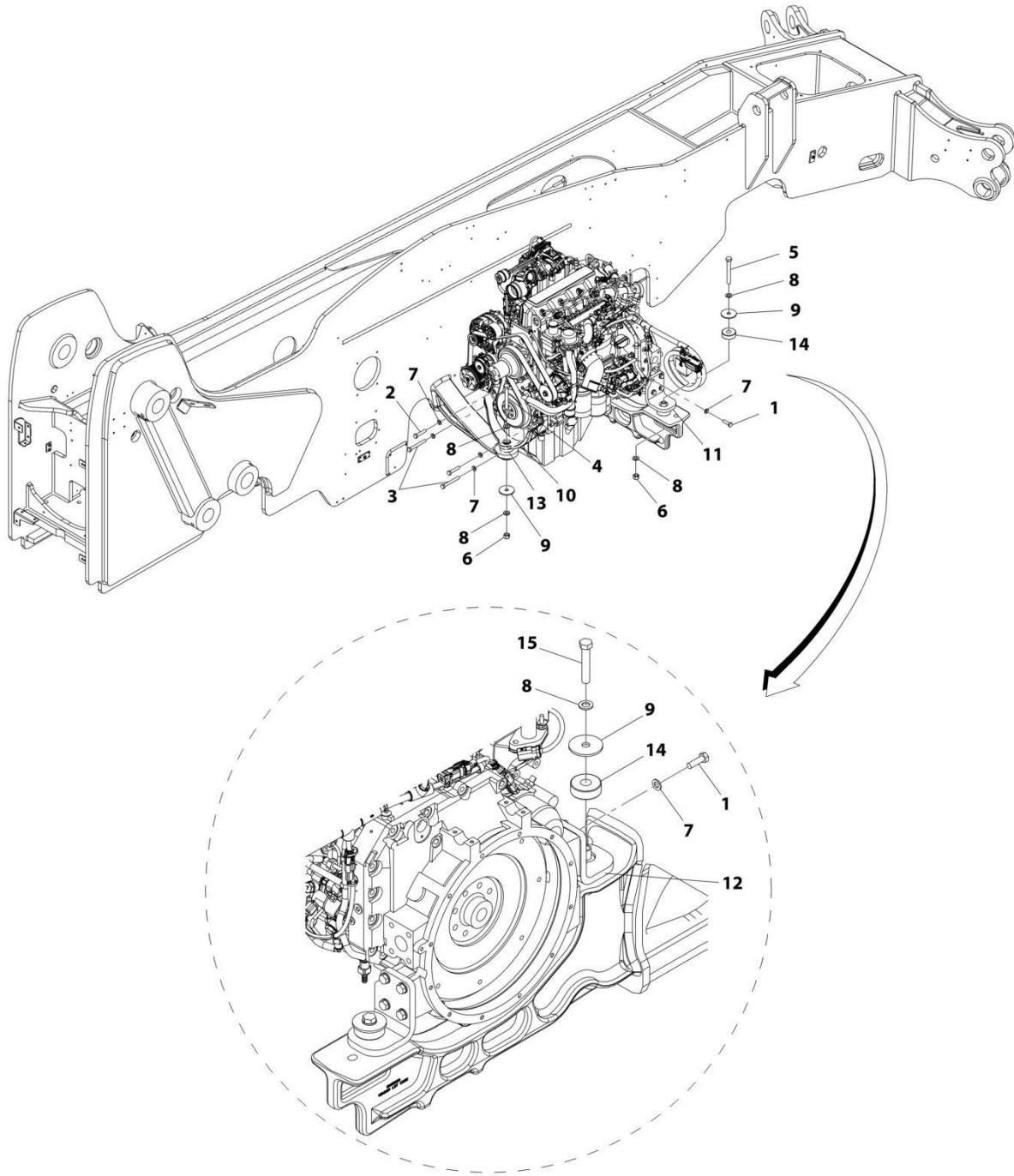
## SECTION 4 - ENGINE AND ATTACHING PARTS

**FIGURE 4-3. ENGINE INSTALLATION (LS)**

ITEM	PART NUMBER	QTY	DESCRIPTION	REV
	1001160396	Ref	Engine Installation, 110HP (LS)	D
1	1001154790	Ref	Engine, 110HP (LS) (See Separate Breakdown in this Section)	
2	1001161664	Ref	Installation, Transmission (See Separate Breakdown in DRIVETRAIN Section)	
3	1001163227	Ref	Installation, Engine Mounting (See Separate Breakdown in this Section)	
4	1001163230	Ref	Installation, Fan (See Separate Breakdown in this Section)	
5	1001163238	Ref	Installation, Air Intake Lines (LS) (See Separate Breakdown in this Section)	
6	1001163239	Ref	Installation, Air Cleaner (LS) (See Separate Breakdown in this Section)	
7	1001163241	Ref	Installation, Fuel Lines (LS) (See Separate Breakdown in this Section)	
8	1001176228	1	Hose, 3.8L	
9	1001180076	Ref	Installation, Primary Fuel Filter (LS) (See Separate Breakdown in this Section)	
10	1001180242	Ref	Installation, Engine ECM (LS) (See Separate Breakdown in ELECTRICAL Section)	
11	1001163242	Ref	Installation, Engine Wiring (LS) (See Separate Breakdown in ELECTRICAL Section)	

# SECTION 4 - ENGINE AND ATTACHING PARTS

## FIGURE 4-4. ENGINE MOUNTING INSTALLATION



ART\_1001163227-H



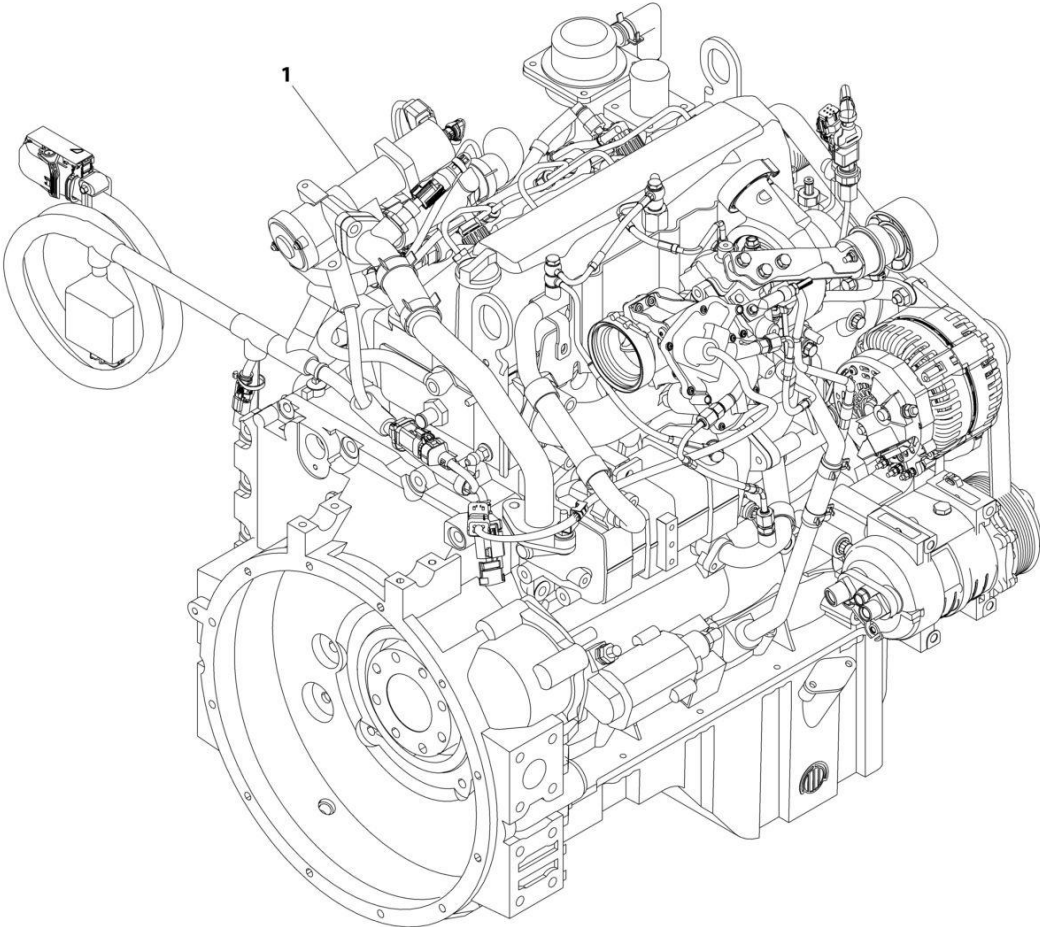
## SECTION 4 - ENGINE AND ATTACHING PARTS

**FIGURE 4-4. ENGINE MOUNTING INSTALLATION**

ITEM	PART NUMBER	QTY	DESCRIPTION	REV
	1001163227	Ref	Engine Mounting Installation	H
1	0701216	8	Bolt, M12X40	
2	0701220	2	Bolt, M12X60	
3	0701227	2	Bolt, M12X100	
4	0711629	1	Bolt, M16x120	
5	0711630	1	Bolt, M16X130	
6	3331615	2	Nut, M16	
7	4812100	12	Washer, M12	
8	4812300	5	Washer, M16	
9	7300435	3	Washer	
10	1001160116	1	Bracket, Engine	
11	1001168795	1	Plate, Engine Mount	
12	1001168797	1	Plate, Engine Mount	
13	1001160888	1	Mount, Isolator Engine	
14	1001195518	2	Mount, Isolator Engine	
15	0711626	1	Bolt, M16X90	

**SECTION 4 - ENGINE AND ATTACHING PARTS**

**FIGURE 4-5. 3.8L ENGINE (ULS)**



ART\_1001154511

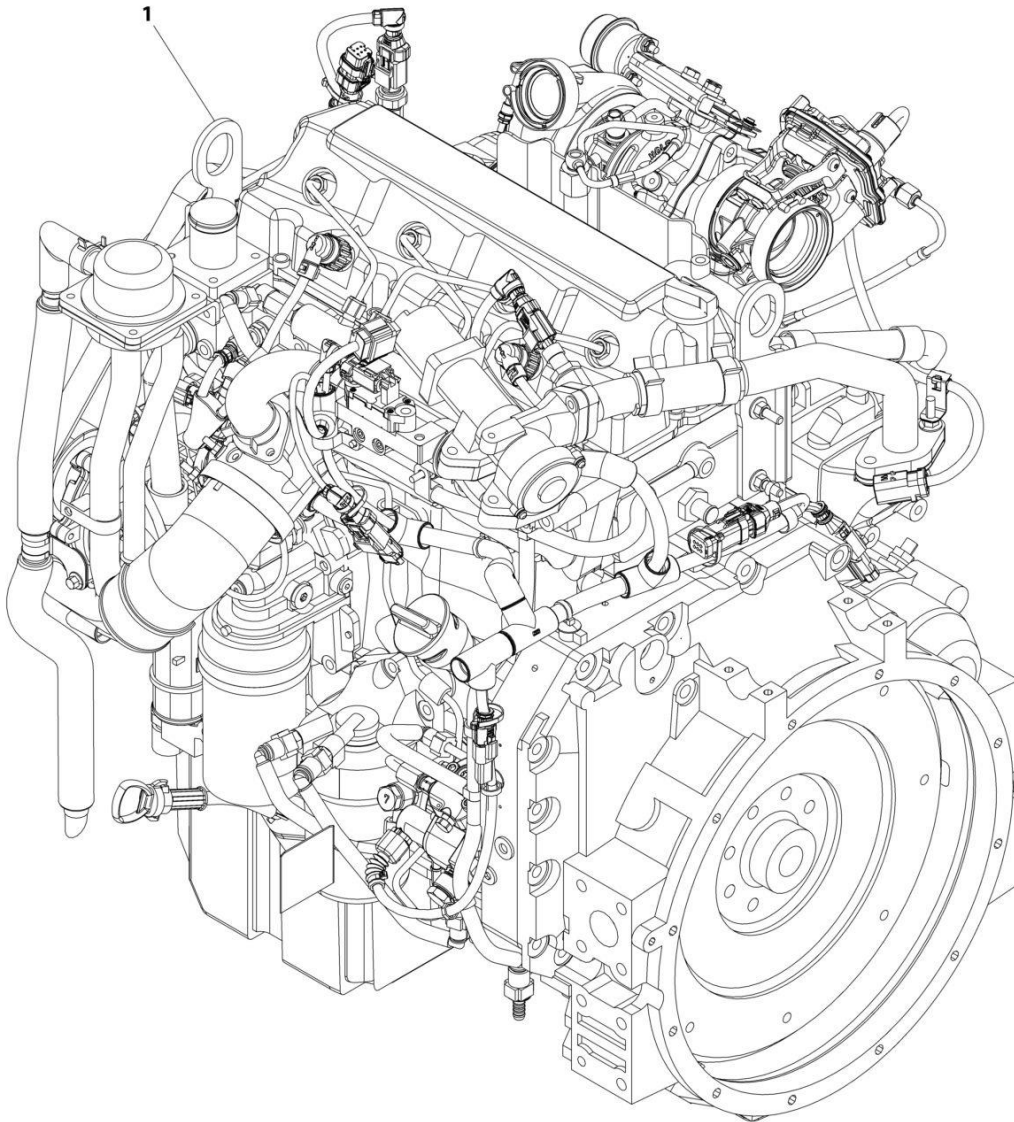
## SECTION 4 - ENGINE AND ATTACHING PARTS

**FIGURE 4-5. 3.8L ENGINE (ULS)**

ITEM	PART NUMBER	QTY	DESCRIPTION	REV
1	1001154511	Ref	Engine, QSF 3.8L (if equipped for ULS)	W
	70026220	1	Assembly, Secondary Fuel Filter (includes shell, seal and cartridge)	
	70026453	1	Cartridge, Fuel Filter	
	70031350	1	Rail, Fuel	
	70031351	1	Sensor, Fuel Pressure	
	70031352	1	Valve, Fuel Pressure Relief Valve	
	70026223	1	Pan, Oil	
	70026224	1	Seal, Oil Pan	
	70026225	1	Plug, Oil Pan	
	70026226	1	Seal, Oil Pan Plug	
	1001128594	1	Starter	
	70026228	1	Filler Cap, Valve Cover	
	70026229	1	Fan Belt, V-Ribbed	
	70026230	1	Support, Fan	
	70026231	1	Pulley, Fan	
	70026232	1	Alternator	
	70028450	1	Assembly, Primary Fuel Filter, (includes filter head, seal and element)	
	70026235	1	Assembly, Dipstick Oil Level	
	70026236	1	Assembly, Block Heater	
	70026241	1	Assembly, Fuel Filter Plug	
	70026237	1	Filter, Oil	
	70023933	1	O-Ring, Oil Pressure Switch	
	70041620	2	Ring, Retaining	
	70041616	1	Bolt, Fan Drive	
	70041617	1	Bearing, Ball	
	70041619	1	Retainer, Fan Hub	
	1322039	1	Spacer, Fan Pilot	
	1321094	16	Bolt, Oil Pan	
	70024016	1	Cap, Side Oil Fill	
	70022634	1	Flywheel w/Ring Gear	
	70023736	1	Ring Gear, Flywheel	
	1322040	1	Plug, Flywheel	
	70030317	1	Connection, Fuel Actuator	
	70030347	1	Valve, Exhaust Throttle	
	70031380	1	Harness, ECM	

## SECTION 4 - ENGINE AND ATTACHING PARTS

FIGURE 4-6. ENGINE, 74HP



ART\_1001196665

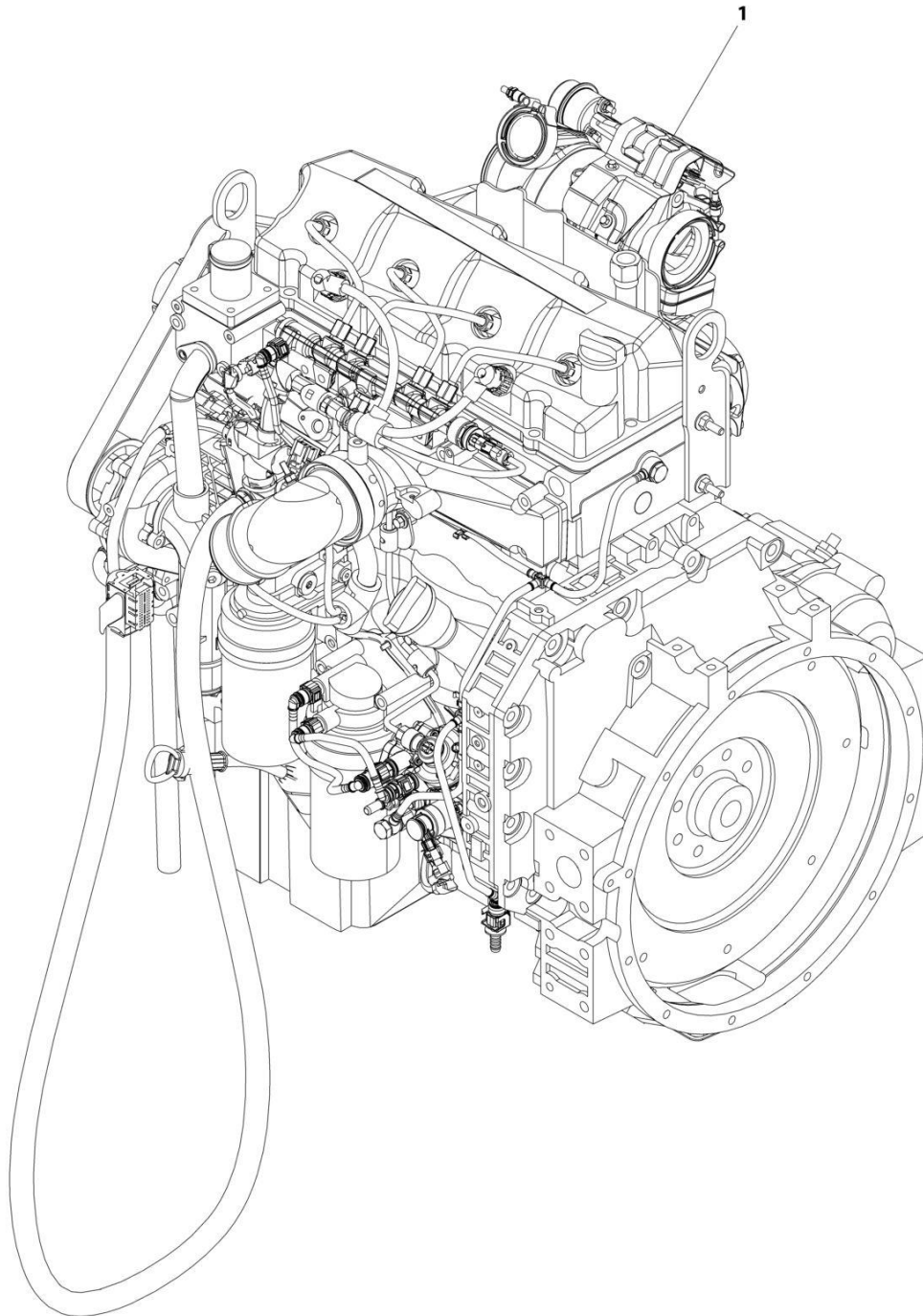
## SECTION 4 - ENGINE AND ATTACHING PARTS

**FIGURE 4-6. ENGINE, 74HP**

ITEM	PART NUMBER	QTY	DESCRIPTION	REV
1	1001196665	Ref	Engine, 74HP (if equipped for ULS)	O
	70026220	1	Assembly, Secondary Fuel Filter (includes filter head, seal and element)	
	70026453	1	Element, Fuel Filter	
	70026221	1	Head, Fuel Filter	
	70026222	1	Assembly, Flywheel Housing	
	70027281	1	Pan, Oil	
	70026224	1	Seal, Oil Pan	
	70026225	1	Plug, Oil Pan	
	70026226	1	Seal, Oil Pan Plug	
	1001128594	1	Starter	
	70026228	1	Filler Cap, Valve Cover	
	70026229	1	Fan Belt, V-Ribbed	
	70026230	1	Support, Fan	
	70026231	1	Pulley, Fan	
	70026232	1	Alternator	
	70028450	1	Assembly, Primary Fuel Filter	
	70026234	1	Element, Fuel Filter	
	70026235	1	Assembly, Dipstick Oil Level	
	70026241	1	Assembly, Fuel Filter Plug	
	70026237	1	Filter, Oil	
	70023933	1	O-Ring, Oil Pressure Switch	
	70041620	2	Ring, Retaining	
	70041616	1	Bolt	
	70041617	1	Bearing, Ball	
	70041619	1	Retainer, Fan Hub	
	1322039	1	Spacer, Fan Pilot	
	1321094	19	Screw	
	70024016	1	Cap, Side Oil Fill	
	70022634	1	Flywheel w/Ring Gear	
	70023736	1	Ring Gear, Flywheel	
	1322040	1	Plug, Flywheel	
	70031148	1	Sensor, Speed	

# SECTION 4 - ENGINE AND ATTACHING PARTS

## FIGURE 4-7. 3.8L ENGINE (LS)



ART\_1001154790

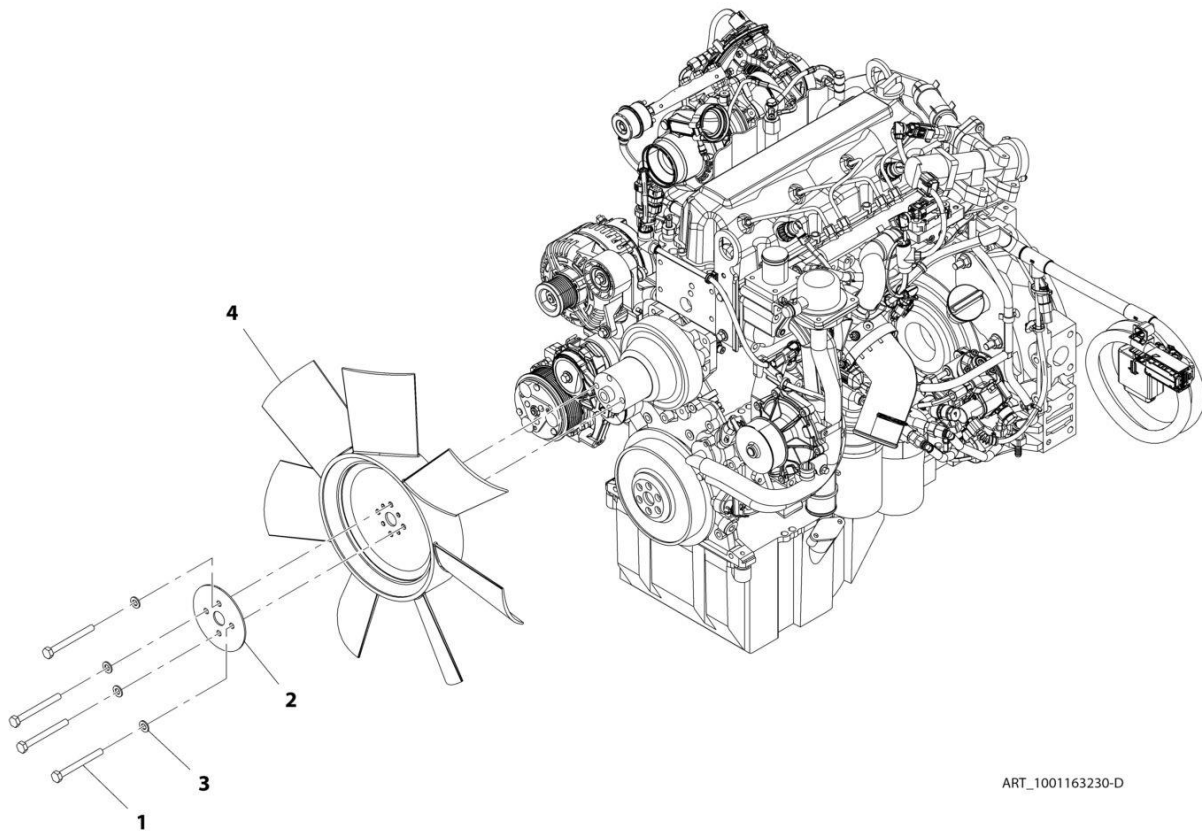
## SECTION 4 - ENGINE AND ATTACHING PARTS

### FIGURE 4-7. 3.8L ENGINE (LS)

ITEM	PART NUMBER	QTY	DESCRIPTION	REV
1	1001154790	Ref	3.8L Engine (LS)	L
	70026800	1	Fuel Filter Assembly	
	70026801	1	Fuel Filter Element	
	70026222	1	Assembly, Flywheel Housing	
	70027281	1	Pan, Oil	
	70026224	1	Seal, Oil Pan	
	70026225	1	Plug, Oil Pan	
	70026226	1	Seal, Oil Pan Plug	
	1001128594	1	Starter	
	70026228	1	Filler Cap, Valve Cover	
	70026229	1	Fan Belt, V-Ribbed	
	70026230	1	Support, Fan	
	70026231	1	Pulley, Fan	
	70026232	1	Alternator	
	70026233	1	Assembly, Primary Fuel Filter	
	70026234	1	Element, Fuel Filter	
	70026235	1	Assembly, Dipstick Oil Level	
	70026241	1	Assembly, Fuel Filter Plug	
	70026237	1	Filter, Oil	
	70041620	2	Ring, Retaining	
	70041616	1	Bolt	
	70041617	1	Bearing, Ball	
	70041619	1	Retainer, Fan Hub	
	1322039	1	Spacer, Fan Pilot	
	1321094	17	Screw	
	70024016	1	Cap, Side Oil Fill	
	70022634	1	Flywheel w/Ring Gear	
	70023736	1	Ring Gear, Flywheel	
	1322040	1	Plug, Flywheel	

# SECTION 4 - ENGINE AND ATTACHING PARTS

## FIGURE 4-8. FAN INSTALLATION



ART\_1001163230-D



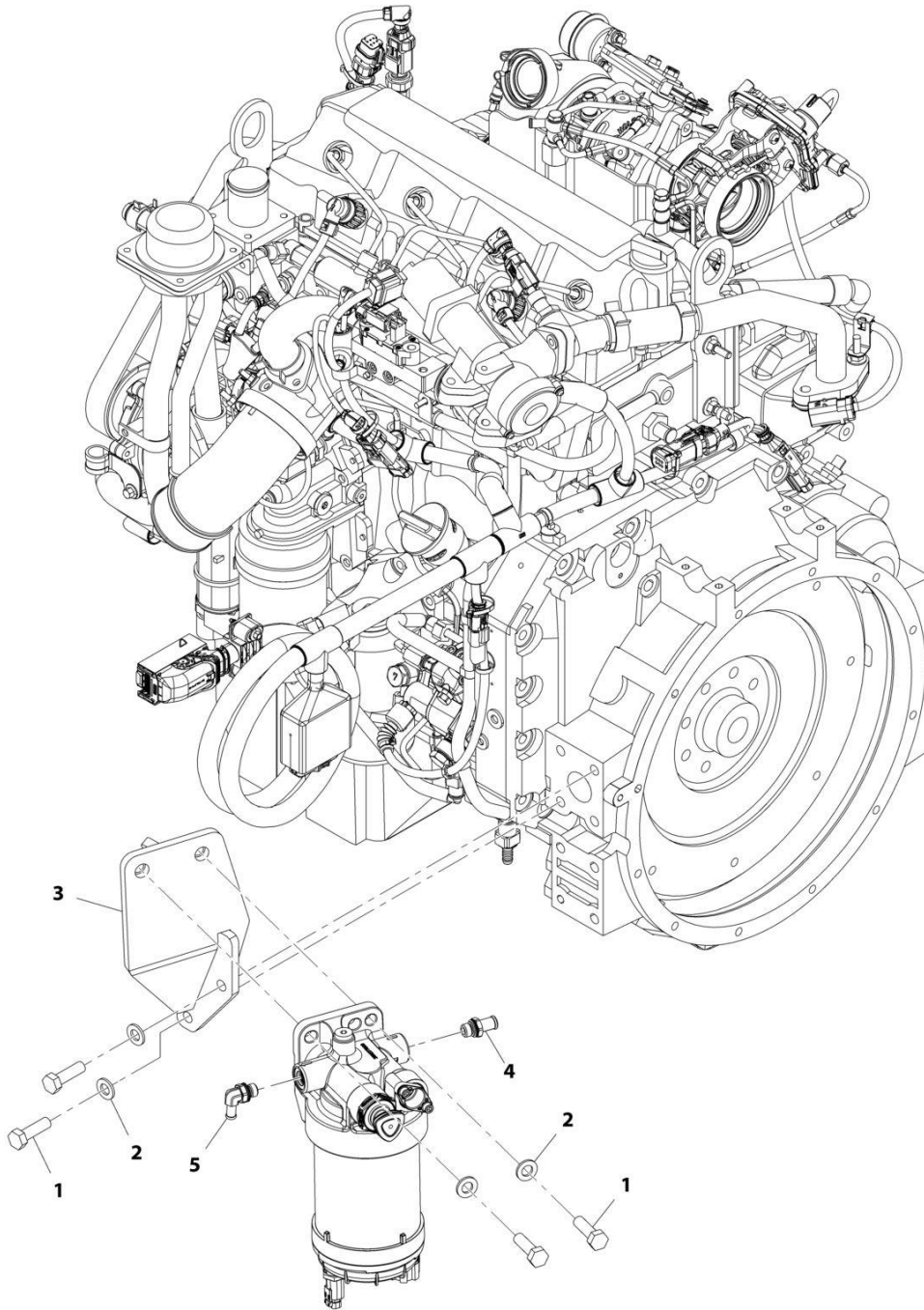
## SECTION 4 - ENGINE AND ATTACHING PARTS

### FIGURE 4-8. FAN INSTALLATION

ITEM	PART NUMBER	QTY	DESCRIPTION	REV
	1001163230	Ref	Fan Installation	D
1	0701027	4	Bolt, M10X100	
2	3575947	1	Plate	
3	4812000	4	Washer, M10	
4	1001175269	1	Fan, Cooling	

# SECTION 4 - ENGINE AND ATTACHING PARTS

## FIGURE 4-9. PRIMARY FUEL FILTER INSTALLATION (ULS)



ART\_1001163235-F

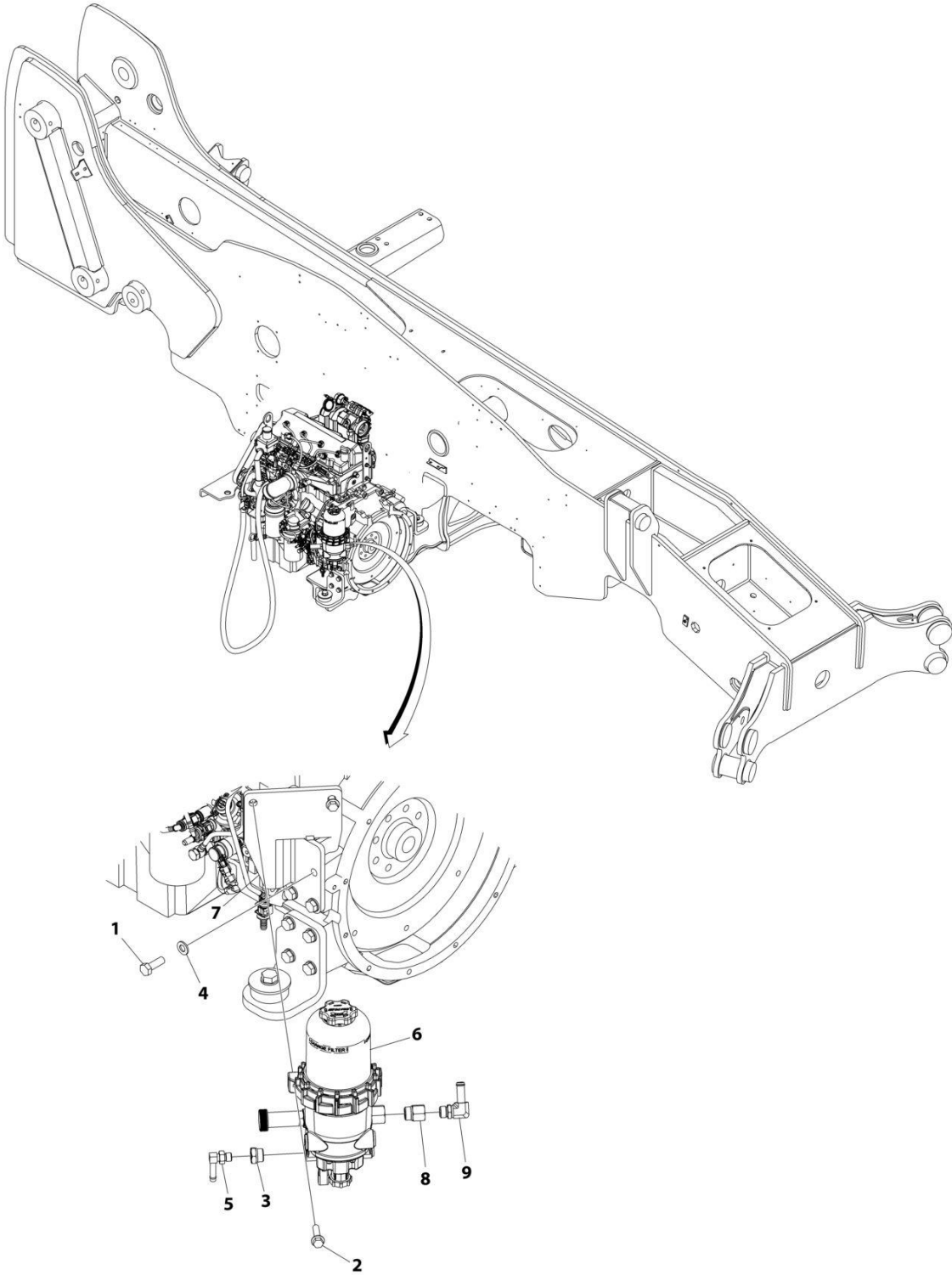
## SECTION 4 - ENGINE AND ATTACHING PARTS

FIGURE 4-9. PRIMARY FUEL FILTER INSTALLATION (ULS)

ITEM	PART NUMBER	QTY	DESCRIPTION	REV
	1001163235	Ref	Primary Fuel Filter Installation	F
1	0701216	4	Bolt, M12X40	
2	4812100	4	Washer, M12	
3	1001206019	1	Bracket, Fuel Filter Mount	
4	1001217467	1	Barb, Hose	
5	1001182094	1	Hose	

# SECTION 4 - ENGINE AND ATTACHING PARTS

## FIGURE 4-10. PRIMARY FUEL FILTER INSTALLATION (LS)



ART\_1001180076\_E

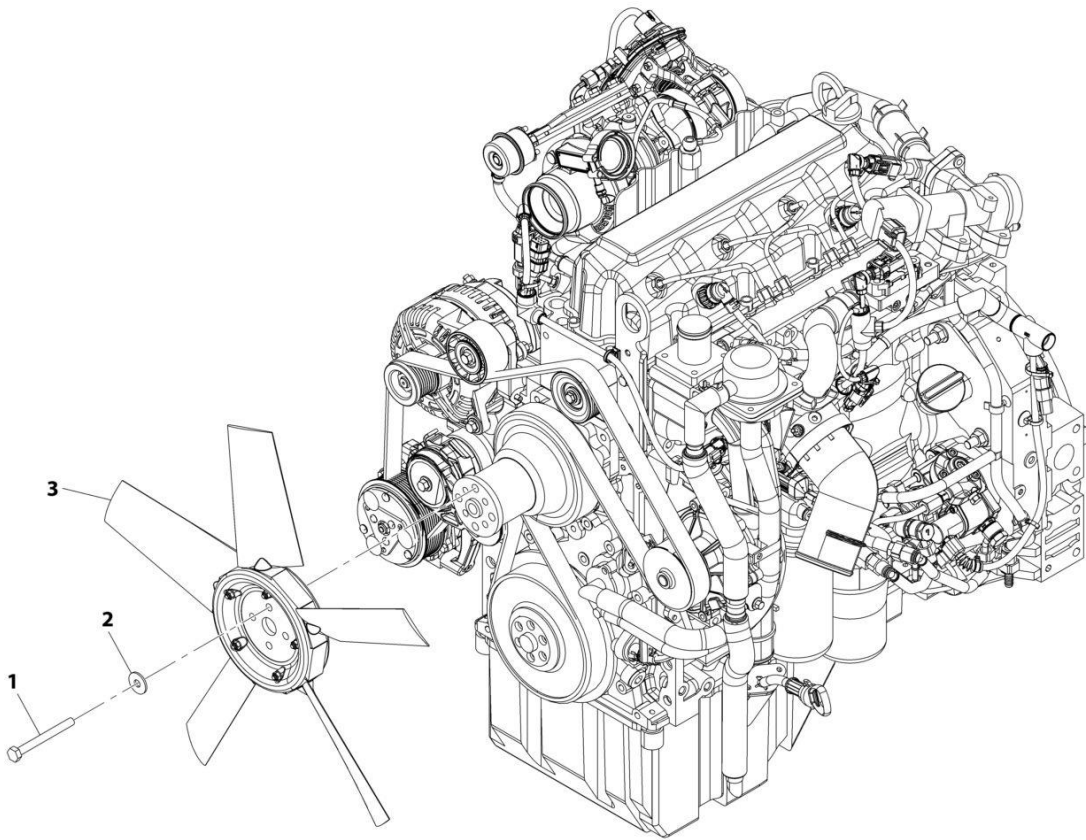
## SECTION 4 - ENGINE AND ATTACHING PARTS

FIGURE 4-10. PRIMARY FUEL FILTER INSTALLATION (LS)

ITEM	PART NUMBER	QTY	DESCRIPTION	REV
	1001180076	Ref	Primary Fuel Filter Installation (LS)	E
1	0701215	3	Bolt, M12X35	
2	0781016	2	Bolt, M10X40	
3	2220218	1	Fitting, Straight ORFS	
4	4812100	3	Washer, M12	
5	8430034	1	Elbow, 90	
6	1001133534	1	Filter, Fuel	
7	1001180078	1	Bracket, Fuel Filter Mount	
8	2220810	1	Fitting, Straight	
9	1001200239	1	Fitting, 90 ORFS	

## SECTION 4 - ENGINE AND ATTACHING PARTS

FIGURE 4-11. FAN INSTALLATION, 74HP (ULS)



ART\_1001225231-A

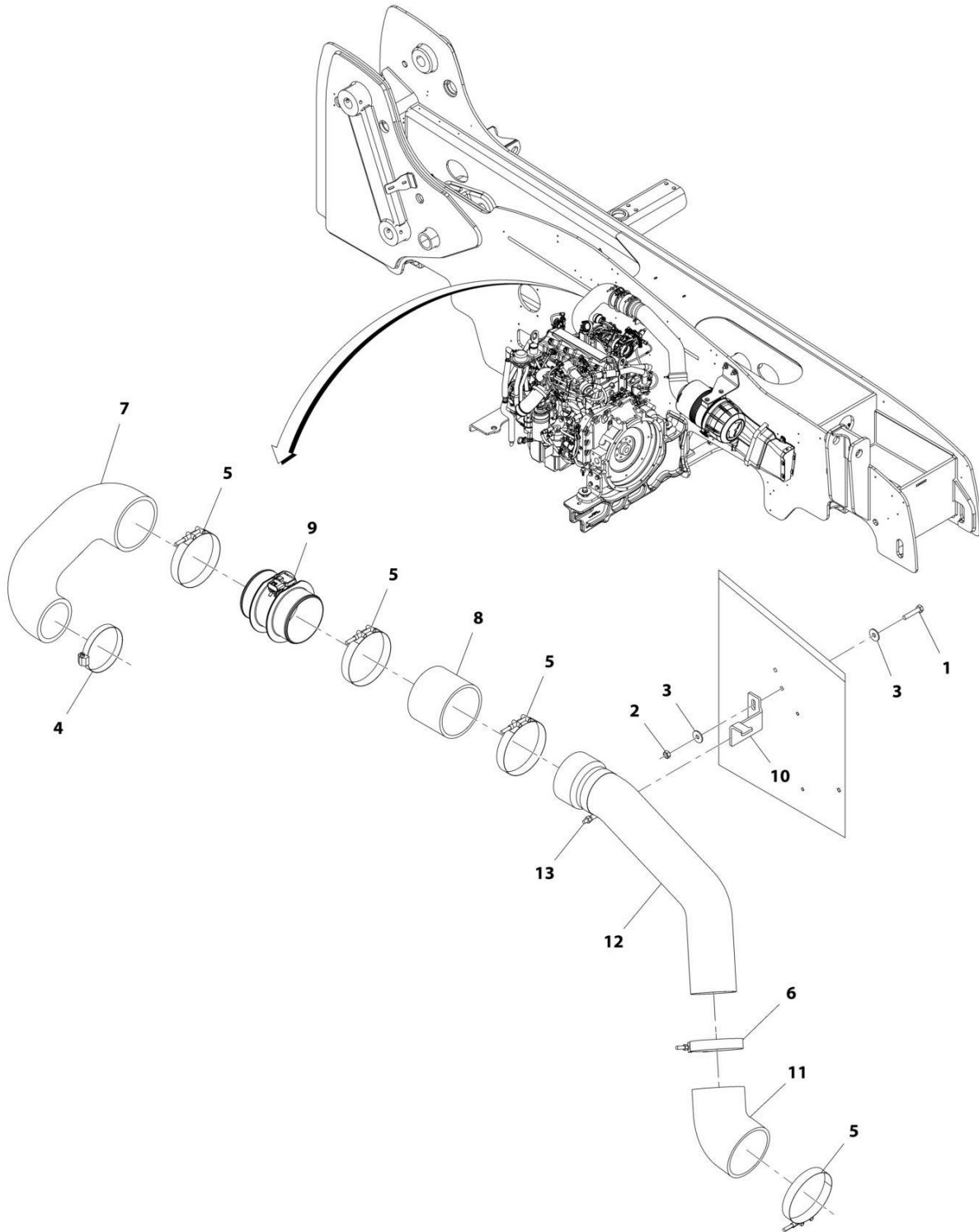
## SECTION 4 - ENGINE AND ATTACHING PARTS

FIGURE 4-11. FAN INSTALLATION, 74HP (ULS)

ITEM	PART NUMBER	QTY	DESCRIPTION	REV
	1001225231	Ref	Fan Installation (ULS)	A
1	0701027	4	Bolt, M10X100	
2	4812002	4	Washer, M10	
3	1001225982	1	Fan, Cooling	

# SECTION 4 - ENGINE AND ATTACHING PARTS

## FIGURE 4-12. AIR CLEANER LINES INSTALLATION (ULS)



ART\_1001169011-C



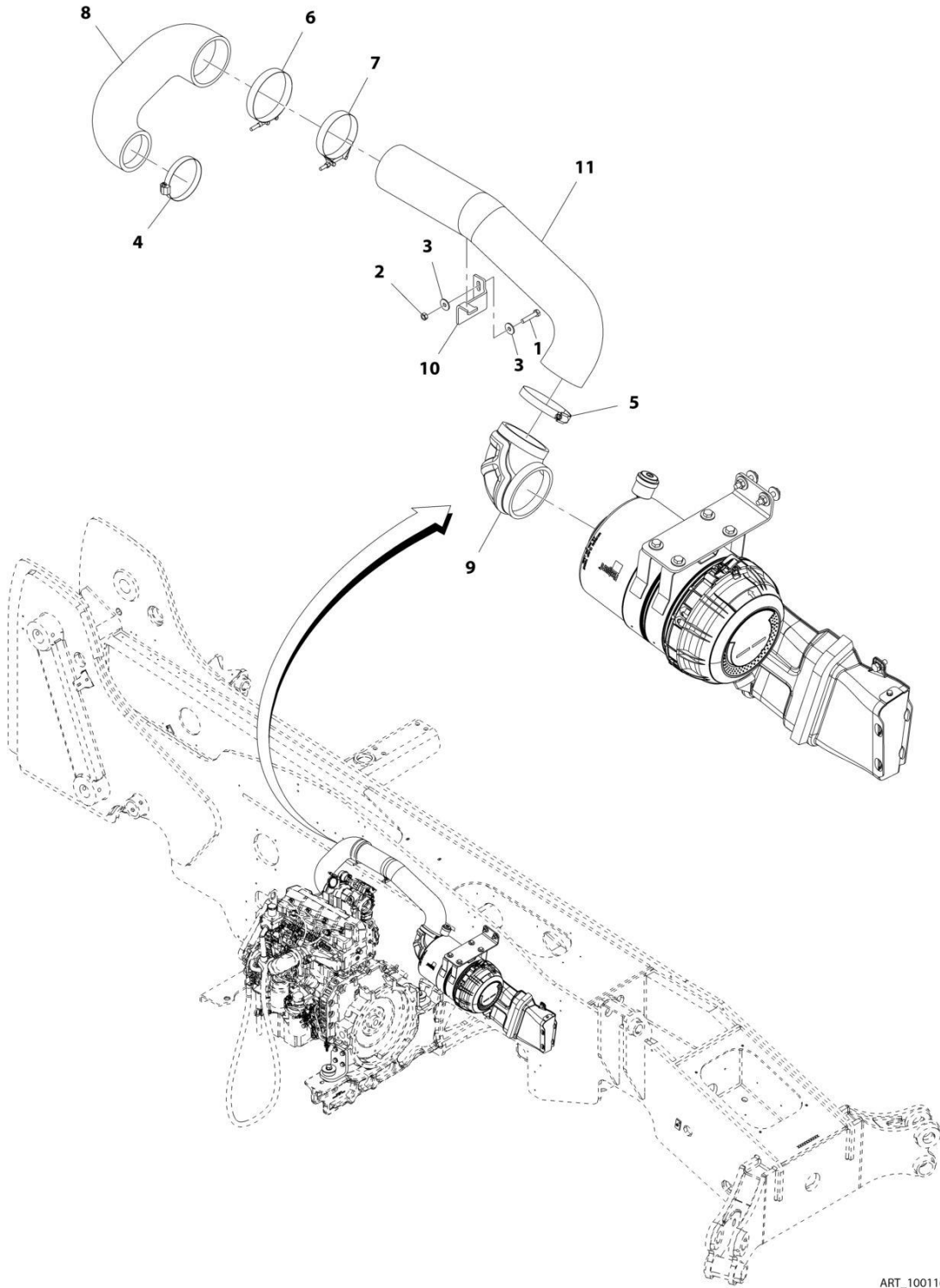
## SECTION 4 - ENGINE AND ATTACHING PARTS

**FIGURE 4-12. AIR CLEANER LINES INSTALLATION (ULS)**

ITEM	PART NUMBER	QTY	DESCRIPTION	REV
	1001169011	Ref	Air Cleaner Lines Installation	C
1	0700816	1	Bolt, M8X40	
2	3290801	1	Nut, M8X1.25 Grade 8	
3	4811902	2	Washer, M8	
4	8410011	1	Clamp	
5	80933367	4	Clamp	
6	91413025	1	Clamp	
7	1001166449	1	Hose	
8	1001166450	1	Hose	
9	1001168771	1	Tube	
10	1001169155	1	Bracket	
11	1001185505	1	Elbow	
12	1001185497	1	Tube	
13	8410007	1	Clamp, T-Bolt	

# SECTION 4 - ENGINE AND ATTACHING PARTS

## FIGURE 4-13. AIR CLEANER LINES INSTALLATION (LS)



ART\_1001163238-C

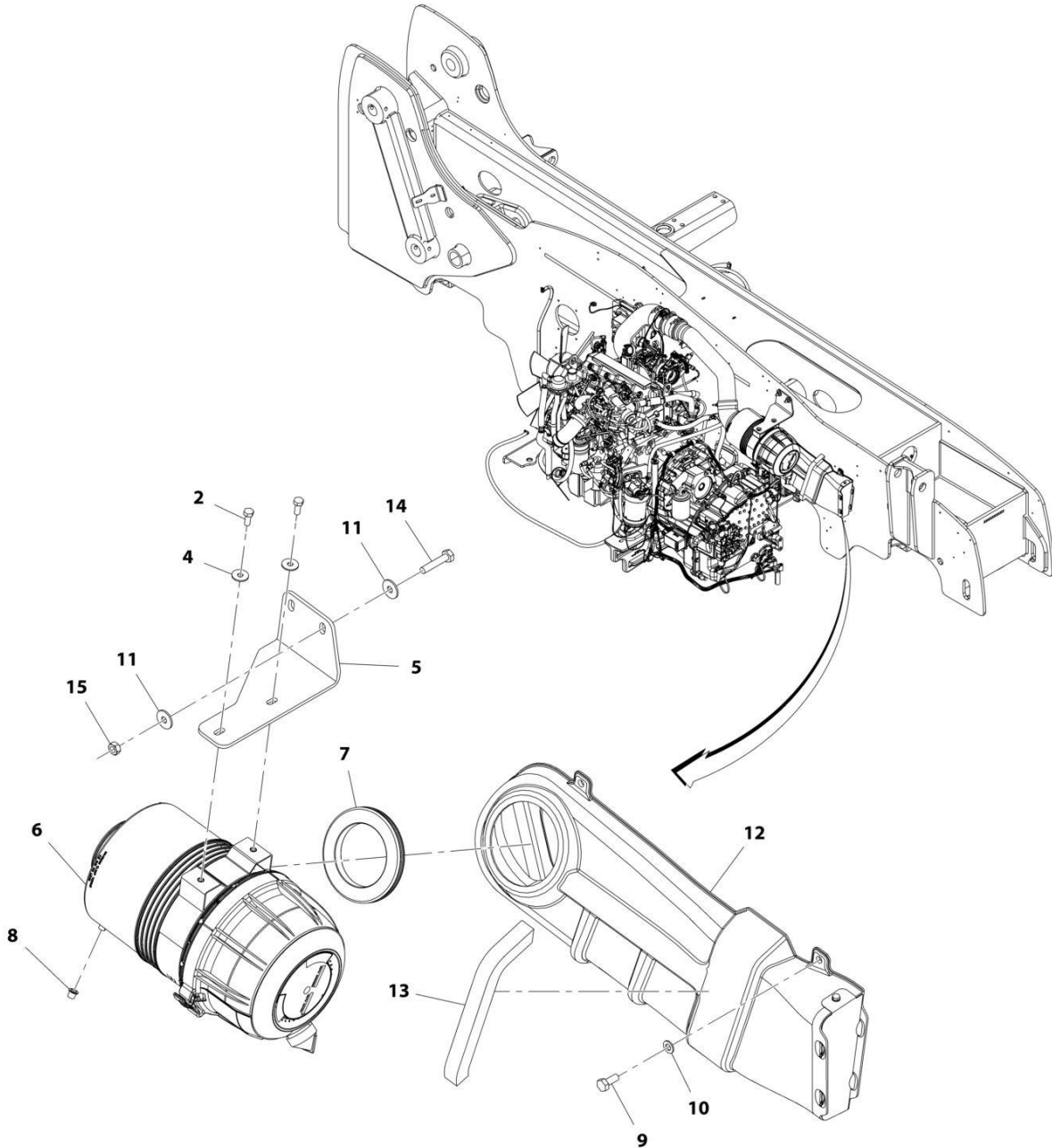
## SECTION 4 - ENGINE AND ATTACHING PARTS

FIGURE 4-13. AIR CLEANER LINES INSTALLATION (LS)

ITEM	PART NUMBER	QTY	DESCRIPTION	REV
	1001163238	Ref	Air Intake Lines Installation (LS)	C
1	0700816	1	Bolt, M8X40	
2	3290801	1	Nut, M8X1.25 Grade 8	
3	4811902	2	Washer, M8	
4	8410011	1	Clamp	
5	10719267	1	Clamp	
6	80933367	1	Clamp	
7	91413025	1	Clamp	
8	1001166449	1	Hose	
9	1001166451	1	Elbow	
10	1001169155	1	Bracket	
11	1001185498	1	Tube	

# SECTION 4 - ENGINE AND ATTACHING PARTS

## FIGURE 4-14. AIR CLEANER INSTALLATION (ULS)



ART\_1001169012-F

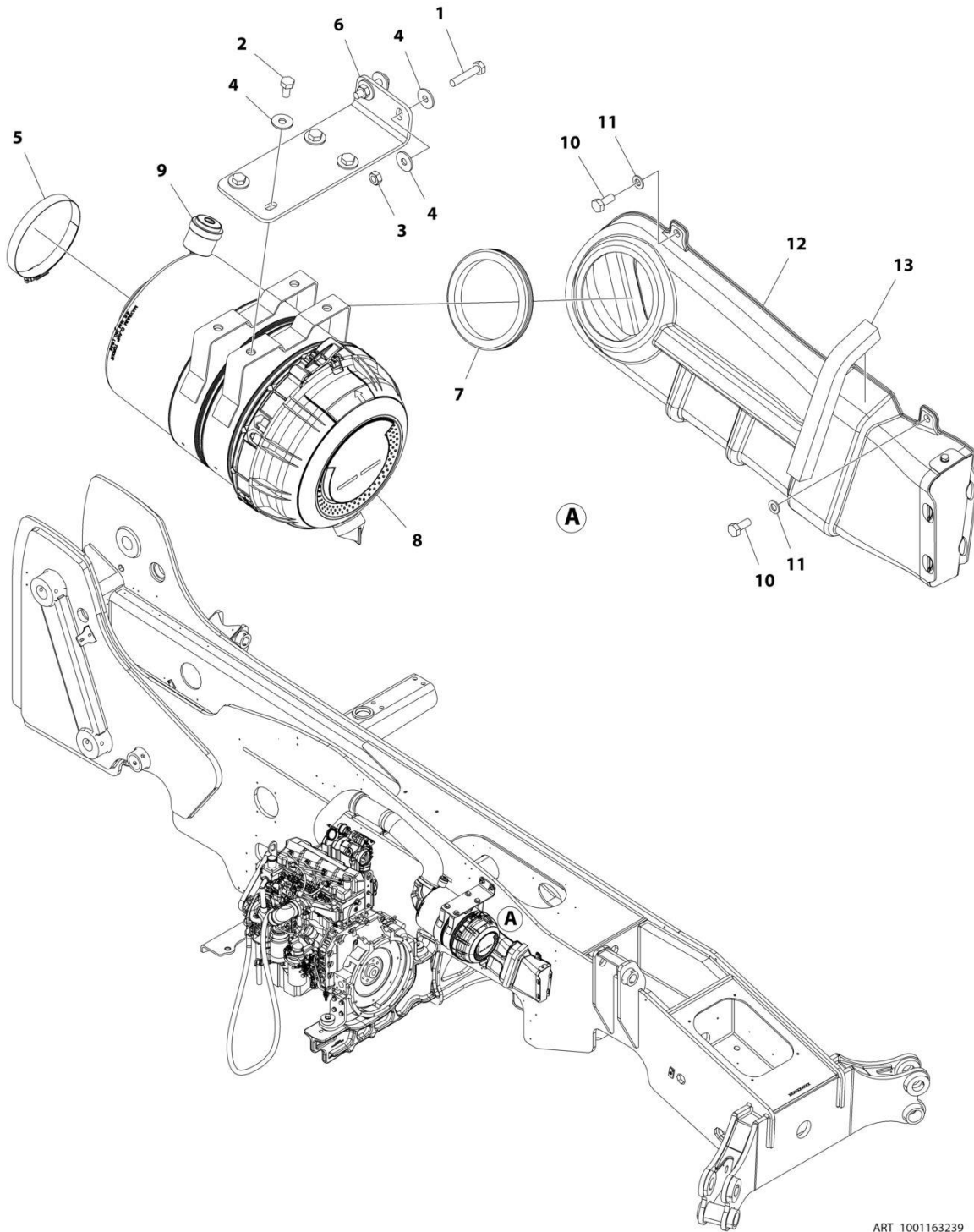
## SECTION 4 - ENGINE AND ATTACHING PARTS

**FIGURE 4-14. AIR CLEANER INSTALLATION (ULS)**

ITEM	PART NUMBER	QTY	DESCRIPTION	REV
	1001169012	Ref	Air Cleaner Installation	F
2	0760810	2	Bolt, M8X20	
4	4811902	2	Washer, M8	
5	1001185278	1	Bracket	
6	1001166566	1	Filter, Air Cleaner (See Separate Breakdown in this Section)	
7	1001183830	1	Grommet, Intake	
8	1001183177	1	Cap, Air Cleaner	
9	0761012	4	Bolt, M10X25	
10	4812000	4	Washer, M10	
11	4812002	4	Washer, M10	
12	1001183835	1	Installation, Air Intake Duct (See Separate Breakdown in this Section)	
13	1001186898	1	Seal	
14	0701018	2	Bolt, M8X50	
15	3291001	1	Nut, M10X1.5 Grade 8	

# SECTION 4 - ENGINE AND ATTACHING PARTS

## FIGURE 4-15. AIR CLEANER INSTALLATION (LS)



ART\_1001163239

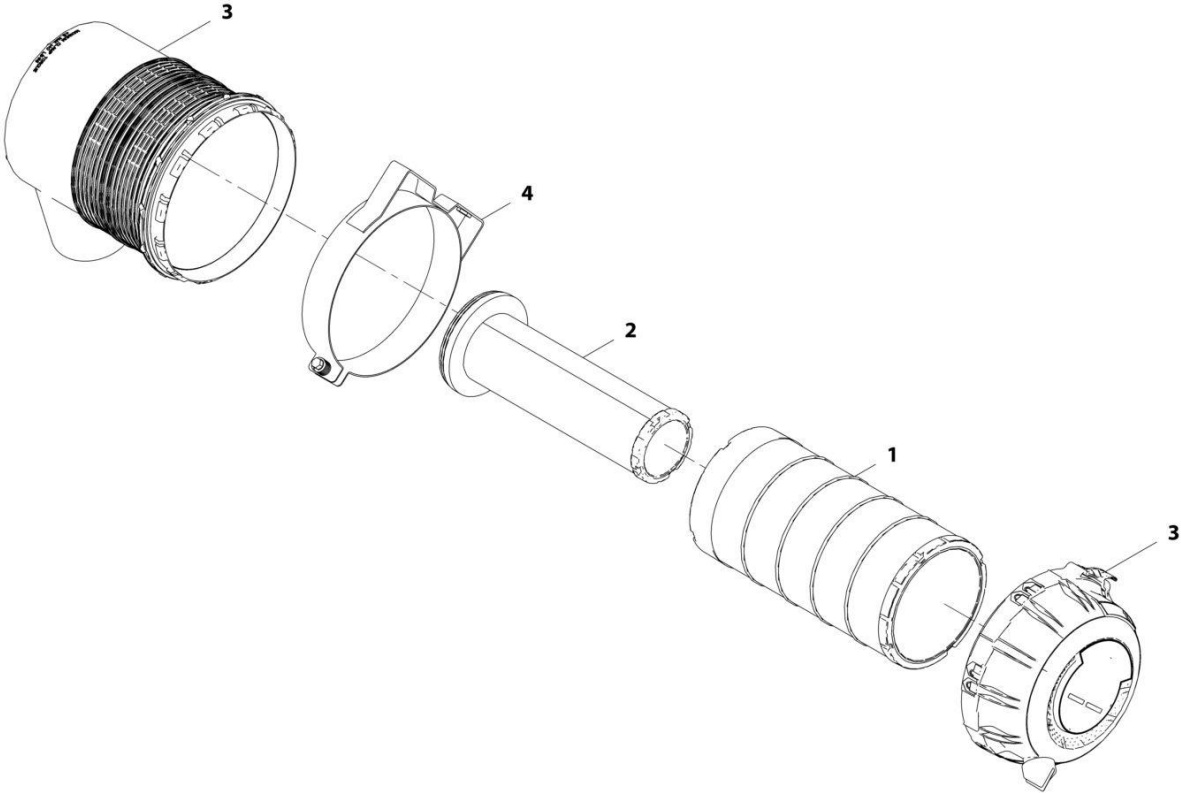
## SECTION 4 - ENGINE AND ATTACHING PARTS

**FIGURE 4-15. AIR CLEANER INSTALLATION (LS)**

ITEM	PART NUMBER	QTY	DESCRIPTION	REV
	1001163239	Ref	AIR CLEANER INSTALLATION (LS)	F
1	0701018	2	Bolt M10 x 50	
2	0761010	4	Bolt M10 x 20	
3	3291001	2	Nut M10 x 1.5 Grade 8	
4	4812002	8	Washer M10	
5	8405402	1	Clamp	
6	1001194534	1	Bracket, Air Cleaner Mount	
7	1001183831	1	Grommet	
8	1001166565	1	Filter, Air Cleaner (See Separate Breakdown in this Section)	
9	1001166716	1	Indicator	
10	0761012	4	Bolt M10 x 25	
11	4812000	4	Washer M10	
12	1001183835	1	Installation, Duct Air Intake (See Separate Breakdown in this Section)	
13	1001186898	1	Seal	

**SECTION 4 - ENGINE AND ATTACHING PARTS**

**FIGURE 4-16. AIR CLEANER ASSEMBLY (74.4KW)**



ART\_1001166566-G



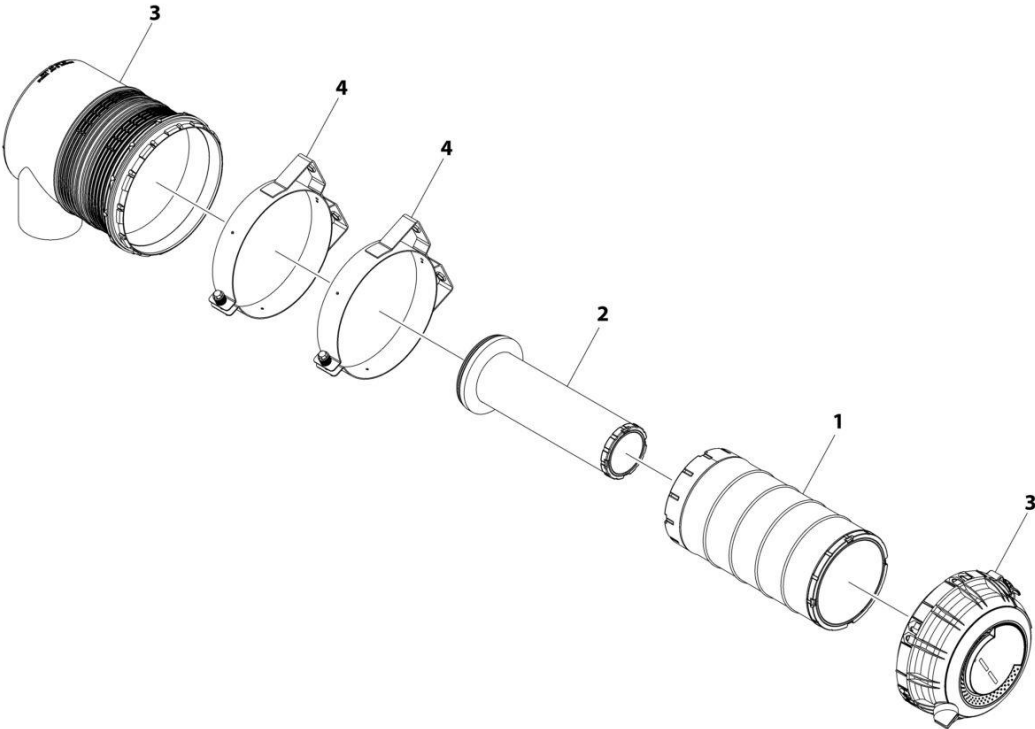
## SECTION 4 - ENGINE AND ATTACHING PARTS

FIGURE 4-16. AIR CLEANER ASSEMBLY (74.4KW)

ITEM	PART NUMBER	QTY	DESCRIPTION	REV
	1001166566	Ref	Air Cleaner Assembly (74.4KW)	G
1	70025852	1	Filter, Air Cylindrical Primary	
2	70025853	1	Filter, Air Cylindrical Secondary	
3	70026393	1	Cover, Air Cleaner	
4	70026394	1	Bracket, Mounting Band	

**SECTION 4 - ENGINE AND ATTACHING PARTS**

**FIGURE 4-17. AIR CLEANER ASSEMBLY (90/100KW)**



ART\_1001166565

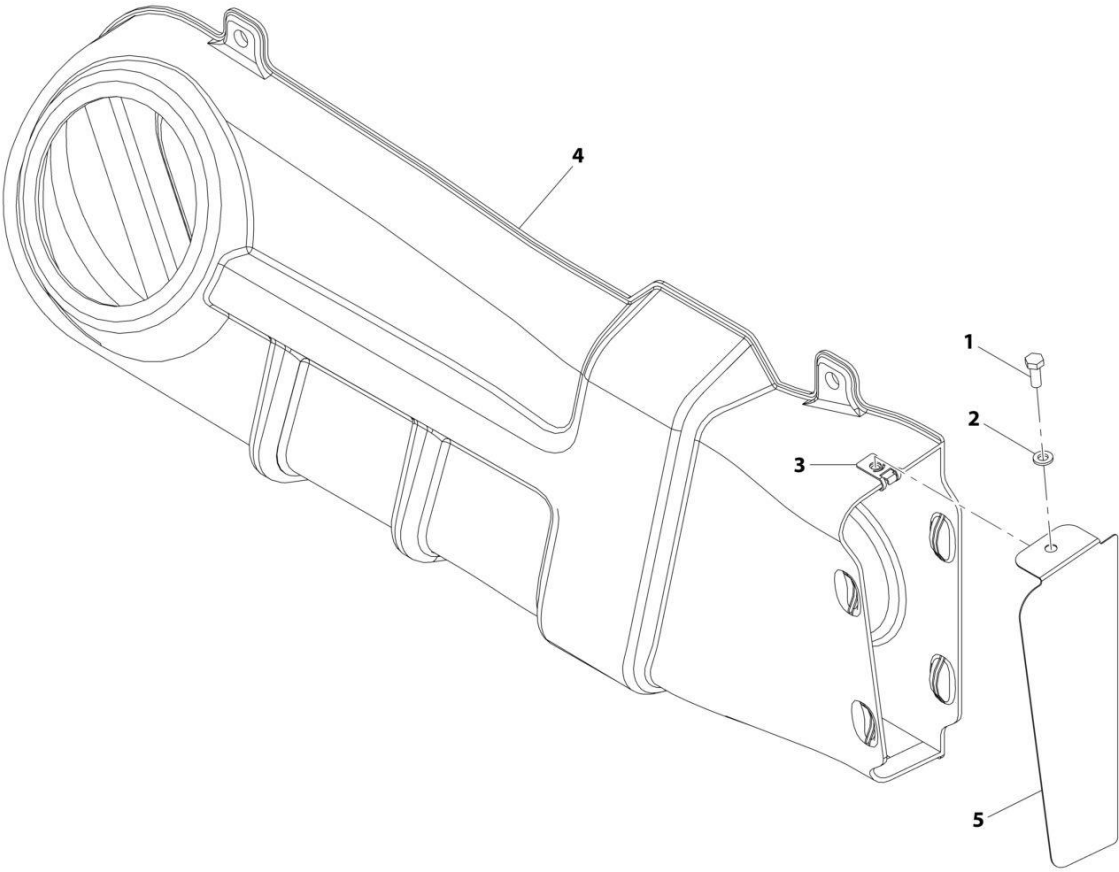
## SECTION 4 - ENGINE AND ATTACHING PARTS

FIGURE 4-17. AIR CLEANER ASSEMBLY (90/100KW)

ITEM	PART NUMBER	QTY	DESCRIPTION	REV
	1001166565	Ref	AIR FILTER ASSEMBLY (90/100KW)	F
1	70025850	1	Filter, Cylindrical Air Primary	
2	70025851	1	Filter, Cylindrical Air Secondary	
3	70026395	1	Cover	
4	70026396	2	Bracket	

# SECTION 4 - ENGINE AND ATTACHING PARTS

## FIGURE 4-18. AIR INTAKE DUCT INSTALLATION



ART\_1001183835-C

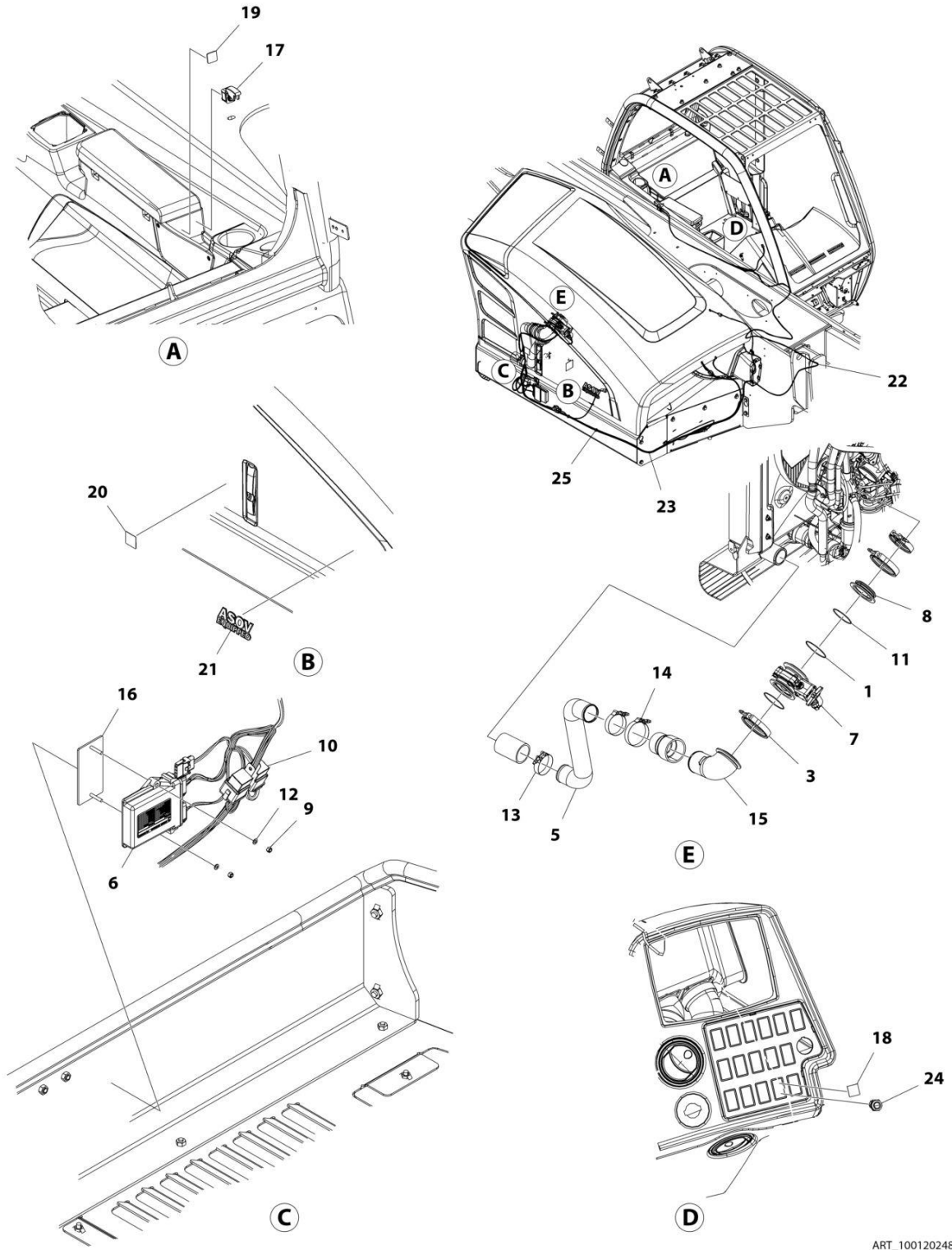
## SECTION 4 - ENGINE AND ATTACHING PARTS

FIGURE 4-18. AIR INTAKE DUCT INSTALLATION

ITEM	PART NUMBER	QTY	DESCRIPTION	REV
	1001183835	Ref	Air Intake Duct Installation	C
1	0760608	1	Bolt, M6X16	
2	4811702	1	Washer, M6	
3	8305919	1	Nut	
4	1001183827	1	Duct	
5	1001183829	1	Plate	

# SECTION 4 - ENGINE AND ATTACHING PARTS

## FIGURE 4-19. AIR INTAKE SHUT OFF VALVE INSTALLATION



ART\_1001202487\_D

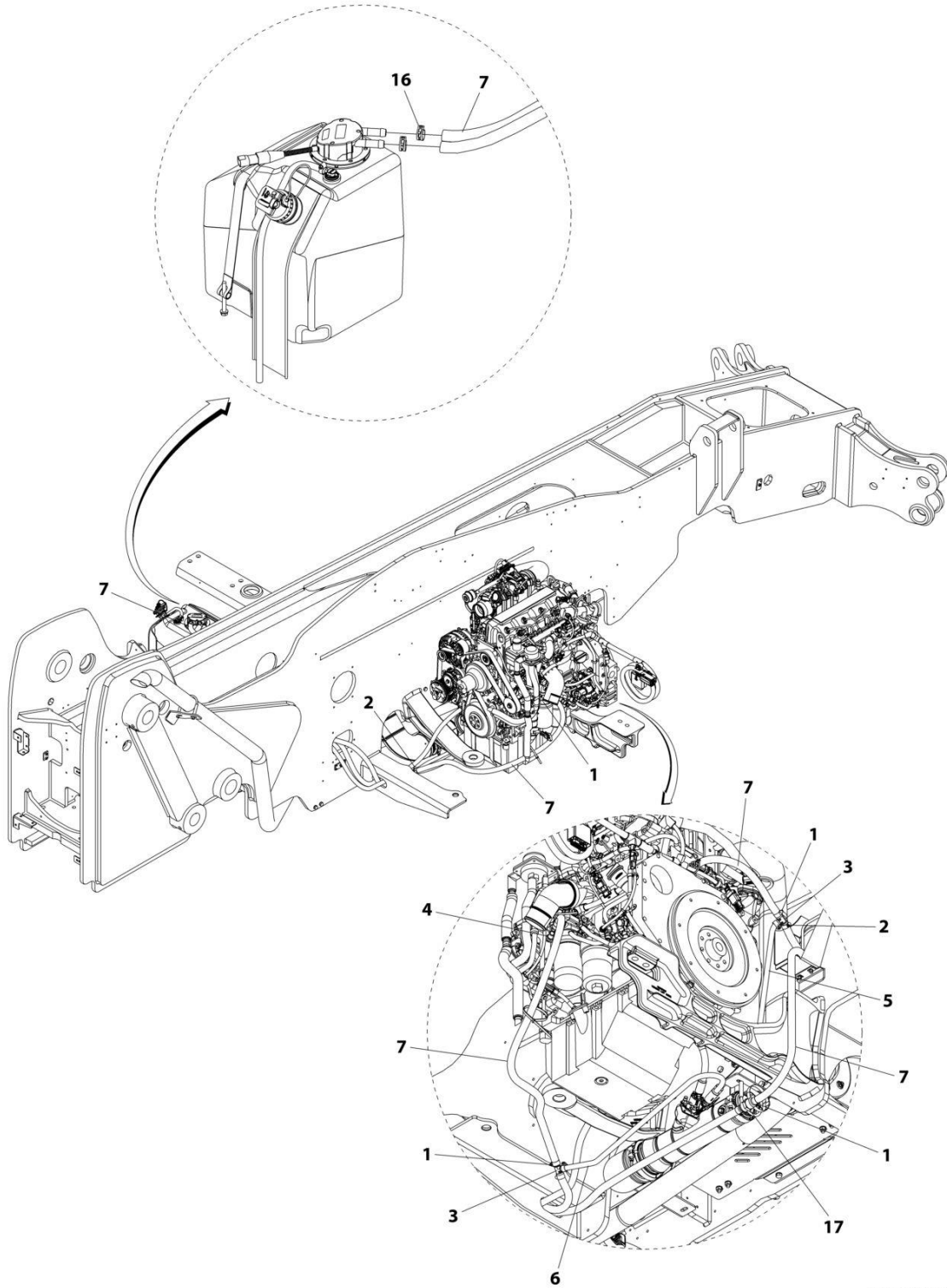
## SECTION 4 - ENGINE AND ATTACHING PARTS

**FIGURE 4-19. AIR INTAKE SHUT OFF VALVE INSTALLATION**

ITEM	PART NUMBER	QTY	DESCRIPTION	REV
	1001202487	Ref	Air Intake Shut Off Valve Installation	D
1	3790152	2	Ring	
3	1001202247	2	Clamp	
5	1001202491	1	Pipe	
6	1001203181	1	Accessory, Control	
7	1001204032	1	Valve, Air Shut Off (See Separate Breakdown in HYDRAULIC COMPONENTS Section)	
8	1001206980	1	Plate	
9	3290505	2	Nut, Lock M5X0.8 Grade 8	
10	3740080	2	Relay	
11	3790151	1	O-Ring	
12	4811600	2	Washer, M5	
13	8405212	2	Clamp	
14	8405305	1	Clamp	
15	1001215476	1	Pipe	
16	1001219082	1	Bracket	
17	1001215941	1	Switch	
18	1001227077	1	Decal, Air Shut Off	
19	1001227964	1	Decal, ASOV Test	
20	1001228273	1	Decal, Air Shut Off	
21	1001228643	1	Decal, ASOV Equipped	
22	1001231407	1	Harness, Cab Air Shut Off Valve (See Separate Breakdown in ELECTRICAL Section)	
23	1001231483	1	Harness, Engine Air Shut Off Valve (See Separate Breakdown in ELECTRICAL Section)	
24	1001239539	1	Lamp	
25	91053419	AR	Strap, Cable	

# SECTION 4 - ENGINE AND ATTACHING PARTS

## FIGURE 4-20. DEF LINES INSTALLATION



ART\_1001163232-1



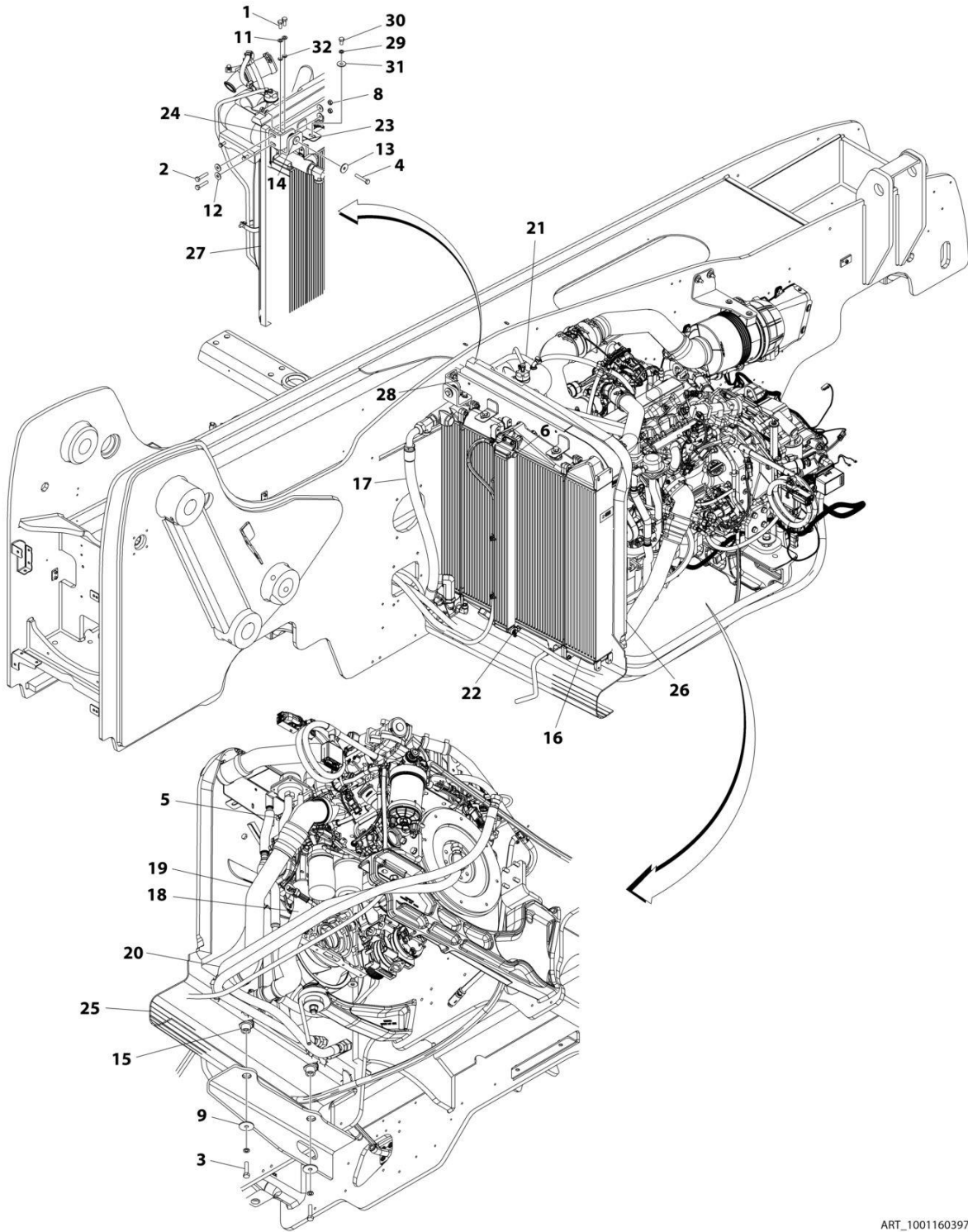
## SECTION 4 - ENGINE AND ATTACHING PARTS

FIGURE 4-20. DEF LINES INSTALLATION

ITEM	PART NUMBER	QTY	DESCRIPTION	REV
	1001163232	Ref	DEF Lines Installation	I
1	8410009	10	Gear Clamp	
2	8410013	2	Gear Clamp	
3	1001162212	2	Pipe	
4	1001168822	1	Pipe	
5	1001169409	1	Hose	
6	1001169410	1	Hose	
7	82033995	6.9 m	Hose	
16	1001202526	2	Clamp	
17	1001228872	1	Filter	

# SECTION 4 - ENGINE AND ATTACHING PARTS

## FIGURE 4-21. COOLING PACKAGE INSTALLATION (ULS)



ART\_1001160397\_I

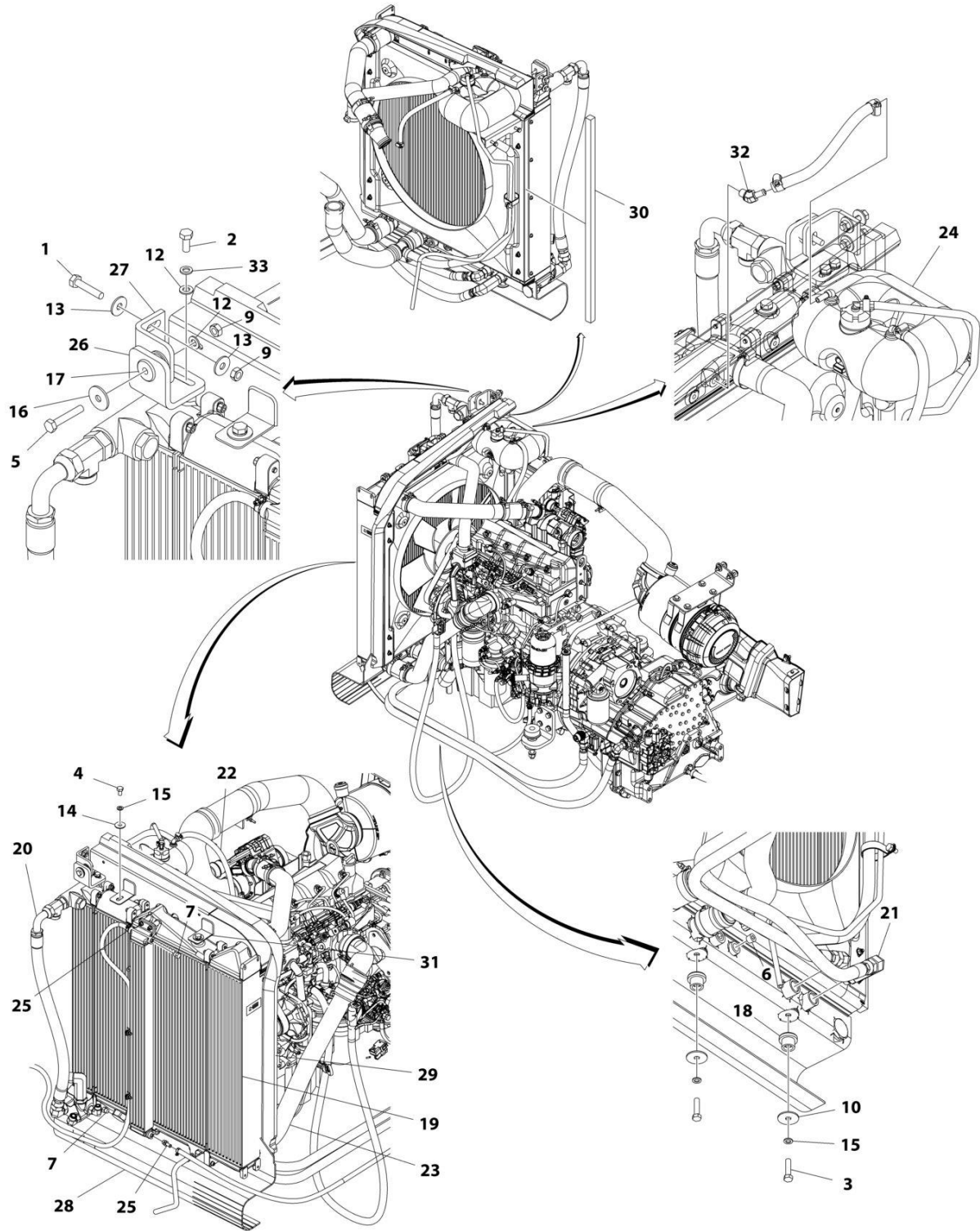
## SECTION 4 - ENGINE AND ATTACHING PARTS

**FIGURE 4-21. COOLING PACKAGE INSTALLATION (ULS)**

ITEM	PART NUMBER	QTY	DESCRIPTION	REV
	1001160397	Ref	Cooling Package Installation (ULS)	I
1	0761012	2	Bolt, M10X25	
2	0701018	2	Bolt, M10X50	
3	0761218	2	Bolt, M12X50	
4	0701020	1	Bolt, M10X60	
5	1001174356	1	Barb, Hose	
6	2220237	2	Plug	
8	3291001	3	Nut, M10X1.5 Grade 8	
9	4740274	4	Washer	
11	4812000	3	Washer, M10	
12	4812002	4	Washer, M10	
13	1001155540	2	Washer	
14	8278020	1	Mount	
15	1001114803	2	Mount	
16	1001159347	1	Radiator Cooling Package (See Separate Breakdown in this Section)	
17	1001163082	1	Installation, HOC Lines (See Separate Breakdown in this Section)	
18	1001163245	1	Installation, Coolant Lines (ULS) (See Separate Breakdown in this Section)	
19	1001163246	1	Installation, CAC Lines (ULS) (See Separate Breakdown in this Section)	
20	1001163247	1	Installation, TOC Lines (See Separate Breakdown in this Section)	
21	1001167078	1	Installation, Surge Tank (See Separate Breakdown in this Section)	
22	1001168030	2	Barb, Hose	
23	1001169173	1	Bracket	
24	1001169174	1	Bracket	
25	1001169965	1	Panel	
26	1001173452	1	Seal, Foam Gasket	
27	1001173457	1	Seal, Foam Gasket	
28	1001173546	1	Bracket	
29	4832100	4	Washer, Lock M12	
30	0761210	2	Bolt, M12X20	
31	4812102	2	Washer, M12	
32	4832000	2	Washer, Lock M10	

# SECTION 4 - ENGINE AND ATTACHING PARTS

## FIGURE 4-22. COOLING PACKAGE INSTALLATION (LS)



ART\_1001160402\_F

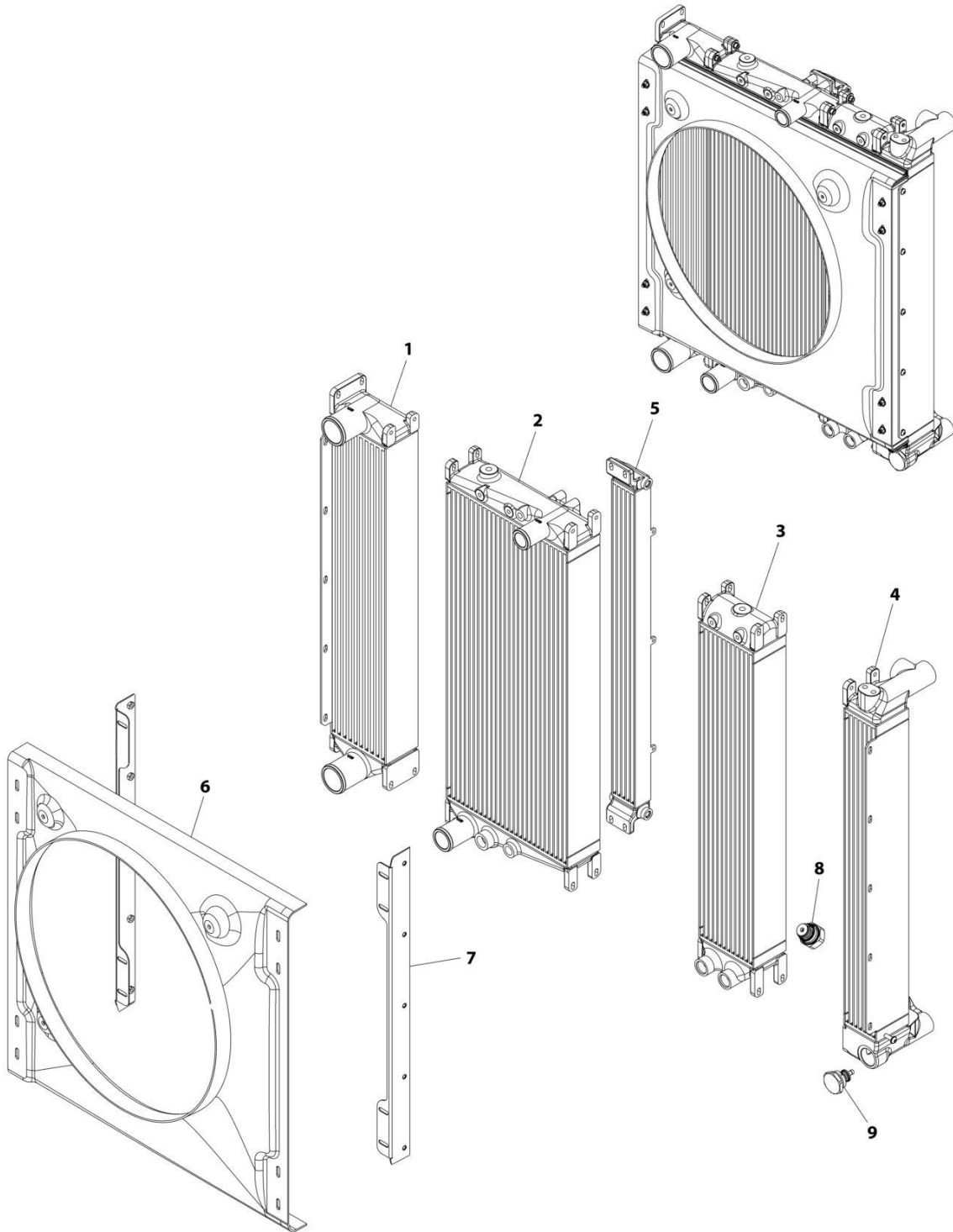
## SECTION 4 - ENGINE AND ATTACHING PARTS

**FIGURE 4-22. COOLING PACKAGE INSTALLATION (LS)**

ITEM	PART NUMBER	QTY	DESCRIPTION	REV
	1001160402	Ref	Cooling Package Installation (LS)	F
1	0701018	2	Bolt, M10X50	
2	0761012	2	Bolt, M10X25	
3	0761218	2	Bolt, M12X50	
4	0771210	2	Bolt, M12X20 Grade 10.9	
5	0701020	1	Bolt, M10X60	
6	2200223	1	Plug	
7	2220237	2	Plug	
9	3291001	3	Nut, M10X1.5 Grade 8	
10	4740274	4	Washer	
12	4812000	3	Washer, M10	
13	4812002	4	Washer, M10	
14	4812102	2	Washer, M12	
15	4832100	4	Washer, Lock M12	
16	1001155540	2	Washer	
17	8278020	1	Mount	
18	1001114803	2	Mount	
19	1001159347	1	Radiator Cooling Package (See Separate Breakdown in this Section)	
20	1001163082	1	Installation, HOC Lines (See Separate Breakdown in this Section)	
21	1001163247	1	Installation, TOC Lines (See Separate Breakdown in this Section)	
22	1001163248	1	Installation, Coolant Lines (LS) (See Separate Breakdown in this Section)	
23	1001163249	1	Installation, CAC Lines (LS) (See Separate Breakdown in this Section)	
24	1001167078	1	Installation, Surge Tank (See Separate Breakdown in this Section)	
25	1001168030	2	Barb, Hose	
26	1001169173	1	Bracket	
27	1001169174	1	Bracket	
28	1001169965	1	Panel, Air Dam	
29	1001173452	1	Gasket	
30	1001173457	1	Gasket	
31	1001173546	1	Bracket, Air Baffle	
32	1001174356	1	Barb, Hose	
33	4832000	2	Washer, Lock M10	

# SECTION 4 - ENGINE AND ATTACHING PARTS

## FIGURE 4-23. RADIATOR COOLING PACKAGE



ART\_1001159347\_H

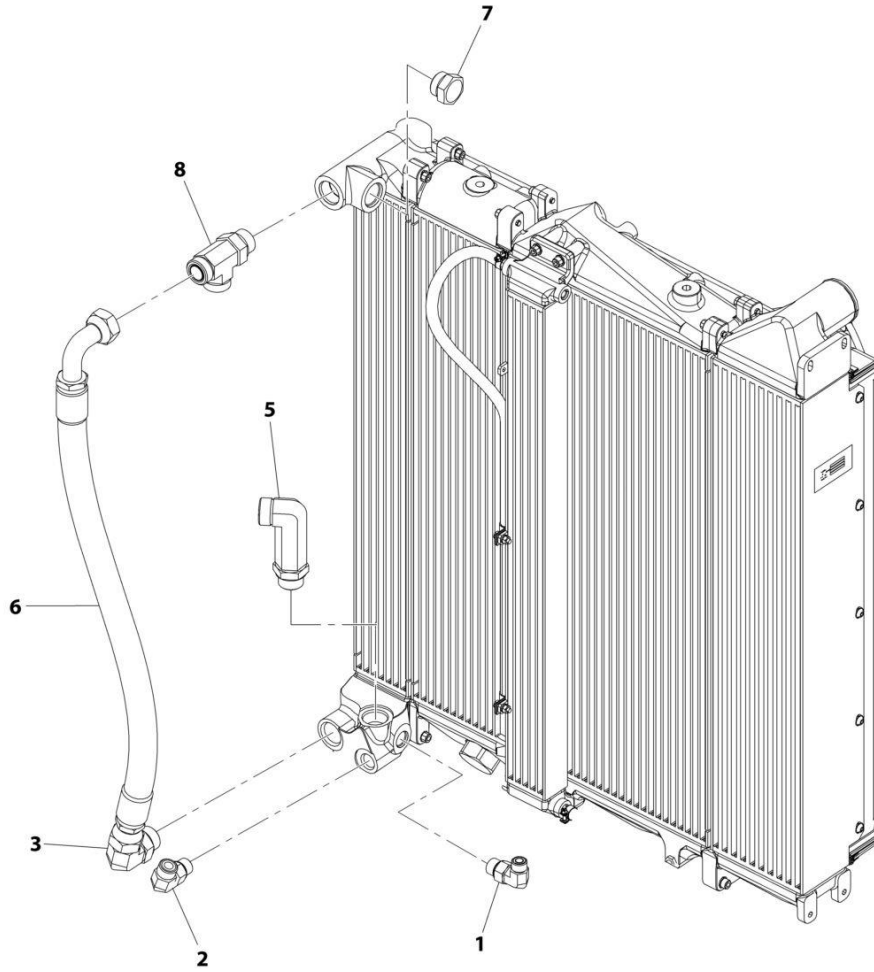
## SECTION 4 - ENGINE AND ATTACHING PARTS

FIGURE 4-23. RADIATOR COOLING PACKAGE

ITEM	PART NUMBER	QTY	DESCRIPTION	REV
	1001159347	Ref	RADIATOR COOLING PACKAGE	H
1	70026353	1	Cooler, Air Charge	
2	70026354	1	Radiator	
3	70026355	1	Cooler, Transmission Oil	
4	70026356	1	Cooler, Hydraulic Oil	
5	70026357	1	Cooler, Fuel	
6	70026358	1	Shroud	
7	70026359	2	Bracket, Shroud Mounting	
8	70026082	1	Valve, Bypass	
9	70026360	1	Valve, Bypass	
10	70026081	1	Petcock	

# SECTION 4 - ENGINE AND ATTACHING PARTS

## FIGURE 4-24. HOC LINES INSTALLATION



ART\_1001163082-D



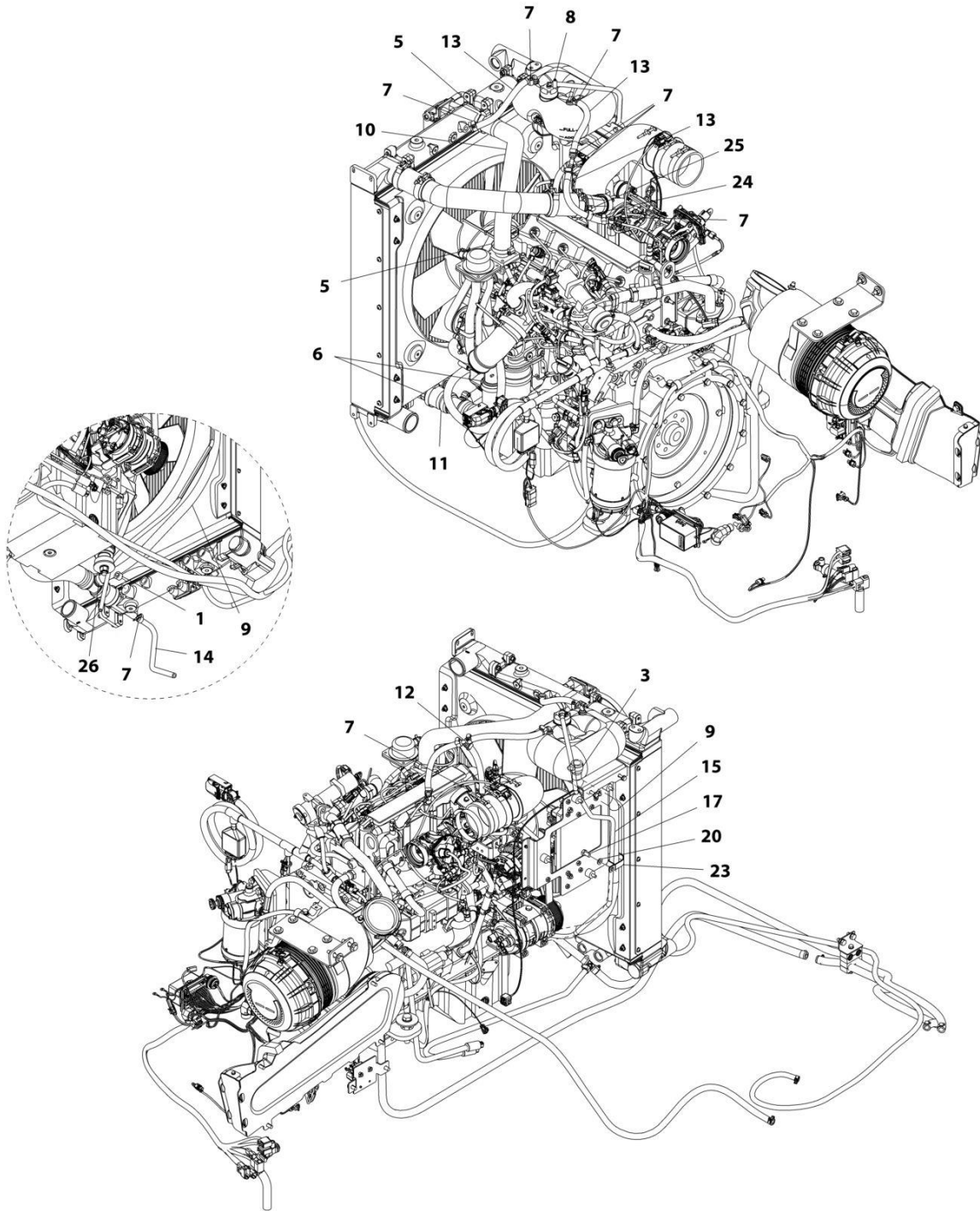
## SECTION 4 - ENGINE AND ATTACHING PARTS

FIGURE 4-24. HOC LINES INSTALLATION

ITEM	PART NUMBER	QTY	DESCRIPTION	REV
	1001163082	Ref	HOC Lines Installation	D
1	2130810	1	Fitting, ORFS	
2	2131010	1	Fitting, ORFS	
3	2131616	1	Fitting, ORFS	
5	2170216	1	Fitting, ORFS	
6	1001163723	1	Hose	
7	2220242	1	Fitting	
8	2170316	1	Fitting, Tee ORFS	

# SECTION 4 - ENGINE AND ATTACHING PARTS

## FIGURE 4-25. COOLANT LINES INSTALLATION (ULS)



ART\_1001163245-1

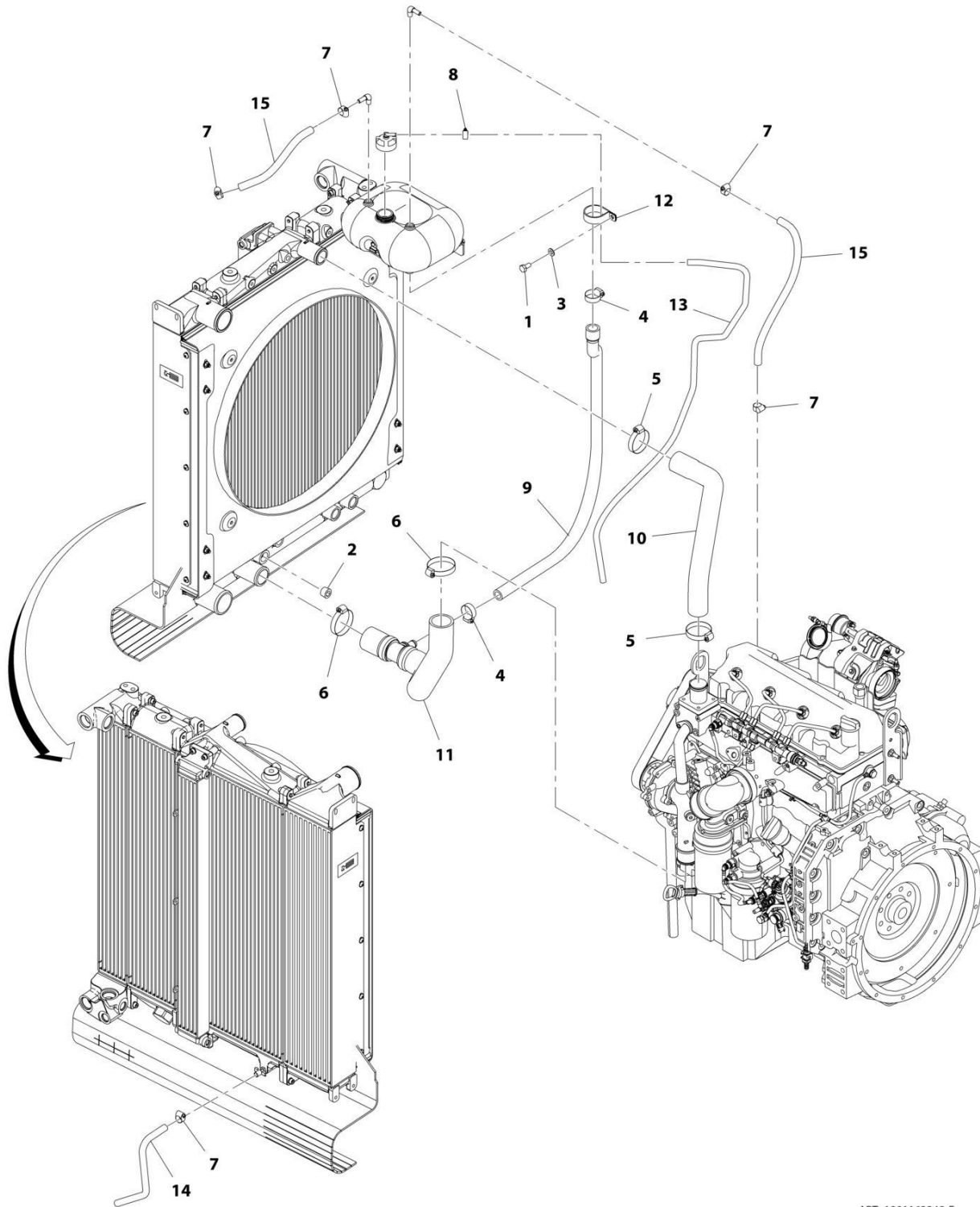
## SECTION 4 - ENGINE AND ATTACHING PARTS

**FIGURE 4-25. COOLANT LINES INSTALLATION (ULS)**

ITEM	PART NUMBER	QTY	DESCRIPTION	REV
	1001163245	Ref	Coolant Lines Installation (ULS)	I
1	2200224	1	Plug	
3	8405101	AR	Clamp, Gear	
5	8405201	2	Clamp, Gear	
6	8405202	2	Clamp, Gear	
7	8410013	9	Clamp, Gear	
8	8405009	1	Clamp, Gear	
9	1001182011	1	Hose	
10	1001166430	1	Pipe	
11	1001182012	1	Hose	
12	1001172953	1	Pipe, Tee	
13	1001181625	1042 mm	Hose	
14	1001180553	370 mm	Hose	
15	1001180542	1680 mm	Hose	
17	0761010	1	Bolt, M10X20	
20	4812000	1	Washer, M10	
23	1001097588	1	Clamp	
24	8410019	1	Clamp, 7/8	
25	0760605	1	Bolt, 6X10	
26	8405007	1	Clamp	

# SECTION 4 - ENGINE AND ATTACHING PARTS

## FIGURE 4-26. COOLANT LINES INSTALLATION (LS)



ART\_1001163248-F

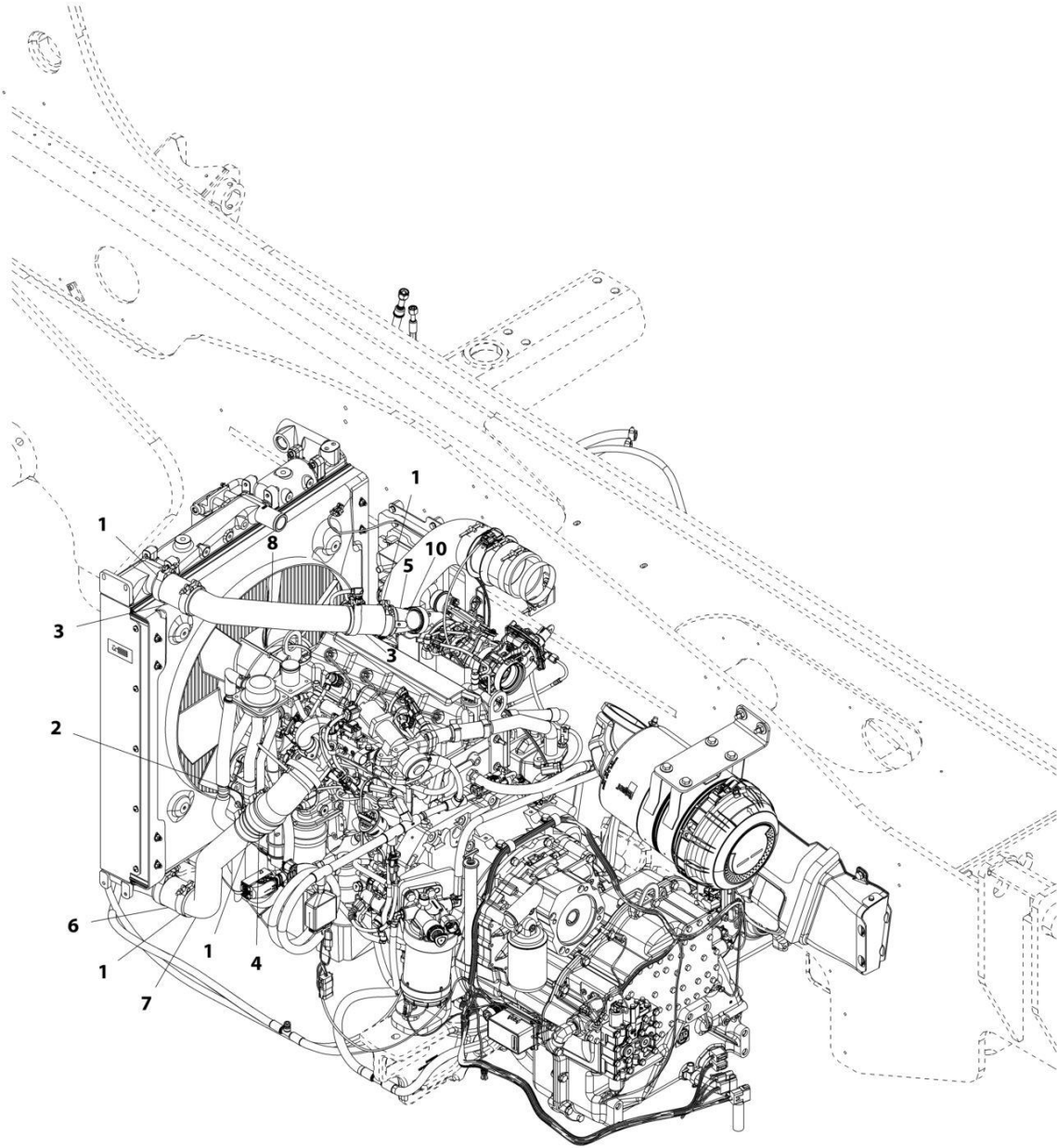
## SECTION 4 - ENGINE AND ATTACHING PARTS

**FIGURE 4-26. COOLANT LINES INSTALLATION (LS)**

ITEM	PART NUMBER	QTY	DESCRIPTION	REV
	1001163248	Ref	Coolant Lines Installation (LS)	F
1	0761010	1	Bolt, M10X20	
2	2200224	1	Plug	
3	4812000	1	Washer, M10	
4	8405101	2	Clamp, Gear	
5	8405201	2	Clamp, Gear	
6	8405202	2	Clamp, Gear	
7	8410013	5	Clamp, Gear	
8	8405009	1	Clamp, Gear	
9	1001182011	1	Hose	
10	1001166430	1	Pipe	
11	1001182012	1	Hose	
12	1001097588	1	Clamp	
13	1001180542	1680 mm	Hose	
14	1001180553	369 mm	Hose	
15	1001181625	711 mm	Hose	

# SECTION 4 - ENGINE AND ATTACHING PARTS

FIGURE 4-27. CAC LINES INSTALLATION (ULS)



ART\_1001163246-F

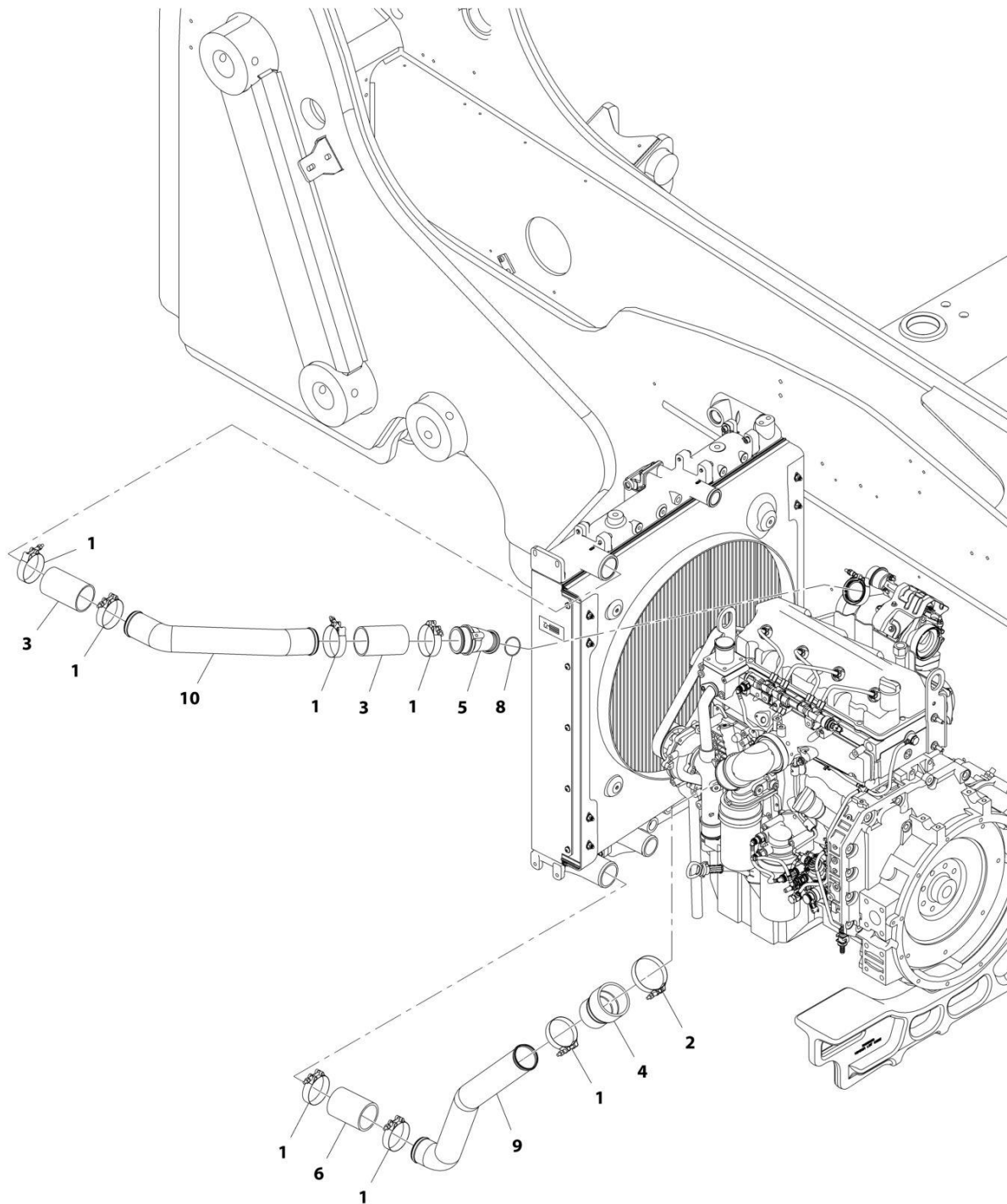
## SECTION 4 - ENGINE AND ATTACHING PARTS

FIGURE 4-27. CAC LINES INSTALLATION (ULS)

ITEM	PART NUMBER	QTY	DESCRIPTION	REV
	1001163246	Ref	CAC Lines Installation (ULS)	F
1	8405212	7	Clamp, T-Bolt	
2	8405305	1	Clamp, T-Bolt	
3	1001114495	2	Hose	
4	1001138348	1	Hose	
5	1001161920	1	Adapter Mech	
6	1001166416	1	Hose	
7	1001166925	1	Pipe	
8	1001166993	1	Pipe	
10	1001172591	1	O-Ring	

# SECTION 4 - ENGINE AND ATTACHING PARTS

## FIGURE 4-28. CAC LINES INSTALLATION (LS)



ART\_1001163249-C



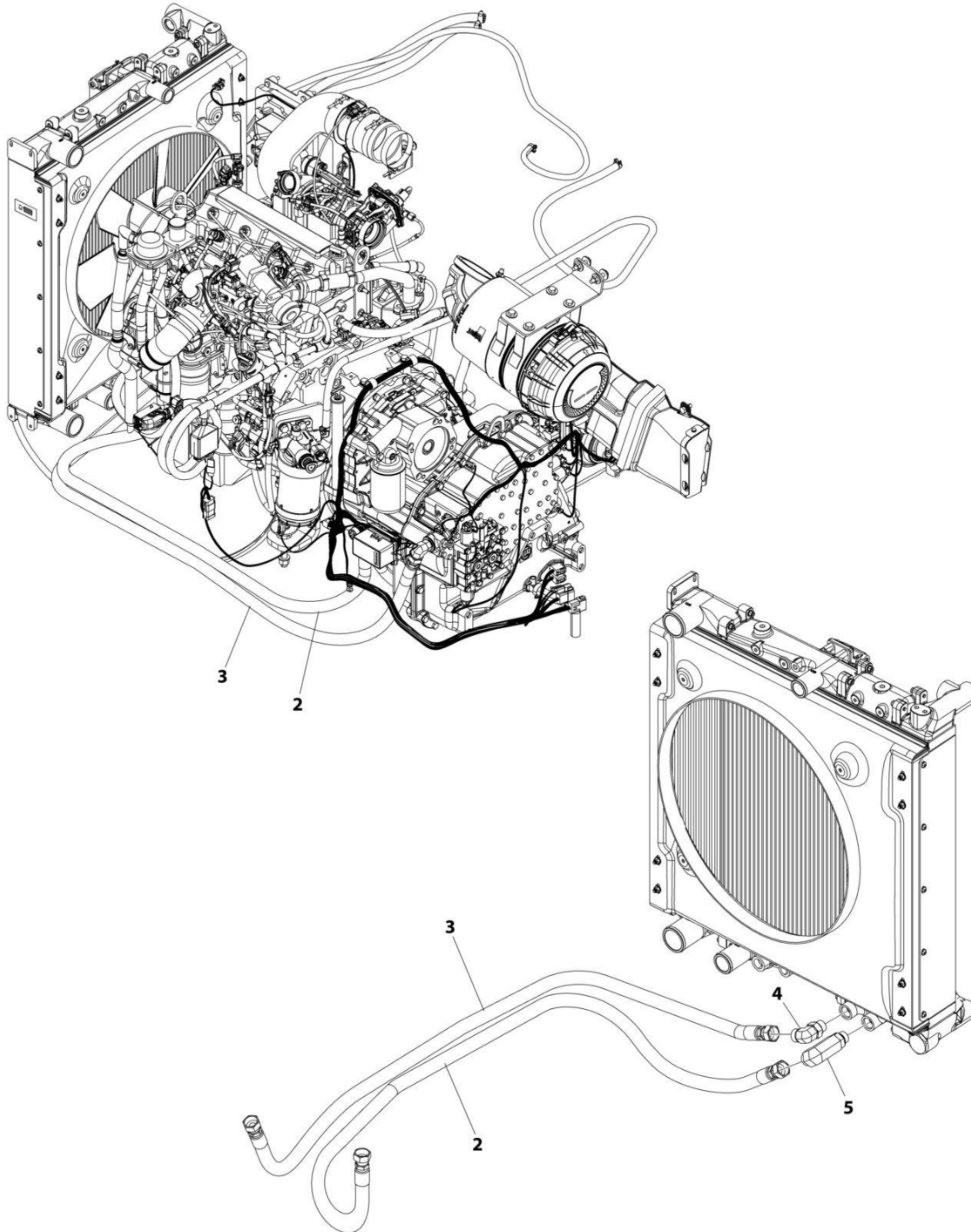
## SECTION 4 - ENGINE AND ATTACHING PARTS

FIGURE 4-28. CAC LINES INSTALLATION (LS)

ITEM	PART NUMBER	QTY	DESCRIPTION	REV
	1001163249	Ref	CAC Lines Installation (LS)	C
1	8405212	7	Clamp, T-Bolt	
2	8405305	1	Clamp, T-Bolt	
3	1001114495	2	Hose	
4	1001138348	1	Hose	
5	1001161920	1	Adapter Mech	
6	1001166416	1	Hose	
8	1001172591	1	O-Ring	
9	1001174832	1	Pipe	
10	1001179376	1	Pipe	

# SECTION 4 - ENGINE AND ATTACHING PARTS

## FIGURE 4-29. TOC LINES INSTALLATION



ART\_1001163247-D

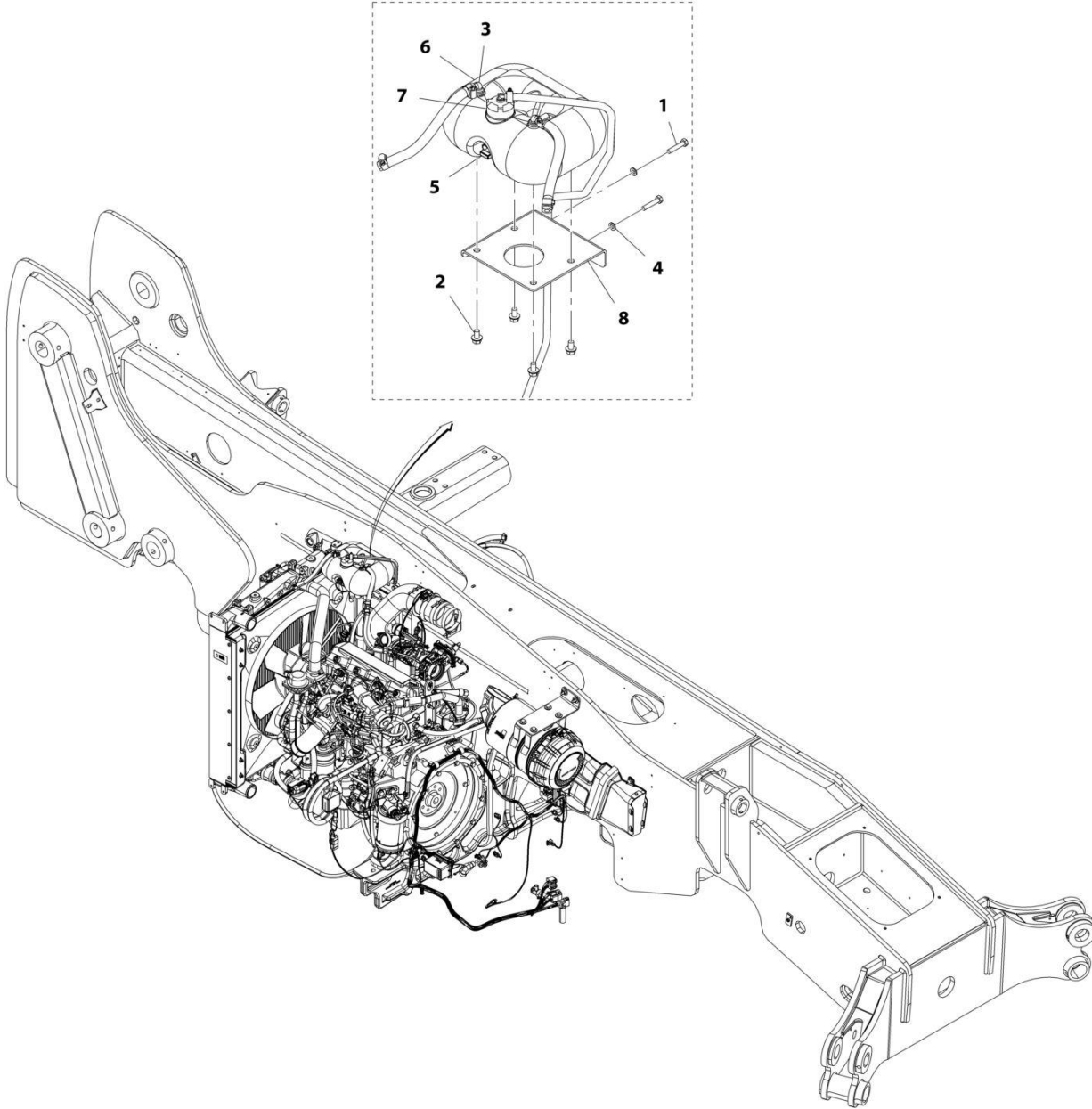
## SECTION 4 - ENGINE AND ATTACHING PARTS

FIGURE 4-29. TOC LINES INSTALLATION

ITEM	PART NUMBER	QTY	DESCRIPTION	REV
	1001163247	Ref	TOC Lines Installation	D
2	1001169207	1	Hose	
3	1001169393	1	Hose	
4	2131212	1	Fitting, 90 ORFS	
5	2170212	1	Fitting, 90 ORFS	

# SECTION 4 - ENGINE AND ATTACHING PARTS

## FIGURE 4-30. SURGE TANK INSTALLATION



ART\_1001167078-E

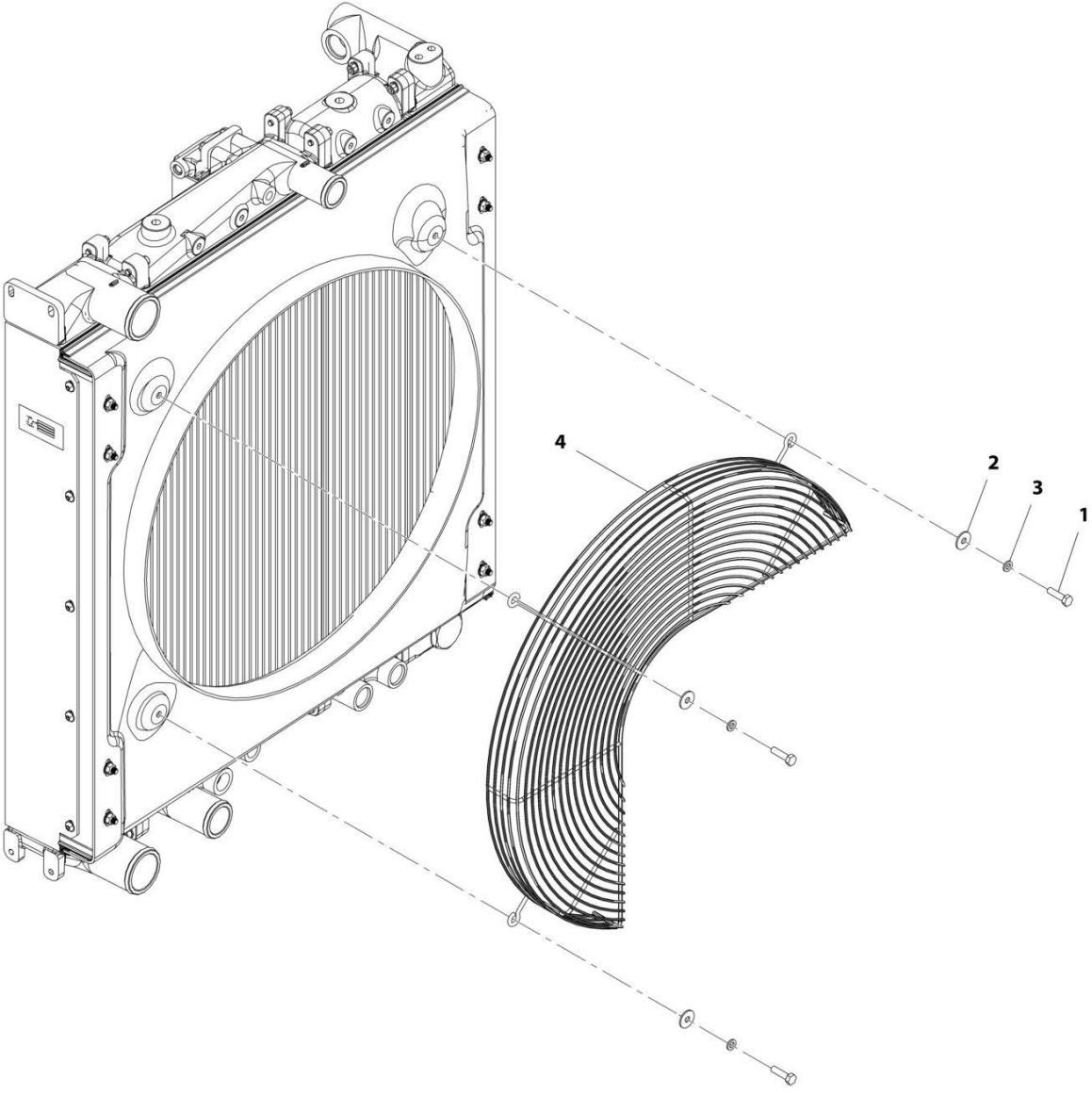
## SECTION 4 - ENGINE AND ATTACHING PARTS

FIGURE 4-30. SURGE TANK INSTALLATION

ITEM	PART NUMBER	QTY	DESCRIPTION	REV
	1001167078	Ref	Surge Tank Installation	E
1	0700816	2	Bolt, M8X40	
2	0791605	4	Bolt, M3/8-16X5/8	
3	2180467	2	Fitting	
4	4811900	2	Washer, M8	
5	1001121955	1	Sensor, Coolant Level	
6	1001128144	1	Tank, Coolant	
7	1001128341	1	Cap	
8	1001163637	1	Bracket, Coolant Tank	

# SECTION 4 - ENGINE AND ATTACHING PARTS

## FIGURE 4-31. FAN GUARD INSTALLATION



ART\_1001160420-D

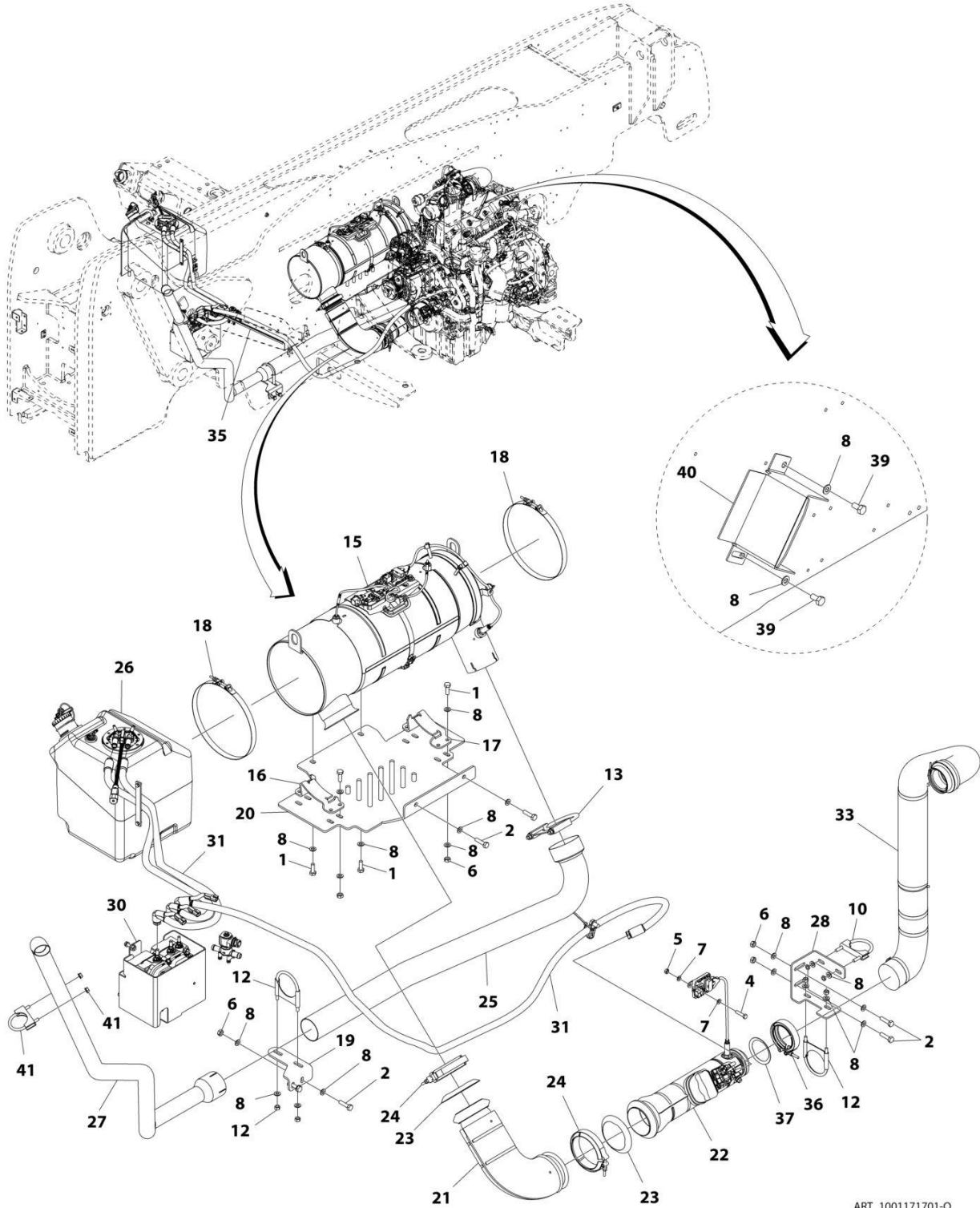
## SECTION 4 - ENGINE AND ATTACHING PARTS

### FIGURE 4-31. FAN GUARD INSTALLATION

ITEM	PART NUMBER	QTY	DESCRIPTION	REV
	1001160420	Ref	Fan Guard Installation	D
1	0700814	3	Bolt, M8X30	
2	4811902	3	Washer, M8	
3	4831900	3	Washer, Lock M8	
4	1001167186	1	Grill	

# SECTION 4 - ENGINE AND ATTACHING PARTS

## FIGURE 4-32. EXHAUST INSTALLATION (ULS)



ART\_1001171701-O



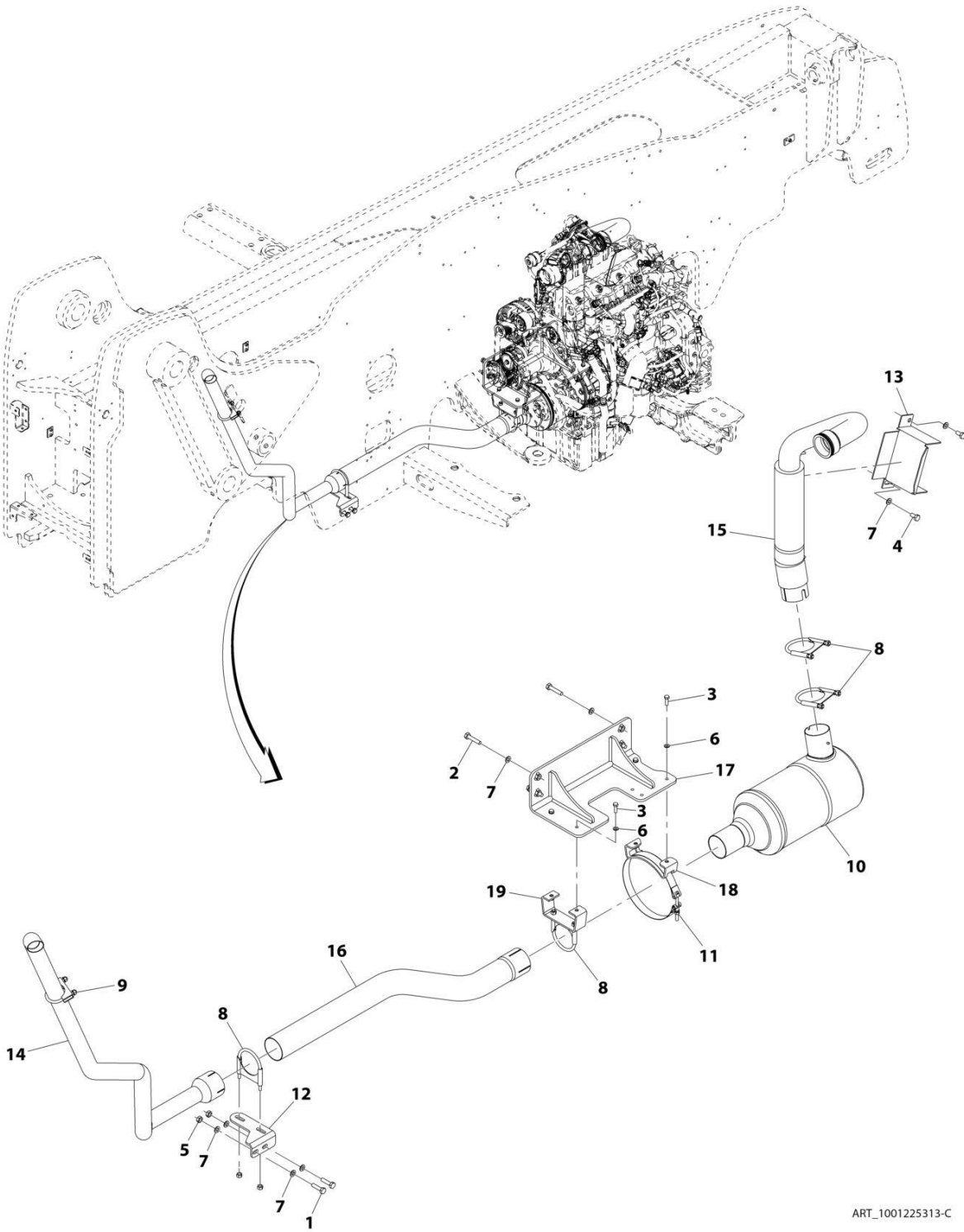
## SECTION 4 - ENGINE AND ATTACHING PARTS

**FIGURE 4-32. EXHAUST INSTALLATION (ULS)**

ITEM	PART NUMBER	QTY	DESCRIPTION	REV
	1001171701	1	Exhaust Installation (ULS)	O
1	0701014	10	Bolt, M10X30	
2	0701016	6	Bolt, M10X40	
4	0760815	2	Bolt, M8X35	
5	3290801	2	Nut, M8X1.25	
6	3291001	12	Nut, M10X1.5	
7	4811900	4	Washer, M8	
8	4812000	36	Washer, M10	
10	8275212	1	Clamp	
12	24921332	2	Clamp	
13	86883127	1	Clamp	
15	1001155261	1	Muffler	
16	1001159881	1	Bracket	
17	1001159882	1	Bracket	
18	1001176945	2	Strap	
19	1001162281	1	Support	
20	1001162597	1	Bracket	
21	1001163546	1	Pipe	
22	1001164404	1	Tube, Decomposition Reactor	
23	1001164837	2	Gasket	
24	1001164838	2	Clamp	
25	1001168560	1	Pipe	
26	1001168638	Ref	Installation, DEF Tank (See Separate Breakdown in this Section)	
27	1001204144	1	Pipe	
28	1001183836	1	Bracket	
30	1001174271	Ref	Installation, DEF Pump and Control (See Separate Breakdown in this Section)	
31	1001163253	Ref	Installation, DEF Pump Lines (See Separate Breakdown in this Section)	
33	1001183759	1	Pipe	
35	90206195	490 mm	Trim-Lock	
36	1001167167	1	Clamp	
37	1001167168	1	Seal	
39	0761010	2	Bolt, M10X20	
40	1001179206	1	Bracket	
41	86683211	1	Clamp	

# SECTION 4 - ENGINE AND ATTACHING PARTS

## FIGURE 4-33. EXHAUST INSTALLATION



ART\_1001225313-C

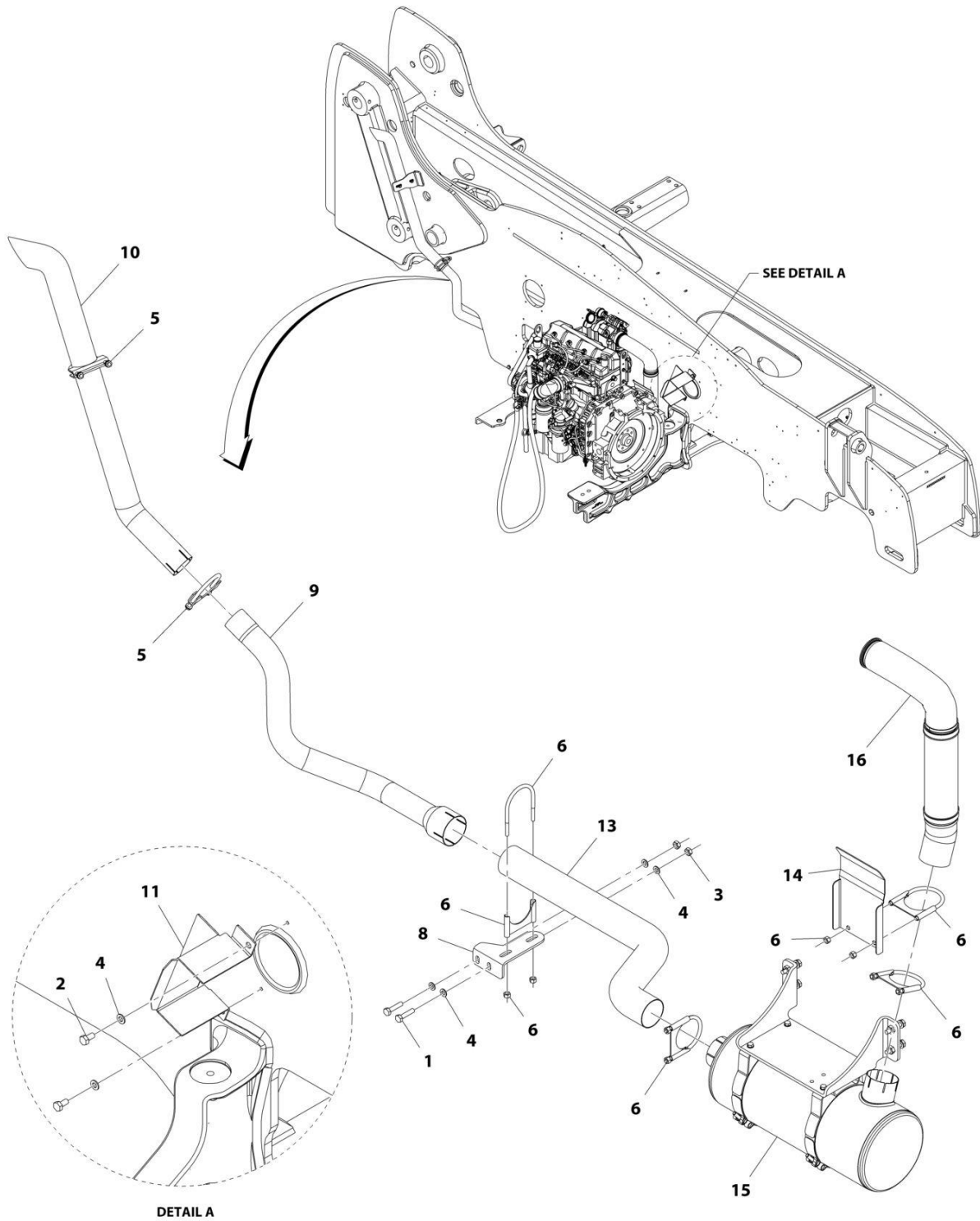
## SECTION 4 - ENGINE AND ATTACHING PARTS

### FIGURE 4-33. EXHAUST INSTALLATION

ITEM	PART NUMBER	QTY	DESCRIPTION	REV
	1001225313	Ref	Exhaust Installation (74HP) (ULS)	C
1	0701016	2	Bolt, M10X40	
2	0701018	4	Bolt, M10X50	
3	0760812	4	Bolt, M8X25	
4	0761010	2	Screw, M10X20	
5	3291001	2	Nut, M10X1.5	
6	4811900	4	Washer, M8	
7	4812000	10	Washer, M10	
8	24921332	4	Clamp	
9	86683211	1	Clamp	
10	1001128714	1	Muffler	
11	1001128901	1	Strap	
12	1001162281	1	Support	
13	1001228516	1	Bracket	
14	1001204144	1	Pipe	
15	1001224030	1	Pipe	
16	1001224031	1	Pipe	
17	1001227234	1	Bracket	
18	1001225126	1	Bracket	
19	1001225402	1	Bracket	

# SECTION 4 - ENGINE AND ATTACHING PARTS

## FIGURE 4-34. EXHAUST INSTALLATION (LS)



ART\_1001169850-E

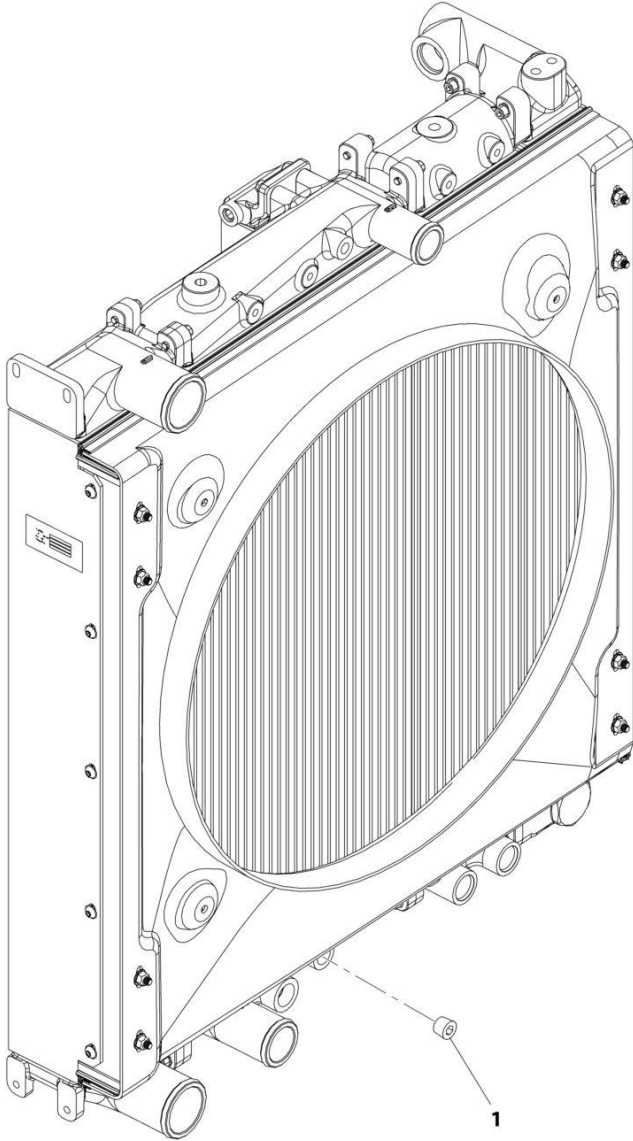
## SECTION 4 - ENGINE AND ATTACHING PARTS

**FIGURE 4-34. EXHAUST INSTALLATION (LS)**

ITEM	PART NUMBER	QTY	DESCRIPTION	REV
	1001169850	Ref	Exhaust Installation (LS)	E
1	0701017	2	Bolt, M10X45	
2	0761010	2	Bolt, M10X20	
3	3291001	2	Nut, M10X1.5	
4	4812000	6	Washer, M10	
5	8275212	2	Clamp, Exhaust	
6	24921332	4	Clamp, Exhaust	
8	1001162281	1	Bracket, Exhaust	
9	1001208186	1	Pipe, Exhaust	
10	1001173626	1	Pipe, Exhaust	
11	1001179206	1	Bracket, Heat Shield	
13	1001179972	1	Pipe, Exhaust	
14	1001181815	1	Plate, Heat Shield	
15	1001179968	1	Installation, Muffler (LS) (See Separate Breakdown in this Section)	
16	1001191348	1	Pipe, Exhaust Flex	

# SECTION 4 - ENGINE AND ATTACHING PARTS

FIGURE 4-35. ENGINE PARTS INSTALLATION (NO HEATER)



ART\_1001163133-D

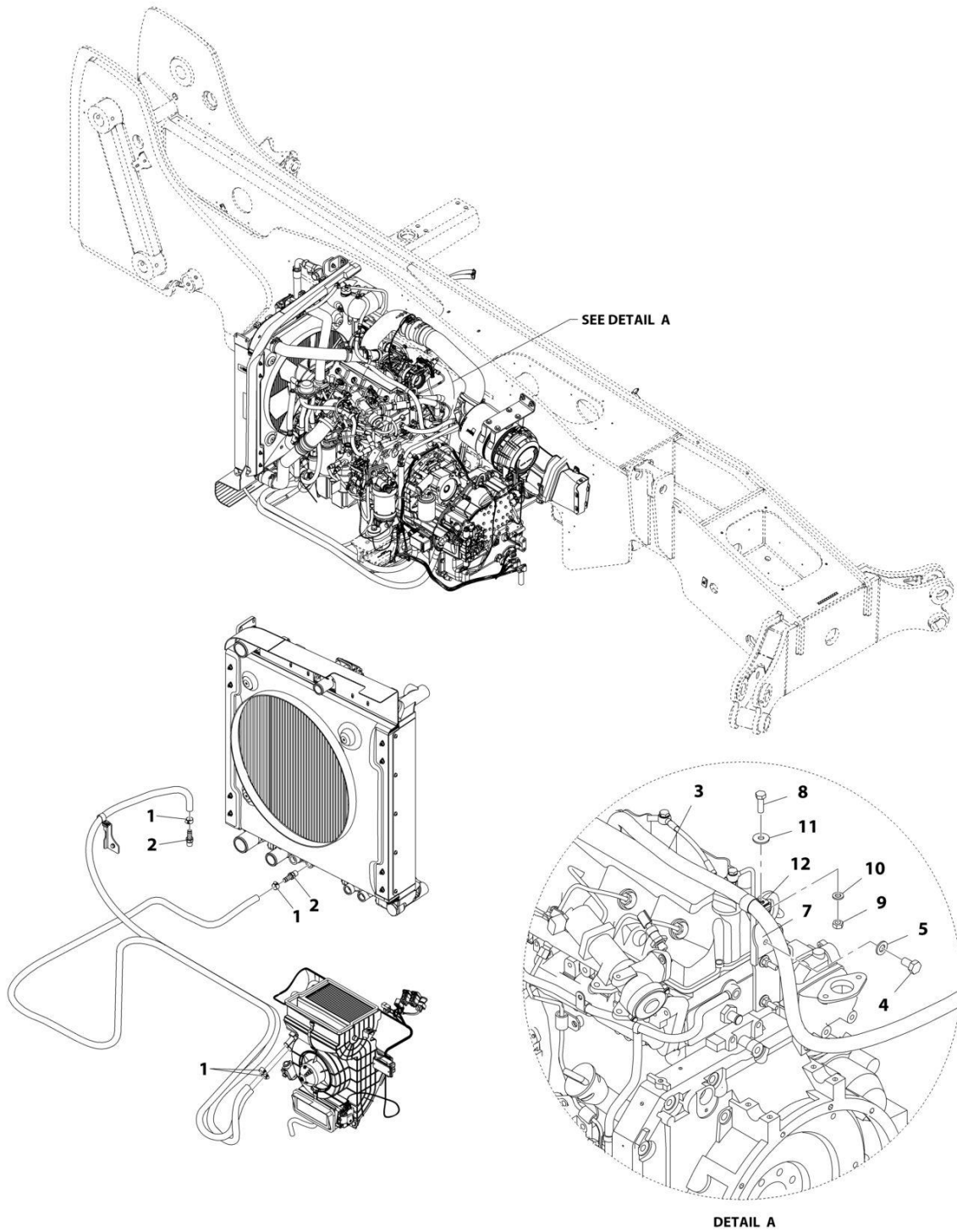
## SECTION 4 - ENGINE AND ATTACHING PARTS

FIGURE 4-35. ENGINE PARTS INSTALLATION (NO HEATER)

ITEM	PART NUMBER	QTY	DESCRIPTION	REV
1	1001163133 2200223	Ref 1	Engine Parts Installation (No Heater) Plug	D

# SECTION 4 - ENGINE AND ATTACHING PARTS

## FIGURE 4-36. ENGINE PARTS INSTALLATION (HEATER)



ART\_1001163134-J



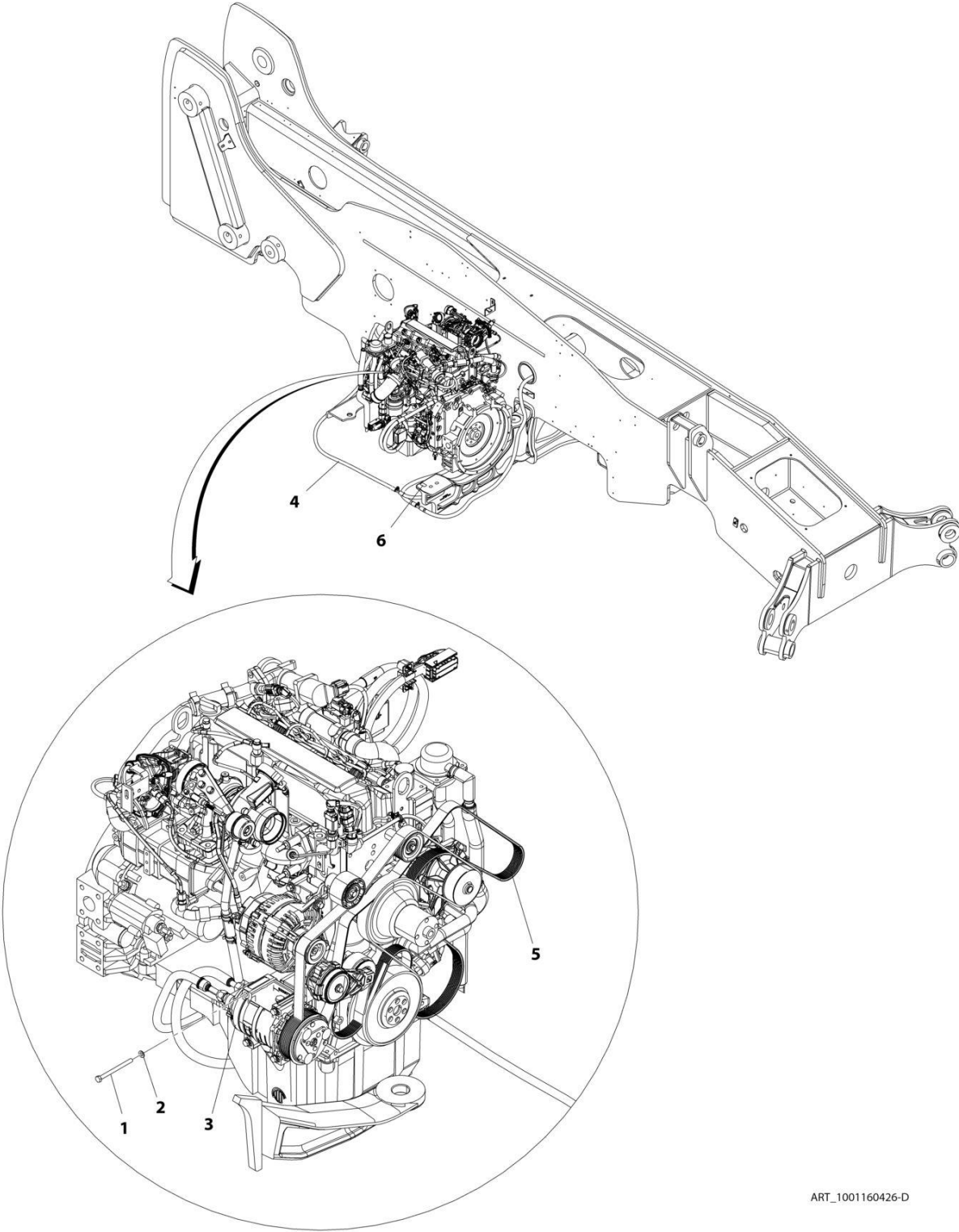
## SECTION 4 - ENGINE AND ATTACHING PARTS

**FIGURE 4-36. ENGINE PARTS INSTALLATION (HEATER)**

ITEM	PART NUMBER	QTY	DESCRIPTION	REV
	1001163134	Ref	Engine Parts Installation (Heater)	J
1	8410009	4	Clamp, Gear	
2	1001104685	2	Pipe	
3	82033995	7 m	Hose	
4	0760807	1	Bolt, M8X14	
5	4811900	1	Washer, M8	
7	1001200555	1	Bracket	
8	0700610	1	Bolt, M6X20	
9	3290601	1	Nut, M6X1	
10	4811700	1	Washer, M6	
11	4811702	1	Washer, M6	
12	8406201	1	Clip	

# SECTION 4 - ENGINE AND ATTACHING PARTS

FIGURE 4-37. A/C PUMP INSTALLATION (ULS)



ART\_1001160426-D

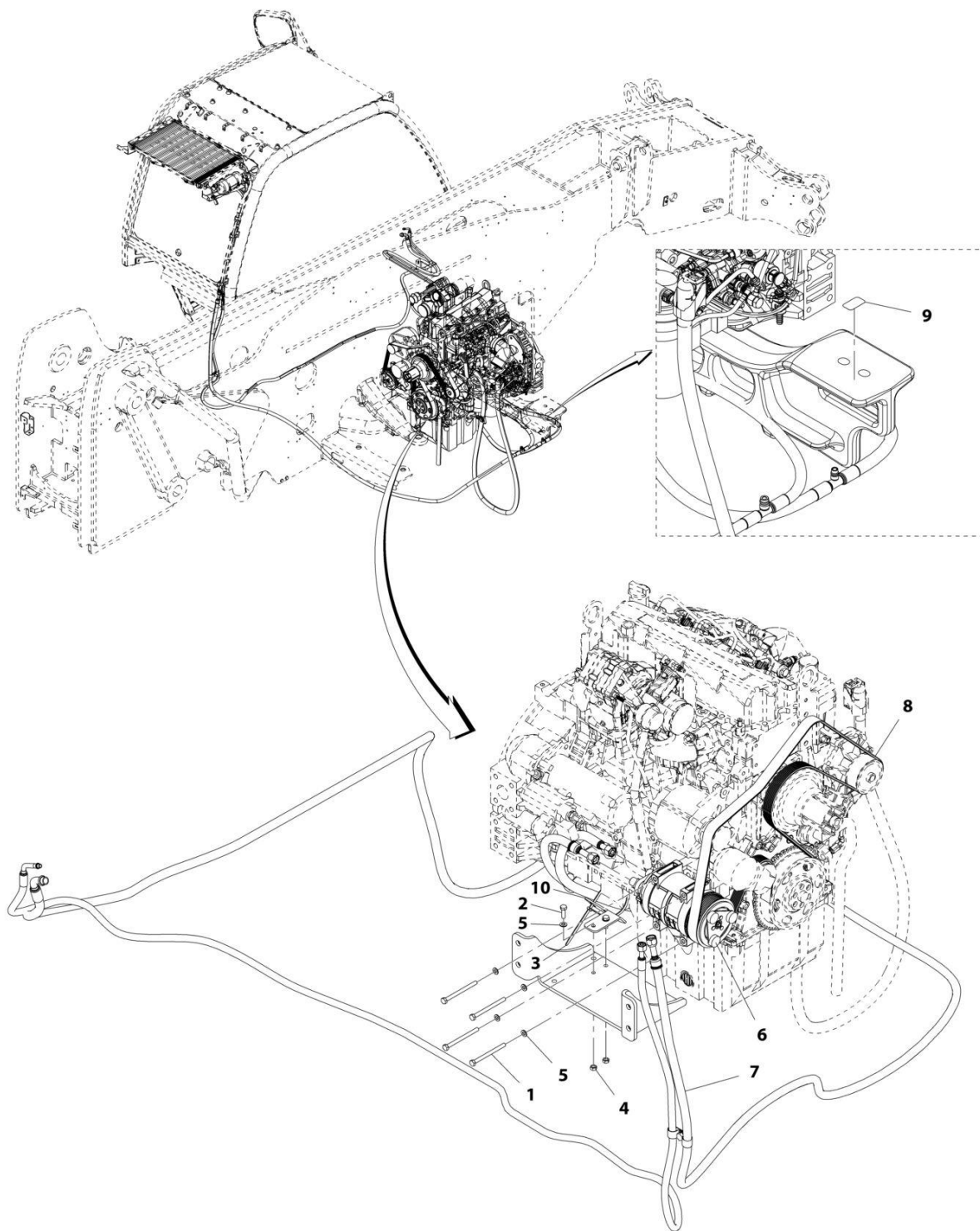
## SECTION 4 - ENGINE AND ATTACHING PARTS

FIGURE 4-37. A/C PUMP INSTALLATION (ULS)

ITEM	PART NUMBER	QTY	DESCRIPTION	REV
	1001160426	Ref	A/C Pump Installation (ULS)	D
1	0700827	4	Bolt, M8X100	
2	4811900	4	Washer, M8	
3	1001157663	1	Compressor, A/C	
4	1001163254	1	Installation, A/C Lines (See Separate Breakdown in this Section)	
5	1001167357	1	Belt	
6	1001193026	1	Decal, A/C Refrigerant	

# SECTION 4 - ENGINE AND ATTACHING PARTS

## FIGURE 4-38. A/C PUMP INSTALLATION (LS)



ART\_1001206448-A

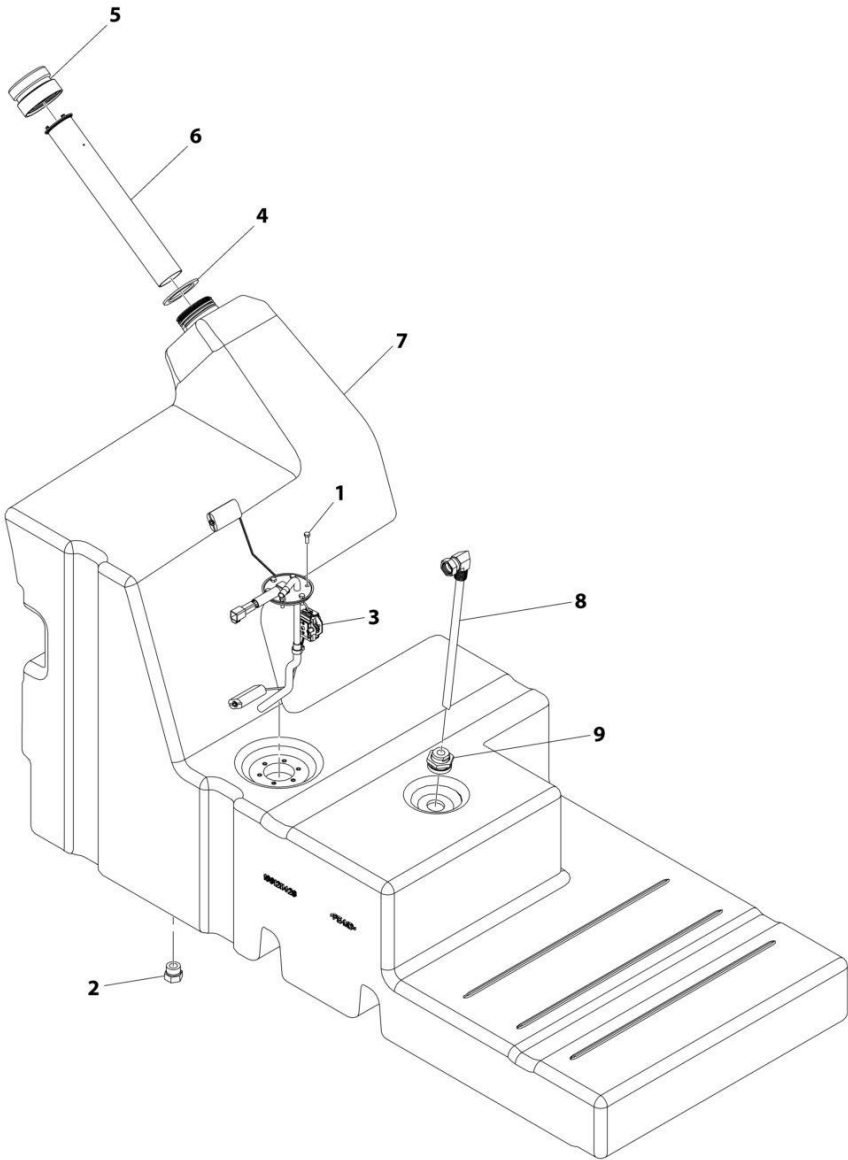
## SECTION 4 - ENGINE AND ATTACHING PARTS

FIGURE 4-38. A/C PUMP INSTALLATION (LS)

ITEM	PART NUMBER	QTY	DESCRIPTION	REV
	1001206448	Ref	A/C Pump Installation (LS)	A
1	0700827	4	Bolt, M8X100	
2	0760812	2	Bolt, M8X25	
3	1062255	1	Strap, Tie	
4	3290801	2	Nut, M8X1.25 Grade 8	
5	4811900	6	Washer, M8	
6	1001157663	1	Compressor, A/C	
7	1001163254	1	Installation, A/C Lines (See Separate Breakdown in this Section)	
8	1001167357	1	Belt	
9	1001193026	1	Decal, A/C Refrigerant	
10	1001206332	1	Bracket	

**SECTION 4 - ENGINE AND ATTACHING PARTS**

**FIGURE 4-39. FUEL TANK ASSEMBLY**



ART\_1001211432-F

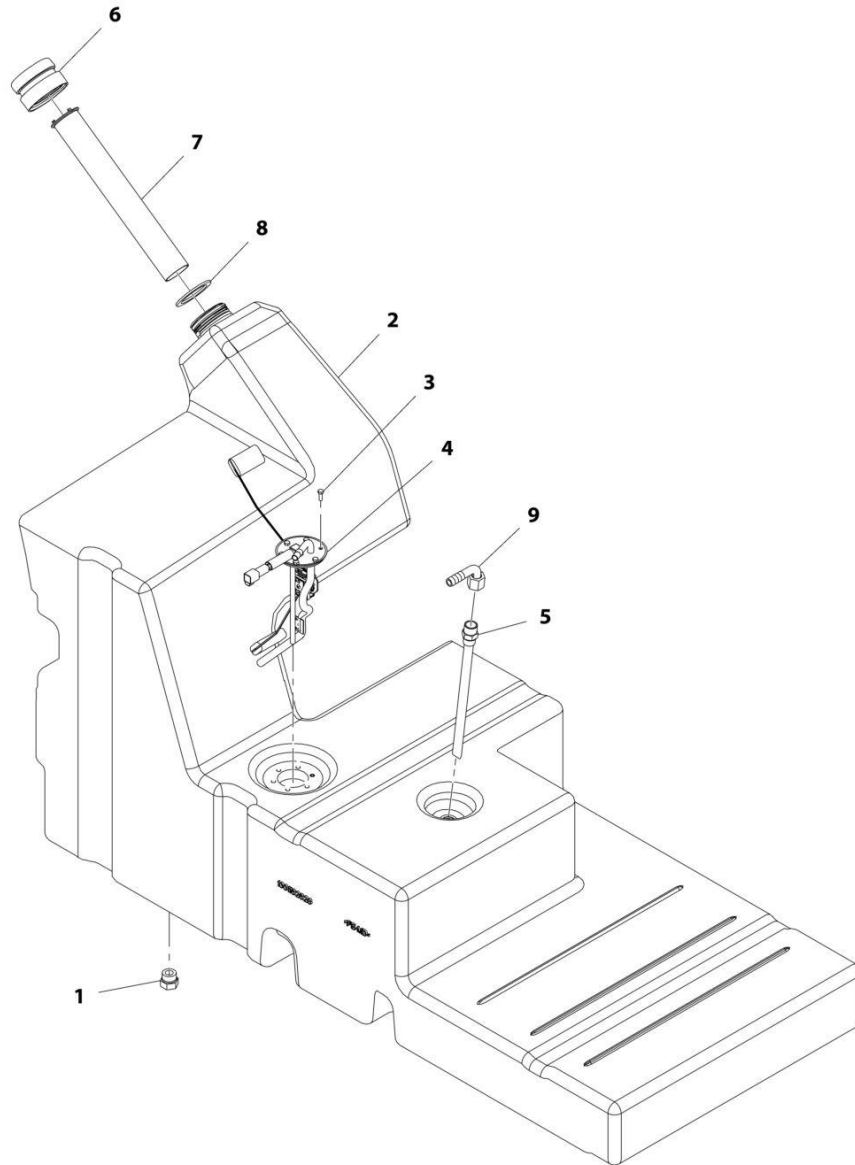
## SECTION 4 - ENGINE AND ATTACHING PARTS

### FIGURE 4-39. FUEL TANK ASSEMBLY

ITEM	PART NUMBER	QTY	DESCRIPTION	REV
	1001211432	Ref	Fuel Tank Assembly	F
1	0760507	6	Bolt, M5X14	
2	1001003427	1	Plug	
3	1001235100	1	Gauge, Fuel Level	
4	1001172178	1	Gasket	
5	1001207282	1	Adapter, Tank Cap	
6	1001207557	1	Pipe, Fuel Tank Drop	
7	1001211428	1	Tank, Fuel	
8	1001211429	1	Coupling, ORFS	
9	1001211747	1	Pipe, Fuel Supply	

## SECTION 4 - ENGINE AND ATTACHING PARTS

FIGURE 4-40. FUEL TANK ASSEMBLY (Prior to SN 0160075554)



ART\_1001163066-K



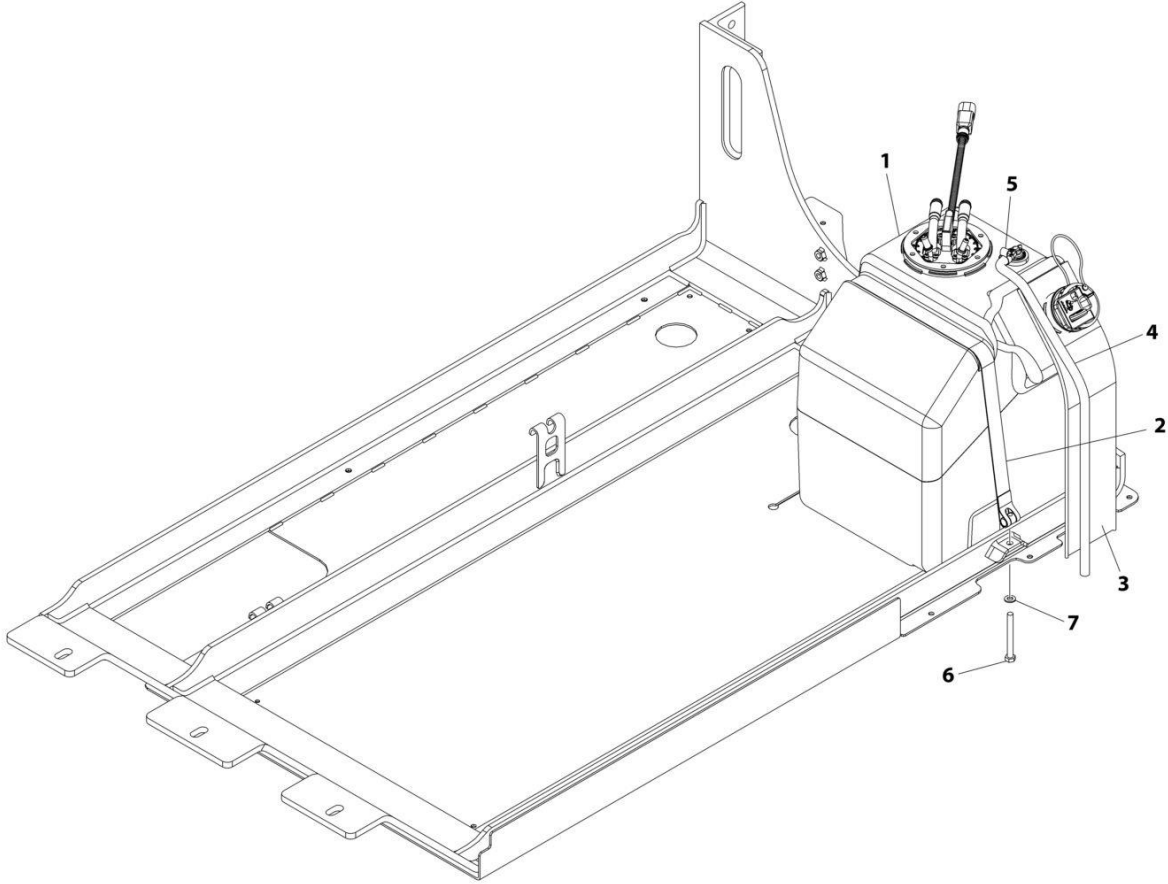
## SECTION 4 - ENGINE AND ATTACHING PARTS

FIGURE 4-40. FUEL TANK ASSEMBLY (Prior to SN 0160075554)

ITEM	PART NUMBER	QTY	DESCRIPTION	REV
	1001163066	Ref	Fuel Tank Assembly	K
1	1001003427	1	Plug	
2	1001162628	1	Tank, Fuel	
3	0760507	6	Bolt, M5X14	
4	1001169867	1	Gauge, Fuel Level	
5	1001170105	1	Pipe, Fuel Supply	
6	1001207282	1	Fitting, Straight	
7	1001207557	1	Tube	
8	1001172178	1	Gasket	
9	1001172587	1	Coupling, ORFS	

# SECTION 4 - ENGINE AND ATTACHING PARTS

## FIGURE 4-41. DEF TANK INSTALLATION



ART\_1001168638-J

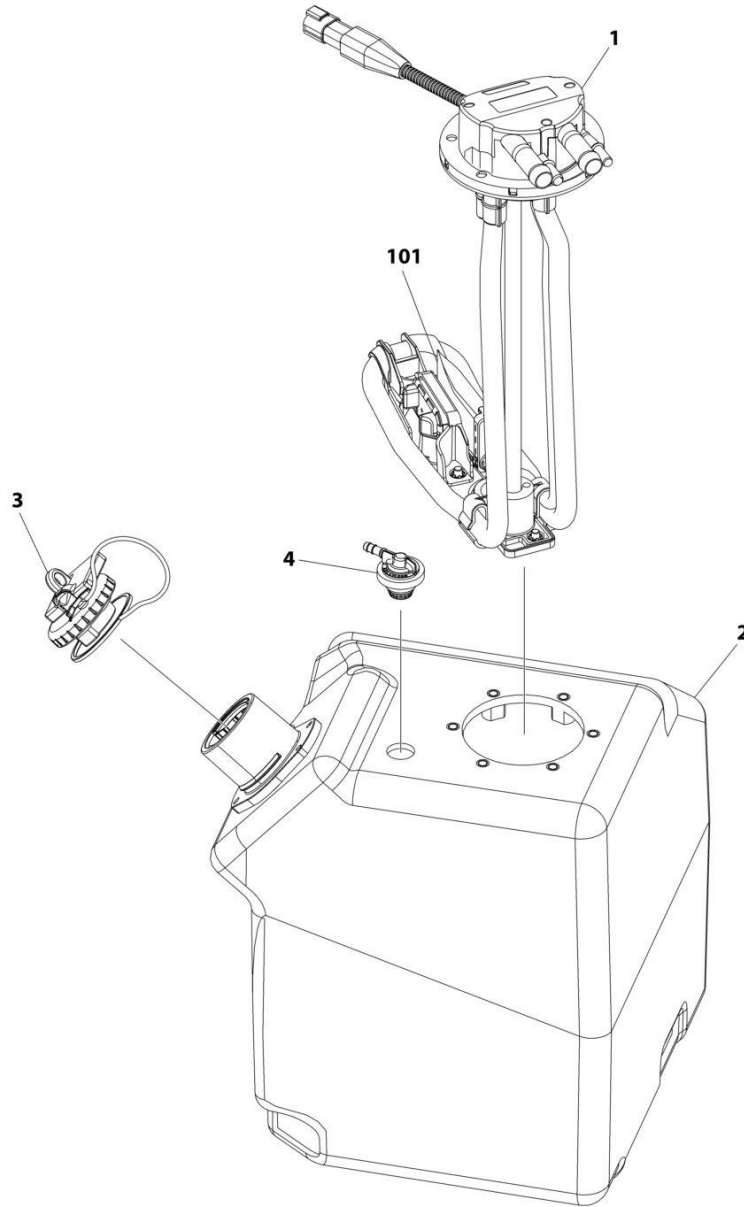
## SECTION 4 - ENGINE AND ATTACHING PARTS

### FIGURE 4-41. DEF TANK INSTALLATION

ITEM	PART NUMBER	QTY	DESCRIPTION	REV
	1001168638	Ref	DEF Tank Installation	J
1	1001230421	1	Tank, DEF (See Separate Breakdown in this Section)	
2	1001178791	1	Strap, Tank	
3	1001168272	1	Sleeve	
4	1001175201	0.6 m	Hose	
5	8405009	1	Clamp, Gear	
6	0760823	1	Bolt, M8X75	
7	4811900	1	Washer, M8	

# SECTION 4 - ENGINE AND ATTACHING PARTS

FIGURE 4-42. DEF TANK ASSEMBLY (SN 0160084796 through 0160091768)



ART\_1001164966-G

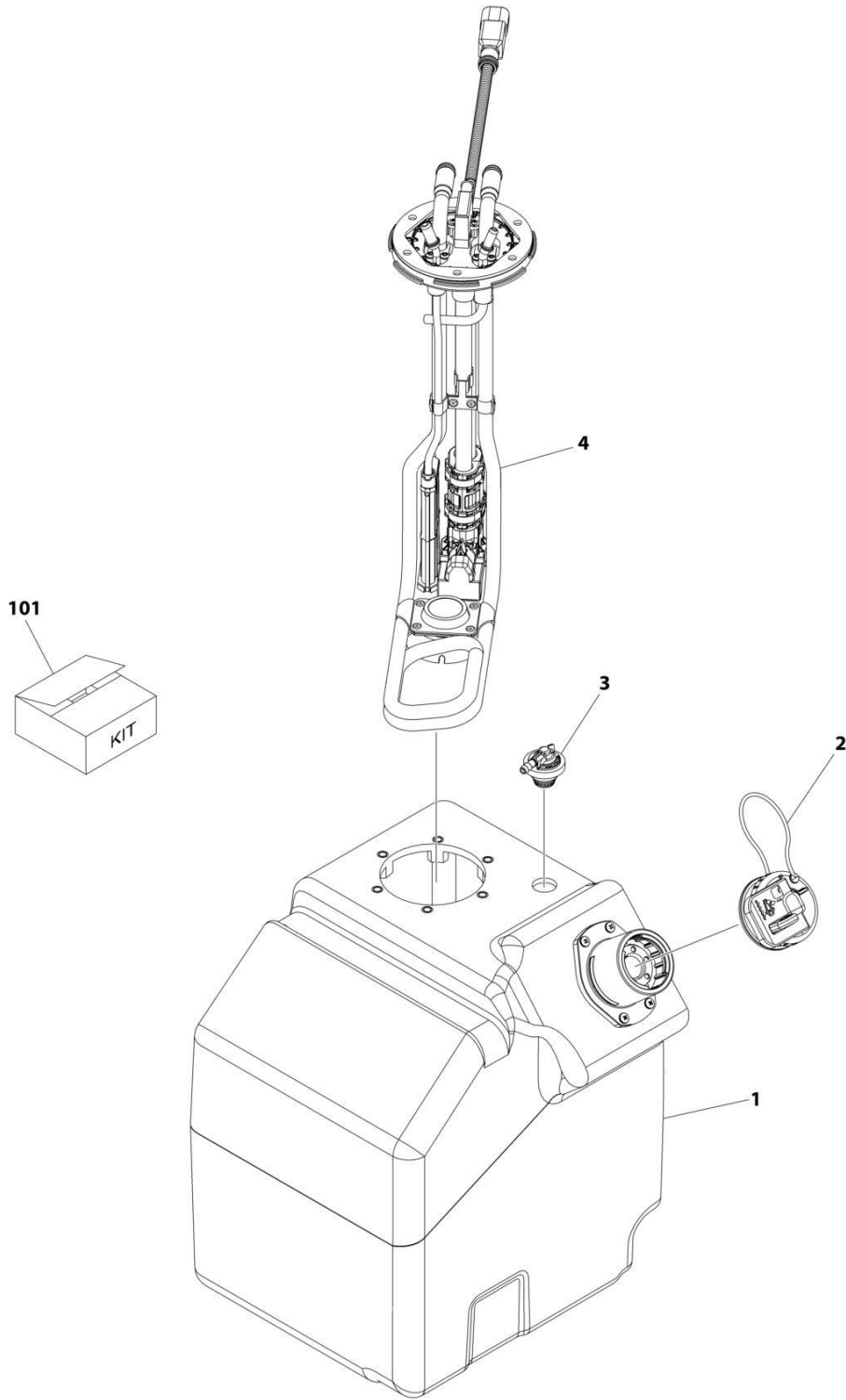
## SECTION 4 - ENGINE AND ATTACHING PARTS

FIGURE 4-42. DEF TANK ASSEMBLY (SN 0160084796 through 0160091768)

ITEM	PART NUMBER	QTY	DESCRIPTION	REV
	1001164966	Ref	DEF Tank Assembly	G
1	1001164964	1	Assembly, DEF Electrical (includes item 101)	
2	1001164967	1	Tank	
3	1001174795	1	Cap	
4	1001215319	1	Valve (See Separate Breakdown in this Section)	
101	70026584	1	Filter, DEF	

# SECTION 4 - ENGINE AND ATTACHING PARTS

FIGURE 4-43. DEF TANK ASSEMBLY (SN 0160091769 through 0160100493)



ART\_1001230421

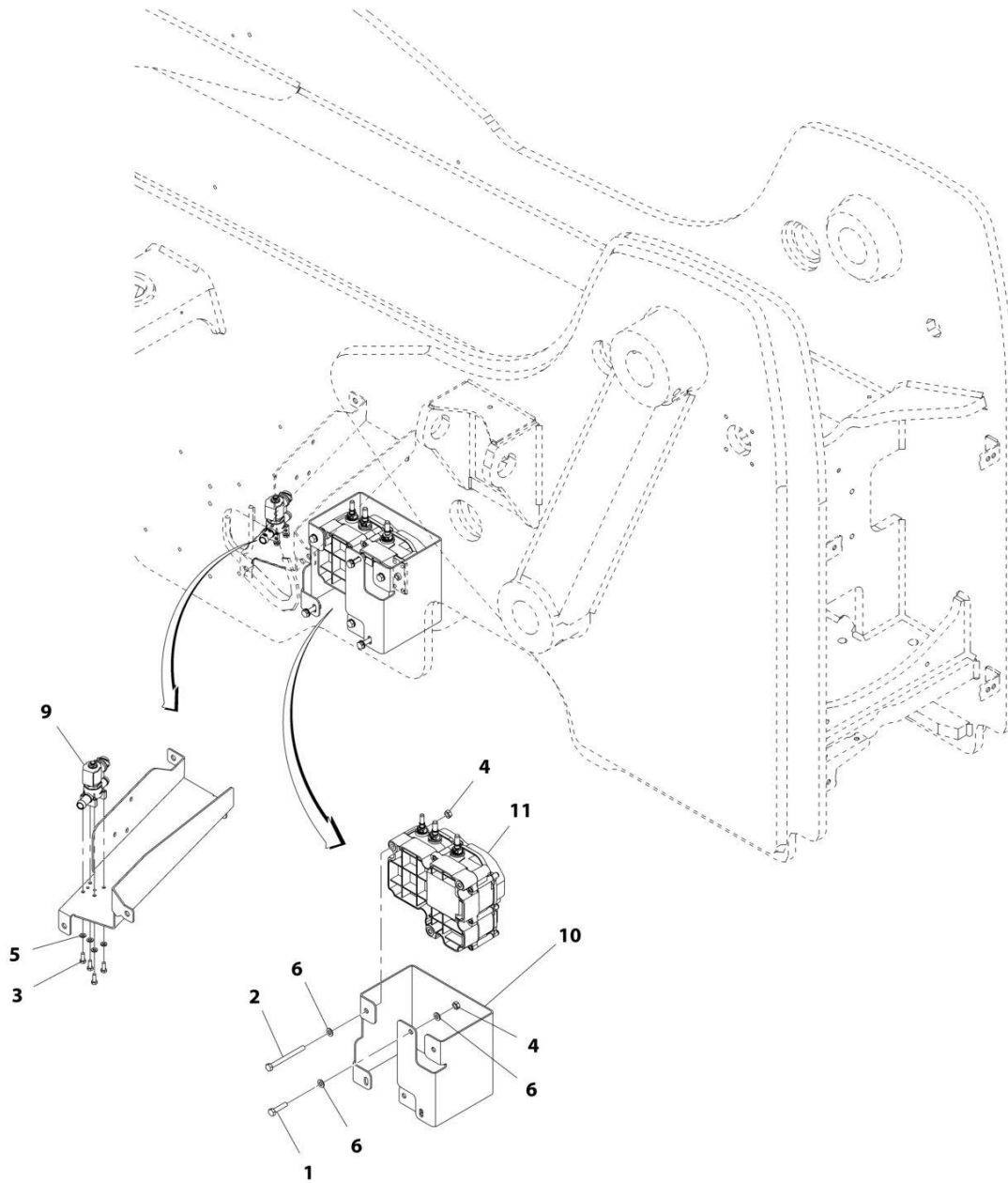
## SECTION 4 - ENGINE AND ATTACHING PARTS

**FIGURE 4-43. DEF TANK ASSEMBLY (SN 0160091769 through 0160100493)**

ITEM	PART NUMBER	QTY	DESCRIPTION	REV
	1001230421	Ref	DEF TANK ASSEMBLY	D
1	1001164967	1	Tank	
2	1001174795	1	Cap	
3	1001215319	1	Valve (See Separate Breakdown in this Section)	
4	1001230419	1	Assembly, DEF Electrical (includes item 101)	
101	70029473	1	Siphon Filter Kit	
101	70029474	1	Gasket, Rubber	
101	70029475	1	Flange	
101	70029476	1	Header Assembly w/o Flange and Gasket	

# SECTION 4 - ENGINE AND ATTACHING PARTS

## FIGURE 4-44. DEF PUMP AND CONTROL INSTALLATION



ART\_1001174271-H



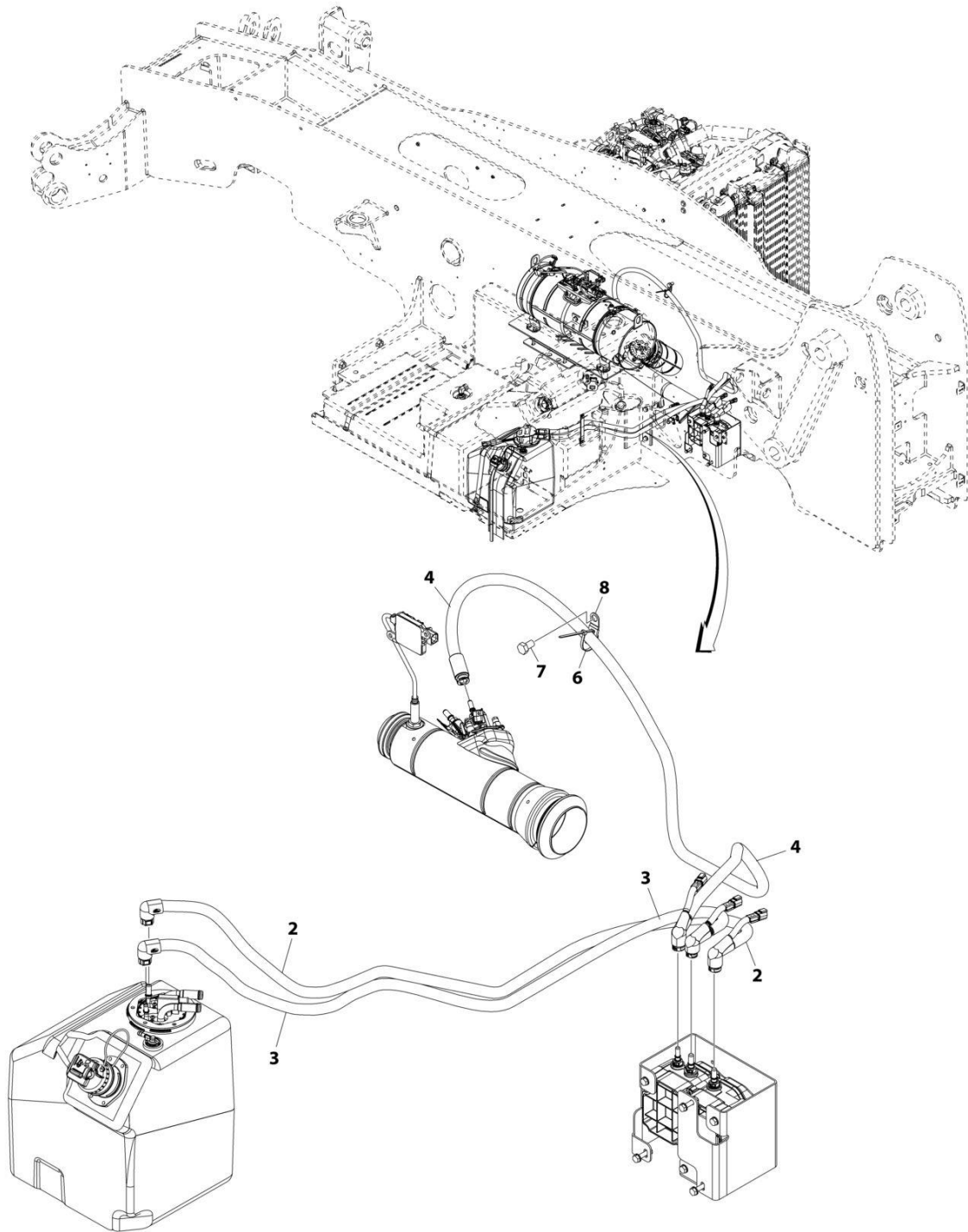
## SECTION 4 - ENGINE AND ATTACHING PARTS

FIGURE 4-44. DEF PUMP AND CONTROL INSTALLATION

ITEM	PART NUMBER	QTY	DESCRIPTION	REV
	1001174271	Ref	DEF Pump and Control Installation	I
1	0700815	3	Bolt, M8X35	
2	0700826	3	Bolt, M8X90	
3	0760608	4	Bolt, M6X16	
4	3290801	5	Nut, M8X1.25	
5	4811700	4	Washer, M6	
6	4811900	8	Washer, M8	
9	1001199670	1	Valve, DEF Tank Coolant Flow	
10	1001191168	1	Bracket	
11	1001213210	1	Pump, Urea (See Separate Breakdown in this Section)	

# SECTION 4 - ENGINE AND ATTACHING PARTS

## FIGURE 4-45. DEF PUMP LINES INSTALLATION



ART\_1001163253-I

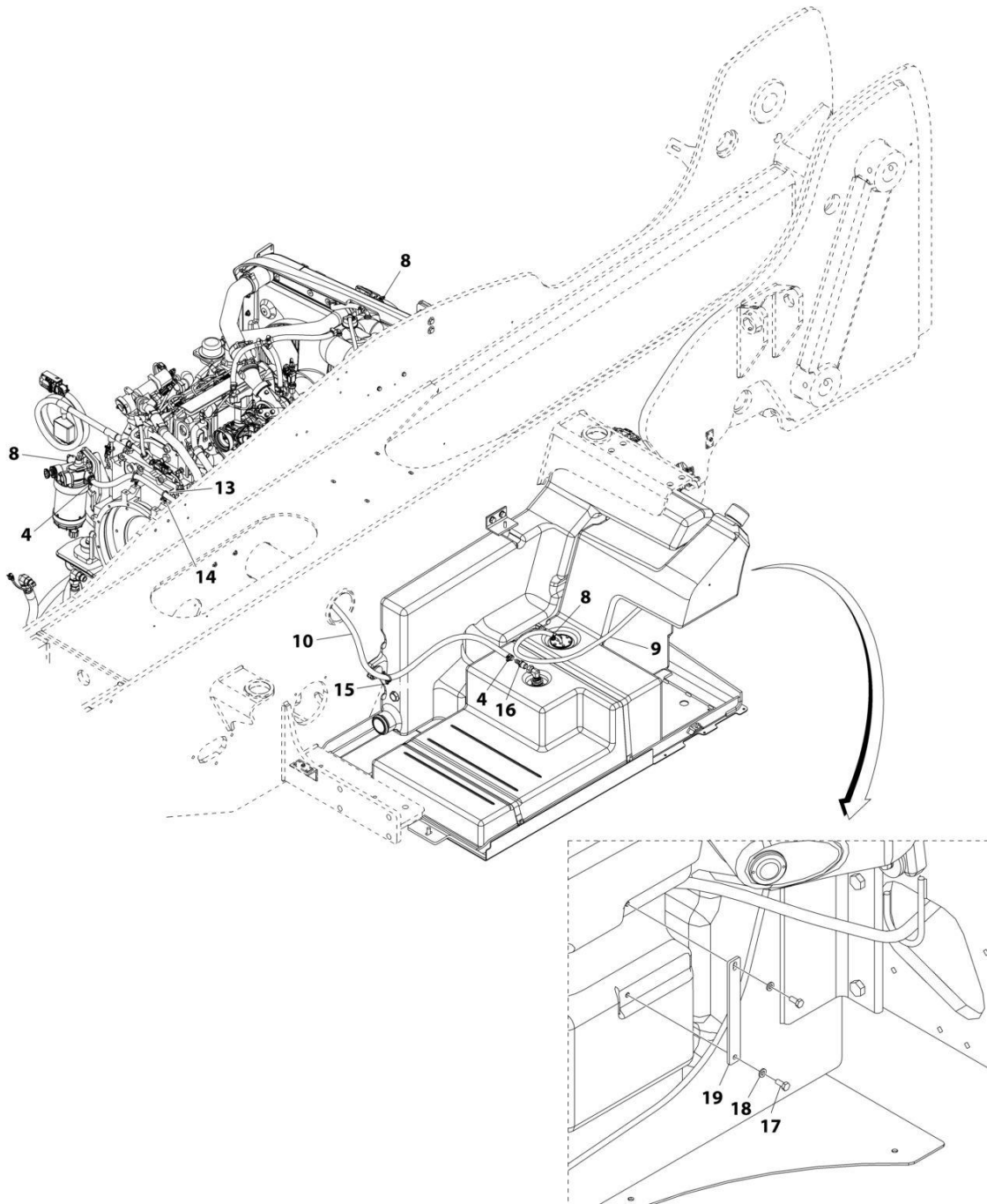
## SECTION 4 - ENGINE AND ATTACHING PARTS

FIGURE 4-45. DEF PUMP LINES INSTALLATION

ITEM	PART NUMBER	QTY	DESCRIPTION	REV
	1001163253	Ref	DEF Pump Lines Installation	I
1	0760607	AR	Bolt, M6X14	
2	1001231002	1	Hose	
3	1001231003	1	Hose	
4	1001167971	1	Hose	
5	1001196440	AR	Plate, Retainer	
6	8881802	1	Strap, Tie	
7	0761210	1	Bolt, M12X20	
8	1001025750	1	Clip	
9	4831700	AR	Washer, Lock M6	

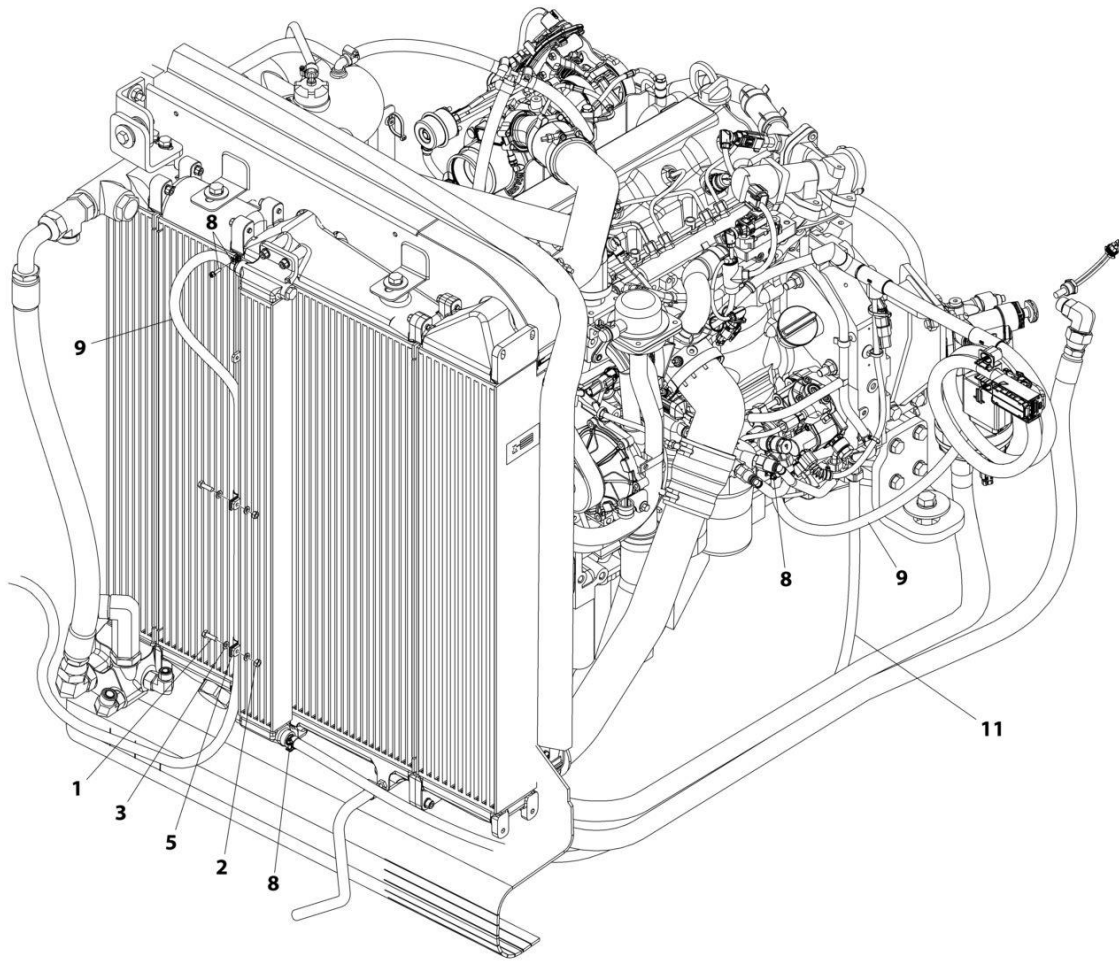
# SECTION 4 - ENGINE AND ATTACHING PARTS

## FIGURE 4-46. FUEL LINES INSTALLATION (ULS)



ART\_1001163231-1-J

# SECTION 4 - ENGINE AND ATTACHING PARTS



ART\_1001163231\_2-J

## SECTION 4 - ENGINE AND ATTACHING PARTS

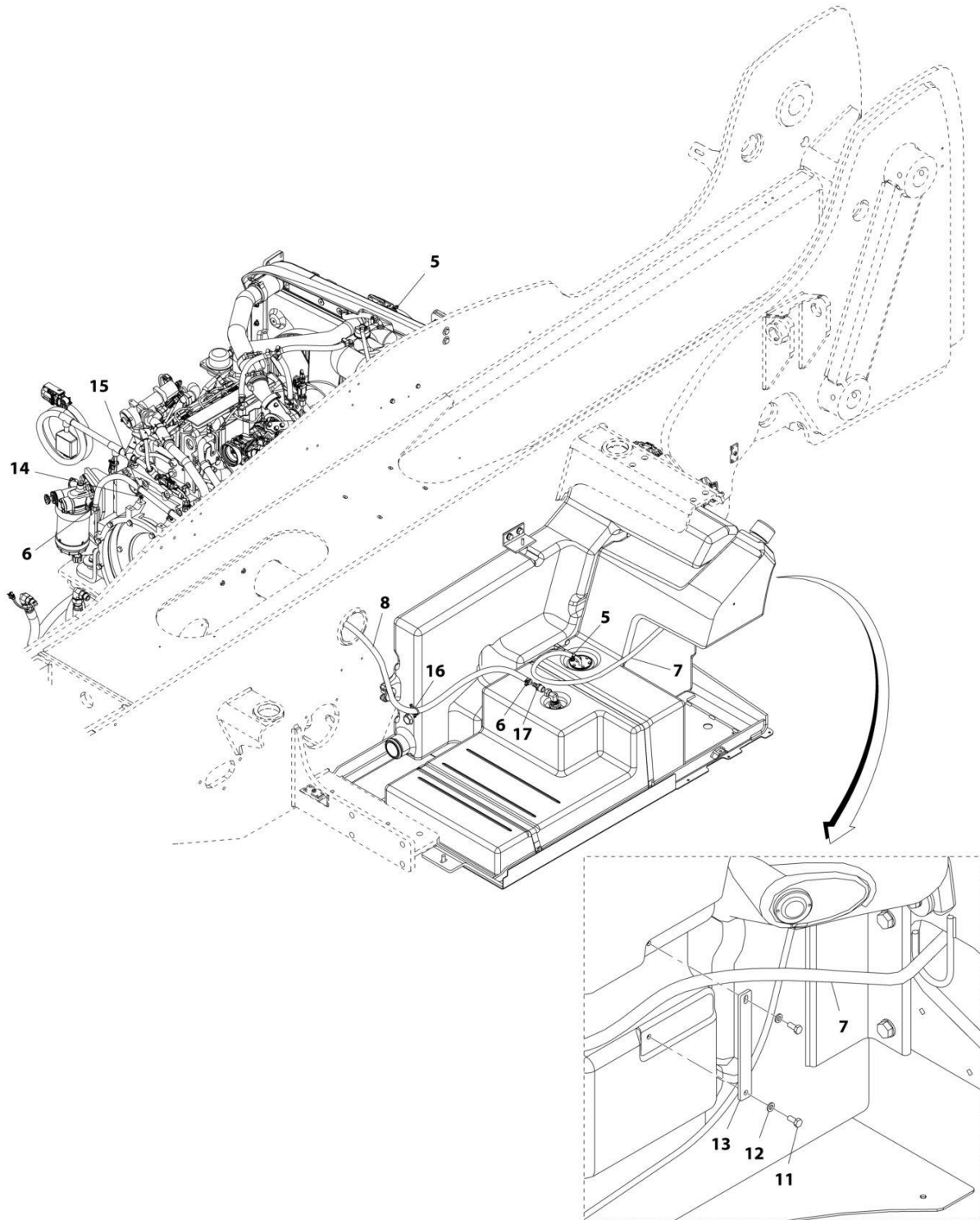
FIGURE 4-46. FUEL LINES INSTALLATION (ULS)

ITEM	PART NUMBER	QTY	DESCRIPTION	REV
	1001163231	Ref	Fuel Lines Installation	J
1	0700610	2	Bolt, M6X20	
2	3290601	2	Nut, M6X1 Grade 8	
3	4811700	4	Washer, M6	
4	1001186342	2	Clip, Hose	
5	8406112	2	Clip, Tube	
8	1001136975	5	Clamp	
9	1001141400	4.3 m	Hose	
10	1001172755	2.4 m	Hose	
11	1001197299	1	Hose	
13	1001008559	2	Strap	
14	1001202986	2	Strap, Fir Tree Push Mount	
15	1001146588	1	Strap	
16	1001206588	1	Fitting	
17	0760607	2	Nut, M6X14	
18	4831700	2	Washer, Lock M6	
19	1001196440	1	Plate, Retainer	



# SECTION 4 - ENGINE AND ATTACHING PARTS

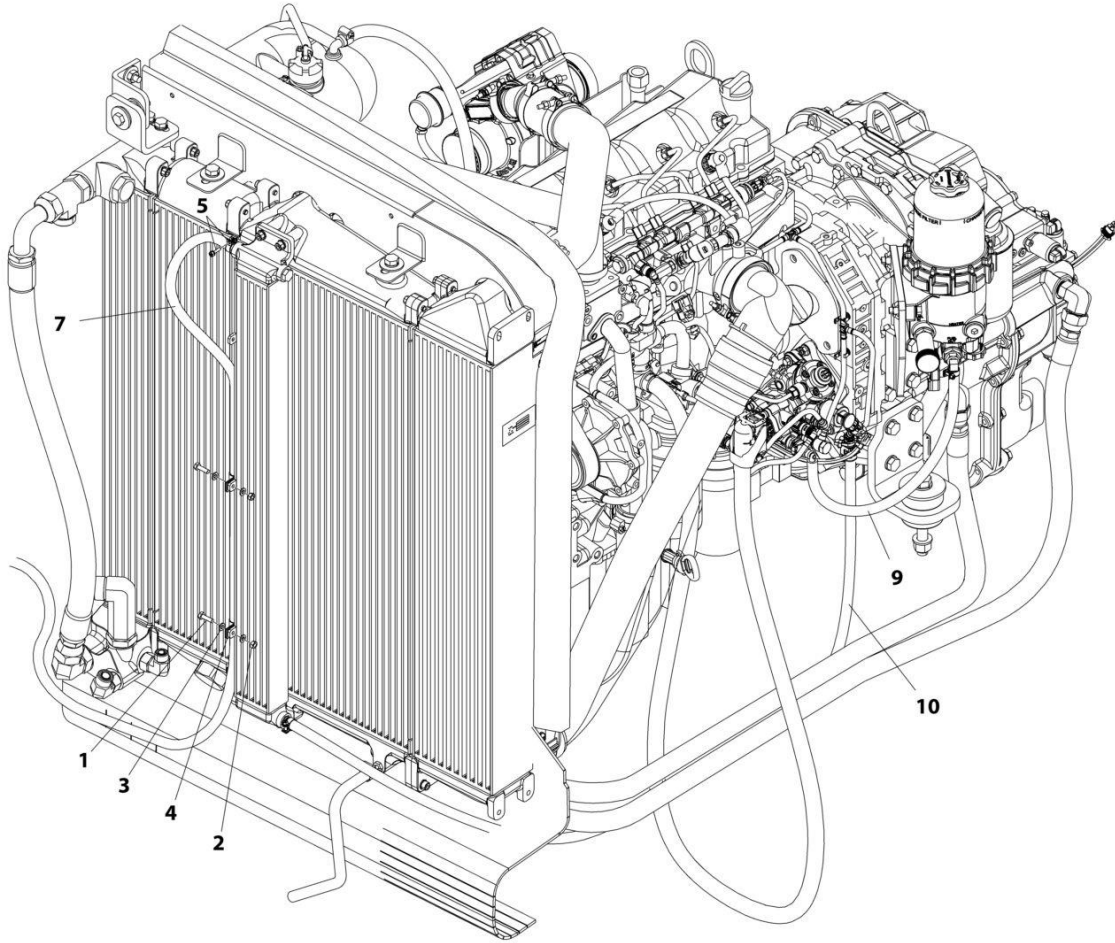
## FIGURE 4-47. FUEL LINES INSTALLATION (LS)



ART\_1001163241\_1-G



# SECTION 4 - ENGINE AND ATTACHING PARTS



ART\_1001163241\_2-G

## SECTION 4 - ENGINE AND ATTACHING PARTS

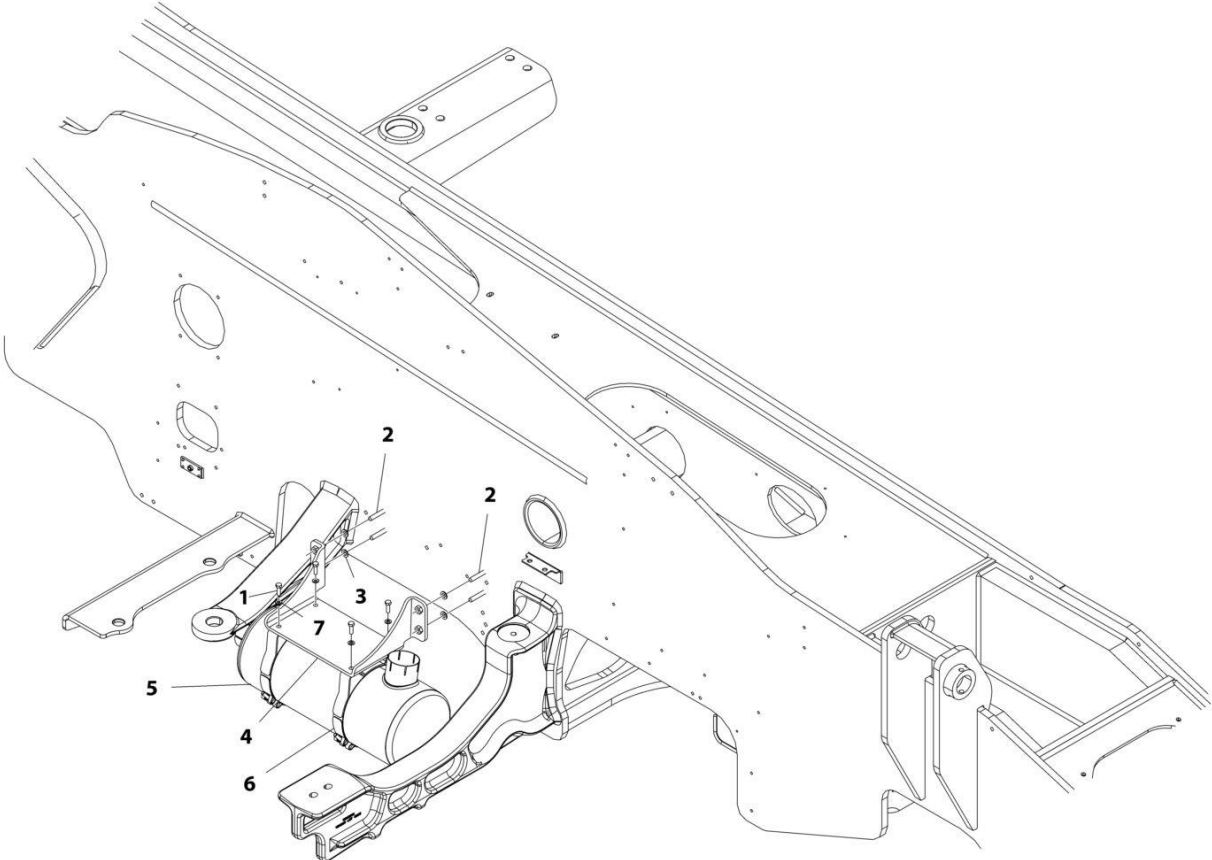
FIGURE 4-47. FUEL LINES INSTALLATION (LS)

ITEM	PART NUMBER	QTY	DESCRIPTION	REV
	1001163241	Ref	Fuel Lines Installation (LS)	G
1	0700610	2	Bolt, M6X20	
2	3290601	2	Nut, M6X1 Grade 8	
3	4811700	4	Washer, M6	
4	8406112	2	Clip	
5	1001136975	4	Clamp	
6	1001186342	2	Clip	
7	1001141400	3.7 m	Hose	
8	1001172755	2.4 m	Hose	
9	1001190980	1	Hose	
10	1001197299	1	Hose	
11	0760607	2	Bolt, M6X14	
12	4831700	2	Washer, Lock M6	
13	1001196440	1	Plate, Retainer	
14	1001202986	2	Strap, Fir Tree Push Mount	
15	1001008559	2	Strap	
16	1001146588	1	Strap	
17	1001206588	1	Fitting	



**SECTION 4 - ENGINE AND ATTACHING PARTS**

**FIGURE 4-48. MUFFLER INSTALLATION (LS)**



ART\_1001179968-D

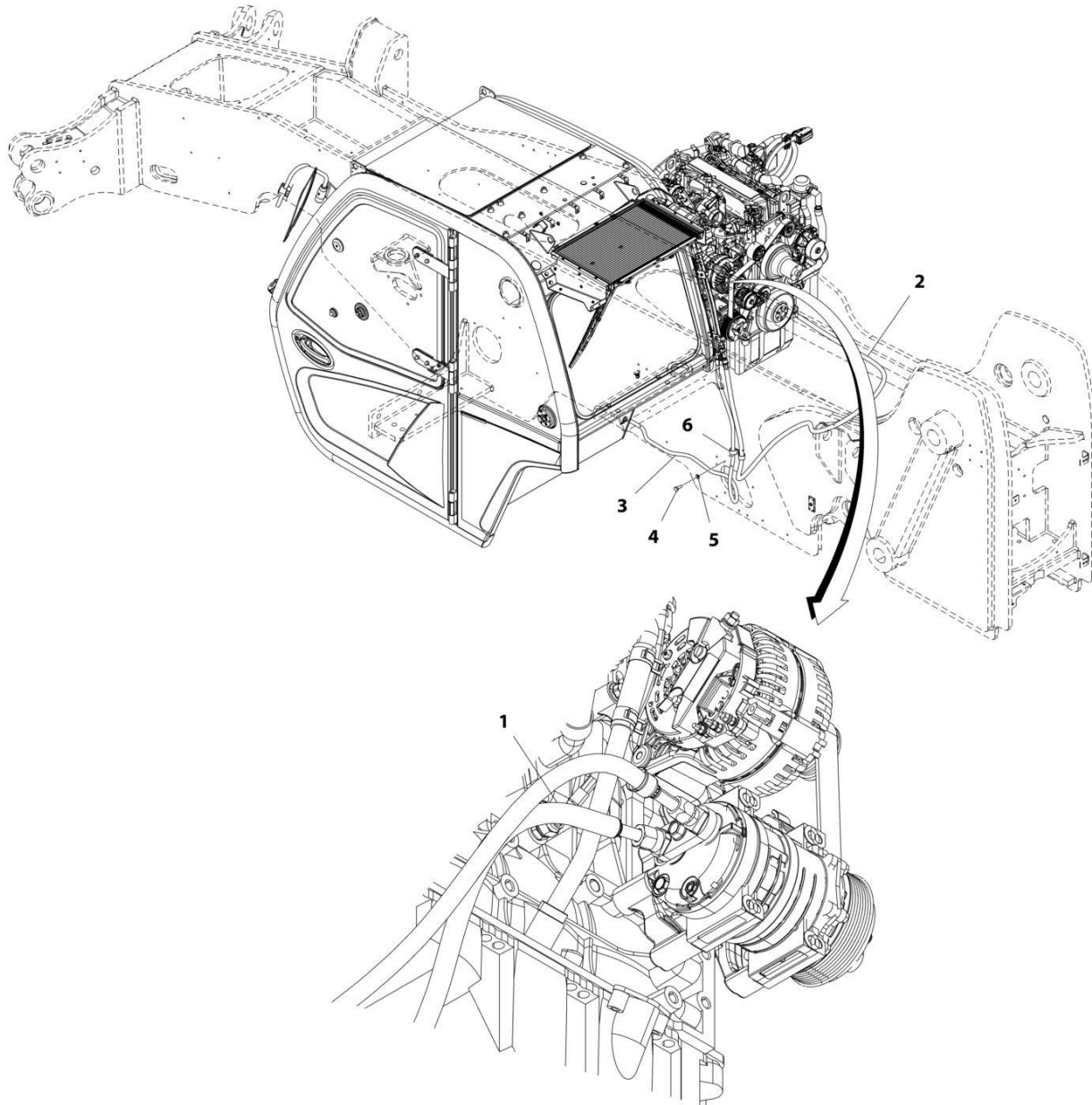
## SECTION 4 - ENGINE AND ATTACHING PARTS

### FIGURE 4-48. MUFFLER INSTALLATION (LS)

ITEM	PART NUMBER	QTY	DESCRIPTION	REV
	1001179968	Ref	Muffler Installation (LS)	D
1	0760812	4	Bolt, M8X25	
2	0701017	4	Bolt, M10X45	
3	4812000	4	Washer, M10	
4	1001179973	1	Bracket	
5	1001180226	1	Muffler	
6	1001180227	2	Clamp, Muffler	
7	4811900	4	Washer, M8	

# SECTION 4 - ENGINE AND ATTACHING PARTS

## FIGURE 4-49. A/C LINES INSTALLATION



ART\_1001163254-H

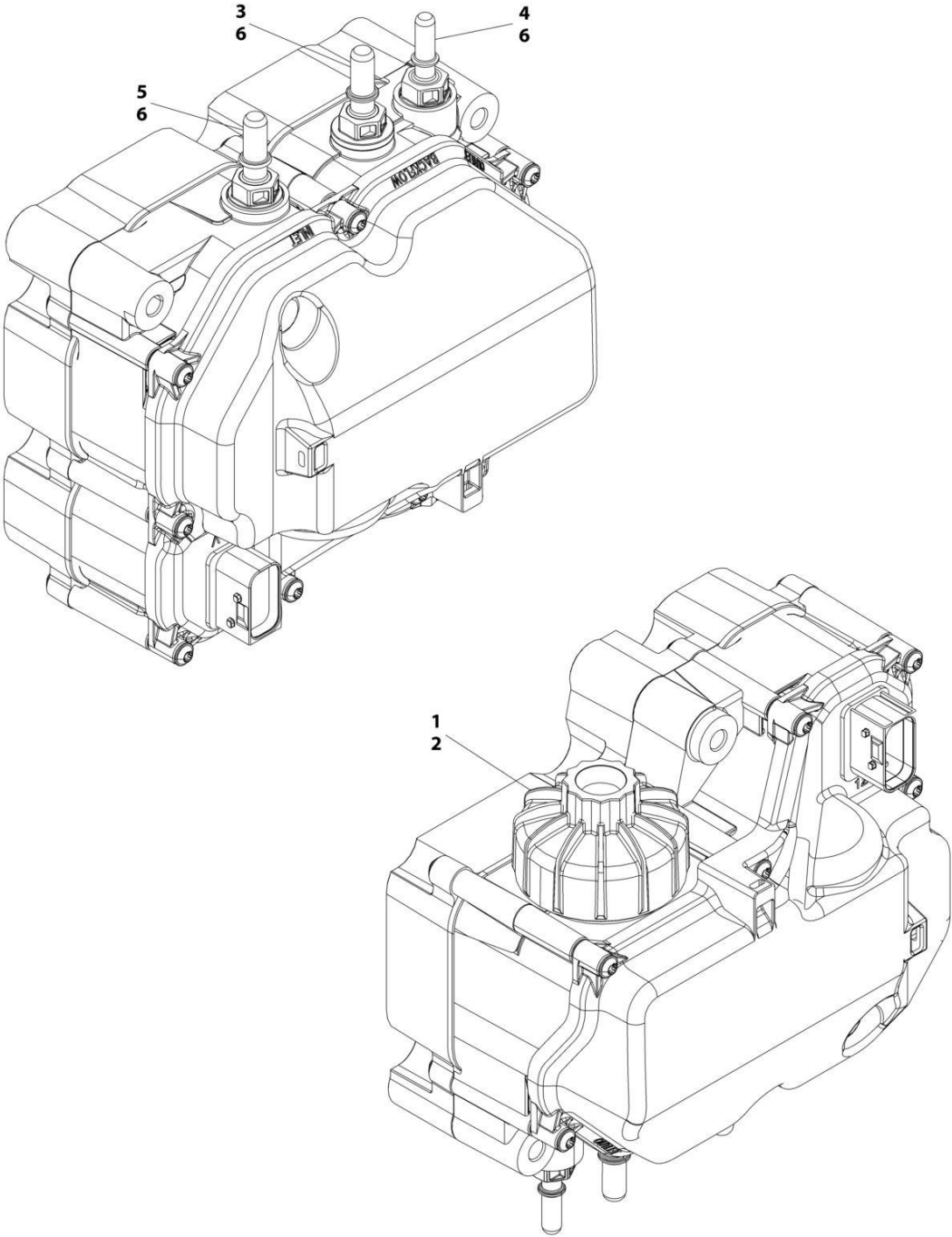
## SECTION 4 - ENGINE AND ATTACHING PARTS

### FIGURE 4-49. A/C LINES INSTALLATION

ITEM	PART NUMBER	QTY	DESCRIPTION	REV
	1001163254	Ref	A/C Lines Installation	H
1	1001196491	1	Hose	
2	1001184017	1	Hose	
3	1001186705	1	Hose	
4	0761012	1	Bolt, M10X25	
5	4812000	1	Washer, M10	
6	8406102	2	Clip	

**SECTION 4 - ENGINE AND ATTACHING PARTS**

**FIGURE 4-50. UREA PUMP**



ART\_1001213210-A



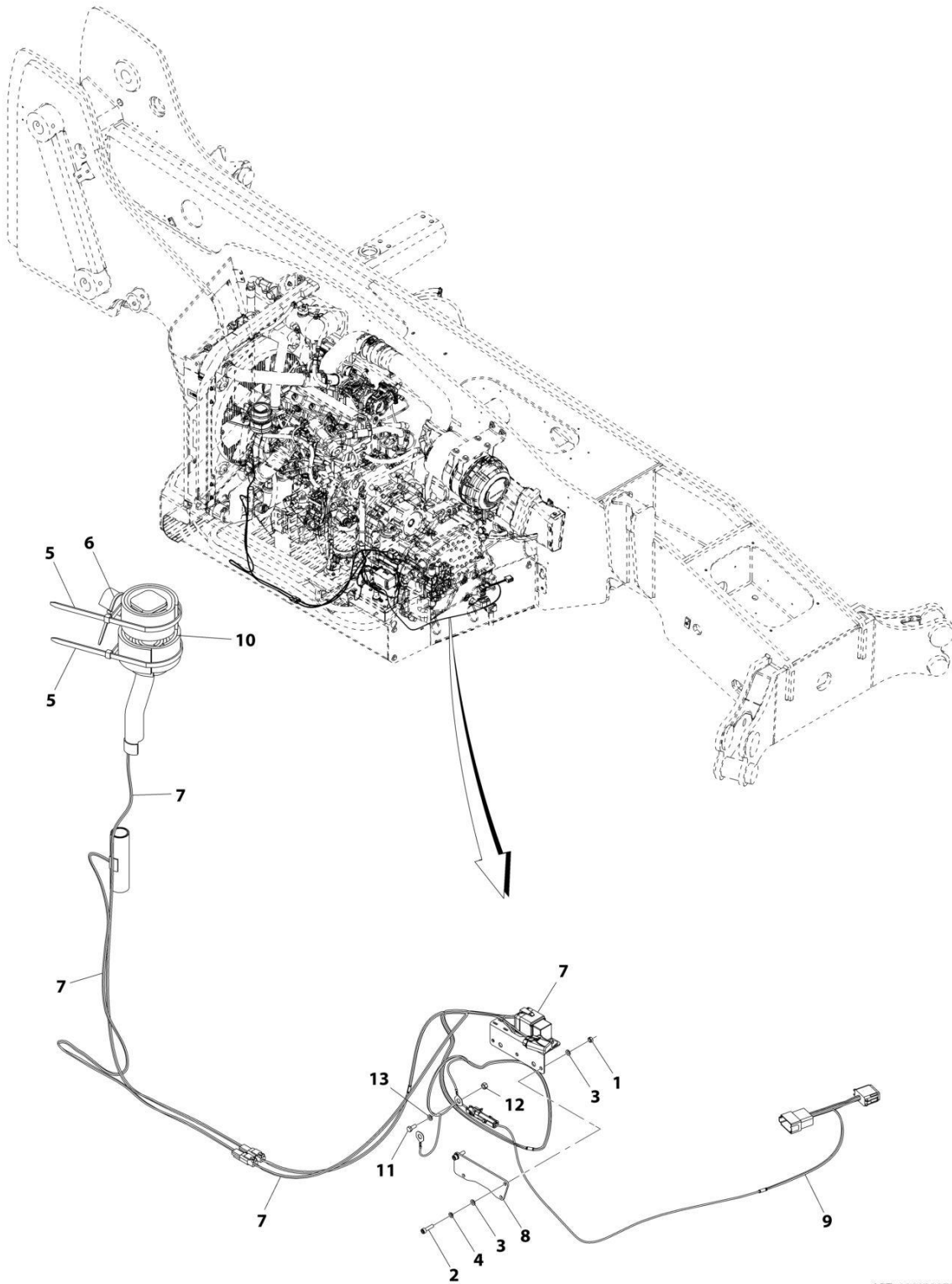
## SECTION 4 - ENGINE AND ATTACHING PARTS

FIGURE 4-50. UREA PUMP

ITEM	PART NUMBER	QTY	DESCRIPTION	REV
	1001213210	Ref	DEF Module Pump	B
1	70026248	1	Kit, Filter	
2	70026247	1	Cap, Filter	
3	70027705	1	Connector, Male (Backflow)	
4	70026245	1	Connector, Male (Outlet)	
5	70026244	1	Connector, Male (Inlet)	
6	70027706	3	Gasket, Circular (O-Ring)	

# SECTION 4 - ENGINE AND ATTACHING PARTS

## FIGURE 4-51. HEATER BREATHER - 110 HP



ART\_1001232751-B

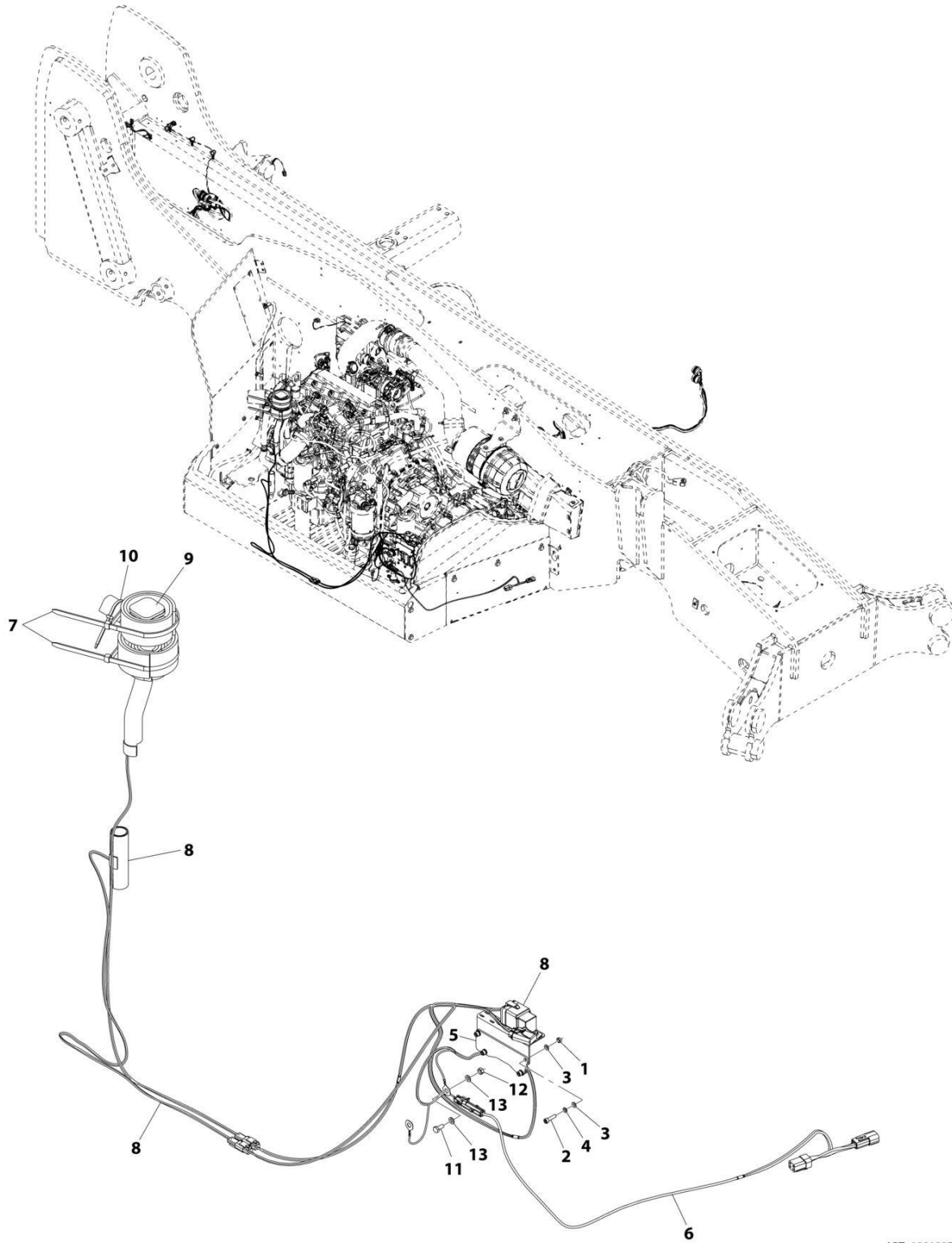
## SECTION 4 - ENGINE AND ATTACHING PARTS

**FIGURE 4-51. HEATER BREATHER - 110 HP**

ITEM	PART NUMBER	QTY	DESCRIPTION	REV
	1001232751	Ref	Heater Breather - 110 HP	B
1	3290501	2	Nut, M5X0.8	
2	4031608	2	Screw, M5X20	
3	4811600	4	Washer, M5	
4	4831600	2	Washer, Lock M5	
5	01043892	2	Strap, Tie	
6	86683122	1	Strap, Tie	
7	1001232439	1	Engine, Cummins Breather Kit	
8	1001232440	1	Bracket	
9	1001232556	1	Harness, Cummins Heater Jump	
10	1001232624	1	Insulate, Cummins Insulation	
11	0760607	1	Bolt, M6X1	
12	3290601	1	Nut, M6X1	
13	4811700	2	Washer, M6	

# SECTION 4 - ENGINE AND ATTACHING PARTS

## FIGURE 4-52. HEATER BREATHER - 74 HP



ART\_1001237208-B

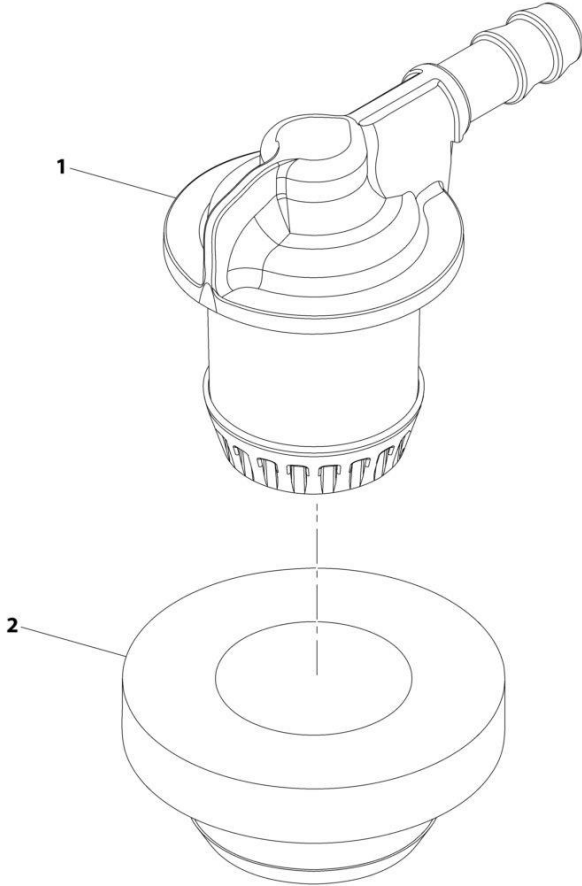
## SECTION 4 - ENGINE AND ATTACHING PARTS

**FIGURE 4-52. HEATER BREATHER - 74 HP**

ITEM	PART NUMBER	QTY	DESCRIPTION	REV
	1001237208	Ref	Heater Breather - 74 HP	B
1	3290501	4	Nut, M5X0.8	
2	4031608	4	Screw, M5X20	
3	4811600	8	Washer, M5	
4	4831600	4	Washer, Lock M5	
5	1001232440	1	Bracket	
6	1001237171	1	Harness, Cummins Breather Heater (See Separate Breakdown in Electrical Section)	
7	01043892	2	Strap, Tie	
8	1001232439	1	Engine, Cummins Breather Kit	
9	1001232624	1	Insulate, Cummins Insulation	
10	86683122	1	Strap, Tie	
11	0760607	1	Bolt, M6X1	
12	3290601	1	Nut, M6X1	
13	4811700	2	Washer, M6	

**SECTION 4 - ENGINE AND ATTACHING PARTS**

**FIGURE 4-53. DEF BREATHER VALVE**



ART\_1001215319-B

## SECTION 4 - ENGINE AND ATTACHING PARTS

### FIGURE 4-53. DEF BREATHER VALVE

ITEM	PART NUMBER	QTY	DESCRIPTION	REV
	1001215319	Ref	DEF Breather Valve	B
1	1001239510	1	Valve, DEF Breather	
2	1001239511	1	Grommet, DEF Breather	

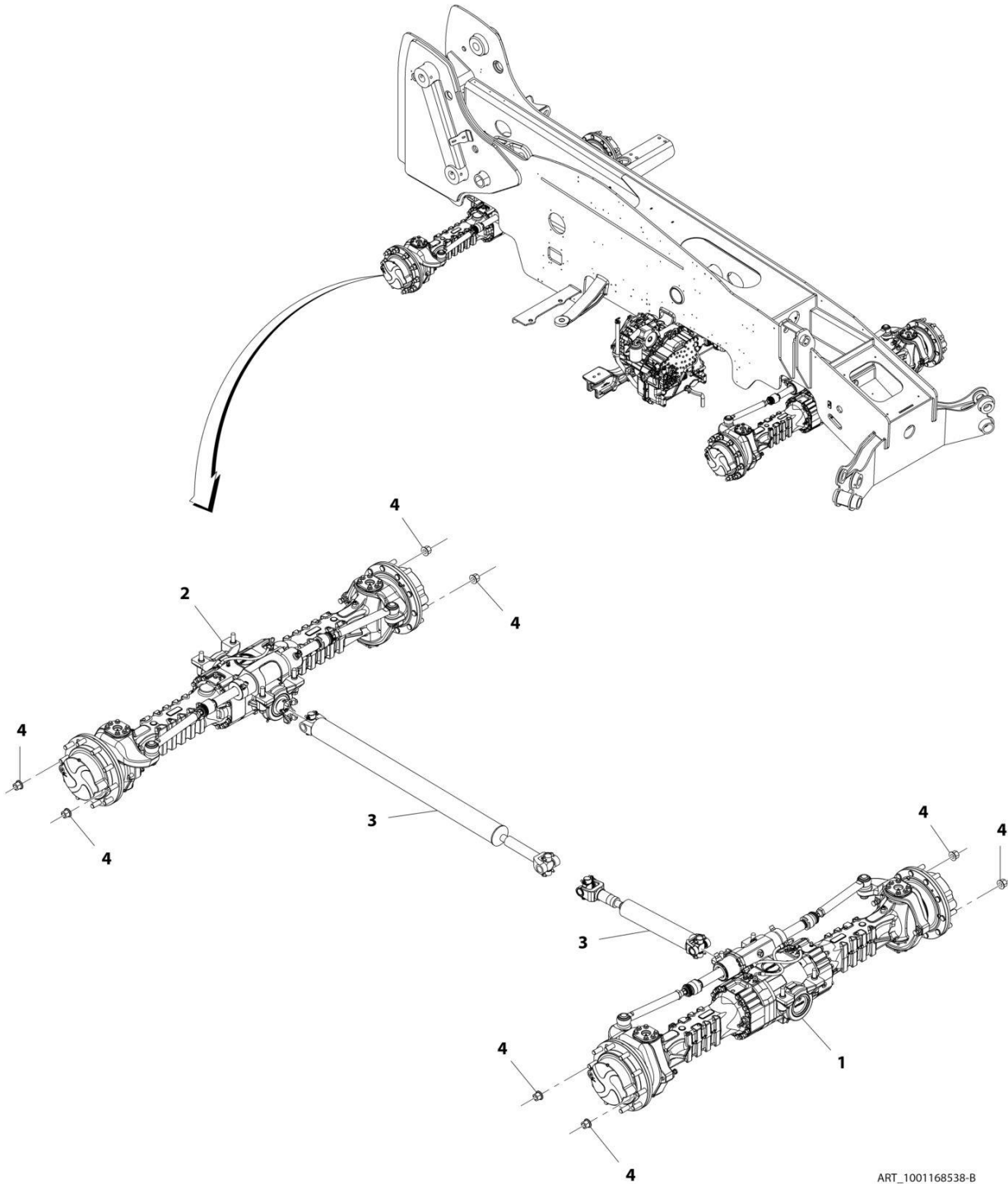




**SECTION 5 - DRIVETRAIN**

# SECTION 5 - DRIVETRAIN

## FIGURE 5-1. DRIVETRAIN INSTALLATION



ART\_1001168538-B

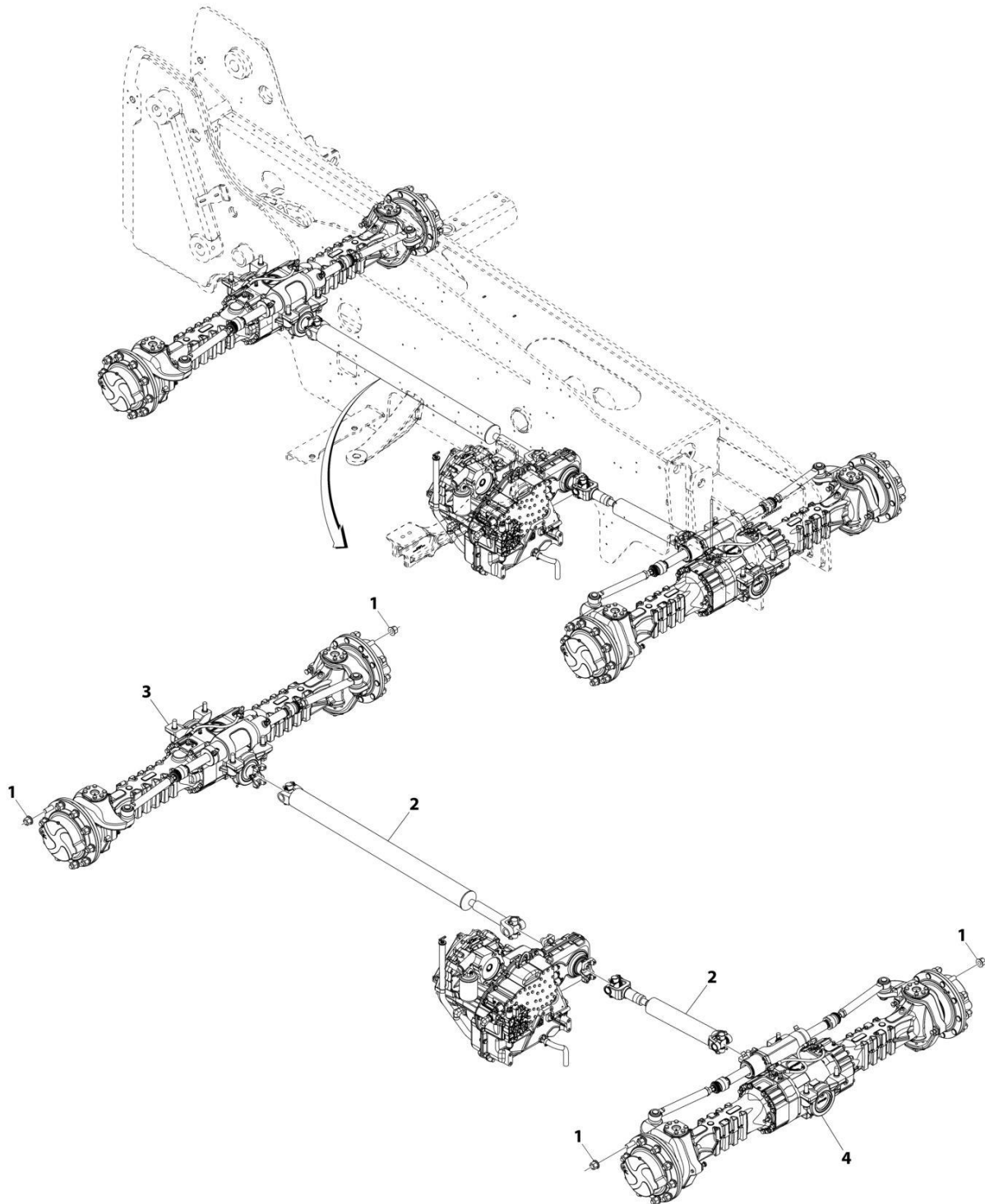
**SECTION 5 - DRIVETRAIN**

**FIGURE 5-1. DRIVETRAIN INSTALLATION**

<b>ITEM</b>	<b>PART NUMBER</b>	<b>QTY</b>	<b>DESCRIPTION</b>	<b>REV</b>
	1001168538	Ref	Drivetrain Installation	B
1	1001168530	Ref	Installation, Front Axle (See Separate Breakdown in this Section)	
2	1001168537	Ref	Installation, Rear Axle (See Separate Breakdown in this Section)	
3	1001169348	Ref	Installation, Drive Shafts (See Separate Breakdown in this Section)	
4	91403193	40	Nut, Lug M22X1.5	

# SECTION 5 - DRIVETRAIN

## FIGURE 5-2. DRIVETRAIN INSTALLATION, 74HP



ART\_1001225285-A

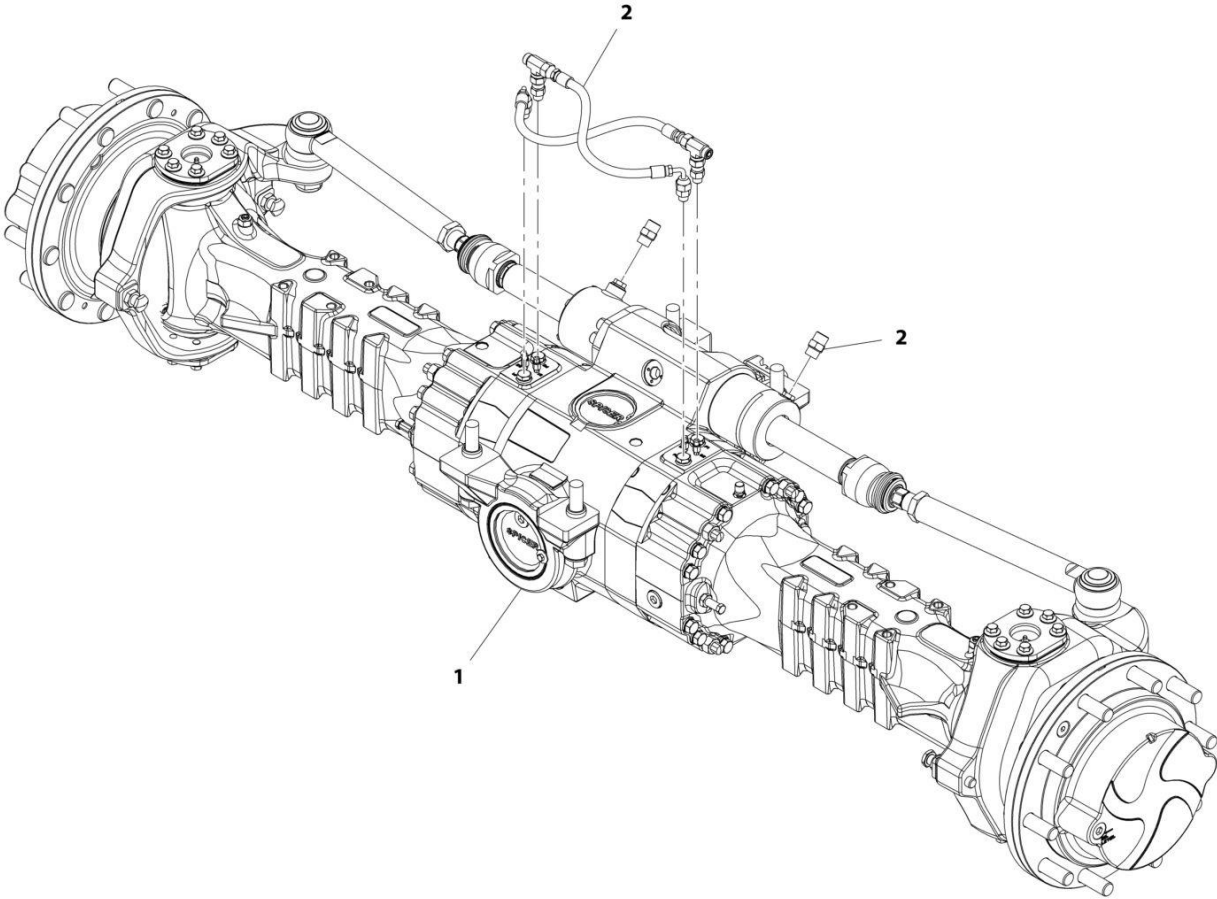
**SECTION 5 - DRIVETRAIN**

**FIGURE 5-2. DRIVETRAIN INSTALLATION, 74HP**

<b>ITEM</b>	<b>PART NUMBER</b>	<b>QTY</b>	<b>DESCRIPTION</b>	<b>REV</b>
	1001225285	Ref	Drivetrain Installation, 74HP	A
1	91403193	40	Nut, Lug M22X1.5	
2	1001169348	Ref	Installation, Drive Shafts (See Separate Breakdown in this Section)	
3	1001225282	Ref	Installation, Rear Axle (See Separate Breakdown in this Section)	
4	1001225284	Ref	Installation, Front Axle (See Separate Breakdown in this Section)	

**SECTION 5 - DRIVETRAIN**

**FIGURE 5-3. FRONT AXLE INSTALLATION**



ART\_1001168530-A

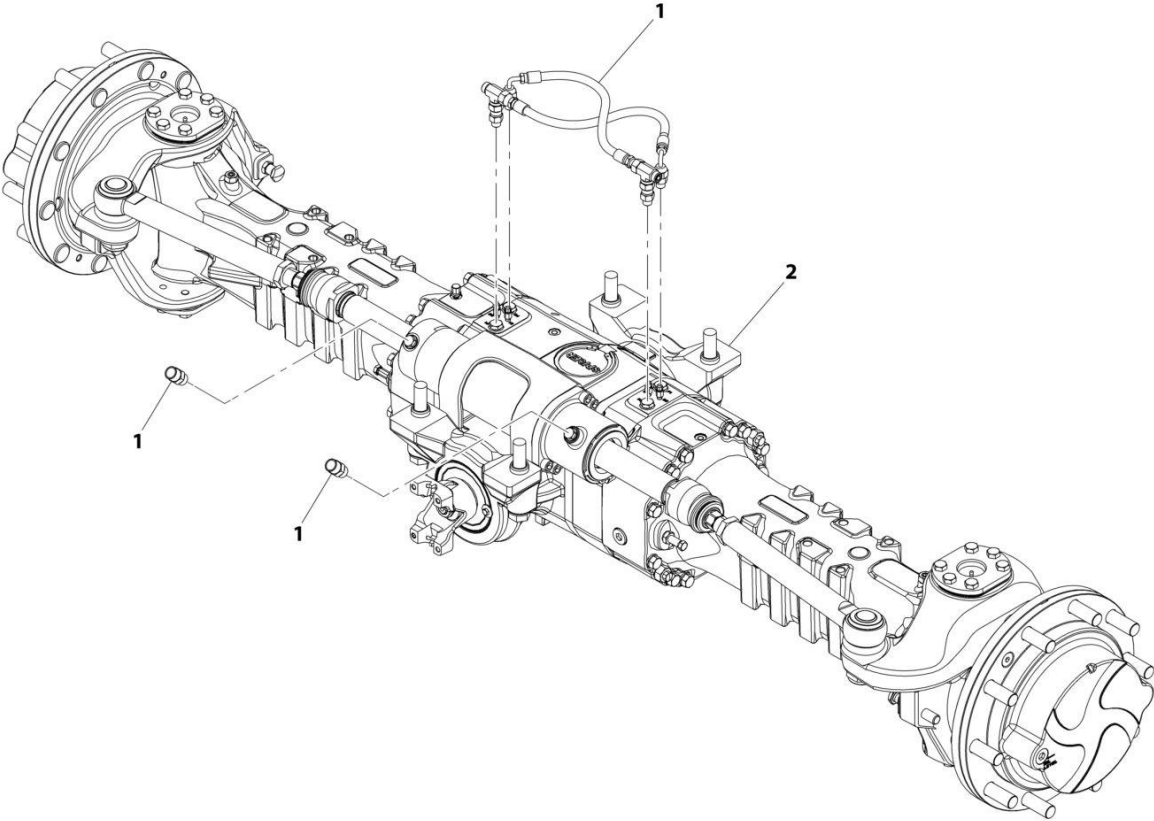
**SECTION 5 - DRIVETRAIN**

**FIGURE 5-3. FRONT AXLE INSTALLATION**

<b>ITEM</b>	<b>PART NUMBER</b>	<b>QTY</b>	<b>DESCRIPTION</b>	<b>REV</b>
1	1001168530	Ref	Front Axle Installation	A
	1001168529	Ref	Installation, Front Axle Mounting (See Separate Breakdown in this Section)	
2	1001171860	Ref	Installation, Front Axle Lines (See Separate Breakdown in this Section)	

**SECTION 5 - DRIVETRAIN**

**FIGURE 5-4. FRONT AXLE INSTALLATION, 74HP**



ART\_1001225284-A



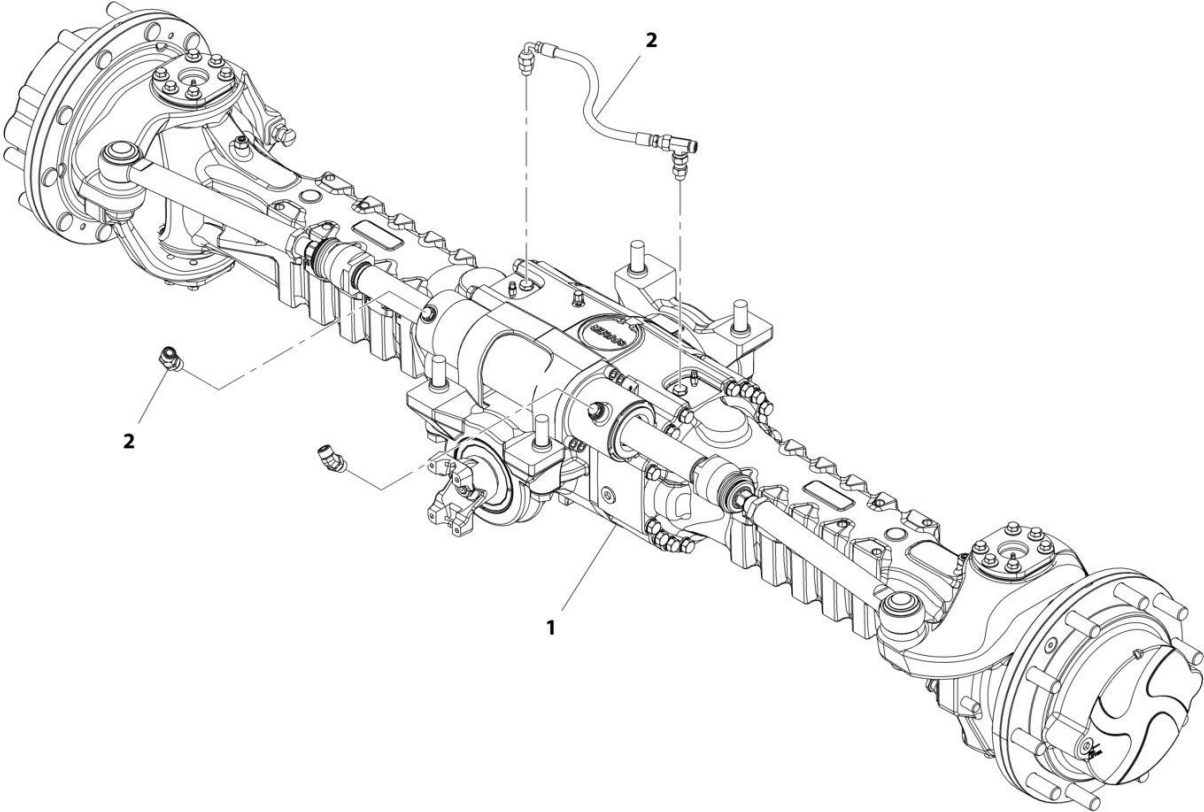
**SECTION 5 - DRIVETRAIN**

**FIGURE 5-4. FRONT AXLE INSTALLATION, 74HP**

<b>ITEM</b>	<b>PART NUMBER</b>	<b>QTY</b>	<b>DESCRIPTION</b>	<b>REV</b>
1	1001225284	Ref	Front Axle Installation, 74HP	A
	1001171860	Ref	Installation, Front Axle Lines (See Separate Breakdown in this Section)	
2	1001225283	Ref	Installation, Front Axle Mounting (See Separate Breakdown in this Section)	

**SECTION 5 - DRIVETRAIN**

**FIGURE 5-5. REAR AXLE INSTALLATION**



ART\_1001168537-A

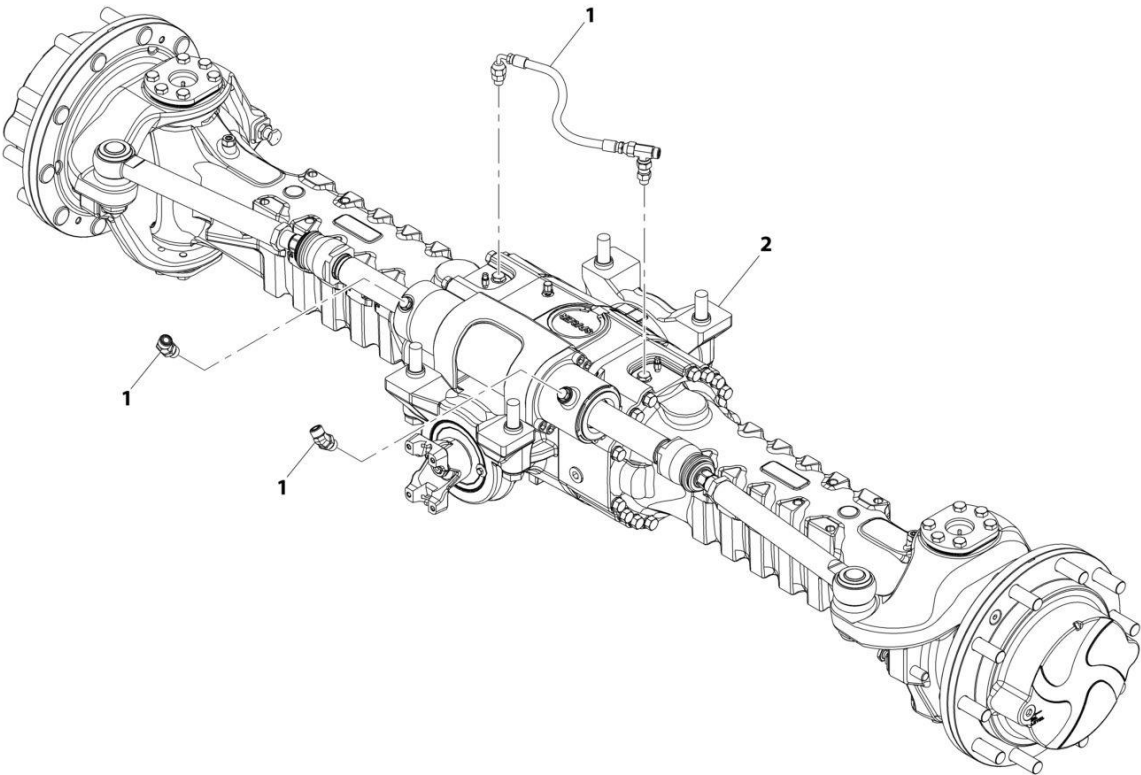
**SECTION 5 - DRIVETRAIN**

**FIGURE 5-5. REAR AXLE INSTALLATION**

<b>ITEM</b>	<b>PART NUMBER</b>	<b>QTY</b>	<b>DESCRIPTION</b>	<b>REV</b>
1	1001168537	Ref	Rear Axle Installation	A
	1001168536	Ref	Installation, Rear Axle Mounting (See Separate Breakdown in this Section)	
2	1001171863	Ref	Installation, Rear Axle Lines (See Separate Breakdown in this Section)	

**SECTION 5 - DRIVETRAIN**

**FIGURE 5-6. REAR AXLE INSTALLATION, 74HP**



ART\_1001225282-A

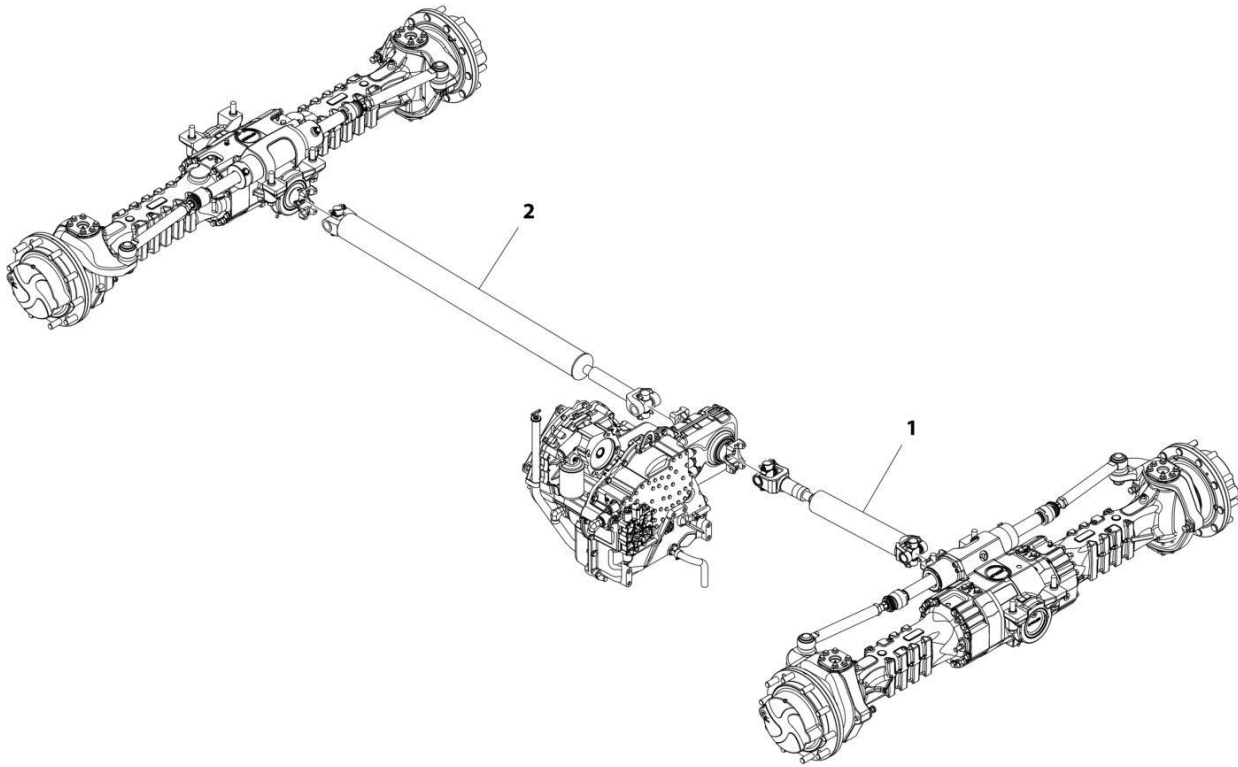
**SECTION 5 - DRIVETRAIN**

**FIGURE 5-6. REAR AXLE INSTALLATION, 74HP**

<b>ITEM</b>	<b>PART NUMBER</b>	<b>QTY</b>	<b>DESCRIPTION</b>	<b>REV</b>
1	1001225282	Ref	Rear Axle Installation, 74HP	A
	1001171863	Ref	Installation, Rear Axle Lines (See Separate Breakdown in this section)	
2	1001225281	Ref	Installation, Rear Axle Mounting (See Separate Breakdown in this section)	

# SECTION 5 - DRIVETRAIN

## FIGURE 5-7. DRIVE SHAFTS INSTALLATION



ART\_1001169348-A

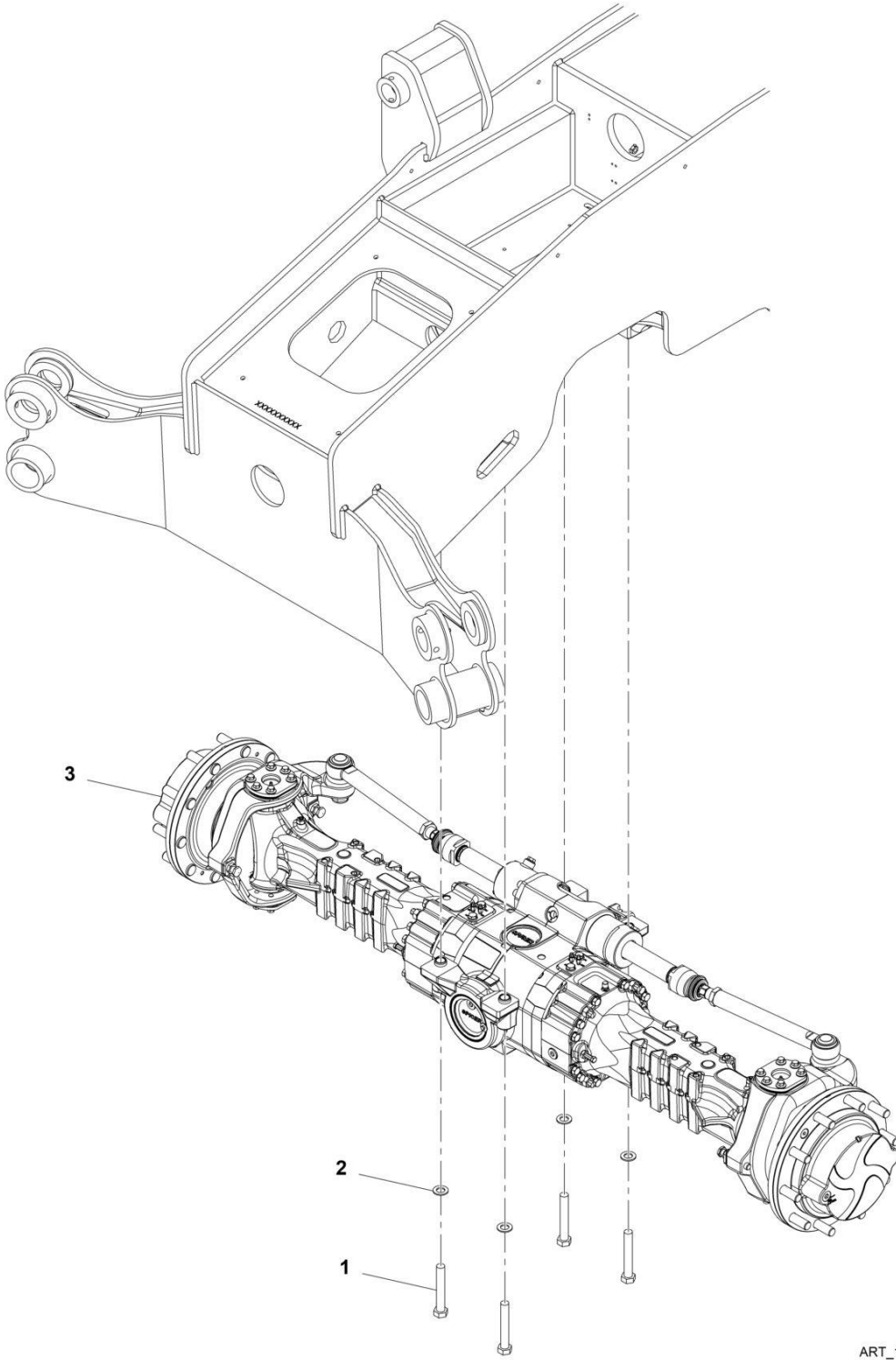
**SECTION 5 - DRIVETRAIN**

**FIGURE 5-7. DRIVE SHAFTS INSTALLATION**

<b>ITEM</b>	<b>PART NUMBER</b>	<b>QTY</b>	<b>DESCRIPTION</b>	<b>REV</b>
1	1001169348	Ref	Drive Shafts Installation	A
	1001172836	Ref	Installation, Front Drive Shaft (See Separate Breakdown in this Section)	
2	1001169351	Ref	Installation, Rear Drive Shaft (See Separate Breakdown in this Section)	

**SECTION 5 - DRIVETRAIN**

**FIGURE 5-8. FRONT AXLE MOUNTING INSTALLATION**



ART\_1001168529-E



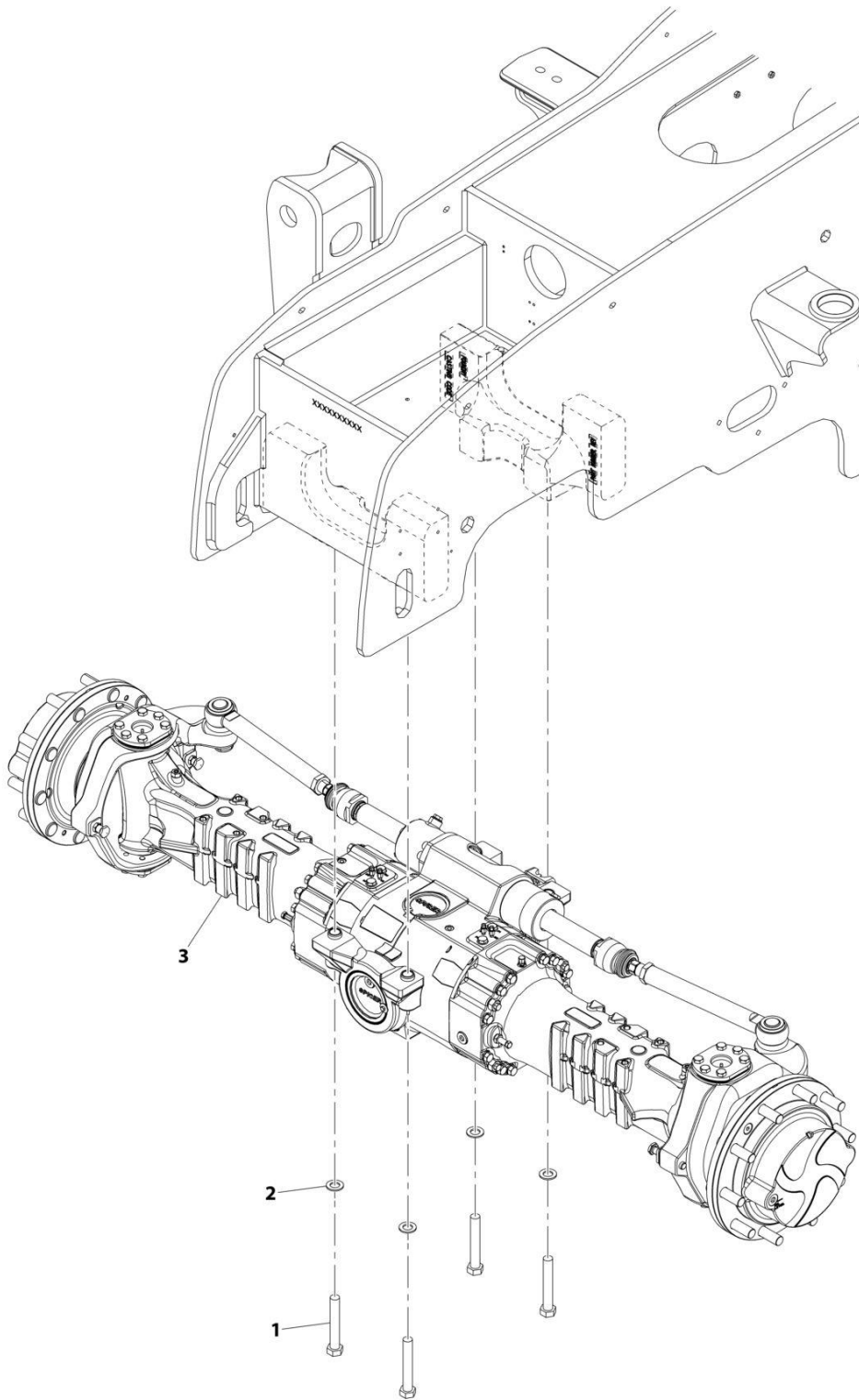
**SECTION 5 - DRIVETRAIN**

**FIGURE 5-8. FRONT AXLE MOUNTING INSTALLATION**

<b>ITEM</b>	<b>PART NUMBER</b>	<b>QTY</b>	<b>DESCRIPTION</b>	<b>REV</b>
	1001168529	Ref	Front Axle Mounting Installation	E
1	0712030	4	Bolt, M20X130	
2	8310620	4	Washer, M20	
3	1001165833	1	Axle, Front (See Separate Breakdown in this Section)	

# SECTION 5 - DRIVETRAIN

## FIGURE 5-9. FRONT AXLE MOUNTING INSTALLATION, 74HP



ART\_1001225283-A

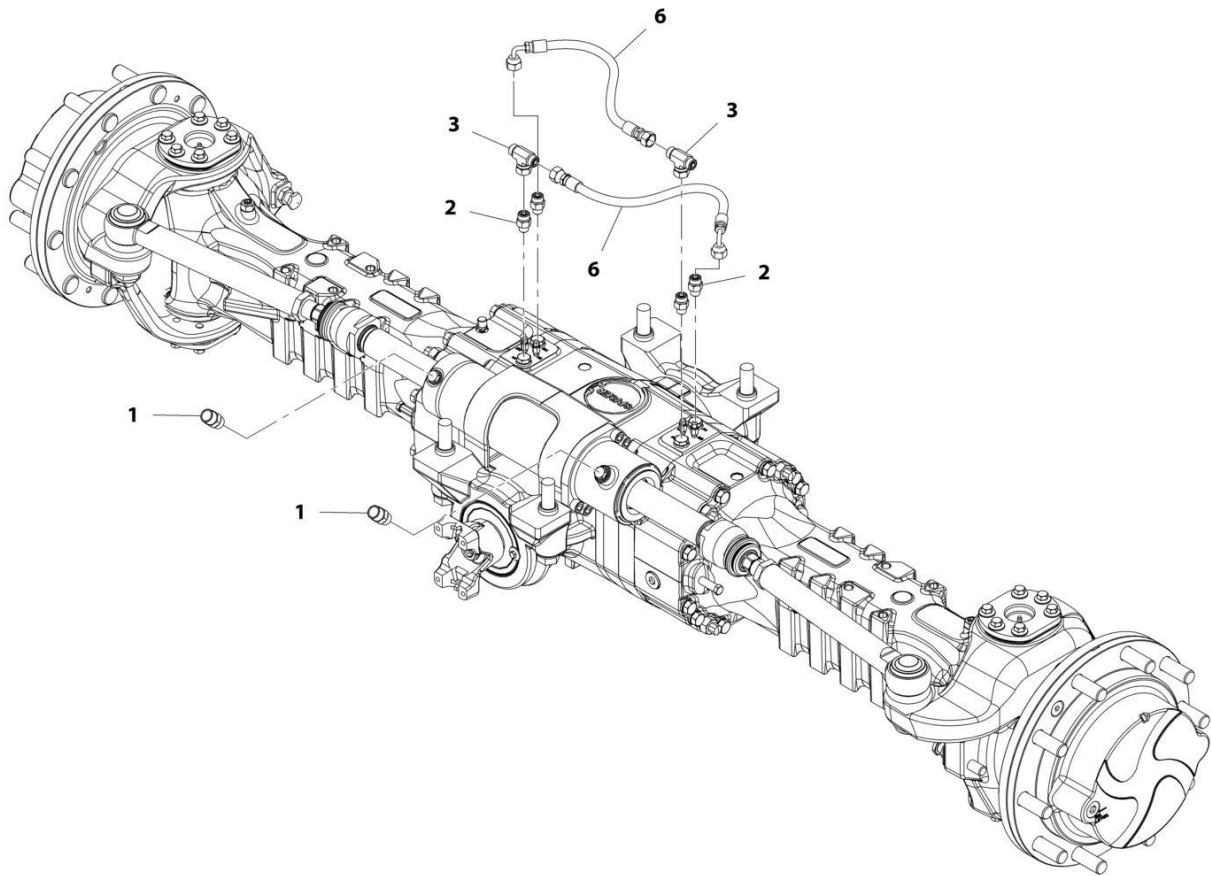
**SECTION 5 - DRIVETRAIN**

**FIGURE 5-9. FRONT AXLE MOUNTING INSTALLATION, 74HP**

<b>ITEM</b>	<b>PART NUMBER</b>	<b>QTY</b>	<b>DESCRIPTION</b>	<b>REV</b>
	1001225283	Ref	Front Axle Mounting Installation, 74HP	A
1	0712030	4	Bolt, M20X130	
2	8310620	4	Washer	
3	1005182600	1	Axle, Front 74HP (See Separate Breakdown in this Section)	

# SECTION 5 - DRIVETRAIN

## FIGURE 5-10. FONT AXLE LINES INSTALLATION



ART\_1001171860-D

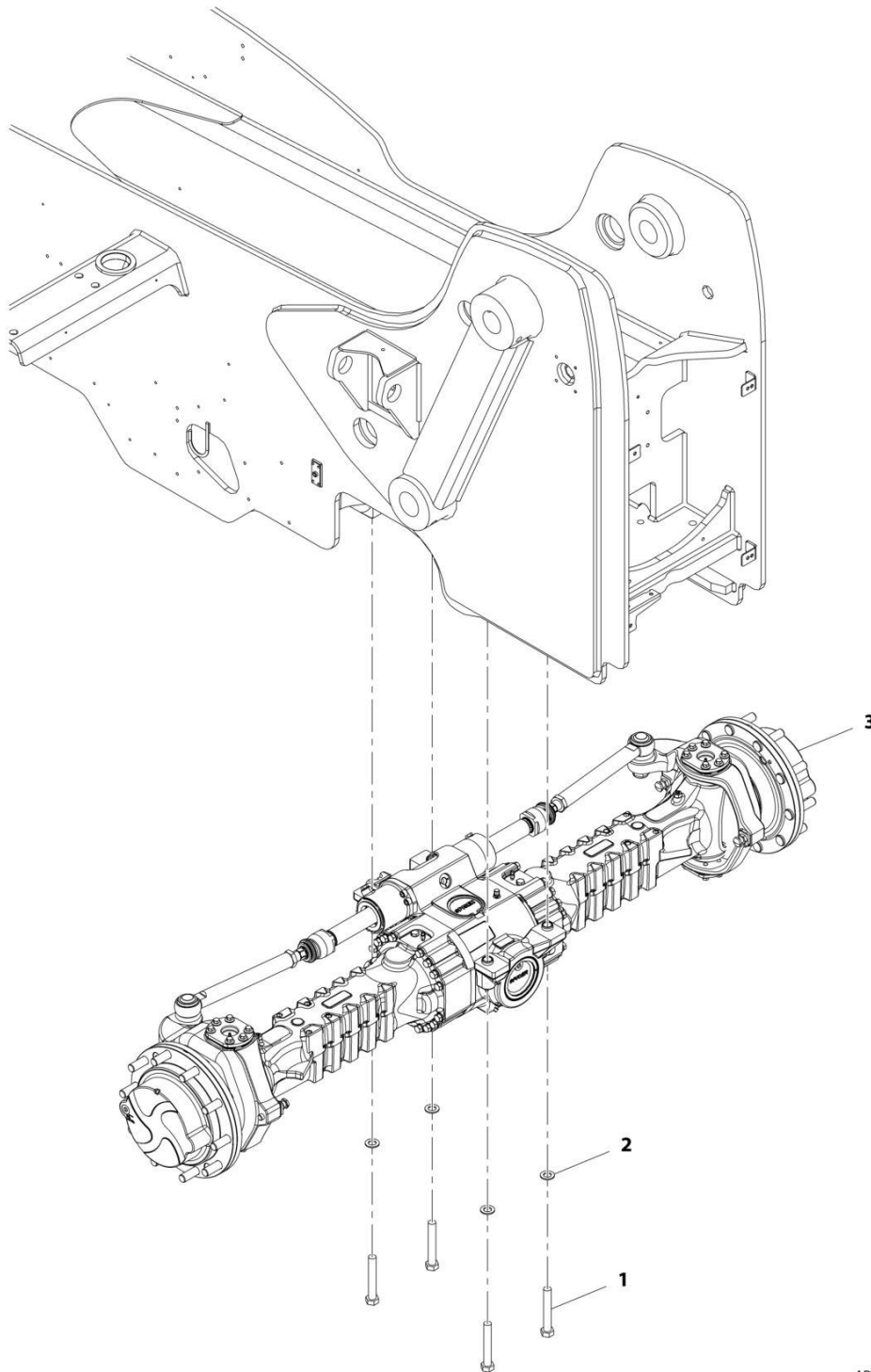
**SECTION 5 - DRIVETRAIN**

**FIGURE 5-10. FONT AXLE LINES INSTALLATION**

<b>ITEM</b>	<b>PART NUMBER</b>	<b>QTY</b>	<b>DESCRIPTION</b>	<b>REV</b>
	1001171860	Ref	Font Axle Lines Installation	D
1	2110808	2	Fitting, Straight ORFS	
2	2144605	4	Fitting, Straight ORFS	
3	2170806	2	Fitting, Tee ORFS	
6	1001139375	2	Hose	

# SECTION 5 - DRIVETRAIN

## FIGURE 5-11. REAR AXLE MOUNTING INSTALLATION



ART\_1001168536-D

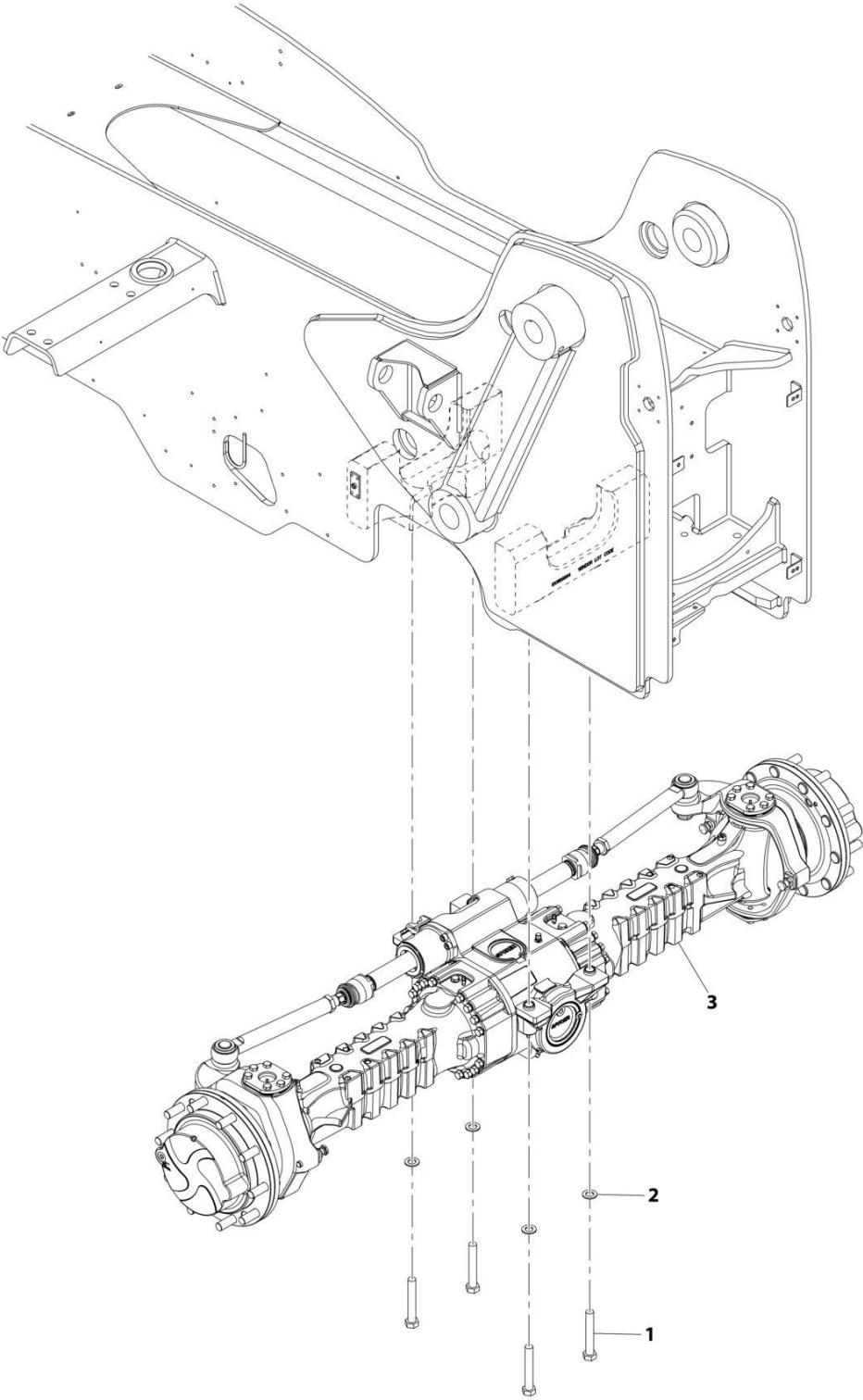
**SECTION 5 - DRIVETRAIN**

**FIGURE 5-11. REAR AXLE MOUNTING INSTALLATION**

<b>ITEM</b>	<b>PART NUMBER</b>	<b>QTY</b>	<b>DESCRIPTION</b>	<b>REV</b>
	1001168536	Ref	Rear Axle Mounting Installation	D
1	0712030	4	Bolt, M20X130	
2	8310620	4	Washer, M20	
3	1001165834	1	Axle, Rear (See Separate Breakdown in this Section)	

**SECTION 5 - DRIVETRAIN**

**FIGURE 5-12. REAR AXLE MOUNTING INSTALLATION, 74HP**



ART\_1001225281-A



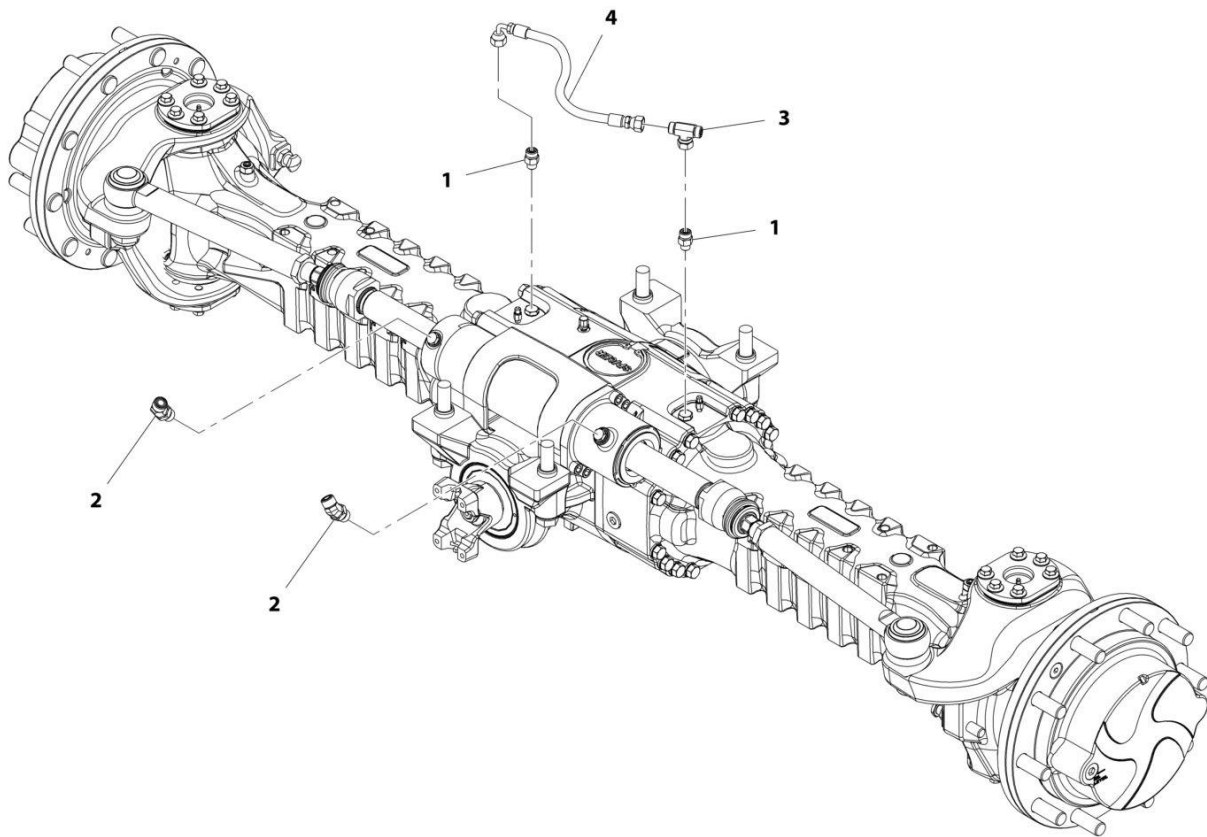
**SECTION 5 - DRIVETRAIN**

**FIGURE 5-12. REAR AXLE MOUNTING INSTALLATION, 74HP**

<b>ITEM</b>	<b>PART NUMBER</b>	<b>QTY</b>	<b>DESCRIPTION</b>	<b>REV</b>
	1001225281	Ref	Rear Axle Mounting Installation, 74HP	A
1	0712030	4	Bolt, M20X130	
2	8310620	4	Washer	
3	1005183200	1	Axle, Rear 74HP (See Separate Breakdown in this Section)	

# SECTION 5 - DRIVETRAIN

## FIGURE 5-13. REAR AXLE LINES INSTALLATION



ART\_1001171863-D

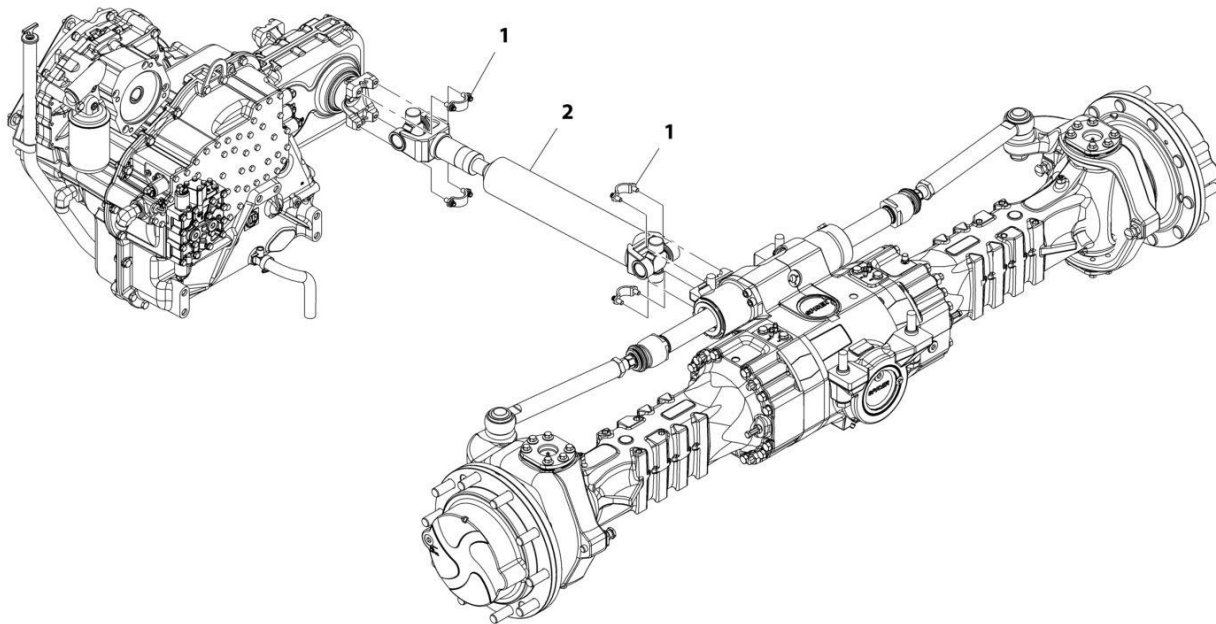
**SECTION 5 - DRIVETRAIN**

**FIGURE 5-13. REAR AXLE LINES INSTALLATION**

<b>ITEM</b>	<b>PART NUMBER</b>	<b>QTY</b>	<b>DESCRIPTION</b>	<b>REV</b>
	1001171863	Ref	Rear Axle Lines Installation	D
1	2144605	2	Fitting, Straight ORFS	
2	1250808	2	Fitting, 45 ORFS	
3	2170806	1	Fitting, Tee ORFS	
4	1001139375	1	Hose	

## SECTION 5 - DRIVETRAIN

FIGURE 5-14. FRONT DRIVE SHAFT INSTALLATION



ART\_1001172836-B

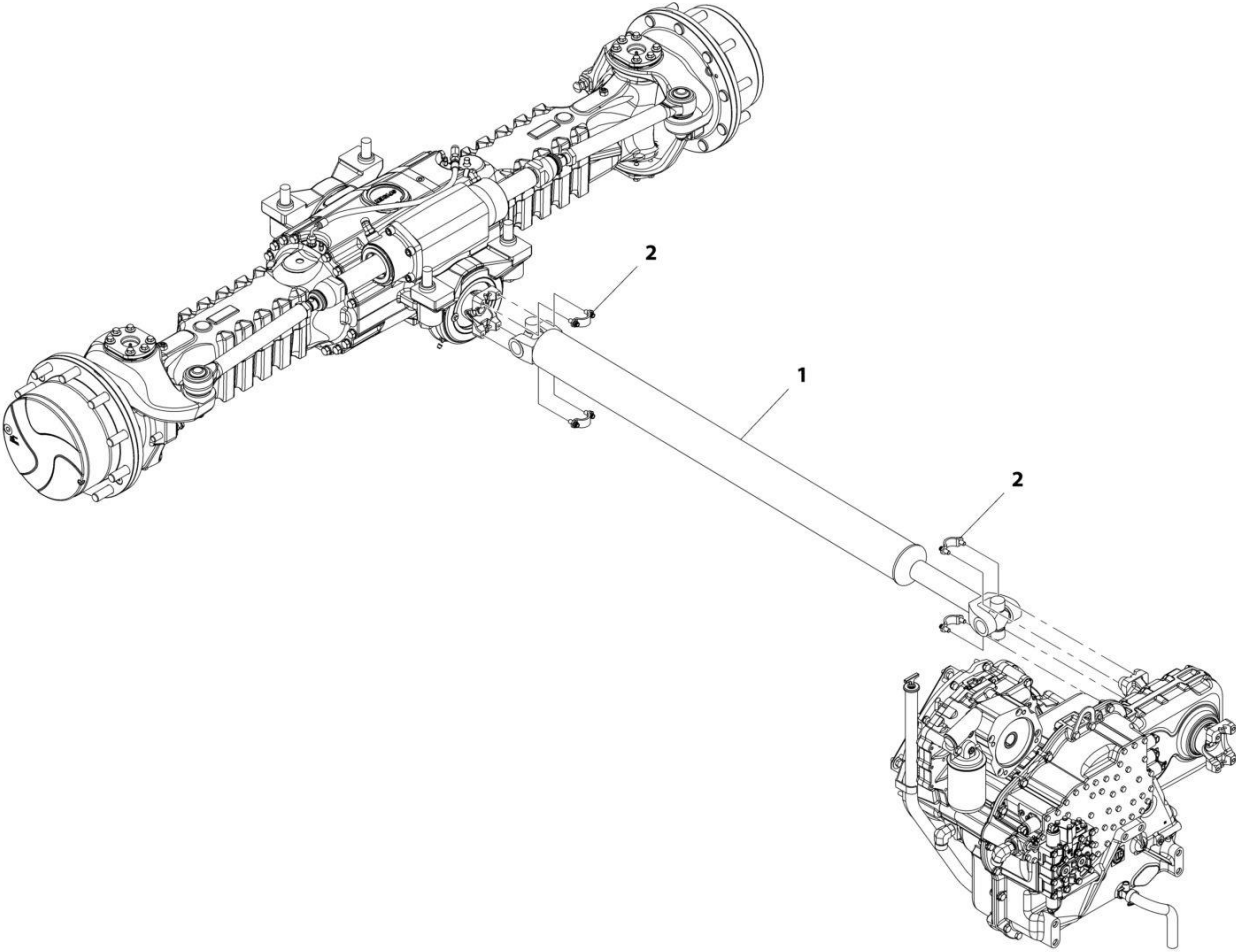
**SECTION 5 - DRIVETRAIN**

**FIGURE 5-14. FRONT DRIVE SHAFT INSTALLATION**

<b>ITEM</b>	<b>PART NUMBER</b>	<b>QTY</b>	<b>DESCRIPTION</b>	<b>REV</b>
	1001172836	Ref	Front Drive Shaft Installation	B
1	8880218-OM	2	Kit, Strap	
2	91473151	1	Drive Shaft, Front	

**SECTION 5 - DRIVETRAIN**

**FIGURE 5-15. REAR DRIVE SHAFT INSTALLATION**



ART\_1001169351-A

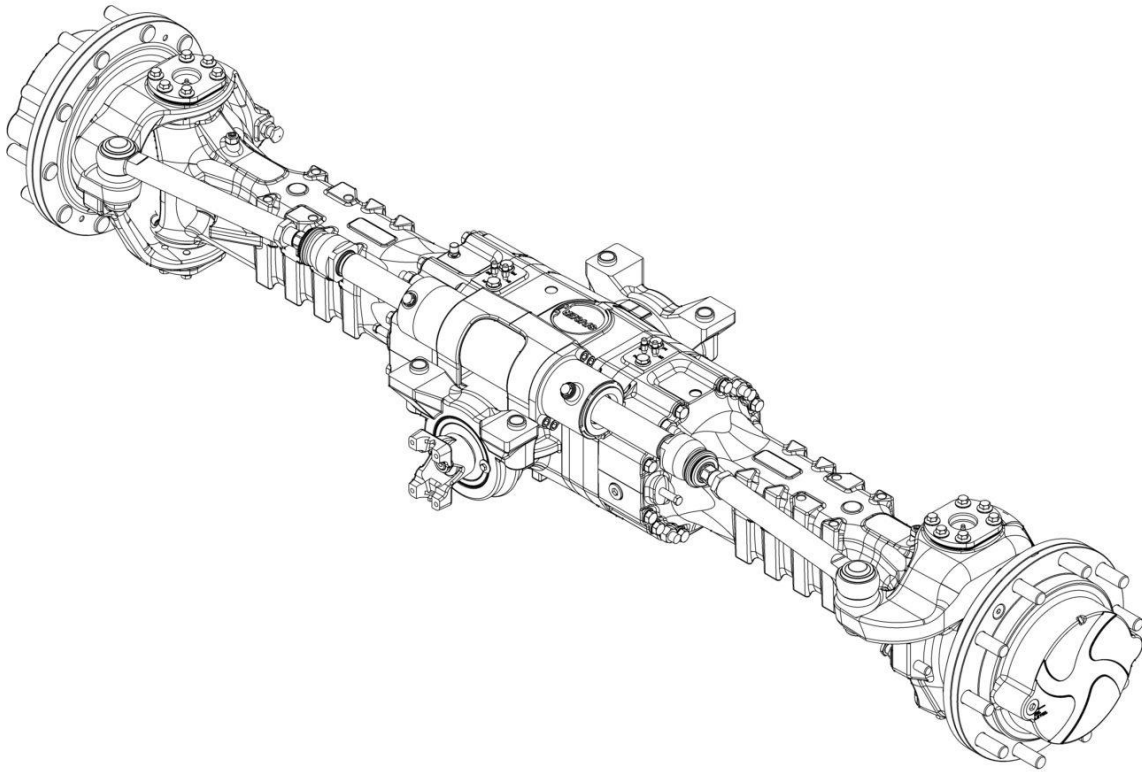
**SECTION 5 - DRIVETRAIN**

**FIGURE 5-15. REAR DRIVE SHAFT INSTALLATION**

<b>ITEM</b>	<b>PART NUMBER</b>	<b>QTY</b>	<b>DESCRIPTION</b>	<b>REV</b>
	1001169351	Ref	Rear Drive Shaft Installation	A
1	1001170616	1	Drive Shaft, Rear	
2	8880218-OM	2	Kit, Strap	

## SECTION 5 - DRIVETRAIN

FIGURE 5-16. FRONT AXLE



ART\_1001165833



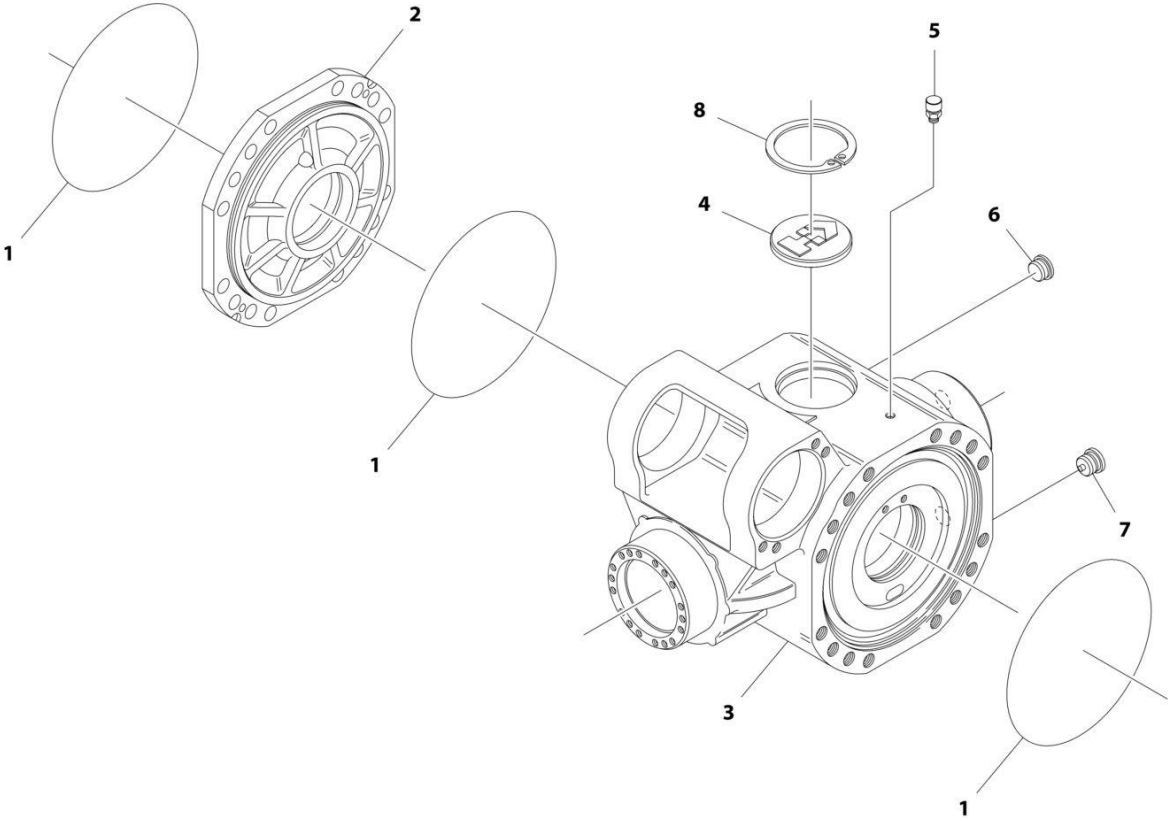
**SECTION 5 - DRIVETRAIN**

**FIGURE 5-16. FRONT AXLE**

ITEM	PART NUMBER	QTY	DESCRIPTION	REV
	1001165833	Ref	Front Axle (642,742)	H
		Ref	Front Axle, Central Housing (See Separate Breakdown in this Section)	
		Ref	Front Axle, Differential (See Separate Breakdown in this Section)	
		Ref	Front Axle, Hub Reduction (See Separate Breakdown in this Section)	
		Ref	Front Axle, Brakes (See Separate Breakdown in this Section)	
		Ref	Front Axle, Steering (See Separate Breakdown in this Section)	
		Ref	Front Axle, Trunion (See Separate Breakdown in this Section)	

**SECTION 5 - DRIVETRAIN**

**FIGURE 5-17. FRONT AXLE, CENTRAL HOUSING**



ART\_1001165833\_10F12

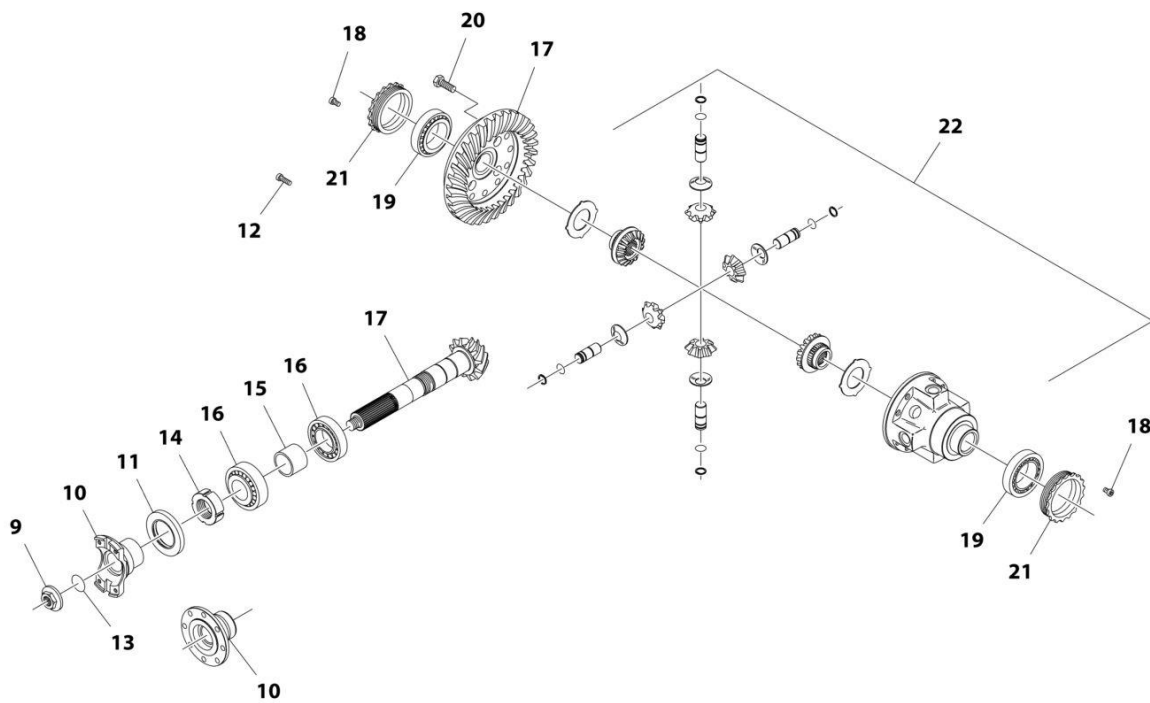
**SECTION 5 - DRIVETRAIN**

**FIGURE 5-17. FRONT AXLE, CENTRAL HOUSING**

<b>ITEM</b>	<b>PART NUMBER</b>	<b>QTY</b>	<b>DESCRIPTION</b>	<b>REV</b>
	1001165833	Ref	FRONT AXLE, CENTRAL HOUSING	H
1	91474507	3	O-Ring	
2	70024872	1	Cover	
3	70026749	1	Housing	
4	91514098	1	Plug	
5	91474512	1	Vent	
6	91514188	1	Plug	
7	91474513	1	Plug, Magnet	
8	80204005	1	Circlip	

# SECTION 5 - DRIVETRAIN

## FIGURE 5-18. FRONT AXLE, DIFFERENTIAL



ART\_1001165833\_20F12

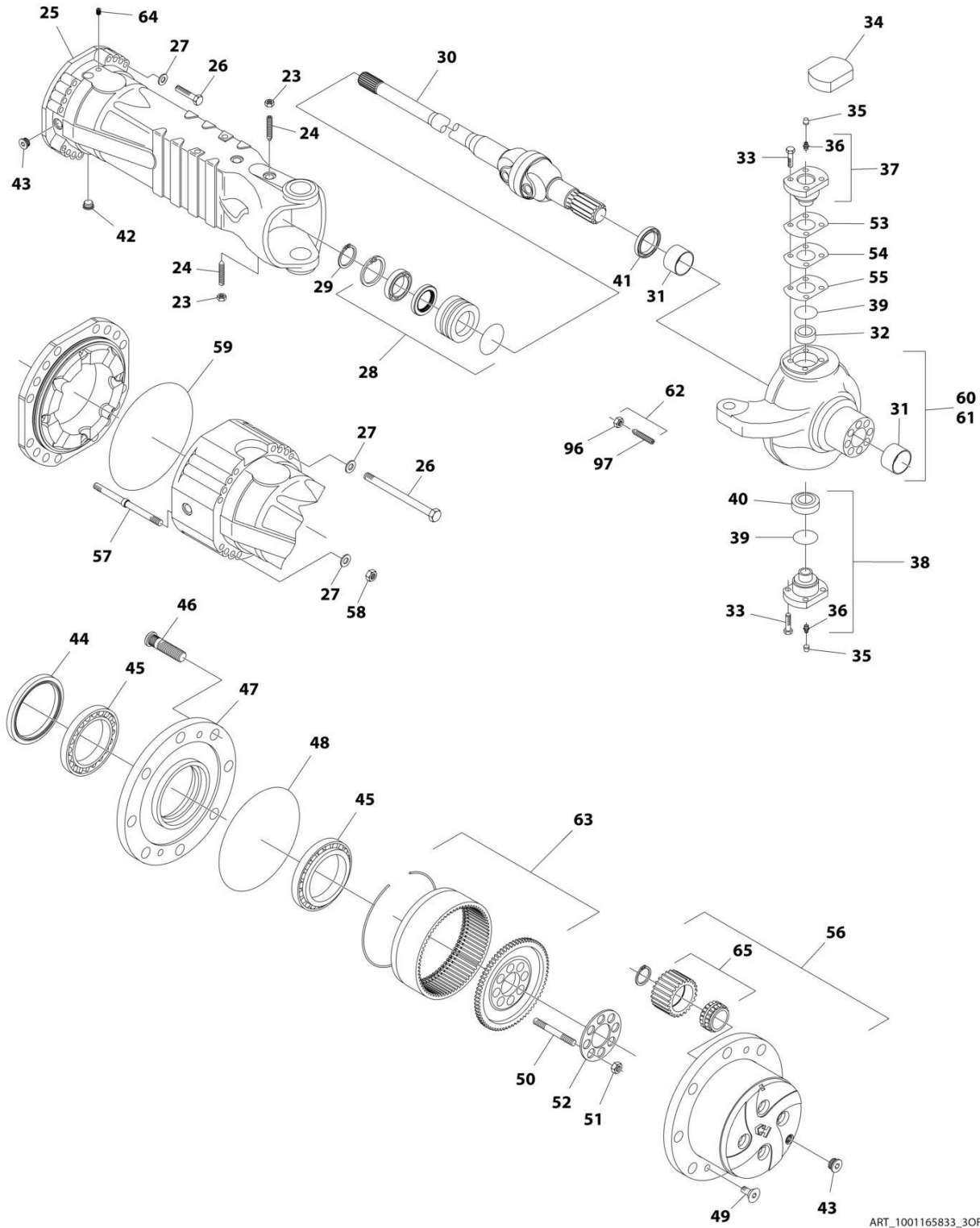
**SECTION 5 - DRIVETRAIN**

**FIGURE 5-18. FRONT AXLE, DIFFERENTIAL**

<b>ITEM</b>	<b>PART NUMBER</b>	<b>QTY</b>	<b>DESCRIPTION</b>	<b>REV</b>
	1001165833	Ref	FRONT AXLE, DIFFERENTIAL	H
9	70026631	1	Nut	
10	70022797	1	Flange	
11	70024522	1	Seal	
12	91474591	4	Bolt	
13	91474529	1	O-Ring	
14	91474533	1	Nut, Ring	
15	91474539	1	Spacer	
16	3968141	2	Bearing, Taper Roller	
17	8007749	1	Bevel Gear Set	
18	91514134	2	Bolt	
19	70026031	2	Bearing, Taper Roller	
20	91514123	12	Bolt	
21	91474547	2	Nut, Ring	
22	7028710	1	Differential (See Separate Breakdown in this Section)	

# SECTION 5 - DRIVETRAIN

## FIGURE 5-19. FRONT AXLE, HUB REDUCTION



ART\_1001165833\_30F12

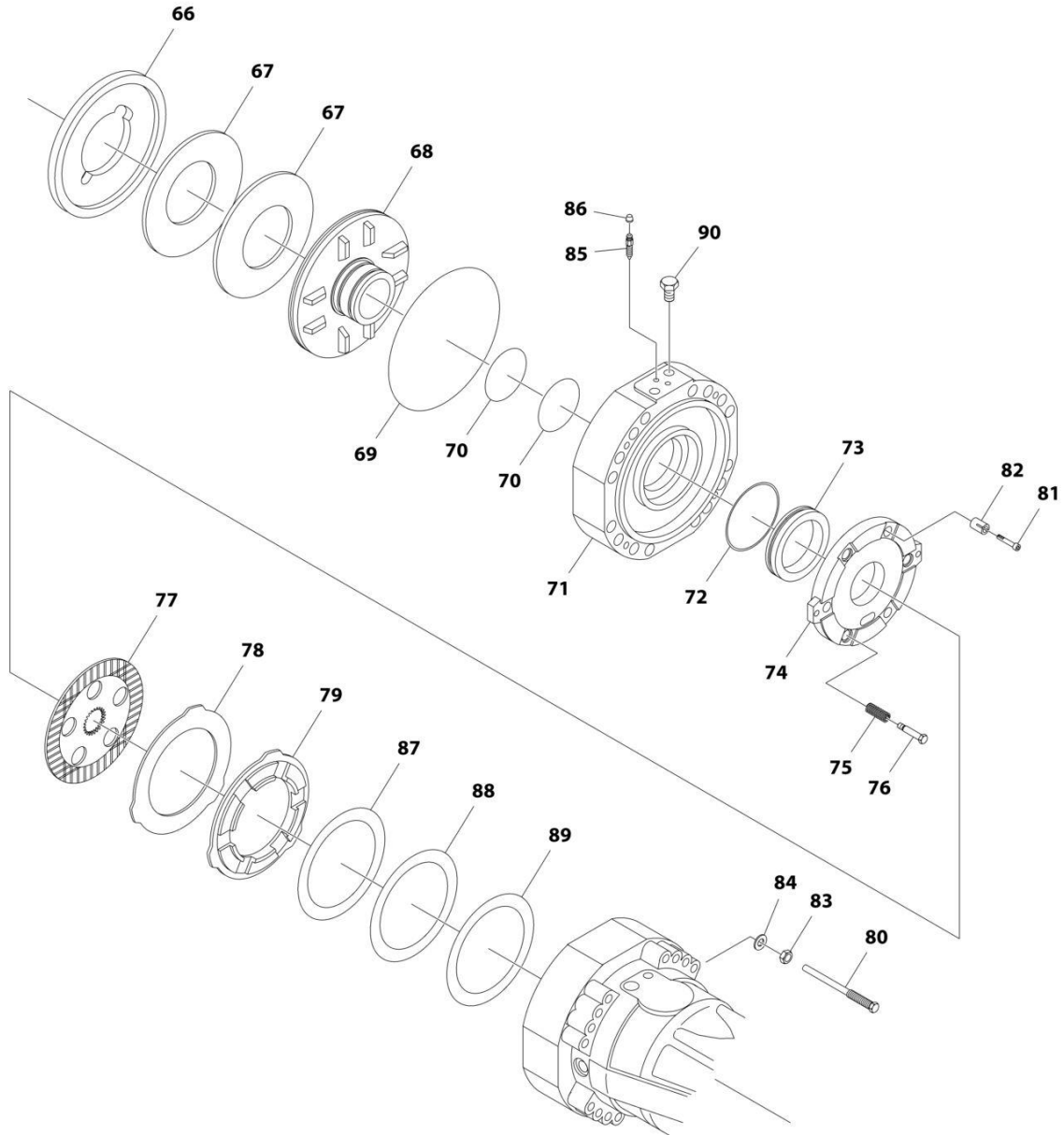
## SECTION 5 - DRIVETRAIN

**FIGURE 5-19. FRONT AXLE, HUB REDUCTION**

ITEM	PART NUMBER	QTY	DESCRIPTION	REV
	1001165833	Ref	FRONT AXLE, HUB REDUCTION	H
23	91514082	2	Nut	
24	91514081	2	Bolt	
25	70025011	2	Case, Axle	
26	70025012	24	Bolt	
27	91514084	8	Washer	
28	91514149	2	Bushing, Reduction (See Separate Breakdown in this Section)	
29	80204071	2	Circlip	
30	70026624	2	Joint, Double Universal	
31	91514111	2	Bushing, Thrust	
32	7028714	2	Bushing	
33	70025562	24	Bolt	
34	91474524	2	Cover	
35	80204117	2	Plug	
36	91514099	4	Fitting, Grease	
37	91514112	2	Pin, Pivot	
38	7028715	2	Pin, Pivot	
39	7028716	4	Seal, Dust	
40	91514095	2	Bearing	
41	70026238	2	Seal	
42	91474513	2	Plug	
43	91514188	4	Plug	
44	7028721	2	Seal	
45	91474576	4	Bearing	
46	91514183	20	Stud, Wheel	
47	7029737	2	Hub, Wheel	
48	91474507	2	O-Ring	
49	91514189	4	Bolt	
50	91474583	16	Stud	
51	91474584	16	Nut	
52	70026622	2	Plate, Locking	
53	91514113	2	Shim	
54	91514114	2	Shim	
55	91514115	2	Shim	
56	7029431	2	Planet Gear Carrier (See Separate Breakdown in this Section)	
57	70025014	8	Stud	
58	91514083	8	Nut	
59	91514181	2	O-Ring	
60	70026626	1	Case, Steering	
61	70026627	1	Case, Steering	
62	7028733	4	Bolt, Steering Adjust (includes items 45 & 46)	
63	70026625	2	Kit, Ring Gear Support (See Separate Breakdown in this Section)	
64	80204012	2	Plug	
65	70023900	8	Kit, Planet Gear	
96	91514117	4	Bolt	
97	80204065	4	Nut	

# SECTION 5 - DRIVETRAIN

## FIGURE 5-20. FRONT AXLE, BRAKES



ART\_1001165833\_40F12



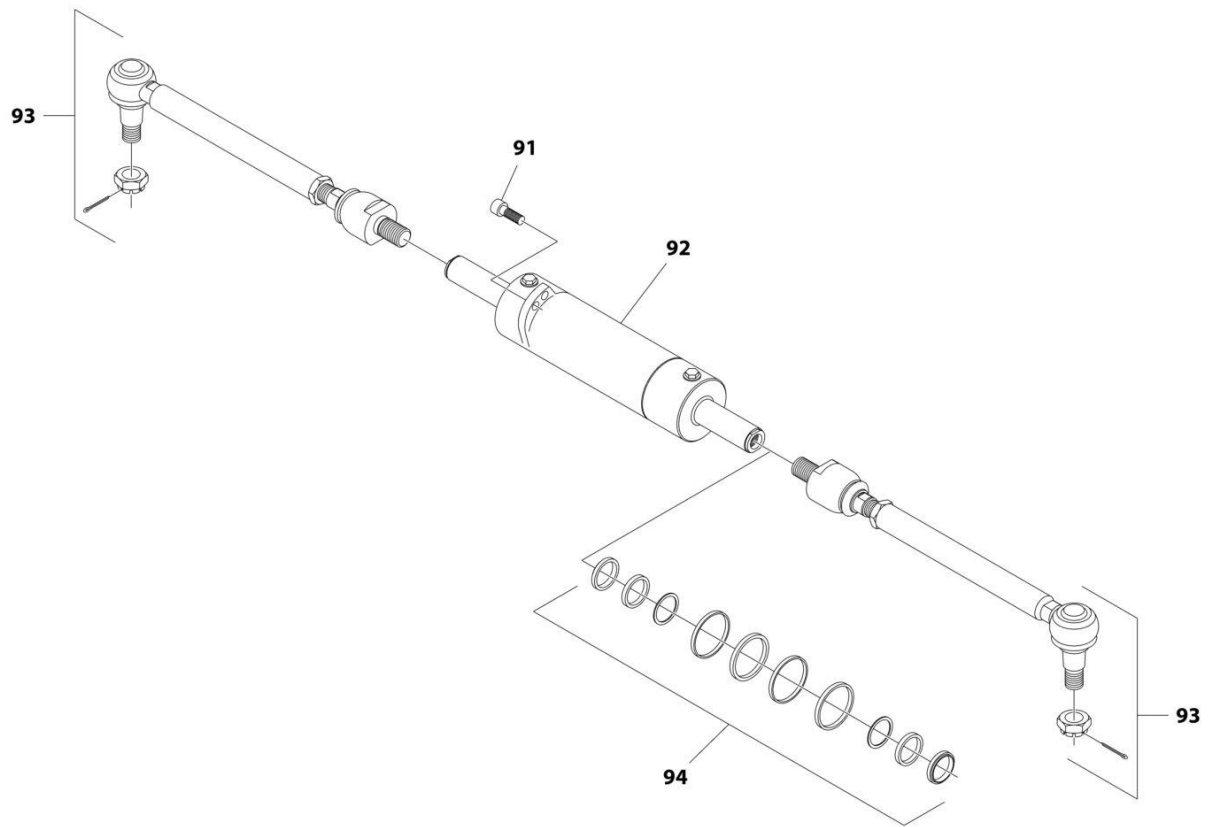
**SECTION 5 - DRIVETRAIN**

**FIGURE 5-20. FRONT AXLE, BRAKES**

ITEM	PART NUMBER	QTY	DESCRIPTION	REV
	1001165833	Ref	FRONT AXLE, BRAKES	H
66	7028734	1	Spacer	
67	91474559	4	Spring	
68	91474560	2	Piston	
69	91474561	2	O-Ring	
70	70026262	4	Seal	
71	7028735	2	Cover	
72	70026623	2	Seal	
73	91474564	2	Piston	
74	91474565	2	Disc, Intermediate Brake	
75	91514159	6	Spring	
76	70024210	6	Bolt	
77	91474568	8	Disc	
78	70025823	8	Disc, Intermediate Brake	
79	91474570	2	Spacer	
80	70024213	4	Bolt, M12X122.5	
81	7029788	6	Bolt	
82	91514165	6	Spring	
83	80204060	4	Nut	
84	80204108	4	Washer, Lock	
85	80204281	4	Bolt	
86	80204117	4	Plug	
87	91474571	2	Shim	
88	91474572	2	Shim	
89	91474573	2	Shim	
90	91514154	4	Bolt	

# SECTION 5 - DRIVETRAIN

## FIGURE 5-21. FRONT AXLE, STEERING



ART\_1001165833\_50F12

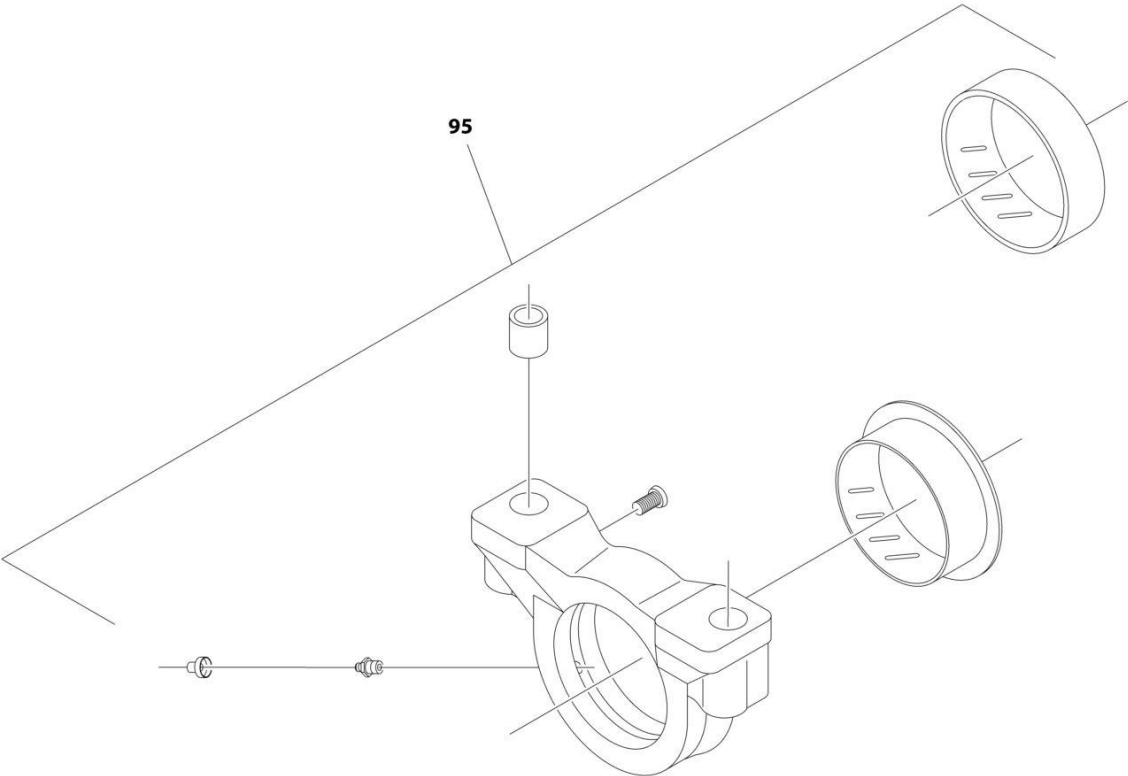
**SECTION 5 - DRIVETRAIN**

**FIGURE 5-21. FRONT AXLE, STEERING**

<b>ITEM</b>	<b>PART NUMBER</b>	<b>QTY</b>	<b>DESCRIPTION</b>	<b>REV</b>
	1001165833	Ref	FRONT AXLE, STEERING	H
91	91474522	4	Bolt	
92	7029528	1	Cylinder	
93	70026799	2	Rod, Tie	
94	7029529	1	Kit, Seal	

**SECTION 5 - DRIVETRAIN**

**FIGURE 5-22. FRONT AXLE, TRUNION**



ART\_1001165833\_6OF12

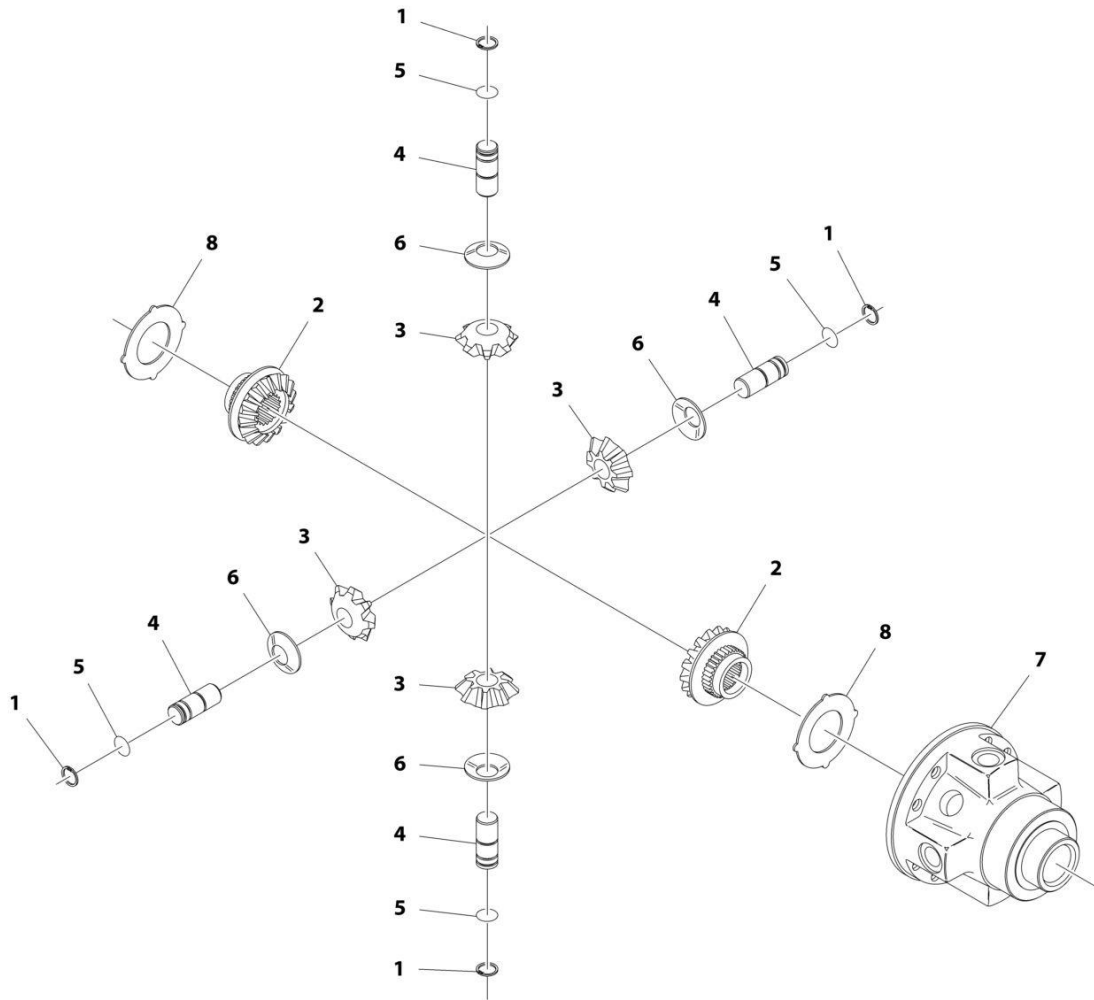
**SECTION 5 - DRIVETRAIN**

**FIGURE 5-22. FRONT AXLE, TRUNION**

ITEM	PART NUMBER	QTY	DESCRIPTION	REV
95	1001165833 70026630	Ref 2	FRONT AXLE, TRUNION Trunion (See Separate Breakdown in this Section)	H

# SECTION 5 - DRIVETRAIN

## FIGURE 5-23. FRONT AXLE, DIFFERENTIAL



ART\_1001165833\_7OF12

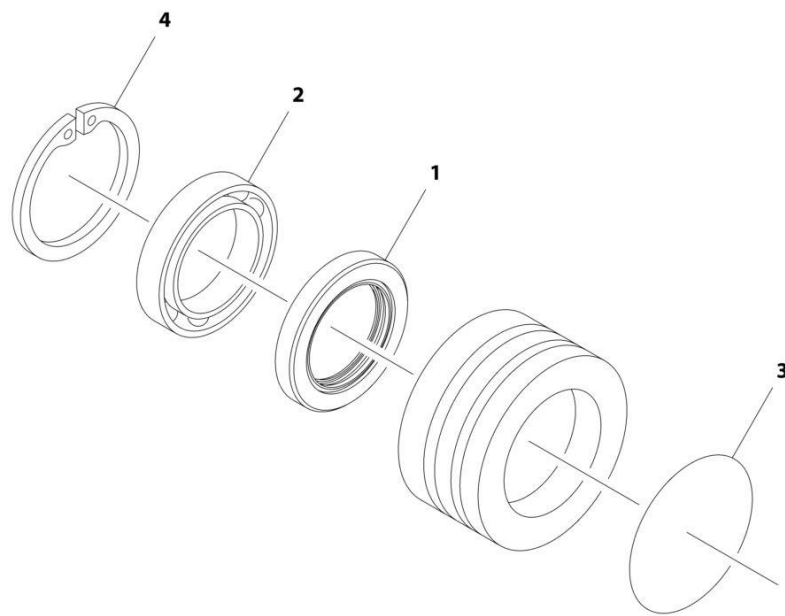
**SECTION 5 - DRIVETRAIN**

**FIGURE 5-23. FRONT AXLE, DIFFERENTIAL**

<b>ITEM</b>	<b>PART NUMBER</b>	<b>QTY</b>	<b>DESCRIPTION</b>	<b>REV</b>
	1001165833	Ref	FRONT AXLE, DIFFERENTIAL	H
	7028710	Ref	Differential	
1	91474550	4	Circlip	
2	91474549	2	Gear, Differential Side	
3	7029129	4	Pinion, Differential	
4	7029131	4	Pin	
5	91474551	4	Circlip	
6	91474553	4	Washer, Friction	
7	8007751	1	Carrier, Differential	
8	8007755	1	Disc	

## SECTION 5 - DRIVETRAIN

FIGURE 5-24. FRONT AXLE, REDUCTION BUSHING



ART\_1001165833\_80F12



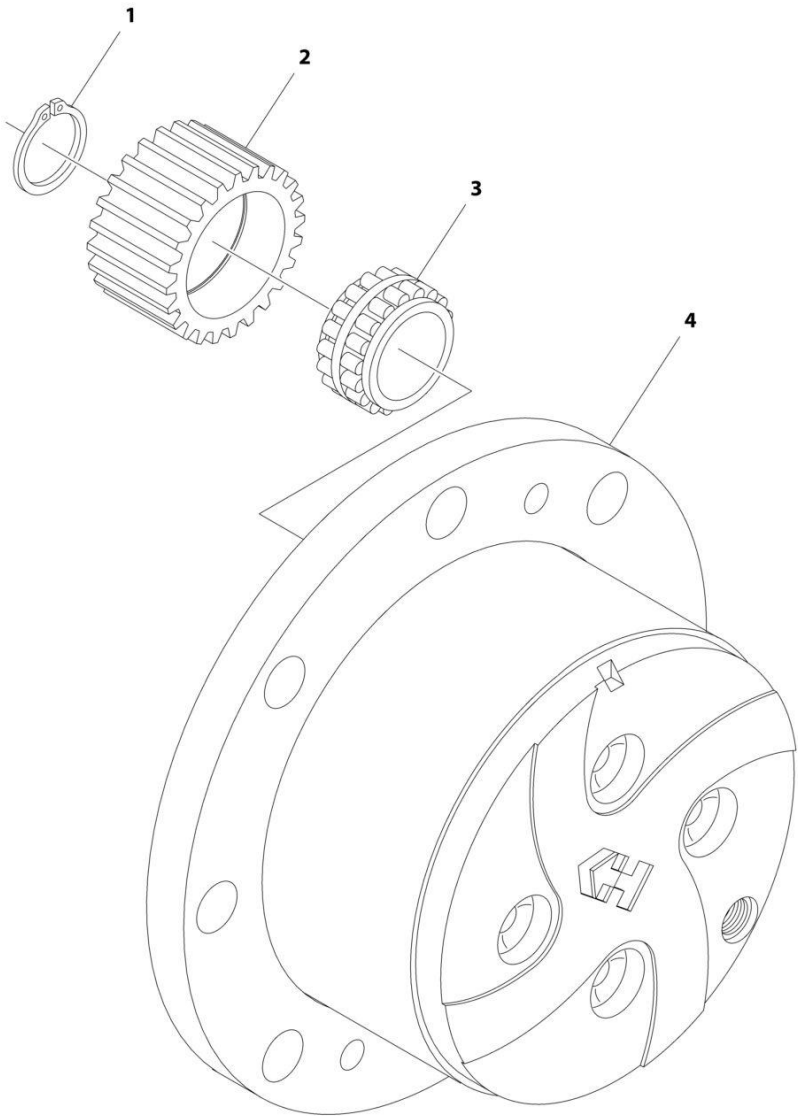
**SECTION 5 - DRIVETRAIN**

**FIGURE 5-24. FRONT AXLE, REDUCTION BUSHING**

<b>ITEM</b>	<b>PART NUMBER</b>	<b>QTY</b>	<b>DESCRIPTION</b>	<b>REV</b>
	1001165833	Ref	FRONT AXLE, REDUCTION BUSHING	H
	91514149	Ref	Reduction Bushing	
1	91514147	1	Seal	
2	91514146	1	Bearing, Ball	
3	91514148	1	O-Ring	
4	80204005	1	Circlip	

**SECTION 5 - DRIVETRAIN**

**FIGURE 5-25. FRONT AXLE, PLANET GEAR CARRIER**



ART\_1001165833\_9OF12

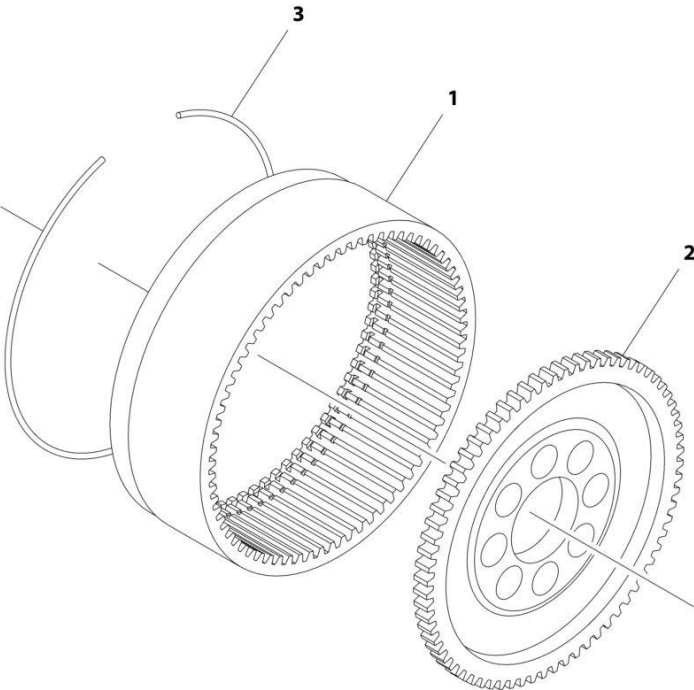
**SECTION 5 - DRIVETRAIN**

**FIGURE 5-25. FRONT AXLE, PLANET GEAR CARRIER**

<b>ITEM</b>	<b>PART NUMBER</b>	<b>QTY</b>	<b>DESCRIPTION</b>	<b>REV</b>
	1001165833	Ref	FRONT AXLE, PLANET GEAR CARRIER	H
	7029431	Ref	Planet Gear Carrier	
1	91474585	2	Circlip	
2	91474586	4	Gear, Planet	
3	91474587	4	Bearing	
4	7029286	1	Carrier, Planet Gear	

**SECTION 5 - DRIVETRAIN**

**FIGURE 5-26. FRONT AXLE, RING GEAR SUPPORT**



ART\_1001165833\_100F12

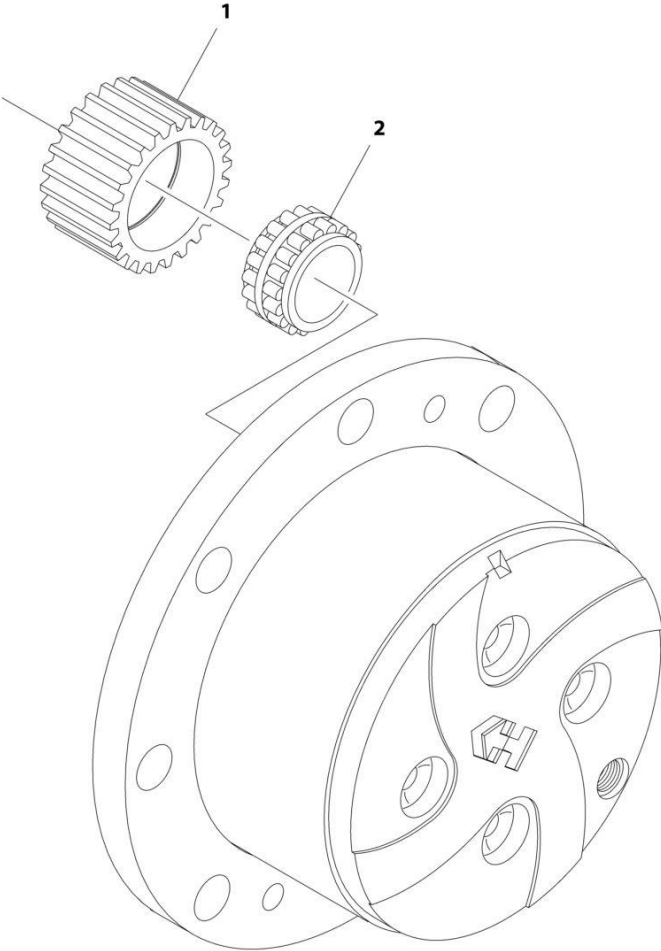
**SECTION 5 - DRIVETRAIN**

**FIGURE 5-26. FRONT AXLE, RING GEAR SUPPORT**

<b>ITEM</b>	<b>PART NUMBER</b>	<b>QTY</b>	<b>DESCRIPTION</b>	<b>REV</b>
	1001165833	Ref	FRONT AXLE, RING GEAR SUPPORT	H
	70026625	Ref	Ring Gear Support	
1	91474580	1	Gear, Ring	
2	70026798	1	Support, Ring Gear	
3	91474579	1	Circlip	

**SECTION 5 - DRIVETRAIN**

**FIGURE 5-27. FRONT AXLE, PLANET GEAR**



ART\_1001165833\_110F12

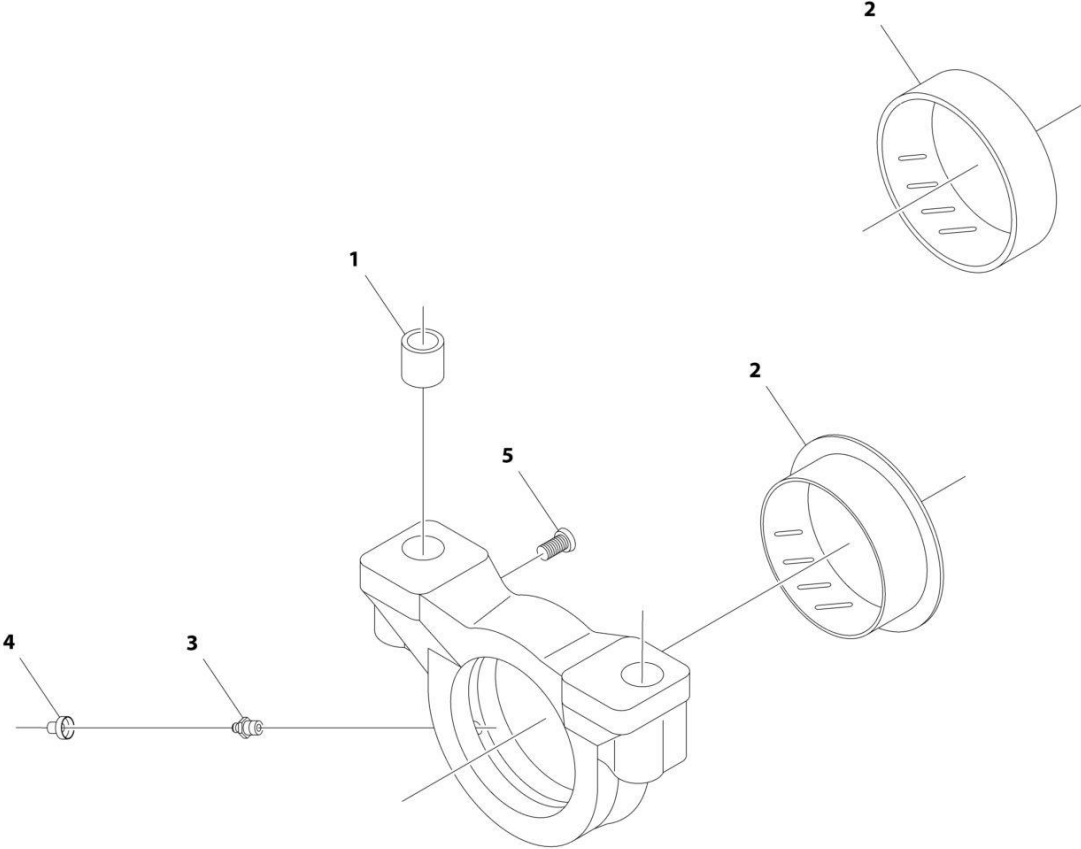
**SECTION 5 - DRIVETRAIN**

**FIGURE 5-27. FRONT AXLE, PLANET GEAR**

<b>ITEM</b>	<b>PART NUMBER</b>	<b>QTY</b>	<b>DESCRIPTION</b>	<b>REV</b>
	1001165833	Ref	FRONT AXLE, PLANET GEAR	H
	70023900	Ref	Planet Gear	
1	91474586	4	Gear, Planet	
2	91474587	4	Bearing	

**SECTION 5 - DRIVETRAIN**

**FIGURE 5-28. FRONT AXLE, TRUNION KIT**



ART\_1001165833\_12OF12



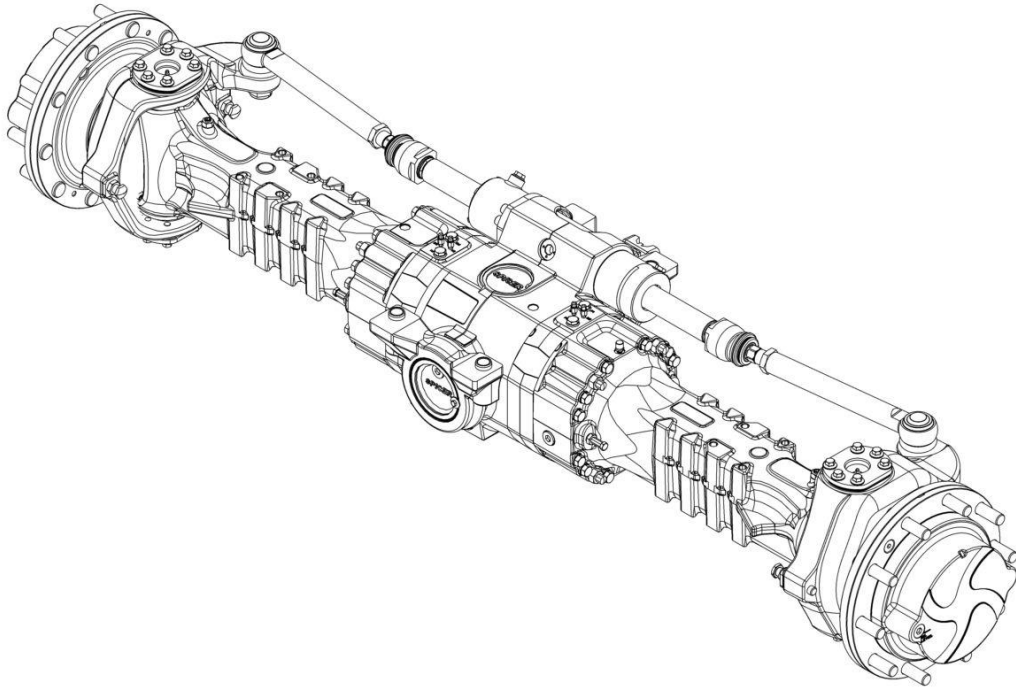
**SECTION 5 - DRIVETRAIN**

**FIGURE 5-28. FRONT AXLE, TRUNION KIT**

<b>ITEM</b>	<b>PART NUMBER</b>	<b>QTY</b>	<b>DESCRIPTION</b>	<b>REV</b>
	1001165833	Ref	FRONT AXLE, TRUNION KIT	H
	70026630	Ref	Trunion Kit	
1	91474516	2	Bushing, Reduction	
2	91474515	1	Bushing, Thrust	
3	91514099	1	Fitting, Grease	
4	80204117	1	Plug	
5	70025884	1	Bolt	

## SECTION 5 - DRIVETRAIN

FIGURE 5-29. FRONT AXLE, 74HP



ART\_1005182600-A

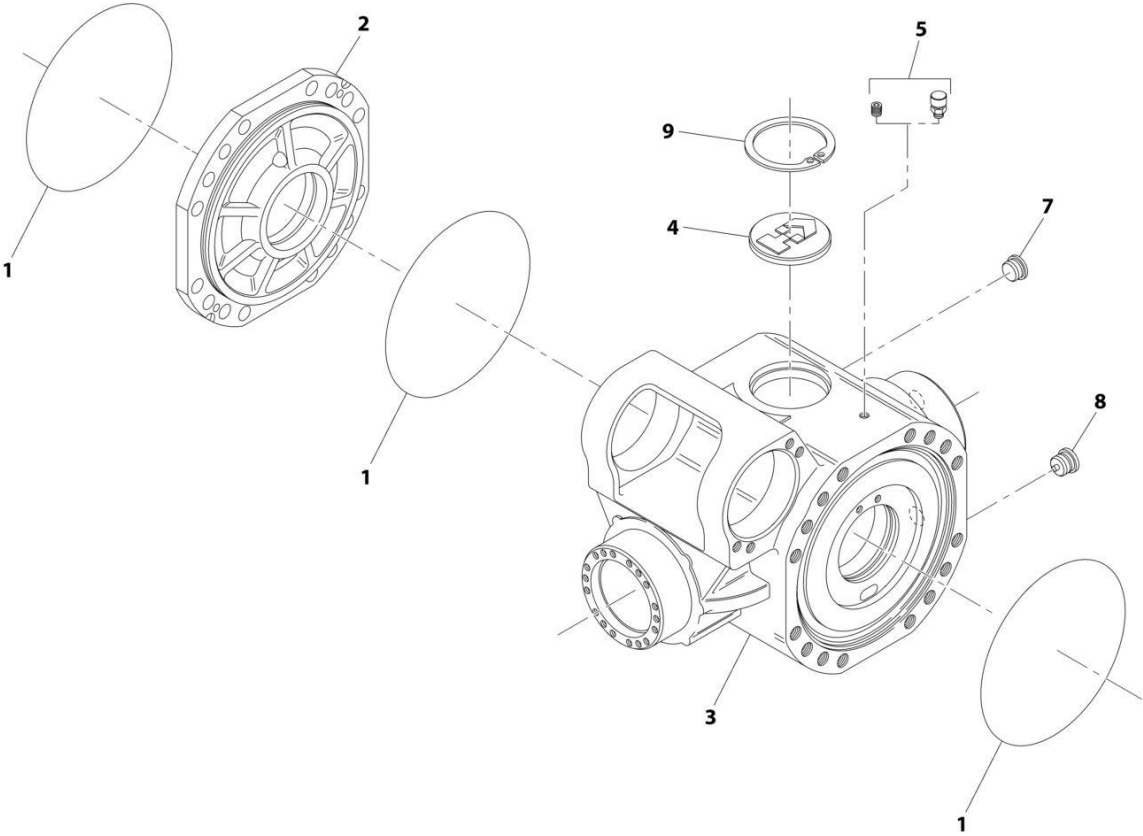
**SECTION 5 - DRIVETRAIN**

**FIGURE 5-29. FRONT AXLE, 74HP**

ITEM	PART NUMBER	QTY	DESCRIPTION	REV
	1005182600	Ref	Front Axle, 74HP	A
		Ref	Front Axle, Central Housing (See Separate Breakdown in this Section)	
		Ref	Front Axle, Differential (See Separate Breakdown in this Section)	
		Ref	Front Axle, Hub Reduction (See Separate Breakdown in this Section)	
		Ref	Front Axle, Brakes (See Separate Breakdown in this Section)	
		Ref	Front Axle, Steering (See Separate Breakdown in this Section)	
		Ref	Front Axle, Trunion (See Separate Breakdown in this Section)	

**SECTION 5 - DRIVETRAIN**

**FIGURE 5-30. FRONT AXLE, CENTRAL HOUSING 74HP**



ART\_1005182600\_1-A

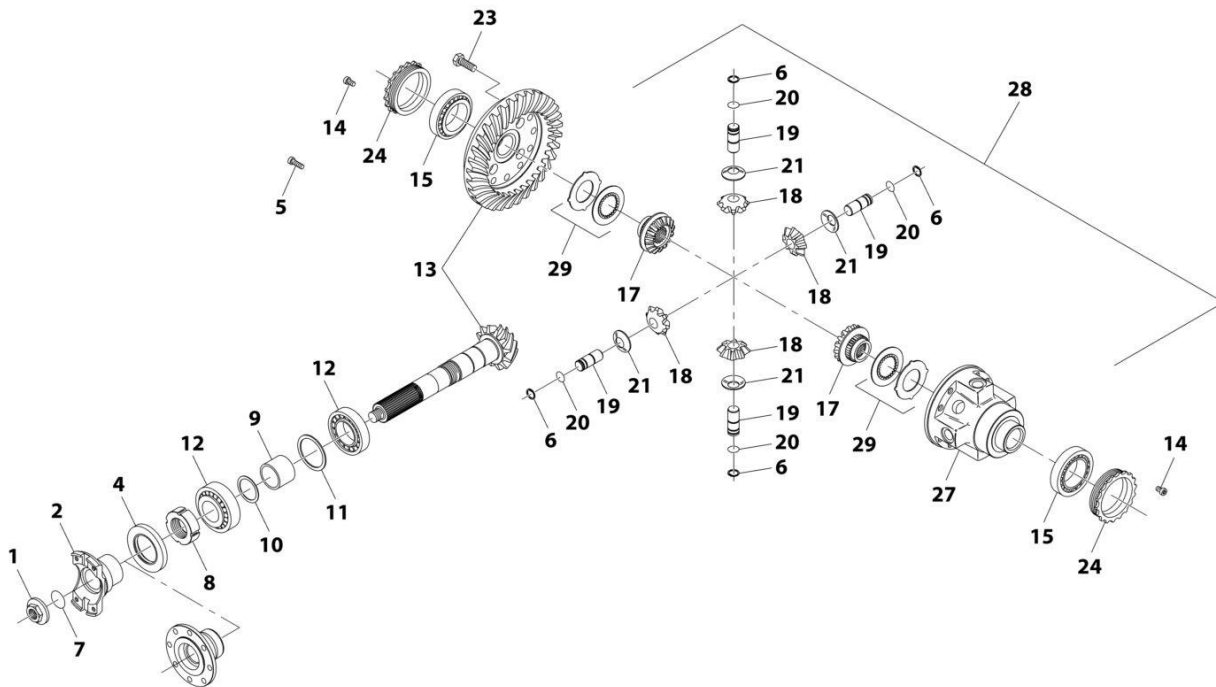
**SECTION 5 - DRIVETRAIN**

**FIGURE 5-30. FRONT AXLE, CENTRAL HOUSING 74HP**

<b>ITEM</b>	<b>PART NUMBER</b>	<b>QTY</b>	<b>DESCRIPTION</b>	<b>REV</b>
	1005182600	Ref	FRONT AXLE, CENTRAL HOUSING	
1	91474507	3	O-Ring	
2	70024872	1	Cover	
3	70026749	1	Housing	
4	91514098	1	Plug	
5	91474512	1	Vent	
7	70028387	1	Plug	
8	70028469	1	Plug	
9	80204005	1	Circlip	

# SECTION 5 - DRIVETRAIN

## FIGURE 5-31. FRONT AXLE, DIFFERENTIAL 74HP



ART\_1005182600\_2-A

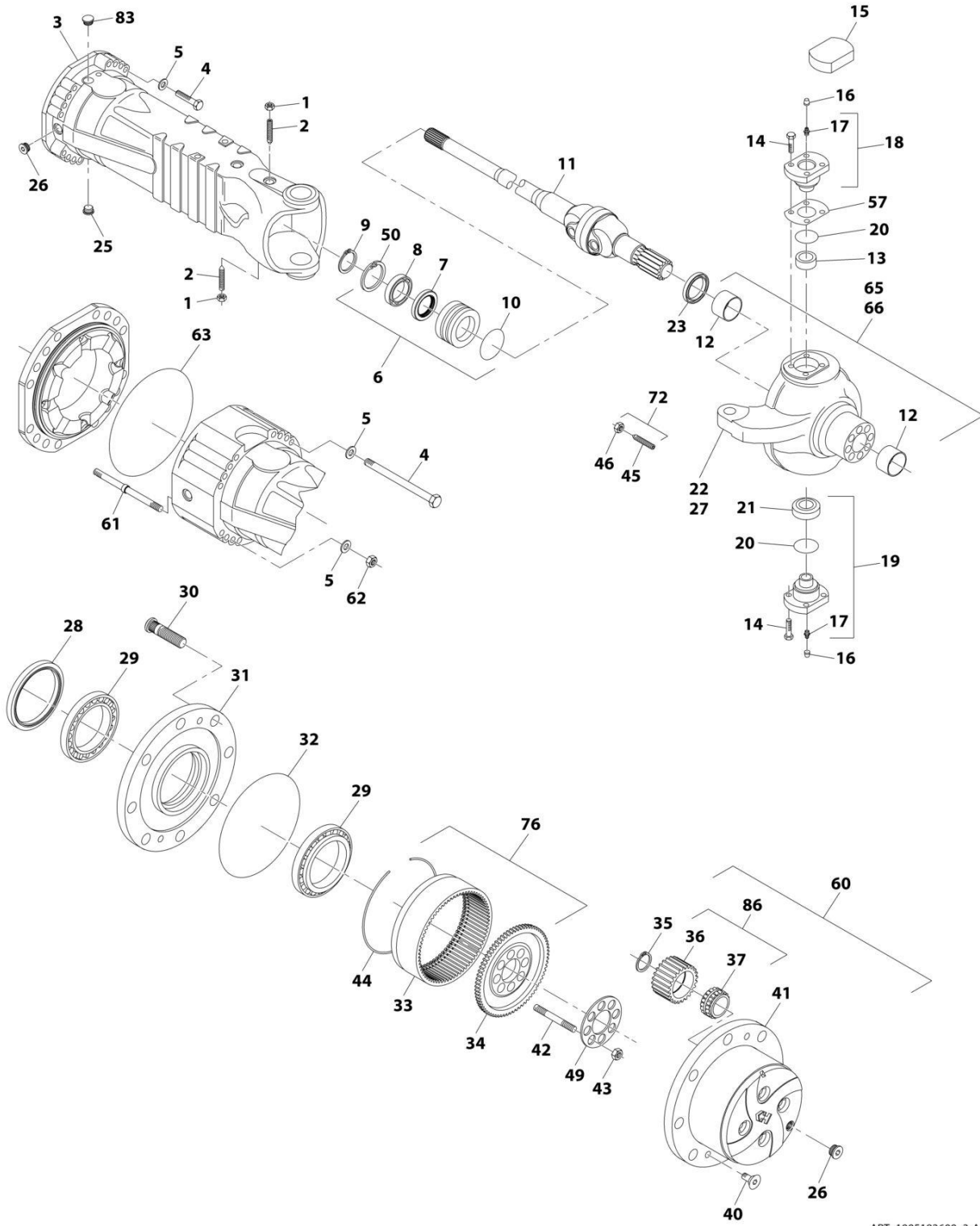
**SECTION 5 - DRIVETRAIN**

**FIGURE 5-31. FRONT AXLE, DIFFERENTIAL 74HP**

ITEM	PART NUMBER	QTY	DESCRIPTION	REV
	1005182600	Ref	FRONT AXLE, DIFFERENTIAL	
1	70026631	1	Nut	
2	70022797	1	Flange	
4	70024522	1	Seal	
5	91474591	4	Bolt	
6	91474550	4	Circlip	
7	91474529	1	O-Ring	
8	91474533	1	Nut, Ring	
9	91474539	1	Spacer	
10	70025556	1	Kit, Shim	
11	70025555	1	Kit, Shim	
12	3968141	2	Bearing, Taper Roller	
13	91474592	1	Bevel Gear Set	
14	91514134	2	Bolt	
15	70028471	2	Bearing, Taper Roller	
17	91474549	2	Gear, Differential Side	
18	7029129	4	Pinion, Differential	
19	7029131	4	Pin	
20	91474551	4	Circlip	
21	91474553	4	Washer, Friction	
23	91514123	12	Bolt	
24	91474547	2	Nut, Ring	
27	8007751	1	Carrier, Differential	
28	7028710	1	Differential (includes items 6, 17 thru 21, 26 & 27)	
29	8007755	1	Disc	

# SECTION 5 - DRIVETRAIN

## FIGURE 5-32. FRONT AXLE, HUB REDUCTION 74HP



ART\_1005182600\_3-A



## SECTION 5 - DRIVETRAIN

**FIGURE 5-32. FRONT AXLE, HUB REDUCTION 74HP**

ITEM	PART NUMBER	QTY	DESCRIPTION	REV
	1005182600	Ref	FRONT AXLE, HUB REDUCTION	
1	91514082	2	Nut	
2	91514081	2	Bolt	
3	70025011	2	Case, Axle	
4	70025012	24	Bolt	
5	91514084	8	Washer	
6	91514149	2	Reduction Bushing (includes items 7, 8, 10, 50)	
7	91514147	2	Seal	
8	91514146	2	Ball Bearing	
9	80204071	2	Circlip	
10	91514148	2	O-Ring	
11	70026624	2	Joint, Double Universal	
12	91514111	2	Bushing, Thrust	
13	7028714	2	Bushing	
14	70025562	24	Bolt	
15	70028392	2	Cover	
16	80204117	2	Plug	
17	70024881	4	Fitting, Grease	
18	91514112	2	Pivot Pin	
19	7028715	2	Pivot Pin	
20	7028716	4	Seal, Dust	
21	91514095	2	Bearing	
22	N.S.S.	Ref	Steering Case	
23	70026238	2	Seal	
25	70028469	2	Plug	
26	70028387	4	Plug	
27	N.S.S.	Ref	Steering Case	
28	7028721	2	Seal	
29	91474576	4	Bearing	
30	91514183	20	Wheel Stud	
31	7029737	2	Wheel Hub	
32	91474507	2	O-Ring	
33	91474580	2	Gear, Ring	
34	70026798	2	Support, Ring Gear	
35	91474585	4	Circlip	
36	70028473	8	Planet Gear	
37	70028474	8	Bearing	
40	91514189	4	Bolt, Countersunk	
41	7029286	1	Carrier, Planet Gear	
42	70027315	16	Stud	
43	91474584	16	Nut	
44	91474579	2	Circlip	
45	91514117	4	Bolt	
46	80204065	4	Nut	
49	70026622	2	Plate, Locking	
50	80204005	2	Circlip	
57	70025561	1	Kit, Shim	
60	7029431	2	Planet Gear Carrier Assembly	
61	70025014	8	Stud	
62	91514083	8	Nut	

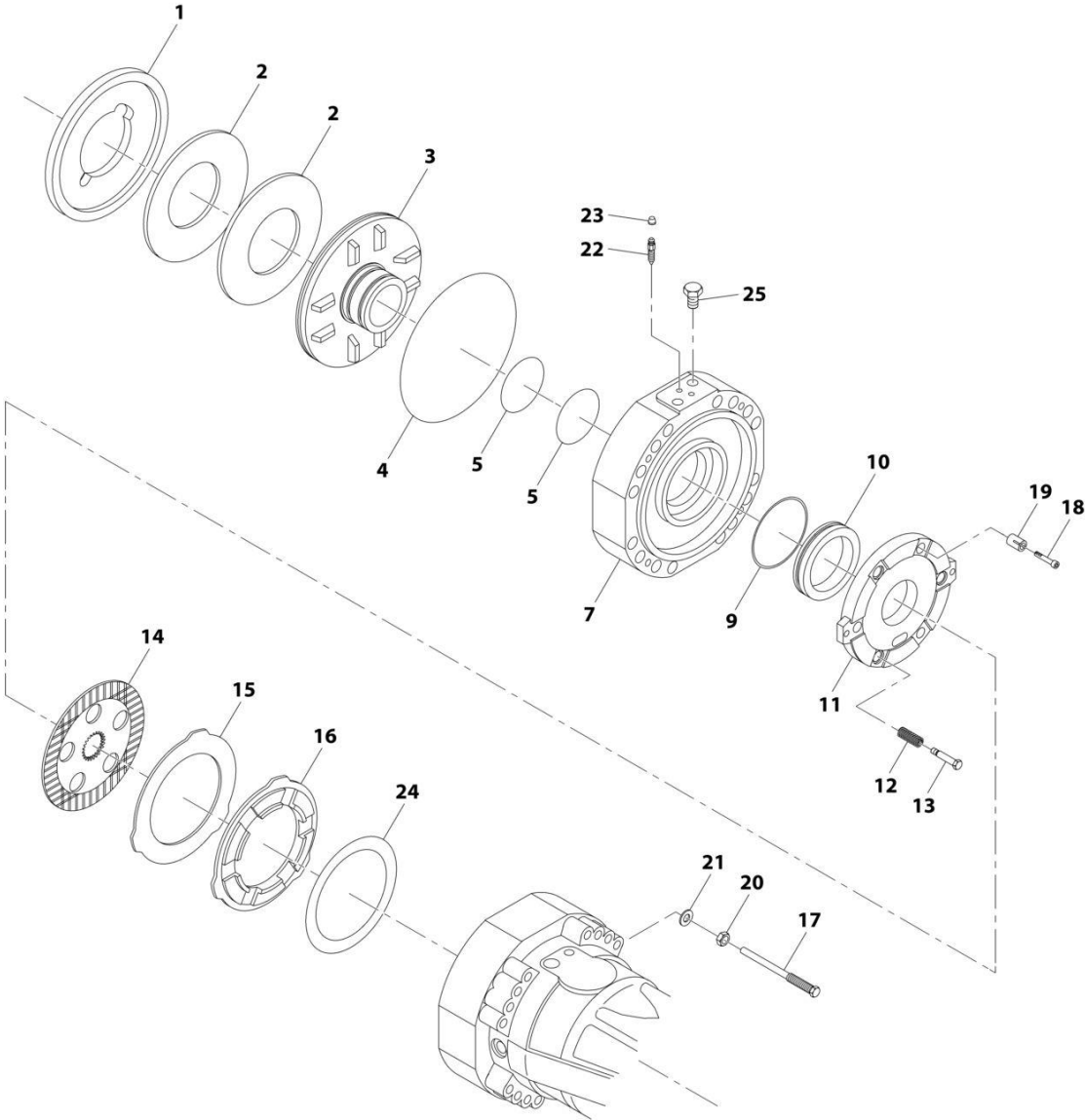
## SECTION 5 - DRIVETRAIN

ITEM	PART NUMBER	QTY	DESCRIPTION	REV
63	91514181	2	O-Ring	
65	70026626	1	Case, Steering (includes items 22 & 12)	
66	70026627	1	Case, Steering (includes items 27 & 12)	
72	7028733	1	Bolt, Steering Adjust (includes items 45 & 46)	
76	70026625	2	Kit, Ring Gear Support	
83	80204012	2	Plug	
86	70027114	8	Kit, Planet Gear	



**SECTION 5 - DRIVETRAIN**

**FIGURE 5-33. FRONT AXLE, BRAKES 74HP**



ART\_1005182600\_4-A

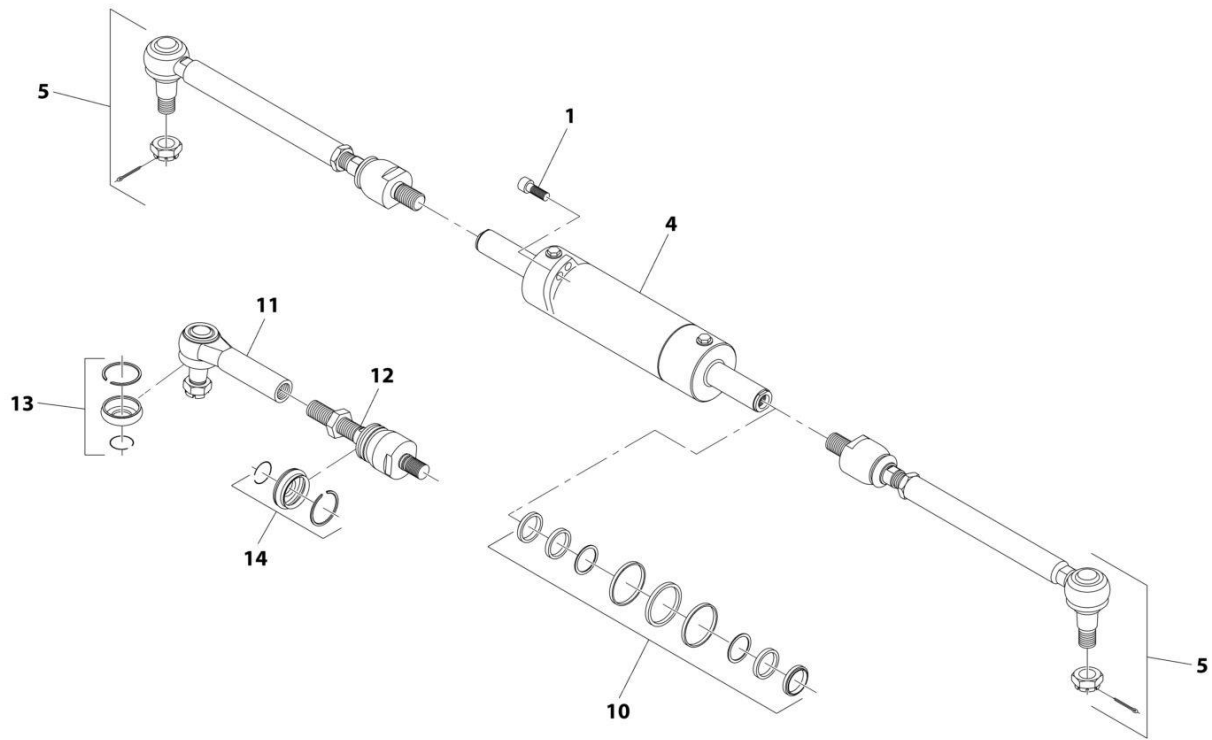
**SECTION 5 - DRIVETRAIN**

**FIGURE 5-33. FRONT AXLE, BRAKES 74HP**

ITEM	PART NUMBER	QTY	DESCRIPTION	REV
	1005182600	Ref	FRONT AXLE, BRAKES	
1	7028734	1	Spacer	
2	91474559	4	Spring	
3	91474560	2	Piston	
4	91474561	2	O-Ring	
5	70026262	4	Seal	
7	7028735	2	Cover	
9	70026623	2	Seal	
10	91474564	2	Piston	
11	91474565	2	Disc, Intermediate Brake	
12	91514159	6	Spring	
13	70024210	6	Adjusting Bolt	
14	91474568	8	Disc	
15	70025823	8	Disc, Intermediate Brake	
16	91474570	2	Spacer	
17	70024213	4	Bolt	
18	7029788	6	Bolt	
19	70027317	6	Spring	
20	80204060	4	Nut	
21	80204108	4	Washer, Lock	
22	80204281	4	Bolt	
23	80204117	4	Plug	
24	70025981	1	Shim Kit	
25	91514154	4	Bolt	

# SECTION 5 - DRIVETRAIN

## FIGURE 5-34. FRONT AXLE, STEERING 74HP



ART\_1005182600\_5-A

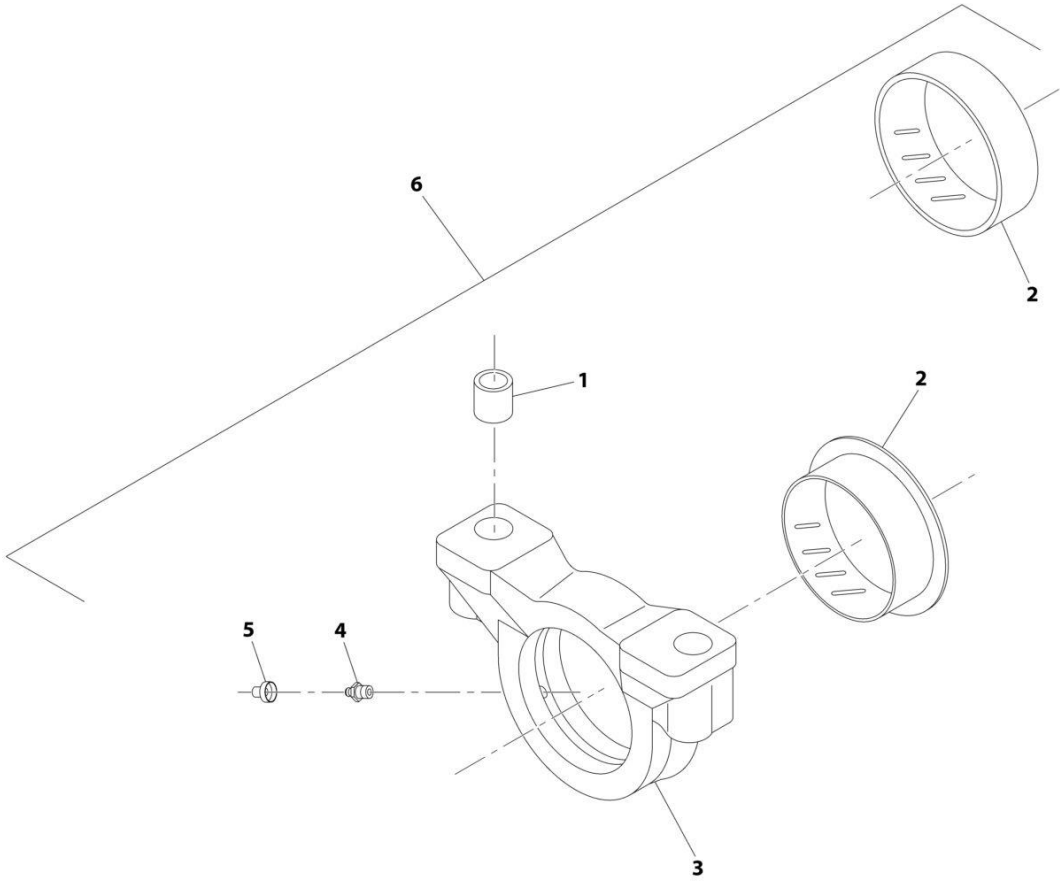
**SECTION 5 - DRIVETRAIN**

**FIGURE 5-34. FRONT AXLE, STEERING 74HP**

<b>ITEM</b>	<b>PART NUMBER</b>	<b>QTY</b>	<b>DESCRIPTION</b>	<b>REV</b>
	1005182600	Ref	FRONT AXLE, STEERING	
1	91474522	4	Bolt	
4	7029528	1	Cylinder	
5	70026799	2	Bar	
10	7029529	1	Kit, Seal	
11	70028475	1	Joint, 90	
12	70028476	1	Axial Joint	
13	70028477	1	Rubber Boot and Locking Ring Kit	
14	70028468	1	Rubber Boot and Locking Ring Kit	

**SECTION 5 - DRIVETRAIN**

**FIGURE 5-35. FRONT AXLE, TRUNION 74HP**



ART\_1005182600\_6-A



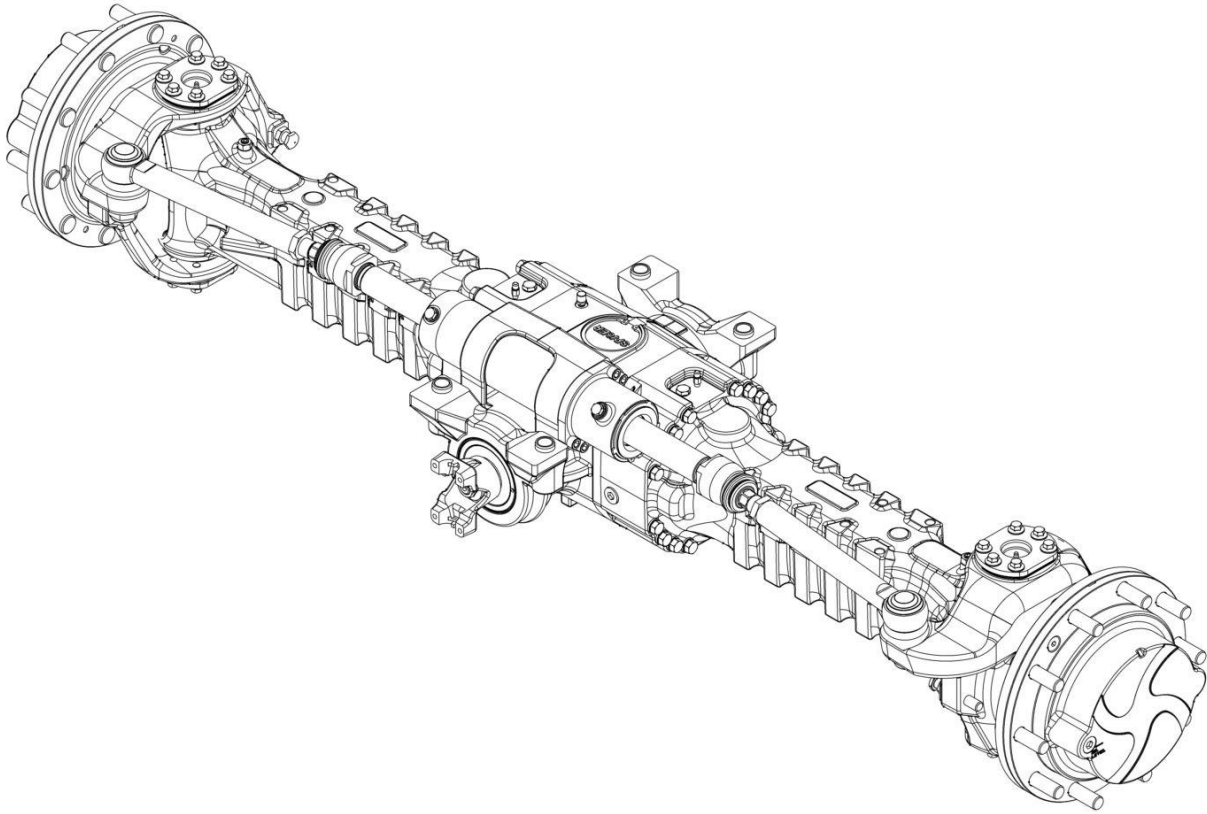
**SECTION 5 - DRIVETRAIN**

**FIGURE 5-35. FRONT AXLE, TRUNION 74HP**

ITEM	PART NUMBER	QTY	DESCRIPTION	REV
	1005182600	Ref	FRONT AXLE, TRUNION	
1	91474516	4	Bushing, Reduction	
2	91474515	2	Bushing, Thrust	
3	N.S.S.	2	Support	
4	70024881	2	Fitting, Grease	
5	80204117	2	Plug	
6	70026630	2	Kit, Support (includes items 1 thru 5)	

## SECTION 5 - DRIVETRAIN

FIGURE 5-36. REAR AXLE



ART\_1001165834-F

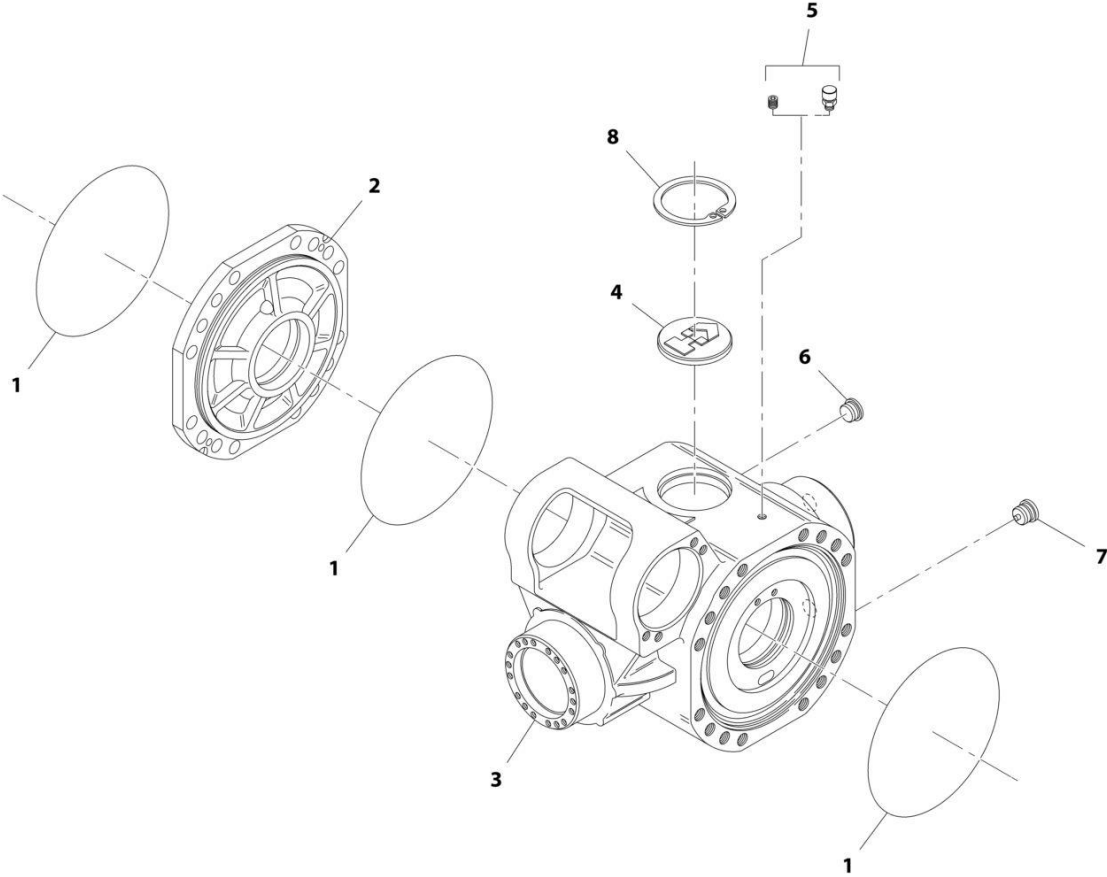
**SECTION 5 - DRIVETRAIN**

**FIGURE 5-36. REAR AXLE**

ITEM	PART NUMBER	QTY	DESCRIPTION	REV
		Ref	Rear Axle, Central Housing (See Separate Breakdown in this Section)	
		Ref	Rear Axle, Differential (See Separate Breakdown in this Section)	
		Ref	Rear Axle, Hub Reduction (See Separate Breakdown in this Section)	
		Ref	Rear Axle, Brakes (See Separate Breakdown in this Section)	
		Ref	Rear Axle, Steering (See Separate Breakdown in this Section)	
		Ref	Rear Axle, Trunion (See Separate Breakdown in this Section)	

**SECTION 5 - DRIVETRAIN**

**FIGURE 5-37. REAR AXLE, CENTRAL HOUSING**



ART\_1001165834\_1-F

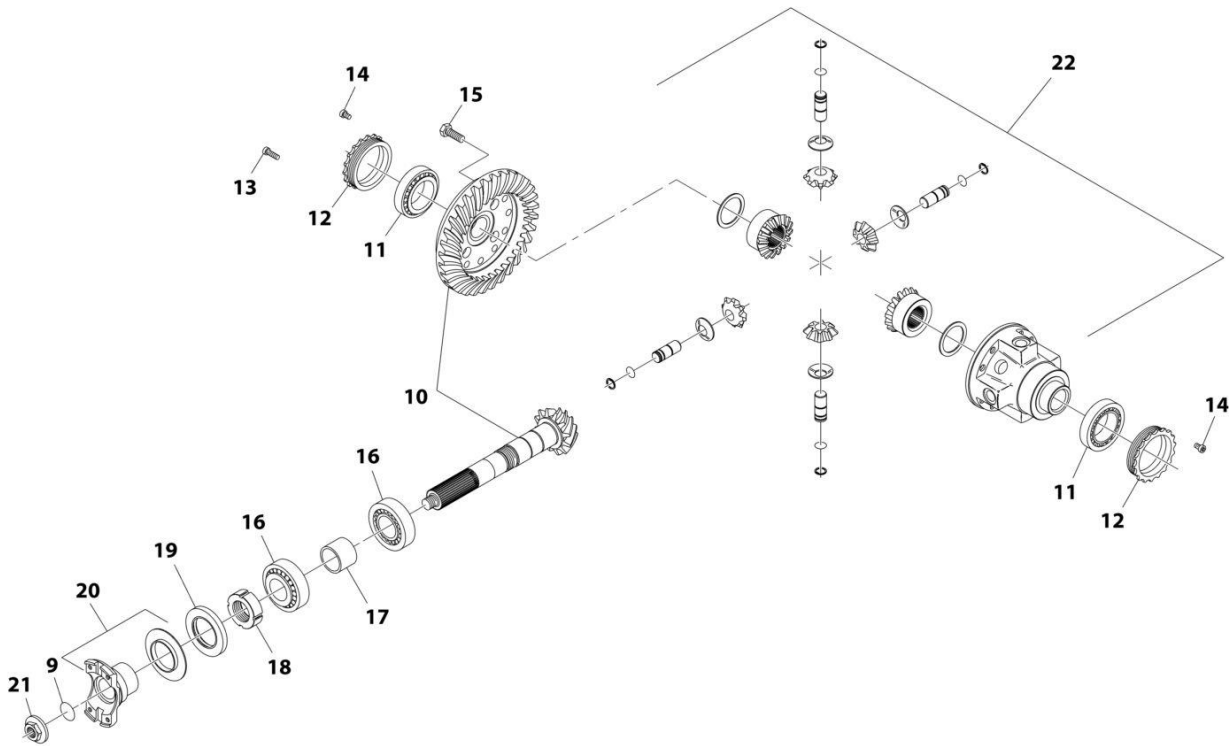
**SECTION 5 - DRIVETRAIN**

**FIGURE 5-37. REAR AXLE, CENTRAL HOUSING**

<b>ITEM</b>	<b>PART NUMBER</b>	<b>QTY</b>	<b>DESCRIPTION</b>	<b>REV</b>
	1001165834	Ref	REAR AXLE, CENTRAL HOUSING	
1	91474507	3	O-Ring	
2	70024519	1	Cover	
3	70026749	1	Housing	
4	91514098	1	Plug	
5	91474512	1	Vent	
6	91514188	1	Plug	
7	91474513	1	Plug, Magnet	
8	80204005	1	Circlip	

# SECTION 5 - DRIVETRAIN

## FIGURE 5-38. REAR AXLE, DIFFERENTIAL



ART\_1001165834\_2-F

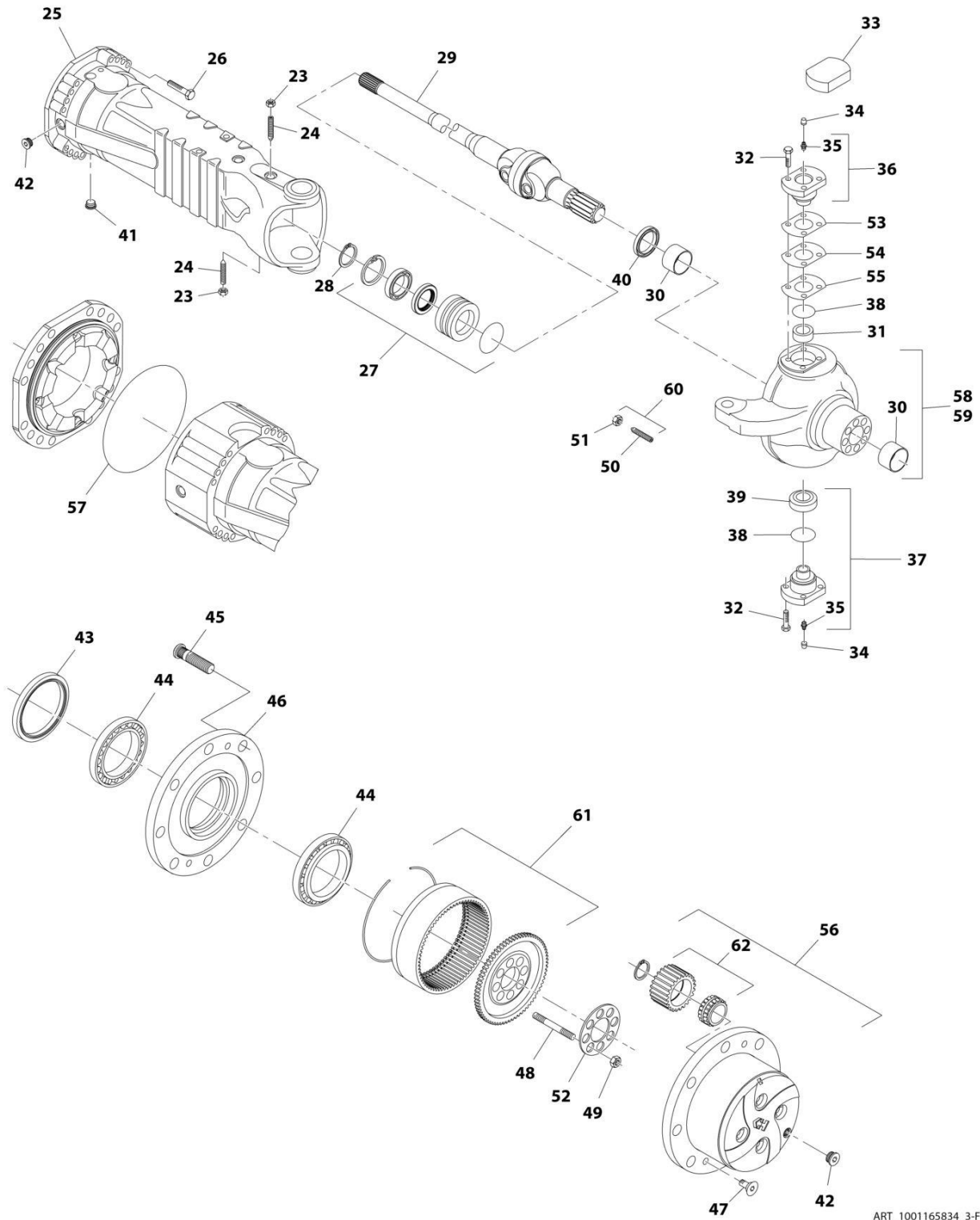
**SECTION 5 - DRIVETRAIN**

**FIGURE 5-38. REAR AXLE, DIFFERENTIAL**

ITEM	PART NUMBER	QTY	DESCRIPTION	REV
	1001165834	Ref	REAR AXLE, DIFFERENTIAL	
9	91474529	1	O-Ring	
10	70026634	1	Bevel Gear Set	
11	70026031	2	Bearing, Taper Roller	
12	91474547	2	Nut, Ring	
13	91474591	4	Bolt	
14	91514134	2	Bolt	
15	91514123	12	Bolt	
16	3968141	2	Bearing, Taper Roller	
17	91474539	1	Spacer	
18	91474533	1	Nut, Ring	
19	70024522	1	Seal	
20	70022797	1	FLANGE	
21	70026631	1	Nut	
22	70021140	1	Kit, Differential (See Separate Breakdown in this Section)	

# SECTION 5 - DRIVETRAIN

## FIGURE 5-39. REAR AXLE, HUB REDUCTION



ART\_1001165834\_3-F



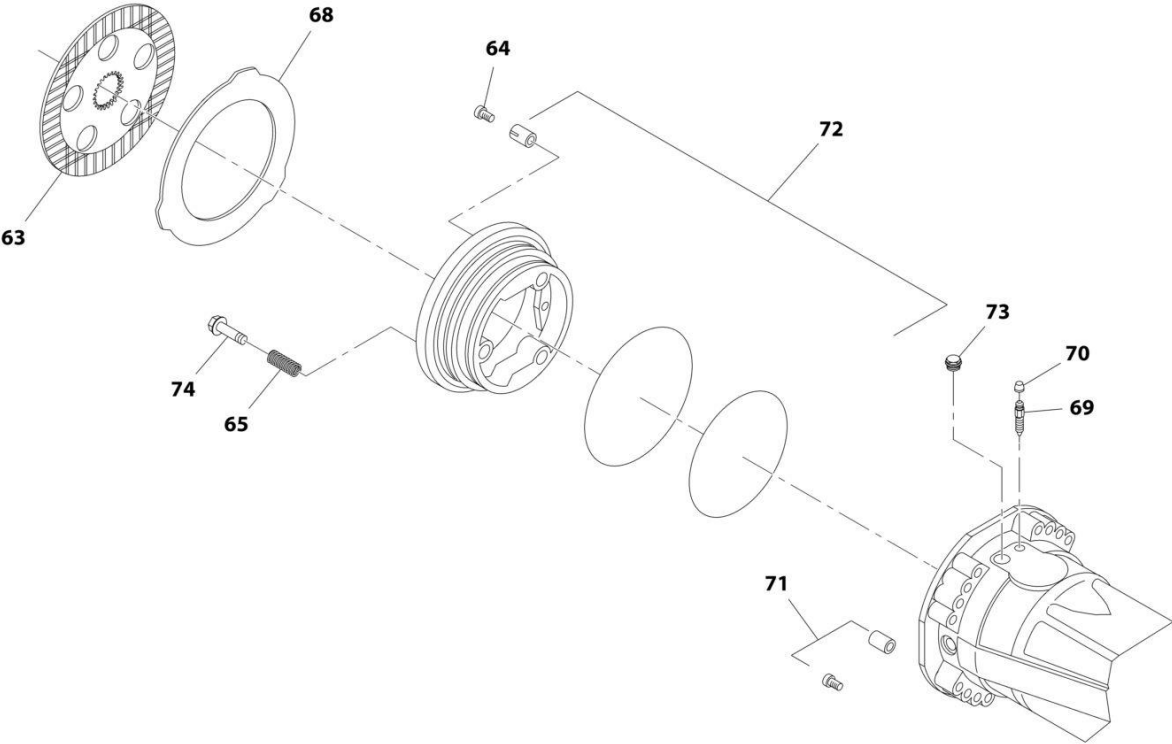
## SECTION 5 - DRIVETRAIN

**FIGURE 5-39. REAR AXLE, HUB REDUCTION**

ITEM	PART NUMBER	QTY	DESCRIPTION	REV
	1001165834	Ref	REAR AXLE, HUB REDUCTION	
23	91514082	2	Nut	
24	91514081	2	Bolt	
25	70022798	2	Axle Case	
26	70022799	32	Bolt	
27	91514149	2	Bushing, Reduction (See Separate Breakdown in this Section)	
28	91514146	2	Circlip	
29	70026624	2	Joint, Double Universal	
30	91514111	2	Bushing, Thrust	
31	7028714	2	Bushing	
32	70025562	24	Bolt	
33	91474524	2	Cover	
34	80204117	2	Plug	
35	91514099	4	Grease Fitting	
36	91514112	2	Pivot Pin	
37	7028715	2	Pivot Pin	
38	7028716	4	Dust Excluder	
39	91514095	2	Bearing	
40	70026238	2	Seal	
41	91474513	2	Plug, Magnet	
42	91514188	4	Plug	
43	7028721	2	Seal	
44	91474576	4	Bearing	
45	91514183	20	Wheel Stud	
46	7029737	2	Wheel Hub	
47	91514189	4	Bolt, Countersunk	
48	91474583	16	Stud	
49	91474584	16	Nut	
50	3984312	4	Bolt	
51	80204065	4	Nut	
52	70026622	2	Plate, Locking	
53	91514113	2	Shim	
54	91514114	2	Shim	
55	91514115	2	Shim	
56	7029431	2	Kit, Planet Gear Carrier (See Separate Breakdown in this Section)	
57	91514181	2	O-Ring	
58	70026626	1	Case, Steering	
59	70026627	1	Case, Steering	
60	7028733	4	Bolt, Steering Adjust (includes items 50 & 51)	
61	70026625	2	Kit, Ring Gear Support (See Separate Breakdown in this Section)	
62	70023900	8	Kit, Planet Gear (See Separate Breakdown in this Section)	

**SECTION 5 - DRIVETRAIN**

**FIGURE 5-40. REAR AXLE, BRAKES**



ART\_1001165834\_4-F

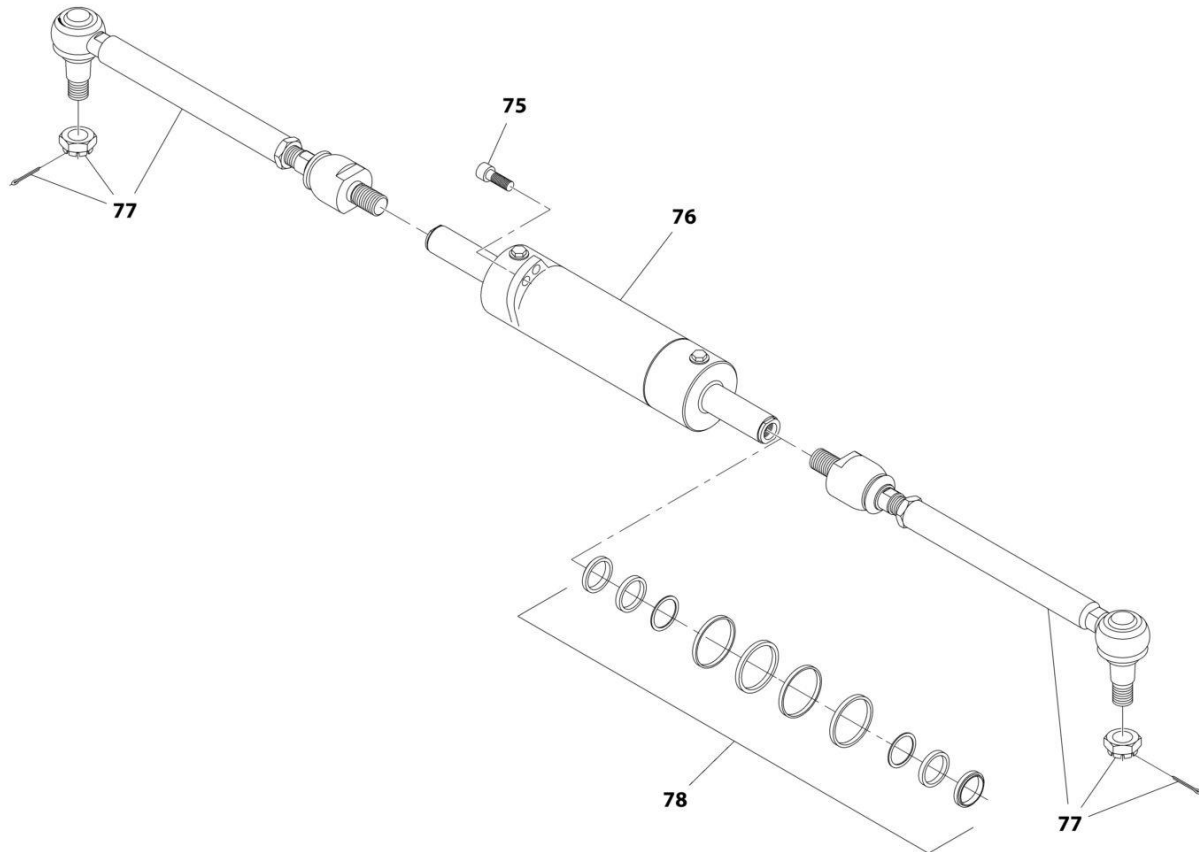
**SECTION 5 - DRIVETRAIN**

**FIGURE 5-40. REAR AXLE, BRAKES**

<b>ITEM</b>	<b>PART NUMBER</b>	<b>QTY</b>	<b>DESCRIPTION</b>	<b>REV</b>
	1001165834	Ref	REAR AXLE, BRAKES	
63	91474568	6	Disc	
64	7029786	6	Bolt, Adjusting	
65	91514159	6	Spring	
68	91474569	8	Disc, Intermediate Brake	
69	80204281	2	Bolt, Bleeding	
70	80204117	2	Plug	
71	70021613	2	Bolt, Pilot	
72	70025841	2	Kit, Piston (See Separate Breakdown in this Section)	
73	91514154	2	Bolt	
74	70024210	6	Bolt, Adjusting	

# SECTION 5 - DRIVETRAIN

## FIGURE 5-41. REAR AXLE, STEERING



ART\_1001165834\_5-F

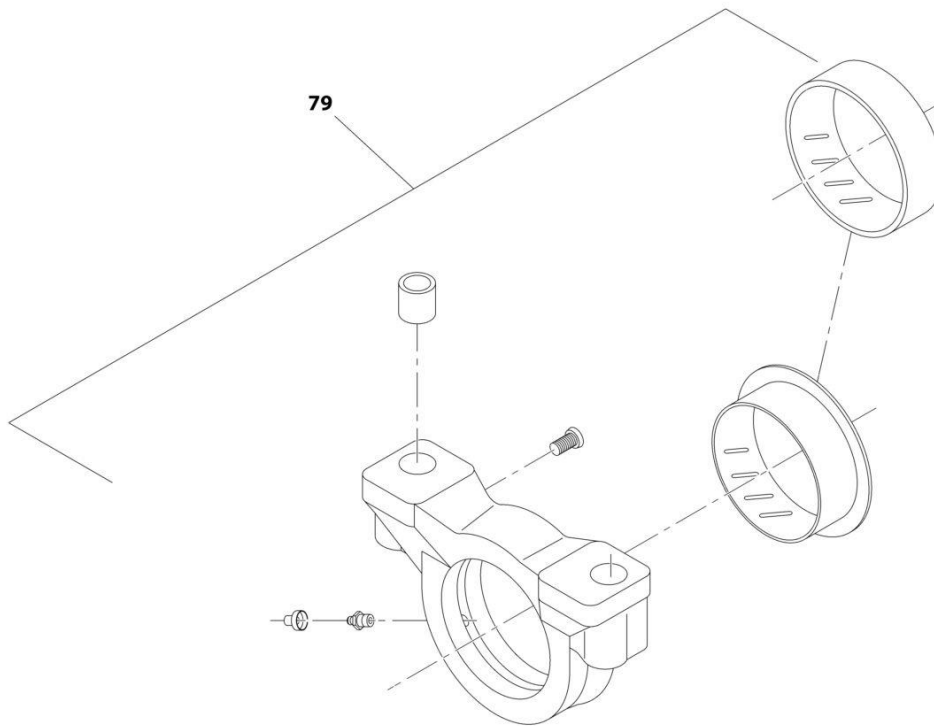
**SECTION 5 - DRIVETRAIN**

**FIGURE 5-41. REAR AXLE, STEERING**

<b>ITEM</b>	<b>PART NUMBER</b>	<b>QTY</b>	<b>DESCRIPTION</b>	<b>REV</b>
	1001165834	Ref	REAR AXLE, STEERING	
75	91474522	4	Bolt	
76	7029528	1	Cylinder	
77	70026799	2	Bar	
78	7029529	1	Seal	

# SECTION 5 - DRIVETRAIN

## FIGURE 5-42. REAR AXLE, TRUNION



ART\_1001165834\_6-F

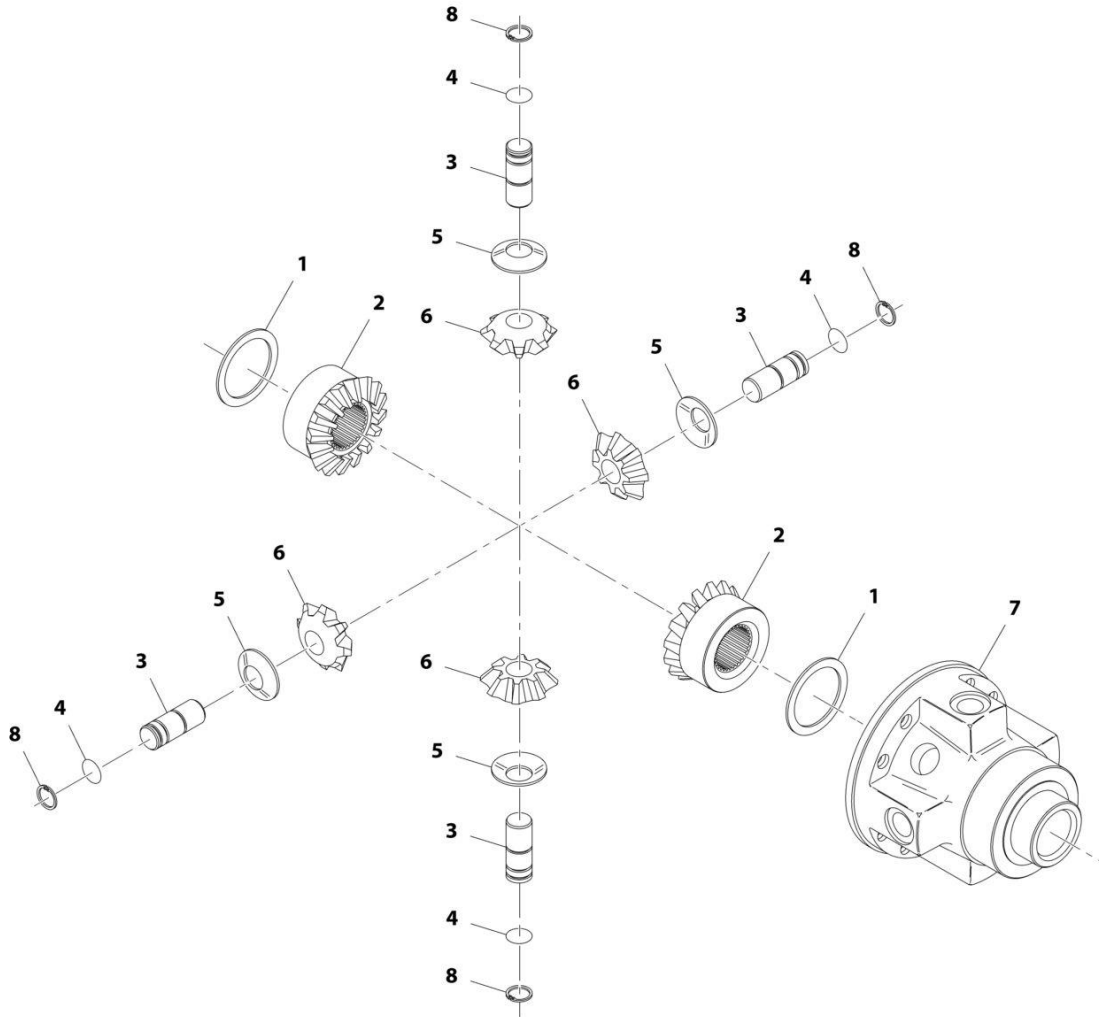
**SECTION 5 - DRIVETRAIN**

**FIGURE 5-42. REAR AXLE, TRUNION**

ITEM	PART NUMBER	QTY	DESCRIPTION	REV
79	1001165834 70026630	Ref 2	REAR AXLE, TRUNION Kit, Support (See Separate Breakdown in this Section)	

# SECTION 5 - DRIVETRAIN

## FIGURE 5-43. REAR AXLE, DIFFERENTIAL KIT



ART\_1001165834\_7-F



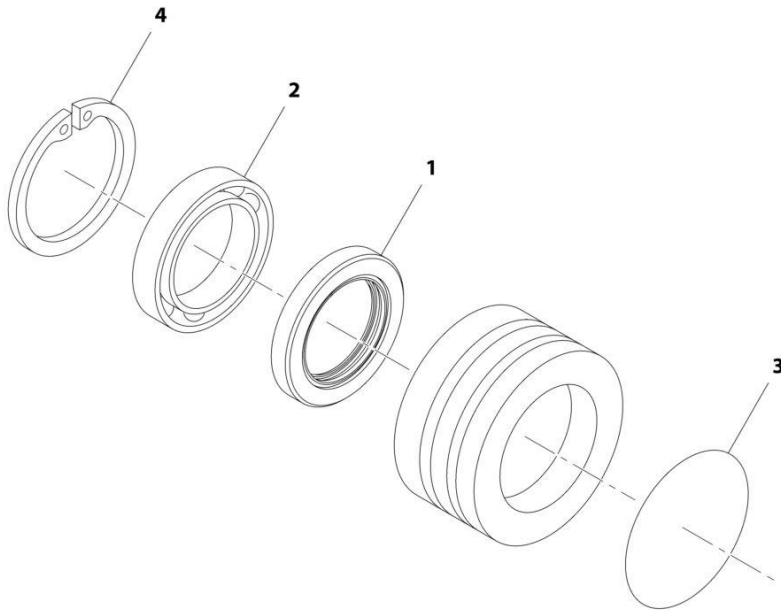
**SECTION 5 - DRIVETRAIN**

**FIGURE 5-43. REAR AXLE, DIFFERENTIAL KIT**

ITEM	PART NUMBER	QTY	DESCRIPTION	REV
	1001165834	Ref	REAR AXLE, DIFFERENTIAL KIT	
	70021140	Ref	Differential Kit	
1	91474593	2	Washer, Friction	
2	70025569	2	Gear, Differential Side	
3	7029131	4	Pin	
4	91474551	4	Circlip	
5	91474553	4	Washer, Friction	
6	70025570	4	Pinion, Differential	
7	91474595	1	Carrier, Differential	
8	91474550	4	Circlip	

## SECTION 5 - DRIVETRAIN

FIGURE 5-44. REAR AXLE, REDUCTION BUSHING



ART\_1001165834\_8-F

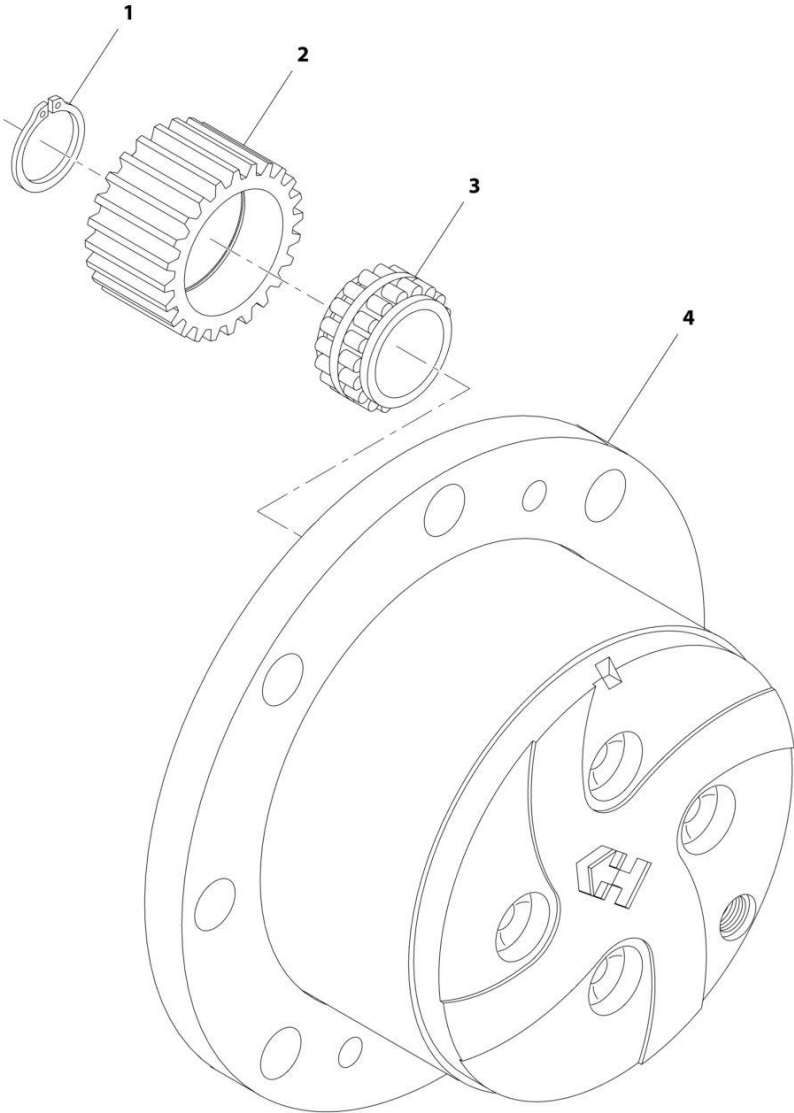
**SECTION 5 - DRIVETRAIN**

**FIGURE 5-44. REAR AXLE, REDUCTION BUSHING**

<b>ITEM</b>	<b>PART NUMBER</b>	<b>QTY</b>	<b>DESCRIPTION</b>	<b>REV</b>
	1001165834	Ref	REAR AXLE, REDUCTION BUSHING	
	91514149	Ref	Reduction Bushing	
1	91514147	1	Seal	
2	91514146	1	Ball Bearing	
3	91514148	1	O-Ring	
4	80204005	1	Circlip	

**SECTION 5 - DRIVETRAIN**

**FIGURE 5-45. REAR AXLE, PLANET GEAR CARRIER KIT**



ART\_1001165834\_9-F

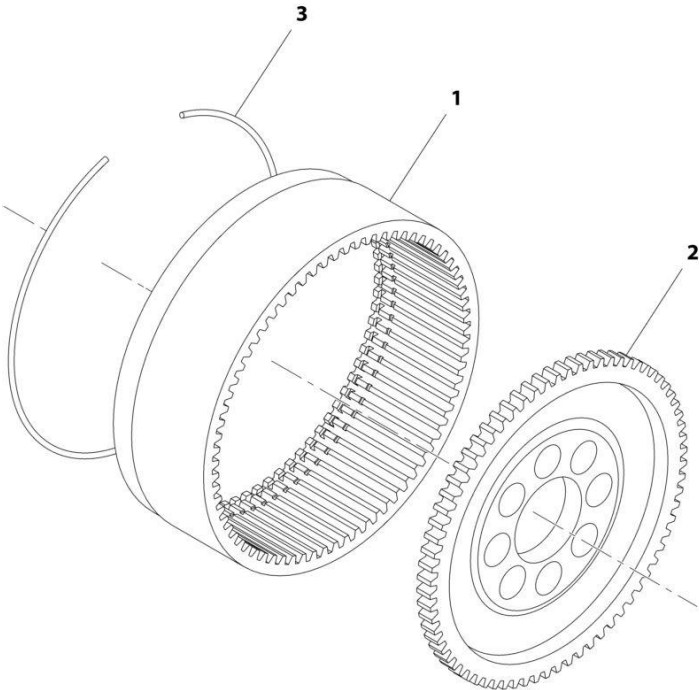
**SECTION 5 - DRIVETRAIN**

**FIGURE 5-45. REAR AXLE, PLANET GEAR CARRIER KIT**

<b>ITEM</b>	<b>PART NUMBER</b>	<b>QTY</b>	<b>DESCRIPTION</b>	<b>REV</b>
	1001165834	Ref	REAR AXLE, PLANET GEAR CARRIER KIT	
	7029431	Ref	Planet Gear Carrier Kit	
1	91474585	1	Circlip	
2	70023900	1	Gear, Planet	
3	91474587	1	Bearing	
4	7029286	1	Carrier, Planet Gear	

**SECTION 5 - DRIVETRAIN**

**FIGURE 5-46. REAR AXLE, RING GEAR SUPPORT KIT**



ART\_1001165834\_10-F

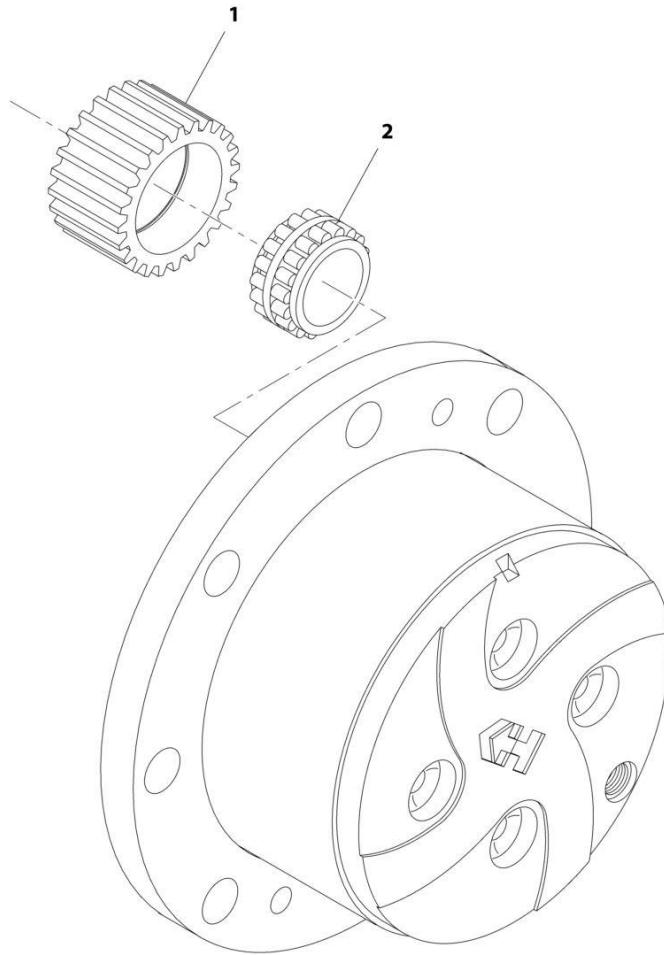
**SECTION 5 - DRIVETRAIN**

**FIGURE 5-46. REAR AXLE, RING GEAR SUPPORT KIT**

<b>ITEM</b>	<b>PART NUMBER</b>	<b>QTY</b>	<b>DESCRIPTION</b>	<b>REV</b>
	1001165834	Ref	REAR AXLE, RING GEAR SUPPORT	
	70026625	Ref	Ring Gear Support Kit	
1	91474580	1	Gear, Ring	
2	70026798	1	Support, Ring Gear	
3	91474579	1	Circlip	

# SECTION 5 - DRIVETRAIN

FIGURE 5-47. REAR AXLE, PLANET GEAR KIT



ART\_1001165834\_11-F



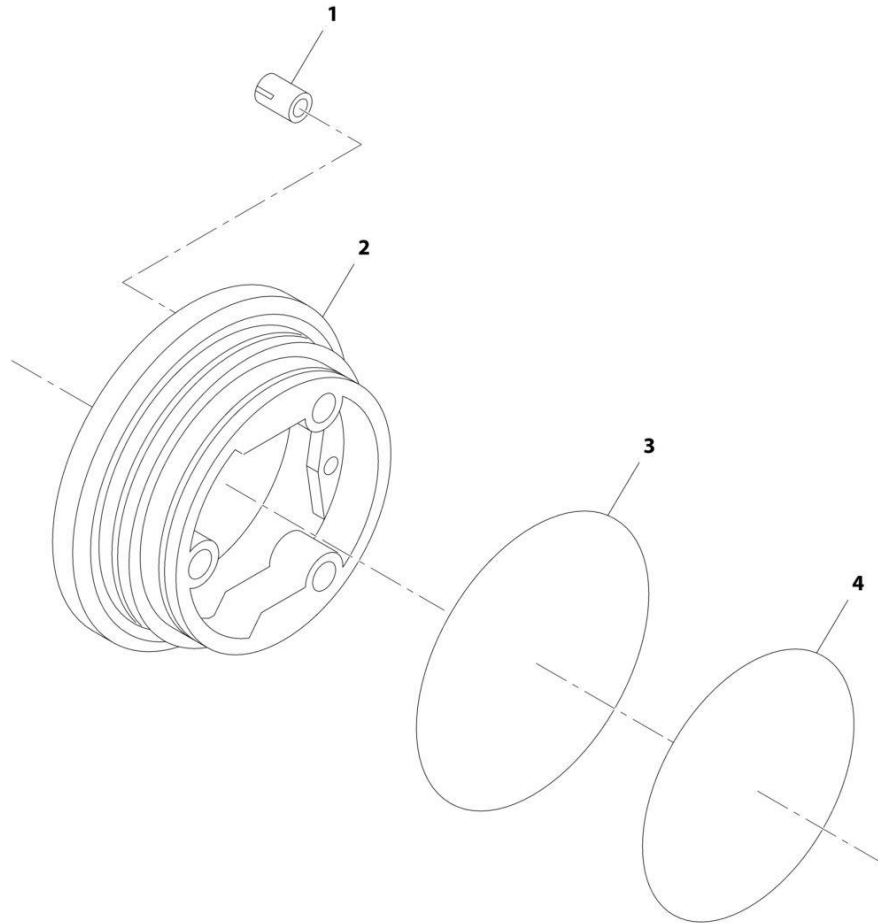
**SECTION 5 - DRIVETRAIN**

**FIGURE 5-47. REAR AXLE, PLANET GEAR KIT**

<b>ITEM</b>	<b>PART NUMBER</b>	<b>QTY</b>	<b>DESCRIPTION</b>	<b>REV</b>
	1001165834	Ref	REAR AXLE, PLANET GEAR KIT	
	70023900	Ref	Planet Gear Kit	
1	91474586	4	Gear, Planet	
2	91474587	4	Bearing	

# SECTION 5 - DRIVETRAIN

## FIGURE 5-48. REAR AXLE, PISTON KIT



ART\_1001165834\_12-F

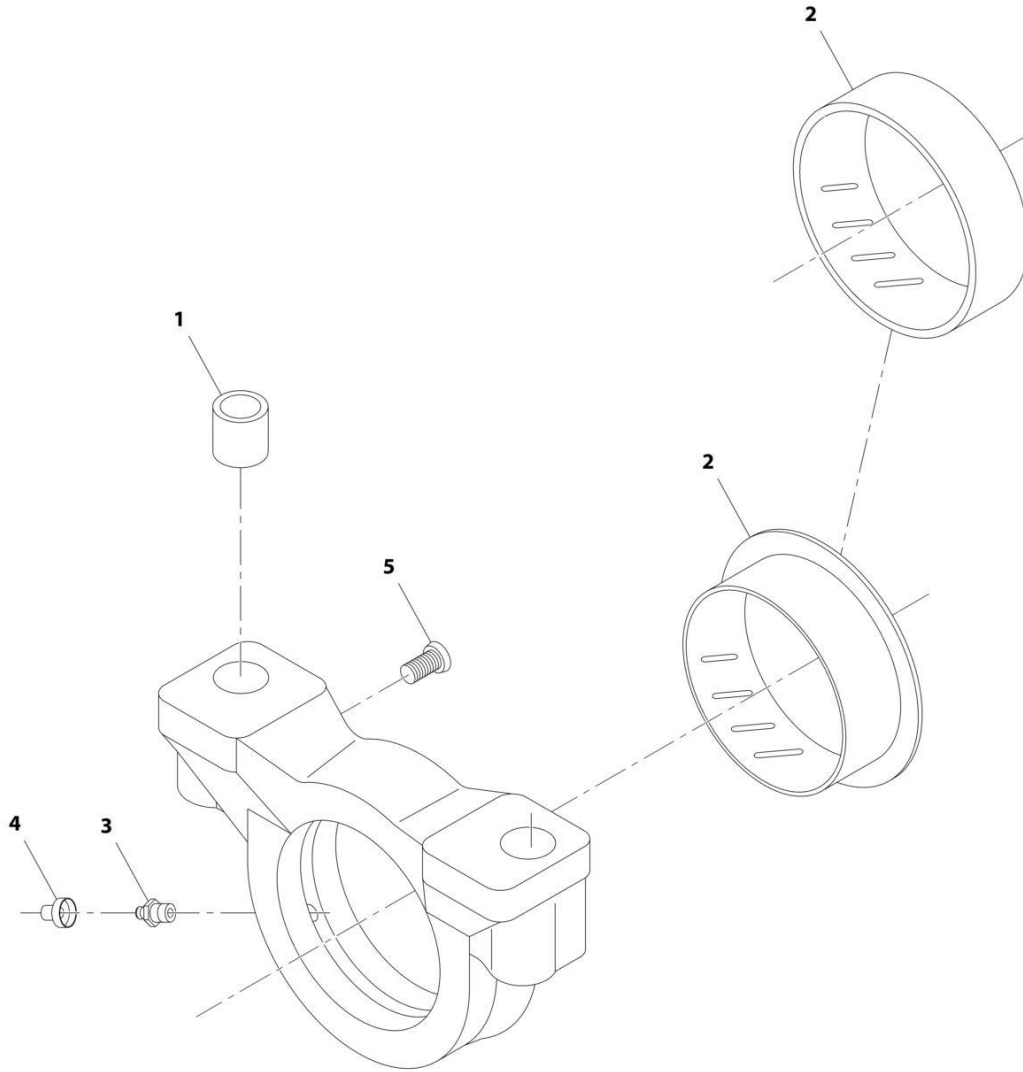
**SECTION 5 - DRIVETRAIN**

**FIGURE 5-48. REAR AXLE, PISTON KIT**

<b>ITEM</b>	<b>PART NUMBER</b>	<b>QTY</b>	<b>DESCRIPTION</b>	<b>REV</b>
	1001165834	Ref	REAR AXLE, PISTON KIT	
	70025841	Ref	Piston Kit	
1	91514165	3	Spring	
2	NSS	Ref	Piston	
3	70025821	1	O-Ring	
4	70025822	1	O-Ring	

# SECTION 5 - DRIVETRAIN

## FIGURE 5-49. REAR AXLE, SUPPORT KIT



ART\_1001165834\_13-F

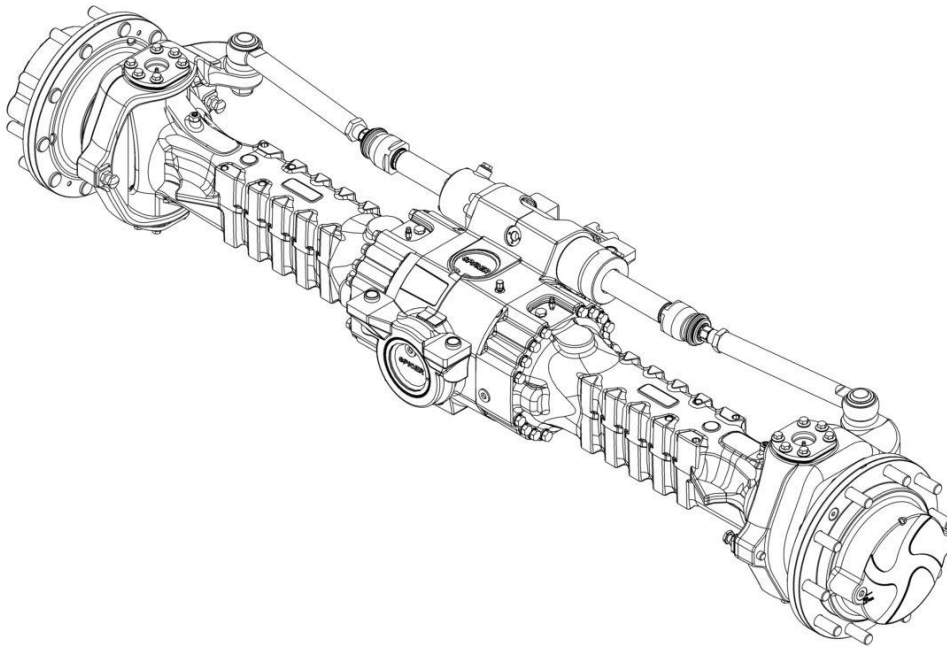
**SECTION 5 - DRIVETRAIN**

**FIGURE 5-49. REAR AXLE, SUPPORT KIT**

<b>ITEM</b>	<b>PART NUMBER</b>	<b>QTY</b>	<b>DESCRIPTION</b>	<b>REV</b>
	1001165834	Ref	REAR AXLE, SUPPORT KIT	
	70026630	Ref	Support Kit	
1	91474516	2	Bushing, Reduction	
2	91474515	1	Bushing, Thrust	
3	91514099	1	Fitting, Grease	
4	80204117	1	Plug	
5	70025884	1	Bolt	

## SECTION 5 - DRIVETRAIN

FIGURE 5-50. REAR AXLE, 74HP



ART\_1005183200-A

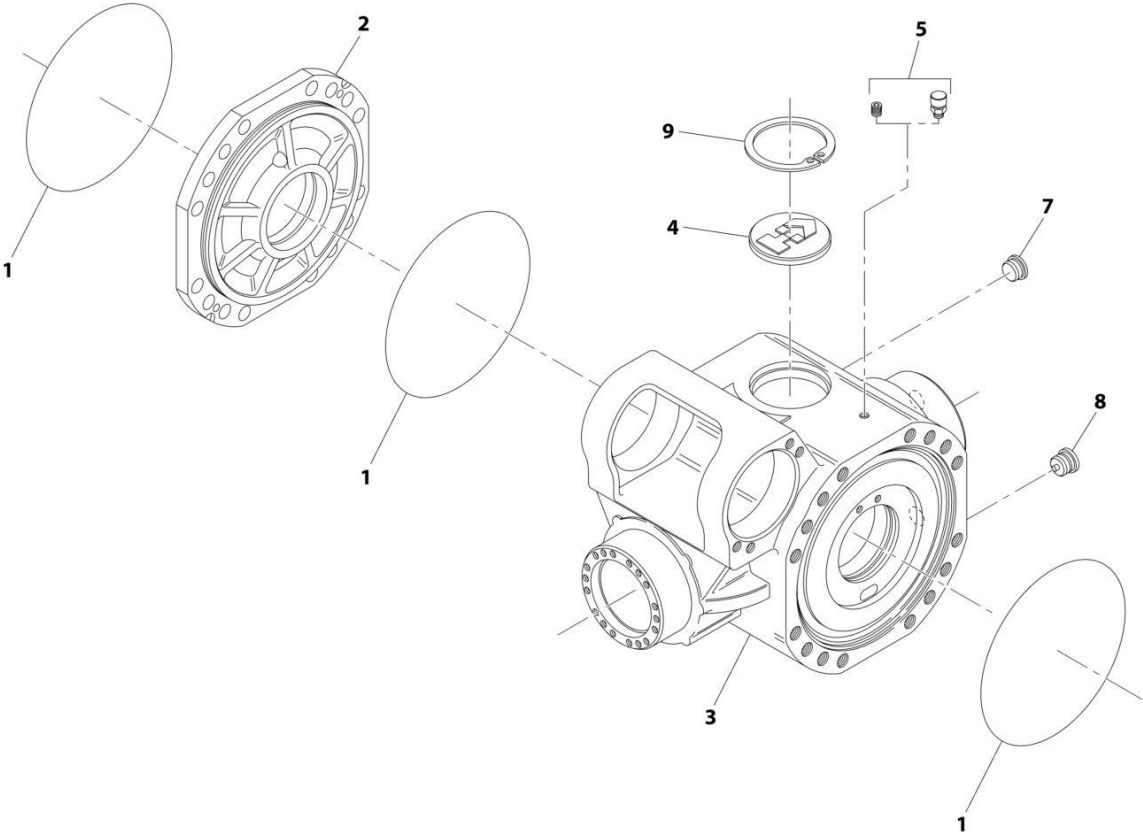
**SECTION 5 - DRIVETRAIN**

**FIGURE 5-50. REAR AXLE, 74HP**

ITEM	PART NUMBER	QTY	DESCRIPTION	REV
	1005183200	Ref	Rear Axle, 74HP	A
		Ref	Rear Axle, Central Housing (See Separate Breakdown in this Section)	
		Ref	Rear Axle, Differential (See Separate Breakdown in this Section)	
		Ref	Rear Axle, Hub Reduction (See Separate Breakdown in this Section)	
		Ref	Rear Axle, Brakes (See Separate Breakdown in this Section)	
		Ref	Rear Axle, Steering (See Separate Breakdown in this Section)	
		Ref	Rear Axle, Trunion (See Separate Breakdown in this Section)	

**SECTION 5 - DRIVETRAIN**

**FIGURE 5-51. REAR AXLE, CENTRAL HOUSING 74HP**



ART\_1005183200\_1-A



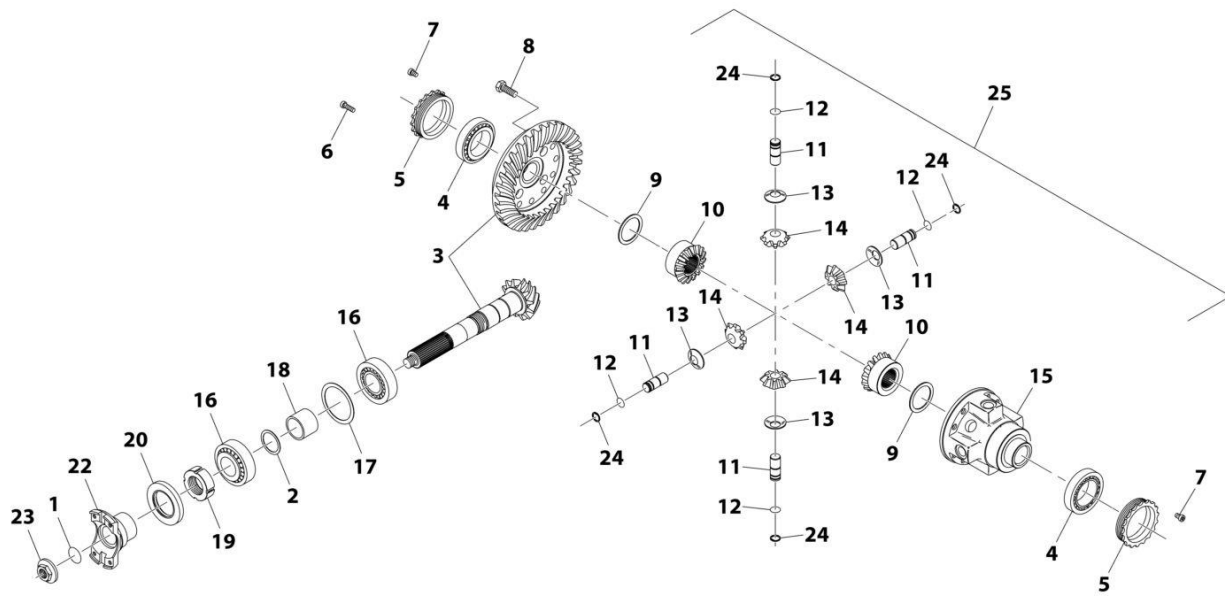
**SECTION 5 - DRIVETRAIN**

**FIGURE 5-51. REAR AXLE, CENTRAL HOUSING 74HP**

<b>ITEM</b>	<b>PART NUMBER</b>	<b>QTY</b>	<b>DESCRIPTION</b>	<b>REV</b>
	1005183200	Ref	REAR AXLE, CENTRAL HOUSING	
1	91474507	3	O-Ring	
2	70024519	1	Cover	
3	70026749	1	Housing	
4	91514098	1	Plug	
5	91474512	1	Vent	
7	70028387	1	Plug	
8	70028469	1	Plug	
9	80204005	1	Circlip	

# SECTION 5 - DRIVETRAIN

## FIGURE 5-52. REAR AXLE, DIFFERENTIAL 74HP (742)



ART\_1005183200\_2-A

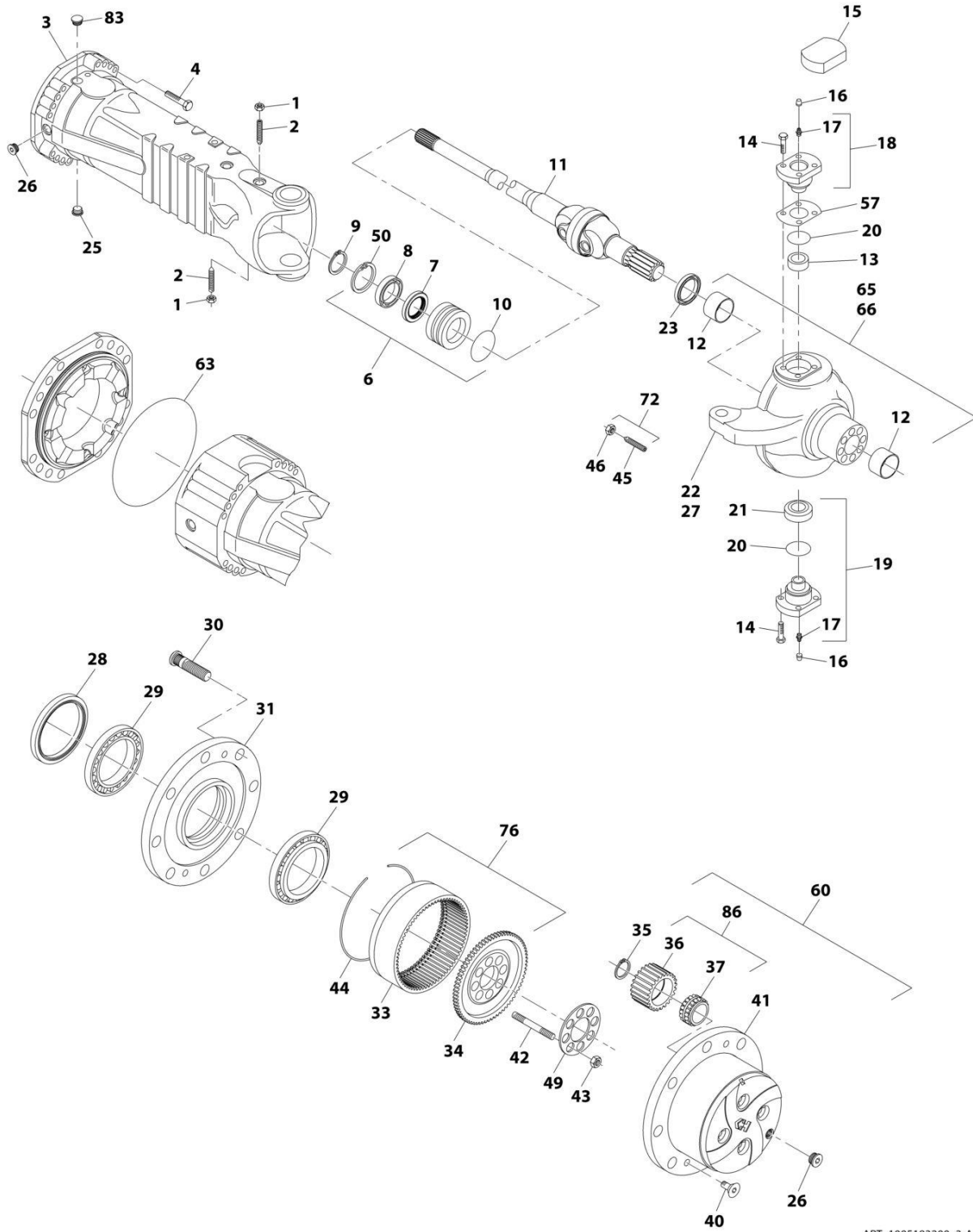
**SECTION 5 - DRIVETRAIN**

**FIGURE 5-52. REAR AXLE, DIFFERENTIAL 74HP (742)**

ITEM	PART NUMBER	QTY	DESCRIPTION	REV
	1005183200	Ref	REAR AXLE, DIFFERENTIAL	
1	91474529	1	O-Ring	
2	70025556	1	Shim Kit	
3	70028470	1	Bevel Gear Set	
4	70028471	2	Bearing, Taper Roller	
5	70028472	2	Nut, Ring	
6	91474591	4	Bolt	
7	91514134	2	Bolt	
8	70025562	12	Bolt	
9	91474593	2	Washer, Friction	
10	70025569	2	Gear, Differential Side	
11	7029131	4	Pin	
12	91474551	4	Circlip	
13	91474553	4	Washer, Friction	
14	70025570	4	Pinion, Differential	
15	91474595	1	Carrier, Differential	
16	3968141	2	Bearing, Taper Roller	
17	70025555	1	Shim Kit	
18	91474539	1	Spacer	
19	91474533	1	Nut, Ring	
20	70024522	1	Seal	
22	70022797	1	Flange	
23	70026631	1	Nut	
24	91474550	4	Circlip	
25	70021140	1	Differential (includes items 9 thru 15, 24)	

# SECTION 5 - DRIVETRAIN

## FIGURE 5-53. REAR AXLE, HUB REDUCTION 74HP (742)



ART\_1005183200\_3-A

## SECTION 5 - DRIVETRAIN

**FIGURE 5-53. REAR AXLE, HUB REDUCTION 74HP (742)**

ITEM	PART NUMBER	QTY	DESCRIPTION	REV
	1005183200	Ref	REAR AXLE, HUB REDUCTION	
1	91514082	2	Nut	
2	91514081	2	Bolt	
3	70022798	2	Axle Case	
4	70022799	32	Bolt	
6	91514149	2	Reduction Bushing (includes items 7, 8, 10 & 50)	
7	91514147	2	Seal	
8	91514146	2	Ball Bearing	
9	80204071	2	Circlip	
10	91514148	2	O-Ring	
11	70026624	2	Joint, Double Universal	
12	91514111	2	Bushing, Thrust	
13	7028714	2	Bushing	
14	70025562	24	Bolt	
15	70028392	2	Cover	
16	80204117	2	Plug	
17	70024881	4	Fitting, Grease	
18	91514112	2	Pivot Pin	
19	7028715	2	Pivot Pin	
20	7028716	4	Seal, Dust	
21	91514095	2	Bearing	
22	N.S.S.	1	Steering Case	
23	70026238	2	Seal	
25	70028469	2	Plug	
26	70028387	4	Plug	
27	N.S.S.	1	Steering Case	
28	7028721	2	Seal	
29	91474576	4	Bearing	
30	91514183	20	Wheel Stud	
31	7029737	2	Wheel Hub	
33	91474580	2	Ring Gear	
34	70026798	2	Support, Ring Gear	
35	91474585	4	Circlip	
36	70028473	8	Planet Gear	
37	70028474	8	Bearing	
40	91514189	4	Bolt, Countersunk	
41	7029286	1	Carrier, Planet Gear	
42	70027315	16	Stud	
43	91474584	16	Nut	
44	91474579	2	Circlip	
45	91514117	4	Bolt	
46	80204065	4	Nut	
49	70026622	2	Plate, Locking	
50	80204005	2	Circlip	
57	70025561	1	Shim Kit	
60	7029431	2	Planet Gear Carrier (See Separate Breakdown in this Section)	
63	91514181	2	O-Ring	
65	70026626	1	Case, Steering (includes items 22 & 12)	
66	70026627	1	Case, Steering (includes items 27 & 12)	
72	7028733	4	Bolt, Steering Adjust (includes items 45 & 46)	

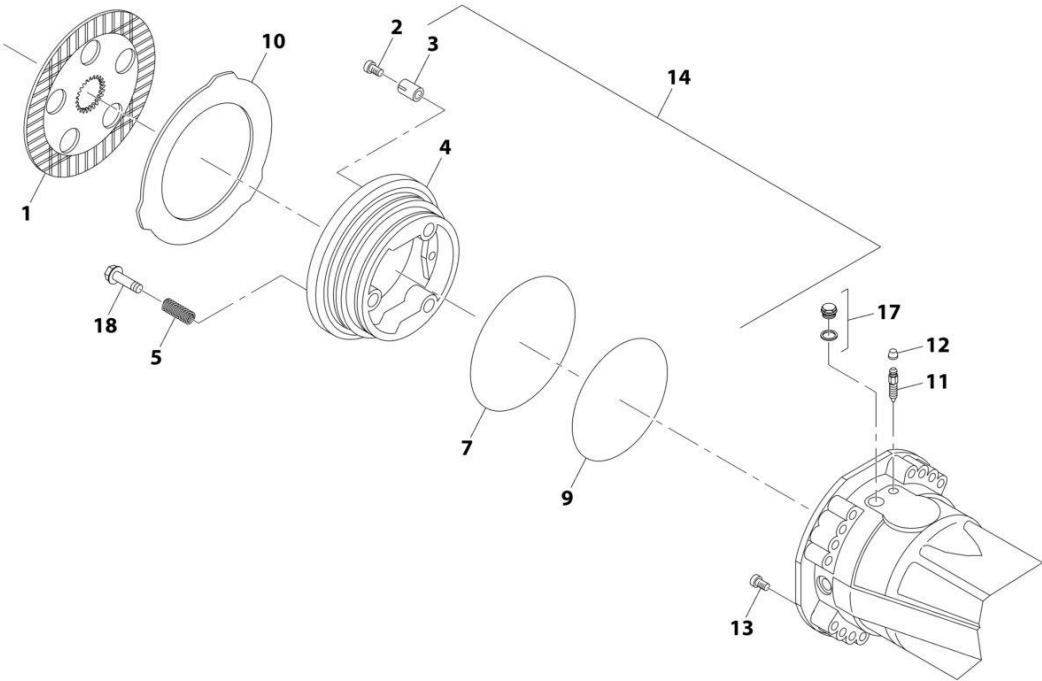
## SECTION 5 - DRIVETRAIN

ITEM	PART NUMBER	QTY	DESCRIPTION	REV
76	70026625	2	Kit, Ring Gear Support	
83	80204012	2	Plug	
86	70027114	8	Kit, Planet Gear	



**SECTION 5 - DRIVETRAIN**

**FIGURE 5-54. REAR AXLE, BRAKES 74HP (742)**



ART\_1005183200\_4-A



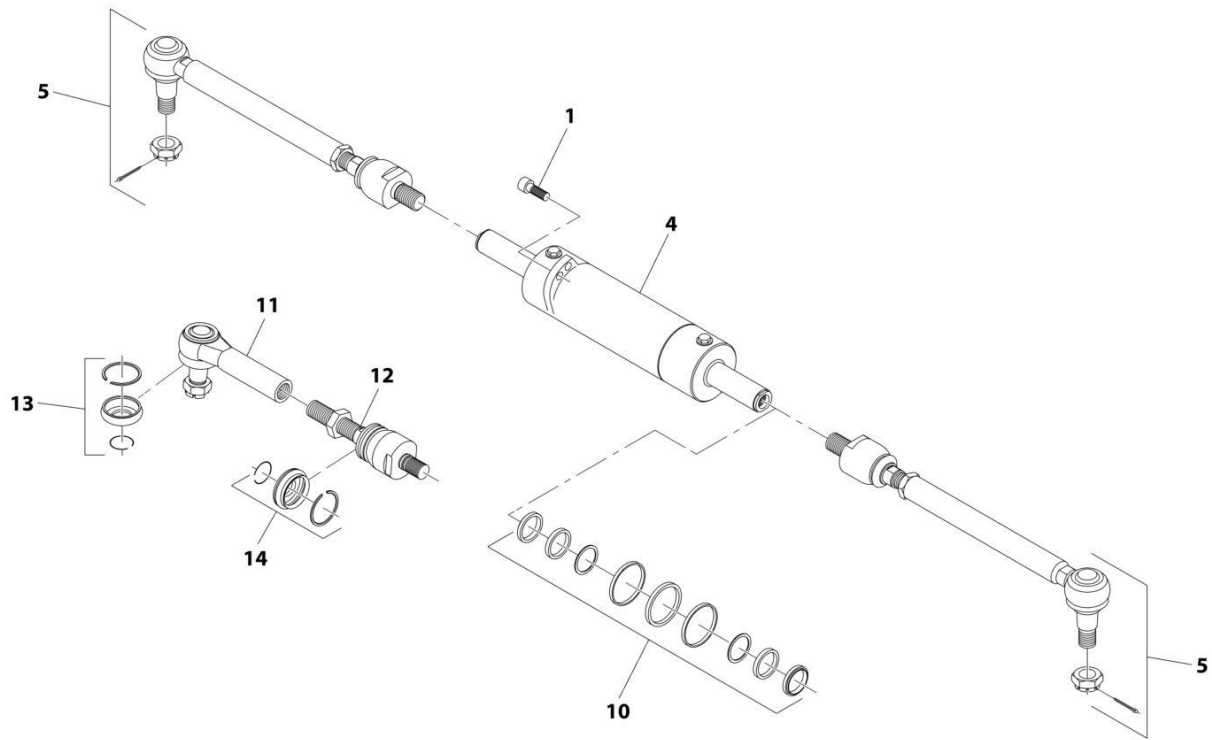
**SECTION 5 - DRIVETRAIN**

**FIGURE 5-54. REAR AXLE, BRAKES 74HP (742)**

ITEM	PART NUMBER	QTY	DESCRIPTION	REV
	1005183200	Ref	REAR AXLE, BRAKES	
1	91474568	6	Disc	
2	7029786	6	Bolt	
3	70027317	6	Spring	
4	N.S.S.	2	Piston	
5	91514159	6	Spring	
7	70025821	2	O-Ring	
9	70025822	2	O-Ring	
10	70025823	8	Disc, Intermediate Brake	
11	80204281	2	Bolt, Bleeding	
12	80204117	2	Plug	
13	70021613	2	Bolt	
14	70027772	2	Piston (includes items 4, 3, 7, 9)	
17	91514154	2	Bolt	
18	70024210	6	Bolt	

# SECTION 5 - DRIVETRAIN

## FIGURE 5-55. REAR AXLE, STEERING 74HP (742)



ART\_1005183200\_5-A

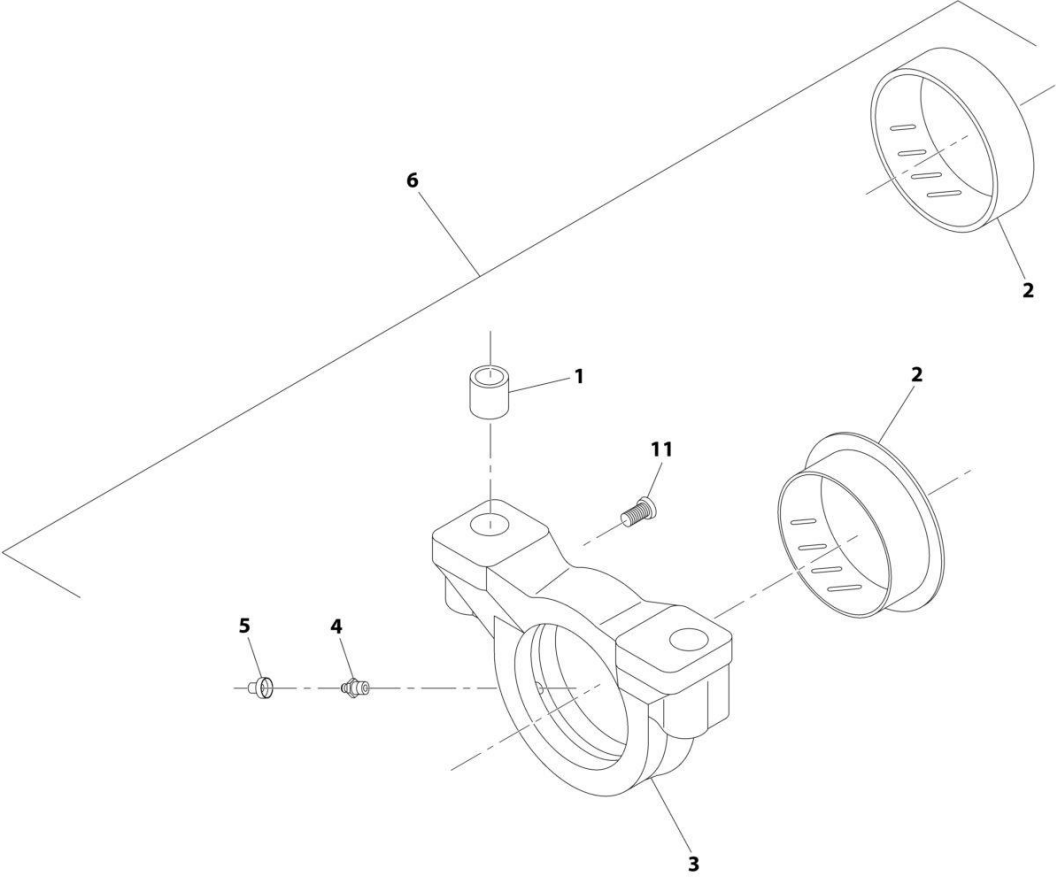
**SECTION 5 - DRIVETRAIN**

**FIGURE 5-55. REAR AXLE, STEERING 74HP (742)**

<b>ITEM</b>	<b>PART NUMBER</b>	<b>QTY</b>	<b>DESCRIPTION</b>	<b>REV</b>
	1005183200	Ref	REAR AXLE, STEERING	
1	91474522	4	Bolt	
4	7029528	1	Cylinder	
5	70026799	2	Bar	
10	7029529	1	Seal Kit	
11	70028475	1	Joint, 90	
12	70028476	1	Axial Joint	
13	70028477	1	Rubber Boot and Locking Ring	
14	70028468	1	Rubber Boot and Locking Ring	

**SECTION 5 - DRIVETRAIN**

**FIGURE 5-56. REAR AXLE, TRUNION 74HP (742)**



ART\_1005183200\_6-A

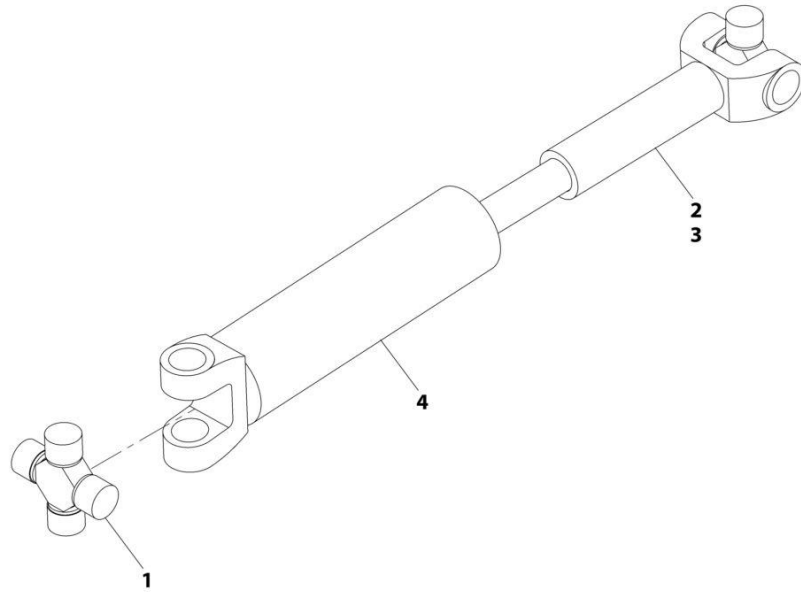
**SECTION 5 - DRIVETRAIN**

**FIGURE 5-56. REAR AXLE, TRUNION 74HP (742)**

<b>ITEM</b>	<b>PART NUMBER</b>	<b>QTY</b>	<b>DESCRIPTION</b>	<b>REV</b>
	1005183200	Ref	REAR AXLE, TRUNION	
1	91474516	4	Bushing, Reduction	
2	91474515	2	Bushing, Thrust	
3	N.S.S.	2	Support	
4	70024881	2	Fitting, Grease	
5	80204117	2	Plug	
6	70026630	2	Kit, Support (includes items 1 thru 5, 11)	
11	70025884	2	Bolt	

# SECTION 5 - DRIVETRAIN

## FIGURE 5-57. REAR DRIVE SHAFT ASSEMBLY



ART\_7150580-D

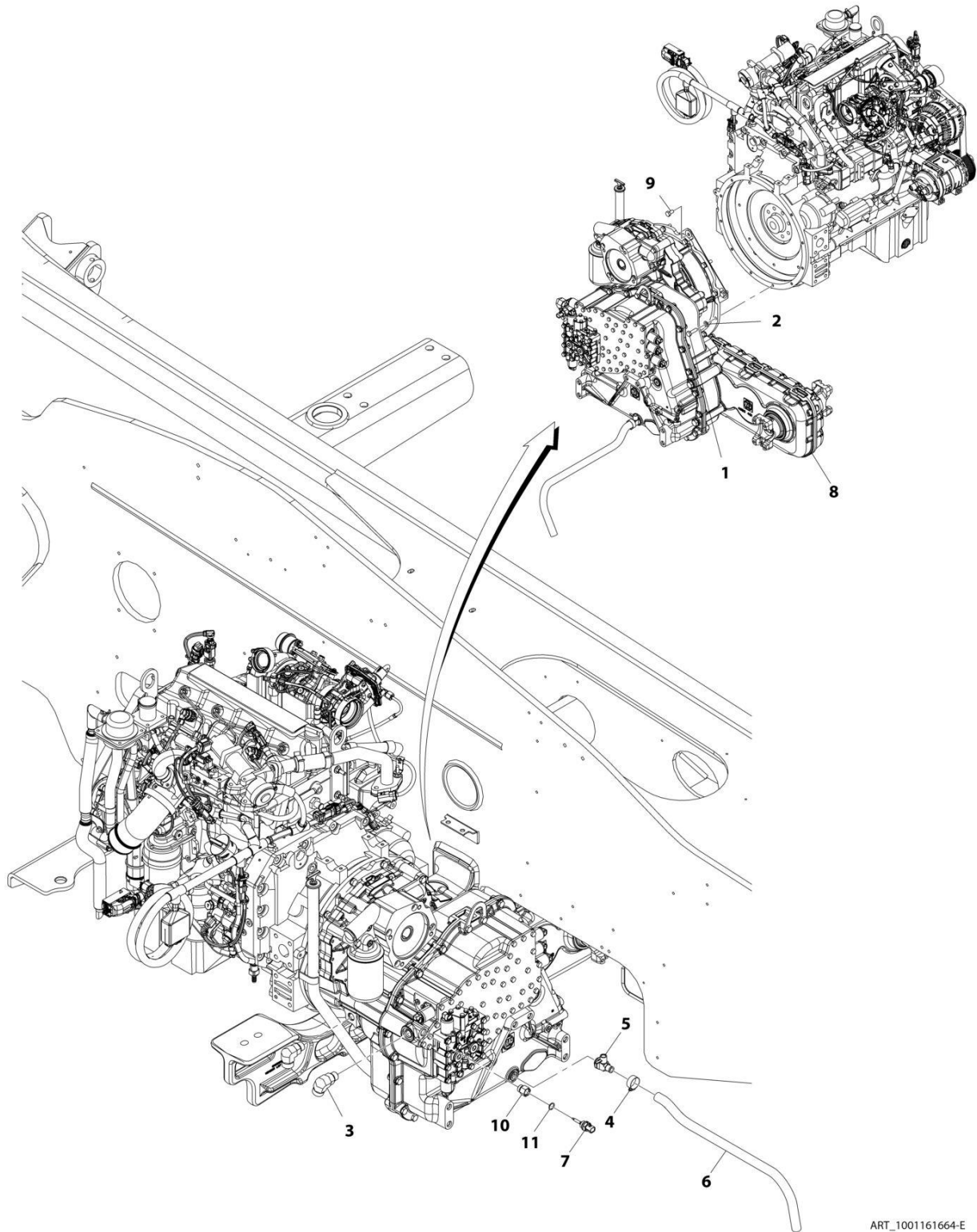
**SECTION 5 - DRIVETRAIN**

**FIGURE 5-57. REAR DRIVE SHAFT ASSEMBLY**

<b>ITEM</b>	<b>PART NUMBER</b>	<b>QTY</b>	<b>DESCRIPTION</b>	<b>REV</b>
	7150580	Ref	Front Drive Shaft Assembly	D
1	8036433	4	Kit, Cross and Bearing	
2	8035779	2	Kit, Dust Cap	
3	N.S.S.	1	Joint, Slip	
4	N.S.S.	1	Shaft, Yoke	

# SECTION 5 - DRIVETRAIN

## FIGURE 5-58. TRANSMISSION INSTALLATION



ART\_1001161664-E



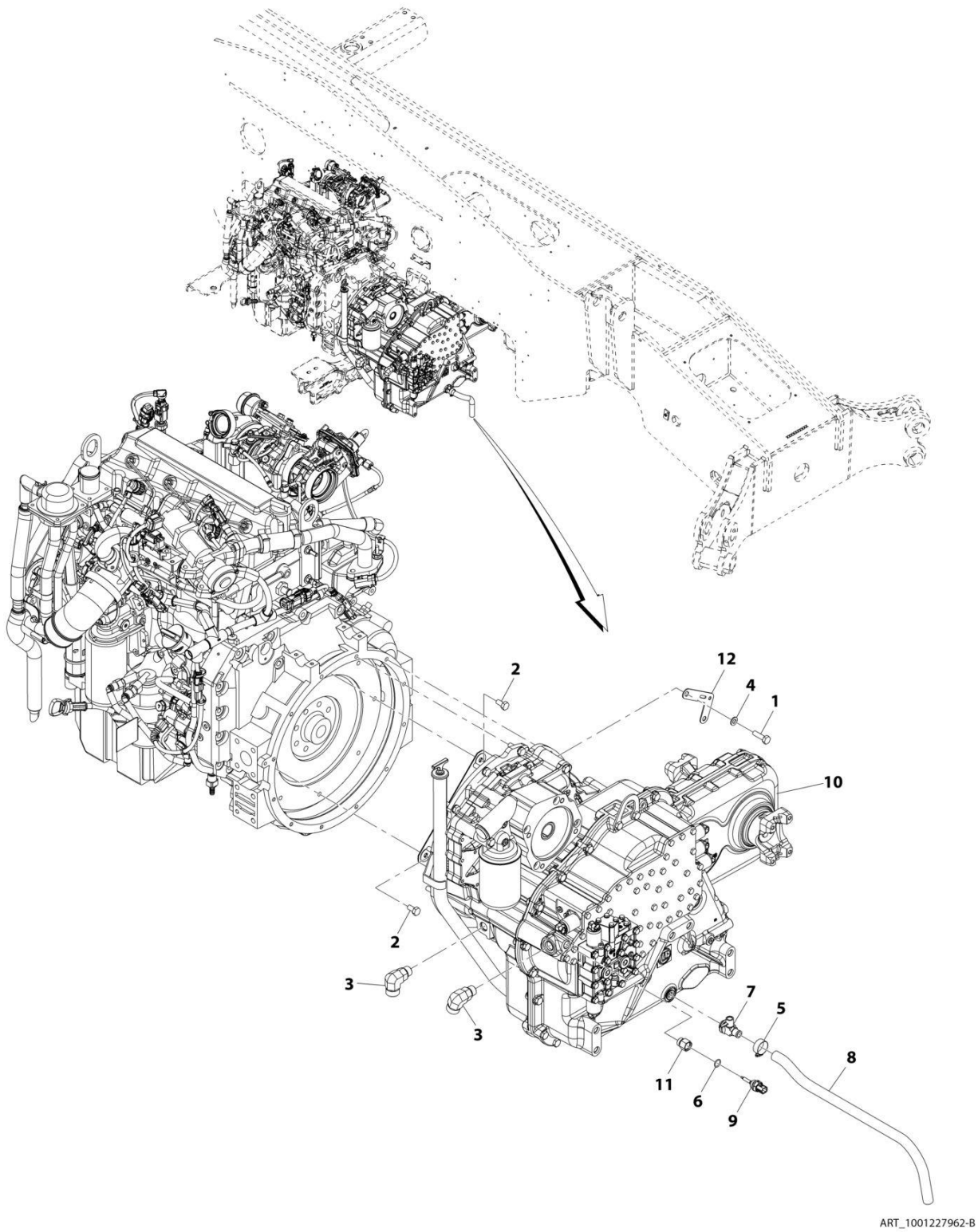
**SECTION 5 - DRIVETRAIN**

**FIGURE 5-58. TRANSMISSION INSTALLATION**

<b>ITEM</b>	<b>PART NUMBER</b>	<b>QTY</b>	<b>DESCRIPTION</b>	<b>REV</b>
	1001161664	Ref	Transmission Installation	E
1	0711015	12	Screw, M10X35	
2	4812000	12	Washer, M10	
3	2131210	2	Fitting, 90 ORFS	
4	8405007	1	Clamp, Hose	
5	1001097053	1	Valve, Oil Drain	
6	1001186225	1	Hose, Drain	
7	1001128478	1	Switch, Oil Temperature	
8	1001170171	1	Transmission, Powershift (See Separate Breakdown in this Section)	
9	0761010	4	Screw, M10X20	
10	1001220760	1	Adapter	
11	1001009163	1	Seal	

# SECTION 5 - DRIVETRAIN

## FIGURE 5-59. TRANSMISSION INSTALLATION



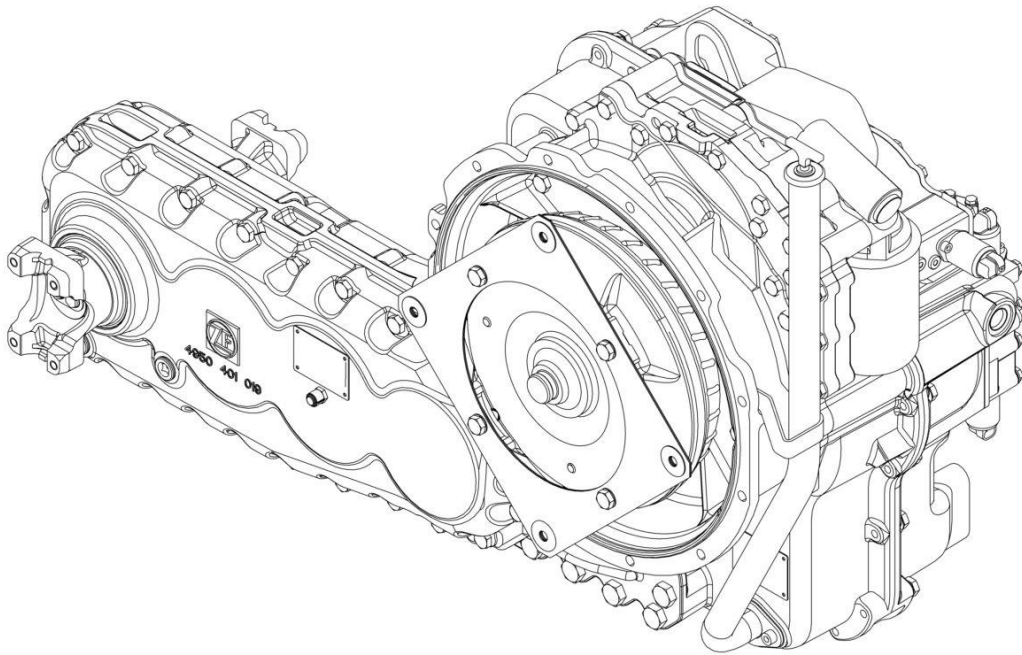
**SECTION 5 - DRIVETRAIN**

**FIGURE 5-59. TRANSMISSION INSTALLATION**

<b>ITEM</b>	<b>PART NUMBER</b>	<b>QTY</b>	<b>DESCRIPTION</b>	<b>REV</b>
	1001227962	Ref	Transmission Installation, 74HP (ULS)	B
1	0711015	12	Screw, M10X35	
2	0761010	4	Screw, M10X20	
3	2131210	2	Fitting, 90 ORFS	
4	4812000	12	Washer, M10	
5	8405007	1	Clamp, Hose	
6	1001009163	1	Seal	
7	1001097053	1	Valve, Oil Drain	
8	1001186225	1	Hose, Drain	
9	1001128478	1	Sensor	
10	1001170171	1	Transmission, Powershift (See Separate Breakdown in this Section)	
11	1001220760	1	Adapter	
12	1001227286	2	Bracket	

## SECTION 5 - DRIVETRAIN

FIGURE 5-60. POWERSHIFT TRANSMISSION



ART\_1001170171\_1-C

**SECTION 5 - DRIVETRAIN**

**FIGURE 5-60. POWERSHIFT TRANSMISSION**

ITEM	PART NUMBER	QTY	DESCRIPTION	REV
	1001170171	Ref	Powershift Transmission	C
		Ref	Transmission, Engine Connection (See Separate Breakdown in this Section)	
		Ref	Transmission, Converter (See Separate Breakdown in this Section)	
		Ref	Transmission, Input (See Separate Breakdown in this Section)	
		Ref	Transmission, Housing Group 1 (See Separate Breakdown in this Section)	
		Ref	Transmission, Housing Group 2 (See Separate Breakdown in this Section)	
		Ref	Transmission, Clutch Group 1 (See Separate Breakdown in this Section)	
		Ref	Transmission, Clutch Group 2 (See Separate Breakdown in this Section)	
		Ref	Transmission, Coupling Group 1 (See Separate Breakdown in this Section)	
		Ref	Transmission, Coupling Group 2 (See Separate Breakdown in this Section)	
		Ref	Transmission, Coupling Group 3 (See Separate Breakdown in this Section)	
		Ref	Transmission, Coupling Group 4 (See Separate Breakdown in this Section)	
		Ref	Transmission, Output (See Separate Breakdown in this Section)	
		Ref	Transmission, Power Take-Off (See Separate Breakdown in this Section)	
		Ref	Transmission, Control Unit (See Separate Breakdown in this Section)	
		Ref	Transmission, Shift System (See Separate Breakdown in this Section)	
		Ref	Transmission, Pressure Regulator (See Separate Breakdown in this Section)	
		Ref	Transmission, Pressure Oil Pump (See Separate Breakdown in this Section)	
		Ref	Transmission, Inductive Transmitter (See Separate Breakdown in this Section)	
		Ref	Transmission, Filter (See Separate Breakdown in this Section)	
		Ref	Transmission, Accessories Group 1 (See Separate Breakdown in this Section)	
		Ref	Transmission, Peripherals Group 1 (See Separate Breakdown in this Section)	
		Ref	Transmission, Peripherals Group 2 (See Separate Breakdown in this Section)	
		Ref	Transmission, Accessories Group 2 (See Separate Breakdown in this Section)	
		Ref	Transmission, Housing Group (See Separate Breakdown in this Section)	
		Ref	Transmission, Housing 1 (See Separate Breakdown in this Section)	
		Ref	Transmission, Housing 2 (See Separate Breakdown in this Section)	
		Ref	Transmission, Housing Input (See Separate Breakdown in this Section)	
		Ref	Transmission, Housing Output 1 (See Separate Breakdown in this Section)	

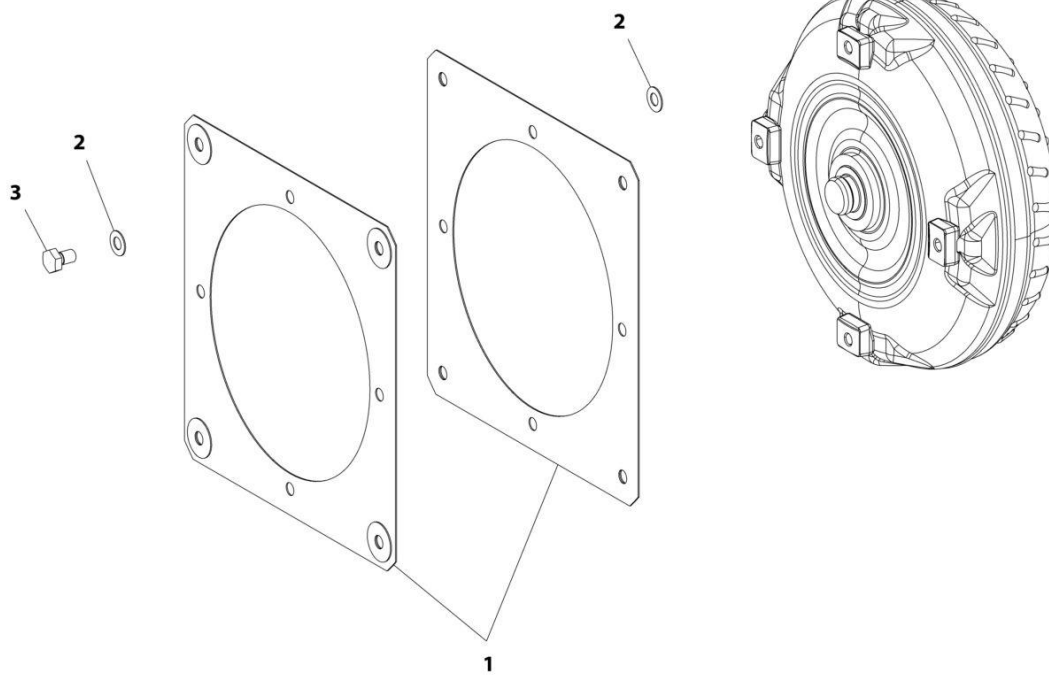
## SECTION 5 - DRIVETRAIN

ITEM	PART NUMBER	QTY	DESCRIPTION	REV
		Ref	Transmission, Housing Output 2 (See Separate Breakdown in this Section)	



# SECTION 5 - DRIVETRAIN

## FIGURE 5-61. TRANSMISION, ENGINE CONNECTION



ART\_1001170171\_2-C



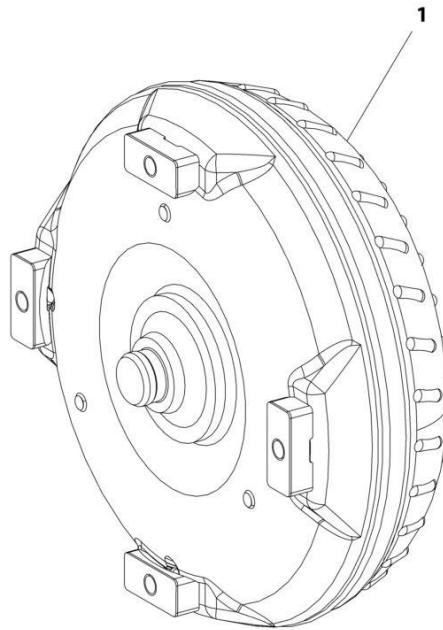
**SECTION 5 - DRIVETRAIN**

**FIGURE 5-61. TRANSMISION, ENGINE CONNECTION**

<b>ITEM</b>	<b>PART NUMBER</b>	<b>QTY</b>	<b>DESCRIPTION</b>	<b>REV</b>
	1001170171	Ref	TRANSMISSION, ENGINE CONNECTION	C
1	1319229	2	Diaphragm	
2	7026745	8	Washer, Thrust M10	
3	7026744	4	Bolt, M10X16	

## SECTION 5 - DRIVETRAIN

FIGURE 5-62. TRANSMISSION, CONVERTER



ART\_1001170171\_3-C

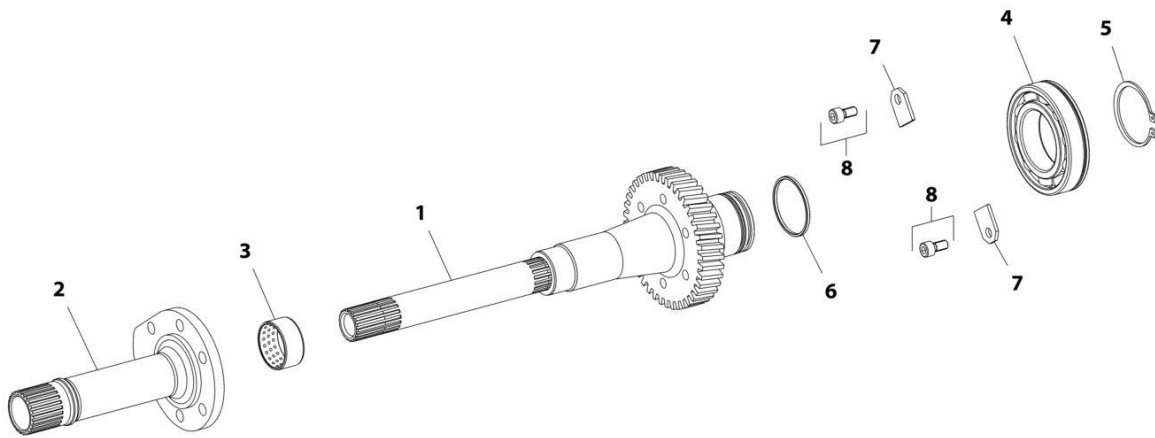
**SECTION 5 - DRIVETRAIN**

**FIGURE 5-62. TRANSMISSION, CONVERTER**

ITEM	PART NUMBER	QTY	DESCRIPTION	REV
1	1001170171 7026746	Ref 1	TRANSMISSION, CONVERTER Converter, Torque	C

# SECTION 5 - DRIVETRAIN

## FIGURE 5-63. TRANSMISSION, INPUT



ART\_1001170171\_4-C

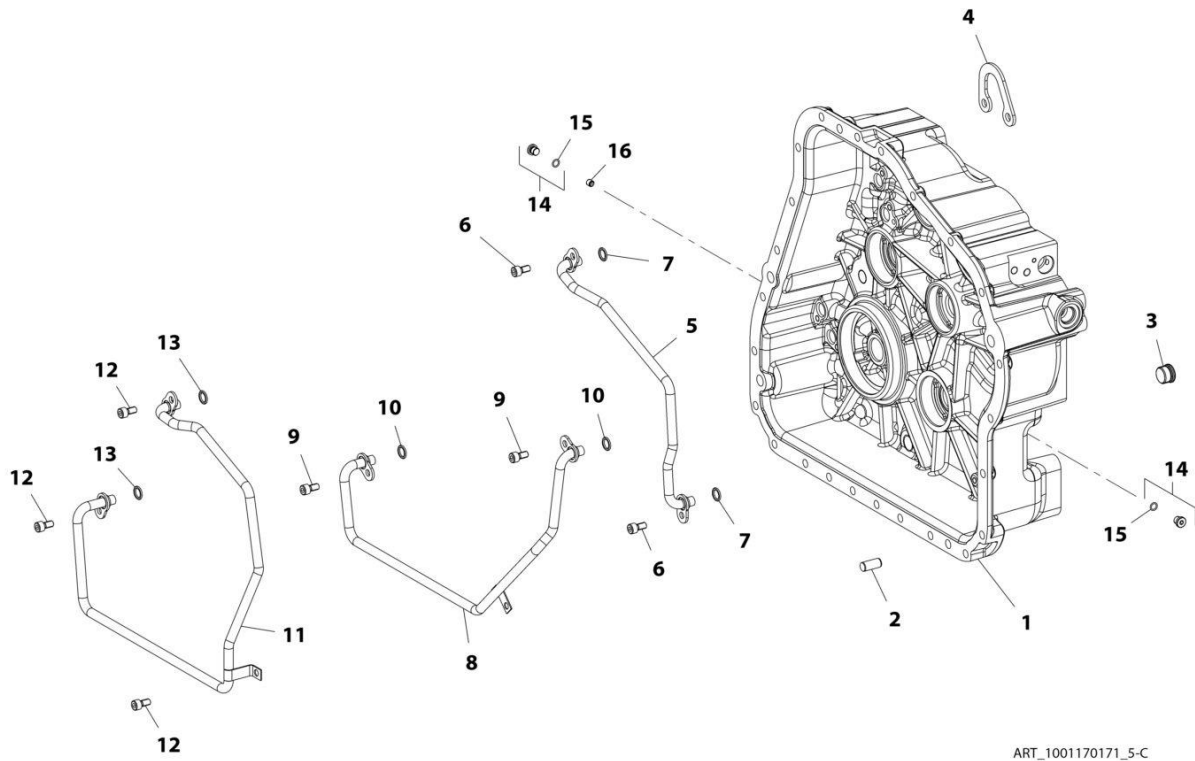
**SECTION 5 - DRIVETRAIN**

**FIGURE 5-63. TRANSMISSION, INPUT**

<b>ITEM</b>	<b>PART NUMBER</b>	<b>QTY</b>	<b>DESCRIPTION</b>	<b>REV</b>
	1001170171	Ref	TRANSMISSION, INPUT	C
1	7026747	1	Shaft, Turbine	
2	7026748	1	Shaft, Stator	
3	1319558	1	Bushing, Bearing	
4	1319563	1	Bearing, Ball	
5	80304405	1	Ring, Retaining	
6	7026749	1	Ring, Piston	
7	70026515	2	Strap	
8	70026516	2	Bolt, M8X16	

# SECTION 5 - DRIVETRAIN

## FIGURE 5-64. TRANSMISSION, HOUSING GROUP 1



ART\_1001170171\_5-C

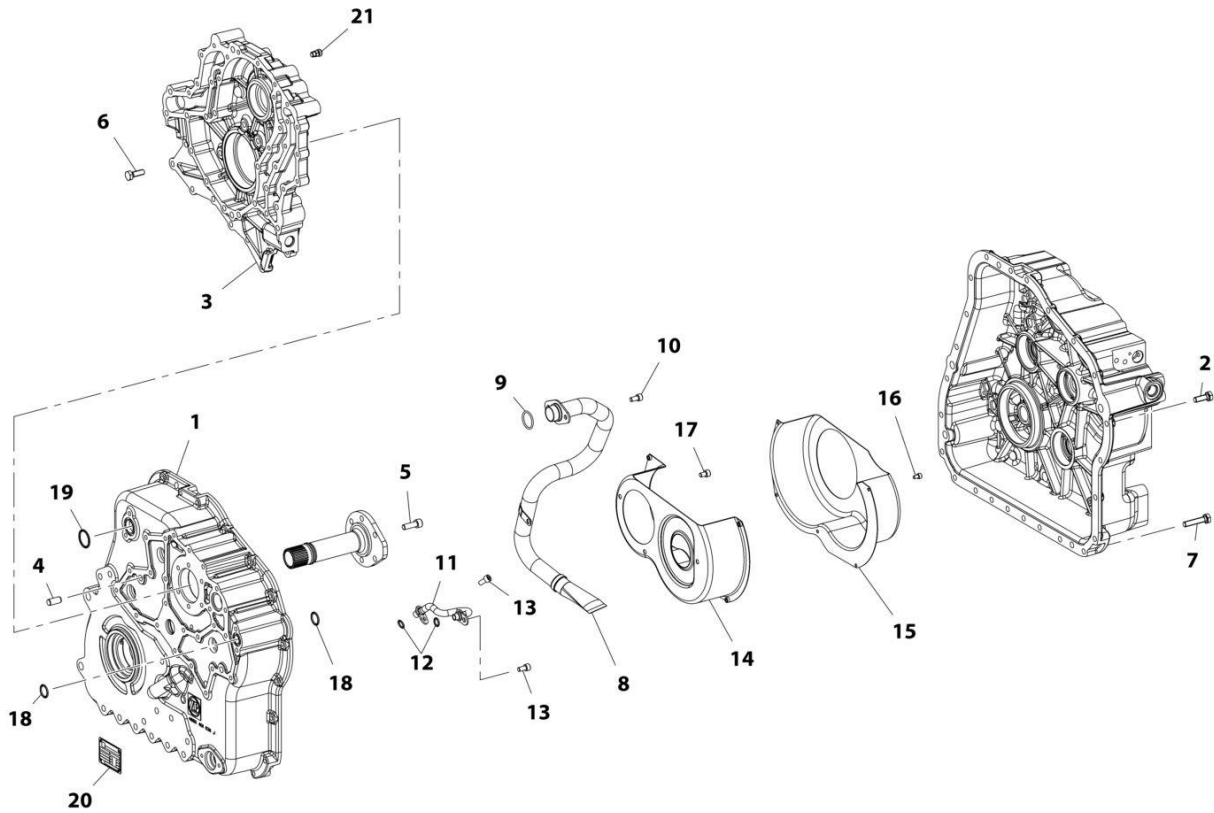
**SECTION 5 - DRIVETRAIN**

**FIGURE 5-64. TRANSMISSION, HOUSING GROUP 1**

<b>ITEM</b>	<b>PART NUMBER</b>	<b>QTY</b>	<b>DESCRIPTION</b>	<b>REV</b>
	1001170171	Ref	TRANSMISSION, HOUSING GROUP 1	C
1	7029973	1	Housing	
2	1319571	2	Pin, Dowel	
3	70023404	1	Plug	
4	1319590	1	Bracket, Lift	
5	7026750	1	Pipe	
6	70026516	2	Bolt, M8X16	
7	8036847	2	O-Ring	
8	7026751	1	Pipe	
9	70026516	2	Bolt, M8X16	
10	8036847	2	O-Ring	
11	7026752	1	Pipe	
12	70026516	3	Bolt, M8X16	
13	8036847	2	O-Ring	
14	70026517	7	Plug, Screw	
15	10731709	7	O-Ring	
16	70026518	1	Nozzle	

# SECTION 5 - DRIVETRAIN

## FIGURE 5-65. TRANSMISSION, HOUSING GROUP 2



ART\_1001170171\_6-C



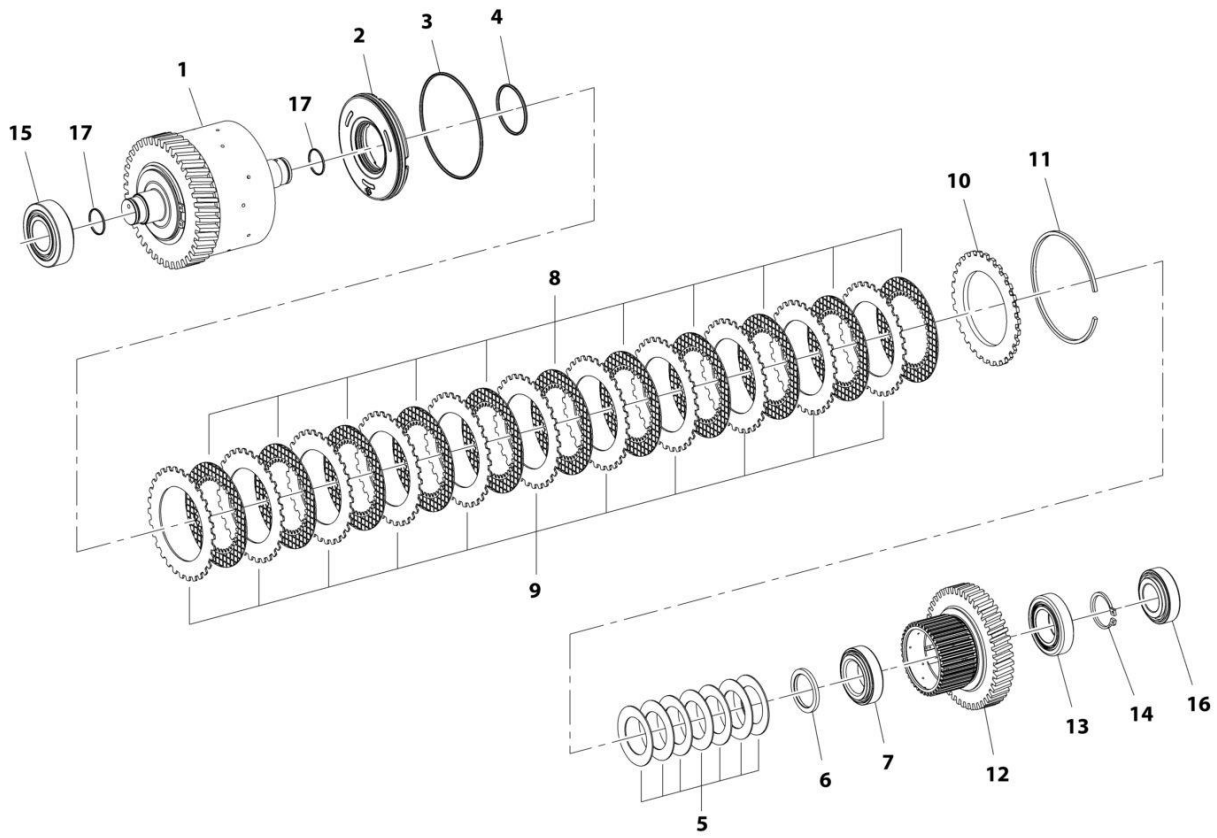
**SECTION 5 - DRIVETRAIN**

**FIGURE 5-65. TRANSMISSION, HOUSING GROUP 2**

ITEM	PART NUMBER	QTY	DESCRIPTION	REV
	1001170171	Ref	TRANSMISSION, HOUSING GROUP 2	C
1	7029972	1	Housing	
2	80304394	18	Bolt, M10X30	
3	70021920	1	Housing, PTO	
4	1319571	2	Pin, Dowel	
5	70026519	6	Bolt, M10X30	
6	80304394	13	Bolt, M10X30	
7	7026794	6	Bolt, M10X50	
8	7026753	1	Tube, Suction	
9	70023885	1	O-Ring	
10	70026516	2	Bolt, M8X16	
11	7026754	1	Pipe	
12	8036847	2	O-Ring	
13	70026516	2	Bolt, M8X16	
14	7026755	1	Sheet, Screen	
15	7026756	1	Sheet, Screen	
16	70026520	5	Bolt, M6X10	
17	70026521	3	Bolt, M8X12	
18	7026792	2	O-Ring	
19	70023885	1	O-Ring	
20	N.S.S.	1	Plate, Serial Number	
21	10731744	1	Breather	

# SECTION 5 - DRIVETRAIN

## FIGURE 5-66. TRANSMISSION, CLUTCH GROUP 1



ART\_1001170171\_7-C

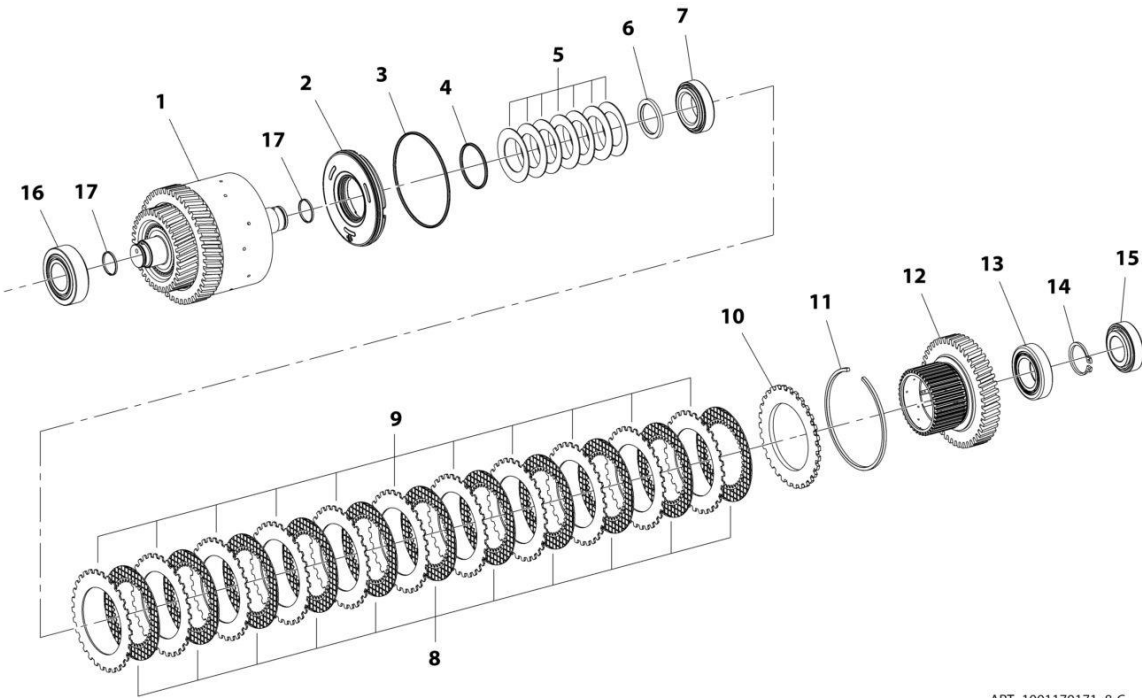
## SECTION 5 - DRIVETRAIN

### FIGURE 5-66. TRANSMISSION, CLUTCH GROUP 1

ITEM	PART NUMBER	QTY	DESCRIPTION	REV
	1001170171	Ref	TRANSMISSION, CLUTCH GROUP 1	C
1	7026757	1	Coupling	
2	70022075	1	Piston	
3	1319594	1	O-Ring	
4	1319593	1	O-Ring	
5	1319595	7	Spring, Cup	
6	1319617	1	Shim	
7	1319618	AR	Bearing, Roller	
8	7026758	11	Disc, Friction	
9	7026759	11	Disc, Clutch	
10	7026760	1	Shim	
11	70026527	AR	Ring, Snap 2.00	
11	70026528	AR	Ring, Snap 2.25	
11	70026529	AR	Ring, Snap 2.50	
11	7029852	AR	Ring	
11	1319602	AR	Ring	
11	7029849	AR	Ring	
11	1319601	AR	Ring	
11	7029850	AR	Ring	
11	1319600	AR	Ring	
12	1319638	1	Carrier, Inner Disc	
13	1319620	AR	Bearing, Roller	
14	1319632	AR	Ring	
14	1319631	AR	Ring	
14	1319630	AR	Ring	
14	1319629	AR	Ring	
14	1319628	AR	Ring	
14	1319627	AR	Ring	
14	1319626	AR	Ring	
14	1319625	AR	Ring	
14	1319624	AR	Ring	
14	1319623	AR	Ring	
14	1319622	AR	Ring	
14	1319621	AR	Ring	
15	1319615	1	Bearing, Roller	
16	1319636	1	Bearing, Roller	
17	7026761	2	Ring, Piston	

# SECTION 5 - DRIVETRAIN

## FIGURE 5-67. TRANSMISSION, CLUTCH GROUP 2



ART\_1001170171\_8-C

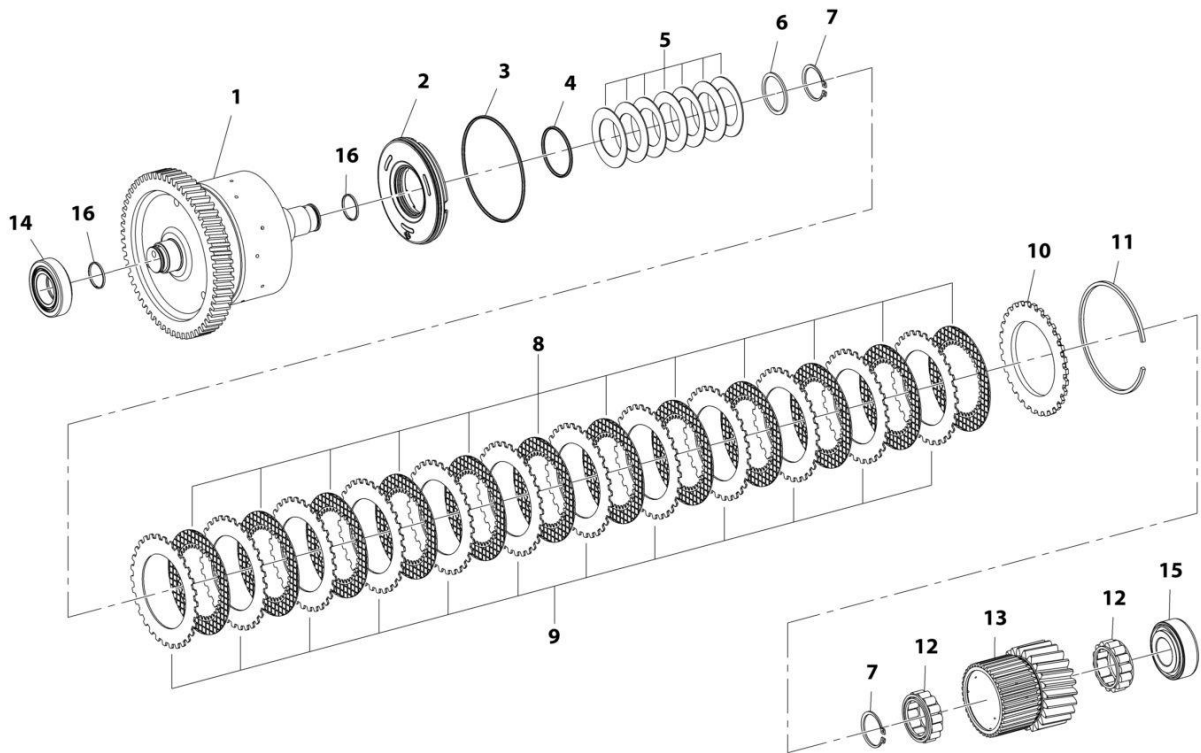
**SECTION 5 - DRIVETRAIN**

**FIGURE 5-67. TRANSMISSION, CLUTCH GROUP 2**

ITEM	PART NUMBER	QTY	DESCRIPTION	REV
	1001170171	Ref	TRANSMISSION, CLUTCH GROUP 2	C
1	7026762	1	Coupling	
2	70022075	1	Piston	
3	1319594	1	O-Ring	
4	1319593	1	O-Ring	
5	1319595	7	Spring, Cup	
6	1319617	1	Shim	
7	1319618	AR	Bearing, Roller	
8	7026758	11	Disc, Friction	
9	7026759	11	Disc, Static	
10	7026760	1	Shim	
11	70026527	AR	Ring, Snap 2.00	
11	70026528	AR	Ring, Snap 2.25	
11	70026529	AR	Ring, Snap 2.50	
11	7029852	AR	Ring	
11	1319602	AR	Ring	
11	7029849	AR	Ring	
11	1319601	AR	Ring	
11	7029850	AR	Ring	
11	1319600	AR	Ring	
12	1319638	1	Carrier, Disc	
13	1319620	1	Bearing, Roller	
14	1319632	AR	Ring	
14	1319631	AR	Ring	
14	1319630	AR	Ring	
14	1319629	AR	Ring	
14	1319628	AR	Ring	
14	1319627	AR	Ring	
14	1319626	AR	Ring	
14	1319625	AR	Ring	
14	1319624	AR	Ring	
14	1319623	AR	Ring	
14	1319622	AR	Ring	
14	1319621	AR	Ring	
15	1319615	1	Bearing, Roller	
16	1319636	1	Bearing, Roller	
17	7026761	2	Ring, Piston	

# SECTION 5 - DRIVETRAIN

## FIGURE 5-68. TRANSMISSION, COUPLING GROUP 1



ART\_1001170171\_9-C

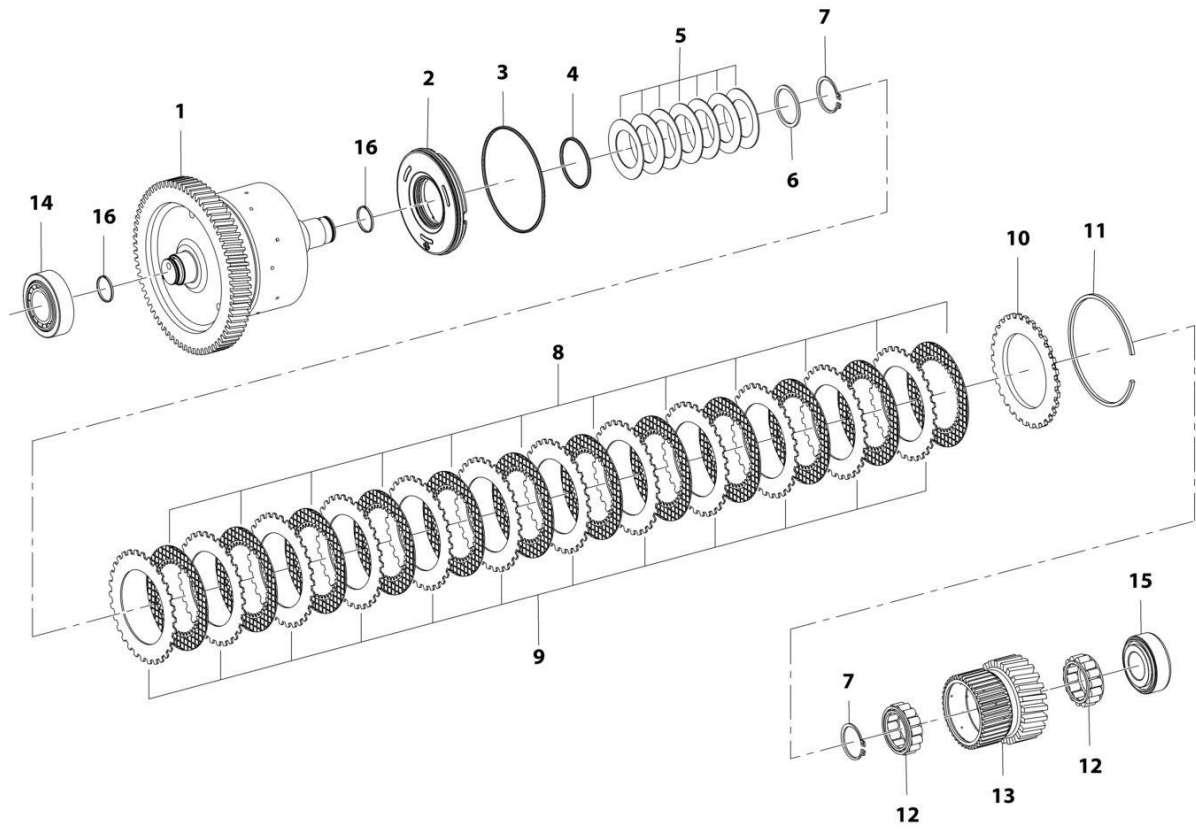
**SECTION 5 - DRIVETRAIN**

**FIGURE 5-68. TRANSMISSION, COUPLING GROUP 1**

ITEM	PART NUMBER	QTY	DESCRIPTION	REV
	1001170171	Ref	TRANSMISSION, COUPLING GROUP 1	C
1	70026530	1	Coupling	
2	70022075	1	Piston	
3	1319594	1	O-Ring	
4	1319593	1	O-Ring	
5	1319595	7	Spring, Cup	
6	1319596	1	Shim	
7	10731845	2	Ring, Retaining	
8	7026758	12	Disc, Friction	
9	7026759	12	Disc, Clutch	
10	7026760	1	Shim	
11	70026527	AR	Ring, Snap 2.00	
11	70026528	AR	Ring, Snap 2.25	
11	70026529	AR	Ring, Snap 2.50	
11	7029852	AR	Ring	
11	1319602	AR	Ring	
11	7029849	AR	Ring	
11	1319601	AR	Ring	
11	7029850	AR	Ring	
11	1319600	AR	Ring	
12	1319605	AR	Cage, Roller	
13	1319607	1	Carrier, Disc	
14	1319608	1	Bearing, Roller	
15	8036190	1	Bearing, Roller	
16	7026761	2	Piston Ring	

# SECTION 5 - DRIVETRAIN

## FIGURE 5-69. TRANSMISSION, COUPLING GROUP 2



ART\_1001170171\_10-C



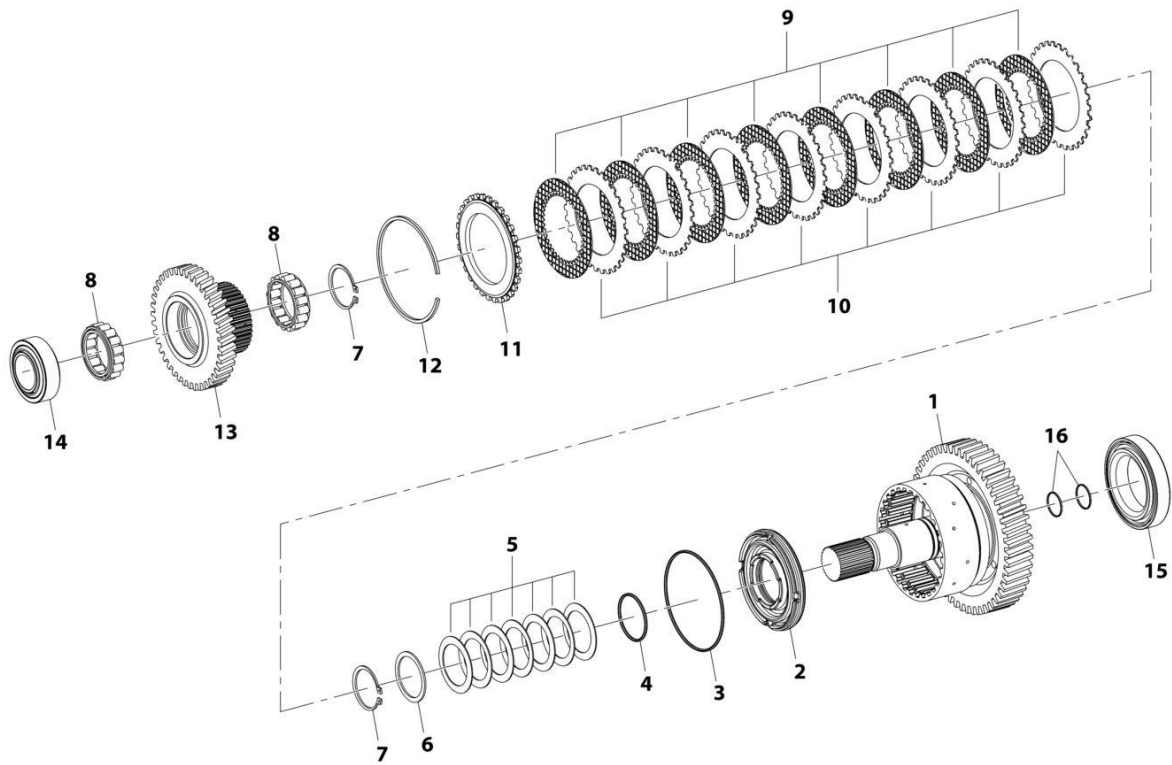
**SECTION 5 - DRIVETRAIN**

**FIGURE 5-69. TRANSMISSION, COUPLING GROUP 2**

ITEM	PART NUMBER	QTY	DESCRIPTION	REV
	1001170171	Ref	TRANSMISSION, COUPLING GROUP 2	C
1	70026531	1	Coupling	
2	70022075	1	Piston	
3	1319594	1	O-Ring	
4	1319593	1	O-Ring	
5	1319595	7	Spring, Cup	
6	1319596	1	Shim	
7	10731845	2	Ring, Retaining	
8	7026758	12	Disc, Friction	
9	7026759	12	Disc, Clutch	
10	7026760	1	Shim	
11	70026527	AR	Ring, Snap 2.00	
11	70026528	AR	Ring, Snap 2.25	
11	70026529	AR	Ring, Snap 2.50	
11	7029852	AR	Ring	
11	1319602	AR	Ring	
11	7029849	AR	Ring	
11	1319601	AR	Ring	
11	7029850	AR	Ring	
11	1319600	AR	Ring	
12	1319605	AR	Bearing, Roller	
13	1319614	1	Carrier, Disc	
14	1319615	1	Bearing, Roller	
15	8036190	1	Bearing, Roller	
16	7026761	2	Ring, Piston	

# SECTION 5 - DRIVETRAIN

## FIGURE 5-70. TRANSMISSION, COUPLING GROUP 3



ART\_1001170171\_11-C

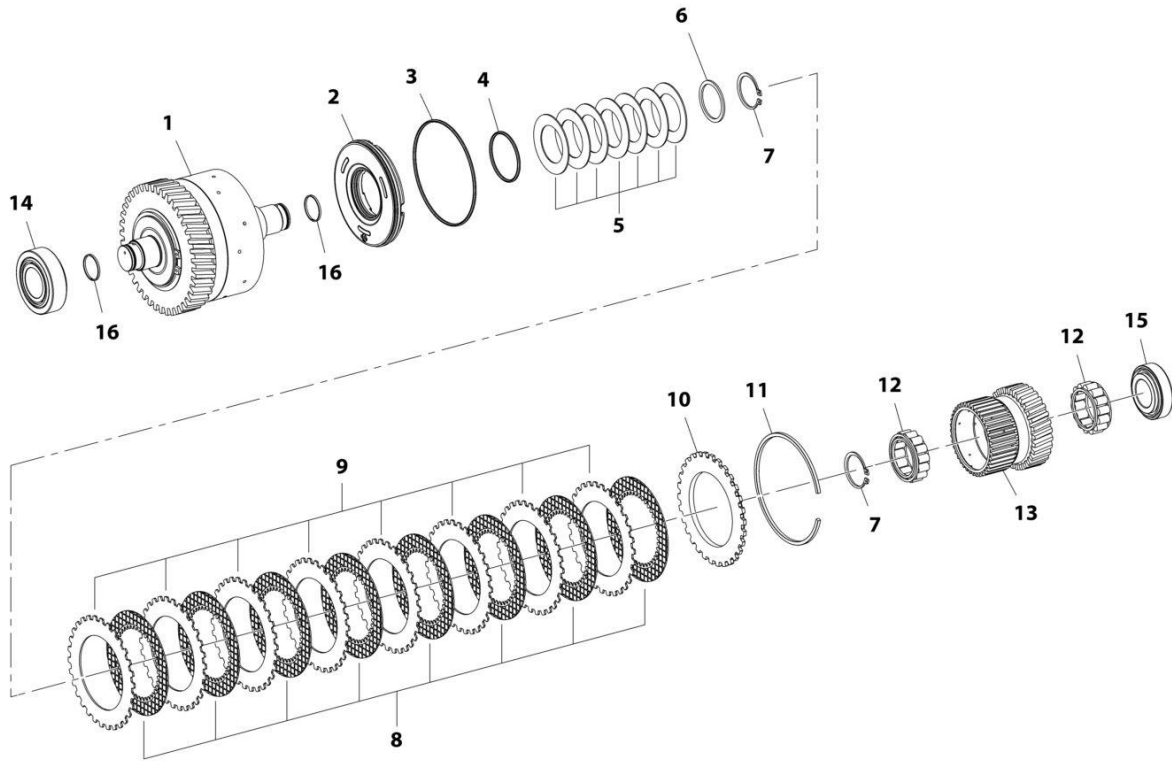
**SECTION 5 - DRIVETRAIN**

**FIGURE 5-70. TRANSMISSION, COUPLING GROUP 3**

ITEM	PART NUMBER	QTY	DESCRIPTION	REV
	1001170171	Ref	TRANSMISSION, COUPLING GROUP 3	C
1	70026532	1	Coupling	
2	70022075	1	Piston	
3	1319594	1	O-Ring	
4	1319593	1	O-Ring	
5	7026765	7	Spring, Cup	
6	7026766	1	Washer	
7	80304227	AR	Ring, Retaining	
8	70021227	AR	Ring	
8	70021228	AR	Cage, Roller	
9	7026758	AR	Disc, Friction	
10	7026759	AR	Disc, Clutch	
11	7026760	AR	Shim	
12	70026527	AR	Ring	
12	70026528	AR	Ring	
12	70026529	AR	Ring	
12	7029852	AR	Ring	
12	1319602	AR	Ring	
12	7029849	AR	Ring	
12	1319601	AR	Ring	
12	7029850	AR	Ring	
12	1319600	AR	Ring	
13	7027267	1	Carrier, Disc	
14	70021268	1	Bearing, Outer Ring	
14	70021269	1	Bearing, Inner Ring	
15	7026769	AR	Bearing, Roller	
16	7026761	2	Ring, Piston	

# SECTION 5 - DRIVETRAIN

## FIGURE 5-71. TRANSMISSION, COUPLING GROUP 4



ART\_1001170171\_12-C

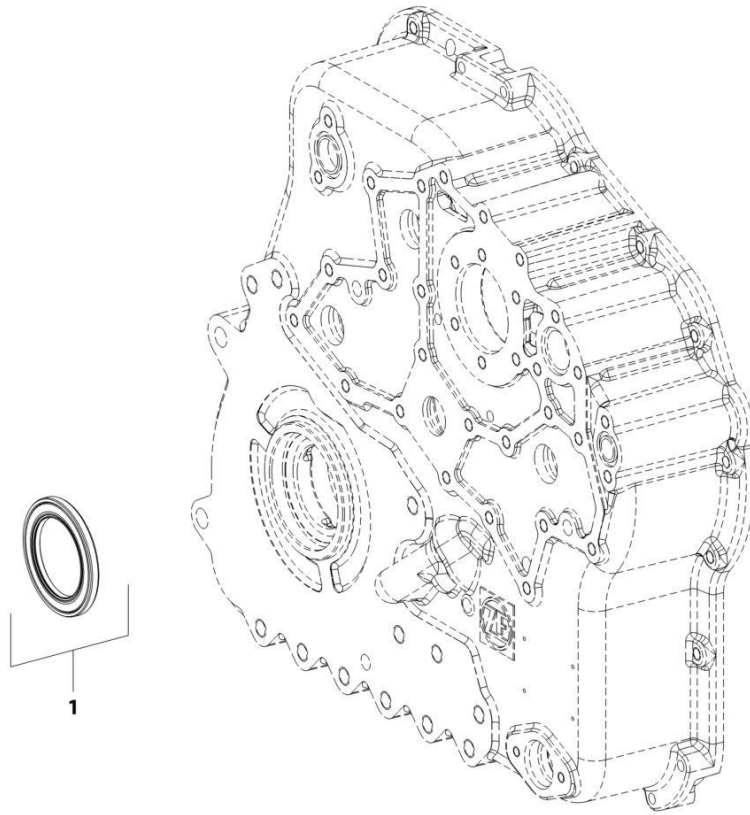
**SECTION 5 - DRIVETRAIN**

**FIGURE 5-71. TRANSMISSION, COUPLING GROUP 4**

ITEM	PART NUMBER	QTY	DESCRIPTION	REV
	1001170171	Ref	TRANSMISSION, COUPLING GROUP 4	C
1	70026535	1	Coupling	
2	70022075	1	Piston	
3	1319594	1	O-Ring	
4	1319593	1	O-Ring	
5	1319595	7	Spring, Cup	
6	1319596	1	Shim	
7	10731845	2	Ring, Retaining	
8	7026758	8	Disc, Friction	
9	7026759	8	Disc, Clutch	
10	7026760	1	Shim	
11	70026527	AR	Ring, Snap 2.00	
11	70026528	AR	Ring, Snap 2.25	
11	70026529	AR	Ring, Snap 2.50	
11	7029852	AR	Ring	
11	1319602	AR	Ring	
11	7029849	AR	Ring	
11	1319601	AR	Ring	
11	7029850	AR	Ring	
11	1319600	AR	Ring	
12	1319605	AR	Bearing, Roller	
13	1319635	1	Carrier, Disc	
14	1319615	1	Bearing, Roller	
15	1319636	1	Bearing, Roller	
16	7026761	2	Ring, Piston	

# SECTION 5 - DRIVETRAIN

## FIGURE 5-72. TRANSMISSION, OUTPUT



ART\_1001170171\_13-C

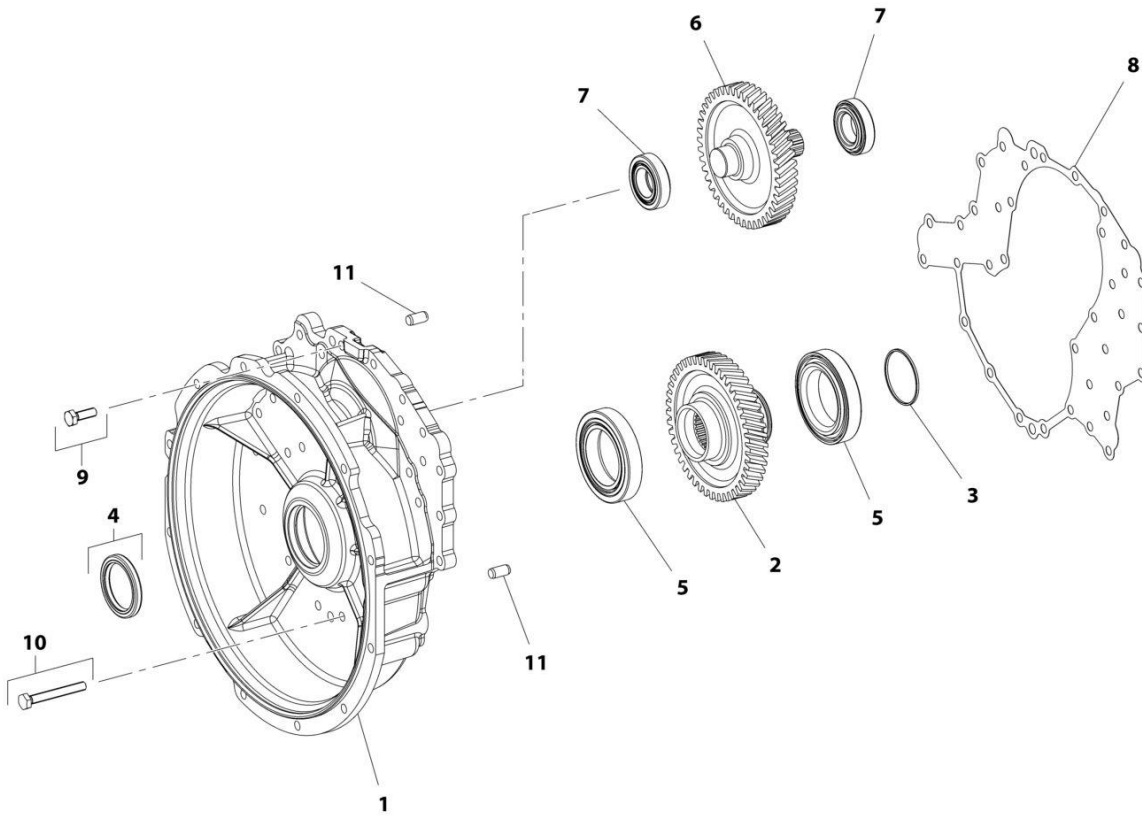
**SECTION 5 - DRIVETRAIN**

**FIGURE 5-72. TRANSMISSION, OUTPUT**

ITEM	PART NUMBER	QTY	DESCRIPTION	REV
1	1001170171 70026536	Ref 1	TRANSMISSION, OUTPUT Seal, Shaft	C

# SECTION 5 - DRIVETRAIN

## FIGURE 5-73. TRANSMISSION, POWER TAKE-OFF



ART\_1001170171\_14-C



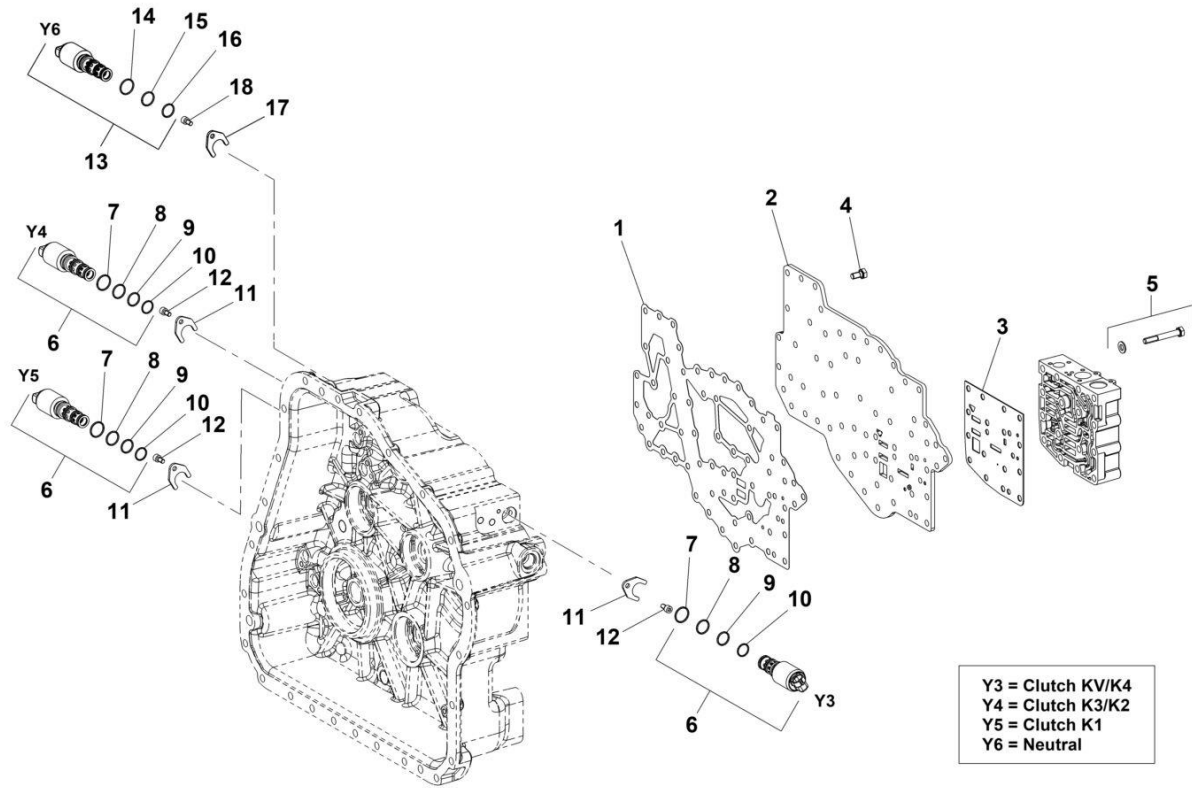
**SECTION 5 - DRIVETRAIN**

**FIGURE 5-73. TRANSMISSION, POWER TAKE-OFF**

<b>ITEM</b>	<b>PART NUMBER</b>	<b>QTY</b>	<b>DESCRIPTION</b>	<b>REV</b>
	1001170171	Ref	TRANSMISSION, POWER TAKE-OFF	C
1	70021526	1	Housing	
2	7026771	1	Shaft	
3	7026772	1	Ring, Piston	
4	1319576	1	Seal, Shaft	
5	7026769	AR	Bearing, Roller	
6	7026773	1	Shaft	
7	1319608	AR	Bearing, Roller	
8	7026774	1	Gasket	
9	80304394	21	Bolt, M10X30	
10	7026775	15	Bolt, M10X80	
11	1319571	2	Pin	

# SECTION 5 - DRIVETRAIN

## FIGURE 5-74. TRANSMISSION, CONTROL UNIT



ART\_1001170171\_15-C

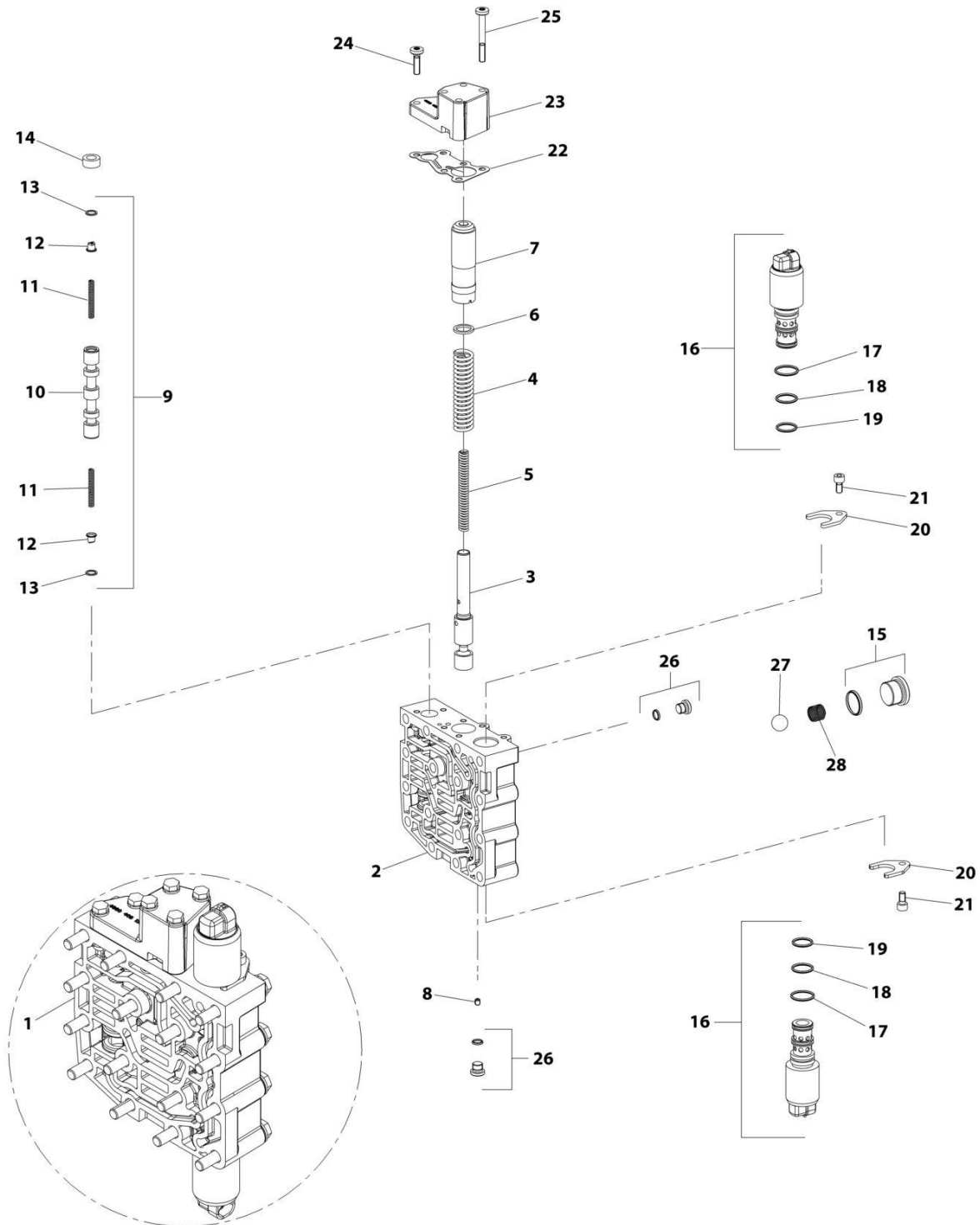
**SECTION 5 - DRIVETRAIN**

**FIGURE 5-74. TRANSMISSION, CONTROL UNIT**

ITEM	PART NUMBER	QTY	DESCRIPTION	REV
	1001170171	Ref	TRANSMISSION, CONTROL UNIT	C
1	7026776	1	Gasket	
2	70026538	1	Plate	
3	70026539	1	Sheet, Intermediate	
4	7026780	46	Bolt, M8X16	
5	7026781	16	Bolt, M8X60 (includes washer)	
5	10732095	16	Washer	
6	8036529	3	Valve, Solenoid (includes items 7 thru 10)	
7	N.S.S.	3	O-Ring	
8	N.S.S.	3	O-Ring	
9	N.S.S.	3	O-Ring	
10	N.S.S.	3	O-Ring	
11	7029267	3	Bracket	
12	70026544	3	Bolt, M6X12	
13	8036528	1	Valve, Solenoid (includes items 14 thru 16)	
14	N.S.S.	1	O-Ring	
15	N.S.S.	1	O-Ring	
16	N.S.S.	1	O-Ring	
17	7029267	1	Bracket	
18	70026544	1	Bolt, M6X12	

# SECTION 5 - DRIVETRAIN

## FIGURE 5-75. TRANSMISSION, SHIFT SYSTEM



ART\_1001170171\_16-C

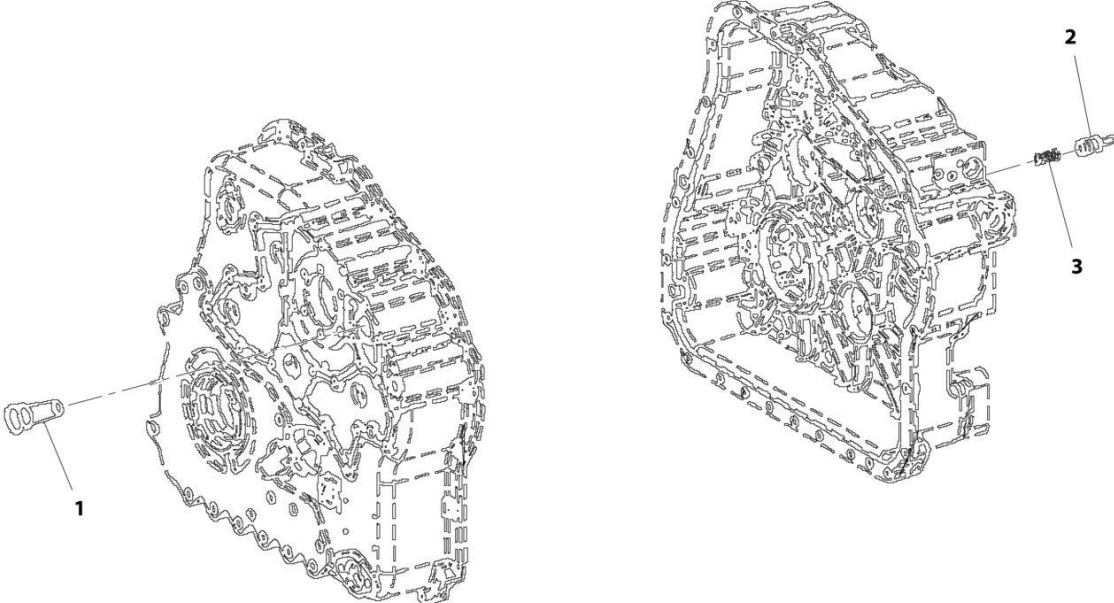
## SECTION 5 - DRIVETRAIN

**FIGURE 5-75. TRANSMISSION, SHIFT SYSTEM**

ITEM	PART NUMBER	QTY	DESCRIPTION	REV
	1001170171	Ref	TRANSMISSION, SHIFT SYSTEM	C
1	70026561	1	Assembly, Shift System (includes all items)	
2	70026546	1	Housing, Valve	
3	70026547	1	Piston, Control	
4	1319683	1	Spring	
5	1319684	1	Spring	
6	1319689	AR	Washer	
6	1319688	AR	Washer	
6	1319687	AR	Washer	
6	1319686	AR	Washer	
6	1319685	AR	Washer	
7	70026548	1	Piston	
8	70026549	1	Nozzle	
9	1319694	1	Assembly, Valve (includes items 10 thru 13)	
10	N.S.S.	1	Piston	
11	N.S.S.	2	Spring, Compression	
12	N.S.S.	2	Sleeve, Spring	
13	N.S.S.	2	Ring, Snap	
14	7026787	1	Spacer	
15	70026554	1	Plug, Screw (includes o-ring)	
15	70000656	1	O-Ring	
16	8036528	2	Valve, Solenoid (includes items 17 thru 19)	
17	N.S.S.	2	O-Ring	
18	N.S.S.	2	O-Ring	
19	N.S.S.	2	O-Ring	
20	7029267	2	Bracket	
21	70026544	2	Bolt, M6X12	
22	7026788	1	Gasket	
23	7026789	1	Cover	
24	70026555	2	Screw, Torx M6X23	
25	70026556	4	Screw, Torx M6X52	
26	70026517	2	Plug, Screw (includes o-ring)	
26	10731709	2	O-Ring	
27	10732071	1	Ball	
28	10732072	1	Spring	

**SECTION 5 - DRIVETRAIN**

**FIGURE 5-76. TRANSMISSION, PRESSURE REGULATOR**



ART\_1001170171\_17-C

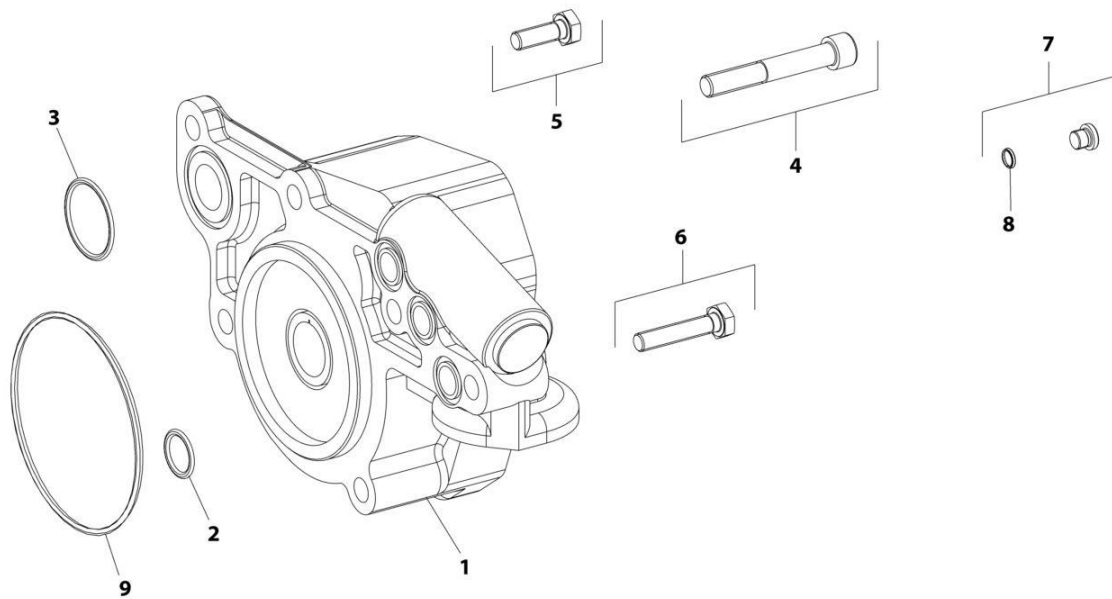
**SECTION 5 - DRIVETRAIN**

**FIGURE 5-76. TRANSMISSION, PRESSURE REGULATOR**

<b>ITEM</b>	<b>PART NUMBER</b>	<b>QTY</b>	<b>DESCRIPTION</b>	<b>REV</b>
	1001170171	Ref	TRANSMISSION, PRESSURE REGULATOR	C
1	7026782	1	Valve	
2	7026783	1	Piston	
3	7026784	1	Spring	

# SECTION 5 - DRIVETRAIN

## FIGURE 5-77. TRANSMISSION, PRESSURE OIL PUMP



ART\_1001170171\_18-C



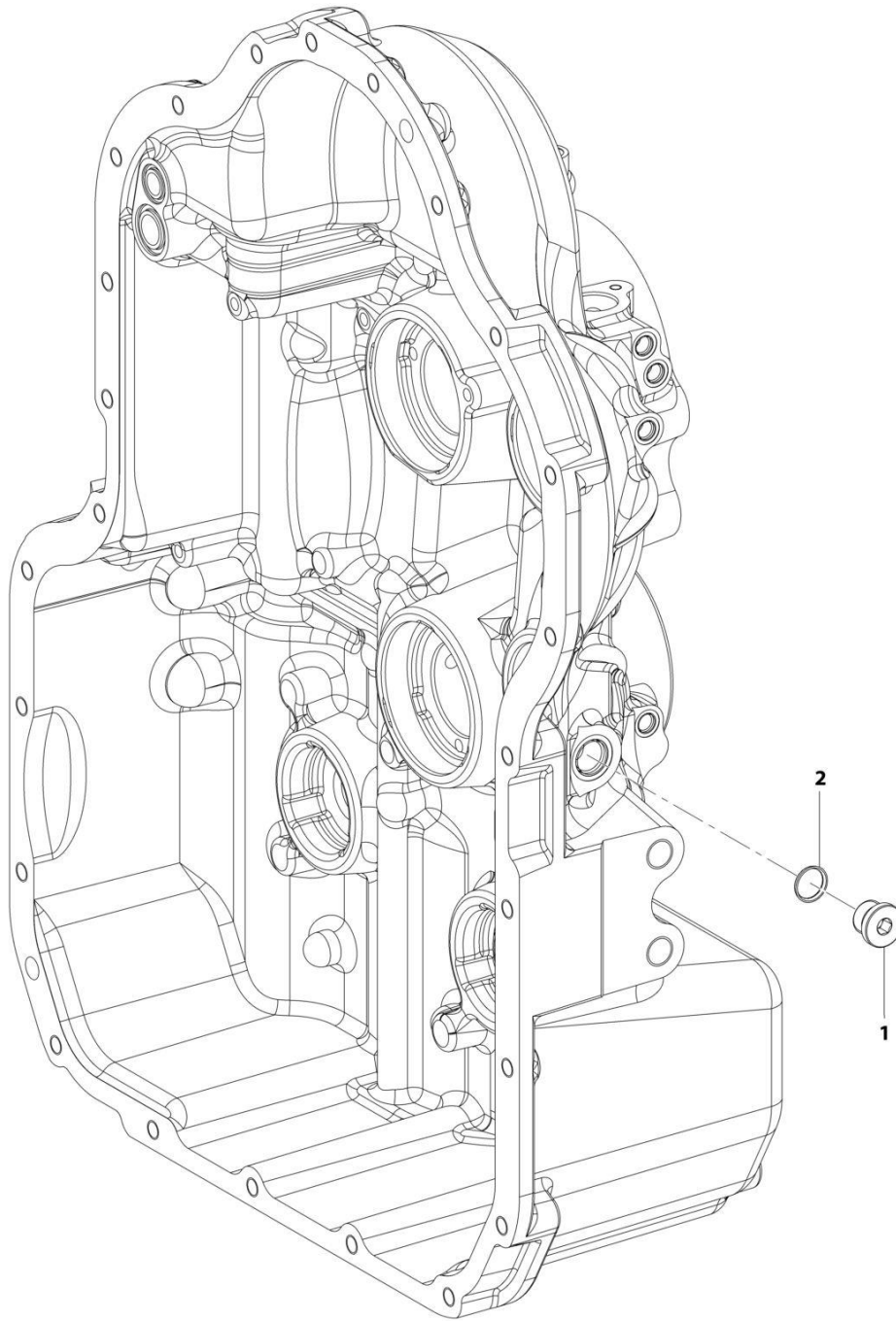
**SECTION 5 - DRIVETRAIN**

**FIGURE 5-77. TRANSMISSION, PRESSURE OIL PUMP**

ITEM	PART NUMBER	QTY	DESCRIPTION	REV
	1001170171	Ref	TRANSMISSION, PRESSURE OIL PUMP	C
1	7026791	1	Pump	
2	7026792	3	O-Ring	
3	1319719	1	O-Ring	
4	7026793	4	Bolt, M12X80	
5	80304394	1	Bolt, M10X30	
6	7026794	1	Bolt, M10X50	
7	70026517	2	Plug, Screw	
8	10731709	2	O-Ring	
9	8036250	1	O-RING (located between oil pump and transmission)	

# SECTION 5 - DRIVETRAIN

## FIGURE 5-78. TRANSMISSION, INDUCTIVE TRANSMITTER



ART\_1001170171\_19-C

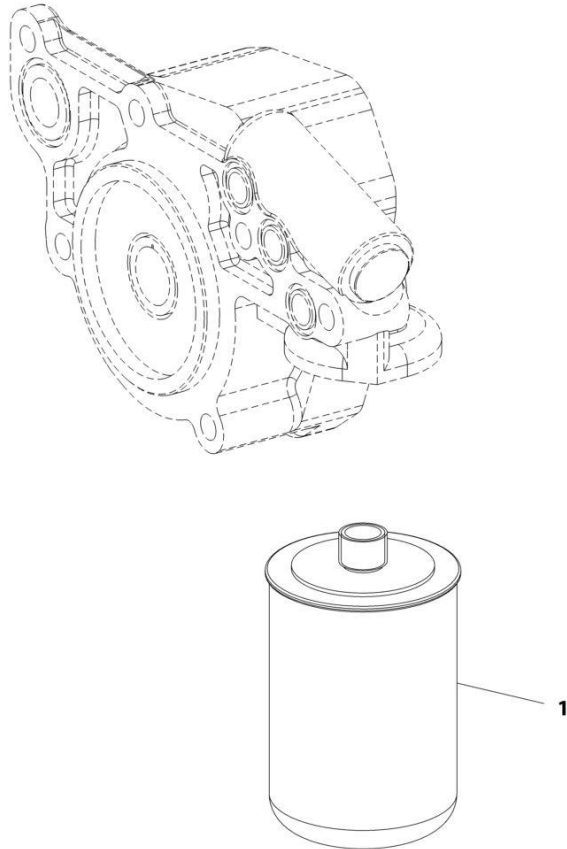
**SECTION 5 - DRIVETRAIN**

**FIGURE 5-78. TRANSMISSION, INDUCTIVE TRANSMITTER**

<b>ITEM</b>	<b>PART NUMBER</b>	<b>QTY</b>	<b>DESCRIPTION</b>	<b>REV</b>
	1001170171	Ref	TRANSMISSION, INDUCTIVE TRANSMITTER	C
1	70024895	1	Plug, Screw (includes o-ring)	
2	N.S.S.	1	O-Ring	

# SECTION 5 - DRIVETRAIN

## FIGURE 5-79. TRANSMISSION, FILTER



ART\_1001170171\_20-C

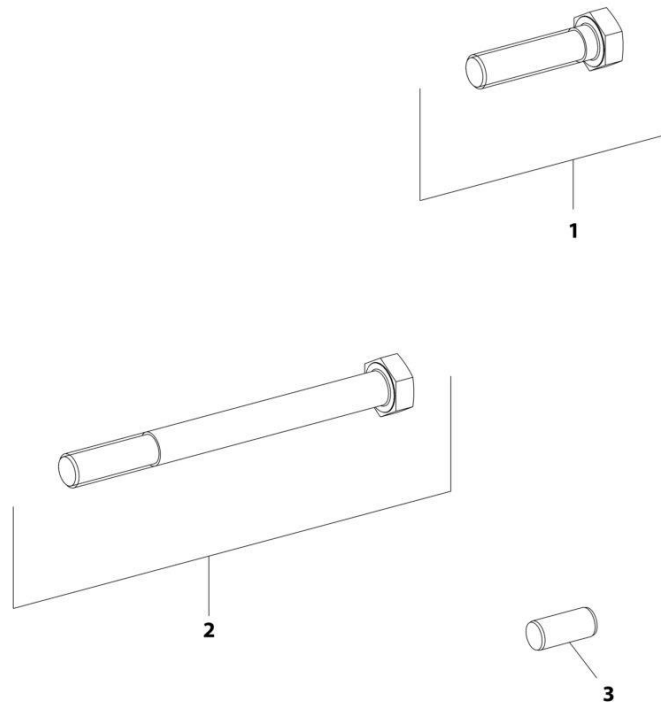
**SECTION 5 - DRIVETRAIN**

**FIGURE 5-79. TRANSMISSION, FILTER**

ITEM	PART NUMBER	QTY	DESCRIPTION	REV
1	1001170171 1319726	Ref 1	TRANSMISSION, FILTER Filter	C

# SECTION 5 - DRIVETRAIN

## FIGURE 5-80. TRANSMISSION, ACCESSORIES GROUP 1



ART\_1001170171\_21-C

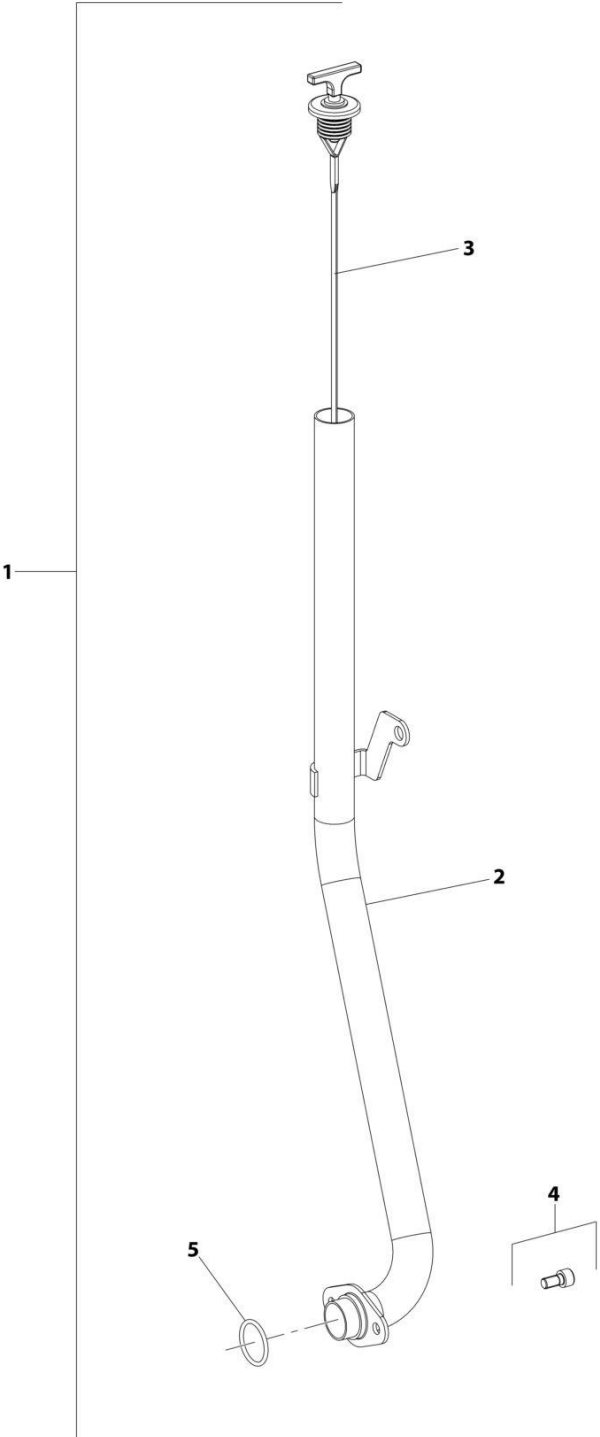
**SECTION 5 - DRIVETRAIN**

**FIGURE 5-80. TRANSMISSION, ACCESSORIES GROUP 1**

<b>ITEM</b>	<b>PART NUMBER</b>	<b>QTY</b>	<b>DESCRIPTION</b>	<b>REV</b>
	1001170171	Ref	TRANSMISSION, ACCESSORIES GROUP 1	C
1	7027254	12	Bolt, M14X55	
2	7027255	2	Bolt, M14X150	
3	1319571	1	Pin	

**SECTION 5 - DRIVETRAIN**

**FIGURE 5-81. TRANSMISSION, PERIPHERALS GROUP 1**



ART\_1001170171\_22-C



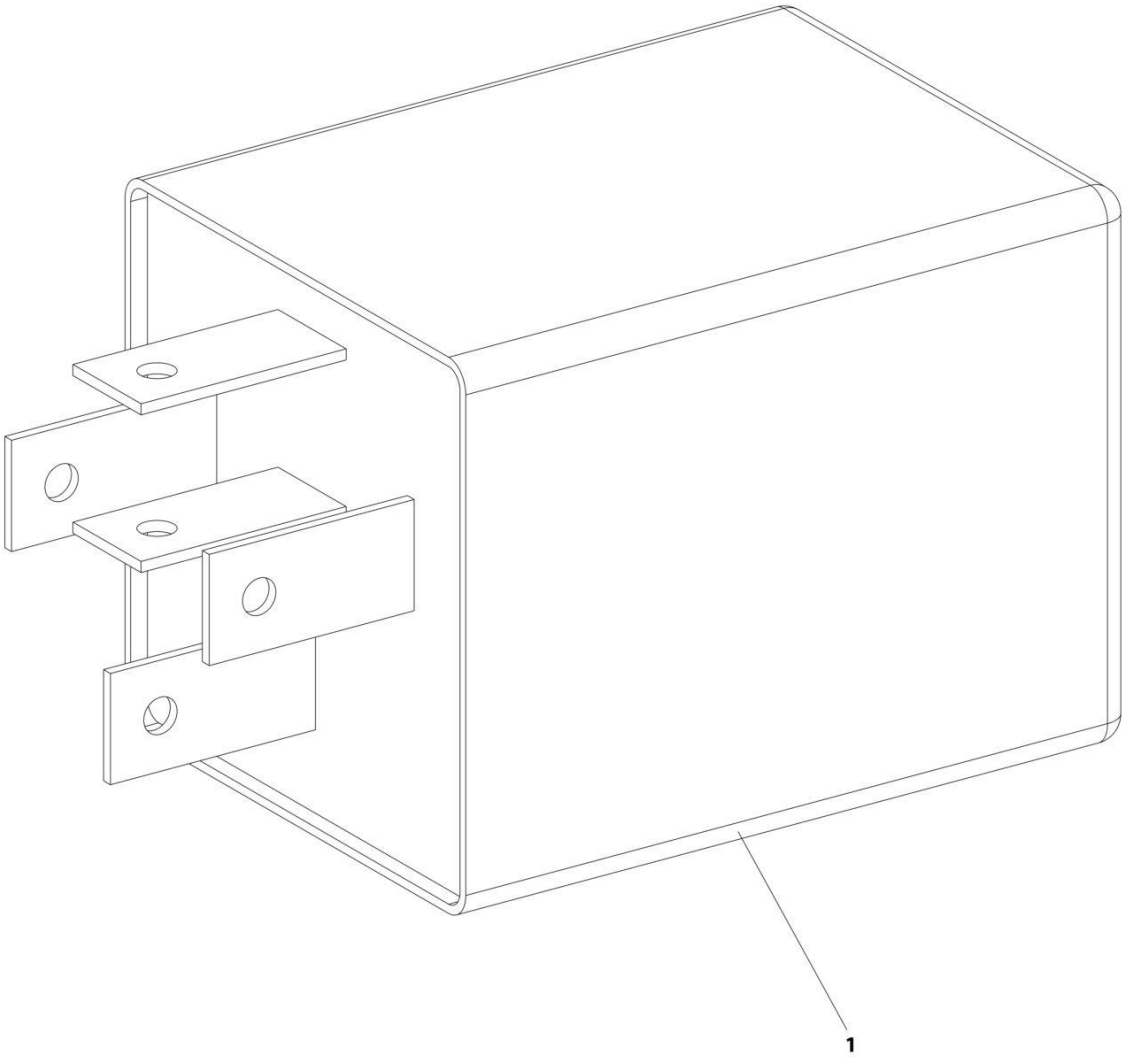
**SECTION 5 - DRIVETRAIN**

**FIGURE 5-81. TRANSMISSION, PERIPHERALS GROUP 1**

<b>ITEM</b>	<b>PART NUMBER</b>	<b>QTY</b>	<b>DESCRIPTION</b>	<b>REV</b>
	1001170171	Ref	TRANSMISSION, PERIPHERALS GROUP 1	C
1	1001095738	1	Kit, Oil Level Dipstick (includes items 2 & 3)	
2	1001095744	1	Tube, Oil Level	
3	8841322	1	Dipstick, Oil Level	
4	70026516	2	Bolt, M8X16	
5	70023885	1	O-Ring	

**SECTION 5 - DRIVETRAIN**

**FIGURE 5-82. TRANSMISSION, ACCESSORIES GROUP 2**



ART\_1001170171\_24-C

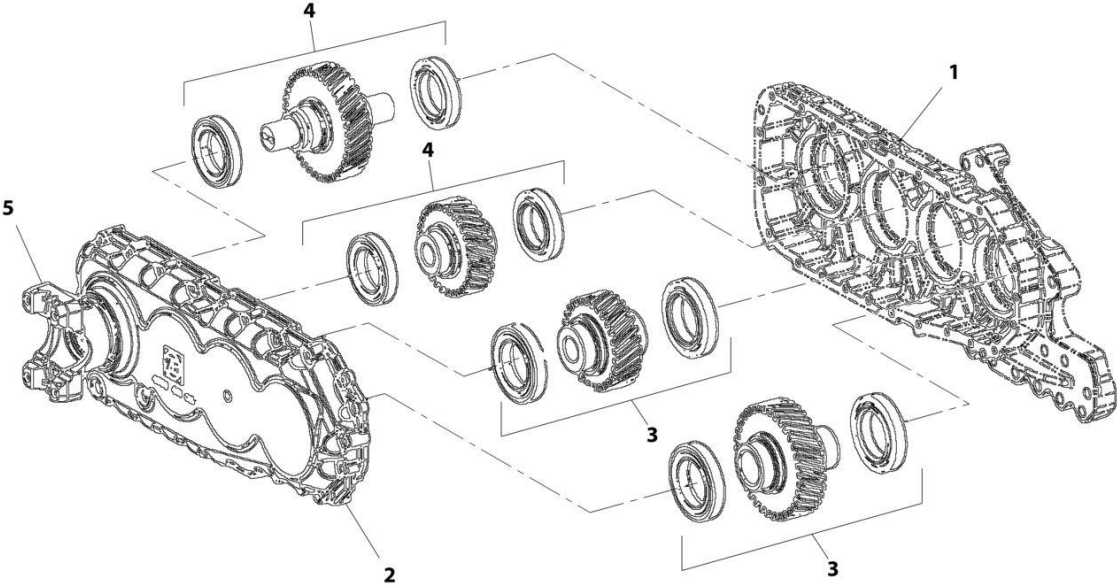
**SECTION 5 - DRIVETRAIN**

**FIGURE 5-82. TRANSMISSION, ACCESSORIES GROUP 2**

ITEM	PART NUMBER	QTY	DESCRIPTION	REV
1	1001170171 70026559	Ref 1	TRANSMISSION, ACCESSORIES GROUP 2 Relay	C

**SECTION 5 - DRIVETRAIN**

**FIGURE 5-83. TRANSMISSION, TRANSFER BOX**



ART\_1001170171\_25-C

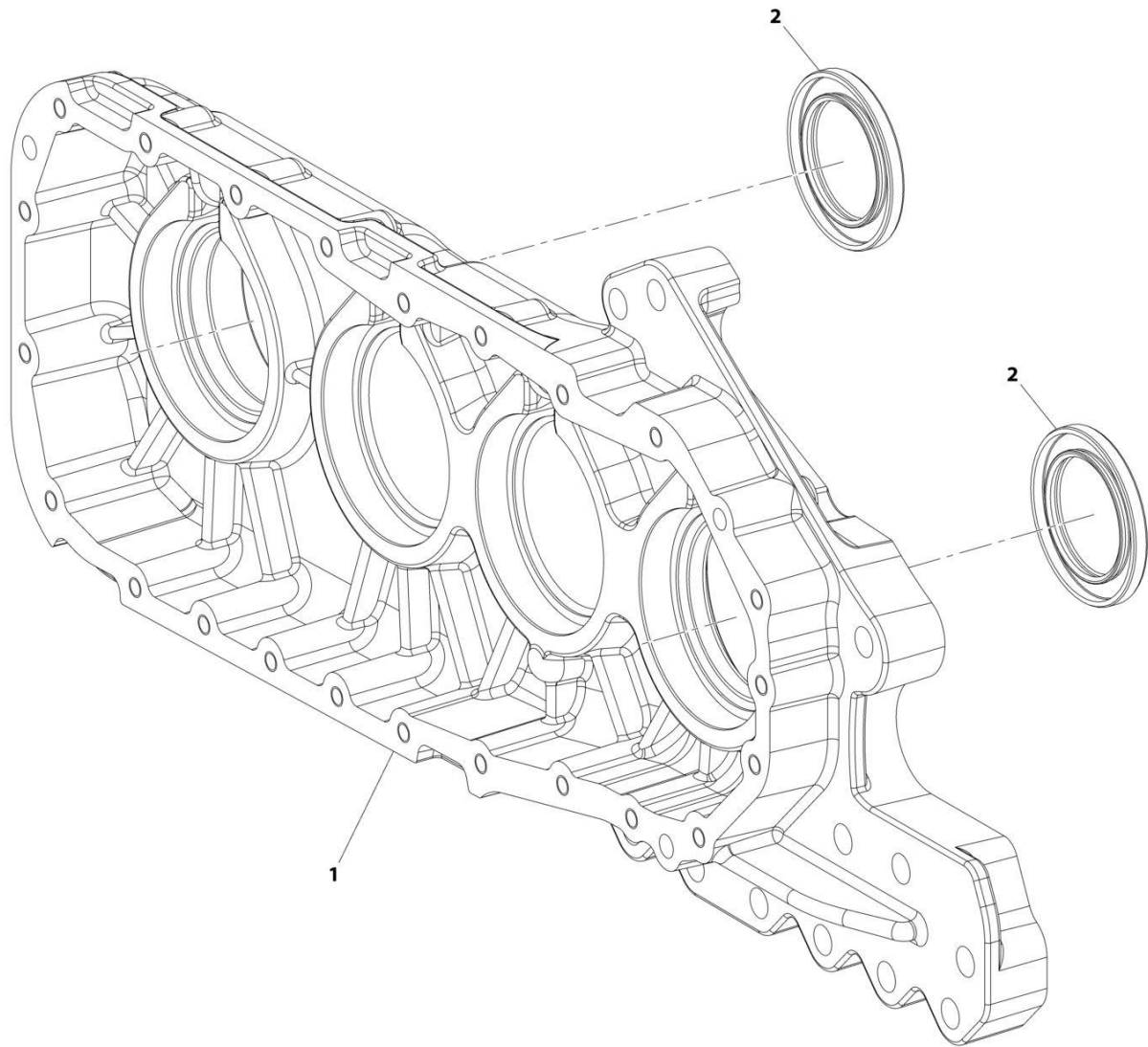
**SECTION 5 - DRIVETRAIN**

**FIGURE 5-83. TRANSMISSION, TRANSFER BOX**

ITEM	PART NUMBER	QTY	DESCRIPTION	REV
	1001170171	Ref	TRANSMISSION, TRANSFER BOX	C
	70023502	1	Box Transfer (includes all items)	
1	N.S.S.	Ref	Housing 1, Transfer Box (See Separate Breakdown in this Section)	
2	N.S.S.	Ref	Housing 2, Transfer Box (See Separate Breakdown in this Section)	
3	N.S.S.	Ref	Input, Transfer Box (See Separate Breakdown in this Section)	
4	N.S.S.	Ref	Output 1, Transfer Box (See Separate Breakdown in this Section)	
5	N.S.S.	Ref	Output 2, Transfer Box (See Separate Breakdown in this Section)	

# SECTION 5 - DRIVETRAIN

## FIGURE 5-84. TRANSMISSION, TRANSFER BOX HOUSING 1



ART\_1001170171\_26-C

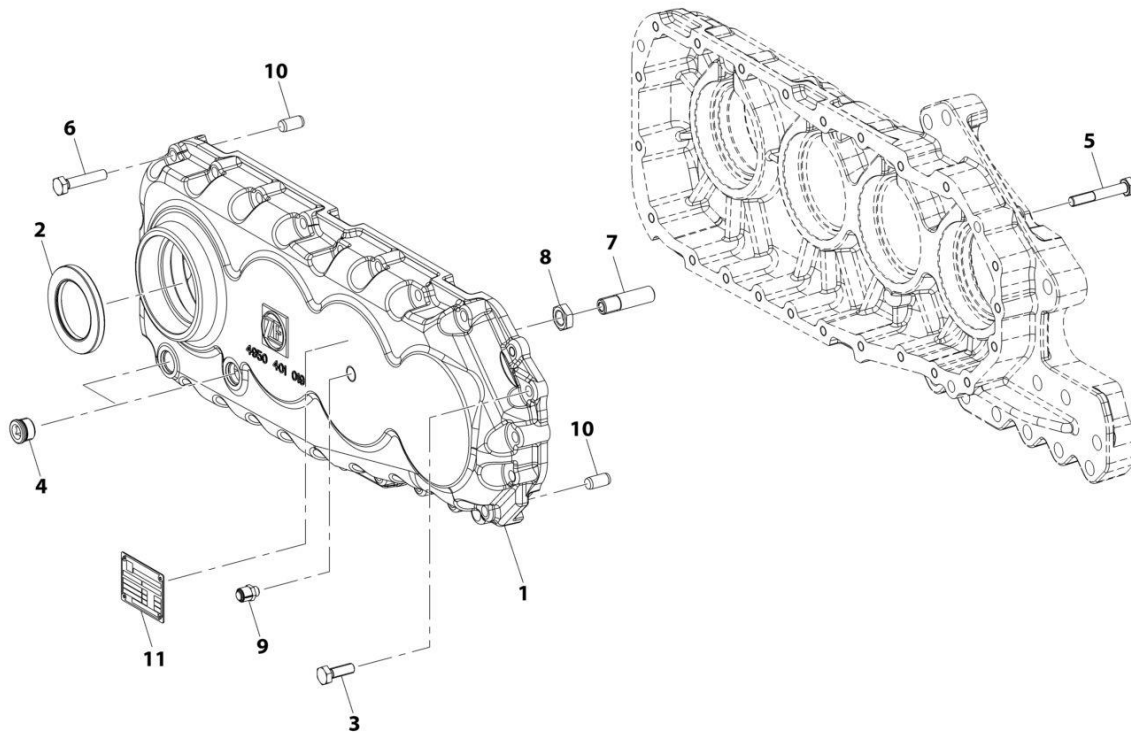
**SECTION 5 - DRIVETRAIN**

**FIGURE 5-84. TRANSMISSION, TRANSFER BOX HOUSING 1**

<b>ITEM</b>	<b>PART NUMBER</b>	<b>QTY</b>	<b>DESCRIPTION</b>	<b>REV</b>
	1001170171	Ref	TRANSMISSION, TRANSFER BOX HOUSING 1	C
1	70023474	1	Housing, Transfer Box	
2	70026536	2	Seal, Shaft	

# SECTION 5 - DRIVETRAIN

## FIGURE 5-85. TRANSMISSION, TRANSFER BOX HOUSING 2



ART\_1001170171\_27-C



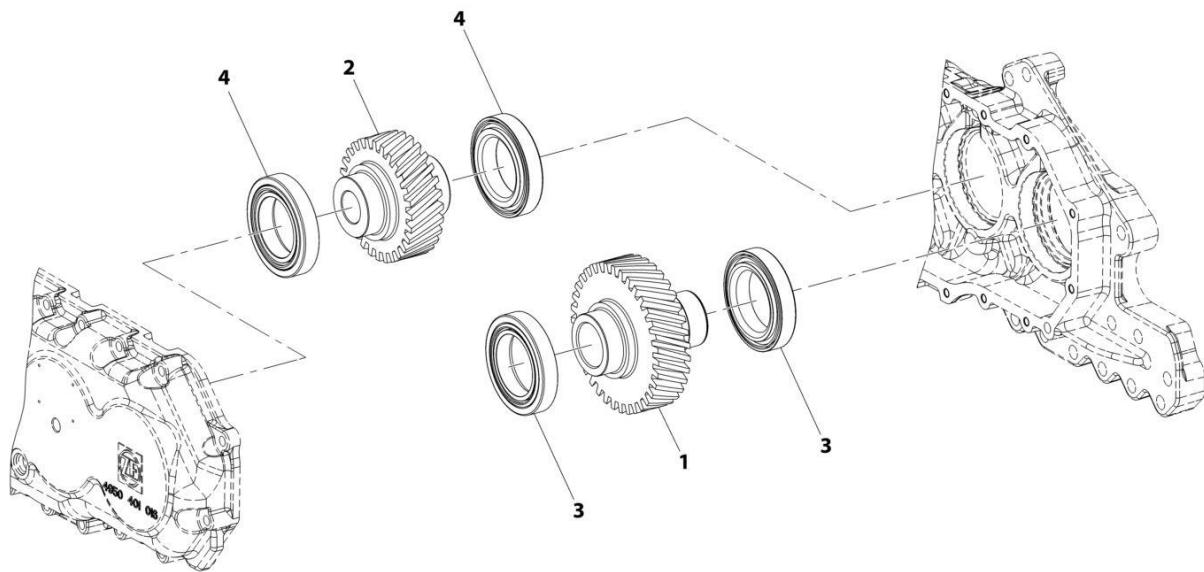
**SECTION 5 - DRIVETRAIN**

**FIGURE 5-85. TRANSMISSION, TRANSFER BOX HOUSING 2**

ITEM	PART NUMBER	QTY	DESCRIPTION	REV
	1001170171	Ref	TRANSMISSION, TRANSFER BOX HOUSING 2	C
1	70023475	1	Housing	
2	70026536	1	Seal, Shaft	
3	70023800	1	Bolt, M10X30	
4	70023404	2	Plug	
5	70023476	1	Bolt, M10X65	
6	70023801	22	Bolt, M10X50	
7	7026577	1	Sleeve	
8	7026578	1	Nut, M16	
9	1319436	1	Breather	
10	1319571	2	Pin	
11	N.S.S.	1	Plate, Serial Number	

# SECTION 5 - DRIVETRAIN

## FIGURE 5-86. TRANSMISSION, TRANSFER BOX HOUSING INPUT



ART\_1001170171\_28-C

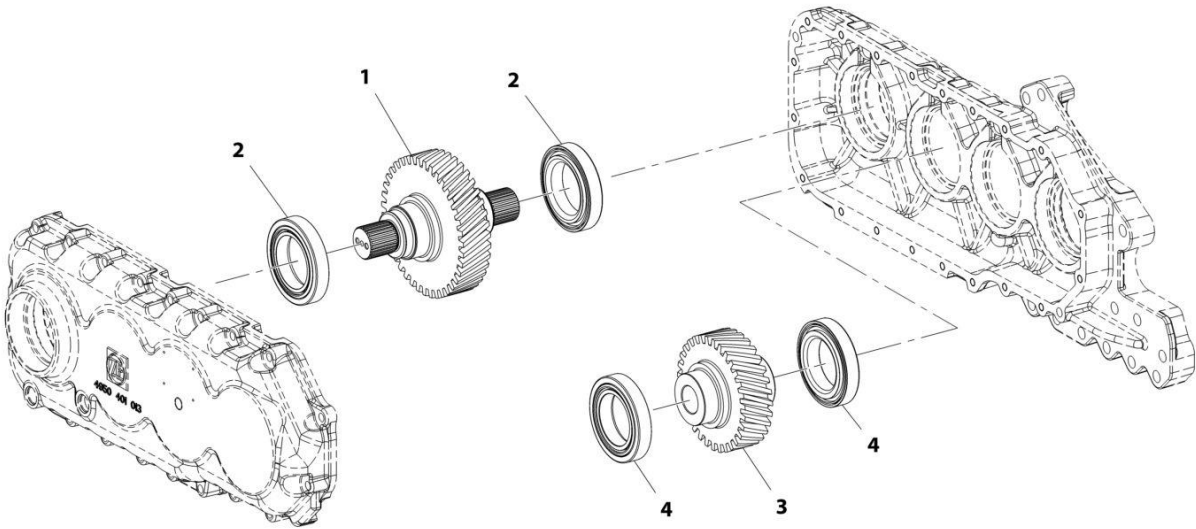
**SECTION 5 - DRIVETRAIN**

**FIGURE 5-86. TRANSMISSION, TRANSFER BOX HOUSING INPUT**

<b>ITEM</b>	<b>PART NUMBER</b>	<b>QTY</b>	<b>DESCRIPTION</b>	<b>REV</b>
	1001170171	Ref	TRANSMISSION, TRANSFER BOX HOUSING INPUT	C
1	7027269	1	Shaft	
2	7027270	1	Gear, Idler	
3	7026769	2	Bearing, Roller	
4	1320748	2	Cup, Tapered Roller	
4	1320754	2	Cone, Tapered Roller	

**SECTION 5 - DRIVETRAIN**

**FIGURE 5-87. TRANSMISSION, TRANSFER BOX HOUSING OUTPUT 1**



ART\_1001170171\_29-C

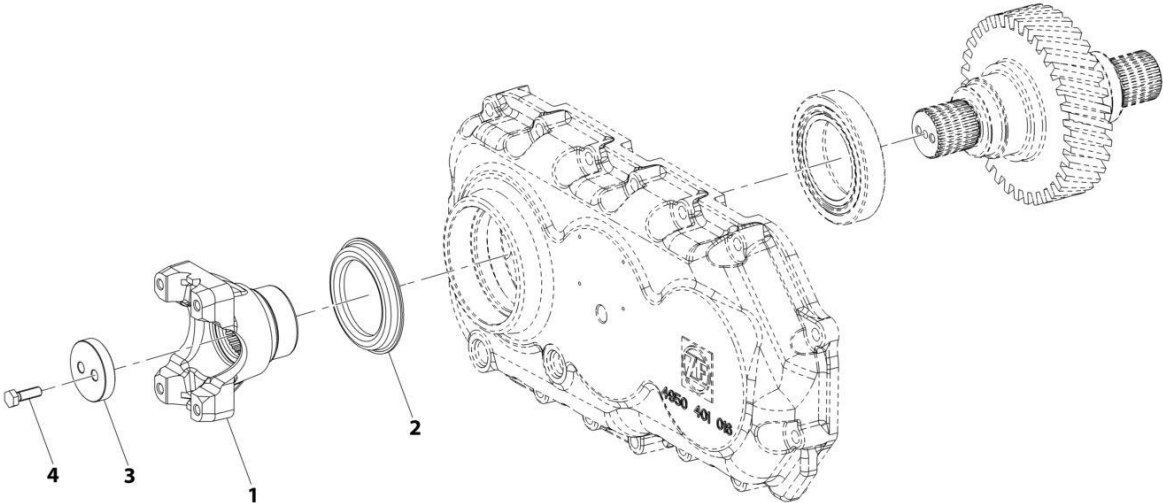
**SECTION 5 - DRIVETRAIN**

**FIGURE 5-87. TRANSMISSION, TRANSFER BOX HOUSING OUTPUT 1**

<b>ITEM</b>	<b>PART NUMBER</b>	<b>QTY</b>	<b>DESCRIPTION</b>	<b>REV</b>
	1001170171	Ref	TRANSMISSION, TRANSFER BOX HOUSING OUTPUT 1	C
1	7027271	1	Gear, Output	
2	7026769	2	Bearing, Roller	
3	7027272	1	Gear, Idler	
4	1320748	2	Cup, Tapered Roller	
4	1320754	2	Cone, Tapered Roller	

**SECTION 5 - DRIVETRAIN**

**FIGURE 5-88. TRANSMISSION, TRANSFER BOX HOUSING OUTPUT 2**



ART\_1001170171\_30-C

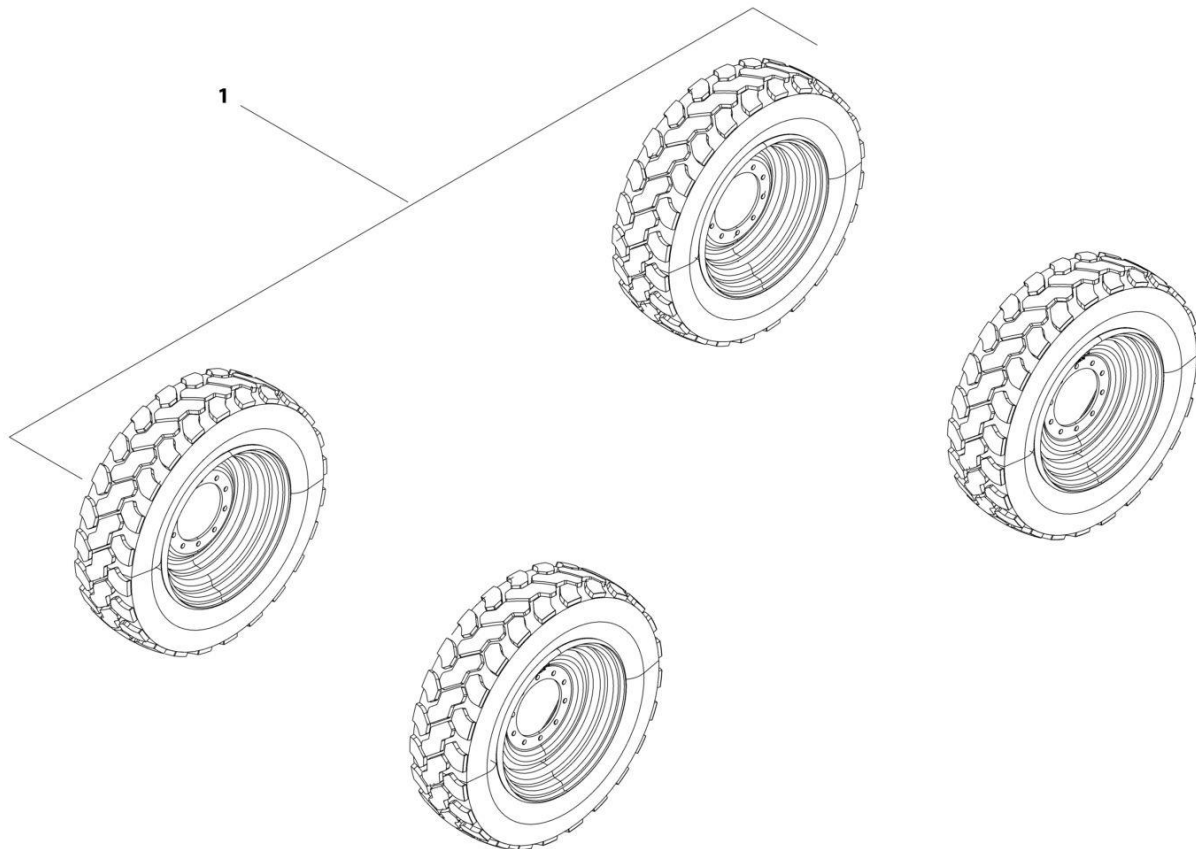
**SECTION 5 - DRIVETRAIN**

**FIGURE 5-88. TRANSMISSION, TRANSFER BOX HOUSING OUTPUT 2**

<b>ITEM</b>	<b>PART NUMBER</b>	<b>QTY</b>	<b>DESCRIPTION</b>	<b>REV</b>
	1001170171	Ref	TRANSMISSION, TRANSFER BOX HOUSING OUTPUT 2	C
1	7027273	2	Flange (one per side)	
2	1319647	2	Sheet, Screen (one per side)	
3	1319648	2	Washer, (one per side)	
4	10731959	4	Bolt, M8X25 (two per side)	

# SECTION 5 - DRIVETRAIN

FIGURE 5-89. TIRE/WHEEL SET 370/75-28 - AIR



ART\_1001120963\_B



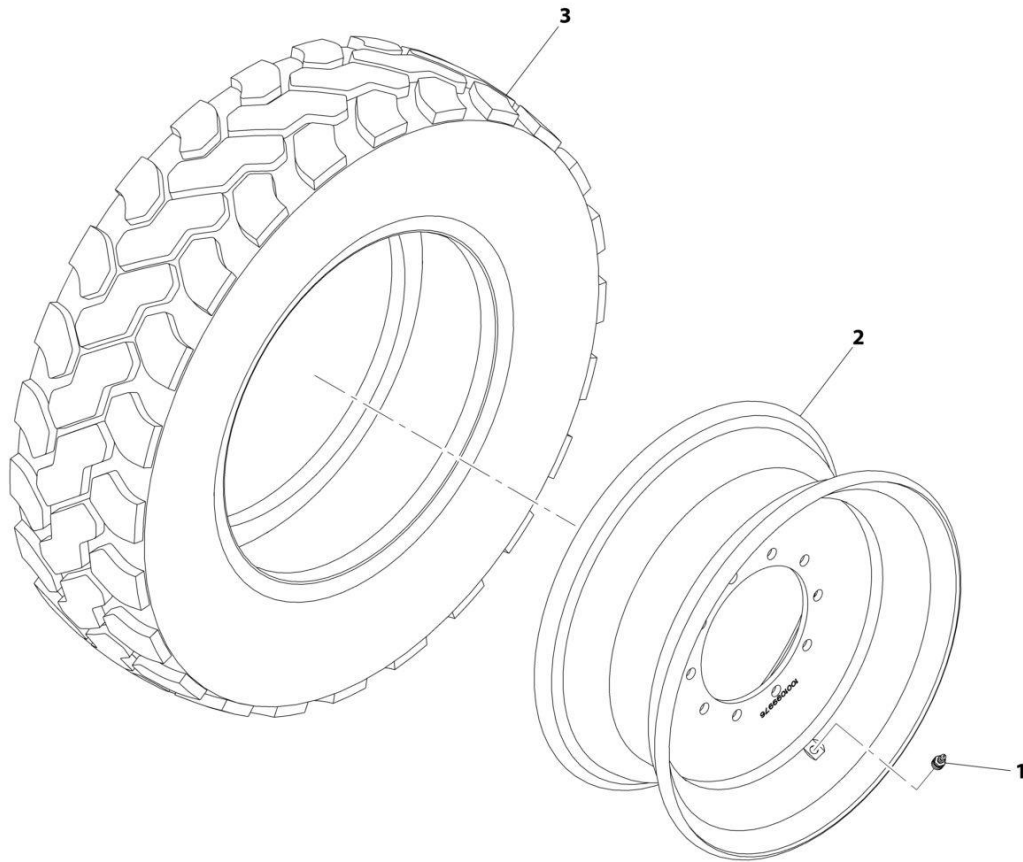
**SECTION 5 - DRIVETRAIN**

**FIGURE 5-89. TIRE/WHEEL SET 370/75-28 - AIR**

<b>ITEM</b>	<b>PART NUMBER</b>	<b>QTY</b>	<b>DESCRIPTION</b>	<b>REV</b>
	1001120963	Ref	Tire/Wheel Set 370/75-28 - Air	B
1	1001100323	4	Assembly, Tire/Wheel 370/75-28 - Air	
1	8786514	4	Valve, Air (1 per assembly)	
1	1001099976	4	Wheel (1 per assembly)	
1	1001100284	4	Tire (1 per assembly)	

# SECTION 5 - DRIVETRAIN

## FIGURE 5-90. TIRE/WHEEL ASSEMBLY 370/75-28 - AIR



ART\_1001100323-D

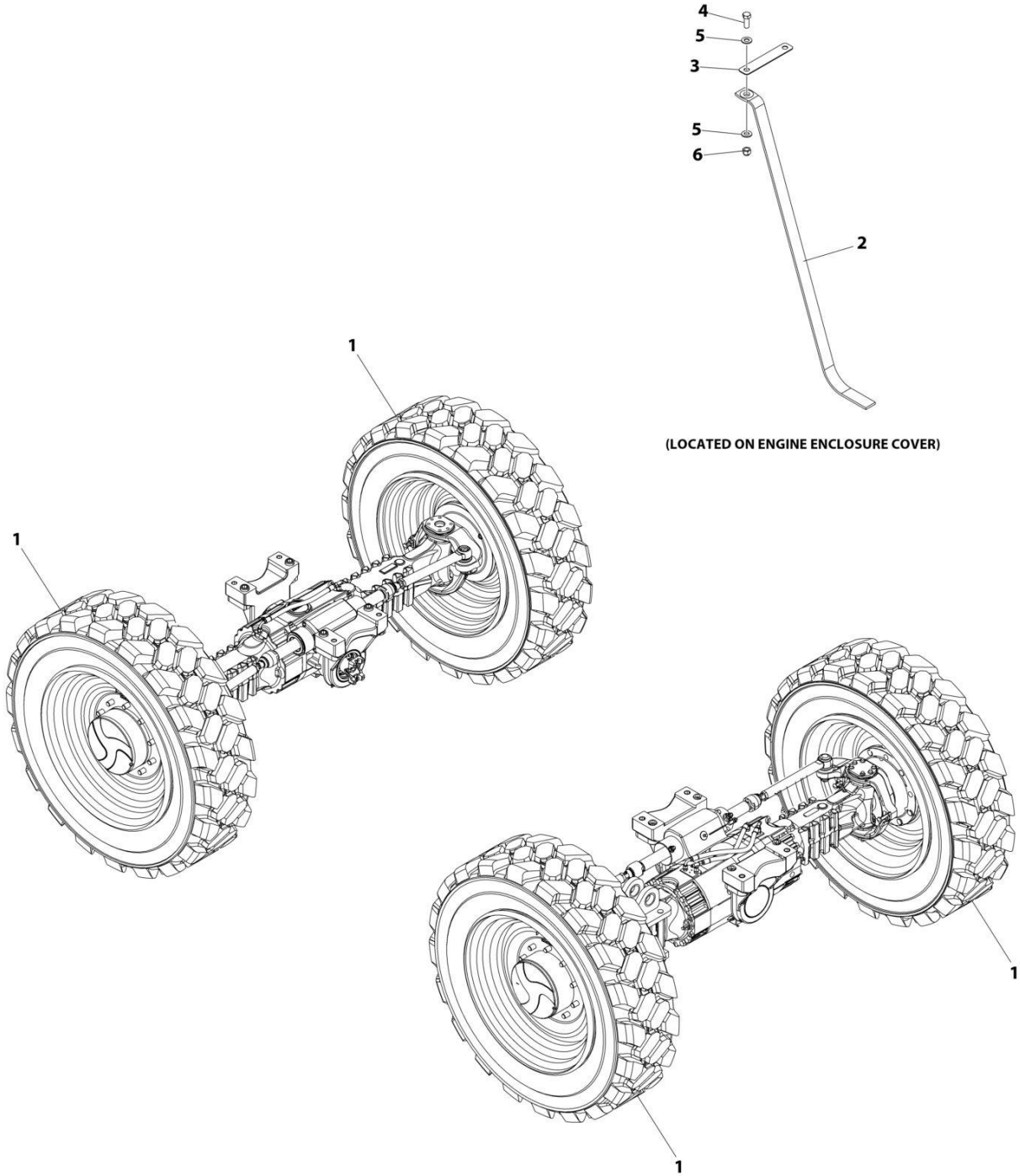
**SECTION 5 - DRIVETRAIN**

**FIGURE 5-90. TIRE/WHEEL ASSEMBLY 370/75-28 - AIR**

<b>ITEM</b>	<b>PART NUMBER</b>	<b>QTY</b>	<b>DESCRIPTION</b>	<b>REV</b>
	1001100323	Ref	Tire/Wheel Assembly 370/75-28 - Air	D
1	8786514	1	Valve, Stem	
2	1001099976	1	Wheel, 28X11w/.216 Offset	
3	1001100284	1	Tire, 370/75-28	

# SECTION 5 - DRIVETRAIN

FIGURE 5-91. TIRE SET, 370/75-28 PNEUMATIC NON-MARKING



(LOCATED ON ENGINE ENCLOSURE COVER)

ART\_1001241846

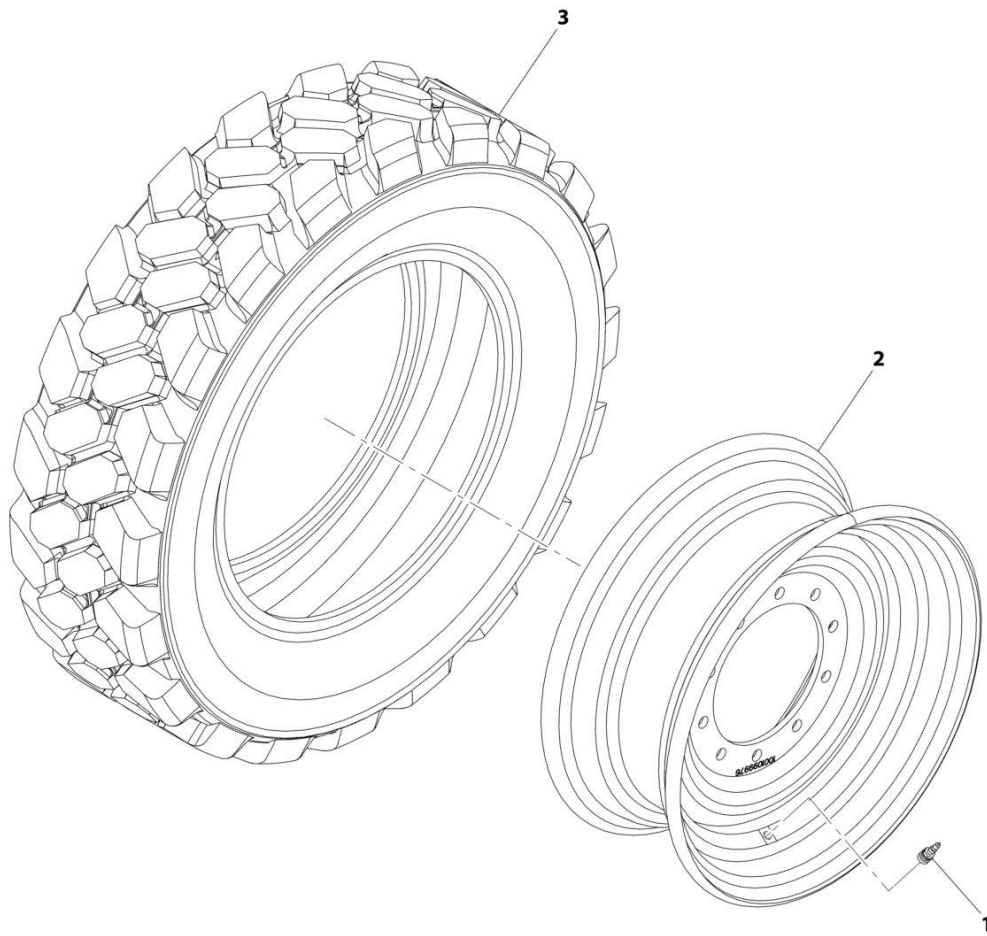
**SECTION 5 - DRIVETRAIN**

**FIGURE 5-91. TIRE SET, 370/75-28 PNEUMATIC NON-MARKING**

<b>ITEM</b>	<b>PART NUMBER</b>	<b>QTY</b>	<b>DESCRIPTION</b>	<b>REV</b>
	1001241846	Ref	TIRE SET, 370/75-28 - PNEUMATIC NON-MARKING	B
1	1001241839	4	Tire and Wheel Assembly	
1	8786514	4	Valve, Air (1 per assembly)	
1	1001099976	4	Wheel (1 per assembly)	
1	1001241838	4	Tire 370/75-28 Non-Marking (1 per assembly)	
2	1001275637	1	Strap, Anti-Static	
3	1001275638	1	Bracket, Anti-Static Strap	
4	8303620	1	Bolt 3/8 x 1	
5	8307110	2	Washer 3/8	
6	8305645	1	Nut 3/8	

# SECTION 5 - DRIVETRAIN

FIGURE 5-92. TIRE & WHEEL ASSY, 370/75-28 PNEUMATIC NON-MARKING



ART\_1001241839-A

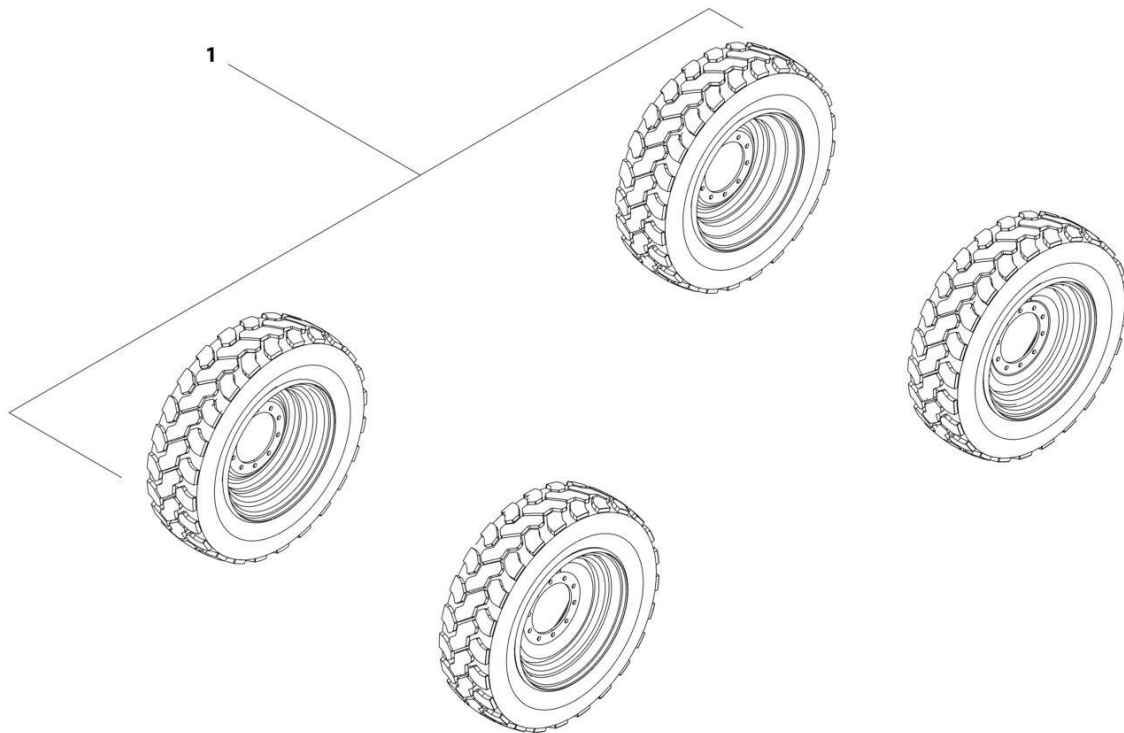
**SECTION 5 - DRIVETRAIN**

**FIGURE 5-92. TIRE & WHEEL ASSY, 370/75-28 PNEUMATIC NON-MARKING**

<b>ITEM</b>	<b>PART NUMBER</b>	<b>QTY</b>	<b>DESCRIPTION</b>	<b>REV</b>
	1001241839	Ref	Tire/Wheel Assembly, 370/75-28 - Pneumatic Non-Marking	A
1	8786514	1	Valve, Stem	
2	1001099976	1	Wheel, 28X11.00	
3	1001241838	1	Tire, 370/75-28 Non-Marking	

# SECTION 5 - DRIVETRAIN

FIGURE 5-93. TIRE/WHEEL SET 370/75-28 - FOAM



ART\_1001121519\_B



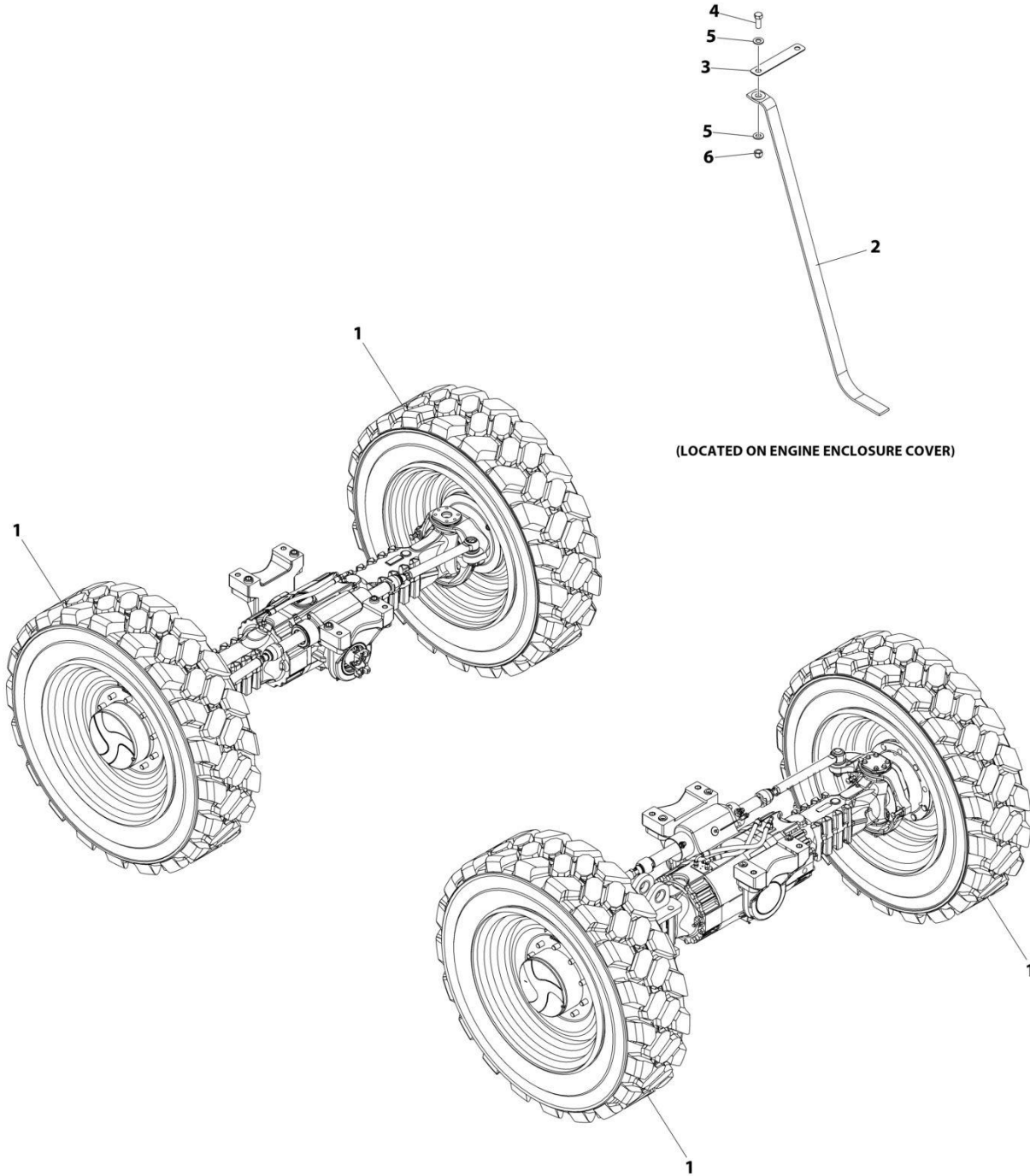
**SECTION 5 - DRIVETRAIN**

**FIGURE 5-93. TIRE/WHEEL SET 370/75-28 - FOAM**

ITEM	PART NUMBER	QTY	DESCRIPTION	REV
	1001121519	Ref	Tire/Wheel Set 370/75-28 - Foam	B
		Ref	Note: Assemblies require ballast/foam filling to manufacture's specifications prior to installing on machine. Refer to Operation & Safety or Service & Maintenance Manuals.	
		Ref	Purchase individual tire and/or wheel only if able to foam fill tire & wheel assembly, otherwise purchase complete assembly.	
1	1001121101	4	Tire/Wheel Assembly 370/75-28 Foam	
1	8786514	4	Valve, Air (1 per assembly)	
1	1001099976	4	Wheel (1 per assembly)	
1	1001100284	4	Tire 370/75-28 Non-Marking (1 per assembly)	

# SECTION 5 - DRIVETRAIN

FIGURE 5-94. TIRE SET, 370/75-28 FOAM NON-MARKING



ART\_1001241847

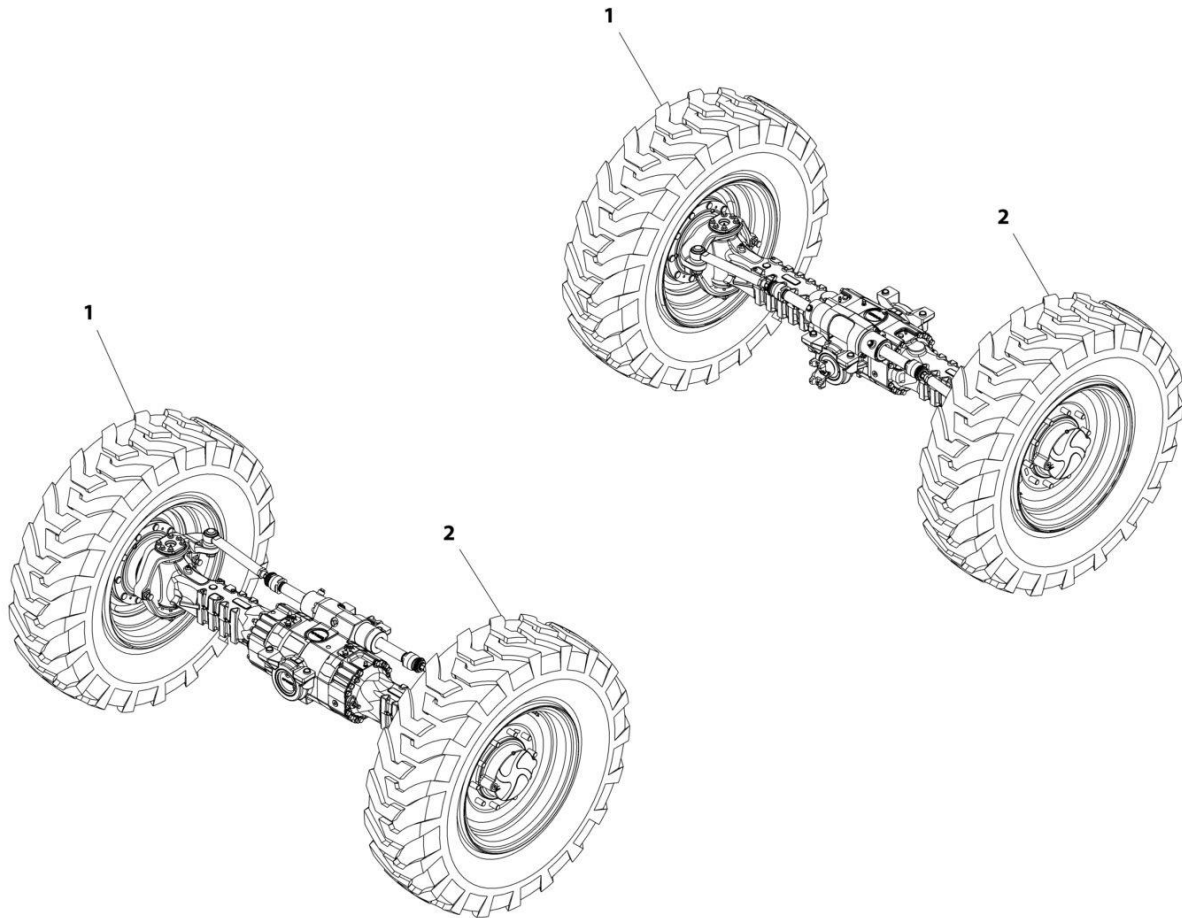
**SECTION 5 - DRIVETRAIN**

**FIGURE 5-94. TIRE SET, 370/75-28 FOAM NON-MARKING**

ITEM	PART NUMBER	QTY	DESCRIPTION	REV
	1001241847	Ref	TIRE/WHEEL SET, 370/75-28 - FOAM NON-MARKING	B
		Ref	Note: Assemblies require ballast/foam filling to manufacture's specifications prior to installing on machine. Refer to Operation & Safety or Service & Maintenance Manuals.	
		Ref	Purchase individual tire and/or wheel only if able to foam fill tire & wheel assembly, otherwise purchase complete assembly.	
1	1001241840	4	Tire and Wheel, 370/75-28 - Foam Non-Marking	
1	8786514	4	Valve, Air (1 per assembly)	
1	1001099976	4	Wheel (1 per assembly)	
1	1001241838	4	Tire 370/75-28 Non-Marking (1 per assembly)	
2	1001275637	1	Strap, Anti-Static	
3	1001275638	1	Bracket, Anti-Static Strap	
4	8303620	1	Bolt 3/8 x 1	
5	8307110	2	Washer 3/8	
6	8305645	1	Nut 3/8	

# SECTION 5 - DRIVETRAIN

FIGURE 5-95. TIRE/WHEEL SET 13-24 16PR - AIR



ART\_1001200151-A

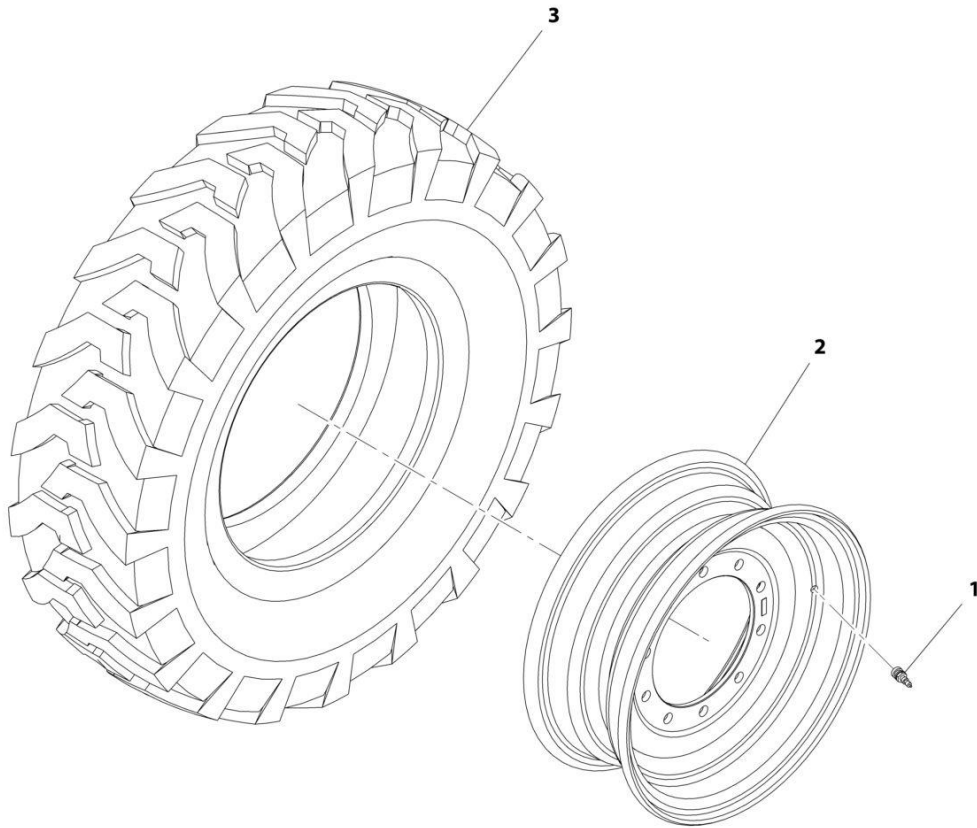
**SECTION 5 - DRIVETRAIN**

**FIGURE 5-95. TIRE/WHEEL SET 13-24 16PR - AIR**

<b>ITEM</b>	<b>PART NUMBER</b>	<b>QTY</b>	<b>DESCRIPTION</b>	<b>REV</b>
	1001200151	1	Tire/Wheel Set 13-24 16PR - Air	A
1	1001199808	2	Assembly, Tire/Wheel Right 13-24 16PR - Air	
1	8786514	1	Valve, Stem	
1	91473206	1	Wheel, 24x9.00 GR	
1	1001199807	1	Tire, 13.00x24 TG 16 PLY G2, BIAS	
2	1001199810	2	Assembly, Tire/Wheel Left 13-24 16PR - Air	
2	8786514	1	Valve, Stem	
2	91473206	1	Wheel, 24x9.00 GR	
2	1001199807	1	Tire, 13.00x24 TG 16 PLY G2, BIAS	

## SECTION 5 - DRIVETRAIN

FIGURE 5-96. TIRE/WHEEL RIGHT ASSEMBLY 13-24 16PR - AIR



ART\_1001199808-A

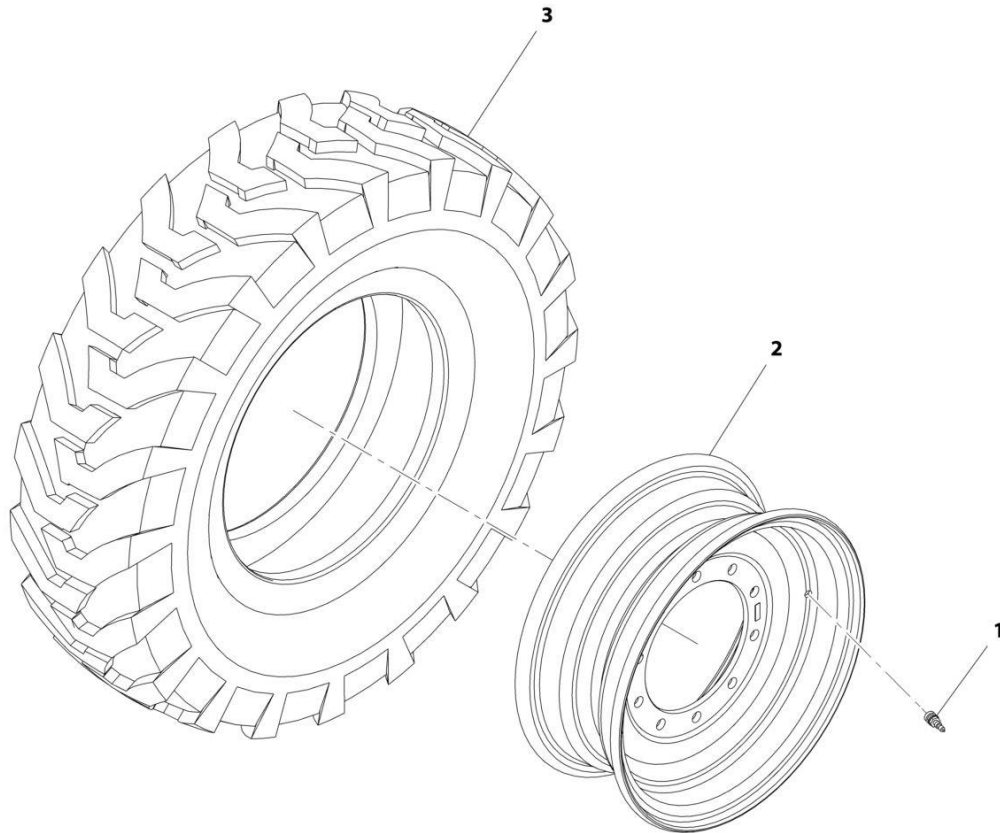
**SECTION 5 - DRIVETRAIN**

**FIGURE 5-96. TIRE/WHEEL RIGHT ASSEMBLY 13-24 16PR - AIR**

<b>ITEM</b>	<b>PART NUMBER</b>	<b>QTY</b>	<b>DESCRIPTION</b>	<b>REV</b>
	1001199808	Ref	Tire/Wheel Right Assembly 13-24 16PR - Air	A
1	8786514	1	Valve, Stem	
2	91473206	1	Wheel, 24x9.00 GR	
3	1001199807	1	Tire, 13.00x24 TG 16 PLY G2, BIAS	

# SECTION 5 - DRIVETRAIN

FIGURE 5-97. TIRE/WHEEL LEFT ASSEMBLY 13-24 16PR - AIR



ART\_1001199810-A



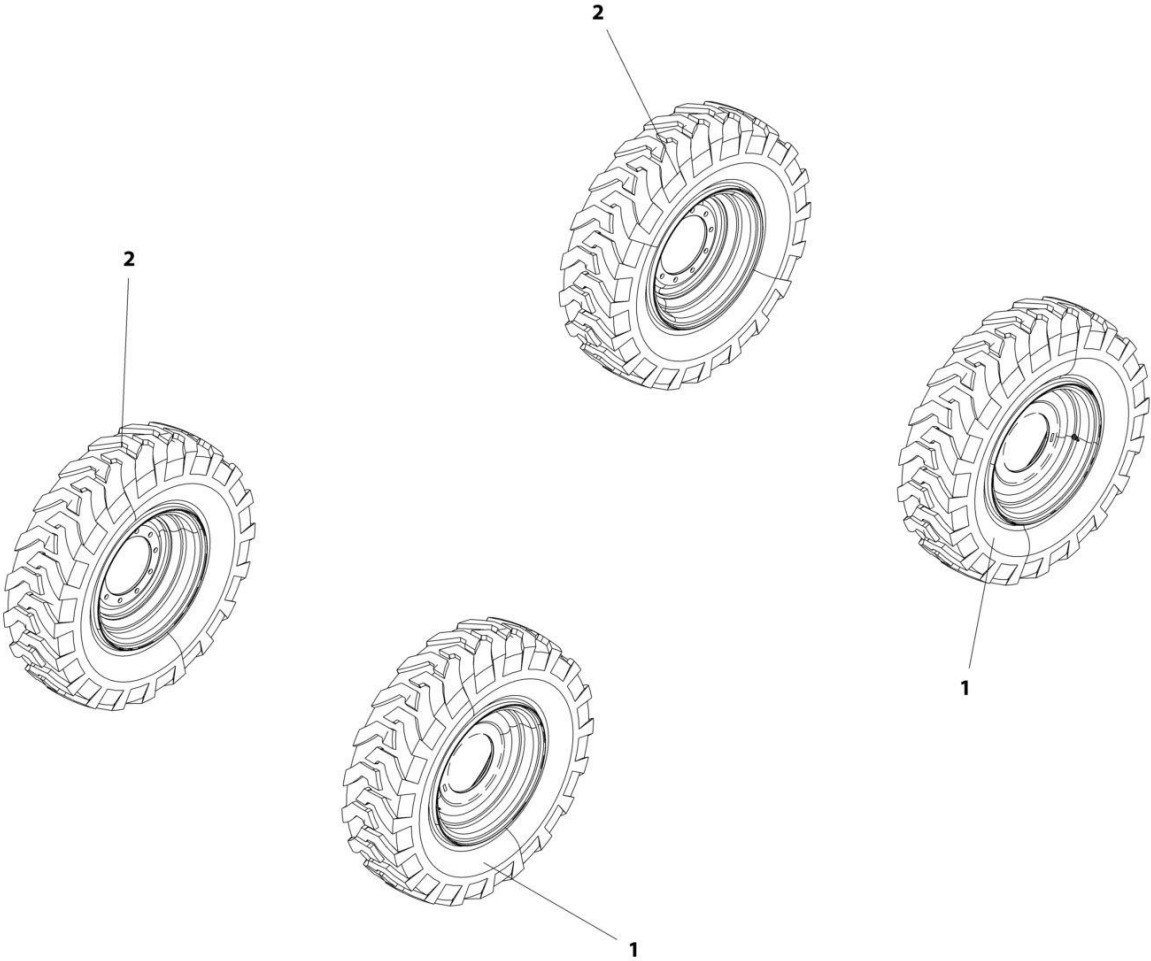
**SECTION 5 - DRIVETRAIN**

**FIGURE 5-97. TIRE/WHEEL LEFT ASSEMBLY 13-24 16PR - AIR**

<b>ITEM</b>	<b>PART NUMBER</b>	<b>QTY</b>	<b>DESCRIPTION</b>	<b>REV</b>
	1001199810	Ref	Tire/Wheel Left Assembly 13-24 16PR - Air	A
1	8786514	1	Valve, Stem	
2	91473206	1	Wheel, 24x9.00 GR	
3	1001199807	1	Tire, 13.00x24 TG 16 PLY G2, BIAS	

**SECTION 5 - DRIVETRAIN**

**FIGURE 5-98. TIRE/WHEEL SET 13-24 12PR - FOAM**



ART\_4520370\_B

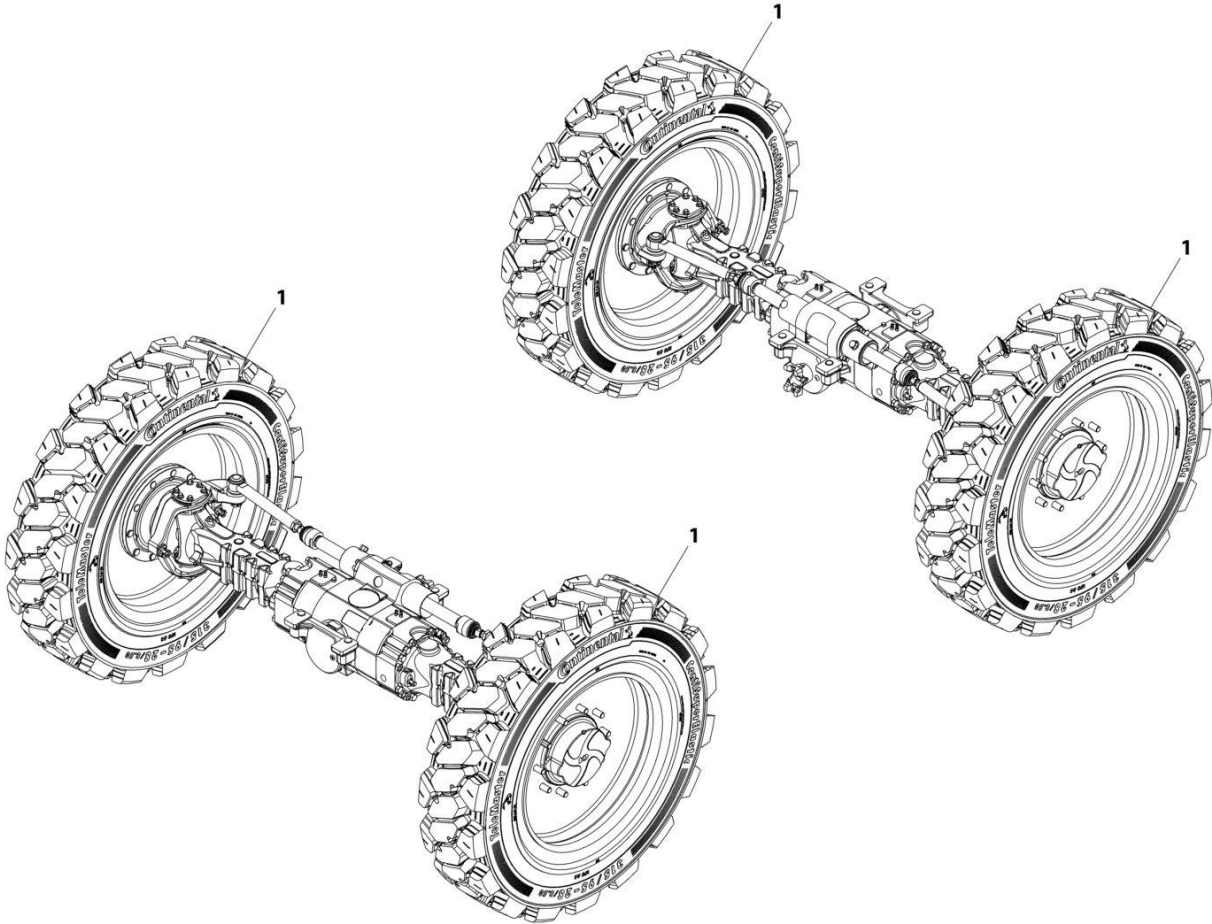
**SECTION 5 - DRIVETRAIN**

**FIGURE 5-98. TIRE/WHEEL SET 13-24 12PR - FOAM**

ITEM	PART NUMBER	QTY	DESCRIPTION	REV
	4520370	Ref	Tire/Wheel Set 13-24 12PR - Foam	B
		Ref	Note: Assemblies require ballast/foam filling to manufacture's specifications prior to installing on machine. Refer to Operation & Safety or Service & Maintenance Manuals.	
		Ref	Purchase individual tire and/or wheel only if able to foam fill tire & wheel assembly, otherwise purchase complete assembly.	
1	91475054	2	Tire/Wheel Assembly - RH 13-24 G-2 - Foam	
1	8780031	2	Tire, 13.00x24 TG 16 PLY G2, BIAS (1 Per Assembly)	
1	8786514	2	Valve, Stem (1 Per Assembly)	
1	91473206	2	Wheel, 24x9.00 GR (1 Per Assembly)	
2	91475055	2	Tire/Wheel Assembly - LH 13-24 G-2 - Foam	
2	8780031	2	Tire, 13.00x24 TG 16 PLY G2, BIAS (1 Per Assembly)	
2	8786514	2	Valve, Stem (1 Per Assembly)	
2	91473206	2	Wheel, 24x9.00 GR (1 Per Assembly)	

**SECTION 5 - DRIVETRAIN**

**FIGURE 5-99. TIRE/WHEEL SET 315/95-28 - SOLID**



ART\_1001221503-A

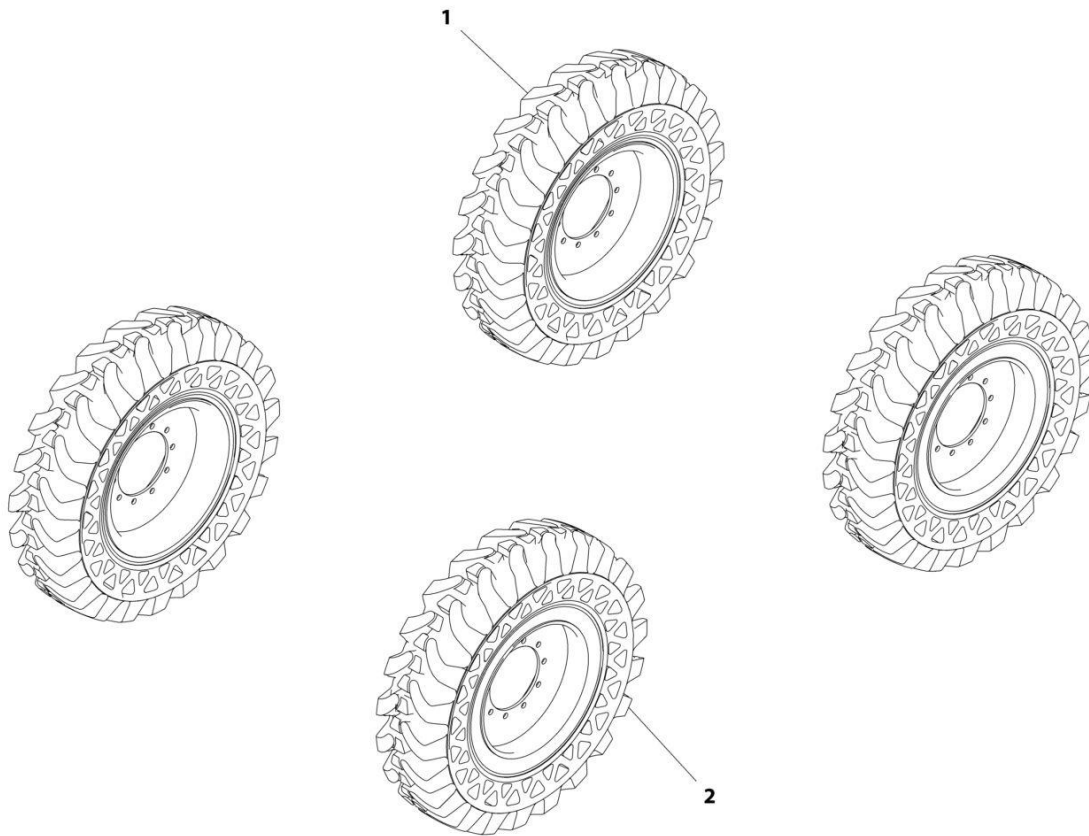
**SECTION 5 - DRIVETRAIN**

**FIGURE 5-99. TIRE/WHEEL SET 315/95-28 - SOLID**

<b>ITEM</b>	<b>PART NUMBER</b>	<b>QTY</b>	<b>DESCRIPTION</b>	<b>REV</b>
	1001221503	1	Tire/Wheel Set 315/95-28 - Solid	A
1	1001213199J	4	Tire/Wheel Solid 315/95-28/8.50 - 8M Offset	

## SECTION 5 - DRIVETRAIN

FIGURE 5-100. TIRE/WHEEL SET 13-24 - SOLID (Prior to SN 0160083905)



ART\_1001151106-A

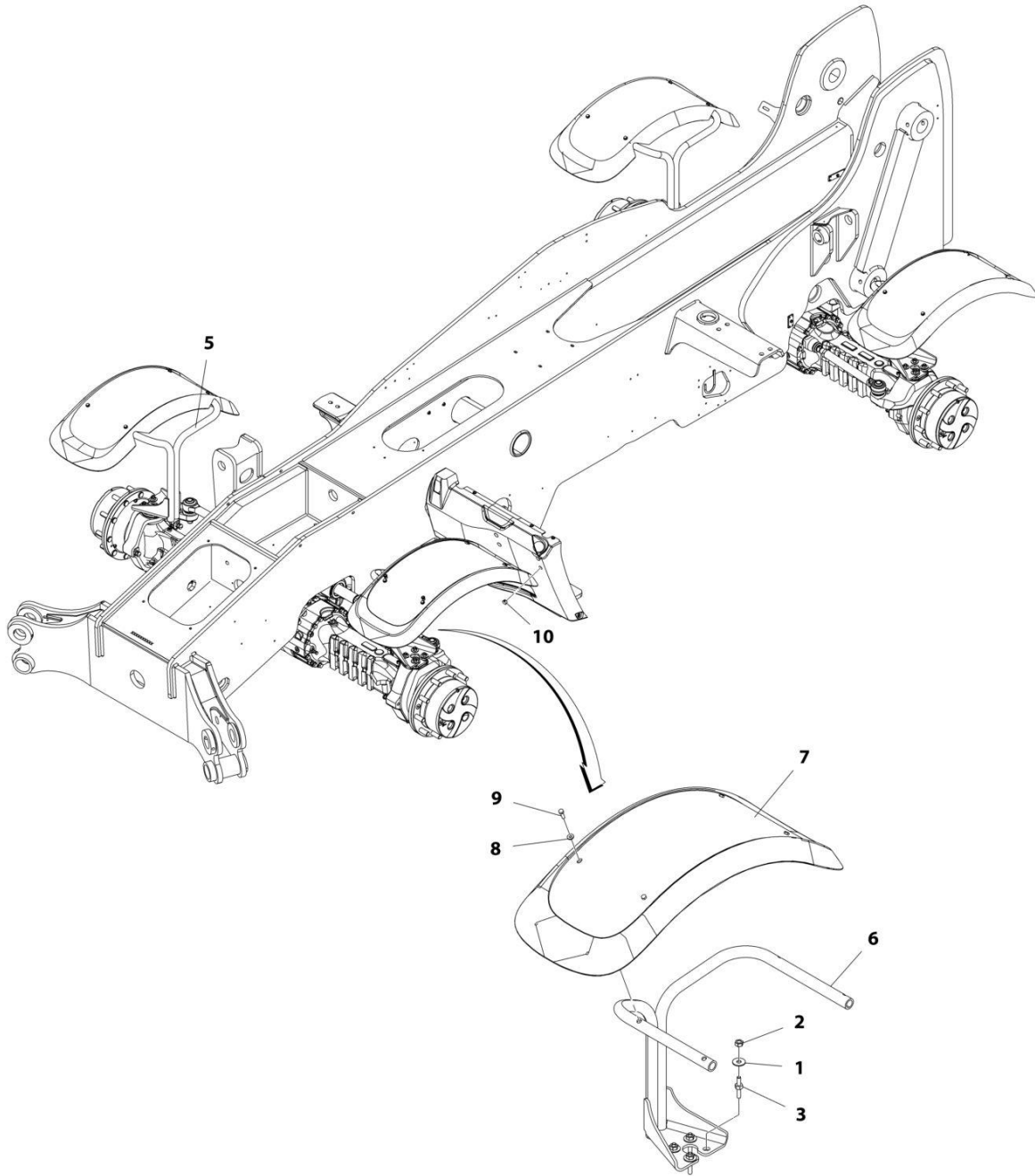
**SECTION 5 - DRIVETRAIN**

**FIGURE 5-100. TIRE/WHEEL SET 13-24 - SOLID (Prior to SN 0160083905)**

<b>ITEM</b>	<b>PART NUMBER</b>	<b>QTY</b>	<b>DESCRIPTION</b>	<b>REV</b>
	1001151106	1	Tire/Wheel Set 13-24 - Solid	A
1	1001151097	2	Tire/Wheel Left 13-24 .219 - Offset	
2	1001151098	2	Tire/Wheel Right 13-24 .219 - Offset	

# SECTION 5 - DRIVETRAIN

## FIGURE 5-101. FENDER INSTALLATION



ART\_1001171242-E



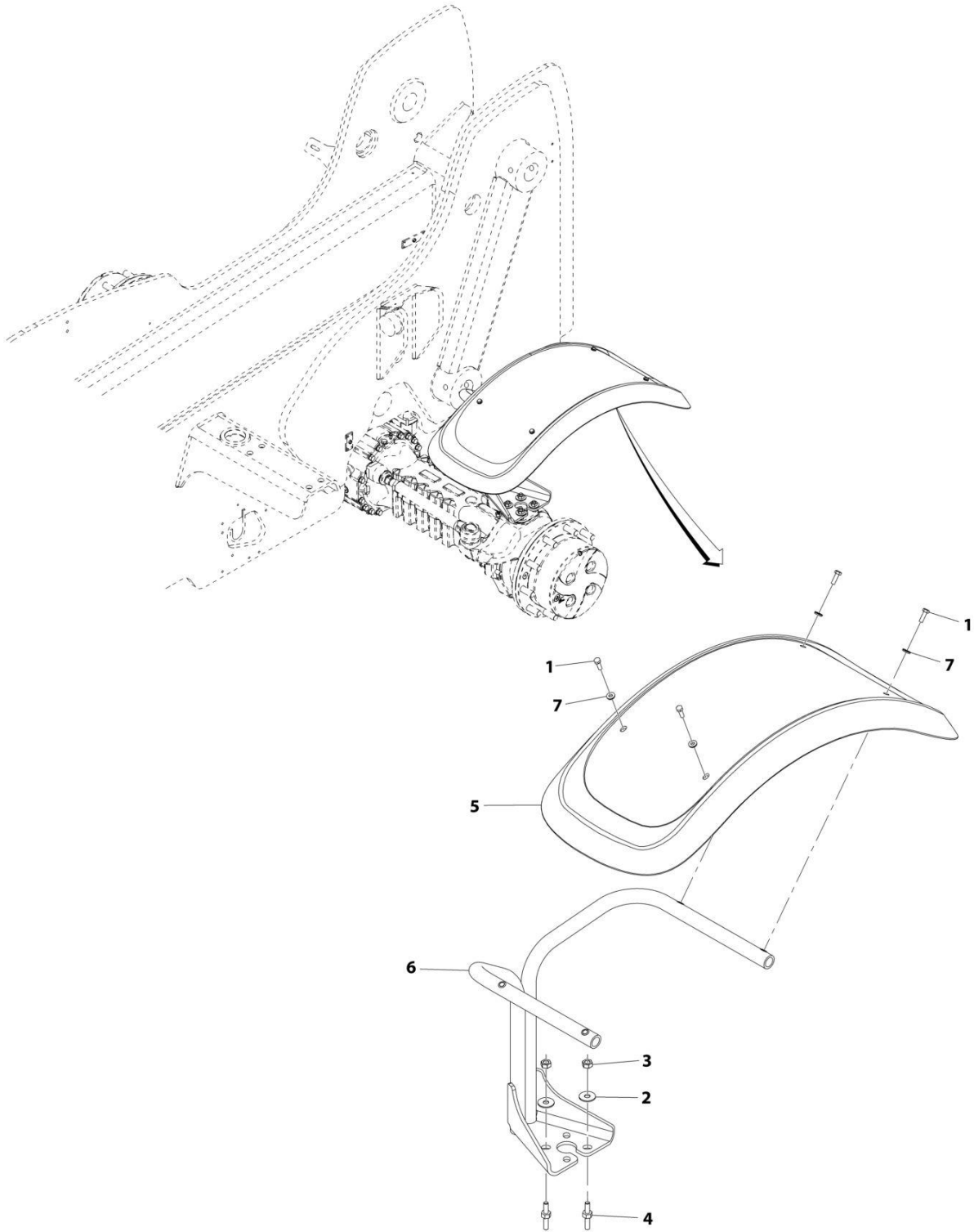
**SECTION 5 - DRIVETRAIN**

**FIGURE 5-101. FENDER INSTALLATION**

<b>ITEM</b>	<b>PART NUMBER</b>	<b>QTY</b>	<b>DESCRIPTION</b>	<b>REV</b>
	1001171242	Ref	Fender Installation	E
1	4812102	16	Washer, M12	
2	91513266	16	Nut, M12X1.25	
3	91514118	16	Stud, Fender	
5	1001202513	2	RH Bracket	
6	1001202512	2	LH Bracket	
7	1001168264	4	Fender	
8	1001202786	16	Washer	
9	0760812	16	Screw, M8X25	
10	1001208338	4	Plug	

# SECTION 5 - DRIVETRAIN

## FIGURE 5-102. CAB FENDER INSTALLATION REAR (LH)



ART\_1001236542-A

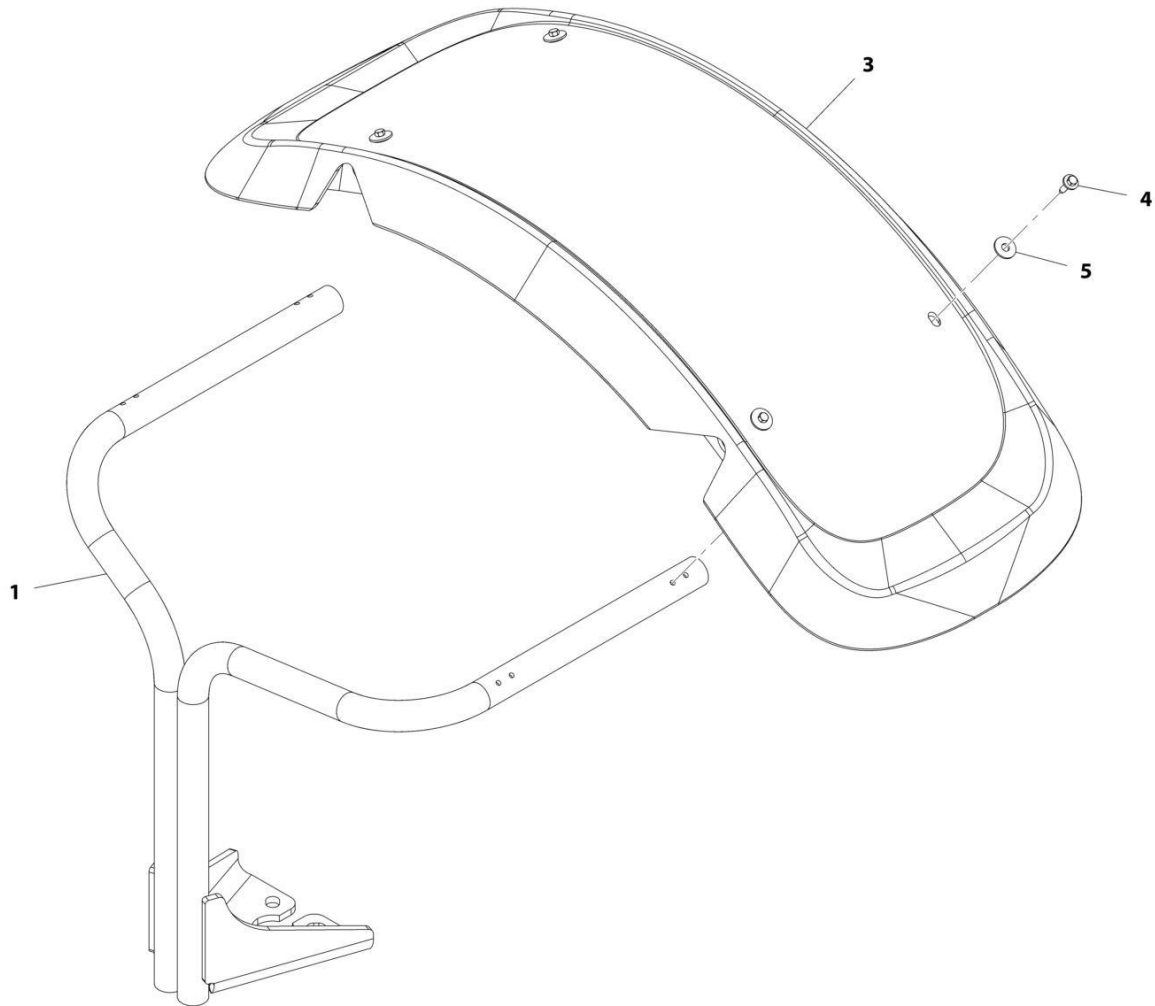
**SECTION 5 - DRIVETRAIN**

**FIGURE 5-102. CAB FENDER INSTALLATION REAR (LH)**

<b>ITEM</b>	<b>PART NUMBER</b>	<b>QTY</b>	<b>DESCRIPTION</b>	<b>REV</b>
	1001236542	Ref	Cab Fender Installation Rear (LH)	A
1	0760812	4	Bolt, M8X25	
2	4812102	4	Washer, M12	
3	91513266	4	Nut, M12X1.25	
4	91514118	4	Stud	
5	1001168264	1	Fender	
6	1001202512	1	Bracket	
7	1001202786	4	Washer	

# SECTION 5 - DRIVETRAIN

FIGURE 5-103. RH FENDER ASSEMBLY (Prior to SN 0160073783)



ART\_1001168261-E

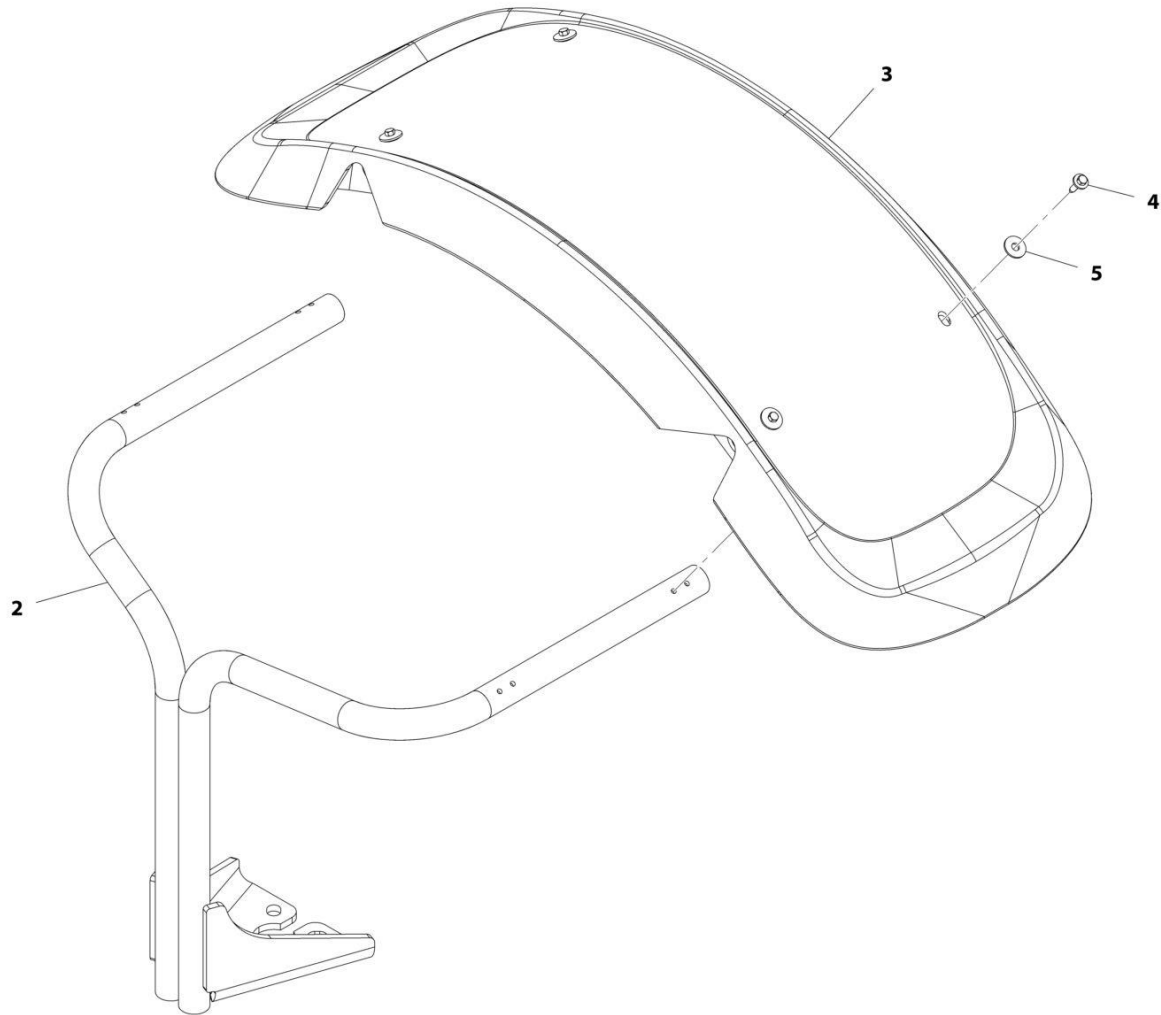
**SECTION 5 - DRIVETRAIN**

**FIGURE 5-103. RH FENDER ASSEMBLY (Prior to SN 0160073783)**

<b>ITEM</b>	<b>PART NUMBER</b>	<b>QTY</b>	<b>DESCRIPTION</b>	<b>REV</b>
	1001168261	Ref	RH Fender Assembly	E
1	1001168178	1	Bracket	
3	1001168264	1	Fender	
4	1001201904	4	Screw	
5	1001201905	4	Washer	

# SECTION 5 - DRIVETRAIN

FIGURE 5-104. LH FENDER ASSEMBLY (Prior to SN 0160073783)



ART\_1001168262-E

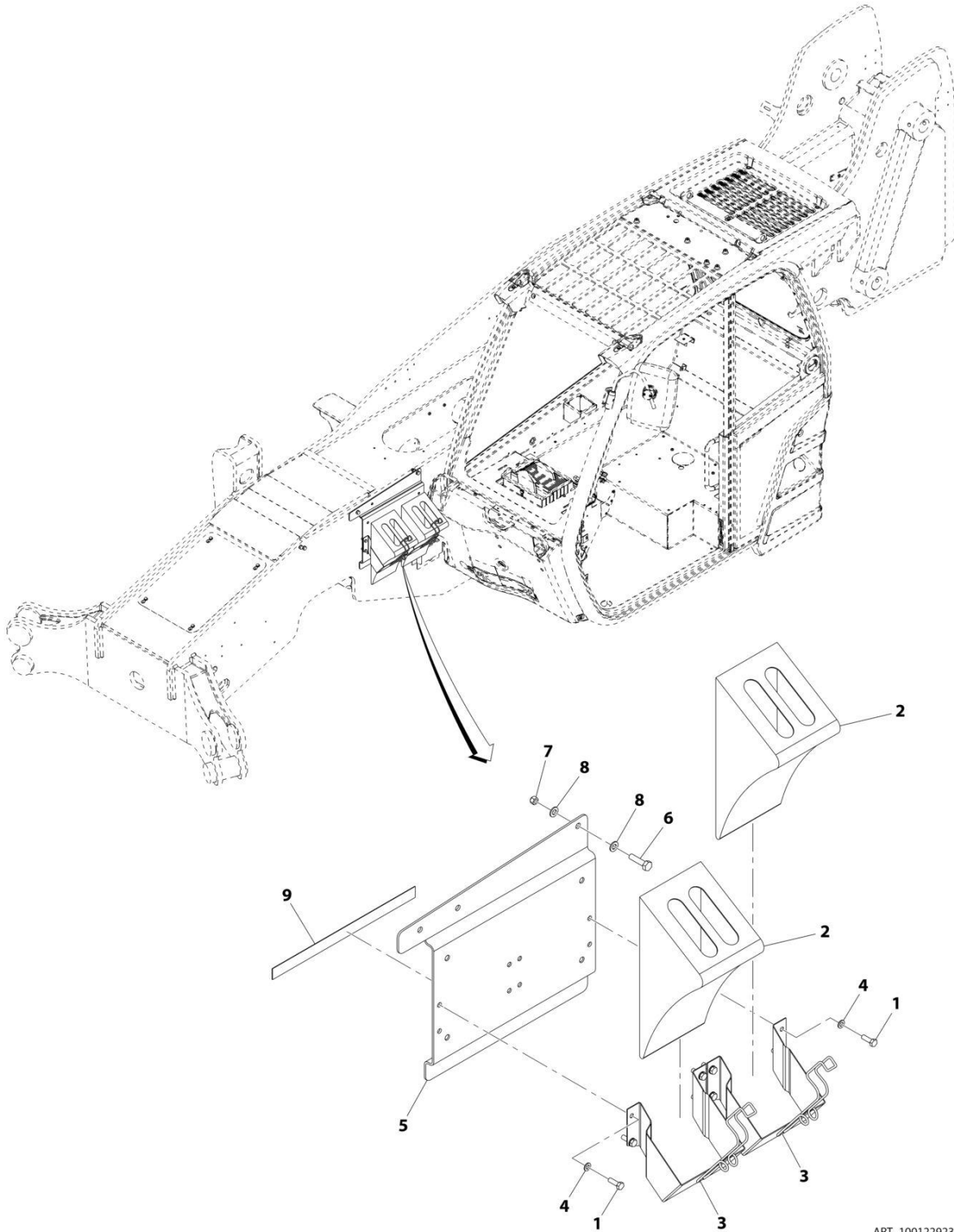
**SECTION 5 - DRIVETRAIN**

**FIGURE 5-104. LH FENDER ASSEMBLY (Prior to SN 0160073783)**

<b>ITEM</b>	<b>PART NUMBER</b>	<b>QTY</b>	<b>DESCRIPTION</b>	<b>REV</b>
	1001168262	Ref	LH Fender Assembly	E
2	1001168182	1	Bracket	
3	1001168264	1	Fender	
4	1001201904	4	Screw	
5	1001201905	4	Washer	

# SECTION 5 - DRIVETRAIN

## FIGURE 5-105. WHEEL CHOCK INSTALLATION



ART\_1001229235-B



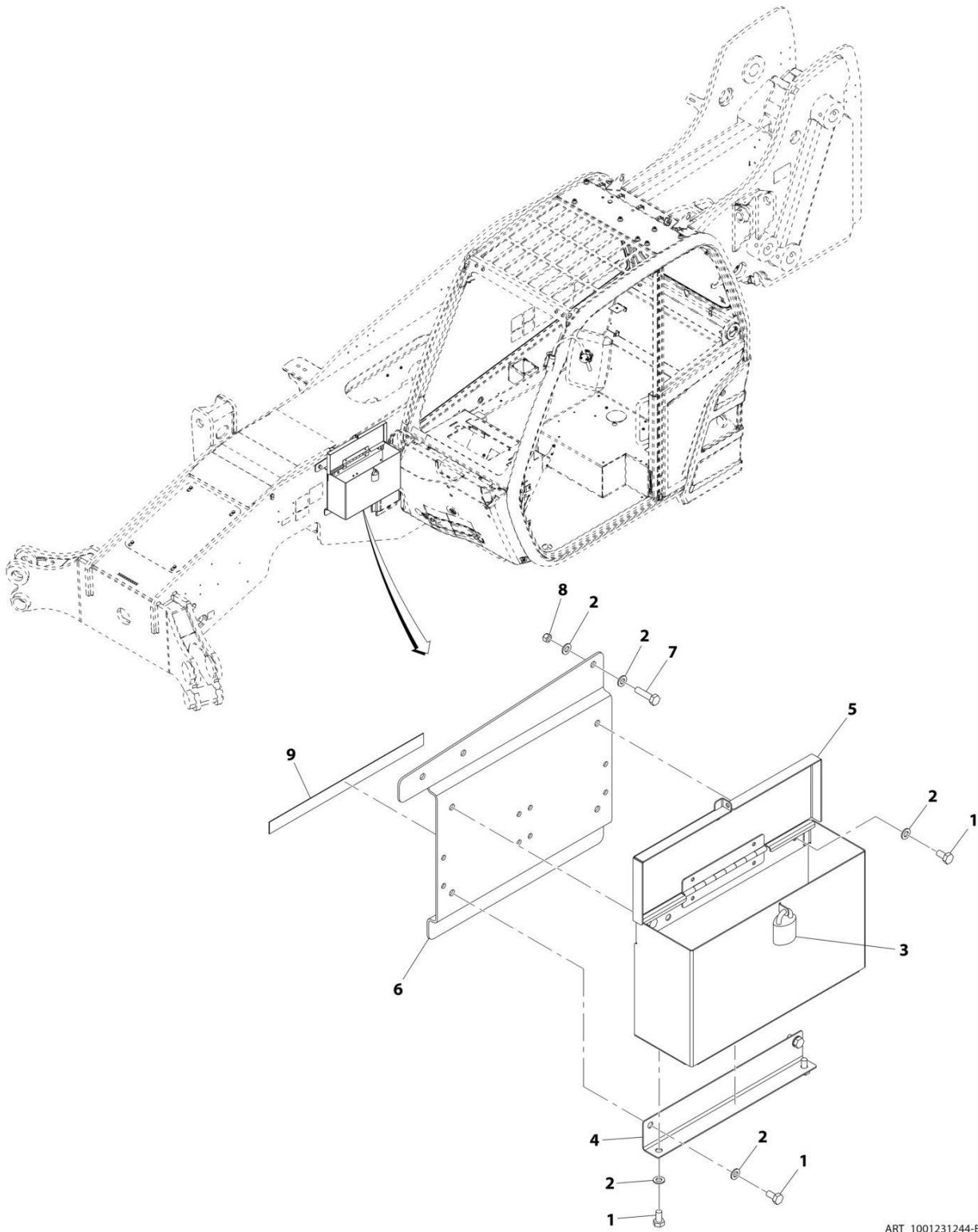
**SECTION 5 - DRIVETRAIN**

**FIGURE 5-105. WHEEL CHOCK INSTALLATION**

<b>ITEM</b>	<b>PART NUMBER</b>	<b>QTY</b>	<b>DESCRIPTION</b>	<b>REV</b>
	1001229235	Ref	Wheel Chock Installation (If equipped)	B
1	0700812	8	Screw, 8X25 LG	
2	806253	2	Wedge	
3	806264	2	Holder	
4	4811900	8	Washer, 8mm	
5	1001230713J	1	Bracket	
6	0701016	1	Bolt, M10X40	
7	3290805	1	Nut, Lock M8X1.25	
8	4812000	2	Washer, M10	
9	1001165978	380 mm	Adhesive	

# SECTION 5 - DRIVETRAIN

## FIGURE 5-106. TOOLBOX INSTALLATION



ART\_1001231244-B

**SECTION 5 - DRIVETRAIN**

**FIGURE 5-106. TOOLBOX INSTALLATION**

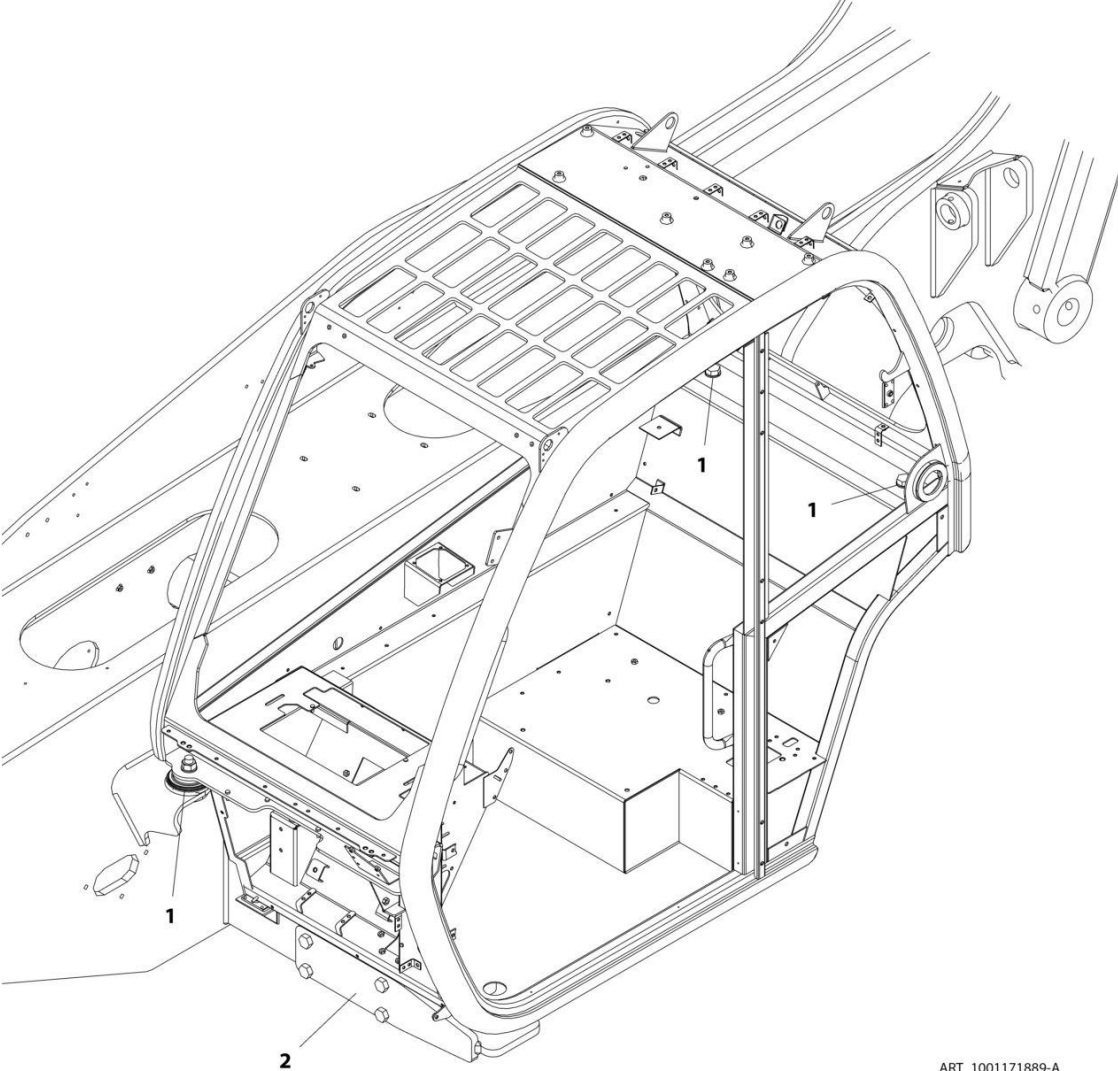
<b>ITEM</b>	<b>PART NUMBER</b>	<b>QTY</b>	<b>DESCRIPTION</b>	<b>REV</b>
	1001231244	Ref	ToolBox Installation (If equipped)	B
1	0761010	6	Bolt, M10X20	
2	4812000	8	Washer, M10	
3	1001008687	1	Padlock	
4	1001178729	1	Bracket	
5	1001192836	1	Box	
6	1001230713J	1	Bracket	
7	0701016	1	Bolt, M10X40	
8	3290805	1	Nut, Lock M8X1.25	
9	1001165978	380 mm	Adhesive	



**SECTION 6 - CAB**

**SECTION 6 - CAB**

**FIGURE 6-1. CAB MOUNTING**



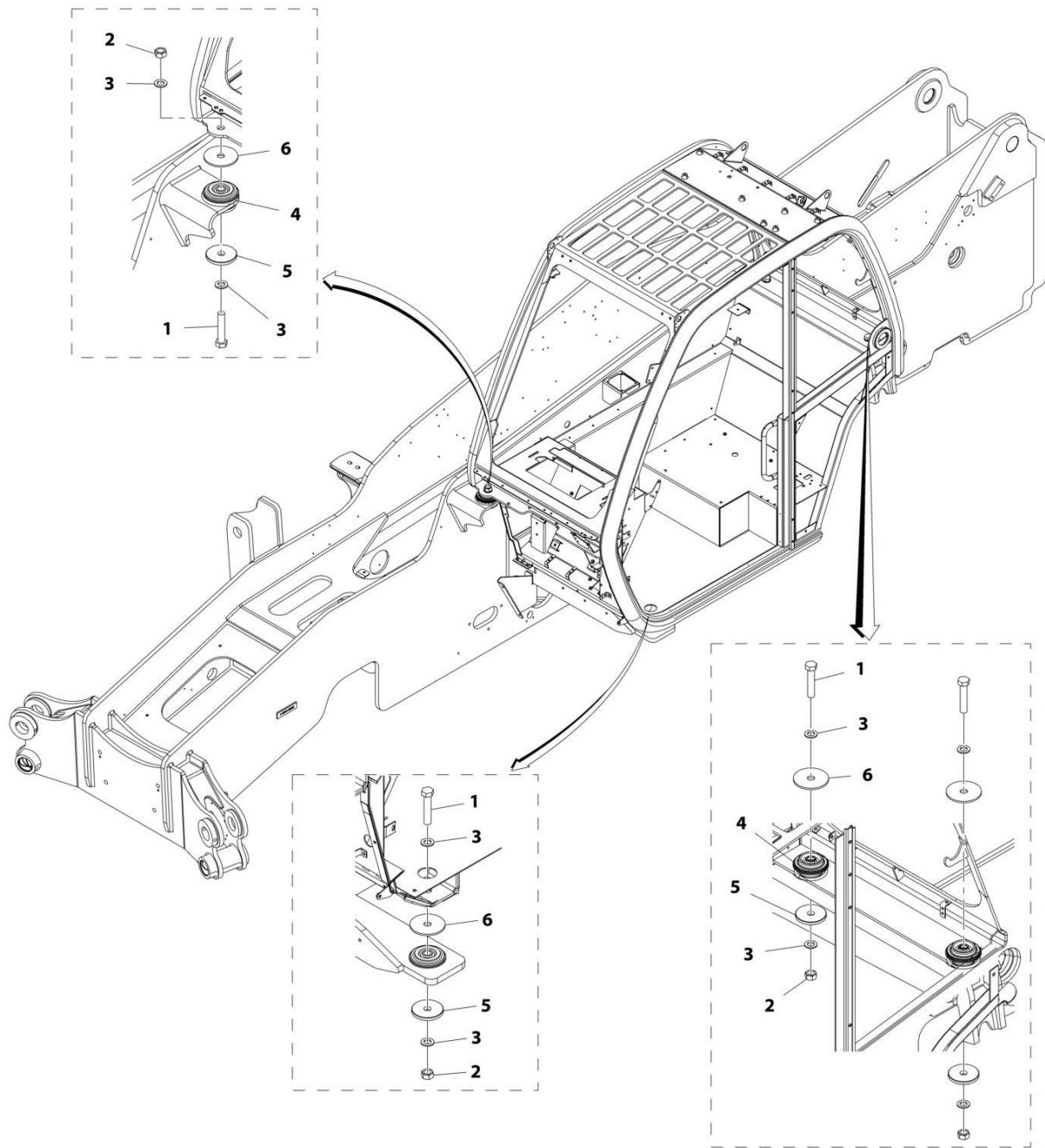
ART\_1001171889-A

**FIGURE 6-1. CAB MOUNTING**

<b>ITEM</b>	<b>PART NUMBER</b>	<b>QTY</b>	<b>DESCRIPTION</b>	<b>REV</b>
	1001171889	Ref	Cab Mounting	A
1	1001155446	1	Installation, Cab Mounts (See Separate Breakdown in this Section)	
2	1001171890	1	Installation, Front Cab Outrigger (See Separate Breakdown in this Section)	

# SECTION 6 - CAB

## FIGURE 6-2. CAB MOUNTS INSTALLATION



ART\_1001155446-E

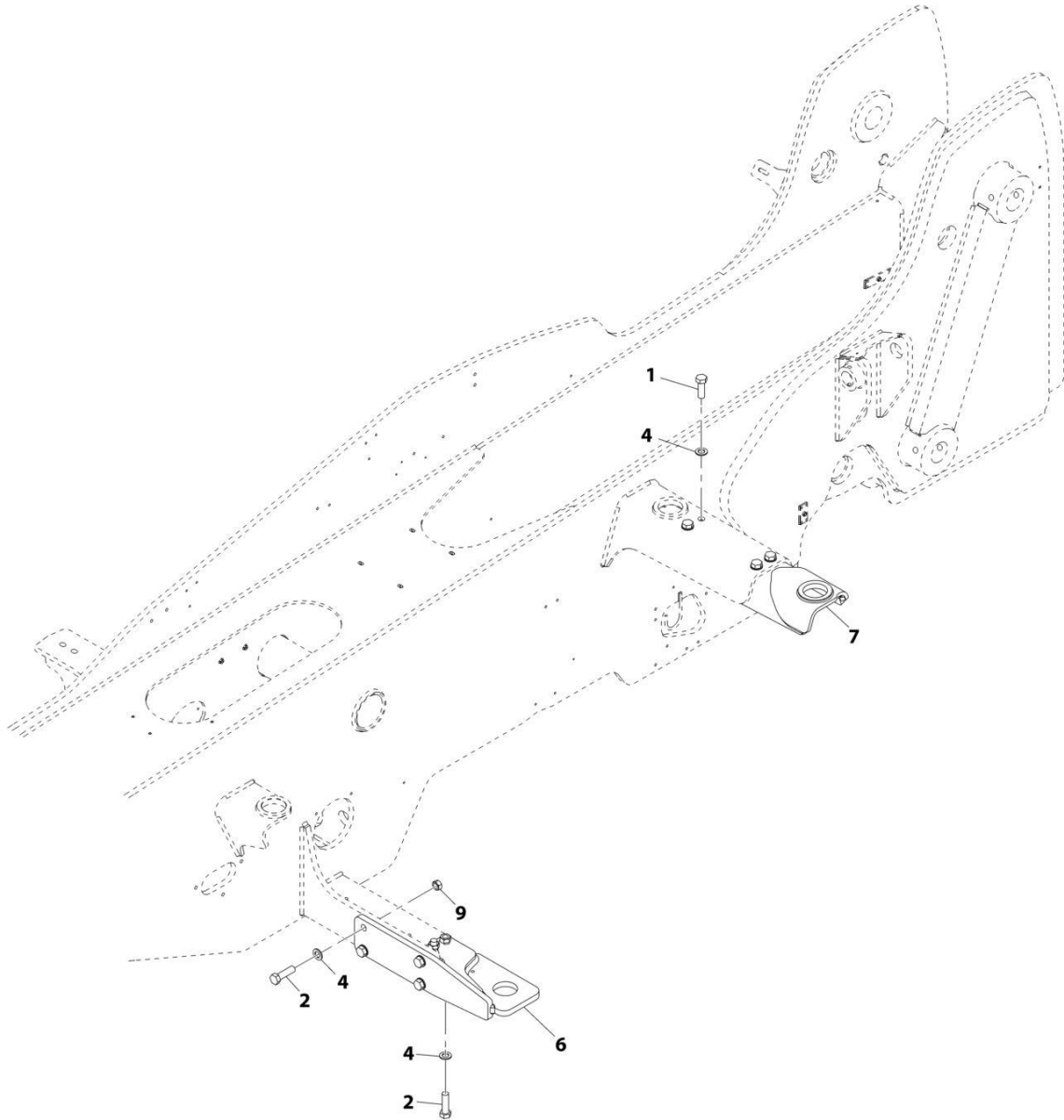


FIGURE 6-2. CAB MOUNTS INSTALLATION

ITEM	PART NUMBER	QTY	DESCRIPTION	REV
	1001155446	Ref	Cab Mounts Installation	E
1	0712027	4	Bolt, M20X100	
2	3332011	4	Nut, M20X2.5	
3	4812500	8	Washer, M20	
4	1001166754	4	Mount, Cab Isolation	
5	1001166755	4	Washer, Cab Rebound	
6	1001220540	4	Washer, Cab Mount	

# SECTION 6 - CAB

## FIGURE 6-3. FRONT CAB OUTRIGGER INSTALLATION



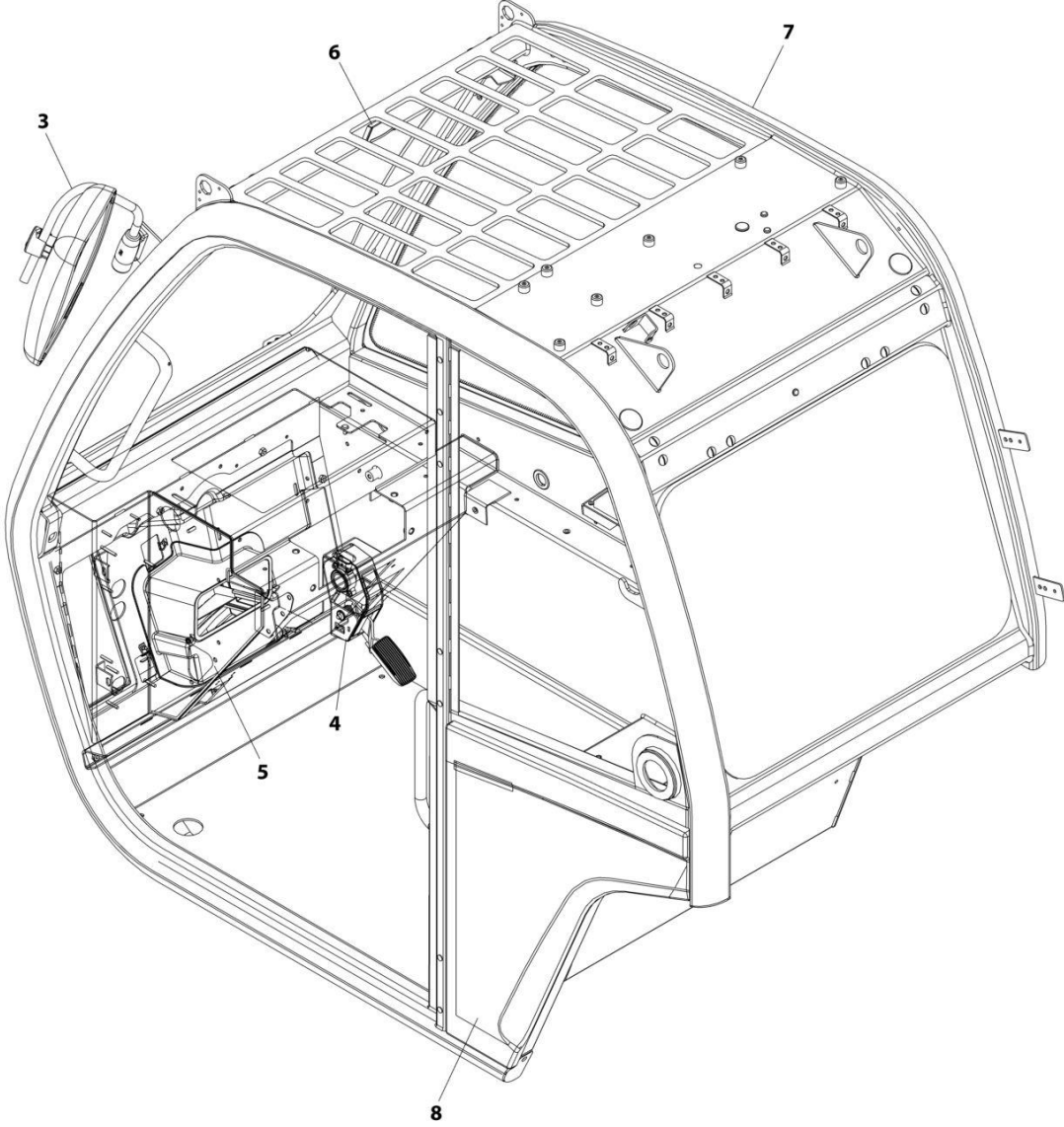
ART\_1001171890-E

FIGURE 6-3. FRONT CAB OUTRIGGER INSTALLATION

ITEM	PART NUMBER	QTY	DESCRIPTION	REV
	1001171890	Ref	Front Cab Outrigger Installation	E
1	0712020	4	Bolt, M20X60	
2	0712022	6	Bolt, M20X70	
4	4812500	10	Washer, M20	
6	1001208106	1	Bracket, Front Lower Cab	
7	1001210782	1	Bracket, Rear Cab Mount	
9	3292001	4	Hex Nut, M20X2.5	

**SECTION 6 - CAB**

**FIGURE 6-4. OROPS CAB INSTALLATION**



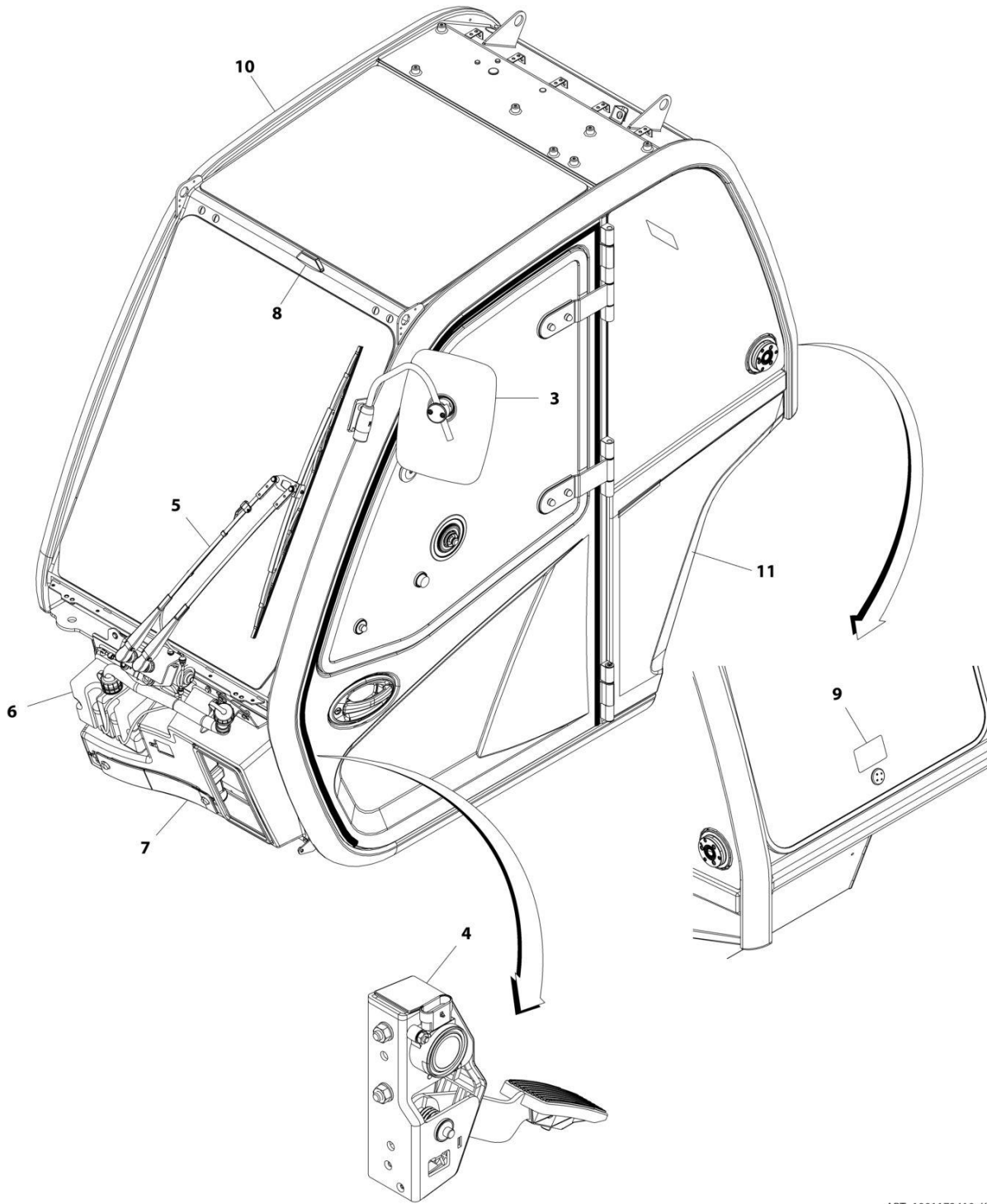
ART\_1001154984\_I

FIGURE 6-4. OROPS CAB INSTALLATION

ITEM	PART NUMBER	QTY	DESCRIPTION	REV
	1001154984	Ref	OROPS Cab Installation	J
3	1001160508	Ref	Installation, Mirror (See Separate Breakdown in this Section)	
4	1001161499	Ref	Installation, Accelerator Pedal (See Separate Breakdown in Controls Section)	
5	1001293104	Ref	Installation, Front Cover (See Separate Breakdown in this Section)	
6	1001172401	Ref	Installation, Level Indicator (See Separate Breakdown in this Section)	
7	1001214326	Ref	Cab (See Separate Breakdown in this Section)	
8	1001214331	Ref	Installation, Open Cab (See Separate Breakdown in this Section)	

# SECTION 6 - CAB

## FIGURE 6-5. EROPS CAB INSTALLATION



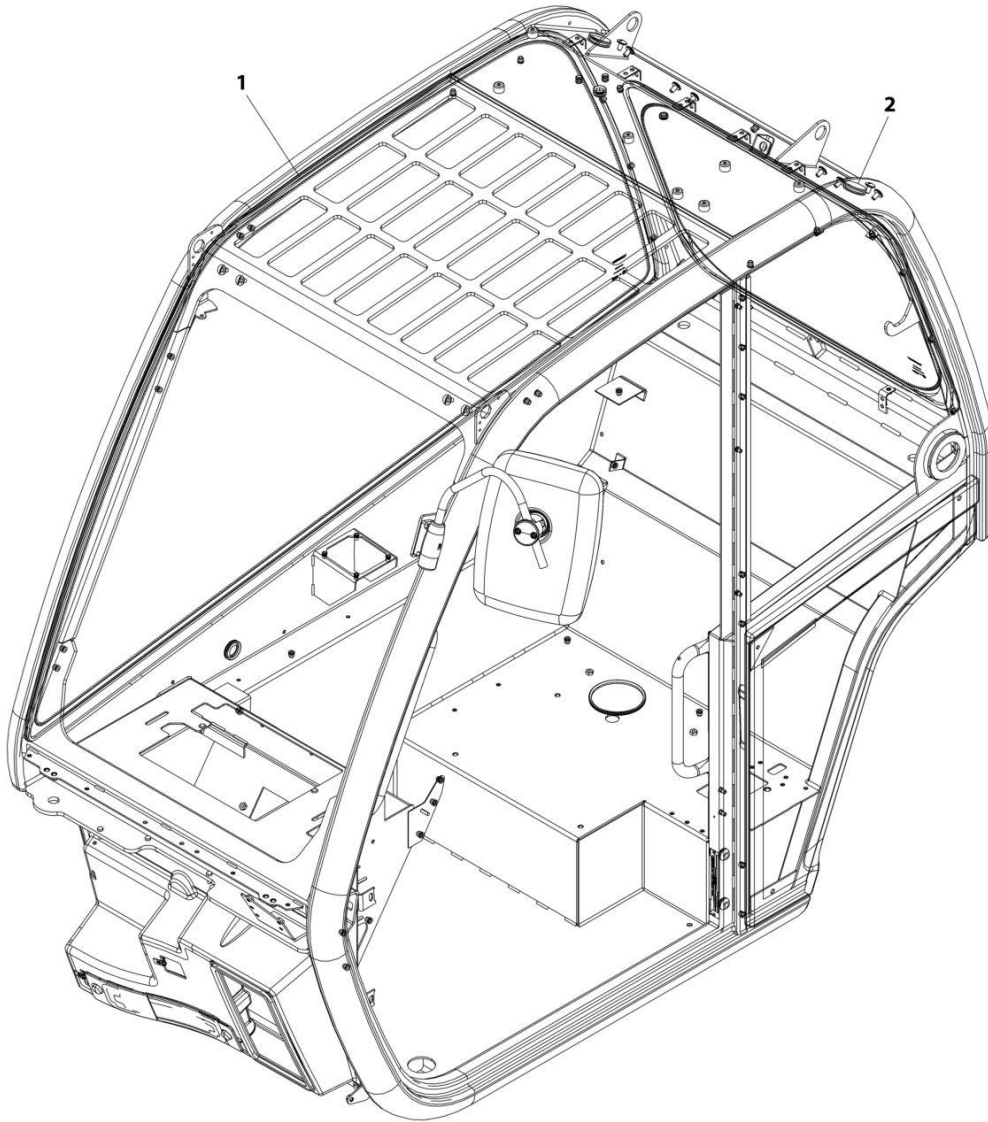
ART\_1001173419\_K

FIGURE 6-5. EROPS CAB INSTALLATION

ITEM	PART NUMBER	QTY	DESCRIPTION	REV
	1001173419	Ref	EROPS CAB INSTALLATION	K
3	1001160508	Ref	Installation, Mirror (See Separate Breakdown in this Section)	
4	1001161499	Ref	Installation, Accelerator Pedal (See Separate Breakdown in Controls Section)	
5	1001155447	Ref	Installation, Front Wiper (See Separate Breakdown in this Section)	
6	1001162789	Ref	Installation, Washer Tank (See Separate Breakdown in this Section)	
7	1001170366	Ref	Installation, Front Cover (See Separate Breakdown in this Section)	
8	1001172401	Ref	Installation, Level Indicator (See Separate Breakdown in this Section)	
9	1001204598	1	Decal, Emergency Exit	
10	1001214326	Ref	Cab (See Separate Breakdown in this Section)	
11	1001214332	Ref	Installation, Enclosed Cab (See Separate Breakdown in this Section)	

# SECTION 6 - CAB

## FIGURE 6-6. CAB, TRIM KIT



ART\_1001214331\_E

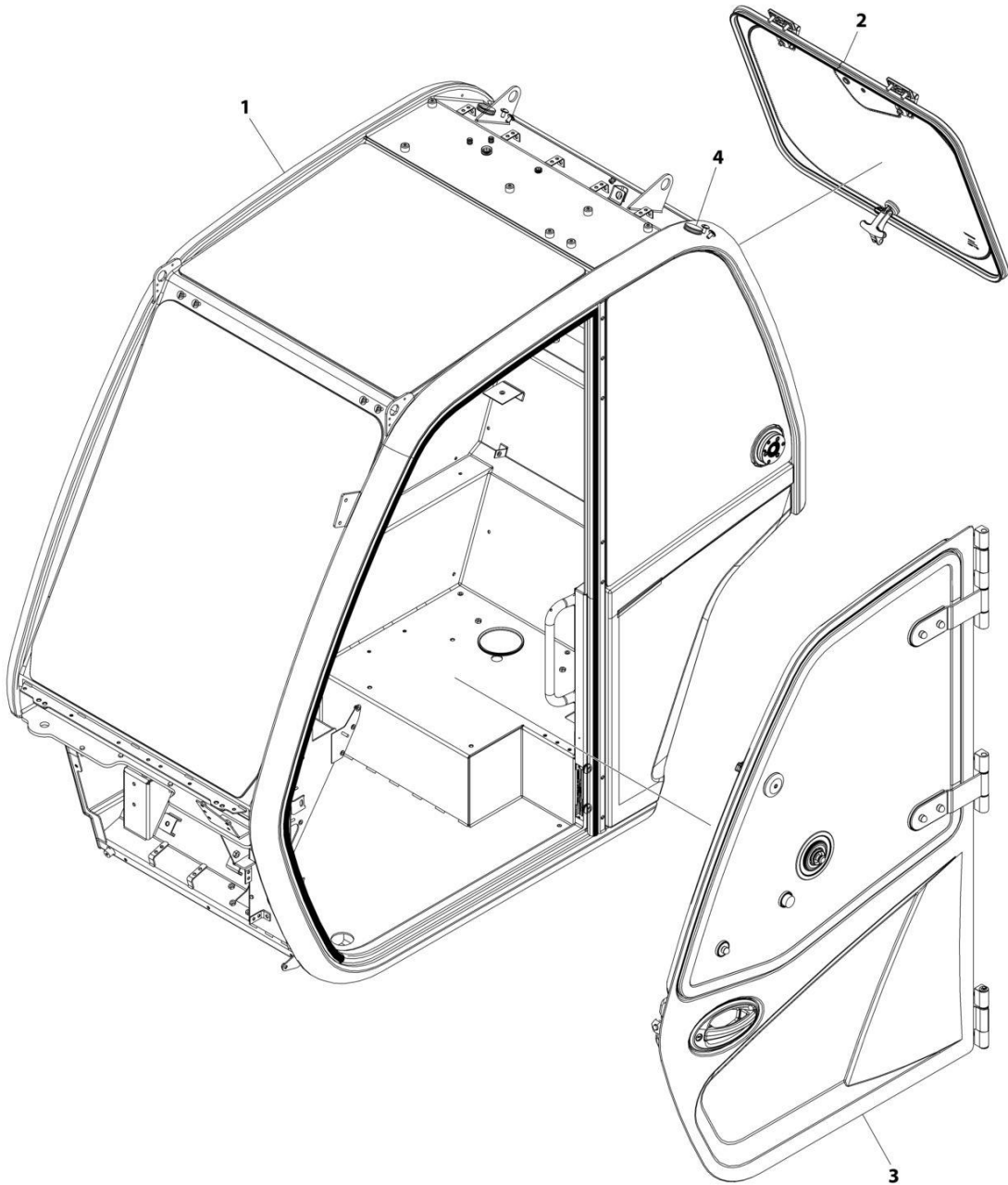


FIGURE 6-6. CAB, TRIM KIT

ITEM	PART NUMBER	QTY	DESCRIPTION	REV
	1001214331	Ref	Open Cab Installation	E
1	1001154721	1	Assembly, Open Cab (See Separate Breakdown in this Section)	
2	1001170495	1	Group, Open Cab Plug (See Separate Breakdown in this Section)	

# SECTION 6 - CAB

## FIGURE 6-7. CAB, TRIM KIT



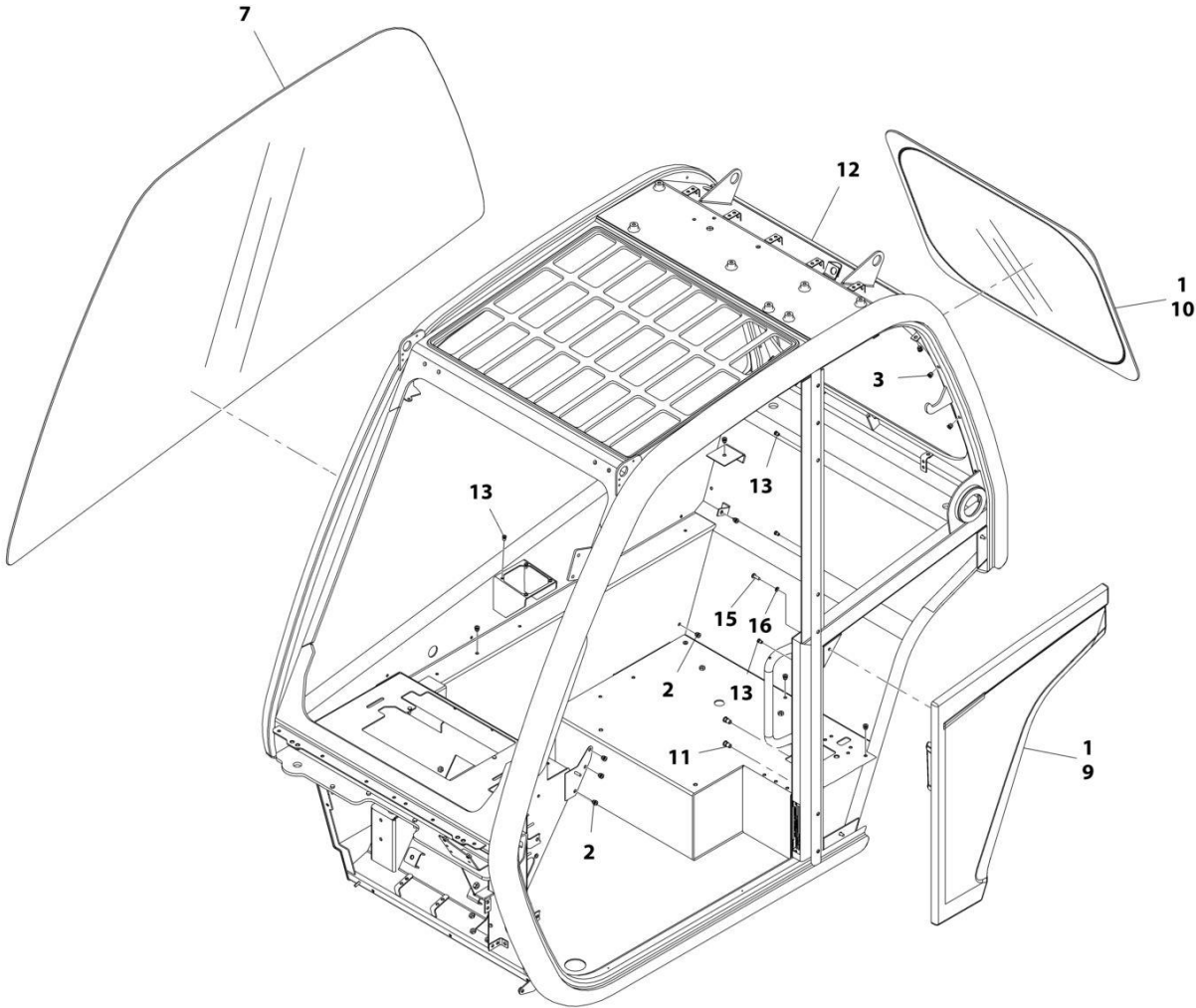
ART\_1001214332

FIGURE 6-7. CAB, TRIM KIT

ITEM	PART NUMBER	QTY	DESCRIPTION	REV
	1001214332	Ref	Enclosed Cab Installation	I
1	1001154365	1	Assembly, Enclosed Cab (See Separate Breakdown in this Section)	
2	1001170500	1	Installation, Rear Window (See Separate Breakdown in this Section)	
3	1001165080	1	Installation, Door (See Separate Breakdown in this Section)	
4	1001170603	1	Group, Enclosed Cab Plug (See Separate Breakdown in this Section)	

**SECTION 6 - CAB**

**FIGURE 6-8. OPEN CAB ASSEMBLY**



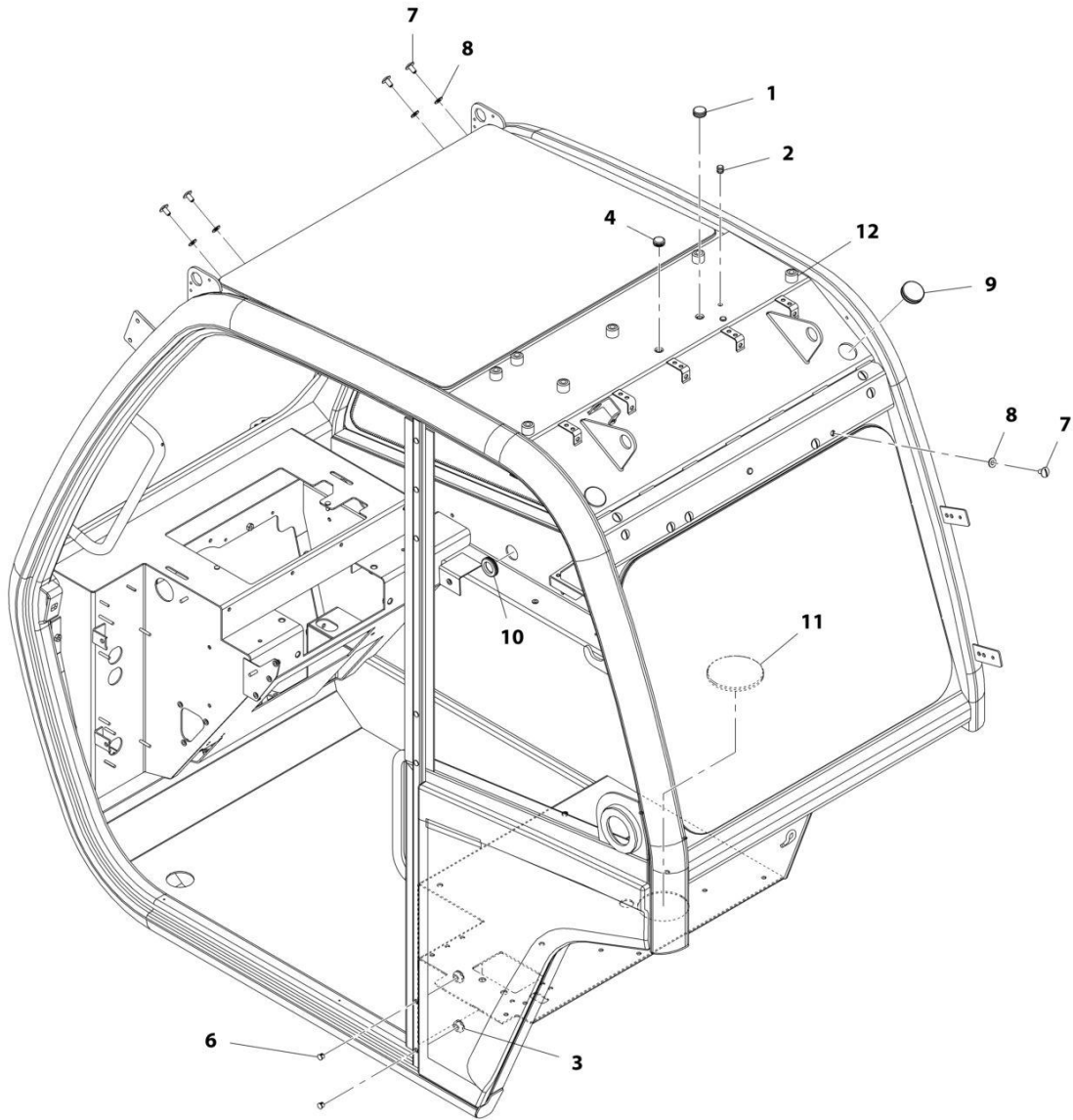
ART\_1001154721-I

FIGURE 6-8. OPEN CAB ASSEMBLY

ITEM	PART NUMBER	QTY	DESCRIPTION	REV
	1001154721	Ref	Open Cab Assembly	1
1	1001111317	AR	Compound, Locking	
2	2080086	17	Rivnut, M6X1	
3	2080087	16	Rivnut, M8X1.25	
7	1001152947	1	Glass, RH Screen	
9	1001229319	1	Panel, Cab Quarter	
10	1001161538	1	Glass, Rear Window	
11	1001172193	2	Rivnut, M5X0.8	
12	See Note	NSS	Weldment, Cab (Note: Not available for purchase)	
13	1001195878	7	Rivnut, M5X0.8	
15	N.S.S.	3	Screw	
16	4811700	3	Washer, M6	

# SECTION 6 - CAB

## FIGURE 6-9. OPEN CAB PLUG GROUP



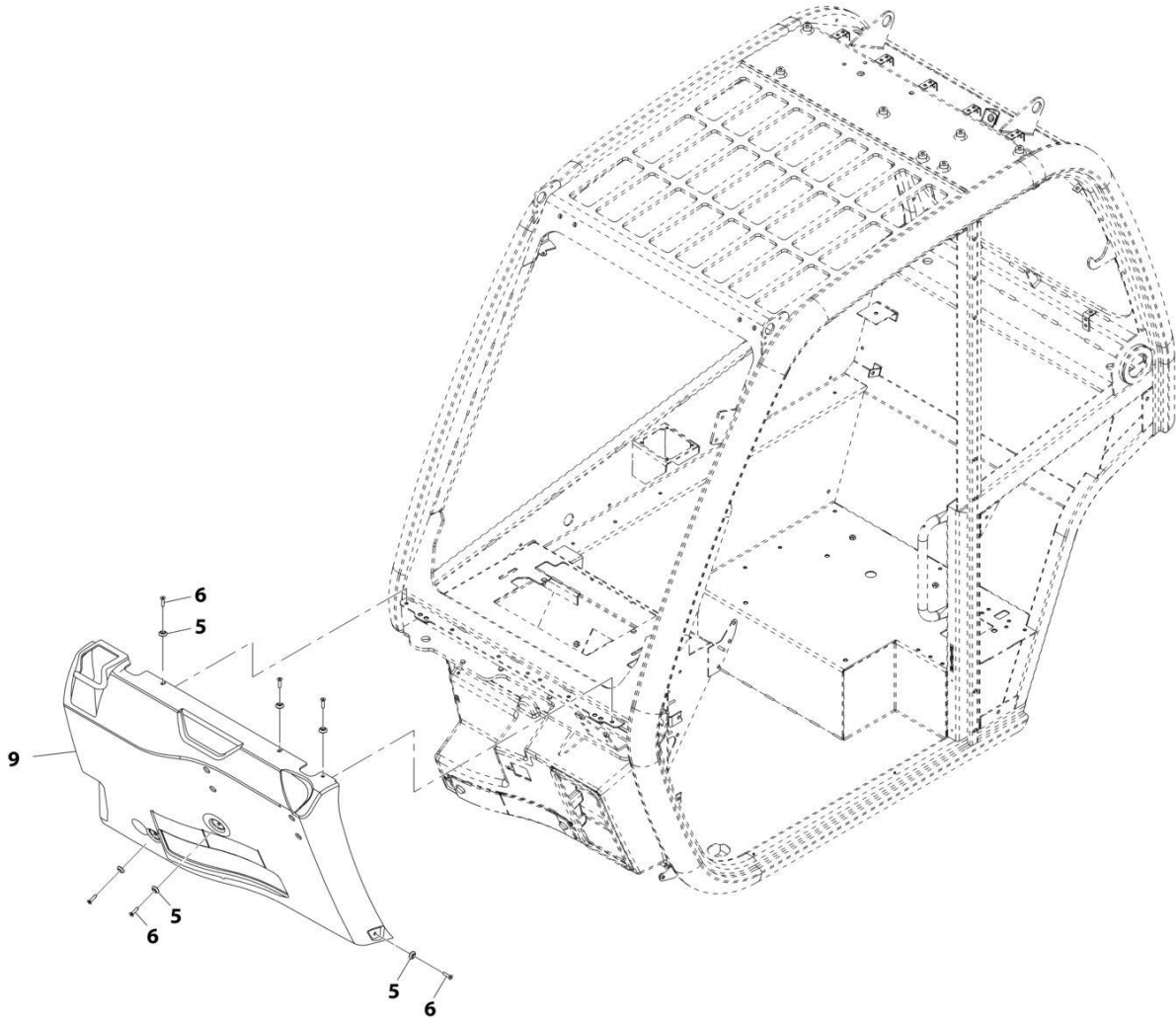
ART\_1001170495-E

FIGURE 6-9. OPEN CAB PLUG GROUP

ITEM	PART NUMBER	QTY	DESCRIPTION	REV
	1001170495	Ref	Open Cab Plug Group	E
1	1001176273	1	Plug	
2	1001176272	3	Plug	
3	1001143200	2	Plug	
4	1001176626	1	Plug	
6	1001170374	7	Plug	
7	1001181920	12	Screw, M8X16	
8	1001181921	12	Washer, M8 Rubber	
9	1001182123	2	Plug	
10	1001182139	1	Plug	
11	1001209899	1	Plug	
12	1001219220	1	Cap, Vinyl Round	

# SECTION 6 - CAB

## FIGURE 6-10. OPEN CAB FRONT COVER INSTALLATION



ART\_1001179853-G

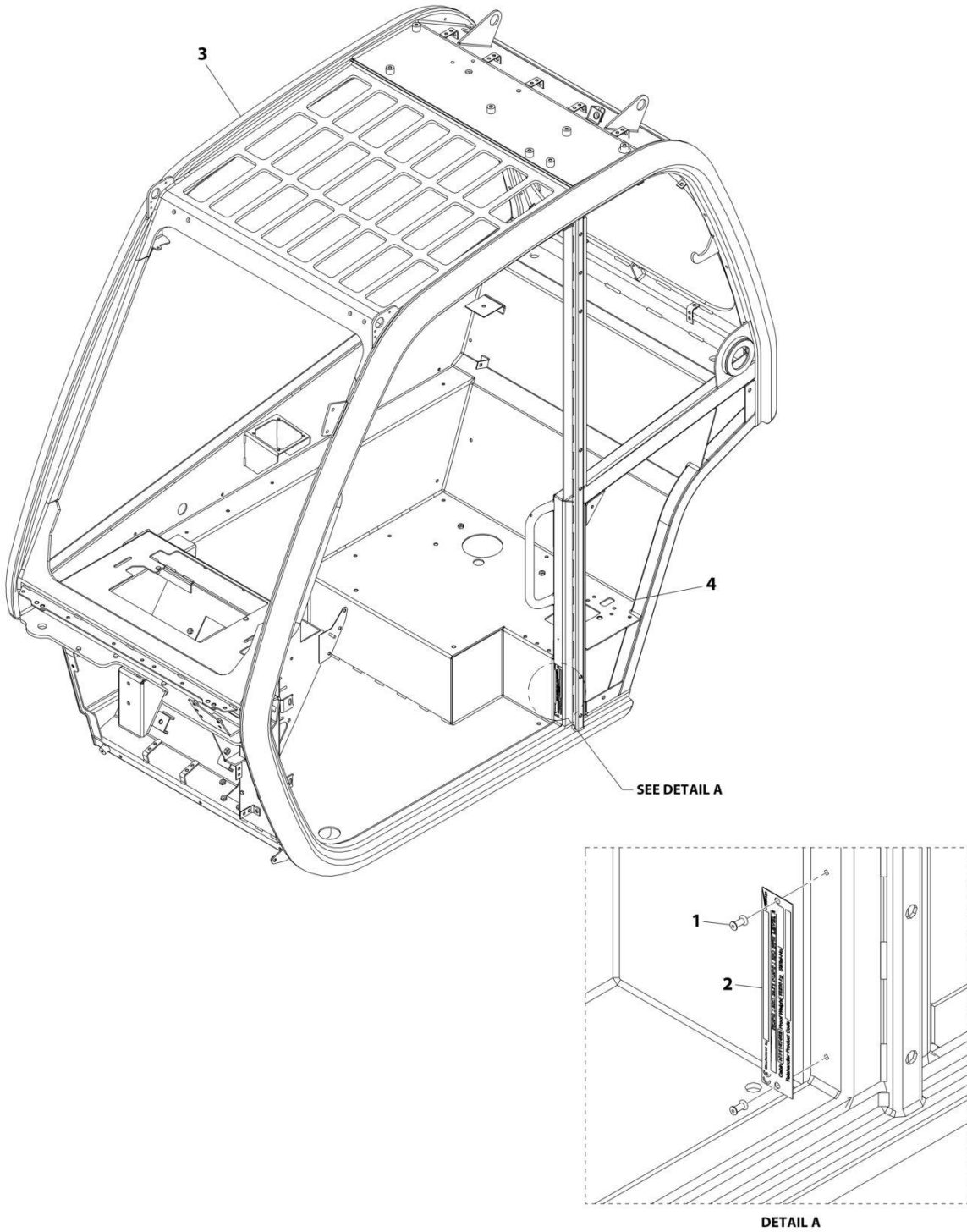


**FIGURE 6-10. OPEN CAB FRONT COVER INSTALLATION**

<b>ITEM</b>	<b>PART NUMBER</b>	<b>QTY</b>	<b>DESCRIPTION</b>	<b>REV</b>
	1001179853	Ref	Open Cab Front Cover with Cab Fender Installation, (no longer available, use 1001229550 for replacement)	G
	1001229550	Ref	Open Cab Front Cover with Cab Fender Installation	A
1	3900379	6	Screw, M6X25	
2	1001097540	6	Washer, M6	
3	1001189658	Ref	Cover, (no longer available, use 1001229540 for replacement)	
3	1001229540	1	Cover	

# SECTION 6 - CAB

## FIGURE 6-11. CAB, EPD CAULK



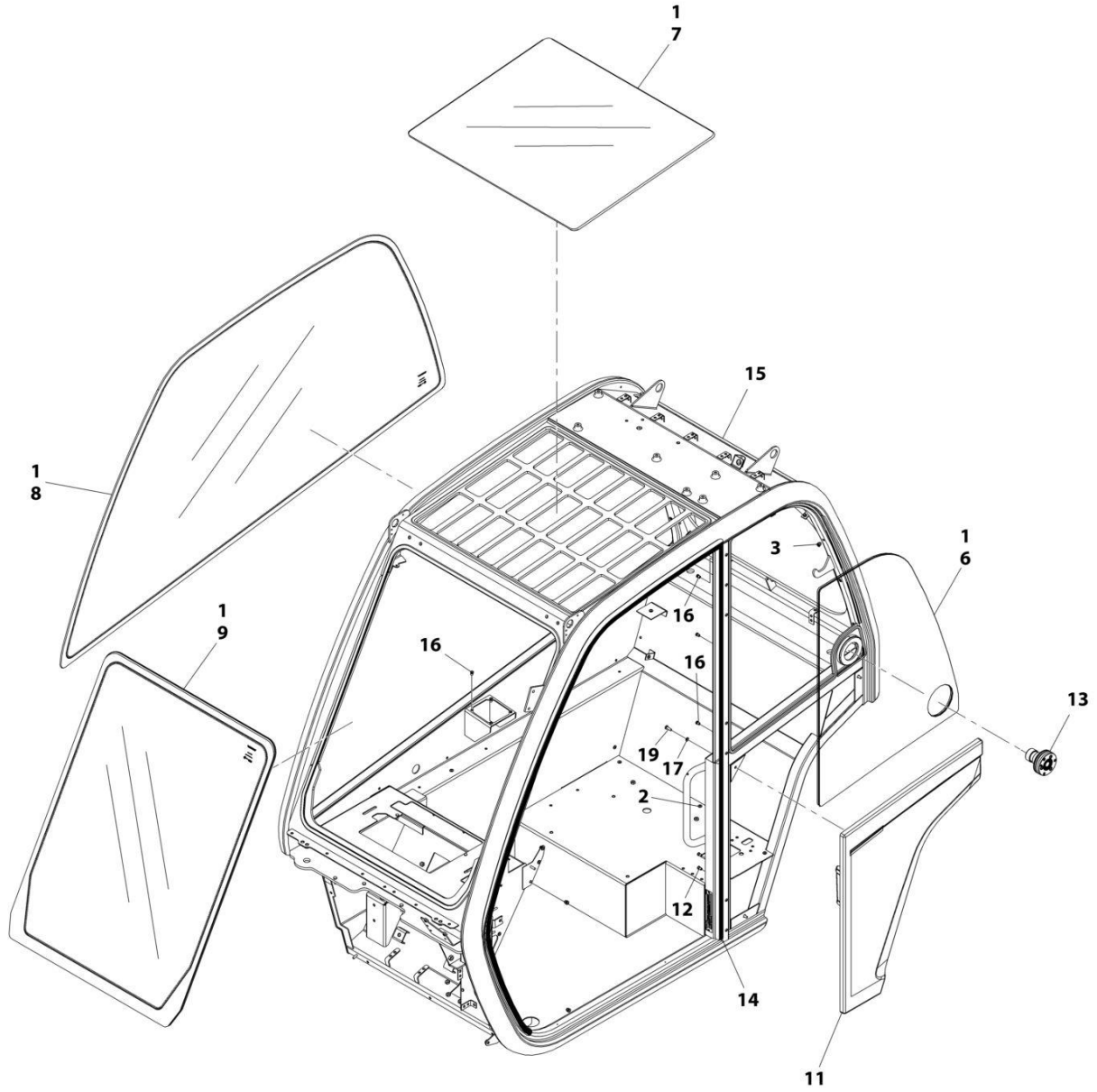
ART\_1001214326-E

FIGURE 6-11. CAB, EPD CAULK

ITEM	PART NUMBER	QTY	DESCRIPTION	REV
	1001214326	Ref	Cab	E
1	1001099170	2	Rivet, 4	
2	N.S.S.	1	Plate, Serial Number	
3	N.S.S.	1	Weldment	
4	1001205402	AR	Sealant	

# SECTION 6 - CAB

## FIGURE 6-12. ENCLOSED CAB ASSEMBLY



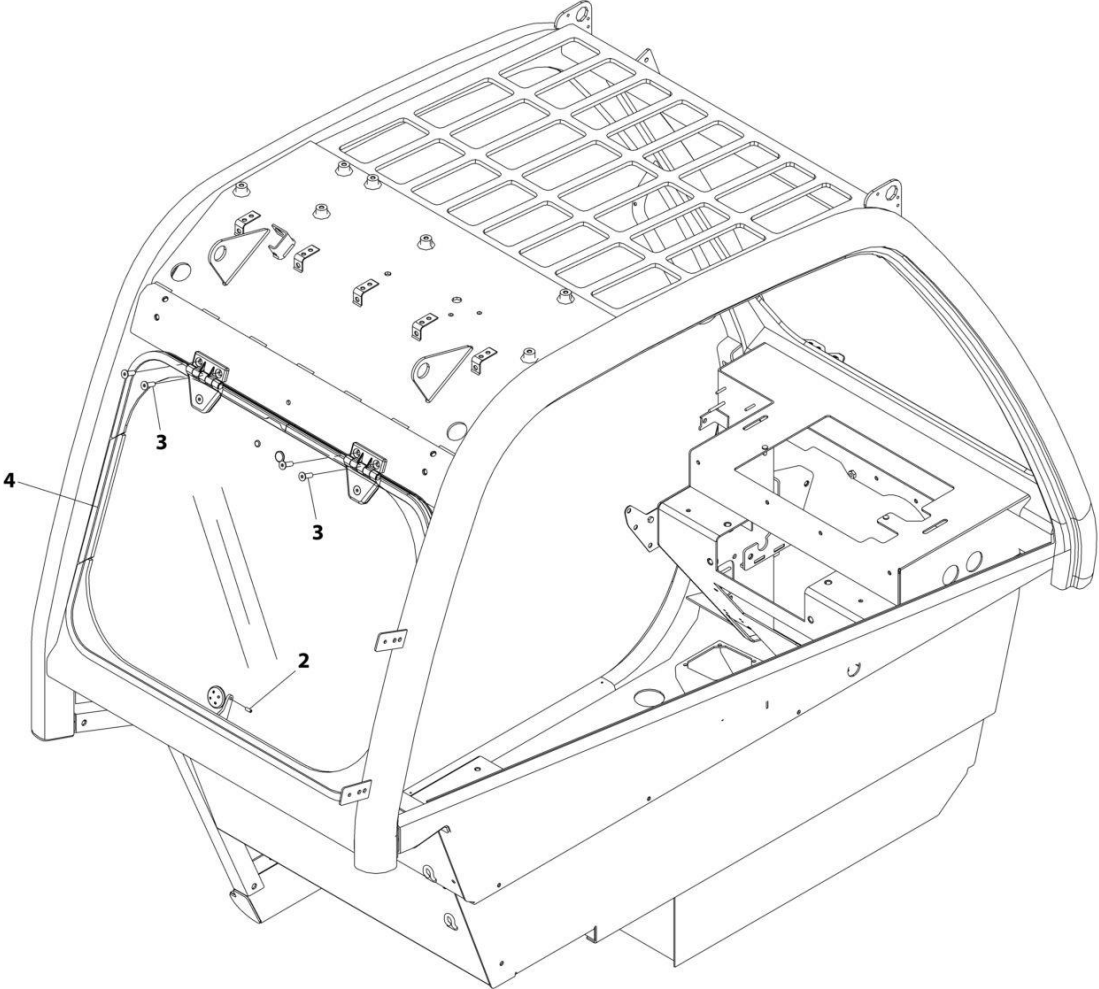
ART\_1001154365-J

FIGURE 6-12. ENCLOSED CAB ASSEMBLY

ITEM	PART NUMBER	QTY	DESCRIPTION	REV
	1001154365	Ref	Enclosed Cab Assembly	J
1	1001111317	AR	Compound, Locking	
2	2080086	17	Rivnut, M6X1	
3	2080087	16	Rivnut, M8X1.25	
6	1001152915	1	Glass, LH Screen	
7	1001152934	1	Glass, Roof	
8	1001152947	1	Glass, RH Screen	
9	1001154419	1	Glass, Front	
11	1001229319	1	Panel, Cab Quarter	
12	1001172193	2	Rivnut, M5X0.8	
13	1001174320	1	Latch, Top Window	
14	1001227186	1	Seal, Cab Door	
15	See Note	NSS	Weldment, Cab (Note: Not available for purchase)	
16	1001195878	7	Rivnut, M5X0.8	
17	4811700	3	Washer, M6	
19	N.S.S.	3	Screw	

**SECTION 6 - CAB**

**FIGURE 6-13. REAR WINDOW INSTALLATION**



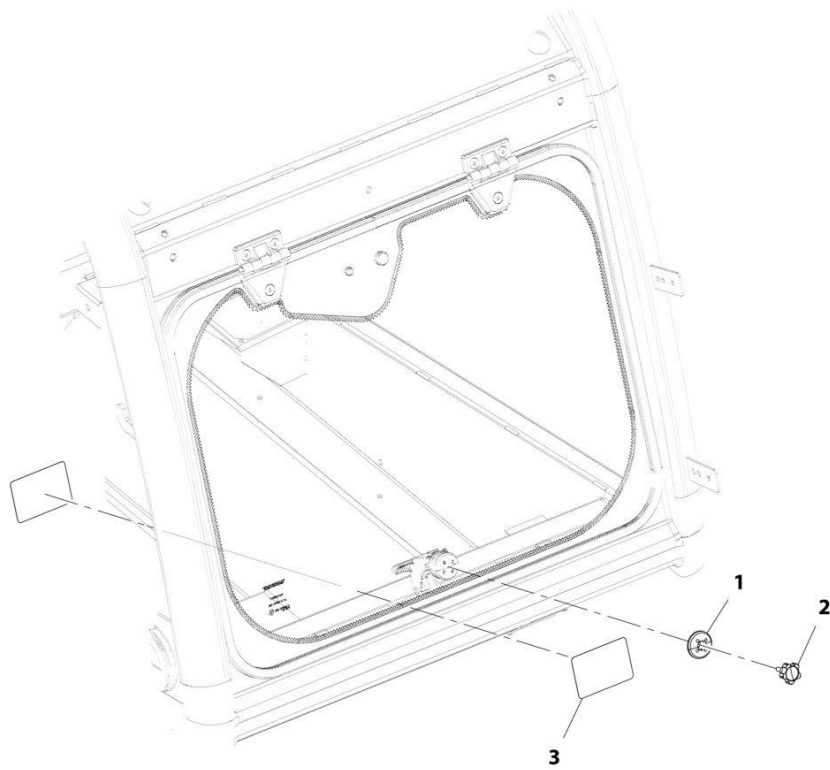
ART\_1001170500-D

FIGURE 6-13. REAR WINDOW INSTALLATION

ITEM	PART NUMBER	QTY	DESCRIPTION	REV
	1001170500	Ref	Rear Window Installation	D
2	1001003043	1	Pin, Spring	
3	1001097586	4	Bolt, M8-1.25X25	
4	1001170502	1	Window, Rear (See Separate Breakdown in this Section)	

# SECTION 6 - CAB

## FIGURE 6-14. REAR WINDOW INSTALLATION (WOWIPER) (ANSI)



ART\_1001212047-A

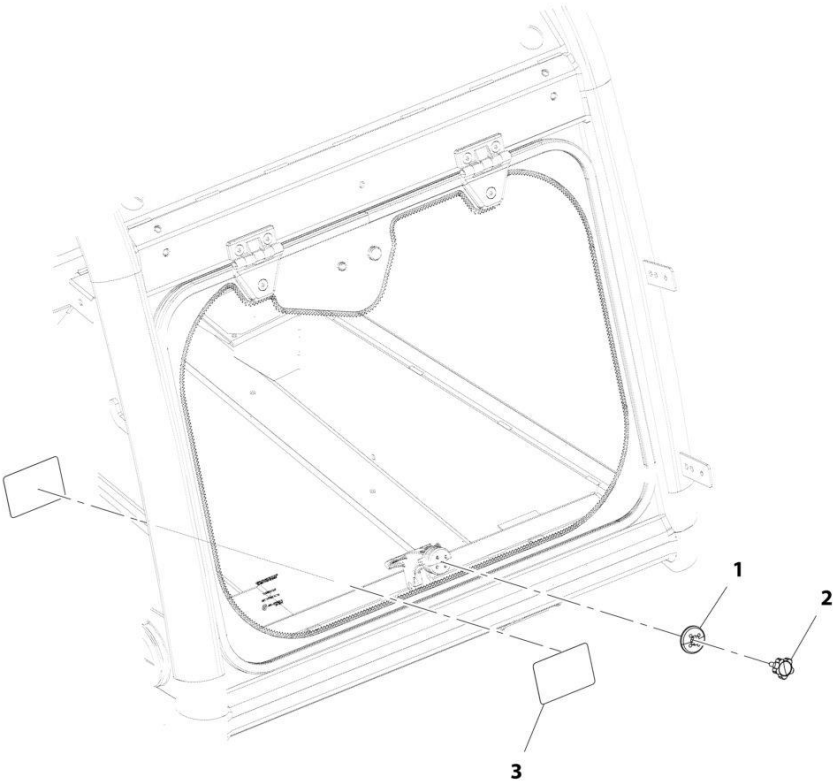


FIGURE 6-14. REAR WINDOW INSTALLATION (WO/WIPER) (ANSI)

ITEM	PART NUMBER	QTY	DESCRIPTION	REV
	1001212047	Ref	External Window Release Installation (ANSI)	A
1	1001179008	1	Cap, Latch Window	
2	1001179009	1	Cap, Knob M6	
3	1001212049	2	Decal, Emergency Exit	

**SECTION 6 - CAB**

**FIGURE 6-15. REAR WINDOW INSTALLATION (WO/WIPER) (ISO)**



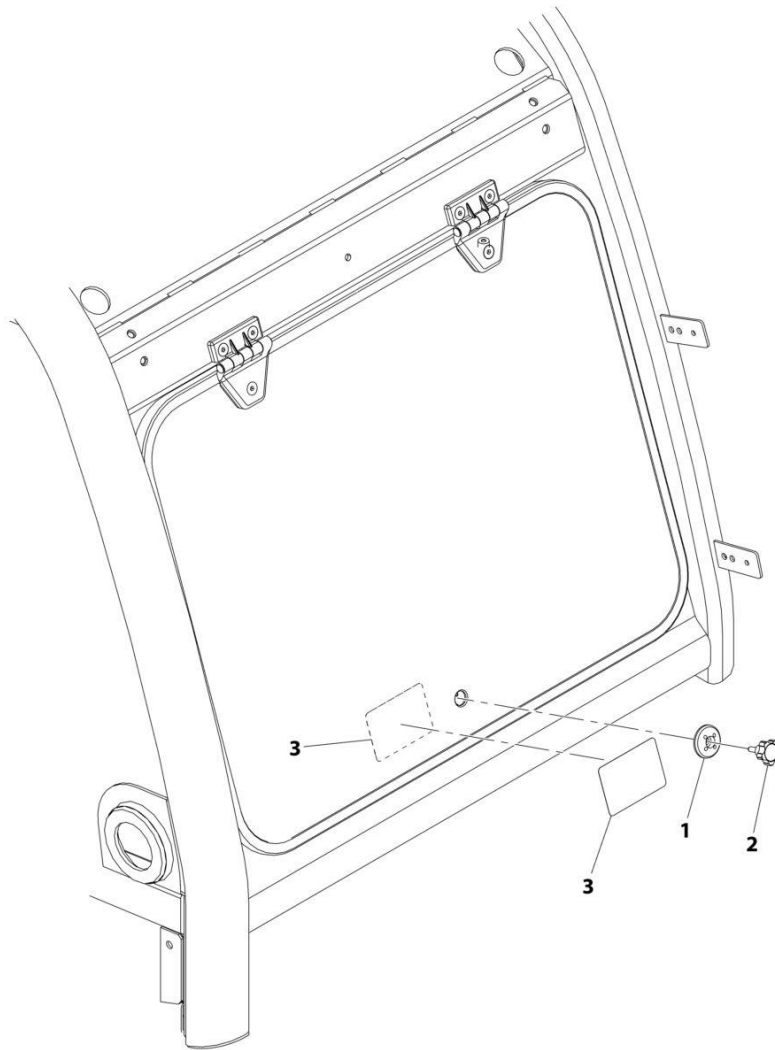
ART\_1001212048-A

**FIGURE 6-15. REAR WINDOW INSTALLATION (WO/WIPER) (ISO)**

<b>ITEM</b>	<b>PART NUMBER</b>	<b>QTY</b>	<b>DESCRIPTION</b>	<b>REV</b>
	1001212048	Ref	Rear Window Installation (WO/Wiper) (ISO)	A
1	1001179008	1	Cap, Latch Window	
2	1001179009	1	Cap, Knob M6	
3	1001212050	2	Decal, Emergency Exit	

# SECTION 6 - CAB

## FIGURE 6-16. REAR WINDOW INSTALLATION (WO/WIPER) (ENG/SPAN)



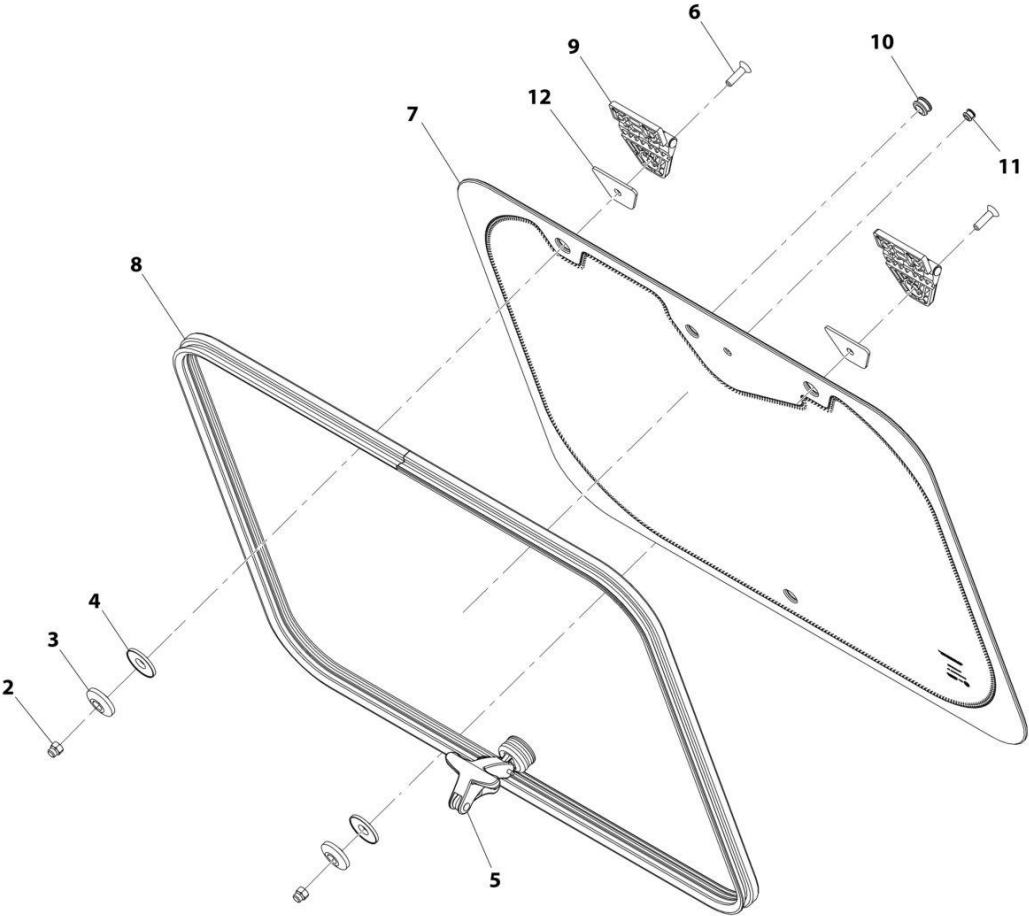
ART\_1001237852-A

FIGURE 6-16. REAR WINDOW INSTALLATION (WO/WIPER) (ENG/SPAN)

ITEM	PART NUMBER	QTY	DESCRIPTION	REV
	1001237852	Ref	Rear Window Installation (WO/Wiper) (ENG/SPAN)	A
1	1001179008	1	Cap, Latch Window	
2	1001179009	1	Cap, Knob M6	
3	1001237845	2	Decal, Emergency Exit	

**SECTION 6 - CAB**

**FIGURE 6-17. REAR WINDOW ASSEMBLY**



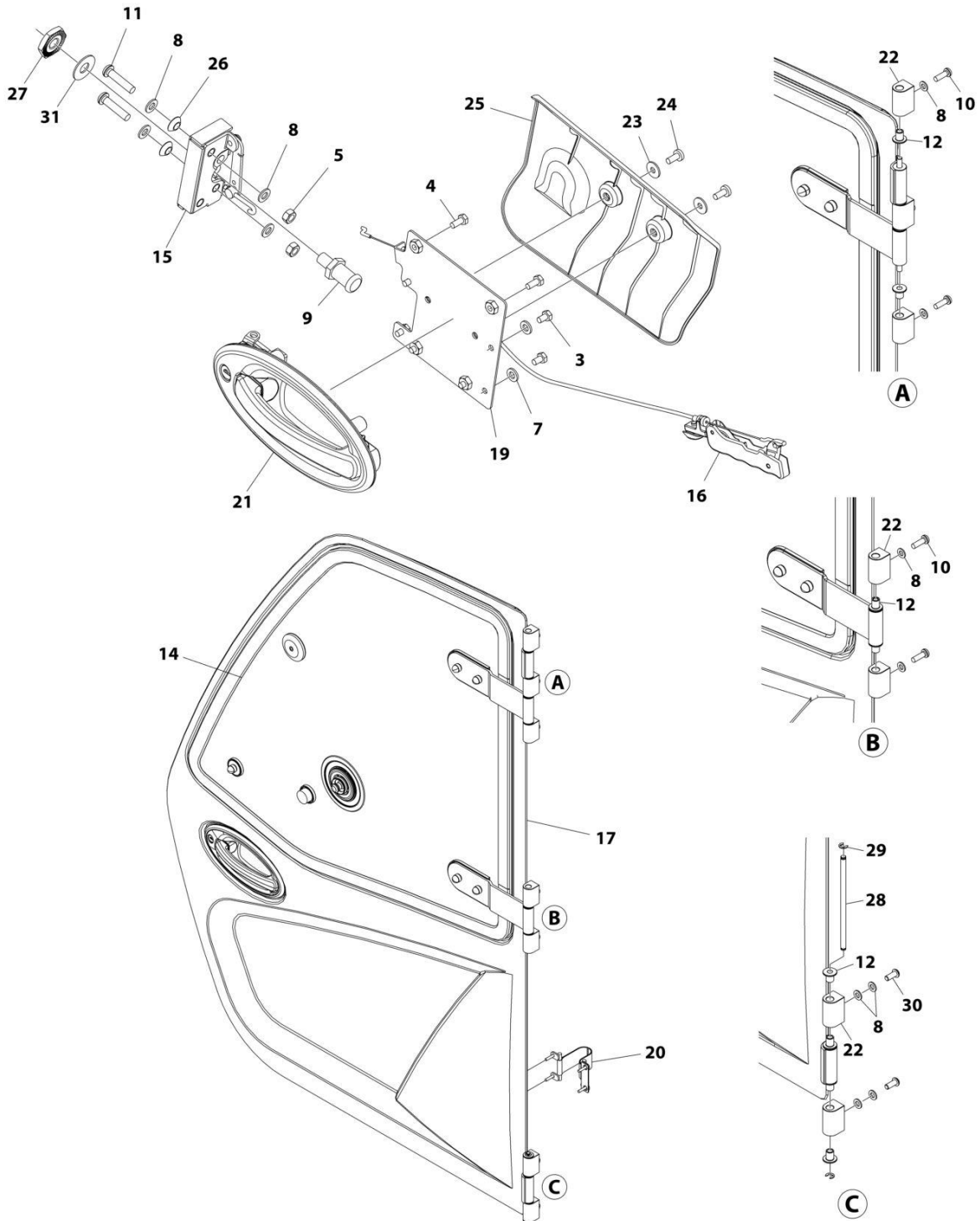
ART\_1001170502-D

FIGURE 6-17. REAR WINDOW ASSEMBLY

ITEM	PART NUMBER	QTY	DESCRIPTION	REV
	1001170502	Ref	Rear Window Assembly	D
2	3290806	2	Nut, M8X1.25 Grade 8	
3	8000759	2	Spacer	
4	8004398	2	Washer	
5	1001005368	1	Latch, Window	
6	2080078	2	Fastener, M8X30	
7	1001157481	1	Glass, Rear Window	
8	1001157487	1	Seal	
9	1001139568	2	Hinge	
10	1001171182	1	Grommet	
11	1001171183	1	Grommet	
12	1001181411	2	Gasket, Rear Window Hinge	

# SECTION 6 - CAB

## FIGURE 6-18. DOOR INSTALLATION



ART\_1001165080

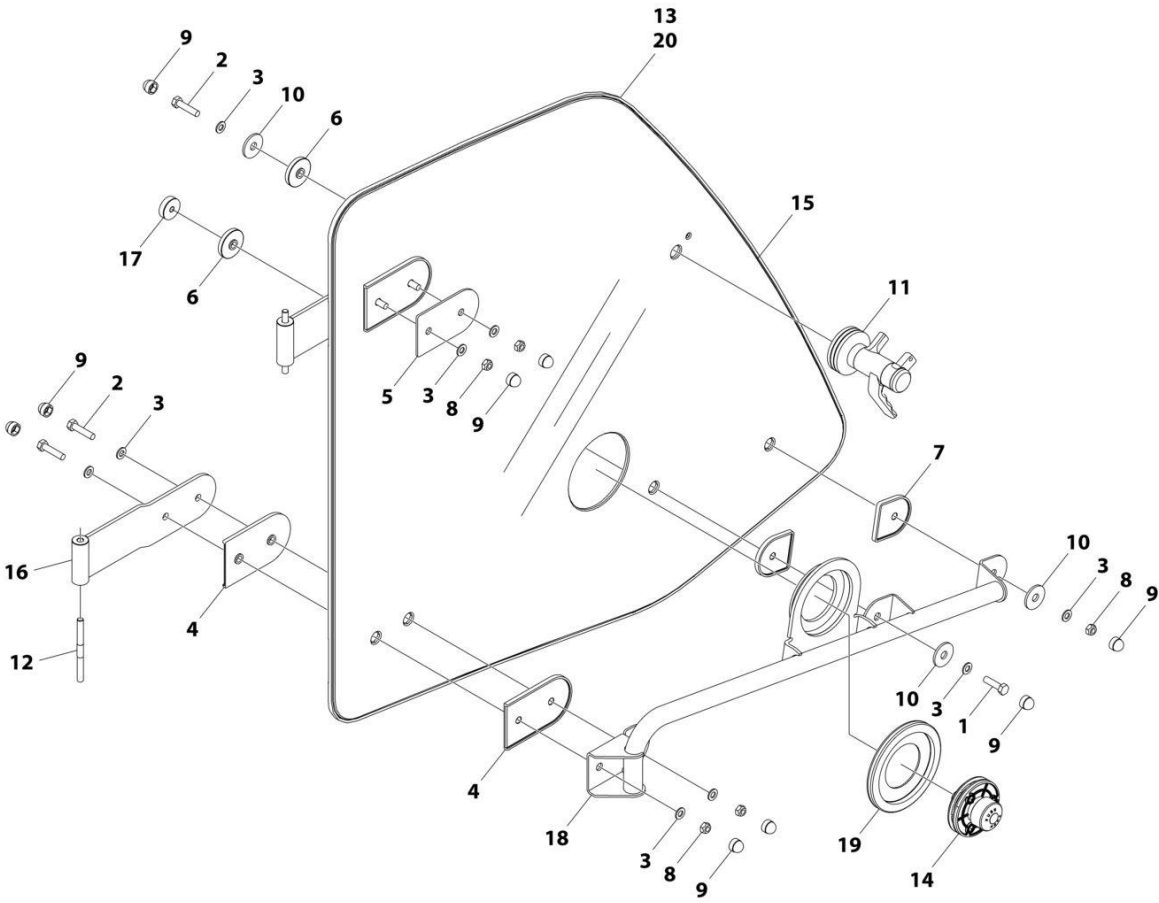


FIGURE 6-18. DOOR INSTALLATION

ITEM	PART NUMBER	QTY	DESCRIPTION	REV
	1001165080	Ref	Door Installation	P
3	0760605	4	Bolt, M6X10	
4	0760607	4	Bolt, M6X14	
5	3290801	2	Nut, M8X1.25 Grade 8	
7	4811700	4	Washer, M6	
8	4811900	13	Washer, M8	
9	8000803	1	Pin, Door Striker	
10	1001008988	5	Screw M8X25	
11	1001047062	2	Screw, M8X35	
12	1001107192	10	Sleeve, Hinge	
14	1001205532	1	Assembly, Door Upper Glass (See Separate Breakdown in this Section)	
15	1001192766	1	Assembly, Cab Latch (See Separate Breakdown in this Section)	
16	1001167958	1	Assembly, Cab Door Trigger (See Separate Breakdown in this Section)	
17	1001169881	1	Assembly, Door (See Separate Breakdown in this Section)	
19	1001173298	1	Bracket	
20	1001174295	1	Installation, Door Strap (See Separate Breakdown in this Section)	
21	1001192646	1	Handle, Exterior Door	
22	1001170601J	7	Lug, Hinge	
23	4811702001	2	Washer, M6	
24	4010608002	2	Screw, M6X16	
25	1001175477	1	Cover, Cab Door Interior	
26	1001184439	2	Bushing	
27	1001192309	1	Nut, M12X1	
28	1001213791	1	Pin, Hinge	
29	0498748	2	Clip, Snap Ring	
30	1001164726	2	Bolt, M8X20	
31	1001227802	1	Washer	

# SECTION 6 - CAB

## FIGURE 6-19. DOOR UPPER GLASS ASSEMBLY



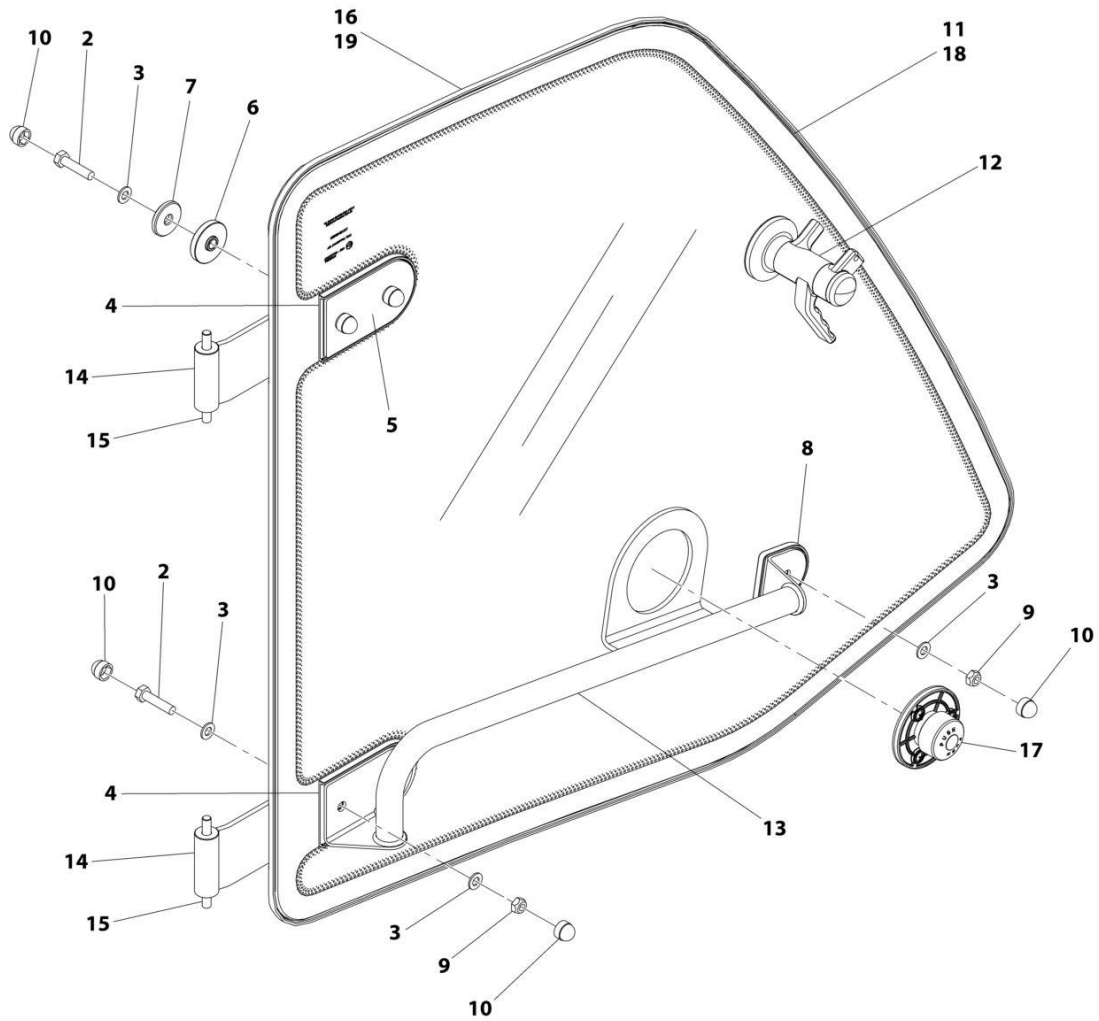
ART\_1001205532

FIGURE 6-19. DOOR UPPER GLASS ASSEMBLY

ITEM	PART NUMBER	QTY	DESCRIPTION	REV
	1001205532	Ref	Door Upper Glass Assembly	G
1	0760812	1	Bolt, M8X25	
2	0760815	5	Bolt, M8X35	
3	4811900	11	Washer, 8MM	
4	1001002946	4	Mount, Hinge	
5	1001002947	1	Mount, Hinge	
6	1001002953	2	Mount, Rubber	
7	1001002957	2	Mount, Latch	
8	1001008857	5	Nut, Lock	
9	1001096365	11	Cap, M8	
10	1001141246	3	Mount, Rubber	
11	1001165275	1	Latch, Window	
12	1001166634	2	Pin, Hinge	
13	1001170944	1	Panel, Window Surround	
14	1001174321	1	Striker, Top Window	
15	1001204066	1	Glass, Window	
16	1001204115	2	Hinge	
17	1001222741	1	Buffer, Cab	
18	1001204120	1	Handle	
19	1001213331	1	Gasket	
20	1001215531	AR	Adhesive	

# SECTION 6 - CAB

## FIGURE 6-20. DOOR UPPER GLASS ASSEMBLY (Prior to SN 0160084796)



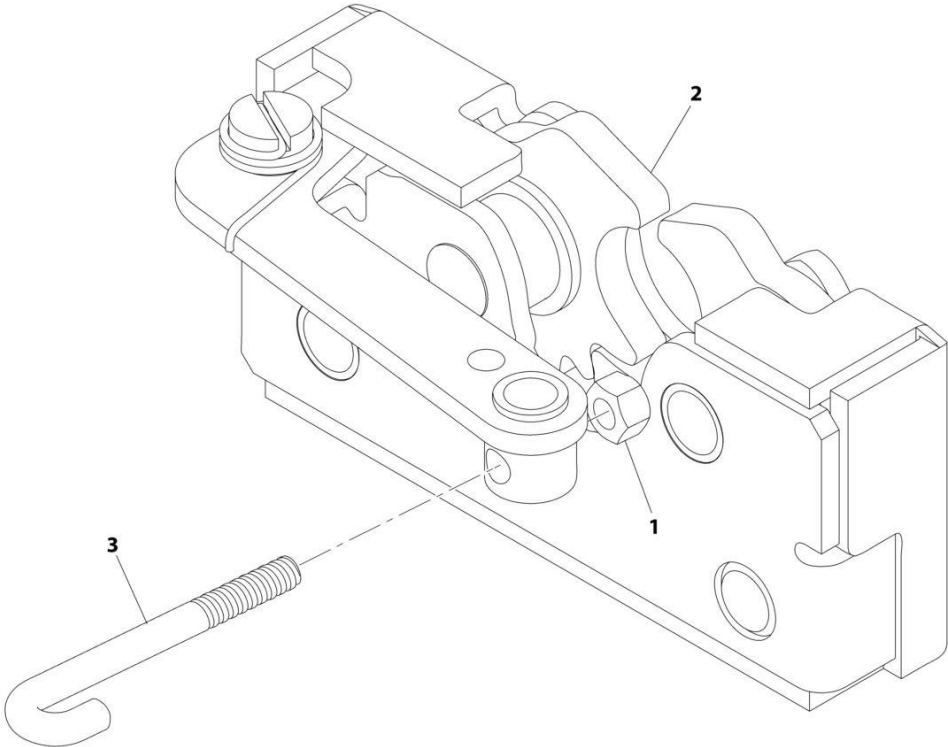
ART\_1001165186-F

FIGURE 6-20. DOOR UPPER GLASS ASSEMBLY (Prior to SN 0160084796)

ITEM	PART NUMBER	QTY	DESCRIPTION	REV
	1001165186	Ref	Door Upper Glass Assembly	F
2	0760815	5	Bolt, M8X35	
3	4811900	10	Washer, 8MM	
4	1001002946	4	Mount, Hinge	
5	1001002947	1	Mount, Hinge	
6	1001002953	1	Mount, Hinge	
7	1001141246	1	Mount, Rubber	
8	1001002957	1	Mount, Latch	
9	1001008857	5	Nut, Lock	
10	1001096365	10	Cap, M8	
11	1001165187	1	Glass, Window	
12	1001165275	1	Latch, Window	
13	1001199915	1	Handle	
14	1001165459	2	Hinge	
15	1001166634	2	Pin, Hinge	
16	1001170944	1	Panel, Window Surround	
17	1001174321	1	Striker, Top Window	
18	1001111317	AR	Adhesive, Window Sealant	
19	1001200713	AR	Adhesive, Window Surround	

**SECTION 6 - CAB**

**FIGURE 6-21. CAB LATCH ASSEMBLY**



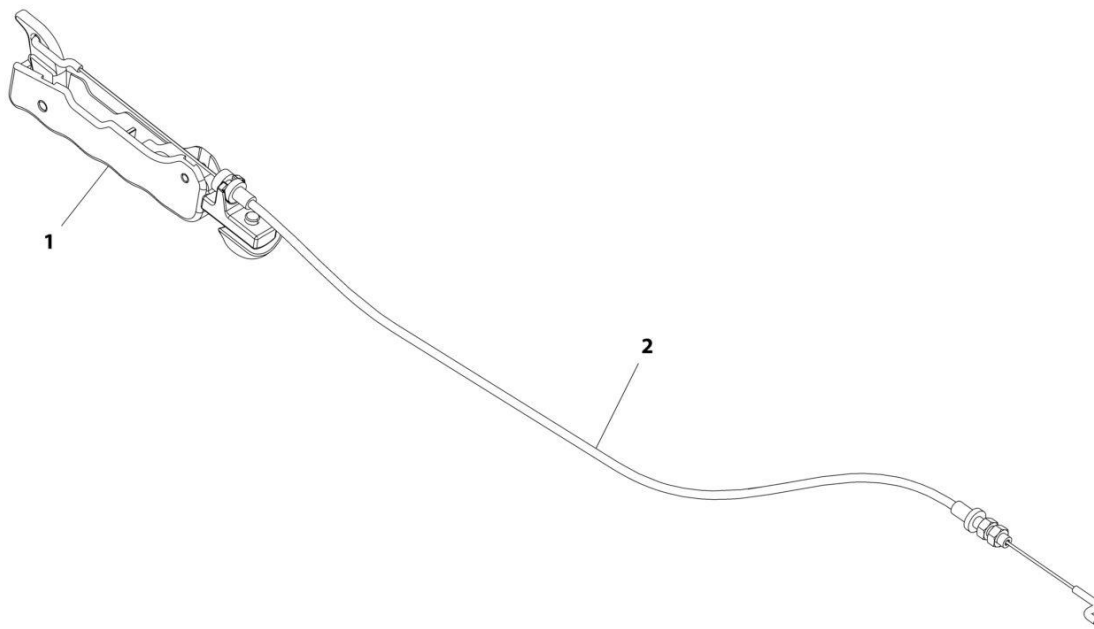
ART\_1001192766-B

FIGURE 6-21. CAB LATCH ASSEMBLY

ITEM	PART NUMBER	QTY	DESCRIPTION	REV
	1001192766	Ref	Cab Latch Assembly	B
1	3290405	1	Nut, M4X0.7 Grade 8	
2	1001192643	1	Latch	
3	1001241308	1	Link, Door Handle	

# SECTION 6 - CAB

## FIGURE 6-22. CAB DOOR TRIGGER ASSEMBLY



ART\_1001167958-E

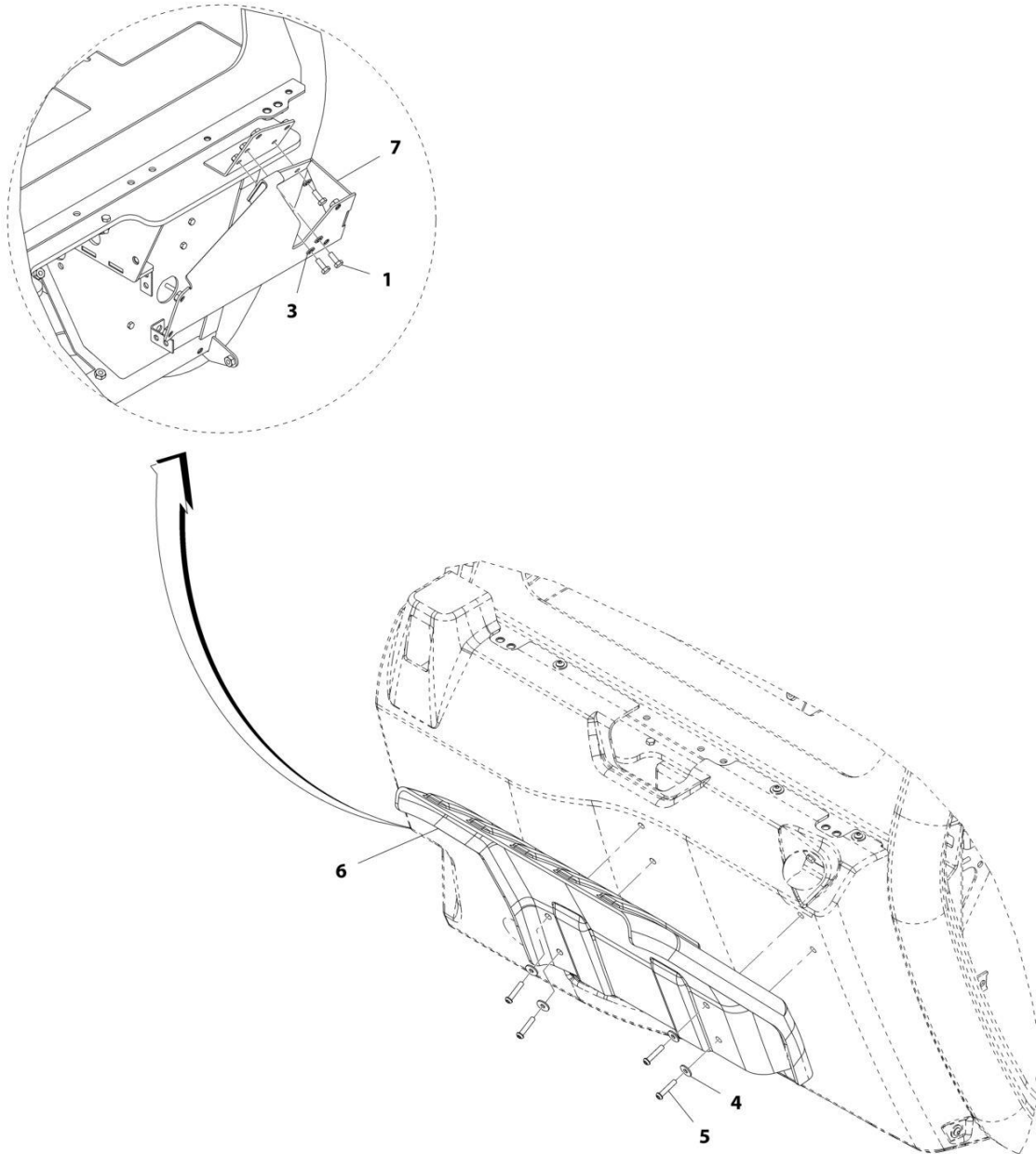


FIGURE 6-22. CAB DOOR TRIGGER ASSEMBLY

ITEM	PART NUMBER	QTY	DESCRIPTION	REV
	1001167958	Ref	Cab Door Trigger Assembly	E
1	1001167937	1	Trigger, Cab Interior Release	
2	1001192644	1	Cable, Cab Latch Release	

# SECTION 6 - CAB

## FIGURE 6-23. CAB FENDER INSTALLATION



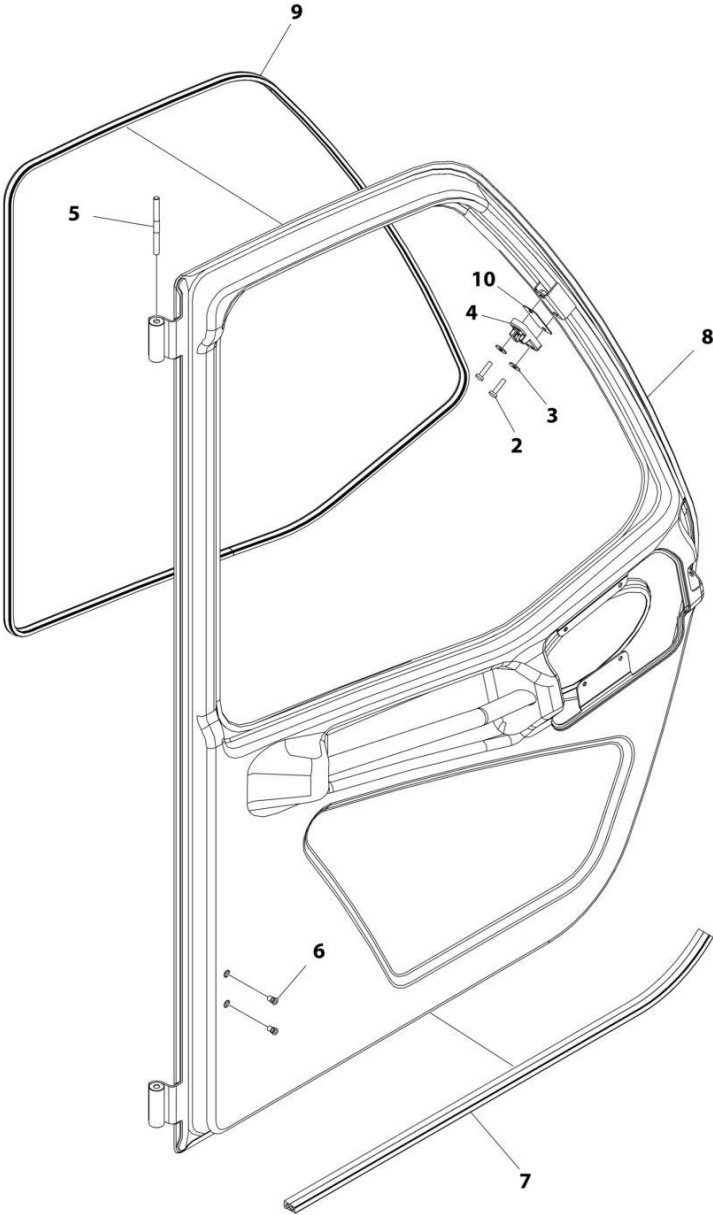
ART\_1001195972-C

FIGURE 6-23. CAB FENDER INSTALLATION

ITEM	PART NUMBER	QTY	DESCRIPTION	REV
	1001195972	Ref	Cab Fender Installation	C
1	0760608	3	Bolt, M6X16	
3	4811700	3	Washer, M6	
4	4811702	4	Washer, M6	
5	1001097202	4	Screw, M6X30	
6	1001187335	1	Fender, Front	
7	1001188048	1	Plate	

SECTION 6 - CAB

FIGURE 6-24. DOOR ASSEMBLY



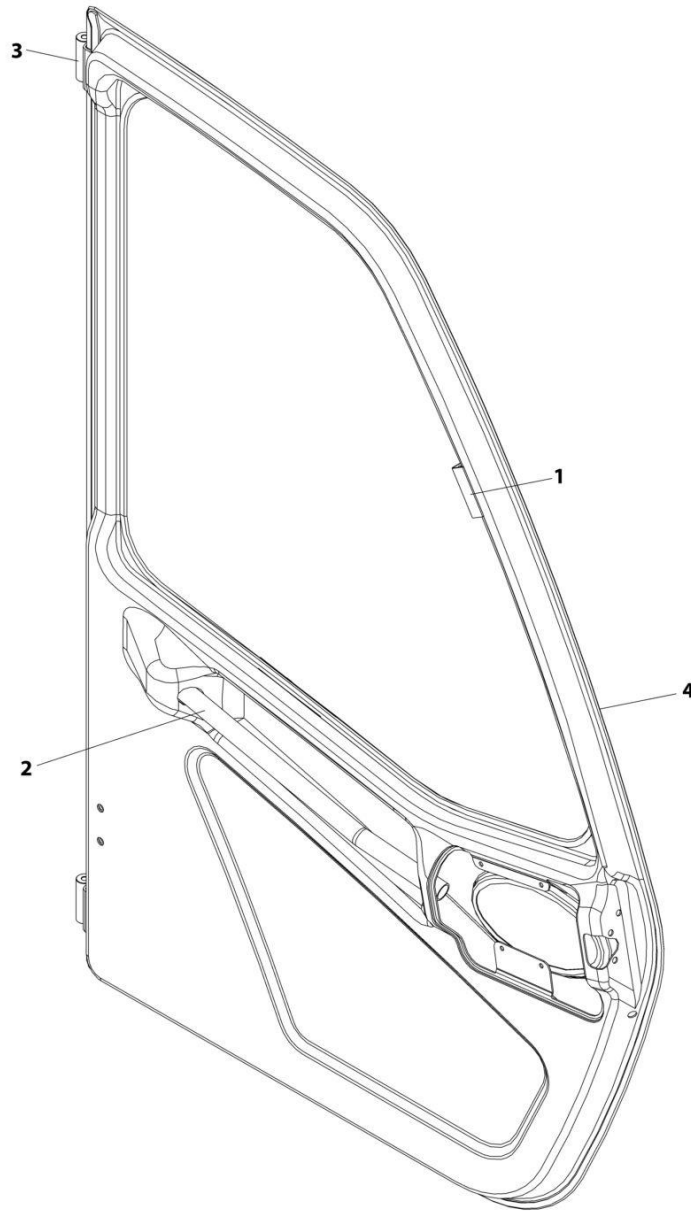
ART\_1001169881\_K

FIGURE 6-24. DOOR ASSEMBLY

ITEM	PART NUMBER	QTY	DESCRIPTION	REV
	1001169881	Ref	Door Assembly	K
2	4010612002	2	Screw, Posi-Drive, M6X25	
3	4811702001	2	Washer, M6	
4	1001165276	1	Plate, Window Latch Striker	
5	1001166634	1	Pin, Hinge	
6	1001172193	2	Rivnut, M5X0.8	
7	1001227188	1	Seal, Cab Door	
8	1001165022J	1	Door, Cab (See Separate Breakdown in this Section)	
9	1001227187	1	Seal, Cab Door Window	
10	1001193210	AR	Shim, Window Latch	

# SECTION 6 - CAB

## FIGURE 6-25. CAB DOOR



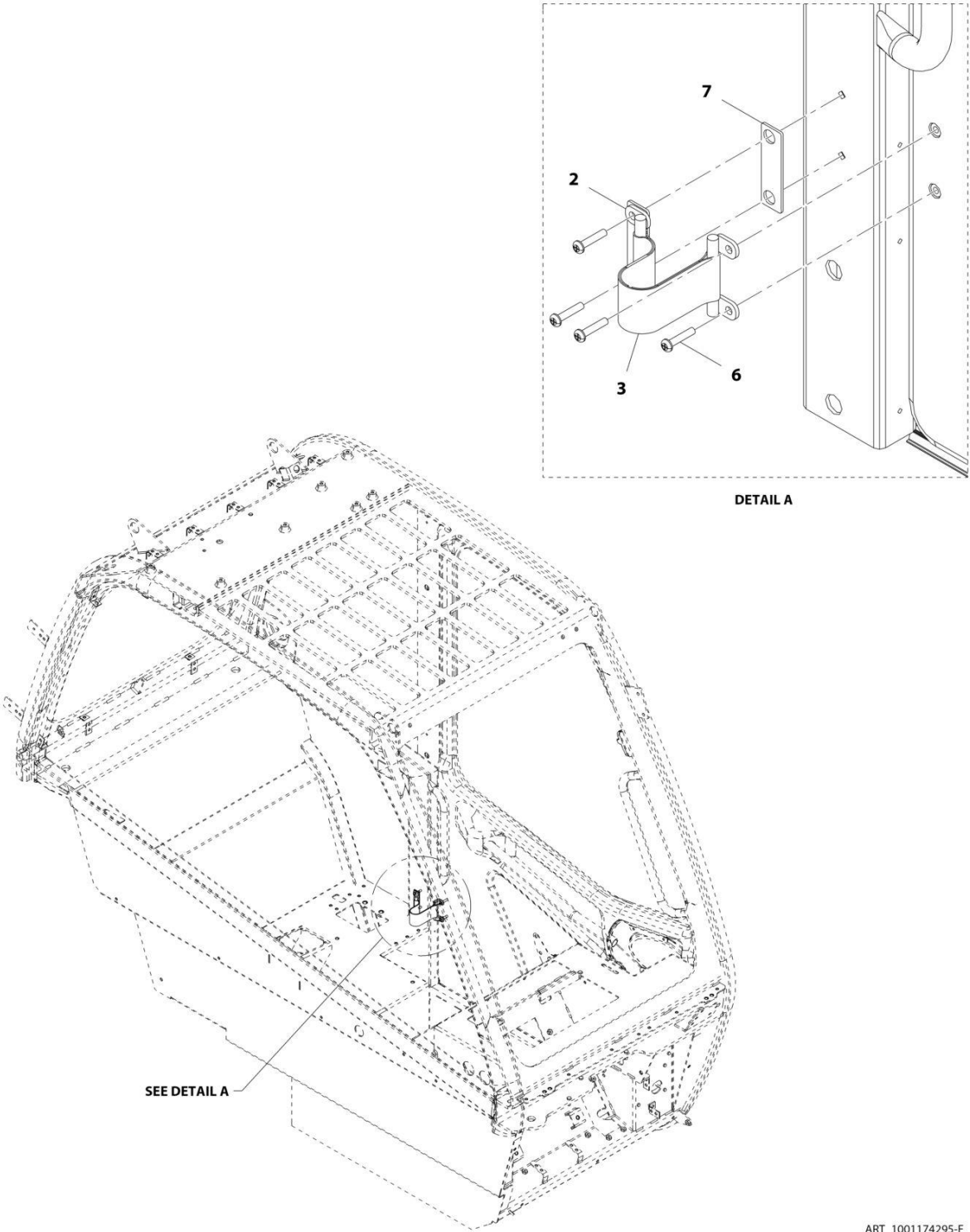
ART\_1001165022-E

FIGURE 6-25. CAB DOOR

ITEM	PART NUMBER	QTY	DESCRIPTION	REV
	1001165022	Ref	Cab Door	E
1	1001169883	1	Bracket, Window Latch	
2	1001169885	1	Handle, Interior Door	
3	1001171037	1	Plate, Hinge	
4	1001171634	1	Frame, Door	

**SECTION 6 - CAB**

**FIGURE 6-26. DOOR STRAP INSTALLATION**



SEE DETAIL A

ART\_1001174295-F

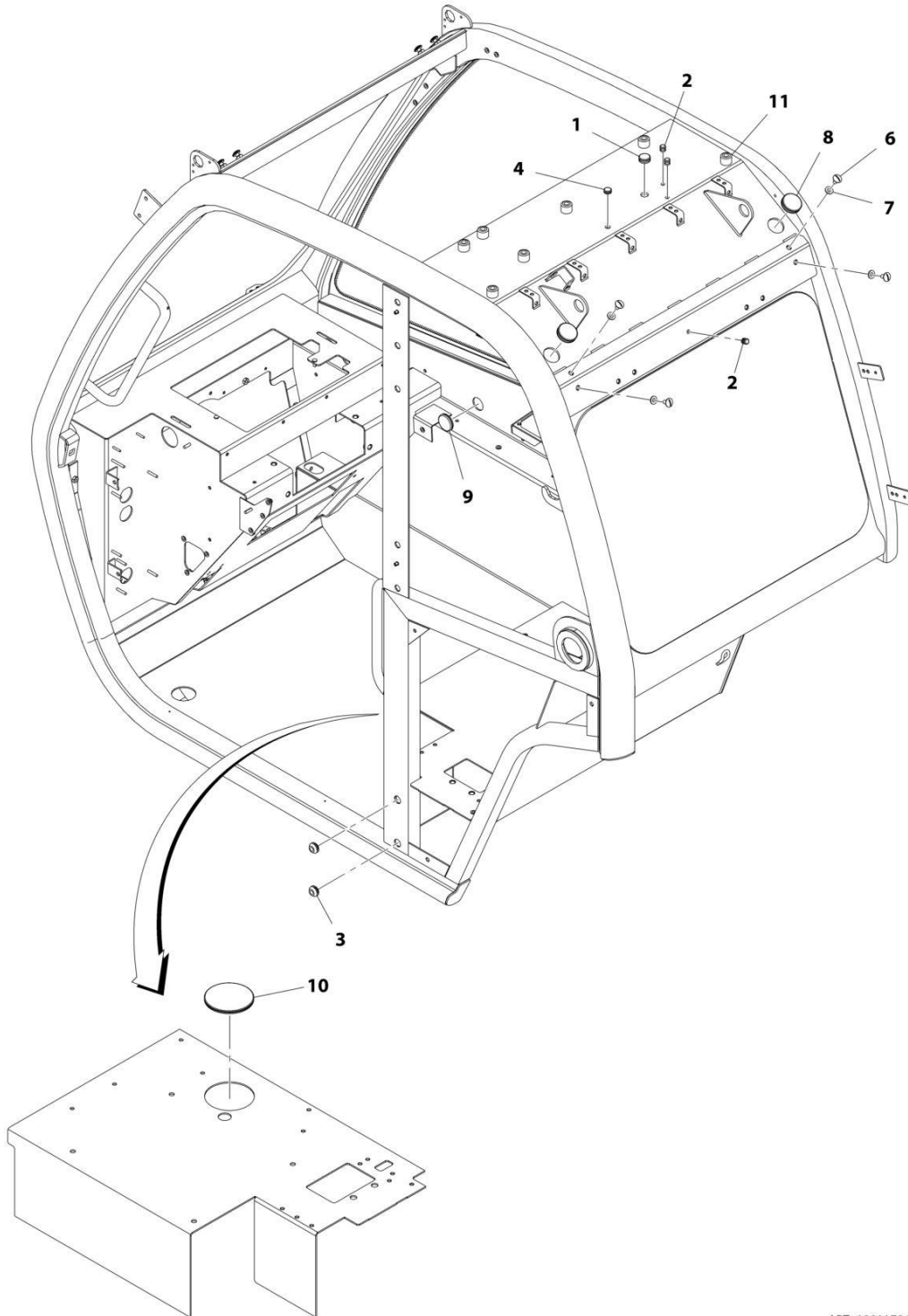


FIGURE 6-26. DOOR STRAP INSTALLATION

ITEM	PART NUMBER	QTY	DESCRIPTION	REV
	1001174295	Ref	Door Strap Installation	F
2	1001230163	2	Bracket, Strap Holder	
3	1001212011	1	Strap, Door Hold Open	
6	8310559	4	Screw	
7	1001191091	1	Plate, Cab Door Strap	

# SECTION 6 - CAB

## FIGURE 6-27. ENCLOSED CAB PLUG GROUP



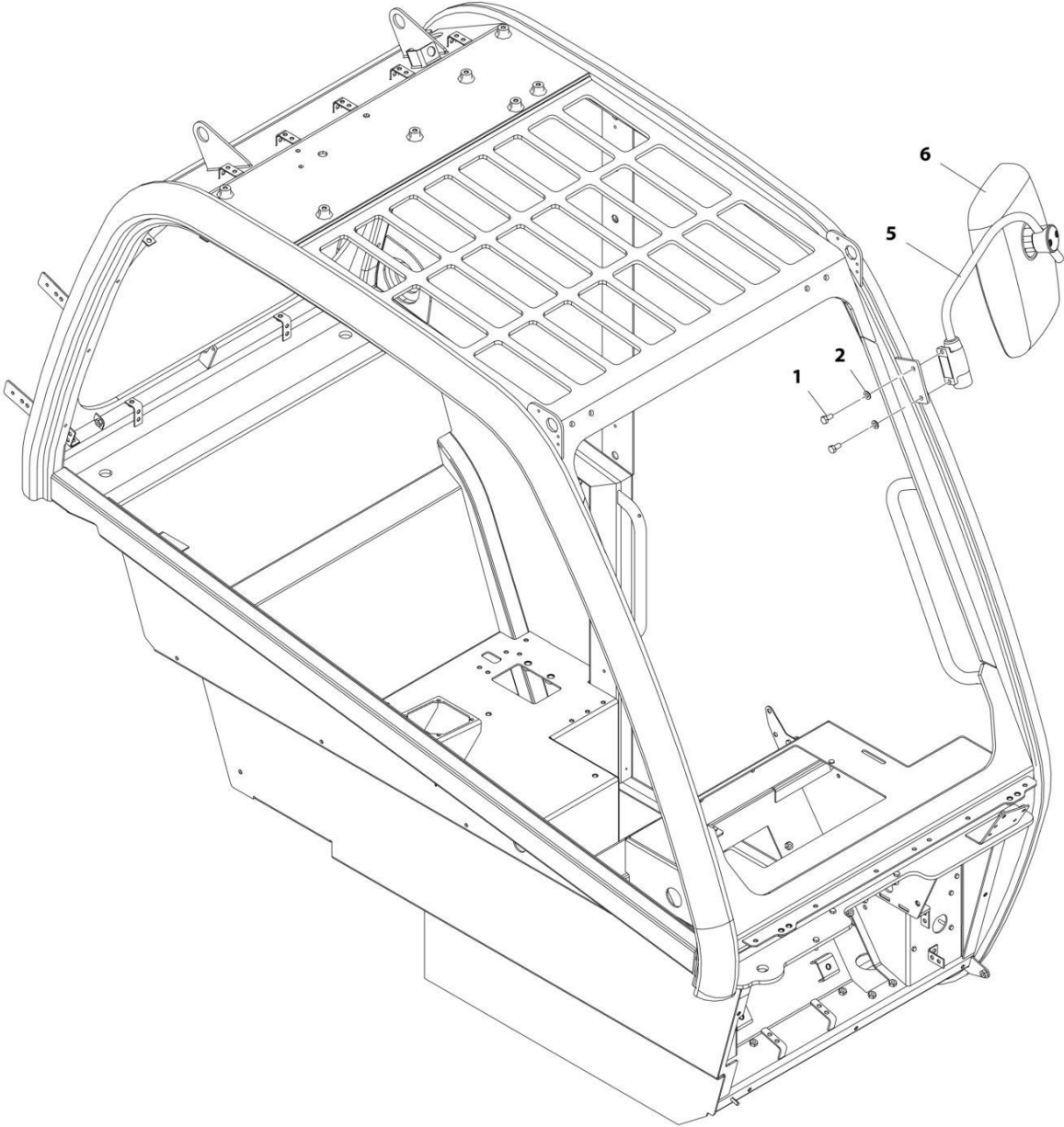
ART\_1001170603-E

FIGURE 6-27. ENCLOSED CAB PLUG GROUP

ITEM	PART NUMBER	QTY	DESCRIPTION	REV
	1001170603	Ref	Enclosed Cab Plug Group	E
1	1001176273	1	Plug	
2	1001176272	3	Plug	
3	1001143200	2	Plug	
4	1001176626	1	Plug	
6	1001181920	8	Screw, M8X16	
7	1001181921	8	Washer, Rubber M8	
8	1001182123	2	Plug	
9	1001182139	1	Plug	
10	1001209899	1	Plug	
11	1001219220	7	Cap, Vinyl Round	

**SECTION 6 - CAB**

**FIGURE 6-28. BASIC MIRROR INSTALLATION**



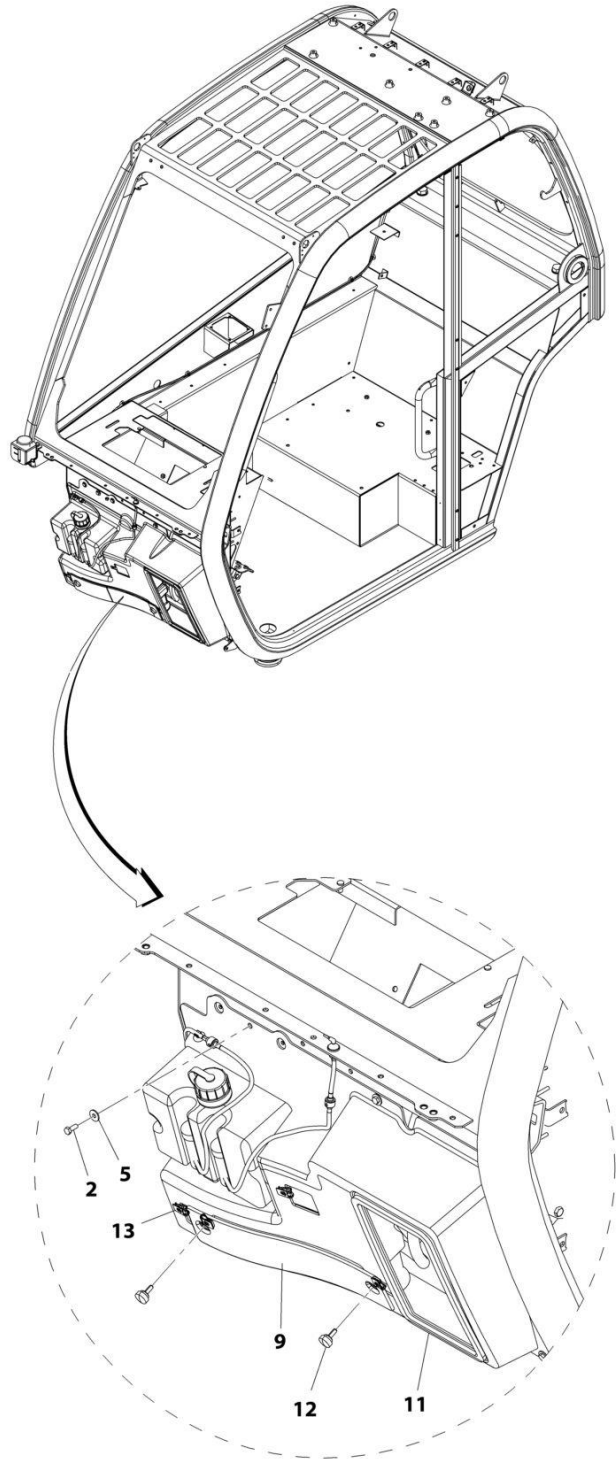
ART\_1001160508-E

FIGURE 6-28. BASIC MIRROR INSTALLATION

ITEM	PART NUMBER	QTY	DESCRIPTION	REV
	1001160508	Ref	Basic Mirror Installation	E
1	0760808	2	Bolt, M8X16	
2	4811900	2	Washer, M8	
5	1001164655	1	Bracket	
6	80363195	1	Mirror	

# SECTION 6 - CAB

## FIGURE 6-29. FRONT COVER INSTALLATION



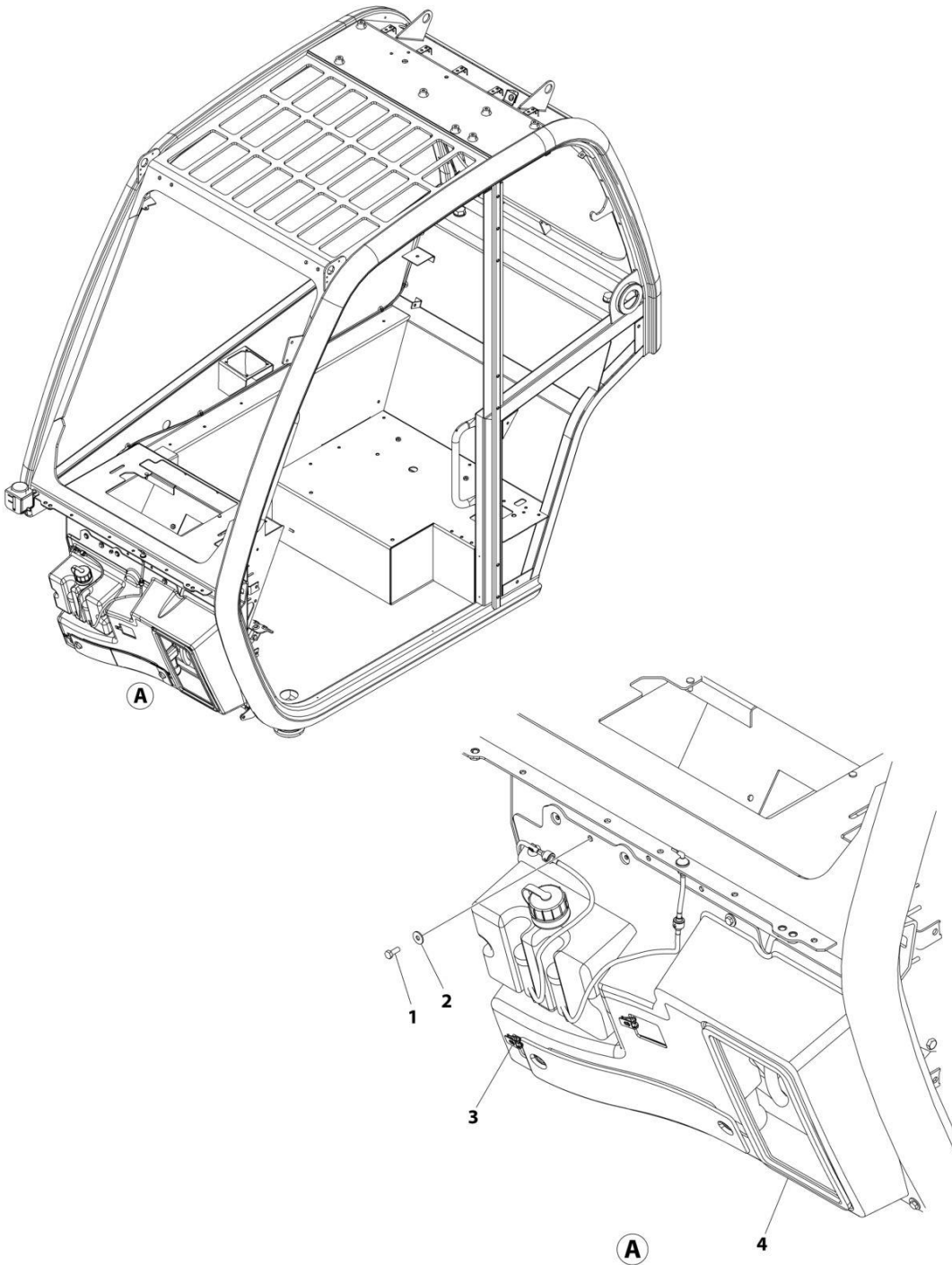
ART\_1001170366-G

FIGURE 6-29. FRONT COVER INSTALLATION

ITEM	PART NUMBER	QTY	DESCRIPTION	REV
	1001170366	Ref	Front Cover Installation	G
2	0760608	7	Bolt, M6X16	
5	4811702	7	Washer, M6	
9	1001175471	1	Panel, Filter Tray (See Separate Breakdown in this Section)	
11	1001176121	1	Cover, Front Duct (See Separate Breakdown in this Section)	
12	2080092	2	Thumb Screw, M6X16	
13	8305919	4	Nut, M6	

**SECTION 6 - CAB**

**FIGURE 6-30. FRONT COVER INSTALLATION (Prior to SN 0160101057)**



ART\_1001293104

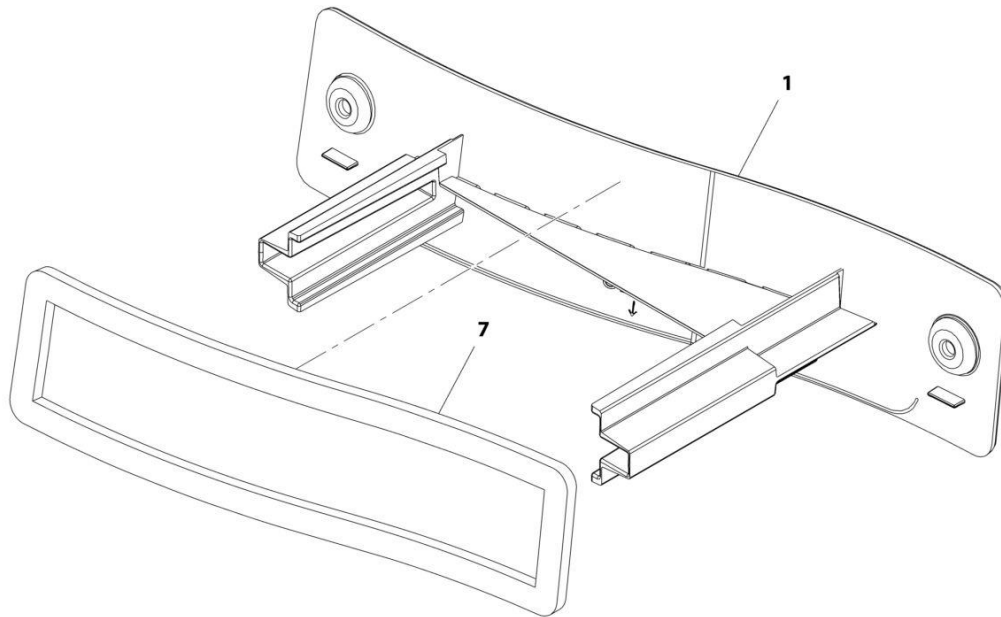


**SECTION 6 - CAB****FIGURE 6-30. FRONT COVER INSTALLATION (Prior to SN 0160101057)**

<b>ITEM</b>	<b>PART NUMBER</b>	<b>QTY</b>	<b>DESCRIPTION</b>	<b>REV</b>
	1001293104	Ref	FRONT COVER INSTALLATION	A
1	0760608	7	Bolt M6 x 16	
2	4811702	7	Washer M6	
3	8305919	2	Nut M6	
4	1001176121	1	Cover, Front Duct (See Separate Breakdown in this Section)	

**SECTION 6 - CAB**

**FIGURE 6-31. FILTER TRAY PANEL**



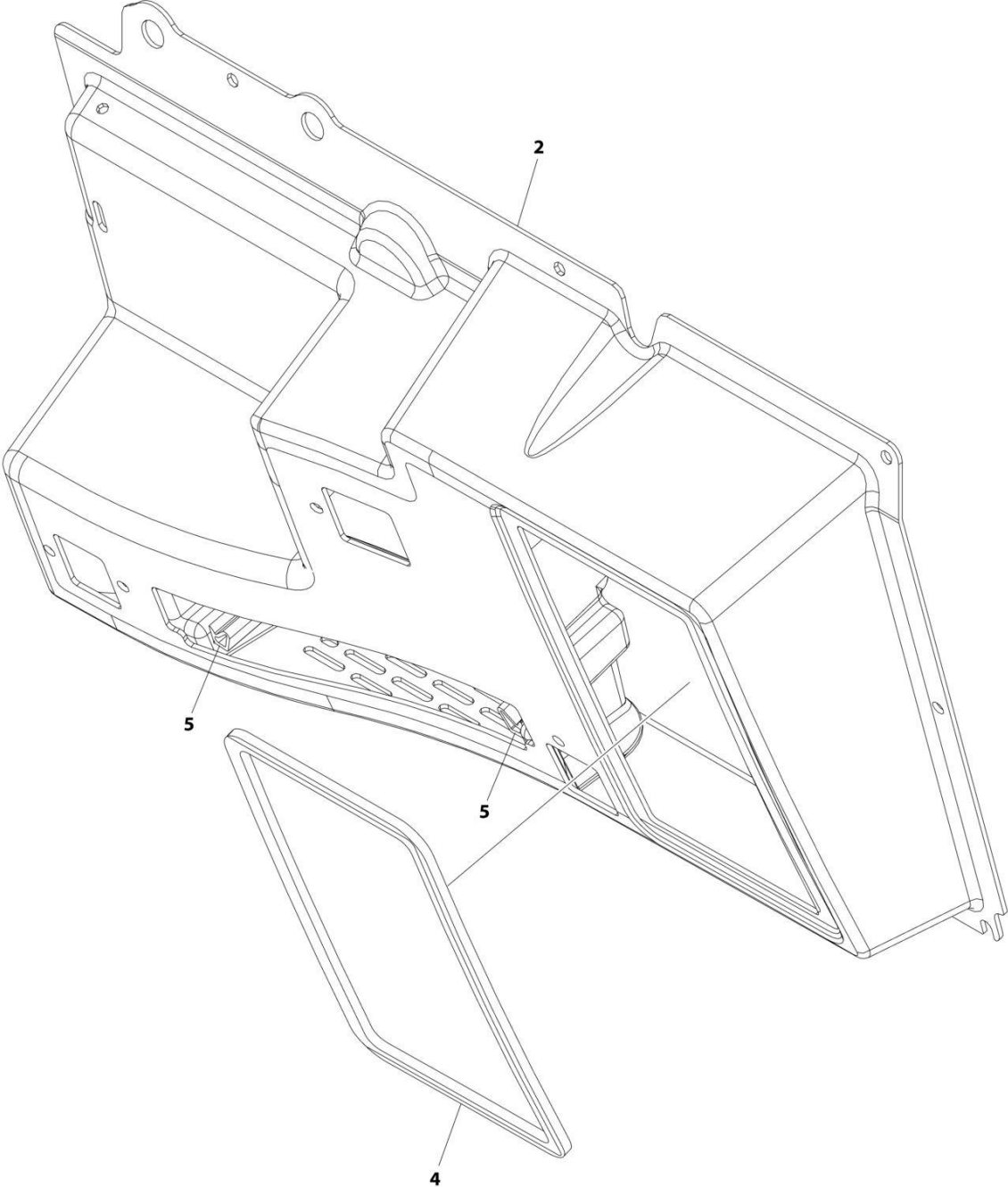
ART\_1001175471-D

FIGURE 6-31. FILTER TRAY PANEL

ITEM	PART NUMBER	QTY	DESCRIPTION	REV
	1001175471	Ref	Filter Tray Panel	D
1	1001170993	1	Panel, Front Inlet	
7	1001171767	1	Cab, Front Panel Seal	

**SECTION 6 - CAB**

**FIGURE 6-32. FRONT DUCT COVER**



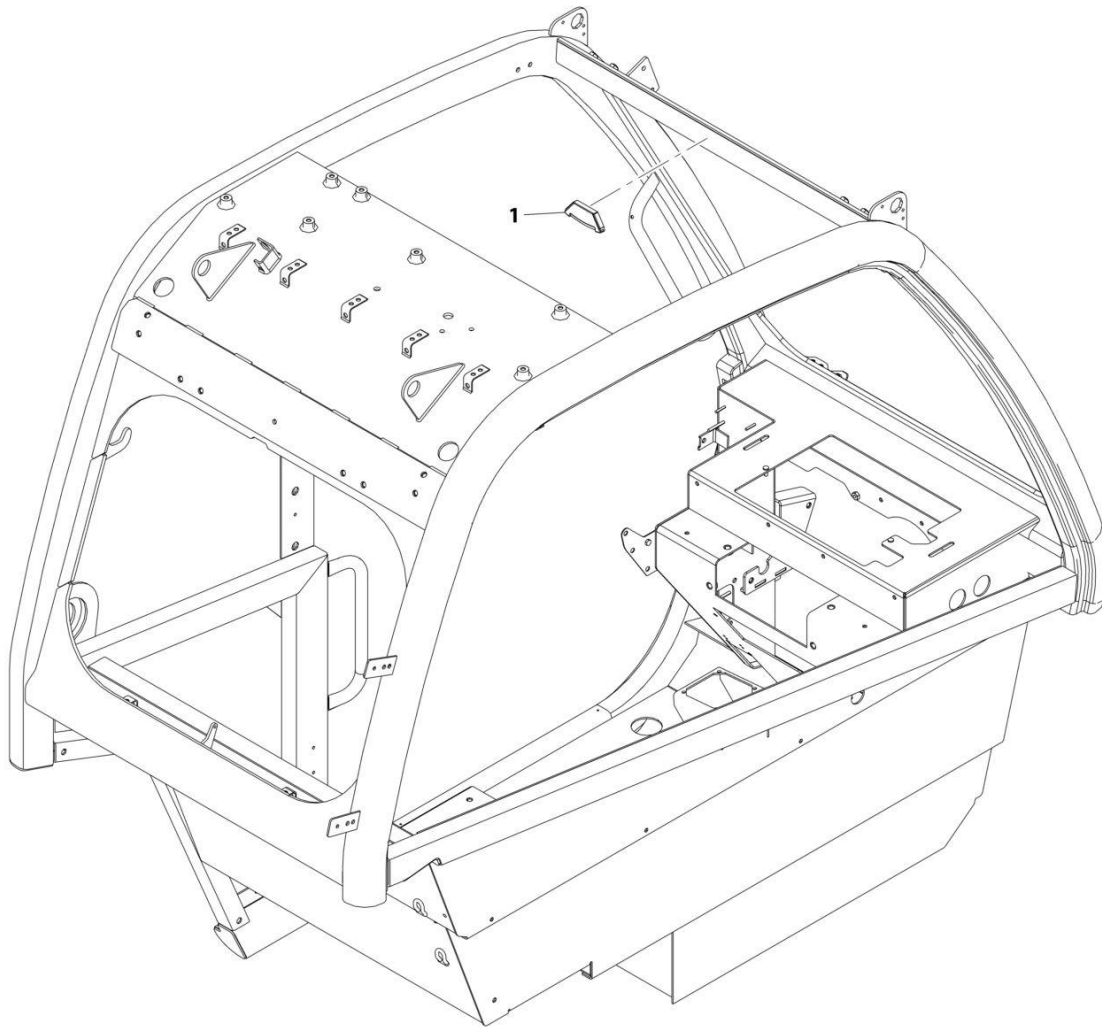
ART\_1001176121

FIGURE 6-32. FRONT DUCT COVER

ITEM	PART NUMBER	QTY	DESCRIPTION	REV
	1001176121	Ref	FRONT DUCT COVER	H
2	1001170326	1	Cover, Front	
4	1001175470	1	Seal, Front Cab Panel	
5	1001270117	AR	Seal, Bulb	

# SECTION 6 - CAB

## FIGURE 6-33. LEVEL INDICATOR INSTALLATION



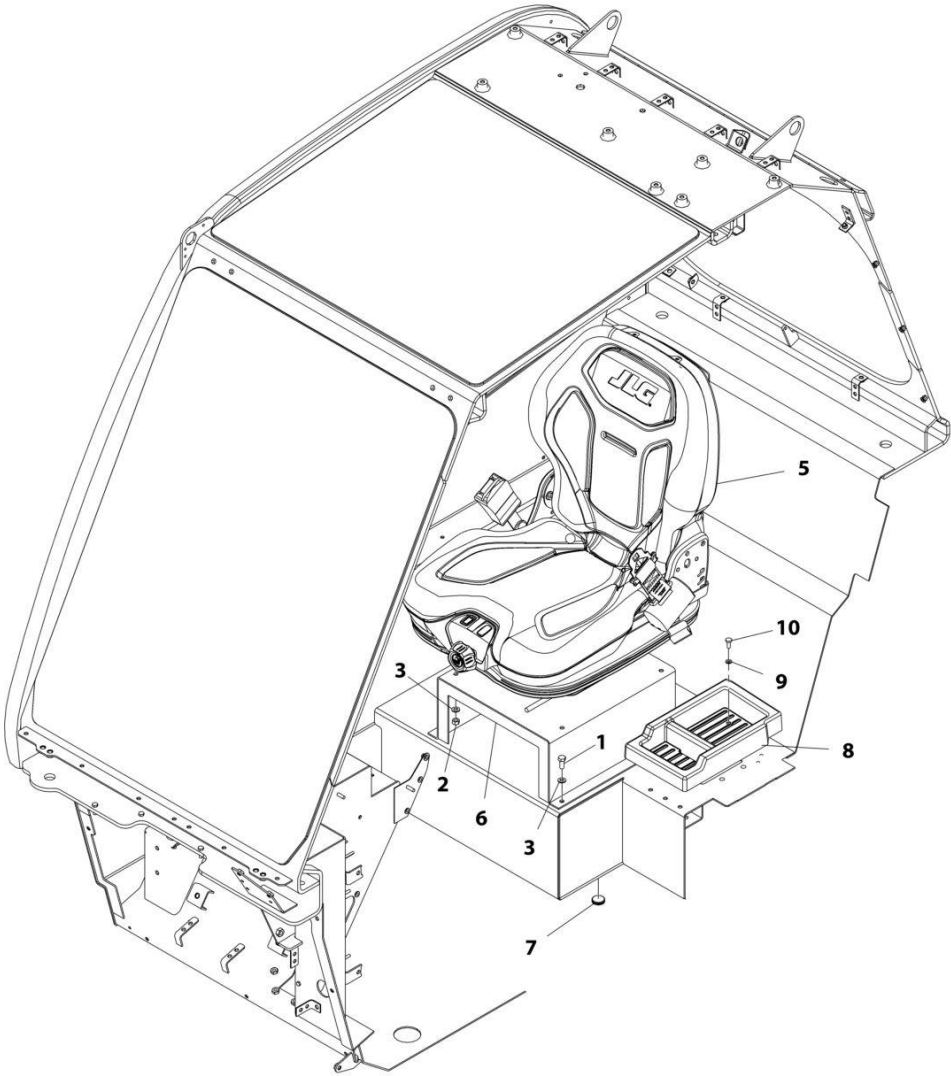
ART\_1001172401-C

**FIGURE 6-33. LEVEL INDICATOR INSTALLATION**

<b>ITEM</b>	<b>PART NUMBER</b>	<b>QTY</b>	<b>DESCRIPTION</b>	<b>REV</b>
1	1001172401 8466306	Ref 1	Level Indicator Installation Gauge, Tilt Angle	C

**SECTION 6 - CAB**

**FIGURE 6-34. SEAT INSTALLATION**



ART\_1001164615-G

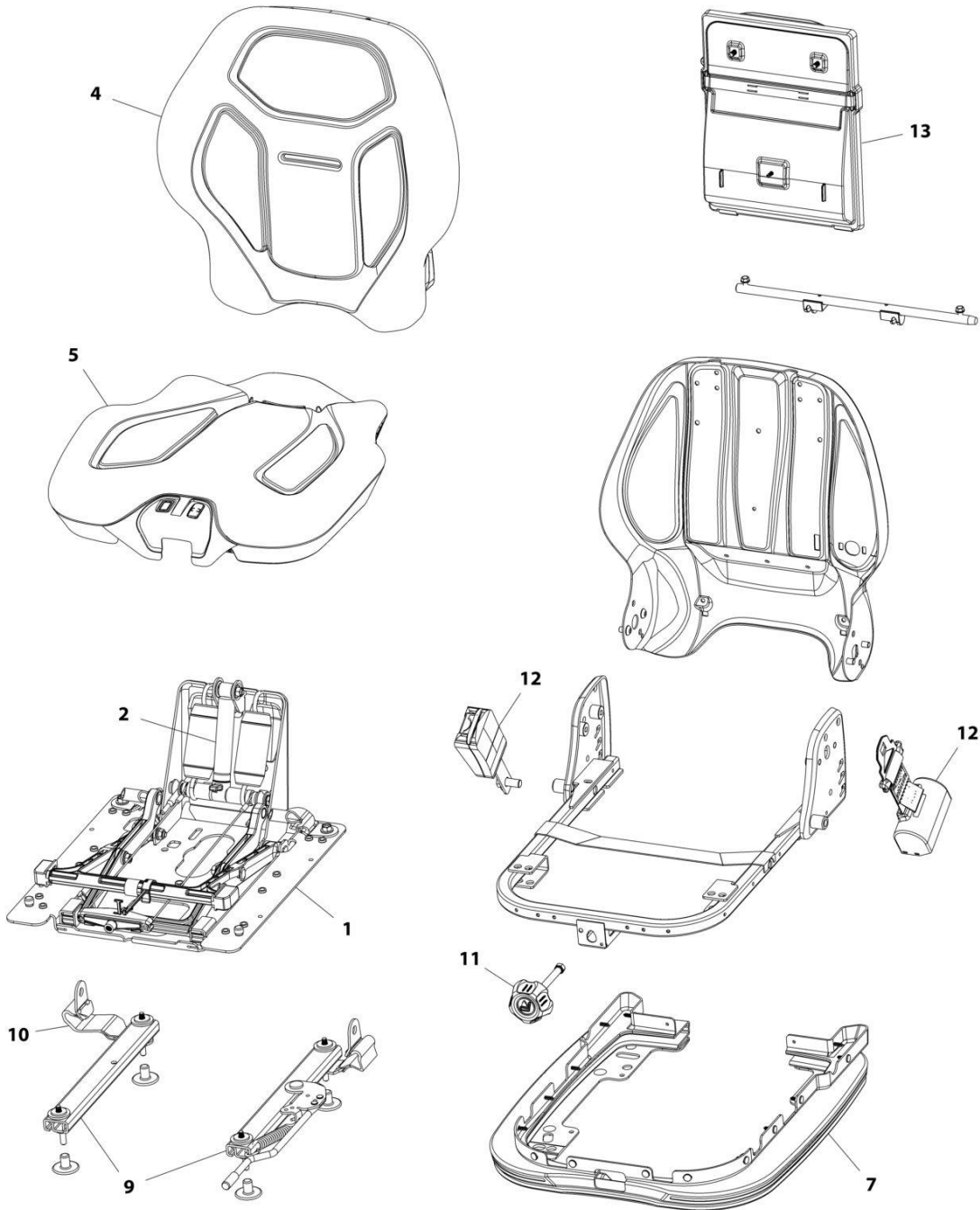


FIGURE 6-34. SEAT INSTALLATION

ITEM	PART NUMBER	QTY	DESCRIPTION	REV
	1001164615	Ref	Seat Installation	H
1	0760810	4	Bolt, M8X20	
2	3311505	4	Nut, Lock 5/16-18	
3	4811900	8	Washer, M8	
5	1001197027	1	Seat (See Separate Breakdown in this Section)	
6	1001164498	1	Plinth, Seat	
7	1001196076	1	Plug	
8	1001170515	1	Insert, Storage Tray	
9	4811700	1	Washer, M6	
10	4010608002	1	Screw, Posi-Drive, M6X16	

# SECTION 6 - CAB

## FIGURE 6-35. SEAT



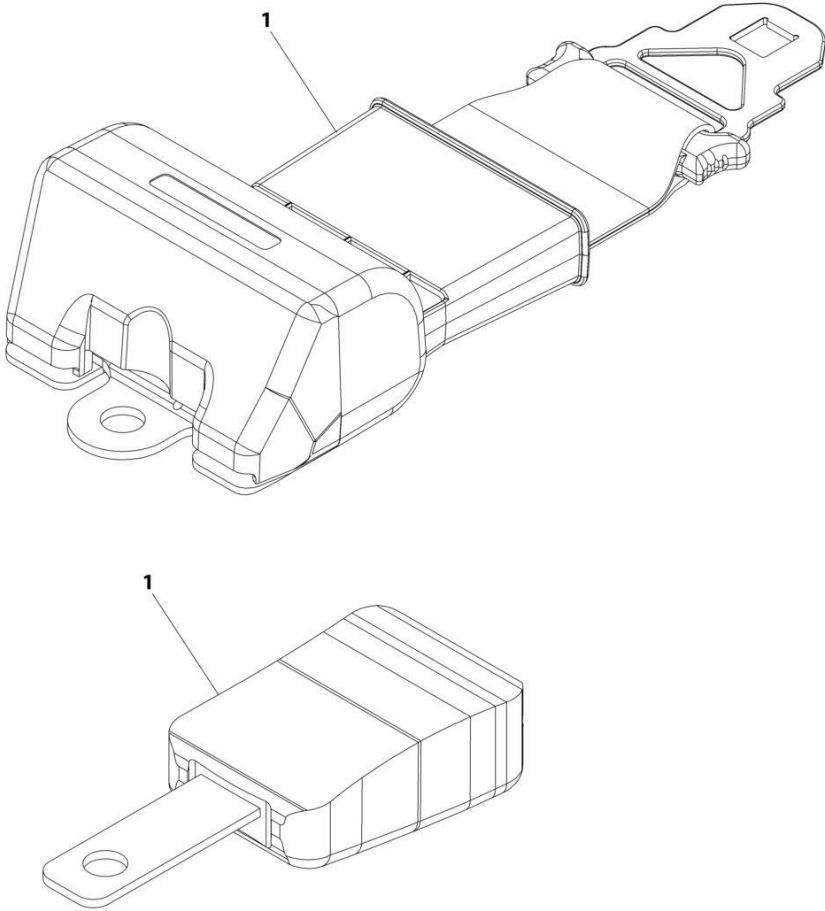
ART\_1001197027-D

FIGURE 6-35. SEAT

ITEM	PART NUMBER	QTY	DESCRIPTION	REV
	1001197027	Ref	Seat	E
1	70027024	1	Suspension Assembly Kit	
2	70027025	1	Spring Saddle Assembly Kit	
4	70027026	1	Back Cushion Kit	
5	70027028	1	Seat Cushion Assembly Kit	
7	70027030	1	Boot Kit	
9	7026798	1	Adjuster Kit	
10	70027032	1	Tether Strap	
11	70027033	1	Weight Adjust Knob Kit	
12	70027034	2	Seat Belt Kit	
13	70027035	1	Document Box Kit	

**SECTION 6 - CAB**

**FIGURE 6-36. SEAT BELT INSTALLATION (3 INCH)**



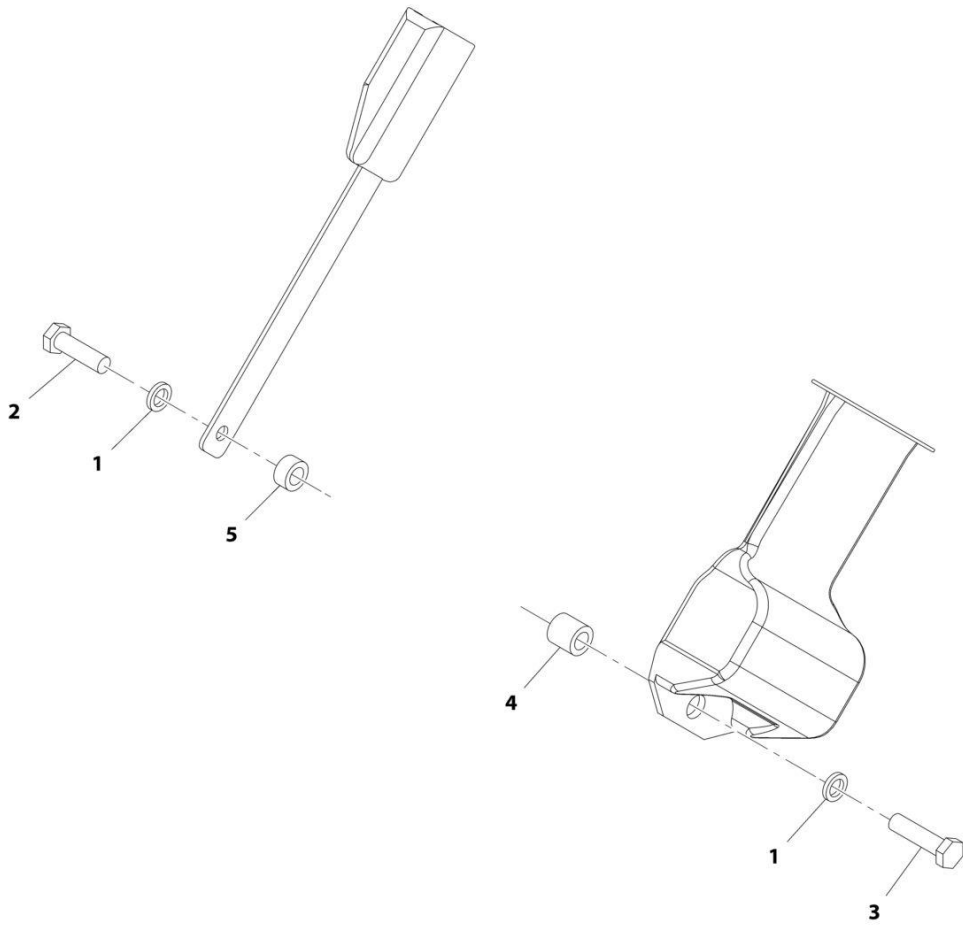
ART\_1001215778\_C

**FIGURE 6-36. SEAT BELT INSTALLATION (3 INCH)**

ITEM	PART NUMBER	QTY	DESCRIPTION	REV
1	1001215778	Ref	Seat Belt Installation (3 Inch)	C

## SECTION 6 - CAB

FIGURE 6-37. SEAT BELT INSTALLATION (3IN) (Prior to SN 0160085525)



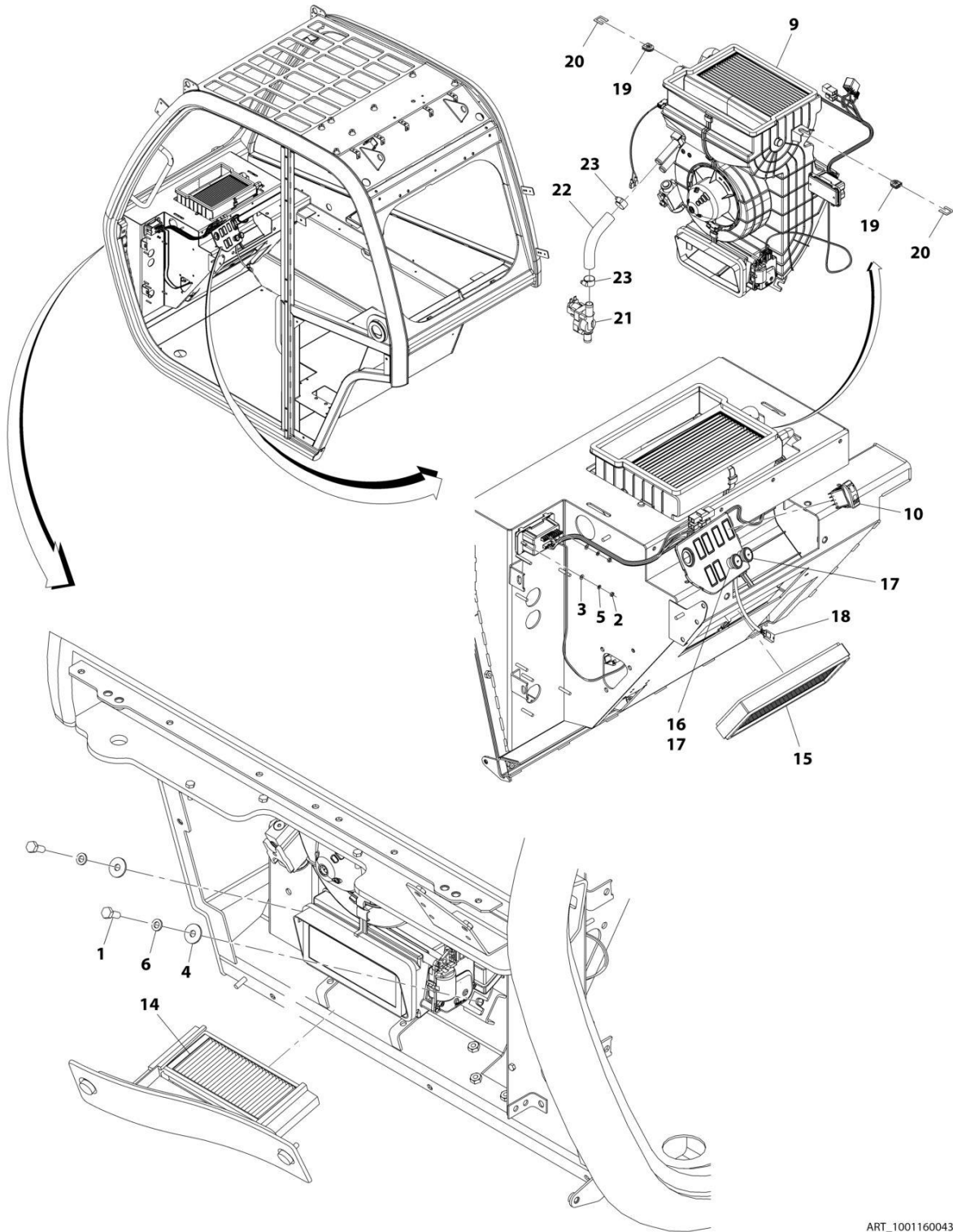
ART\_1001006731-B

**FIGURE 6-37. SEAT BELT INSTALLATION (3IN) (Prior to SN 0160085525)**

ITEM	PART NUMBER	QTY	DESCRIPTION	REV
	1001006731	Ref	Seat Belt Installation (3IN)	B
1	1001010646	2	Washer	
2	1001010647	1	Bolt	
3	1001010648	1	Bolt	
4	1001010649	1	Spacer	
5	1001010650	1	Spacer	

# SECTION 6 - CAB

## FIGURE 6-38. HEATER INSTALLATION



ART\_1001160043-K

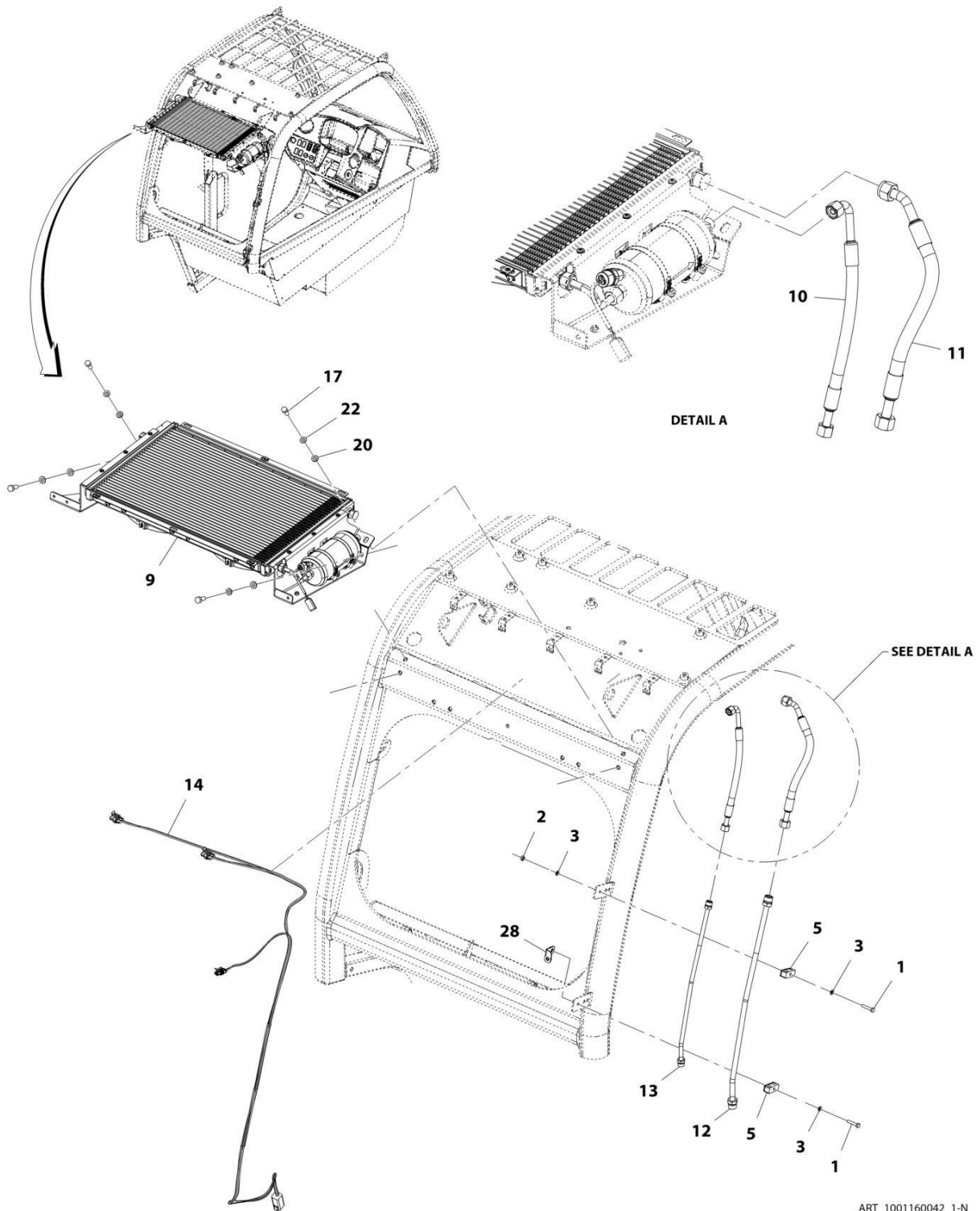


FIGURE 6-38. HEATER INSTALLATION

ITEM	PART NUMBER	QTY	DESCRIPTION	REV
	1001160043	Ref	Heater Installation	K
1	0760810	2	Bolt, M8X20	
2	3290401	2	Nut, M4X0.7	
3	4811400	2	Washer, M4	
4	4811902	2	Washer, M8	
5	4831400	2	Washer, Lock M4	
6	4831900	2	Washer, M8	
9	1001161858	1	Assembly, Heater (See Separate Breakdown in this Section)	
10	1001159925	1	Switch, HVAC Recycle	
14	1001218996	1	Filter, HVAC Air	
15	1001172553	1	Filter, HVAC Recirculation Air	
16	1001172547	1	Switch, HVAC Rotary 3 Speed	
17	1001172550	2	Knob, HVAC Control	
18	1001218529	1	Cable, HVAC	
19	1001188590	2	Grommet	
20	1001218542	2	Shim	
21	1001221059	1	Valve, Water	
22	1001221295	1	House	
23	8410009	2	Clamp	

# SECTION 6 - CAB

## FIGURE 6-39. HEATER AND A/C INSTALLATION (CAB PARTS)

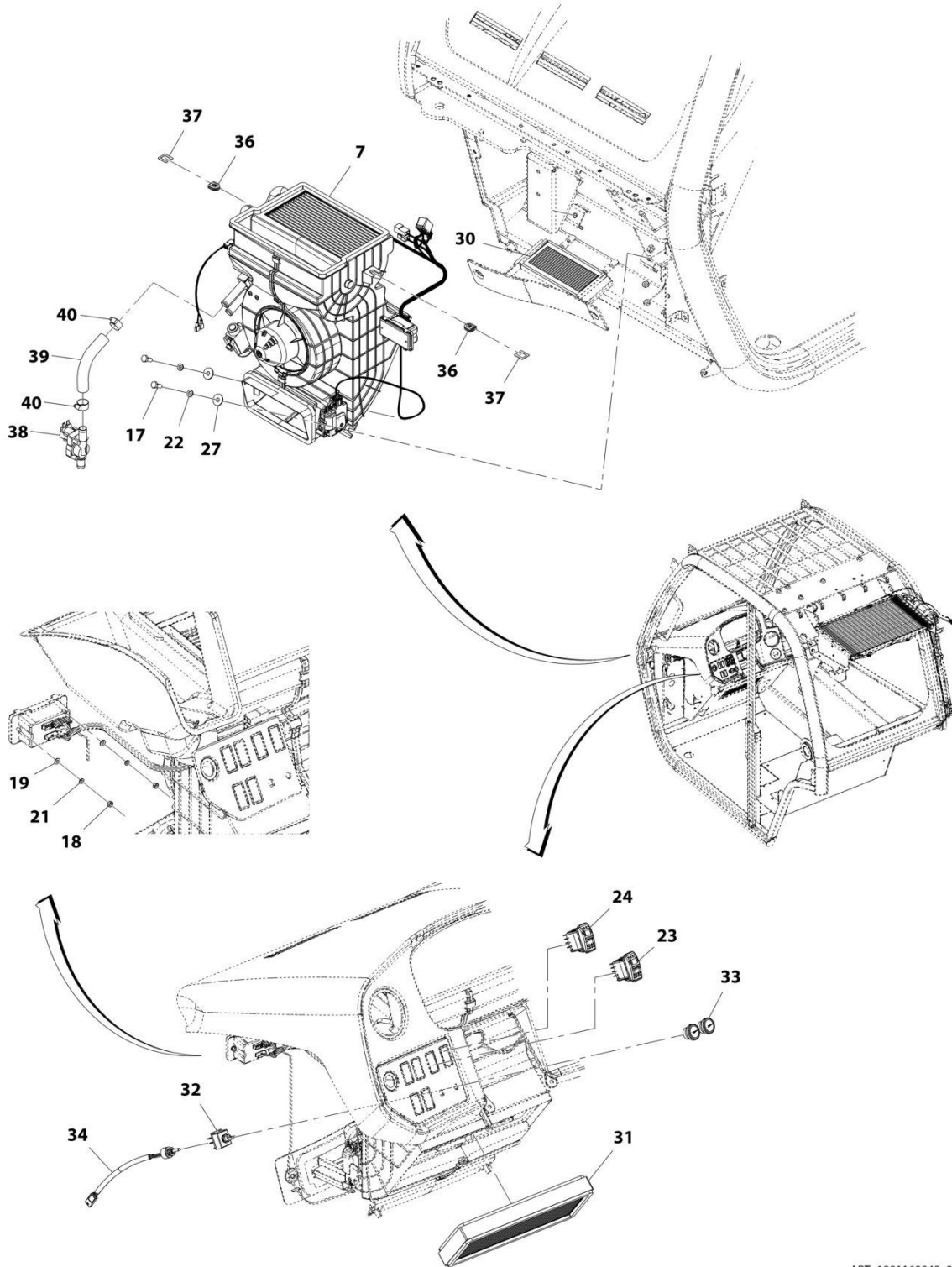


ART\_1001160042\_1-N



# SECTION 6 - CAB

## FIGURE 6-40. HEATER AND A/C INSTALLATION (CAB PARTS)



ART\_1001160042\_2-N

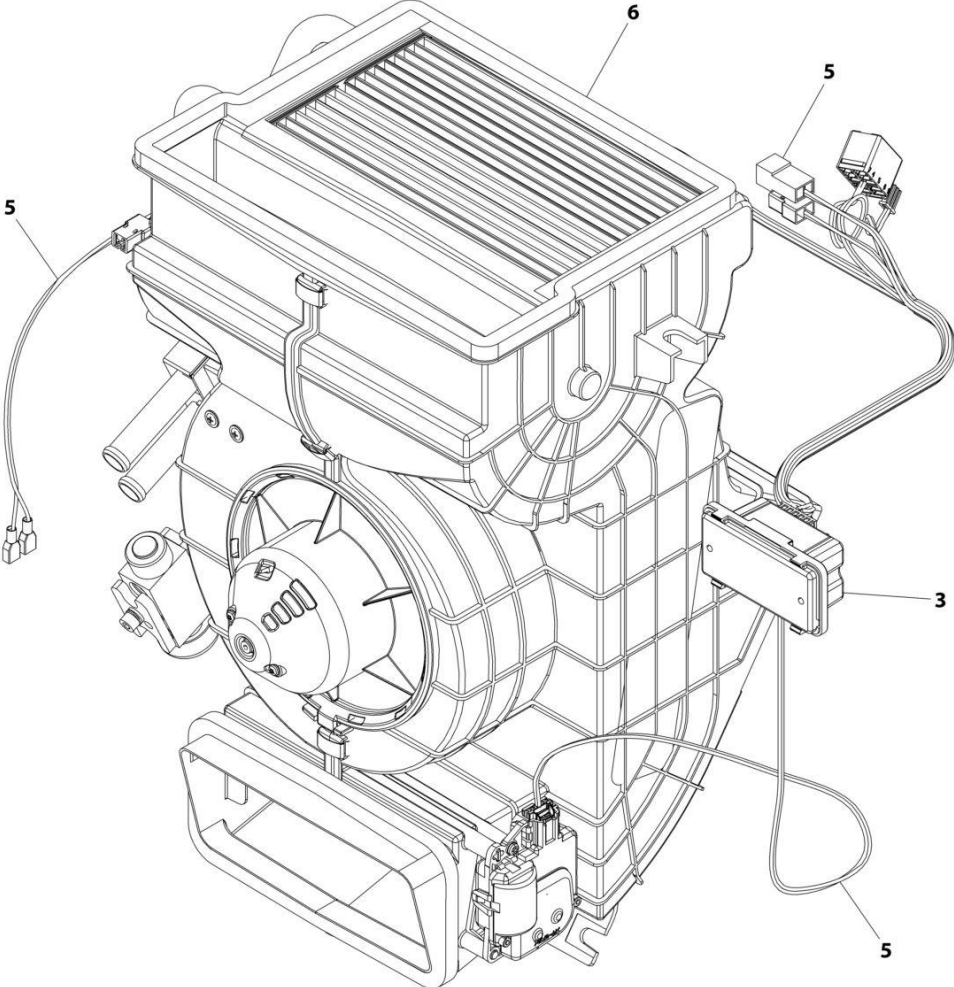
## SECTION 6 - CAB

**FIGURE 6-40. HEATER AND A/C INSTALLATION (CAB PARTS)**

ITEM	PART NUMBER	QTY	DESCRIPTION	REV
	1001160042	Ref	Heater and A/C Installation (Cab Parts)	N
1	0700614	2	Bolt, M6X30	
2	3290601	1	Nut, M6X1	
3	4811700	3	Washer, M6	
5	1001145539	2	Support, Pipe	
7	1001188303	1	Assembly, Heater and A/C (See Separate Breakdown in this Section)	
9	1001162953	1	Assembly, Cab Condenser (See Separate Breakdown in this Section)	
10	1001168327	1	Hose	
11	1001168330	1	Hose	
12	1001168331	1	Tube	
13	1001168456	1	Tube	
14	1001169151	1	Harness, A/C Option (See Separate Breakdown in ELECTRICAL Section)	
17	0760810	6	Bolt, M8X20 GR8.8	
18	3290401	2	Nut, M4X0.7	
19	4811400	2	Washer, M4	
20	4811900	4	Washer, M8	
21	4831400	2	Washer, Lock M4	
22	4831900	6	Washer, Lock M8	
23	1001159925	1	Switch, HVAC Recycle	
24	1001160326	1	Switch, HVAC On/Off	
27	4811902	2	Washer, M8	
28	1001178170	1	Bracket	
30	1001218996	1	Filter, HVAC Fresh Air	
31	1001172553	1	Filter, HVAC Air Recirculation	
32	1001172547	1	Switch, HVAC Rotary 3 Speed	
33	1001172550	2	Knob, HVAC Control	
34	1001218529	1	Cable, HVAC	
35	1320022	1	Clamp	
36	1001188590	2	Grommet	
37	1001218542	2	Shim	
38	1001221059	1	Valve, Water	
39	1001221295	1	Hose	
40	8410009	2	Clamp	

**SECTION 6 - CAB**

**FIGURE 6-41. HEATER AND A/C ASSEMBLY (Prior to SN 0160077679)**



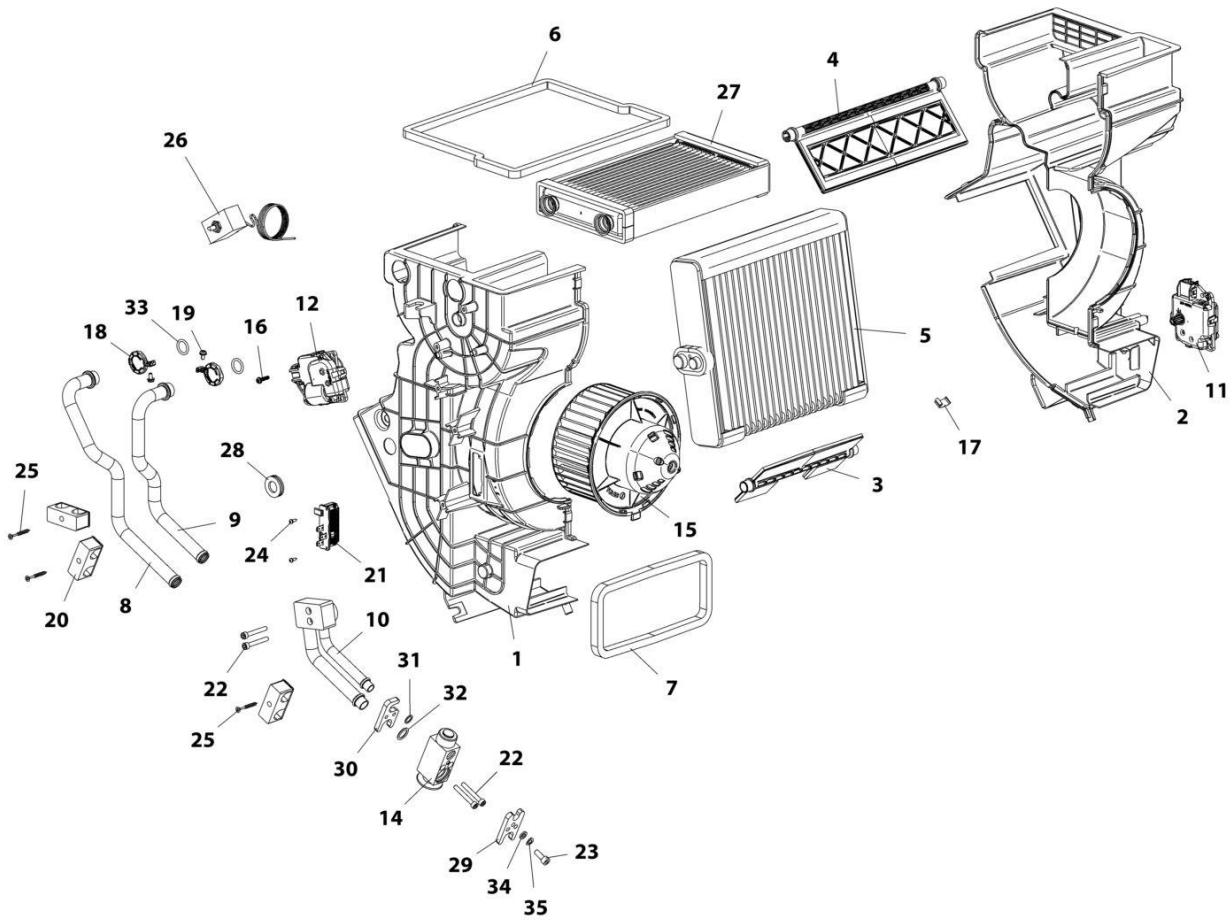
ART\_1001188303-G

**SECTION 6 - CAB****FIGURE 6-41. HEATER AND A/C ASSEMBLY (Prior to SN 0160077679)**

<b>ITEM</b>	<b>PART NUMBER</b>	<b>QTY</b>	<b>DESCRIPTION</b>	<b>REV</b>
	1001188303	Ref	Heater and A/C Assembly	H
3	1001172551	1	Actuator, HVAC Cab	
5	1001221056	1	Harness, HVAC Actuator (See Separate Breakdown in ELECTRICAL Section)	
6	1001221054	1	Heater and A/C (See Separate Breakdown in this Section)	

# SECTION 6 - CAB

## FIGURE 6-42. HEATER AND A/C



ART\_1001188275-D

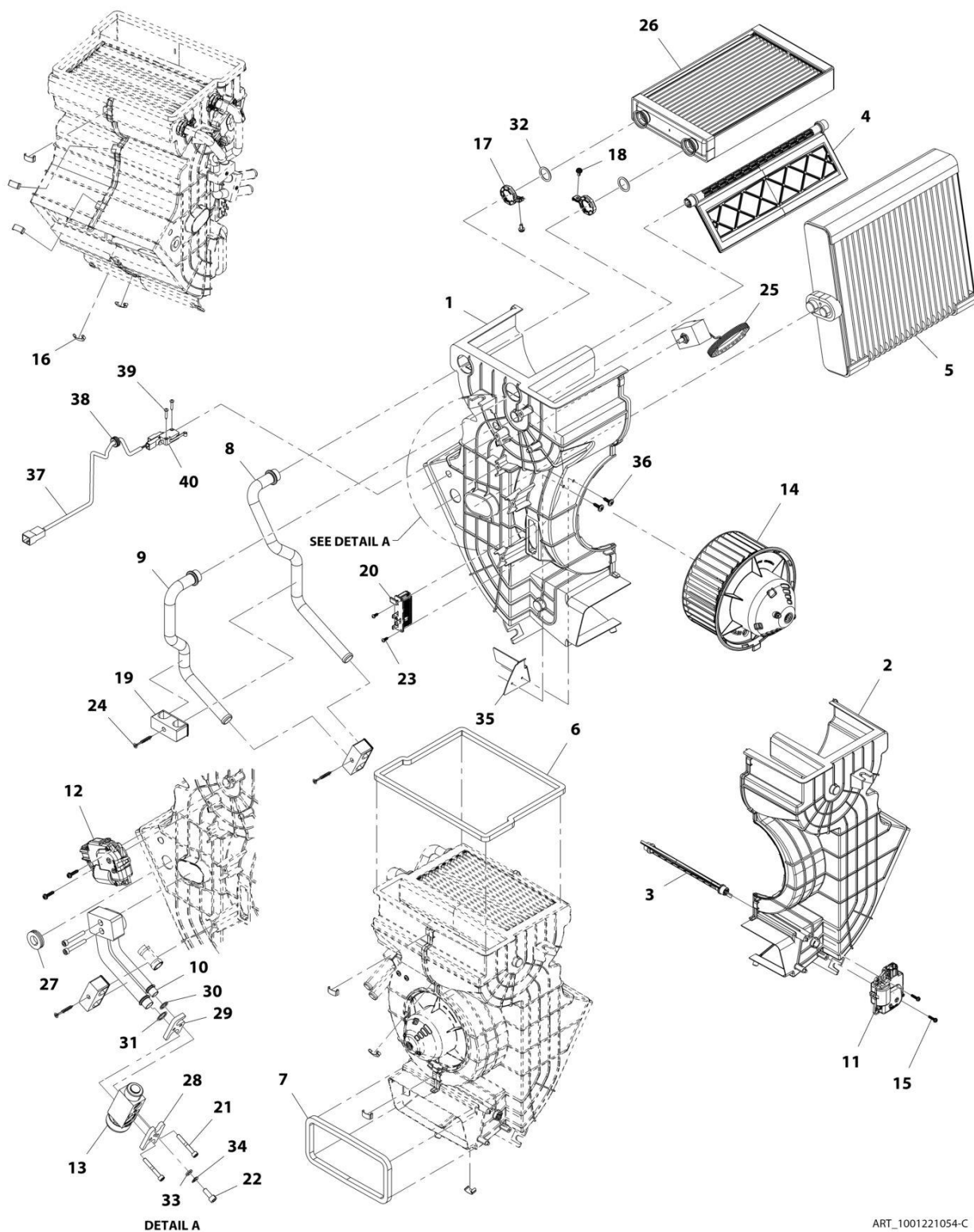


FIGURE 6-42. HEATER AND A/C

ITEM	PART NUMBER	QTY	DESCRIPTION	REV
	1001188275	NLA	Heater and A/C (no longer available, see items 1 through 35 for service or use 1001221054 for replacement)	D
1	1001166091	1	Housing, HVAC RH	
2	1001166092	1	Housing, HVAC LH	
3	1001184275	1	Foam, Heater Flap	
4	1001184278	1	Foam, Heater Mixing Flap	
5	1001184280	1	Evaporator, Heater	
6	1001184294	1	Seal, Heater Foam	
7	1001184295	1	Seal, Air Inlet Foam	
8	1001184296	1	Pipe, Heater Water	
9	1001184297	1	Pipe, Heater Water	
10	1001184427	1	Pipe, Heater	
11	1001188577	1	Actuator, Fresh/Recirculation Air	
12	1001188578	1	Actuator, Hot/Cold Mixing	
14	1001188592	1	Valve, HVAC Expansion	
15	1001188594	1	Fan, HVAC Centrifugal 12V	
16	1001188602	4	Screw, M4	
17	1001188603	9	Clamp, HVAC Case	
18	1001188604	2	Clamp, HVAC Pipe	
19	1001188610	2	Screw, M4X0.7	
20	1001188612	3	Clamp, Pipe	
21	1001188614	1	Resistor	
22	1001188618	4	Screw, M5	
23	1001188619	1	Screw, M6	
24	1001188720	2	Screw, M2.9X9.5	
25	1001188725	3	Screw, M4X35	
26	1001188728	1	Sensor, HVAC Thermostat	
27	1001188729	1	Radiator, Heater Core	
28	1001188733	1	Grommet	
29	1001188817	1	Clamp, Hose	
30	1001188818	1	Clamp, HVAC EVAP/Valve	
31	1001189023	1	O-Ring	
32	1001189024	1	O-Ring	
33	1001189025	2	O-Ring	
34	1001189048	1	Washer	
35	1001189054	1	Washer, Spring	

# SECTION 6 - CAB

## FIGURE 6-43. HEATER AND A/C



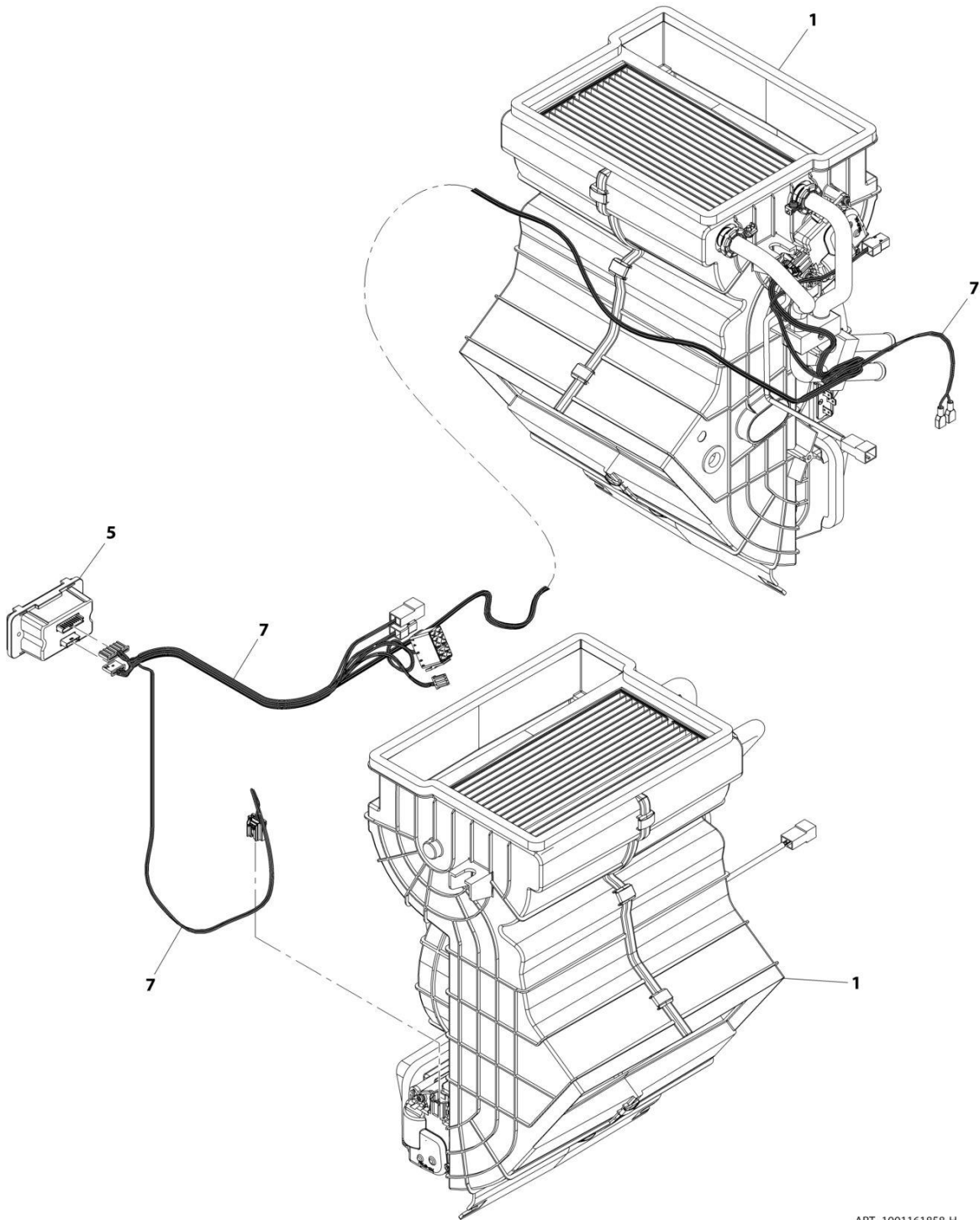
ART\_1001221054-C

FIGURE 6-43. HEATER AND A/C

ITEM	PART NUMBER	QTY	DESCRIPTION	REV
	1001221054	Ref	Heater and A/C	D
1	1001166091	1	Housing, HVAC RH	
2	1001166092	1	Housing, HVAC LH	
3	1001184275	1	Foam, Heater Flap	
4	1001184278	1	Foam, Heater Mixing Flap	
5	1001184280	1	Evaporator, Heater	
6	1001184294	1	Seal, Heater Foam	
7	1001184295	1	Seal, Air Inlet Foam	
8	1001184296	1	Pipe, Heater Water	
9	1001184297	1	Pipe, Heater Water	
10	1001184427	1	Pipe, Heater	
11	1001188577	1	Actuator, Fresh/Recirculation Air	
12	1001188578	1	Actuator, Hot/Cold Mixing	
13	1001188592	1	Valve, HVAC Expansion	
14	1001188594	1	Fan, HVAC Centrifugal 12V	
15	1001188602	4	Screw, M4	
16	1001188603	9	Clamp, HVAC Case	
17	1001188604	2	Clamp, HVAC Pipe	
18	1001188610	2	Screw, M4X0.7	
19	1001188612	3	Clamp, Pipe	
20	1001188614	1	Resistor	
21	1001188618	4	Screw, M5	
22	1001188619	1	Screw, M6	
23	1001188720	2	Screw, M2.9X9.5	
24	1001188725	3	Screw, M4X35	
25	1001188728	1	Sensor, HVAC Thermostat	
26	1001188729	1	Radiator, Heater Core	
27	1001188733	1	Grommet	
28	1001188817	1	Clamp, Hose	
29	1001188818	1	Clamp, HVAC EVAP/Valve	
30	1001189023	1	O-Ring	
31	1001189024	1	O-Ring	
32	1001189025	2	O-Ring	
33	1001189048	1	Washer	
34	1001189054	1	Washer, Spring	
35	1001221057	1	Plate	
36	1001221058	2	Screw	
37	1001228132	1	Harness, HVAC Sensor	
38	1001228140	1	Grommet	
39	1001228141	2	Screw	
40	1001228147	1	Valve, Water Sensor	

# SECTION 6 - CAB

## FIGURE 6-44. HEATER ASSEMBLY



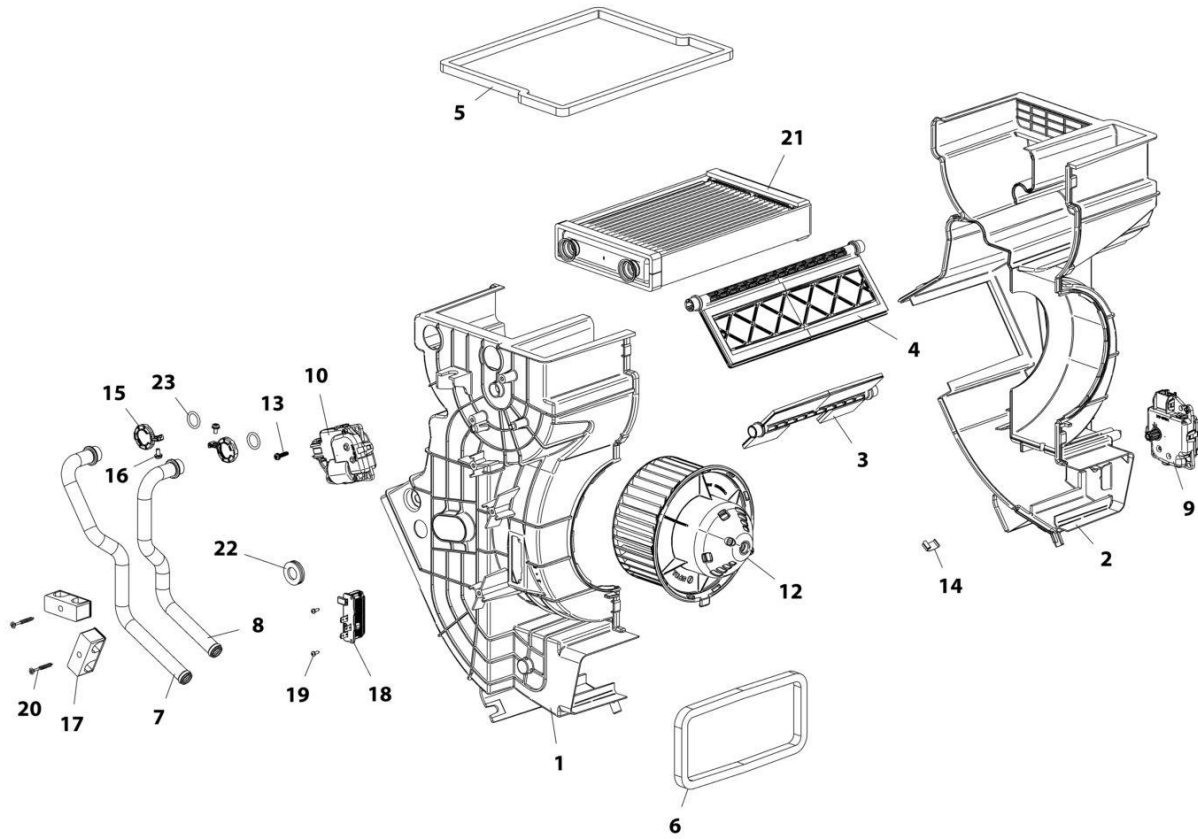
ART\_1001161858-H

FIGURE 6-44. HEATER ASSEMBLY

ITEM	PART NUMBER	QTY	DESCRIPTION	REV
1	1001161858	Ref	Heater Assembly	H
	1001152908	NLA	Heater, Cab (no longer available, use 1001221052), (For Service, See Separate Breakdown in this Section)	
5	1001221052	1	Heater, Cab (See Separate Breakdown in this Section)	
5	1001172551	1	Actuator, HVAC Cab (See Separate Breakdown in this Section)	
7	1001173571	1	Harness, HVAC Actuator	
7	1001221056	1	Harness, HVAC Actuator	

# SECTION 6 - CAB

## FIGURE 6-45. HEATER



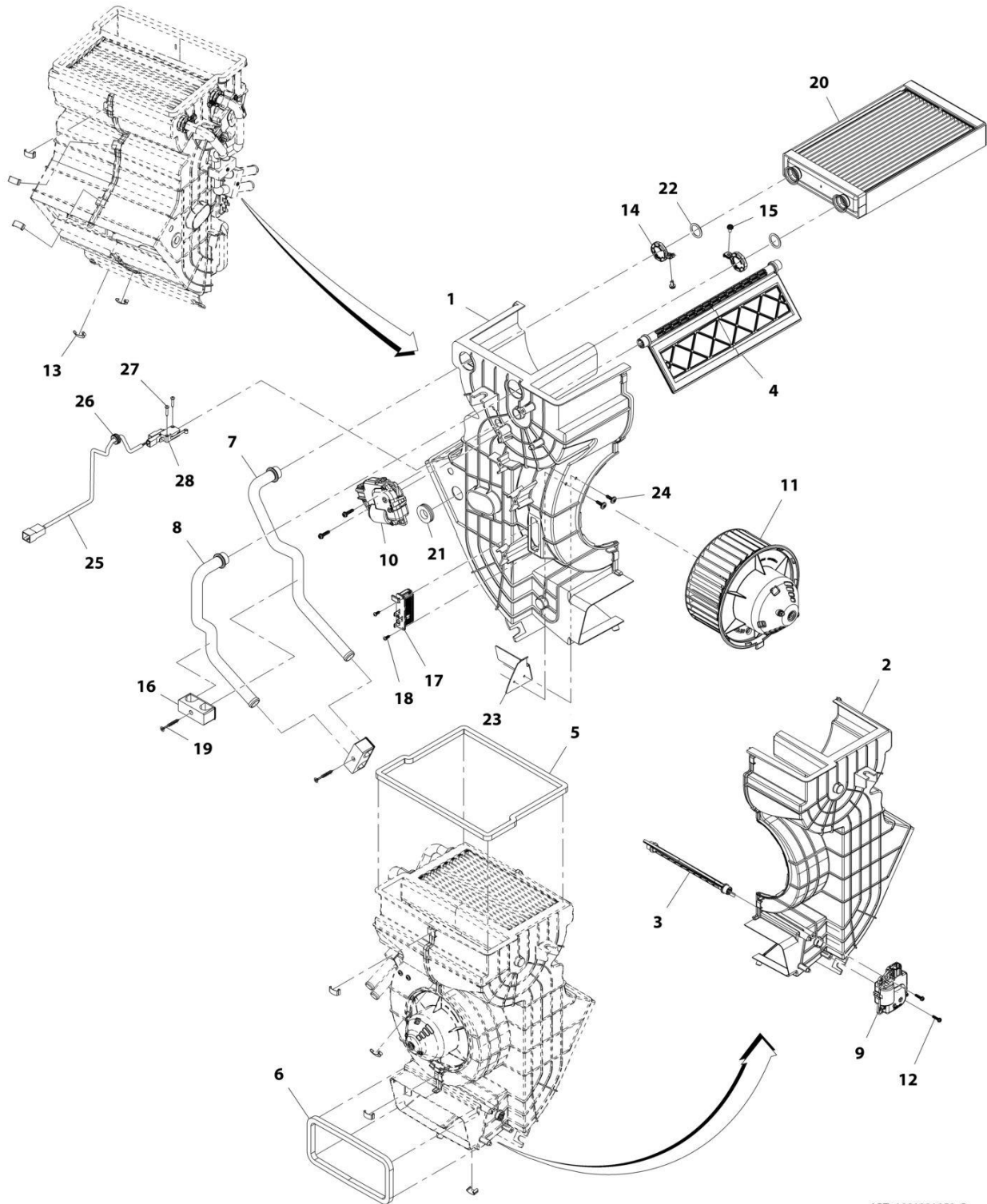
ART\_1001152908-E

FIGURE 6-45. HEATER

ITEM	PART NUMBER	QTY	DESCRIPTION	REV
	1001152908	NLA	Heater (no longer available, see items 1 through 23 for service or use 1001221052 for replacement)	E
1	1001166091	1	Housing, RH	
2	1001166092	1	Housing, LH	
3	1001184275	1	Flap, Recirculation with Foam	
4	1001184278	1	Flap, Mixing with Foam	
5	1001184294	1	Foam, Air Outlet	
6	1001184295	1	Foam, Air Inlet	
7	1001184296	1	Pipe, Water	
8	1001184297	1	Pipe, Water	
9	1001188577	1	Actuator, Fresh/Recirculation Air	
10	1001188578	1	Actuator, Hot/Cold	
12	1001188594	1	Fan, 12V	
13	1001188602	4	Screw	
14	1001188603	9	Clamp	
15	1001188604	2	Clamp	
16	1001188610	2	Screw	
17	1001188612	2	Clamp	
18	1001188614	1	Resistor	
19	1001188720	2	Screw	
20	1001188725	2	Screw	
21	1001188729	1	Radiator, Heater Core	
22	1001188733	1	Grommet	
23	1001189025	2	O-Ring	

SECTION 6 - CAB

FIGURE 6-46. HEATER



ART\_1001221052-C

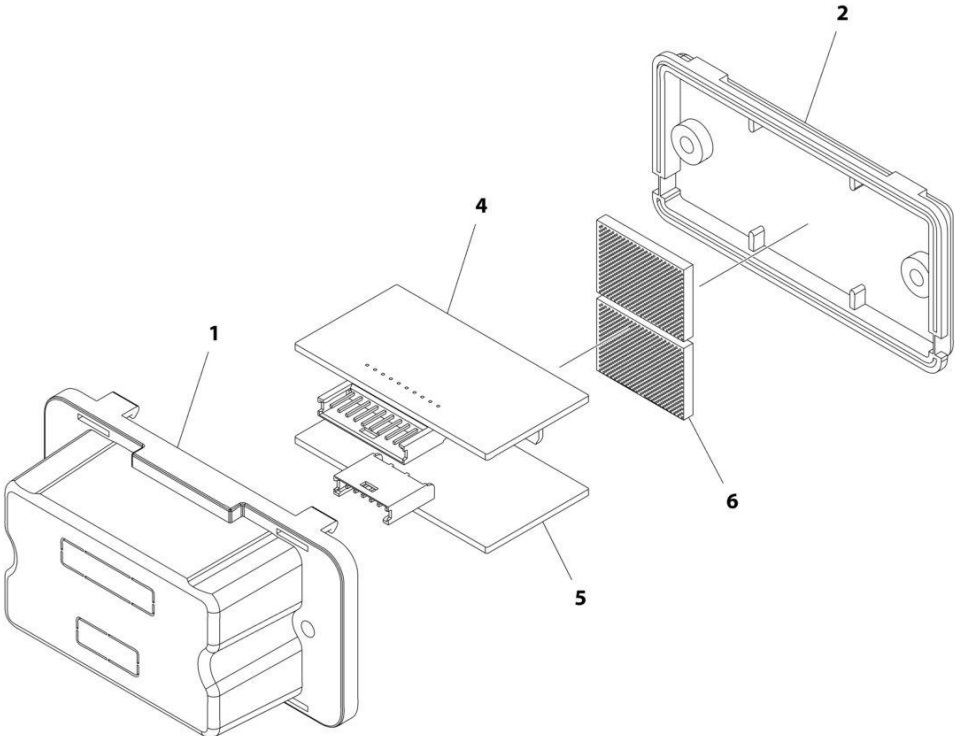


FIGURE 6-46. HEATER

ITEM	PART NUMBER	QTY	DESCRIPTION	REV
	1001221052	Ref	Heater	D
1	1001166091	1	Housing, RH	
2	1001166092	1	Housing, LH	
3	1001184275	1	Flap, Recirculation with Foam	
4	1001184278	1	Flap, Mixing with Foam	
5	1001184294	1	Foam, Air Outlet	
6	1001184295	1	Foam, Air Inlet	
7	1001184296	1	Pipe, Water	
8	1001184297	1	Pipe, Water	
9	1001188577	1	Actuator, Fresh/Recirculation Air	
10	1001188578	1	Actuator, Hot/Cold	
11	1001188594	1	Fan, 12V	
12	1001188602	4	Screw	
13	1001188603	9	Clamp	
14	1001188604	2	Clamp	
15	1001188610	2	Screw	
16	1001188612	2	Clamp	
17	1001188614	1	Resistor	
18	1001188720	2	Screw	
19	1001188725	2	Screw	
20	1001188729	1	Radiator, Heater Core	
21	1001188733	1	Grommet	
22	1001189025	2	O-Ring	
23	1001221057	1	Plate	
24	1001221058	2	Screw	
25	1001228132	1	Harness, HVAC Sensor	
26	1001228140	1	Grommet	
27	1001228141	2	Screw	
28	1001228147	1	Valve, Water	

**SECTION 6 - CAB**

**FIGURE 6-47. HVAC CAB ACTUATOR**



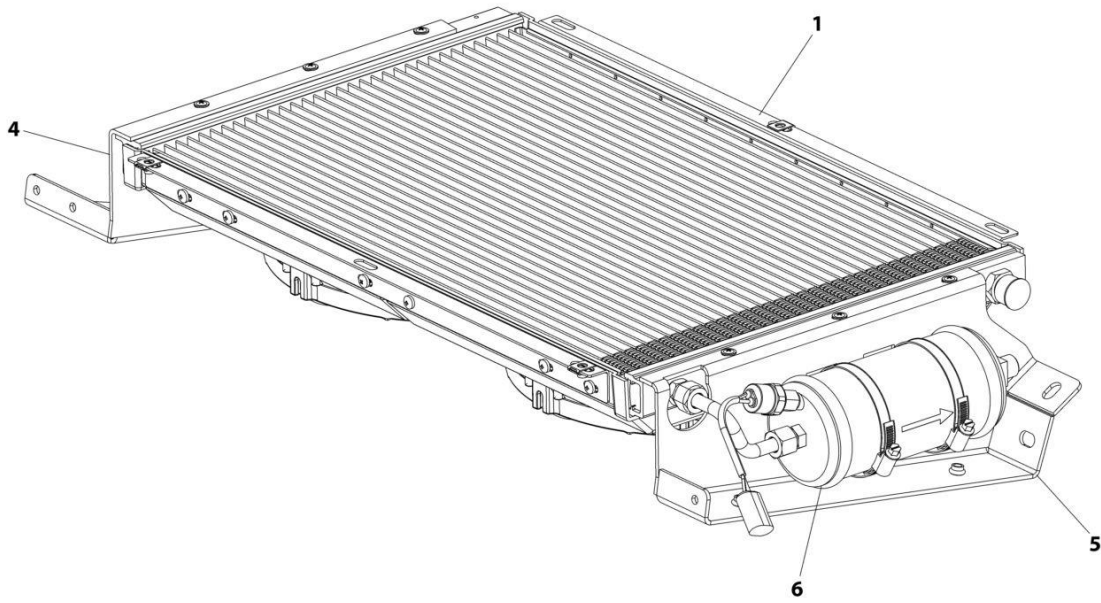
ART\_1001172551

FIGURE 6-47. HVAC CAB ACTUATOR

ITEM	PART NUMBER	QTY	DESCRIPTION	REV
	1001172551	Ref	HVAC CAB ACTUATOR	E
1	1001184306	1	Box, Heater Controller	
2	1001184307	1	Base, Heater Controller Box	
4	1001184309	1	Board, Heater Control	
5	1001184310	1	Board, Heater Control	
6	1001189980	2	Insulator, Heater Controller Box	

# SECTION 6 - CAB

## FIGURE 6-48. CAB CONDENSER ASSEMBLY



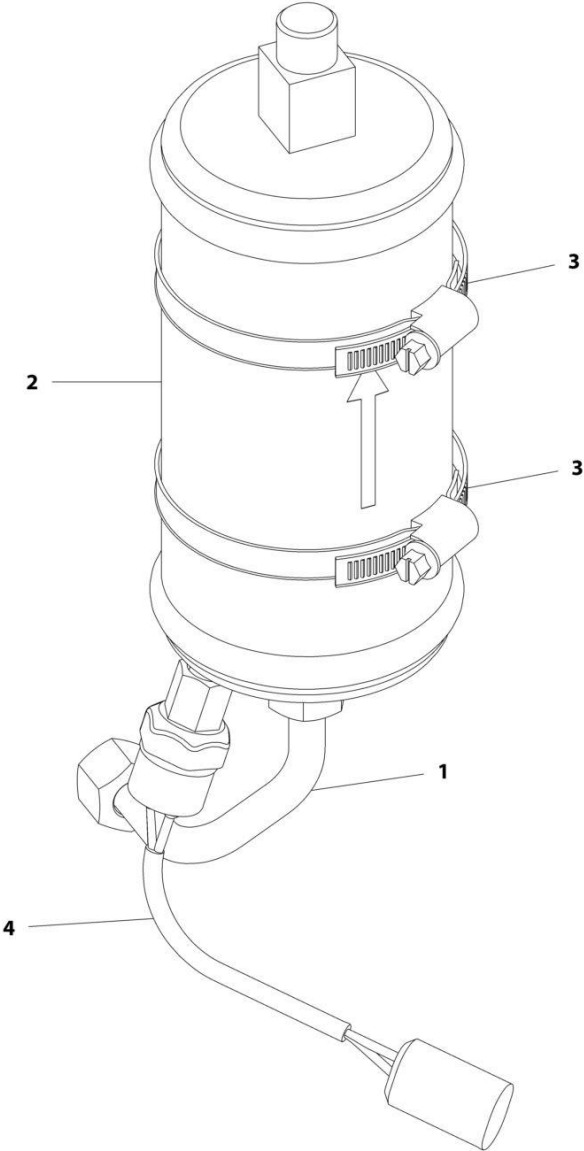
ART\_1001162953

FIGURE 6-48. CAB CONDENSER ASSEMBLY

ITEM	PART NUMBER	QTY	DESCRIPTION	REV
	1001162953	Ref	Cab Condenser Assembly	G
1	1001167266	1	Condenser (See Separate Breakdown in this Section)	
4	1001179080	1	Bracket	
5	1001179081	1	Bracket	
6	1001179130	1	Drier, A/C Receiver (See Separate Breakdown in this Section)	

**SECTION 6 - CAB**

**FIGURE 6-49. A/C RECEIVER DRIER**



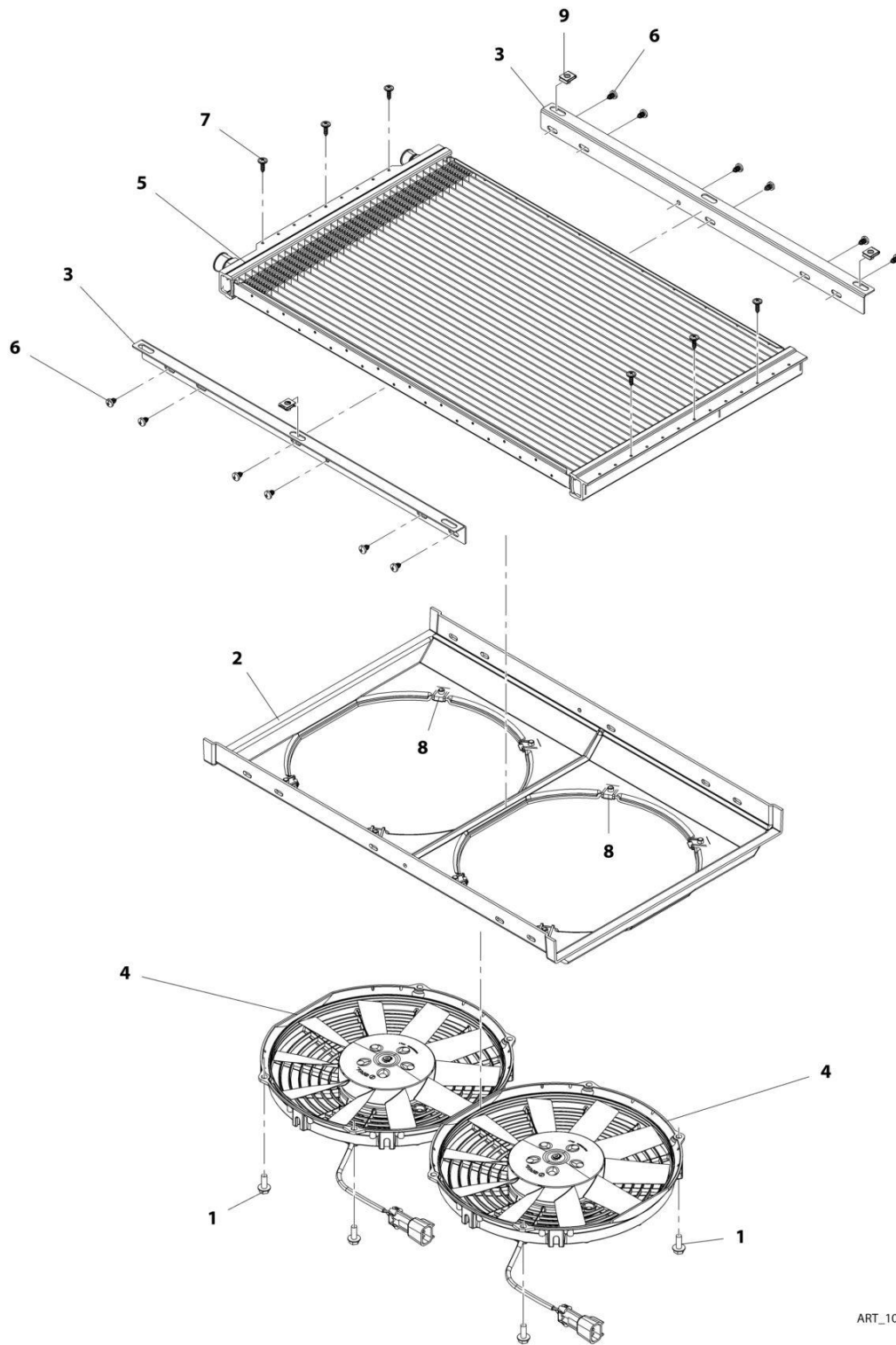
ART\_1001179130-B

FIGURE 6-49. A/C RECEIVER DRIER

ITEM	PART NUMBER	QTY	DESCRIPTION	REV
	1001179130	Ref	A/C Receiver Drier	B
1	1001184403	1	Tube, Heater	
2	1001184404	1	Receiver, Heater Drier	
3	1001184405	2	Clamp	
4	1001184406	1	Connector, Heater	

# SECTION 6 - CAB

## FIGURE 6-50. CONDENSER



ART\_1001167266-C

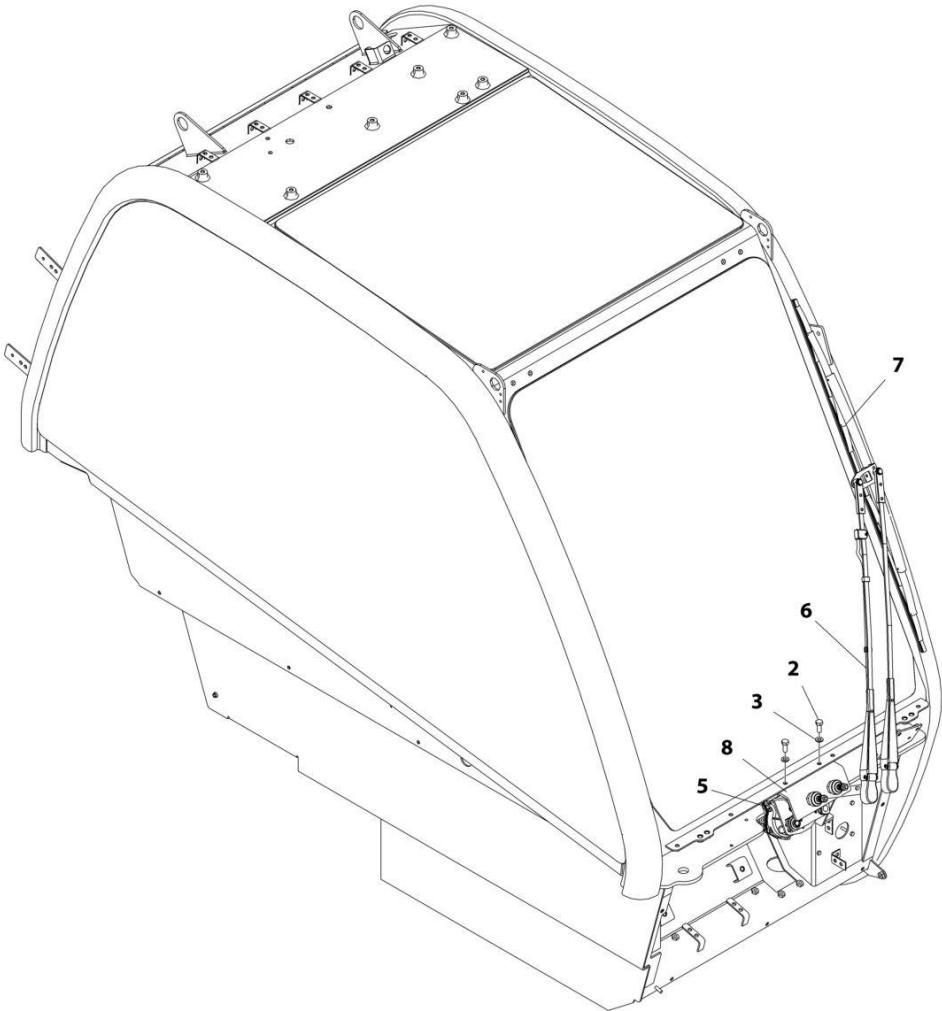


FIGURE 6-50. CONDENSER

ITEM	PART NUMBER	QTY	DESCRIPTION	REV
	1001167266	Ref	Condenser	C
1	5250608	8	Bolt, M6X16	
2	1001195342	1	Bracket, Condenser Fan Mount	
3	1001195343	2	Support, Condenser	
4	1001195345	2	Fan, Condenser	
5	1001195346	1	Condenser	
6	1001195385	12	Screw, M3.9X9.5	
7	1001195386	6	Screw, M4.2X16	
8	1001195437	8	Clip, M6X1	
9	1001195438	3	Clip, M6X1	

**SECTION 6 - CAB**

**FIGURE 6-51. FRONT WIPER INSTALLATION**



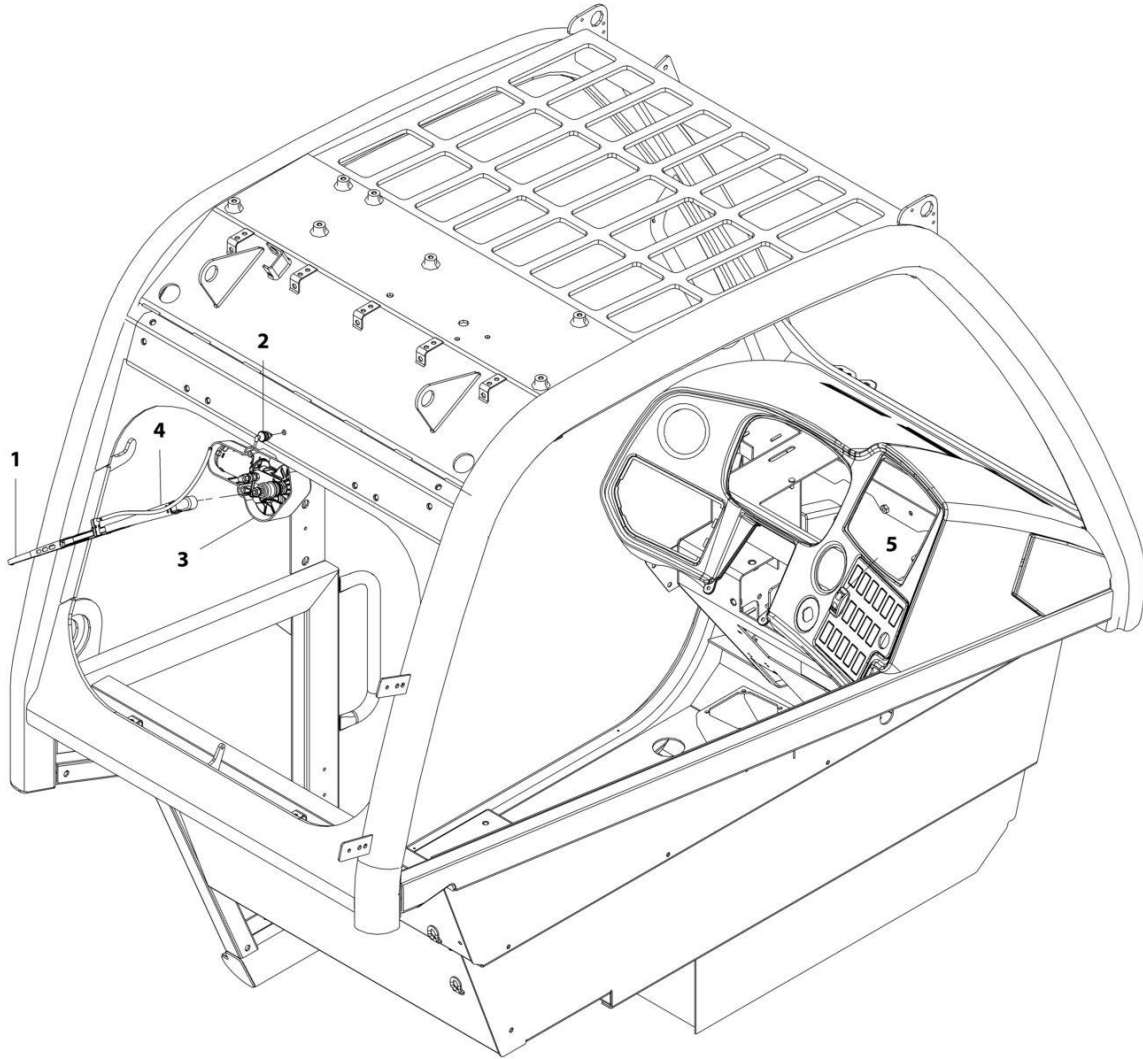
ART\_1001155447-G

FIGURE 6-51. FRONT WIPER INSTALLATION

ITEM	PART NUMBER	QTY	DESCRIPTION	REV
	1001155447	Ref	Front Wiper Installation	G
2	0760810	2	Bolt, M8X20	
3	4811900	2	Washer, M8	
5	1001214092	1	Motor, Front Wiper	
6	1001212369	1	Arm, Front Wiper	
7	1001141281	1	Blade, Wiper	
8	1001165637	1	Bracket	

# SECTION 6 - CAB

## FIGURE 6-52. REAR WIPER INSTALLATION



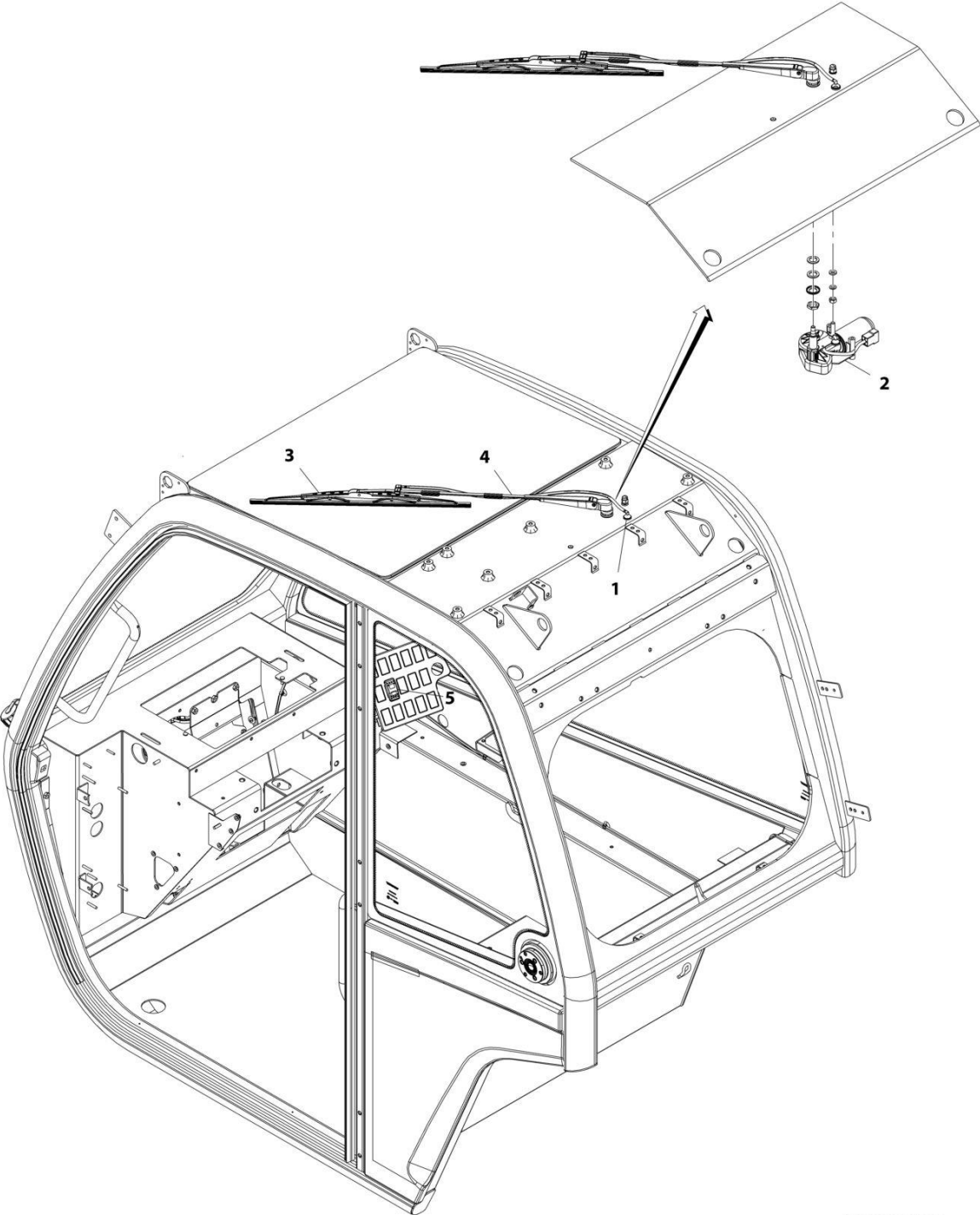
ART\_1001176164-B

FIGURE 6-52. REAR WIPER INSTALLATION

ITEM	PART NUMBER	QTY	DESCRIPTION	REV
	1001176164	Ref	Rear Wiper Installation	C
1	4807718	1	Blade, Wiper	
3	1001139552	1	Motor, Rear Wiper Window	
4	1001141312	1	Arm, Rear Window Wiper Blade	
5	1001159735	1	Switch, Rear Wiper	

**SECTION 6 - CAB**

**FIGURE 6-53. ROOF WIPER INSTALLATION**



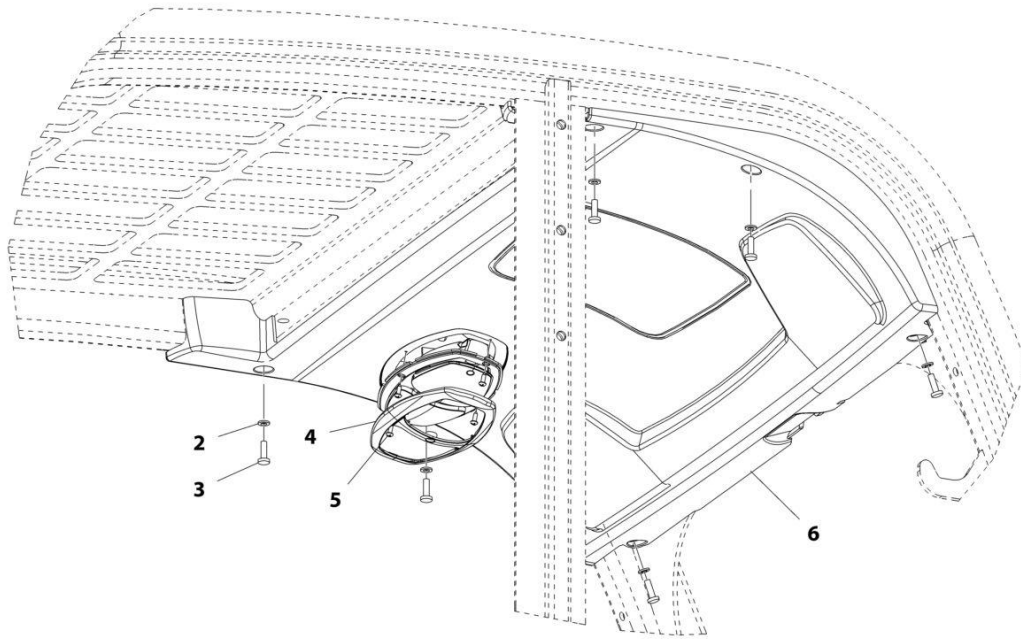
ART\_1001155486-B

FIGURE 6-53. ROOF WIPER INSTALLATION

ITEM	PART NUMBER	QTY	DESCRIPTION	REV
	1001155486	Ref	Roof Wiper Installation	B
1	1001090343	1	Connector	
2	1001139551	1	Motor, Roof Wiper	
3	1001141313	1	Blade, Roof Wiper	
4	1001141311	1	Arm, Roof Wiper Blade	
5	1001159736	1	Switch, Roof Wiper	

# SECTION 6 - CAB

## FIGURE 6-54. HEADLINER INSTALLATION



ART\_1001170717-D

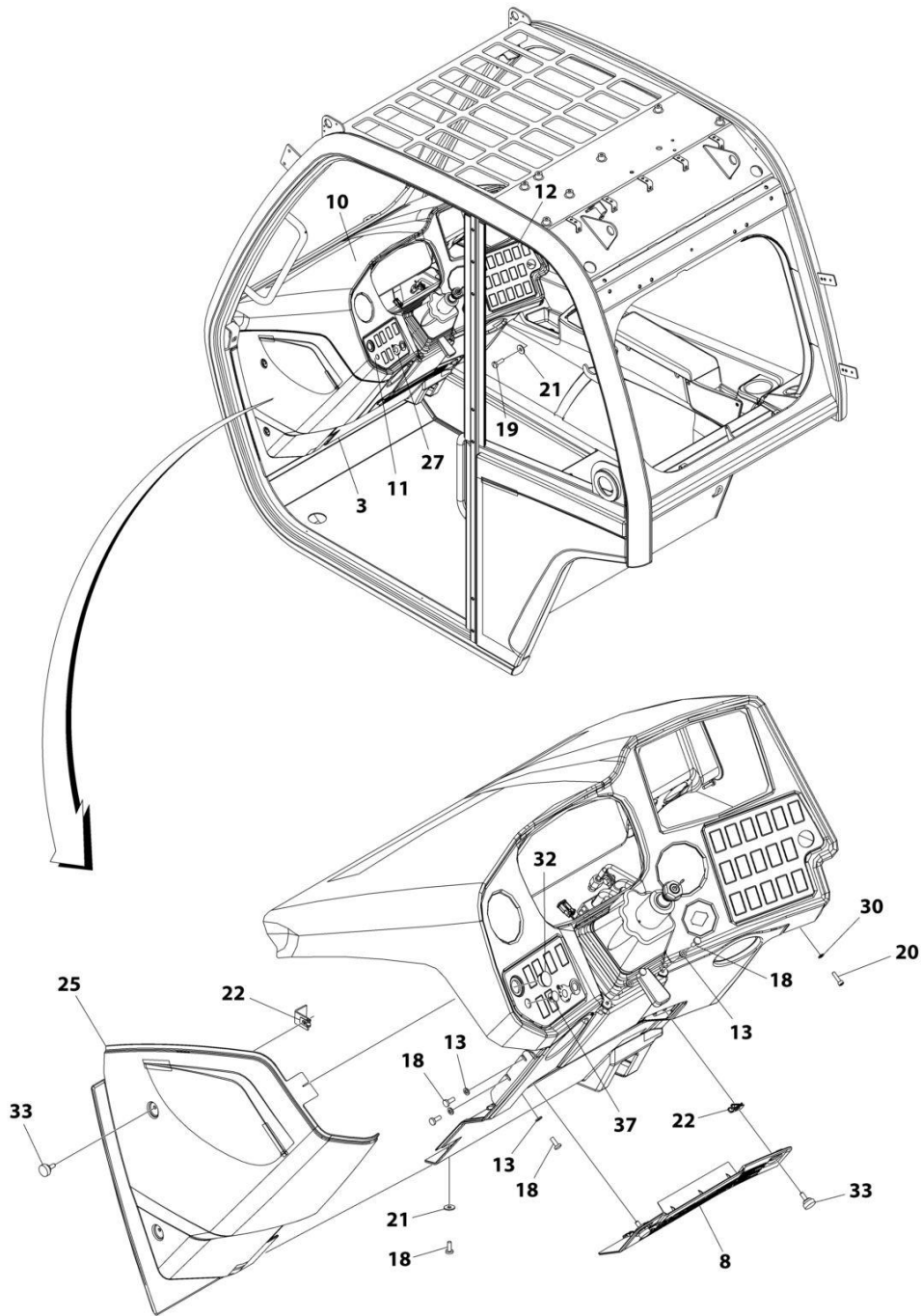


FIGURE 6-54. HEADLINER INSTALLATION

ITEM	PART NUMBER	QTY	DESCRIPTION	REV
	1001170717	Ref	Headliner Installation	E
2	4811700	6	Washer, M6	
3	4031708001	6	Screw, M6X20	
4	1001167015	1	Lamp	
5	7029486	4	Screw	
6	1001161069	1	Panel, Headliner	

# SECTION 6 - CAB

## FIGURE 6-55. OPEN CAB TRIM INSTALLATION (Prior to SN 0160081650)

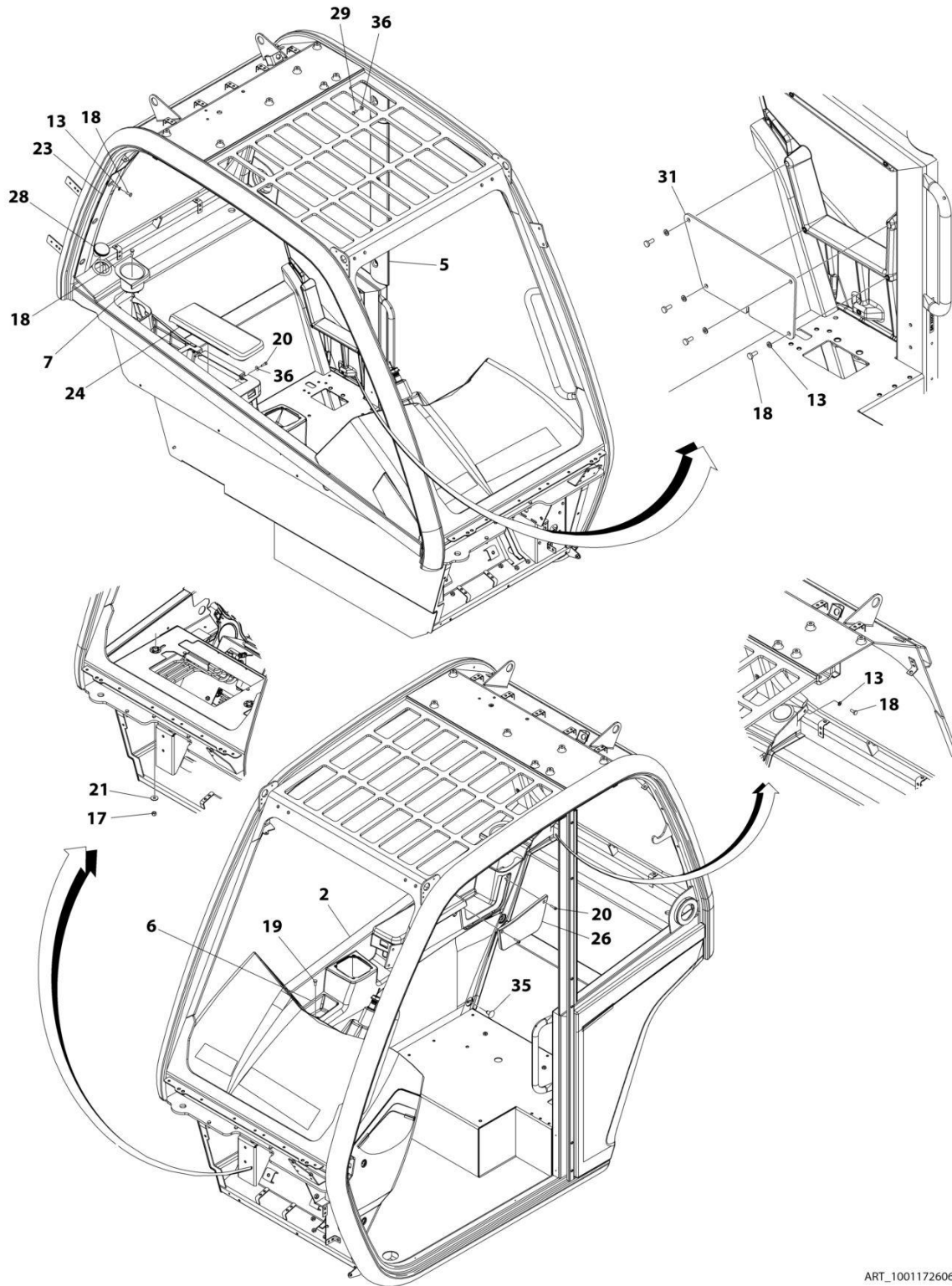


ART\_1001172606\_10F2



# SECTION 6 - CAB

## FIGURE 6-56. OPEN CAB TRIM INSTALLATION (Prior to SN 0160081650)



ART\_1001172606\_20F2

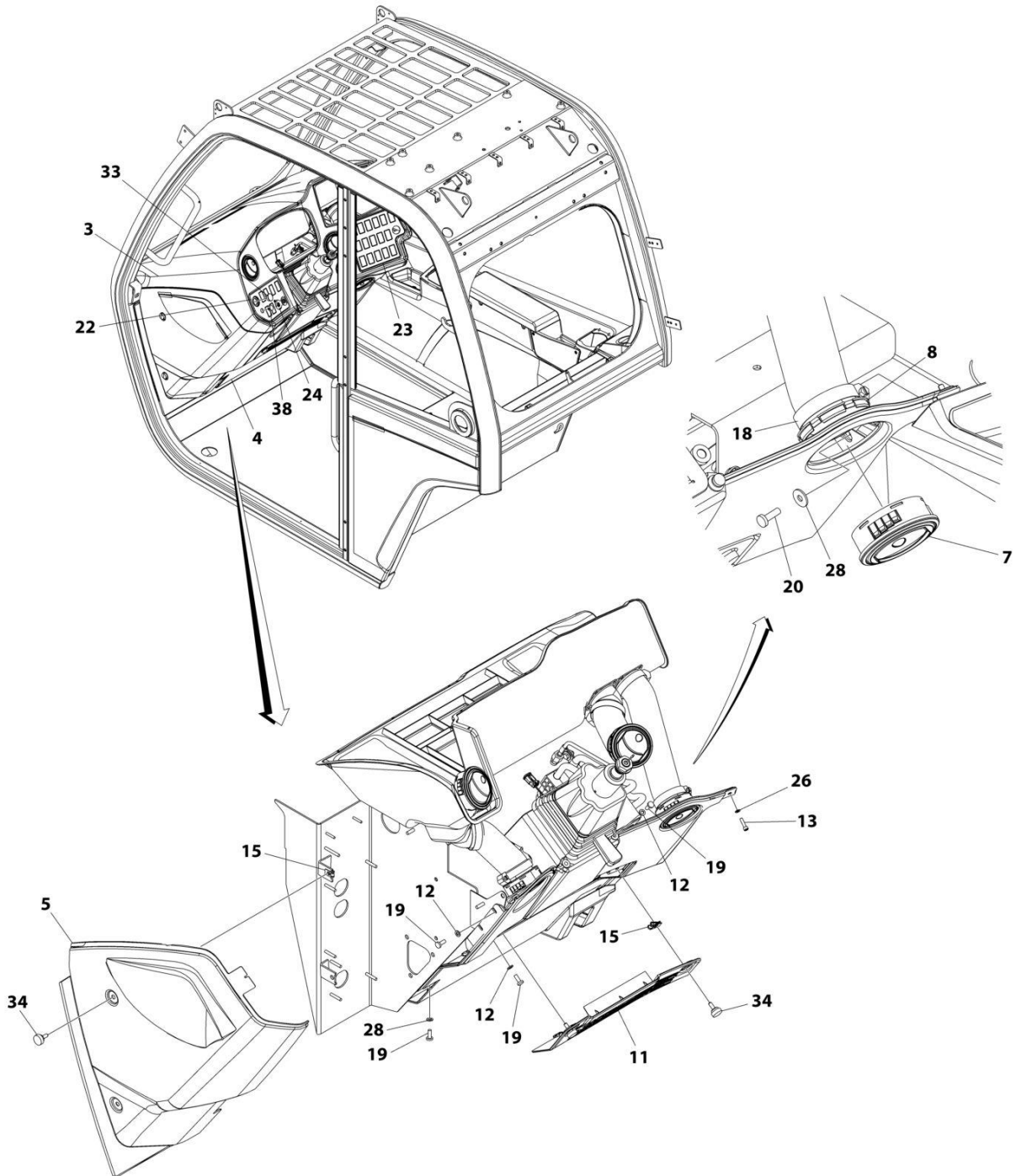
## SECTION 6 - CAB

**FIGURE 6-56. OPEN CAB TRIM INSTALLATION (Prior to SN 0160081650)**

ITEM	PART NUMBER	QTY	DESCRIPTION	REV
	1001172606	Ref	Open Cab Trim Installation	K
2	1001169605	1	Cover, Side	
3	1001175904	1	Panel, Lower Dash	
5	1001219076	1	Panel, Cover	
6	1001169603	1	Panel, Trinket Tray	
7	1001170518	1	Holder, Cup	
8	1001170504	1	Panel, Recirculation Grille Cover	
10	1001172608	1	Panel, Dash	
11	1001268846	1	Plate, LH Switch	
12	1001219865	1	Plate, RH Switch	
13	4811700001	14	Washer, M6	
17	3290605	2	Nut, Lock M6X1 Grade 8	
18	4010608002	18	Screw, Posi-Drive M6X16 GR4.8	
19	4010610002	2	Screw, Posi-Drive M6X20 GR4.8	
20	4031608001	5	Screw, M5X20	
21	4811702001	6	Washer, M6	
22	8305919	4	Nut, M6	
23	1001191617	1	Panel, Cover	
24	1001161854	1	Armrest (See Separate Breakdown in this Section)	
25	1001161855	1	Panel, LH Dash	
26	1001173965	1	Bezel, RH	
27	1001190347	1	Decal, No HVAC	
28	1001223265	1	Plug	
29	4010508002	3	Screw, Posi-Drive M5X16	
30	4811600	1	Washer, M5	
31	1001185179	1	Cover, LH Rear Panel	
32	1001190589	1	Blanking Plug	
33	1001208308	4	Screw, M6X15	
35	1001211907	1	Screw	
36	4811602001	5	Washer, M5	
37	1001207963	1	PLUG,5/8 PUSH IN	

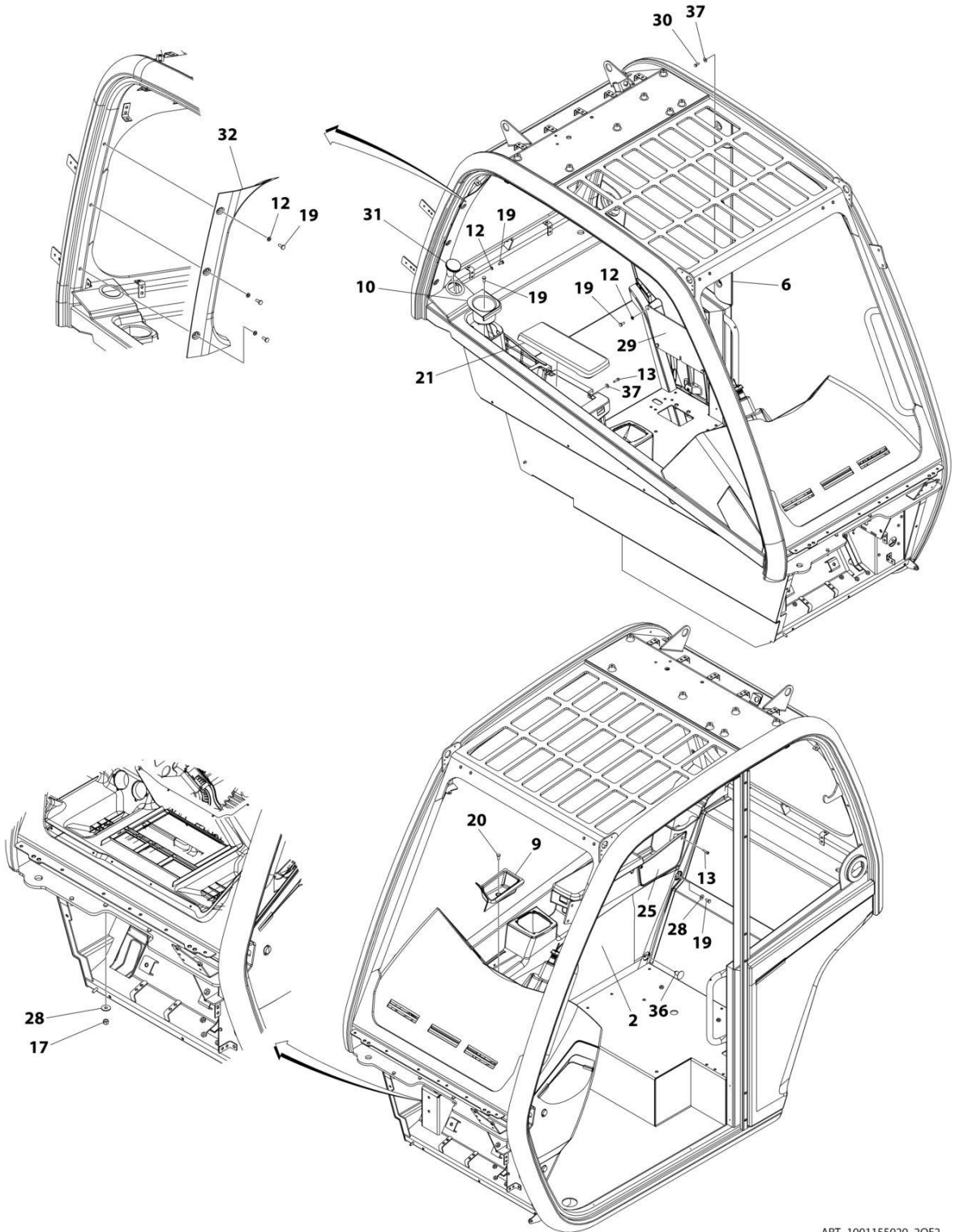
# SECTION 6 - CAB

## FIGURE 6-57. ENCLOSED CAB TRIM INSTALLATION



ART\_1001155020\_10F2

# SECTION 6 - CAB



ART\_1001155020\_20F2

## SECTION 6 - CAB

**FIGURE 6-57. ENCLOSED CAB TRIM INSTALLATION**

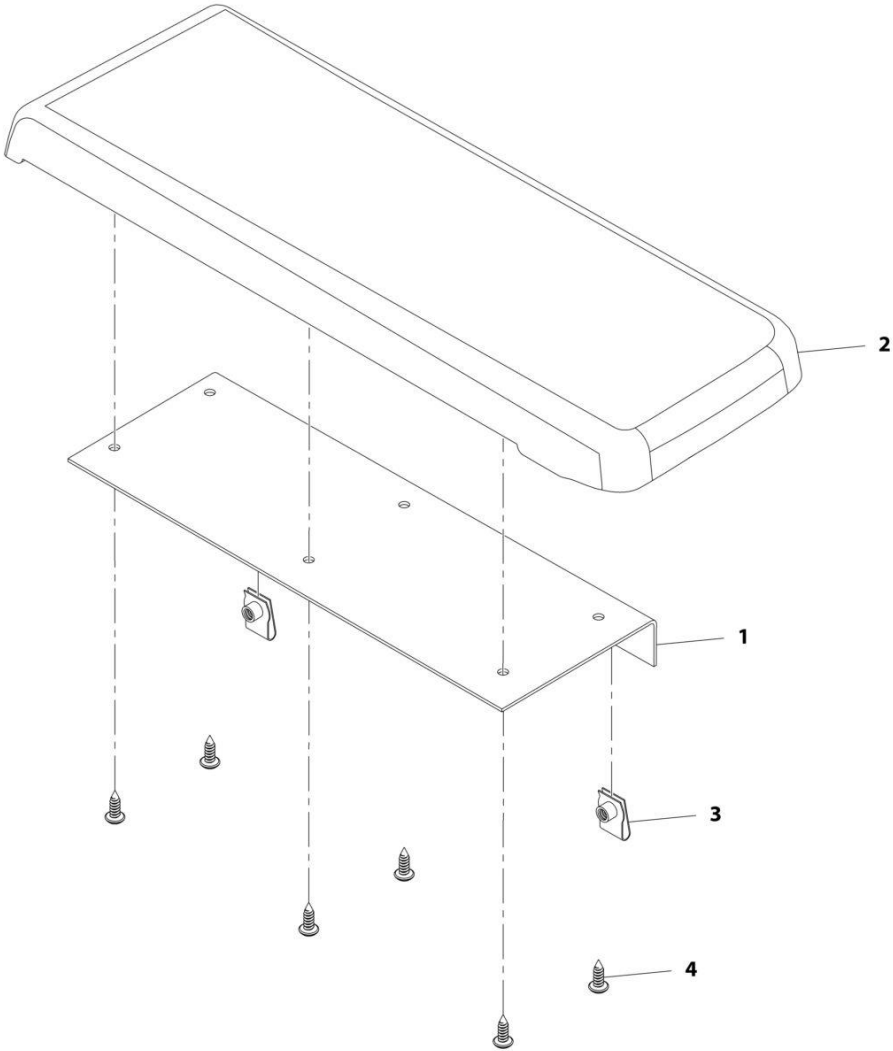
ITEM	PART NUMBER	QTY	DESCRIPTION	REV
	1001155020	Ref	Enclosed Cab Trim Installation	N
2	1001169605	1	Cover, Side	
3	1001169604	1	Cover, Dash	
4	1001175903	1	Panel, Lower Dash	
5	1001161855	1	Panel, Cover	
6	1001219076	1	Panel, Cover	
7	1001147449	2	Vent, Air	
8	1001149278	2	Vent, Connector	
9	1001169603	1	Panel, Trinket Tray	
10	1001170518	1	Holder, Cup	
11	1001170504	1	Panel, Recirculation Grille Cover	
12	4811700001	14	Washer, M6	
13	4031608001	5	Bolt, M5X20	
15	8305919	4	Nut, M6	
17	3290605	2	Nut, Lock M6X1 Grade 8	
18	8405201	2	Clamp, Gear	
19	4010608002	18	Screw, Posi-Drive, M6X16	
20	4010610002	1	Screw, M6X20	
21	1001161854	1	Armrest (See Separate Breakdown in this Section)	
22	1001268846	1	Plate, LH Switch	
23	1001219865	1	Plate, RH Switch	
24	1001184975	1	Decal, HVAC	
25	1001173965	1	Bezel, RH	
26	4811600	1	Washer, M5	
28	4811702001	6	Washer, M6	
29	1001185179	1	Panel, LH Rear Cover	
30	4010508002	3	Screw, Posi-Drive M5X16	
31	1001223265	1	Plug	
32	1001191617	1	Panel, RH C Post	
33	1001190589	1	Blanking Plug	
34	1001208308	4	Thumb Screw, M6X15	
36	1001211907	1	Screw	
37	4811602001	5	Washer, Flat	
38	1001207963	1	Plug	





SECTION 6 - CAB

FIGURE 6-58. ARMREST



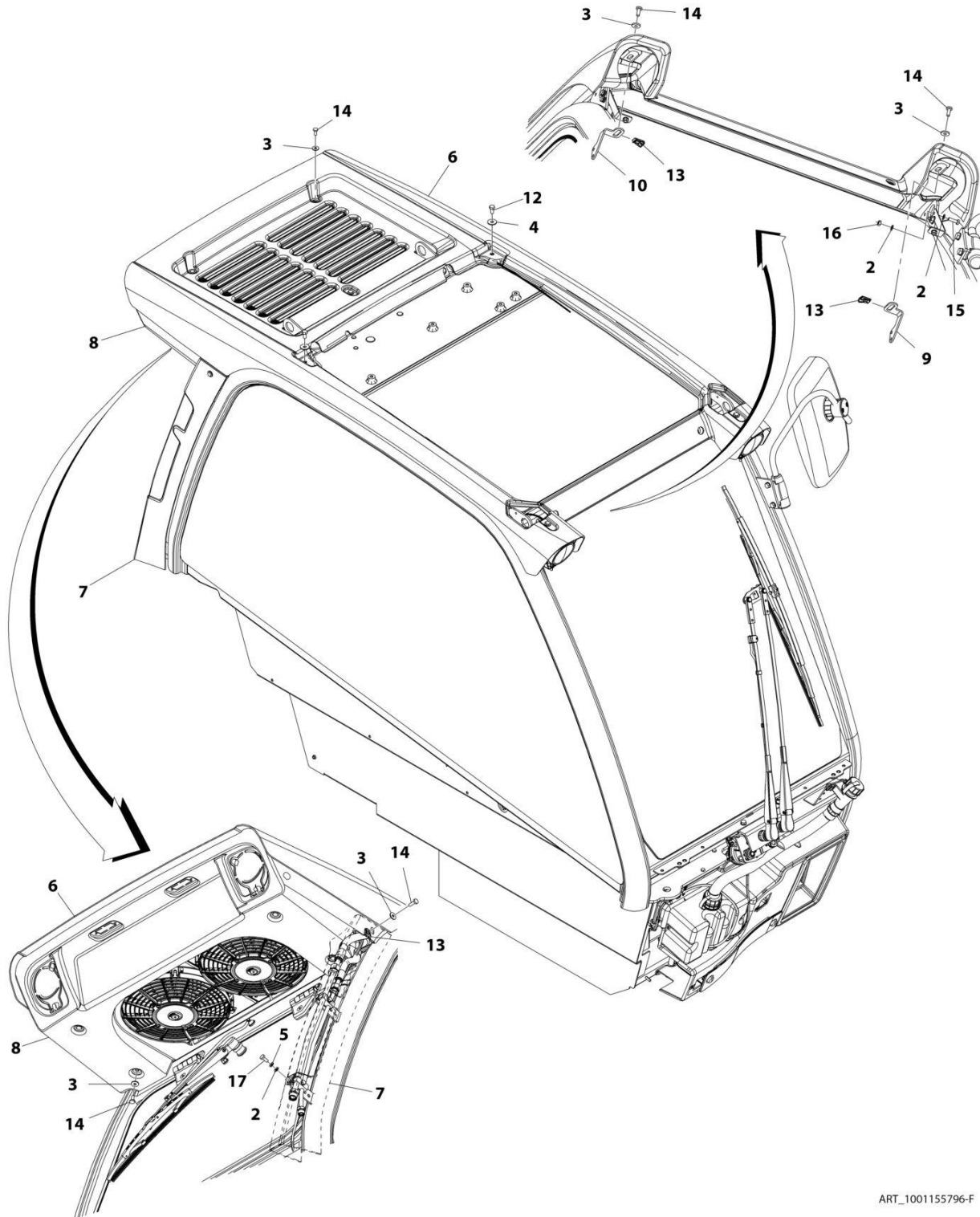
ART\_1001161854-E

FIGURE 6-58. ARMREST

ITEM	PART NUMBER	QTY	DESCRIPTION	REV
	1001161854	Ref	Armrest Assembly	E
1	1001174581	1	Bracket	
2	1001179484	1	Arm Rest	
3	1001183550	2	Nut, Cage M5	
4	1001192240	6	Screw	

# SECTION 6 - CAB

## FIGURE 6-59. ROOF CAP INSTALLATION (A/C)



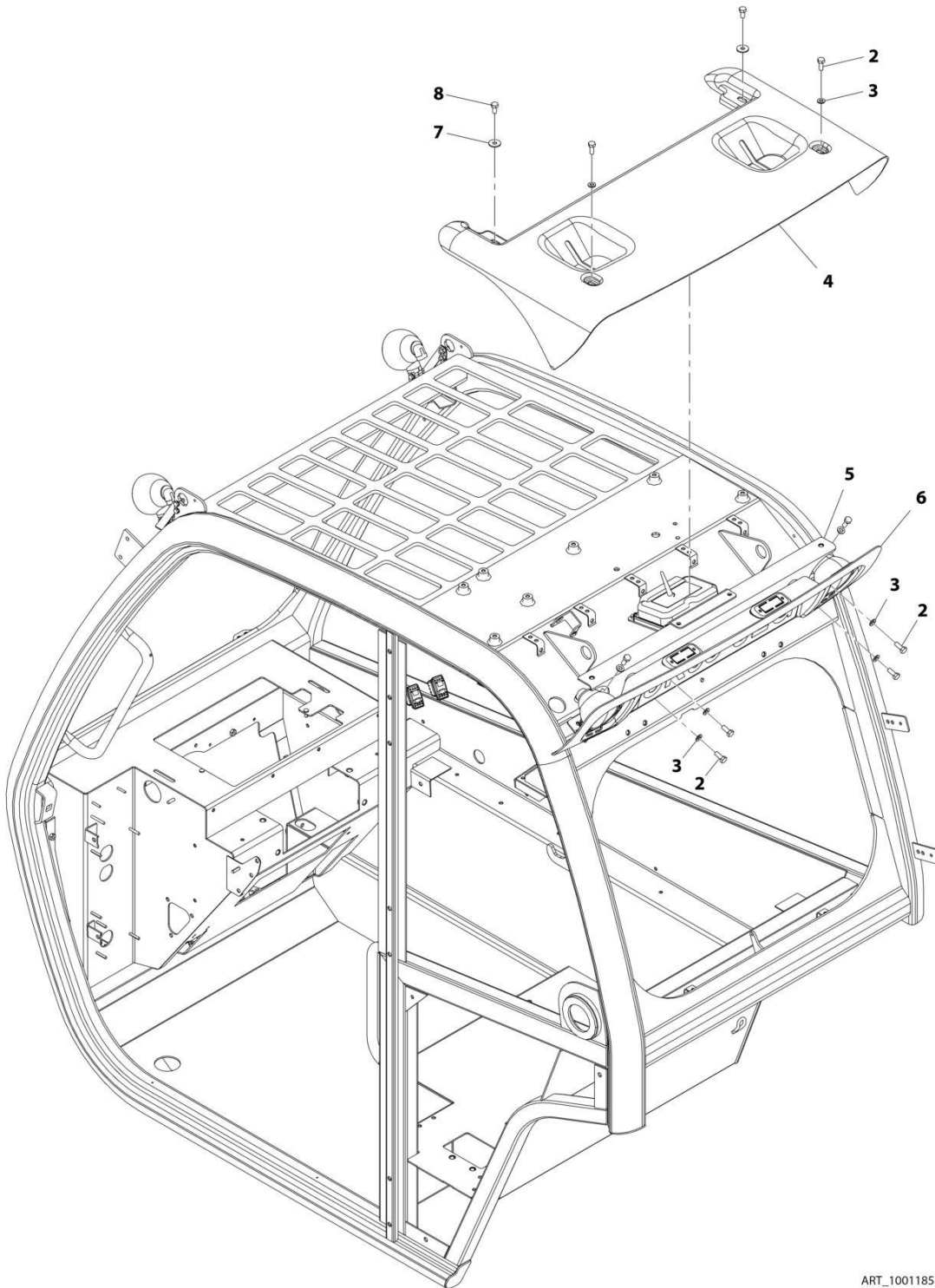
ART\_1001155796-F

FIGURE 6-59. ROOF CAP INSTALLATION (A/C)

ITEM	PART NUMBER	QTY	DESCRIPTION	REV
	1001155796	Ref	Roof Cap Installation (A/C) (Construction)	F
2	4811700	9	Washer, M6	
3	4811702	10	Washer, M6	
4	4811902	2	Washer, M8	
5	4831700	1	Washer, Lock M6	
6	1001155800	1	Cover, Upper Roof Cap	
7	1001174741	1	Cover	
8	1001214156	1	Cover, Lower Roof Cap	
9	1001174800	1	Bracket, Roof Cap	
10	1001174801	1	Bracket, Roof Cap	
12	0760808	2	Bolt, M8X16	
13	8305919	3	Nut, M6	
14	4010610002	10	Screw, Posi-Drive M6X20	
15	0700610	4	Bolt, M6X20	
16	3290601	4	Nut, M6X1	
17	4010608002	1	Screw, Posi-Drive, M6X16	

# SECTION 6 - CAB

## FIGURE 6-60. ROOF CAP INSTALLATION (NO A/C)



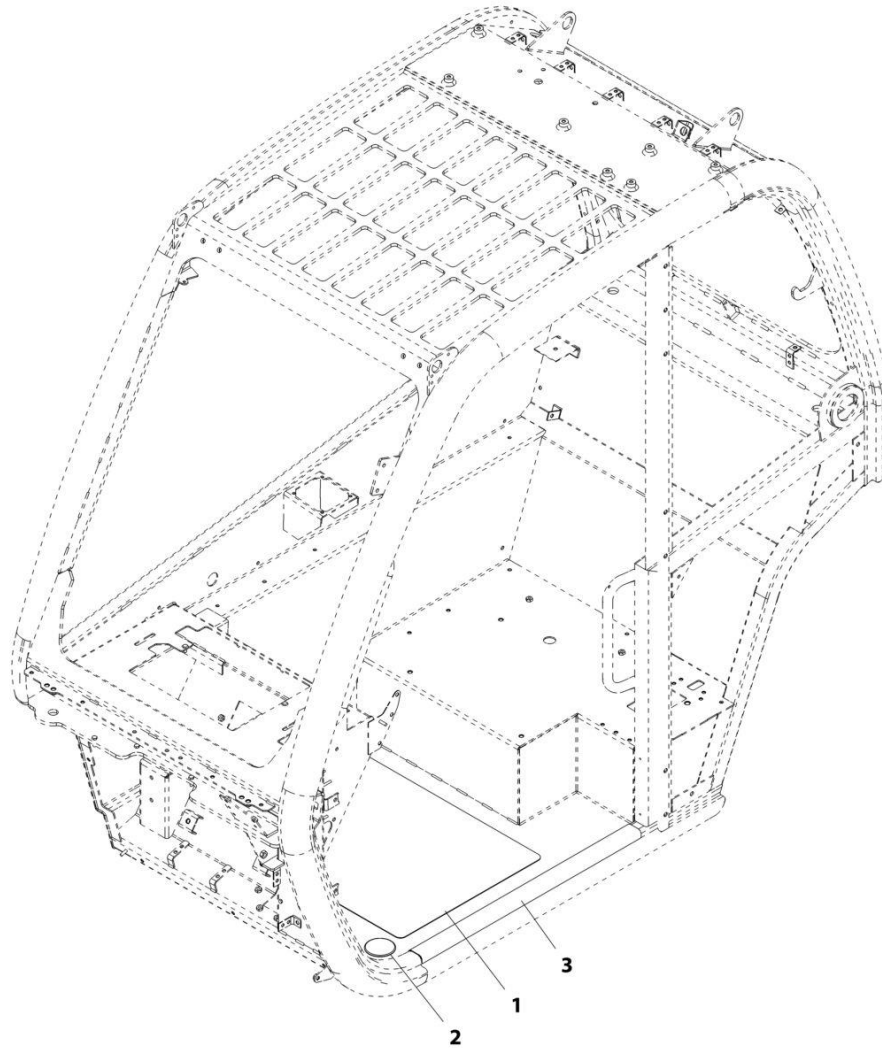
ART\_1001185846-D

FIGURE 6-60. ROOF CAP INSTALLATION (NO A/C)

ITEM	PART NUMBER	QTY	DESCRIPTION	REV
	1001185846	Ref	Roof Cap Installation (No A/C)	D
2	0760810	8	Bolt, M8X20	
3	4811900	8	Washer, M8	
4	1001182328	1	Cover, Short Upper Roof Cap	
5	1001185633	1	Bracket	
6	1001214535	2	Cover, Short Lower Roof Cap	
7	4811902	2	Washer, M8	
8	0760808	2	Bolt, M8X16	

# SECTION 6 - CAB

## FIGURE 6-61. NON SKID TAPE INSTALLATION



ART\_1001197219-B

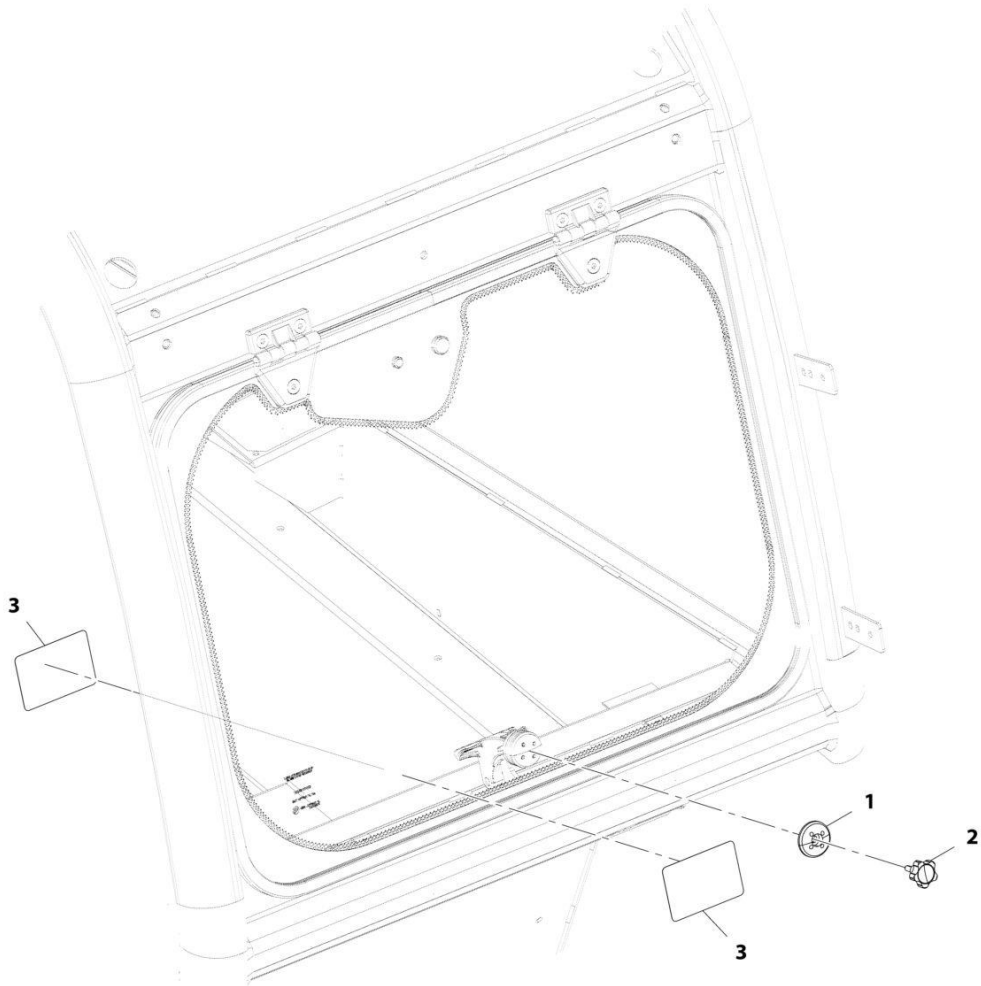


FIGURE 6-61. NON SKID TAPE INSTALLATION

ITEM	PART NUMBER	QTY	DESCRIPTION	REV
	1001197219	Ref	Non Skid Tape Installation	B
1	1001197217	1	Tape, Non Skid Floor	
2	1001197218	1	Grommet	
3	1001197259	1	Tape, Non Skid Frame	

# SECTION 6 - CAB

## FIGURE 6-62. EXTERNAL WINDOW RELEASE INSTALLATION (CAN & ISO)



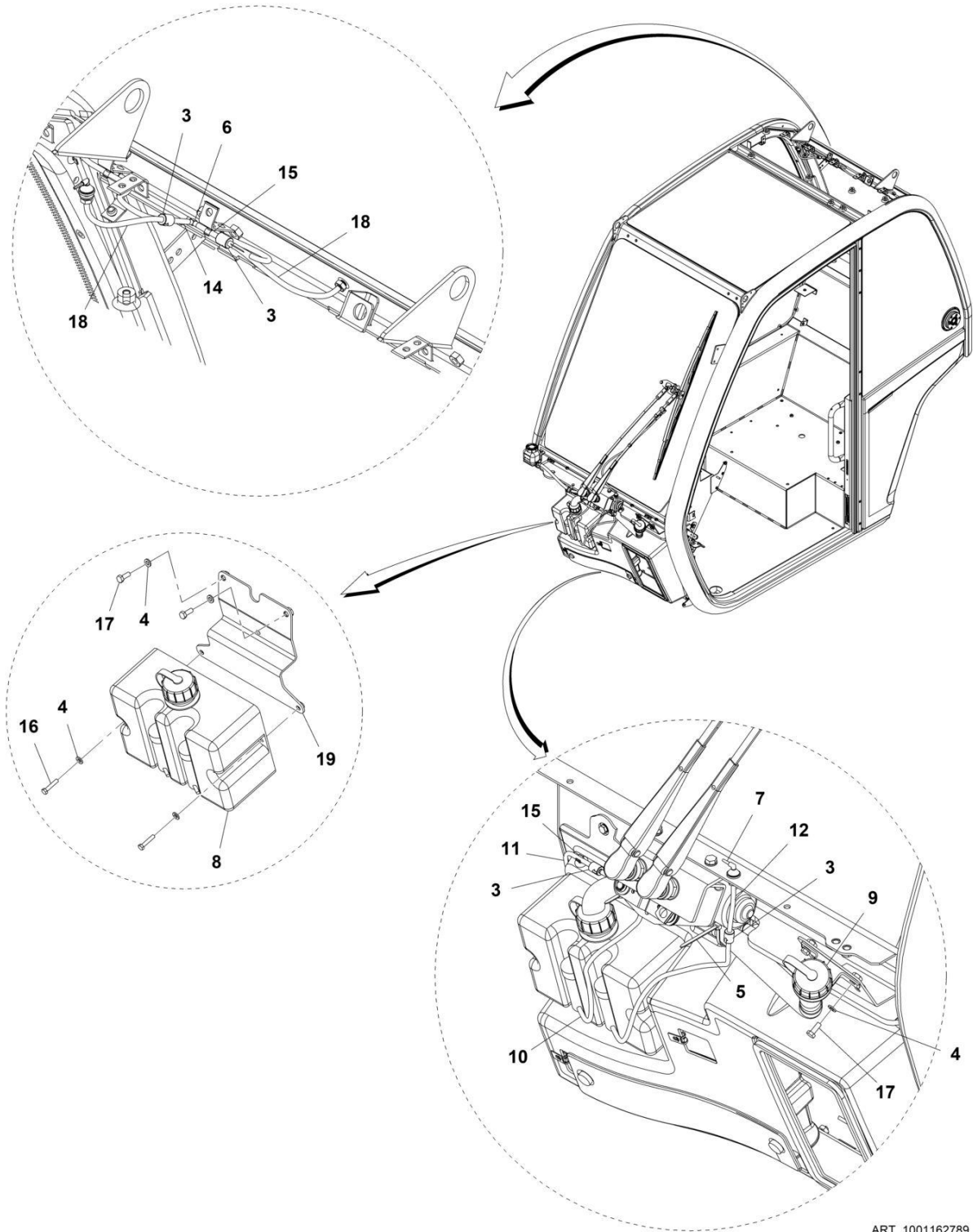
ART\_1001178826-C

**FIGURE 6-62. EXTERNAL WINDOW RELEASE INSTALLATION (CAN & ISO)**

<b>ITEM</b>	<b>PART NUMBER</b>	<b>QTY</b>	<b>DESCRIPTION</b>	<b>REV</b>
	1001178826	Ref	External Window Release Installation (English/French)	C
1	1001179008	1	Cap, Latch Window	
2	1001179009	1	Knob	
3	1001204709	2	Decal, Emergency Exit (English/French)	

# SECTION 6 - CAB

## FIGURE 6-63. WASHER TANK INSTALLATION



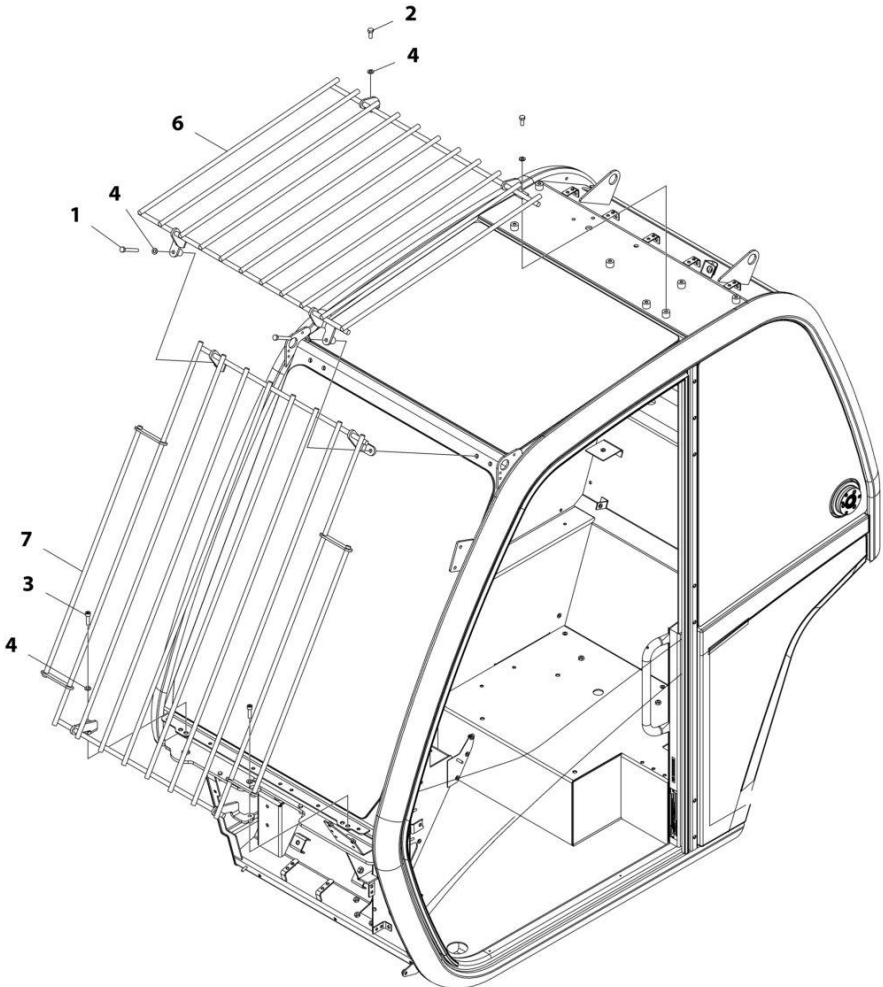
ART\_1001162789

FIGURE 6-63. WASHER TANK INSTALLATION

ITEM	PART NUMBER	QTY	DESCRIPTION	REV
	1001162789	Ref	Washer Tank Installation	M
3	1001201331	4	Valve, Check	
4	4811700	6	Washer, M6	
5	471678	2	Strap, Tie	
6	1001008742	1	Coupling, Tee	
8	1001165269	1	Bottle, Washer (See Separate Breakdown in this Section)	
9	1001165270	1	Hose, Washer Filler	
10	1001165351	2	Hose	
11	1001165407	1	Hose	
12	1001165416	1	Hose	
14	1001165455	2	Hose	
15	1001165458	16	Hose	
16	0760512	2	Bolt M5X25	
17	0760608	4	Bolt, M6X16	
18	1001178123	2	Hose	
19	1001171756	1	Bracket	

**SECTION 6 - CAB**

**FIGURE 6-64. CAB GUARD INSTALLATION (TOP AND FRONT)**



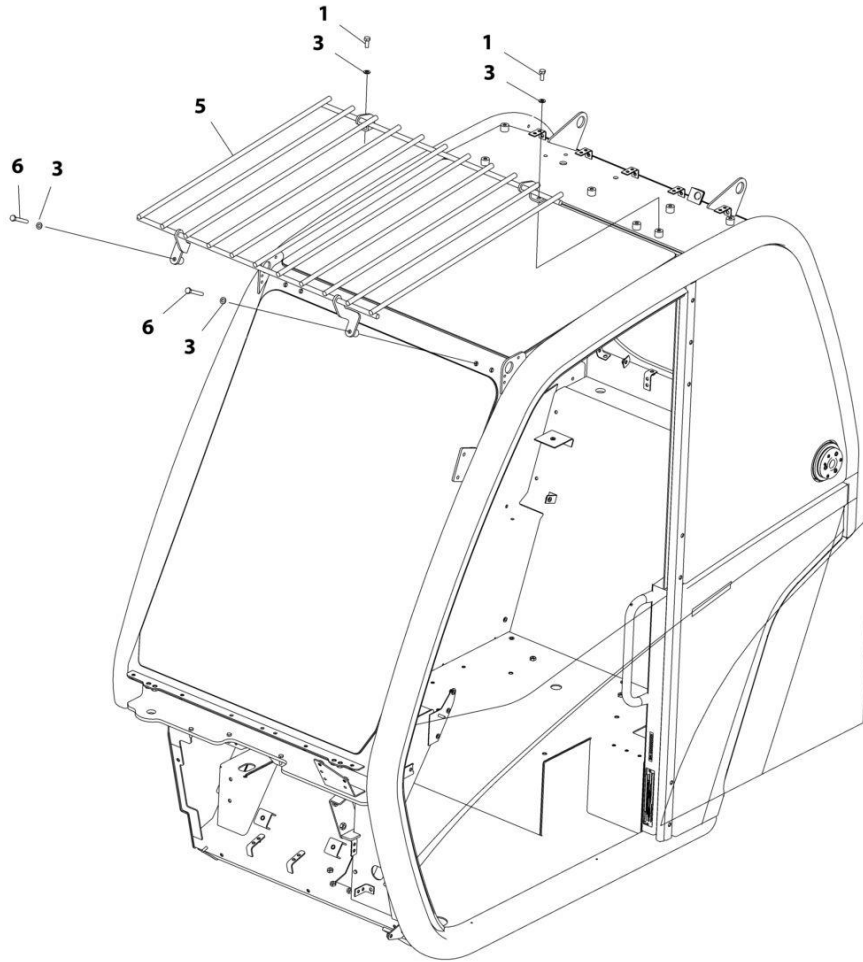
ART\_1001172774

FIGURE 6-64. CAB GUARD INSTALLATION (TOP AND FRONT)

ITEM	PART NUMBER	QTY	DESCRIPTION	REV
	1001172774	Ref	CAB GUARD INSTALLATION (TOP AND FRONT)	G
1	0700820	2	Bolt M8 x 60	
2	0760810	2	Bolt M8 x 20	
3	4031910	2	Bolt M8 x 30	
4	4811900	6	Washer M8	
6	1001160503	1	Guard, Top Screen	
7	1001180263	1	Guard, Front Screen	

# SECTION 6 - CAB

## FIGURE 6-65. CAB GUARD INSTALLATION (TOP)



ART\_1001160496

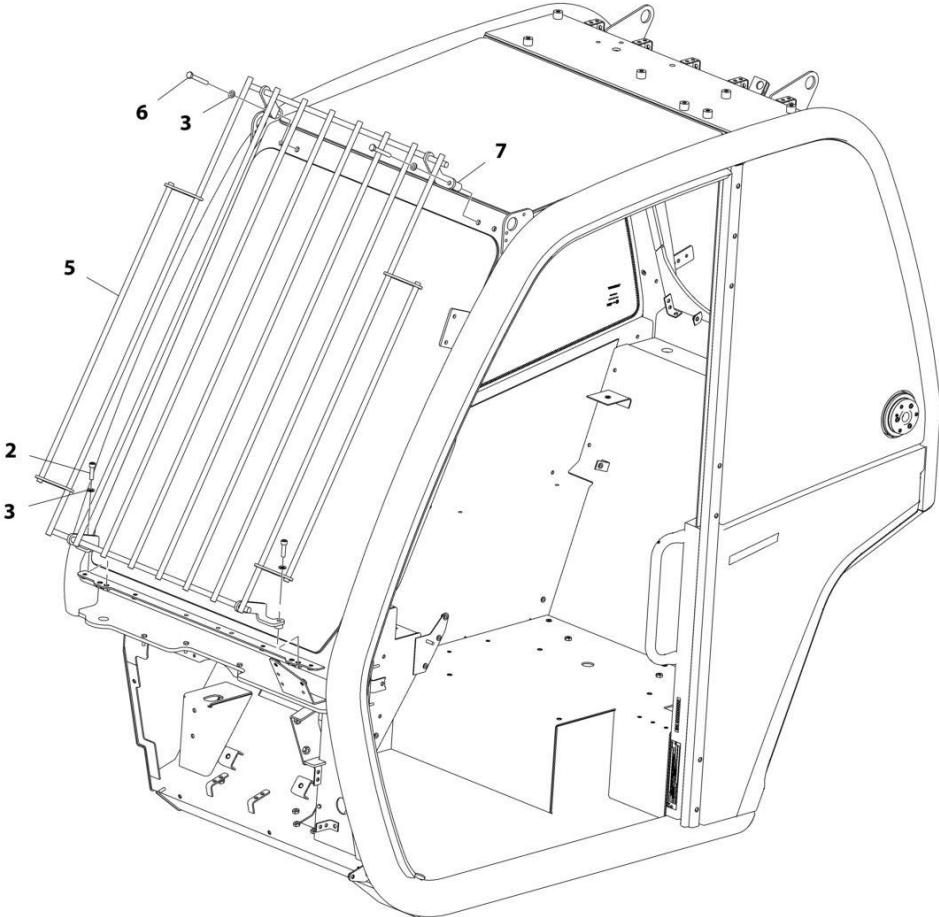


FIGURE 6-65. CAB GUARD INSTALLATION (TOP)

ITEM	PART NUMBER	QTY	DESCRIPTION	REV
	1001160496	Ref	Cab Guard Installation (Top)	G
1	0760810	2	Bolt, M8X20	
3	4811900	4	Washer, M8	
5	1001160503	1	Guard, Top Screen	
6	0700820	2	Bolt, M8X60	

**SECTION 6 - CAB**

**FIGURE 6-66. CAB GUARD INSTALLATION (FRONT)**



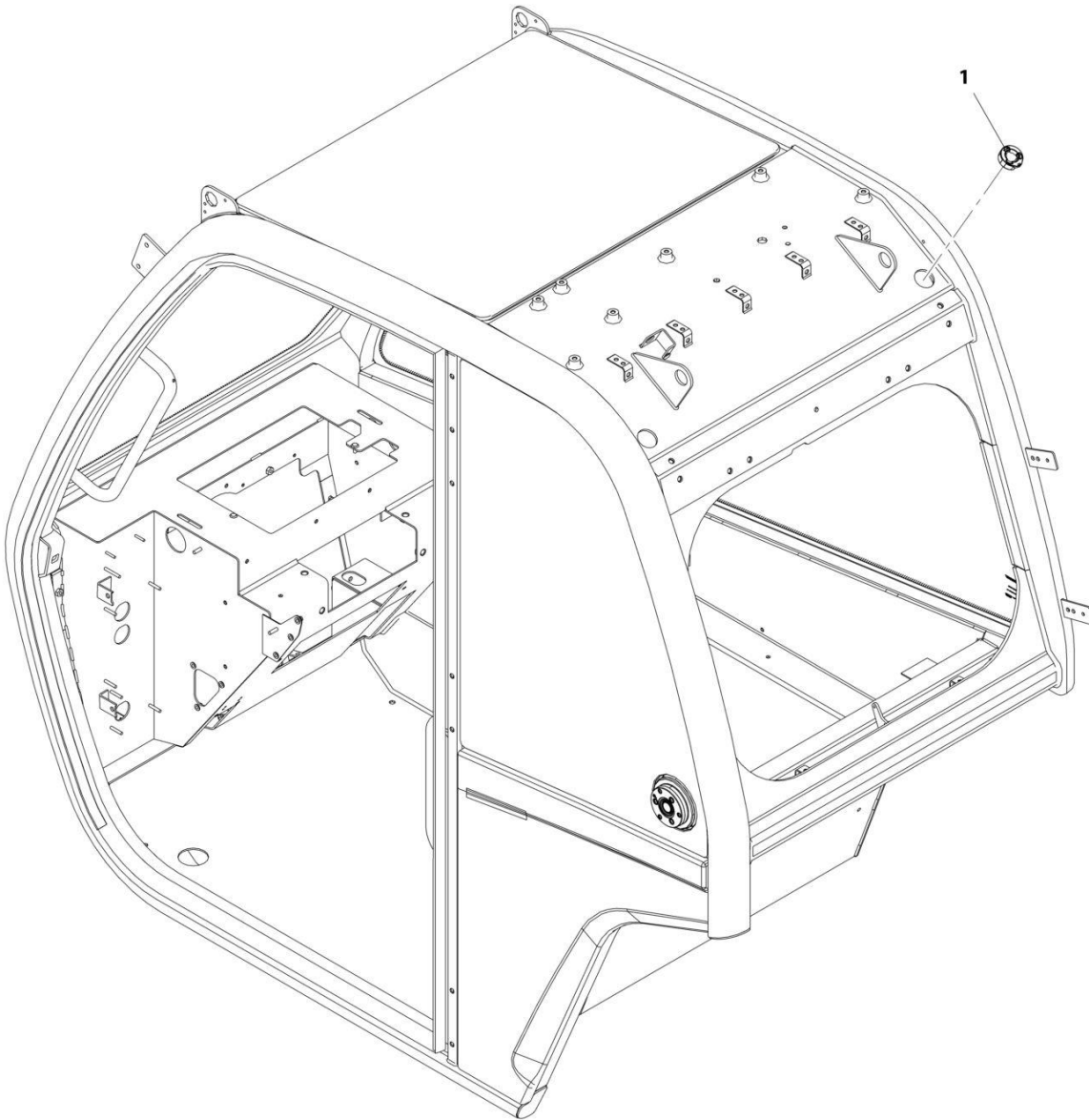
ART\_1001160506-G

FIGURE 6-66. CAB GUARD INSTALLATION (FRONT)

ITEM	PART NUMBER	QTY	DESCRIPTION	REV
	1001160506	Ref	Cab Guard Installation (Front)	G
2	4031910	2	Bolt, M8X30	
3	4811900	4	Washer, M8	
5	1001180263	1	Guard, Front Screen	
6	0700820	2	Bolt, M8X60	
7	1001173257	2	Spacer	

# SECTION 6 - CAB

## FIGURE 6-67. ROOF PIGTAIL CAP INSTALLATION



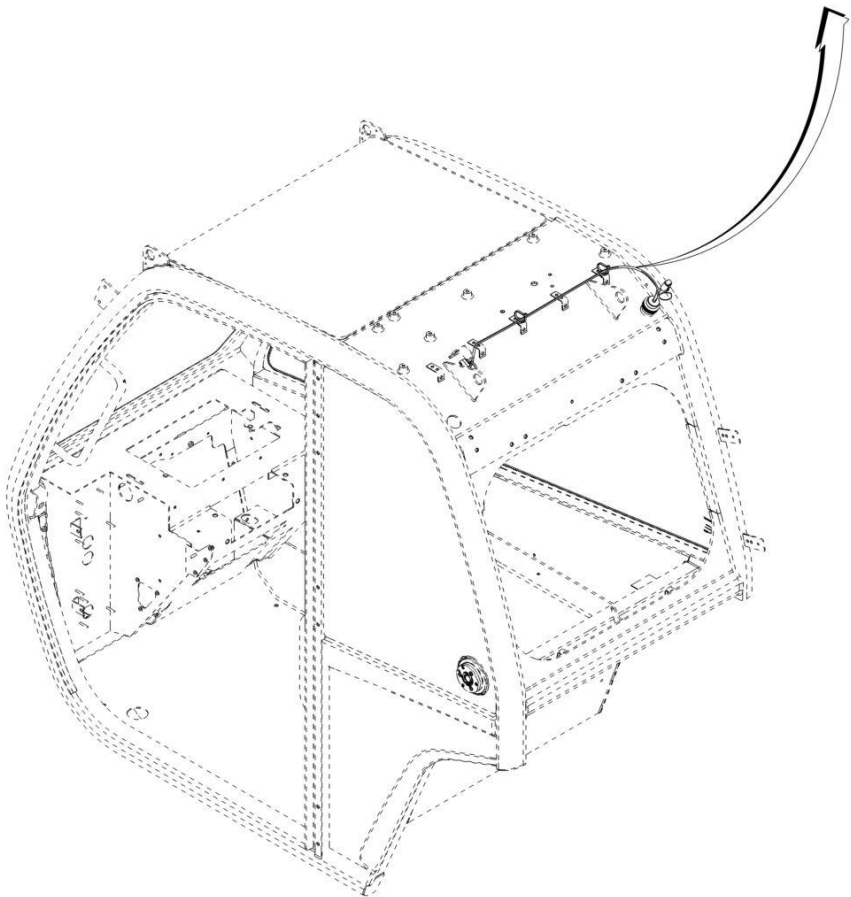
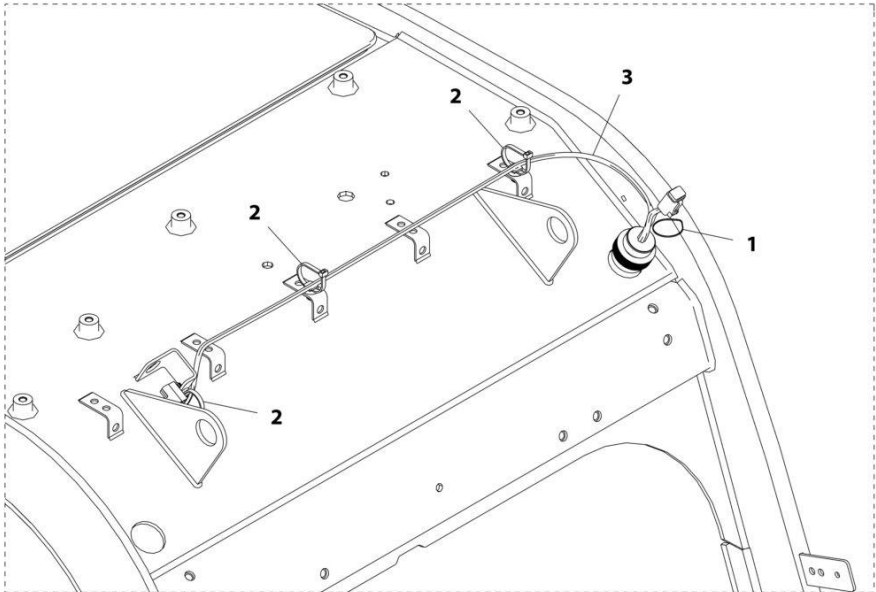
ART\_1001202138-A

**FIGURE 6-67. ROOF PIGTAIL CAP INSTALLATION**

<b>ITEM</b>	<b>PART NUMBER</b>	<b>QTY</b>	<b>DESCRIPTION</b>	<b>REV</b>
1	1001202138 1001202134	Ref 1	Roof Pigtail Cap Installation Cap, Deutsch Dust	A

**SECTION 6 - CAB**

**FIGURE 6-68. ROOF PIGTAIL INSTALLATION**



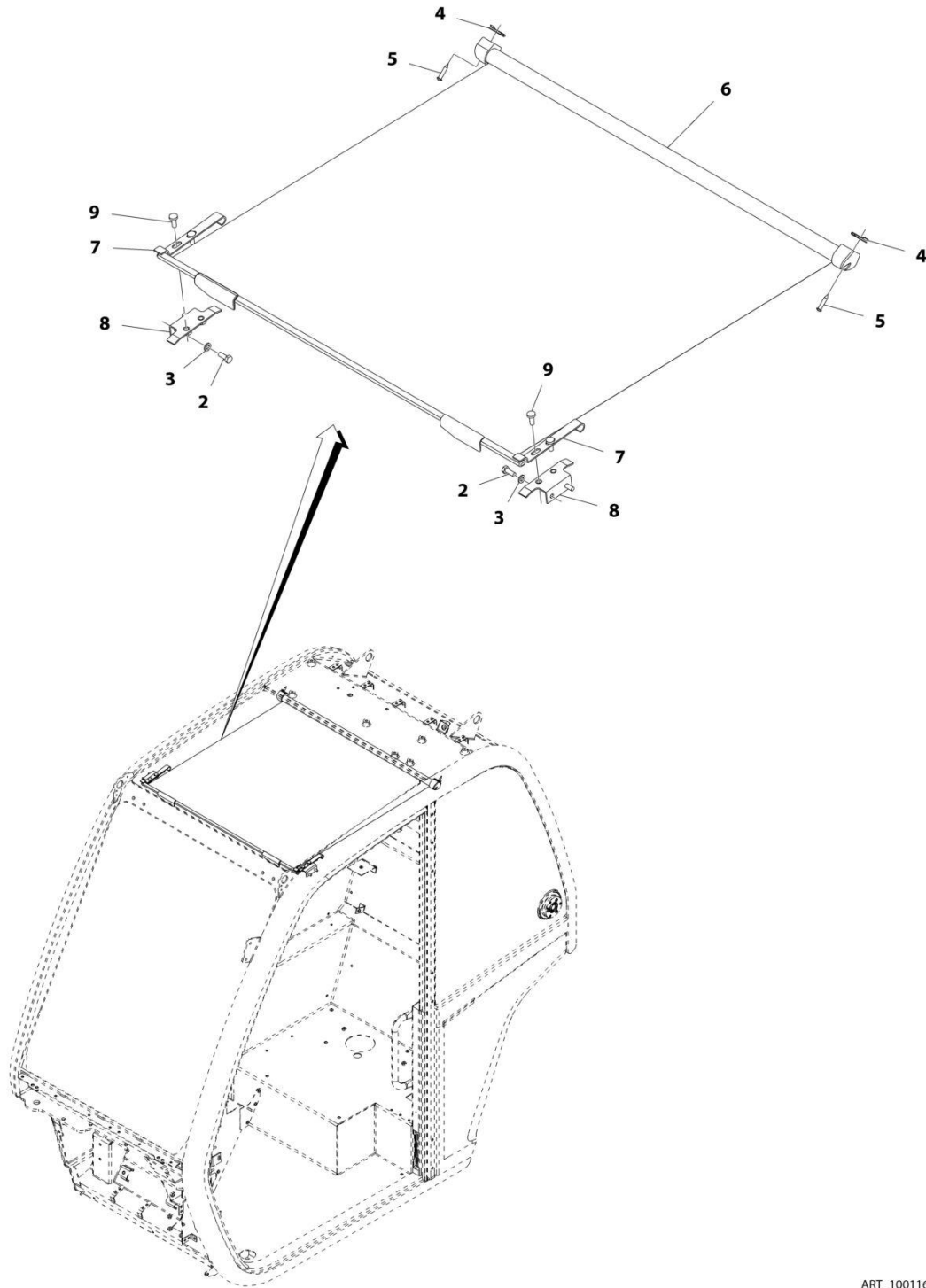
ART\_1001202133-A

FIGURE 6-68. ROOF PIGTAIL INSTALLATION

ITEM	PART NUMBER	QTY	DESCRIPTION	REV
	1001202133	Ref	Roof Pigtail Installation	A
1	4240033	1	Cable Tie	
2	1001146588	3	Strap	
	1001265200	1	Harness, Roof Pigtail (See Separate Breakdown in ELECTRICAL Section)	

# SECTION 6 - CAB

## FIGURE 6-69. RETRACTABLE SUNSCREEN INSTALLATION



ART\_1001163151-G

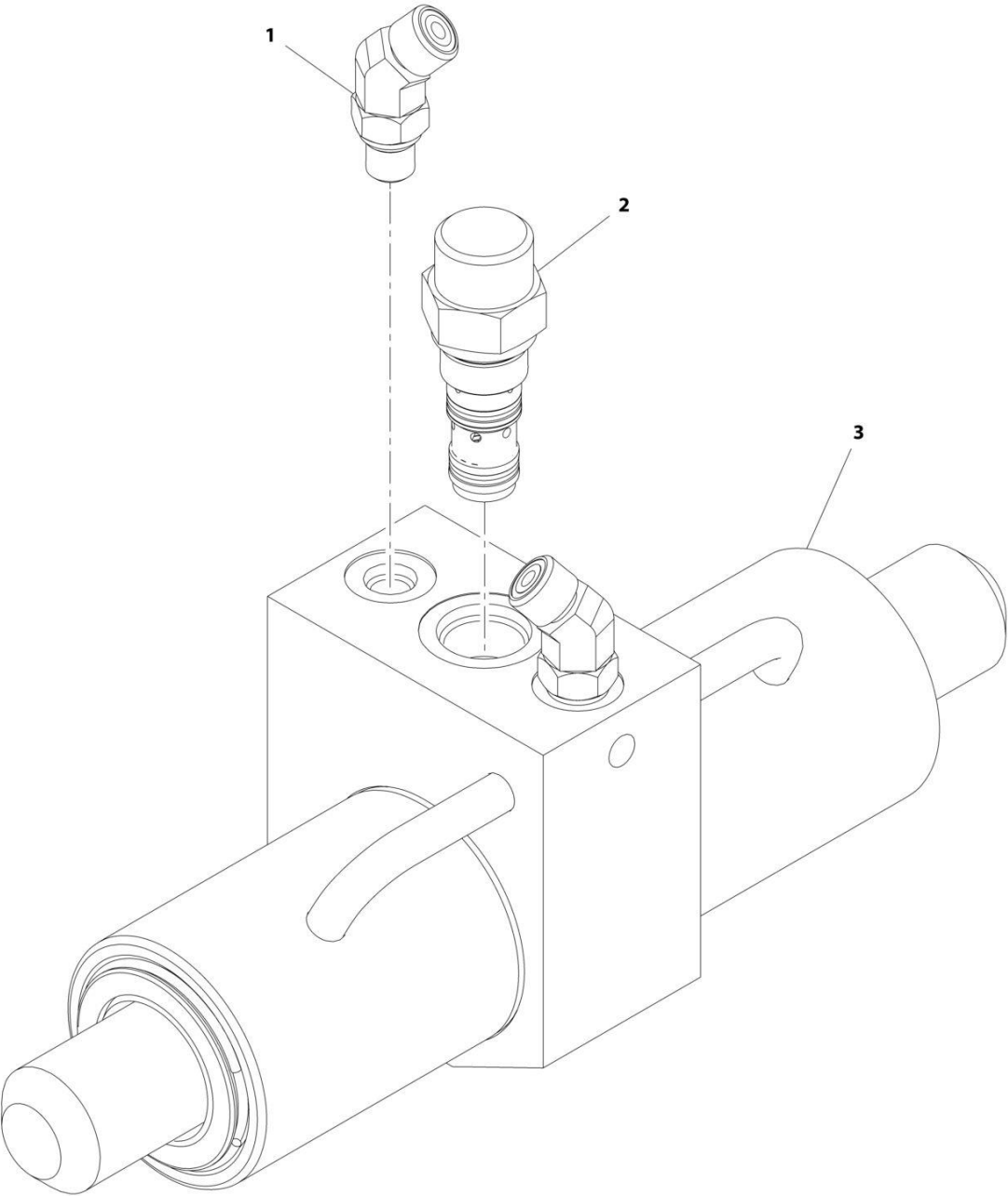


FIGURE 6-69. RETRACTABLE SUNSCREEN INSTALLATION

ITEM	PART NUMBER	QTY	DESCRIPTION	REV
	1001163151	Ref	Retractable Sunscreen Installation	G
2	0760608	4	Bolt, M6X16	
3	4811700	4	Washer, M6	
4	1001111076	2	Nut	
5	1001111147	2	Screw	
6	1001163170	1	Cab, Screen Blind	
7	1001209463	2	Bracket, Sunscreen Mount	
8	1001166385	2	Bracket	
9	4010608002	4	Screw, M6X16	

**SECTION 6 - CAB**

**FIGURE 6-70. QUICK COUPLER CYLINDER ASSEMBLY**



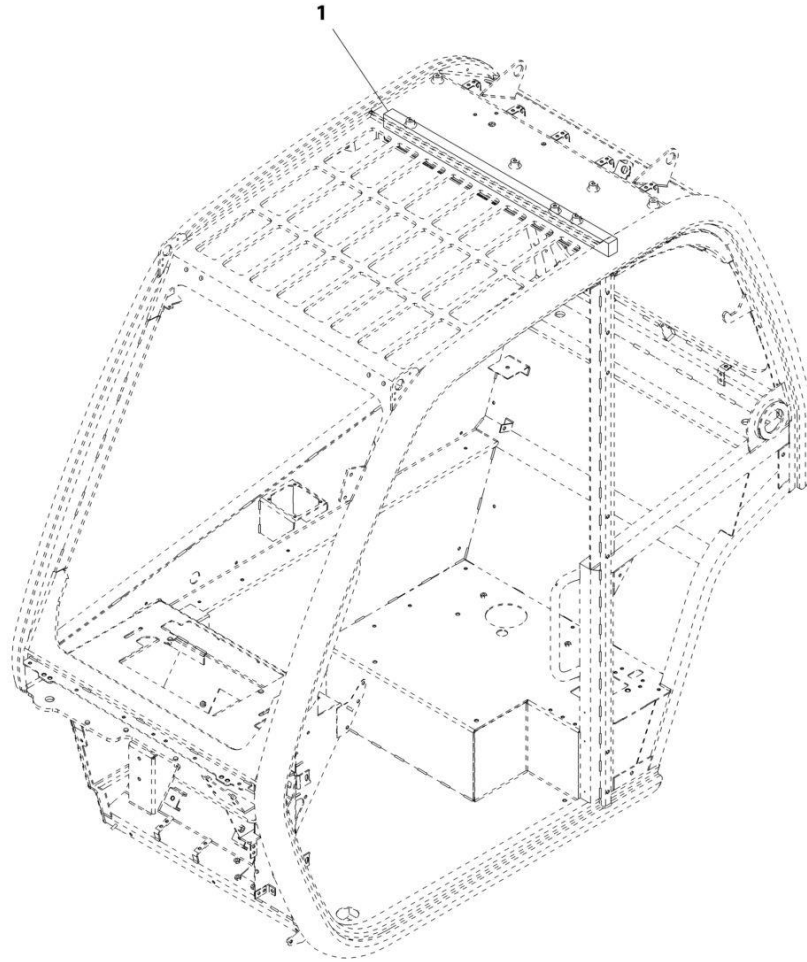
ART\_1001197151-B

FIGURE 6-70. QUICK COUPLER CYLINDER ASSEMBLY

ITEM	PART NUMBER	QTY	DESCRIPTION	REV
	1001197151	Ref	Quick Coupler Cylinder Assembly	B
1	2150404	2	Fitting, 45 ORFS	
2	1001007056	1	Valve, Check	
3	1001120163	1	Cylinder, Quick Coupler (See HYDRAULIC COMPONENTS SECTION for Breakdown)	

# SECTION 6 - CAB

## FIGURE 6-71. NO SUNSCREEN INSTALLATION



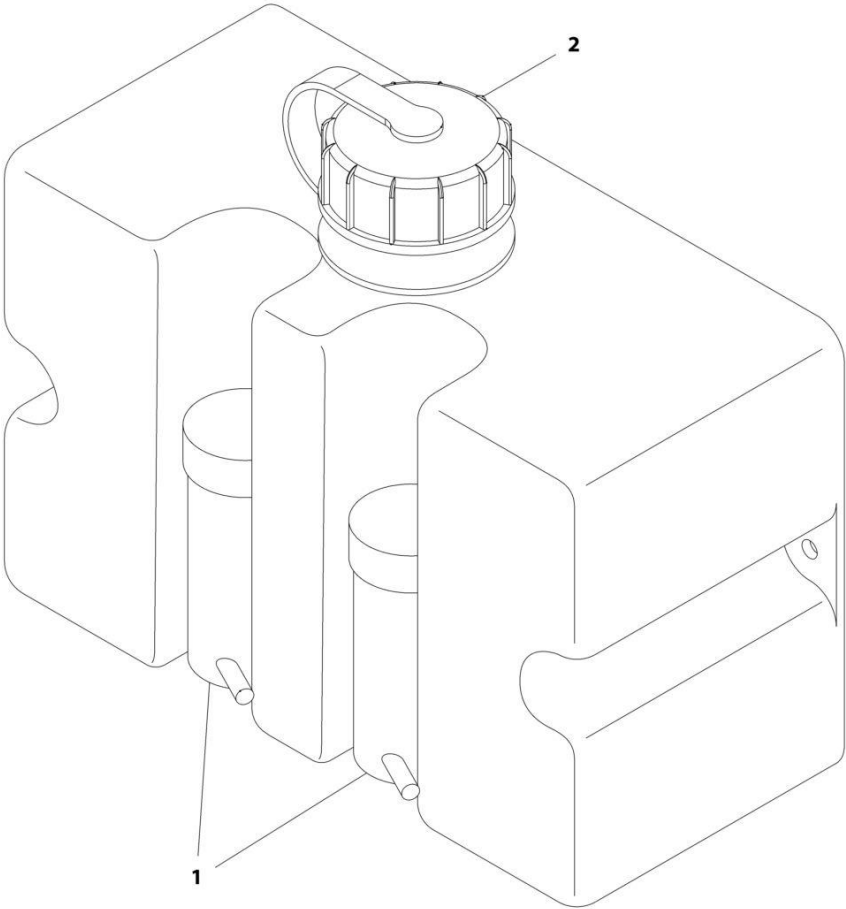
ART\_1001211041-A

**FIGURE 6-71. NO SUNSCREEN INSTALLATION**

<b>ITEM</b>	<b>PART NUMBER</b>	<b>QTY</b>	<b>DESCRIPTION</b>	<b>REV</b>
1	1001211041 1001208192	Ref 1	No Sunscreen Installation Seal, Foam	A

**SECTION 6 - CAB**

**FIGURE 6-72. WASHER BOTTLE**



ART\_1001165269-B

**FIGURE 6-72. WASHER BOTTLE**

<b>ITEM</b>	<b>PART NUMBER</b>	<b>QTY</b>	<b>DESCRIPTION</b>	<b>REV</b>
	1001165269	Ref	Washer Bottle	B
1	1001165327	2	Pump, Washer	
2	1001165273	1	Cap, Washer	

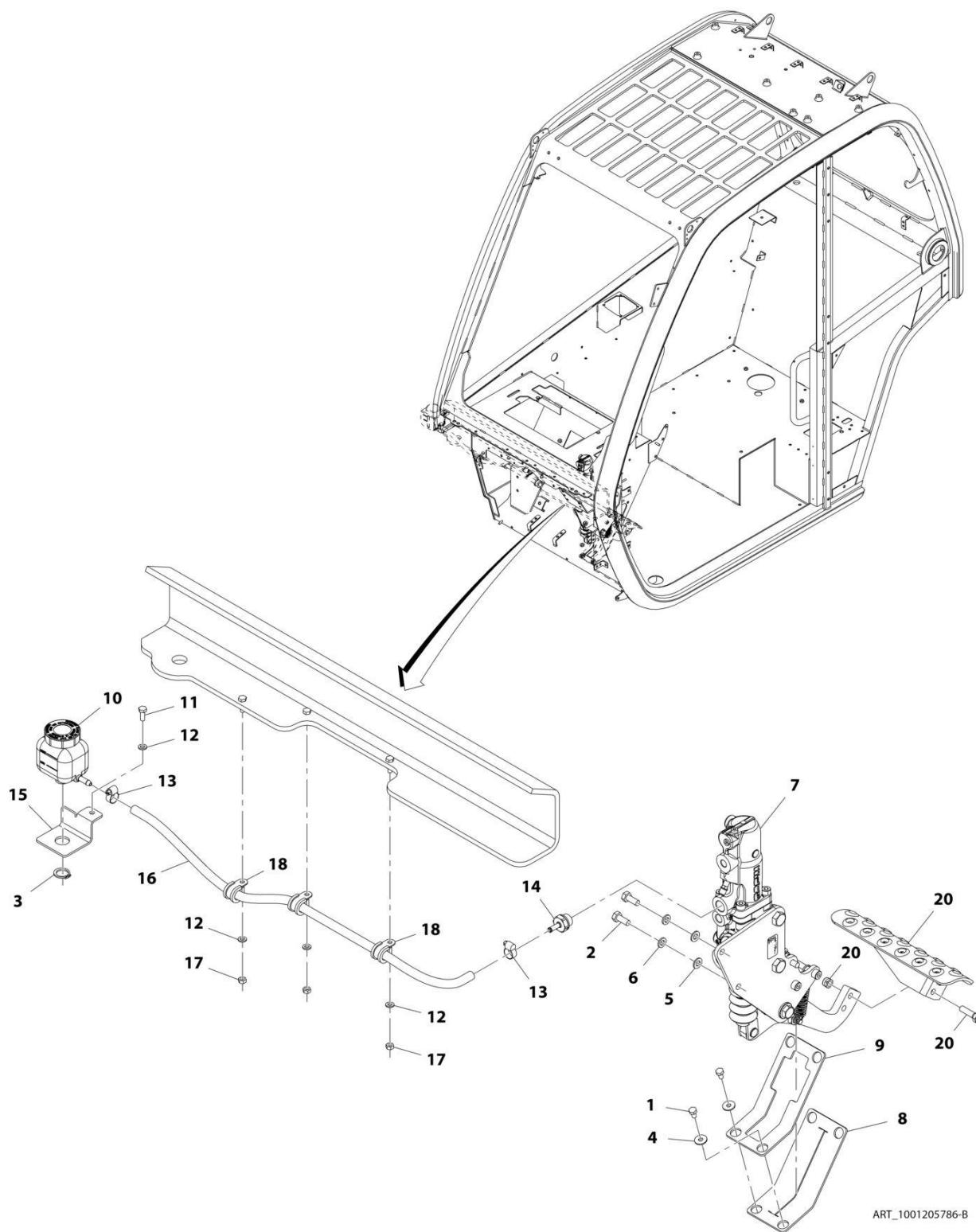




**SECTION 7 - CONTROLS**

# SECTION 7 - CONTROLS

## FIGURE 7-1. BRAKE PEDAL INSTALLATION



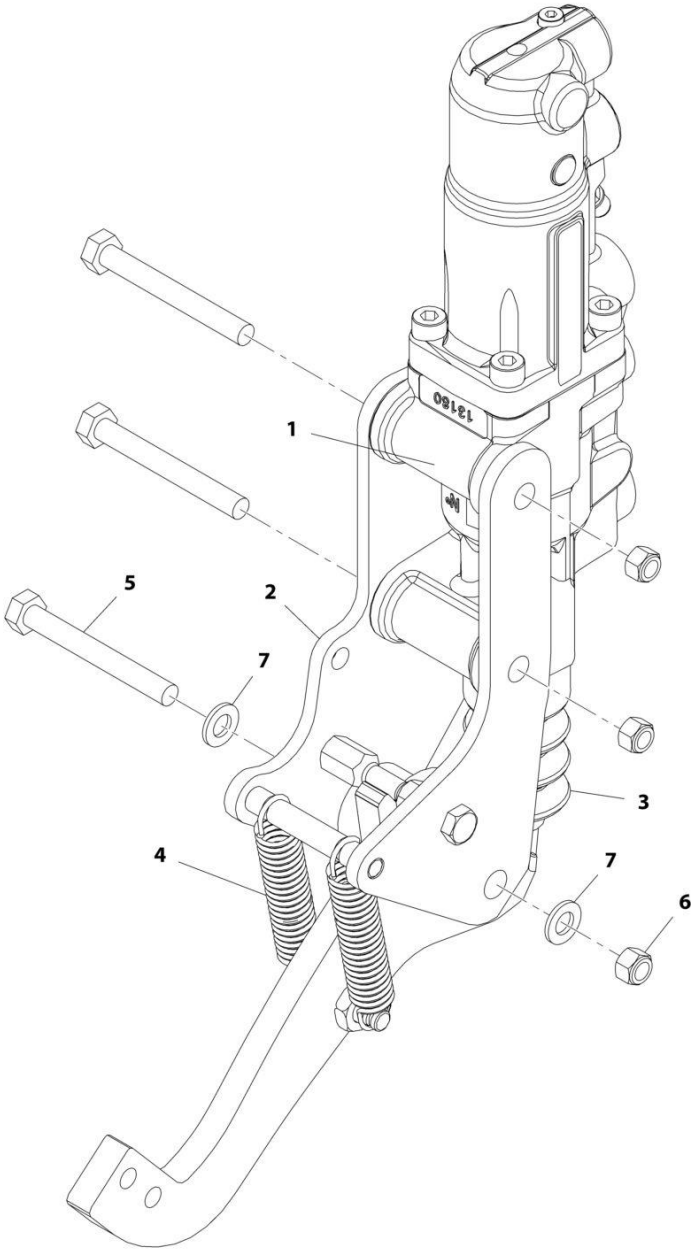
## SECTION 7 - CONTROLS

### FIGURE 7-1. BRAKE PEDAL INSTALLATION

ITEM	PART NUMBER	QTY	DESCRIPTION	REV
	1001205786	Ref	Brake Pedal Installation	B
1	0760605	4	Bolt, M6X10	
2	0760810	3	Bolt, M8X20	
3	3760348	1	Ring, Retaining	
4	4811702	4	Washer, M6	
5	4811900	3	Washer, M8	
6	4831900	3	Washer, Lock M8	
7	1001197137	1	Pedal, Brake (See Separate Breakdown in this Section)	
8	1001162920	1	Gasket, Brake Pedal	
9	1001162922	1	Plate	
10	1001214220	1	Reservoir, Brake	
11	0760608	1	Bolt, M6X16	
12	4811700	4	Washer, M6	
13	8405009	2	Clamp, Gear	
14	1001171874	1	Fitting, Straight	
15	1001172088	1	Bracket, Brake Reservoir	
16	1001172094	1	Hose, Brake Reservoir	
17	3290601	3	Nut, M6X1	
18	1001170231	3	Clip, M6X15	
20	1001197139	1	Plate, Brake Pedal (See Separate Breakdown in this Section)	

**SECTION 7 - CONTROLS**

**FIGURE 7-2. BRAKE PEDAL**



ART\_1001197137-B

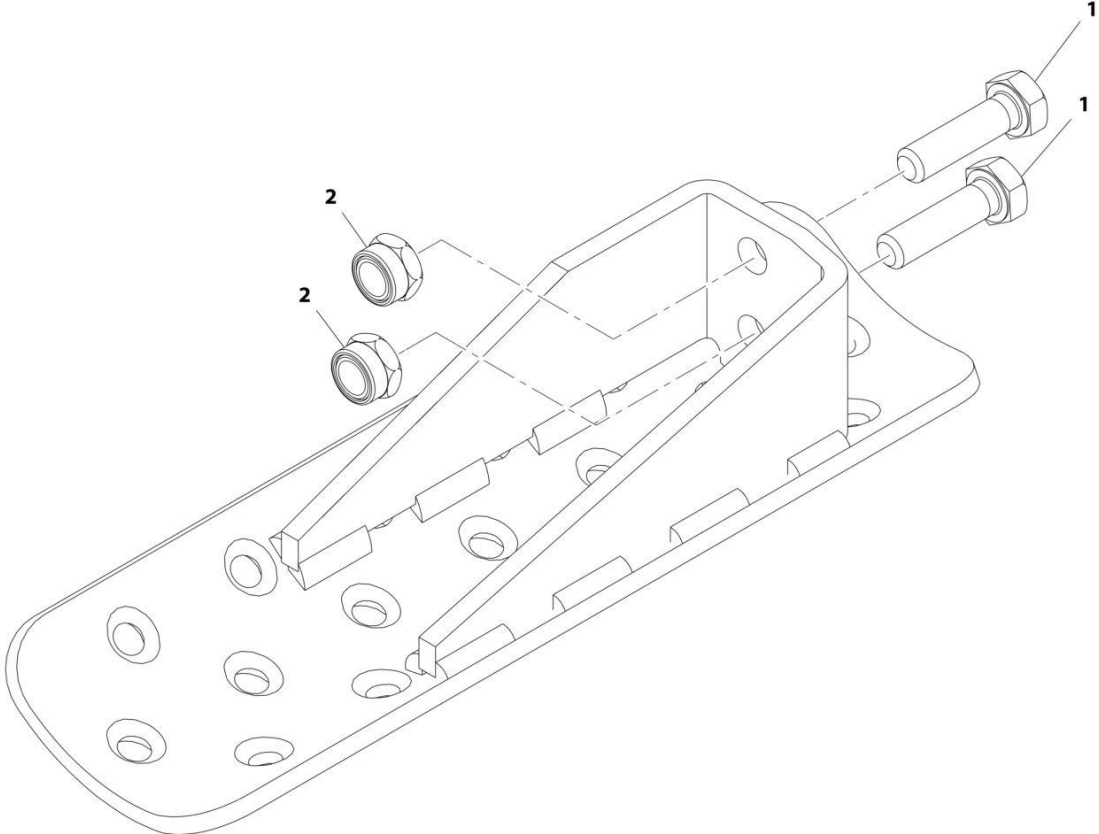
## SECTION 7 - CONTROLS

### FIGURE 7-2. BRAKE PEDAL

ITEM	PART NUMBER	QTY	DESCRIPTION	REV
	1001197137	Ref	Brake Pedal	B
1	70026537	1	Cylinder, Master	
2	70026433	1	Support	
3	70025859	1	Cover, Dust	
4	70025860	2	Spring, Return	
5	0701226	3	Bolt, M12X90	
6	3291205	3	Nut, Lock M12X1.75	
7	4812100	2	Washer, M12	

**SECTION 7 - CONTROLS**

**FIGURE 7-3. BRAKE PEDAL PLATE**



ART\_1001197139-A

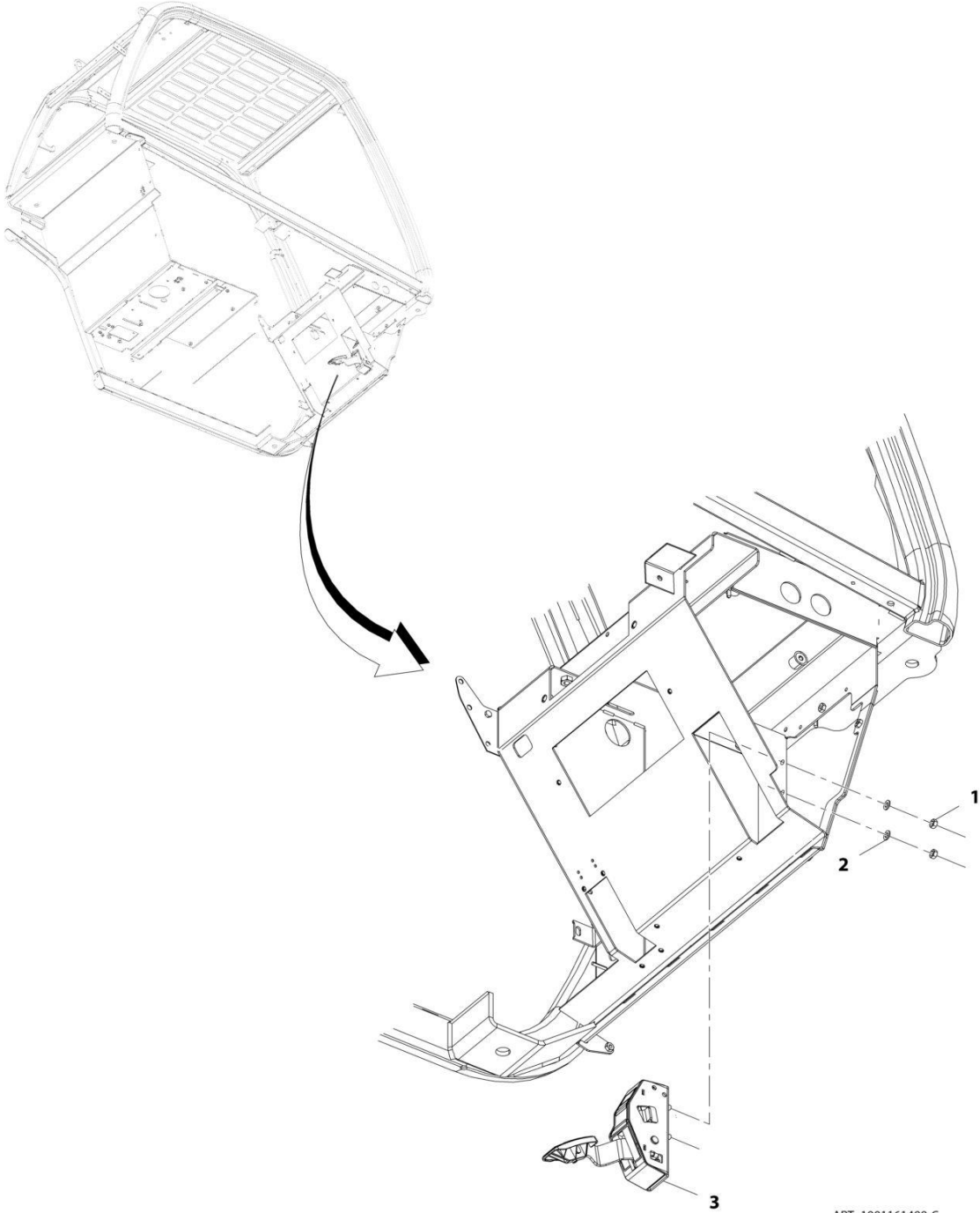
## SECTION 7 - CONTROLS

### FIGURE 7-3. BRAKE PEDAL PLATE

ITEM	PART NUMBER	QTY	DESCRIPTION	REV
	1001197139	Ref	Brake Pedal Plate	A
1	0770814	1	Bolt, M8X30 Grade 10.9	
2	3290805	1	Nut, Lock M8X1.25 Grade 8	

**SECTION 7 - CONTROLS**

**FIGURE 7-4. ACCELERATOR PEDAL INSTALLATION**



ART\_1001161499-C



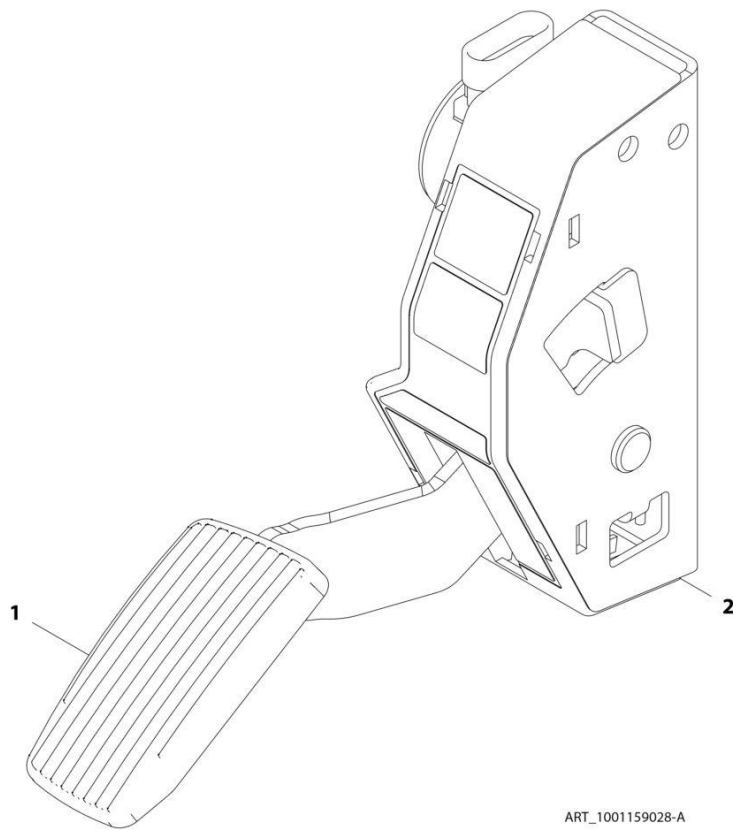
## SECTION 7 - CONTROLS

### FIGURE 7-4. ACCELERATOR PEDAL INSTALLATION

ITEM	PART NUMBER	QTY	DESCRIPTION	REV
	1001161499	Ref	Accelerator Pedal Installation	C
1	3290801	2	Nut, M8X1.25	
2	4811900	2	Washer, M8	
3	1001159028	1	Pedal, Accelerator (See Separate Breakdown in this Section)	

# SECTION 7 - CONTROLS

## FIGURE 7-5. ACCELERATOR PEDAL



ART\_1001159028-A

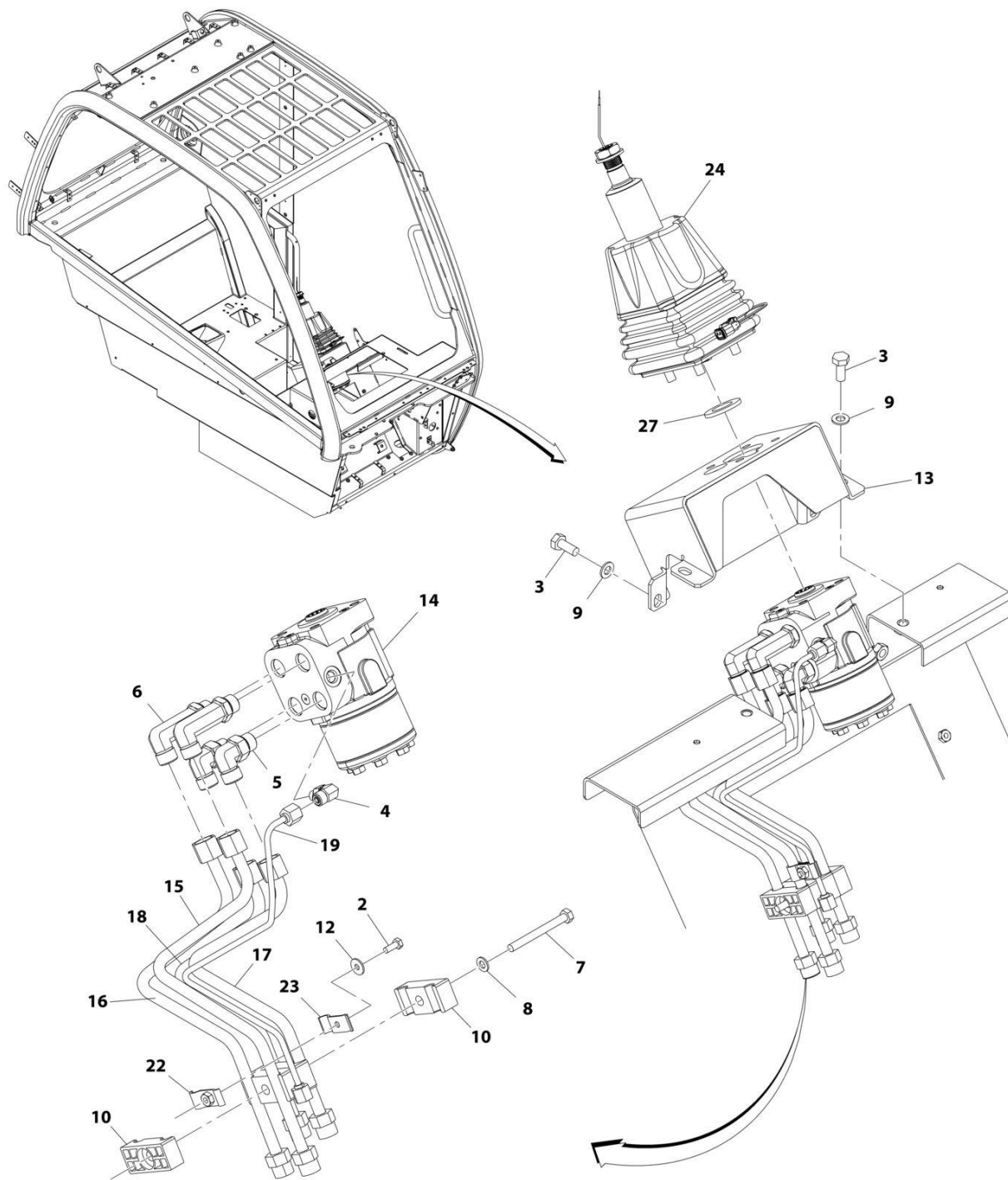
## SECTION 7 - CONTROLS

### FIGURE 7-5. ACCELERATOR PEDAL

ITEM	PART NUMBER	QTY	DESCRIPTION	REV
	1001159028	Ref	Accelerator Pedal	A
1	70025816	1	Pad, Rubber	
2	70025817	1	Cover, Rubber	

# SECTION 7 - CONTROLS

## FIGURE 7-6. STEERING COLUMN INSTALLATION



ART\_1001162707-G

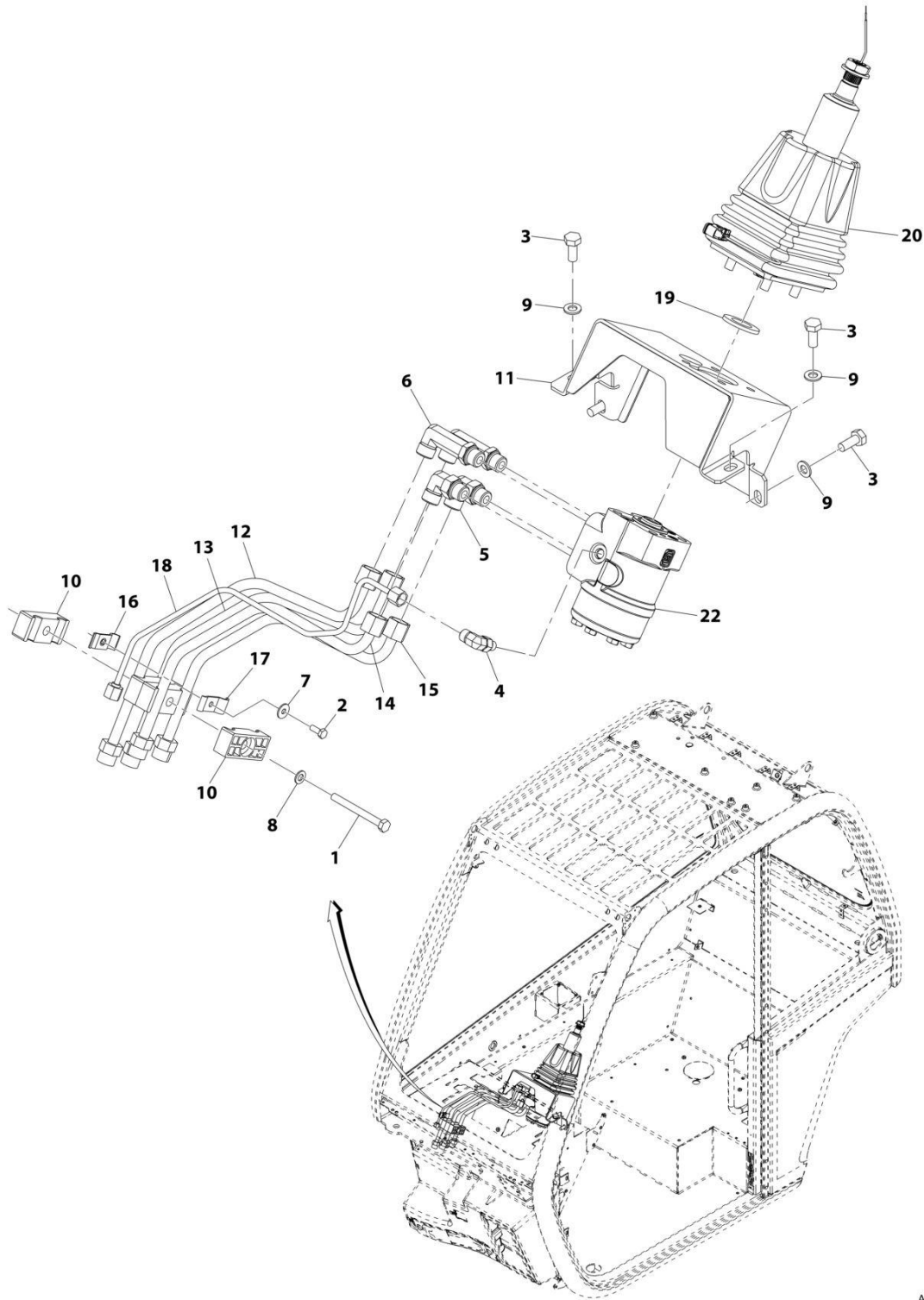
## SECTION 7 - CONTROLS

**FIGURE 7-6. STEERING COLUMN INSTALLATION**

ITEM	PART NUMBER	QTY	DESCRIPTION	REV
	1001162707	Ref	Steering Column Installation	G
2	0760608	1	Bolt, M6X16	
3	0761012	8	Bolt, M10X25	
4	2130404	1	Fitting, 90 ORFS	
5	2130808	2	Fitting, 90 ORFS	
6	2170208	2	Fitting, 90 ORFS	
7	0700824	1	Bolt, M8X80	
8	4811900	1	Washer, M8	
9	4812000	8	Washer, M10	
10	1001004640	4	Clamp	
12	4811702	1	Washer, M6	
13	1001156265	1	Plate	
14	1001160599	1	Valve, Steering Unit (See Separate Breakdown in HYDRAULIC COMPONENTS Section)	
15	1001161672	1	Pipe	
16	1001161896	1	Pipe	
17	1001161897	1	Pipe	
18	1001161898	1	Pipe	
19	1001162979	1	Pipe	
22	1001168142	1	Bracket	
23	1001168151	1	Bracket	
24	1001214481	1	Column, Steering	
27	1001214480	1	Washer	

# SECTION 7 - CONTROLS

## FIGURE 7-7. STEERING COLUMN INSTALLATION (EMERGENCY STEERING)



ART\_1001221994-A

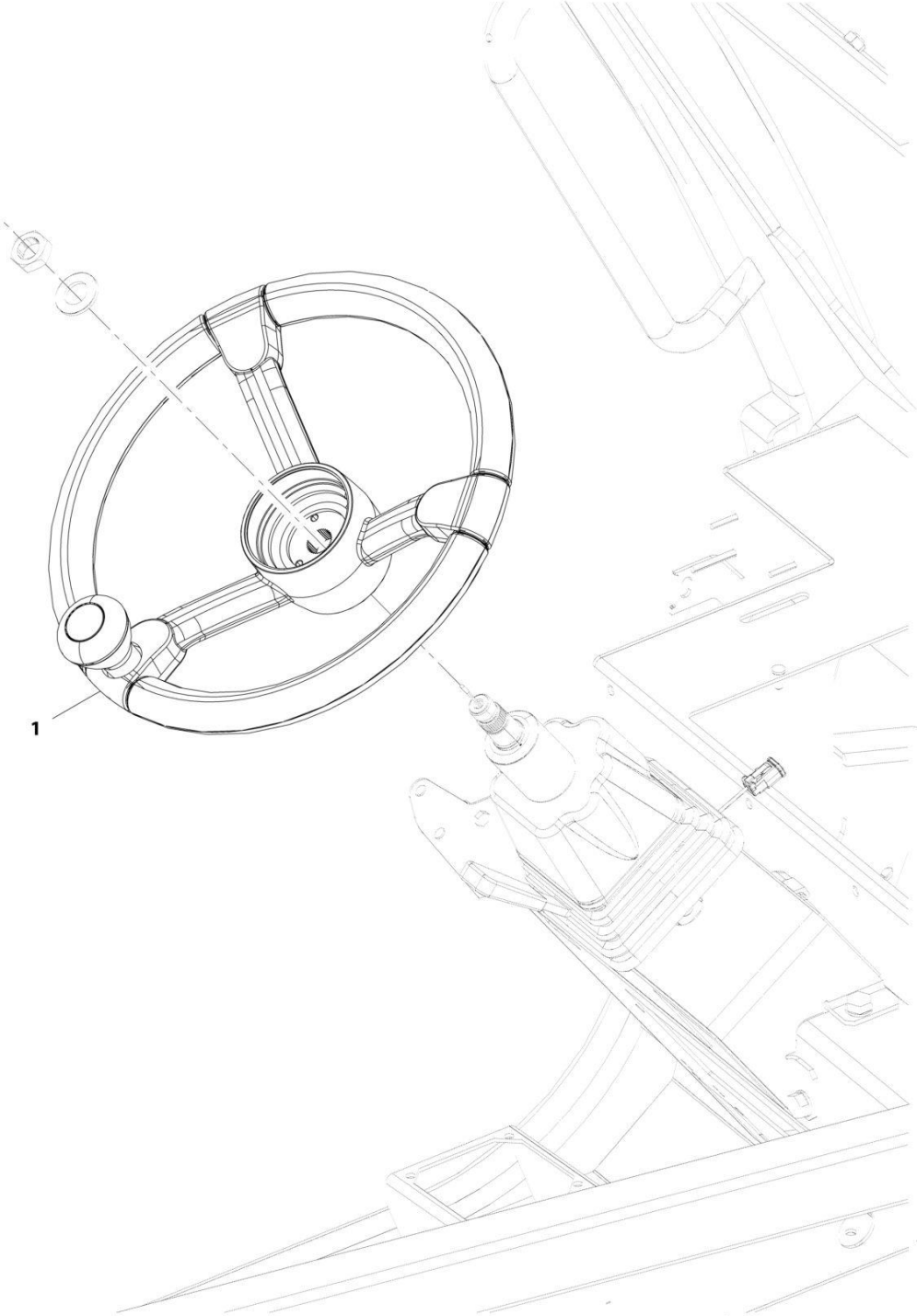
## SECTION 7 - CONTROLS

**FIGURE 7-7. STEERING COLUMN INSTALLATION (EMERGENCY STEERING)**

ITEM	PART NUMBER	QTY	DESCRIPTION	REV
	1001221994	Ref	Steering Column Installation (Emergency Steering)	A
1	0700824	1	Bolt, M8X80	
2	0760608	1	Bolt, M6X16	
3	0761012	8	Bolt, M10X25	
4	2130404	1	Fitting, 90 ORFS	
5	2130808	2	Fitting, 90 ORFS	
6	2170208	2	Fitting, 90 ORFS	
7	4811702	1	Washer, M6	
8	4811900	1	Washer, M8	
9	4812000	8	Washer, M10	
10	1001004640	4	Clamp	
11	1001156265	1	Cab, Steering Column Support	
12	1001161672	1	Pipe	
13	1001161896	1	Pipe	
14	1001161897	1	Pipe	
15	1001161898	1	Pipe	
16	1001168142	1	Bracket	
17	1001168151	1	Bracket	
18	1001194282	1	Pipe	
19	1001214480	1	Washer	
20	1001214481	1	Column, Steering	
22	1001219396	1	Valve, Steering Unit	

**SECTION 7 - CONTROLS**

**FIGURE 7-8. STEERING WHEEL INSTALLATION**



ART\_1001169751-C



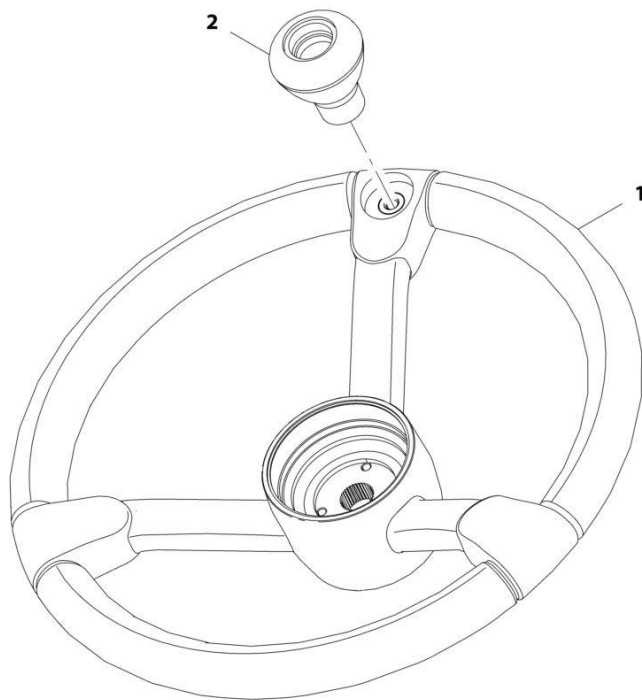
## SECTION 7 - CONTROLS

**FIGURE 7-8. STEERING WHEEL INSTALLATION**

ITEM	PART NUMBER	QTY	DESCRIPTION	REV
1	1001169751 1001169354	Ref 1	Steering Wheel Installation Wheel, Steering (See Separate Breakdown in this Section)	C

# SECTION 7 - CONTROLS

## FIGURE 7-9. STEERING WHEEL



ART\_1001169354-D

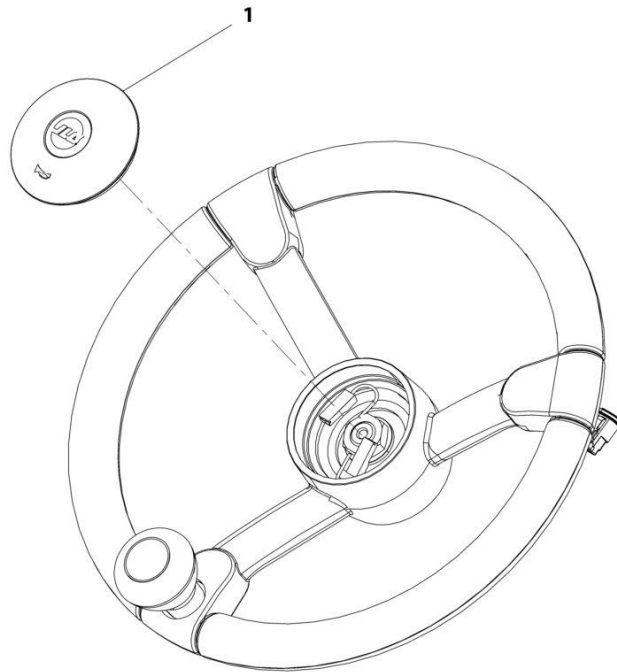
## SECTION 7 - CONTROLS

### FIGURE 7-9. STEERING WHEEL

ITEM	PART NUMBER	QTY	DESCRIPTION	REV
	1001169354	Ref	Steering Wheel	D
1	1001169367	1	Wheel, Steering	
2	1001169355	1	Handle, Steer Spinner	

# SECTION 7 - CONTROLS

## FIGURE 7-10. HORN BUTTON INSTALLATION



ART\_1001169763-A

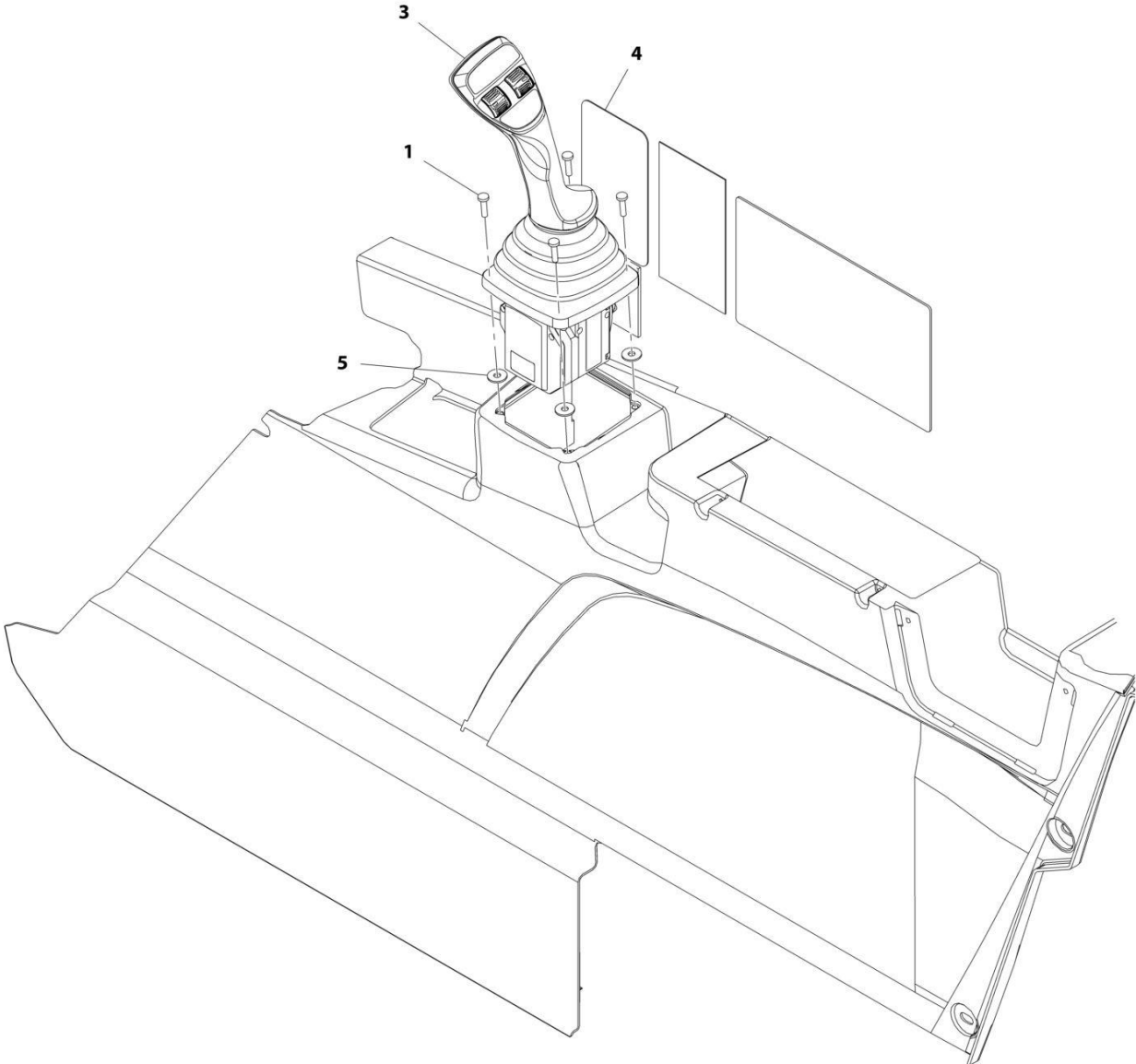
## SECTION 7 - CONTROLS

**FIGURE 7-10. HORN BUTTON INSTALLATION**

ITEM	PART NUMBER	QTY	DESCRIPTION	REV
1	1001169763 1001169268	Ref 1	Horn Button Installation Button, Horn	A

**SECTION 7 - CONTROLS**

**FIGURE 7-11. JOYSTICK INSTALLATION (2 ROLLER, 0 BUTTON)**



ART\_1001167001-E

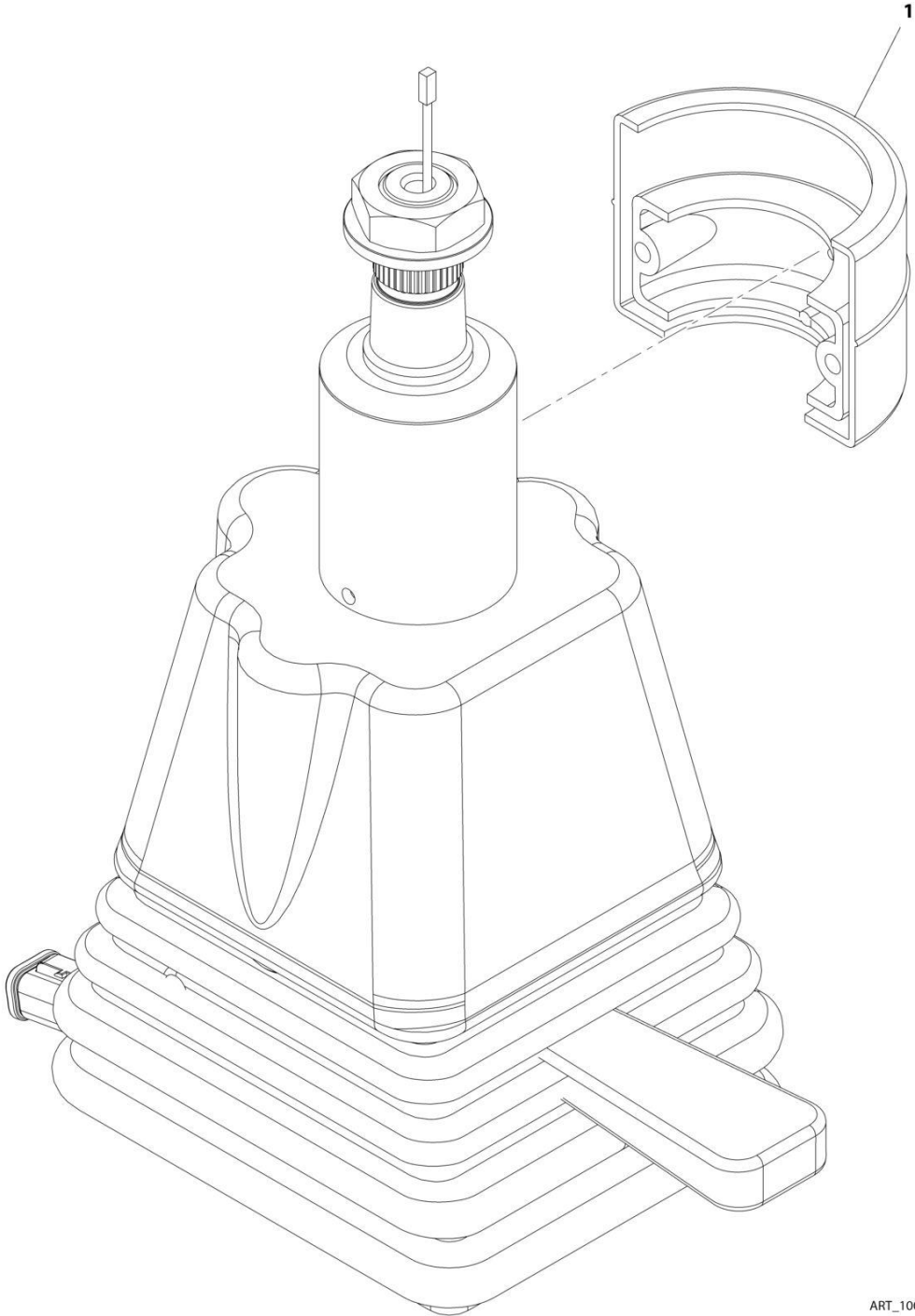
## SECTION 7 - CONTROLS

**FIGURE 7-11. JOYSTICK INSTALLATION (2 ROLLER, 0 BUTTON)**

ITEM	PART NUMBER	QTY	DESCRIPTION	REV
	1001167001	Ref	Joystick Installation (2 Roller, 0 Button)	E
1	4010510	4	Screw, M5X20	
3	1001222609	1	Joystick (See Separate Breakdown in this Section)	
4	1001181543	1	Decal, Joystick	
5	4811702001	AR	Washer	

**SECTION 7 - CONTROLS**

**FIGURE 7-12. COLUMN CLAMP INSTALLATION**



ART\_1001182671-C



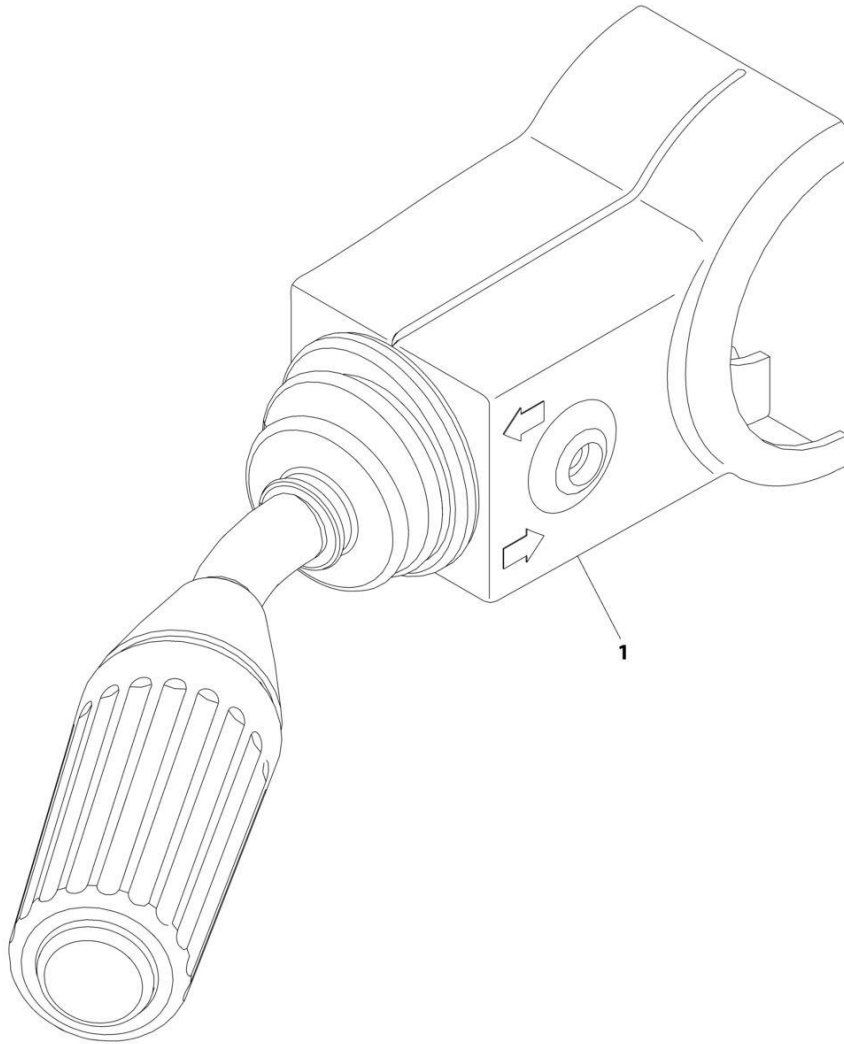
## SECTION 7 - CONTROLS

FIGURE 7-12. COLUMN CLAMP INSTALLATION

ITEM	PART NUMBER	QTY	DESCRIPTION	REV
1	1001182671 1001199640	Ref 1	Column Clamp Installation Clamp	C

# SECTION 7 - CONTROLS

## FIGURE 7-13. WIPER-TURN SWITCH



ART\_1001163695

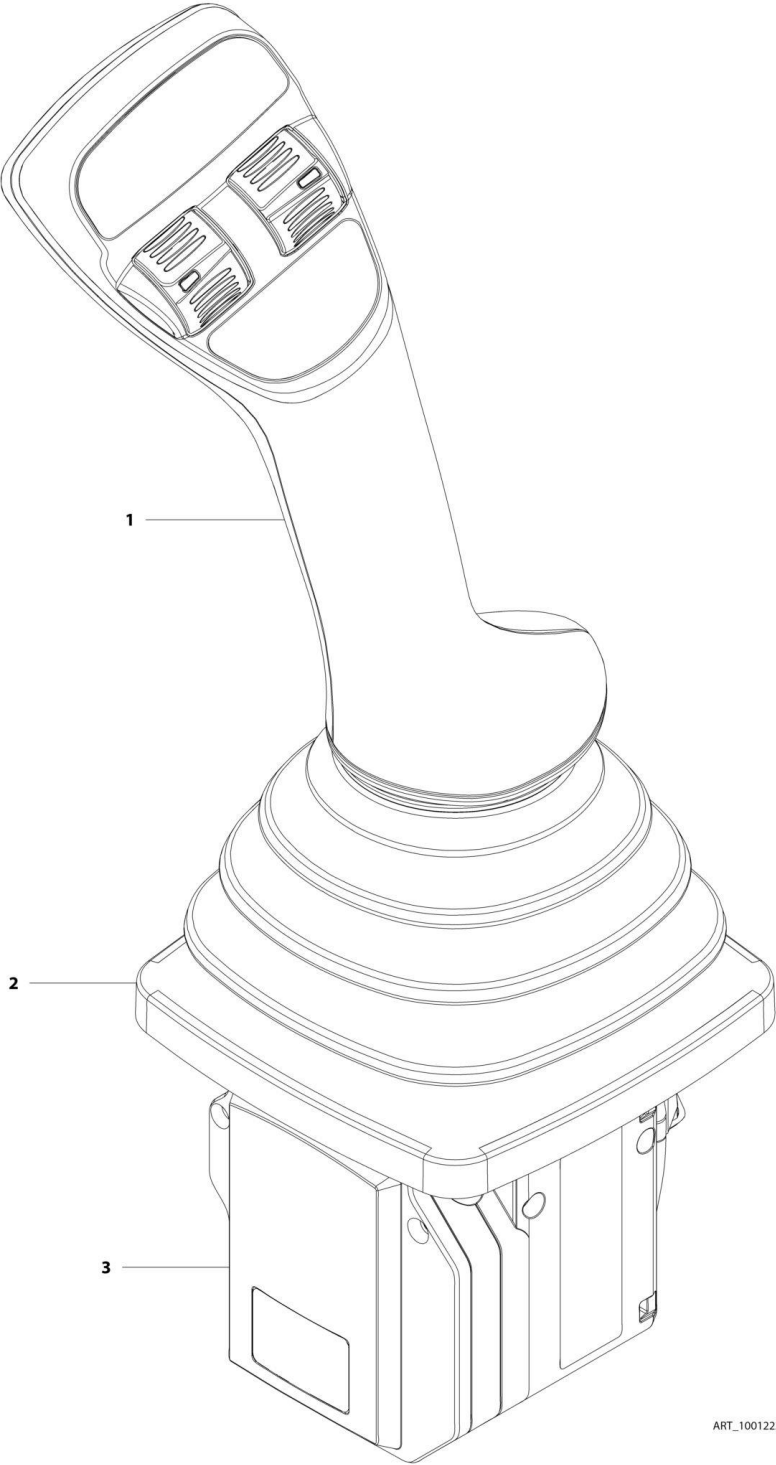
## SECTION 7 - CONTROLS

**FIGURE 7-13. WIPER-TURN SWITCH**

ITEM	PART NUMBER	QTY	DESCRIPTION	REV
1	1001163695	1	Wiper-Turn Switch	B

**SECTION 7 - CONTROLS**

**FIGURE 7-14. JOYSTICK**



ART\_1001222609-A

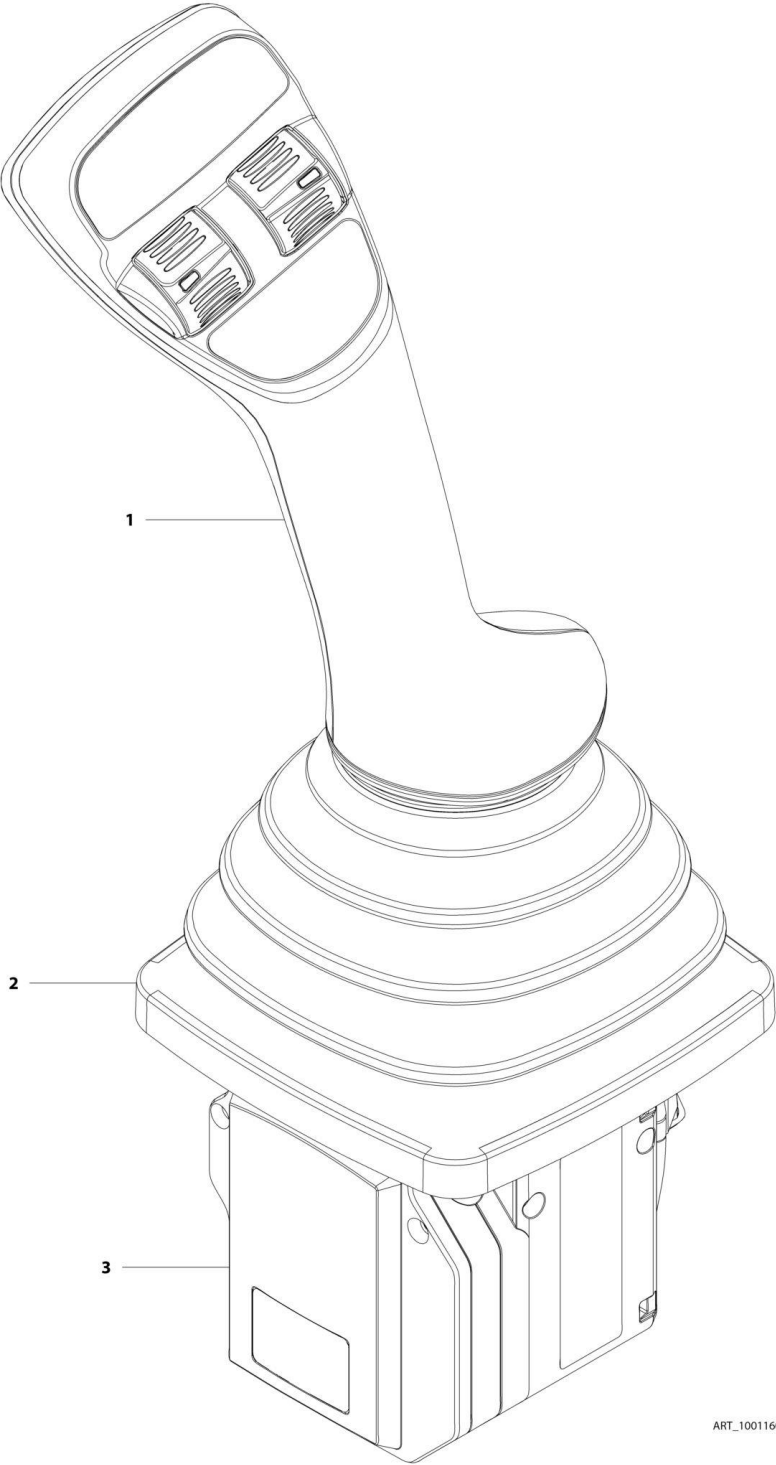
## SECTION 7 - CONTROLS

FIGURE 7-14. JOYSTICK

ITEM	PART NUMBER	QTY	DESCRIPTION	REV
	1001222609	Ref	Joystick	A
1	70026257	1	Handle, Joystick	
2	70025844	1	Gaiter	
3	70026258	1	Base, Joystick	

**SECTION 7 - CONTROLS**

**FIGURE 7-15. JOYSTICK**



ART\_1001160122-F

## SECTION 7 - CONTROLS

### FIGURE 7-15. JOYSTICK

ITEM	PART NUMBER	QTY	DESCRIPTION	REV
	1001160122	NLA	Joystick, (no longer available, use 1001222609 for replacement)	F
	1001222609	Ref	Joystick	A
1	70026257	1	Handle, Joystick	
2	70025844	1	Gaiter	
3	70026258	1	Base, Joystick	

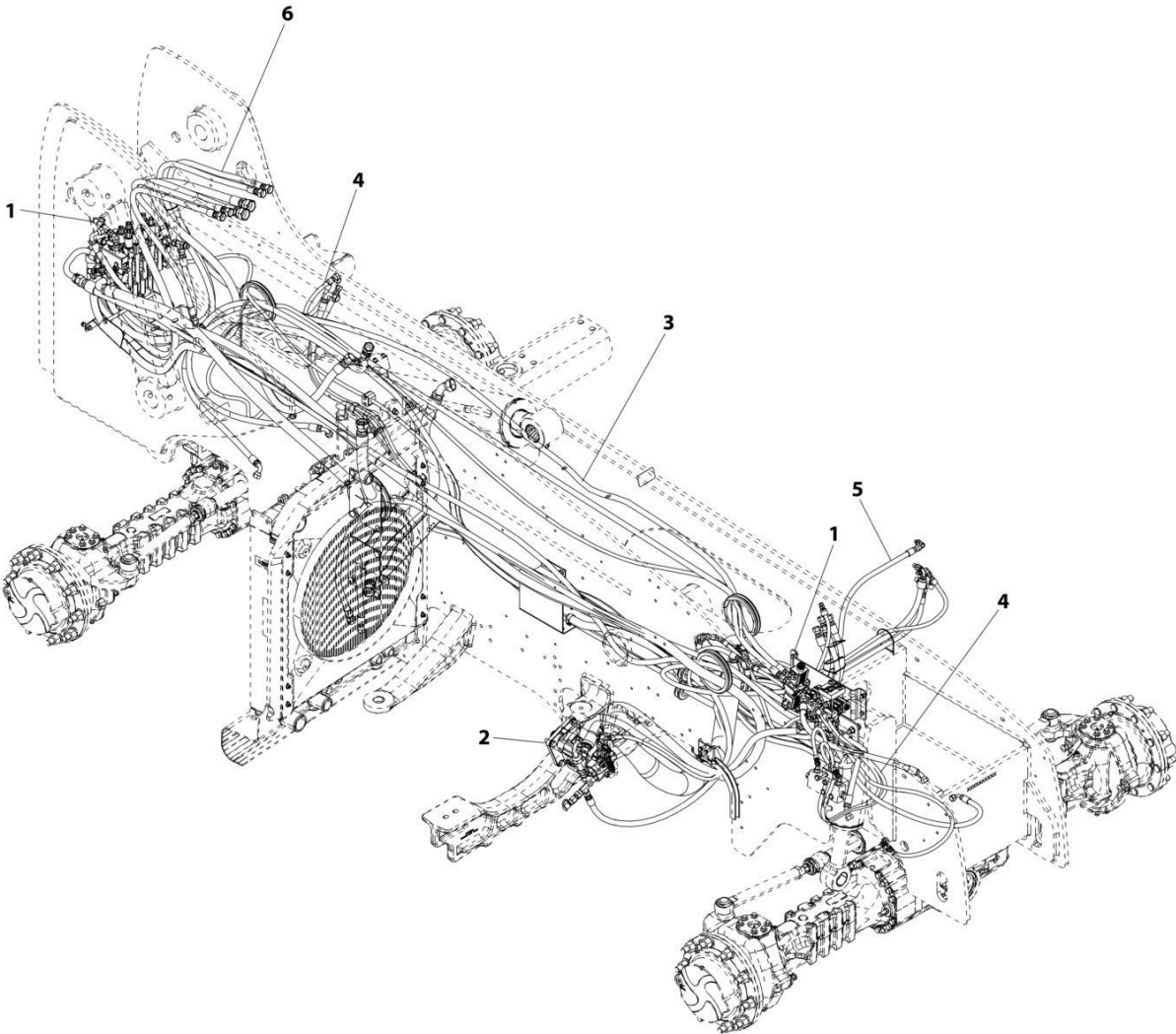




**SECTION 8 - HYDRAULIC CIRCUITS**

# SECTION 8 - HYDRAULIC CIRCUITS

## FIGURE 8-1. MAIN HYDRAULIC INSTALLATION (110HP)



ART\_1001232290-A

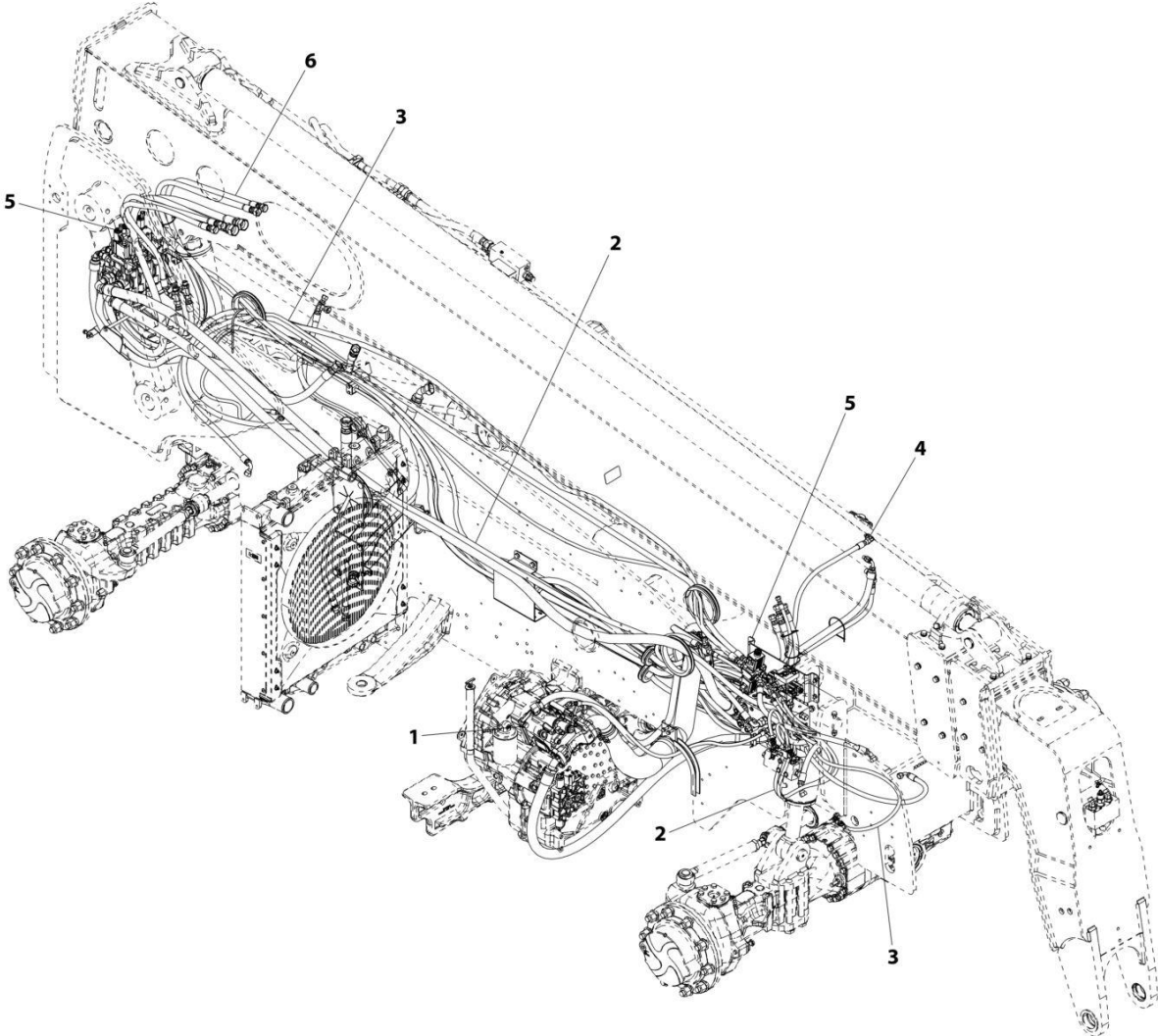
## SECTION 8 - HYDRAULIC CIRCUITS

**FIGURE 8-1. MAIN HYDRAULIC INSTALLATION (110HP)**

ITEM	PART NUMBER	QTY	DESCRIPTION	REV
1	1001232290	Ref	Main Hydraulic Installation (No Outriggers) (110HP)	B
	1001169910	Ref	Installation, Valve (No Outriggers) (See Separate Breakdown in this Section)	
2	1001169915	Ref	Installation, Pump (See Separate Breakdown in this Section)	
3	1001171208	Ref	Installation, Hydraulic Lines (110HP) (See Separate Breakdown in this Section)	
4	1001171209	Ref	Installation, Frame Level Hydraulics (No Outriggers) (See Separate Breakdown in this Section)	
5	1001175933	Ref	Installation, Cab Hydraulic (See Separate Breakdown in this Section)	
6	1001189995	Ref	Installation, Boom Hydraulic (See Separate Breakdown in this Section)	

# SECTION 8 - HYDRAULIC CIRCUITS

## FIGURE 8-2. MAIN HYDRAULIC INSTALLATION (74HP)



ART\_1001225198-A

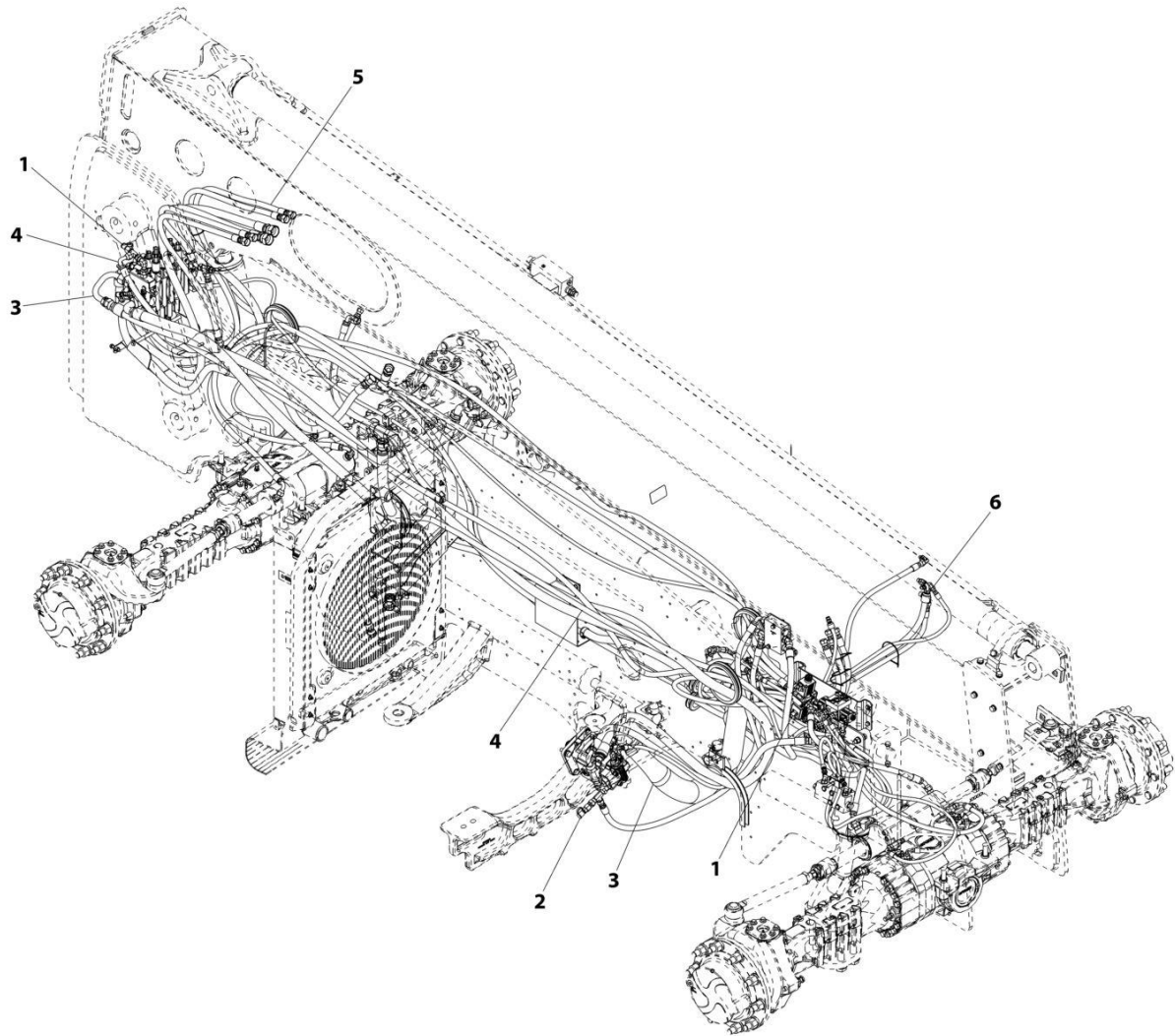
## SECTION 8 - HYDRAULIC CIRCUITS

**FIGURE 8-2. MAIN HYDRAULIC INSTALLATION (74HP)**

ITEM	PART NUMBER	QTY	DESCRIPTION	REV
1	1001225198	Ref	Main Hydraulic Installation (Outriggers 74HP)	A
	1001162670	Ref	Installation, Piston Pump (See Separate Breakdown in this Section)	
2	1001168468	Ref	Installation, Frame Level Hydraulics (See Separate Breakdown in this Section)	
3	1001225200	Ref	Installation, Hydraulic Lines (74HP) (See Separate Breakdown in this Section)	
4	1001225202	Ref	Installation, Cab Hydraulics (See Separate Breakdown in this Section)	
5	1001225748	Ref	Installation, Valve (See Separate Breakdown in this Section)	
6	1001170100	Ref	Installation, Boom Hydraulic (See Separate Breakdown in this Section)	

# SECTION 8 - HYDRAULIC CIRCUITS

## FIGURE 8-3. MAIN HYDRAULIC INSTALLATION (EMERGENCY STEERING)



ART\_1001226272-A

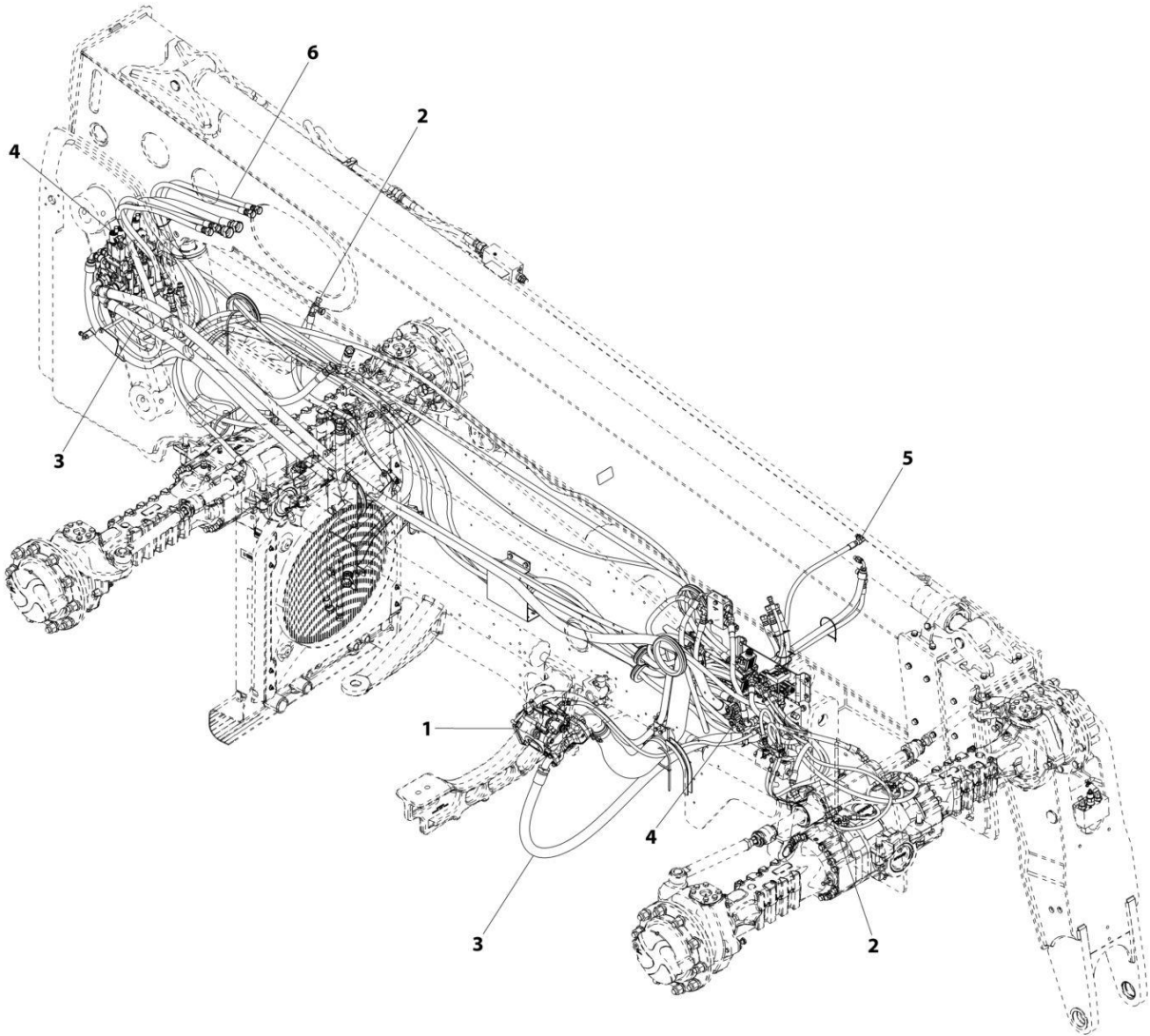
## SECTION 8 - HYDRAULIC CIRCUITS

**FIGURE 8-3. MAIN HYDRAULIC INSTALLATION (EMERGENCY STEERING)**

ITEM	PART NUMBER	QTY	DESCRIPTION	REV
1	1001226272	Ref	Main Hydraulic Installation (Emergency Steering No Outriggers)	A
	1001169910	Ref	Installation, Valve (No Outriggers) (See Separate Breakdown in this Section)	
2	1001169915	Ref	Installation, Pump (See Separate Breakdown in this Section)	
3	1001171208	Ref	Installation, Hydraulic Lines (110HP) (See Separate Breakdown in this Section)	
4	1001171209	Ref	Installation, Frame Level Hydraulics (No Outriggers) (See Separate Breakdown in this Section)	
5	1001189995	Ref	Installation, Boom Hydraulic (See Separate Breakdown in this Section)	
6	1001226271	Ref	Installation, Cab Hydraulic (Emergency Steering) (See Separate Breakdown in this Section)	

# SECTION 8 - HYDRAULIC CIRCUITS

FIGURE 8-4. MAIN HYDRAULIC INSTALLATION - 74HP (EMERGENCY STEERING NO



ART\_1001226919-B



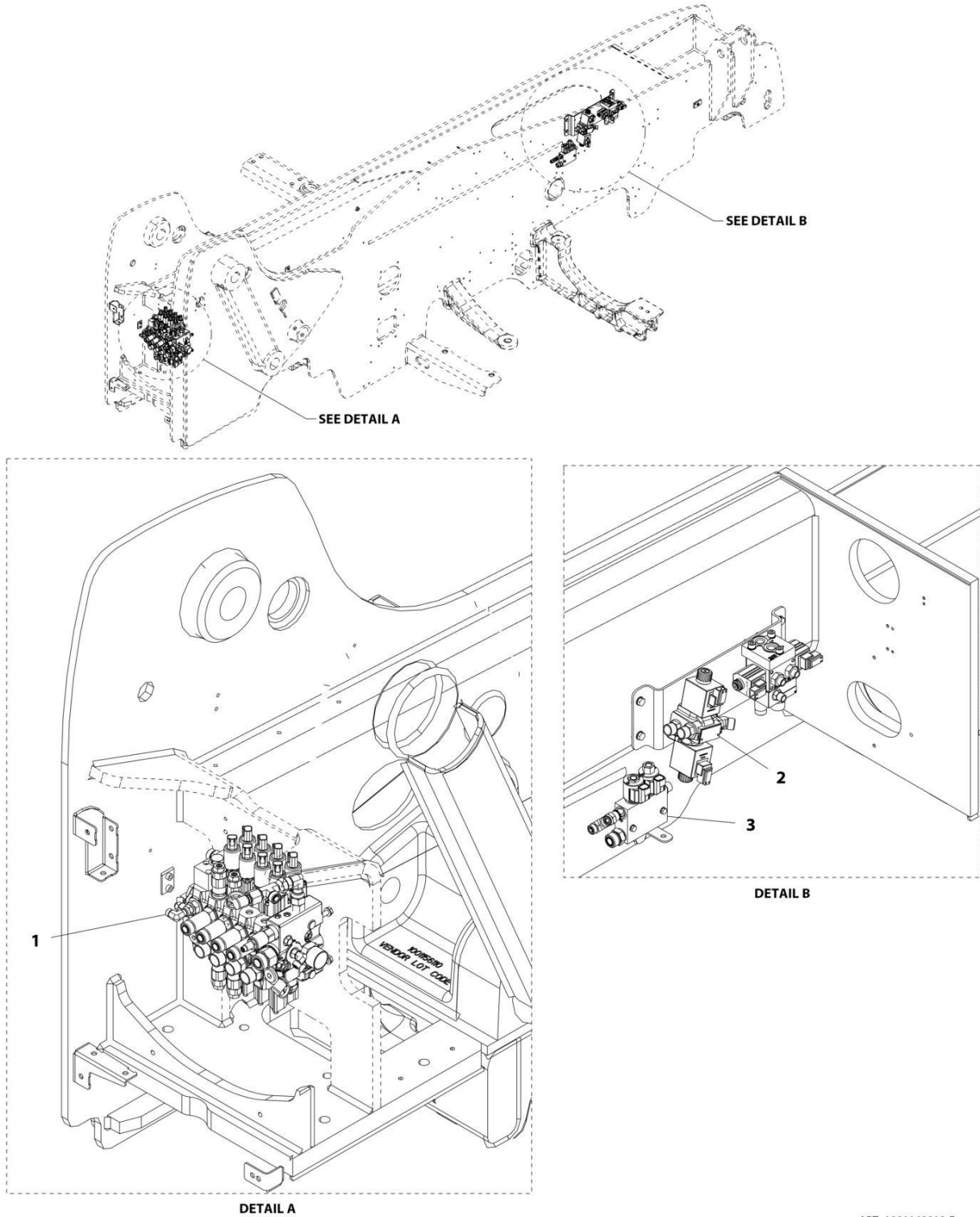
## SECTION 8 - HYDRAULIC CIRCUITS

**FIGURE 8-4. MAIN HYDRAULIC INSTALLATION - 74HP (EMERGENCY STEERING NO**

ITEM	PART NUMBER	QTY	DESCRIPTION	REV
	1001226919	Ref	Main Hydraulic Installation - 74HP (Emergency Steering No Outriggers)	B
1	1001162670	Ref	Installation, Piston Pump (See Separate Breakdown in this Section)	
2	1001168468	Ref	Installation, Frame Level Hydraulics (See Separate Breakdown in this Section)	
3	1001225200	Ref	Installation, Hydraulic Lines (74HP) (See Separate Breakdown in this Section)	
4	1001225748	Ref	Installation, Valve (See Separate Breakdown in this Section)	
5	1001226920	Ref	Installation, Hoses Cab Hydraulics (See Separate Breakdown in this Section)	
6	1001170100	Ref	Installation, Boom Hydraulic (See Separate Breakdown in this Section)	

# SECTION 8 - HYDRAULIC CIRCUITS

## FIGURE 8-5. VALVE INSTALLATION (NO OUTRIGGERS)



ART\_1001169910-E

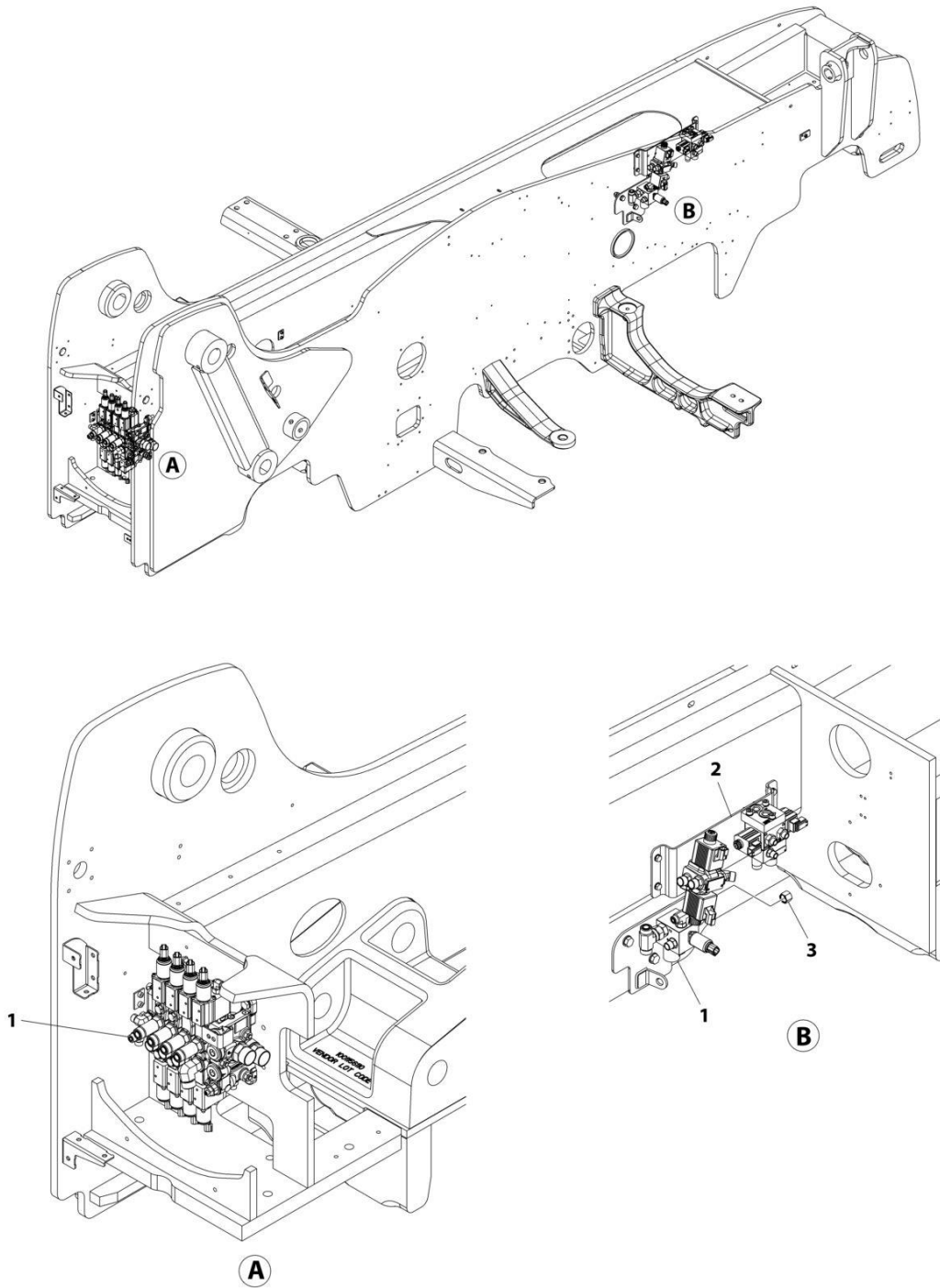
## SECTION 8 - HYDRAULIC CIRCUITS

**FIGURE 8-5. VALVE INSTALLATION (NO OUTRIGGERS)**

ITEM	PART NUMBER	QTY	DESCRIPTION	REV
1	1001169910	Ref	Valve Installation (No Outriggers)	F
	1001169346	Ref	Installation, Main Control Valve (See Separate Breakdown in this Section)	
2	1001168465	Ref	Installation, Steering Select and Frame Level Valve (See Separate Breakdown in this Section)	
3	1001295557	Ref	Installation, Park Brake (See Separate Breakdown in this Section)	

# SECTION 8 - HYDRAULIC CIRCUITS

## FIGURE 8-6. VALVE INSTALLATION



ART\_1001225748\_B

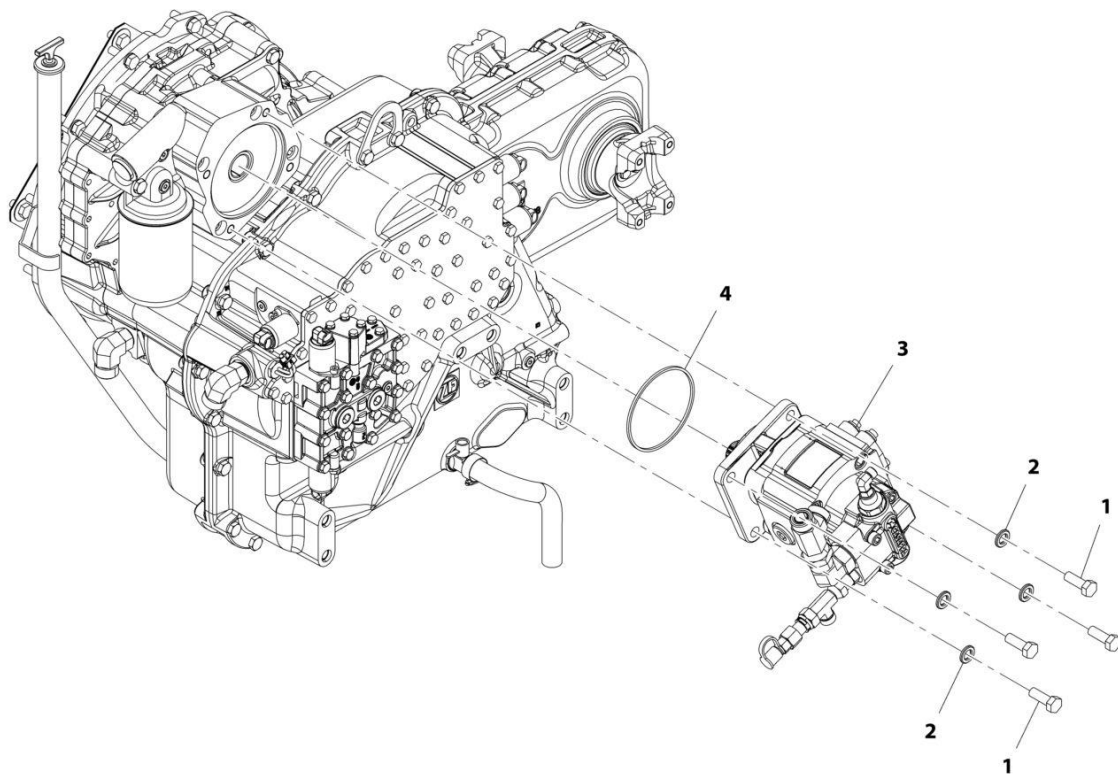
## SECTION 8 - HYDRAULIC CIRCUITS

### FIGURE 8-6. VALVE INSTALLATION

ITEM	PART NUMBER	QTY	DESCRIPTION	REV
1	1001225748	Ref	Valve Installation	B
	1001225750	Ref	Installation, Main Control Valve (See Separate Breakdown in this Section)	
2	1001168465	Ref	Installation, Steering Select and Frame Level Valve (See Separate Breakdown in this Section)	
3	2170906	1	Fitting, ORFS	

# SECTION 8 - HYDRAULIC CIRCUITS

## FIGURE 8-7. PISTON PUMP INSTALLATION



ART\_1001169915-C

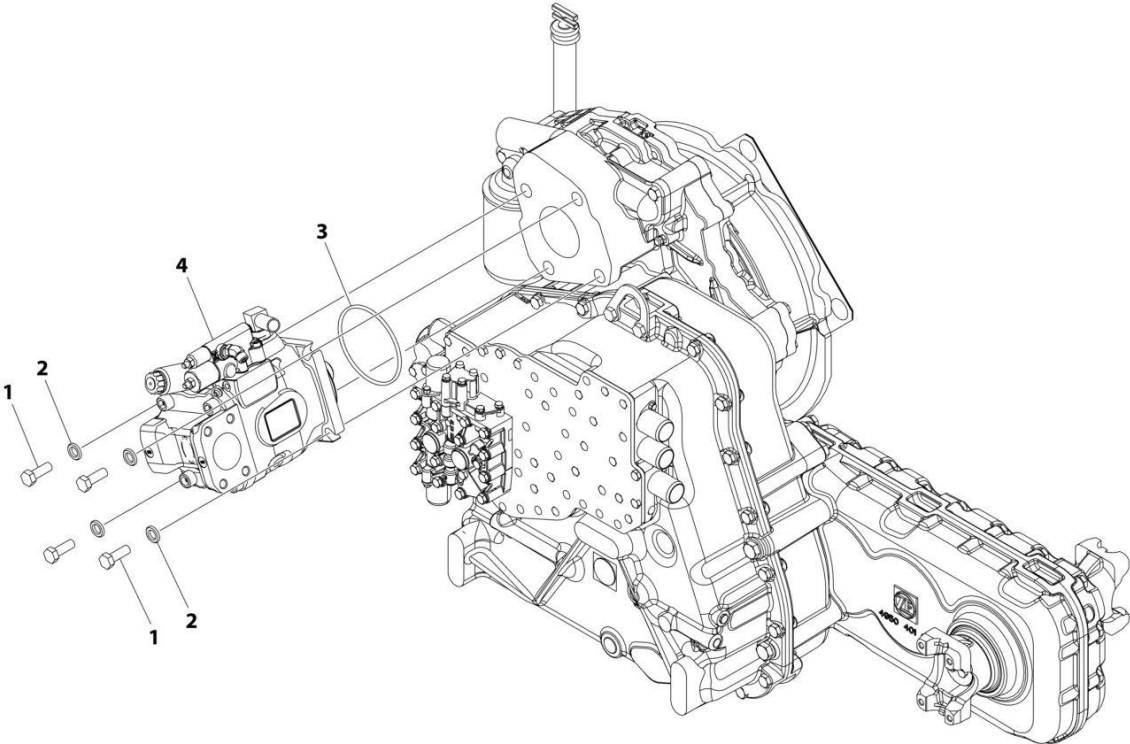
## SECTION 8 - HYDRAULIC CIRCUITS

FIGURE 8-7. PISTON PUMP INSTALLATION

ITEM	PART NUMBER	QTY	DESCRIPTION	REV
	1001169915	Ref	Piston Pump Installation	C
1	0761215	4	Bolt, M12X35	
2	4740532	4	Washer	
3	1001171097	1	Assembly, Piston Pump (See Separate Breakdown in this Section)	
4	80933113	1	O-Ring	

**SECTION 8 - HYDRAULIC CIRCUITS**

**FIGURE 8-8. PISTON PUMP INSTALLATION**



ART\_1001162670\_D



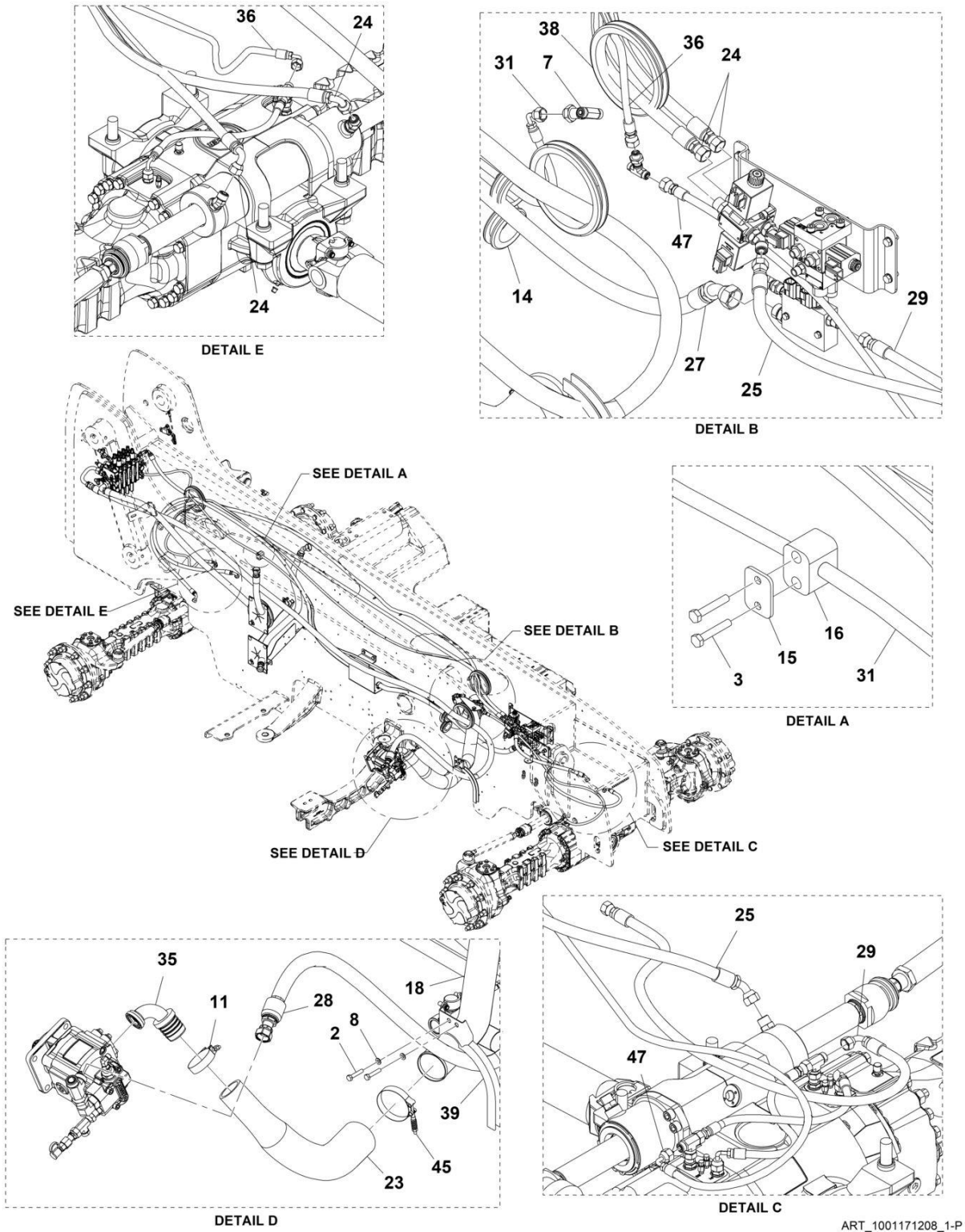
## SECTION 8 - HYDRAULIC CIRCUITS

### FIGURE 8-8. PISTON PUMP INSTALLATION

ITEM	PART NUMBER	QTY	DESCRIPTION	REV
	1001162670	Ref	Piston Pump Installation	D
1	0761215	4	Bolt, M12X35	
2	4740532	4	Washer	
3	80933113	1	O-Ring	
4	1001162674	1	Assembly, Piston Pump (See Separate Breakdown in this Section)	

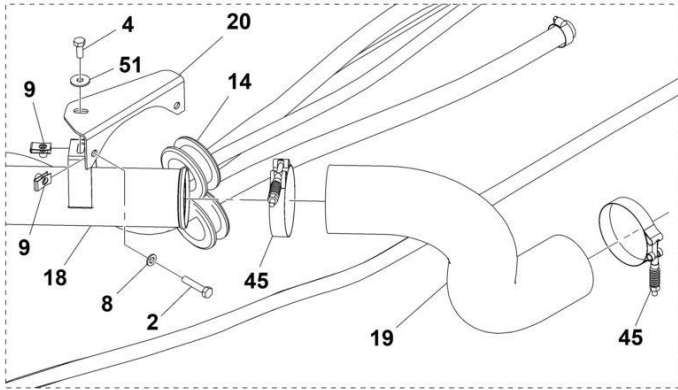
# SECTION 8 - HYDRAULIC CIRCUITS

## FIGURE 8-9. MAIN HYDRAULICS INSTALLATION

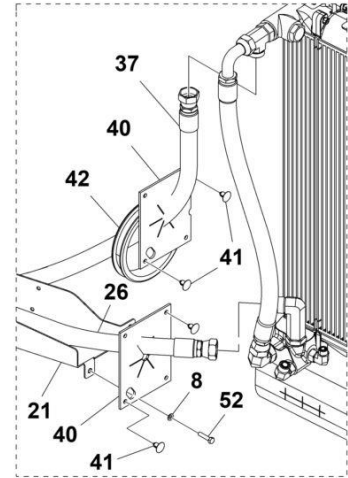


ART\_1001171208\_1-P

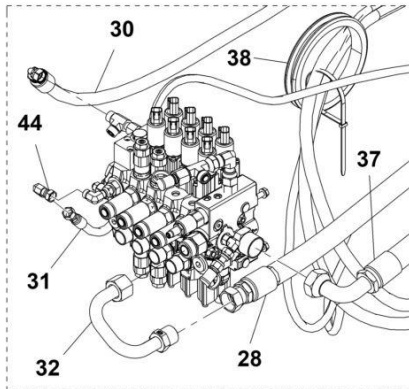
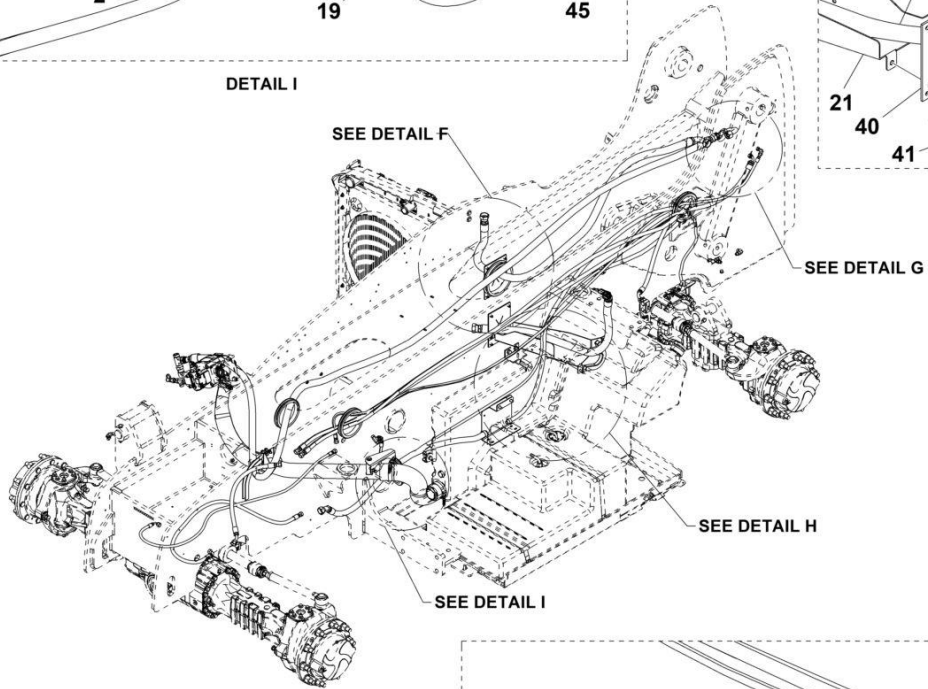
# SECTION 8 - HYDRAULIC CIRCUITS



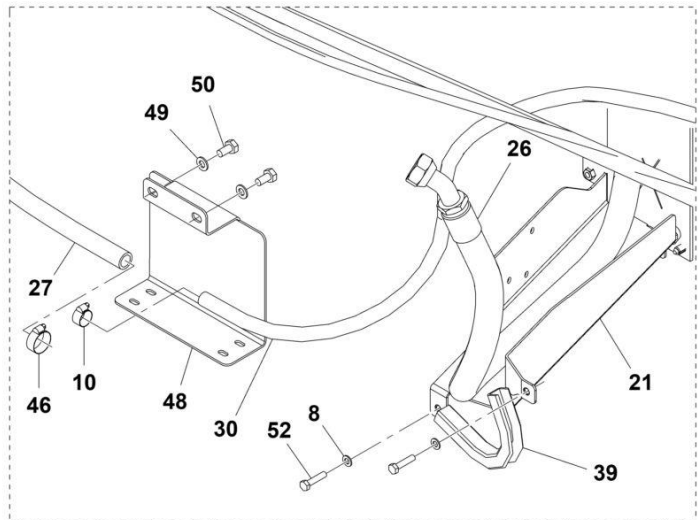
DETAIL I



DETAIL F



DETAIL G



DETAIL H

ART\_1001171208\_2-P

## SECTION 8 - HYDRAULIC CIRCUITS

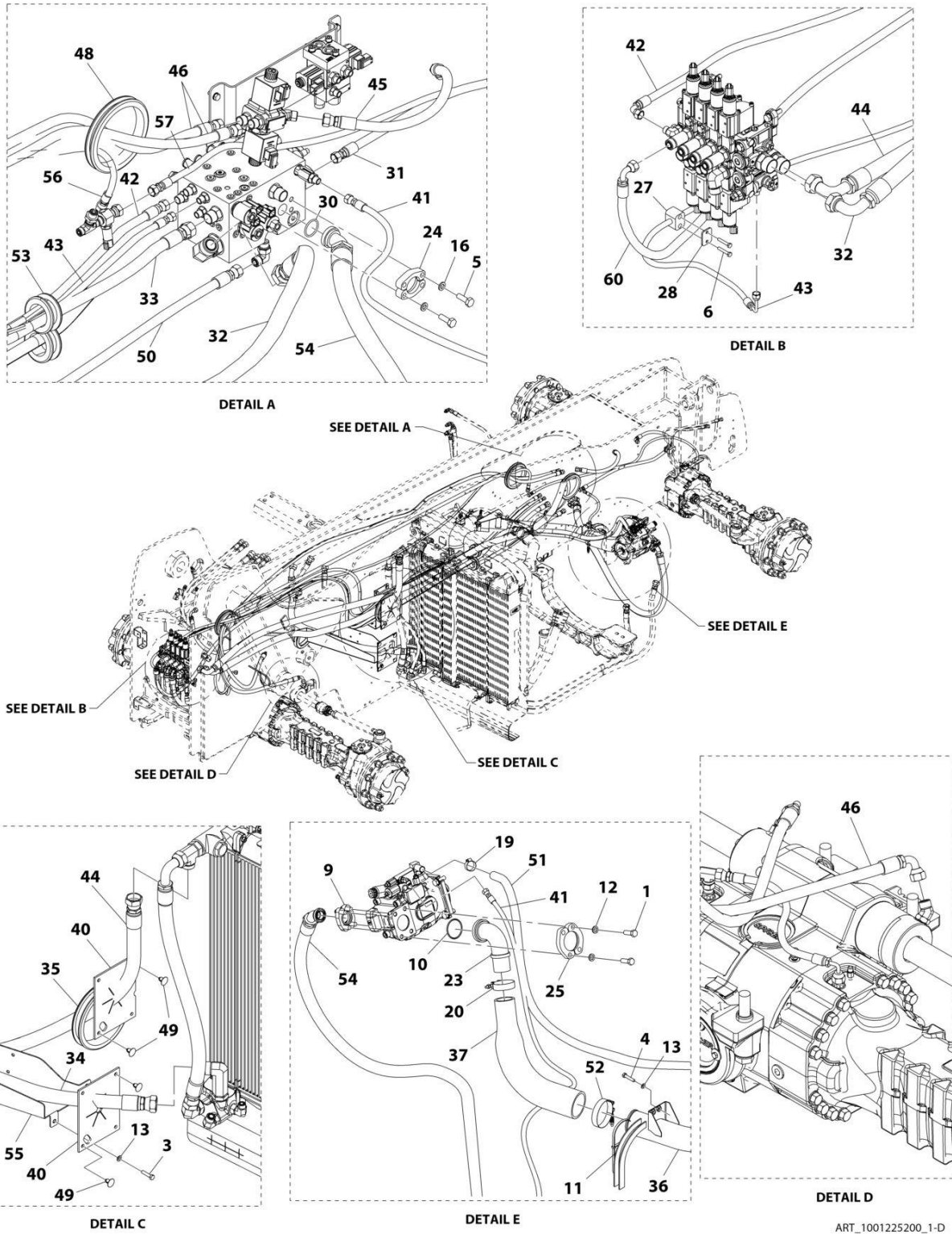
FIGURE 8-9. MAIN HYDRAULICS INSTALLATION

ITEM	PART NUMBER	QTY	DESCRIPTION	REV
	1001171208	Ref	Hydraulic Lines Installation (110HP)	P
2	0700816	4	Bolt, M8X40	
3	0760615	2	Bolt, M6X35	
4	0760810	1	Bolt, M8X20	
7	2221225	1	Fitting, Tee	
8	4811900	8	Washer	
9	8310686	3	Nut, M8X12.5	
10	8405006	1	Clamp, Gear	
11	8405209	1	Clamp, T-Bolt	
14	1001188971	2	Grommet	
15	8769146	1	Cover, Plate	
16	8750030	1	Clamp, Set	
18	1001173446	1	Pipe	
19	1001173451	1	Hose	
20	1001174338	1	Bracket	
21	1001257763	1	Channel	
23	1001175057	1	Hose	
24	1001177273	2	Hose	
25	1001177248	1	Hose	
26	1001161978	1	Hose	
27	1001295569	1	Hose	
28	1001175997	1	Hose	
29	1001176043	1	Hose	
30	1001231874	1	Hose	
31	1001176124	1	Hose	
32	1001176139	1	Pipe	
35	1001176548	1	Fitting, 90	
36	1001202847	1	Hose	
37	1001175699	1	Hose	
38	1001177704	2	Grommet	
39	4060918	467 mm	Trim	
40	1001175347	2	Grommet	
41	1001180306	8	Screw	
42	1001169830	1	Grommet	
44	2172104	1	Fitting, 90 ORFS	
45	1001186843	3	Clamp, T-Bolt	
46	8405007	1	Clamp, Gear	
47	1001203502	1	Hose	
48	1001208881	1	Bracket	
49	4812000	2	Washer, M10	
50	0761010	2	Bolt, M10X20	
51	4811902	1	Washer, M8	
52	0700815	4	Bolt, M8X35	
54	4060807	482 mm	Flex Trim	



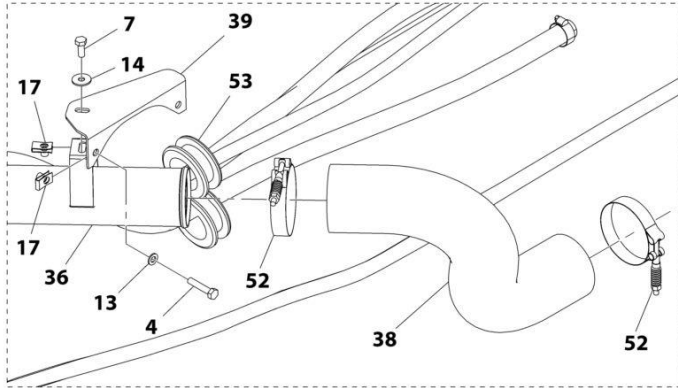
# SECTION 8 - HYDRAULIC CIRCUITS

## FIGURE 8-10. MAIN HYDRAULICS INSTALLATION

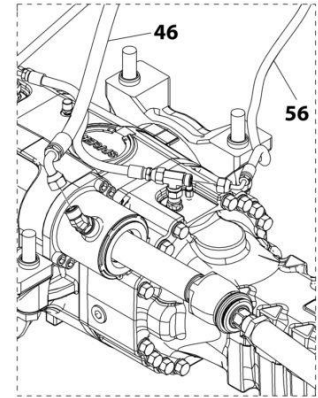


ART\_1001225200\_1-D

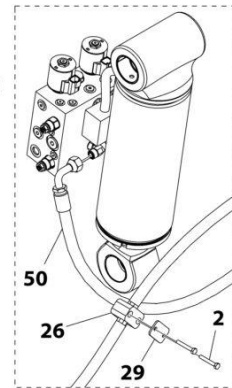
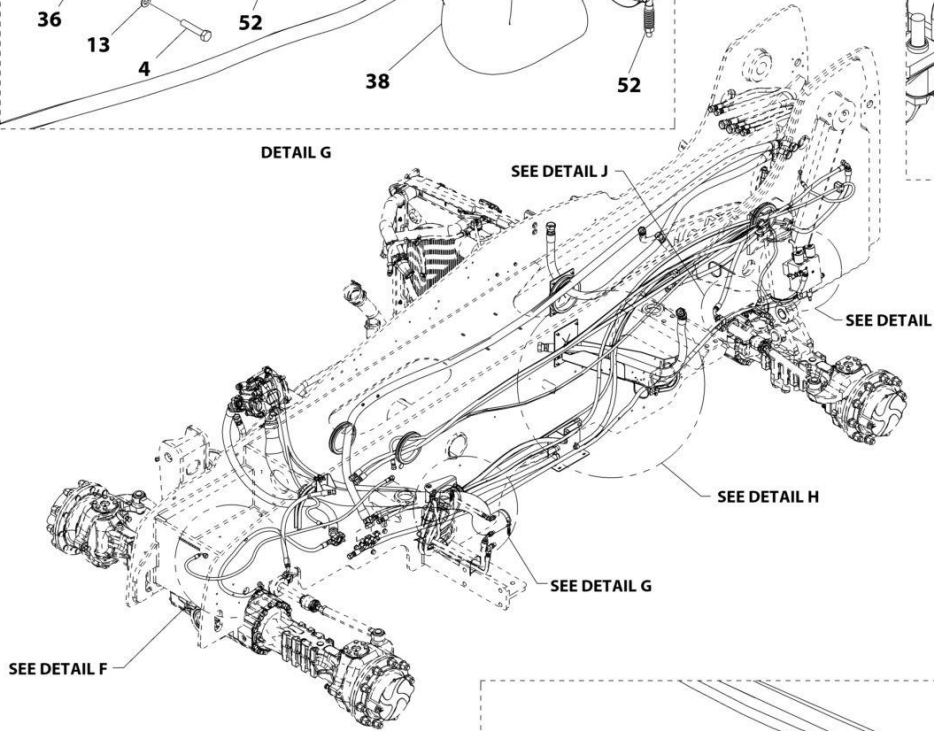
# SECTION 8 - HYDRAULIC CIRCUITS



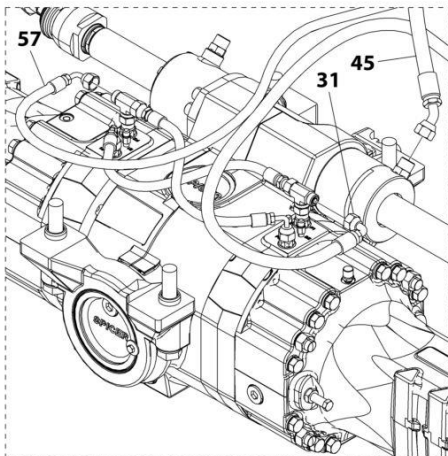
DETAIL G



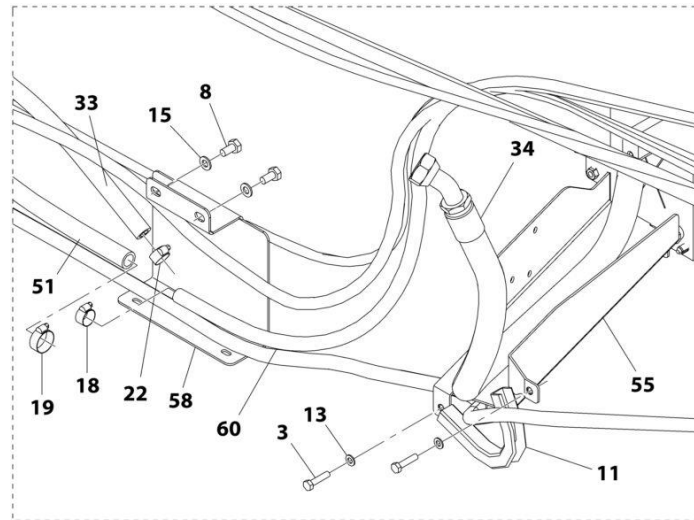
DETAIL J



DETAIL I



DETAIL F



DETAIL H

ART\_1001225200\_2-D

# SECTION 8 - HYDRAULIC CIRCUITS

## FIGURE 8-10. MAIN HYDRAULICS INSTALLATION

ITEM	PART NUMBER	QTY	DESCRIPTION	REV
	1001225200	Ref	Hydraulic Lines Installation (74HP)	D
1	0641812	4	Bolt, 1/2-13X1	
2	0700616	2	Bolt, M6X40	
3	0700815	4	Bolt, M8X35	
4	0700816	4	Bolt, M8X40	
5	0701014	4	Bolt, M10X30	
6	0760615	4	Bolt, M6X35	
7	0760810	1	Bolt, M8X20	
8	0761010	2	Bolt, M10X20	
9	2220478	1	Kit, Flange	
10	3790228	1	O-Ring	
11	4060919	467 mm	Trim	
12	4761800	4	Washer, Lock 1/2	
13	4811900	8	Washer, M8	
14	4811902	1	Washer, M8	
15	4812000	2	Washer, M10	
16	4832000	4	Washer, Lock M10	
17	8310686	3	Nut, Retainer M8X12.5	
18	8405006	1	Clamp, Gear	
19	8405007	2	Clamp, Gear	
20	8405209	1	Clamp, T-Bolt	
22	8410009	1	Clamp, Gear	
23	8424233	1	Elbow, 90	
24	8530030	2	Flange	
25	8546407	2	Flange, Half	
26	8750029	1	Clamp, Hose	
27	8750030	2	Clamp, Hose	
28	8769146	2	Plate, Cover	
29	8769153	1	Plate, Cover	
30	91083106	1	O-Ring	
31	1001161535	1	Hose	
32	1001161972	1	Hose	
33	1001161976	1	Hose	
34	1001161978	1	Hose	
35	1001169830	1	Grommet	
36	1001173446	1	Pipe	
37	1001173450	1	Hose	
38	1001173451	1	Hose	
39	1001174338	1	Bracket	
40	1001175347	2	Grommet	
41	1001175694	1	Hose	
42	1001175696	1	Hose	
43	1001175697	1	Hose	
44	1001175699	1	Hose	
45	1001177248	1	Hose	
46	1001177273	2	Hose	
48	1001177704	3	Grommet	
49	1001180306	8	Screw	
50	1001182506	1	Hose	
51	1001186418	1	Hose	

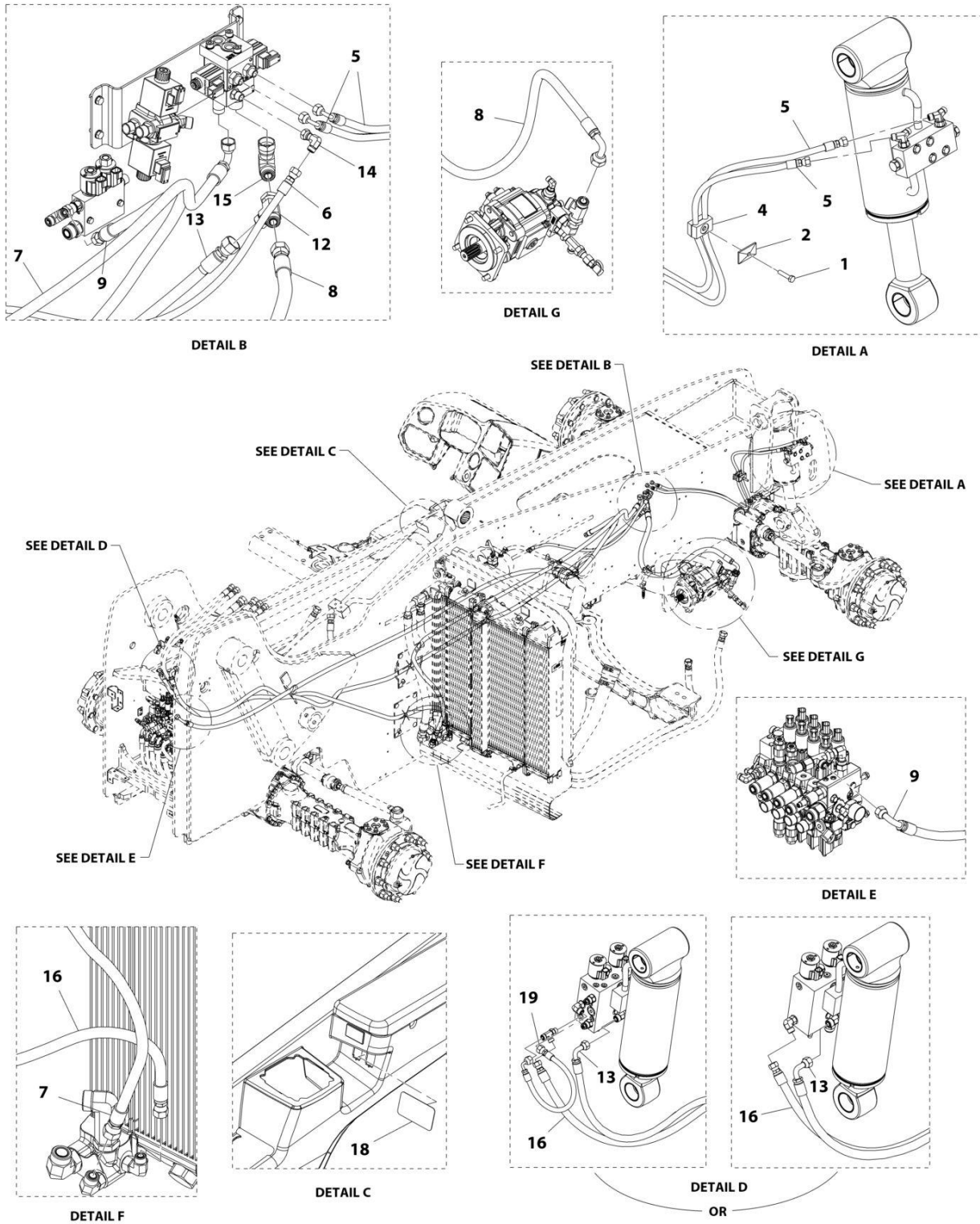


## SECTION 8 - HYDRAULIC CIRCUITS

ITEM	PART NUMBER	QTY	DESCRIPTION	REV
52	1001186843	3	Clamp, T-Bolt	
53	1001188971	2	Grommet	
54	1001192098	1	Hose	
55	1001199750	1	Channel	
56	1001202847	1	Hose	
57	1001203502	1	Hose	
58	1001208881	1	Bracket	
60	1001225467	1	Hose	

# SECTION 8 - HYDRAULIC CIRCUITS

FIGURE 8-11. FRAME LEVEL HYDRAULICS INSTALLATION (NO OUTRIGGERS)



ART\_1001171209-J

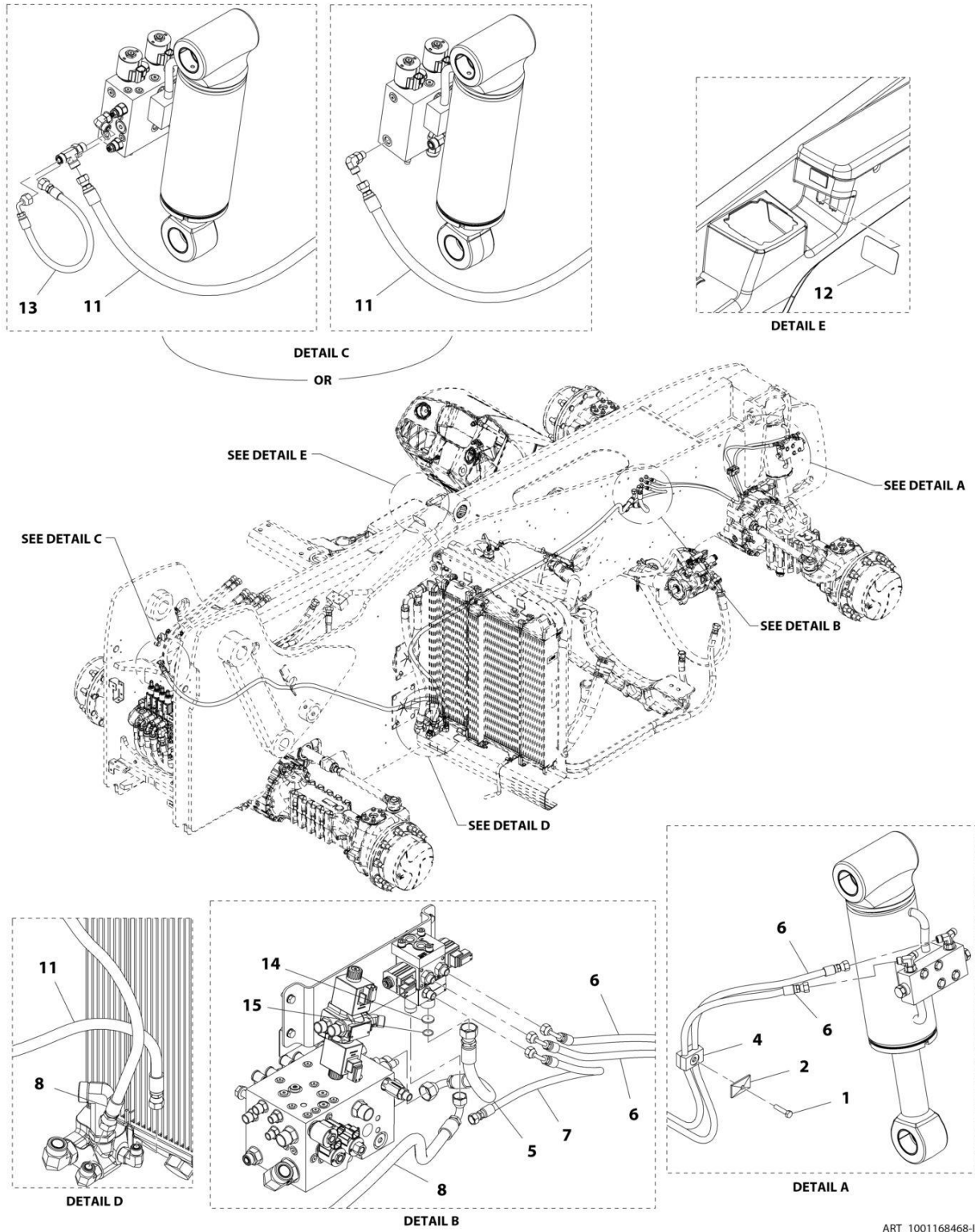
## SECTION 8 - HYDRAULIC CIRCUITS

**FIGURE 8-11. FRAME LEVEL HYDRAULICS INSTALLATION (NO OUTRIGGERS)**

ITEM	PART NUMBER	QTY	DESCRIPTION	REV
	1001171209	Ref	Frame Level Hydraulics Installation (No Outriggers)	K
1	0760815	1	Bolt, M8X35	
2	1321752	1	Clamp	
4	77133168	1	Clamp	
5	1001162069	2	Hose	
6	1001176145	1	Hose	
7	1001175704	1	Hose	
8	1001176150	1	Hose	
9	1001188281	1	Hose	
12	2170710	1	Fitting, Tee ORFS	
13	1001185357	1	Hose	
14	2172104	1	Fitting, 90 ORFS	
15	2172110	1	Fitting, 90 ORFS	
16	1001192042	1	Hose	
18	1670836	1	Cover, Boom	
19	1001097810	AR	Hose	

# SECTION 8 - HYDRAULIC CIRCUITS

## FIGURE 8-12. FRAME LEVEL HYDRAULICS INSTALL (NO OUTRIGGERS)



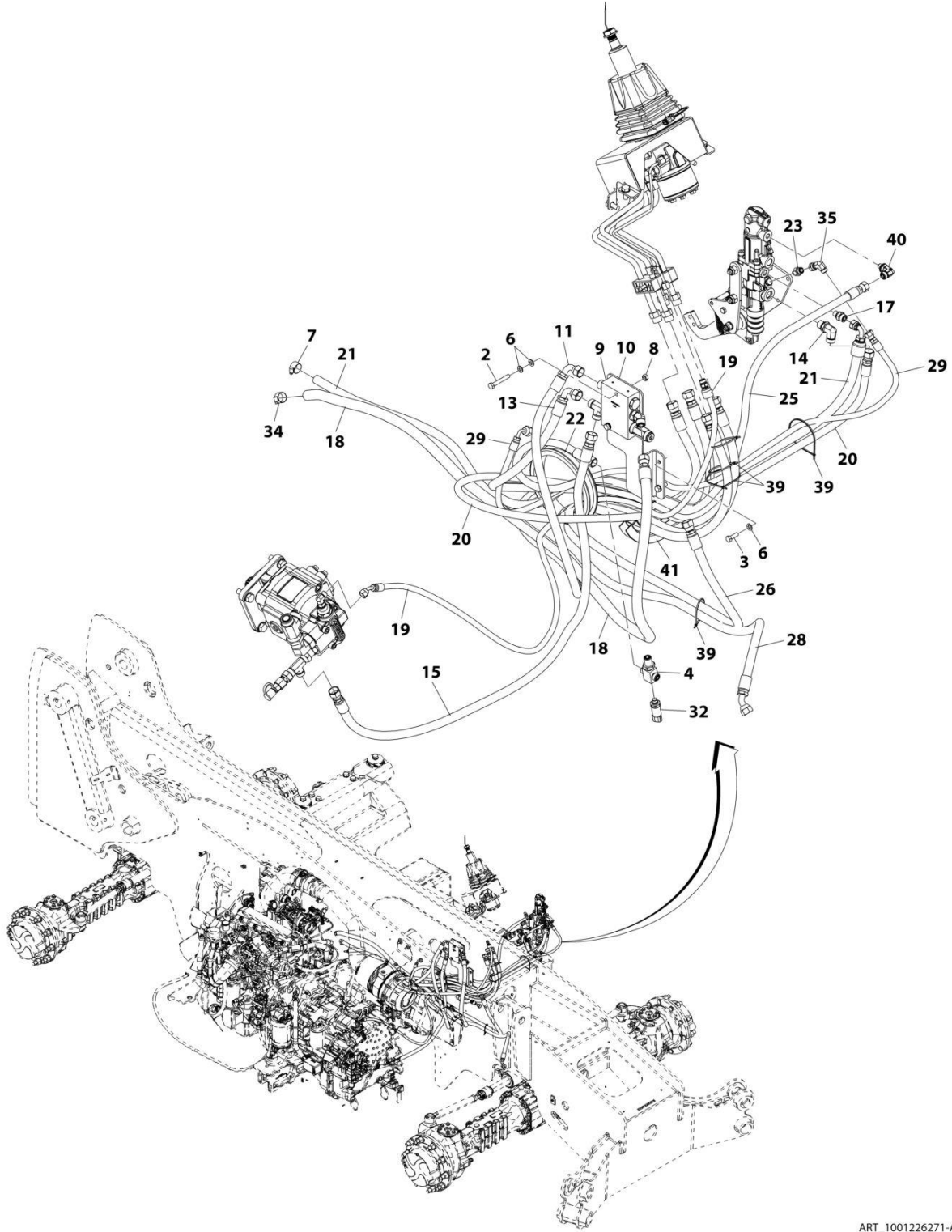
## SECTION 8 - HYDRAULIC CIRCUITS

**FIGURE 8-12. FRAME LEVEL HYDRAULICS INSTALL (NO OUTRIGGERS)**

ITEM	PART NUMBER	QTY	DESCRIPTION	REV
	1001168468	Ref	Frame Level Hydraulics Installation (No Outriggers)	I
1	0760815	1	Bolt, M8X35	
2	1321752	1	Clamp	
4	77133168	1	Clamp	
5	1001204090	1	Hose	
6	1001162069	2	Hose	
7	1001175703	1	Hose	
8	1001175704	1	Hose	
11	1001192042	1	Hose	
12	1670836	1	Cover, Boom	
13	1001097810	AR	Hose	
14	1001207296	1	Disc, Orifice	
15	8630005	1	O-Ring	

# SECTION 8 - HYDRAULIC CIRCUITS

## FIGURE 8-13. CAB HYDRAULIC INSTALLATION



ART\_1001226271-A

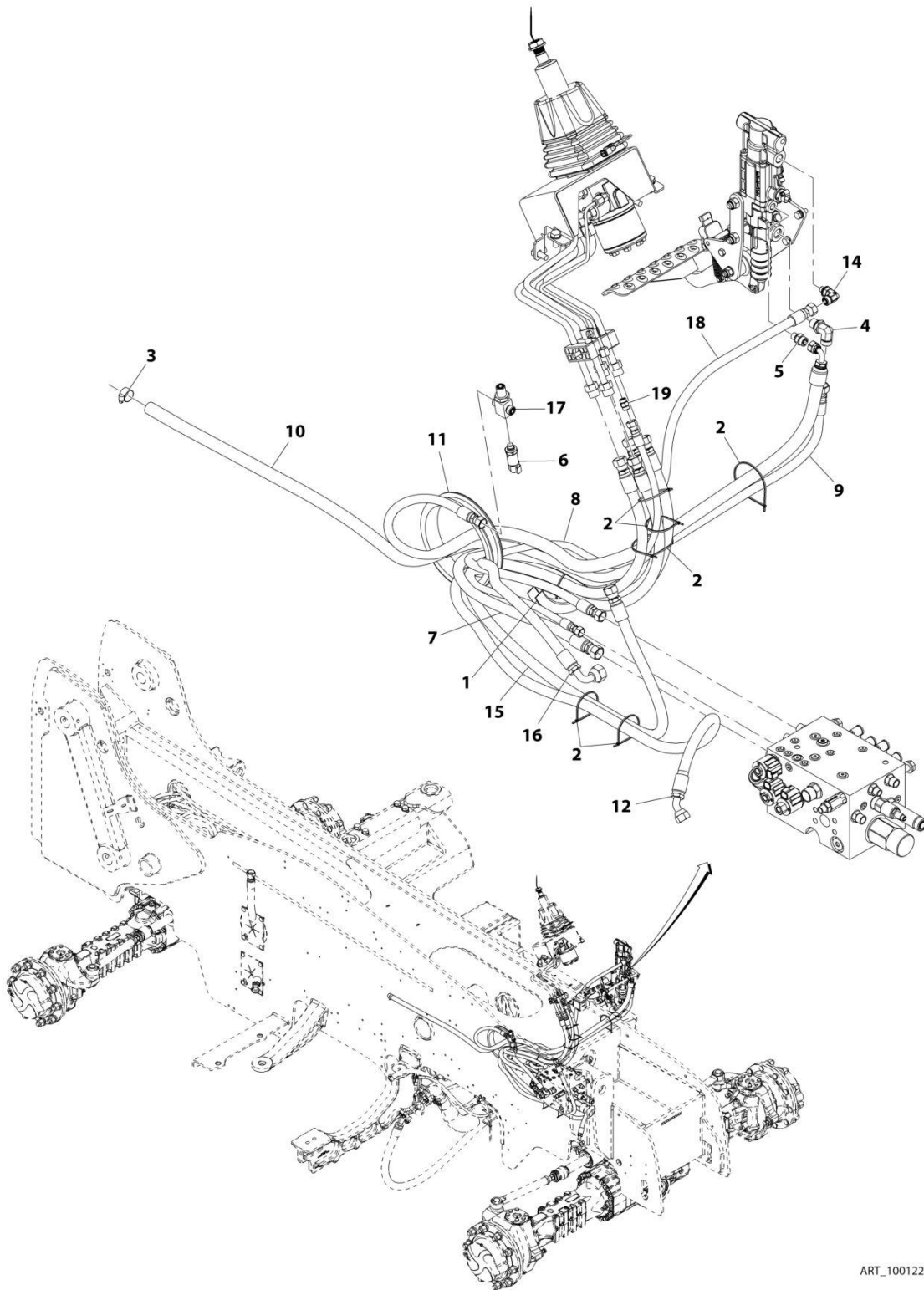
## SECTION 8 - HYDRAULIC CIRCUITS

**FIGURE 8-13. CAB HYDRAULIC INSTALLATION**

ITEM	PART NUMBER	QTY	DESCRIPTION	REV
	1001226271	Ref	Cab Hydraulic Installation (Emergency Steering)	A
2	0700819	2	Bolt, M8X55	
3	0760812	2	Bolt, M8X25	
4	1001205756	1	Adapter	
6	4811900	6	Washer, M8	
7	8405006	1	Clamp, Gear	
8	3290801	2	Nut, M8X1.25	
9	1001219191	1	Install, Emergency Steering Manifold (See Separate Breakdown in this Section)	
10	1001221520	1	Bracket	
11	1001221527	1	Hose	
13	1001222090	1	Hose	
14	8770120	1	Fitting, 90 ORFS	
15	1001222132	1	Hose	
17	80233218	1	Fitting, Straight ORFS	
18	1001222158	1	Hose	
19	1001209710	1	Hose	
20	1001186912	1	Hose	
21	1001161528	1	Hose	
22	1001169830	1	Grommet	
23	1001184418	1	Valve, Check	
25	1001222088	1	Hose	
26	1001204152	1	Hose	
28	1001177256	1	Hose	
29	1001175934	1	Hose	
32	1001147340	1	Sensor, Pressure Transducer	
34	8410009	1	Gear Clamp	
35	2172104	1	Fitting, 90 ORFS	
39	4240099	AR	Tie, Wire	
40	1001202962	1	Fitting, 90 ORFS	
41	4060919	230 mm	Trim, Hose Protection	

# SECTION 8 - HYDRAULIC CIRCUITS

## FIGURE 8-14. CAB HYDRAULICS INSTALLATION



ART\_1001225202-C



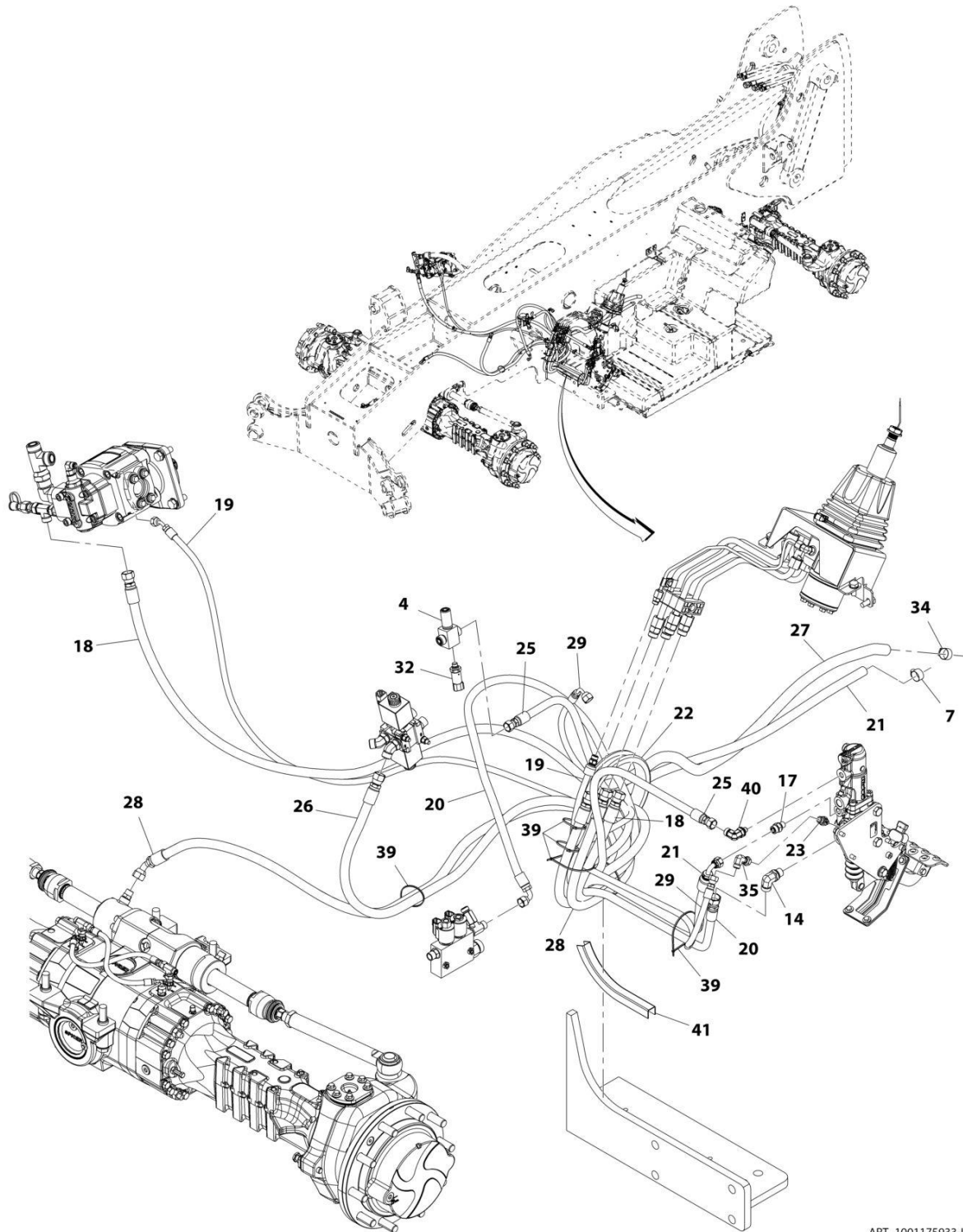
## SECTION 8 - HYDRAULIC CIRCUITS

**FIGURE 8-14. CAB HYDRAULICS INSTALLATION**

ITEM	PART NUMBER	QTY	DESCRIPTION	REV
	1001225202	Ref	Cab Hydraulic Installation	C
1	4060919	230 mm	Trim, Hose Protection	
2	4240099	AR	Strap, Tie	
3	8405006	1	Clamp, Gear	
4	8770120	1	Fitting, 90 ORFS	
5	80233218	1	Fitting, Straight ORFS	
6	1001147340	1	Sensor, Pressure Transducer	
7	1001161344	1	Hose	
8	1001161346	1	Hose	
9	1001161527	1	Hose	
10	1001161528	1	Hose	
11	1001169830	1	Grommet	
12	1001177256	1	Hose	
14	1001202962	1	Fitting, 90 ORFS	
15	1001204152	1	Hose	
16	1001204154	1	Hose	
17	1001205756	1	Fitting, Tee	
18	1001222088	1	Hose	
19	1001143857	1	Fitting, Straight ORFS	

# SECTION 8 - HYDRAULIC CIRCUITS

## FIGURE 8-15. CAB HYDRAULIC INSTALLATION



ART\_1001175933-L

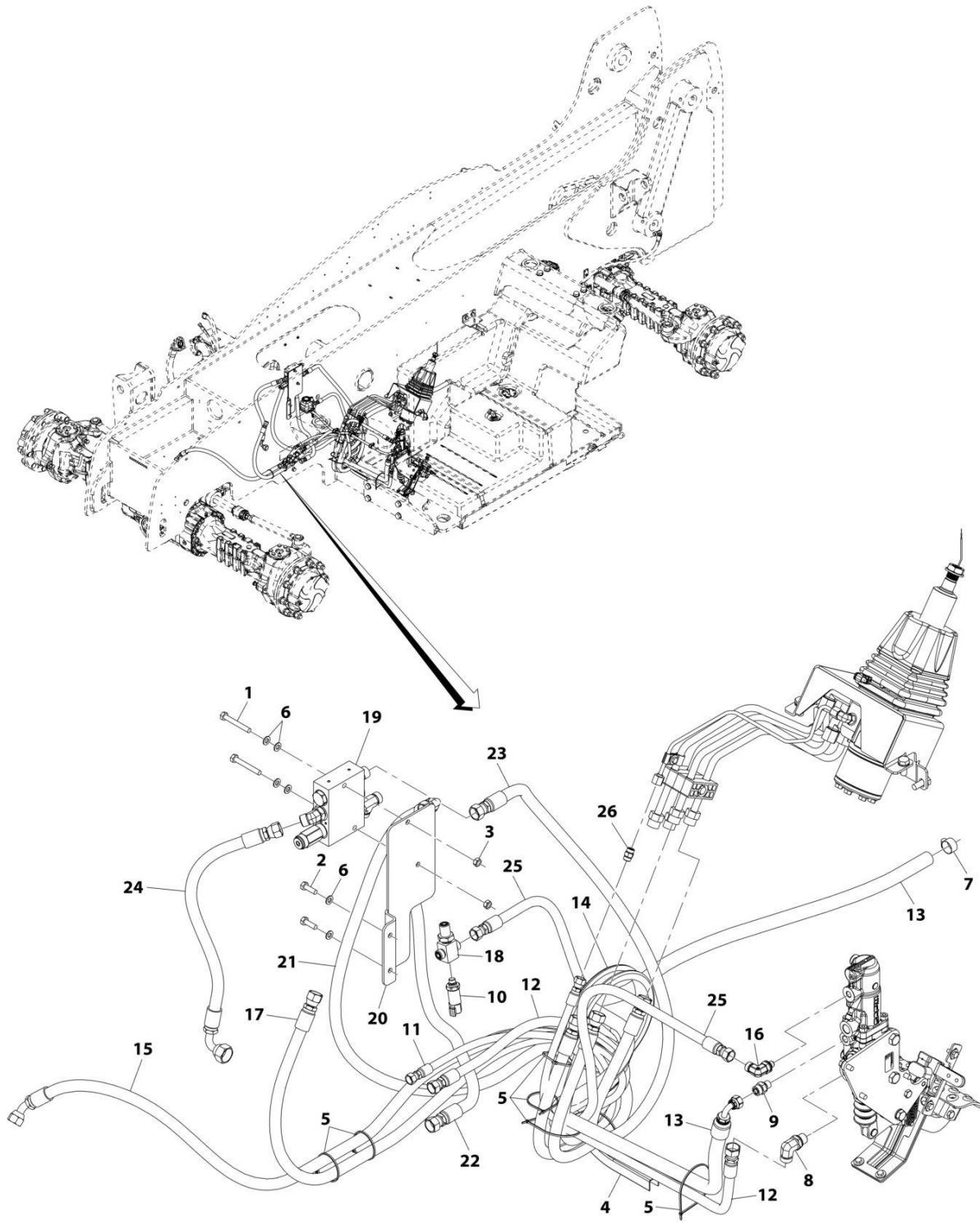
## SECTION 8 - HYDRAULIC CIRCUITS

**FIGURE 8-15. CAB HYDRAULIC INSTALLATION**

ITEM	PART NUMBER	QTY	DESCRIPTION	REV
	1001175933	Ref	Cab Hydraulic Installation	L
4	1001205756	1	Fitting, Tee	
7	8405006	1	Clamp, Gear	
14	8770120	1	Fitting, 90 ORFS	
17	80233218	1	Fitting, Straight ORFS	
18	1001188438	1	Hose	
19	1001209710	1	Hose	
20	1001186912	1	Hose	
21	1001161528	1	Hose	
22	1001169830	1	Grommet	
23	1001184418	1	Valve, Check	
25	1001222088	1	Hose	
26	1001204152	1	Hose	
27	1001187850	1	Hose	
28	1001177256	1	Hose	
29	1001175934	1	Hose	
32	1001147340	1	Sensor, Pressure Transducer	
34	8410009	1	Clamp, Gear	
35	2172104	1	Fitting, 90 ORFS	
39	4240099	AR	Strap, Tie	
40	1001202962	1	Fitting, 90 ORFS	
41	4060919	230 mm	Trim, Hose Protection	

# SECTION 8 - HYDRAULIC CIRCUITS

## FIGURE 8-16. CAB HYDRAULIC INSTALLATION (EMERGENCY STEERING)



ART\_1001226920-B

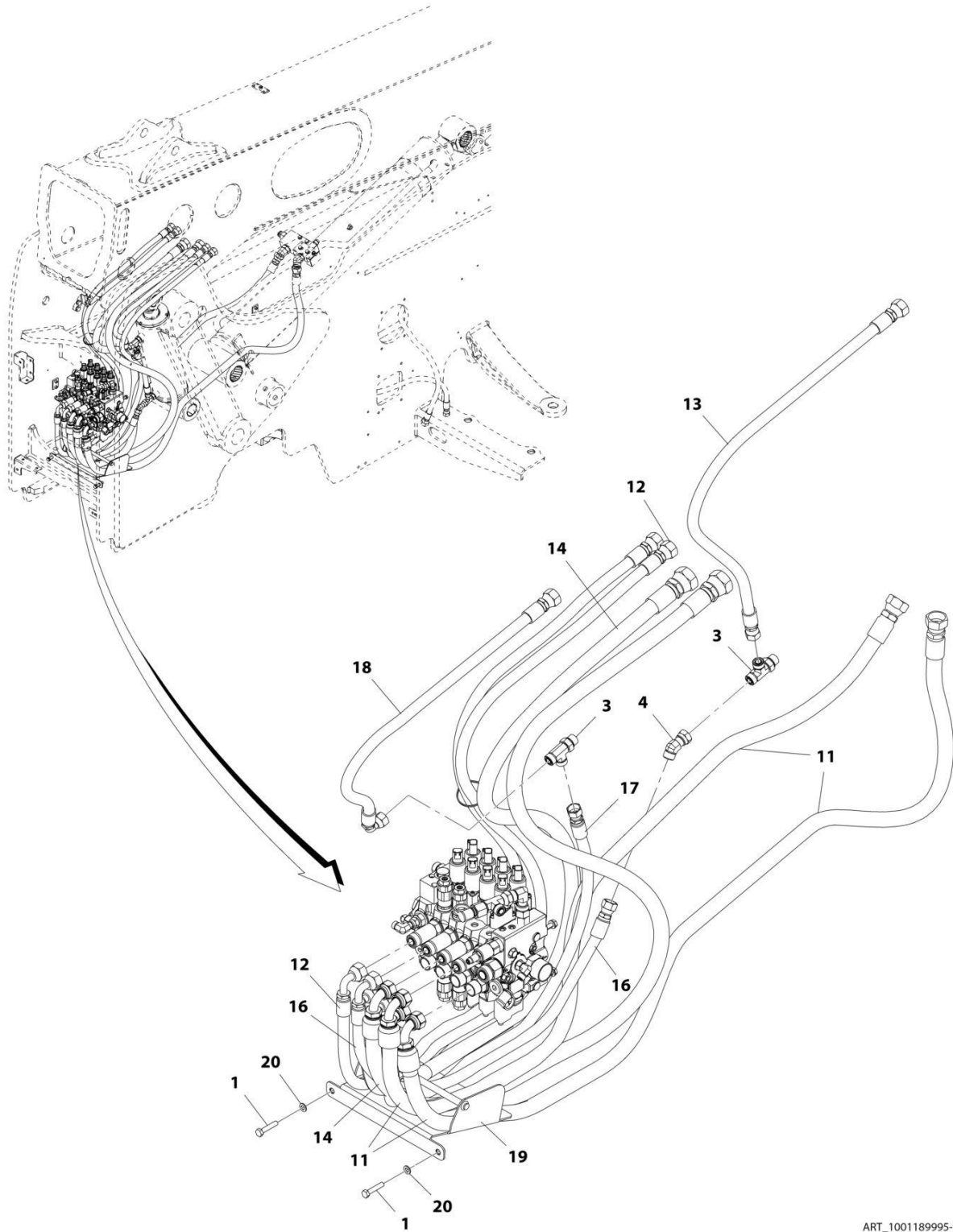
## SECTION 8 - HYDRAULIC CIRCUITS

**FIGURE 8-16. CAB HYDRAULIC INSTALLATION (EMERGENCY STEERING)**

ITEM	PART NUMBER	QTY	DESCRIPTION	REV
	1001226920	Ref	Cab Hydraulic Installation Emergency Steering	B
1	0700820	2	Bolt, M8X60	
2	0760812	2	Bolt, M8X25	
3	3290801	2	Nut, M8X1.25	
4	4060919	230 mm	Trim, Hose Protection	
5	4240099	AR	Tie, Wire	
6	4811900	6	Washer, M8	
7	8405006	1	Clamp, Gear	
8	8770120	1	Fitting, 90 ORFS	
9	80233218	1	Fitting, Straight ORFS	
10	1001147340	1	Sensor, Pressure Transducer	
11	1001161346	1	Hose	
12	1001161527	1	Hose	
13	1001161528	1	Hose	
14	1001169830	1	Grommet	
15	1001177256	1	Hose	
16	1001202962	1	Fitting, 90 ORFS	
17	1001204152	1	Hose	
18	1001205756	1	Adapter	
19	1001219191	1	Installation, Emergency Steering Manifold (See Separate Breakdown in this Section)	
20	1001221520	1	Bracket	
21	1001221527	1	Hose	
22	1001221741	1	Hose	
23	1001221742	1	Hose	
24	1001221744	1	Hose	
25	1001222088	1	Hose	
26	1001143857	1	Fitting, Straight ORFS	

# SECTION 8 - HYDRAULIC CIRCUITS

## FIGURE 8-17. BOOM HYDRAULIC INSTALLATION



ART\_1001189995-D

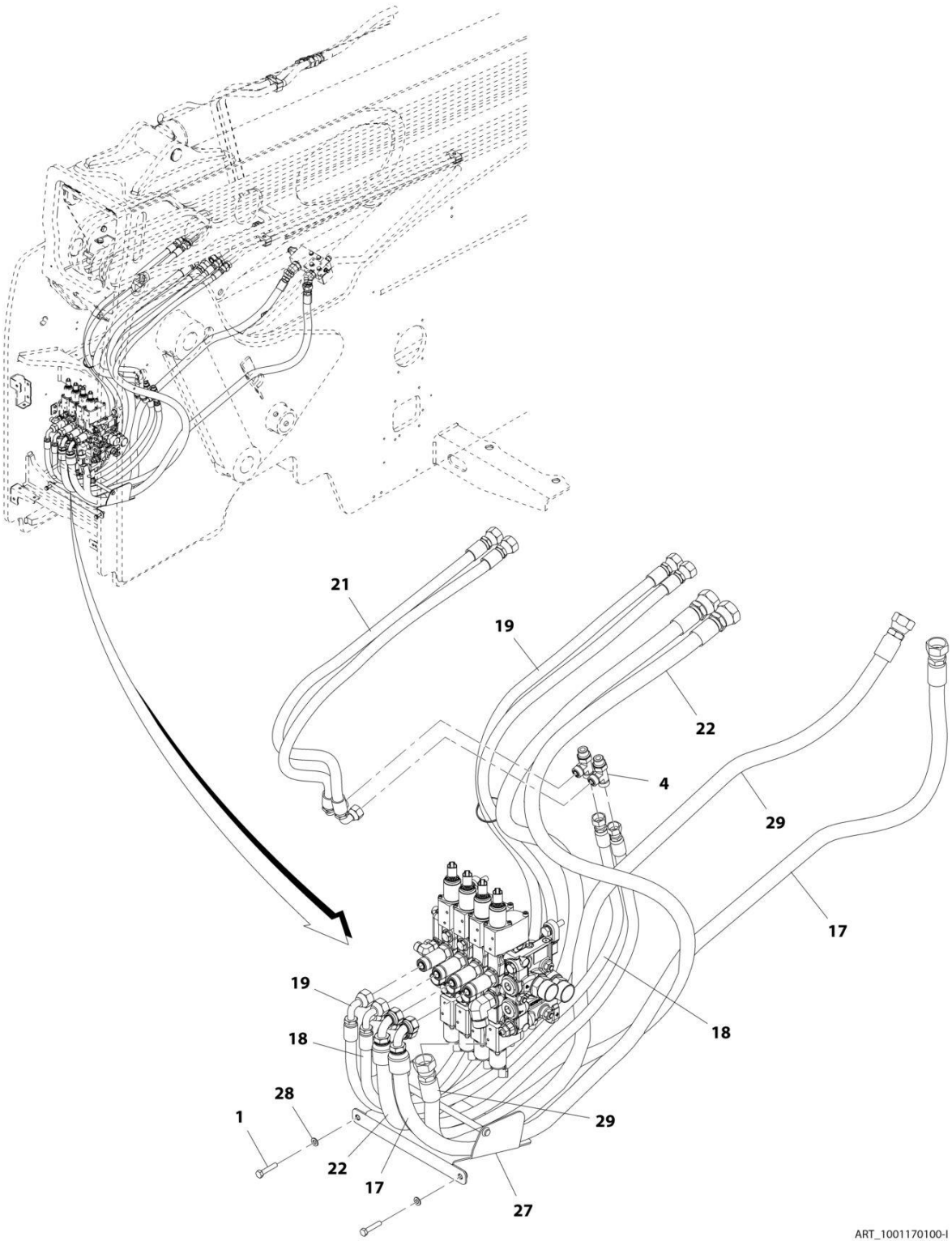
## SECTION 8 - HYDRAULIC CIRCUITS

**FIGURE 8-17. BOOM HYDRAULIC INSTALLATION**

ITEM	PART NUMBER	QTY	DESCRIPTION	REV
	1001189995	Ref	Boom Hydraulic Installation	D
1	0700816	2	Bolt, M8X40	
3	2170308	2	Fitting, Tee ORFS	
4	2221231	1	Fitting, 45 ORFS	
11	1001169375	2	Hose	
12	1001169378	2	Hose	
13	1001203963	1	Hose	
14	1001169376	2	Hose	
16	1001203944	1	Hose	
17	1001203954	1	Hose	
18	1001203967	1	Hose	
19	1001193771	1	Channel, Boom Hose	
20	4811900	2	Washer, M8	

# SECTION 8 - HYDRAULIC CIRCUITS

## FIGURE 8-18. BOOM HYDRAULIC INSTALLATION



ART\_1001170100-I



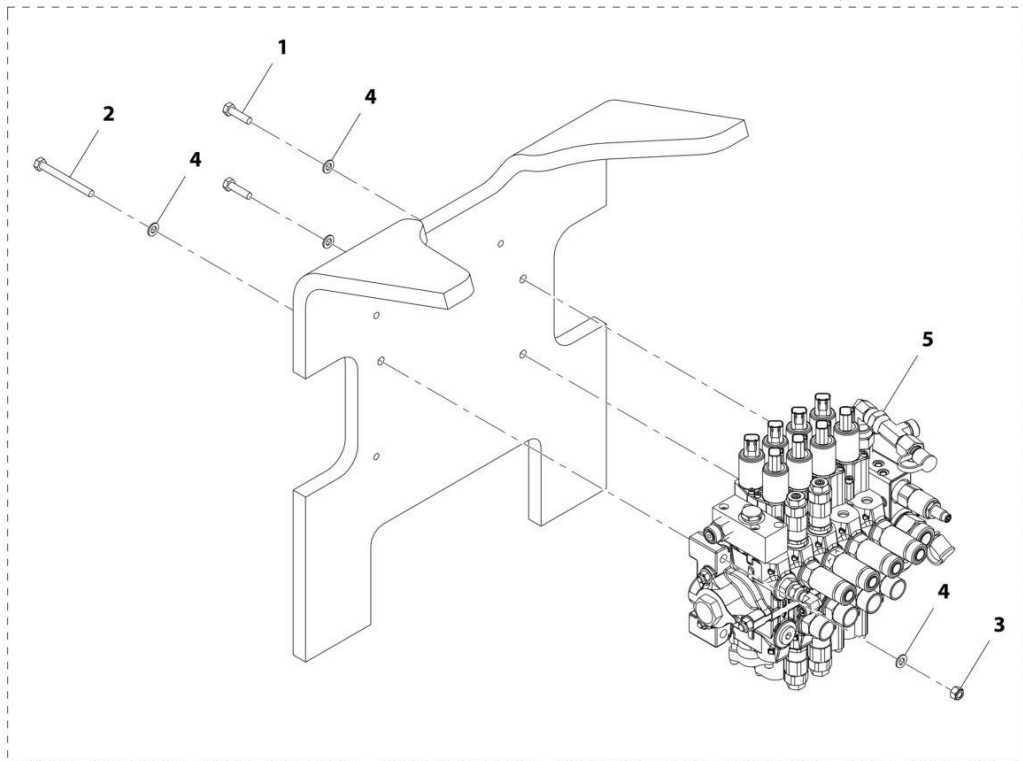
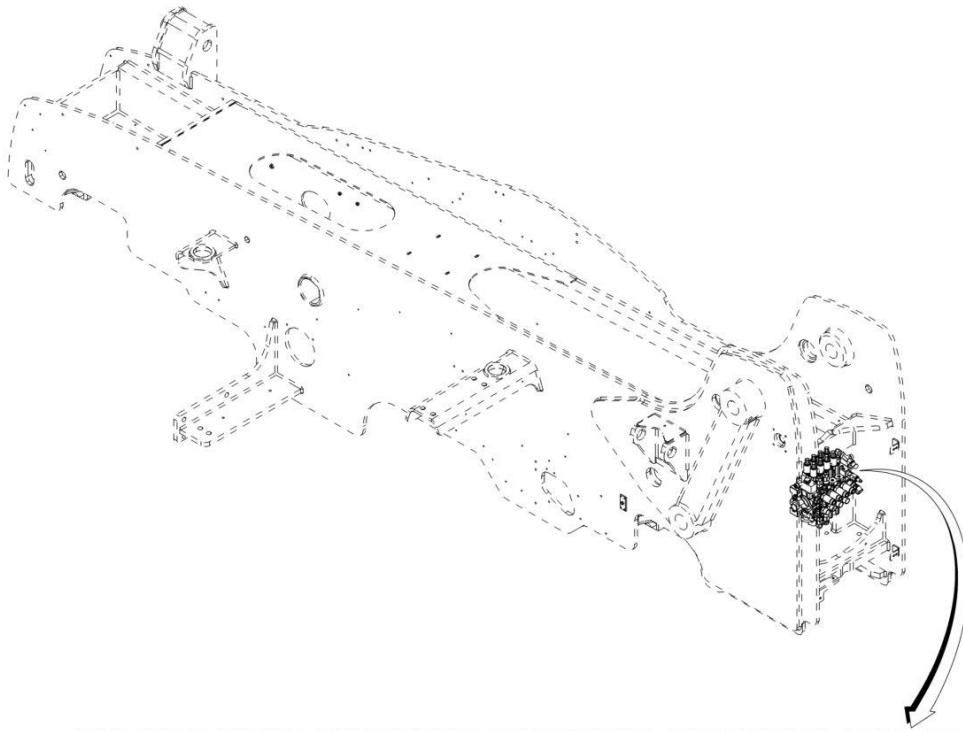
## SECTION 8 - HYDRAULIC CIRCUITS

### FIGURE 8-18. BOOM HYDRAULIC INSTALLATION

ITEM	PART NUMBER	QTY	DESCRIPTION	REV
	1001170100	Ref	Boom Hydraulic Installation, Emergency Steering	I
1	0700816	2	Bolt, M8X40	
4	2170308	2	Fitting, Tee ORFS	
17	1001169375	1	Hose	
18	1001188637	2	Hose	
19	1001169378	2	Hose	
21	1001175718	1	Hose	
22	1001169376	2	Hose	
27	1001193771	1	Channel, Boom Hose	
28	4811900	2	Washer, M8	
29	1001195217	1	Hose	

# SECTION 8 - HYDRAULIC CIRCUITS

## FIGURE 8-19. MAIN CONTROL VALVE INSTALLATION



ART\_1001169346-C

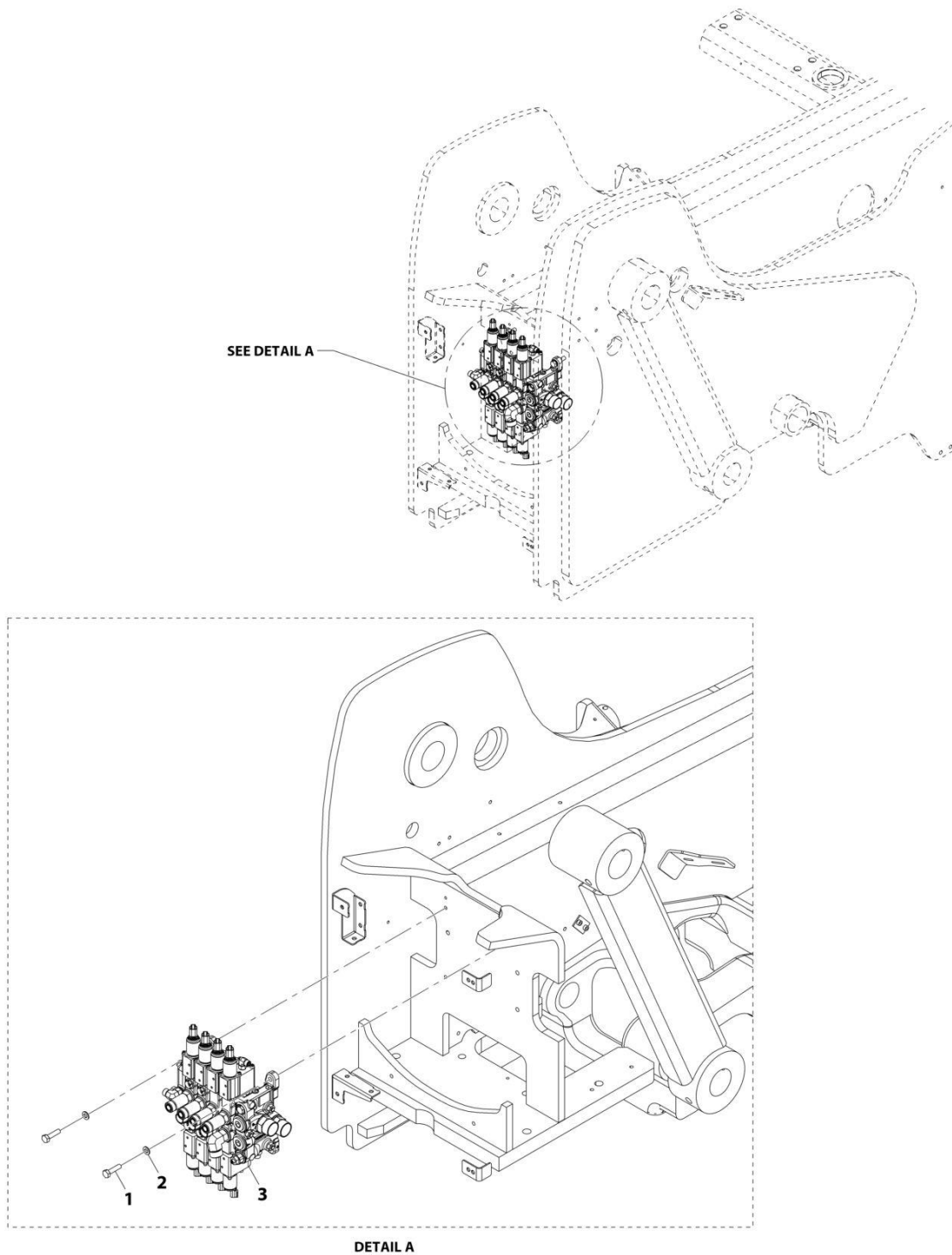
## SECTION 8 - HYDRAULIC CIRCUITS

### FIGURE 8-19. MAIN CONTROL VALVE INSTALLATION

ITEM	PART NUMBER	QTY	DESCRIPTION	REV
	1001169346	Ref	Main Control Valve Installation	C
1	0700814	2	Bolt, M8X30	
2	0700824	1	Bolt, M8X80	
3	3290805	1	Nut, Lock M8X1.25 Grade 8	
4	4811900	4	Washer, M8	
5	1001169349	1	Assembly, Main Control Valve (See Separate Breakdown in this Section)	

# SECTION 8 - HYDRAULIC CIRCUITS

## FIGURE 8-20. MAIN CONTROL VALVE INSTALLATION



ART\_1001225751-A

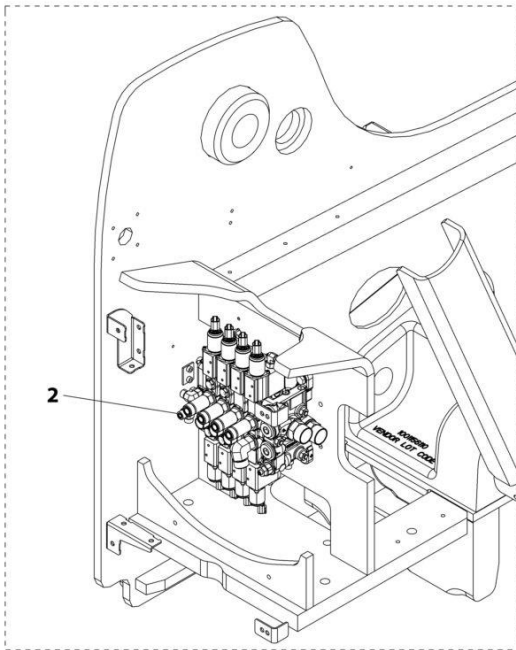
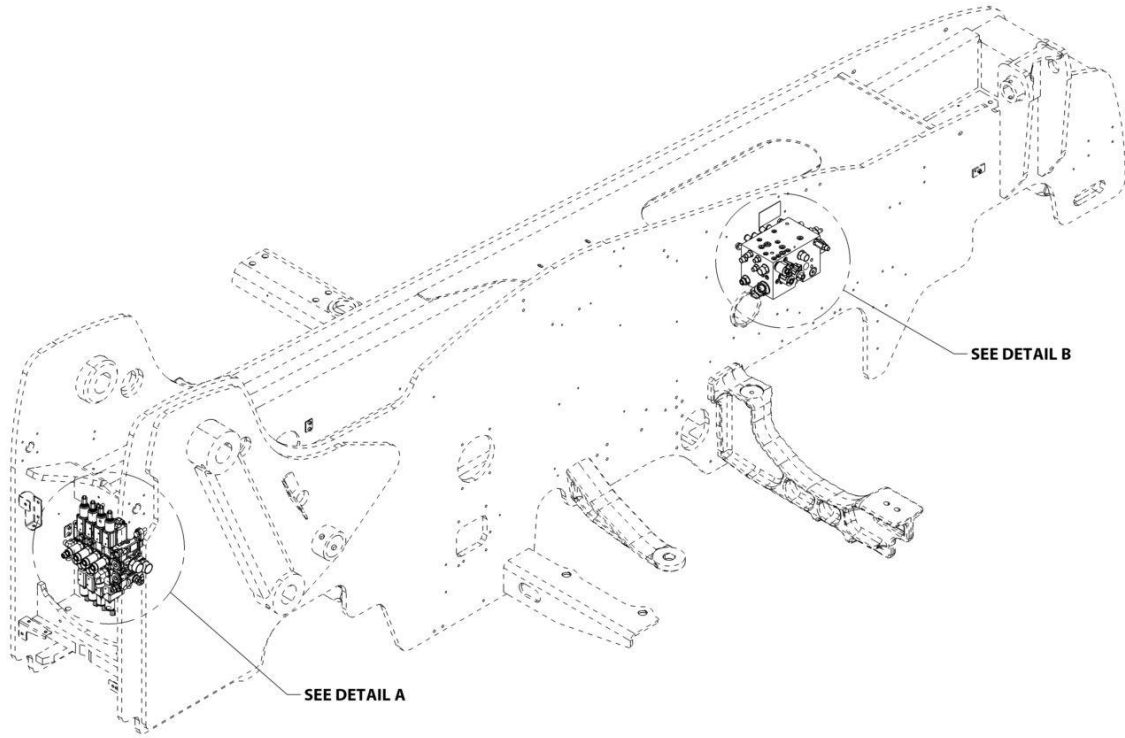
## SECTION 8 - HYDRAULIC CIRCUITS

**FIGURE 8-20. MAIN CONTROL VALVE INSTALLATION**

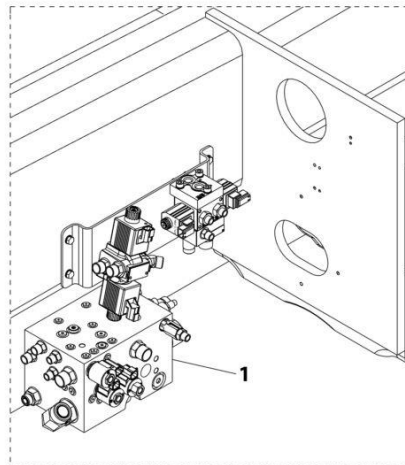
ITEM	PART NUMBER	QTY	DESCRIPTION	REV
	1001225751	Ref	Main Control Valve Installation	A
1	0701016	3	Bolt, M10X40	
2	4812000	3	Washer, M10	
3	1001225752	1	Assembly, Main Control Valve Assembly (See Separate Breakdown in this Section)	

# SECTION 8 - HYDRAULIC CIRCUITS

## FIGURE 8-21. MAIN HYDRAULIC VALVES INSTALLATION



DETAIL A



DETAIL B

ART\_1001225750-A

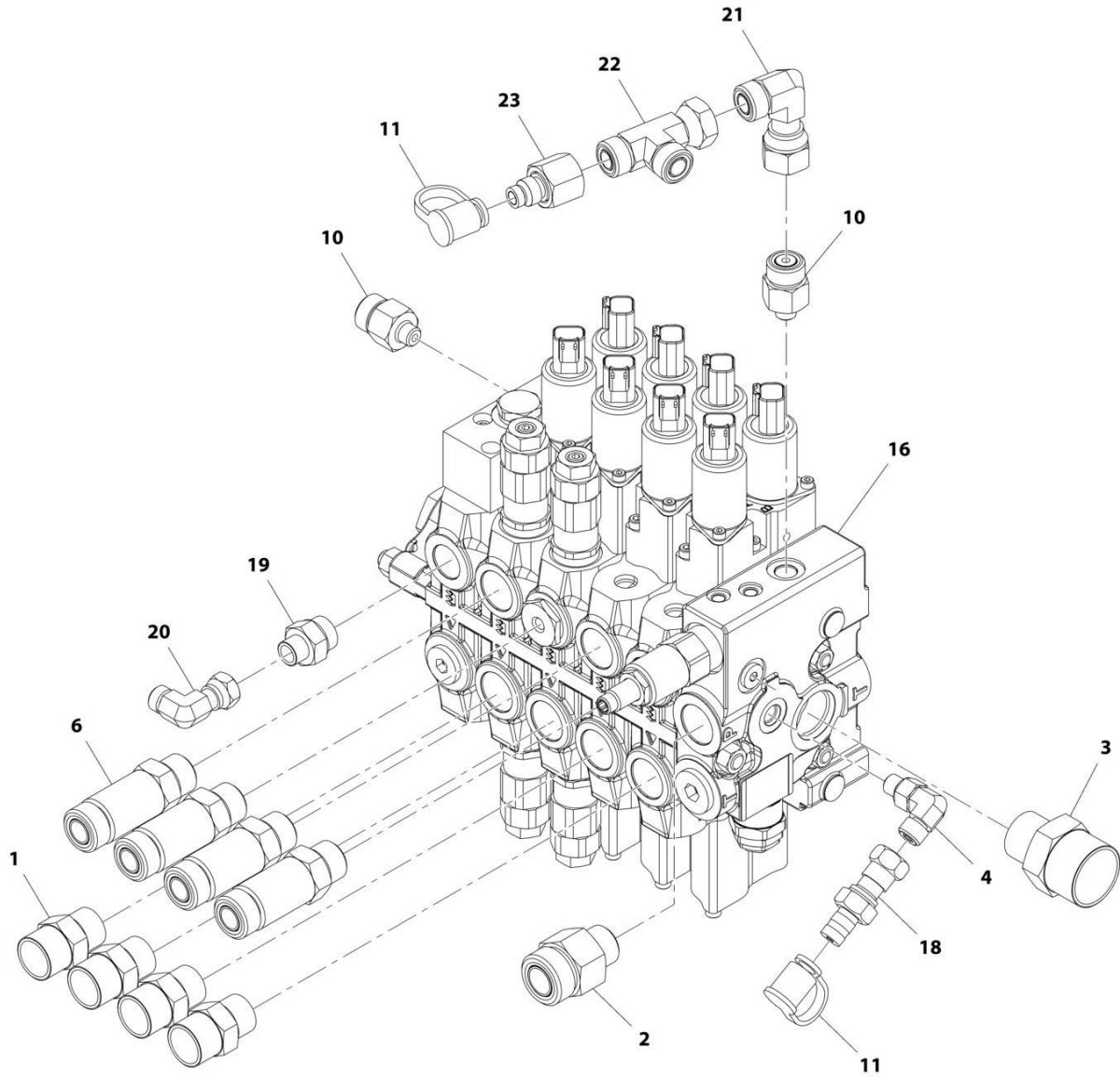
## SECTION 8 - HYDRAULIC CIRCUITS

**FIGURE 8-21. MAIN HYDRAULIC VALVES INSTALLATION**

ITEM	PART NUMBER	QTY	DESCRIPTION	REV
1	1001225750	Ref	Main Hydraulic Valves Installation	A
	1001161308	Ref	Installation, Priority Manifold Valve (See Separate Breakdown in this Section)	
2	1001225751	Ref	Installation, Main Control Valve (See Separate Breakdown in this Section)	

# SECTION 8 - HYDRAULIC CIRCUITS

## FIGURE 8-22. MAIN CONTROL VALVE ASSEMBLY



ART\_1001169349-G



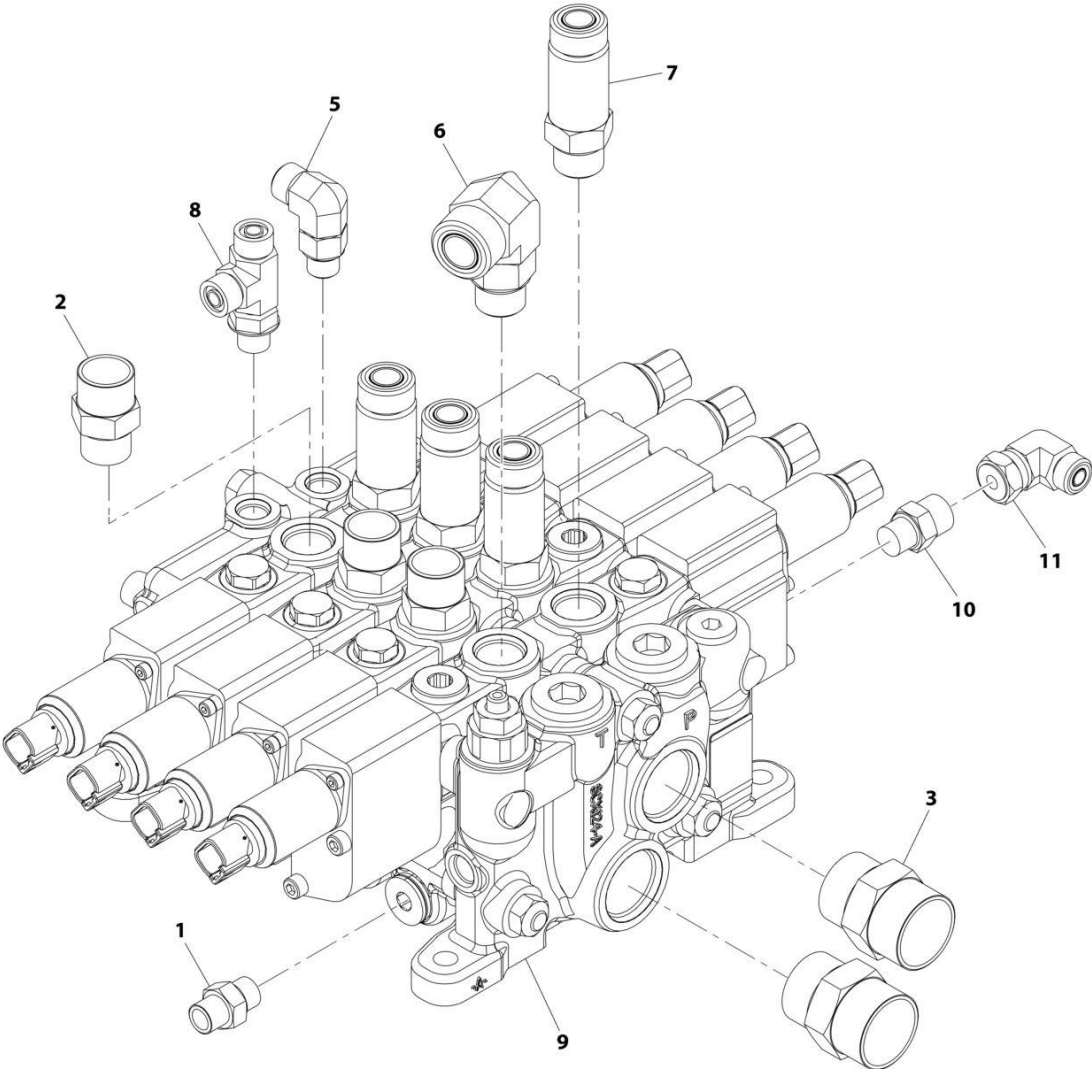
## SECTION 8 - HYDRAULIC CIRCUITS

**FIGURE 8-22. MAIN CONTROL VALVE ASSEMBLY**

ITEM	PART NUMBER	QTY	DESCRIPTION	REV
	1001169349	Ref	Main Control Valve Assembly	G
1	2111010	4	Fitting, Straight ORFS	
2	2111210	1	Fitting, Straight ORFS	
3	2111612	1	Fitting, Straight ORFS	
4	2130404	1	Fitting, 90 ORFS	
6	2170110	4	Fitting, Straight ORFS	
10	2221233	2	Fitting, Straight ORFS	
11	8430032	2	Plug	
16	1001166765	1	Valve, Main Control (See Separate Breakdown in HYDRAULIC COMPONENTS Section)	
18	2221229	1	Fitting, Straight ORFS	
19	2110408	1	Fitting, Straight ORFS	
20	2172104	1	Fitting, 90 ORFS	
21	2172108	1	Fitting, 90 ORFS	
22	2170708	1	Fitting, Tee ORFS	
23	8430082	1	Fitting, Straight ORFS	

# SECTION 8 - HYDRAULIC CIRCUITS

## FIGURE 8-23. MAIN CONTROL VALVE ASSEMBLY



ART\_1001225752-D

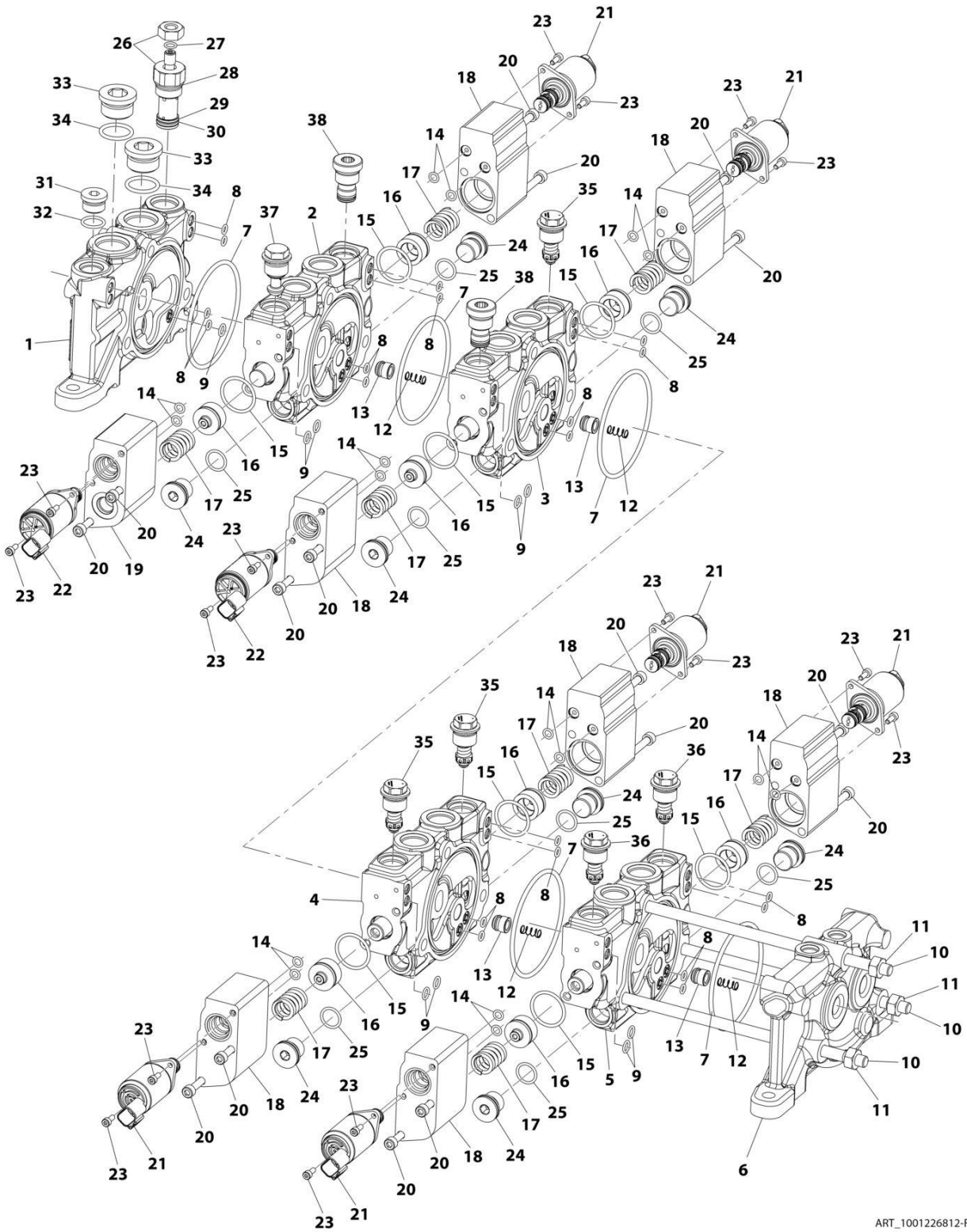
## SECTION 8 - HYDRAULIC CIRCUITS

**FIGURE 8-23. MAIN CONTROL VALVE ASSEMBLY**

ITEM	PART NUMBER	QTY	DESCRIPTION	REV
	1001225752	Ref	Main Control Valve Assembly	D
1	2110406	1	Fitting, Straight ORFS	
2	2111010	3	Fitting, Straight ORFS	
3	2111616	2	Fitting, Straight ORFS	
5	2130606	1	Fitting, 90 ORFS	
6	2131210	1	Fitting, 90 ORFS	
7	2170110	4	Fitting, Straight ORFS	
8	2170306	1	Fitting, Tee ORFS	
9	1001241879	Ref	Valve, Main Control (See Separate Breakdown in HYDRAULIC COMPONENTS Section)	
10	2110606	1	Fitting, Straight ORFS	
11	2172106	1	Adapter, 90	

# SECTION 8 - HYDRAULIC CIRCUITS

## FIGURE 8-24. MAIN CONTROL VALVE



ART\_1001226812-F

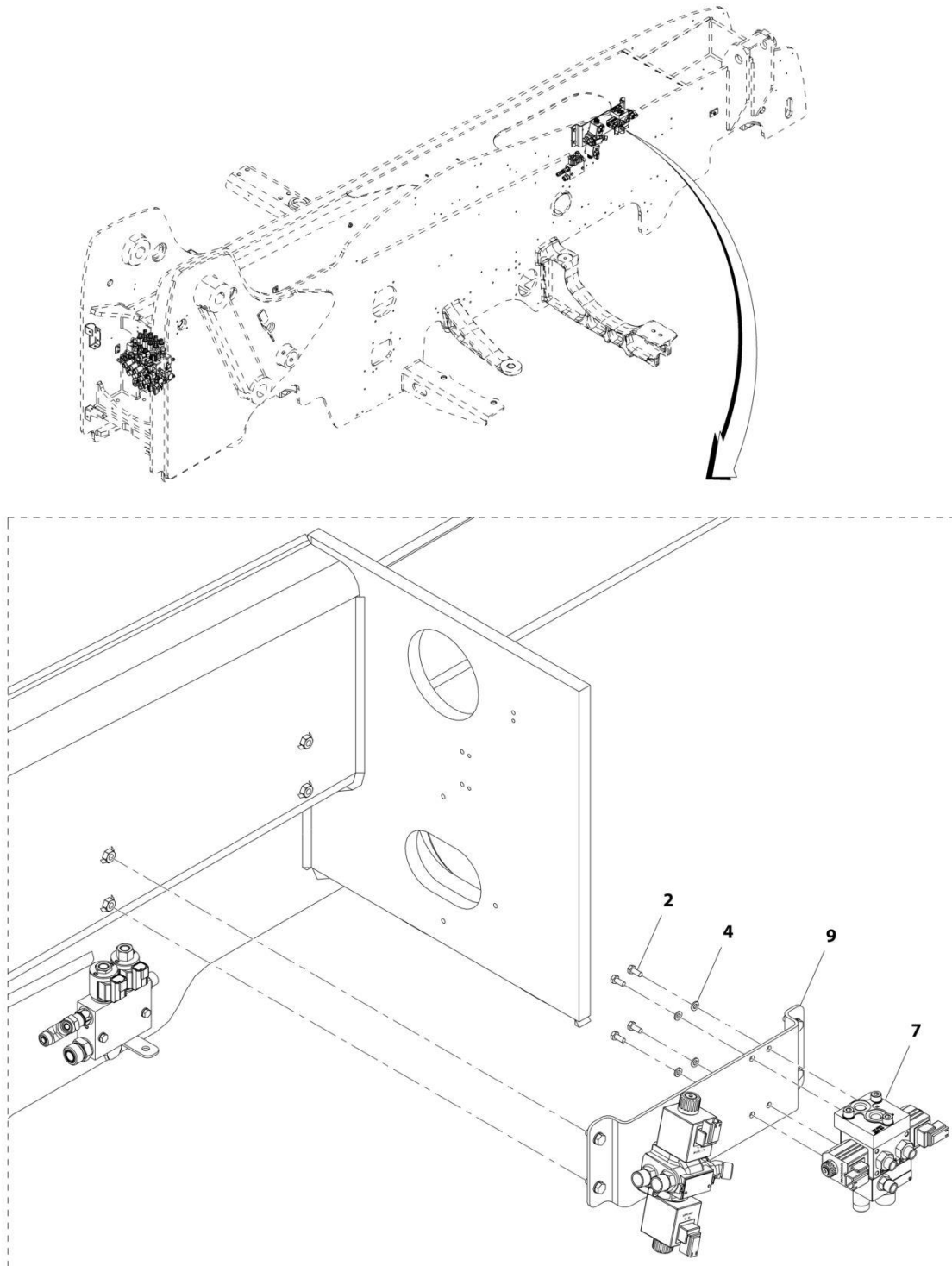
## SECTION 8 - HYDRAULIC CIRCUITS

### FIGURE 8-24. MAIN CONTROL VALVE

ITEM	PART NUMBER	QTY	DESCRIPTION	REV
	1001226812	NLA	Main Control Valve (no longer available, use 1001241879 for replacement)	F
1	70028478	1	Section, Inlet	
2	70028479	1	Section, Spool	
3	70028480	1	Section, Spool	
4	70026387	1	Section, Spool	
5	70028481	1	Section, Spool	
6	70026389	1	Section, Outlet	
7	8034697	5	O-Ring	
8	70050508	20	O-Ring	
9	70050507	9	O-Ring	
10	70026375	3	Rod, Tie	
11	70050481	6	Nut	
12	10837937	4	Spring	
13	10837929	4	Poppet	
14	70026369	16	O-Ring	
15	70026380	8	O-Ring	
16	70026378	8	Spring	
17	70026377	8	Spring	
18	70026381	7	Cap	
19	70028482	1	Cap	
20	70026383	16	Cap	
21	70022013	6	Valve	
22	70028483	2	Valve	
23	70022014	16	Bolt	
24	70050504	8	Plug	
25	70027130	8	O-Ring	
26	70022012	1	Regulator	
27	70026373	1	O-Ring	
28	10837928	1	O-Ring	
29	70026376	1	Ring	
30	70026370	1	O-Ring	
31	8035382	1	Plug	
32	70024202	1	O-Ring	
33	70050472	2	Plug	
34	70026374	2	O-Ring	
35	70022010	3	Valve	
36	70027098	2	Valve	
37	70028484	1	Valve	
38	70022008	2	Plug	

# SECTION 8 - HYDRAULIC CIRCUITS

FIGURE 8-25. STEERING SELECT AND FRAME LEVEL VALVE INSTALLATION



ART\_1001168465-D

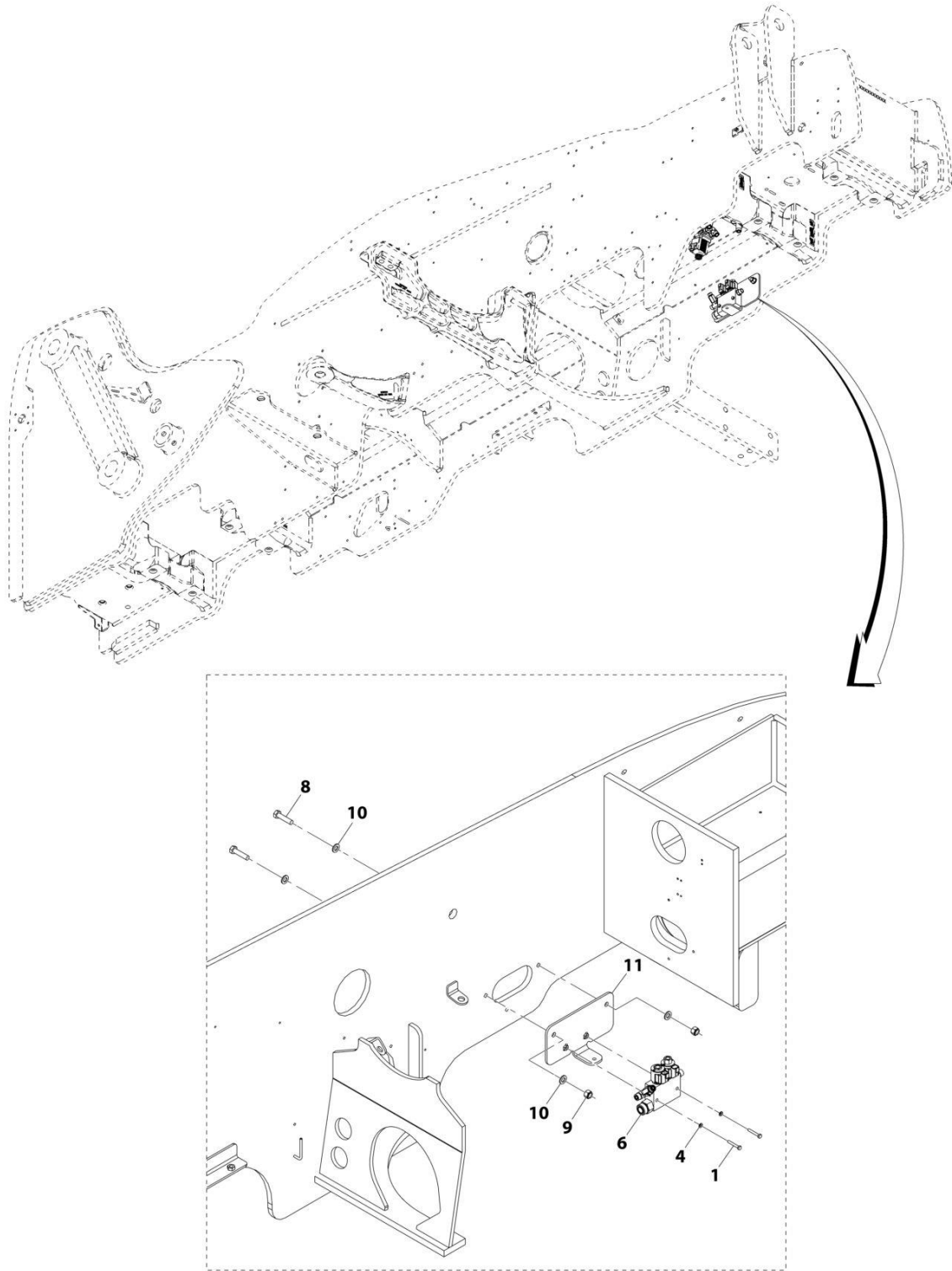
## SECTION 8 - HYDRAULIC CIRCUITS

**FIGURE 8-25. STEERING SELECT AND FRAME LEVEL VALVE INSTALLATION**

ITEM	PART NUMBER	QTY	DESCRIPTION	REV
	1001168465	Ref	Steering Select and Frame Level Valve Installation	D
2	0760607	4	Bolt, M6X14	
4	4811700	4	Washer, M6	
7	1001169087	1	Assembly, Frame Level Valve (See Separate Breakdown in this Section)	
9	1001168464	Ref	Installation, Steering Select Valve Mounting (See Separate Breakdown in this Section)	

# SECTION 8 - HYDRAULIC CIRCUITS

## FIGURE 8-26. PARK BRAKE INSTALLATION



ART\_1001172370-E



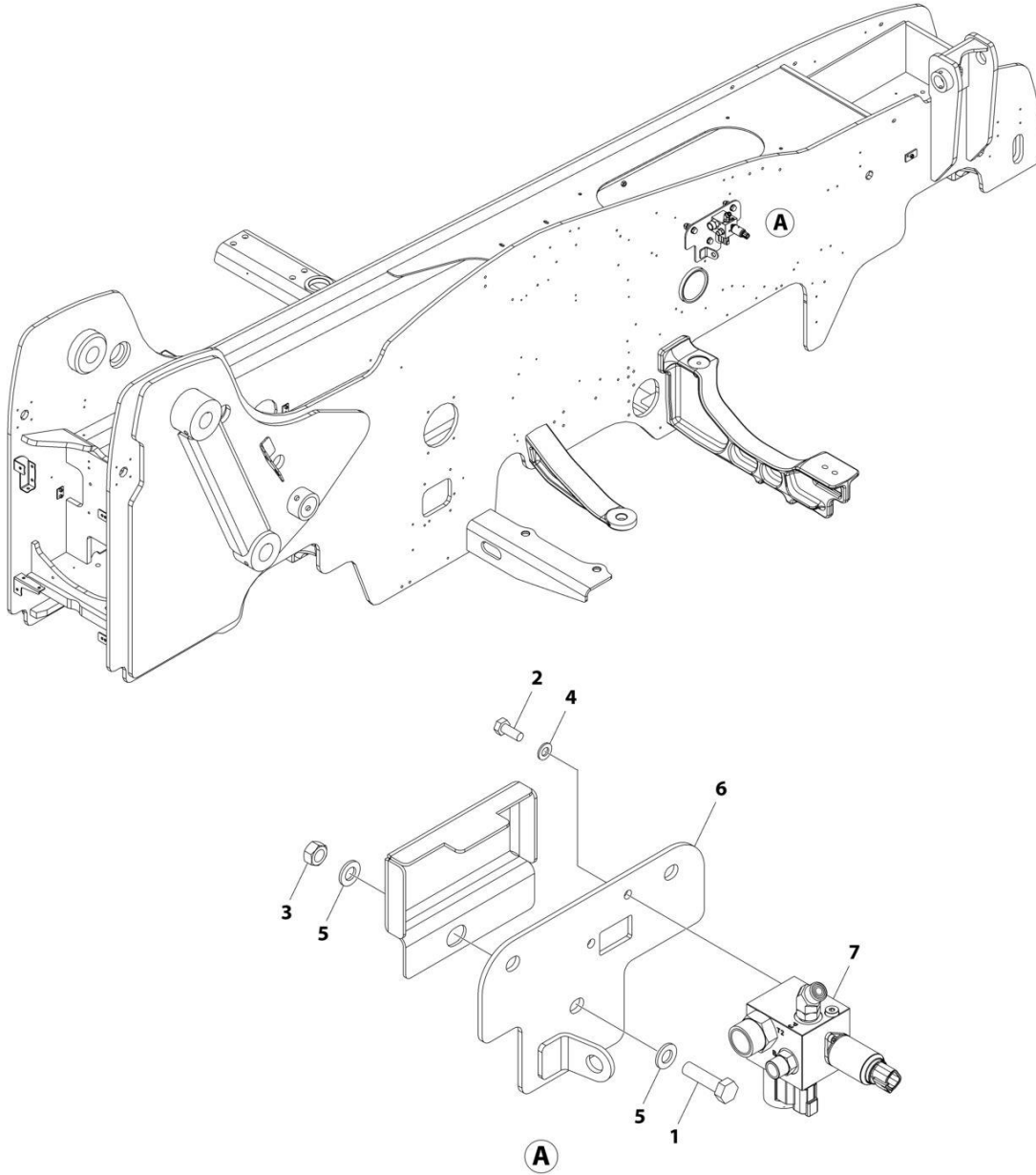
## SECTION 8 - HYDRAULIC CIRCUITS

### FIGURE 8-26. PARK BRAKE INSTALLATION

ITEM	PART NUMBER	QTY	DESCRIPTION	REV
	1001172370	Ref	Park Brake Installation	E
1	0700616	2	Bolt, M6X40	
4	4811700	2	Washer, M6	
6	1001170561	1	Installation, Park Brake Valve (See Separate Breakdown in this Section)	
8	0761218	2	Bolt, M12X50	
9	3291205	2	Nut, Lock M12X1.75 Grade 8	
10	4812100	4	Washer, M12	
11	1001225995	1	Bracket Assembly	

# SECTION 8 - HYDRAULIC CIRCUITS

FIGURE 8-27. PARK BRAKE INSTALLATION (Prior to SN 0160101057)



ART\_100129557

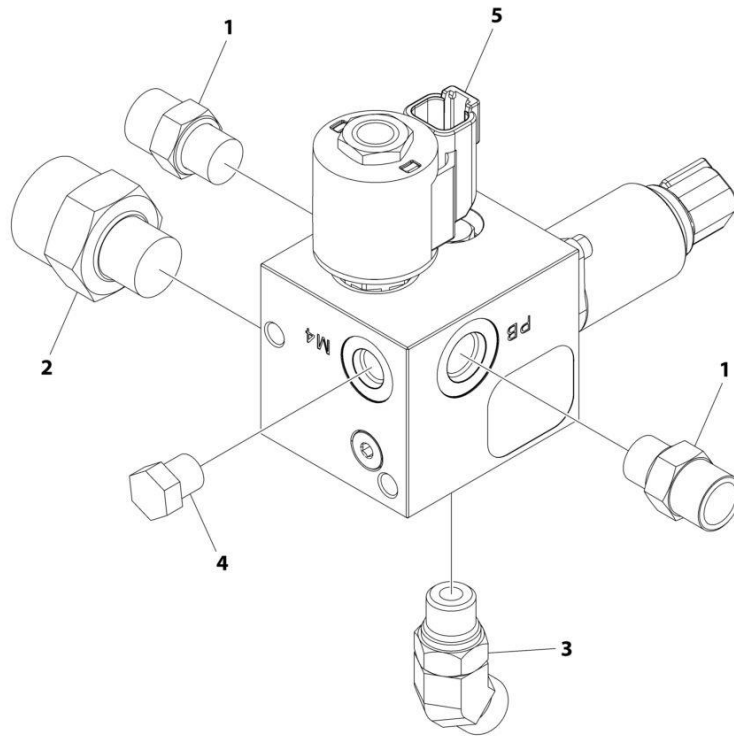
## SECTION 8 - HYDRAULIC CIRCUITS

**FIGURE 8-27. PARK BRAKE INSTALLATION (Prior to SN 0160101057)**

ITEM	PART NUMBER	QTY	DESCRIPTION	REV
	1001295557	Ref	PARK BRAKE INSTALLATION	A
1	0701217	3	Bolt M12 x 45	
2	0760810	2	Bolt M8 x 20	
3	3291201	3	Nut M12	
4	4811900	2	Washer M8	
5	4812100	6	Washer M12	
6	1001234277	1	Plate	
7	1001295556	1	Installation, Park Brake Valve (See Separate Breakdown in this Section)	

## SECTION 8 - HYDRAULIC CIRCUITS

FIGURE 8-28. VALVE INSTALLATION - PARKING BRAKE



ART\_1001295556

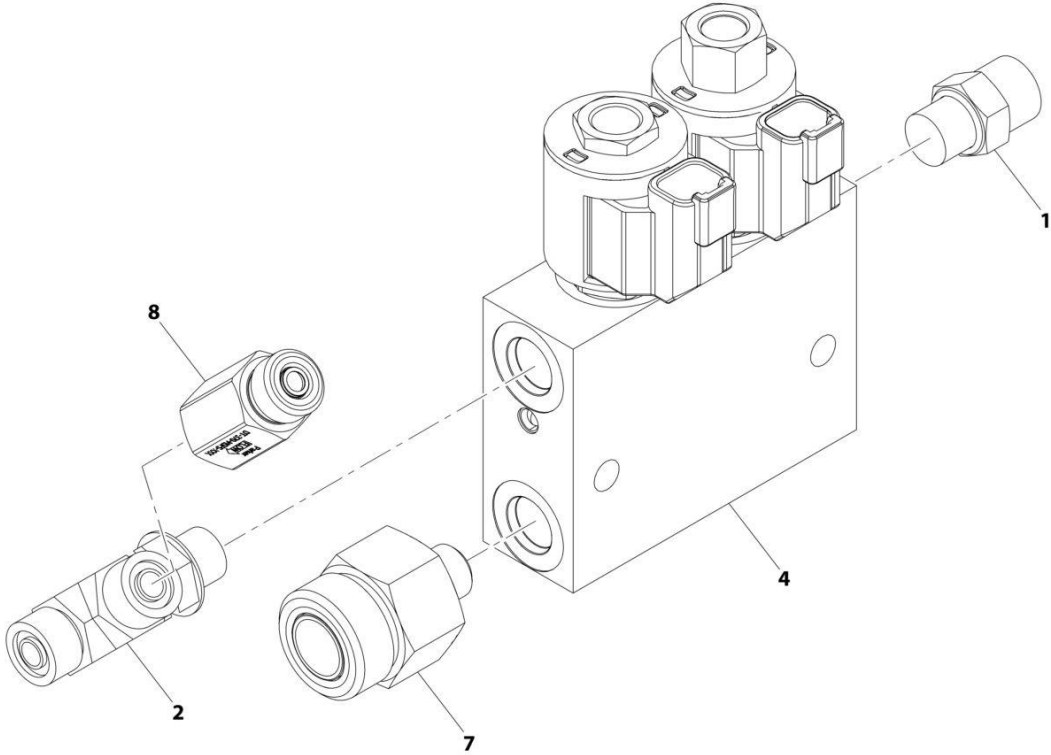
## SECTION 8 - HYDRAULIC CIRCUITS

### FIGURE 8-28. VALVE INSTALLATION - PARKING BRAKE

ITEM	PART NUMBER	QTY	DESCRIPTION	REV
	1001295556	Ref	VALVE INSTALLATION - PARKING BRAKE	A
1	2110606	2	Fitting, Straight ORFS/ORB	
2	2111208	1	Fitting, Straight ORFS/ORB	
3	2150606	1	Fitting, 45 ORFS/ORB	
4	2220235	1	Fitting, Plug ORB	
5	1001234127	1	Valve, SAHR Brake (See Separate Breakdown in HYDRULIC COMPONENTS Section)	

**SECTION 8 - HYDRAULIC CIRCUITS**

**FIGURE 8-29. PARK BRAKE VALVE ASSEMBLY**



ART\_1001170561-F

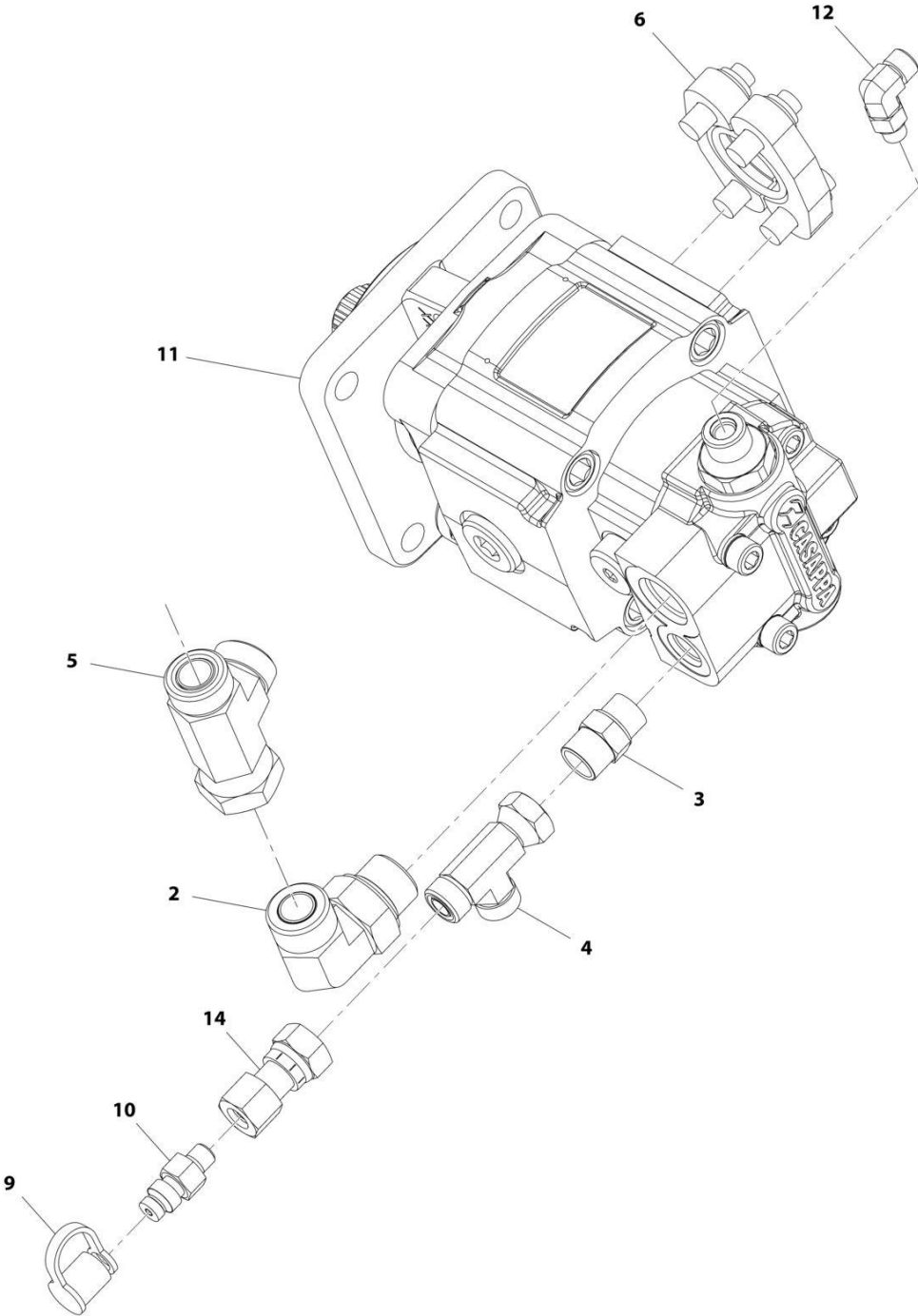
## SECTION 8 - HYDRAULIC CIRCUITS

### FIGURE 8-29. PARK BRAKE VALVE ASSEMBLY

ITEM	PART NUMBER	QTY	DESCRIPTION	REV
	1001170561	Ref	Park Brake Valve Assembly	F
1	2110606	1	Fitting, Straight ORFS	
2	2170306	1	Fitting, Tee ORFS	
4	1001164652	1	Valve, Park Brake (See Separate Breakdown in HYDRAULIC COMPONENTS Section)	
7	1001207758	1	Fitting, Straight ORFS	
8	1001218781	1	Check Valve	

**SECTION 8 - HYDRAULIC CIRCUITS**

**FIGURE 8-30. PISTON PUMP ASSEMBLY**



ART\_1001171097-E



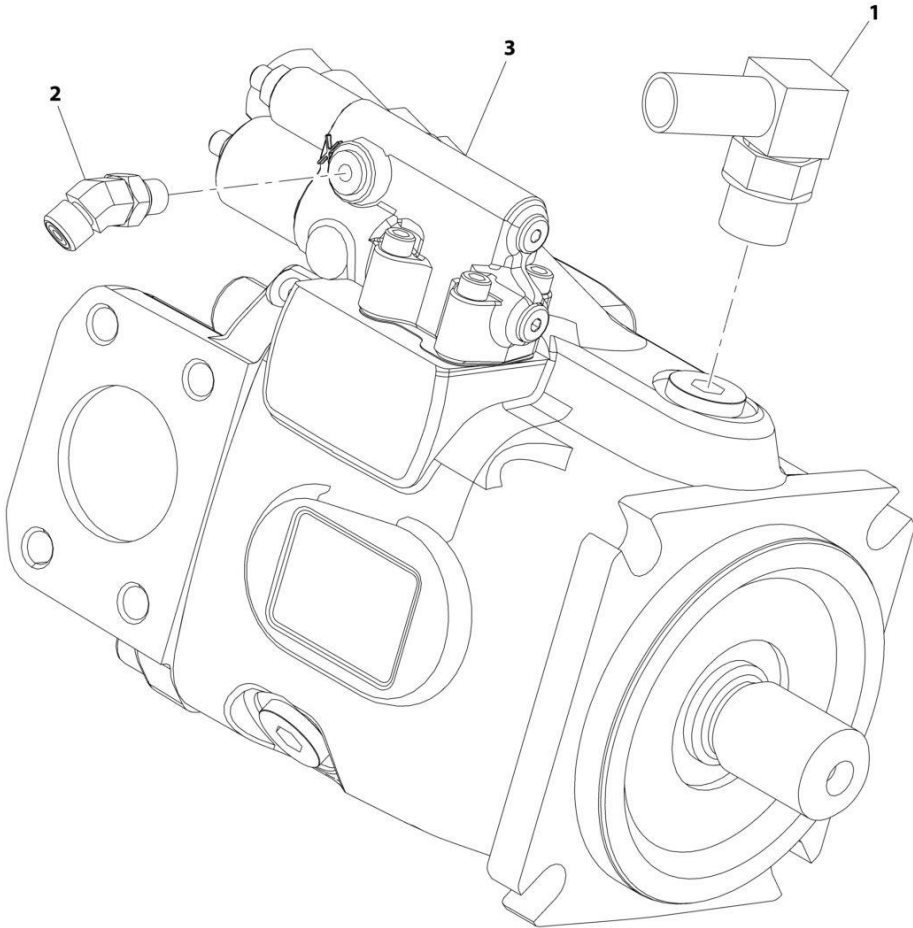
## SECTION 8 - HYDRAULIC CIRCUITS

### FIGURE 8-30. PISTON PUMP ASSEMBLY

ITEM	PART NUMBER	QTY	DESCRIPTION	REV
	1001171097	Ref	Piston Pump Assembly	E
2	2131212	1	Fitting, 90 ORFS	
3	2110808	1	Fitting, Straight ORFS	
4	2170708	1	Fitting, Tee ORFS	
5	2170712	1	Fitting, Tee ORFS	
6	2171820	1	Flange	
9	8430032	1	Plug	
10	8430033	1	Fitting, Straight	
11	1001163746	1	Assembly, Pump (See Separate Breakdown in Hydraulic Components Section)	
12	2130404	1	Fitting, 90 ORFS	
14	1001176529	1	Fitting, Straight ORFS	

**SECTION 8 - HYDRAULIC CIRCUITS**

**FIGURE 8-31. PISTON PUMP ASSEMBLY**



ART\_1001162674-D

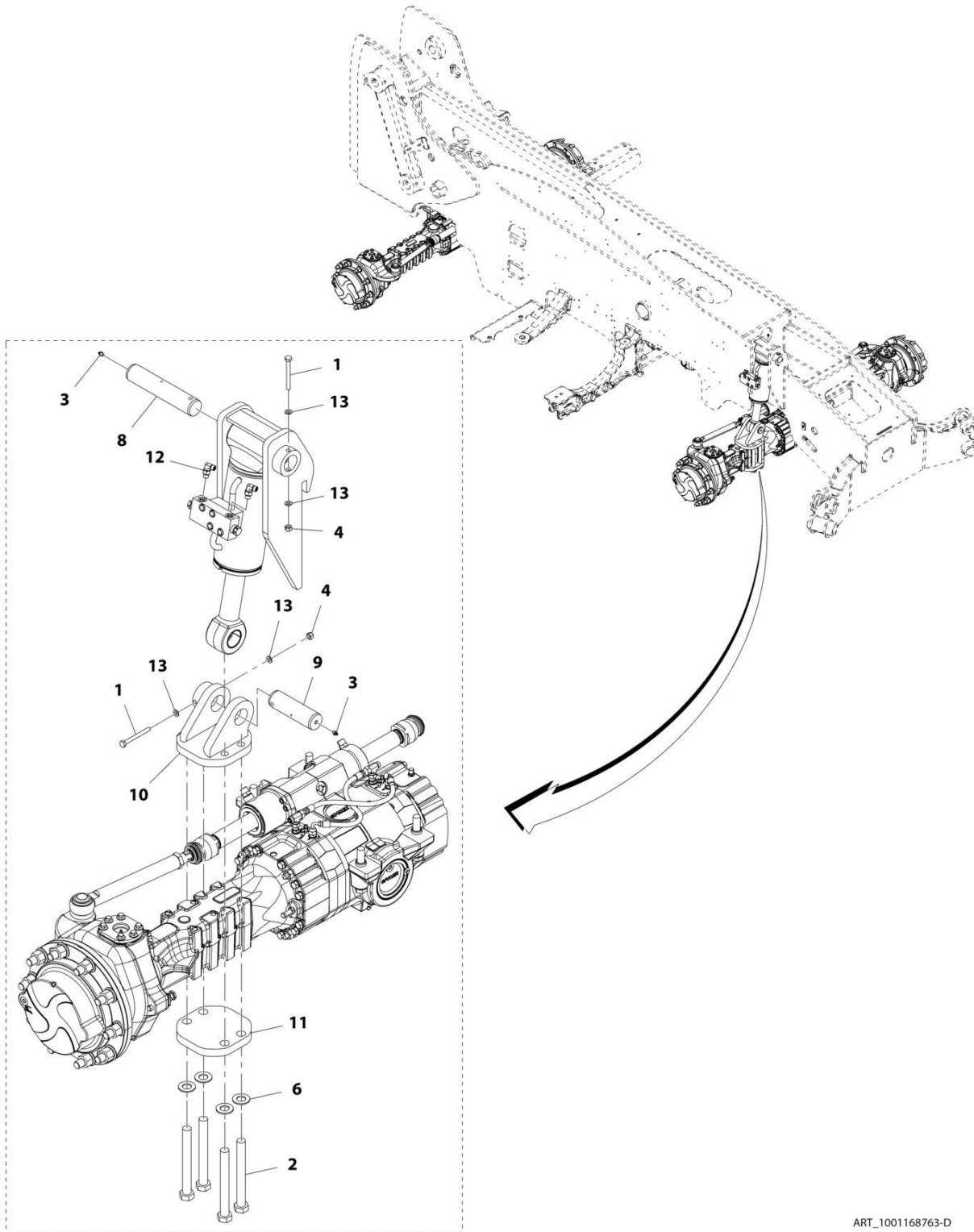
## SECTION 8 - HYDRAULIC CIRCUITS

### FIGURE 8-31. PISTON PUMP ASSEMBLY

ITEM	PART NUMBER	QTY	DESCRIPTION	REV
	1001162674	Ref	PISTON PUMP ASSEMBLY	D
1	8424217	1	Fitting, 90	
2	2150404	1	Fitting, 45 ORFS	
3	1001182279	1	Piston Pump (See Separate Breakdown in HYDRAULIC COMPONENTS Section)	

# SECTION 8 - HYDRAULIC CIRCUITS

## FIGURE 8-32. FRAME LEVEL INSTALLATION



ART\_1001168763-D

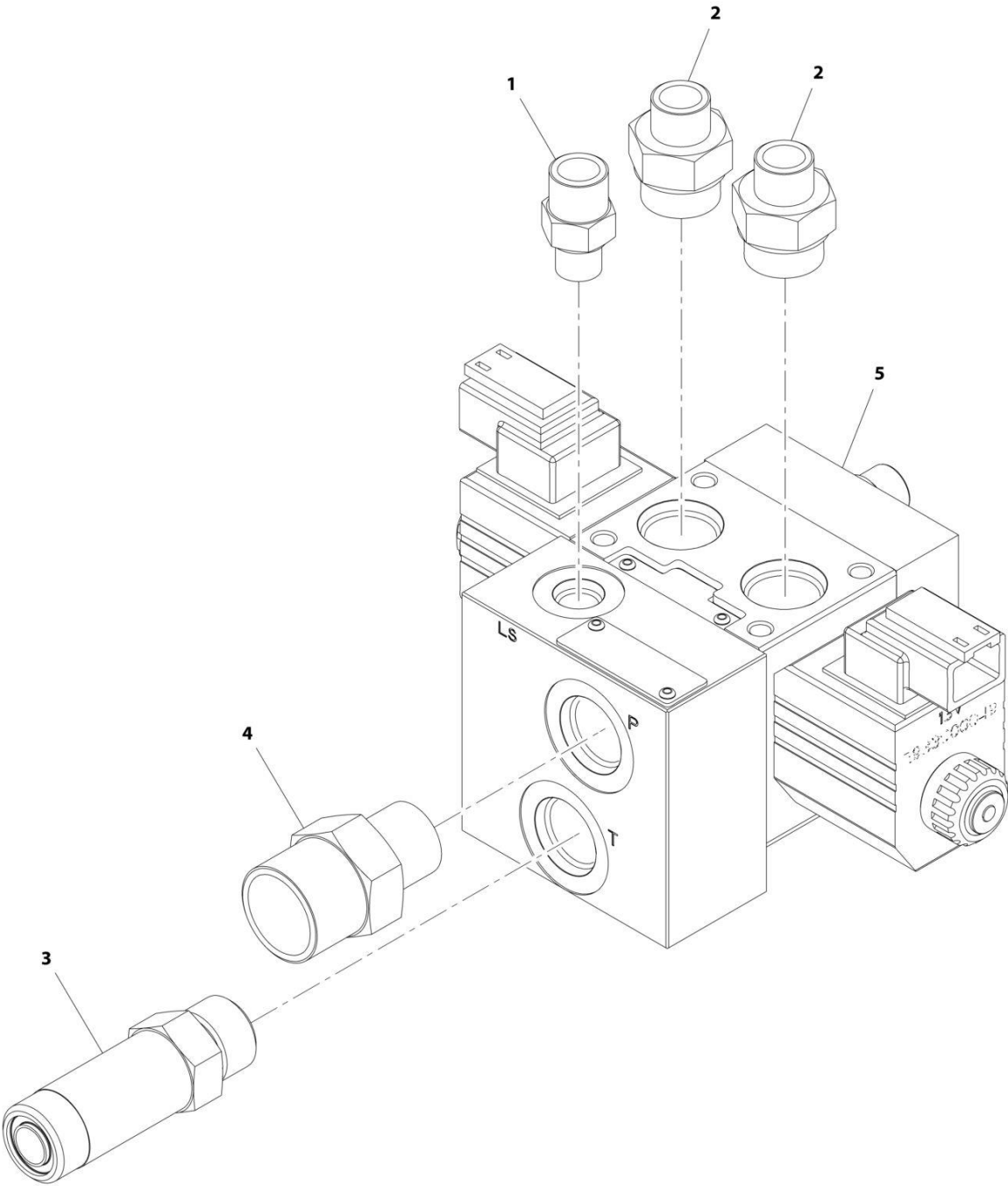
## SECTION 8 - HYDRAULIC CIRCUITS

### FIGURE 8-32. FRAME LEVEL INSTALLATION

ITEM	PART NUMBER	QTY	DESCRIPTION	REV
	1001168763	Ref	Frame Level Installation	D
1	0711027	2	Bolt, M10X100	
2	0712439	4	Bolt, M24X220	
3	2160016	2	Fitting, Grease	
4	3291005	2	Nut, Lock M10X1.5	
6	5242400	4	Washer, M24	
8	1001164971	1	Pin	
9	1001164972	1	Pin	
10	1001182545	1	Bracket	
11	1001182908	1	Plate	
12	2130406	2	Fitting, 90 ORFS	
13	4812000	4	Washer, M10	

**SECTION 8 - HYDRAULIC CIRCUITS**

**FIGURE 8-33. FRAME LEVEL VALVE ASSEMBLY**



ART\_1001169087-E

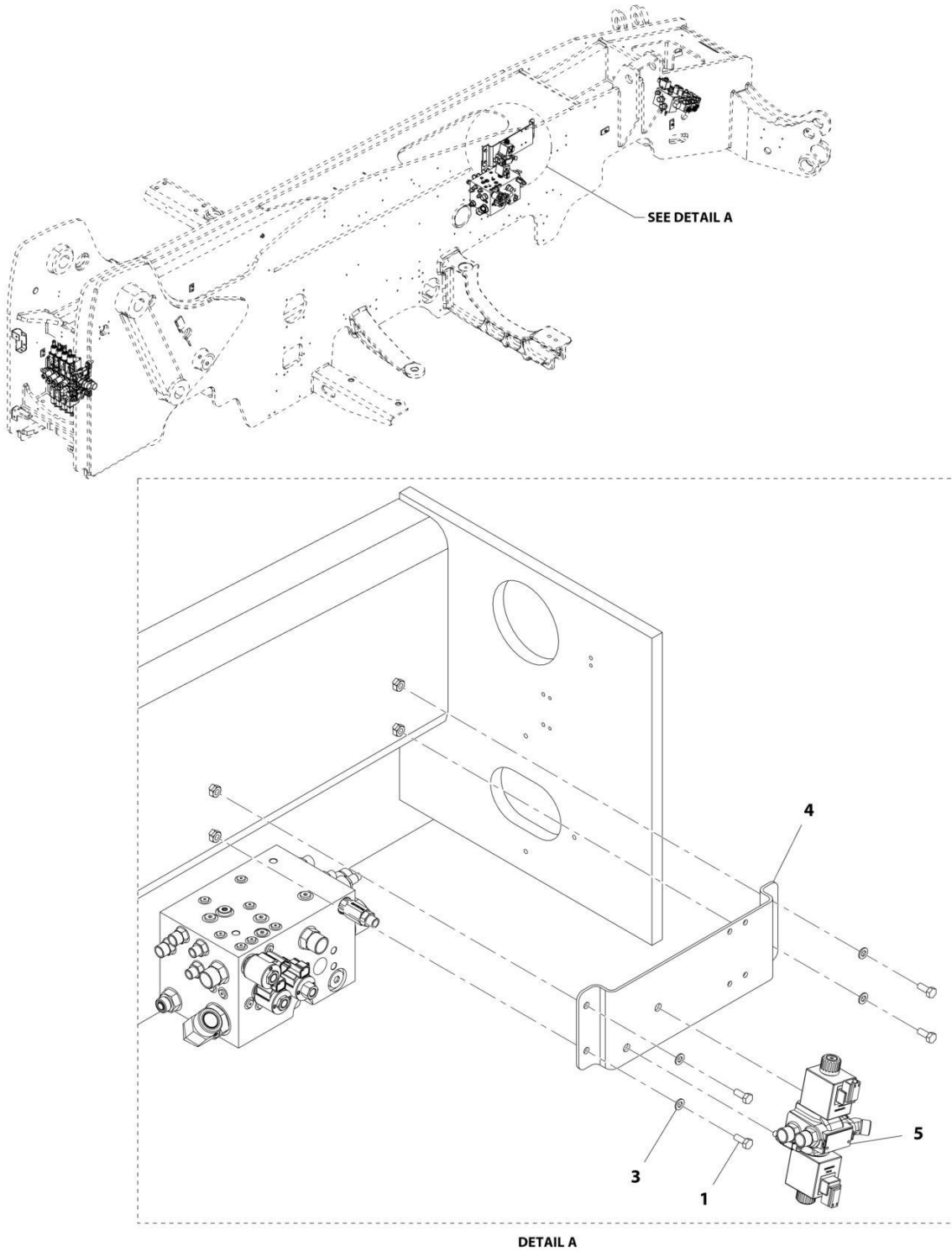
## SECTION 8 - HYDRAULIC CIRCUITS

### FIGURE 8-33. FRAME LEVEL VALVE ASSEMBLY

ITEM	PART NUMBER	QTY	DESCRIPTION	REV
	1001169087	1	Frame Level Valve Assembly	E
1	2110404	1	Fitting, Straight ORFS	
2	2110408	2	Fitting, Straight ORFS	
3	2170108	1	Fitting, Straight ORFS	
4	2111008	1	Fitting, Straight ORFS	
5	1001162959	1	Valve, Frame Level (See Separate Breakdown in Hydraulic Components Section)	

# SECTION 8 - HYDRAULIC CIRCUITS

## FIGURE 8-34. STEERING SELECT VALVE MOUNTING INSTALLATION



ART\_1001168464-E



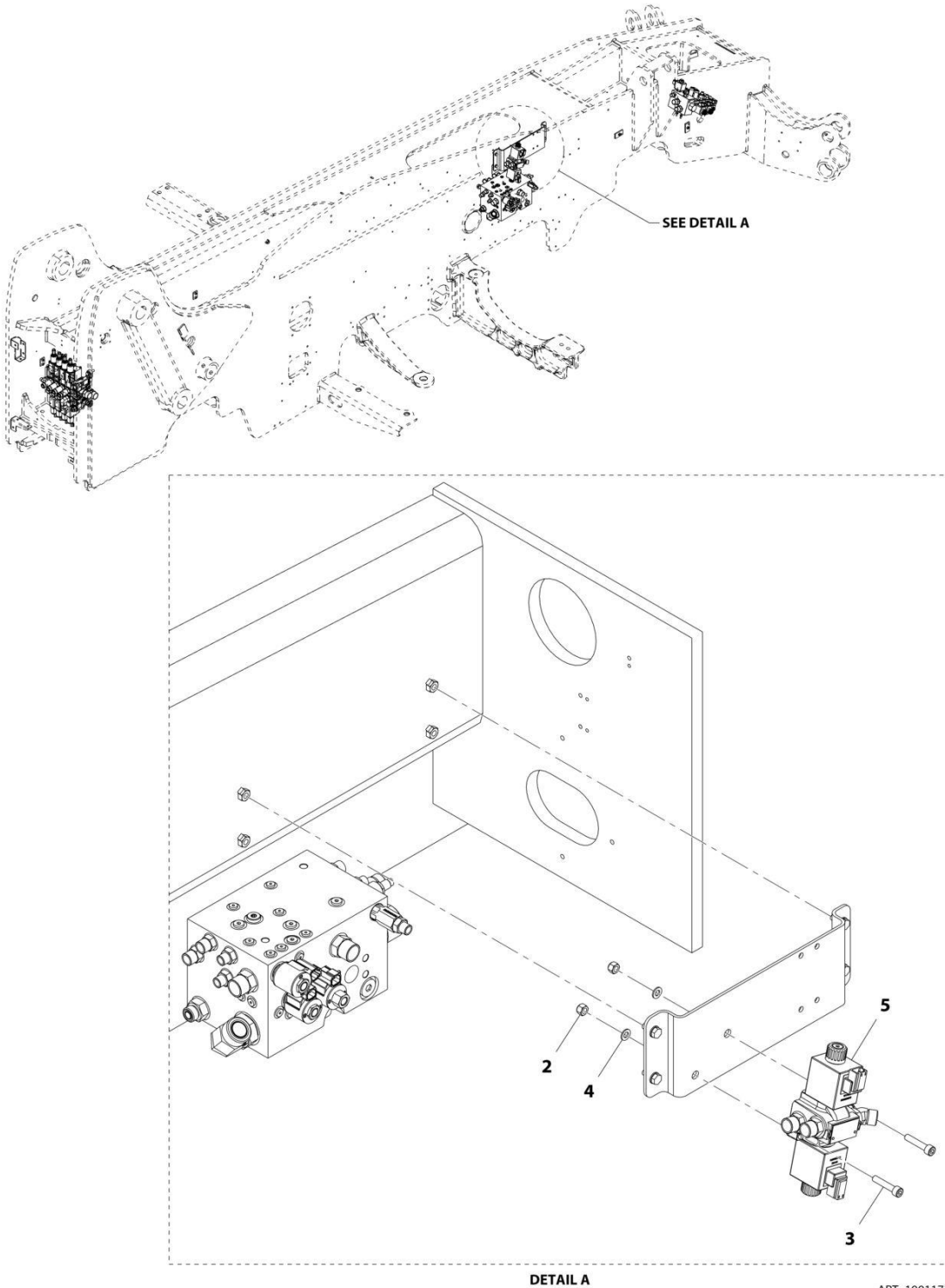
## SECTION 8 - HYDRAULIC CIRCUITS

**FIGURE 8-34. STEERING SELECT VALVE MOUNTING INSTALLATION**

ITEM	PART NUMBER	QTY	DESCRIPTION	REV
	1001168464	Ref	Steering Select Valve Mounting Installation	E
1	0760810	4	Bolt, M8X20	
3	4811900	4	Washer, M8	
4	1001167437	1	Bracket	
5	1001173702	Ref	Installation, Steering Select Valve (See Separate Breakdown in this Section)	

# SECTION 8 - HYDRAULIC CIRCUITS

## FIGURE 8-35. STEERING SELECT VALVE INSTALLATION



ART\_1001173702-D

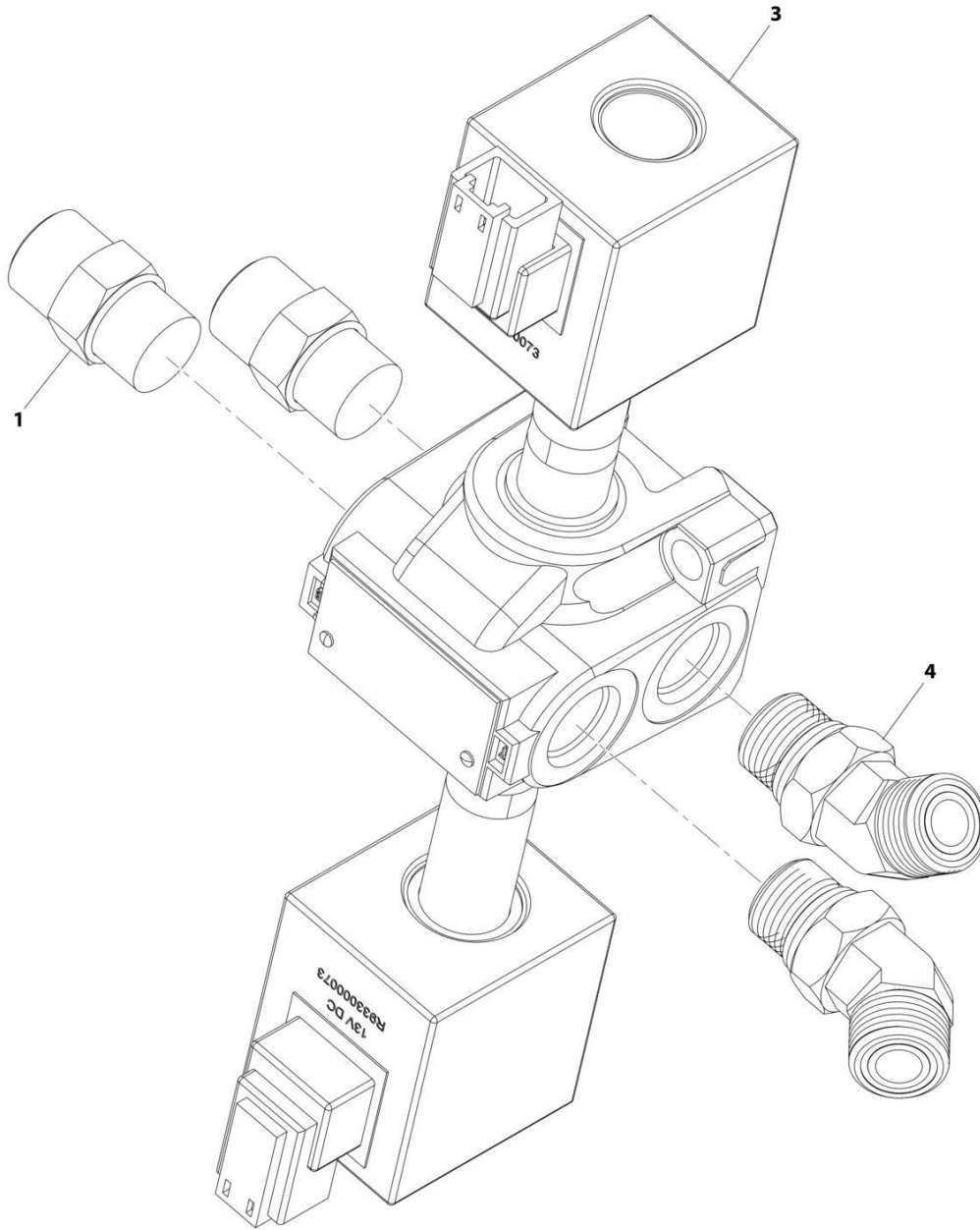
## SECTION 8 - HYDRAULIC CIRCUITS

### FIGURE 8-35. STEERING SELECT VALVE INSTALLATION

ITEM	PART NUMBER	QTY	DESCRIPTION	REV
	1001173702	Ref	Steering Select Valve Installation	D
2	3290805	2	Nut, Lock M8X1.25	
3	4031912	2	Bolt, M8X40	
4	4811900	2	Washer, M8	
5	1001161304	1	Assembly, Valve (See Separate Breakdown in this Section)	

# SECTION 8 - HYDRAULIC CIRCUITS

## FIGURE 8-36. STEERING SELECT VALVE ASSEMBLY



ART\_1001161304-B

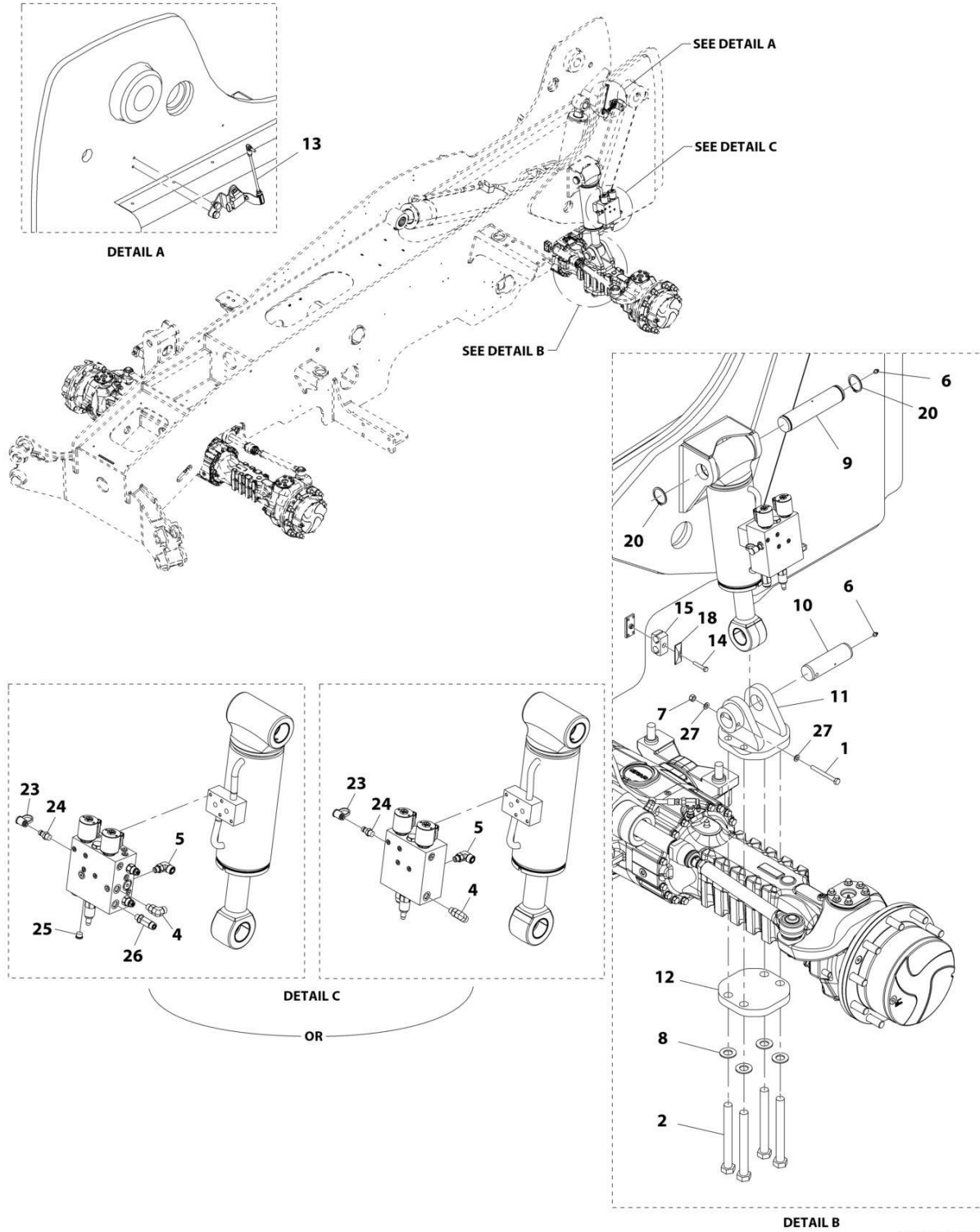
## SECTION 8 - HYDRAULIC CIRCUITS

### FIGURE 8-36. STEERING SELECT VALVE ASSEMBLY

ITEM	PART NUMBER	QTY	DESCRIPTION	REV
	1001161304	Ref	Steering Select Valve Assembly	B
1	2110808	2	Fitting, Straight ORFS	
3	1001153748	1	Assembly, Valve (See Separate Breakdown in HYDRAULIC COMPONENTS Section)	
4	2150808	2	Fitting, 45 ORFS	

# SECTION 8 - HYDRAULIC CIRCUITS

## FIGURE 8-37. REAR AXLE STABILIZER INSTALLATION



ART\_1001182910-G

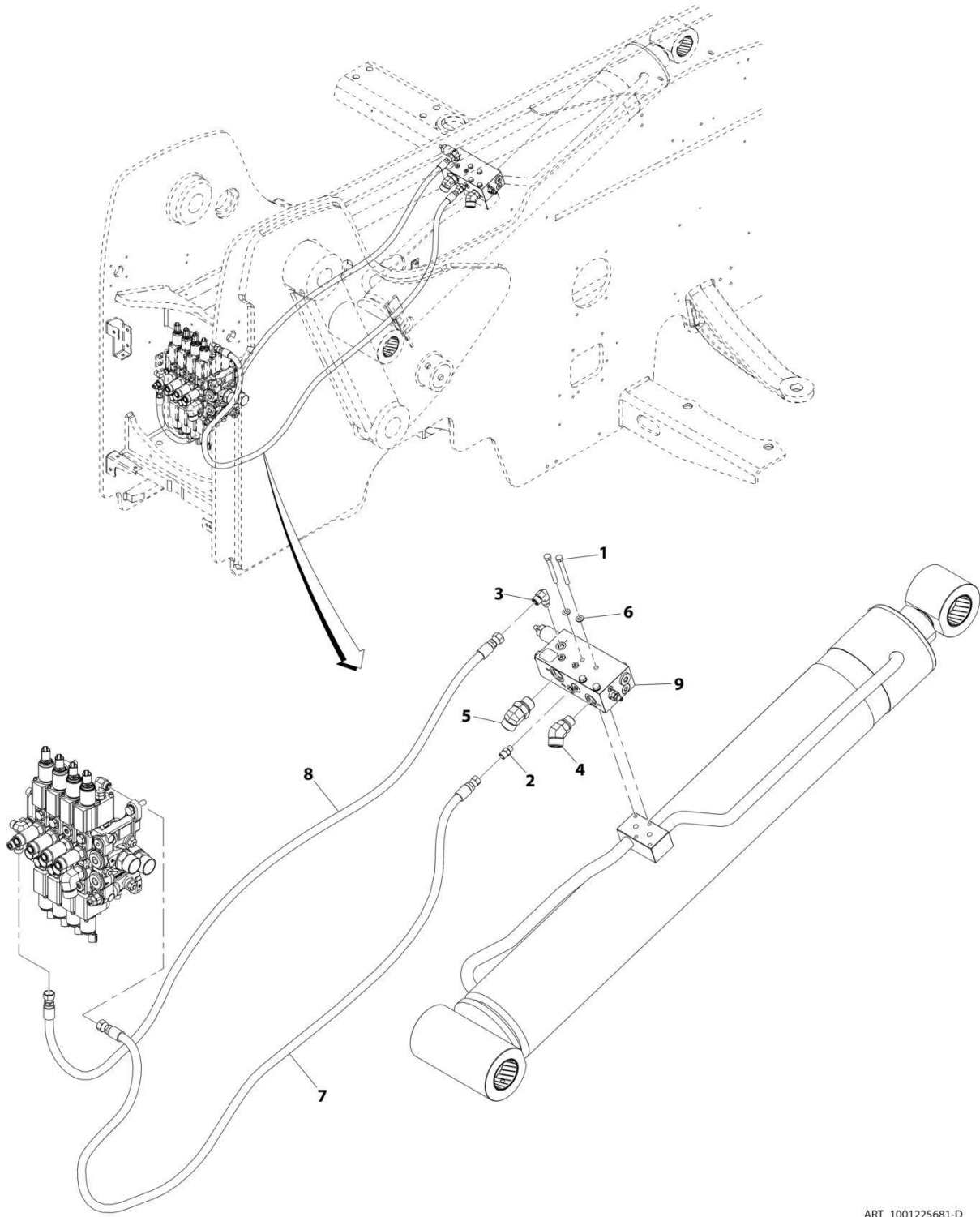
## SECTION 8 - HYDRAULIC CIRCUITS

### FIGURE 8-37. REAR AXLE STABILIZER INSTALLATION

ITEM	PART NUMBER	QTY	DESCRIPTION	REV
	1001182910	Ref	Rear Axle Stabilizer Installation	G
1	0711027	1	Bolt, M10X100	
2	0712439	4	Bolt, M10.9X24	
4	2130606	1	Fitting, 90 ORFS	
5	2130806	1	Fitting, 90 ORFS	
6	2160016	2	Fitting, Grease	
7	3291005	1	Bolt, M10X1.5	
8	5242400	4	Washer, M24	
9	1001192341	1	Pin	
10	1001164972	1	Pin	
11	1001182903	1	Bracket	
12	1001182908	1	Plate	
13	1001184056	1	Installation, Boom Angle Sensor (See Separate Breakdown in this Section)	
14	0760817	1	Bolt, M8X45	
15	8750016	1	Clamp	
18	77133137	1	Plate	
20	3760493	2	Ring, Retaining	
23	8430032	1	Plug	
24	1001003590	1	Fitting, Straight	
25	2220885	AR	Plug	
26	2170306	AR	Fitting, Tee ORFS	
27	4812000	2	Washer, M10	

# SECTION 8 - HYDRAULIC CIRCUITS

FIGURE 8-38. COUNTERBALANCE VALVE INSTALLATION (LIFT - GLS NO RIDE CONTROL)



ART\_1001225681-D



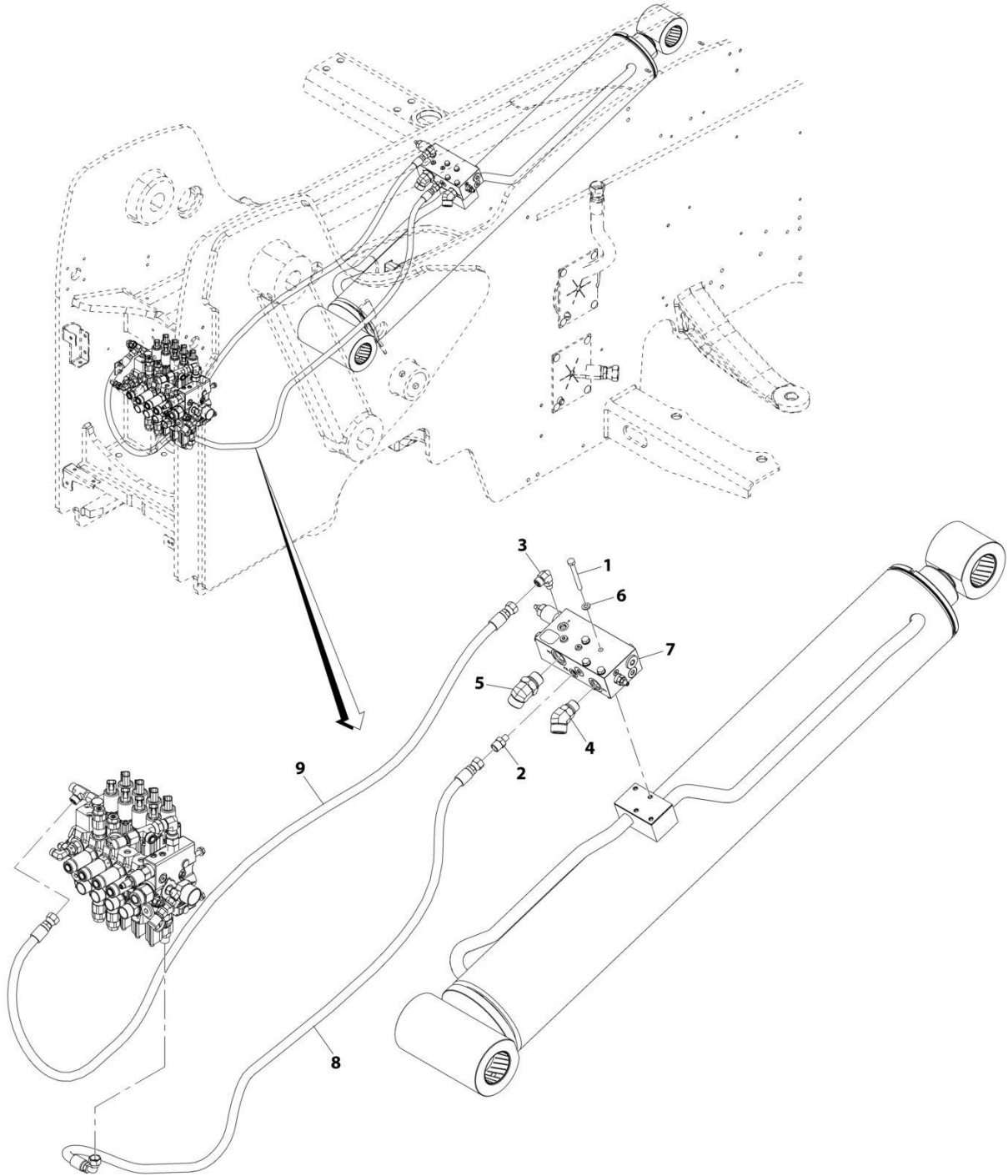
## SECTION 8 - HYDRAULIC CIRCUITS

**FIGURE 8-38. COUNTERBALANCE VALVE INSTALLATION (LIFT - GLS NO RIDE CONTROL)**

ITEM	PART NUMBER	QTY	DESCRIPTION	REV
	1001225681	Ref	Counterbalance Valve Installation (Lift - PGLS No Ride Control)	D
1	0700823	4	Bolt, M8X75	
2	2110404	1	Fitting, Straight ORFS	
3	2130604	1	Fitting, 90 ORFS	
4	2151210	1	Fitting, 45 ORFS	
5	2151212	1	Fitting, 45 ORFS	
6	4811900	4	Washer, M8	
7	1001225462	1	Hose	
8	1001225464	1	Hose	
9	1001226035	1	Valve, Counterbalance (Note: Sold as Complete Assembly Only)	
9A	70028453	2	O-Ring (Between Valve & Cylinder) (Not Shown)	

# SECTION 8 - HYDRAULIC CIRCUITS

## FIGURE 8-39. COUNTERBALANCE VALVE INSTALLATION



ART\_1001232296-A

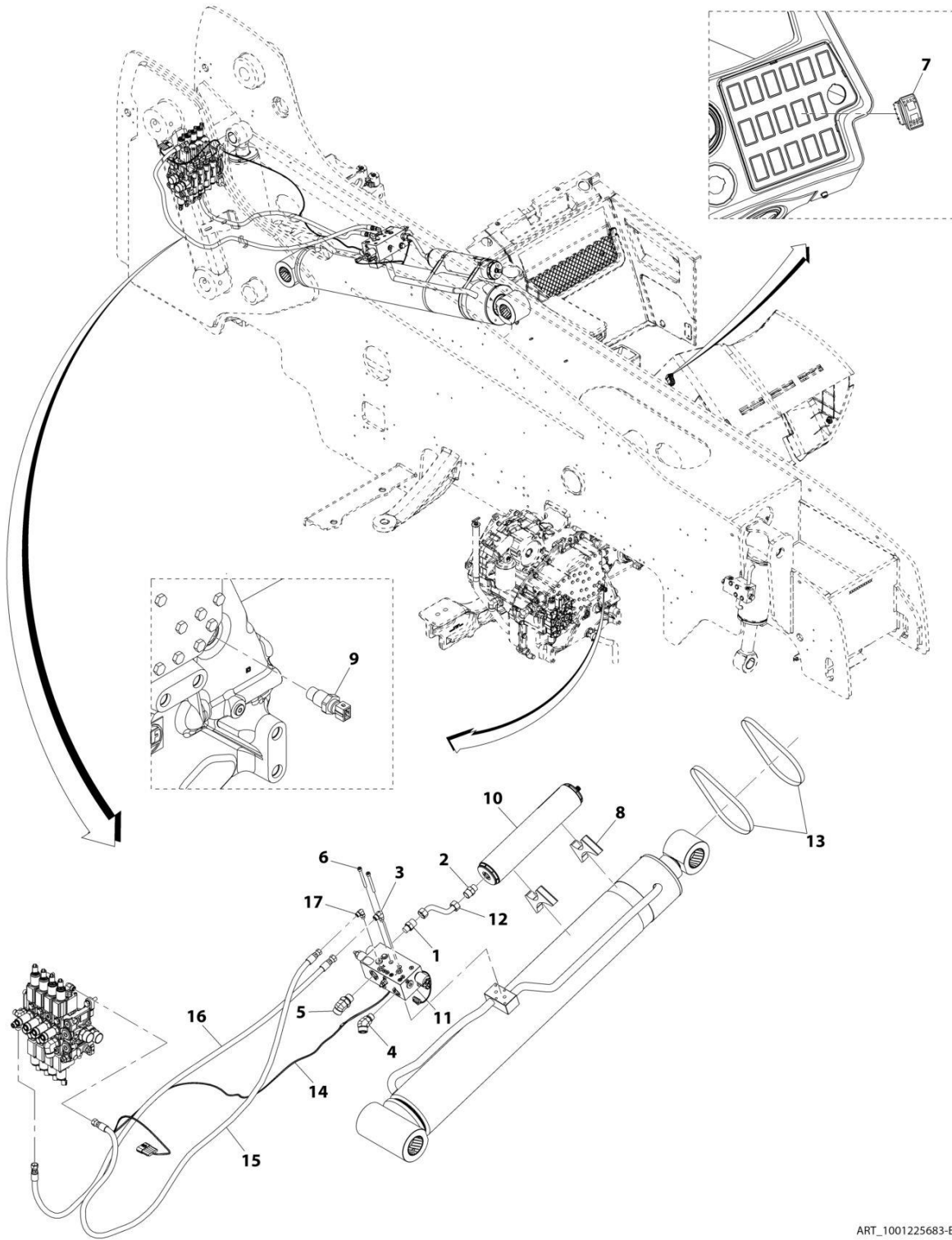
## SECTION 8 - HYDRAULIC CIRCUITS

**FIGURE 8-39. COUNTERBALANCE VALVE INSTALLATION**

ITEM	PART NUMBER	QTY	DESCRIPTION	REV
	1001232296	Ref	Counterbalance Valve Installation (Lift - PGLS No Ride Control 110HP)	A
1	0700823	4	Bolt, M8X75	
2	2110604	1	Fitting, Straight ORFS	
3	2130604	1	Fitting, 90 ORFS	
4	2151210	1	Fitting, 45 ORFS	
5	2151212	1	Fitting, 45 ORFS	
6	4811900	4	Washer, M8	
7	1001226035	1	Valve, Counterbalance (PGLS)	
8	1001232294	1	Hose	
9	1001232295	1	Hose	

# SECTION 8 - HYDRAULIC CIRCUITS

## FIGURE 8-40. COUNTERBALANCE VALVE INSTALLATION (LIFT - GLS RIDE CONTROL)



ART\_1001225683-E

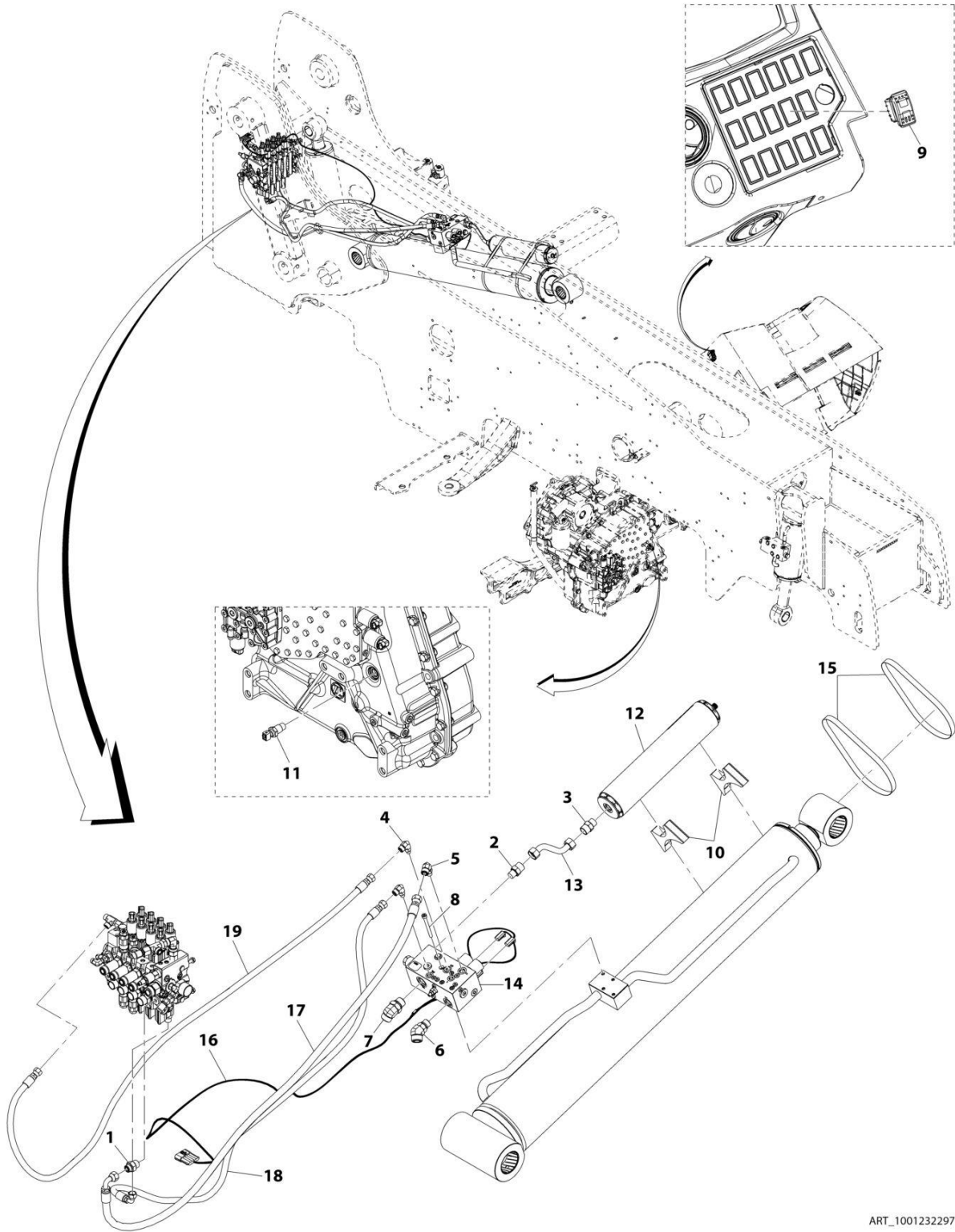
## SECTION 8 - HYDRAULIC CIRCUITS

**FIGURE 8-40. COUNTERBALANCE VALVE INSTALLATION (LIFT - GLS RIDE CONTROL)**

ITEM	PART NUMBER	QTY	DESCRIPTION	REV
	1001225683	Ref	Counterbalance Valve Installation (Lift - PGLS Ride Control)	E
1	2111008	1	Fitting, Straight ORFS	
2	2111010	1	Fitting, Straight ORFS	
3	2130604	1	Fitting, 90 ORFS	
4	2151210	1	Fitting, 45 ORFS	
5	2151212	1	Fitting, 45 ORFS	
6	4031921	4	Bolt, M8X85	
7	1001159745	1	Switch, Boom Ride	
8	1001175740	2	Bumper, Cylinder Saddle	
9	1001190881	1	Sensor, Speed	
10	1001192435	1	Cylinder, Piston	
11	1001227056	1	Line, Counterbalance Valve (Lift - Ride Control)	
11	7022390	2	Nut (Attaches Coil to Cartridge)	
11	70028281	2	Coil	
11	70028453	2	O-Ring	
12	1001227137	1	Pipe, Ride Control	
13	1001095396	2	Clamp	
14	1001175676	Ref	Installation, Ride Control CB Valve Harness (Lift) (See Separate Breakdown in Electrical Section) (642,742)	
15	1001225462	1	Hose	
16	1001225464	1	Hose	
17	2130404	1	Fitting, 90 ORFS	

# SECTION 8 - HYDRAULIC CIRCUITS

## FIGURE 8-41. COUNTERBALANCE VALVE INSTALLATION



ART\_1001232297-C

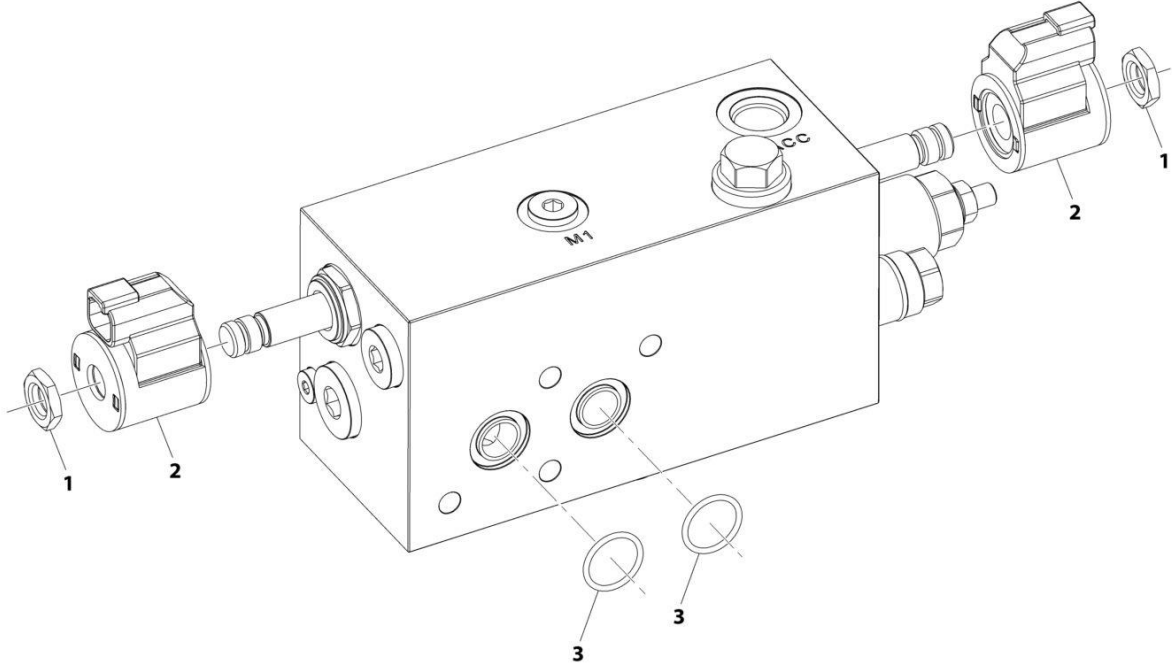
## SECTION 8 - HYDRAULIC CIRCUITS

### FIGURE 8-41. COUNTERBALANCE VALVE INSTALLATION

ITEM	PART NUMBER	QTY	DESCRIPTION	REV
	1001232297	Ref	Counterbalance Valve Installation (Lift - PGLS Ride Control 110HP)	C
1	2110810	1	Fitting, Straight ORFS	
2	2111008	1	Fitting, Straight ORFS	
3	2111010	1	Fitting, Straight ORFS	
4	2130604	2	Fitting, 90 ORFS	
5	2130806	1	Fitting, 90 ORFS	
6	2151210	1	Fitting, 45 ORFS	
7	2151212	1	Fitting, 45 ORFS	
8	4031921	4	Bolt, M8X85	
9	1001159745	1	Switch, Boom Ride	
10	1001175740	2	Bumper, Cylinder Saddle	
11	1001190881	1	Sensor, Speed	
12	1001192435	1	Cylinder, Piston	
13	1001227137	1	Pipe, Ride Control	
14	1001229685	1	Valve, PGLS W/Intgrated Recovery (Lift - Ride Control) (See Separate Breakdown in this Section)	
14	70028453	2	O-Ring	
14	7022390	2	Nut (Attaches Coil to Cartridge)	
14	70028281	2	Coil	
15	1001095396	2	Clamp	
16	1001175676	Ref	Installation, Ride Control CB Valve Harness (Lift) (See Separate Breakdown in Electrical Section)	
17	1001207295	1	Hose (SN 0160084796 through 0160089563, Excluding 0160089249, 0160089251 and 0160089255)	
17	1001207283	1	Hose (SN 0160089564 through 0160100493, Including 0160089249, 0160089251 and 0160089255)	
18	1001232294	1	Hose	
19	1001232295	1	Hose	

**SECTION 8 - HYDRAULIC CIRCUITS**

**FIGURE 8-42. COUNTERBALANCE VALVE HYDRAULIC LINES (LIFT - RIDE CONTROL)**



ART\_1001227056-D



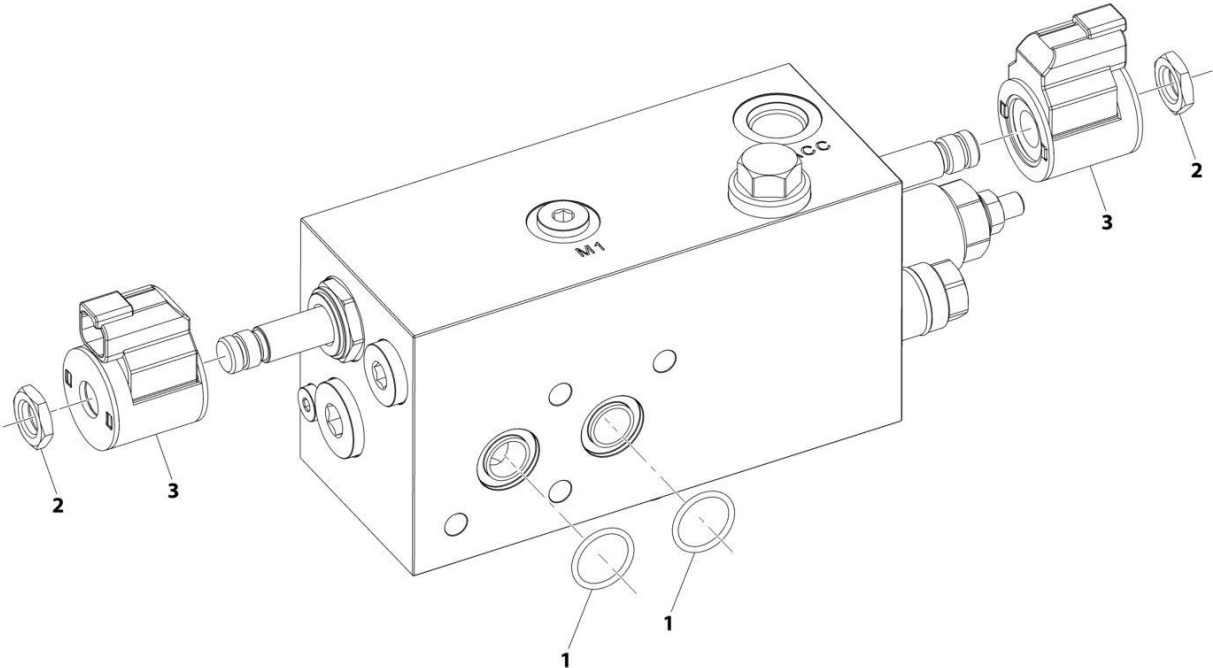
## SECTION 8 - HYDRAULIC CIRCUITS

**FIGURE 8-42. COUNTERBALANCE VALVE HYDRAULIC LINES (LIFT - RIDE CONTROL)**

ITEM	PART NUMBER	QTY	DESCRIPTION	REV
	1001227056	Ref	Counterbalance Valve Hydraulic Lines (Lift - Ride Control)	D
1	7022390	2	Nut	
2	70028281	2	Coil	
3	70028453	2	O-Ring	

**SECTION 8 - HYDRAULIC CIRCUITS**

**FIGURE 8-43. INTGRATED RECOVERY VALVE**



ART\_1001229685-A

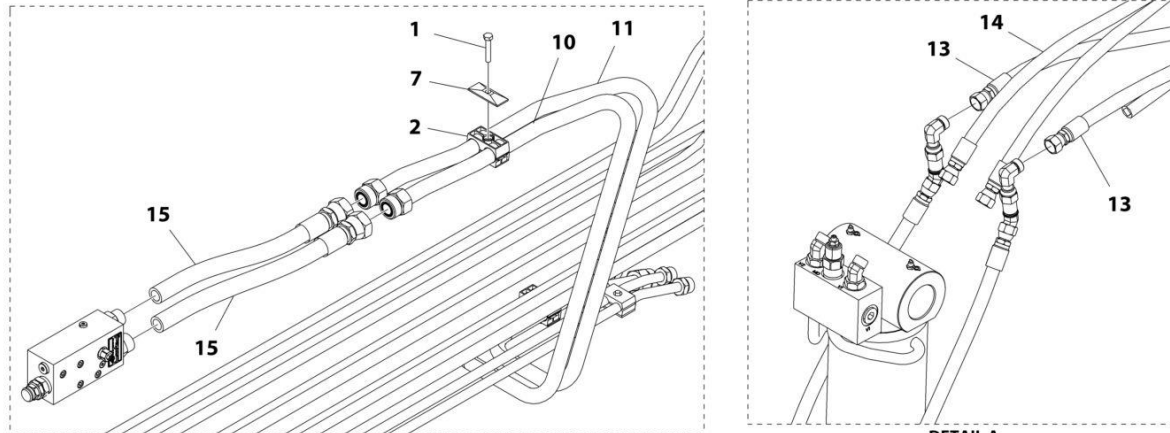
## SECTION 8 - HYDRAULIC CIRCUITS

### FIGURE 8-43. INTGRATED RECOVERY VALVE

ITEM	PART NUMBER	QTY	DESCRIPTION	REV
	1001229685	Ref	Integrated Recovery Valve (Lift - Ride Control)	A
1	70028453	2	O-ring	
2	7022390	2	Nut	
3	70028281	2	Coil	

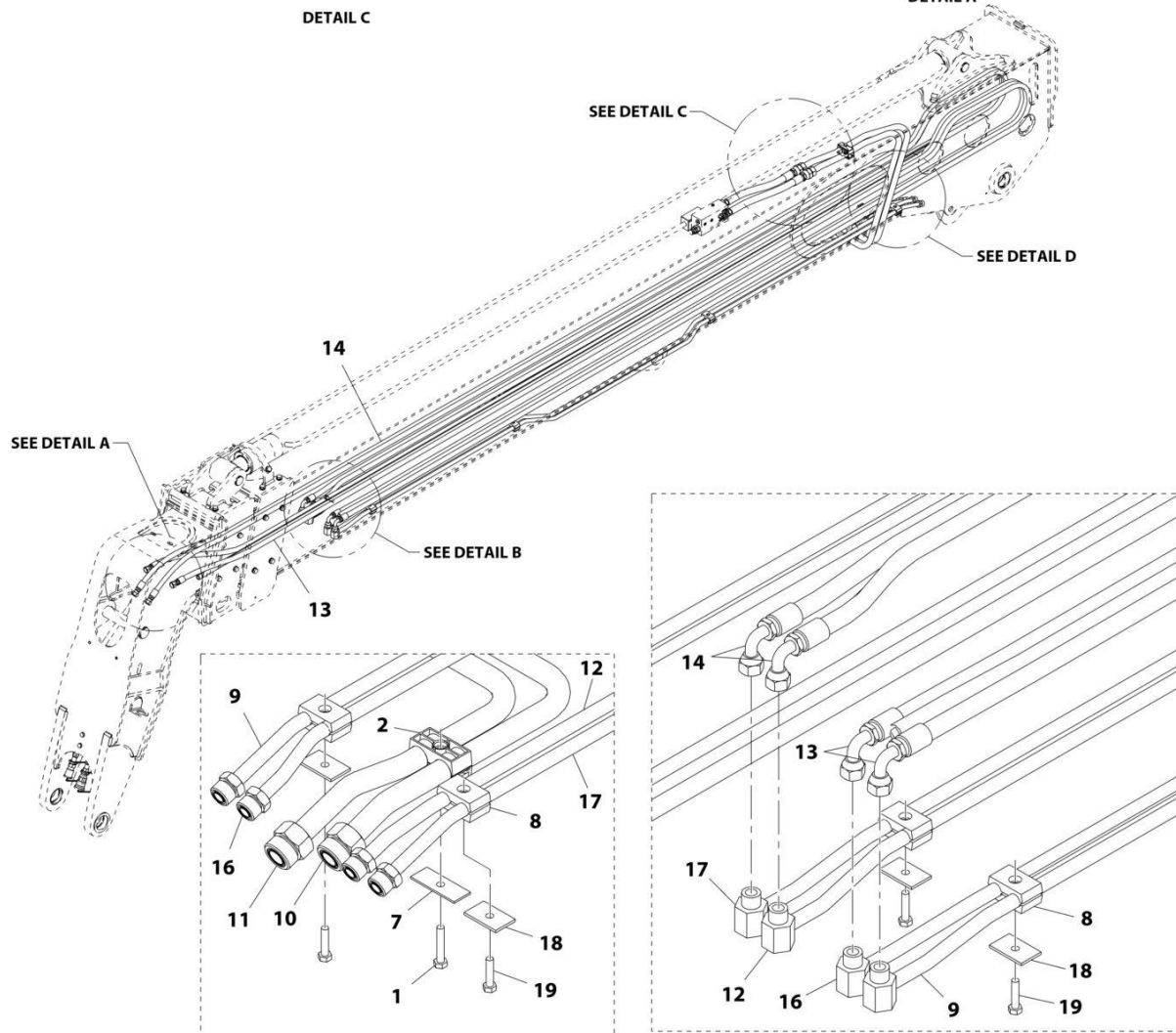
# SECTION 8 - HYDRAULIC CIRCUITS

## FIGURE 8-44. BOOM HYDRAULIC TUBES INSTALLATION



DETAIL C

DETAIL A



DETAIL D

DETAIL B

ART\_1001173470-G

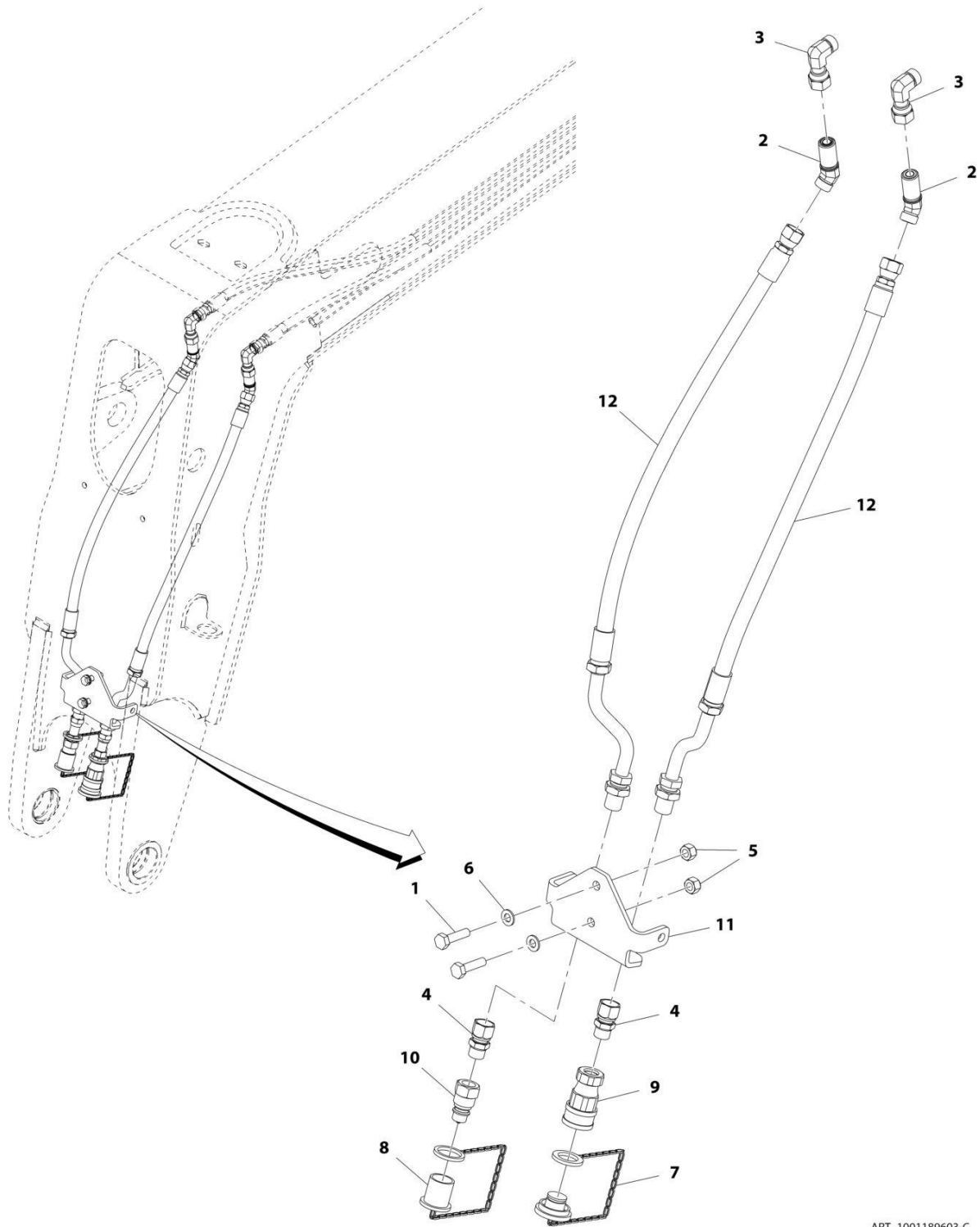
## SECTION 8 - HYDRAULIC CIRCUITS

**FIGURE 8-44. BOOM HYDRAULIC TUBES INSTALLATION**

ITEM	PART NUMBER	QTY	DESCRIPTION	REV
	1001173470	Ref	Boom Hydraulic Tubes Installation	G
1	0700817	2	Bolt, M8X45	
2	1321329	2	Clamp	
7	77133137	2	Plate, Cover	
8	77133139	8	Clamp	
9	1001162339	1	Tube	
10	1001162343	1	Tube	
11	1001162344	1	Tube	
12	1001162346	1	Tube	
13	1001163072	1	Hose	
14	1001163073	1	Hose	
15	1001170549	2	Hose	
16	1001173956	1	Tube	
17	1001173957	1	Tube	
18	77133140	8	Plate, Cover	
19	0760815	8	Bolt, M8X35	

# SECTION 8 - HYDRAULIC CIRCUITS

## FIGURE 8-45. BOOM AUXILIARY HYDRAULICS INSTALLATION



ART\_1001189603-C

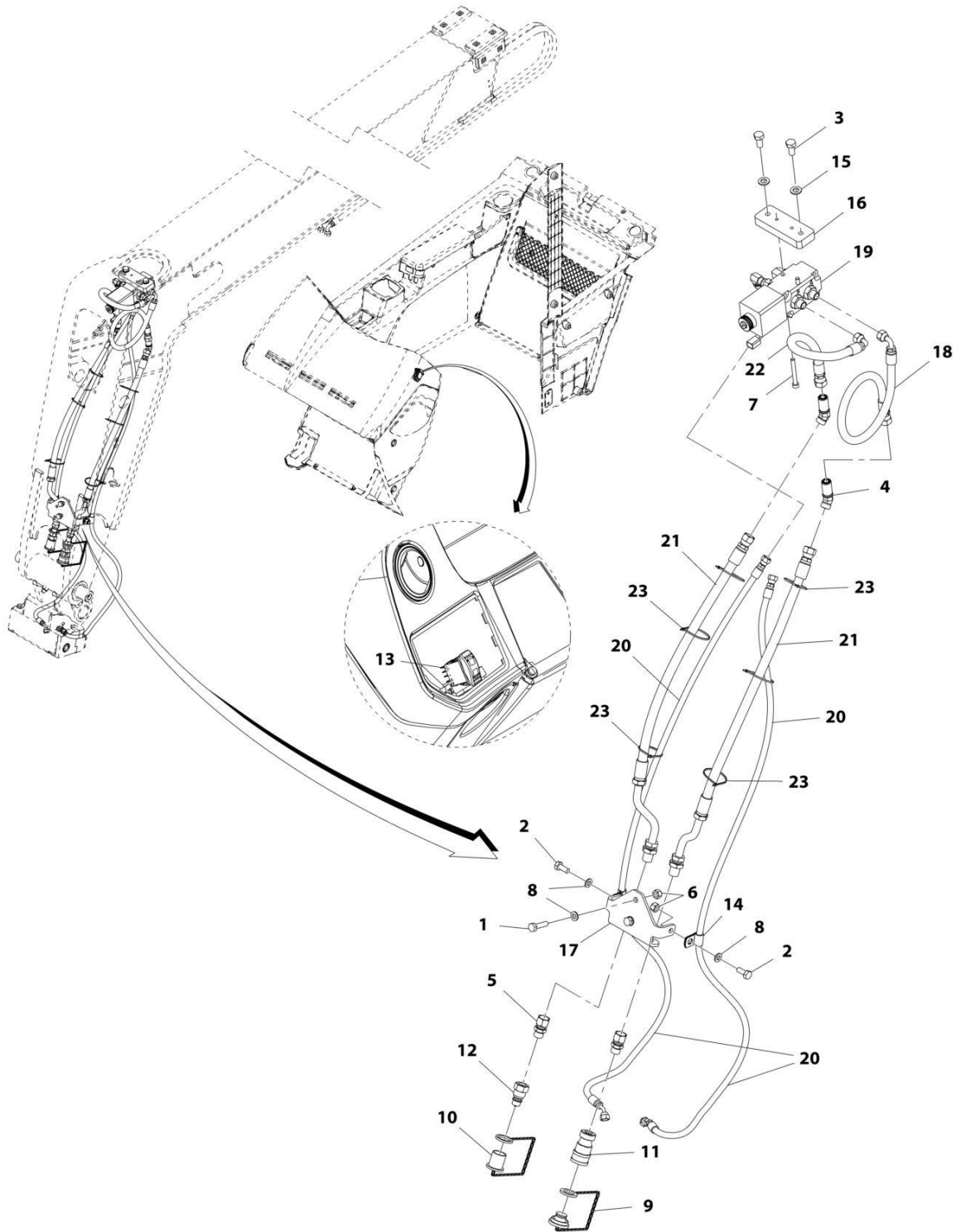
## SECTION 8 - HYDRAULIC CIRCUITS

### FIGURE 8-45. BOOM AUXILIARY HYDRAULICS INSTALLATION

ITEM	PART NUMBER	QTY	DESCRIPTION	REV
	1001189603	Ref	Boom Auxiliary Hydraulics Installation (642,742)	C
1	0701016	2	Bolt, M10X40	
2	2171308	2	Fitting, 45 ORFS	
3	2172108	2	Fitting, 90 ORFS	
4	1001210775	2	Fitting, Straight	
5	3291005	2	Bolt, M10X1.5	
6	4812000	2	Washer, M10	
7	91043125	1	Plug	
8	91043126	1	Cap	
9	91403413	1	Fitting, Straight	
10	91403414	1	Fitting, Straight	
11	1001164948	1	Bracket	
12	1001189217	2	Hose	

# SECTION 8 - HYDRAULIC CIRCUITS

## FIGURE 8-46. BOOM AUXILIARY HYDRAULICS (HYDRAULIC COUPLER)



ART\_1001189604-F



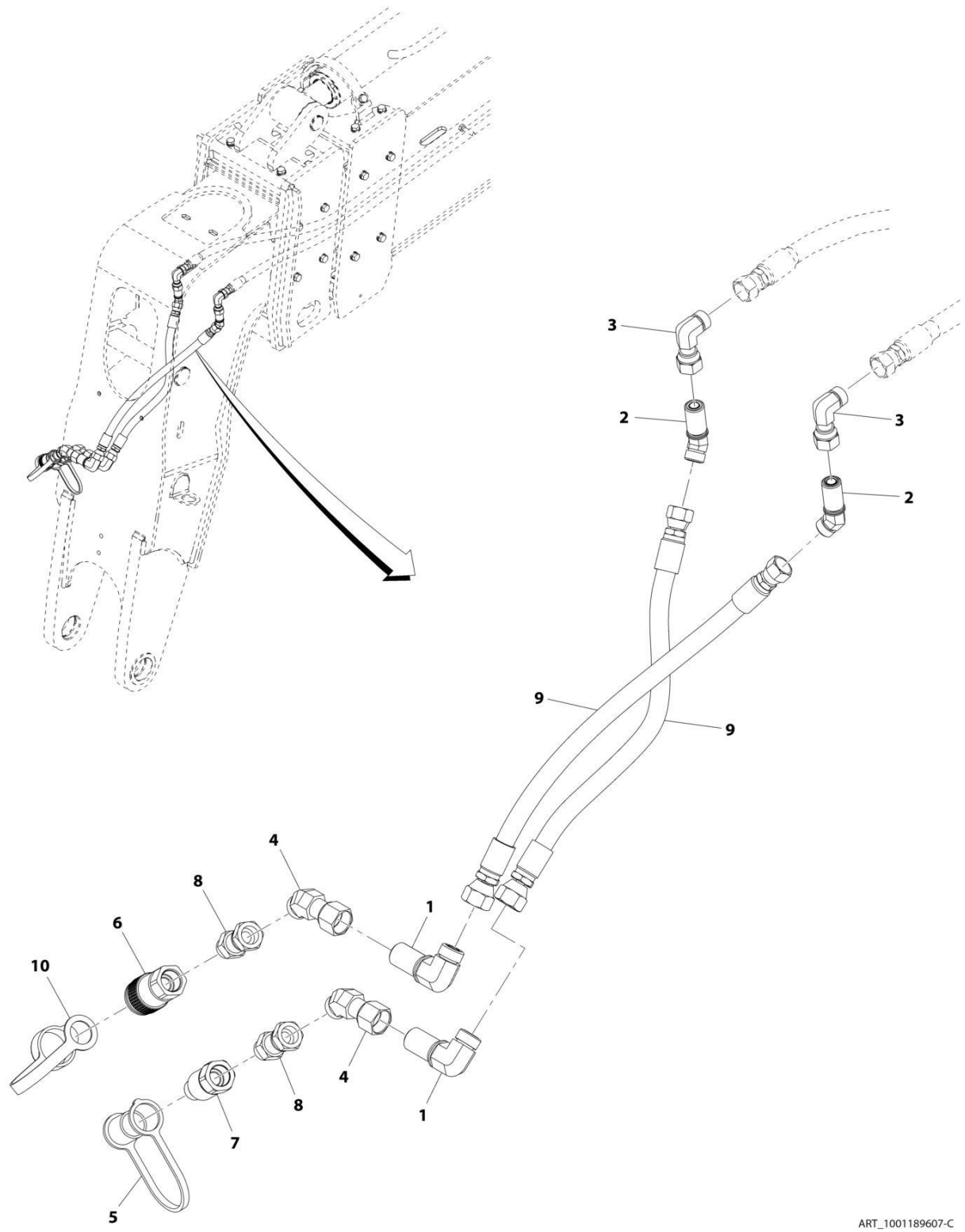
## SECTION 8 - HYDRAULIC CIRCUITS

**FIGURE 8-46. BOOM AUXILIARY HYDRAULICS (HYDRAULIC COUPLER)**

ITEM	PART NUMBER	QTY	DESCRIPTION	REV
	1001189604	Ref	Boom Auxiliary Hydraulics (Hydraulic Coupler) (642,742)	F
1	0701016	2	Bolt, M10X40	
2	0761012	2	Bolt, M10X25	
3	0761212	2	Bolt, M12X25	
4	2171308	2	Fitting, 45 ORFS	
5	1001210775	2	Fitting, Straight	
6	3291005	4	Nut, Lock M10X1.5	
7	4031918	2	Bolt, M8X70	
8	4812000	4	Washer, M10	
9	91043125	1	Plug	
10	91043126	1	Cap	
11	91403413	1	Fitting, Straight	
12	91403414	1	Fitting, Straight	
13	1001080375	1	Switch, Quick Coupler	
14	1001080996	2	Clamp	
15	1001125117	2	Washer, M12	
16	1001164870	1	Plate, Valve Attachment	
17	1001164948	1	Bracket	
18	1001189308	1	Hose	
19	1001197182	1	Assembly, Valve Quick Coupler (See Separate Breakdown in this Section)	
20	1001210348	2	Hose	
21	1001189217	2	Hose	
22	1001189299	1	Hose	
23	4240099	6	Strap, Tie	

# SECTION 8 - HYDRAULIC CIRCUITS

## FIGURE 8-47. BOOM AUXILIARY HYDRAULICS (SIDE MOUNTED)



ART\_1001189607-C

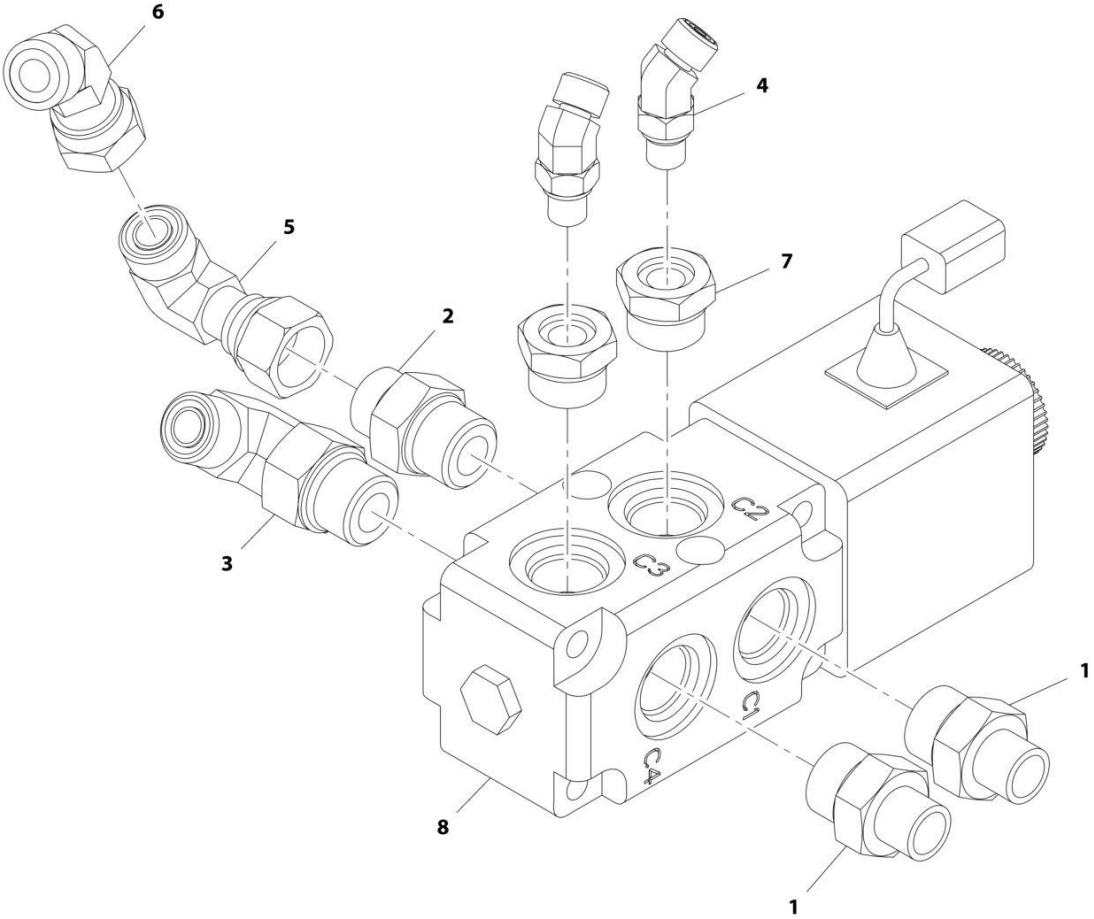
## SECTION 8 - HYDRAULIC CIRCUITS

**FIGURE 8-47. BOOM AUXILIARY HYDRAULICS (SIDE MOUNTED)**

ITEM	PART NUMBER	QTY	DESCRIPTION	REV
	1001189607	Ref	Boom Auxiliary Hydraulics (Side Mounted)	C
1	2171210	2	Fitting, 90	
2	2171308	2	Fitting, 45 ORFS	
3	2172108	2	Fitting, 90 ORFS	
4	2172310	2	Fitting, 45 ORFS	
5	8420053	1	Cap, Dust	
6	1001001240	1	Fitting, Straight	
7	1001001241	1	Fitting, Straight	
8	1001001556	2	Fitting, Straight ORFS	
9	1001189310	2	Hose	
10	1001001557	1	Plug, Dust	

# SECTION 8 - HYDRAULIC CIRCUITS

## FIGURE 8-48. QUICK COUPLER VALVE ASSEMBLY



ART\_1001197182-B

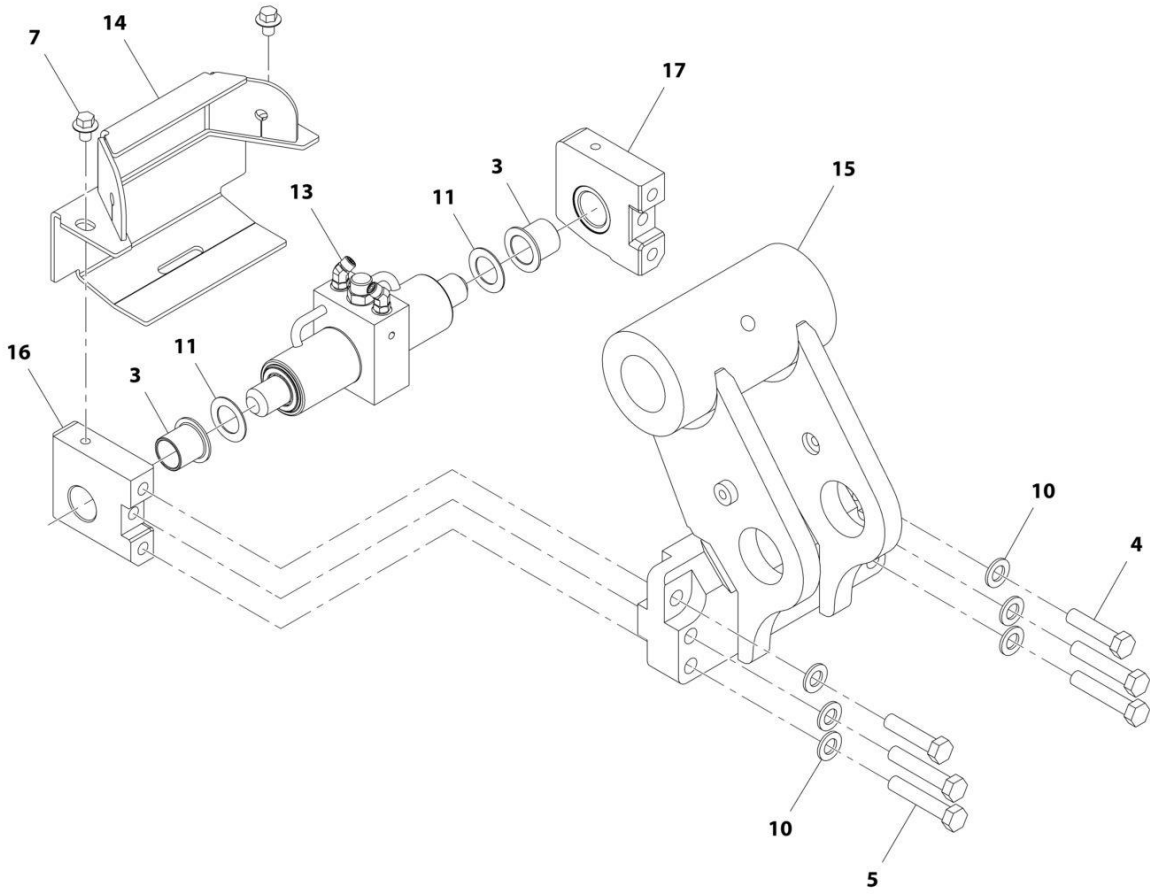
## SECTION 8 - HYDRAULIC CIRCUITS

### FIGURE 8-48. QUICK COUPLER VALVE ASSEMBLY

ITEM	PART NUMBER	QTY	DESCRIPTION	REV
	1001197182	Ref	Quick Coupler Valve Assembly	B
1	2110610	2	Fitting, Straight	
2	2110810	1	Fitting, Straight	
3	2130810	1	Fitting, 90 ORFS	
4	2150404	2	Fitting, 45 ORFS	
5	2172108	1	Fitting, 90 ORFS	
6	2221231	1	Fitting, 45 ORFS	
7	1001001568	2	Reducer	
8	1001104477	1	Valve, Quick Coupler (See Separate Breakdown in Hydraulic Components Section)	

# SECTION 8 - HYDRAULIC CIRCUITS

## FIGURE 8-49. HYDRAULIC QUICK COUPLER ASSEMBLY



ART\_1001172134

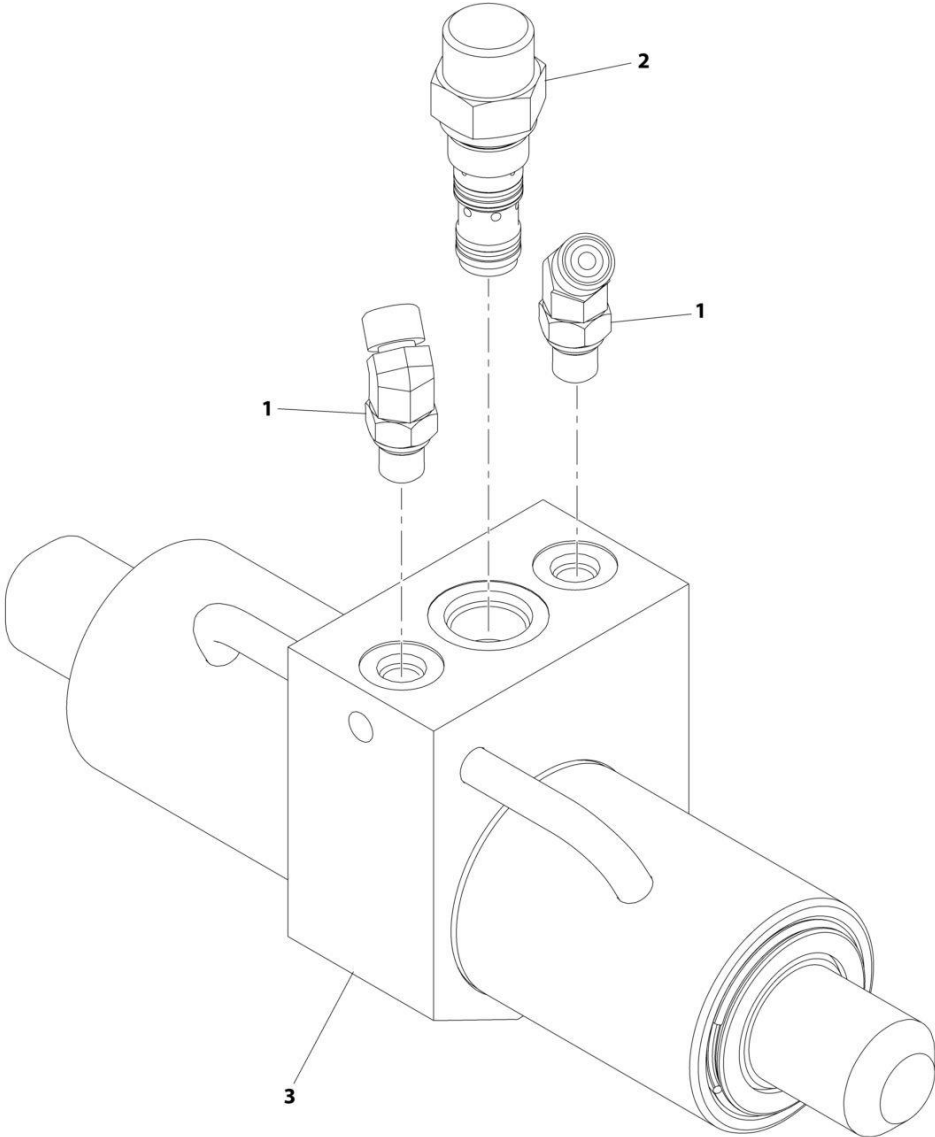
## SECTION 8 - HYDRAULIC CIRCUITS

**FIGURE 8-49. HYDRAULIC QUICK COUPLER ASSEMBLY**

ITEM	PART NUMBER	QTY	DESCRIPTION	REV
	1001172134	Ref	Hydraulic Quick Coupler Assembly	E
3	0440321	2	Bearing, Flange 1.5 Length	
3	1001263046	2	Bearing, Flange 1.375 Length	
4	1001191503	2	Bolt, M16X1.5X17 GR10.9	
5	1001191505	4	Bolt, M16X1.5X85 GR10.9	
7	0781208	2	Bolt, M12X16	
10	5241600	6	Washer, M16	
11	91561240	AR	Shim	
13	1001210390	1	Assembly, Quick Coupler Cylinder (See Separate Breakdown in HYDRAULIC COMPONENTS Section)	
14	1001164860	1	Cover	
15	1001172075	1	Fitting, Straight	
16	1001172077	1	Plate	
17	1001172078	1	Plate	

**SECTION 8 - HYDRAULIC CIRCUITS**

**FIGURE 8-50. QUICK COUPLER CYLINDER ASSEMBLY**



ART\_1001210390-A



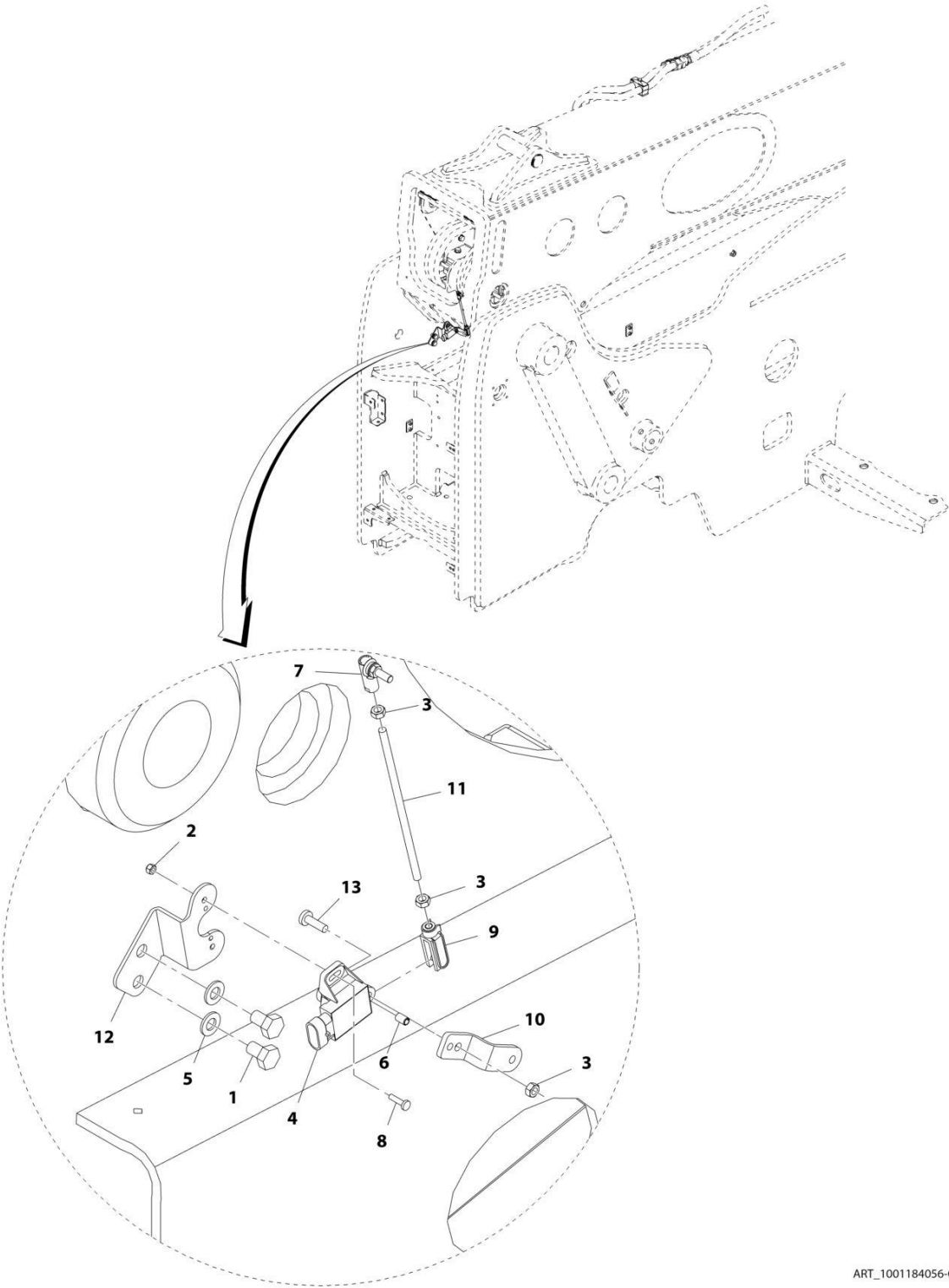
## SECTION 8 - HYDRAULIC CIRCUITS

**FIGURE 8-50. QUICK COUPLER CYLINDER ASSEMBLY**

ITEM	PART NUMBER	QTY	DESCRIPTION	REV
	1001210390	Ref	Quick Coupler Cylinder Assembly	A
1	2150404	2	Fitting, 45 ORFS	
2	1001007056	1	Valve, Check	
3	1001120163	1	Cylinder, Quick Coupler (See Separate Breakdown in this Section)	

**SECTION 8 - HYDRAULIC CIRCUITS**

**FIGURE 8-51. BOOM ANGLE SENSOR INSTALLATION**



ART\_1001184056-C

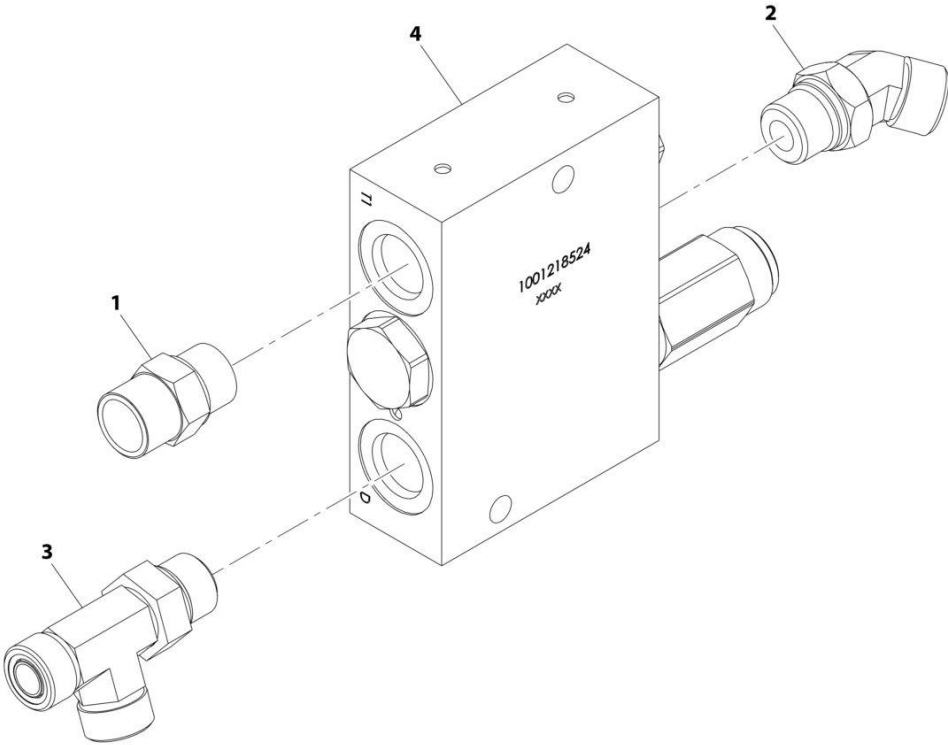
## SECTION 8 - HYDRAULIC CIRCUITS

### FIGURE 8-51. BOOM ANGLE SENSOR INSTALLATION

ITEM	PART NUMBER	QTY	DESCRIPTION	REV
	1001184056	Ref	Boom Angle Sensor Installation	C
1	0761008	2	Bolt, M10X16	
2	3290405	2	Nut, Lock M4X0.7	
3	3290601	3	Nut, M6X1	
4	4000015	1	Sensor, Angle	
5	4812000	2	Washer, M10	
6	1001103156	1	Pin	
7	1001184484	1	Joint, Ball	
8	1001126837	2	Screw, M4X16	
9	1001134274	1	Clevis	
10	1001188787	1	Link, Boom Angle Sensor	
11	1001168482	1	Rod	
12	1001211059	1	Bracket, Boom Angle Sensor	
13	4010610002	1	Screw, M6X20	

**SECTION 8 - HYDRAULIC CIRCUITS**

**FIGURE 8-52. EMERGENCY STEERING MANIFOLD**



ART\_1001219191-A

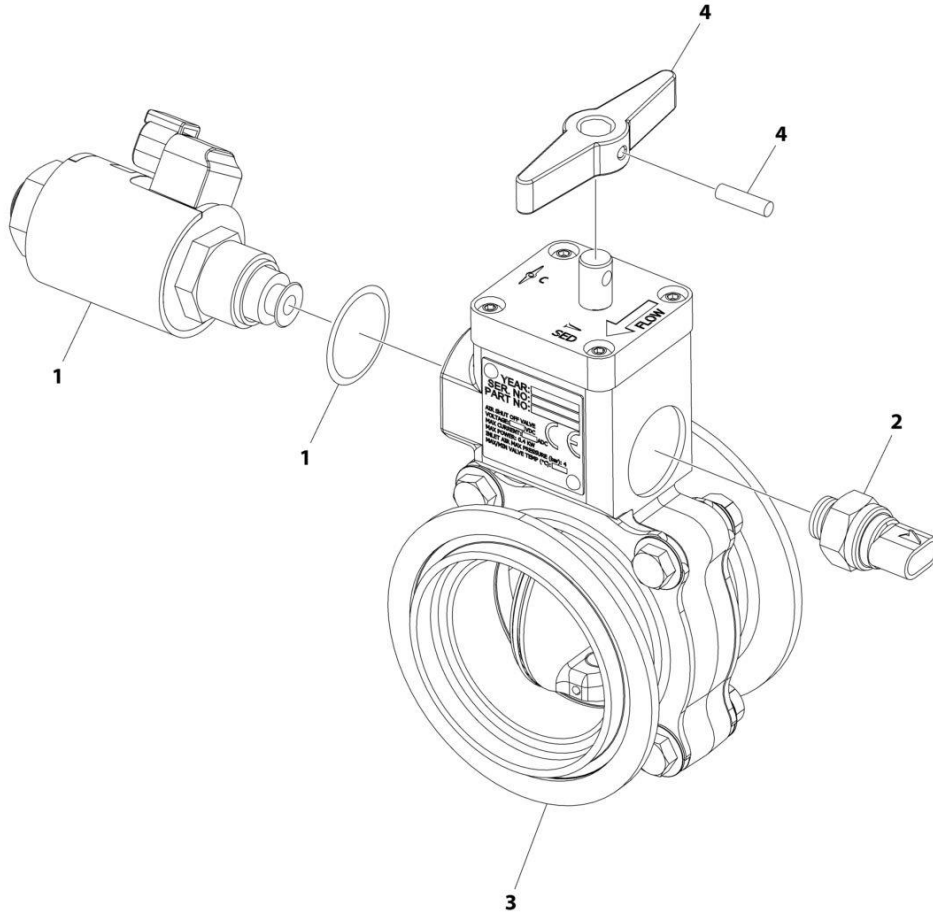
## SECTION 8 - HYDRAULIC CIRCUITS

**FIGURE 8-52. EMERGENCY STEERING MANIFOLD**

ITEM	PART NUMBER	QTY	DESCRIPTION	REV
	1001219191	Ref	Emergency Steering Manifold	A
1	2110808	1	Fitting, Straight ORFS	
2	2150808	1	Fitting, 45 ORFS	
3	2170308	1	Fitting, Tee ORFS	
4	1001218524	1	Manifold	

# SECTION 8 - HYDRAULIC CIRCUITS

## FIGURE 8-53. AIR SHUT OFF VALVE



ART\_1001204032\_C

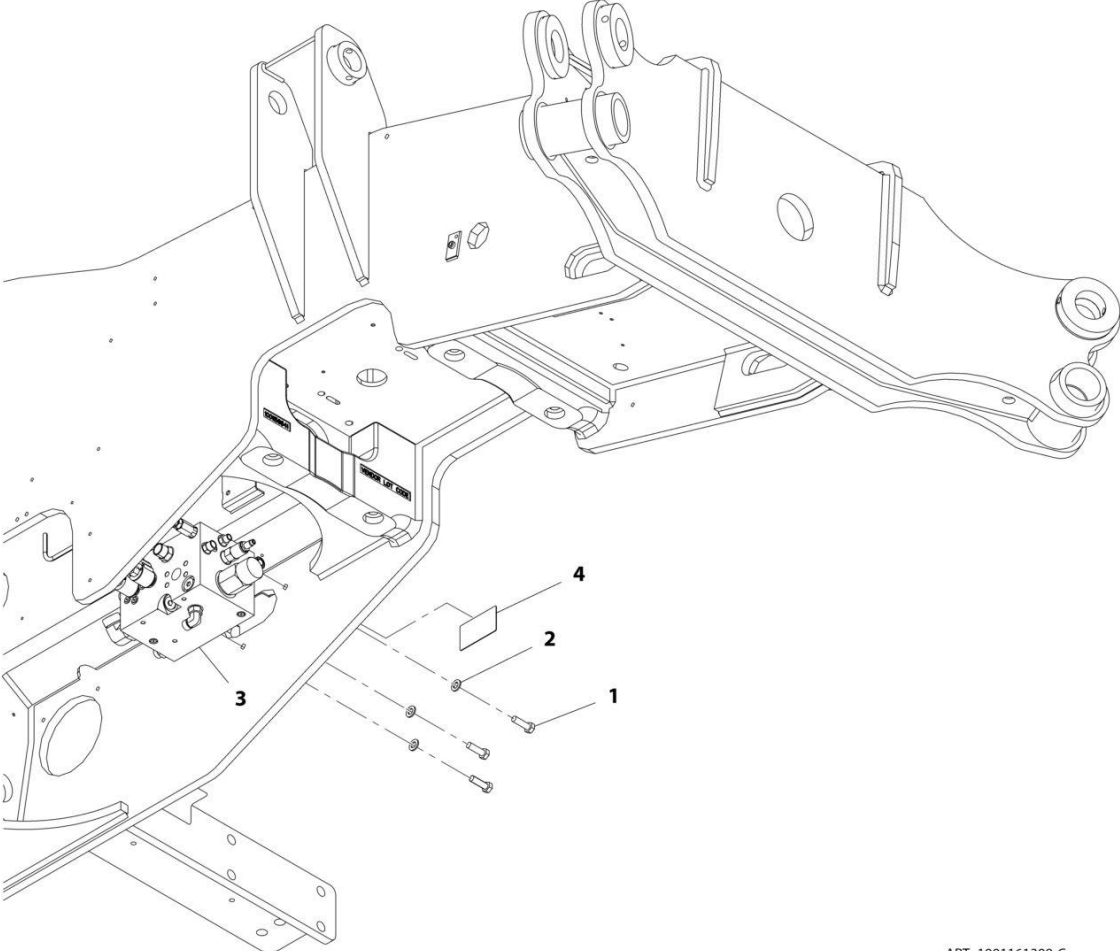
## SECTION 8 - HYDRAULIC CIRCUITS

### FIGURE 8-53. AIR SHUT OFF VALVE

ITEM	PART NUMBER	QTY	DESCRIPTION	REV
	1001204032	Ref	Air Shut Off Valve	C
1	70028514	1	Kit, Solenoid 12V (Includes Solenoid, Coil, O-Ring)	
2	70028515	1	Kit, Switch (Includes Ball Switch & O-Ring)	
3	70028516	1	Kit, Flange and Hardware (Includes Flanges (Male & Female) & Mounting Hardware)	
4	70028517	1	Kit, Handle (Includes Handle & Pin)	

# SECTION 8 - HYDRAULIC CIRCUITS

## FIGURE 8-54. PRIORITY FUNCTION MANIFOLD INSTALLATION



ART\_1001161308-C



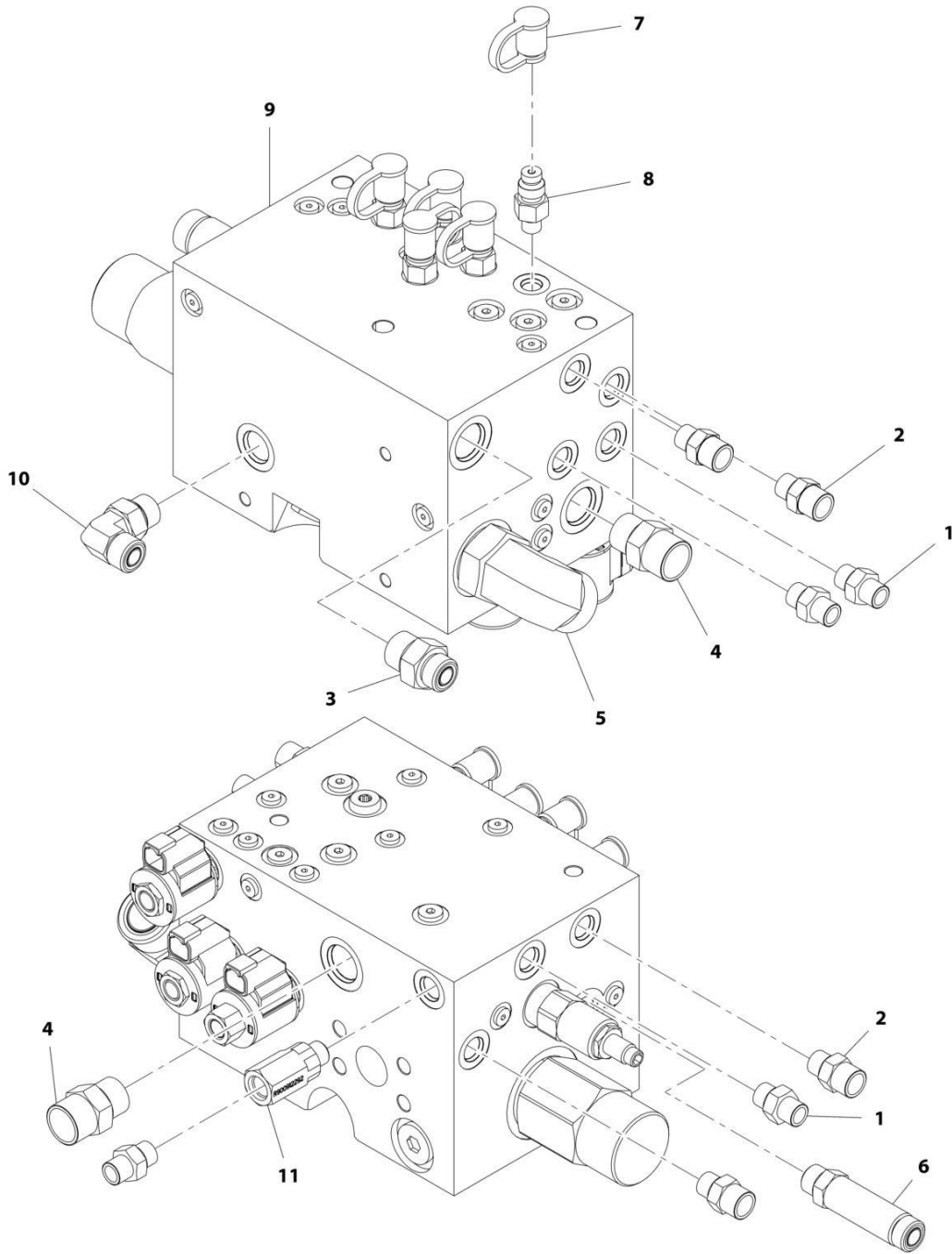
## SECTION 8 - HYDRAULIC CIRCUITS

**FIGURE 8-54. PRIORITY FUNCTION MANIFOLD INSTALLATION**

ITEM	PART NUMBER	QTY	DESCRIPTION	REV
	1001161308	Ref	Priority Function Manifold Installation	C
1	0701216	3	Bolt, M12X40	
2	4812100	3	Washer, M12	
3	1001166223	1	Assembly, Priority Manifold Valve (See Separate Breakdown in this Section)	
4	1001183243	1	Decal, Port ID	

# SECTION 8 - HYDRAULIC CIRCUITS

## FIGURE 8-55. PRIORITY FUNCTION MANIFOLD VALVE ASSEMBLY



ART\_1001166223-F

## SECTION 8 - HYDRAULIC CIRCUITS

**FIGURE 8-55. PRIORITY FUNCTION MANIFOLD VALVE ASSEMBLY**

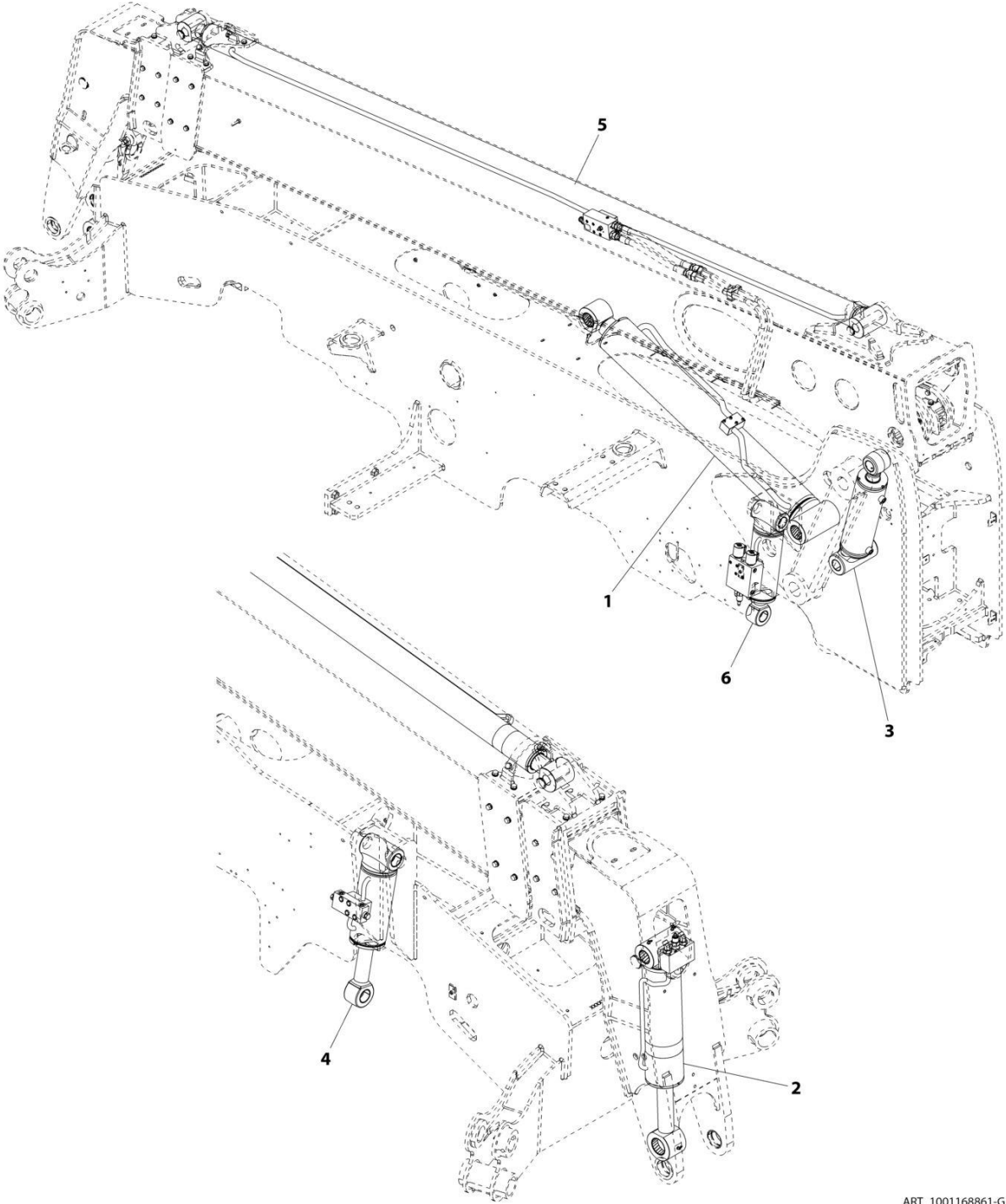
ITEM	PART NUMBER	QTY	DESCRIPTION	REV
	1001166223	Ref	Priority Function Manifold Valve Assembly	F
1	2110406	4	Fitting, Straight ORFS	
2	2110606	4	Fitting, Straight ORFS	
3	2110810	1	Fitting, Straight ORFS	
4	2111010	2	Fitting, Straight ORFS	
5	2131616	1	Fitting, 90 ORFS	
6	1001201755	1	Fitting, Straight ORFS	
7	8430032	5	Plug	
8	8430033	5	Fitting, Straight	
9	1001162548	1	Valve, Priority Manifold (See Separate Breakdown in HYDRAULIC COMPONENTS Section)	
10	2130808	1	Fitting, 90 ORFS	
11	1001196608	1	Valve, Check	



**SECTION 9 - HYDRAULIC COMPONENTS**

# SECTION 9 - HYDRAULIC COMPONENTS

## FIGURE 9-1. CYLINDER GROUP INSTALLATION



ART\_1001168861-G

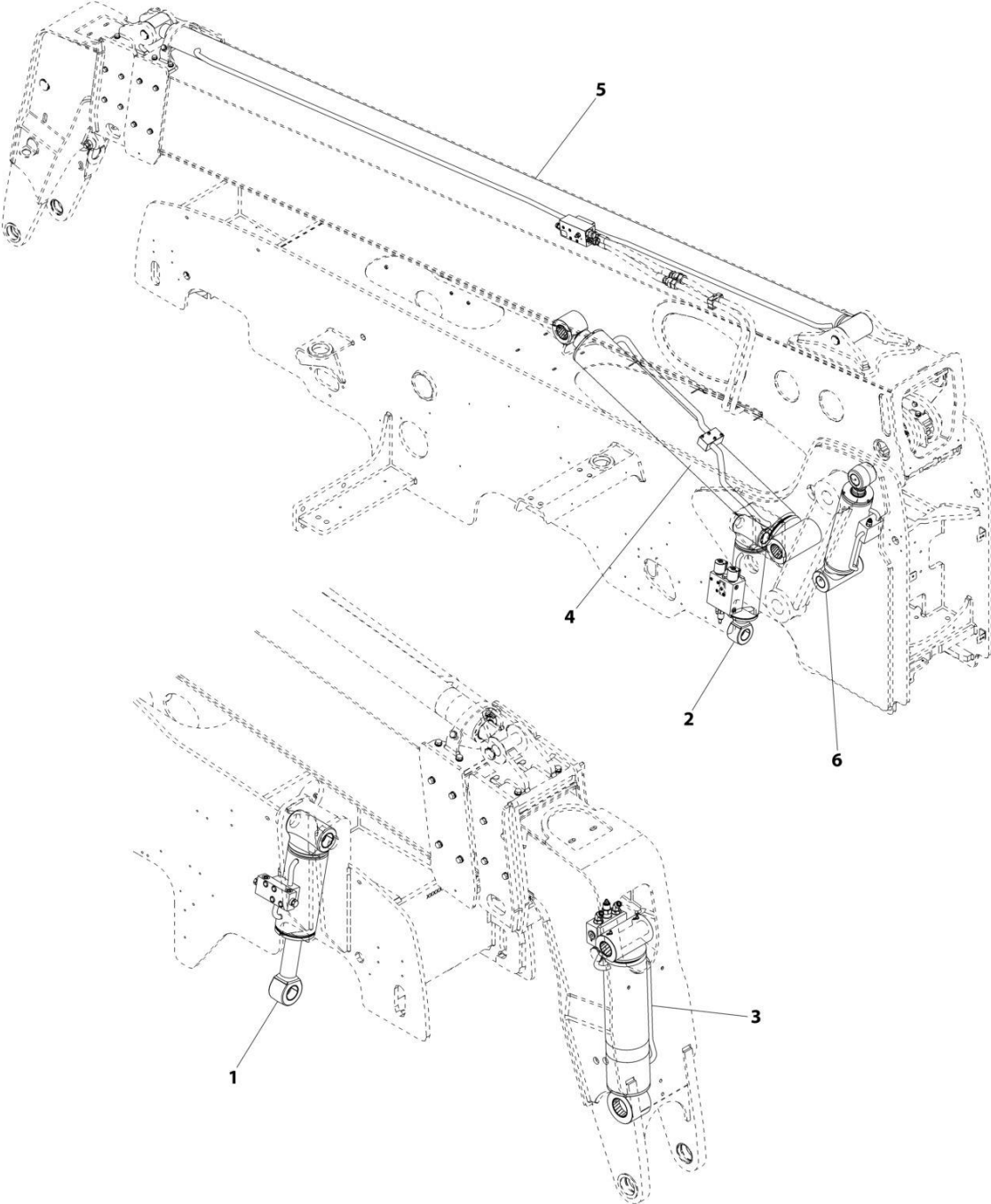
## SECTION 9 - HYDRAULIC COMPONENTS

**FIGURE 9-1. CYLINDER GROUP INSTALLATION**

ITEM	PART NUMBER	QTY	DESCRIPTION	REV
	1001168861	Ref	Cylinder Group Installation	G
1	1001204381	NLA	Cylinder, Lift (no longer available, use 1001228096 for replacement) (See Separate Breakdown in this Section)	
1	1001228096	1	Cylinder, Lift (See Separate Breakdown in this Section)	
2	1001184714	1	Cylinder, Tilt (See Separate Breakdown in this Section)	
3	1001197491	1	Cylinder, Compensation (See Separate Breakdown in this Section)	
4	1001162076	1	Cylinder, Frame Level (See Separate Breakdown in this Section)	
5	1001218577	1	Cylinder, Extend/Retract (See Separate Breakdown in this Section)	
6	1001164036	1	Cylinder, Rear Axle Stabilizer (See Separate Breakdown in this Section)	

# SECTION 9 - HYDRAULIC COMPONENTS

FIGURE 9-2. CYLINDER GROUP INSTALLATION - 74HP



ART\_1001226793-C



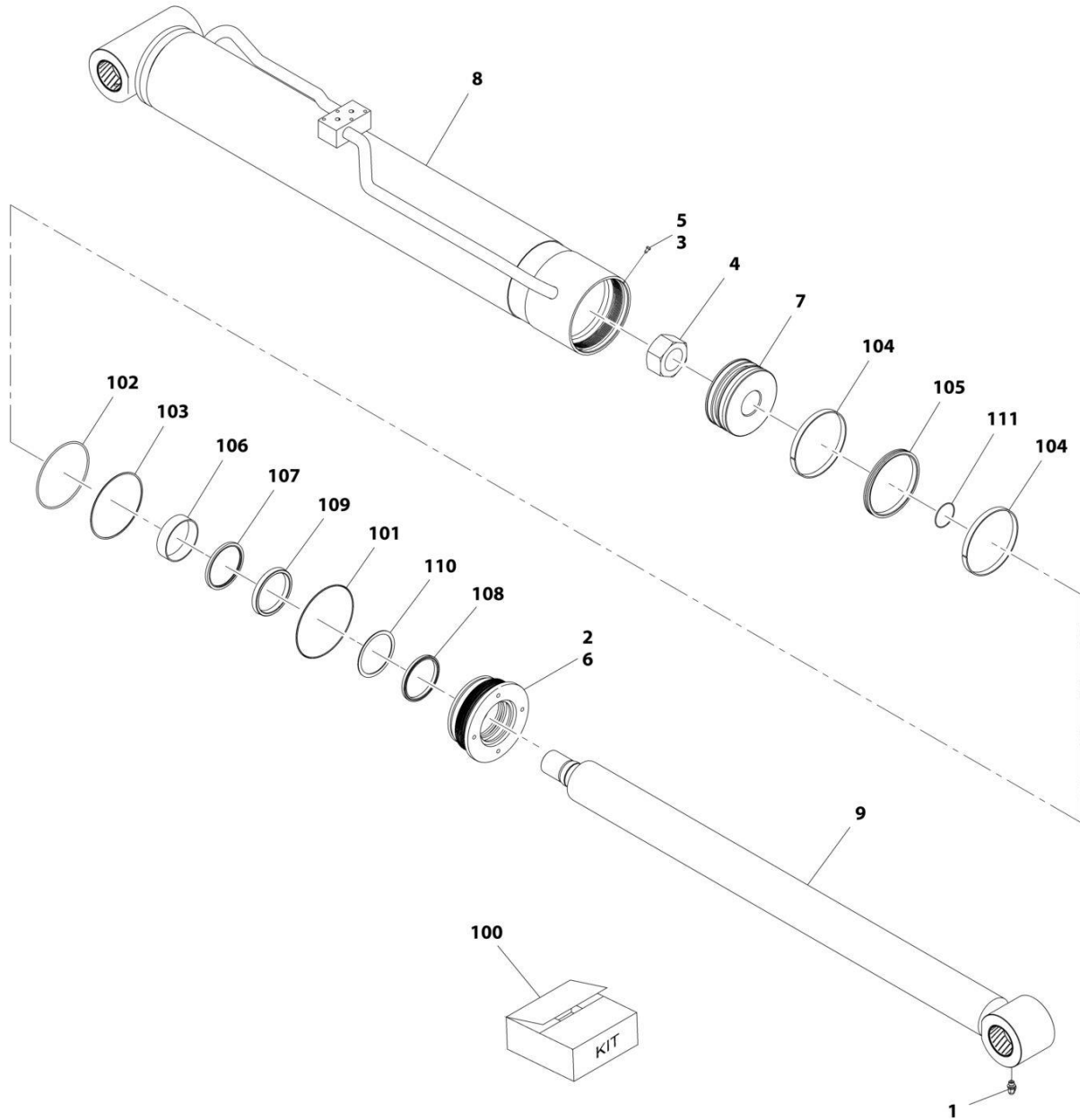
## SECTION 9 - HYDRAULIC COMPONENTS

**FIGURE 9-2. CYLINDER GROUP INSTALLATION - 74HP**

ITEM	PART NUMBER	QTY	DESCRIPTION	REV
	1001226793	Ref	Cylinder Group Installation - 74HP	C
1	1001162076	1	Cylinder, Frame Level (See Separate Breakdown in this Section)	
2	1001164036	1	Cylinder, Rear Axle Stabilizer (See Separate Breakdown in this Section)	
3	1001184714	1	Cylinder, Tilt (See Separate Breakdown in this Section)	
4	1001204381	NLA	Cylinder, Lift (no longer available, use 1001228096 for replacement) (See Separate Breakdown in this Section)	
4	1001228096	1	Cylinder, Lift (See Separate Breakdown in this Section)	
5	1001226849	1	Cylinder, Extend/Retract (See Separate Breakdown in this Section)	
6	1001226670	1	Cylinder, Compensation (See Separate Breakdown in this Section)	

# SECTION 9 - HYDRAULIC COMPONENTS

## FIGURE 9-3. LIFT CYLINDER



ART\_1001204381-C

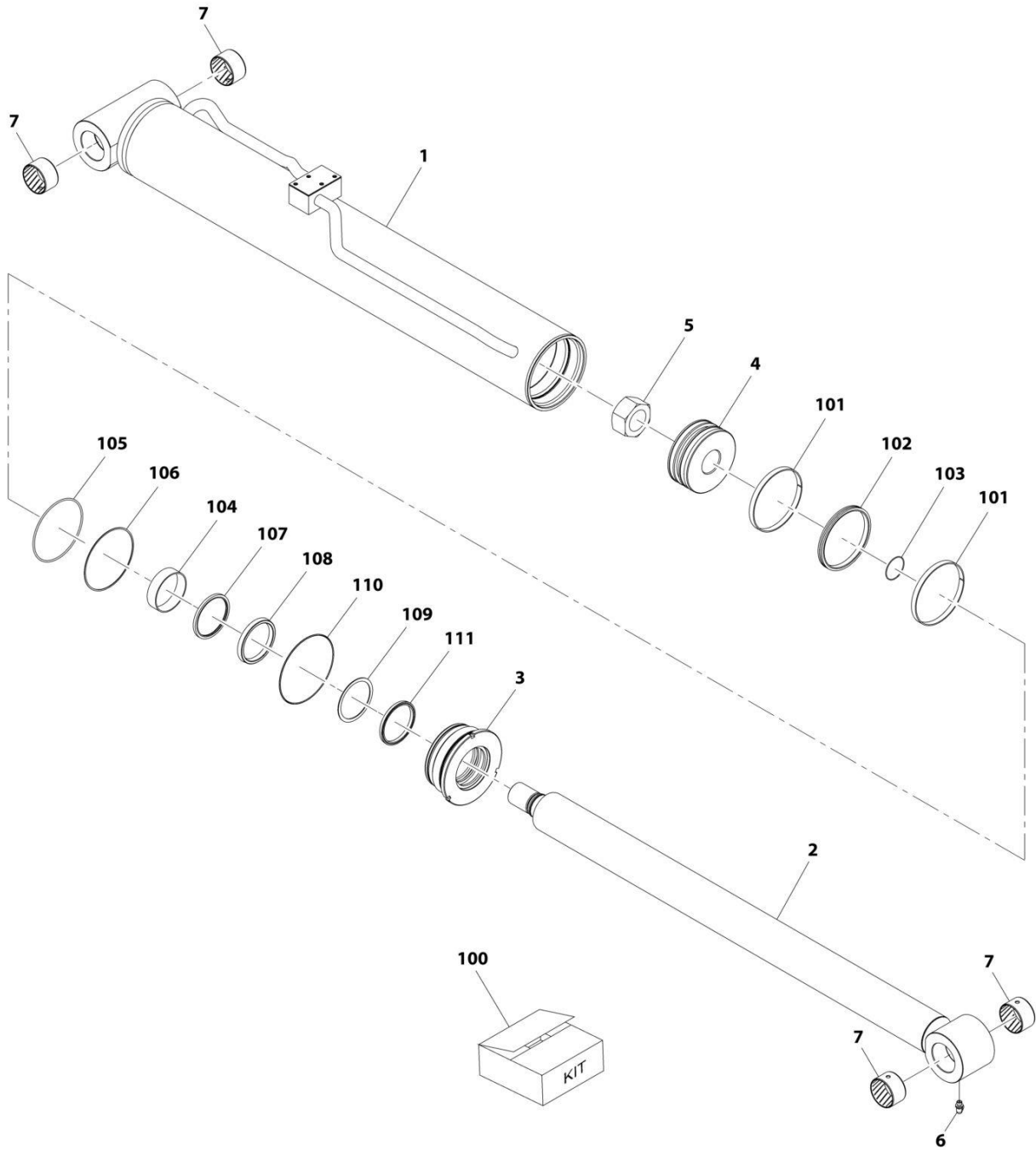
## SECTION 9 - HYDRAULIC COMPONENTS

### FIGURE 9-3. LIFT CYLINDER

ITEM	PART NUMBER	QTY	DESCRIPTION	REV
	1001204381	Ref	Lift Cylinder (no longer available, use items 1 thru 100 for service or 1001228096 for replacement)	C
		Ref	<b>Note: Original Cylinder May Have Been Replaced with Service Replacement. Identify PN Stamped on Cylinder Before Ordering Parts.</b>	
1	8770215	1	Fitting, 90	
2	3020043	AR	Lube, Anti-Seize	
3	0100011	AR	Compound, Locking	
4	1001122453	1	Nut, Lock	
5	1001125137	1	Screw, Self Tapping	
6	1001197699	1	Head	
7	1001197700	1	Piston	
8	1001197695	1	Barrel	
9	1001204379	1	Rod	
100	1001197918	1	Kit, Seal (includes items 101 thru 111)	
101	Kit	1	O-Ring	
102	Kit	1	O-Ring	
103	Kit	1	Ring, Backup	
104	Kit	1	Ring, Wear	
105	Kit	1	Seal	
106	Kit	1	Ring, Wear	
107	Kit	1	Seal, Buffer	
108	Kit	1	Seal, Wiper	
109	Kit	1	Seal	
110	Kit	1	Ring, Backup	
111	Kit	1	O-Ring	

# SECTION 9 - HYDRAULIC COMPONENTS

## FIGURE 9-4. LIFT CYLINDER



ART\_1001228096-A

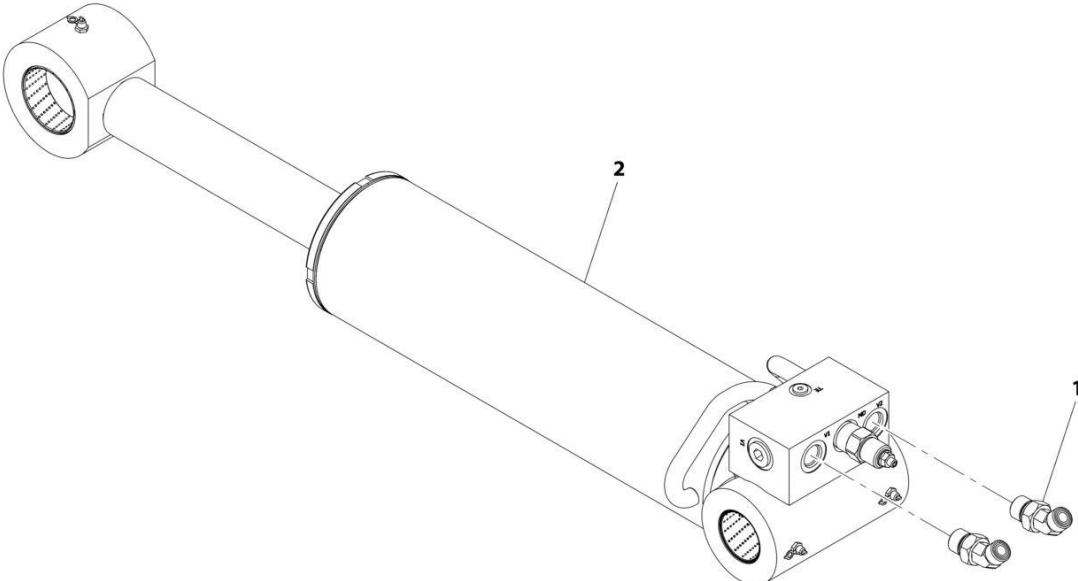
## SECTION 9 - HYDRAULIC COMPONENTS

### FIGURE 9-4. LIFT CYLINDER

ITEM	PART NUMBER	QTY	DESCRIPTION	REV
	1001228096	Ref	Lift Cylinder	A
1	N.S.S.	1	Barrel	
2	70028990	1	Rod	
3	70028991	1	Head	
4	70028992	1	Piston	
5	1001122453	1	Nut, Lock	
6	8770215	1	Fitting, 90	
7	1001170138	4	Bush Bearing	
100	1001197918	1	Kit, Seal (includes items 101 thru 111)	
101	Kit	2	Bearing	
102	Kit	1	Piston Seal	
103	Kit	1	O-Ring	
104	Kit	1	O-Ring	
105	Kit	1	Ring, Backup	
106	Kit	1	Bearing	
107	Kit	1	Buffer	
108	Kit	1	Rod Seal	
109	Kit	1	Ring, Backup	
110	Kit	1	O-Ring	
111	Kit	1	Wiper	

**SECTION 9 - HYDRAULIC COMPONENTS**

**FIGURE 9-5. TILT CYLINDER ASSEMBLY**



ART\_1001184714-E

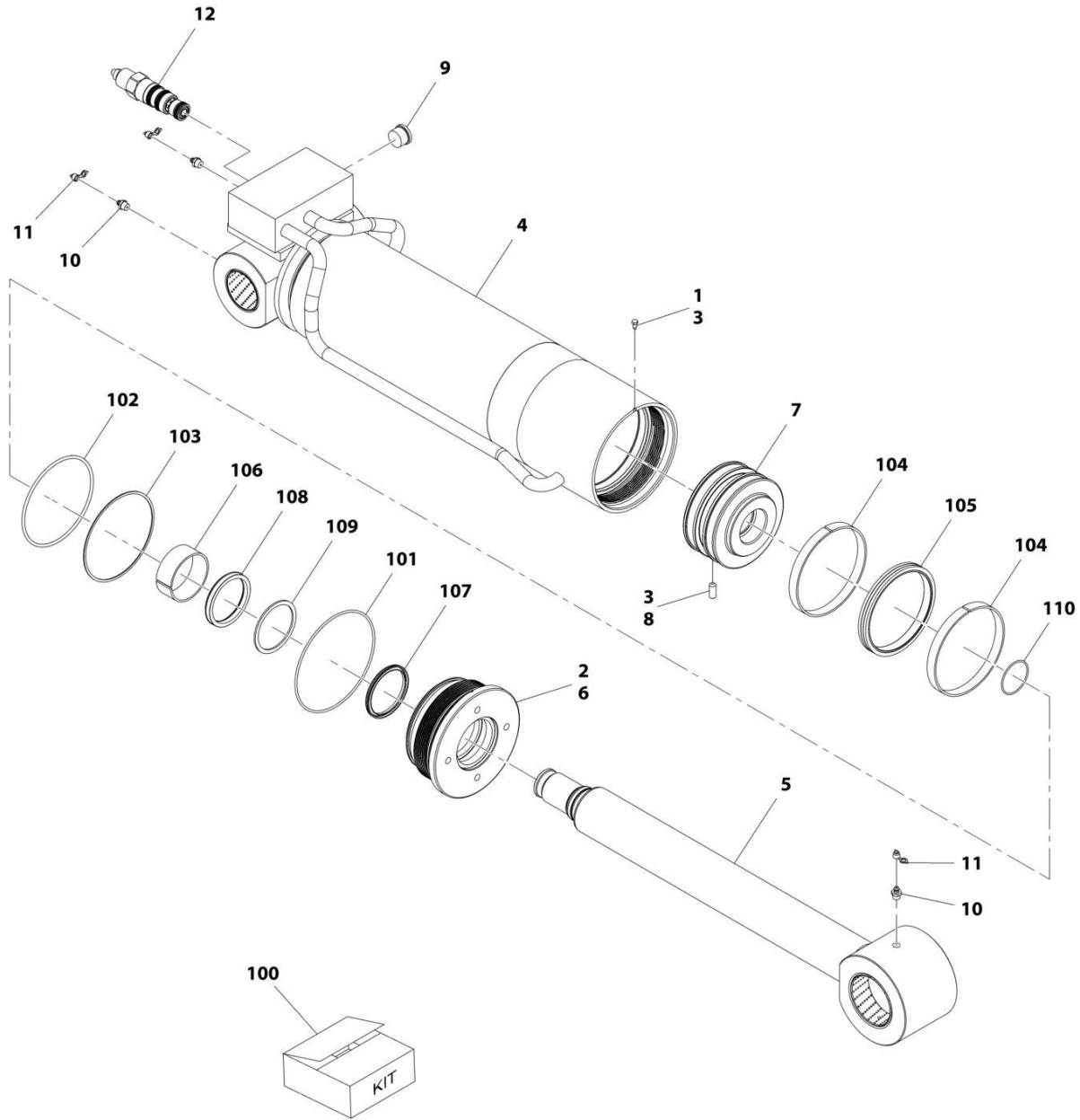
## SECTION 9 - HYDRAULIC COMPONENTS

### FIGURE 9-5. TILT CYLINDER ASSEMBLY

ITEM	PART NUMBER	QTY	DESCRIPTION	REV
1	1001184714	Ref	Tilt Cylinder Assembly	E
2	2150810	2	Fitting, 45 ORFS	
2	1001197574	NLA	Tilt Cylinder (no longer available, use 1001228089 for replacement) (See Separate Breakdown in this Section)	
2	1001228089	1	Tilt Cylinder (See Separate Breakdown in this Section)	

# SECTION 9 - HYDRAULIC COMPONENTS

## FIGURE 9-6. TILT CYLINDER



ART\_1001197574-C



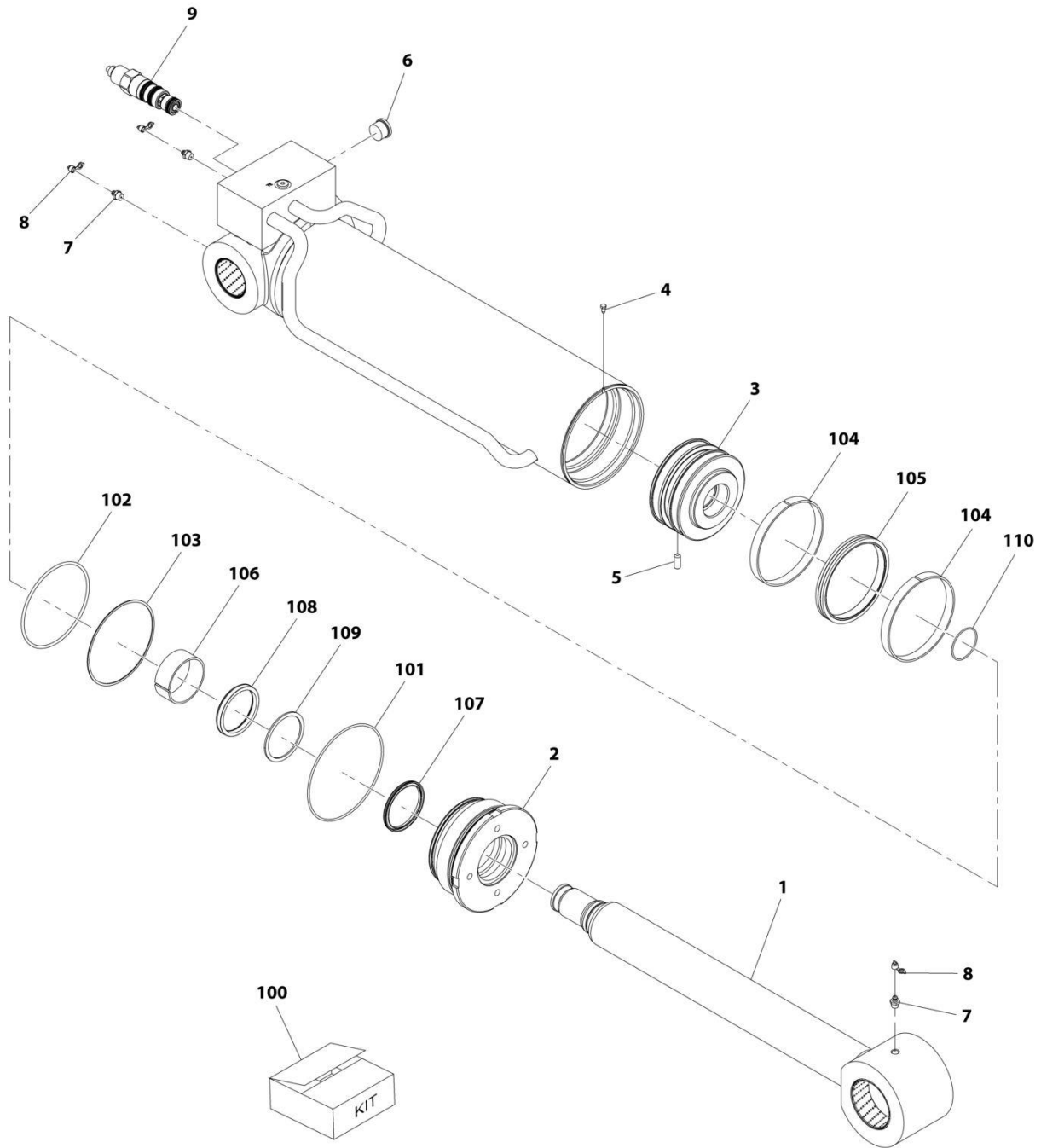
## SECTION 9 - HYDRAULIC COMPONENTS

### FIGURE 9-6. TILT CYLINDER

ITEM	PART NUMBER	QTY	DESCRIPTION	REV
	1001197574	NLA	Tilt Cylinder (no longer available, use items 1 thru 100 for service or 1001228089 for replacement)	C
		Ref	<b>Note: Original Cylinder May Have Been Replaced with Service Replacement. Identify PN Stamped on Cylinder Before Ordering Parts.</b>	
1	1001125137	1	Screw, Self Tapping	
2	3020043	AR	Lube, Anti-Seize	
3	0100011	AR	Adhesive, Loctite	
4	N.S.S.	1	Barrel	
5	1001167727	1	Rod	
6	1001197209	1	Cylinder, Head	
7	1001197210	1	Cylinder, Piston	
8	1001169050	1	Screw, M8X1.25	
9	2220887	1	Plug	
10	2160016	3	Fitting, Grease	
11	8887145	3	Cap, Grease Fitting	
12	1001189888	1	Valve, Counterbalance	
100	1001197801	1	Kit, Seal (includes items 101 thru 110)	
101	Kit	1	O-Ring	
102	Kit	1	O-Ring	
103	Kit	1	Ring, Back-Up	
104	Kit	2	Ring, Piston Wear	
105	Kit	1	Seal, Piston Cap	
106	Kit	1	Ring, Wear	
107	Kit	1	Seal, Rod Wiper	
108	Kit	1	Seal, Rod	
109	Kit	1	Ring, Back-Up	
110	Kit	1	O-Ring	

# SECTION 9 - HYDRAULIC COMPONENTS

## FIGURE 9-7. TILT CYLINDER



ART\_1001228089-A

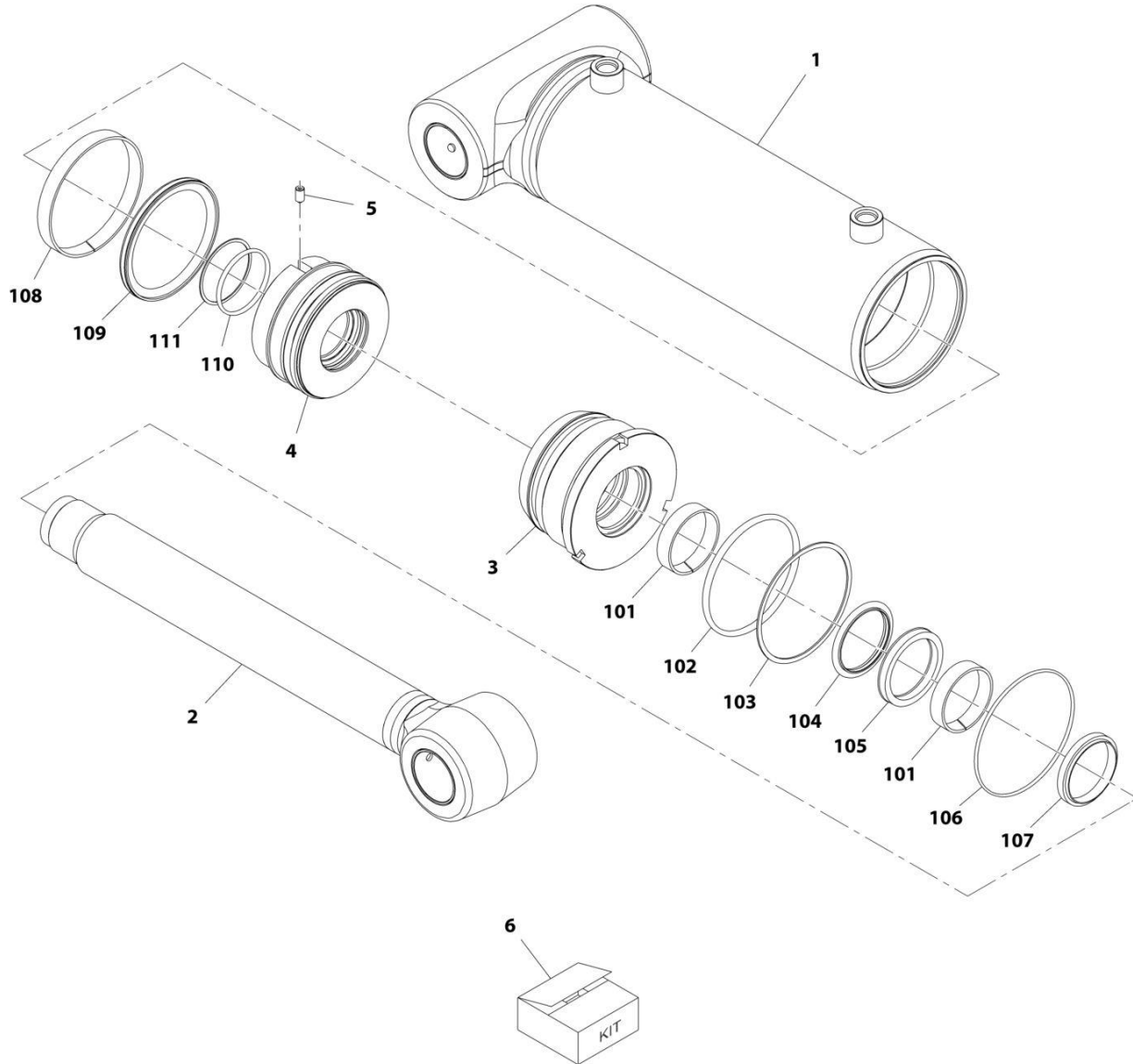
## SECTION 9 - HYDRAULIC COMPONENTS

### FIGURE 9-7. TILT CYLINDER

ITEM	PART NUMBER	QTY	DESCRIPTION	REV
	1001228089	Ref	Tilt Cylinder	A
1	70029042	1	Rod	
2	70029043	1	Gland	
3	70029044	1	Piston	
4	1001125137	1	Screw, Self Tapping	
5	1001169050	1	Screw, M8X1.25	
6	2220887	1	Plug	
7	2160016	3	Fitting, Grease	
8	8887145	3	Cap, Grease Fitting	
9	1001189888	1	Valve, Counterbalance	
100	1001197801	1	Kit, Seal (includes items 101 thru 110)	
101	Kit	1	O-Ring	
102	Kit	1	O-Ring	
103	Kit	1	Ring, Back-Up	
104	Kit	4	Ring, Piston Wear	
105	Kit	1	Seal, Piston Cap	
106	Kit	1	Ring, Wear	
107	Kit	1	Seal, Rod Wiper	
108	Kit	1	Seal, Rod	
109	Kit	1	BACK UP RING	
110	Kit	1	O-Ring	

# SECTION 9 - HYDRAULIC COMPONENTS

## FIGURE 9-8. COMPENSATION CYLINDER



ART\_1001197491-B

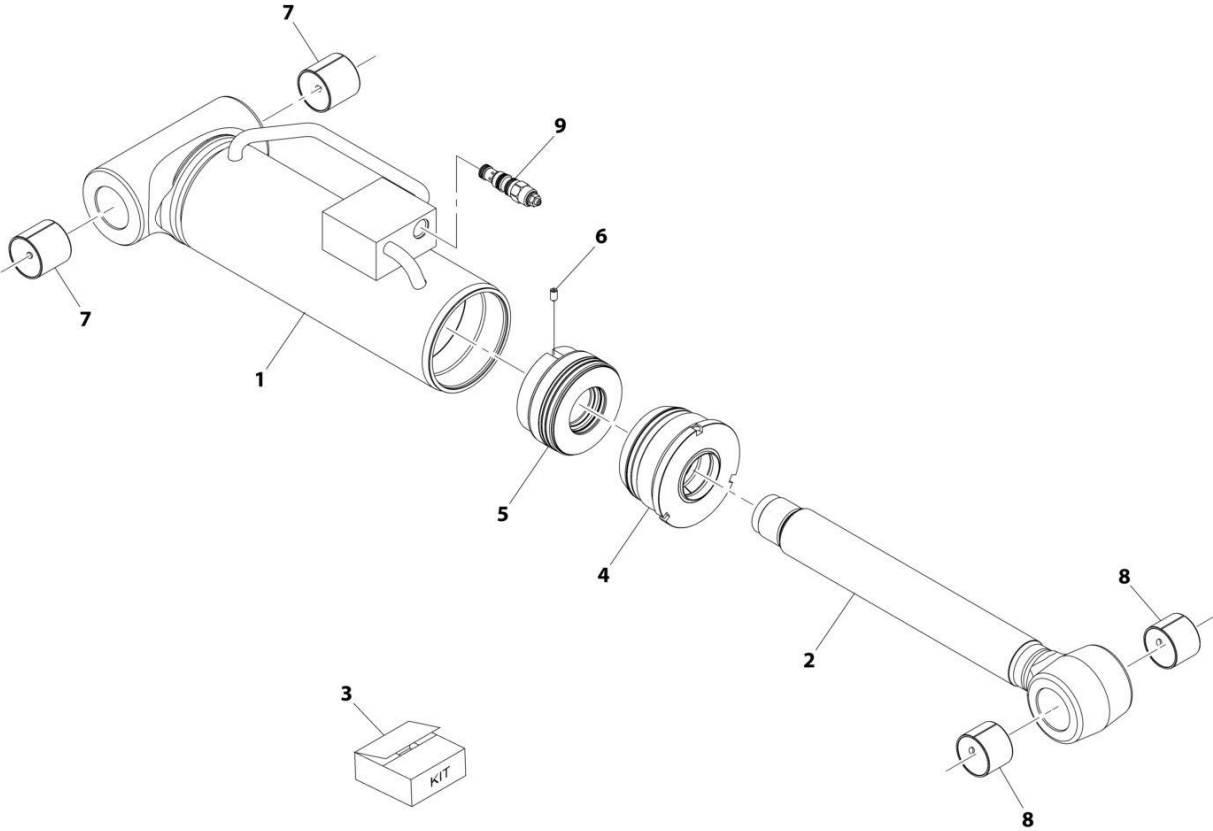
## SECTION 9 - HYDRAULIC COMPONENTS

### FIGURE 9-8. COMPENSATION CYLINDER

ITEM	PART NUMBER	QTY	DESCRIPTION	REV
	1001197491	Ref	Compensation Cylinder	B
		Ref	<b>Note: Original Cylinder May Have Been Replaced with Service Replacement. Identify PN Stamped on Cylinder Before Ordering Parts.</b>	
1	70026636	1	Body, Assembled	
2	70026436	1	Rod	
3	70026637	1	Guide, Rod	
4	70026638	1	Piston	
5	70020438	1	Screw, Piston Locking	
6	70026639	1	Kit, Seal (includes items 101 thru 111)	
101	Kit	1	Bearing	
102	Kit	2	O-Ring	
103	Kit	1	Ring, Backup	
104	Kit	1	Buffer	
105	Kit	1	Buffer	
106	Kit	1	O-Ring	
107	Kit	1	Wiper	
108	Kit	1	Bearing	
109	Kit	1	Seal, Piston	
110	Kit	1	O-Ring	
111	Kit	2	Ring, Backup	

**SECTION 9 - HYDRAULIC COMPONENTS**

**FIGURE 9-9. COMPENSATION CYLINDER**



ART\_1001226670-A

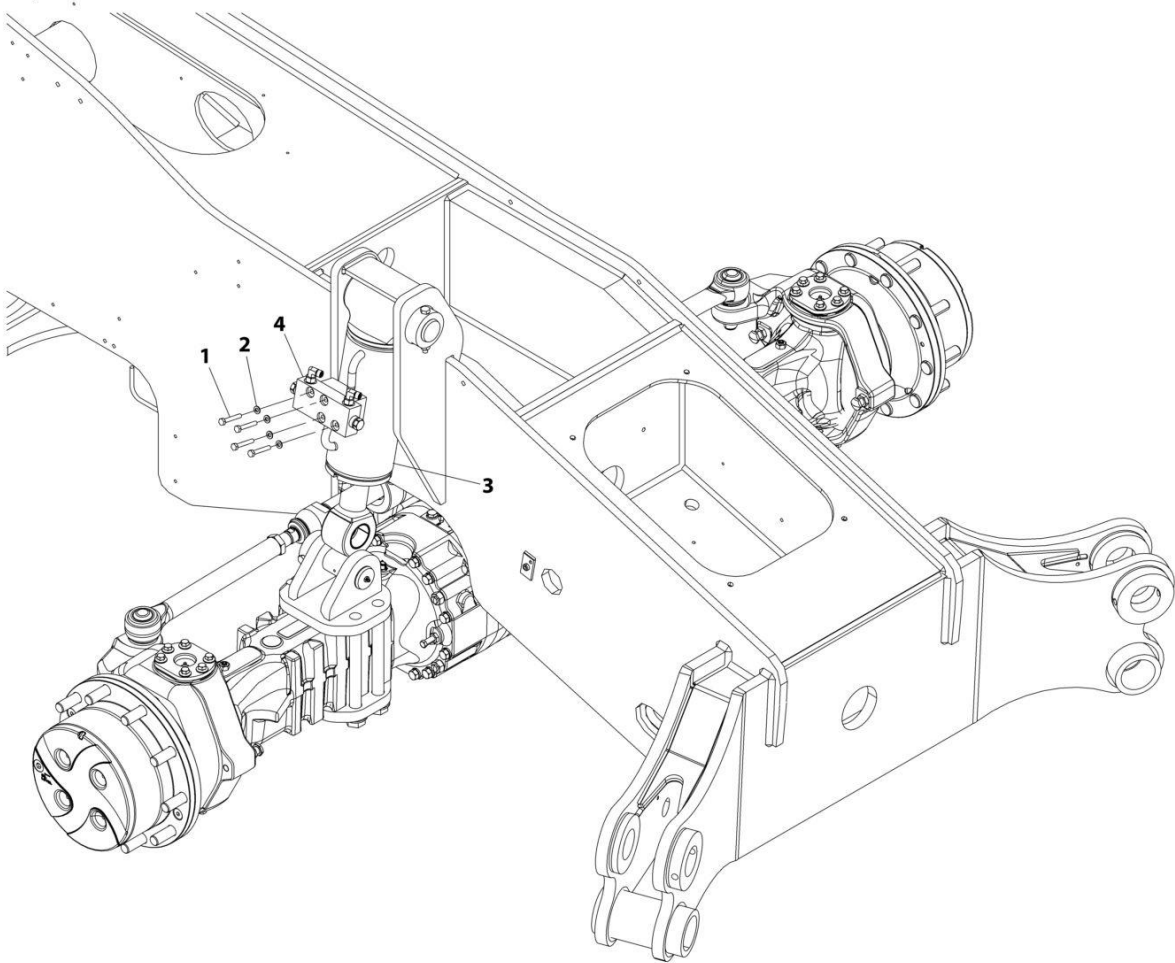
## SECTION 9 - HYDRAULIC COMPONENTS

### FIGURE 9-9. COMPENSATION CYLINDER

ITEM	PART NUMBER	QTY	DESCRIPTION	REV
	1001226670	Ref	Compensation Cylinder	A
		Ref	Note: Original Cylinder May Have Been Replaced with Service Replacement. Identify PN Stamped on Cylinder Before Ordering Parts.	
1	N.S.S.	1	Barrel Assembly	
2	70028643	1	Rod Assembly	
3	70026639	1	Seal Kit	
4	70026637	1	Rod Guide	
5	70026638	1	Piston Assembly	
6	70020438	1	Screw	
7	70028644	2	Bearing	
8	70028645	2	Bearing	
9	70028646	1	Valve, Counterbalance	

# SECTION 9 - HYDRAULIC COMPONENTS

FIGURE 9-10. FRAME LEVEL CYLINDER INSTALLATION



ART\_1001162076-C



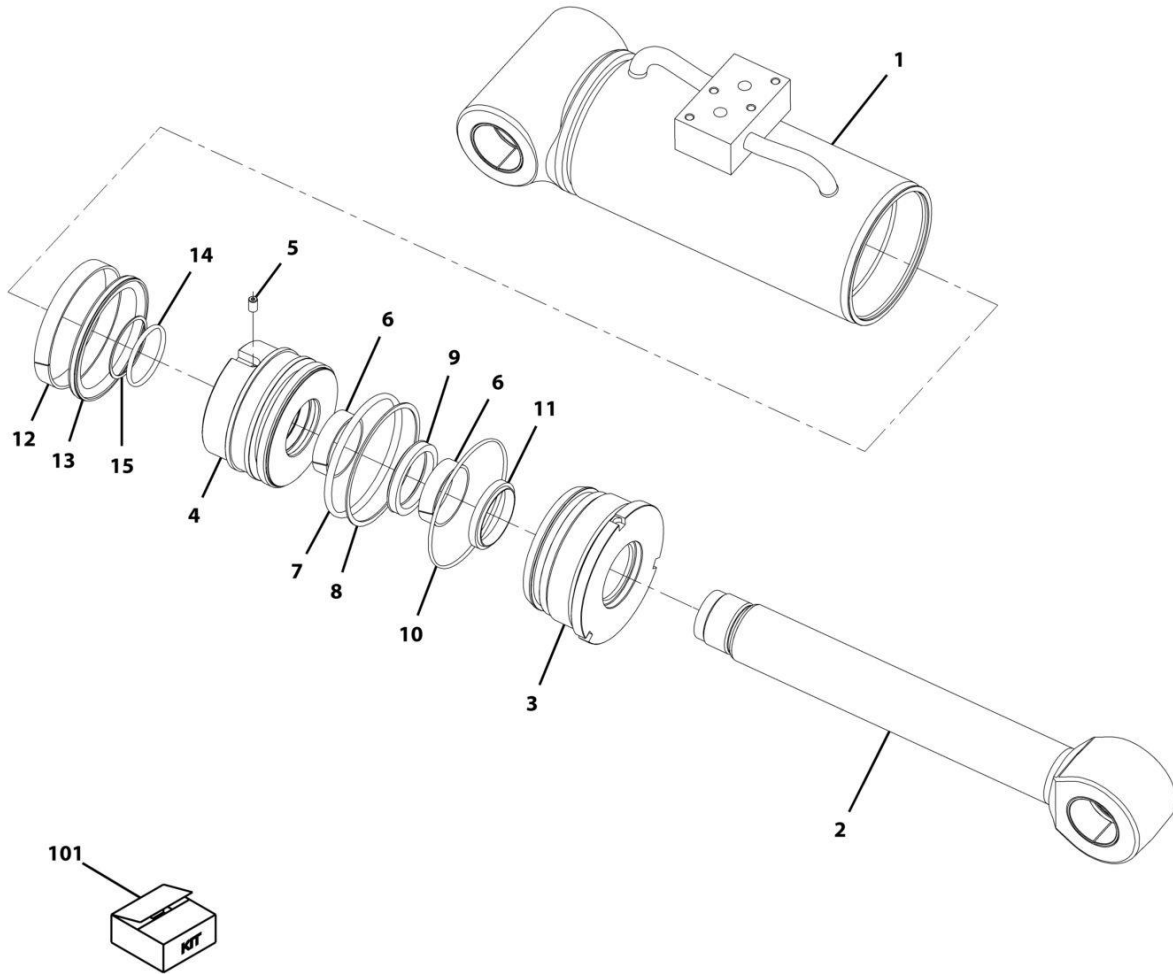
## SECTION 9 - HYDRAULIC COMPONENTS

FIGURE 9-10. FRAME LEVEL CYLINDER INSTALLATION

ITEM	PART NUMBER	QTY	DESCRIPTION	REV
	1001162076	Ref	Frame Level Cylinder Installation	C
1	0700818	4	Bolt, M8X50	
2	4811900	4	Washer, M8	
3	1001179369	1	Cylinder, Frame Stability (See Separate Breakdown in this Section)	
4	1001168599	1	Valve, Counterbalance	

# SECTION 9 - HYDRAULIC COMPONENTS

## FIGURE 9-11. FRAME LEVEL CYLINDER



ART\_1001179369-A

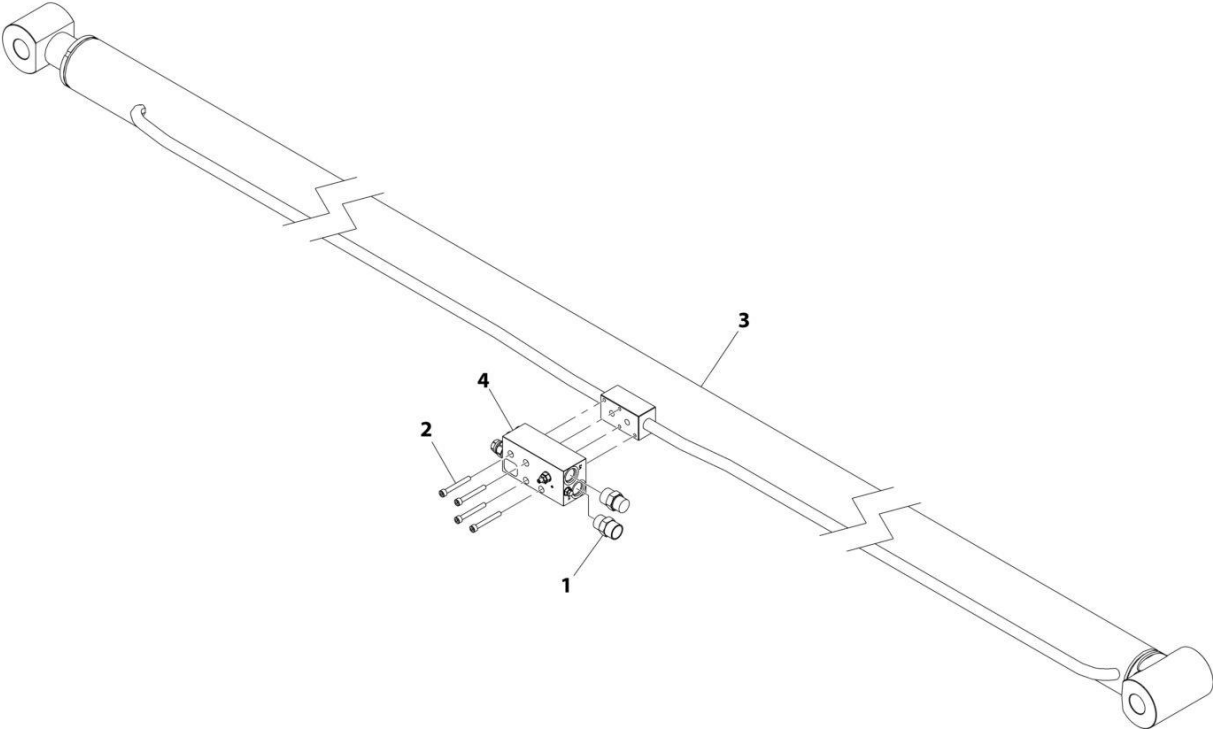
## SECTION 9 - HYDRAULIC COMPONENTS

### FIGURE 9-11. FRAME LEVEL CYLINDER

ITEM	PART NUMBER	QTY	DESCRIPTION	REV
	1001179369	Ref	Frame Level Cylinder	A
		Ref	<b>Note: Original Cylinder May Have Been Replaced with Service Replacement. Identify PN Stamped on Cylinder Before Ordering Parts.</b>	
1	70026435	1	Barrel	
2	70026436	1	Rod	
3	70026249	1	Guide, Rod	
4	70026251	1	Piston	
5	70020438	1	Screw	
6	Kit	2	Bearing	
7	Kit	1	O-Ring	
8	Kit	1	Ring, Backup	
9	Kit	1	Seal, Rod	
10	Kit	1	O-Ring	
11	Kit	1	Wiper	
12	Kit	1	Bearing	
13	Kit	1	Seal, Piston	
14	Kit	1	O-Ring	
15	Kit	2	Ring, Backup	
101	70026253	1	Kit, Seal (includes items 6 thru 15)	

# SECTION 9 - HYDRAULIC COMPONENTS

## FIGURE 9-12. EXTEND/RETRACT CYLINDER ASSEMBLY



ART\_1001218577-C

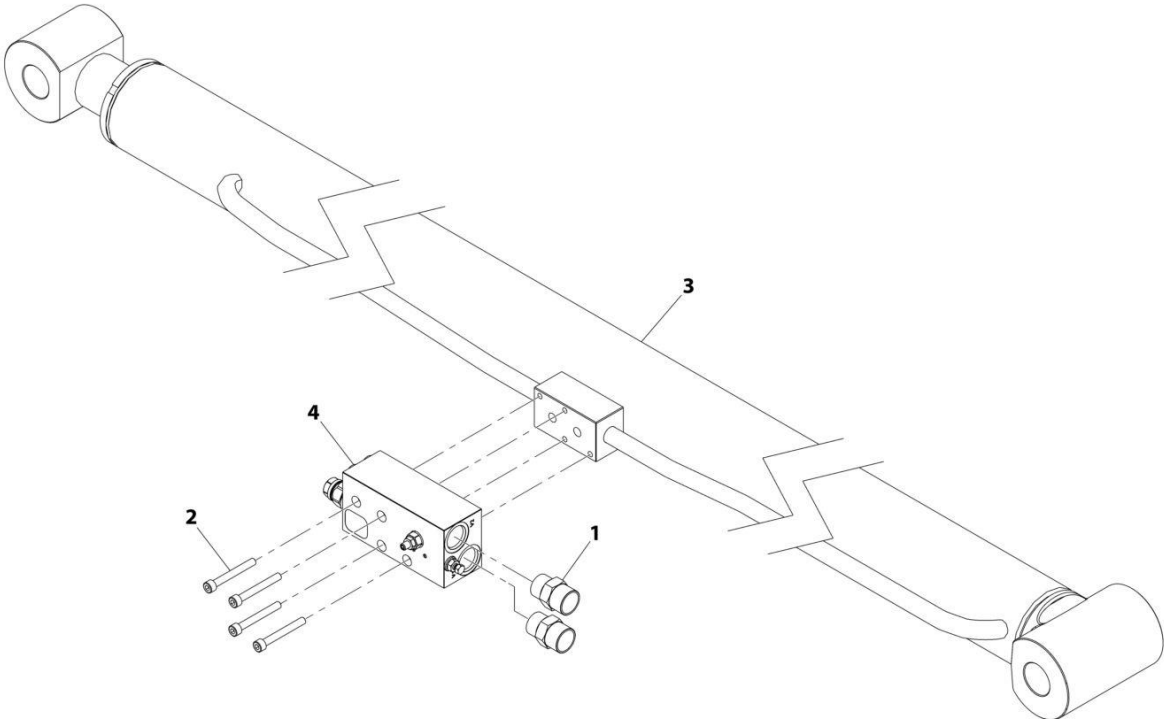
## SECTION 9 - HYDRAULIC COMPONENTS

**FIGURE 9-12. EXTEND/RETRACT CYLINDER ASSEMBLY**

ITEM	PART NUMBER	QTY	DESCRIPTION	REV
	1001218577	Ref	Extend/Retract Cylinder Assembly	C
1	2111212	2	Fitting, Straight ORFS	
2	4031917	4	Bolt, M8X65	
3	1001162686	1	Extend/Retract Cylinder (See Separate Breakdown in this Section) <b>(SN 0160084796 through 0160084896)</b>	
3	1001228074	1	Extend/Retract Cylinder (See Separate Breakdown in this Section) <b>(SN 0160084897 through 0160100493)</b>	
4	1001216522	1	Valve, Counterbalance <b>(SN 0160084796 through 0160084896)</b>	
4	1001231065	1	Valve, Counterbalance (includes 2 O-Ring) <b>(SN 0160084897 through 0160100493)</b>	

**SECTION 9 - HYDRAULIC COMPONENTS**

**FIGURE 9-13. EXTEND/RETRACT CYLINDER**



ART\_1001226849-C

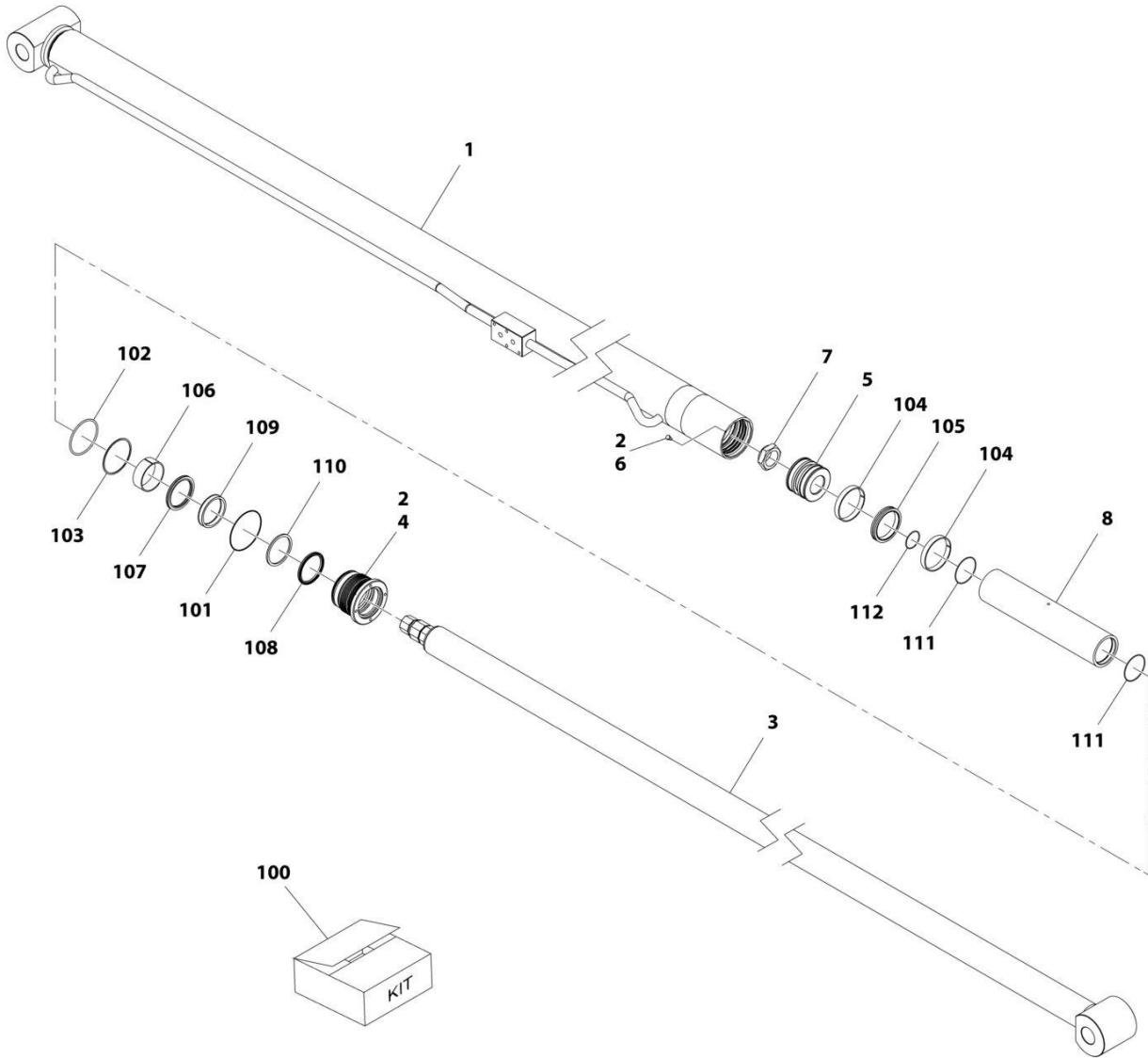
## SECTION 9 - HYDRAULIC COMPONENTS

**FIGURE 9-13. EXTEND/RETRACT CYLINDER**

ITEM	PART NUMBER	QTY	DESCRIPTION	REV
	1001226849	Ref	Extend/Retract Cylinder	C
1	2111212	2	Fitting, Straight ORFS	
2	4031917	4	Bolt, M8X65	
3	1001162686	1	Extend/Retract Cylinder (See Separate Breakdown in this Section) <b>(SN 0160084796 through 0160084896)</b>	
3	1001228074	1	Extend/Retract Cylinder (See Separate Breakdown in this Section) <b>(SN 0160084897 through 0160100493)</b>	
4	1001226876	1	Valve, Counterbalance	

# SECTION 9 - HYDRAULIC COMPONENTS

## FIGURE 9-14. EXTEND/RETRACT CYLINDER



ART\_1001162686-I



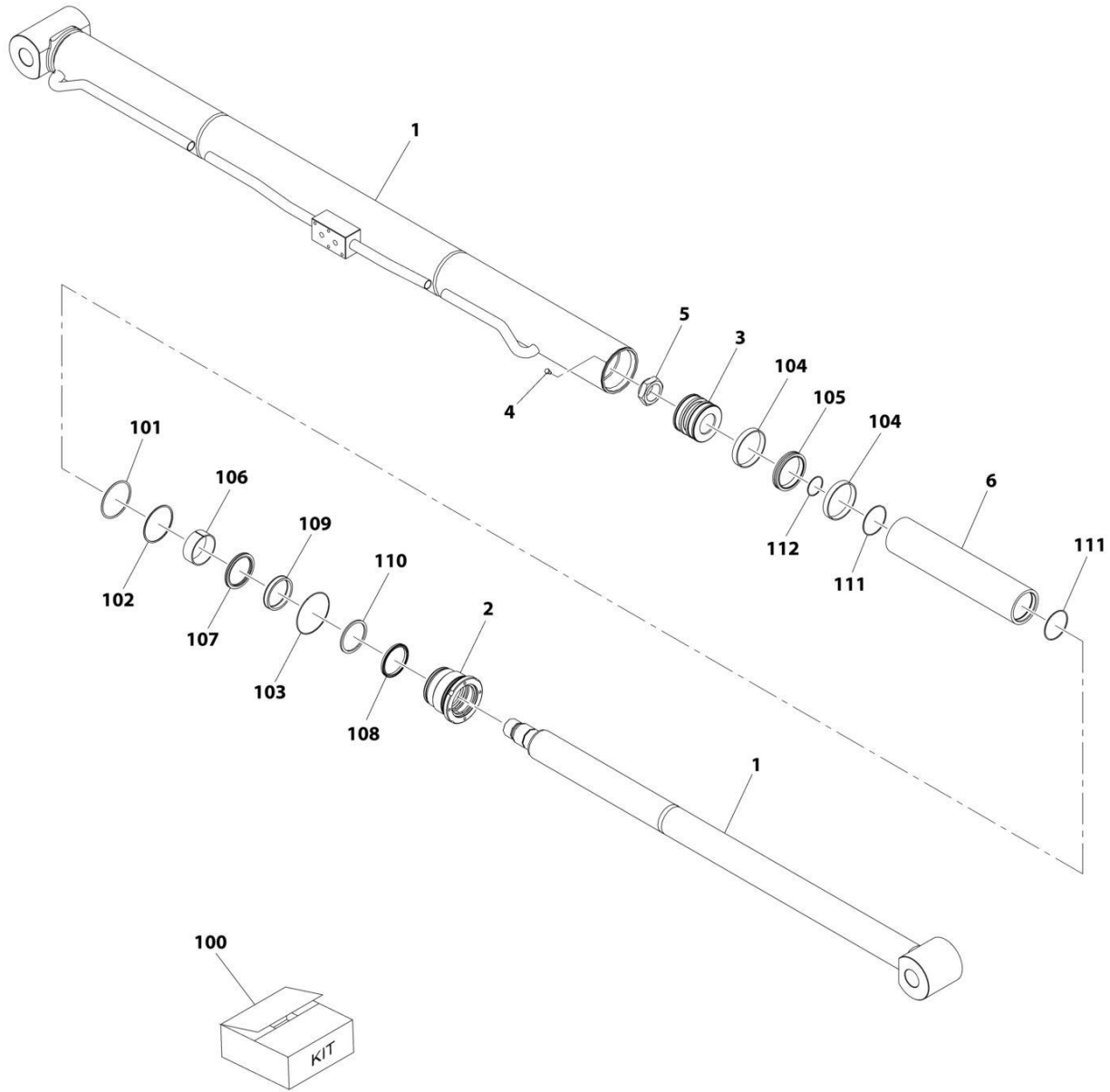
## SECTION 9 - HYDRAULIC COMPONENTS

**FIGURE 9-14. EXTEND/RETRACT CYLINDER**

ITEM	PART NUMBER	QTY	DESCRIPTION	REV
	1001162686	Ref	Extend/Retract Cylinder	1
		Ref	<b>Note: Original Cylinder May Have Been Replaced with Service Replacement. Identify PN Stamped on Cylinder Before Ordering Parts.</b>	
1	1001167549	1	Barrel	
2	3020043	AR	Lube, Anti-Seize	
3	1001167552	1	Rod	
4	1001167557	1	Head, Cylinder	
5	1001167555	1	Piston, Cylinder	
6	1001125137	1	Screw, Self Tapping	
7	1001167576	1	Nut, Lock	
8	1001168671	1	Sleeve, Spacer	
100	1001168668	1	Kit, Seal (includes items 101 thru 112)	
101	Kit	1	O-Ring	
102	Kit	1	O-Ring	
103	Kit	1	Ring, Back-up	
104	Kit	2	Ring, Wear Piston	
105	Kit	1	Seal, Piston Cap-T	
106	Kit	1	Ring, Wear Head	
107	Kit	1	Seal, Rod Buffer	
108	Kit	1	Seal, Rod Wiper	
109	Kit	1	Seal, Rod	
110	Kit	1	Ring, Back-up	
111	Kit	2	O-Ring	
112	Kit	1	O-Ring	

# SECTION 9 - HYDRAULIC COMPONENTS

## FIGURE 9-15. EXTEND/RETRACT CYLINDER



ART\_1001228074-A

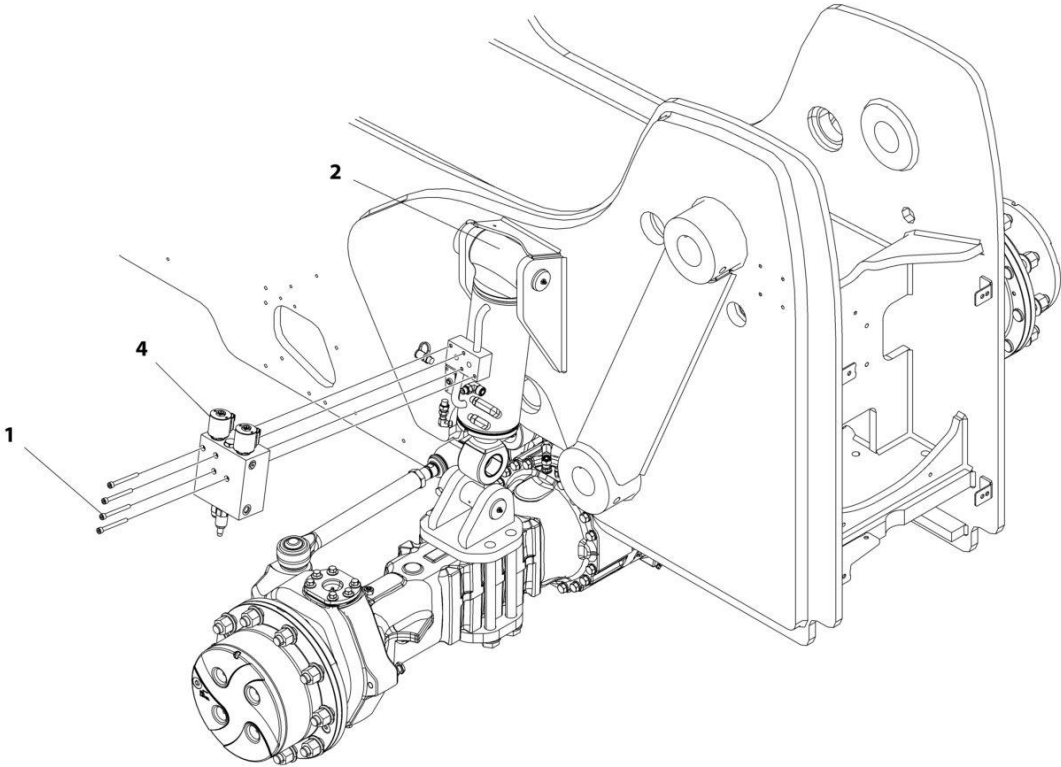
## SECTION 9 - HYDRAULIC COMPONENTS

### FIGURE 9-15. EXTEND/RETRACT CYLINDER

ITEM	PART NUMBER	QTY	DESCRIPTION	REV
	1001228074	Ref	Extend/Retract Cylinder	A
		Ref	Note: Original Cylinder May Have Been Replaced with Service Replacement. Identify PN Stamped on Cylinder Before Ordering Parts.	
1	70029039	1	Rod Assembly	
2	70029040	1	Gland	
3	70029041	1	Piston	
4	1001125137	1	Screw, Self Tapping	
5	1001167576	1	Locknut	
6	1001168671	1	Sleeve, Spacer	
100	1001168668	1	Kit, Seal (includes items 101 thru 112)	
101	Kit	1	O-Ring	
102	Kit	1	O-Ring	
103	Kit	1	Back Up Ring	
104	Kit	2	Ring, Wear Piston	
105	Kit	1	Seal, Piston Cap-T	
106	Kit	1	Ring, Wear Head	
107	Kit	1	Seal, Rod Buffer	
108	Kit	1	Seal, Rod Wiper	
109	Kit	1	Seal, Rod Type B	
110	Kit	1	Back Up Ring	
111	Kit	2	O-Ring	
112	Kit	1	O-Ring	

**SECTION 9 - HYDRAULIC COMPONENTS**

**FIGURE 9-16. REAR AXLE STABILIZER CYLINDER INSTALLATION**



ART\_1001164036\_E

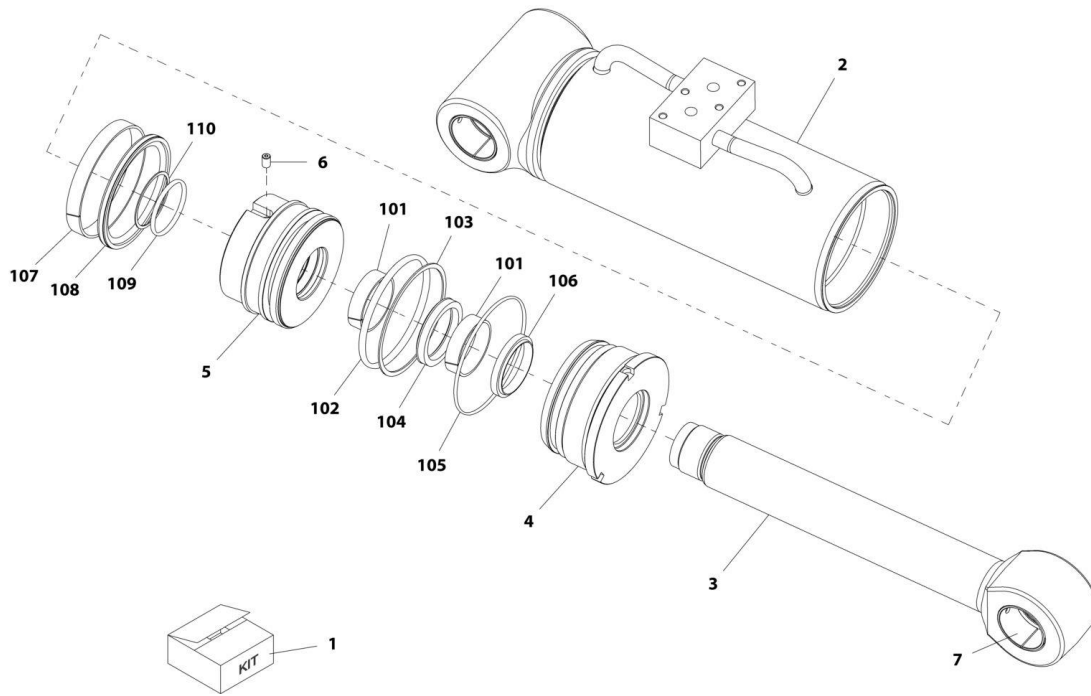
## SECTION 9 - HYDRAULIC COMPONENTS

FIGURE 9-16. REAR AXLE STABILIZER CYLINDER INSTALLATION

ITEM	PART NUMBER	QTY	DESCRIPTION	REV
	1001164036	Ref	Rear Axle Stabilizer Cylinder Installation	E
1	4031920	4	Screw, M8X1.25	
2	1001158620	1	Cylinder, Frame Stability (See Separate Breakdown in HYDRAULC COMPONENTS Section)	
4	1001197600	Ref	Valve (See Separate Breakdown in HYDRAULIC COMPONENTS Section)	

# SECTION 9 - HYDRAULIC COMPONENTS

## FIGURE 9-17. REAR AXLE STABILITY CYLINDER



ART\_1001158620-E

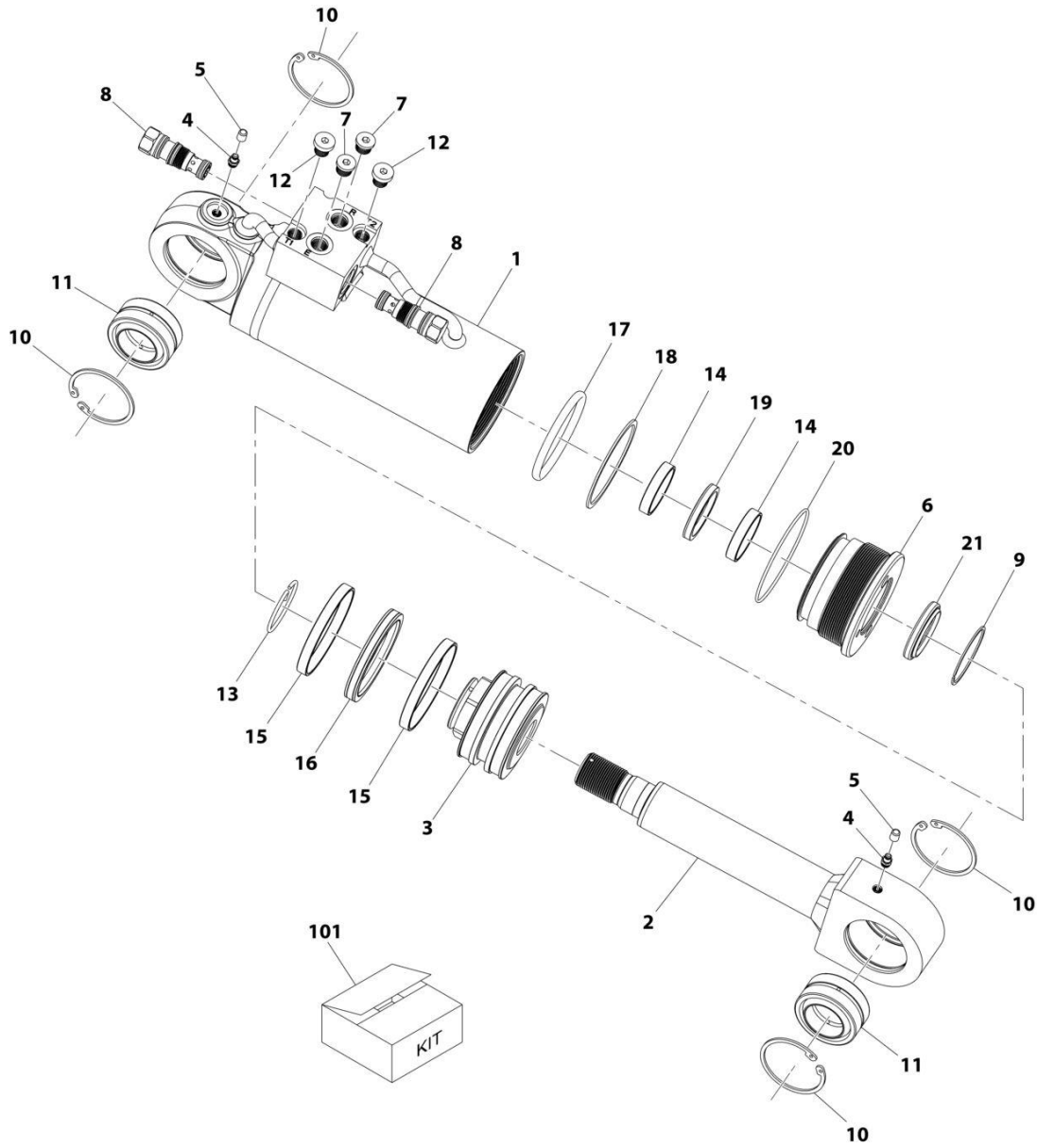
## SECTION 9 - HYDRAULIC COMPONENTS

### FIGURE 9-17. REAR AXLE STABILITY CYLINDER

ITEM	PART NUMBER	QTY	DESCRIPTION	REV
	1001158620	Ref	Rear Axle Stability Cylinder	E
		Ref	<b>Note: Original Cylinder May Have Been Replaced with Service Replacement. Identify PN Stamped on Cylinder Before Ordering Parts.</b>	
2	70026250	1	Barrel	
3	70026252	1	Rod	
4	70026249	1	Rod, Guide	
5	70026251	1	Piston	
6	70020438	1	Screw	
7	70020476	1	Bushing	
1	70026253	1	Kit, Seal (includes items 101 thru 110)	
101	Kit	2	Bearing	
102	Kit	1	O-Ring	
103	Kit	1	Ring, Back-Up	
104	Kit	1	Seal, Rod	
105	Kit	1	O-Ring	
106	Kit	1	Wiper	
107	Kit	1	Bearing	
108	Kit	1	Seal, Piston	
109	Kit	1	O-Ring	
110	Kit	1	Ring, Back-Up	

# SECTION 9 - HYDRAULIC COMPONENTS

## FIGURE 9-18. SIDE TILT CYLINDER



ART\_1001163414-A



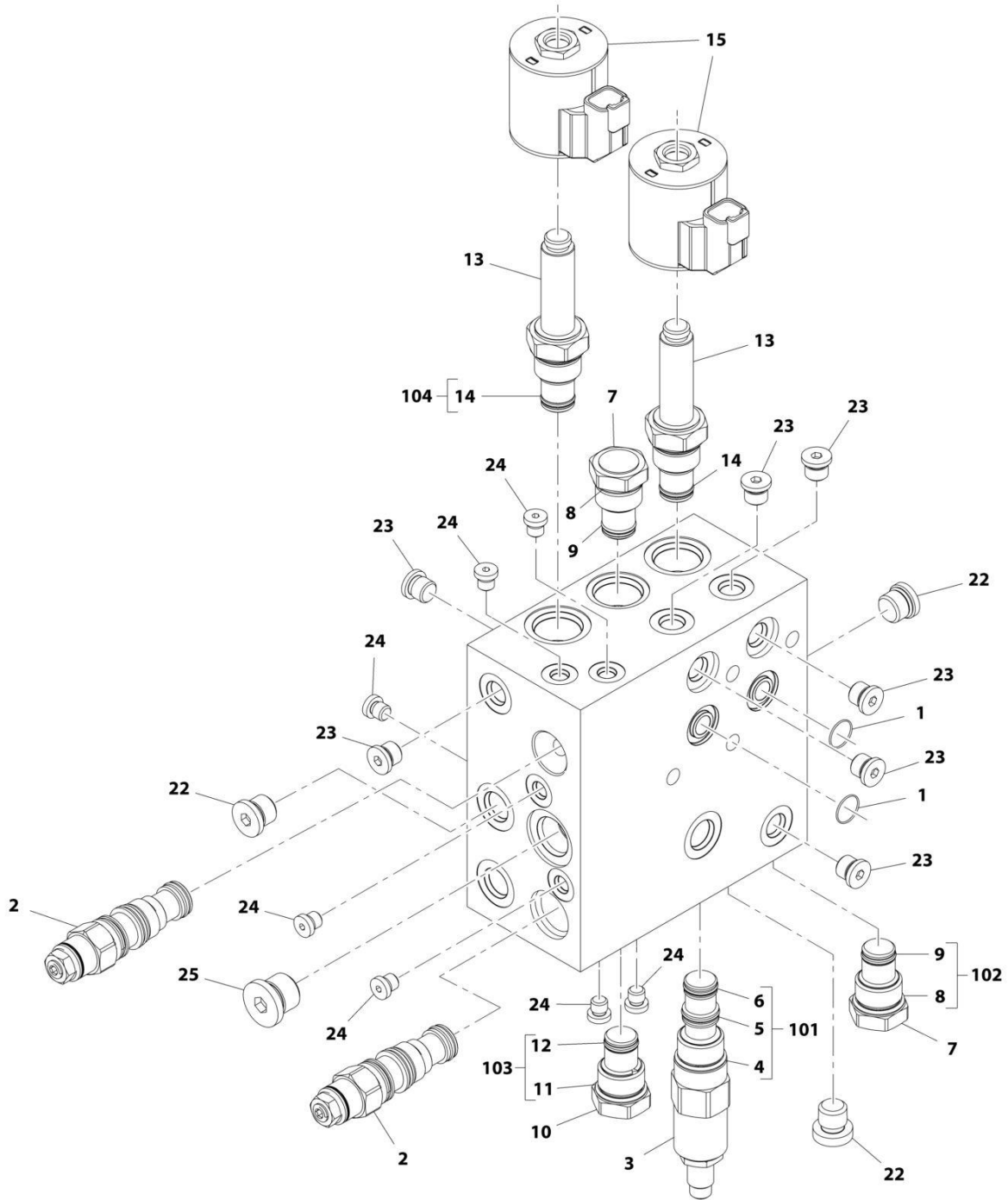
## SECTION 9 - HYDRAULIC COMPONENTS

### FIGURE 9-18. SIDE TILT CYLINDER

ITEM	PART NUMBER	QTY	DESCRIPTION	REV
	1001163414	Ref	Side Tilt Cylinder	A
		Ref	<b>Note: Original Cylinder May Have Been Replaced with Service Replacement. Identify PN Stamped on Cylinder Before Ordering Parts.</b>	
1	70026056	1	Barrel	
2	70026057	1	Rod	
3	70026058	1	Piston	
4	70025606	2	Nipple, Grease	
5	70024020	2	Fitting, Grease	
6	70003849	1	Head	
7	70025959	2	Plug	
8	70026059	2	Valve, Check	
9	70002219	1	Ring, Retaining	
10	70026060	4	Ring, Retaining	
11	70026061	2	Bearing	
12	70024262	2	Plug	
13	70002224	1	Ring, Lock	
14	Kit	NSS	Ring, Rod Bearing (Note: Use Item 101)	
15	Kit	NSS	Ring, Piston Bearing (Note: Use Item 101)	
16	Kit	NSS	Seal, Piston (Note: Use Item 101)	
17	Kit	NSS	O-Ring (Note: Use Item 101)	
18	Kit	NSS	Ring, Back-Up (Note: Use Item 101)	
19	Kit	NSS	Seal, Rod (Note: Use Item 101)	
20	Kit	NSS	O-Ring (Note: Use Item 101)	
21	Kit	NSS	Seal, Wiper (Note: Use Item 101)	
101	70026062	1	Kit, Seal (includes items 14 thru 21)	

# SECTION 9 - HYDRAULIC COMPONENTS

FIGURE 9-19. REAR AXLE STABILITY VALVE (Prior to SN 0160080899)



ART\_1001179601-D

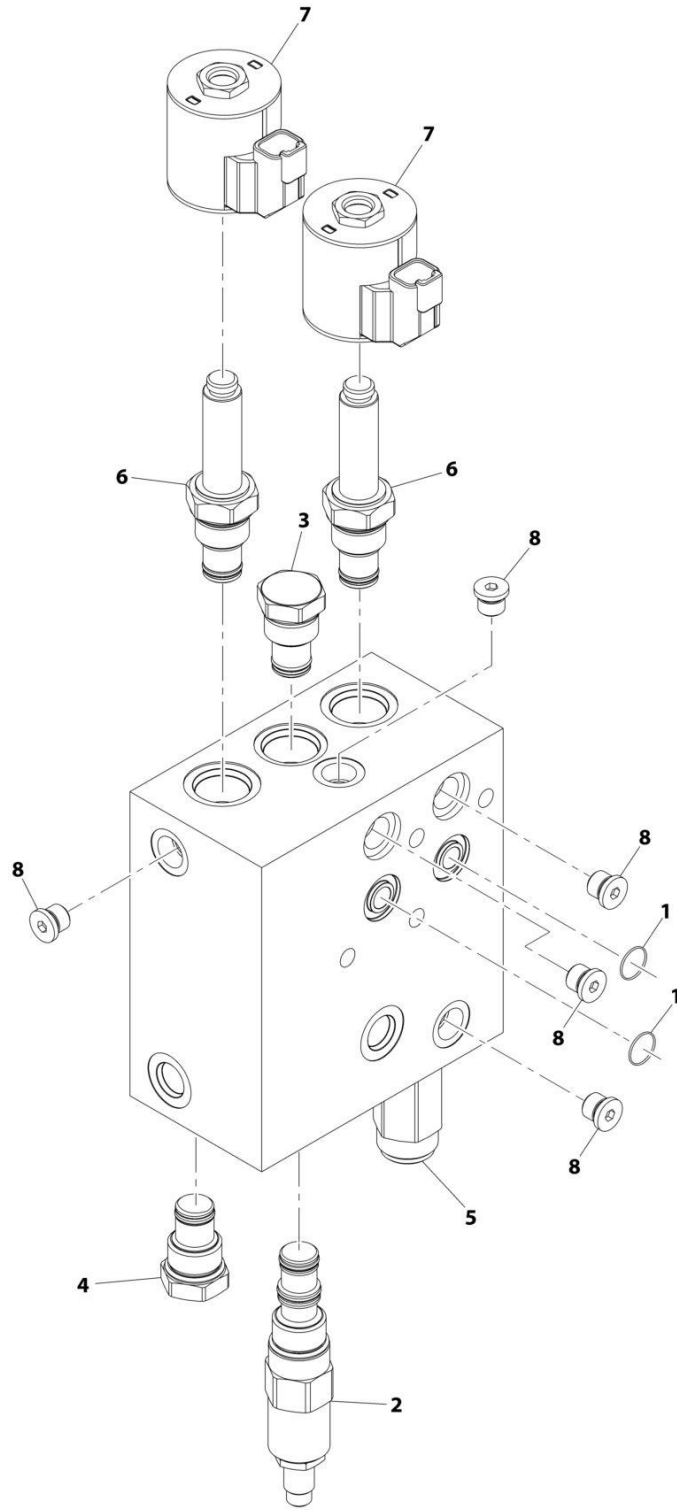
## SECTION 9 - HYDRAULIC COMPONENTS

**FIGURE 9-19. REAR AXLE STABILITY VALVE (Prior to SN 0160080899)**

ITEM	PART NUMBER	QTY	DESCRIPTION	REV
	1001179601	Ref	Rear Axle Stabilizer Valve	D
1	70026440	2	O-Ring	
2	70026441	2	Valve	
3	70026442	1	Valve	
4	Kit	1	O-Ring	
5	Kit	1	O-Ring	
6	Kit	1	O-Ring	
7	70026443	2	Valve	
8	Kit	1	O-Ring	
9	Kit	1	O-Ring	
10	70026444	1	Valve	
11	Kit	1	O-Ring	
12	Kit	1	O-Ring	
13	70026445	2	Valve	
14	Kit	1	O-Ring	
15	70003788	2	Coil	
16	70026447	1	Valve (not shown)	
17	Kit	1	O-Ring (not shown)	
18	Kit	1	O-Ring (not shown)	
19	Kit	1	O-Ring (not shown)	
20	Kit	1	O-Ring (not shown)	
21	70002386	1	Coil (not shown)	
22	7024844	3	Plug	
23	7017406	7	Plug	
24	70026315	1	Plug	
25	2220886	1	Plug	
101	7012510	1	Kit, Seal (includes items 4 thru 6)	
102	7024808	1	Kit, Seal (includes items 8 & 9)	
103	7022399	1	Kit, Seal (includes items 11 & 12)	
104	70026446	1	Kit, Seal (includes item 14)	
105	70005075	1	Kit, Seal (includes items 17 thru 20) (not shown)	

# SECTION 9 - HYDRAULIC COMPONENTS

## FIGURE 9-20. REAR AXLE STABILIZER VALVE



ART\_1001197600-A

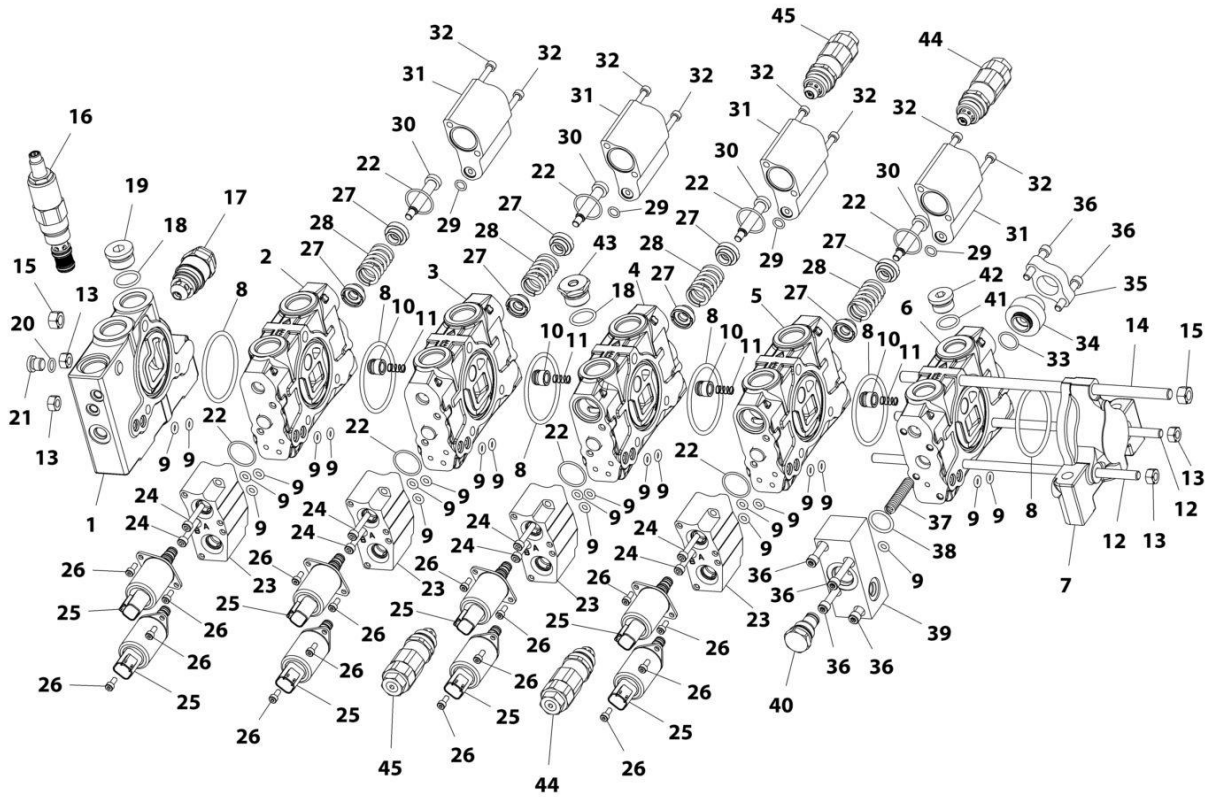
## SECTION 9 - HYDRAULIC COMPONENTS

**FIGURE 9-20. REAR AXLE STABILIZER VALVE**

ITEM	PART NUMBER	QTY	DESCRIPTION	REV
	1001197600	Ref	Rear Axle Stabilizer Valve	A
1	70026440	2	O-Ring	
2	70026442	1	Cartridge Valve	
2	7012510	1	Seal Kit	
2	Kit	1	O-Ring	
2	Kit	1	O-Ring	
2	Kit	1	O-Ring	
3	70026443	1	Cartridge Valve	
3	7024808	1	Seal Kit	
3	Kit	1	O-Ring	
3	Kit	1	O-Ring	
4	70026444	1	Cartridge Valve	
4	7022399	1	Seal Kit	
4	Kit	1	O-Ring	
4	Kit	1	O-Ring	
5	70028451	1	Cartridge Valve	
5	7024808	1	Seal Kit	
5	Kit	1	O-Ring	
5	Kit	1	O-Ring	
6	70026445	2	Cartridge Valve	
6	70026446	1	Seal Kit	
6	Kit	1	O-Ring	
7	70003788	2	Coil	
8	2220883	5	Plug	

# SECTION 9 - HYDRAULIC COMPONENTS

## FIGURE 9-21. MAIN CONTROL VALVE



ART\_1001166765-C

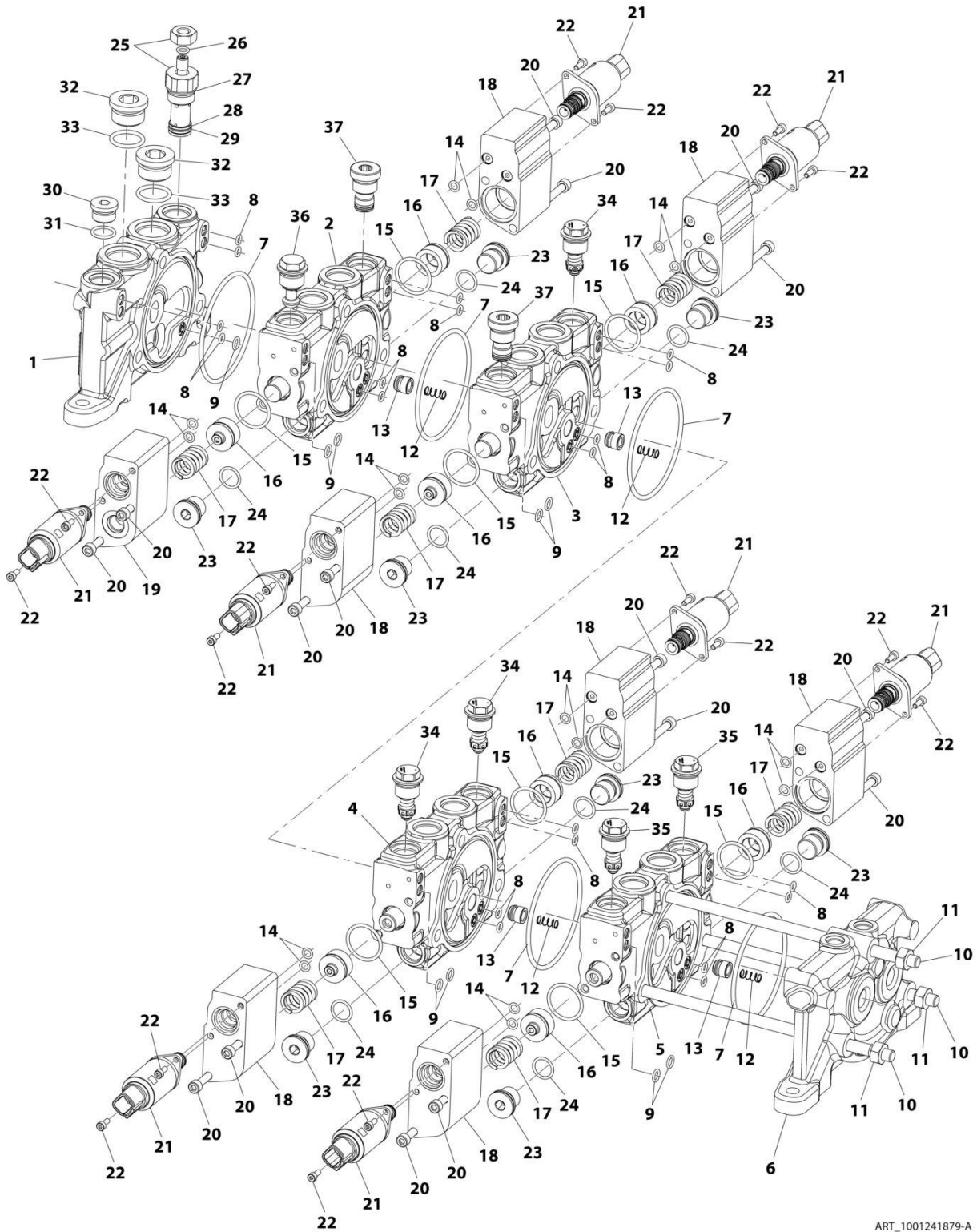
## SECTION 9 - HYDRAULIC COMPONENTS

### FIGURE 9-21. MAIN CONTROL VALVE

ITEM	PART NUMBER	QTY	DESCRIPTION	REV
	1001166765	1	Main Control Valve	C
1	70026640	1	Section, Inlet	
2	70026641	1	Section, Spool	
3	70026642	1	Section, Spool	
4	70026643	1	Section, Spool	
5	70026644	1	Section, Spool	
6	70026645	1	Section, Spool	
7	70026646	1	Section, Outlet	
8	10837923	6	O-Ring	
9	70026647	25	O-Ring	
10	10837929	4	Poppet	
11	10837937	4	Spring	
12	70026648	2	Rod, Tie	
13	8035348	4	Nut	
14	70026649	1	Rod, Tie	
15	8035346	2	Nut	
16	70026650	1	Valve	
17	70026651	1	Valve	
18	70026652	2	O-Ring	
19	70026653	1	Plug	
20	70026654	1	O-Ring	
21	70026655	1	Plug	
22	70026656	8	O-Ring	
23	70026657	4	Solenoid	
24	70026658	8	Screw	
25	70026659	8	Solenoid	
26	70022014	16	Bolt	
27	70026660	8	Spring, Seat	
28	70026661	4	Spring	
29	70026662	4	O-Ring	
30	70026663	4	Spool	
31	70026664	4	Cap, End	
32	70026665	8	Screw	
33	70026666	1	O-Ring	
34	70026667	1	Spool, Cap	
35	8035373	1	Plate, Seal	
36	8037088	6	Screw	
37	70026668	1	Spring	
38	70026669	1	O-Ring	
39	70026670	1	Cap, End	
40	70026671	1	Regulator, Drain	
41	70026672	1	O-Ring	
42	8035382	1	Plug	
43	70026673	1	Plug	
44	70026674	2	Valve	
45	70026675	2	Valve	

# SECTION 9 - HYDRAULIC COMPONENTS

## FIGURE 9-22. MAIN CONTROL VALVE



ART\_1001241879-A



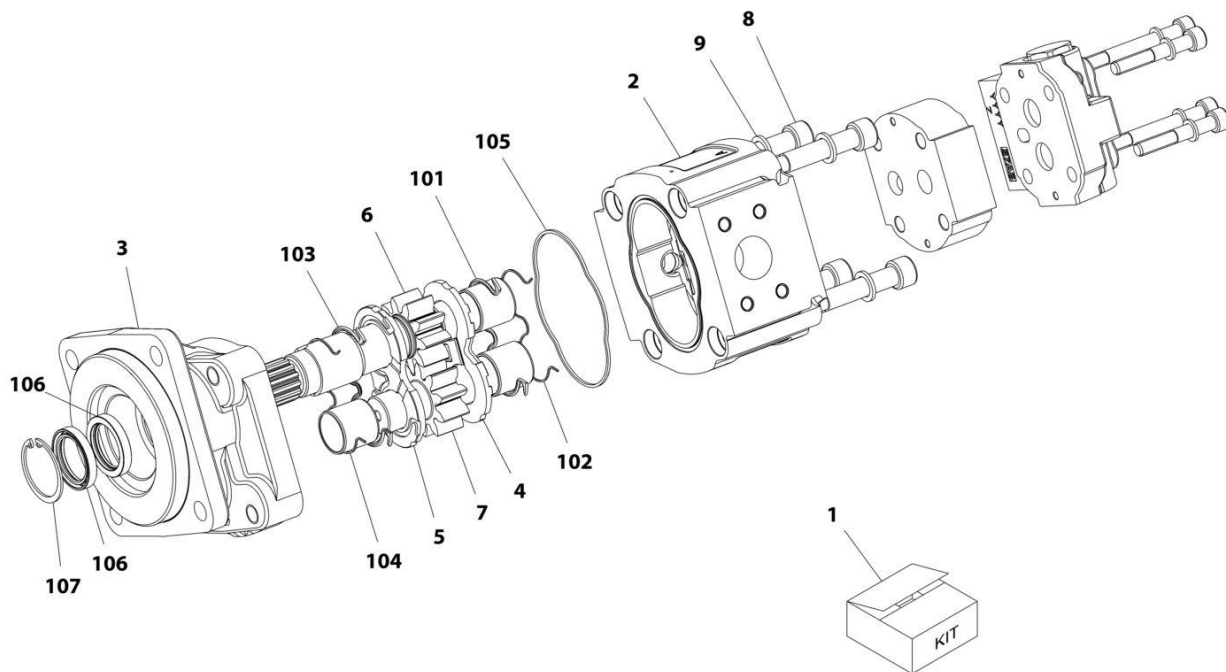
## SECTION 9 - HYDRAULIC COMPONENTS

**FIGURE 9-22. MAIN CONTROL VALVE**

ITEM	PART NUMBER	QTY	DESCRIPTION	REV
	1001241879	Ref	Main Control Valve	A
1	70028478	1	Inlet Section Assembly	
2	70029816	1	Lift Section Assembly	
3	70029817	1	Extend/Retract Section Assembly	
4	70029818	1	Tilt Section Assembly	
5	70029819	1	Aux Section Assembly	
6	70026389	1	Outlet Section Assembly	
7	8034697	5	O-Ring	
8	70050508	20	O-Ring	
9	70050507	9	O-Ring	
10	70026375	3	Tie Rod	
11	70050481	6	Nut-Metric	
12	10837937	4	Spring	
13	10837929	4	Poppet	
14	70026369	16	O-Ring	
15	70026380	8	O-Ring	
16	70026378	8	Spring Seat	
17	70026377	8	Spring	
18	70026381	7	Solenoid, End Cap	
19	70028482	1	Solenoid, End Cap	
20	70026383	16	Screw	
21	70029820	8	Solenoid, Cartridge Valve	
22	70022014	16	Screw	
23	70050504	8	Plug Assembly	
24	70027130	8	O-Ring	
25	70022012	1	Drain Regulator Assembly	
26	70026373	1	O-Ring	
27	10837928	1	O-Ring	
28	70026376	1	Back-Up Ring	
29	70026370	1	O-Ring	
30	8035382	1	Plug Assembly	
31	70024202	1	O-Ring	
32	70050472	2	Plug Assembly (With O-Ring)	
33	70026374	2	O-Ring	
34	70022010	3	Relief Valve Assembly, 280 Bar	
35	70027098	2	Relief Valve Assembly, 205 Bar	
36	70028484	1	Anti-Void Assembly	
37	70022008	2	Shut-Off Plug Assembly	

# SECTION 9 - HYDRAULIC COMPONENTS

## FIGURE 9-23. GEAR PUMP



ART\_1001163746-A

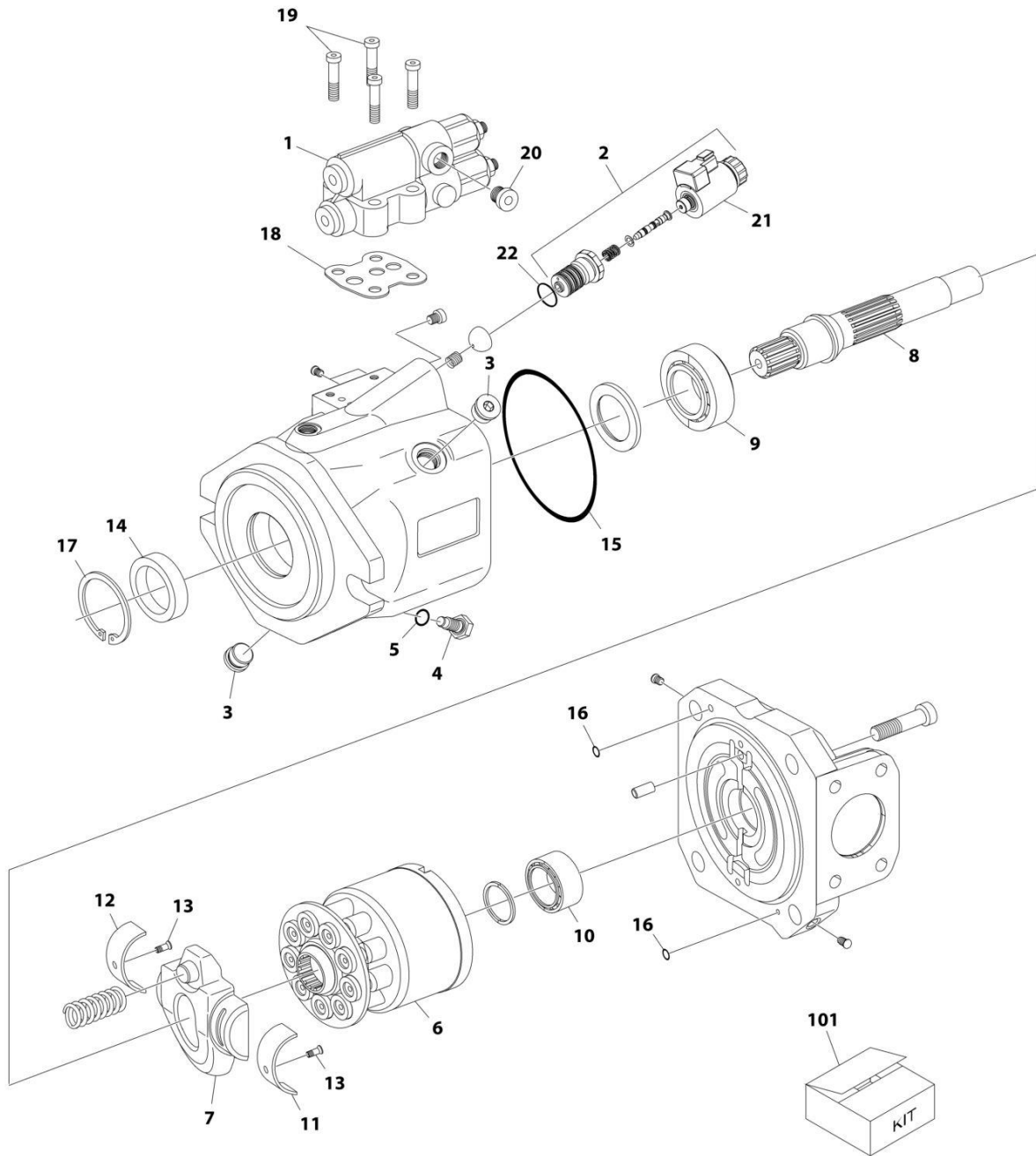
## SECTION 9 - HYDRAULIC COMPONENTS

**FIGURE 9-23. GEAR PUMP**

ITEM	PART NUMBER	QTY	DESCRIPTION	REV
	1001163746	Ref	Gear Pump	A
1	70026567	1	Kit, Seal (includes items 101 thru 107)	
2	70026507	1	Housing, Pump	
3	70026508	1	Cover, Front	
4	70026509	1	Plate, Thrust	
5	70026566	1	Plate, Thrust Upper	
6	70026511	1	Shaft, Drive	
7	70026512	1	Shaft, Driven	
8	70026513	4	Bolt M14X100	
9	70026493	4	Washer	
101	Kit	1	Seal	
102	Kit	1	Ring	
103	Kit	1	Seal, Upper	
104	Kit	1	Ring	
105	Kit	1	Seal	
106	Kit	2	Seal	
107	Kit	1	Ring	

# SECTION 9 - HYDRAULIC COMPONENTS

## FIGURE 9-24. PISTON PUMP



ART\_1001182279

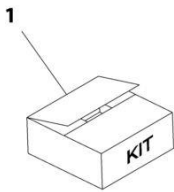
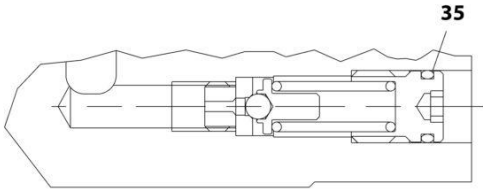
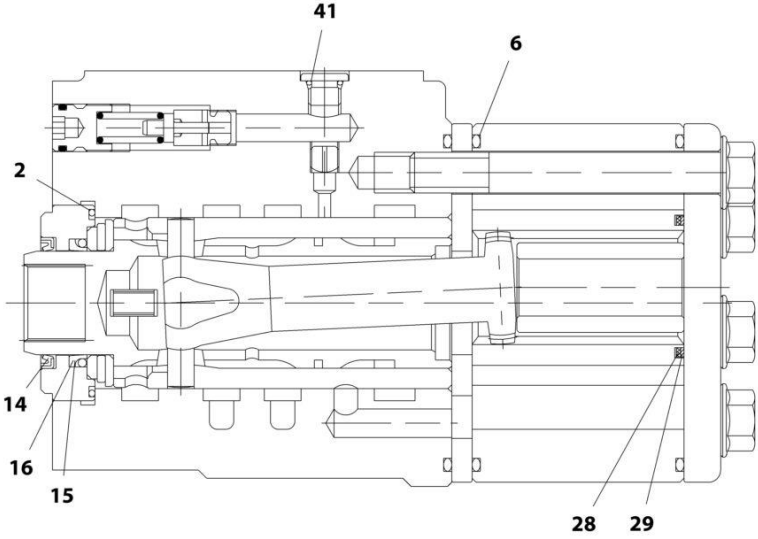
## SECTION 9 - HYDRAULIC COMPONENTS

### FIGURE 9-24. PISTON PUMP

ITEM	PART NUMBER	QTY	DESCRIPTION	REV
	1001182279	Ref	Piston Pump Assembly	B
1	70026572	1	Valve, Control	
2	70024186	1	Valve, Control (Includes Item 21)	
3	70024407	2	Plug	
4	70024408	1	Screw, Stop	
5	Kit	1	O-Ring	
6	70024188	1	Group, Rotary	
7	70026583	1	Plate, Swash	
8	7024939	1	Shaft, Drive	
9	7024943	1	Bearing, Front	
10	7024944	1	Bearing, Rear	
11	70024414	1	Liner, Bearing	
12	70024415	1	Liner, Bearing	
13	7024953	2	Screw, M5X16	
14	80634004	1	Seal, Shaft	
15	Kit	1	O-Ring	
16	Kit	2	Sing, Seal	
17	80334277	1	Ring, Safety	
18	70021867	1	Gasket	
19	7024954	4	Screw, M6X30	
20	70024416	1	Plug	
21	70025897	1	Coil (Part of Item 2)	
22	Kit	1	O-Ring	
101	70024189	1	Kit, Seal (includes items 5, 15 thru 16 & 22)	

# SECTION 9 - HYDRAULIC COMPONENTS

FIGURE 9-25. STEERING ORBITAL VALVE



ART\_1001160599-C

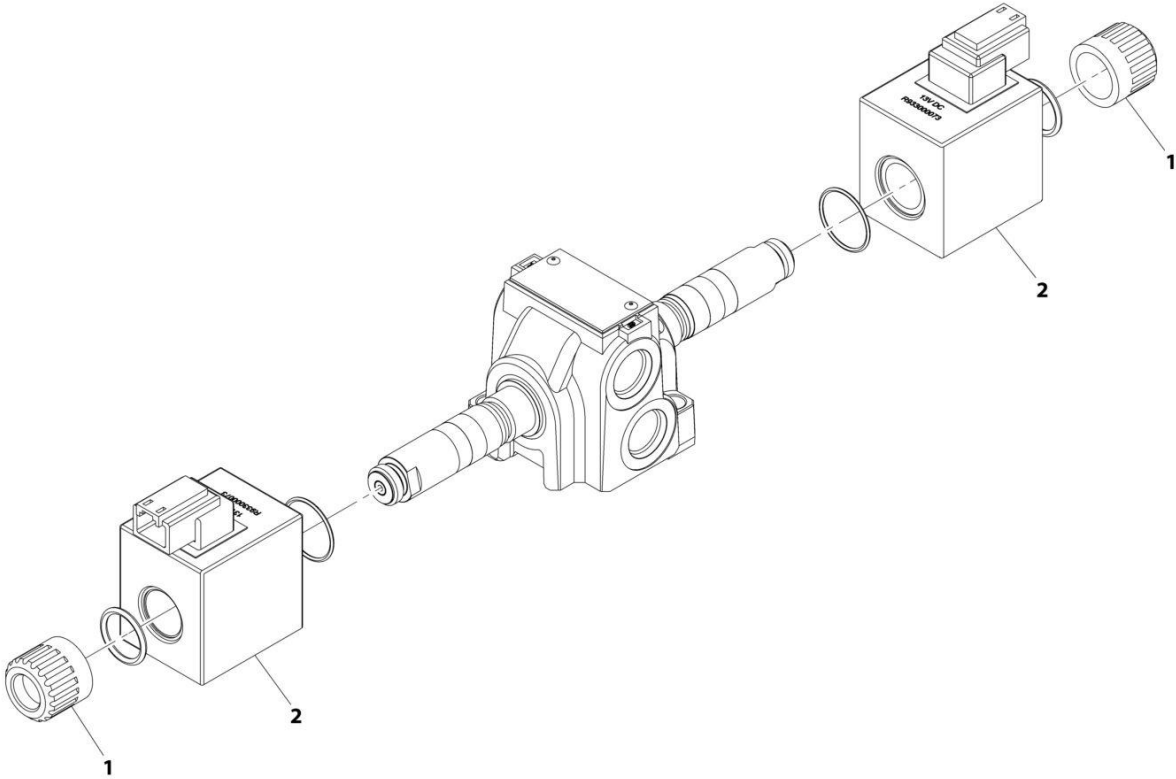
## SECTION 9 - HYDRAULIC COMPONENTS

**FIGURE 9-25. STEERING ORBITAL VALVE**

ITEM	PART NUMBER	QTY	DESCRIPTION	REV
	1001160599	Ref	Steering Orbital Valve	C
1	70026401	1	Kit, Seal (includes items 2 thru 41)	
2	Kit	1	O-Ring	
6	Kit	3	O-Ring	
14	Kit	1	Seal, Dust	
15	Kit	1	O-Ring	
16	Kit	1	Seal, Shaft	
28	Kit	1	Washer, Back-Up	
29	Kit	1	Seal, Ring	
35	Kit	3	O-Ring	
41	Kit	2	O-Ring	

**SECTION 9 - HYDRAULIC COMPONENTS**

**FIGURE 9-26. STEERING SELECT VALVE**



ART\_1001153748-C



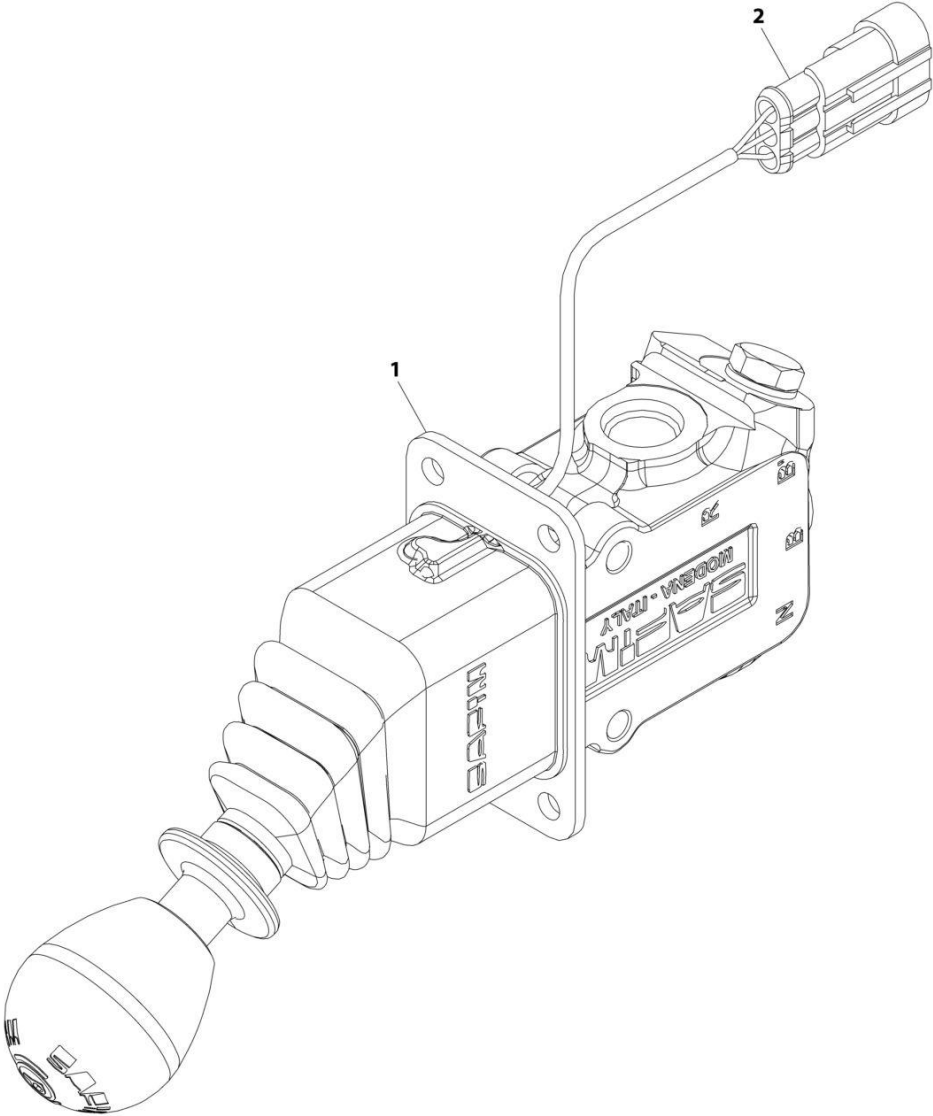
## SECTION 9 - HYDRAULIC COMPONENTS

FIGURE 9-26. STEERING SELECT VALVE

ITEM	PART NUMBER	QTY	DESCRIPTION	REV
	1001153748	Ref	Steering Select Valve	C
1	70020867	2	Nut, Coil	
2	70026582	2	Coil	

**SECTION 9 - HYDRAULIC COMPONENTS**

**FIGURE 9-27. HYDRAULIC PARK BRAKE RELEASE VALVE**



ART\_1001098153-D

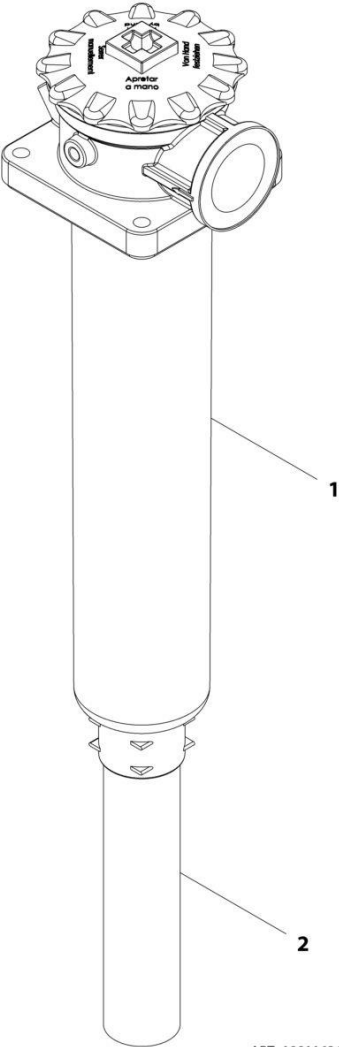
## SECTION 9 - HYDRAULIC COMPONENTS

FIGURE 9-27. HYDRAULIC PARK BRAKE RELEASE VALVE

ITEM	PART NUMBER	QTY	DESCRIPTION	REV
	1001098153	Ref	Hydraulic Park Brake Release Valve	D
1	70020922	1	Kit, Seal	
2	70022847	1	Kit, Microswitch	

**SECTION 9 - HYDRAULIC COMPONENTS**

**FIGURE 9-28. HYDRAULIC FILTER**



ART\_1001162660-C

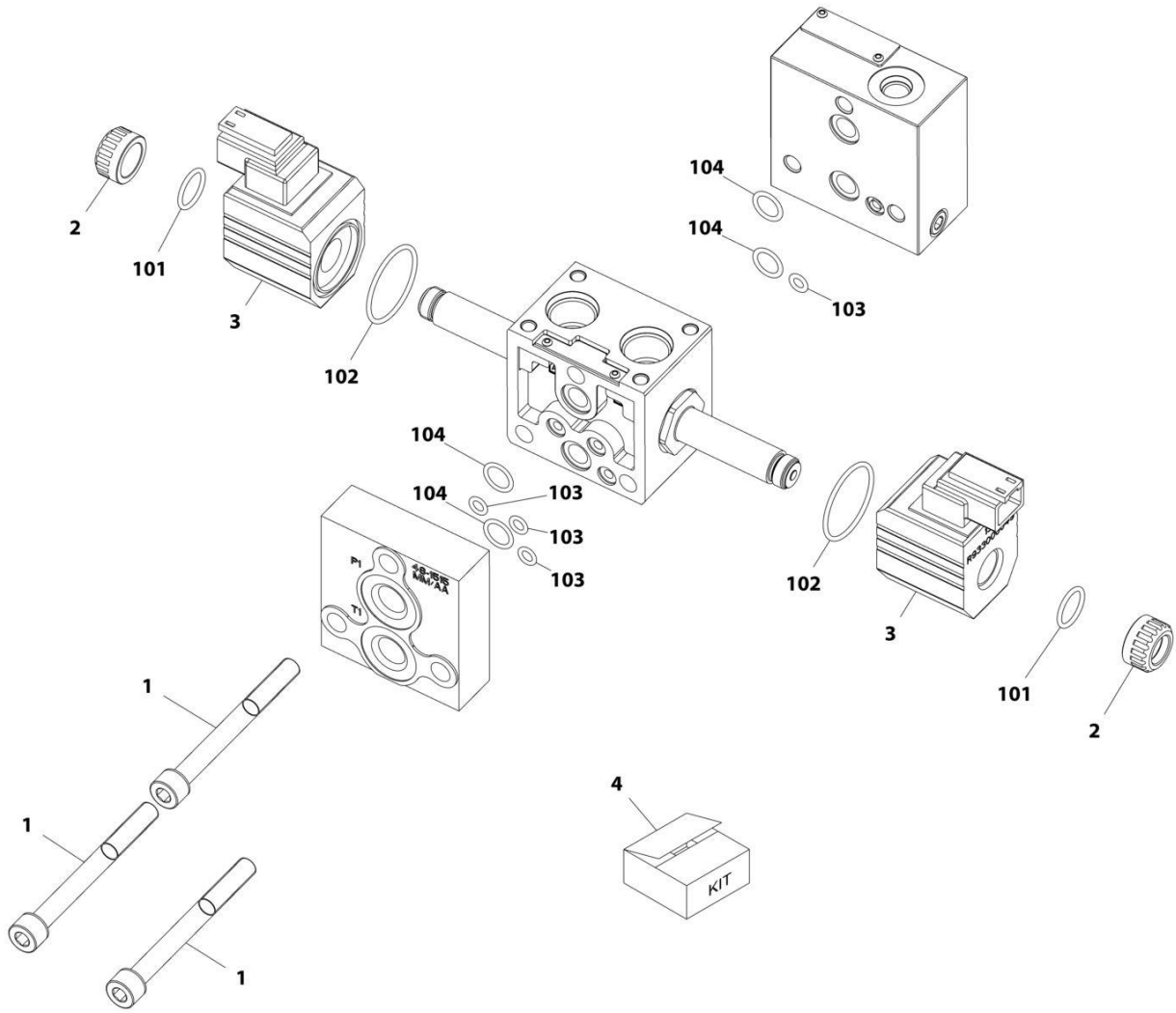
# SECTION 9 - HYDRAULIC COMPONENTS

## FIGURE 9-28. HYDRAULIC FILTER

ITEM	PART NUMBER	QTY	DESCRIPTION	REV
1	1001162660	Ref	Hydraulic Filter	C
	1001162661	1	Filter	
	1001162663	1	Element, Filter	
2	1001162667	1	Pipe, Filter Return	

# SECTION 9 - HYDRAULIC COMPONENTS

## FIGURE 9-29. FRAME LEVEL VALVE



ART\_1001162959-D

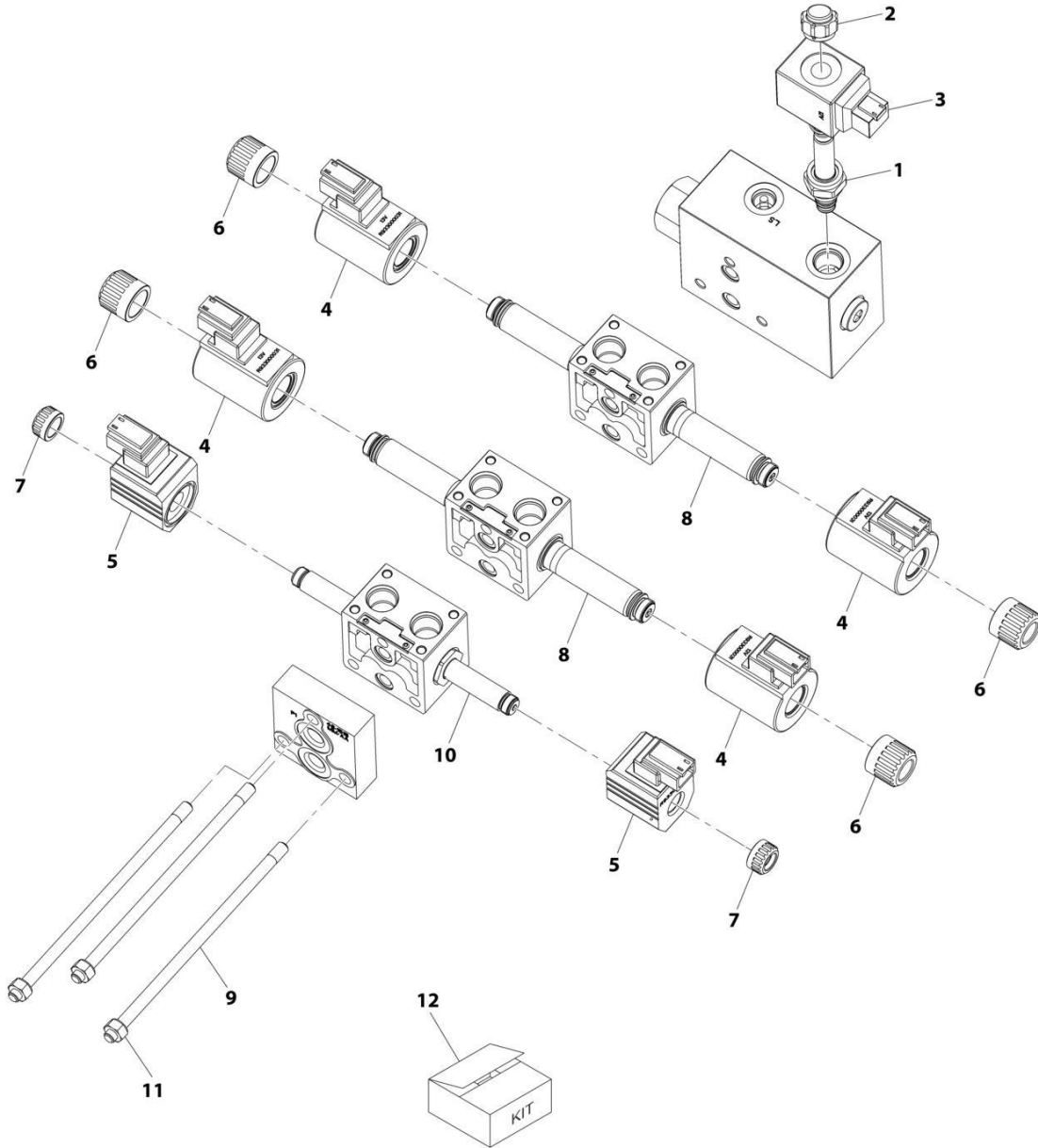
## SECTION 9 - HYDRAULIC COMPONENTS

### FIGURE 9-29. FRAME LEVEL VALVE

ITEM	PART NUMBER	QTY	DESCRIPTION	REV
	1001162959	Ref	Frame Level Valve	D
1	70026685	3	Screw	
2	70021209	2	Retainer	
3	70021208	2	Coil	
4	70026686	1	Kit, Seal (includes items 101 thru 104)	
101	Kit	2	O-Ring	
102	Kit	2	O-Ring	
103	Kit	4	O-Ring	
104	Kit	4	O-Ring	

# SECTION 9 - HYDRAULIC COMPONENTS

## FIGURE 9-30. FRAME LEVEL AND OUTRIGGER VALVE



ART\_1001157972-F



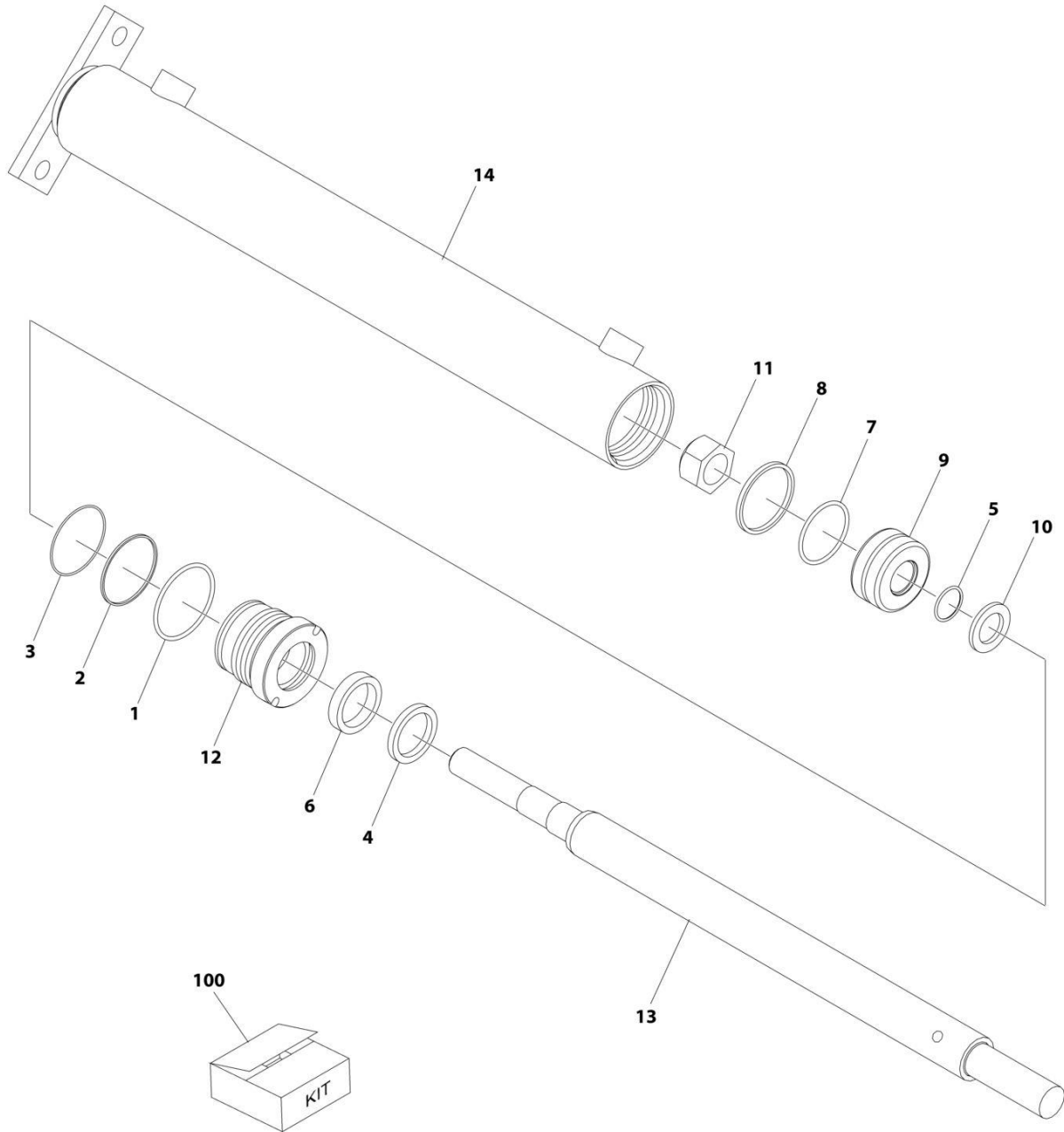
## SECTION 9 - HYDRAULIC COMPONENTS

**FIGURE 9-30. FRAME LEVEL AND OUTRIGGER VALVE**

ITEM	PART NUMBER	QTY	DESCRIPTION	REV
	1001157972	Ref	Valve, Frame Level and Outrigger	F
1	70023327	1	Solenoid	
2	70004654	1	Nut, Coil	
3	70022147	1	Coil	
4	70020868	4	Coil	
5	70021208	2	Coil	
6	70020867	4	Kit, Retainer, W/Seals	
7	70021209	2	Kit, Retainer, W/Seals	
8	70026568	2	Section, Outrigger Valve	
9	70026569	3	Rod, Tie	
10	70021213	1	Section, Frame Level	
11	70026570	3	Nut	
12	70026571	1	Kit, Seal	
	Kit	1	O-Ring	
	Kit	1	O-Ring	
	Kit	1	O-Ring	
	Kit	1	O-Ring	
	Kit	1	O-Ring	
	Kit	1	O-Ring	
	Kit	4	O-Ring	
	Kit	4	O-Ring	
	Kit	2	O-Ring	
	Kit	2	O-Ring	

# SECTION 9 - HYDRAULIC COMPONENTS

## FIGURE 9-31. FORK POSITIONING CYLINDER



ART\_2717283

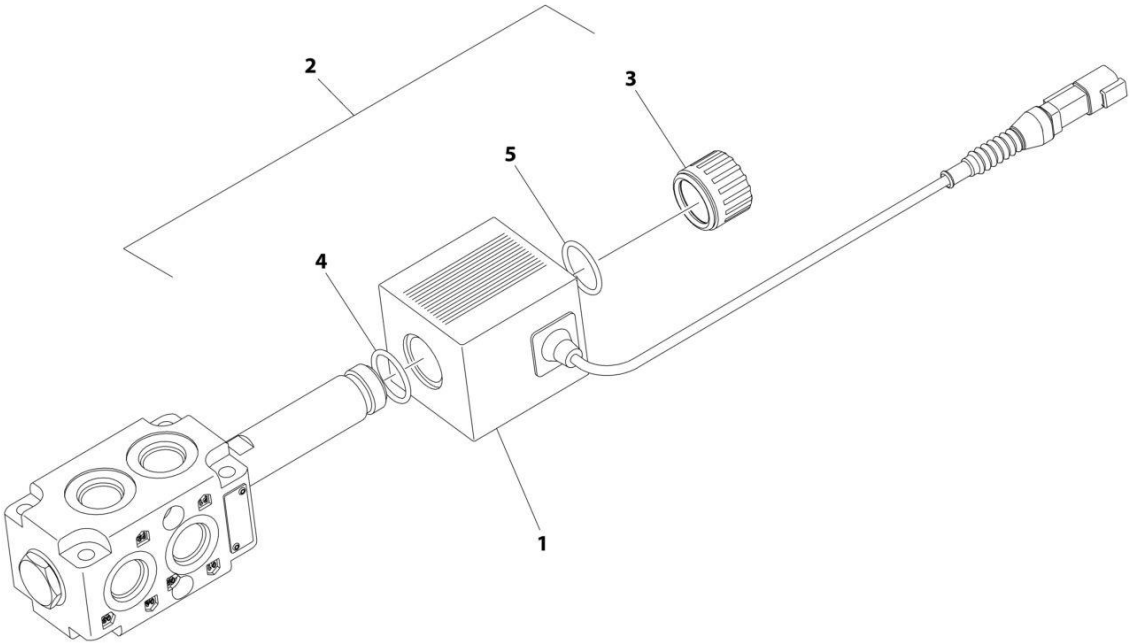
## SECTION 9 - HYDRAULIC COMPONENTS

**FIGURE 9-31. FORK POSITIONING CYLINDER**

ITEM	PART NUMBER	QTY	DESCRIPTION	REV
	2717283	Ref	FORK POSITIONING CYLINDER	B
		Ref	<b>Note: Original Cylinder May Have Been Replaced with Service Replacement. Identify PN Stamped on Cylinder Before Ordering Parts.</b>	
1	See Note	NSS	O-Ring (Use Item 100)	
2	See Note	NSS	Ring, Back-up (Use Item 100)	
3	See Note	NSS	O-Ring (Use Item 100)	
4	See Note	NSS	Seal (Use Item 100)	
5	See Note	NSS	O-Ring (Use Item 100)	
6	See Note	NSS	Seal (Use Item 100)	
7	See Note	NSS	O-Ring (Use Item 100)	
8	See Note	NSS	Seal (Use Item 100)	
9	70026771	1	Piston	
10	70026775	1	Washer	
11	70026770	1	Nut	
12	70026774	1	Head	
13	70026773	1	Rod	
14	See Note	NSS	Barrel (Note: Use PN 2717283)	
100	8036733	1	Seal Kit (includes items 1 thru 8)	

# SECTION 9 - HYDRAULIC COMPONENTS

FIGURE 9-32. DIVERTOR VALVE



ART\_1001104477

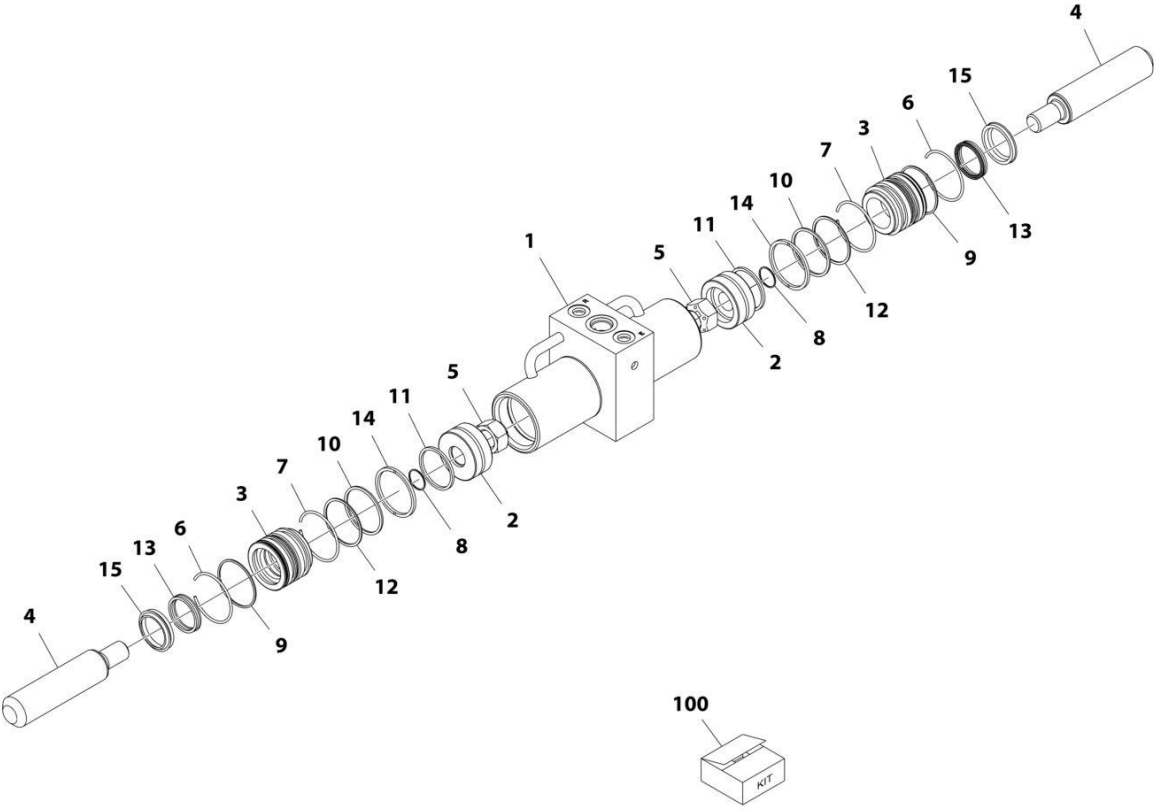
## SECTION 9 - HYDRAULIC COMPONENTS

### FIGURE 9-32. DIVERTOR VALVE

ITEM	PART NUMBER	QTY	DESCRIPTION	REV
	1001104477	Ref	DIVERTOR VALVE	D
1	70020764	1	Coil	
2	70021531	1	Retainer Kit (Includes Items 3-5)	
3	Kit	1	Nut	
4	Kit	1	O-Ring	
5	Kit	1	O-Ring	

# SECTION 9 - HYDRAULIC COMPONENTS

## FIGURE 9-33. QUICK COUPLER CYLINDER



ART\_1001120163-D

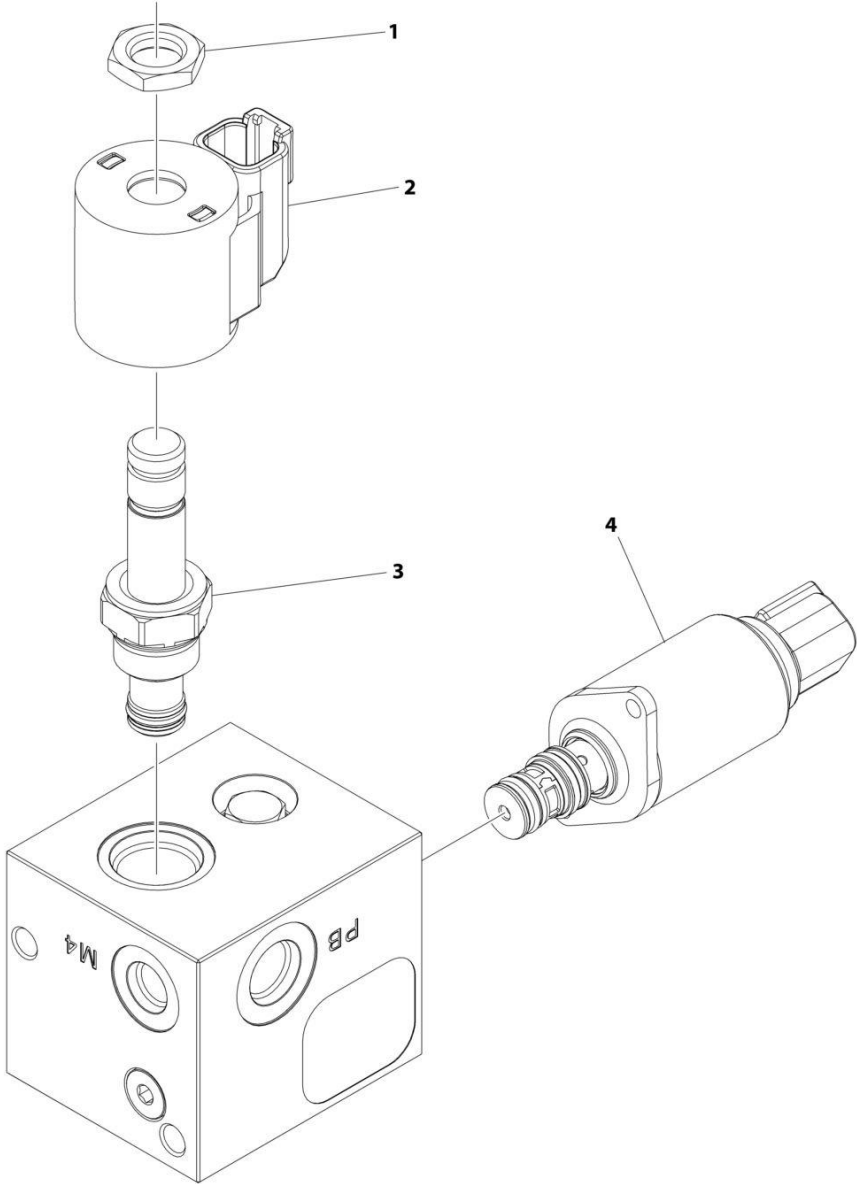
## SECTION 9 - HYDRAULIC COMPONENTS

**FIGURE 9-33. QUICK COUPLER CYLINDER**

ITEM	PART NUMBER	QTY	DESCRIPTION	REV
	1001120163	Ref	Quick Coupler Cylinder	D
		Ref	Note: Original Cylinder May Have Been Replaced with Service Replacement. Identify PN Stamped on Cylinder Before Ordering Parts.	
1	70026211	1	Barrel	
2	70026212	2	Piston	
3	70026213	2	Head Gland	
4	70026214	2	Cylinder Rod	
5	8037140	2	Locknut	
6	Kit	2	Round Retaining Ring	
7	Kit	2	Round Retaining Ring	
8	Kit	2	O-Ring	
9	Kit	2	O-Ring	
10	Kit	2	O-Ring	
11	Kit	2	Square Ring	
12	Kit	2	Backup Ring	
13	Kit	2	Rod Seal	
14	Kit	2	Piston Seal	
15	Kit	2	Rod Wiper	
100	70026215	1	Seal Kit (includes items 6 thru 15)	

# SECTION 9 - HYDRAULIC COMPONENTS

FIGURE 9-34. SAHR BRAKE VALVE



ART\_1001234127



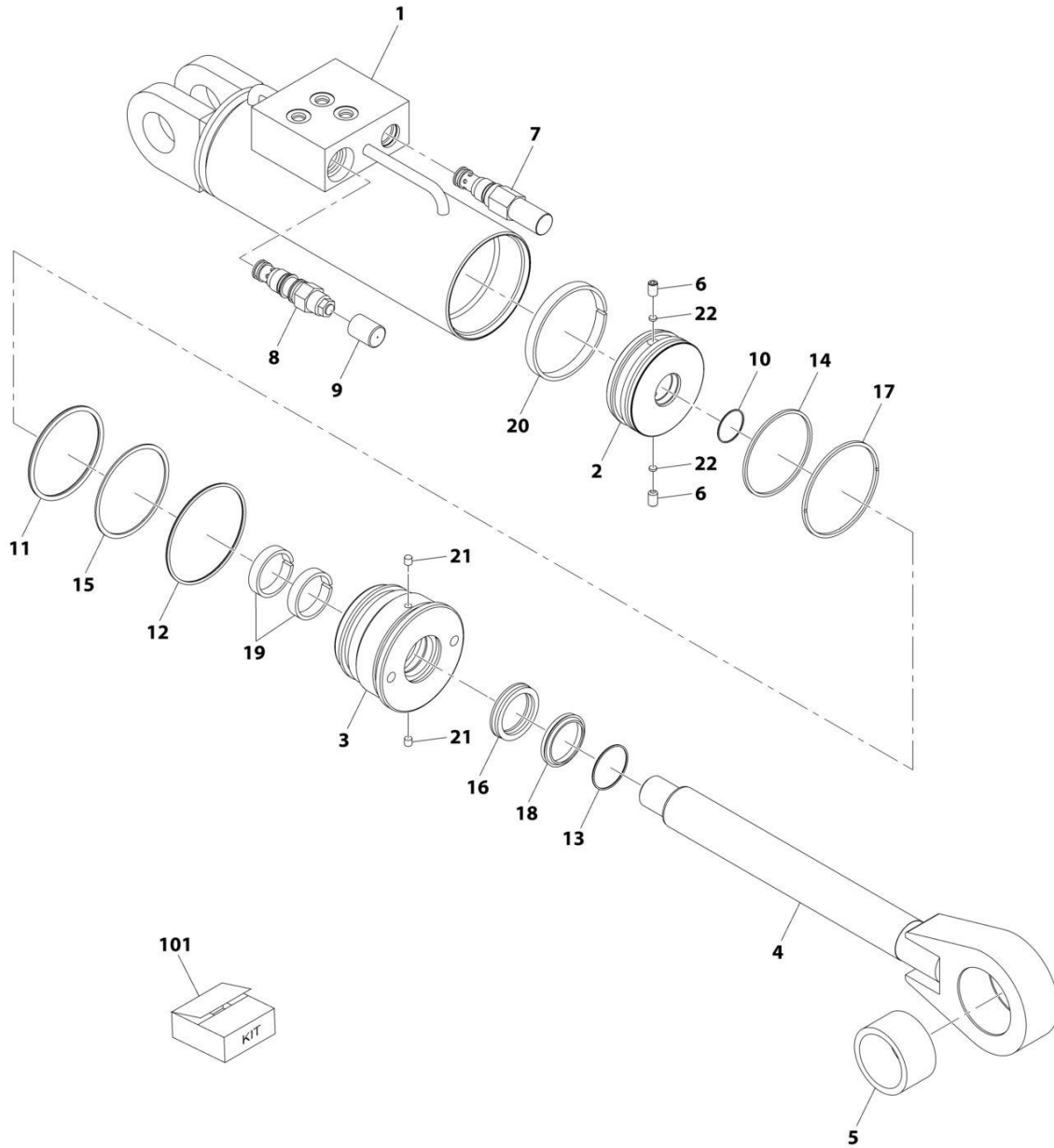
## SECTION 9 - HYDRAULIC COMPONENTS

### FIGURE 9-34. SAHR BRAKE VALVE

ITEM	PART NUMBER	QTY	DESCRIPTION	REV
	1001234127	Ref	Sahr Brake Valve	C
1	7022390	1	Nut	
2	70002963	1	Coil	
3	70002955	1	Cartridge	
4	70030036	1	Solenoid Valve	

# SECTION 9 - HYDRAULIC COMPONENTS

## FIGURE 9-35. SWING CARRIAGE CYLINDER



ART\_1001103182-B

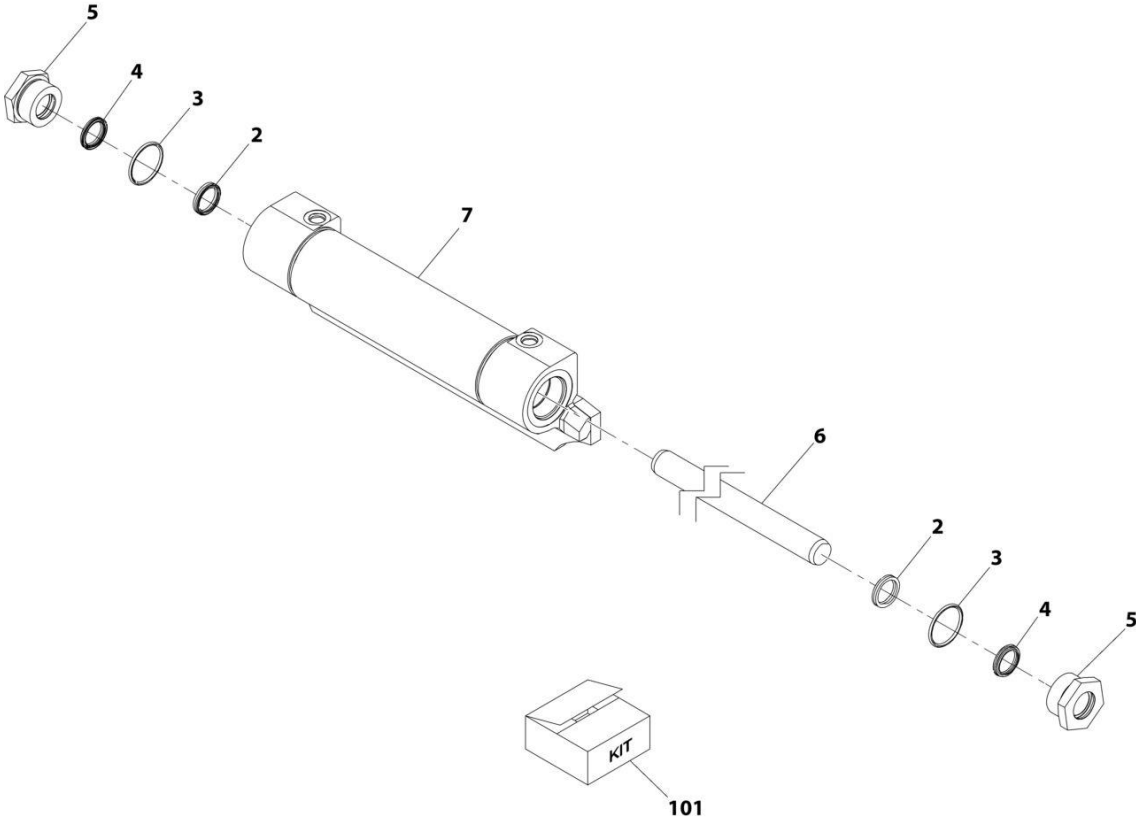
## SECTION 9 - HYDRAULIC COMPONENTS

### FIGURE 9-35. SWING CARRIAGE CYLINDER

ITEM	PART NUMBER	QTY	DESCRIPTION	REV
	1001103182	Ref	Swing Carriage Cylinder	B
1	70022044	1	Barrel	
2	8035863	1	Piston	
3	8035862	1	Head	
4	70022045	1	Rod	
5	70022046	1	Bearing	
6	8035536	2	Setscrew 5/16X1/2	
7	70020428	1	Valve, Relief	
7	7024574	1	Kit, Seal	
8	8033786	1	Valve, Counterbalance	
8	8205655	1	Kit, Seal	
9	70021812	1	Tamper-proof Cap	
10	See Note	NSS	O-Ring (Note: Use Item 101)	
11	See Note	NSS	O-Ring (Note: Use Item 101)	
12	See Note	NSS	O-Ring (Note: Use Item 101)	
13	See Note	NSS	O-Ring (Note: Use Item 101)	
14	See Note	NSS	Ring, Square (Note: Use Item 101)	
15	See Note	NSS	Ring, Backup (Note: Use Item 101)	
16	See Note	NSS	Seal (Note: Use Item 101)	
17	See Note	NSS	Seal, Piston (Note: Use Item 101)	
18	See Note	NSS	Wiper, Rod (Note: Use Item 101)	
19	See Note	NSS	Ring, Wear (Note: Use Item 101)	
20	See Note	NSS	Ring, Wear (Note: Use Item 101)	
21	See Note	NSS	Insert (Note: Use Item 101)	
22	See Note	NSS	Insert (Note: Use Item 101)	
101	2915023	1	Kit, Seal (includes items 11 thru 22)	

# SECTION 9 - HYDRAULIC COMPONENTS

FIGURE 9-36. SIDE SHIFT CARRIAGE CYLINDER



ART\_70024539-B

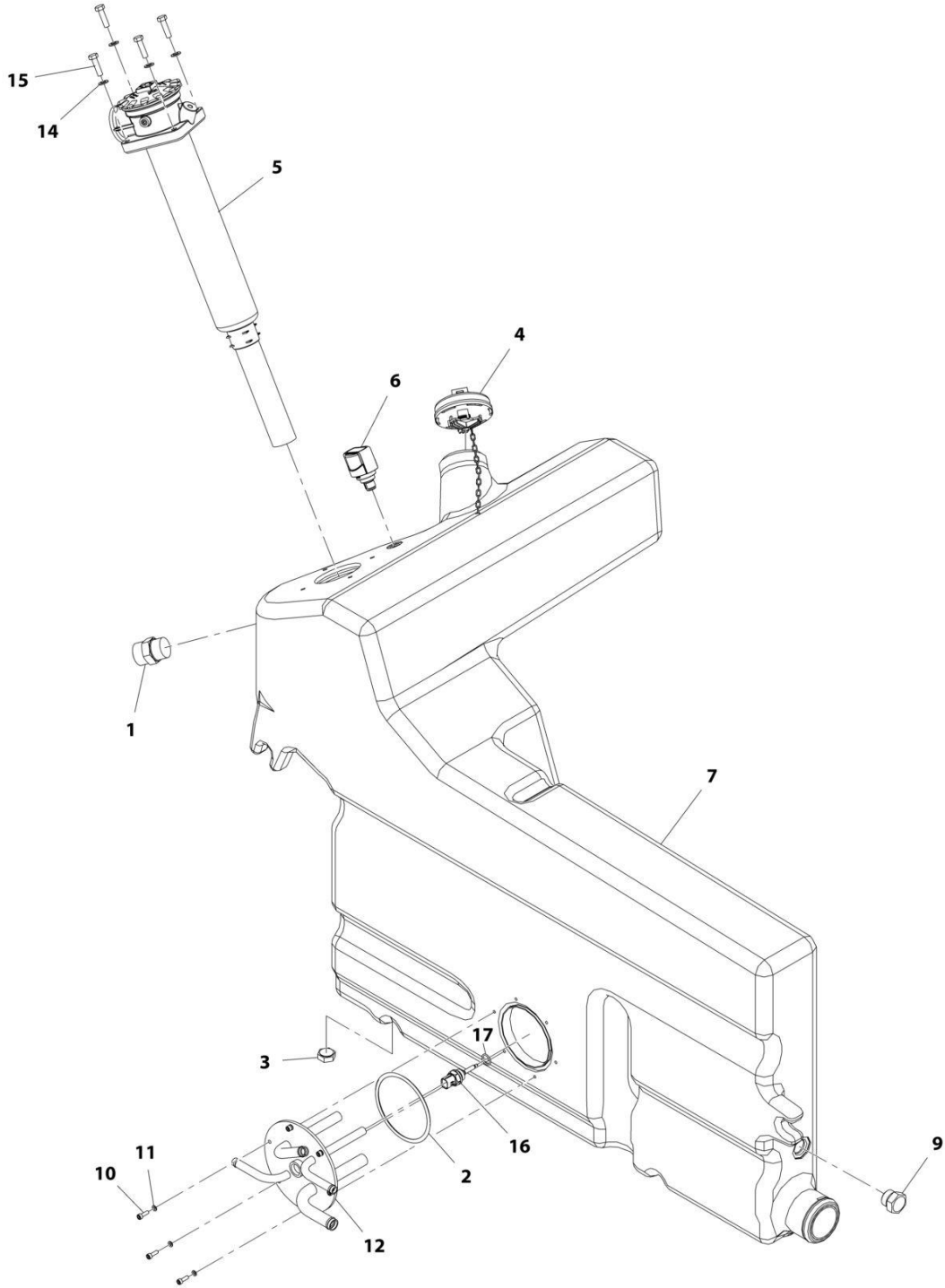
## SECTION 9 - HYDRAULIC COMPONENTS

### FIGURE 9-36. SIDE SHIFT CARRIAGE CYLINDER

ITEM	PART NUMBER	QTY	DESCRIPTION	REV
	70024539	Ref	Side Shift Carriage Cylinder	B
		Ref	<b>Note: Original Cylinder May Have Been Replaced with Service Replacement. Identify PN Stamped on Cylinder Before Ordering Parts.</b>	
2	Kit	NSS	Seal, Rod (Note: Use Item 101)	
3	70024547	2	O-Ring	
4	Kit	NSS	Seal, Rod Wiper (Note: Use Item 101)	
5	70024548	2	Seal, Retainer	
6	N.S.S.	NSS	Rod (Note: Use PN 70024539)	
7	N.S.S.	NSS	Barrel (Note: Use PN 70024539)	
101	70024549	1	Kit, Seal (includes items 2 & 4)	

# SECTION 9 - HYDRAULIC COMPONENTS

## FIGURE 9-37. TANK HYDRAULIC



ART\_1001163067-0

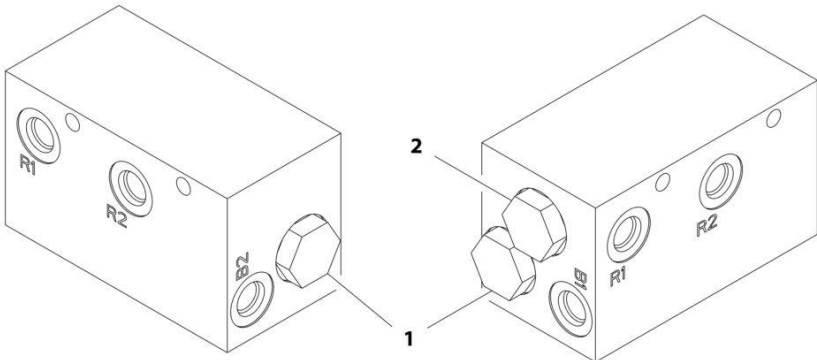
## SECTION 9 - HYDRAULIC COMPONENTS

### FIGURE 9-37. TANK HYDRAULIC

ITEM	PART NUMBER	QTY	DESCRIPTION	REV
	1001163067	Ref	Hydraulic Tank	O
1	2111616	1	Fitting, Straight ORFS	
2	1001003301	1	Seal O-Ring	
3	2220239	1	Plug	
4	1001194981	1	Cap	
5	1001162660	1	Filter Assembly (See Separate Breakdown in this Section)	
6	1001162662	1	Filter, Breather	
7	1001162765	1	Tank	
9	2220240	1	Adapter	
10	4031607	6	Screw, M5-0.8X16	
11	4831600	6	Washer, Lock M5	
12	1001167281	1	Manifold, Hydraulic Return	
14	4811900	4	Washer, M8	
15	0700814	4	Bolt, M8X30	
16	1001128478	1	Sensor	
17	1001009163	1	Seal	

**SECTION 9 - HYDRAULIC COMPONENTS**

**FIGURE 9-38. FLOW DIVIDER VALVE**



ART\_4641501-A



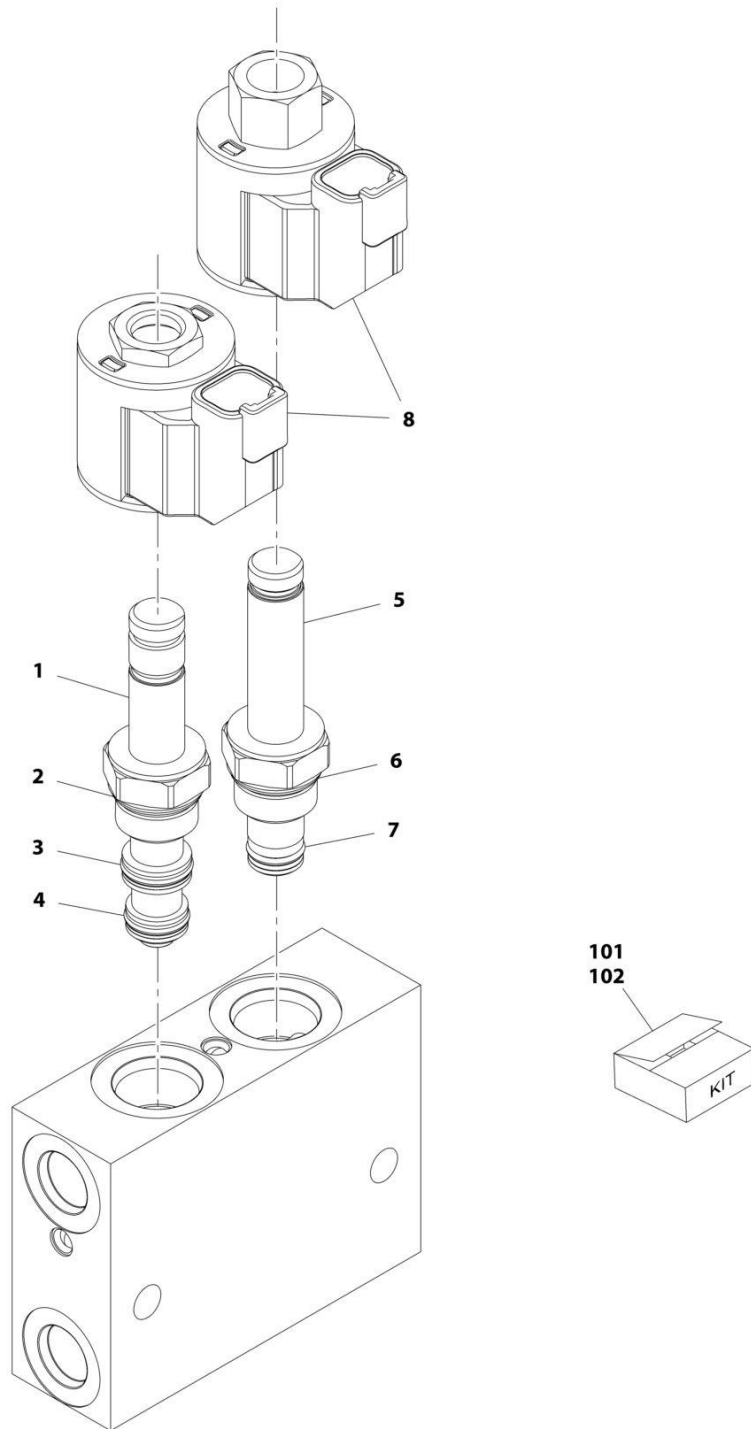
## SECTION 9 - HYDRAULIC COMPONENTS

### FIGURE 9-38. FLOW DIVIDER VALVE

ITEM	PART NUMBER	QTY	DESCRIPTION	REV
	4641501	Ref	Flow Divider Valve	A
1	70023928	2	Valve, Check	
2	70023929	1	Valve, Cartridge	

# SECTION 9 - HYDRAULIC COMPONENTS

## FIGURE 9-39. PARK BRAKE VALVE



ART\_1001164652-A

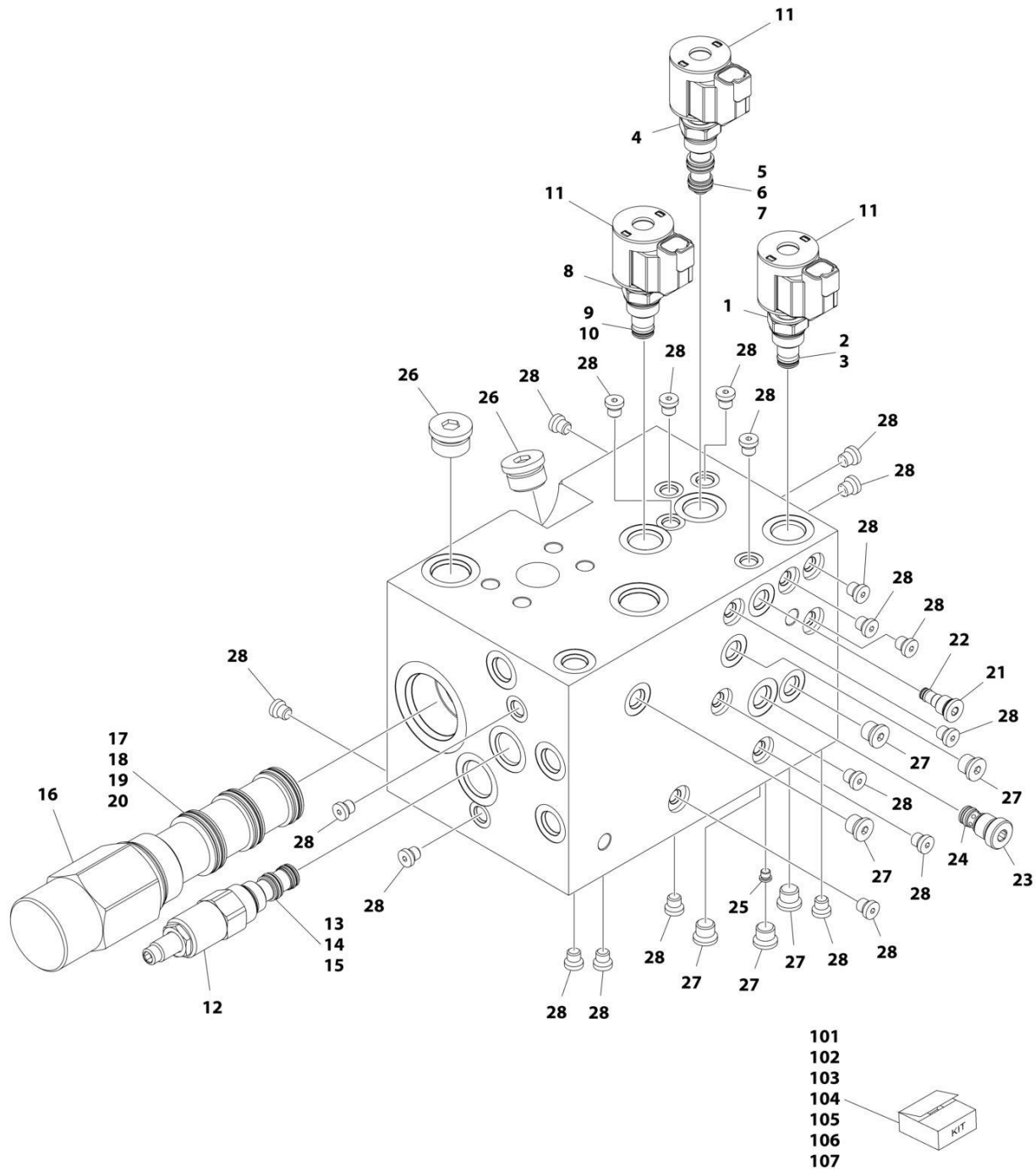
## SECTION 9 - HYDRAULIC COMPONENTS

### FIGURE 9-39. PARK BRAKE VALVE

ITEM	PART NUMBER	QTY	DESCRIPTION	REV
	1001164652	1	Park Brake Valve	A
1	7012941	1	Valve	
2	Kit	1	O-Ring	
3	Kit	1	O-Ring	
4	Kit	1	O-Ring	
5	7017410	1	Valve	
6	Kit	1	O-Ring	
7	Kit	1	O-Ring	
8	70002386	2	Coil	
101	7010543	1	Kit, Seal (includes items 2 thru 4)	
102	7012967	1	Kit, Seal (includes items 6 thru 7)	

# SECTION 9 - HYDRAULIC COMPONENTS

## FIGURE 9-40. PRIORITY MANIFOLD VALVE



ART\_1001162548\_G

## SECTION 9 - HYDRAULIC COMPONENTS

**FIGURE 9-40. PRIORITY MANIFOLD VALVE**

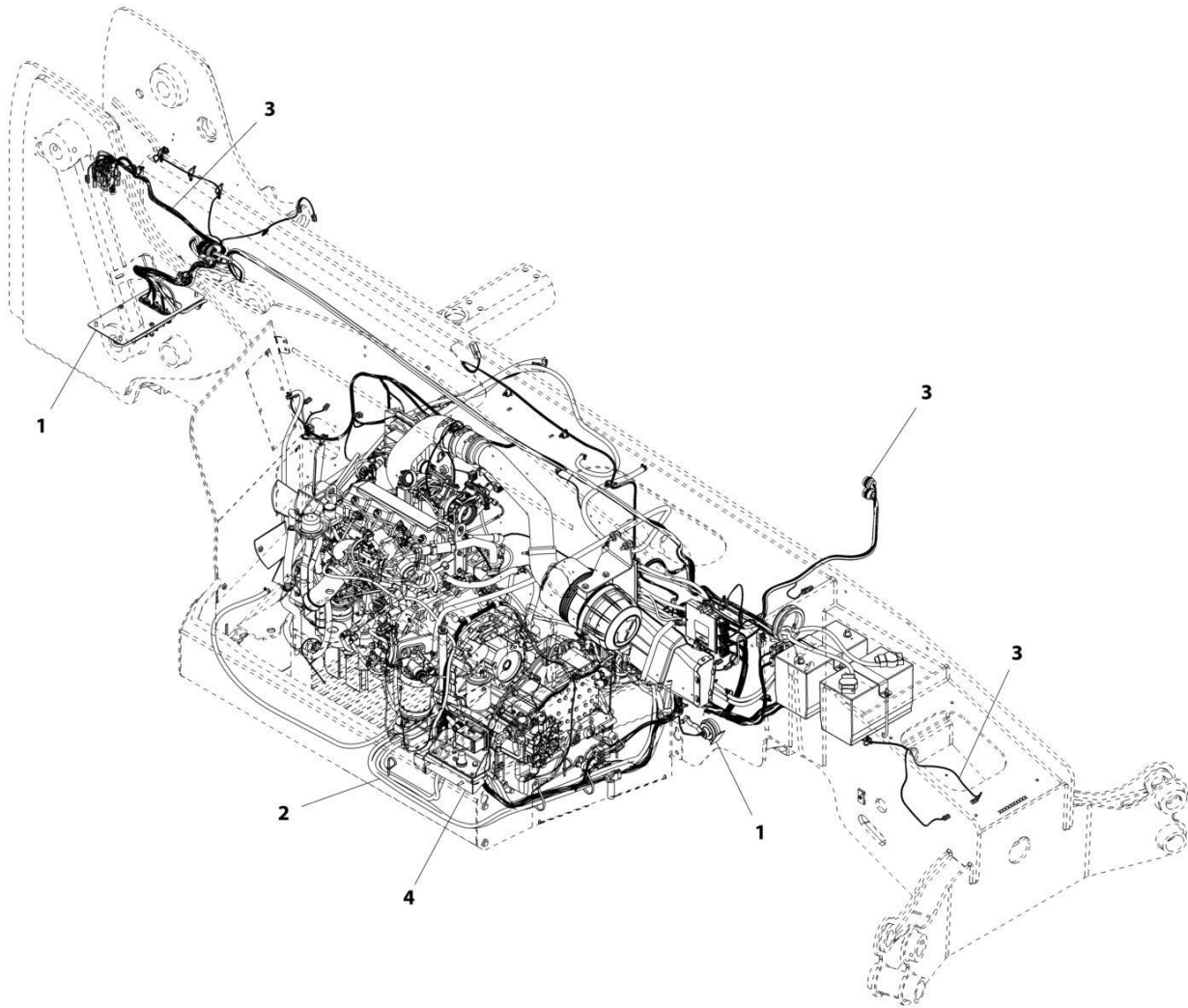
ITEM	PART NUMBER	QTY	DESCRIPTION	REV
	1001162548	Ref	Priority Manifold Valve	G
1	H000071	1	Cartridge	
2	Kit	1	Seal	
3	Kit	1	Seal	
4	7012941	1	Cartridge	
5	Kit	1	Seal	
6	Kit	1	Seal	
7	Kit	1	Seal	
8	7017410	1	Cartridge	
9	Kit	1	Seal	
10	Kit	1	Seal	
11	70002963	3	Coil	
12	70026310	1	Cartridge	
13	Kit	1	Seal	
14	Kit	1	Seal	
15	Kit	1	Seal	
16	70026311	1	Cartridge	
17	Kit	1	Seal	
18	Kit	1	Seal	
19	Kit	1	Seal	
20	Kit	1	Seal	
21	70002975	1	Cartridge	
22	Kit	1	Seal	
23	70026312	1	Cartridge	
24	Kit	1	Seal	
25	70026313	1	Plug	
26	70026314	2	Plug	
27	7017406	6	Plug	
28	70026315	21	Plug	
101	7012953	1	Kit, Seal (includes items 2 thru 3)	
102	7010543	1	Kit, Seal (includes items 5 thru 7)	
103	7012953	1	Kit, Seal (includes items 9 thru 10)	
104	7021653	1	Kit, Seal (includes items 13 thru 15)	
105	70026333	1	Kit, Seal (includes items 17 thru 20)	
106	70002976	1	Kit, Seal (includes items 22)	
107	70026334	1	Kit, Seal (includes items 24)	



**SECTION 10 - ELECTRICAL**

# SECTION 10 - ELECTRICAL

## FIGURE 10-1. MAIN ELECTRICAL INSTALLATION (ULS)



ART\_1001173622-C



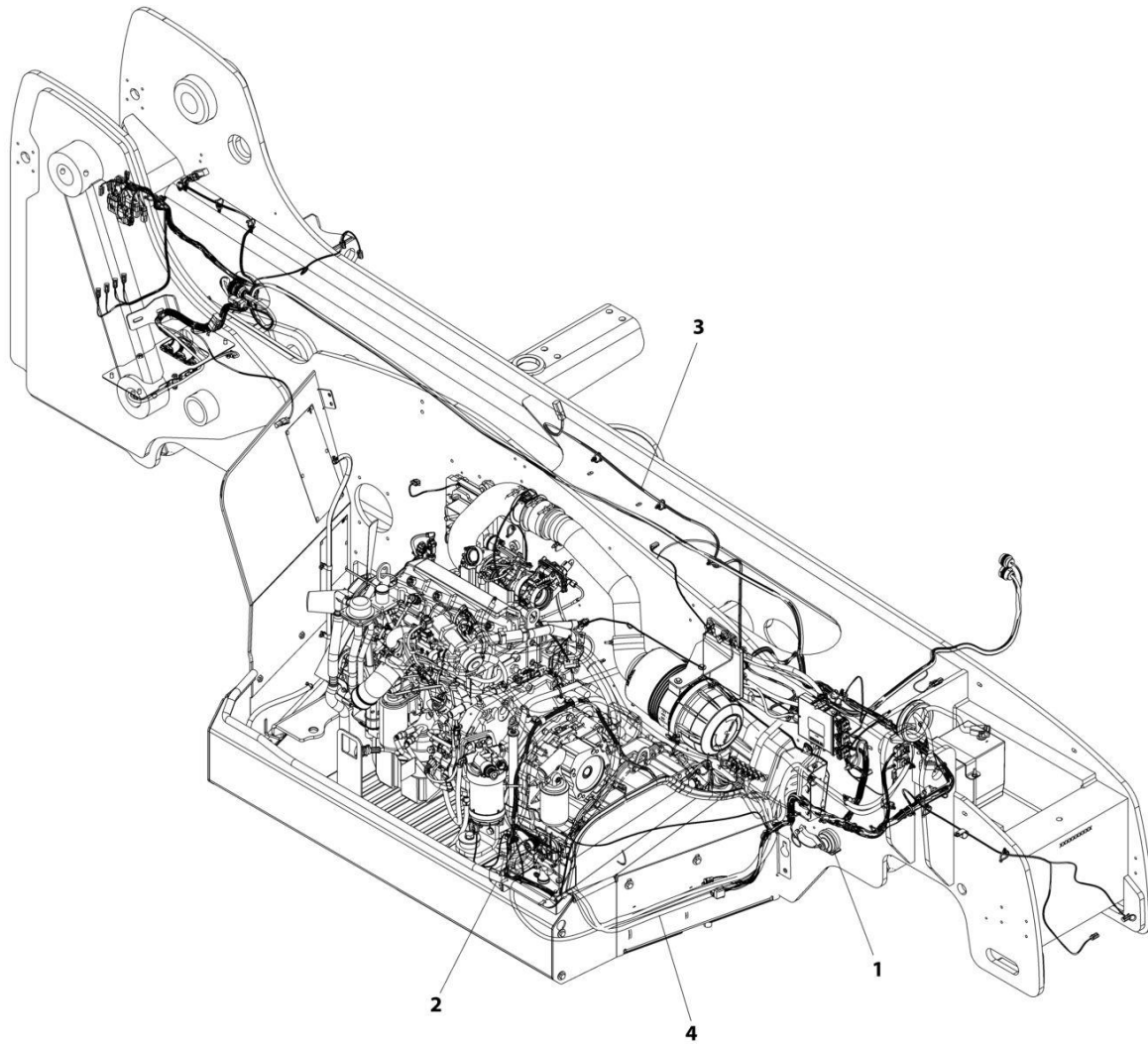
## SECTION 10 - ELECTRICAL

### FIGURE 10-1. MAIN ELECTRICAL INSTALLATION (ULS)

ITEM	PART NUMBER	QTY	DESCRIPTION	REV
1	1001173622	Ref	Main Electrical Installation (ULS)	C
	1001167051	Ref	Installation, Electrical Frame (See Separate Breakdown in this Section)	
2	1001173531	Ref	Installation, Engine Bay Wiring (ULS) (See Separate Breakdown in this Section)	
3	1001173618	Ref	Installation, Frame Wiring (ULS) (See Separate Breakdown in this Section)	
4	1001163127	Ref	Installation, Engine Bay Electrical (See Separate Breakdown in this Section)	

# SECTION 10 - ELECTRICAL

## FIGURE 10-2. MAIN ELECTRICAL INSTALLATION (ULS) (74 HP)



ART\_1001225986

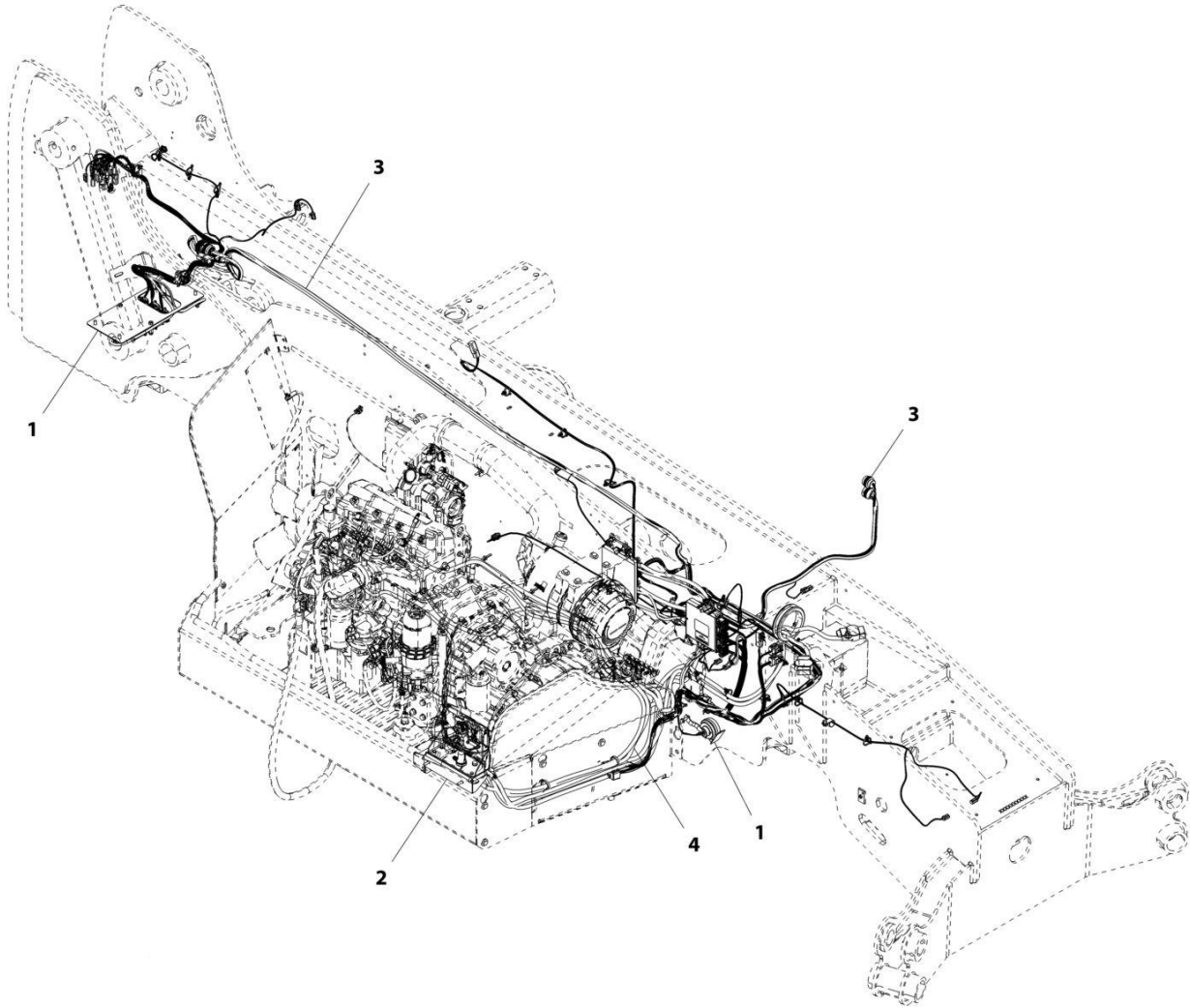
## SECTION 10 - ELECTRICAL

**FIGURE 10-2. MAIN ELECTRICAL INSTALLATION (ULS) (74 HP)**

ITEM	PART NUMBER	QTY	DESCRIPTION	REV
1	1001225986	Ref	Main Electrical Installation (ULS) (74 HP)	B
	1001167051	Ref	Installation, Electrical Frame (See Separate Breakdown in this Section)	
2	1001173765	Ref	Installation, Engine Bay Electrical (See Separate Breakdown in this Section)	
3	1001225987	Ref	Installation, Wiring Frame (See Separate Breakdown in this Section)	
4	1001227963	Ref	Installation, Engine Bay Wiring (See Separate Breakdown in this Section)	

# SECTION 10 - ELECTRICAL

## FIGURE 10-3. MAIN ELECTRICAL INSTALLATION (LS)



ART\_1001192302-A

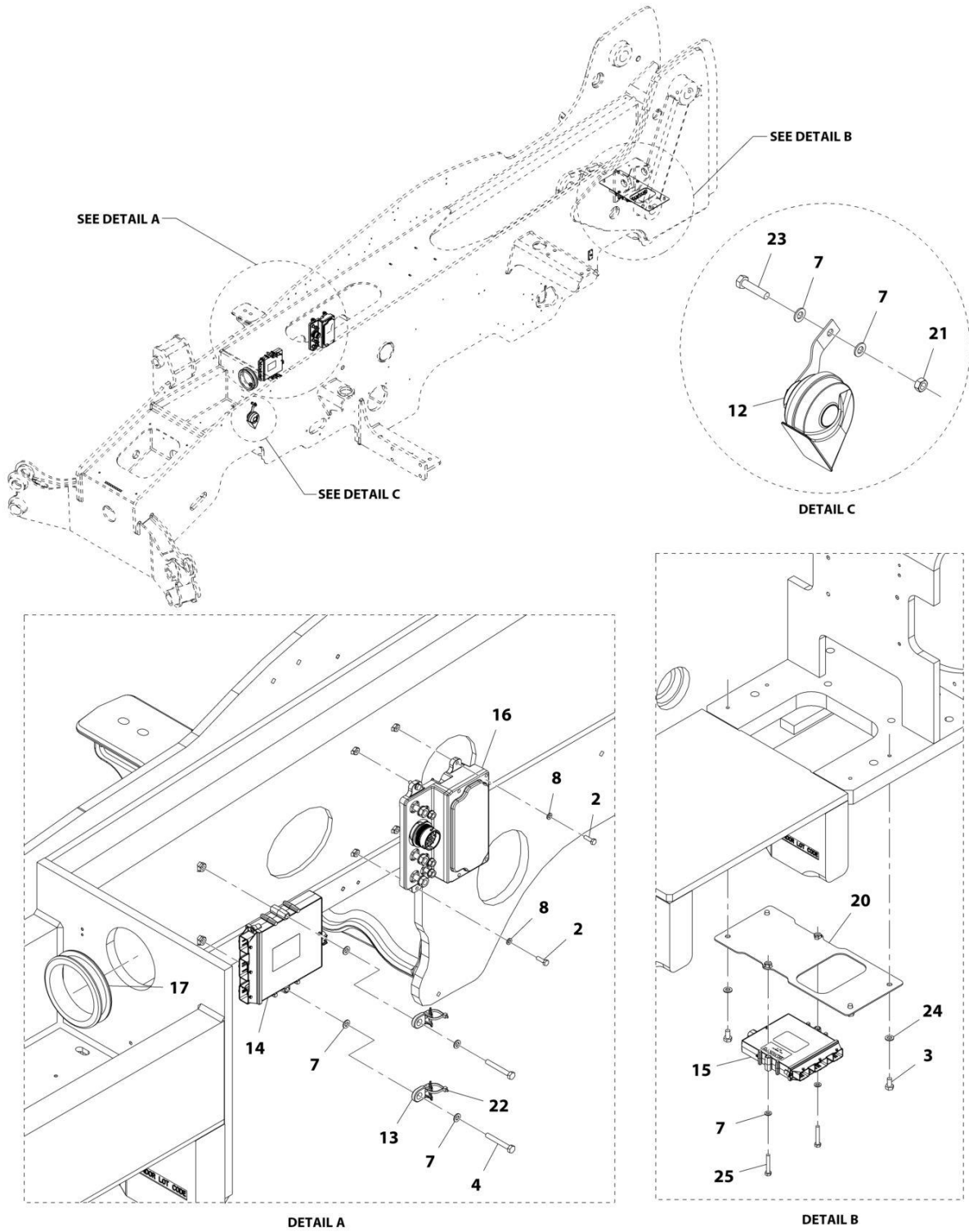
## SECTION 10 - ELECTRICAL

### FIGURE 10-3. MAIN ELECTRICAL INSTALLATION (LS)

ITEM	PART NUMBER	QTY	DESCRIPTION	REV
1	1001192302	Ref	Main Electrical Installation (LS) (642,742)	A
	1001167051	Ref	Installation, Electrical Frame (See Separate Breakdown in this Section)	
2	1001173765	Ref	Installation, Engine Bay Electrical (See Separate Breakdown in this Section)	
3	1001192304	Ref	Installation, Frame Wiring (LS) (See Separate Breakdown in this Section)	
4	1001193171	Ref	Installation, Engine Bay Wiring (See Separate Breakdown in this Section)	

# SECTION 10 - ELECTRICAL

## FIGURE 10-4. ELECTRICAL FRAME INSTALLATION



ART\_1001167051-H

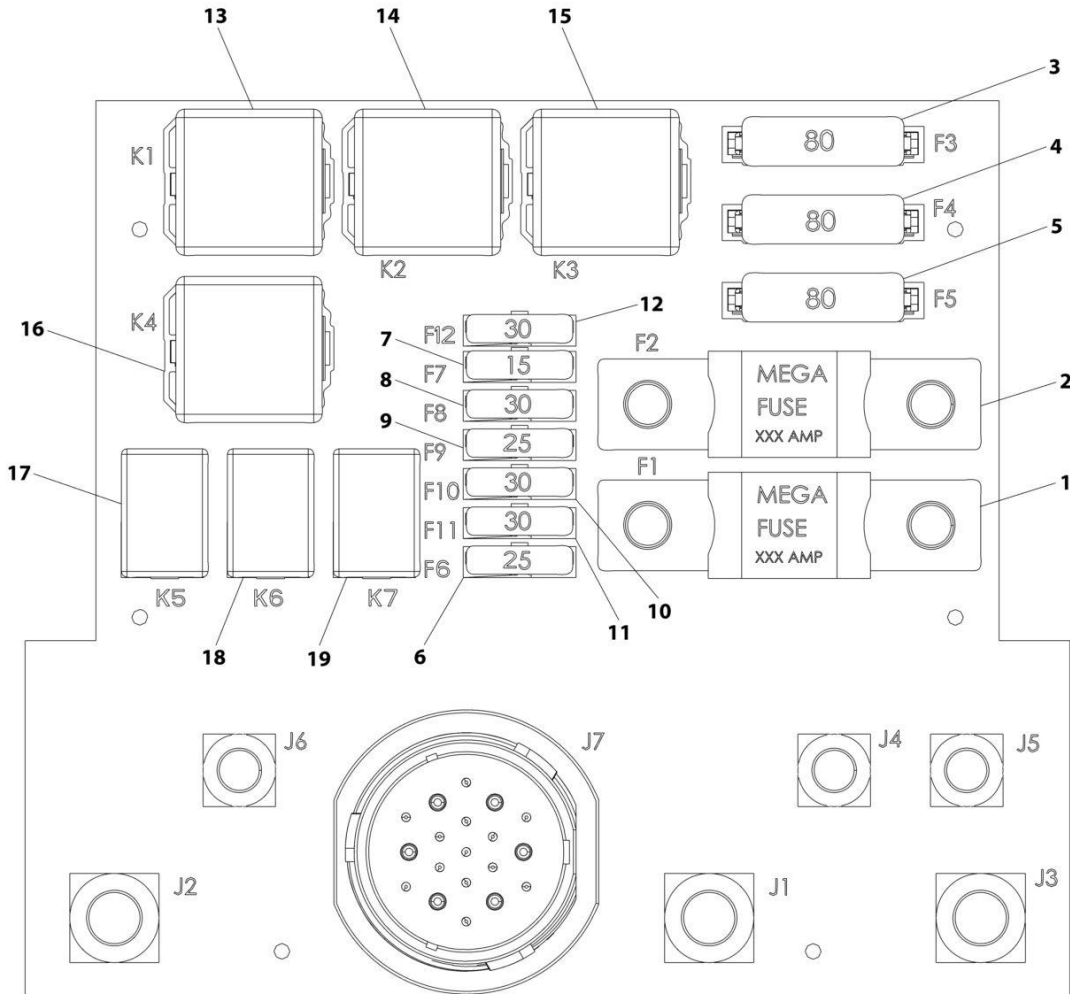
## SECTION 10 - ELECTRICAL

**FIGURE 10-4. ELECTRICAL FRAME INSTALLATION**

ITEM	PART NUMBER	QTY	DESCRIPTION	REV
	1001167051	Ref	Electrical Frame Installation	H
2	0700610	4	Bolt, M6 X 20	
3	0761010	4	Bolt, M10 X 20	
4	0700820	2	Bolt, M8 X 60	
7	4811900	8	Washer, M8	
8	4811700	4	Washer, M6	
12	10713707	1	Horn	
13	1001169146	2	Mount	
14	1001162253	1	Module, Front Frame Control	
15	1001162256	1	Module, Rear Frame Control	
16	1001164402	1	Box, Power Distribution Electrical (See Separate Breakdown in this Section)	
17	1001166397	1	Grommet	
20	1001210450	1	Plate, Mounting	
21	3290801	1	Nut, M8X1.25	
22	1001008559	2	Strap, Cable	
23	0760815	1	Bolt, M8X35	
24	4812000	4	Washer, M10	
25	0700818	2	Bolt, M8X50	

# SECTION 10 - ELECTRICAL

## FIGURE 10-5. POWER DISTRIBUTION ELECTRICAL BOX



ART\_1001164402-G



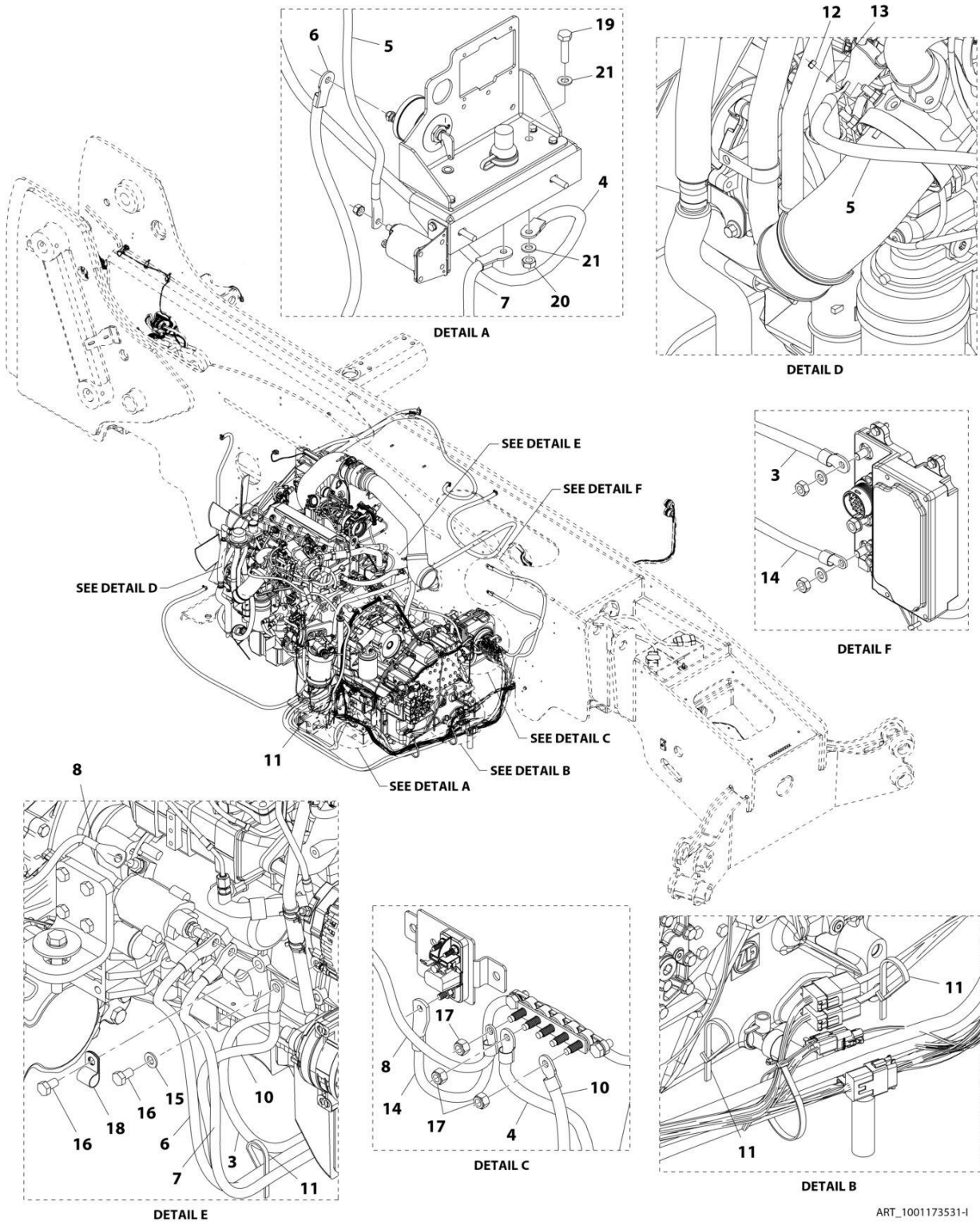
## SECTION 10 - ELECTRICAL

**FIGURE 10-5. POWER DISTRIBUTION ELECTRICAL BOX**

ITEM	PART NUMBER	QTY	DESCRIPTION	REV
	1001164402	Ref	Power Distribution Electrical Box	G
1	1001095336	1	Fuse, 150AMP	
2	70026296	1	Fuse, 200AMP	
3	70026297	1	Fuse, 80AMP	
4	70026297	1	Fuse, 80AMP	
5	70026297	1	Fuse, 80AMP	
6	8229247	1	Fuse, 25AMP	
7	8229244	1	Fuse, 15AMP	
8	8229245	1	Fuse, 30AMP	
9	8229247	1	Fuse, 25AMP	
10	8229245	1	Fuse, 30AMP	
11	8229245	1	Fuse, 30AMP	
12	8229245	1	Fuse, 30AMP	
13	70026294	1	Fuse, 70AMP	
14	70026294	1	Fuse, 70AMP	
15	70026294	1	Fuse, 70AMP	
16	70026294	1	Fuse, 70AMP	
17	70026295	1	Fuse, 35AMP	
18	70026295	1	Fuse, 35AMP	
19	70026295	1	Fuse, 35AMP	

# SECTION 10 - ELECTRICAL

## FIGURE 10-6. ENGINE BAY WIRING INSTALLATION (ULS)



ART\_1001173531-I

## SECTION 10 - ELECTRICAL

**FIGURE 10-6. ENGINE BAY WIRING INSTALLATION (ULS)**

ITEM	PART NUMBER	QTY	DESCRIPTION	REV
	1001173531	Ref	Engine Bay Wiring Installation (ULS)	1
3	1001170215	1	Cable, PDM to ALT+	
4	1001200102	1	Cable, Ground Buss to Remote Ground	
5	1001170816	1	Cable, Grid Heater	
6	1001170740	1	Cable, Starter to Battery Disconnect	
7	1001170741	1	Cable, Starter to Remote B+	
8	1001170320	1	Cable, Starter Ground	
10	1001170749	1	Cable, Engine Ground	
11	1001008559	5	Strap, Cable	
12	3290605	1	Nut, Lock M6X1	
13	4811700	1	Washer, M6	
14	1001190585	1	Cable, Glow Plug	
15	4812100	1	Washer, M12	
16	0761210	2	Bolt, M12X20	
17	3291005	3	Nut, Lock M10X1.5	
18	8406105	1	Clip, Tube	
19	0701016	1	Bolt, M10X40	
20	3291001	1	Nut, M10X1.5	
21	4812000	2	Washer, M10	

# SECTION 10 - ELECTRICAL

## FIGURE 10-7. ENGINE BAY WIRING INSTALLATION, 74HP (ULS)



ART\_1001227963-B

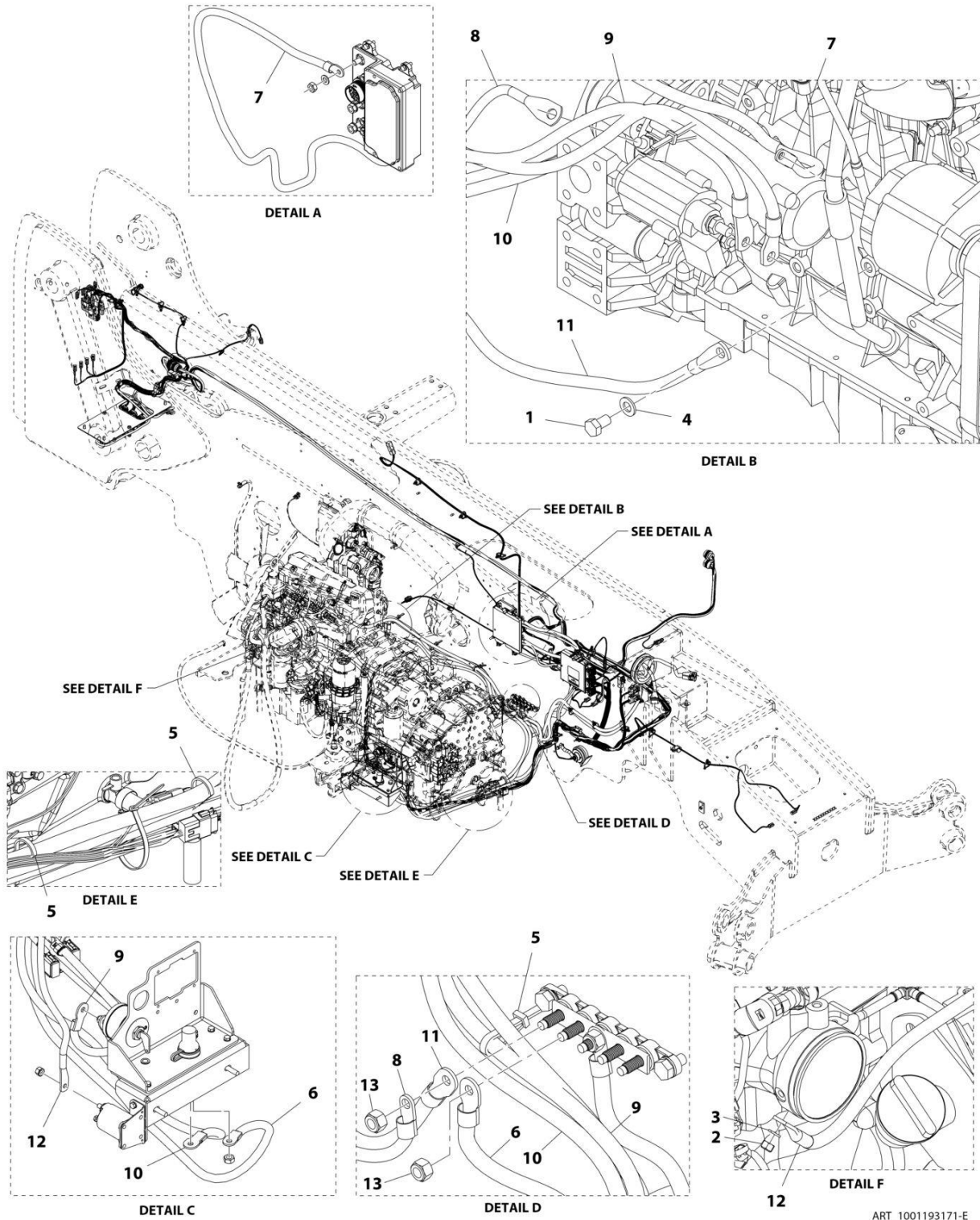
## SECTION 10 - ELECTRICAL

**FIGURE 10-7. ENGINE BAY WIRING INSTALLATION, 74HP (ULS)**

ITEM	PART NUMBER	QTY	DESCRIPTION	REV
	1001227963	Ref	Engine Bay Wiring Installation, 74HP (ULS)	B
1	0761210	1	Bolt, M12X20	
2	3290605	1	Nut, Lock M6X1	
4	4811700	1	Washer, M6	
5	4812100	1	Washer, M12	
6	1001008559	5	Strap, Cable	
7	1001146588	2	Strap, Cable Tie	
8	1001170320	1	Cable, Starter Ground	
9	1001170816	1	Cable, Grid Heater	
10	1001200102	1	Cable, Ground Buss to Remote Ground	
11	1001205254	1	Cable	
12	1001228118	1	Cable, Starter to Remote	
13	1001228119	1	Cable, Starter to Battery Disconnect	
14	1001228490	1	Cable, Engine Ground	

# SECTION 10 - ELECTRICAL

## FIGURE 10-8. ENGINE BAY WIRING INSTALLATION (LS)



ART\_1001193171-E

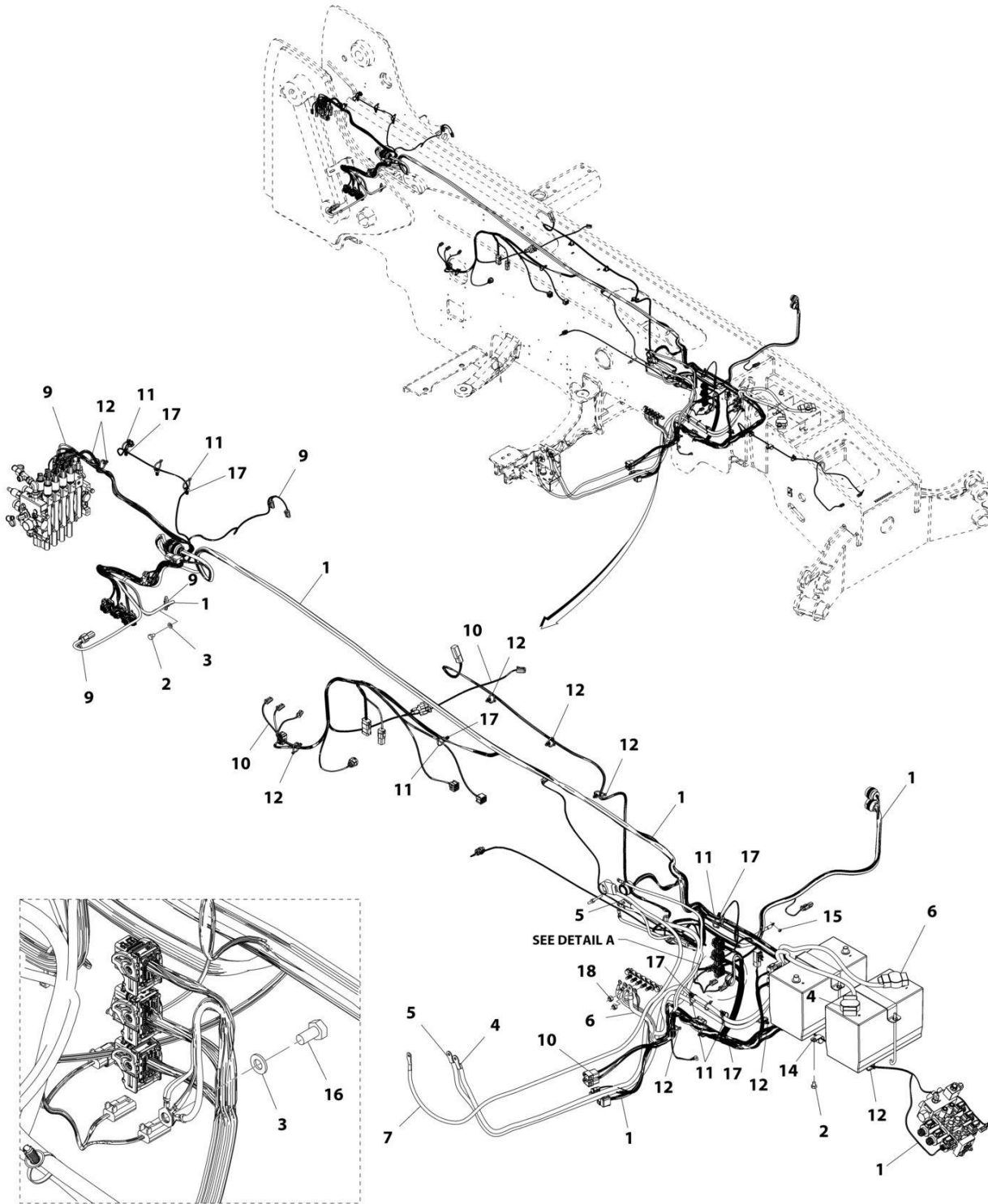
## SECTION 10 - ELECTRICAL

**FIGURE 10-8. ENGINE BAY WIRING INSTALLATION (LS)**

ITEM	PART NUMBER	QTY	DESCRIPTION	REV
	1001193171	Ref	Engine Bay Wiring Installation (LS)	E
1	0761210	1	Bolt, M12X20	
2	3290605	1	Nut, Lock M6X1	
3	4811700	1	Washer, M6	
4	4812100	1	Washer, M12	
5	1001008559	6	Strap, Cable	
6	1001200102	1	Cable, Ground Buss to Remote Ground	
7	1001205254	1	Cable, PDM to Alt+	
8	1001170320	1	Cable, Starter Ground	
9	1001187623	1	Cable, Starter to Battery Disconnect	
10	1001187624	1	Cable, Starter to Remote B+	
11	1001205255	1	Cable, Engine Ground	
12	1001170816	1	Cable, Grid Heater	
13	3291005	2	Nut, Lock M10X1.5	

# SECTION 10 - ELECTRICAL

## FIGURE 10-9. FRAME WIRING INSTALLATION (ULS)



ART\_1001173618-L



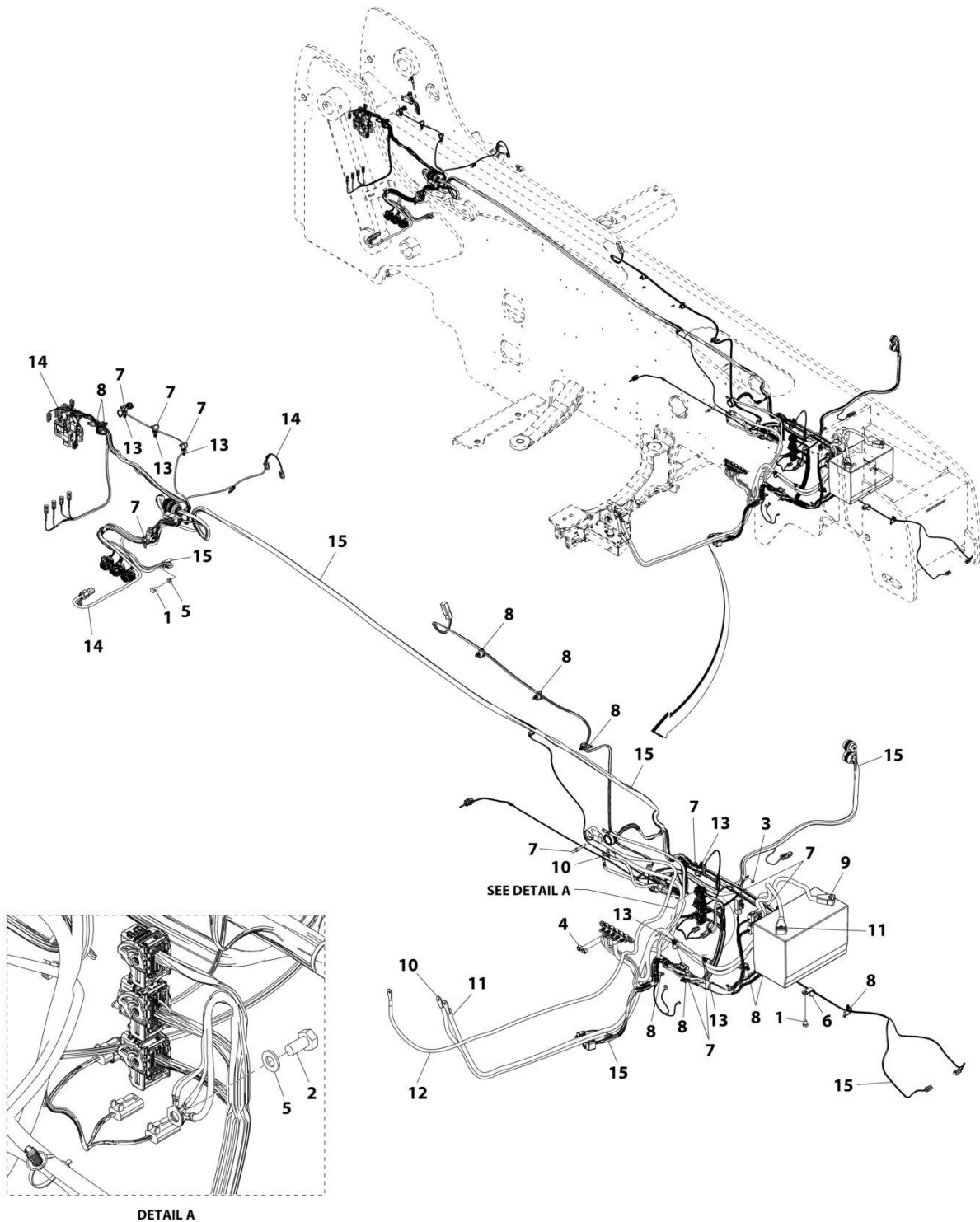
## SECTION 10 - ELECTRICAL

**FIGURE 10-9. FRAME WIRING INSTALLATION (ULS)**

ITEM	PART NUMBER	QTY	DESCRIPTION	REV
	1001173618	Ref	Frame Wiring Installation (ULS)	L
1	1001221728	1	Harness, Front Frame (See Separate Breakdown in this Section)	
2	0761007	2	Bolt, M10X14	
3	4812000	2	Washer, M10	
4	1001203052	1	Cable, Battery + to Battery Disconnect	
5	1001170566	1	Cable, Battery Disconnect to PDM	
6	1001203053	1	Cable, Battery Negative	
7	1001200082	1	Cable, PDM to Grid Heater	
9	1001204351	1	Harness, Rear Frame (See Separate Breakdown in this Section)	
10	1001173091	1	Harness, Engine Chassis Harness (ULS) (See Separate Breakdown in this Section)	
11	1001008559	19	Strap, Cable	
12	1001146588	14	Strap, Cable Tie	
14	8406201	1	Clip, Wire and Tube	
15	3290601	1	Nut, M6X1	
16	0761010	1	Bolt, M10X20	
17	1001202986	9	Strap, Tie	
18	3291005	2	Nut, Lock M10X1.5	

# SECTION 10 - ELECTRICAL

## FIGURE 10-10. FRAME WIRING INSTALLATION (ULS)



ART\_1001225987-B

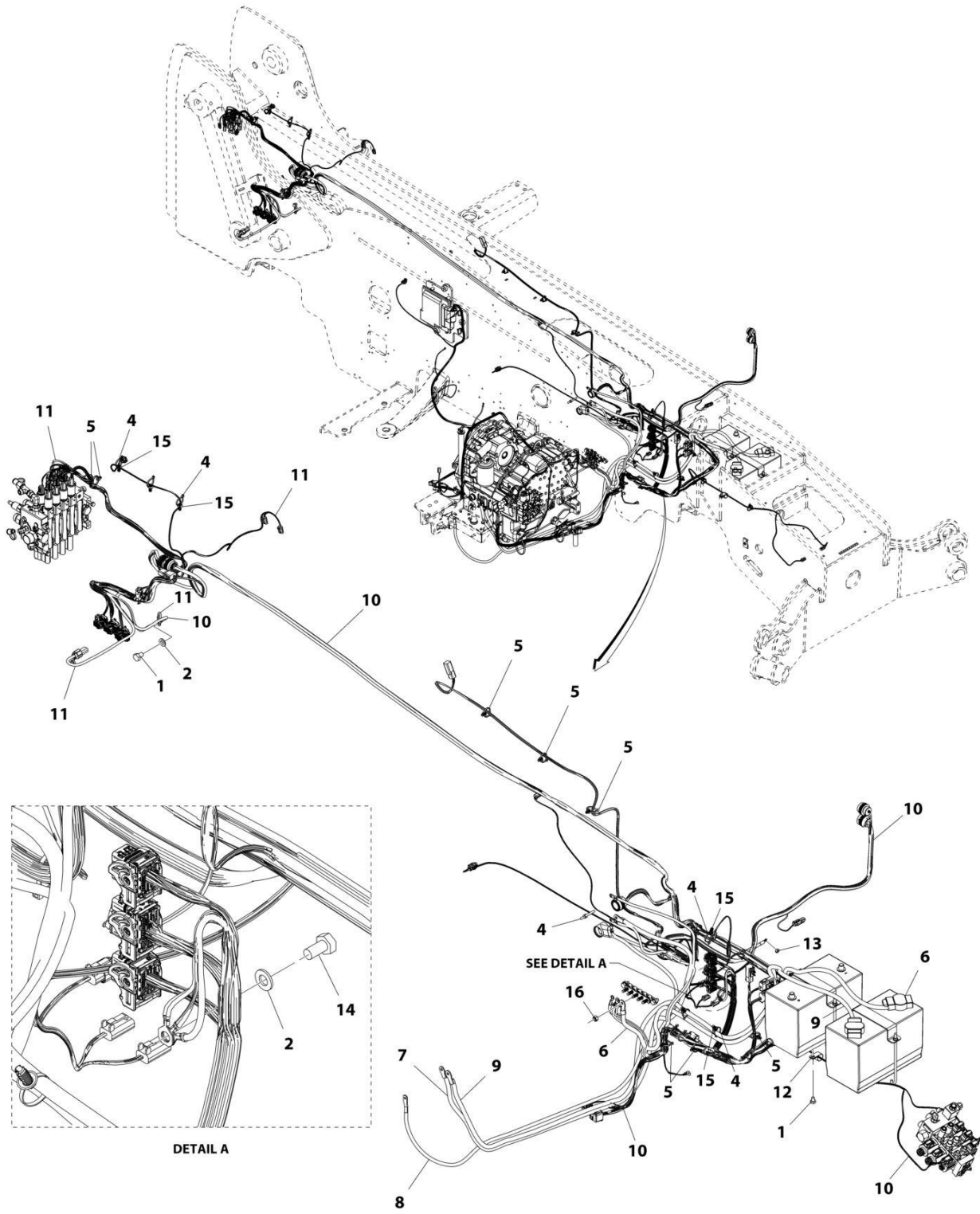
## SECTION 10 - ELECTRICAL

**FIGURE 10-10. FRAME WIRING INSTALLATION (ULS)**

ITEM	PART NUMBER	QTY	DESCRIPTION	REV
	1001225987	Ref	Frame Wiring Installation (ULS)	B
1	0761007	2	Bolt, M10X14	
2	0761010	1	Bolt, M10X20	
3	3290601	1	Nut, M6X1	
4	3291005	5	Nut, Lock M10X1.5	
5	4812000	2	Washer, M10	
6	8406201	1	Clip, Wire and Tube	
7	1001008559	19	Strap, Tie	
8	1001146588	13	Strap, Tie	
9	1001169365	1	Cable, Battery Negative	
10	1001170566	1	Cable, Battery Disconnect to PDM	
11	1001170624	1	Cable, Battery + to Battery Disconnect	
12	1001200082	1	Cable, PDM to Grid Heater	
13	1001202986	8	Strap	
14	1001204352	1	Harness, Rear Frame (See Separate Breakdown in this Section)	
15	1001221728	1	Harness, Front Frame (See Separate Breakdown in this Section)	

# SECTION 10 - ELECTRICAL

## FIGURE 10-11. FRAME WIRING INSTALLATION (LS)



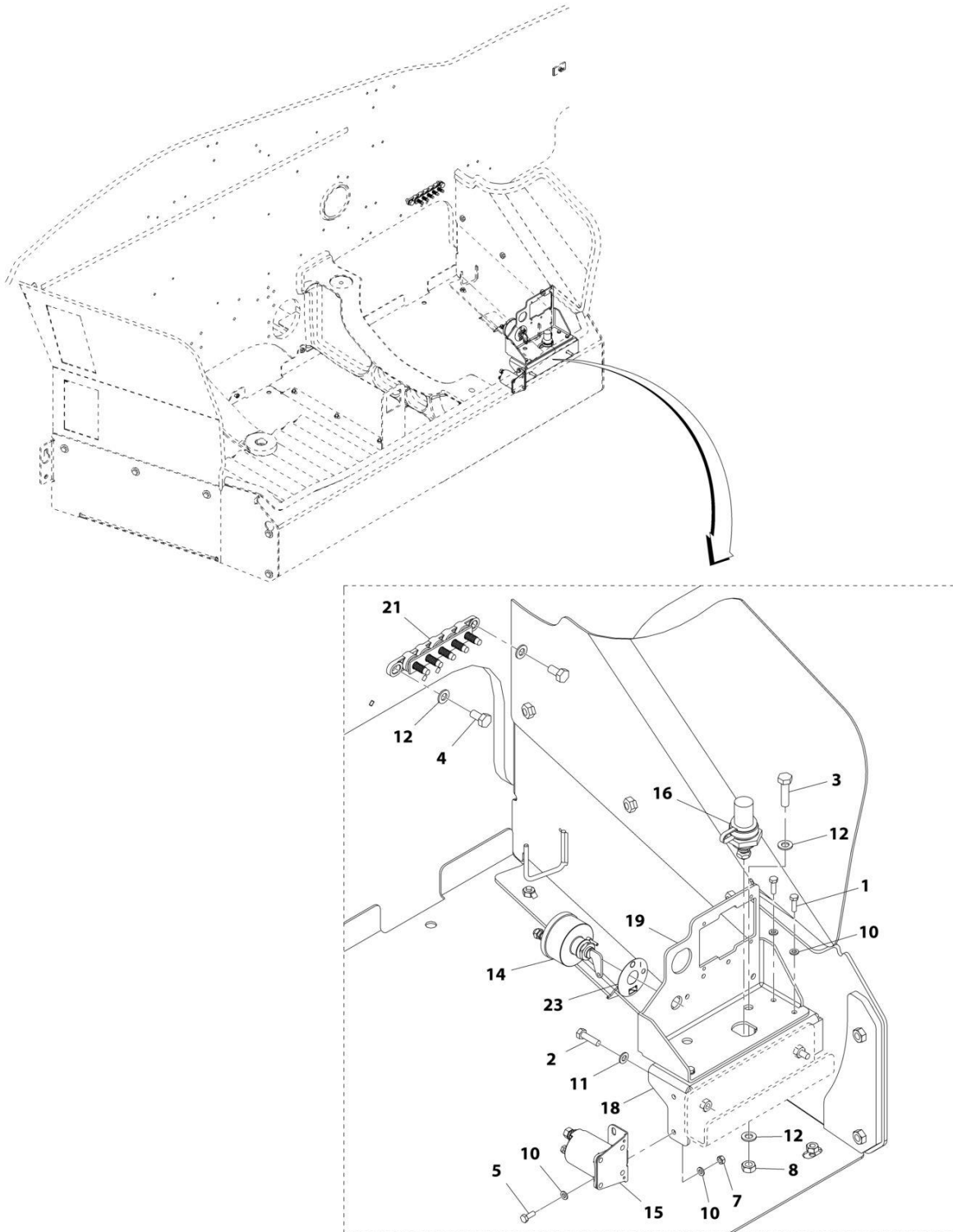
## SECTION 10 - ELECTRICAL

**FIGURE 10-11. FRAME WIRING INSTALLATION (LS)**

ITEM	PART NUMBER	QTY	DESCRIPTION	REV
	1001192304	Ref	Frame Wiring Installation (LS)	I
1	0761007	2	Bolt, M10X14	
2	4812000	2	Washer, M10	
4	1001008559	19	Strap, Tie	
5	1001146588	13	Strap, Tie	
6	1001203053	1	Cable, Battery Negative	
7	1001170566	1	Cable, Battery Disconnect to PDM	
8	1001200082	1	Cable, PDM to Grid Heater	
9	1001203052	1	Cable, Battery + to Battery Disconnect	
10	1001221728	1	Harness, Front Frame (See Separate Breakdown in this Section)	
11	1001204351	1	Harness, Rear Frame (See Separate Breakdown in this Section)	
12	8406201	1	Clip, Wire and Tube	
13	3290601	1	Nut, M6X1	
14	0761010	1	Bolt, M10X20	
15	1001202986	8	Strap, Tie	
16	3291005	1	Nut, Lock M10X1.5	

# SECTION 10 - ELECTRICAL

## FIGURE 10-12. ENGINE BAY ELECTRICAL INSTALLATION



ART\_1001173765-J

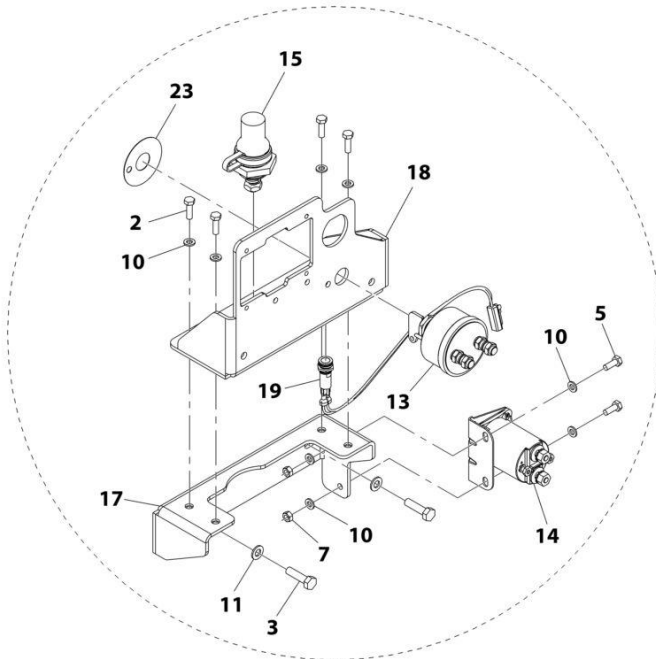
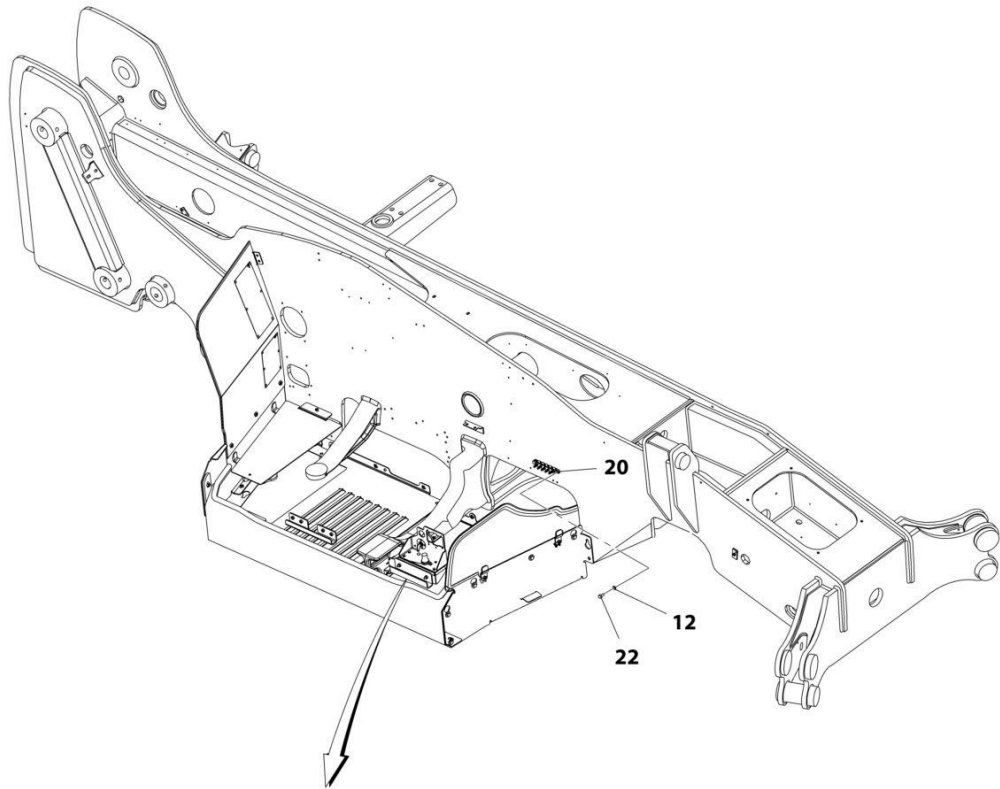
## SECTION 10 - ELECTRICAL

### FIGURE 10-12. ENGINE BAY ELECTRICAL INSTALLATION

ITEM	PART NUMBER	QTY	DESCRIPTION	REV
	1001173765	Ref	Engine Bay Electrical Installation (1043,642,742,943)	J
1	0700610	4	Bolt, M6X20	
2	0700814	2	Bolt, M8X30	
3	0701016	1	Bolt, M10X40	
4	0761010	2	Bolt, M10X20	
5	0760608	2	Bolt, M6X16	
7	3290601	2	Nut, M6X1	
8	3291001	1	Nut, M10X1.5	
10	4811700	8	Washer, M6	
11	4811900	2	Washer, M8	
12	4812000	4	Washer, M10	
14	1001192142	1	Switch, Disconnect	
15	1001117308	1	Relay	
16	1001193993	1	Terminal	
18	1001199099	1	Bracket	
19	1001198321	1	Bracket	
21	1001181128	1	Bussbar	
23	1001008540	1	Plate	

# SECTION 10 - ELECTRICAL

## FIGURE 10-13. ENGINE BAY ELECTRICAL INSTALLATION (ULS)



ART\_1001163127-J



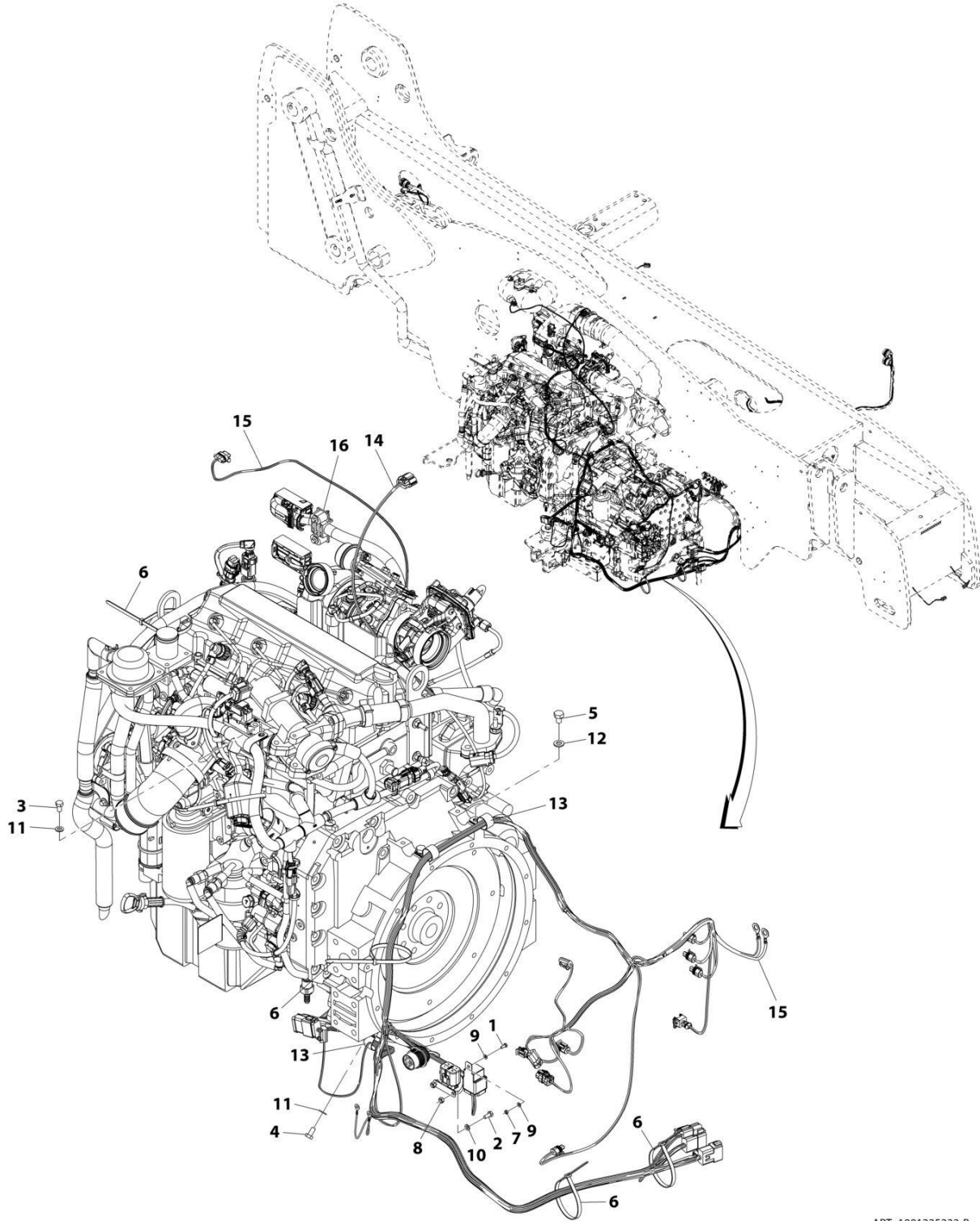
## SECTION 10 - ELECTRICAL

**FIGURE 10-13. ENGINE BAY ELECTRICAL INSTALLATION (ULS)**

ITEM	PART NUMBER	QTY	DESCRIPTION	REV
	1001163127	Ref	Engine Bay Electrical Installation (if equipped for ULS)	J
2	0700610	4	Bolt, M6X20	
3	0700814	2	Bolt, M8X30	
5	0760608	2	Bolt, M6X16	
7	3290601	2	Nut, M6X1 Grade 8	
10	4811700	8	Washer, M6	
11	4811900	2	Washer, M8	
12	4812000	2	Washer, M10	
13	1001192142	1	Switch, Disconnect	
14	1001117308	1	Relay	
15	1001193993	1	Terminal	
17	1001199099	1	Bracket	
18	1001198321	1	Bracket	
19	1001232288	Ref	Harness, DEF Purge Light, (See Separate Breakdown in this Section)	
20	1001181128	1	Bussbar	
22	0761010	2	Bolt, M10X20	
23	1001008540	1	Plate	

# SECTION 10 - ELECTRICAL

## FIGURE 10-14. ENGINE WIRING INSTALLATION, 74HP (ULS)



ART\_1001225232-B

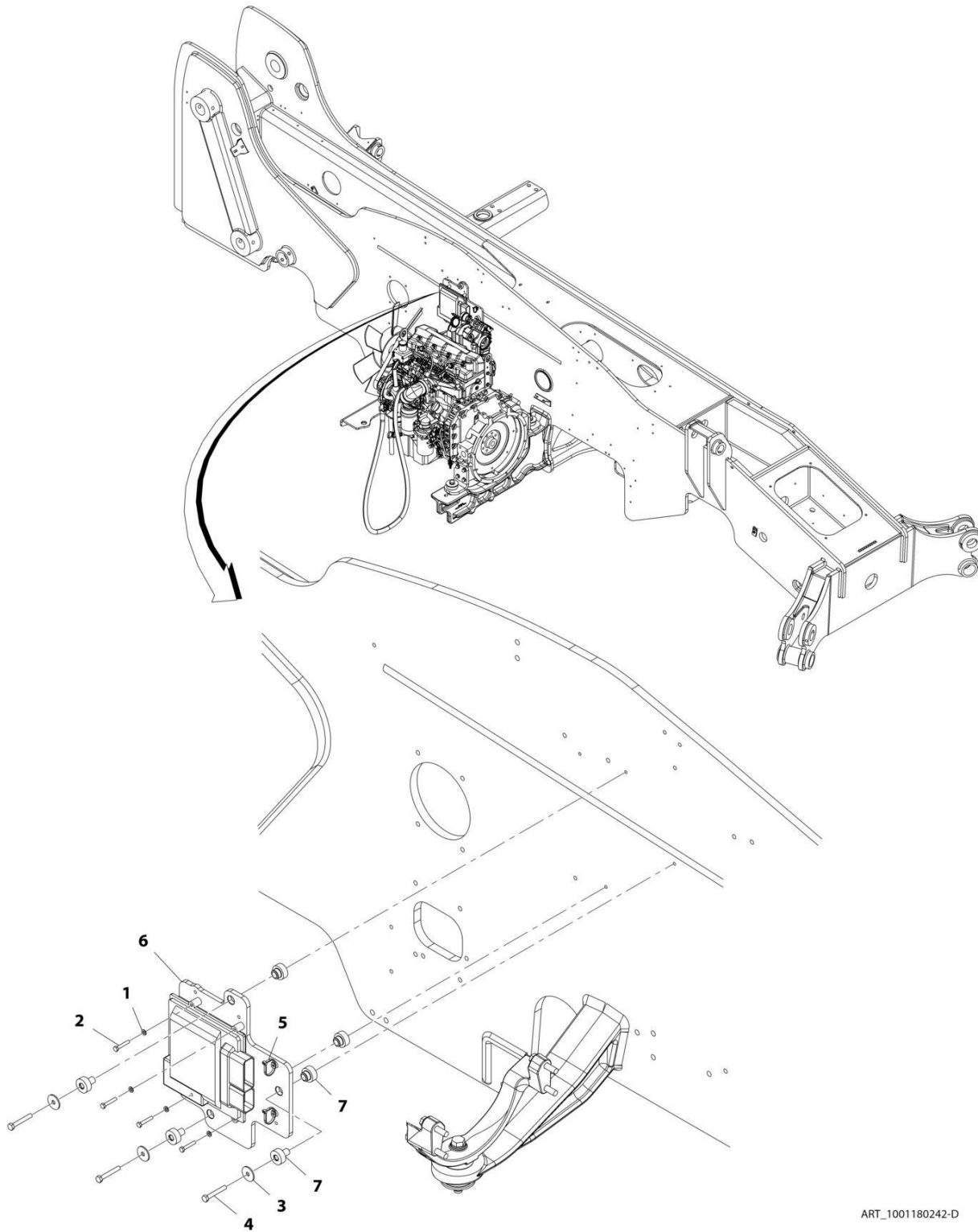
## SECTION 10 - ELECTRICAL

**FIGURE 10-14. ENGINE WIRING INSTALLATION, 74HP (ULS)**

ITEM	PART NUMBER	QTY	DESCRIPTION	REV
	1001225232	Ref	Engine Wiring Installation, 74HP (ULS)	B
1	0760405	1	Bolt, M4X10	
2	0760607	2	Bolt, M6X14	
3	0760807	1	Bolt, M8X14	
4	0760808	1	Bolt, M8X16	
5	0761007	2	Bolt, M10X14	
6	1062255	8	Strap, Tie	
7	3290401	1	Nut, M4X0.7	
8	3290601	2	Nut, M6X1 Grade 8	
9	4811400	2	Washer, M4	
10	4811700	2	Washer, M6	
11	4811900	2	Washer, M8	
12	4812000	2	Washer, M10	
13	8406201	4	Clip	
14	1001184835	1	Harness, TBAP (See Separate Breakdown in this Section)	
15	1001225067	1	Harness, Engine, Cummins 74HP (See Separate Breakdown in this Section)	
16	1001167646	1	Connector, Strain Relief	

# SECTION 10 - ELECTRICAL

## FIGURE 10-15. ENGINE ECU INSTALLATION (LS)



ART\_1001180242-D

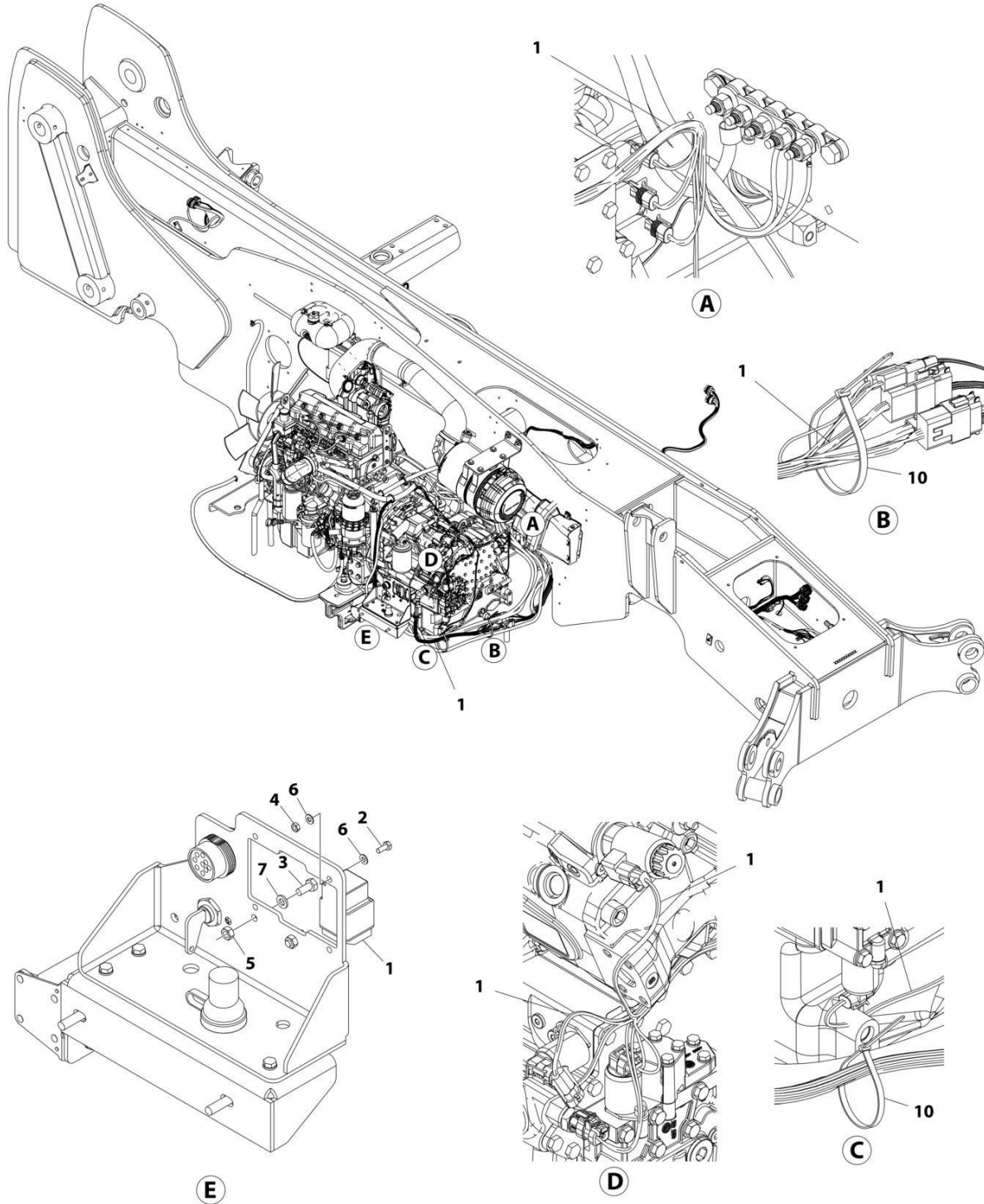
## SECTION 10 - ELECTRICAL

### FIGURE 10-15. ENGINE ECU INSTALLATION (LS)

ITEM	PART NUMBER	QTY	DESCRIPTION	REV
	1001180242	Ref	Engine ECM Installation (LS)	D
1	4811700	4	Washer, M6	
2	0760615	4	Bolt, M6X35	
3	1001195089	3	Washer	
4	0700819	3	Bolt, Grade 8	
5	1001146588	2	Strap, Tie	
6	1001192468	1	Bracket	
7	1001192471	3	Mount, Isolator	

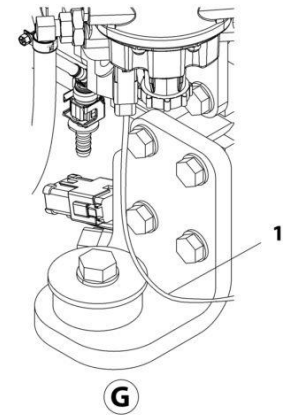
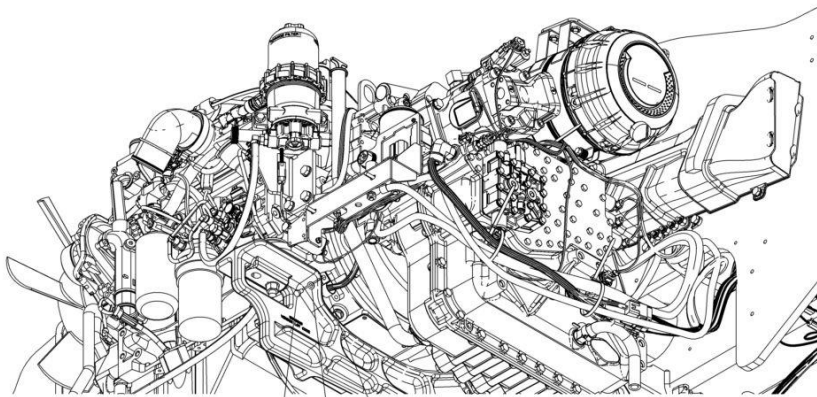
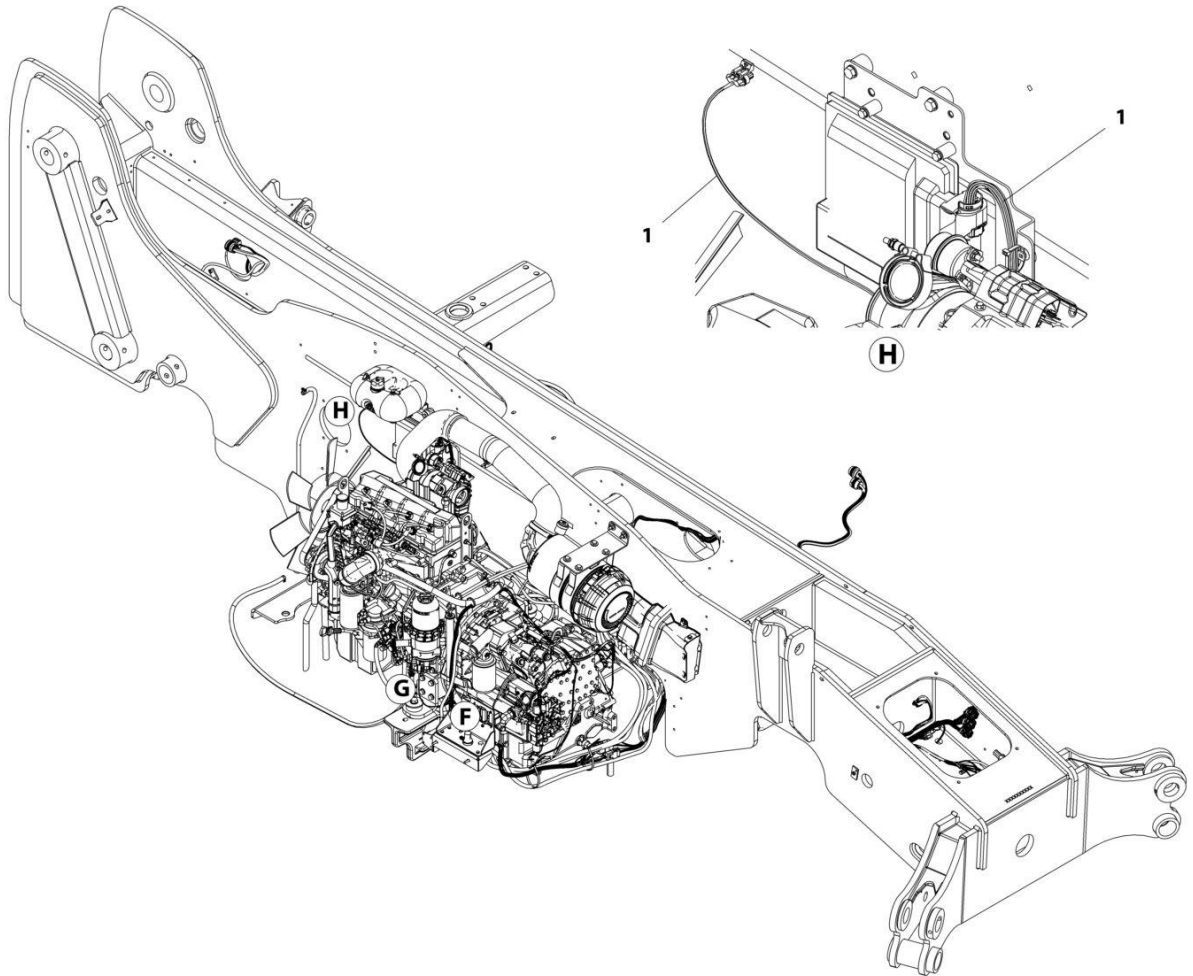
# SECTION 10 - ELECTRICAL

## FIGURE 10-16. ENGINE WIRING INSTALLATION (LS)



ART\_1001163242\_J\_10F3

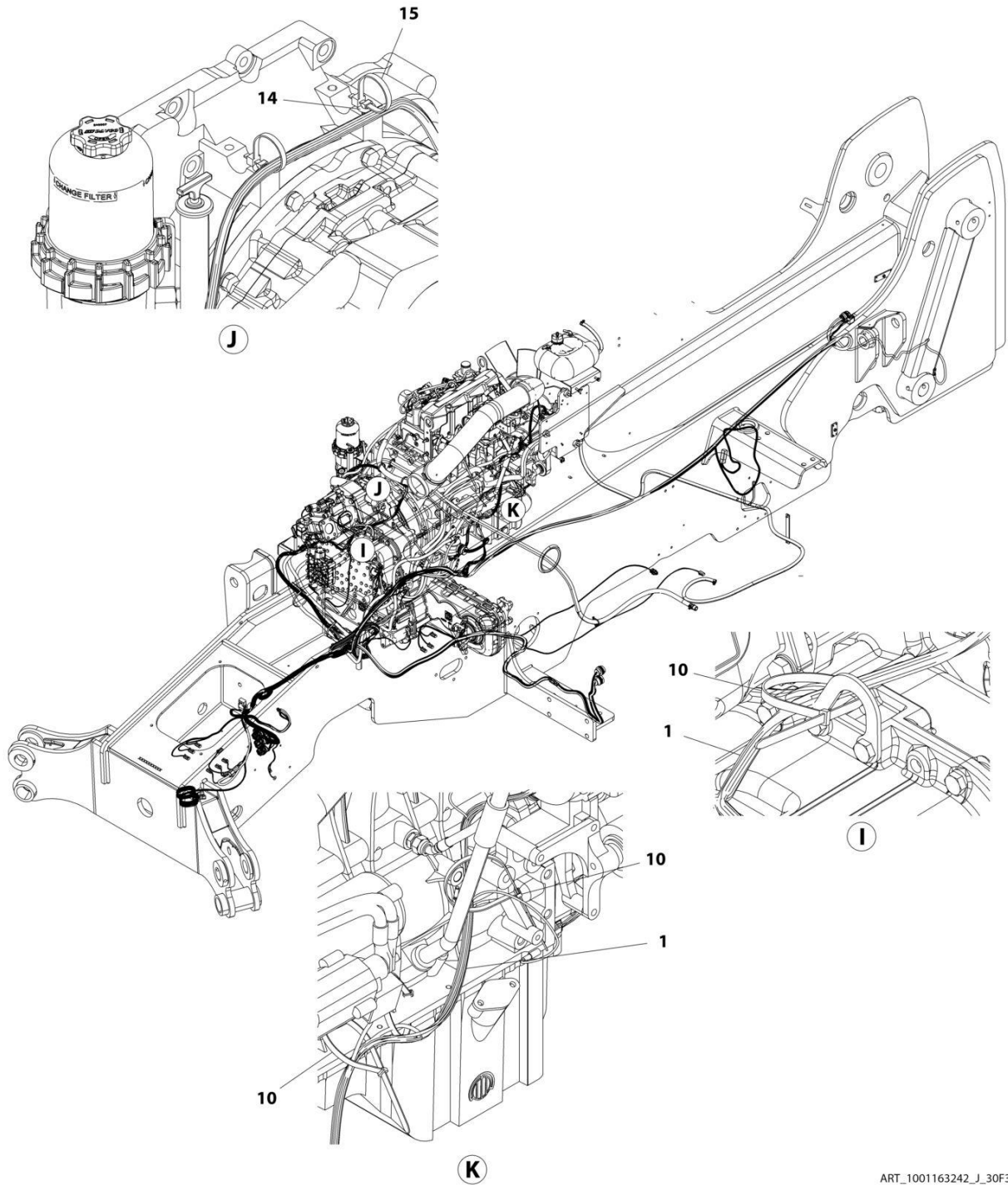
# SECTION 10 - ELECTRICAL



8 11 13 (F)

ART\_1001163242\_J\_20F3

# SECTION 10 - ELECTRICAL



ART\_1001163242\_J\_30F3



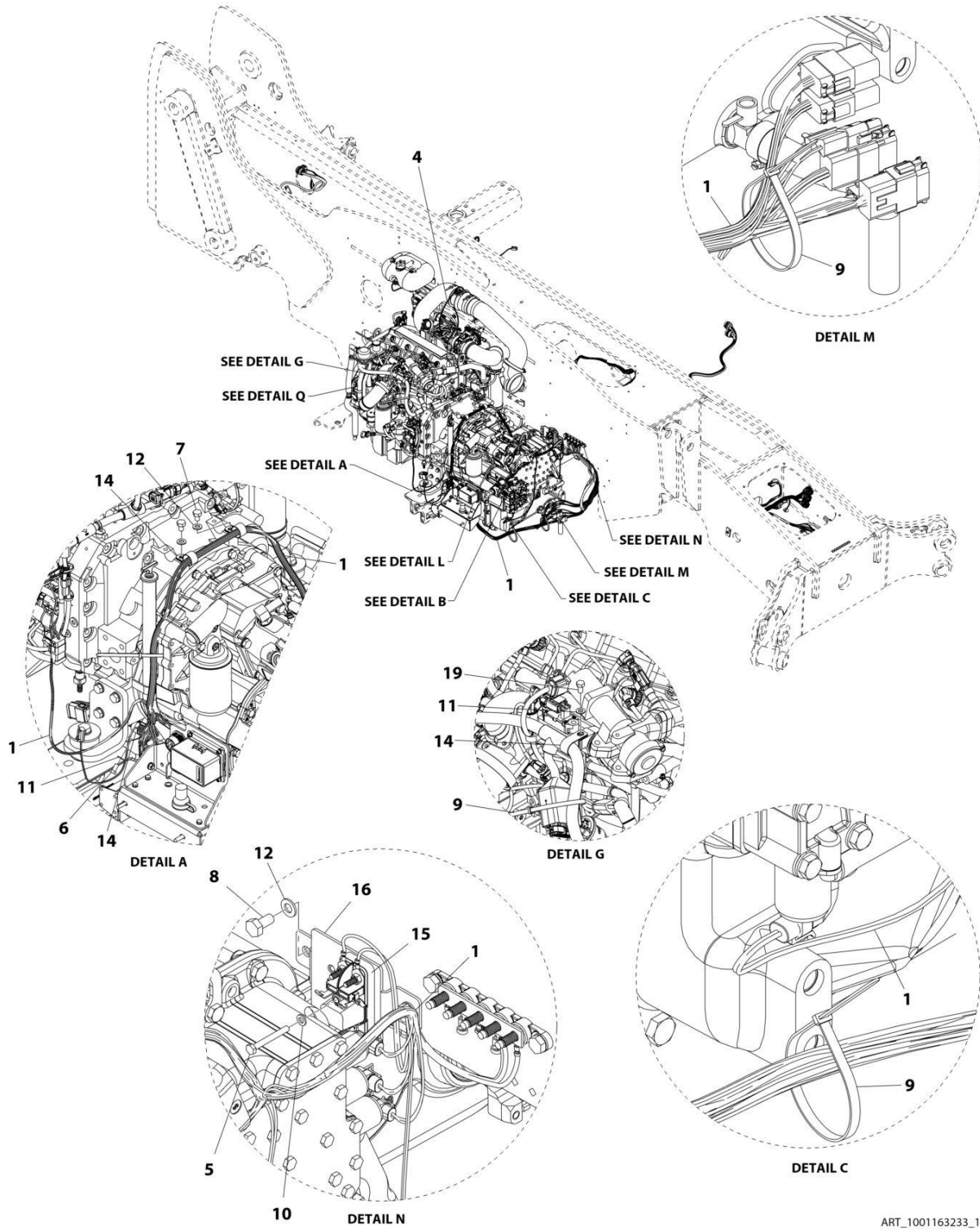
## SECTION 10 - ELECTRICAL

**FIGURE 10-16. ENGINE WIRING INSTALLATION (LS)**

ITEM	PART NUMBER	QTY	DESCRIPTION	REV
	1001163242	Ref	Engine Wiring Installation (LS)	J
1	1001222715	1	Harness, Engine (LS) (See Separate Breakdown in this Section)	
2	0760405	1	Bolt, M4X10	
3	0760607	2	Bolt, M6X14	
4	3290401	1	Nut, M4X0.7	
5	3290601	2	Nut, M6X1 Grade 8	
6	4811400	2	Washer, M4	
7	4811700	2	Washer, M6	
8	0760808	1	Bolt, M8X16	
10	1062255	5	Strap, Tie	
11	4811900	1	Washer, M8	
13	8406201	1	Clip	
14	1001202986	2	Strap, Tie	
15	1001008559	2	Strap, Tie	

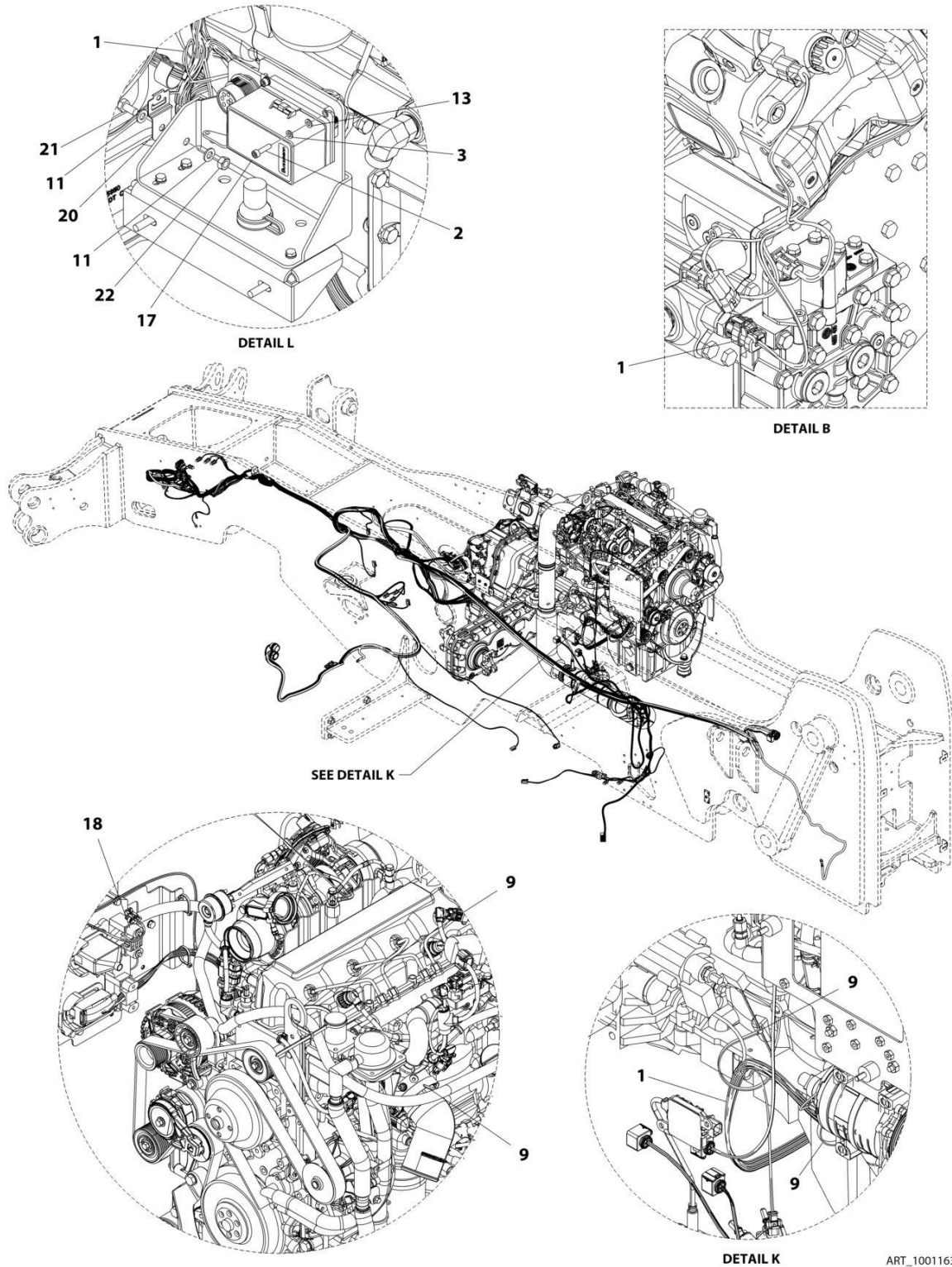
# SECTION 10 - ELECTRICAL

## FIGURE 10-17. ENGINE WIRING INSTALLATION (ULS)

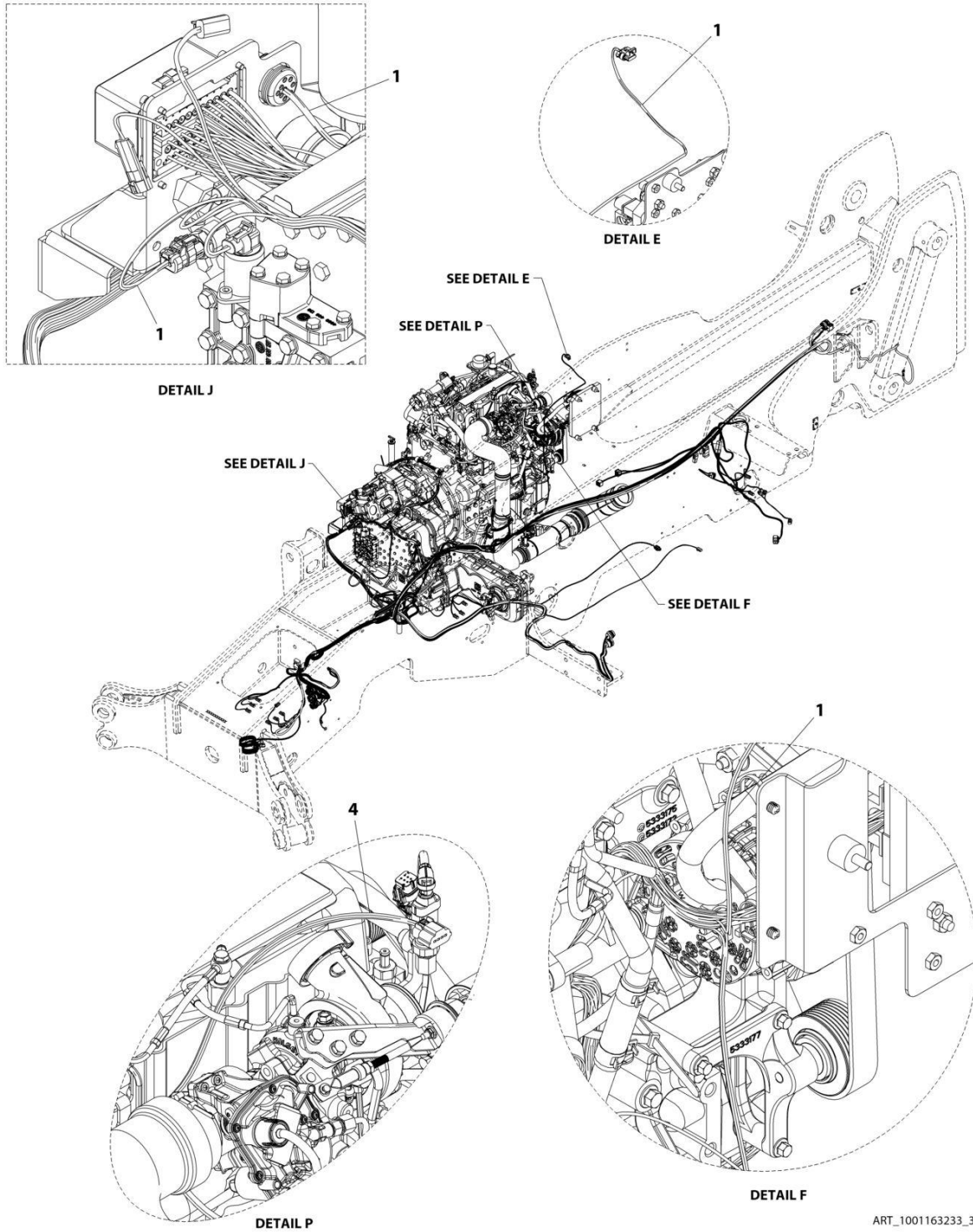


ART\_1001163233\_1-L

# SECTION 10 - ELECTRICAL



# SECTION 10 - ELECTRICAL



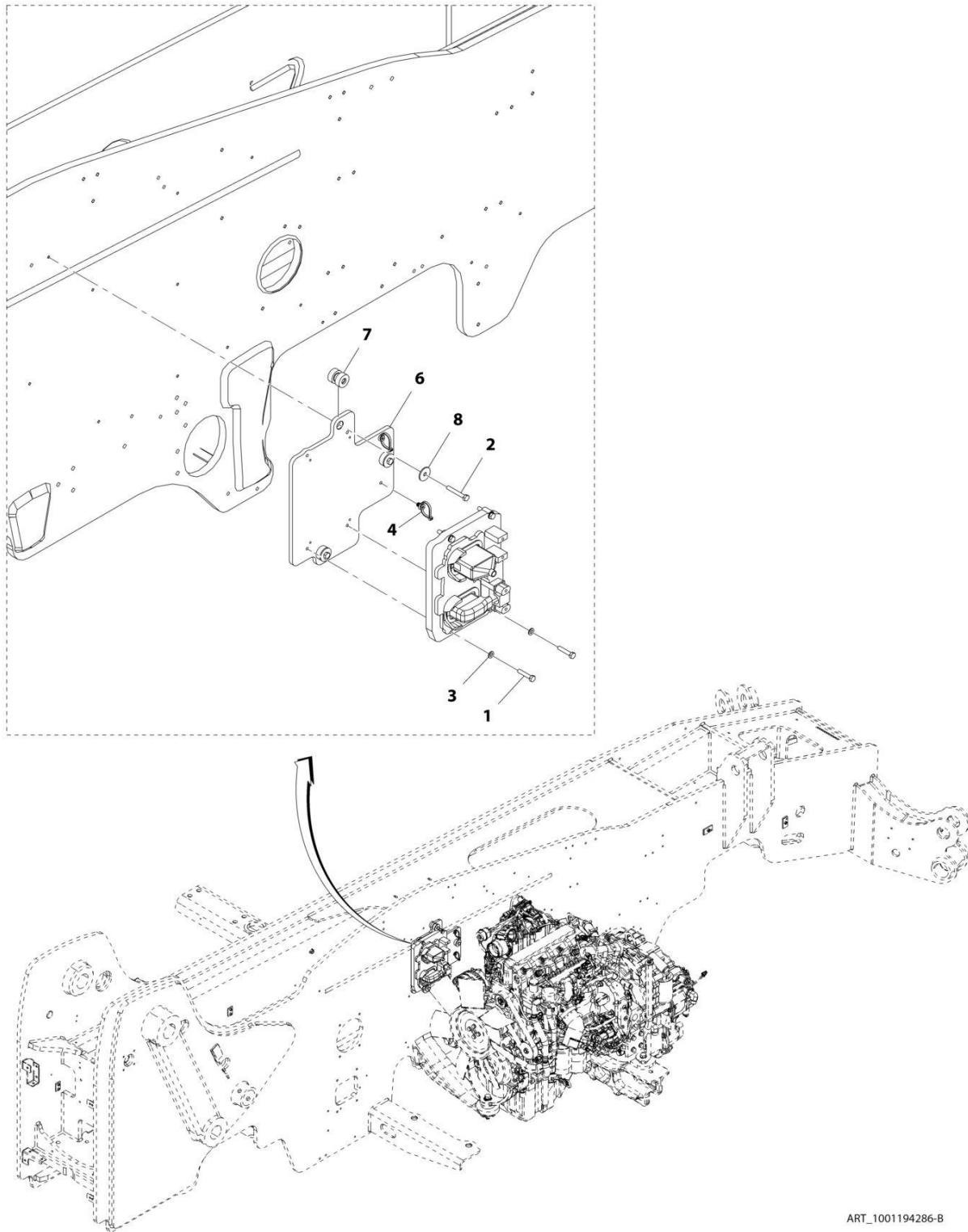
## SECTION 10 - ELECTRICAL

**FIGURE 10-17. ENGINE WIRING INSTALLATION (ULS)**

ITEM	PART NUMBER	QTY	DESCRIPTION	REV
	1001163233	Ref	Engine Wiring Installation (ULS)	M
1	1001235696	1	Harness, Engine (ULS) (See Separate Breakdown in this Section)	
2	4031608	4	Screw, M5X20	
3	4811600	4	Washer, M5	
4	1001184835	1	Harness, TBAP (See Separate Breakdown in this Section)	
5	0700618	1	Bolt, M6X50	
6	0760808	1	Bolt, M8X16	
7	0761007	2	Bolt, M10X14	
8	0761010	2	Bolt, M10X20	
9	1062255	8	Strap, Tie	
10	4811700	1	Washer, M6	
11	4811900	4	Washer, M8	
12	4812000	4	Washer, M10	
13	4831600	4	Washer, Lock M5	
14	8406201	4	Clip, Tube	
15	1001131177	1	Fuse, Power Module	
16	1001189046	1	Bracket	
17	1001191486	1	Decal	
18	1001167646	1	Connector, Strain Relief	
19	0760807	1	Bolt, M8X14	
20	1001153749	1	Clip	
21	0700808	1	Bolt, M8X16	
22	3290801	1	Hex Nut, M8X1.25	

# SECTION 10 - ELECTRICAL

## FIGURE 10-18. ENGINE ECU INSTALLATION (ULS)



ART\_1001194286-B

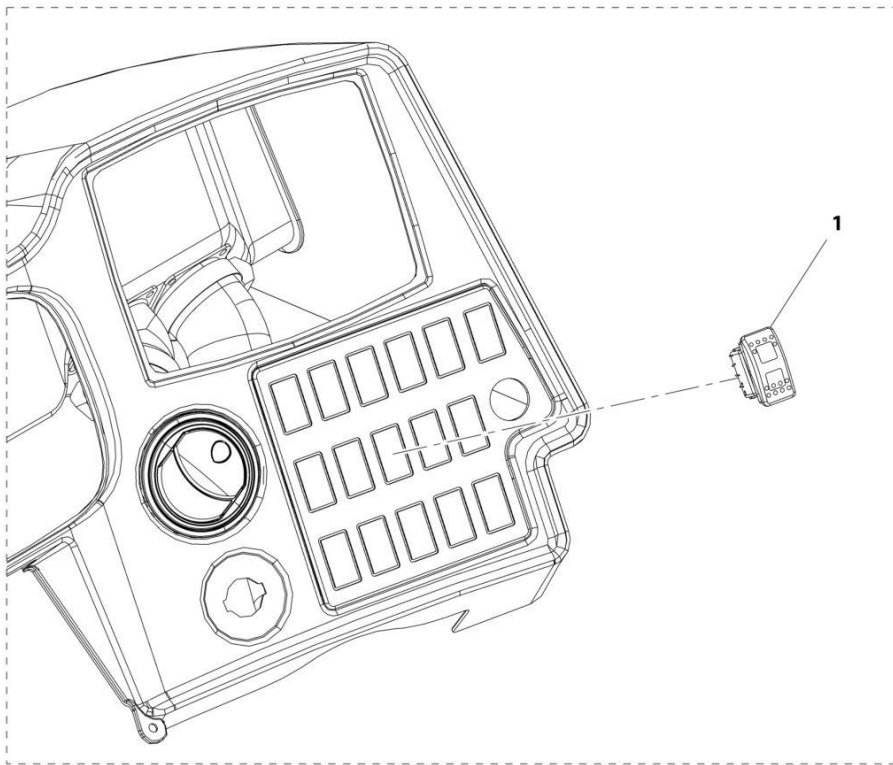
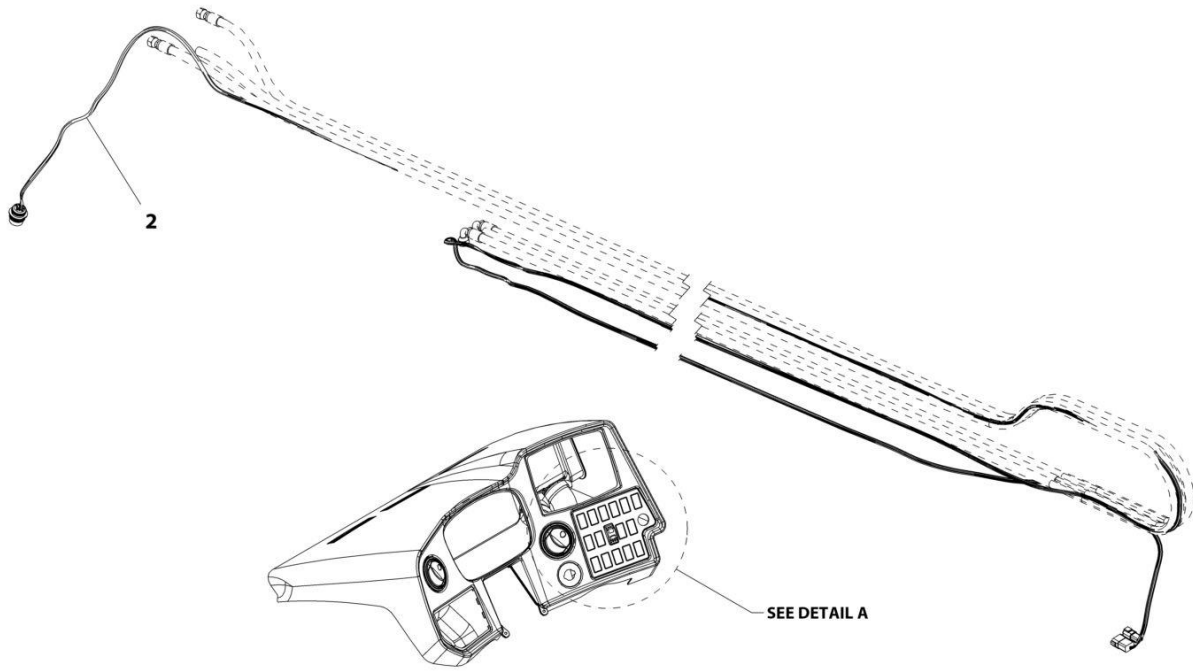
## SECTION 10 - ELECTRICAL

### FIGURE 10-18. ENGINE ECU INSTALLATION (ULS)

ITEM	PART NUMBER	QTY	DESCRIPTION	REV
	1001194286	Ref	Engine ECU Installation	B
1	0700816	4	Bolt, M8X40	
2	0700819	3	Bolt, M8X55	
3	4811900	4	Washer, M8	
4	1001146588	2	Strap, Tie	
6	1001192468	1	Bracket	
7	1001192471	3	Mount	
8	1001195089	3	Washer	

# SECTION 10 - ELECTRICAL

## FIGURE 10-19. BOOM AUXILIARY ELECTRIC INSTALLATION



DETAIL A

ART\_1001187532-A



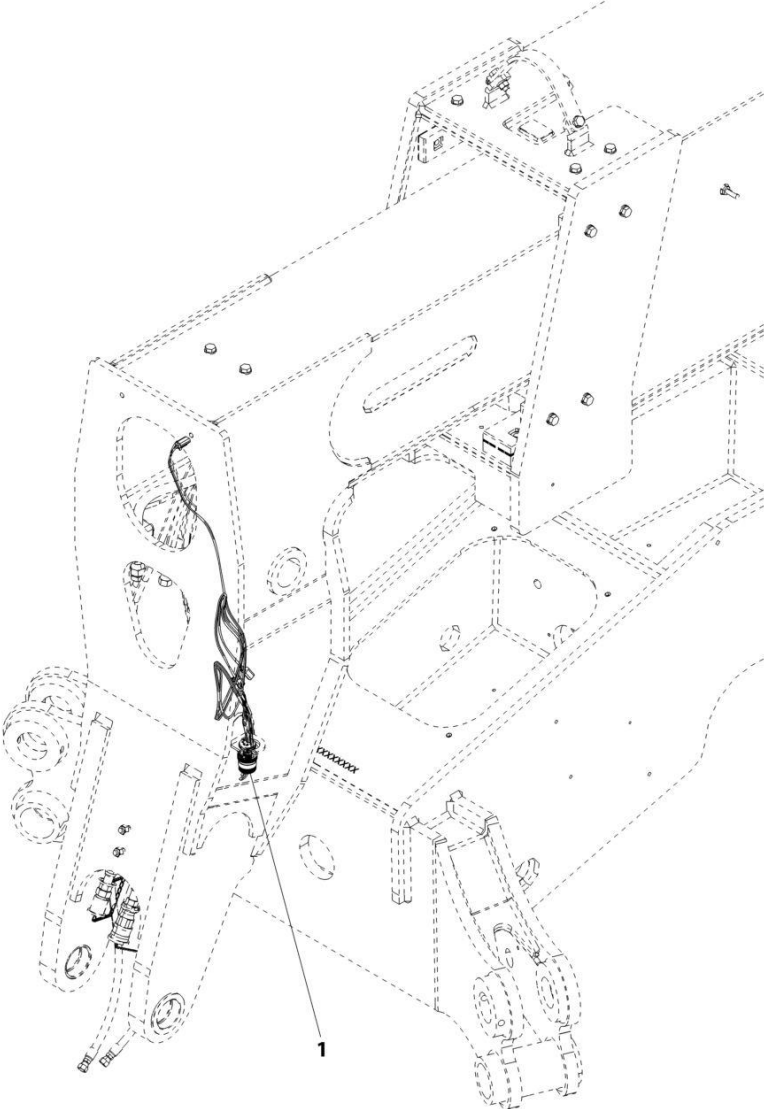
## SECTION 10 - ELECTRICAL

**FIGURE 10-19. BOOM AUXILIARY ELECTRIC INSTALLATION**

ITEM	PART NUMBER	QTY	DESCRIPTION	REV
	1001187532	Ref	Boom Auxiliary Electric Installation	A
1	1001159746	1	Switch, Auxiliary Electric	
2	1001174426	1	Installation, Boom Electrical Harness (See Separate Breakdown in this Section)	

**SECTION 10 - ELECTRICAL**

**FIGURE 10-20. BOOM AUXILIARY ELECTRIC HARNESS INSTALLATION**



ART\_1001167799-B

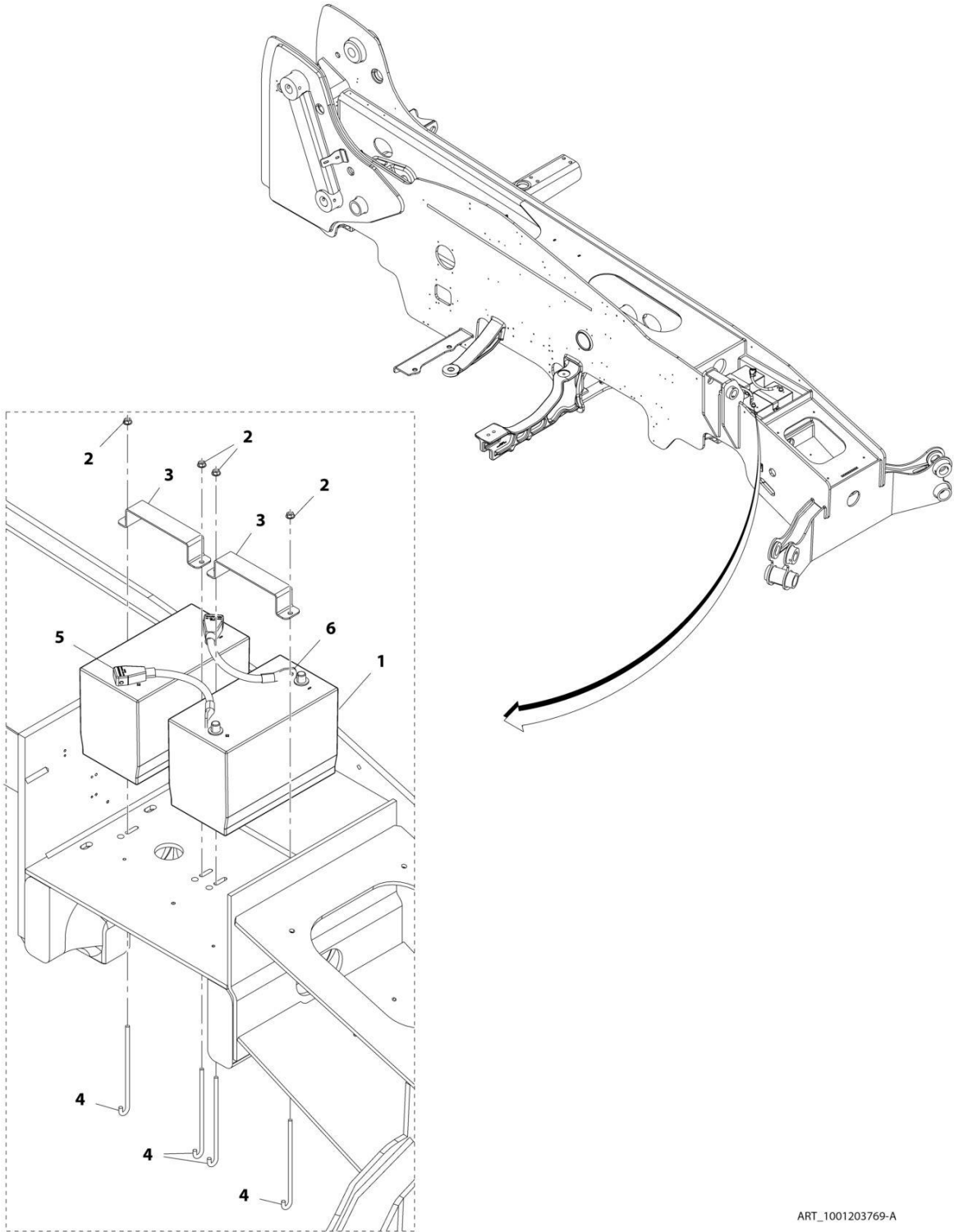
## SECTION 10 - ELECTRICAL

**FIGURE 10-20. BOOM AUXILIARY ELECTRIC HARNESS INSTALLATION**

ITEM	PART NUMBER	QTY	DESCRIPTION	REV
1	1001167799 1001167695	Ref 1	Boom Auxiliary Electric Harness Installation Harness, Platform (See Separate Breakdown in this Section)	B

# SECTION 10 - ELECTRICAL

## FIGURE 10-21. BATTERY INSTALLATION



ART\_1001203769-A

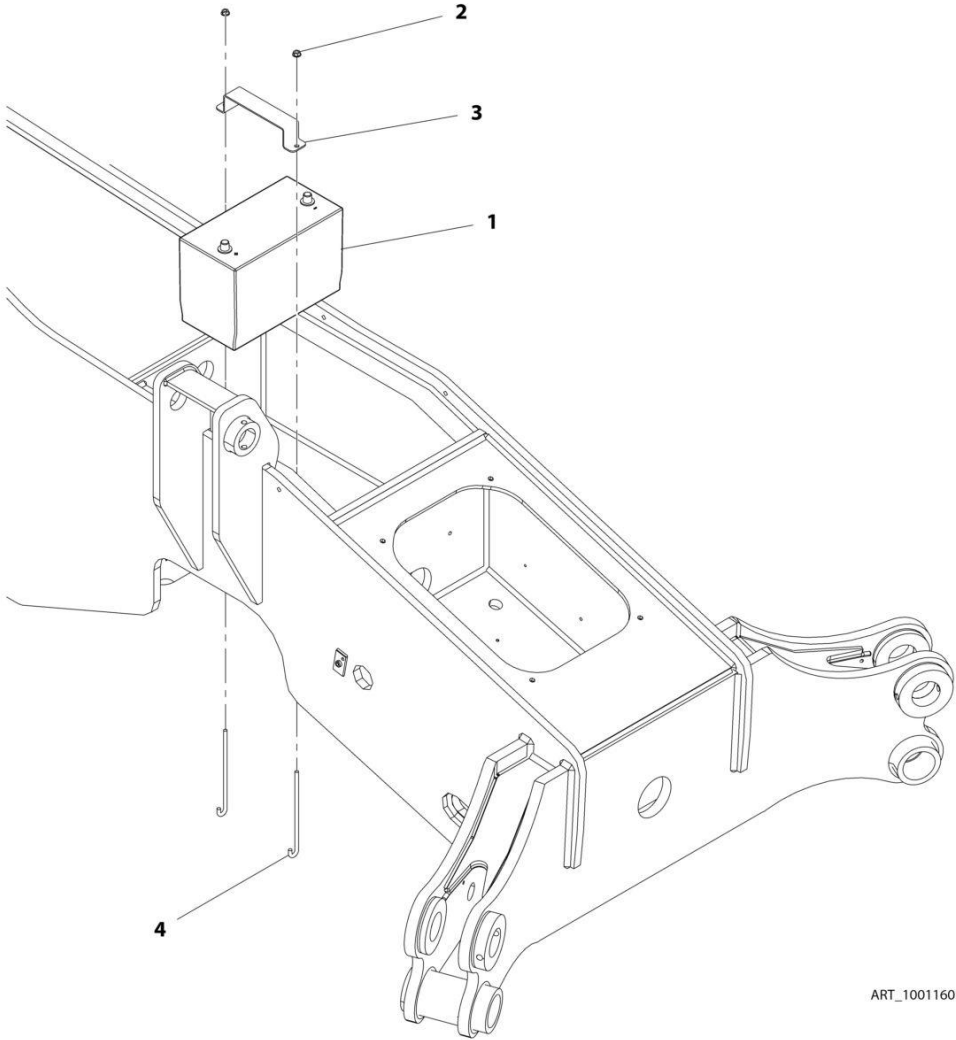
## SECTION 10 - ELECTRICAL

### FIGURE 10-21. BATTERY INSTALLATION

ITEM	PART NUMBER	QTY	DESCRIPTION	REV
	1001203769	Ref	Battery Installation (642,742)	A
1	0400075	2	Battery, 12V	
2	5220800	4	Nut, M8	
3	1001160927	2	Plate	
4	1001181961	4	J-Bolt	
5	1001203557	1	Cable	
6	1001203558	1	Cable	

**SECTION 10 - ELECTRICAL**

**FIGURE 10-22. BATTERY INSTALLATION**



ART\_1001160711-C

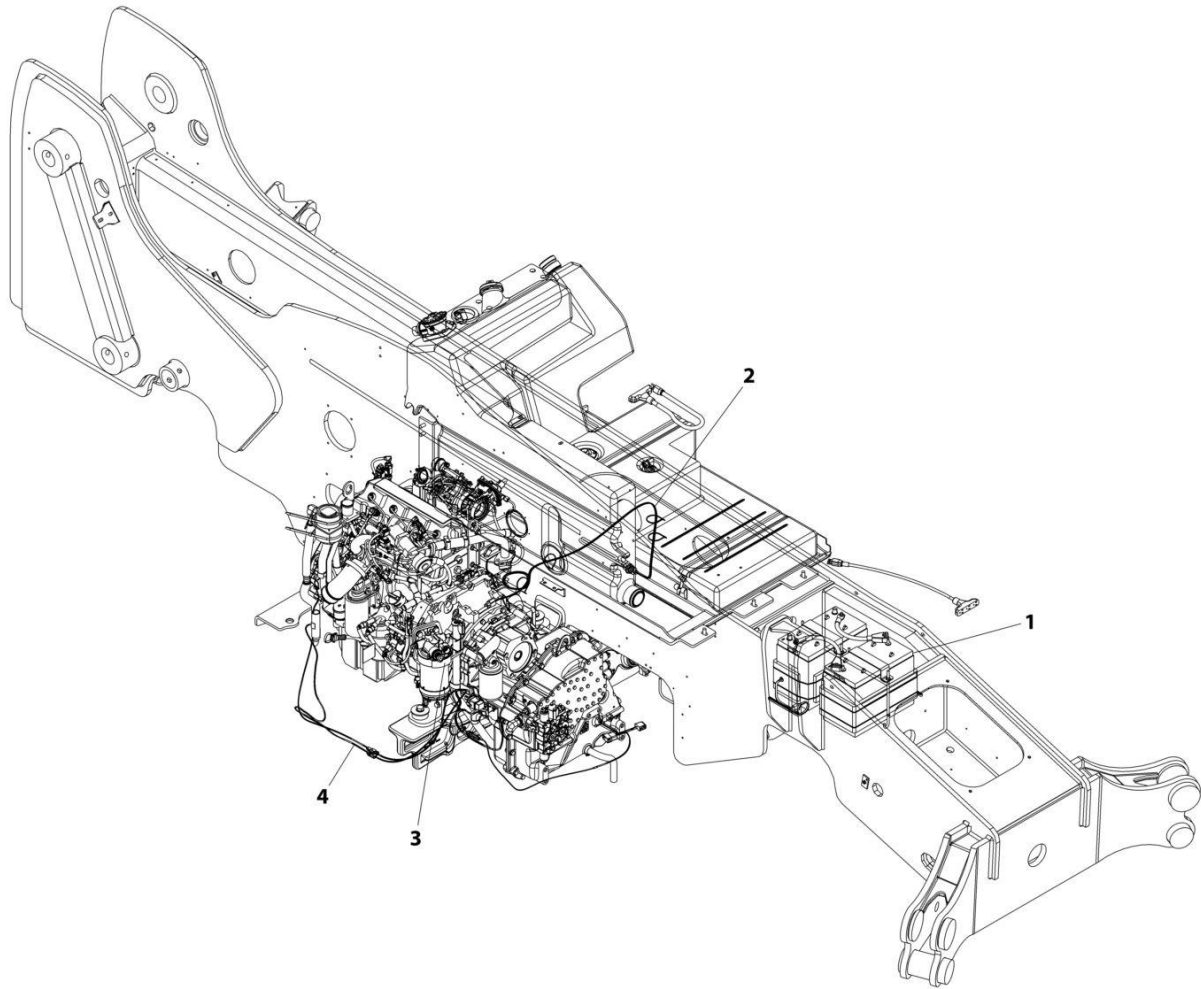
## SECTION 10 - ELECTRICAL

### FIGURE 10-22. BATTERY INSTALLATION

ITEM	PART NUMBER	QTY	DESCRIPTION	REV
	1001160711	Ref	Battery Installation	C
1	0400075	1	Battery, 12V	
2	5220800	2	Nut, M8	
3	1001160927	1	Plate	
4	1001181961	2	J-Bolt	

# SECTION 10 - ELECTRICAL

## FIGURE 10-23. ARCTIC WEATHER PACKAGE INSTALLATION - 110 HP (ULS)



ART\_1001190179\_E



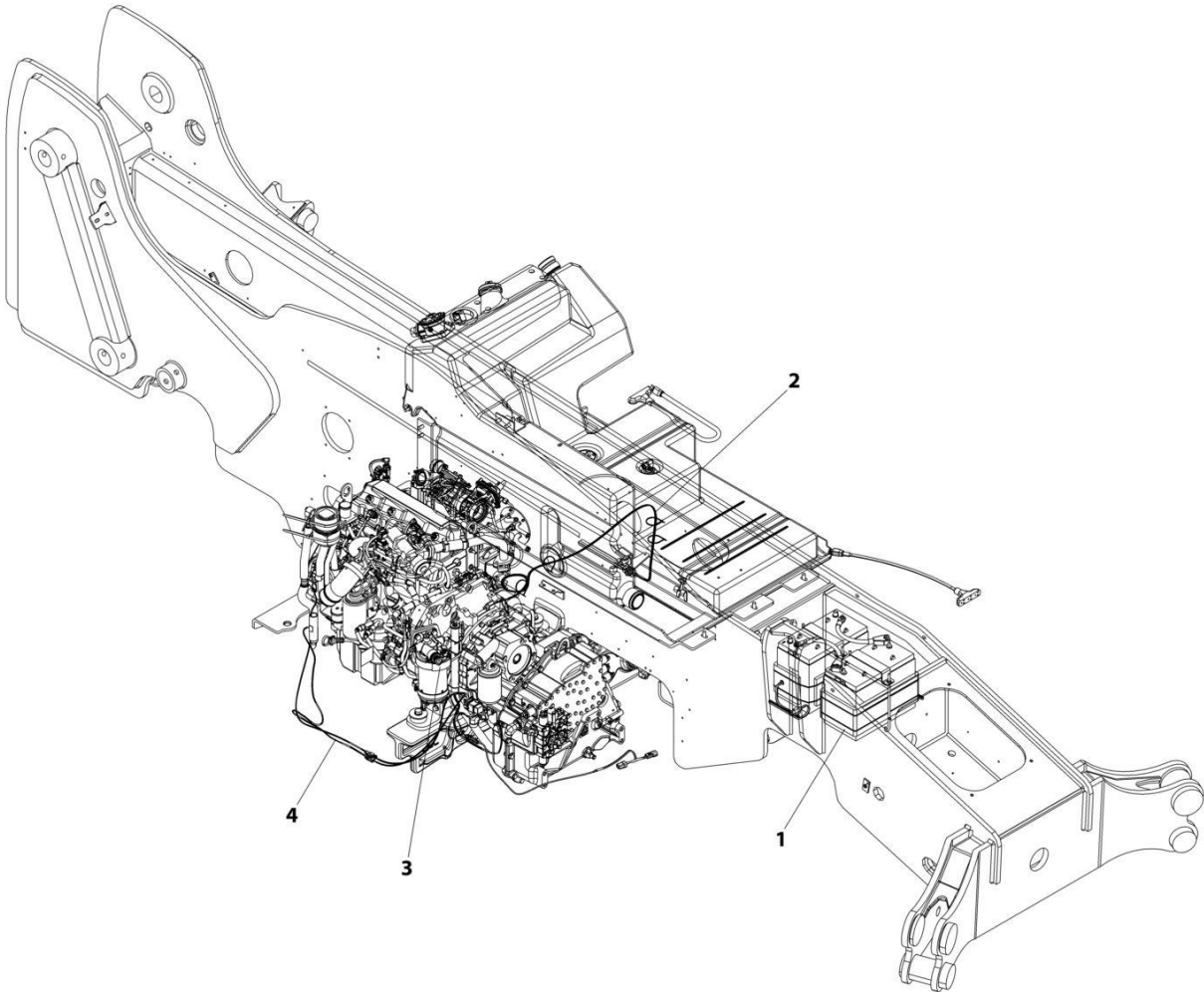
## SECTION 10 - ELECTRICAL

**FIGURE 10-23. ARCTIC WEATHER PACKAGE INSTALLATION - 110 HP (ULS)**

ITEM	PART NUMBER	QTY	DESCRIPTION	REV
1	1001190179	Ref	Arctic Weather Package Installation - 110 HP (ULS)	E
	1001190670	Ref	Installation, Arctic Batteries (See Separate Breakdown in this Section)	
2	1001190671	Ref	Installation, Tank Heater (See Separate Breakdown in this Section)	
3	1001204095	Ref	Installation, Fuel Filter Heater (See Separate Breakdown in this Section)	
4	1001232751	Ref	Heater, Breather - 110 HP (See Separate Breakdown in this Section)	

**SECTION 10 - ELECTRICAL**

**FIGURE 10-24. ARCTIC WEATHER PACKAGE INSTALLATION - 74 HP (ULS)**



ART\_1001237209\_B

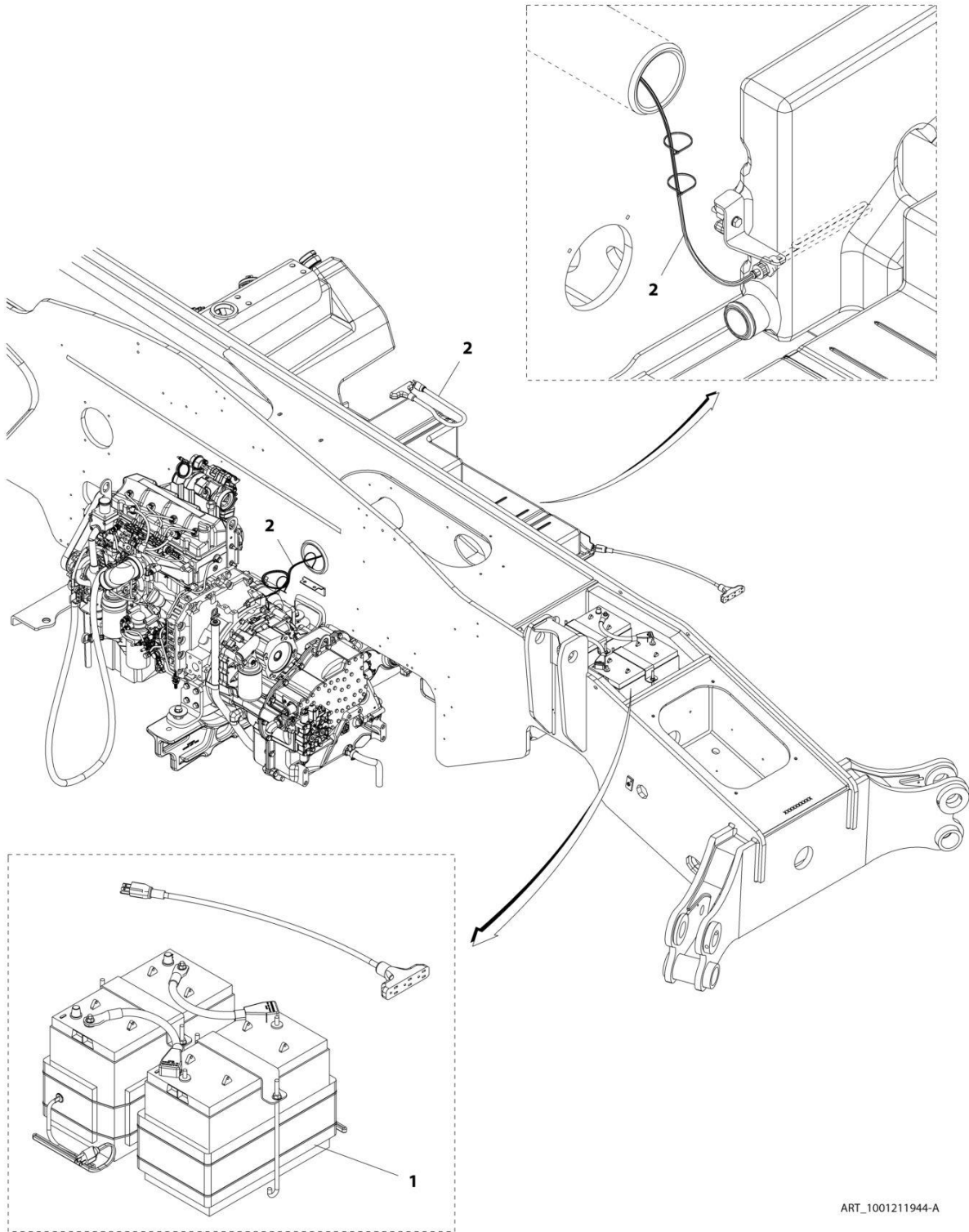
## SECTION 10 - ELECTRICAL

**FIGURE 10-24. ARCTIC WEATHER PACKAGE INSTALLATION - 74 HP (ULS)**

ITEM	PART NUMBER	QTY	DESCRIPTION	REV
1	1001237209	Ref	Arctic Weather Package Installation - 74 HP (ULS)	B
	1001190670	Ref	Installation, Arctic Batteries (See Separate Breakdown in this Section)	
2	1001190671	Ref	Installation, Hydraulic Tank Heater (See Separate Breakdown in this Section)	
3	1001204095	Ref	Installation, Fuel Filter Heater (See Separate Breakdown in this Section)	
4	1001237208	Ref	Heater, Breather - 74 HP (See Engine And Attaching Parts for Breakdown)	

# SECTION 10 - ELECTRICAL

## FIGURE 10-25. ARCTIC COLD WEATHER PACKAGE INSTALLATION (LS)



ART\_1001211944-A

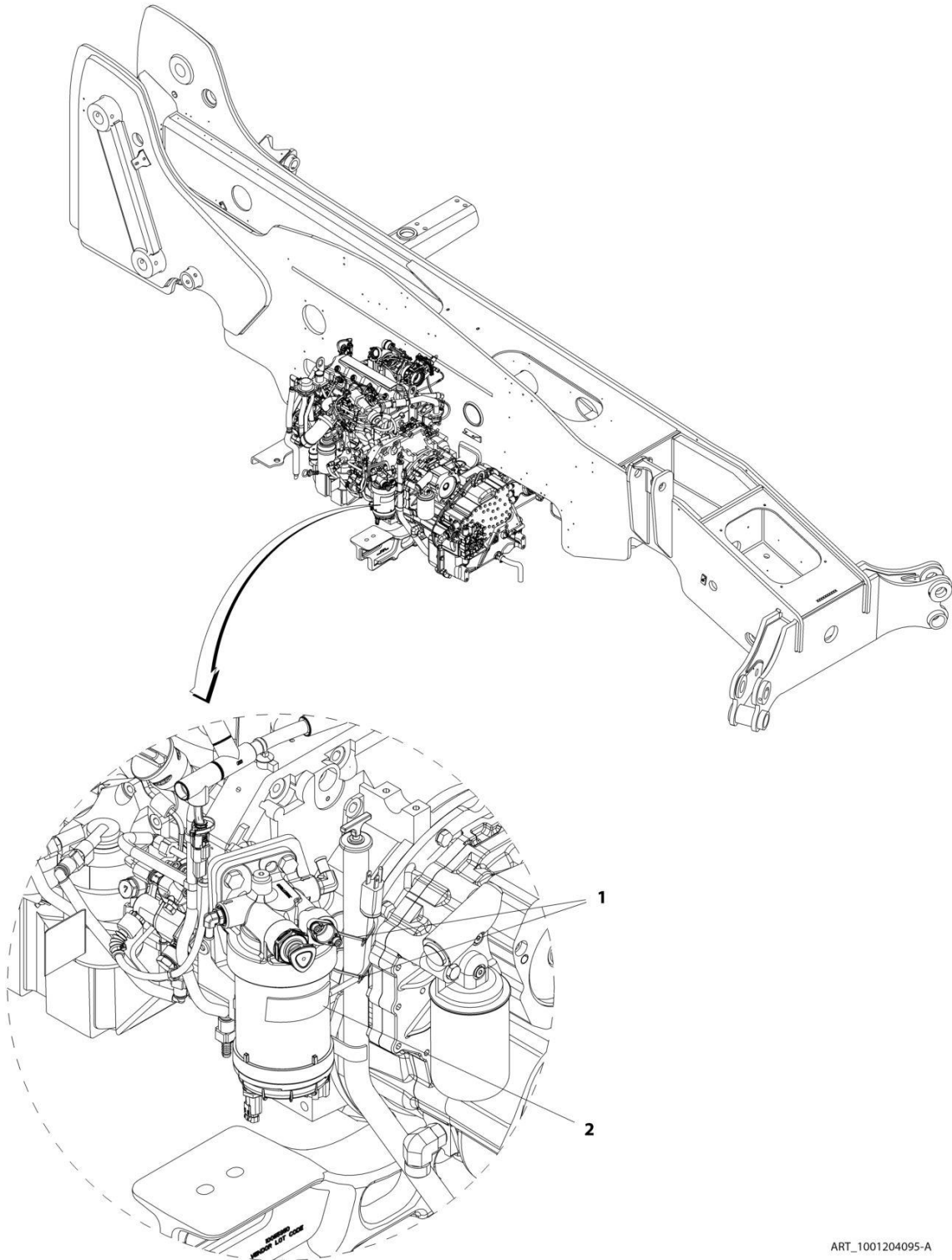
## SECTION 10 - ELECTRICAL

**FIGURE 10-25. ARCTIC COLD WEATHER PACKAGE INSTALLATION (LS)**

ITEM	PART NUMBER	QTY	DESCRIPTION	REV
1	1001211944	Ref	Arctic Weather Package Installation (LS)	A
	1001190670	Ref	Installation, Arctic Batteries (See Separate Breakdown in this Section)	
2	1001190671	Ref	Installation, Tank Heater (See Separate Breakdown in this Section)	

# SECTION 10 - ELECTRICAL

## FIGURE 10-26. FUEL FILTER HEATER INSTALLATION



ART\_1001204095-A

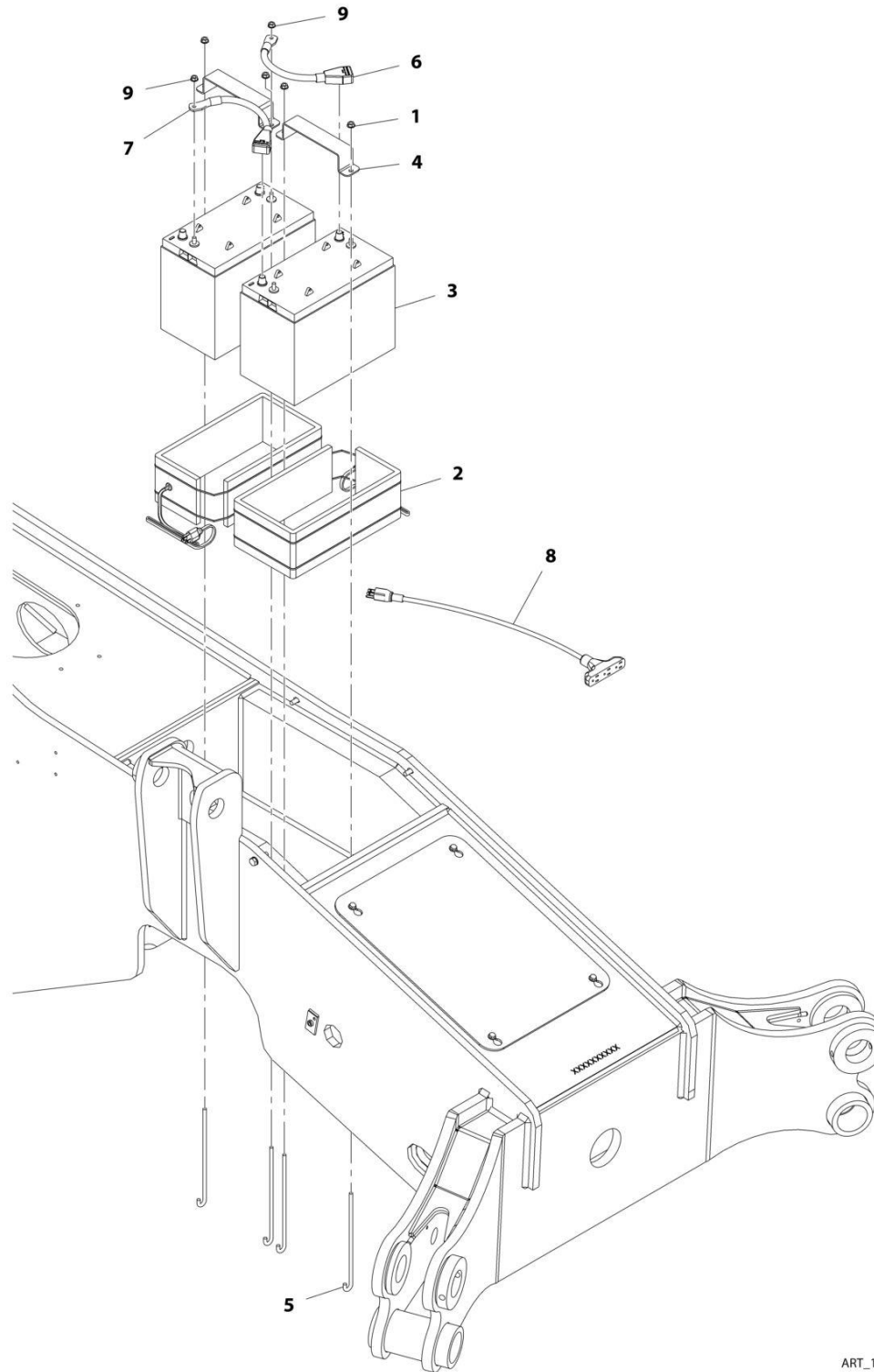
## SECTION 10 - ELECTRICAL

### FIGURE 10-26. FUEL FILTER HEATER INSTALLATION

ITEM	PART NUMBER	QTY	DESCRIPTION	REV
	1001204095	Ref	Fuel Filter Heater Installation	A
1	4240099	2	Strap, Tie	
2	1001202498	1	Pad	

# SECTION 10 - ELECTRICAL

## FIGURE 10-27. ARTIC BATTERIES INSTALLATION



ART\_1001190670-C



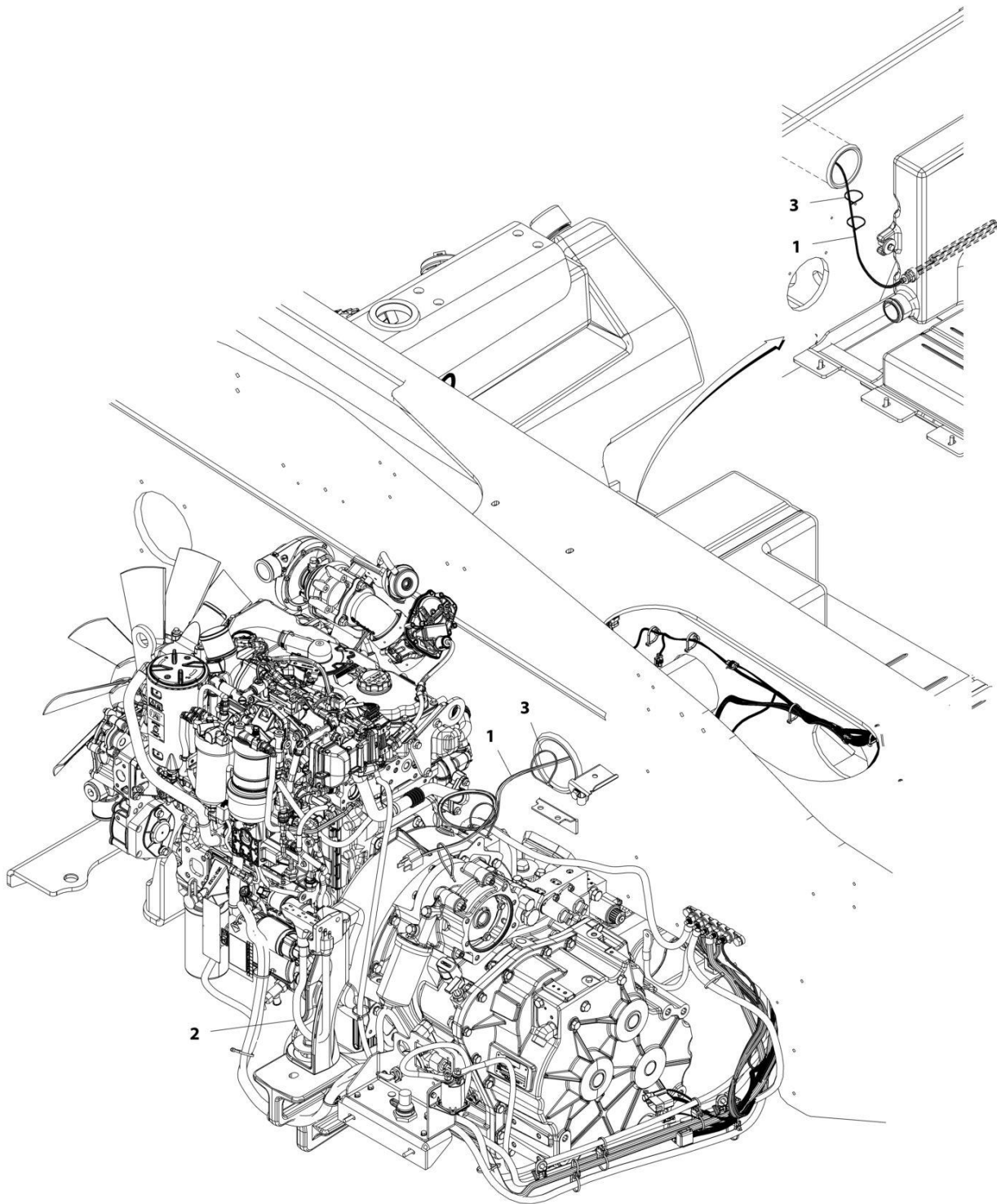
## SECTION 10 - ELECTRICAL

### FIGURE 10-27. ARTIC BATTERIES INSTALLATION

ITEM	PART NUMBER	QTY	DESCRIPTION	REV
	1001190670	Ref	Artic Batteries Installation	C
1	5220800	4	Nut, M8	
2	1001093564	2	Heater, Battery	
3	1001098762	2	Battery, 12V	
4	1001160927	2	Plate	
5	1001160928	4	J-Bolt	
6	1001172495	1	Cable	
7	1001172496	1	Cable	
8	1060626	1	Cord, 3-Way Extension	
9	3311508	2	Nut	

# SECTION 10 - ELECTRICAL

## FIGURE 10-28. HYDRAULIC TANK HEATER INSTALLATION



ART\_1001190671-B

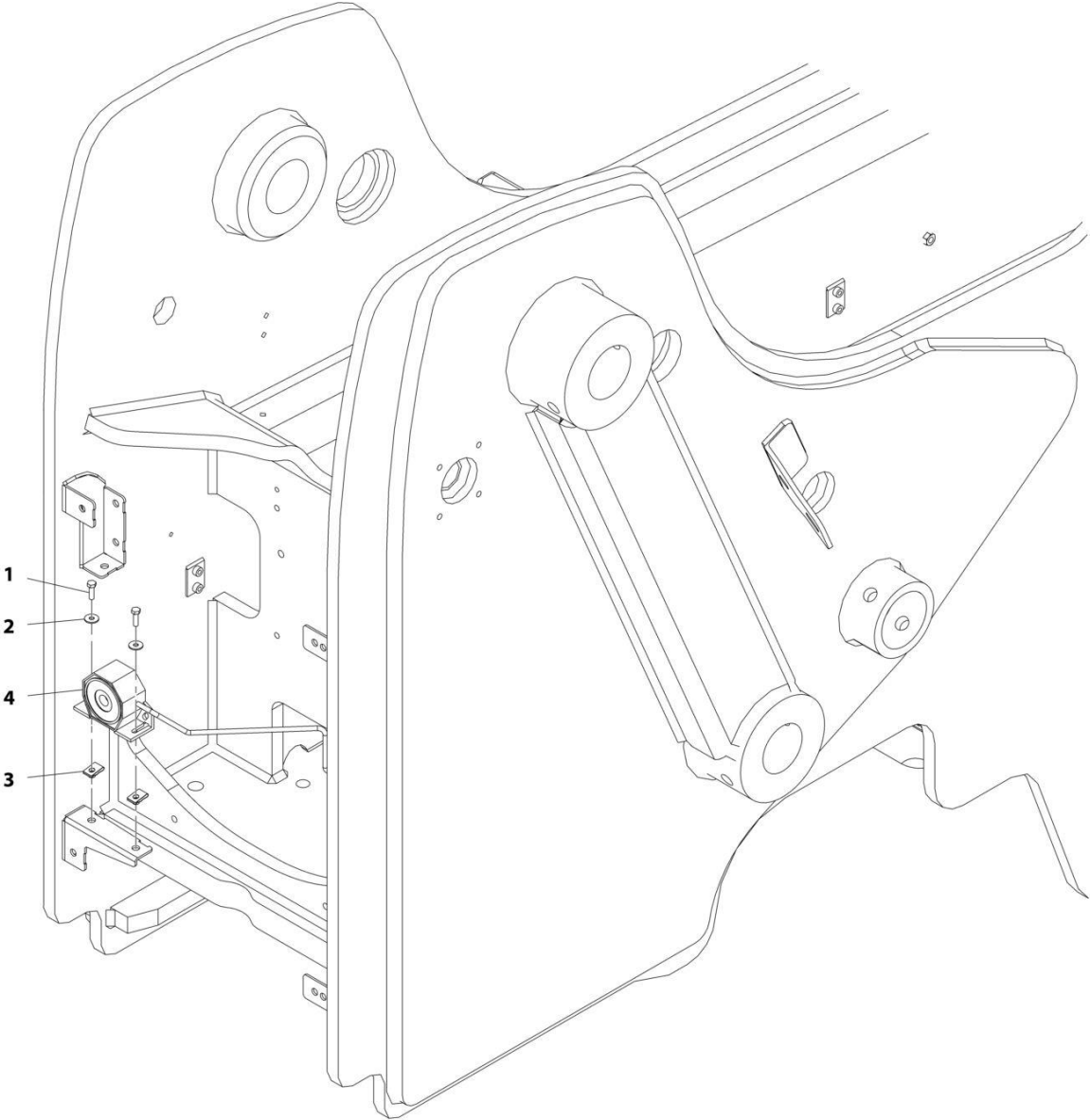
## SECTION 10 - ELECTRICAL

### FIGURE 10-28. HYDRAULIC TANK HEATER INSTALLATION

ITEM	PART NUMBER	QTY	DESCRIPTION	REV
	1001190671	Ref	Hydraulic Tank Heater Installation	B
1	1001105886	1	Heater, Immersion	
2	1060626	1	Cord, 3-Way Extension	
3	4240099	5	Strap, Tie	

**SECTION 10 - ELECTRICAL**

**FIGURE 10-29. BACKUP ALARM INSTALLATION (120 DB)**



ART\_1001199183-B

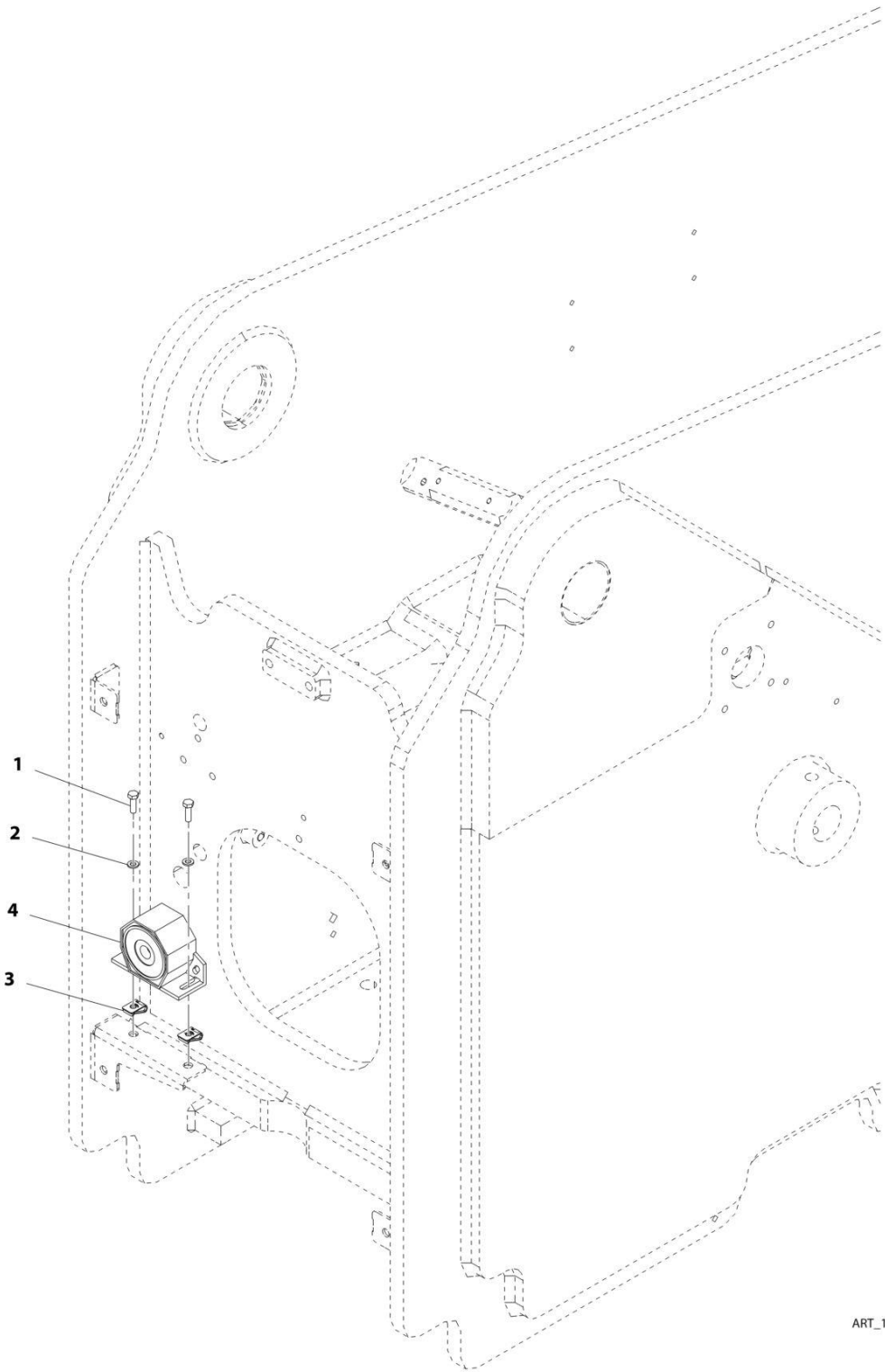
## SECTION 10 - ELECTRICAL

**FIGURE 10-29. BACKUP ALARM INSTALLATION (120 DB)**

ITEM	PART NUMBER	QTY	DESCRIPTION	REV
	1001199183	Ref	Backup Alarm Installation (120 dB)	B
1	0700610	2	Bolt, M6X20	
2	4811702	2	Washer, M6	
3	1001130220	2	Nut, M6	
4	1001147060	1	Alarm, Backup	

**SECTION 10 - ELECTRICAL**

**FIGURE 10-30. BACKUP ALARM INSTALLATION (97 DB)**



ART\_1001192393-D

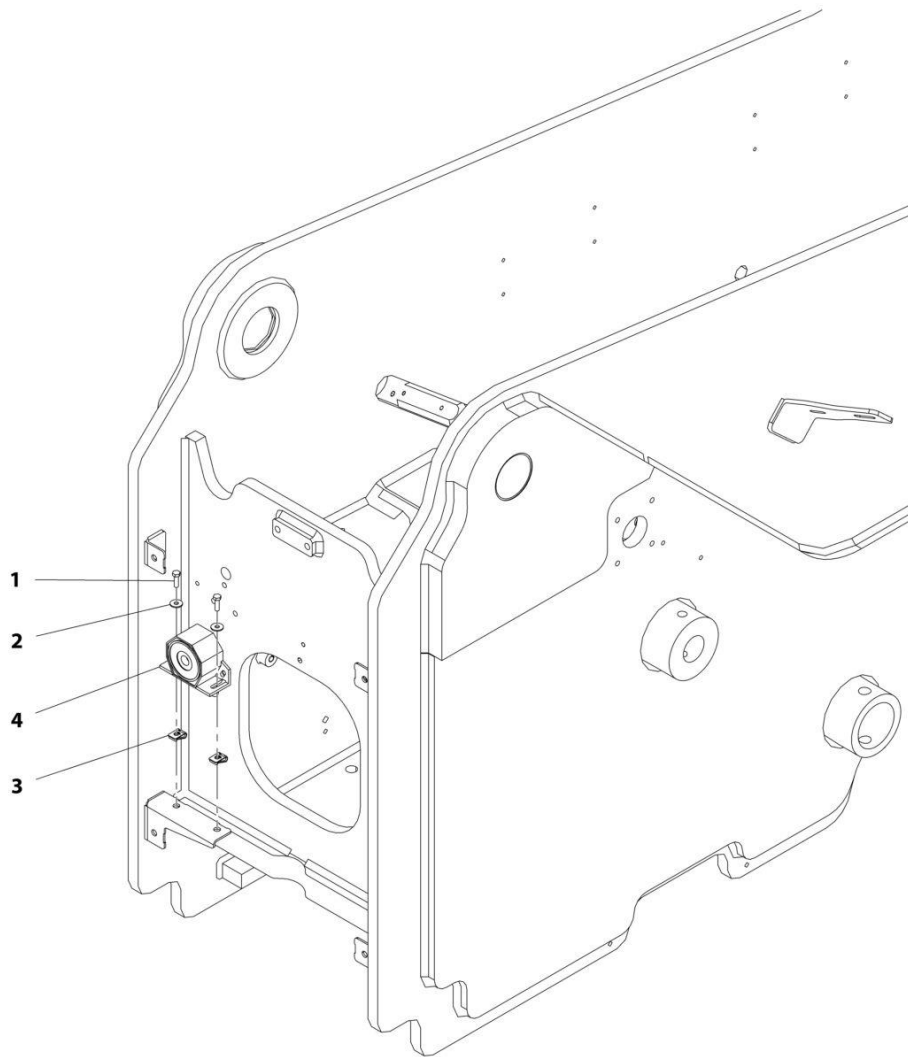
## SECTION 10 - ELECTRICAL

**FIGURE 10-30. BACKUP ALARM INSTALLATION (97 DB)**

ITEM	PART NUMBER	QTY	DESCRIPTION	REV
	1001192393	Ref	Backup Alarm Installation (97 dB)	D
1	0700610	2	Bolt, M6X20	
2	4811702	2	Washer, M6	
3	8305919	2	Nut, M6	
4	1001101808	1	Alarm, Backup	

# SECTION 10 - ELECTRICAL

## FIGURE 10-31. WHITE NOISE BACKUP ALARM INSTALLATION



ART\_1001192394-D



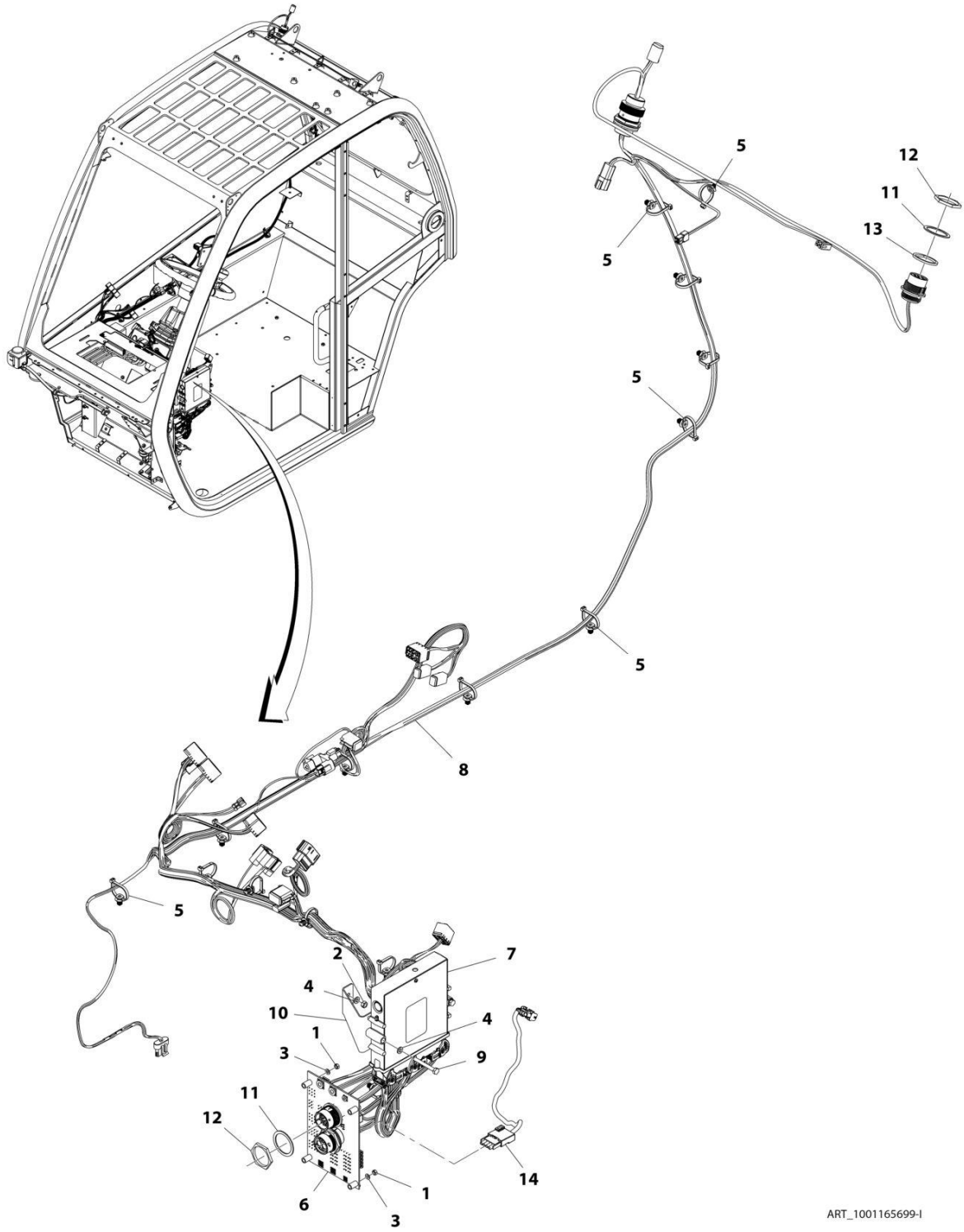
## SECTION 10 - ELECTRICAL

### FIGURE 10-31. WHITE NOISE BACKUP ALARM INSTALLATION

ITEM	PART NUMBER	QTY	DESCRIPTION	REV
	1001192394	Ref	White Noise Backup Alarm Installation	D
1	0700610	2	Bolt, M6X20	
2	4811702	2	Washer, M6	
3	8305919	2	Nut, M6	
4	1001165827	1	Alarm, White Noise Backup	

# SECTION 10 - ELECTRICAL

## FIGURE 10-32. CAB ELECTRICAL INSTALLATION



ART\_1001165699-I

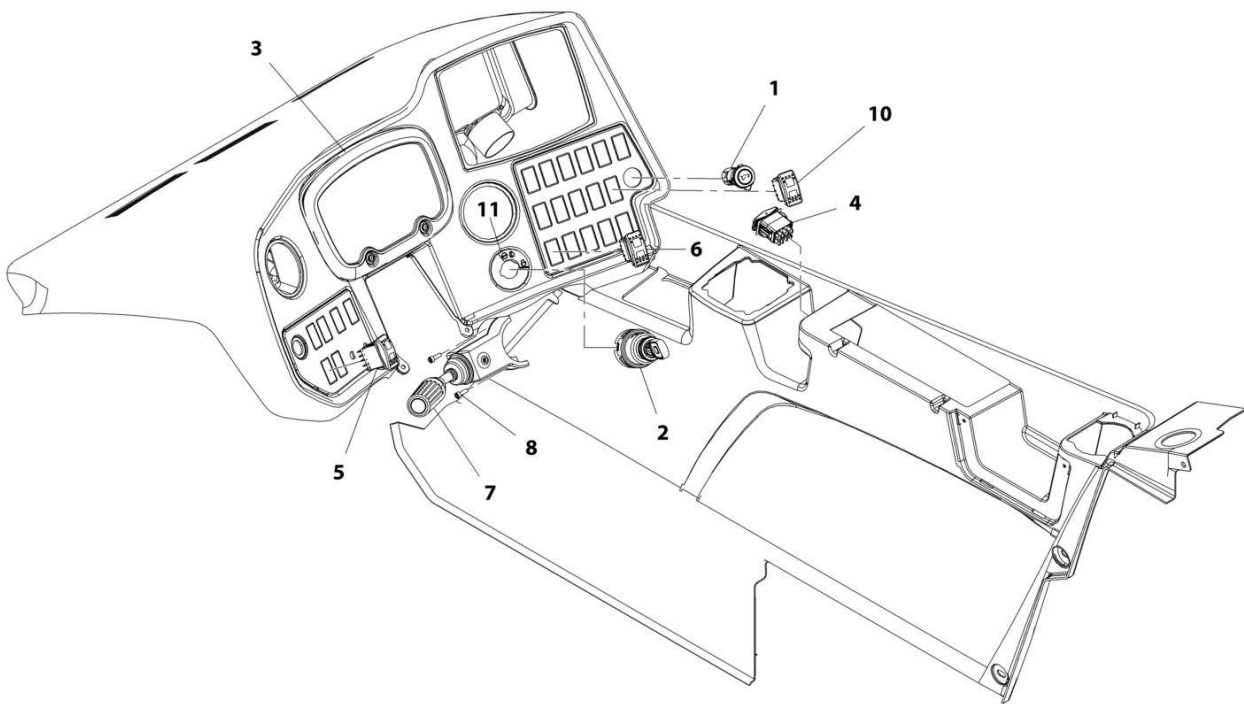
## SECTION 10 - ELECTRICAL

**FIGURE 10-32. CAB ELECTRICAL INSTALLATION**

ITEM	PART NUMBER	QTY	DESCRIPTION	REV
	1001165699	Ref	Cab Electrical Installation	1
1	3290501	3	Nut, M5X0.8	
2	3290601	2	Nut, M6X1	
3	120034	3	Washer, Plastic	
4	4811700	4	Washer, M6	
5	1001146588	16	Strap, Tie	
6	1001161769	1	Assembly, Standard Electrical Board (See Separate Breakdown in this Section)	
7	1001162249	1	Module	
8	1001196451	1	Harness, Cab (See Separate Breakdown in this Section)	
9	0700618	2	Bolt, M6X50	
10	1001178933	1	Bracket	
11	4460496	4	Washer, Terminal Lock	
12	4460497	4	Nut, Terminal	
13	1001211693	2	Seal	
14	1001213988	1	Cable (See Separate Breakdown in this Section)	

# SECTION 10 - ELECTRICAL

## FIGURE 10-33. DASH ELECTRICAL INSTALLATION



ART\_1001173849-G

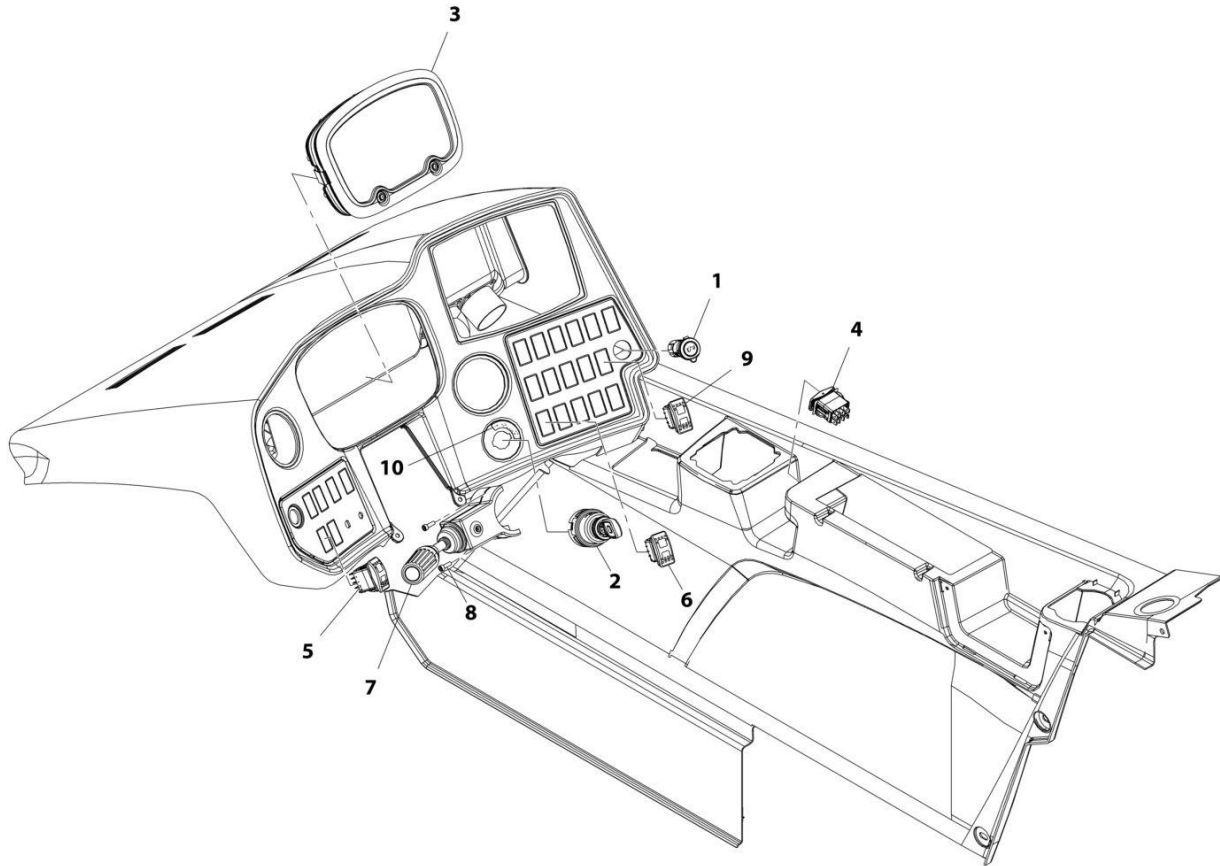
## SECTION 10 - ELECTRICAL

**FIGURE 10-33. DASH ELECTRICAL INSTALLATION**

ITEM	PART NUMBER	QTY	DESCRIPTION	REV
	1001173849	Ref	Dash Electrical Installation (if equipped for ULS)	G
1	1001095804	1	Connector, 12V Power Socket	
2	1001102502	1	Switch, 4 Position Key	
2	70022765	1	Key, Ignition	
3	1001158146	1	Cluster, Electrical Gauge	
4	1001212470	1	Switch, Frame Level	
5	1001159753	1	Switch, Park Brake	
6	1001159849	1	Switch, Steer Mode	
7	1001163698	1	Switch, FNR 4 Speed	
8	4031607	2	Screw, M5-0.8X16	
10	1001104654	1	Switch, AUX	
11	1001181531	1	Decal, Ignition Switch	

# SECTION 10 - ELECTRICAL

## FIGURE 10-34. DASH ELECTRICAL INSTALLATION (LS)



ART\_1001203225-C

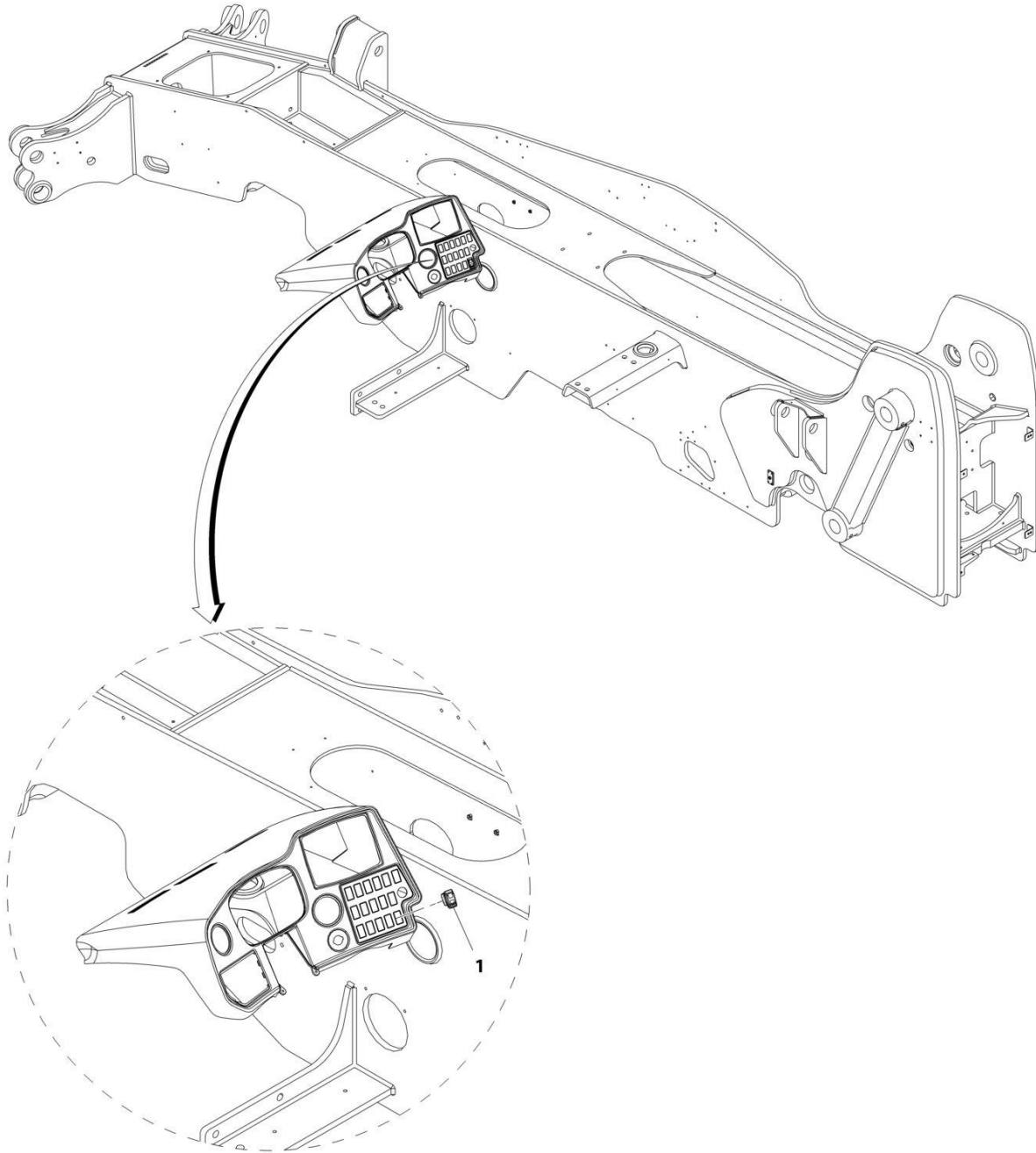
## SECTION 10 - ELECTRICAL

### FIGURE 10-34. DASH ELECTRICAL INSTALLATION (LS)

ITEM	PART NUMBER	QTY	DESCRIPTION	REV
	1001203225	Ref	Dash Electrical Installation (LS)	C
1	1001095804	1	Connector, 12V Power Socket	
2	1001102502	1	Switch, 4 Position Key	
2	70022765	1	Key, Ignition	
3	1001202454	1	Cluster, Electrical Gauge	
4	1001212470	1	Switch, Frame Level	
5	1001159753	1	Switch, Park Brake	
6	1001159849	1	Switch, Steer Mode	
7	1001163698	1	Switch, FNR 4 Speed	
8	4031607	2	Screw, M5X16	
9	1001104654	1	Switch, AUX	
10	1001181531	1	Decal, Ignition Switch	

# SECTION 10 - ELECTRICAL

## FIGURE 10-35. SWITCH LIGHT INSTALLATION



ART\_100197282-A



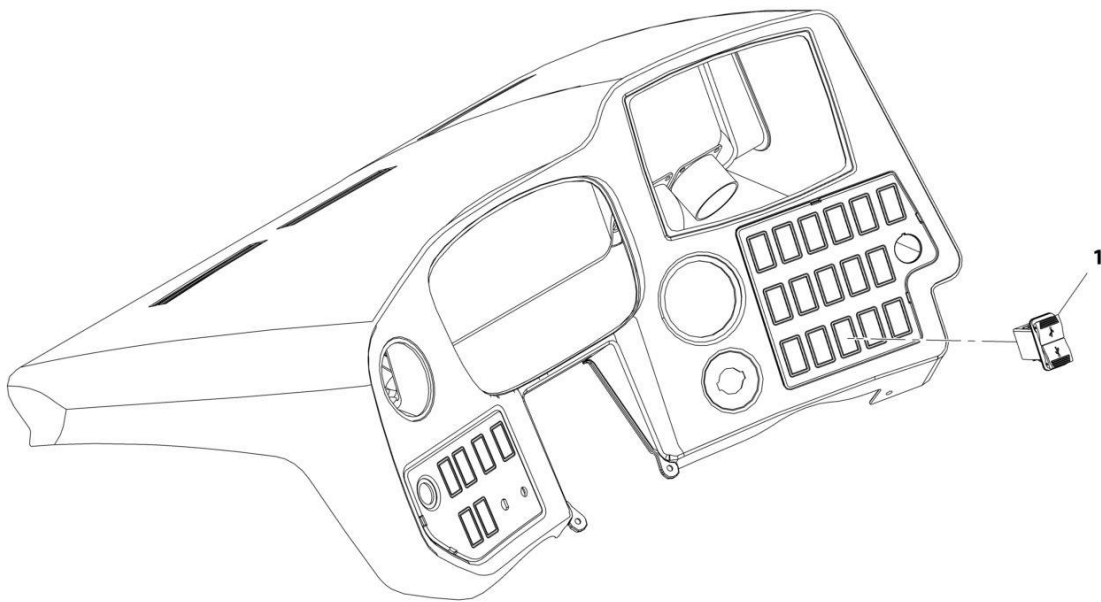
## SECTION 10 - ELECTRICAL

### FIGURE 10-35. SWITCH LIGHT INSTALLATION

ITEM	PART NUMBER	QTY	DESCRIPTION	REV
1	1001197282 1001163639	Ref 1	Switch Light Installation Switch, Driving Lights	A

# SECTION 10 - ELECTRICAL

## FIGURE 10-36. USB CHARGER INSTALLATION



ART\_1001200152-A

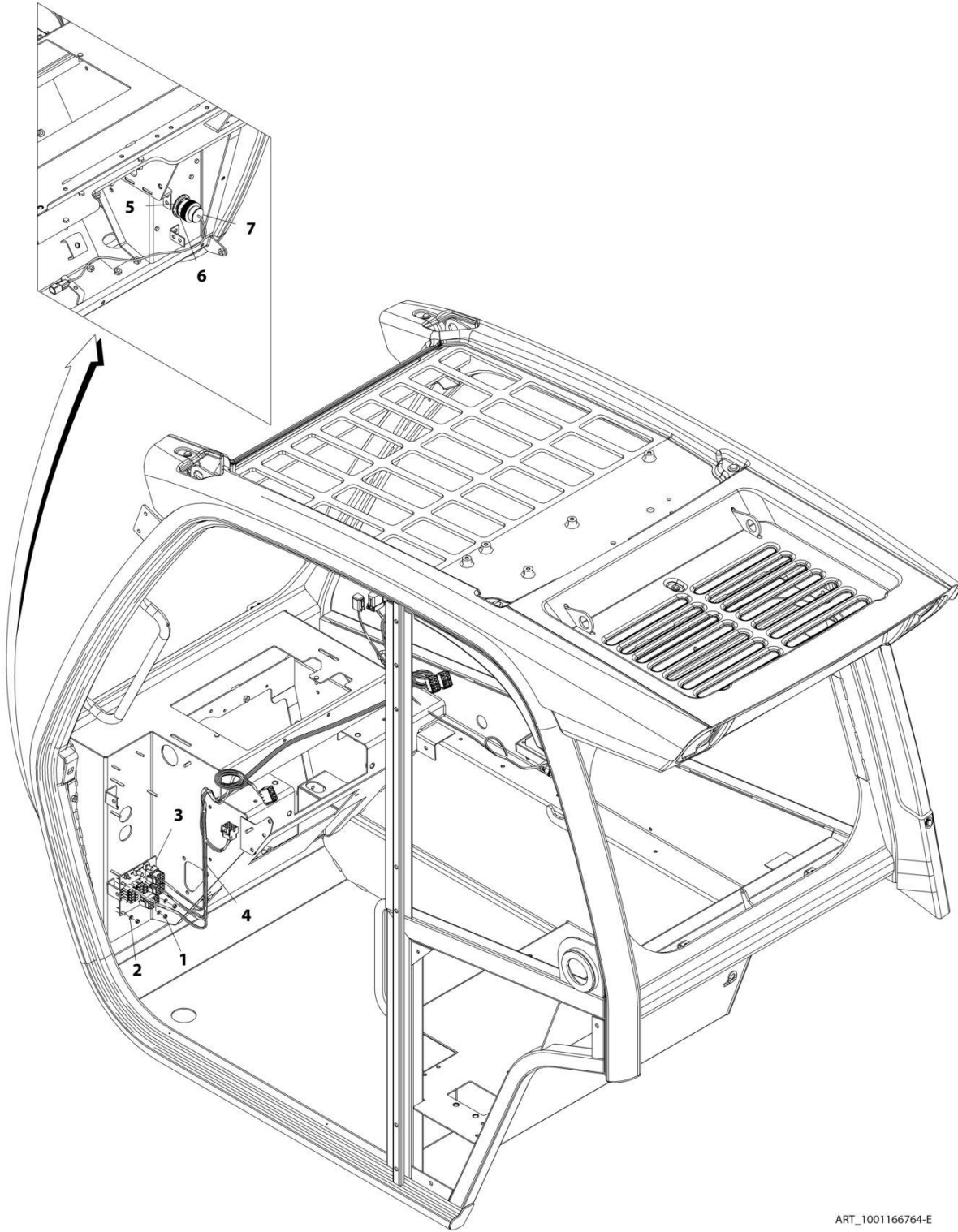
## SECTION 10 - ELECTRICAL

### FIGURE 10-36. USB CHARGER INSTALLATION

ITEM	PART NUMBER	QTY	DESCRIPTION	REV
1	1001200152 1001174712	Ref 1	USB Charger Installation USB Charger Assembly	A

# SECTION 10 - ELECTRICAL

FIGURE 10-37. OPEN CAB ELECTRICAL INSTALLATION WITH OPTIONS



ART\_1001166764-E

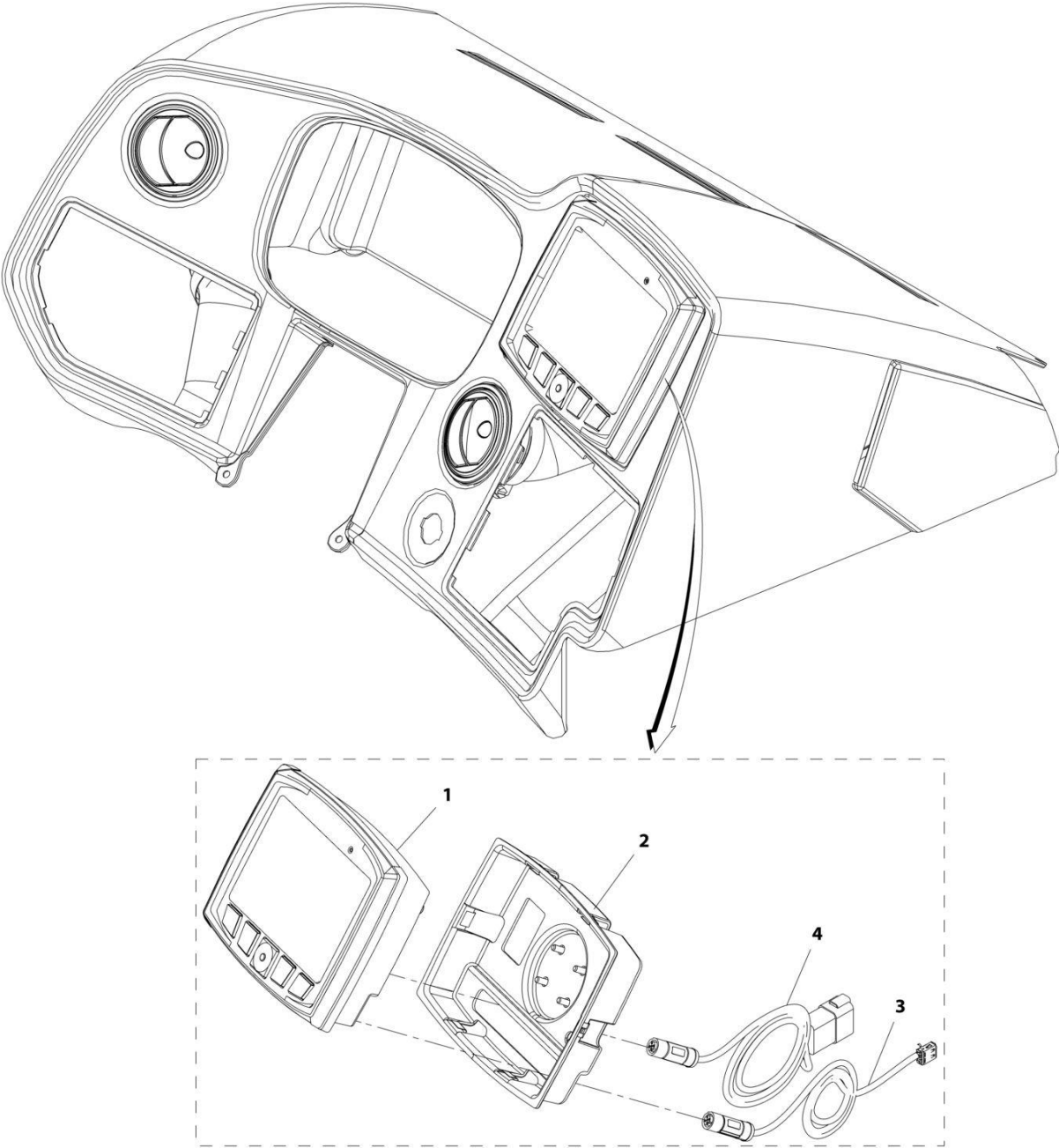
## SECTION 10 - ELECTRICAL

**FIGURE 10-37. OPEN CAB ELECTRICAL INSTALLATION WITH OPTIONS**

ITEM	PART NUMBER	QTY	DESCRIPTION	REV
	1001166764	Ref	Open Cab Electrical Installation with Options	E
1	3290501	3	Nut, M5X0.8	
2	120034	3	Washer, Plastic	
3	1001161771	1	Assembly, Option 2 Electrical Board (See Separate Breakdown in this Section)	
4	1001163372	1	Harness, Option 2 Cab (See Separate Breakdown in this Section)	
5	4460496	1	Washer, Terminal Lock	
6	4460497	1	Nut, Terminal	
7	1001181573	1	Harness, Cab Option (See Separate Breakdown in this Section)	

**SECTION 10 - ELECTRICAL**

**FIGURE 10-38. MULTIFUNCTION DISPLAY INSTALLATION**



ART\_1001176338-B

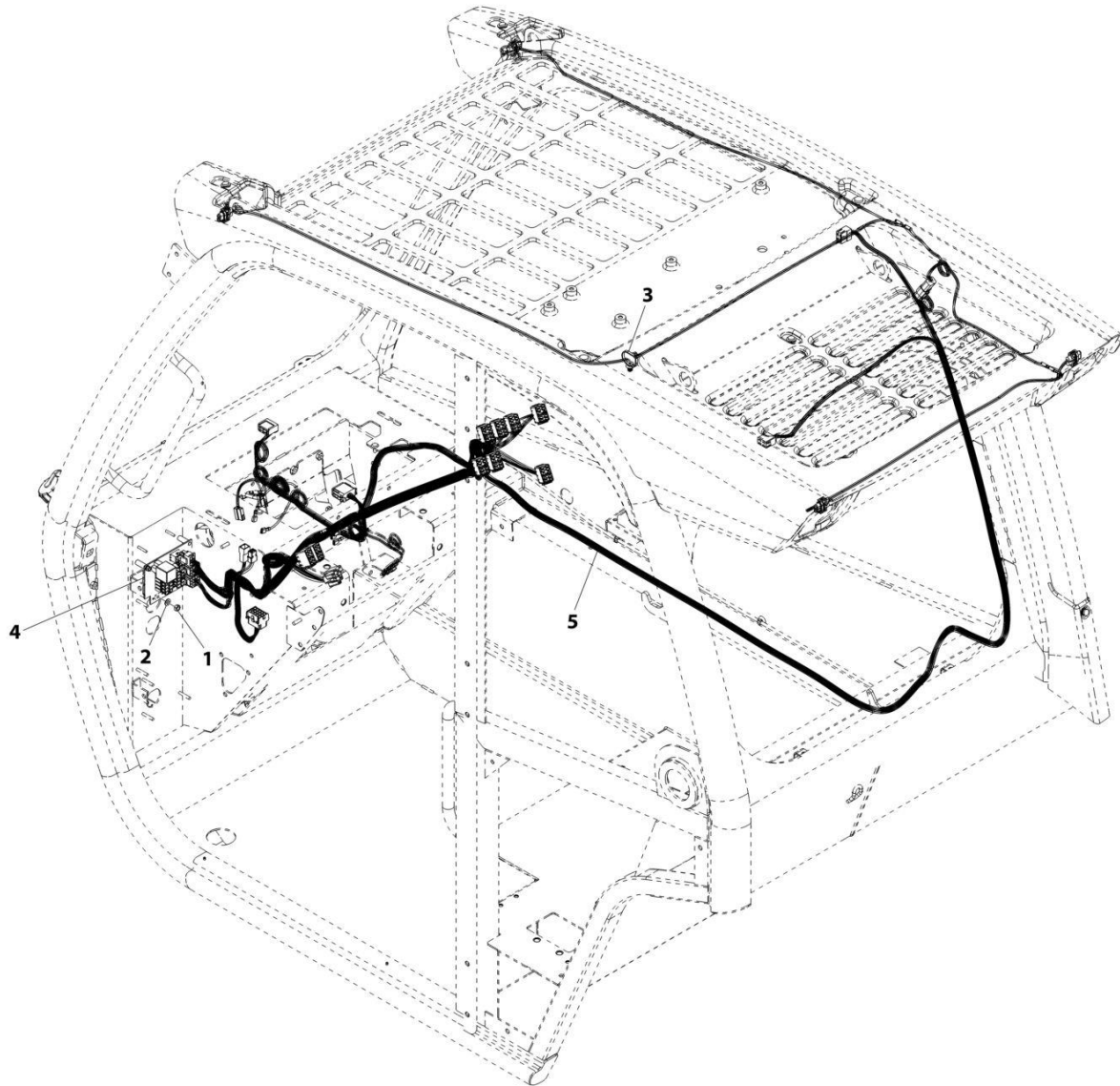
## SECTION 10 - ELECTRICAL

### FIGURE 10-38. MULTIFUNCTION DISPLAY INSTALLATION

ITEM	PART NUMBER	QTY	DESCRIPTION	REV
	1001176338	Ref	Multifunction Display Installation	B
1	1001211357	1	Display	
2	1001178783	1	Bezel	
3	1001180682	1	Cable, Display Programming	
4	1001180683	1	Cable, Display Video	

# SECTION 10 - ELECTRICAL

FIGURE 10-39. ENCLOSED CAB ELECTRICAL INSTALLATION WITH OPTIONS



ART\_1001166763-E



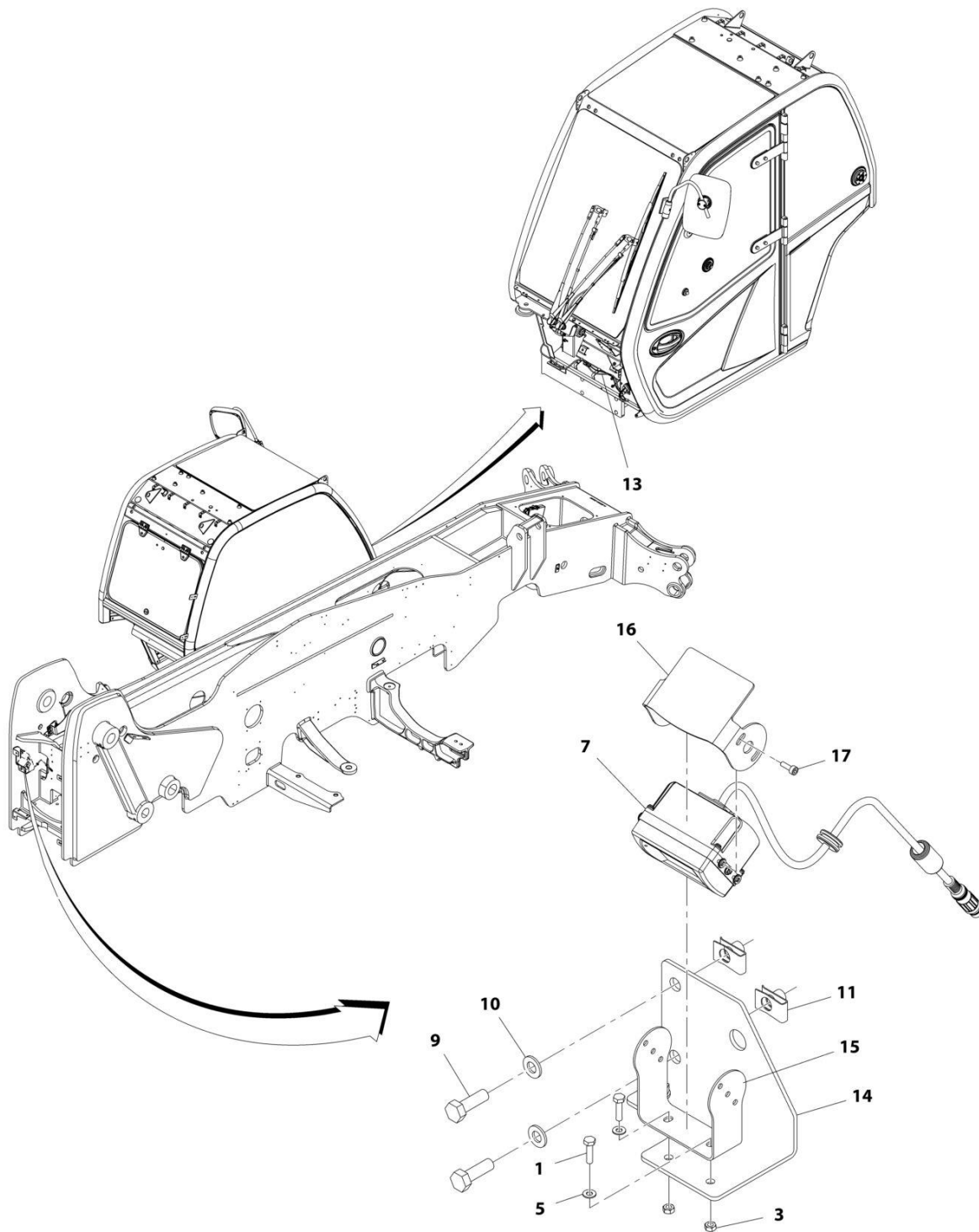
## SECTION 10 - ELECTRICAL

**FIGURE 10-39. ENCLOSED CAB ELECTRICAL INSTALLATION WITH OPTIONS**

ITEM	PART NUMBER	QTY	DESCRIPTION	REV
	1001166763	Ref	Enclosed Cab Electrical Installation with Options	E
1	3290501	1	Nut, M5X0.8	
2	120034	1	Washer, Plastic	
3	1001146588	1	Strap, Tie	
4	1001161770	1	Assembly, Option 1 Electrical Board (See Separate Breakdown in this Section)	
5	1001163371	1	Harness, Option 1 Cab (See Separate Breakdown in this Section)	

# SECTION 10 - ELECTRICAL

## FIGURE 10-40. REVERSE CAMERA INSTALLATION



ART\_1001168031-E

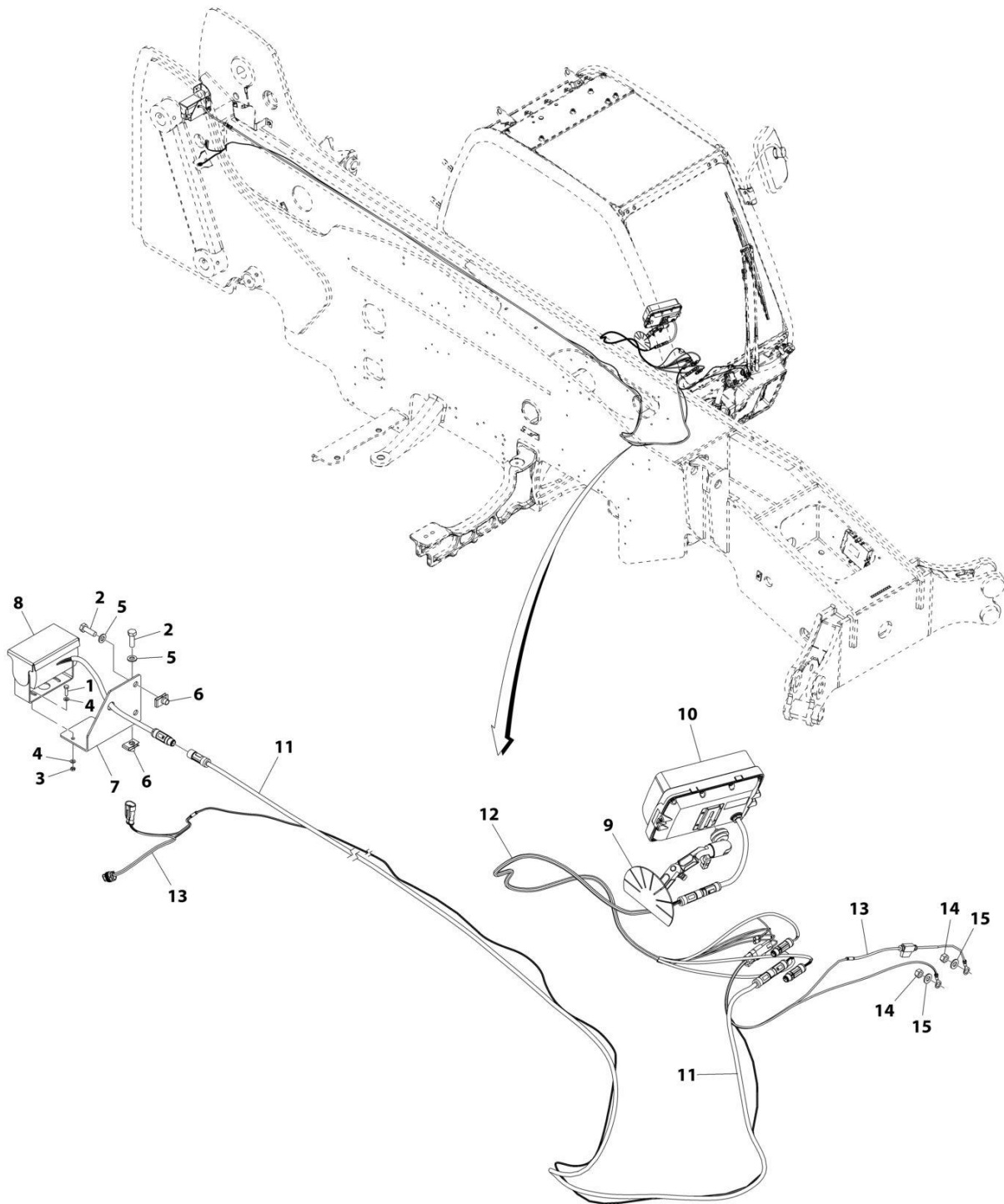
## SECTION 10 - ELECTRICAL

### FIGURE 10-40. REVERSE CAMERA INSTALLATION

ITEM	PART NUMBER	QTY	DESCRIPTION	REV
	1001168031	Ref	Reverse Camera Installation	E
1	0700408	2	Bolt, M4X16	
3	3290401	2	Nut, M4X0.7	
5	4811400	2	Washer, M4	
7	1001167017	1	Camera	
9	0760812	3	Bolt, M8X25	
10	4811900	3	Washer, M8	
11	8310686	3	Nut, Retainer M8X12.5	
13	1001171962	1	Cable, Reverse Camera	
14	1001202620	1	Bracket, Reverse Camera Mount	
15	1001202621	1	Bracket, Reverse Camera Mount	
16	1001202622	1	Bracket, Reverse Sun Shield	
17	4031205	4	Bolt, M3X10	

# SECTION 10 - ELECTRICAL

## FIGURE 10-41. REVERSE CAMERA, NO HED



ART\_1001233399-A

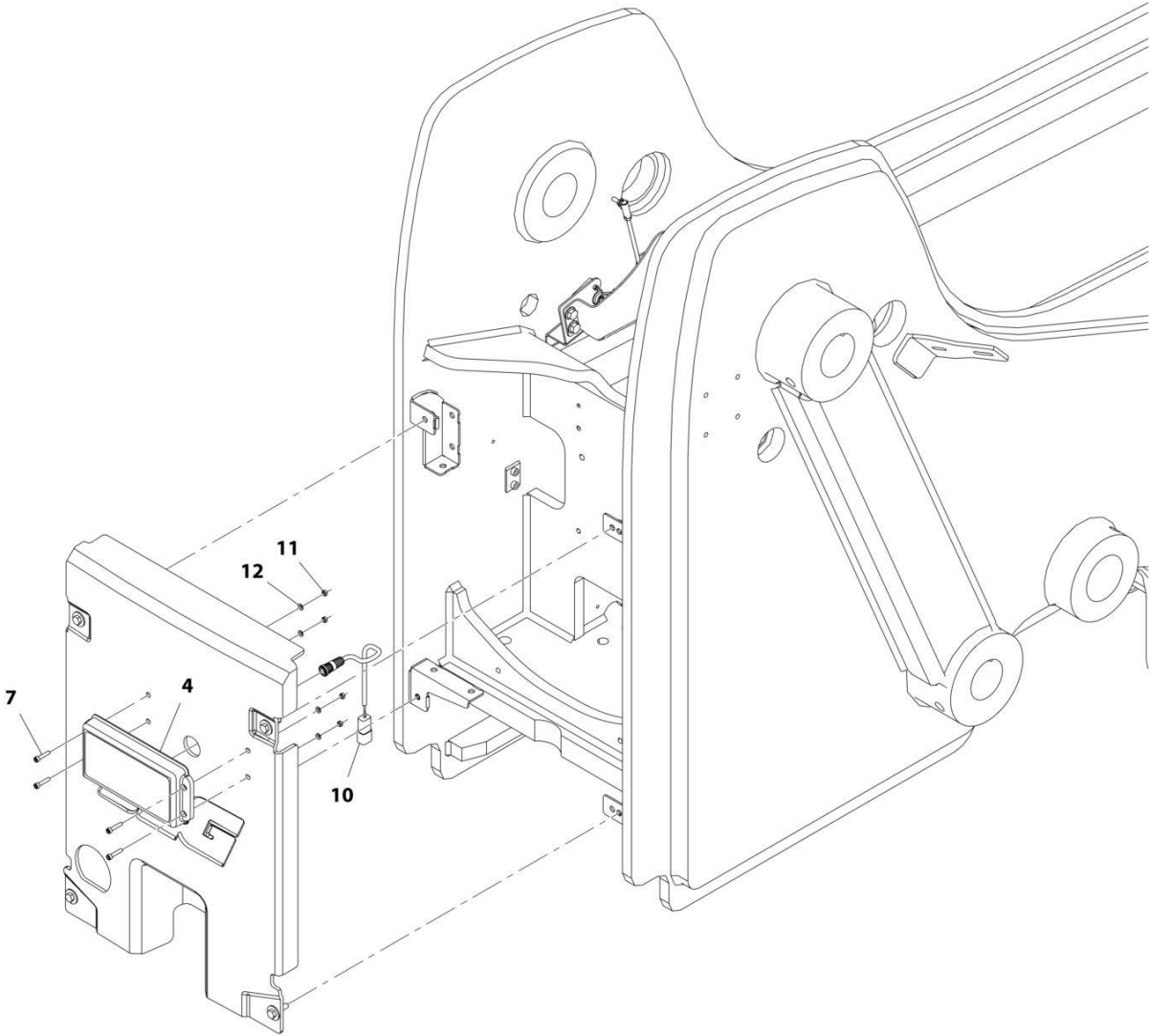
## SECTION 10 - ELECTRICAL

**FIGURE 10-41. REVERSE CAMERA, NO HED**

ITEM	PART NUMBER	QTY	DESCRIPTION	REV
	1001233399	Ref	Backup Camera Installation, No HED	A
1	0700408	2	Bolt, M4X16	
2	0760812	3	Bolt, M8X25	
3	3290401	2	Nut, M4X0.7	
4	4811400	4	Washer, M4	
5	4811900	3	Washer, M8	
6	8310686	3	Nut, Retainer M8X12.5	
7	1001233832	1	Bracket	
8	1001233174	1	Camera, Rear View	
9	1001233199	1	Bracket	
10	1001233202	1	Monitor	
11	1001233434	1	Harness, Extension Cable, Camera	
12	1001233435	1	Harness, Backup Camera	
13	1001245323	1	Harness, Rear Camera Option (See Separate Breakdown in this Section)	
14	3271505	2	Nut, 5/16	
15	4711500	2	Washer 5/16	

**SECTION 10 - ELECTRICAL**

**FIGURE 10-42. REVERSE SENSOR INSTALLATION**



ART\_1001172536-H

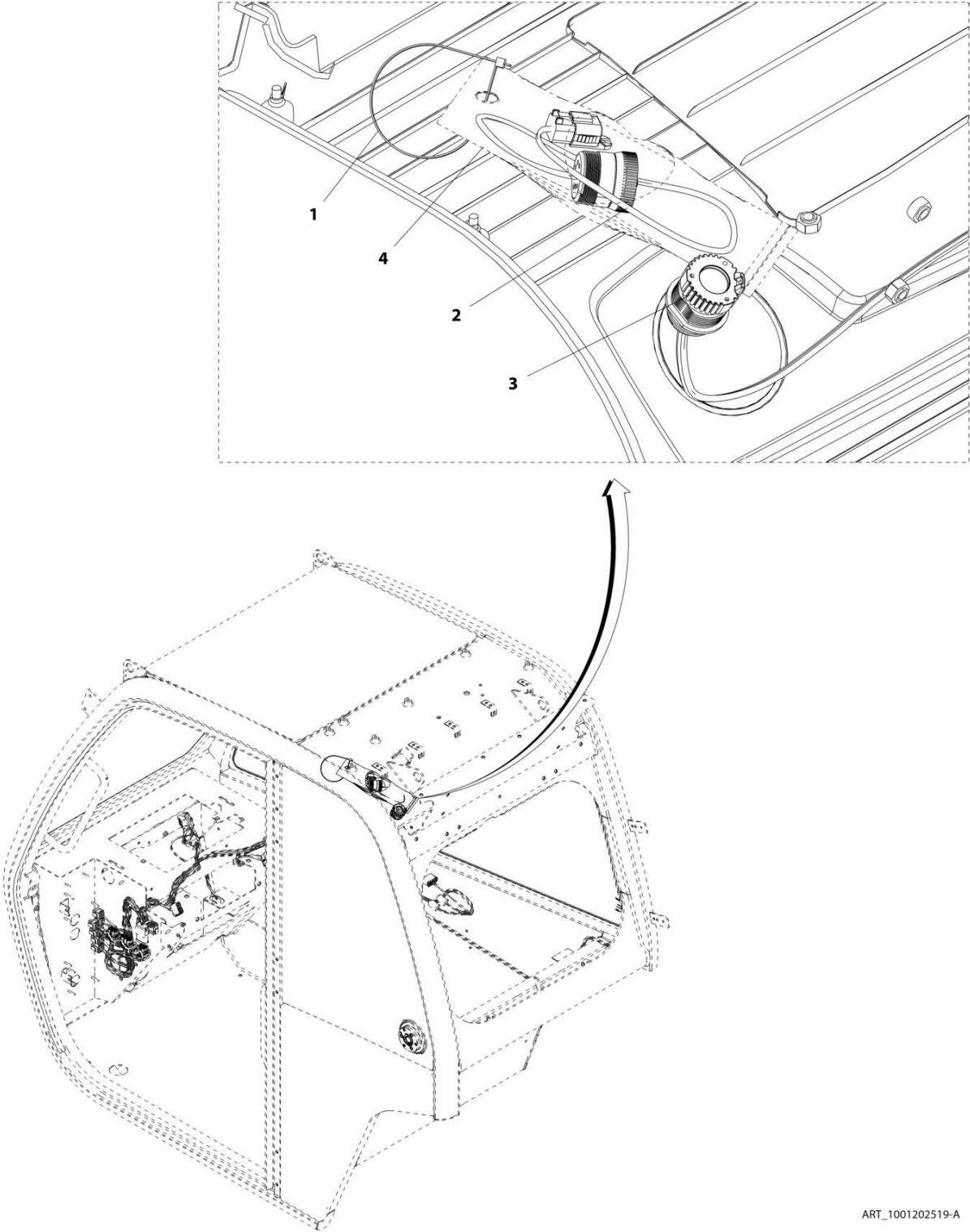
## SECTION 10 - ELECTRICAL

### FIGURE 10-42. REVERSE SENSOR INSTALLATION

ITEM	PART NUMBER	QTY	DESCRIPTION	REV
	1001172536	Ref	Reverse Sensor Installation	H
4	1001189997	1	Sensor, Reverse	
7	5271609	4	Screw, M5X25	
10	1001175776	1	Harness, Reverse Sensor (See Separate Breakdown in this Section)	
11	3290501	4	Nut, M5X0.8	
12	4811600	4	Washer, M5	

**SECTION 10 - ELECTRICAL**

**FIGURE 10-43. TELEMATICS READY INSTALLATION**



ART\_1001202519-A



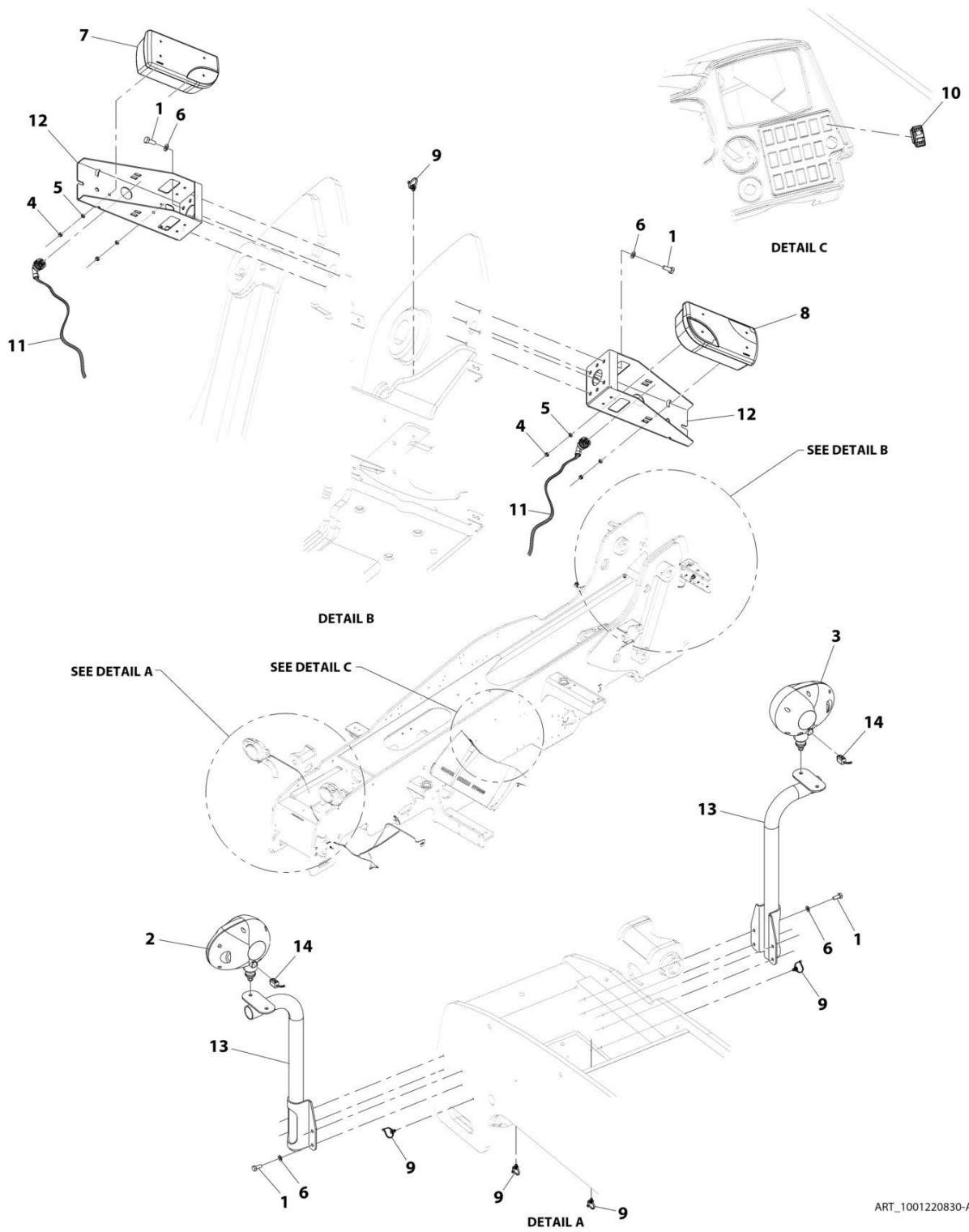
## SECTION 10 - ELECTRICAL

### FIGURE 10-43. TELEMATICS READY INSTALLATION

ITEM	PART NUMBER	QTY	DESCRIPTION	REV
	1001202519	Ref	Telematics Ready Installation	A
1	8584003	1	Strap, Tie	
2	1001196289	1	Harness, Telematics Ready (See Separate Breakdown in ELECTRICAL Section)	
3	1001201162	1	Cap	
4	1001202617	1	Bag	

# SECTION 10 - ELECTRICAL

## FIGURE 10-44. ROAD LIGHTS INSTALLATION



ART\_1001220830-A

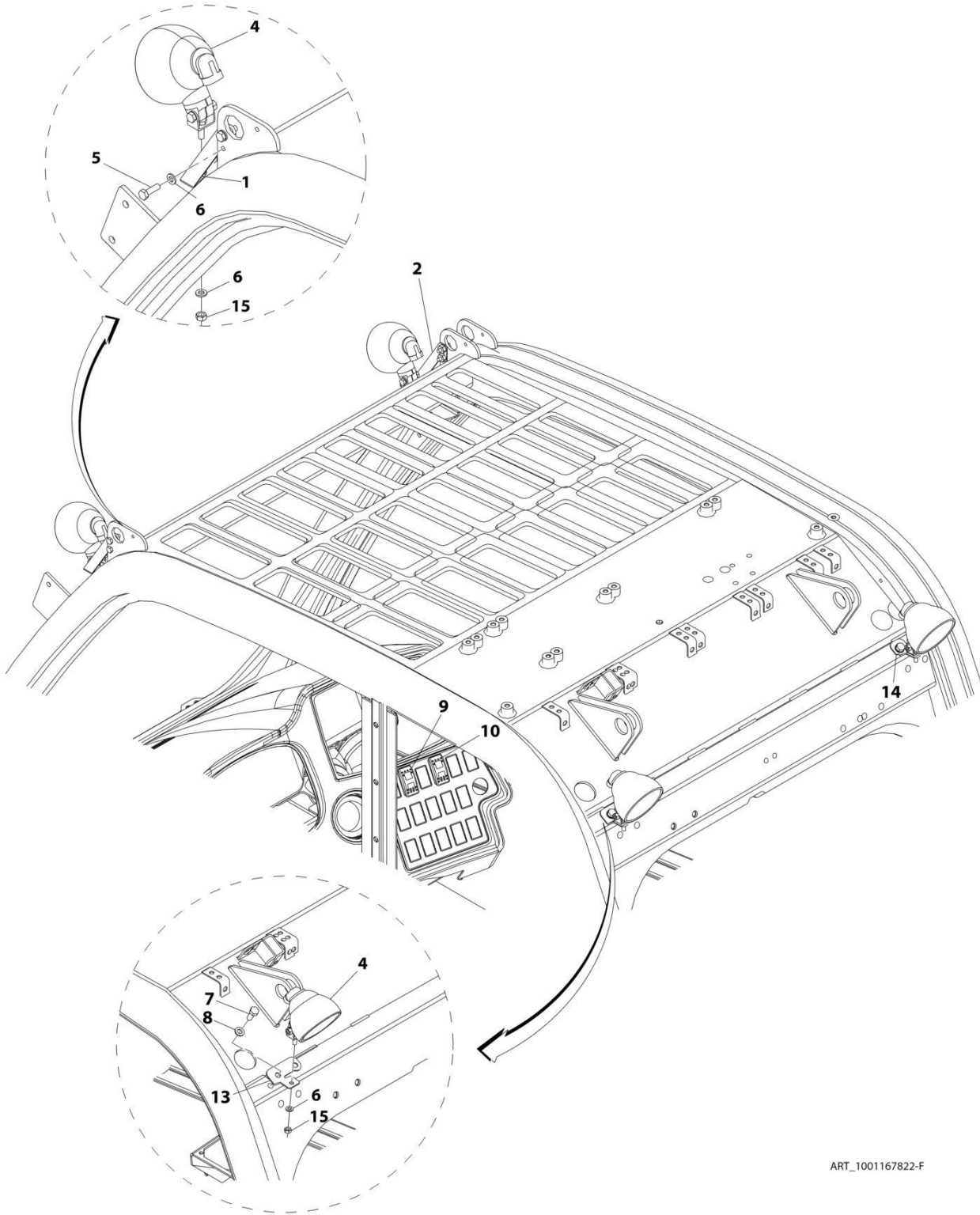
## SECTION 10 - ELECTRICAL

### FIGURE 10-44. ROAD LIGHTS INSTALLATION

ITEM	PART NUMBER	QTY	DESCRIPTION	REV
	1001220830	Ref	Road Lights Installation	A
1	0761010	16	Bolt, M10X20	
2	2920207	1	Driving Light, LH	
2	7029969	1	Bulb, 4W	
2	7029970	1	Bulb, 55W	
2	7029971	1	Bulb, 21W	
3	2920208	1	Driving Light, RH	
3	7029969	1	Bulb, 4W	
3	7029970	1	Bulb, 55W	
3	7029971	1	Bulb, 21W	
4	3290607	4	Nut, M6X1	
5	4811700	4	Washer, M6	
6	4812000	16	Washer, M10	
7	1001091715	1	Lamp, Rear LH	
7	70021341	1	Bulb, 5W	
7	70021340	1	Bulb, 21W	
7	7029971	1	Bulb, 21W	
8	1001091716	1	Lamp, Rear RH	
8	70021341	1	Bulb, 5W	
8	70021340	1	Bulb, 21W	
8	7029971	1	Bulb, 21W	
9	1001146588	5	Strap, Tie	
10	1001159734	1	Switch, Hazard	
11	1001173092	1	Harness, HBP Tail Lights (See Separate Breakdown in this Section)	
12	1001196100	2	Bracket	
13	1001220817	2	Bracket	
14	1001165360	1	Harness, Front Frame Headlight (See Separate Breakdown in this Section)	

# SECTION 10 - ELECTRICAL

## FIGURE 10-45. CAB WORKLIGHTS INSTALLATION (NO A/C)



ART\_1001167822-F

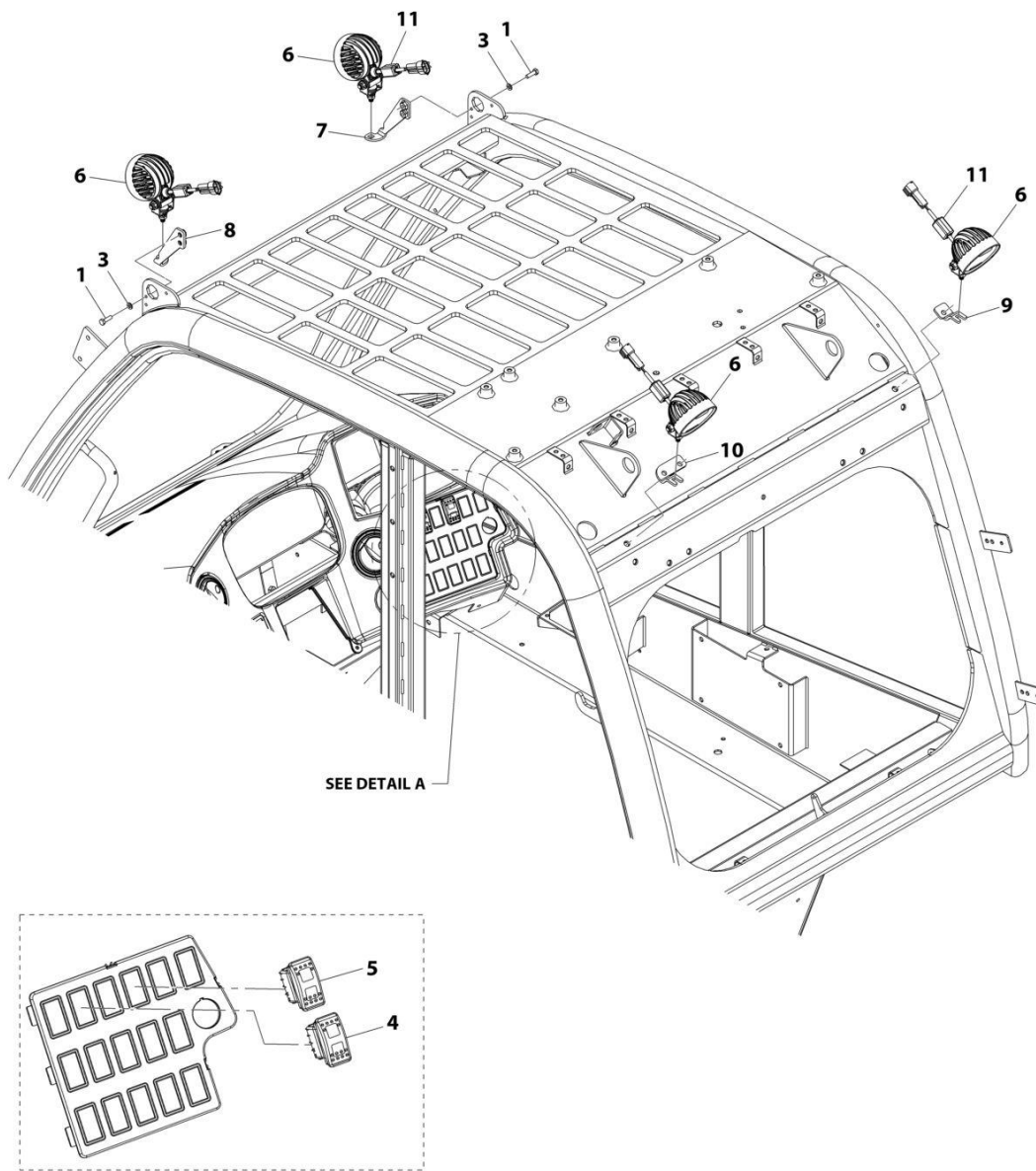
## SECTION 10 - ELECTRICAL

**FIGURE 10-45. CAB WORKLIGHTS INSTALLATION (NO A/C)**

ITEM	PART NUMBER	QTY	DESCRIPTION	REV
	1001167822	Ref	Cab Worklights Installation (No A/C)	F
1	1001186567	1	Bracket, Work Light LH	
2	1001186565	1	Bracket, Work Light RH	
4	2920206	4	Worklight	
5	0700610	4	Bolt, M6X20	
6	4811700	8	Washer, M6	
7	0760810	2	Bolt, M8X20	
8	4811900	2	Washer, M8	
9	1001159845	1	Switch, Front Worklights	
10	1001159846	1	Switch, Rear Worklights	
13	1001183888	1	Bracket, Work Light LH	
14	1001183890	1	Bracket, Work Light RH	
15	3290601	4	Nut, M6X1 Grade 8	

# SECTION 10 - ELECTRICAL

## FIGURE 10-46. CAB WORKLIGHTS INSTALLATION (NO A/C - LED)



ART\_1001200538-D

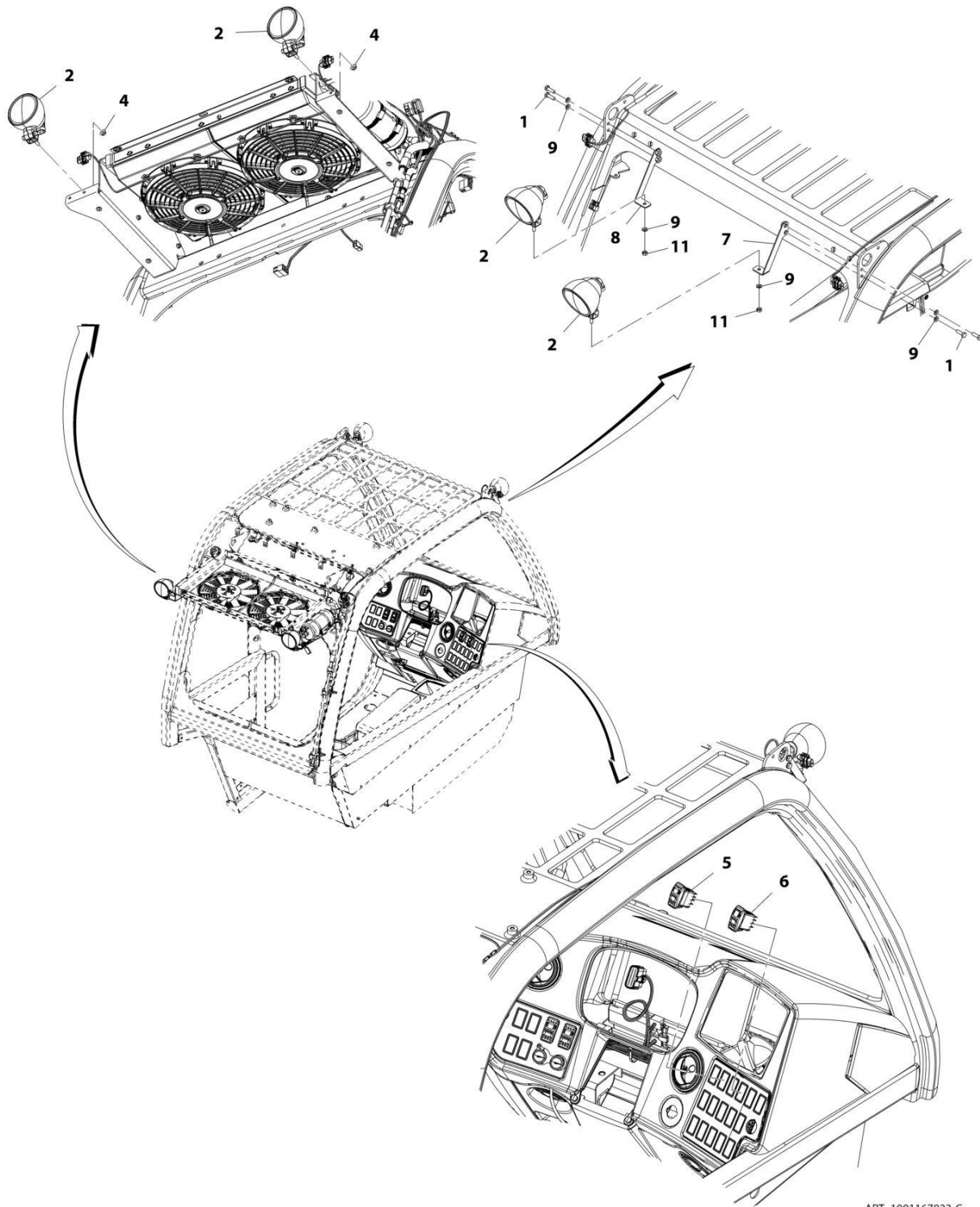
## SECTION 10 - ELECTRICAL

### FIGURE 10-46. CAB WORKLIGHTS INSTALLATION (NO A/C - LED)

ITEM	PART NUMBER	QTY	DESCRIPTION	REV
	1001200538	Ref	Cab Worklights Installation (No A/C - LED)	D
1	0700610	4	Bolt, M6X20	
3	4811700	4	Washer, M6	
4	1001159845	1	Switch, Front Worklights	
5	1001159846	1	Switch, Rear Worklights	
6	1001203640	4	Lamp, LED Work Light	
7	1001244193	1	Support, LED Work Light RH	
8	1001244192	1	Support, LED Work Light LH	
9	1001204528	1	Support, LED Work Light RH	
10	1001204530	1	Support, LED Work Light LH	
11	1001228989	4	Harness, Ferrite	

# SECTION 10 - ELECTRICAL

## FIGURE 10-47. CAB WORKLIGHTS INSTALLATION (A/C)



ART\_1001167823-G



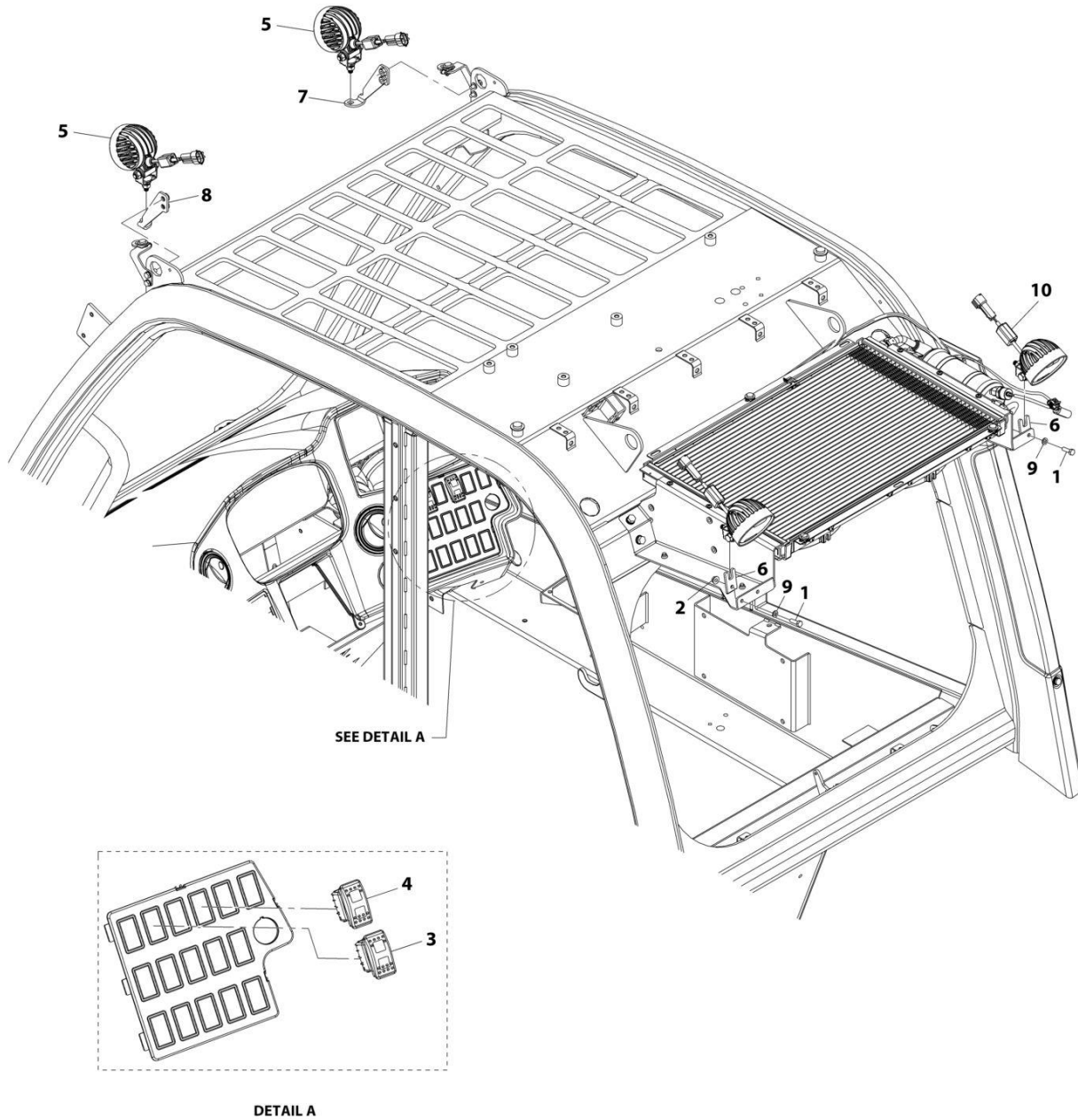
## SECTION 10 - ELECTRICAL

### FIGURE 10-47. CAB WORKLIGHTS INSTALLATION (A/C)

ITEM	PART NUMBER	QTY	DESCRIPTION	REV
	1001167823	Ref	Cab Worklights Installation (A/C)	G
1	0700610	4	Bolt, M6X20	
2	2920206	4	Worklight	
4	5220600	2	Nut, M6	
5	1001159845	1	Switch, Front Worklights	
6	1001159846	1	Switch, Rear Worklights	
7	1001186567	1	Bracket, Work Light LH	
8	1001186565	1	Bracket, Work Light RH	
9	4811700	6	Washer, M6	
11	3290601	2	Nut, M6X1 Grade 8	

# SECTION 10 - ELECTRICAL

## FIGURE 10-48. CAB WORKLIGHTS INSTALLATION (A/C - LED)



ART\_1001200539-D

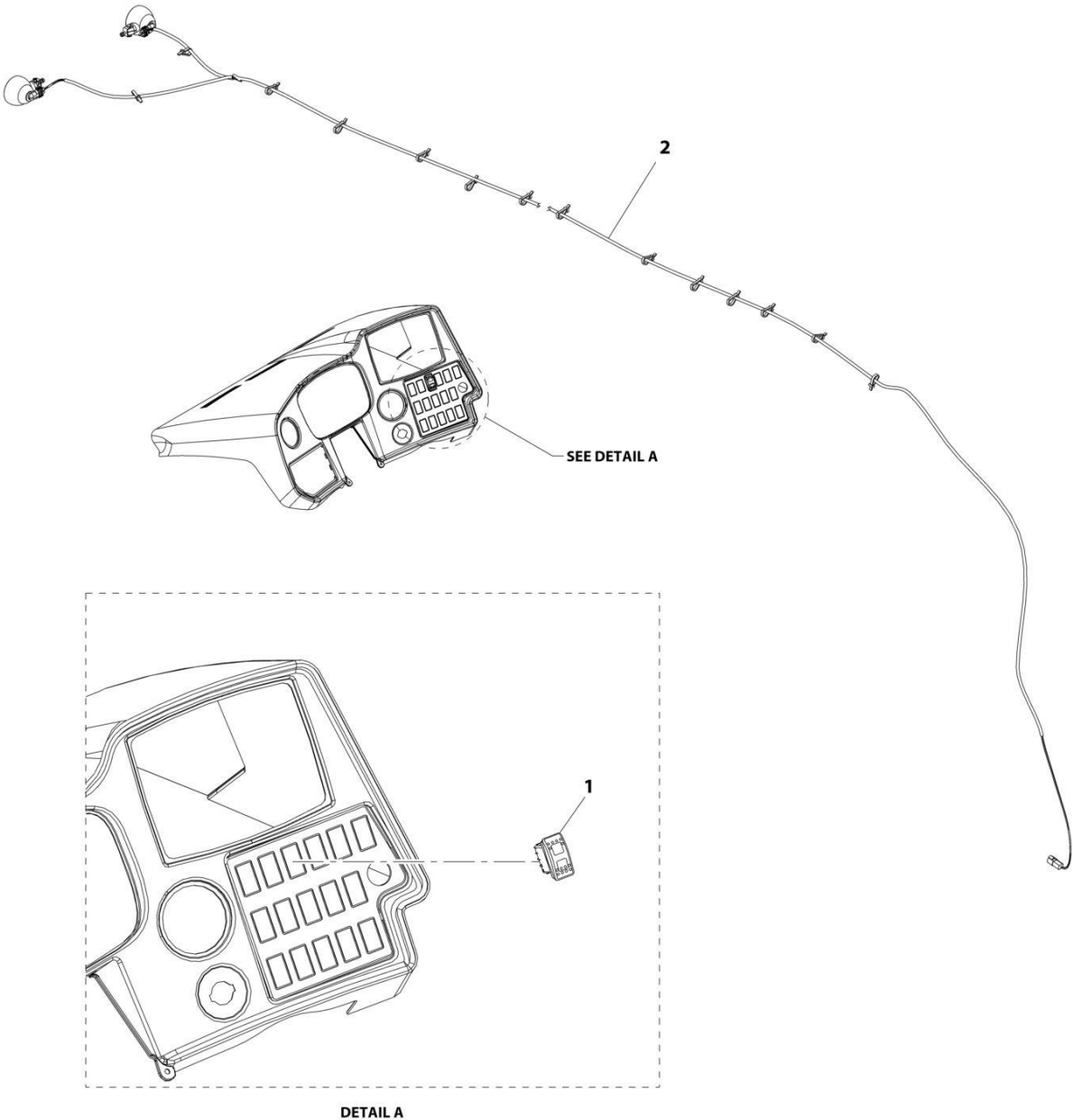
## SECTION 10 - ELECTRICAL

### FIGURE 10-48. CAB WORKLIGHTS INSTALLATION (A/C - LED)

ITEM	PART NUMBER	QTY	DESCRIPTION	REV
	1001200539	Ref	Cab Worklights Installation (A/C - LED)	D
1	0700610	2	Bolt, M6X20	
2	5220600	2	Nut, M6	
3	1001159845	1	Switch, Front Worklights	
4	1001159846	1	Switch, Rear Worklights	
5	1001203640	4	Lamp, LED Work Light	
6	1001204060	2	Bracket	
7	1001244193	1	Support, LED Work Light RH	
8	1001244192	1	Support, LED Work Light LH	
9	4811700	2	Washer, M6	
10	1001228989	4	Harness, Ferrite	

**SECTION 10 - ELECTRICAL**

**FIGURE 10-49. BOOM WORK LIGHTS INSTALLATION**



ART\_1001182083-C

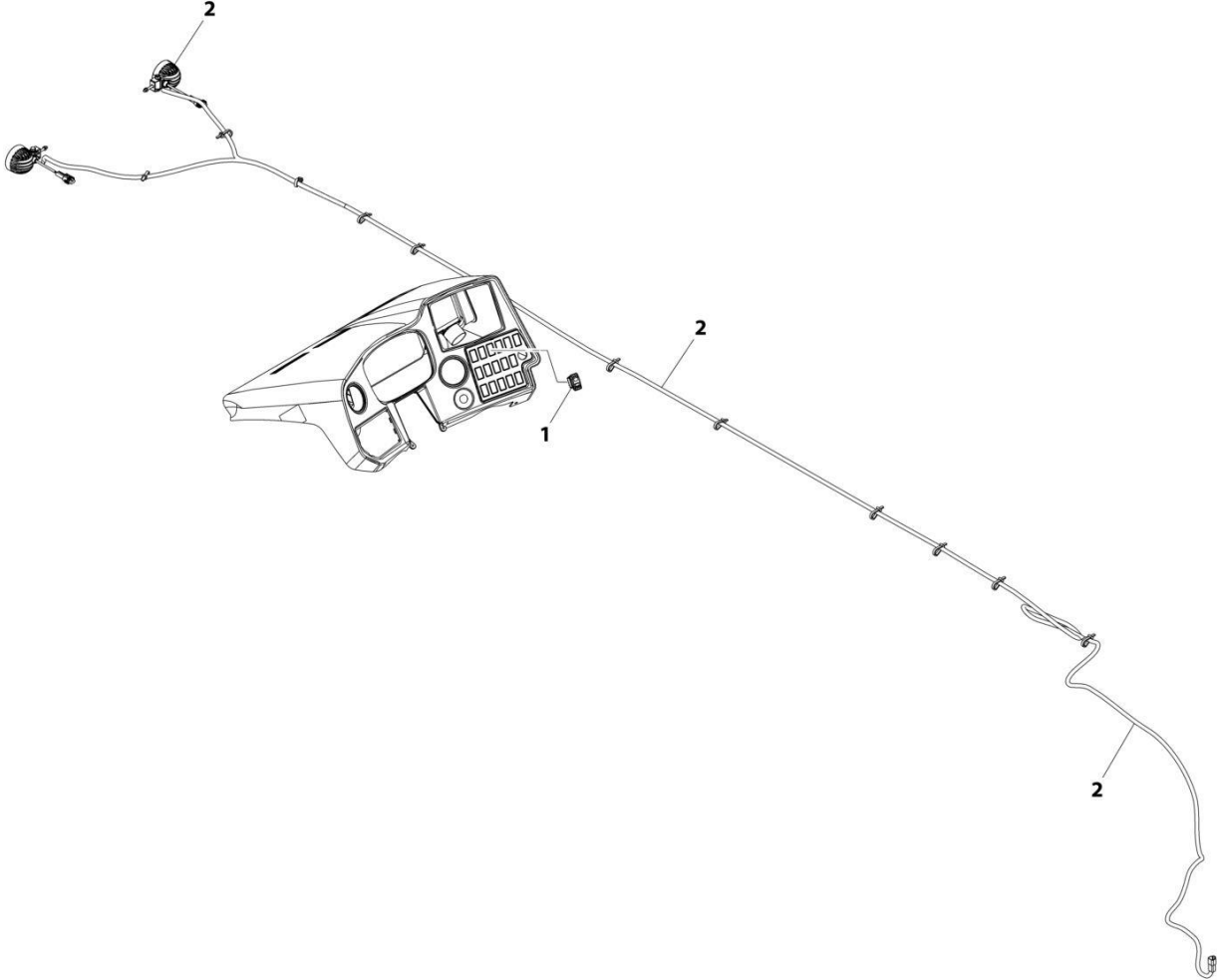
## SECTION 10 - ELECTRICAL

### FIGURE 10-49. BOOM WORK LIGHTS INSTALLATION

ITEM	PART NUMBER	QTY	DESCRIPTION	REV
1	1001182083	Ref	Boom Work Lights Installation	C
	1001159739	1	Switch, Driving Lights	
2	1001174932	Ref	Installation, Boom Work Lights (See Separate Breakdown in this Section)	

**SECTION 10 - ELECTRICAL**

**FIGURE 10-50. BOOM WORK LIGHTS INSTALLATION (LED)**



ART\_1001230599-A

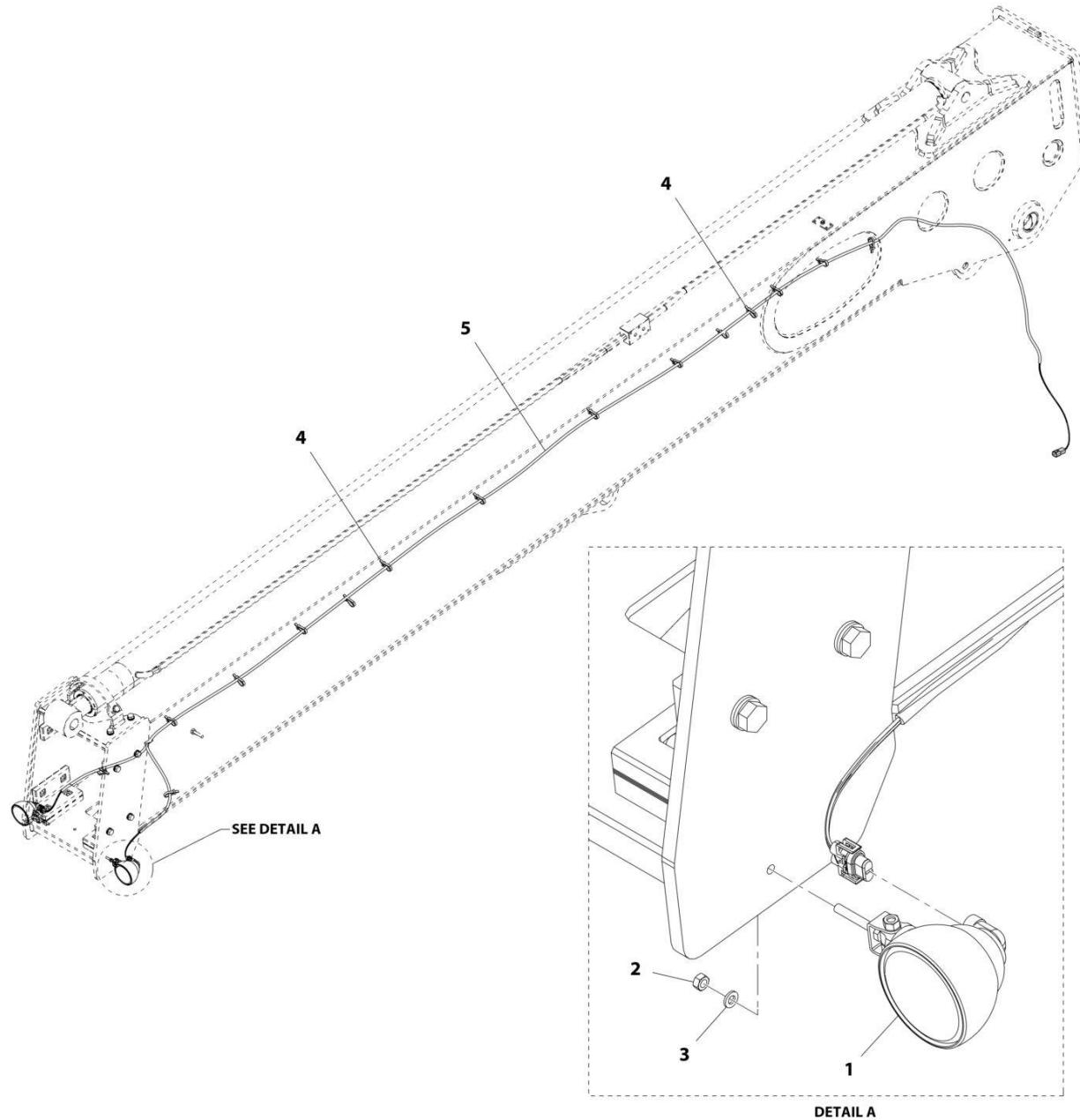
## SECTION 10 - ELECTRICAL

### FIGURE 10-50. BOOM WORK LIGHTS INSTALLATION (LED)

ITEM	PART NUMBER	QTY	DESCRIPTION	REV
	1001230599	Ref	Boom Work Lights Installation	A
1	1001159739	1	Switch, Boom Work Lights	
2	1001230623	1	Installation, Boom LED Work Lights (See Separate Breakdown in this Section)	

# SECTION 10 - ELECTRICAL

## FIGURE 10-51. BOOM LIGHTS INSTALLATION



ART\_1001174932-E



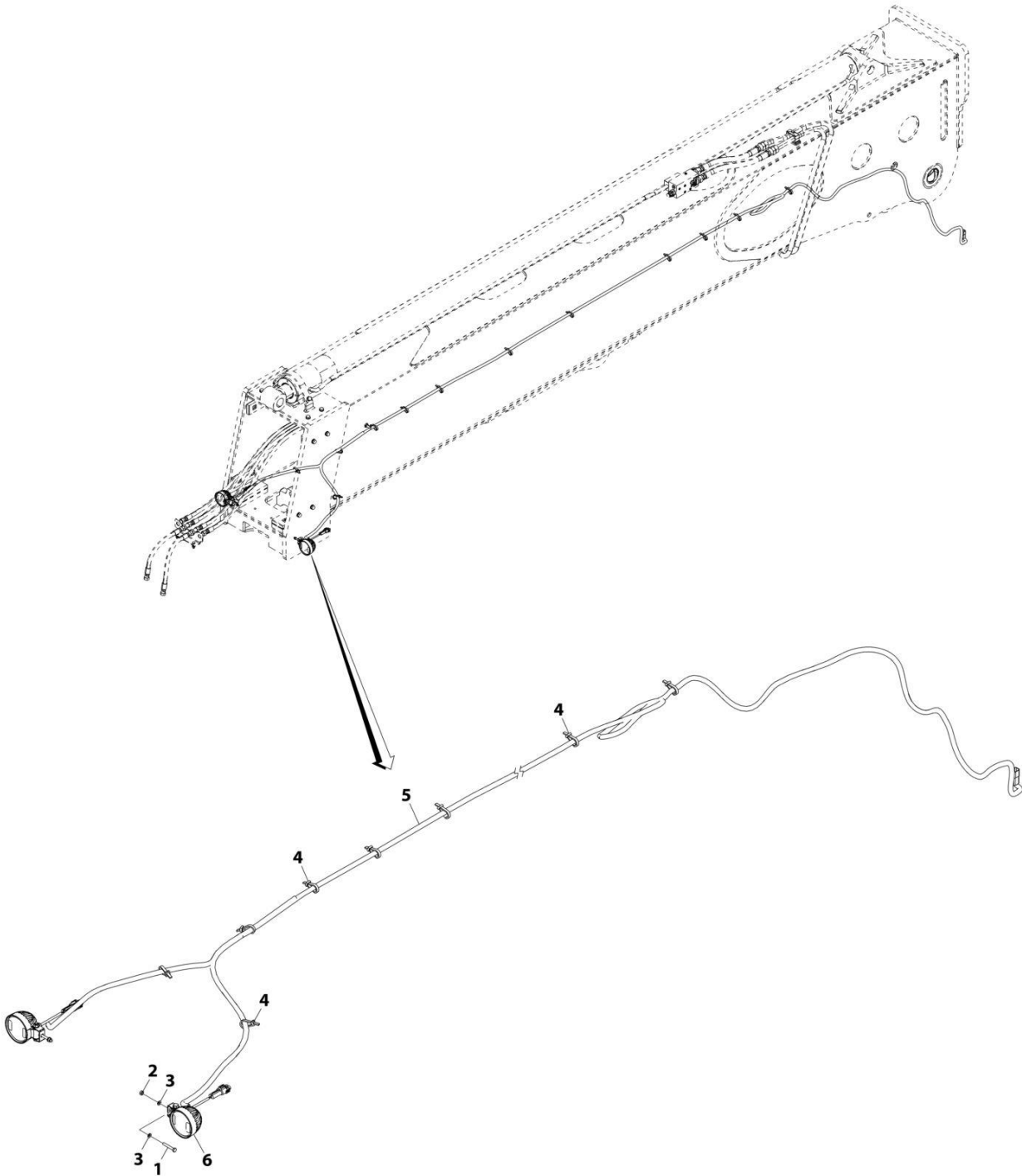
## SECTION 10 - ELECTRICAL

### FIGURE 10-51. BOOM LIGHTS INSTALLATION

ITEM	PART NUMBER	QTY	DESCRIPTION	REV
	1001174932	Ref	Boom Lights Installation	E
1	1001207287	2	Worklight	
2	3290601	2	Nut, M6X1	
3	4811700	2	Washer, M6	
4	1001008923	AR	Strap, Tie	
5	1001167608	1	Harness, Boom Worklight (See Separate Breakdown in this Section)	

**SECTION 10 - ELECTRICAL**

**FIGURE 10-52. BOOM LED LIGHTS INSTALLATION**



ART\_1001230623-A

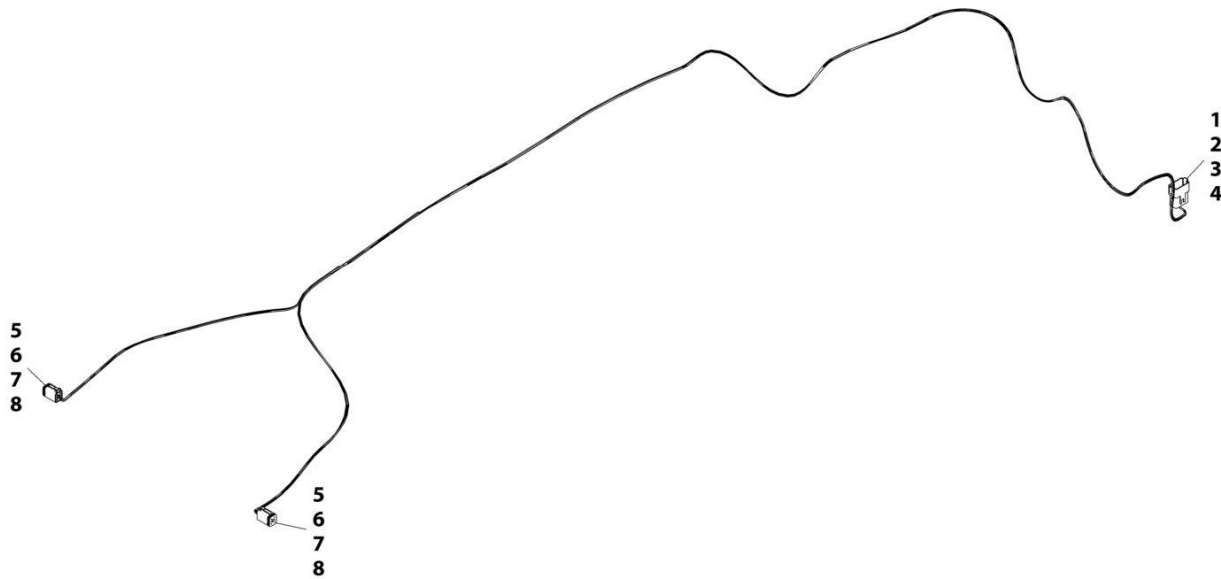
## SECTION 10 - ELECTRICAL

### FIGURE 10-52. BOOM LED LIGHTS INSTALLATION

ITEM	PART NUMBER	QTY	DESCRIPTION	REV
	1001230623	Ref	Boom LED Lights Installation	A
1	0700616	2	Bolt, M6X40	
2	3290601	2	Nut, M6X1	
3	4811700	4	Washer, M6	
4	1001008923	AR	Strap, Cable	
5	1001167608	1	Harness, Boom Worklights (See Separate Breakdown in this Section)	
6	1001203640	2	Lamp, LED Work light	

# SECTION 10 - ELECTRICAL

## FIGURE 10-53. BOOM WORKLIGHTS HARNESS



ART\_1001167608-E

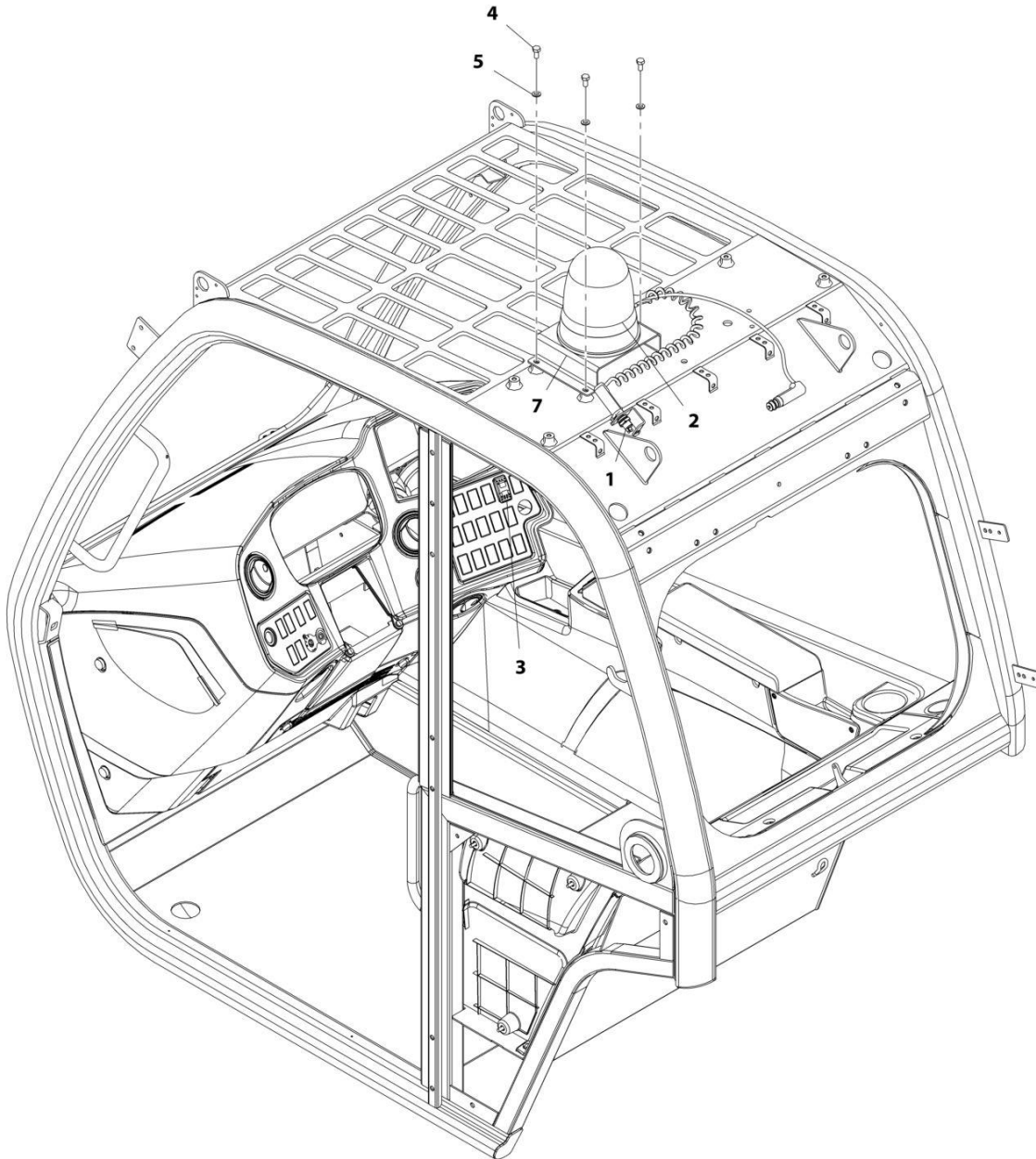
## SECTION 10 - ELECTRICAL

### FIGURE 10-53. BOOM WORKLIGHTS HARNESS

ITEM	PART NUMBER	QTY	DESCRIPTION	REV
	1001167608	Ref	Boom Worklights Harness	E
1	4460932	1	Connector	
2	80604020	1	Lock, Connector	
3	4460464	2	Terminal	
4	4460466	2	Plug	
5	4461115	2	Connector	
6	1001103564	2	Lock, Terminal	
7	1001116728	2	Terminal	
8	4460458	2	Seal	

# SECTION 10 - ELECTRICAL

## FIGURE 10-54. BEACON INSTALLATION



ART\_1001171162-E

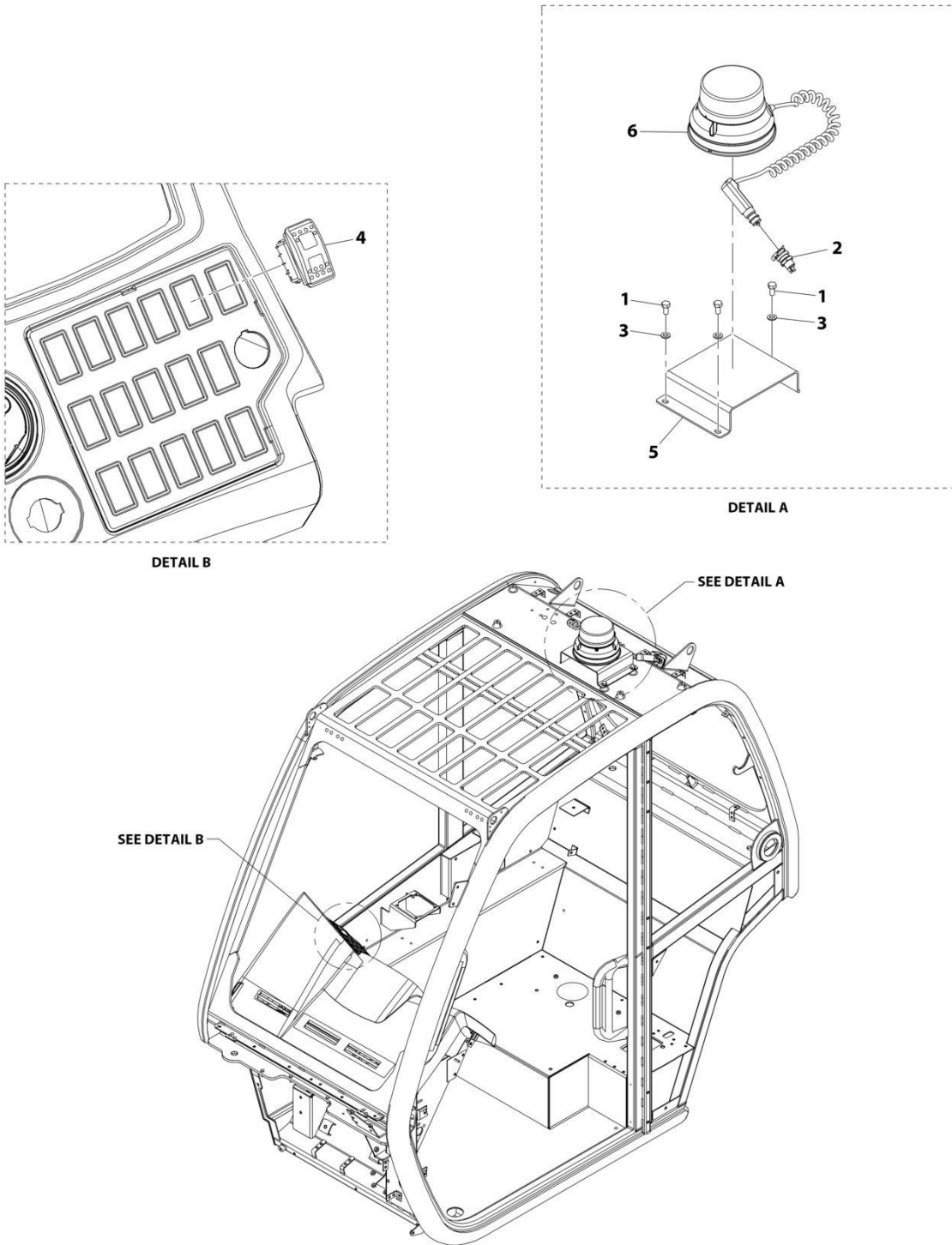
## SECTION 10 - ELECTRICAL

### FIGURE 10-54. BEACON INSTALLATION

ITEM	PART NUMBER	QTY	DESCRIPTION	REV
	1001171162	Ref	Beacon Installation	E
1	4461174	1	Terminal	
2	1001091573	NLA	Light, Warning, (no longer available, use 1001217623 for replacement)	
2	1001217623	1	Light, Warning	
3	1001159738	1	Switch	
4	0760808	3	Bolt, M8X16	
5	4811900	3	Washer, M8	
7	1001174796	1	Bracket	

# SECTION 10 - ELECTRICAL

## FIGURE 10-55. BEACON INSTALLATION (LED)



ART\_1001195883-A



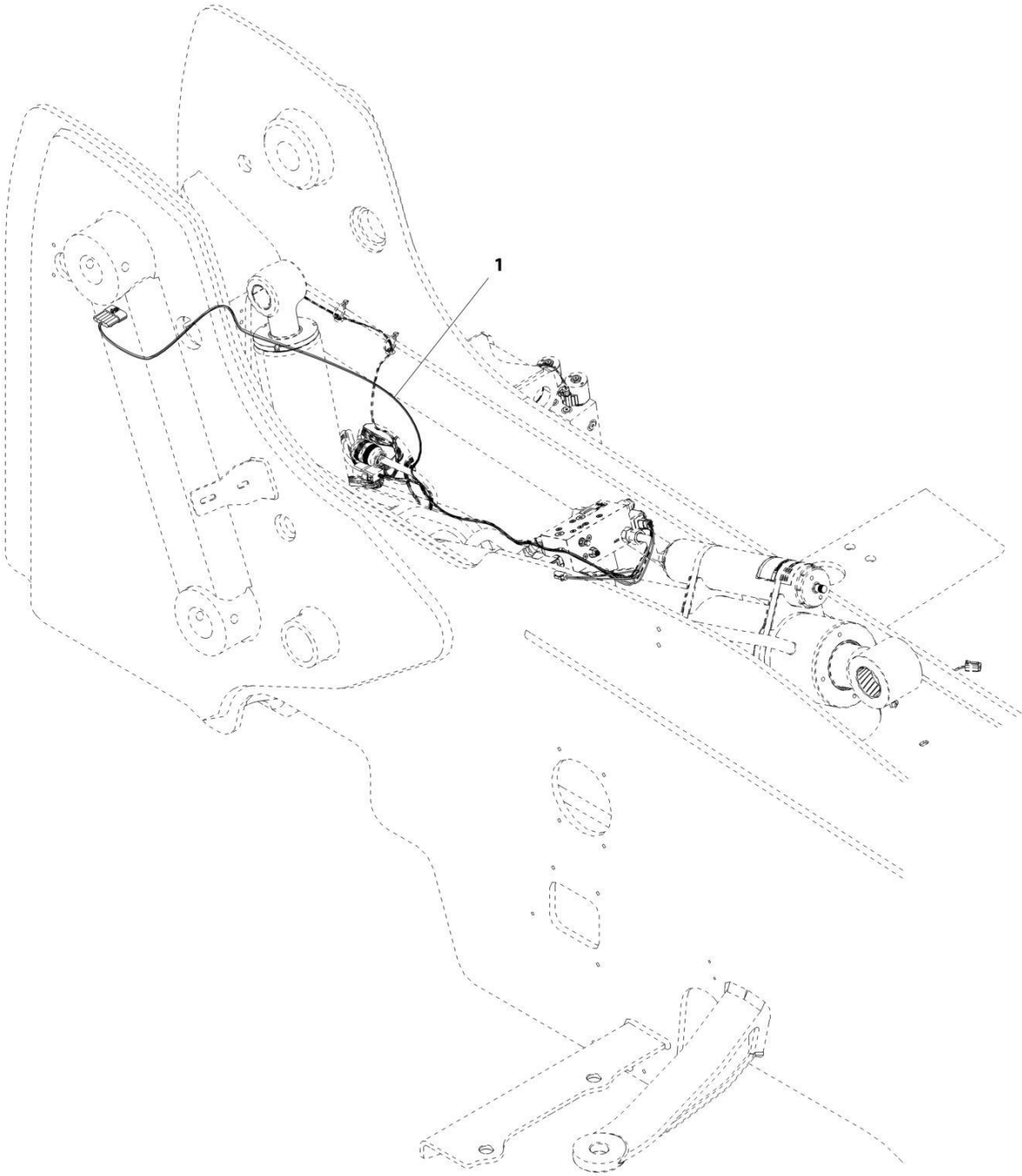
## SECTION 10 - ELECTRICAL

### FIGURE 10-55. BEACON INSTALLATION (LED)

ITEM	PART NUMBER	QTY	DESCRIPTION	REV
	1001195883	Ref	BEACON INSTALLATION (LED)	B
1	0760808	3	Bolt M8 x 16	
2	4461174	1	Terminal	
3	4811900	3	Washer M8	
4	1001159738	1	Switch, Beacon	
5	1001174796	1	Bracket	
	1001273075	1	Light, Beacon (LED)	

**SECTION 10 - ELECTRICAL**

**FIGURE 10-56. RIDE CONTROL CB VALVE HARNESS INSTALLATION (LIFT)**



ART\_1001175676-A

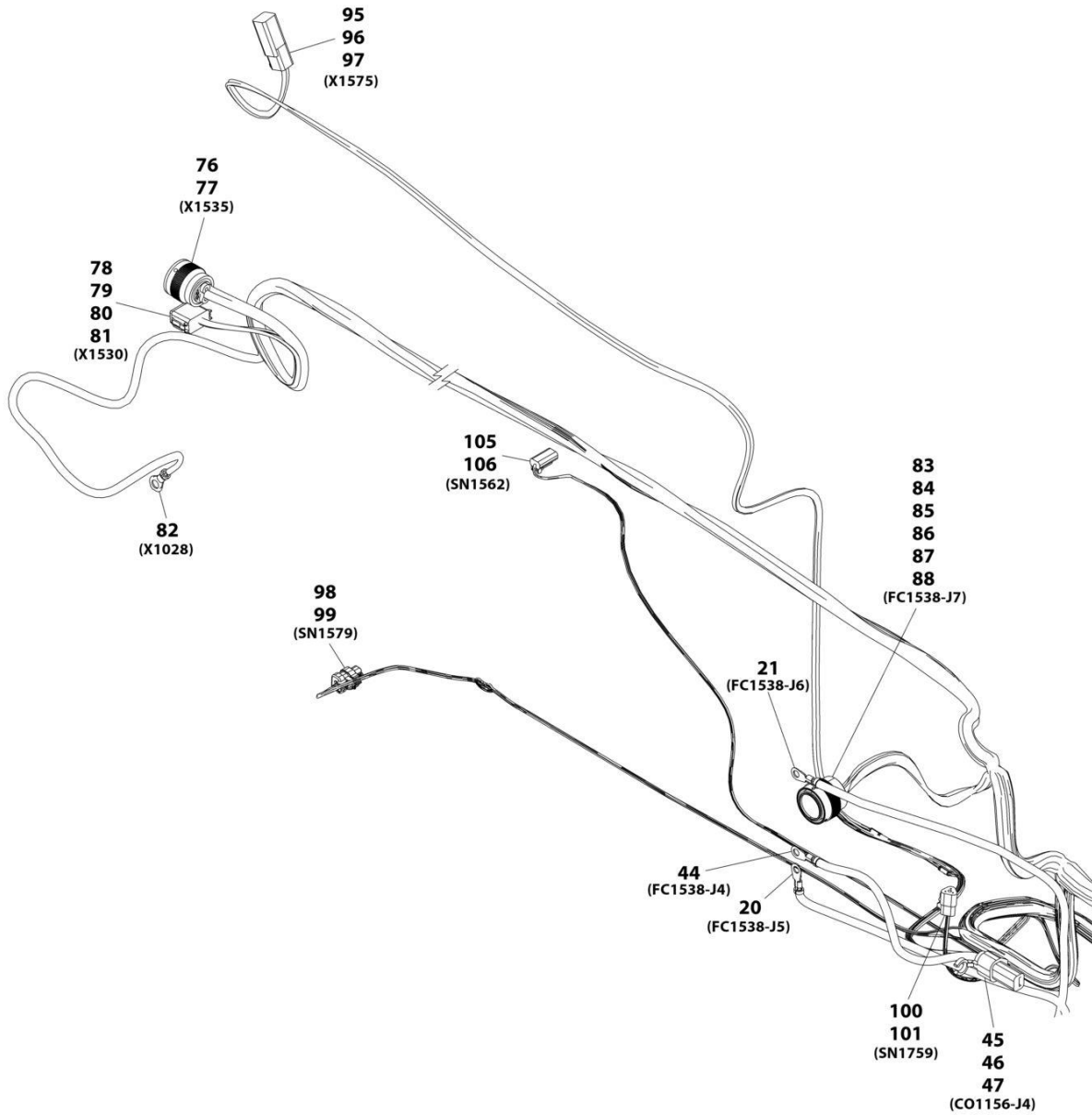
## SECTION 10 - ELECTRICAL

**FIGURE 10-56. RIDE CONTROL CB VALVE HARNESS INSTALLATION (LIFT)**

ITEM	PART NUMBER	QTY	DESCRIPTION	REV
1	1001175676 1001173527	Ref 1	Ride Control CB Valve Harness Installation (Lift) Harness, Ride Control CB Valve (Lift) (See Separate Breakdown in this Section)	A

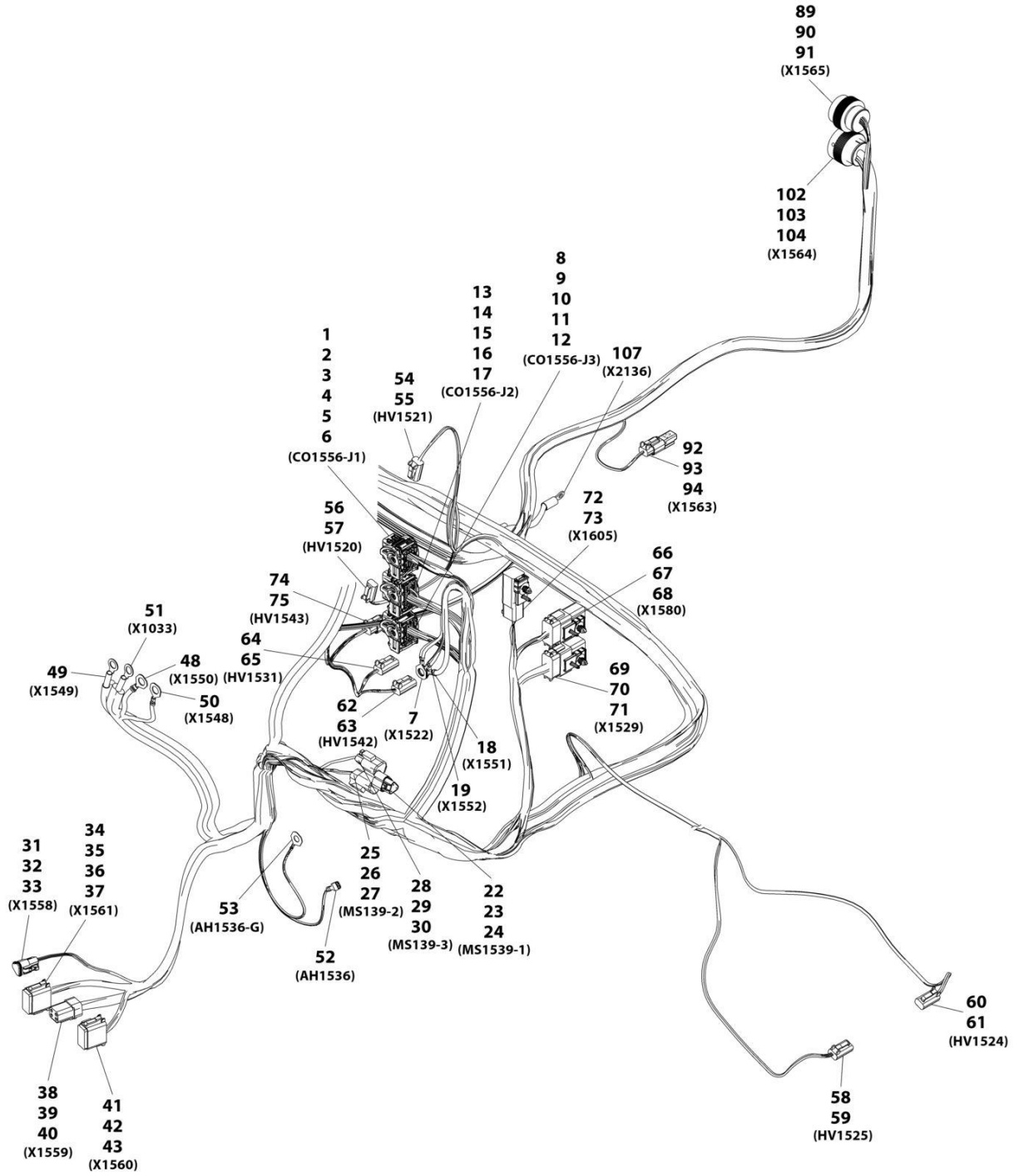
# SECTION 10 - ELECTRICAL

## FIGURE 10-57. FRONT FRAME HARNESS



ART\_1001221728\_1-B

# SECTION 10 - ELECTRICAL



ART\_1001221728\_2-B

# SECTION 10 - ELECTRICAL

## FIGURE 10-57. FRONT FRAME HARNESS

ITEM	PART NUMBER	QTY	DESCRIPTION	REV
	1001221728	Ref	Front Frame Harness (1043,742,943)	B
1	1001161963	1	Connector	
2	1001161097	21	Terminal	
3	1001161099	5	Terminal	
4	1001161098	1	Terminal	
5	1001161100	19	Plug	
6	1001161101	2	Plug	
7	1001187079	1	Terminal, Ring	
8	1001160500	1	Connector	
9	1001161097	9	Terminal	
10	1001161099	7	Terminal	
11	1001161100	15	Plug	
12	1001161101	1	Plug	
13	1001161957	1	Connector	
14	1001161097	21	Terminal	
15	1001161099	1	Terminal	
16	1001161100	3	Plug	
17	1001161101	7	Plug	
18	1001187080	1	Terminal, Ring	
19	1001187080	1	Terminal, Ring	
20	1001187075	1	Terminal, Ring	
21	1001187075	1	Terminal, Ring	
22	1001116812	1	Connector	
23	4460944	2	Terminal	
24	4460466	1	Plug	
25	4460539	1	Connector	
26	4460944	2	Terminal	
27	4460466	1	Plug	
28	1001116812	1	Connector	
29	4460944	2	Terminal	
30	4460466	1	Plug	
31	1001116812	1	Connector	
32	4460465	2	Terminal	
33	4460466	1	Plug	
34	4460836	1	Connector	
35	4460942	1	Terminal	
36	4460465	10	Terminal	
37	4460466	1	Plug	
38	1001116810	1	Connector	
39	1001150611	3	Terminal	
40	4460509	1	Terminal	
41	4460933	1	Connector	
42	4460465	8	Terminal	
43	4460466	4	Plug	
44	1001187075	1	Terminal, Ring	
45	1001160509	1	Connector	
46	1001160510	1	Terminal	
47	1001175267	1	Seal	
48	1001187080	1	Terminal, Ring	
49	1001128127	1	Terminal, Ring	

## SECTION 10 - ELECTRICAL

ITEM	PART NUMBER	QTY	DESCRIPTION	REV
50	1001187079	1	Terminal, Ring	
51	1001128127	1	Terminal, Ring	
52	8220051	1	Terminal, Blade	
53	1001211775	1	Terminal, Ring	
54	4460891	1	Connector	
55	4460465	2	Terminal	
56	4460891	1	Connector	
57	4460465	2	Terminal	
58	4460891	1	Connector	
59	4460465	2	Terminal	
60	4460891	1	Connector	
61	4460465	2	Terminal	
62	4460891	1	Connector	
63	4460465	2	Terminal	
64	4460891	1	Connector	
65	4460465	2	Terminal	
66	4460836	1	Connector	
67	4460465	7	Terminal	
68	4460466	5	Plug	
69	4460933	1	Connector	
70	4460942	10	Terminal	
71	4460466	2	Plug	
72	4460894	1	Connector	
73	4460465	6	Terminal	
74	4460891	1	Connector	
75	4460465	2	Terminal	
76	1001165310	1	Connector	
77	91013192	2	Terminal	
78	4460933	1	Connector	
79	4460465	3	Terminal	
80	4460942	2	Terminal	
81	4460466	7	Plug	
82	1001187076	1	Terminal, Ring	
83	1001165309	1	Connector	
84	4460465	7	Terminal	
85	4460942	3	Terminal	
86	4460509	3	Terminal	
87	1001150611	3	Terminal	
88	4460466	3	Plug	
89	4461015	1	Connector	
90	4460465	7	Terminal	
91	4460466	7	Plug	
92	4460891	1	Connector	
93	4460942	1	Terminal	
94	4460466	1	Plug	
95	4460894	1	Connector	
96	4460942	4	Terminal	
97	4460465	2	Terminal	
98	1001116950	1	Connector	
99	4460465	2	Terminal	
100	4460539	1	Connector	

## SECTION 10 - ELECTRICAL

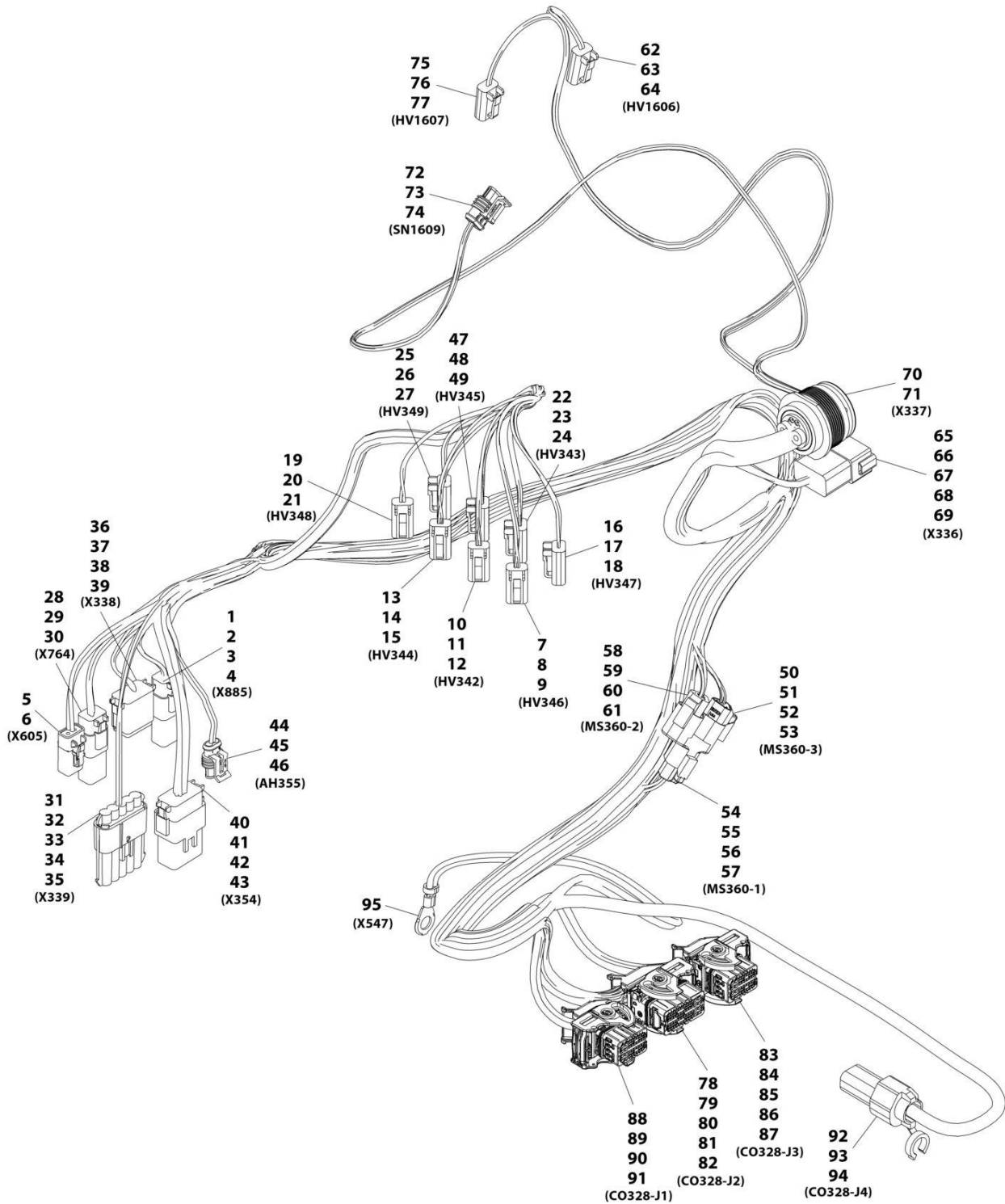
ITEM	PART NUMBER	QTY	DESCRIPTION	REV
101	4460465	3	Terminal	
102	1001118323	1	Connector	
103	4460942	4	Terminal	
104	91013192	2	Terminal	
105	4460891	1	Connector	
106	4460465	2	Terminal	
107	8220116	1	Terminal, Ring	





# SECTION 10 - ELECTRICAL

## FIGURE 10-58. REAR FRAME HARNESS



ART\_1001204351\_B

# SECTION 10 - ELECTRICAL

## FIGURE 10-58. REAR FRAME HARNESS

ITEM	PART NUMBER	QTY	DESCRIPTION	REV
	1001204351	Ref	Rear Frame Harness	B
1	4460884	1	Connector	
2	80604021	1	Lock, Connector	
2	4460465	2	Terminal	
3	4460466	2	Plug	
5	4461018	1	Connector	
6	4460509	2	Terminal	
7	4460891	1	Connector	
8	80604018	1	Lock, Connector	
9	4460465	2	Terminal	
10	4460891	1	Connector	
11	80604018	1	Connector	
12	4460465	2	Terminal	
13	4460891	1	Connector	
14	80604018	1	Lock, Connector	
15	4460465	2	Terminal	
16	4460891	1	Connector	
17	80604018	1	Lock, Connector	
18	4460465	2	Terminal	
19	4460891	1	Connector	
20	80604018	1	Lock, Connector	
21	4460465	2	Terminal	
22	4460891	1	Connector	
23	80604018	1	Lock, Connector	
24	4460465	2	Terminal	
25	4460891	1	Connector	
26	80604018	1	Lock, Connector	
27	4460465	2	Terminal	
28	4460884	1	Connector	
29	80604021	1	Lock, Connector	
30	4460465	4	Terminal	
31	1001121726	1	Connector	
32	1001116728	3	Terminal	
33	1001175265	2	Seal	
34	4460458	1	Seal	
35	1001116727	2	Plug	
36	4460930	1	Connector	
37	8220525	1	Lock, Connector	
38	4460465	2	Terminal	
39	4460466	6	Plug	
40	4460933	1	Connector	
41	80604016	1	Connector, Lock	
42	4460942	10	Terminal	
43	4460466	2	Plug	
44	4461118	1	Connector	
45	1001107854	2	Terminal	
46	1001116763	2	Seal	
47	4460891	1	Connector	
48	80604018	1	Lock, Connector	
49	4460465	2	Terminal	

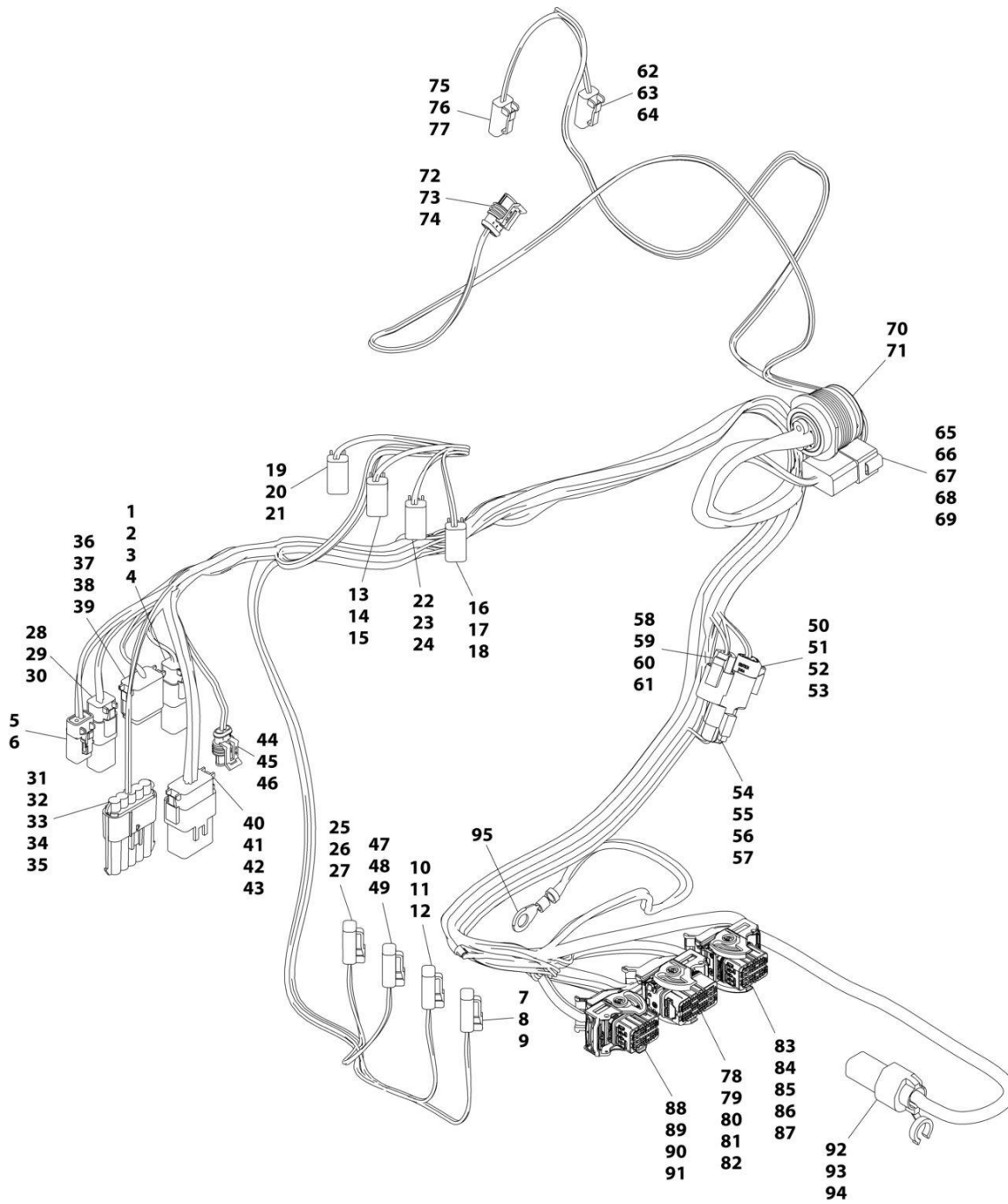
## SECTION 10 - ELECTRICAL

ITEM	PART NUMBER	QTY	DESCRIPTION	REV
50	1001116812	1	Connector	
51	91554019	1	Lock, Connector	
52	4460944	2	Terminal	
53	4460466	1	Plug	
54	1001116812	1	Connector	
55	91554019	1	Lock, Connector	
56	4460944	2	Terminal	
57	4460466	1	Plug	
58	4460539	1	Connector	
59	1001146021	1	Seal	
60	4460944	2	Terminal	
61	4460466	1	Plug	
62	4460891	1	Connector	
63	80604018	1	Lock, Connector	
64	4460465	2	Terminal	
65	4460970	1	Connector	
66	80363179	1	Lock, Connector	
67	4460464	4	Terminal	
68	4460941	1	Terminal	
69	4460466	7	Plug	
70	1001165311	1	Connector	
71	91013191	2	Terminal	
72	4461262	1	Connector	
73	1001107854	3	Terminal	
74	1001104498	3	Seal	
75	4460891	1	Connector	
76	80604018	1	Lock, Connector	
77	4460465	2	Terminal	
78	1001161963	1	Connector	
79	1001161097	21	Terminal	
80	1001161099	5	Terminal	
81	1001161100	19	Plug	
82	1001161101	3	Plug	
83	1001160500	1	Connector	
84	1001161097	2	Terminal	
85	1001161099	7	Terminal	
86	1001161100	22	Plug	
87	1001161101	1	Plug	
88	1001161957	1	Connector	
89	1001161097	7	Terminal	
90	1001161100	17	Plug	
91	1001161101	8	Plug	
92	1001160509	1	Connector	
93	1001160510	1	Terminal	
94	1001175267	1	Seal	
95	1001187076	1	Ring, Terminal	



# SECTION 10 - ELECTRICAL

## FIGURE 10-59. REAR FRAME HARNESS



ART\_1001204352-A

# SECTION 10 - ELECTRICAL

## FIGURE 10-59. REAR FRAME HARNESS

ITEM	PART NUMBER	QTY	DESCRIPTION	REV
	1001204352	Ref	Rear Frame Harness	B
1	4460884	1	Connector	
2	80604021	1	Lock, Connector	
2	4460465	2	Terminal	
3	4460466	2	Plug	
5	4461018	1	Connector	
6	4460509	2	Terminal	
7	4460891	1	Connector	
8	80604018	1	Lock, Connector	
9	4460465	2	Terminal	
10	4460891	1	Connector	
11	80604018	1	Connector	
12	4460465	2	Terminal	
13	4460891	1	Connector	
14	80604018	1	Lock, Connector	
15	4460465	2	Terminal	
16	4460891	1	Connector	
17	80604018	1	Lock, Connector	
18	4460465	2	Terminal	
19	4460891	1	Connector	
20	80604018	1	Lock, Connector	
21	4460465	2	Terminal	
22	4460891	1	Connector	
23	80604018	1	Lock, Connector	
24	4460465	2	Terminal	
25	4460891	1	Connector	
26	80604018	1	Lock, Connector	
27	4460465	2	Terminal	
28	4460884	1	Connector	
29	80604021	1	Lock, Connector	
30	4460465	4	Terminal	
31	1001121726	1	Connector	
32	1001116728	3	Terminal	
33	1001175265	2	Seal	
34	4460458	1	Seal	
35	1001116727	2	Plug	
36	4460930	1	Connector	
37	8220525	1	Lock, Connector	
38	4460465	2	Terminal	
39	4460466	6	Plug	
40	4460933	1	Connector	
41	80604016	1	Connector, Lock	
42	4460942	10	Terminal	
43	4460466	2	Plug	
44	4461118	1	Connector	
45	1001107854	2	Terminal	
46	1001116763	2	Seal	
47	4460891	1	Connector	
48	80604018	1	Lock, Connector	
49	4460465	2	Terminal	

## SECTION 10 - ELECTRICAL

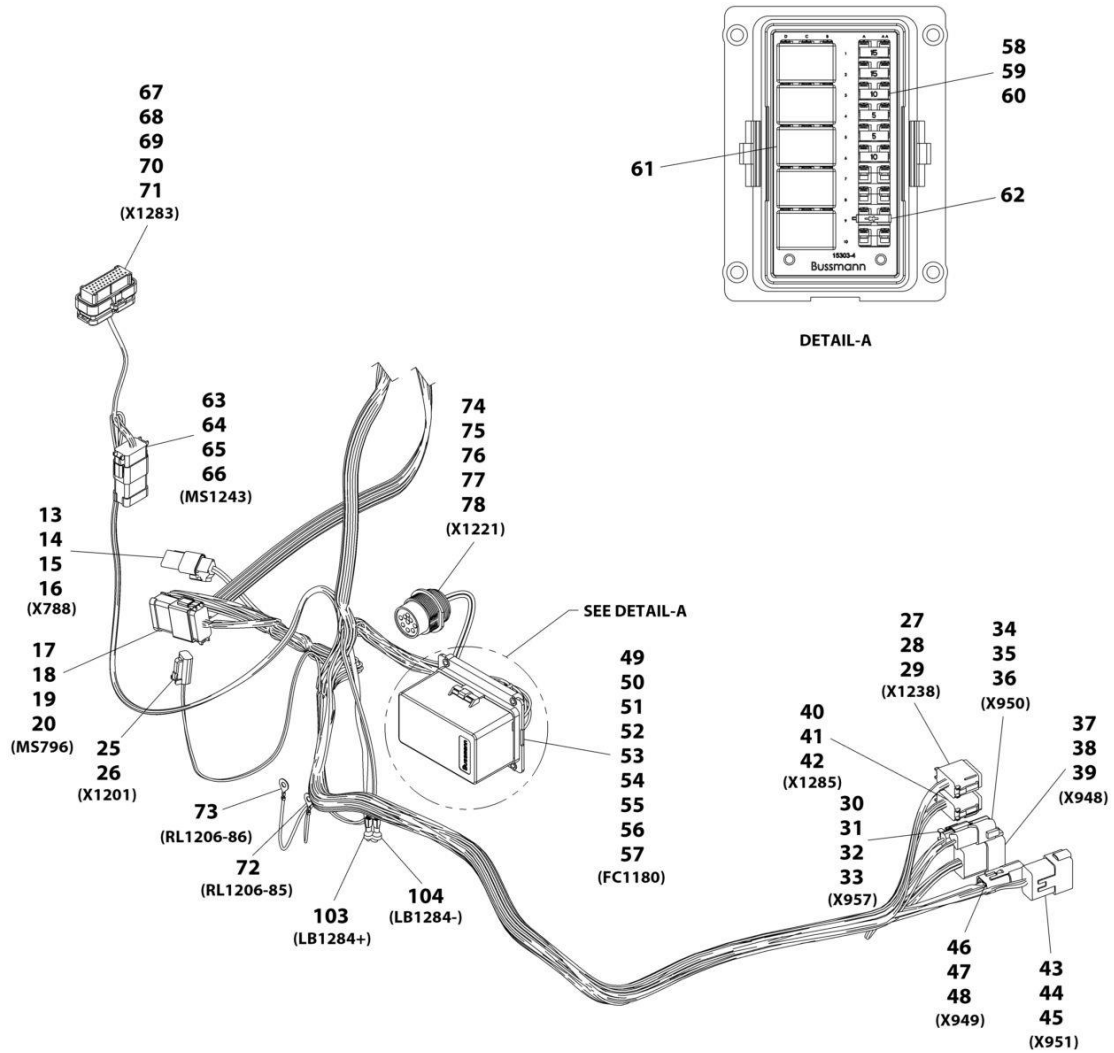
ITEM	PART NUMBER	QTY	DESCRIPTION	REV
50	1001116812	1	Connector	
51	91554019	1	Lock, Connector	
52	4460944	2	Terminal	
53	4460466	1	Plug	
54	1001116812	1	Connector	
55	91554019	1	Lock, Connector	
56	4460944	2	Terminal	
57	4460466	1	Plug	
58	4460539	1	Connector	
59	1001146021	1	Seal	
60	4460944	2	Terminal	
61	4460466	1	Plug	
62	4460891	1	Connector	
63	80604018	1	Lock, Connector	
64	4460465	2	Terminal	
65	4460970	1	Connector	
66	80363179	1	Lock, Connector	
67	4460464	4	Terminal	
68	4460941	1	Terminal	
69	4460466	7	Plug	
70	1001165311	1	Connector	
71	91013191	2	Terminal	
72	4461262	1	Connector	
73	1001107854	3	Terminal	
74	1001104498	3	Seal	
75	4460891	1	Connector	
76	80604018	1	Lock, Connector	
77	4460465	2	Terminal	
78	1001161963	1	Connector	
79	1001161097	21	Terminal	
80	1001161099	5	Terminal	
81	1001161100	19	Plug	
82	1001161101	3	Plug	
83	1001160500	1	Connector	
84	1001161097	2	Terminal	
85	1001161099	7	Terminal	
86	1001161100	22	Plug	
87	1001161101	1	Plug	
88	1001161957	1	Connector	
89	1001161097	7	Terminal	
90	1001161100	17	Plug	
91	1001161101	8	Plug	
92	1001160509	1	Connector	
93	1001160510	1	Terminal	
94	1001175267	1	Seal	
95	1001187076	1	Ring, Terminal	





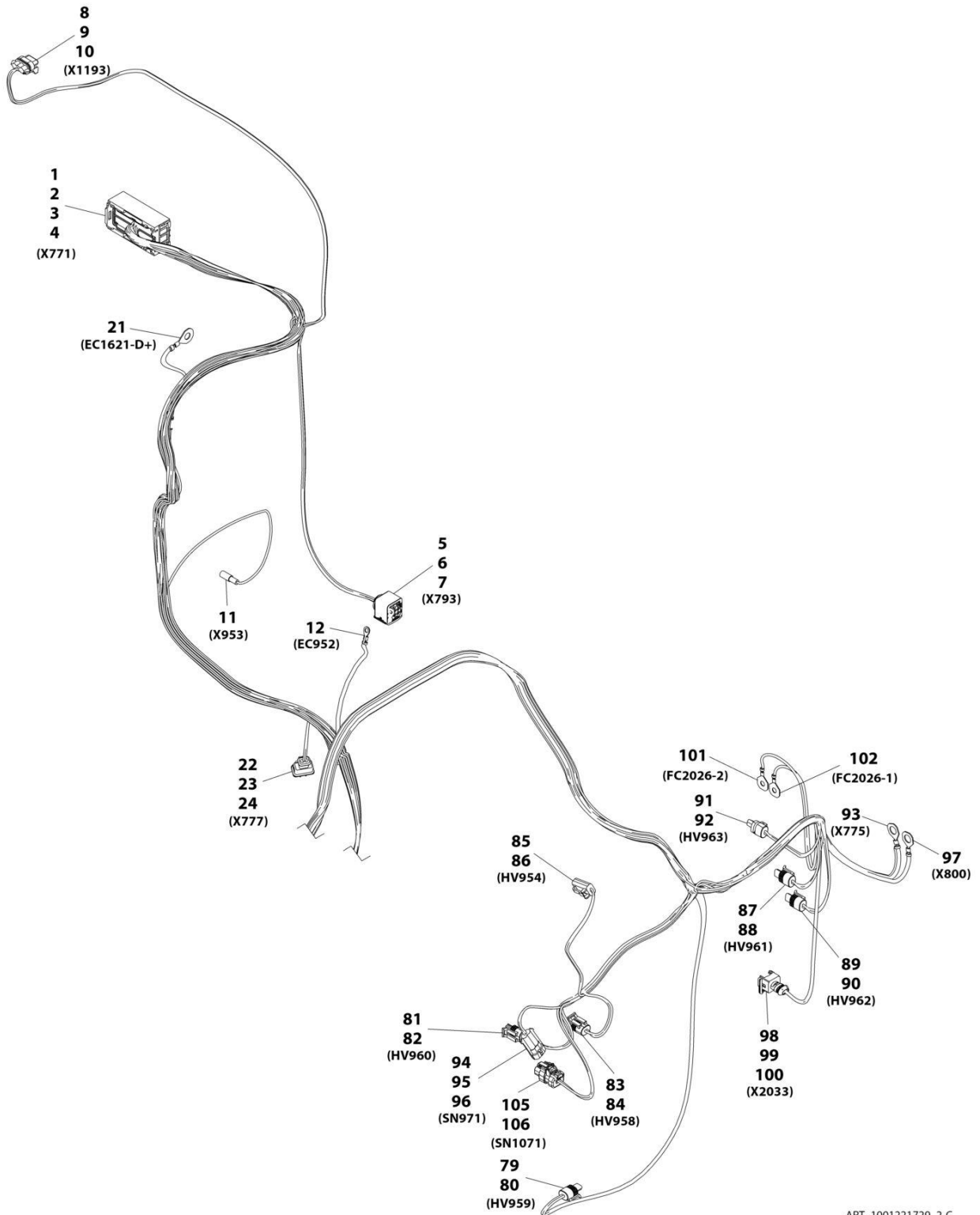
# SECTION 10 - ELECTRICAL

## FIGURE 10-60. ENGINE HARNESS



ART\_1001221729\_1-C

# SECTION 10 - ELECTRICAL



# SECTION 10 - ELECTRICAL

## FIGURE 10-60. ENGINE HARNESS

ITEM	PART NUMBER	QTY	DESCRIPTION	REV
	1001221729	NLA	Engine Harness (if equipped for ULS), (no longer available, use 1001235696 for replacement)	D
1	1001167641	1	Connector	
2	1001167648	9	Terminal	
3	1001167649	30	Terminal	
4	1001167650	59	Plug	
5	1001176935	1	Connector	
6	1001166704	4	Terminal	
7	4461006	4	Seal	
8	1001125027	1	Connector	
9	8220124	3	Terminal	
10	4460608	3	Seal	
11	1001246391	1	Terminal, Snap Plug	
12	1001197407	1	Ring, Terminal	
13	4461095	1	Connector	
14	4460944	2	Terminal	
15	4460466	1	Plug	
16	4461070	1	Connector	
17	4460933	1	Connector	
18	4460465	8	Terminal	
19	4460466	4	Plug	
20	1001125677	1	Connector	
21	1001187070	1	Ring, Terminal	
22	1001126487	1	Connector	
23	1001167656	2	Terminal	
24	1001167657	2	Seal	
25	4460891	1	Connector	
26	4460465	2	Terminal	
27	4460934	1	Connector	
28	4460465	10	Terminal	
29	4460466	2	Plug	
30	4460891	1	Connector	
31	4460465	2	Terminal	
32	4460466	2	Plug	
33	4460897	1	Connector	
34	1001144147	1	Connector	
35	4460464	2	Terminal	
36	4460466	1	Plug	
37	4460950	1	Connector	
38	4460464	9	Terminal	
39	4460466	3	Plug	
40	4460935	1	Connector	
41	4460465	11	Terminal	
42	4460466	1	Plug	
43	4460970	1	Connector	
44	4460464	8	Terminal	
45	4460466	4	Plug	
46	1001116811	1	Connector	
47	4460508	3	Terminal	
48	1001150610	1	Terminal	

## SECTION 10 - ELECTRICAL

ITEM	PART NUMBER	QTY	DESCRIPTION	REV
49	1001167616	1	Connector	
50	1001190921	1	Seal, Foam Fuse Box	
51	8220098	3	Terminal	
52	4460789	9	Seal	
53	8220097	29	Terminal	
54	4460458	23	Seal	
55	4460748	11	Plug	
56	1001116725	2	Terminal	
57	80963067	2	Plug	
58	8229244	2	Fuse, 15amp	
59	80983191	2	Fuse, 10amp	
60	8229242	2	Fuse, 5amp	
61	1001205172	5	Relay, 35amp	
62	1001177597	1	Diode, 6amp	
63	4460930	1	Connector	
64	4460465	6	Terminal	
65	4460466	2	Plug	
66	4460984	1	Bussbar	
67	1001125083	1	Connector	
68	1001195782	7	Plug	
69	1001195781	14	Plug	
70	1001125085	2	Terminal	
71	1001125089	1	Terminal	
72	1001187070	1	Ring, Terminal	
73	1001187070	1	Ring, Terminal	
74	1001112612	1	Connector	
75	4460464	4	Terminal	
76	4460466	5	Plug	
77	4460497	1	Nut	
78	4460496	1	Lockwasher	
79	4460955	1	Connector	
80	1001116748	2	Terminal	
81	4460955	1	Connector	
82	1001116748	2	Terminal	
83	4460955	1	Connector	
84	1001116748	2	Terminal	
85	4460891	1	Connector	
86	4460465	2	Terminal	
87	4460955	1	Connector	
88	1001116748	2	Terminal	
89	4460955	1	Connector	
90	1001116748	2	Terminal	
91	4460955	1	Connector	
92	1001116748	2	Terminal	
93	1001187080	1	Ring, Terminal	
94	1001117073	1	Connector	
95	1001116749	2	Terminal	
96	4460608	2	Seal	
97	1001187079	1	Ring, Terminal	
98	1001190322	1	Connector	
99	4461005	2	Terminal	

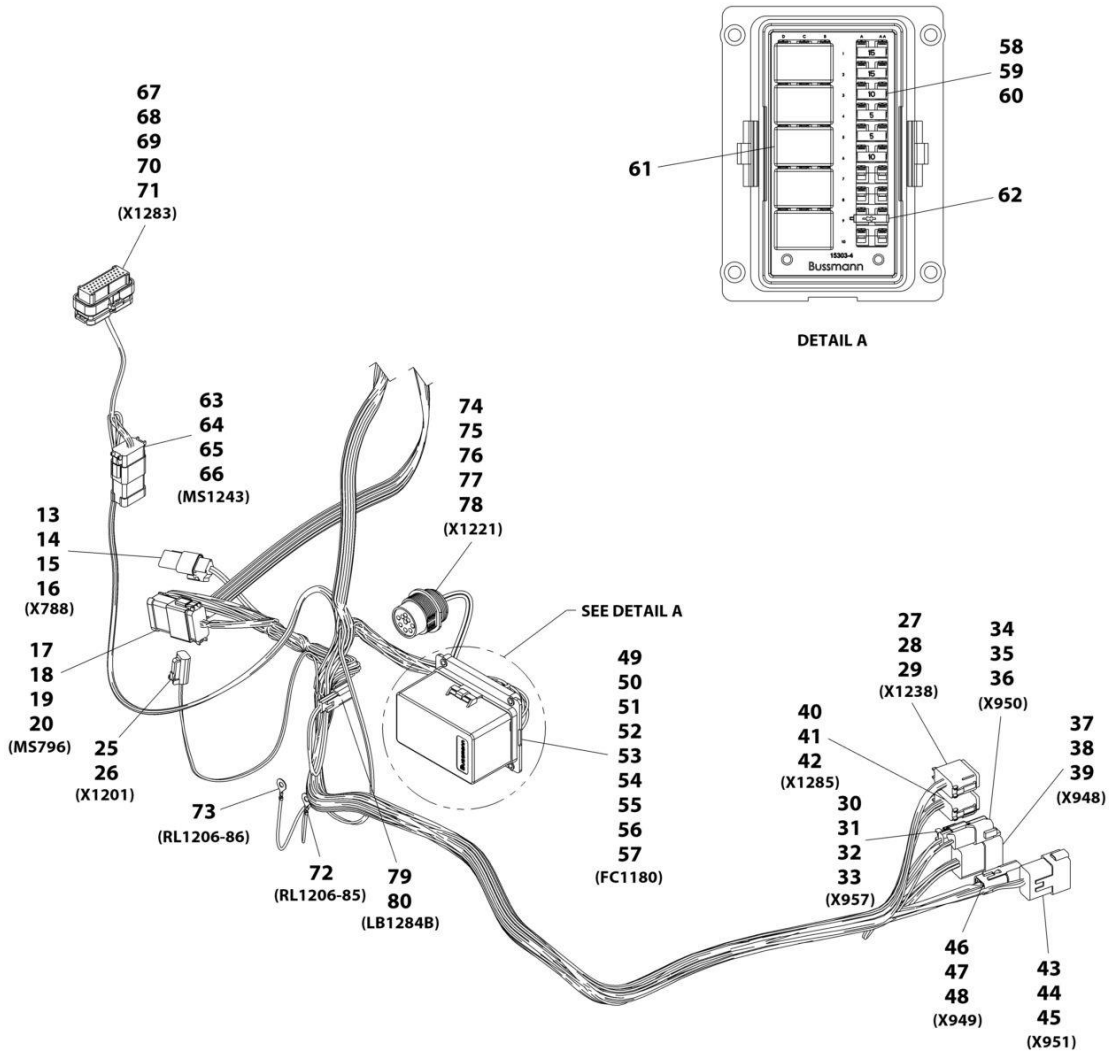
## SECTION 10 - ELECTRICAL

ITEM	PART NUMBER	QTY	DESCRIPTION	REV
100	4461054	2	Seal	
101	1001207171	1	Ring, Terminal	
102	1001207171	1	Ring, Terminal	
103	8220108	1	Connector, Female	
104	8220108	1	Connector, Female	
105	1001116950	1	Connector	
106	4460465	2	Terminal	



# SECTION 10 - ELECTRICAL

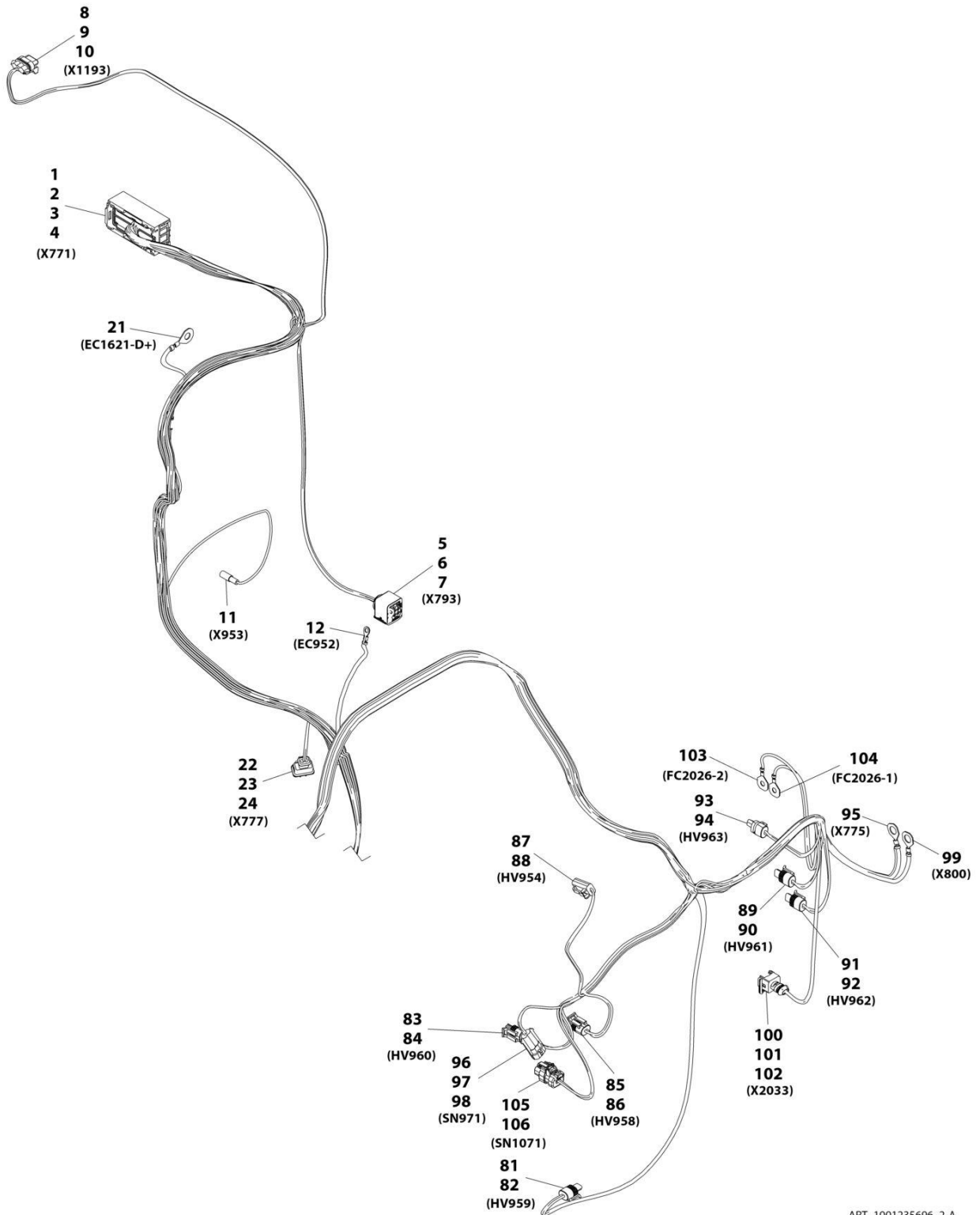
## FIGURE 10-61. ENGINE HARNESS



ART\_1001235696\_1-A



# SECTION 10 - ELECTRICAL



# SECTION 10 - ELECTRICAL

## FIGURE 10-61. ENGINE HARNESS

ITEM	PART NUMBER	QTY	DESCRIPTION	REV
	1001235696	Ref	Engine Harness (if equipped for ULS)	A
1	1001167641	1	Connector	
2	1001167648	9	Terminal	
3	1001167649	30	Terminal	
4	1001167650	59	Plug	
5	1001176935	1	Connector	
6	1001166704	4	Terminal	
7	4461006	4	Seal	
8	1001125027	1	Connector	
9	8220124	3	Terminal	
10	4460608	3	Seal	
11	1001117125	1	Terminal, Snap Plug	
12	1001197407	1	Ring, Terminal	
13	4461095	1	Connector	
14	4460944	2	Terminal	
15	4460466	1	Plug	
16	4461070	1	Connector	
17	4460933	1	Connector	
18	4460465	8	Terminal	
19	4460466	4	Plug	
20	1001125677	1	Connector	
21	1001187070	1	Ring, Terminal	
22	1001126487	1	Connector	
23	1001167656	2	Terminal	
24	1001167657	2	Seal	
25	4460891	1	Connector	
26	4460465	2	Terminal	
27	4460934	1	Connector	
28	4460465	10	Terminal	
29	4460466	2	Plug	
30	4460891	1	Connector	
31	4460465	2	Terminal	
32	4460466	2	Plug	
33	4460897	1	Connector	
34	1001144147	1	Connector	
35	4460464	2	Terminal	
36	4460466	1	Plug	
37	4460950	1	Connector	
38	4460464	9	Terminal	
39	4460466	3	Plug	
40	4460935	1	Connector	
41	4460465	11	Terminal	
42	4460466	1	Plug	
43	4460970	1	Connector	
44	4460464	8	Terminal	
45	4460466	4	Plug	
46	1001116811	1	Connector	
47	4460508	3	Terminal	
48	1001150610	1	Terminal	
49	1001167616	1	Connector	

## SECTION 10 - ELECTRICAL

ITEM	PART NUMBER	QTY	DESCRIPTION	REV
50	1001190921	1	Seal, Foam Fuse Box	
51	8220098	3	Terminal	
52	4460789	9	Seal	
53	8220097	29	Terminal	
54	4460458	23	Seal	
55	4460748	11	Plug	
56	1001116725	2	Terminal	
57	80963067	2	Plug	
58	8229244	2	Fuse, 15amp	
59	80983191	2	Fuse, 10amp	
60	8229242	2	Fuse, 5amp	
61	1001205172	5	Relay, 35amp	
62	1001177597	1	Diode, 6amp	
63	4460930	1	Connector	
64	4460465	6	Terminal	
65	4460466	2	Plug	
66	4460984	1	Bussbar	
67	1001125083	1	Connector	
68	1001195782	7	Plug	
69	1001195781	14	Plug	
70	1001125085	2	Terminal	
71	1001125089	1	Terminal	
72	1001187070	1	Ring, Terminal	
73	1001187070	1	Ring, Terminal	
74	1001112612	1	Connector	
75	4469464	4	Terminal	
76	4460466	5	Plug	
77	4460497	1	Nut	
78	4460496	1	Lockwasher	
79	1001153612	1	Connector	
80	1001126011	1	Connector	
81	4460955	1	Connector	
82	1001116748	2	Connector	
83	4460955	1	Connector	
84	1001116748	2	Terminal	
85	4460955	1	Connector	
86	1001116748	2	Terminal	
87	4460891	1	Connector	
88	4460465	2	Terminal	
89	4460955	1	Connector	
90	1001116748	2	Terminal	
91	4460955	1	Connector	
92	1001116748	2	Terminal	
93	4460955	1	Connector	
94	1001116748	2	Terminal	
95	1001187080	1	Ring, Terminal	
96	1001117073	1	Connector	
97	1001116749	2	Terminal	
98	4460608	2	Seal	
99	1001187079	1	Ring, Terminal	
100	1001190322	1	Connector	

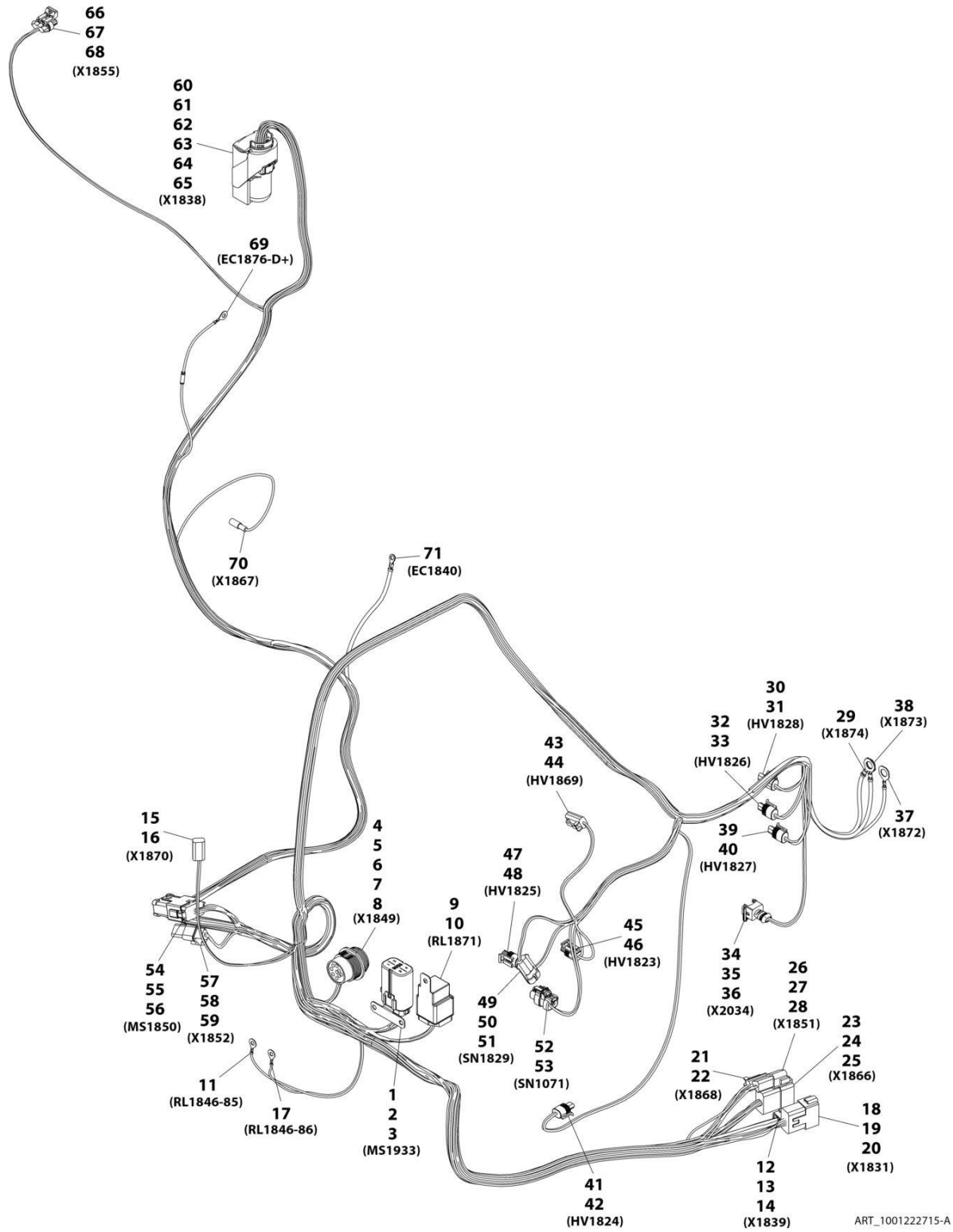
## SECTION 10 - ELECTRICAL

ITEM	PART NUMBER	QTY	DESCRIPTION	REV
101	4461005	2	Terminal	
102	4461054	2	Seal	
103	1001207171	1	Ring, Terminal	
104	1001207171	1	Ring, Terminal	
105	1001116950	1	Connector	
106	4460465	2	Terminal	



# SECTION 10 - ELECTRICAL

## FIGURE 10-62. ENGINE HARNESS



# SECTION 10 - ELECTRICAL

## FIGURE 10-62. ENGINE HARNESS

ITEM	PART NUMBER	QTY	DESCRIPTION	REV
	1001222715	Ref	Engine Harness (LS)	A
1	1001184551	1	Connector	
2	1001116728	8	Terminal	
3	1001175265	8	Seal	
4	1001112612	1	Connector	
5	4460464	4	Terminal	
6	4460466	5	Plug	
7	4460497	1	Nut	
8	4460496	1	Washer	
9	1001145707	1	Connector	
10	1001116732	4	Terminal	
11	1001187070	1	Ring, Terminal	
12	1001116811	1	Connector	
13	4460508	3	Terminal	
14	1001150610	1	Terminal	
15	4460891	1	Connector	
16	4460465	2	Terminal	
17	1001187070	1	Ring, Terminal	
18	4460970	1	Connector	
19	4460464	8	Terminal	
20	4460466	4	Plug	
21	4460891	1	Connector	
22	4460465	2	Terminal	
23	4460950	1	Connector	
24	4460464	9	Terminal	
25	4460466	3	Plug	
26	1001144147	1	Connector	
27	4460464	2	Terminal	
28	4460466	1	Plug	
29	1001187079	1	Ring, Terminal	
30	4460955	1	Connector	
31	1001116748	2	Terminal	
32	4460955	1	Connector	
33	1001116748	2	Terminal	
34	1001190322	1	Connector	
35	4461005	2	Terminal	
36	4461054	2	Seal	
37	1001187078	1	Ring, Terminal	
38	1001187079	1	Ring, Terminal	
39	4460955	1	Connector	
40	1001116748	2	Terminal	
41	4460955	1	Connector	
42	1001116748	2	Terminal	
43	4460891	1	Connector	
44	4460465	2	Terminal	
45	4460955	1	Connector	
46	1001116748	2	Terminal	
47	4460955	1	Connector	
48	1001116748	2	Terminal	
49	1001117073	1	Connector	

## SECTION 10 - ELECTRICAL

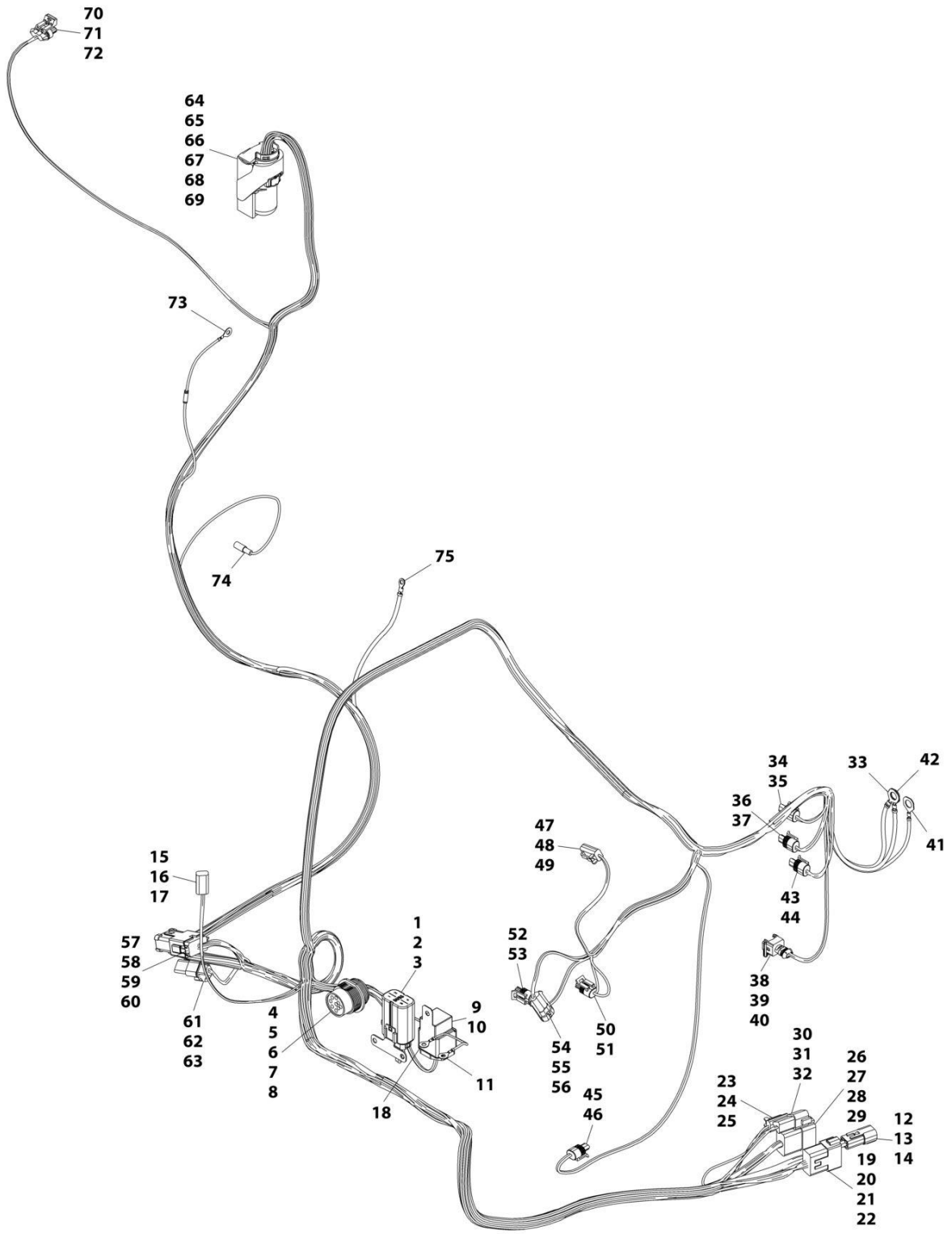
ITEM	PART NUMBER	QTY	DESCRIPTION	REV
50	1001116749	2	Terminal	
51	4460608	2	Seal	
52	1001116950	1	Connector	
53	4460465	2	Terminal	
54	4460933	1	Connector	
55	4460465	8	Terminal	
56	4460466	4	Plug	
57	4461095	1	Connector	
58	4460943	2	Terminal	
59	4460466	1	Plug	
60	1001126349	1	Connector	
61	1001185824	6	Terminal	
62	1001185823	11	Terminal	
63	1001126353	6	Seal	
64	1001126357	4	Plug	
65	1001126356	73	Plug	
66	1001125027	1	Connector	
67	8220124	3	Terminal	
68	4460608	3	Seal	
69	1001187070	1	Ring, Terminal	
70	1001117125	1	Terminal, Snap Plug	
71	1001197407	1	Ring, Terminal	





# SECTION 10 - ELECTRICAL

## FIGURE 10-63. ENGINE HARNESS (LS)



ART\_1001184414-I

## SECTION 10 - ELECTRICAL

### FIGURE 10-63. ENGINE HARNESS (LS)

ITEM	PART NUMBER	QTY	DESCRIPTION	REV
	1001184414	Ref	Engine Harness (LS)	I
1	1001184551	1	Connector	
2	1001116728	8	Terminal	
3	1001175265	8	Seal	
4	1001112612	1	Connector	
5	4460466	4	Terminal	
6	4460466	5	Plug	
7	4460497	1	Nut	
8	4460496	1	Washer, Lock	
9	1001145707	1	Connector	
10	1001116732	4	Terminal	
11	1001187070	1	Ring, Terminal	
12	1001116811	1	Connector	
13	4460508	3	Terminal	
14	1001150610	1	Terminal	
15	4460891	1	Connector	
16	4460465	2	Terminal	
17	80604018	1	Lock, Connector	
18	1001187070	1	Ring, Terminal	
19	4460970	1	Connector	
20	4460464	7	Terminal	
21	4460466	5	Plug	
22	80604015	1	Lock, Connector	
23	4460891	1	Connector	
24	4460465	2	Terminal	
25	80604018	1	Lock, Connector	
26	4460950	1	Connector	
27	4460464	9	Terminal	
28	4460466	3	Plug	
29	80604015	1	Lock, Connector	
30	1001144147	1	Connector	
31	4460464	2	Terminal	
32	4460466	1	Plug	
33	1001187079	1	Ring, Terminal	
34	4460955	1	Connector	
35	1001116748	2	Terminal	
36	4460955	1	Connector	
37	1001116748	2	Terminal	
38	1001190322	1	Connector	
39	4461005	2	Terminal	
40	4461054	2	Seal	
41	1001187078	1	Ring, Terminal	
42	1001187079	1	Ring, Terminal	
43	4460955	1	Connector	
44	1001116748	2	Terminal	
45	4460955	1	Connector	
46	1001116748	2	Terminal	
47	4460891	1	Connector	
48	4460465	2	Terminal	
49	80604018	1	Lock, Connector	

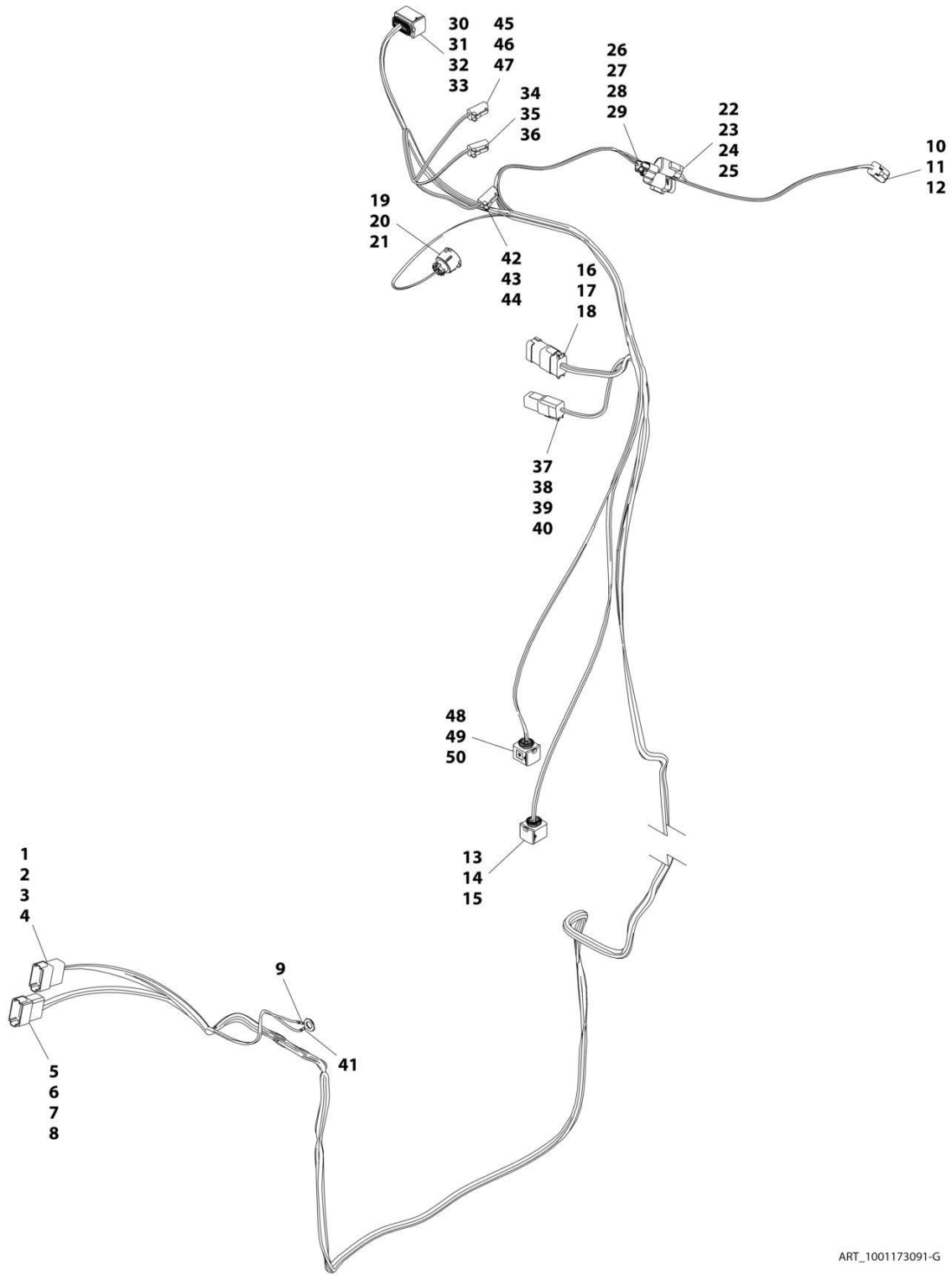
## SECTION 10 - ELECTRICAL

ITEM	PART NUMBER	QTY	DESCRIPTION	REV
50	4460955	1	Connector	
51	1001116748	2	Terminal	
52	4460955	1	Connector	
53	1001116748	2	Terminal	
54	1001117073	1	Connector	
55	1001116749	2	Terminal	
56	4460608	2	Seal	
57	4460933	1	Connector	
58	4460944	8	Terminal	
59	4460466	4	Plug	
60	80604016	1	Lock, Connector	
61	4461095	1	Connector	
62	4460943	2	Terminal	
63	4460466	1	Plug	
64	1001126349	1	Connector	
65	1001185824	6	Terminal	
66	1001185823	11	Terminal	
67	1001126353	6	Seal	
68	1001126357	4	Plug	
69	1001126356	73	Plug	
70	1001125027	1	Connector	
71	8220124	3	Terminal	
72	4460608	3	Seal	
73	1001187070	1	Ring, Terminal	
74	1001117125	1	Terminal, Snap Plug	
75	1001197407	1	Ring, Terminal	



# SECTION 10 - ELECTRICAL

## FIGURE 10-64. ENGINE CHASSIS HARNESS (ULS)



ART\_1001173091-G

## SECTION 10 - ELECTRICAL

**FIGURE 10-64. ENGINE CHASSIS HARNESS (ULS)**

ITEM	PART NUMBER	QTY	DESCRIPTION	REV
	1001173091	Ref	Engine Chassis Harness (ULS)	G
1	4460982	1	Connector	
2	80363179	1	Lock, Connector	
3	4460464	11	Terminal	
4	4460466	1	Plug	
5	1001152742	1	Connector	
6	80363179	1	Lock, Connector	
7	4460464	10	Terminal	
8	4460466	2	Plug	
9	1001187077	1	Terminal, Ring	
10	4460884	1	Connector	
11	80604021	1	Lock, Connector	
12	4460465	4	Terminal	
13	1001167528	1	Connector	
14	1001166704	4	Terminal	
15	1001137578	4	Seal, Terminal	
16	4460930	1	Connector	
17	80604025	1	Lock, Connector	
18	4460465	8	Terminal	
19	1001167620	1	Connector	
20	1001176004	2	Terminal	
21	1001167624	2	Plug	
22	4460539	1	Connector	
23	77363244	1	Lock, Connector	
24	4460944	2	Terminal	
25	4460466	1	Plug	
26	1001116812	1	Connector	
27	91554019	1	Lock, Connector	
28	4460944	2	Terminal	
29	4460466	1	Plug	
30	1001165194	1	Connector	
31	1001166703	10	Terminal	
32	1001126393	10	Seal, Terminal	
33	1001126391	2	Plug	
34	4460891	1	Connector	
35	80604018	1	Lock, Connector	
36	4460465	2	Terminal	
37	4460894	1	Connector	
38	91504107	1	Lock, Connector	
39	4460465	4	Terminal	
40	4460466	2	Plug	
41	1001187077	1	Terminal, Ring	
42	4460891	1	Connector	
43	80604018	1	Lock, Connector	
44	4460465	2	Terminal	
45	4460891	1	Connector	
46	80604018	1	Lock, Connector	
47	4460465	2	Terminal	
48	1001176935	1	Connector	
49	1001166704	4	Terminal	

## SECTION 10 - ELECTRICAL

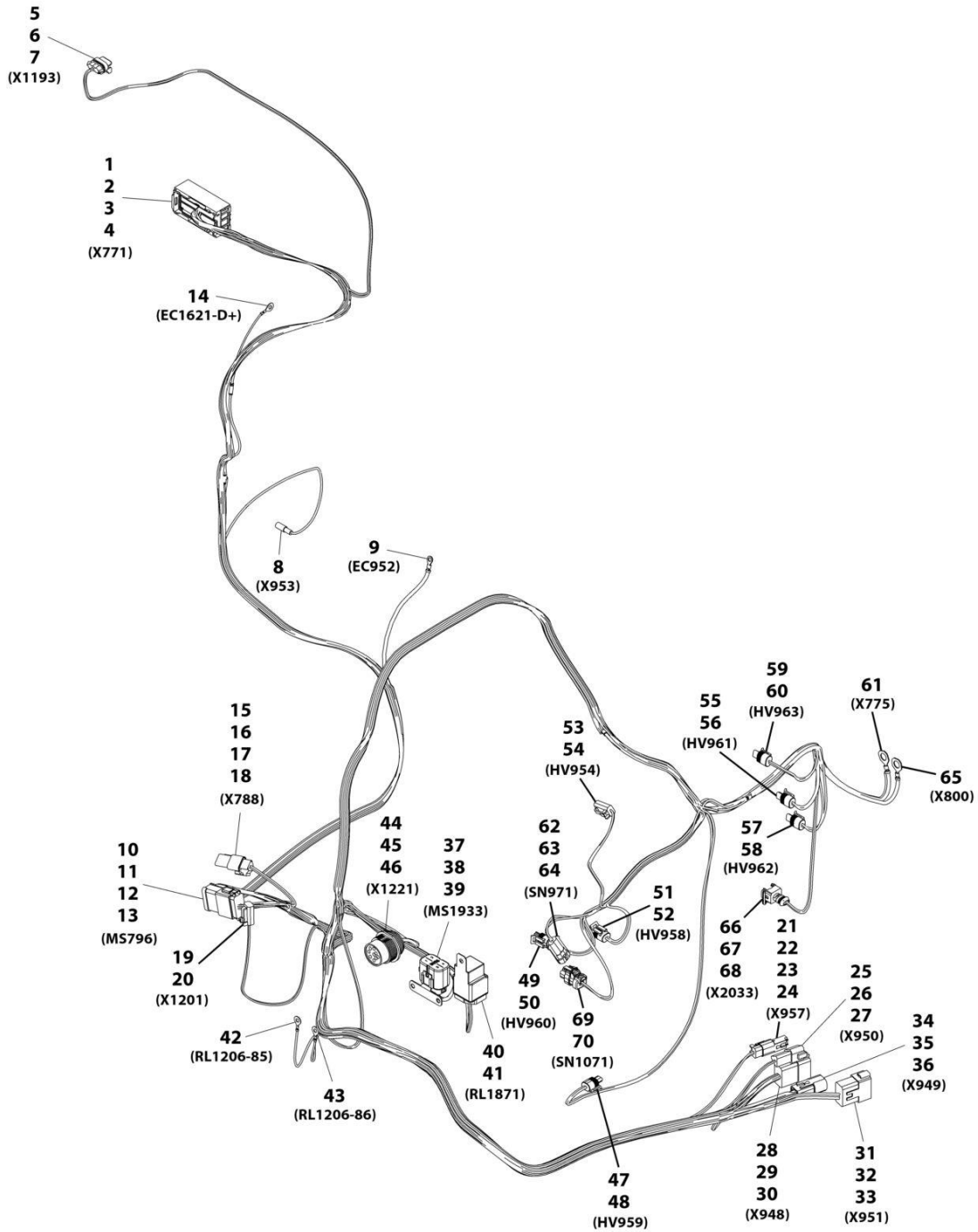
ITEM	PART NUMBER	QTY	DESCRIPTION	REV
50	1001137578	4	Seal, Terminal	





# SECTION 10 - ELECTRICAL

## FIGURE 10-65. ENGINE HARNESS (ULS) (74HP)



ART\_1001225067-A

## SECTION 10 - ELECTRICAL

### FIGURE 10-65. ENGINE HARNESS (ULS) (74HP)

ITEM	PART NUMBER	QTY	DESCRIPTION	REV
	1001225067	Ref	Engine Harness, 74HP (ULS)	A
1	1001167641	1	Connector	
2	1001167648	9	Terminal	
3	1001167650	76	Plug	
4	1001167649	11	Terminal	
5	1001125027	1	Connector	
6	8220124	3	Terminal	
7	4460608	3	Seal	
8	1001117125	1	Terminal, Snap Plug	
9	1001197407	1	Ring, Terminal	
10	4460933	1	Connector	
11	1001125677	1	Terminal	
12	4460465	8	Terminal	
13	4460466	4	Plug	
14	1001187070	1	Ring, Terminal	
15	4461095	1	Connector	
16	4461070	1	Terminal	
17	4460944	2	Terminal	
18	4460466	1	Plug	
19	4460891	1	Connector	
20	4460465	2	Terminal	
21	4460891	1	Connector	
22	4460897	1	Terminal	
23	4460466	1	Plug	
24	4460465	2	Terminal	
25	1001144147	1	Connector	
26	4460464	2	Terminal	
27	4460466	1	Plug	
28	4460950	1	Connector	
29	4460464	9	Terminal	
30	4460466	3	Plug	
31	4460970	1	Connector	
32	4460464	8	Terminal	
33	4460466	4	Plug	
34	1001116811	1	Connector	
35	4460508	3	Terminal	
36	1001150610	1	Terminal	
37	80484081	1	Connector	
38	4460746	8	Terminal	
39	1001175265	8	Seal	
40	1001145707	1	Connector	
41	1001116732	4	Terminal	
42	1001187070	1	Ring, Terminal	
43	1001187070	1	Ring, Terminal	
44	1001112612	1	Connector	
45	4460464	4	Terminal	
46	4460466	5	Plug	
47	4460955	1	Connector	
48	1001116748	2	Terminal	
49	4460955	1	Connector	

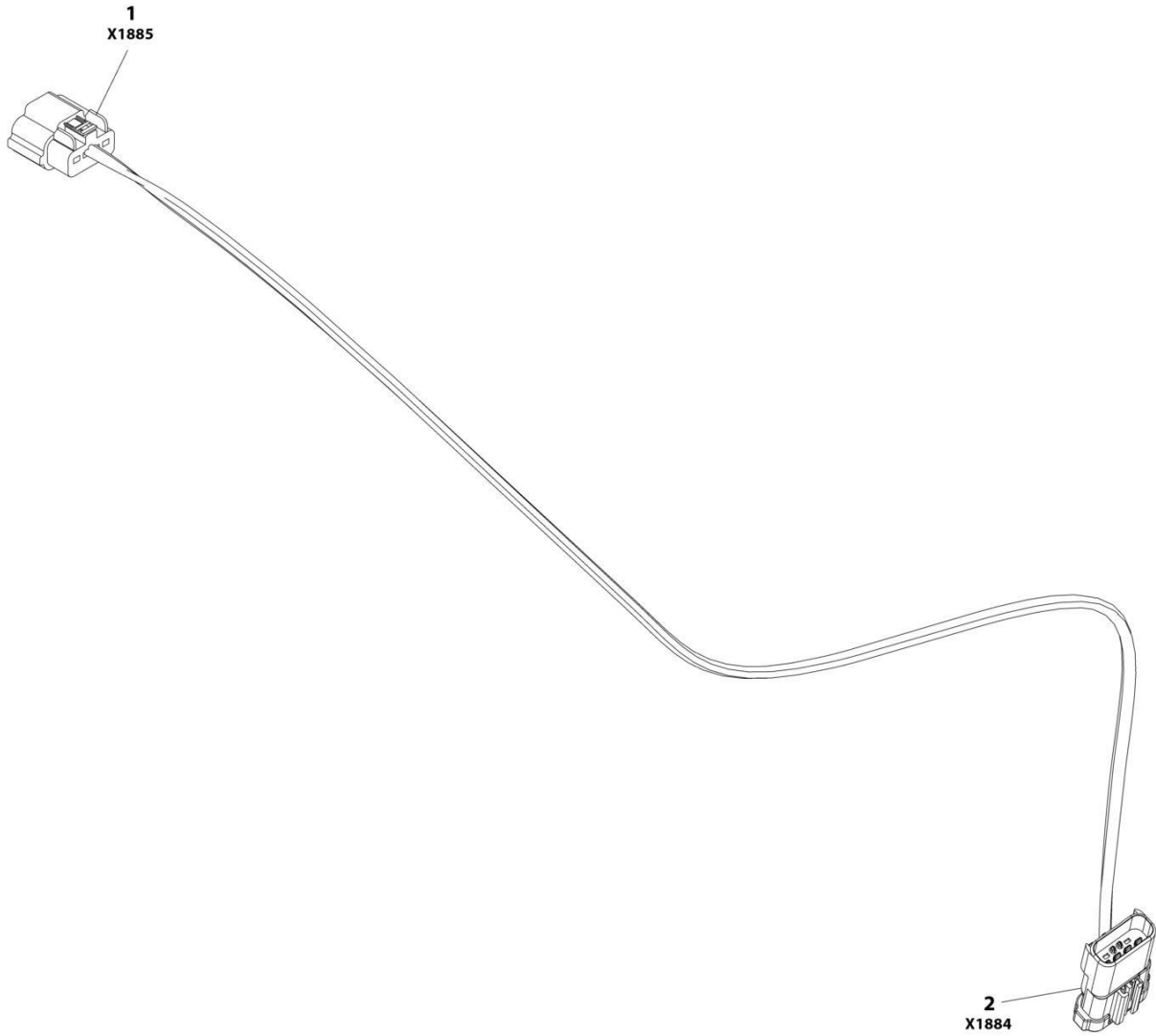
## SECTION 10 - ELECTRICAL

ITEM	PART NUMBER	QTY	DESCRIPTION	REV
50	1001116748	2	Terminal	
51	4460955	1	Connector	
52	1001116748	2	Terminal	
53	4460891	1	Connector	
54	4460465	2	Terminal	
55	4460955	1	Connector	
56	1001116748	2	Terminal	
57	4460955	1	Connector	
58	1001116748	2	Terminal	
59	4460955	1	Connector	
60	1001116748	2	Terminal	
61	1001187080	1	Ring, Terminal	
62	1001117073	1	Connector	
63	1001116749	2	Terminal	
64	4460608	2	Seal	
65	1001187079	1	Ring, Terminal	
66	1001190322	1	Connector	
67	4461005	2	Terminal	
68	4461054	2	Seal	
69	1001116950	1	Connector	
70	4460465	2	Terminal	



# SECTION 10 - ELECTRICAL

## FIGURE 10-66. TBAP HARNESS



ART\_1001184835

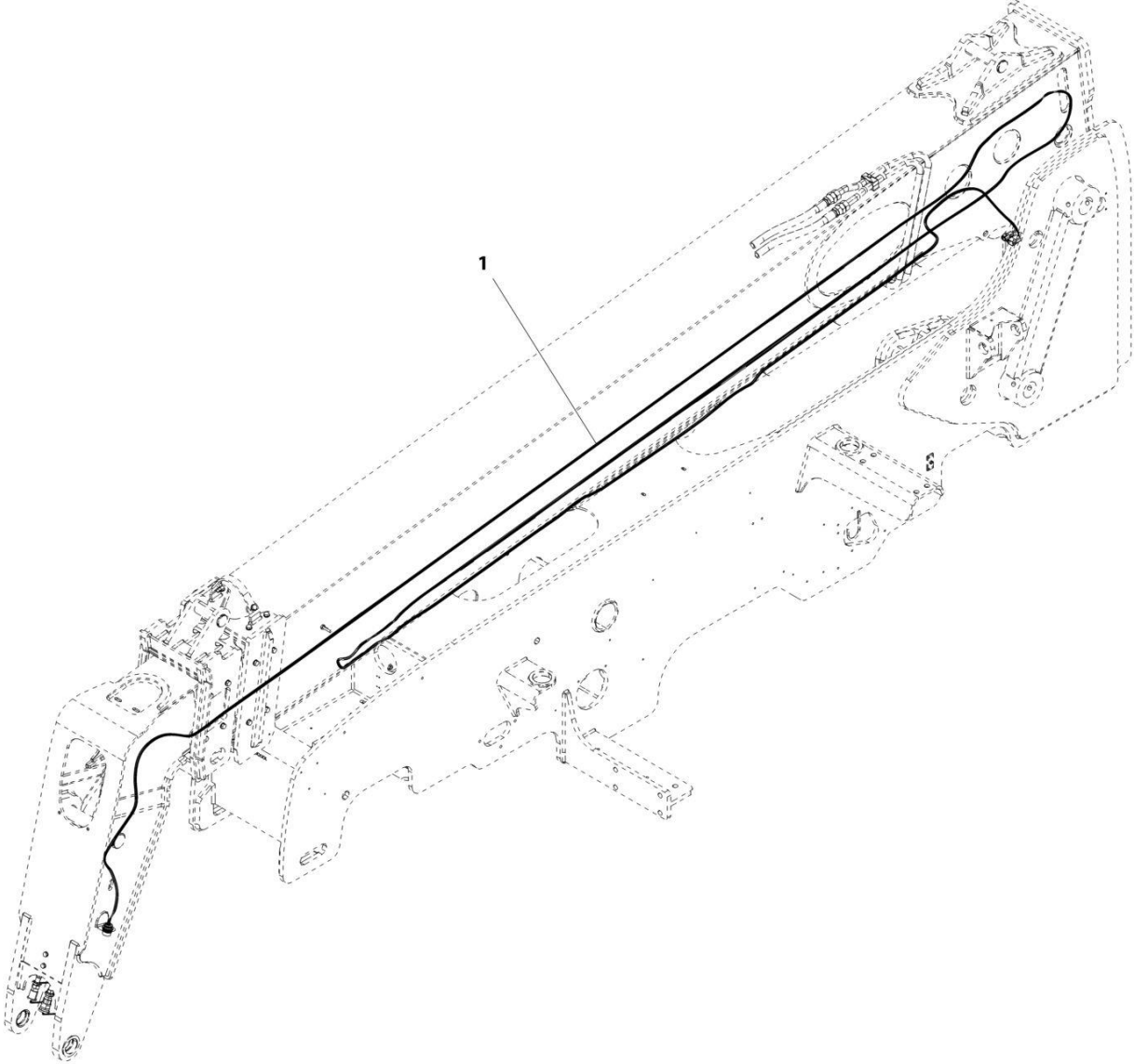
# SECTION 10 - ELECTRICAL

## FIGURE 10-66. TBAP HARNESS

ITEM	PART NUMBER	QTY	DESCRIPTION	REV
1	1001184835	Ref	TBAP Harness	C
	10011184495	1	Connector	
	1001260509	4	Terminal	
	1001184496	4	Seal	
2	1001184491	1	Connector	
	1001184493	4	Terminal	

**SECTION 10 - ELECTRICAL**

**FIGURE 10-67. BOOM ELECTRICAL HARNESS INSTALLATION**



ART\_1001174426-E



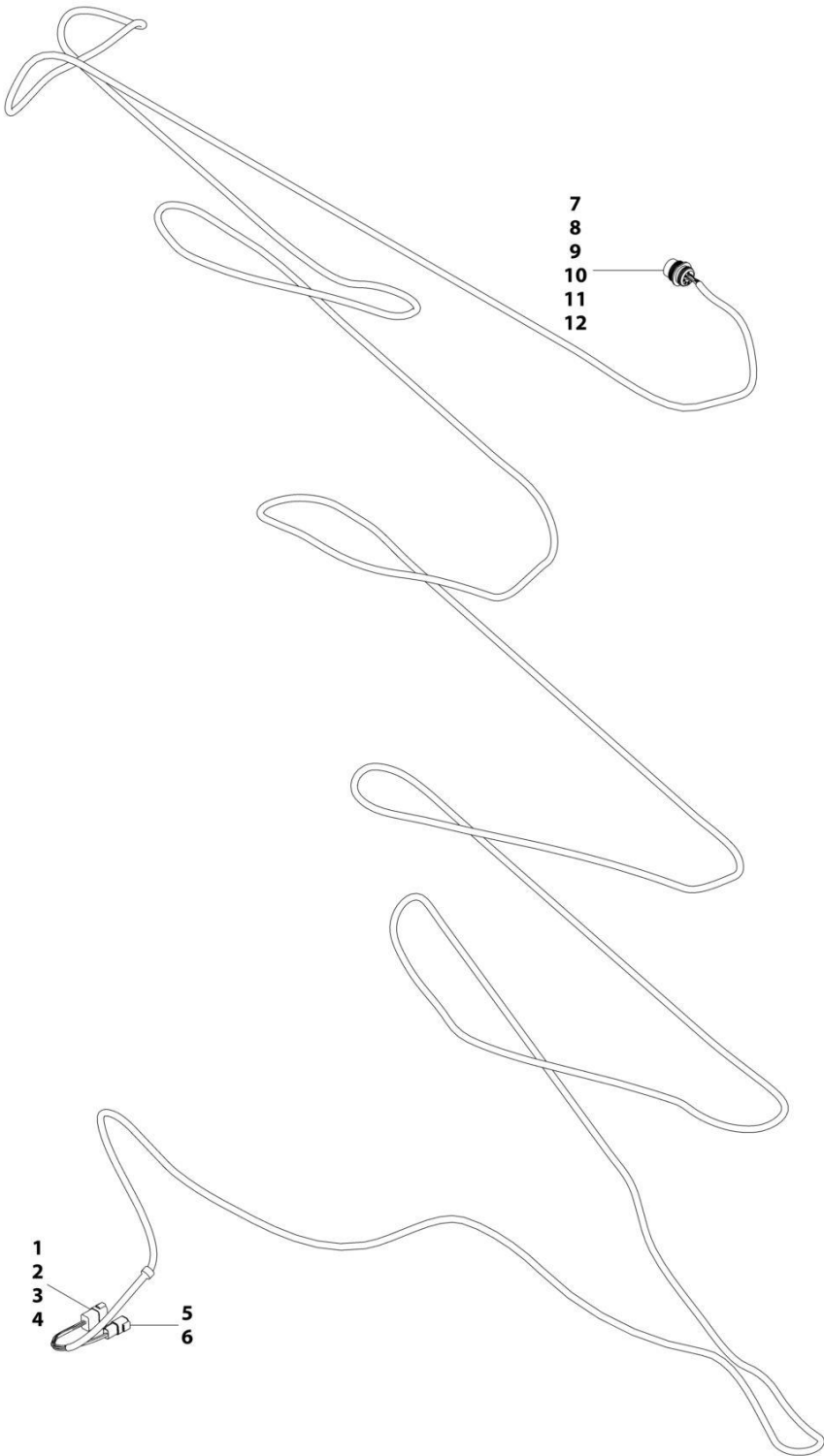
## SECTION 10 - ELECTRICAL

**FIGURE 10-67. BOOM ELECTRICAL HARNESS INSTALLATION**

ITEM	PART NUMBER	QTY	DESCRIPTION	REV
1	1001174426 1001172728	Ref 1	Boom Electrical Harness Installation Harness, Boom (See Separate Breakdown in this Section)	E

**SECTION 10 - ELECTRICAL**

**FIGURE 10-68. BOOM HARNESS**



ART\_1001172728-D

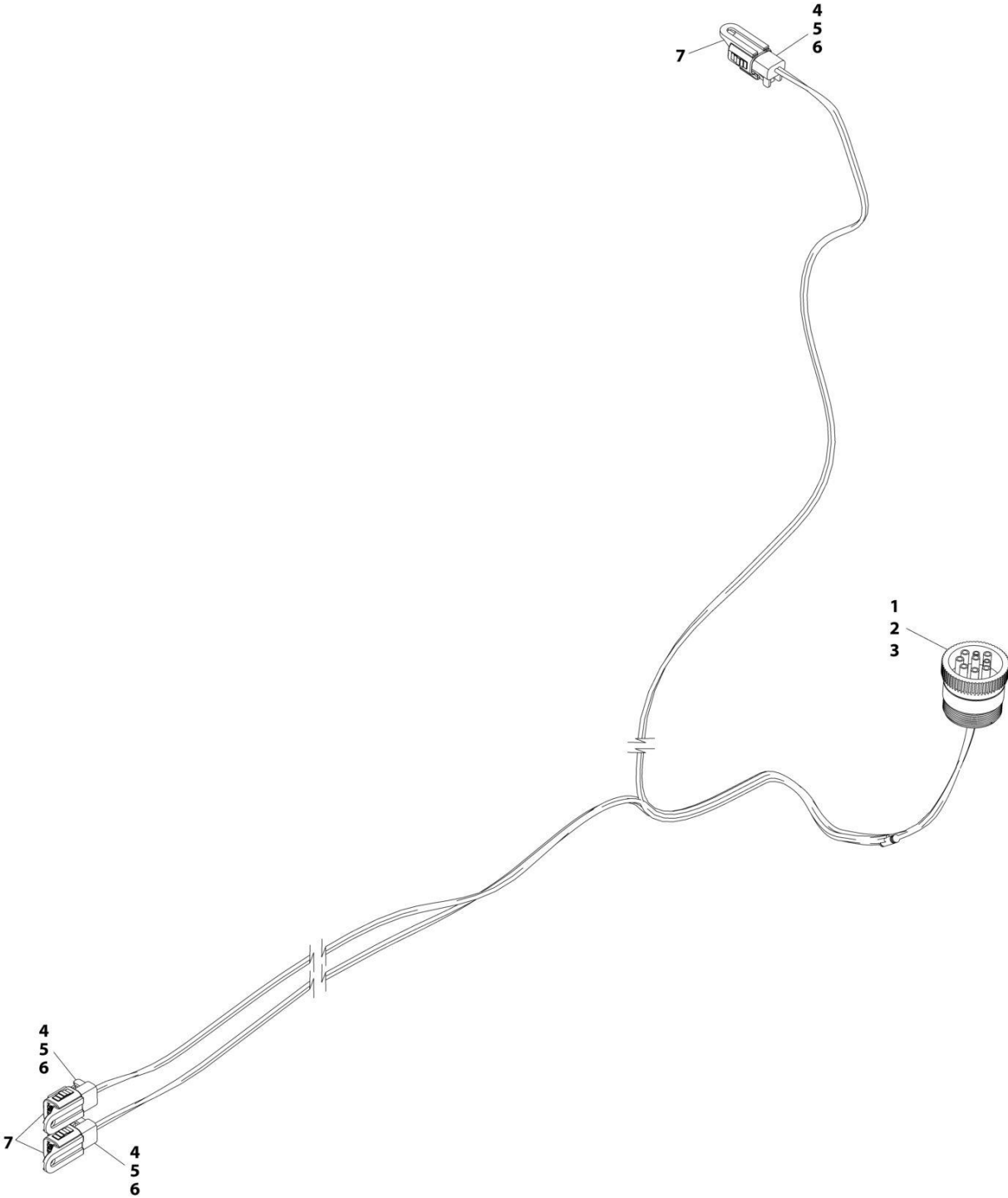
# SECTION 10 - ELECTRICAL

## FIGURE 10-68. BOOM HARNESS

ITEM	PART NUMBER	QTY	DESCRIPTION	REV
	1001172728	Ref	Boom Harness	D
1	4460931	1	Connector	
2	4460943	2	Terminal	
3	4460464	4	Terminal	
4	4460466	2	Plug	
5	4461017	1	Connector	
6	4460508	2	Terminal	
7	1001112612	1	Connector	
8	1001183221	1	Boot	
9	1001157891	1	Terminal	
10	4460464	4	Terminal	
11	4460943	2	Terminal	
12	4460466	1	Plug	

**SECTION 10 - ELECTRICAL**

**FIGURE 10-69. PLATFORM HARNESS**



ART\_1001167695-C

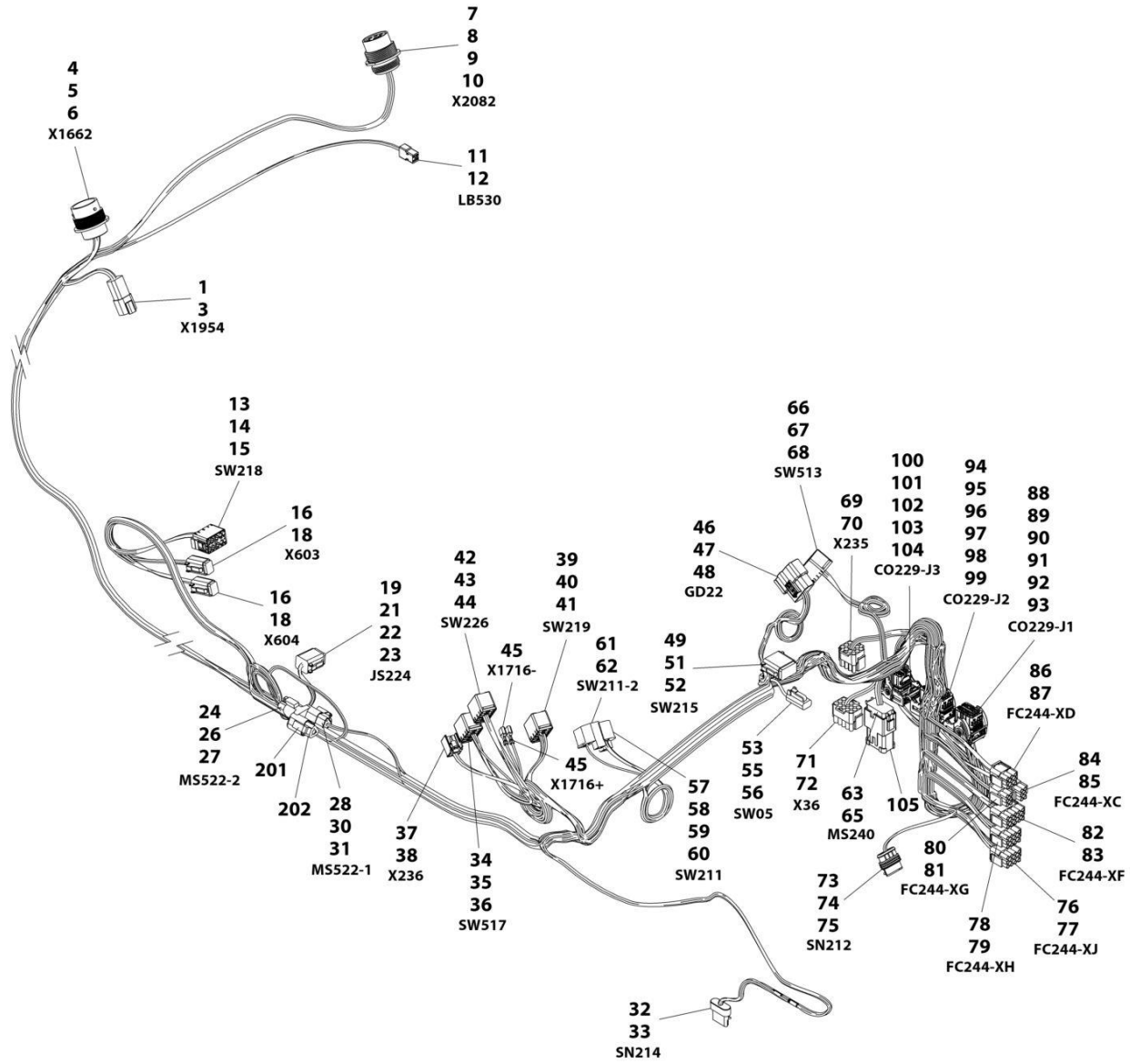
## SECTION 10 - ELECTRICAL

### FIGURE 10-69. PLATFORM HARNESS

ITEM	PART NUMBER	QTY	DESCRIPTION	REV
	1001167695	Ref	Platform Harness	C
1	1001112796	1	Connector	
2	4460466	5	Terminal	
3	4460465	4	Terminal	
4	4460891	3	Connector, (includes rear seal)	
5	80604018	2	Lock, Connector	
6	4460465	2	Terminal	
7	1001155806	3	Cap, Dust	

# SECTION 10 - ELECTRICAL

## FIGURE 10-70. CAB HARNESS



ART\_1001196451\_E

# SECTION 10 - ELECTRICAL

## FIGURE 10-70. CAB HARNESS

ITEM	PART NUMBER	QTY	DESCRIPTION	REV
	1001196451	Ref	CAB HARNESS	E
1	4460932	1	Connector	
3	4460941	4	Terminal	
4	1001201081	1	Connector	
5	4460941	6	Terminal	
6	4460466	8	Plug	
7	1001112612	1	Connector	
8	4460464	3	Terminal	
9	4460943	2	Terminal	
10	4460466	4	Plug	
11	1001116991	1	Connector	
12	1001118384	2	Terminal	
13	1001117081	1	Connector	
14	1001118384	4	Terminal	
15	1001116723	2	Terminal	
16	4460884	2	Connector	
18	4460465	8	Terminal	
19	4460894	1	Connector	
21	4460465	3	Terminal	
22	4460944	2	Terminal	
23	4460466	1	Plug	
24	1001116812	1	Connector	
26	4460944	2	Terminal	
27	4460466	1	Plug	
28	4460539	1	Connector	
30	4460944	2	Terminal	
31	4460466	1	Plug	
32	1001230931	1	Connector	
33	1001116748	6	Terminal	
34	1001117081	1	Connector	
35	1001116723	6	Terminal	
36	1001118384	1	Terminal	
37	1001118684	1	Connector	
38	1001116754	2	Terminal	
39	1001117081	1	Connector	
40	1001118384	5	Terminal	
41	1001116723	6	Terminal	
42	1001117081	1	Connector	
43	1001118384	2	Terminal	
44	1001116723	4	Terminal	
45	8220051	2	Terminal, Female Blade	
46	1001162886	1	Connector	
47	1001162887	7	Terminal	
48	1001163340	13	Plug	
49	4460933	1	Connector	
51	4460465	9	Terminal	
52	4460466	3	Plug	
53	4460897	1	Connector	
55	4460464	1	Terminal	
56	4460466	1	Plug	

## SECTION 10 - ELECTRICAL

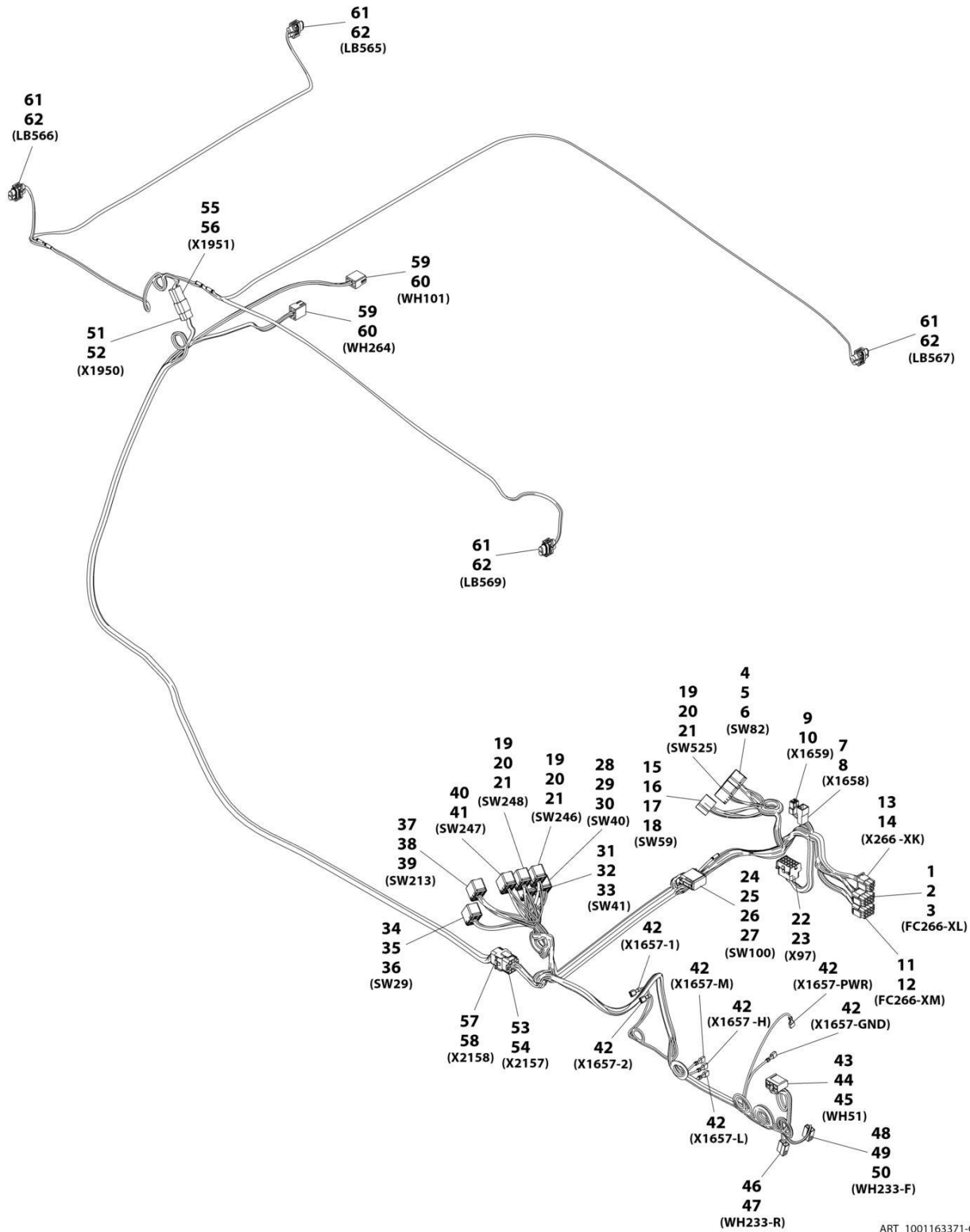
ITEM	PART NUMBER	QTY	DESCRIPTION	REV
57	1001118685	1	Connector	
58	1001116723	2	Terminal	
59	1001118383	1	Terminal	
60	1001118384	1	Terminal	
61	1001117121	1	Connector	
62	1001184841	1	Terminal	
63	4460930	1	Connector	
65	4460465	8	Terminal	
66	1001117081	1	Connector	
67	1001118384	2	Terminal	
68	1001116723	4	Terminal	
69	4460343	1	Connector	
70	4460268	8	Terminal	
71	4460434	1	Connector	
72	4460268	14	Terminal	
73	1001103012	1	Connector	
74	1001116697	2	Terminal	
75	1001116698	2	Plug	
76	4460343	1	Connector	
77	4460267	10	Terminal	
78	4460343	1	Connector	
79	4460268	9	Terminal	
80	4460225	1	Connector	
81	4460268	5	Terminal	
82	4460434	1	Connector	
83	4460268	10	Terminal	
84	4460225	1	Connector	
85	4460267	3	Terminal	
86	4460265	1	Connector	
87	4460268	5	Terminal	
88	1001160498	1	Connector	
89	1001161095	22	Terminal	
90	1001161098	5	Terminal	
91	1001161099	1	Terminal	
92	1001161100	2	Plug	
93	1001161101	2	Plug	
94	1001160502	1	Connector	
95	1001161095	17	Terminal	
96	1001161098	5	Terminal	
97	1001161099	1	Terminal	
98	1001161100	23	Plug	
99	1001161101	2	Plug	
100	1001161959	1	Connector	
101	1001161095	6	Terminal	
102	1001161098	1	Terminal	
103	1001161100	18	Plug	
104	1001161101	7	Plug	
105	4460984	1	Bussbar	
201	4460945	1	Connector - 3 Way Tee	
202	1001116815	1	Plug, Resistor	





# SECTION 10 - ELECTRICAL

## FIGURE 10-71. OPTION 1 CAB HARNESS



ART\_1001163371-G

## SECTION 10 - ELECTRICAL

### FIGURE 10-71. OPTION 1 CAB HARNESS

ITEM	PART NUMBER	QTY	DESCRIPTION	REV
	1001163371	Ref	Option 1 Cab Harness	G
1	4460343	1	Connector	
2	4460268	10	Terminal	
3	4460906	1	Terminal	
4	1001117081	1	Connector	
5	1001116723	6	Terminal	
6	1001118384	1	Terminal	
7	1001116999	1	Connector	
8	1001116700	4	Terminal	
9	1001116991	1	Connector	
10	1001118384	2	Terminal	
11	4460343	1	Connector	
12	4460267	6	Terminal	
13	4460225	1	Connector	
14	4460267	5	Terminal	
15	4460705	1	Terminal	
16	1001173411	1	Connector	
17	1001265008	4	Terminal	
18	1001104519	3	Terminal	
19	1001117081	1	Connector	
20	1001118384	2	Terminal	
21	1001116723	4	Terminal	
22	4460708	1	Connector	
23	4460267	14	Terminal	
24	4460836	1	Connector	
25	4460942	3	Terminal	
26	4460465	8	Terminal	
27	1001157890	1	Terminal	
28	80604016	1	Lock, Connector	
29	1001117081	1	Connector	
30	1001118384	4	Terminal	
31	1001116723	6	Terminal	
32	1001117081	1	Connector	
33	1001118384	3	Terminal	
34	1001116723	4	Terminal	
35	1001117081	1	Connector	
36	1001118384	2	Terminal	
37	1001116723	4	Terminal	
38	1001117081	1	Connector	
39	1001118384	2	Terminal	
40	1001116723	4	Terminal	
41	1001117081	1	Connector	
42	1001116723	8	Terminal	
43	1001118384	2	Terminal	
44	1001117079	1	Connector	
45	1001116723	6	Terminal	
46	1001118384	2	Terminal	
47	1001117081	1	Connector	
48	1001118384	4	Terminal	
49	8220051	1	Female Blade Coupler	

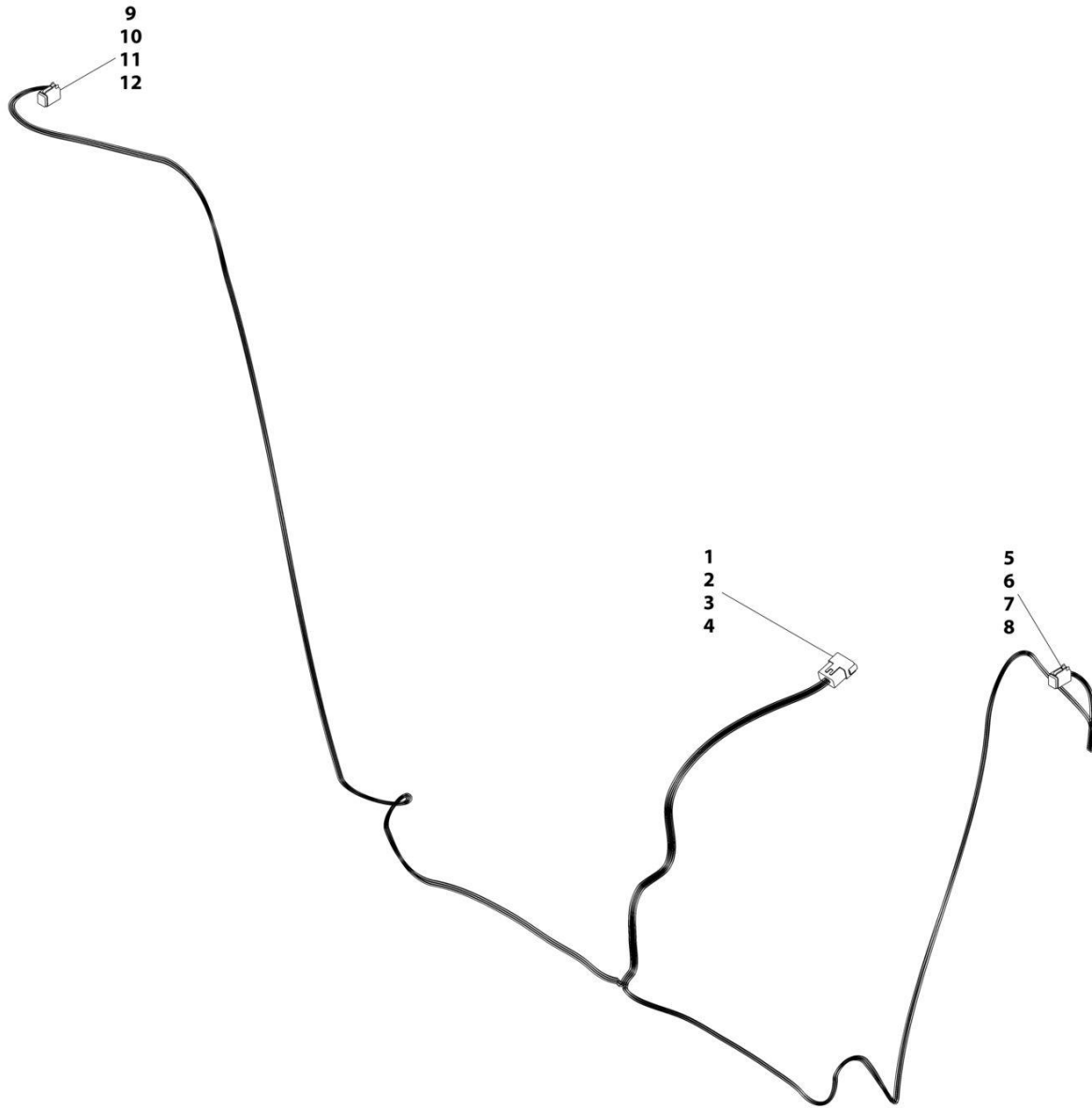
## SECTION 10 - ELECTRICAL

ITEM	PART NUMBER	QTY	DESCRIPTION	REV
50	8220051	1	Female Blade Coupler	
51	8220051	1	Female Blade Coupler	
52	8220051	1	Female Blade Coupler	
53	8220051	1	Female Blade Coupler	
54	8220051	1	Female Blade Coupler	
55	8220051	1	Female Blade Coupler	
56	1001116997	1	Connector	
57	1001118384	4	Terminal	
58	1001116723	1	Terminal	
59	4460994	1	Connector	
60	1001118384	2	Terminal	
61	4460994	1	Connector	
62	1001118384	1	Terminal	
63	1001116723	2	Terminal	
64	4460884	1	Connector	
65	4460942	4	Terminal	
66	80604021	1	Lock, Connector	
67	4460932	1	Connector	
68	4460941	4	Terminal	
69	80604021	1	Lock, Connector	
70	1001116986	1	Connector	
71	1001118384	4	Terminal	
72	1001116986	1	Connector	
73	1001118384	4	Terminal	
74	4461115	1	Connector	
75	1001116747	2	Terminal	
76	4461115	1	Connector	
77	1001116747	2	Terminal	
78	4461115	1	Connector	
79	1001116747	2	Terminal	
80	4461115	1	Connector	
81	1001116747	2	Terminal	
82	4460343	1	Connector	
83	4460268	12	Terminal	
84	4460367	1	Connector	
85	4460267	12	Terminal	



# SECTION 10 - ELECTRICAL

## FIGURE 10-72. FRONT FRAME HEADLIGHT HARNESS



ART\_1001165360-D

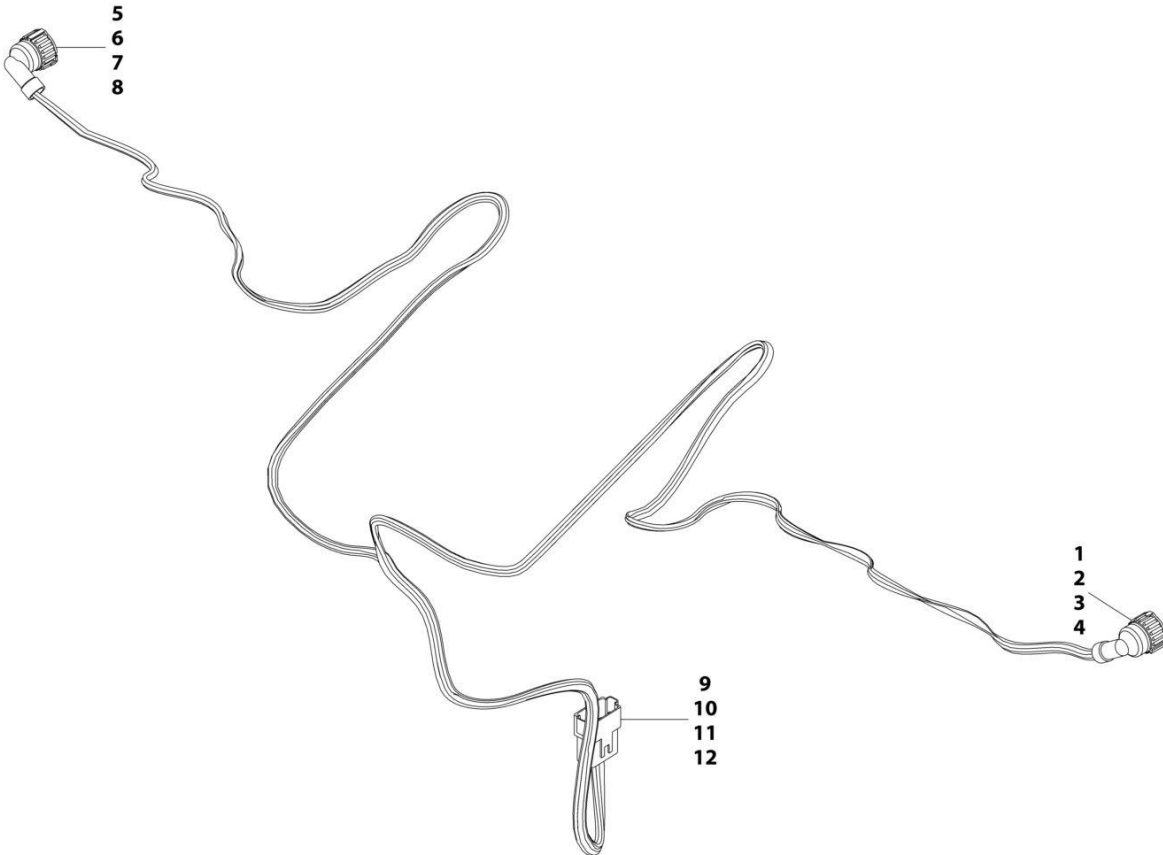
## SECTION 10 - ELECTRICAL

### FIGURE 10-72. FRONT FRAME HEADLIGHT HARNESS

ITEM	PART NUMBER	QTY	DESCRIPTION	REV
	1001165360	Ref	Front Frame Headlight Harness	D
1	4460970	1	Connector	
2	80363179	1	Lock, Connector	
3	4460941	10	Terminal	
4	4460466	2	Plug	
5	4460894	1	Connector	
6	91504107	1	Lock, Connector	
7	4460942	5	Terminal	
8	4460466	1	Plug	
9	4460894	1	Connector	
10	91504107	1	Lock, Connector	
11	4460942	5	Terminal	
12	4460466	1	Plug	

# SECTION 10 - ELECTRICAL

## FIGURE 10-73. TAIL LIGHTS HARNESS



ART\_1001173092-D



## SECTION 10 - ELECTRICAL

### FIGURE 10-73. TAIL LIGHTS HARNESS

ITEM	PART NUMBER	QTY	DESCRIPTION	REV
	1001173092	Ref	HBP Tail Lights Harness	D
1	1001116996	1	Connector	
2	1001118392	5	Terminal	
3	4461054	5	Seal	
4	1001116696	2	Plug	
5	1001116996	1	Connector	
6	1001118392	5	Terminal	
7	4461054	5	Seal	
8	1001116696	2	Plug	
9	4460970	1	Connector	
10	80363179	1	Lock, Connector	
11	4460941	10	Terminal	
12	4460466	2	Plug	

# SECTION 10 - ELECTRICAL

## FIGURE 10-74. ROOF PIGTAIL HARNESS



ART\_1001202132-A

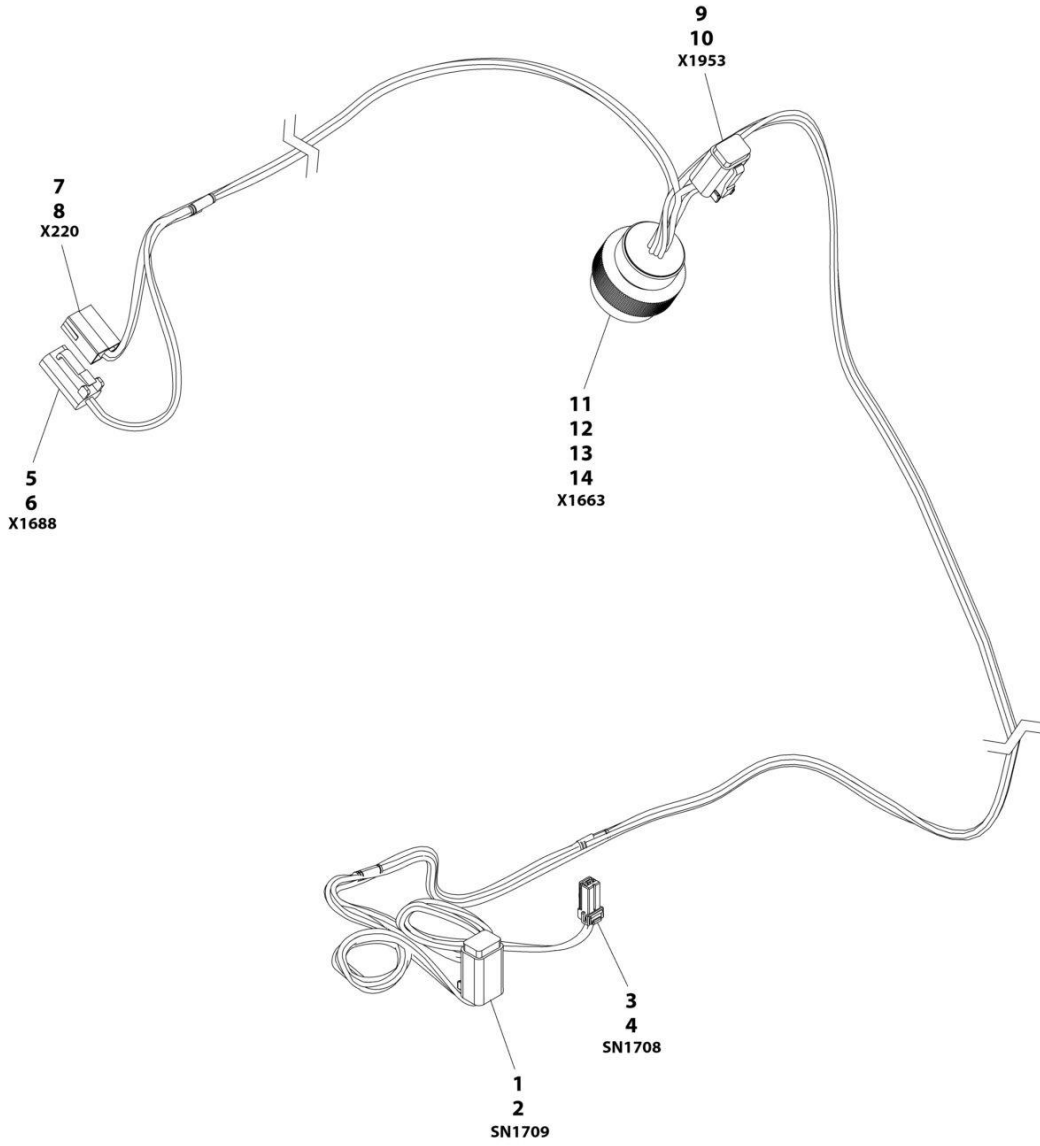
## SECTION 10 - ELECTRICAL

### FIGURE 10-74. ROOF PIGTAIL HARNESS

ITEM	PART NUMBER	QTY	DESCRIPTION	REV
	1001202132	Ref	Roof Pigtail Harness	A
1	1001201080	1	Connector	
2	4460942	6	Terminal	
3	4460466	8	Plug	
4	4460884	1	Connector	
5	4460942	4	Terminal	
6	80604021	1	Wedge Lock	
7	4460994	1	Connector	
8	1001118384	1	Terminal	

# SECTION 10 - ELECTRICAL

## FIGURE 10-75. ROOF PIGTAIL HARNESS (Prior to SN 0160101057)



ART\_1001265200

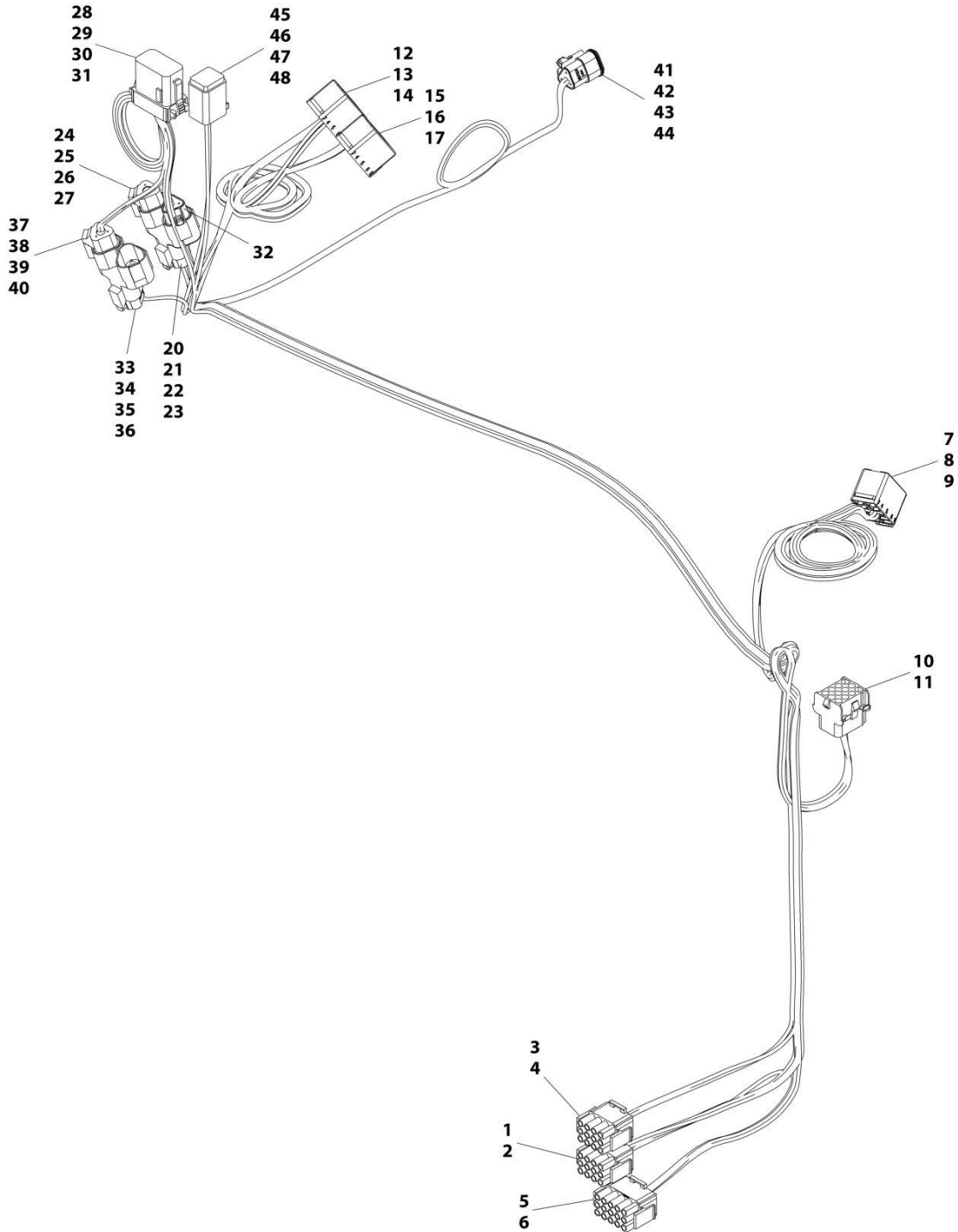
## SECTION 10 - ELECTRICAL

**FIGURE 10-75. ROOF PIGTAIL HARNESS (Prior to SN 0160101057)**

ITEM	PART NUMBER	QTY	DESCRIPTION	REV
	1001265200	Ref	Roof Pigtail Harness	A
1	4460884	1	Connector	
2	4460465	4	Terminal	
3	1001264844	1	Connector	
4	1001264861	2	Terminal	
5	4460891	1	Connector	
6	4460465	2	Terminal	
7	4460994	1	Connector	
8	1001118384	2	Terminal	
9	4460884	1	Connector	
10	4460942	4	Terminal	
11	4461015	1	Connector	
12	4460942	6	Terminal	
13	4460465	5	Terminal	
14	4460466	3	Plug	

# SECTION 10 - ELECTRICAL

## FIGURE 10-76. OPTION 2 CAB HARNESS



ART\_1001163372-E

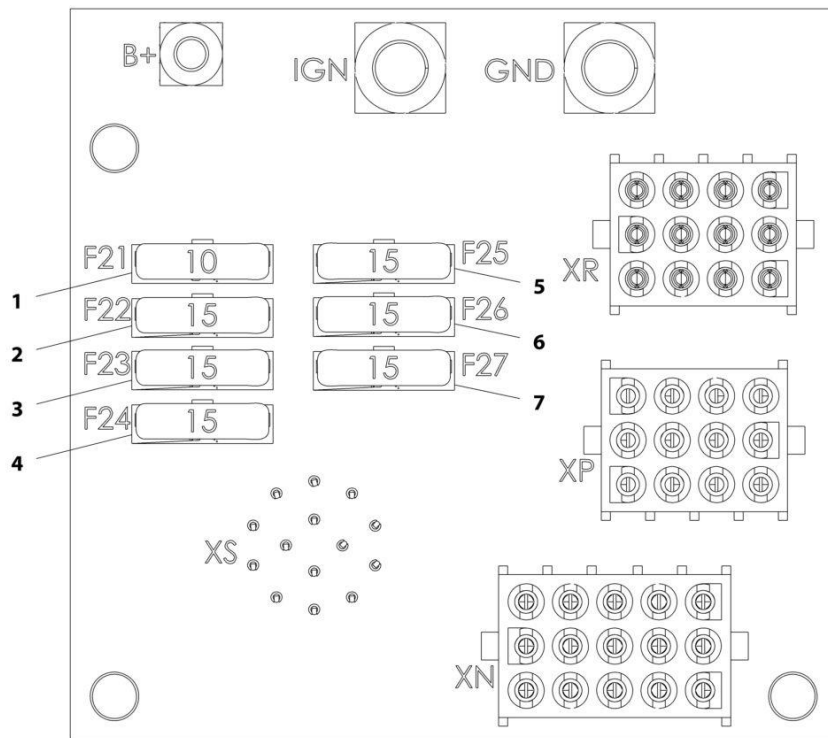
## SECTION 10 - ELECTRICAL

### FIGURE 10-76. OPTION 2 CAB HARNESS

ITEM	PART NUMBER	QTY	DESCRIPTION	REV
	1001163372	Ref	Option 2 Cab Harness	E
1	4460343	1	Connector	
2	4460268	5	Terminal	
3	4460343	1	Connector	
4	4460267	2	Terminal	
5	4460434	1	Connector	
6	4460268	4	Terminal	
7	1001117081	1	Connector	
8	1001116723	6	Terminal	
9	1001118384	1	Terminal	
10	4460367	1	Connector	
11	4460267	6	Terminal	
12	1001117081	1	Connector	
13	1001118384	2	Terminal	
14	1001116723	4	Terminal	
15	1001117081	1	Connector	
16	1001118384	3	Terminal	
17	1001116723	2	Terminal	
20	1001116812	1	Connector	
21	91554019	1	Lock, Connector	
22	4460944	2	Terminal	
23	4460466	1	Plug	
24	4460539	1	Connector	
25	77363244	1	Wedge Lock	
26	4460466	1	Plug	
27	4460944	2	Terminal	
28	1001176333	1	Connector	
29	4460944	4	Terminal	
30	4460466	11	Plug	
31	4460465	3	Terminal	
32	1001116815	1	Connector	
33	1001116812	1	Connector	
34	4460944	2	Terminal	
35	4460466	1	Plug	
36	91554019	1	Connector	
37	4460539	1	Connector	
38	77363244	1	Wedge Lock	
39	4460466	1	Plug	
40	4460944	2	Terminal	
41	1001116812	1	Connector	
42	91554019	1	Lock, Connector	
43	4460944	2	Terminal	
44	4460466	1	Plug	
45	4460930	1	Connector	
46	80604025	1	Lock, Connector	
47	4460466	6	Plug	
48	4460465	2	Terminal	

# SECTION 10 - ELECTRICAL

## FIGURE 10-77. OPTION 2 ELECTRICAL BOARD ASSEMBLY



ART\_1001161771-B



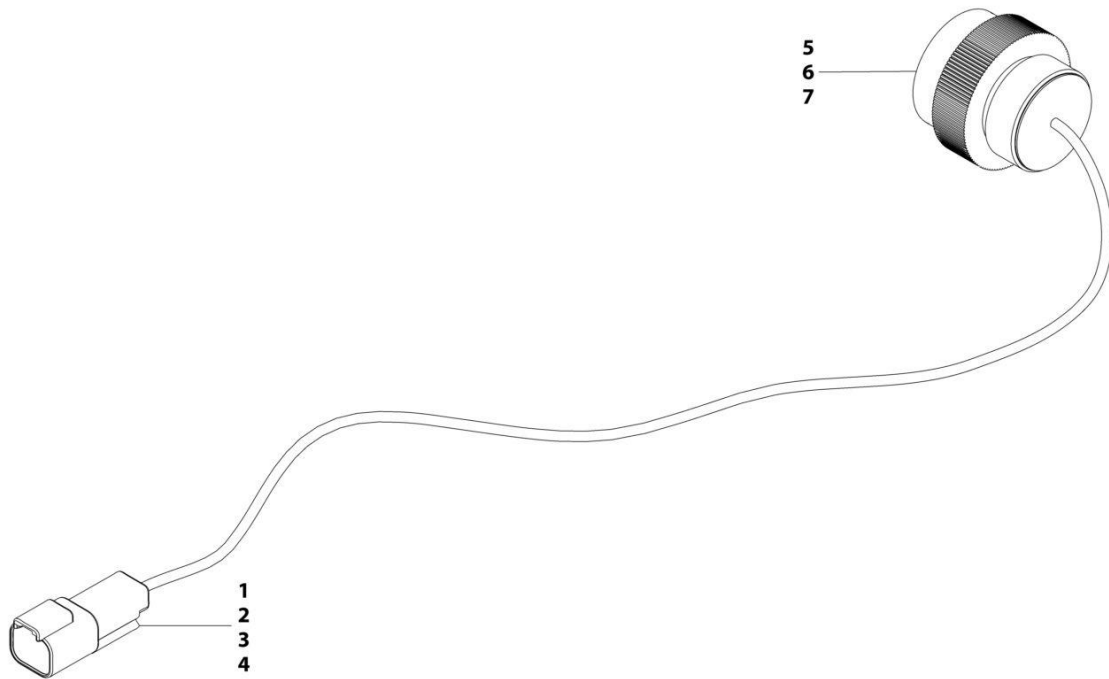
## SECTION 10 - ELECTRICAL

### FIGURE 10-77. OPTION 2 ELECTRICAL BOARD ASSEMBLY

ITEM	PART NUMBER	QTY	DESCRIPTION	REV
	1001161771	Ref	Option 2 Electrical Board Assembly	B
1	80983191	1	Fuse, 10AMP	
2	8229244	1	Fuse, 15AMP	
3	8229244	1	Fuse, 15AMP	
4	8229244	1	Fuse, 15AMP	
5	8229244	1	Fuse, 15AMP	
6	8229244	1	Fuse, 15AMP	
7	8229244	1	Fuse, 15AMP	

# SECTION 10 - ELECTRICAL

## FIGURE 10-78. CAB OPTION HARNESS



ART\_1001181573-B

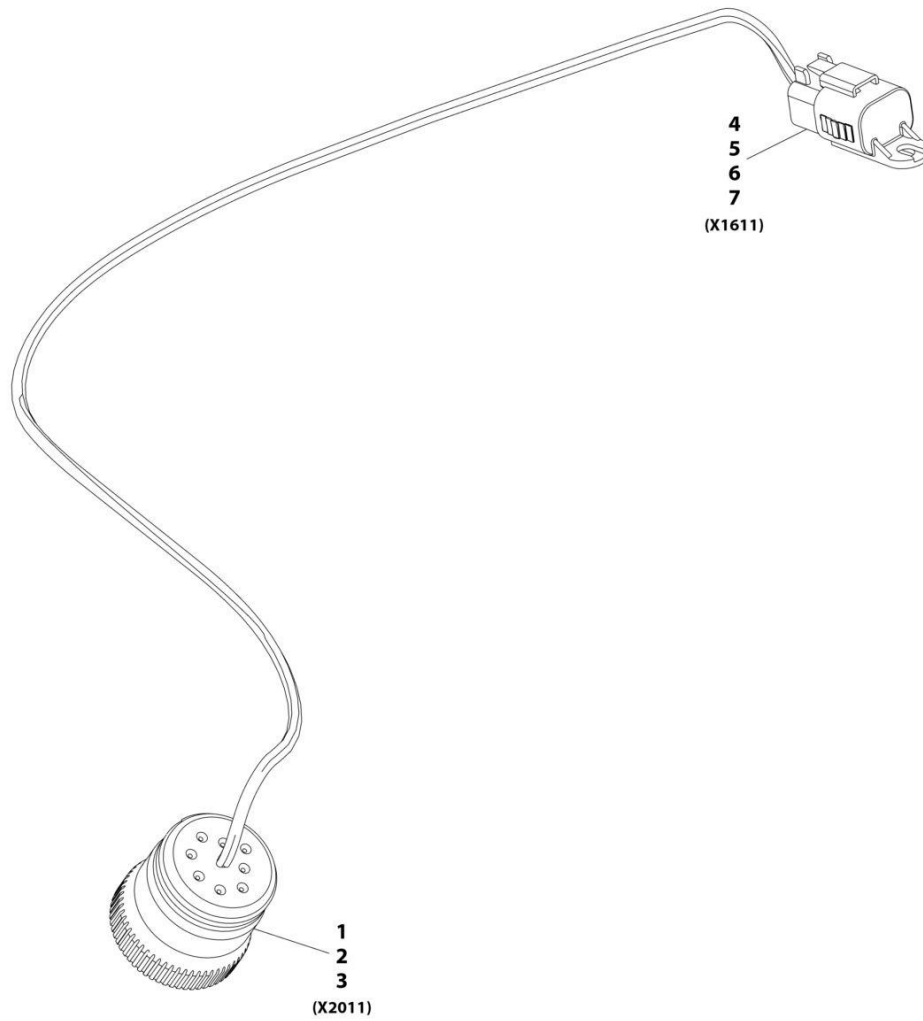
## SECTION 10 - ELECTRICAL

### FIGURE 10-78. CAB OPTION HARNESS

ITEM	PART NUMBER	QTY	DESCRIPTION	REV
	1001181573	Ref	Cab Option Harness	B
1	4460897	1	Connector	
2	4460941	1	Terminal	
3	4460466	1	Seal	
4	80604017	1	Wedge Lock	
5	4461015	1	Connector	
6	4460466	13	Plug	
7	4460942	1	Terminal	

# SECTION 10 - ELECTRICAL

## FIGURE 10-79. TELEMATICS READY HARNESS



ART\_1001196289-A

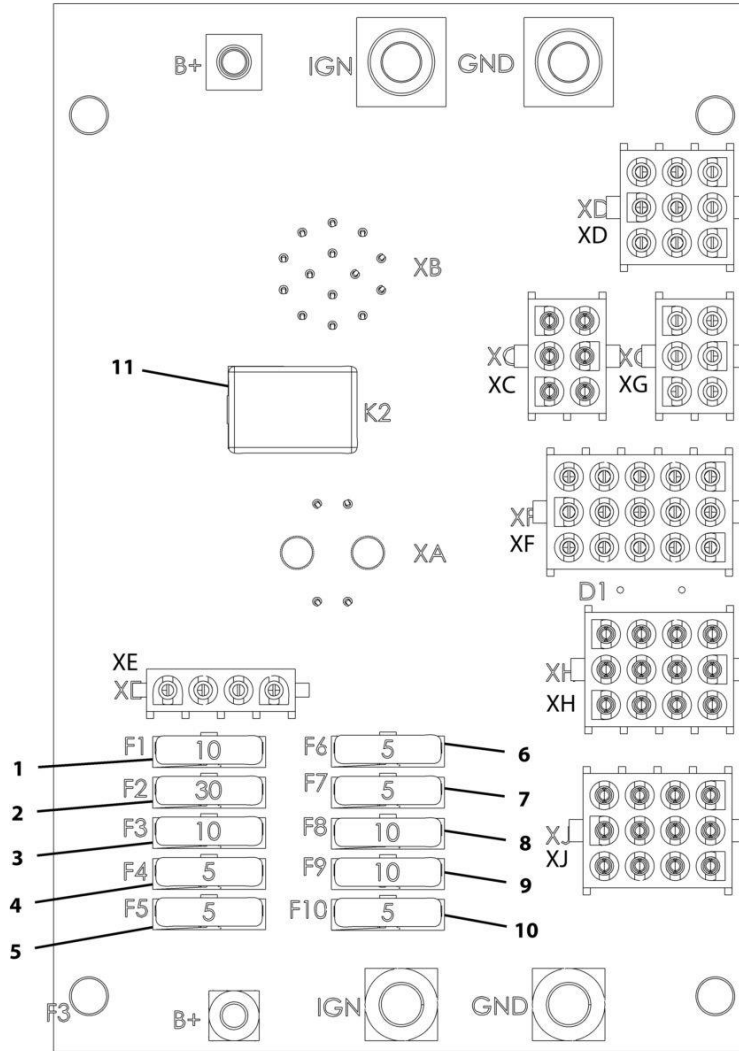
## SECTION 10 - ELECTRICAL

### FIGURE 10-79. TELEMATICS READY HARNESS

ITEM	PART NUMBER	QTY	DESCRIPTION	REV
	1001196289	Ref	Telematics Ready Harness	A
1	1001112796	1	Connector	
2	4460465	3	Terminal	
3	4460466	6	Plug	
4	4460884	1	Connector	
5	80604021	1	Lock, Connector	
6	4460465	3	Terminal	
7	4460466	1	Terminal	

# SECTION 10 - ELECTRICAL

FIGURE 10-80. STANDARD ELECTRICAL BOARD ASSEMBLY



ART\_1001161769-C

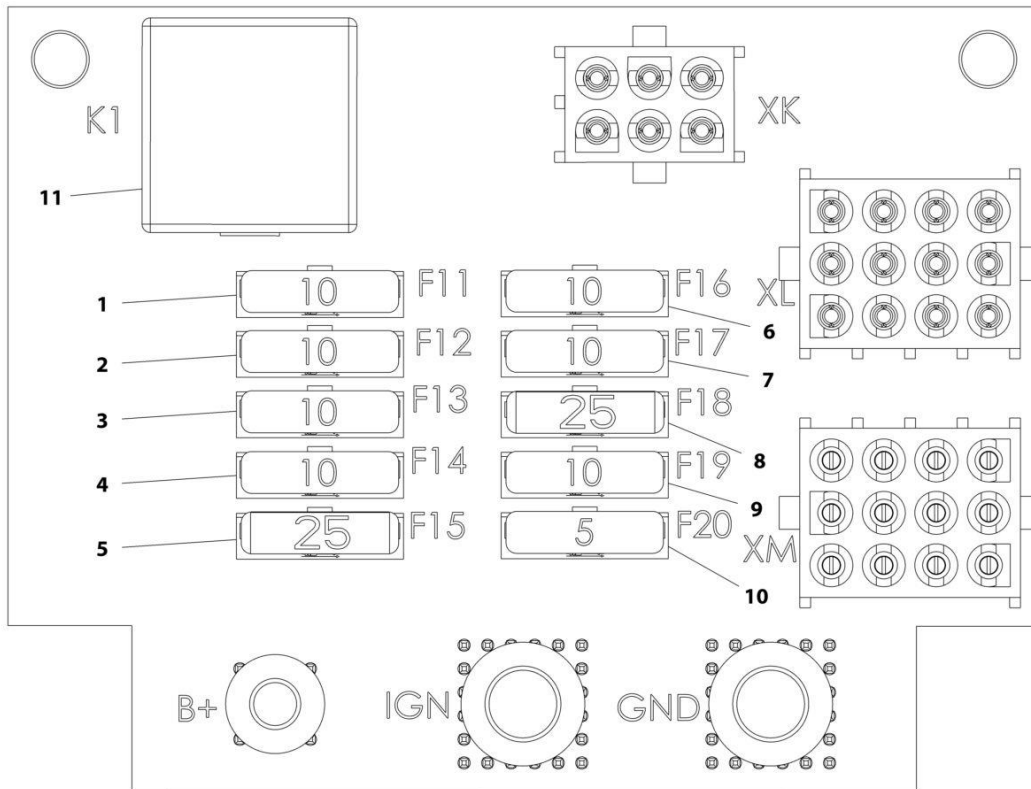
## SECTION 10 - ELECTRICAL

### FIGURE 10-80. STANDARD ELECTRICAL BOARD ASSEMBLY

ITEM	PART NUMBER	QTY	DESCRIPTION	REV
	1001161769	Ref	Standard Electrical Board Assembly	C
1	80983191	1	Fuse, 10AMP	
2	8229245	1	Fuse, 30AMP	
3	80983191	1	Fuse, 10AMP	
4	8229242	1	Fuse, 5AMP	
5	8229242	1	Fuse, 5AMP	
6	8229242	1	Fuse, 5AMP	
7	8229242	1	Fuse, 5AMP	
8	80983191	1	Fuse, 10AMP	
9	80983191	1	Fuse, 10AMP	
10	8229242	1	Fuse, 5AMP	
11	70026292	1	Fuse, 35AMP	

# SECTION 10 - ELECTRICAL

## FIGURE 10-81. OPTION 1 ELECTRICAL BOARD ASSEMBLY



ART\_1001161770-C



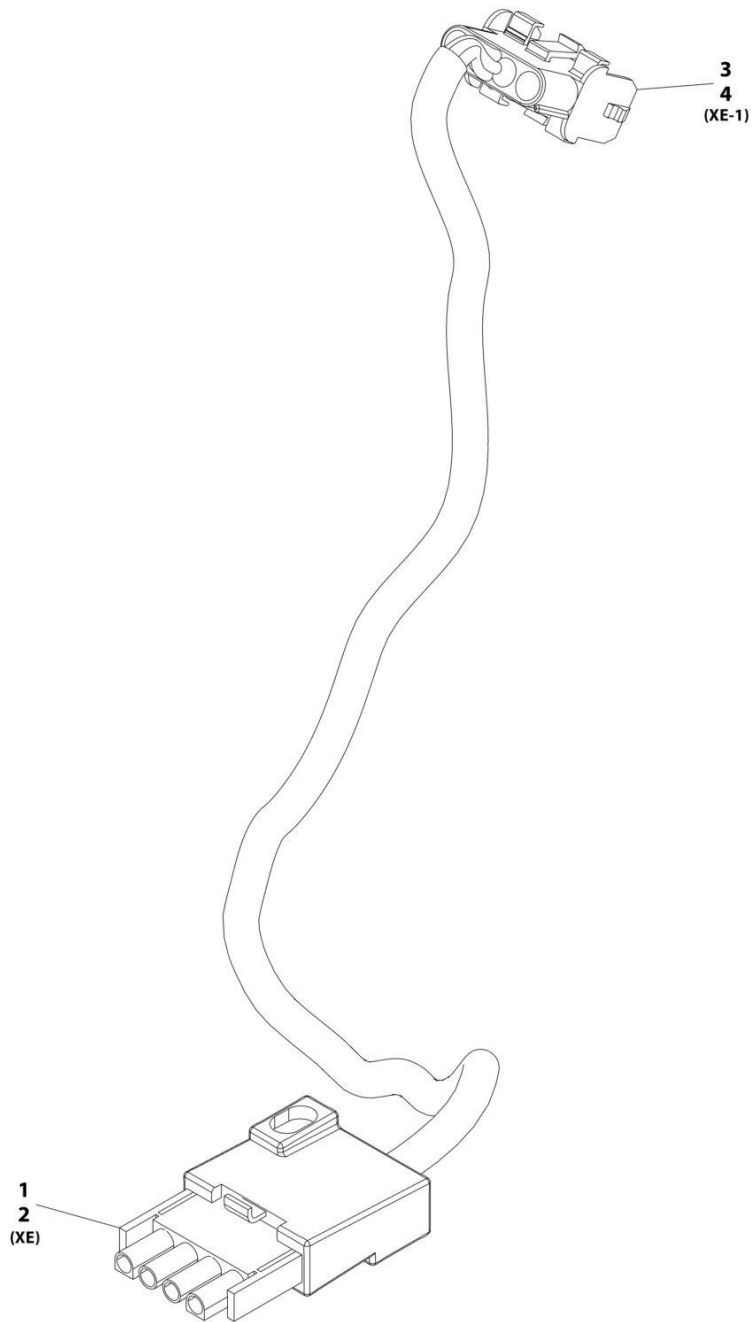
## SECTION 10 - ELECTRICAL

### FIGURE 10-81. OPTION 1 ELECTRICAL BOARD ASSEMBLY

ITEM	PART NUMBER	QTY	DESCRIPTION	REV
	1001161770	Ref	Option 1 Electrical Board Assembly	C
1	80983191	1	Fuse, 10AMP	
2	80983191	1	Fuse, 10AMP	
3	80983191	1	Fuse, 10AMP	
4	80983191	1	Fuse, 10AMP	
5	8229247	1	Fuse, 25AMP	
6	80983191	1	Fuse, 10AMP	
7	80983191	1	Fuse, 10AMP	
8	8229247	1	Fuse, 25AMP	
9	80983191	1	Fuse, 10AMP	
10	8229242	1	Fuse, 5AMP	
11	70026293	1	Fuse, 50AMP	

# SECTION 10 - ELECTRICAL

## FIGURE 10-82. CUMMUNICATION ANALYSER CABLE



ART\_1001213988-A

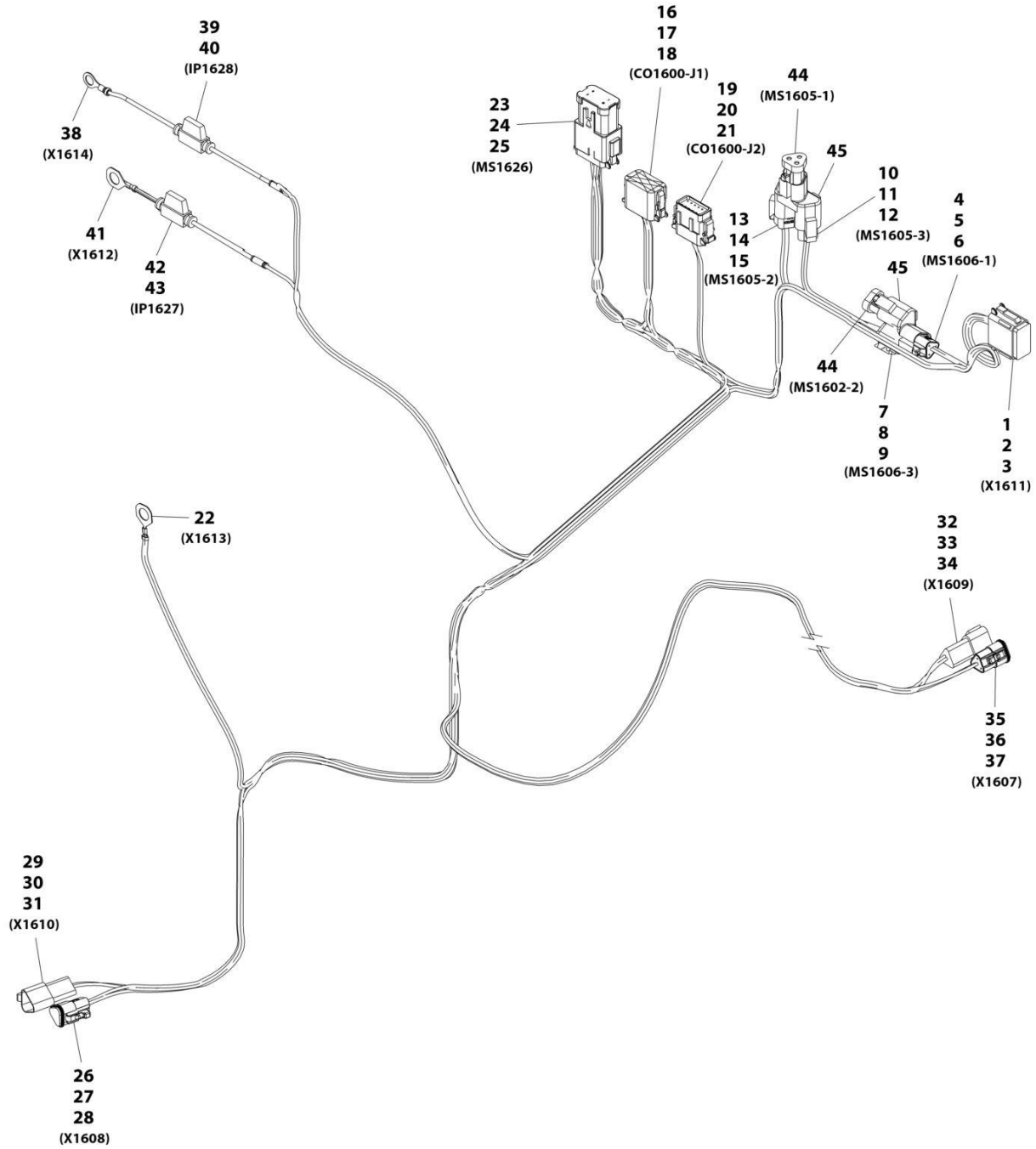
## SECTION 10 - ELECTRICAL

### FIGURE 10-82. CUMMUNICATION ANALYSER CABLE

ITEM	PART NUMBER	QTY	DESCRIPTION	REV
	1001213988	Ref	Communication Analyzer Cable	A
1	4460321	1	Connector	
2	4460268	4	Terminal	
3	4460761	1	Connector	
4	4460267	4	Terminal	

# SECTION 10 - ELECTRICAL

## FIGURE 10-83. TELEMATICS HARNESS



ART\_1001225259-B

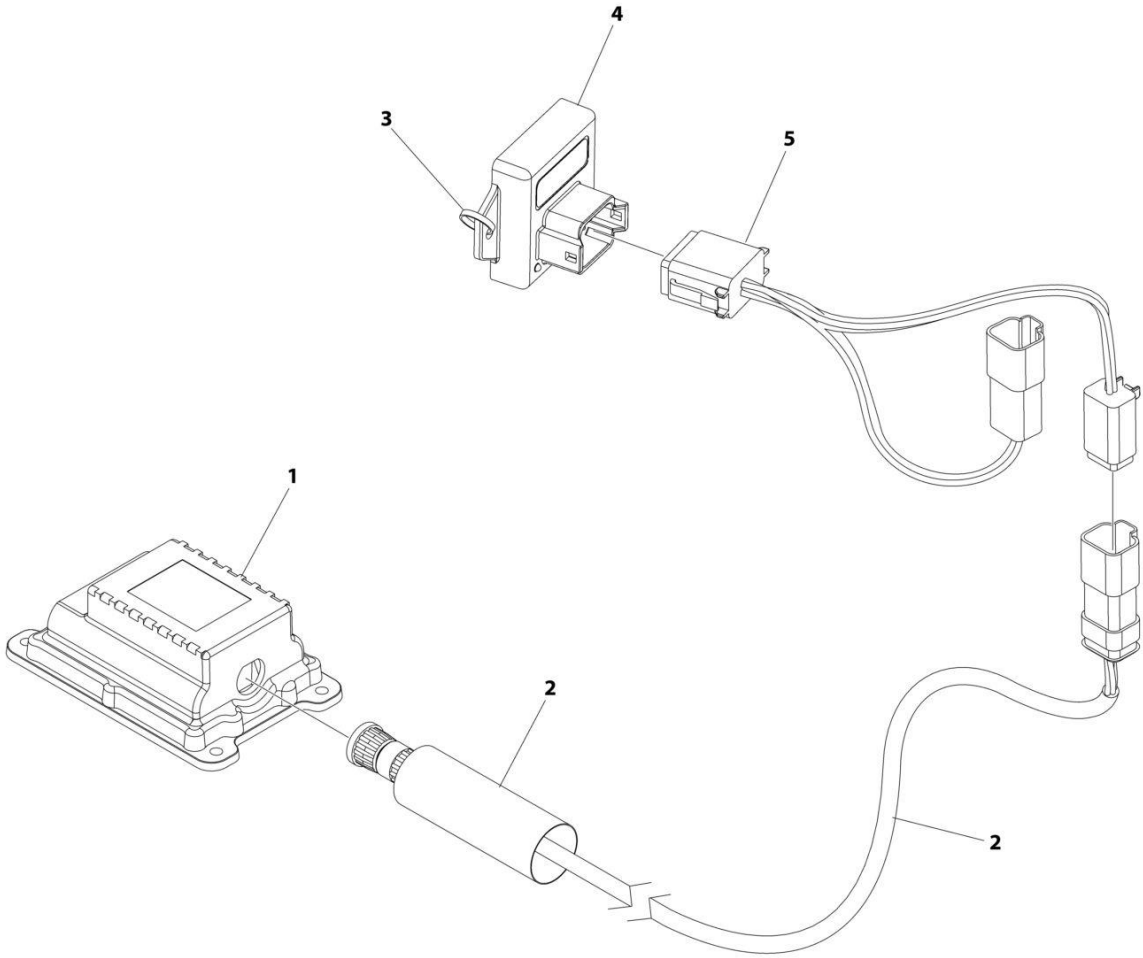
## SECTION 10 - ELECTRICAL

### FIGURE 10-83. TELEMATICS HARNESS

ITEM	PART NUMBER	QTY	DESCRIPTION	REV
	1001225259	Ref	Telematic Harness	B
1	4460933	1	Connector	
2	4460465	5	Terminal	
3	4460466	7	Plug	
4	1001116812	1	Connector	
5	4460465	2	Terminal	
6	4460466	1	Plug	
7	4460539	1	Connector	
8	4460465	2	Terminal	
9	4460466	1	Plug	
10	4460539	1	Connector	
11	4460465	2	Terminal	
12	4460466	1	Plug	
13	1001116812	1	Connector	
14	4460465	2	Terminal	
15	4460466	1	Plug	
16	1001116774	1	Connector	
17	4460518	6	Plug	
18	1001126008	6	Terminal	
19	1001116808	1	Connector	
20	4460518	10	Plug	
21	1001126008	2	Terminal	
22	1001187081	1	Connector	
23	4460933	1	Connector	
24	1001200206	1	Connector, DT 12 Pin 4X3 Buss	
25	4460465	13	Terminal	
26	1001116812	1	Connector	
27	4460465	2	Terminal	
28	4460466	1	Plug	
29	1001144147	1	Connector	
30	4460464	2	Terminal	
31	4460466	1	Plug	
32	1001144147	1	Connector	
33	4460464	2	Terminal	
34	4460466	1	Plug	
35	1001116812	1	Connector	
36	4460465	2	Terminal	
37	4460466	1	Plug	
38	4460670	1	Connector	
39	2400060	1	Connector	
40	8229242	1	Terminal	
41	1001187078	1	Connector	
42	2400060	1	Connector	
43	8229242	1	Terminal	
44	1001116815	2	Connector, 3 Pin	
45	4460945	2	Terminal, 3 Way "T" Receptacle	

**SECTION 10 - ELECTRICAL**

**FIGURE 10-84. CLEARSKY INSTALLATION 3-WIRE (ANSI)**



ART\_1001229107

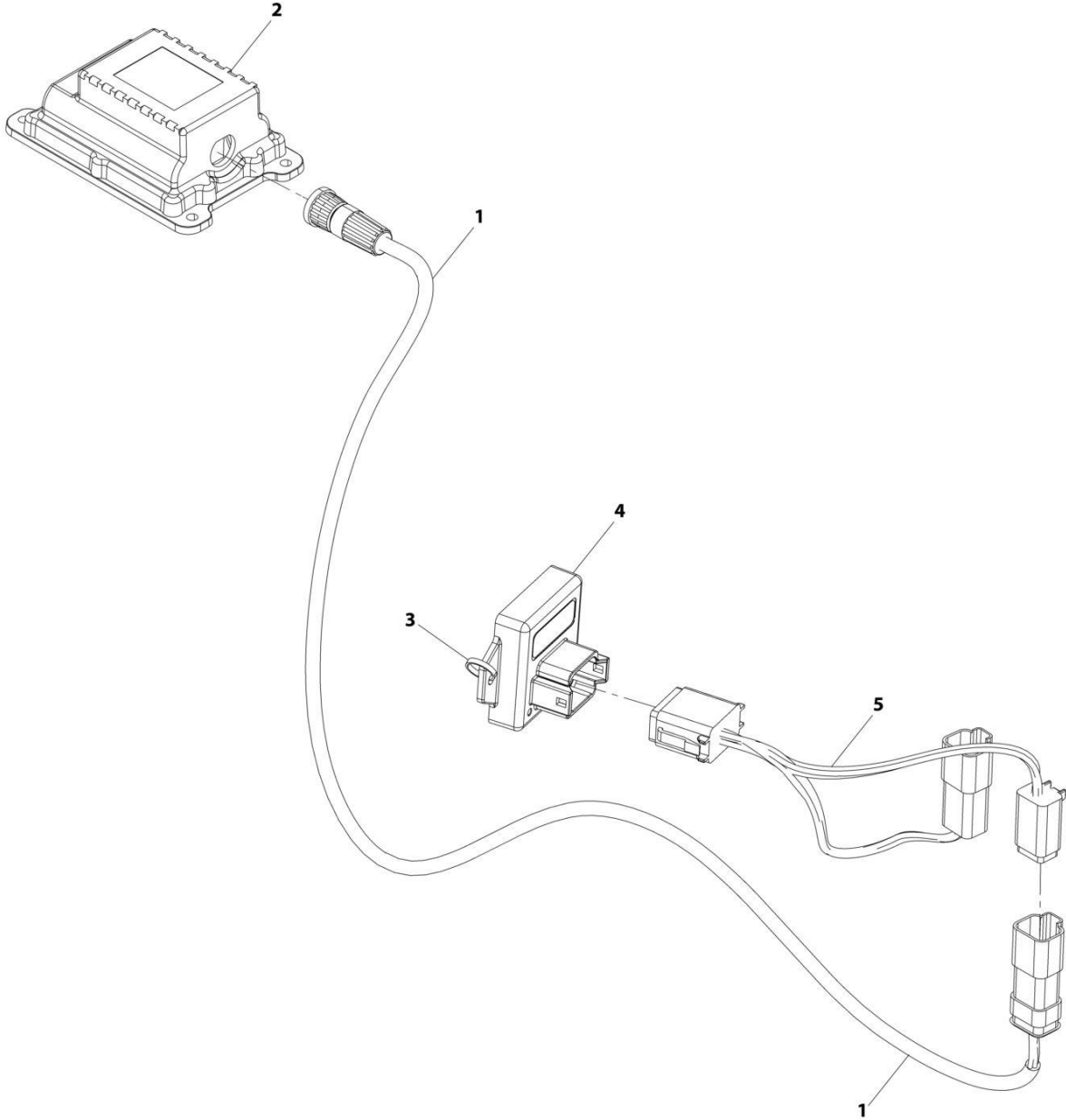
## SECTION 10 - ELECTRICAL

### FIGURE 10-84. CLEARSKY INSTALLATION 3-WIRE (ANSI)

ITEM	PART NUMBER	QTY	DESCRIPTION	REV
	1001229107	Ref	CLEARSKY INSTALLATION 3-WIRE	D
1	1001226328	1	Module, 3W TCU	
2	1001227066	1	Telematics ClearSky Harness (See Separate Breakdown in this Section)	
3	4240032	AR	Tie-Strap	
4	1001262960	1	Voltage Regulator	
5	1001262963	1	Harness, Xirgo Jumper	

**SECTION 10 - ELECTRICAL**

**FIGURE 10-85. CLEARSKY INSTALLATION 3-WIRE (CE)**



ART\_1001233237



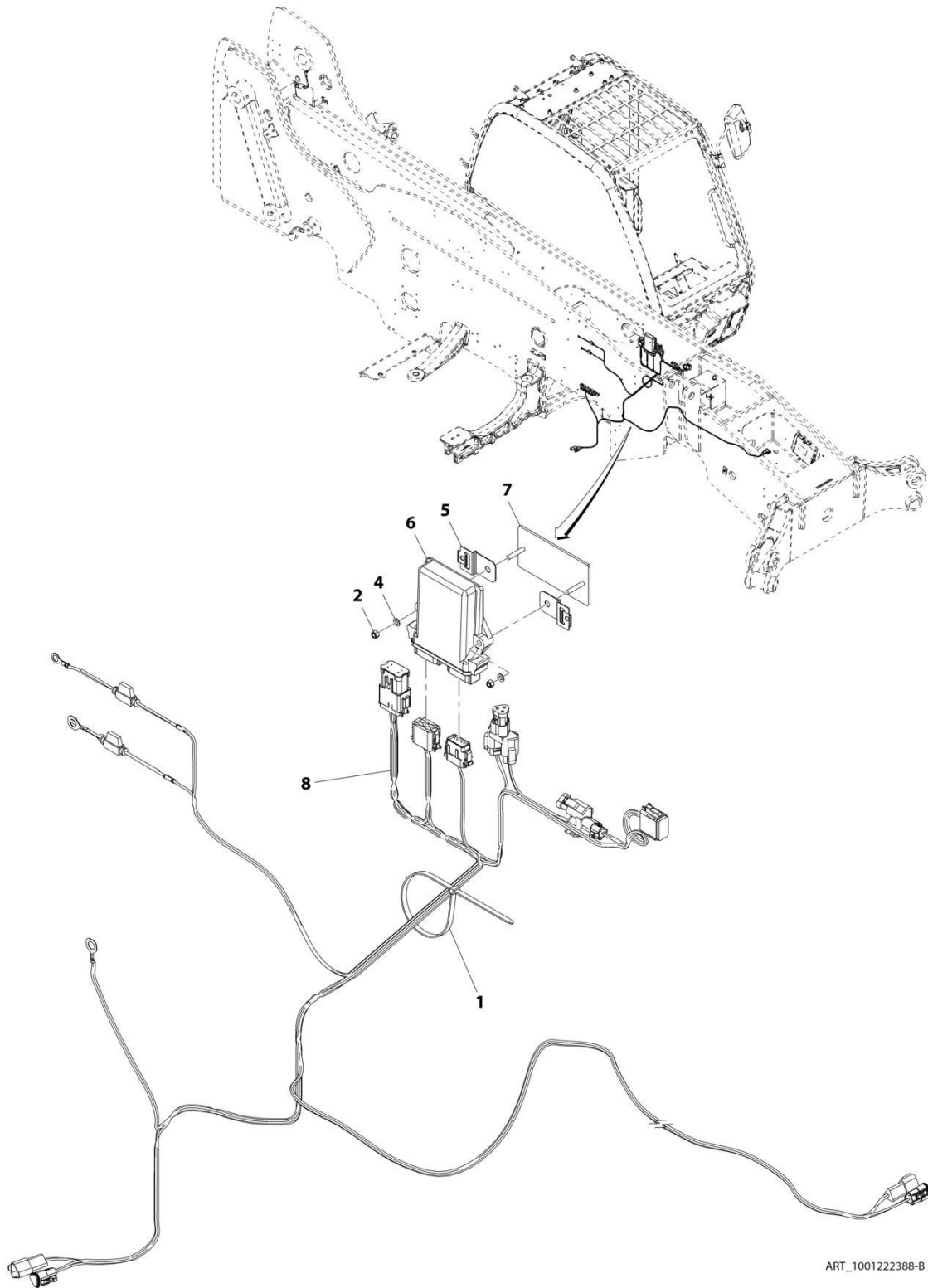
## SECTION 10 - ELECTRICAL

**FIGURE 10-85. CLEARSKY INSTALLATION 3-WIRE (CE)**

ITEM	PART NUMBER	QTY	DESCRIPTION	REV
	1001233237	Ref	Clearsky Installation 3-Wire (CE)	E
1	1001227066	1	Telematics Harness (See Separate Breakdown in this Section)	
2	1001233236	1	Module, 3W TCU	
3	4240032	AR	Tie Strap	
4	1001262960	1	Voltage Regulator	
5	1001262963	1	Harness, Xirgo Jumper	

# SECTION 10 - ELECTRICAL

## FIGURE 10-86. CUSTOMER SUPPLIED TELEMATICS CANBUS



ART\_1001222388-B

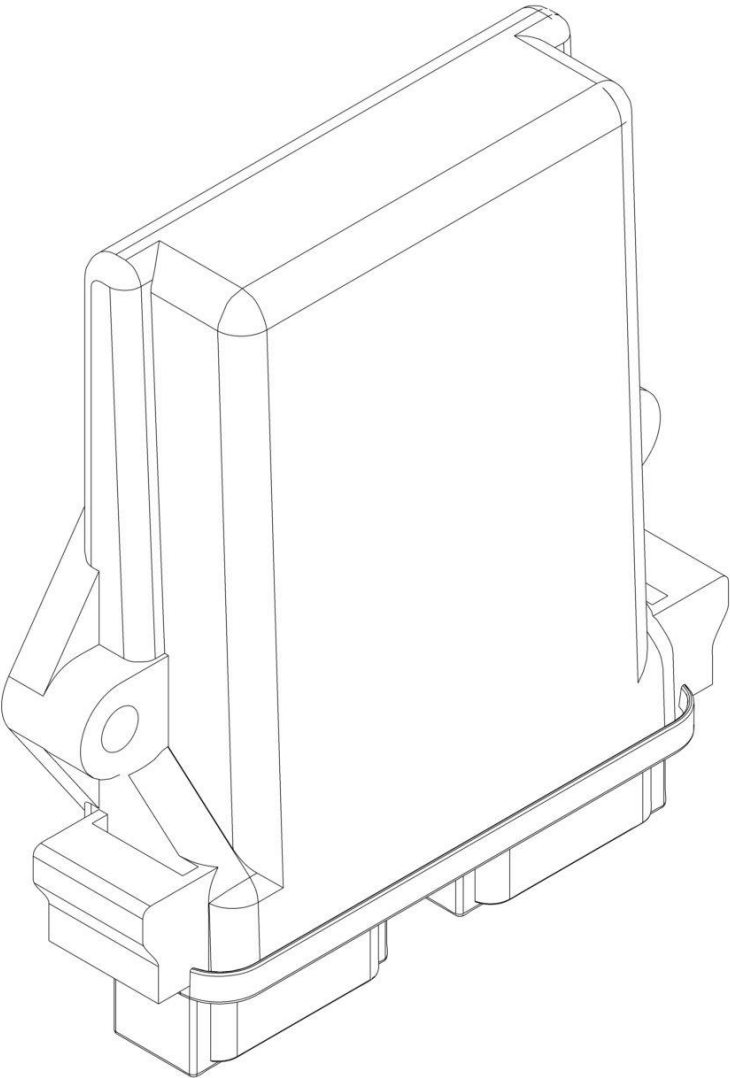
## SECTION 10 - ELECTRICAL

**FIGURE 10-86. CUSTOMER SUPPLIED TELEMATICS CANBUS**

ITEM	PART NUMBER	QTY	DESCRIPTION	REV
	1001222388	Ref	Customer Supplied Telematics Canbus	B
1	1062255	AR	Tie, Strap	
2	3290505	2	Nut, Lock M5X0.8	
4	4811600	2	Washer, M5	
5	1001153749	2	Clip	
6	1001229458	1	Controller, Gateway	
7	1001219082	1	Bracket	
8	1001225259	1	Harness, 4ward Telematics (See Separate Breakdown in this section)	

**SECTION 10 - ELECTRICAL**

**FIGURE 10-87. GATEWAY CONTROLLER**



ART\_1001229458

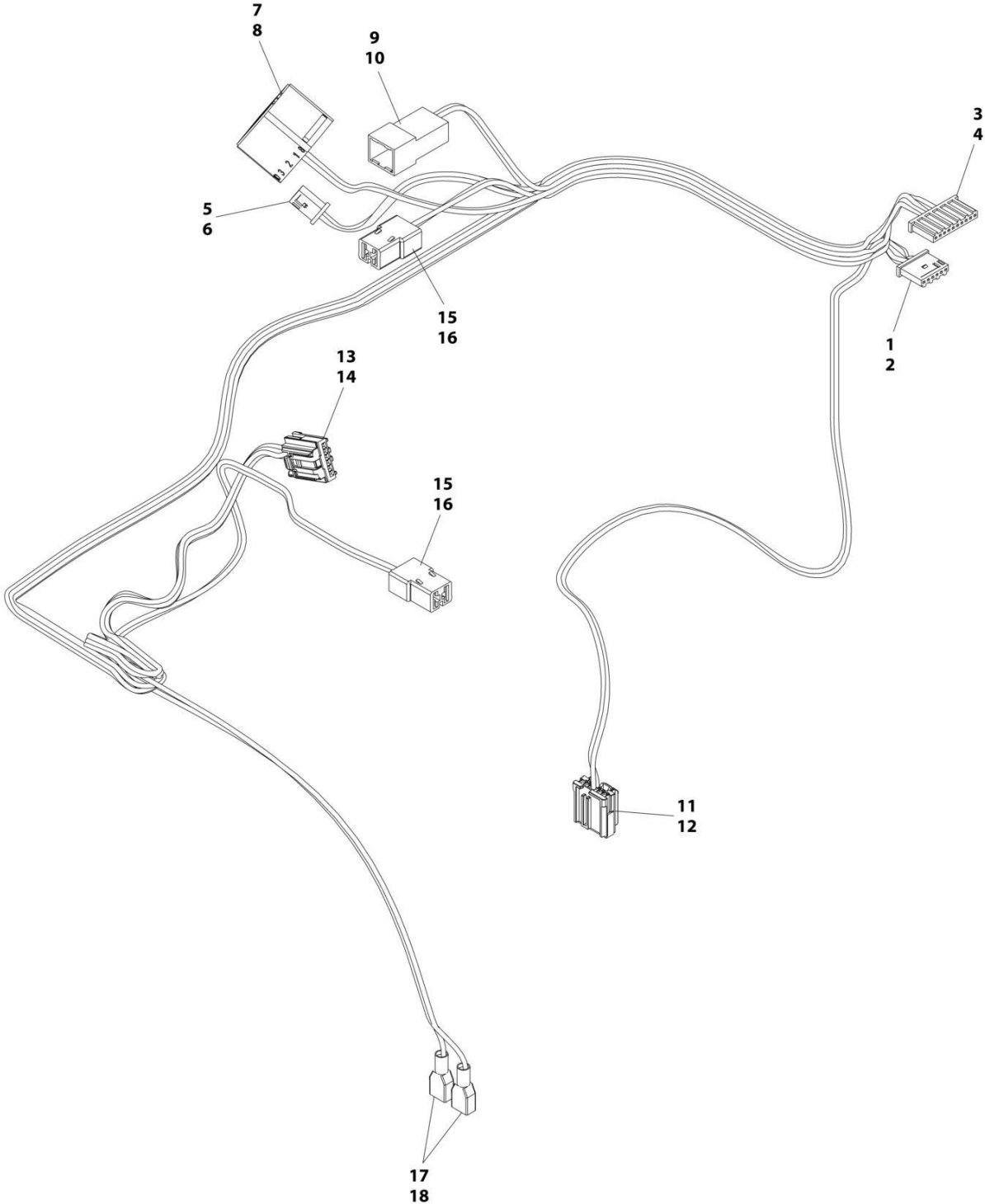
## SECTION 10 - ELECTRICAL

### FIGURE 10-87. GATEWAY CONTROLLER

ITEM	PART NUMBER	QTY	DESCRIPTION	REV
1	1001229458	Ref	Gateway Controller (SOLD AS ASSEMBLY ONLY)	B

**SECTION 10 - ELECTRICAL**

**FIGURE 10-88. HVAC ACTUATORS HARNESS**



ART\_1001221056

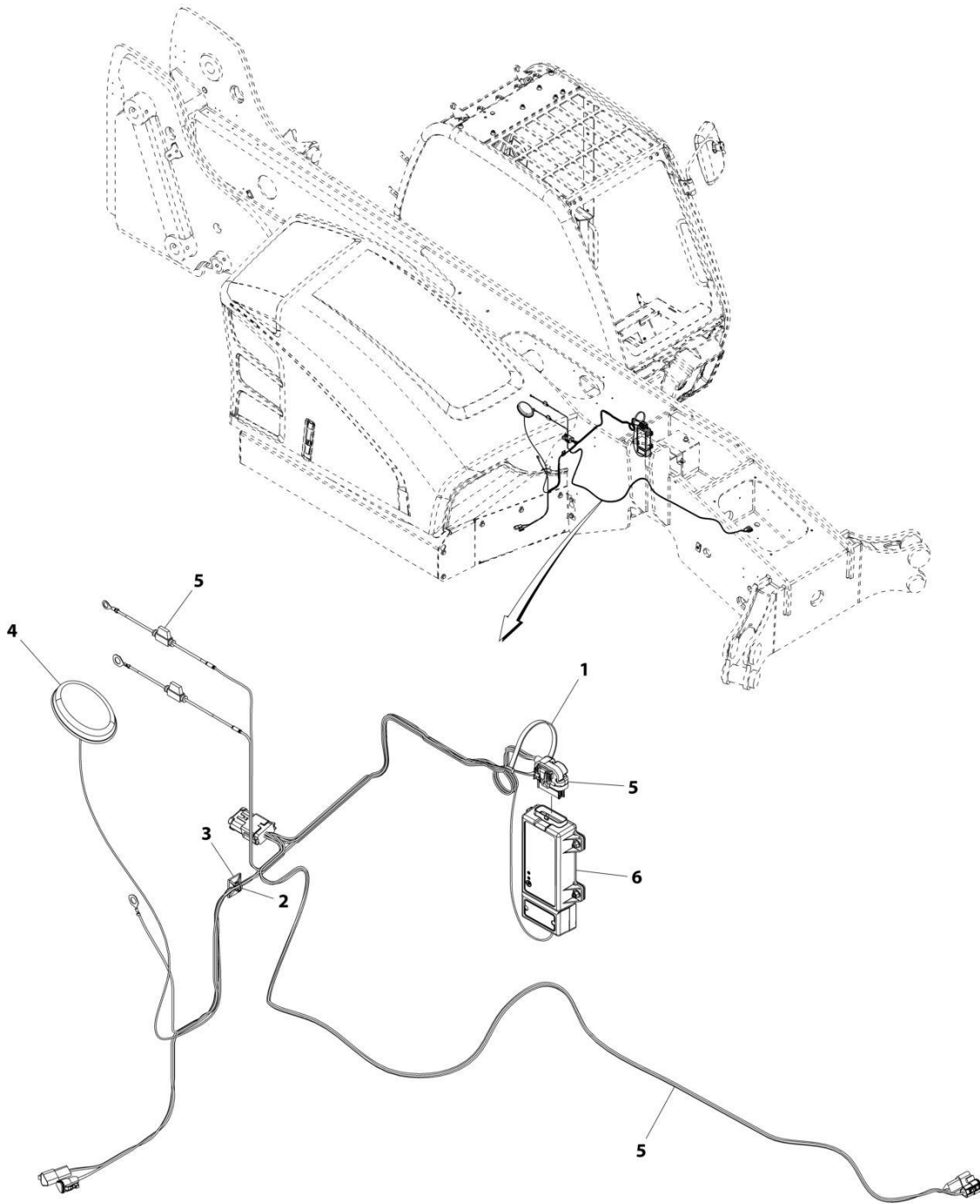
## SECTION 10 - ELECTRICAL

### FIGURE 10-88. HVAC ACTUATORS HARNESS

ITEM	PART NUMBER	QTY	DESCRIPTION	REV
	1001221056	Ref	HVAC ACTUATOR HARNESS	E
		Ref	Note: No Other Service Parts Available At Time of Printing.	
1		Ref	Connector	
2		Ref	Terminal	
3		Ref	Connector	
4		Ref	Terminal	
5	1001184473	1	Connector	
6		Ref	Terminal	
7		Ref	Connector	
8		Ref	Connector	
9	1001116999	1	Connector	
10	7029668	2	Terminal	
11		Ref	Connector	
12		Ref	Terminal	
13		Ref	Connector	
14		Ref	Terminal	
15	1001116991	2	Connector	
16		Ref	Terminal	
17	8220108	2	Connector	
18		Ref	Terminal	

# SECTION 10 - ELECTRICAL

## FIGURE 10-89. TELEMATICS CANBUS INSTALLATION (CLEARSKY 2) (ANSI)



ART\_1001221941-A



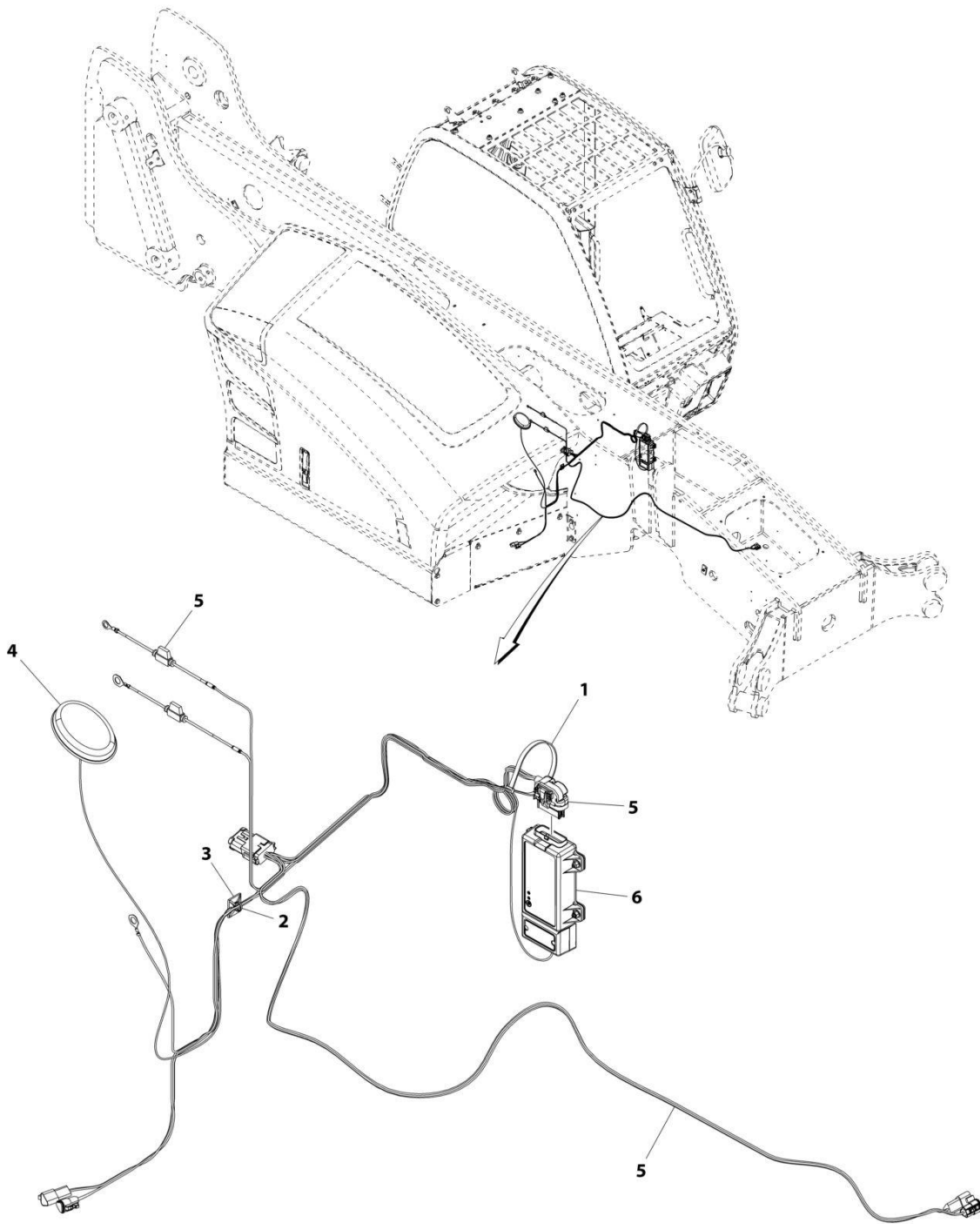
## SECTION 10 - ELECTRICAL

**FIGURE 10-89. TELEMATICS CANBUS INSTALLATION (CLEARSKY 2) (ANSI)**

ITEM	PART NUMBER	QTY	DESCRIPTION	REV
	1001221941	Ref	Telematics Canbus Installation (Clearsky 2)	A
1	1062255	AR	Tie, Strap	
2	4240032	AR	Tie, Strap	
3	4460234	AR	Tie, Strap	
4	1001226799	1	Antenna	
5	1001227297	1	Harness, 4ward Telematics (Clearsky 2) (See Separate Breakdown in this section)	
6	1001229955	1	Module	

# SECTION 10 - ELECTRICAL

## FIGURE 10-90. TELEMATICS CANBUS INSTALLATION (CLEARSKY 2) (CE)



ART\_1001239249-A

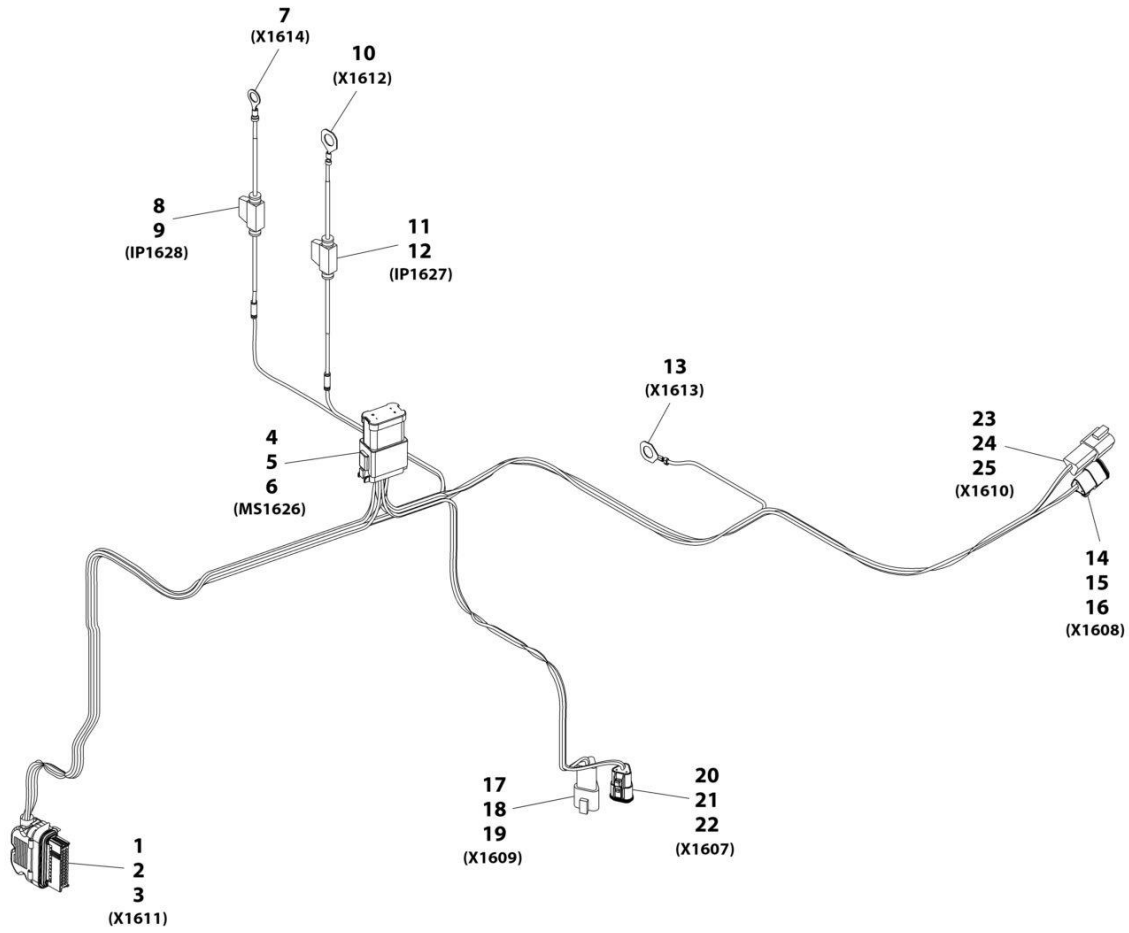
## SECTION 10 - ELECTRICAL

**FIGURE 10-90. TELEMATICS CANBUS INSTALLATION (CLEARSKY 2) (CE)**

ITEM	PART NUMBER	QTY	DESCRIPTION	REV
	1001239249	Ref	Telematics Canbus Installation (Clearsky 2) (CE)	A
1	1062255	AR	Tie, Strap	
2	4240032	AR	Tie, Strap	
3	4460234	AR	Tie, Strap	
4	1001226799	1	Antenna	
5	1001227297	1	Harness, 4ward Telematics (Clearsky 2) (See Separate Breakdown in this section)	
6	1001239194	1	Module	

# SECTION 10 - ELECTRICAL

## FIGURE 10-91. 4WARD TELEMATIC, HARNESS (CLEARSKY 2)



ART\_1001227297

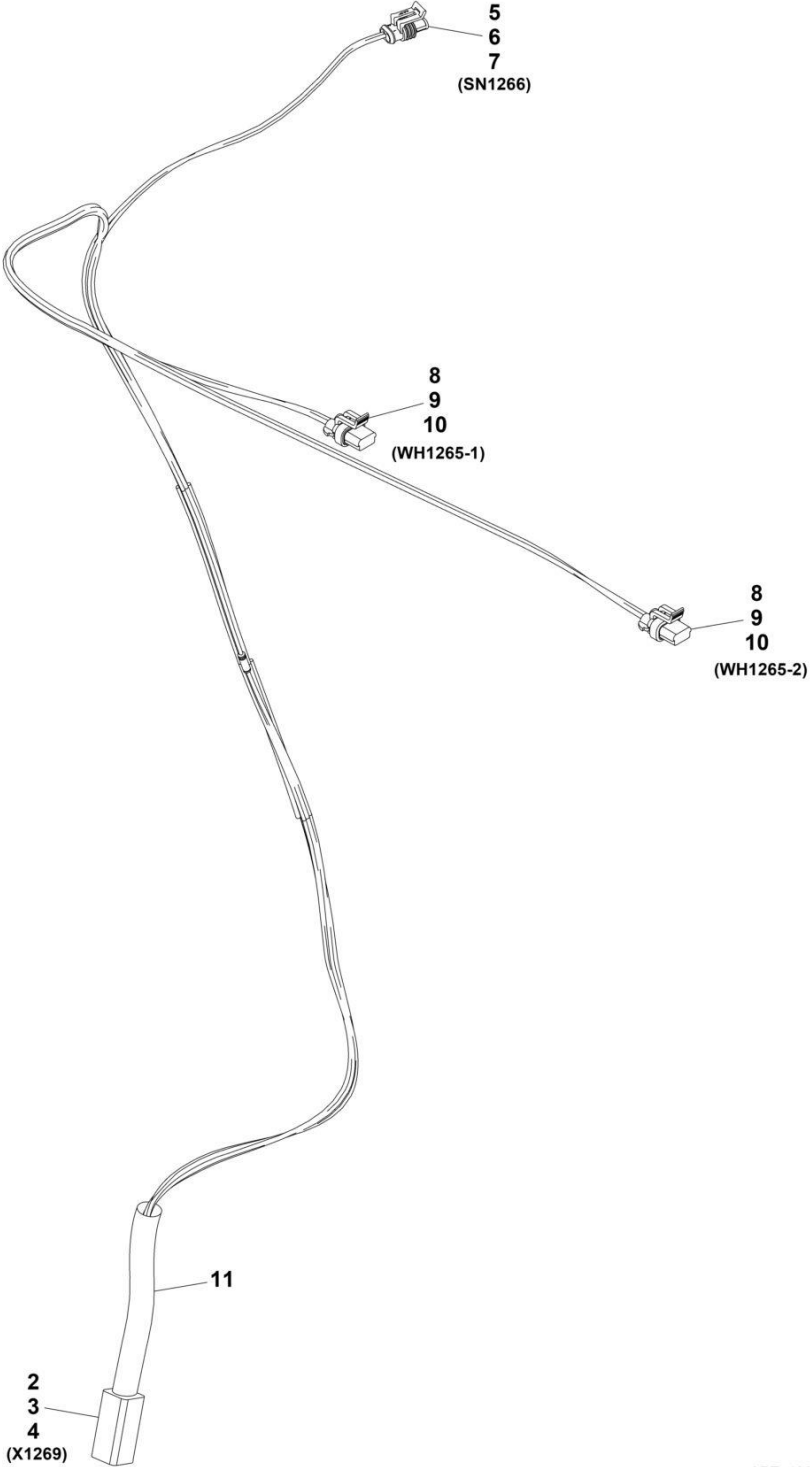
## SECTION 10 - ELECTRICAL

**FIGURE 10-91. 4WARD TELEMATIC, HARNESS (CLEARSKY 2)**

ITEM	PART NUMBER	QTY	DESCRIPTION	REV
	1001227297	Ref	TELEMATIC 4WARD HARNESS (CLEARSKY 2)	C
1	1001226636	1	Connector	
2	1001226637	7	Terminal	
3	1001116731	17	Plug	
4	4460933	1	Connector	
5	4460465	12	Terminal	
6	1001200206	1	Connector, DT 12 Pin 4X3 Buss	
7	4460670	1	Connector	
8	2400060	1	Connector	
9	8229242	1	Fuse, 5amp	
10	1001187078	1	Connector	
11	2400060	1	Connector	
12	8229242	1	Fuse, 5amp	
13	1001187077	1	Connector	
14	1001116812	1	Connector	
15	4460465	2	Terminal	
16	4460466	1	Plug	
17	1001144147	1	Connector	
18	4460464	2	Terminal	
19	4460466	1	Plug	
20	1001116812	1	Connector	
21	4460465	2	Terminal	
22	4460466	1	Plug	
23	1001144147	1	Connector	
24	4460464	2	Terminal	
25	4460466	1	Plug	

**SECTION 10 - ELECTRICAL**

**FIGURE 10-92. A/C OPTION HARNESS**



ART\_1001169151

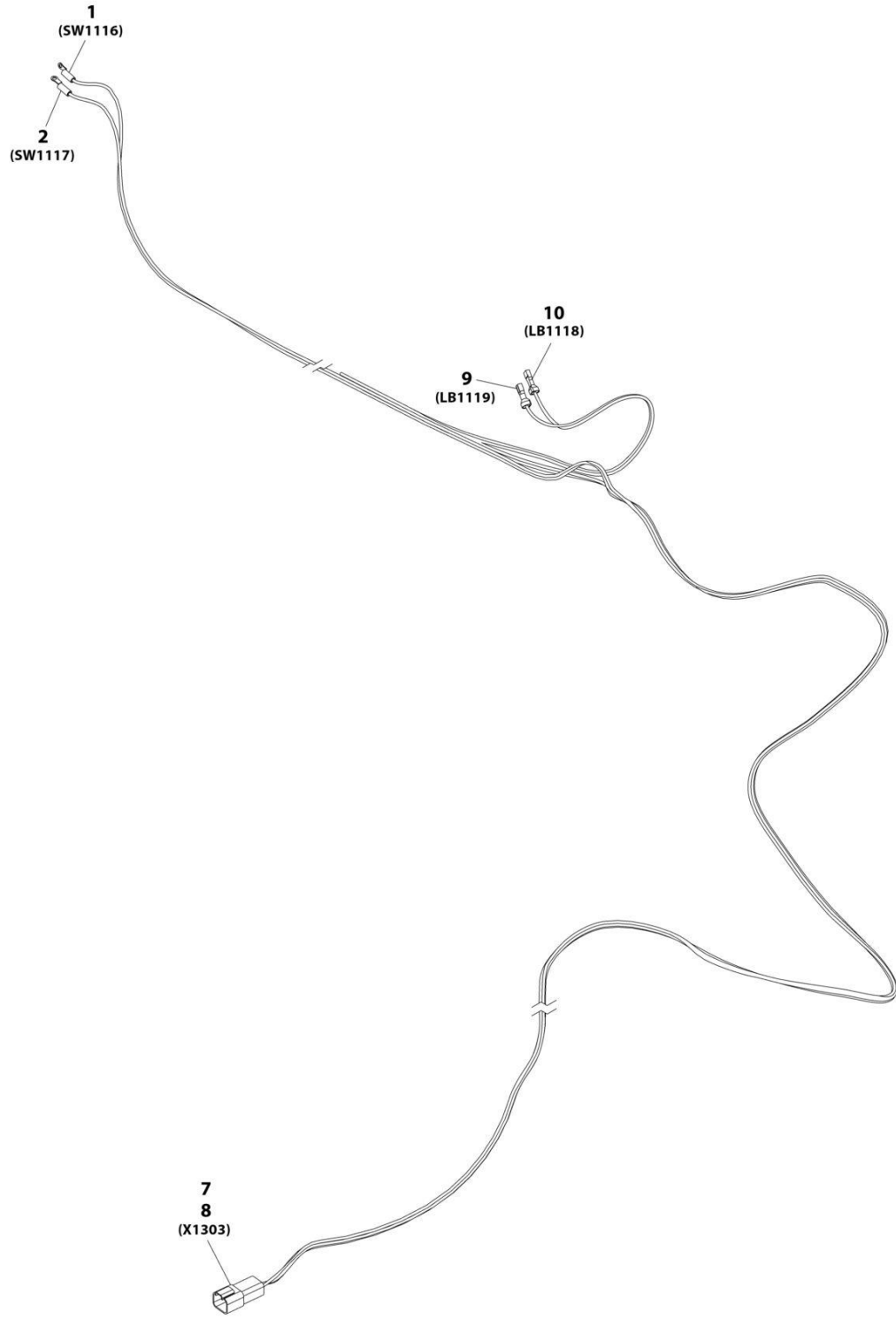
## SECTION 10 - ELECTRICAL

### FIGURE 10-92. A/C OPTION HARNESS

ITEM	PART NUMBER	QTY	DESCRIPTION	REV
	1001169151	Ref	A/C Option Harness	G
2	4460899	1	Connector	
3	4460941	4	Terminal	
4	4460464	2	Terminal	
5	4461118	1	Connector	
6	1001107854	2	Terminal	
7	1001116763	2	Seal	
8	1001117021	2	Connector	
9	1001116747	4	Terminal	
10	4460789	4	Seal	
11	70028546	1	Backshell	

# SECTION 10 - ELECTRICAL

## FIGURE 10-93. CAB AIR SHUT OFF VALVE HARNESS



ART\_1001231407-C



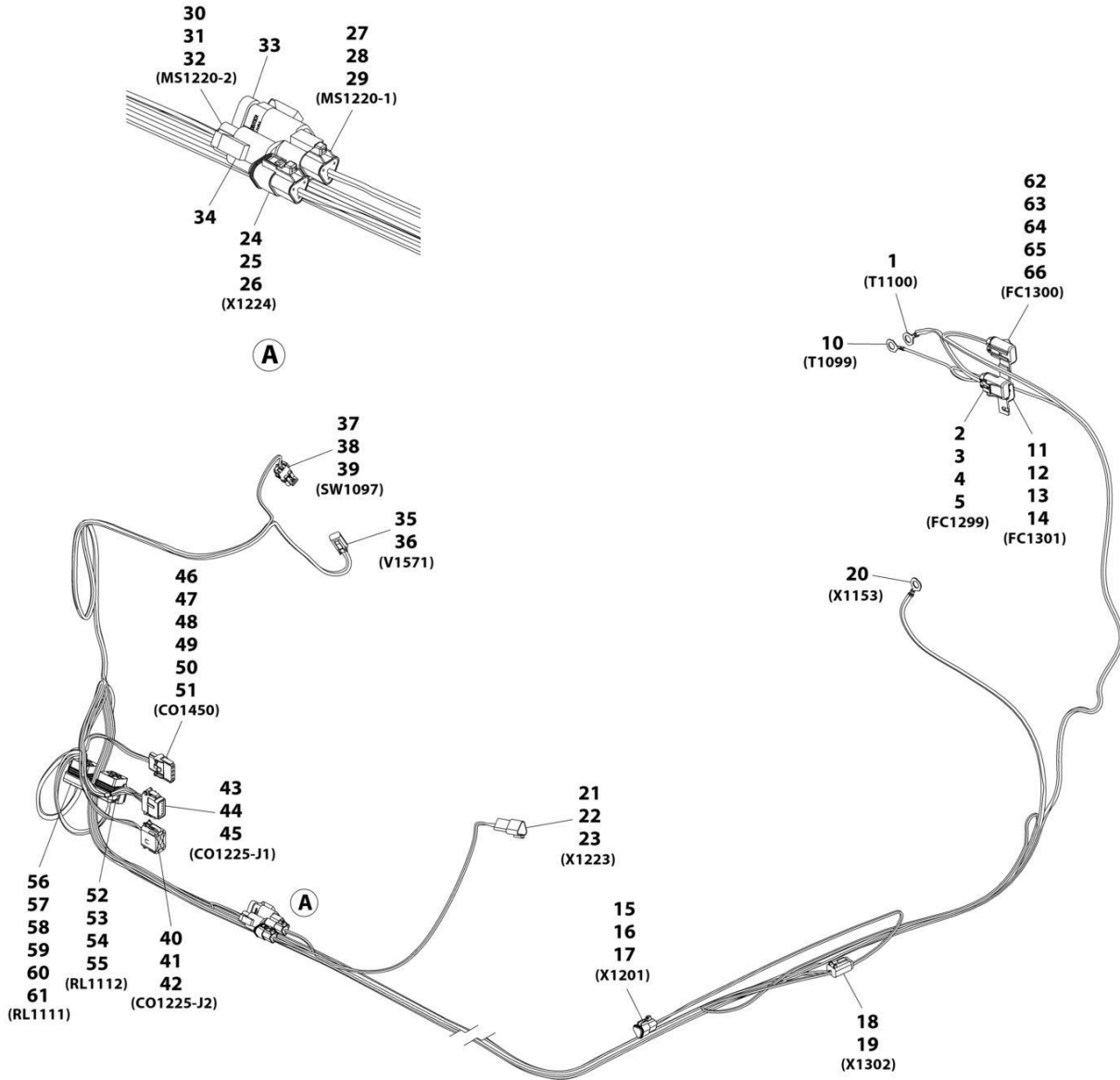
## SECTION 10 - ELECTRICAL

### FIGURE 10-93. CAB AIR SHUT OFF VALVE HARNESS

ITEM	PART NUMBER	QTY	DESCRIPTION	REV
	1001231407	1	Air Shutoff Valve Harness	C
1	8220035	1	Terminal, Ring	
2	8220035	1	Terminal, Ring	
7	4460932	1	Connector	
8	4460464	4	Pin	
9	8220108	1	Connector, Female	
10	8220108	1	Connector, Female	

# SECTION 10 - ELECTRICAL

## FIGURE 10-94. ENGINE AIR SHUT OFF VALVE HARNESS



ART\_1001231483\_D

## SECTION 10 - ELECTRICAL

**FIGURE 10-94. ENGINE AIR SHUT OFF VALVE HARNESS**

ITEM	PART NUMBER	QTY	DESCRIPTION	REV
	1001231483	Ref	Air Shut Off Valve Harness (Engine)	D
1	1001187079	1	Terminal, Ring	
2	1001231397	1	Connector	
3	8229235	1	Fuse, 20amp	
4	1001231401	2	Terminal	
5	1001230402	2	Seal	
10	1001187078	1	Terminal, Ring	
11	1001231397	1	Connector	
12	8229261	1	Fuse, 5amp	
13	1001231400	2	Terminal	
14	1001230403	2	Seal	
15	1001116812	1	Connector	
16	4460465	2	Terminal	
17	4460466	1	Plug	
18	4460884	1	Connector	
19	4460465	4	Terminal	
20	1001187079	1	Terminal, Ring	
21	1001144147	1	Connector	
22	4460464	2	Terminal	
23	4460466	1	Plug	
24	1001116812	1	Connector	
25	4460465	2	Terminal	
26	4460466	1	Plug	
27	1001116812	1	Connector	
28	4460465	2	Terminal	
29	4460466	1	Plug	
30	4460539	1	Connector	
31	4460465	2	Terminal	
32	4460466	1	Plug	
33	1001116815	1	Connector, 3 Pin	
34	4460945	1	Terminal, 3 Way "T" Receptacle	
35	4460891	1	Connector	
36	1001157890	2	Terminal	
37	4460742	1	Connector	
38	4460475	2	Terminal	
39	4460458	2	Plug	
40	1001116774	1	Connector	
41	4460518	8	Plug	
42	1001126008	4	Terminal	
43	1001116808	1	Connector	
44	1001126008	9	Terminal	
45	4460518	3	Plug	
46	4460761	1	Connector	
47	4460321	1	Terminal	
48	1001118378	4	Terminal	
49	4460809	4	Plug	
50	1001143551	1	Seal	
51	1001218358	1	Lanyard Rope	
52	1001231398	1	Connector	
53	1001231400	4	Terminal	

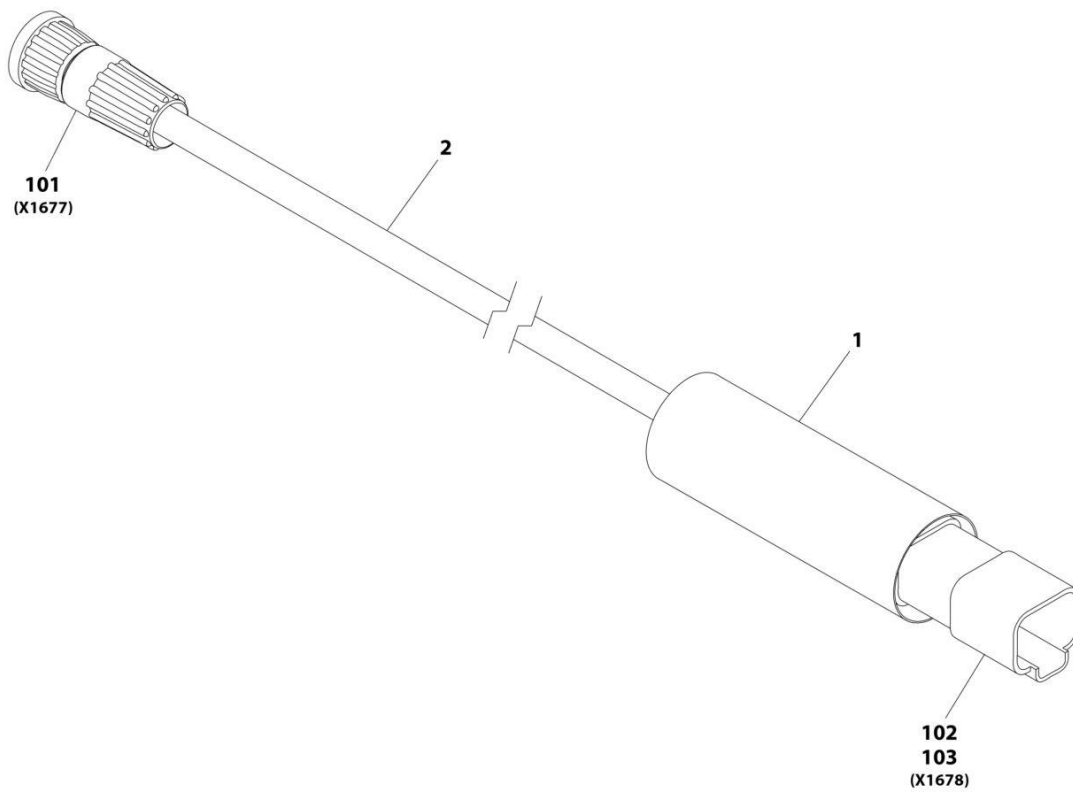
## SECTION 10 - ELECTRICAL

ITEM	PART NUMBER	QTY	DESCRIPTION	REV
54	1001231404	4	Seal	
55	1001231406	1	Plug	
56	1001231398	1	Connector	
57	1001231401	2	Terminal	
58	1001231402	2	Seal	
59	1001231400	2	Terminal	
60	1001231404	2	Seal	
61	1001231406	1	Plug	
62	1001231397	1	Connector	
63	8229234	1	Fuse, 10amp	
64	1001231400	2	Terminal	
65	1001230403	1	Seal	
66	1001230404	1	Seal	



# SECTION 10 - ELECTRICAL

## FIGURE 10-95. TELEMATICS HARNESS



ART\_1001227066-A

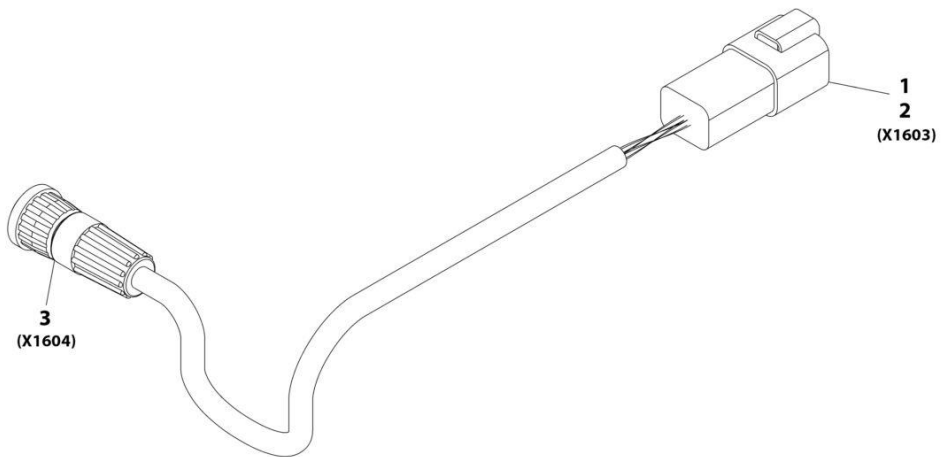
## SECTION 10 - ELECTRICAL

### FIGURE 10-95. TELEMATICS HARNESS

ITEM	PART NUMBER	QTY	DESCRIPTION	REV
	1001227066	Ref	CLEARSKY TELEMATICS HARNESS	A
1	1001226400	0.33 ft	Insulate, Heat Shrink	
2	1001227068	3.3 ft	Cable	
101	1001227266	1	Connector	
102	1001129407	1	Connector	
103	4460464	4	Terminal	

# SECTION 10 - ELECTRICAL

## FIGURE 10-96. REVERSE SENSOR HARNESS



ART\_1001175776-C



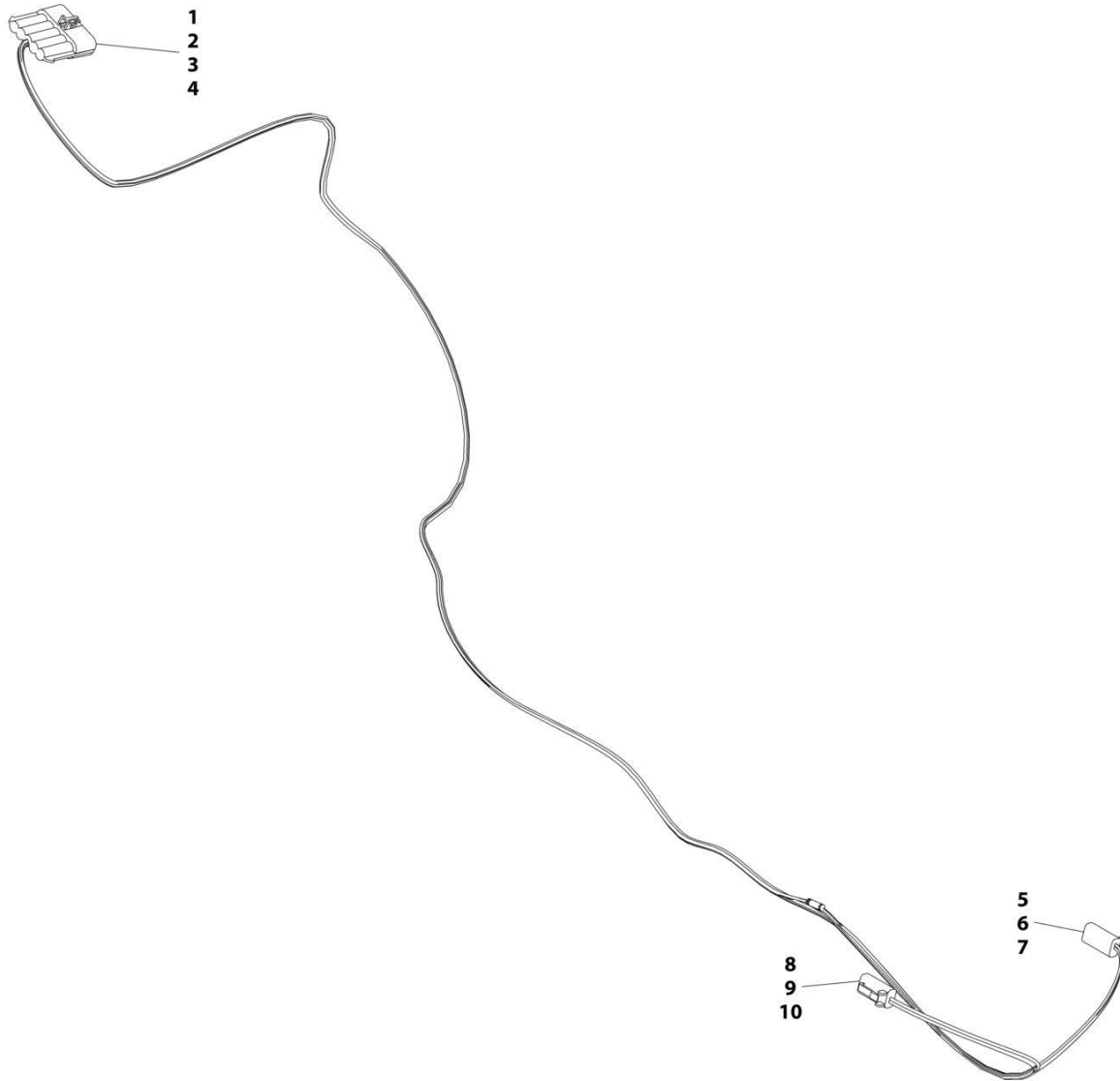
## SECTION 10 - ELECTRICAL

### FIGURE 10-96. REVERSE SENSOR HARNESS

ITEM	PART NUMBER	QTY	DESCRIPTION	REV
	1001175776	Ref	Reverse Sensor Harness	C
1	4460932	1	Connector	
2	4460464	4	Terminal	
3	1001175733	1	Connector	

# SECTION 10 - ELECTRICAL

## FIGURE 10-97. RIDE CONTROL CB VALVE HARNESS (LIFT)



ART\_1001173527-B

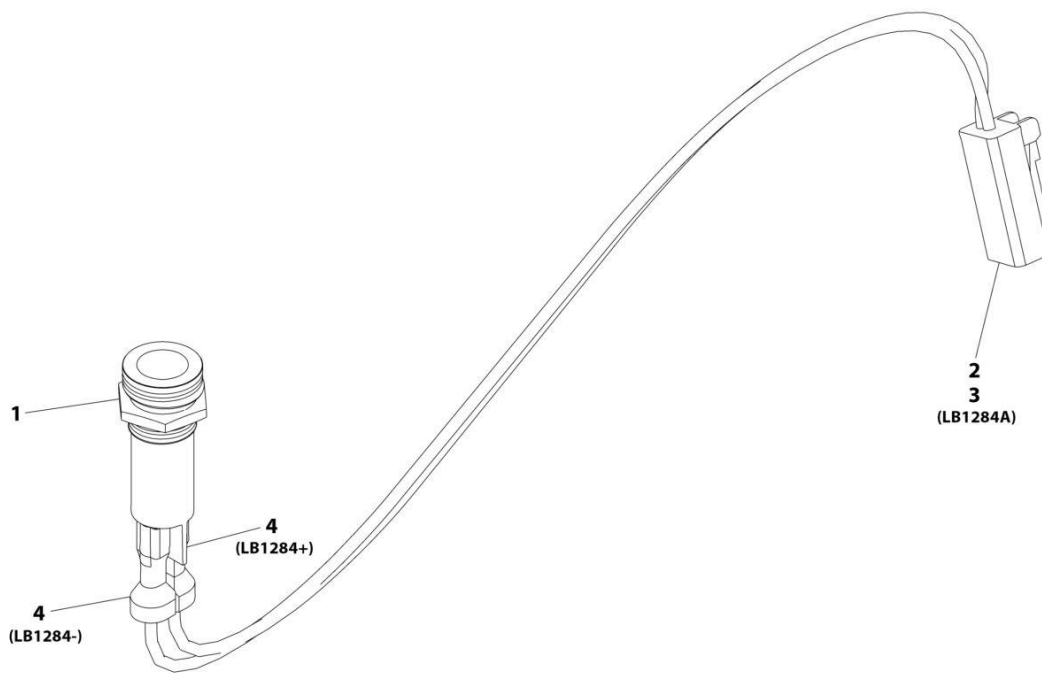
## SECTION 10 - ELECTRICAL

**FIGURE 10-97. RIDE CONTROL CB VALVE HARNESS (LIFT)**

ITEM	PART NUMBER	QTY	DESCRIPTION	REV
	1001173527	Ref	Ride Control CB Valve Harness	B
1	1001121727	1	Connector	
2	1001166727	2	Plug	
3	1001116745	2	Terminal	
4	1001116729	1	Terminal	
5	4460891	1	Connector	
6	80604018	1	Lock, Secondary	
7	4460465	2	Terminal	
8	4460891	1	Connector	
9	80604018	1	Lock, Secondary	
10	4460465	2	Terminal	

# SECTION 10 - ELECTRICAL

## FIGURE 10-98. DEF PURGE LIGHT HARNESS



ART\_1001232288-A

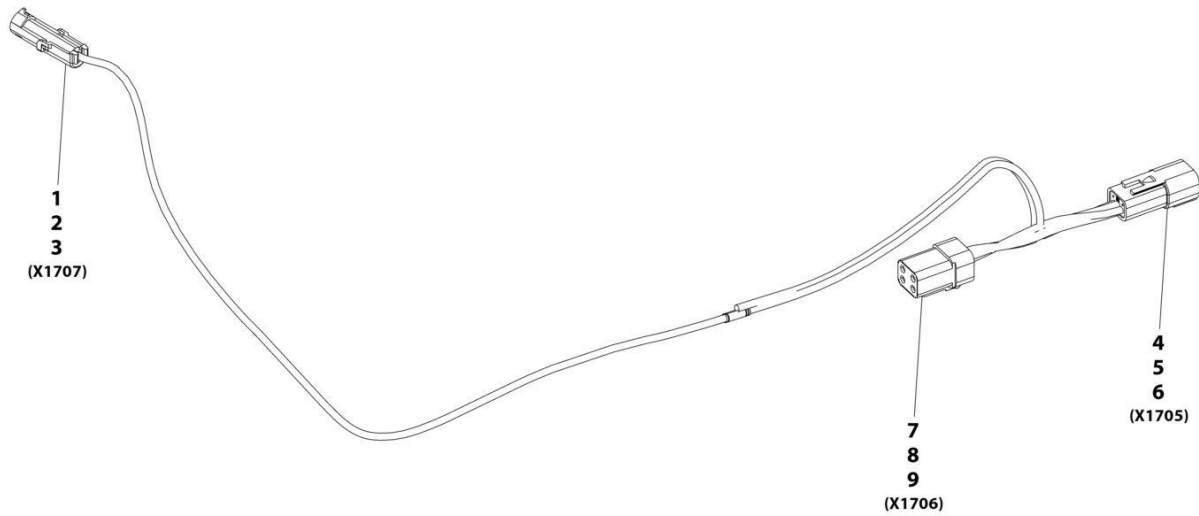
## SECTION 10 - ELECTRICAL

### FIGURE 10-98. DEF PURGE LIGHT HARNESS

ITEM	PART NUMBER	QTY	DESCRIPTION	REV
	1001232288	Ref	DEF Purge Light Harness	A
1	1001169825	1	LED Lamp 12V	
2	4461290	1	Connector	
3	1001126008	2	Terminal	
4	8220108	2	Connector	

# SECTION 10 - ELECTRICAL

## FIGURE 10-99. CUMMINS BREATHER HEATER HARNESS



ART\_1001237171-A

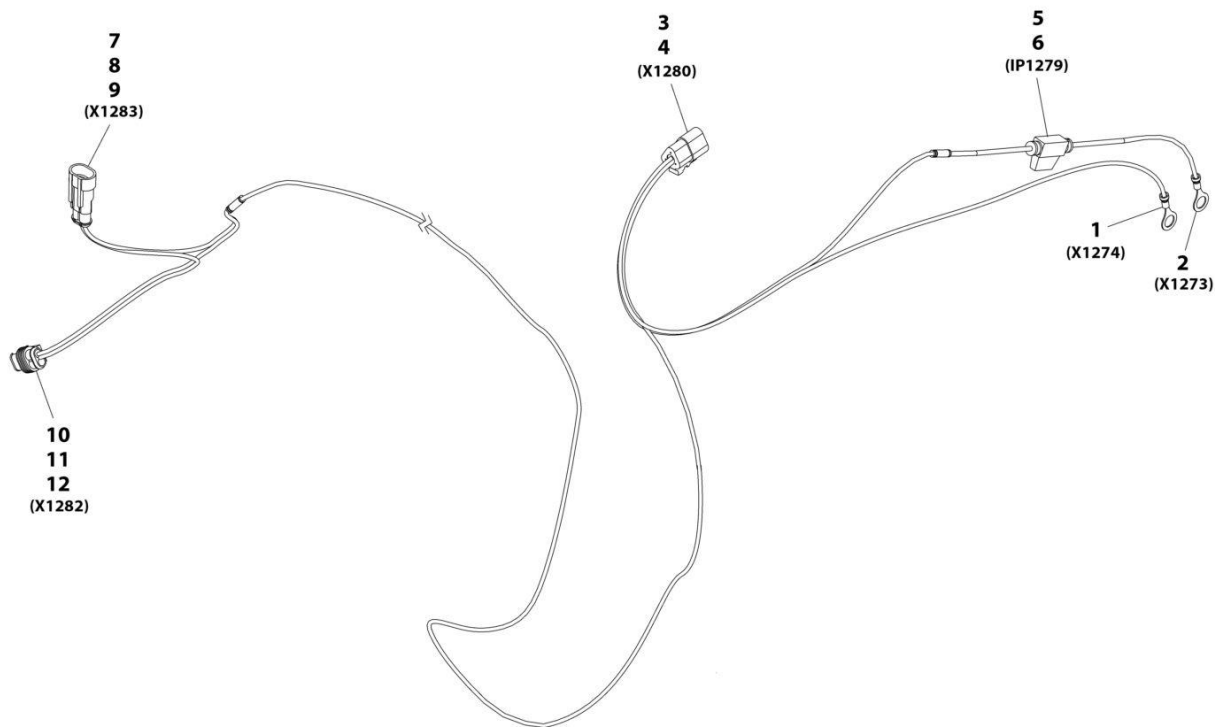
## SECTION 10 - ELECTRICAL

### FIGURE 10-99. CUMMINS BREATHER HEATER HARNESS

ITEM	PART NUMBER	QTY	DESCRIPTION	REV
	1001237171	Ref	Cummins Breather Heater Harness	A
1	80963056	1	Connector	
2	4460850	1	Terminal	
3	80963067	1	Seal	
4	1001116811	1	Connector	
5	4460508	3	Terminal	
6	1001150610	1	Terminal	
7	1001116810	1	Connector	
8	4460509	3	Terminal	
9	1001150611	1	Terminal	

# SECTION 10 - ELECTRICAL

## FIGURE 10-100. REVERSE CAMERA OPTION HARNESS, NO HED



ART\_1001245323-A



## SECTION 10 - ELECTRICAL

### FIGURE 10-100. REVERSE CAMERA OPTION HARNESS, NO HED

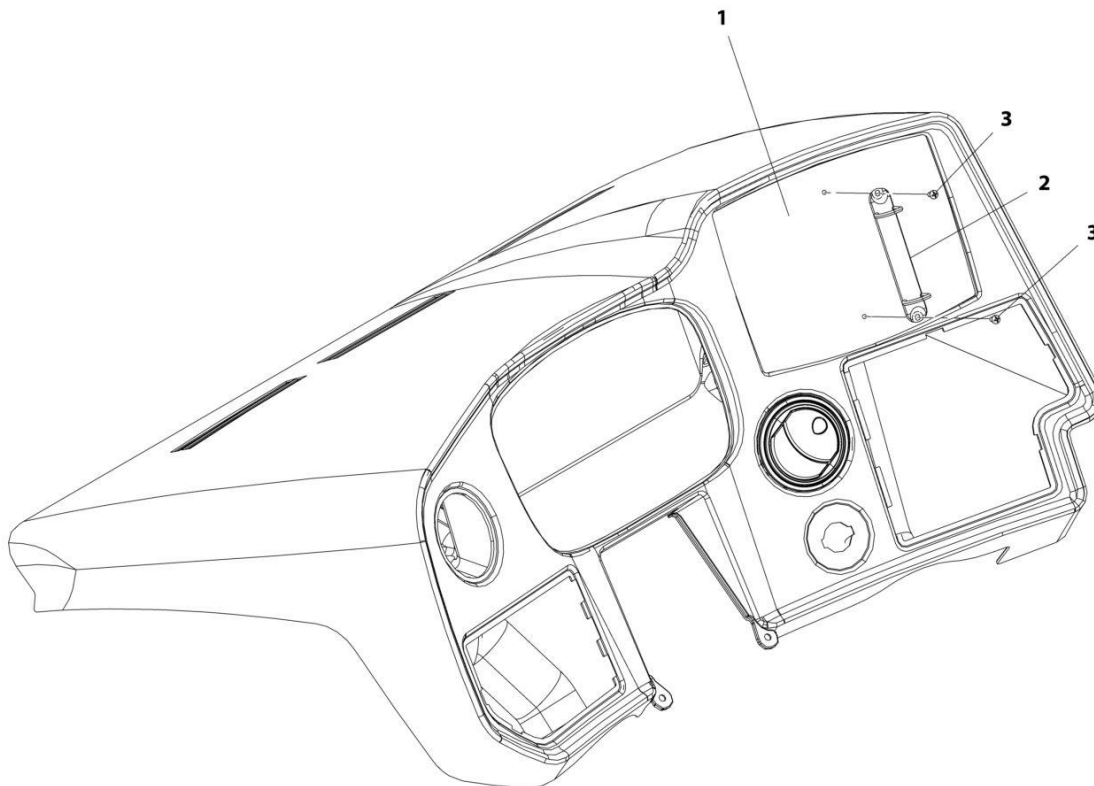
ITEM	PART NUMBER	QTY	DESCRIPTION	REV
	1001245323	Ref	Rear Camera Option Harness	A
1	4460670	1	Terminal Ring	
2	4460670	1	Terminal Ring	
3	4460539	1	Connector	
4	4460465	3	Terminal	
5	2400060	1	Connector	
6	8229242	1	Terminal	
7	4461227	1	Connector	
8	1001104497	2	Terminal	
9	1001116763	2	Seal	
10	4461118	1	Connector	
11	1001107854	2	Terminal	
12	1001116763	2	Seal	



**SECTION 11 - DECALS**

# SECTION 11 - DECALS

## FIGURE 11-1. CAPACITY CHART HOLDER INSTALLATION



ART\_1001178706-A

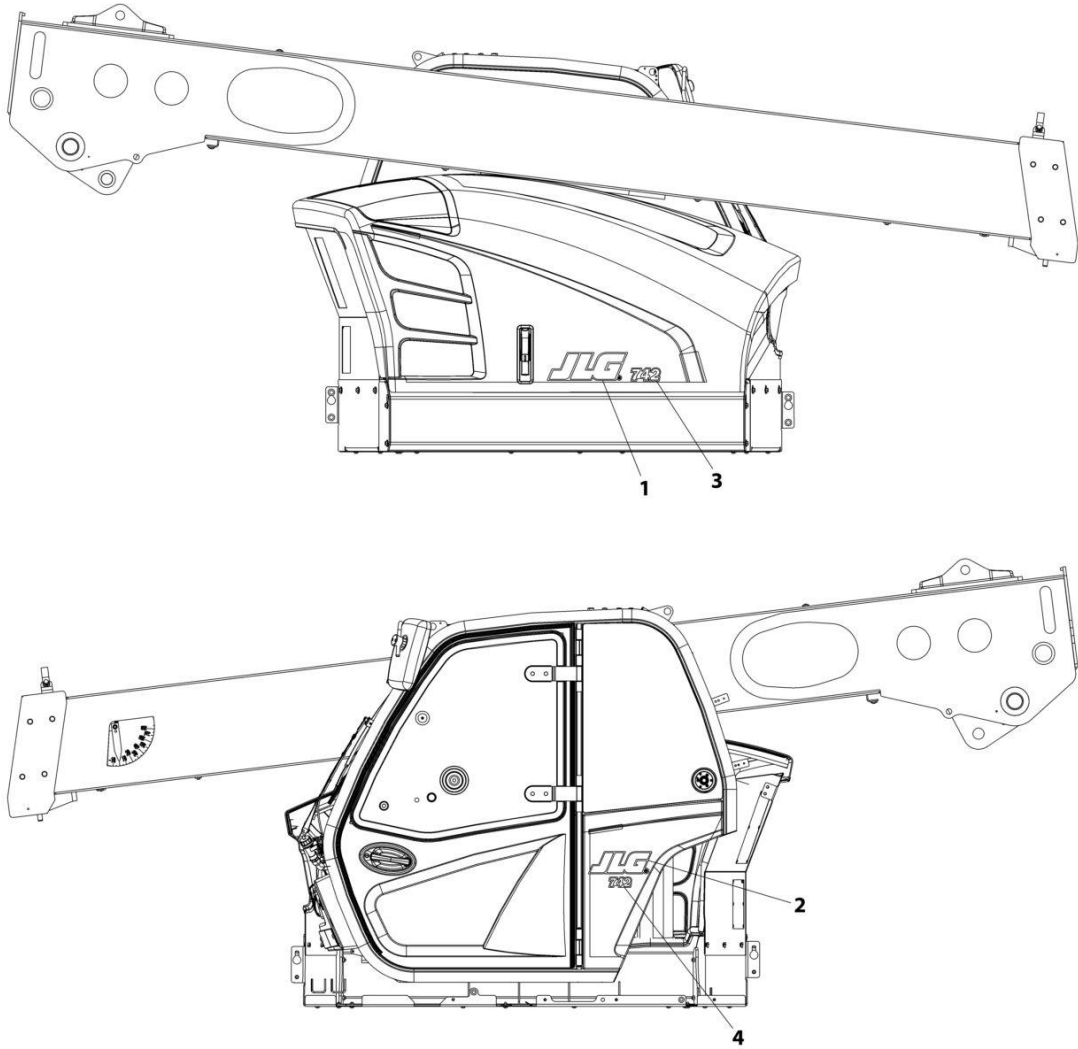
## SECTION 11 - DECALS

### FIGURE 11-1. CAPACITY CHART HOLDER INSTALLATION

ITEM	PART NUMBER	QTY	DESCRIPTION	REV
	1001178706	Ref	Capacity Chart Holder Installation	A
1	1001179297	1	Load Chart, Bezel	
2	1001005960	1	Holder	
3	7029486	2	Screw	

**SECTION 11 - DECALS**

**FIGURE 11-2. BRAND AND MODEL DECAL INSTALLATION**



ART\_1001226709-A

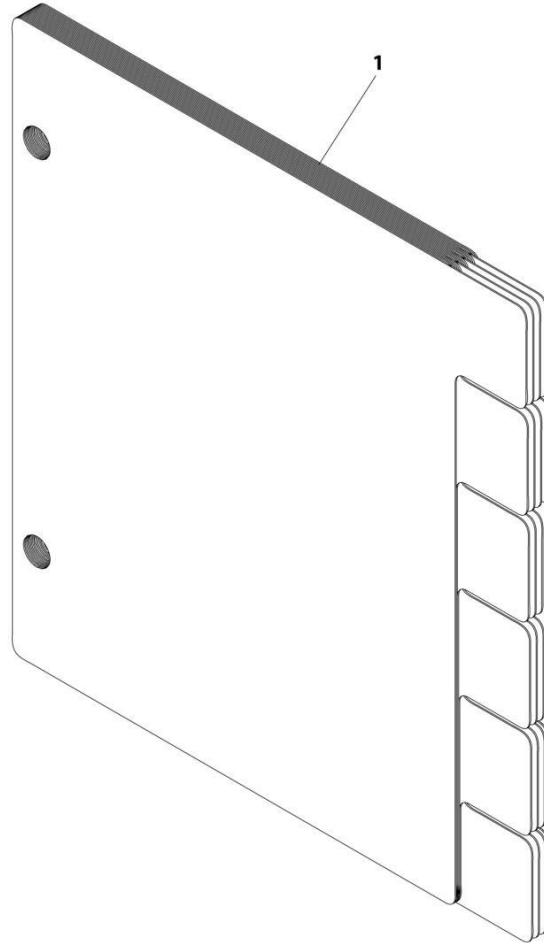
## SECTION 11 - DECALS

FIGURE 11-2. BRAND AND MODEL DECAL INSTALLATION

ITEM	PART NUMBER	QTY	DESCRIPTION	REV
	1001226709	Ref	Brand and Model Decal Installation	A
1	1001160775	1	Decal, JLG 5 Black	
2	1001169674	1	Decal, JLG	
3	1001226710	1	Decal, JLG 742	
4	1001226711	1	Decal, JLG 742 Cab	

# SECTION 11 - DECALS

FIGURE 11-3. CAPACITY CHART BOOKLET



ART\_1001226012\_F

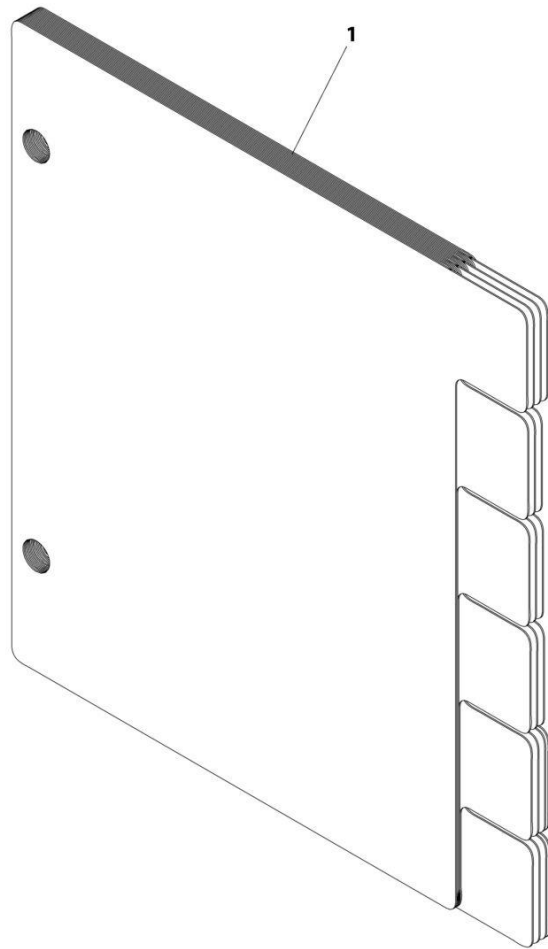


**FIGURE 11-3. CAPACITY CHART BOOKLET**

ITEM	PART NUMBER	QTY	DESCRIPTION	REV
1	1001226012	1	Capacity Chart Booklet (ANSI) - 742	F

# SECTION 11 - DECALS

FIGURE 11-4. CAPACITY CHART BOOKLET



ART\_1001226013-B

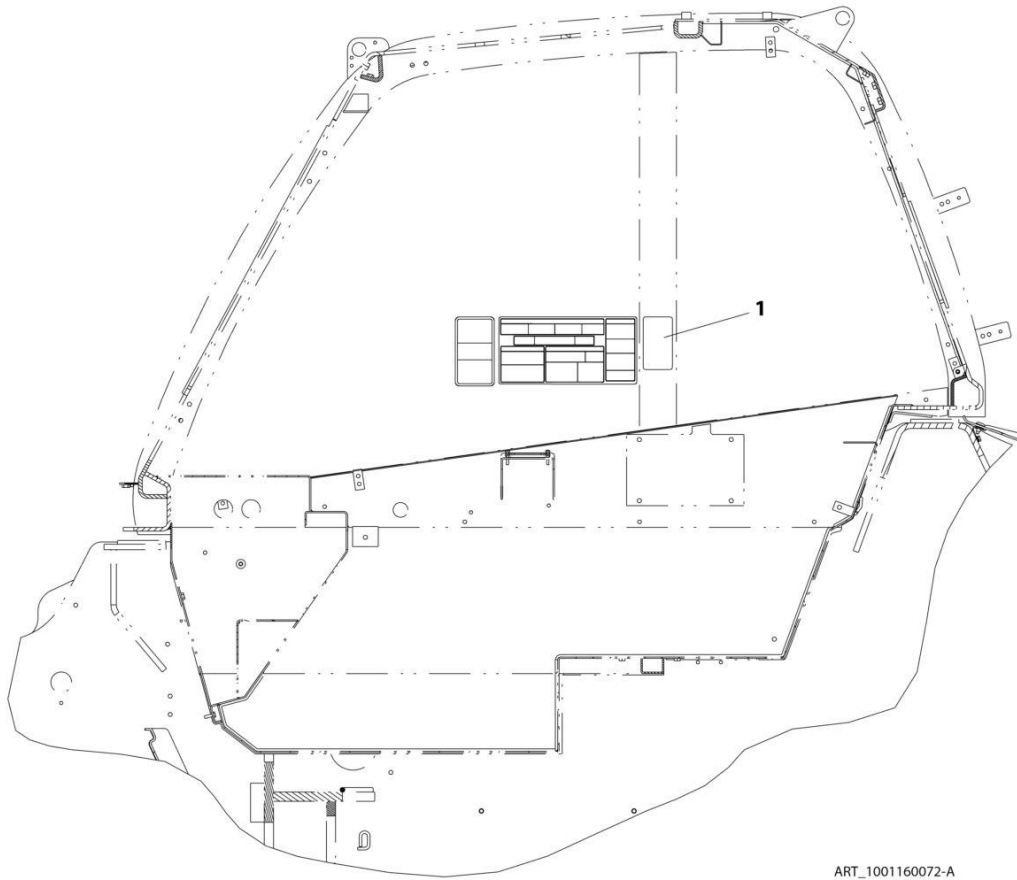
## SECTION 11 - DECALS

FIGURE 11-4. CAPACITY CHART BOOKLET

ITEM	PART NUMBER	QTY	DESCRIPTION	REV
1	1001226013	1	Capacity Chart Booklet (ISO) - 742	E

# SECTION 11 - DECALS

## FIGURE 11-5. REVERSE SENSOR SYSTEM DECAL (ENGLISH)



ART\_1001160072-A

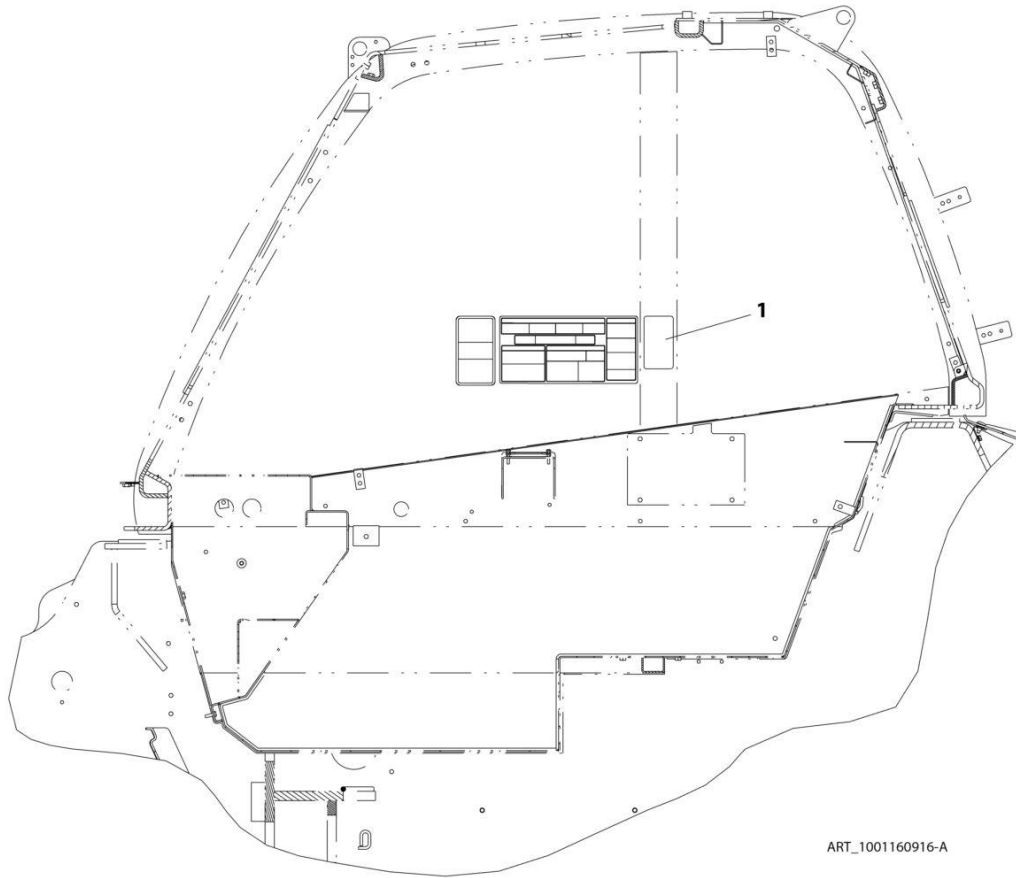
## SECTION 11 - DECALS

**FIGURE 11-5. REVERSE SENSOR SYSTEM DECAL (ENGLISH)**

ITEM	PART NUMBER	QTY	DESCRIPTION	REV
1	1001160072	1	Reverse Sensor System Decal (English)	A

# SECTION 11 - DECALS

## FIGURE 11-6. REVERSE SENSOR SYSTEM DECAL



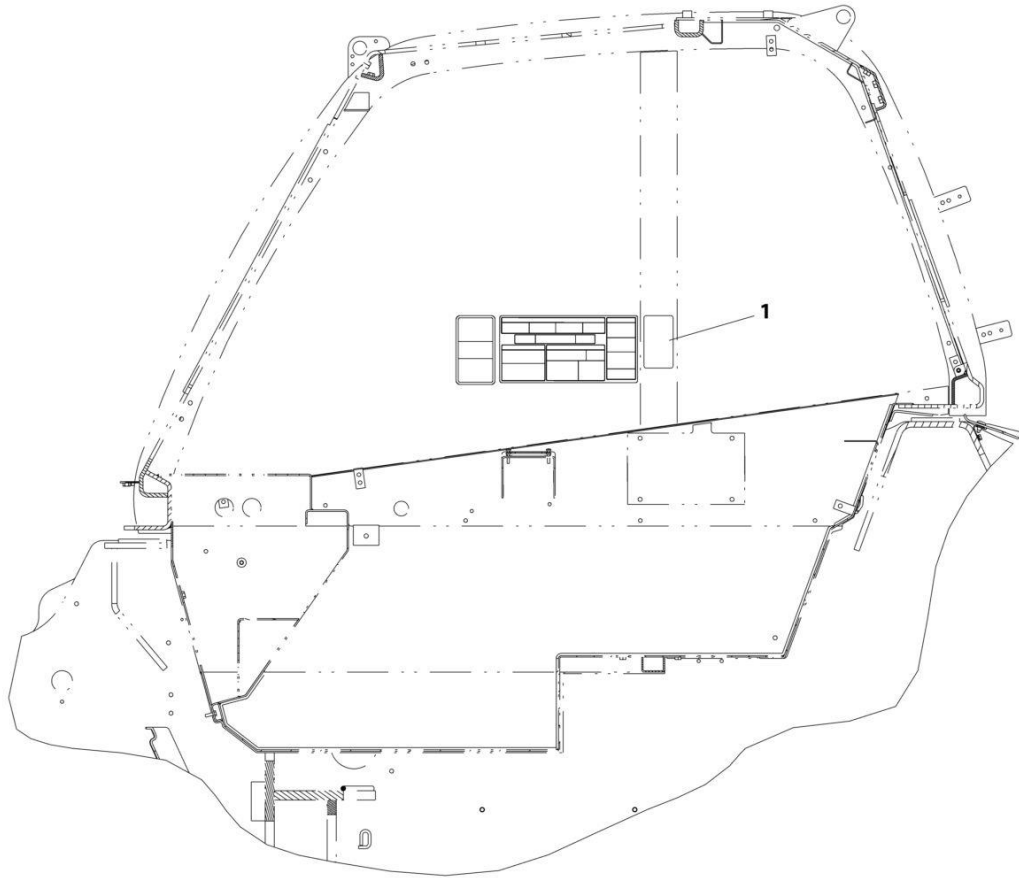
## SECTION 11 - DECALS

**FIGURE 11-6. REVERSE SENSOR SYSTEM DECAL**

ITEM	PART NUMBER	QTY	DESCRIPTION	REV
1	1001160916	1	Reverse Sensor System Decal (ISO)	A

# SECTION 11 - DECALS

FIGURE 11-7. REVERSE SENSING SYSTEM DECAL, (ENGLISH/FRENCH)



ART\_1001160945-A



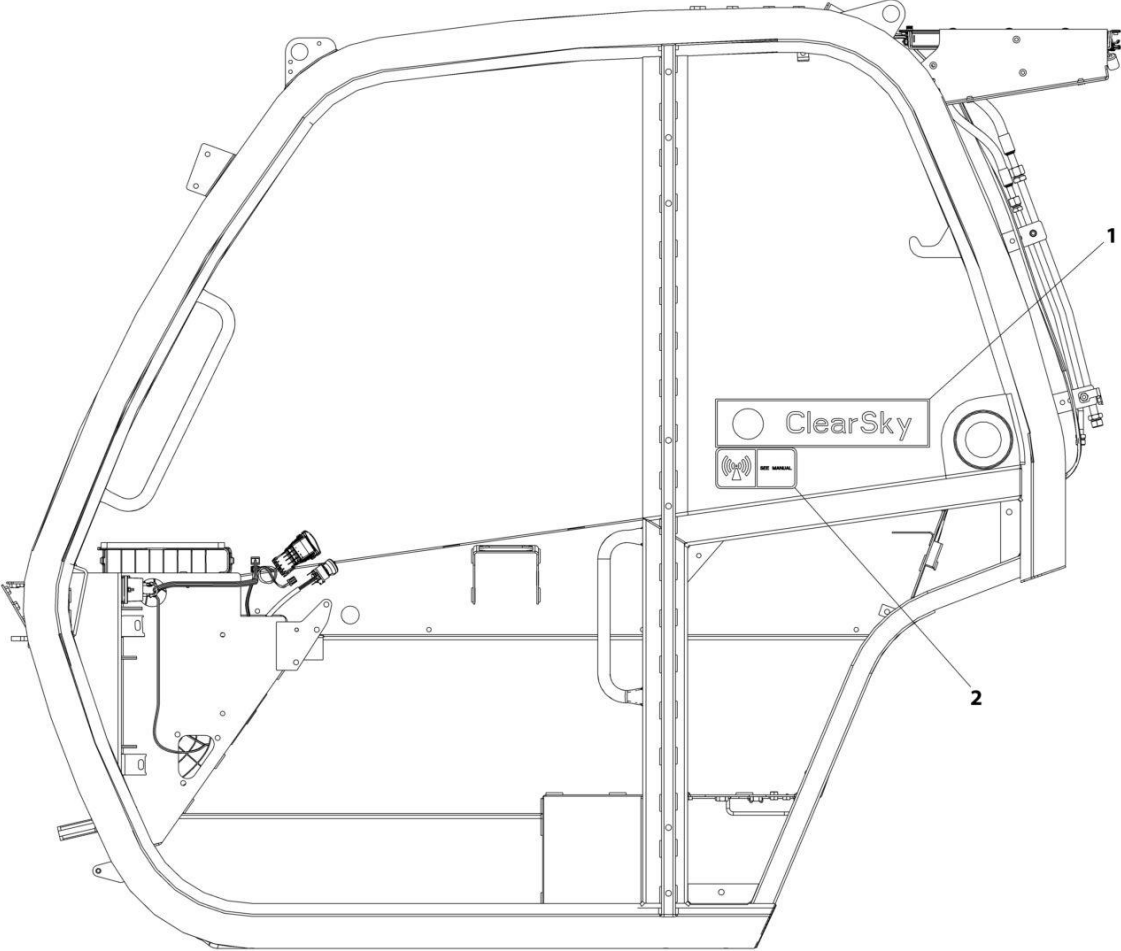
## SECTION 11 - DECALS

**FIGURE 11-7. REVERSE SENSING SYSTEM DECAL, (ENGLISH/FRENCH)**

ITEM	PART NUMBER	QTY	DESCRIPTION	REV
1	1001160945	1	Reverse Sensor System Decal (ENGLISH/FRENCH)	A

**SECTION 11 - DECALS**

**FIGURE 11-8. CLEARSKY DECAL INSTALLATION**



ART\_1001229707

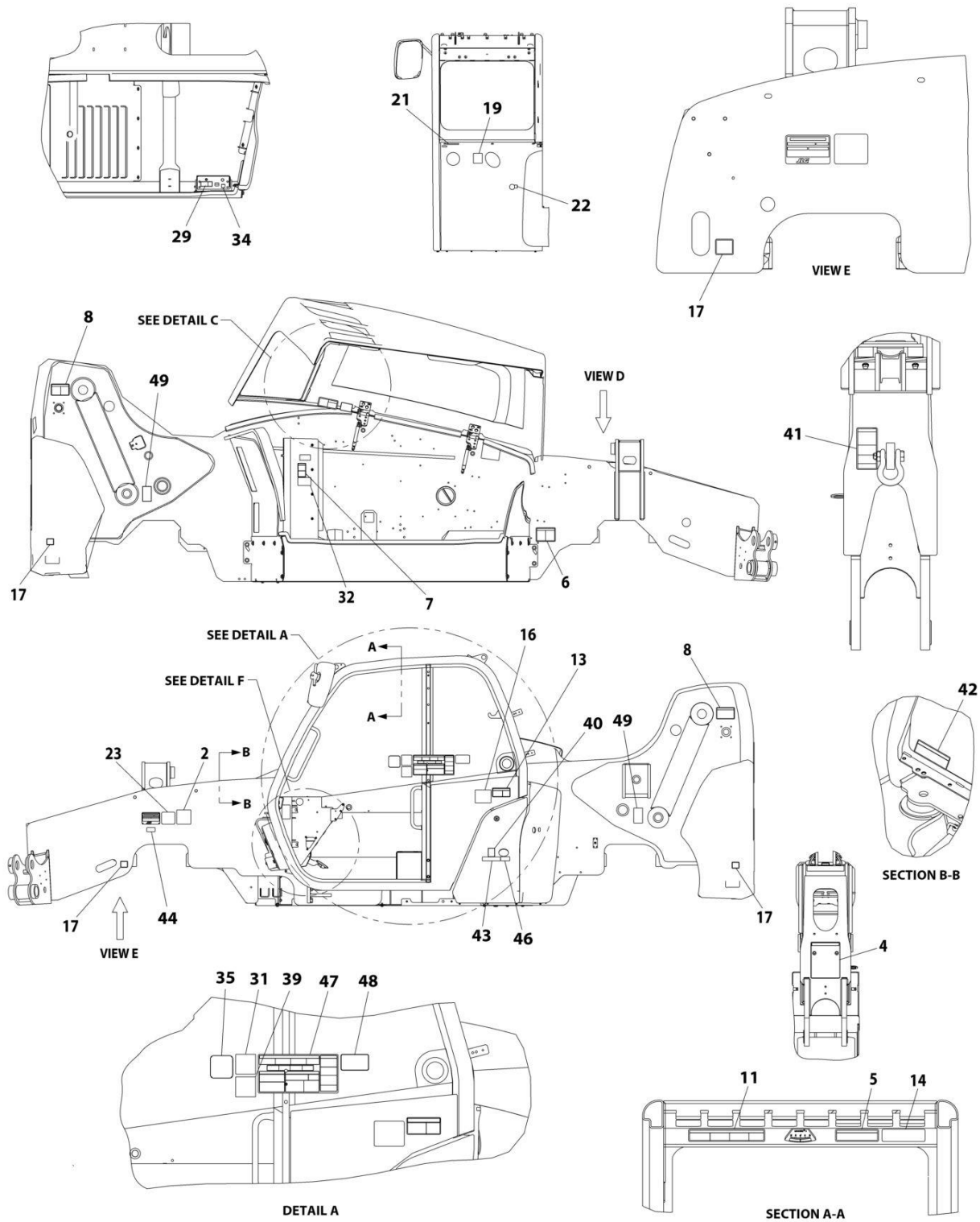
## SECTION 11 - DECALS

### FIGURE 11-8. CLEARSKY DECAL INSTALLATION

ITEM	PART NUMBER	QTY	DESCRIPTION	REV
	1001229707	Ref	Clearsky Decal Installation	C
1	1001294815	1	Decal - ClearSky	
2	1001120989	1	Radio Frequency Decal	

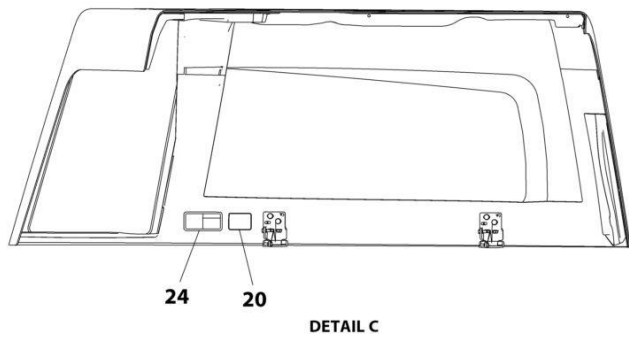
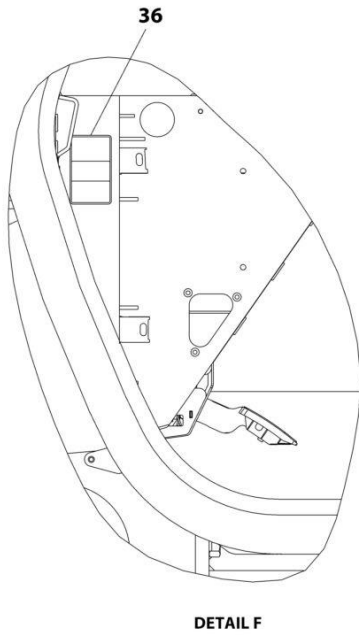
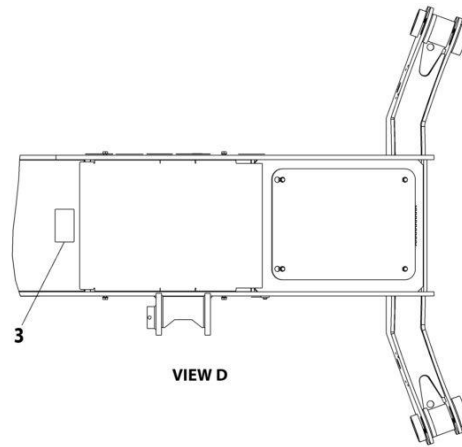
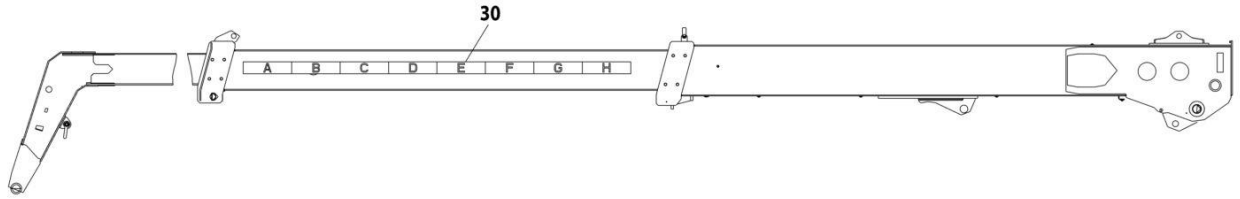
# SECTION 11 - DECALS

## FIGURE 11-9. DECAL INSTALLATION (ANSI) (110 HP)



ART\_1001173429\_1-P

# SECTION 11 - DECALS



ART\_1001173429\_2-P

## SECTION 11 - DECALS

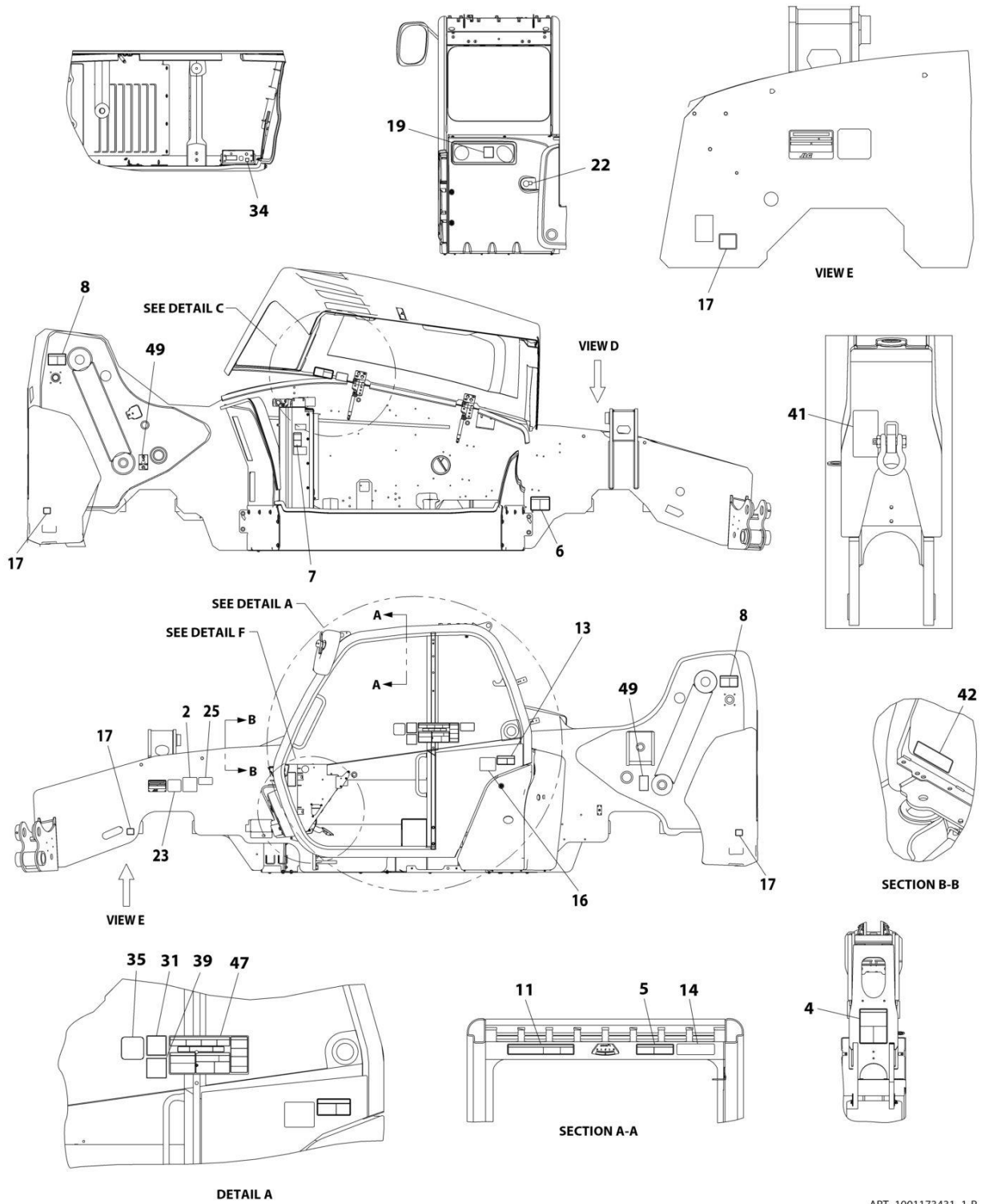
FIGURE 11-9. DECAL INSTALLATION (ANSI) (110 HP)

ITEM	PART NUMBER	QTY	DESCRIPTION	REV
	1001173429	Ref	Decal Installation	P
2	1702631	1	Decal, Bar Code	
3	1706296	1	Decal, Battery Warning	
4	1001195849	1	Decal, Carry Personnel	
5	1706299	1	Decal, Contacting Power Lines Warning	
6	1706300	1	Decal, Ether Warning	
7	1706301	1	Decal, Keep Clear Of Rotating Parts Warning	
8	1706302	2	Decal, Pinch Point Boom Holes	
11	1706306	1	Decal, Tip Over Warning	
13	1706768	1	Decal, Vehicle Roll Away	
14	1706850	1	Decal, Crush Hazard Warning	
16	3251813	1	Decal, USA	
17	4109801	4	Decal, Tie Down Point	
19	1001094708	1	Decal, Hydraulic Oil	
20	1001109053	1	Decal, Coolant Fill	
21	1001218704	1	Decal, Ultra Low Sulfur Diesel	
22	1001130323	1	Decal, Oil Level	
23	1001131271	1	Decal, Patent	
24	1001139578	1	Decal, Hot Fluid Warning	
26	1001229575	1	Decal, Nameplate	
29	1001195855	1	Decal, Battery Disconnect	
30	1001171277	1	Decal, Boom Extend	
31	1001172035	1	Decal, No Weld or Drill	
32	1001173422	1	Decal, MCO 110HP	
34	1001184632	1	Decal, Battery Positive	
35	1001188372	1	Decal, Sway	
36	1001191229	1	Decal, Fuse Panel	
39	1001200101	1	Decal, Manual	
40	1001196806	1	Decal, Diesel Exhaust Fluid	
41	1001207217	1	Decal, Danger Swinging Loads	
42	1001218659	1	Decal, Brake Fluid	
43	1001219212	1	Decal, DEF Fluid	
44	1001223453	1	Decal, ICES	
45	1001009178	4	Decal, Track Metal	
46	1001230310	1	Decal, JLG DEF Tank Service	
47	1707078	1	Decal, Warning/Danger Cab (742)	



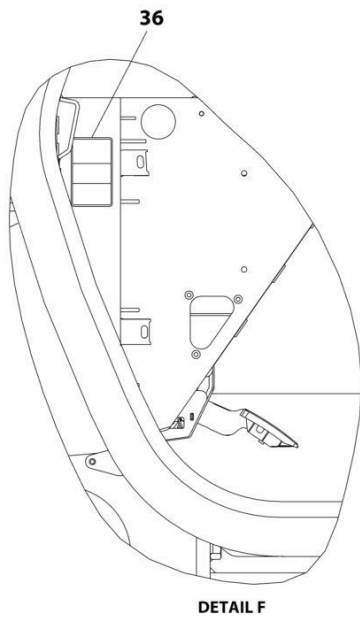
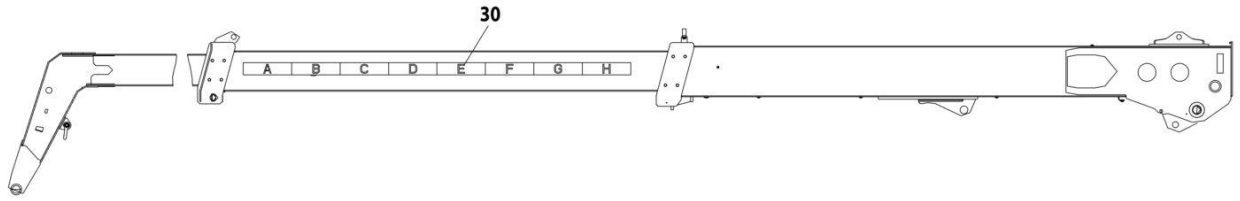
# SECTION 11 - DECALS

## FIGURE 11-10. DECAL INSTALLATION (ISO) (110 HP)

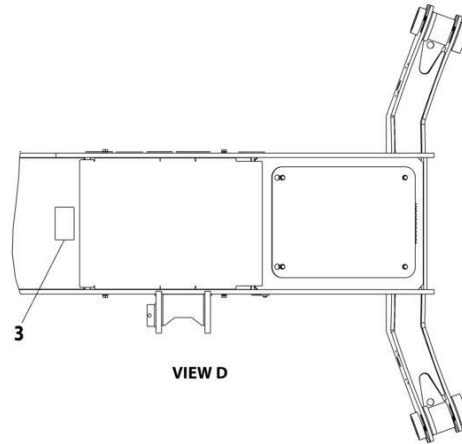




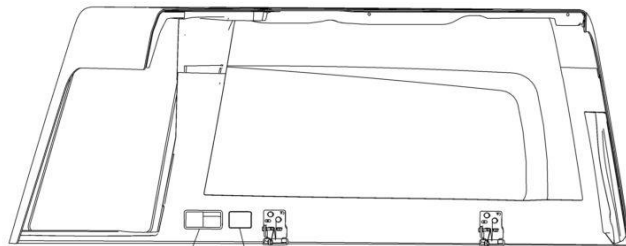
# SECTION 11 - DECALS



DETAIL F



VIEW D



DETAIL C

ART\_1001173431\_2-P

## SECTION 11 - DECALS

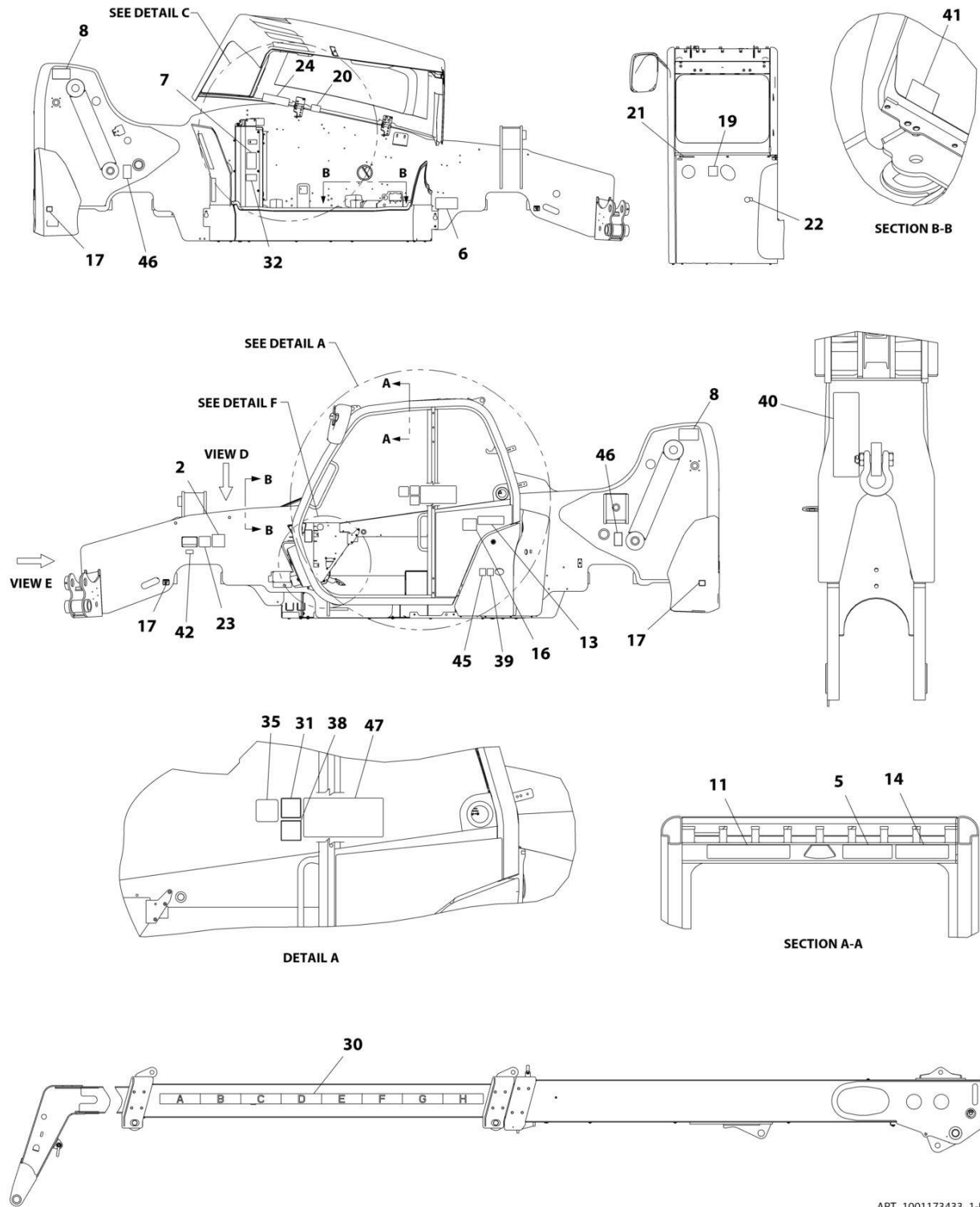
FIGURE 11-10. DECAL INSTALLATION (ISO) (110 HP)

ITEM	PART NUMBER	QTY	DESCRIPTION	REV
	1001173431	1	Decal Installation (ISO)	P
2	1702631	1	Decal, Bar Code	
3	1706281	1	Decal, Battery Warning	
4	1706282	1	Decal, Carry Personnel	
5	1706284	1	Decal, Electrocutation Hazard	
6	1706098	1	Decal, Ether Warning	
7	1706285	1	Decal, Keep Clear of Rotating Parts Warning	
8	1706292	2	Decal, Pinch Point Boom Holes	
11	1706288	1	Decal, Tip Over Warning	
13	1001092878	1	Decal, No Riders	
14	1001092877	1	Decal, Crush Hazard Warning	
16	3251813	1	Decal, USA	
17	4109801	4	Decal, Tie Down Point	
19	1001094708	1	Decal, Hydraulic Oil	
20	1001109053	1	Decal, Coolant Fill	
22	1001130323	1	Decal, Oil Level	
23	1001131271	1	Decal, Patent	
24	1001139942	1	Decal, Hot Fluid Warning	
25	1001143852	1	Decal, EPA (LS)	
26	1001229575	1	Decal, Nameplate	
30	1001171277	1	Decal, Boom Extend	
31	1001172035	1	Decal, No Weld or Drill	
32	1001173422	1	Decal, MCO 110HP	
34	1001184632	1	Decal, Battery Positive	
35	1001188372	1	Decal, Sway	
36	1001191229	1	Decal, Fuse Panel	
39	1001200101	1	Decal, Manual	
41	1001207218	1	Decal, Danger Swinging Loads	
42	1001219211	1	Decal, Brake Fluid	
45	1001009178	4	Decal, Track Metal	
47	1001101895	1	Decal, Warning (742)	

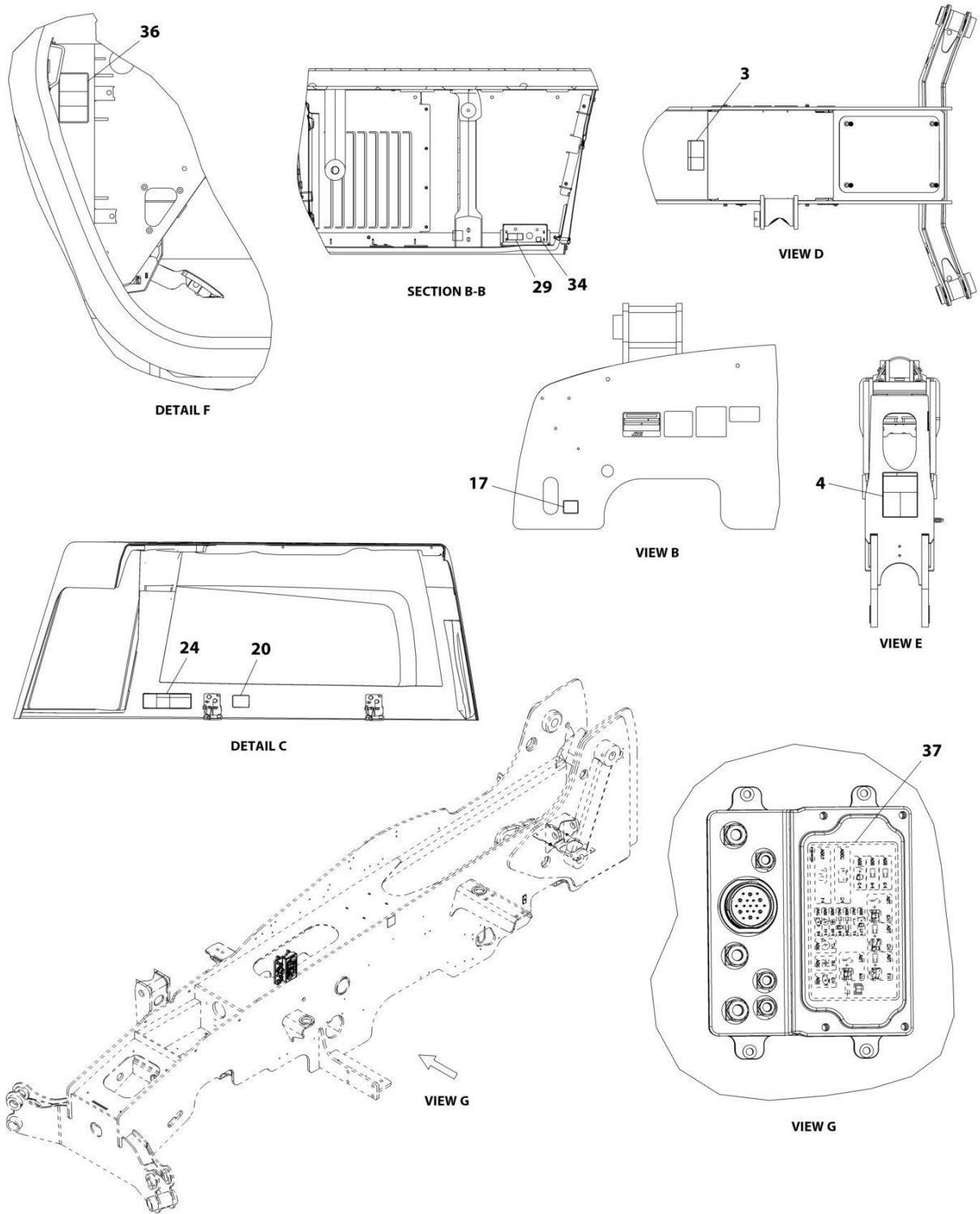


# SECTION 11 - DECALS

## FIGURE 11-11. DECAL INSTALLATION (CSA ENGLISH/FRENCH) (110 HP)



# SECTION 11 - DECALS



ART\_1001173433\_2-P

## SECTION 11 - DECALS

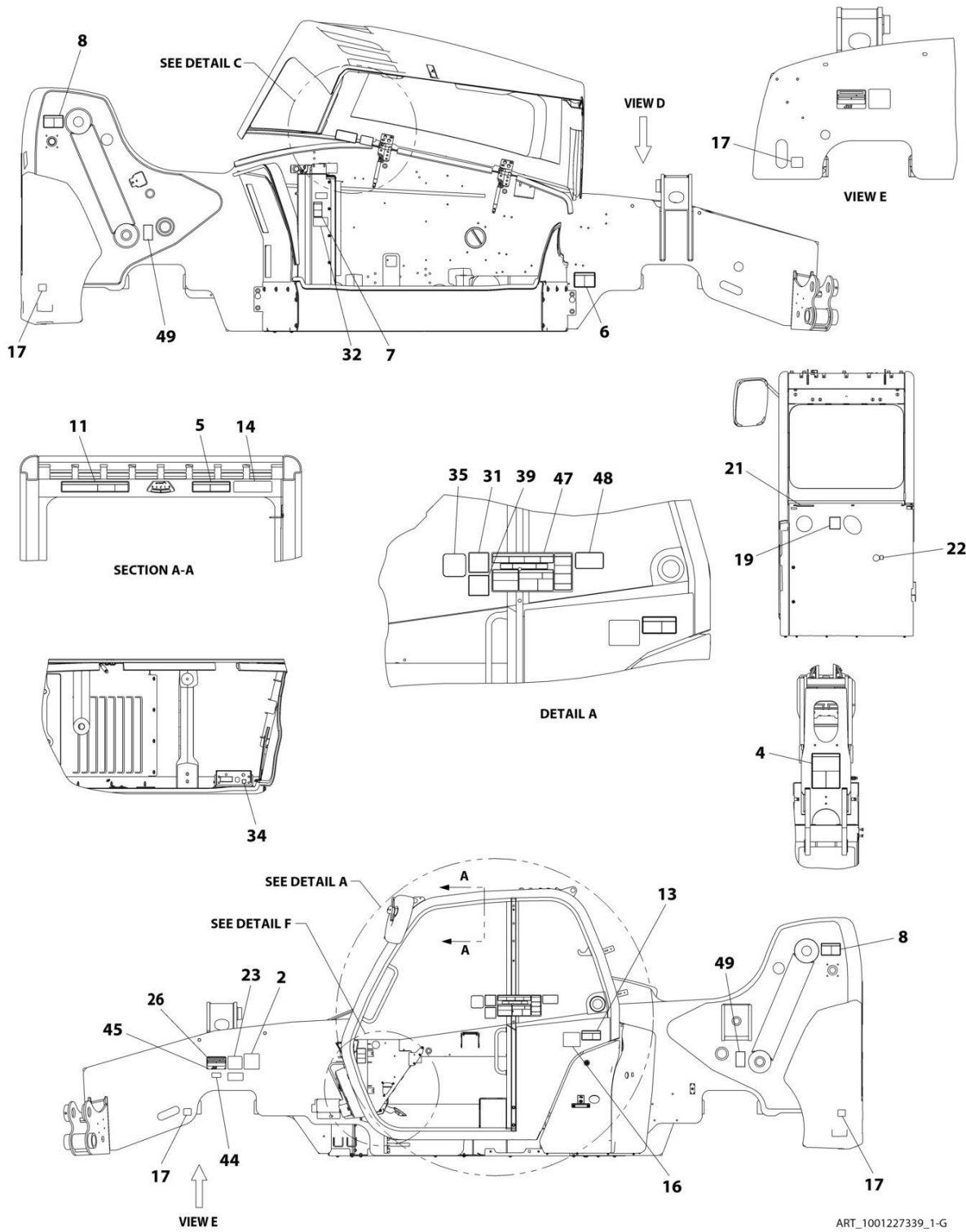
FIGURE 11-11. DECAL INSTALLATION (CSA ENGLISH/FRENCH) (110 HP)

ITEM	PART NUMBER	QTY	DESCRIPTION	REV
	1001173433	Ref	Decal Installation (CSA English/French)	P
2	1702631	1	Decal, Bar Code	
3	1001163174	1	Decal, Battery Warning	
4	1001195851	1	Decal, Carry Personnel	
5	1001163210	1	Decal, Electrocutation Hazard	
6	1001163212	1	Decal, Warning No Either	
7	1001163222	1	Decal, Moving Parts	
8	1001163223	2	Decal, Pinch Point	
11	1001163285	1	Decal, Warning Tip Over	
13	1001163300	1	Decal, No Riders	
14	1001163304	1	Decal, Warning Crushing Hazard	
16	3251813	1	Decal, USA	
17	4109801	1	Decal, Tie Down Point	
19	1001094708	1	Decal, Hydraulic Oil	
20	1001109053	1	Decal, Coolant Fill	
21	1001163355	1	Decal, Ultra Low Sulfur Diesel	
22	1001130323	1	Decal, Oil Level	
23	1001131271	1	Decal, Patent	
24	1001163323	1	Decal, Warning Hot Fluid	
26	1001229575	1	Decal, Nameplate	
29	1001195855	1	Decal, Battery Disconnect	
30	1001171277	1	Decal, Boom Extend	
31	1001172035	1	Decal, No Weld Or Drill	
32	1001173422	1	Decal, MCO, 130HP	
34	1001184632	1	Decal, Battery Positive	
35	1001188372	1	Decal, Sway	
36	1001191229	1	Decal, Fuse Panel	
37	1001191487	1	Decal, Fuse Panel (Note: Supply with power distribution box)	
38	1001200101	1	Decal, Manual	
39	1001196806	1	Decal, Diesel Exhaust Fluid	
40	1001209625	1	Decal, Danger Swinging Loads	
41	1001219211	1	Decal, Brake Fluid	
42	1001223453	1	Decal, ICES	
44	1001009178	4	Decal, Track Metal	
45	1001230311	1	Decal DEF Tank	
46	1001222650	2	Decal, Axle Lift (742)	
47	1001233558	1	Decal, Warning/Danger Cab (742)	



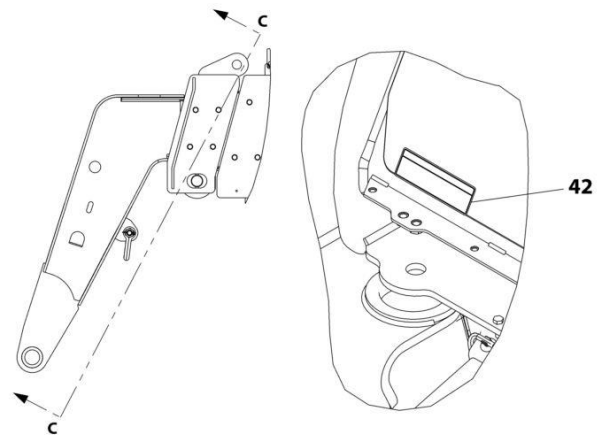
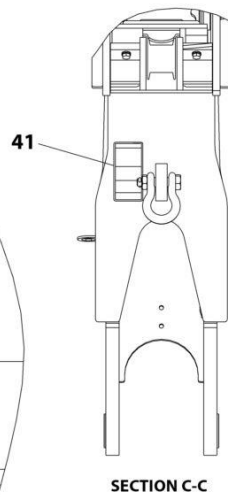
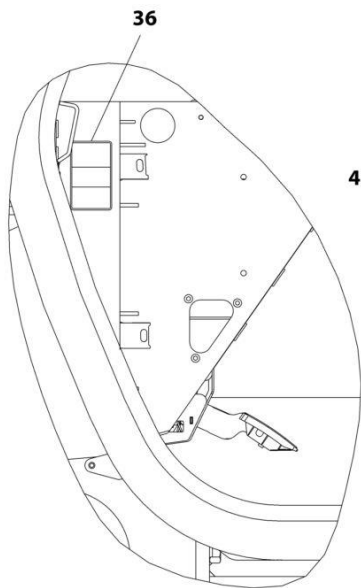
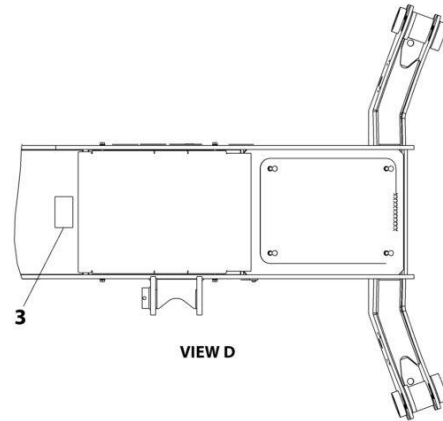
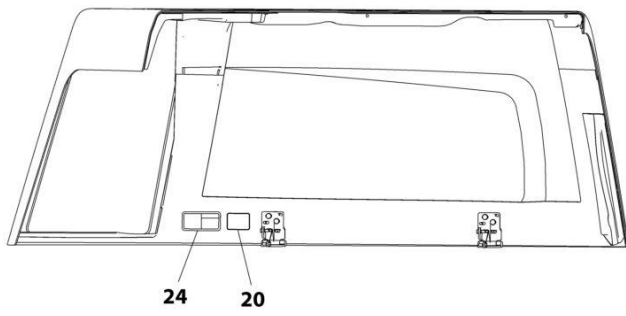
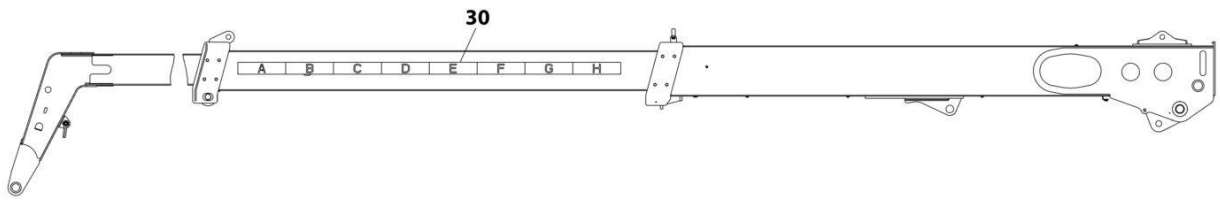
# SECTION 11 - DECALS

## FIGURE 11-12. DECAL INSTALLATION (ANSI) (74 HP)





# SECTION 11 - DECALS



ART\_1001227339\_2-G

# SECTION 11 - DECALS

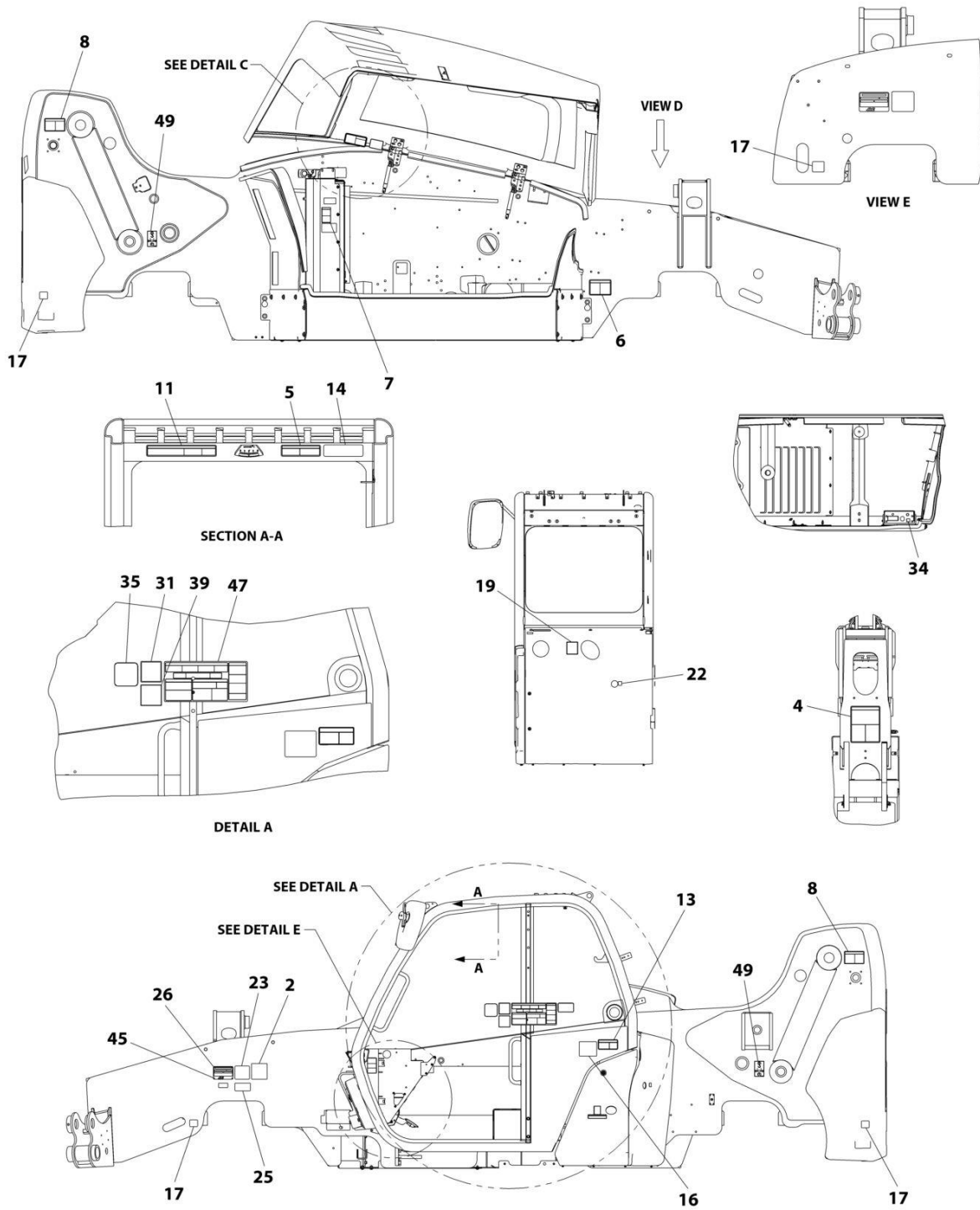
FIGURE 11-12. DECAL INSTALLATION (ANSI) (74 HP)

ITEM	PART NUMBER	QTY	DESCRIPTION	REV
	1001227339	Ref	Decal Installation (ANSI)	G
2	1702631	1	Decal, Bar Code	
3	1706296	1	Decal, Battery Warning	
4	1001195849	1	Decal, Carry Personnel	
5	1706299	1	Decal, Contacting Power Lines Warning	
6	1706300	1	Decal, Ether Warning	
7	1706301	1	Decal, Keep Clear Of Rotating Parts Warning	
8	1706302	2	Decal, Pinch Point Boom Holes	
9	1706303	1	Decal, Read Manual Warning (Not Shown) (742) <b>(SN 0160084796 through 0160086235, Excluding 0160086031)</b>	
10	1706304	1	Decal, Run Over Hazard Warning (Not Shown) (742) <b>(SN 0160084796 through 0160086235, Excluding 0160086031)</b>	
11	1706306	1	Decal, Tip Over Warning	
12	1706767	1	Decal, Machine Roll Away Warning (Not Shown) (742) <b>(SN 0160084796 through 0160086235, Excluding 0160086031)</b>	
13	1706768	1	Decal, Vehicle Roll Away	
14	1706850	1	Decal, Crush Hazard Warning	
15	1706851	1	Decal, Do Not Jump Warning (Not Shown) (742) <b>(SN 0160084796 through 0160086235, Excluding 0160086031)</b>	
16	3251813	1	Decal, USA	
17	4109801	4	Decal, Tie Down Point	
19	1001094708	1	Decal, Hydraulic Oil	
20	1001109053	1	Decal, Coolant Fill	
21	1001218704	1	Decal, Ultra Low Sulfur Diesel	
22	1001130323	1	Decal, Oil Level	
23	1001131271	1	Decal, Patent	
24	1001139578	1	Decal, Hot Fluid Warning	
26	1001229575	1	Decal, Nameplate	
30	1001171277	1	Decal, Boom Extend	
31	1001172035	1	Decal, No Weld or Drill	
32	1001202626	1	Decal, 74HP	
34	1001184632	1	Decal, Battery Positive	
35	1001188372	1	Decal, Sway	
36	1001191229	1	Decal, Fuse Panel	
39	1001200101	1	Decal, Manual	
41	1001207217	1	Decal, Danger Swinging Loads	
42	1001218659	1	Decal, Brake Fluid	
44	1001223453	1	Decal, ICES	
45	1001009178	4	Decal, Track Metal	
47	1707078	1	Decal, Warning/Danger Cab (742) <b>(SN 0160086236 through 0160100493, Including 0160086031)</b>	
48	1001231801	1	Decal, Warning Prop 65 Diesel (742) <b>(SN 0160086236 through 0160100493, Including 0160086031)</b>	
49	1001222650	2	Decal, Axle Lift (742) <b>(SN 0160086236 through 0160100493, Including 0160086031)</b>	



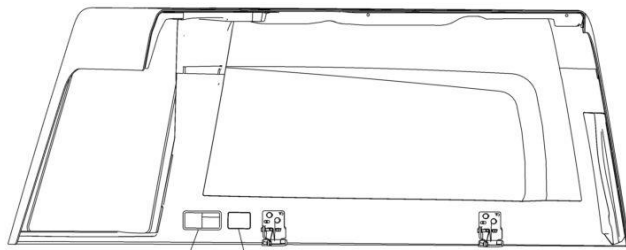
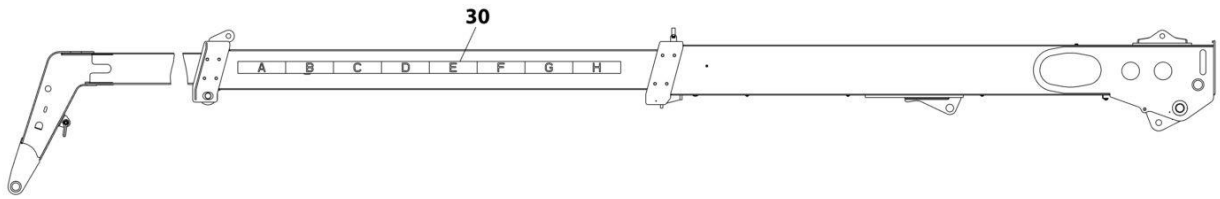
# SECTION 11 - DECALS

## FIGURE 11-13. DECAL INSTALLATION (ISO) (74 HP)

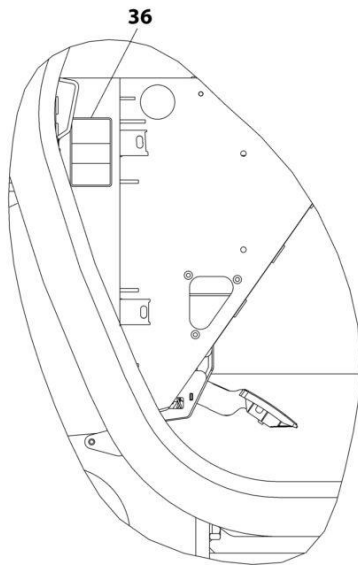
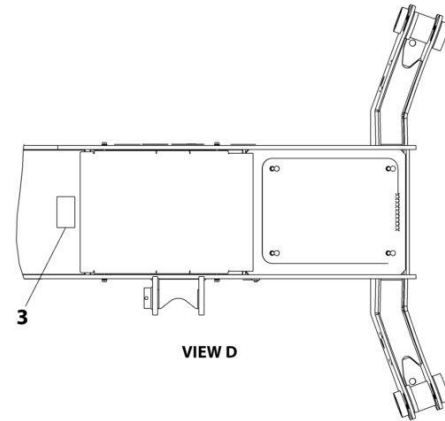


ART\_1001227340\_1-E

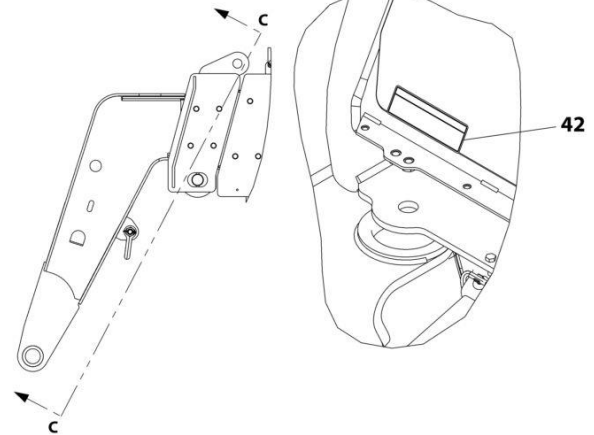
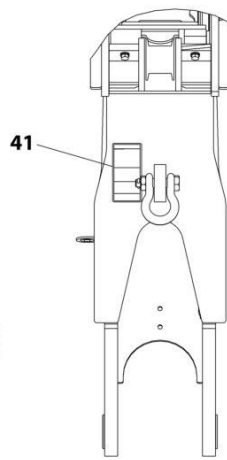
# SECTION 11 - DECALS



DETAIL C



DETAIL F



ART\_1001227340\_2-E

# SECTION 11 - DECALS

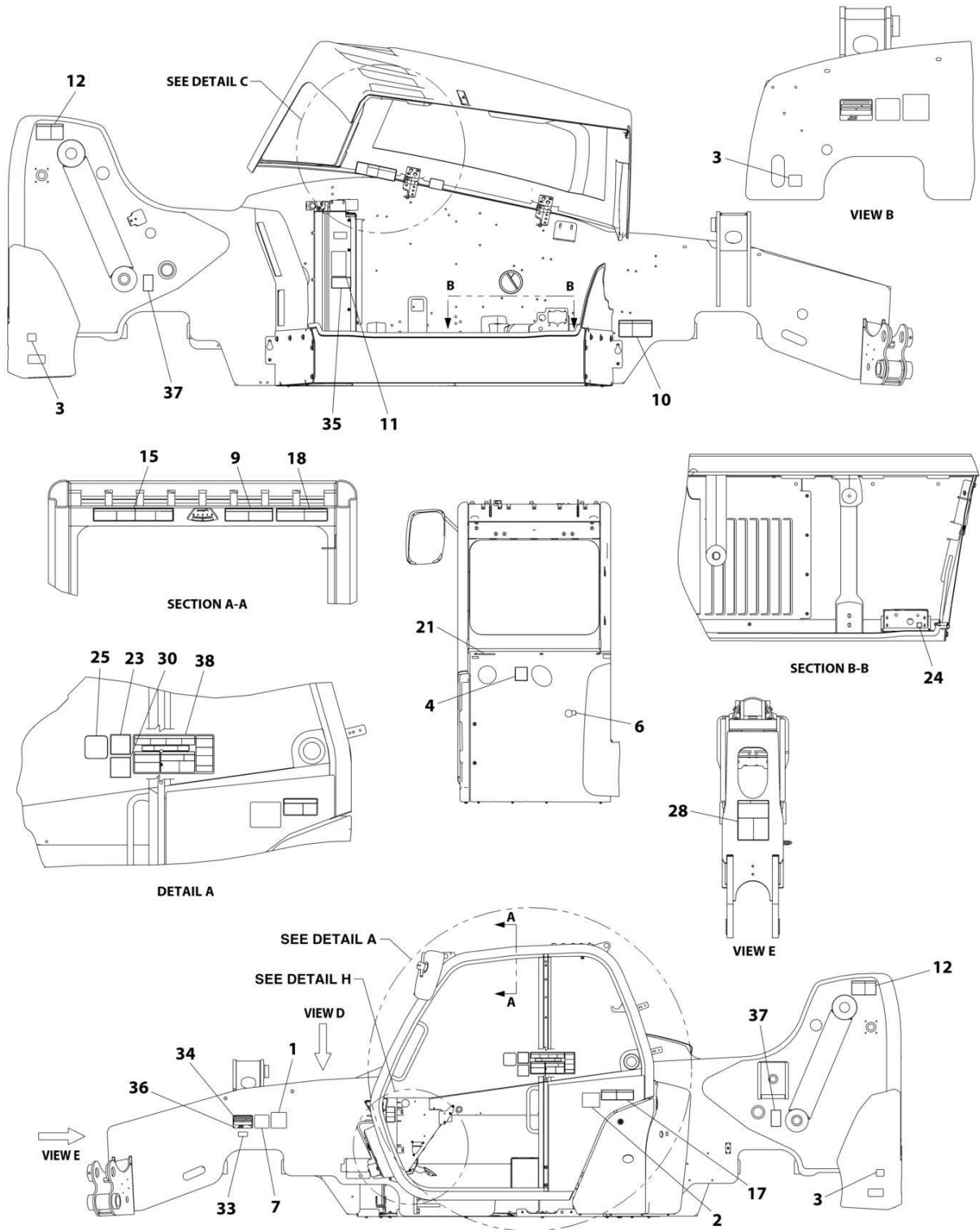
FIGURE 11-13. DECAL INSTALLATION (ISO) (74 HP)

ITEM	PART NUMBER	QTY	DESCRIPTION	REV
	1001227340	Ref	Decal Installation (ISO)	E
2	1702631	1	Decal, Bar Code	
3	1706281	1	Decal, Battery Warning	
4	1706282	1	Decal, Carry Personnel	
5	1706284	1	Decal, Electrocutation Hazard	
6	1706098	1	Decal, Ether Warning	
7	1706285	1	Decal, Keep Clear of Rotating Parts Warning	
8	1706292	2	Decal, Pinch Point Boom Holes	
9	1706287	1	Decal, Read Manual Warning (Not Shown) (742) <b>(SN 0160084796 through 0160086235, Excluding 0160086031)</b>	
10	1706293	1	Decal, Run Over Hazard Warning (Not Shown) (742) <b>(SN 0160084796 through 0160086235, Excluding 0160086031)</b>	
11	1706288	1	Decal, Tip Over Warning	
12	1706289	1	Decal, Machine Roll Away Warning (Not Shown) (742) <b>(SN 0160084796 through 0160086235, Excluding 0160086031)</b>	
13	1001092878	1	Decal, No Riders	
14	1001092877	1	Decal, Crush Hazard Warning	
15	1706283	1	Decal, Do Not Jump Warning (Not Shown) (742) <b>(SN 0160084796 through 0160086235, Excluding 0160086031)</b>	
16	3251813	1	Decal, USA	
17	4109801	4	Decal, Tie Down Point	
19	1001094708	1	Decal, Hydraulic Oil	
20	1001109053	1	Decal, Coolant Fill	
22	1001130323	1	Decal, Oil Level	
23	1001131271	1	Decal, Patent	
24	1001139942	1	Decal, Hot Fluid Warning	
25	1001143852	1	Decal, EPA (LS)	
26	1001229575	1	Decal, Nameplate	
30	1001171277	1	Decal, Boom Extend	
31	1001172035	1	Decal, No Weld or Drill	
34	1001184632	1	Decal, Battery Positive	
35	1001188372	1	Decal, Sway	
36	1001191229	1	Decal, Fuse Panel	
39	1001200101	1	Decal, Manual	
41	1001207218	1	Decal, Danger Swinging Loads	
42	1001219211	1	Decal, Brake Fluid	
45	1001009178	4	Decal, Track Metal	
47	1001101895	1	Decal, Warning (742) <b>(SN 0160086236 through 0160100493, Including 0160086031)</b>	
49	1001222650	2	Decal, Axle Lift (742) <b>(SN 0160086236 through 0160100493, Including 0160086031)</b>	



# SECTION 11 - DECALS

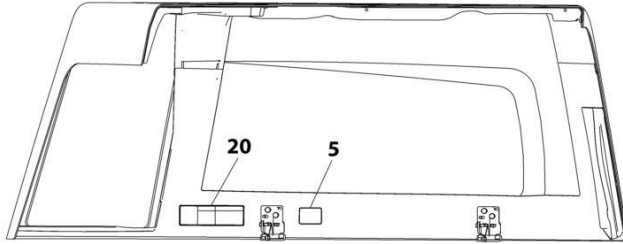
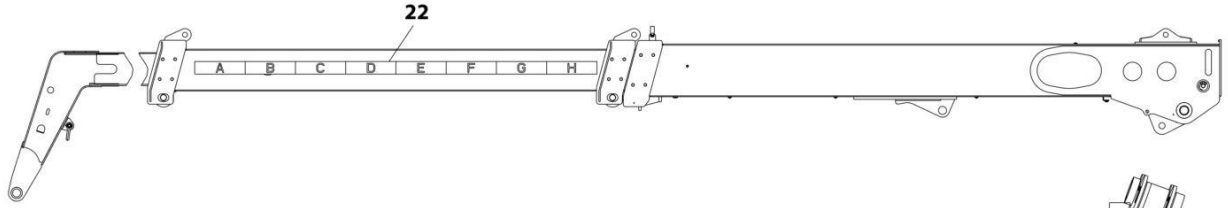
## FIGURE 11-14. DECAL INSTALLATION (CSA ENGLISH/FRENCH) (74 HP)



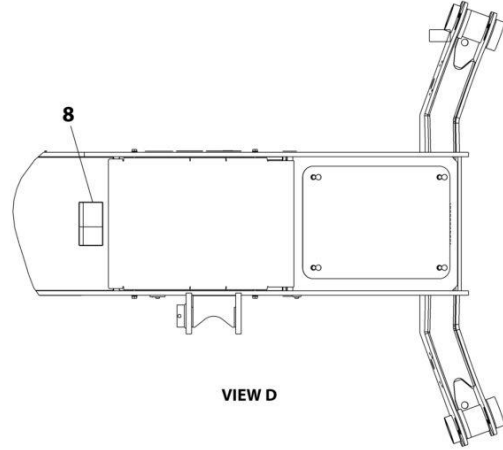
ART\_1001227528\_1-F



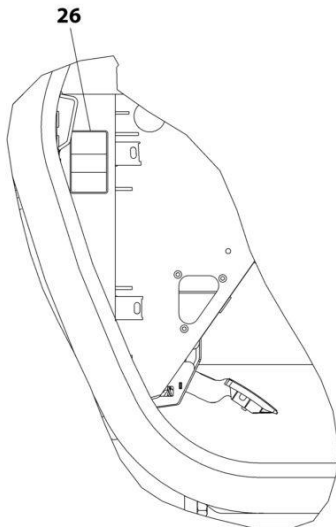
# SECTION 11 - DECALS



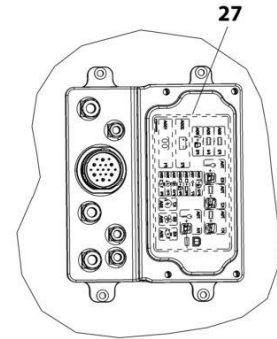
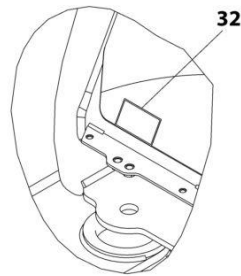
DETAIL C



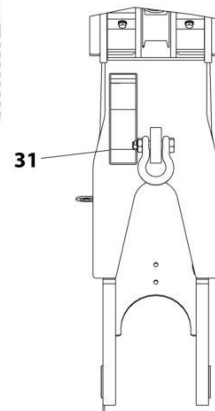
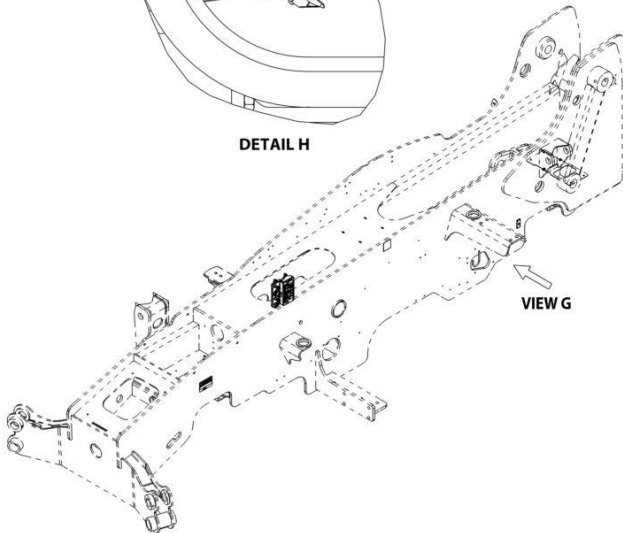
VIEW D



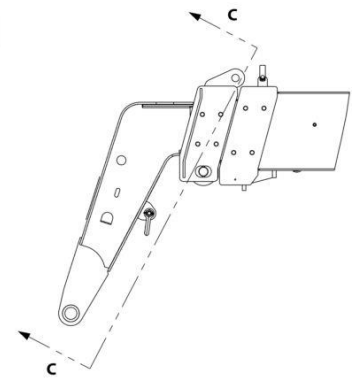
DETAIL H



VIEW G



SECTION C-C



ART\_1001227528\_2-F

# SECTION 11 - DECALS

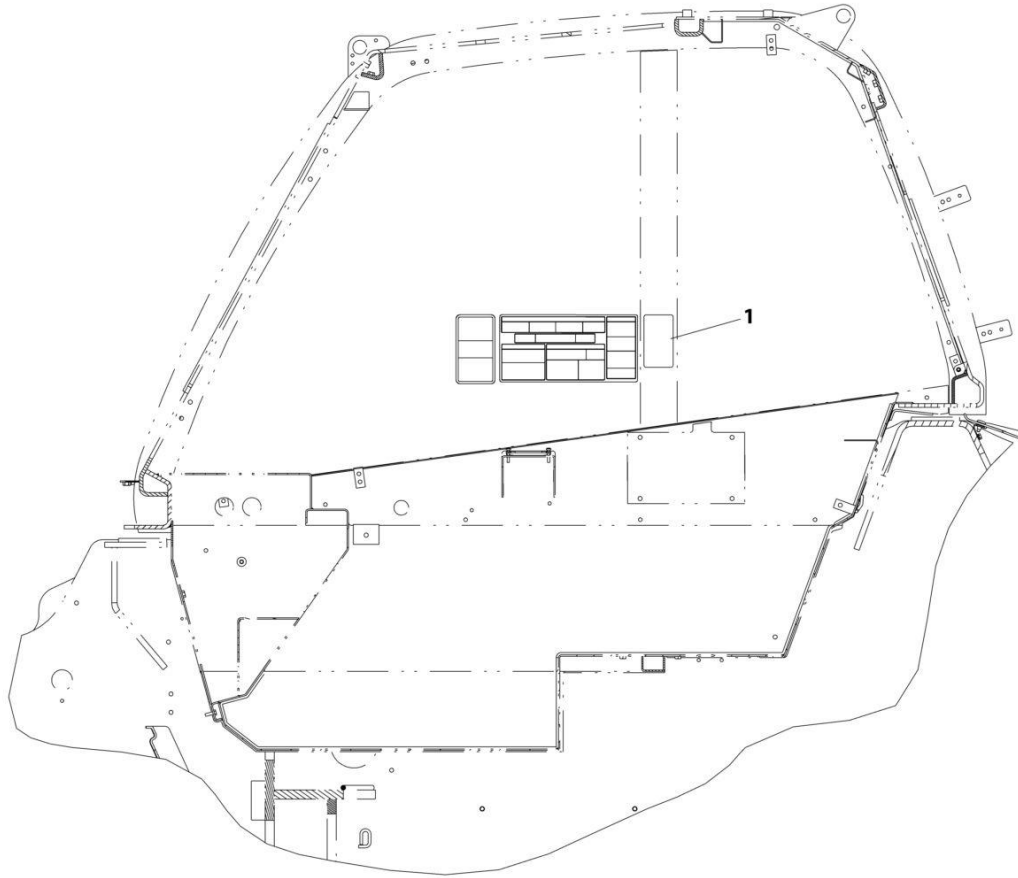
**FIGURE 11-14. DECAL INSTALLATION (CSA ENGLISH/FRENCH) (74 HP)**

ITEM	PART NUMBER	QTY	DESCRIPTION	REV
	1001227528	Ref	Decal Installation (CSA English/French)	F
1	1702631	1	Decal, Bar Code	
2	3251813	1	Decal, USA	
3	4109801	4	Decal, Tie Down Point	
4	1001094708	1	Decal, Hydraulic Oil	
5	1001109053	1	Decal, Coolant Fill	
6	1001130323	1	Decal, Oil Level	
7	1001131271	1	Decal, Patent	
8	1001163174	1	Decal, Battery Warning	
9	1001163210	1	Decal, Electrocutation Hazard	
10	1001163212	1	Decal, Warning No Either	
11	1001163222	1	Decal, Moving Parts	
12	1001163223	2	Decal, Pinch Point	
13	1001163273	1	Decal, Read Manual (Not Shown) (742) <b>(SN 0160084796 through 0160086235, Excluding 0160086031)</b>	
14	1001163276	1	Decal, Warning Run Over Hazard (Not Shown) (742) <b>(SN 0160084796 through 0160086235, Excluding 0160086031)</b>	
15	1001163285	1	Decal, Warning Tip Over	
16	1001163291	1	Decal, Warning Machine Roll Away (Not Shown) (742) <b>(SN 0160084796 through 0160086235, Excluding 0160086031)</b>	
17	1001163300	1	Decal, No Riders	
18	1001163304	1	Decal, Warning Crushing Hazard	
19	1001163321	1	Decal, Warning Do Not Jump (Not Shown) (742) <b>(SN 0160084796 through 0160086235, Excluding 0160086031)</b>	
20	1001163323	1	Decal, Warning Hot Fluid	
21	1001163355	1	Decal, Ultra Low Sulfur Diesel	
22	1001171277	1	Decal, Boom Extend	
23	1001172035	1	Decal, No Weld or Drill	
24	1001184632	1	Decal, Battery Positive	
25	1001188372	1	Decal, Sway	
26	1001191229	1	Decal, Fuse Panel	
27	1001191487	1	Decal, Fuse Panel (Note: Supply with power distribution box)	
28	1001195851	1	Decal, Carry Personnel	
30	1001200101	1	Decal, Manual	
31	1001209625	1	Decal, Danger Swinging Loads	
32	1001219211	1	Decal, Brake Fluid	
33	1001223453	1	Decal, ICES	
34	N.S.S.	1	SN Plate	
35	1001202626	1	Decal, 74HP	
36	1001009178	4	Decal, Track Metal	
37	1001222650	2	Decal, Axle Lift <b>(SN 0160086236 through 0160101057, Including 0160086031)</b>	
38	1001233558	1	Decal, Warning/Danger Cab <b>(SN 0160086236 through 0160101057, Including 0160086031)</b>	



# SECTION 11 - DECALS

## FIGURE 11-15. REVERSE SENSOR SYSTEM DECAL (ENGLISH/SPANISH)



ART\_1001237846-A

## SECTION 11 - DECALS

**FIGURE 11-15. REVERSE SENSOR SYSTEM DECAL (ENGLISH/SPANISH)**

ITEM	PART NUMBER	QTY	DESCRIPTION	REV
1	1001237846	Ref	REVERSE SENSOR SYSTEM DECAL (ENGLISH/SPANISH LANGUAGES)	A

## SECTION 11 - DECALS

FIGURE 11-16. DECAL INSTALLATION (742, 943, 1043) (110 HP PUERTO RICO ENGL



# SECTION 11 - DECALS

FIGURE 11-17. DECAL INSTALLATION

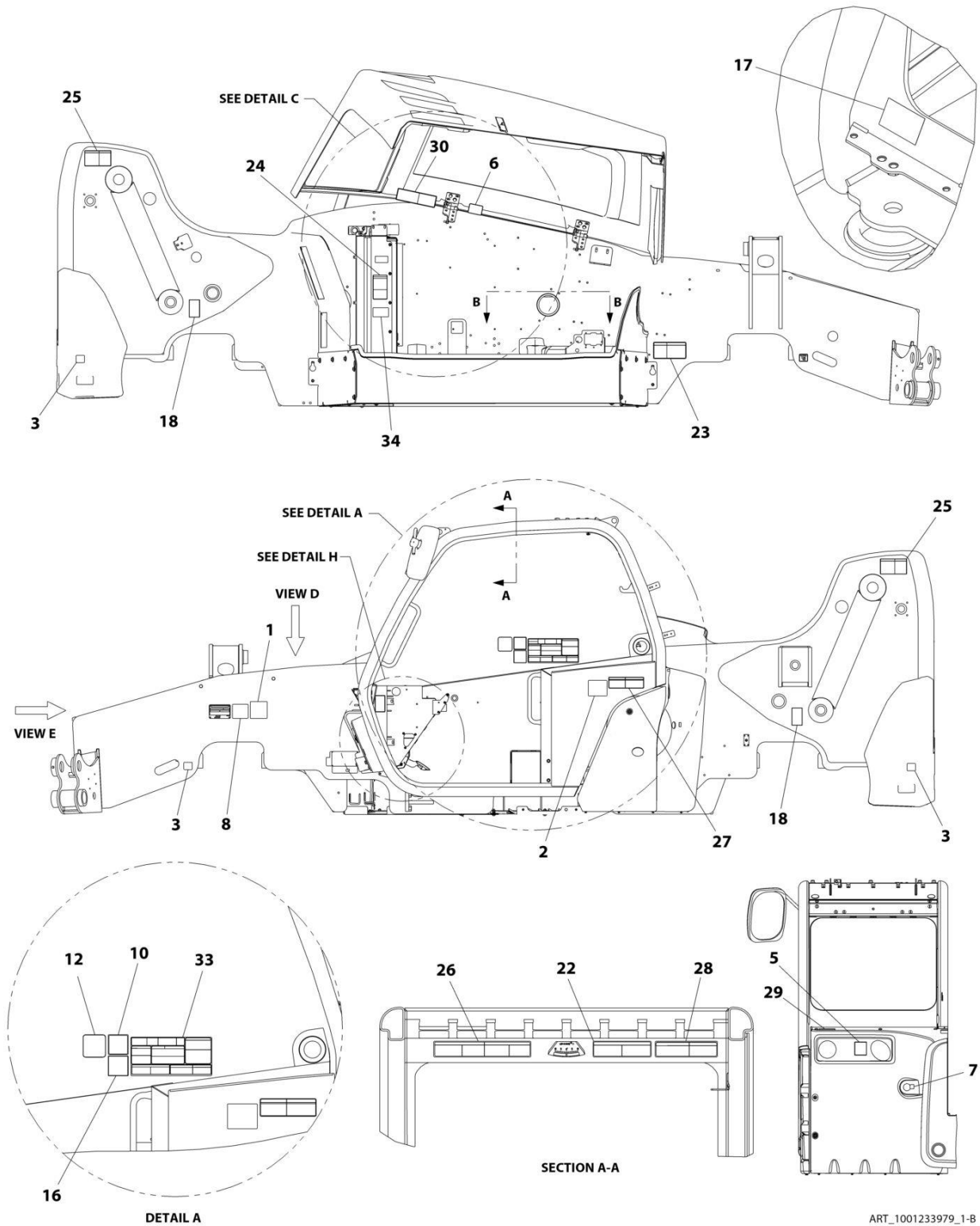
ITEM	PART NUMBER	QTY	DESCRIPTION	REV
	1001236308	Ref	Decal Installation (742, 943, 1043)	A
1	1702631	1	Decal, Bar Code	
2	3251813	1	Decal, USA	
3	4109801	4	Decal, Tie Down Point	
4	1001009178	4	Decal, Track Metal	
5	1001094708	1	Decal, Hydraulic Oil	
6	1001109053	1	Decal, Coolant Fill	
7	1001130323	1	Decal, Oil Level	
8	1001131271	1	Decal, Patent	
9	1001171277	1	Decal, Boom Extend	
10	1001172035	1	Decal, No Weld or Drill	
11	1001184632	1	Decal, Battery Positive	
12	1001188372	1	Decal, Sway	
13	1001191229	1	Decal, Fuse Panel	
14	1001195855	1	Decal, Battery Disconnect	
15	1001196806	1	Decal, Diesel Exhaust Fluid	
16	1001200101	1	Decal, Manual	
17	1001219211	1	Decal, Brake Fluid	
18	1001222650	2	Decal, Axle Lift	
19	1001229575	1	Decal, Nameplate	
20	1001235794	1	Decal, Battery Warning	
21	1001235796	1	Decal, Carry Personnel	
22	1001235797	1	Decal, Electrocution Hazard	
23	1001235798	1	Decal, Warning No Either	
24	1001235799	1	Decal, Moving Parts	
25	1001235800	2	Decal, Pinch Point	
26	1001235801	1	Decal, Warning Tip Over	
27	1001235802	1	Decal, No Riders	
28	1001235803	1	Decal, Warning Crushing Hazard	
29	1001235804	1	Decal, Ultra Low Sulfur Diesel	
30	1001235805	1	Decal, Warning Hot Fluid	
31	1001235807	1	Decal, Danger Swinging Loads	
32	1001235808	1	Decal, JLG DEF Tank Service	
33	1001235809	1	Decal, Warning/Danger Cab	
34	1001236313	1	Decal, MCO 130HP	





# SECTION 11 - DECALS

## FIGURE 11-18. DECAL INSTALLATION

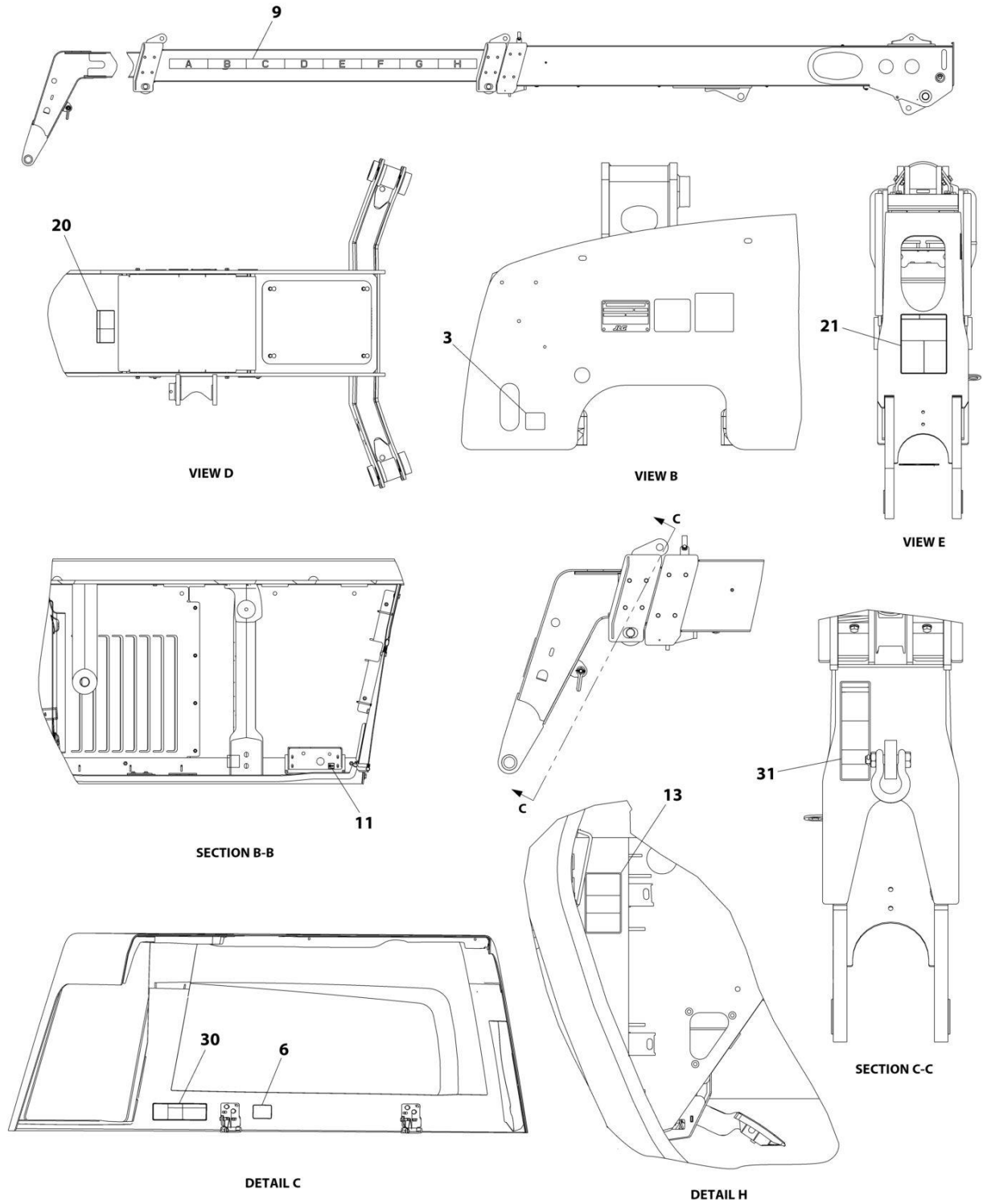


ART\_1001233979\_1-B



# SECTION 11 - DECALS

## FIGURE 11-19. DECAL INSTALLATION



ART\_1001233979\_2-B

## SECTION 11 - DECALS

**FIGURE 11-19. DECAL INSTALLATION**

ITEM	PART NUMBER	QTY	DESCRIPTION	REV
	1001233979	Ref	Decal Installation	B
1	1702631	1	Decal, Bar Code	
2	3251813	1	Decal, USA	
3	4109801	4	Decal, Tie Down Point	
5	1001094708	1	Decal, Hydraulic Oil	
6	1001109053	1	Decal, Coolant Fill	
7	1001130323	1	Decal, Oil Level	
8	1001131271	1	Decal, Patent	
9	1001171277	1	Decal, Boom Extend	
10	1001172035	1	Decal, No Weld or Drill	
11	1001184632	1	Decal, Battery Positive	
12	1001188372	1	Decal, Sway	
13	1001191229	1	Decal, Fuse Panel	
16	1001200101	1	Decal, Manual	
17	1001219211	1	Decal, Brake Fluid	
18	1001222650	2	Decal, Axle Lift	
20	1001235794	1	Decal, Battery Warning	
21	1001235796	1	Decal, Carry Personnel	
22	1001235797	1	Decal, Electrocution Hazard	
23	1001235798	1	Decal, Warning No Either	
24	1001235799	1	Decal, Moving Parts	
25	1001235800	2	Decal, Pinch Point	
26	1001235801	1	Decal, Warning Tip Over	
27	1001235802	1	Decal, No Riders	
28	1001235803	1	Decal, Warning Crushing Hazard	
29	1001235804	1	Decal, Ultra Low Sulfur Diesel	
30	1001235805	1	Decal, Warning Hot Fluid	
31	1001235807	1	Decal, Danger Swinging Loads	
33	1001235809	1	Decal, Warning/Danger Cab	
34	1001236313	1	Decal, MCO 74HP	



## **SECTION 12 - RECOMMENDED SPARE PARTS**

## **SECTION 12 - RECOMMENDED SPARE PARTS**

# SECTION 12 - RECOMMENDED SPARE PARTS

FIGURE 12-1. RECOMMENDED SPARE PARTS

ITEM	PART NUMBER	QTY	DESCRIPTION	REV
		Ref	<b>Frame and Attaching Parts</b>	
	1001194978	1	Cap, Locking Fuel	
		Ref	<b>Boom</b>	
	1001163034	AR	Plate, Spacer	
	1001163038	AR	Plate, Spacer	
	1001165367	AR	Plate, Spacer	
	1001163112	AR	Plate, Spacer	
	1001163108	AR	Plate, Spacer	
	1001165171	AR	Pad, Wear	
	1001165172	AR	Pad, Wear	
	1001162469	AR	Pad, Wear	
	1001163029	AR	Pad, Wear	
	1001165173	AR	Pad, Wear	
	1001189793	AR	Shim	
		Ref	<b>Engine and Attaching Parts</b>	
	70026453	1	Cartridge, Fuel Filter (ULS)	
	70026233	1	Filter, Primary Fuel	
	70026234	1	Element, Fuel Filter	
	70026227	1	Starter	
	70026229	1	Fan Belt, V-Ribbed	
	70026242	1	Dipstick	
	70026237	1	Filter, Oil	
	70025852	1	Filter, Air Cylindrical Primary (ULS)	
	70025853	1	Filter, Air Cylindrical Secondary (ULS)	
	70025850	1	Filter, Cylindrical Air Primary (LS)	
	70025851	1	Filter, Cylindrical Air Secondary (LS)	
	70026584	1	Filter, DEF	
	1001208643	1	Kit, Filter, 250 Hour	
	70026237	1	Filter, Oil	
	70026234	1	Element, Fuel Filter	
	70026453	1	Cartridge, Fuel Filter	
	70025852	1	Filter, Cylindrical Air Primary	
	70025853	1	Filter, Cylindrical Air Secondary	
	1001208644	1	Kit, Filter, 1000 Hour	
	70026237	1	Filter, Oil	
	70026234	1	Element, Fuel Filter	
	70026453	1	Cartridge, Fuel Filter	
	70025852	1	Filter, Cylindrical Air Primary	
	70025853	1	Filter, Cylindrical Air Secondary	
	1001162663	1	Element, Filter	
	1001162662	1	Breather, Filter	
	1319726	1	Filter, Transmission	
		Ref	<b>Drivetrain</b>	
	1319726	1	Filter, Transmission Oil	
	1001163698	1	Switch, FNR 4 Speed	
		Ref	<b>Cab</b>	
	1001172546	NLA	Filter, HVAC Air (no longer available, use 1001218996 for replacement)	
	1001218996	1	Filter, HVAC Fresh Air	



## SECTION 12 - RECOMMENDED SPARE PARTS

ITEM	PART NUMBER	QTY	DESCRIPTION	REV
	1001172553	1	Filter, HVAC Recirculation Air	
	1001141281	1	Blade, Front Wiper	
	4807718	1	Blade, Rear Wiper	
	1001141313	1	Blade, Roof Wiper	
		Ref	<b>Hydraulic Components</b>	
	1001197918	1	Kit, Seal, Lift Cylinder	
	1001197801	1	Kit, Seal, Tilt Cylinder	
	70026639	1	Kit, Seal, Compensation Cylinder	
	70026253	1	Kit, Seal, Frame Level Cylinder	
	1001168668	1	Kit, Seal, Extend/Retract Cylinder	
	70026253	1	Kit, Seal, Rear Axle Stability Cylinder	
	70026309	1	Kit, Seal, Outrigger Cylinder	
	70026062	1	Kit, Seal, Side Tilt Cylinder	
	1001194981	1	Cap, Hydraulic	
	1001162660	1	Filter, Hydraulic	
		Ref	<b>Electrical</b>	
	0400075	2	Battery, 12V	
	70022765	1	Key, Ignition	



## SECTION 12 - RECOMMENDED SPARE PARTS

### PART NUMBER INDEX

## SECTION 12 - RECOMMENDED SPARE PARTS

0100011.....205, 207, 209, 211, 213, 859, 865	0711224..... 63	0761218 .... 267, 269, 793	1001093171.....157
01043892.....331, 333	0711225..... 63	0770814..... 711	1001093564.....993
0400075...981, 983, 1225	0711226..... 63	0771210 ..... 63, 65, 269	1001094134..... 133
0440321.....839	0711227..... 83	0771212 ..... 63, 65	1001094136..... 133
0498748.....593	0711228..... 81	0781016 ..... 245	1001094708.. 1190, 1194, 1198, 1202, 1206, 1210, 1216, 1221
0641404.....55	0711626..... 233	0781208 ..... 839	1001095336.....945
0641405.....167	0711629..... 233	0791605 ..... 285	1001095396..... 821, 823
0641407.....55	0711630..... 233	0860520 ..... 167	1001095418..... 109
0641510..... 173	0711631..... 81, 91	1001001240 ..... 835	1001095650..... 51, 53, 55
0641612....205, 207, 209, 211, 213	0711635..... 83	1001001241 ..... 835	1001095738..... 505
0641812.....760	0712020..... 563	1001001556 ..... 835	1001095744..... 505
0642032.... 103, 105, 107, 205, 207, 209, 211, 213	0712022..... 563	1001001557 ..... 835	1001095804... 1005, 1007
0681810....205, 207, 209, 211, 213	0712027..... 561	1001001568 ..... 837	1001095810.....167
0700408..... 1019, 1021	0712030 ... 353, 355, 359, 361	1001002946 ..... 595, 597	1001096019..... 165
0700610....33, 35, 37, 59, 297, 318, 322, 677, 943, 959, 961, 997, 999, 1001, 1029, 1031, 1033, 1035	0712042..... 39	1001002947 ..... 595, 597	1001096020..... 165
0700614.....173, 637	0712439..... 805, 815	1001002953 ..... 595, 597	1001096021..... 163
0700616...760, 793, 1043	0741408..... 55	1001002957 ..... 595, 597	1001096022..... 165
0700618.....973, 1003	0741610 ... 205, 207, 209, 211, 213	1001003043 ..... 583	1001096023..... 163
0700618.....973, 1003	0760405 .... 143, 963, 969	1001003227 ..... 27	1001096024..... 165
0700808.....973	0760507 ..... 303, 305	1001003301 ..... 927	1001096025..... 163
0700812.....553	0760512 ..... 685	1001003427 ..... 303, 305	1001096162..... 161, 163, 165, 167
0700814...33, 35, 37, 287, 779, 927, 959, 961	0760605 .... 275, 593, 707	1001003590 ..... 815	1001096365.....595, 597
0700815.....313, 756, 760	0760606 ..... 33, 35, 37	1001004640 ..... 717, 719	1001097053..... 457, 459
0700816....249, 251, 285, 756, 760, 775, 777, 975	0760607 ... 315, 318, 322, 331, 333, 593, 791, 963, 969	1001005368 ..... 591	1001097110..... 125
0700817 .....829	0760608 ..... 97, 261, 313, 603, 615, 617, 685, 697, 707, 717, 719, 959, 961	1001006731 ..... 631	1001097202..... 603
0700818.....873, 943	0760615 ..... 77, 756, 760, 965	1001007056 ..... 699, 841	1001097205..... 157
0700819.....767, 965, 975	0760807 ..... 63, 297, 963, 973	1001008540 ..... 959, 961	1001097540.... 33, 35, 37, 577
0700820....687, 689, 691, 773, 943	0760808 ... 613, 677, 679, 963, 969, 973, 1047, 1049	1001008559 ..... 318, 322, 943, 947, 949, 951, 953, 955, 957, 969	1001097586.....583
0700823.....817, 819	076081027, 65, 253, 625, 633, 637, 659, 679, 687, 689, 707, 756, 760, 795, 809, 1029	1001008575 ..... 45	1001097588..... 275, 277
0700824....717, 719, 779	0760812 ... 291, 301, 325, 545, 547, 595, 767, 773, 1019, 1021	1001008687 ..... 555	1001097810..... 763, 765
0700826.....313	0760815 ..... 25, 289, 595, 597, 763, 765, 829, 943	1001008742 ..... 685	1001098153..... 907
0700827 .....299, 301	0760817 ..... 815	1001008857 ..... 595, 597	1001098153..... 907
0701014...25, 27, 49, 289, 760	0760823 ..... 43, 307	1001008892 .. 1041, 1043	1001098762..... 993
0701016...33, 35, 37, 289, 291, 553, 555, 781, 831, 833, 947, 959	0761007 ... 953, 955, 957, 963, 973	1001008988 ..... 593	1001098769..... 95
0701017 .....293, 325	0761008 ..... 843	1001008998 ..... 593	1001099113.....205, 207, 209, 211, 213
0701018....253, 255, 267, 269, 291	0761010. 27, 29, 31, 255, 275, 277, 289, 291, 293, 457, 459, 555, 756, 760, 943, 953, 955, 957, 959, 961, 973, 1027	1001009163 ..... 457, 459, 927	1001099115.....205, 207, 209, 211, 213
0701020.....45, 267, 269	0761012 ... 253, 255, 267, 269, 327, 717, 719, 833	1001009178 . 1190, 1194, 1198, 1202, 1206, 1210, 1216	1001099170..... 579
0701027 .....241, 247	0761210 ... 267, 315, 947, 949, 951	1001010646 ..... 631	1001099351..... 153
0701215.....245	0761212 ..... 833	1001010647 ..... 631	1001099901..... 147
0701216....233, 243, 849	0761214 ... 45, 51, 53, 89, 93	1001010648 ..... 631	1001099902..... 145
0701217 .....795	0761215 ..... 43, 751, 753	1001010649 ..... 631	1001099976..... 521, 523, 525, 527, 529, 531
0701220.....233		1001010650 ..... 631	1001100265..... 139
0701224.....97		1001025750 ..... 315	1001100266..... 141
0701226.....709		1001047062 ..... 593	1001100267..... 143
0701227..... 63, 233		1001080375 ..... 833	1001100284..... 521, 523, 529
0711015.....457, 459		1001080996 ..... 89, 833	1001100323.....521, 523
0711027.....805, 815		1001090063 ..... 205, 207, 209, 211, 213	1001100822..... 139
0711214.....61, 65		1001090064 ..... 205, 207, 209, 211, 213	1001100823..... 141
0711215.....61, 63, 97		1001090140 ..... 205, 207, 209, 211, 213	1001100824..... 143
0711216.....61, 63, 65		1001090343 ..... 663	1001100967..... 151
0711217.....61, 63, 65		1001091573 ..... 1047	1001101458..... 51, 53
0711218....61, 63, 65, 97		1001091715 ..... 1027	1001101808..... 999
0711219.....65		1001091716 ..... 1027	1001101867..... 63, 75
		1001091951 ..... 85	1001101895... 1194, 1206
		1001092391 ..... 129	1001101956..... 211
		1001092481 ..... 161	1001102378.....207, 211, 213
		1001092482 ..... 161	1001102502... 1005, 1007
		1001092877 .. 1194, 1206	1001102813..... 167, 173
		1001092878 .. 1194, 1206	1001103012..... 1104
			1001103156..... 843

## SECTION 12 - RECOMMENDED SPARE PARTS

1001103182 ..... 109, 923	1001116815.. 1104, 1119, 1133, 1155	1001128144.....285	1001150611 . 1054, 1055, 1167
1001103564 ..... 1045	1001116950.. 1055, 1070, 1076, 1080, 1092	1001128341.....285	1001151097 ..... 543
1001103637 ..... 161	1001116986..... 1108	1001128478.....457, 459, 927	1001151098 ..... 543
1001103730 ..... 163	1001116991.. 1103, 1107, 1143	1001128594.....235, 237, 239	1001151106 ..... 543
1001103736 ..... 165	1001116996..... 1113	1001128714.....291	1001152742 ..... 1087
1001104477 ..... 837, 917	1001116997..... 1108	1001128890.....155	1001152908 ..... 645, 647
1001104497 ..... 1169	1001116999... 1107, 1143	1001128901.....291	1001152915 ..... 581
1001104498 .. 1060, 1064	1001117021..... 1151	1001129407..... 1159	1001152934 ..... 581
1001104519 ..... 1107	1001117073.. 1069, 1075, 1079, 1084, 1092	1001130220....33, 35, 37, 997	1001152947 ..... 573, 581
1001104654 .. 1005, 1007	1001117079..... 1107	1001130323..1190, 1194, 1198, 1202, 1206, 1210, 1216, 1221	1001153612 ..... 1075
1001104685 ..... 297	1001117081.. 1103, 1104, 1107, 1119	10011313177.....973	1001153748 ..... 813, 905
1001105441 ..... 99	1001117121..... 1104	1001131271..1190, 1194, 1198, 1202, 1206, 1210, 1216, 1221	1001153749 .... 973, 1139
1001105886 ..... 995	1001117125.. 1074, 1080, 1084, 1091	1001132168.....29, 31	1001154365 ..... 571, 581
1001107192 ..... 593	1001117308..... 959, 961	1001133072.....205, 207, 211, 213	1001154419 ..... 581
1001107854 . 1059, 1060, 1063, 1064, 1151, 1169	1001118323..... 1056	1001133534.....245	1001154511 ..... 227, 235
1001108668 ..... 219	1001118378..... 1155	1001134274.....843	1001154721 ..... 569, 573
1001109053 . 1190, 1194, 1198, 1202, 1206, 1210, 1216, 1221	1001118383..... 1104	1001136975.....318, 322	1001154790 ..... 231, 239
1001110704 ..... 109	1001118384.. 1103, 1104, 1107, 1108, 1115, 1117, 1119	1001137512.....135	1001154984 ..... 565
1001111076 ..... 697	1001118392..... 1113	1001137578... 1087, 1088	1001155020 ..... 672
1001111147 ..... 697	10011184495..... 1095	1001138348.....279, 281	1001155261 ..... 289
1001111190 ..... 109, 197, 219	1001118684..... 1103	1001139375.....357, 363	1001155446 ..... 559, 561
1001111317 ..... 573, 581, 597	1001118685..... 1104	1001139551.....663	1001155447 ..... 567, 659
1001112612 . 1069, 1075, 1079, 1083, 1091, 1099, 1103	1001120163..... 699, 841, 919	1001139552.....661	1001155486 ..... 663
1001112796 .. 1101, 1125	1001120914..... 205, 207, 209, 211, 213	1001139568.....591	1001155540 ..... 267, 269
1001112902 .... 33, 35, 37	1001120915..... 205, 207, 209, 211, 213	1001139578... 1190, 1202	1001155796 ..... 677
1001114495 ..... 279, 281	1001120963.....521	1001139942... 1194, 1206	1001155800 ..... 677
1001114803 ..... 267, 269	1001120989..... 1187	1001141246.....595, 597	1001155806 ..... 1101
1001116696 ..... 1113	1001121101.....529	1001141281.....659, 1225	1001156265 ..... 717, 719
1001116697 ..... 1104	1001121519.....529	1001141311.....663	1001157481 ..... 591
1001116698 ..... 1104	1001121726... 1059, 1063	1001141312.....661	1001157487 ..... 591
1001116700 ..... 1107	1001121727..... 1163	1001141313.....663, 1225	1001157663 ..... 299, 301
1001116723 . 1103, 1104, 1107, 1108, 1119	1001121955.....285	1001141400.....318, 322	1001157890 .. 1107, 1155
1001116725 .. 1069, 1075	1001122453..... 859, 861	1001142790 ..... 111	1001157891 ..... 1099
1001116727 .. 1059, 1063	1001125027... 1068, 1074, 1080, 1084, 1091	1001143200.....575, 611	1001157972 ..... 913
1001116728 . 1045, 1059, 1063, 1079, 1083	1001125083... 1069, 1075	1001143551..... 1155	1001158146 ..... 1005
1001116729 ..... 1163	1001125085... 1069, 1075	1001143692.....99	1001158620 ..... 885, 887
1001116731 ..... 1149	1001125089... 1069, 1075	1001143852... 1194, 1206	1001159028 ..... 713, 715
1001116732 . 1079, 1083, 1091	1001125117....61, 63, 65, 97, 833	1001143857.....769, 773	1001159347 ..... 267, 269, 271
1001116745 ..... 1163	1001125137..... 859, 865, 867, 881, 883	1001144147..1068, 1074, 1079, 1083, 1091, 1133, 1149, 1155	1001159734 ..... 1027
1001116747 .. 1108, 1151	1001125677.. 1068, 1074, 1091	1001144629J.....167	1001159735 ..... 661
1001116748 . 1069, 1075, 1079, 1083, 1084, 1091, 1092, 1103	1001126008.. 1133, 1155, 1165	1001145539.....637	1001159736 ..... 663
1001116749 . 1069, 1075, 1080, 1084, 1092	1001126011..... 1075	1001145707..1079, 1083, 1091	1001159738 .. 1047, 1049
1001116754 ..... 1103	1001126349... 1080, 1084	1001146021... 1060, 1064	1001159739 .. 1037, 1039
1001116763 . 1059, 1063, 1151, 1169	1001126353... 1080, 1084	1001146160..... 155	1001159745 ..... 821, 823
1001116774 .. 1133, 1155	1001126356... 1080, 1084	1001146588.....318, 322, 695, 949, 953, 955, 957, 965, 975, 1003, 1017, 1027	1001159746 ..... 977
1001116808 .. 1133, 1155	1001126357... 1080, 1084	1001147060.....997	1001159753 .. 1005, 1007
1001116810 .. 1054, 1167	1001126391..... 1087	1001147340.....767, 769, 771, 773	1001159845 . 1029, 1031, 1033, 1035
1001116811 . 1068, 1074, 1079, 1083, 1091, 1167	1001126393..... 1087	1001147449.....672	1001159846 . 1029, 1031, 1033, 1035
1001116812 . 1054, 1060, 1064, 1087, 1103, 1119, 1133, 1149, 1155	1001126487... 1068, 1074	1001149160.....33, 35, 37	1001159849 .. 1005, 1007
	1001126837..... 843	1001149278.....672	1001159881 ..... 289
	1001128127... 1054, 1055	1001150610..1068, 1074, 1079, 1083, 1091, 1167	1001159882 ..... 289
			1001159925 ..... 633, 637
			1001160042 ..... 637
			1001160043 ..... 633
			1001160072 ..... 1181
			1001160116 ..... 233
			1001160122 ..... 735
			1001160250 ..... 39
			1001160253 ..... 25
			1001160255 ..... 49
			1001160326 ..... 637
			1001160396 ..... 231
			1001160397 ..... 267

## SECTION 12 - RECOMMENDED SPARE PARTS

1001160402.....269	1001161963 . 1054, 1060, 1064	1001163223 .. 1198, 1210	1001164881.....93
1001160420.....287	1001161972 ..... 760	1001163227 ..... 227, 229, 231, 233	1001164884..... 87, 89
1001160426.....299	1001161976 ..... 760	1001163230 ..... 227, 231, 241	1001164885..... 87, 89
1001160496.....689	1001161978 ..... 756, 760	1001163231 ..... 227, 229, 318	1001164948..... 831, 833
1001160498.....1104	1001162069 ..... 763, 765	1001163232 ..... 227, 265	1001164964..... 309
1001160500.. 1054, 1060, 1064	1001162076 ..... 855, 857, 873	1001163233 ..... 227, 973	1001164966..... 309
1001160502.....1104	1001162212 ..... 265	1001163235 ..... 227, 229, 243	1001164967..... 309, 311
1001160503.....687, 689	1001162239 ..... 25, 27	1001163238 ..... 231, 251	1001164971..... 805, 815
1001160506.....691	1001162240J ..... 27	1001163239 ..... 231, 255	1001165022..... 607
1001160508.....565, 567, 613	1001162249 ..... 1003	1001163241 ..... 231, 322	1001165022J..... 605
1001160509.. 1054, 1060, 1064	1001162253 ..... 943	1001163242 ..... 231, 969	1001165080..... 571, 593
1001160510.. 1054, 1060, 1064	1001162256 ..... 943	1001163245 ..... 267, 275	1001165171.... 61, 63, 65, 1224
1001160599.....717, 903	1001162281 ..... 289, 291, 293	1001163246 ..... 267, 279	1001165172.... 61, 63, 65, 1224
1001160711 .....983	1001162339 ..... 829	1001163247 ..... 267, 269, 283	1001165173..... 63, 1224
1001160735 .....41	1001162343 ..... 829	1001163248 ..... 269, 277	1001165186..... 597
1001160775 .....1175	1001162344 ..... 829	1001163249 ..... 269, 281	1001165187..... 597
1001160888 .....233	1001162346 ..... 829	1001163253 ..... 289, 315	1001165194..... 1087
1001160916 .....1183	1001162469 ..... 1224	1001163254 ..... 299, 301, 327	1001165269..... 685, 703
1001160927 .....981, 983, 993	1001162548 ..... 851, 933	1001163273 ..... 1210	1001165270..... 685
1001160928 .....993	1001162597 ..... 289	1001163276 ..... 1210	1001165273..... 703
1001160945 .....1185	1001162628 ..... 305	1001163285 .. 1198, 1210	1001165275..... 595, 597
1001161055 .....63	1001162660 ..... 909, 927, 1225	1001163291 ..... 1210	1001165276..... 605
1001161069 .....665	1001162661 ..... 909	1001163300 .. 1198, 1210	1001165309..... 1055
1001161095 .....1104	1001162662 .... 927, 1224	1001163301 ..... 1210	1001165310..... 1055
1001161097.. 1054, 1060, 1064	1001162663 .... 909, 1224	1001163321 ..... 1210	1001165311... 1060, 1064
1001161098... 1054, 1104	1001162667 ..... 909	1001163323 .. 1198, 1210	1001165327..... 703
1001161099.. 1054, 1060, 1064, 1104	1001162670 ..... 741, 745, 753	1001163324 ..... 1103	1001165351..... 685
1001161100.. 1054, 1060, 1064, 1104	1001162674 ..... 753, 803	1001163330 ..... 1103	1001165360... 1027, 1111
1001161101.. 1054, 1060, 1064, 1104	1001162686 ..... 877, 879, 881	1001163337 .. 1198, 1210	1001165367.... 61, 63, 65, 1224
1001161102.. 1054, 1060, 1064, 1104	1001162707 ..... 717	1001163355 .. 1198, 1210	1001165407..... 685
1001161304.....811, 813	1001162765 ..... 927	1001163371 .. 1017, 1107	1001165416..... 685
1001161308.....783, 849	1001162789 ..... 567, 685	1001163372 .. 1013, 1119	1001165455..... 685
1001161344 .....769	1001162886 ..... 1103	1001163414 ..... 205, 207, 209, 211, 889	1001165458..... 685
1001161346 .....769, 773	1001162887 ..... 1103	1001163546 ..... 289	1001165459..... 597
1001161499 .....565, 567, 713	1001162920 ..... 707	1001163637 ..... 285	1001165590..... 69
1001161527 .....769, 773	1001162922 ..... 707	1001163639 ..... 1009	1001165637..... 659
1001161528 .....767, 769, 771, 773	1001162953 ..... 637, 653	1001163695 ..... 731	1001165699..... 1003
1001161535 .....760	1001162959 ..... 807, 911	1001163698 . 1005, 1007, 1224	1001165739..... 69
1001161538 .....573	1001162979 ..... 717	1001163704 ..... 65	1001165827..... 1001
1001161664 .....227, 231, 457	1001163029 63, 65, 1224	1001163712 ..... 65	1001165833..... 353, 369, 371, 373, 375, 377, 379, 381, 383, 385, 387, 389, 391, 393
1001161672 .....717, 719	1001163034 ... 61, 63, 65, 1224	1001163723 ..... 273	1001165834..... 359, 413, 415, 417, 419, 421, 423, 425, 427, 429, 431, 433, 435, 437
1001161679... 1003, 1127	1001163038 ..... 61, 1224	1001163746 ..... 801, 899	1001165978..... 553, 555
1001161770... 1017, 1129	1001163066 ..... 305	1001163841 ..... 69	1001166091..... 641, 643, 647, 649
1001161771... 1013, 1121	1001163067 ..... 45, 927	1001164019 ..... 55	1001166092..... 641, 643, 647, 649
1001161854 .....669, 672, 675	1001163072 ..... 829	1001164036 ..... 855, 857, 885	1001166163..... 67
1001161855 .....669, 672	1001163073 ..... 829	1001164039 ..... 69	1001166223..... 849, 851
1001161858 .....633, 645	1001163082 ..... 267, 269, 273	1001164183 ..... 55	1001166233..... 67
1001161896 .....717, 719	1001163108 ..... 63, 1224	1001164402 ..... 943, 945	1001166235..... 67
1001161897 .....717, 719	1001163112 ..... 1224	1001164404 ..... 289	1001166385..... 697
1001161898 .....717, 719	1001163127 ..... 937, 961	1001164498 ..... 625	1001166397..... 943
1001161920 .....279, 281	1001163133 ..... 295	1001164567 ..... 99	1001166416..... 279, 281
1001161957.. 1054, 1060, 1064	1001163134 ..... 297	1001164615 ..... 625	1001166430..... 275, 277
1001161959 .....1104	1001163136 ..... 61, 63	1001164652 ..... 799, 931	1001166449..... 249, 251
	1001163137 ..... 697	1001164655 ..... 613	1001166450..... 249
	1001163151 ..... 697	1001164726 ..... 593	1001166451..... 251
	1001163170 ..... 697	1001164837 ..... 289	
	1001163174 .. 1198, 1210	1001164838 ..... 289	
	1001163210.. 1198, 1210	1001164860 ..... 839	
	1001163212.. 1198, 1210	1001164870 ..... 833	
	1001163222.. 1198, 1210	1001164871 ..... 91	

## SECTION 12 - RECOMMENDED SPARE PARTS

1001166565 ..... 255, 259	1001168151..... 717, 719	1001169265.....27	1001170504 ..... 669, 672
1001166566 ..... 253, 257	1001168178..... 549	1001169268.....725	1001170515 ..... 625
1001166634 ..... 595, 597, 605	1001168182..... 551	1001169278.....59, 67	1001170518 ..... 669, 672
1001166698 ..... 29	1001168261..... 549	1001169279.....67	1001170549 ..... 829
1001166703 ..... 1087	1001168262..... 551	1001169326.....59, 69	1001170561 ..... 793, 799
1001166704 . 1068, 1074, 1087	1001168264..... 545, 547, 549, 551	1001169327 .....69	1001170566 ..... 953, 955, 957
1001166716 ..... 255	1001168272..... 307	1001169346.....747, 779	1001170601J ..... 593
1001166727 ..... 1163	1001168327..... 637	1001169348.....339, 341, 351	1001170603 ..... 571, 611
1001166754 ..... 561	1001168330..... 637	1001169349.....779, 785	1001170616 ..... 367
1001166755 ..... 561	1001168331..... 637	1001169351..... 351, 367	1001170624 ..... 955
1001166763 ..... 1017	1001168456..... 637	1001169354..... 721, 723	1001170628 ..... 87
1001166764 ..... 1013	1001168464..... 791, 809	1001169355 .....723	1001170631 ..... 89
1001166765 ..... 785, 895	1001168465..... 747, 749, 791	1001169365.....955	1001170645 .... 33, 35, 37
1001166925 ..... 279	1001168468..... 741, 745, 765	1001169367 .....723	1001170711 ..... 97
1001166993 ..... 279	1001168482..... 843	1001169375..... 775, 777	1001170717 ..... 665
1001167001 ..... 727	1001168529..... 343, 353	1001169376..... 775, 777	1001170740 ..... 947
1001167015 ..... 665	1001168530..... 339, 343	1001169378..... 775, 777	1001170741 ..... 947
1001167017 ..... 1019	1001168536..... 347, 359	1001169393.....283	1001170749 ..... 947
1001167051 ..... 937, 939, 941, 943	1001168537..... 339, 347	1001169409.....265	1001170816 ..... 947, 949, 951
1001167078 ..... 267, 269, 285	1001168538..... 339	1001169410.....265	1001170944 ..... 595, 597
1001167167 ..... 289	1001168560.....289	1001169454.....43	1001170993 ..... 619
1001167168 ..... 289	1001168561..... 63	1001169461.....45	1001171037 ..... 607
1001167186 ..... 287	1001168574..... 59, 63	1001169602.....43	1001171097 ..... 751, 801
1001167266 ..... 653, 657	1001168575..... 63	1001169603..... 669, 672	1001171153 ..... 41, 43
1001167281 ..... 927	1001168587..... 63	1001169604.....672	1001171154 ..... 41, 45
1001167357 ..... 299, 301	1001168589..... 65	1001169605..... 669, 672	1001171162 ..... 1047
1001167437 ..... 809	1001168599..... 873	1001169674..... 1175	1001171179 ..... 45
1001167528 ..... 1087	1001168634..... 79	1001169751.....721	1001171182 ..... 591
1001167549 ..... 881	1001168638..... 289, 307	1001169763 .....725	1001171183 ..... 591
1001167552 ..... 881	1001168656..... 59	1001169825..... 1165	1001171208 ..... 739, 743, 756
1001167555 ..... 881	1001168668..... 881, 883, 1225	1001169830..... 756, 760, 767, 769, 771, 773	1001171209 ..... 739, 743, 763
1001167557 ..... 881	1001168671..... 881, 883	1001169850.....293	1001171242 ..... 545
1001167576 ..... 881, 883	1001168735..... 59, 65	1001169867 .....305	1001171277 . 1190, 1194, 1198, 1202, 1206, 1210, 1216, 1221
1001167608 . 1041, 1043, 1045	1001168736..... 65	1001169881 .....593, 605	1001171451 ..... 59
1001167616 .. 1069, 1074	1001168755..... 65, 77	1001169883 .....607	1001171634 ..... 607
1001167620 ..... 1087	1001168757..... 77	1001169885 .....607	1001171701 ..... 289
1001167624 ..... 1087	1001168760..... 33, 35, 37	1001169910..... 739, 743, 747	1001171756 ..... 685
1001167641 . 1068, 1074, 1091	1001168761..... 33, 35, 37	1001169915..... 739, 743, 751	1001171764 ..... 87, 99
1001167646 ..... 963, 973	1001168763..... 805	1001169965.....267, 269	1001171767 ..... 619
1001167648 . 1068, 1074, 1091	1001168771..... 249	1001170071 .....43	1001171772 .... 33, 35, 37
1001167649 . 1068, 1074, 1091	1001168795..... 233	1001170072 .....43	1001171808 ..... 95
1001167650 . 1068, 1074, 1091	1001168797..... 233	1001170100..... 741, 745, 777	1001171860 ..... 343, 345, 357
1001167656 .. 1068, 1074	1001168822..... 265	1001170105..... 305	1001171863 ..... 347, 349, 363
1001167657 .. 1068, 1074	1001168834..... 29	1001170138..... 861	1001171874 ..... 707
1001167695 .... 979, 1101	1001168861..... 855	1001170171 ..... 457, 459, 461, 465, 467, 469, 471, 473, 475, 477, 479, 481, 483, 485, 487, 489, 491, 493, 495, 497, 499, 501, 503, 505, 507, 509, 511, 513, 515, 517, 519	1001171885 ..... 25
1001167727 ..... 865	1001168896J..... 61	1001170215..... 947	1001171889 ..... 559
1001167761 .... 87, 89, 91	1001168987..... 61	1001170231 ..... 707	1001171890 ..... 559, 563
1001167762 .... 87, 89, 93	1001169009..... 227	1001170320..... 947, 949, 951	1001171962 ..... 1019
1001167799 ..... 979	1001169011..... 227, 229, 249	1001170326..... 621	1001172035 . 1190, 1194, 1198, 1202, 1206, 1210, 1216, 1221
1001167806 ..... 95	1001169012..... 227, 229, 253	1001170366..... 567, 615	1001172075 ..... 839
1001167822 ..... 1029	1001169050..... 865, 867	1001170374..... 575	1001172077 ..... 839
1001167823 ..... 1033	1001169087..... 791, 807	1001170495..... 569, 575	1001172078 ..... 839
1001167937 ..... 601	1001169146..... 943	1001170500..... 571, 583	1001172088 ..... 707
1001167958 ..... 593, 601	1001169151..... 637, 1151	1001170502..... 583, 591	1001172094 ..... 707
1001167971 ..... 315	1001169155..... 249, 251		1001172134 ..... 89, 839
1001168030 ..... 267, 269	1001169173..... 267, 269		1001172146 ..... 45
1001168031 ..... 1019	1001169174..... 267, 269		1001172147 ..... 45
1001168142 ..... 717, 719	1001169207..... 283		
	1001169209..... 77		
	1001169214..... 77		

## SECTION 12 - RECOMMENDED SPARE PARTS

1001172160.....33	1001173849..... 1005	1001176548 ..... 756	1001182545.....805
1001172178.....303, 305	1001173956 ..... 829	1001176626 ..... 575, 611	1001182671.....729
1001172193.....573, 581, 605	1001173957 ..... 829	1001176935 . 1068, 1074, 1087	1001182903.....815
1001172370.....793	1001174271 ..... 289, 313	1001176945 ..... 289	1001182908.....805, 815
1001172401.....565, 567, 623	1001174295 ..... 593, 609	1001177248 ..... 756, 760	1001182910.....815
1001172495.....993	1001174320 ..... 581	1001177256 ..... 767, 769, 771, 773	1001183177.....253
1001172496.....993	1001174321 ..... 595, 597	1001177273 ..... 756, 760	1001183221.....1099
1001172536.....1023	1001174338 ..... 756, 760	1001177597 .. 1069, 1075	1001183243.....849
1001172546.....1224	1001174356 ..... 267, 269	1001177653J..... 39	1001183550.....675
1001172547 .....633, 637	1001174426 ... 977, 1097	1001177704 ..... 756, 760	1001183759.....289
1001172550.....633, 637	1001174581 ..... 675	1001178123 ..... 685	1001183827.....261
1001172551.....639, 645, 651	1001174712 ..... 1011	1001178170 ..... 637	1001183829.....261
1001172553.....633, 637, 1225	1001174726 ..... 71	1001178706 ..... 1173	1001183830.....253
1001172587.....305	1001174741 ..... 677	1001178729 ..... 555	1001183831.....255
1001172591.....279, 281	1001174795 ..... 309, 311	1001178783 ..... 1015	1001183835.....253, 255, 261
1001172606.....669	1001174796 .. 1047, 1049	1001178791 ..... 307	1001183836.....289
1001172608.....669	1001174800 ..... 677	1001178799 ..... 307	1001183888.....1029
1001172643.....37	1001174801 ..... 677	1001178826 ..... 683	1001183890.....1029
1001172728...1097, 1099	1001174832 ..... 281	1001178933 ..... 1003	1001184017.....327
1001172755.....318, 322	1001174932.. 1037, 1041	1001179008 ..... 585, 587, 589, 683	1001184056.....815, 843
1001172774.....687	1001175057 ..... 756	1001179009 ..... 585, 587, 589, 683	1001184076.....27
1001172836.....351, 365	1001175201 ..... 307	1001179080 ..... 653	1001184275.....641, 643, 647, 649
1001172953.....275	1001175265. 1059, 1063, 1079, 1083, 1091	1001179081 ..... 653	1001184278.....641, 643, 647, 649
1001172995.....97	1001175267. 1054, 1060, 1064	1001179130 ..... 653, 655	1001184280.....641, 643
1001172997.....97	1001175269 ..... 241	1001179206 ..... 289, 293	1001184294.....641, 643, 647, 649
1001172999.....97	1001175347 ..... 756, 760	1001179297 ..... 1173	1001184295.....641, 643, 647, 649
1001173091.....953, 1087	1001175470 ..... 621	1001179369 ..... 873, 875	1001184296.....641, 643, 647, 649
1001173092...1027, 1113	1001175471 ..... 615, 619	1001179376 ..... 281	1001184297.....641, 643, 647, 649
1001173111 .....79, 81	1001175477 ..... 593	1001179484 ..... 675	1001184306.....651
1001173113 .....81	1001175485 ..... 97	1001179601 ..... 891	1001184307.....651
1001173114 .....79, 83	1001175486 ..... 97	1001179853 ..... 577	1001184310.....651
1001173115 .....83	1001175676 ..... 821, 823, 1051	1001179968 ..... 293, 325	1001184310.....651
1001173116 .....83	1001175694 ..... 760	1001179972 ..... 293	1001184403.....655
1001173117 .....79, 85	1001175696 ..... 760	1001179973 ..... 325	1001184404.....655
1001173118 .....85	1001175697 ..... 760	1001180076 ..... 231, 245	1001184405.....655
1001173257 .....691	1001175699 ..... 756, 760	1001180078 ..... 245	1001184406.....655
1001173298 .....593	1001175703 ..... 765	1001180226 ..... 325	1001184418.....1083
1001173411 .....1107	1001175704 ..... 763, 765	1001180227 ..... 325	1001184427.....641, 643
1001173419 .....567	1001175704 ..... 763, 765	1001180242 ..... 231, 965	1001184439.....593
1001173422..1190, 1194, 1198	1001175718 ..... 777	1001180263 ..... 687, 691	1001184473.....1143
1001173429.....1190	1001175733 ..... 1161	1001180263 ..... 687, 691	1001184484.....843
1001173431 .....1194	1001175740 ..... 821, 823	1001180306 ..... 756, 760	1001184491.....1095
1001173433 .....1198	1001175776 .. 1023, 1161	1001180542 ..... 275, 277	1001184493.....1095
1001173446 .....756, 760	1001175903 ..... 672	1001180553 ..... 275, 277	1001184496.....1095
1001173450 .....760	1001175904 ..... 669	1001180682 ..... 1015	1001184551...1079, 1083
1001173451 .....756, 760	1001175933 ..... 739, 771	1001180683 ..... 1015	1001184632..1190, 1194, 1198, 1202, 1206, 1210, 1216, 1221
1001173452 .....267, 269	1001175934 ..... 767, 771	1001181128 ..... 959, 961	1001184714.....855, 857, 863
1001173457 .....267, 269	1001175997 ..... 756	1001181411 ..... 591	1001184835.....963, 973, 1095
1001173470 .....59, 829	1001176004 ..... 1087	1001181531 .. 1005, 1007	1001184841.....1104
1001173527...1051, 1163	1001176043 ..... 756	1001181543 ..... 727	1001184975.....672
1001173531 .....937, 947	1001176121 ..... 615, 617, 621	1001181573 .. 1013, 1123	1001185179.....669, 672
1001173542 .....59, 71	1001176124 ..... 756	1001181625 ..... 275, 277	1001185278.....253
1001173543 .....71	1001176139 ..... 756	1001181815 ..... 293	1001185357.....763
1001173544 .....71	1001176145 ..... 763	1001181920 ..... 575, 611	1001185497.....249
1001173546 .....267, 269	1001176150 ..... 763	1001181921 ..... 575, 611	1001185498.....251
1001173571 .....645	1001176164 ..... 661	1001181961 ..... 981, 983	
1001173618 .....937, 953	1001176228 ..... 231	1001182011 ..... 275, 277	
1001173622 .....937	1001176272 ..... 575, 611	1001182012 ..... 275, 277	
1001173626 .....293	1001176273 ..... 575, 611	1001182083 ..... 1037	
1001173702 .....809, 811	1001176277 ..... 575, 611	1001182094 ..... 243	
1001173765 .....939, 941, 959	1001176278 ..... 575, 611	1001182123 ..... 575, 611	
	1001176333 ..... 1119	1001182139 ..... 575, 611	
	1001176338 ..... 1015	1001182279 ..... 803, 901	
	1001176515 ..... 149	1001182328 ..... 679	
	1001176529 ..... 801	1001182506 ..... 760	



## SECTION 12 - RECOMMENDED SPARE PARTS

1001185505 .....	249	1001188637.....	777	1001192302.....	941	1001196665 .....	229, 237
1001185633 .....	679	1001188720.....	641, 643, 647, 649	1001192304.....	941, 957	1001196806 .....	1190, 1198, 1216
1001185823 ..	1080, 1084	1001188725.....	641, 643, 647, 649	1001192309.....	593	1001196929 .....	97
1001185824 ..	1080, 1084	1001188728.....	641, 643	1001192341.....	815	1001196931 .....	97
1001185846 .....	679	1001188729.....	641, 643, 647, 649	1001192393.....	999	1001197027 .....	625, 627
1001186225 .....	457, 459	1001188733.....	641, 643, 647, 649	1001192394.....	1001	1001197137 .....	707, 709
1001186342 .....	318, 322	1001188787.....	843	1001192435.....	821, 823	1001197139 .....	707, 711
1001186418 .....	760	1001188817.....	641, 643	1001192468.....	965, 975	1001197151 .....	699
1001186565 ..	1029, 1033	1001188818.....	641, 643	1001192471.....	965, 975	1001197182 .....	833, 837
1001186567 ..	1029, 1033	1001188871.....	756, 761	1001192643.....	599	1001197209 .....	865
1001186705 .....	327	1001189023.....	641, 643	1001192644.....	601	1001197210 .....	865
1001186843 .....	756, 761	1001189024.....	641, 643	1001192646.....	593	1001197217 .....	681
1001186859 .....	59	1001189025.....	641, 643, 647, 649	1001192711 .....	173	1001197218 .....	681
1001186898 .....	253, 255	1001189046.....	973	1001192720.....	173	1001197219 .....	681
1001186912 .....	767, 771	1001189048.....	641, 643	1001192766.....	593, 599	1001197218 .....	681
1001187070 .	1068, 1069, 1074, 1075, 1079, 1080, 1083, 1084, 1091	1001189054.....	641, 643	1001192836.....	555	1001197259 .....	681
1001187075 .....	1054	1001189217.....	831, 833	1001192875.....	173	1001197282 .....	1009
1001187076 .	1055, 1060, 1064	1001189299.....	833	1001192876.....	173	1001197299 .....	318, 322
1001187077 ..	1087, 1149	1001189308.....	833	1001192877 .....	173	1001197339 .....	25
1001187078 .	1079, 1083, 1133, 1149, 1155	1001189310.....	835	1001193026.....	299, 301	1001197407 .	1068, 1074, 1080, 1084, 1091
1001187079 .	1054, 1055, 1069, 1075, 1079, 1083, 1092, 1155	1001189492.....	63	1001193171 .....	941, 951	1001197491 .....	855, 869
1001187080 .	1054, 1069, 1075, 1092	1001189603.....	831	1001193210 .....	605	1001197574 .....	863, 865
1001187081 .....	1133	1001189604.....	833	1001193525.....	173	1001197600 .....	885, 893
1001187335 .....	603	1001189607.....	835	1001193577.....	97	1001197695 .....	859
1001187532 .....	977	1001189658.....	577	1001193729.....	173	1001197699 .....	859
1001187623 .....	951	1001189793 .	63, 65, 1224	1001193771 .....	775, 777	1001197700 .....	859
1001187624 .....	951	1001189888.....	865, 867	1001193993.....	959, 961	1001197801 .....	865, 867, 1225
1001187785 .....	67	1001189980.....	651	1001194282.....	719	1001197918 .....	859, 861, 1225
1001187850 .....	771	1001189995.....	739, 743, 775	1001194286 .....	227, 229, 975	1001198321 .....	959, 961
1001188048 .....	603	1001189997.....	1023	1001194534.....	255	1001198355 .....	173
1001188246 .....	61	1001190179.....	985	1001194978.....	47, 1224	1001199099 .....	959, 961
1001188275 .....	641	1001190187.....	63	1001194981 .....	927, 1225	1001199183 .....	997
1001188281 .....	763	1001190322..	1069, 1075, 1079, 1083, 1092	1001195082.....	173	1001199640 .....	729
1001188303 .....	637, 639	1001190347.....	669	1001195089.....	965, 975	1001199670 .....	313
1001188372 .	1190, 1194, 1198, 1202, 1206, 1210, 1216, 1221	1001190585.....	947	1001195217 .....	777	1001199750 .....	761
1001188438 .....	771	1001190589.....	669, 672	1001195342.....	657	1001199807 .....	533, 535, 537
1001188577 .....	641, 643, 647, 649	1001190670.....	985, 987, 989, 993	1001195343.....	657	1001199808 .....	533, 535
1001188578 .....	641, 643, 647, 649	1001190671.....	985, 987, 989, 995	1001195345.....	657	1001199810 .....	533, 537
1001188590 .....	633, 637	1001190881.....	821, 823	1001195346.....	657	1001199915 .....	597
1001188592 .....	641, 643	1001190921...	1069, 1075	1001195385.....	657	1001200082 .....	953, 955, 957
1001188594 .....	641, 643, 647, 649	1001190980.....	322	1001195386.....	657	1001200101 .	1190, 1194, 1198, 1202, 1206, 1210, 1216, 1221
1001188602 .....	641, 643, 647, 649	1001191091.....	609	1001195437.....	657	1001200102 .....	947, 949, 951
1001188603 .....	641, 643, 647, 649	1001191168.....	313	1001195438.....	657	1001200151 .....	533
1001188604 .....	641, 643, 647, 649	1001191229..	1190, 1194, 1198, 1202, 1206, 1210, 1216, 1221	1001195518.....	233	1001200152 .....	1011
1001188610 .....	641, 643, 647, 649	1001191348.....	293	1001195781...	1069, 1075	1001200206 ..	1133, 1149
1001188612 .....	641, 643, 647, 649	1001191486.....	973	1001195782...	1069, 1075	1001200239 .....	245
1001188614 .....	641, 643, 647, 649	1001191487...	1198, 1210	1001195849...	1190, 1202	1001200538 .....	1031
1001188618 .....	641, 643	1001191503.....	839	1001195851...	1198, 1210	1001200539 .....	1035
1001188619 .....	641, 643	1001191505.....	839	1001195855..	1190, 1198, 1216	1001200555 .....	297
		1001191603.....	49	1001195878.....	573, 581	1001200713 .....	597
		1001191617.....	669, 672	1001195883.....	1049	1001200989 .....	65
		1001191635.....	49	1001195970.....	137	1001201080 .....	1115
		1001192042.....	763, 765	1001195972.....	603	1001201081 .....	1103
		1001192098.....	761	1001196076.....	625	1001201162 .....	1025
		1001192142.....	959, 961	1001196100.....	1027	1001201331 .....	685
		1001192240.....	675	1001196289...	1025, 1125	1001201646.....	33, 37
				1001196404.....	27	1001201755 .....	851
				1001196422.....	27	1001201904 .....	549, 551
				1001196426J.....	27	1001201905 .....	549, 551
				1001196440.....	315, 318, 322		
				1001196451...	1003, 1103		
				1001196491.....	327		
				1001196608.....	851		

## SECTION 12 - RECOMMENDED SPARE PARTS

1001202132.....1115	1001204530..... 1031	1001212049..... 585	1001221527.....767, 773
1001202133.....695	1001204598..... 567	1001212050..... 587	1001221728.....953, 955, 957, 1054
1001202134.....693	1001204709..... 683	1001212369..... 659	1001221729.....1068
1001202138.....693	1001205172.. 1069, 1075	1001212470 .. 1005, 1007	1001221741..... 773
1001202247.....263	1001205254..... 949, 951	1001213126J..... 27	1001221742..... 773
1001202454.....1007	1001205255..... 951	1001213199J..... 541	1001221744..... 773
1001202487.....263	1001205336..... 81	1001213210..... 313, 329	1001221941..... 1145
1001202491.....263	1001205402..... 579	1001213331..... 595	1001221994..... 719
1001202498.....991	1001205532..... 593, 595	1001213791..... 593	1001222088.....767, 769, 771, 773
1001202512.....545, 547	1001205756..... 767, 769, 771, 773	1001213988 .. 1003, 1131	1001222090..... 767
1001202513.....545		1001214092..... 659	1001222132..... 767
1001202519.....1025	1001205786..... 707	1001214156..... 677	1001222158..... 767
1001202526.....265	1001206019..... 243	1001214220..... 707	1001222388..... 1139
1001202617.....1025	1001206332..... 301	1001214326..... 565, 567, 579	1001222609.....727, 733, 735
1001202620.....1019	1001206448..... 301	1001214331..... 565, 569	1001222650.. 1198, 1202, 1206, 1210, 1216, 1221
1001202621.....1019	1001206588..... 318, 322	1001214332..... 567, 571	1001222715.....969, 1079
1001202622.....1019	1001206746..... 37	1001214480..... 717, 719	1001222741..... 595
1001202626... 1202, 1210	1001206980..... 263	1001214481..... 717, 719	1001223265..... 669, 672
1001202786.....545, 547	1001207171 .. 1070, 1076	1001214535..... 679	1001223453.. 1190, 1198, 1202, 1210
1001202847.....756, 761	1001207217 .. 1190, 1202	1001215319..... 309, 311, 335	1001224030..... 291
1001202904..... 171	1001207218 .. 1194, 1206	1001215476..... 263	1001224031..... 291
1001202962.....767, 769, 771, 773	1001207282..... 303, 305	1001215531..... 595	1001225067.....963, 1091
1001202986.....318, 322, 953, 955, 957, 969	1001207283..... 823	1001215778..... 629	1001225126..... 291
1001203052.....953, 957	1001207287..... 1041	1001215941..... 263	1001225198..... 741
1001203053.....953, 957	1001207295..... 823	1001216522..... 877	1001225200.....741, 745, 760
1001203181.....263	1001207296..... 765	1001217467..... 243	1001225202..... 741, 769
1001203225.....1007	1001207343.... 33, 35, 37	1001217623..... 1047	1001225230..... 229
1001203502.....756, 761	1001207557..... 303, 305	1001218255..... 197	1001225231..... 229, 247
1001203503..... 173	1001207606..... 159	1001218341..... 39	1001225232..... 229, 963
1001203557.....981	1001207758..... 799	1001218358..... 1155	1001225259... 1133, 1139
1001203558.....981	1001207963..... 669, 672	1001218487..... 39	1001225281..... 349, 361
1001203640.. 1031, 1035, 1043	1001208106..... 563	1001218524..... 845	1001225282..... 341, 349
1001203769.....981	1001208186..... 293	1001218529..... 633, 637	1001225283..... 345, 355
1001203932.....25	1001208192..... 701	1001218542..... 633, 637	1001225284..... 341, 345
1001203933.....25	1001208308..... 669, 672	1001218577..... 855, 877	1001225285..... 341
1001203934.....25	1001208338..... 545	1001218704 .. 1190, 1202	1001225313..... 291
1001203944.....775	1001208643..... 1224	1001218704 .. 1190, 1202	1001225402..... 291
1001203954.....775	1001208644..... 1224	1001218781..... 799	1001225462..... 817, 821
1001203963.....775	1001208881..... 756, 761	1001218996..... 633, 637, 1224	1001225464..... 817, 821
1001203967.....775	1001209387..... 29, 31	1001219076..... 669, 672	1001225467..... 761
1001204032.....263, 847	1001209388..... 27	1001219082.... 263, 1139	1001225681..... 817
1001204045.....65	1001209463..... 697	1001219191..... 767, 773, 845	1001225683..... 821
1001204047.....65	1001209625.. 1198, 1210	1001219211 . 1194, 1198, 1206, 1210, 1216, 1221	1001225748.....741, 745, 749
1001204060.....1035	1001209710..... 767, 771	1001219212..... 1190	1001225750.....749, 783
1001204066.....595	1001209899..... 575, 611	1001219220..... 575, 611	1001225751.....781, 783
1001204086.....27	1001210348..... 833	1001219396..... 719	1001225752.....781, 787
1001204090.....765	1001210390..... 839, 841	1001219865..... 669, 672	1001225982..... 247
1001204095.....985, 987, 991	1001210450..... 943	1001220540..... 561	1001225986..... 939
1001204115.....595	1001210707..... 45	1001220553J..... 23	1001225987.....939, 955
1001204120.....595	1001210775..... 831, 833	1001220760..... 457, 459	1001225995..... 793
1001204144.....289, 291	1001210782..... 563	1001220817..... 1027	1001226012..... 1177
1001204152.....767, 769, 771, 773	1001211041..... 701	1001220830..... 1027	1001226013..... 1179
1001204154.....769	1001211059..... 843	1001221052..... 645, 649	1001226035..... 817, 819
1001204351.....953, 957, 1059	1001211139..... 109	1001221054..... 639, 643	1001226271.....743, 767
1001204352.....955, 1063	1001211357..... 1015	1001221056..... 639, 645, 1143	1001226272..... 743
1001204379.....859	1001211428..... 303	1001221057..... 643, 649	1001226328..... 1135
1001204381.....855, 857, 859	1001211429..... 303	1001221058..... 643, 649	1001226400..... 1159
1001204486.....27	1001211432..... 43, 303	1001221059..... 633, 637	1001226636..... 1149
1001204488.....33, 35, 37	1001211516..... 107	1001221295..... 633, 637	1001226637..... 1149
1001204528.....1031	1001211693..... 1003	1001221503..... 541	1001226670..... 857, 871
	1001211747..... 303	1001221520..... 767, 773	
	1001211775..... 1055		
	1001211907..... 669, 672		
	1001211944..... 989		
	1001212011..... 609		
	1001212047..... 585		
	1001212048..... 587		

## SECTION 12 - RECOMMENDED SPARE PARTS

1001226709 .....	1175	1001230402.....	1155	1001235796... 1216, 1221	1005182600 .....	355, 395,		
1001226710 .....	1175	1001230403... 1155, 1156		1001235797... 1216, 1221	397, 399, 401, 405,			
1001226711 .....	1175	1001230404.....	1156	1001235798... 1216, 1221	407, 409			
1001226793 .....	857	1001230419.....	311	1001235799... 1216, 1221	1005183200 .....	361, 439,		
1001226799 .. 1145, 1147		1001230421.....	307, 311	1001235800... 1216, 1221	441, 443, 445, 449,			
1001226812 .....	789	1001230599.....	1039	1001235801... 1216, 1221	451, 453			
1001226849 .....	857, 879	1001230623... 1039, 1043		1001235802... 1216, 1221	1060379 .....	167		
1001226876 .....	879	1001230713J.... 553, 555		1001235803... 1216, 1221	1060626 .....	993, 995		
1001226919 .....	745	1001230765..... 175, 177,		1001235804... 1216, 1221	1062255 ... 227, 229, 301,			
1001226920 .....	745, 773	179, 181, 183, 185,		1001235805... 1216, 1221	963, 969, 973, 1139,			
1001227056 .....	821, 825	187, 189, 191		1001235807... 1216, 1221	1145, 1147			
1001227066 .. 1135, 1137,		1001230931.....	1103	1001235808.....	1216	10700681 .....	133	
1159		1001231002.....	315	1001235809... 1216, 1221	10705034 .....	113, 169		
1001227068 .....	1159	1001231003.....	315	1001235963.....	25, 31	10713707 .....	943	
1001227077 .....	263	1001231065.....	877	1001236308.....	1216	10719267 .....	251	
1001227137 .....	821, 823	1001231244.....	555	1001236313... 1216, 1221	10731709.. 471, 493, 497			
1001227186 .....	581	1001231397... 1155, 1156		1001236542.....	547	10731744 .....	473	
1001227187 .....	605	1001231398... 1155, 1156		1001237171 .....	333, 1167	10731845.. 479, 481, 485		
1001227188 .....	605	1001231400... 1155, 1156		1001237208.....	333, 987	10731959.....	519	
1001227234 .....	291	1001231401... 1155, 1156		1001237209.....	987	10732071 .....	493	
1001227266 .....	1159	1001231402.....	1156	1001237845.....	589	10732072 .....	493	
1001227286 .....	459	1001231404.....	1156	1001237846.....	1213	10732095 .....	491	
1001227297 .. 1145, 1147,		1001231406.....	1156	1001237852.....	589	10837923 .....	895	
1149		1001231407.... 263, 1153		1001238948.....	35	10837928 .....	789, 897	
1001227339 .....	1202	1001231483.... 263, 1155		1001239194.....	1147	10837929.. 789, 895, 897		
1001227340 .....	1206	1001231692.....	155	1001239249.....	1147	10837937.. 789, 895, 897		
1001227379 .....	123	1001231801.....	1202	1001239510.....	335	1170012 .....	103	
1001227528 .....	1210	1001231874.....	756	1001239511.....	335	1170021 .....	103	
1001227670 .....	143, 177,	1001232147.....	51	1001239539.....	263	1170024 .....	105	
197, 219		1001232288.... 961, 1165		1001239734.....	205, 209	1170054 .....	207	
1001227802 .....	593	1001232290.....	739	1001241308.....	599	1170057 .....	213	
1001227962 .....	229, 459	1001232294.....	819, 823	1001241836.....	25	120034.1003, 1013, 1017		
1001227963 .....	939, 949	1001232295.....	819, 823	1001241838.....	525, 527,	1250808 .....	363	
1001227964 .....	263	1001232296.....	819	531	1319229 .....	465		
1001228074 .....	877, 879,	1001232297.....	823	1001241839.....	525, 527	1319436 .....	513	
883		1001232299.....	51, 53	1001241840.....	531	1319558 .....	469	
1001228089 .....	863, 867	1001232336.... 51, 53, 55		1001241846.....	525	1319563 .....	469	
1001228096 .....	855, 857,	1001232338.....	51	1001241847.....	531	1319571 ... 471, 473, 489,		
861		1001232355.....	215	1001241879.....	787, 897	503, 513		
1001228118 .....	949	1001232439.....	331, 333	1001243214.....	175	1319576 .....	489	
1001228119 .....	949	1001232440.....	331, 333	1001244192... 1031, 1035	1001244193... 1031, 1035	1319590 .....	471	
1001228132 .....	643, 649	1001232500.....	155	1001245323... 1021, 1169	1001246022.....	175	1319593 ... 475, 477, 479,	
1001228140 .....	643, 649	1001232556.....	331	1001246391.....	1068	481, 483, 485		
1001228141 .....	643, 649	1001232588.....	55	1001257763.....	756	1319594 ... 475, 477, 479,		
1001228147 .....	643, 649	1001232624.....	331, 333	1001260509.....	1095	481, 485		
1001228273 .....	263	1001232751.....	331, 985	1001262960... 1135, 1137	1001262963... 1135, 1137	1319595 ... 475, 477, 479,		
1001228490 .....	949	1001233174.....	1021	1001263046.....	839	481, 483, 485		
1001228516 .....	291	1001233199.....	1021	1001264844.....	1117	1319601 ... 475, 477, 479,		
1001228643 .....	263	1001233202.....	1021	1001264861.....	1117	481, 483, 485		
1001228872 .....	265	1001233236.....	1137	1001265008.....	1107	1319602 ... 475, 477, 479,		
1001228989 .. 1031, 1035		1001233237.....	1137	1001265200.... 695, 1117	1001268846.....	669, 672	1319605 .... 479, 481, 485	
1001229107 .....	1135	1001233383.....	209	1001270117.....	621	1319607 .....	479	
1001229235 .....	553	1001233385.....	205	1001273075.....	1049	1319608 .....	479, 489	
1001229319 .....	573, 581	1001233399.....	1021	1001275637.....	525, 531	1319614 .....	481	
1001229458 .. 1139, 1141		1001233434.....	1021	1001275638.....	525, 531	1319615 ... 475, 477, 481,		
1001229540 .....	577	1001233435.....	1021	1001293104.....	565, 617	485		
1001229550 .....	577	1001233558... 1198, 1210		1001294815.....	1187	1319617 .....	475, 477	
1001229575 .. 1190, 1194,		1001233832.....	1021	1001295556.....	795, 797	1319618 .....	475, 477	
1198, 1202, 1206, 1216		1001233979.....	1221	1001295557.....	747, 795	1319620 .....	475, 477	
1001229685 .....	823, 827	1001234127.....	797, 921	1001295569.....	756	1319621 .....	475, 477	
1001229707 .....	1187	1001234139.....	53	1001301599.....	109	1319622 .....	475, 477	
1001229955 .....	1145	1001234253.....	53	1001301600.....	109	1319623 .....	475, 477	
1001230163 .....	609	1001234277.....	795			1319624 .....	475, 477	
1001230239 .....	155	1001234455.....	31					
1001230241 .....	155	1001235100.....	303					
1001230310 .....	1190	1001235696.... 973, 1074						
1001230311 .....	1198	1001235794... 1216, 1221						

## SECTION 12 - RECOMMENDED SPARE PARTS

1319625.....475, 477	2080087 ..... 573, 581	2172106 ... 205, 207, 209, 211, 213, 787	3290605..29, 31, 77, 669, 672, 947, 949, 951
1319626.....475, 477	2080092 ..... 615	2172108 ... 785, 831, 835, 837	3290607.....1027
1319627.....475, 477	2110404 ..... 807, 817	2172110 ..... 763	3290801....249, 251, 289, 301, 313, 593, 713, 767, 773, 943, 973
1319628.....475, 477	2110406 ..... 787, 851	2172310 ..... 835	3290805....553, 555, 711, 779, 811
1319629.....475, 477	2110408 ..... 785, 807	2180467 ..... 285	3290806.....591
1319630.....475, 477	2110604 ..... 819	2200223 ..... 269, 295	3291001....253, 255, 267, 269, 289, 291, 293, 947, 959
1319631.....475, 477	2110606 ... 115, 205, 207, 209, 211, 213, 787, 797, 799, 851	2200224 ..... 275, 277	3291005.....95, 805, 815, 831, 833, 947, 951, 953, 955, 957
1319635.....485	2110610 ..... 837	2220218 ..... 245	3291201...51, 53, 61, 795
1319636.....475, 477, 485	2110808 ... 207, 211, 213, 357, 801, 813, 845	2220235 ..... 797	3291205.81, 83, 709, 793
1319638.....475, 477	2110810 .... 823, 837, 851	2220237 ..... 267, 269	3291605....81, 83, 85, 91
1319647.....519	2111008 .... 807, 821, 823	2220239 ..... 927	3292001.....563
1319648.....519	2111010 ... 785, 787, 821, 823, 851	2220240 ..... 927	3300240....103, 105, 107, 205, 207, 209, 211, 213
1319683.....493	2111208 ..... 797	2220242 ..... 273	3311405.....55, 167
1319684.....493	2111210 ..... 785	2220415 ..... 109	3311502.....173
1319685.....493	2111212 ..... 877, 879	2220473 ..... 109	3311505.....625
1319686.....493	2111612 ..... 785	2220478 ..... 760	3311508.....993
1319687.....493	2111616 ..... 787, 927	2220810 ..... 245	3331615.....233
1319688.....493	2130404 ... 717, 719, 785, 801, 821	2220883 ..... 893	3332011.....59, 561
1319689.....493	2130406 ..... 805	2220885 ..... 815	3332411.....59
1319694.....493	2130604 ... 817, 819, 821, 823	2220886 ..... 891	3340829.....55
1319719.....497	2130606 ... 113, 115, 169, 787, 815	2220887 ..... 865, 867	3391410.....173
1319726.....501, 1224	2130608 ..... 113, 169	2221225 ..... 756	3421453.....167
1320022.....637	2130806 ..... 815, 823	2221229 ..... 785	3423242.....105, 211
1320748.....515, 517	2130808 ... 205, 209, 717, 719, 851	2221231 ..... 775, 837	3423275....103, 207, 209
1320754.....515, 517	2130810 ..... 273, 837	2221233 ..... 785	3423276....107, 109, 205, 213
1321094....235, 237, 239	2131010 ..... 273	2340037 ..... 131	3423307....205, 207, 209, 211, 213
1321329.....829	2131210 .... 457, 459, 787	2340038 ..... 119	3440620.....155
1321752.....763, 765	2131212 ..... 283, 801	2340039 ..... 127	3520072.....167
1322039....235, 237, 239	2131616 ..... 273, 851	2340045 ..... 117	3520186.....49
1322040....235, 237, 239	2144605 ..... 357, 363	2400060 ..... 1133, 1149, 1169	3575947.....241
1670836.....763, 765	2150404 ... 699, 803, 837, 841	24921332 ..289, 291, 293	3740080.....263
1701509.....167	2150606 ..... 797	2600281 ..... 167	3760170.....167
1702631.....1190, 1194, 1198, 1202, 1206, 1210, 1216, 1221	2150808 ..... 813, 845	2716143 ..... 197	3760348.....707
1702773....161, 163, 165	2150810 ..... 863	2717160 ..... 113, 169	3760491.....71
1702777.....167	2151210 ... 817, 819, 821, 823	2717161 ..... 113, 169	3760493.....71, 815
1704885....161, 163, 165	2151212 ... 817, 819, 821, 823	2717162 ..... 113, 169	3790151.....263
1706098.....1194, 1206	2152121 ... 817, 819, 821, 823	2717283 ... 113, 169, 915	3790152.....263
1706281.....1194, 1206	2160016 ... 61, 63, 81, 83, 91, 805, 815, 865, 867	2717287 ..... 109	3790228.....760
1706282.....1194, 1206	2170108 ..... 807	2915023 ..... 923	3820020.....167
1706283.....1206	2170110 ..... 785, 787	2920206 ..... 1029, 1033	3841203....205, 207, 209, 211, 213
1706284.....1194, 1206	2170208 ..... 717, 719	2920207 ..... 1027	3900379...33, 35, 37, 577
1706285.....1194, 1206	2170212 ..... 283	2920208 ..... 1027	3968141....373, 399, 415, 443
1706287 .....1206	2170216 ..... 273	2940074 ..... 167	3984312.....417
1706288.....1194, 1206	2170306 ... 787, 799, 815	3020043 ... 859, 865, 881	4000015.....843
1706289.....1206	2170308 ... 775, 777, 845	31200160 ..... 161	4010508002.....669, 672
1706292.....1194, 1206	2170316 ..... 273	31200386 ..... 165	4010510.....727
1706293.....1206	2170708 ..... 785, 801	31200387 ..... 163	4010608002.....593, 625, 669, 672, 677, 697
1706296.....1190, 1202	2170710 ..... 763	31200388 ..... 163	4010610002.....669, 672, 677, 843
1706299.....1190, 1202	2170712 ..... 801	3251813 ..... 1190, 1194, 1198, 1202, 1206, 1210, 1216, 1221	4010612002.....605
1706300.....1190, 1202	2170806 ..... 357, 363	3271505 ..... 1021	4031205.....1019
1706301.....1190, 1202	2170906 ..... 749	3290401 ... 633, 637, 963, 969, 1019, 1021	4031607.927, 1005, 1007
1706302.173, 1190, 1202	2171210 ..... 835	3290405 ..... 599, 843	4031608....331, 333, 973
1706303.....1202	2171308 .... 831, 833, 835	3290501 . 331, 333, 1003, 1013, 1017, 1023	
1706304.....1202	2171820 ..... 801	3290505 ... 97, 263, 1139	
1706306.....1190, 1202	2172104 ... 756, 763, 767, 771, 785	3290601 ..... 97, 173, 297, 318, 322, 331, 333, 637, 677, 707, 843, 953, 955, 957, 959, 961, 963, 969, 1003, 1029, 1033, 1041, 1043	
1706306.....1190, 1202			
1706767.....1202			
1706768.....1190, 1202			
1706850.....1190, 1202			
1706851.....1202			
1706892.....161			
1707078.....1190, 1202			
2080040.....167			
2080078.....591			
2080086.....573, 581			

## SECTION 12 - RECOMMENDED SPARE PARTS

4031608001 ..... 669, 672	4460496 ..... 1003, 1013, 1069, 1075, 1079, 1083	4460943.....1080, 1084, 1099, 1103	707, 791, 793, 943, 947, 949, 951, 959, 961, 963, 965, 969, 973, 1003, 1027, 1029, 1031, 1033, 1035, 1041, 1043
4031708001 ..... 665	4460497 ..... 1003, 1013, 1069, 1075, 1079, 1083	4460944.....1054, 1060, 1064, 1068, 1074, 1084, 1087, 1091, 1103, 1119	4811700001 ..... 669, 672
4031910 ..... 687, 691	4460508 ..... 1068, 1074, 1079, 1083, 1091, 1099, 1167	4460945.....1104, 1133, 1155	4811702... 261, 297, 603, 615, 617, 677, 707, 717, 719, 997, 999, 1001
4031912 ..... 811	4460509 ..... 1054, 1055, 1059, 1063, 1167	4460950.....1068, 1074, 1079, 1083, 1091	4811702001 ..... 593, 605, 669, 672, 727
4031917 ..... 877, 879	4460518 ..... 1133, 1155	4460955.....1069, 1075, 1079, 1083, 1084, 1091, 1092	4811900 . 43, 63, 65, 285, 289, 291, 297, 299, 301, 307, 313, 325, 553, 593, 595, 597, 613, 625, 637, 659, 679, 687, 689, 691, 707, 713, 717, 719, 756, 760, 767, 773, 775, 777, 779, 795, 809, 811, 817, 819, 873, 927, 943, 959, 961, 963, 969, 973, 975, 1019, 1021, 1029, 1047, 1049
4031918 ..... 833	4460539 ..... 1054, 1055, 1060, 1064, 1087, 1103, 1119, 1133, 1155, 1169	4460970.....1060, 1064, 1068, 1074, 1079, 1083, 1091, 1111, 1113	4811902... 25, 27, 33, 35, 37, 249, 251, 253, 287, 633, 637, 677, 679, 756, 760
4031920 ..... 885	4460608 ..... 1068, 1069, 1074, 1075, 1080, 1084, 1091, 1092	4460982.....1087	4812000... 25, 29, 31, 33, 35, 37, 45, 49, 95, 241, 253, 255, 267, 269, 275, 277, 289, 291, 293, 325, 327, 457, 459, 553, 555, 717, 719, 756, 760, 781, 805, 815, 831, 833, 843, 943, 947, 953, 955, 957, 959, 961, 963, 973, 1027
4060807 ..... 756	4460670 ..... 1133, 1149, 1169	4460984.....1069, 1075, 1104	4812002 25, 27, 247, 253, 255, 267, 269
4060918 ..... 756	4460705 ..... 1107	4460994.....1108, 1115, 1117	4812100... 43, 45, 61, 81, 83, 89, 233, 243, 245, 709, 793, 795, 849, 947, 949, 951
4060919... 760, 767, 769, 771, 773	4460708 ..... 1107	4461005.....1069, 1076, 1079, 1083, 1092	4812102 ..... 43, 267, 269, 545, 547
4105262 ..... 95	4460742 ..... 1155	4461006.....1068, 1074	4812300...81, 83, 85, 233
4109801 ..... 1190, 1194, 1198, 1202, 1206, 1210, 1216, 1221	4460746 ..... 1091	4461015.....1055, 1117, 1123	4812500 ..... 59, 561, 563
4110422 ... 145, 147, 151, 153, 155	4460748 ..... 1069, 1075	4461017.....1099	4812700 ..... 59
4110473 ..... 113, 169	4460761 ..... 1131, 1155	4461018.....1059, 1063	4831400 ..... 633, 637
4240032 ..... 1135, 1137, 1145, 1147	4460789 ..... 1069, 1075, 1151	4461054.....1070, 1076, 1079, 1083, 1092, 1113	4831600... 331, 333, 927, 973
4240033 ..... 695	4460809 ..... 1155	4461070.....1068, 1074, 1091	4831700... 315, 318, 322, 677
4240099 ... 767, 769, 771, 773, 833, 991, 995	4460836 ..... 1054, 1055, 1107	4461095.....1068, 1074, 1080, 1084, 1091	4831900... 287, 633, 637, 707
4460225 ..... 1104, 1107	4460850 ..... 1167	4461115.....1045, 1108	4832000 .... 267, 269, 760
4460234 ..... 1145, 1147	4460884 ..... 1059, 1063, 1087, 1103, 1108, 1115, 1117, 1125, 1155	4461118.....1059, 1063, 1151, 1169	4832100 ..... 267, 269
4460265 ..... 1104	4460891 ..... 1055, 1056, 1059, 1060, 1063, 1064, 1068, 1069, 1074, 1075, 1079, 1083, 1087, 1091, 1092, 1101, 1117, 1155, 1163	4461174.....1047, 1049	4891800... 205, 207, 209, 211, 213
4460267 ..... 1104, 1107, 1108, 1119, 1131	4460894 ..... 1055, 1087, 1103, 1111	4461227.....1169	5220600 ..... 1033, 1035
4460268 ..... 1104, 1107, 1108, 1119, 1131	4460897 ..... 1068, 1074, 1091, 1103, 1123	4461262.....1060, 1064	5220800 .... 981, 983, 993
4460321 ..... 1131, 1155	4460899 ..... 1151	4461290.....1165	5241600 ..... 839
4460343 ..... 1104, 1107, 1108, 1119	4460906 ..... 1107	4461290.....1165	
4460367 ..... 1108, 1119	4460930 ..... 1059, 1063, 1069, 1075, 1087, 1104, 1119	4469464.....1075	
4460434 ..... 1104, 1119	4460931 ..... 1099	4520370.....539	
4460458 ..... 1045, 1059, 1063, 1069, 1075, 1155	4460932 ..... 1045, 1103, 1108, 1153, 1161	4641501.....115, 929	
4460464 ..... 1045, 1060, 1064, 1068, 1069, 1074, 1079, 1083, 1087, 1091, 1099, 1103, 1133, 1149, 1151, 1153, 1155, 1159, 1161	4460933 ..... 1054, 1055, 1059, 1063, 1068, 1074, 1080, 1084, 1091, 1103, 1133, 1149	4641502.....113, 115, 169	
4460465 ..... 1054, 1055, 1056, 1059, 1060, 1063, 1064, 1068, 1069, 1070, 1074, 1075, 1076, 1079, 1080, 1083, 1087, 1091, 1092, 1101, 1103, 1104, 1107, 1117, 1119, 1125, 1133, 1149, 1155, 1163, 1169	4460934 ..... 1068, 1074	4679000268.....55	
4460466 ..... 1045, 1054, 1055, 1059, 1060, 1063, 1064, 1068, 1069, 1074, 1075, 1079, 1080, 1083, 1084, 1087, 1091, 1099, 1101, 1103, 1111, 1113, 1115, 1117, 1119, 1123, 1125, 1133, 1149, 1155	4460935 ..... 1068, 1074	4711400.....167	
4460475 ..... 1155	4460941 ..... 1060, 1064, 1103, 1108, 1111, 1113, 1123, 1151	4711500.....1021	
	4460942 ..... 1054, 1055, 1056, 1059, 1063, 1107, 1108, 1111, 1115, 1117, 1123	471678.....685	
		4740003.....93	
		4740274.....267, 269	
		4740532.....751, 753	
		4751400.....55	
		4761800.....760	
		4807718.....661, 1225	
		4811400....143, 633, 637, 963, 969, 1019, 1021	
		4811600.....97, 263, 331, 333, 669, 672, 973, 1023, 1139	
		4811602001.....669, 672	
		4811700....29, 31, 33, 35, 37, 59, 77, 97, 173, 297, 313, 318, 322, 331, 333, 573, 581, 593, 603, 625, 637, 665, 677, 685, 697,	

## SECTION 12 - RECOMMENDED SPARE PARTS

5242400.....173, 805, 815	70022765..... 1005, 1007, 1225	70023014 ..... 198, 219	70024684.....181
5250608.....657	70022797 . 373, 399, 415, 443	70023015 ..... 219	70024721..... 181, 185
5271609.....1023	70022798 ..... 417, 445	70023016 .. 197, 198, 219	70024733.....189
6604662.....109	70022799 ..... 417, 445	70023327 ..... 913	70024734.....189
70000656.....493	70022847 ..... 907	70023404 ..... 471, 513	70024759..... 181, 191
70002219.....889	70022931 .. 197, 219, 223	70023474 ..... 511	70024761..... 181, 191
70002224.....889	70022932 .. 197, 219, 223	70023475 ..... 513	70024872.....371, 397
70002386.....891, 931	70022933 ..... 197	70023476 ..... 513	70024881.. 401, 409, 445, 453
70002955.....921	70022934 ..... 197, 219	70023502 ..... 509	70024895.....499
70002963.....921, 933	70022935 ..... 197, 220	70023736 .. 235, 237, 239	70025011..... 375, 401
70002975.....933	70022936 ..... 197, 219	70023800 ..... 513	70025012..... 375, 401
70002976.....933	70022937 ..... 197, 219	70023801 ..... 513	70025014..... 375, 401
70003788.....891, 893	70022938 ..... 197	70023885 ..... 473, 505	70025353..... 198
70003849.....889	70022939 ..... 197, 220	70023900 . 375, 391, 417, 429, 433	70025555..... 399, 443
70004654.....913	70022940 ..... 197	70023925 .. 198, 201, 219	70025556..... 399, 443
70005075.....891	70022941 ..... 197	70023928 ..... 929	70025561..... 401, 445
70020428.....923	70022942 ..... 197, 219	70023929 ..... 929	70025562.. 375, 401, 417, 443, 445
70020438.. 869, 871, 875, 887	70022943 ..... 197	70023933 ..... 235, 237	70025569..... 425, 443
70020476.....887	70022944 ..... 197	70024016 .. 235, 237, 239	70025570..... 425, 443
70020555..... 157, 159	70022945 ..... 197	70024020 ..... 889	70025606.....889
70020764.....917	70022946 ..... 197, 220	70024059 ..... 151, 153	70025606.....889
70020867.....905, 913	70022947 ..... 197	70024060 ..... 153	70025816..... 715
70020868.....913	70022948 ..... 197	70024062 ..... 149	70025817..... 715
70020922.....907	70022949 .. 197, 219, 220	70024123 ..... 111	70025821..... 435, 449
70021140... 415, 425, 443	70022950 ..... 197, 219	70024127 ..... 185	70025822..... 435, 449
70021208.....911, 913	70022951 ..... 197	70024129 ..... 189	70025823... 377, 405, 449
70021209.....911, 913	70022952 ..... 219	70024186 ..... 901	70025841..... 419, 435
70021213.....913	70022957 ..... 198, 219	70024188 ..... 901	70025844..... 733, 735
70021227.....483	70022960 ..... 198, 219	70024189 ..... 901	70025850..... 259, 1224
70021228.....483	70022966 ..... 198	70024202 ..... 789, 897	70025851..... 259, 1224
70021268.....483	70022969 ..... 198, 219	70024210 . 377, 405, 419, 449	70025852..... 257, 1224
70021269.....483	70022970 ..... 198, 219	70024213 ..... 377, 405	70025853..... 257, 1224
70021340.....1027	70022971 ..... 197	70024226 ..... 889	70025859..... 709
70021341.....1027	70022972 ..... 197	70024262 ..... 889	70025860..... 709
70021342.....153	70022973 ..... 197	70024306 ..... 135	70025884... 393, 437, 453
70021349..... 151, 153	70022974 ..... 197	70024307 ..... 135	70025897..... 901
70021387.....151	70022975 ..... 197	70024407 ..... 901	70025959..... 889
70021415..... 151, 153	70022976 ..... 197	70024408 ..... 901	70025981..... 405
70021440.....149	70022977 ..... 197	70024414 ..... 901	70026031..... 373, 415
70021526.....489	70022978 ..... 197	70024415 ..... 901	70026056.....889
70021531.....917	70022979 ..... 198	70024416 ..... 901	70026057.....889
70021613..... 419, 449	70022980 ..... 197, 220	70024519 ..... 413, 441	70026058.....889
70021812.....923	70022982 ..... 197	70024522 . 373, 399, 415, 443	70026059.....889
70021867.....901	70022984 ..... 198, 219	70024535 ..... 111	70026060.....889
70021920.....473	70022985 ..... 198, 219	70024536 ..... 111	70026061.....889
70021921..... 151, 153	70022987 ..... 198, 219	70024537 ..... 111	70026062..... 889, 1225
70021935..... 151, 153	70022988 ..... 197	70024538 ..... 111	70026081.....271
70021977..... 151, 153	70022990 ..... 198, 220	70024539 ..... 111, 925	70026082.....271
70021978..... 151, 153	70022992 ..... 198, 219	70024540 ..... 111	70026211.....919
70021979..... 151, 153	70022993 ..... 198, 219	70024541 ..... 111	70026212.....919
70022008.....789, 897	70022994 ..... 198, 219	70024542 ..... 111	70026213.....919
70022010.....789, 897	70022995 ..... 198, 219	70024543 ..... 111	70026214.....919
70022012.....789, 897	70022997 ..... 111	70024544 ..... 111	70026215.....919
70022013.....789	70022998 ..... 197, 220	70024545 ..... 111	70026220..... 235, 237
70022014... 789, 895, 897	70022999 ..... 197	70024546 ..... 111	70026221..... 237
70022028..... 151, 153	70023000 ..... 185, 197	70024547 ..... 925	70026222..... 237, 239
70022044.....923	70023001 ..... 197	70024548 ..... 925	70026223..... 235
70022045.....923	70023003 ..... 198, 219	70024549 ..... 925	70026224... 235, 237, 239
70022046.....923	70023004 ..... 203, 219	70024550 ..... 111	70026225... 235, 237, 239
70022075.. 475, 477, 479, 481, 483, 485	70023005 ..... 203, 219	70024551 ..... 111, 179	70026226... 235, 237, 239
70022147.....913	70023006 ..... 203, 219	70024552 ..... 111, 179	70026227..... 1224
70022527..... 151, 153	70023007 ..... 203, 219	70024553 ..... 111	70026228... 235, 237, 239
70022528..... 151, 153	70023008 .. 198, 203, 219	70024554 ..... 111	70026229.. 235, 237, 239, 1224
70022529..... 151, 153	70023009 ..... 198, 219	70024555 ..... 111	70026230... 235, 237, 239
70022634... 235, 237, 239	70023010 .. 197, 219, 223	70024679 ..... 181	70026231... 235, 237, 239

## SECTION 12 - RECOMMENDED SPARE PARTS

70026232 .. 235, 237, 239	70026440 ..... 891, 893	70026625.. 375, 389, 402,	70026799. 379, 407, 421,
70026233 ..... 239, 1224	70026441 ..... 891	417, 431, 446	451
70026234 237, 239, 1224	70026442 ..... 891, 893	70026626.. 375, 402, 417,	70026800 ..... 239
70026235 .. 235, 237, 239	70026443 ..... 891, 893	445	70026801 ..... 239
70026236 ..... 235	70026444 ..... 891, 893	70026627.. 375, 402, 417,	70026944 ..... 149
70026237 . 235, 237, 239,	70026445 ..... 891, 893	445	70026946 ..... 149
1224	70026446 ..... 891, 893	70026630.. 381, 393, 409,	70026948 ..... 149
70026238 . 375, 401, 417,	70026447 ..... 891	423, 437, 453	70026949 ..... 149
445	70026453 235, 237, 1224	70026631.. 373, 399, 415,	70027009 ..... 151
70026241 .. 235, 237, 239	70026480 ..... 179	443	70027024 ..... 627
70026242 ..... 1224	70026481 ..... 185	70026634 ..... 415	70027025 ..... 627
70026244 ..... 329	70026482 ..... 185	70026636 ..... 869	70027026 ..... 627
70026245 ..... 329	70026493 ..... 899	70026637 ..... 869, 871	70027028 ..... 627
70026247 ..... 329	70026503 ..... 189	70026638 ..... 869, 871	70027030 ..... 627
70026248 ..... 329	70026507 ..... 899	70026639. 869, 871, 1225	70027032 ..... 627
70026249 ..... 875, 887	70026508 ..... 899	70026640 ..... 895	70027033 ..... 627
70026250 ..... 887	70026509 ..... 899	70026641 ..... 895	70027034 ..... 627
70026251 ..... 875, 887	70026511 ..... 899	70026642 ..... 895	70027035 ..... 627
70026252 ..... 887	70026512 ..... 899	70026643 ..... 895	70027098 ..... 789, 897
70026253 875, 887, 1225	70026513 ..... 899	70026644 ..... 895	70027114 ..... 402, 446
70026257 ..... 733, 735	70026515 ..... 469	70026645 ..... 895	70027130 ..... 789, 897
70026258 ..... 733, 735	70026516 . 469, 471, 473,	70026646 ..... 895	70027281 ..... 237, 239
70026262 ..... 377, 405	505	70026647 ..... 895	70027315 ..... 401, 445
70026292 ..... 1127	70026517 .. 471, 493, 497	70026648 ..... 895	70027317 ..... 405, 449
70026293 ..... 1129	70026518 ..... 471	70026649 ..... 895	70027705 ..... 329
70026294 ..... 945	70026519 ..... 473	70026650 ..... 895	70027706 ..... 329
70026295 ..... 945	70026520 ..... 473	70026651 ..... 895	70027772 ..... 449
70026296 ..... 945	70026521 ..... 473	70026652 ..... 895	70027951 ..... 198
70026297 ..... 945	70026527 . 475, 477, 479,	70026653 ..... 895	70028119 ..... 187
70026309 ..... 1225	481, 483, 485	70026654 ..... 895	70028130 ..... 185
70026310 ..... 933	70026528 . 475, 477, 479,	70026655 ..... 895	70028153 ..... 181, 191
70026311 ..... 933	481, 483, 485	70026656 ..... 895	70028154 ..... 181, 191
70026312 ..... 933	70026529 . 475, 477, 479,	70026657 ..... 895	70028155 ..... 181, 191
70026313 ..... 933	481, 483, 485	70026658 ..... 895	70028281 . 821, 823, 825,
70026314 ..... 933	70026530 ..... 479	70026659 ..... 895	827
70026315 ..... 891, 933	70026531 ..... 481	70026660 ..... 895	70028387 . 397, 401, 441,
70026333 ..... 933	70026532 ..... 483	70026661 ..... 895	445
70026334 ..... 933	70026535 ..... 485	70026662 ..... 895	70028392 ..... 401, 445
70026353 ..... 271	70026536 .. 487, 511, 513	70026663 ..... 895	70028450 ..... 235, 237
70026354 ..... 271	70026537 ..... 709	70026664 ..... 895	70028451 ..... 893
70026355 ..... 271	70026538 ..... 491	70026665 ..... 895	70028453 . 817, 821, 823,
70026356 ..... 271	70026539 ..... 491	70026666 ..... 895	825, 827
70026357 ..... 271	70026544 ..... 491, 493	70026667 ..... 895	70028468 ..... 407, 451
70026358 ..... 271	70026546 ..... 493	70026668 ..... 895	70028469 . 397, 401, 441,
70026359 ..... 271	70026547 ..... 493	70026669 ..... 895	445
70026360 ..... 271	70026548 ..... 493	70026670 ..... 895	70028470 ..... 443
70026369 ..... 789, 897	70026549 ..... 493	70026671 ..... 895	70028471 ..... 399, 443
70026370 ..... 789, 897	70026554 ..... 493	70026672 ..... 895	70028472 ..... 443
70026373 ..... 789, 897	70026555 ..... 493	70026673 ..... 895	70028473 ..... 401, 445
70026374 ..... 789, 897	70026556 ..... 493	70026674 ..... 895	70028474 ..... 401, 445
70026375 ..... 789, 897	70026559 ..... 507	70026675 ..... 895	70028475 ..... 407, 451
70026376 ..... 789, 897	70026561 ..... 493	70026685 ..... 911	70028476 ..... 407, 451
70026377 ..... 789, 897	70026566 ..... 899	70026686 ..... 911	70028477 ..... 407, 451
70026378 ..... 789, 897	70026567 ..... 899	70026698 ..... 151, 153	70028478 ..... 789, 897
70026380 ..... 789, 897	70026568 ..... 913	70026699 ..... 149	70028479 ..... 789
70026381 ..... 789, 897	70026569 ..... 913	70026745 ..... 159	70028480 ..... 789
70026383 ..... 789, 897	70026570 ..... 913	70026746 ..... 159	70028481 ..... 789
70026387 ..... 789	70026571 ..... 913	70026747 ..... 149	70028482 ..... 789, 897
70026389 ..... 789, 897	70026572 ..... 901	70026749.. 371, 397, 413,	70028483 ..... 789
70026393 ..... 257	70026582 ..... 905	441	70028484 ..... 789, 897
70026394 ..... 257	70026583 ..... 901	70026770 ..... 915	70028514 ..... 847
70026395 ..... 259	70026584 ..... 309, 1224	70026771 ..... 915	70028515 ..... 847
70026396 ..... 259	70026622 . 375, 401, 417,	70026773 ..... 915	70028516 ..... 847
70026401 ..... 903	445	70026774 ..... 915	70028517 ..... 847
70026433 ..... 709	70026623 ..... 377, 405	70026775 ..... 915	70028546 ..... 1151
70026435 ..... 875	70026624 . 375, 401, 417,	70026798.. 389, 401, 431,	70028643 ..... 871
70026436 ..... 869, 875	445	445	70028644 ..... 871

## SECTION 12 - RECOMMENDED SPARE PARTS

70028645.....	871	70029632.....	181	70029738.....	171	7026748.....	469
70028646.....	871	70029633.....	181	70029739.....	171	7026749.....	469
70028661.....	185	70029634.....	181	70029740.....	171	7026750.....	471
70028672.....	185	70029635.....	181	70029742.....	171	7026751.....	471
70028701.....	179, 191	70029636.....	181	70029743.....	171	7026752.....	471
70028702.....	179, 191	70029637.....	181	70029747.....	171	7026753.....	473
70028703.....	179, 191	70029638.....	181	70029750.....	171	7026754.....	473
70028706.....	191	70029639.....	181	70029756.....	171	7026755.....	473
70028707.....	191	70029640.....	181	70029762.....	171	7026756.....	473
70028708.....	191	70029641.....	181	70029777.....	171	7026757.....	475
70028768.....	185	70029642.....	181	70029780.....	171	7026758....	475, 477, 479, 481, 483, 485
70028990.....	861	70029643.....	181	70029781.....	171	7026759....	475, 477, 479, 481, 483, 485
70028991.....	861	70029644.....	183	70029785.....	171	7026760....	475, 477, 479, 481, 483, 485
70028992.....	861	70029645.....	183	70029792.....	171	7026761....	475, 477, 479, 481, 483, 485
70029039.....	883	70029646.....	183	70029794.....	171	7026762.....	477
70029040.....	883	70029647.....	189	70029816.....	897	7026765.....	483
70029041.....	883	70029648.....	179	70029817.....	897	7026766.....	483
70029042.....	867	70029649.....	191	70029818.....	897	7026769....	483, 489, 515, 517
70029043.....	867	70029650.....	191	70029819.....	897	7026771.....	489
70029044.....	867	70029651.....	191	70029820.....	897	7026772.....	489
70029473.....	311	70029652.....	191	70030036.....	921	7026773.....	489
70029474.....	311	70029653.....	191	70030317.....	235	7026774.....	489
70029475.....	311	70029654.....	191	70030347.....	235	7026775.....	489
70029476.....	311	70029655.....	191	70031148.....	237	7026776.....	491
70029586.....	179	70029656.....	191	70031350.....	235	7026780.....	491
70029587.....	179	70029657.....	191	70031351.....	235	7026781.....	491
70029588.....	179	70029658.....	191	70031352.....	235	7026782.....	495
70029592.....	189	70029659.....	185	70031380.....	235	7026783.....	495
70029593.....	189	70029660.....	185	70031440.....	185	7026784.....	495
70029594.....	189	70029661.....	185	70031441.....	185	7026787.....	493
70029595.....	179, 185	70029662.....	185	70031443.....	169	7026788.....	493
70029596.....	187	70029663.....	185	70031445.....	151, 153	7026789.....	493
70029597.....	187	70029664.....	185	70031447.....	185	7026791.....	497
70029598.....	187	70029665.....	185	70041616 ..	235, 237, 239	7026792.....	473, 497
70029599.....	187	70029666.....	185	70041617 ..	235, 237, 239	7026793.....	497
70029600.....	187	70029667.....	185	70041619 ..	235, 237, 239	7026794.....	473, 497
70029601.....	187	70029668.....	185	70041620 ..	235, 237, 239	7026798.....	627
70029602.....	187	70029669.....	185	70050472.....	789, 897	7027254.....	503
70029603.....	189	70029670.....	185	70050481.....	789, 897	7027255.....	503
70029604.....	189	70029671.....	185	70050504.....	789, 897	7027267.....	483
70029605.....	189	70029672.....	185	70050507.....	789, 897	7027269.....	515
70029606.....	189	70029673.....	185	70050508.....	789, 897	7027270.....	515
70029607.....	189	70029674.....	185	7010543.....	931, 933	7027271.....	517
70029608.....	179	70029675.....	185	7012510.....	891, 893	7027272.....	517
70029609.....	179	70029676.....	185	7012941.....	931, 933	7027273.....	519
70029610.....	179	70029677.....	185	7012953.....	933	7028710....	373, 383, 399
70029611.....	179	70029678.....	185	7012967.....	931	7028714....	375, 401, 417, 445
70029612.....	179	70029679.....	185	7017406.....	891, 933	7028715....	375, 401, 417, 445
70029613.....	179	70029680.....	185	7017410.....	931, 933	7028716....	375, 401, 417, 445
70029614.....	179	70029681.....	183	7021653.....	933	7028721....	375, 401, 417, 445
70029615.....	179	70029682.....	183	7022390 ...	821, 823, 825, 827, 921	7028733....	375, 402, 417, 445
70029616.....	179	70029683.....	183	7022399.....	891, 893	7028734.....	377, 405
70029617.....	179	70029684.....	183	7024574.....	923	7028735.....	377, 405
70029618.....	179	70029685.....	183	7024808.....	891, 893	7029129.....	383, 399
70029619.....	179	70029686.....	183	7024844.....	891	7029131....	383, 399, 425, 443
70029620.....	179	70029687.....	183	7024939.....	901	7029267.....	491, 493
70029621.....	179	70029688.....	183	7024943.....	901		
70029622.....	179	70029689.....	183	7024944.....	901		
70029623.....	179	70029690.....	183	7024953.....	901		
70029624.....	179	70029691.....	183	7024954.....	901		
70029625.....	179	70029692.....	183	7026577.....	513		
70029626.....	179	70029693.....	183	7026578.....	513		
70029627.....	179	70029694.....	183	7026744.....	465		
70029628.....	179	70029695.....	183	7026745.....	465		
70029629.....	179	70029725.....	171	7026746.....	467		
70029630.....	179	70029734.....	171	7026747.....	469		
70029631.....	179	70029735.....	171				



## SECTION 12 - RECOMMENDED SPARE PARTS

7029286 ... 387, 401, 429, 445	80233218 . 767, 769, 771, 773	8229242.....1069, 1075, 1127, 1129, 1133, 1149, 1169	8430033 ..... 801, 851
7029431 ... 375, 387, 401, 417, 429, 445	80304227 ..... 483	8229244 945, 1069, 1075, 1121	8430034 ..... 245
7029486 ..... 665, 1173	80304394 .. 473, 489, 497	8229245.....945, 1127	8430082 ..... 785
7029520 ..... 157	80304405 ..... 469	8229247.....945, 1129	8466306 ..... 623
7029521 ..... 157	80334277 ..... 901	8229261.....1155	8530030 ..... 760
7029528 ... 379, 407, 421, 451	8033786 ..... 923	8275212.....289, 293	8546407 ..... 760
7029529 ... 379, 407, 421, 451	8034697 ..... 789, 897	8278020.....267, 269	8580315 ..... 109
7029668 ..... 1143	8035346 ..... 895	8303620.....525, 531	8584001 ..... 109
7029692 ..... 153	8035348 ..... 895	8303634..... 109, 113, 169	8584003 ..... 1025
7029737 ... 375, 401, 417, 445	8035373 ..... 895	8303658..... 113, 169	8630003 ..... 113, 169
7029786 ..... 419, 449	8035382 ... 789, 895, 897	8303715..... 109	8630005 ..... 765
7029788 ..... 377, 405	8035536 ..... 923	8305624..... 113, 169	8642207 ..... 109
7029849 ... 475, 477, 479, 481, 483, 485	8035779 ..... 455	8305643..... 109, 113, 169	86683122 ..... 331, 333
7029850 ... 475, 477, 479, 481, 483, 485	8035862 ..... 923	8305645.....525, 531	86683211 ..... 289, 291
7029852 ... 475, 477, 479, 481, 483, 485	8035863 ..... 923	8305919....261, 615, 617, 669, 672, 677, 999, 1001	86883127 ..... 289
7029969 ..... 1027	8036190 ..... 479, 481	8307110.....525, 531	8750016 ..... 815
7029970 ..... 1027	8036250 ..... 497	8307904..... 109	8750029 ..... 760
7029971 ..... 1027	80363179 .... 1060, 1064, 1087, 1111, 1113	8307918..... 109	8750030 ..... 756, 760
7029972 ..... 473	80363195 ..... 613	8310160..... 109	8769132 ..... 109
7029973 ..... 471	8036433 ..... 455	8310161..... 109	8769146 ..... 756, 760
7062922 ..... 109	8036528 ..... 491, 493	8310302..... 113, 169	8769153 ..... 760
7110702 ..... 109	8036529 ..... 491	8310435..... 113, 169	8770016 ..... 109
7110712 ..... 109	8036733 ..... 915	8310559.....609	8770120 ... 767, 769, 771, 773
7110722 ..... 109	8036847 ..... 471, 473	8310620.....39, 353, 355, 359, 361	8770215 ..... 859, 861
7114032 ..... 75	8037088 ..... 895	8310686..756, 760, 1019, 1021	8780031 ..... 539
7117502 ..... 75	8037140 ..... 919	8405006....756, 760, 767, 769, 771, 773	8786514 ... 521, 523, 525, 527, 529, 531, 533, 535, 537, 539
7138978 ..... 73	80484081 ..... 1091	8405007....275, 457, 459, 756, 760	8841322 ..... 505
7138979 ..... 73	80604015 ..... 1083	8405009....275, 277, 307, 707	88671001. 205, 207, 209, 211, 213
7138986 ..... 63, 73	80604016 .... 1059, 1063, 1084, 1107	8405101..... 275, 277	8880218-OM .... 365, 367
7139918 ..... 113, 169	80604017 ..... 1123	8405201....275, 277, 672	8881802 ..... 315
7150580 ..... 455	80604018 .... 1059, 1060, 1063, 1064, 1083, 1087, 1101, 1163	8405202.....275, 277	8887145 ..... 865, 867
7300435 ..... 233	80604020 ..... 1045	8405209.....756, 760	90200003. 103, 105, 107, 109, 113, 169, 205, 207, 209, 211, 213
7301295 ..... 169	80604021 .... 1059, 1063, 1087, 1108, 1115, 1125	8405212....263, 279, 281	90206195 ..... 289
7301408 ..... 121	80604025 ..... 1087, 1119	8405305....263, 279, 281	90206198 ..... 27
7301568 ..... 113	806253 ..... 553	8405402.....255	90451058 ..... 113, 169
77133137 ..... 815, 829	806264 ..... 553	8406102.....327	90554016. 149, 151, 153, 159
77133139 ..... 829	80634004 ..... 901	8406105.....947	90554020 ..... 151, 153
77133140 ..... 829	8065062 ..... 109	8406112.....318, 322	90554033 ..... 149
77133168 ..... 763, 765	80933113 ..... 751, 753	8406201....297, 953, 955, 957, 963, 969, 973	90554034 ..... 149
77363244 ..... 1087, 1119	80933367 ..... 249, 251	8410007.....249	90554042 ..... 151, 153
8000759 ..... 591	80963056 ..... 1167	8410009....265, 297, 633, 637, 760, 767, 771	90554054 ..... 151, 153
8000803 ..... 593	80963067 .... 1069, 1075, 1167	8410011.....249, 251	90554062 ..... 153
8004398 ..... 591	80983191 .... 1069, 1075, 1121, 1127, 1129	8410013....265, 275, 277	90554076 ..... 153
8007749 ..... 373	82033995 ..... 265, 297	8410019.....275	90554080 ..... 157
8007751 ..... 383, 399	8205655 ..... 923	8420053.... 109, 111, 113, 151, 169, 185, 197, 205, 207, 209, 211, 213, 835	91013191 ..... 1060, 1064
8007755 ..... 383, 399	8220035 ..... 1153	8420055.... 109, 111, 113, 151, 169, 185, 197, 205, 207, 209, 211, 213	91013192 ..... 1055, 1056
80204005 . 371, 385, 397, 401, 413, 427, 441, 445	8220051 ..... 1055, 1103, 1107, 1108	8424217.....803	91043125.. 220, 831, 833
80204012 .. 375, 402, 446	8220097 ..... 1069, 1075	8424233.....760	91043126.. 219, 831, 833
80204060 ..... 377, 405	8220098 ..... 1069, 1075	8430032....785, 801, 815, 851	91053419 ..... 263
80204065 . 375, 401, 417, 445	8220108 ..... 1070, 1143, 1153, 1165		91083106 ..... 760
80204071 .. 375, 401, 445	8220116 ..... 1056		91403193 ..... 339, 341
80204108 ..... 377, 405	8220124 ..... 1068, 1074, 1080, 1084, 1091		91403413. 109, 111, 113, 151, 169, 185, 197, 205, 207, 209, 211, 213, 220, 831, 833
80204117 . 375, 377, 393, 401, 405, 409, 417, 419, 437, 445, 449, 453	8220525 ..... 1059, 1063		91403414. 109, 111, 113, 151, 169, 185, 197, 205, 207, 209, 211, 213, 219, 831, 833
80204281 . 377, 405, 419, 449	8229234 ..... 1156		91403448 ..... 155
	8229235 ..... 1155		

## SECTION 12 - RECOMMENDED SPARE PARTS

91413025.....249, 251	91474553 . 383, 399, 425, 443	91474592 ..... 399	91514134..373, 399, 415, 443
91473151.....365	91474559 ..... 377, 405	91474593 ..... 425, 443	91514146..385, 401, 417, 427, 445
91473206..533, 535, 537, 539	91474560 ..... 377, 405	91474595 ..... 425, 443	91514147..385, 401, 427, 445
91474507..371, 375, 397, 401, 413, 441	91474561 ..... 377, 405	91475054 ..... 539	91514148..385, 401, 427, 445
91474512..371, 397, 413, 441	91474564 ..... 377, 405	91475055 ..... 539	91514149..375, 385, 401, 417, 427, 445
91474513..371, 375, 413, 417	91474565 ..... 377, 405	91504107 ..... 1087, 1111	91514154..377, 405, 419, 449
91474515..393, 409, 437, 453	91474568 . 377, 405, 419, 449	91513266 ..... 545, 547	91514159..377, 405, 419, 449
91474516..393, 409, 437, 453	91474569 ..... 419	91514081 . 375, 401, 417, 445	91514165.....377, 435
91474522..379, 407, 421, 451	91474570 ..... 377, 405	91514082 . 375, 401, 417, 445	91514181..375, 402, 417, 445
91474524.....375, 417	91474571 ..... 377	91514083 ..... 375, 401	91514183..375, 401, 417, 445
91474529..373, 399, 415, 443	91474572 ..... 377	91514084 ..... 375, 401	91514188..371, 375, 413, 417
91474533..373, 399, 415, 443	91474573 ..... 377	91514095 . 375, 401, 417, 445	91514189..375, 401, 417, 445
91474539..373, 399, 415, 443	91474576 . 375, 401, 417, 445	91514098 . 371, 397, 413, 441	91554019.....1060, 1064, 1087, 1119
91474547...373, 399, 415	91474579 . 389, 401, 431, 445	91514099 . 375, 393, 417, 437	91561240.....839
91474549.....383, 399	91474580 . 389, 401, 431, 445	91514111 . 375, 401, 417, 445	H000071 .....933
91474550..383, 399, 425, 443	91474583 ..... 375, 417	91514112 . 375, 401, 417, 445	N.S.S.401, 409, 445, 449, 453, 871
91474551..383, 399, 425, 443	91474584 . 375, 401, 417, 445	91514113 ..... 375, 417	
	91474585 . 387, 401, 429, 445	91514114 ..... 375, 417	
	91474586 .. 387, 391, 433	91514115 ..... 375, 417	
	91474587 . 387, 391, 429, 433	91514117 .. 375, 401, 445	
	91474591 . 373, 399, 415, 443	91514118 ..... 545, 547	
		91514123 .. 373, 399, 415, 443	





31211313



An Oshkosh Corporation Company

**Corporate Office**  
**JLG Industries, Inc.**  
**1 JLG Drive**  
**McConnellsburg, PA 17233-9533 USA**  
**☎ (717) 485-5161 (Corporate)**  
**☎ (877) 554-5438 (Customer Support)**  
**☎ (717) 485-6417**

**Visit our website for JLG Worldwide Locations.**  
**[www.jlg.com](http://www.jlg.com)**