

SKYTRAK®

Illustrated Parts Manual

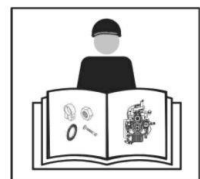
Model 3606

P/N - 8990299

Revised May 25, 2007



JLG®



EFFECTIVITY PAGE

May 25, 2007 - A - Revised Manual

TABLE OF CONTENTS

SECTION 1 - MAIN FRAME AND COVERS	9
FIGURE 1-1. MAIN FRAME	10
FIGURE 1-2. COVERS AND GUARDS	12
SECTION 2 - OPERATOR'S CAB AND CONTROLS	15
FIGURE 2-1. OPEN CAB - OUTER PANELS.....	16
FIGURE 2-2. OPEN CAB - INNER CONSOLE AND DASH PANEL.....	18
FIGURE 2-3. OPERATOR & SEAT AND SEAT BELT	20
FIGURE 2-4. OPERATOR & SEAT AND SEAT BELT (OPTIONAL).....	22
FIGURE 2-5. MIRRORS.....	24
FIGURE 2-6. THROTTLE PEDAL CONTROL (CUMMINS)	26
FIGURE 2-7. THROTTLE PEDAL CONTROL (PERKINS).....	28
FIGURE 2-8. SERVICE BRAKE PEDAL MOUNTING	30
FIGURE 2-9. JOYSTICK MOUNTING	32
FIGURE 2-10. STEERING COLUMN, STEERING WHEEL AND SHIFTER	34
FIGURE 2-11. CAB DOOR (OPTIONAL)	36
FIGURE 2-12. CLOSED CAB - OUTER PANELS (OPTIONAL).....	38
FIGURE 2-13. CLOSED CAB - INNER CONSOLE AND DASH PANEL (OPTIONAL).....	40
FIGURE 2-14. CAB HEATER (OPTIONAL).....	42
FIGURE 2-15. FRONT WINDSHIELD WIPER (OPTIONAL)	44
FIGURE 2-16. SKYLIGHT WINDSHIELD WIPER (OPTIONAL).....	48
FIGURE 2-17. REAR WINDOW AND REAR WINDSHIELD WIPER (OPTIONAL)	50
FIGURE 2-18. SOFT CAB ENCLOSURE (OPTIONAL)	52
FIGURE 2-19. FENDERS (OPTIONAL)	54
SECTION 3 - DRIVE TRAIN	57
FIGURE 3-1. DRIVE SHAFT - TRANSFER BOX TO FRONT AXLE.....	58
FIGURE 3-2. DRIVE SHAFT - TRANSFER BOX TO REAR AXLE	60
FIGURE 3-3. DRIVE SHAFT - TRANSMISSION TO TRANSFER BOX	62
FIGURE 3-4. TRANSFER BOX HOUSING AND COVERS.....	64
FIGURE 3-5. TRANSFER BOX GEARS AND SHAFTS	66
FIGURE 3-6. AXLE HOUSING - FRONT AXLE	68
FIGURE 3-7. AXLE HOUSING - REAR AXLE	70
FIGURE 3-8. STEER CYLINDER AND SWIVELS - FRONT AXLE	72
FIGURE 3-9. STEER CYLINDER AND SWIVELS - REAR AXLE	74
FIGURE 3-10. DIFFERENTIAL ASSEMBLY - FRONT AXLE.....	76
FIGURE 3-11. BEVEL GEAR AND PINION SET - FRONT/REAR AXLES.....	78
FIGURE 3-12. BRAKE ASSEMBLY - FRONT AXLE	80
FIGURE 3-13. BRAKE ASSEMBLY - REAR AXLE	82
FIGURE 3-14. REDUCTION GEARS - FRONT/REAR AXLES	84
FIGURE 3-15. WHEEL HUB ASSEMBLY - FRONT/REAR AXLES.....	86
FIGURE 3-16. AXLE SHAFTS - FRONT/REAR AXLES.....	88
FIGURE 3-17. DIFFERENTIAL ASSEMBLY - REAR AXLE	90
FIGURE 3-18. TRANSMISSION CASE, PLATE AND CONVERTER HOUSING (4 SPEED).....	92
FIGURE 3-19. TORQUE CONVERTER AND DRIVE PLATES (4 SPEED).....	94

TABLE OF CONTENTS

FIGURE 3-20. CHARGING PUMP, DRIVE, FILTER AND REVERSE IDLER (4 SPEED)	96
FIGURE 3-21. FORWARD AND REVERSE SHAFT GROUP (4 SPEED)	98
FIGURE 3-22. FIRST AND SECOND SHAFT GROUP (4 SPEED)	100
FIGURE 3-23. HIGH, THIRD AND OUTPUT SHAFT GROUP (4 SPEED)	102
FIGURE 3-24. OUTPUT SHAFT GROUP (4 SPEED).....	104
FIGURE 3-25. ELECTRIC CONTROL GROUP (4 SPEED).....	106
FIGURE 3-26. WHEELS AND TIRES	108
FIGURE 3-27. TRANSMISSION AND TRANSFER BOX MOUNTING.....	110
SECTION 4 - POWER PLANT.....	113
FIGURE 4-1. ENGINE MOUNTING - CUMMINS (Prior to SN 9180)	114
FIGURE 4-2. ENGINE MOUNTING - CUMMINS (SN 9180 to Present).....	116
FIGURE 4-3. RADIATOR AND OIL COOLER (CUMMINS)	118
FIGURE 4-4. EXHAUST SYSTEM (CUMMINS).....	120
FIGURE 4-5. AIR CLEANER (CUMMINS)	122
FIGURE 4-6. FUEL SYSTEM (CUMMINS)	124
FIGURE 4-7. ENGINE MOUNTING (PERKINS NATURAL AND TURBO).....	126
FIGURE 4-8. RADIATOR AND OIL COOLER (PERKINS NATURAL AND TURBO)	128
FIGURE 4-9. EXHAUST SYSTEM (PERKINS NATURAL AND TURBO)	130
FIGURE 4-10. AIR CLEANER (PERKINS NATURAL AND TURBO)	132
FIGURE 4-11. FUEL SYSTEM (PERKINS NATURAL AND TURBO).....	134
FIGURE 4-12. COLD START KIT (CUMMINS).....	138
SECTION 5 - HYDRAULIC CIRCUITS	141
FIGURE 5-1. POWER STEERING CIRCUIT	142
FIGURE 5-2. UNLOADER VALVE CIRCUIT.....	146
FIGURE 5-3. BOOM RAISE/LOWER AND EXTEND/RETRACT CIRCUIT	148
FIGURE 5-4. ATTACHMENT TILT AND SLAVE CIRCUIT	150
FIGURE 5-5. FRAME TILT AND STABILIZER CIRCUIT (Prior to SN 9884)	152
FIGURE 5-6. FRAME TILT AND STABILIZER CIRCUIT (SN 9884 to Present).....	154
FIGURE 5-7. SERVICE BRAKE AND DE-CLUTCH CIRCUIT	156
FIGURE 5-8. VALVE PLATE ASSY. W/O AUX. HYDRAULICS.....	158
FIGURE 5-9. VALVE PLATE ASSY. W/ AUX. HYDRAULICS	160
FIGURE 5-10. TRANSMISSION COOLING CIRCUIT (CUMMINS).....	162
FIGURE 5-11. TRANSMISSION COOLING CIRCUIT (PERKINS)	164
FIGURE 5-12. AUXILIARY HYDRAULIC CIRCUIT (OPTIONAL)	166
FIGURE 5-13. JOYSTICK CIRCUIT.....	168
SECTION 6 - HYDRAULIC COMPONENTS	171
FIGURE 6-1. MAIN PUMP	172
FIGURE 6-2. DIRECTIONAL CONTROL VALVES	174
FIGURE 6-3. UNLOADER VALVE	176
FIGURE 6-4. SLAVE CYLINDER	178
FIGURE 6-5. FRAME TILT/STABILIZER CYLINDER	180
FIGURE 6-6. ATTACHMENT TILT CYLINDER.....	182
FIGURE 6-7. HOIST CYLINDER.....	184

TABLE OF CONTENTS

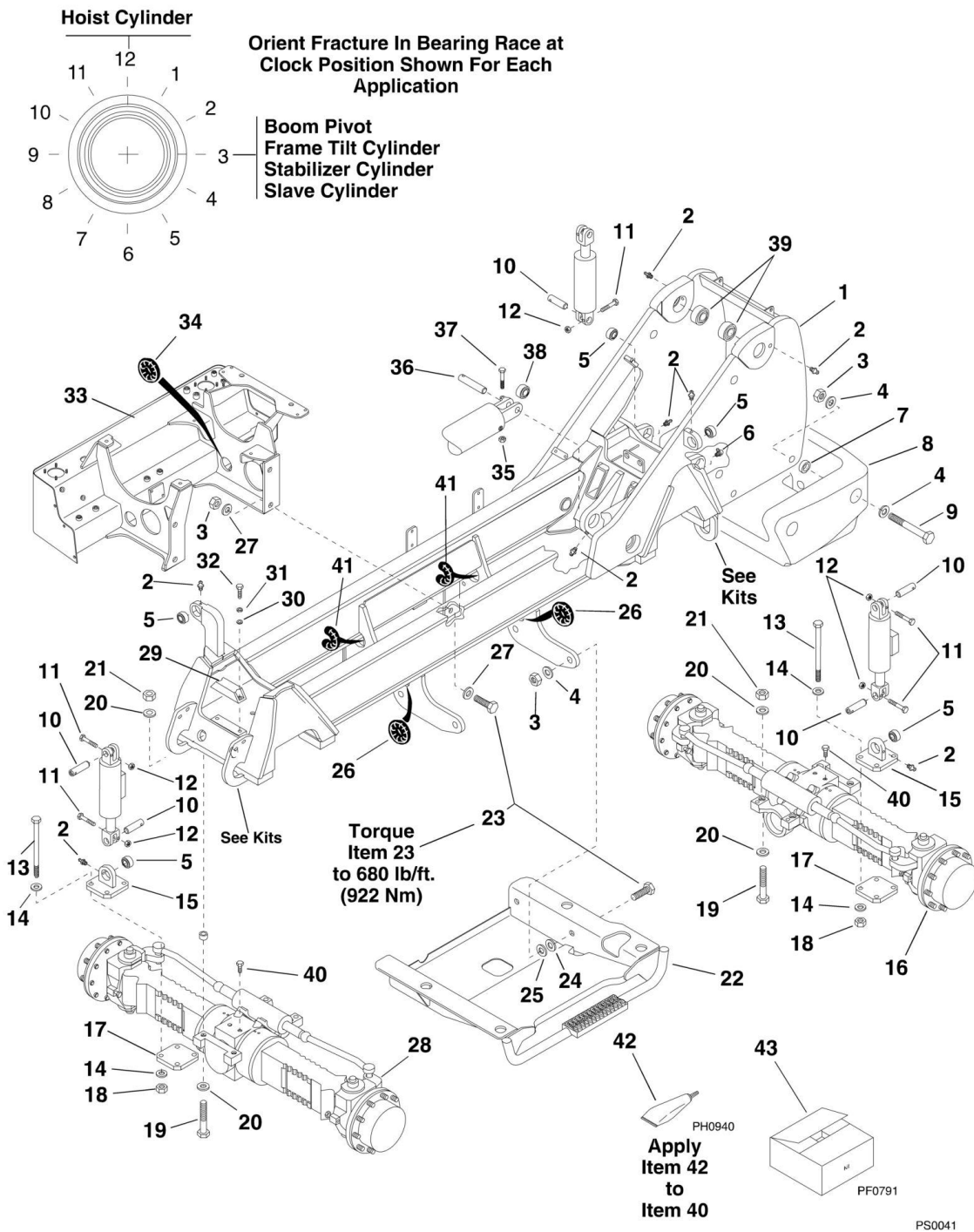
FIGURE 6-8. EXTEND CYLINDER	186
FIGURE 6-9. SWING CARRIAGE CYLINDER (OPTIONAL).....	188
FIGURE 6-10. SIDE TILT CARRIAGE CYLINDER (OPTIONAL)	190
FIGURE 6-11. HYDRAULIC RESERVOIR	192
FIGURE 6-12. MAIN CONTROL VALVE (BOOM RAISE/LOWER AND EXTEND/RETRACT SECTIONS).....	194
FIGURE 6-13. MAIN CONTROL VALVE (ATTACHMENT TILT AND FRAME TILT SECTIONS)	196
SECTION 7 - ELECTRICAL	199
FIGURE 7-1. ELECTRICAL SYSTEM - CAB HARNESS (Prior to SN 8250).....	200
FIGURE 7-2. ELECTRICAL SYSTEM - CAB HARNESS (SN 8250 to Present).....	202
FIGURE 7-3. ELECTRICAL SYSTEM - ENGINE HARNESS	204
FIGURE 7-4. ELECTRICAL SYSTEM - CLOSED CAB.....	206
FIGURE 7-5. LIGHTING SYSTEM (OPTIONAL).....	208
SECTION 8 - DECALS AND PAINT.....	211
FIGURE 8-1. DECALS AND PAINT (EARLY PRODUCTION)	212
FIGURE 8-2. DECALS AND PAINT (CURRENT PRODUCTION).....	214
SECTION 9 - BOOM AND ATTACHMENTS.....	217
FIGURE 9-1. INNER BOOM.....	218
FIGURE 9-2. INTERMEDIATE BOOM	220
FIGURE 9-3. OUTER BOOM	222
FIGURE 9-4. BOOM EXTEND CHAIN	224
FIGURE 9-5. BOOM RETRACT CHAIN.....	226
FIGURE 9-6. QUICK ATTACH	228
FIGURE 9-7. 48IN CARRIAGE.....	230
FIGURE 9-8. 60IN CARRIAGE (OPTIONAL)	232
FIGURE 9-9. 72IN CARRIAGE (OPTIONAL)	234
FIGURE 9-10. SWING CARRIAGE (OPTIONAL).....	236
FIGURE 9-11. SIDE TILT CARRIAGE (OPTIONAL)	238
FIGURE 9-12. 12 FT TRUSS BOOM (OPTIONAL)	240
FIGURE 9-13. UTILITY BUCKET (OPTIONAL).....	242
FIGURE 9-14. SHEET MATERIAL HANDLER (OPTIONAL).....	244
SECTION 10 - RECOMMENDED SPARE PARTS	247
FIGURE 10-1. RECOMMENDED SPARE PARTS	248
PART NUMBER INDEX	251

SECTION 1 - MAIN FRAME AND COVERS

SECTION 1 - MAIN FRAME AND COVERS

SECTION 1 - MAIN FRAME AND COVERS

FIGURE 1-1. MAIN FRAME



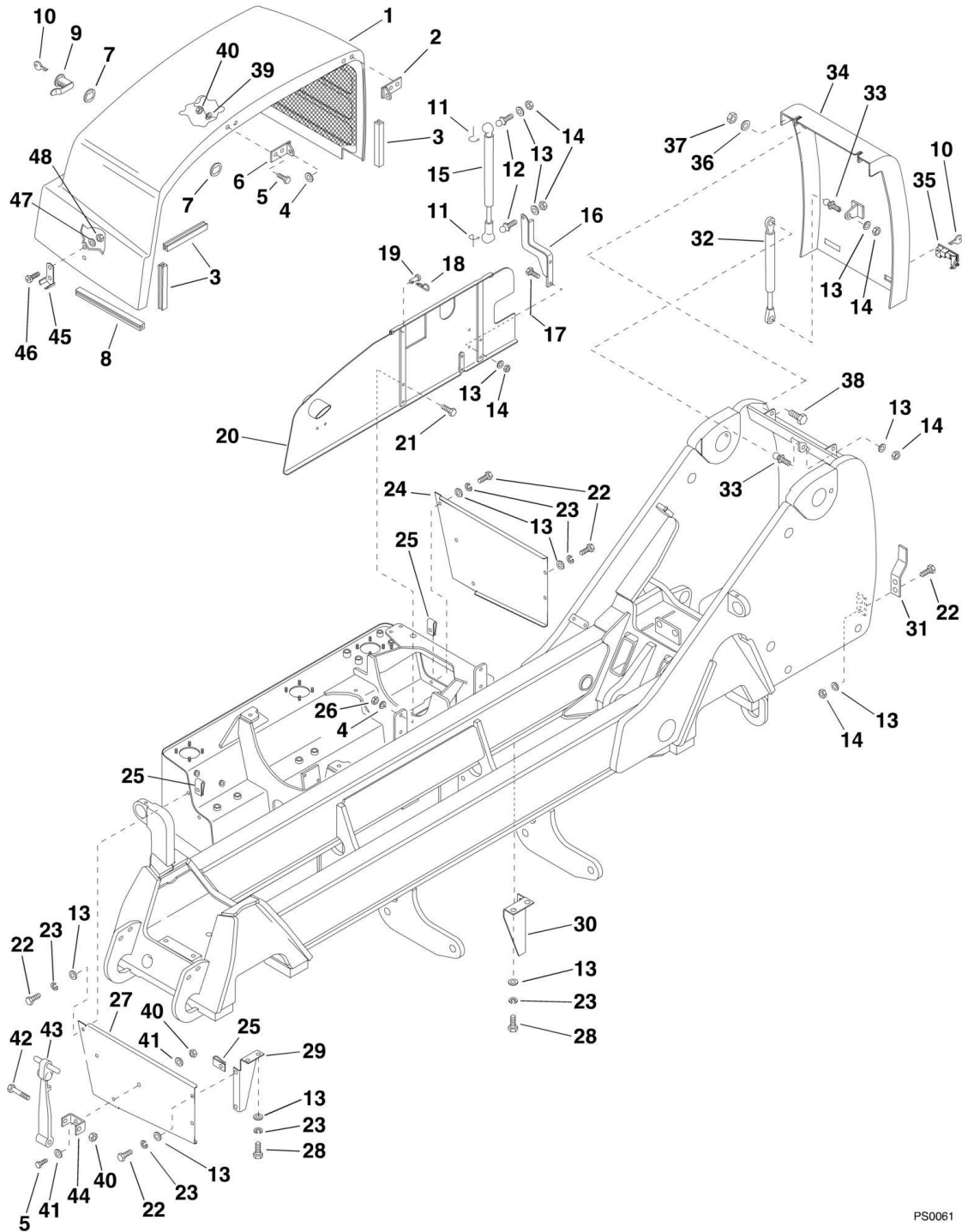
SECTION 1 - MAIN FRAME AND COVERS

FIGURE 1-1. MAIN FRAME

ITEM	PART NUMBER	QTY	DESCRIPTION	REV
1	Call Factory	1	Frame, Main	
2	8520013	8	Fitting, Lube, 1/8 Self Tapping	
3	8310116	12	Nut, Hex Lock 1-8	
4	8307210	12	Washer, Flat 1in	
5	8050001	6	Bearing, Self Align 1-1/2in ID	
6	8520021	1	Fitting, Lube, 90, 1/8 Self Tapping	
7	7088341	4	Spacer	
8	7127934	1	Counterweight	
9	8310050	4	HHCS, 1-8 x 6in Gr5	
10	7130322	6	Pin, Cylinder Mount 1.5 Dia	
11	8303752	6	HHCS, 5/16-18 x 3-1/2in	
12	8305626	6	Nut, Hex Lock 5/16-18	
13	8310339	8	HHCS, 7/8-9 x 12in	
14	8310060	16	Washer, Flat 7/8in Hardened	
15	7129362	2	Anchor, Cylinder	
16	8040253	1	Axle, Rear	
17	7132592	2	Plate, Anchor	
18	8305634	8	Nut, Hex Lock 7/8-9	
19	8310295	8	HHCS, 3/4-10 x 5-1/2in Gr8	
20	8307703	16	Washer, Flat 3/4in Hardened	
21	8310067	8	Nut, Hex Lock Elastic 3/4-10	
22	7127214	1	Mount, Cab	
23	8303538	8	HHCS, 1-8 x 3in Gr.8	
24	5724302	AR	Shim	
25	8310066	4	Washer, Flat SAE 1in	
26	7124471	2	Conduit, 1in ID x 12-1/2in	
27	8310061	8	Washer, 1in Hardened	
28	8040252	1	Axle, Front	
30	8307112	2	Washer, Flat 1/2in	
31	8307007	2	Washer, Lock 1/2in	
32	8303625	2	HHCS, 1/2-13 x 1-1/4in	
33	7127394	1	Hydraulic Reservoir/Engine Mount	
34	7125861	1	Conduit, 3/4in (60in Cut to Fit)	
35	8305644	1	Nut, Hex Lock 1/2-13	
36	7120662	1	Pin, Hoist Cylinder Mount 2in Dia	
37	8303782	1	HHCS, 1/2-13 x 4in	
38	8065640	1	Bearing, Self Align 2in ID	
39	8050002	2	Bearing, Self Align 2-1/2in ID	
40	8303551	4	HHCS, M10-1.5 x 16mm	
41	7124491	2	Conduit, 1in ID x 15-1/2in	
42	8526049	AR	Adhesive Sealant	
		Ref	KITS	
43	7137694	1	Kit, Tie Down (Prior to SN 8084)	

SECTION 1 - MAIN FRAME AND COVERS

FIGURE 1-2. COVERS AND GUARDS



PS0061

SECTION 1 - MAIN FRAME AND COVERS

FIGURE 1-2. COVERS AND GUARDS

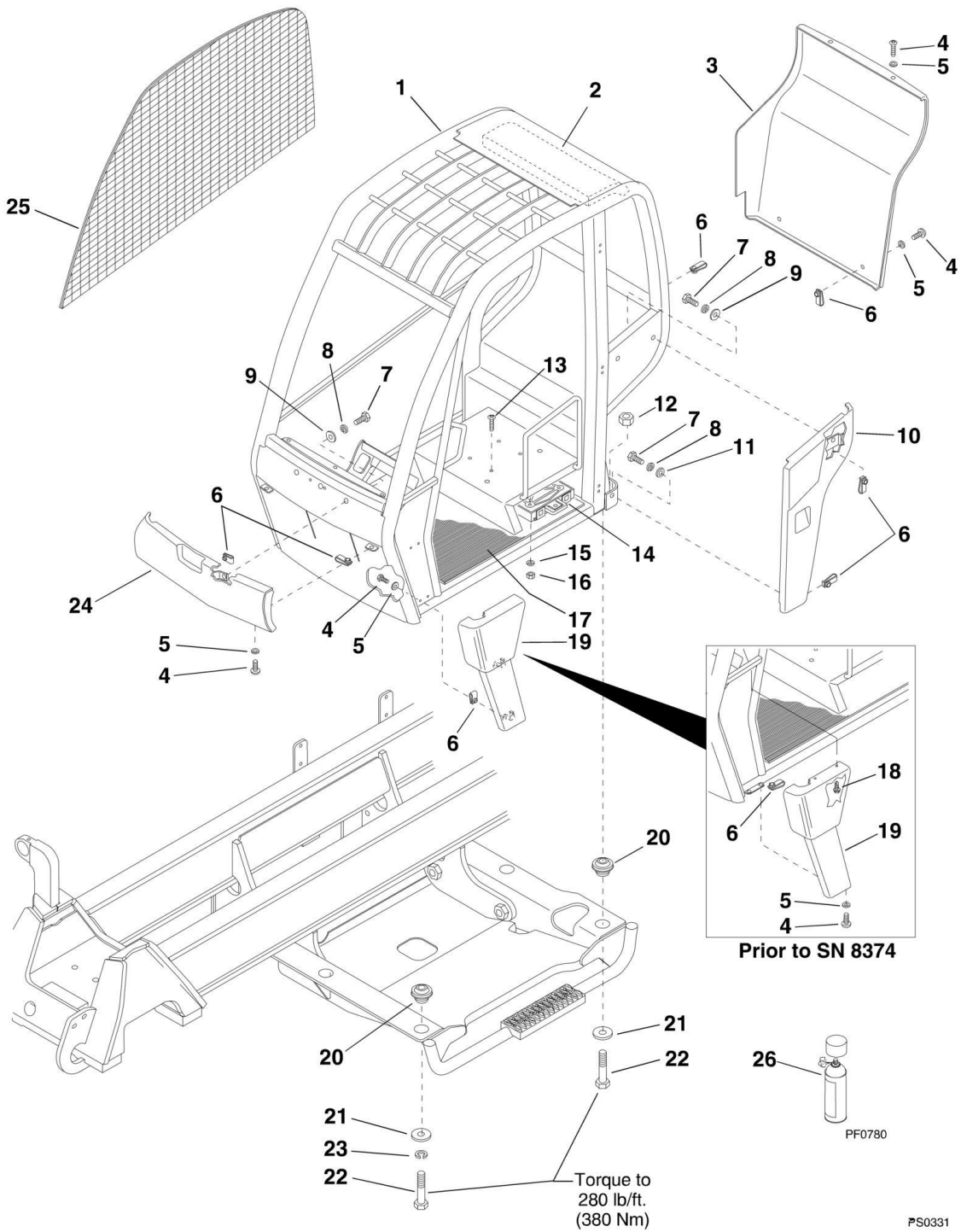
ITEM	PART NUMBER	QTY	DESCRIPTION	REV
1	7130814	1	Hood, Engine	
2	7129922	1	Hinge, Hood - Rear	
3	7125731	4	Moulding, Black 7in Long	
4	8307110	6	Washer, Flat 3/8in Narrow	
5	8303540	6	HHCS, 1/4-20 x 1in	
6	7129912	1	Hinge, Hood - Front	
7	7131782	2	Retainer Ring, Latch	
8	6620002	1	Moulding, Black 16in Long	
9	8342807	1	Latch w/Key (Includes Item 10)	
10	8342808	AR	Key	
11	8702157	2	Spring, Clip	
12	8340035	2	Ball Stud - 13mm	
13	8307106	24	Washer, Flat 5/16in	
14	8305626	10	Nut, Hex Lock Elastic 5/16-18	
15	8702156	1	Spring, Gas	
16	7130072	1	Support, Cover	
17	8303739	2	HHCS, 5/16-18 x 1-1/4in	
18	8302406	2	Pin, Cotter	
19	8310334	2	Pin, Clevis 3/8in Dia	
20	7132844	1	Panel, Engine	
21	8303679	4	HHCS, 3/8-16 x 1-3/4in Gr.5	
22	8303670	14	HHCS, 5/16-18 x 1in	
23	8307004	14	Washer, Lock 5/16in	
24	7129663	1	Cover, Engine, Rear	
25	8305906	10	Nut, Retainer 5/16-18	
26	8305645	4	Nut, Hex Lock Elastic 3/8-16	
27	7129653	1	Cover, Engine, Front	
28	8303744	4	HHCS, 5/16-18 x 1/2in	
29	7129612	1	Bracket, Cover - Front	
30	7129622	1	Bracket, Cover - Rear	
31	7131652	2	Striker, Rear Door	
32	8702158	1	Spring, Gas	
33	8340036	2	Ball Stud - 10mm	
34	7130173	1	Cover, Rear	
35	8342416	2	Latch, Adjustable Trigger	
36	8307112	2	Washer, Flat 1/2in Heavy	
37	8305644	2	Nut, Hex Lock Elastic 1/2-13	
38	8303625	2	HHCS, 1/2-13 x 1-1/4in	
39	8307109	4	Washer, Flat SAE Light 1/4in	
40	8305624	8	Nut, Hex Lock Elastic 1/4-20	
41	8307202	4	Washer, Flat 1/4in	
42	8303114	2	HHCS, 1/4-20 x 2-1/4in Gr.5	
43	7134132	2	Hook, Rubber	
44	7134122	2	Bracket, Anchor	
45	7134142	2	Bracket, Hook	
46	8303836	4	Screw, Slotted Pan Hd. #10-24 x 5/8in	
47	8307111	4	Washer, Flat #10	
48	8310085	4	Nut, Hex Lock Elastic #10-24	

SECTION 2 - OPERATOR'S CAB AND CONTROLS

SECTION 2 - OPERATOR'S CAB AND CONTROLS

SECTION 2 - OPERATOR'S CAB AND CONTROLS

FIGURE 2-1. OPEN CAB - OUTER PANELS



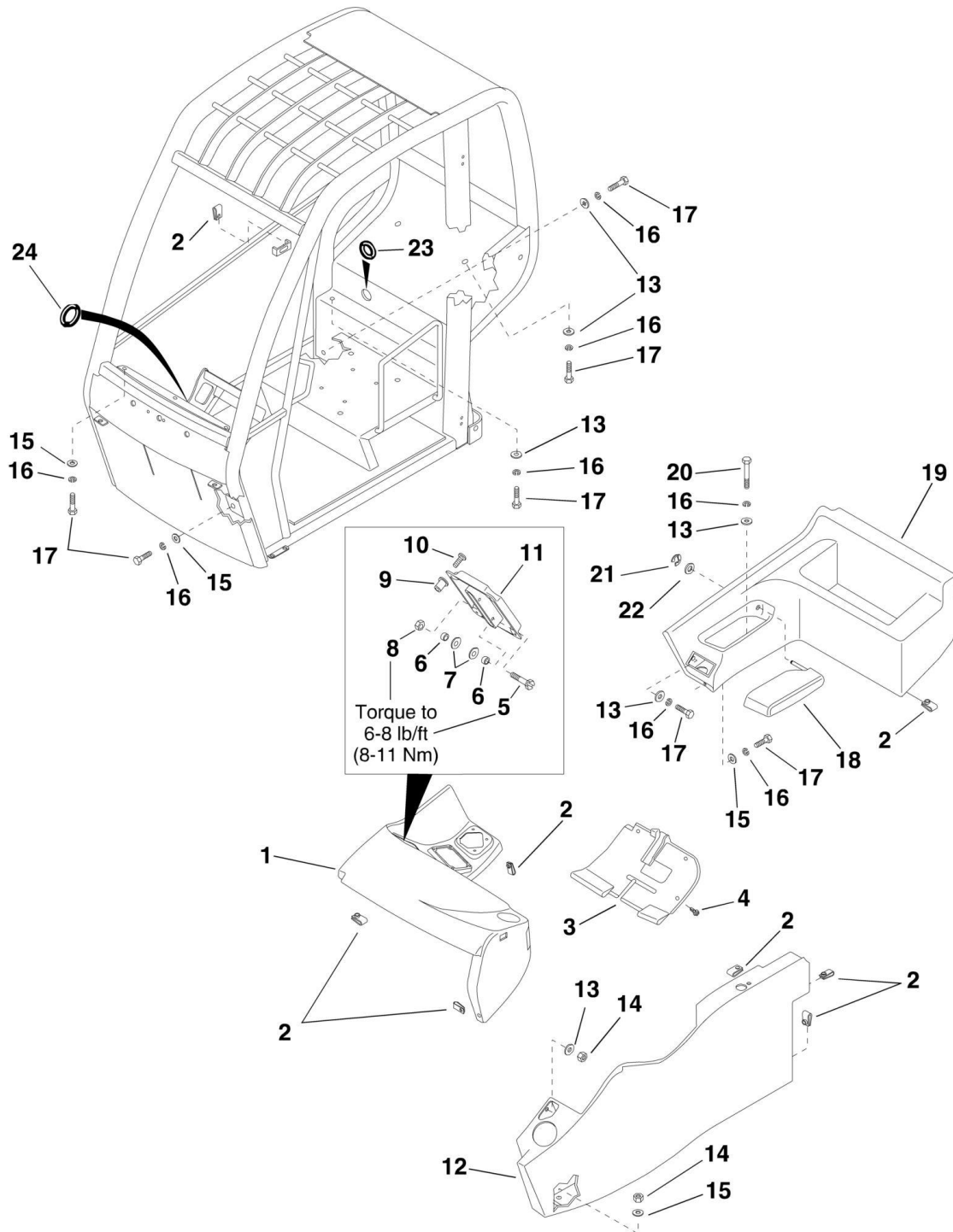
SECTION 2 - OPERATOR'S CAB AND CONTROLS

FIGURE 2-1. OPEN CAB - OUTER PANELS

ITEM	PART NUMBER	QTY	DESCRIPTION	REV
1	7126534	1	Operator's Protective Structure - ROPS/FOPS	
2	7131412	1	Headliner	
3	7130663	1	Panel, Cab Rear	
4	8310301	8	BHCS, 5/16-18 x 1in (Prior to SN 8374)	
4		Ref	BHCS, 5/16-18 x 1 (SN 8374 to Present)	
5	8310124	8	Washer, Flat Plastic 5/16in (Prior to SN 8374)	
5		Ref	Washer, Flat Plastic 5/16 (SN 8374 to Present)	
6	8305906	13	Nut, Retaining 5/16-18	
7	8303670	5	HHCS, 5/16-18 x 1in	
8	8307004	5	Washer, Lock 5/16in	
9	7057141	4	Washer, Rebound	
10	7130653	1	Panel, Cab Rear LH	
11	8307203	1	Washer, Flat 5/16in	
12	8310067	2	Nut, Hex Lock Elastic 3/4-10	
13	8303034	4	BHCS, 1/4-20 x 3/4in	
14	8990122	1	Holder, Owner/Operator Manual	
15	8307202	4	Washer, Flat 1/4in	
16	8305624	4	Nut, Hex Lock Elastic 1/4-20	
17	7131493	1	Mat, Floor	
18	8310353	2	Screw, Self Drilling #12-14 x 1in (Prior to SN 8373)	
19	7130643	1	Panel, Cab Front LH (Prior to SN 8374)	
19	7134453	1	Panel, Cab Front LH (SN 8374 to Present)	
20	8278026	4	Isolator, Cab	
21	7129441	4	Washer, Rebound	
22	8310375	4	HHCS, 3/4-10 x 3-3/4in Gr.8	
23	8307010	2	Washer, Lock 3/4in	
24	7130633	1	Panel, Cab Front	
25	7137152	1	Kit, Mesh Plate - Right Side (Includes Urethane and Installation Instructions)	
26	8526042	AR	Adhesive, 10 Oz Spray Can (For Item 17)	

SECTION 2 - OPERATOR'S CAB AND CONTROLS

FIGURE 2-2. OPEN CAB - INNER CONSOLE AND DASH PANEL



PS0701

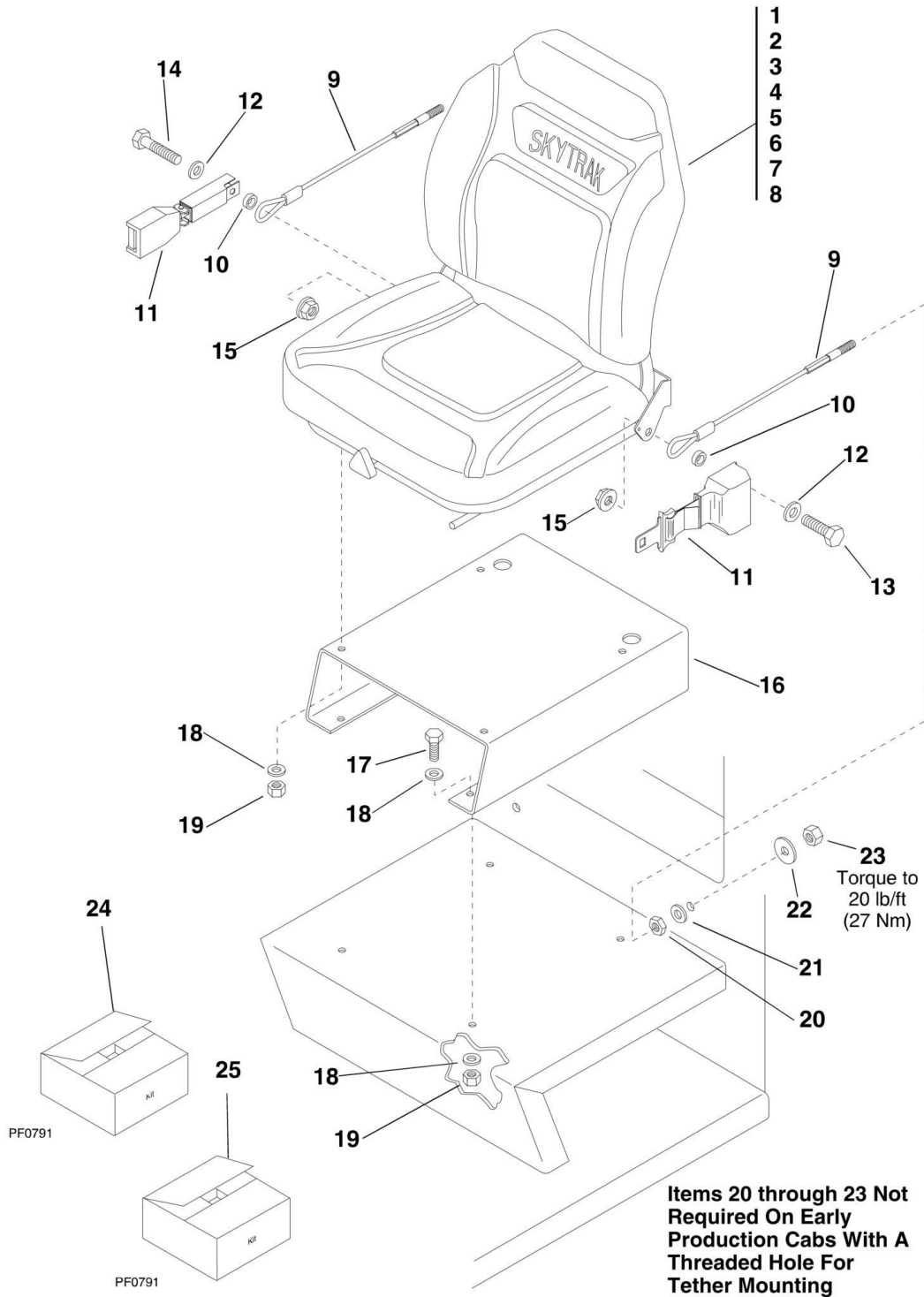
SECTION 2 - OPERATOR'S CAB AND CONTROLS

FIGURE 2-2. OPEN CAB - INNER CONSOLE AND DASH PANEL

ITEM	PART NUMBER	QTY	DESCRIPTION	REV
1	7130724	1	Dash, Front	
2	8305906	10	Nut, Retaining 5/16-18	
3	7130773	1	Cover, Lower Dash	
4	8310353	3	Screw, Self Drilling #12-14 x 1in	
5	8310016	2	HHCS, Slotted #10-24 x 1in	
6	8310402	4	Spacer	
7	8310360	4	Washer, Fender	
8	8310085	2	Nut, Hex Lock Elastic #10-24	
9	8580421	4	Nut, Well #10-32 x 1/2in Long	
10	8310358	4	BHCS, #10-32 x 3/4in	
11	7131003	1	Holder, Load Chart	
12	7130744	1	Support, Console	
13	7057141	7	Washer, Rebound	
14	8305626	2	Nut, Hex Lock Elastic 5/16-18	
15	8307203	5	Washer, Flat 5/16in	
16	8307004	10	Washer, Lock 5/16in	
17	8303739	9	HHCS, 5/16-18 x 1-1/4in	
18	7130862	1	Armrest	
19	7130734	1	Tool Bin, Rear	
20	8310009	1	HHCS, 5/16-18 x 2in	
21	8630010	1	Ring, Retaining	
22	8307206	1	Washer, Flat 1/2in	
23	7124531	1	Conduit, 1/4 x 5in Long	
24	7132751	1	Conduit, 1/4 x 9-1/2in Long	

SECTION 2 - OPERATOR'S CAB AND CONTROLS

FIGURE 2-3. OPERATOR & SEAT AND SEAT BELT



PS0120

SECTION 2 - OPERATOR'S CAB AND CONTROLS

FIGURE 2-3. OPERATOR & SEAT AND SEAT BELT

ITEM	PART NUMBER	QTY	DESCRIPTION	REV
1	8864053	1	Seat	
2	8036009	1	Boot, 60/76mm (Not Shown)	
3	8036010	1	Adjuster, 6in (Not Shown)	
4	8036011	1	Damper (Not Shown)	
5	8036013	4	Rollers, Up Stop Bumper/Down Stop Bumper - 7/16in Dia (Not Shown)	
6	8036014	1	Springs and Cable (Not Shown)	
7	8036015	1	Hanger Knob Tension Shaft (Not Shown)	
8	8036017	1	Cushion/Pan Assembly Kit (Not Shown)	
9	7130412	2	Tether	
10	7096491	2	Spacer	
11	8864057	1	Seat Belt Assembly - 2in Retractable (Includes Items 12 thru 15)	
12	N.S.S.	2	Washer	
13	N.S.S.	1	Hex Hd Capscrew	
14	N.S.S.	1	Hex Hd Capscrew	
15	N.S.S.	2	Nut, Hex	
16	7121543	1	Support, Seat	
17	8303670	4	HHCS, 5/16-18 x 1in Gr. 5	
18	8307106	12	Washer, Flat 5/16in Narrow	
19	8305626	8	Nut, Hex Lock Elastic 5/16-18	
20	8305404	2	Nut, Hex Jam 3/8-16	
21	8307204	2	Washer, Flat 3/8in	
22	7057141	2	Washer, Rebound	
23	8305645	2	Nut, Hex Lock Elastic 3/8-16	
24	8864058	1	Seat Belt Assembly - 3in Retractable (Includes Mounting Hardware)	
25	8864019	1	Seat Belt Assembly - 3in Non-Retractable	

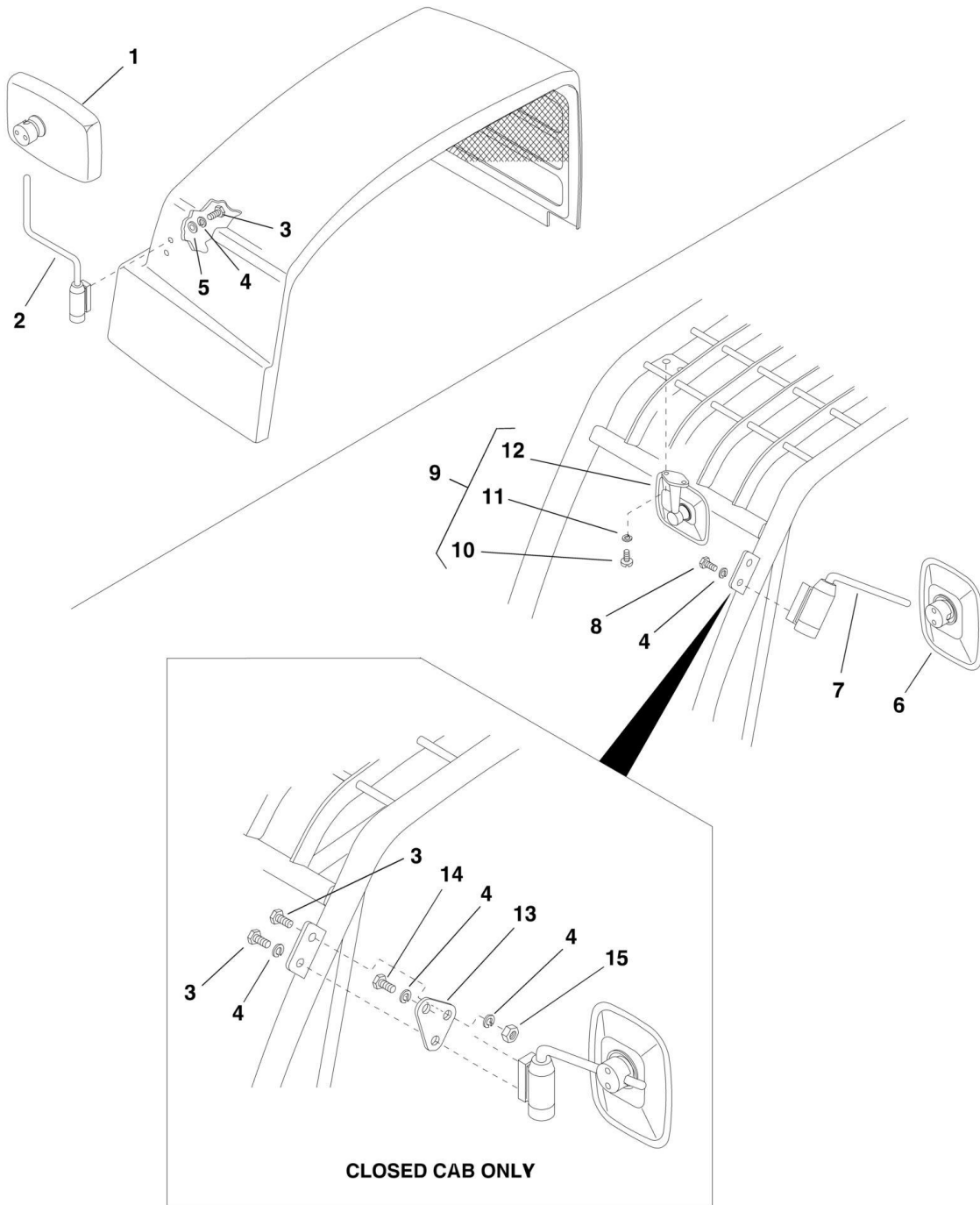
SECTION 2 - OPERATOR'S CAB AND CONTROLS

FIGURE 2-4. OPERATOR & SEAT AND SEAT BELT (OPTIONAL)

ITEM	PART NUMBER	QTY	DESCRIPTION	REV
1	8864055	1	Seat, Deluxe Cloth with Suspension	
1	8864056	1	Seat, Deluxe Vinyl with Suspension	
2	7130412	2	Tether	
3	7096491	2	Spacer	
4	8864060	1	Seat Belt Assembly - 2in Retractable (Includes Items 5 thru 7)	
5	N.S.S.	2	Nut, Hex	
6	N.S.S.	2	Hex Hd Capscrew	
7	N.S.S.	2	Washer, Flat	
8	8303670	4	HHCS, 5/16-18 x 1in Gr. 5	
9	8307106	8	Washer, Flat 5/16in Narrow	
10	8305626	4	Nut, Hex Lock Elastic 5/16-18	
11	8305404	2	Nut, Hex Jam 3/8-16	
12	8307204	2	Washer, Flat 3/8in	
13	7057141	2	Washer, Rebound	
14	8305645	2	Nut, Hex Lock Elastic 3/8-16	
15	8864058	1	Seat Belt Assembly - 3in Retractable (Includes mounting hardware)	
16	8864019	1	Seat Belt Assembly - 3in Non-Retractable	

SECTION 2 - OPERATOR'S CAB AND CONTROLS

FIGURE 2-5. MIRRORS



PS0321

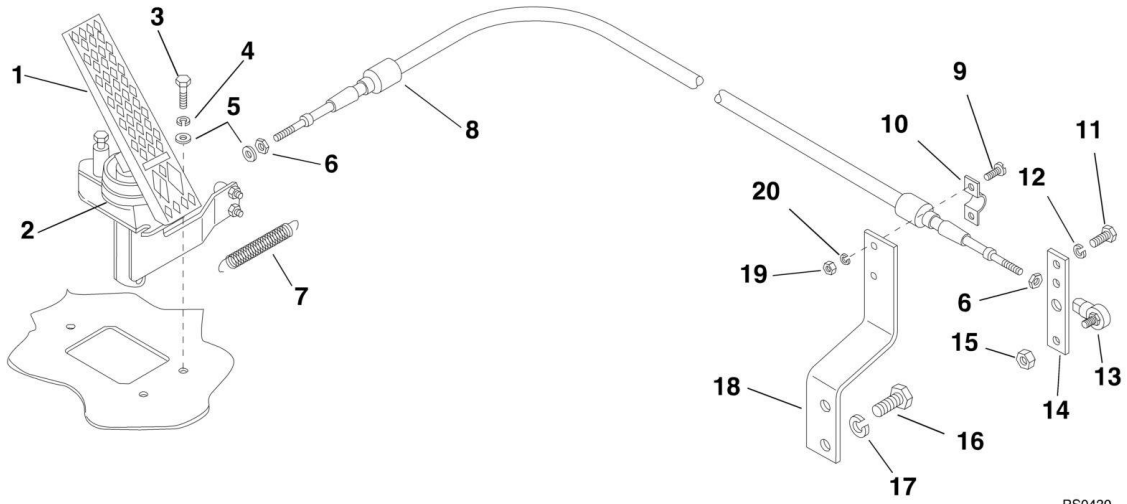
SECTION 2 - OPERATOR'S CAB AND CONTROLS

FIGURE 2-5. MIRRORS

ITEM	PART NUMBER	QTY	DESCRIPTION	REV
1	8866514	1	Mirror Head, Convex	
2	8866515	1	Arm Assembly, Mirror	
3	8303548	2	HHCS, M6-1 x 19mm	
4	8307024	AR	Washer, Lock M6 (Qty 2 for Open Cab, Qty 3 for Closed Cab)	
5	8307109	2	Washer, Flat SAE 1/4in Light	
6	8866529	1	Mirror, Rear View	
7	8866530	1	Arm Assembly, Mirror	
8	8303799	2	HHCS, M6-1 x 14mm	
9	7136742	1	Kit, RH Mirror - Optional (Includes Item 10, 11 & 12)	
10	8303836	2	Screw, Slotted Round Hd #10-24 x 5/8in	
11	8307003	2	Washer, Lock #10	
12	8866516	1	Mirror Assembly, Rear View	
13	7138366	1	Bracket, Mirror (Closed Cab Only)	
14	8303799	1	HHCS, M6-1 x 14mm (Closed Cab Only)	
15	8305047	1	Nut, Hex M6-1 (Closed Cab Only)	

SECTION 2 - OPERATOR'S CAB AND CONTROLS

FIGURE 2-6. THROTTLE PEDAL CONTROL (CUMMINS)



PS0430

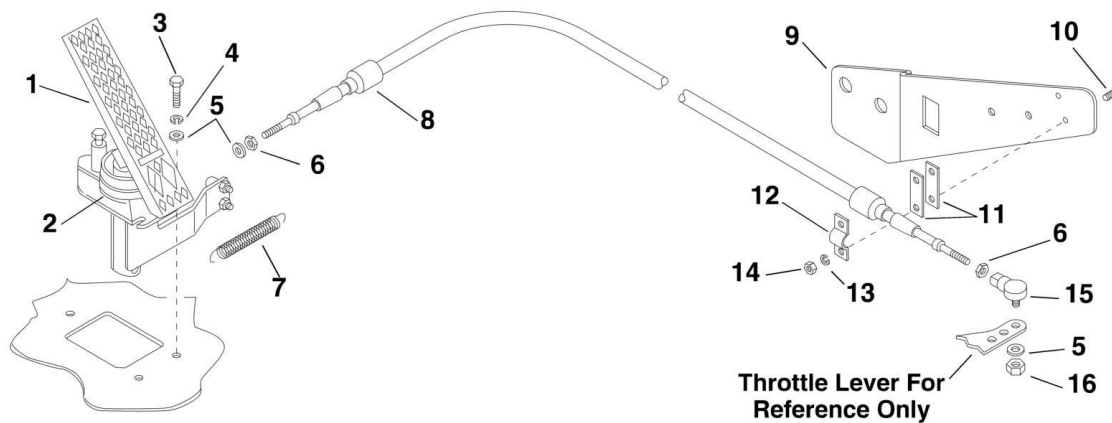
SECTION 2 - OPERATOR'S CAB AND CONTROLS

FIGURE 2-6. THROTTLE PEDAL CONTROL (CUMMINS)

ITEM	PART NUMBER	QTY	DESCRIPTION	REV
1	8162003	1	Pedal, Throttle (Includes Item 2)	
2	8033178	1	Bellows, Throttle Pedal	
3	8303615	3	HHCS, 1/4-20 x 1-1/4in	
4	8307002	3	Washer, Lock 1/4in	
5	8307109	4	Washer, Flat SAE 1/4in	
6	8305402	2	Nut, Hex Jam 1/4-28 NF	
7	8700116	1	Spring, Extension	
8	8160073	1	Cable, Throttle	
9	8303837	2	Screw, Slotted Pan Hd #10-24 x 3/4in	
10	8160610	1	Clamp, Cable	
11	8303799	2	HHCS, M6 x 14mm	
12	8307024	2	Washer, Lock M6	
13	8340034	1	Rod End 1/4-28 Thd	
14	7127091	1	Extension, Throttle Lever	
15	8305650	1	Nut, Hex Lock Elastic 1/4-28 NF	
16	8303790	2	HHCS, M12x1.75 x 30mm PC 8.8	
17	8307025	2	Washer, Lock M12	
18	7127102	1	Bracket, Throttle Cable	
19	8305002	2	Nut, Hex #10-24	
20	8307003	2	Washer, Lock #10	

SECTION 2 - OPERATOR'S CAB AND CONTROLS

FIGURE 2-7. THROTTLE PEDAL CONTROL (PERKINS)



PS0470

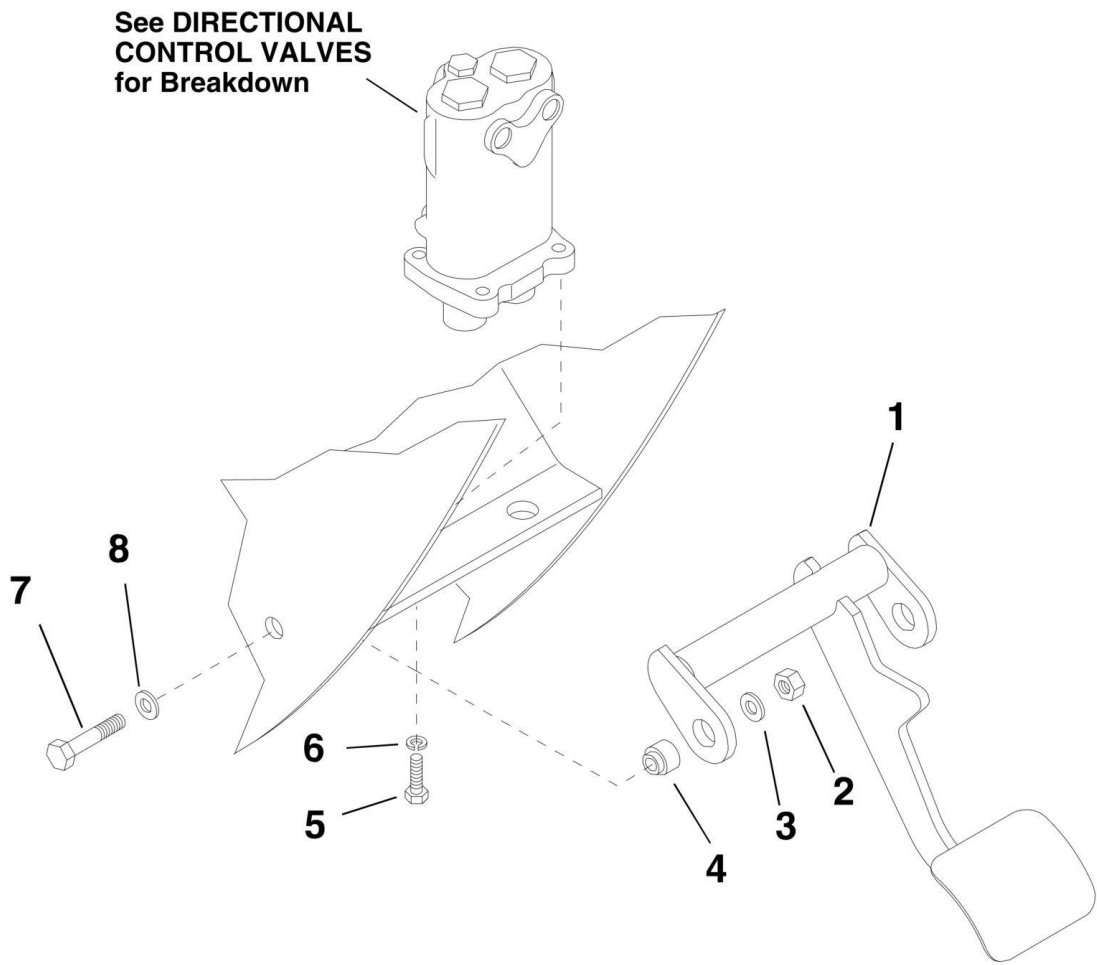
SECTION 2 - OPERATOR'S CAB AND CONTROLS

FIGURE 2-7. THROTTLE PEDAL CONTROL (PERKINS)

ITEM	PART NUMBER	QTY	DESCRIPTION	REV
1	8162003	1	Pedal, Throttle (Includes Item 2)	
2	8033178	1	Bellows, Throttle Pedal	
3	8303615	3	HHCS, 1/4-20 x 1-1/4in	
4	8307002	3	Washer, Lock 1/4in	
5	8307109	5	Washer, Flat SAE 1/4 Narrow	
6	8305402	2	Nut, Hex Jam 1/4-28 NF	
7	8700116	1	Spring, Extension	
8	8160073	1	Cable, Throttle	
9	7128252	1	Bracket, Throttle	
10	8303837	2	Screw, Slotted Pan Hd #10-24 x 3/4in	
11	8162213	2	Shim	
12	8160610	1	Clamp, Cable	
13	8307003	2	Washer, Lock #10	
14	8305002	2	Nut, Hex #10-24	
15	8340034	1	Rod End 1/4-28 Thd	
16	8305650	1	Nut, Hex Lock Elastic 1/4-28 NF	

SECTION 2 - OPERATOR'S CAB AND CONTROLS

FIGURE 2-8. SERVICE BRAKE PEDAL MOUNTING



PS0530

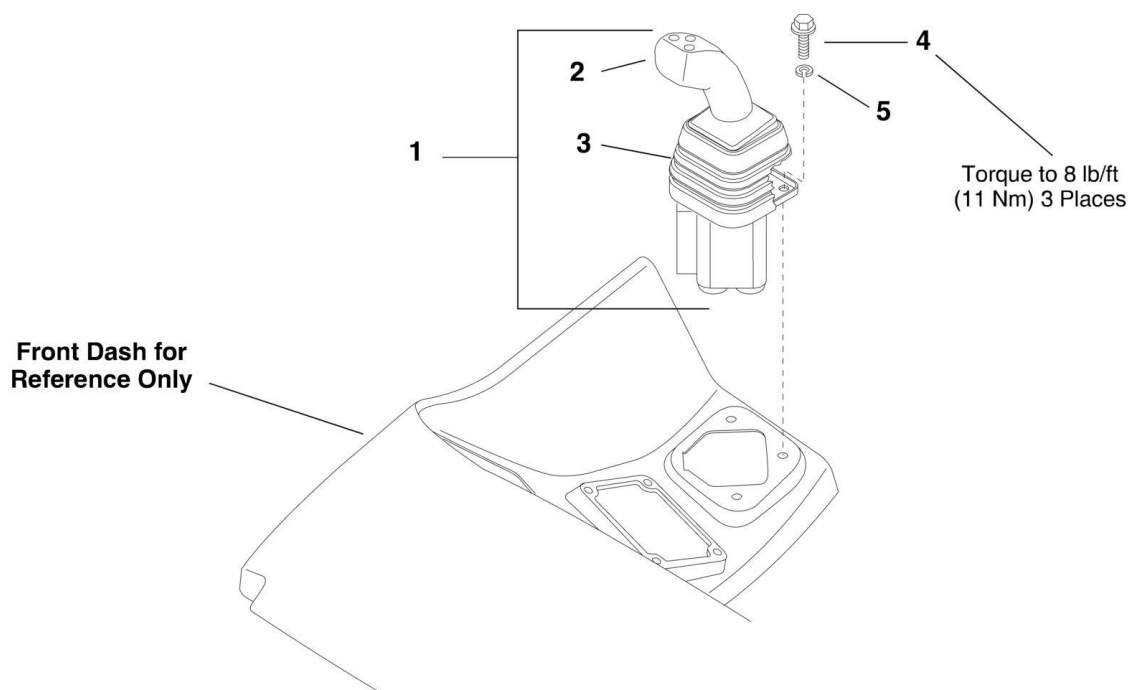
SECTION 2 - OPERATOR'S CAB AND CONTROLS

FIGURE 2-8. SERVICE BRAKE PEDAL MOUNTING

ITEM	PART NUMBER	QTY	DESCRIPTION	REV
1	7128403	1	Pedal, Service Brake	
2	8305644	2	Nut, Hex Lock Elastic 1/2-13	
3	8307206	2	Washer, Flat 1/2in	
4	7129521	2	Pivot, Brake Pedal	
5	8303755	4	HHCS, M10-1.5 x 30mm	
6	8307023	4	Washer, Lock M10	
7	8303658	2	HHCS, 1/2-13 x 2in	
8	8307112	2	Washer, Flat 1/2in Narrow	

SECTION 2 - OPERATOR'S CAB AND CONTROLS

FIGURE 2-9. JOYSTICK MOUNTING



PS0730

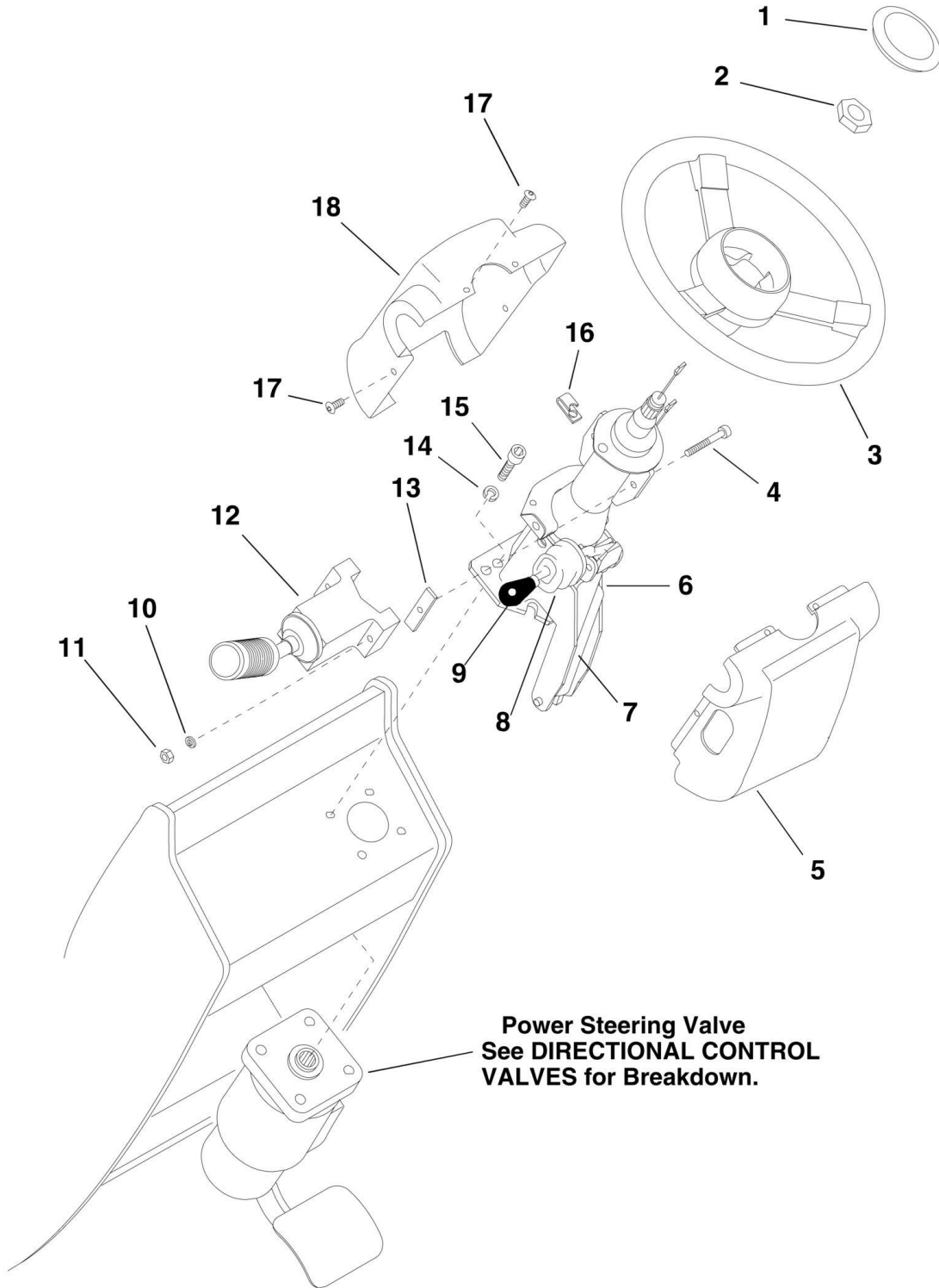
SECTION 2 - OPERATOR'S CAB AND CONTROLS

FIGURE 2-9. JOYSTICK MOUNTING

ITEM	PART NUMBER	QTY	DESCRIPTION	REV
1	7133942	1	Joystick Assembly (Includes Item 2 & 3)	
2	7133932	1	Handle Assembly	
3	8035777	1	Rubber Boot	
4	8303705	3	Flange Hd Capscrew 1/4-20 x 3/4in	
5	8307002	3	Washer, Lock 1/4in	

SECTION 2 - OPERATOR'S CAB AND CONTROLS

FIGURE 2-10. STEERING COLUMN, STEERING WHEEL AND SHIFTER



PS0541

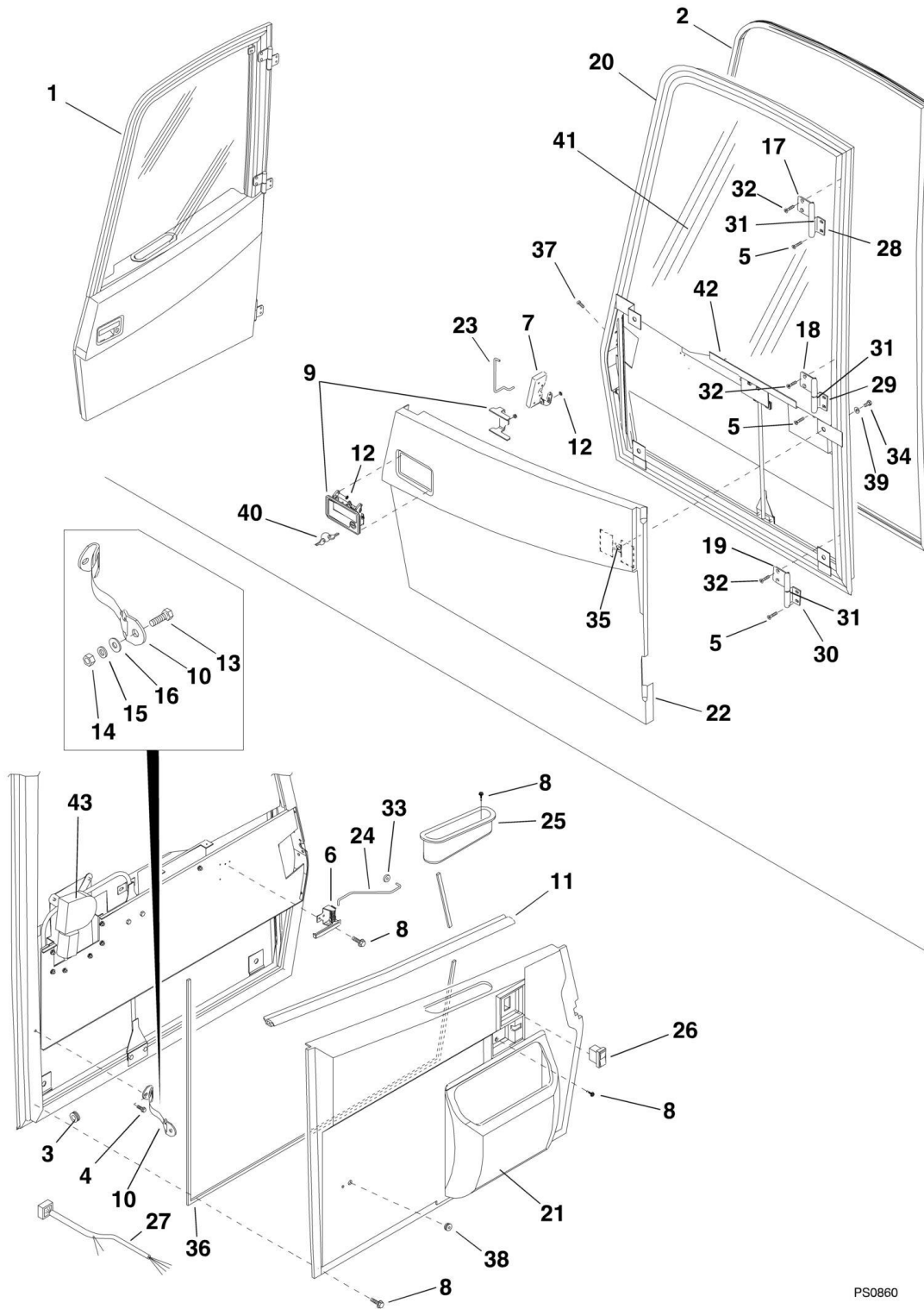
SECTION 2 - OPERATOR'S CAB AND CONTROLS

FIGURE 2-10. STEERING COLUMN, STEERING WHEEL AND SHIFTER

ITEM	PART NUMBER	QTY	DESCRIPTION	REV
1	8720017	1	Cover, Horn Button	
2	8310315	1	Nut, Thin M18-1.5	
3	8720016	1	Wheel, Steering	
4	8310350	2	Screw, Hex Socket Hd #10-32 x 1-1/2in	
5	7130763	1	Cover, Steering Column, Bottom	
6	7121523	1	Steering Column (Includes Item 7 thru 9)	
7	8035803	1	Gas Spring - Steering Column	
8	8035804	1	Boot, Tilt Lever	
9	8580118	1	Knob, Tilt Steering	
10	8307003	2	Washer, Lock #10	
11	8305003	2	Nut, Hex #10-32	
12	8223029	1	Switch, Transmission Shift Control	
13	7131961	2	Spacer, Transmission Shifter	
14	8307005	4	Washer, Lock 3/8in	
15	8304672	4	Screw, Hex Socket Hd 3/8-16 x 1in	
16	8310359	4	Nut, "J" #10-24	
17	8310372	4	Screw, Button Hd #10-24 x 5/8in	
18	7130753	1	Cover, Steering Column, Top	

SECTION 2 - OPERATOR'S CAB AND CONTROLS

FIGURE 2-11. CAB DOOR (OPTIONAL)



PS0860

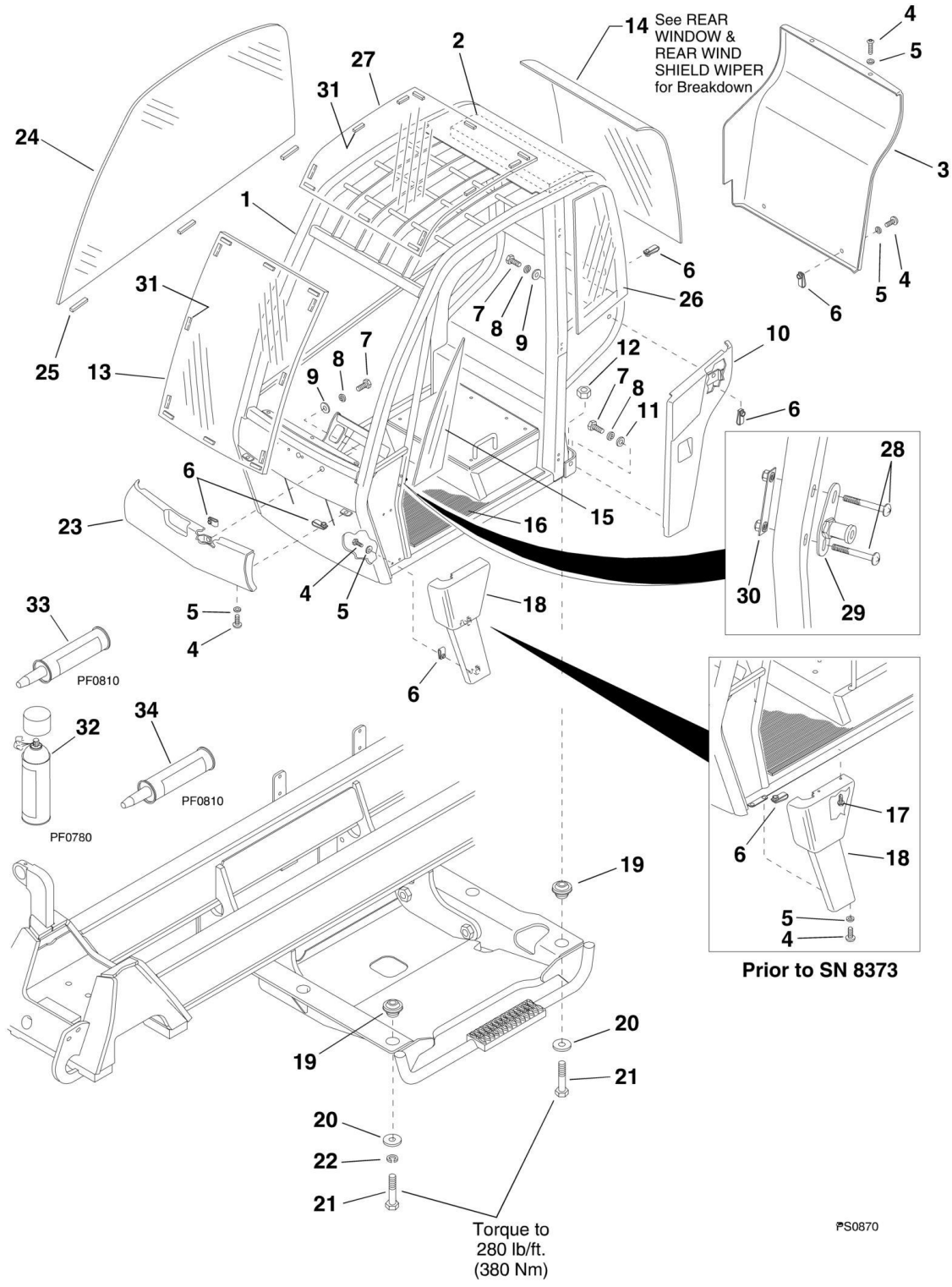
SECTION 2 - OPERATOR'S CAB AND CONTROLS

FIGURE 2-11. CAB DOOR (OPTIONAL)

ITEM	PART NUMBER	QTY	DESCRIPTION	REV
1	8035470	1	Door Assembly - Closed Cab (Includes Items 2-40)	
2	8033072	1	Seal, Bulb 90, 192in Long	
3	8035436	1	Grommet, 3/4 OD x 1/2 ID	
4	8035437	1	Screw, 1/4-20 x 3/4in	
5	8033058	6	Screw, 1/4-20 x 3/4in Whizlock	
6	8035438	1	Handle, Door - Inside	
7	8035439	1	Latch, Door	
8	8035440	10	Screw, Pan Hd #10-16 x 3/4in	
9	8035441	1	Latch, Paddle - RH Black	
10	8035442	1	Strap, Door Restraint	
11	8035443	1	Door Seal w/Flap - 70in	
12	8035444	2	Retainer, Push On - 3/16in Rod	
13	8035445	1	Bolt, Hex 5/16-18 x 1in Gr 8	
14	8034798	1	Nut, Hex 5/16-18 Gr 8 Yellow	
15	8034799	1	Washer, Lock .315 x .575 x .085 Thick	
16	8035435	1	Washer, Flat .313 x .750 x .060 Thick	
17	8035446	1	Door Hinge, Top	
18	8035447	1	Door Hinge, Center	
19	8035448	1	Door Hinge, Bottom	
20	8035449	1	Window Assembly-LH Door	
21	8035450	1	Door Panel, Interior	
22	8035451	1	Door Panel, Exterior	
23	8035452	1	Release Rod, Exterior	
24	8035453	1	Release Rod, Interior	
25	8035454	1	Pocket, Interior Door Panel	
26	8035455	1	Switch, Electric Window	
27	8035456	1	Wire Harness, LH Door	
28	8035457	1	Hinge, Top	
29	8035458	1	Hinge, Center	
30	8035459	1	Hinge, Bottom	
31	8035460	3	Washer, Hinge Brass	
32	8035461	6	Screw, Flat Hd Hex Drive 1/4-20 x 1-1/4in	
33	8035462	1	Retainer, Clip On	
34	8035463	4	Screw, Truss Hex Drive 1/4-20 x 5/8in	
35	8035464	4	U-Nut, 1/4-20	
36	8037206	1	Seal, "D" Type Bulb .216 x .354 x 54in	
37	8035466	4	Screw, Flat Head 1/4-20 x 3/4in	
38	8035467	1	Grommet, 3/8 ID x 5/8 OD	
39	8035468	4	Washer, Flat .281 x 1.05 x .065 Thick	
40	8342808	1	Key set, LL22	
41	8035471	1	Glass, Door - Closed Cab	
42	8035472	1	Channel, Glass	
43	8035473	1	Regulator, Electric Window 12V	

SECTION 2 - OPERATOR'S CAB AND CONTROLS

FIGURE 2-12. CLOSED CAB - OUTER PANELS (OPTIONAL)



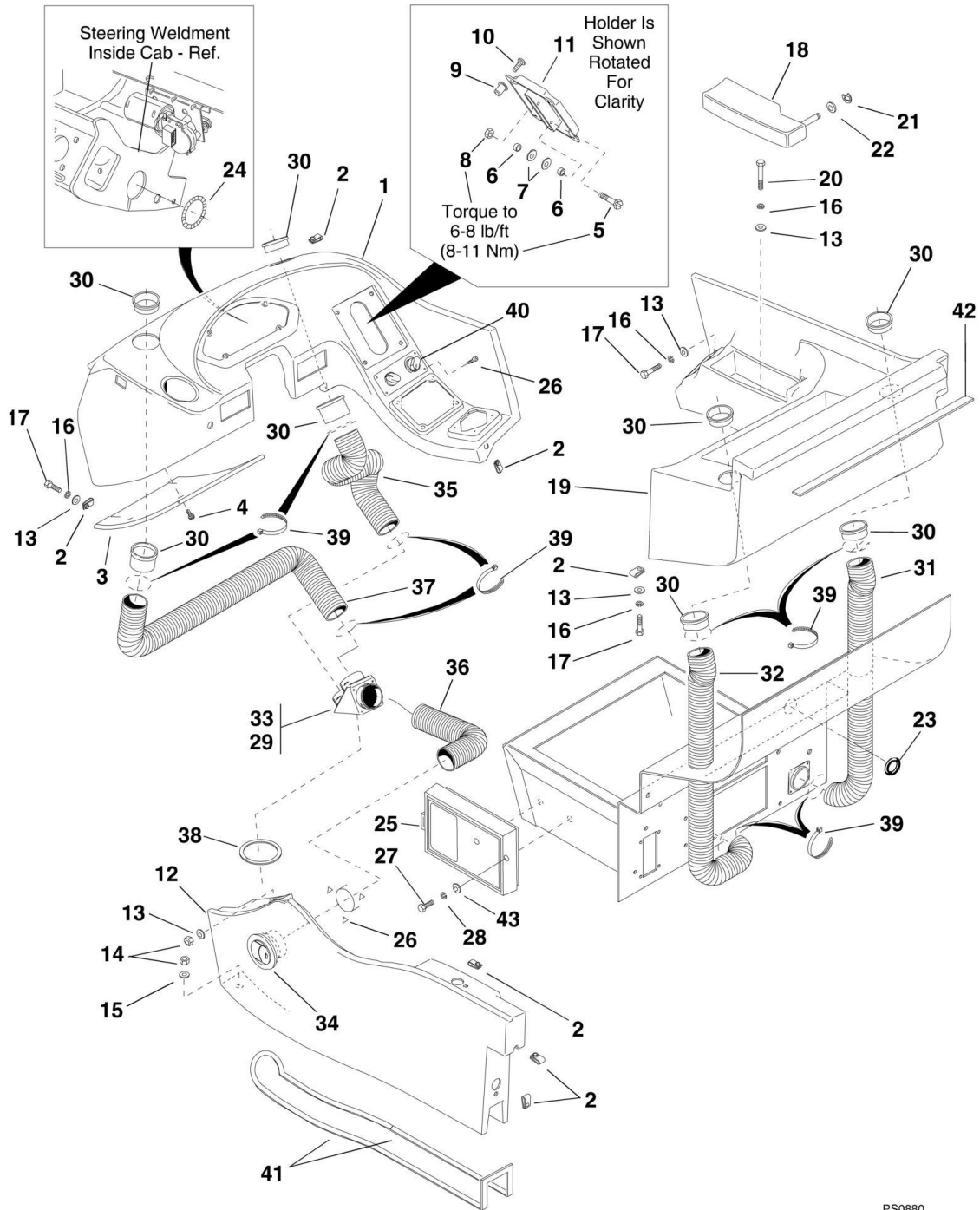
SECTION 2 - OPERATOR'S CAB AND CONTROLS

FIGURE 2-12. CLOSED CAB - OUTER PANELS (OPTIONAL)

ITEM	PART NUMBER	QTY	DESCRIPTION	REV
1	N.S.S.	1	Operator's Protective Structure - ROPS/FOPS	
2	7131412	1	Headliner	
3	7130663	1	Panel, Cab Rear	
4	8310301	8	BHCS, 5/16-18 x 1in (Prior to SN 8374)	
4		Ref	BHCS, 5/16-18 x 1 (SN 8374 to Present)	
5	8310124	8	Washer, Flat Plastic 5/16in (Prior to SN 8374)	
5		Ref	Washer, Flat Plastic 5/16 (SN 8374 to Present)	
6	8305906	13	Nut, Retaining 5/16-18	
7	8303670	5	HHCS, 5/16-18 x 1in	
8	8307004	5	Washer, Lock 5/16in	
9	7057141	4	Washer, Rebound	
10	7130653	1	Panel, Cab Rear LH	
11	8307203	1	Washer, Flat 5/16in	
12	8310067	2	Nut, Hex Lock Elastic 3/4-10	
13	7136342	1	Windshield, Front (Includes Glass, Setting Blocks and Urethane Seal)	
14	8035474	1	Glass, Rear	
14	8035606	1	Rear Window Assy. (Includes Glass, Hinges, Brackets, Seal and Hardware)	
15	8035524	1	Window, Front LH (Includes Glass, Frame and Urethane Seal)	
16	7138234	1	Mat, Floor	
17	8310353	2	Screw, Self Drilling #12-14 x 1in (Prior to SN 8373)	
18	7130643	1	Panel, Cab Front LH (Prior to SN 8374)	
18	7134453	1	Panel, Cab Front LH (SN 8374 to Present)	
19	8278026	4	Isolator, Cab	
20	7129441	4	Washer, Rebound	
21	8310375	4	HHCS, 3/4-10 x 3-3/4in Gr. 8	
22	8307010	2	Washer, Lock 3/4in	
23	7137733	1	Panel, Cab Front	
24	8035294	1	Window, Right Side	
25	8035721	3	Block, Setting	
26	8035525	1	Window, Rear LH (Includes Glass, Frame and Urethane Seal)	
27	8035527	1	Window, Skylight	
28	8035526	2	Bolt, Truss 5/16-18 x 2in Black	
29	8035528	1	Striker Assembly	
30	8035529	1	Striker Plate, Blind Nut	
31	8035490	24	Block, Setting	
32	8526042	AR	Adhesive, 10 Oz Spray Can (For Item 17)	
33	8035523	1	Urethane Seal, Tube - Black	
34	8035723	1	Caulk, Tube - Orange	

SECTION 2 - OPERATOR'S CAB AND CONTROLS

FIGURE 2-13. CLOSED CAB - INNER CONSOLE AND DASH PANEL (OPTIONAL)



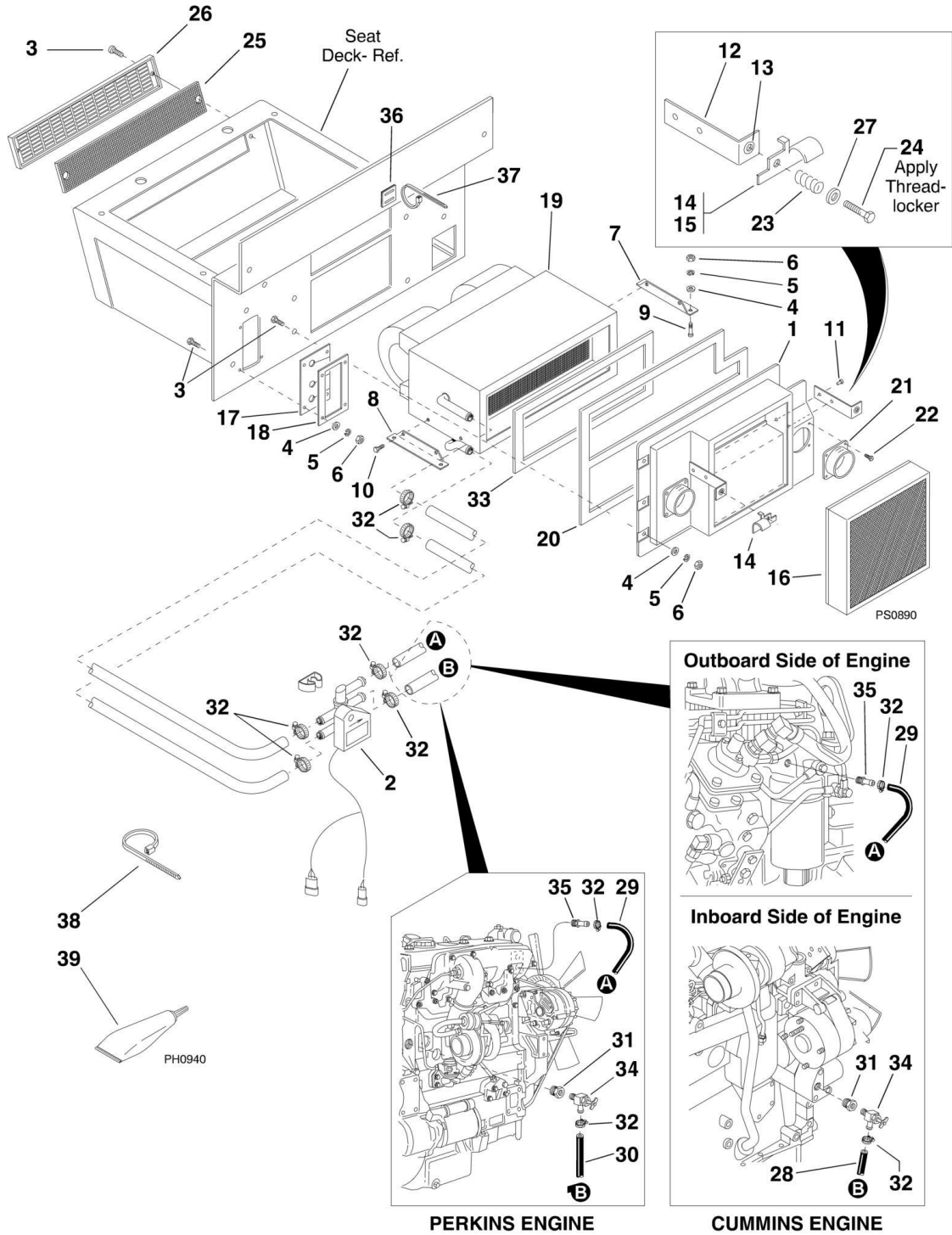
SECTION 2 - OPERATOR'S CAB AND CONTROLS

FIGURE 2-13. CLOSED CAB - INNER CONSOLE AND DASH PANEL (OPTIONAL)

ITEM	PART NUMBER	QTY	DESCRIPTION	REV
1	7137654	1	Dash, Front	
2	8305906	10	Nut, Retaining 5/16-18	
3	7130773	1	Cover, Lower Dash	
4	8310353	3	Screw, Self Drilling #12-14 x 1in	
5	8310016	2	HHCS, Slotted #10-24 x 1in	
6	8310402	4	Spacer	
7	8310360	4	Washer, Fender	
8	8310085	2	Nut, Hex Lock Elastic #10-24	
9	8580421	4	Nut, Well #10-32	
10	8310358	4	BHCS, #10-32 x 3/4in	
11	7131003	1	Holder, Load Chart	
12	7137364	1	Support, Console	
13	7057141	7	Washer, Rebound	
14	8305626	2	Nut, Hex Lock Elastic 5/16-18	
15	8307203	5	Washer, Flat 5/16in	
16	8307004	10	Washer, Lock 5/16in	
17	8303739	9	HHCS, 5/16-18 x 1-1/4in	
18	7130862	1	Armrest	
19	7137664	1	Tool Bin, Rear	
20	8310009	1	HHCS, 5/16-18 x 2in	
21	8630010	1	Ring, Retaining	
22	8307206	1	Washer, Flat 1/2in	
23	7124531	1	Conduit, 1/4 x 5in Long	
24	7132751	1	Conduit, 1/4 x 9-1/2in Long	
25	8990147	1	Holder, Owner/Operator Manual	
26	6620971	3	Clip, Retainer	
27	8303540	2	HHCS, 1/4-20 x 1 Gr5	
28	8307002	2	Washer, Lock	
29	8035397	24	Screw, Self Tapping #8-32 x 1/2in	
30	8035398	4	Louver, Ball	
31	8035399	1	Hose, Flex 2-1/2in Dia Rear RH Vent - 33in Long	
32	8035400	1	Hose, Flex 2-1/2in Dia Rear LH Vent - 37in Long	
33	8035401	1	Weldment, Vent Manifold	
34	8035402	1	Louver, Round	
35	8035403	1	Hose, Flex 2-1/2in Dia Center Vent - 30in Long	
36	8035404	1	Hose, Flex 2-1/2in Dia Front RH Vent - 18in Long	
37	8035405	1	Hose, Flex 2-1/2in Dia Front LH Vent - 40in Long	
38	8033032	2	Sponge Rubber, Adhesive Backed 80in Long	
39	8035406	10	Tie Sprap, Nylon 3/16 Wide x 12in Long	
40	8035407	1	Panel, Heater Control	
40	8035521	1	Panel, Heater and A/C Control	
41	8035599	1	Foam Strip - PSA 1/4 x 1/2 x 100in	
42	7138275	1	Neoprene Strip 1/2 x 1 x 28in	
43	8307109	2	Washer, Flat	

SECTION 2 - OPERATOR'S CAB AND CONTROLS

FIGURE 2-14. CAB HEATER (OPTIONAL)



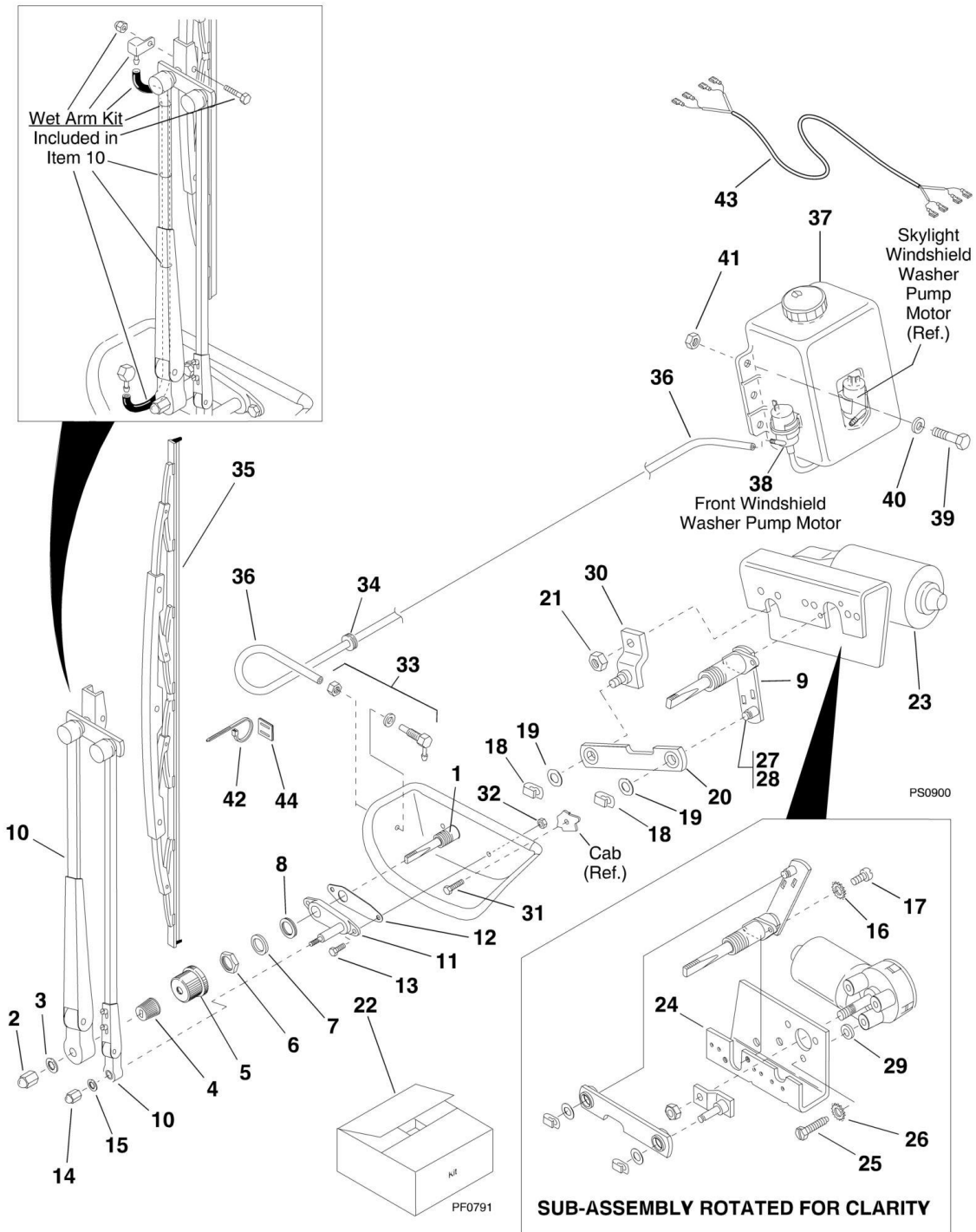
SECTION 2 - OPERATOR'S CAB AND CONTROLS

FIGURE 2-14. CAB HEATER (OPTIONAL)

ITEM	PART NUMBER	QTY	DESCRIPTION	REV
1	8035412	1	Plenum	
2	8035413	1	Valve, Heater - Motorized w/Module and Harness	
3	8035414	11	Screw, 1/4-20 x 1in	
4	8035415	13	Washer, Flat .281 x .625	
5	8035416	13	Washer, Lock .254 x .480 - Black	
6	8035417	13	Nut, Hex 1/4-20 - Black	
7	8035418	1	Angle, RH Side	
8	8035419	1	Angle, LH Side	
9	8035420	4	Bolt, Carriage 1/4-20 x 1in	
10	8035421	4	Screw, M6 x 12 - Whizlock	
11	8035422	4	Rivet, Pop 3/16 x 1/2in	
12	8035423	2	Angle, Filter Clamp	
13	8035424	2	Rivnut, 5/16 Hex	
14	8035425	1	Latch, LH - Filter Hold Down	
15	8035426	1	Latch, RH - Filter Hold Down	
16	8035388	1	Air Filter w/Seal - Closed Cab	
17	8035427	1	Grommet	
18	8035428	1	Plate, Grommet	
19	8035429	1	Heater Unit	
20	8035430	1	Foam, PSA 3/16 x 5/8 x 84in	
21	8035431	5	Adapter, Hose 2-1/2in Dia	
22	8035397	24	Screw, Self Tapping #8-32 x 1/2in	
23	8035432	2	Spring, Compression 1/2 x 7/8in	
24	8035433	2	Bolt, Hex 5/16-18 x 1-1/2in Yellow	
25	8035389	1	Foam Filter, Recirculate - Closed Cab	
26	8035434	1	Holder, Foam Filter	
27	8035435	2	Washer, Flat 5/16	
28	7137741	1	Heater Hose, 5/8 x 126in Used with Both Engines	
29	7137751	1	Heater Hose, 5/8 x 144in Cummins Engine Only	
30	7129881	1	Heater Hose, 5/8 x 72in - Perkins Engine Only	
31	8541036	1	Bushing, Hex 12P - 6P	
32	8410009	8	Clamp, Hose SAE #10	
33	8033032	1	Foam, PSA 1/8 x 3/8 x 164in	
34	8360005	1	Valve, Shut-Off - Used with Both Engines	
35	8420201	1	Connector, 5/8 x 12 NPT - Used with Both Engines	
36	8584018	2	Mount, Tie	
37	8584001	2	Plastic Tie	
38	8035406	10	Plastic Tie	

SECTION 2 - OPERATOR'S CAB AND CONTROLS

FIGURE 2-15. FRONT WINDSHIELD WIPER (OPTIONAL)



SECTION 2 - OPERATOR'S CAB AND CONTROLS

FIGURE 2-15. FRONT WINDSHIELD WIPER (OPTIONAL)

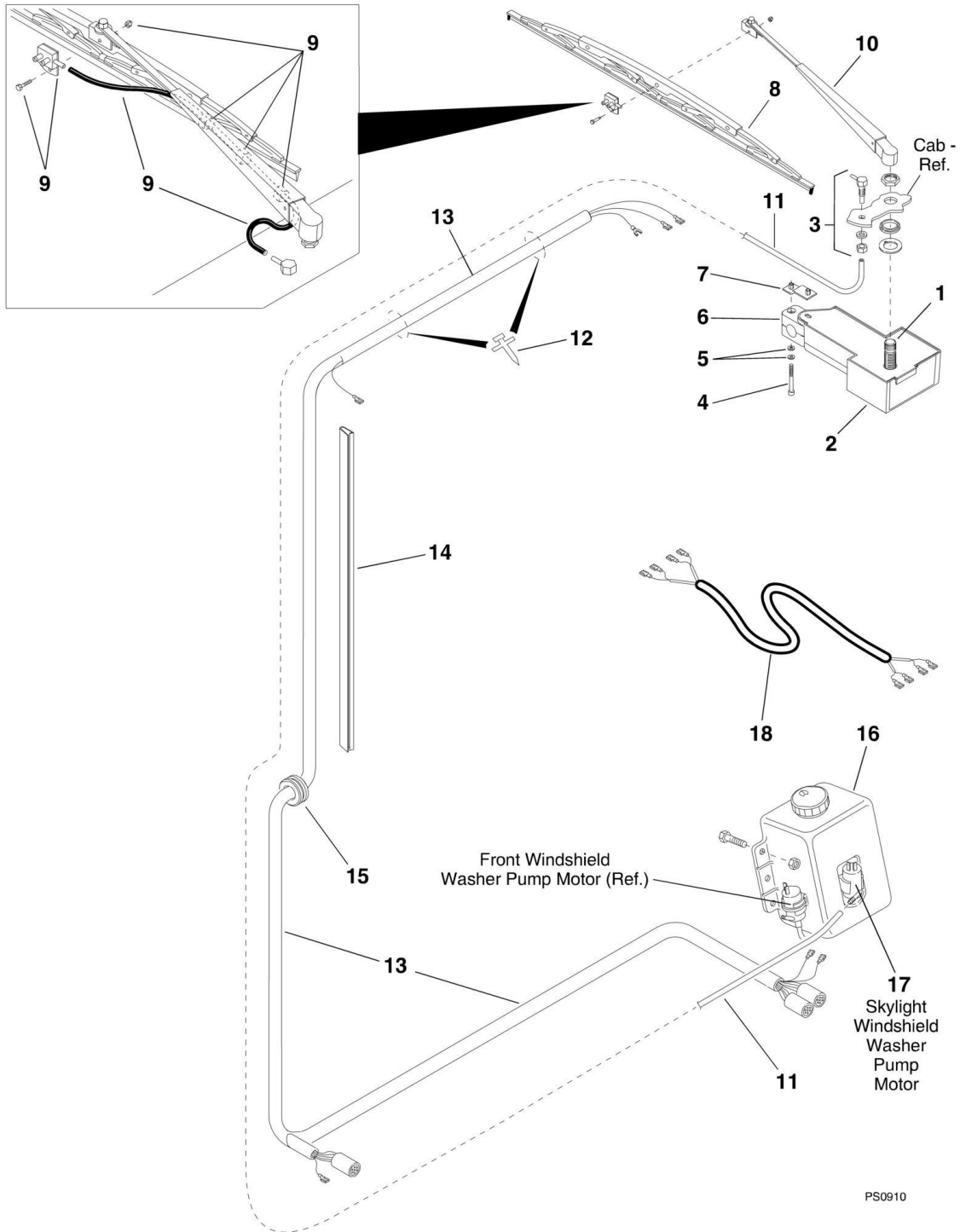
ITEM	PART NUMBER	QTY	DESCRIPTION	REV
1	8866492	1	Pivot Arm and Shaft Assembly (Includes Items 2 thru 9)	
2	N.S.S.	1	Nut, Acorn 3/8-24 (Serviced Only In Pivot Arm and Shaft Assy, Item 1)	
3	N.S.S.	1	Washer, Int. Tooth Lock 3/8in (Serviced Only In Pivot Arm and Shaft Assy, Item 1)	
4	N.S.S.	1	Driver, Knurled (Serviced Only In Pivot Arm and Shaft Assy, Item 1)	
5	N.S.S.	1	Cap, Rubber (Serviced Only In Pivot Arm and Shaft Assy, Item 1)	
6	N.S.S.	1	Nut, Hex Jam 11/16-24 (Serviced Only In Pivot Arm and Shaft Assy, Item 1)	
7	N.S.S.	1	Washer, Metal (Serviced Only In Pivot Arm and Shaft Assy, Item 1)	
8	N.S.S.	1	Washer, Cardboard (Serviced Only In Pivot Arm and Shaft Assy, Item 1)	
9	8035408	1	Shaft Assembly	
10	8035393	1	Wiper Arm, 24in Flex (Includes Wet Arm Kit)	
11	8034815	1	Panto Adapter Kit (Includes Items 13, 15 & 16)	
12	N.S.S.	1	Gasket, Panto (Serviced Only In Panto Adapter Kit, Item 12)	
13	8033856	2	Screw, Truss 1/4-20 x 3/4in Black	
14	N.S.S.	1	Nut, Acorn 1/4-28 (Serviced Only In Panto Adapter Kit, Item 12)	
15	8310029	1	Washer, Internal Tooth Lock 1/4in	
16	8307052	2	Washer, External Tooth Lock #10	
17	8303839	2	Screw, Slotted Pan Head #10-32 x 1/2in	
18	N.S.S.	1	Clip, Spring (Serviced Only In Wiper Motor Assembly, Item 24)	
19	N.S.S.	2	Washer, Special Flat .560 x .251 x .015 (Serviced Only In Wiper Motor Assembly)	
20	8035409	1	Link, Connecting	
21	8305006	1	Nut, Hex Flanged 5/16-18	
22	7112511	1	Wiper Motor Kit (Includes Item 24 - 27)	
23	8033102	1	Wiper Motor Assembly (Includes Mtg Brkt, Motor, Link and Hardware)	
24	N.S.S.	1	Bracket, Wiper Motor	
25	N.S.S.	3	HHCS, Slotted 1/4-28 x 3/4in	
26	8310002	3	Washer, External Tooth 1/4in	
27	N.S.S.	1	Pin, Shoulder (Serviced Only in Pivot Arm and Shaft Assy, Item 1)	
28	8305005	1	Nut, Hex 1/4-28	
29	8307203	3	Washer, Flat 5/16in	
30	8035411	1	Drive Arm .95 Long	
31	8033110	2	Screw, Hex 1/4-28 x 3/4in - Black	
32	8035391	2	Nut, Center Lock - Black	
33	91334019	1	Wet Arm Adapter	
34	8035394	1	Grommet, Rubber 1/4in ID	
35	8035392	1	Wiper Blade - 28in	
36	8035395	1	Hose, Clear Vinyl - 144in	
37	8035410	1	Washer Reservoir Assembly (Includes Reservoir, Cap and Pump Motors)	
38	8035531	2	Pump Motor 12V	
39	8303670	2	HHCS, 5/16-18 x 1in	
40	8307203	2	Washer, Flat 5/16in	
41	8305626	2	Nut, Hex Lock 5/16-18	
42	8584001	1	Plastic Tie	
43	7138250	1	Jumper Cable, Washer Bottle	

SECTION 2 - OPERATOR'S CAB AND CONTROLS

ITEM	PART NUMBER	QTY	DESCRIPTION	REV
44	8584018	1	Mount, Tie	

SECTION 2 - OPERATOR'S CAB AND CONTROLS

FIGURE 2-16. SKYLIGHT WINDSHIELD WIPER (OPTIONAL)



PS0910

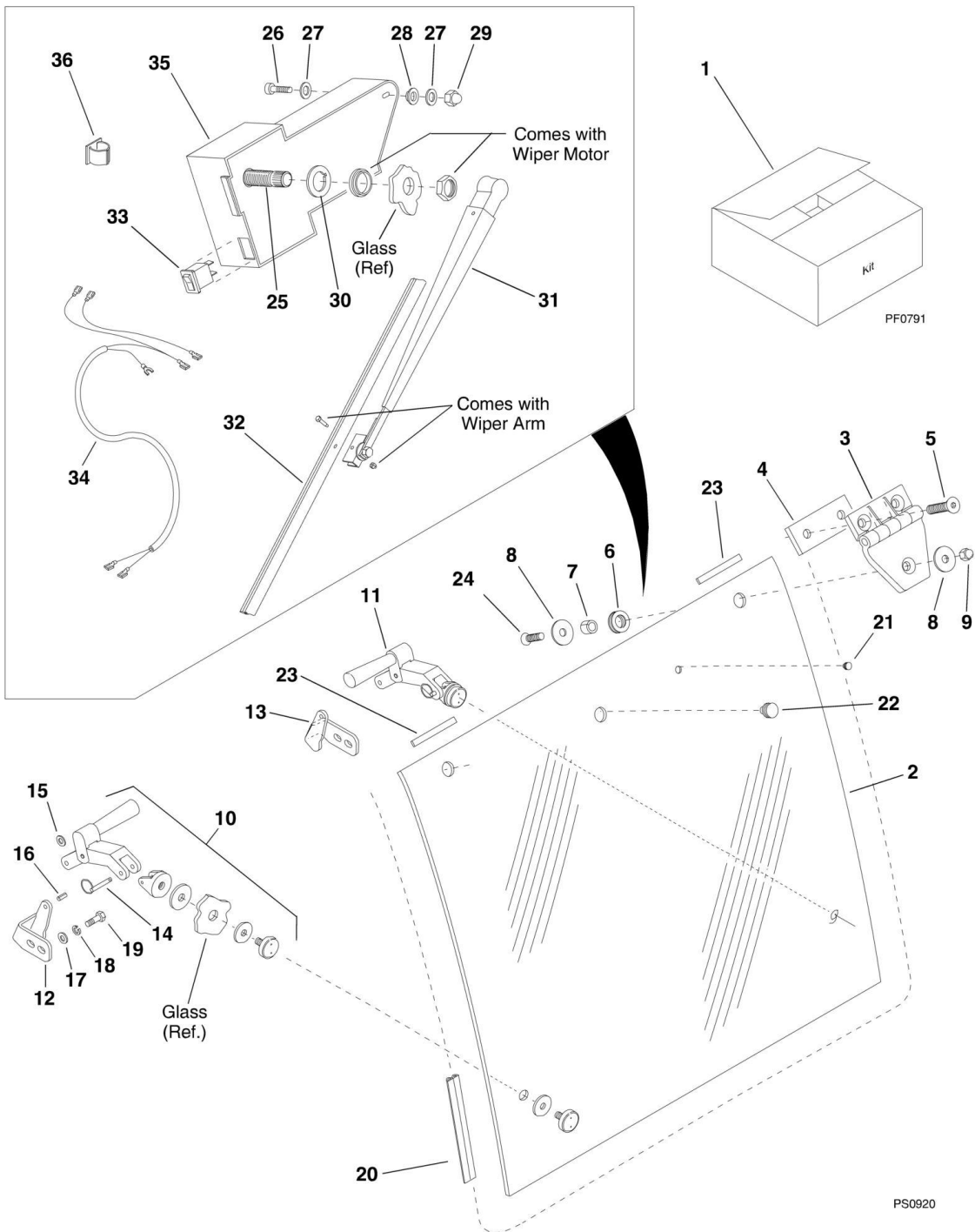
SECTION 2 - OPERATOR'S CAB AND CONTROLS

FIGURE 2-16. SKYLIGHT WINDSHIELD WIPER (OPTIONAL)

ITEM	PART NUMBER	QTY	DESCRIPTION	REV
1	8035492	1	Motor, Skylight Wiper	
2	8035493	1	Cover, Wiper	
3	8035390	1	Wet Arm Adapter	
4	8035494	2	Bolt, Socket Head #10-24 x 1-3/4in	
5	8035495	4	Washer, Flat - Black (Zinc)	
6	8035496	1	Clamp, Block 3/4in	
7	8035497	1	Plate, Blind Nut	
8	8035498	1	Blade, Wiper 20in Flex - Black	
9	8035499	1	Wet Arm Kit	
10	8035500	1	Arm, Wiper - Black	
11	8035501	1	Hose, Clear	
12	8035502	2	Clip, Wiring	
13	8035503	1	Harness, Wiper	
14	8035504	1	Conduit, Split 30in	
15	8035505	1	Grommet 3/4in OD 1/2in ID	
16	8035410	1	Washer Reservoir Assembly (Includes Reservoir, Cap and Pump Motors)	
17	8035531	2	Pump Motor 12V	
18	7138250	1	Jumper Wire, Washer Bottle	

SECTION 2 - OPERATOR'S CAB AND CONTROLS

FIGURE 2-17. REAR WINDOW AND REAR WINDSHIELD WIPER (OPTIONAL)



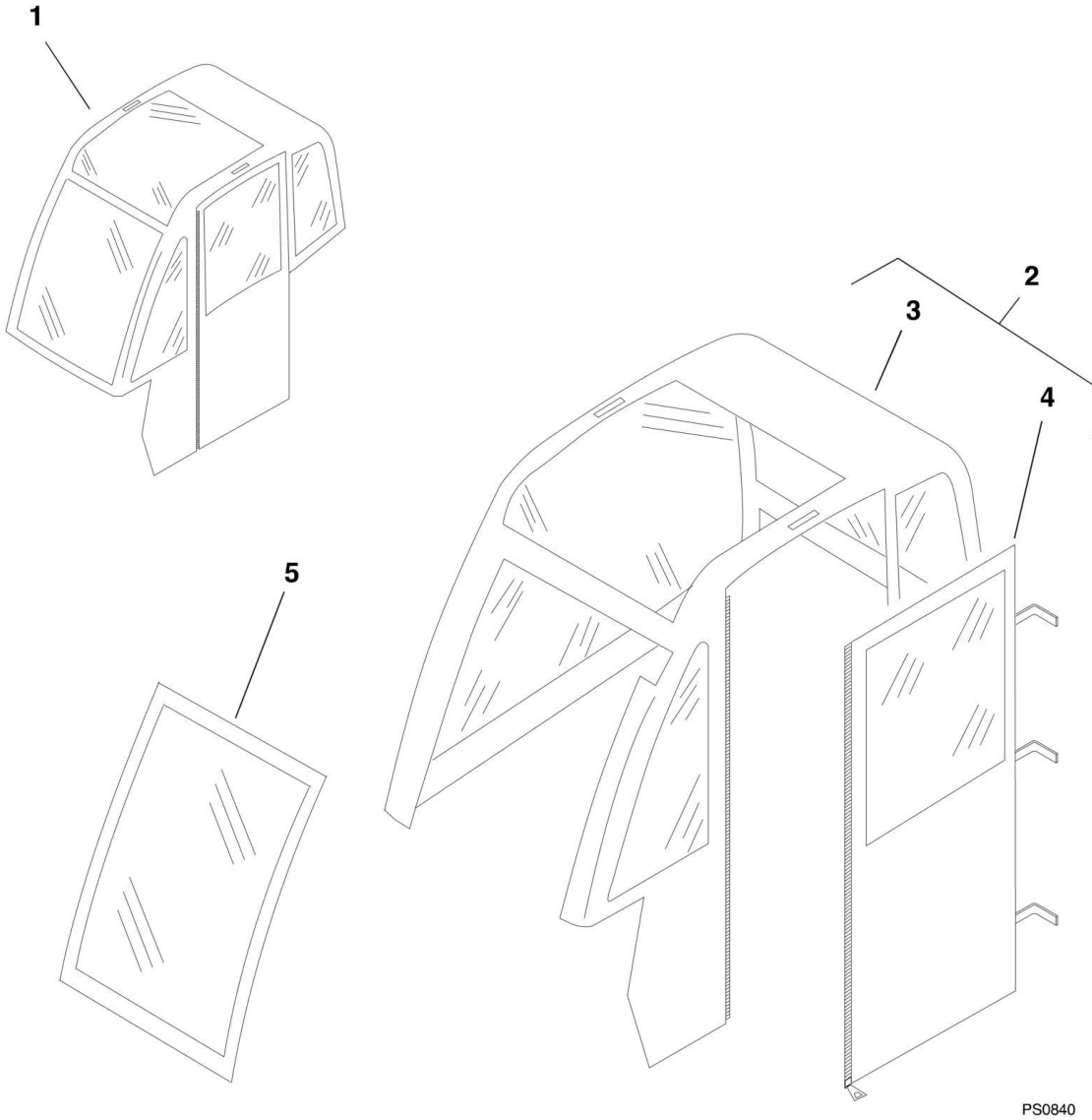
SECTION 2 - OPERATOR'S CAB AND CONTROLS

FIGURE 2-17. REAR WINDOW AND REAR WINDSHIELD WIPER (OPTIONAL)

ITEM	PART NUMBER	QTY	DESCRIPTION	REV
1	8035606	1	Rear Window Assembly (Includes Items 2-24)	
2	8035474	1	Glass, Rear Window	
3	8035475	2	Hinge, Plastic	
4	8035476	2	Spacer, Hinge	
5	8035414	4	Screw, Truss 1/4-20 x 1in	
6	8035477	2	Grommet	
7	8035478	2	Bushing, Plastic	
8	8035468	6	Washer, Flat	
9	8035479	2	Nut, Acorn 1/4-20	
10	8035480	1	Hold, Open - LH	
11	8035481	1	Hold, Open - RH	
12	8035482	1	Bracket, Hold Open - LH	
13	8035483	1	Bracket, Hold Open - RH	
14	8035484	2	Pin, Detent Ring	
15	8035485	2	Washer, Flat 1/4 ID x 9/16 OD	
16	8035486	2	Pin, Roll	
17	8035415	4	Washer, Flat 9/32 x 5/8in Black	
18	8035416	4	Washer, Lock 1/4in Black	
19	8035487	4	Screw, Truss Hd 1/4-20 x 5/8in Black	
20	8037206	1	Seal, Bulb "D"	
21	8035488	1	Plug, Plastic 1/2in Dia	
22	8035489	1	Plug, Plastic 7/8in Dia	
23	8035490	2	Setting Block, 1/8 x 1/4 x 2in	
24	8035491	2	Screw, Truss 1/4-20 x 1-1/4in	
25	8035506	1	Motor, Wiper - Rear Window	
26	8035507	1	Screw, Rd Hd #10-24 x 7/8in	
27	8033087	2	Washer, Flat - Nylon Black	
28	8034803	1	Grommet, Rubber T-Style	
29	8034805	1	Nut, Acorn #10-24	
30	8034808	1	Spacer, Nylon	
31	8035500	1	Arm, Wiper Adj. Black	
32	8035508	1	Blade, Wiper 14in Flex	
33	8035509	1	Switch, Rocker SPST	
34	8035510	1	Harness, Wire - Rear Wiper	
35	8035511	1	Cover, Wiper Motor - Rear Window	
36	8035501	1	Clip, Wiring - Adhesive Backed	

SECTION 2 - OPERATOR'S CAB AND CONTROLS

FIGURE 2-18. SOFT CAB ENCLOSURE (OPTIONAL)



PS0840

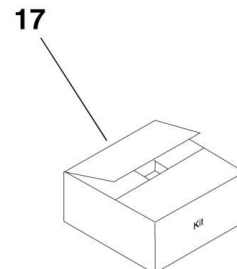
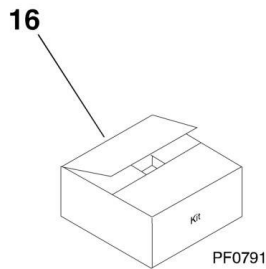
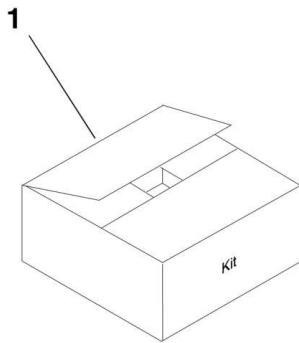
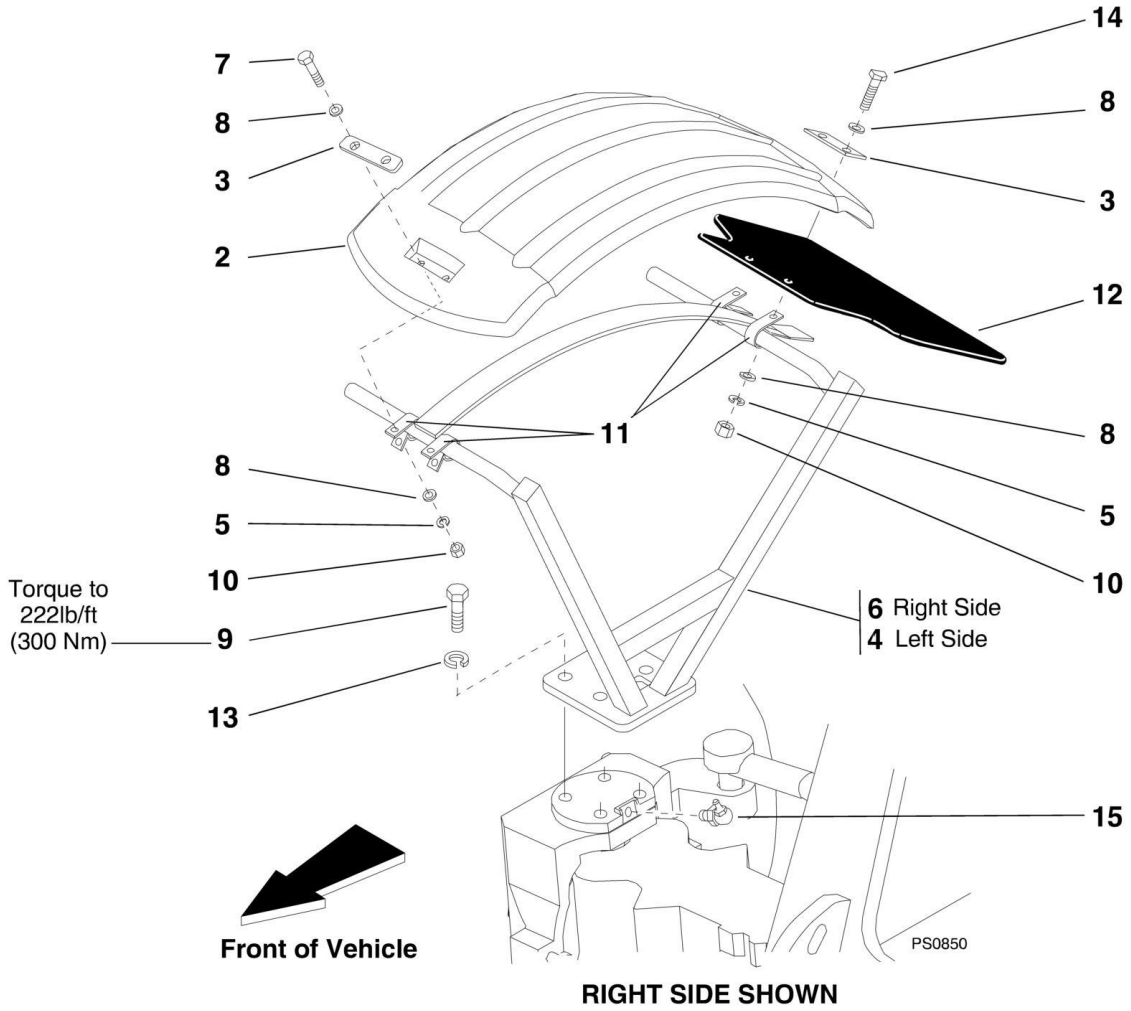
SECTION 2 - OPERATOR'S CAB AND CONTROLS

FIGURE 2-18. SOFT CAB ENCLOSURE (OPTIONAL)

ITEM	PART NUMBER	QTY	DESCRIPTION	REV
1	7135682	1	Soft Cab Enclosure Kit - Complete (Includes Items 2 & 5)	
2	7136352	1	Soft Cab Enclosure Kit (Includes Items 3 & 4 plus Installation Instructions)	
3	7136832	1	Main Cab Enclosure - Soft	
4	7136822	1	Door Section - Soft	
5	7136302	1	Front Windshield Kit (Includes Installation Instructions)	

SECTION 2 - OPERATOR'S CAB AND CONTROLS

FIGURE 2-19. FENDERS (OPTIONAL)



SECTION 2 - OPERATOR'S CAB AND CONTROLS

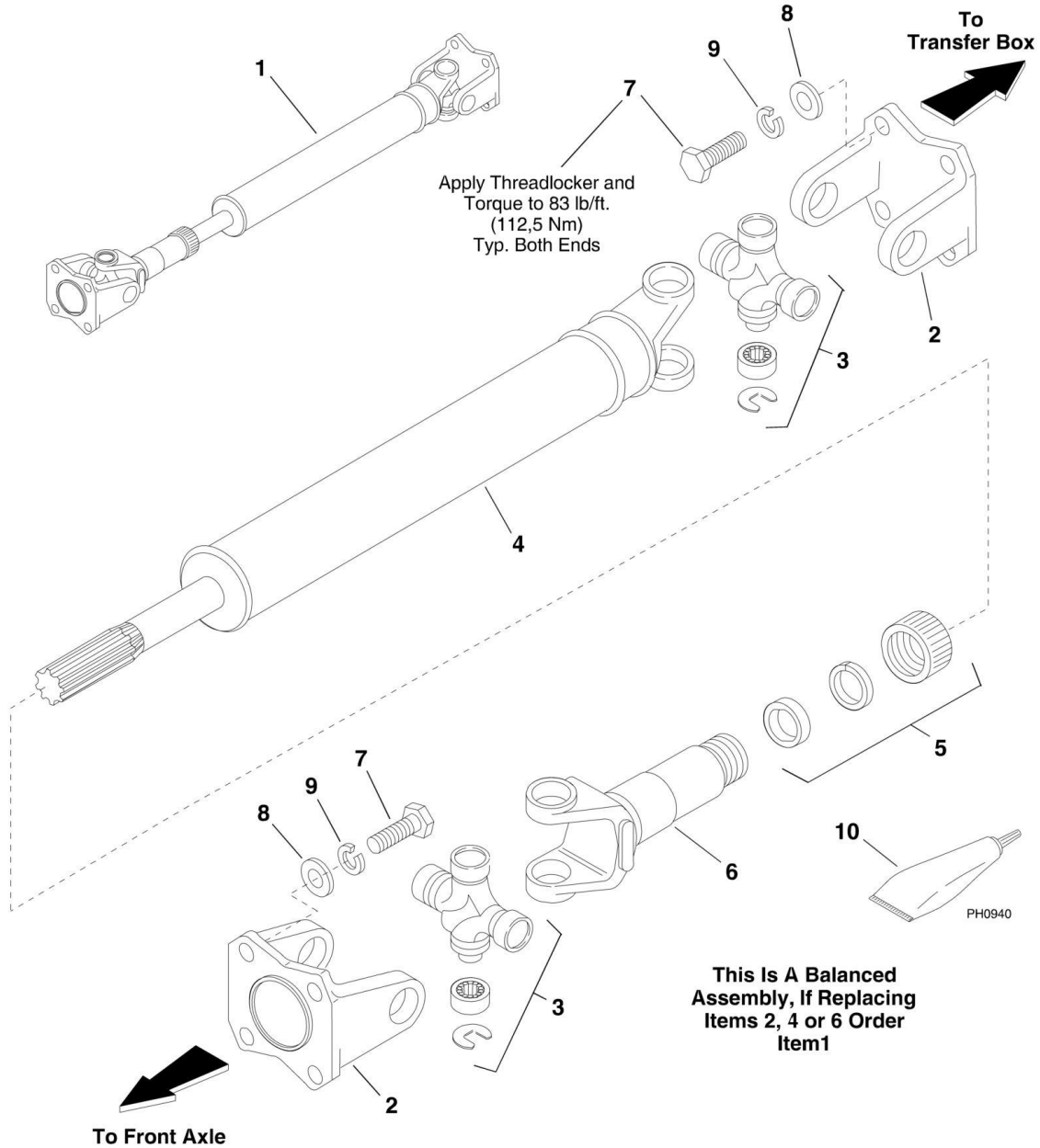
FIGURE 2-19. FENDERS (OPTIONAL)

ITEM	PART NUMBER	QTY	DESCRIPTION	REV
1	7140600	1	Four Fender Assembly - Complete (Includes Items 2 thru 15)	
2	7132653	4	Fender - Millennia Series	
3	7132921	8	Plate, Top Fender	
4	7138350	2	Support, Fender - Left Side	
5	8307005	16	Washer, Lock 3/8in	
6	7138351	2	Support, Fender - Right Side	
7	8303675	8	HHCS, 3/8-16 x 1-1/4in	
8	8307110	32	Washer, Plain 3/8in SAE	
9	8310388	16	HHCS, 3/8-16 x 1-1/4in Gr5	
10	8305008	16	Nut, Hex 3/8-16	
11	8406201	16	Clip, Tube 1in	
12	7134922	4	Flap, Extension	
13	8307049	16	Washer, Lock M16	
14	8303621	8	HHCS, 3/8-16 x 1-1/2in Gr5	
15	8520031	4	Fitting, Lube 90, (For easier access to top axle lubrication point)	
16	7142800	1	Single Fender Kit - Left Side	
17	7144500	1	Single Fender Kit - Right Side	

SECTION 3 - DRIVE TRAIN

SECTION 3 - DRIVE TRAIN

FIGURE 3-1. DRIVE SHAFT - TRANSFER BOX TO FRONT AXLE



PS0151

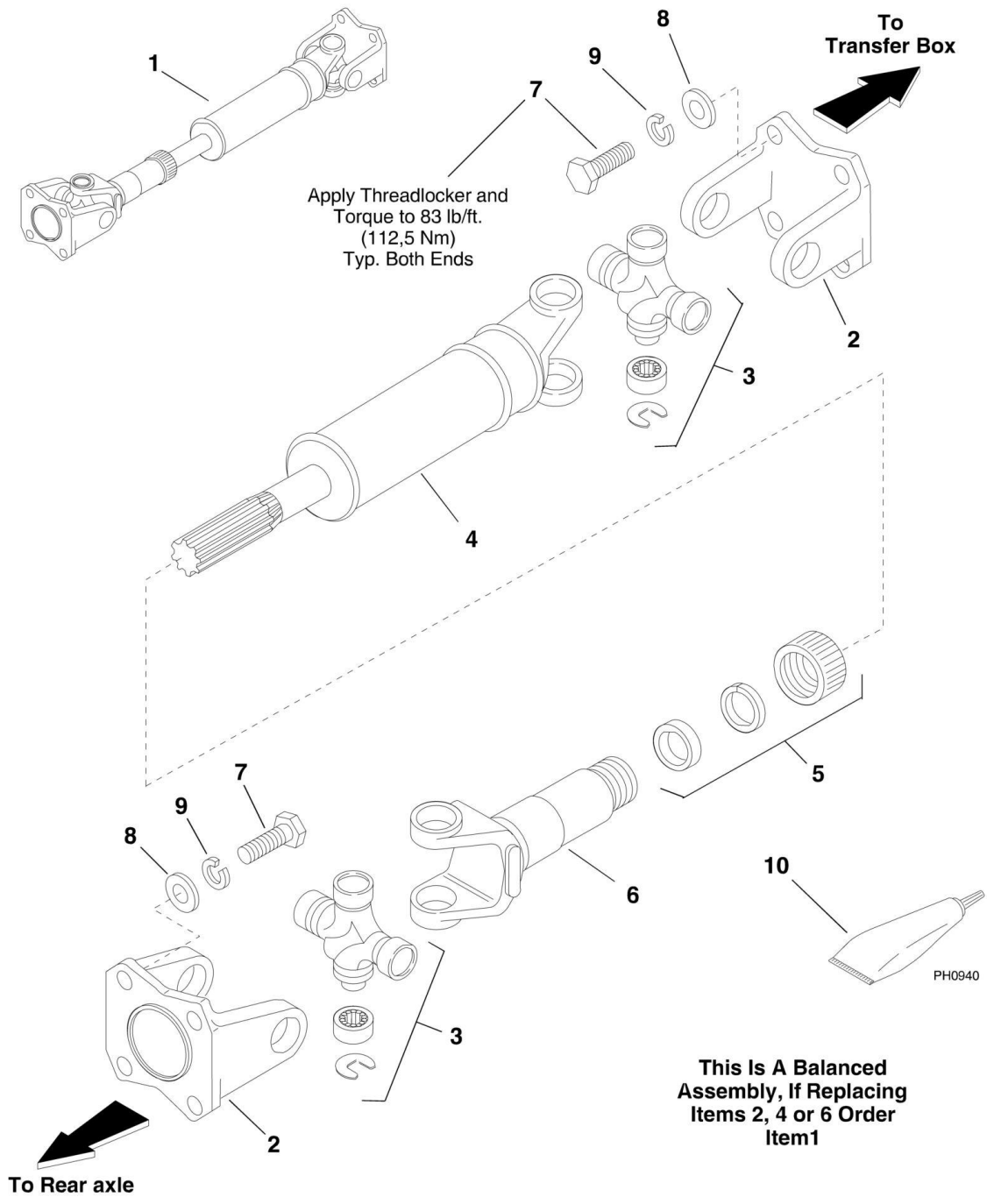
SECTION 3 - DRIVE TRAIN

FIGURE 3-1. DRIVE SHAFT - TRANSFER BOX TO FRONT AXLE

ITEM	PART NUMBER	QTY	DESCRIPTION	REV
1	7128952	1	Drive Shaft Assembly (Consists of Items 2 thru 6)	
2	N.S.S.	1	Yoke, Flange (See Note)	
3	8035106	2	Cross and Bearing Assembly	
4	N.S.S.	1	Tube Assembly (See Note)	
5	8035109	1	Dust Cap Kit	
6	N.S.S.	1	Yoke, Slip (See Note)	
7	8310297	8	HHCS, M12-1.75 x 35mm	
8	8310356	8	Washer, Flat M12 Hardened	
9	8307025	8	Washer, Lock M12	
10	8526036	AR	Threadlocker 242 General Purpose (.02 fl. oz.)	
		Ref	NOTE: This is a balanced assembly. When servicing Items 2, 4 or 6 order Item 1	

SECTION 3 - DRIVE TRAIN

FIGURE 3-2. DRIVE SHAFT - TRANSFER BOX TO REAR AXLE



PS0161

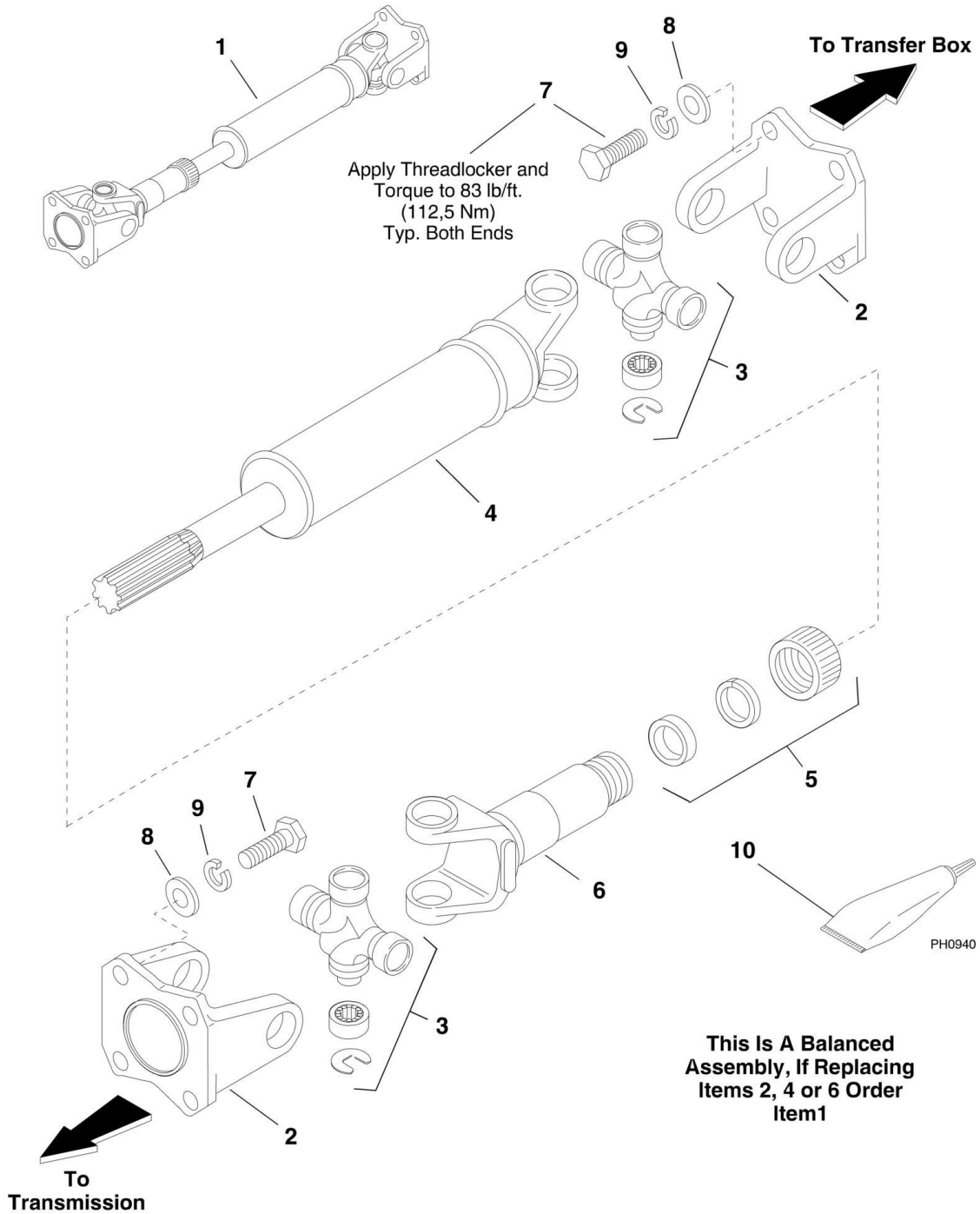
SECTION 3 - DRIVE TRAIN

FIGURE 3-2. DRIVE SHAFT - TRANSFER BOX TO REAR AXLE

ITEM	PART NUMBER	QTY	DESCRIPTION	REV
1	7128932	1	Drive Shaft Assembly (Consists of Items 2 thru 6)	
2	N.S.S.	1	Yoke, Flange (See Note)	
3	8035106	2	Cross and Bearing Assembly	
4	N.S.S.	1	Tube Assembly (See Note)	
5	8035109	1	Dust Cap Kit	
6	N.S.S.	1	Yoke, Slip (See Note)	
7	8310297	8	HHCS, M12-1.75 x 35mm	
8	8310356	8	Washer, Flat M12 Hardened	
9	8307025	8	Washer, Lock M12	
10	8526036	AR	Threadlocker 242 General Purpose (.02 fl. oz.)	
		Ref	NOTE: This is a balanced assembly. When servicing Items 2, 4 or 6 order Item 1	

SECTION 3 - DRIVE TRAIN

FIGURE 3-3. DRIVE SHAFT - TRANSMISSION TO TRANSFER BOX



PS0171

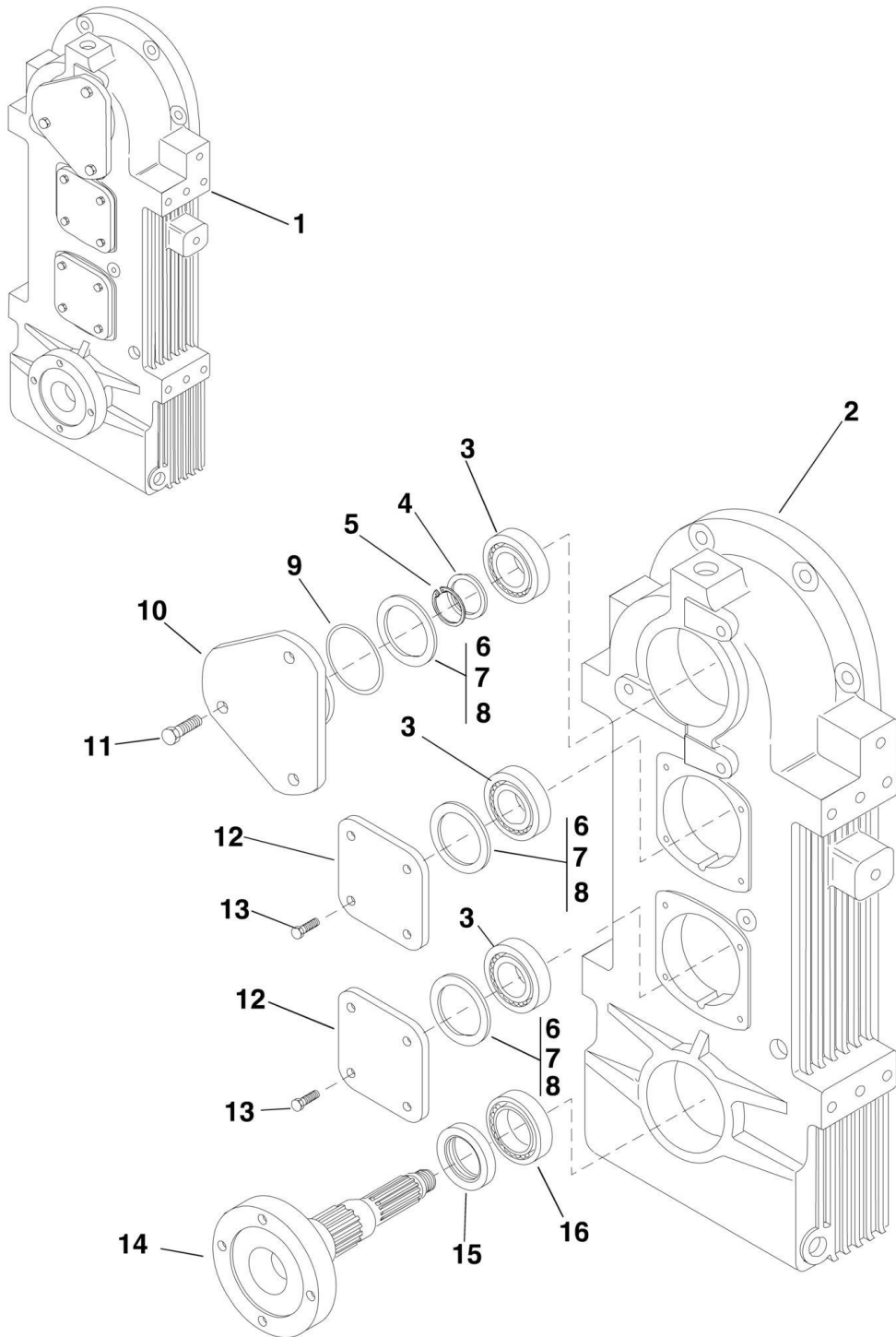
SECTION 3 - DRIVE TRAIN

FIGURE 3-3. DRIVE SHAFT - TRANSMISSION TO TRANSFER BOX

ITEM	PART NUMBER	QTY	DESCRIPTION	REV
1	7128942	1	Drive Shaft Assembly (Consists of Items 2 thru 6)	
2	N.S.S.	1	Yoke, Flange (See Note)	
3	8035106	2	Cross and Bearing Assembly	
4	N.S.S.	1	Tube Assembly (See Note)	
5	8035109	1	Dust Cap Kit	
6	N.S.S.	1	Yoke, Slip (See Note)	
7	8310297	8	HHCS, M12-1.75 x 35mm	
8	8310356	8	Washer, Flat M12 Hardened	
9	8307025	8	Washer, Lock M12	
10	8526036	AR	Threadlocker 242 General Purpose (.02 fl. oz.)	
		Ref	NOTE: This is a balanced assembly. When servicing Items 2, 4 or 6 order Item 1	

SECTION 3 - DRIVE TRAIN

FIGURE 3-4. TRANSFER BOX HOUSING AND COVERS



PS0190

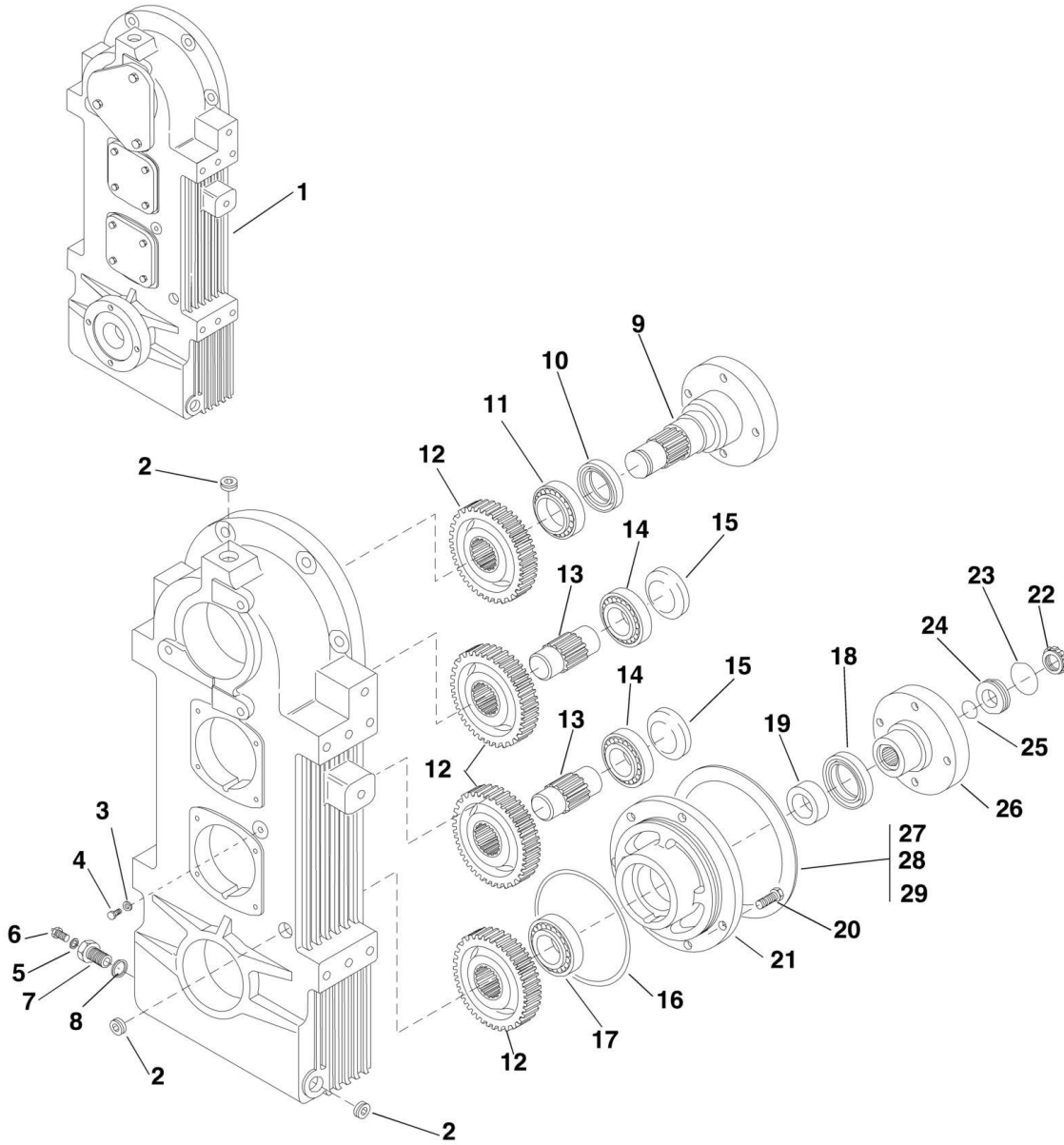
SECTION 3 - DRIVE TRAIN

FIGURE 3-4. TRANSFER BOX HOUSING AND COVERS

ITEM	PART NUMBER	QTY	DESCRIPTION	REV
1	8841031	1	Transfer Box Assembly (Consists of Items 2 thru 16)	
2	8035240	1	Housing, Transfer Box	
3	8033626	3	Bearing	
4	8033631	1	Washer	
5	8033623	1	Snap Ring	
6	8033628	AR	Shim, 0.30mm	
7	8033629	AR	Shim, 0.10mm	
8	8033630	AR	Shim, 0.05mm	
9	8033627	1	O-ring	
10	8033622	1	Cover, Shaft	
11	8033604	3	Bolt, M12 x 30mm	
12	8033618	2	Cover	
13	8035241	8	Bolt, M8 x 22mm	
14	8035242	1	Shaft	
15	8033624	1	Ring, Oil Seal	
16	8033625	1	Bearing	

SECTION 3 - DRIVE TRAIN

FIGURE 3-5. TRANSFER BOX GEARS AND SHAFTS



PS0180

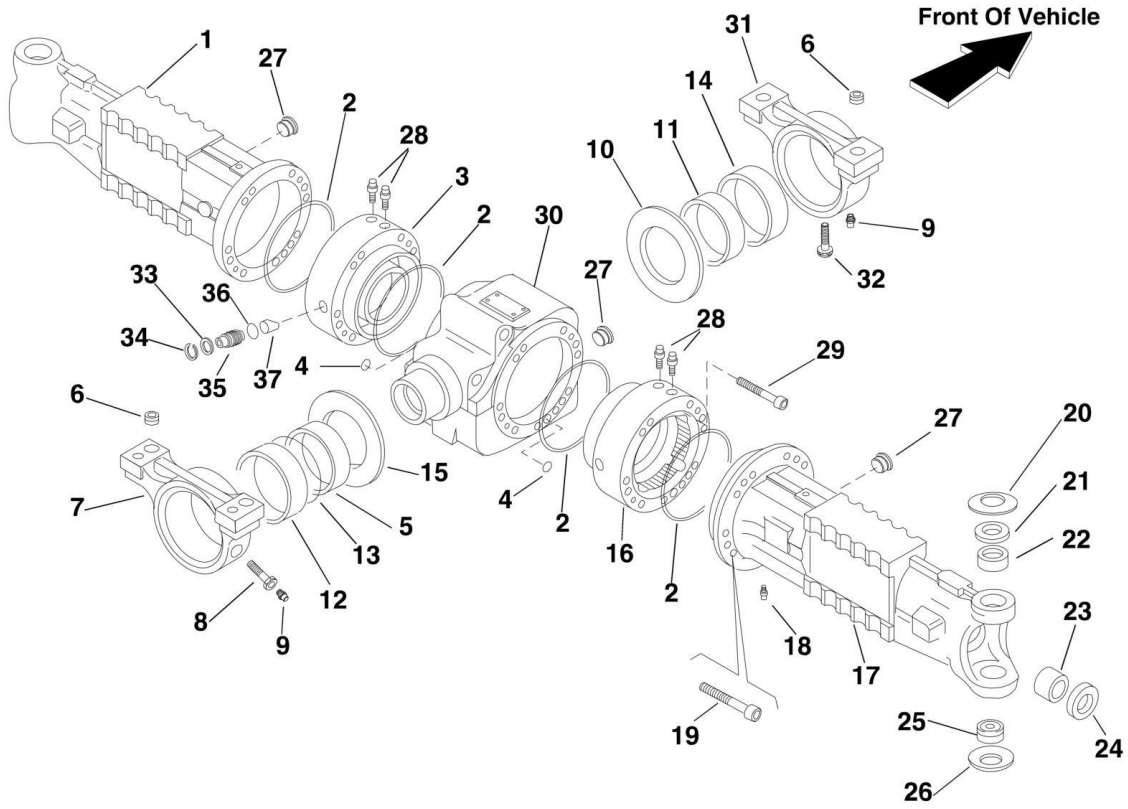
SECTION 3 - DRIVE TRAIN

FIGURE 3-5. TRANSFER BOX GEARS AND SHAFTS

ITEM	PART NUMBER	QTY	DESCRIPTION	REV
1	8841031	1	Transfer Box Assembly (Consists of Items 2 thru 29)	
2	8035243	3	Plug, Oil M22-1.5	
3	8033608	1	Washer	
4	8033613	1	Bolt	
5	8033609	1	Washer	
6	8033612	1	Breather, M10-1	
7	8033619	1	Extension, Breather	
8	8033610	1	Washer	
9	8035244	1	Shaft	
10	8033624	1	Ring, Oil Seal	
11	8033625	1	Bearing	
12	8033633	4	Gear Z=37	
13	8033632	2	Pin, Gear	
14	8033626	2	Bearing	
15	8033614	2	Plug	
16	8033611	1	O-Ring	
17	8033594	1	Bearing	
18	8033591	1	Ring, Oil Seal	
19	8033599	1	Spacer	
20	8033603	5	Bolt, M10 x 30mm	
21	8033620	1	Cover, Drop Box	
22	8033590	1	Nut, Ring M25-1.5	
23	8033596	1	O-Ring	
24	8033597	1	Ring, Centering	
25	8033595	1	O-Ring	
26	8035245	1	Flange	
27	8033615	AR	Shim, 0.10mm	
28	8033616	AR	Shim, 0.19mm	
29	8033617	AR	Shim, 0.35mm	

SECTION 3 - DRIVE TRAIN

FIGURE 3-6. AXLE HOUSING - FRONT AXLE



PS0200

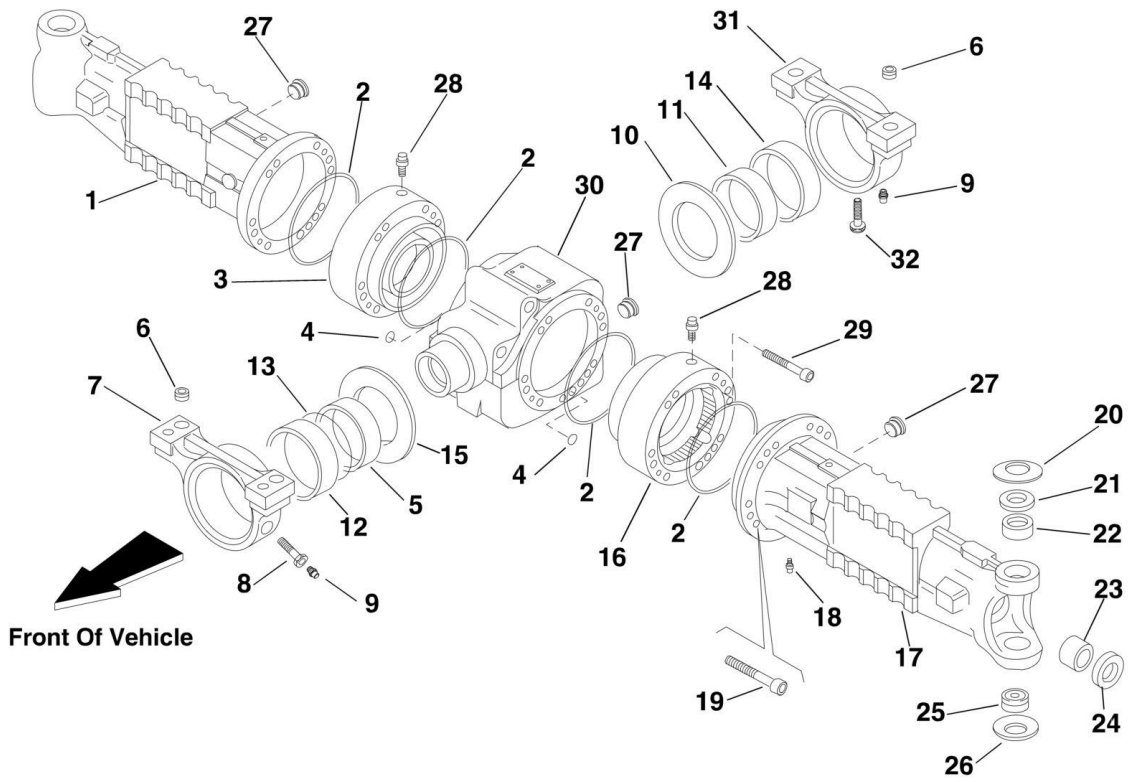
SECTION 3 - DRIVE TRAIN

FIGURE 3-6. AXLE HOUSING - FRONT AXLE

ITEM	PART NUMBER	QTY	DESCRIPTION	REV
1	8035114	1	Beam Trumpet - Left Front	
2	8035115	4	O-Ring	
3	8035116	1	Brake Flange - Left Front	
4	8035117	2	O-Ring	
5	8035118	1	Bushing	
6	8035119	4	Bushing	
7	8035120	1	Support, Rear	
8	8035121	1	Bolt	
9	8035122	2	Grease Nipple M8-1	
10	8035123	1	Washer, Thrust	
11	8035124	1	Bushing	
12	8035125	1	Bushing	
13	8035126	1	O-Ring	
14	8035127	1	Bushing	
15	8035128	1	Washer, Thrust	
16	8035129	1	Brake Flange - Right Front	
17	8035130	1	Beam Trumpet - Right Front	
18	8035131	1	Breather M10-1	
19	8035132	24	Bolt	
20	8035133	2	Washer, Belleville	
21	8035134	2	Shim	
22	8035135	2	Bushing	
23	8035136	2	Bushing	
24	8035137	2	Seal, Oil	
25	8035138	2	Bearing, Spherical	
26	8035139	2	Washer, Belleville	
27	8033582	3	Plug, Oil M30-2	
28	8033561	4	Breather M10-1	
29	8035140	4	Bolt M12 x 110mm	
30	8035141	1	Body, Central	
31	8035142	1	Support, Front	
32	8035143	1	Bolt	
33	8035144	6	Washer	
34	8035145	6	Ring, Snap Internal	
35	8035146	6	Bolt, M16-1.5	
36	8035147	6	O-Ring	
37	8035148	6	Pin	

SECTION 3 - DRIVE TRAIN

FIGURE 3-7. AXLE HOUSING - REAR AXLE



PS0280

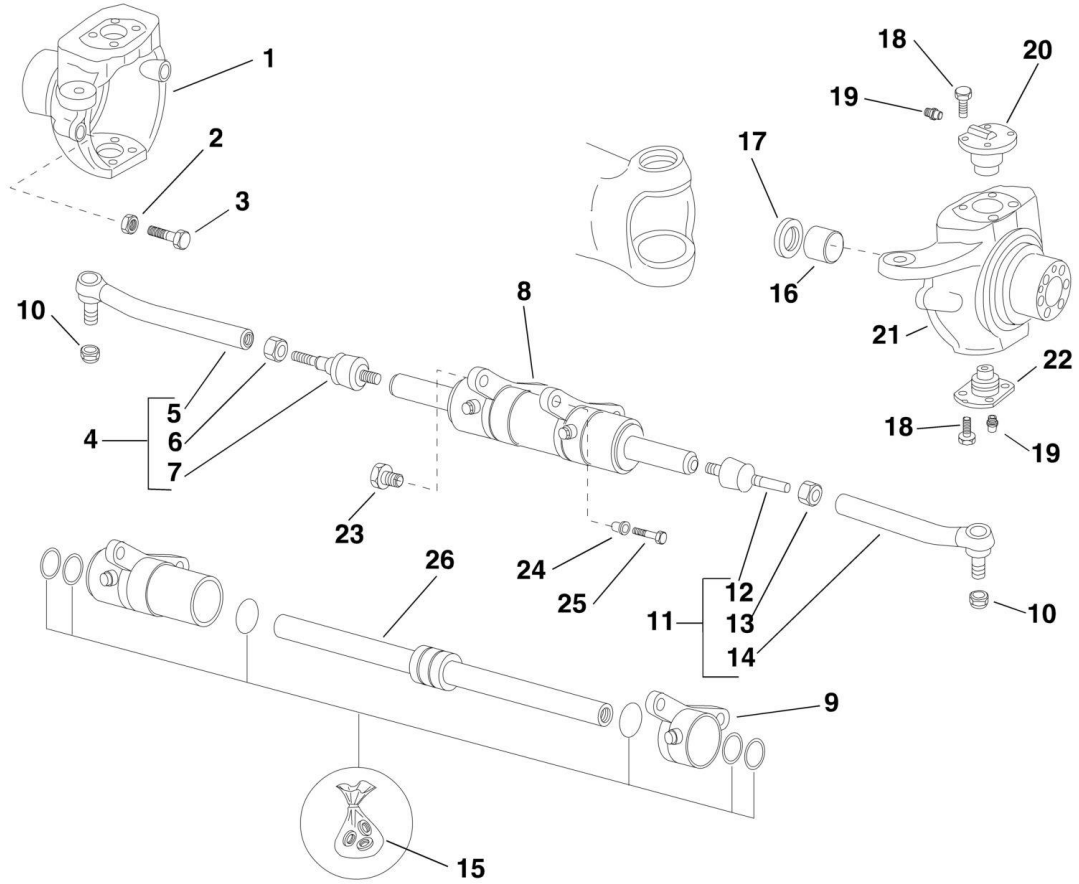
SECTION 3 - DRIVE TRAIN

FIGURE 3-7. AXLE HOUSING - REAR AXLE

ITEM	PART NUMBER	QTY	DESCRIPTION	REV
1	8035114	1	Beam Trumpet - Right Rear	
2	8035115	4	O-Ring	
3	8035236	1	Brake Flange - Right Rear	
4	8035117	2	O-Ring	
5	8035118	1	Bushing	
6	8035119	4	Bushing	
7	8035120	1	Support, Rear	
8	8035121	1	Bolt	
9	8035122	2	Grease Nipple M8-1	
10	8035123	1	Washer, Thrust	
11	8035124	1	Bushing	
12	8035125	1	Bushing	
13	8035126	1	O-Ring	
14	8035127	1	Bushing	
15	8035128	1	Washer, Thrust	
16	8035237	1	Brake Flange - Left Rear	
17	8035130	1	Beam Trumpet - Left Rear	
18	8035131	1	Breather M10-1	
19	8035132	24	Bolt	
20	8035133	2	Washer, Belleville	
21	8035134	2	Shim	
22	8035135	2	Bushing	
23	8035136	2	Bushing	
24	8035137	2	Seal, Oil	
25	8035138	2	Bearing, Spherical	
26	8035139	2	Washer, Belleville	
27	8033582	3	Plug, Oil M30-2	
28	8033561	2	Breather M10-1	
29	8035140	4	Bolt, M12 x 110mm	
30	8035141	1	Body, Central	
31	8035142	1	Support, Front	
32	8035143	1	Bolt	

SECTION 3 - DRIVE TRAIN

FIGURE 3-8. STEER CYLINDER AND SWIVELS - FRONT AXLE



Looking Toward Front
of Vehicle
(Input Side Of Axle)

PS0210

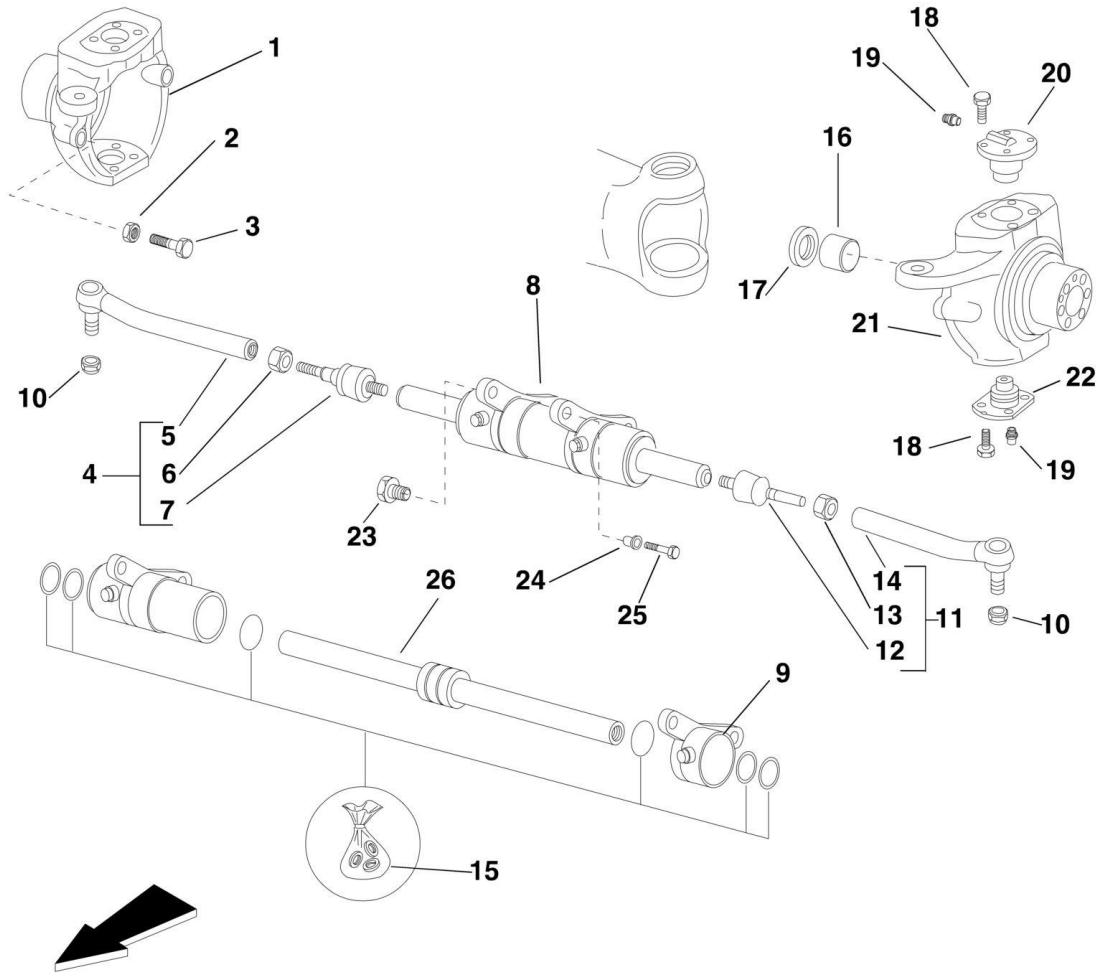
SECTION 3 - DRIVE TRAIN

FIGURE 3-8. STEER CYLINDER AND SWIVELS - FRONT AXLE

ITEM	PART NUMBER	QTY	DESCRIPTION	REV
1	8035149	1	Housing, Swivel - Left Side (See Note on Art)	
2	8033510	4	Nut, Hex M14 (Axle) (SN 101 through 107)	
2	8035302	4	Nut, Hex M16 (Axle) (SN 108 to Present)	
3	8035150	4	Bolt, M14 x 95mm (Axle) (SN 101 through 107)	
3	8035303	4	Bolt, M16 x 100mm (Axle) (SN 108 to Present)	
4	8035249	1	Steering Arm Assembly - Left Side (Includes Items 5 thru 7)	
5	8035248	1	Arm, Steering - Left Side (See Note on Art)	
6	8035152	1	Nut, M24-1.5	
7	8035151	1	Ball Joint	
8	8035304	1	Cylinder, Steering (Axle) (SN 101 through 107)	
8	8035250	1	Cylinder, Steering (Axle) (SN 108 to Present)	
9	8035252	1	Head, Cylinder (Axle) (SN 101 through 107)	
9	8035305	1	Head, Cylinder (Axle) (SN 108 to Present)	
10	8035152	2	Nut M24-1.5	
11	8035254	1	Steering Arm Assembly - Right Side (See Note on Art) (Includes Items 12 thru 14)	
12	8035151	1	Ball Joint	
13	8035152	1	Nut, M24-1.5	
14	8035251	1	Arm, Steering - Right Side (See Note on Art)	
15	8035253	1	Kit, Oil Seal	
16	8035153	2	Bushing	
17	8035154	2	Seal, Oil	
18	8035155	16	Bolt, M16-2 x 38mm	
19	8035156	4	Grease Nipple M6-1	
20	8035157	2	King Pin - Upper	
21	8035158	1	Housing, Swivel - Right Side (See Note on Art)	
22	8035159	2	King Pin - Lower	
23	8035255	2	Bolt, M22-1.5 x 55mm	
24	8035256	2	Bushing	
25	8035223	2	Bolt, M14-1.5 x 65mm	
26	91474088	1	Rod, Steering Cylinder	
		Ref	NOTE: When replacing items 1 or 21 on axle S/N 101 thru 107 also order item 2 part number 8035302 and item 3 part number 8035303.	

SECTION 3 - DRIVE TRAIN

FIGURE 3-9. STEER CYLINDER AND SWIVELS - REAR AXLE



Looking Toward Rear
of Vehicle
(Input Side Of Axle)

PS0210

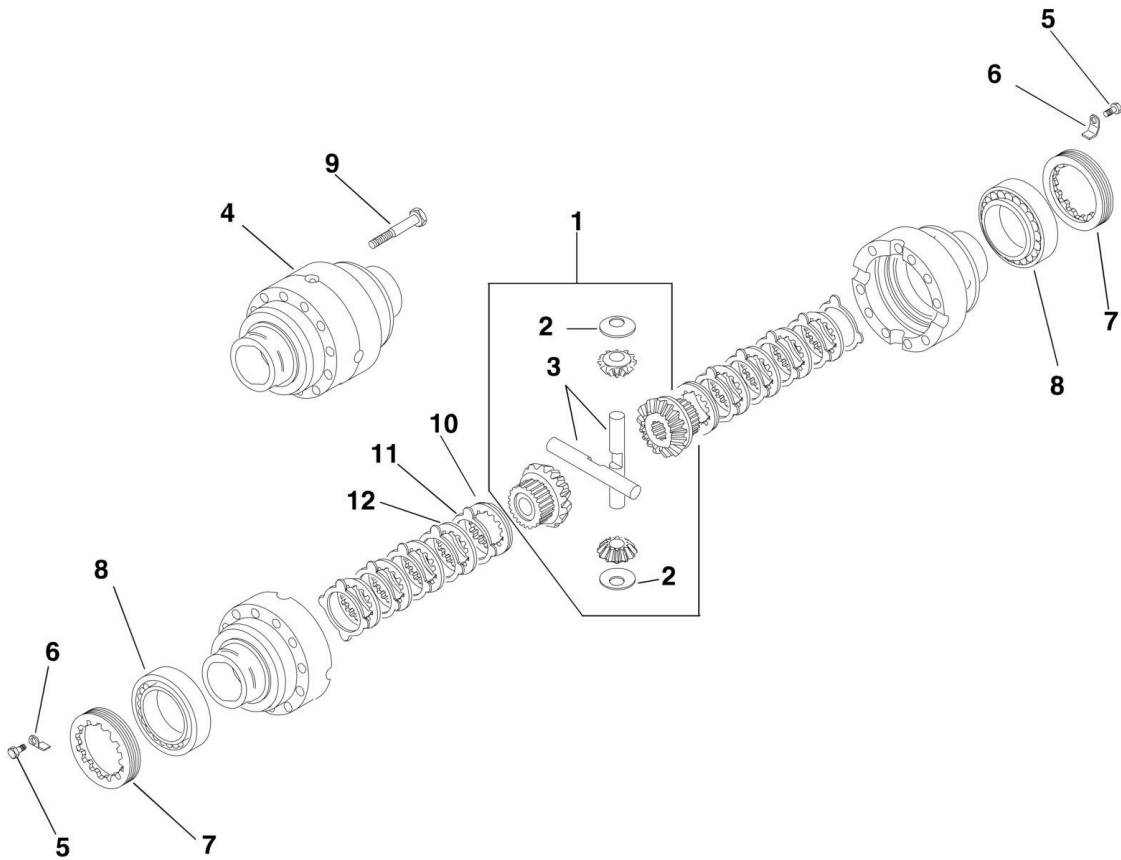
SECTION 3 - DRIVE TRAIN

FIGURE 3-9. STEER CYLINDER AND SWIVELS - REAR AXLE

ITEM	PART NUMBER	QTY	DESCRIPTION	REV
1	8035149	1	Housing, Swivel - Left Side (See Note on Art)	
2	8033510	4	Nut, Hex M14	
2	8035302	4	Nut, Hex M16	
3	8035150	4	Bolt, M14 x 95mm	
3	8035303	4	Bolt, M16 x 100mm	
4	8035249	1	Steering Arm Assembly - Left Side (See Note on Art) (Includes Items 5 thru 7)	
5	8035248	1	Arm, Steering - Left Side (See Note on Art)	
6	91474078	1	Nut, M24-1.5	
7	8035151	1	Ball Joint	
8	8035304	1	Cylinder, Steering	
8	8035250	1	Cylinder, Steering	
9	8035252	1	Head, Cylinder	
9	8035305	1	Head, Cylinder	
10	91474082	2	Nut, M24-1.5	
11	8035254	1	Steering Arm Assembly - Right Side (See Note on Art) (Includes Items 12 thru 14)	
12	8035151	1	Ball Joint	
13	91474078	1	Nut, M24-1.5	
14	8035251	1	Arm, Steering - Right Side (See Note on Art)	
15	8035253	1	Kit, Oil Seal	
16	8035153	2	Bushing	
17	8035154	2	Seal, Oil	
18	8035155	16	Bolt, M16-2 x 38mm	
19	8035156	4	Grease Nipple M6-1	
20	8035157	2	King Pin - Upper	
21	8035158	1	Housing, Swivel - Right Side (See Note on Art)	
22	8035159	2	King Pin - Lower	
23	8035255	2	Bolt, M22-1.5 x 55mm	
24	8035256	2	Bushing	
25	8035223	2	Bolt, M14-1.5 x 65mm	
26	91474088	1	Rod, Steering Cylinder	
		Ref	NOTE: When replacing items 1 or 21 on axle S/N 101 thru 107also order item 2 part number 8035302 and item 3 part number 8035303.	

SECTION 3 - DRIVE TRAIN

FIGURE 3-10. DIFFERENTIAL ASSEMBLY - FRONT AXLE



PS0230

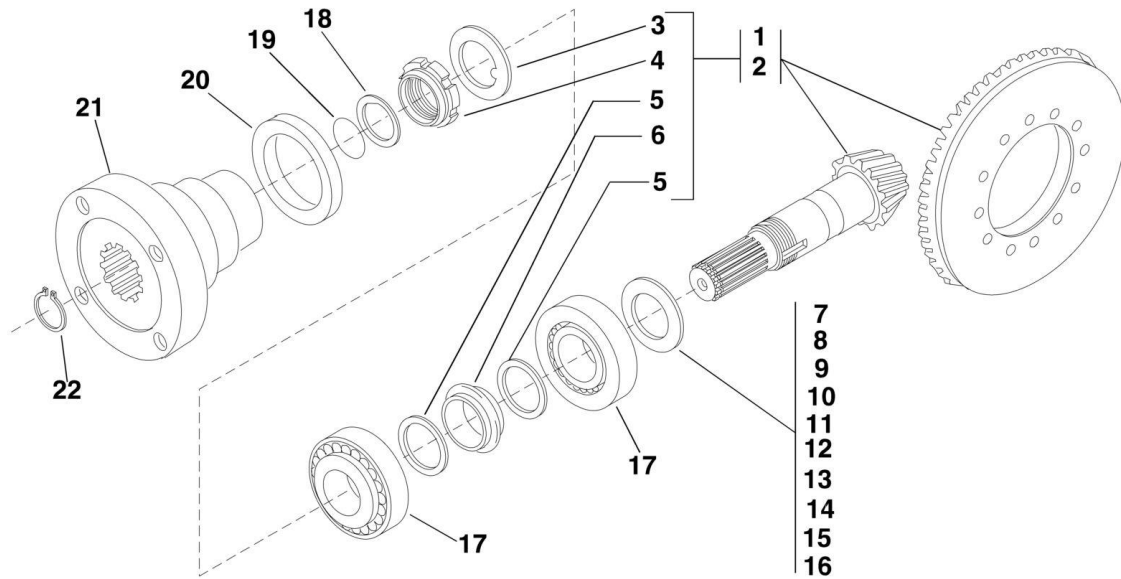
SECTION 3 - DRIVE TRAIN

FIGURE 3-10. DIFFERENTIAL ASSEMBLY - FRONT AXLE

ITEM	PART NUMBER	QTY	DESCRIPTION	REV
1	8035176	1	Kit, Differential (Includes Items 2 & 3)	
2	8035177	4	Washer, Thrust	
3	8035178	2	Shaft	
4	8035179	1	Differential Housing - Two Halves	
5	8035180	2	Bolt, M6-1 x 10mm	
6	8035181	2	Plate, Locking	
7	8035182	2	Nut, Ring	
8	8035183	2	Bearing	
9	8033544	12	Bolt, M10-1.5 x 75mm	
10	8035184	2	Plate	
11	8035185	10	Plate, Drive	
12	8035186	8	Plate	

SECTION 3 - DRIVE TRAIN

FIGURE 3-11. BEVEL GEAR AND PINION SET - FRONT/REAR AXLES



PS0220

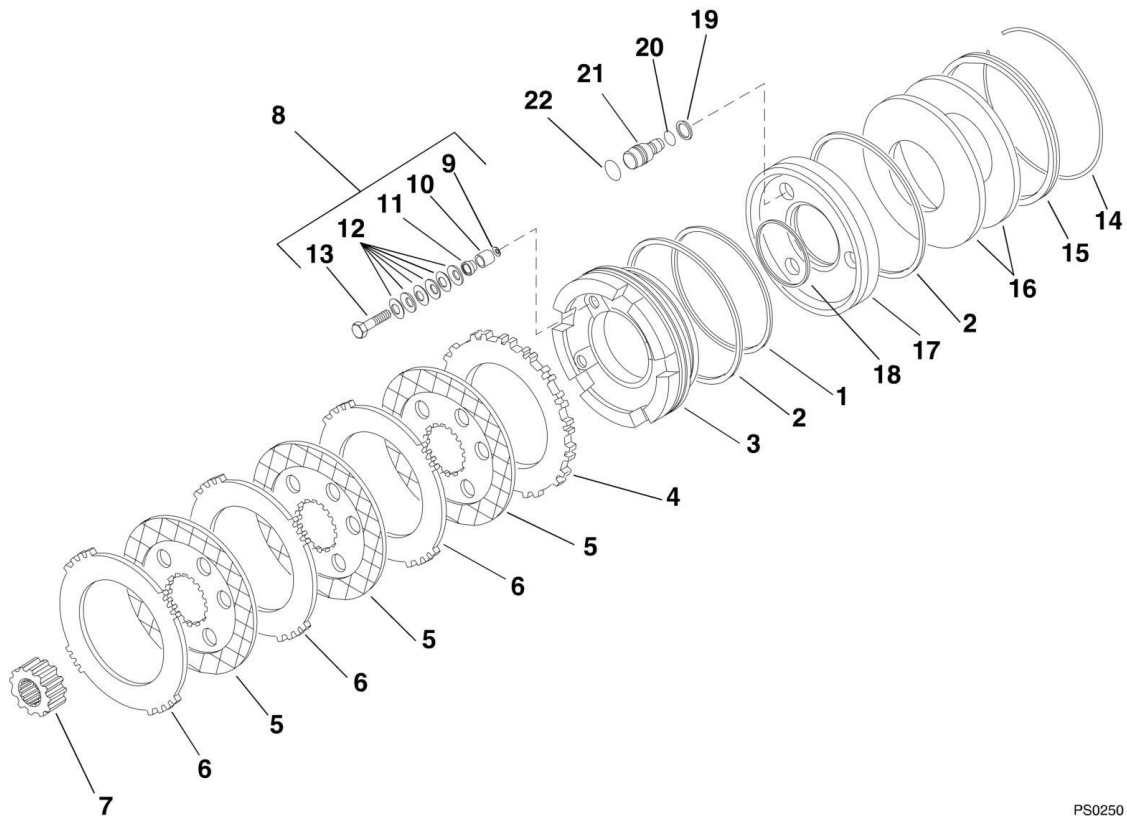
SECTION 3 - DRIVE TRAIN

FIGURE 3-11. BEVEL GEAR AND PINION SET - FRONT/REAR AXLES

ITEM	PART NUMBER	QTY	DESCRIPTION	REV
		Ref	NOTE: Quantities listed below are for one complete axle	
1	8035257	1	Bevel Gear and Pinion Set - Front Axle (Includes Items 3 thru 6)	
2	8035258	1	Bevel Gear and Pinion Set - Rear Axle (Includes Items 3 thru 6)	
3	8033536	1	Lockwasher	
4	8033537	1	Nut, Ring M40-1.5	
5	8033541	2	Washer	
6	8033540	1	Spacer, Collapsible	
7	8035160	AR	Shim, 2.50mm	
8	8035161	AR	Shim, 2.60mm	
9	8035162	AR	Shim, 2.70mm	
10	8035163	AR	Shim, 2.80mm	
11	8035164	AR	Shim, 2.90mm	
12	8035165	AR	Shim, 3.00mm	
13	8035166	AR	Shim, 3.10mm	
14	8035167	AR	Shim, 3.20mm	
15	8035168	AR	Shim, 3.30mm	
16	8035169	AR	Shim, 3.40mm	
17	8035170	2	Bearing	
18	8035171	1	Washer	
19	8035172	1	O-Ring	
20	8035173	1	Seal, Oil	
21	8035174	1	Flange	
22	8035175	1	Snap Ring	

SECTION 3 - DRIVE TRAIN

FIGURE 3-12. BRAKE ASSEMBLY - FRONT AXLE



PS0250

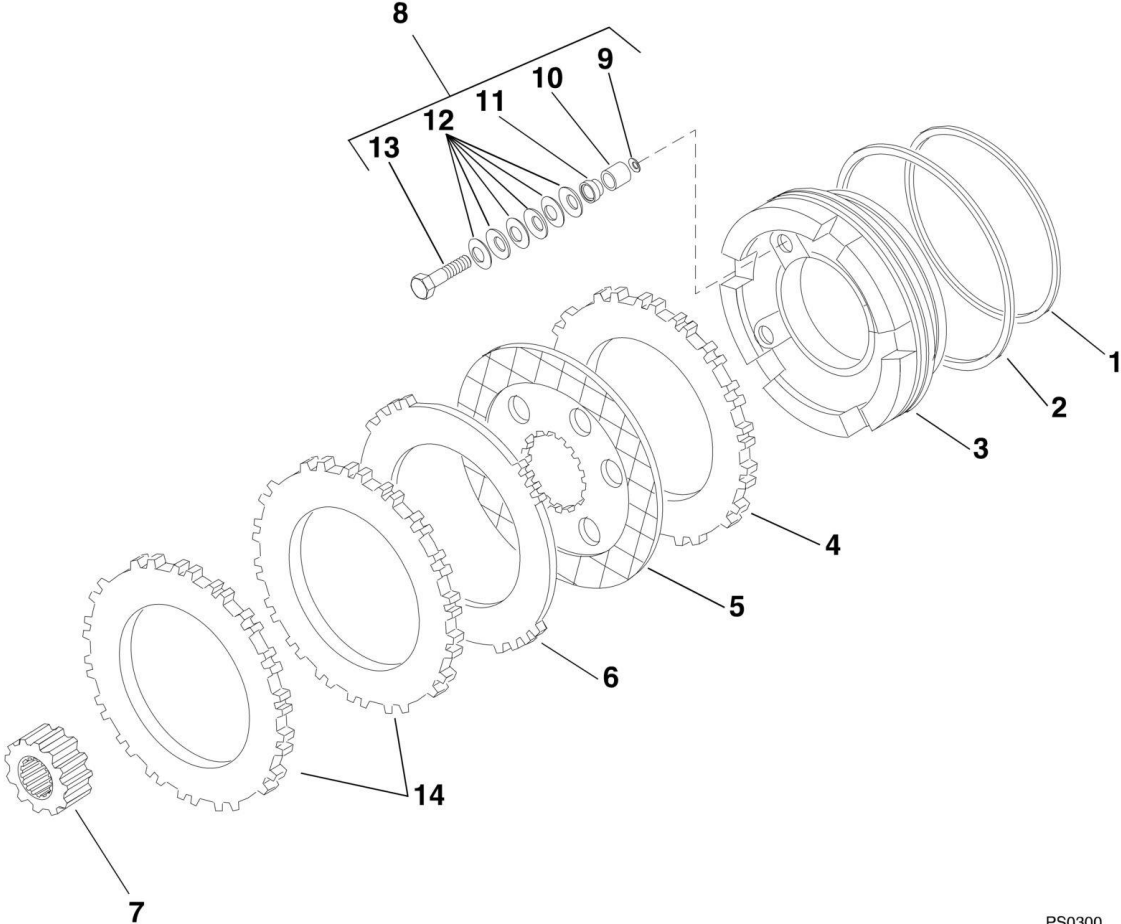
SECTION 3 - DRIVE TRAIN

FIGURE 3-12. BRAKE ASSEMBLY - FRONT AXLE

ITEM	PART NUMBER	QTY	DESCRIPTION	REV
		Ref	NOTE: Quantities listed below are for one complete axle	
1	8033575	2	Quadring	
2	8035196	4	Quadring	
3	8035197	2	Piston, Brake (Positive)	
4	8035198	2	Plate, Drive	
5	8035199	6	Disc, Brake	
6	8035200	6	Plate, Drive	
7	8035201	2	Sleeve	
8	8035216	2	Kit, Self-Adjust (Includes Items 9 thru 13)	
9	N.S.S.	3	Washer, Belleville	
10	N.S.S.	3	Pin, Split	
11	N.S.S.	3	Spacer	
12	N.S.S.	18	Washer, Belleville	
13	N.S.S.	3	Bolt	
14	8035207	2	Ring	
15	8035208	2	Sleeve	
16	8035209	4	Washer, Belleville	
17	8035210	2	Piston, Brake (Negative)	
18	8035211	2	Quadring	
19	8035212	6	Washer	
20	8035213	6	O-Ring	
21	8035214	6	Shaft	
22	8035215	6	O-Ring	

SECTION 3 - DRIVE TRAIN

FIGURE 3-13. BRAKE ASSEMBLY - REAR AXLE



PS0300

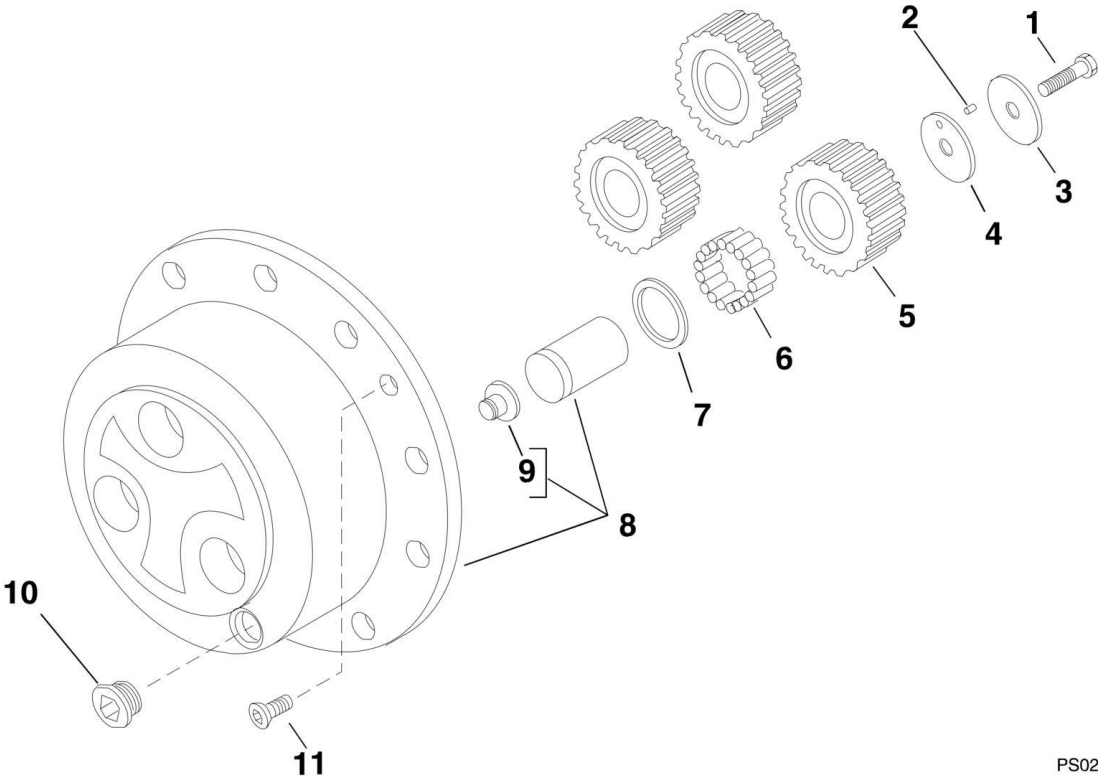
SECTION 3 - DRIVE TRAIN

FIGURE 3-13. BRAKE ASSEMBLY - REAR AXLE

ITEM	PART NUMBER	QTY	DESCRIPTION	REV
		Ref	NOTE: Quantities listed below are for one complete axle	
1	8033575	2	Quadring	
2	8035196	4	Quadring	
3	8035197	2	Piston, Brake (Positive)	
4	8035198	2	Plate, Drive	
5	8035199	2	Disc, Brake	
6	8035200	2	Plate, Drive	
7	8035201	2	Sleeve	
8	8035216	2	Kit, Self-Adjust (Includes Items 9 thru 13)	
9	N.S.S.	3	Washer, Belleville	
10	N.S.S.	3	Pin, Split	
11	N.S.S.	3	Spacer	
12	N.S.S.	18	Washer, Belleville	
13	N.S.S.	3	Bolt	
14	8035239	4	Plate, Drive	

SECTION 3 - DRIVE TRAIN

FIGURE 3-14. REDUCTION GEARS - FRONT/REAR AXLES



PS0270

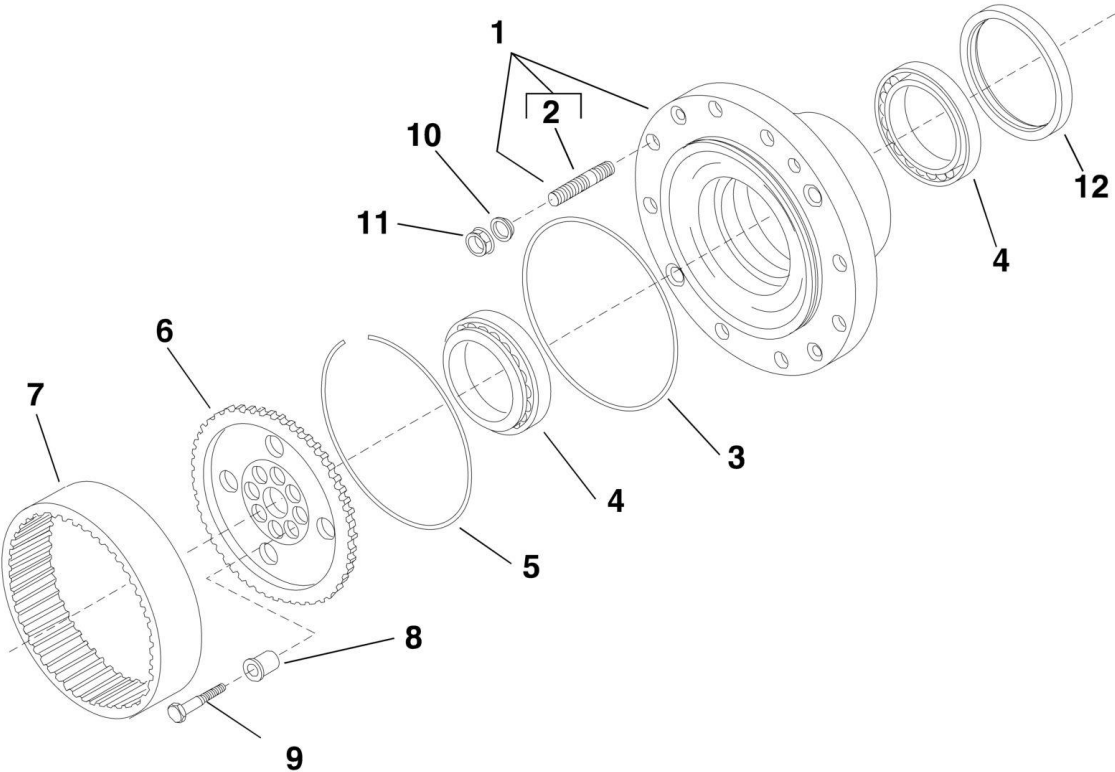
SECTION 3 - DRIVE TRAIN

FIGURE 3-14. REDUCTION GEARS - FRONT/REAR AXLES

ITEM	PART NUMBER	QTY	DESCRIPTION	REV
		Ref	NOTE: Quantities listed below are for one complete axle	
1	8035226	6	Bolt, M10-1.25 x 50mm	
2	8035227	6	Pin	
3	8035228	6	Washer, Thrust	
4	8035229	6	Washer, Thrust	
5	8035230	6	Gear, Planetary	
6	8035231	17	Bearing, Needle (sold in sets of ten - 168 bearings required)	
7	8035232	6	Washer, Thrust	
8	91474169	2	Planetary Carrier Assembly (Includes Item 8)	
9	8035234	1	Pad	
10	8033582	2	Plug, Oil M30-2	
11	8035235	4	Bolt, M8 x 20mm	

SECTION 3 - DRIVE TRAIN

FIGURE 3-15. WHEEL HUB ASSEMBLY - FRONT/REAR AXLES



PS0260

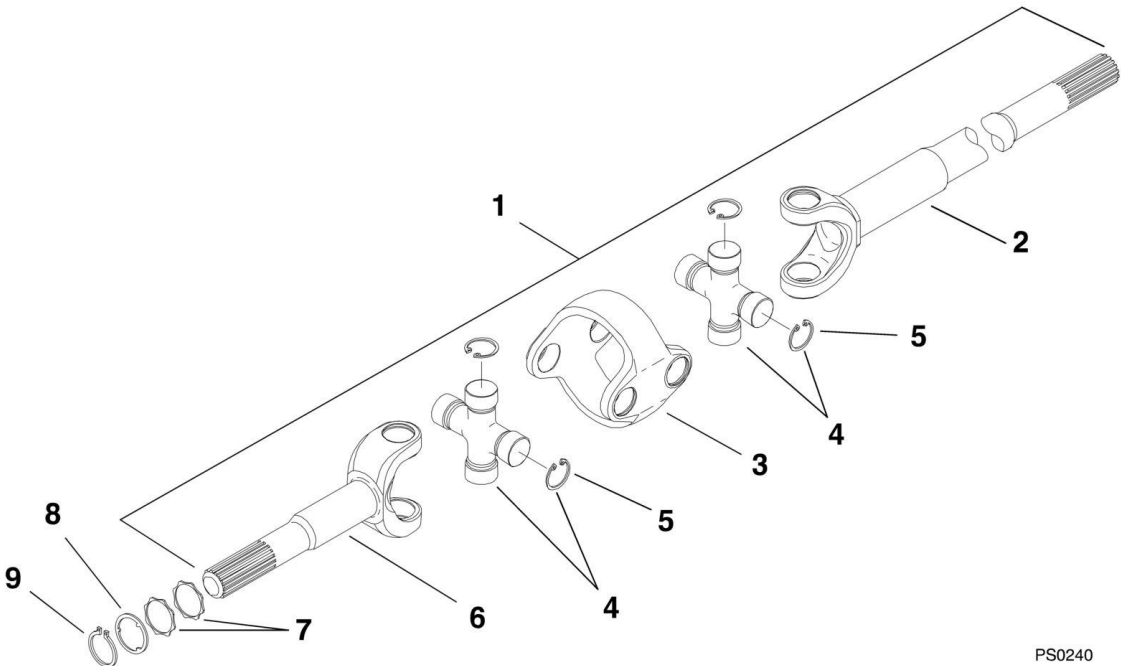
SECTION 3 - DRIVE TRAIN

FIGURE 3-15. WHEEL HUB ASSEMBLY - FRONT/REAR AXLES

ITEM	PART NUMBER	QTY	DESCRIPTION	REV
		Ref	NOTE: Quantities listed below are for one complete axle	
1	8035218	2	Wheel Hub Assembly (Includes Item 2)	
2	8035217	10	Stud	
3	8035219	2	O-Ring	
4	8030464	4	Bearing	
5	8035220	2	Lockring	
6	8035221	2	Carrier, Wheel	
7	8035222	2	Gear, Crown Z=77	
8	8030470	16	Bushing, Centering	
9	8035223	16	Bolt, M14-1.5 x 65mm	
10	8035224	20	Washer	
11	8035225	20	Nut, M22-1.5	
12	8033557	2	Seal, Cassette	

SECTION 3 - DRIVE TRAIN

FIGURE 3-16. AXLE SHAFTS - FRONT/REAR AXLES



PS0240

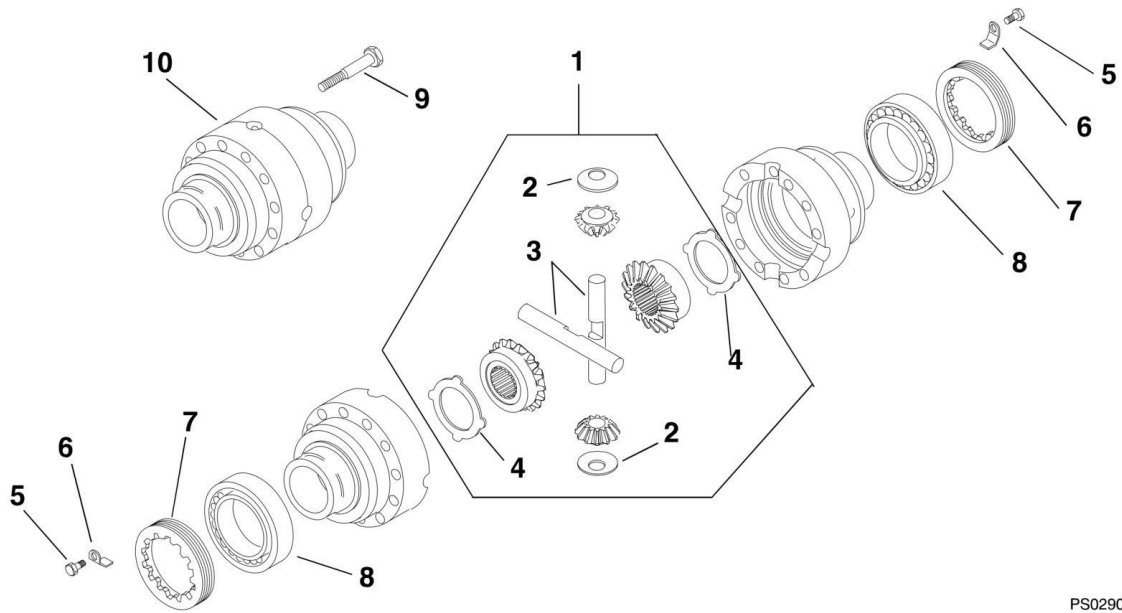
SECTION 3 - DRIVE TRAIN

FIGURE 3-16. AXLE SHAFTS - FRONT/REAR AXLES

ITEM	PART NUMBER	QTY	DESCRIPTION	REV
		Ref	NOTE: Quantities listed below are for one complete axle	
1	8035187	2	Drive Shaft Assembly (Includes Items 2 thru 6)	
2	8035188	1	Shaft, Half - Differential Side	
3	8035189	1	Body, Central	
4	8035190	2	Spider Assembly (Includes Item 5)	
5	8035191	4	Snap Ring	
6	8035192	1	Shaft, Half - Wheel Side	
7	8035193	4	Washer, Thrust	
8	8035194	2	Washer	
9	8035195	2	Snap Ring	

SECTION 3 - DRIVE TRAIN

FIGURE 3-17. DIFFERENTIAL ASSEMBLY - REAR AXLE



PS0290

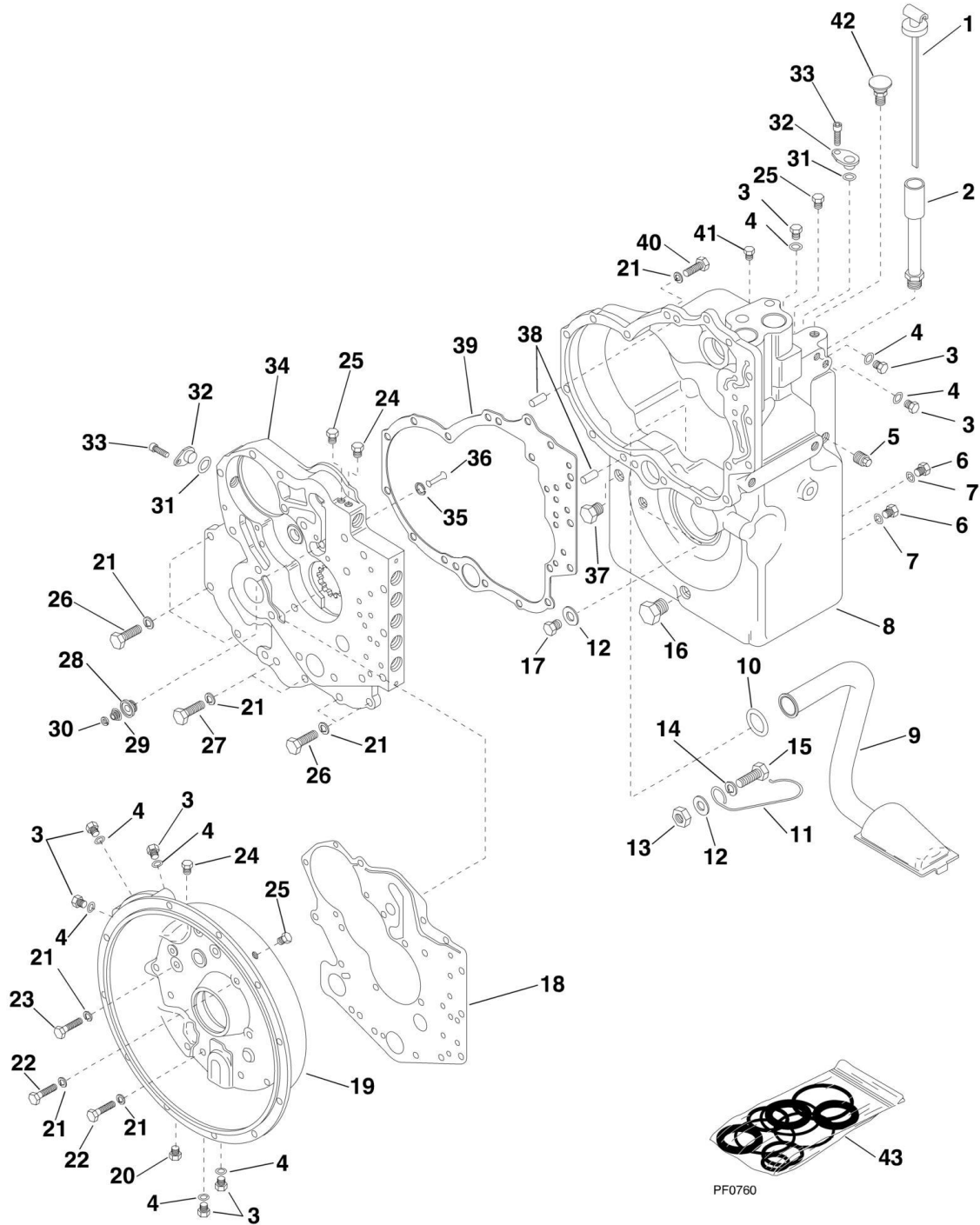
SECTION 3 - DRIVE TRAIN

FIGURE 3-17. DIFFERENTIAL ASSEMBLY - REAR AXLE

ITEM	PART NUMBER	QTY	DESCRIPTION	REV
1	8036488	1	Kit, Differential (Includes Items 2, 3 & 4)	
2	8035177	4	Washer, Thrust	
3	8035178	2	Shaft	
4	8035238	2	Plate, Drive	
5	8035180	2	Bolt, M6-1 x 10mm	
6	8035181	2	Plate, Locking	
7	8035182	2	Nut, Ring	
8	8035183	2	Bearing	
9	8033544	12	Bolt, M10-1.5 x 75mm	
10	8035179	1	Differential Housing - Two Halves	

SECTION 3 - DRIVE TRAIN

FIGURE 3-18. TRANSMISSION CASE, PLATE AND CONVERTER HOUSING (4 SPEED)



PS0010

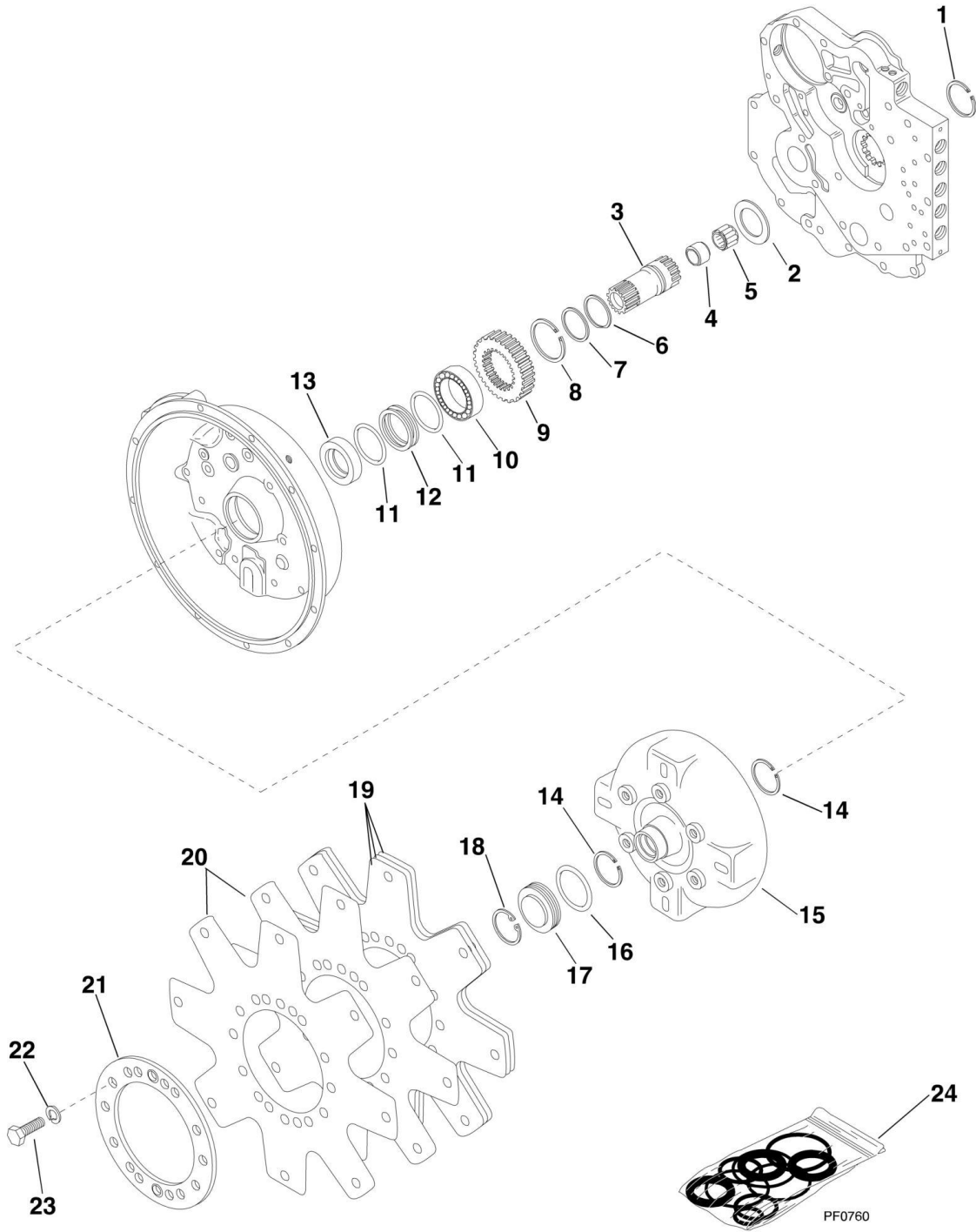
SECTION 3 - DRIVE TRAIN

FIGURE 3-18. TRANSMISSION CASE, PLATE AND CONVERTER HOUSING (4 SPEED)

ITEM	PART NUMBER	QTY	DESCRIPTION	REV
1	8034965	1	Dipstick Assembly	
2	8034964	1	Tube, Dipstick	
3	8034930	8	Plug	
4	8034931	8	O-Ring	
5	8034947	1	Plug, Sensor Port	
6	8034949	2	Plug, Oil Level	
7	8034948	2	O-Ring - Oil Level Plug	
8	8034945	1	Case, Transmission	
9	8034950	1	Tube and Screen Assembly	
10	8034951	1	Seal Ring, Oil Supply Tube	
11	8034956	1	Retainer Clip, Oil Supply Tube	
12	8034953	2	Washer, Seal	
13	8034955	1	Nut, Clip Retainer Screw	
14	8034954	1	Washer, Clip Retainer Screw	
15	8034952	1	Screw, Retainer Clip	
16	8032528	1	Drain Plug, Magnetic	
17	8034966	1	Screw	
18	8034932	1	Gasket, Converter Housing To Plate	
19	8034933	1	Housing, Converter	
20	8035092	1	Plug, Temperature Pickup	
21	8034934	32	Washer, Lock	
22	8034935	16	Screw	
23	8034936	6	Screw	
24	8032508	2	Plug	
25	8034942	3	Plug	
26	8034936	7	Screw	
27	8034960	2	Screw	
28	8034963	1	Seat, Safety Valve	
29	8034962	1	Spring, Safety Valve	
30	8034961	1	Washer, Poppet	
31	8034939	2	O-Ring - Sensor	
32	8034938	2	Plug, Sensor Port	
33	8034940	2	Screw, Speed Sensor Plug	
34	8034941	1	Plate, Spacer	
35	8034959	1	Snap Ring - Seat	
36	8034958	1	Poppet, Converter Safety Valve	
37	8034957	1	Plug, Drain Back Port	
38	8034944	2	Pin, Dowel - Spacer Plate To Transmission Case	
39	8034943	1	Gasket, Spacer Plate To Transmission Case	
40	8034937	1	Screw, Transmission Case To Spacer Plate	
41	8034946	1	Plug, Filler	
42	8032509	1	Breather, Air	
		Ref	KITS	
43	8035089	1	Transmission Gasket and Sealing Kit (Services Entire Transmission)	

SECTION 3 - DRIVE TRAIN

FIGURE 3-19. TORQUE CONVERTER AND DRIVE PLATES (4 SPEED)



PS0030

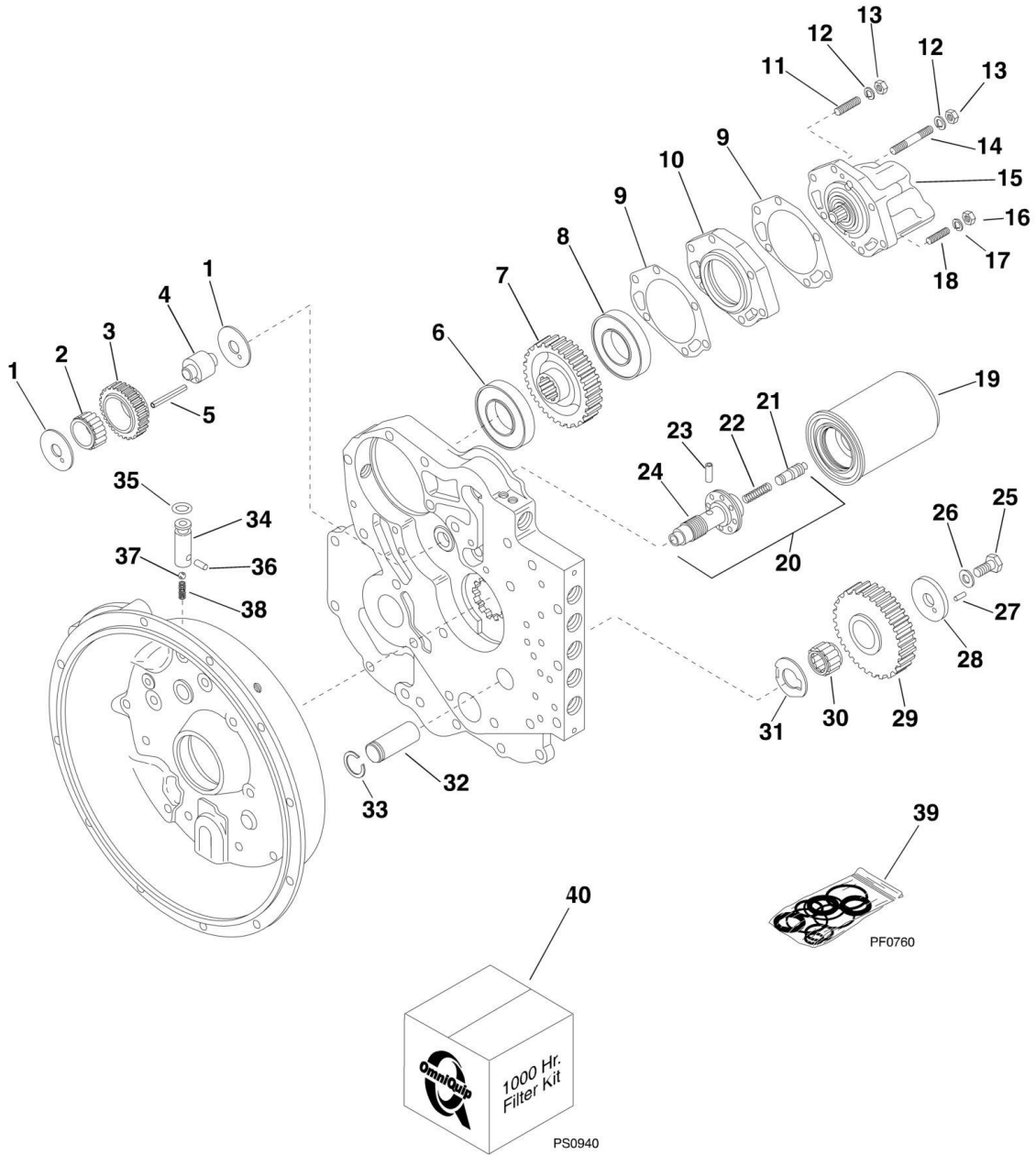
SECTION 3 - DRIVE TRAIN

FIGURE 3-19. TORQUE CONVERTER AND DRIVE PLATES (4 SPEED)

ITEM	PART NUMBER	QTY	DESCRIPTION	REV
1	8034981	1	Snap Ring, Stator Support	
2	8034980	1	Washer, Impeller Hub Gear	
3	8034978	1	Stator Support Assembly (Includes Items 4 & 5)	
4	8034979	1	Bushing	
5	8034982	1	Bearing	
6	8034977	1	Piston Ring Expander, Stator Support	
7	8034976	1	Piston Ring, Stator Support	
8	8034975	1	Snap Ring, Stator Support	
9	8034974	1	Gear, Impeller Hub (35T)	
10	8034973	1	Bearing, Torque Converter	
11	8034971	2	O-Ring, Oil Distributor Ring	
12	8034972	1	Ring, Oil Distributor	
13	8034970	1	Oil Seal, Converter Housing	
14	8034968	2	Snap Ring, Impeller Hub	
15	8034969	1	Torque Converter Assembly	
16	8034967	1	O-Ring, Torque Converter Plug	
17	8032599	1	Plug, Torque Converter	
18	8032600	1	Snap Ring, Plug	
19	8035088	1	Drive Plate Assembly Kit (Includes Items 20 thru 23)	
20	N.S.S.	1	Drive Plate	
21	8032602	1	Backing Ring, Drive Plate	
22	8307005	6	Washer, Lock - Drive Plate Mounting	
23	8035087	6	Screw, Drive Plate Mounting	
		Ref	KITS	
24	8035089	1	Transmission Gasket and Sealing Kit (Services Entire Transmission)	

SECTION 3 - DRIVE TRAIN

FIGURE 3-20. CHARGING PUMP, DRIVE, FILTER AND REVERSE IDLER (4 SPEED)



PS0050

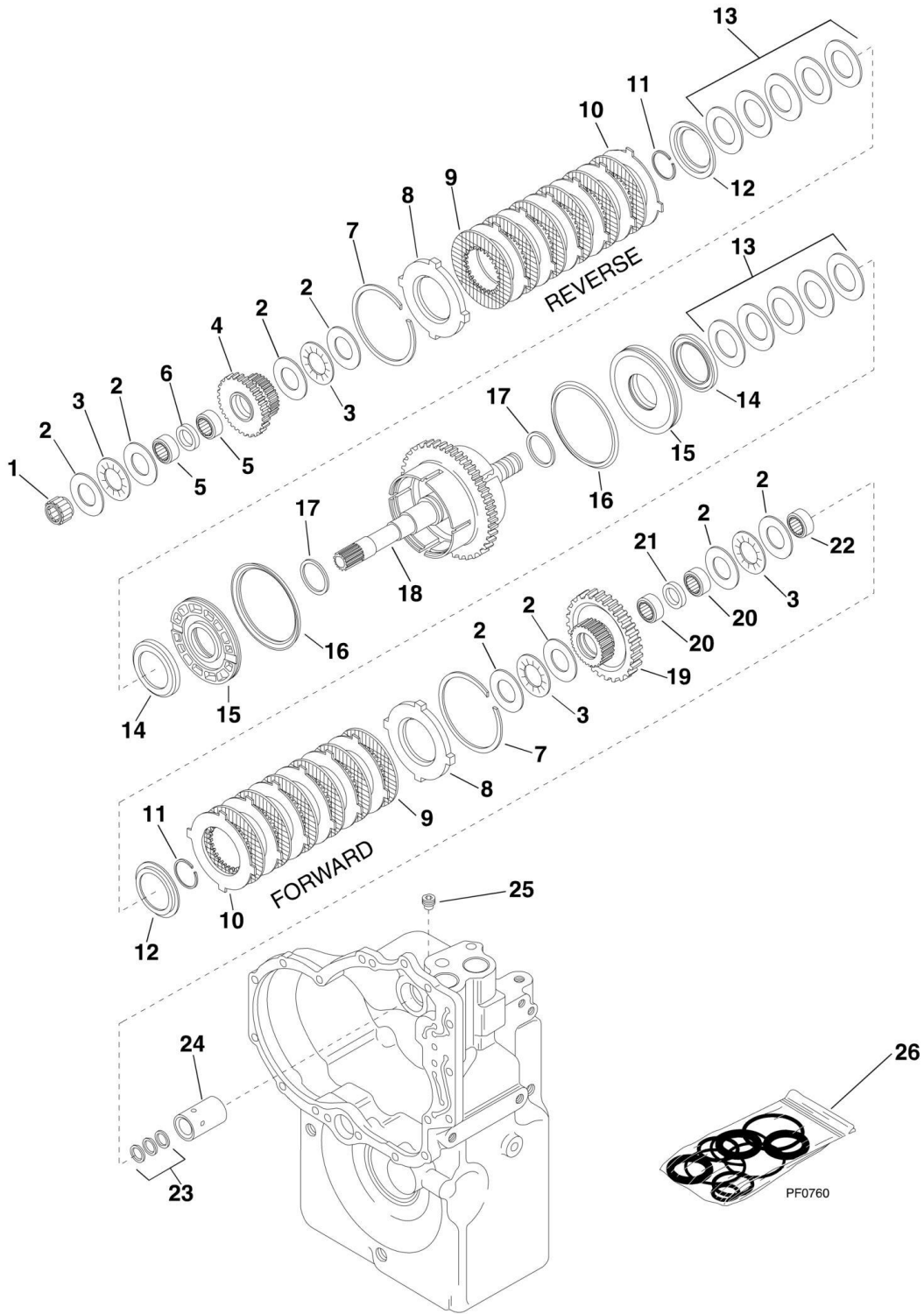
SECTION 3 - DRIVE TRAIN

FIGURE 3-20. CHARGING PUMP, DRIVE, FILTER AND REVERSE IDLER (4 SPEED)

ITEM	PART NUMBER	QTY	DESCRIPTION	REV
1	8034983	2	Thrust Washer, Pump Drive Idler	
2	8034984	1	Bearing, Idler Gear	
3	8034985	1	Gear, Pump Drive Idler (31T)	
4	8034986	1	Pump Drive Idler Shaft and Pin Assembly (Includes Item 5)	
5	8034987	1	Pin, Roll	
6	8034988	1	Bearing, Pump Drive Gear	
7	8034989	1	Gear, Pump Drive (34T)	
8	8034990	1	Bearing, Pump Drive Gear	
9	8034996	2	Gasket, Adaptor	
10	8034997	1	Adaptor, Pump To Plate	
11	8034998	1	Stud, Pump Mounting	
12	8034999	5	Washer, Lock - Pump Mounting Stud	
13	8035000	5	Nut, Pump Mounting Stud	
14	8035001	4	Stud, Pump Mounting	
15	8035090	1	Pump, Charging	
16	8035002	1	Nut, Pump Mounting	
17	8034934	1	Washer, Lock - Pump Mounting Stud	
18	8035003	1	Stud, Pump Mounting	
19	8035004	1	Filter Assembly (Also Included in Filter Kit, Item 40)	
20	8035009	1	Regulator Valve Assembly (Includes Items 21 thru 24)	
21	8035005	1	Piston	
22	8035006	1	Spring	
23	8035007	1	Pin	
24	8035008	1	Sleeve	
25	8035016	1	Capscrew, Reverse Idler End Plate	
26	8035015	1	Washer, End Plate Capscrew	
27	8035017	1	Roll Pin, End Plate To Shaft	
28	8035014	1	Plate, End	
29	8034917	1	Gear, Reverse Idler (28T)	
30	8035013	1	Bearing, Reverse Idler Gear	
31	8035012	1	Washer, Thrust	
32	8035011	1	Shaft, Idler and Pilot	
33	8035010	1	Snap Ring, Idler Shaft	
34	8034992	1	Ball Check Valve Assembly (Includes Items 35 thru 38)	
35	8034991	1	O-Ring	
36	8034993	1	Pin	
37	8034994	1	Ball	
38	8034995	1	Spring	
		Ref	KITS	
39	8035089	1	Transmission Gasket and Sealing Kit (Services Entire Transmission)	
40	7138298	1	1000 Hour Filter Kit for Cummins Turbo (Includes 6 Filters; Engine Oil Filter, Fuel Filter, Both Air Filters, Transmission Oil Filter and Hydraulic Oil Filter)	
40	7138299	1	1000 Hour Filter Kit for Perkins Natural (Includes 6 Filters; Engine Oil Filter, Fuel Filter, Both Air Filters, Transmission Oil Filter and Hydraulic Oil Filter)	
40	7138432	1	1000 Hour Filter Kit for Perkins Turbo (Includes 6 Filters; Engine Oil Filter, Fuel Filter, Both Air Filters, Transmission Oil Filter and Hydraulic Oil Filter)	

SECTION 3 - DRIVE TRAIN

FIGURE 3-21. FORWARD AND REVERSE SHAFT GROUP (4 SPEED)



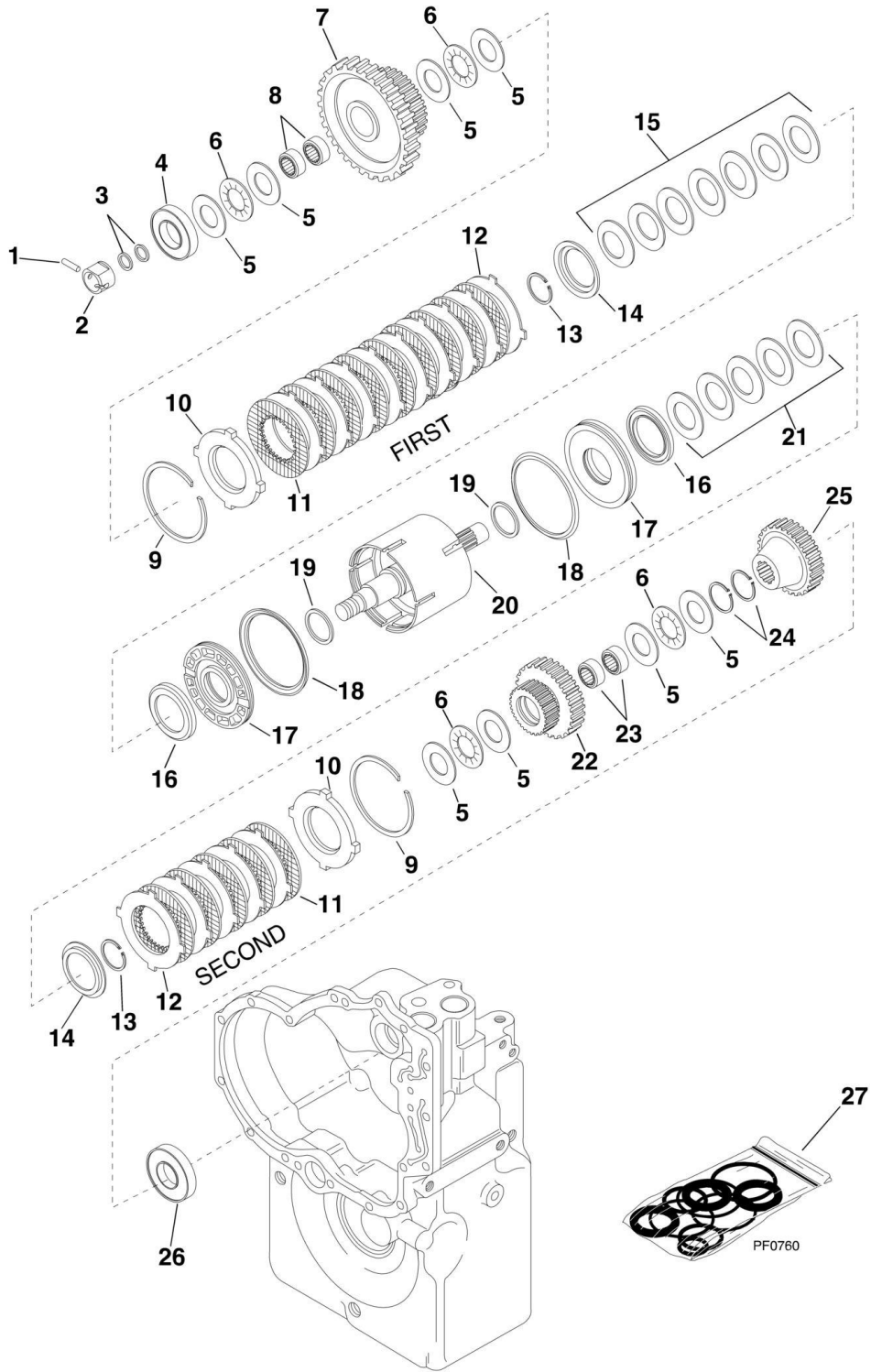
SECTION 3 - DRIVE TRAIN

FIGURE 3-21. FORWARD AND REVERSE SHAFT GROUP (4 SPEED)

ITEM	PART NUMBER	QTY	DESCRIPTION	REV
1	8034982	1	Bearing, Front Turbine Shaft	
2	8035018	8	Washer, Thrust - Clutch Gear	
3	8035019	4	Bearing, Clutch Gear Thrust Washer	
4	8034920	1	Reverse Clutch Gear and Bearing Assembly (Includes Items 5 & 6)	
5	8034918	2	Bearing	
6	8034919	1	Spacer	
7	8035020	2	Snap Ring, End Plate	
8	8035021	2	Plate, End	
9	8035022	12	Inner Disc - Clutch	
10	8035023	12	Outer Disc - Clutch	
11	8035024	2	Snap Ring, Retainer	
12	8035025	2	Retainer, Snap Ring	
13	8035026	2	Disc Washer (Spring) Assembly (Consists Of 5 Washers)	
14	8035027	2	Wear Plate, Clutch Piston	
15	8035028	2	Clutch Piston and Seals assembly (Includes Items 16 & 17)	
16	8035029	1	Seal, Clutch Piston - Outer	
17	8035030	1	Seal, Clutch Piston - Inner	
18	8035031	1	Turbine Shaft Drum and Plug Assembly	
19	8034921	1	Forward Clutch Gear and Bearing Assembly (Includes Items 20 & 21)	
20	8034918	2	Bearing	
21	8034919	1	Spacer	
22	8035032	1	Bearing, Rear Turbine Shaft	
23	8035033	3	Ring, Piston	
24	8035034	1	Sleeve, Oil Distributor	
25	8035035	1	Screw, Retainer	
		Ref	KITS	
26	8035089	1	Transmission Gasket and Sealing Kit (Services Entire Transmission)	

SECTION 3 - DRIVE TRAIN

FIGURE 3-22. FIRST AND SECOND SHAFT GROUP (4 SPEED)



PS0090

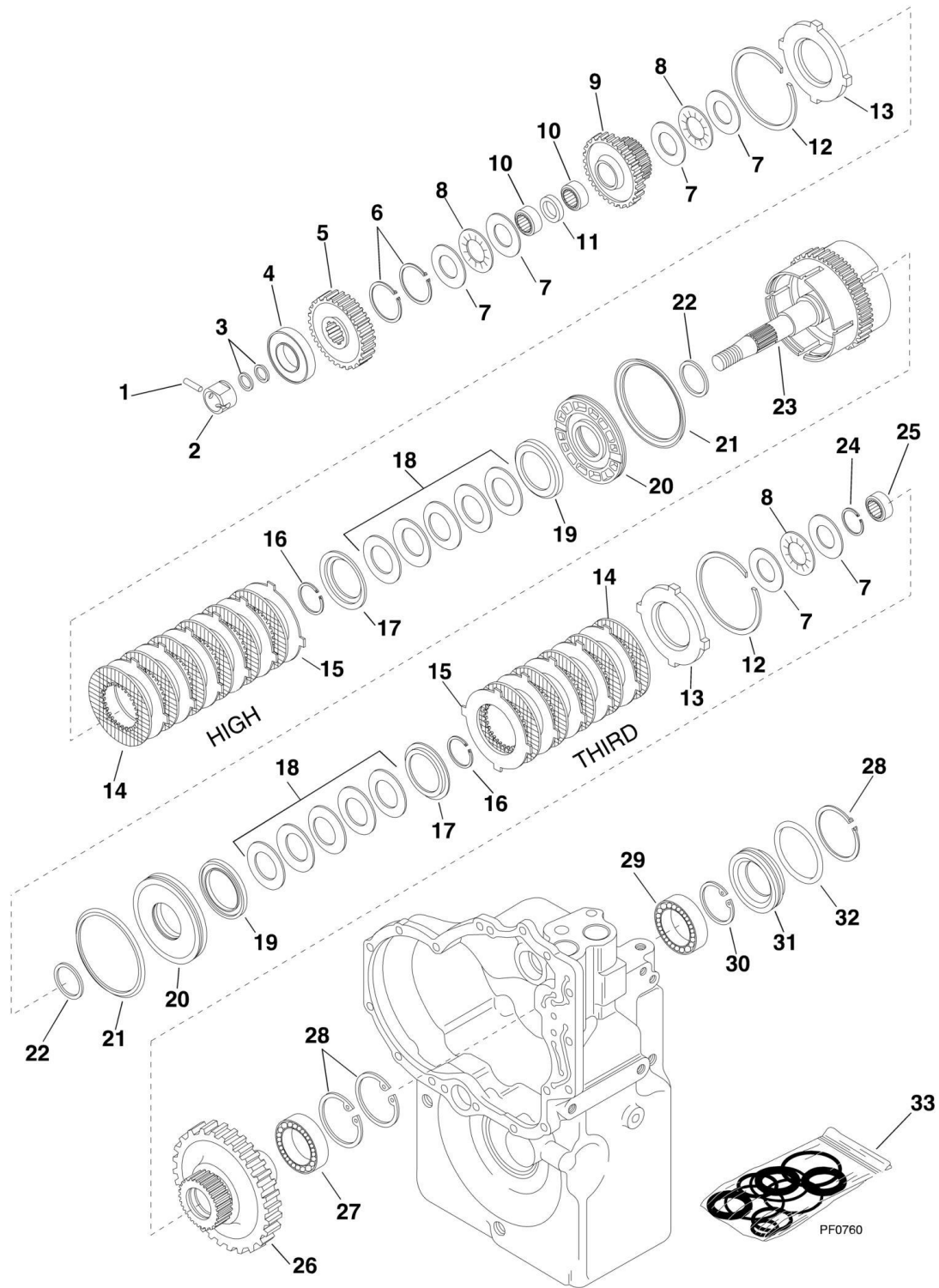
SECTION 3 - DRIVE TRAIN

FIGURE 3-22. FIRST AND SECOND SHAFT GROUP (4 SPEED)

ITEM	PART NUMBER	QTY	DESCRIPTION	REV
1	8035036	1	Screw, Locating Sleeve	
2	8035050	1	Sleeve, Oil Distributor	
3	8035033	2	Ring, Piston	
4	8035038	1	Bearing and Seal Assembly	
5	8035018	8	Washer, Thrust - Clutch Gear	
6	8035019	4	Bearing, Clutch Gear Thrust Washer	
7	8034925	1	First Clutch Gear and Bearing Assembly (Includes Item 8)	
8	8034918	2	Bearing	
9	8035020	2	Snap Ring, End Plate	
10	8035021	2	Plate, End	
11	8035022	15	Inner Disc - Clutch (10 Required for First and 5 Required for Second)	
12	8035023	15	Outer Disc - Clutch (10 Required for First and 5 Required for Second)	
13	8035024	2	Snap Ring, Retainer	
14	8035025	2	Retainer, Snap Ring	
15	8035051	1	First Clutch Disc Spring Assembly (Consists Of 7 Spring Washers)	
16	8035027	2	Wear Plate, Clutch Piston	
17	8035052	2	Clutch Piston and Seal Assembly (Includes Items 18 & 19)	
18	8035029	1	Seal, Clutch Piston - Outer	
19	8035030	1	Seal, Clutch Piston - Inner	
20	8035053	1	First and Second Shaft, Drum and Plug Assembly	
21	8035026	1	Second Clutch Disc Spring Assembly (Consists Of 5 Spring Washers)	
22	8034926	1	Second Clutch Gear and Bearing Assembly (Includes Item 23)	
23	8034927	2	Bearing	
24	8035039	2	Snap Ring, Second Clutch Gear Hub	
25	8034928	1	Gear, Third Driven	
26	8035054	1	Bearing, Rear	
		Ref	KITS	
27	8035089	1	Transmission Gasket and Sealing Kit (Services Entire Transmission)	

SECTION 3 - DRIVE TRAIN

FIGURE 3-23. HIGH, THIRD AND OUTPUT SHAFT GROUP (4 SPEED)



PS0080

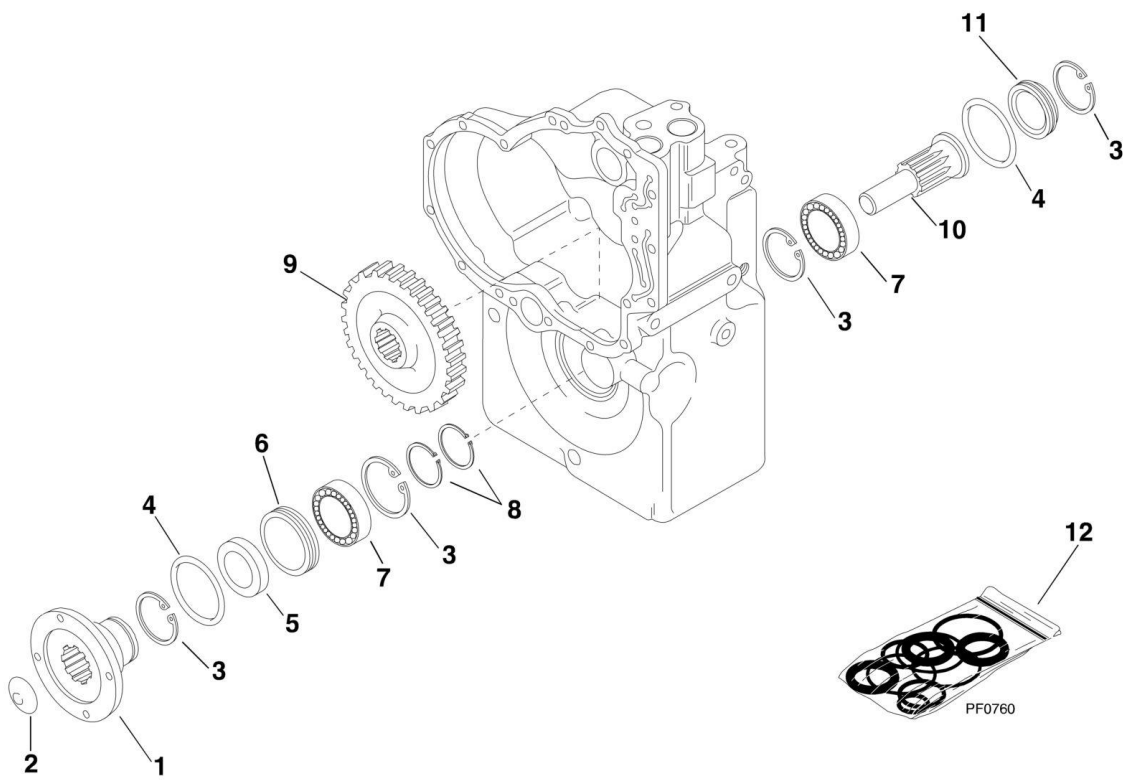
SECTION 3 - DRIVE TRAIN

FIGURE 3-23. HIGH, THIRD AND OUTPUT SHAFT GROUP (4 SPEED)

ITEM	PART NUMBER	QTY	DESCRIPTION	REV
1	8035036	1	Screw, Locating Sleeve	
2	8035037	1	Sleeve, Oil Distributor	
3	8035033	2	Ring, Piston	
4	8035038	1	Bearing and Seal Assembly	
5	8034922	1	Gear, First Drive	
6	8035039	2	Snap Ring, Gear Hub	
7	8035018	6	Washer, Thrust - Clutch Gear	
8	8035019	3	Bearing, Clutch Gear Thrust Washer	
9	8034923	1	Fourth Clutch Gear and Bearing Assembly (Includes Items 10 & 11)	
10	8034918	2	Bearing	
11	8034919	1	Spacer, Bearing	
12	8035020	2	Snap Ring, End Plate	
13	8035021	2	Plate, End	
14	8035022	11	Inner Disc - Clutch (6 Required for High and 5 Required for Third)	
15	8035023	11	Outer Disc - Clutch (6 Required for High and 5 Required for Third)	
16	8035024	2	Snap Ring, Retainer	
17	8035025	2	Retainer, Snap Ring	
18	8035026	2	Disc Washer (Spring) Assembly (Consists Of 5 Washers)	
19	8035027	2	Wear Plate, Clutch Piston	
20	8035040	2	Clutch Piston and Ball Seat Assembly (Includes Items 21 & 22)	
21	8035029	1	Seal, Clutch Piston - Outer	
22	8035030	1	Seal, Clutch Piston - Inner	
23	8035041	1	High and Third Shaft, Drum and Plug Assembly	
24	8035042	1	Snap Ring, Retaining Thrust Washer	
25	8035043	1	Bearing, Third Clutch Gear	
26	8034924	1	Third Gear and Shaft	
27	8035044	1	Bearing, Rear	
28	8035045	3	Snap Ring, Retaining Rear Bearing	
29	8035046	1	Bearing, Output Shaft	
30	8035047	1	Snap Ring, Retaining Output Shaft Bearing	
31	8035048	1	Plug, Capped End	
32	8035049	1	O-Ring, Oil Seal Sleeve	
		Ref	KITS	
33	8035089	1	Transmission Gasket and Sealing Kit (Services Entire Transmission)	

SECTION 3 - DRIVE TRAIN

FIGURE 3-24. OUTPUT SHAFT GROUP (4 SPEED)



PS0101

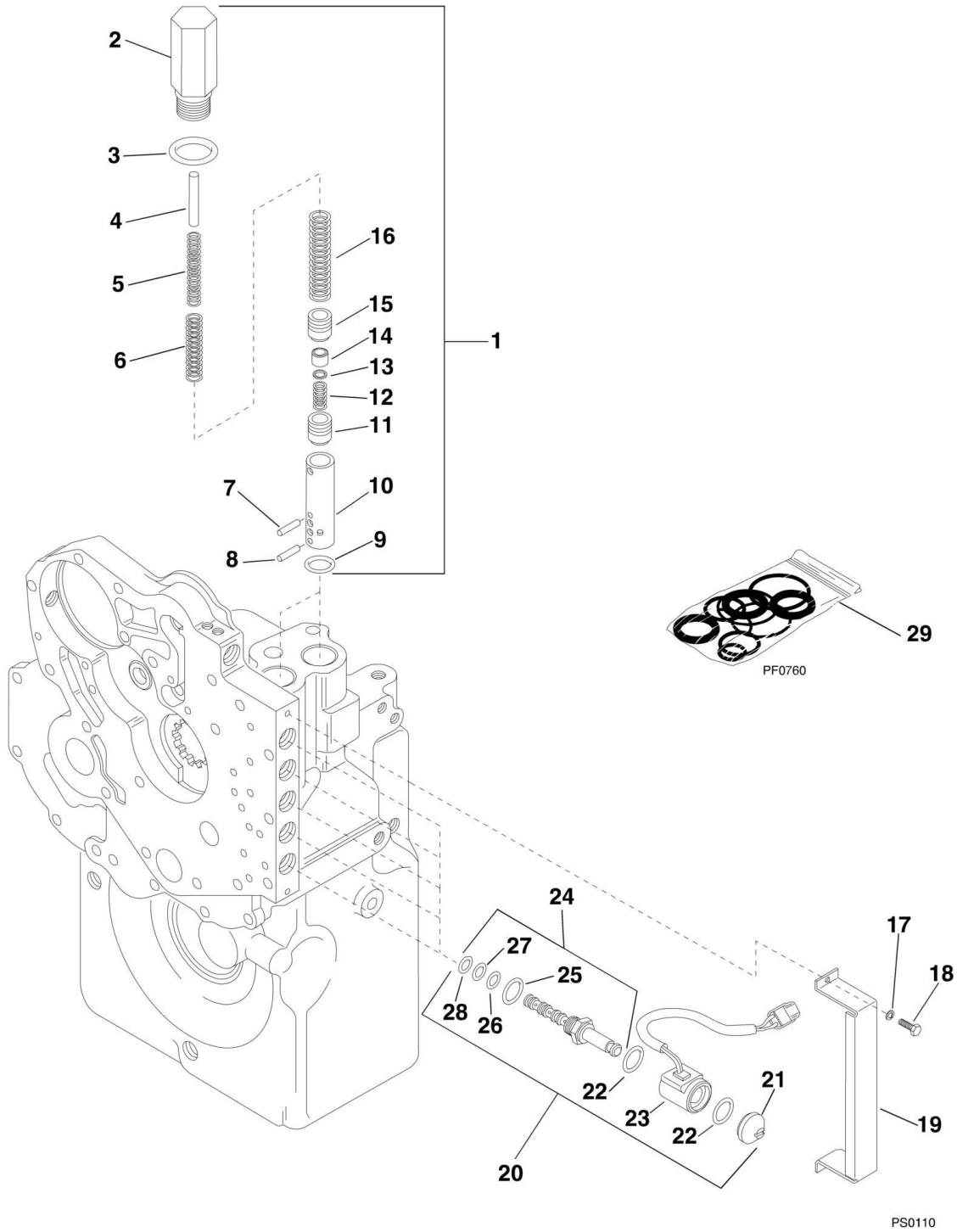
SECTION 3 - DRIVE TRAIN

FIGURE 3-24. OUTPUT SHAFT GROUP (4 SPEED)

ITEM	PART NUMBER	QTY	DESCRIPTION	REV
1	8035056	1	Output Flange and Plug Assembly (Includes Item 2)	
2	8035055	1	Plug, Flange	
3	8035045	4	Snap Ring, Output Shaft Bearing and Plug	
4	8035049	2	O-Ring, Oil Seal Sleeve and Plug	
5	8035057	1	Seal, Oil - Output Shaft	
6	8035058	1	Sleeve, Oil Seal	
7	8035046	2	Bearing, Output Shaft	
8	8035047	2	Ring, Retaining - Flange	
9	8034929	1	Gear, Output Shaft	
10	8035059	1	Shaft, Output	
11	8035048	1	Plug, Output Shaft Bore	
		Ref	KITS	
12	8035089	1	Transmission Gasket and Sealing Kit (Services Entire Transmission)	

SECTION 3 - DRIVE TRAIN

FIGURE 3-25. ELECTRIC CONTROL GROUP (4 SPEED)



SECTION 3 - DRIVE TRAIN

FIGURE 3-25. ELECTRIC CONTROL GROUP (4 SPEED)

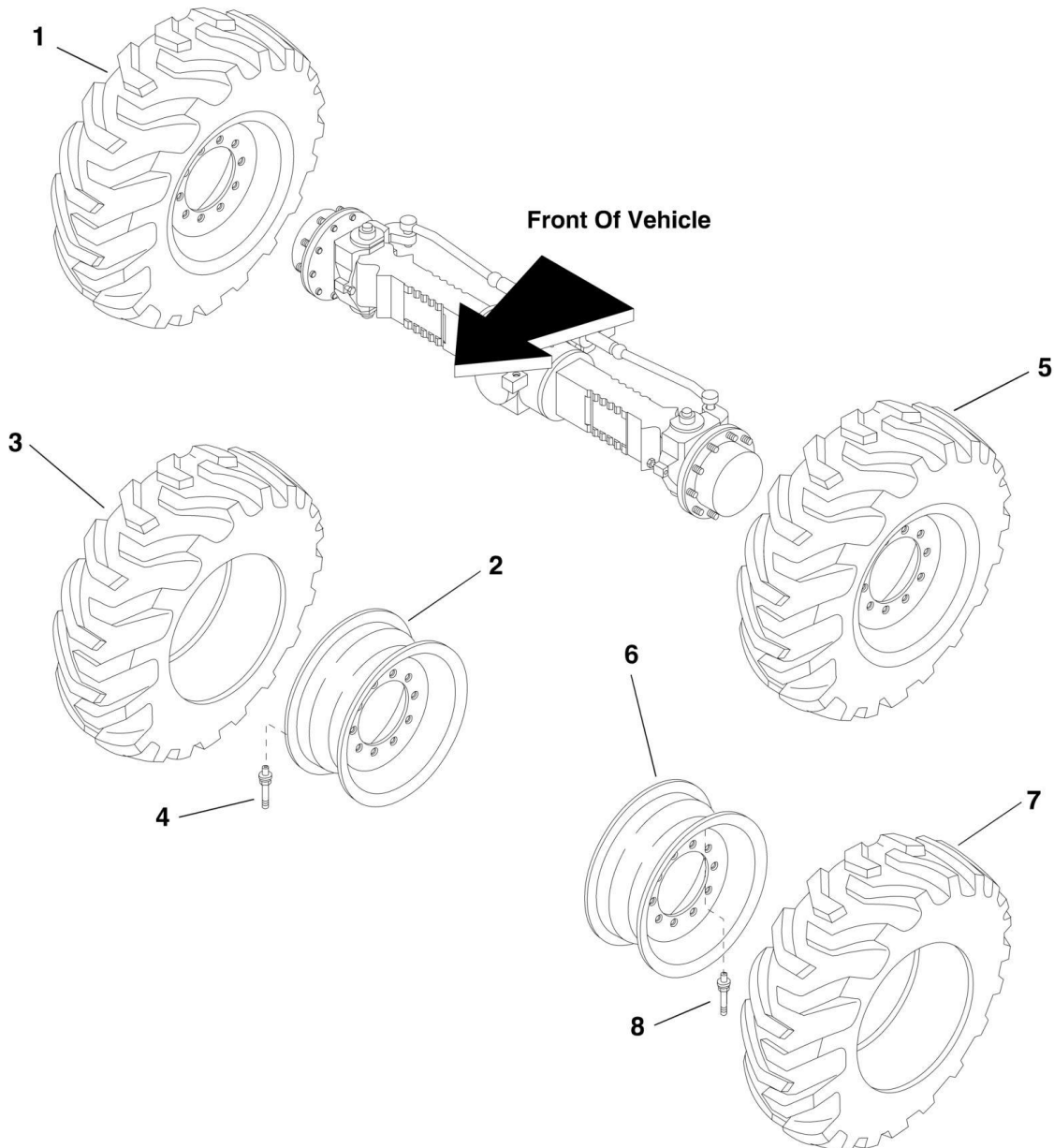
ITEM	PART NUMBER	QTY	DESCRIPTION	REV
1	8035091	2	Modulation Valve Assembly (Includes Items 2 thru 16)	
2	8035060	1	Housing, Modulator Valve	
3	8035061	1	O-Ring, Modulator Housing	
4	8035062	1	Pin, Stop	
5	8035063	1	Spring, Inner	
6	8035064	1	Spring, Middle	
7	8035065	1	Pin, Upper	
8	8035066	1	Pin, Lower	
9	8035067	1	O-Ring, Sleeve	
10	8035068	1	Sleeve, Modulator Housing	
11	8035069	1	Spool, Regulator	
12	8035070	1	Spring	
13	8035071	1	Spacer, Spring	
14	8035072	1	Retainer, Spring	
15	8035073	1	Spool, Accumulator	
16	8035074	1	Spring, Outer	
17	8035075	2	Washer, Lock - Cover Screw	
18	8035076	2	Screw, Cover	
19	8035077	1	Cover, Protective	
20	8035086	5	Spool Type Solenoid Cartridge Assembly (Includes Items 21 thru 24)	
21	8035078	1	Retainer Nut, Valve Cartridge	
22	8035079	2	O-Ring, Coil	
23	8035080	1	Coil, Solenoid - 12 Volt	
24	8035085	1	Cartridge, Valve - 4 Way (Includes Items 25 thru 28)	
25	8035084	1	O-Ring, Cartridge	
26	8035083	1	O-Ring, Cartridge	
27	8035082	1	O-Ring, Cartridge	
28	8035081	1	O-Ring, Cartridge	
		Ref	KITS	
29	8035089	1	Transmission Gasket and Sealing Kit (Services Entire Transmission)	

SECTION 3 - DRIVE TRAIN

FIGURE 3-26. WHEELS AND TIRES

Warning

Mis-Matched tire sizes, ply ratings or mixing of tire types (Radial and Bias ply) may compromise vehicle stability and may result in vehicle tipover.



PS0340

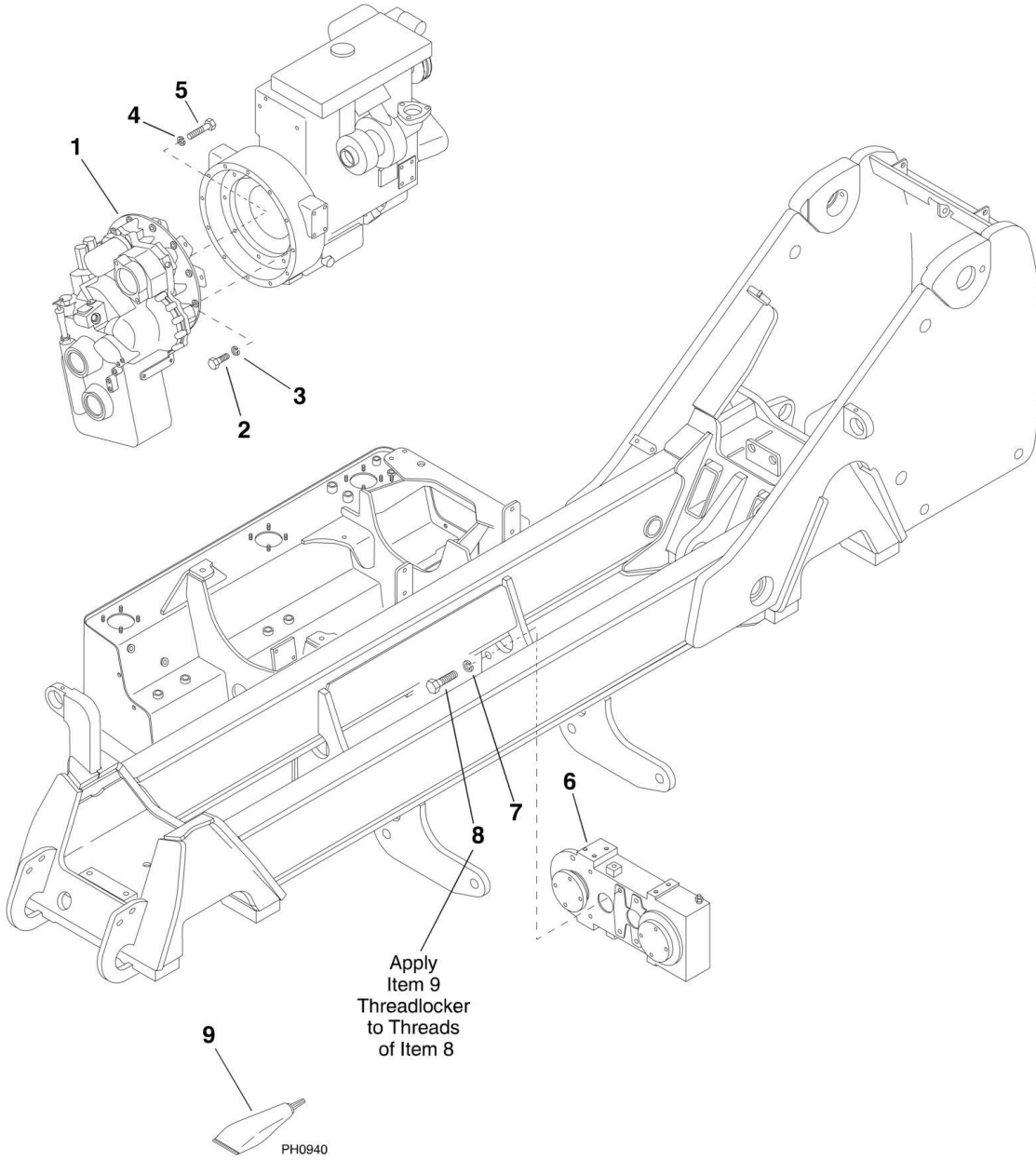
SECTION 3 - DRIVE TRAIN

FIGURE 3-26. WHEELS AND TIRES

ITEM	PART NUMBER	QTY	DESCRIPTION	REV
1	7128282	2	Tire and Wheel Assembly, Right Side, 13.00-24, 12 Ply (Includes Items 2 thru 4)	
2	7128263	1	Wheel, 9024GR	
3	8780031	1	Tire, 13.00-24, 12 Ply	
4	8786514	1	Stem, Valve	
5	7128272	2	Tire and Wheel Assembly, Left Side, 13.00-24, 12 Ply (Includes Items 6 thru 8)	
6	7128263	1	Wheel, 9024GR	
7	8780031	1	Tire, 13.00-24, 12 Ply	
8	8786514	1	Stem, Valve	

SECTION 3 - DRIVE TRAIN

FIGURE 3-27. TRANSMISSION AND TRANSFER BOX MOUNTING



PS0351

SECTION 3 - DRIVE TRAIN

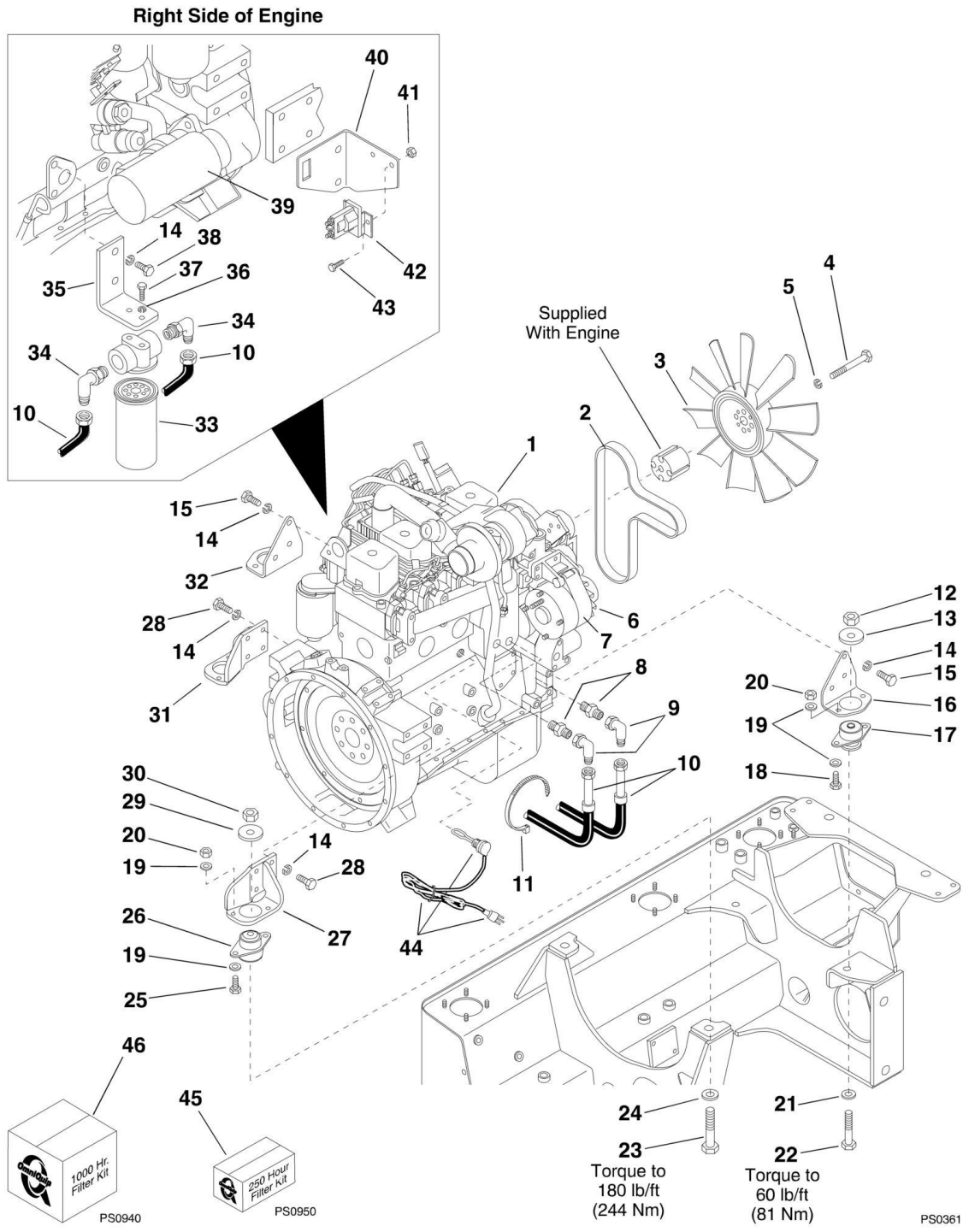
FIGURE 3-27. TRANSMISSION AND TRANSFER BOX MOUNTING

ITEM	PART NUMBER	QTY	DESCRIPTION	REV
1	8841030	1	Transmission - 4 Speed (Used On Cummins and Perkins Turbo Only)	
1	8841032	1	Transmission - 3 Speed (Used On Perkins Naturally Aspirated Only)	
2	8303755	12	HHCS, M10-1.5 x 30mm PC 8.8	
3	8307023	12	Washer, Lock M10	
4	8307005	8	Washer, Lock 3/8in	
5	8303116	8	HHCS, 3/8-24 x 2in NF Gr.8 (Perkins Engines Only)	
5	8310038	8	HHCS, 3/8-24 x 1-3/4in NF Gr.8 (Cummins Engines Only)	
6	8841031	1	Transfer Box	
7	8307049	4	Washer, Lock M16	
8	8310317	4	HHCS, M16-2.0 x 75mm	
9	8526007	AR	Threadlocker Adhesive Sealant (.01 fl.oz.)	

SECTION 4 - POWER PLANT

SECTION 4 - POWER PLANT

FIGURE 4-1. ENGINE MOUNTING - CUMMINS (Prior to SN 9180)



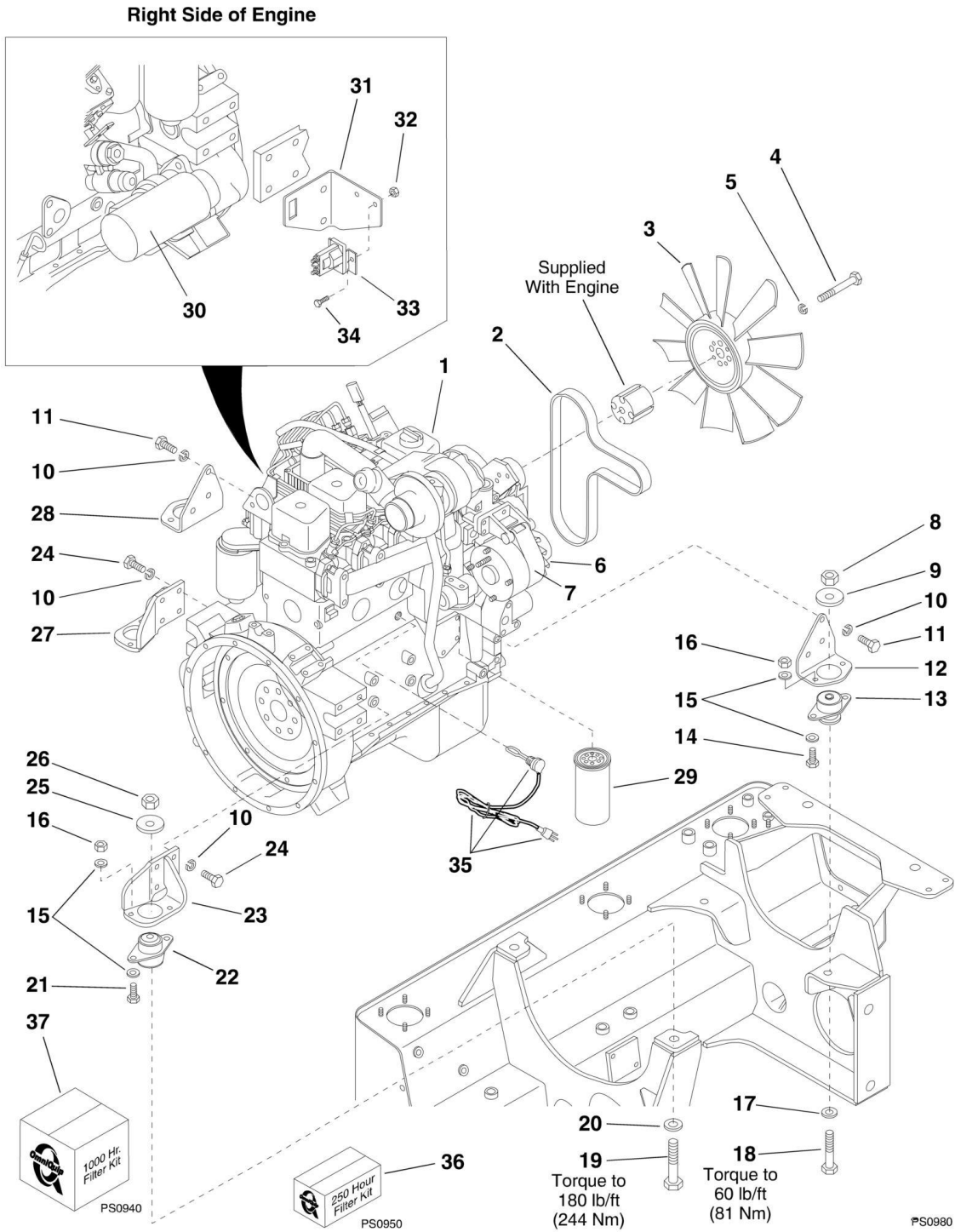
SECTION 4 - POWER PLANT

FIGURE 4-1. ENGINE MOUNTING - CUMMINS (Prior to SN 9180)

ITEM	PART NUMBER	QTY	DESCRIPTION	REV
1	8262139	1	Engine, Cummins 4BT 3.9 Turbo	
2	8035100	1	Belt, Fan	
3	8272017	1	Fan, 18in Suction	
4	8310364	4	HHCS, M10-1.5 x 90mm	
5	8307023	4	Washer, Lock M10	
6	8270220	1	Fan, Alternator	
7	8270221	1	Alternator, 65 Amp	
8	8770077	2	Connector, Straight, #10 ORB x #12 Flat Face	
9	8770080	2	Elbow, Swivel 90, #12 Flat Face	
10	2715082	2	Hose Assembly, Remote Oil Filter	
11	8584003	1	Tie Wrap	
12	8310109	2	Nut, Hex Lock Elastic 7/16-14	
13	7121951	2	Washer, Rebound 7/16in	
14	8307025	16	Washer, Lock M12	
15	8303790	6	HHCS, M12-1.75 x 30mm PC 8.8	
16	7127562	1	Mount, Engine, Rear Left Side	
17	8278021	2	Mount, Engine	
18	8303675	4	HHCS, 3/8-16 x 1-1/4in Gr 5	
19	8307110	16	Washer, Flat 3/8in Narrow	
20	8305645	8	Nut, Hex Lock Elastic 3/8-16	
21	8307113	2	Washer, Flat 7/16in Narrow	
22	8310289	2	HHCS, 7/16-14 x 3-1/4in Gr 8	
23	8310333	2	HHCS, 5/8-11 x 4in Gr 8	
24	8307107	2	Washer, Flat 5/8in Narrow	
25	8303621	4	HHCS, 3/8-16 x 1-1/2in Gr 5	
26	8278022	2	Mount, Engine	
27	7127492	1	Mount, Engine, Front Left Side	
28	8310164	8	HHCS, M12-1.75 x 40mm PC 8.8	
29	7132141	2	Washer, Rebound 5/8in	
30	8305643	2	Nut, Hex Lock Elastic 5/8-11	
31	7127462	1	Mount, Engine, Front Right Side	
32	7127552	1	Mount, Engine, Rear Right Side	
33	8320262	1	Filter, Engine Oil (Also Included In Filter Kits, Items 45 & 46)	
34	8770079	2	Elbow, 90, #12 ORB x #12 Flat Face	
35	7128592	1	Bracket, Oil Filter	
36	8307002	2	Washer, Lock 1/4in	
37	8303729	2	HHCS, 1/4-20 x 5/8in	
38	8303618	2	HHCS, M12-1.75 x 25mm	
39	8035278	1	Starter	
40	7131753	1	Mount, Starter Relay	
41	8305624	2	Nut, Hex Lock Elastic 1/4-20	
42	8277162	1	Relay, Starter (SN 10964 to Present)	
42	7138510	1	Kit, Sealed Relay (Prior to SN 10964)	
43	8310026	2	HHCS, 1/4-20 x 3/4in	
44	8277161	1	Heater, Coolant	
		Ref	KITS	
45	7138288	1	250 Hour Filter Kit (Includes 2 Filters; Engine Oil Filter and Fuel Filter)	
46	7138298	1	1000 Hour Filter Kit (Includes 6 Filters; Engine Oil Filter, Fuel Filter, Both Air Filters, Transmission Oil Filter and Hydraulic Oil Filter)	

SECTION 4 - POWER PLANT

FIGURE 4-2. ENGINE MOUNTING - CUMMINS (SN 9180 to Present)



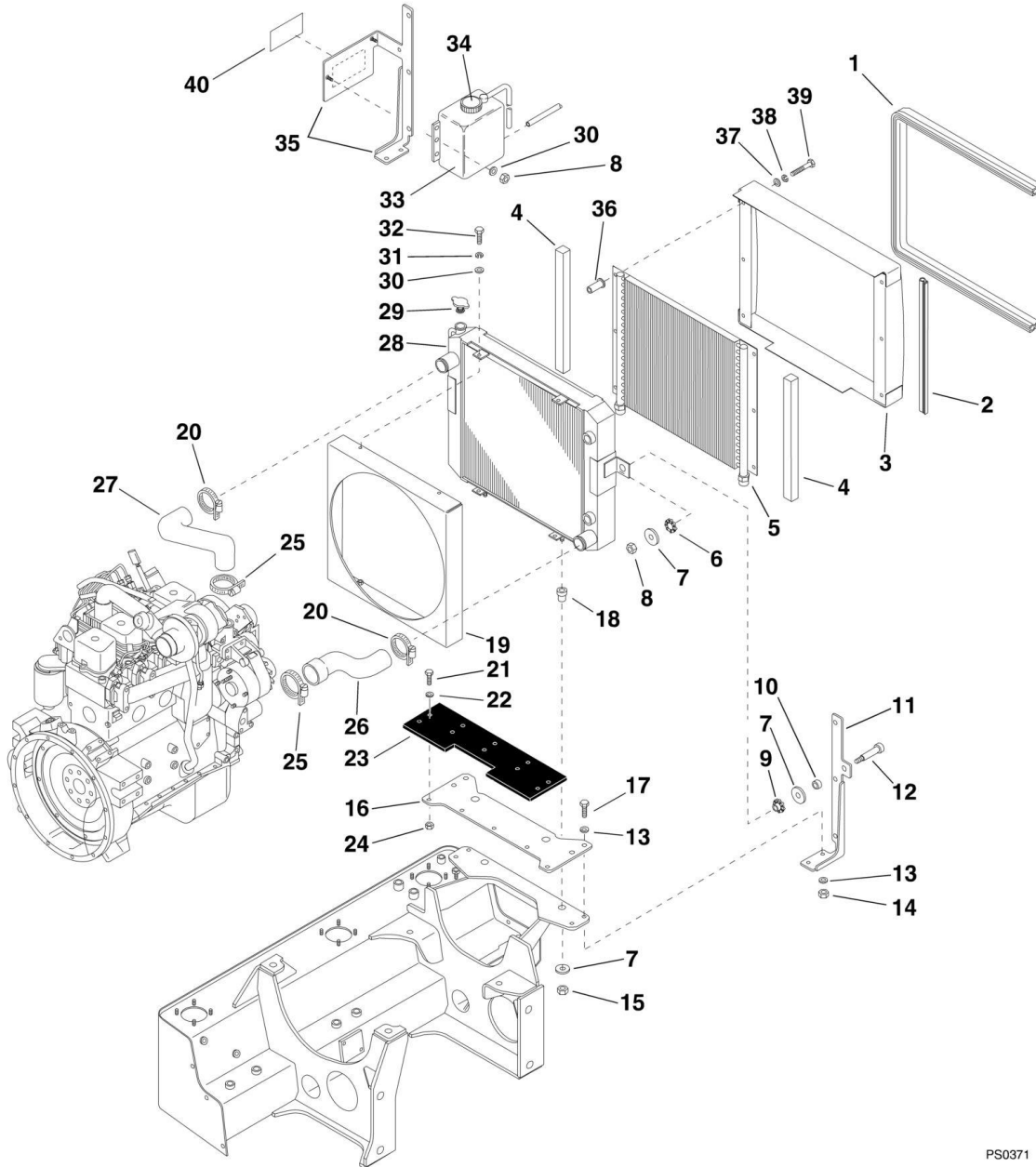
SECTION 4 - POWER PLANT

FIGURE 4-2. ENGINE MOUNTING - CUMMINS (SN 9180 to Present)

ITEM	PART NUMBER	QTY	DESCRIPTION	REV
1	8262139	1	Engine, Cummins 4BT 3.9 Turbo	
2	8035100	1	Belt, Fan	
3	8272017	1	Fan, 18in Suction	
4	8310364	4	HHCS, M10-1.5 x 90mm	
5	8307023	4	Washer, Lock M10	
6	8270220	1	Fan, Alternator	
7	8270221	1	Alternator, 65 Amp	
8	8310109	2	Nut, Hex Lock Elastic 7/16-14	
9	7121951	2	Washer, Rebound 7/16in	
10	8307025	14	Washer, Lock M12	
11	8303790	6	HHCS, M12-1.75 x 30mm PC 8.8	
12	7127562	1	Mount, Engine, Rear Left Side	
13	8278021	2	Mount, Engine	
14	8303675	4	HHCS, 3/8-16 x 1-1/4in Gr 5	
15	8307110	16	Washer, Flat 3/8in Narrow	
16	8305645	8	Nut, Hex Lock Elastic 3/8-16	
17	8307113	2	Washer, Flat 7/16in Narrow	
18	8310289	2	HHCS, 7/16-14 x 3-1/4in Gr 8	
19	8310333	2	HHCS, 5/8-11 x 4in Gr 8	
20	8307107	2	Washer, Flat 5/8in Narrow	
21	8303621	4	HHCS, 3/8-16 x 1-1/2in Gr 5	
22	8278022	2	Mount, Engine	
23	7127492	1	Mount, Engine, Front Left Side	
24	8310164	8	HHCS, M12-1.75 x 40mm PC 8.8	
25	7132141	2	Washer, Rebound 5/8in	
26	8305643	2	Nut, Hex Lock Elastic 5/8-11	
27	7127462	1	Mount, Engine, Front Right Side	
28	7127552	1	Mount, Engine, Rear Right Side	
29	8320262	1	Filter, Engine Oil (Also Included In Kits, Items 36 & 37)	
30	8035278	1	Starter	
31	7131753	1	Mount, Starter Relay	
32	8305624	2	Nut, Hex Lock Elastic 1/4-20	
33	8277162	1	Relay, Starter (SN 10964 to Present)	
33	7138510	1	Kit, Sealed Relay (Prior to SN 10964)	
34	8310026	2	HHCS, 1/4-20 x 3/4in	
35	8277161	1	Heater, Coolant	
		Ref	KITS	
36	7138288	1	250 Hour Filter Kit (Includes 2 Filters; Engine Oil Filter and Fuel Filter)	
37	7138298	1	1000 Hour Filter Kit (Includes 6 Filters; Engine Oil Filter, Fuel Filter, Both Air Filters, Transmission Oil Filter and Hydraulic Oil Filter)	

SECTION 4 - POWER PLANT

FIGURE 4-3. RADIATOR AND OIL COOLER (CUMMINS)



PS0371

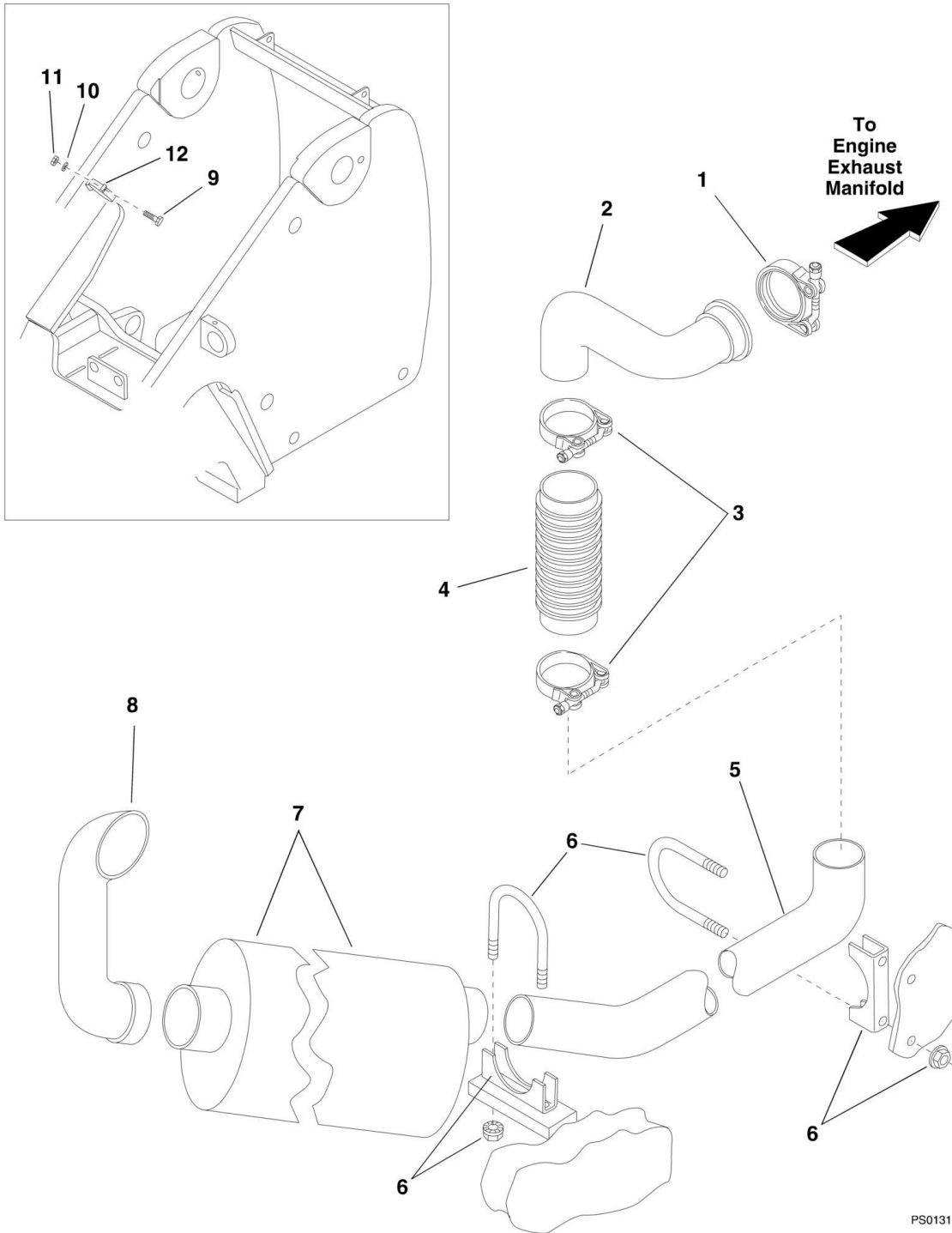
SECTION 4 - POWER PLANT

FIGURE 4-3. RADIATOR AND OIL COOLER (CUMMINS)

ITEM	PART NUMBER	QTY	DESCRIPTION	REV
1	7131952	1	Seal Bulb	
2	7132002	1	Moulding, Seal Bulb	
3	7131443	1	Baffle Assembly, Radiator	
4	7132012	2	Baffle, Foam	
5	7129973	1	Cooler, Oil	
6	8278024	2	Ring, Radiator Mount	
7	7057141	6	Washer, Rebound 3/8in	
8	8305626	4	Nut, Hex Lock Elastic 5/16-18	
9	8278023	2	Bushing, Radiator Mount	
10	7130131	2	Spacer	
11	7130042	1	Bracket, Radiator L.H.	
12	8310104	2	Bolt, Shoulder, Hex Socket Hd 3/8 x 1-1/2 x 5/16-18	
13	8307204	8	Washer, Flat 3/8in Wide	
14	8305645	4	Nut, Hex Lock Elastic 3/8-16	
15	8305603	2	Nut, Hex Lock 3/8-16	
16	7130422	1	Sheet	
17	8303621	4	HHCS, 3/8-16 x 1-1/2in Gr 5	
18	8278008	2	Mount, Rubber	
19	7131253	1	Shroud, Radiator	
20	8405104	2	Clamp, Radiator Hose - Radiator	
21	8310026	5	HHCS, 1/4-20 x 3/4in	
22	8307109	5	Washer, Flat 1/4in Narrow	
23	7130532	1	Baffle	
24	8305624	5	Nut, Hex Lock Elastic 1/4-20	
25	8405203	2	Clamp, Radiator Hose - Engine	
26	7126693	1	Hose, Radiator, Return	
27	7126703	1	Hose, Radiator, Input	
28	7126514	1	Radiator Assembly (Includes Item 29)	
29	8180311	1	Cap, Radiator - 13 psi (89.6 kPa)	
30	8307106	6	Washer, Flat 5/16in Narrow	
31	8307004	4	Washer, Lock 5/16in	
32	8303697	4	HHCS, 5/16-18 x 3/4in Gr 5	
33	7085422	1	Tank, Overflow 3 Qt (Includes Item 34)	
34	8866341	1	Cap w/Tether	
35	7130052	1	Bracket Assembly, Radiator R.H.	
36	8580420	6	Nut, Well	
37	8307202	6	Washer, Flat 1/4in Wide	
38	8307002	6	Washer, Lock 1/4in	
39	8303743	6	HHCS, 1/4-20 x 1-1/2in	
40	4108981	1	Decal, Fan Warning	

SECTION 4 - POWER PLANT

FIGURE 4-4. EXHAUST SYSTEM (CUMMINS)



PS0131

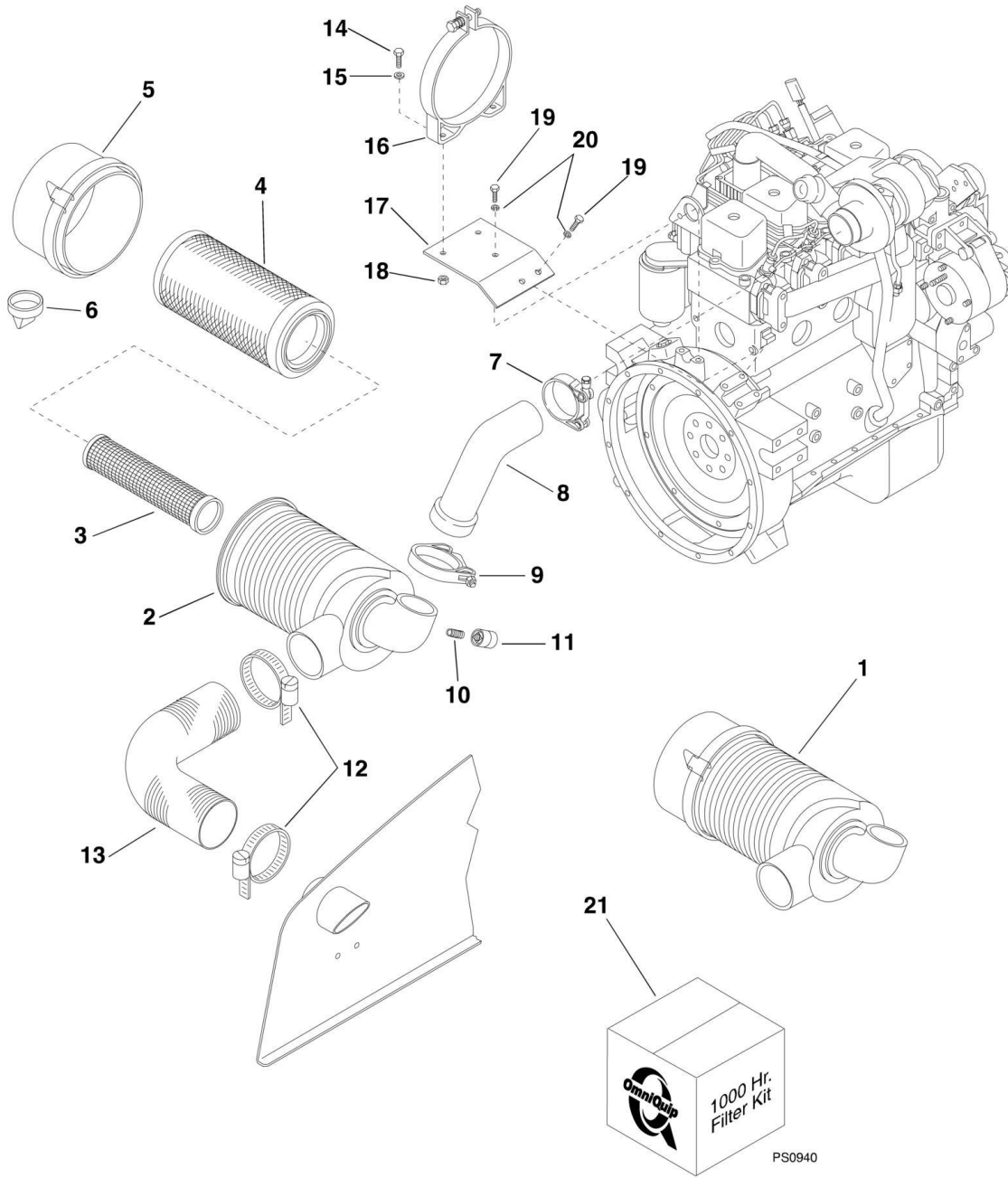
SECTION 4 - POWER PLANT

FIGURE 4-4. EXHAUST SYSTEM (CUMMINS)

ITEM	PART NUMBER	QTY	DESCRIPTION	REV
1	8275240	1	Clamp, V-Band	
2	7128102	1	Pipe, Exhaust	
3	8405209	2	Clamp, T Bolt Band - Heavy Duty	
4	8275037	1	Bellows, Exhaust	
5	7128092	1	Pipe, Exhaust	
6	8275212	2	Clamp, Muffler 2-1/2in Heavy Duty	
7	8275036	1	Muffler, Exhaust	
8	7128072	1	Pipe, Tail Exhaust	
9	8310412	1	HHCS, 7/16-14 x 1-3/4in Gr 5	
10	8307006	1	Washer, Lock 7/16in	
11	8310415	1	Nut, Hex 7/16-14	
12	7128142	1	Clamp, Muffler - Welded	

SECTION 4 - POWER PLANT

FIGURE 4-5. AIR CLEANER (CUMMINS)



PS0420

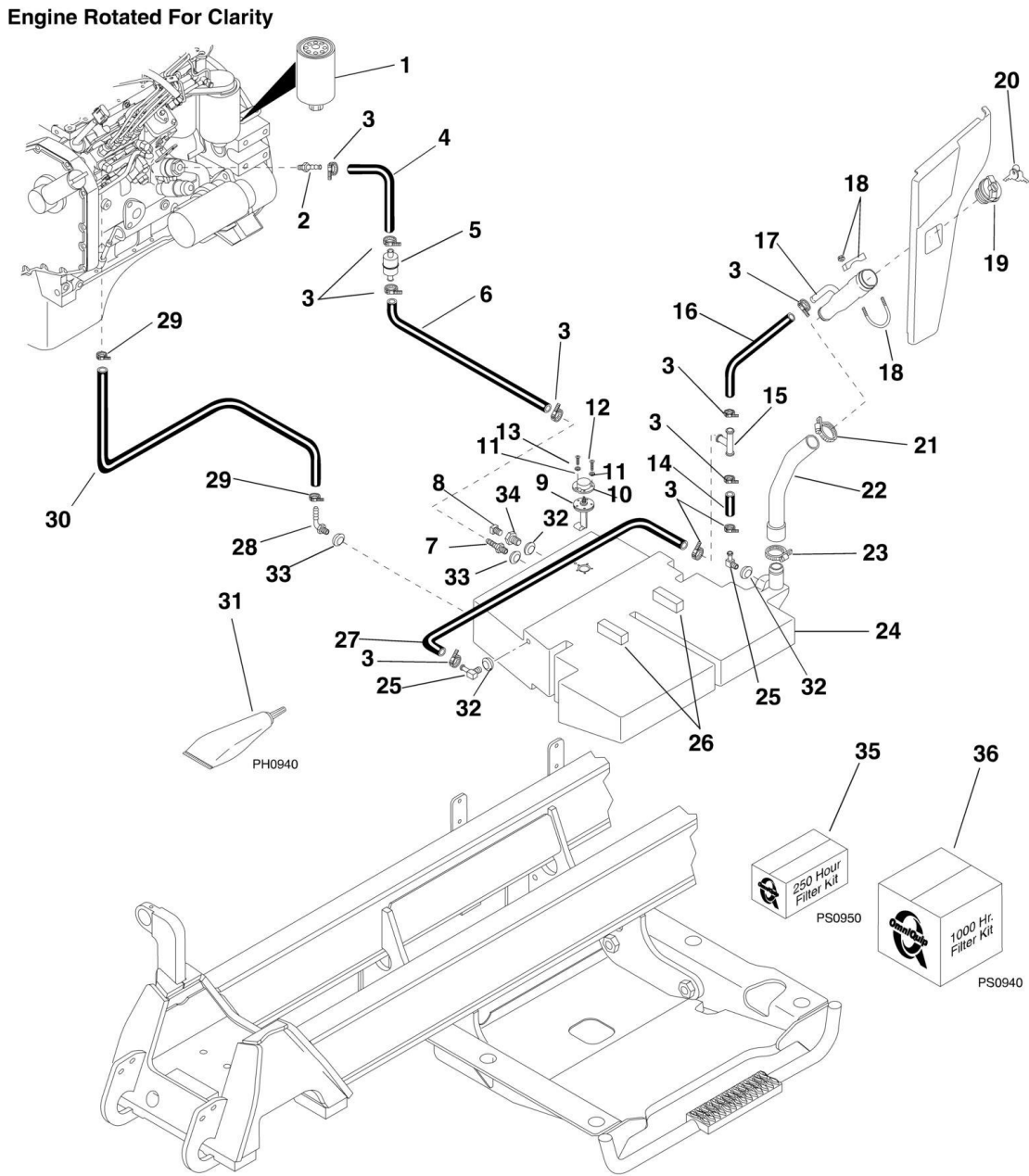
SECTION 4 - POWER PLANT

FIGURE 4-5. AIR CLEANER (CUMMINS)

ITEM	PART NUMBER	QTY	DESCRIPTION	REV
1	8273022	1	Air Cleaner Assembly (Includes Items 2 thru 6)	
2	N.S.S.	1	Body Assembly	
3	8035099	1	Filter, Safety (Also Included In Kit, Item 21)	
4	8035098	1	Filter, Primary (Also Included In Kit, Item 21)	
5	8035279	1	Cover Assembly	
6	8032398	1	Valve, Vacuator	
7	8405307	1	Clamp, T Bolt, Heavy Duty	
8	7126833	1	Hose, Air Cleaner	
9	8405306	1	Clamp, T Bolt	
10	8551001	1	Nipple, Close #2	
11	8223527	1	Switch, Vacuum	
12	8405301	2	Clamp, Hose SAE Type F	
13	7132022	1	Hose, Air Intake	
14	8303697	2	HHCS, 5/16-18 x 3/4in	
15	8307106	2	Washer, Flat 5/16in Narrow	
16	8273297	1	Band Assembly, Air Cleaner Mount	
17	7127742	1	Plate, Air Cleaner Mount	
18	8305626	2	Nut, Hex Lock Elastic 5/16-18	
19	8303675	3	HHCS, 3/8-16 x 1-1/4in Gr 5	
20	8307005	3	Washer, Lock 3/8in	
		Ref	KITS	
21	7138298	1	1000 Hour Filter Kit (Includes 6 Filters; Engine Oil Filter, Fuel Filter, Both Air Filters, Transmission Oil Filter and Hydraulic Oil Filter)	

SECTION 4 - POWER PLANT

FIGURE 4-6. FUEL SYSTEM (CUMMINS)



PS0442

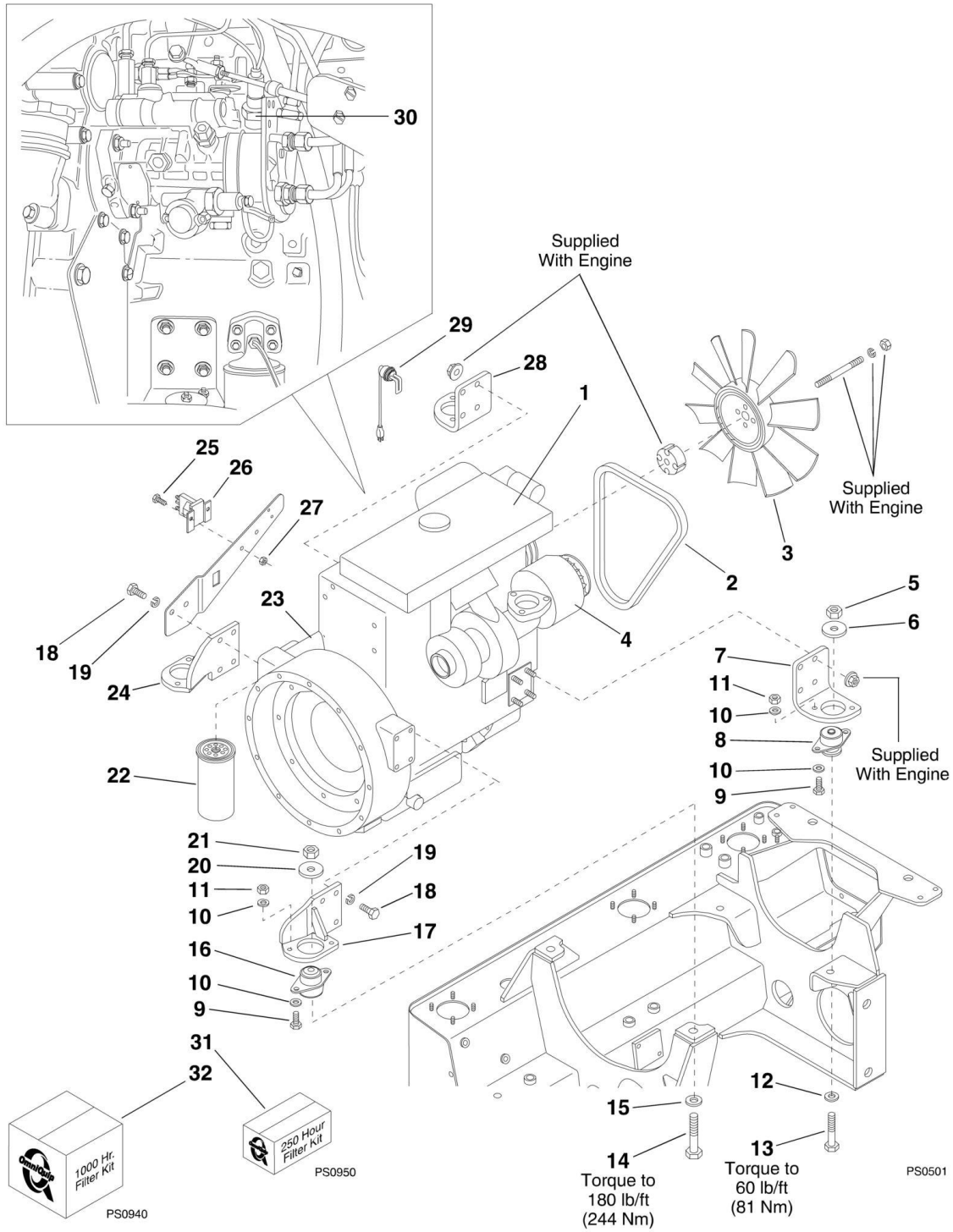
SECTION 4 - POWER PLANT

FIGURE 4-6. FUEL SYSTEM (CUMMINS)

ITEM	PART NUMBER	QTY	DESCRIPTION	REV
1	8320270	1	Filter, Fuel (Also Included In Filter Kits, Items 32 & 33)	
2	8430007	1	Connector, Straight Barb #6-4P	
3	8410009	10	Clamp, Hose, SAE Type F	
4	7132131	1	Hose, Fuel 3/8 x 10in	
5	8274022	1	Strainer, Fuel	
6	7132121	1	Hose, Fuel 3/8 x 85in (Fuel Supply From Tank)	
7	8430093	1	Connector 3/8in Hose (Note: To Be Used With All Threaded Fittings)	
8	8541404	1	Plug, Square Hd Black MI #6P (Note: To Be Used With All Threaded Fittings)	
9	7120613	1	Sender, Fuel w/Gasket	
10	7131992	1	Cover, Fuel Sender	
11	8307003	5	Washer, Lock #10	
12	8303837	4	Screw, Pan Hd #10-24 x 3/4in	
13	8303836	1	Screw, Pan Hd #10-24 x 5/8in	
14	7129111	1	Hose, Fuel Breather	
15	8430072	1	Tee, Beaded, Hose	
16	7129101	1	Hose, Fuel Breather	
17	7128602	1	Filler, Fuel	
18	8275209	1	Clamp, Muffler, U Type 2in	
19	8322036	1	Cap, Fuel w/Keys (Includes Item 20)	
20	8035292	1	Keys (Set of Two)	
21	8405104	1	Clamp, Hose, Upper SAE Type F	
22	7129133	1	Hose, Fuel Filler	
23	8405202	1	Clamp, Hose, Lower SAE Type F	
24	7138736	1	Tank, Fuel	
25	8430095	2	Elbow, 5/8in (Note: To Be Used With All Threaded Fittings)	
26	5724742	2	Gasket	
27	7129121	1	Hose, Fuel Breather	
28	8430094	1	Elbow, 5/16in Hose (Note: To Be Used With All Threaded Fittings)	
29	8405009	2	Clamp, Hose, Minature 7/32in Dia	
30	7132111	1	Hose, Fuel Return	
31	8526015	AR	Sealant, Pipe Thread w/Teflon 8oz (Note: To Be Used With All Threaded Fittings)	
32	8660011	3	Grommet, 5/8in Fitting	
33	8660010	2	Grommet, 3/8in Fitting	
34	8430092	1	Drain, Hex - 3/8in-18 NPT	
		Ref	KITS	
35	7138288	1	250 Hour Filter Kit (Includes 2 Filters; Engine Oil Filter and Fuel Filter)	
36	7138298	1	1000 Hour Filter Kit (Includes 6 Filters; Engine Oil Filter, Fuel Filter, Both Air Filters, Transmission Oil Filter and Hydraulic Oil Filter)	

SECTION 4 - POWER PLANT

FIGURE 4-7. ENGINE MOUNTING (PERKINS NATURAL AND TURBO)



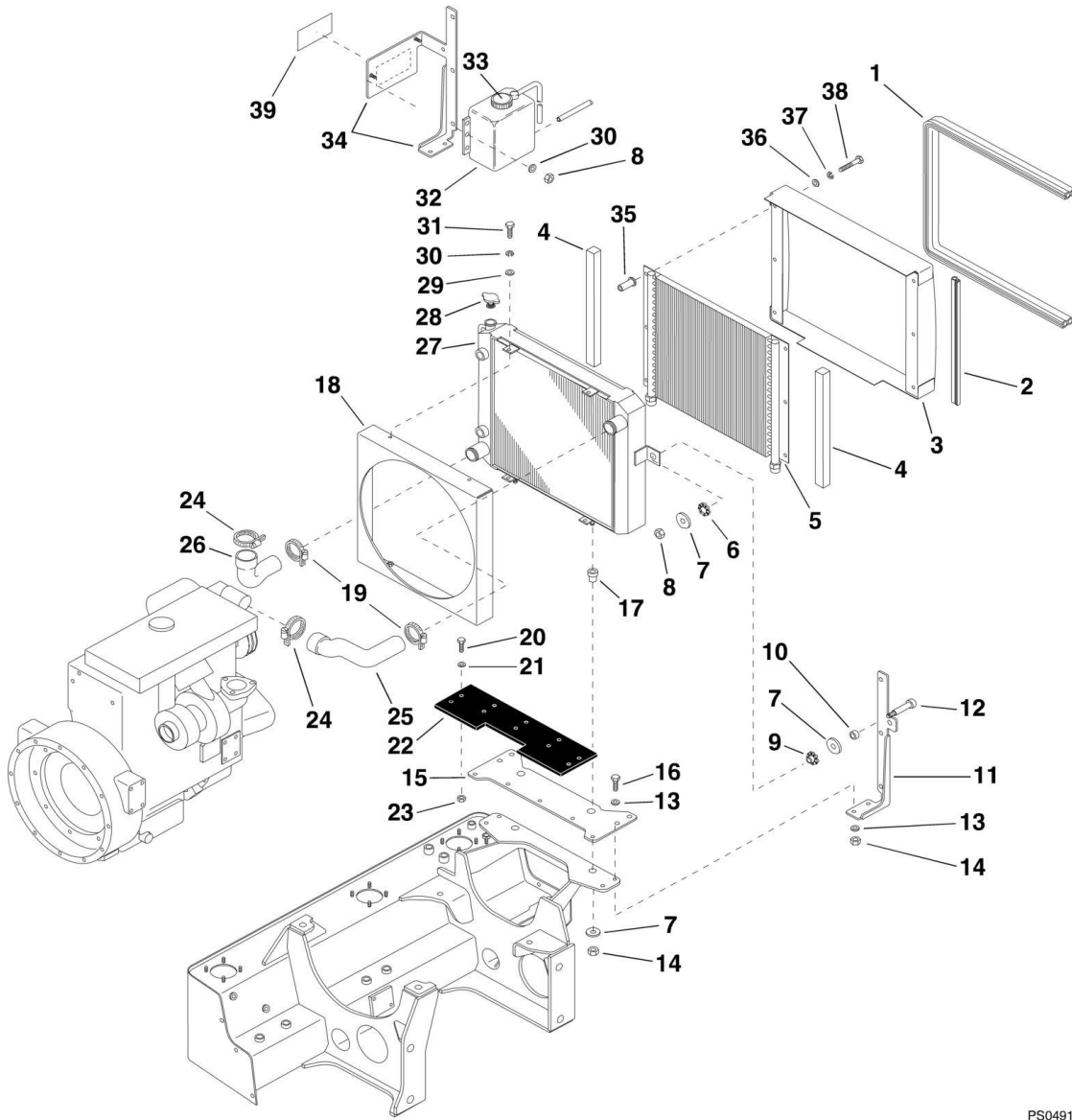
SECTION 4 - POWER PLANT

FIGURE 4-7. ENGINE MOUNTING (PERKINS NATURAL AND TURBO)

ITEM	PART NUMBER	QTY	DESCRIPTION	REV
1	8262134	1	Engine, Perkins Naturally Aspirated 1004.42	
1	8262135	1	Engine, Perkins Turbo 1004.40T	
2	8035095	1	Belt, Fan (Set Of Two)	
3	8272013	1	Fan, 10 Blade 18in Suction	
4	8035299	1	Alternator 65 Amp	
5	8310109	2	Nut, Hex Lock Elastic 7/16-14	
6	7121951	2	Washer, Rebound 7/16in	
7	7127762	1	Mount, Engine, Rear Left Side	
8	8278021	2	Mount, Engine	
9	8303621	8	HHCS, 3/8-16 x 1-1/2in Gr 5	
10	8307110	16	Washer, Flat 3/8in Narrow	
11	8305645	8	Nut, Hex Lock Elastic 3/8-16	
12	8307113	2	Washer, Flat 7/16in Narrow	
13	8310289	2	HHCS, 7/16-14 x 3-1/4in Gr 8	
14	8310333	2	HHCS, 5/8-11 x 4in Gr 8	
15	8307107	2	Washer, Flat 5/8in Narrow	
16	8278022	2	Mount, Engine	
17	7127782	1	Mount, Engine, Front Left Side	
18	8310164	8	HHCS, M12-1.75 x 40mm PC 8.8	
19	8307025	8	Washer, Lock M12	
20	7132141	2	Washer, Rebound 5/8in	
21	8305643	2	Nut, Hex Lock Elastic 5/8-11	
22	8035097	1	Filter, Engine Oil - Turbo (Also Included In Filter Kits, Items 31 & 32)	
22	8320242	1	Filter, Engine Oil - Natural (Also Included In Filter Kits, Items 31 & 32)	
23	8035298	1	Starter	
24	7127772	1	Mount, Engine, Front Right Side	
25	8310026	2	HHCS, 1/4-20 x 3/4in	
26	8277143	1	Relay, Starter	
27	8305624	2	Nut, Hex Lock Elastic 1/4-20	
28	7127752	1	Mount, Engine, Rear Right Side	
30	8035719	1	Solenoid, Fuel Shut-off	
		Ref	KITS	
31	7138285	1	250 Hour Filter Kit - Perkins Natural (Includes 2 Filters; Engine Oil Filter and Fuel Filter)	
31	7138286	1	250 Hour Filter Kit - Perkins Turbo (Includes 2 Filters; Engine Oil Filter and Fuel Filter)	
32	7138299	1	1000 Hour Filter Kit - Perkins Natural (Includes 6 Filters; Engine Oil Filter, Fuel Filter, Both Air Filters, Transmission Oil Filter and Hydraulic Oil Filter)	
32	7138432	1	1000 Hour Filter Kit - Perkins Turbo (Includes 6 Filters; Engine Oil Filter, Fuel Filter, Both Air Filters, Transmission Oil Filter and Hydraulic Oil Filter)	

SECTION 4 - POWER PLANT

FIGURE 4-8. RADIATOR AND OIL COOLER (PERKINS NATURAL AND TURBO)



PS0491

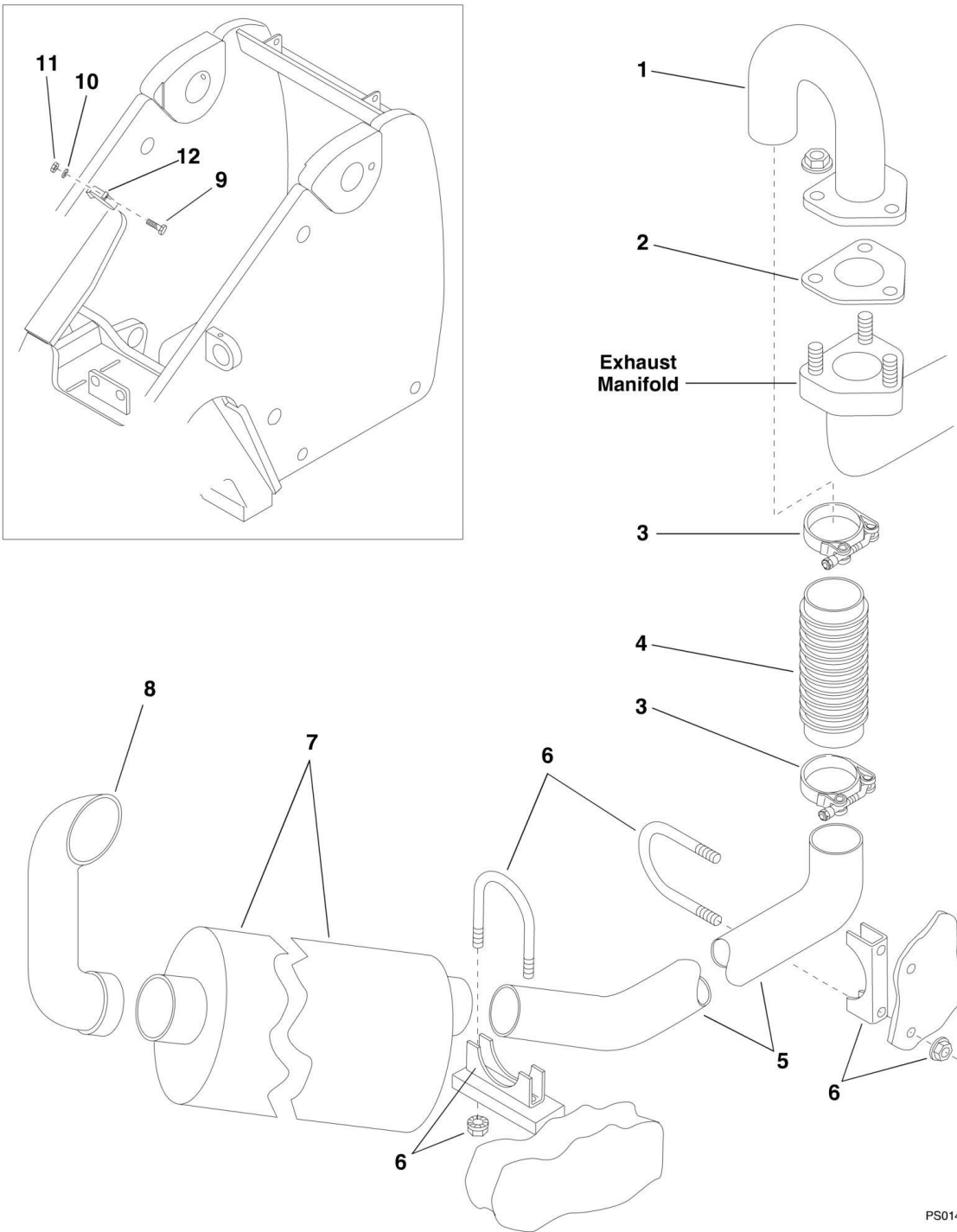
SECTION 4 - POWER PLANT

FIGURE 4-8. RADIATOR AND OIL COOLER (PERKINS NATURAL AND TURBO)

ITEM	PART NUMBER	QTY	DESCRIPTION	REV
1	7131952	1	Seal Bulb	
2	7132002	1	Moulding, Seal Bulb	
3	7131443	1	Baffle Assembly, Radiator	
4	7132012	2	Baffle, Foam	
5	7129973	1	Cooler, Oil	
6	8278024	2	Ring, Radiator Mount	
7	7057141	6	Washer, Rebound 3/8in	
8	8305626	4	Nut, Hex Lock Elastic 5/16-18	
9	8278023	2	Bushing, Radiator Mount	
10	7130131	2	Spacer	
11	7130042	1	Bracket, Radiator L.H.	
12	8310104	2	Bolt, Shoulder, Hex Socket Hd 3/8 x 1-1/2 x 5/16-18	
13	8307204	8	Washer, Flat 3/8in Wide	
14	8305645	6	Nut, Hex Lock Elastic 3/8-16	
15	7130422	1	Sheet	
16	8303621	4	HHCS, 3/8-16 x 1-1/2in Gr 5	
17	8278008	2	Mount, Rubber	
18	7131253	1	Shroud, Radiator	
19	8405104	2	Clamp, Radiator Hose - Radiator	
20	8310026	5	HHCS, 1/4-20 x 3/4in	
21	8307109	5	Washer, Flat 1/4in Narrow	
22	7130532	1	Baffle	
23	8305624	5	Nut, Hex Lock Elastic 1/4-20	
24	8405203	2	Clamp, Radiator Hose - Engine	
25	7133383	1	Hose, Radiator, Input	
26	7119613	1	Hose, Radiator, Return	
27	7119744	1	Radiator Assembly (Includes Item 28)	
28	8180311	1	Cap, Radiator - 13 psi (89.6 kPa)	
29	8307106	6	Washer, Flat 5/16in Narrow	
30	8307004	4	Washer, Lock 5/16in	
31	8303697	4	HHCS, 5/16-18 x 3/4in Gr 5	
32	7085422	1	Tank, Overflow 3 Qt (Includes Item 33)	
33	8866341	1	Cap w/Tether	
34	7130052	1	Bracket Assembly, Radiator R.H.	
35	8580420	6	Nut, Well	
36	8307202	6	Washer, Flat 1/4in Wide	
37	8307002	6	Washer, Lock 1/4in	
38	8303743	6	HHCS, 1/4-20 x 1-1/2in	
39	4108981	1	Decal, Fan Warning	

SECTION 4 - POWER PLANT

FIGURE 4-9. EXHAUST SYSTEM (PERKINS NATURAL AND TURBO)



PS0141

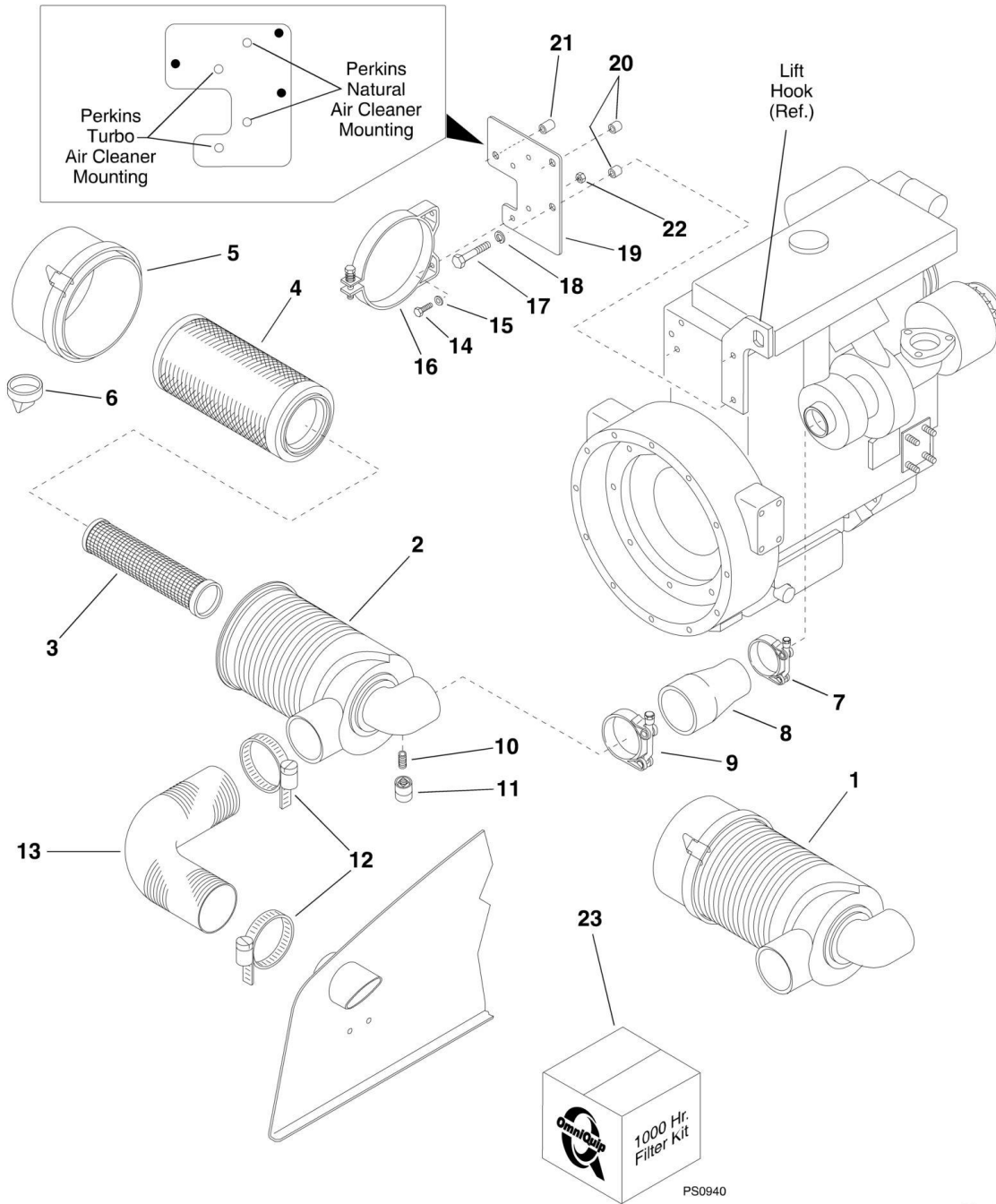
SECTION 4 - POWER PLANT

FIGURE 4-9. EXHAUST SYSTEM (PERKINS NATURAL AND TURBO)

ITEM	PART NUMBER	QTY	DESCRIPTION	REV
1	7128342	1	Pipe, Exhaust Manifold to Bellows (Turbo Only)	
1	7132722	1	Pipe, Exhaust Manifold to Bellows (Natural Only)	
2	8866471	1	Gasket, Exhaust	
3	8405209	2	Clamp, T Bolt Band - Heavy Duty	
4	8275037	1	Bellows, Exhaust	
5	7128332	1	Pipe, Exhaust - Turbo Only	
5	7132732	1	Pipe, Exhaust - Natural Only	
6	8275212	2	Clamp, Muffler 2-1/2in Heavy Duty	
7	8275036	1	Muffler, Exhaust	
8	7128072	1	Pipe, Tail Exhaust	
9	8310412	1	HHCS, 7/16-14 x 1-3/4in Gr 5	
10	8307006	1	Washer, Lock 7/16in	
11	8310415	1	Nut, Hex 7/16-14	
12	7128142	1	Clamp, Muffler - Welded	

SECTION 4 - POWER PLANT

FIGURE 4-10. AIR CLEANER (PERKINS NATURAL AND TURBO)



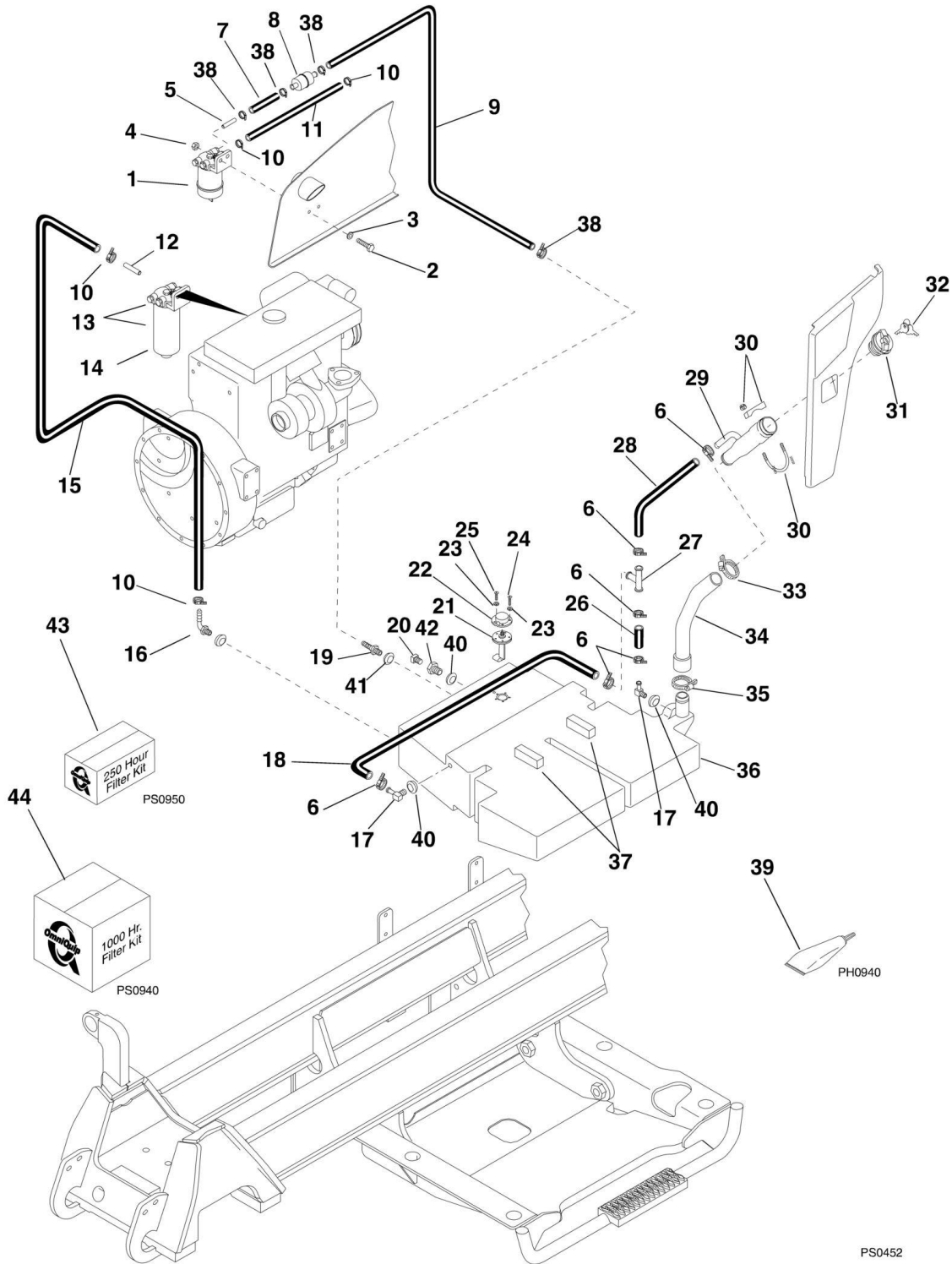
SECTION 4 - POWER PLANT

FIGURE 4-10. AIR CLEANER (PERKINS NATURAL AND TURBO)

ITEM	PART NUMBER	QTY	DESCRIPTION	REV
1	8273022	1	Air Cleaner Assembly (Includes Items 2 thru 6)	
2	N.S.S.	1	Body Assembly	
3	8035099	1	Filter, Safety (Also Included In Filter Kit, Item 23)	
4	8035098	1	Filter, Primary (Also Included In Filter Kit, Item 23)	
5	8035279	1	Cover Assembly	
6	8032398	1	Valve, Vacuator	
7	8405305	1	Clamp, T Bolt, Heavy Duty (Natural Only)	
7	8405212	1	Clamp, T Bolt, Heavy Duty (Turbo Only)	
8	7132712	1	Hose, Air Cleaner (Natural Only)	
8	7125942	1	Hose, Air Cleaner (Turbo Only)	
9	8405307	1	Clamp, T Bolt, Heavy Duty	
10	8551001	1	Nipple, Close #2	
11	8223527	1	Switch, Vacuum	
12	8405301	2	Clamp, Hose SAE Type F	
13	7132022	1	Hose, Air Intake	
14	8303697	2	HHCS, 5/16-18 x 3/4in	
15	8307106	2	Washer, Flat 5/16in Narrow	
16	8273297	1	Band Assembly, Air Cleaner Mount	
17	8303778	3	HHCS, M10-1.5 x 40mm PC 8.8	
18	8307023	3	Washer, Lock M10	
19	7121402	1	Plate, Air Cleaner Mount	
20	7130131	2	Spacer .49 Long	
21	7130121	1	Spacer .71 Long	
22	8305626	2	Nut, Hex Lock Elastic 5/16-18	
		Ref	KITS	
23	7138299	1	1000 Hour Filter Kit - Perkins Natural (Includes 6 Filters; Engine Oil Filter, Fuel Filter, Both Air Filters, Transmission Oil Filter and Hydraulic Oil Filter)	
23	7138432	1	1000 Hour Filter Kit - Perkins Turbo (Includes 6 Filters; Engine Oil Filter, Fuel Filter, Both Air Filters, Transmission Oil Filter and Hydraulic Oil Filter)	

SECTION 4 - POWER PLANT

FIGURE 4-11. FUEL SYSTEM (PERKINS NATURAL AND TURBO)



SECTION 4 - POWER PLANT

FIGURE 4-11. FUEL SYSTEM (PERKINS NATURAL AND TURBO)

ITEM	PART NUMBER	QTY	DESCRIPTION	REV
1	8035297	1	Separator, Fuel/Water	
2	8303739	2	HHCS, 5/16-18 x 1-1/4in	
3	8307106	2	Washer, Flat 5/16in Narrow	
4	8305626	2	Nut, Hex Lock Elastic 5/16-18	
5	7129681	1	Union, 5/16in - 13/32in Tube	
6	8410009	6	Clamp, Hose, SAE Type F	
7	7127881	1	Hose, Fuel 3/8 x 4in	
8	8274022	1	Strainer, Fuel	
9	7132661	1	Hose, Fuel 3/8 x 68in (Fuel Supply From Tank)	
10	8405009	4	Clamp, Hose, Minature 7/32in Dia	
11	7132671	1	Hose, Fuel 5/16 x 18in	
12	7129691	1	Union, 1/4in - 5/16in Tube	
13	8035096	1	Filter, Fuel Assembly (Includes Item 14)	
14	8034092	1	Filter, Fuel (Also Included in Filter Kits, Items 40 & 41)	
15	7132111	1	Hose, Fuel Return	
16	8430094	1	Elbow, 90, 5/16in Hose (Note: To Be Used With All Threaded Fittings)	
17	8430095	2	Elbow, 90, 5/8in Hose (Note: To Be Used With All Threaded Fittings)	
18	7129121	1	Hose, Fuel Breather	
19	8430093	1	Connector 3/8in Hose (Note: To Be Used With All Threaded Fittings)	
20	8541404	1	Plug, Square Hd Black MI #6P (Note: To Be Used With All Threaded Fittings)	
21	7120613	1	Sender, Fuel w/Gasket	
22	7131992	1	Cover, Fuel Sender	
23	8307003	5	Washer, Lock #10	
24	8303837	4	Screw, Pan Hd #10-24 x 3/4in	
25	8303836	1	Screw, Pan Hd #10-24 x 5/8in	
26	7129111	1	Hose, Fuel Breather	
27	8430072	1	Tee, Beaded, Hose	
28	7129101	1	Hose, Fuel Breather	
29	7128602	1	Filler, Fuel	
30	8275209	1	Clamp, Muffler, U Type 2in	
31	8322036	1	Cap, Fuel w/Keys (Includes Item 32)	
32	8035292	1	Keys (Set of Two)	
33	8405104	1	Clamp, Hose, Upper SAE Type F	
34	7129133	1	Hose, Fuel Filler	
35	8405202	1	Clamp, Hose, Lower SAE Type F	
36	7138736	1	Tank, Fuel	
37	5724742	2	Gasket	
38	8410013	4	Clamp, Hose SAE Type F #6	
39	8526015	AR	Sealant, Pipe Thread w/Teflon 8oz (Note: To Be Used With All Threaded Fittings)	
40	8660011	3	Grommet, 5/8in Fitting	
41	8660010	2	Grommet, 3/8in Fitting	
42	8430092	1	Drain, Hex - 3/8in-18 NPT	
		Ref	KITS	
43	7138285	1	250 Hour Filter Kit - Perkins Natural (Includes 2 Filters; Engine Oil Filter and Fuel Filter)	
43	7138286	1	250 Hour Filter Kit - Perkins Turbo (Includes 2 Filters; Engine Oil Filter and Fuel Filter)	

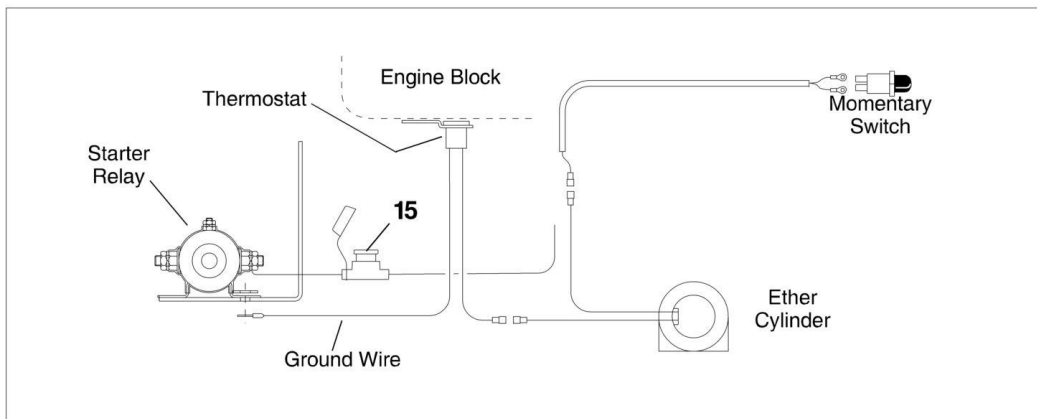
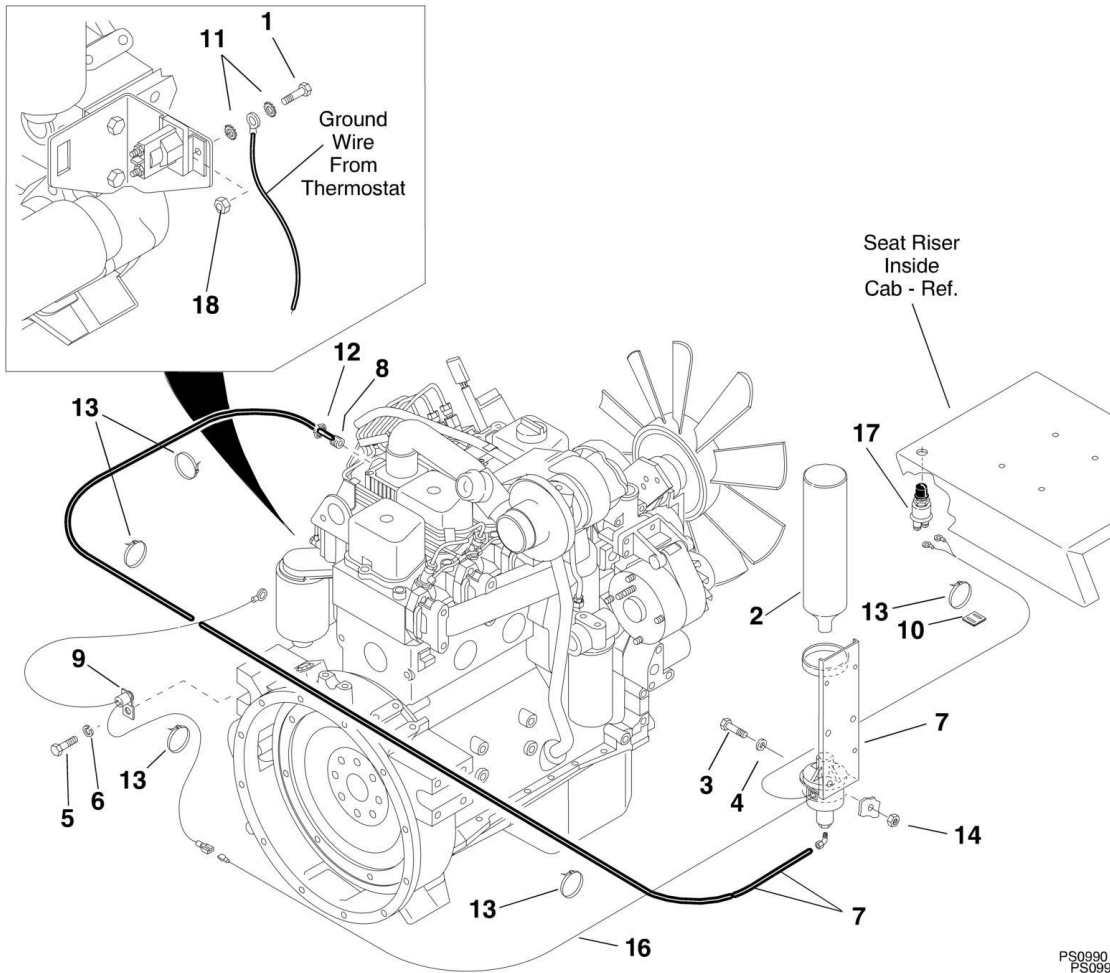
SECTION 4 - POWER PLANT

ITEM	PART NUMBER	QTY	DESCRIPTION	REV
44	7138299	1	1000 Hour Filter Kit - Perkins Natural (Includes 6 Filters; Engine Oil Filter, Fuel Filter, Both Air Filters, Transmission Oil Filter and Hydraulic Oil Filter)	
44	7138432	1	1000 Hour Filter Kit - Perkins Turbo (Includes 6 Filters; Engine Oil Filter, Fuel Filter, Both Air Filters, Transmission Oil Filter and Hydraulic Oil Filter)	

SECTION 4 - POWER PLANT

FIGURE 4-12. COLD START KIT (CUMMINS)

RIGHT SIDE OF ENGINE



SECTION 4 - POWER PLANT

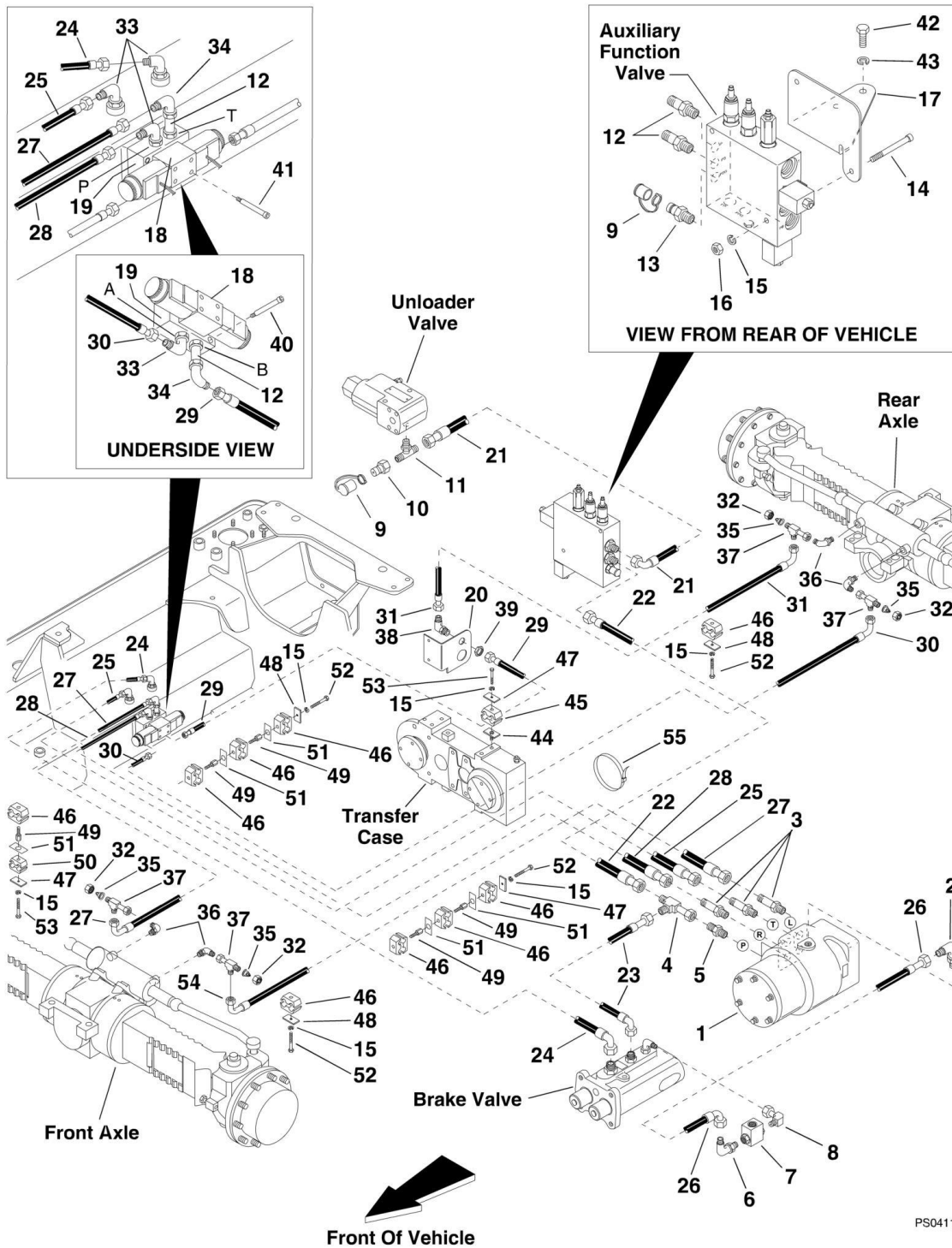
FIGURE 4-12. COLD START KIT (CUMMINS)

ITEM	PART NUMBER	QTY	DESCRIPTION	REV
1	8310026	2	HHCS, 1/4-20 x 3/4in	
2	8277098	1	Cylinder, Ether Fluid 18oz	
3	8303725	2	HHCS, 7/16-14 x 3/4in Gr 5	
4	8307113	2	Washer, Plain 7/16in	
5	8303533	1	HHCS, M12 x 1-3/4 x 20mm	
6	8307025	1	Washer, Lock M12	
7	7138529	1	Kit, Ether Start	
8	8277101	1	Atomizer, Ether Start	
9	7138531	1	Thermostat	
10	8584018	3	Tie Mount	
11	8310002	2	Washer, External Tooth Lock 1/4in	
12	8530024	1	Bushing, Hex 12P-2P	
13	8584001	8	Tie, Plastic	
14	8310109	2	Nut, Lock Elastic 7/16-14	
15	8229244	1	Minifuse - 15 Amp	
16	7138538	1	Harness, Wire Ether Start	
17	8223454	1	Switch, Momentary Push Button	
18	8305624	2	Nut, Hex Lock Elastic 1/4-20	

SECTION 5 - HYDRAULIC CIRCUITS

SECTION 5 - HYDRAULIC CIRCUITS

FIGURE 5-1. POWER STEERING CIRCUIT



PS0411

SECTION 5 - HYDRAULIC CIRCUITS

FIGURE 5-1. POWER STEERING CIRCUIT

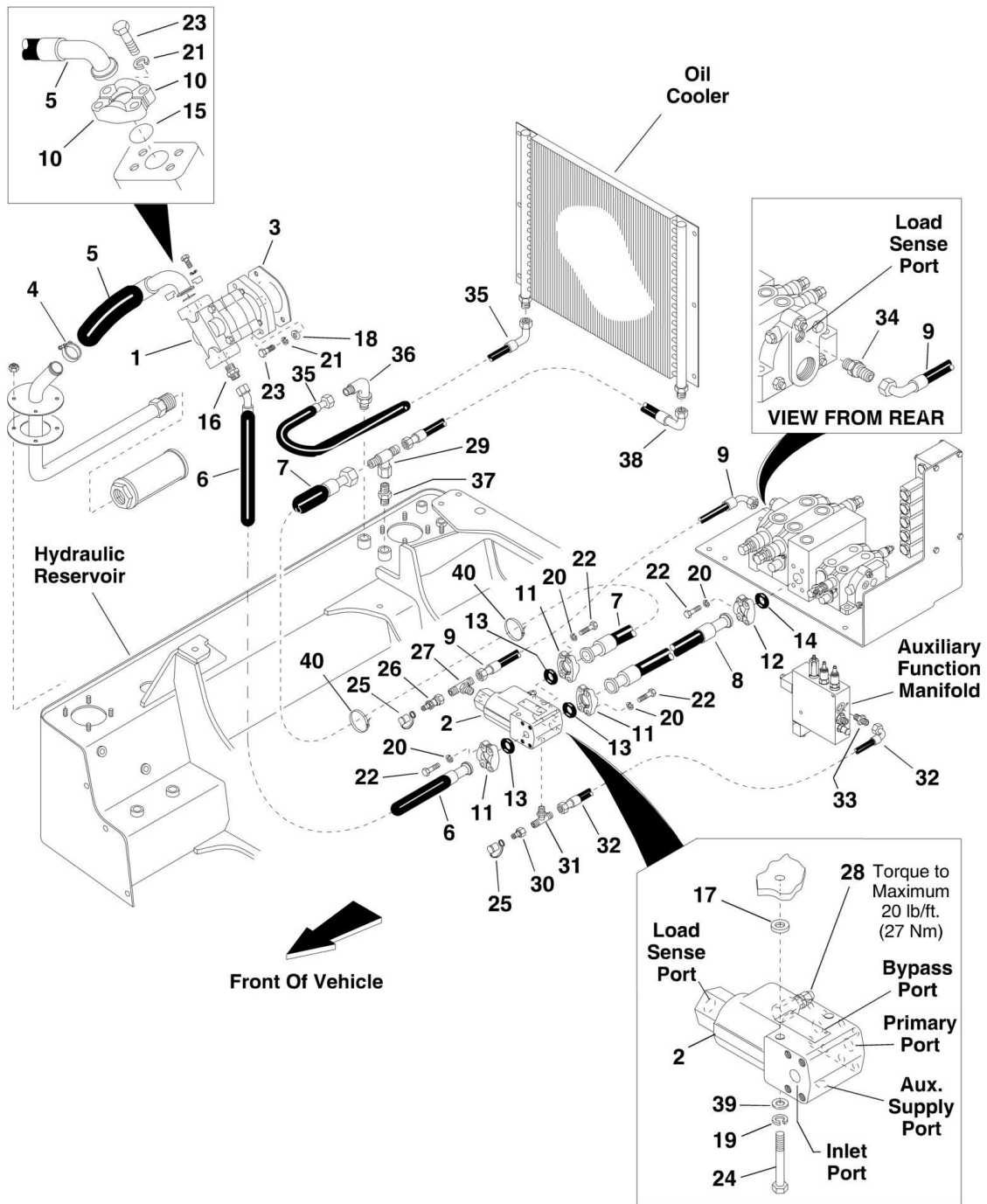
ITEM	PART NUMBER	QTY	DESCRIPTION	REV
1	8721029	1	Steering Unit	
2	8770102	1	Elbow, 90, SAE 6-4 - str thd ORB x o-ring face seal	
3	8770117	3	Connector, Long, SAE 8 - str thd ORB x o-ring face seal	
4	8770131	1	Check Valve 8-8	
5	8770125	1	Tee, Swivel Run, SAE 6 - o-ring face seal	
6	8770068	1	Elbow, 90, SAE 6 - str thd ORB x o-ring face seal	
7	8902175	1	Valve, Shuttle	
8	8770104	1	Elbow, 90, SAE 6 - str thd ORB x o-ring face seal swivel	
9	8430032	2	Plug, Dust	
10	8430082	1	Nipple, Diagnostic	
11	8770126	1	Tee, Branch, SAE 8 - str. thd. ORB x o-ring face seal	
12	8770116	4	Connector, SAE 8 - str. thd. ORB x o-ring face seal	
13	8430043	1	Nipple, Diagnostic 9/16-18	
14	8303757	2	HHCS, 5/16-18 x 2-1/2in	
15	8307004	9	Washer, Lock 5/16	
16	8305006	2	Nut, Hex 5/16-18	
17	7129572	1	Bracket, Auxiliary Valve Mounting	
18	8902170	1	Valve, Steer Select	
19	8902111	1	Manifold, Steer Select	
20	7129582	1	Bracket, Bulkhead Fittings	
21	2715462	1	Hose, 1/2in I.D. x 28.3in Long	
22	2715412	1	Hose, 1/2in I.D. x 84in Long	
23	2715282	1	Hose, 1/2in I.D. x 14in Long	
24	2715252	1	Hose, 1/2in I.D. x 98in Long	
25	2715242	1	Hose, 1/2in I.D. x 87in Long	
26	2715232	1	Hose, 3/8in I.D. x 13in Long	
27	2715152	1	Hose, 1/2in I.D. x 76-1/2in Long	
28	2715162	1	Hose, 1/2in I.D. x 78in Long	
29	2715142	1	Hose, 1/2in I.D. x 42in Long	
30	2715122	1	Hose, 1/2in I.D. x 112in Long	
31	2715112	1	Hose, 1/2in I.D. x 30in Long	
32	8770113	4	Nut, SAE 8	
33	8770114	4	Elbow, 90, SAE 8 - str thd ORB x o-ring face seal	
34	8770115	2	Elbow, 90, Swivel, SAE 8 - o-ring face seal	
35	8770119	4	Cap, Bleed Adapter, 8 - o-ring face seal	
36	8770120	4	Elbow, 90, M18-8 - metric str thd ORB x o-ring face seal	
37	8770125	4	Tee, Swivel Run, SAE 8 - o-ring face seal	
38	8770128	1	Elbow, 90, Bulkhead, SAE 8 - o-ring face seal	
39	8770129	1	Nut, Bulkhead, SAE 8 - o-ring face seal	
40	8310326	2	SHCS, 5/16-18 x 1-1/8in	
41	8310327	4	SHCS, #10-24 x 1-1/8in	
42	8310165	2	HHCS, M14-2,0 x 20mm	
43	8310089	2	Washer, Lock M14	
44	7125932	1	Base, Clamp	
45	8750014	1	Twin Clamp Set - .62 Hose	
46	8750016	9	Twin Clamp Set - .78 Hose	
47	8769123	3	Cover Weld - Twin	
48	8769128	4	Cover Weld - Twin	
49	8750012	5	Stacking Bolt 1-1/8in Long	
50	8750015	1	Twin Clamp Set - .68 Hose	

SECTION 5 - HYDRAULIC CIRCUITS

ITEM	PART NUMBER	QTY	DESCRIPTION	REV
51	8750017	5	Locking Plate	
52	8310009	4	HHCS, 5/16-18 x 2in	
53	8303715	3	HHCS, 5/16-18 x 1-1/2in Gr 8	
54	2715172	1	Hose, 1/2in I.D. x 74in Long	
55	8584003	4	Tie Wrap	

SECTION 5 - HYDRAULIC CIRCUITS

FIGURE 5-2. UNLOADER VALVE CIRCUIT



PS0671

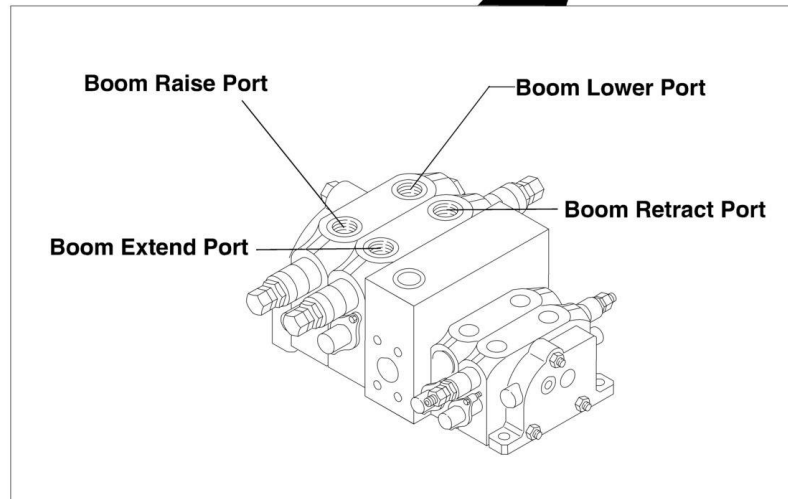
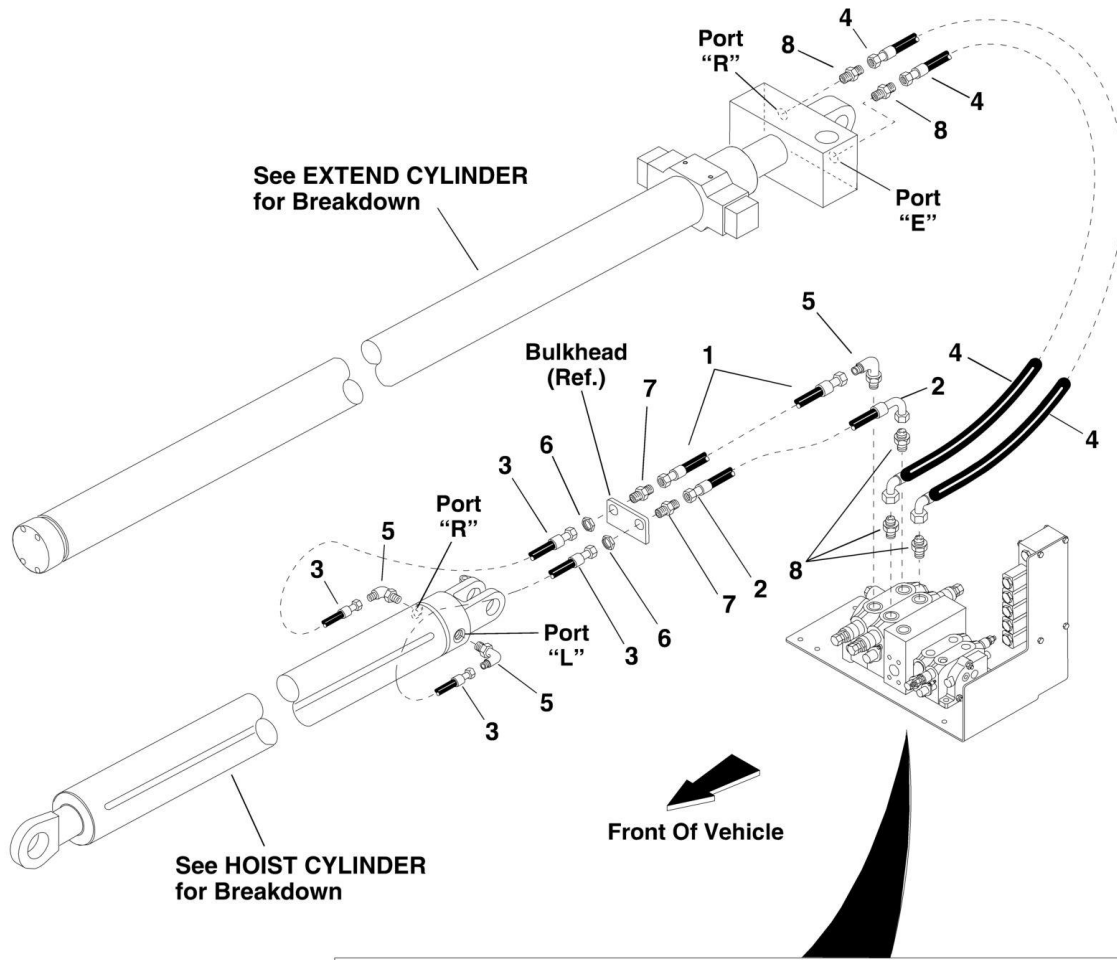
SECTION 5 - HYDRAULIC CIRCUITS

FIGURE 5-2. UNLOADER VALVE CIRCUIT

ITEM	PART NUMBER	QTY	DESCRIPTION	REV
1	8440154	1	Pump, Main Gear	
2	8904056	1	Valve, Unloader	
3	7054902	1	Gasket, Main Gear Pump	
4	8405210	1	Clamp, T-Bolt Band	
5	2715512	1	Hose, 1-1/2in I.D. x 19in Long	
6	2715502	1	Hose, 3/4in I.D. x 39in Long	
7	2716517	1	Hose, 3/4in I.D. x 83in Long	
8	2715482	1	Hose, 3/4in I.D. x 81-1/2in Long	
9	2715472	1	Hose, 3/8in I.D. x 89-1/2in Long	
10	8530036	2	Flange Half, 1-1/2in	
11	8530035	6	Flange Half, 3/4in	
12	8530030	2	Flange Half, 1in	
13	8630008	3	O-Ring, 3/4in SF	
14	8640123	1	O-Ring, 1in SF	
15	8630009	1	O-Ring, 1-1/2in SF	
16	8770078	1	Connector, SAE 12-16 - str. thd. ORB x o-ring face seal	
17	8307203	2	Washer, Plain 5/16in	
18	8307206	2	Washer, Plain 1/2in	
19	8307004	2	Washer, Lock 5/16in	
20	8307005	12	Washer, Lock 3/8in	
21	8307007	6	Washer, Lock 1/2in	
22	8303675	16	HHCS, 3/8-16 x 1-1/4in	
23	8303626	6	HHCS, 1/2-13 x 1-1/2in	
24	8310380	2	HHCS, 5/16-18 x 3-1/4in	
25	8430032	2	Dust Plug	
26	8430081	1	Nipple, Diagnostic	
27	8770112	1	Tee, Swivel Run, SAE 12 - o-ring face seal	
28	8035288	1	Relief Valve Assembly - Preset at 3500 psi (241 bar)	
29	8770084	1	Tee, Swivel Branch, SAE 12 - o-ring face seal	
30	8430082	1	Nipple, Diagnostic	
31	8770126	1	Tee, Branch, SAE 8 - str. thd. ORB x o-ring face seal	
32	2715462	1	Hose, 1/2in I.D. x 28.3in Long	
33	8770116	1	Connector, SAE 8 - str. thd. ORB x o-ring face seal	
34	8770106	1	Connector, SAE 6 - str. thd. ORB x o-ring face seal	
35	2715102	1	Hose, 3/4in I.D. x 28in Long	
36	8770079	1	Elbow, 90, SAE 12 - str thd ORB x o-ring face seal	
37	8770132	1	Connector, Male Flat Face Tube, w/Inlet Check 8ORB-8FF	
38	2716547	1	Hose, 3/4in I.D. x 34in Long	
39	8307106	2	Washer, SAE 5/16in	
40	8584003	4	Tie Wrap	

SECTION 5 - HYDRAULIC CIRCUITS

FIGURE 5-3. BOOM RAISE/LOWER AND EXTEND/RETRACT CIRCUIT



PS0690
PS0461

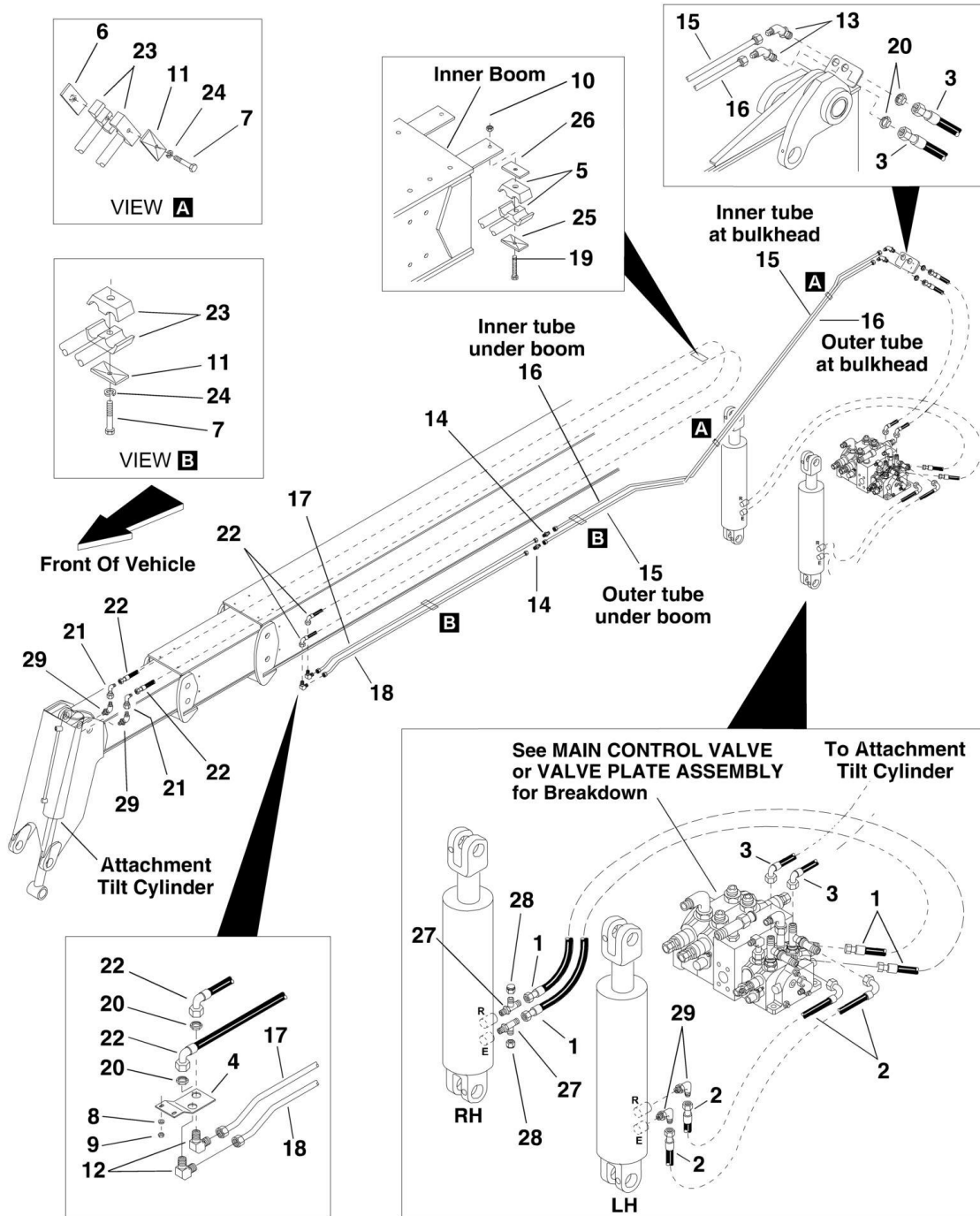
SECTION 5 - HYDRAULIC CIRCUITS

FIGURE 5-3. BOOM RAISE/LOWER AND EXTEND/RETRACT CIRCUIT

ITEM	PART NUMBER	QTY	DESCRIPTION	REV
1	2715072	1	Hose, 3/4in I.D. x 21-1/2in Long	
2	2715062	1	Hose, 3/4in I.D. x 27in Long	
3	2715052	2	Hose, 3/4in I.D. x 45in Long	
4	2715042	2	Hose, 3/4in I.D. x 36in Long	
5	8770079	3	Elbow, 90, SAE 12 - str thd ORB x o-ring face seal	
6	8770085	2	Nut, Bulkhead, SAE 12 - o-ring face seal	
7	8770086	2	Connector, Bulkhead, SAE 12 - o-ring face seal	
8	8770070	5	Connector, SAE 12 - str thd ORB x o-ring face seal	

SECTION 5 - HYDRAULIC CIRCUITS

FIGURE 5-4. ATTACHMENT TILT AND SLAVE CIRCUIT



PS0390

PS0711

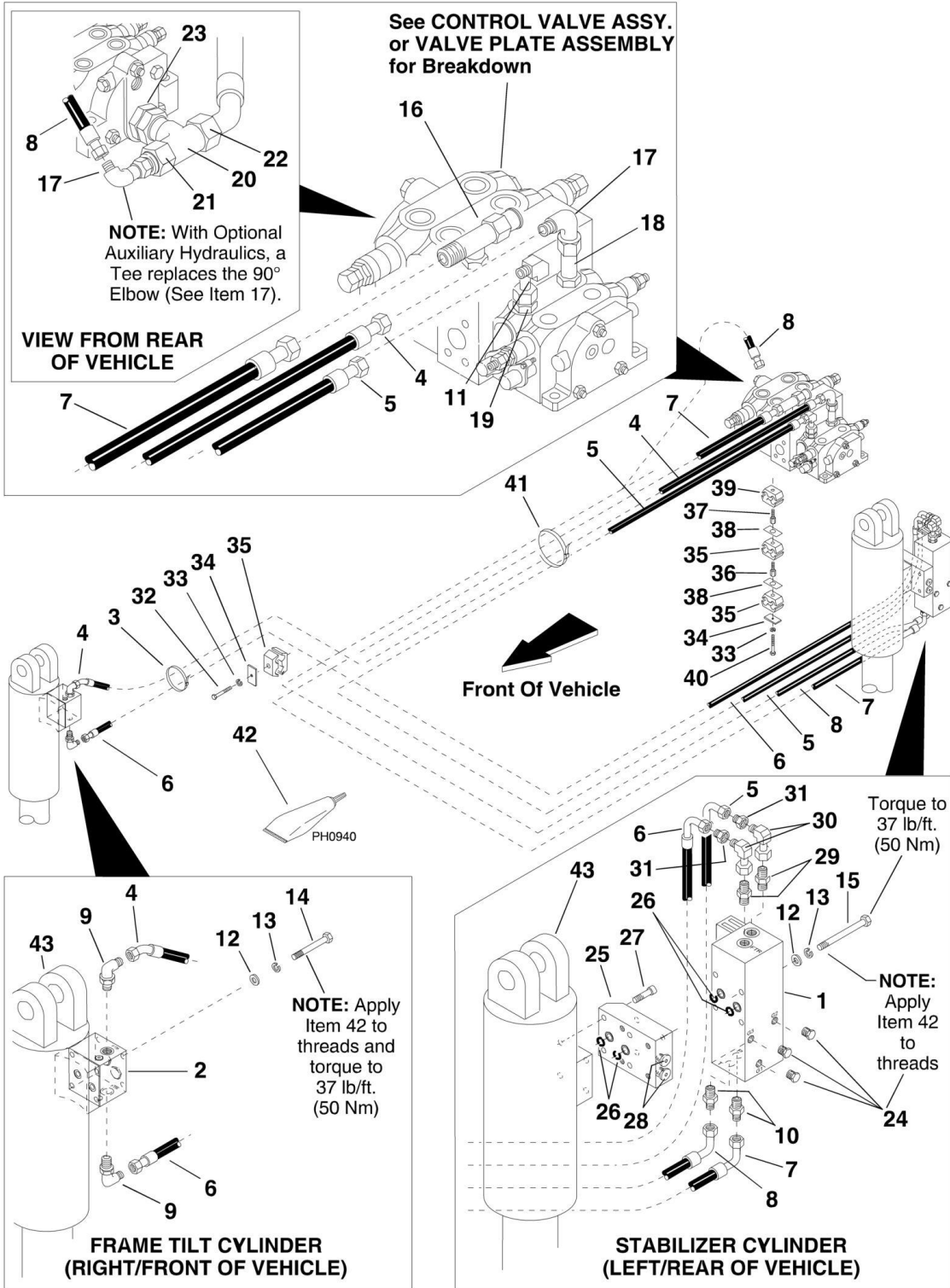
SECTION 5 - HYDRAULIC CIRCUITS

FIGURE 5-4. ATTACHMENT TILT AND SLAVE CIRCUIT

ITEM	PART NUMBER	QTY	DESCRIPTION	REV
1	2715222	2	Hose, 1/2in I.D. x 33-1/2in Long	
2	2715132	2	Hose, 1/2in I.D. x 16in Long	
3	2715372	2	Hose, 1/2in I.D. x 39in Long	
4	7132402	1	Support, Bulkhead Fitting	
5	8750016	1	Twin Clamp Set .78 Hoses	
6	8769136	2	Welding Plate, Twin	
7	8303715	4	HHCS, 5/16-18 x 1-1/2in	
8	8307202	2	Washer, Plain 1/4in	
9	8305624	2	Nut, Hex Lock 1/4-20	
10	8305626	1	Nut, Hex Lock 5/16-18	
11	8769123	4	Plate, Cover	
12	8770074	2	Elbow, 90, Bulkhead, SAE 10 - o-ring face seal	
13	8770076	2	Elbow, 45, Bulkhead, SAE 10 - o-ring face seal	
14	8770072	2	Connector, Union, SAE 10 - o-ring face seal	
15	7134062	1	Tube, Assembly-Attachment Tilt Retract	
16	7134072	1	Tube, Assembly-Attachment Tilt Extend	
17	7132312	1	Tube Assembly	
18	7132302	1	Tube Assembly	
19	8310357	1	Bolt, Tap 5/16-18 x 2-1/2in Gr 5 (Fully Threaded)	
20	8770075	4	Nut, Bulkhead, SAE 10 - o-ring face seal	
21	8770115	2	Elbow, 90, Swivel, SAE 8 - o-ring face seal	
22	2715292	2	Hose, 1/2in I.D. x 32in Long	
23	8750014	4	Twin Clamp Set .62 Hoses	
24	8307004	4	Washer, Lock 5/16in	
25	8769128	1	Plate, Cover	
26	8750009	1	Welding Plate, Twin	
27	8770124	2	Tee, Male Run, SAE 8 - ORFS tube end x str. thd. o-ring	
28	8770118	2	Cap, SAE 8 - o-ring face seal	
29	8770114	4	Elbow, 90, SAE 8 - str thd ORB x o-ring face seal	

SECTION 5 - HYDRAULIC CIRCUITS

FIGURE 5-5. FRAME TILT AND STABILIZER CIRCUIT (Prior to SN 9884)



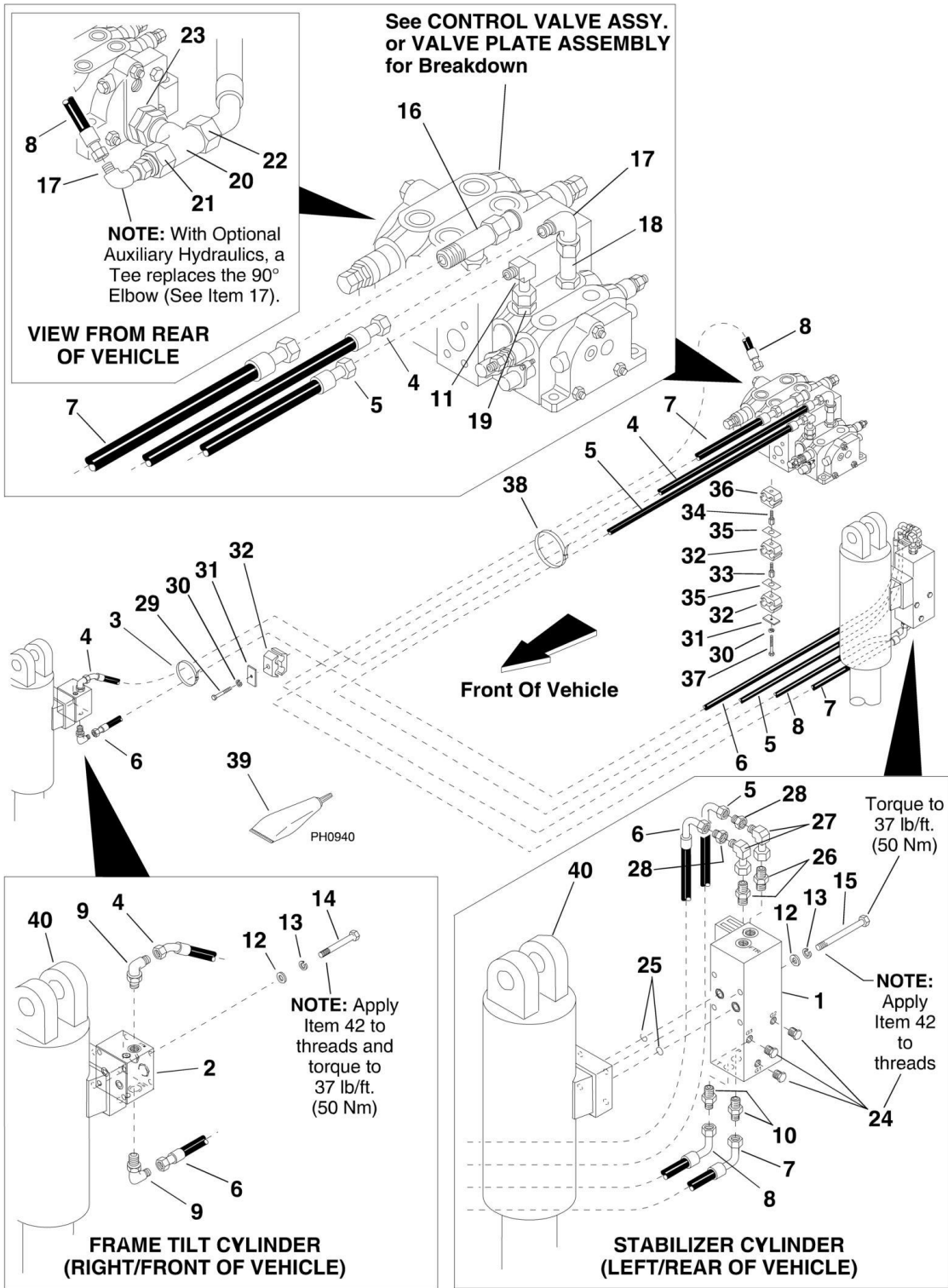
SECTION 5 - HYDRAULIC CIRCUITS

FIGURE 5-5. FRAME TILT AND STABILIZER CIRCUIT (Prior to SN 9884)

ITEM	PART NUMBER	QTY	DESCRIPTION	REV
1	8904057	1	Manifold, Stabil-TRAK	
2	8904058	1	Manifold, Dual Pilot Operated Check	
3	8584001	2	Tie Wrap	
4	2715742	1	Hose, 3/8in I.D. x 156in Long	
5	2715752	1	Hose, 3/8in I.D. x 104in Long	
6	2715762	1	Hose, 3/8in I.D. x 160in Long	
7	2715772	1	Hose, 3/8in I.D. x 93in Long	
8	2715782	1	Hose, 3/8in I.D. x 117in Long	
9	8770068	2	Elbow, 90, SAE 6 - str. thd. ORB x o-ring face seal	
10	8770106	2	Connector, SAE 6 - str. thd. ORB x o-ring face seal	
11	8770105	1	Elbow, 90, Swivel, SAE 6 - o-ring face seal	
12	8307110	8	Washer, SAE 3/8in	
13	8307005	8	Washer, Lock 3/8in	
14	8310345	4	HHCS, 3/8-16 x 3-3/4in Gr 8	
15	8310346	4	HHCS, 3/8-16 x 4-3/4in Gr 8	
16	8770126	1	Tee, Branch, SAE 8 - str. thd. ORB x o-ring face seal	
17	8770115	2	Elbow, 90, Swivel, SAE 8 - o-ring face seal (w/o Aux Hydraulics Option)	
17	8770125	1	Tee, Swivel Run, SAE 8 - o-ring face seal (w/ Aux Hydraulics Option)	
18	8770117	1	Connector, Long, SAE 8 - str. thd. ORB x o-ring face seal	
19	8770069	1	Connector, SAE 6-8 - str. thd. ORB x o-ring face seal	
20	8770094	1	Tee, Swivel Branch, SAE 16 - o-ring face seal	
21	8770088	1	Reducer, SAE 16 - o-ring face seal x SAE 8 - o-ring face seal	
22	8770089	1	Nut, Tube, SAE 16 - o-ring face seal	
23	8770087	1	Connector, SAE 16-12 - str. thd. ORB x o-ring face seal	
24	8760478	3	Plug, Hex Hd., SAE 4 - male str. thd. o-ring	
25	2714943	1	Manifold	
26	8630014	4	O-Ring	
27	8310395	4	SHCS, 3/8-16 x 1-1/2in	
28	8760451	2	Plug, Hex Hd, SAE 6 - male str thd o-ring	
29	8770144	2	Connector, SAE 8-6 - str. thd. ORB x o-ring face seal	
30	8770115	2	Elbow, 90, Swivel, SAE 8 - o-ring face seal	
31	8770145	2	Reducer, SAE 8 - o-ring face seal x SAE 6 - o-ring face seal	
32	8303759	1	HHCS, 5/16-18 x 1-1/4in	
33	8307004	2	Washer, Lock 5/16in	
34	8769123	2	Cover, Twin Clamp	
35	8750015	3	Twin Clamp Set .68 Hoses	
36	8750011	1	Stacking Bolt 5/8in Long	
37	8750012	1	Stacking Bolt 1-1/8in Long	
38	8750017	2	Locking Plate	
39	8750016	1	Twin Clamp Set .78 Hoses	
40	8303715	1	HHCS, 5/16-18 x 1-1/2in Gr 8	
41	8584003	4	Tie Wrap	
42	8526051	AR	Loctite .5 oz	
43	7134593	2	Cylinder, Frame Tilt/Stabilizer	

SECTION 5 - HYDRAULIC CIRCUITS

FIGURE 5-6. FRAME TILT AND STABILIZER CIRCUIT (SN 9884 to Present)



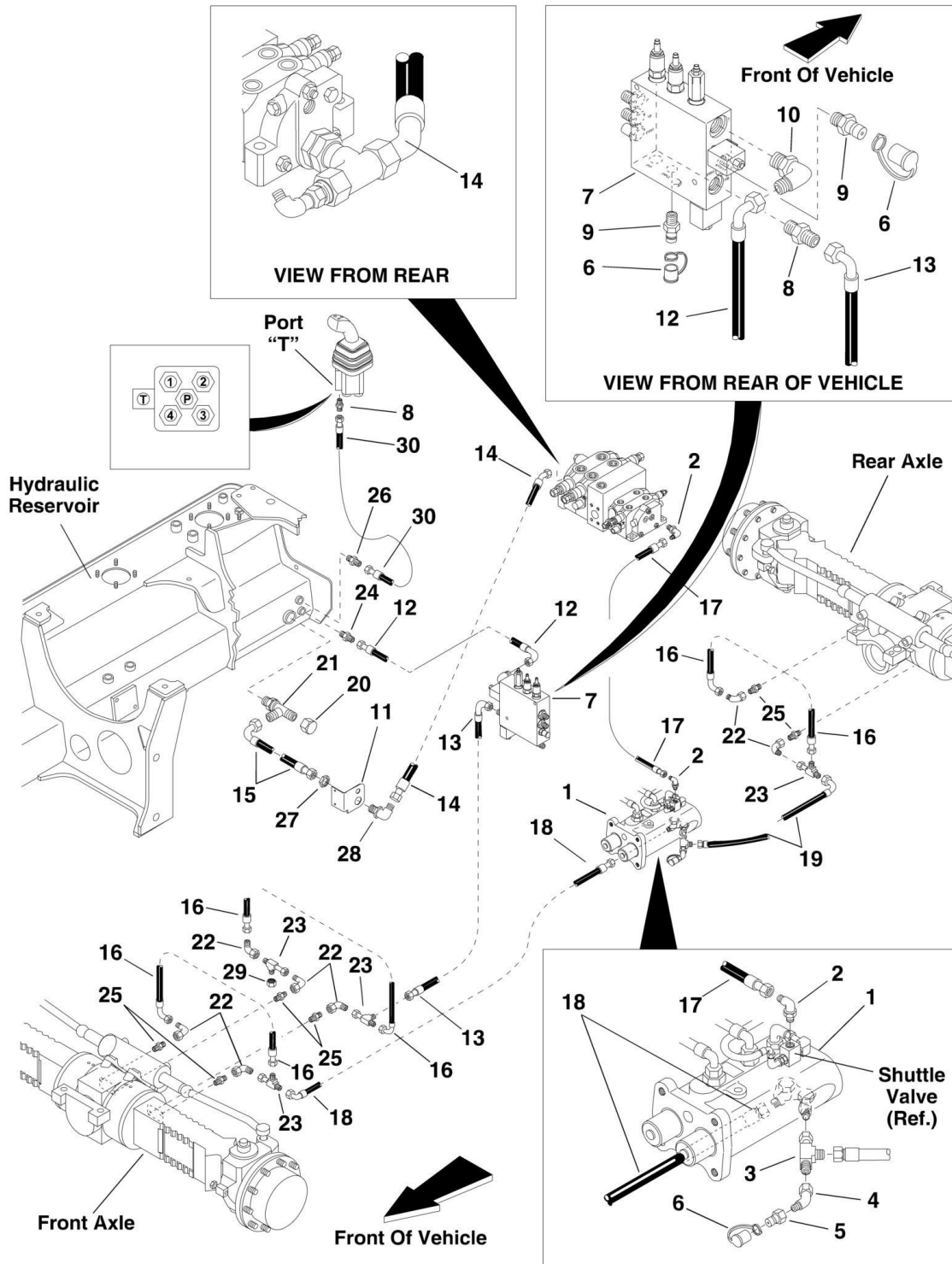
SECTION 5 - HYDRAULIC CIRCUITS

FIGURE 5-6. FRAME TILT AND STABILIZER CIRCUIT (SN 9884 to Present)

ITEM	PART NUMBER	QTY	DESCRIPTION	REV
1	8904057	1	Manifold, Stabil-TRAK	
2	8904058	1	Manifold, Dual Pilot Operated Check	
3	8584001	2	Tie Wrap	
4	2715742	1	Hose, 3/8in I.D. x 156in Long	
5	2715752	1	Hose, 3/8in I.D. x 104in Long	
6	2715762	1	Hose, 3/8in I.D. x 160in Long	
7	2715772	1	Hose, 3/8in I.D. x 93in Long	
8	2715782	1	Hose, 3/8in I.D. x 117in Long	
9	8770068	2	Elbow, 90, SAE 6 - str thd ORB x o-ring face seal	
10	8770106	2	Connector, SAE 6 - str. thd. ORB x o-ring face seal	
11	8770105	1	Elbow, 90, Swivel, SAE 6 - o-ring face seal	
12	8307110	8	Washer, SAE 3/8in	
13	8307005	8	Washer, Lock 3/8in	
14	8310345	4	HHCS, 3/8-16 x 3-3/4in Gr 8	
15	8310346	4	HHCS, 3/8-16 x 4-3/4in Gr 8	
16	8770126	1	Tee, Branch, SAE 8 - str. thd. ORB x o-ring face seal	
17	8770115	2	Elbow, 90, Swivel, SAE 8 - o-ring face seal (w/o Aux Hydraulics Option)	
17	8770125	1	Tee, Swivel Run, SAE 8 - o-ring face seal (w/ Aux Hydraulics Option)	
18	8770117	1	Connector, Long, SAE 8 - str thd ORB x o-ring face seal	
19	8770069	1	Connector, SAE 6-8 - str. thd. ORB x o-ring face seal	
20	8770094	1	Tee, Swivel Branch, SAE 16 - o-ring face seal	
21	8770088	1	Reducer, SAE 16 - o-ring face seal x SAE 8 - o-ring face seal	
22	8770089	1	Nut, Tube, SAE 16 - o-ring face seal	
23	8770087	1	Connector, SAE 16-12 - str. thd. ORB x o-ring face seal	
24	8760478	3	Plug, Hex Hd., SAE 4 - male str. thd. o-ring	
25	8630014	2	O-Ring	
26	8770144	2	Connector, SAE 8-6 - str. thd. ORB x o-ring face seal	
27	8770115	2	Elbow, 90, Swivel, SAE 8 - o-ring face seal	
28	8770145	2	Reducer, SAE 8 - o-ring face seal x SAE 6 - o-ring face seal	
29	8303759	1	HHCS, 5/16-18 x 1-1/4in	
30	8307004	2	Washer, Lock 5/16in	
31	8769123	2	Cover, Twin Clamp	
32	8750015	3	Twin Clamp Set .68 Hoses	
33	8750011	1	Stacking Bolt 5/8in Long	
34	8750012	1	Stacking Bolt 1-1/8in Long	
35	8750017	2	Locking Plate	
36	8750016	1	Twin Clamp Set .78 Hoses	
37	8303715	1	HHCS, 5/16-18 x 1-1/2in Gr 8	
38	8584003	4	Tie Wrap	
39	8526051	AR	Loctite .5 oz	
40	7134593	2	Cylinder, Frame Tilt/Stabilizer	

SECTION 5 - HYDRAULIC CIRCUITS

FIGURE 5-7. SERVICE BRAKE AND DE-CLUTCH CIRCUIT



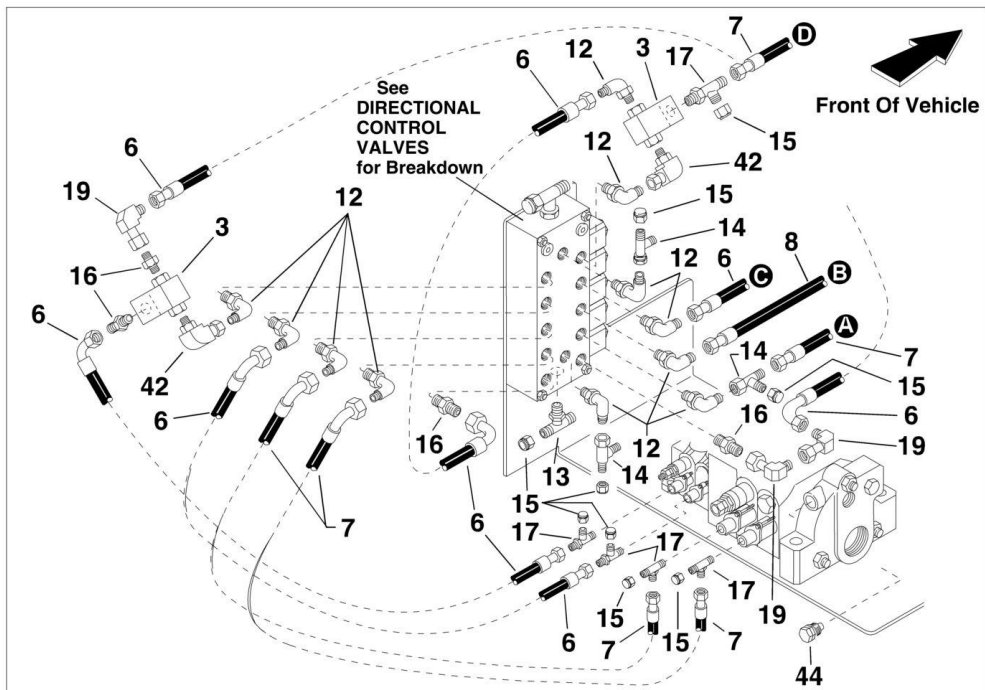
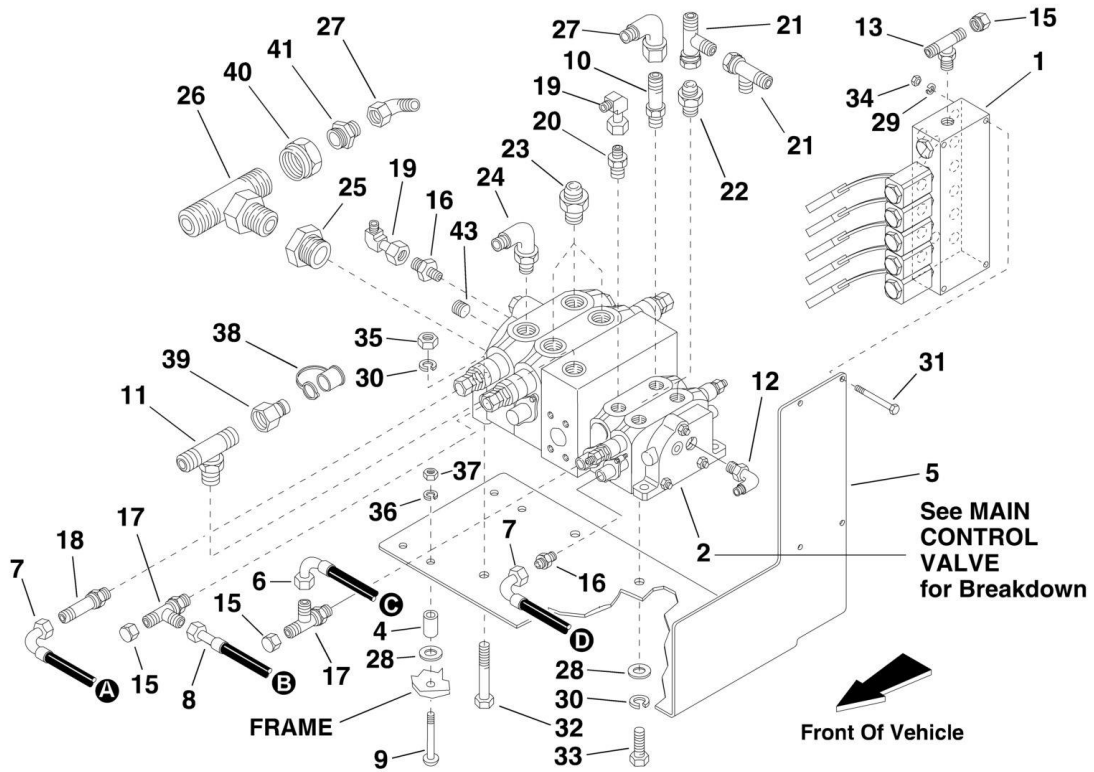
SECTION 5 - HYDRAULIC CIRCUITS

FIGURE 5-7. SERVICE BRAKE AND DE-CLUTCH CIRCUIT

ITEM	PART NUMBER	QTY	DESCRIPTION	REV
1	8902164	1	Valve, Brake	
2	8770068	1	Elbow, 90, SAE 6 - str thd ORB x o-ring face seal	
3	8770111	1	Tee, Swivel Run, SAE 6 - o-ring face seal	
4	8770105	1	Elbow, 90, Swivel, SAE 6 - o-ring face seal	
5	8430081	1	Nipple, Diagnostic	
6	8430032	3	Plug, Dust	
7	8902169	1	Manifold, Auxiliary Function	
8	8770106	2	Connector, SAE 6 - str. thd. ORB x o-ring face seal	
9	8430043	2	Nipple, Diagnostic 9/16-18	
10	8770114	1	Elbow, 90, SAE 8 - str thd ORB x o-ring face seal	
11	7129582	1	Bracket, Bulkhead Fitting	
12	2715452	1	Hose, 1/2in I.D. x 17in Long	
13	2715442	1	Hose, 3/8in I.D. x 106in Long	
14	2715402	1	Hose, 1in I.D. x 62in Long	
15	2715392	1	Hose, 1in I.D. x 19.3in Long	
16	2715342	3	Hose, 3/8in I.D. x 32in Long	
17	2715212	1	Hose, 3/8in I.D. x 136-1/2in Long	
18	2715202	1	Hose, 3/8in I.D. x 81in Long	
19	2715192	1	Hose, 3/8in I.D. x 111in Long	
20	8770091	1	Cap, SAE 16 - o-ring face seal	
21	8770093	1	Tee, Male Run, SAE 16 - ORFS tube end x str. thd. o-ring	
22	8770097	7	Elbow, 90, Swivel, SAE 4 - o-ring face seal	
23	8770100	4	Tee, Swivel Run, SAE 4 - o-ring face seal	
24	8770116	1	Connector, SAE 8 - str. thd. ORB x o-ring face seal	
25	8902691	6	Connector, M10-4 - metric str. thd. ORB x o-ring face seal	
26	8770069	1	Connector, SAE 6-8 - str. thd. ORB x o-ring face seal	
27	8770096	1	Nut, Bulkhead, SAE 16 - o-ring face seal	
28	8770095	1	Elbow, 90, Bulkhead, SAE 16 - o-ring face seal	
29	8770098	1	Cap, SAE 4 - o-ring face seal	
30	2715262	1	Hose, 3/8in I.D. x 81-1/2in Long	

SECTION 5 - HYDRAULIC CIRCUITS

FIGURE 5-8. VALVE PLATE ASSY. W/O AUX. HYDRAULICS



REAR VIEW OF VALVE PLATE AND VEHICLE

SECTION 5 - HYDRAULIC CIRCUITS

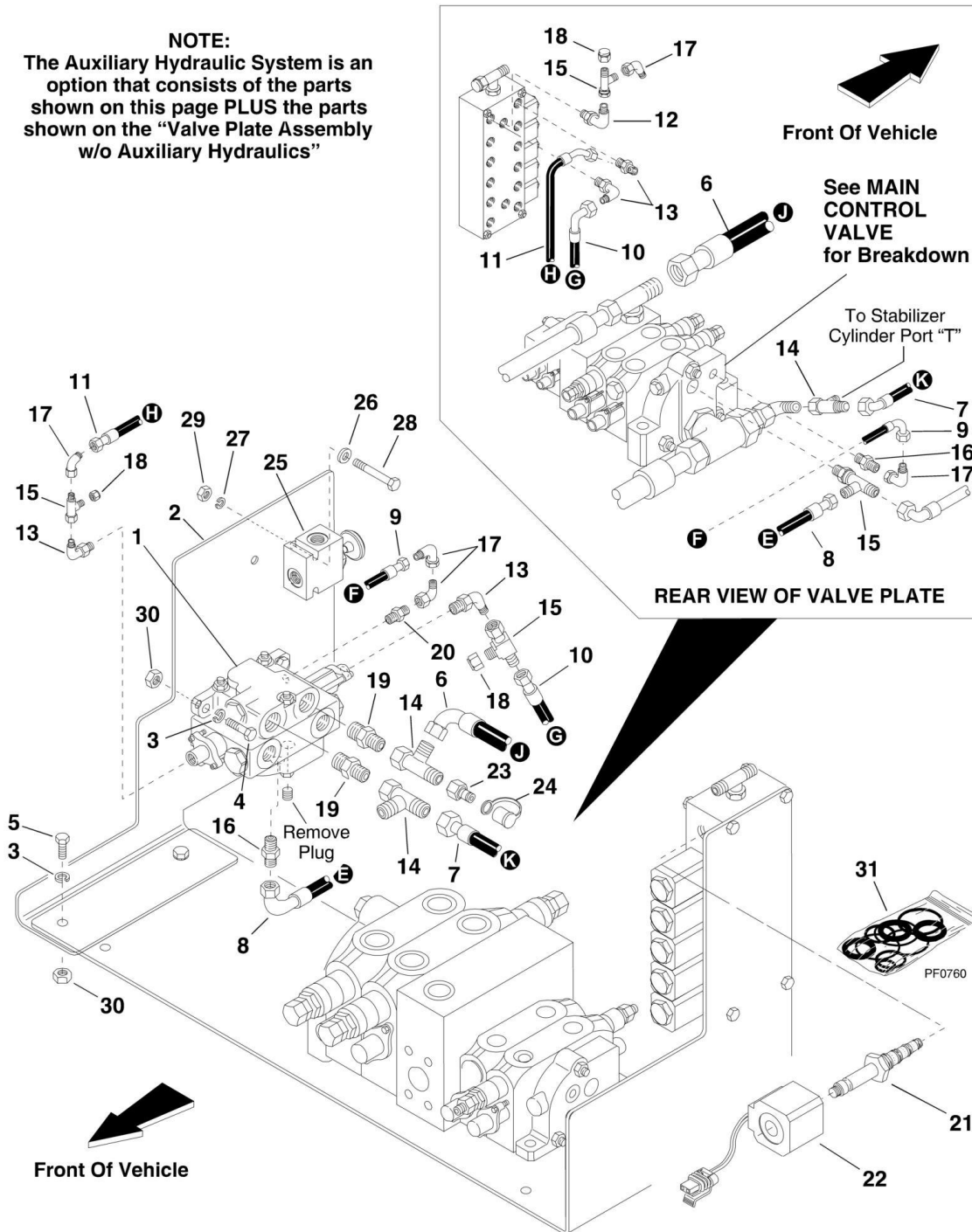
FIGURE 5-8. VALVE PLATE ASSY. W/O AUX. HYDRAULICS

ITEM	PART NUMBER	QTY	DESCRIPTION	REV
1	8902172	1	Valve, Pilot Select	
2	8902167	1	Valve, Main Control	
3	8902175	2	Valve, Shuttle	
4	7116691	4	Spacer	
5	7128964	1	Bracket, Main Valve	
6	2715382	5	Hose, 3/8in I.D. x 18in Long	
7	2715352	4	Hose, 3/8in I.D. x 19.3in Long	
8	2715322	1	Hose, 3/8in I.D. x 20in Long	
9	8310281	4	Bolt, Carriage 3/8-16 x 2-1/4in	
10	8770117	1	Connector, Long, SAE 8 - str. thd. ORB x o-ring face seal	
11	8770126	1	Tee, Branch, SAE 8 - str. thd. ORB x o-ring face seal	
12	8770068	12	Elbow, 90, SAE 6 - str. thd. ORB x o-ring face seal	
13	8770112	2	Tee, Branch, SAE 6 - str. thd. ORB x o-ring face seal	
14	8770111	3	Tee, Swivel Run, SAE 6 - o-ring face seal	
15	8770108	12	Cap, SAE 6 - o-ring face seal	
16	8770106	6	Connector, SAE 6 - str. thd. ORB x o-ring face seal	
17	8770066	7	Tee, Male Run, SAE 6 - ORFS tube end x str. thd. o-ring	
18	8770107	1	Connector, Long, SAE 6 - str. thd. ORB x o-ring face seal	
19	8770105	4	Elbow, 90, Swivel, SAE 6 - o-ring face seal	
20	8770069	1	Connector, SAE 6-8 - str. thd. ORB x o-ring face seal	
21	8770125	4	Tee, Swivel Run, SAE 8 - o-ring face seal	
22	8770116	2	Connector, SAE 8 - str. thd. ORB x o-ring face seal	
23	8770070	3	Connector, SAE 12 - str. thd. ORB x o-ring face seal	
24	8770079	1	Elbow, 90, SAE 12 - str. thd. ORB x o-ring face seal	
25	8770087	1	Connector, SAE 16-12 - str. thd. ORB x o-ring face seal	
26	8770094	1	Tee, Swivel Branch, SAE 16 - o-ring face seal	
27	8770115	2	Elbow, 90, Swivel, SAE 8 - o-ring face seal	
28	8307206	5	Washer, Plain 1/2in	
29	8307002	4	Washer, Lock 1/4in	
30	8307007	3	Washer, Lock 1/2in	
31	8303703	4	HHCS, 1/4-20 x 2-1/2in Gr 5	
32	8303683	2	HHCS, 1/2-13 x 3-1/2in Gr 5	
33	8303624	1	HHCS, 1/2-13 x 1 Gr 5	
34	8305004	4	Nut, Hex 1/4-20	
35	8305012	2	Nut, Hex 1/2-13	
36	8307005	4	Washer, Lock 3/8in	
37	8305008	4	Nut, Hex 3/8-16	
38	8430032	1	Plug, Dust	
39	8430082	1	Nipple, Diagnostic	
40	8770089	1	Nut, Tube, SAE 16 - o-ring face seal	
41	8770088	1	Reducer, SAE 16 - o-ring face seal x SAE 8 - o-ring face seal	
42	8770104	2	Elbow, 90, SAE 6 - str. thd. ORB x o-ring face seal swivel	
43	8760451	1	Plug, Hex Hd., SAE 6 - male str. thd. o-ring	
44	7132762	1	Plug, Shut-off	

SECTION 5 - HYDRAULIC CIRCUITS

FIGURE 5-9. VALVE PLATE ASSY. W/ AUX. HYDRAULICS

NOTE:
The Auxiliary Hydraulic System is an option that consists of the parts shown on this page PLUS the parts shown on the "Valve Plate Assembly w/o Auxiliary Hydraulics"



PS0551

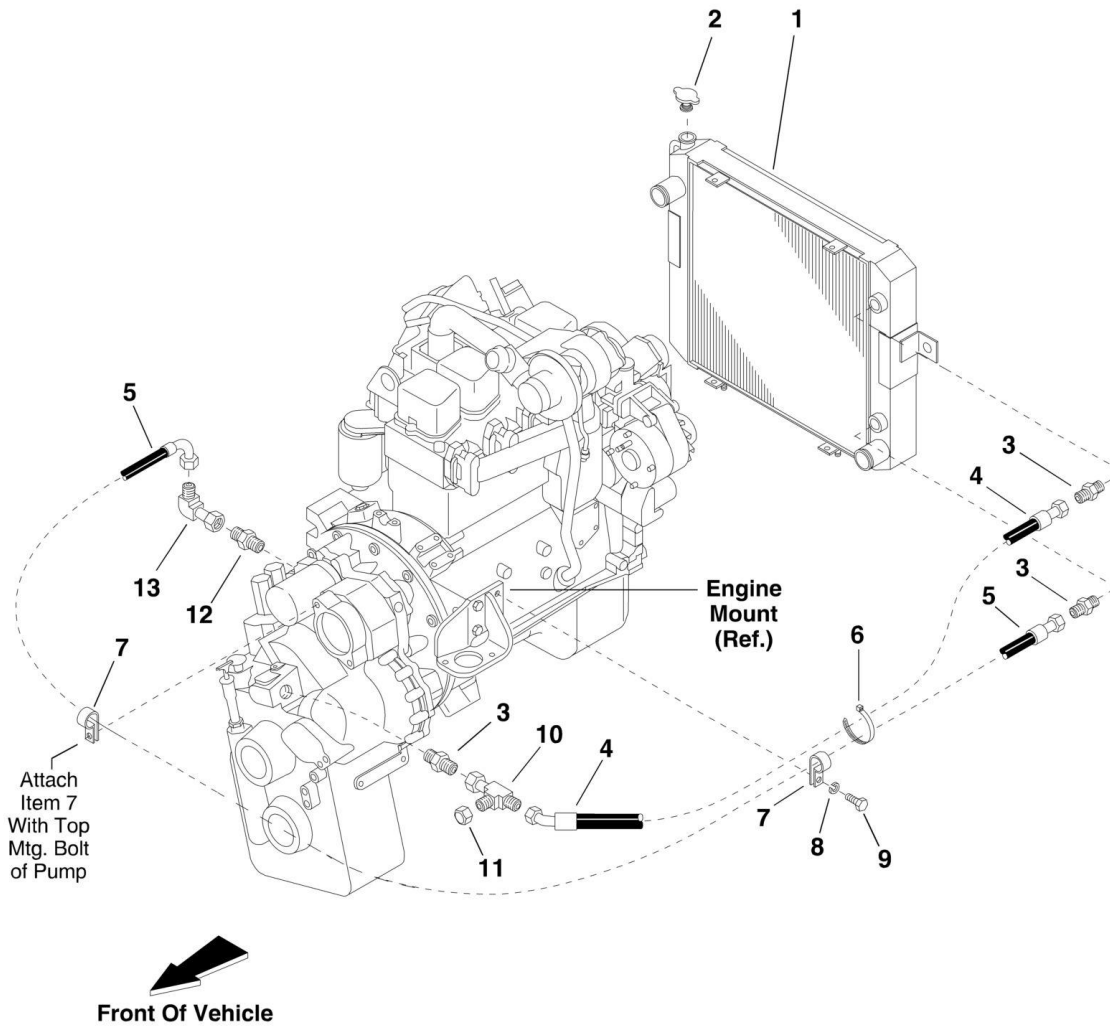
SECTION 5 - HYDRAULIC CIRCUITS

FIGURE 5-9. VALVE PLATE ASSY. W/ AUX. HYDRAULICS

ITEM	PART NUMBER	QTY	DESCRIPTION	REV
1	8902174	1	Valve, Auxiliary Control	
2	7137104	1	Bracket, Auxiliary Control Valve Mtg (Current Production)	
2	7132453	1	Bracket, Auxiliary Control Valve Mtg (Early Production with Weldnuts)	
3	8307005	3	Washer, Lock 3/8in	
4	8303675	3	HHCS, 3/8-16 x 1-1/4in	
5	8303681	2	HHCS, 3/8-16 X 3/4in Gr 5	
6	2716012	1	Hose, 1/2in I.D. x 21in Long	
7	2716022	1	Hose, 1/2in I.D. x 26in Long	
8	2716042	1	Hose, 3/8in I.D. x 21-1/2in Long	
9	2716052	1	Hose, 3/8in I.D. x 11-1/4in Long	
10	2716062	1	Hose, 3/8in I.D. x 26in Long	
11	2716072	1	Hose, 3/8in I.D. x 41in Long	
12	7133051	1	Elbow, 90, (Modified), SAE 6 - str. thd. ORB x o-ring face seal	
13	8770068	4	Elbow, 90, SAE 6 - str. thd. ORB x o-ring face seal	
14	8770125	3	Tee, Swivel Run, SAE 8 - o-ring face seal	
15	8770111	3	Tee, Swivel Run, SAE 6 - o-ring face seal	
16	8770106	2	Connector, SAE 6 - str. thd. ORB x o-ring face seal	
17	8770105	5	Elbow, 90, Swivel, SAE 6 - o-ring face seal	
18	8770108	3	Cap, SAE 6 - o-ring face seal	
19	8770047	2	Connector, SAE 8-10 - str. thd. ORB x o-ring face seal	
20	8770137	1	Connector, Union, SAE 6-4 - o-ring face seal x o-ring face seal	
21	8035101	1	Solenoid Valve (For Service Order Kit, Item 31)	
22	8035104	1	Coil w/Female Pins	
23	8430082	1	Nipple, Diagnostic	
24	8430032	1	Plug, Dust	
25	8902181	1	Valve, Manually Operated Release	
26	8307202	2	Washer, Plain 1/4in	
27	8307002	2	Washer, Lock 1/4in	
28	8303758	2	HHCS, 1/4-20 x 2in (Used with Item 2 with weldnuts)	
28	8303090	2	HHCS, 1/4-20 x 1-3/4in (Used with Item 2 without weldnuts)	
29	8305004	2	Nut, 1/4-20	
30	8305008	5	Nut, 3/8-16	
		Ref	KITS	
31	8035102	1	Kit, Valve Seal	

SECTION 5 - HYDRAULIC CIRCUITS

FIGURE 5-10. TRANSMISSION COOLING CIRCUIT (CUMMINS)



PS0741

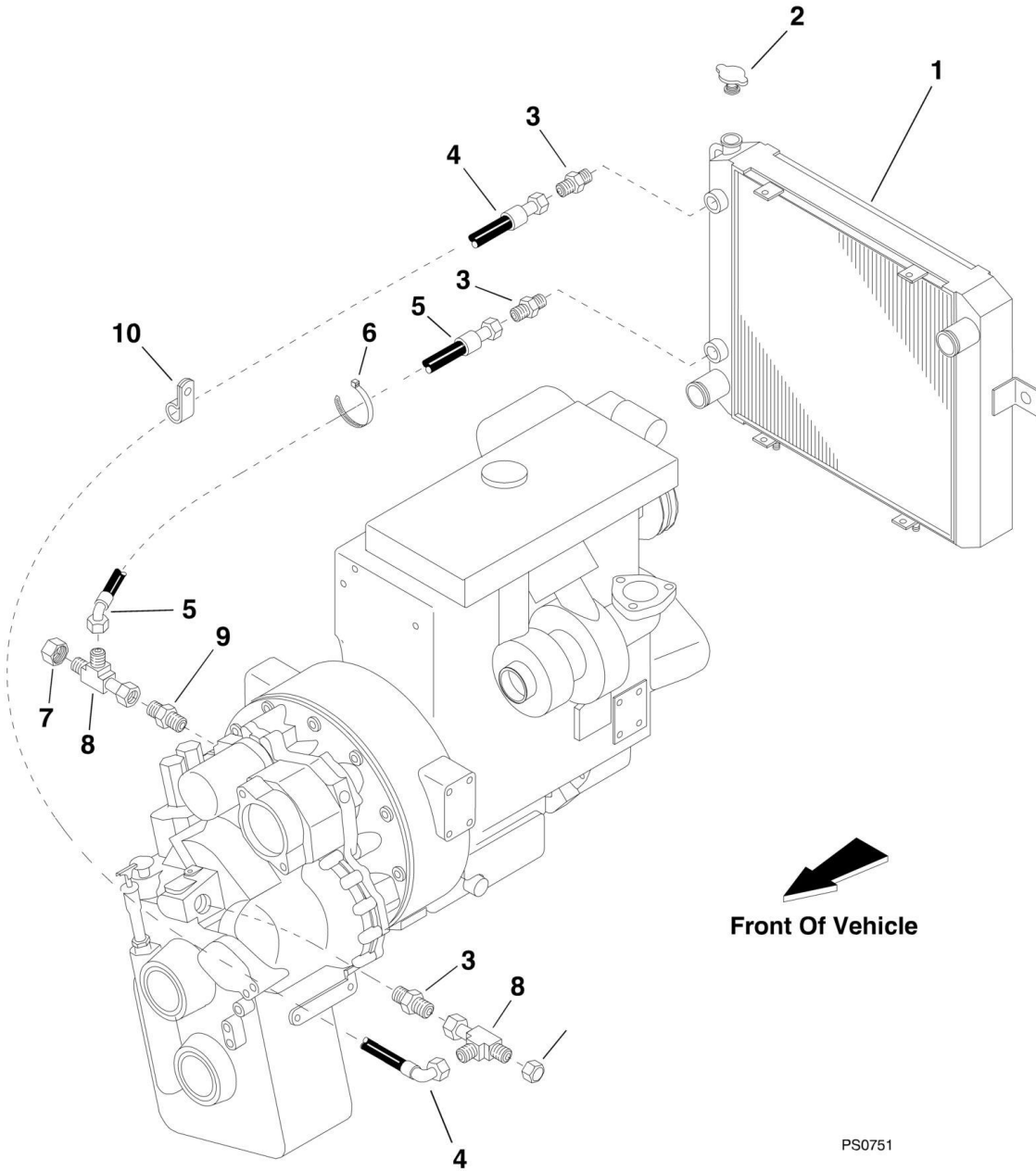
SECTION 5 - HYDRAULIC CIRCUITS

FIGURE 5-10. TRANSMISSION COOLING CIRCUIT (CUMMINS)

ITEM	PART NUMBER	QTY	DESCRIPTION	REV
1	7126514	1	Radiator Assembly (Includes Item 2)	
2	8180311	1	Cap, Radiator - 13 psi (89.6 kPa)	
3	8770070	3	Connector, SAE 12 - str. thd. ORB x o-ring face seal	
4	2715422	1	Hose, 3/4 I.D. x 41in Long	
5	2715362	1	Hose, 3/4 I.D. x 62-1/2in Long	
6	8584003	1	Tie Wrap	
7	8406302	2	Clip, Tube 1-1/4in Dia	
8	8307025	1	Washer, Lock M12	
9	8310164	1	HHCS, M12-1.75 x 40mm PC 8.8	
10	8770083	1	Tee, Swivel Run, SAE 12 - o-ring face seal	
11	8770081	1	Cap, SAE 12 - o-ring face seal	
12	8770077	1	Connector, SAE 12-10 - str. thd. ORB x o-ring face seal	
13	8770080	1	Elbow, 90, Swivel, SAE 12 - o-ring face seal	

SECTION 5 - HYDRAULIC CIRCUITS

FIGURE 5-11. TRANSMISSION COOLING CIRCUIT (PERKINS)



PS0751

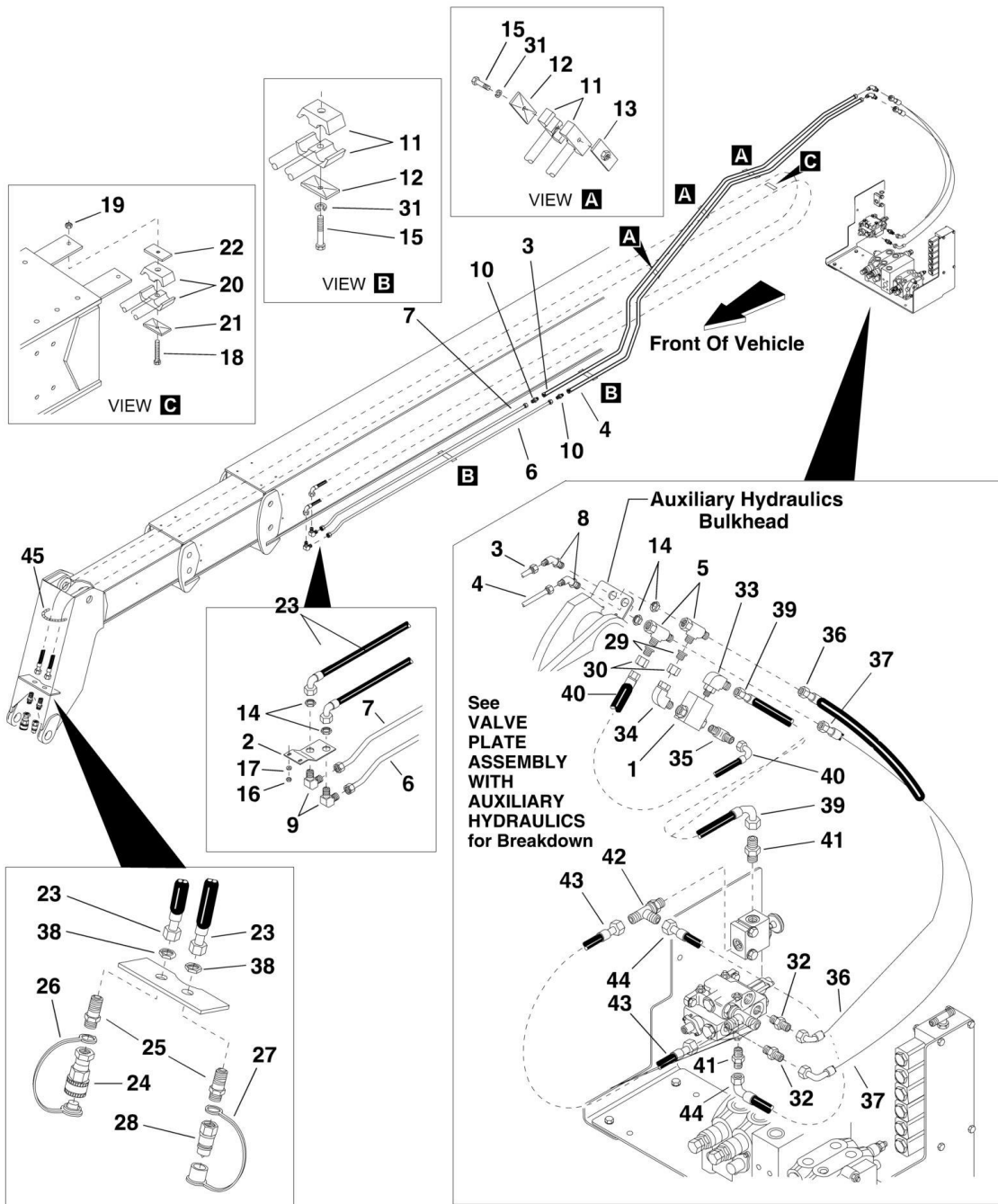
SECTION 5 - HYDRAULIC CIRCUITS

FIGURE 5-11. TRANSMISSION COOLING CIRCUIT (PERKINS)

ITEM	PART NUMBER	QTY	DESCRIPTION	REV
1	7119744	1	Radiator Assembly (Includes Item 2)	
2	8180311	1	Cap, Radiator - 13 psi (89.6 kPa)	
3	8770070	3	Connector, SAE 12 - str. thd. ORB x o-ring face seal	
4	2715362	1	Hose, 3/4in I.D. x 62-1/2in Long	
5	2715432	1	Hose, 3/4in I.D. x 41in Long	
6	8584003	1	Tie Wrap	
7	8770081	2	Cap, SAE 12 - o-ring face seal	
8	8770083	2	Tee, Swivel Run, SAE 12 - o-ring face seal	
9	8770077	1	Connector, SAE 12-10 - str. thd. ORB x o-ring face seal	
10	8406302	1	Clip, Tube 1-1/4in	

SECTION 5 - HYDRAULIC CIRCUITS

FIGURE 5-12. AUXILIARY HYDRAULIC CIRCUIT (OPTIONAL)



PS0521

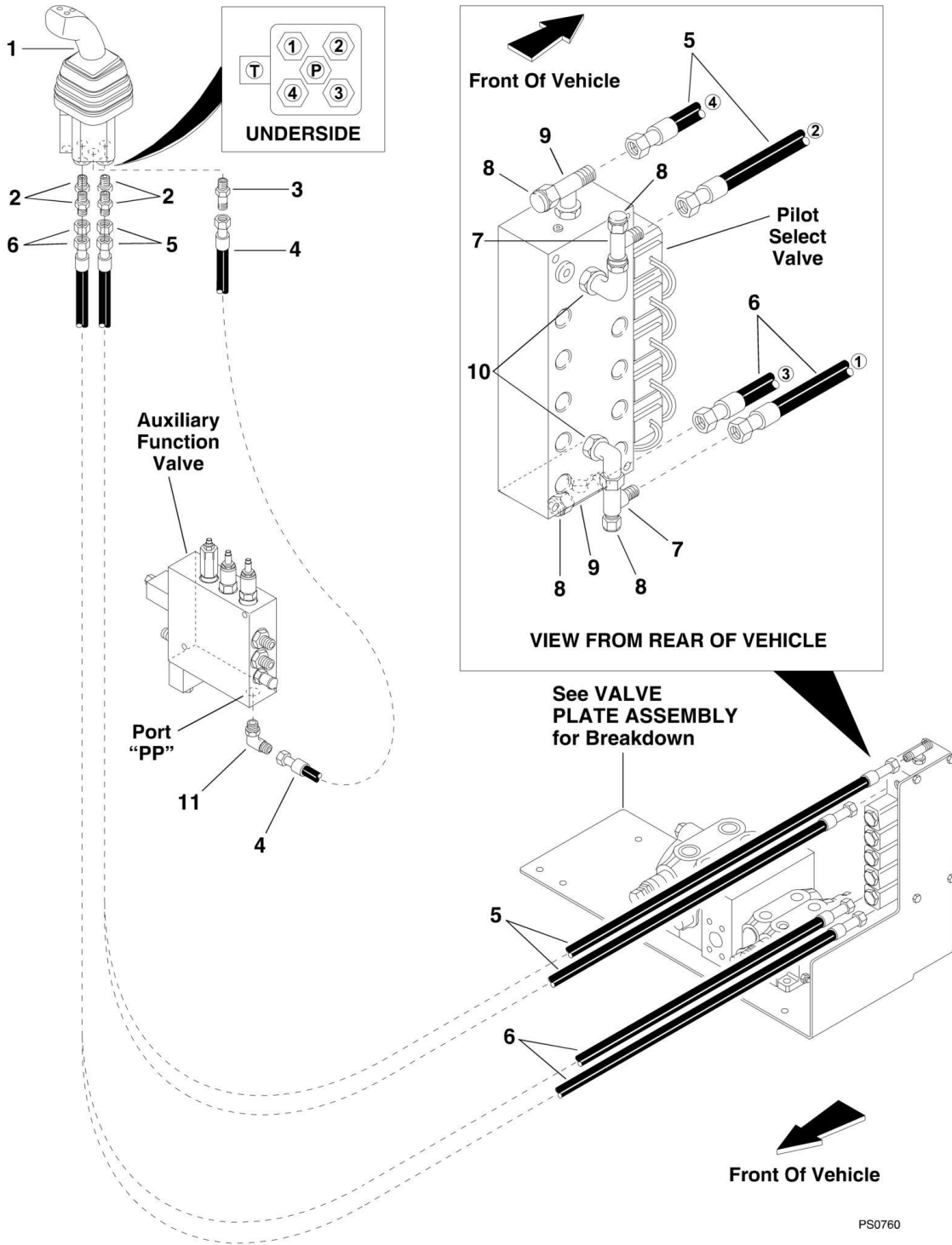
SECTION 5 - HYDRAULIC CIRCUITS

FIGURE 5-12. AUXILIARY HYDRAULIC CIRCUIT (OPTIONAL)

ITEM	PART NUMBER	QTY	DESCRIPTION	REV
1	8902175	1	Valve, Shuttle	
2	7132342	1	Bracket, Bulkhead Fitting Support	
3	7134092	1	Tube Assembly, Outer-Aux Hydraulics (Rear)	
4	7134082	1	Tube Assembly, Inner-Aux Hydraulics (Rear)	
5	8770141	2	Tee, SW Run #10	
6	7134052	1	Tube Assembly, Inside-Aux Hydraulics (Front)	
7	7134102	1	Tube Assembly, Outside-Aux Hydraulics (Front)	
8	8770076	2	Elbow, 45, Bulkhead, SAE 10 - o-ring face seal	
9	8770074	2	Elbow, 90, Bulkhead, SAE 10 - o-ring face seal	
10	8770072	2	Connector, Union, SAE 10 - o-ring face seal	
11	8750014	5	Twin Clamp Set .62 Hoses	
12	8769123	5	Cover Plate	
13	8769136	3	Weld Plate, Twin	
14	8770075	4	Nut, Bulkhead, SAE 10 - o-ring face seal	
15	8303715	5	HHCS, 5/16-18 x 1-1/2in	
16	8305624	2	Nut, Hex Lock Elastic 1/4-20	
17	8307202	2	Washer, Plain 1/4in	
18	8310357	1	Bolt, Hex Hd Tap 5/16 x 2-1/2 Gr 5	
19	8305626	1	Nut, Hex Lock Elastic 5/16-18	
20	8750016	1	Clamp, Twin .79 Dia	
21	8769128	1	Cover Plate	
22	8750009	1	Welding Plate, Twin	
23	2715092	2	Hose, 1/2in I.D. x 340in Long	
24	8430005	1	Quick Disconnect, Female, SAE 8-8 ORB - female internal	
25	8770136	2	Connector, Bulkhead, SAE 8 - str. thd. ORB x o-ring face seal	
26	8420055	1	Dust Plug	
27	8420053	1	Dust Cap	
28	8430006	1	Quick Disconnect, Male, SAE 8-8 ORB - female internal	
29	8770142	2	Reducer, SAE 10 - o-ring face seal x SAE 6 - o-ring face seal	
30	8770143	2	Nut, Tube, SAE 10 - o-ring face seal	
31	8307004	5	Washer, Spring Lock 5/16in	
32	8770116	2	Connector, SAE 8 - str. thd. ORB x o-ring face seal	
33	8770068	1	Elbow, 90, SAE 6 - str. thd. ORB x o-ring face seal	
34	8770104	1	Elbow, 90, SAE 6 - str. thd. ORB x o-ring face seal swivel	
35	8770140	1	Elbow, 45, SAE 6 - str. thd. ORB x o-ring face seal	
36	2716082	1	Hose, 1/2in I.D. x 35-1/2in Long	
37	2716032	1	Hose, 1/2in I.D. x 39in Long	
38	8770129	2	Nut, Bulkhead, SAE 8 - o-ring face seal	
39	2716222	1	Hose, 3/8in I.D. x 31-1/2in Long	
40	2716212	1	Hose, 3/8in I.D. x 18in Long	
41	8770106	2	Connector, SAE 6 - str. thd. ORB x o-ring face seal	
42	8770066	1	Tee, Male Run, SAE 6 - ORFS tube end x str. thd. o-ring	
43	2716232	1	Hose, 3/8in I.D. x 18in Long	
44	2716242	1	Hose, 3/8in I.D. x 22in Long	
45	7132631	1	Conduit, 3/4 Dia x 13in Long	

SECTION 5 - HYDRAULIC CIRCUITS

FIGURE 5-13. JOYSTICK CIRCUIT



SECTION 5 - HYDRAULIC CIRCUITS

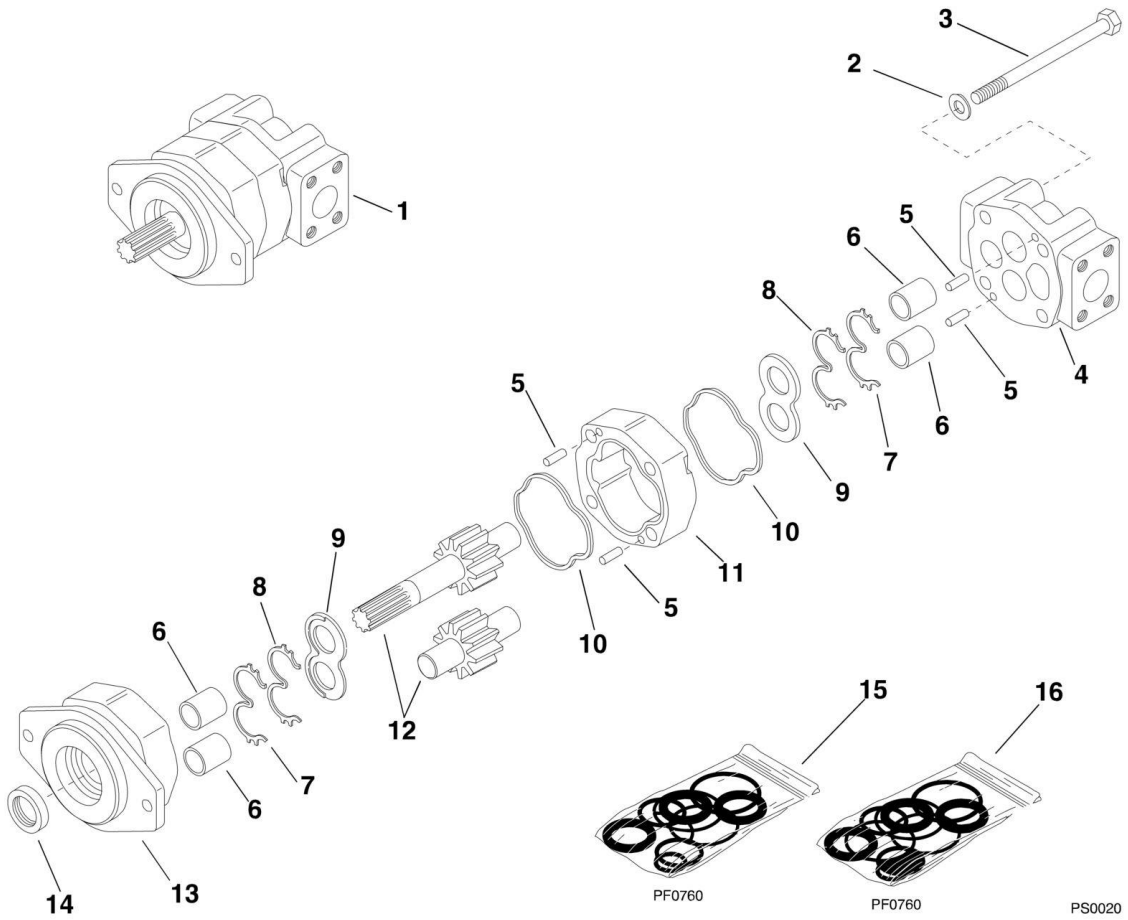
FIGURE 5-13. JOYSTICK CIRCUIT

ITEM	PART NUMBER	QTY	DESCRIPTION	REV
1	7133942	1	Valve, Joystick	
2	8770106	4	Connector, SAE 6 - str. thd. ORB x o-ring face seal	
3	8770107	1	Connector, Long, SAE 6 - str. thd. ORB x o-ring face seal	
4	2715272	1	Hose, 3/8in I.D. x 67in Long	
5	2715312	2	Hose, 3/8in I.D. x 120-1/2in Long	
6	2715302	2	Hose, 3/8in I.D. x 116in Long	
7	8770111	2	Tee, Swivel Run, SAE 6 - o-ring face seal	
8	8770108	4	Cap, SAE 6 - o-ring face seal	
9	8770112	2	Tee, Branch, SAE 6 - str. thd. ORB x o-ring face seal	
10	8770068	2	Elbow, 90, SAE 6 - str. thd. ORB x o-ring face seal	
11	8770103	1	Elbow, 90, SAE 6-8 - str. thd. ORB x o-ring face seal	

SECTION 6 - HYDRAULIC COMPONENTS

SECTION 6 - HYDRAULIC COMPONENTS

FIGURE 6-1. MAIN PUMP



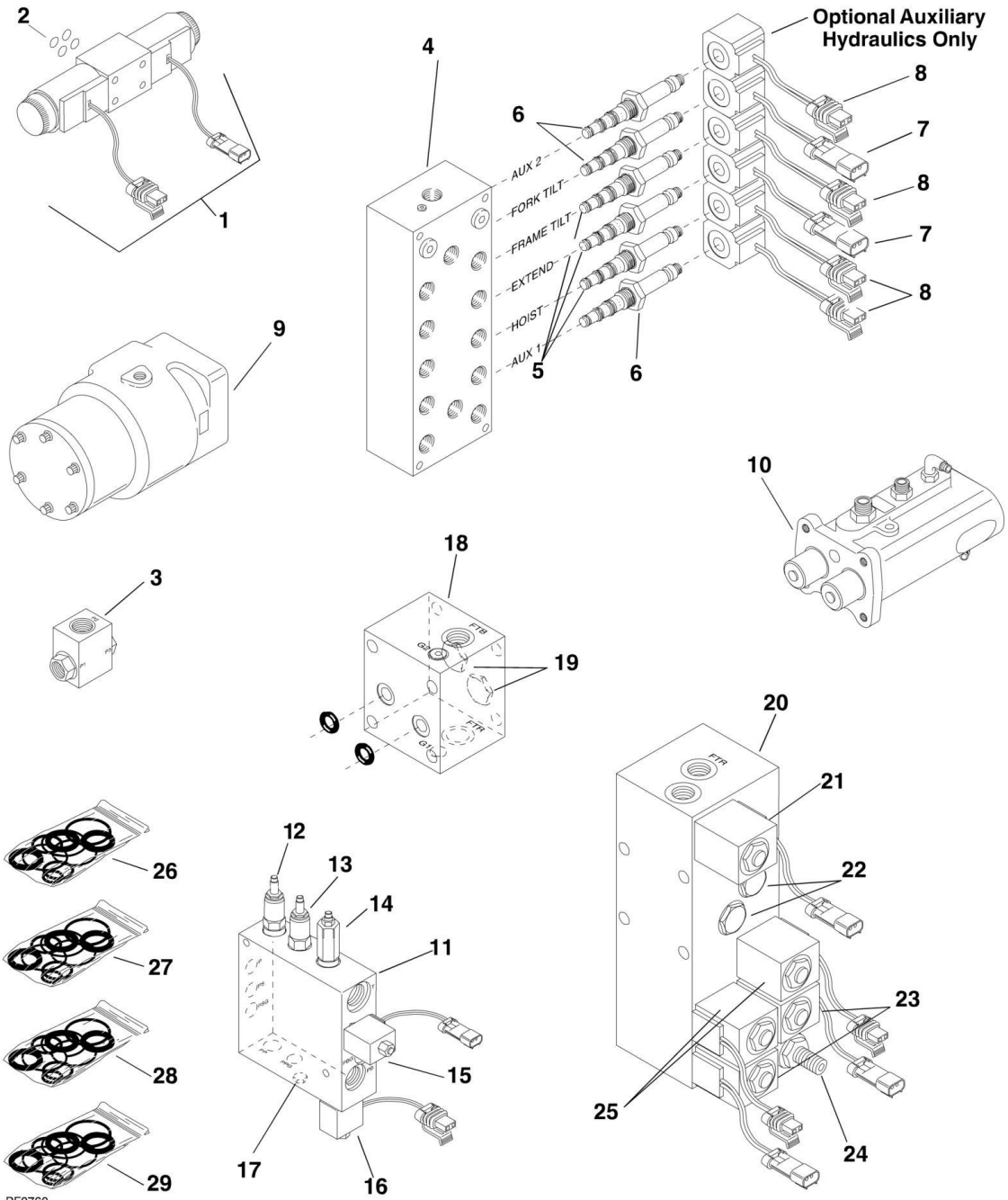
SECTION 6 - HYDRAULIC COMPONENTS

FIGURE 6-1. MAIN PUMP

ITEM	PART NUMBER	QTY	DESCRIPTION	REV
1	8440154	1	Pump, Main (Includes Items 2 thru 14)	
2	8035261	4	Washer	
3	8035260	4	Capscrew	
4	8035264	1	Housing, PEC	
5	8035259	4	Pin, Dowel	
6	8035266	4	Bushing	
7	See Kits	2	Seal, Back Up	
8	See Kits	2	Seal, Channel	
9	See Kits	2	Plate, Thrust	
10	See Kits	2	Seal, Square R	
11	8035263	1	Housing, Gear	
12	8035262	1	Gear Set	
13	8035265	1	Housing, SEC	
14	See Kits	1	Seal, Lip	
		Ref	KITS	
15	8035094	1	Seal Kit (Includes Items 7, 8, 10 & 14)	
16	8035093	1	Seal Kit w/Thrust Plates (Includes Items 7, 8, 9, 10 & 14)	

SECTION 6 - HYDRAULIC COMPONENTS

FIGURE 6-2. DIRECTIONAL CONTROL VALVES



PF0760

PS0400

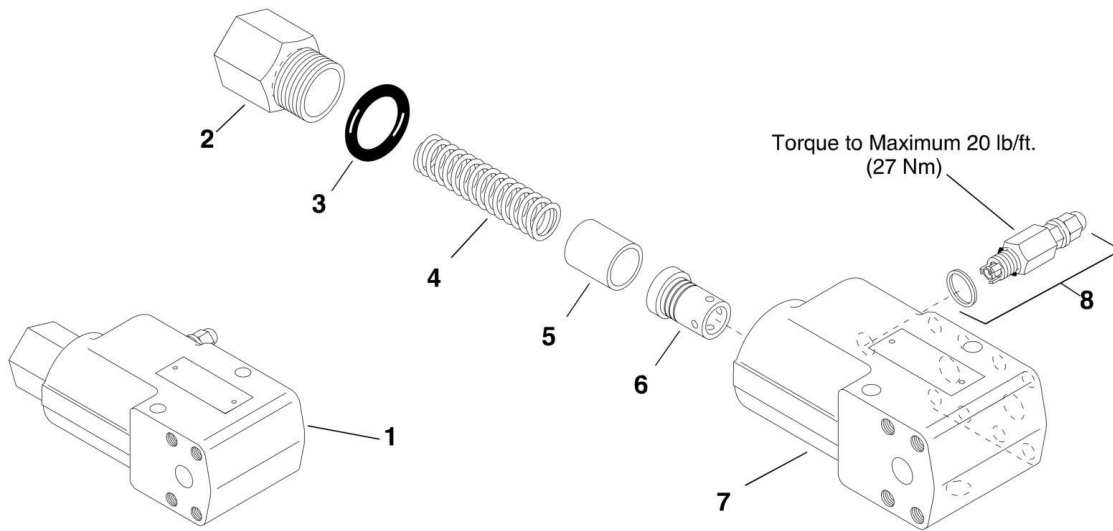
SECTION 6 - HYDRAULIC COMPONENTS

FIGURE 6-2. DIRECTIONAL CONTROL VALVES

ITEM	PART NUMBER	QTY	DESCRIPTION	REV
1	8902170	1	Valve, Steer Select (Includes Item 2)	
2	8640017	4	O-Ring	
3	8902175	1	Valve, Shuttle	
4	8902272	1	Manifold, Pilot Select (Includes Items 5 thru 8)	
5	8035101	3	Valve Cartridge (To Service Seals Order Item 26)	
6	8902701	2	Valve Cartridge (w/o Auxiliary Hydraulics) (To Service Seals Order Item 26)	
6		Ref	Valve Cartridge (w/ Auxiliary Hydraulics) (To Service Seals Order Item 26)	
7	8035103	2	Coil w/Male Pins	
8	8035104	3	Coil w/Female Pins (w/o Auxiliary Hydraulics)	
8		Ref	Coil w/Female Pins (w/Auxiliary Hydraulics)	
9	8721029	1	Valve, Power Steering	
10	8902164	1	Valve, Brake	
11	8902169	1	Manifold, Auxiliary Function (Includes Items 12 thru 17)	
12	8032989	1	Pressure Reducing Valve-PS - Set at 2500 psi (172 bar)	
13	8032993	1	Pressure Reducing Valve-PB - Set at 550 psi (38 bar)	
14	8032991	1	Pressure Relief Valve - Set at 650 psi (45 bar)	
15	8032997	1	Solenoid Valve, Park Brake	
16	8032996	1	Solenoid Valve, Park Brake	
17	8032995	1	Check Valve	
18	8904058	1	Valve, Dual Pilot Operated Check (Includes Item 19 & 2 O-Rings)	
19	8035281	2	Check Valve	
20	8904057	1	Manifold, Stabil-TRAK (Includes Items 21 thru 25)	
21	8035285	1	Solenoid Valve	
22	8035281	2	Check Valve	
23	8035283	2	Solenoid Valve	
24	8035282	1	Pressure Reducing Valve - Set at 100 psi (7 bar)	
25	8035284	2	Solenoid Valve	
		Ref	KITS	
26	8035102	1	Seal Kit, Solenoid (For One Item 5 & 6)	
27	8032990	1	Seal Kit, Pressure Reducing Valve-PS (For Item 12)	
28	8032994	1	Seal Kit, Pressure Reducing Valve-PB (For Item 13)	
29	8032992	1	Rework Kit (For Items 14 thru 17)	

SECTION 6 - HYDRAULIC COMPONENTS

FIGURE 6-3. UNLOADER VALVE



PS0510

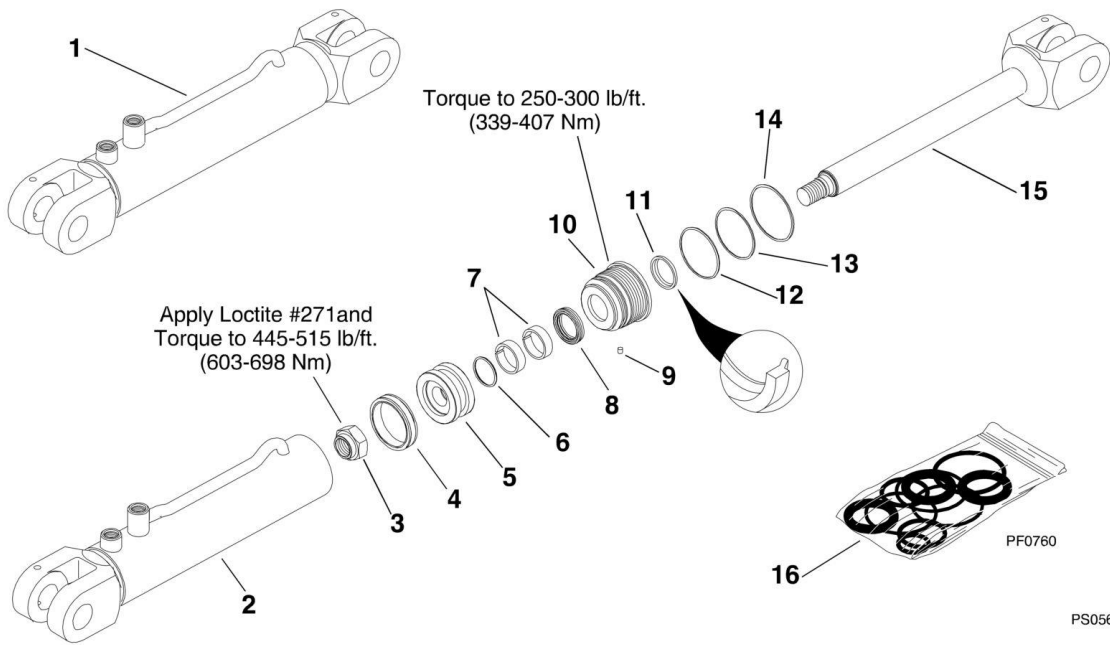
SECTION 6 - HYDRAULIC COMPONENTS

FIGURE 6-3. UNLOADER VALVE

ITEM	PART NUMBER	QTY	DESCRIPTION	REV
1	8904056	1	Valve, Unloader (Includes Items 2 thru 8)	
2	N.S.S.	1	Cap	
3	N.S.S.	1	O-Ring	
4	N.S.S.	1	Spring, Spool	
5	N.S.S.	1	Spacer, Tube	
6	N.S.S.	1	Spool	
7	N.S.S.	1	Housing, Valve	
8	N.S.S.	1	Relief Valve Assembly - Preset at 3500 psi \pm 100 psi (241 bar \pm 7 bar)	

SECTION 6 - HYDRAULIC COMPONENTS

FIGURE 6-4. SLAVE CYLINDER



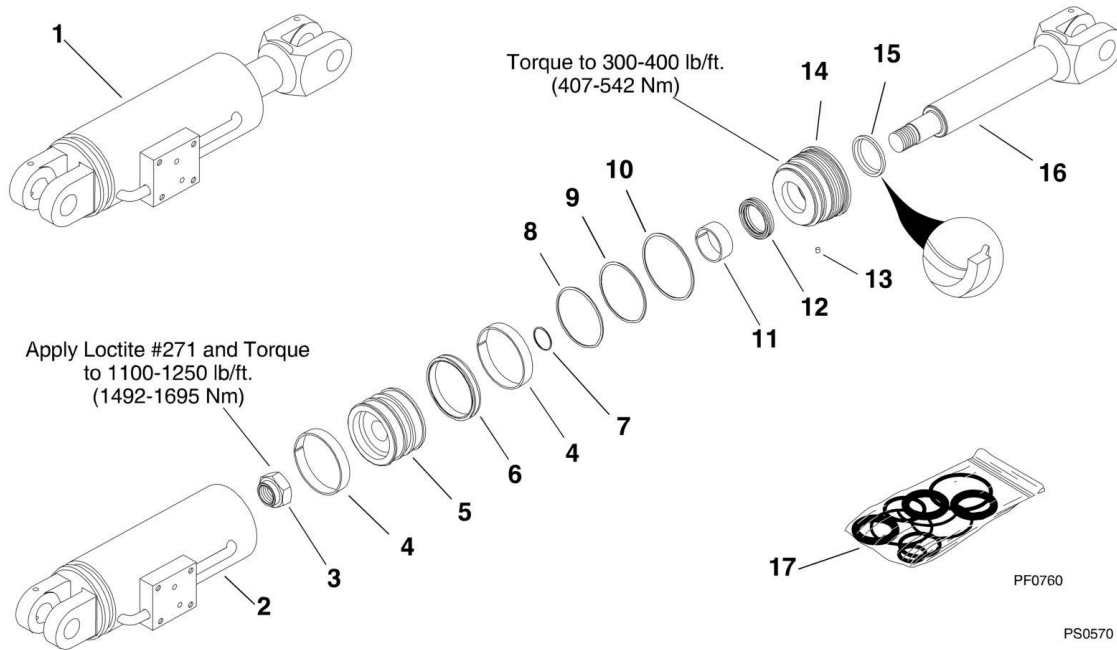
SECTION 6 - HYDRAULIC COMPONENTS

FIGURE 6-4. SLAVE CYLINDER

ITEM	PART NUMBER	QTY	DESCRIPTION	REV
1	2714503	1	Cylinder, Slave (Includes Items 2 thru 15)	
2	N.S.S.	1	Tube	
3	8037080	1	Nut, Lock 1.125-12 NF	
4	See Kits	1	Capped T-Seal	
5	8035329	1	Piston	
6	See Kits	1	O-Ring	
7	See Kits	2	Precision Wearband	
8	See Kits	1	Deep Z-Seal with Rod Backup	
9	See Kits	1	Locking Insert	
10	8035330	1	Head Gland	
11	See Kits	1	HD Rod Wiper Sealed OD	
12	See Kits	1	O-Ring	
13	See Kits	1	Backup Ring	
14	See Kits	1	O-Ring	
15	8035331	1	Rod, Weldment	
		Ref	KITS	
16	8035332	1	Seal Kit (Includes Items 4, 6-9 & 11-14)	

SECTION 6 - HYDRAULIC COMPONENTS

FIGURE 6-5. FRAME TILT/STABILIZER CYLINDER



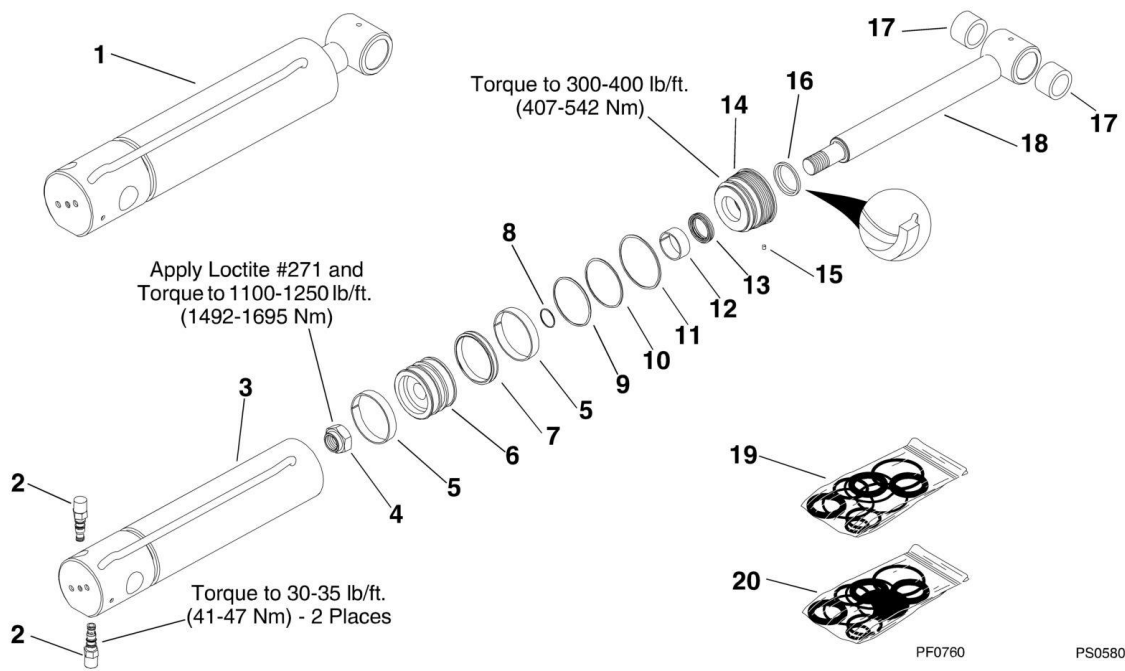
SECTION 6 - HYDRAULIC COMPONENTS

FIGURE 6-5. FRAME TILT/STABILIZER CYLINDER

ITEM	PART NUMBER	QTY	DESCRIPTION	REV
1	7134593	1	Cylinder, Frame Tilt/Stabilizer (Includes Items 2 thru 16)	
2	N.S.S.	1	Tube	
3	8035322	1	Nut, Lock 1.50-12 NF	
4	See Kits	2	Precision Wearband	
5	8035323	1	Piston	
6	See Kits	1	Type 730 Capped T-Seal	
7	See Kits	1	O-Ring	
8	See Kits	1	O-Ring	
9	See Kits	1	Backup Ring	
10	See Kits	1	O-Ring	
11	See Kits	1	Precision Wearband	
12	See Kits	1	Deep Z-Seal with Rod Backup	
13	See Kits	1	Locking Insert	
14	8035324	1	Head Gland	
15	See Kits	1	HD Rod Wiper, Sealed OD	
16	8035328	1	Rod Weldment	
		Ref	KITS	
17	8035326	1	Seal Kit (Includes Items 4, 6-13 & 15)	

SECTION 6 - HYDRAULIC COMPONENTS

FIGURE 6-6. ATTACHMENT TILT CYLINDER



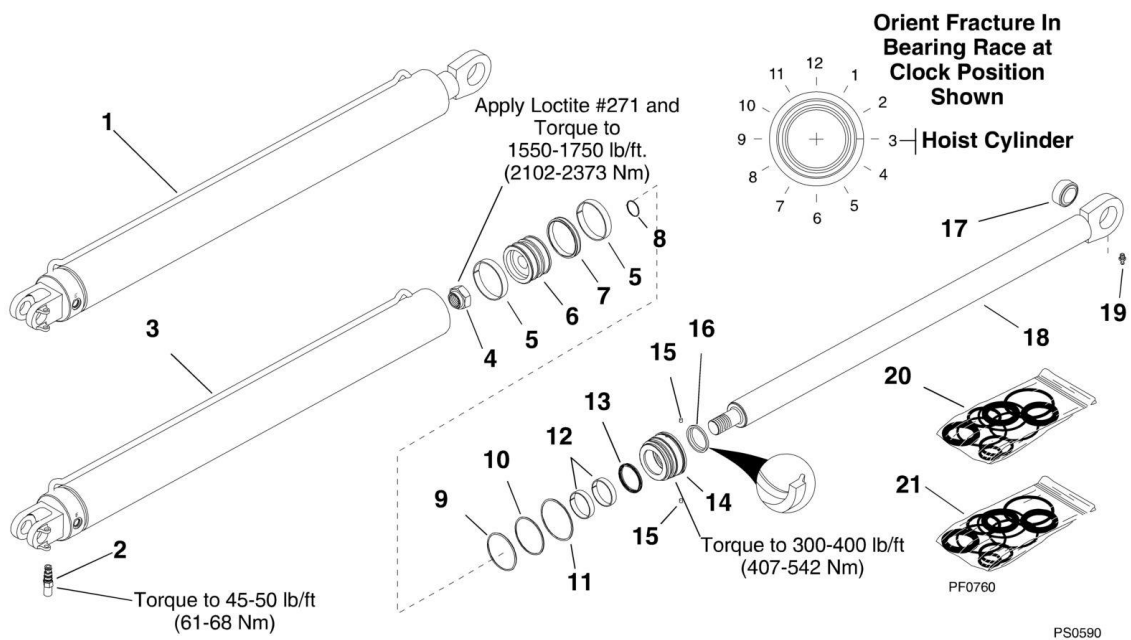
SECTION 6 - HYDRAULIC COMPONENTS

FIGURE 6-6. ATTACHMENT TILT CYLINDER

ITEM	PART NUMBER	QTY	DESCRIPTION	REV
1	2715722	1	Cylinder, Attachment Tilt w/Bushings (Includes Items 2 thru 18)	
2	8035321	2	Counterbalance Valve - Set at 4000 psi (276 bar)	
3	N.S.S.	1	Tube	
4	8035322	1	Nut, Lock 1.50-12 NF	
5	See Kits	2	Precision Wearband	
6	8035323	1	Piston	
7	See Kits	1	Type 730 Capped T-Seal	
8	See Kits	1	O-Ring	
9	See Kits	1	O-Ring	
10	See Kits	1	Backup Ring	
11	See Kits	1	O-Ring	
12	See Kits	1	Precision Wearband	
13	See Kits	1	Deep Z-Seal with Rod Backup	
14	8035324	1	Head Gland	
15	See Kits	1	Locking Insert	
16	See Kits	1	HD Rod Wiper, Sealed OD	
17	7089722	AR	Bushing (Solid Diameter)	
17	70031092	AR	Bushing (Spring Tooth Design)	
18	8035325	1	Rod Weldment	
		Ref	KITS	
19	8035326	1	Seal Kit (Includes Items 5,7-13 & 15-16)	
20	8035327	1	Seal Kit (For Item 2)	

SECTION 6 - HYDRAULIC COMPONENTS

FIGURE 6-7. HOIST CYLINDER



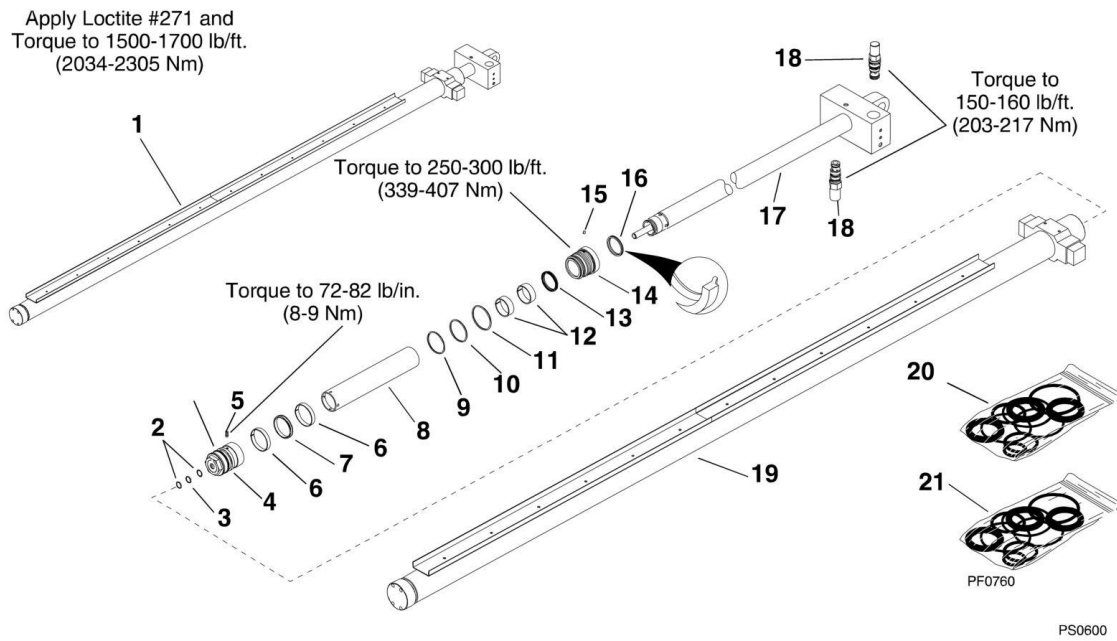
SECTION 6 - HYDRAULIC COMPONENTS

FIGURE 6-7. HOIST CYLINDER

ITEM	PART NUMBER	QTY	DESCRIPTION	REV
1	2716562	1	Cylinder, Hoist w/Bearing (Includes Items 2 thru 18)	
2	8902271	1	Counterbalance Valve - Set at 4000 psi (276 bar)	
3	N.S.S.	1	Tube	
4	8035308	1	Nut, Lock 2.00-12 UN	
5	See Kits	2	Precision Wearband	
6	8035309	1	Piston	
7	See Kits	1	Capped T-Seal	
8	See Kits	1	O-Ring	
9	See Kits	1	O-Ring	
10	See Kits	1	Backup Ring	
11	See Kits	1	O-Ring	
12	See Kits	2	Precision Wearband	
13	See Kits	1	Deep Z-Seal with Rod Backup	
14	8035310	1	Head Gland	
15	See Kits	2	Locking Insert	
16	See Kits	1	HD Rod Wiper, Sealed OD	
17	8065640	1	Bearing, Self Align	
18	8035311	1	Rod Weldment	
19	8520013	1	Fitting, Lube, Self Tapping 1/8 NPT	
		Ref	KITS	
20	8035312	1	Seal Kit (Includes Items 5, 7-13 & 15-16)	
21	8205656	1	Seal Kit (For Item 2)	

SECTION 6 - HYDRAULIC COMPONENTS

FIGURE 6-8. EXTEND CYLINDER



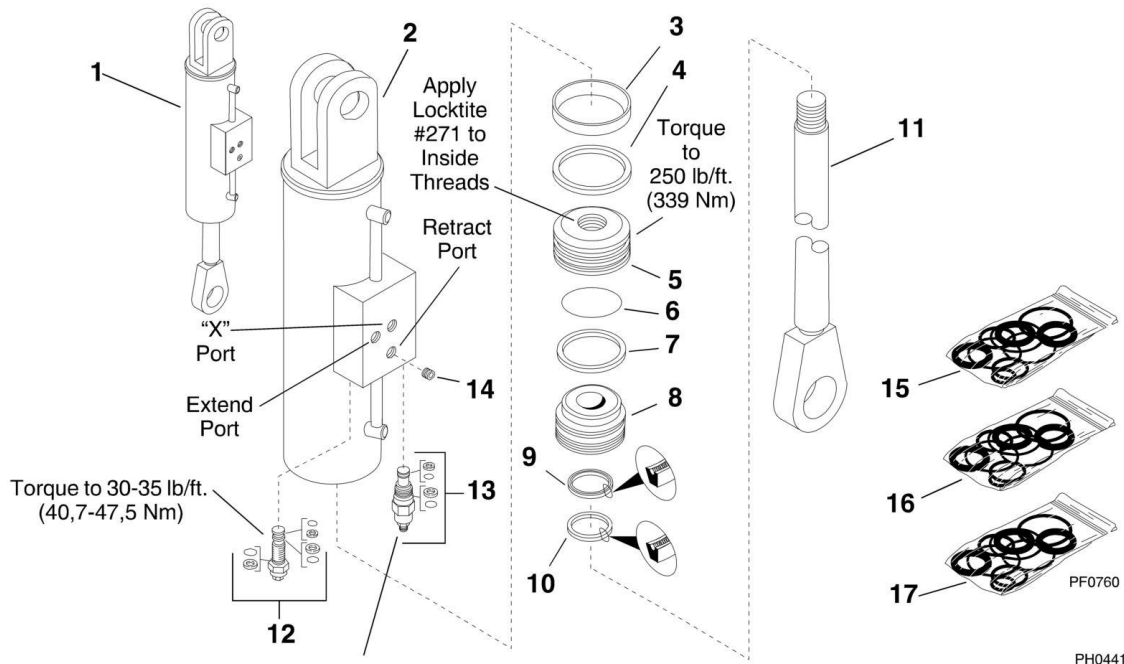
SECTION 6 - HYDRAULIC COMPONENTS

FIGURE 6-8. EXTEND CYLINDER

ITEM	PART NUMBER	QTY	DESCRIPTION	REV
1	2716253	1	Cylinder, Extend (Includes Items 2 thru 19)	
2	See Kits	2	Hytrek Backup Ring	
3	See Kits	1	O-Ring	
4	8035314	1	Piston	
5	8035315	1	Setscrew 5/16-18 UNC x .63	
6	See Kits	2	Precision Wearband	
7	See Kits	1	Type 730 Capped T-Seal	
8	8035316	1	Rod Spacer	
9	See Kits	1	O-Ring	
10	See Kits	1	Backup Ring	
11	See Kits	1	O-Ring	
12	See Kits	2	Precision Wearband	
13	See Kits	1	Deep Z-Seal with Rod Backup	
14	8035317	1	Head Gland	
15	See Kits	1	Locking Insert	
16	See Kits	1	HD Rod Wiper, Sealed OD	
17	8035318	1	Rod Weldment	
18	8035293	2	Counterbalance Valve - Set at 4000 psi (276 bar)	
19	N.S.S.	1	Tube	
		Ref	KITS	
20	8035319	1	Seal Kit (Includes Items 2-3, 6-7, 9-13 & 15-16)	
21	8035320	1	Seal Kit (For Item 18)	

SECTION 6 - HYDRAULIC COMPONENTS

FIGURE 6-9. SWING CARRIAGE CYLINDER (OPTIONAL)



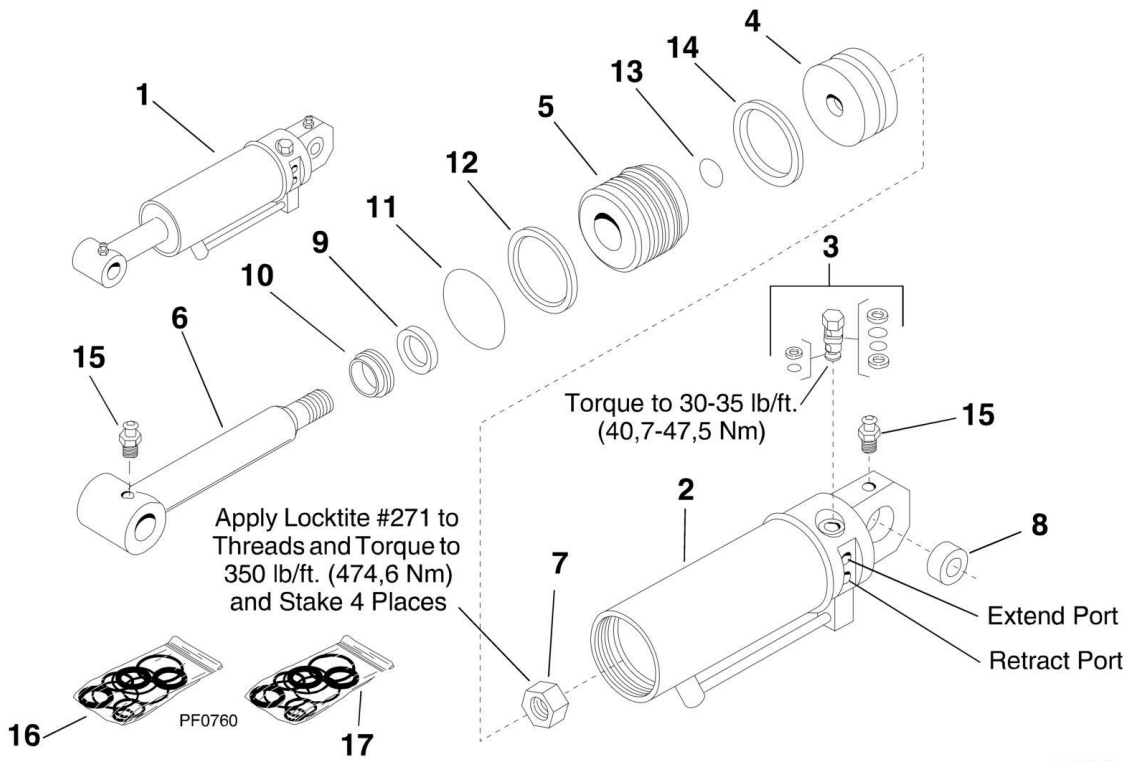
SECTION 6 - HYDRAULIC COMPONENTS

FIGURE 6-9. SWING CARRIAGE CYLINDER (OPTIONAL)

ITEM	PART NUMBER	QTY	DESCRIPTION	REV
1	2713363	1	Cylinder, Swing Carriage (Includes Items 2 thru 14)	
2	N.S.S.	1	Tube, Cylinder	
3	See Kits	1	Ring, Wear	
4	See Kits	1	Seal, Piston	
5	8033783	1	Piston	
6	See Kits	1	O-Ring	
7	See Kits	1	Ring, Back-Up	
8	8033784	1	Gland	
9	See Kits	1	Seal, Rod	
10	See Kits	1	Wiper	
11	8033785	1	Rod	
12	8033786	1	Valve, Counterbalance Cartridge - Preset to 3000 psi (207 bar)	
13	70020428	1	Valve Cartridge, Direct Acting Relief - Preset to 2000 psi (138 bar)	
14	8033788	1	Orifice .038 Dia	
		Ref	KITS	
15	8033789	1	Seal Kit, Swing Carriage Cylinder (Includes Items 3, 4, 6, 7, 9 & 10)	
16	8205655	1	Seal Kit, Valve For Item 12 (Includes 3 O-Rings & 3 Back-Up Rings)	
17	7024574	1	Seal Kit, Valve For Item 13 (Includes 2 O-Rings, 1 Back-Up Ring & 1 Glyd Ring)	

SECTION 6 - HYDRAULIC COMPONENTS

FIGURE 6-10. SIDE TILT CARRIAGE CYLINDER (OPTIONAL)



PH0800

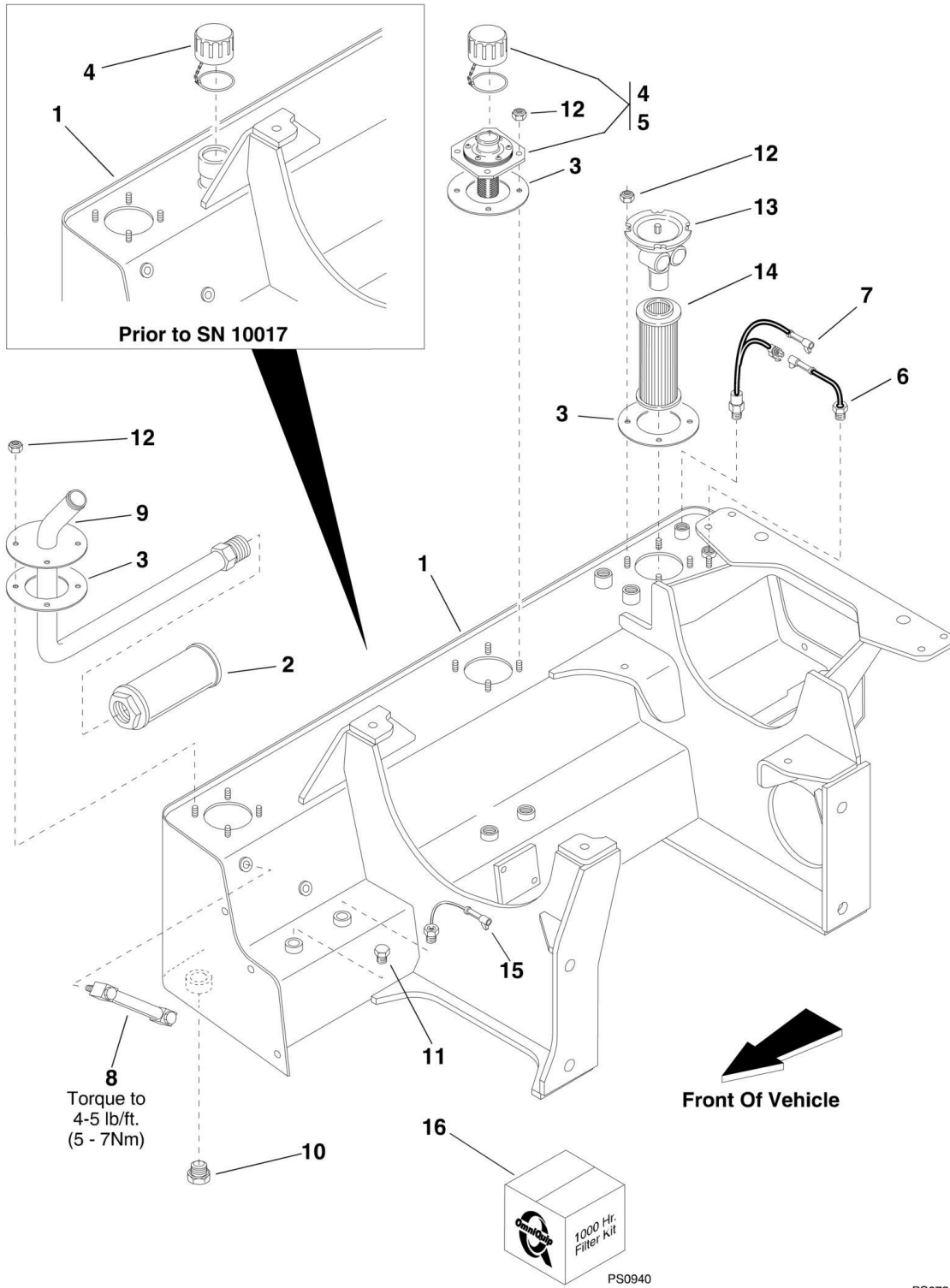
SECTION 6 - HYDRAULIC COMPONENTS

FIGURE 6-10. SIDE TILT CARRIAGE CYLINDER (OPTIONAL)

ITEM	PART NUMBER	QTY	DESCRIPTION	REV
1	2711613	1	Cylinder, Side Tilt Carriage (Includes Items 2 thru 14)	
2	N.S.S.	1	Tube, Cylinder	
3	8902511	2	Valve, Pilot Check	
4	8205545	1	Piston	
5	8205546	1	Gland	
6	8205547	1	Rod	
7	8205548	1	Nut, Piston	
8	8205514	1	Bearing, Self Aligning	
9	See Kits	1	Seal, Rod	
10	See Kits	1	Wiper	
11	See Kits	1	O-Ring	
12	See Kits	1	Ring, Back-Up	
13	See Kits	1	O-Ring	
14	See Kits	1	Seal, Piston	
15	8520013	2	Fitting, Grease	
		Ref	KITS	
16	8205661	1	Seal Kit, Side Tilt Carriage Cylinder (Includes Items 9 - 14)	
17	8205655	1	Seal Kit, For Item 3 Pilot Check Valve	

SECTION 6 - HYDRAULIC COMPONENTS

FIGURE 6-11. HYDRAULIC RESERVOIR



PS0940

PS0721

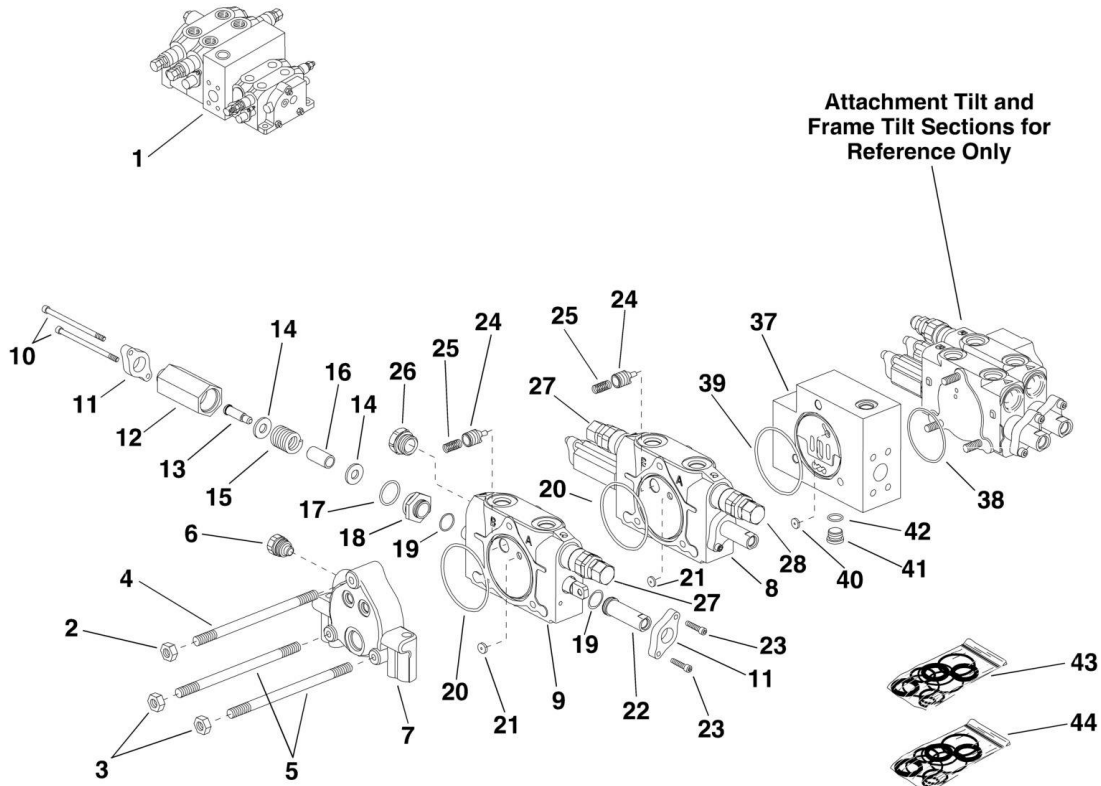
SECTION 6 - HYDRAULIC COMPONENTS

FIGURE 6-11. HYDRAULIC RESERVOIR

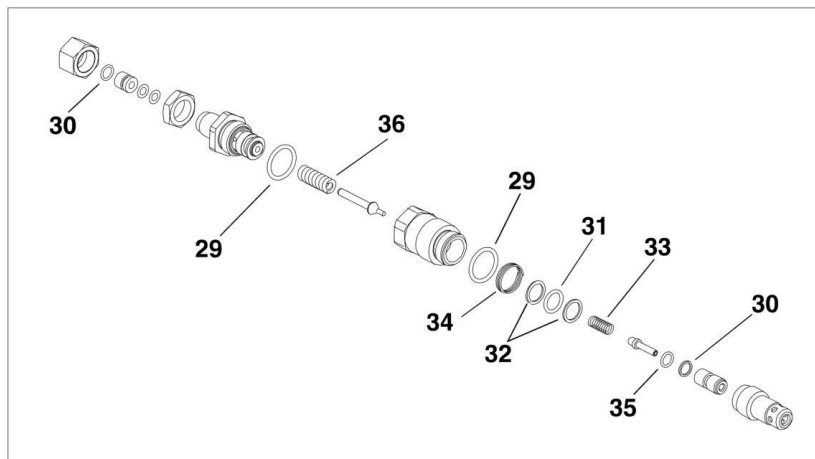
ITEM	PART NUMBER	QTY	DESCRIPTION	REV
1	7127394	1	Hydraulic Reservoir/Engine Mount	
2	8324029	1	Strainer	
3	7094552	3	Gasket	
4	8322034	1	Breather (Prior to SN 10017)	
4	8322039	1	Filler Neck w/Breather Cap (Includes Item 5) (SN 10017 to Present)	
5	8322040	1	Cap, Breather - 5 psi	
6	8223227	1	Switch, Temperature 100, (38)	
7	8223526	1	Switch, Oil Pressure 20 psi (1.4 kPa)	
8	8464013	1	Gage, Sight (Includes Seals and Fasteners)	
9	7128994	1	Inlet Tube Assembly	
10	8770001	1	Drain Plug, Magnetic 24 ORB	
11	8760419	1	Plug, 8 ORB	
12	8305626	8	Nut, Lock 5/16-18 Elastic (Qty 12) for (SN 10017 to Present)	
13	7094562	1	Filter Head	
14	8320265	1	Filter Element	
15	8223226	1	Switch, Hydraulic Oil HI Temperature 195, (76)	
		Ref	KITS	
16	7138298	1	1000 Hour Filter Kit for Cummins Turbo (Includes 6 Filters; Engine Oil Filter, Fuel Filter, Both Air Filters, Transmission Oil Filter and Hydraulic Oil Filter)	
16	7138299	1	1000 Hour Filter Kit for Perkins Natural (Includes 6 Filters; Engine Oil Filter, Fuel Filter, Both Air Filters, Transmission Oil Filter and Hydraulic Oil Filter)	
16	7138432	1	1000 Hour Filter Kit for Perkins Turbo (Includes 6 Filters; Engine Oil Filter, Fuel Filter, Both Air Filters, Transmission Oil Filter and Hydraulic Oil Filter)	

SECTION 6 - HYDRAULIC COMPONENTS

FIGURE 6-12. MAIN CONTROL VALVE (BOOM RAISE/LOWER AND EXTEND/RETRACT SECTIONS)



PF0760



PS0770

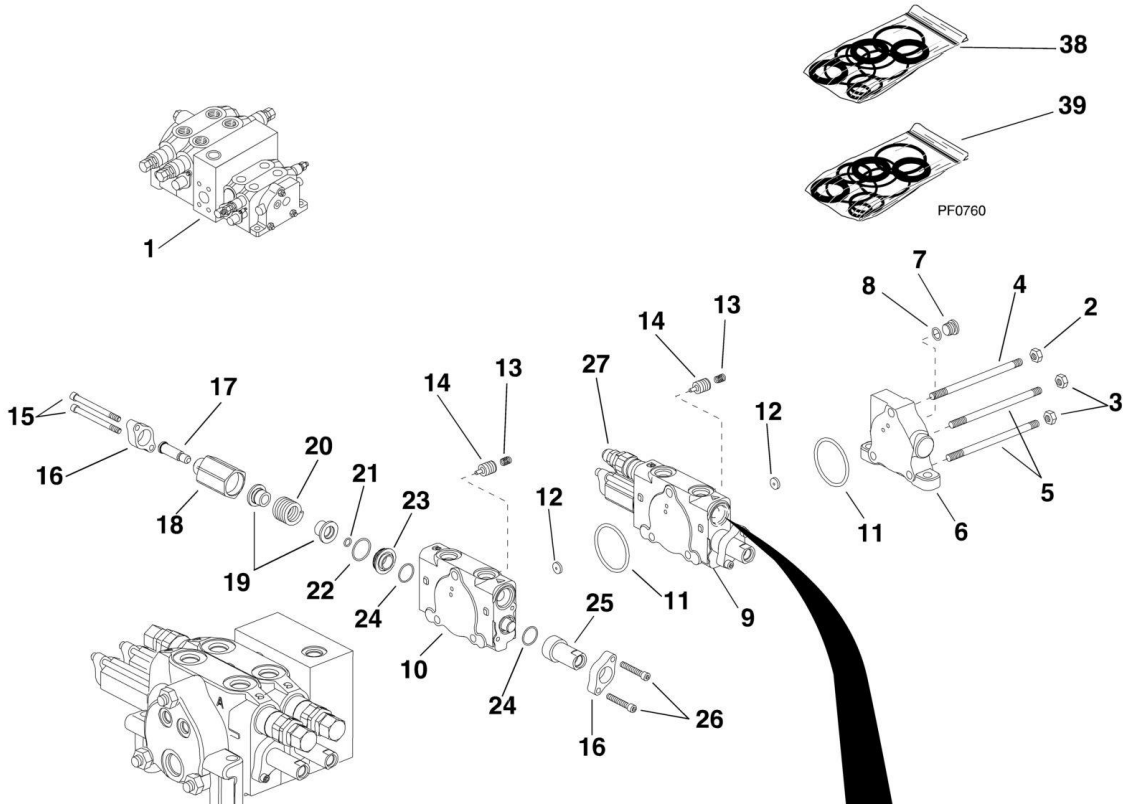
SECTION 6 - HYDRAULIC COMPONENTS

FIGURE 6-12. MAIN CONTROL VALVE (BOOM RAISE/LOWER AND EXTEND/RETRACT SECTIONS)

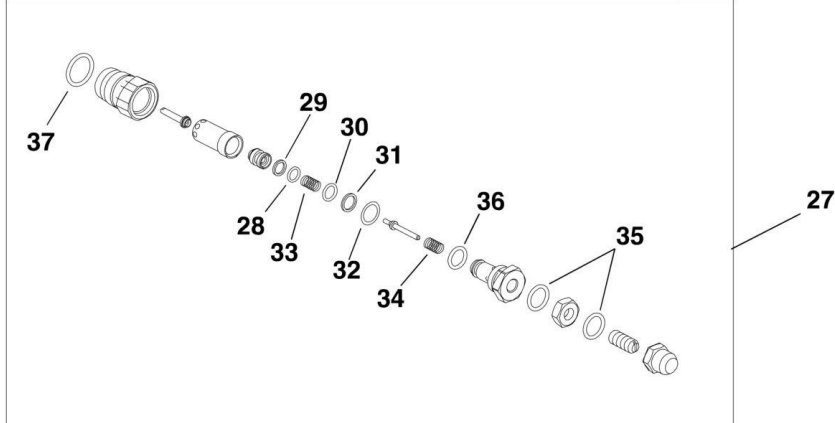
ITEM	PART NUMBER	QTY	DESCRIPTION	REV
1	8902167	1	Main Control Valve Assembly (Includes Items 2 thru 42)	
2	8035347	1	Nut, Special - Upper	
3	8035381	2	Nut, Special - Lower	
4	8035380	1	Tie Rod, Upper	
5	8035379	2	Tie Rod, Lower	
6	8034539	1	Plug Assembly, Shut Off - Orifice	
7	8035342	1	Outlet Section Assembly	
8	8035341	1	Section Assembly - Boom Extend/Retract (Includes Items 10 thru 25)	
9	8035341	1	Section Assembly - Boom Raise/Lower (Includes Items 10 thru 26)	
10	8035377	2	Capscrew, Socket Hd	
11	8035368	2	Retainer	
12	8035370	1	Cap, Spool	
13	8035362	1	Screw, Shoulder Socket Hd	
14	8035361	2	Washer, Flat	
15	8035355	1	Spring	
16	8035360	1	Spacer	
17	See Kits	1	O-Ring	
18	8035378	1	Retainer, Spool Cap	
19	See Kits	2	O-Ring	
20	8034697	1	O-Ring (See Kits)	
21	8035364	1	Shuttle	
22	8035369	1	Cap, Spool	
23	8035350	2	Capscrew, Socket Hd	
24	8035367	1	Poppet	
25	8035358	1	Spring	
26	8035363	1	Anti - Void Assembly	
27	8035354	2	Relief Valve Assembly - Preset at 3750 ±50 psi (258 ±3.5 bar) (Includes Items 29 thru 36)	
28	8034538	1	Relief Valve Assembly - Preset at 3200 ±50 psi (220 bar ±3.5 bar) (Includes Items 29 thru 36)	
29	See Kits	2	O-Ring	
30	See Kits	2	O-Ring	
31	See Kits	1	O-Ring	
32	See Kits	2	Ring, Back Up	
33	See Kits	1	Spring	
34	See Kits	1	Spring	
35	See Kits	1	Ring, Back Up	
36	See Kits	1	Spring	
37	8035340	1	Mid Inlet Section Assembly (Includes Items 38 thru 40)	
38	See Kits	1	O-Ring	
39	8034697	1	O-Ring	
40	8035364	1	Shuttle	
41	8035382	1	Plug Assembly - SAE	
42	See Kits	1	O-Ring	
		Ref	KITS	
43	8035384	1	Seal Kit, Entire Valve (Includes Items 17, 19, 20 & 42 and Additional Items On MAIN CONTROL VALVE (ATTACHMENT TILT AND FRAME TILT SECTIONS)	
44	8034540	1	Seal and Spring Kit, Relief Valve (Includes Items 29 thru 36)	

SECTION 6 - HYDRAULIC COMPONENTS

FIGURE 6-13. MAIN CONTROL VALVE (ATTACHMENT TILT AND FRAME TILT SECTIONS)



**Boom Raise/Lower & Extend/Retract
Sections for Reference Only**



PS0780

SECTION 6 - HYDRAULIC COMPONENTS

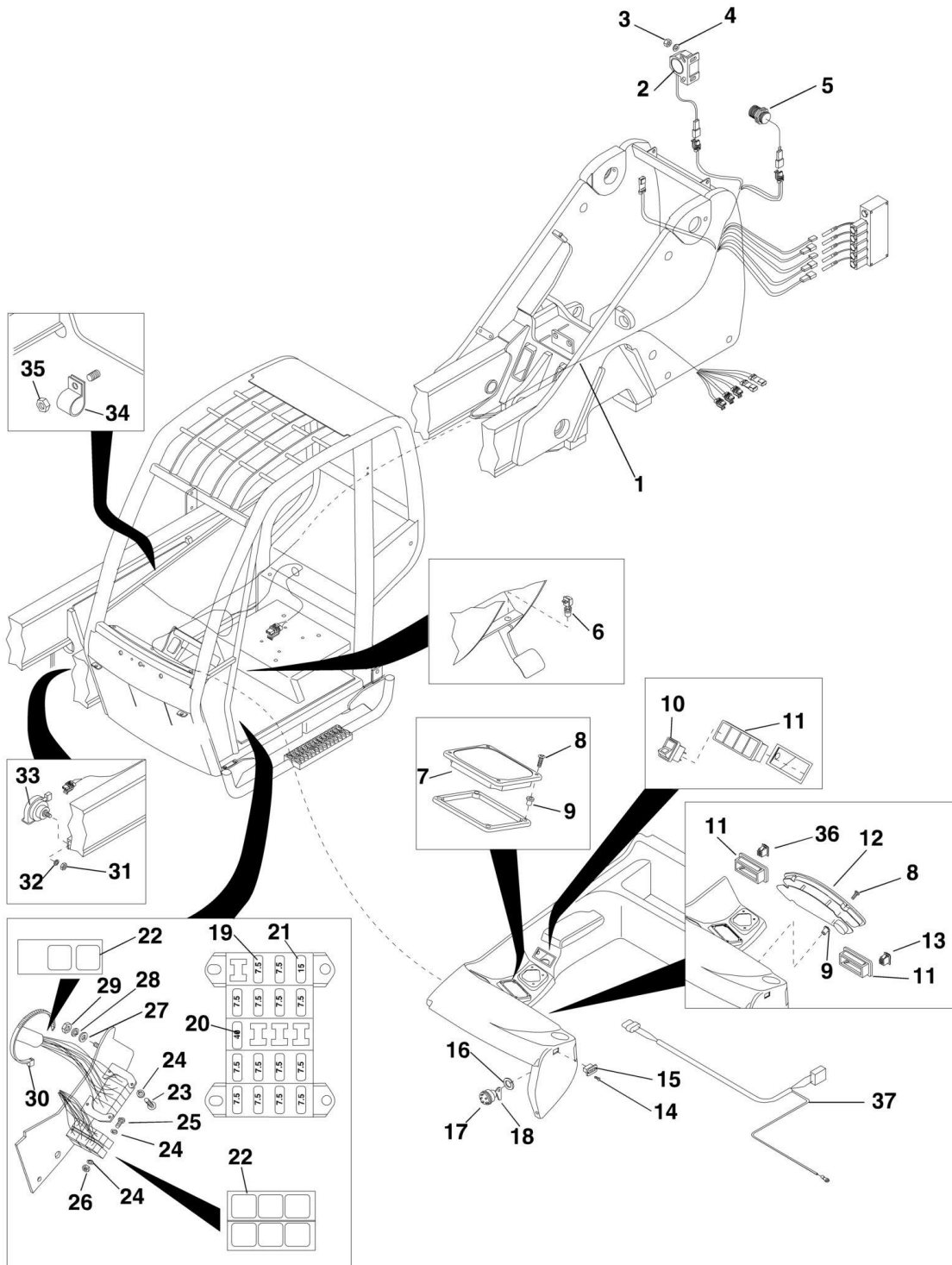
FIGURE 6-13. MAIN CONTROL VALVE (ATTACHMENT TILT AND FRAME TILT SECTIONS)

ITEM	PART NUMBER	QTY	DESCRIPTION	REV
1	8902167	1	Main Control Valve Assembly (Includes Items 2 thru 37)	
2	8035346	1	Nut, Special - Upper	
3	8035348	2	Nut, Special - Lower	
4	8035353	1	Tie Rod, Upper	
5	8035352	2	Tie Rod, Lower	
6	8035345	1	Outlet Section Assembly	
7	8035349	1	Plug, SAE	
8	See Kits	1	O-Ring	
9	8035344	1	Section Assembly - Attachment Tilt (Includes Items 11 thru 26)	
10	8035343	1	Section Assembly - Frame Tilt (Includes Items 11 thru 26)	
11	See Kits	1	O-Ring	
12	8035364	1	Shuttle	
13	8035365	1	Spring	
14	8035366	1	Piston, Compensator C.V.	
15	8035359	2	Capscrew, Socket Hd	
16	8035373	2	Plate, Seal	
17	8035375	1	End, Spool	
18	8035371	1	Cap, Spool	
19	8035376	2	Seat, Spring	
20	8035356	1	Spring	
21	See Kits	1	O-Ring	
22	See Kits	1	O-Ring	
23	8035374	1	Retainer, Spool Cap	
24	See Kits	2	O-Ring	
25	8035372	1	Cap, Spool	
26	8035357	2	Capscrew, Socket Hd	
27	8035351	2	Relief Valve Assembly - Preset at 3700 ±50 psi (255 ±3.5 bar) (Includes Items 28 thru 37)	
28	See Kits	1	O-Ring	
29	See Kits	1	Ring, Back Up	
30	See Kits	1	O-Ring	
31	See Kits	1	Ring, Back Up	
32	See Kits	1	Spring, Wave	
33	See Kits	1	Spring	
34	See Kits	1	Spring	
35	See Kits	2	O-Ring	
36	See Kits	1	O-Ring	
37	See Kits	1	O-Ring	
		Ref	KITS	
38	8035383	1	Seal and Spring Kit, Relief Valve (Includes Items 28 thru 37)	
39	8035384	1	Seal Kit, Entire Valve (Includes Items 8, 11, 21, 22 & 24 and Additional Items On MAIN CONTROL VALVE (BOOM RAISE/LOWER AND EXTEND/RETRACT SECTIONS)	

SECTION 7 - ELECTRICAL

SECTION 7 - ELECTRICAL

FIGURE 7-1. ELECTRICAL SYSTEM - CAB HARNESS (Prior to SN 8250)



PS0790A

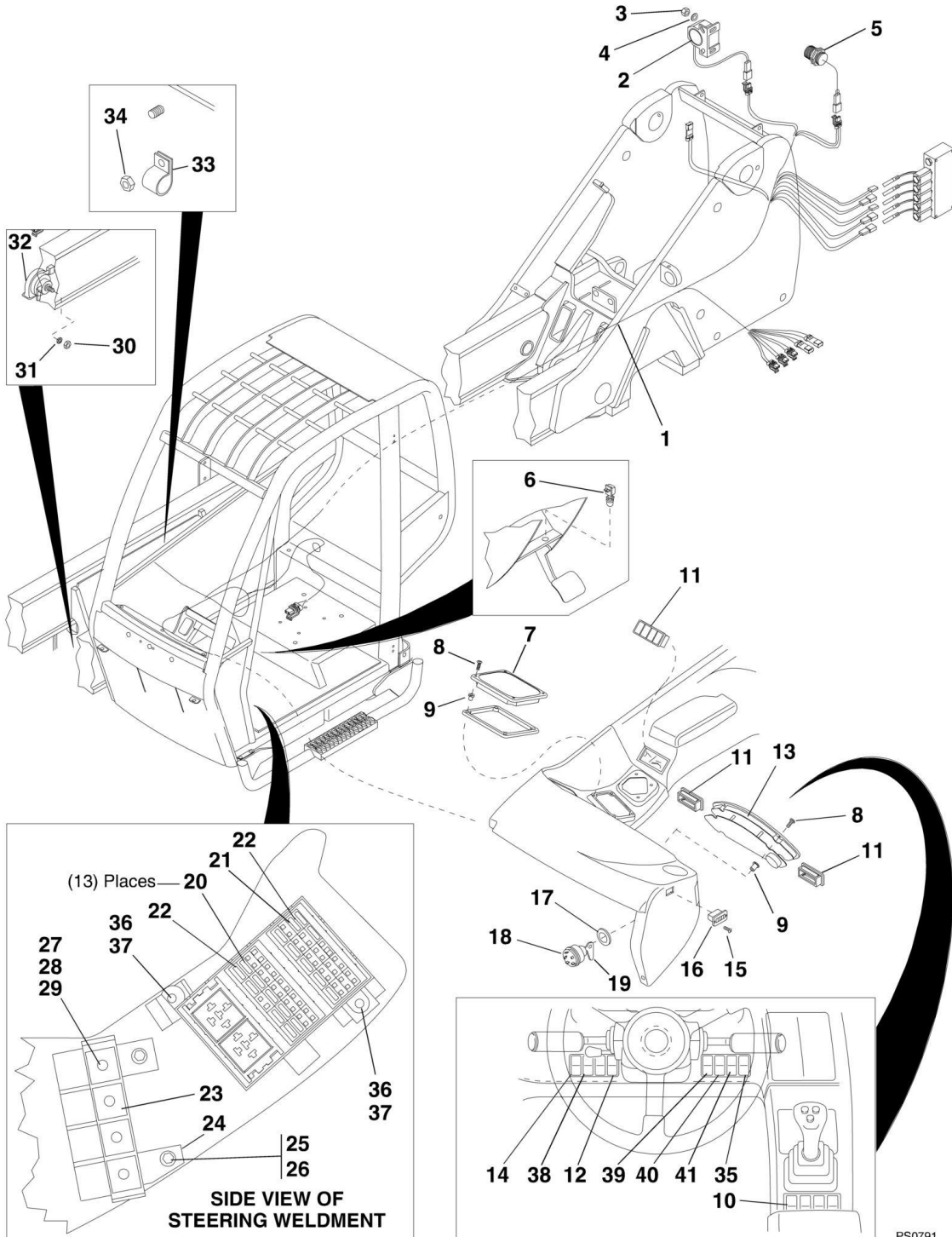
SECTION 7 - ELECTRICAL

FIGURE 7-1. ELECTRICAL SYSTEM - CAB HARNESS (Prior to SN 8250)

ITEM	PART NUMBER	QTY	DESCRIPTION	REV
1	7133774	1	Harness, Cab	
2	8270621	1	Alarm, Back-up	
3	8305624	2	Nut, Hex Lock Elastic 1/4-20	
4	8307109	2	Washer, Flat 1/4in	
5	7130682	1	Sensor, Boom	
6	8223025	1	Switch, Service Brake	
7	8220346	1	Panel, Logic	
8	8310358	8	BHCS, #10-32 x 3/4in	
9	8580421	8	Nut, Well #10-32	
10	8223037	1	Switch, Steer Select	
11	8223046	3	Bezel, Switch	
12	8220345	1	Panel, Display	
13	8223036	1	Switch, Park Brake	
14	8310366	2	Screw, Wood, Round Hd #6 x 1/2in	
15	8467017	1	Hourmeter	
16	8310300	1	Washer, Machine Bushing .63 ID	
17	8223436	1	Switch, Ignition (Includes Item 18)	
18	8223438	1	Key, Ignition - Set of 2	
19	8229233	14	Fuse, 7.5 amp	
20	8229238	1	Fuse, 40 Amp	
21	8229237	1	Fuse, 15 Amp (Optional Cold Start Only)	
22	8225117	8	Relay, Sealed 12V - 40A	
23	8303837	4	Screw, Slotted Pan Hd #10-24 x 3/4in	
24	8307111	8	Washer, Flat #10 Narrow	
25	8303836	2	Screw, Slotted Pan Hd #10-24 x 5/8in	
26	8310085	2	Nut, Hex Lock Elastic #10-24	
27	8307202	1	Washer, Flat 1/4in	
28	8307002	1	Washer, Lock 1/4in	
29	8305004	1	Nut, Hex 1/4-20	
30	8584003	1	Tie, Plastic	
31	8305439	1	Nut, Hex Jam M6-1 C14	
32	8307024	1	Washer, Lock M6	
33	8270620	1	Horn, Signal	
34	8406302	1	Clip, Tube	
35	8305644	1	Nut, Hex Lock 1/2-13	
36	8223048	1	Switch, Attachment Tilt Mode	
37	7133783	1	Harness, Attachment Tilt Direction	

SECTION 7 - ELECTRICAL

FIGURE 7-2. ELECTRICAL SYSTEM - CAB HARNESS (SN 8250 to Present)



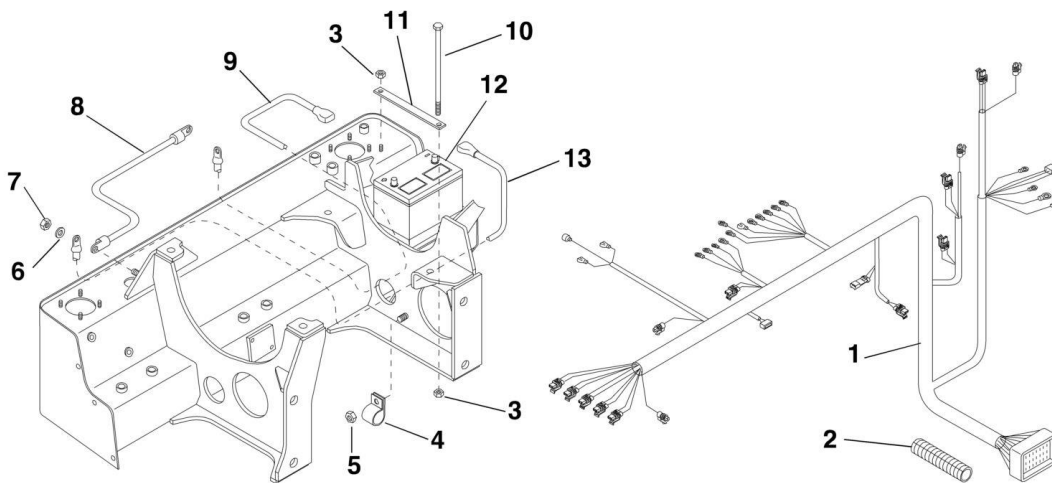
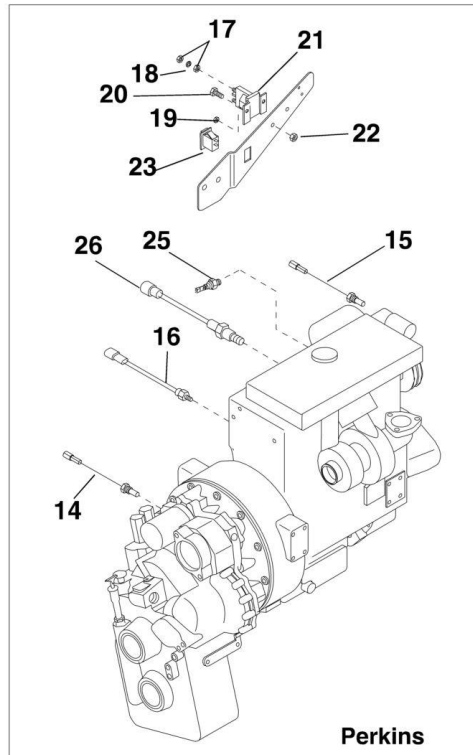
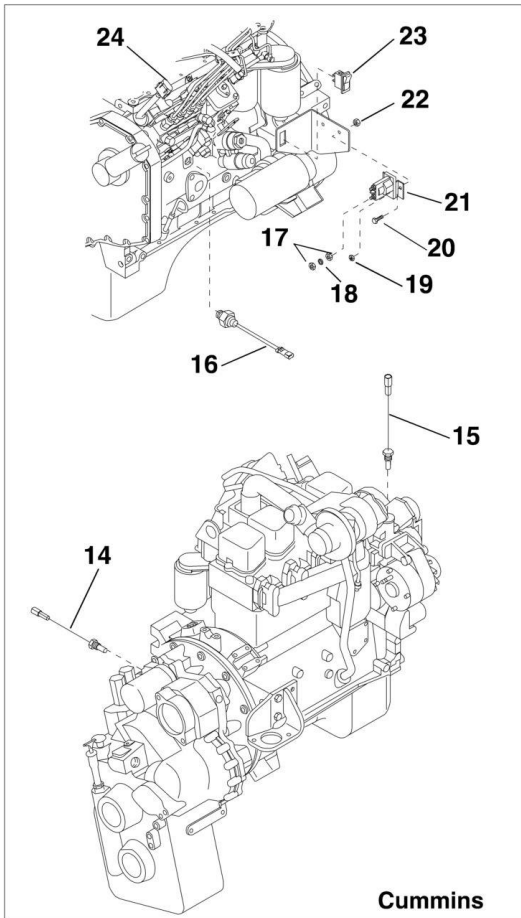
SECTION 7 - ELECTRICAL

FIGURE 7-2. ELECTRICAL SYSTEM - CAB HARNESS (SN 8250 to Present)

ITEM	PART NUMBER	QTY	DESCRIPTION	REV
1	7133774	1	Harness, Cab	
2	8270621	1	Alarm, Back-up	
3	8305624	2	Nut, Hex Lock Elastic 1/4-20	
4	8307109	2	Washer, Flat 1/4in	
5	7130682	1	Sensor, Boom	
6	8223025	1	Switch, Service Brake	
7	8220346	1	Panel, Logic	
8	8310358	8	BHCS, #10-32 x 3/4in	
9	8580421	8	Nut, Well #10-32	
10	8223037	1	Switch, Steer Select	
11	8223046	3	Bezel, Switch	
12	8223039	1	Switch, Auxiliary Detent (Optional)	
13	8220345	1	Panel, Display	
14	8223036	1	Switch, Park Brake	
15	8310366	2	Screw, Wood, Round Hd #6 x 1/2in	
16	8467017	1	Hourmeter	
17	8310300	1	Washer, Machine Bushing .63 ID	
18	8223436	1	Switch, Ignition (Includes Item 18)	
19	8223438	1	Key, Ignition - Set of 2	
20	8229243	13	Mini-Fuse, 7.5 Amp	
21	8229245	1	Mini-Fuse, 30 Amp	
22	8229244	2	Mini-Fuse, 15 Amp (Optional Cold Start Only)	
23	8225117	8	Relay, Sealed 12V - 40A	
24	7133862	1	Bracket, Relay (Cab) (SN 301 to Present)	
25	8310026	4	HHCS, 1/4-20 x 3/4in	
26	8305004	4	Nut, Hex 1/4in	
27	8303836	4	Screw, Slotted Pan Hd #10-24 x 5/8in	
28	8307003	4	Washer, Lock #10	
29	8305002	4	Nut, Hex #10-24	
30	8305439	1	Nut, Hex Jam M6-1 C14	
31	8307024	1	Washer, Lock M6	
32	8270620	1	Horn, Signal	
33	8406302	1	Clip, Tube	
34	8305644	1	Nut, Hex Lock 1/2-13	
35	8223048	1	Switch, Attachment Tilt Mode	
36	7134671	2	Tab, Dual Locking	
37	8582426	2	Stud, Dual Locking	
38	8501046	1	Switch, Headlight/Worklight (Optional)	
39	8223044	1	Switch, Front Washer (Optional)	
40	8223043	1	Switch, Front Wiper (Optional)	
41	8223040	1	Switch, Skylight Wiper/Washer (Optional)	

SECTION 7 - ELECTRICAL

FIGURE 7-3. ELECTRICAL SYSTEM - ENGINE HARNESS



PS0801

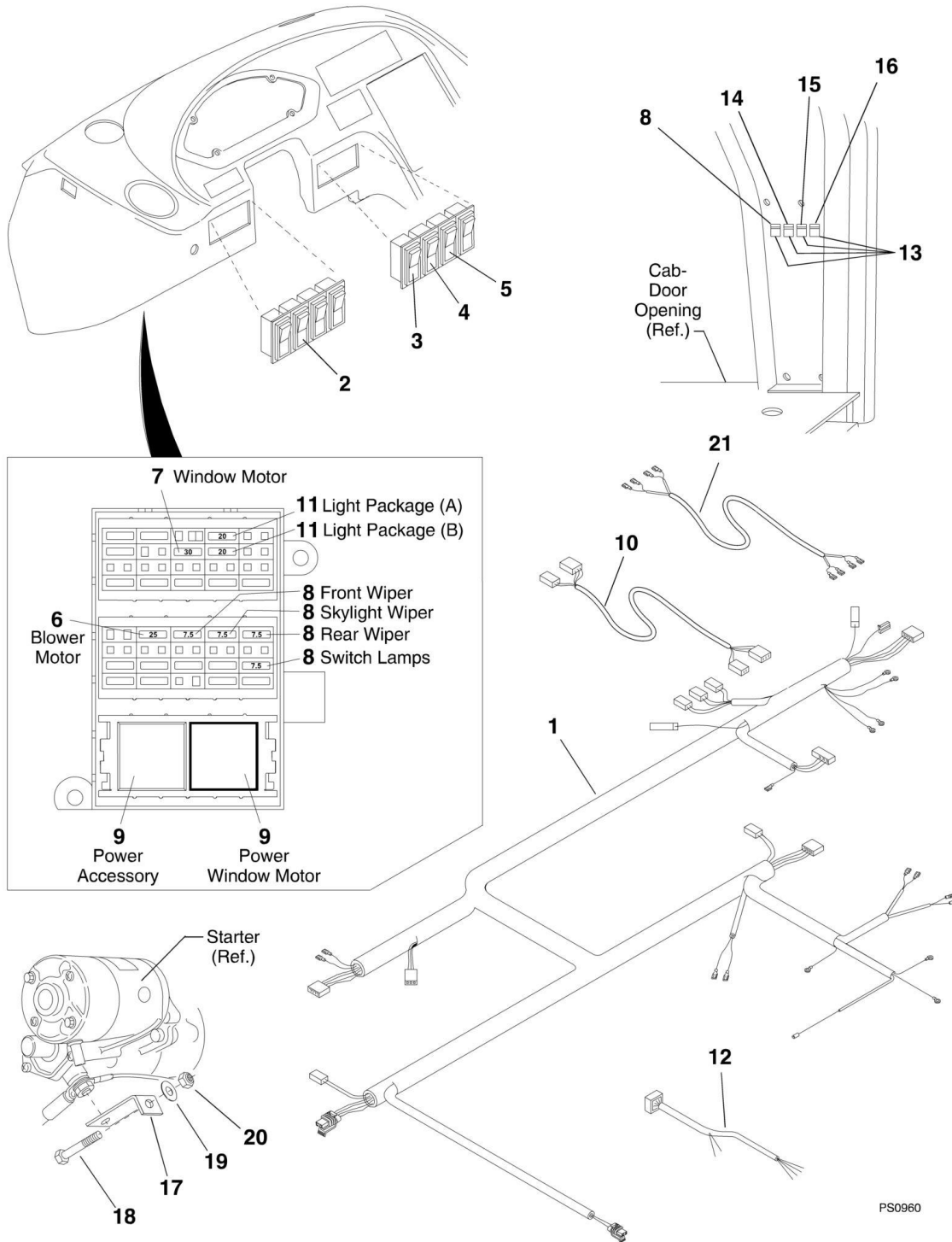
SECTION 7 - ELECTRICAL

FIGURE 7-3. ELECTRICAL SYSTEM - ENGINE HARNESS

ITEM	PART NUMBER	QTY	DESCRIPTION	REV
1	7130444	1	Harness, Engine	
2	7132042	1	Conduit, 3/4in x 10in Long	
3	8305645	2	Nut, Hex Lock Elastic 3/8-16	
4	8406302	1	Clip, Tube	
5	8305644	1	Nut, Hex Lock Elastic 1/2-13	
6	8307204	1	Washer, Flat 3/8in	
7	8305603	1	Nut, Hex Lock 3/8-16	
8	8270135	1	Cable, Battery Ground	
9	8270136	1	Cable, Battery - Positive w/Protective Cover	
10	8310318	1	HHCS, 3/8-16 x 9-1/2in	
11	7129501	1	Strip, Battery Hold Down	
12	8270134	1	Battery, 12 Volt	
13	8270137	1	Cable, Battery - Negative w/Protective Cover	
14	8223228	1	Switch, Transmission Temperature - 250, (121)	
15	8223229	1	Switch, Engine Water Temperature	
16	8223533	1	Switch, Engine Oil Pressure (Cummins Only)	
16	8223529	1	Switch, Engine Oil Pressure (Perkins Only)	
17	8305004	4	Nut, Hex 1/4-20	
18	8307002	2	Washer, Lock 1/4in	
19	8305003	1	Nut, Hex #10-32	
20	8310026	2	HHCS, 1/4-20 x 3/4in	
21	7138510	1	Relay, Starter (Prior to SN 10964)	
21	8277162	1	Relay, Starter (SN 10964 to Present)	
22	8305624	2	Nut, Hex Lock Elastic 1/4-20	
23	8223045	1	Switch, Lube Reset	
24	8035276	1	Solenoid, Fuel Shut Off (Cummins Only)	
25	8036479	1	Switch, Cold Start Temp.	
26	8035719	1	Solenoid, Electric Shut-Off	

SECTION 7 - ELECTRICAL

FIGURE 7-4. ELECTRICAL SYSTEM - CLOSED CAB



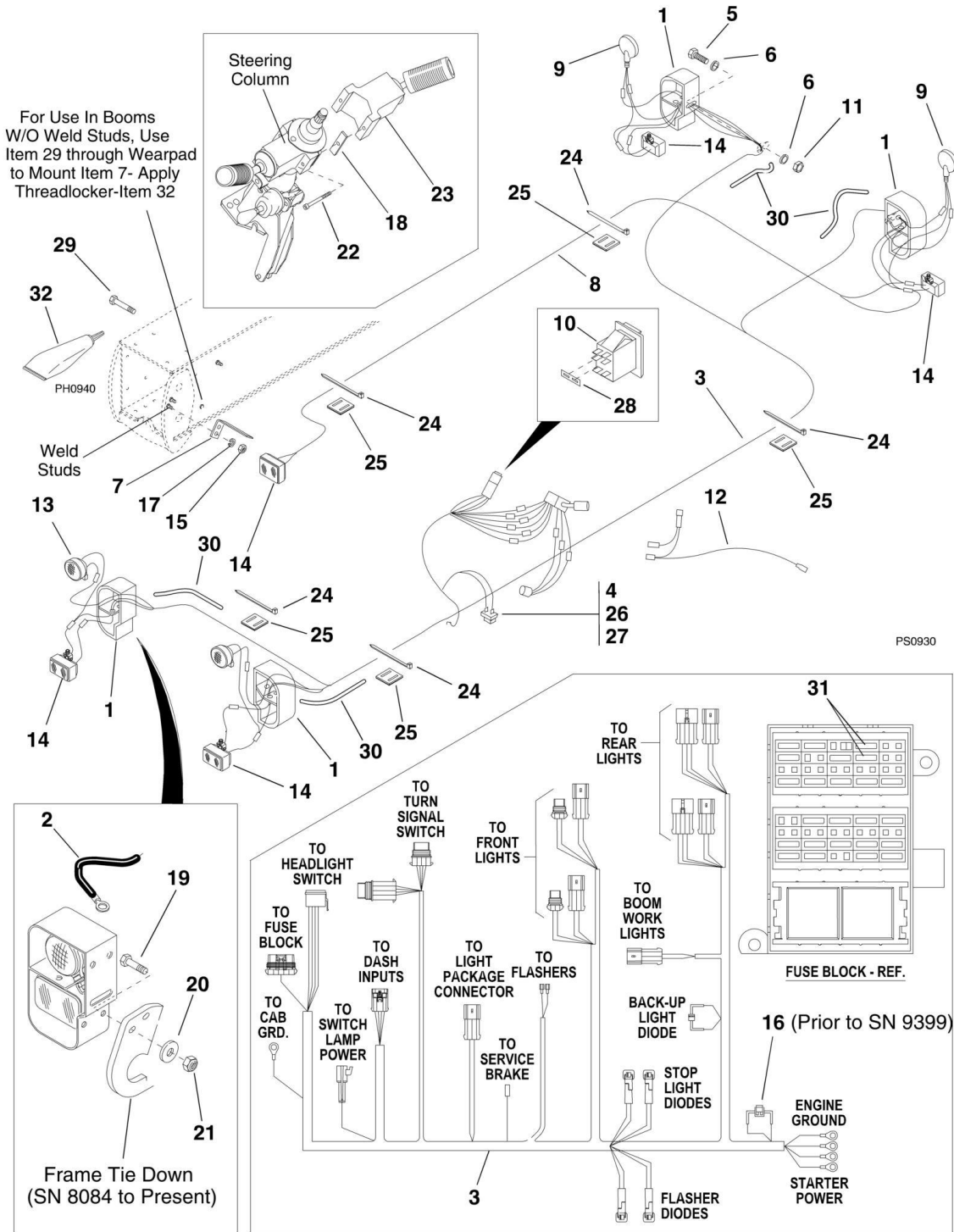
SECTION 7 - ELECTRICAL

FIGURE 7-4. ELECTRICAL SYSTEM - CLOSED CAB

ITEM	PART NUMBER	QTY	DESCRIPTION	REV
1	7135694	1	Harness, Closed Cab	
2	8501046	1	Switch, Headlight/Worklight	
3	8223044	1	Switch, Front Washer	
4	8223043	1	Switch, Front Wiper	
5	8223040	1	Switch, Skylight Wiper/Washer	
6	8229247	1	Mini-Fuse, 25 Amp	
7	8229245	1	Mini-Fuse, 30 Amp	
8	8229243	5	Mini-Fuse, 7.5 Amp	
9	8225117	2	Relay, 40 Amp	
10	7133732	1	Harness, Pigtail Heater Valve	
11	8229246	2	Mini-Fuse, 20 Amp	
12	8035456	1	Harness, LH Door	
13	8582008	4	Clip, Spare Fuse	
14	8229244	1	Mini-Fuse 15 Amp	
15	8229247	1	Mini-Fuse 25 Amp	
16	8229245	1	Mini-Fuse 30 Amp	
17	6621412	1	Terminal, Starter 90	
18	8303620	1	HHCS, 3/8-16 x 1in	
19	8307110	1	Washer, Plain 3/8 SAE Light	
20	8305645	1	Nut, Hex Lock Elas 3/8-16	
21	7138250	1	Jumper Wire, Washer Bottle	

SECTION 7 - ELECTRICAL

FIGURE 7-5. LIGHTING SYSTEM (OPTIONAL)



SECTION 7 - ELECTRICAL

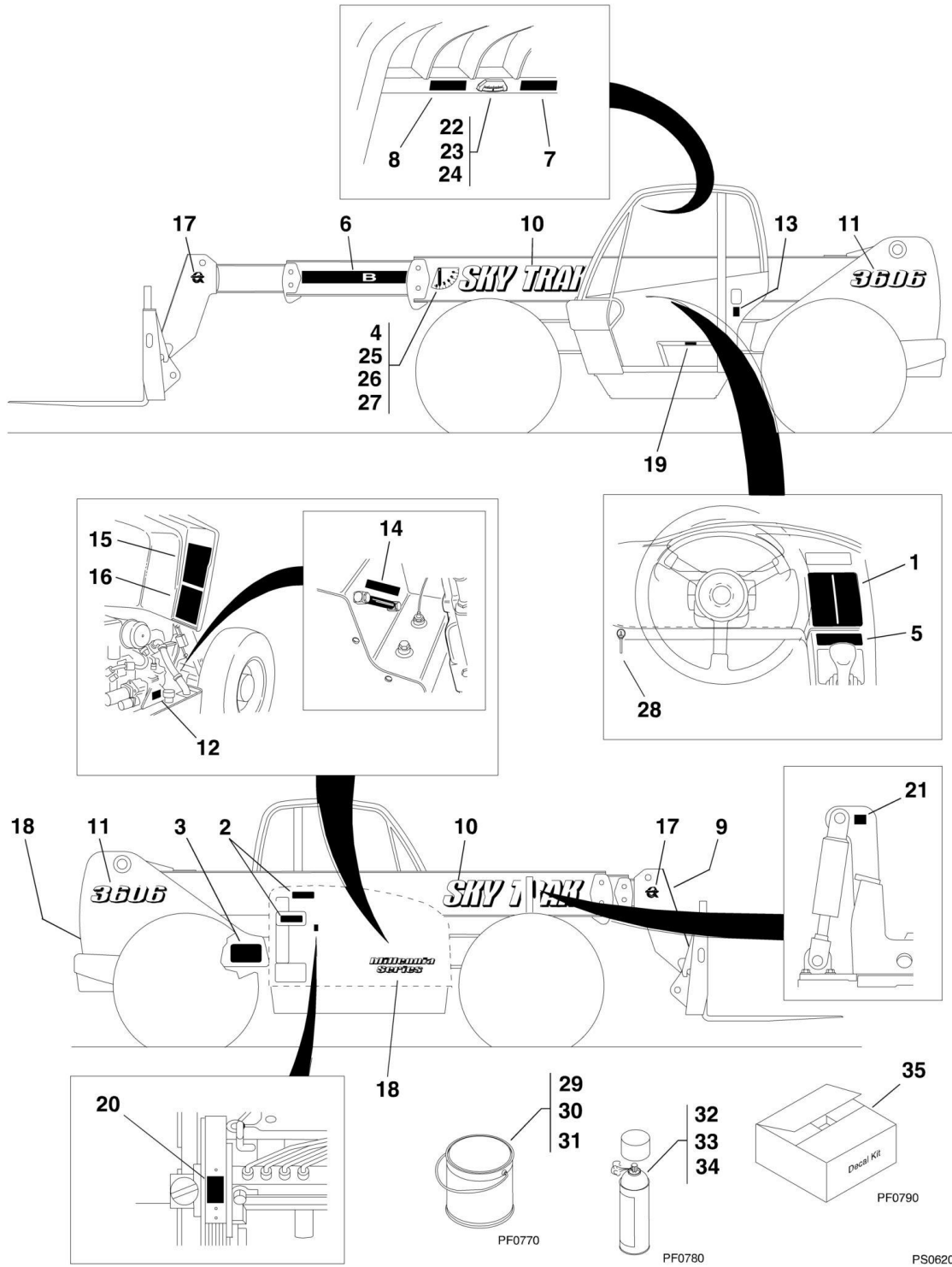
FIGURE 7-5. LIGHTING SYSTEM (OPTIONAL)

ITEM	PART NUMBER	QTY	DESCRIPTION	REV
1	7129722	4	Bracket, Light Mounting - Black	
2	7137411	4	Ground Wire	
3	7137374	1	Harness, Standard Light Package	
4	7138369	1	Flasher, 12V	
5	8303735	4	HHCS, 1/2-13 x 1in	
6	8307112	4	Washer, 1/2 SAE Light	
7	7133242	1	Bracket, Boom Light	
8	7133312	1	Cord, Boom Work Light	
9	8500009	2	Lamp, Red Stop/Signal - Rear	
10	8501046	1	Switch, Work Light	
11	8305604	4	Nut, Lock 1/2-13	
12	7138367	1	Harness, Jumper	
13	8500036	2	Lamp, Amber Signal - Front	
14	8500060	5	Headlight	
15	8305645	2	Nut, Hex Lock 3/8-16	
16	8229245	1	Mini-Fuse - 30 Amp (Prior to SN 9399)	
17	8307110	2	Washer, Plain 3/8in SAE Narrow	
18	7131961	2	Spacer, Shifter	
19	8303632	2	HHCS, 5/8-11 x 2-1/2in	
20	8307207	12	Washer, 5/8 Heavy	
21	8305643	2	Nut, Hex Lock 5/8-11	
22	8310387	2	SCHCS, #10-32 x 2-1/4in NF	
23	8501045	1	Shifter, Turn Signal	
24	8584001	24	Tie, Plastic	
25	8584018	14	Mount, Tie	
26	7134671	2	Tab, Dual Locking	
27	8582426	2	Stud, Dual Locking	
28	7138493	1	Jumper Clip (Attached to Worklight Switch - Item 10)	
29	8303620	1	HHCS, 3/8-16 x 1in Gr 5	
30	7138368	4	Conduit, 1/4in Dia x 22 Lg	
31	8229246	2	Mini-Fuse - 20 Amp	

SECTION 8 - DECALS AND PAINT

SECTION 8 - DECALS AND PAINT

FIGURE 8-1. DECALS AND PAINT (EARLY PRODUCTION)



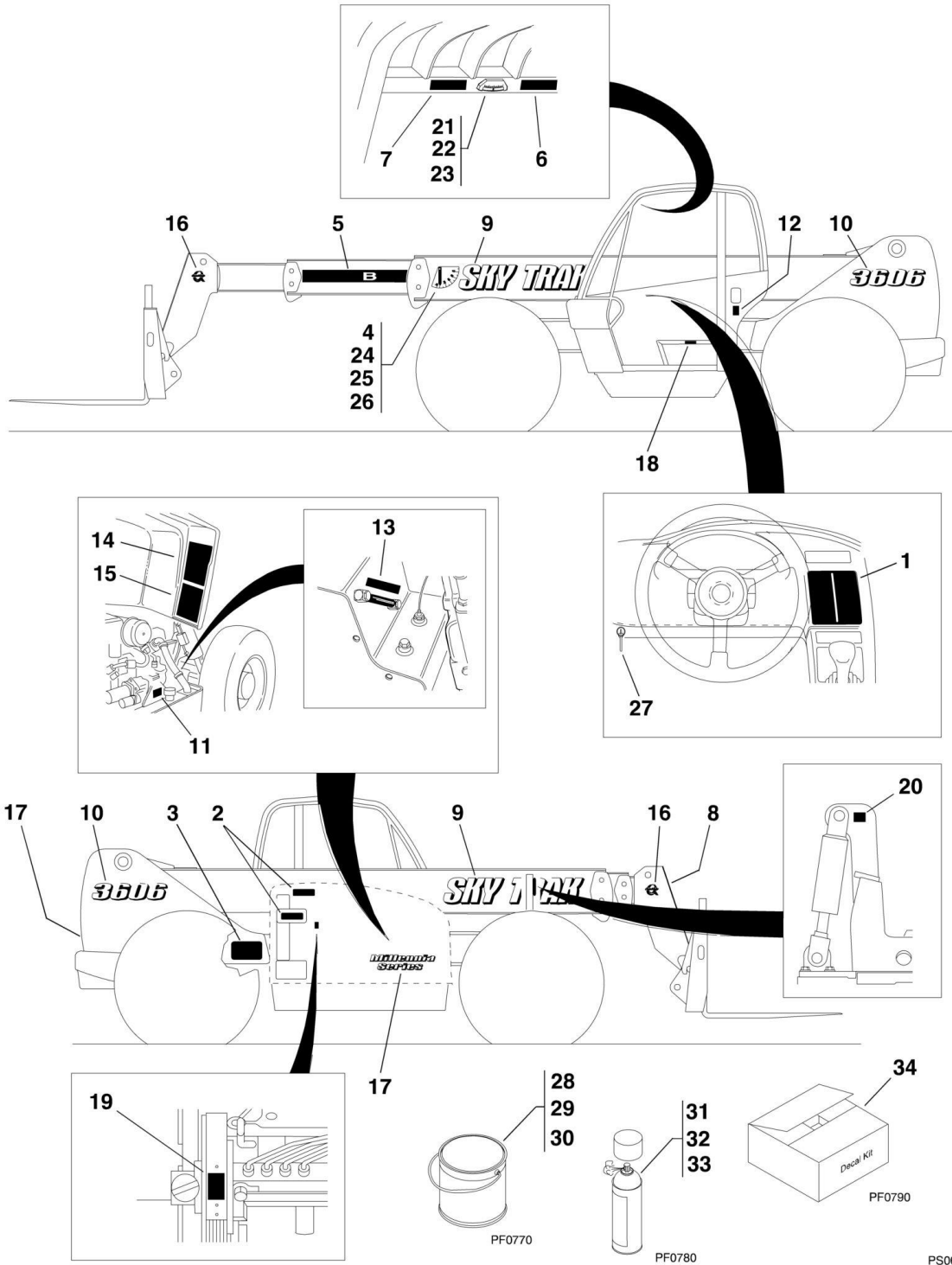
SECTION 8 - DECALS AND PAINT

FIGURE 8-1. DECALS AND PAINT (EARLY PRODUCTION)

ITEM	PART NUMBER	QTY	DESCRIPTION	REV
1	7134483	1	Booklet, Load Chart	
2	4108981	2	Decal, Fan Warning	
3	4109021	1	Decal, Battery Hazard	
4	4105262	1	Decal, Boom Angle Indicator	
5	4109371	1	Decal, Safety Instructions	
6	4108841	1	Decal, Boom Extend Stripes	
7	4109151	1	Decal, Maintain Proper Tire Pressure	
8	4108991	1	Decal, Electrocution Hazard	
9	4109041	1	Decal, Carrying Personnel	
10	4108851	2	Decal, SKY TRAK	
11	4108861	2	Decal, 3606	
12	4100181	1	Decal, Hydraulic Oil Fill	
13	4105171	1	Decal, Diesel Fuel Fill	
14	4108302	1	Decal, Hydraulic Oil Level	
15	4108802	1	Decal, Lubrication Chart	
16	4108812	1	Decal, Maintenance Chart (Vehicles with Cummins Engine)	
16	4108962	1	Decal, Maintenance Chart (Vehicles with Perkins Engine)	
17	4108951	2	Decal, OmniQuip - 5in Dark Grey	
18	4109051	2	Decal, Millennia Series	
19	4109091	1	Decal, Operator's Manual Location	
20	4107901	1	Decal, Low Engine Idle	
21	4108181	1	Decal, Made in USA	
22	8466310	1	Indicator, Frame Level	
23	8310347	2	SHCS, #4-40 x 7/8in	
24	8310348	2	Nut, Flat #4-40	
25	7075611	1	Pointer, Boom Angle Indicator	
26	8305647	1	Nut, Hex Lock 7/16-14	
27	8307113	5	Washer, Plain 7/16 Narrow	
28	4108201	1	Ring, Key	
29	8528074	1 gal	Paint, Orange, Acrylic Enamel (Service Repaint)	
30	8528080	1 gal	Paint, Black, Acrylic Enamel (Service Repaint)	
31	8528105	1 gal	Paint, Dark Grey, Acrylic Enamel (Service Repaint)	
32	8528071	1 can	Paint, Orange, Acrylic Enamel (16oz spray touch-up)	
33	8528101	1 can	Paint, Black, Acrylic Enamel (16oz spray touch-up)	
34	8528106	1 can	Paint, Dark Grey, Acrylic Enamel (16oz spray touch-up)	
		Ref	KITS	
35	7133592	1	Kit, Decal Set - Domestic (Includes Items 2 thru 21)	

SECTION 8 - DECALS AND PAINT

FIGURE 8-2. DECALS AND PAINT (CURRENT PRODUCTION)



SECTION 8 - DECALS AND PAINT

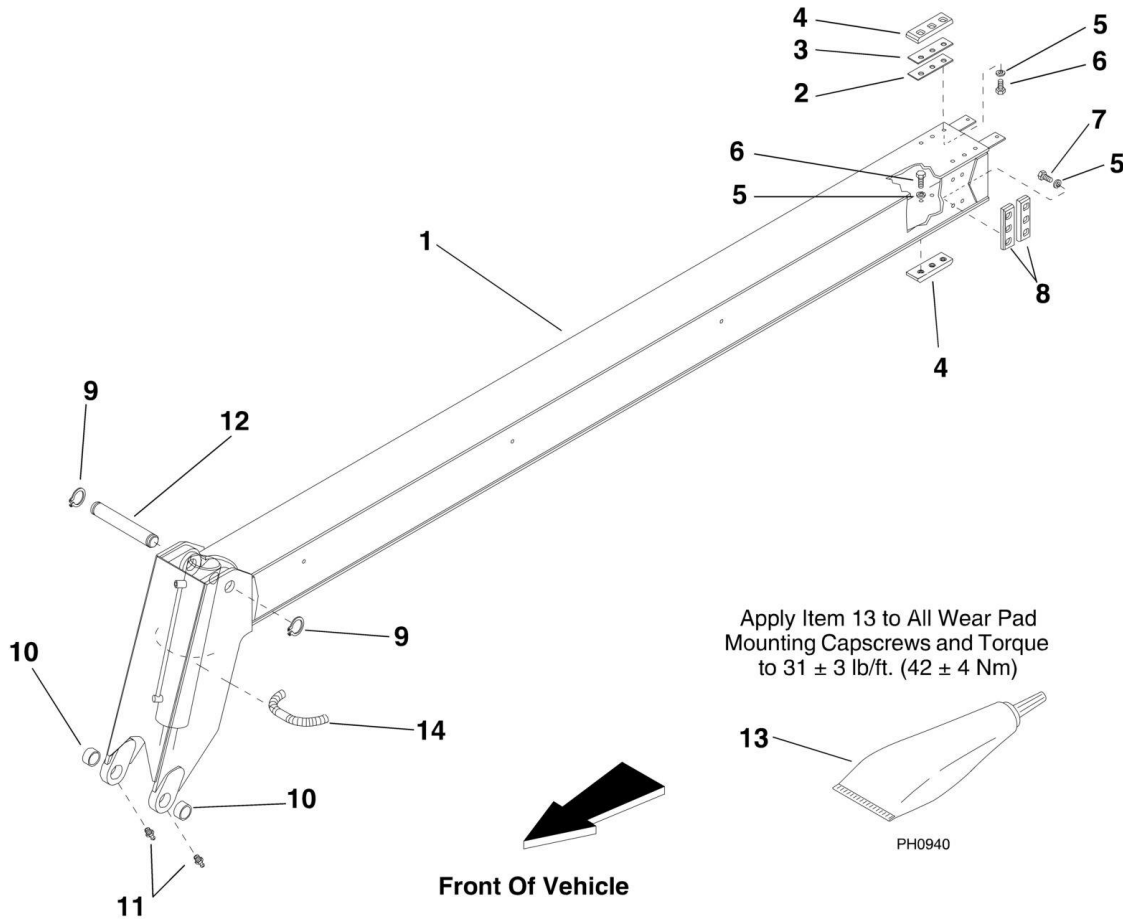
FIGURE 8-2. DECALS AND PAINT (CURRENT PRODUCTION)

ITEM	PART NUMBER	QTY	DESCRIPTION	REV
1	7134483	1	Booklet, Load Chart	
2	4108981	2	Decal, Fan Warning	
3	4109021	1	Decal, Battery Hazard	
4	4105262	1	Decal, Boom Angle Indicator	
5	4108841	1	Decal, Boom Extend Stripes	
6	4109011	1	Decal, Tipover Hazard	
7	4108991	1	Decal, Electrocutation Hazard	
8	4109041	1	Decal, Carrying Personnel	
9	4108851	2	Decal, SKY TRAK	
10	4108861	2	Decal, 3606	
11	4100181	1	Decal, Hydraulic Oil Fill	
12	4105171	1	Decal, Diesel Fuel Fill	
13	4108302	1	Decal, Hydraulic Oil Level	
14	4108802	1	Decal, Lubrication Chart	
15	4108812	1	Decal, Maintenance Chart (Vehicles with Cummins Engine)	
15	4108962	1	Decal, Maintenance Chart (Vehicles with Perkins Engine)	
16	4108951	2	Decal, OmniQuip - 5in Dark Grey	
17	4109051	2	Decal, Millennia Series	
18	4109091	1	Decal, Operator's Manual Location	
19	4107901	1	Decal, Low Engine Idle	
20	4108181	1	Decal, Made in USA	
21	8466310	1	Indicator, Frame Level	
22	8310347	2	SHCS, #4-40 x 7/8in	
23	8310348	2	Nut, Flat #4-40	
24	7075611	1	Pointer, Boom Angle Indicator	
25	8305647	1	Nut, Hex Lock 7/16-14	
26	8307113	5	Washer, Plain 7/16 Narrow	
27	4108201	1	Ring, Key	
28	8528074	1 gal	Paint, Orange, Acrylic Enamel (Service Repaint)	
29	8528080	1 gal	Paint, Black, Acrylic Enamel (Service Repaint)	
30	8528105	1 gal	Paint, Dark Grey, Acrylic Enamel (Service Repaint)	
31	8528071	1 can	Paint, Orange, Acrylic Enamel (16oz spray touch-up)	
32	8528101	1 can	Paint, Black, Acrylic Enamel (16oz spray touch-up)	
33	8528106	1 can	Paint, Dark Grey, Acrylic Enamel (16oz spray touch-up)	
		Ref	KITS	
34	7133792	1	Kit, Decal Set - Domestic (Includes Items 2 thru 20)	

SECTION 9 - BOOM AND ATTACHMENTS

SECTION 9 - BOOM AND ATTACHMENTS

FIGURE 9-1. INNER BOOM



PS0631

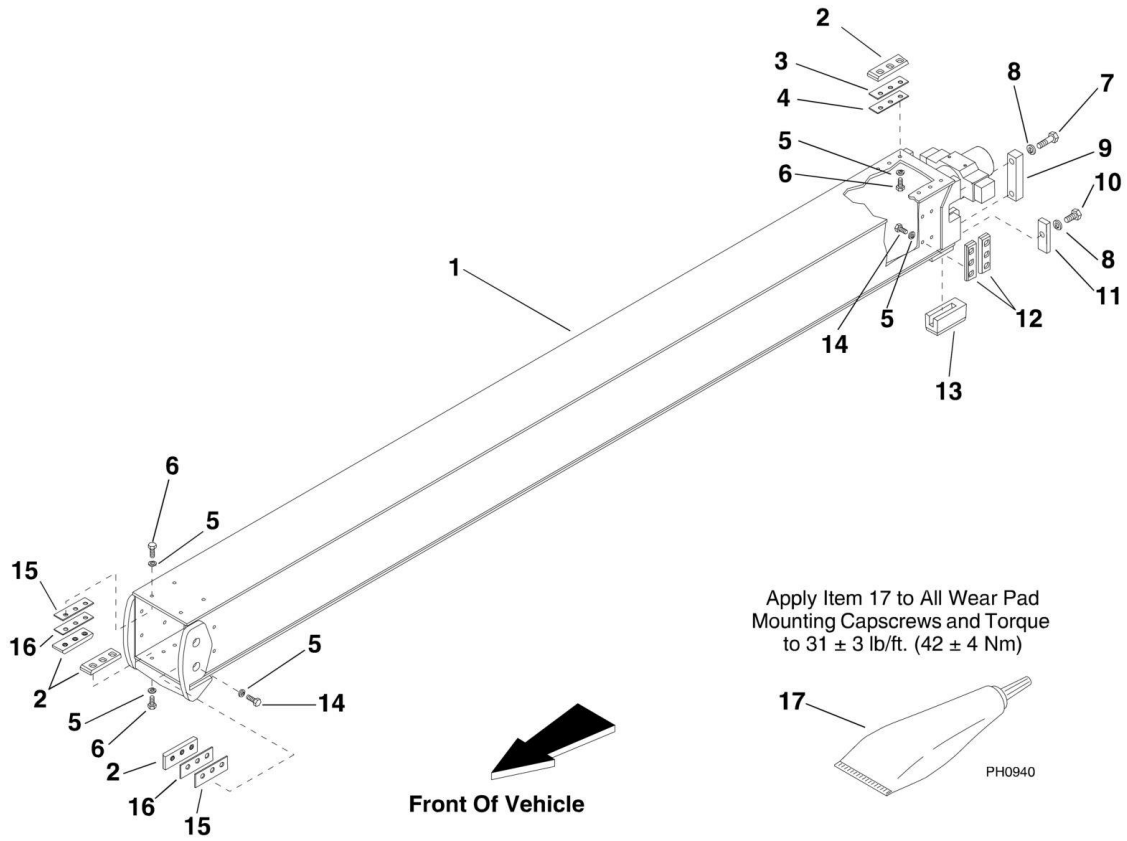
SECTION 9 - BOOM AND ATTACHMENTS

FIGURE 9-1. INNER BOOM

ITEM	PART NUMBER	QTY	DESCRIPTION	REV
1	7120204	1	Boom, Inner	
2	7126172	2	Shim, Wear Pad .13 Thk.	
3	7126182	2	Shim, Wear Pad .07 Thk.	
4	7120082	4	Pad, Wear w/Inserts	
5	8307005	20	Washer, Lock 3/8in	
6	8303620	12	HHCS, 3/8-16 x 1in Gr 5	
7	8303681	8	HHCS, 3/8-16 x 3/4in Gr 5	
8	7120092	4	Pad, Wear w/Inserts	
9	8642224	2	Ring, Retaining, External 2in	
10	7095312	2	Bushing, Quick Attach Pivot	
11	8520013	2	Fitting, Lube, Self Tapping 1/8 NPT	
12	7095522	1	Pin, Attachment Tilt Cylinder Base	
13	8526036	AR	Threadlocker 242 General Purpose (.02 fl. oz.)	
14	7132631	1	Conduit, 3/4 Dia x 13in Lg	

SECTION 9 - BOOM AND ATTACHMENTS

FIGURE 9-2. INTERMEDIATE BOOM



PS0640

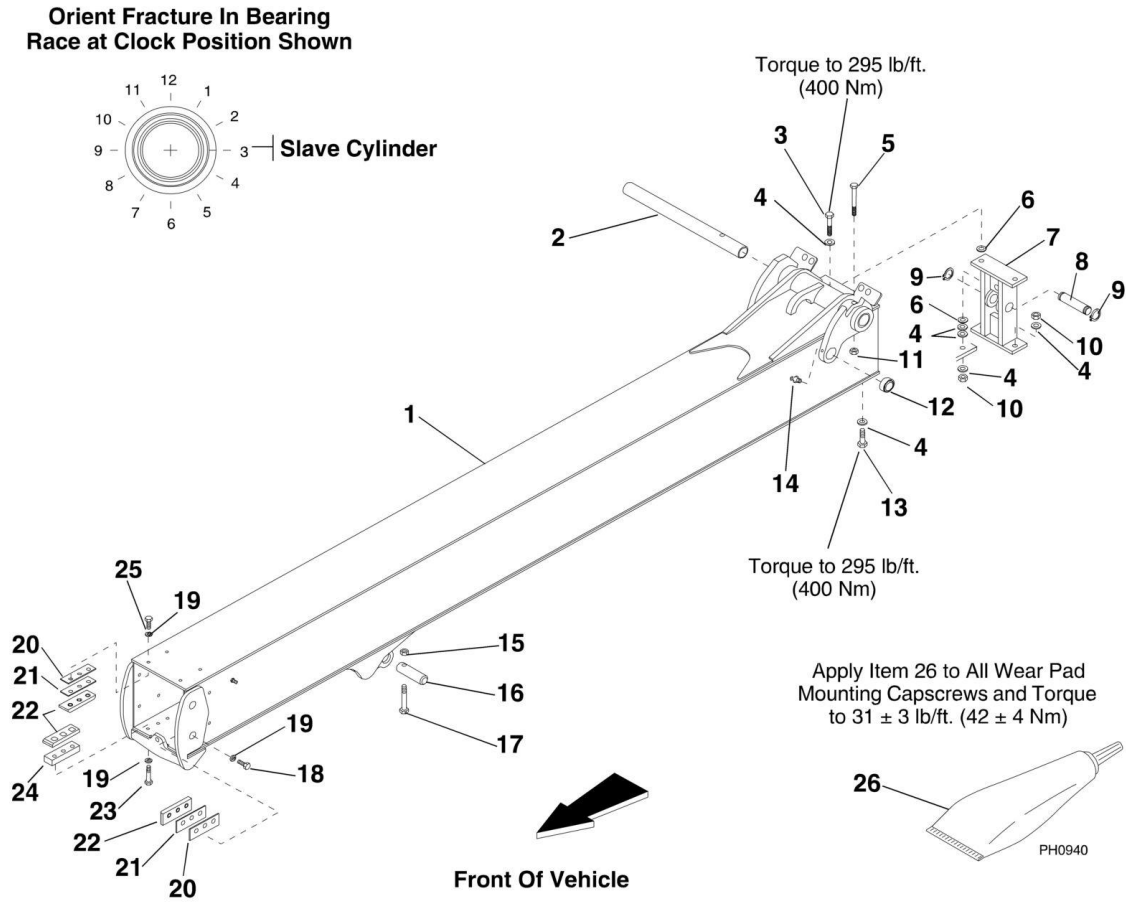
SECTION 9 - BOOM AND ATTACHMENTS

FIGURE 9-2. INTERMEDIATE BOOM

ITEM	PART NUMBER	QTY	DESCRIPTION	REV
1	7120923	1	Boom, Intermediate	
2	7120082	10	Pad, Wear w/Inserts	
3	7126182	2	Shim, Wear Pad .07 Thk.	
4	7126172	2	Shim, Wear Pad .13 Thk.	
5	8307005	32	Washer, Lock 3/8in	
6	8303620	16	HHCS, 3/8-16 x 1in Gr 5	
7	8303713	4	HHCS, 1/2-13 x 2-1/4in Gr 5	
8	8307007	6	Washer, Lock 1/2in	
9	7121461	2	Clamp, Trunnion, Extend Cylinder	
10	8303625	2	HHCS, 1/2-13 x 1-1/4in	
11	7121511	2	Retainer, Wear Pad	
12	7120092	4	Pad, Wear w/Inserts	
13	7120182	2	Pad, Wear	
14	8303681	16	HHCS, 3/8-16 x 3/4in Gr 5	
15	7121622	6	Shim, Wear Pad .13 Thk.	
16	7121842	6	Shim, Wear Pad .07 Thk.	
17	8526036	AR	Threadlocker 242 General Purpose (.02 fl. oz.)	

SECTION 9 - BOOM AND ATTACHMENTS

FIGURE 9-3. OUTER BOOM



PS0651

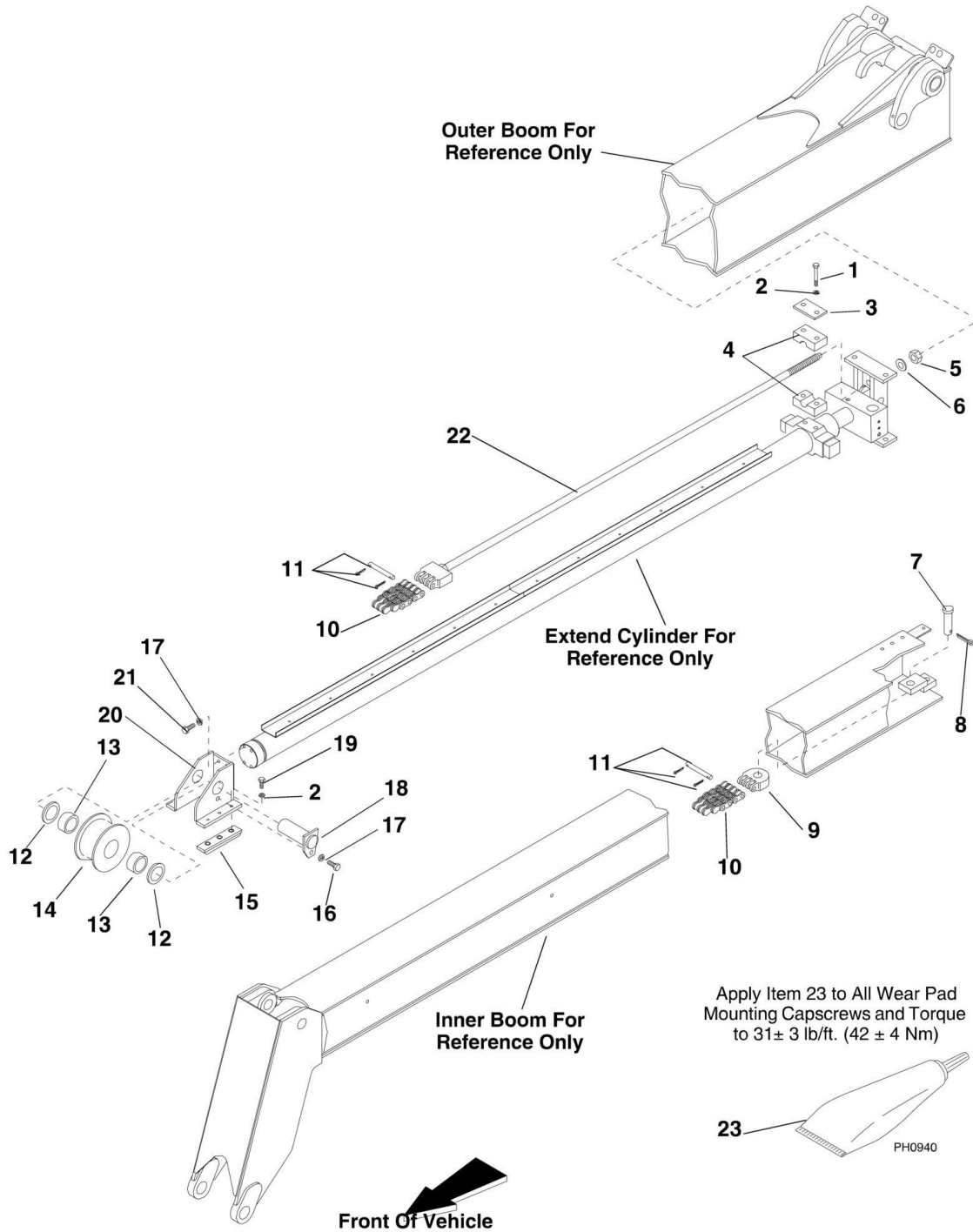
SECTION 9 - BOOM AND ATTACHMENTS

FIGURE 9-3. OUTER BOOM

ITEM	PART NUMBER	QTY	DESCRIPTION	REV
1	7121173	1	Boom, Outer	
2	7120592	1	Pin, Boom Pivot	
3	8303794	2	HHCS, 3/4-10 x 3-1/2in Gr 8	
4	8307703	12	Washer, Hardened 3/4in	
5	8310269	1	HHCS, 5/8-11 x 6-1/2in Gr5	
6	5713331	4	Washer, Shim 19mm ID x 32mm OD x 1.22mm	
7	7121183	1	Bracket Assembly, Cylinder Mount	
8	7120602	1	Pin, Extend Cylinder Rod	
9	8642234	2	Ring, Retaining, External 1-3/4in	
10	8310067	4	Nut, Hex Lock Elastic 3/4-10	
11	8305643	1	Nut, Hex Lock Elastic 5/8-11	
12	8050001	2	Bearing, Self Align	
13	8303660	2	HHCS, 3/4-10 x 2-1/2in Gr 8	
14	8520013	2	Fitting, Lube, Self Tapping 1/8 NPT	
15	8305644	1	Nut, Hex Lock 1/2-13	
16	7120662	1	Pin, 2in Dia	
17	8303782	1	HHCS, 1/2-13 x 4in	
18	8303681	8	HHCS, 3/8-16 x 3/4in Gr 5	
19	8307005	18	Washer, Lock 3/8in	
20	7121622	6	Shim, Wear Pad .13 Thk.	
21	7121842	6	Shim, Wear Pad .07 Thk.	
22	7120082	8	Pad, Wear w/Inserts	
23	8303622	6	HHCS, 3/8-16 x 2in Gr 5	
24	7121632	2	Spacer, Wear Pad	
25	8303620	4	HHCS, 3/8-16 x 1in Gr 5	
26	8526036	AR	Threadlocker 242 General Purpose (.02 fl. oz.)	

SECTION 9 - BOOM AND ATTACHMENTS

FIGURE 9-4. BOOM EXTEND CHAIN



PS0661

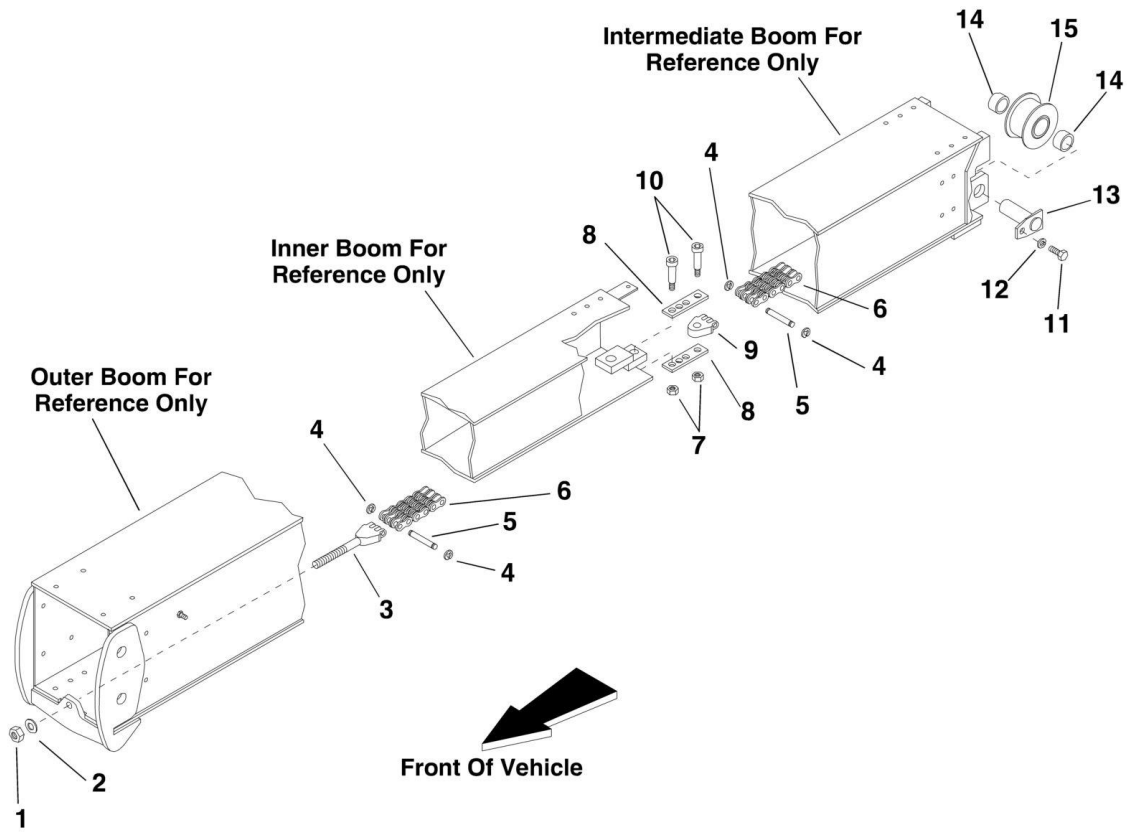
SECTION 9 - BOOM AND ATTACHMENTS

FIGURE 9-4. BOOM EXTEND CHAIN

ITEM	PART NUMBER	QTY	DESCRIPTION	REV
1	8303771	2	HHCS, 3/8-16 x 2-1/4in Gr 5	
2	8307005	8	Washer, Lock 3/8in	
3	7121851	1	Plate, Cover	
4	7120471	2	Guide, Half, Extend Chain Adjustment Rod	
5	8310355	1	Nut, Hex Lock Elastic 1-14 NC	
6	8310061	1	Washer, Flat 1in Narrow	
7	7131731	1	Pin, Clevis, Extend Chain Anchor	
8	8302418	1	Pin, Cotter 3/16 x 1-1/2in	
9	7120232	1	Clevis, Extend Chain Anchor	
10	8127012	1	Chain, Extend, Leaf 8x8 Lacing	
11	7121501	2	Pin, Extend Chain Clevis w/Cotter Pins	
12	8310284	2	Washer, Thrust Pack	
13	8065062	2	Bushing, Chain Sheave	
14	7120512	1	Sheave, Extend Chain	
15	7120092	2	Pad, Wear w/Inserts	
16	8303735	1	HHCS, 1/2-13 x 3/4in Gr 5	
17	8307007	5	Washer, Lock 1/2in	
18	7120672	1	Pin, Extend Chain Sheave	
19	8303620	6	HHCS, 3/8-16 x 1in Gr 5	
20	7121243	1	Bracket, Extend Cylinder	
21	8303625	4	HHCS, 1/2-13 x 1-1/4in	
22	7120502	1	Rod, Clevis, Extend Chain	
23	8526036	AR	Threadlocker 242 General Purpose (.02 fl. oz.)	

SECTION 9 - BOOM AND ATTACHMENTS

FIGURE 9-5. BOOM RETRACT CHAIN



PS0680

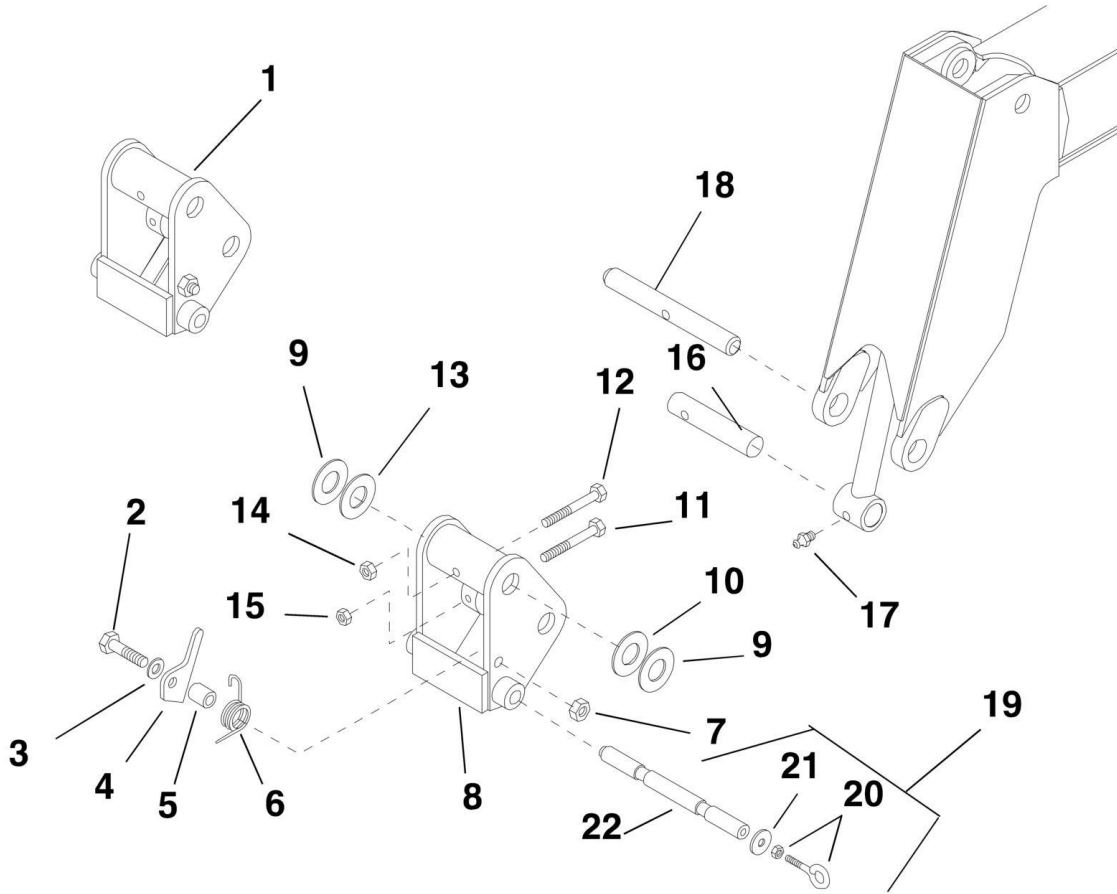
SECTION 9 - BOOM AND ATTACHMENTS

FIGURE 9-5. BOOM RETRACT CHAIN

ITEM	PART NUMBER	QTY	DESCRIPTION	REV
1	8305646	1	Nut, Hex Lock Elastic 3/4-16 NF	
2	8307104	1	Washer, Flat 3/4in Narrow	
3	7119362	1	Clevis, Retract Chain	
4	8642237	4	E-Ring, Retaining	
5	8124126	2	Pin, Retract Chain Clevis	
6	8127013	1	Chain, Retract, Leaf 6x6 Lacing	
7	8305645	2	Nut, Hex Lock Elastic 3/8-16	
8	7121531	2	Link, Retract Chain Anchor	
9	7119372	1	Clevis, Retract Chain	
10	8310019	2	Bolt, Shoulder, Hex Socket Hd 1/2 x 1-1/2 x 3/8-16	
11	8303624	1	HHCS, 1/2-13 x 1in Gr 5	
12	8307007	1	Washer, Lock 1/2in	
13	7110642	1	Pin, Retract Chain Sheave	
14	8065061	2	Bushing, Retract Chain Sheave	
15	7110582	1	Sheave, Retract Chain	

SECTION 9 - BOOM AND ATTACHMENTS

FIGURE 9-6. QUICK ATTACH



PS0610

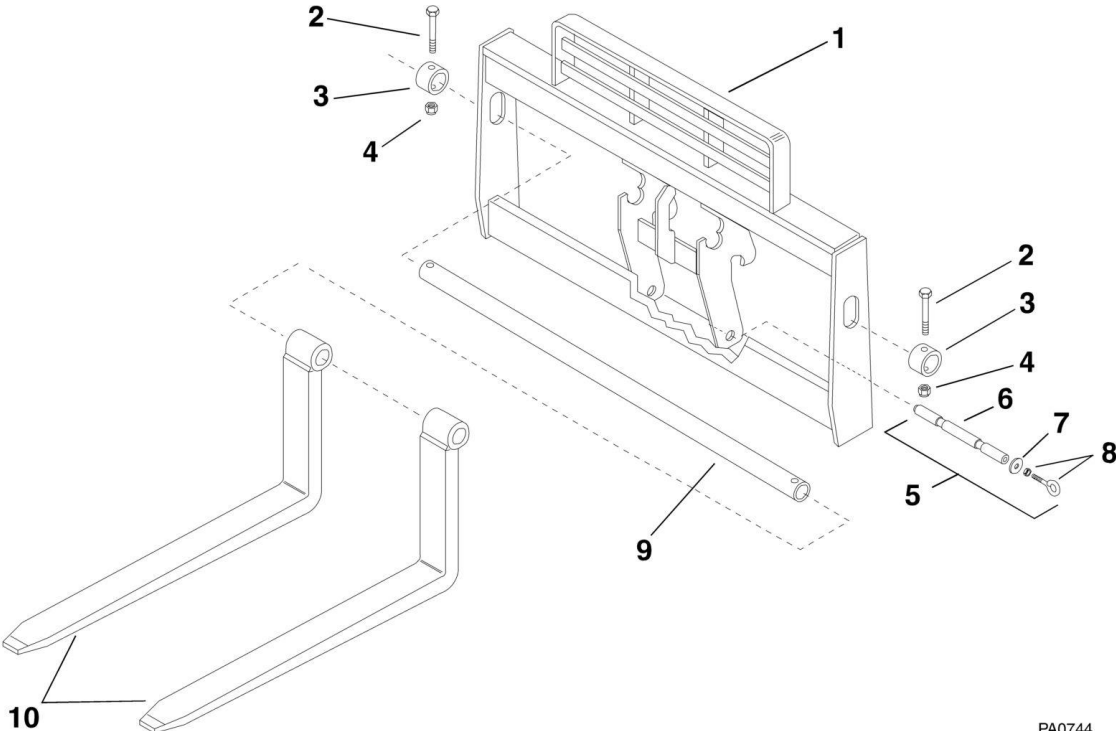
SECTION 9 - BOOM AND ATTACHMENTS

FIGURE 9-6. QUICK ATTACH

ITEM	PART NUMBER	QTY	DESCRIPTION	REV
1	7121412	1	Quick Attach Assembly (Includes Items 2 thru 8)	
2	8303638	1	HHCS, 3/4-10 x 2-3/4in Gr 5	
3	8307104	1	Washer, Flat SAE 3/4in	
4	7121422	1	Latch, Quick Attach	
5	7085571	1	Spacer, Quick Attach	
6	7085552	1	Spring, Torsion	
7	8305619	1	Nut, Hex Lock Elastic 3/4-10	
8	7120983	1	Quick Attach	
9	8307918	2	Washer, Shim 2.00 x .134 x 3.50	
10	8310093	1	Washer, Shim 2.01 x .075 x 3.50	
11	8303772	1	HHCS, 1/2-13 x 5in Gr 5	
12	8303666	1	HHCS, 5/8-11 x 5in Gr 5	
13	8307904	1	Washer, Shim 2.00 x .048 x 3.50	
14	8305643	1	Nut, Hex Lock Elastic 5/8-11	
15	8305644	1	Nut, Hex Lock Elastic 1/2-13	
16	7083992	1	Pin, Rod End, Attachment Tilt Cylinder	
17	8520013	1	Fitting, Lube, Self Tapping 1/8 NPT	
18	7095352	1	Pin, Carriage Pivot	
19	7118892	1	Pin, Lock (Includes Items 20 thru 22)	
20	8310266	1	Bolt, Eye w/Nut	
21	8310276	1	Washer	
22	7118882	1	Pin	

SECTION 9 - BOOM AND ATTACHMENTS

FIGURE 9-7. 48IN CARRIAGE



PA0744

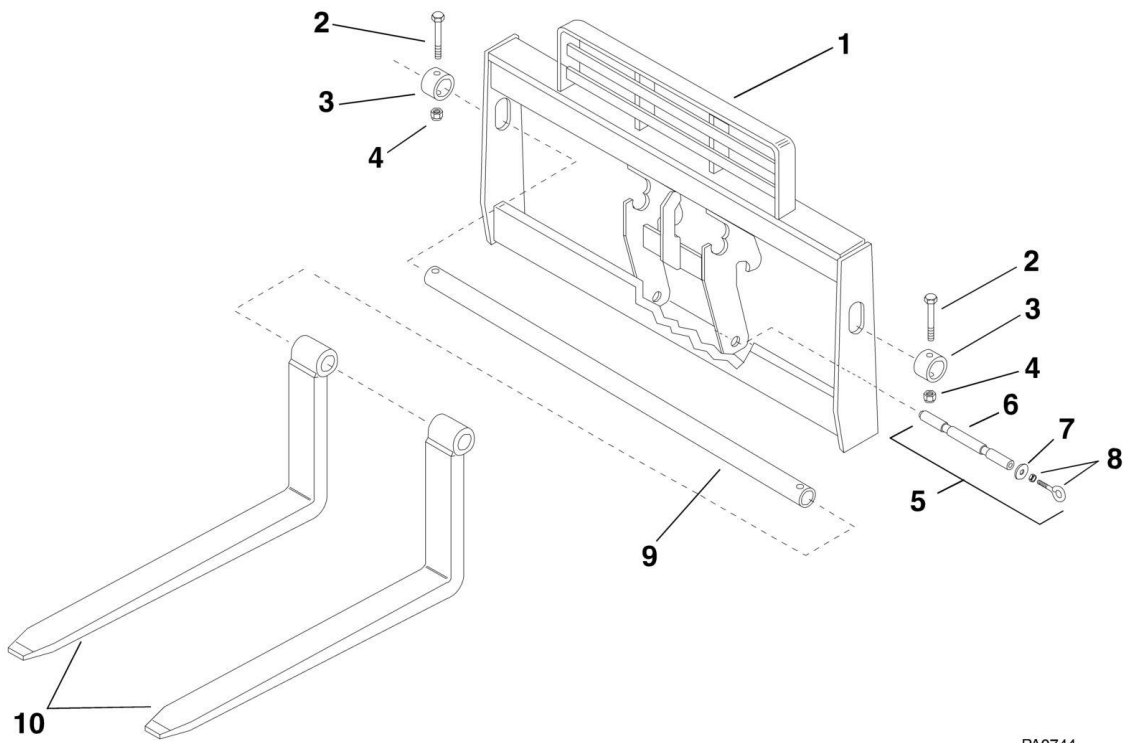
SECTION 9 - BOOM AND ATTACHMENTS

FIGURE 9-7. 48IN CARRIAGE

ITEM	PART NUMBER	QTY	DESCRIPTION	REV
1	7083054	1	Carriage, 48in	
2	8303634	2	HHCS, 5/8-11 x 4in	
3	7086471	2	Collar	
4	8305643	2	Nut, Hex Lock 5/8-11	
5	7118892	1	Pin, Lock (Includes Items 6 thru 8)	
6	7118882	1	Pin	
7	8310276	1	Washer	
8	8310266	1	Bolt, Eye w/Nut	
9	7128772	1	Shaft, 48in	
10	7097523	2	Fork, Pallet 48in x 4in x 2in (4,000 lb Rating)	
10	7097533	2	Fork, Lumber (Not Shown)	
10	7085073	6	Fork, Block (Not Shown)	

SECTION 9 - BOOM AND ATTACHMENTS

FIGURE 9-8. 60IN CARRIAGE (OPTIONAL)



PA0744

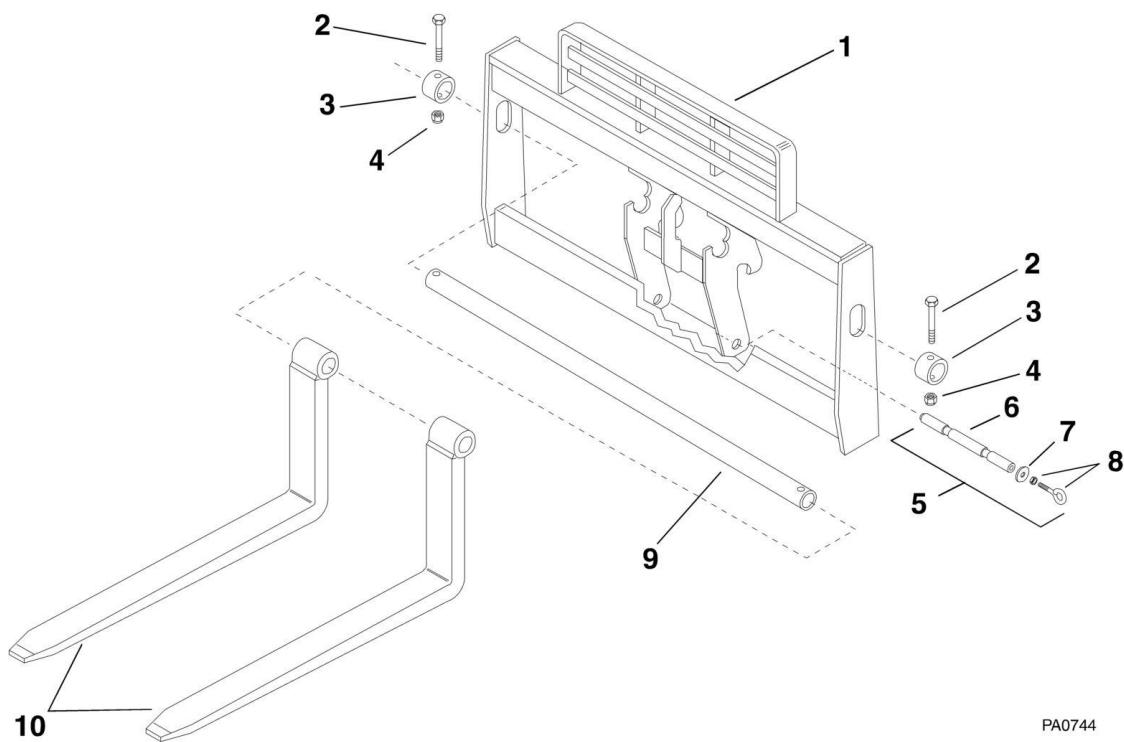
SECTION 9 - BOOM AND ATTACHMENTS

FIGURE 9-8. 60IN CARRIAGE (OPTIONAL)

ITEM	PART NUMBER	QTY	DESCRIPTION	REV
1	7086304	1	Carriage, 60in	
2	8303634	2	HHCS, 5/8-11 x 4in	
3	7086471	2	Collar	
4	8305643	2	Nut, Hex Lock 5/8-11	
5	7118892	1	Pin, Lock (Includes Items 6 thru 8)	
6	7118882	1	Pin	
7	8310276	1	Washer	
8	8310266	1	Bolt, Eye w/Nut	
9	7128792	1	Shaft, 60in	
10	7097523	2	Fork, Pallet 48in x 4in x 2in (4,000 lb Rating)	
10	7097533	2	Fork, Lumber (Not Shown)	
10	7085073	6	Fork, Block (Not Shown)	

SECTION 9 - BOOM AND ATTACHMENTS

FIGURE 9-9. 72IN CARRIAGE (OPTIONAL)



PA0744

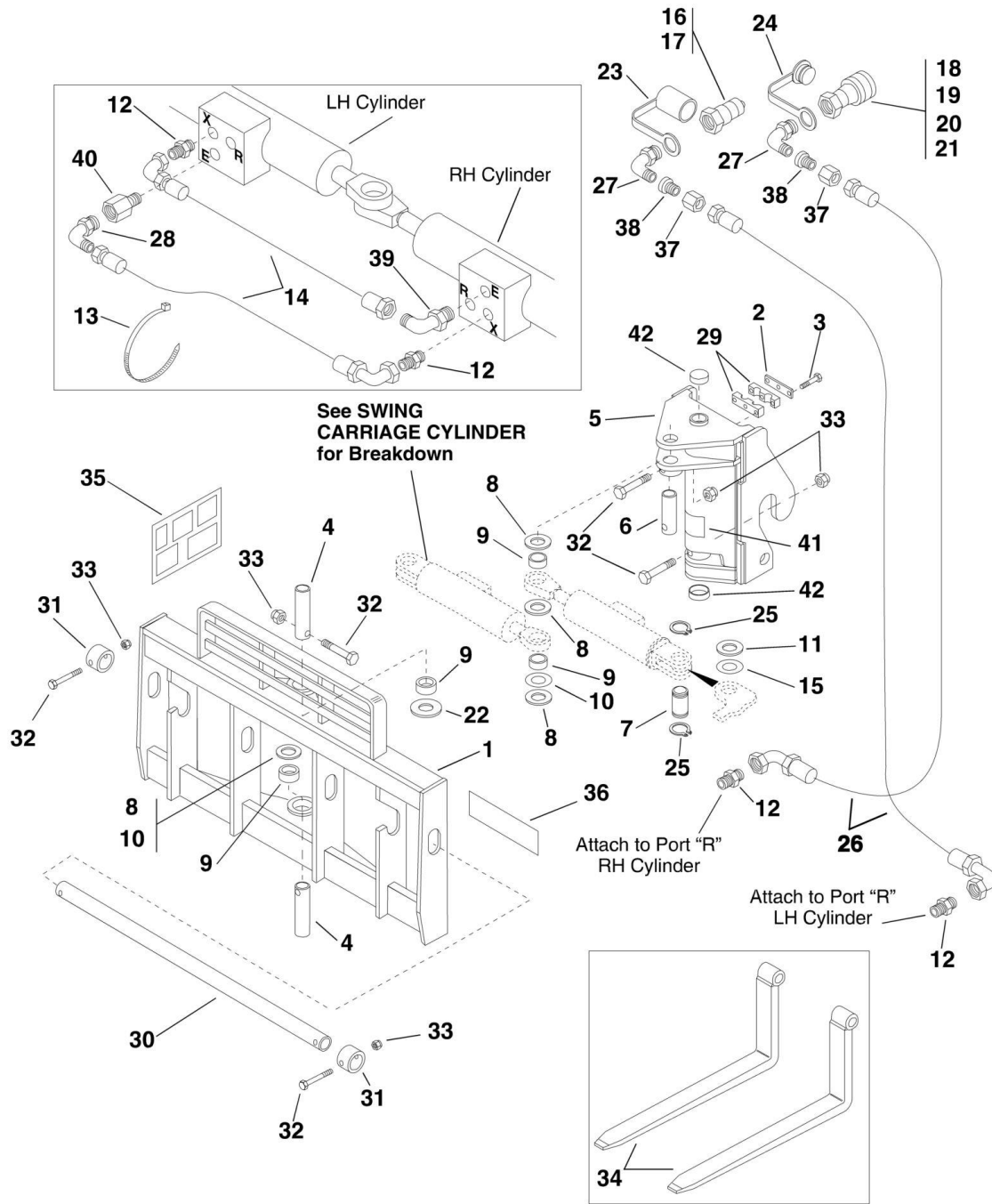
SECTION 9 - BOOM AND ATTACHMENTS

FIGURE 9-9. 72IN CARRIAGE (OPTIONAL)

ITEM	PART NUMBER	QTY	DESCRIPTION	REV
1	7090814	1	Carriage, 72in	
2	8303634	2	HHCS, 5/8-11 x 4in	
3	7086471	2	Collar	
4	8305643	2	Nut, Hex Lock 5/8-11	
5	7118892	1	Pin, Lock (Includes Items 6 thru 8)	
6	7118882	1	Pin	
7	8310276	1	Washer	
8	8310266	1	Bolt, Eye w/Nut	
9	7128802	1	Shaft, 72in	
10	7097523	2	Fork, Pallet 48in x 4in x 2in (4,000 lb Rating)	
10	7097533	2	Fork, Lumber (Not Shown)	
10	7085073	6	Fork, Block (Not Shown)	

SECTION 9 - BOOM AND ATTACHMENTS

FIGURE 9-10. SWING CARRIAGE (OPTIONAL)



PH0560

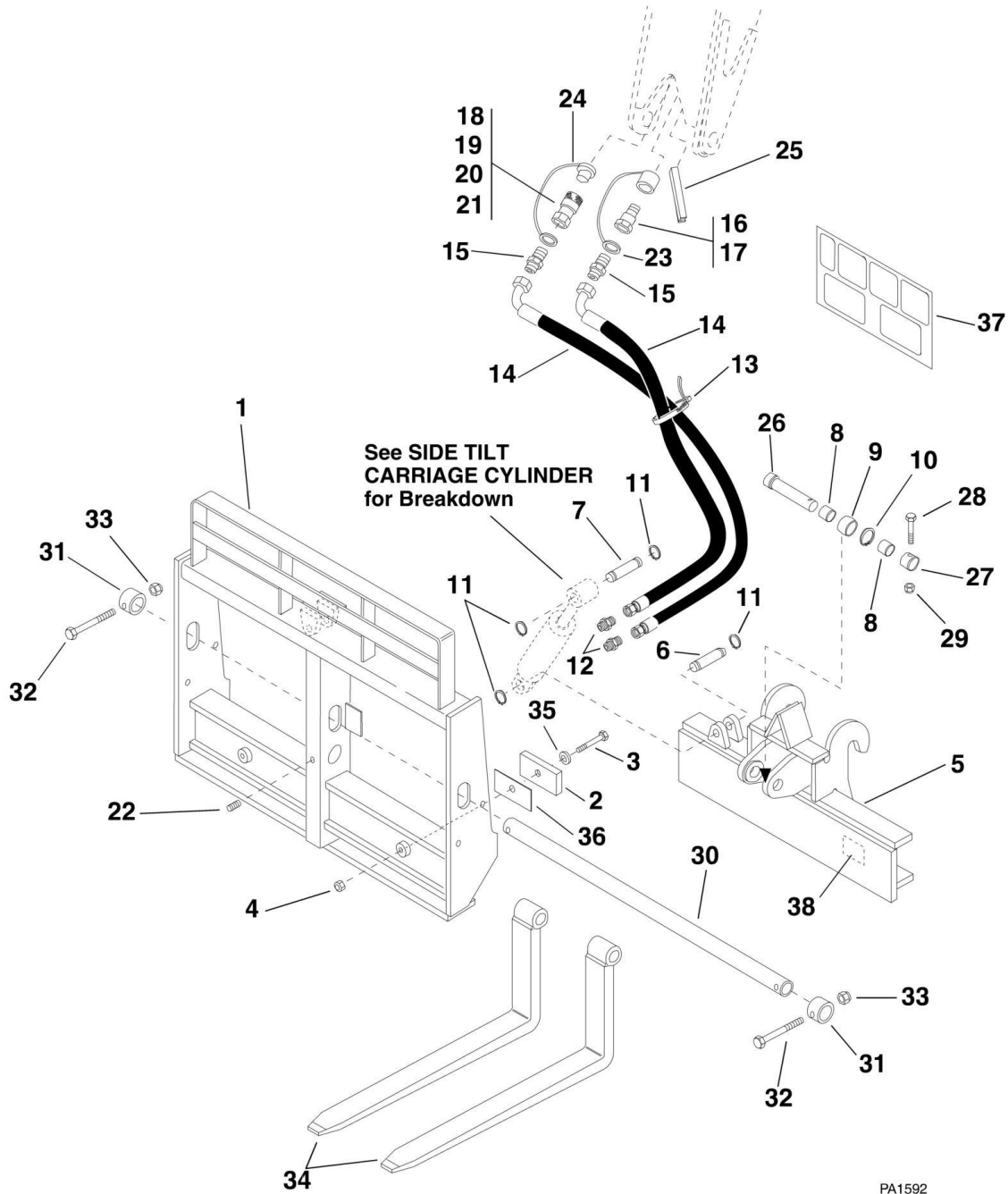
SECTION 9 - BOOM AND ATTACHMENTS

FIGURE 9-10. SWING CARRIAGE (OPTIONAL)

ITEM	PART NUMBER	QTY	DESCRIPTION	REV
1	7111994	1	Carriage, 52in	
1	7110694	1	Carriage, 72in	
2	6608621	1	Cover, Clamp	
3	8303715	3	HHCS, 5/16-18 x 1-1/2in	
4	7110702	2	Pin, Carriage Pivot	
5	7110494	1	Base, Pivot	
6	7110712	1	Pin, Cylinder Pivot (Rod End)	
7	7110722	2	Pin, Cylinder Pivot (Base End)	
8	8307918	AR	Shim, 2in ID x 10 Ga	
9	8065062	4	Bearing, Self Lube	
10	8307904	AR	Shim, 2in ID x 18 Ga	
11	8310161	AR	Shim, 1-1/2in ID x 10 Ga	
12	8760113	4	Connector, Straight, SAE 4 - male JIC 37 x male str. thd o-ring	
13	8584001	4	Tie Wrap	
14	6604662	2	Hose Assembly	
15	8310160	AR	Shim, 1-1/2in ID x 18 Ga	
16	8430006	1	Quick Disconnect, Male, SAE 8-8ORB - female internal (Includes Item 17)	
17	8640029	1	Seal, Nose (Not Shown)	
18	8430005	1	Quick Disconnect, Female, SAE 8-8ORB - female internal (Includes Items 19 thru 21)	
19	8640029	1	Seal, Nose (Not Shown)	
20	8640028	1	Seal, Large, Coupler Body (Not Shown)	
21	8640032	1	Back-up Ring for Large Seal (Not Shown)	
22	7062922	1	Bearing, Thrust	
23	8420053	1	Cap, Dust	
24	8420055	1	Plug, Dust	
25	8642207	4	Ring, Retaining	
26	6611752	2	Hose Assembly	
27	8760313	2	Elbow, 90, SAE 6-8 - male JIC 37 x male str thd o-ring	
28	8760311	1	Elbow, 90, SAE 6 - male JIC 37 x male str thd o-ring	
29	8769132	2	Clamp, Half	
30	7128782	1	Shaft, Fork Pivot 52in	
30	7128802	1	Shaft, Fork Pivot 72in	
31	7086471	2	Hub, Lock	
32	8303634	5	HHCS, 5/8-11 x 4in	
33	8305643	5	Nut, Hex Lock 5/8-11	
34	7097523	2	Fork, Pallet 48in x 4in x 2in (4,000 lb Rating)	
34	7097533	2	Fork, Lumber (Not Shown)	
34	7085073	6	Fork, Blocking (Not Shown)	
35	4107692	2	Chart, Capacity	
36	4107702	1	Decal, Danger - Tip Over Hazard	
37	8760409	2	Nut, SAE 6 - JIC 37	
38	8760475	2	Reducer, Tube End, SAE 6-4 - JIC 37	
39	8770012	1	Elbow, 90, SAE 6-4 - male JIC 37 x male str. thd o-ring	
40	8770016	1	Reducer, SAE 4-6 - male str. thd o-ring x female internal o-ring boss	
41	4107712	1	Decal, Danger - No Truss Boom	
42	8580315	2	Plug, Trim 2-1/2in Dia	

SECTION 9 - BOOM AND ATTACHMENTS

FIGURE 9-11. SIDE TILT CARRIAGE (OPTIONAL)



PA1592

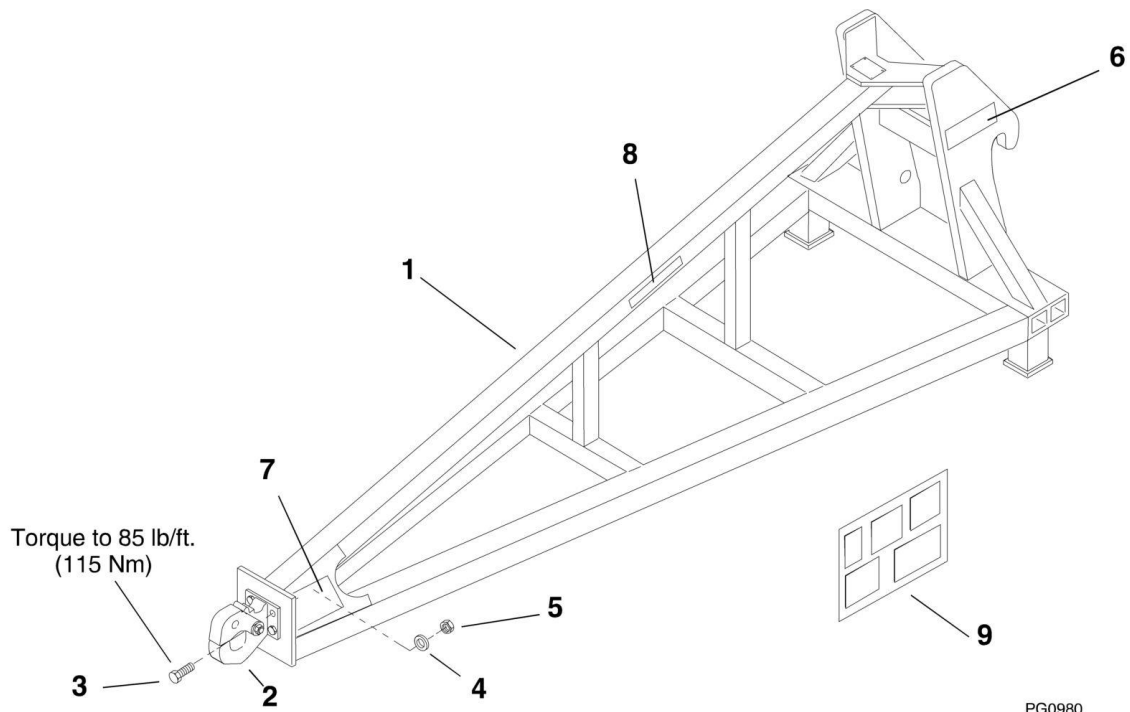
SECTION 9 - BOOM AND ATTACHMENTS

FIGURE 9-11. SIDE TILT CARRIAGE (OPTIONAL)

ITEM	PART NUMBER	QTY	DESCRIPTION	REV
1	7117244	1	Carriage, Side Tilt, 48in	
1	7117254	1	Carriage, Side Tilt, 60in	
1	7117264	1	Carriage, Side Tilt, 72in	
2	7065482	2	Pad, Wear	
3	8303739	2	HHCS, 5/16-18 x 1-1/4in	
4	8305626	2	Nut, Hex Lock 5/16-18	
5	7117204	1	Base, Pivot	
6	7077501	1	Pin, Cyl. Base	
7	7077511	1	Pin, Cyl. Rod	
8	7077481	2	Spacer	
9	8065634	1	Bushing, Self Align	
10	8642001	1	Ring, Snap	
11	8642235	4	Ring, Snap	
12	8760117	2	Connector, Straight SAE 6-6P - male JIC 37 x male str. thd o-ring	
13	8584001	1	Tie Wrap	
14	2711992	2	Hose Assembly	
15	8760110	2	Connector, Straight, SAE 6-8 - male JIC 37 x male str. thd o-ring	
16	8430006	1	Quick Disconnect, Male, SAE 8-8ORB - female internal (Includes Item 17)	
17	8640029	1	Seal, Nose (Not Shown)	
18	8430005	1	Quick Disconnect, Female, SAE 8-8ORB - female internal (Includes Items 19 thru 21)	
19	8640029	1	Seal, Nose (Not Shown)	
20	8640028	1	Seal, Large, Coupler Body (Not Shown)	
21	8640032	1	Back-up Ring for Large Seal (Not Shown)	
22	8541433	1	Plug, Pipe Hex Skt 1/8in NPT	
23	8420053	1	Cap, Dust	
24	8420055	1	Plug, Dust	
25	7125741	1	Molding	
26	7085411	1	Pin, Pivot	
27	7085501	1	Collar, Pin Locking	
28	8303770	1	HHCS, 3/8-16 x 2-3/4in	
29	8305645	1	Locknut, 3/8-16 ESNA	
30	7128772	1	Shaft, Fork Pivot 48in	
30	7128792	1	Shaft, Fork Pivot 60in	
30	7128802	1	Shaft, Fork Pivot 72in	
31	7086471	2	Hub, Lock	
32	8303634	2	HHCS, 5/8-11 x 4in	
33	8305643	2	Nut, Hex Lock 5/8-11	
34	7097523	2	Fork, Pallet 48in x 4in x 2in (4,000 lb Rating)	
34	7097533	2	Fork, Lumber (Not Shown)	
34	7085073	6	Fork, Blocking (Not Shown)	
35	8307203	2	Washer, Flat Heavy	
36	7070191	AR	Shim	
37	4108232	1	Decal, Capacity Chart	
38	7119341	1	Plate, Capacity	

SECTION 9 - BOOM AND ATTACHMENTS

FIGURE 9-12. 12 FT TRUSS BOOM (OPTIONAL)



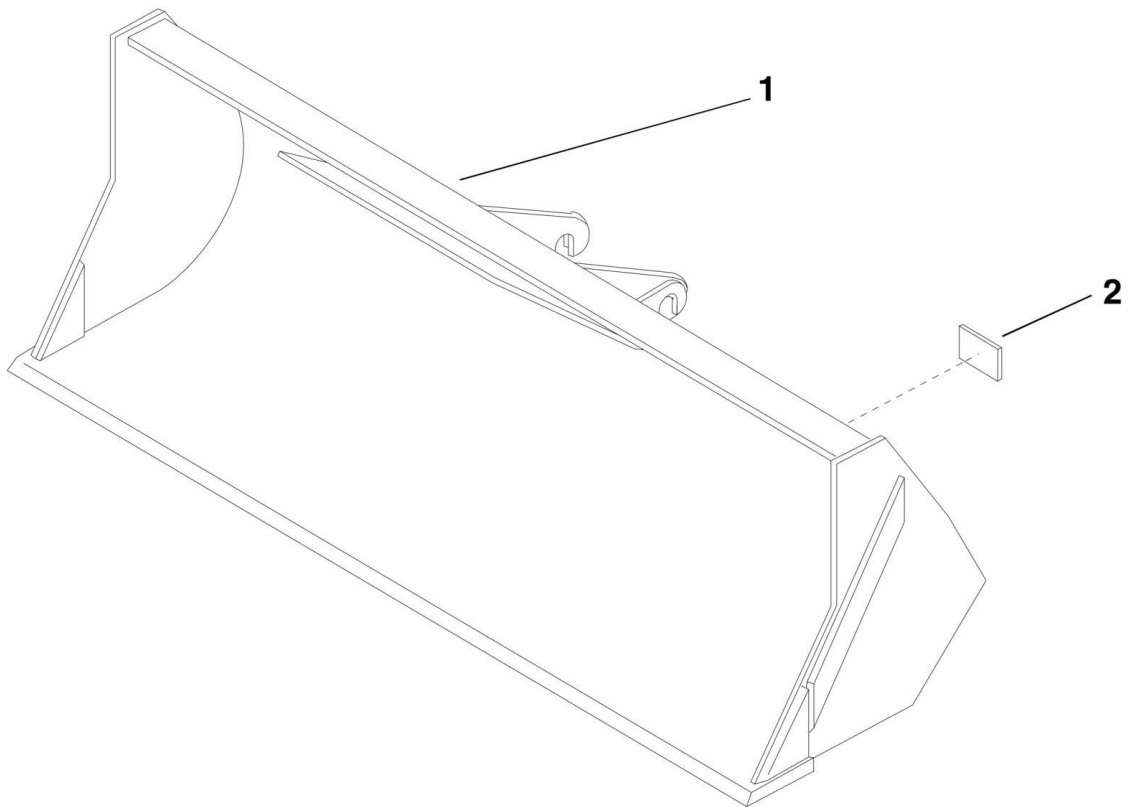
SECTION 9 - BOOM AND ATTACHMENTS

FIGURE 9-12. 12 FT TRUSS BOOM (OPTIONAL)

ITEM	PART NUMBER	QTY	DESCRIPTION	REV
1	7113024	1	12 ft Truss Boom (Includes Items 2 thru 9)	
2	8382017	1	Hook, Pintle	
3	8310195	4	HHCS, 1/2-13 x 1-3/4in	
4	8307112	4	Washer, Flat SAE 1/2in	
5	8305644	4	Nut, Hex Lock Elastic 1/2-13	
6	4107182	2	Decal, Name	
7	4107822	2	Decal, Swinging Load	
8	4107832	2	Decal, Length/Capacity	
9	4107812	1	Chart, Capacity	

SECTION 9 - BOOM AND ATTACHMENTS

FIGURE 9-13. UTILITY BUCKET (OPTIONAL)



PA0782

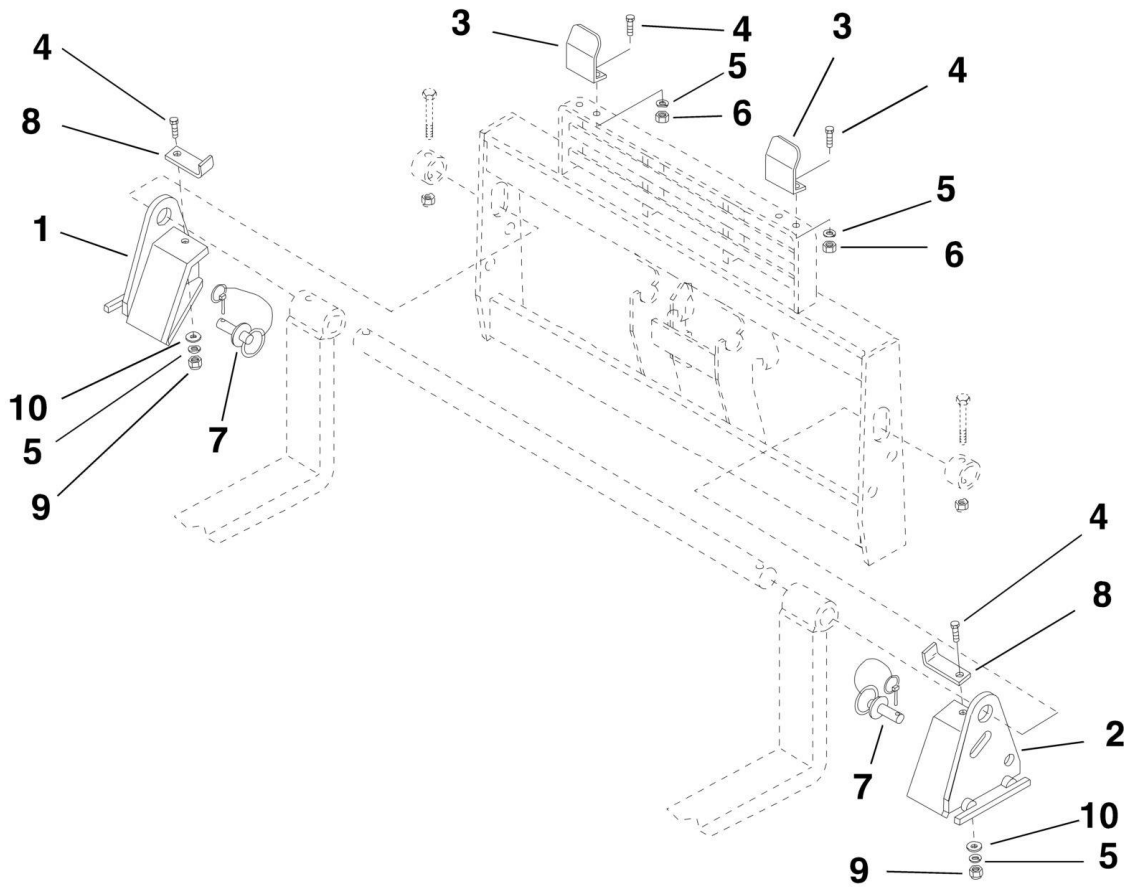
SECTION 9 - BOOM AND ATTACHMENTS

FIGURE 9-13. UTILITY BUCKET (OPTIONAL)

ITEM	PART NUMBER	QTY	DESCRIPTION	REV
1	7110744	1	Bucket, Utility, 1-1/4 cu. yd. (Includes Item 2)	
2	4106561	1	Plate, Capacity	

SECTION 9 - BOOM AND ATTACHMENTS

FIGURE 9-14. SHEET MATERIAL HANDLER (OPTIONAL)



PK0041

SECTION 9 - BOOM AND ATTACHMENTS

FIGURE 9-14. SHEET MATERIAL HANDLER (OPTIONAL)

ITEM	PART NUMBER	QTY	DESCRIPTION	REV
1	7112533	1	Support, Fork, RH	
2	7112523	1	Support, Fork, LH	
3	7112642	2	Extension, Backrest, Top	
4	8303626	6	HHCS, 1/2-13 x 1-1/2in	
5	8307007	6	Washer, Lock 1/2in	
6	8305012	4	Nut, Hex 1/2-13	
7	8301456	2	Pin, Hitch	
8	7114941	2	Bar, Lock	
9	8305644	2	Nut, Hex Lock Elastic 1/2-13	
10	8307112	2	Washer, Flat 1/2in LT	

SECTION 10 - RECOMMENDED SPARE PARTS

SECTION 10 - RECOMMENDED SPARE PARTS

SECTION 10 - RECOMMENDED SPARE PARTS

FIGURE 10-1. RECOMMENDED SPARE PARTS

ITEM	PART NUMBER	QTY	DESCRIPTION	REV
	Note	Ref	Note: The following list will service fleets of machines (built to current production per date on the front cover) with repair parts which can be installed in the field. Parts from the list should be replaced when inventory is depleted to keep service parts stock supplied. For further information, contact your JLG dealer or the JLG Industries Parts Department.	
	8050001	4	Bearing, Self Align	
	8342808	6	Keys	
	8342807	3	Latch w/Key	
	8342416	2	Latch, Adjustable Trigger	
	8866529	2	Mirror, Rear View	
	8866514	2	Mirror, Rear View	
	8160073	2	Cable, Throttle	
	8340034	2	Rod End	
	8700116	1	Spring, Extension	
	8223029	1	Switch, Transmission Shift Control	
	8035106	2	Cross and Bearing Assembly	
	8035133	2	Washer, Belleville	
	8035135	2	Bushing	
	8035136	2	Bushing	
	8035137	2	Seal, Oil	
	8033561	2	Breather, Air	
	8035138	2	Bearing, Spherical	
	8035157	1	King Pin, Upper	
	8035156	5	Grease Nipple	
	8035153	2	Bushing	
	8035154	2	Seal, Oil	
	8035253	2	Kit, Oil Seal	
	8035217	5	Wheel Stud	
	8035224	10	Wheel Stud Washer	
	8035225	10	Wheel Nut	
	8035190	2	Spider Assembly	
	8034965	1	Dipstick - Transmission	
	8032509	1	Breather, Air	
	8035004	6	Filter, Transmission	
	8035080	1	Coil, Solenoid	
	8035085	1	Cartridge, Valve	
	8320262	4	Filter, Engine Oil (Cummins Only)	
	8277143	1	Starter Relay	
	8035100	1	Fan Belt (Cummins Only)	
	7126693	1	Lower Radiator Hose (Cummins Only)	
	7126703	1	Upper Radiator Hose (Cummins Only)	
	8035098	2	Primary Air Filter	
	8035099	1	Safety Air Filter	
	8320270	6	Fuel Filter (Cummins Only)	
	8322036	1	Fuel Cap	
	8035292	10	Keys - Fuel Cap	
	8274022	6	Fuel Strainer	
	8035097	6	Filter, Engine Oil (Perkins Turbo Only)	

SECTION 10 - RECOMMENDED SPARE PARTS

ITEM	PART NUMBER	QTY	DESCRIPTION	REV
	8320242	6	Filter, Engine Oil (Perkins Natural Only)	
	8035095	1	Fan Belt Set Of 2 (Perkins Only)	
	7119623	1	Upper Radiator Hose (Perkins Only)	
	7119613	1	Lower Radiator Hose (Perkins Only)	
	8180311	1	Radiator Cap	
	8034092	6	Fuel Filter (Perkins Only)	
	8035104	2	Coil, w/Female Pins	
	8035093	1	Seal Kit w/Thrust Plate	
	8035103	2	Coil w/Male Pins	
	8035102	1	Seal Kit, Solenoid	
	8032997	1	Solenoid, Valve	
	8032996	1	Solenoid, Valve	
	8035285	1	Solenoid, Valve	
	8035283	2	Solenoid, Valve	
	8035284	2	Solenoid, Valve	
	8035332	2	Seal Kit	
	8035326	1	Seal Kit	
	8035326	2	Seal Kit	
	8035327	2	Seal Kit	
	8035312	2	Seal Kit	
	8035313	2	Seal Kit	
	8065640	1	Bearing, Self Aligning	
	8035319	1	Seal Kit	
	8035320	2	Seal Kit	
	8033789	1	Seal Kit	
	8205661	1	Seal Kit	
	8320265	4	Filter, Hydraulic	
	8322034	1	Breather, Air	
	8223227	1	Switch, Temperature - Hydraulic Oil	
	8223526	1	Switch, Oil Pressure - Hydraulic	
	8035384	1	Seal Kit	
	8035383	1	Seal Kit	
	8270621	1	Backup Alarm	
	7130682	2	Boom Sensor	
	8223025	1	Service Brake Switch	
	8223036	1	Park Brake Switch	
	8223436	2	Ignition Switch W/keys	
	8223438	6	Keys, Ignition	
	8229233	5	7.5 Amp Fuse	
	8229238	5	40 Amp Fuse	
	8229237	2	15 Amp Fuse (Perkins Cold Start Only)	
	8035276	1	Fuel Shut Off Solenoid (Cummins Only)	
	7131183	2	Load Chart	
	8466310	2	Indicator, Level	
	7126172	AR	Shim	
	7126182	AR	Shim	
	7120082	22	Wear Pad	
	7120092	8	Wear Pad	
	7095312	2	Bushing	
	7120182	2	Wear Pad	
	7118892	1	Lock Pin	

SECTION 10 - RECOMMENDED SPARE PARTS

PART NUMBER INDEX

SECTION 10 - RECOMMENDED SPARE PARTS

2711613.....	191	2716242.....	167	7085552.....	229	7121243.....	225
2711992.....	239	2716253.....	187	7085571.....	229	7121402.....	133
2713363.....	189	2716517.....	147	7086304.....	233	7121412.....	229
2714503.....	179	2716547.....	147	7086471 ...	231, 233, 235, 237, 239	7121422.....	229
2714943.....	153	2716562.....	185	7088341.....	11	7121461.....	221
2715042.....	149	4100181.....	213, 215	7089722.....	183	7121501.....	225
2715052.....	149	4105171.....	213, 215	7090814.....	235	7121511.....	221
2715062.....	149	4105262.....	213, 215	7094552.....	193	7121523.....	35
2715072.....	149	4106561.....	243	7094562.....	193	7121531.....	227
2715082.....	115	4107182.....	241	7095312.....	219, 249	7121543.....	21
2715092.....	167	4107692.....	237	7095352.....	229	7121622.....	221, 223
2715102.....	147	4107702.....	237	7095522.....	219	7121632.....	223
2715112.....	143	4107712.....	237	7096491.....	21, 23	7121842.....	221, 223
2715122.....	143	4107812.....	241	7097523 ...	231, 233, 235, 237, 239	7121851.....	225
2715132.....	151	4107822.....	241	7097533 ...	231, 233, 235, 237, 239	7121951....	115, 117, 127
2715142.....	143	4107832.....	241	7110494.....	237	7124471.....	11
2715152.....	143	4107901.....	213, 215	7110582.....	227	7124491.....	11
2715162.....	143	4108181.....	213, 215	7110642.....	227	7124531.....	19, 41
2715172.....	144	4108201.....	213, 215	7110694.....	237	7125731.....	13
2715192.....	157	4108232.....	239	7110702.....	237	7125741.....	239
2715202.....	157	4108302.....	213, 215	7110712.....	237	7125861.....	11
2715212.....	157	4108802.....	213, 215	7110722.....	237	7125932.....	143
2715222.....	151	4108812.....	213, 215	7110744.....	243	7125942.....	133
2715232.....	143	4108841.....	213, 215	7111994.....	237	7126172....	219, 221, 249
2715242.....	143	4108851.....	213, 215	7112511.....	45	7126182....	219, 221, 249
2715252.....	143	4108861.....	213, 215	7112523.....	245	7126514.....	119, 163
2715262.....	157	4108891.....	213, 215	7112533.....	245	7126534.....	17
2715272.....	169	4108951.....	213, 215	7112642.....	245	7126693.....	119, 248
2715272.....	169	4108962.....	213, 215	7113024.....	241	7126703.....	119, 248
2715282.....	143	4108981 ...	119, 129, 213, 215	7114941.....	245	7126833.....	123
2715292.....	151	4108991.....	213, 215	7116691.....	159	7127091.....	27
2715302.....	169	4109011.....	215	7117204.....	239	7127102.....	27
2715312.....	169	4109021.....	213, 215	7117244.....	239	7127214.....	11
2715322.....	159	4109041.....	213, 215	7117254.....	239	7127394.....	11, 193
2715342.....	157	4109051.....	213, 215	7117264.....	239	7127462.....	115, 117
2715352.....	159	4109091.....	213, 215	7118882 ...	229, 231, 233, 235	7127492.....	115, 117
2715362.....	163, 165	4109151.....	213	7118892 ...	229, 231, 233, 235, 249	7127552.....	115, 117
2715372.....	151	4109371.....	213	7119341.....	239	7127562.....	115, 117
2715382.....	159	5713331.....	223	7119362.....	227	7127742.....	123
2715392.....	157	5724302.....	11	7119613.....	129, 249	7127752.....	127
2715402.....	157	5724742.....	125, 135	7119623.....	249	7127762.....	127
2715412.....	143	6604662.....	237	7119744.....	129, 165	7127772.....	127
2715422.....	163	6608621.....	237	7120082 ...	219, 221, 223, 249	7127782.....	127
2715432.....	165	6611752.....	237	7120092 ...	219, 221, 225, 249	7127881.....	135
2715442.....	157	6620002.....	13	7120182.....	221, 249	7127934.....	11
2715452.....	157	6620971.....	41	7120204.....	219	7128072.....	121, 131
2715462.....	143, 147	6621412.....	207	7120232.....	225	7128092.....	121
2715472.....	147	70020428.....	189	7120471.....	225	7128102.....	121
2715482.....	147	70031092.....	183	7120502.....	225	7128142.....	121, 131
2715502.....	147	7024574.....	189	7120512.....	225	7128252.....	29
2715512.....	147	7054902.....	147	7120592.....	223	7128263.....	109
2715722.....	183	7057141 ...	17, 19, 21, 23, 39, 41, 119, 129	7120602.....	223	7128272.....	109
2715742.....	153, 155	7062922.....	237	7120613.....	125, 135	7128282.....	109
2715752.....	153, 155	7065482.....	239	7120662.....	11, 223	7128332.....	131
2715762.....	153, 155	7070191.....	239	7120672.....	225	7128342.....	131
2715772.....	153, 155	7075611.....	213, 215	7120923.....	221	7128403.....	31
2715782.....	153, 155	7077481.....	239	7120983.....	229	7128592.....	115
2716012.....	161	7077501.....	239	7121173.....	223	7128602.....	125, 135
2716022.....	161	7077511.....	239	7121183.....	223	7128772.....	231, 239
2716032.....	167	7083054.....	231			7128782.....	237
2716042.....	161	7083992.....	229			7128792.....	233, 239
2716052.....	161	7085073 ...	231, 233, 235, 237, 239			7128802....	235, 237, 239
2716062.....	161	7085411.....	239			7128932.....	61
2716072.....	161	7085422.....	119, 129			7128942.....	63
2716082.....	167	7085501.....	239			7128952.....	59
2716212.....	167					7128964.....	159
2716222.....	167					7128994.....	193
2716232.....	167						

SECTION 10 - RECOMMENDED SPARE PARTS

7129101 125, 135	7132312 151	7138298.....97, 115, 117, 123, 125, 193	8033610 67
7129111 125, 135	7132342 167	7138299.....97, 127, 133, 136, 193	8033611 67
7129121 125, 135	7132402 151	7138350.....55	8033612 67
7129133 125, 135	7132453 161	7138351.....55	8033613 67
7129362 11	7132592 11	7138366.....25	8033614 67
7129441 17, 39	7132631 167, 219	7138367.....209	8033615 67
7129501 205	7132653 55	7138368.....209	8033616 67
7129521 31	7132661 135	7138369.....209	8033617 67
7129572 143	7132671 135	7138432.....97, 127, 133, 136, 193	8033618 65
7129582 143, 157	7132712 133	7138493.....209	8033619 67
7129612 13	7132722 131	7138510.....115, 117, 205	8033620 67
7129622 13	7132732 131	7138529.....139	8033622 65
7129653 13	7132751 19, 41	7138531.....139	8033623 65
7129663 13	7132762 159	7138538.....139	8033624 65, 67
7129681 135	7132844 13	7138736.....125, 135	8033625 65, 67
7129691 135	7132921 55	7140600.....55	8033626 65, 67
7129722 209	7133051 161	7142800.....55	8033627 65
7129881 43	7133242 209	7144500.....55	8033628 65
7129912 13	7133312 209	8030464.....87	8033629 65
7129922 13	7133383 129	8030470.....87	8033630 65
7129973 119, 129	7133592 213	8032398.....123, 133	8033631 65
7130042 119, 129	7133732 207	8032508.....93	8033632 67
7130052 119, 129	7133774 201, 203	8032509.....93, 248	8033633 67
7130072 13	7133783 201	8032528.....93	803363783 189
7130121 133	7133792 215	8032599.....95	8033784 189
7130131 119, 129, 133	7133862 203	8032600.....95	8033785 189
7130173 13	7133932 33	8032602.....95	8033786 189
7130322 11	7133942 33, 169	8032989.....175	8033788 189
7130412 21, 23	7134052 167	8032990.....175	8033789 189, 249
7130422 119, 129	7134062 151	8032991.....175	8033856 45
7130444 205	7134072 151	8032992.....175	8034092 135, 249
7130532 119, 129	7134082 167	8032993.....175	8034538 195
7130633 17	7134092 167	8032994.....175	8034539 195
7130643 17, 39	7134102 167	8032995.....175	8034540 195
7130653 17, 39	7134122 13	8032996.....175, 249	8034697 195
7130663 17, 39	7134132 13	8032997.....175, 249	8034798 37
7130682 201, 203, 249	7134142 13	8033032.....41, 43	8034799 37
7130724 19	7134453 17, 39	8033058.....37	8034803 51
7130734 19	7134483 213, 215	8033072.....37	8034805 51
7130744 19	7134593 153, 155, 181	8033087.....51	8034808 51
7130753 35	7134671 203, 209	8033102.....45	8034815 45
7130763 35	7134922 55	8033110.....45	8034917 97
7130773 19, 41	7135682 53	8033178.....27, 29	8034918 99, 101, 103
7130814 13	7135694 207	8033510.....73, 75	8034919 99, 103
7130862 19, 41	7136302 53	8033536.....79	8034920 99
7131003 19, 41	7136342 39	8033537.....79	8034921 99
7131183 249	7136352 53	8033540.....79	8034922 103
7131253 119, 129	7136742 25	8033541.....79	8034923 103
7131412 17, 39	7136822 53	8033544.....77, 91	8034924 103
7131443 119, 129	7136832 53	8033557.....87	8034925 101
7131493 17	7137104 161	8033561.....69, 71, 248	8034926 101
7131652 13	7137152 17	8033575.....81, 83	8034928 101
7131731 225	7137364 41	8033582.....69, 71, 85	8034929 105
7131753 115, 117	7137374 209	8033590.....67	8034930 93
7131782 13	7137411 209	8033591.....67	8034931 93
7131952 119, 129	7137654 41	8033594.....67	8034932 93
7131961 35, 209	7137664 41	8033595.....67	8034933 93
7131992 125, 135	7137694 11	8033596.....67	8034934 93, 97
7132002 119, 129	7137733 39	8033597.....67	8034935 93
7132012 119, 129	7137741 43	8033599.....67	8034936 93
7132022 123, 133	7137751 43	8033603.....67	8034937 93
7132042 205	7138234 39	8033604.....65	8034938 93
7132111 125, 135	7138250 45, 49, 207	8033608.....67	8034939 93
7132121 125	7138275 41	8033609.....67	8034940 93
7132131 125	7138285 127, 135		8034941 93
7132141 115, 117, 127	7138286 127, 135		8034942 93
7132302 151	7138288 115, 117, 125		

SECTION 10 - RECOMMENDED SPARE PARTS

8034943.....	93	8035010.....	97	8035077.....	107	8035150.....	73, 75
8034944.....	93	8035011.....	97	8035078.....	107	8035151.....	73, 75
8034945.....	93	8035012.....	97	8035079.....	107	8035152.....	73
8034946.....	93	8035013.....	97	8035080.....	107, 248	8035153.....	73, 75, 248
8034947.....	93	8035014.....	97	8035081.....	107	8035154.....	73, 75, 248
8034948.....	93	8035015.....	97	8035082.....	107	8035155.....	73, 75
8034949.....	93	8035016.....	97	8035083.....	107	8035156.....	73, 75, 248
8034950.....	93	8035017.....	97	8035084.....	107	8035157.....	73, 75, 248
8034951.....	93	8035018.....	99, 101, 103	8035085.....	107, 248	8035158.....	73, 75
8034952.....	93	8035019.....	99, 101, 103	8035086.....	107	8035159.....	73, 75
8034953.....	93	8035020.....	99, 101, 103	8035087.....	95	8035160.....	79
8034954.....	93	8035021.....	99, 101, 103	8035088.....	95	8035161.....	79
8034955.....	93	8035022.....	99, 101, 103	8035089.....	93, 95, 97, 99, 101, 103, 105, 107	8035162.....	79
8034956.....	93	8035023.....	99, 101, 103	8035090.....	97	8035163.....	79
8034957.....	93	8035024.....	99, 101, 103	8035091.....	107	8035164.....	79
8034958.....	93	8035025.....	99, 101, 103	8035092.....	93	8035165.....	79
8034959.....	93	8035026.....	99, 101, 103	8035093.....	173, 249	8035166.....	79
8034960.....	93	8035027.....	99, 101, 103	8035094.....	173	8035167.....	79
8034961.....	93	8035028.....	99	8035095.....	127, 249	8035168.....	79
8034962.....	93	8035029.....	99, 101, 103	8035096.....	135	8035169.....	79
8034963.....	93	8035030.....	99, 101, 103	8035097.....	127, 248	8035170.....	79
8034964.....	93	8035031.....	99	8035098.....	123, 133, 248	8035171.....	79
8034965.....	93, 248	8035032.....	99	8035099.....	123, 133, 248	8035172.....	79
8034966.....	93	8035033.....	99, 101, 103	8035100.....	115, 117, 248	8035173.....	79
8034967.....	95	8035034.....	99	8035101.....	161, 175	8035174.....	79
8034968.....	95	8035035.....	99	8035102.....	161, 175, 249	8035175.....	79
8034969.....	95	8035036.....	101, 103	8035103.....	175, 249	8035176.....	77
8034970.....	95	8035037.....	103	8035104.....	161, 175, 249	8035177.....	77, 91
8034971.....	95	8035038.....	101, 103	8035106.....	59, 61, 63, 248	8035178.....	77, 91
8034972.....	95	8035039.....	101, 103	8035109.....	59, 61, 63	8035179.....	77, 91
8034973.....	95	8035040.....	103	8035114.....	69, 71	8035180.....	77, 91
8034974.....	95	8035041.....	103	8035115.....	69, 71	8035181.....	77, 91
8034975.....	95	8035042.....	103	8035116.....	69	8035182.....	77, 91
8034976.....	95	8035043.....	103	8035117.....	69, 71	8035183.....	77, 91
8034977.....	95	8035044.....	103	8035118.....	69, 71	8035184.....	77
8034978.....	95	8035045.....	103, 105	8035119.....	69, 71	8035185.....	77
8034979.....	95	8035046.....	103, 105	8035120.....	69, 71	8035186.....	77
8034980.....	95	8035047.....	103, 105	8035121.....	69, 71	8035187.....	89
8034981.....	95	8035048.....	103, 105	8035122.....	69, 71	8035188.....	89
8034982.....	95, 99	8035049.....	103, 105	8035123.....	69, 71	8035189.....	89
8034983.....	97	8035050.....	101	8035124.....	69, 71	8035190.....	89, 248
8034984.....	97	8035051.....	101	8035125.....	69, 71	8035191.....	89
8034985.....	97	8035052.....	101	8035126.....	69, 71	8035192.....	89
8034986.....	97	8035053.....	101	8035127.....	69, 71	8035193.....	89
8034987.....	97	8035054.....	101	8035128.....	69, 71	8035194.....	89
8034988.....	97	8035055.....	105	8035129.....	69	8035195.....	89
8034989.....	97	8035056.....	105	8035130.....	69, 71	8035196.....	81, 83
8034990.....	97	8035057.....	105	8035131.....	69, 71	8035197.....	81, 83
8034991.....	97	8035058.....	105	8035132.....	69, 71	8035198.....	81, 83
8034992.....	97	8035059.....	105	8035133.....	69, 71, 248	8035199.....	81, 83
8034993.....	97	8035060.....	107	8035134.....	69, 71	8035200.....	81, 83
8034994.....	97	8035061.....	107	8035135.....	69, 71, 248	8035201.....	81
8034995.....	97	8035062.....	107	8035136.....	69, 71, 248	8035202.....	81
8034996.....	97	8035063.....	107	8035137.....	69, 71, 248	8035203.....	81
8034997.....	97	8035064.....	107	8035138.....	69, 71, 248	8035204.....	81
8034998.....	97	8035065.....	107	8035139.....	69, 71	8035205.....	81
8034999.....	97	8035066.....	107	8035140.....	69, 71	8035206.....	81
8035000.....	97	8035067.....	107	8035141.....	69, 71	8035207.....	81
8035001.....	97	8035068.....	107	8035142.....	69, 71	8035208.....	81
8035002.....	97	8035069.....	107	8035143.....	69, 71	8035209.....	81
8035003.....	97	8035070.....	107	8035144.....	69	8035210.....	81
8035004.....	97, 248	8035071.....	107	8035145.....	69	8035211.....	81
8035005.....	97	8035072.....	107	8035146.....	69	8035212.....	81
8035006.....	97	8035073.....	107	8035147.....	69	8035213.....	81
8035007.....	97	8035074.....	107	8035148.....	69	8035214.....	81
8035008.....	97	8035075.....	107	8035149.....	73, 75	8035215.....	81
8035009.....	97	8035076.....	107			8035216.....	81, 83
						8035217.....	87, 248
						8035218.....	87
						8035219.....	87
						8035220.....	87
						8035221.....	87

SECTION 10 - RECOMMENDED SPARE PARTS

8035222	87	8035314	187	8035391	45	8035459	37
8035223	73, 75, 87	8035315	187	8035392	45	8035460	37
8035224	87, 248	8035316	187	8035393	45	8035461	37
8035225	87, 248	8035317	187	8035394	45	8035462	37
8035226	85	8035318	187	8035395	45	8035463	37
8035227	85	8035319	187, 249	8035397	41, 43	8035464	37
8035228	85	8035320	187, 249	8035398	41	8035466	37
8035229	85	8035321	183	8035399	41	8035467	37
8035230	85	8035322	181, 183	8035400	41	8035468	37, 51
8035231	85	8035323	181, 183	8035401	41	8035470	37
8035232	85	8035324	181, 183	8035402	41	8035471	37
8035234	85	8035325	183	8035403	41	8035472	37
8035235	85	8035326	181, 183, 249	8035404	41	8035473	37
8035236	71	8035327	183, 249	8035405	41	8035474	39, 51
8035237	71	8035328	181	8035406	41, 43	8035475	51
8035238	91	8035329	179	8035407	41	8035476	51
8035239	83	8035330	179	8035408	45	8035477	51
8035240	65	8035331	179	8035409	45	8035478	51
8035241	65	8035332	179, 249	8035410	45, 49	8035479	51
8035242	65	8035340	195	8035411	45	8035480	51
8035243	67	8035341	195	8035412	43	8035481	51
8035244	67	8035342	195	8035413	43	8035482	51
8035245	67	8035343	197	8035414	43, 51	8035483	51
8035248	73, 75	8035344	197	8035415	43, 51	8035484	51
8035249	73, 75	8035345	197	8035416	43, 51	8035485	51
8035250	73, 75	8035346	197	8035417	43	8035486	51
8035251	73, 75	8035347	195	8035418	43	8035487	51
8035252	73, 75	8035348	197	8035419	43	8035488	51
8035253	73, 75, 248	8035349	197	8035420	43	8035489	51
8035254	73, 75	8035350	195	8035421	43	8035490	39, 51
8035255	73, 75	8035351	197	8035422	43	8035491	51
8035256	73, 75	8035352	197	8035423	43	8035492	49
8035257	79	8035353	197	8035424	43	8035493	49
8035258	79	8035354	195	8035425	43	8035494	49
8035259	173	8035355	195	8035426	43	8035495	49
8035260	173	8035356	197	8035427	43	8035496	49
8035261	173	8035357	197	8035428	43	8035497	49
8035262	173	8035358	195	8035429	43	8035498	49
8035263	173	8035359	197	8035430	43	8035499	49
8035264	173	8035360	195	8035431	43	8035500	49, 51
8035265	173	8035361	195	8035432	43	8035501	49, 51
8035266	173	8035362	195	8035433	43	8035502	49
8035276	205, 249	8035363	195	8035434	43	8035503	49
8035278	115, 117	8035364	195, 197	8035435	37, 43	8035504	49
8035279	123, 133	8035365	197	8035436	37	8035505	49
8035281	175	8035366	197	8035437	37	8035506	51
8035282	175	8035367	195	8035438	37	8035507	51
8035283	175, 249	8035368	195	8035439	37	8035508	51
8035284	175, 249	8035369	195	8035440	37	8035509	51
8035285	175, 249	8035370	195	8035441	37	8035510	51
8035288	147	8035371	197	8035442	37	8035511	51
8035292	125, 135, 248	8035372	197	8035443	37	8035521	41
8035293	187	8035373	197	8035444	37	8035523	39
8035294	39	8035374	197	8035445	37	8035524	39
8035297	135	8035375	197	8035446	37	8035525	39
8035298	127	8035376	197	8035447	37	8035526	39
8035299	127	8035377	195	8035448	37	8035527	39
8035302	73, 75	8035378	195	8035449	37	8035528	39
8035303	73, 75	8035379	195	8035450	37	8035529	39
8035304	73, 75	8035380	195	8035451	37	8035531	45, 49
8035305	73, 75	8035381	195	8035452	37	8035599	41
8035308	185	8035382	195	8035453	37	8035606	39, 51
8035309	185	8035383	197, 249	8035454	37	8035719	127, 205
8035310	185	8035384	195, 197, 249	8035455	37	8035721	39
8035311	185	8035388	43	8035456	37, 207	8035723	39
8035312	185, 249	8035389	43	8035457	37	8035777	33
8035313	249	8035390	49	8035458	37	8035803	35

SECTION 10 - RECOMMENDED SPARE PARTS

8035804.....35	8229245 203, 207, 209	8303675 55, 115, 117, 123, 147, 161	8305644.. 11, 13, 31, 201, 203, 205, 223, 229, 241, 245
8036009.....21	8229246 207, 209	8303679 13	8305645.. 13, 21, 23, 115, 117, 119, 127, 129, 205, 207, 209, 227, 239
8036010.....21	8229247 207	8303681 ... 161, 219, 221, 223	8305646.....227
8036011.....21	8262134 127	8303683 159	8305647.....213, 215
8036013.....21	8262135 127	8303697 ... 119, 123, 129, 133	8305650.....27, 29
8036014.....21	8262139 115, 117	8303703 159	8305906.... 13, 17, 19, 39, 41
8036015.....21	8270134 205	8303705 33	8307002.... 27, 29, 33, 41, 115, 119, 129, 159, 161, 201, 205
8036017.....21	8270135 205	8303713 221	8307003.... 25, 27, 29, 35, 125, 135, 203
8036479.....205	8270136 205	8303715 ... 144, 151, 153, 155, 167, 237	8307004.... 13, 17, 19, 39, 41, 119, 129, 143, 147, 151, 153, 155, 167
8036488.....91	8270137 205	8303725 139	8307005.. 35, 55, 95, 111, 123, 147, 153, 155, 159, 161, 219, 221, 223, 225
8037080.....179	8270220 115, 117	8303729 115	8307006..... 121, 131
8037206.....37, 51	8270221 115, 117	8303735 209, 225	8307007..... 11, 147, 159, 221, 225, 227, 245
8040252.....11	8270620 201, 203	8303739 . 13, 19, 41, 135, 239	8307010..... 17, 39
8040253.....11	8270621 201, 203, 249	8303743 119, 129	8307023..... 31, 111, 115, 117, 133
8050001..... 11, 223, 248	8272013 127	8303744 13	8307024. 25, 27, 201, 203
8050002.....11	8272017 115, 117	8303752 11	8307025.... 27, 59, 61, 63, 115, 117, 127, 139, 163
8065061.....227	8273022 123, 133	8303755 31, 111	8307049..... 55, 111
8065062..... 225, 237	8273297 123, 133	8303757 143	8307052..... 45
8065634..... 239	8274022 125, 135, 248	8303758 161	8307104..... 227, 229
8065640..... 11, 185, 249	8275036 121, 131	8303759 153, 155	8307106.. 13, 21, 23, 119, 123, 129, 133, 135, 147
8124126..... 227	8275037 121, 131	8303770 239	8307107.... 115, 117, 127
8127012..... 225	8275209 125, 135	8303771 225	8307109.... 13, 25, 27, 29, 41, 119, 129, 201, 203
8127013..... 227	8275212 121, 131	8303772 229	8307110 13, 55, 115, 117, 127, 153, 155, 207, 209
8160073..... 27, 29, 248	8275240 121	8303778 133	8307111..... 13, 201
8160610..... 27, 29	8277098 139	8303782 11, 223	8307112.. 11, 13, 31, 209, 241, 245
8162003..... 27, 29	8277101 139	8303790 27, 115, 117	8307113.... 115, 117, 127, 139, 213, 215
8162213..... 29	8277143 127, 248	8303794 223	8307202 13, 17, 119, 129, 151, 161, 167, 201
8180311 119, 129, 163, 165, 249	8277161 115, 117	8303799 25, 27	8307203.... 17, 19, 39, 41, 45, 147, 239
8205514..... 191	8277162 115, 117, 205	8303836 13, 25, 125, 135, 201, 203	8307204 21, 23, 119, 129, 205
8205545..... 191	8278008 119, 129	8303837 27, 29, 125, 135, 201	8307206.. 19, 31, 41, 147, 159
8205546..... 191	8278021 115, 117, 127	8303839 45	8307207..... 209
8205547..... 191	8278022 115, 117, 127	8304672 35	8307210..... 11
8205548..... 191	8278023 119, 129	8305002 27, 29, 203	8307703..... 11, 223
8205655..... 189, 191	8278024 119, 129	8305003 35, 205	8307904..... 229, 237
8205656..... 185	8278026 17, 39	8305004 ... 159, 161, 201, 203, 205	8307918..... 229, 237
8205661..... 191, 249	8301456 245	8305006 45	8310002..... 45, 139
8220345..... 201, 203	8302406 13	8305008 55, 159, 161	8310009..... 19, 41, 144
8220346..... 201, 203	8303034 17	8305012 159, 245	8310016..... 19, 41
8223025.... 201, 203, 249	8303090 161	8305047 25	8310019..... 227
8223029..... 35, 248	8303114 13	8305402 27, 29	8310026.... 115, 117, 119, 127, 129, 139, 203, 205
8223036.... 201, 203, 249	8303116 111	8305404 21, 23	8310029..... 45
8223037..... 201, 203	8303533 139	8305439 201, 203	
8223039..... 203	8303538 11	8305603 119, 205	
8223040..... 203, 207	8303540 13, 41	8305604 209	
8223043..... 203, 207	8303548 25	8305619 229	
8223044..... 203, 207	8303551 11	8305624 13, 17, 115, 117, 119, 127, 129, 139, 151, 167, 201, 203, 205	
8223045..... 205	8303615 27, 29	8305626 ... 11, 13, 19, 21, 23, 41, 45, 119, 123, 129, 133, 135, 151, 167, 193, 239	
8223046..... 201, 203	8303618 115	8305634 11	
8223048..... 201, 203	8303620 ... 207, 209, 219, 221, 223, 225	8305643 ... 115, 117, 127, 209, 223, 229, 231, 233, 235, 237, 239	
8223226..... 193	8303621 55, 115, 117, 119, 127, 129		
8223227..... 193, 249	8303622 223		
8223228..... 205	8303624 159, 227		
8223229..... 205	8303625. 11, 13, 221, 225		
8223436.... 201, 203, 249	8303626 147, 245		
8223438.... 201, 203, 249	8303632 209		
8223454..... 139	8303634 ... 231, 233, 235, 237, 239		
8223526..... 193, 249	8303638 229		
8223527..... 123, 133	8303658 31		
8223529..... 205	8303660 223		
8223533..... 205	8303666 229		
8225117 201, 203, 207	8303670 ... 13, 17, 21, 23, 39, 45		
8229233..... 201, 249			
8229237..... 201, 249			
8229238..... 201, 249			
8229243..... 203, 207			
8229244.... 139, 203, 207			

SECTION 10 - RECOMMENDED SPARE PARTS

8310038	111	8322034	193, 249	8528071	213, 215	8769123 ...	143, 151, 153, 155, 167
8310050	11	8322036	125, 135, 248	8528074	213, 215	8769128 ...	143, 151, 167
8310060	11	8322039	193	8528080	213, 215	8769132	237
8310061	11, 225	8322040	193	8528101	213, 215	8769136	151, 167
8310066	11	8324029	193	8528105	213, 215	8770001	193
8310067	11, 17, 39, 223	8340034	27, 29, 248	8528106	213, 215	8770012	237
8310085	13, 19, 41, 201	8340035	13	8530024	139	8770016	237
8310089	143	8340036	13	8530030	147	8770047	161
8310093	229	8342416	13, 248	8530035	147	8770066	159, 167
8310104	119, 129	8342807	13, 248	8530036	147	8770068 ...	143, 153, 155, 157, 159, 161, 167, 169
8310109 ...	115, 117, 127, 139	8342808	13, 37, 248	8541036	43	8770069 ...	153, 155, 157, 159
8310116	11	8360005	43	8541404	125, 135	8770070 ...	149, 159, 163, 165
8310124	17, 39	8382017	241	8541433	239	8770072	151, 167
8310160	237	8405009	125, 135	8551001	123, 133	8770074	151, 167
8310161	237	8405104 ...	119, 125, 129, 135	8580118	35	8770075	151, 167
8310164 ...	115, 117, 127, 163	8405202	125, 135	8580315	237	8770076	151, 167
8310165	143	8405203	119, 129	8580420	119, 129	8770077 ...	115, 163, 165
8310195	241	8405209	121, 131	8580421	19, 41, 201, 203	8770078	147
8310266 ...	229, 231, 233, 235	8405209	121, 131	8582008	207	8770079 ...	115, 147, 149, 159
8310269	223	8405210	147	8582426	203, 209	8770080	115, 163
8310276 ...	229, 231, 233, 235	8405212	133	8584001	43, 45, 139, 153, 155, 209, 237, 239	8770081	163, 165
8310281	159	8405301	123, 133	8584003 ...	115, 144, 147, 153, 155, 163, 165, 201	8770083	163, 165
8310284	225	8405305	133	8584018	43, 46, 139, 209	8770084	147
8310289 ...	115, 117, 127	8405306	123	8630008	147	8770085	149
8310295	11	8405307	123, 133	8630009	147	8770086	149
8310297	59, 61, 63	8406201	55	8630010	19, 41	8770087 ...	153, 155, 159
8310300	201, 203	8406302 ...	163, 165, 201, 203, 205	8630014	153, 155	8770088 ...	153, 155, 159
8310301	17, 39	8410009	43, 125, 135	8640017	175	8770089 ...	153, 155, 159
8310315	35	8410013	135	8640028	237, 239	8770091	157
8310317	111	8420053 ...	167, 237, 239	8640029	237, 239	8770093	157
8310318	205	8420055 ...	167, 237, 239	8640032	237, 239	8770094 ...	153, 155, 159
8310326	143	8420201	43	8640123	147	8770095	157
8310327	143	8430005 ...	167, 237, 239	8642001	239	8770096	157
8310333 ...	115, 117, 127	8430006 ...	167, 237, 239	8642207	237	8770097	157
8310334	13	8430007	125	8642224	219	8770098	157
8310339	11	8430032 ...	143, 147, 157, 159, 161	8642234	223	8770100	157
8310345	153, 155	8430043	143, 157	8642235	239	8770102	143
8310346	153, 155	8430072	125, 135	8642237	227	8770103	169
8310347	213, 215	8430081	147, 157	8660010	125, 135	8770104 ...	143, 159, 167
8310348	213, 215	8430082 ...	143, 147, 159, 161	8660011	125, 135	8770105 ...	153, 155, 157, 159, 161
8310350	35	8430092	125, 135	8700116	27, 29, 248	8770106 ...	147, 153, 155, 157, 159, 161, 167, 169
8310353 ...	17, 19, 39, 41	8430093	125, 135	8702156	13	8770107	159, 169
8310355	225	8430094	125, 135	8702157	13	8770108 ...	159, 161, 169
8310356	59, 61, 63	8430095	125, 135	8702158	13	8770111 ...	157, 159, 161, 169
8310357	151, 167	8440154	147, 173	8720016	35	8770112 ...	147, 159, 169
8310358	19, 41, 201, 203	8464013	193	8720017	35	8770113	143
8310359	35	8466310 ...	213, 215, 249	8721029	143, 175	8770114 ...	143, 151, 157
8310360	19, 41	8467017	201, 203	8750009	151, 167	8770115 ...	143, 151, 153, 155, 159
8310364	115, 117	8500009	209	8750011	153, 155	8770116 ...	143, 147, 157, 159, 167
8310366	201, 203	8500036	209	8750012 ...	143, 153, 155	8770117 ...	143, 153, 155, 159
8310372	35	8500060	209	8750014 ...	143, 151, 167	8770118	151
8310375	17, 39	8501045	209	8750015 ...	143, 153, 155	8770119	143
8310380	147	8501046 ...	203, 207, 209	8750016 ...	143, 151, 153, 155, 167	8770120	143
8310387	209	8520013	11, 185, 191, 219, 223, 229	8750017 ...	144, 153, 155	8770124	151
8310388	55	8520021	11	8760110	239	8770125 ...	143, 153, 155, 159, 161
8310395	153	8520031	55	8760113	237		
8310402	19, 41	8526007	111	8760117	239		
8310412	121, 131	8526015	125, 135	8760311	237		
8310415	121, 131	8526036	59, 61, 63, 219, 221, 223, 225	8760313	237		
8320242	127, 249	8526042	17, 39	8760409	237		
8320262 ...	115, 117, 248	8526049	11	8760419	193		
8320265	193, 249	8526051	153, 155	8760451	153, 159		
8320270	125, 248			8760475	237		
				8760478	153, 155		

SECTION 10 - RECOMMENDED SPARE PARTS

8770126.... 143, 147, 153, 155, 159	8786514 109	8866515 25	8902272..... 175
8770128..... 143	8841030 111	8866516 25	8902511..... 191
8770129..... 143, 167	8841031 65, 67, 111	8866529 25, 248	8902691..... 157
8770131..... 143	8841032 111	8866530 25	8902701..... 175
8770132..... 147	8864019 21, 23	8902111 143	8904056..... 147, 177
8770136..... 167	8864053 21	8902164 157, 175	8904057..... 153, 155, 175
8770137..... 161	8864055 23	8902167 ... 159, 195, 197	8904058..... 153, 155, 175
8770140..... 167	8864056 23	8902169 157, 175	8990122..... 17
8770141..... 167	8864057 21	8902170 143, 175	8990147..... 41
8770142..... 167	8864058 21, 23	8902172 159	91334019..... 45
8770143..... 167	8864060 23	8902174 161	91474078..... 75
8770144..... 153, 155	8866341 119, 129	8902175 ... 143, 159, 167, 175	91474082..... 75
8770145..... 153, 155	8866471 131	8902181 161	91474088..... 73, 75
8780031..... 109	8866492 45	8902271 185	91474169..... 85
	8866514 25, 248		N.S.S. 177, 181, 185, 189



An Oshkosh Corporation Company

Corporate Office
JLG Industries, Inc.
1 JLG Drive
McConnellsburg, PA 17233-9533
USA

+1-717-485-5161 (Corporate)
+1-877-554-5438 (Customer Support Toll Free)
+1-717-485-6417

JLG Worldwide Locations

JLG Industries
358 Park Road
Regents Park
NSW 2143
Sydney 2143
Australia
+6 (12) 87186300
+6 (12) 65813058
Email: techservicesaus@jlg.com

JLG Ground Support Oude
Bunders 1034
Breitwaterstraat 12A
3630 Maasmechelen
Belgium
+32 (0)89 84 82 26
Email: emeaservice@jlg.com

JLG Latino Americana LTDA
Rua Antonia Martins Luiz, 580
Distrito Industrial Joao Narezzi
Indaiatuba-SP 13347-404
Brasil
+55 (19) 3936 7664 (Parts)
+55 (19) 3936 9049 (Service)
Email: comercialpecas@jlg.com
Email: servicos@jlg.com

Oshkosh-JLG (Tianjin)
Equipment Technology LTD
Shanghai Branch
No 465 Xiao Nan Road
Feng Xian District
Shanghai 201204
China
+86 (21) 800 819 0050

JLG Industries Dubai
Jafza View
PO Box 262728, LB 19
20th Floor, Office 05
Jebel Ali, Dubai
+971 (0) 4 884 1131
+971 (0) 4 884 7683
Email: emeaservice@jlg.com

JLG France SAS
Z.I. Guillaume Mon Amy
30204 Fauillet
47400 Tonniens
France
+33 (0) 553 84 85 86
+33 (0) 553 84 85 74
Email: pieces@jlg.com

JLG Deutschland GmbH
Max Planck Str. 21
27721 Ritterhude-Ihlpohl
Germany
+49 (0) 421 69350-0
+49 (0) 421 69350-45
Email: german-parts@jlg.com

JLG Equipment Services Ltd.
Rm 1107 Landmark North
39 Lung Sum Avenue
Sheung Shui N. T.
Hong Kong
+(852) 2639 5783
+(852) 2639 5797

JLG Industries (Italia) S. R. L.
Via Po, 22
IT-20010 Pregnana Milanese (MI)
Italy
+39 (0) 2 9359 5210
+39 (0) 2 9359 5211
Email: ricambi@jlg.com

JLG EMEA B.V.
Polaris Avenue 63
2132 JH Hoofdorf
The Netherlands
+31 (0) 23 565 5665
Email: emeaservice@jlg.com

JLG NZ Access Equipment & Services
2B Fisher Crescent
Mt Wellington 1060
Auckland, New Zealand
+6 (12) 87186300
+6 (12) 65813058
Email: techservicesaus@jlg.com

JLG Industries
Vahutinskoe shosse 24b
Khimki,
Moscow Region 141400
Russia Federation
+7 (499) 922 06 99
+7 (499) 922 06 99

Oshkosh-JLG Singapore
Technology Equipment P te Ltd.
35 Tuas Avenue 2
Jurong Industrial Estate
Singapore 639454
+65 6591 9030
+65 6591 9045
Email: SEA@jlg.com

JLG Iberica S. L.
Trapadella, 2
Pol. Ind. Castellbisbal Sur
08755 Castellbisbal
Barcelona
Spain
+34 (0) 93 772 47 00
+34 (0) 93 77 117 62
Email: parts_iberica@jlg.com

JLG Sverige AB
Enkopingsvagen 150
17627 Jarfalla
Sweden
+46 (0) 8 506 595 00
+46 (0) 8 506 595 27
Email: nordicsupport@jlg.com

JLG Industries (UK) Ltd.
Bentley House
Bentley Avenue
Middleton, Greater Manchester
M24 2GP
United Kingdom
+44 (0) 161 654 1000
+44 (0) 161 654 1003
Email: ukparts@jlg.com

www.jlg.com