



# Illustrated Parts Manual

***Models***  
***1030S***  
***1100SJ***

**SN B300000100 to SN B300005767**  
**excluding B300005565**

**P/N**  
**3121756**

May 30, 2022 - Rev J

***ANSI***

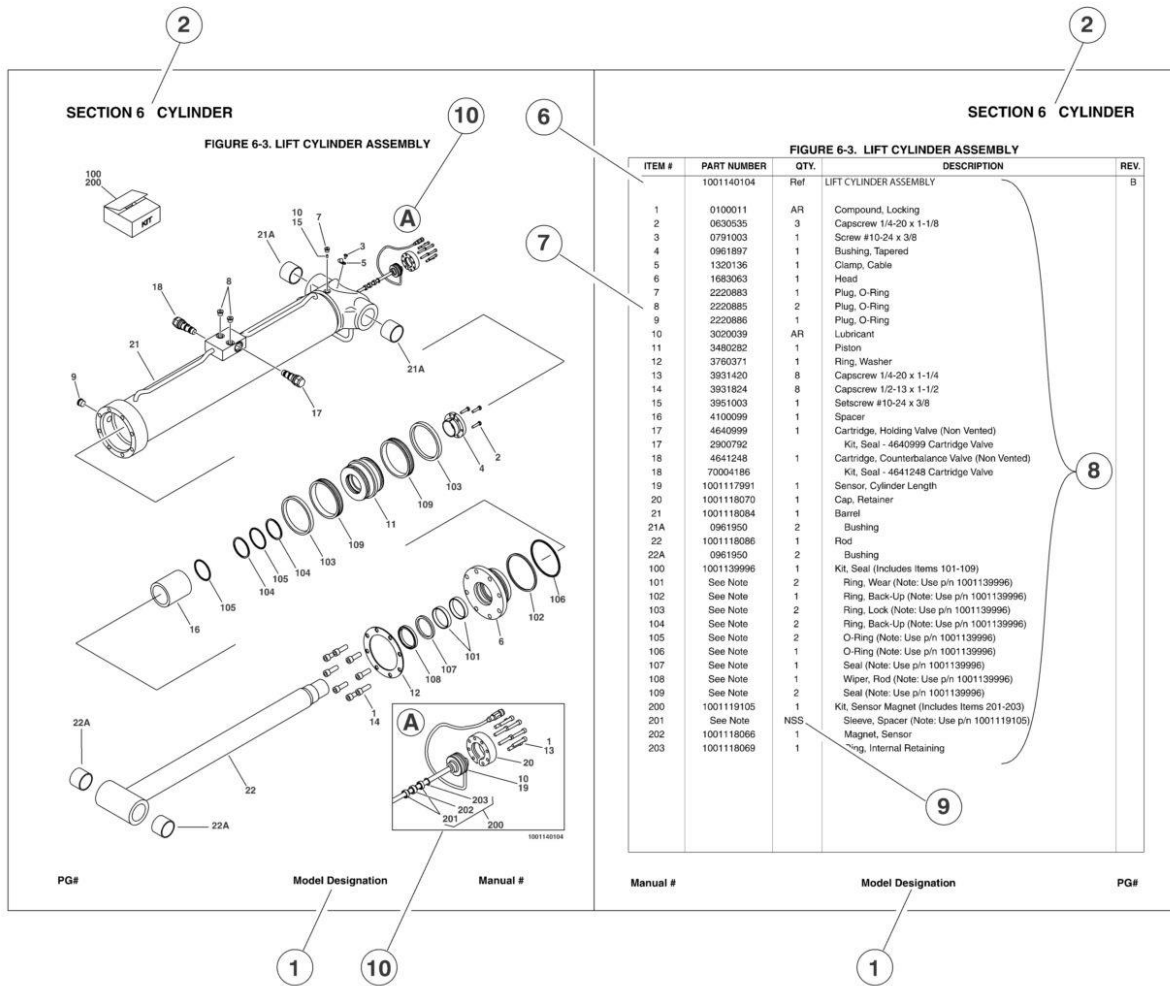




## **REVISION LOG**

March 1, 2017 - A - Original Issue Of Manual (Edited to B/M 1001150000 Revision F (Revision 1))  
August 31, 2017 - B - Revised Manual (Edited to B/M 1001150000 Revision F)  
November 10, 2017 - C - Revised Manual (Edited to B/M 1001150000 Revision G)  
February 16, 2018 - D - Revised Manual (Edited to B/M 1001150000 Revision I)  
May 7, 2018 - E - Revised Manual (Edited to B/M 1001150000 Revision I)  
August 10, 2018 - F - Revised Manual (Edited to B/M 1001150000 Revision I)  
November 30, 2018 - G - Revised Manual (Edited to B/M 1001150000 Revision K) (Revision 1)  
April 24, 2020 - H - Revised Manual (Edited to B/M 1001150000 Revision K) (Revision 1)  
August 1, 2021 - I - Revised Manual (Edited to B/M 1001150000 Revision Q) (Revision 1)  
May 30, 2022 - J - Revised Manual (Edited to B/M 1001150000 Revision Q) (Revision 1)

# GENERAL INFORMATION



## 1) MACHINE IDENTIFICATION

Machines are identified by model and in some cases a combination of models, serial number (SN) or regional standard (i.e. ANSI, CE, CSA). Components may also be identified by SN or manufacturer. Common components that may be identified by these characteristics are engines and hydraulic components.

## 2) PARTS MANUAL ORGANIZATION

Product information in this manual is organized under section titles. Frame, Cylinder, Hydraulic and Electrical are a few examples. Each section is organized by figure and page number. The information within the Figure is then organized by item number, part number, description and corresponding illustration(s).

## 3) TABLE OF CONTENTS

A table of contents is found toward the beginning of the manual. Figure number, description and page number are provided for quick reference to the page containing the related information.

## 4) RECOMMENDED SPARE PARTS

The Recommended Spare Parts, located near the end of the manual, reference most frequently used maintenance parts.

## 5) PART NUMBER INDEX

A numerical index listing all part numbers and the corresponding page number(s) appears at the back of the manual.

## GENERAL INFORMATION

### 6) NON-SERVICED PARTS

In some instances, it is necessary to display non-serviced parts, assemblies or installations. In the case of assemblies and installations there will be a Ref in the Qty column. In case of parts that are not available for service within assemblies or components, there will be a NSS (Not Sold Separately) or NLA (No Longer Available) listed in the Qty. column of the manual.

### 7) PARTS LIST ITEM NUMBERS

Numbers shown in the item# column correspond to numbers used in the associated illustration (s). Item numbers which are missing from the sequence in the parts list are not used on that page

### 8) INDENTED PARTS DESCRIPTION

An indented part description is included in the item under which it is indented.

### 9) ABBREVIATION AND SYMBOLS

|              |  |              |                                    |
|--------------|--|--------------|------------------------------------|
| AC.....      | .. Alternating Current                     | LCD.....     | .. Liquid Crystal Display          |
| ADE.....     | ..Advanced Design Electronics              | LED.....     | .. Light Emitting Diodes           |
| ANSI.....    | ..American National Standards Institute    | LH.....      | .. Left Hand                       |
| AR.....      | ..As Required                              | LSS.....     | ..Load Sensing System              |
| ASSY.....    | .. Assembly                                | M(m).....    | .. Metric/Meter                    |
| AUX.....     | ..Auxiliary                                | MM (mm)..... | ..Milimeter                        |
| AWG.....     | ..American WireGauge                       | mA.....      | .. Miliamps                        |
| B/M.....     | .. Bill of Material                        | NLA.....     | ..No Longer Available              |
| CE.....      | ..European Conformity                      | NPT.....     | .. National Pipe Threads           |
| CCW.....     | ..Counter Clockwise                        | NSS.....     | ..Not So Id Separately             |
| cm.....      | ..Centimeter                               | OD.....      | ..Outside Diameter                 |
| CW.....      | ..Clockwise                                | ORB.....     | .. O-Ring Boss                     |
| CSA.....     | ..Canadian Standards Association           | ORFS.....    | .. O-Ring Face Seal                |
| CYL.....     | ..Cylinder                                 | OZ (oz)..... | ..Ounces                           |
| DIA.....     | ..Diameter                                 | PG.....      | ..Page                             |
| DC.....      | ..Direct Current                           | P/N.....     | ..Part Number                      |
| EMS.....     | .. Emergency Stop                          | qt.....      | ..Quarts                           |
| ENG.....     | ..Engine                                   | QTY.....     | ..Quantity                         |
| FT (ft)..... | ..Feet                                     | REF.....     | ..Reference                        |
| GA (Ga)..... | ..Gauge                                    | REV.....     | ..Revision Level                   |
| HYD.....     | ..Hydraulic                                | RH.....      | .. Right Hand                      |
| Hz.....      | ..Hertz                                    | SAE.....     | .. Society of Automotive Engineers |
| ID.....      | ..Inside Diameter                          | SN.....      | ..Serial Number                    |
| in.....      | ..inches                                   | SPEC(S)..... | ..Specifications                   |
| ISO.....     | ..International Organization for Standards | T/T.....     | ..Turntable                        |
| JIC.....     | ..Joint Industry Council                   | UGM.....     | ..Universal Ground Module          |
| KG.....      | ..Kilogram                                 | V.....       | ..Volts                            |
| L.....       | ..Liter                                    | W.....       | ..Watts                            |
| LB.....      | ..Pounds                                   | #.....       | ..Number                           |

### 10) ILLUSTRATION REFERENCE LETTERS

When necessary, illustrations may contain reference letters that are intended to track information (i. e. hoses, harnesses) from one point to another or to track visual enlargement of components to show details that may be located in another area on the illustration.

*Note: Due to continuous product improvements, JLG Industries, Inc. reserves the right to make specification changes without prior notification. Contact JLG Industries, Inc. for updated information.*



# TABLE OF CONTENTS

|   |     |
|---|-----|
| SECTION 1 - FRAME.....  | 13  |
| FIGURE 1-1. AXLE INSTALLATION - 2WS .....   | 14  |
| FIGURE 1-2. AXLE INSTALLATION - 4WS .....   | 16  |
| FIGURE 1-3. STEER INSTALLATION - 2WS.....   | 18  |
| FIGURE 1-4. STEER INSTALLATION - 4WS.....   | 20  |
| FIGURE 1-5. WHEEL DRIVE INSTALLATION - 2WD.....   | 24  |
| FIGURE 1-6. WHEEL DRIVE INSTALLATION - 4WD.....   | 26  |
| FIGURE 1-7. DRIVE HUB ASSEMBLY - 2WD FRONT.....   | 28  |
| FIGURE 1-8. DRIVE HUB ASSEMBLY .....  | 30  |
| FIGURE 1-9. DRIVE MOTOR ASSEMBLY - 2WD .....  | 34  |
| FIGURE 1-10. DRIVE MOTOR ASSEMBLY - 4WD .....   | 36  |
| FIGURE 1-11. TIRE AND WHEEL INSTALLATION - FOAM-FILLED .....  | 38  |
| FIGURE 1-12. TIRE AND WHEEL INSTALLATION - SOLID .....  | 40  |
| FIGURE 1-13. VALVES INSTALLATION - FRAME (2WD) (SN B300001586 through B300001676).....                      | 42  |
| FIGURE 1-14. VALVES INSTALLATION - FRAME (WITH 2WD/2WS) (1030S) (SN B300001677 through B300005767) .....    | 44  |
| FIGURE 1-15. VALVES INSTALLATION - FRAME (WITH 2WD/2WS) (1100SJ) (SN B300001677 through B300005767) .....   | 46  |
| FIGURE 1-16. VALVES INSTALLATION - FRAME (4WD) (SN B300001586 through B300001676).....                      | 48  |
| FIGURE 1-17. VALVES INSTALLATION - FRAME (WITH 4WD/2WS) (1030S) (SN B300001677 through B300005767) .....    | 50  |
| FIGURE 1-18. VALVES INSTALLATION - FRAME (WITH 4WD/4WS) (1030S) .....                                       | 52  |
| FIGURE 1-19. VALVES INSTALLATION - FRAME (WITH 4WD/2WS) (1100SJ) (SN B300001677 through B300005767) .....   | 54  |
| FIGURE 1-20. VALVES INSTALLATION - FRAME (WITH 4WD/4WS) (1100SJ) .....                                      | 56  |
| FIGURE 1-21. TRACTION VALVE ASSEMBLY - 2WD.....   | 58  |
| FIGURE 1-22. TRACTION VALVE ASSEMBLY - 4WD.....   | 60  |
| FIGURE 1-23. AXLE EXTEND/STEER ASSEMBLY .....   | 62  |
| FIGURE 1-24. STEER VALVE ASSEMBLY .....   | 64  |
| FIGURE 1-25. FRAME COVER INSTALLATION - STANDARD MACHINES (2WS).....  | 66  |
| FIGURE 1-26. FRAME COVER INSTALLATION - STANDARD MACHINES (4WS).....  | 68  |
| FIGURE 1-27. FRAME COVER INSTALLATION - SHIPYARD MACHINES (2WS).....  | 70  |
| FIGURE 1-28. FRAME COVER INSTALLATION - SHIPYARD MACHINES (4WS).....  | 72  |
| SECTION 2 - TURNTABLE.....  | 75  |
| FIGURE 2-1. VALVE INSTALLATION - TURNTABLE (1030S) (SN B300001586 through B300001676).....                  | 76  |
| FIGURE 2-2. VALVE INSTALLATION - TURNTABLE (WITH 2WD/2WS) (1030S) (SN B300001677 through B300005767).....   | 78  |
| FIGURE 2-3. VALVE INSTALLATION - TURNTABLE (WITH 4WD/2WS) (1030S) (SN B300001677 through B300005767).....   | 80  |
| FIGURE 2-4. VALVE INSTALLATION - TURNTABLE (WITH 4WD/4WS) (1030S).....                                      | 82  |
| FIGURE 2-5. VALVE INSTALLATION - TURNTABLE (1100SJ) (SN B300001586 through B300001676) .....                | 84  |
| FIGURE 2-6. VALVE INSTALLATION - TURNTABLE (WITH 2WD/2WS) (1100SJ) (SN B300001677 through B300005767) ..... | 86  |
| FIGURE 2-7. VALVE INSTALLATION - TURNTABLE (WITH 4WD/2WS) (1100SJ) (SN B300001677 through B300005767) ..... | 88  |
| FIGURE 2-8. VALVE INSTALLATION - TURNTABLE (WITH 4WD/4WS) (1100SJ).....                                     | 90  |
| FIGURE 2-9. MAIN VALVE ASSEMBLY (SN B300001586 through B300001676) .....                                    | 92  |
| FIGURE 2-10. MAIN VALVE ASSEMBLY (SN B300001677 through B300005767) .....                                   | 96  |
| FIGURE 2-11. SWING DRIVE INSTALLATION (SN B300001586 through B300003673).....                               | 100 |
| FIGURE 2-12. SWING DRIVE INSTALLATION (SN B300003674 through B300005767).....                               | 102 |
| FIGURE 2-13. SWING MOTOR/HUB ASSEMBLY (SN B300001586 through B300003673).....                               | 104 |
| FIGURE 2-14. SWING MOTOR/HUB ASSEMBLY (SN B300003674 through B300005767).....                               | 110 |

# TABLE OF CONTENTS

|   |     |
|---|-----|
| FIGURE 2-15. PINION SHIELD INSTALLATION (OPTIONAL) .....  | 114 |
| FIGURE 2-16. TURNTABLE BEARING AND LUBE INSTALLATION .....  | 116 |
| FIGURE 2-17. BEARING AND TURNTABLE SHIELDS INSTALLATION .....   | 118 |
| FIGURE 2-18. TURNTABLE LOCK INSTALLATION .....  | 120 |
| FIGURE 2-19. ROTARY COUPLING AND COLLECTOR RING INSTALLATION .....  | 122 |
| FIGURE 2-20. BATTERY TRAY AND AUXILIARY PUMP INSTALLATION .....   | 124 |
| FIGURE 2-21. TANKS INSTALLATION .....   | 126 |
| FIGURE 2-22. FUEL TANK ASSEMBLY .....   | 128 |
| FIGURE 2-23. HYDRAULIC TANK ASSEMBLY .....  | 130 |
| FIGURE 2-24. ELECTRICAL COMPONENTS INSTALLATION (1030S) .....   | 132 |
| FIGURE 2-25. ELECTRICAL COMPONENTS INSTALLATION (1100SJ) .....  | 134 |
| FIGURE 2-26. GROUND CONTROL PANEL ASSEMBLY (1030S) .....  | 136 |
| FIGURE 2-27. GROUND CONTROL PANEL ASSEMBLY (1100SJ) .....   | 138 |
| FIGURE 2-28. KEYSWITCH INSTALLATION .....   | 140 |
| FIGURE 2-29. ELECTRICAL ASSEMBLY .....  | 142 |
| FIGURE 2-30. STROBE LIGHT INSTALLATION - AMBER (OPTIONAL) .....   | 144 |
| FIGURE 2-31. STROBE LIGHT INSTALLATION - BLUE (OPTIONAL) (SN B300000100 through B300004464) .....           | 146 |
| FIGURE 2-32. ALARM AND TURNTABLE COVERS INSTALLATION .....  | 148 |
| FIGURE 2-33. HOOD INSTALLATION - DEUTZ TD2011 ENGINE .....  | 150 |
| FIGURE 2-34. HOOD INSTALLATION - DEUTZ TD2.9L4 ENGINE .....   | 154 |
| FIGURE 2-35. HOOD ASSEMBLY - ENGINE SIDE (DEUTZ TD2011 ENGINE) .....  | 158 |
| FIGURE 2-36. HOOD ASSEMBLY - ENGINE SIDE (DEUTZ TD2.9L4 ENGINE) .....                                       | 160 |
| FIGURE 2-37. HOOD ASSEMBLY - TANK SIDE .....  | 162 |
| SECTION 3 - ENGINE .....  | 165 |
| FIGURE 3-1. DEUTZ TD2011 ENGINE INSTALLATION .....  | 166 |
| FIGURE 3-2. DEUTZ TD2011 ENGINE AND PUMPS SUB-ASSEMBLY .....  | 168 |
| FIGURE 3-3. DEUTZ TD2011 ENGINE ASSEMBLY .....  | 170 |
| FIGURE 3-4. DEUTZ TD2011 ENGINE COMPONENTS .....  | 174 |
| FIGURE 3-5. DEUTZ TD2.9L4 T4F ENGINE INSTALLATION .....   | 178 |
| FIGURE 3-6. DEUTZ TD2.9L4 T4F ENGINE AND PUMPS SUB-ASSEMBLY .....   | 182 |
| FIGURE 3-7. DEUTZ TD2.9L4 T4F ENGINE ASSEMBLY .....   | 184 |
| FIGURE 3-8. DEUTZ TD2.9L4 T4F ENGINE COMPONENTS .....   | 190 |
| FIGURE 3-9. DEUTZ TD2.9L4 T4I ENGINE INSTALLATION .....   | 194 |
| FIGURE 3-10. DEUTZ TD2.9L4 T4I ENGINE AND PUMPS SUB-ASSEMBLY .....  | 198 |
| FIGURE 3-11. DEUTZ TD2.9L4 T4I ENGINE ASSEMBLY .....  | 200 |
| FIGURE 3-12. DEUTZ TD2.9L4 T4I ENGINE COMPONENTS .....  | 206 |
| FIGURE 3-13. PUMP COUPLING KIT .....  | 210 |
| FIGURE 3-14. TANDEM PUMP ASSEMBLY .....   | 212 |
| FIGURE 3-15. PISTON PUMP ASSEMBLY .....   | 216 |
| FIGURE 3-16. GEAR PUMP ASSEMBLY .....   | 220 |
| FIGURE 3-17. AIR CLEANER ASSEMBLY .....   | 222 |
| FIGURE 3-18. FUEL FILTER INSTALLATION – DEUTZ TD2011 ENGINE (OPTIONAL) .....                                | 224 |
| FIGURE 3-19. FUEL FILTER ASSEMBLY (DEUTZ TD2.9L4 T4F) .....   | 226 |
| FIGURE 3-20. 7500W SKYPOWER GENERATOR INSTALLATION - 60HZ/240V (DEUTZ TD2.9L4 T4F ENGINES) (OPTIONAL) ..... | 228 |



# TABLE OF CONTENTS

|   |     |
|---|-----|
| SECTION 4 - BOOM .....  | 233 |
| FIGURE 4-1. BOOM INSTALLATION (1030S).....  | 234 |
| FIGURE 4-2. BOOM INSTALLATION (1100SJ) .....  | 238 |
| FIGURE 4-3. BOOM ASSEMBLY .....   | 242 |
| FIGURE 4-4. TELESCOPE VALVE ASSEMBLY (SN B300001681 through B300005767).....                                    | 246 |
| FIGURE 4-5. JIB ASSEMBLY (1100SJ) .....   | 248 |
| FIGURE 4-6. PLATFORM ROTATOR ASSEMBLY (1030S) (SN B300001586 through B300001726) .....                          | 250 |
| FIGURE 4-7. PLATFORM ROTATOR ASSEMBLY (1030S) (SN B300001727 through B300005767) .....                          | 252 |
| FIGURE 4-8. PLATFORM ROTATOR ASSEMBLY (1100SJ) .....  | 254 |
| FIGURE 4-9. POWER TRACK INSTALLATION .....  | 256 |
| FIGURE 4-10. PLATFORM SUPPORT INSTALLATION - WITHOUT LSS (1030S).....   | 258 |
| FIGURE 4-11. PLATFORM SUPPORT INSTALLATION - WITHOUT LSS (1100SJ).....  | 260 |
| FIGURE 4-12. PLATFORM SUPPORT INSTALLATION - WITH 4 CELL LSS (1030S) .....                                      | 262 |
| FIGURE 4-13. PLATFORM SUPPORT INSTALLATION - WITH 1 CELL LSS (1030S) .....                                      | 264 |
| FIGURE 4-14. PLATFORM SUPPORT INSTALLATION - WITH 4 CELL LSS (1100SJ) .....                                     | 266 |
| FIGURE 4-15. PLATFORM SUPPORT INSTALLATION - WITH 1 CELL LSS (1100SJ) .....                                     | 268 |
| FIGURE 4-16. VALVE INSTALLATION - BOOM (1030S) (SN B300001586 through B300001676) .....                         | 270 |
| FIGURE 4-17. VALVE INSTALLATION - BOOM (WITH 2WD/2WS) (1030S) (SN B300001677 through B300005767) .....          | 272 |
| FIGURE 4-18. VALVE INSTALLATION - BOOM (WITH 4WD/2WS) (1030S) (SN B300001677 through B300005767) .....          | 274 |
| FIGURE 4-19. VALVE INSTALLATION - BOOM (WITH 4WD/4WS) (1030S).....  | 276 |
| FIGURE 4-20. VALVE INSTALLATION - BOOM (1100SJ) (SN B300001586 through B300001676) .....                        | 278 |
| FIGURE 4-21. VALVE INSTALLATION - BOOM (WITH 2WD/2WS) (1100SJ) (SN B300001677 through B300005767) .....         | 280 |
| FIGURE 4-22. VALVE INSTALLATION - BOOM (WITH 4WD/2WS) (1100SJ) (SN B300001677 through B300005767) .....         | 282 |
| FIGURE 4-23. VALVE INSTALLATION - BOOM (WITH 4WD/4WS) (1100SJ) .....  | 284 |
| FIGURE 4-24. PLATFORM ROTATE VALVE ASSEMBLY (1030S).....  | 286 |
| FIGURE 4-25. JIB AND PLATFORM ROTATE VALVE ASSEMBLY (1100SJ) .....  | 288 |
| FIGURE 4-26. BOOM SENSORS INSTALLATION .....  | 290 |
| FIGURE 4-27. BOOM SENSORS INSTALLATION (WITH VERTICAL/HORIZONTAL CONTROLS) .....                                | 292 |
| FIGURE 4-28. BOOM SHIELDS INSTALLATION .....  | 294 |
| SECTION 5 - PLATFORM.....   | 297 |
| FIGURE 5-1. PLATFORM ASSEMBLY - STANDARD MACHINES (SN B300001586 through B300001680).....                       | 298 |
| FIGURE 5-2. PLATFORM ASSEMBLY - STANDARD MACHINES (SN B300001681 through B300005767).....                       | 300 |
| FIGURE 5-3. PLATFORM ASSEMBLY - SHIPYARD MACHINES.....  | 302 |
| FIGURE 5-4. PLATFORM CONSOLE AND FOOTSWITCH INSTALLATION - STANDARD MACHINES (ENGLISH LANGUAGE) .....           | 304 |
| FIGURE 5-5. PLATFORM CONSOLE AND FOOTSWITCH INSTALLATION - STANDARD MACHINES (ENGLISH/CHINESE LANGUAGE) .....   | 306 |
| FIGURE 5-6. PLATFORM CONSOLE AND FOOTSWITCH INSTALLATION - STANDARD MACHINES (ENGLISH/JAPANESE LANGUAGE) .....  | 308 |
| FIGURE 5-7. PLATFORM CONSOLE AND FOOTSWITCH INSTALLATION - STANDARD MACHINES (ENGLISH/KOREAN LANGUAGE) .....    | 310 |
| FIGURE 5-8. PLATFORM CONSOLE AND FOOTSWITCH INSTALLATION - SHIPYARD MACHINES (ENGLISH LANGUAGE) .....           | 312 |
| FIGURE 5-9. PLATFORM CONSOLE AND FOOTSWITCH INSTALLATION - SHIPYARD MACHINES (ENGLISH/CHINESE LANGUAGE) .....   | 314 |
| FIGURE 5-10. PLATFORM CONSOLE AND FOOTSWITCH INSTALLATION - SHIPYARD MACHINES (ENGLISH/JAPANESE LANGUAGE) ..... | 316 |

# TABLE OF CONTENTS

|   |     |
|---|-----|
| FIGURE 5-11. PLATFORM CONSOLE AND FOOTSWITCH INSTALLATION - SHIPYARD MACHINES (ENGLISH/KOREAN LANGUAGE) ..... | 318 |
| FIGURE 5-12. CONSOLE BOX SUB-ASSEMBLY (ENGLISH/CHINESE LANGUAGE) .....  | 320 |
| FIGURE 5-13. CONSOLE BOX SUB-ASSEMBLY (ENGLISH/JAPANESE LANGUAGE) .....                                       | 322 |
| FIGURE 5-14. CONSOLE BOX SUB-ASSEMBLY (ENGLISH/KOREAN LANGUAGE) .....   | 324 |
| FIGURE 5-15. CONSOLE BOX ASSEMBLY .....   | 326 |
| FIGURE 5-16. CONTROLLER ASSEMBLY (LIFT AND SWING) .....   | 330 |
| FIGURE 5-17. CONTROLLER ASSEMBLY (DRIVE AND STEER) .....  | 334 |
| FIGURE 5-18. JIB SWITCH INSTALLATION (1100SJ) .....   | 336 |
| FIGURE 5-19. SKYEYE INSTALLATION .....  | 338 |
| FIGURE 5-20. SKYGUARD INSTALLATION .....  | 340 |
| FIGURE 5-21. SKYLINE INSTALLATION .....   | 342 |
| FIGURE 5-22. OVERHEAD PROTECTION INSTALLATION - WITHOUT LSS (KOREAN/CHINA SPECS) .....                        | 344 |
| FIGURE 5-23. OVERHEAD PROTECTION INSTALLATION - WITH LSS (KOREAN/CHINA SPECS) .....                           | 346 |
| SECTION 6 - CYLINDER .....  | 349 |
| FIGURE 6-1. AXLE EXTEND CYLINDER ASSEMBLY .....   | 350 |
| FIGURE 6-2. LEVEL CYLINDER ASSEMBLY - PLATFORM SLAVE .....  | 352 |
| FIGURE 6-3. LIFT CYLINDER ASSEMBLY - BOOM .....   | 354 |
| FIGURE 6-4. LIFT CYLINDER ASSEMBLY - JIB .....  | 356 |
| FIGURE 6-5. MASTER CYLINDER ASSEMBLY .....  | 358 |
| FIGURE 6-6. STEER CYLINDER ASSEMBLY .....   | 360 |
| FIGURE 6-7. TELESCOPE CYLINDER .....  | 362 |
| FIGURE 6-8. TELESCOPE CYLINDER (SN B300002340 through B300005767) .....                                       | 364 |
| SECTION 7 - HYDRAULIC .....   | 367 |
| FIGURE 7-1. BOOM HYDRAULIC DIAGRAM (1030S) .....  | 368 |
| FIGURE 7-2. BOOM HYDRAULIC DIAGRAM (1100SJ,1100SJ,1100SJ) .....   | 372 |
| FIGURE 7-3. CHASSIS HYDRAULIC DIAGRAM - 2WD/2WS .....   | 376 |
| FIGURE 7-4. CHASSIS HYDRAULIC DIAGRAM - 4WD/2WS .....   | 380 |
| FIGURE 7-5. CHASSIS HYDRAULIC DIAGRAM - 4WD/4WS .....   | 384 |
| FIGURE 7-6. TURNTABLE HYDRAULIC DIAGRAM .....   | 388 |
| FIGURE 7-7. HYDRAULIC DIAGRAM LIST .....  | 392 |
| SECTION 8 - ELECTRICAL .....  | 393 |
| FIGURE 8-1. ELECTRICAL DIAGRAM LIST .....   | 394 |
| FIGURE 8-2. AXLE POWER TRACK HARNESS .....  | 396 |
| FIGURE 8-3. BATTERY CABLE KIT - DEUTZ TD2011 .....  | 398 |
| FIGURE 8-4. BATTERY CABLE KIT - DEUTZ TD2.9L4 .....   | 400 |
| FIGURE 8-5. BLAM HARNESS .....  | 402 |
| FIGURE 8-6. BOOM CABLES INSTALLATION - WITHOUT POWER AT PLATFORM (1030S) .....                                | 404 |
| FIGURE 8-7. BOOM CABLES INSTALLATION - WITH AC POWER AT PLATFORM (1030S) .....                                | 406 |
| FIGURE 8-8. BOOM CABLES INSTALLATION - WITH SKYPOWER (1030S) .....  | 408 |
| FIGURE 8-9. BOOM CABLES INSTALLATION - WITHOUT POWER AT PLATFORM (1100SJ) .....                               | 410 |
| FIGURE 8-10. BOOM CABLES INSTALLATION - WITH AC POWER AT PLATFORM (1100SJ) .....                              | 412 |
| FIGURE 8-11. BOOM CABLES INSTALLATION - WITH SKYPOWER (1100SJ) .....  | 414 |
| FIGURE 8-12. BOOM CABLE - MAIN .....  | 416 |

# TABLE OF CONTENTS

|  |     |
|--|-----|
| FIGURE 8-13. BOOM CABLE - MAIN .....   | 418 |
| FIGURE 8-14. CHASSIS AND TURNTABLE HARNESS INSTALLATION.....   | 420 |
| FIGURE 8-15. CHASSIS HARNESS .....   | 422 |
| FIGURE 8-16. ENGINE HARNESS - DEUTZ TD2011 ENGINES .....   | 424 |
| FIGURE 8-17. ENGINE HARNESS - DEUTZ TD2.9L4 ENGINES .....  | 426 |
| FIGURE 8-18. FUEL FILTER HARNESS - DEUTZ TD2.9L4 T4I .....   | 430 |
| FIGURE 8-19. FUEL PUMP HARNESS - DEUTZ TD2.9L4 .....   | 432 |
| FIGURE 8-20. GENERATOR HARNESS - 7500W SKYPOWER (60HZ/240V) (DEUTZ TD2.9L4 T4F ENGINES) (OPTIONAL) ..... | 434 |
| FIGURE 8-21. GENERATOR CABLE HARNESS - 7500W SKYPOWER (60HZ/240V) (DEUTZ TD2.9L4 T4F ENGINES) .....      | 436 |
| FIGURE 8-22. GROUND CONTROL PANEL HARNESS.....   | 438 |
| FIGURE 8-23. LOAD SENSING PIN HARNESS .....  | 440 |
| FIGURE 8-24. MAIN VALVE HARNESS .....  | 442 |
| FIGURE 8-25. OVERHEAD SOFT TOUCH HARNESS .....   | 444 |
| FIGURE 8-26. PLATFORM CONSOLE BOX HARNESS .....  | 446 |
| FIGURE 8-27. PLATFORM VALVE HARNESS (1030S).....   | 448 |
| FIGURE 8-28. PLATFORM VALVE HARNESS (1100SJ) (SN B300001586 through B300002339) .....                    | 450 |
| FIGURE 8-29. PLATFORM VALVE HARNESS (1100SJ) (SN B300002340 through B300005767) .....                    | 452 |
| FIGURE 8-30. SKYEYE EMITTER HARNESS.....   | 454 |
| FIGURE 8-31. SKYEYE RECEIVER HARNESS .....   | 456 |
| FIGURE 8-32. SKYEYE INTERMEDIATE HARNESS.....  | 458 |
| FIGURE 8-33. SKYGUARD SENSOR HARNESS.....  | 460 |
| FIGURE 8-34. SKYLINE HARNESS.....  | 462 |
| FIGURE 8-35. STROBE LIGHT CONTROL HARNESS (BLUE LIGHT).....  | 464 |
| FIGURE 8-36. SWING DRIVE HARNESS.....  | 466 |
| FIGURE 8-37. TURNTABLE HARNESS .....   | 468 |
| SECTION 9 - DECALS.....  | 471 |
| FIGURE 9-1. DECAL INSTALLATION - WITH STANDARD PLATFORM (ENGLISH LANGUAGE) (1030S).....                  | 472 |
| FIGURE 9-2. DECAL INSTALLATION - WITH SHIPYARD PLATFORM (ENGLISH LANGUAGE) (1030S) .....                 | 474 |
| FIGURE 9-3. DECAL INSTALLATION - WITH STANDARD PLATFORM (ENGLISH/CHINESE LANGUAGE) (1030S).....          | 476 |
| FIGURE 9-4. DECAL INSTALLATION - WITH SHIPYARD PLATFORM (ENGLISH/CHINESE LANGUAGE) (1030S) .....         | 478 |
| FIGURE 9-5. DECAL INSTALLATION - WITH STANDARD PLATFORM (ENGLISH/JAPANESE LANGUAGE) (1030S).....         | 480 |
| FIGURE 9-6. DECAL INSTALLATION - WITH SHIPYARD PLATFORM (ENGLISH/JAPANESE LANGUAGE) (1030S) .....        | 482 |
| FIGURE 9-7. DECAL INSTALLATION - WITH STANDARD PLATFORM (ENGLISH/KOREAN LANGUAGE) (1030S).....           | 484 |
| FIGURE 9-8. DECAL INSTALLATION - WITH SHIPYARD PLATFORM (ENGLISH/KOREAN LANGUAGE) (1030S).....           | 486 |
| FIGURE 9-9. DECAL INSTALLATION - WITH STANDARD PLATFORM (ENGLISH LANGUAGE) (1100SJ).....                 | 488 |
| FIGURE 9-10. DECAL INSTALLATION - WITH SHIPYARD PLATFORM (ENGLISH LANGUAGE) (1100SJ) .....               | 490 |
| FIGURE 9-11. DECAL INSTALLATION - WITH STANDARD PLATFORM (ENGLISH/CHINESE LANGUAGE) (1100SJ).....        | 492 |
| FIGURE 9-12. DECAL INSTALLATION - WITH SHIPYARD PLATFORM (ENGLISH/CHINESE LANGUAGE) (1100SJ) .....       | 494 |
| FIGURE 9-13. DECAL INSTALLATION - WITH STANDARD PLATFORM (ENGLISH/JAPANESE LANGUAGE) (1100SJ) .....      | 496 |
| FIGURE 9-14. DECAL INSTALLATION - WITH SHIPYARD PLATFORM (ENGLISH/JAPANESE LANGUAGE) (1100SJ).....       | 498 |
| FIGURE 9-15. DECAL INSTALLATION - WITH STANDARD PLATFORM (ENGLISH/KOREAN LANGUAGE) (1100SJ).....         | 500 |
| FIGURE 9-16. DECAL INSTALLATION - WITH SHIPYARD PLATFORM (ENGLISH/KOREAN LANGUAGE) (1100SJ) .....        | 502 |
| FIGURE 9-17. DECAL INSTALLATIONS - OPTIONS.....  | 504 |
| SECTION 10 - RECOMMENDED SERVICE PARTS STOCK .....   | 507 |

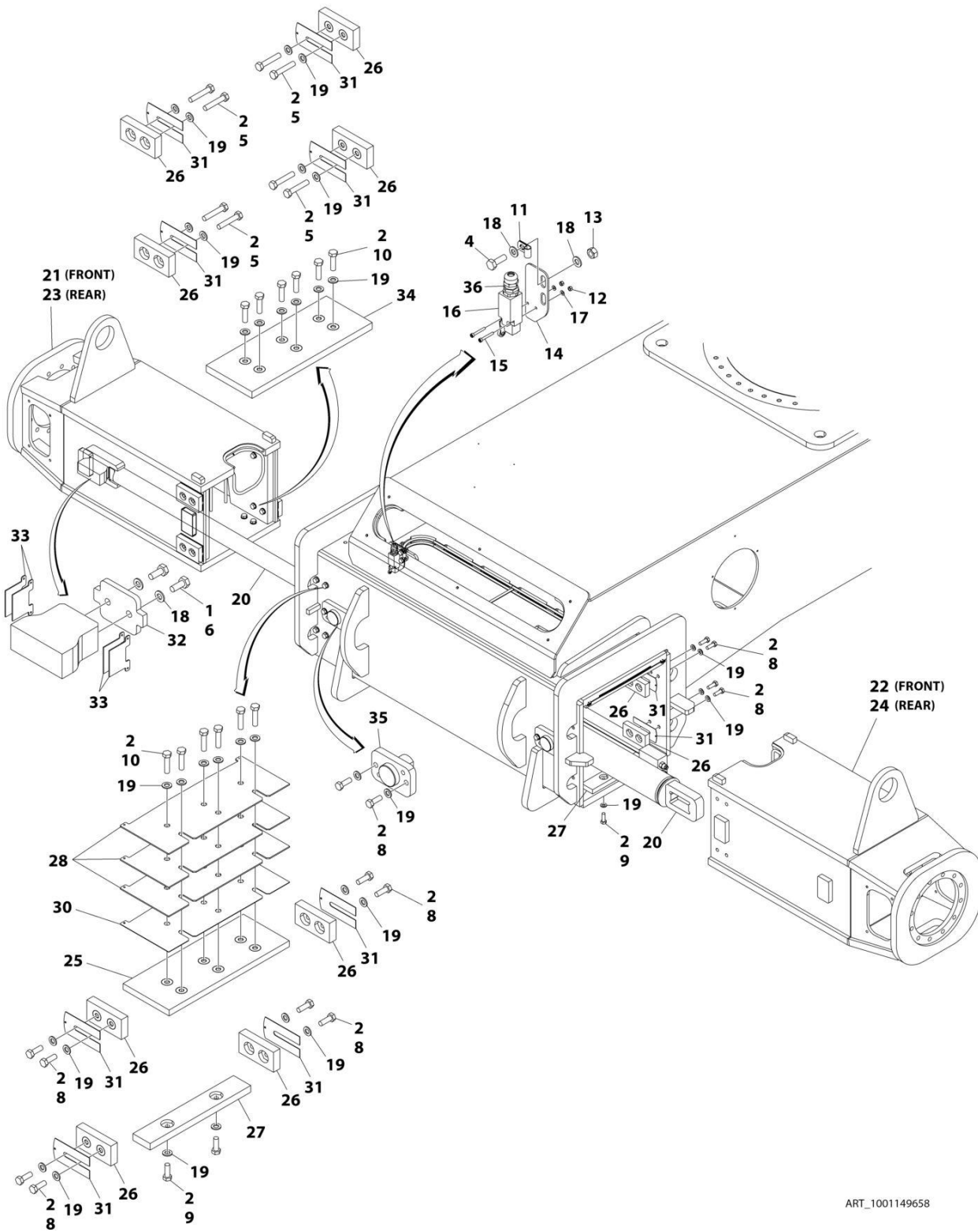
# TABLE OF CONTENTS

|   |     |
|---|-----|
| FIGURE 10-1. RECOMMENDED SERVICE PARTS STOCK..... | 508 |
| SECTION 11 - SPECIAL OPTIONS .....                | 511 |
| FIGURE 11-1. SPECIAL OPTIONS .....                | 512 |
| PART NUMBER INDEX.....                            | 515 |

**SECTION 1 - FRAME**

# SECTION 1 - FRAME

## FIGURE 1-1. AXLE INSTALLATION - 2WS



ART\_1001149658

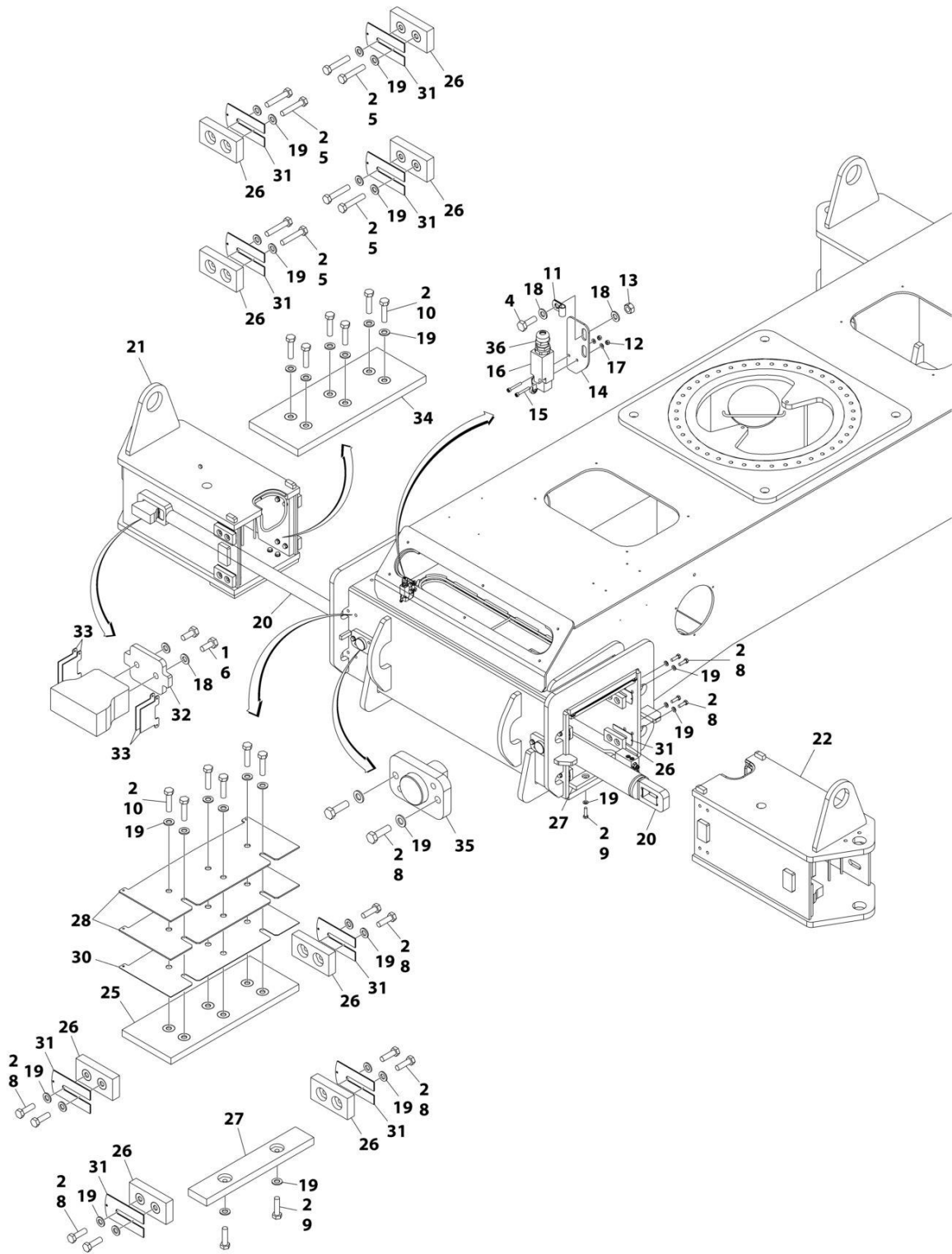
# SECTION 1 - FRAME

## FIGURE 1-1. AXLE INSTALLATION - 2WS

| ITEM | PART NUMBER | QTY | DESCRIPTION  | REV |
|------|-------------|-----|--|-----|
|      | 1001149658  | Ref | AXLE INSTALLATION  | G   |
| 1    | 0100011     | AR  | Compound, Locking  |     |
| 2    | 0100019     | AR  | Compound, Locking  |     |
| 3    | 0100081     | AR  | Adhesive (Not Shown)   |     |
| 4    | 0701014     | 8   | Bolt M10 x 30  |     |
| 5    | 0701221     | 32  | Bolt M12 x 65  |     |
| 6    | 0761012     | 8   | Bolt M10 x 25  |     |
| 8    | 0761216     | 40  | Bolt M12 x 40  |     |
| 9    | 0761217     | 8   | Bolt M12 x 45  |     |
| 10   | 0761218     | 48  | Bolt M12 x 50  |     |
| 11   | 1320263     | 4   | Clamp  |     |
| 12   | 3290405     | 8   | Nut M4   |     |
| 13   | 3291007     | 8   | Nut M10  |     |
| 14   | 3573294     | 4   | Plate, Switch  |     |
| 15   | 4031510     | 8   | Capscrew M4 x 30   |     |
| 16   | 4360578     | 4   | Switch, Limit  |     |
| 17   | 4811400     | 8   | Washer M4  |     |
| 18   | 4812000     | 24  | Washer M10   |     |
| 19   | 4812100     | 128 | Washer M12   |     |
| 20   | 1001149464  | 2   | Axle Extend Cylinder Assembly (See Separate Breakdown in CYLINDER SECTION) |     |
| 21   | 1001149671  | 1   | Axle, Front (Left)   |     |
| 22   | 1001149672  | 1   | Axle, Front (Right)  |     |
| 23   | 1001149785  | 1   | Axle, Rear (Left)  |     |
| 24   | 1001149786  | 1   | Axle, Rear (Right)   |     |
| 25   | 1001150320  | 4   | Pad, Wear  |     |
| 26   | 1001150321  | 32  | Pad, Wear  |     |
| 27   | 1001150322  | 4   | Pad, Wear  |     |
| 28   | 1001150323  | 8   | Shim 3mm   |     |
| 30   | 1001150325  | 8   | Shim 1.2mm   |     |
| 31   | 1001150326  | 64  | Shim 1.2mm   |     |
| 32   | 1001150407  | 4   | Plate  |     |
| 33   | 1001150408  | 16  | Shim 1.5mm   |     |
| 34   | 1001150458  | 4   | Pad, Wear  |     |
| 35   | 1001150558  | 4   | Stop   |     |
| 36   | 4460968     | 4   | Connector, Strain Relief   |     |

# SECTION 1 - FRAME

## FIGURE 1-2. AXLE INSTALLATION - 4WS



ART\_1001222642



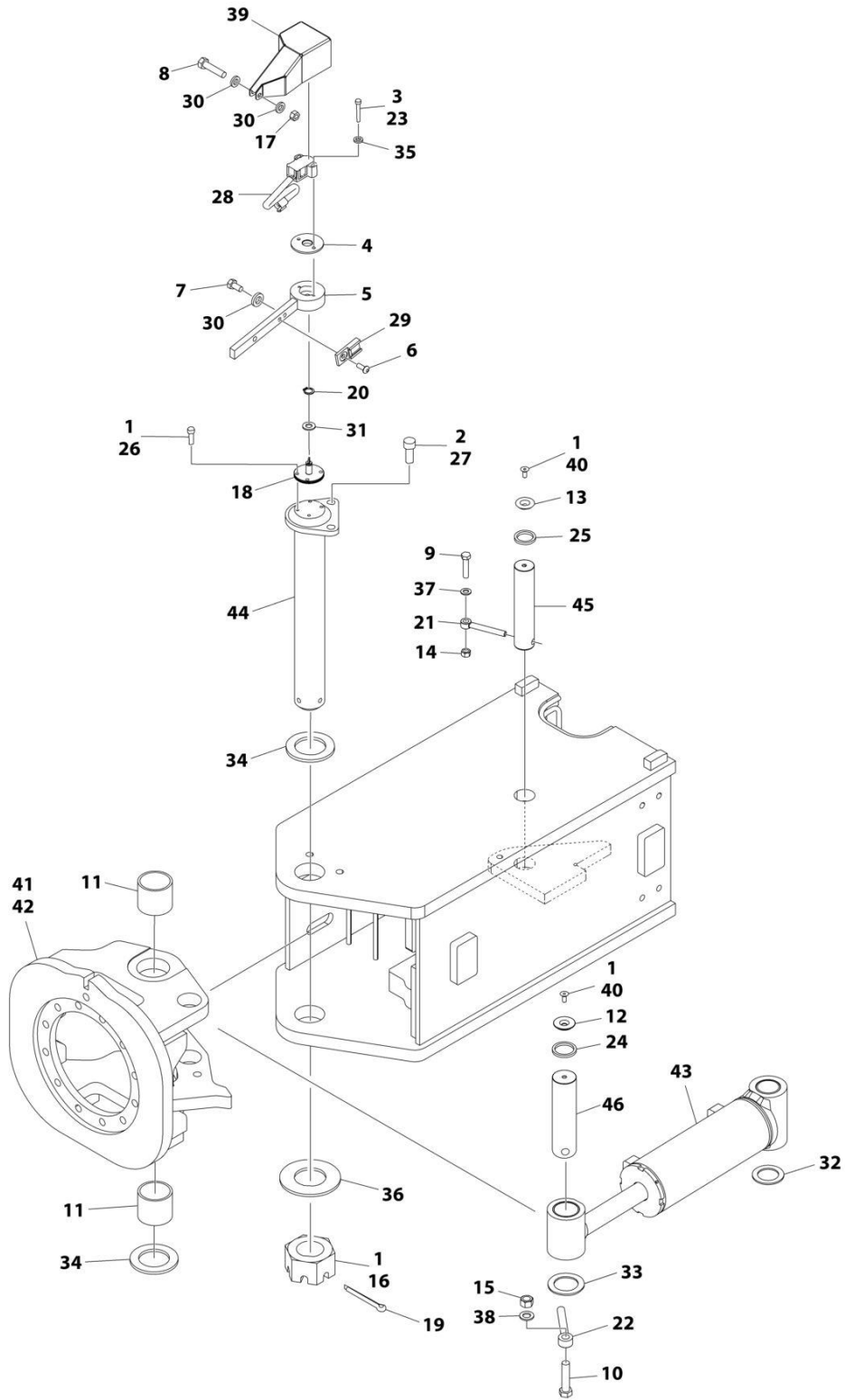
# SECTION 1 - FRAME

## FIGURE 1-2. AXLE INSTALLATION - 4WS

| ITEM | PART NUMBER | QTY | DESCRIPTION  | REV |
|------|-------------|-----|--|-----|
|      | 1001222642  | Ref | AXLE INSTALLATION  | B   |
| 1    | 0100011     | AR  | Compound, Locking  |     |
| 2    | 0100019     | AR  | Compound, Locking  |     |
| 3    | 0100081     | AR  | Adhesive (Not Shown)   |     |
| 4    | 0701014     | 8   | Bolt M10 x 30  |     |
| 5    | 0701221     | 32  | Bolt M12 x 65  |     |
| 6    | 0761012     | 8   | Bolt M10 x 25  |     |
| 8    | 0761216     | 40  | Bolt M12 x 40  |     |
| 9    | 0761217     | 8   | Bolt M12 x 45  |     |
| 10   | 0761218     | 48  | Bolt M12 x 50  |     |
| 11   | 1320263     | 4   | Clamp  |     |
| 12   | 3290405     | 8   | Nut M4   |     |
| 13   | 3291007     | 8   | Nut M10  |     |
| 14   | 3573294     | 4   | Plate, Switch  |     |
| 15   | 4031510     | 8   | Capscrew M4 x 30   |     |
| 16   | 4360578     | 4   | Switch, Limit  |     |
| 17   | 4811400     | 8   | Washer M4  |     |
| 18   | 4812000     | 24  | Washer M10   |     |
| 19   | 4812100     | 128 | Washer M12   |     |
| 20   | 1001149464  | 2   | Axle Extend Cylinder Assembly (See Separate Breakdown in CYLINDER SECTION) |     |
| 21   | 1001149671  | 1   | Axle, Front (Left)   |     |
| 22   | 1001149672  | 1   | Axle, Front (Right)  |     |
| 25   | 1001150320  | 4   | Pad, Wear  |     |
| 26   | 1001150321  | 32  | Pad, Wear  |     |
| 27   | 1001150322  | 4   | Pad, Wear  |     |
| 28   | 1001150323  | 8   | Shim 3mm   |     |
| 30   | 1001150325  | 8   | Shim 1.2mm   |     |
| 31   | 1001150326  | 64  | Shim 1.2mm   |     |
| 32   | 1001150407  | 4   | Plate  |     |
| 33   | 1001150408  | 16  | Shim 1.5mm   |     |
| 34   | 1001150458  | 4   | Pad, Wear  |     |
| 35   | 1001150558  | 4   | Stop   |     |
| 36   | 4460968     | 4   | Connector, Strain Relief   |     |

# SECTION 1 - FRAME

## FIGURE 1-3. STEER INSTALLATION - 2WS



ART\_1001149657

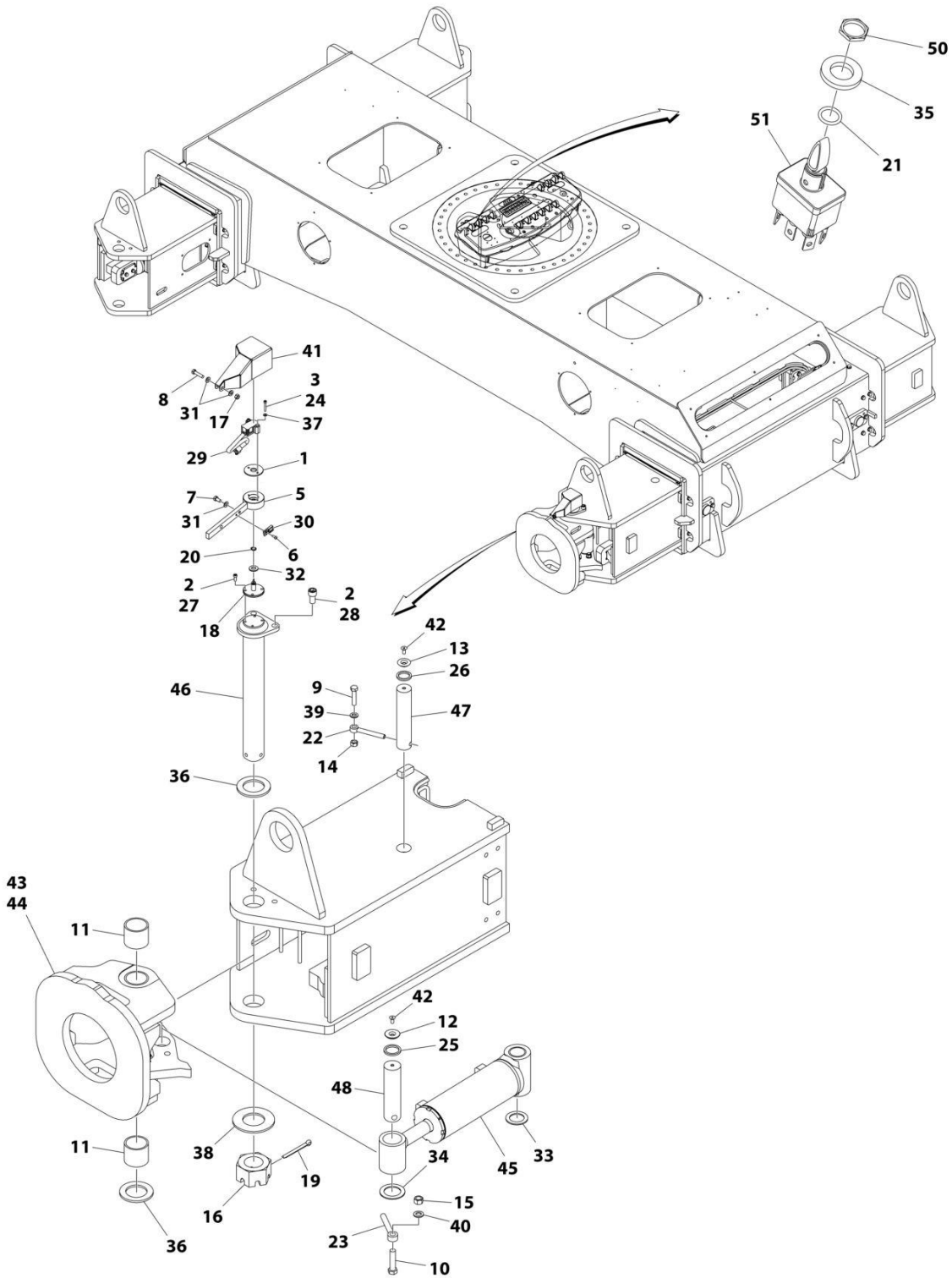
# SECTION 1 - FRAME

## FIGURE 1-3. STEER INSTALLATION - 2WS

| ITEM | PART NUMBER | QTY | DESCRIPTION  | REV |
|------|-------------|-----|--|-----|
|      | 1001149657  | Ref | STEER INSTALLATION   | B   |
| 1    | 0100011     | AR  | Compound, Locking  |     |
| 2    | 0100019     | AR  | Compound, Locking  |     |
| 3    | 0100035     | AR  | Compound, Locking  |     |
| 4    | 0080277     | 2   | Adapter, Sensor  |     |
| 5    | 0200833     | 2   | Arm, Sensor  |     |
| 6    | 0630464     | 2   | Screw #10 x 1/2  |     |
| 7    | 0641505     | 2   | Bolt 5/16 x 5/8  |     |
| 8    | 0641511     | 2   | Bolt 5/16 x 1-3/8  |     |
| 9    | 0701219     | 2   | Bolt M12 x 55  |     |
| 10   | 0701622     | 2   | Bolt M16 x 70  |     |
| 11   | 0962423     | 4   | Bearing  |     |
| 12   | 1120549     | 2   | Cap (Outer)  |     |
| 13   | 1120550     | 2   | Cap (Inner)  |     |
| 14   | 3291207     | 2   | Nut M12  |     |
| 15   | 3291607     | 2   | Nut M16  |     |
| 16   | 3300464     | 2   | Nut  |     |
| 17   | 3311505     | 2   | Nut 5/16   |     |
| 18   | 3423256     | 2   | Pin, Sensor  |     |
| 19   | 3451214     | 2   | Pin 3/8 x 3-1/2  |     |
| 20   | 3760383     | 2   | Ring   |     |
| 21   | 3841203     | 2   | Keeper, Rod  |     |
| 22   | 3841258     | 2   | Keeper, Rod  |     |
| 23   | 3931020     | 4   | Capscrew #10 x 1-1/4   |     |
| 24   | 3960551     | 2   | Seal (Outer)   |     |
| 25   | 3960552     | 2   | Seal (Inner)   |     |
| 26   | 4031707     | 8   | Capscrew M6 x 16   |     |
| 27   | 4032310     | 4   | Capscrew M16 x 30  |     |
| 28   | 4360505     | 2   | Switch, Sensor   |     |
| 29   | 4460914     | 2   | Mount, Terminal  |     |
| 30   | 4711500     | 6   | Washer 5/16  |     |
| 31   | 4711800     | 2   | Washer 1/2   |     |
| 32   | 4740181     | 2   | Washer   |     |
| 33   | 4740229     | 2   | Washer   |     |
| 34   | 4740505     | 4   | Washer   |     |
| 35   | 4750800     | 4   | Washer #8  |     |
| 36   | 4755000     | 2   | Washer 2-1/2   |     |
| 37   | 4812100     | 2   | Washer M12   |     |
| 38   | 4812300     | 2   | Washer M16   |     |
| 39   | 1001109730  | 2   | Cover, Sensor  |     |
| 40   | 1001137125  | 4   | Screw M8 x 20  |     |
| 41   | 1001149440  | 1   | Spindle (Left)   |     |
| 42   | 1001149441  | 1   | Spindle (Right)  |     |
| 43   | 1001149463  | 2   | Steer Cylinder Assembly (See Separate Breakdown in CYLINDER SECTION) |     |
| 44   | 1001150418  | 2   | Kingpin  |     |
| 45   | 1001150419  | 2   | Pin (Inner)  |     |
| 46   | 1001150460  | 2   | Pin (Outer)  |     |

# SECTION 1 - FRAME

## FIGURE 1-4. STEER INSTALLATION - 4WS



ART\_1001222688

# SECTION 1 - FRAME

## FIGURE 1-4. STEER INSTALLATION - 4WS

| ITEM | PART NUMBER | QTY | DESCRIPTION  | REV |
|------|-------------|-----|--|-----|
|      | 1001222688  | Ref | STEER INSTALLATION   | A   |
| 1    | 0080277     | 4   | Adapter, Sensor  |     |
| 2    | 0100011     | AR  | Compound, Locking  |     |
| 3    | 0100019     | AR  | Compound, Locking  |     |
| 4    | 0100035     | AR  | Compound, Locking (Not Shown)  |     |
| 5    | 0200833     | 4   | Arm, Sensor  |     |
| 6    | 0630464     | 4   | Screw #10 x 1/2  |     |
| 7    | 0641505     | 4   | Bolt 5/16 x 5/8  |     |
| 8    | 0641511     | 4   | Bolt 5/16 x 1-3/8  |     |
| 9    | 0701219     | 4   | Bolt M12 x 55  |     |
| 10   | 0701622     | 4   | Bolt M16 x 70  |     |
| 11   | 0962423     | 8   | Bearing  |     |
| 12   | 1120549     | 4   | Cap (Outer)  |     |
| 13   | 1120550     | 4   | Cap (Inner)  |     |
| 14   | 3291207     | 4   | Nut M12  |     |
| 15   | 3291607     | 4   | Nut M16  |     |
| 16   | 3300464     | 4   | Nut  |     |
| 17   | 3311505     | 4   | Nut 5/16   |     |
| 18   | 3423256     | 4   | Pin, Sensor  |     |
| 19   | 3451214     | 4   | Pin 3/8 x 3-1/2  |     |
| 20   | 3760383     | 4   | Ring   |     |
| 21   | 3790012     | 1   | O-Ring   |     |
| 22   | 3841203     | 4   | Keeper, Rod  |     |
| 23   | 3841258     | 4   | Keeper, Rod  |     |
| 24   | 3931020     | 8   | Capscrew #10 x 1-1/4   |     |
| 25   | 3960551     | 4   | Seal (Outer)   |     |
| 26   | 3960552     | 4   | Seal (Inner)   |     |
| 27   | 4031707     | 16  | Capscrew M6 x 16   |     |
| 28   | 4032310     | 4   | Capscrew M16 x 30  |     |
| 29   | 4360505     | 4   | Switch, Sensor   |     |
| 30   | 4460914     | 4   | Mount, Terminal  |     |
| 31   | 4711500     | 12  | Washer 5/16  |     |
| 32   | 4711800     | 4   | Washer 1/2   |     |
| 33   | 4740181     | 4   | Washer   |     |
| 34   | 4740229     | 4   | Washer   |     |
| 35   | 4740397     | 1   | Spacer   |     |
| 36   | 4740505     | 8   | Washer   |     |
| 37   | 4750800     | 8   | Washer #8  |     |
| 38   | 4755000     | 4   | Washer 2-1/2   |     |
| 39   | 4812100     | 4   | Washer M12   |     |
| 40   | 4812300     | 4   | Washer M16   |     |
| 41   | 1001109730  | 4   | Cover, Sensor  |     |
| 42   | 1001137125  | 8   | Screw M8 x 20  |     |
| 43   | 1001149440  | 2   | Spindle (Left)   |     |
| 44   | 1001149441  | 2   | Spindle (Right)  |     |
| 45   | 1001149463  | 4   | Steer Cylinder Assembly (See Separate Breakdown in CYLINDER SECTION) |     |
| 46   | 1001150418  | 4   | Kingpin  |     |
| 47   | 1001150419  | 4   | Pin (Inner)  |     |
| 48   | 1001150460  | 4   | Pin (Outer)  |     |

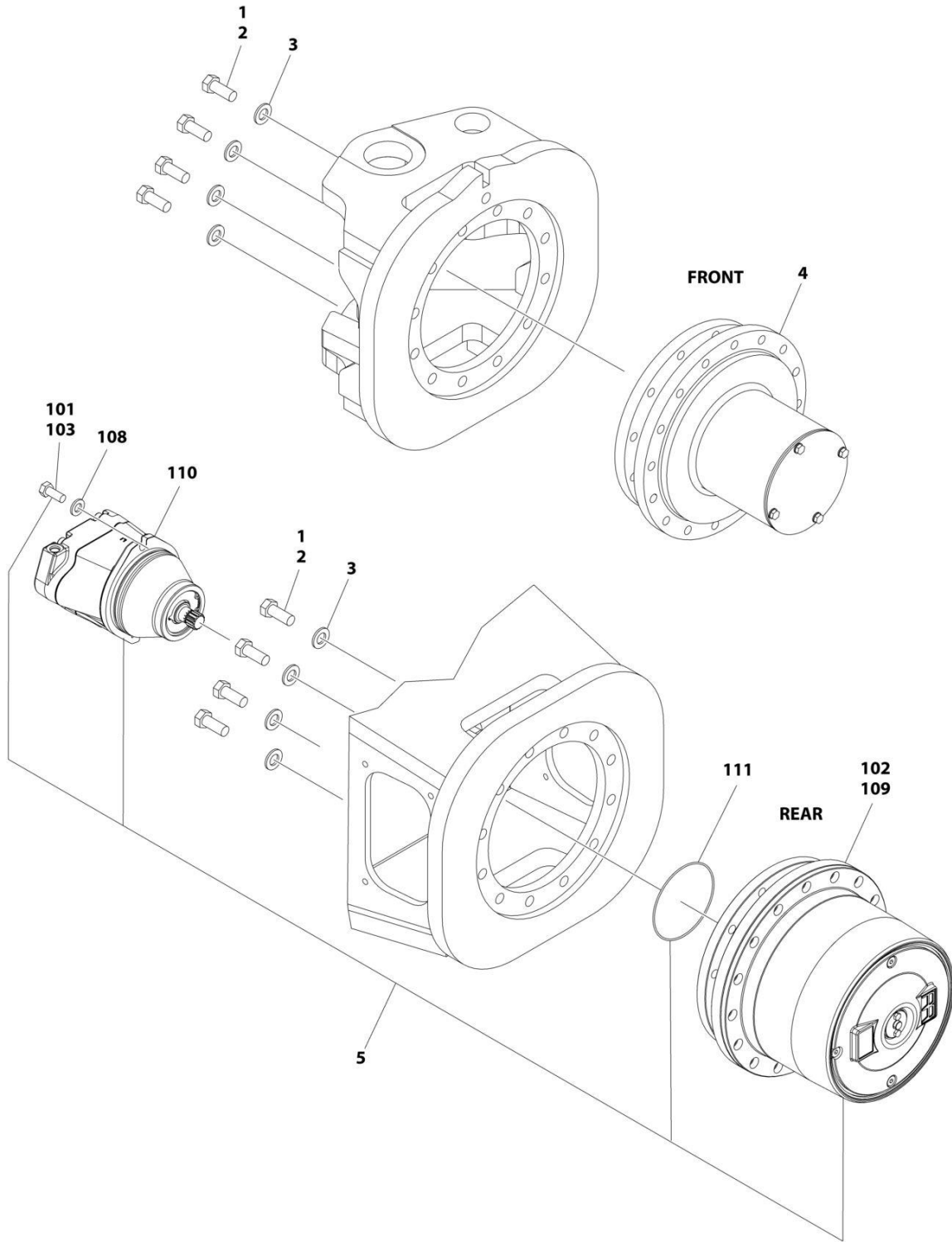
## SECTION 1 - FRAME

| ITEM | PART NUMBER | QTY | DESCRIPTION   | REV |
|------|-------------|-----|---|-----|
| 49   | 1001152574  | 2   | Axle Power Track Harness (Not Shown - See Separate Breakdown in ELECTRICAL SECTION) |     |
| 50   | 1001155044  | 1   | Nut 15/32   |     |
| 51   | 1001161709  | 1   | Switch, Toggle  |     |



# SECTION 1 - FRAME

## FIGURE 1-5. WHEEL DRIVE INSTALLATION - 2WD



ART\_1001150018



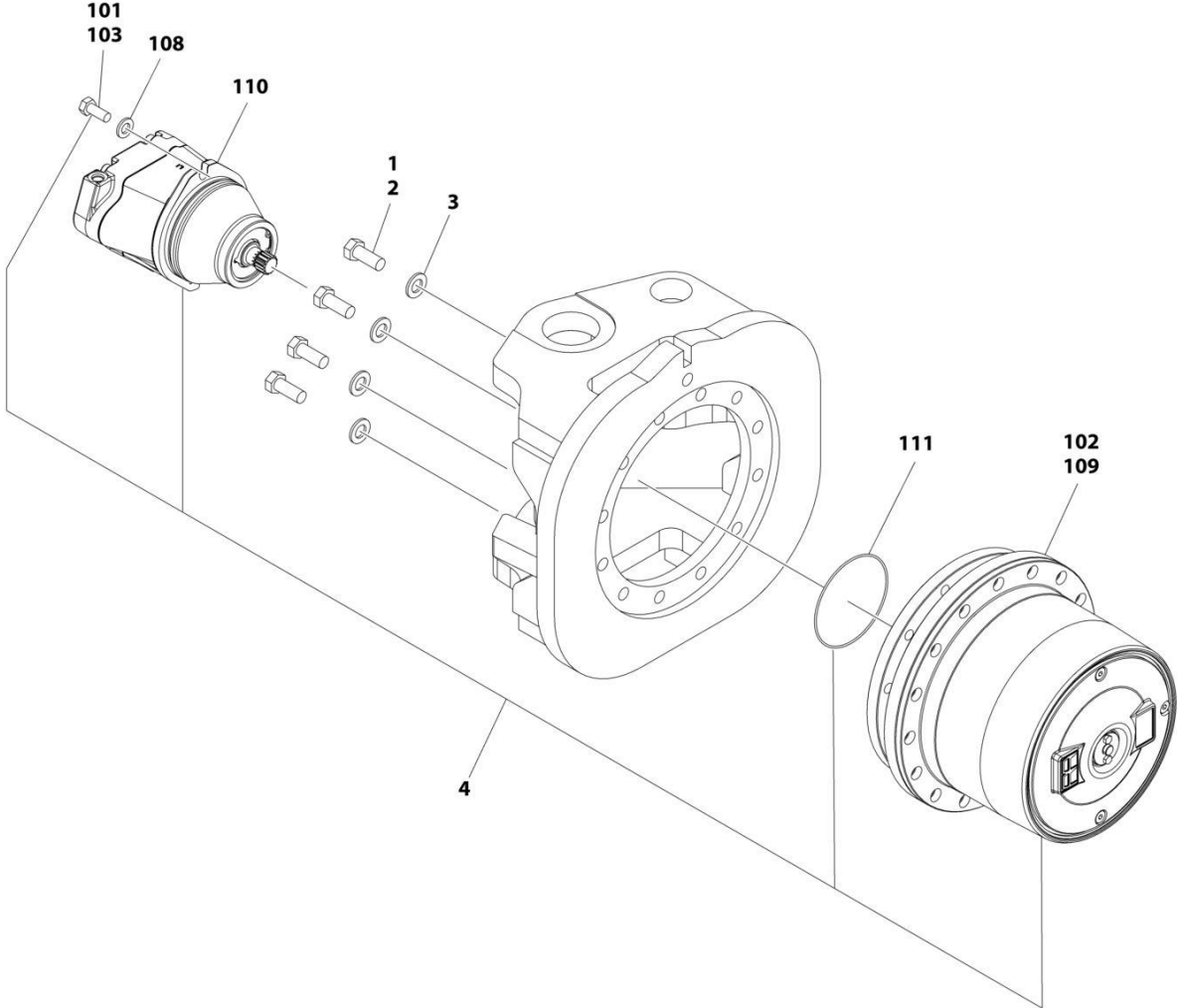
## SECTION 1 - FRAME

**FIGURE 1-5. WHEEL DRIVE INSTALLATION - 2WD**

| ITEM | PART NUMBER | QTY | DESCRIPTION  | REV |
|------|-------------|-----|--|-----|
|      | 1001150018  | Ref | WHEEL DRIVE INSTALLATION - 2WD   | C   |
| 1    | 0100019     | AR  | Compound, Locking  |     |
| 2    | 0761616     | 48  | Bolt M16 x 40  |     |
| 3    | 5241600     | 48  | Washer M16   |     |
| 4    | 1001146251  | 2   | Drive Hub Assembly - 2WD Front (See Separate Breakdown in this Section)              |     |
| 5    | 1001151094  | 2   | Drive Hub/Motor Assembly - 2WD Rear  | C   |
| 101  | 0100011     | AR  | Compound, Locking  |     |
| 102  | 3020008     | AR  | Lubricant  |     |
| 103  | 0761214     | 4   | Bolt M12 x 30 (2 Per Assembly)   |     |
| 108  | 5241200     | 4   | Washer M12 (2 Per Assembly)  |     |
| 109  | 1001101550  | 2   | Drive Hub Assembly (1 Per Assembly) (See Separate Breakdown in this Section)         |     |
| 110  | 1001149458  | 2   | Drive Motor Assembly - 2WD (1 Per Assembly) (See Separate Breakdown in this Section) |     |
| 111  | 3790158     | 2   | O-Ring   |     |

**SECTION 1 - FRAME**

**FIGURE 1-6. WHEEL DRIVE INSTALLATION - 4WD**



ART\_1001150017

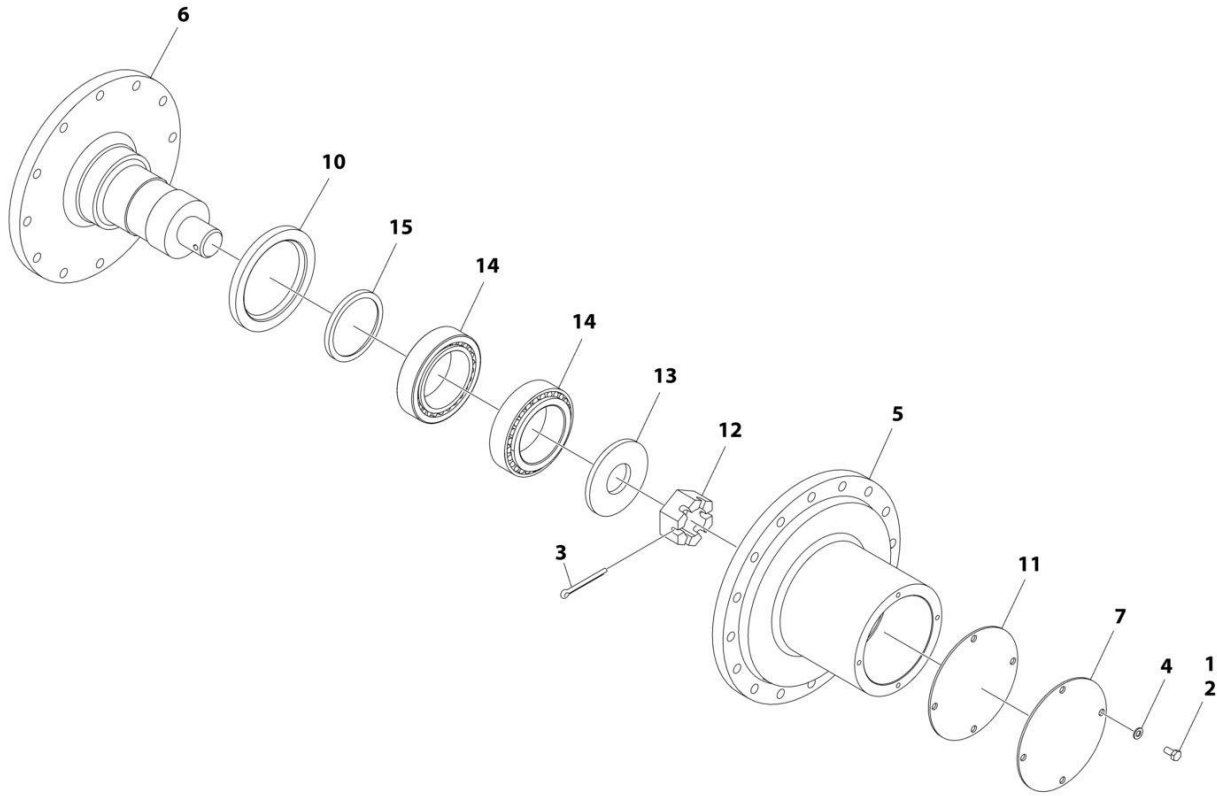
## SECTION 1 - FRAME

**FIGURE 1-6. WHEEL DRIVE INSTALLATION - 4WD**

| ITEM | PART NUMBER | QTY | DESCRIPTION  | REV |
|------|-------------|-----|--|-----|
|      | 1001150017  | Ref | WHEEL DRIVE INSTALLATION - 4WD   | D   |
| 1    | 0100019     | AR  | Compound, Locking  |     |
| 2    | 0761616     | 48  | Bolt M16 x 40  |     |
| 3    | 5241600     | 48  | Washer M16   |     |
| 4    | 1001151092  | 4   | Drive Hub/Motor Assembly   | D   |
| 101  | 0100011     | AR  | Compound, Locking  |     |
| 102  | 3020008     | AR  | Lubricant  |     |
| 103  | 0761214     | 8   | Bolt M12 x 30 (2 Per Assembly)   |     |
| 108  | 5241200     | 8   | Washer M12 (2 Per Assembly)  |     |
| 109  | 1001101550  | 4   | Drive Hub Assembly (1 Per Assembly) (See Separate Breakdown in this Section)         |     |
| 110  | 1001149456  | 4   | Drive Motor Assembly - 2WD (1 Per Assembly) (See Separate Breakdown in this Section) |     |
| 111  | 3790158     | 4   | O-Ring   |     |

# SECTION 1 - FRAME

## FIGURE 1-7. DRIVE HUB ASSEMBLY - 2WD FRONT



ART\_1001146251

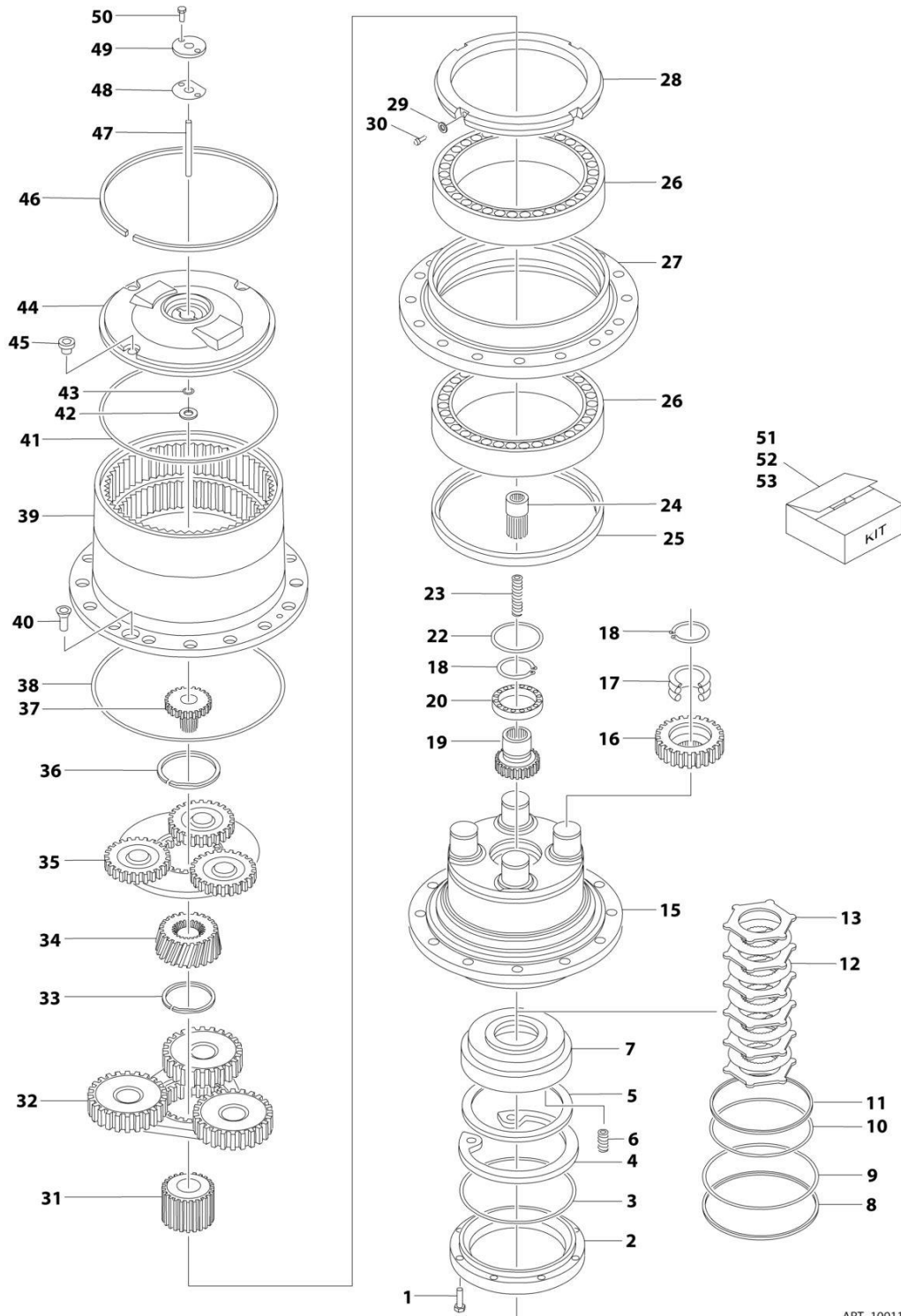
## SECTION 1 - FRAME

**FIGURE 1-7. DRIVE HUB ASSEMBLY - 2WD FRONT**

| ITEM | PART NUMBER | QTY | DESCRIPTION                    | REV |
|------|-------------|-----|--------------------------------|-----|
|      | 1001146251  | Ref | DRIVE HUB ASSEMBLY - 2WD FRONT | D   |
| 1    | 0100071     | AR  | Adhesive                       |     |
| 2    | 0760808     | 4   | Bolt M8 x 16                   |     |
| 3    | 3450810     | 1   | Pin, Cotter 1/4 x 2-1/2        |     |
| 4    | 4811900     | 4   | Washer M8                      |     |
| 5    | 1001146249  | 1   | Hub                            |     |
| 6    | 1001146250  | 1   | Spindle                        |     |
| 7    | 1001146253  | 1   | Cap                            |     |
| 10   | 1001149680  | 1   | Seal                           |     |
| 11   | 1001149681  | 1   | Gasket                         |     |
| 12   | 1001149742  | 1   | Nut                            |     |
| 13   | 1001149865  | 1   | Washer                         |     |
| 14   | 1001210887  | 2   | Bearing                        |     |
| 15   | 1001211508  | 1   | Spacer                         |     |

# SECTION 1 - FRAME

## FIGURE 1-8. DRIVE HUB ASSEMBLY



ART\_1001101550

# SECTION 1 - FRAME

## FIGURE 1-8. DRIVE HUB ASSEMBLY

| ITEM | PART NUMBER | QTY | DESCRIPTION  | REV |
|------|-------------|-----|--|-----|
|      | 1001101550  | Ref | DRIVE HUB ASSEMBLY                                     | E   |
| 1    | 70002015    | 8   | Bolt M8 x 25   |     |
| 2    | 70002016    | 1   | Ring, Motor Support                                    |     |
| 3    | See Note    | NSS | O-Ring (Note: Use Item 51)                             |     |
| 4    | 70002018    | 1   | Snap Ring  |     |
| 5    | 70002019    | 1   | Retainer, Spring                                       |     |
| 6    | 70002020    | 9   | Spring   |     |
| 7    | See Note    | NSS | Piston (Note: Use Item 53)                             |     |
| 8    | See Note    | NSS | Ring, Back-up (Note: Use Item 51 or 53)                |     |
| 9    | See Note    | NSS | O-Ring (Note: Use Item 51 or 53)                       |     |
| 10   | See Note    | NSS | O-Ring (Note: Use Item 51 or 53)                       |     |
| 11   | See Note    | NSS | Ring, Back-up (Note: Use Item 51 or 53)                |     |
| 12   | 70002026    | 5   | Disc, Friction   |     |
| 13   | 70002027    | 6   | Disc, Steel  |     |
| 15   | 70002029    | 1   | Spindle  |     |
| 16   | 70002030    | 4   | Gear, Planetary  |     |
| 17   | 70002031    | 4   | Bearing  |     |
| 18   | 70002032    | 5   | Snap Ring  |     |
| 19   | 70002033    | 1   | Gear, Brake/Input                                      |     |
| 20   | 70002034    | 1   | Bearing  |     |
| 22   | 70002035    | 1   | Ring, Wear   |     |
| 23   | 70002036    | 1   | Spring   |     |
| 24   | 70002037    | 1   | Shaft, Engagement                                      |     |
| 25   | See Note    | NSS | Seal (Note: Use Item 51)                               |     |
| 26   | 70002039    | 2   | Bearing Assembly                                       |     |
| 27   | 70002040    | 1   | Support, Hub   |     |
| 28   | 70002041    | 1   | Nut, Retaining   |     |
| 29   | 70002042    | NLA | Washer (Use p/n 70002674)                              |     |
| 30   | 70002043    | NLA | Screw, Flange (Use p/n 70002674)                       |     |
| 31   | 70002044    | 1   | Gear, Planetary Sun                                    |     |
| 32   | 70002045    | 1   | Reduction Assembly, Secondary                          |     |
| 33   | 70002046    | 1   | Snap Ring  |     |
| 34   | 70002047    | 1   | Gear, Secondary Input Sun                              |     |
| 35   | 70002048    | 1   | Reduction Assembly, Primary                            |     |
| 36   | 70002049    | 1   | Snap Ring  |     |
| 37   | 70002050    | 1   | Gear, Primary Input Sun                                |     |
| 38   | See Note    | NSS | O-Ring (Note: Use Item 51)                             |     |
| 39   | See Note    | NSS | Housing, Hub (Note: Use p/n 1001101550)                |     |
| 40   | 70002052    | 2   | Screw, Countersunk                                     |     |
| 41   | See Note    | NSS | O-Ring (Note: Use Item 51 or 52)                       |     |
| 42   | See Note    | NSS | Thrustwasher (Note: Use Item 52)                       |     |
| 43   | See Note    | NSS | O-Ring (Note: Use Item 51 or 52)                       |     |
| 44   | See Note    | NSS | Cover, Hub (Note: Use Item 52)                         |     |
| 45   | 70002057    | 3   | Plug   |     |
| 46   | See Note    | NSS | Snap Ring (Note: Use Item 52)                          |     |
| 47   | See Note    | NSS | Pin, Engagement (Note: Use Item 52)                    |     |
| 48   | See Note    | NSS | Gasket (Note: Use Item 51 or 52)                       |     |
| 49   | See Note    | NSS | Cover, Engagement (Note: Use Item 52)                  |     |
| 50   | See Note    | NSS | Screw (Note: Use Item 52)                              |     |
| 51   | 70002248    | 1   | Seal Kit (Includes Items 3, 8-11, 25, 38, 41, 43 & 48) |     |

## SECTION 1 - FRAME

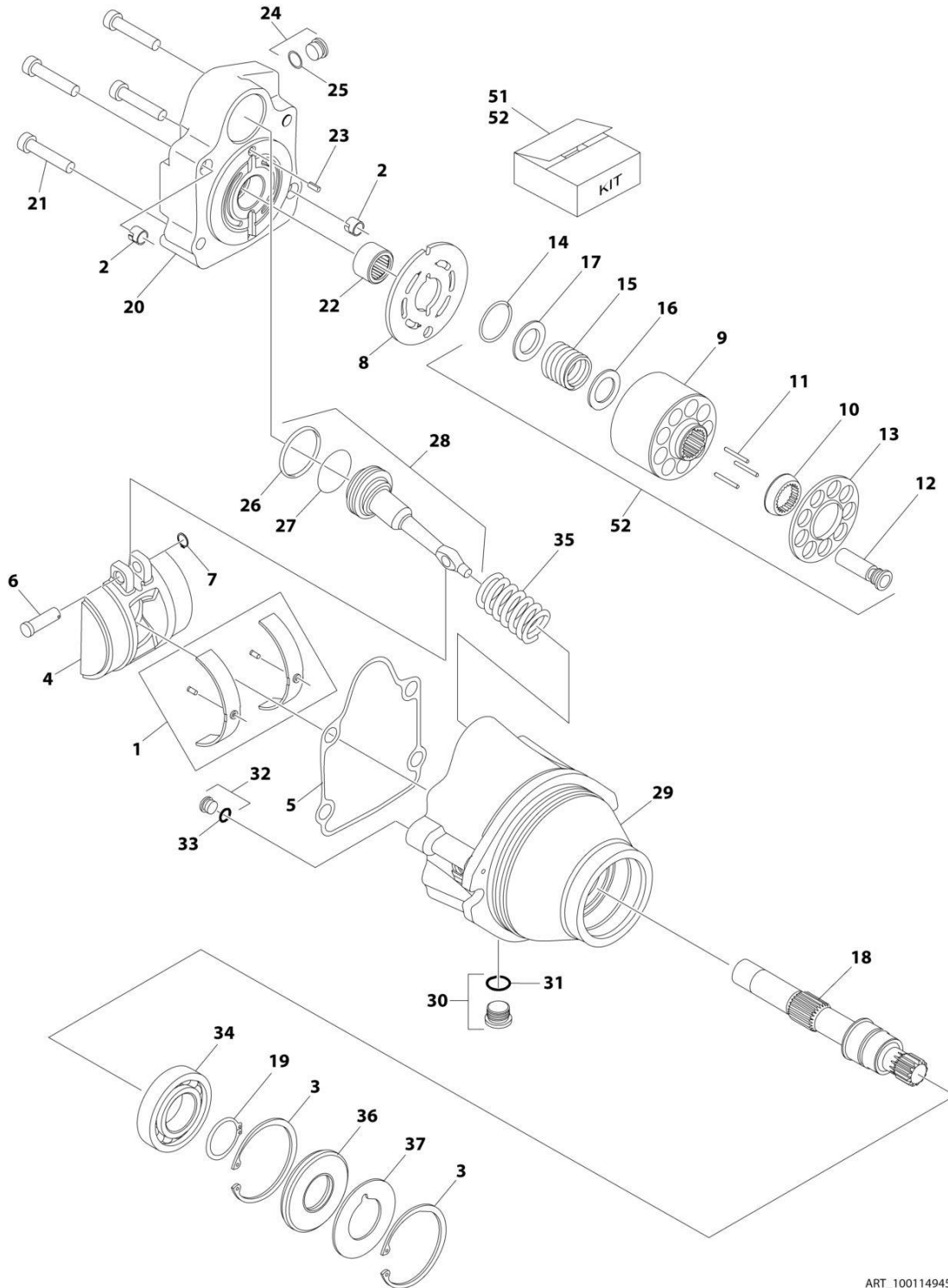
| ITEM | PART NUMBER | QTY | DESCRIPTION                              | REV |
|------|-------------|-----|--|-----|
| 52   | 70002247    | 1   | Cover Kit (Includes Items 41-44 & 46-50) |     |
| 53   | 70002249    | 1   | Brake Kit (Includes Items 4-13)          |     |





# SECTION 1 - FRAME

## FIGURE 1-9. DRIVE MOTOR ASSEMBLY - 2WD



ART\_1001149458

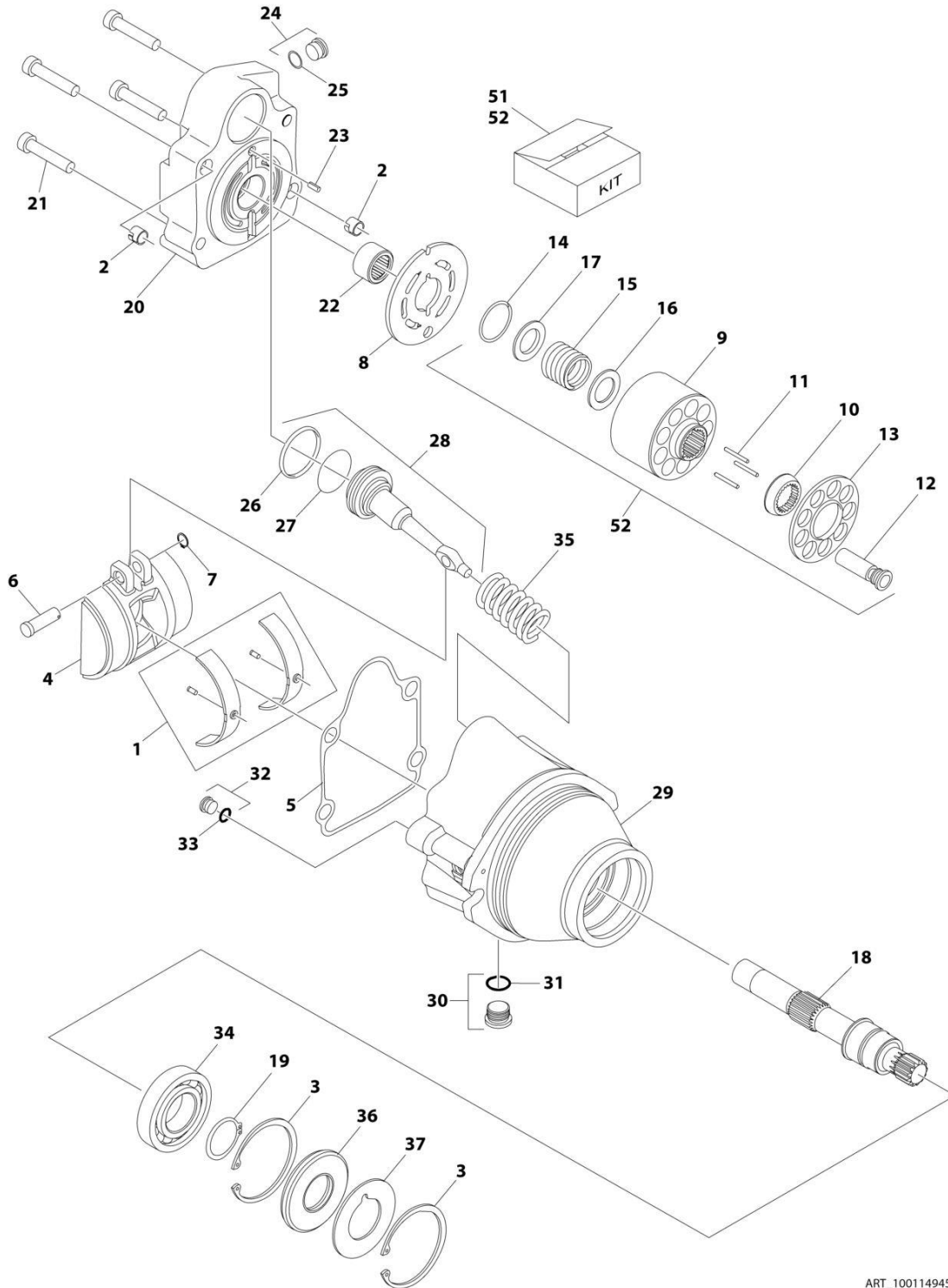
# SECTION 1 - FRAME

## FIGURE 1-9. DRIVE MOTOR ASSEMBLY - 2WD

| ITEM | PART NUMBER | QTY | DESCRIPTION  | REV |
|------|-------------|-----|--|-----|
|      | 1001149458  | Ref | DRIVE MOTOR ASSEMBLY - 2WD                                 | B   |
| 1    | 70000852    | 1   | Bearing Kit  |     |
| 2    | 70003628    | 2   | Locating Pin   |     |
| 3    | 7007438     | 2   | Snap Ring  |     |
| 4    | 70000853    | 1   | Swash Plate  |     |
| 5    | See Note    | NSS | Gasket (Note: Use Item 51)                                 |     |
| 6    | 70004201    | 1   | Pin  |     |
| 7    | 70004202    | 1   | Ring, Retaining  |     |
| 8    | 70000854    | 1   | Plate, Valve   |     |
| 9    | 70000855    | 1   | Block, Cylinder  |     |
| 10   | 70000856    | 1   | Guide  |     |
| 11   | 7021275     | 3   | Pin, Slipper   |     |
| 12   | 7024865     | 9   | Piston, Cylinder   |     |
| 13   | 70000857    | 1   | Retainer, Slipper  |     |
| 14   | 7022311     | 1   | Snap Ring  |     |
| 15   | 7024867     | 1   | Spring   |     |
| 16   | 7024868     | 1   | Washer   |     |
| 17   | 7022314     | 1   | Retainer, Spring   |     |
| 18   | 70000858    | 1   | Shaft  |     |
| 19   | 7007439     | 1   | Snap Ring  |     |
| 20   | 70000859    | 1   | End Cap, Motor   |     |
| 21   | 7022368     | 4   | Bolt   |     |
| 22   | 7021249     | 1   | Bearing, Needle  |     |
| 23   | 7007446     | 1   | Pin, Dowel   |     |
| 24   | 7007420     | 1   | Plug (Includes Item 25)                                    |     |
| 25   | See Note    | NSS | O-Ring (Note: Use Item 51 or 24)                           |     |
| 26   | See Note    | NSS | Ring, Piston (Note: Use Item 51 or 28)                     |     |
| 27   | See Note    | NSS | O-Ring (Note: Use Item 51 or 28)                           |     |
| 28   | 70004207    | 1   | Piston, Servo (Includes Items 26 & 27)                     |     |
| 29   | See Note    | NSS | Housing (Note: Not Available - Purchase Complete Motor)    |     |
| 30   | 7022321     | 1   | Plug (Includes Item 31)                                    |     |
| 31   | See Note    | NSS | O-Ring (Note: Use Item 51 or 30)                           |     |
| 32   | 70002133    | 1   | Plug (Includes Item 33)                                    |     |
| 33   | See Note    | NSS | O-Ring (Note: Use Item 51 or 32)                           |     |
| 34   | 70002176    | 1   | Bearing  |     |
| 35   | 70000861    | 1   | Spring   |     |
| 36   | See Note    | NSS | Seal (Note: Use Item 51)                                   |     |
| 37   | 7022371     | 1   | Washer, Seal Support                                       |     |
| 51   | 70000862    | 1   | Motor Seal Kit (Includes Items 5, 25, 26, 27, 31, 33 & 36) |     |
| 52   | 7027740     | 1   | Cylinder Block Kit (Includes Items 9-17)                   |     |

# SECTION 1 - FRAME

## FIGURE 1-10. DRIVE MOTOR ASSEMBLY - 4WD



ART\_1001149456

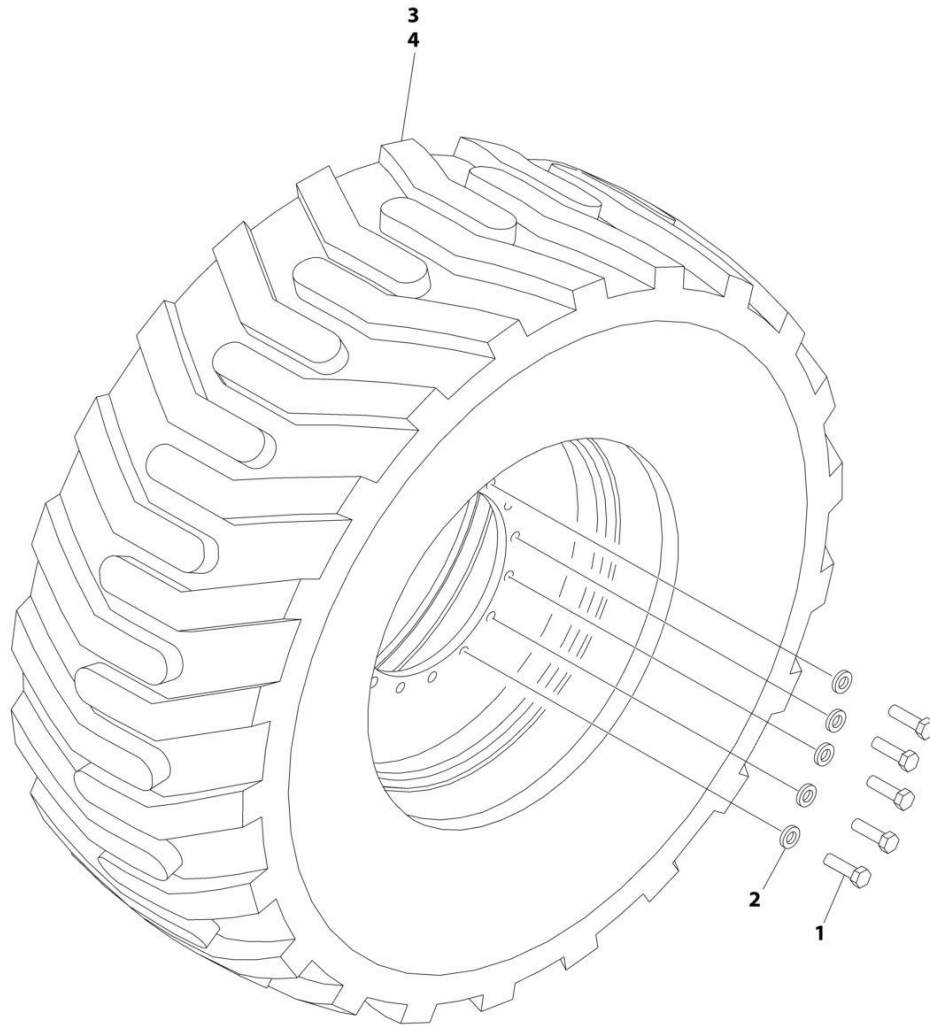
# SECTION 1 - FRAME

## FIGURE 1-10. DRIVE MOTOR ASSEMBLY - 4WD

| ITEM | PART NUMBER | QTY | DESCRIPTION  | REV |
|------|-------------|-----|--|-----|
|      | 1001149456  | Ref | DRIVE MOTOR ASSEMBLY - 4WD                                 | B   |
| 1    | 70000852    | 1   | Bearing Kit  |     |
| 2    | 70003628    | 2   | Locating Pin   |     |
| 3    | 7007439     | 2   | Snap Ring  |     |
| 4    | 70000853    | 1   | Swash Plate  |     |
| 5    | See Note    | NSS | Gasket (Note: Use Item 51)                                 |     |
| 6    | 70004201    | 1   | Pin  |     |
| 7    | 70004202    | 1   | Ring, Retaining  |     |
| 8    | 70000854    | 1   | Plate, Valve   |     |
| 9    | See Note    | NSS | Block, Cylinder (Note: Use Item 52)                        |     |
| 10   | See Note    | NSS | Guide (Note: Use Item 52)                                  |     |
| 11   | 7021275     | 3   | Pin, Slipper   |     |
| 12   | 70005821    | 9   | Piston, Cylinder   |     |
| 13   | 70000857    | 1   | Retainer, Slipper  |     |
| 14   | 7022311     | 1   | Snap Ring  |     |
| 15   | 7024867     | 1   | Spring   |     |
| 16   | 7024868     | 1   | Washer   |     |
| 17   | 7022314     | 1   | Retainer, Spring   |     |
| 18   | 70000858    | 1   | Shaft  |     |
| 19   | 7007439     | 1   | Snap Ring  |     |
| 20   | 70000859    | 1   | End Cap, Motor   |     |
| 21   | 7022368     | 4   | Bolt   |     |
| 22   | 7021249     | 1   | Bearing, Needle  |     |
| 23   | 7007446     | 1   | Pin, Dowel   |     |
| 24   | 7007420     | 1   | Plug (Includes Item 25)                                    |     |
| 25   | See Note    | NSS | O-Ring (Note: Use Item 51 or 24)                           |     |
| 26   | See Note    | NSS | Ring, Piston (Note: Use Item 51 or 28)                     |     |
| 27   | See Note    | NSS | O-Ring (Note: Use Item 51 or 28)                           |     |
| 28   | 70000860    | 1   | Piston, Servo (Includes Items 26 & 27)                     |     |
| 29   | See Note    | NSS | Housing (Note: Not Available - Purchase Complete Motor)    |     |
| 30   | 7022321     | 1   | Plug (Includes Item 31)                                    |     |
| 31   | See Note    | NSS | O-Ring (Note: Use Item 51 or 30)                           |     |
| 32   | 70002133    | 1   | Plug (Includes Item 33)                                    |     |
| 33   | See Note    | NSS | O-Ring (Note: Use Item 51 or 32)                           |     |
| 34   | 70002176    | 1   | Bearing  |     |
| 35   | 70000861    | 1   | Spring   |     |
| 36   | See Note    | NSS | Seal (Note: Use Item 51)                                   |     |
| 37   | 7022371     | 1   | Washer, Seal Support                                       |     |
| 51   | 70000862    | 1   | Motor Seal Kit (Includes Items 5, 25, 26, 27, 31, 33 & 36) |     |
| 52   | 70005820    | 1   | Cylinder Block Kit (Includes Items 9-17)                   |     |

# SECTION 1 - FRAME

## FIGURE 1-11. TIRE AND WHEEL INSTALLATION - FOAM-FILLED



ART\_1001150022

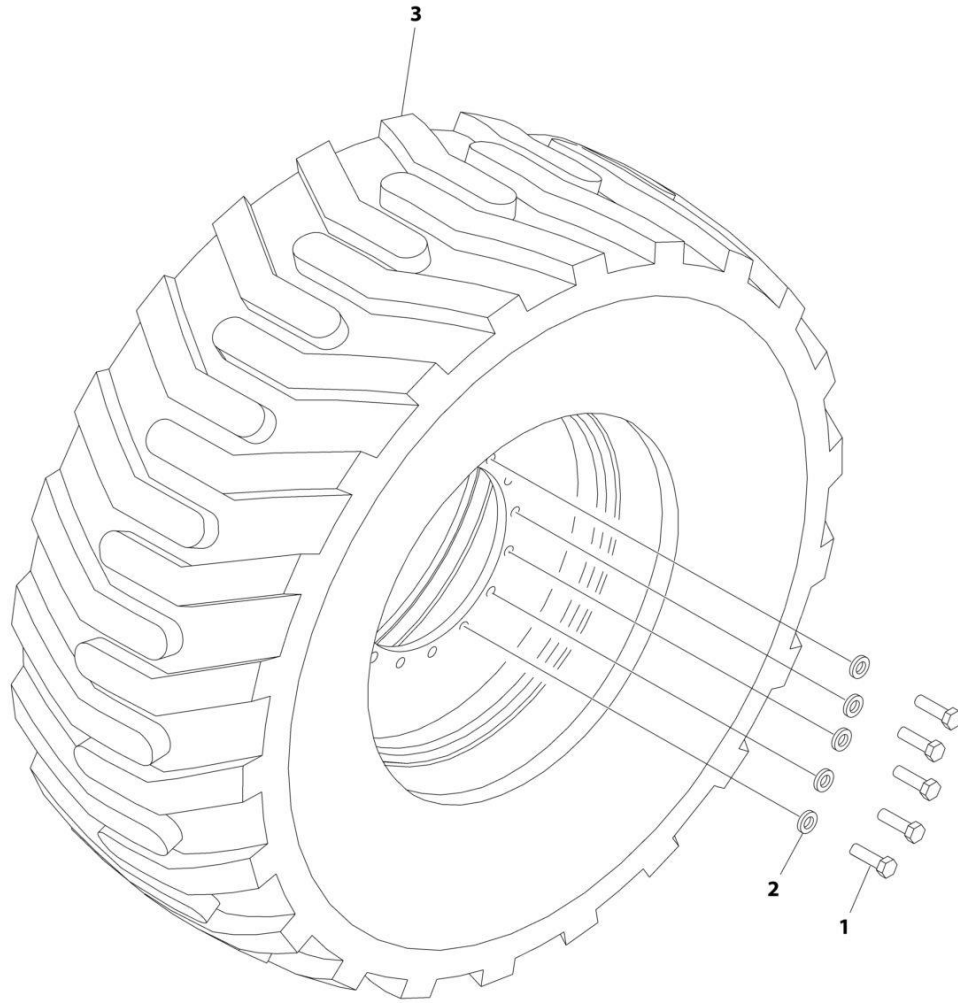
## SECTION 1 - FRAME

**FIGURE 1-11. TIRE AND WHEEL INSTALLATION - FOAM-FILLED**

| ITEM | PART NUMBER | QTY        | DESCRIPTION   | REV |
|------|-------------|------------|---|-----|
|      | 1001150022  | Ref<br>Ref | TIRE AND WHEEL INSTALLATION - FOAM-FILLED<br><br>Note: Assemblies may require ballast/foam filling to manufacturer's specifications prior to installing on a machine. Refer to Operation and Safety or Service and Maintenance Manuals. Purchase individual tire and/or rim only if able to foam fill tire and wheel assembly, otherwise, purchase complete assembly. | B   |
| 1    | 0701619     | 64         | Bolt M16 x 55 (16 Per Wheel)  |     |
| 2    | 5241600     | 64         | Washer M16 (16 Per Assembly)  |     |
| 3    | 1001151436  | 2          | Left Side Tire and Wheel Assembly - Foam-Filled   |     |
| 4    | 1001151437  | 2          | Right Side Tire and Wheel Assembly - Foam-Filled  |     |

# SECTION 1 - FRAME

## FIGURE 1-12. TIRE AND WHEEL INSTALLATION - SOLID



ART\_1001150023



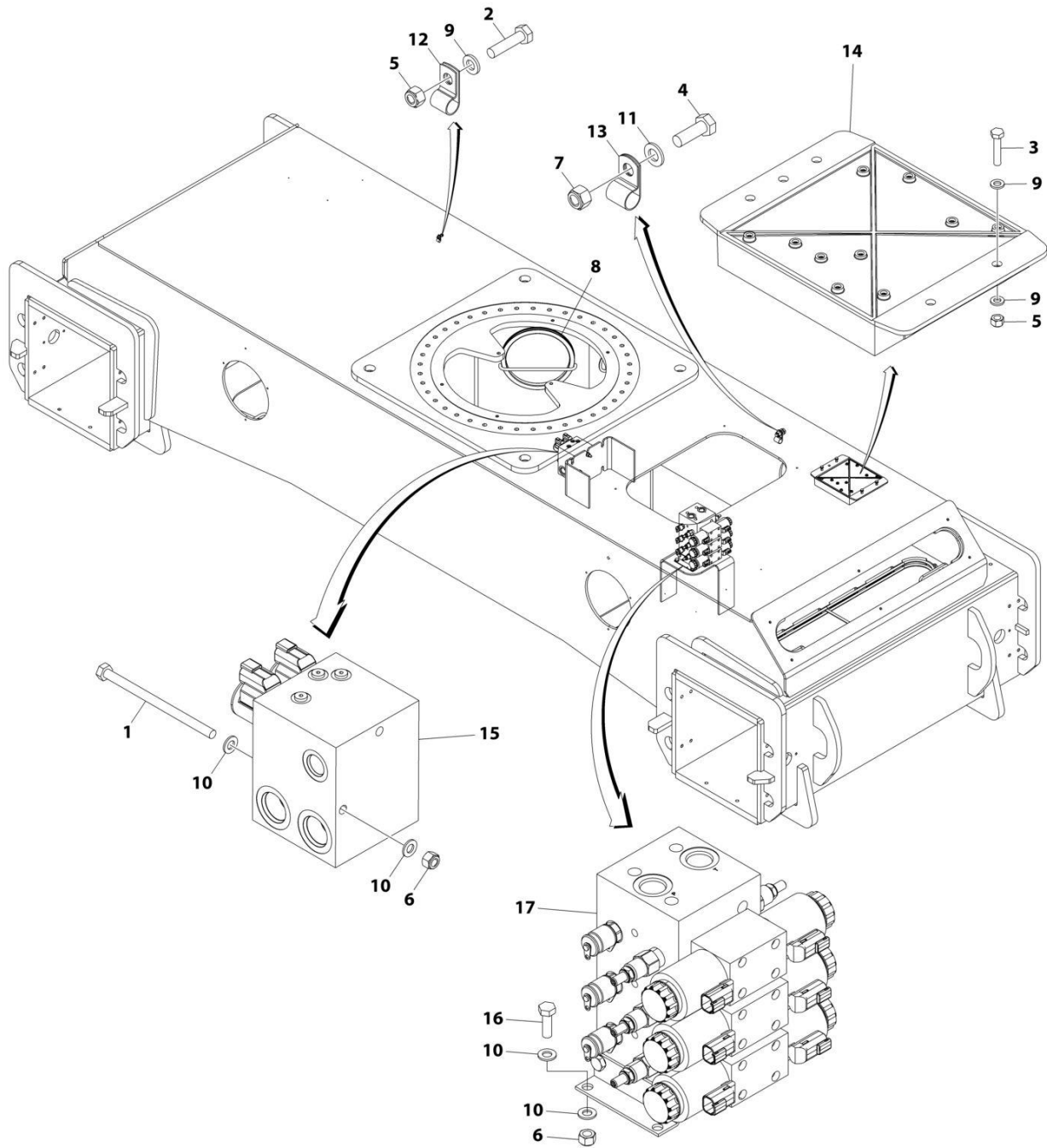
**SECTION 1 - FRAME**

**FIGURE 1-12. TIRE AND WHEEL INSTALLATION - SOLID**

| <b>ITEM</b> | <b>PART NUMBER</b> | <b>QTY</b> | <b>DESCRIPTION</b>                  | <b>REV</b> |
|-------------|--------------------|------------|-------------------------------------|------------|
|             | 1001150023         | Ref        | TIRE AND WHEEL INSTALLATION - SOLID | B          |
| 1           | 0701619            | 64         | Bolt M16 x 55 (16 Per Wheel)        |            |
| 2           | 5241600            | 64         | Washer M16 (16 Per Wheel)           |            |
| 3           | 1001147247         | 4          | Tire and Wheel Assembly - Solid     |            |

# SECTION 1 - FRAME

FIGURE 1-13. VALVES INSTALLATION - FRAME (2WD) (SN B300001586 through B300001676)



ART\_1001150041

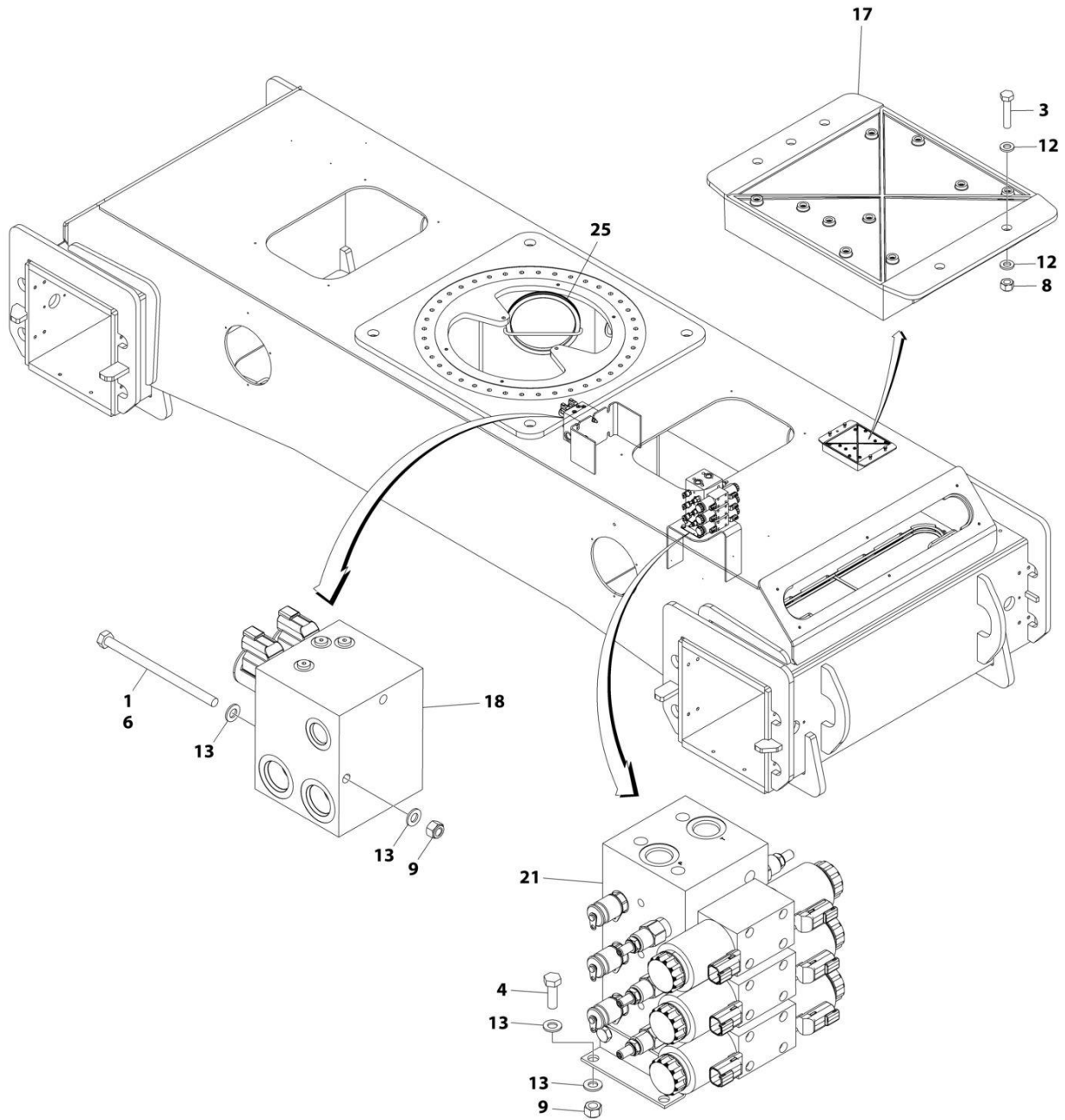
## SECTION 1 - FRAME

**FIGURE 1-13. VALVES INSTALLATION - FRAME (2WD) (SN B300001586 through B300001676)**

| ITEM | PART NUMBER | QTY | DESCRIPTION   | REV |
|------|-------------|-----|---|-----|
|      | 1001150041  | Ref | <b>VALVES INSTALLATION - FRAME (2WD) (SN B300001586 through B300001676)</b> | D   |
| 1    | 0700830     | 2   | Bolt M8 x 130   |     |
| 2    | 0760612     | 1   | Bolt M6 x 25  |     |
| 3    | 0760614     | 4   | Bolt M6 x 30  |     |
| 4    | 0761215     | 1   | Bolt M12 x 35   |     |
| 5    | 3290605     | 5   | Nut M6  |     |
| 6    | 3290805     | 6   | Nut M8  |     |
| 7    | 3291205     | 1   | Nut M12   |     |
| 8    | 4060808     | AR  | Flex-Trim   |     |
| 9    | 4811700     | 9   | Washer M6   |     |
| 10   | 4811900     | 12  | Washer M8   |     |
| 11   | 4812100     | 1   | Washer M12  |     |
| 12   | 8406002     | 1   | Clip  |     |
| 13   | 8406105     | 1   | Clip  |     |
| 14   | 1001112758  | 1   | Module, Control - Frame (Note: Re-calibration Required when Replaced)       |     |
| 15   | 1001194532  | 1   | Traction Valve Assembly - 2WD (See Separate Breakdown in this Section)      |     |
| 16   | 0760812     | 4   | Bolt M8 x 25  |     |
| 17   | 1001151834  | 1   | Axle Extend/Steer Valve Assembly (See Separate Breakdown in this Section)   |     |

# SECTION 1 - FRAME

FIGURE 1-14. VALVES INSTALLATION - FRAME (WITH 2WD/2WS) (1030S) (SN B300001677 through B300005767)



ART\_1001223985\_10F3

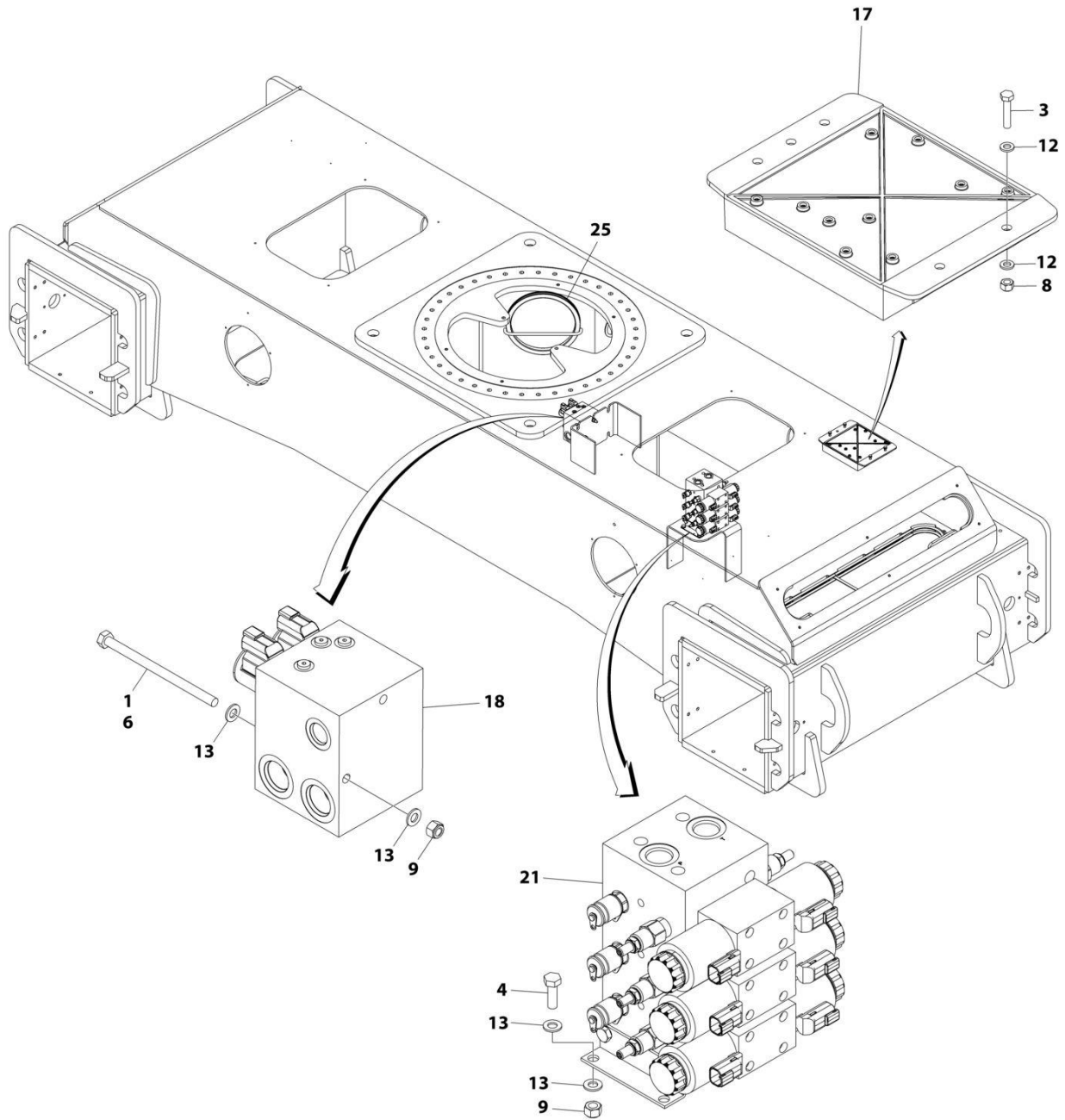
## SECTION 1 - FRAME

**FIGURE 1-14. VALVES INSTALLATION - FRAME (WITH 2WD/2WS) (1030S) (SN B300001677 through B300005767)**

| ITEM | PART NUMBER | QTY | DESCRIPTION   | REV |
|------|-------------|-----|---|-----|
|      | 1001223985  | Ref | VALVES INSTALLATION - FRAME (WITH 2WD/2WS)                                | A   |
| 1    | 0100011     | AR  | Compound, Locking   |     |
| 3    | 0760614     | 4   | Bolt M6 x 30  |     |
| 4    | 0760812     | 4   | Bolt M8 x 25  |     |
| 6    | 0700830     | 2   | Bolt M8 x 130   |     |
| 8    | 3290605     | 4   | Nut M6  |     |
| 9    | 3290805     | 6   | Nut M8  |     |
| 12   | 4811700     | 8   | Washer M6   |     |
| 13   | 4811900     | 12  | Washer M8   |     |
| 17   | 1001112758  | 1   | Module, Control - Frame (Note: Re-calibration Required when Replaced)     |     |
| 18   | 1001194532  | 1   | Traction Valve Assembly - 2WD (See Separate Breakdown in this Section)    |     |
| 21   | 1001151834  | 1   | Axle Extend/Steer Valve Assembly (See Separate Breakdown in this Section) |     |
| 25   | 4060808     | AR  | Flex-Trim   |     |

# SECTION 1 - FRAME

FIGURE 1-15. VALVES INSTALLATION - FRAME (WITH 2WD/2WS) (1100SJ) (SN B300001677 through B300005767)



ART\_1001223984\_10F3

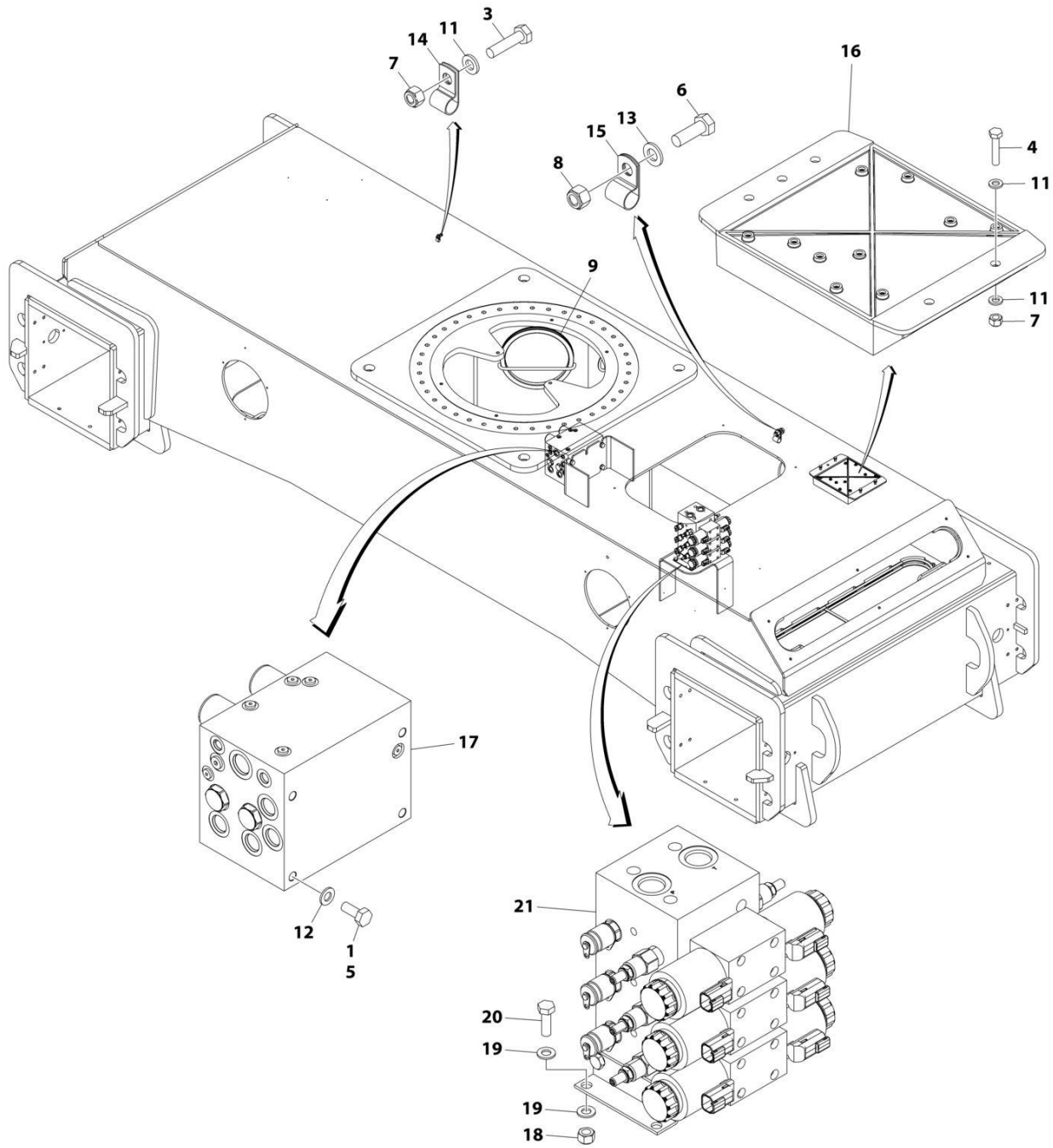
## SECTION 1 - FRAME

**FIGURE 1-15. VALVES INSTALLATION - FRAME (WITH 2WD/2WS) (1100SJ) (SN B300001677 through B300005767)**

| ITEM | PART NUMBER | QTY | DESCRIPTION   | REV |
|------|-------------|-----|---|-----|
|      | 1001223984  | Ref | VALVES INSTALLATION - FRAME (WITH 2WD/2WS)                                | B   |
| 1    | 0100011     | AR  | Compound, Locking   |     |
| 3    | 0760614     | 4   | Bolt M6 x 30  |     |
| 4    | 0760812     | 4   | Bolt M8 x 25  |     |
| 6    | 0700830     | 2   | Bolt M8 x 130   |     |
| 8    | 3290605     | 4   | Nut M6  |     |
| 9    | 3290805     | 6   | Nut M8  |     |
| 12   | 4811700     | 8   | Washer M6   |     |
| 13   | 4811900     | 12  | Washer M8   |     |
| 17   | 1001112758  | 1   | Module, Control - Frame (Note: Re-calibration Required when Replaced)     |     |
| 18   | 1001194532  | 1   | Traction Valve Assembly - 2WD (See Separate Breakdown in this Section)    |     |
| 21   | 1001151834  | 1   | Axle Extend/Steer Valve Assembly (See Separate Breakdown in this Section) |     |
| 25   | 4060808     | AR  | Flex-Trim   |     |

# SECTION 1 - FRAME

FIGURE 1-16. VALVES INSTALLATION - FRAME (4WD) (SN B300001586 through B300001676)



ART\_1001150040



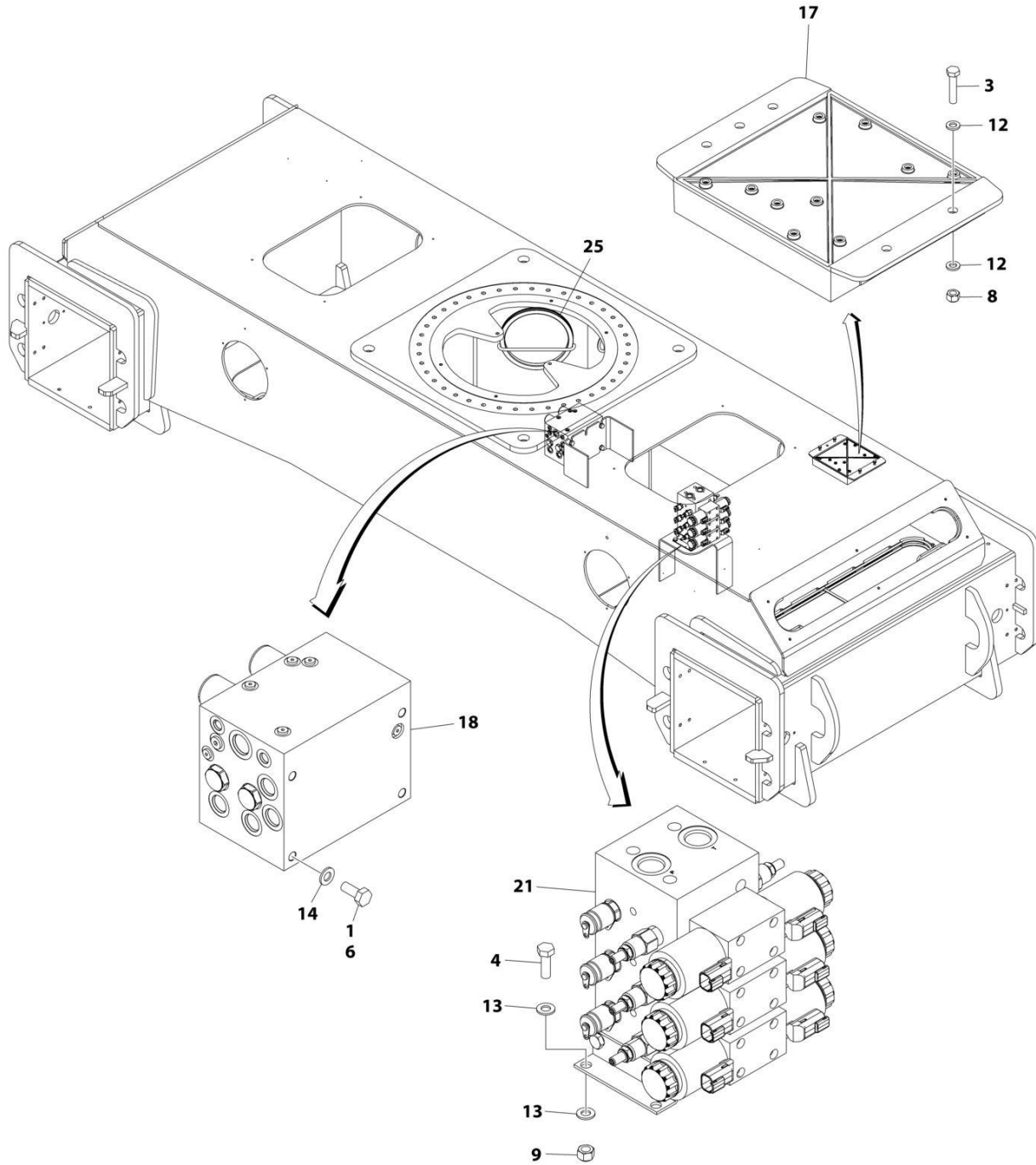
## SECTION 1 - FRAME

**FIGURE 1-16. VALVES INSTALLATION - FRAME (4WD) (SN B300001586 through B300001676)**

| ITEM | PART NUMBER | QTY | DESCRIPTION   | REV |
|------|-------------|-----|---|-----|
|      | 1001150040  | Ref | VALVES INSTALLATION - FRAME (4WD) (SN B300001586 through B300001676)      | D   |
| 1    | 0100011     | AR  | Compound, Locking   |     |
| 3    | 0760612     | 1   | Bolt M6 x 25  |     |
| 4    | 0760614     | 4   | Bolt M6 x 30  |     |
| 5    | 0761012     | 4   | Bolt M10 x 25   |     |
| 6    | 0761215     | 1   | Bolt M12 x 35   |     |
| 7    | 3290605     | 5   | Nut M6  |     |
| 8    | 3291205     | 1   | Nut M12   |     |
| 9    | 4060808     | AR  | Flex-Trim   |     |
| 11   | 4811700     | 9   | Washer M6   |     |
| 12   | 4812000     | 4   | Washer M10  |     |
| 13   | 4812100     | 1   | Washer M12  |     |
| 14   | 8406002     | 1   | Clip  |     |
| 15   | 8406105     | 1   | Clip  |     |
| 16   | 1001112758  | 1   | Module, Control - Frame (Note: Re-calibration Required when Replaced)     |     |
| 17   | 1001151409  | 1   | Traction Valve Assembly - 4WD (See Separate Breakdown in this Section)    |     |
| 18   | 3290805     | 4   | Nut M8  |     |
| 19   | 4811900     | 8   | Washer M8   |     |
| 20   | 0760812     | 4   | Bolt M8 x 25  |     |
| 21   | 1001151834  | 1   | Axle Extend/Steer Valve Assembly (See Separate Breakdown in this Section) |     |

# SECTION 1 - FRAME

FIGURE 1-17. VALVES INSTALLATION - FRAME (WITH 4WD/2WS) (1030S) (SN B300001677 through B300005767)



ART\_1001223932\_10F3

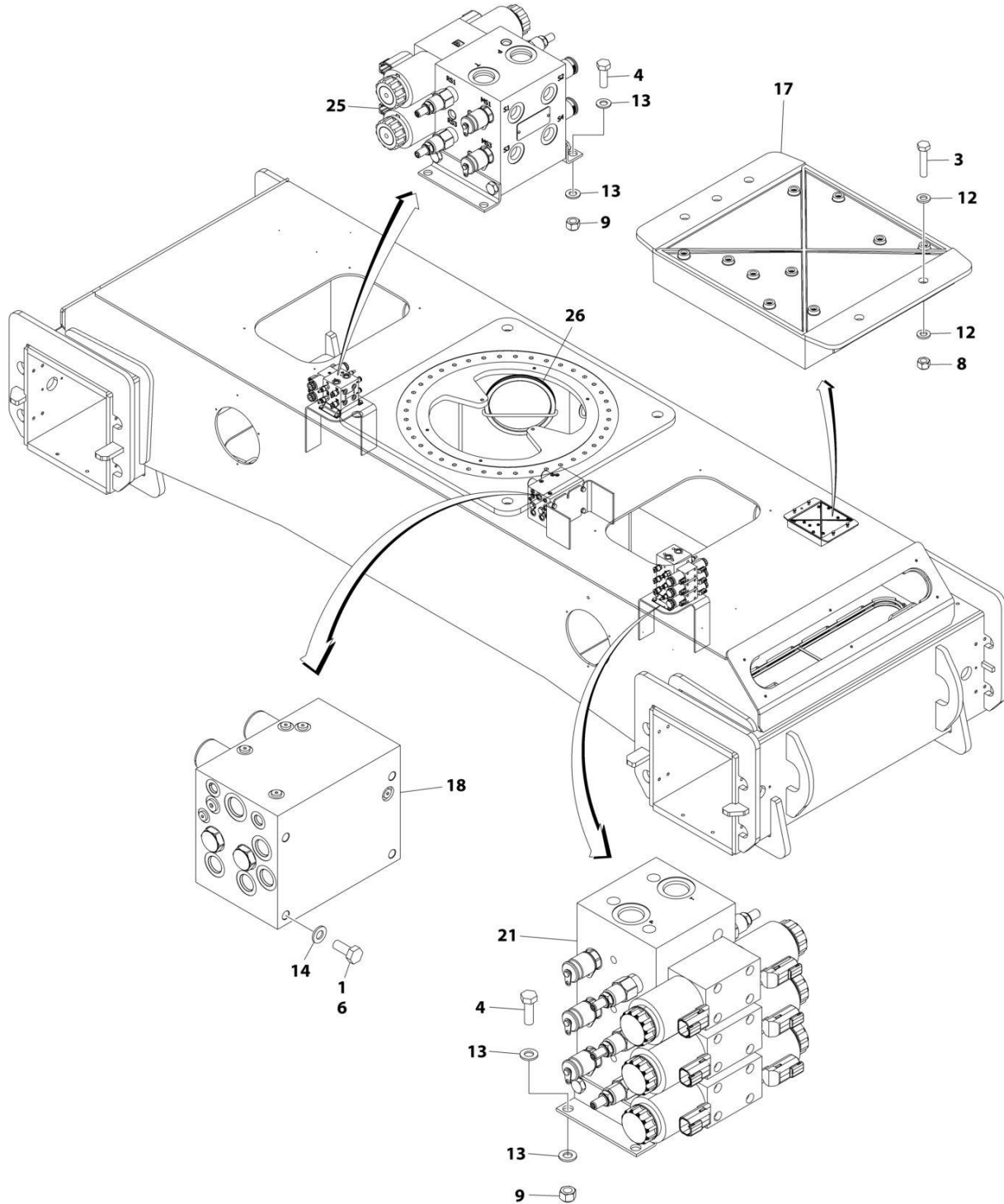
## SECTION 1 - FRAME

**FIGURE 1-17. VALVES INSTALLATION - FRAME (WITH 4WD/2WS) (1030S) (SN B300001677 through B300005767)**

| ITEM | PART NUMBER | QTY | DESCRIPTION   | REV |
|------|-------------|-----|---|-----|
|      | 1001223932  | Ref | VALVES INSTALLATION - FRAME (WITH 4WD/2WS)                                | A   |
| 1    | 0100011     | AR  | Compound, Locking   |     |
| 3    | 0760614     | 4   | Bolt M6 x 30  |     |
| 4    | 0760812     | 4   | Bolt M8 x 25  |     |
| 6    | 0761012     | 4   | Bolt M10 x 25   |     |
| 8    | 3290605     | 4   | Nut M6  |     |
| 9    | 3290805     | 4   | Nut M8  |     |
| 12   | 4811700     | 8   | Washer M6   |     |
| 13   | 4811900     | 8   | Washer M8   |     |
| 14   | 4812000     | 4   | Washer M10  |     |
| 17   | 1001112758  | 1   | Module, Control - Frame (Note: Re-calibration Required when Replaced)     |     |
| 18   | 1001151409  | 1   | Traction Valve Assembly - 4WD (See Separate Breakdown in this Section)    |     |
| 21   | 1001151834  | 1   | Axle Extend/Steer Valve Assembly (See Separate Breakdown in this Section) |     |
| 25   | 4060808     | AR  | Flex-Trim   |     |

# SECTION 1 - FRAME

## FIGURE 1-18. VALVES INSTALLATION - FRAME (WITH 4WD/4WS) (1030S)



ART\_1001223891\_10F3

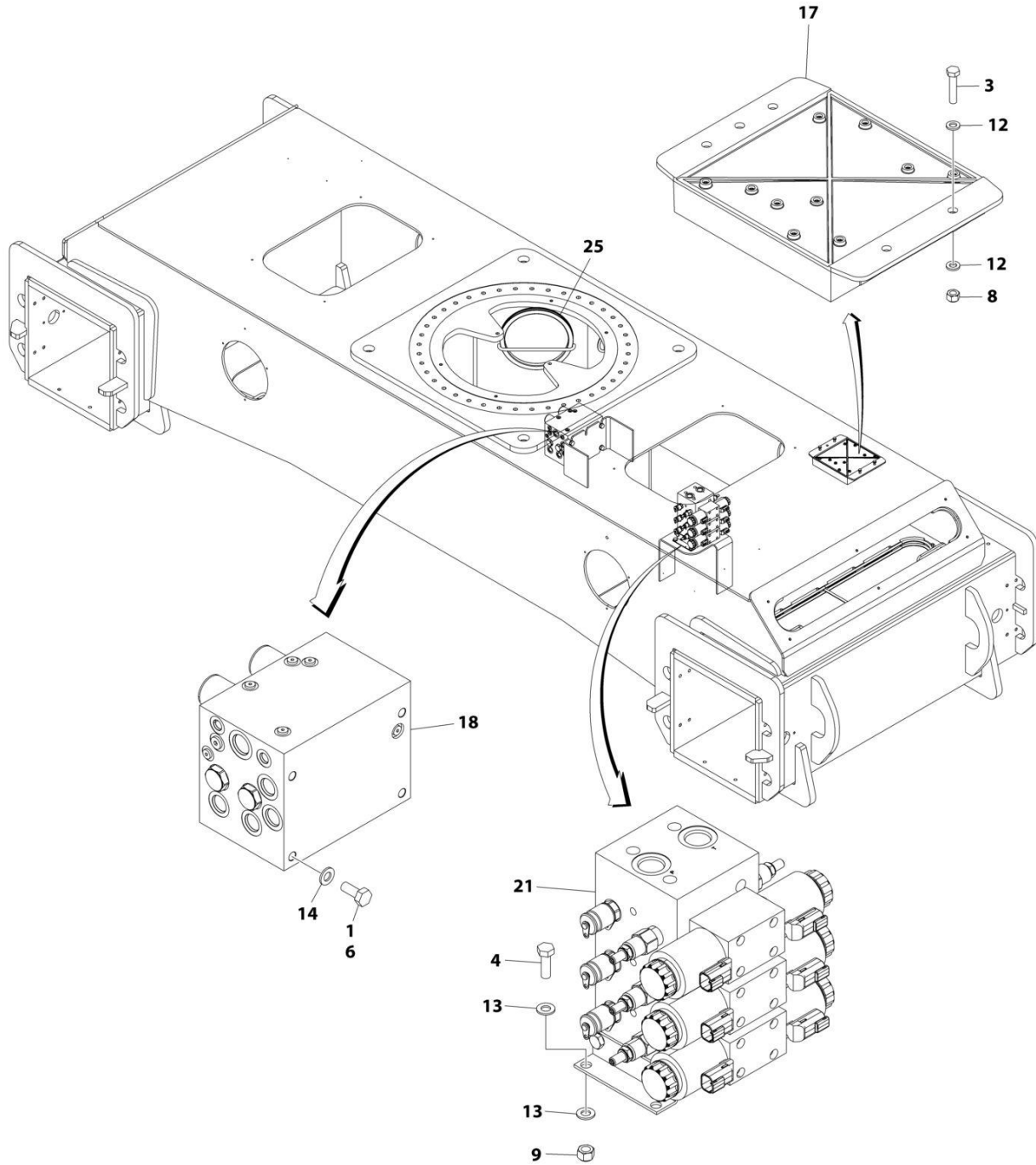
## SECTION 1 - FRAME

**FIGURE 1-18. VALVES INSTALLATION - FRAME (WITH 4WD/4WS) (1030S)**

| ITEM | PART NUMBER | QTY | DESCRIPTION   | REV |
|------|-------------|-----|---|-----|
|      | 1001223891  | Ref | VALVES INSTALLATION - FRAME (WITH 4WD/4WS)                                | A   |
| 1    | 0100011     | AR  | Compound, Locking   |     |
| 3    | 0760614     | 4   | Bolt M6 x 30  |     |
| 4    | 0760812     | 8   | Bolt M8 x 25  |     |
| 6    | 0761012     | 4   | Bolt M10 x 25   |     |
| 8    | 3290605     | 4   | Nut M6  |     |
| 9    | 3290805     | 8   | Nut M8  |     |
| 12   | 4811700     | 8   | Washer M6   |     |
| 13   | 4811900     | 16  | Washer M8   |     |
| 14   | 4812000     | 4   | Washer M10  |     |
| 17   | 1001112758  | 1   | Module, Control - Frame (Note: Re-calibration Required when Replaced)     |     |
| 18   | 1001151409  | 1   | Traction Valve Assembly - 4WD (See Separate Breakdown in this Section)    |     |
| 21   | 1001151834  | 1   | Axle Extend/Steer Valve Assembly (See Separate Breakdown in this Section) |     |
| 25   | 1001222524  | 1   | Steer Valve Assembly (See Separate Breakdown in this Section)             |     |
| 26   | 4060808     | AR  | Flex-Trim   |     |

# SECTION 1 - FRAME

FIGURE 1-19. VALVES INSTALLATION - FRAME (WITH 4WD/2WS) (1100SJ) (SN B300001677 through B300005767)



ART\_1001223931\_10F3

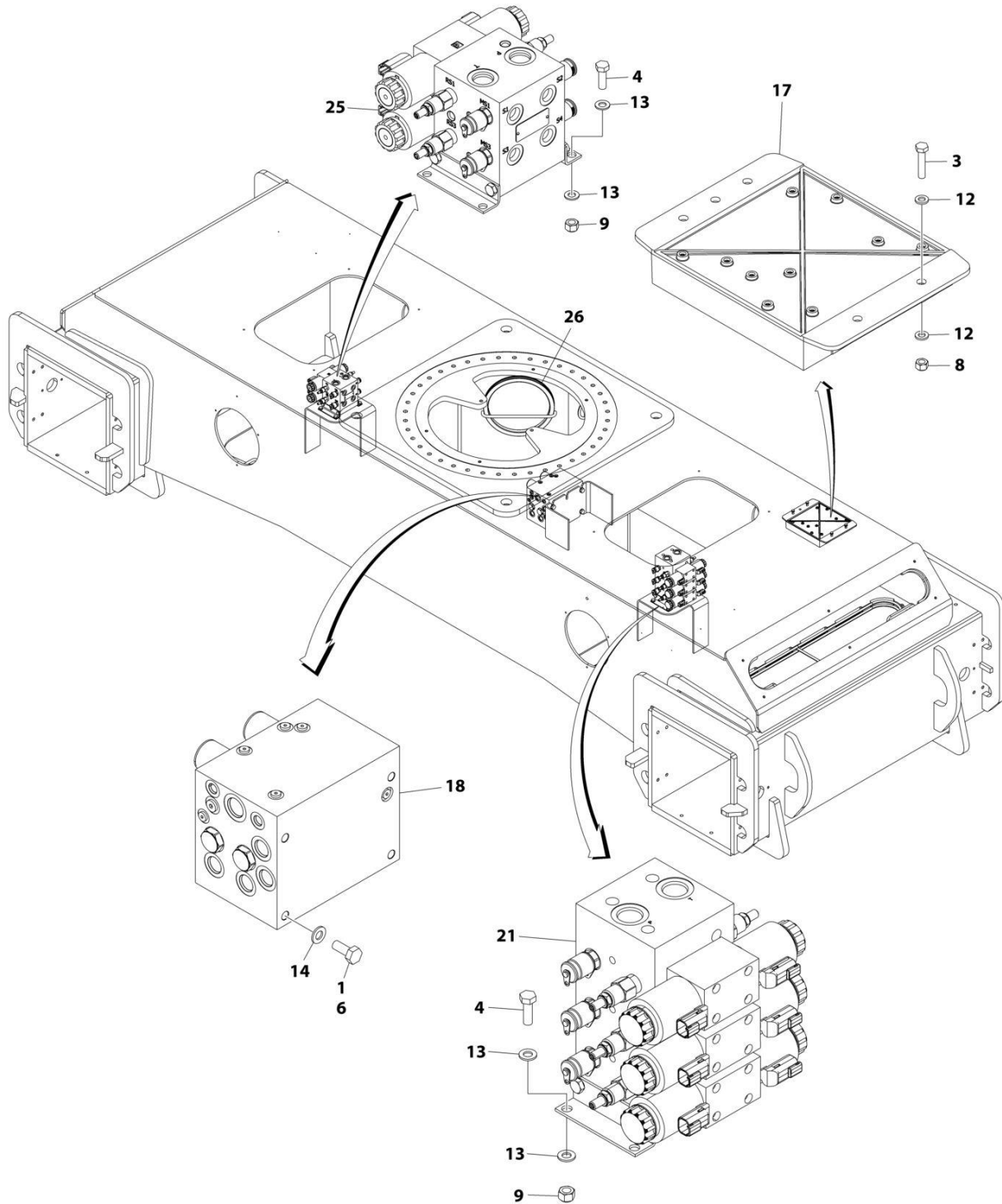
## SECTION 1 - FRAME

**FIGURE 1-19. VALVES INSTALLATION - FRAME (WITH 4WD/2WS) (1100SJ) (SN B300001677 through B300005767)**

| ITEM | PART NUMBER | QTY | DESCRIPTION   | REV |
|------|-------------|-----|---|-----|
|      | 1001223931  | Ref | VALVES INSTALLATION - FRAME (WITH 4WD/2WS)                                | B   |
| 1    | 0100011     | AR  | Compound, Locking   |     |
| 3    | 0760614     | 4   | Bolt M6 x 30  |     |
| 4    | 0760812     | 4   | Bolt M8 x 25  |     |
| 6    | 0761012     | 4   | Bolt M10 x 25   |     |
| 8    | 3290605     | 4   | Nut M6  |     |
| 9    | 3290805     | 4   | Nut M8  |     |
| 12   | 4811700     | 8   | Washer M6   |     |
| 13   | 4811900     | 8   | Washer M8   |     |
| 14   | 4812000     | 4   | Washer M10  |     |
| 17   | 1001112758  | 1   | Module, Control - Frame (Note: Re-calibration Required when Replaced)     |     |
| 18   | 1001151409  | 1   | Traction Valve Assembly - 4WD (See Separate Breakdown in this Section)    |     |
| 21   | 1001151834  | 1   | Axle Extend/Steer Valve Assembly (See Separate Breakdown in this Section) |     |
| 25   | 4060808     | AR  | Flex-Trim   |     |

# SECTION 1 - FRAME

## FIGURE 1-20. VALVES INSTALLATION - FRAME (WITH 4WD/4WS) (1100SJ)



ART\_1001223890\_10F3



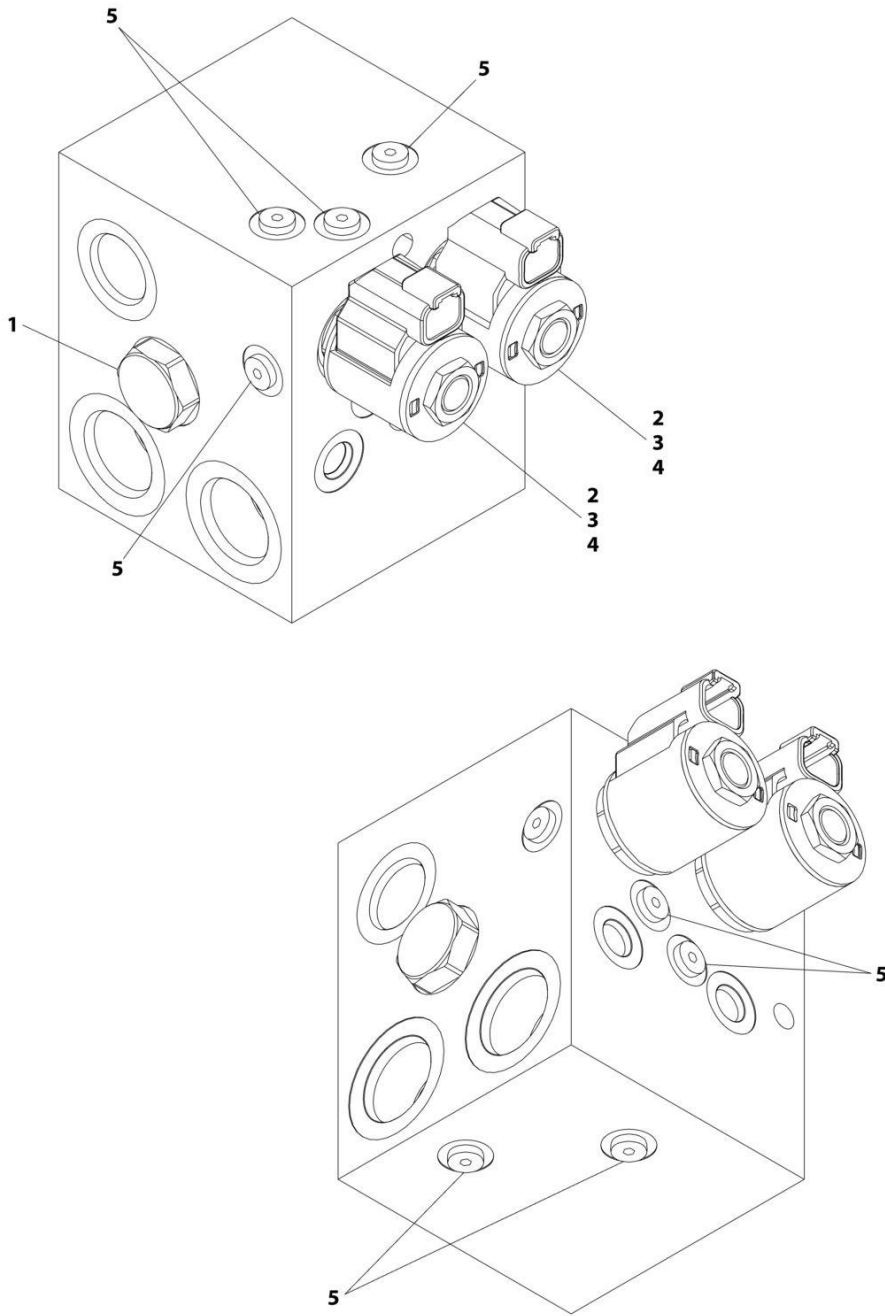
## SECTION 1 - FRAME

**FIGURE 1-20. VALVES INSTALLATION - FRAME (WITH 4WD/4WS) (1100SJ)**

| ITEM | PART NUMBER | QTY | DESCRIPTION   | REV |
|------|-------------|-----|---|-----|
|      | 1001223890  | Ref | VALVES INSTALLATION - FRAME (WITH 4WD/4WS)                                | B   |
| 1    | 0100011     | AR  | Compound, Locking   |     |
| 3    | 0760614     | 4   | Bolt M6 x 30  |     |
| 4    | 0760812     | 8   | Bolt M8 x 25  |     |
| 6    | 0761012     | 4   | Bolt M10 x 25   |     |
| 8    | 3290605     | 4   | Nut M6  |     |
| 9    | 3290805     | 8   | Nut M8  |     |
| 12   | 4811700     | 8   | Washer M6   |     |
| 13   | 4811900     | 16  | Washer M8   |     |
| 14   | 4812000     | 4   | Washer M10  |     |
| 17   | 1001112758  | 1   | Module, Control - Frame (Note: Re-calibration Required when Replaced)     |     |
| 18   | 1001151409  | 1   | Traction Valve Assembly - 4WD (See Separate Breakdown in this Section)    |     |
| 21   | 1001151834  | 1   | Axle Extend/Steer Valve Assembly (See Separate Breakdown in this Section) |     |
| 25   | 1001222524  | 1   | Steer Valve Assembly (See Separate Breakdown in this Section)             |     |
| 26   | 4060808     | AR  | Flex-Trim   |     |

# SECTION 1 - FRAME

## FIGURE 1-21. TRACTION VALVE ASSEMBLY - 2WD



ART\_1001194532

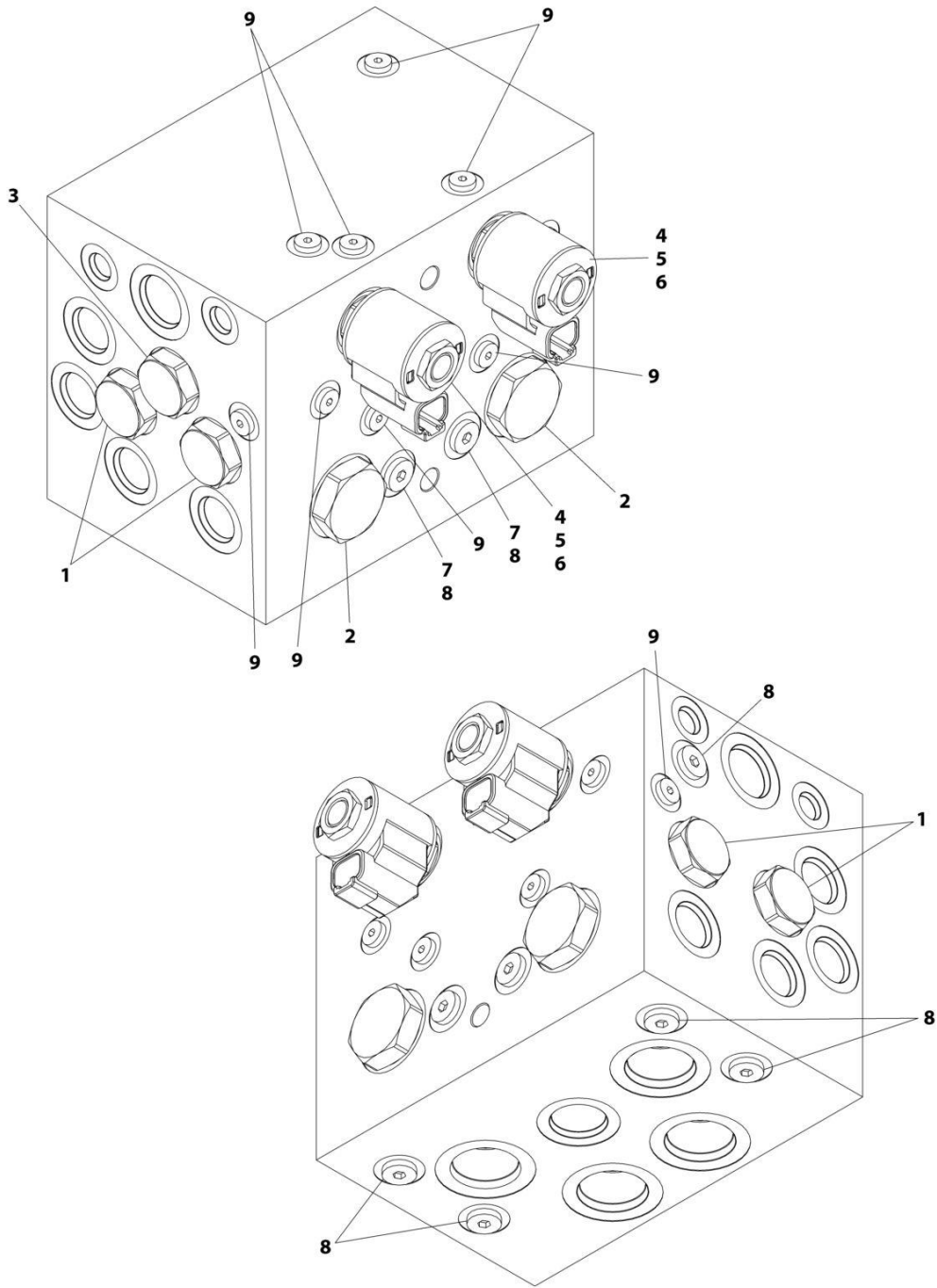
## SECTION 1 - FRAME

### FIGURE 1-21. TRACTION VALVE ASSEMBLY - 2WD

| ITEM | PART NUMBER | QTY | DESCRIPTION                   | REV |
|------|-------------|-----|-------------------------------|-----|
|      | 1001194532  | Ref | TRACTION VALVE ASSEMBLY - 2WD | C   |
| 1    | 70000804    | 1   | Cartridge, Shuttle Valve      |     |
| 1    | 70000805    | 1   | Seal Kit - 70000804 Valve     |     |
| 2    | 70005775    | 2   | Cartridge, Solenoid Less Coil |     |
| 2    | 70005776    | 2   | Seal Kit - 70005775 Valve     |     |
| 3    | 7022390     | 2   | Nut, Coil                     |     |
| 4    | 70002386    | 2   | Coil                          |     |
| 5    | 2220881     | 8   | Plug                          |     |

# SECTION 1 - FRAME

## FIGURE 1-22. TRACTION VALVE ASSEMBLY - 4WD



ART\_1001151409

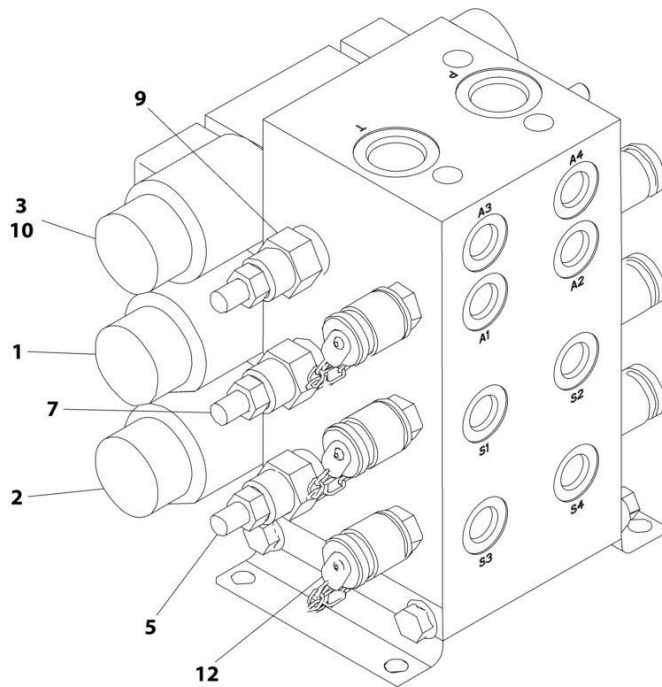
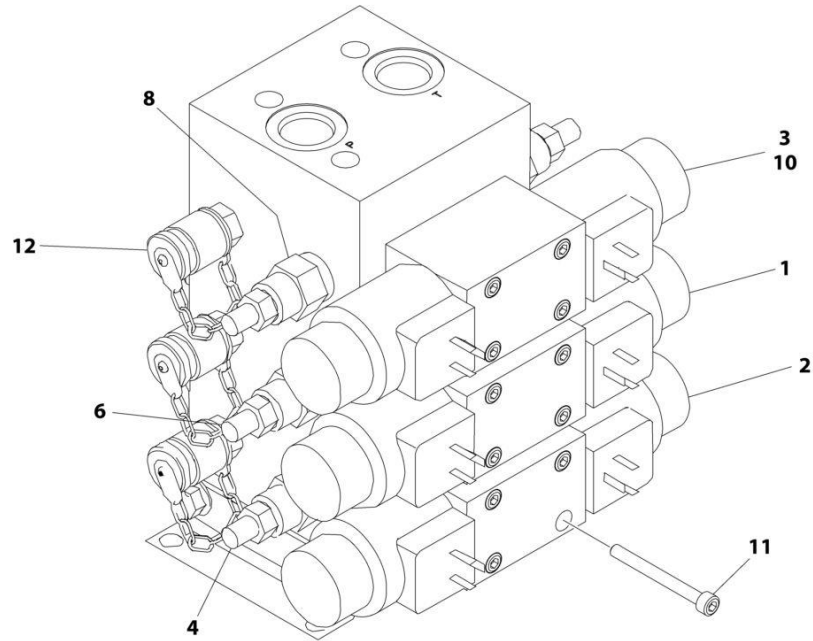
## SECTION 1 - FRAME

**FIGURE 1-22. TRACTION VALVE ASSEMBLY - 4WD**

| ITEM | PART NUMBER | QTY | DESCRIPTION                   | REV |
|------|-------------|-----|-------------------------------|-----|
|      | 1001151409  | Ref | TRACTION VALVE ASSEMBLY - 4WD | B   |
| 1    | 70005774    | 4   | Cartridge, Check Valve        |     |
| 1    | 7024808     | 4   | Seal Kit - 70005774 Valve     |     |
| 2    | 70002958    | 2   | Cartridge, Flow Divider Valve |     |
| 2    | 70002959    | 2   | Seal Kit - 70002958 Valve     |     |
| 3    | 70000804    | 1   | Cartridge, Shuttle Valve      |     |
| 3    | 70000805    | 1   | Seal Kit - 70000804 Valve     |     |
| 4    | 70005775    | 2   | Cartridge, Solenoid Less Coil |     |
| 4    | 70005776    | 2   | Seal Kit - 70005775 Valve     |     |
| 5    | 7022390     | 2   | Nut, Coil                     |     |
| 6    | 70002386    | 2   | Coil                          |     |
| 7    | 7017493     | 2   | Orifice                       |     |
| 8    | 2220883     | 7   | Plug                          |     |
| 9    | 2220881     | 11  | Plug                          |     |

# SECTION 1 - FRAME

## FIGURE 1-23. AXLE EXTEND/STEER ASSEMBLY



ART\_1001151834

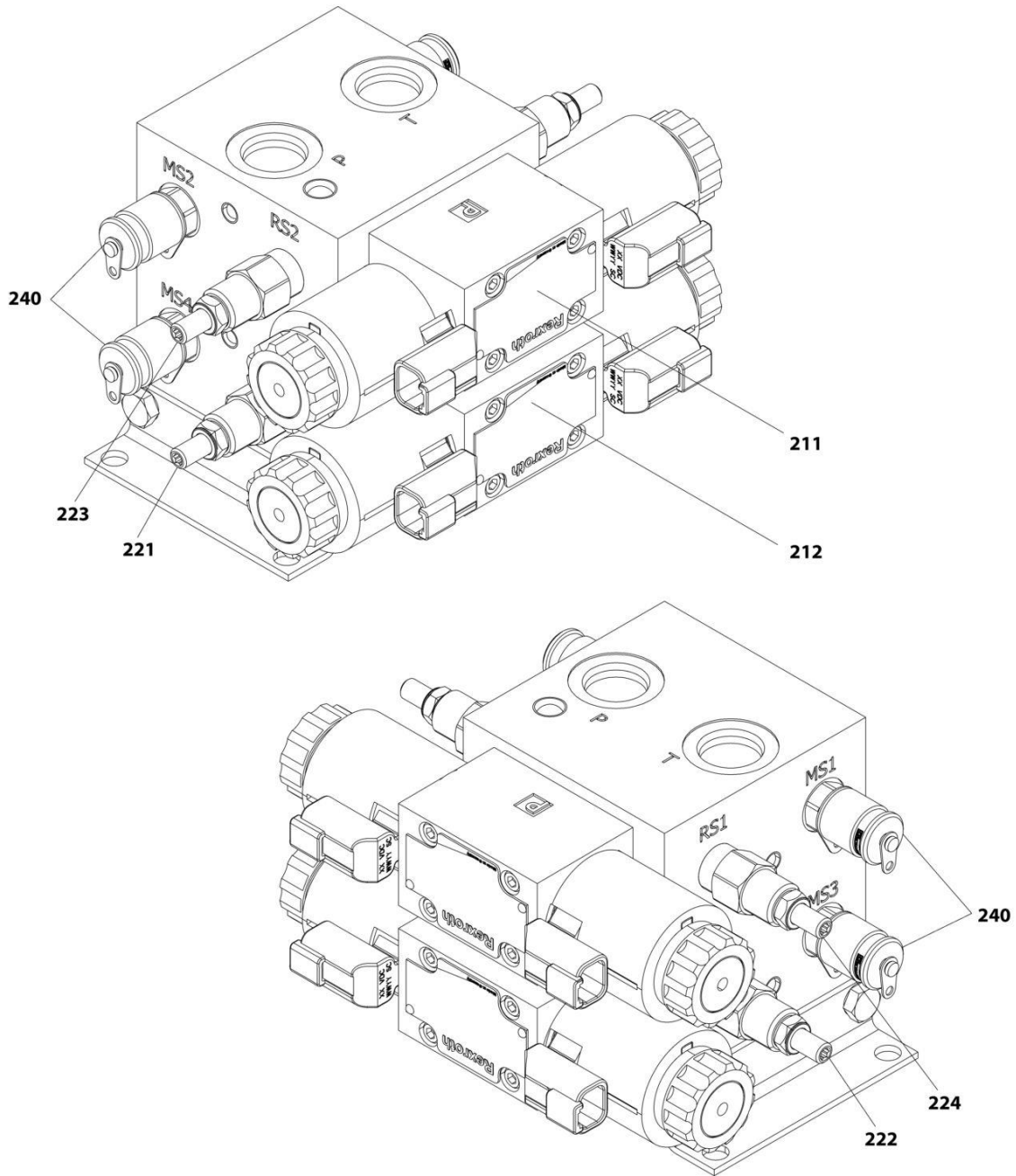
# SECTION 1 - FRAME

## FIGURE 1-23. AXLE EXTEND/STEER ASSEMBLY

| ITEM | PART NUMBER | QTY | DESCRIPTION   | REV |
|------|-------------|-----|---|-----|
|      | 1001151834  | Ref | AXLE EXTEND/STEER ASSEMBLY  | E   |
| 1    | 70006086    | 1   | Valve (Steer) <b>(SN B300001586 through B300002951)</b>                       |     |
| 1    | 7012773     | 1   | Seal Kit - 70006086 Valve   |     |
| 1    | 70004463    | 2   | Coil  |     |
| 1    | 70004461    | 2   | O-Ring, Pole Tube   |     |
| 1    | 7021375     | 2   | Nut, Coil   |     |
| 1    | 70006929    | 1   | Valve (Steer) <b>(SN B300002952 through B300005767, Excluding B300005565)</b> |     |
| 1    | See Note    | NSS | Seal Kit - 70006929 Valve (Note: Not Available for Purchase)                  |     |
| 1    | 70006950    | 2   | Coil  |     |
| 1    | 70004461    | 2   | O-Ring, Pole Tube   |     |
| 1    | 7021375     | 2   | Nut, Coil   |     |
| 2    | 70006086    | 1   | Valve (Steer) <b>(SN B300001586 through B300002951)</b>                       |     |
| 2    | 7012773     | 1   | Seal Kit - 70006086 Valve   |     |
| 2    | 70004463    | 2   | Coil  |     |
| 2    | 70004461    | 2   | O-Ring, Pole Tube   |     |
| 2    | 7021375     | 2   | Nut, Coil   |     |
| 2    | 70006929    | 1   | Valve (Steer) <b>(SN B300002952 through B300005767, Excluding B300005565)</b> |     |
| 2    | See Note    | NSS | Seal Kit - 70006929 Valve (Note: Not Available for Purchase)                  |     |
| 2    | 70006950    | 2   | Coil  |     |
| 2    | 70004461    | 2   | O-Ring, Pole Tube   |     |
| 2    | 7021375     | 2   | Nut, Coil   |     |
| 3    | 70001939    | 1   | Orifice   |     |
| 4    | 70006087    | 1   | Cartridge, Relief Valve   |     |
| 4    | 7011346     | 1   | Seal Kit - 70006087 Valve   |     |
| 5    | 70006088    | 1   | Cartridge, Relief Valve   |     |
| 5    | 7011346     | 1   | Seal Kit - 70006088 Valve   |     |
| 6    | 70006087    | 1   | Cartridge, Relief Valve   |     |
| 6    | 7011346     | 1   | Seal Kit - 70006087 Valve   |     |
| 7    | 70006088    | 1   | Cartridge, Relief Valve   |     |
| 7    | 7011346     | 1   | Seal Kit - 70006088 Valve   |     |
| 8    | 70006089    | 1   | Cartridge, Relief Valve   |     |
| 8    | 7011346     | 1   | Seal Kit - 70006089 Valve   |     |
| 9    | 70006089    | 1   | Cartridge, Relief Valve   |     |
| 9    | 7011346     | 1   | Seal Kit - 70006089 Valve   |     |
| 10   | 70004459    | 1   | Valve (Steer)   |     |
| 10   | 7012773     | 1   | Seal Kit - 70004459 Valve   |     |
| 10   | 70004460    | 2   | Coil  |     |
| 10   | 70004461    | 2   | O-Ring, Pole Tube   |     |
| 10   | 7021375     | 2   | Nut, Coil   |     |
| 11   | 7018942     | 12  | Capscrew #10 x 2  |     |
| 12   | 2221086     | 6   | Fitting, Pressure Test  |     |

# SECTION 1 - FRAME

## FIGURE 1-24. STEER VALVE ASSEMBLY



ART\_1001222524



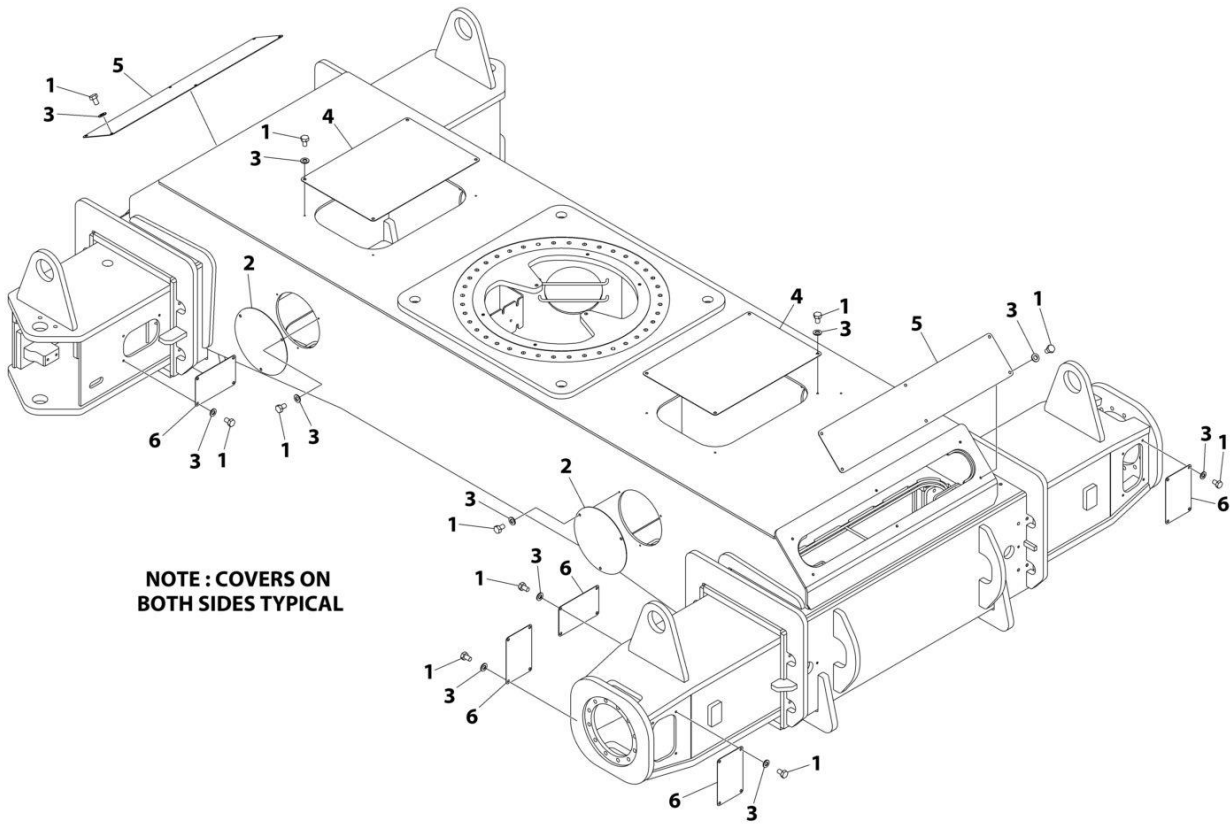
# SECTION 1 - FRAME

## FIGURE 1-24. STEER VALVE ASSEMBLY

| ITEM | PART NUMBER | QTY | DESCRIPTION   | REV |
|------|-------------|-----|---|-----|
|      | 1001222524  | Ref | STEER VALVE ASSEMBLY  | B   |
| 211  | 70006086    | 1   | Valve (Steer) <b>(SN B300001586 through B300002951)</b>                       |     |
| 211  | 7012773     | 1   | Seal Kit - 70006086 Valve   |     |
| 211  | 70004463    | 2   | Coil  |     |
| 211  | 70004461    | 2   | O-Ring, Pole Tube   |     |
| 211  | 7021375     | 2   | Nut, Coil   |     |
| 211  | 70006929    | 1   | Valve (Steer) <b>(SN B300002952 through B300005767, Excluding B300005565)</b> |     |
| 211  | See Note    | NSS | Seal Kit - 70006929 Valve (Note: Not Available for Purchase)                  |     |
| 211  | 70006950    | 2   | Coil  |     |
| 211  | 70004461    | 2   | O-Ring, Pole Tube   |     |
| 211  | 7021375     | 1   | Nut, Coil   |     |
| 212  | 70006086    | 1   | Valve (Steer) <b>(SN B300001586 through B300002951)</b>                       |     |
| 212  | 7012773     | 1   | Seal Kit - 70006086 Valve   |     |
| 212  | 70004463    | 2   | Coil  |     |
| 212  | 70004461    | 2   | O-Ring, Pole Tube   |     |
| 212  | 7021375     | 2   | Nut, Coil   |     |
| 212  | 70006929    | 1   | Valve (Steer) <b>(SN B300002952 through B300005767, Excluding B300005565)</b> |     |
| 212  | See Note    | NSS | Seal Kit - 70006929 Valve (Note: Not Available for Purchase)                  |     |
| 212  | 70006950    | 2   | Coil  |     |
| 212  | 70004461    | 2   | O-Ring, Pole Tube   |     |
| 212  | 7021375     | 2   | Nut, Coil   |     |
| 221  | 70006087    | 1   | Cartridge, Relief Valve   |     |
| 221  | 7011346     | 1   | Seal Kit - 70006087 Valve   |     |
| 222  | 70006088    | 1   | Cartridge, Relief Valve   |     |
| 222  | 7011346     | 1   | Seal Kit - 70006088 Valve   |     |
| 223  | 70006087    | 1   | Cartridge, Relief Valve   |     |
| 223  | 7011346     | 1   | Seal Kit - 70006087 Valve   |     |
| 224  | 70006088    | 1   | Cartridge, Relief Valve   |     |
| 224  | 7011346     | 1   | Seal Kit - 70006088 Valve   |     |
| 240  | 2221086     | 4   | Fitting, Pressure Test  |     |

# SECTION 1 - FRAME

## FIGURE 1-25. FRAME COVER INSTALLATION - STANDARD MACHINES (2WS)



ART\_1001150044

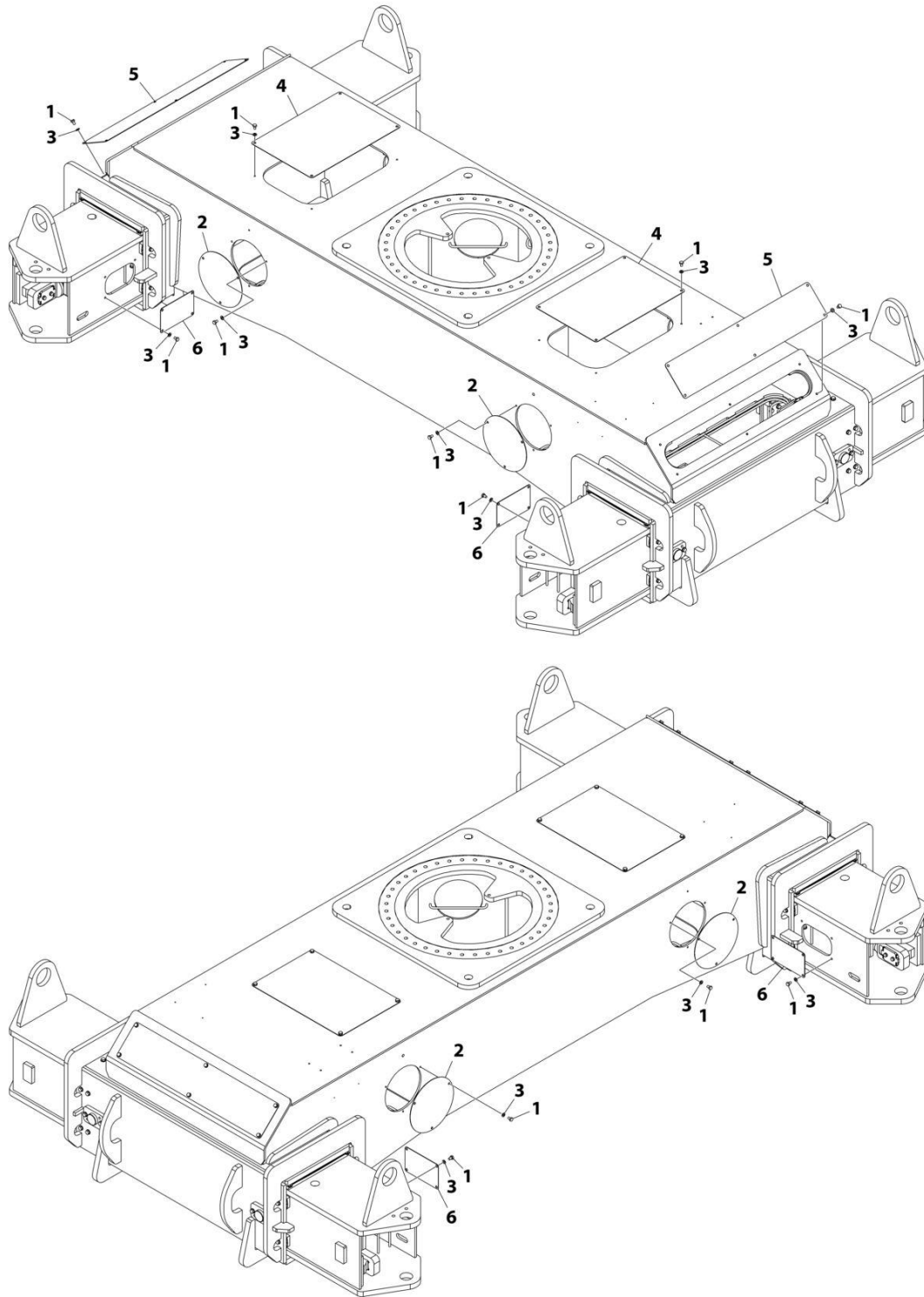
**SECTION 1 - FRAME**

**FIGURE 1-25. FRAME COVER INSTALLATION - STANDARD MACHINES (2WS)**

| <b>ITEM</b> | <b>PART NUMBER</b> | <b>QTY</b> | <b>DESCRIPTION</b>                           | <b>REV</b> |
|-------------|--------------------|------------|--|------------|
|             | 1001150044         | Ref        | FRAME COVER INSTALLATION - STANDARD MACHINES | C          |
| 1           | 0761008            | AR         | Bolt M10 x 16                                |            |
| 2           | 1671049            | 4          | Cover  |            |
| 3           | 4812000            | AR         | Washer M10                                   |            |
| 4           | 1001150577         | AR         | Cover  |            |
| 5           | 1001150578         | 2          | Cover  |            |
| 6           | 1001150579         | 8          | Cover  |            |

# SECTION 1 - FRAME

## FIGURE 1-26. FRAME COVER INSTALLATION - STANDARD MACHINES (4WS)



ART\_1001232783

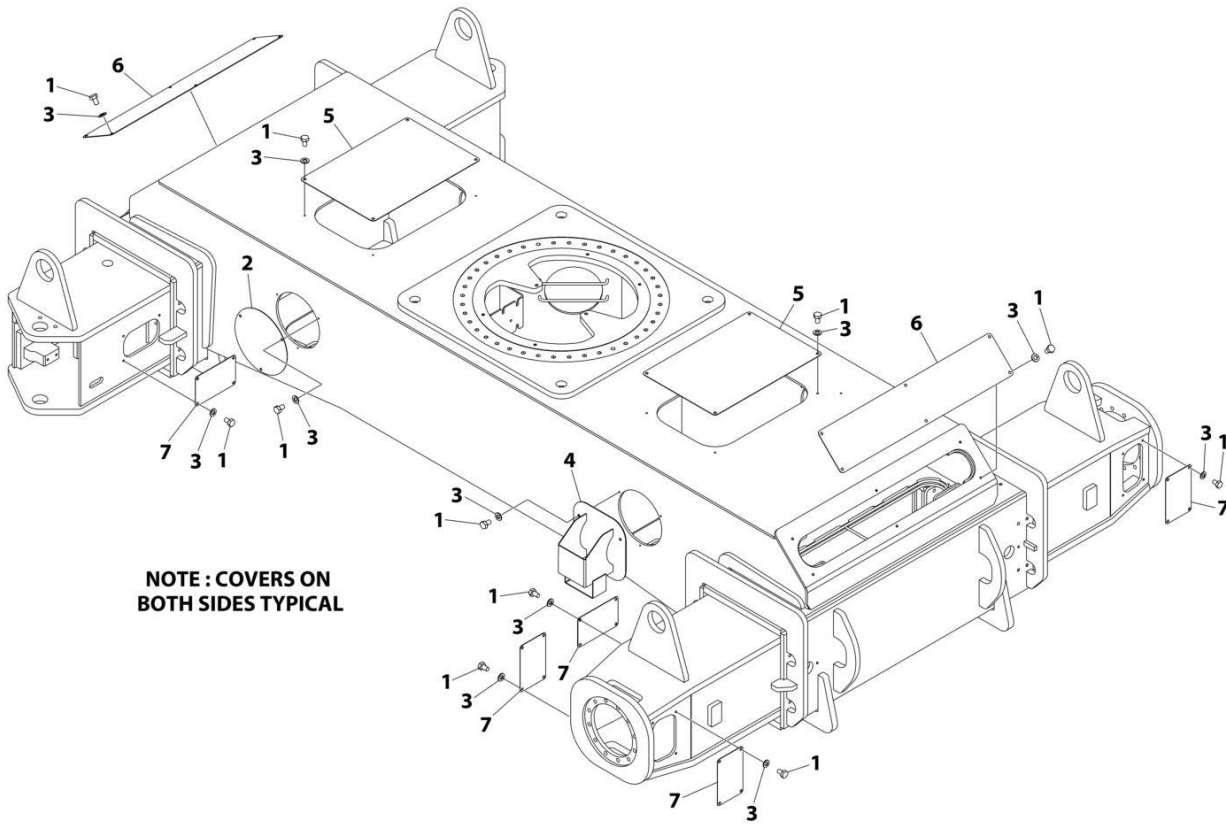
**SECTION 1 - FRAME**

**FIGURE 1-26. FRAME COVER INSTALLATION - STANDARD MACHINES (4WS)**

| <b>ITEM</b> | <b>PART NUMBER</b> | <b>QTY</b> | <b>DESCRIPTION</b>                           | <b>REV</b> |
|-------------|--------------------|------------|--|------------|
|             | 1001232783         | Ref        | FRAME COVER INSTALLATION - STANDARD MACHINES | A          |
| 1           | 0761008            | 48         | Bolt M10 x 16                                |            |
| 2           | 1671049            | 4          | Cover  |            |
| 3           | 4812000            | 48         | Washer M10                                   |            |
| 4           | 1001150577         | 2          | Cover  |            |
| 5           | 1001150578         | 2          | Cover  |            |
| 6           | 1001150579         | 4          | Cover  |            |

# SECTION 1 - FRAME

## FIGURE 1-27. FRAME COVER INSTALLATION - SHIPYARD MACHINES (2WS)



ART\_1001150042

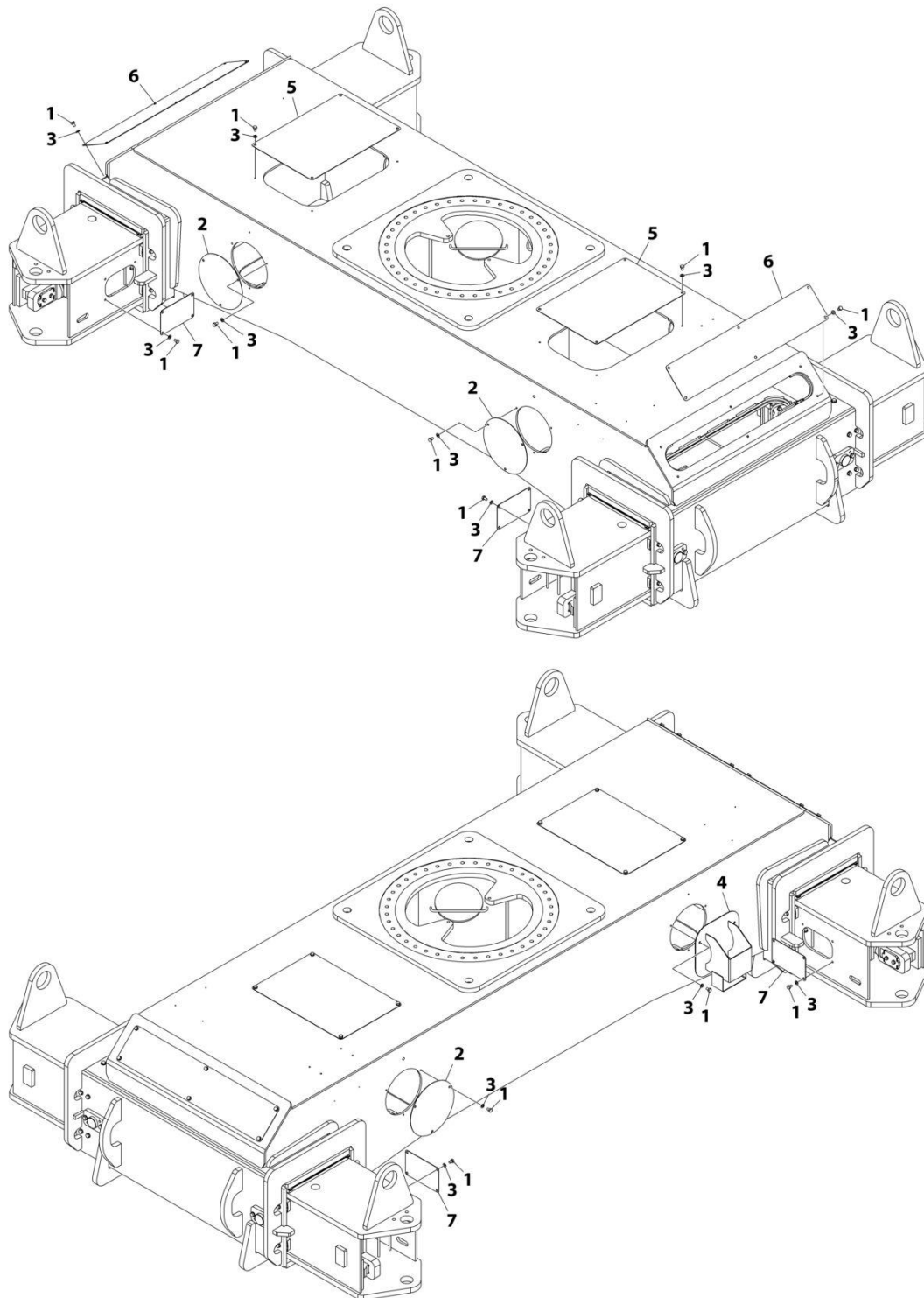
## SECTION 1 - FRAME

**FIGURE 1-27. FRAME COVER INSTALLATION - SHIPYARD MACHINES (2WS)**

| ITEM | PART NUMBER | QTY | DESCRIPTION                                  | REV |
|------|-------------|-----|--|-----|
|      | 1001150042  | Ref | FRAME COVER INSTALLATION - SHIPYARD MACHINES | C   |
| 1    | 0761008     | AR  | Bolt M10 x 16                                |     |
| 2    | 1671049     | 3   | Cover  |     |
| 3    | 4812000     | AR  | Washer M10                                   |     |
| 4    | 1001110877  | 1   | Mount, Fire Extinguisher                     |     |
| 5    | 1001150577  | AR  | Cover  |     |
| 6    | 1001150578  | 2   | Cover  |     |
| 7    | 1001150579  | 8   | Cover  |     |

# SECTION 1 - FRAME

FIGURE 1-28. FRAME COVER INSTALLATION - SHIPYARD MACHINES (4WS)



ART\_1001232782



## SECTION 1 - FRAME

**FIGURE 1-28. FRAME COVER INSTALLATION - SHIPYARD MACHINES (4WS)**

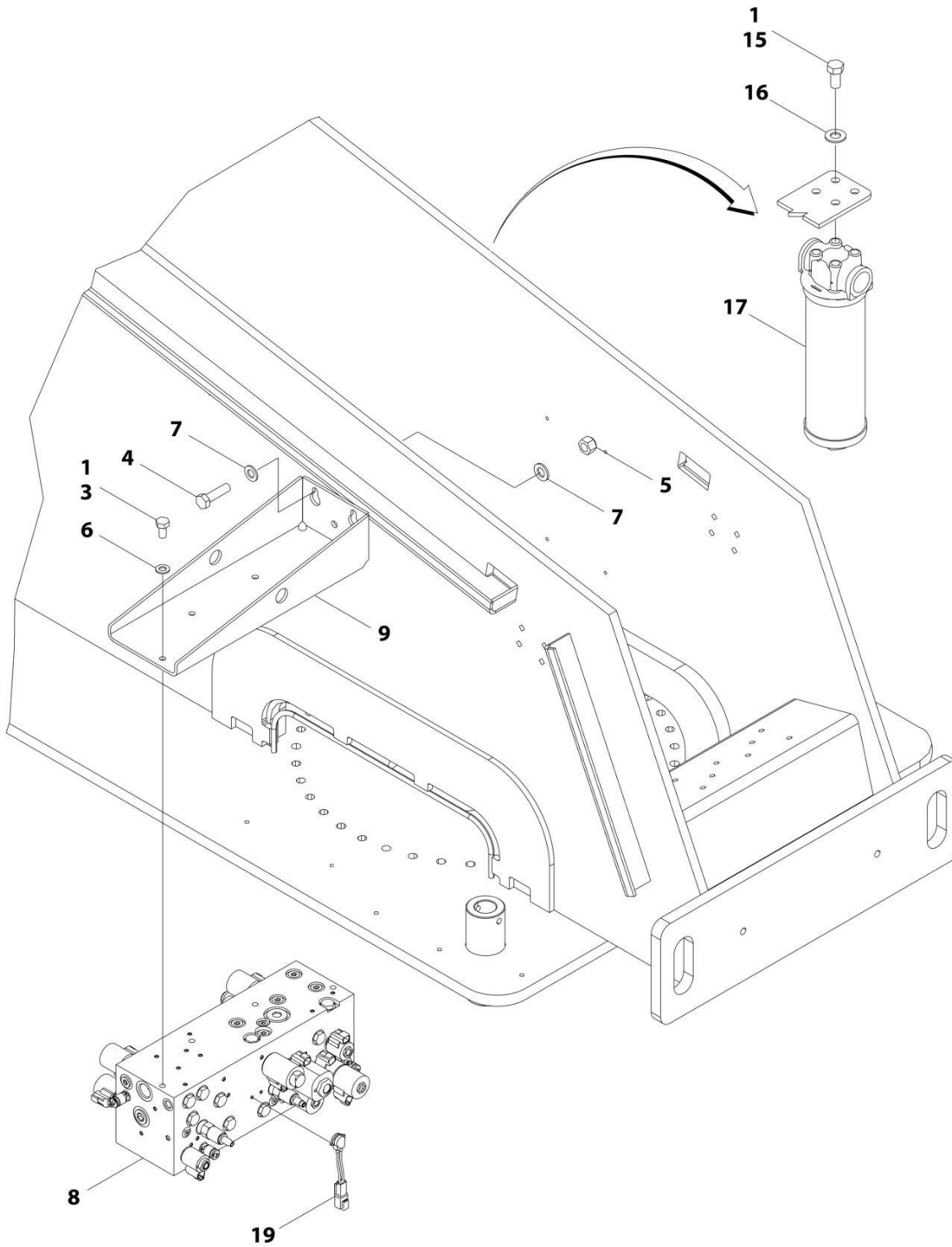
| ITEM | PART NUMBER | QTY | DESCRIPTION                                  | REV |
|------|-------------|-----|--|-----|
|      | 1001232782  | Ref | FRAME COVER INSTALLATION - SHIPYARD MACHINES | A   |
| 1    | 0761008     | 48  | Bolt M10 x 16                                |     |
| 2    | 1671049     | 3   | Cover  |     |
| 3    | 4812000     | 48  | Washer M10                                   |     |
| 4    | 1001110877  | 1   | Mount, Fire Extinguisher                     |     |
| 5    | 1001150577  | 2   | Cover  |     |
| 6    | 1001150578  | 2   | Cover  |     |
| 7    | 1001150579  | 4   | Cover  |     |



**SECTION 2 - TURNTABLE**

# SECTION 2 - TURNTABLE

FIGURE 2-1. VALVE INSTALLATION - TURNTABLE (1030S) (SN B300001586 through B300001676)



ART\_1001151550\_10F2

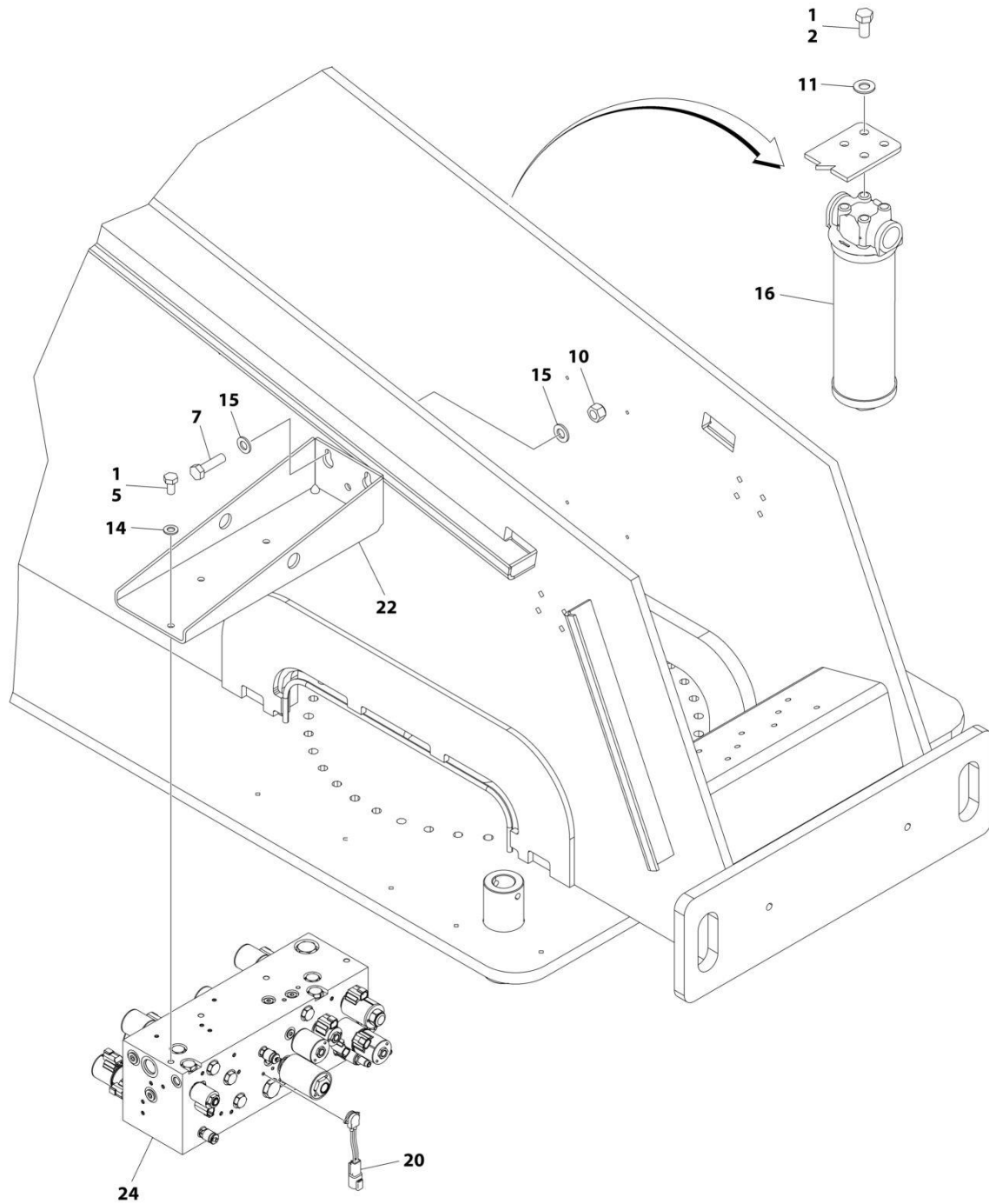
## SECTION 2 - TURNTABLE

**FIGURE 2-1. VALVE INSTALLATION - TURNTABLE (1030S) (SN B300001586 through B300001676)**

| ITEM | PART NUMBER | QTY | DESCRIPTION   | REV |
|------|-------------|-----|---|-----|
|      | 1001151550  | Ref | VALVE INSTALLATION - TURNTABLE (SN B300001586 through B300001676) | H   |
| 1    | 0100011     | AR  | Compound, Locking   |     |
| 3    | 0761010     | 7   | Bolt M10 x 20   |     |
| 4    | 0761217     | 3   | Bolt M12 x 45   |     |
| 5    | 3291205     | 3   | Nut M12   |     |
| 6    | 4812000     | 7   | Washer M10  |     |
| 7    | 4812100     | 6   | Washer M12  |     |
| 8    | 1001151420  | 1   | Main Valve Assembly (See Separate Breakdown in this Section)      |     |
| 9    | 1001151840  | 1   | Bracket   |     |
| 15   | 0641606     | 4   | Bolt 3/8 x 3/4  |     |
| 16   | 4711600     | 4   | Washer 3/8  |     |
| 17   | 1001108617  | 1   | Filter, Hydraulic   |     |
| 17   | 70002231    | 1   | Element, Filter   |     |
| 19   | 1001151525  | 1   | Sensor, Temperature   |     |

# SECTION 2 - TURNTABLE

FIGURE 2-2. VALVE INSTALLATION - TURNTABLE (WITH 2WD/2WS) (1030S) (SN B300001677 through B300005767)



ART\_1001223985\_2OF3

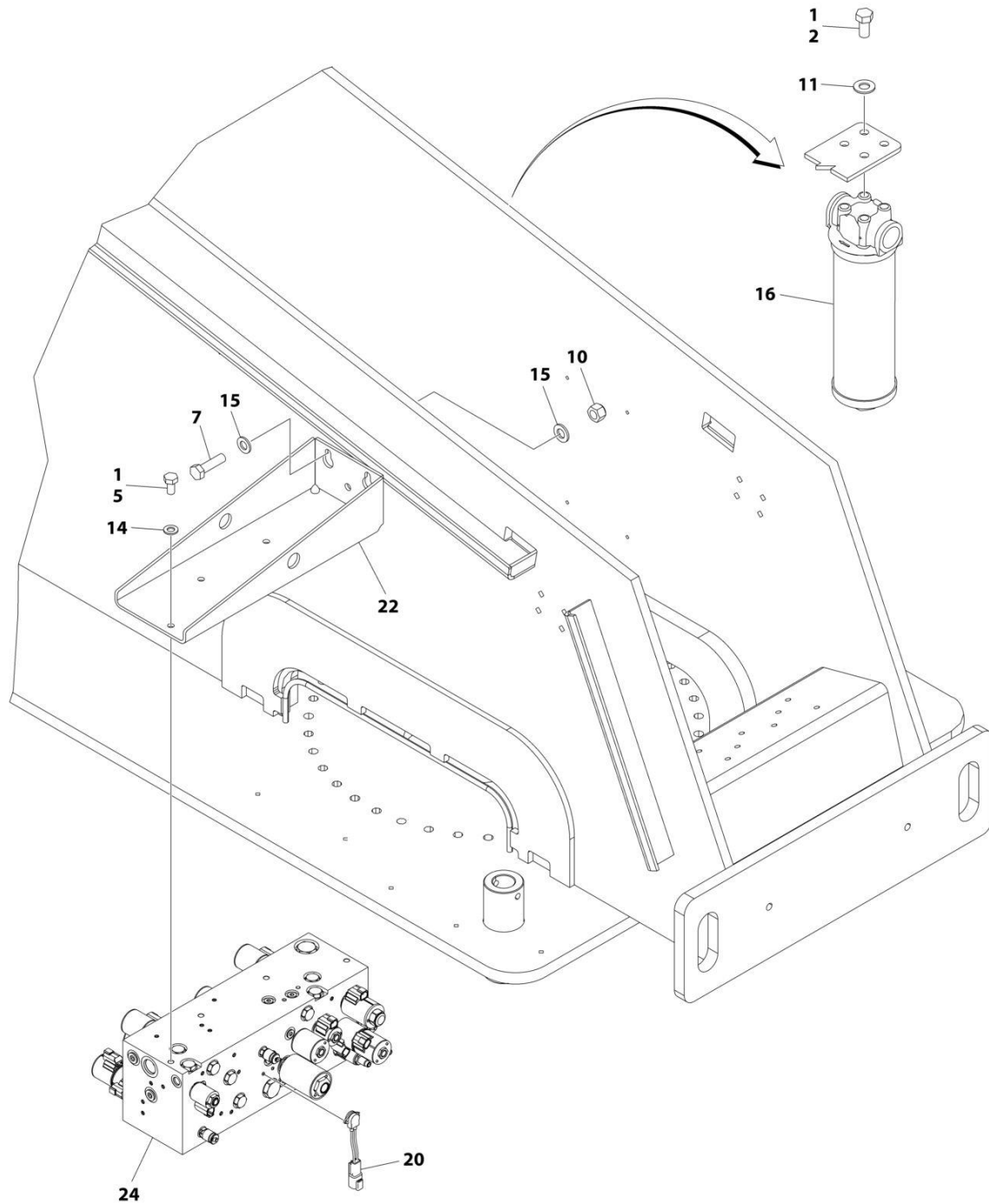
## SECTION 2 - TURNTABLE

**FIGURE 2-2. VALVE INSTALLATION - TURNTABLE (WITH 2WD/2WS) (1030S) (SN B300001677 through B300005767)**

| ITEM | PART NUMBER | QTY | DESCRIPTION  | REV |
|------|-------------|-----|--|-----|
|      | 1001223985  | Ref | VALVE INSTALLATION - TURNTABLE (WITH 2WD/2WS)                | A   |
| 1    | 0100011     | AR  | Compound, Locking  |     |
| 2    | 0641606     | 4   | Bolt 3/8 x 3/4   |     |
| 5    | 0761010     | 4   | Bolt M10 x 20  |     |
| 7    | 0761217     | 3   | Bolt M12 x 45  |     |
| 10   | 3291205     | 3   | Nut M12  |     |
| 11   | 4711600     | 4   | Washer 3/8   |     |
| 14   | 4812000     | 4   | Washer M10   |     |
| 15   | 4812100     | 6   | Washer M12   |     |
| 16   | 1001108617  | 1   | Filter, Hydraulic  |     |
| 16   | 70002231    | 1   | Element, Filter  |     |
| 20   | 1001151525  | 1   | Sensor, Temperature  |     |
| 22   | 1001151840  | 1   | Bracket  |     |
| 24   | 1001219116  | 1   | Main Valve Assembly (See Separate Breakdown in this Section) |     |

# SECTION 2 - TURNTABLE

FIGURE 2-3. VALVE INSTALLATION - TURNTABLE (WITH 4WD/2WS) (1030S) (SN B300001677 through B300005767)



ART\_1001223932\_2OF3



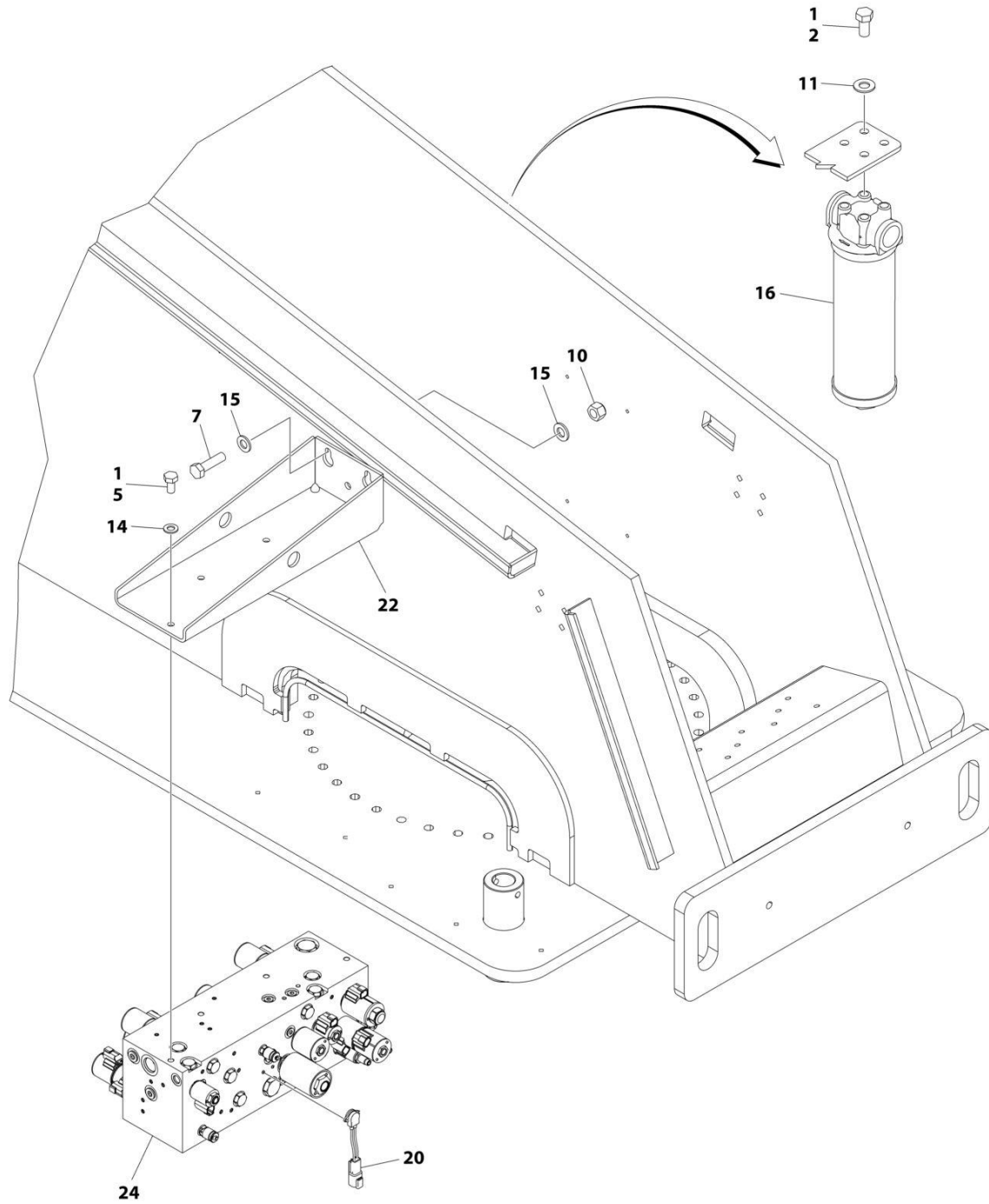
## SECTION 2 - TURNTABLE

**FIGURE 2-3. VALVE INSTALLATION - TURNTABLE (WITH 4WD/2WS) (1030S) (SN B300001677 through B300005767)**

| ITEM | PART NUMBER | QTY | DESCRIPTION  | REV |
|------|-------------|-----|--|-----|
|      | 1001223932  | Ref | VALVE INSTALLATION - TURNTABLE (WITH 4WD/2WS)                | A   |
| 1    | 0100011     | AR  | Compound, Locking  |     |
| 2    | 0641606     | 4   | Bolt 3/8 x 3/4   |     |
| 5    | 0761010     | 4   | Bolt M10 x 20  |     |
| 7    | 0761217     | 3   | Bolt M12 x 45  |     |
| 10   | 3291205     | 3   | Nut M12  |     |
| 11   | 4711600     | 4   | Washer 3/8   |     |
| 14   | 4812000     | 4   | Washer M10   |     |
| 15   | 4812100     | 6   | Washer M12   |     |
| 16   | 1001108617  | 1   | Filter, Hydraulic  |     |
| 16   | 70002231    | 1   | Element, Filter  |     |
| 20   | 1001151525  | 1   | Sensor, Temperature  |     |
| 22   | 1001151840  | 1   | Bracket  |     |
| 24   | 1001219116  | 1   | Main Valve Assembly (See Separate Breakdown in this Section) |     |

# SECTION 2 - TURNTABLE

## FIGURE 2-4. VALVE INSTALLATION - TURNTABLE (WITH 4WD/4WS) (1030S)



ART\_1001223891\_20F3

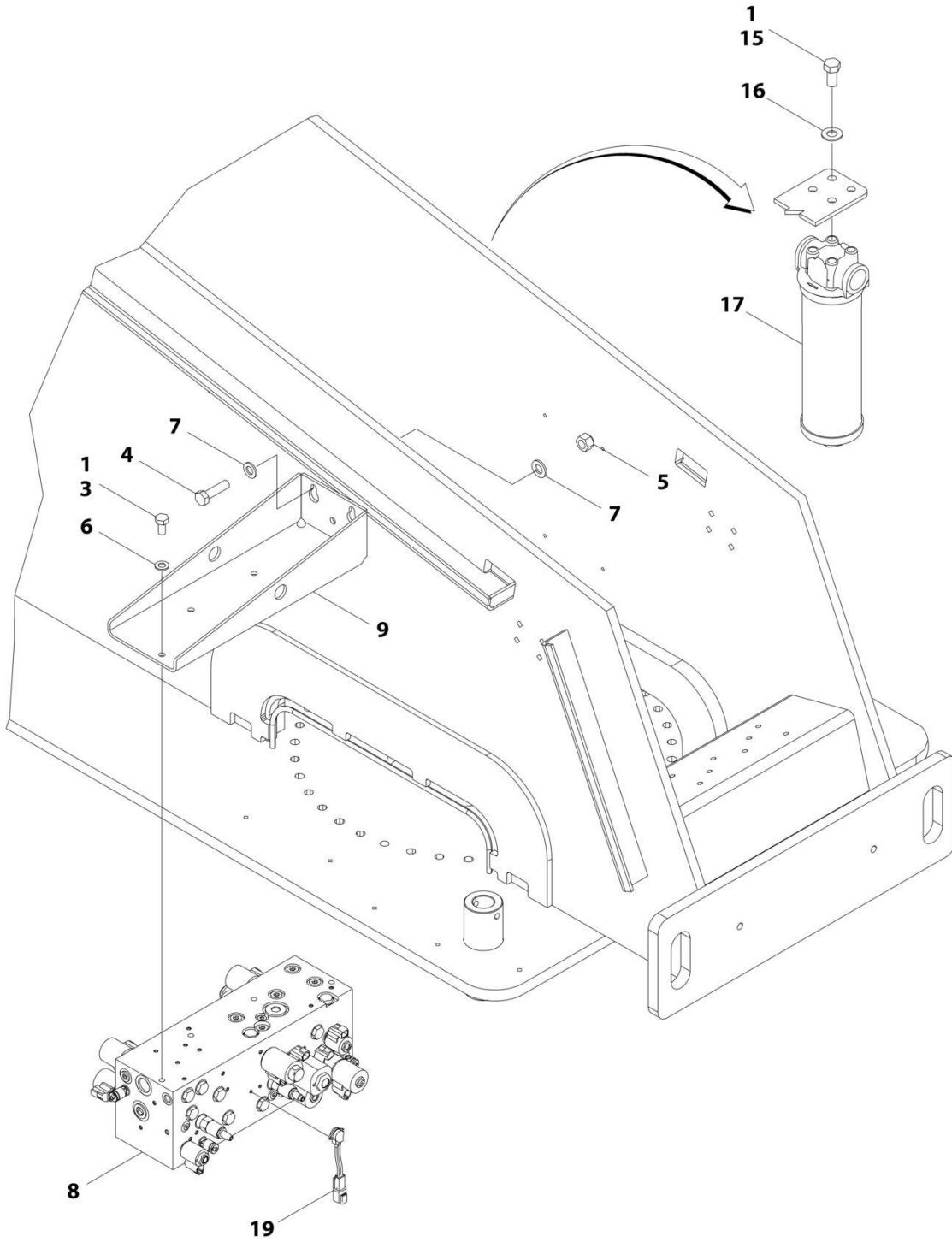
## SECTION 2 - TURNTABLE

**FIGURE 2-4. VALVE INSTALLATION - TURNTABLE (WITH 4WD/4WS) (1030S)**

| ITEM | PART NUMBER | QTY | DESCRIPTION  | REV |
|------|-------------|-----|--|-----|
|      | 1001223891  | Ref | VALVE INSTALLATION - TURNTABLE (WITH 4WD/4WS)                | A   |
| 1    | 0100011     | AR  | Compound, Locking  |     |
| 2    | 0641606     | 4   | Bolt 3/8 x 3/4   |     |
| 5    | 0761010     | 4   | Bolt M10 x 20  |     |
| 7    | 0761217     | 3   | Bolt M12 x 45  |     |
| 10   | 3291205     | 3   | Nut M12  |     |
| 11   | 4711600     | 4   | Washer 3/8   |     |
| 14   | 4812000     | 4   | Washer M10   |     |
| 15   | 4812100     | 6   | Washer M12   |     |
| 16   | 1001108617  | 1   | Filter, Hydraulic  |     |
| 16   | 70002231    | 1   | Element, Filter  |     |
| 20   | 1001151525  | 1   | Sensor, Temperature  |     |
| 22   | 1001151840  | 1   | Bracket  |     |
| 24   | 1001219116  | 1   | Main Valve Assembly (See Separate Breakdown in this Section) |     |

# SECTION 2 - TURNTABLE

FIGURE 2-5. VALVE INSTALLATION - TURNTABLE (1100SJ) (SN B300001586 through B300001676)



ART\_1001151549\_10F2

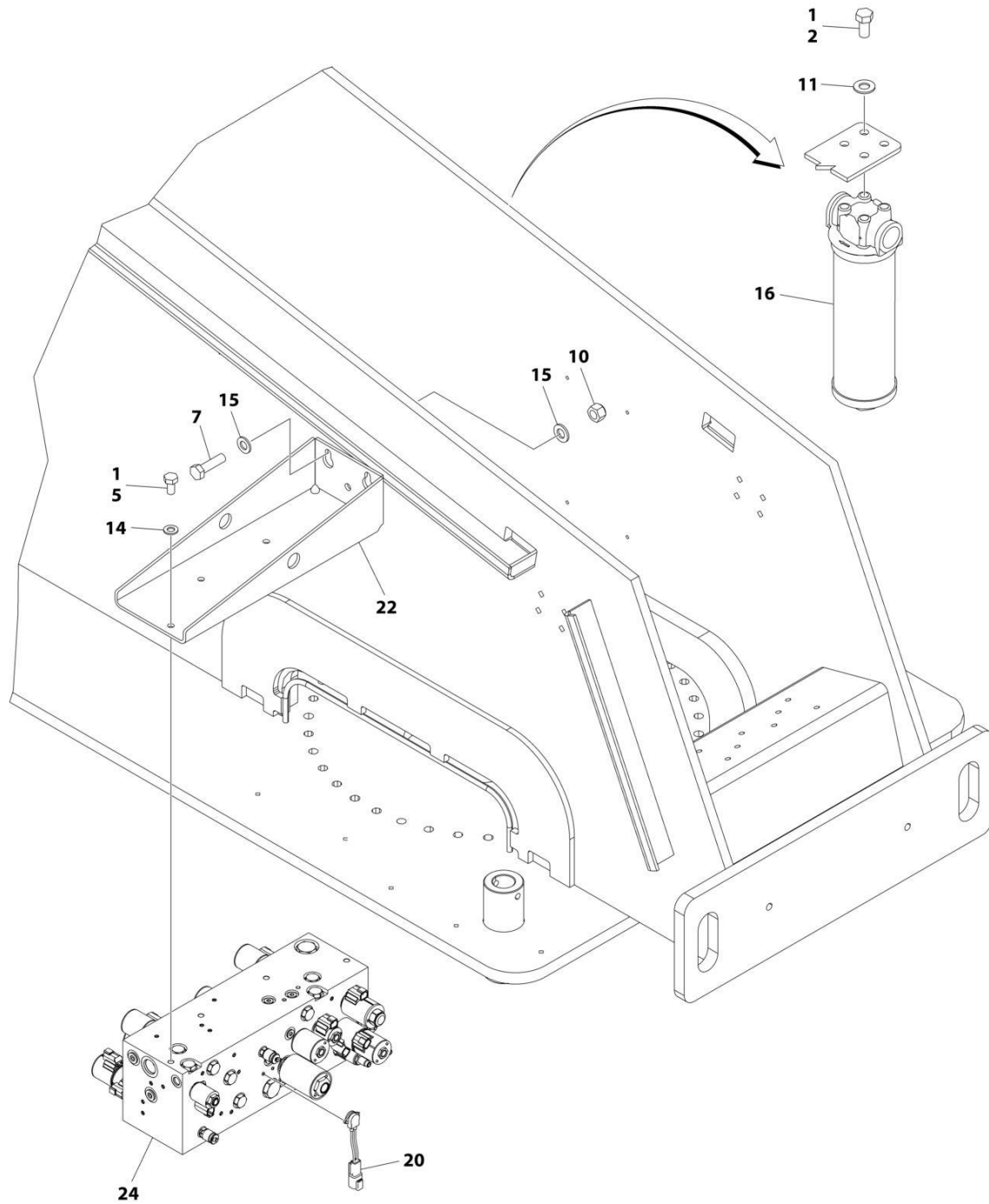
## SECTION 2 - TURNTABLE

**FIGURE 2-5. VALVE INSTALLATION - TURNTABLE (1100SJ) (SN B300001586 through B300001676)**

| ITEM | PART NUMBER | QTY | DESCRIPTION   | REV |
|------|-------------|-----|---|-----|
|      | 1001151549  | Ref | VALVE INSTALLATION - TURNTABLE (SN B300001586 through B300001676) | H   |
| 1    | 0100011     | AR  | Compound, Locking   |     |
| 3    | 0761010     | 7   | Bolt M10 x 20   |     |
| 4    | 0761217     | 3   | Bolt M12 x 45   |     |
| 5    | 3291205     | 3   | Nut M12   |     |
| 6    | 4812000     | 7   | Washer M10  |     |
| 7    | 4812100     | 6   | Washer M12  |     |
| 8    | 1001151420  | 1   | Main Valve Assembly (See Separate Breakdown in this Section)      |     |
| 9    | 1001151840  | 1   | Bracket   |     |
| 15   | 0641606     | 4   | Bolt 3/8 x 3/4  |     |
| 16   | 4711600     | 4   | Washer 3/8  |     |
| 17   | 1001108617  | 1   | Filter, Hydraulic   |     |
| 17   | 70002231    | 1   | Element, Filter   |     |
| 19   | 1001151525  | 1   | Sensor, Temperature   |     |

# SECTION 2 - TURNTABLE

FIGURE 2-6. VALVE INSTALLATION - TURNTABLE (WITH 2WD/2WS) (1100SJ) (SN B300001677 through B300005767)



ART\_1001223984\_2OF3

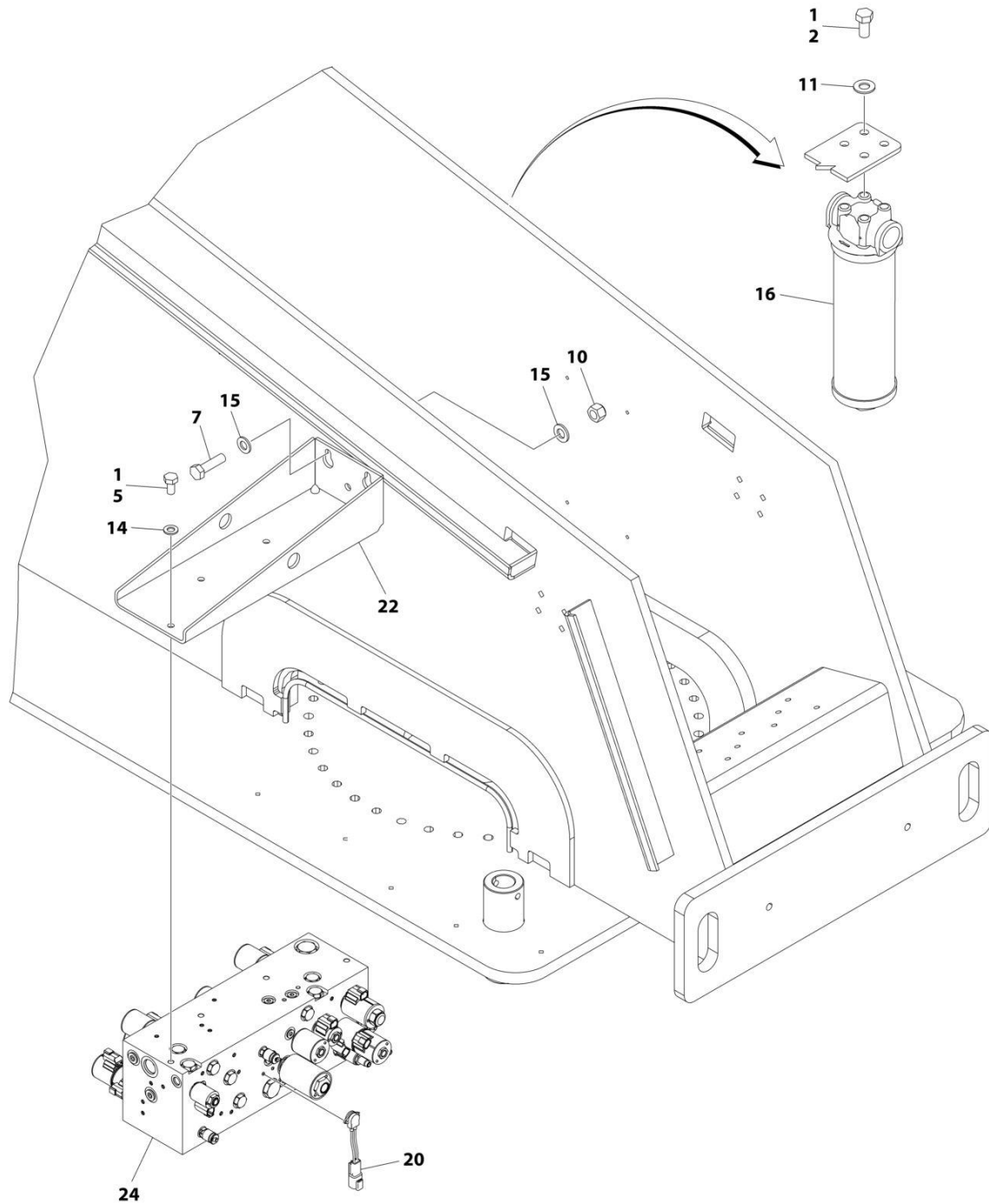
## SECTION 2 - TURNTABLE

**FIGURE 2-6. VALVE INSTALLATION - TURNTABLE (WITH 2WD/2WS) (1100SJ) (SN B300001677 through B300005767)**

| ITEM | PART NUMBER | QTY | DESCRIPTION  | REV |
|------|-------------|-----|--|-----|
|      | 1001223984  | Ref | VALVE INSTALLATION - TURNTABLE (WITH 2WD/2WD)                | B   |
| 1    | 0100011     | AR  | Compound, Locking  |     |
| 2    | 0641606     | 4   | Bolt 3/8 x 3/4   |     |
| 5    | 0761010     | 4   | Bolt M10 x 20  |     |
| 7    | 0761217     | 3   | Bolt M12 x 45  |     |
| 10   | 3291205     | 3   | Nut M12  |     |
| 11   | 4711600     | 4   | Washer 3/8   |     |
| 14   | 4812000     | 4   | Washer M10   |     |
| 15   | 4812100     | 6   | Washer M12   |     |
| 16   | 1001108617  | 1   | Filter, Hydraulic  |     |
| 16   | 70002231    | 1   | Element, Filter  |     |
| 20   | 1001151525  | 1   | Sensor, Temperature  |     |
| 22   | 1001151840  | 1   | Bracket  |     |
| 24   | 1001219116  | 1   | Main Valve Assembly (See Separate Breakdown in this Section) |     |

# SECTION 2 - TURNTABLE

FIGURE 2-7. VALVE INSTALLATION - TURNTABLE (WITH 4WD/2WS) (1100SJ) (SN B300001677 through B300005767)



ART\_1001223931\_20F3



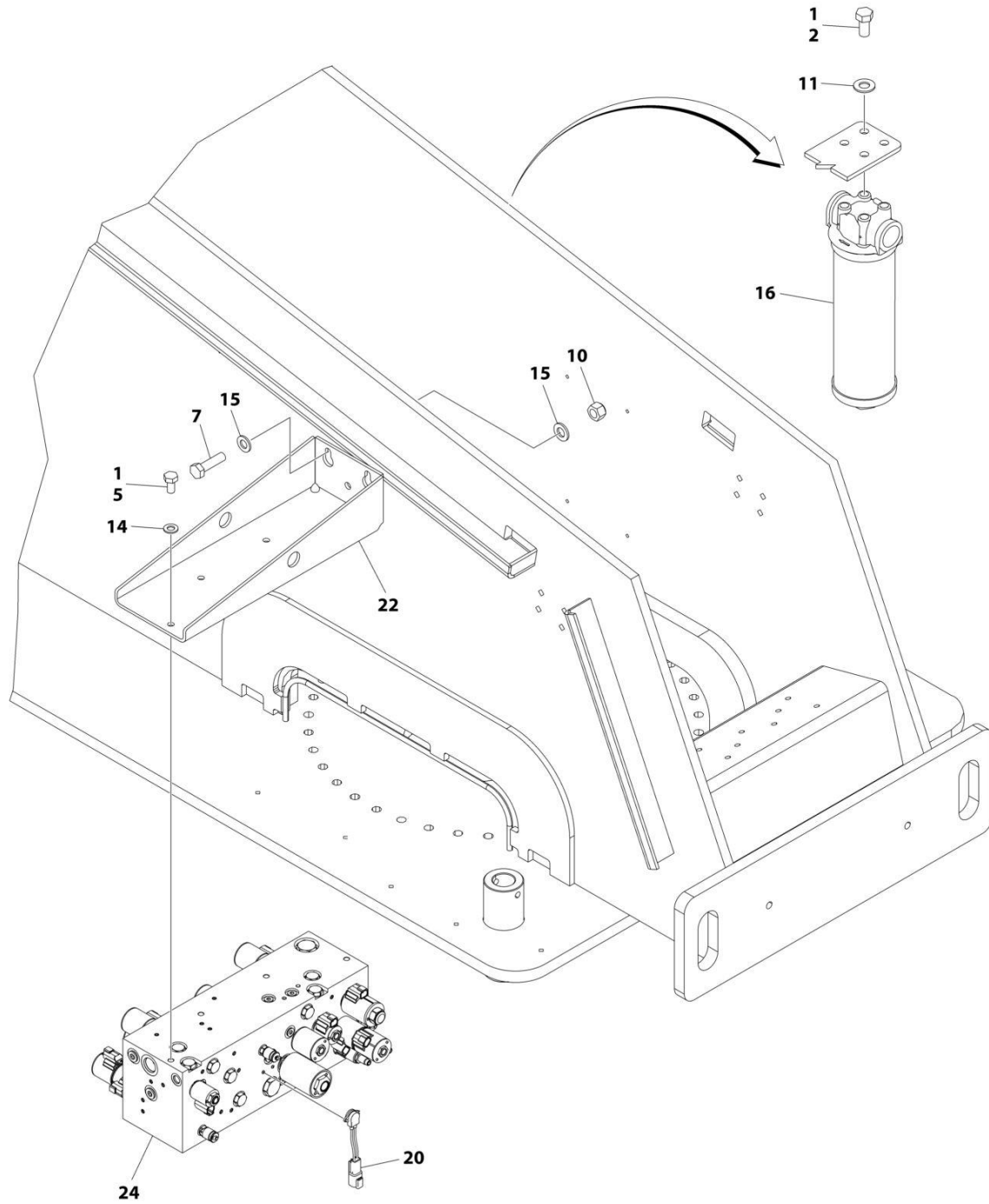
## SECTION 2 - TURNTABLE

**FIGURE 2-7. VALVE INSTALLATION - TURNTABLE (WITH 4WD/2WS) (1100SJ) (SN B300001677 through B300005767)**

| ITEM | PART NUMBER | QTY | DESCRIPTION  | REV |
|------|-------------|-----|--|-----|
|      | 1001223931  | Ref | VALVE INSTALLATION - TURNTABLE (WITH 4WD/2WS)                | B   |
| 1    | 0100011     | AR  | Compound, Locking  |     |
| 2    | 0641606     | 4   | Bolt 3/8 x 3/4   |     |
| 5    | 0761010     | 4   | Bolt M10 x 20  |     |
| 7    | 0761217     | 3   | Bolt M12 x 45  |     |
| 10   | 3291205     | 3   | Nut M12  |     |
| 11   | 4711600     | 4   | Washer 3/8   |     |
| 14   | 4812000     | 4   | Washer M10   |     |
| 15   | 4812100     | 6   | Washer M12   |     |
| 16   | 1001108617  | 1   | Filter, Hydraulic  |     |
| 16   | 70002231    | 1   | Element, Filter  |     |
| 20   | 1001151525  | 1   | Sensor, Temperature  |     |
| 22   | 1001151840  | 1   | Bracket  |     |
| 24   | 1001219116  | 1   | Main Valve Assembly (See Separate Breakdown in this Section) |     |

# SECTION 2 - TURNTABLE

## FIGURE 2-8. VALVE INSTALLATION - TURNTABLE (WITH 4WD/4WS) (1100SJ)



ART\_1001223890\_20F3

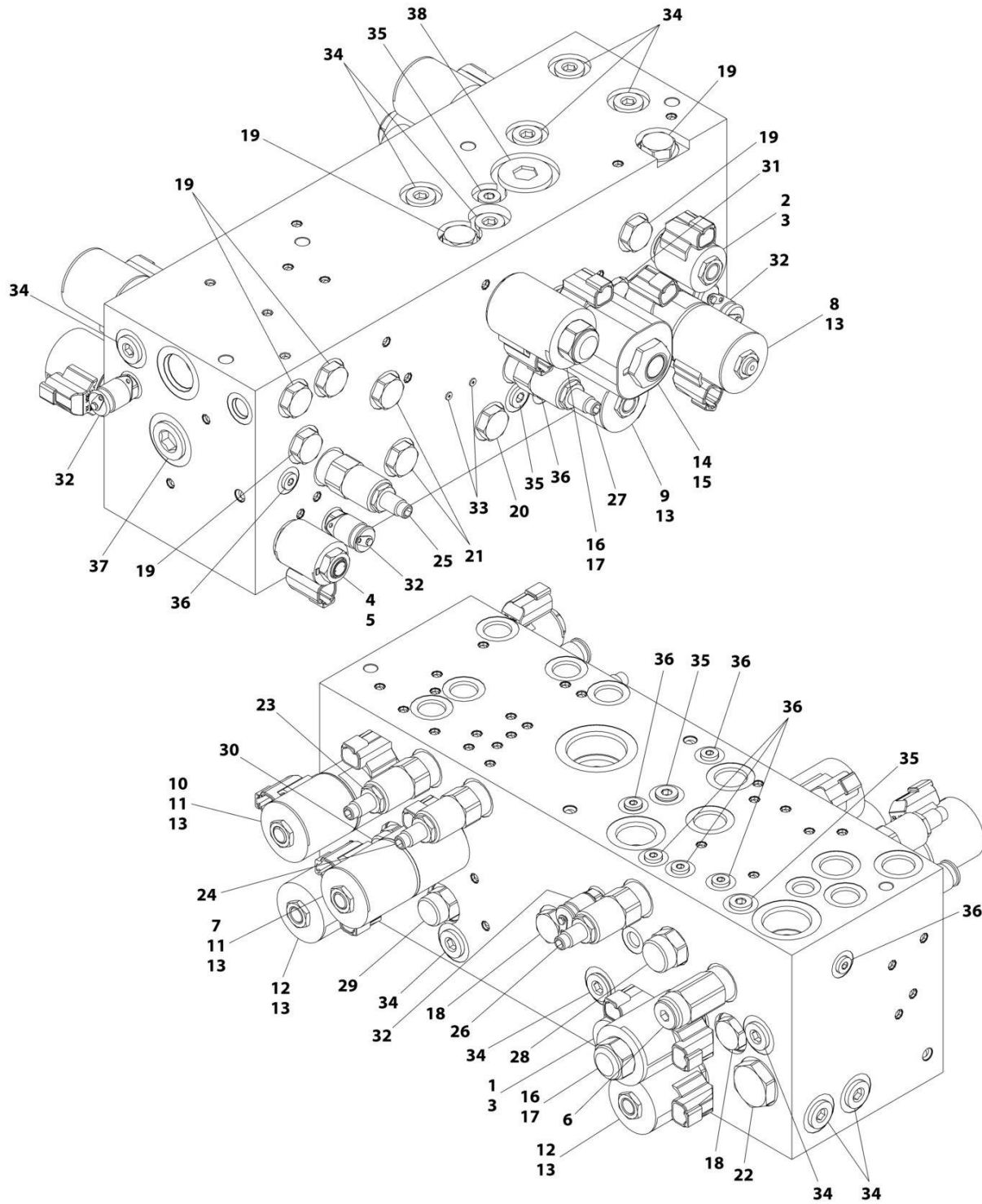
# SECTION 2 - TURNTABLE

**FIGURE 2-8. VALVE INSTALLATION - TURNTABLE (WITH 4WD/4WS) (1100SJ)**

| ITEM | PART NUMBER | QTY | DESCRIPTION  | REV |
|------|-------------|-----|--|-----|
|      | 1001223890  | Ref | VALVE INSTALLATION - TURNTABLE (WITH 4WD/4WS)                | B   |
| 1    | 0100011     | AR  | Compound, Locking  |     |
| 2    | 0641606     | 4   | Bolt 3/8 x 3/4   |     |
| 5    | 0761010     | 4   | Bolt M10 x 20  |     |
| 7    | 0761217     | 3   | Bolt M12 x 45  |     |
| 10   | 3291205     | 3   | Nut M12  |     |
| 11   | 4711600     | 4   | Washer 3/8   |     |
| 14   | 4812000     | 4   | Washer M10   |     |
| 15   | 4812100     | 6   | Washer M12   |     |
| 16   | 1001108617  | 1   | Filter, Hydraulic  |     |
| 16   | 70002231    | 1   | Element, Filter  |     |
| 20   | 1001151525  | 1   | Sensor, Temperature  |     |
| 22   | 1001151840  | 1   | Bracket  |     |
| 24   | 1001219116  | 1   | Main Valve Assembly (See Separate Breakdown in this Section) |     |

# SECTION 2 - TURNTABLE

## FIGURE 2-9. MAIN VALVE ASSEMBLY (SN B300001586 through B300001676)



ART\_1001151420

**SECTION 2 - TURNTABLE**

**FIGURE 2-9. MAIN VALVE ASSEMBLY (SN B300001586 through B300001676)**

| ITEM | PART NUMBER | QTY | DESCRIPTION  | REV |
|------|-------------|-----|--|-----|
|      | 1001151420  | Ref | MAIN VALVE ASSEMBLY (SN B300001586 through B300001676) | D   |
| 1    | 7017467     | 1   | Cartridge, Solenoid Valve Less Coil                    |     |
| 1    | 7012967     | 1   | Seal Kit - 7017467 Valve                               |     |
| 1    | 7022390     | 1   | Nut, Coil  |     |
| 2    | 7017453     | 1   | Cartridge, Solenoid Valve Less Coil                    |     |
| 2    | 7017402     | 1   | Seal Kit - 7017453 Valve                               |     |
| 2    | 7022390     | 1   | Nut, Coil  |     |
| 3    | 70002386    | 2   | Coil   |     |
| 4    | 70002969    | 1   | Cartridge, Proportional Valve                          |     |
| 4    | 7010543     | 1   | Seal Kit - 70002969 Valve                              |     |
| 5    | 70002971    | 1   | Coil   |     |
| 6    | 70005777    | 1   | Cartridge, Relief Valve                                |     |
| 6    | 7017496     | 1   | Seal Kit - 70005777 Valve                              |     |
| 7    | 70005778    | 1   | Cartridge, Solenoid Valve Less Coil                    |     |
| 7    | 70003976    | 1   | Seal Kit - 70005778 Valve                              |     |
| 7    | 70003024    | 1   | Spacer, Coil   |     |
| 7    | 7022390     | 1   | Nut, Coil  |     |
| 8    | 70005779    | 1   | Cartridge, Solenoid Valve Less Coil                    |     |
| 8    | 70005780    | 1   | Seal Kit - 70005779 Valve                              |     |
| 8    | 70003024    | 1   | Spacer, Coil   |     |
| 8    | 7022390     | 1   | Nut, Coil  |     |
| 9    | 7017479     | 1   | Cartridge, Solenoid Valve Less Coil                    |     |
| 9    | 7012518     | 1   | Seal Kit - 7017479 Valve                               |     |
| 9    | 7022390     | 1   | Nut, Coil  |     |
| 10   | 70003972    | 1   | Cartridge, Solenoid Valve Less Coil                    |     |
| 10   | 70003976    | 1   | Seal Kit - 70003972 Valve                              |     |
| 10   | 70003024    | 1   | Spacer, Coil   |     |
| 10   | 7022390     | 1   | Nut, Coil  |     |
| 11   | 70005781    | 2   | Disc, Check Valve                                      |     |
| 12   | 7023923     | 2   | Cartridge, Solenoid Valve Less Coil                    |     |
| 12   | 7023919     | 2   | Seal Kit - 7023923 Valve                               |     |
| 12   | 7022390     | 2   | Nut, Coil  |     |
| 13   | 70003788    | 9   | Coil   |     |
| 14   | 70005782    | 1   | Cartridge, Solenoid Valve Less Coil                    |     |
| 14   | 7012925     | 1   | Seal Kit - 70005782 Valve                              |     |
| 14   | 70027278    | 1   | Nut, Coil  |     |
| 15   | 70027006    | 1   | Coil   |     |
| 16   | 7021636     | 2   | Cartridge, Proportional Valve                          |     |
| 16   | 7017495     | 2   | Seal Kit - 7021636 Valve                               |     |
| 17   | 70003789    | 2   | Coil   |     |
| 18   | 7022391     | 2   | Cartridge, Check Valve                                 |     |
| 18   | 7012967     | 2   | Seal Kit - 7022391 Valve                               |     |
| 19   | 4641129     | 6   | Cartridge, Check Valve                                 |     |
| 19   | 7012540     | 6   | Seal Kit - 4641129 Valve                               |     |
| 20   | 7012975     | 1   | Cartridge, Check Valve                                 |     |
| 20   | 7012540     | 1   | Seal Kit - 7012975 Valve                               |     |
| 21   | 7012914     | 2   | Cartridge, Check Valve                                 |     |
| 21   | 7012918     | 2   | Seal Kit - 7012914 Valve                               |     |
| 22   | 70005783    | 1   | Cartridge, Check Valve                                 |     |
| 22   | 7023919     | 1   | Seal Kit - 70005783 Valve                              |     |

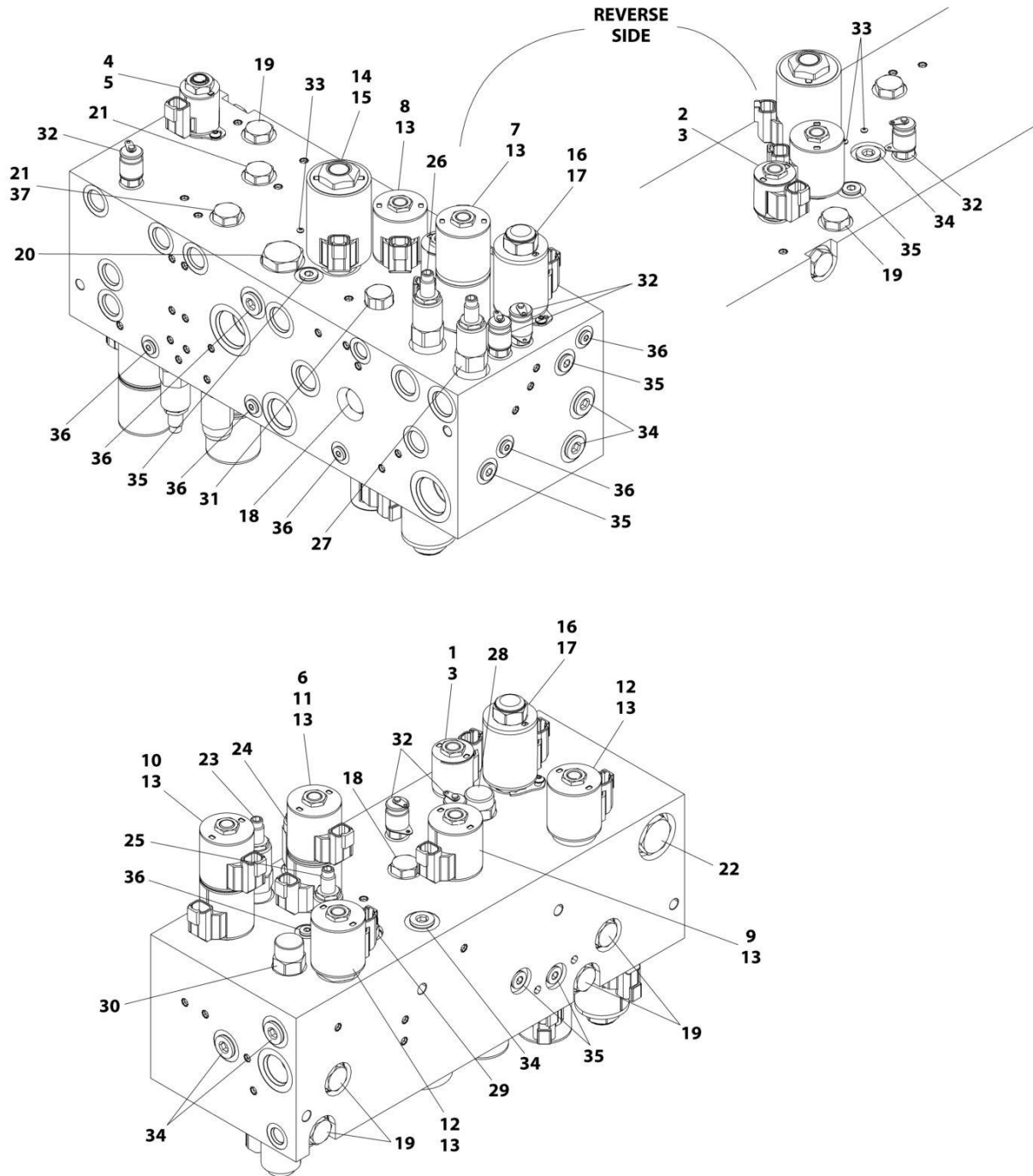
## SECTION 2 - TURNTABLE

| ITEM | PART NUMBER | QTY | DESCRIPTION                           | REV |
|------|-------------|-----|---------------------------------------|-----|
| 23   | 7017418     | 1   | Cartridge, Relief Valve               |     |
| 23   | 7012998     | 1   | Seal Kit - 7017418 Valve              |     |
| 24   | 7024894     | 1   | Cartridge, Relief Valve               |     |
| 24   | 7012998     | 1   | Seal Kit - 7024894 Valve              |     |
| 25   | 7017420     | 1   | Cartridge, Relief Valve               |     |
| 25   | 7012998     | 1   | Seal Kit - 7017420 Valve              |     |
| 26   | 70005784    | 2   | Cartridge, Relief Valve               |     |
| 26   | 7012998     | 2   | Seal Kit - 70005784 Valve             |     |
| 27   | 70001978    | 1   | Cartridge, Relief Valve               |     |
| 27   | 7017496     | 1   | Seal Kit - 70001978 Valve             |     |
| 28   | 4641210     | 1   | Cartridge, Flow Regulator Valve       |     |
| 28   | 7010545     | 1   | Seal Kit - 4641210 Valve              |     |
| 29   | 7012989     | 1   | Cartridge, Flow Regulator Valve       |     |
| 29   | 7012953     | 1   | Seal Kit - 7012989 Valve              |     |
| 30   | 70004152    | 1   | Cartridge, Pressure Compensator Valve |     |
| 30   | 2900707     | 1   | Seal Kit - 70004152 Valve             |     |
| 31   | 70005786    | 1   | Cartridge, Valve                      |     |
| 31   | 2900770     | 1   | Seal Kit - 70005786 Valve             |     |
| 32   | 2221086     | 5   | Fitting, Pressure Test                |     |
| 33   | 70005785    | 2   | Screw M3 x 3                          |     |
| 34   | 2220886     | 11  | Plug                                  |     |
| 35   | 2220885     | 7   | Plug                                  |     |
| 36   | 2220883     | 8   | Plug                                  |     |
| 37   | See Note    | NSS | Plug (Note: Purchase Locally)         |     |
| 38   | See Note    | NSS | Plug (Note: Purchase Locally)         |     |



# SECTION 2 - TURNTABLE

FIGURE 2-10. MAIN VALVE ASSEMBLY (SN B300001677 through B300005767)



ART\_1001219116



## SECTION 2 - TURNTABLE

**FIGURE 2-10. MAIN VALVE ASSEMBLY (SN B300001677 through B300005767)**

| ITEM | PART NUMBER | QTY | DESCRIPTION                         | REV |
|------|-------------|-----|-------------------------------------|-----|
|      | 1001219116  | Ref | MAIN VALVE ASSEMBLY                 | C   |
| 1    | 7017467     | 1   | Cartridge, Solenoid Valve Less Coil |     |
| 1    | 7012967     | 1   | Seal Kit - 7017467 Valve            |     |
| 1    | 7022390     | 1   | Nut, Coil                           |     |
| 2    | 7017453     | 1   | Cartridge, Solenoid Valve Less Coil |     |
| 2    | 7017402     | 1   | Seal Kit - 7017453 Valve            |     |
| 2    | 7022390     | 1   | Nut, Coil                           |     |
| 3    | 70002386    | 2   | Coil                                |     |
| 4    | 70002969    | 1   | Cartridge, Proportional Valve       |     |
| 4    | 7010543     | 1   | Seal Kit - 70002969 Valve           |     |
| 4    | 70005717    | 1   | Lockdown Kit                        |     |
| 5    | 70002971    | 1   | Coil                                |     |
| 6    | 70005778    | 1   | Cartridge, Solenoid Valve Less Coil |     |
| 6    | 70003976    | 1   | Seal Kit - 70005778 Valve           |     |
| 6    | 70003024    | 1   | Spacer, Coil                        |     |
| 6    | 7022390     | 1   | Nut, Coil                           |     |
| 7    | 70006237    | 1   | Cartridge, Solenoid Valve Less Coil |     |
| 7    | 70006238    | 1   | Seal Kit - 70006237 Valve           |     |
| 7    | 70003024    | 1   | Spacer, Coil                        |     |
| 7    | 7022390     | 1   | Nut, Coil                           |     |
| 8    | 70006239    | 1   | Cartridge, Solenoid Valve Less Coil |     |
| 8    | 7012518     | 1   | Seal Kit - 70006239 Valve           |     |
| 8    | 7022390     | 1   | Nut, Coil                           |     |
| 9    | 7010635     | 1   | Cartridge, Solenoid Valve Less Coil |     |
| 9    | 2900708     | 1   | Seal Kit - 7010635 Valve            |     |
| 9    | 7022390     | 1   | Nut, Coil                           |     |
| 10   | 70003972    | 1   | Cartridge, Solenoid Valve Less Coil |     |
| 10   | 70003976    | 1   | Seal Kit - 70003972 Valve           |     |
| 10   | 7022390     | 1   | Nut, Coil                           |     |
| 11   | 70005781    | 1   | Disc, Check Valve                   |     |
| 12   | 7023923     | 2   | Cartridge, Solenoid Valve Less Coil |     |
| 12   | 7023919     | 2   | Seal Kit - 7023923 Valve            |     |
| 12   | 7022390     | 2   | Nut, Coil                           |     |
| 13   | 70003788    | 10  | Coil                                |     |
| 14   | 70005782    | 1   | Cartridge, Solenoid Valve Less Coil |     |
| 14   | 7012925     | 1   | Seal Kit - 70005782 Valve           |     |
| 14   | 70027278    | 1   | Nut, Coil                           |     |
| 15   | 70027006    | 1   | Coil                                |     |
| 16   | 7021636     | 2   | Cartridge, Proportional Valve       |     |
| 16   | 7017495     | 2   | Seal Kit - 7021636 Valve            |     |
| 16   | 70005725    | 2   | Lockdown Kit                        |     |
| 17   | 70003789    | 2   | Coil                                |     |
| 18   | 7022391     | 2   | Cartridge, Check Valve              |     |
| 18   | 7012967     | 2   | Seal Kit - 7022391 Valve            |     |
| 19   | 4641129     | 6   | Cartridge, Check Valve              |     |
| 19   | 7012540     | 6   | Seal Kit - 4641129 Valve            |     |
| 20   | 70006240    | 1   | Cartridge, Check Valve              |     |
| 20   | 7023919     | 1   | Seal Kit - 70006240 Valve           |     |
| 21   | 7012914     | 2   | Cartridge, Check Valve              |     |
| 21   | 7012918     | 2   | Seal Kit - 7012914 Valve            |     |

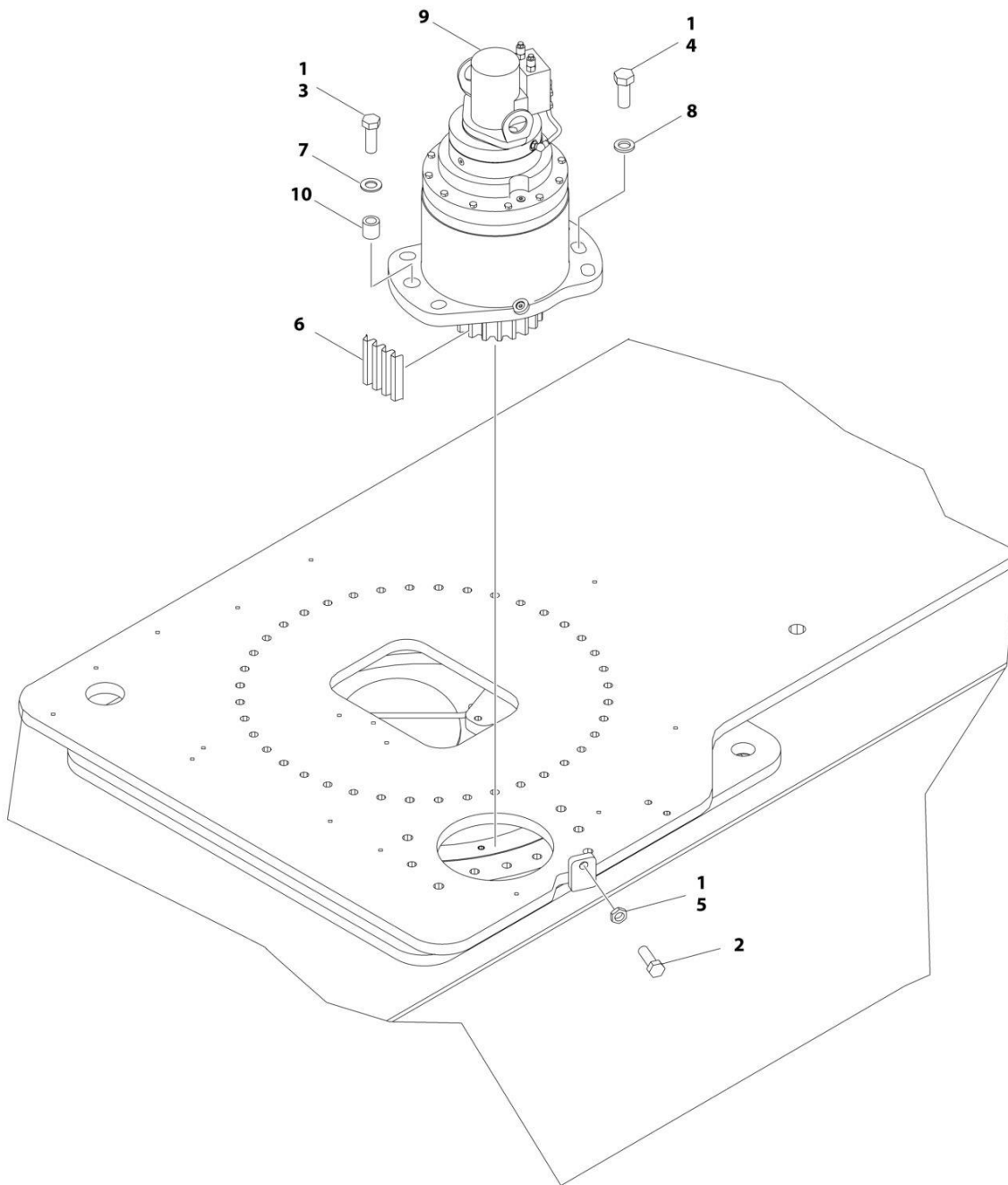
## SECTION 2 - TURNTABLE

| ITEM | PART NUMBER | QTY | DESCRIPTION                           | REV |
|------|-------------|-----|---------------------------------------|-----|
| 22   | 10837489    | 1   | Cartridge, Check Valve                |     |
| 22   | 7023919     | 1   | Seal Kit - 10837489 Valve             |     |
| 23   | 7017418     | 1   | Cartridge, Relief Valve               |     |
| 23   | 7012998     | 1   | Seal Kit - 7017418 Valve              |     |
| 24   | 70006241    | 1   | Cartridge, Relief Valve               |     |
| 24   | 7012998     | 1   | Seal Kit - 70006241 Valve             |     |
| 25   | 7017420     | 1   | Cartridge, Relief Valve               |     |
| 25   | 7012998     | 1   | Seal Kit - 7017420 Valve              |     |
| 26   | 70006242    | 1   | Cartridge, Relief Valve               |     |
| 26   | 7012998     | 1   | Seal Kit - 70006242 Valve             |     |
| 27   | 70005784    | 1   | Cartridge, Relief Valve               |     |
| 27   | 7012998     | 1   | Seal Kit - 70005784 Valve             |     |
| 28   | 4641210     | 1   | Cartridge, Flow Regulator Valve       |     |
| 28   | 7010545     | 1   | Seal Kit - 4641210 Valve              |     |
| 29   | 7023924     | 1   | Cartridge, Flow Regulator Valve       |     |
| 29   | 7012953     | 1   | Seal Kit - 7023924 Valve              |     |
| 30   | 70004152    | 1   | Cartridge, Pressure Compensator Valve |     |
| 30   | 2900707     | 1   | Seal Kit - 70004152 Valve             |     |
| 31   | 70005786    | 1   | Cartridge, Valve                      |     |
| 31   | 2900770     | 1   | Seal Kit - 70005786 Valve             |     |
| 32   | 2221086     | 6   | Fitting, Pressure Test                |     |
| 33   | 70005785    | 2   | Screw M3 x 3                          |     |
| 34   | 2220886     | 7   | Plug                                  |     |
| 35   | 2220885     | 6   | Plug                                  |     |
| 36   | 2220883     | 6   | Plug                                  |     |
| 37   | 70006427    | 1   | Orifice                               |     |



## SECTION 2 - TURNTABLE

FIGURE 2-11. SWING DRIVE INSTALLATION (SN B300001586 through B300003673)



ART\_1001150024

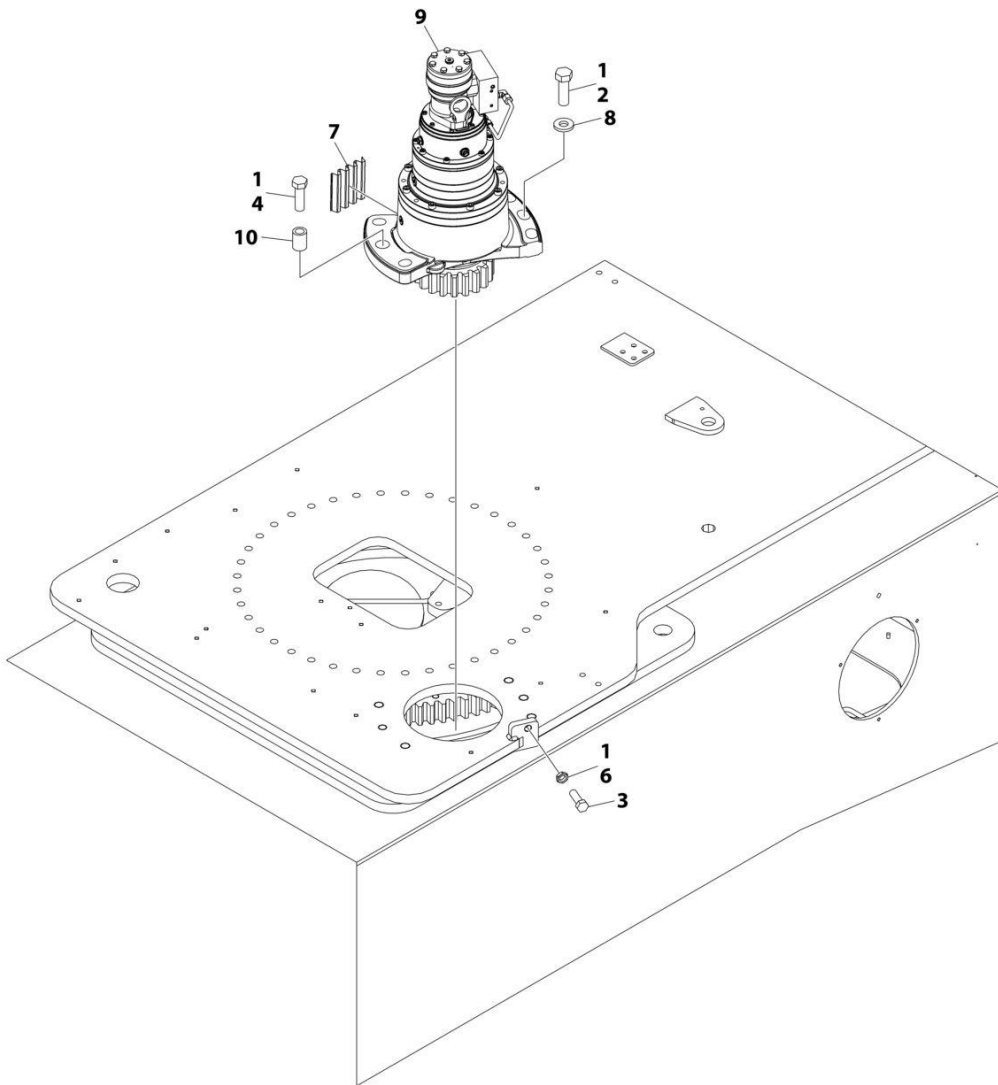
**SECTION 2 - TURNTABLE**

**FIGURE 2-11. SWING DRIVE INSTALLATION (SN B300001586 through B300003673)**

| ITEM | PART NUMBER | QTY | DESCRIPTION   | REV |
|------|-------------|-----|---|-----|
|      | 1001150024  | Ref | SWING DRIVE INSTALLATION  | E   |
| 1    | 0100019     | AR  | Compound, Locking   |     |
| 2    | 0761618     | 1   | Bolt M16 x 50   |     |
| 3    | 0772020     | 1   | Bolt M20 x 60   |     |
| 4    | 0682418     | 5   | Bolt 7/8 x 2-1/4  |     |
| 5    | 3291602     | 1   | Nut M16   |     |
| 6    | 4071041     | 1   | Shim  |     |
| 7    | 5242000     | 1   | Washer M20  |     |
| 8    | 4892400     | 5   | Washer 7/8  |     |
| 9    | 1001134098  | 1   | Swing Motor/Hub Assembly (See Separate Breakdown in this Section) |     |
| 10   | 1001151046  | 1   | Stud  |     |

## SECTION 2 - TURNTABLE

FIGURE 2-12. SWING DRIVE INSTALLATION (SN B300003674 through B300005767)



ART\_1001228618

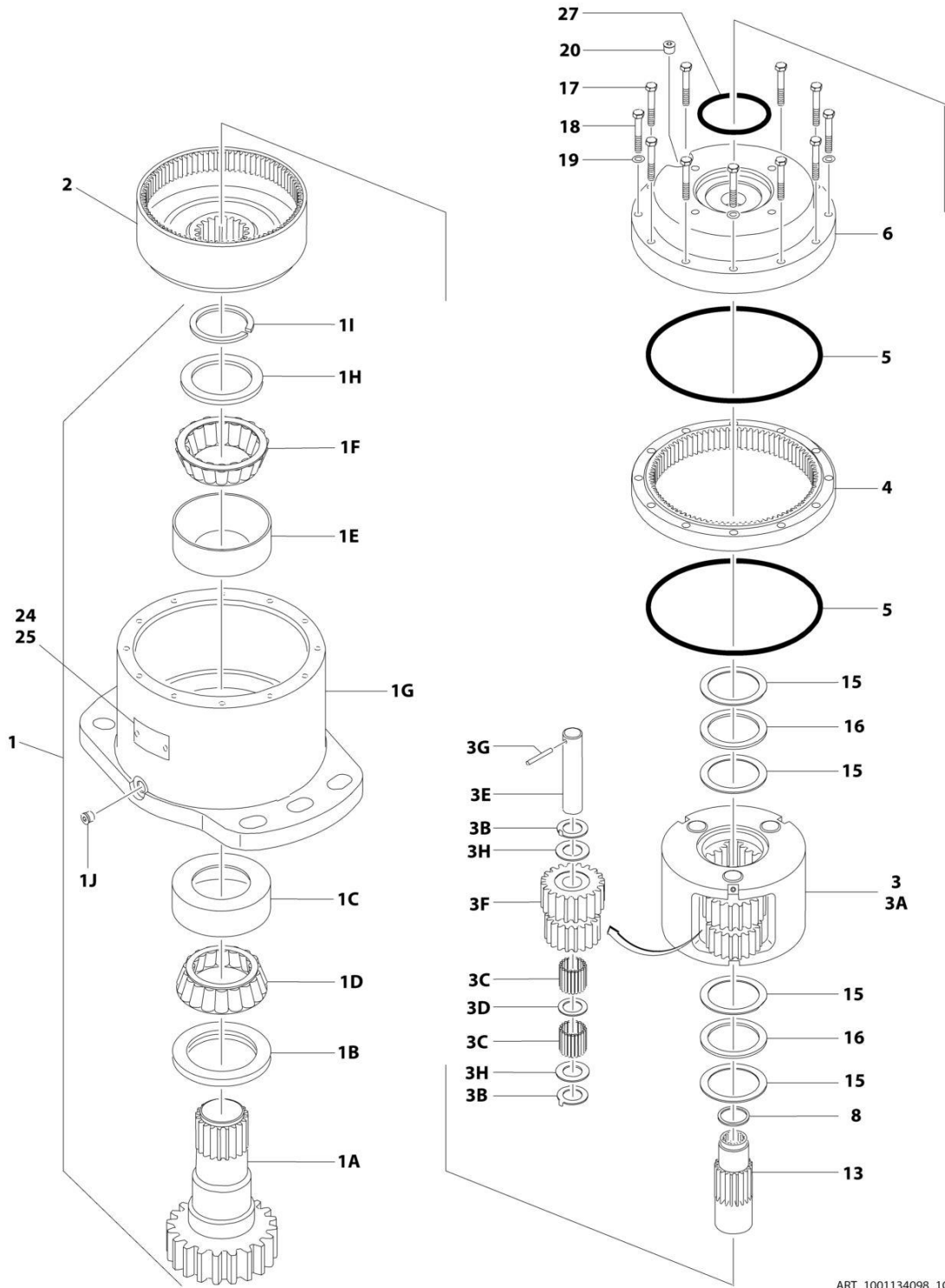
**SECTION 2 - TURNTABLE**

**FIGURE 2-12. SWING DRIVE INSTALLATION (SN B300003674 through B300005767)**

| ITEM | PART NUMBER | QTY | DESCRIPTION   | REV |
|------|-------------|-----|---|-----|
|      | 1001228618  | Ref | SWING DRIVE INSTALLATION  | C   |
| 1    | 0100019     | AR  | Compound, Locking   |     |
| 2    | 0682422     | 5   | Bolt 7/8 x 2-3/4 Grade 8  |     |
| 3    | 0761618     | 1   | Bolt M16 x 50   |     |
| 4    | 0772021     | 1   | Bolt M20 x 65 Grade 10.9  |     |
| 6    | 3291602     | 1   | Nut M16   |     |
| 7    | 4071041     | 1   | Shim  |     |
| 8    | 4892400     | 5   | Washer  |     |
| 9    | 1001228488  | 1   | Swing Motor/Hub Assembly (See Separate Breakdown in this Section) |     |
| 10   | 1001229141  | 1   | Sleeve  |     |

# SECTION 2 - TURNTABLE

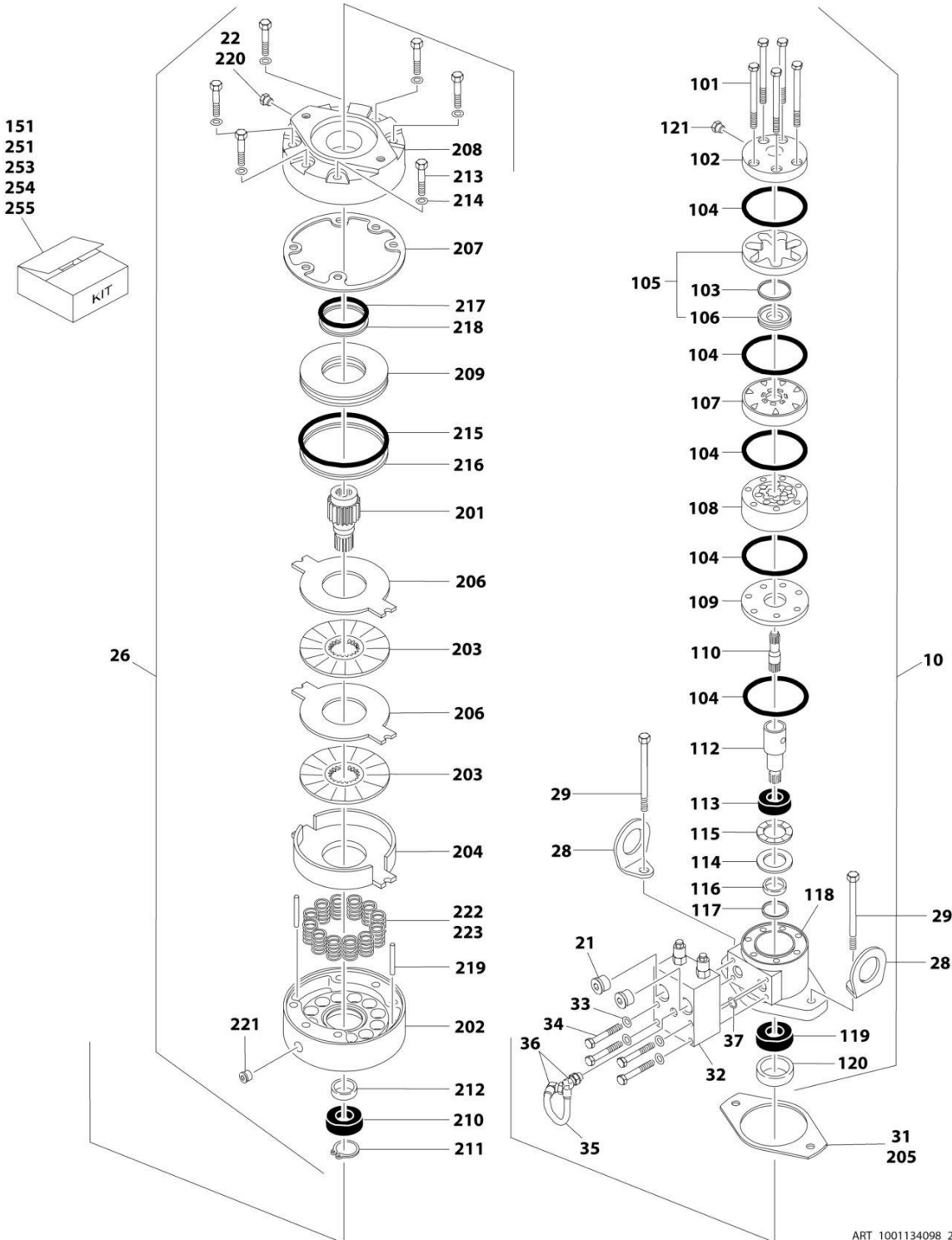
FIGURE 2-13. SWING MOTOR/HUB ASSEMBLY (SN B300001586 through B300003673)



ART\_1001134098\_10F2



# SECTION 2 - TURNTABLE



## SECTION 2 - TURNTABLE

FIGURE 2-13. SWING MOTOR/HUB ASSEMBLY (SN B300001586 through B300003673)

| ITEM | PART NUMBER | QTY | DESCRIPTION   | REV |
|------|-------------|-----|---|-----|
|      | 1001134098  | Ref | SWING MOTOR/HUB ASSEMBLY  | D   |
| 1    | See Note    | 1   | Housing/Shaft Assembly (Note: Not Available - Purchase Complete Swing Motor/Hub Assembly) |     |
| 1A   | 7024183     | 1   | Shaft, Output   |     |
| 1B   | 7000236     | 1   | Seal, Lip   |     |
| 1C   | 1001091460  | 1   | Cup, Bearing  |     |
| 1D   | 1001091460  | 1   | Cone, Bearing   |     |
| 1E   | 1001091461  | 1   | Cup, Bearing  |     |
| 1F   | 1001091461  | 1   | Cone, Bearing   |     |
| 1G   | 7024184     | 1   | Housing   |     |
| 1H   | 7000239     | 1   | Thrustwasher  |     |
| 1I   | 7000240     | 1   | Ring, Retaining   |     |
| 1J   | 7017072     | 1   | Plug, Pipe  |     |
| 2    | 7001917     | 1   | Gear, Internal  |     |
| 3    | 7001918     | 1   | Carrier Assembly  |     |
| 3A   | 7001900     | 1   | Carrier   |     |
| 3B   | 7007645     | 6   | Washer, Tanged  |     |
| 3C   | 7001902     | 84  | Bearing, Needle   |     |
| 3D   | 7007646     | 3   | Thrustwasher  |     |
| 3E   | 7001904     | 3   | Shaft, Planet   |     |
| 3F   | 7001927     | 3   | Gear, Cluster   |     |
| 3G   | 7001906     | 3   | Rollpin   |     |
| 3H   | 7007648     | 6   | Washer  |     |
| 4    | 7010467     | 1   | Gear, Ring  |     |
| 5    | 7000224     | 2   | O-Ring  |     |
| 6    | 7001920     | 1   | Cover, Input  |     |
| 8    | 7001922     | 1   | Thrustwasher  |     |
| 10   | 7024188     | 1   | Motor Assembly (See Items 101-121 for Breakdown)  |     |
| 13   | 7001921     | 1   | Gear, Sun   |     |
| 15   | 7000287     | 4   | Washer, Thrust  |     |
| 16   | 7000288     | 2   | Bearing, Thrust   |     |
| 17   | 7001923     | 8   | Bolt 3/8 x 3 Grade 8  |     |
| 18   | 7001924     | 4   | Bolt 3/8 x 2-3/4 Grade 8  |     |
| 19   | 7001929     | 4   | Washer, Lock (Used with Item 18 Only)   |     |
| 20   | 7001928     | 1   | Plug, Pipe  |     |
| 21   | 7001926     | 2   | Plug, Pipe  |     |
| 22   | 7017082     | 1   | Plug, Pipe  |     |
| 24   | See Note    | NSS | Plate, ID (Note: Not Available For Purchase)  |     |
| 25   | 7000281     | 2   | Screw, Drive  |     |
| 26   | 70003524    | 1   | Brake Assembly (See Items 201-223 for Breakdown)  |     |
| 27   | 7024763     | 1   | O-Ring  |     |
| 28   | See Note    | NSS | Lug, Lifting (Note: Not Available For Purchase)   |     |
| 29   | 7024185     | 2   | Bolt 1/2 x 5 Grade 8  |     |
| 31   | 7000731     | 1   | Gasket  |     |
| 32   | 70003523    | 1   | Valve   |     |
| 32   | 70003629    | 2   | Cartridge   |     |
| 32   | 2900770     | 2   | Seal Kit - 70003629 Cartridge (1 Per Cartridge)   |     |
| 33   | See Note    | NSS | Washer (Note: Purchase Locally)   |     |
| 34   | 7024135     | 4   | Bolt 5/16 x 2-1/2 Grade 8   |     |
| 35   | 7024186     | 1   | Tube  |     |

## SECTION 2 - TURNTABLE

| ITEM | PART NUMBER | QTY | DESCRIPTION  | REV |
|------|-------------|-----|--|-----|
| 36   | 7017085     | 2   | Elbow  |     |
| 37   | 7000213     | 2   | O-Ring   |     |
|      | 7024188     | Ref | MOTOR ASSEMBLY   |     |
| 101  | 7024391     | 5   | Bolt   |     |
| 102  | 7004035     | 1   | Cover, End   |     |
| 103  | 7024389     | 1   | Seal, Commutator   |     |
| 104  | 7024389     | 5   | Seal, Ring   |     |
| 105  | 7024453     | 1   | Commutator and Ring Assembly                                       |     |
| 106  | 7004453     | 1   | Ring   |     |
| 107  | 7024379     | 1   | Manifold   |     |
| 108  | 7024392     | 1   | Rotor Set  |     |
| 109  | 7024380     | 1   | Plate, Wear  |     |
| 110  | 7024393     | 1   | Link, Drive  |     |
| 112  | 7024395     | 1   | Shaft, Coupling  |     |
| 113  | 7024381     | 1   | Bushing, Bronze  |     |
| 114  | 7004043     | 1   | Thrustwasher   |     |
| 115  | 7004044     | 1   | Bearing, Thrust  |     |
| 116  | 7024389     | 1   | Seal, Inner  |     |
| 117  | 7024389     | 1   | Washer, Back-up  |     |
| 118  | 7024394     | 1   | Housing  |     |
| 119  | 7024390     | 1   | Bearing  |     |
| 120  | 7024389     | 1   | Seal   |     |
| 121  | 7010795     | 1   | Plug, O-Ring   |     |
| 151  | 7024389     | 1   | Seal Kit - 7024188 Motor (Includes Items 103, 104, 116, 117 & 120) |     |
|      | 70003524    | Ref | BRAKE ASSEMBLY   |     |
| 201  | 7024189     | 1   | Shaft  |     |
| 202  | 7024182     | 1   | Housing (Note: Not Available For Purchase)                         |     |
| 203  | 7024193     | 2   | Plate, Friction  |     |
| 204  | 7024193     | 1   | Plate, Pressure  |     |
| 205  | 7000731     | 1   | Gasket   |     |
| 206  | 7024193     | 2   | Plate, Outer   |     |
| 207  | See Note    | NSS | Gasket (Note: Use Item 251, 254 or 255)                            |     |
| 208  | 7024191     | 1   | Cylinder   |     |
| 209  | 7024192     | 1   | Piston   |     |
| 210  | 7024197     | 1   | Bearing, Ball  |     |
| 211  | 7024197     | 1   | Ring, Retaining  |     |
| 212  | 7024197     | 1   | Seal, Shaft  |     |
| 213  | See Note    | NSS | Capscrew (Note: Purchase Locally)                                  |     |
| 214  | See Note    | NSS | Washer (Note: Purchase Locally)                                    |     |
| 215  | 7024194     | 1   | O-Ring   |     |
| 216  | 7024194     | 1   | Ring, Back-up  |     |
| 217  | 7024194     | 1   | O-Ring   |     |
| 218  | 7024194     | 1   | Ring, Back-up  |     |
| 219  | 7024190     | 2   | Pin, Dowel   |     |
| 220  | See Note    | NSS | Plug (Note: Purchase Locally)                                      |     |
| 221  | See Note    | NSS | Plug (Note: Purchase Locally)                                      |     |
| 222  | 7024196     | AR  | Spring (Natural)   |     |
| 223  | 7024196     | AR  | Spring, (Blue)   |     |
| 251  | 7024194     | 1   | Seal Kit - Brake (Includes Items 205, 207 & 215-218)               |     |
| 253  | 7024196     | 1   | Spring Kit - Brake (Includes 12 Natural & 2 Blue Colored Springs)  |     |
| 254  | 7024193     | 1   | Friction Disc Kit - Brake (Includes Items 203, 204, 206 & 207)     |     |

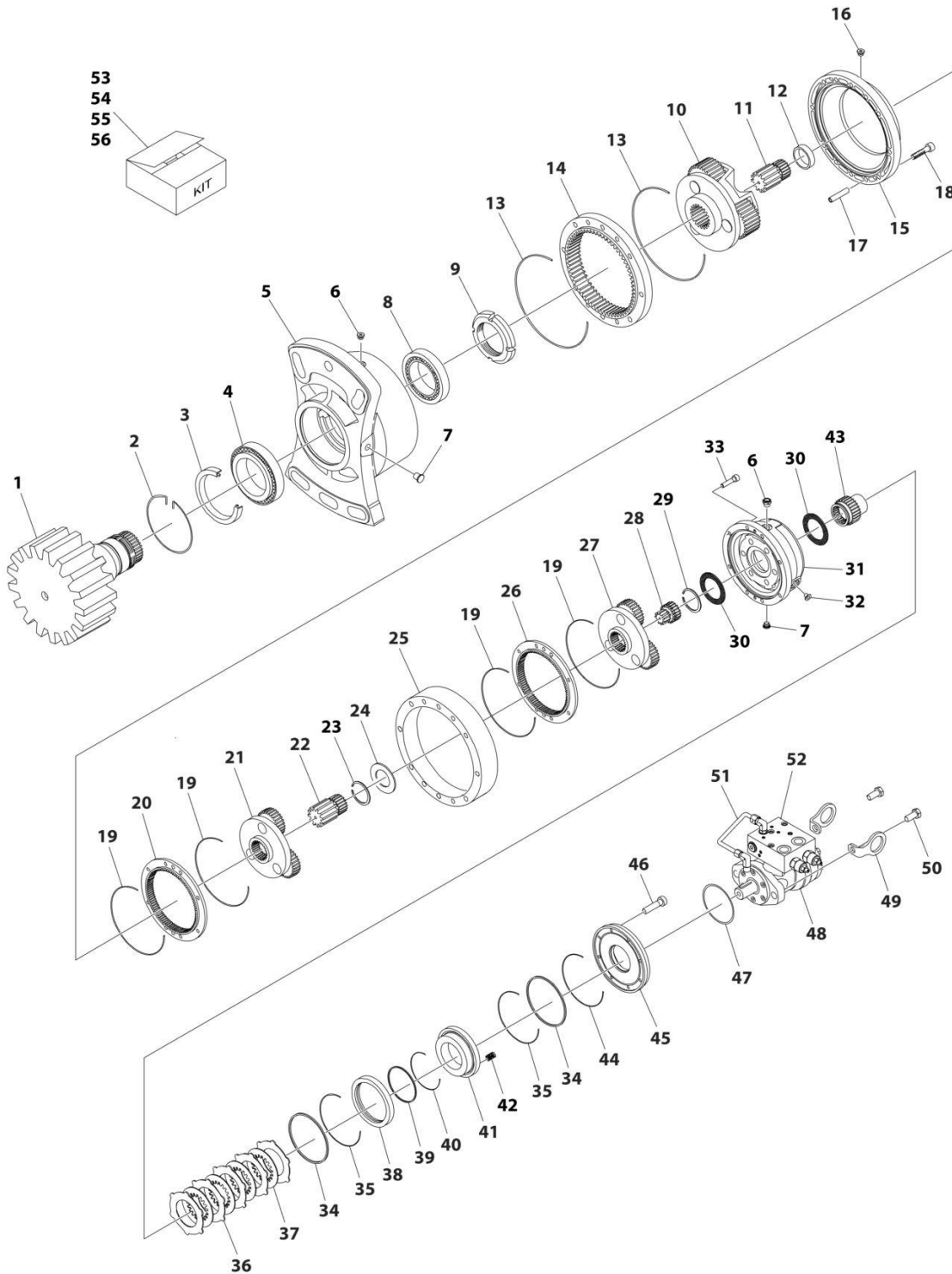
## SECTION 2 - TURNTABLE

| ITEM | PART NUMBER | QTY | DESCRIPTION  | REV |
|------|-------------|-----|--|-----|
| 255  | 7024197     | 1   | Bearing Kit - Brake (Includes Items 207 & 210-212) |     |



# SECTION 2 - TURNTABLE

FIGURE 2-14. SWING MOTOR/HUB ASSEMBLY (SN B300003674 through B300005767)



ART\_1001228488

## SECTION 2 - TURNTABLE

**FIGURE 2-14. SWING MOTOR/HUB ASSEMBLY (SN B300003674 through B300005767)**

| ITEM | PART NUMBER | QTY | DESCRIPTION  | REV |
|------|-------------|-----|--|-----|
|      | 1001228488  | Ref | SWING MOTOR/HUB ASSEMBLY                           | B   |
| 1    | See Note    | NSS | Shaft (Note: Use Item 56)                          |     |
| 2    | 70004467    | 1   | Ring   |     |
| 3    | See Note    | NSS | Seal, Oil (Note: Use Item 53)                      |     |
| 4    | See Note    | NSS | Bearing (Note: Use Item 55)                        |     |
| 5    | See Note    | NSS | Support, Output (Note: Not Available for Purchase) |     |
| 6    | 70002057    | 5   | Plug with O-Ring                                   |     |
| 7    | 70004469    | 2   | Plug with O-Ring                                   |     |
| 8    | See Note    | NSS | Bearing (Note: Use Item 55)                        |     |
| 9    | See Note    | NSS | Nut, Ring (Note: Use Item 56)                      |     |
| 10   | 70006986    | 1   | Reduction, Gear - Complete                         |     |
| 11   | 70006987    | 1   | Pinion   |     |
| 12   | 70004477    | 1   | Spacer   |     |
| 13   | See Note    | NSS | O-Ring (Note: Use Item 53)                         |     |
| 14   | 70004474    | 1   | Ring, Planetary                                    |     |
| 15   | 70006988    | 1   | Spacer   |     |
| 16   | 70002057    | 2   | Plug with O-Ring                                   |     |
| 17   | 70006989    | 4   | Pin, Spring  |     |
| 18   | 70004480    | 8   | Capscrew M10 x 55                                  |     |
| 19   | See Note    | NSS | O-Ring (Note: Use Item 53)                         |     |
| 20   | 70006990    | 1   | Ring, Planetary                                    |     |
| 21   | 70006991    | 1   | Reduction, Gear - Complete                         |     |
| 22   | 70006992    | 1   | Pinion   |     |
| 23   | 70002032    | 1   | Ring   |     |
| 24   | 70006993    | 1   | Spacer   |     |
| 25   | 70006994    | 1   | Spacer   |     |
| 26   | 70004481    | 1   | Ring, Planetary                                    |     |
| 27   | 70006995    | 1   | Reduction, Gear - Complete                         |     |
| 28   | 70006996    | 1   | Pinion   |     |
| 29   | 70006997    | 1   | Ring   |     |
| 30   | 70006998    | 2   | Washer   |     |
| 31   | See Note    | NSS | Housing, Brake (Note: Not Available for Purchase)  |     |
| 32   | 70006999    | 1   | Plug   |     |
| 33   | 70007000    | 8   | Capscrew M8 x 90                                   |     |
| 34   | See Note    | NSS | Seal (Note: Use Item 53 or 54)                     |     |
| 35   | See Note    | NSS | O-Ring (Note: Use Item 53 or 54)                   |     |
| 36   | See Note    | NSS | Disc, Steel (Note: Use Item 54)                    |     |
| 37   | See Note    | NSS | Disc (Note: Use Item 54)                           |     |
| 38   | 70005317    | 1   | Spacer   |     |
| 39   | See Note    | NSS | Seal (Note: Use Item 53 or 54)                     |     |
| 40   | See Note    | NSS | O-Ring (Note: Use Item 53 or 54)                   |     |
| 41   | 70005318    | 1   | Piston, Brake                                      |     |
| 42   | See Note    | NSS | Spring, Brake (Note: Use Item 54)                  |     |
| 43   | 70007001    | 1   | Shaft, Input                                       |     |
| 44   | See Note    | NSS | O-Ring (Note: Use Item 53 or 54)                   |     |
| 45   | 70007002    | 1   | Cover  |     |
| 46   | 70007003    | 8   | Screw M6 x 25                                      |     |
| 47   | See Note    | NSS | O-Ring (Note: Use Item 53)                         |     |
| 48   | 70007009    | 1   | Motor  |     |
| 48   | 70007011    | 1   | Seal Kit   |     |

## SECTION 2 - TURNTABLE

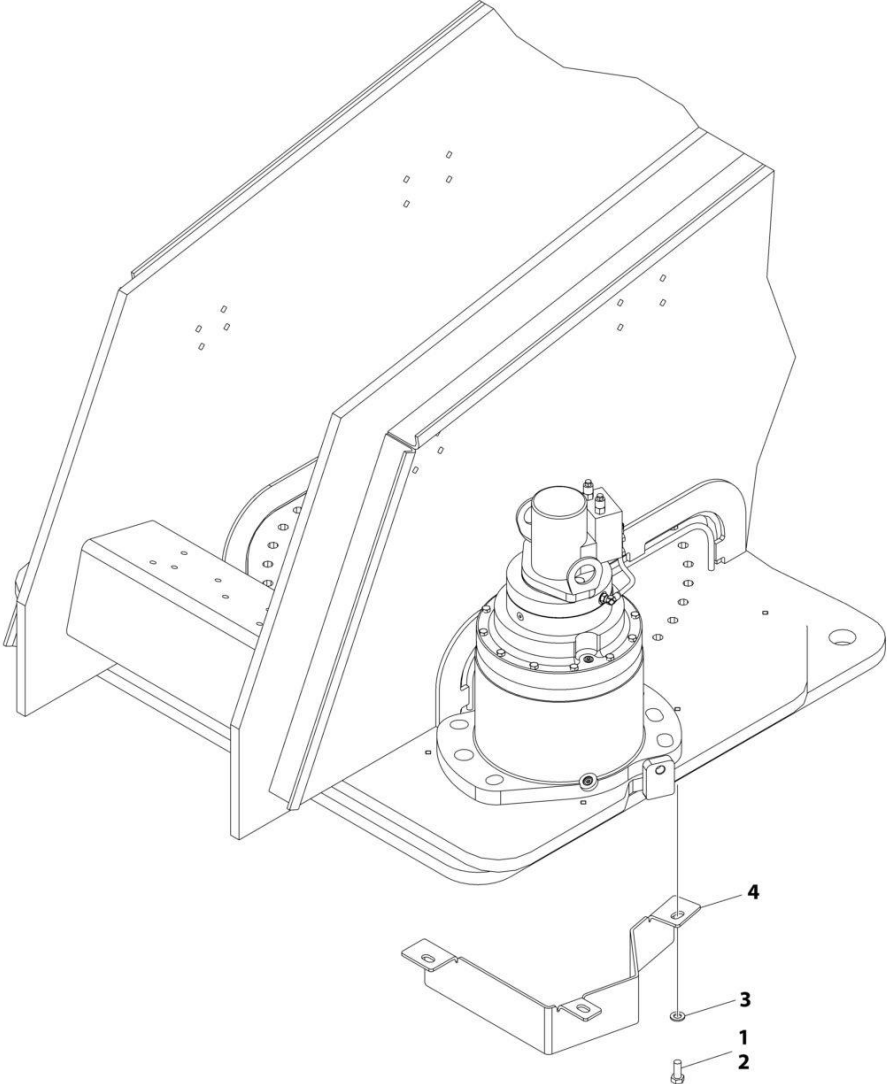
| ITEM | PART NUMBER | QTY | DESCRIPTION  | REV |
|------|-------------|-----|--|-----|
| 49   | See Note    | NSS | Lug, Lifting (Note: Not Available for Purchase)                              |     |
| 50   | 70004494    | 2   | Capscrew M12 x 35  |     |
| 51   | 70007004    | 1   | Brake, Valve Adapter   |     |
| 52   | 70007010    | 1   | Valve  |     |
| 52   | 70007012    | 1   | Seal Kit   |     |
| 52   | 70007013    | 1   | Hardware Kit   |     |
| 53   | 70007005    | 1   | Seal Kit – Brake and Hub (Includes Items 3, 13, 19, 34, 35, 39, 40, 44 & 47) |     |
| 54   | 70007006    | 1   | Seal Kit – Brake (Includes Items 34-37, 39, 40, 42 & 44)                     |     |
| 55   | 70007007    | 1   | Bearing Kit (Includes Items 4 & 8)   |     |
| 56   | 70007008    | 1   | Output Shaft Kit (Includes Items 1 & 9)                                      |     |





**SECTION 2 - TURNTABLE**

**FIGURE 2-15. PINION SHIELD INSTALLATION (OPTIONAL)**



ART\_1001150078

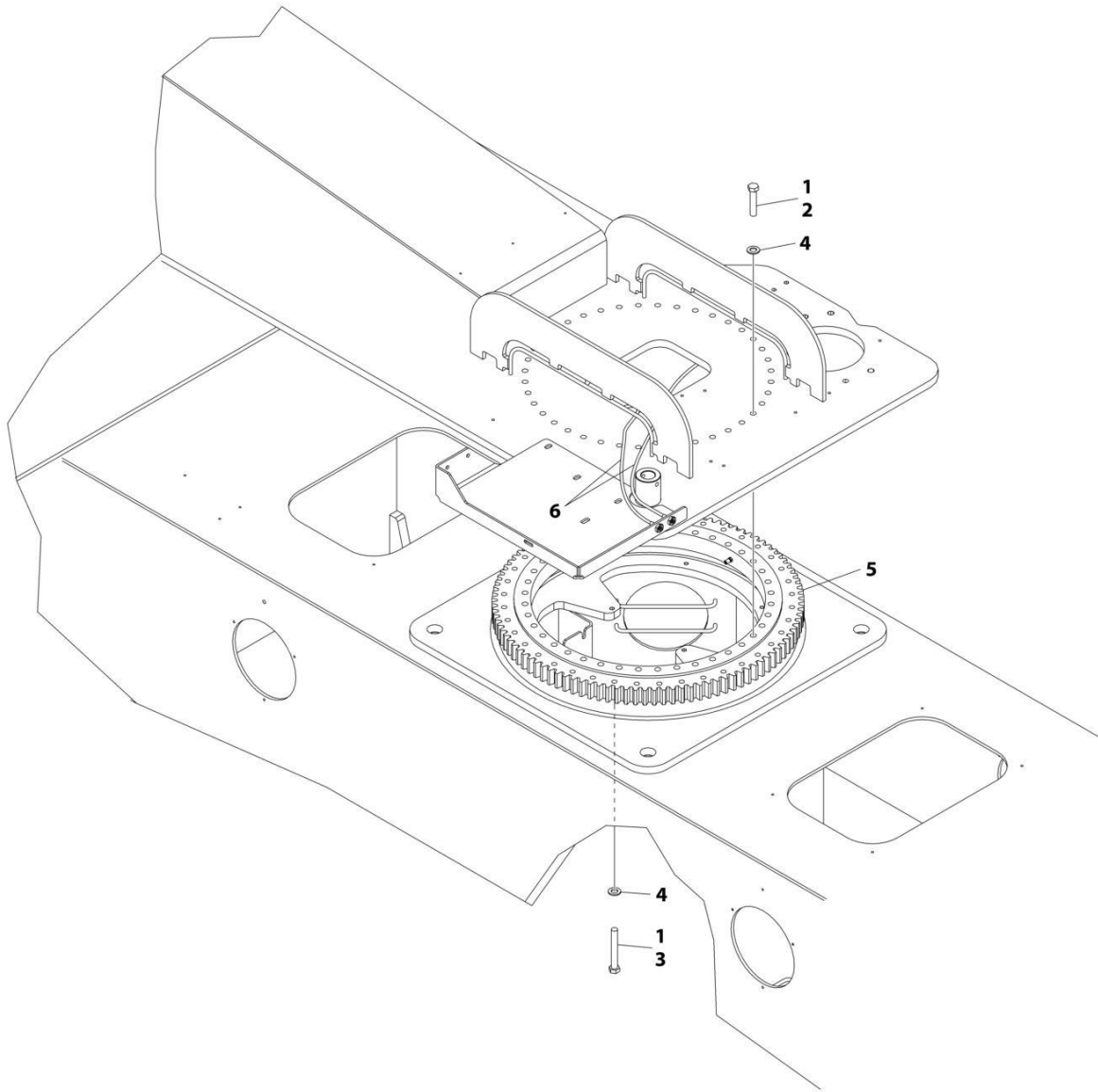
**SECTION 2 - TURNTABLE**

**FIGURE 2-15. PINION SHIELD INSTALLATION (OPTIONAL)**

| <b>ITEM</b> | <b>PART NUMBER</b> | <b>QTY</b> | <b>DESCRIPTION</b>                    | <b>REV</b> |
|-------------|--------------------|------------|---------------------------------------|------------|
|             | 1001150078         | Ref        | PINION SHIELD INSTALLATION (OPTIONAL) | A          |
| 1           | 0100011            | AR         | Compound, Locking                     |            |
| 2           | 0761214            | 3          | Bolt M12 x 30                         |            |
| 3           | 4812100            | 3          | Washer M12                            |            |
| 4           | 1001151180         | 1          | Shield, Pinion                        |            |

# SECTION 2 - TURNTABLE

## FIGURE 2-16. TURNTABLE BEARING AND LUBE INSTALLATION



ART\_1001150026

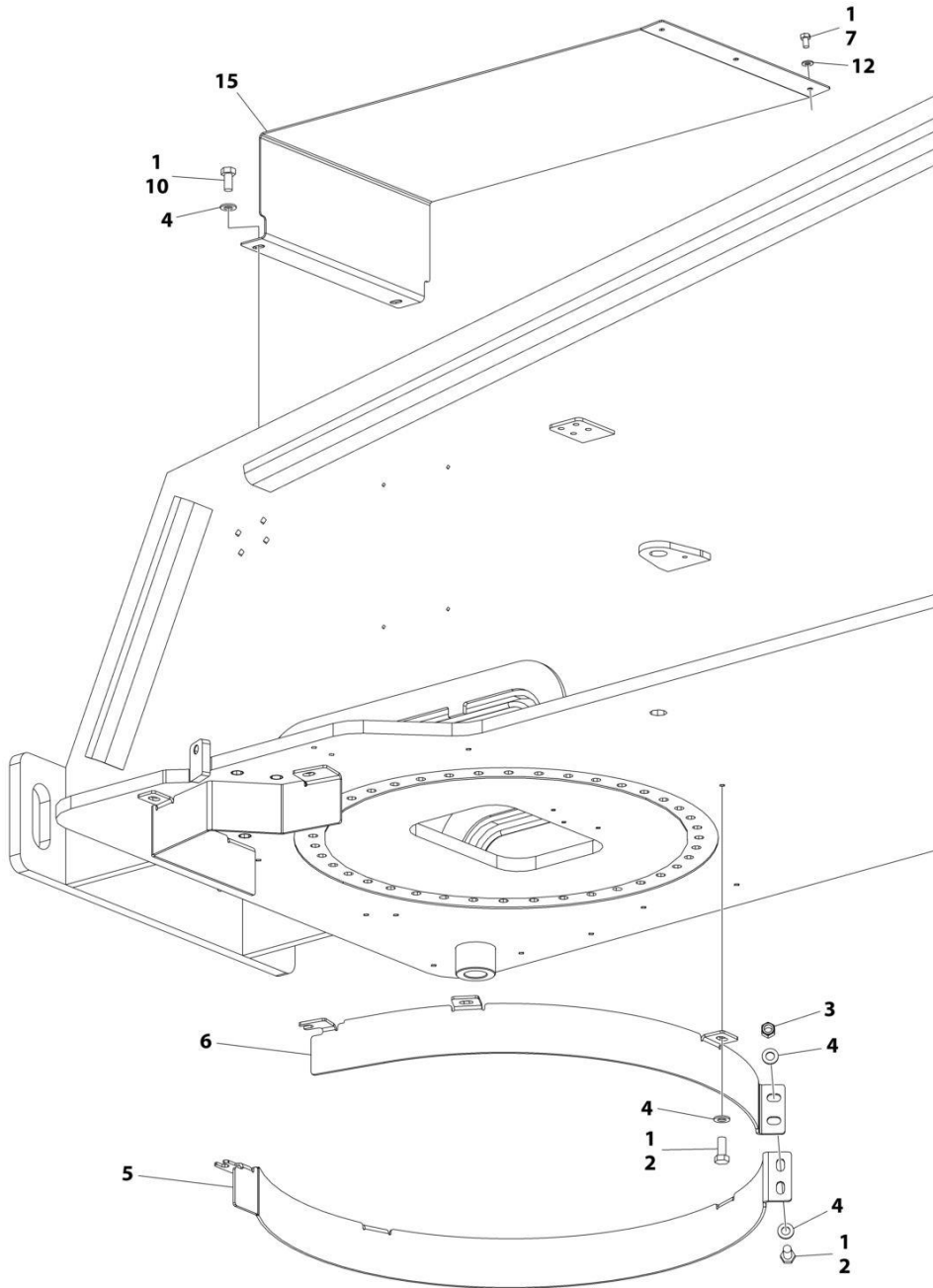
**SECTION 2 - TURNTABLE**

**FIGURE 2-16. TURNTABLE BEARING AND LUBE INSTALLATION**

| <b>ITEM</b> | <b>PART NUMBER</b> | <b>QTY</b> | <b>DESCRIPTION</b>                      | <b>REV</b> |
|-------------|--------------------|------------|---|------------|
|             | 1001150026         | Ref        | TURNTABLE BEARING AND LUBE INSTALLATION | B          |
| 1           | 0100019            | AR         | Compound, Locking                       |            |
| 2           | 0711624            | 40         | Bolt M16 x 80 Grade 10.9                |            |
| 3           | 0711629            | 40         | Bolt M16 x 120 Grade 10.9               |            |
| 4           | 5241600            | 80         | Washer M16                              |            |
| 5           | 1001151058         | 1          | Bearing, Swing                          |            |
| 6           | 1001151646         | 2          | Hose with Fittings                      |            |

# SECTION 2 - TURNTABLE

## FIGURE 2-17. BEARING AND TURNTABLE SHIELDS INSTALLATION



ART\_1001150096\_10F2

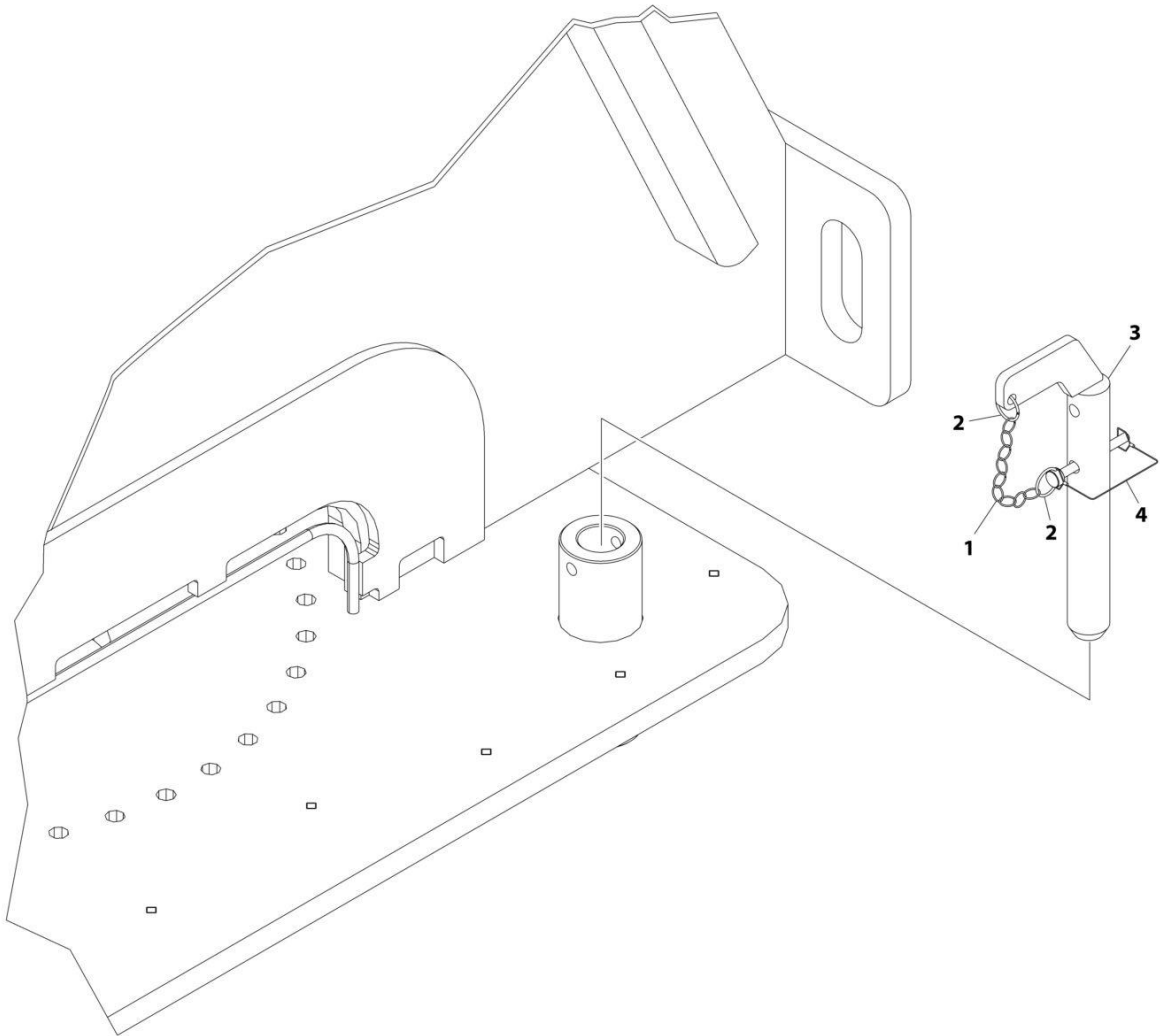
**SECTION 2 - TURNTABLE**

**FIGURE 2-17. BEARING AND TURNTABLE SHIELDS INSTALLATION**

| <b>ITEM</b> | <b>PART NUMBER</b> | <b>QTY</b> | <b>DESCRIPTION</b>                         | <b>REV</b> |
|-------------|--------------------|------------|--|------------|
|             | 1001150096         | Ref        | BEARING AND TURNTABLE SHIELDS INSTALLATION | J          |
| 1           | 0100011            | AR         | Compound, Locking                          |            |
| 2           | 0761214            | 6          | Bolt M12 x 30                              |            |
| 3           | 3291205            | 2          | Nut M12                                    |            |
| 4           | 4812100            | 10         | Washer M12                                 |            |
| 5           | 1001221679         | 1          | Bracket                                    |            |
| 6           | 1001221680         | 1          | Bracket                                    |            |
| 7           | 0760807            | 3          | Bolt M8 x 14                               |            |
| 10          | 0761212            | 2          | Bolt M12 x 25                              |            |
| 12          | 4811900            | 6          | Washer M8                                  |            |
| 15          | 1001151604         | 1          | Cover, Turntable                           |            |

**SECTION 2 - TURNTABLE**

**FIGURE 2-18. TURNTABLE LOCK INSTALLATION**



ART\_1001150019



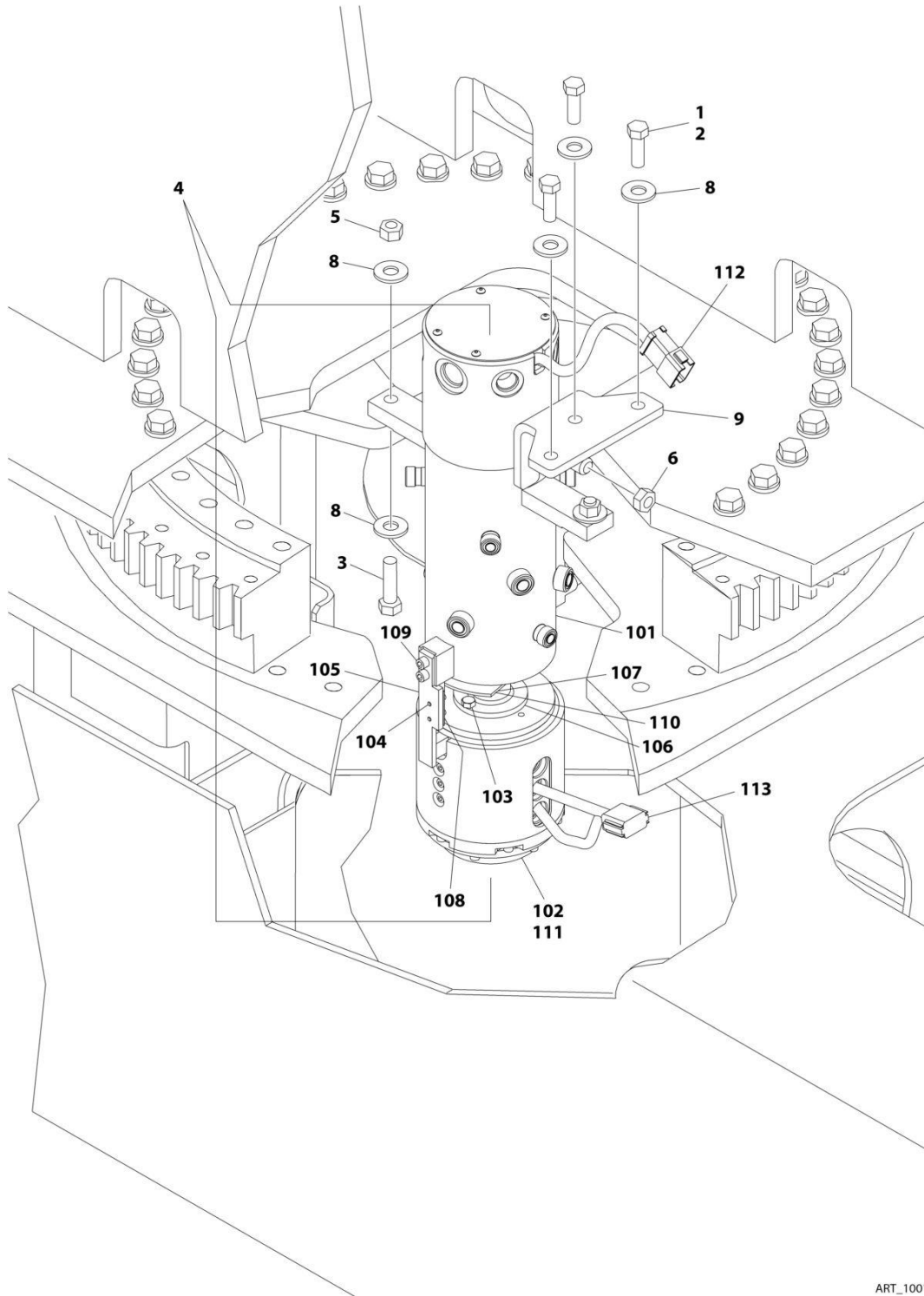
**SECTION 2 - TURNTABLE**

**FIGURE 2-18. TURNTABLE LOCK INSTALLATION**

| <b>ITEM</b> | <b>PART NUMBER</b> | <b>QTY</b> | <b>DESCRIPTION</b>          | <b>REV</b> |
|-------------|--------------------|------------|-----------------------------|------------|
|             | 1001150019         | Ref        | TURNTABLE LOCK INSTALLATION | B          |
| 1           | 1260017            | 7 in/16cm  | Chain                       |            |
| 2           | 3760170            | 2          | Ring                        |            |
| 3           | 1001215629         | 1          | Pin                         |            |
| 4           | 1001151025         | 1          | Pin                         |            |

# SECTION 2 - TURNTABLE

## FIGURE 2-19. ROTARY COUPLING AND COLLECTOR RING INSTALLATION



ART\_1001150025

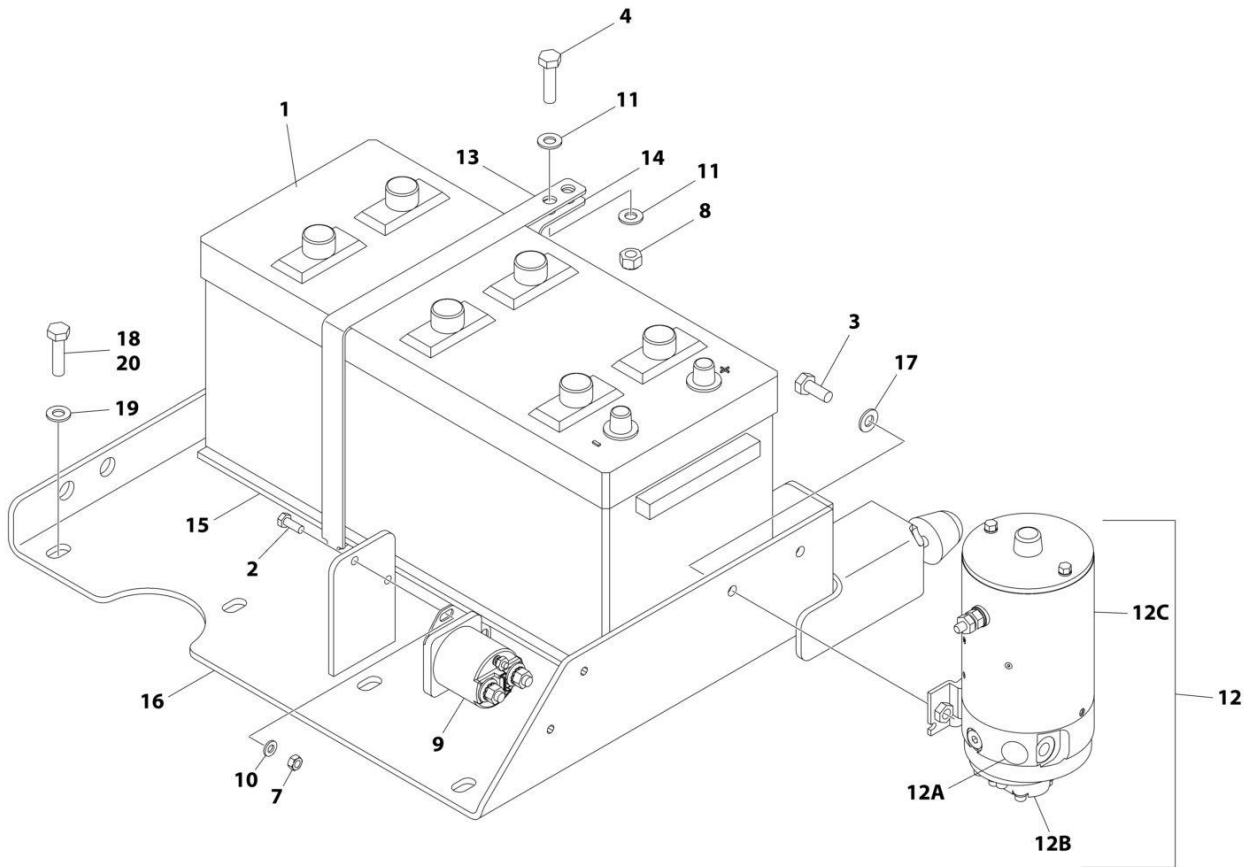
## SECTION 2 - TURNTABLE

**FIGURE 2-19. ROTARY COUPLING AND COLLECTOR RING INSTALLATION**

| ITEM | PART NUMBER | QTY | DESCRIPTION   | REV |
|------|-------------|-----|---|-----|
|      | 1001150025  | Ref | ROTARY COUPLING AND COLLECTOR RING INSTALLATION                               | B   |
| 1    | 0100011     | AR  | Compound, Locking   |     |
| 2    | 0761214     | 3   | Bolt M12 x 30   |     |
| 3    | 0761221     | 2   | Bolt M12 x 65   |     |
| 4    | 1001216394  | 1   | Rotary Coupling and Collector Ring Assembly (See Items 101-113 for Breakdown) |     |
| 5    | 3291205     | 2   | Nut M12   |     |
| 6    | 3322201     | 2   | Nut 3/4   |     |
| 8    | 4812100     | 7   | Washer M12  |     |
| 9    | 1001150644  | 1   | Bracket, Swivel   |     |
|      | 1001216394  | Ref | ROTARY COUPLING AND COLLECTOR RING ASSEMBLY                                   | A   |
| 101  | 7026665     | 1   | Coupling, Rotary  |     |
| 101  | See Note    | 1   | Bearing (Note: Not Available For Purchase)                                    |     |
| 101  | 70001123    | 1   | Seal Kit - Coupling   |     |
| 102  | 7026029     | 1   | Contactora, Rotary Circuit (Does not include connector or pins)               |     |
| 103  | 0641506     | 4   | Bolt 5/16 x 3/4   |     |
| 104  | 3931512     | 2   | Capscrew 5/16 x 3/4   |     |
| 105  | 70005456    | 1   | Arm, Torque   |     |
| 106  | See Note    | NSS | Adapter (Note: Not Available For Purchase)                                    |     |
| 107  | 7026030     | 1   | Plate, Cam  |     |
| 108  | 7026031     | 1   | Sensor, Proximity   |     |
| 109  | 3931008     | 2   | Capscrew #10 x 1/2  |     |
| 110  | 7026032     | 1   | Pin, Dowel  |     |
| 111  | 0100048     | AR  | Grease, Silicone (Apply to Contactora Connector)                              |     |
| 112  | 4460837     | 1   | Receptacle, Female - 12 Position  |     |
| 112  | 4460943     | 3   | Pin, Male   |     |
| 112  | 4460941     | 5   | Pin, Male   |     |
| 112  | 4460466     | 4   | Plug, Terminal  |     |
| 113  | 4460836     | 1   | Plug, Male - 12 Position  |     |
| 113  | 4460944     | 3   | Socket, Female  |     |
| 113  | 4460942     | 7   | Socket, Female  |     |
| 113  | 4460466     | 2   | Plug, Terminal  |     |

# SECTION 2 - TURNTABLE

## FIGURE 2-20. BATTERY TRAY AND AUXILIARY PUMP INSTALLATION



ART\_1001148588

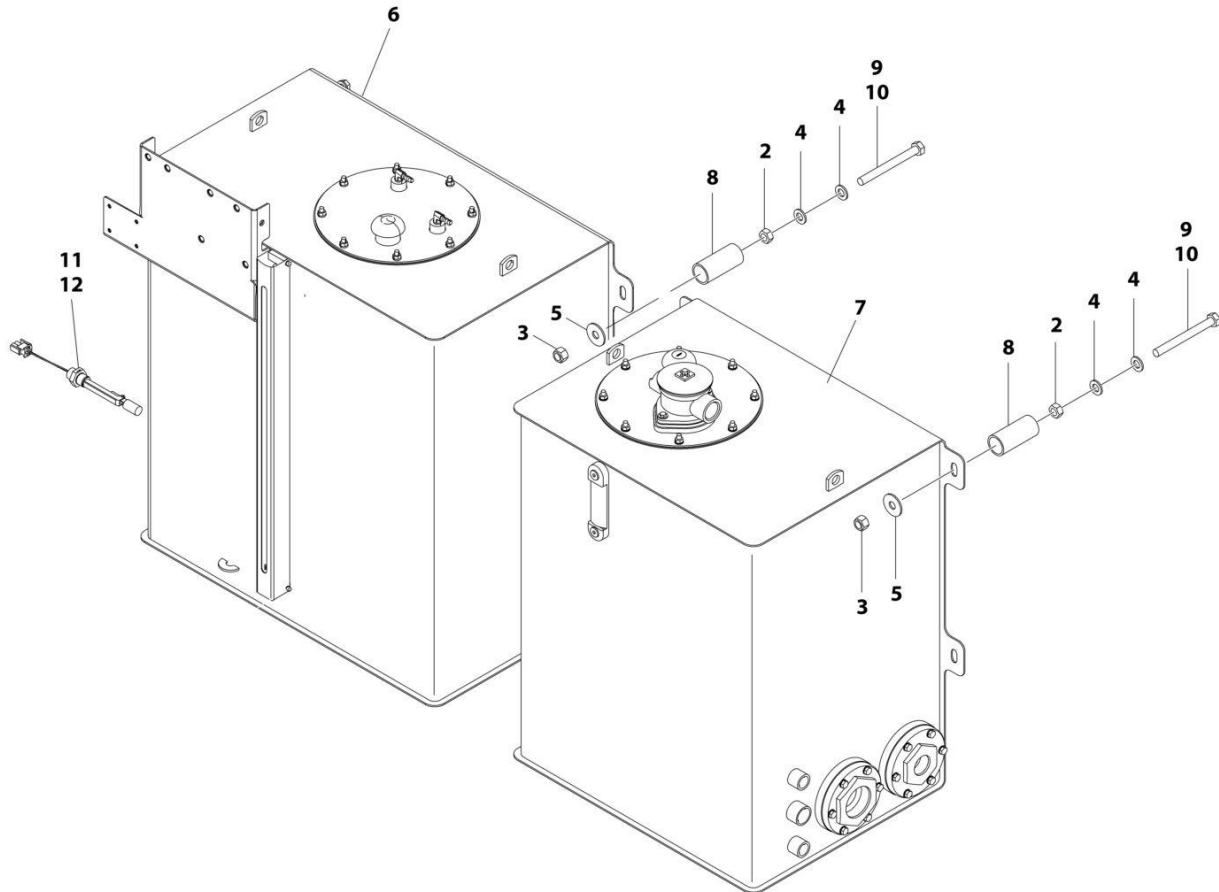
## SECTION 2 - TURNTABLE

**FIGURE 2-20. BATTERY TRAY AND AUXILIARY PUMP INSTALLATION**

| ITEM | PART NUMBER | QTY | DESCRIPTION   | REV |
|------|-------------|-----|---|-----|
|      | 1001148588  | Ref | BATTERY TRAY AND AUXILIARY PUMP INSTALLATION            | E   |
| 1    | 0400020     | 1   | Battery   |     |
| 2    | 0760608     | 2   | Bolt M6 x 16  |     |
| 3    | 0681607     | 2   | Bolt 3/8 x 7/8  |     |
| 4    | 0761016     | 1   | Bolt M10 x 40   |     |
| 7    | 3290601     | 2   | Nut M6  |     |
| 8    | 3291005     | 1   | Nut M10   |     |
| 9    | 3740067     | 1   | Relay   |     |
| 10   | 4811700     | 2   | Washer M6   |     |
| 11   | 4812000     | 2   | Washer M10  |     |
| 12   | 3600424     | 1   | Auxiliary Pump Assembly                                 |     |
| 12A  | 70024669    | 1   | Mounting Kit (Includes Coupling, Gasket and Hardware)   |     |
| 12A  | 7011016     | 1   | Coupling  |     |
| 12A  | 7011044     | 1   | Gasket  |     |
| 12A  | 7011043     | 4   | Bolt  |     |
| 12A  | 7011048     | 4   | Washer  |     |
| 12B  | 7029593     | 1   | Pump Kit (Includes Pump, Coupling, Gasket and Hardware) |     |
| 12C  | 70001056    | 1   | Motor Kit (Includes Motor, Adapter and Coupling)        |     |
| 13   | 1001148584  | 1   | Bracket, Tie Down                                       |     |
| 14   | 1001148585  | 1   | Bracket, Tie Down                                       |     |
| 15   | 1001148587  | 1   | Insulate  |     |
| 16   | 1001151730  | 1   | Tray Battery  |     |
| 17   | 4711600     | 2   | Washer 3/8  |     |
| 18   | 0761214     | 4   | Bolt M12 x 30   |     |
| 19   | 4812100     | 4   | Washer M12  |     |
| 20   | 0100011     | AR  | Compound, Locking                                       |     |

# SECTION 2 - TURNTABLE

## FIGURE 2-21. TANKS INSTALLATION



ART\_1001150016

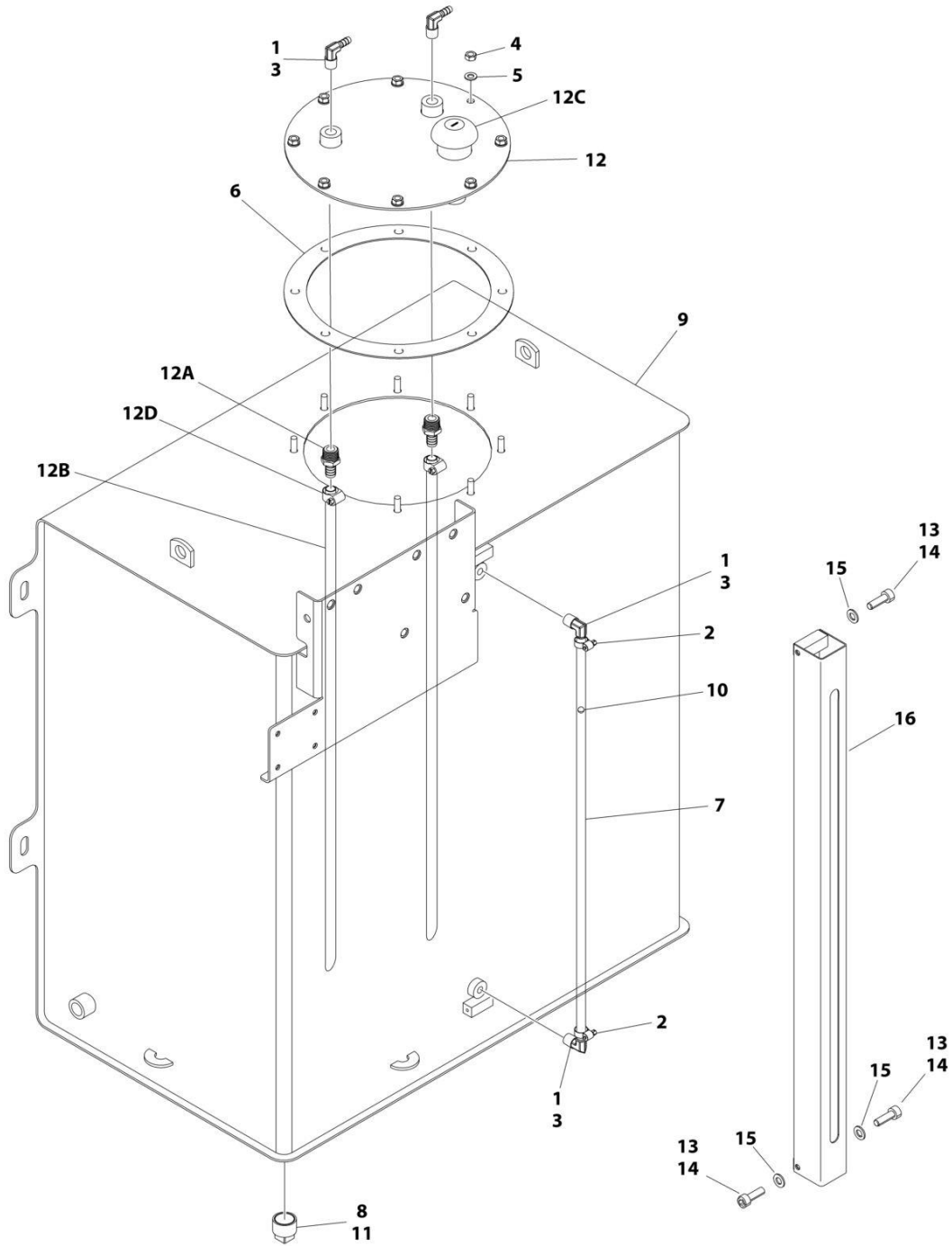
**SECTION 2 - TURNTABLE**

**FIGURE 2-21. TANKS INSTALLATION**

| <b>ITEM</b> | <b>PART NUMBER</b> | <b>QTY</b> | <b>DESCRIPTION</b>   | <b>REV</b> |
|-------------|--------------------|------------|--|------------|
|             | 1001150016         | Ref        | TANKS INSTALLATION   | F          |
| 2           | 3291201            | 8          | Nut M12  |            |
| 3           | 3291205            | 8          | Nut M12  |            |
| 4           | 4812100            | 16         | Washer M12   |            |
| 5           | 4812102            | 8          | Washer M12   |            |
| 6           | 1001221175         | 1          | Fuel Tank Assembly (See Separate Breakdown in this Section)      |            |
| 7           | 1001221284         | 1          | Hydraulic Tank Assembly (See Separate Breakdown in this Section) |            |
| 8           | 1001151809         | 8          | Sleeve   |            |
| 9           | 0100011            | AR         | Compound, Locking  |            |
| 10          | 0761229            | 8          | Bolt M12 x 120   |            |
| 11          | 1001182997         | AR         | Adhesive   |            |
| 12          | 4360436            | 1          | Switch, Fuel Level   |            |

# SECTION 2 - TURNTABLE

## FIGURE 2-22. FUEL TANK ASSEMBLY



ART\_1001221175



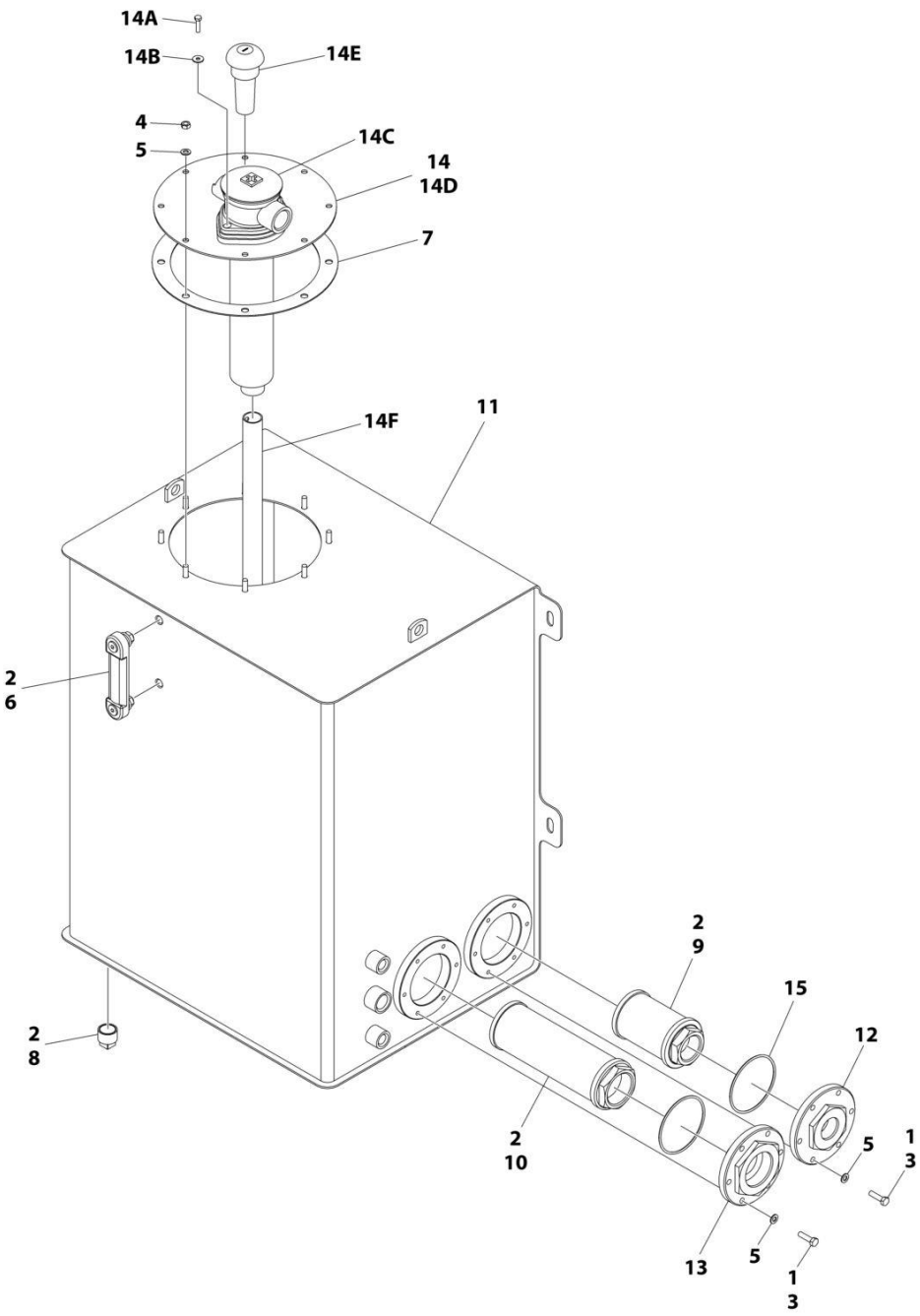
## SECTION 2 - TURNTABLE

### FIGURE 2-22. FUEL TANK ASSEMBLY

| ITEM | PART NUMBER | QTY | DESCRIPTION  | REV |
|------|-------------|-----|--|-----|
|      | 1001221175  | Ref | FUEL TANK ASSEMBLY   | E   |
| 1    | 0100020     | 1   | Sealant  |     |
| 2    | 1320022     | 2   | Clamp (SN B300001586 through B300002613)                                   |     |
| 2    | 1001174486  | 2   | Clamp (SN B300002614 through B300005767, Excluding B300005565)             |     |
| 3    | 2220313     | 4   | Fitting, 90 NPTF/BARB  |     |
| 4    | 3290801     | 8   | Nut M8   |     |
| 5    | 4811900     | 8   | Washer M8  |     |
| 6    | 1001147229  | 1   | Gasket   |     |
| 7    | 1001147230  | 1   | Pipe, Nylon  |     |
| 8    | 1001147549  | 1   | Plug (SN B300001586 through B300002613)                                    |     |
| 8    | 1001228485  | 1   | Plug (SN B300002614 through B300005767, Excluding B300005565)              |     |
| 9    | See Note    | NSS | Tank, Fuel (Note: Use p/n 1001221175)                                      |     |
| 10   | 1001150902  | 1   | Ball (SN B300001586 through B300002613)                                    |     |
| 11   | 1001182997  | AR  | Adhesive   |     |
| 12   | 1001221173  | 1   | Lid Assembly   |     |
| 12A  | 1001147223  | 2   | Fitting, Straight BARB/NPT   |     |
| 12B  | 1001147231  | 2   | Pipe, Nylon  |     |
| 12C  | See Note    | NSS | Screen, Filter (Note: Use p/n 1001221172)                                  |     |
| 12C  | See Note    | NSS | Cap, Filter (Note: Use p/n 1001221172)                                     |     |
| 12D  | 8410013     | 2   | Clamp (SN B300002340 through B300005767, Excluding B300005565)             |     |
| 13   | 0100011     | AR  | Loctite #242 (SN B300002795 through B300005767, Excluding B300005565)      |     |
| 14   | 4031607     | 3   | Bolt M5 x 16 (SN B300002795 through B300005767, Excluding B300005565)      |     |
| 15   | 4811600     | AR  | Washer M5 (SN B300002795 through B300005767, Excluding B300005565)         |     |
| 16   | 1001236143  | 1   | Cover, Fuel Gauge (SN B300002795 through B300005767, Excluding B300005565) |     |

**SECTION 2 - TURNTABLE**

**FIGURE 2-23. HYDRAULIC TANK ASSEMBLY**



ART\_1001221284

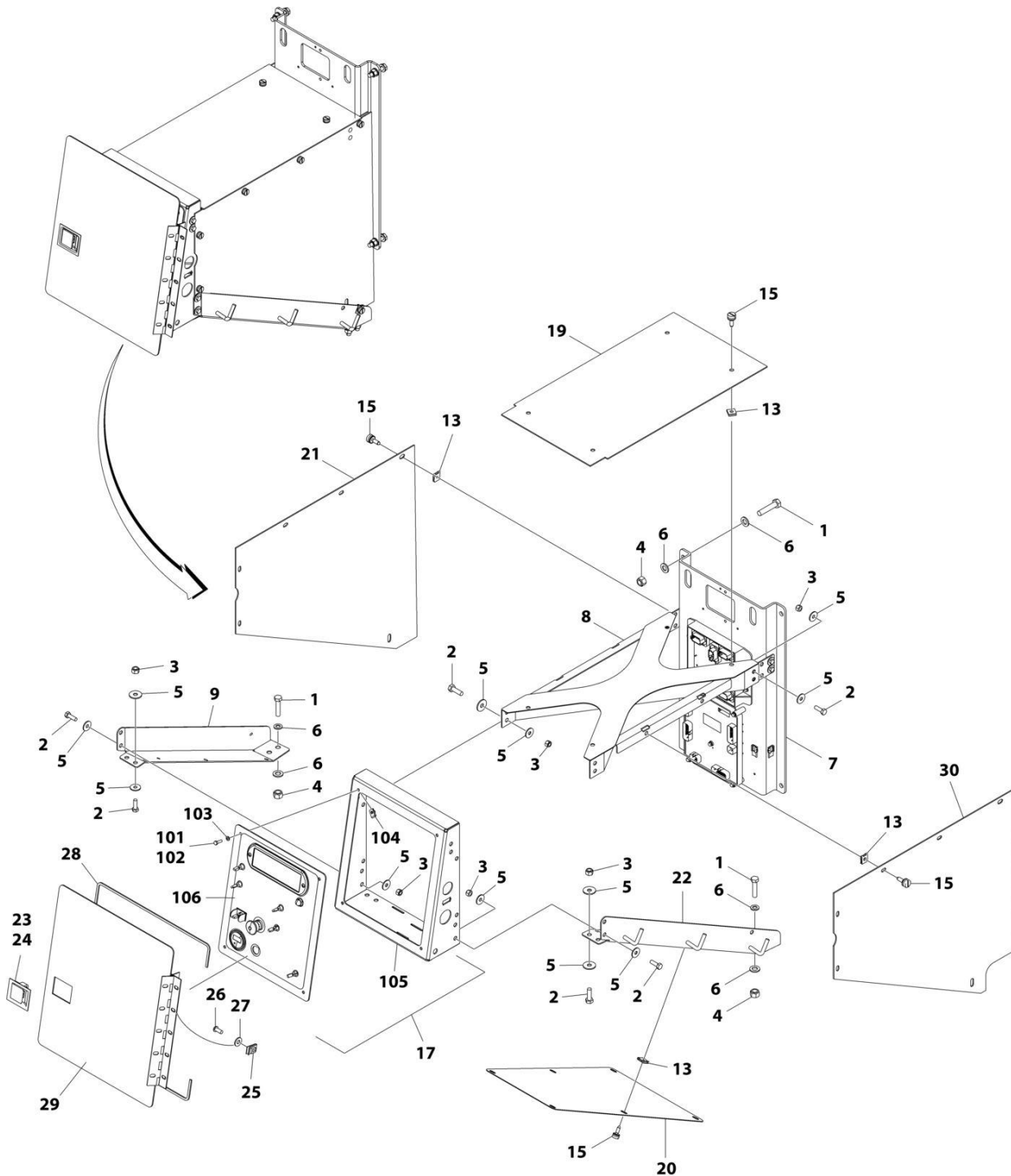
## SECTION 2 - TURNTABLE

### FIGURE 2-23. HYDRAULIC TANK ASSEMBLY

| ITEM | PART NUMBER | QTY | DESCRIPTION  | REV |
|------|-------------|-----|--|-----|
|      | 1001221284  | Ref | HYDRAULIC TANK ASSEMBLY  | C   |
| 1    | 0100011     | AR  | Compound, Locking  |     |
| 2    | 0100020     | 1   | Sealant  |     |
| 3    | 0760814     | 12  | Bolt M8 x 30   |     |
| 4    | 3290801     | 8   | Nut M8   |     |
| 5    | 4811900     | 20  | Washer M8  |     |
| 6    | 7024441     | 1   | Gage, Sight  |     |
| 7    | 1001147229  | 1   | Gasket   |     |
| 8    | 1001147549  | 1   | Plug (SN B300001586 through B300002613)                                  |     |
| 8    | 1001228485  | 1   | Plug (SN B300002614 through B300005767, Excluding B300005565)            |     |
| 9    | 1001221285  | 1   | Filter, Suction (SN B300001586 through B300002613)                       |     |
| 9    | 1001230051  | 1   | Filter, Suction (SN B300002614 through B300005767, Excluding B300005565) |     |
| 10   | 1001221286  | 1   | Filter, Suction  |     |
| 11   | See Note    | NSS | Tank, Hydraulic (Note: Use p/n 1001221284)                               |     |
| 12   | 1001221290  | 1   | Adapter, Mounting  |     |
| 13   | 1001221291  | 1   | Adapter, Mounting  |     |
| 14   | 1001221312  | 1   | Lid Assembly   |     |
| 14A  | 0100011     | AR  | Compound, Locking  |     |
| 14A  | 0760612     | 2   | Bolt M6 x 25   |     |
| 14B  | 4811702     | 2   | Washer M6  |     |
| 14C  | 1001147551  | 1   | Hydraulic Filter Assembly  |     |
| 14C  | 70005707    | 1   | Element, Filter  |     |
| 14D  | 1001221313  | 1   | Lid Assembly   |     |
| 14E  | See Note    | 1   | Screen, Filter (Note: Use p/n 1001221172)                                |     |
| 14E  | See Note    | 1   | Cap, Filter (Note: Use p/n 1001221172)                                   |     |
| 14F  | 1001221340  | 1   | Pipe   |     |
| 15   | 1001221334  | 2   | O-Ring   |     |

# SECTION 2 - TURNTABLE

## FIGURE 2-24. ELECTRICAL COMPONENTS INSTALLATION (1030S)



ART\_1001150033

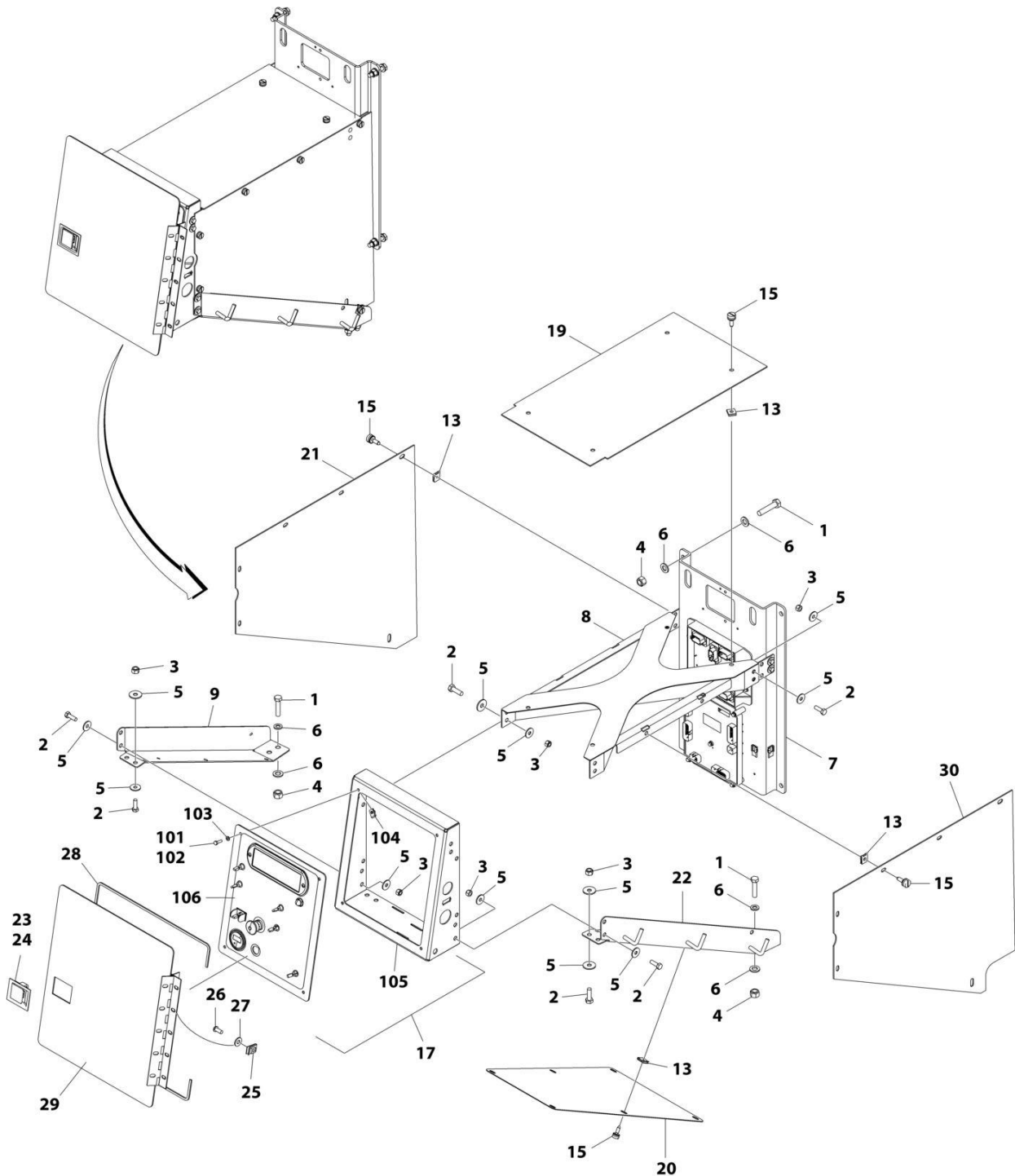
## SECTION 2 - TURNTABLE

**FIGURE 2-24. ELECTRICAL COMPONENTS INSTALLATION (1030S)**

| ITEM | PART NUMBER | QTY       | DESCRIPTION  | REV |
|------|-------------|-----------|--|-----|
|      | 1001150033  | Ref       | ELECTRICAL COMPONENTS INSTALLATION                                     | D   |
| 1    | 0701219     | 8         | Bolt M12 x 55  |     |
| 2    | 0760812     | 16        | Bolt M8 x 25   |     |
| 3    | 3290805     | 16        | Nut M8   |     |
| 4    | 3291205     | 8         | Nut M12  |     |
| 5    | 4811902     | 32        | Washer M8  |     |
| 6    | 4812100     | 16        | Washer M12   |     |
| 7    | 1001152193  | 1         | Electrical Assembly (See Separate Breakdown in this Section)           |     |
| 8    | 1001152214  | 1         | Support (Top)  |     |
| 9    | 1001152217  | 1         | Support (LH)   |     |
| 13   | 1380169     | 22        | Clip   |     |
| 15   | 3900174     | 22        | Screw, Thumb   |     |
| 17   | 1001217854  | 1         | Ground Control Box Assembly (See Items 101-106 for Breakdown)          |     |
| 19   | 1001217857  | 1         | Cover (Top)  |     |
| 20   | 1001217858  | 1         | Cover (Bottom)   |     |
| 21   | 1001217859  | 1         | Cover (Side)   |     |
| 22   | 1001217864  | 1         | Support (RH)   |     |
| 23   | 0100011     | AR        | Compound, Locking  |     |
| 24   | 2940045     | 1         | Latch  |     |
| 25   | 3300364     | 3         | Nut, Tinnerman 5/16  |     |
| 26   | 3900210     | 3         | Screw 5/16 x 3/4   |     |
| 27   | 4751500     | 3         | Washer 5/16  |     |
| 28   | 1001113047  | 5 ft/1.5m | Seal   |     |
| 29   | 1001218545  | 1         | Door   |     |
| 30   | 1001223930  | 1         | Cover (Side)   |     |
|      | 1001217854  | Ref       | GROUND CONTROL BOX ASSEMBLY  | A   |
| 101  | 0100011     | AR        | Compound, Locking  |     |
| 102  | 0760610     | 4         | Bolt M6 x 20   |     |
| 103  | 4811700     | 4         | Washer M6  |     |
| 104  | 1001130220  | 4         | Nut, Tinnerman M6  |     |
| 105  | 1001152197  | 1         | Box  |     |
| 106  | 1001152366  | 1         | Ground Control Panel Assembly (See Separate Breakdown in this Section) |     |

# SECTION 2 - TURNTABLE

## FIGURE 2-25. ELECTRICAL COMPONENTS INSTALLATION (1100SJ)



ART\_1001150034

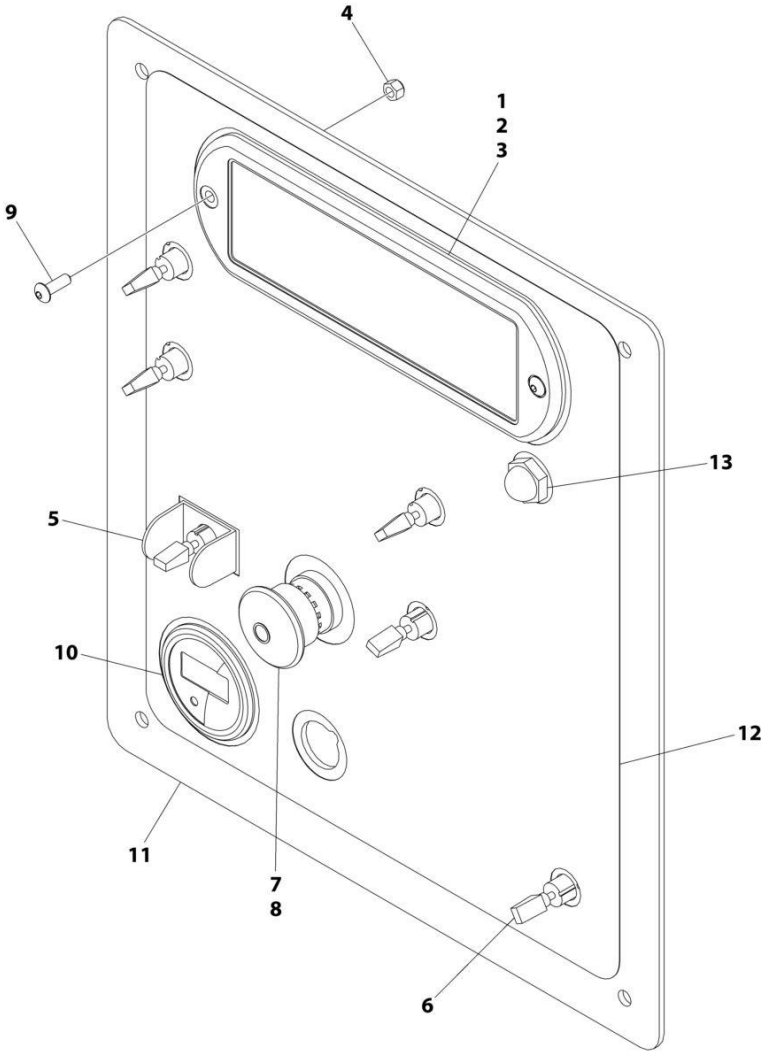
## SECTION 2 - TURNTABLE

**FIGURE 2-25. ELECTRICAL COMPONENTS INSTALLATION (1100SJ)**

| ITEM | PART NUMBER | QTY       | DESCRIPTION  | REV |
|------|-------------|-----------|--|-----|
|      | 1001150034  | Ref       | ELECTRICAL COMPONENTS INSTALLATION                                     | D   |
| 1    | 0701219     | 8         | Bolt M12 x 55  |     |
| 2    | 0760812     | 16        | Bolt M8 x 25   |     |
| 3    | 3290805     | 16        | Nut M8   |     |
| 4    | 3291205     | 8         | Nut M12  |     |
| 5    | 4811902     | 32        | Washer M8  |     |
| 6    | 4812100     | 16        | Washer M12   |     |
| 7    | 1001152193  | 1         | Electrical Assembly (See Separate Breakdown in this Section)           |     |
| 8    | 1001152214  | 1         | Support (Top)  |     |
| 9    | 1001152217  | 1         | Support (LH)   |     |
| 13   | 1380169     | 22        | Clip   |     |
| 15   | 3900174     | 22        | Screw, Thumb   |     |
| 17   | 1001217856  | 1         | Ground Control Box Assembly (See Items 101-106 for Breakdown)          |     |
| 19   | 1001217857  | 1         | Cover (Top)  |     |
| 20   | 1001217858  | 1         | Cover (Bottom)   |     |
| 21   | 1001217859  | 1         | Cover (Side)   |     |
| 22   | 1001217864  | 1         | Support (RH)   |     |
| 23   | 0100011     | AR        | Compound, Locking  |     |
| 24   | 2940045     | 1         | Latch  |     |
| 25   | 3300364     | 3         | Nut, Tinnerman 5/16  |     |
| 26   | 3900210     | 3         | Screw 5/16 x 3/4   |     |
| 27   | 4751500     | 3         | Washer 5/16  |     |
| 28   | 1001113047  | 5 ft/1.5m | Seal   |     |
| 29   | 1001218545  | 1         | Door   |     |
| 30   | 1001223930  | 1         | Cover (Side)   |     |
|      | 1001217856  | Ref       | GROUND CONTROL BOX ASSEMBLY  | A   |
| 101  | 0100011     | AR        | Compound, Locking  |     |
| 102  | 0760610     | 4         | Bolt M6 x 20   |     |
| 103  | 4811700     | 4         | Washer M6  |     |
| 104  | 1001130220  | 4         | Nut, Tinnerman M6  |     |
| 105  | 1001152197  | 1         | Box  |     |
| 106  | 1001152208  | 1         | Ground Control Panel Assembly (See Separate Breakdown in this Section) |     |

**SECTION 2 - TURNTABLE**

**FIGURE 2-26. GROUND CONTROL PANEL ASSEMBLY (1030S)**



ART\_1001152366



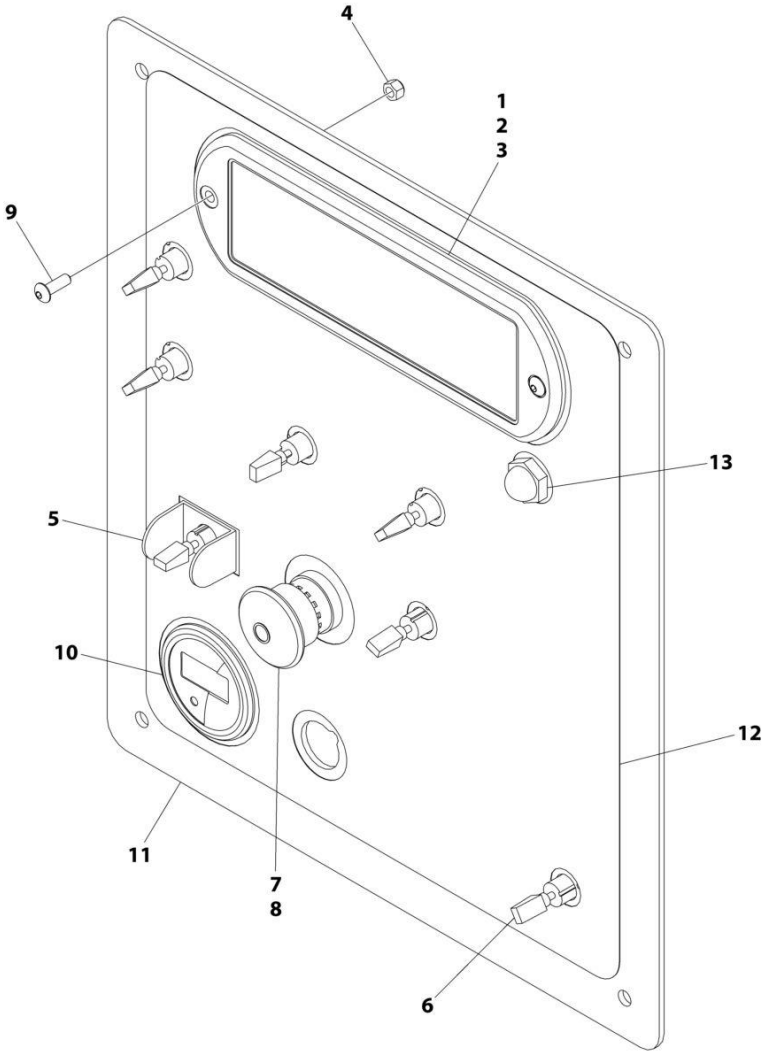
**SECTION 2 - TURNTABLE**

**FIGURE 2-26. GROUND CONTROL PANEL ASSEMBLY (1030S)**

| ITEM | PART NUMBER | QTY | DESCRIPTION                   | REV |
|------|-------------|-----|-------------------------------|-----|
|      | 1001152366  | Ref | GROUND CONTROL PANEL ASSEMBLY | D   |
| 1    | 1670829     | 1   | Bezel                         |     |
| 2    | 1001122383  | 1   | Decal - Display               |     |
| 3    | 2760105     | 1   | Fixture, Light                |     |
| 4    | 3290505     | 2   | Nut M5                        |     |
| 5    | 4060906     | 1   | Guard, Switch                 |     |
| 6    | 4360328     | 6   | Switch, Toggle                |     |
| 7    | 4360475     | 1   | Switch, Emergency Stop        |     |
| 7    | 7020175     | 1   | Cap                           |     |
| 7    | 7020176     | 1   | Block, Contact                |     |
| 8    | 4360476     | 2   | Block, Contact                |     |
| 9    | 1001099125  | 2   | Screw M5 x 16 Grade 10.9      |     |
| 10   | 1001109503  | 1   | Gauge                         |     |
| 11   | 1001152207  | 1   | Panel                         |     |
| 12   | 1001182617  | 1   | Decal - Ground Control        |     |
| 13   | 4360274     | 1   | Switch, Push Button           |     |

**SECTION 2 - TURNTABLE**

**FIGURE 2-27. GROUND CONTROL PANEL ASSEMBLY (1100SJ)**



ART\_1001152208

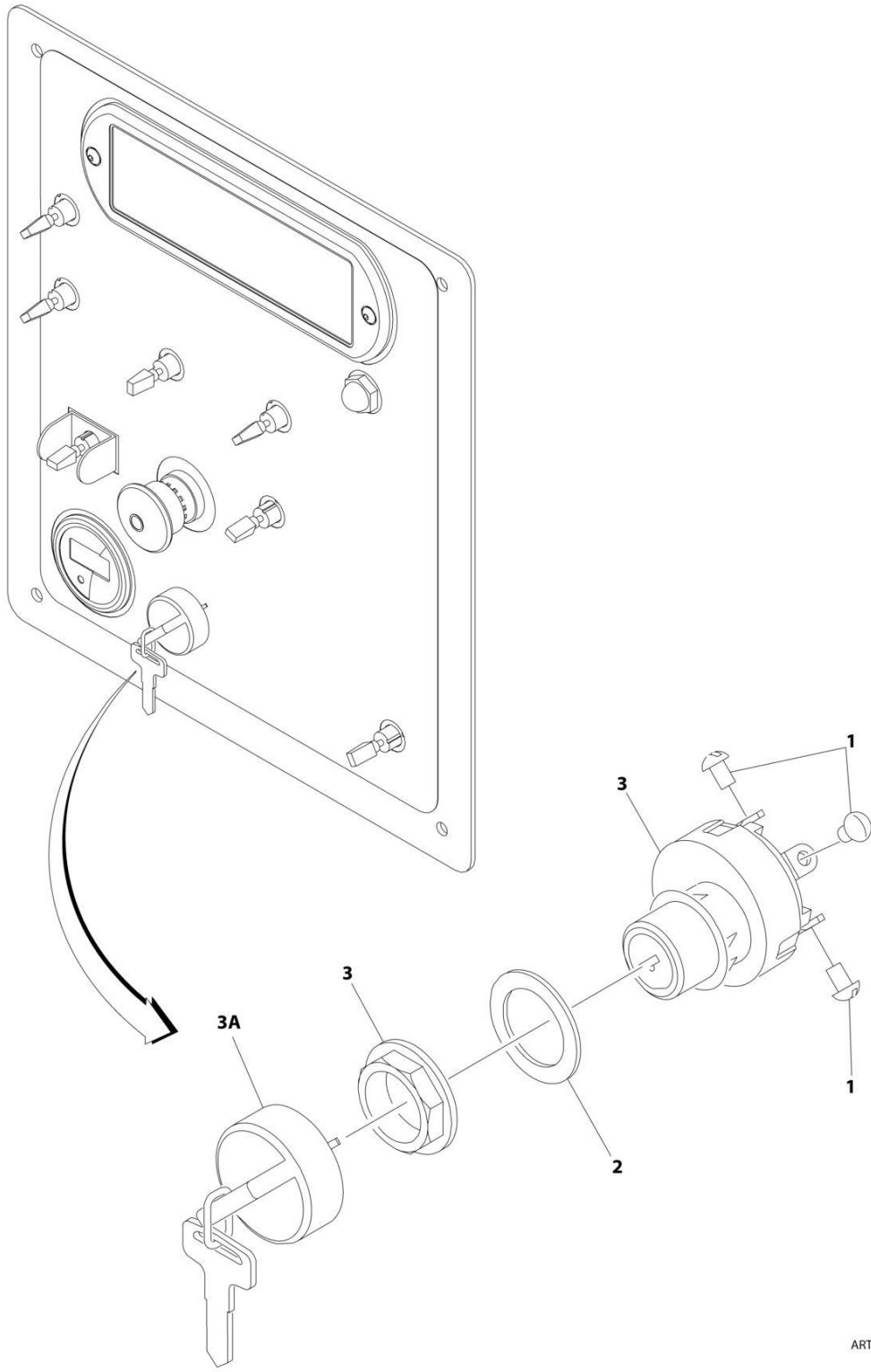
**SECTION 2 - TURNTABLE**

**FIGURE 2-27. GROUND CONTROL PANEL ASSEMBLY (1100SJ)**

| ITEM | PART NUMBER | QTY | DESCRIPTION                   | REV |
|------|-------------|-----|-------------------------------|-----|
|      | 1001152208  | Ref | GROUND CONTROL PANEL ASSEMBLY | D   |
| 1    | 1670829     | 1   | Bezel                         |     |
| 2    | 1001122383  | 1   | Decal - Display               |     |
| 3    | 2760105     | 1   | Fixture, Light                |     |
| 4    | 3290505     | 2   | Nut M5                        |     |
| 5    | 4060906     | 1   | Guard, Switch                 |     |
| 6    | 4360328     | 7   | Switch, Toggle                |     |
| 7    | 4360475     | 1   | Switch, Emergency Stop        |     |
| 7    | 7020175     | 1   | Cap                           |     |
| 7    | 7020176     | 1   | Block, Contact                |     |
| 8    | 4360476     | 2   | Block, Contact                |     |
| 9    | 1001099125  | 2   | Screw M5 x 16 Grade 10.9      |     |
| 10   | 1001109503  | 1   | Gauge                         |     |
| 11   | 1001152207  | 1   | Panel                         |     |
| 12   | 1001182618  | 1   | Decal - Ground Control        |     |
| 13   | 4360274     | 1   | Switch, Push Button           |     |

# SECTION 2 - TURNTABLE

## FIGURE 2-28. KEYSWITCH INSTALLATION



ART\_0259666

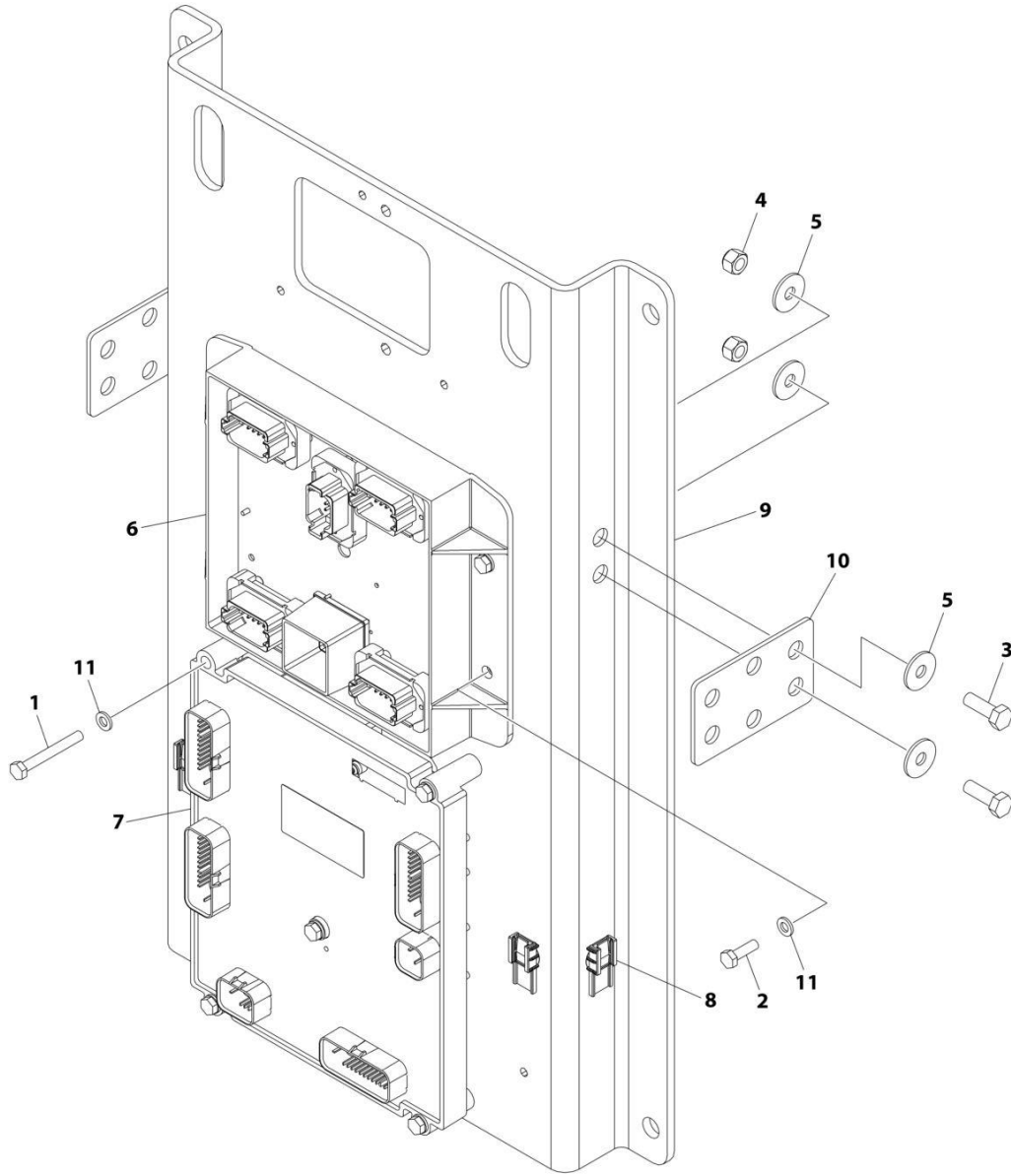
**SECTION 2 - TURNTABLE**

**FIGURE 2-28. KEYSWITCH INSTALLATION**

| <b>ITEM</b> | <b>PART NUMBER</b> | <b>QTY</b> | <b>DESCRIPTION</b>     | <b>REV</b> |
|-------------|--------------------|------------|------------------------|------------|
|             | 0259666            | Ref        | KEYSWITCH INSTALLATION | C          |
| 1           | 3910804            | 6          | Screw #8 x 1/8         |            |
| 2           | 1001151393         | 1          | Shim .063              |            |
| 3           | 4360469            | 1          | Keyswitch              |            |
| 3A          | 2860030            | 1          | Key, Replacement       |            |

# SECTION 2 - TURNTABLE

## FIGURE 2-29. ELECTRICAL ASSEMBLY



ART\_1001152193

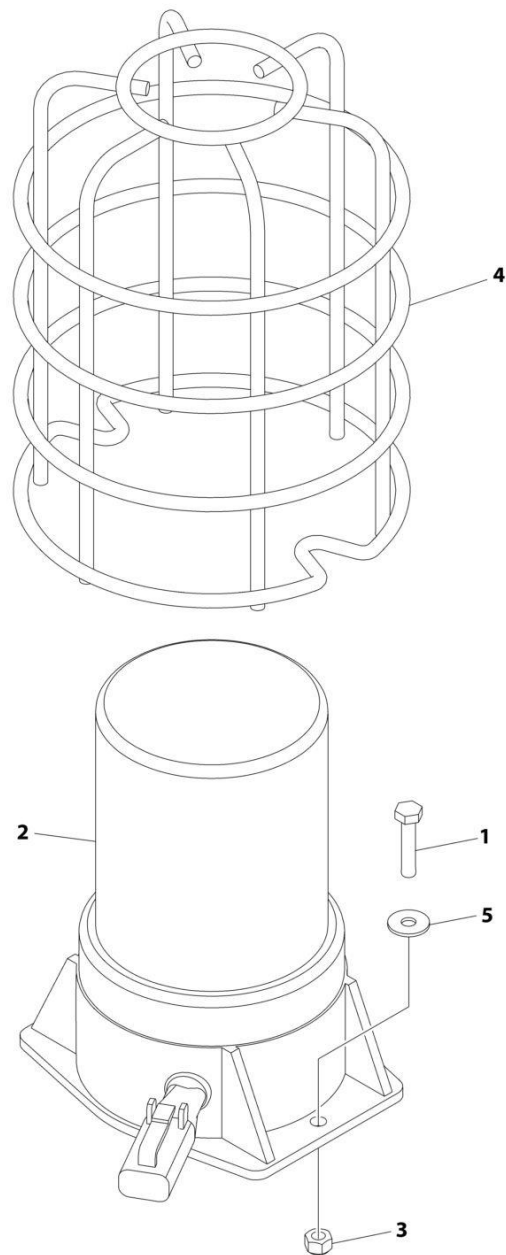
**SECTION 2 - TURNTABLE**

**FIGURE 2-29. ELECTRICAL ASSEMBLY**

| ITEM | PART NUMBER | QTY | DESCRIPTION   | REV |
|------|-------------|-----|---|-----|
|      | 1001152193  | Ref | ELECTRICAL ASSEMBLY   | G   |
| 1    | 0700618     | 5   | Bolt M6 x 50  |     |
| 2    | 0760610     | 4   | Bolt M6 x 20  |     |
| 3    | 0760812     | 4   | Bolt M8 x 25  |     |
| 4    | 3290805     | 4   | Nut M8  |     |
| 5    | 4811902     | 8   | Washer M8   |     |
| 6    | 1001112757  | NLA | Module, Boom Length and Angle Control (Use p/n 1001227960)<br>(Note: Re-calibration Required when Replaced) <b>(SN B300001586 through B300002951)</b> |     |
| 6    | 1001227960  | 1   | Module, Boom Length and Angle Control (Note: Re-calibration Required when Replaced) <b>(SN B300002952 through B300005767, Excluding B300005565)</b>   |     |
| 7    | 1001151274  | 1   | Module, Ground Control (Note: Re-calibration Required when Replaced)  |     |
| 8    | 1001121172  | 4   | Mount, Terminal   |     |
| 9    | 1001152194  | 1   | Plate   |     |
| 10   | 1001152195  | 2   | Mount   |     |
| 11   | 4811700     | 9   | Washer M6   |     |

## SECTION 2 - TURNTABLE

FIGURE 2-30. STROBE LIGHT INSTALLATION - AMBER (OPTIONAL)



ART\_1001151701



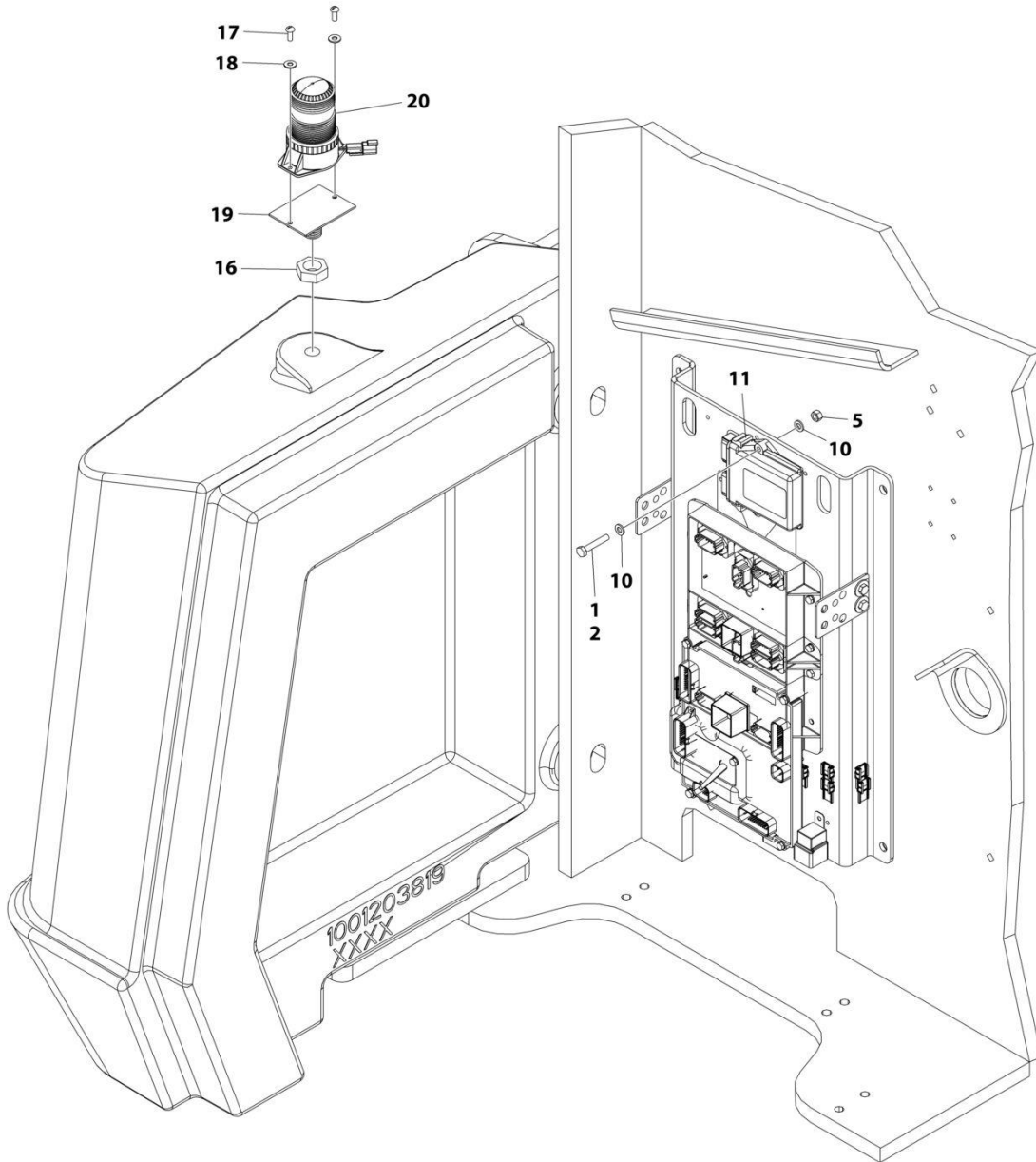
**SECTION 2 - TURNTABLE**

**FIGURE 2-30. STROBE LIGHT INSTALLATION - AMBER (OPTIONAL)**

| <b>ITEM</b> | <b>PART NUMBER</b> | <b>QTY</b> | <b>DESCRIPTION</b>                           | <b>REV</b> |
|-------------|--------------------|------------|--|------------|
|             | 1001151701         | Ref        | STROBE LIGHT INSTALLATION - AMBER (OPTIONAL) | A          |
| 1           | 0760410            | 2          | Bolt M4 x 20                                 |            |
| 2           | 2920161            | 1          | Light, Strobe                                |            |
| 2           | 7016319            | 1          | Bulb   |            |
| 2           | 7016372            | 1          | Lens   |            |
| 2           | 4460891            | 1          | Plug, Male - 2 Position                      |            |
| 2           | 4460465            | 2          | Socket, Female                               |            |
| 3           | 3290405            | 2          | Nut M4                                       |            |
| 4           | 4060865            | 1          | Guard, Strobe                                |            |
| 5           | 1001091102         | 2          | Washer M4                                    |            |

## SECTION 2 - TURNTABLE

FIGURE 2-31. STROBE LIGHT INSTALLATION - BLUE (OPTIONAL) (SN B30000100 through B300004464)



ART\_1001196776

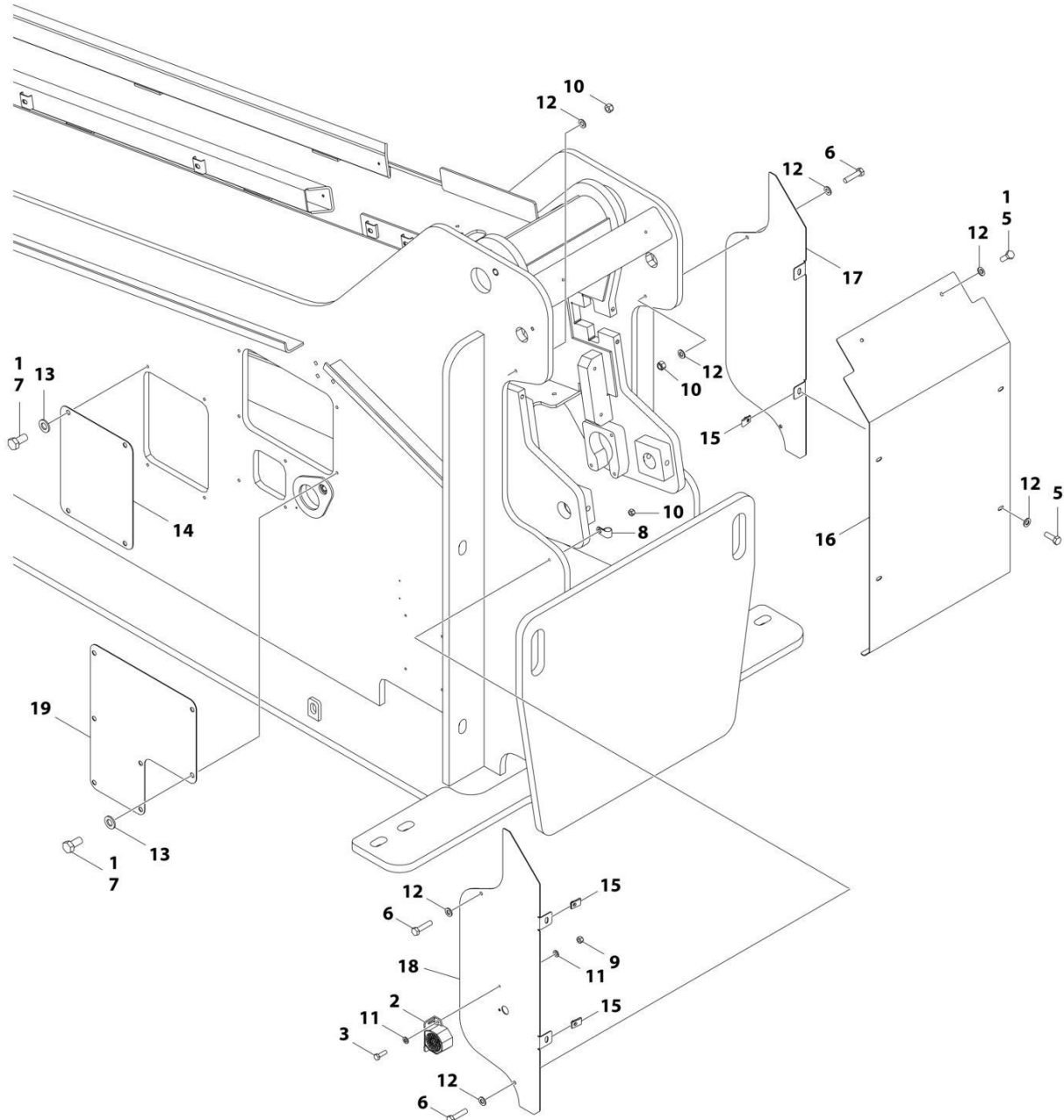
**SECTION 2 - TURNTABLE**

**FIGURE 2-31. STROBE LIGHT INSTALLATION - BLUE (OPTIONAL) (SN B300000100 through B300004464)**

| ITEM | PART NUMBER | QTY | DESCRIPTION   | REV |
|------|-------------|-----|---|-----|
|      | 1001196776  | Ref | STROBE LIGHT INSTALLATION - BLUE (OPTIONAL)                                     | c   |
| 1    | 0100011     | AR  | Compound, Locking   |     |
| 2    | 0700615     | 2   | Bolt M6 x 35  |     |
| 5    | 3290607     | 2   | Nut M6  |     |
| 8    | 4240033     | 1   | Tie-Strap (Not Shown)   |     |
| 10   | 4811700     | 4   | Washer M6   |     |
| 11   | 1001142683  | 1   | Module, Beacon  |     |
| 14   | 1001142736  | 1   | Strobe Light Harness (Not Shown - See Separate Breakdown in ELECTRICAL SECTION) |     |
| 16   | 3312602     | 1   | Nut 1   |     |
| 17   | 3900085     | 2   | Screw #10 x 1/2   |     |
| 18   | 4751000     | 2   | Washer #10  |     |
| 19   | 1001149994  | 1   | Mount   |     |
| 20   | 1001200910  | 1   | Strobe Light Harness Assembly   |     |
| 20   | 4460897     | 1   | Connector - 2 Position  |     |
| 20   | 4460464     | 2   | Pin, Male   |     |

# SECTION 2 - TURNTABLE

## FIGURE 2-32. ALARM AND TURNTABLE COVERS INSTALLATION



ART\_1001151213

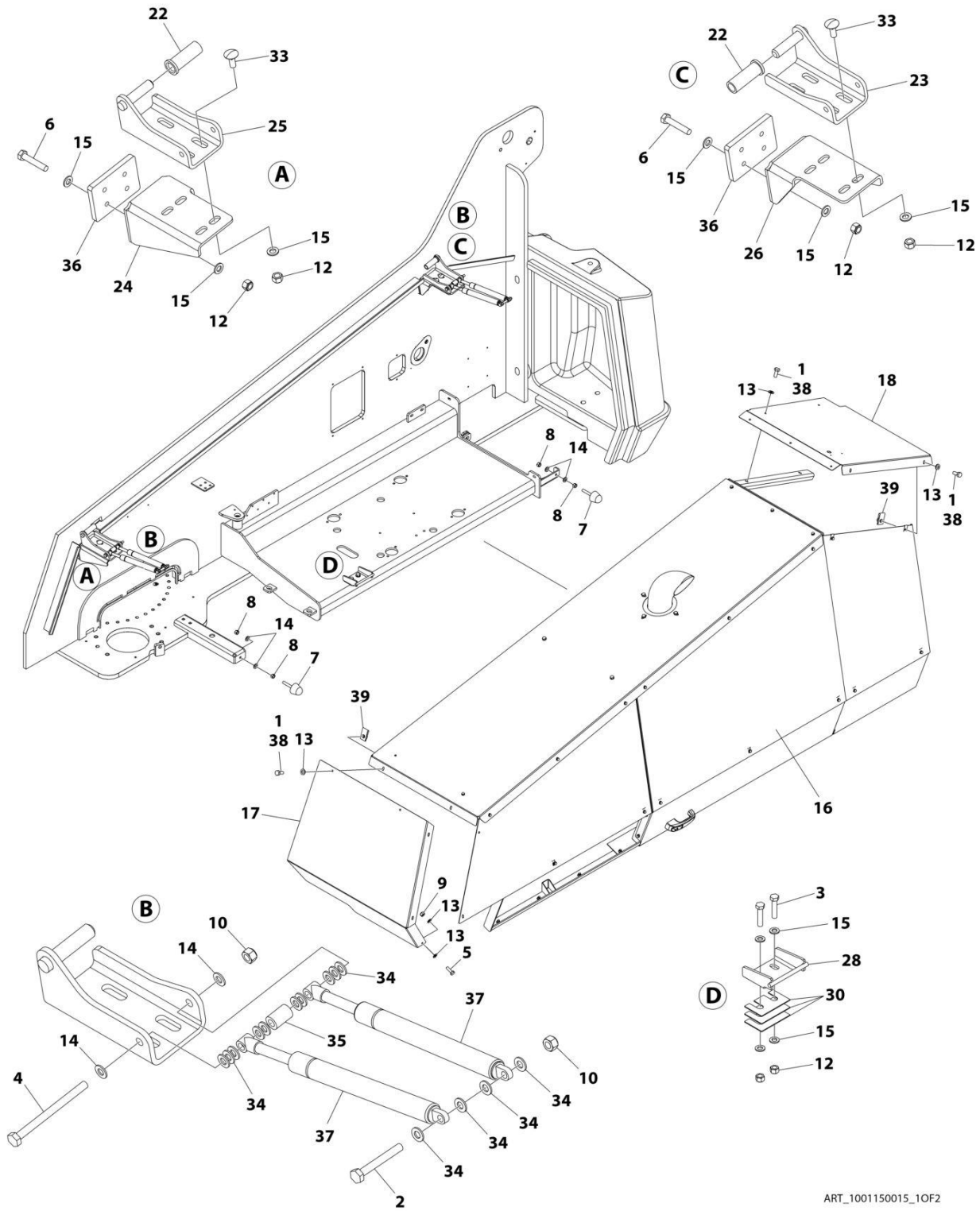
**SECTION 2 - TURNTABLE**

**FIGURE 2-32. ALARM AND TURNTABLE COVERS INSTALLATION**

| ITEM | PART NUMBER | QTY | DESCRIPTION                             | REV |
|------|-------------|-----|---|-----|
|      | 1001151213  | Ref | ALARM AND TURNTABLE COVERS INSTALLATION | F   |
| 1    | 0100011     | AR  | Compound, Locking                       |     |
| 2    | 0140043     | 1   | Alarm                                   |     |
| 3    | 0760610     | 2   | Bolt M6 x 20                            |     |
| 5    | 0760812     | 6   | Bolt M8 x 25                            |     |
| 6    | 0760815     | 4   | Bolt M8 x 35                            |     |
| 7    | 0761212     | AR  | Bolt M12 x 25                           |     |
| 8    | 1320061     | 1   | Clamp                                   |     |
| 9    | 3290605     | 2   | Nut M6                                  |     |
| 10   | 3290805     | 4   | Nut M8                                  |     |
| 11   | 4811700     | 4   | Washer M6                               |     |
| 12   | 4811900     | 13  | Washer M8                               |     |
| 13   | 4812100     | AR  | Washer M12                              |     |
| 14   | 1001148768  | 1   | Cover                                   |     |
| 15   | 1001149160  | 4   | Nut, Tinnerman M8                       |     |
| 16   | 1001151221  | 1   | Cover (End)                             |     |
| 17   | 1001151222  | 1   | Cover (LH)                              |     |
| 18   | 1001151223  | 1   | Cover (RH)                              |     |
| 19   | 1001218733  | 1   | Cover                                   |     |

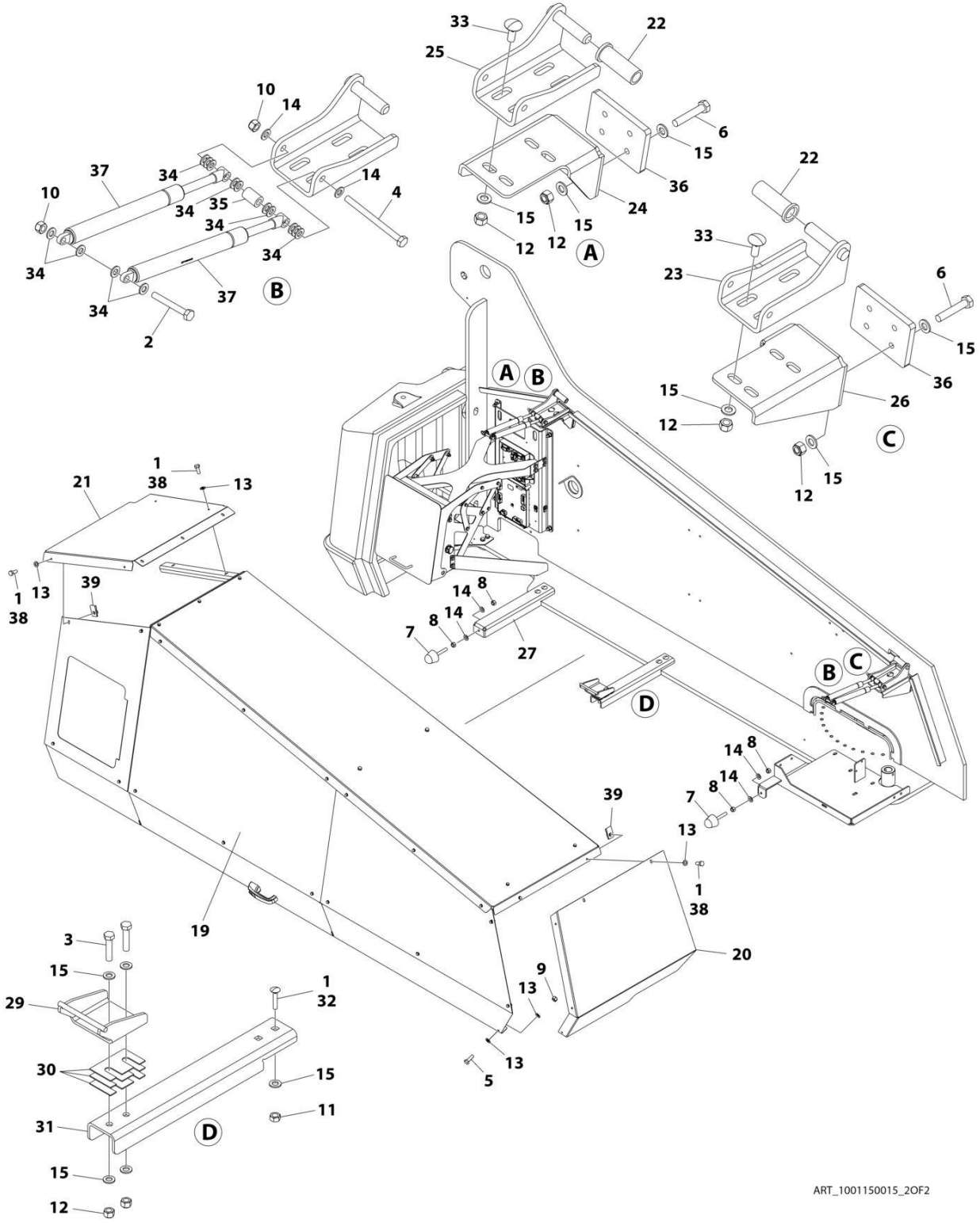
# SECTION 2 - TURNTABLE

## FIGURE 2-33. HOOD INSTALLATION - DEUTZ TD2011 ENGINE



ART\_1001150015\_10F2

# SECTION 2 - TURNTABLE



ART\_1001150015\_2OF2

## SECTION 2 - TURNTABLE

FIGURE 2-33. HOOD INSTALLATION - DEUTZ TD2011 ENGINE

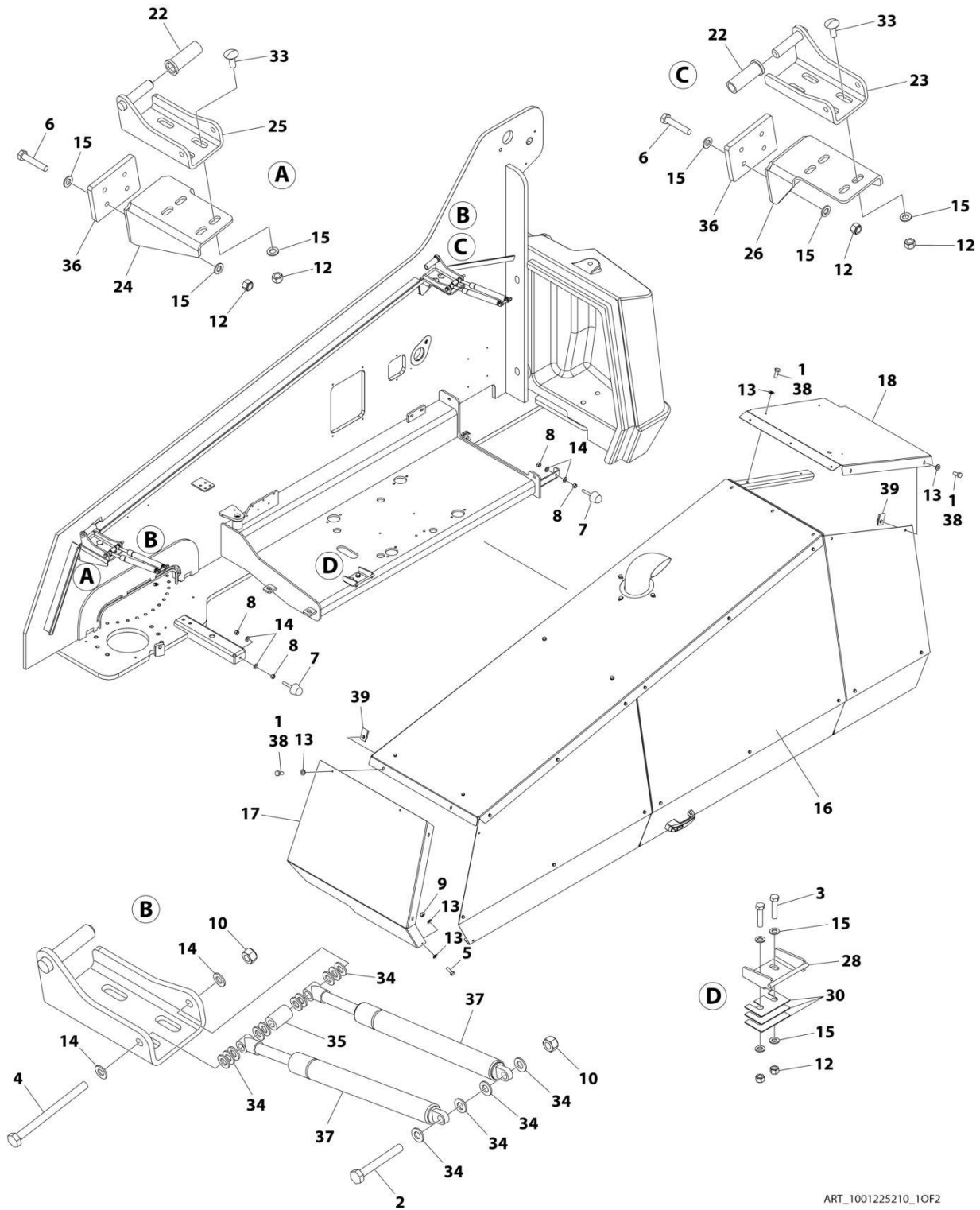
| ITEM | PART NUMBER | QTY | DESCRIPTION  | REV |
|------|-------------|-----|--|-----|
|      | 1001150015  | Ref | HOOD INSTALLATION - DEUTZ TD2011 ENGINE                              | D   |
| 1    | 0100011     | AR  | Compound, Locking  |     |
| 2    | 0701024     | 4   | Bolt M10 x 80  |     |
| 3    | 0701219     | 4   | Bolt M12 x 55  |     |
| 4    | 0711030     | 4   | Bolt M10 x 130   |     |
| 5    | 0760812     | 2   | Bolt M8 x 25   |     |
| 6    | 0761221     | 16  | Bolt M12 x 65  |     |
| 7    | 0940071     | 4   | Bumper   |     |
| 8    | 3271601     | 8   | Nut 3/8  |     |
| 9    | 3290805     | 2   | Nut M8   |     |
| 10   | 3291005     | 8   | Nut M10  |     |
| 11   | 3291201     | 4   | Nut M12  |     |
| 12   | 3291205     | 36  | Nut M12  |     |
| 13   | 4811900     | 24  | Washer M8  |     |
| 14   | 4812000     | 16  | Washer M10   |     |
| 15   | 4812100     | 60  | Washer M12   |     |
| 16   | 1001149075  | 1   | Hood Assembly - Engine Side (See Separate Breakdown in this Section) |     |
| 17   | 1001149082  | 1   | Panel, Hood  |     |
| 18   | 1001149083  | 1   | Panel, Hood  |     |
| 19   | 1001149085  | 1   | Hood Assembly - Tank Side (See Separate Breakdown in this Section)   |     |
| 20   | 1001149092  | 1   | Panel, Hood  |     |
| 21   | 1001149093  | 1   | Panel, Hood  |     |
| 22   | 1001149095  | 4   | Bearing  |     |
| 23   | 1001149096  | 2   | Hinge (RH)   |     |
| 24   | 1001149098  | 2   | Bracket  |     |
| 25   | 1001149099  | 2   | Hinge (LH)   |     |
| 26   | 1001149101  | 2   | Bracket  |     |
| 27   | 1001153028  | 1   | Bracket  |     |
| 28   | 1001153029  | 1   | Bracket, Latch (Engine Side)   |     |
| 29   | 1001153030  | 1   | Bracket, Latch (Tank Side)   |     |
| 30   | 1001153034  | 6   | Plate, Spacer  |     |
| 31   | 1001153035  | 1   | Bracket  |     |
| 32   | 1001153086  | 4   | Bolt M12 x 70  |     |
| 33   | 1001153162  | 16  | Bolt M12 x 35  |     |
| 34   | 1001153195  | 58  | Washer M10   |     |
| 35   | 1001153198  | 4   | Spacer   |     |
| 36   | 1001153199  | 4   | Plate, Spacer  |     |
| 37   | 1001151912  | 8   | Spring, Gas  |     |
| 38   | 0760810     | 20  | Bolt M8 x 20   |     |
| 39   | 1001149160  | 16  | Nut, Tinnerman M8  |     |





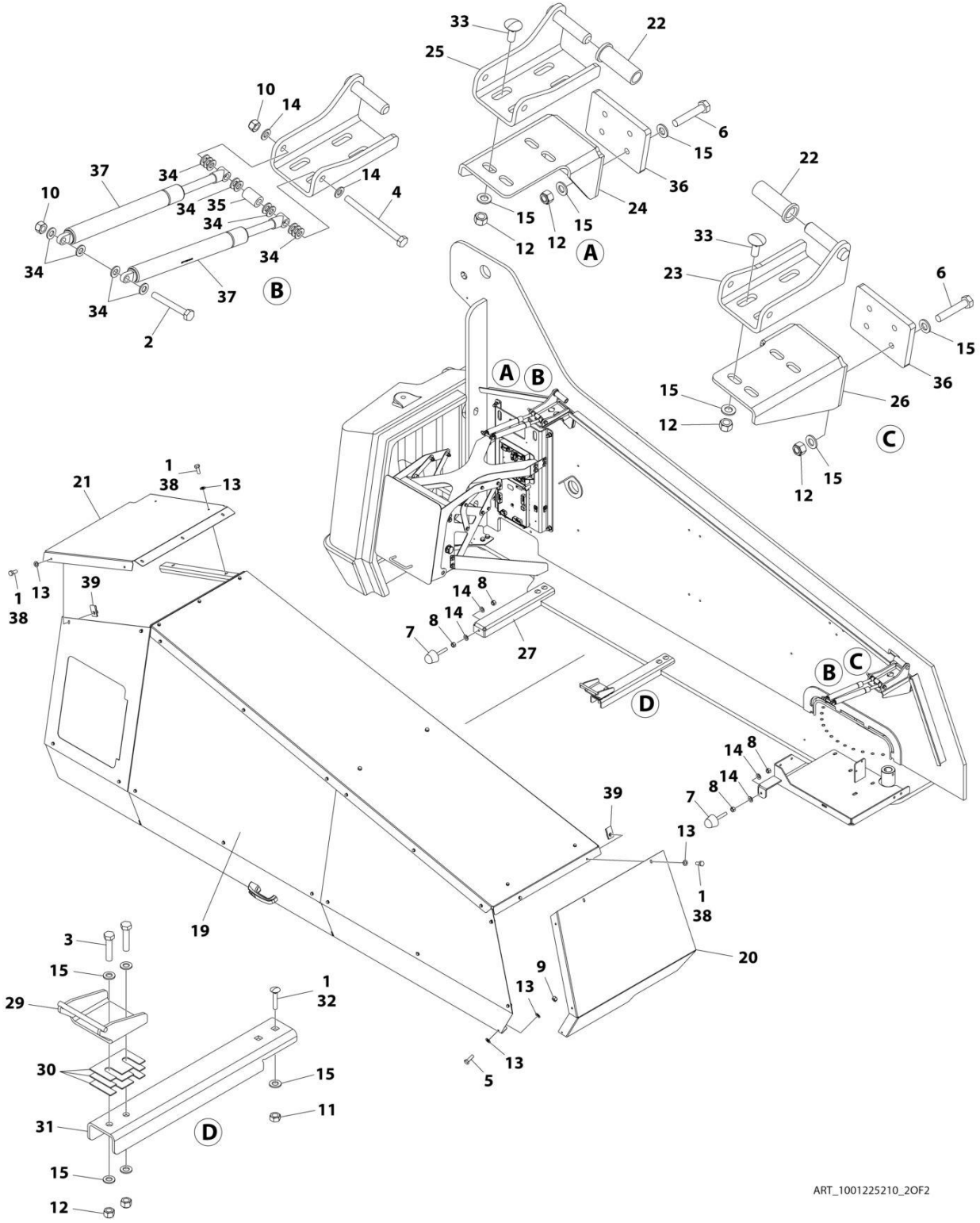
# SECTION 2 - TURNTABLE

## FIGURE 2-34. HOOD INSTALLATION - DEUTZ TD2.9L4 ENGINE



ART\_1001225210\_10F2

# SECTION 2 - TURNTABLE



ART\_1001225210\_20F2

## SECTION 2 - TURNTABLE

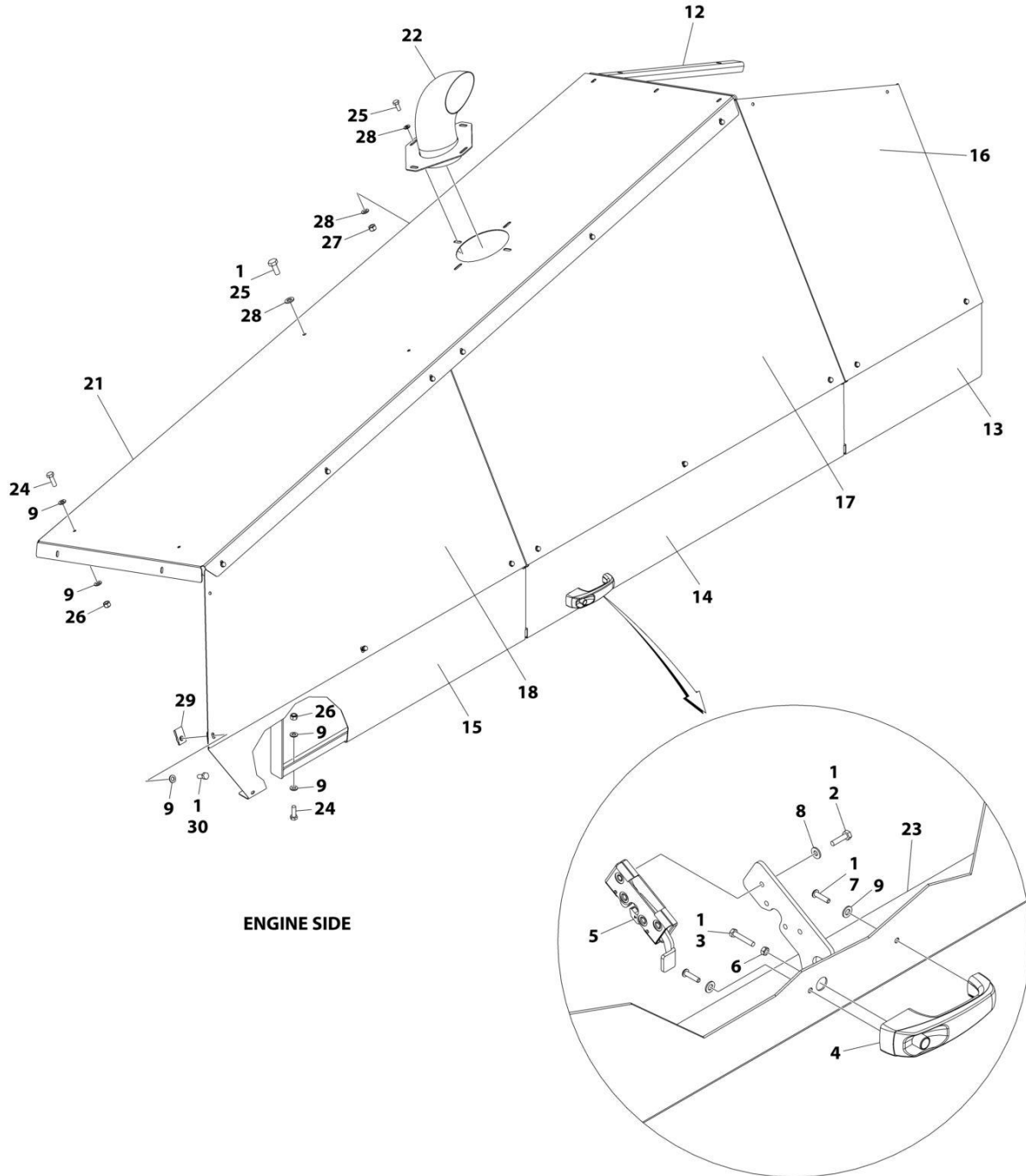
FIGURE 2-34. HOOD INSTALLATION - DEUTZ TD2.9L4 ENGINE

| ITEM | PART NUMBER | QTY | DESCRIPTION  | REV |
|------|-------------|-----|--|-----|
|      | 1001225210  | Ref | HOOD INSTALLATION – DEUTZ TD2.9L4 ENGINE                             | A   |
| 1    | 0100011     | AR  | Compound, Locking  |     |
| 2    | 0701024     | 4   | Bolt M10 x 80  |     |
| 3    | 0701219     | 4   | Bolt M12 x 55  |     |
| 4    | 0711030     | 4   | Bolt M10 x 130   |     |
| 5    | 0760812     | 2   | Bolt M8 x 25   |     |
| 6    | 0761221     | 16  | Bolt M12 x 65  |     |
| 7    | 0940071     | 4   | Bumper   |     |
| 8    | 3271601     | 8   | Nut 3/8  |     |
| 9    | 3290805     | 2   | Nut M8   |     |
| 10   | 3291005     | 8   | Nut M10  |     |
| 11   | 3291201     | 4   | Nut M12  |     |
| 12   | 3291205     | 36  | Nut M12  |     |
| 13   | 4811900     | 24  | Washer M8  |     |
| 14   | 4812000     | 16  | Washer M10   |     |
| 15   | 4812100     | 60  | Washer M12   |     |
| 16   | 1001225211  | 1   | Hood Assembly - Engine Side (See Separate Breakdown in this Section) |     |
| 17   | 1001149082  | 1   | Panel, Hood  |     |
| 18   | 1001149083  | 1   | Panel, Hood  |     |
| 19   | 1001149085  | 1   | Hood Assembly - Tank Side (See Separate Breakdown in this Section)   |     |
| 20   | 1001149092  | 1   | Panel, Hood  |     |
| 21   | 1001149093  | 1   | Panel, Hood  |     |
| 22   | 1001149095  | 4   | Bearing  |     |
| 23   | 1001149096  | 2   | Hinge (RH)   |     |
| 24   | 1001149098  | 2   | Bracket  |     |
| 25   | 1001149099  | 2   | Hinge (LH)   |     |
| 26   | 1001149101  | 2   | Bracket  |     |
| 27   | 1001153028  | 1   | Bracket  |     |
| 28   | 1001153029  | 1   | Bracket, Latch (Engine Side)   |     |
| 29   | 1001153030  | 1   | Bracket, Latch (Tank Side)   |     |
| 30   | 1001153034  | 6   | Plate, Spacer  |     |
| 31   | 1001153035  | 1   | Bracket  |     |
| 32   | 1001153086  | 4   | Bolt M12 x 70  |     |
| 33   | 1001153162  | 16  | Bolt M12 x 35  |     |
| 34   | 1001153195  | 58  | Washer M10   |     |
| 35   | 1001153198  | 4   | Spacer   |     |
| 36   | 1001153199  | 4   | Plate, Spacer  |     |
| 37   | 1001151912  | 8   | Spring, Gas  |     |
| 38   | 0760810     | 20  | Bolt M8 x 20   |     |
| 39   | 1001149160  | 16  | Nut, Tinnerman M8  |     |



# SECTION 2 - TURNTABLE

## FIGURE 2-35. HOOD ASSEMBLY - ENGINE SIDE (DEUTZ TD2011 ENGINE)



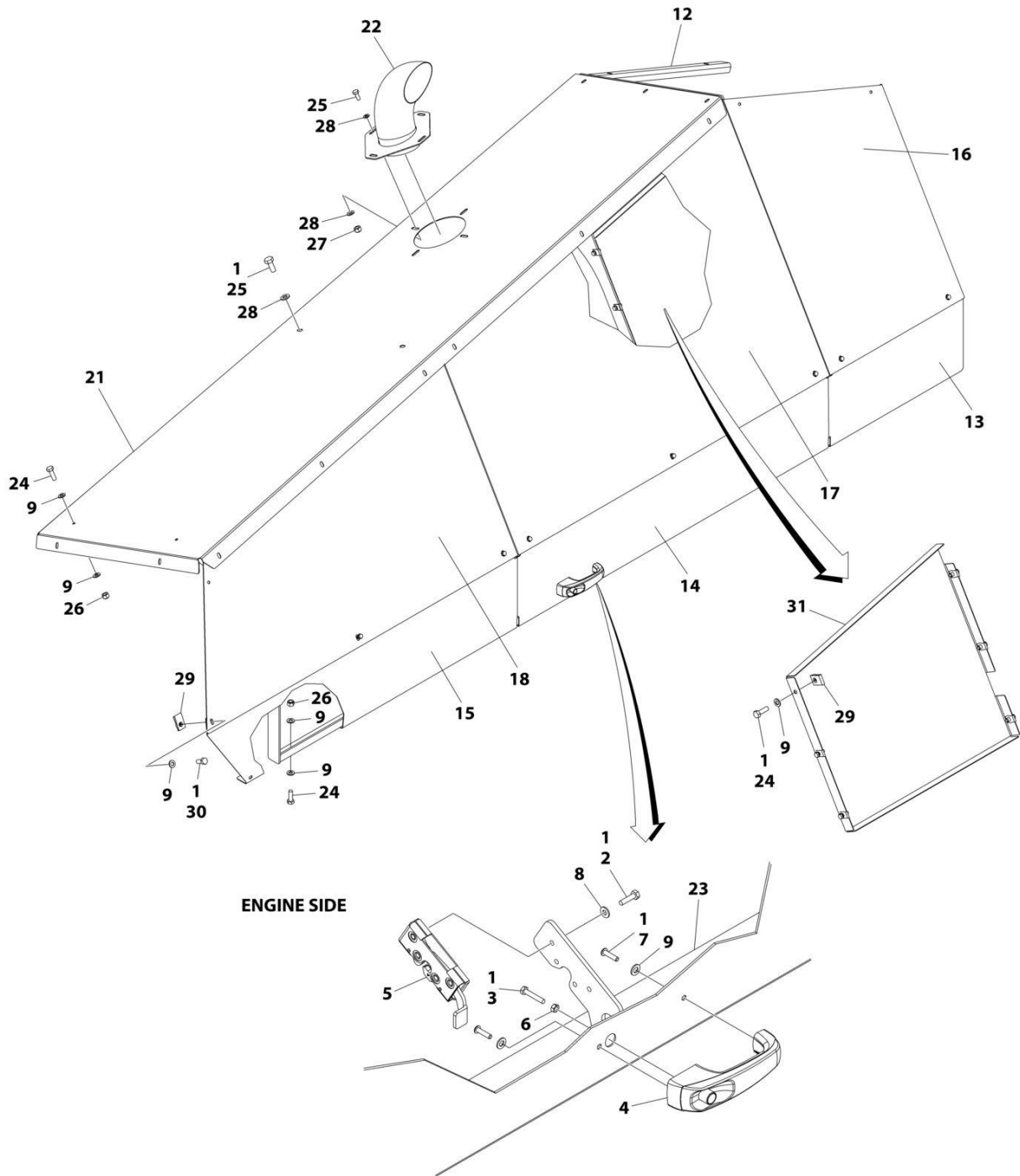
## SECTION 2 - TURNTABLE

**FIGURE 2-35. HOOD ASSEMBLY - ENGINE SIDE (DEUTZ TD2011 ENGINE)**

| ITEM | PART NUMBER | QTY | DESCRIPTION                                       | REV |
|------|-------------|-----|---|-----|
|      | 1001149075  | Ref | HOOD ASSEMBLY - ENGINE SIDE (DEUTZ TD2011 ENGINE) | C   |
| 1    | 0100011     | AR  | Compound, Locking                                 |     |
| 2    | 0641408     | 4   | Bolt 1/4 x 1                                      |     |
| 3    | 0700615     | 1   | Bolt M6 x 35                                      |     |
| 4    | 2560187     | 1   | Handle  |     |
| 5    | 2940173     | 1   | Latch, Rotary                                     |     |
| 6    | 3290601     | 1   | Nut M6  |     |
| 7    | 3900363     | 2   | Screw M6 x 25                                     |     |
| 8    | 4711400     | 4   | Washer 1/4  |     |
| 9    | 4811900     | 60  | Washer M8   |     |
| 12   | 1001149061  | 1   | Frame, Hood                                       |     |
| 13   | 1001149076  | 1   | Panel - Front Lower Side                          |     |
| 14   | 1001149077  | 1   | Panel - Middle Lower Side                         |     |
| 15   | 1001149078  | 1   | Panel - Rear Lower Side                           |     |
| 16   | 1001149079  | 1   | Panel - Front Middle Upper Side                   |     |
| 17   | 1001149080  | 1   | Panel - Middle Upper Side                         |     |
| 18   | 1001149081  | 1   | Panel - Rear Upper Side                           |     |
| 21   | 1001149084  | 1   | Panel, Top  |     |
| 22   | 1001151226  | 1   | Stack, Exhaust                                    |     |
| 23   | 1001151229  | 1   | Seal  |     |
| 24   | 0760812     | 22  | Bolt M8 x 25                                      |     |
| 25   | 0761012     | 6   | Bolt M10 x 25                                     |     |
| 26   | 3290805     | 22  | Nut M8  |     |
| 27   | 3291005     | 4   | Nut M10   |     |
| 28   | 4812000     | 10  | Washer M10  |     |
| 29   | 1001149160  | 14  | Nut, Tinnerman M8                                 |     |
| 30   | 0760810     | 14  | Bolt M8 x 20                                      |     |

# SECTION 2 - TURNTABLE

## FIGURE 2-36. HOOD ASSEMBLY - ENGINE SIDE (DEUTZ TD2.9L4 ENGINE)



ART\_1001225211



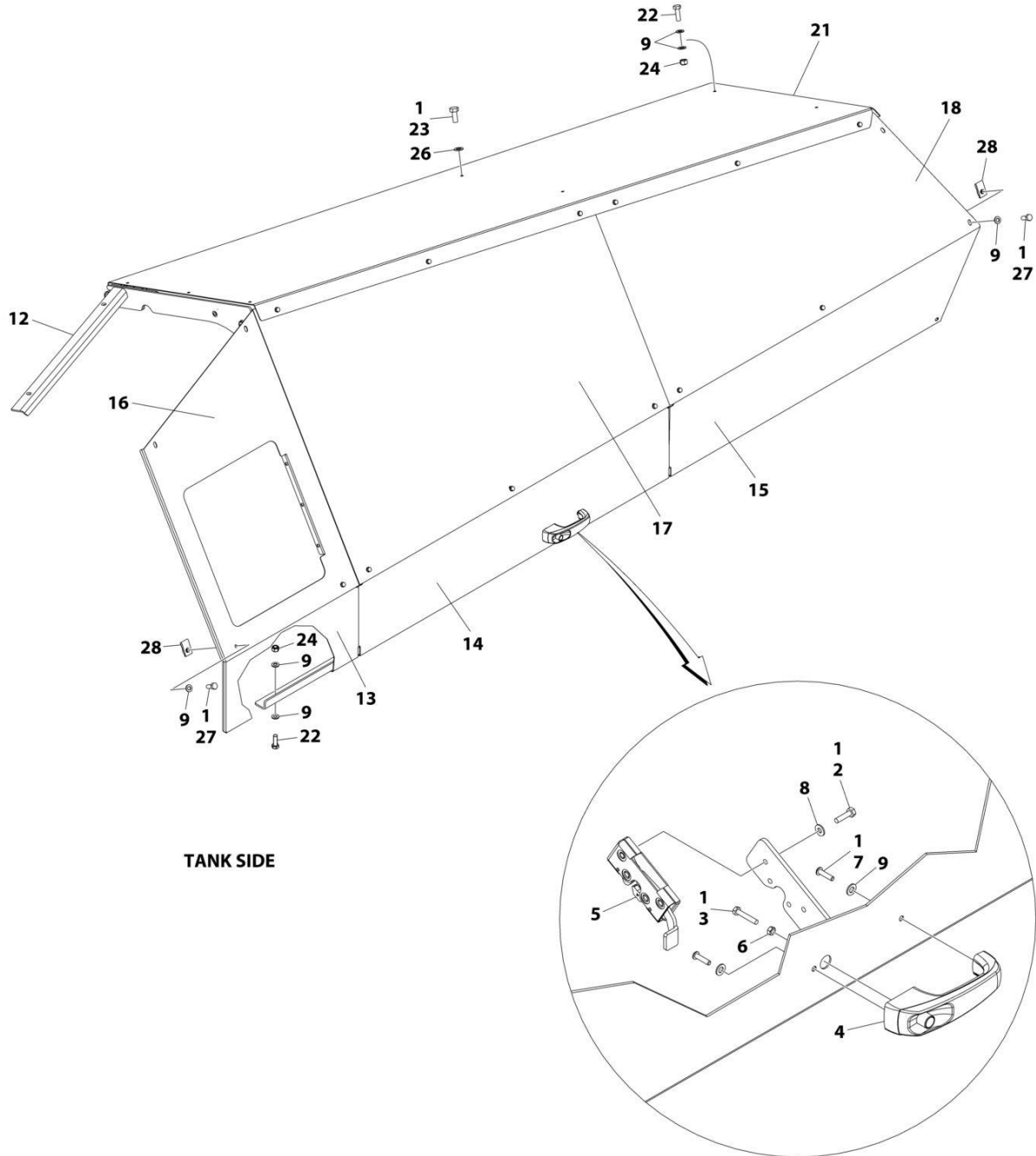
## SECTION 2 - TURNTABLE

**FIGURE 2-36. HOOD ASSEMBLY - ENGINE SIDE (DEUTZ TD2.9L4 ENGINE)**

| ITEM | PART NUMBER | QTY | DESCRIPTION   | REV |
|------|-------------|-----|---|-----|
|      | 1001225211  | Ref | HOOD ASSEMBLY - ENGINE SIDE (DEUTZ TD2.9L4 ENGINE)              | B   |
| 1    | 0100011     | AR  | Compound, Locking   |     |
| 2    | 0641408     | 4   | Bolt 1/4 x 1  |     |
| 3    | 0700615     | 1   | Bolt M6 x 35  |     |
| 4    | 2560187     | 1   | Handle  |     |
| 5    | 2940173     | 1   | Latch, Rotary   |     |
| 6    | 3290601     | 1   | Nut M6  |     |
| 7    | 3900363     | 2   | Screw M6 x 25   |     |
| 8    | 4711400     | 4   | Washer 1/4  |     |
| 9    | 4811900     | AR  | Washer M8   |     |
| 12   | 1001149061  | 1   | Frame, Hood   |     |
| 13   | 1001149076  | 1   | Panel - Front Lower Side  |     |
| 14   | 1001149077  | 1   | Panel - Middle Lower Side                                       |     |
| 15   | 1001149078  | 1   | Panel - Rear Lower Side   |     |
| 16   | 1001149079  | 1   | Panel - Front Middle Upper Side                                 |     |
| 17   | 1001149080  | 1   | Panel - Middle Upper Side                                       |     |
| 18   | 1001149081  | 1   | Panel - Rear Upper Side   |     |
| 21   | 1001225244  | 1   | Panel, Top  |     |
| 22   | 1001151226  | 1   | Stack, Exhaust  |     |
| 23   | 1001151229  | 1   | Seal  |     |
| 24   | 0760812     | AR  | Bolt M8 x 25  |     |
| 25   | 0761012     | 6   | Bolt M10 x 25   |     |
| 26   | 3290805     | 22  | Nut M8  |     |
| 27   | 3291005     | 4   | Nut M10   |     |
| 28   | 4812000     | 10  | Washer M10  |     |
| 29   | 1001149160  | AR  | Nut, Tinnerman M8   |     |
| 30   | 0760810     | 14  | Bolt M8 x 20  |     |
| 31   | 1001232358  | 1   | Shield (SN B300001727 through B300005767, Excluding B300005565) |     |

# SECTION 2 - TURNTABLE

## FIGURE 2-37. HOOD ASSEMBLY - TANK SIDE



TANK SIDE

ART\_1001149085

**SECTION 2 - TURNTABLE**

**FIGURE 2-37. HOOD ASSEMBLY - TANK SIDE**

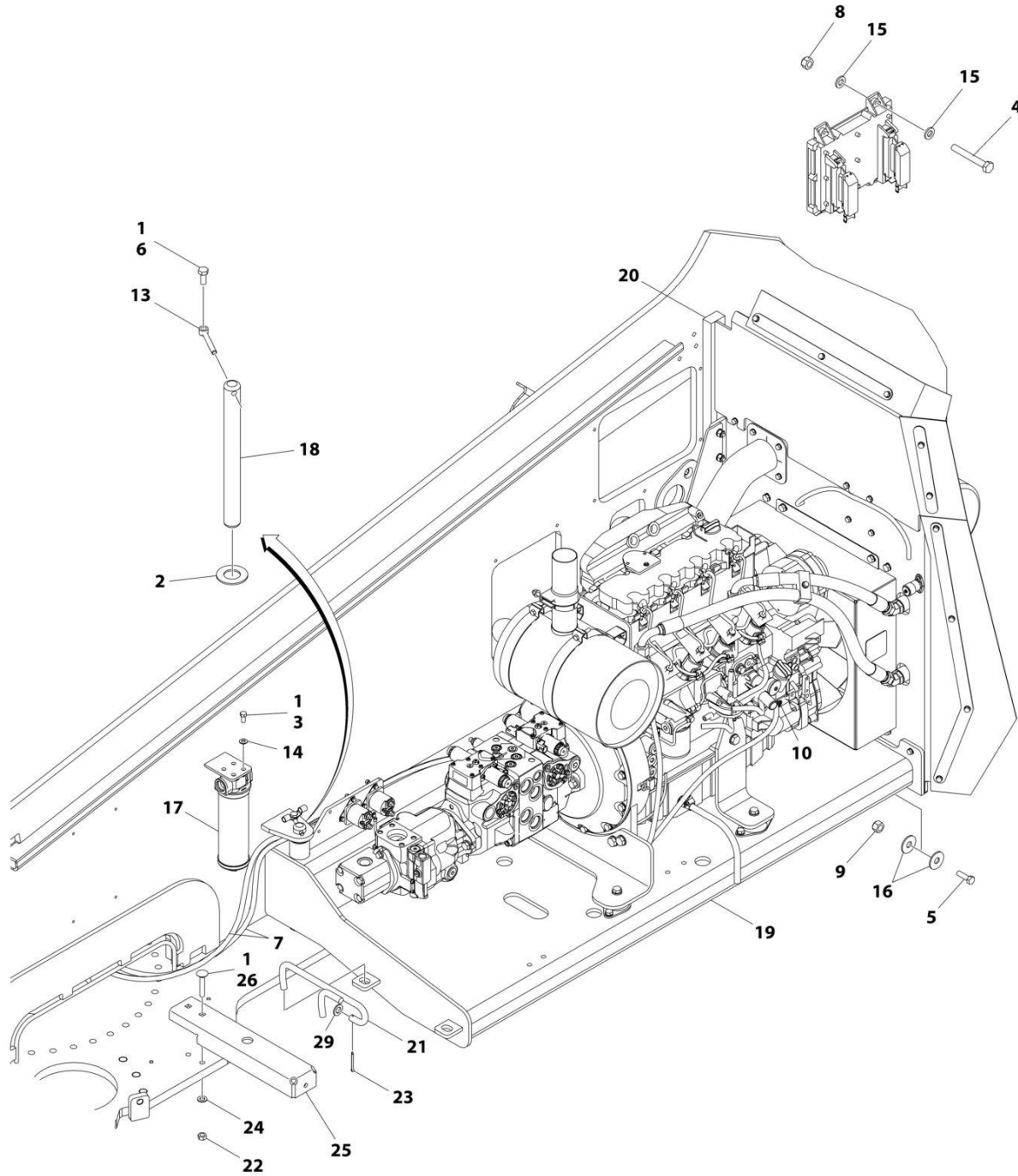
| ITEM | PART NUMBER | QTY | DESCRIPTION               | REV |
|------|-------------|-----|---------------------------|-----|
|      | 1001149085  | Ref | HOOD ASSEMBLY - TANK SIDE | F   |
| 1    | 0100011     | AR  | Compound, Locking         |     |
| 2    | 0641408     | 4   | Bolt 1/4 x 1              |     |
| 3    | 0700615     | 1   | Bolt M6 x 35              |     |
| 4    | 2560187     | 1   | Handle                    |     |
| 5    | 2940173     | 1   | Latch, Rotary             |     |
| 6    | 3290601     | 1   | Nut M6                    |     |
| 7    | 3900363     | 2   | Screw M6 x 25             |     |
| 8    | 4711400     | 4   | Washer 1/4                |     |
| 9    | 4811900     | 60  | Washer M8                 |     |
| 12   | 1001149062  | 1   | Frame, Hood               |     |
| 13   | 1001149086  | 1   | Panel - Front Lower Side  |     |
| 14   | 1001149087  | 1   | Panel - Middle Lower Side |     |
| 15   | 1001149088  | 1   | Panel - Rear Lower Side   |     |
| 16   | 1001149089  | 1   | Panel - Front Upper Side  |     |
| 17   | 1001149090  | 1   | Panel - Middle Upper Side |     |
| 18   | 1001149091  | 1   | Panel - Rear Upper Side   |     |
| 21   | 1001149094  | 1   | Panel - Top               |     |
| 22   | 0760812     | 22  | Bolt M8 x 25              |     |
| 23   | 0761012     | 2   | Bolt M10 x 25             |     |
| 24   | 3290805     | 22  | Nut M8                    |     |
| 26   | 4812000     | 2   | Washer M10                |     |
| 29   | 1001149160  | 14  | Nut, Tinnerman M8         |     |
| 30   | 0760810     | 14  | Bolt M8 x 20              |     |



**SECTION 3 - ENGINE**

# SECTION 3 - ENGINE

## FIGURE 3-1. DEUTZ TD2011 ENGINE INSTALLATION



ART\_1001150013

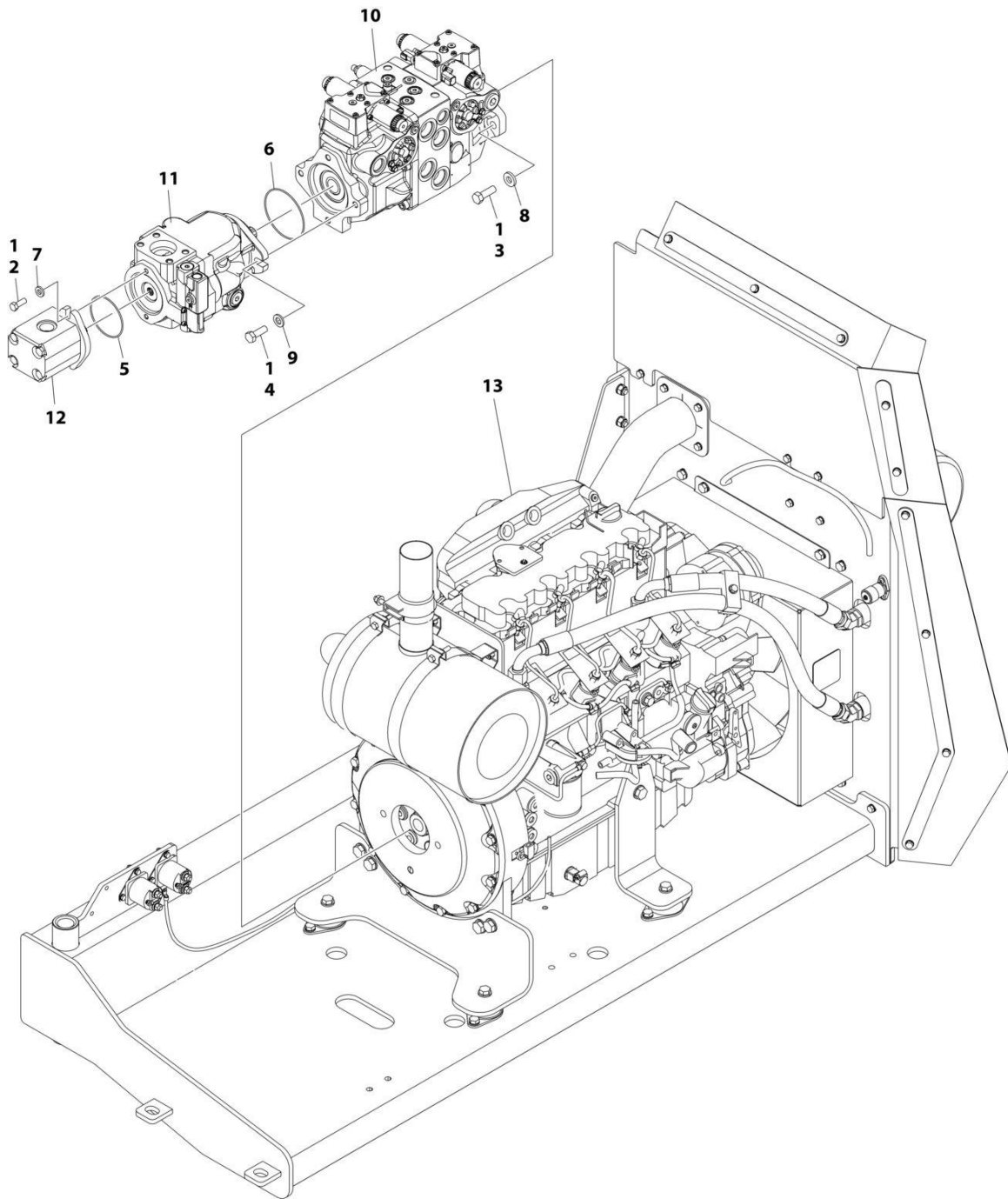
## SECTION 3 - ENGINE

**FIGURE 3-1. DEUTZ TD2011 ENGINE INSTALLATION**

| ITEM | PART NUMBER | QTY       | DESCRIPTION   | REV |
|------|-------------|-----------|---|-----|
|      | 1001150013  | Ref       | DEUTZ TD2011 ENGINE INSTALLATION  | I   |
| 1    | 0100011     | AR        | Compound, Locking   |     |
| 2    | 0440162     | 1         | Bearing   |     |
| 3    | 0641606     | 4         | Bolt 3/8 x 3/4 <b>(SN B300001586 through B300002613)</b>                                    |     |
| 4    | 0700617     | 4         | Bolt M6 x 45  |     |
| 5    | 0701216     | 1         | Bolt M12 x 40   |     |
| 6    | 0761012     | 1         | Bolt M10 x 25   |     |
| 7    | 2720058     | 33 ft/10m | Hose  |     |
| 8    | 3290605     | 4         | Nut M6  |     |
| 9    | 3291205     | 1         | Nut M12   |     |
| 10   | 1001174486  | 4         | Clamp   |     |
| 13   | 3841143     | 1         | Keeper, Pin   |     |
| 14   | 4711600     | 4         | Washer 3/8 <b>(SN B300001586 through B300002613)</b>  |     |
| 15   | 4811700     | 8         | Washer M6   |     |
| 16   | 4812102     | 2         | Washer M12  |     |
| 17   | 1001108617  | 1         | Filter, Hydraulic <b>(SN B300001586 through B300002613)</b>                                 |     |
| 17   | 70002231    | 1         | Element, Filter   |     |
| 18   | 1001135196  | 1         | Pin   |     |
| 19   | 1001151129  | 1         | Deutz TD2011 Engine and Pumps Sub-Assembly (See Separate Breakdown in this Section)         |     |
| 20   | 1001153046  | 1         | Seal  |     |
| 21   | 1001153083  | 1         | Hook  |     |
| 22   | 3291201     | 2         | Nut M12   |     |
| 23   | 3391210     | 1         | Pin, Split  |     |
| 24   | 4812100     | 2         | Washer M12  |     |
| 25   | 1001153027  | 1         | Bracket   |     |
| 26   | 1001153086  | 2         | Bolt M12 x 70   |     |
| 27   | 1001150443  | 1         | Battery Cable Kit - Deutz TD2011 (Not Shown - See Separate Breakdown in ELECTRICAL SECTION) |     |
| 28   | 1001119470  | 1         | Engine Harness - Deutz TD2011 (Not Shown - See Separate Breakdown in ELECTRICAL SECTION)    |     |
| 29   | 4812300     | 1         | Washer M16  |     |

# SECTION 3 - ENGINE

## FIGURE 3-2. DEUTZ TD2011 ENGINE AND PUMPS SUB-ASSEMBLY



ART\_1001151129



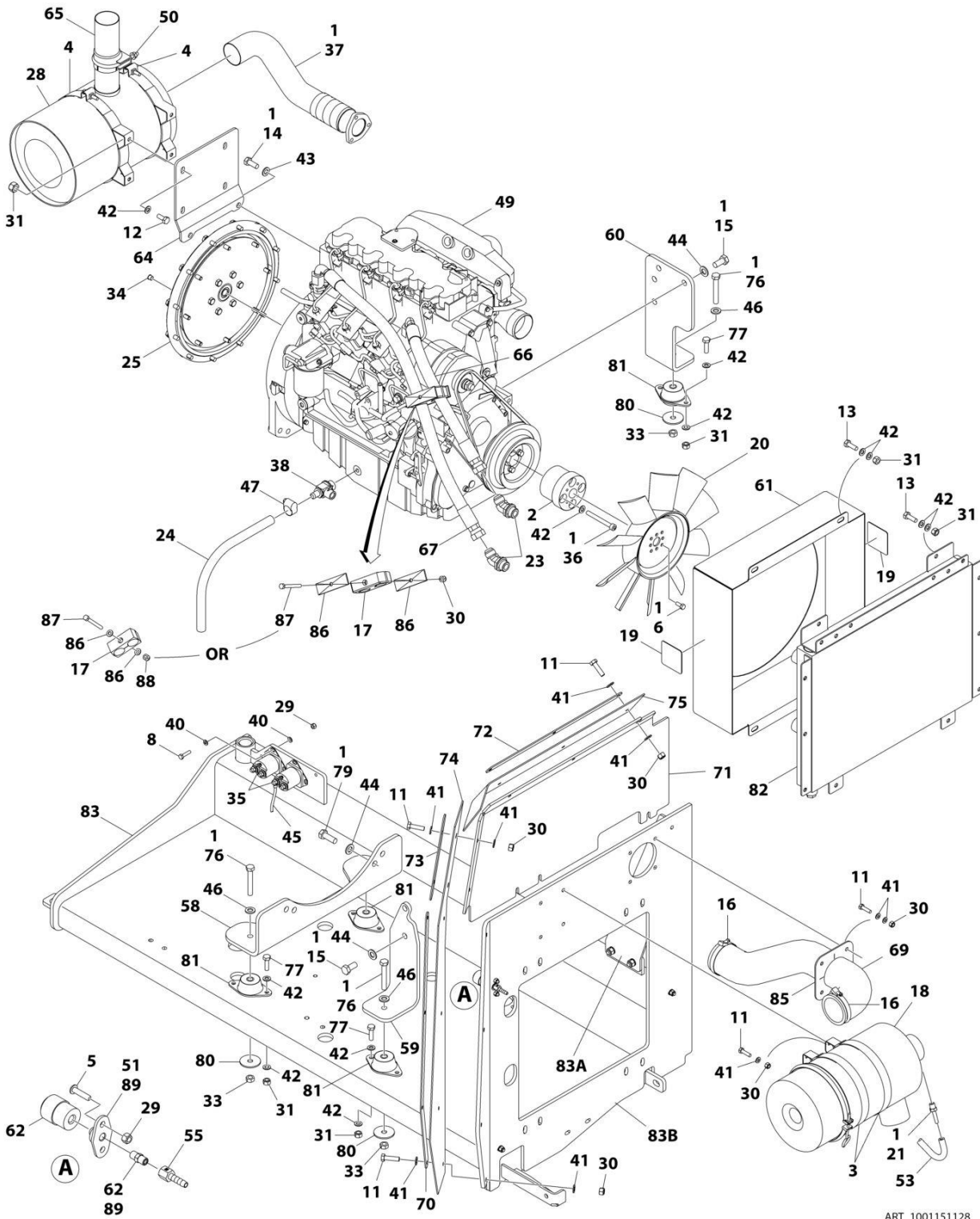
## SECTION 3 - ENGINE

**FIGURE 3-2. DEUTZ TD2011 ENGINE AND PUMPS SUB-ASSEMBLY**

| ITEM | PART NUMBER | QTY | DESCRIPTION   | REV |
|------|-------------|-----|---|-----|
|      | 1001151129  | Ref | DEUTZ TD2011 ENGINE AND PUMPS SUB-ASSEMBLY                            | F   |
| 1    | 0100011     | AR  | Compound, Locking   |     |
| 2    | 0641608     | 2   | Bolt 3/8 x 1  |     |
| 3    | 0641812     | 2   | Bolt 1/2 x 1-1/2  |     |
| 4    | 0761215     | 2   | Bolt M12 x 35   |     |
| 5    | 3790152     | 1   | O-Ring  |     |
| 6    | 3790155     | 1   | O-Ring  |     |
| 7    | 4891600     | 2   | Washer 3/8  |     |
| 8    | 4891800     | 2   | Washer 1/2  |     |
| 9    | 5241200     | 2   | Washer M12  |     |
| 10   | 1001108616  | 1   | Tandem Pump Assembly (See Separate Breakdown in this Section)         |     |
| 11   | 1001171095  | 1   | Piston Pump Assembly (See Separate Breakdown in this Section)         |     |
| 12   | 1001112927  | 1   | Gear Pump Assembly (See Separate Breakdown in this Section)           |     |
| 13   | 1001151128  | 1   | Deutz TD2011 Engine Assembly (See Separate Breakdown in this Section) |     |

# SECTION 3 - ENGINE

## FIGURE 3-3. DEUTZ TD2011 ENGINE ASSEMBLY



ART\_1001151128

## SECTION 3 - ENGINE

### FIGURE 3-3. DEUTZ TD2011 ENGINE ASSEMBLY

| ITEM | PART NUMBER | QTY       | DESCRIPTION   | REV |
|------|-------------|-----------|---|-----|
|      | 1001151128  | Ref       | DEUTZ TD2011 ENGINE ASSEMBLY  | K   |
| 1    | 0100011     | AR        | Compound, Locking   |     |
| 2    | 0080237     | 1         | Spacer, Fan   |     |
| 3    | 0340003     | 2         | Band, Air Cleaner   |     |
| 4    | 0340051     | 2         | Band, Muffler   |     |
| 5    | 3900363     | 2         | Screw M6 x 25   |     |
| 6    | 0641506     | 4         | Bolt 5/16 x 3/4   |     |
| 8    | 0760612     | 4         | Bolt M6 x 25  |     |
| 11   | 0760814     | 18        | Bolt M8 x 30  |     |
| 12   | 0761012     | 4         | Bolt M10 x 25   |     |
| 13   | 0761014     | 8         | Bolt M10 x 30   |     |
| 14   | 0761214     | 2         | Bolt M12 x 30   |     |
| 15   | 0771414     | 6         | Bolt M14 x 30   |     |
| 16   | 1320058     | 2         | Clamp   |     |
| 17   | 1321320     | 1         | Clamp (SN B300001586 through B300002613)                                |     |
| 17   | 8750024     | 1         | Clamp (SN B300002614 through B300005767, Excluding B300005565)          |     |
| 18   | 1001204509  | 1         | Air Cleaner Assembly  |     |
| 18   | 7003655     | 1         | Element, Air Cleaner  |     |
| 18   | 7015014     | 1         | Clamp   |     |
| 18   | 7015015     | 1         | Cap, End  |     |
| 19   | 1703162     | 2         | Decal - Fan Blade   |     |
| 20   | 2060025     | 1         | Fan   |     |
| 21   | 2220315     | 1         | Fitting, Straight Barbed  |     |
| 23   | 2220498     | 2         | Fitting, 45 JIC/ORB   |     |
| 24   | 2750532     | 9 in/22cm | Hose  |     |
| 25   | 2902065     | 1         | Pump Coupling Kit (See Separate Breakdown in this Section)              |     |
| 26   | 3020016     | AR        | Oil, Motor (Not Shown)  |     |
| 28   | 3220126     | 1         | Muffler   |     |
| 29   | 3290605     | 6         | Nut M6  |     |
| 30   | 3290805     | AR        | Nut M8  |     |
| 31   | 3291005     | 20        | Nut M10   |     |
| 33   | 3331211     | 4         | Nut M12   |     |
| 34   | 3520054     | 1         | Plug  |     |
| 35   | 3740067     | 2         | Relay   |     |
| 36   | 4032022     | 4         | Capscrew M10 x 90   |     |
| 37   | 4568293     | 1         | Pipe, Exhaust   |     |
| 38   | 4640751     | 1         | Valve, Oil Drain  |     |
| 40   | 4811700     | 8         | Washer M6   |     |
| 41   | 4811900     | 32        | Washer M8   |     |
| 42   | 4812000     | 40        | Washer M10  |     |
| 43   | 4812100     | 2         | Washer M12  |     |
| 44   | 4812200     | 10        | Washer M14  |     |
| 45   | 4923468     | 1         | Glow Plug Harness   |     |
| 46   | 5241200     | 4         | Washer M12  |     |
| 47   | 8410013     | 1         | Clamp   |     |
| 49   | 1001098601  | 1         | Deutz TD2011 Engine Components (See Separate Breakdown in this Section) |     |
| 50   | 1001111116  | 1         | Clamp   |     |
| 51   | 1001138173  | 1         | Support   |     |

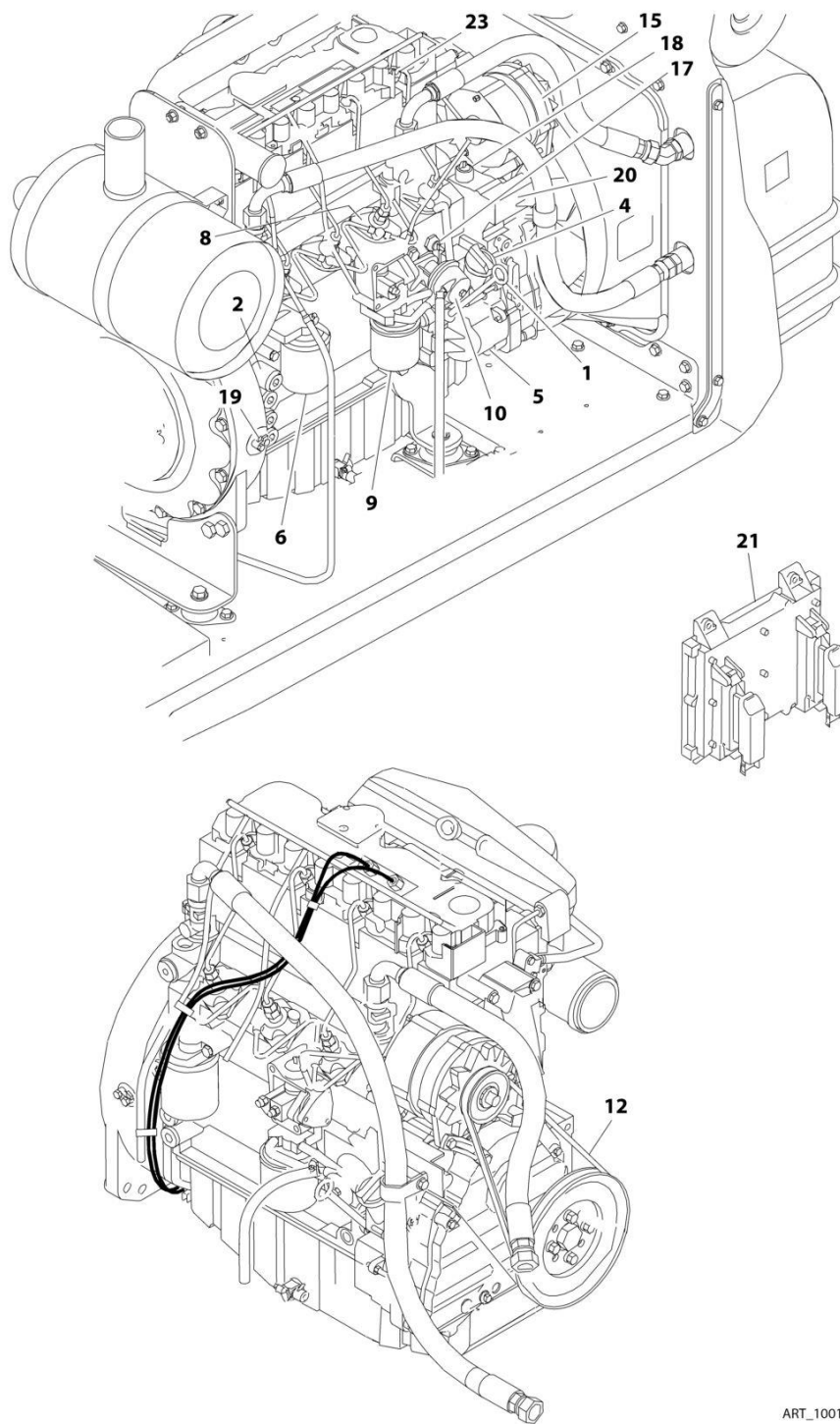
## SECTION 3 - ENGINE

| ITEM | PART NUMBER | QTY            | DESCRIPTION  | REV |
|------|-------------|----------------|--|-----|
| 53   | 1001138248  | 22 in<br>/56cm | Tube Nylon   |     |
| 55   | 1001141995  | 1              | Fitting, Straight NPT/Barbed   |     |
| 58   | 1001149314  | 1              | Mount Rear Engine  |     |
| 59   | 1001149315  | 1              | Mount, Outboard Engine   |     |
| 60   | 1001149316  | 1              | Mount, Inboard Engine  |     |
| 61   | 1001149530  | 1              | Shroud, Fan  |     |
| 62   | 1001149639  | 1              | Indicator, Restriction   |     |
| 64   | 1001149744  | 1              | Bracket, Muffler   |     |
| 65   | 1001151157  | 1              | Pipe, Exhaust Extension  |     |
| 66   | 1001151158  | 1              | Hose, Oil Cooler (Upper)   |     |
| 67   | 1001151159  | 1              | Hose, Oil Cooler (Lower)   |     |
| 69   | 1001092856  | 1              | Hose, Turbo  |     |
| 70   | 1001151320  | 1              | Plate, Clamping  |     |
| 71   | 1001152488  | 1              | Baffle   |     |
| 72   | 1001152493  | 1              | Plate, Clamping  |     |
| 73   | 1001152496  | 1              | Plate, Clamping  |     |
| 74   | 1001152497  | 1              | Panel, Rubber  |     |
| 75   | 1001152500  | 1              | Panel, Rubber  |     |
| 76   | 0711224     | 4              | Bolt M12 x 80  |     |
| 77   | 0761015     | 8              | Bolt M10 x 35  |     |
| 79   | 0771416     | 4              | Bolt M14 x 40  |     |
| 80   | 1001168018  | 4              | Washer   |     |
| 81   | 1001191610  | 4              | Mount, Motor   |     |
| 82   | 1001196107  | 1              | Radiator   |     |
| 83   | 1001196896  | 1              | Tray Assembly  |     |
| 83A  | 1001155550  | 1              | Support <b>(SN B300001586 through B300001731)</b>                            |     |
| 83A  | 1001212817  | 1              | Support <b>(SN B300001732 through B300005767, Excluding B300005565)</b>      |     |
| 83B  | 1001196894  | 1              | Plate, Radiator Mounting   |     |
| 85   | 1001197477  | 1              | Seal   |     |
| 86   | 4711500     | 2              | Washer 5/16 <b>(SN B300001586 through B300002613)</b>                        |     |
| 86   | 8750025     | 2              | Cover, Plate <b>(SN B300002614 through B300005767, Excluding B300005565)</b> |     |
| 87   | 0641524     | 1              | Bolt 5/16 x 3  |     |
| 87   | 0700824     | 1              | Bolt M8 x 80   |     |
| 88   | 88521205    | 1              | Nut 5/16   |     |
| 88   | 3290805     | 1              | Nut M8   |     |
| 89   | 0100020     | AR             | Sealant  |     |



# SECTION 3 - ENGINE

## FIGURE 3-4. DEUTZ TD2011 ENGINE COMPONENTS



ART\_1001098601

## SECTION 3 - ENGINE

**FIGURE 3-4. DEUTZ TD2011 ENGINE COMPONENTS**

| ITEM | PART NUMBER | QTY | DESCRIPTION  | REV |
|------|-------------|-----|--|-----|
|      | 1001098601  | Ref | DEUTZ TD2011 ENGINE COMPONENTS                             | C   |
| 1    | 7027235     | 1   | Dipstick   |     |
| 1    | 70000044    | 1   | O-Ring   |     |
| 2    | 70003475    | 1   | Thermostat   |     |
| 2    | 7020460     | 1   | Compression Spring   |     |
| 3    | 70001870    | 1   | Flywheel (Not Shown)                                       |     |
| 3    | 7024579     | 1   | Gear, Ring (Not Shown)                                     |     |
| 4    | 7020465     | 1   | Cap, Filler  |     |
| 5    | 70001850    | 1   | Pump, Oil  |     |
| 5    | 7020468     | 1   | Seal Between Oil Pump and Engine Block (Not Shown)         |     |
| 6    | 7016331     | 1   | Filter, Oil  |     |
| 6    | 7027236     | 1   | Sender, Temperature (Located near Oil Filter)              |     |
| 8    |             | Ref | Injector Pump  |     |
| 8    | 70001128    | AR  | "A" Series   |     |
| 8    | 70001129    | AR  | "B" Series   |     |
| 8    | 70001130    | AR  | "C" Series   |     |
| 8    | 70001131    | AR  | "D" Series   |     |
| 8    | 7020447     | AR  | Gasket (1 per Injector)                                    |     |
| 9    | 7016328     | 1   | Filter, Fuel   |     |
| 10   | 70000916    | 1   | Pump Fuel Supply   |     |
| 10   | 70001435    | 1   | Repair Kit   |     |
| 10   | 70000917    | 1   | O-Seal Between Fuel Pump and Engine Block (Not Shown)      |     |
| 10   | 70000918    | 1   | Sealing Ring (Now Shown)                                   |     |
| 10   | 70000919    | 1   | Pump, Hand (Not Shown)                                     |     |
| 11   | 7027239     | 1   | Solenoid, Start (Not Shown - Located near Throttle)        |     |
| 12   | 7020414     | 1   | V-Belt   |     |
| 13   | 7020471     | 4   | Gasket, Exhaust Manifold to Engine Block (Not Shown)       |     |
| 13   | 7020486     | 1   | Gasket, Exhaust Manifold to Exhaust Pipe (Now Shown)       |     |
| 14   | 7027240     | 1   | Turbocharger (Not Shown)                                   |     |
| 14   | 70001857    | 1   | Flange, Turbocharger (Not Shown)                           |     |
| 14   | 70001135    | 1   | Gasket (Not Shown)   |     |
| 15   | 70001867    | 1   | Alternator   |     |
| 15   | 70001868    | 1   | Regulator, Voltage (Not Shown)                             |     |
| 16   | 7020479     | 1   | Starter (Not Shown - Located on Right Side of Engine)      |     |
| 16   | 7026608     | 1   | Relay, Start (Not Shown)                                   |     |
| 17   | 7027790     | 1   | Sensor, Oil Pressure                                       |     |
| 18   | 7027791     | 1   | Sensor, Temperature (Not Shown)                            |     |
| 19   | 7024565     | 1   | Sensor, Speed  |     |
| 20   | 7027792     | 1   | Actuator Throttle  |     |
| 20   | 7027276     | 2   | Spring   |     |
| 21   | 1600443     | 1   | Module, EMR2 Controller                                    |     |
| 22   | 70002718    | 1   | Seal, Rear Main (Not Shown)                                |     |
| 23   | 70003135    | 4   | Injector, Fuel   |     |
| 23   | 70003136    | 1   | Ring, Sealing  |     |
| 24   | 70001847    | 1   | Valve, Breather (Not Shown - Located near Front Cover)     |     |
| 24   | 70001126    | 1   | O-Ring (Not Shown)   |     |
| 25   | 70001125    | 1   | Cap, Breather (Not Shown - Located in Cylinder Head Cover) |     |
| 25   | 70001126    | 1   | O-Ring (Not Shown)   |     |
| 26   | 70001871    | 4   | Gasket, Air Intake Manifold (Not Shown)                    |     |
| 27   | 70000345    | 4   | Plug, Glow (Not Shown)                                     |     |

## SECTION 3 - ENGINE

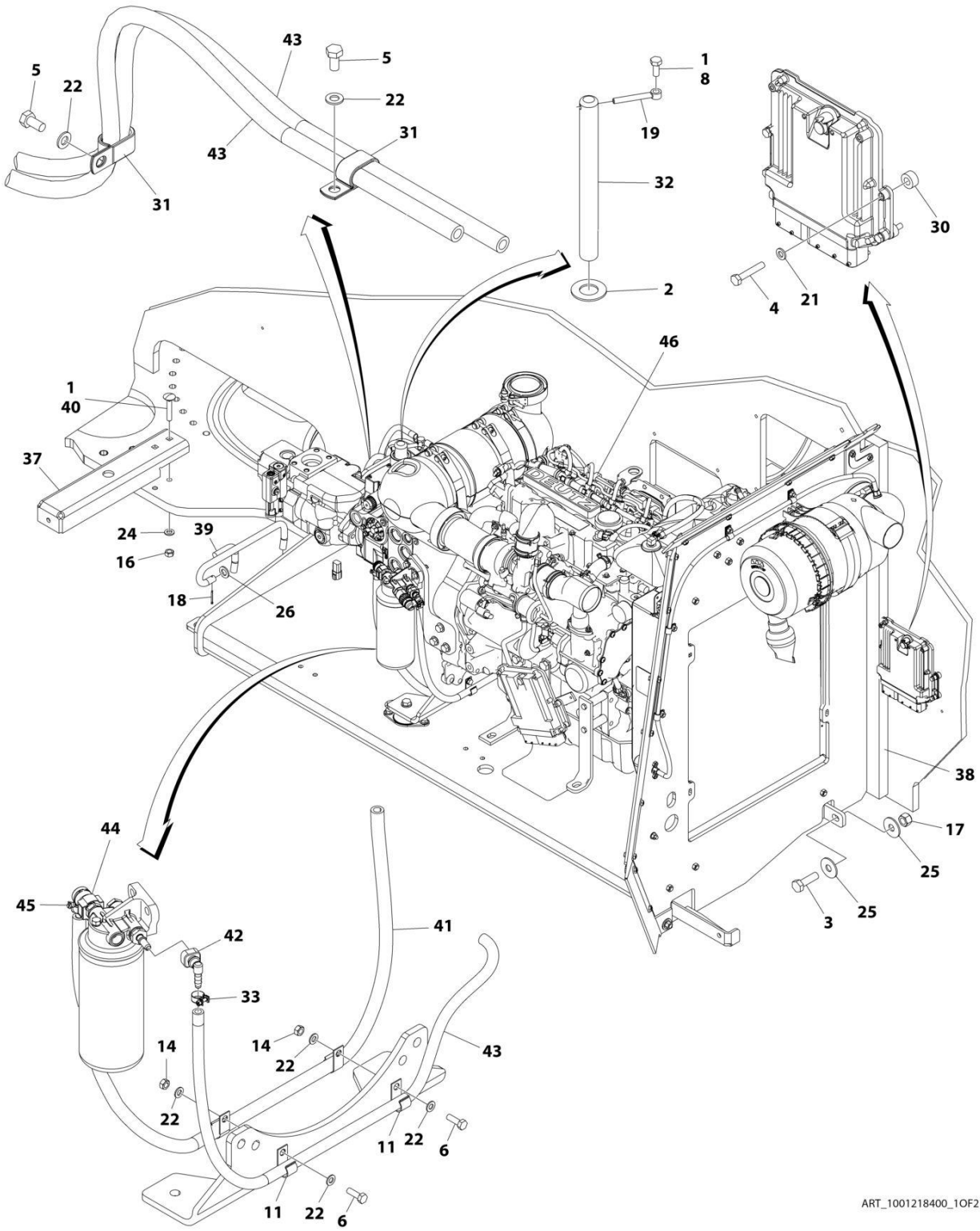
| ITEM | PART NUMBER | QTY | DESCRIPTION            | REV |
|------|-------------|-----|------------------------|-----|
| 28   | 70007353    | 1   | Gasket Kit (Not Shown) |     |





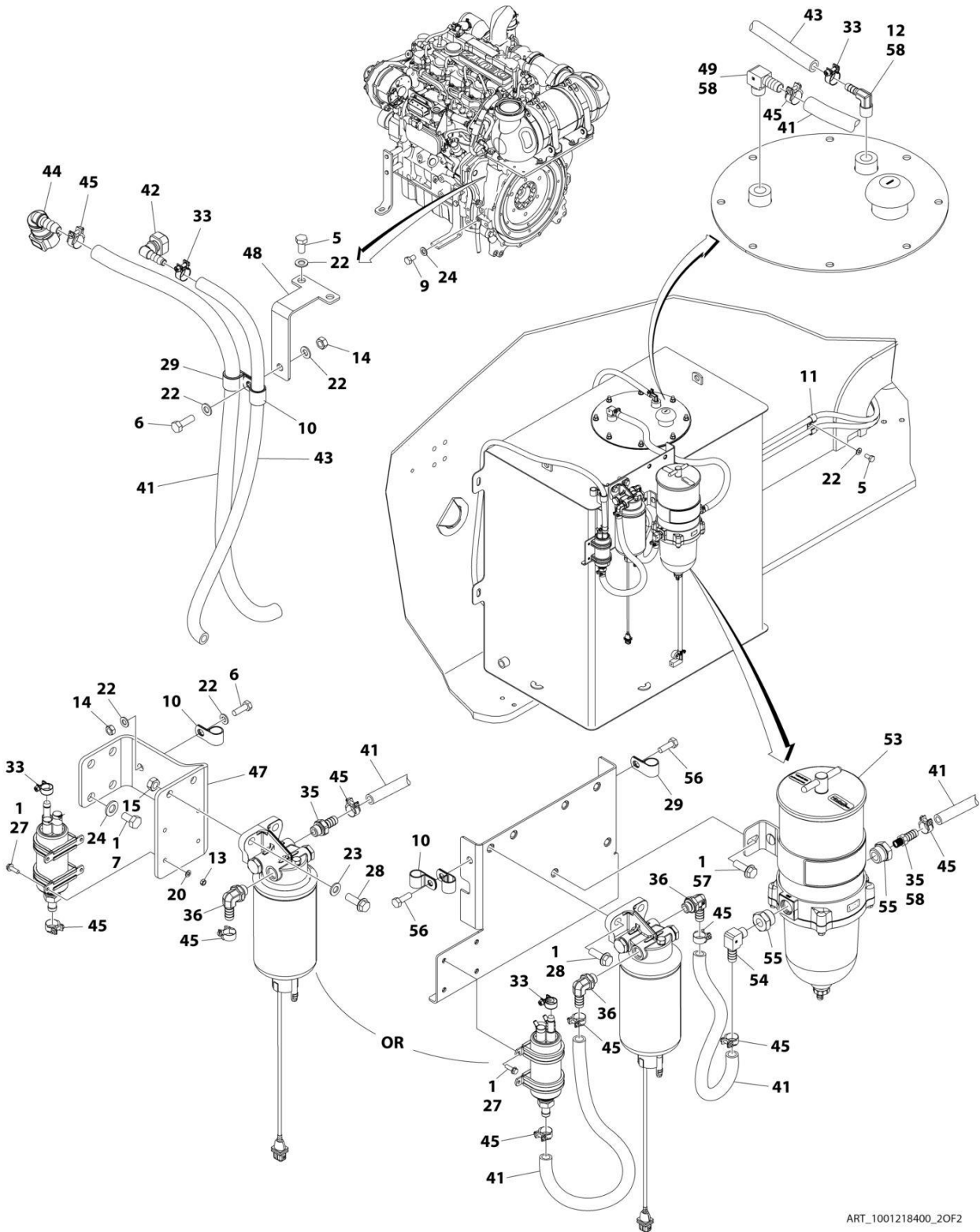
# SECTION 3 - ENGINE

## FIGURE 3-5. DEUTZ TD2.9L4 T4F ENGINE INSTALLATION



ART\_1001218400\_10F2

# SECTION 3 - ENGINE



ART\_1001218400\_2OF2

## SECTION 3 - ENGINE

FIGURE 3-5. DEUTZ TD2.9L4 T4F ENGINE INSTALLATION

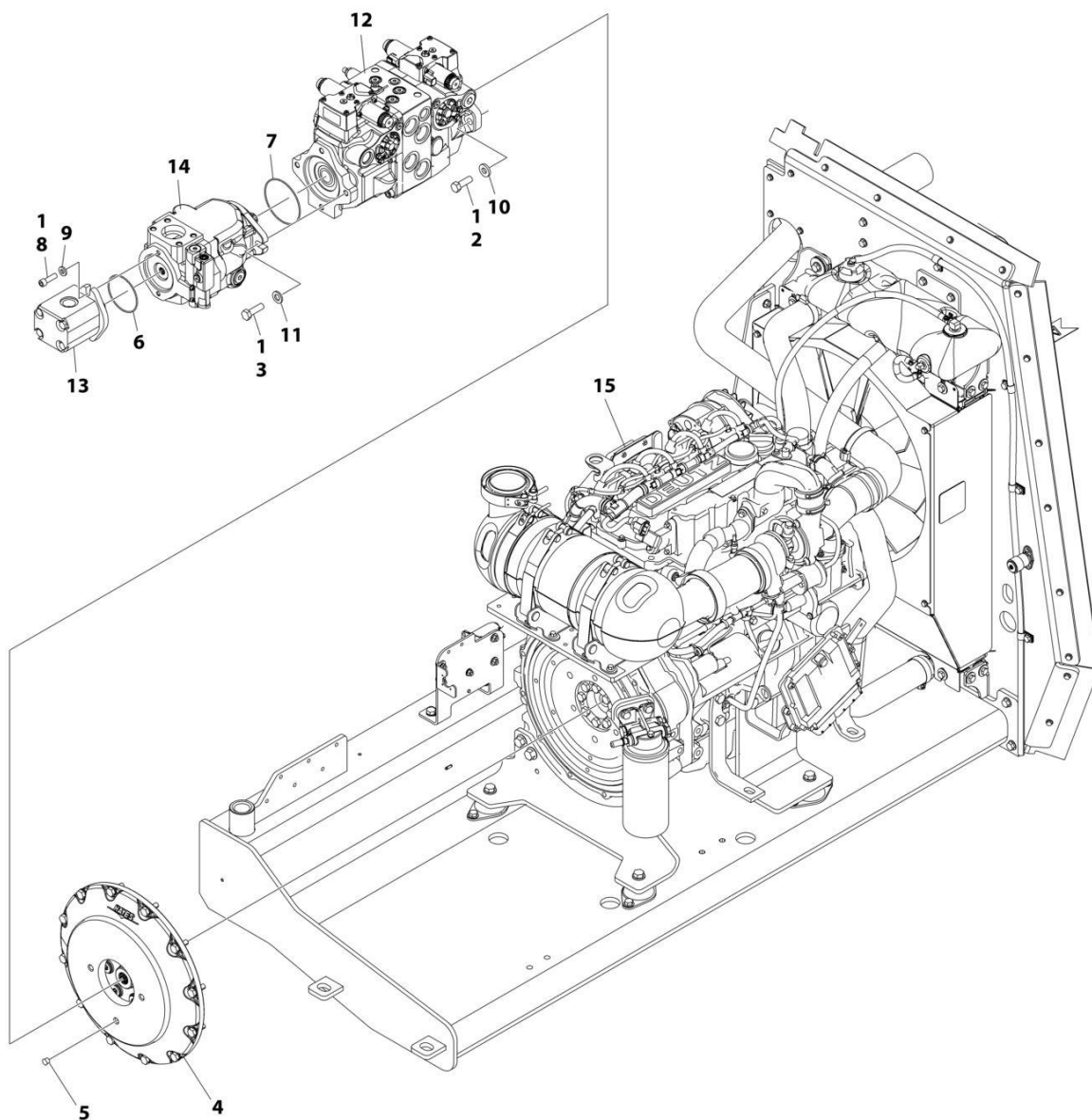
| ITEM | PART NUMBER | QTY | DESCRIPTION  | REV |
|------|-------------|-----|--|-----|
|      | 1001218400  | Ref | DEUTZ TD2.9L4 T4F ENGINE INSTALLATION  | E   |
| 1    | 0100011     | AR  | Compound, Locking  |     |
| 2    | 0440162     | 1   | Bearing  |     |
| 3    | 0701216     | 1   | Bolt M12 x 40  |     |
| 4    | 0760615     | 4   | Bolt M6 x 35   |     |
| 5    | 0760808     | 7   | Bolt M8 x 16   |     |
| 5    | 5250808     | 7   | Bolt M8 x 16   |     |
| 6    | 0760812     | AR  | Bolt M8 x 25   |     |
| 6    | 5250812     | 3   | Bolt M8 x 25   |     |
| 6    | 5250813     | 3   | Bolt M8 x 28   |     |
| 7    | 0761010     | 4   | Bolt M10 x 20 (SN B300001586 through B300002613)   |     |
| 8    | 0761012     | 1   | Bolt M10 x 25  |     |
| 9    | 0761210     | 1   | Bolt M12 x 20  |     |
| 9    | 5251210     | 1   | Bolt M12 x 20  |     |
| 9    | 5251212     | 1   | Bolt M12 x 25  |     |
| 10   | 1320061     | AR  | Clamp  |     |
| 11   | 1320223     | 9   | Clip   |     |
| 12   | 2220313     | 1   | Fitting, 90 NPTF/BARB  |     |
| 13   | 3290501     | 4   | Nut M5 (SN B300001586 through B300002613)  |     |
| 14   | 3290801     | AR  | Nut M8   |     |
| 14   | 5260800     | 3   | Nut M8   |     |
| 15   | 3291001     | 2   | Nut M10 (SN B300001586 through B300002613)   |     |
| 16   | 3291201     | 2   | Nut M12  |     |
| 17   | 3291205     | 1   | Nut M12  |     |
| 18   | 3391210     | 1   | Pin, Split   |     |
| 19   | 3841143     | 1   | Keeper, Pin  |     |
| 20   | 4811600     | 4   | Washer M5 (SN B300001586 through B300002613)   |     |
| 21   | 4811700     | 4   | Washer M6  |     |
| 22   | 4811900     | AR  | Washer M8 (SN B300001586 through B300002613)   |     |
| 23   | 4812000     | 2   | Washer M10 (SN B300001586 through B300002613)  |     |
| 24   | 4812100     | AR  | Washer M12   |     |
| 25   | 4812102     | 2   | Washer M12   |     |
| 26   | 4812300     | 1   | Washer M16   |     |
| 27   | 5250508     | 4   | Bolt M5 x 16   |     |
| 28   | 5251014     | 2   | Bolt M10 x 30  |     |
| 28   | 5251013     | 2   | Bolt M10 x 28  |     |
| 29   | 91043147    | 1   | Clamp (SN B300001586 through B300002613)   |     |
| 29   | 8406202     | 2   | Clip (SN B300002614 through B300005767, Excluding B300005565)                                |     |
| 30   | 1001110425  | 4   | Spacer   |     |
| 31   | 1001116792  | 2   | Clamp  |     |
| 32   | 1001135196  | 1   | Pin  |     |
| 33   | 1001136975  | 4   | Clamp  |     |
| 34   | 1001221289  | 1   | Fuel Pump Harness - Deutz TD2.9L4 (Not Shown - See Separate Breakdown in ELECTRICAL SECTION) |     |
| 35   | 1001141718  | 1   | Fitting, Straight Barbed (SN B300001586 through B300002613)                                  |     |
| 35   | 2180832     | 1   | Fitting, Straight Barbed (SN B300002614 through B300005767, Excluding B300005565)            |     |
| 36   | 1001142501  | AR  | Fitting, 90 Barbed   |     |
| 37   | 1001153027  | 1   | Bracket  |     |

## SECTION 3 - ENGINE

| ITEM | PART NUMBER | QTY | DESCRIPTION   | REV |
|------|-------------|-----|---|-----|
| 38   | 1001153046  | 1   | Seal  |     |
| 39   | 1001153083  | 1   | Hook  |     |
| 40   | 1001153086  | 2   | Bolt M12 x 70   |     |
| 41   | 1001154405  | AR  | Hose  |     |
| 42   | 1001155823  | 2   | Coupling, 90 Quick Connect  |     |
| 43   | 1001165035  | AR  | Hose  |     |
| 44   | 1001170982  | 2   | Fitting, 90   |     |
| 45   | 1001175568  | AR  | Clip  |     |
| 46   | 1001218403  | 1   | Deutz TD2.9L4 T4F Engine and Pumps Sub-Assembly (See Separate Breakdown in this Section)                                      |     |
| 47   | 1001219631  | 1   | Bracket <b>(SN B300001586 through B300002613)</b>   |     |
| 48   | 1001219726  | 1   | Plate, Clamping   |     |
| 49   | 1001220535  | 1   | Fitting, 90 NPT/Barbed  |     |
| 50   | 1001220749  | 1   | Battery Cable Kit - Deutz TD2.9L4 (Not Shown - See Separate Breakdown in ELECTRICAL SECTION)                                  |     |
| 51   | 1001136079  | AR  | Oil, Motor (Not Shown)  |     |
| 52   | 1001220200  | AR  | Coolant (Not Shown)   |     |
| 53   | 1001222817  | 1   | Fuel Filter Assembly (See Separate Breakdown in this Section) <b>(SN B300002614 through B300005767, Excluding B300005565)</b> |     |
| 54   | 1001224023  | 1   | Fitting, 90 NPT/Barbed <b>(SN B300002614 through B300005767, Excluding B300005565)</b>  |     |
| 55   | 2220816     | 2   | Fitting, Straight FNPTF/ORB <b>(SN B300002614 through B300005767, Excluding B300005565)</b>                                   |     |
| 56   | 5250810     | 2   | Bolt M8 x 20 <b>(SN B300002614 through B300005767, Excluding B300005565)</b>  |     |
| 57   | 5251011     | 2   | Bolt M10 x 22 <b>(SN B300002614 through B300005767, Excluding B300005565)</b>   |     |
| 58   | 0100020     | AR  | Sealant <b>(SN B300002614 through B300005767, Excluding B300005565)</b>   |     |

# SECTION 3 - ENGINE

## FIGURE 3-6. DEUTZ TD2.9L4 T4F ENGINE AND PUMPS SUB-ASSEMBLY



ART\_1001218403

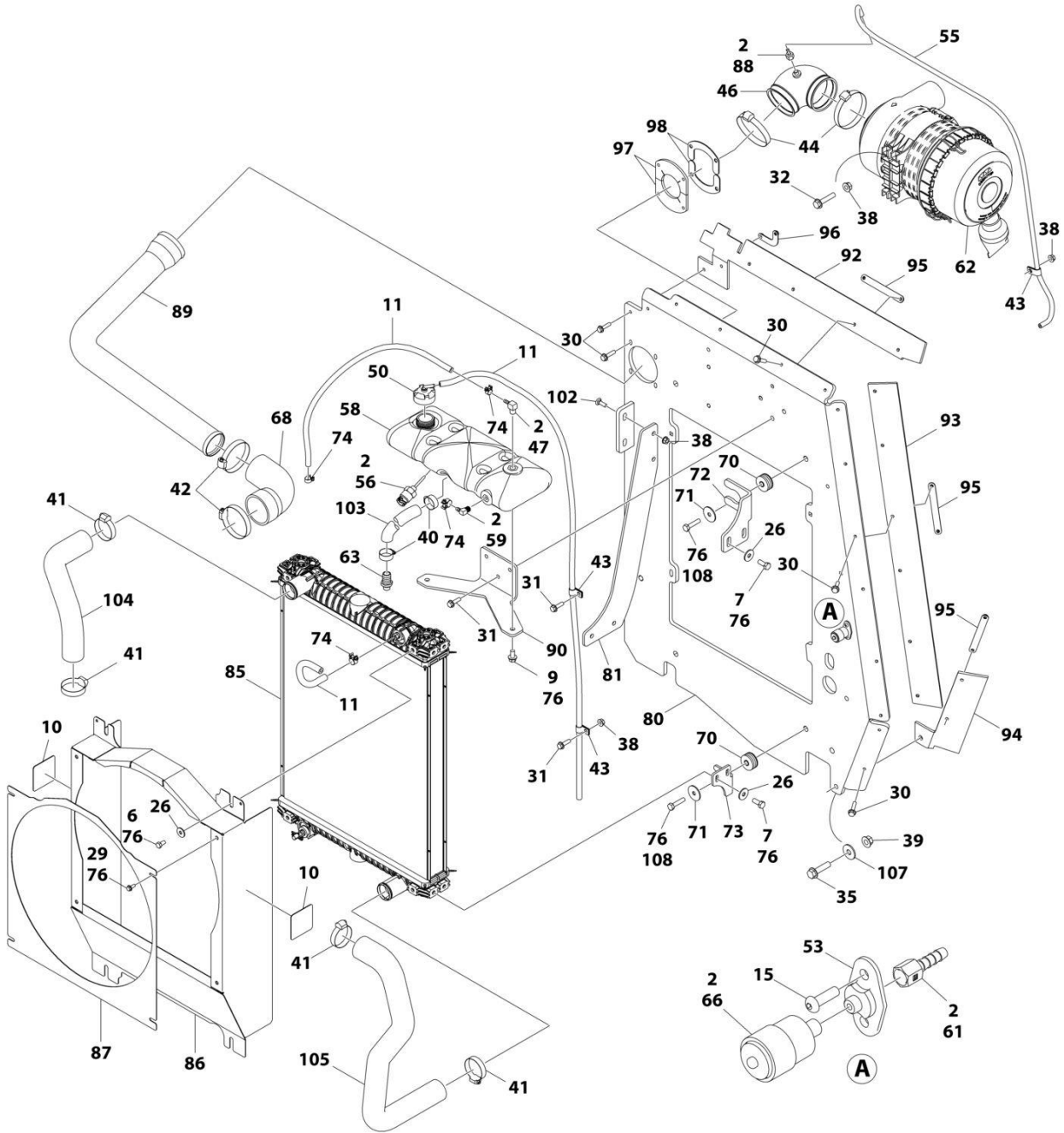
## SECTION 3 - ENGINE

**FIGURE 3-6. DEUTZ TD2.9L4 T4F ENGINE AND PUMPS SUB-ASSEMBLY**

| ITEM | PART NUMBER | QTY | DESCRIPTION  | REV |
|------|-------------|-----|--|-----|
|      | 1001218403  | Ref | DEUTZ TD2.9L4 T4F ENGINE AND PUMPS SUB-ASSEMBLY                            | A   |
| 1    | 0100011     | AR  | Compound, Locking  |     |
| 2    | 0641812     | 2   | Bolt 1/2 x 1-1/2   |     |
| 3    | 0761216     | 2   | Bolt M12 x 40  |     |
| 4    | 2902065     | 1   | Pump Coupling Kit (See Separate Breakdown in this Section)                 |     |
| 5    | 3520054     | 1   | Plug   |     |
| 6    | 3790152     | 1   | O-Ring   |     |
| 7    | 3790155     | 1   | O-Ring   |     |
| 8    | 3931620     | 2   | Capscrew 3/8 x 1-1/4   |     |
| 9    | 4891600     | 2   | Washer 3/8   |     |
| 10   | 4891800     | 2   | Washer 1/2   |     |
| 11   | 5241200     | 2   | Washer M12   |     |
| 12   | 1001108616  | 1   | Tandem Pump Assembly (See Separate Breakdown in this Section)              |     |
| 13   | 1001112927  | 1   | Gear Pump Assembly (See Separate Breakdown in this Section)                |     |
| 14   | 1001171095  | 1   | Piston Pump Assembly (See Separate Breakdown in this Section)              |     |
| 15   | 1001218404  | 1   | Deutz TD2.9L4 T4F Engine Assembly (See Separate Breakdown in this Section) |     |

# SECTION 3 - ENGINE

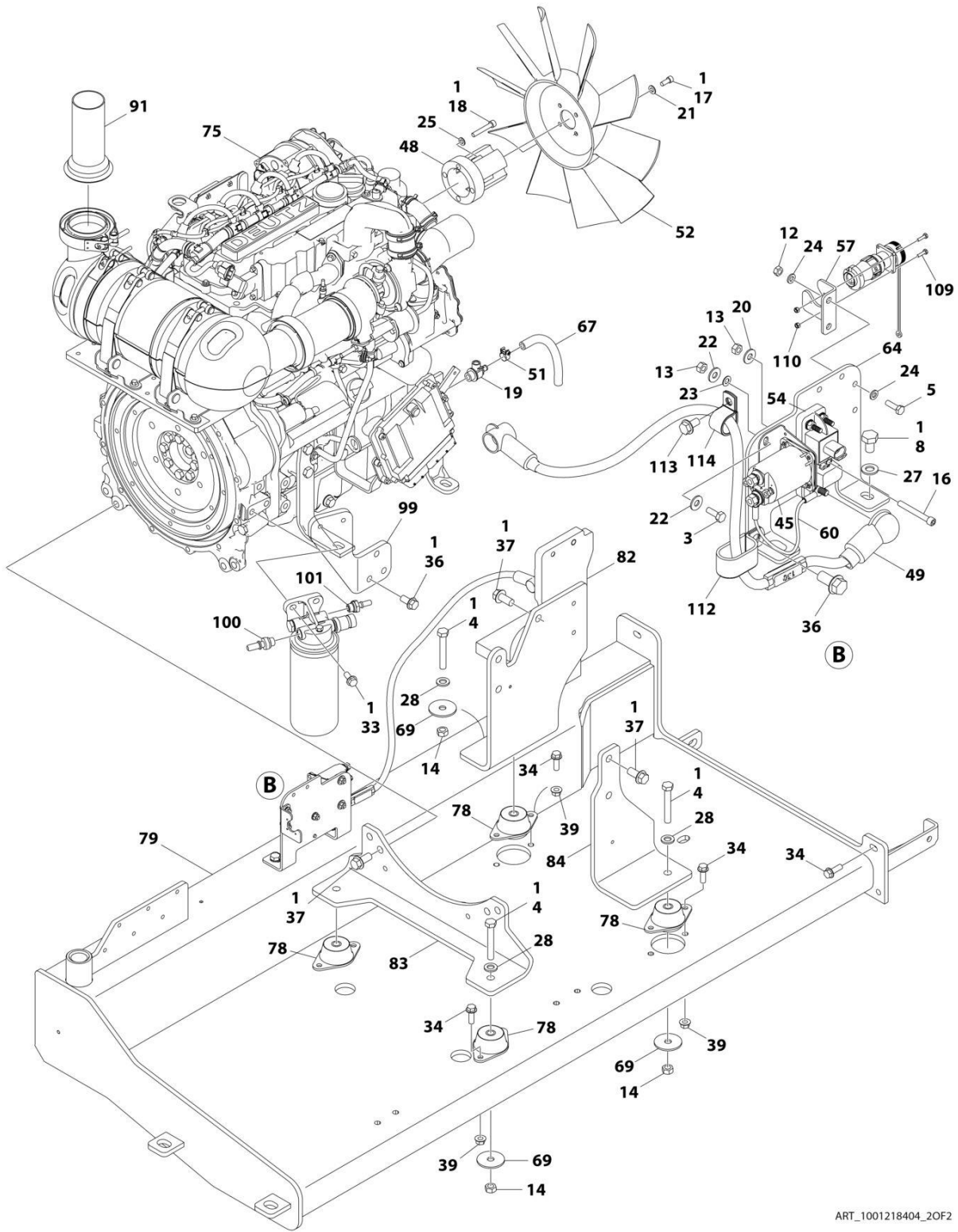
## FIGURE 3-7. DEUTZ TD2.9L4 T4F ENGINE ASSEMBLY



ART\_1001218404\_1OF2



# SECTION 3 - ENGINE



ART\_1001218404\_20F2

# SECTION 3 - ENGINE

## FIGURE 3-7. DEUTZ TD2.9L4 T4F ENGINE ASSEMBLY

| ITEM | PART NUMBER | QTY            | DESCRIPTION                                   | REV |
|------|-------------|----------------|---|-----|
|      | 1001218404  | Ref            | DEUTZ TD2.9L4 T4F ENGINE ASSEMBLY             | G   |
| 1    | 0100011     | AR             | Compound, Locking                             |     |
| 2    | 0100020     | AR             | Sealant                                       |     |
| 3    | 0641406     | 2              | Bolt 1/4 x 3/4                                |     |
| 3    | 5250608     | 2              | Bolt M6 x 16                                  |     |
| 4    | 0711224     | 4              | Bolt M12 x 80                                 |     |
| 5    | 0760610     | 2              | Bolt M6 x 20                                  |     |
| 5    | 5250608     | 2              | Bolt M6 x 16                                  |     |
| 6    | 0760808     | 4              | Bolt M8 x 16                                  |     |
| 7    | 0760810     | 8              | Bolt M8 x 20                                  |     |
| 8    | 0761008     | 2              | Bolt M10 x 16                                 |     |
| 8    | 5251008     | 2              | Bolt M10 x 16                                 |     |
| 9    | 0811606     | 2              | Bolt 3/8 x 3/4                                |     |
| 10   | 1703162     | 2              | Decal - Fan Blade                             |     |
| 11   | 2720015     | 90 in/<br>2.3m | Hose  |     |
| 11   | 1001228200  | 90 in/<br>2.3m | Hose  |     |
| 12   | 3290601     | 2              | Nut M6  |     |
| 12   | 5260600     | 5              | Nut M6  |     |
| 13   | 3311405     | 3              | Nut 1/4                                       |     |
| 13   | 5260600     | 3              | Nut M6  |     |
| 14   | 3331211     | 4              | Nut M12                                       |     |
| 15   | 3900364     | 2              | Screw M6 x 20                                 |     |
| 16   | 3931432     | 1              | Capscrew 1/4 x 2                              |     |
| 16   | 0700618     | 1              | Capscrew M6 x 50                              |     |
| 17   | 3931512     | 4              | Capscrew 5/16 x 3/4                           |     |
| 18   | 4031914     | 4              | Capscrew M8 x 50                              |     |
| 19   | 4640751     | 1              | Valve, Oil Drain                              |     |
| 20   | 4711400     | 1              | Washer 1/4 (SN B300001586 through B300002613) |     |
| 21   | 4711500     | 4              | Washer 5/16                                   |     |
| 22   | 4751400     | 4              | Washer 1/4 (SN B300001586 through B300002613) |     |
| 23   | 4791400     | 2              | Washer 1/4 (SN B300001586 through B300002613) |     |
| 24   | 4811700     | 4              | Washer M6 (SN B300001586 through B300002613)  |     |
| 25   | 4811900     | 4              | Washer M8                                     |     |
| 26   | 4811902     | 12             | Washer M8                                     |     |
| 27   | 4812000     | 2              | Washer M10 (SN B300001586 through B300002613) |     |
| 28   | 5241200     | 4              | Washer M12                                    |     |
| 29   | 5250608     | AR             | Bolt M6 x 16                                  |     |
| 30   | 5250612     | 18             | Bolt M6 x 25                                  |     |
| 31   | 5250813     | 8              | Bolt M8 x 28                                  |     |
| 32   | 5250816     | 2              | Bolt M8 x 40                                  |     |
| 33   | 5251012     | 2              | Bolt M10 x 25                                 |     |
| 34   | 5251014     | 10             | Bolt M10 x 30                                 |     |
| 35   | 5251016     | AR             | Bolt M10 x 40                                 |     |
| 36   | 5251212     | AR             | Bolt M12 x 25                                 |     |
| 37   | 5251414     | 9              | Bolt M14 x 30                                 |     |
| 38   | 5260800     | 11             | Nut M8 Grade 10                               |     |
| 39   | 5261000     | 9              | Nut M10 Grade 10                              |     |
| 40   | 8405007     | 2              | Clamp   |     |

## SECTION 3 - ENGINE

| ITEM | PART NUMBER | QTY       | DESCRIPTION  | REV |
|------|-------------|-----------|--|-----|
| 41   | 8405104     | 4         | Clamp  |     |
| 42   | 8405204     | AR        | Clamp  |     |
| 43   | 8406109     | 8         | Clip   |     |
| 44   | 8410011     | 2         | Clamp  |     |
| 44   | 8405204     | 2         | Clamp  |     |
| 45   | 1001117308  | 1         | Contactora   |     |
| 46   | 1001126874  | 1         | Elbow, Air Intake  |     |
| 47   | 1001134488  | 1         | Fitting, 90 Barbed   |     |
| 48   | 1001135138  | 1         | Spacer, Fan  |     |
| 49   | 1001135779  | 1         | Cable, Alternator +  |     |
| 50   | 1001136834  | 1         | Cap  |     |
| 51   | 1001136975  | 1         | Clamp  |     |
| 52   | 1001137276  | 1         | Fan  |     |
| 53   | 1001138173  | 1         | Support  |     |
| 54   | 1001138228  | 1         | Relay  |     |
| 55   | 1001138248  | AR        | Tube, Nylon  |     |
| 56   | 1001138827  | 1         | Sensor, Coolant Level  |     |
| 57   | 1001139240  | 1         | Bracket  |     |
| 58   | 1001140535  | 1         | Tank, Surge (SN B300001586 through B300002636)   |     |
| 58   | 1001229542  | 1         | Tank, Surge (SN B300002637 through B300005767, Excluding B300005565)                           |     |
| 59   | 1001140564  | 1         | Fitting, 90 Barbed   |     |
| 60   | 1001141304  | 1         | Glow Fuse Harness  |     |
| 61   | 1001141995  | 1         | Fitting, NPT/Barbed  |     |
| 62   | 1001142259  | 1         | Air Cleaner Assembly (See Separate Breakdown in this Section)                                  |     |
| 63   | 1001143797  | 1         | Fitting, Straight Barbed   |     |
| 64   | 1001145154  | 1         | Plate  |     |
| 65   | 1001148843  | 1         | Fuel Filter Harness - Deutz TD2.9L4 (Not Shown - See Separate Breakdown in ELECTRICAL SECTION) |     |
| 66   | 1001149639  | 1         | Indicator, Restriction   |     |
| 67   | 1001165035  | 9 in/21cm | Hose   |     |
| 68   | 1001165820  | 1         | Hose, 90   |     |
| 69   | 1001168018  | 4         | Washer   |     |
| 70   | 1001169054  | 4         | Isolator   |     |
| 71   | 1001169138  | 4         | Pad  |     |
| 72   | 1001169967  | 2         | Bracket  |     |
| 73   | 1001170035  | 2         | Bracket  |     |
| 74   | 1001174486  | 4         | Clamp (SN B300001586 through B300002613)   |     |
| 74   | 1320022     | 4         | Clamp (SN B300002614 through B300005767, Excluding B300005565)                                 |     |
| 75   | 1001174928  | 1         | Deutz TD2.9L4 T4F Engine Components (See Separate Breakdown in this Section)                   |     |
| 76   | 1001180620  | AR        | Adhesive   |     |
| 77   | 1001182997  | AR        | Adhesive (SN B300001586 through B300002636)  |     |
| 78   | 1001191610  | 4         | Mount, Motor   |     |
| 79   | 1001218405  | 1         | Tray   |     |
| 80   | 1001218406  | 1         | Plate  |     |
| 81   | 1001218408  | 1         | Brace  |     |
| 82   | 1001218409  | 1         | Mount, Engine (Front Inboard)  |     |
| 83   | 1001218411  | 1         | Mount, Engine (Rear)   |     |
| 84   | 1001218412  | 1         | Mount, Engine (Front Outboard)   |     |
| 85   | 1001218414  | 1         | Radiator   |     |

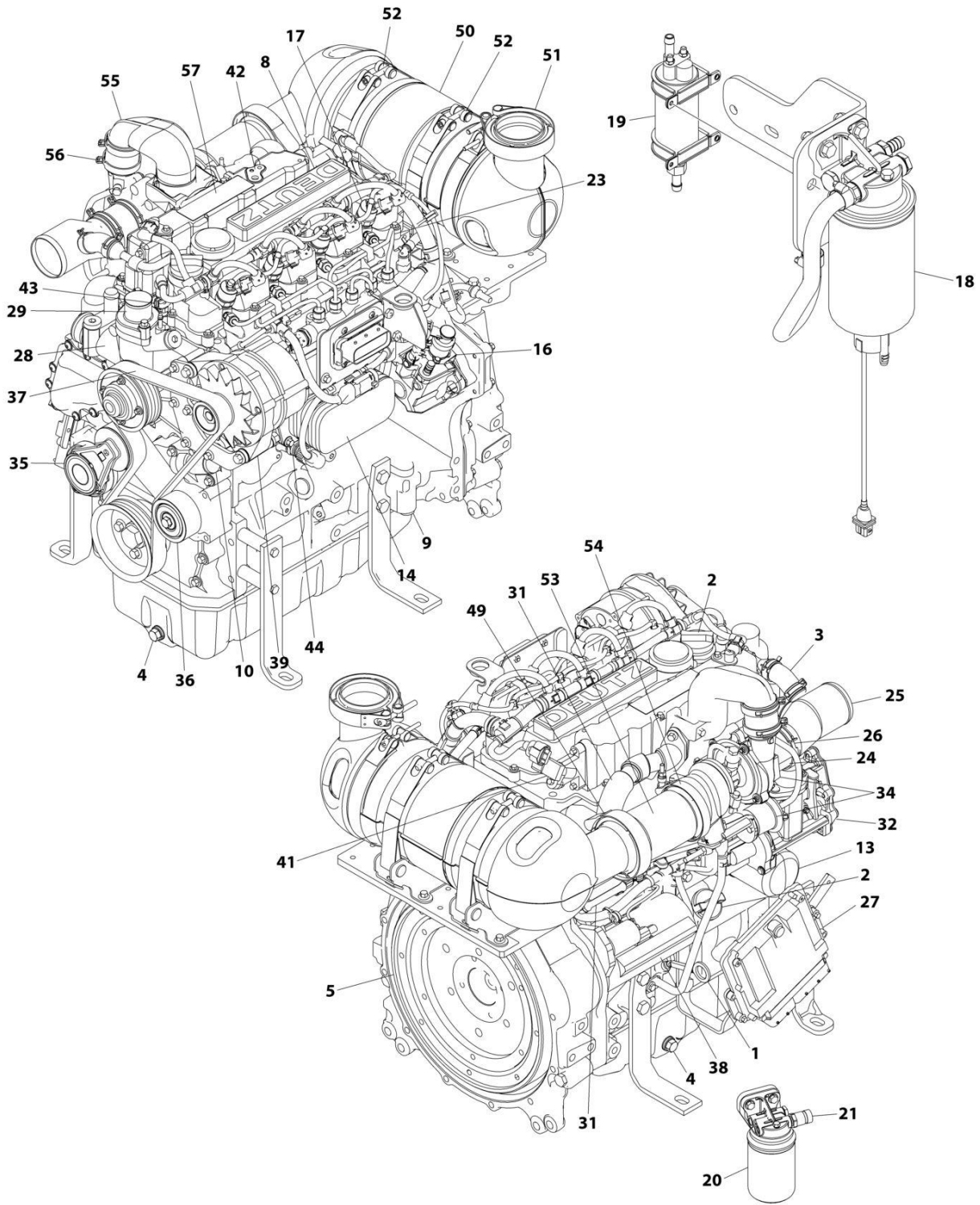
## SECTION 3 - ENGINE

| ITEM | PART NUMBER | QTY | DESCRIPTION   | REV |
|------|-------------|-----|---|-----|
| 86   | 1001218416  | 1   | Shroud, Fan   |     |
| 87   | 1001218417  | 1   | Plate   |     |
| 88   | 1001180516  | 1   | Adapter   |     |
| 89   | 1001218423  | 1   | Tube, Air Intake  |     |
| 90   | 1001218425  | 1   | Bracket   |     |
| 91   | 1001218427  | 1   | Pipe, Exhaust (SN B300001586 through B300002613)  |     |
| 91   | 1001231245  | 1   | Pipe, Exhaust (SN B300002614 through B300005767, Excluding B300005565)                    |     |
| 92   | 1001218429  | 1   | Seal, Radiator (Top)  |     |
| 93   | 1001218430  | 1   | Seal, Radiator (Upper)  |     |
| 94   | 1001218431  | 1   | Seal, Radiator (Lower)  |     |
| 95   | 1001218432  | 6   | Plate   |     |
| 96   | 1001218434  | 1   | Plate   |     |
| 97   | 1001218436  | 2   | Seal  |     |
| 98   | 1001218437  | 2   | Plate   |     |
| 99   | 1001218440  | 1   | Bracket, Filter   |     |
| 100  | 1001218443  | 1   | Fitting, Straight   |     |
| 101  | 1001218444  | 1   | Fitting, Straight   |     |
| 102  | 1001218448  | 4   | Bolt  |     |
| 103  | 1001218580  | AR  | Hose  |     |
| 104  | 1001218944  | 1   | Hose, Radiator (Top)  |     |
| 105  | 1001218945  | 1   | Hose, Radiator (Bottom)   |     |
| 106  | 1001220261  | 1   | Engine Harness - Deutz TD2.9L4 (Not Shown - See Separate Breakdown in ELECTRICAL SECTION) |     |
| 107  | 4812002     | 1   | Washer M10  |     |
| 108  | 0701017     | 4   | Bolt M10 x 45   |     |
| 109  | 0700306     | 3   | Bolt M3 x 12  |     |
| 109  | 0760306     | 3   | Bolt M3 x 12  |     |
| 110  | 3290305     | 3   | Nut M3  |     |
| 111  | 4240099     | AR  | Tie Strap (Not Shown)   |     |
| 112  | 1001181899  | 1   | Clamp   |     |
| 113  | 5250808     | 1   | Bolt M8 x 16  |     |
| 114  | 8406202     | 1   | Clip (SN B300001586 through B300002738)   |     |
| 114  | 1001026127  | 1   | Clamp (SN B300002739 through B300005767, Excluding B300005565)                            |     |



# SECTION 3 - ENGINE

## FIGURE 3-8. DEUTZ TD2.9L4 T4F ENGINE COMPONENTS



ART\_1001174928

## SECTION 3 - ENGINE

**FIGURE 3-8. DEUTZ TD2.9L4 T4F ENGINE COMPONENTS**

| ITEM | PART NUMBER | QTY | DESCRIPTION   | REV |
|------|-------------|-----|---|-----|
|      | 1001174928  | Ref | DEUTZ TD2.9L4 T4F ENGINE COMPONENTS                             | C   |
| 1    | 70006127    | 1   | Dipstick  |     |
| 1    | 70024905    | 1   | O-Ring  |     |
| 2    | 7020465     | 2   | Cap, Filler   |     |
| 3    | 70005920    | 1   | Hose, Breather  |     |
| 3    | 7002511     | 2   | Clamp   |     |
| 4    | 70005941    | 2   | Plug  |     |
| 4    | 70005942    | 1   | Washer, Sealing   |     |
| 5    | 70001870    | 1   | Flywheel  |     |
| 5    | 7024579     | 1   | Gear, Ring  |     |
| 6    | 70024906    | 1   | Gasket, Head (Not Shown)  |     |
| 7    | 70025204    | 1   | Shield, Heat (Not Shown)  |     |
| 8    | 70005921    | 1   | Cover, Valve  |     |
| 8    | 70025205    | 1   | Gasket  |     |
| 8    | 70005171    | 1   | Gasket, Large Valve Cover                                       |     |
| 9    | 70124530    | 1   | Valve   |     |
| 9    | 70124538    | 1   | Spring  |     |
| 9    | 70104570    | 1   | Ring, Sealing   |     |
| 9    | 70025660    | 1   | Plug  |     |
| 10   | 70025091    | 1   | Plug  |     |
| 10   | 70025076    | 1   | Valve   |     |
| 10   | 70025176    | 1   | Spring  |     |
| 10   | 70025082    | 1   | Ring, Sealing   |     |
| 11   | 70004280    | 1   | Seal, Shaft - Front Main (Not Shown)                            |     |
| 11   | 70002718    | 1   | Seal, Shaft - Rear Main (Not Shown)                             |     |
| 12   | 70005172    | 1   | Pump, Oil Lube (Not Shown)                                      |     |
| 12   | See Note    | NSS | O-Ring (Note: Use p/n 70005172)                                 |     |
| 12   | 70005173    | 1   | Gasket  |     |
| 13   | 7016331     | 1   | Filter, Oil   |     |
| 13   | 70025137    | 1   | Bushing   |     |
| 14   | 70024494    | 1   | Cooler, Engine Oil  |     |
| 14   | 70024925    | 1   | Gasket  |     |
| 15   | 70025171    | 1   | Oil Suction Pipe (Not Shown - Located Inside of Engine Oil Pan) |     |
| 16   | 70024924    | 1   | Pump, Fuel  |     |
| 16   | 70025152    | 1   | O-Ring (Between Pump and Spacer)                                |     |
| 16   | 70024488    | 1   | Spacer  |     |
| 16   | 70024517    | 1   | O-Ring (Between Spacer and Engine Block)                        |     |
| 17   | 70025181    | 4   | Injector, Fuel  |     |
| 17   | 70025140    | 4   | Washer, Sealing   |     |
| 17   | 70025146    | 4   | Clamp (Top of Injector)   |     |
| 17   | 70025145    | 4   | O-Ring  |     |
| 17   | 70025154    | 4   | Shoe, Clamping  |     |
| 17   | 70000345    | 1   | Plug, Glow (Not Shown)  |     |
| 17   | 70025231    | 1   | Harness, Glow Plug (Not Shown)                                  |     |
| 18   | 70024961    | 1   | Fuel Filter Assembly  |     |
| 18   | 70025153    | NLA | Filter, Fuel (Use p/n 1001225430)                               |     |
| 18   | 70024513    | 1   | Cable, Sensor   |     |
| 18   | 70025239    | 1   | Ring, Sealing   |     |
| 19   | 70005174    | 1   | Pump, Fuel  |     |
| 19   | 70025144    | 2   | Clamp   |     |

## SECTION 3 - ENGINE

| ITEM | PART NUMBER | QTY | DESCRIPTION                                | REV |
|------|-------------|-----|--|-----|
| 20   | 70025160    | 1   | Filter with Head                           |     |
| 20   | 70025161    | NLA | Filter, Fuel (Use p/n 1001225431)          |     |
| 21   | 70024504    | 1   | Sensor, Pressure                           |     |
| 21   | 70024920    | 1   | O-Ring                                     |     |
| 22   | 70025151    | 1   | Rail, Fuel (Not Shown)                     |     |
| 22   | 70025235    | 1   | Repair Kit (Not Shown)                     |     |
| 23   | 70025182    | 1   | Fuel Line - High Pressure (Cylinder 1 & 2) |     |
| 23   | 70025183    | 1   | Fuel Line - High Pressure (Cylinder 3 & 4) |     |
| 23   | 70025184    | 1   | Fuel Line - High Pressure (Supply)         |     |
| 24   | 70004501    | 1   | Sleeve, Rubber                             |     |
| 25   | 70005926    | 1   | Pipe, Intake                               |     |
| 26   | 70025112    | 2   | Clamp                                      |     |
| 27   | 70025210    | 1   | ECU (Engine Control Unit)                  |     |
| 28   | 70024910    | 1   | Pump, Water                                |     |
| 28   | 70025200    | 1   | Ring, Sealing                              |     |
| 28   | 70025084    | 2   | Plug                                       |     |
| 28   | 7020492     | 2   | Ring, Sealing                              |     |
| 29   | 70005929    | 1   | Thermostat                                 |     |
| 29   | 70005184    | 1   | O-Ring                                     |     |
| 29   | 70025142    | 1   | Cover, Thermostat                          |     |
| 29   | 70005931    | 1   | Gasket                                     |     |
| 31   | 70025179    | 2   | Gasket                                     |     |
| 31   | 70025178    | 1   | Pipe                                       |     |
| 31   | 70025175    | 1   | Cover                                      |     |
| 31   | 70025156    | 1   | Valve, Shuttle                             |     |
| 31   | 70025180    | 1   | Gasket                                     |     |
| 31   | 70025768    | 1   | Valve, Shuttle                             |     |
| 31   | 70025174    | 1   | Housing, Case                              |     |
| 32   | 70025203    | 1   | Module, EGR                                |     |
| 32   | 70005188    | 1   | Valve, Control                             |     |
| 32   | 70005189    | 1   | O-Ring Kit                                 |     |
| 33   | 70004282    | 1   | Manifold, Exhaust (Not Shown)              |     |
| 33   | 70025164    | 1   | Gasket, Exhaust Manifold to Head           |     |
| 33   | 70026995    | 1   | Elbow, Exhaust (Not Shown)                 |     |
| 33   | 70021895    | 2   | Gasket                                     |     |
| 34   | 70004276    | 1   | Turbocharger                               |     |
| 34   | 70024912    | 1   | Gasket, Exhaust Manifold                   |     |
| 35   | 70025477    | 1   | Tensioner, Belt                            |     |
| 36   | 70024484    | 1   | Idler Roller                               |     |
| 37   | 70004277    | 1   | Belt, Drive                                |     |
| 38   | 70024915    | 1   | Starter                                    |     |
| 38   | 70005647    | 1   | Switch, Solenoid                           |     |
| 38   | 70005648    | 1   | Relay                                      |     |
| 39   | 70025533    | 1   | Generator                                  |     |
| 39   | 70025149    | 1   | Regulator, Voltage                         |     |
| 40   | 70025077    | 1   | Harness, Engine (Not Shown)                |     |
| 41   | 70024507    | 1   | Sensor, Pressure                           |     |
| 41   | 70025120    | 1   | O-Ring                                     |     |
| 41   | 70005933    | 1   | Adapter                                    |     |
| 42   | 70024922    | 1   | Sensor, Temperature                        |     |
| 42   | 70024917    | 1   | O-Ring                                     |     |

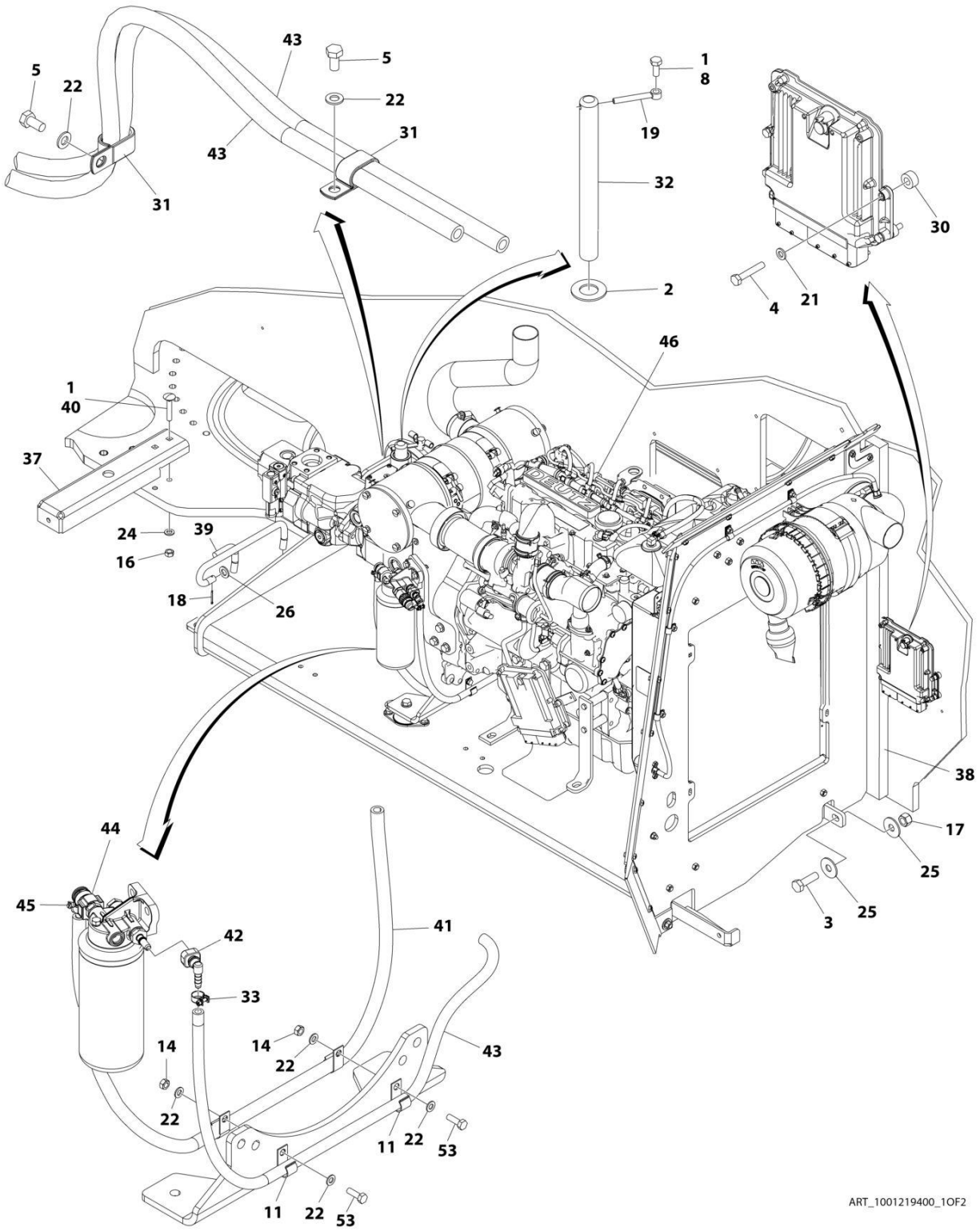


## SECTION 3 - ENGINE

| ITEM | PART NUMBER | QTY | DESCRIPTION   | REV |
|------|-------------|-----|---|-----|
| 43   | 70024918    | 1   | Sender, Temperature   |     |
| 44   | 70024504    | 1   | Sensor, Pressure  |     |
| 44   | 70024920    | 1   | O-Ring  |     |
| 47   | 70026210    | 2   | Sensor, Speed (Not Shown - Located on Front on Block and Front Cover RH Side) |     |
| 47   | 70005191    | 2   | Ring, Sealing   |     |
| 47   | 70024917    | 2   | O-Ring  |     |
| 48   | 70000345    | 4   | Plug, Glow (Not Shown)  |     |
| 48   | 70025231    | 1   | Harness, Glow Plug (Not Shown)  |     |
| 49   | 70025877    | 1   | Clamp   |     |
| 49   | 70025242    | 1   | Gasket  |     |
| 50   | 70005937    | 1   | Muffler, DOC  |     |
| 51   | 70025246    | 1   | Outlet, Muffler   |     |
| 52   | 70025245    | 2   | Bracket, Muffler  |     |
| 53   | 70004504    | 1   | Compensator   |     |
| 54   | 70005527    | 1   | Clamp   |     |
| 55   | 70005928    | 1   | Elbow, Air Exchange   |     |
| 55   | 70005924    | 1   | Seal  |     |
| 56   | 70005927    | 1   | Sleeve  |     |
| 56   | 70025107    | 2   | Clamp   |     |
| 57   | 70005923    | 1   | Pipe, Air Charge  |     |
| 57   | 70005177    | 2   | Gasket  |     |

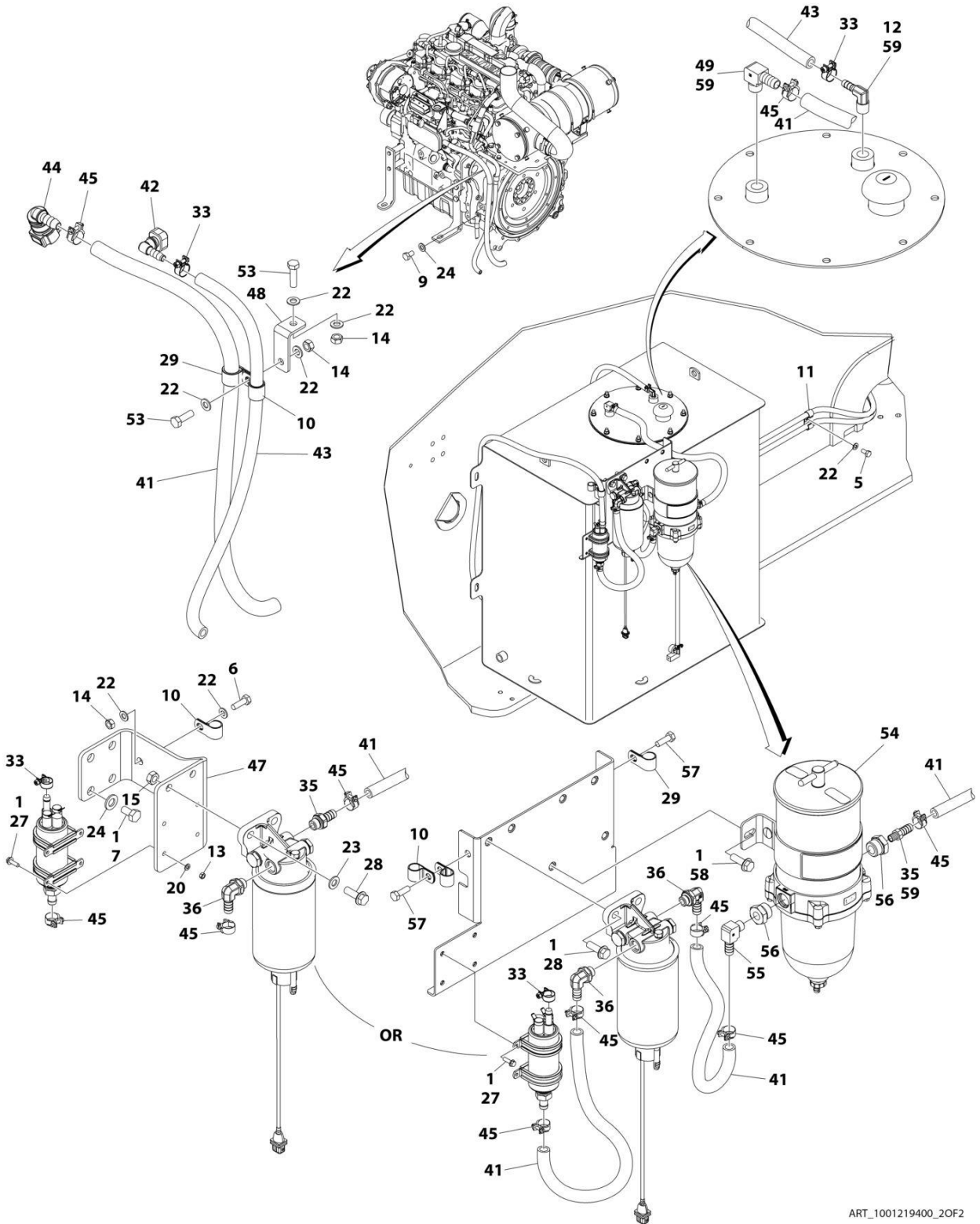
# SECTION 3 - ENGINE

## FIGURE 3-9. DEUTZ TD2.9L4 T4I ENGINE INSTALLATION



ART\_1001219400\_10F2

# SECTION 3 - ENGINE



ART\_1001219400\_2OF2

## SECTION 3 - ENGINE

### FIGURE 3-9. DEUTZ TD2.9L4 T4I ENGINE INSTALLATION

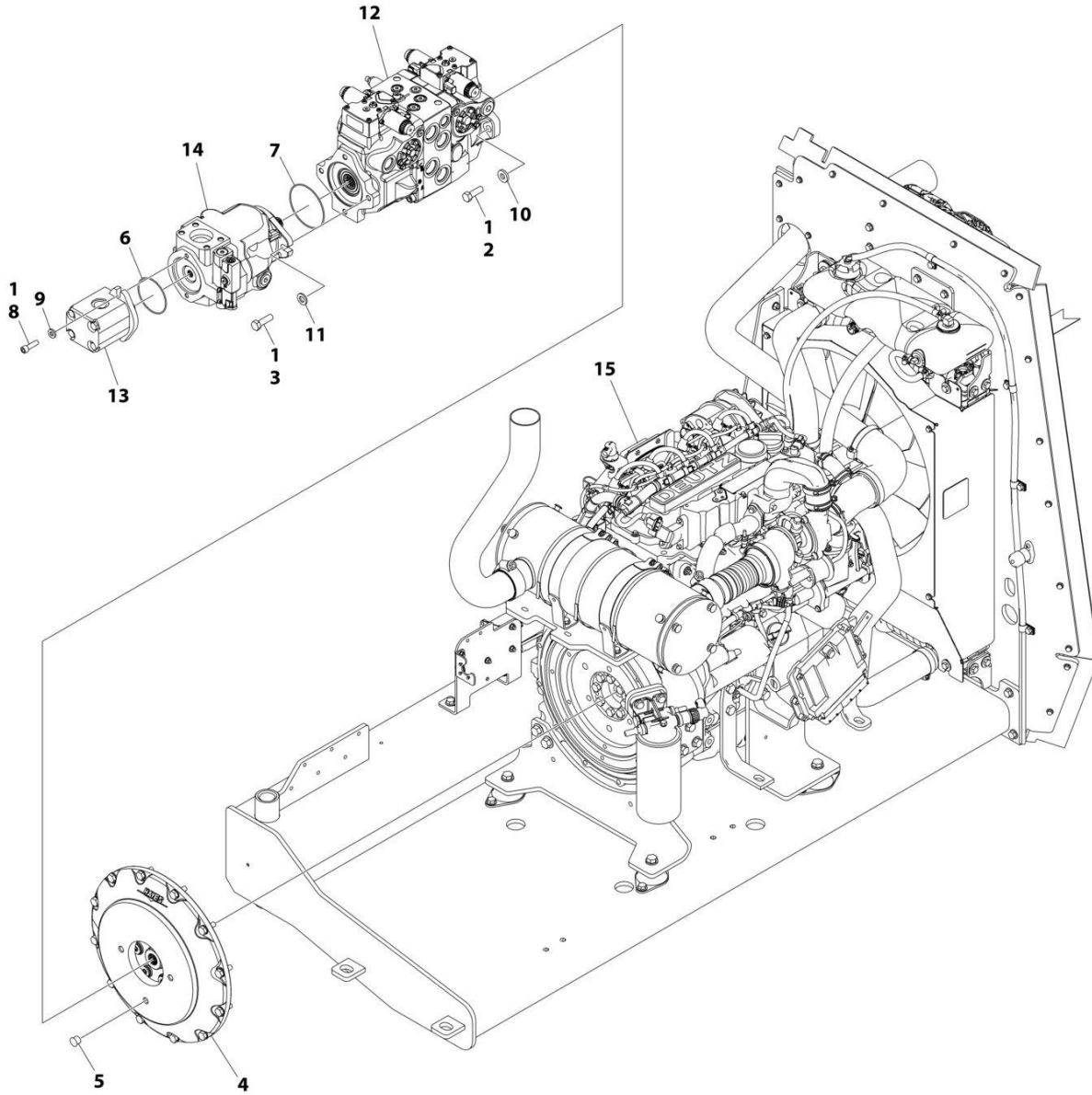
| ITEM | PART NUMBER | QTY | DESCRIPTION  | REV |
|------|-------------|-----|--|-----|
|      | 1001219400  | Ref | DEUTZ TD2.9L4 T4I ENGINE INSTALLATION  | F   |
| 1    | 0100011     | AR  | Compound, Locking  |     |
| 2    | 0440162     | 1   | Bearing  |     |
| 3    | 0701216     | 1   | Bolt M12 x 40  |     |
| 4    | 0760615     | 4   | Bolt M6 x 35   |     |
| 5    | 0760808     | 5   | Bolt M8 x 16   |     |
| 5    | 5250808     | 5   | Bolt M8 x 16   |     |
| 6    | 0760812     | AR  | Bolt M8 x 25   |     |
| 6    | 5250812     | 3   | Bolt M8 x 25   |     |
| 6    | 5250813     | 3   | Bolt M8 x 28   |     |
| 7    | 0761010     | 4   | Bolt M10 x 20 (SN B300001586 through B300002613)   |     |
| 8    | 0761012     | 1   | Bolt M10 x 25  |     |
| 9    | 0761210     | 1   | Bolt M12 x 20  |     |
| 9    | 5251210     | 1   | Bolt M12 x 20  |     |
| 9    | 5251212     | 1   | Bolt M12 x 25  |     |
| 10   | 1320061     | AR  | Clamp  |     |
| 11   | 1320223     | 9   | Clip   |     |
| 12   | 2220313     | 1   | Fitting, 90 NPTF/Barb  |     |
| 13   | 3290501     | 4   | Nut M5 (SN B300001586 through B300002613)  |     |
| 14   | 3290801     | AR  | Nut M8   |     |
| 14   | 5260800     | 4   | Nut M8   |     |
| 15   | 3291001     | 2   | Nut M10 (SN B300001586 through B300002613)   |     |
| 16   | 3291201     | 2   | Nut M12  |     |
| 17   | 3291205     | 1   | Nut M12  |     |
| 18   | 3391210     | 1   | Pin, Split   |     |
| 19   | 3841143     | 1   | Keeper, Pin  |     |
| 20   | 4811600     | 4   | Washer M5 (SN B300001586 through B300002613)   |     |
| 21   | 4811700     | 4   | Washer M6  |     |
| 22   | 4811900     | AR  | Washer M8 (SN B300001586 through B300002613)   |     |
| 23   | 4812000     | 2   | Washer M10 (SN B300001586 through B300002613)  |     |
| 24   | 4812100     | AR  | Washer M12   |     |
| 25   | 4812102     | 2   | Washer M12   |     |
| 26   | 4812300     | 1   | Washer M16   |     |
| 27   | 5250508     | 4   | Bolt M5 x 16   |     |
| 28   | 5251014     | 2   | Bolt M10 x 30  |     |
| 28   | 5251013     | 2   | Bolt M10 x 28  |     |
| 29   | 91043147    | 1   | Clamp (SN B300001586 through B300002613)   |     |
| 29   | 8406202     | 2   | Clip (SN B300002614 through B300005767, Excluding B300005565)                                |     |
| 30   | 1001110425  | 4   | Spacer   |     |
| 31   | 1001116792  | 2   | Clamp  |     |
| 32   | 1001135196  | 1   | Pin  |     |
| 33   | 1001136975  | 4   | Clamp  |     |
| 34   | 1001221289  | 1   | Fuel Pump Harness - Deutz TD2.9L4 (Not Shown - See Separate Breakdown in ELECTRICAL SECTION) |     |
| 35   | 1001141718  | 1   | Fitting, Straight Barbed (SN B300001586 through B300002613)                                  |     |
| 35   | 2180832     | 1   | Fitting, Straight Barbed (SN B300002614 through B300005767, Excluding B300005565)            |     |
| 36   | 1001142501  | AR  | Fitting, 90 Barbed   |     |
| 37   | 1001153027  | 1   | Bracket  |     |

## SECTION 3 - ENGINE

| ITEM | PART NUMBER | QTY | DESCRIPTION   | REV |
|------|-------------|-----|---|-----|
| 38   | 1001153046  | 1   | Seal  |     |
| 39   | 1001153083  | 1   | Hook  |     |
| 40   | 1001153086  | 2   | Bolt M12 x 70   |     |
| 41   | 1001154405  | AR  | Hose  |     |
| 42   | 1001155823  | 2   | Coupling, 90 Quick Connect  |     |
| 43   | 1001165035  | AR  | Hose  |     |
| 44   | 1001170982  | 2   | Fitting, 90   |     |
| 45   | 1001175568  | AR  | Clip  |     |
| 46   | 1001219403  | 1   | Deutz TD2.9L4 T4i Engine and Pumps Sub-Assembly (See Separate Breakdown in this Section)                                      |     |
| 47   | 1001219631  | 1   | Bracket <b>(SN B300001586 through B300002613)</b>   |     |
| 48   | 1001221205  | 1   | Bracket   |     |
| 49   | 1001220535  | 1   | Fitting, 90   |     |
| 50   | 1001220749  | 1   | Battery Cable Kit - Deutz TD2.9L4 (Not Shown - See Separate Breakdown in ELECTRICAL SECTION)                                  |     |
| 51   | 1001136079  | AR  | Oil, Motor (Not Shown)  |     |
| 52   | 1001220200  | AR  | Coolant (Not Shown)   |     |
| 53   | 0770814     | 1   | Bolt M8 x 30  |     |
| 53   | 5250813     | 1   | Bolt M8 x 28  |     |
| 54   | 1001222817  | 1   | Fuel Filter Assembly (See Separate Breakdown in this Section) <b>(SN B300002614 through B300005767, Excluding B300005565)</b> |     |
| 55   | 1001224023  | 1   | Fitting, 90 NPT/Barbed <b>(SN B300002614 through B300005767, Excluding B300005565)</b>  |     |
| 56   | 2220816     | 2   | Fitting, Straight FNPTF/ORB <b>(SN B300002614 through B300005767, Excluding B300005565)</b>                                   |     |
| 57   | 5250810     | 2   | Bolt M8 x 20 <b>(SN B300002614 through B300005767, Excluding B300005565)</b>  |     |
| 58   | 5251011     | 2   | Bolt M10 x 22 <b>(SN B300002614 through B300005767, Excluding B300005565)</b>   |     |
| 59   | 0100020     | AR  | Sealant <b>(SN B300002614 through B300005767, Excluding B300005565)</b>   |     |

# SECTION 3 - ENGINE

## FIGURE 3-10. DEUTZ TD2.9L4 T4I ENGINE AND PUMPS SUB-ASSEMBLY



ART\_1001219403

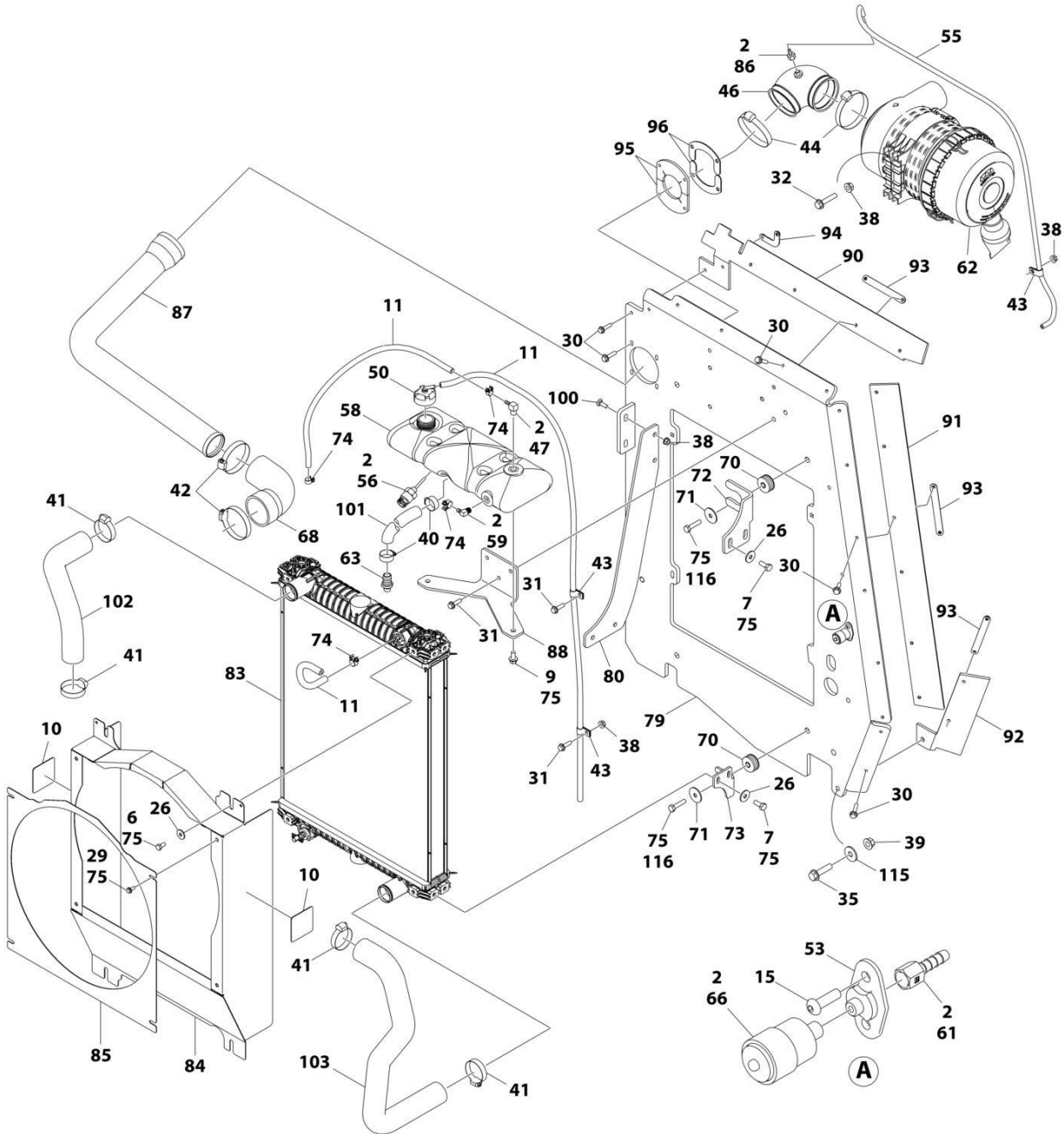
## SECTION 3 - ENGINE

**FIGURE 3-10. DEUTZ TD2.9L4 T4I ENGINE AND PUMPS SUB-ASSEMBLY**

| ITEM | PART NUMBER | QTY | DESCRIPTION  | REV |
|------|-------------|-----|--|-----|
|      | 1001219403  | Ref | DEUTZ TD2.9L4 T4I ENGINE AND PUMPS SUB-ASSEMBLY                            | c   |
| 1    | 0100011     | AR  | Compound, Locking  |     |
| 2    | 0641812     | 2   | Bolt 1/2 x 1-1/2   |     |
| 3    | 0761216     | 2   | Bolt M12 x 40  |     |
| 4    | 2902065     | 1   | Pump Coupling Kit (See Separate Breakdown in this Section)                 |     |
| 5    | 3520054     | 1   | Plug   |     |
| 6    | 3790152     | 1   | O-Ring   |     |
| 7    | 3790155     | 1   | O-Ring   |     |
| 8    | 3931620     | 2   | Capscrew 3/8 x 1-1/4   |     |
| 9    | 4891600     | 2   | Washer 3/8   |     |
| 10   | 4891800     | 2   | Washer 1/2   |     |
| 11   | 5241200     | 2   | Washer M12   |     |
| 12   | 1001108616  | 1   | Tandem Pump Assembly (See Separate Breakdown in this Section)              |     |
| 13   | 1001112927  | 1   | Gear Pump Assembly (See Separate Breakdown in this Section)                |     |
| 14   | 1001171095  | 1   | Piston Pump Assembly (See Separate Breakdown in this Section)              |     |
| 15   | 1001219404  | 1   | Deutz TD2.9L4 T4i Engine Assembly (See Separate Breakdown in this Section) |     |

# SECTION 3 - ENGINE

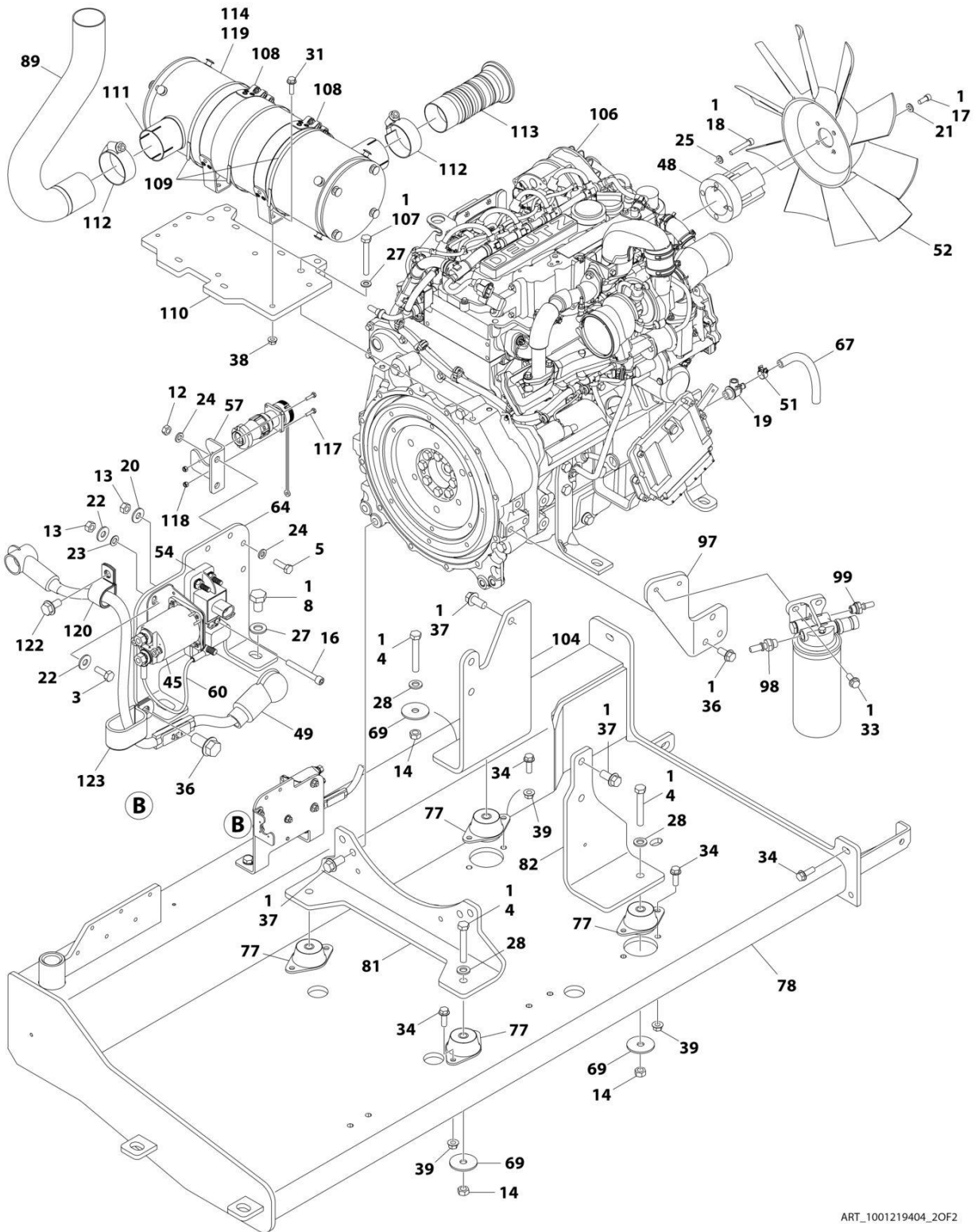
## FIGURE 3-11. DEUTZ TD2.9L4 T4I ENGINE ASSEMBLY



ART\_1001219404\_10F2



# SECTION 3 - ENGINE



ART\_1001219404\_20F2

# SECTION 3 - ENGINE

## FIGURE 3-11. DEUTZ TD2.9L4 T4I ENGINE ASSEMBLY

| ITEM | PART NUMBER | QTY            | DESCRIPTION                                   | REV |
|------|-------------|----------------|---|-----|
|      | 1001219404  | Ref            | DEUTZ TD2.9L4 T4I ENGINE ASSEMBLY             | H   |
| 1    | 0100011     | AR             | Compound, Locking                             |     |
| 2    | 0100020     | AR             | Sealant                                       |     |
| 3    | 0641406     | 2              | Bolt 1/4 x 3/4                                |     |
| 3    | 5250608     | 2              | Bolt M6 x 16                                  |     |
| 4    | 0711224     | 4              | Bolt M12 x 80                                 |     |
| 5    | 0760610     | 2              | Bolt M6 x 20                                  |     |
| 5    | 5250608     | 2              | Bolt M6 x 16                                  |     |
| 6    | 0760808     | 4              | Bolt M8 x 16                                  |     |
| 7    | 0760810     | 8              | Bolt M8 x 20                                  |     |
| 8    | 0761008     | 2              | Bolt M10 x 16                                 |     |
| 8    | 5251008     | 2              | Bolt M10 x 16                                 |     |
| 9    | 0811606     | 2              | Bolt 3/8 x 3/4                                |     |
| 10   | 1703162     | 2              | Decal - Fan Blade                             |     |
| 11   | 2720015     | 90 in/<br>2.3m | Hose  |     |
| 11   | 1001228200  | 90 in/<br>2.3m | Hose  |     |
| 12   | 3290601     | 2              | Nut M6  |     |
| 12   | 5260600     | 2              | Nut M6  |     |
| 13   | 3311405     | 3              | Nut 1/4                                       |     |
| 13   | 5260600     | 5              | Nut M6  |     |
| 14   | 3331211     | 4              | Nut M12                                       |     |
| 15   | 3900364     | 2              | Screw M6 x 20                                 |     |
| 16   | 3931432     | 1              | Capscrew 1/4 x 2                              |     |
| 16   | 0700618     | 1              | Capscrew M6 x 50                              |     |
| 17   | 3931512     | 4              | Capscrew 5/16 x 3/4                           |     |
| 18   | 4031914     | 4              | Capscrew M8 x 50                              |     |
| 19   | 4640751     | 1              | Valve, Oil Drain                              |     |
| 20   | 4711400     | 1              | Washer 1/4 (SN B300001586 through B300002613) |     |
| 21   | 4711500     | 4              | Washer 5/16                                   |     |
| 22   | 4751400     | 4              | Washer 1/4 (SN B300001586 through B300002613) |     |
| 23   | 4791400     | 2              | Washer 1/4 (SN B300001586 through B300002613) |     |
| 24   | 4811700     | 4              | Washer M6 (SN B300001586 through B300002613)  |     |
| 25   | 4811900     | 4              | Washer M8                                     |     |
| 26   | 4811902     | 12             | Washer M8                                     |     |
| 27   | 4812000     | AR             | Washer M10                                    |     |
| 28   | 5241200     | 4              | Washer M12                                    |     |
| 29   | 5250608     | AR             | Bolt M6 x 16                                  |     |
| 30   | 5250612     | 18             | Bolt M6 x 25                                  |     |
| 31   | 5250813     | 12             | Bolt M8 x 28                                  |     |
| 32   | 5250816     | 2              | Bolt M8 x 40                                  |     |
| 33   | 5251012     | 2              | Bolt M10 x 25                                 |     |
| 34   | 5251014     | 10             | Bolt M10 x 30                                 |     |
| 35   | 5251016     | AR             | Bolt M10 x 40                                 |     |
| 36   | 5251212     | AR             | Bolt M12 x 25                                 |     |
| 37   | 5251414     | 9              | Bolt M14 x 30                                 |     |
| 38   | 5260800     | 15             | Nut M8 Grade 10                               |     |
| 39   | 5261000     | 9              | Nut M10 Grade 10                              |     |
| 40   | 8405007     | 2              | Clamp   |     |

## SECTION 3 - ENGINE

| ITEM | PART NUMBER | QTY             | DESCRIPTION  | REV |
|------|-------------|-----------------|--|-----|
| 41   | 8405104     | 4               | Clamp  |     |
| 42   | 8405204     | AR              | Clamp  |     |
| 43   | 8406109     | 8               | Clip   |     |
| 44   | 8410011     | 2               | Clamp (SN B300001586 through B300002613)   |     |
| 44   | 8405204     | 2               | Clamp (SN B300002614 through B300005767, Excluding B300005565)                                 |     |
| 45   | 1001117308  | 1               | Contactora   |     |
| 46   | 1001126874  | 1               | Elbow, Air Intake  |     |
| 47   | 1001134488  | 1               | Fitting, 90 Barbed   |     |
| 48   | 1001135138  | 1               | Spacer, Fan  |     |
| 49   | 1001135779  | 1               | Cable, Alternator +  |     |
| 50   | 1001136834  | 1               | Cap, Tank  |     |
| 51   | 1001136975  | 1               | Clamp  |     |
| 52   | 1001137276  | 1               | Fan  |     |
| 53   | 1001138173  | 1               | Support  |     |
| 54   | 1001138228  | 1               | Relay  |     |
| 55   | 1001138248  | AR              | Tube, Nylon  |     |
| 56   | 1001138827  | 1               | Sensor, Coolant Level  |     |
| 57   | 1001139240  | 1               | Bracket  |     |
| 58   | 1001140535  | 1               | Tank, Surge (SN B300001586 through B300002636)   |     |
| 58   | 1001229542  | 1               | Tank, Surge (SN B300002637 through B300005767, Excluding B300005565)                           |     |
| 59   | 1001140564  | 1               | Fitting, 90 Barbed   |     |
| 60   | 1001141304  | 1               | Glow Fuse Harness  |     |
| 61   | 1001141995  | 1               | Fitting, Straight NPT/Barbed   |     |
| 62   | 1001142259  | 1               | Air Cleaner Assembly (See Separate Breakdown in this Section)                                  |     |
| 63   | 1001143797  | 1               | Fitting, Straight Barbed   |     |
| 64   | 1001145154  | 1               | Plate  |     |
| 65   | 1001148843  | 1               | Fuel Filter Harness - Deutz TD2.9L4 (Not Shown - See Separate Breakdown in ELECTRICAL SECTION) |     |
| 66   | 1001149639  | 1               | Indicator, Restriction   |     |
| 67   | 1001165035  | 8.5 in/<br>21cm | Hose   |     |
| 68   | 1001165820  | 1               | Hose, Turbo Inlet 90   |     |
| 69   | 1001168018  | 4               | Washer   |     |
| 70   | 1001169054  | 4               | Isolator, Radiator   |     |
| 71   | 1001169138  | 4               | Pad  |     |
| 72   | 1001169967  | 2               | Bracket  |     |
| 73   | 1001170035  | 2               | Bracket  |     |
| 74   | 1001174486  | 4               | Clamp (SN B300001586 through B300002613)   |     |
| 74   | 1320022     | 4               | Clamp (SN B300002614 through B300005767, Excluding B300005565)                                 |     |
| 75   | 1001180620  | AR              | Adhesive   |     |
| 76   | 1001182997  | AR              | Adhesive (SN B300001586 through B300002636)  |     |
| 77   | 1001191610  | 4               | Mount, Motor   |     |
| 78   | 1001218405  | 1               | Tray   |     |
| 79   | 1001218406  | 1               | Plate, Radiator Mounting   |     |
| 80   | 1001218408  | 1               | Brace  |     |
| 81   | 1001218411  | 1               | Mount, Engine (Rear)   |     |
| 82   | 1001218412  | 1               | Mount, Engine (Front Outboard)   |     |
| 83   | 1001218414  | 1               | Radiator   |     |
| 84   | 1001218416  | 1               | Shroud, Fan  |     |

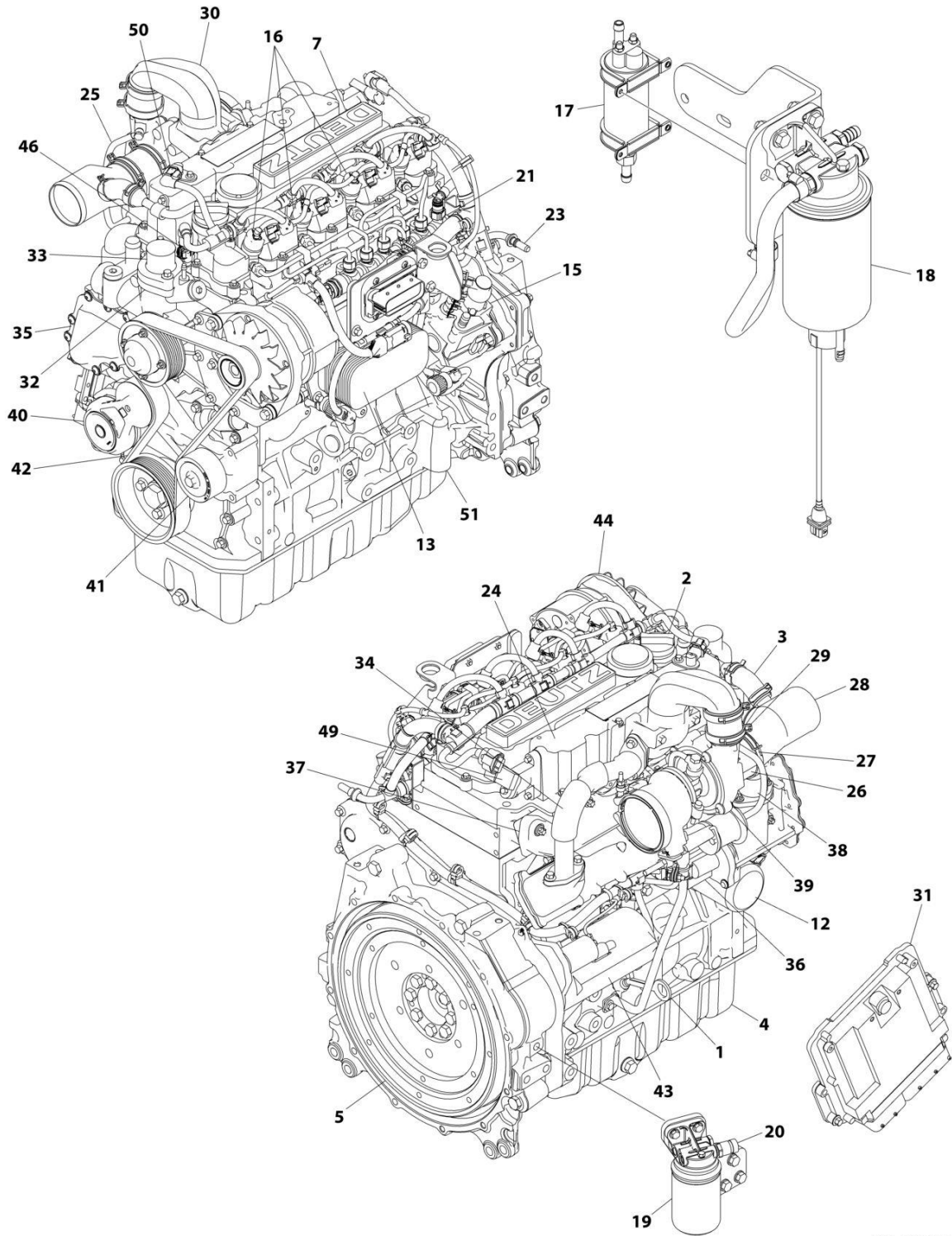
## SECTION 3 - ENGINE

| ITEM | PART NUMBER | QTY | DESCRIPTION   | REV |
|------|-------------|-----|---|-----|
| 85   | 1001218417  | 1   | Plate, Shroud   |     |
| 86   | 1001180516  | 1   | Adapter   |     |
| 87   | 1001218423  | 1   | Tube, Air Intake  |     |
| 88   | 1001218425  | 1   | Bracket, Surge Tank   |     |
| 89   | 1001222091  | 1   | Pipe, Exhaust   |     |
| 90   | 1001218429  | 1   | Seal  |     |
| 91   | 1001218430  | 1   | Seal  |     |
| 92   | 1001218431  | 1   | Seal  |     |
| 93   | 1001218432  | 6   | Plate, Clamping   |     |
| 94   | 1001218434  | 1   | Plate, Clamping   |     |
| 95   | 1001218436  | 2   | Seal  |     |
| 96   | 1001218437  | 2   | Plate, Clamping   |     |
| 97   | 1001218440  | 1   | Bracket   |     |
| 98   | 1001218443  | 1   | Fitting, Straight   |     |
| 99   | 1001218444  | 1   | Fitting, Straight   |     |
| 100  | 1001218448  | 4   | Bolt  |     |
| 101  | 1001218580  | AR  | Hose  |     |
| 102  | 1001218944  | 1   | Hose, Radiator (Top)  |     |
| 103  | 1001218945  | 1   | Hose, Radiator (Bottom)   |     |
| 104  | 1001219455  | 1   | Mount, Engine (Front Inboard)   |     |
| 105  | 1001220261  | 1   | Engine Harness - Deutz TD2.9L4 (Not Shown - See Separate Breakdown in ELECTRICAL SECTION) |     |
| 106  | 1001219642  | 1   | Deutz TD2.9L4 T4i Engine Components (See Separate Breakdown in this Section)              |     |
| 107  | 0701024     | 4   | Bolt M10 x 80   |     |
| 108  | 1001119727  | 2   | Clamp   |     |
| 109  | 1001137336  | 3   | Strap   |     |
| 110  | 1001221203  | 1   | Bracket   |     |
| 111  | 1001221207  | 1   | Muffler   |     |
| 112  | 1001221212  | 2   | Clamp   |     |
| 113  | 1001221217  | 1   | Pipe, Flex  |     |
| 114  | 1001221427  | 1   | Muffler-Wrap  |     |
| 115  | 4812002     | 1   | Washer M10  |     |
| 116  | 0701017     | 4   | Bolt M10 x 45 (SN B300002614 through B300005767, Excluding B300005565)                    |     |
| 117  | 0760306     | 3   | Bolt M3 x 12 (SN B300002614 through B300005767, Excluding B300005565)                     |     |
| 118  | 3290305     | 3   | Nut M3 (SN B300002614 through B300005767, Excluding B300005565)                           |     |
| 119  | 4920385     | 1   | Wire, Safety (SN B300002614 through B300005767, Excluding B300005565)                     |     |
| 120  | 8406202     | 1   | Clip (SN B300002614 through B300002738)   |     |
| 120  | 1001026127  | 1   | Clamp (SN B300002739 through B300005767, Excluding B300005565)                            |     |
| 121  | 4240099     | 1   | Tie Strap (Not Shown) (SN B300002614 through B300005767, Excluding B300005565)            |     |
| 122  | 5250808     | 1   | Bolt M8 x 16 (SN B300002614 through B300005767, Excluding B300005565)                     |     |
| 123  | 1001181899  | 1   | Clamp (SN B300002614 through B300005767, Excluding B300005565)                            |     |



# SECTION 3 - ENGINE

## FIGURE 3-12. DEUTZ TD2.9L4 T4I ENGINE COMPONENTS



ART\_1001219642

## SECTION 3 - ENGINE

**FIGURE 3-12. DEUTZ TD2.9L4 T4I ENGINE COMPONENTS**

| ITEM | PART NUMBER | QTY | DESCRIPTION   | REV |
|------|-------------|-----|---|-----|
|      | 1001219642  | Ref | DEUTZ TD2.9L4 T4I ENGINE COMPONENTS                             | C   |
| 1    | 70006127    | 1   | Dipstick  |     |
| 1    | 70024905    | 1   | O-Ring  |     |
| 2    | 7020465     | 2   | Cap, Filler   |     |
| 3    | 70005920    | 1   | Hose  |     |
| 3    | 70025111    | 2   | Clamp   |     |
| 4    | 70025162    | 1   | Pan, Oil  |     |
| 4    | 70005941    | 2   | Plug  |     |
| 4    | 70005942    | 2   | Washer, Sealing   |     |
| 5    | 70001870    | 1   | Flywheel  |     |
| 5    | 7024579     | 1   | Gear, Ring  |     |
| 6    | 70024906    | 1   | Gasket, Head (Not Shown)  |     |
| 7    | 70005921    | 1   | Cover, Valve  |     |
| 7    | 70025205    | 1   | Gasket  |     |
| 7    | 70005171    | 1   | Gasket  |     |
| 8    | 70025076    | 1   | Valve (Not Shown - Located on Right Side of Front Engine Cover) |     |
| 8    | 70025176    | 1   | Spring  |     |
| 8    | 70025082    | 1   | Ring, Sealing   |     |
| 8    | 70025091    | 1   | Plug  |     |
| 9    | 70004280    | 1   | Seal, Shaft - Front (Not Shown)                                 |     |
| 10   | 70002718    | 1   | Seal, Shaft - Rear (Not Shown)                                  |     |
| 11   | 70005172    | 1   | Pump, Oil Lube (Not Shown)                                      |     |
| 11   | 70025135    | 1   | O-Ring  |     |
| 11   | 70005173    | 1   | Gasket  |     |
| 12   | 7016331     | 1   | Filter, Oil   |     |
| 12   | 70025137    | 1   | Bushing   |     |
| 13   | 70024494    | 1   | Cooler, Engine Oil (Not Shown - Located on Right Side)          |     |
| 13   | 70024925    | 1   | Gasket  |     |
| 14   | 70025171    | 1   | Oil Suction Pump (Not Shown - Located Inside of Engine Oil Pan) |     |
| 15   | 70024924    | 1   | Pump, Fuel  |     |
| 15   | 70025152    | 1   | O-Ring  |     |
| 15   | 70025080    | 1   | Washer  |     |
| 15   | 70024488    | 1   | Spacer  |     |
| 15   | 70024517    | 1   | O-Ring  |     |
| 16   | 70025181    | 4   | Injector, Fuel (Not Shown - Located on Right Side)              |     |
| 16   | 70025140    | 4   | Washer, Sealing   |     |
| 16   | 70025146    | 4   | Clamp (Top of Injector)   |     |
| 16   | 70025145    | 4   | O-Ring  |     |
| 16   | 70025154    | 4   | Shoe, Clamping  |     |
| 16   | 70000345    | 1   | Plug, Glow (Not Shown)  |     |
| 16   | 70025231    | 1   | Harness, Glow Plug (Not Shown)                                  |     |
| 17   | 70005174    | 1   | Pump, Fuel  |     |
| 17   | 70025144    | 2   | Clamp   |     |
| 18   | 70024961    | 1   | Fuel Filter Assembly  |     |
| 18   | 70025153    | NLA | Filter, Fuel (Use p/n 1001225430)                               |     |
| 18   | 70024513    | 1   | Cable, Sensor   |     |
| 18   | 70025239    | 1   | Ring, Sealing   |     |
| 19   | 70004511    | 1   | Filter with Head  |     |
| 19   | 70004512    | NLA | Filter, Fuel (Use p/n 1001225432)                               |     |
| 20   | 70024504    | 1   | Sensor, Pressure  |     |

## SECTION 3 - ENGINE

| ITEM | PART NUMBER | QTY | DESCRIPTION  | REV |
|------|-------------|-----|--|-----|
| 20   | 70024920    | 1   | O-Ring   |     |
| 21   | 70025151    | 1   | Rail, Fuel   |     |
| 21   | 70025235    | 1   | Repair Kit   |     |
| 21   | 70025240    | 1   | O-Ring   |     |
| 22   | 70025182    | 1   | Fuel Line - High Pressure (Cylinder 1 & 2) (Not Shown) |     |
| 22   | 70025183    | 1   | Fuel Line - High Pressure (Cylinder 3 & 4) (Not Shown) |     |
| 22   | 70025184    | 1   | Fuel Line - High Pressure (Supply) (Not Shown)         |     |
| 23   | 70025158    | 1   | Manifold, Fuel   |     |
| 23   | 70025109    | 2   | Clamp  |     |
| 23   | 70025115    | 1   | Clamp  |     |
| 23   | 70025133    | 1   | Hose   |     |
| 23   | 70024502    | 1   | Pipe   |     |
| 23   | 70025185    | 1   | Hose   |     |
| 23   | 70025101    | 2   | Clamp  |     |
| 24   | 70005923    | 1   | Charge Air Pipe  |     |
| 24   | 70005924    | 1   | O-Ring   |     |
| 24   | 70005177    | 1   | Gasket   |     |
| 25   | 70005925    | 1   | Breather Line  |     |
| 25   | 70005181    | 1   | O-Ring   |     |
| 26   | 70004501    | 1   | Sleeve, Rubber   |     |
| 27   | 70025112    | 2   | Clamp  |     |
| 28   | 70005926    | 1   | Elbow Connector  |     |
| 29   | 70005927    | 1   | Sleeve, Rubber   |     |
| 29   | 70025107    | 2   | Clamp  |     |
| 30   | 70005928    | 1   | Charge Air Elbow                                       |     |
| 31   | 70025210    | 1   | ECU (Engine Control Unit)                              |     |
| 32   | 70024910    | 1   | Pump, Water  |     |
| 32   | 70025200    | 1   | Ring, Sealing  |     |
| 32   | 70025084    | 2   | Plug   |     |
| 32   | 7020492     | 2   | Ring, Sealing  |     |
| 33   | 70005929    | 1   | Thermostat   |     |
| 33   | 70005184    | 1   | O-Ring   |     |
| 33   | 70025142    | 1   | Cover, Thermostat                                      |     |
| 33   | 70025931    | 1   | Gasket   |     |
| 34   | 70025178    | 1   | Pipe   |     |
| 34   | 70025768    | 1   | Valve, Shuttle   |     |
| 34   | 70025179    | 2   | Gasket   |     |
| 34   | 70025180    | 1   | Gasket   |     |
| 35   | 70025203    | 1   | Module, EGR (Includes Item 36)                         |     |
| 35   | 70025155    | 1   | Plug   |     |
| 36   | 70005188    | 1   | Control Valve  |     |
| 36   | 70005189    | 1   | Seal   |     |
| 37   | 70004282    | 1   | Manifold, Exhaust                                      |     |
| 37   | 70025164    | 1   | Gasket, Exhaust Manifold to Head                       |     |
| 38   | 70026995    | 1   | Pipe (Not Shown - Located on Left Side)                |     |
| 38   | 70021895    | 2   | Gasket   |     |
| 39   | 70004276    | 1   | Turbocharger   |     |
| 39   | 70024912    | 1   | Gasket, Exhaust Manifold                               |     |
| 39   | 70024509    | 1   | Gasket, Return Line                                    |     |
| 40   | 70025477    | 1   | Tensioner, Belt  |     |
| 41   | 70024484    | 1   | Idler Roller   |     |

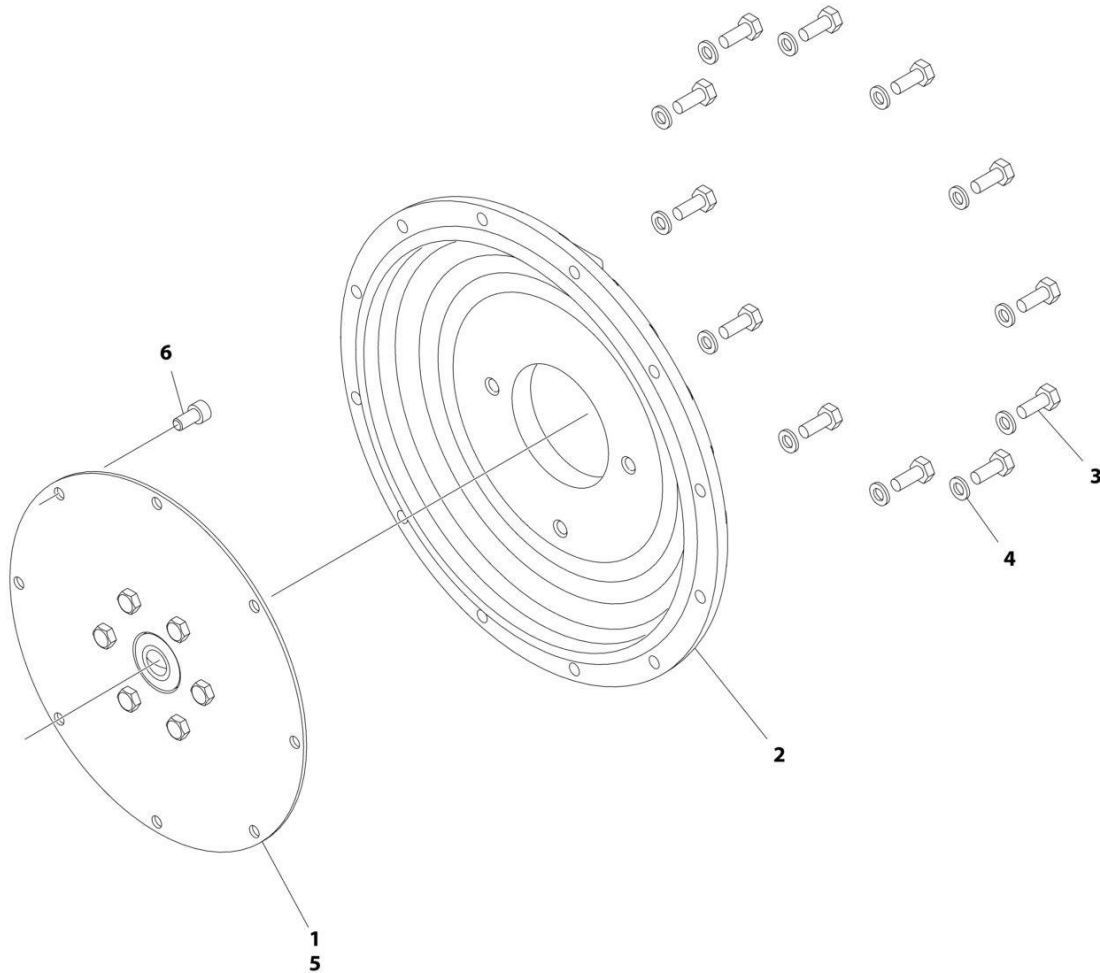


## SECTION 3 - ENGINE

| ITEM | PART NUMBER | QTY | DESCRIPTION  | REV |
|------|-------------|-----|--|-----|
| 42   | 70004277    | 1   | Belt, Drive  |     |
| 43   | 70024915    | 1   | Starter  |     |
| 43   | 70005647    | 1   | Switch, Solenoid   |     |
| 43   | 70005648    | 1   | Relay  |     |
| 44   | 70025533    | 1   | Generator  |     |
| 44   | 70025149    | 1   | Regulator, Voltage   |     |
| 45   | 70025077    | 1   | Harness, Engine (Not Shown)  |     |
| 46   | 70024918    | 1   | Sender, Temperature  |     |
| 47   | 70024504    | 1   | Sensor, Pressure (Not Shown - Located on Right Side)                     |     |
| 47   | 70024920    | 1   | O-Ring   |     |
| 48   | 70026210    | 2   | Sensor, Speed (Not Shown - Located Left Side Front and Flywheel Housing) |     |
| 48   | 70005191    | 2   | O-Ring   |     |
| 49   | 70024507    | 1   | Sensor, Pressure (Not Shown - Located Top Rear)                          |     |
| 49   | 70025120    | 1   | O-Ring   |     |
| 50   | 70024922    | 1   | Temperature, Transmitter   |     |
| 50   | 70035212    | 1   | O-Ring   |     |
| 51   | 70025660    | 1   | Screw  |     |

# SECTION 3 - ENGINE

## FIGURE 3-13. PUMP COUPLING KIT



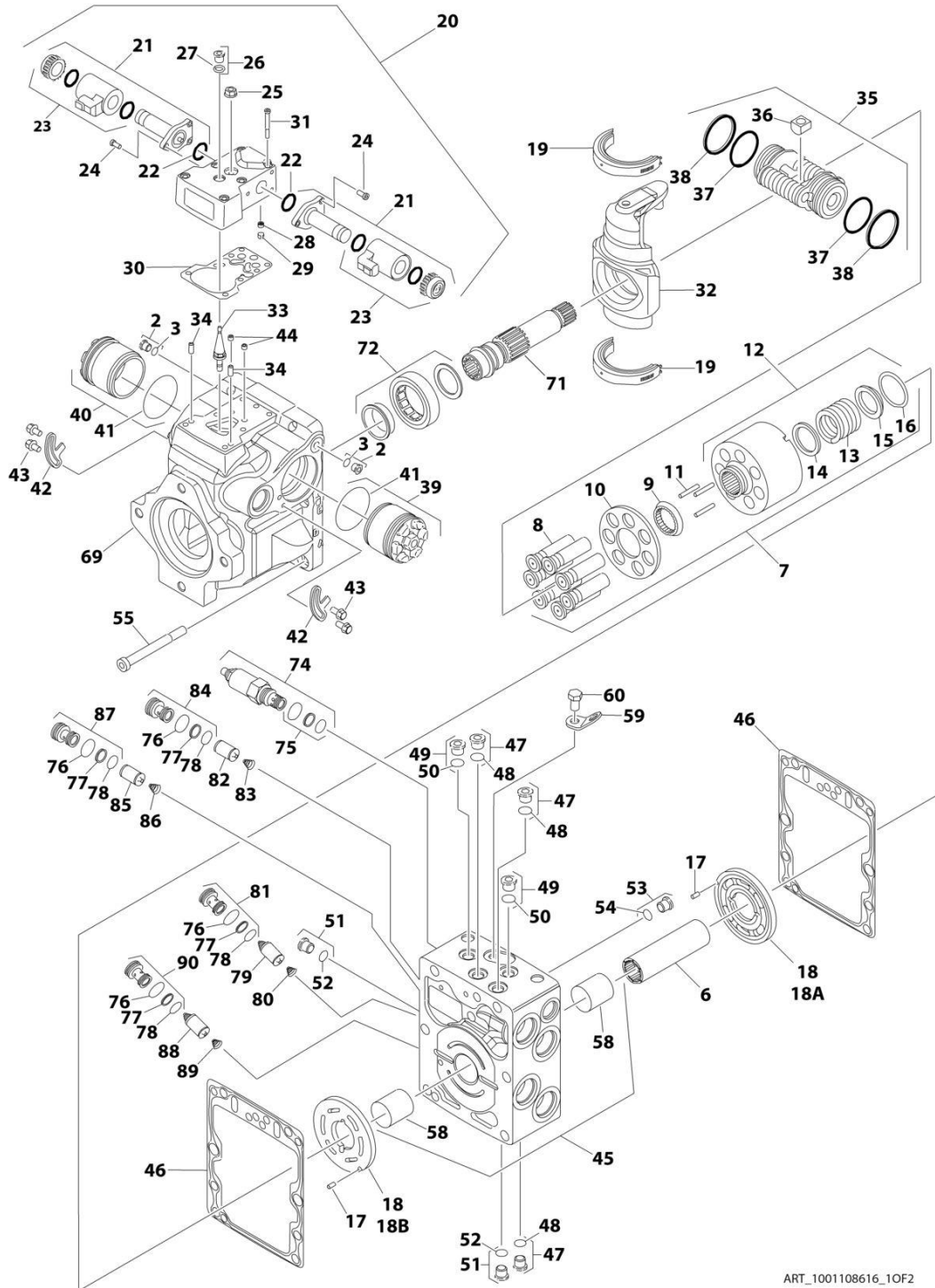
ART\_2902065

FIGURE 3-13. PUMP COUPLING KIT

| ITEM | PART NUMBER | QTY | DESCRIPTION                                      | REV |
|------|-------------|-----|--|-----|
|      | 2902065     | Ref | PUMP COUPLING KIT                                | K   |
| 1    | 70000793    | 1   | Coupling, Hayes                                  |     |
| 2    | See Note    | NSS | Plate, Pump Adapter (Note: Use p/n 2902065)      |     |
| 3    | See Note    | NSS | Bolt M10 x 30 Grade 10.9 (Note: Use p/n 2902065) |     |
| 4    | See Note    | NSS | Washer M10 (Note: Use p/n 2902065)               |     |
| 5    | 3020021     | AR  | Grease, Coupling                                 |     |
| 6    | See Note    | NSS | Bolt M10 x 20 Grade 10.9 (Note: Use p/n 2902065) |     |

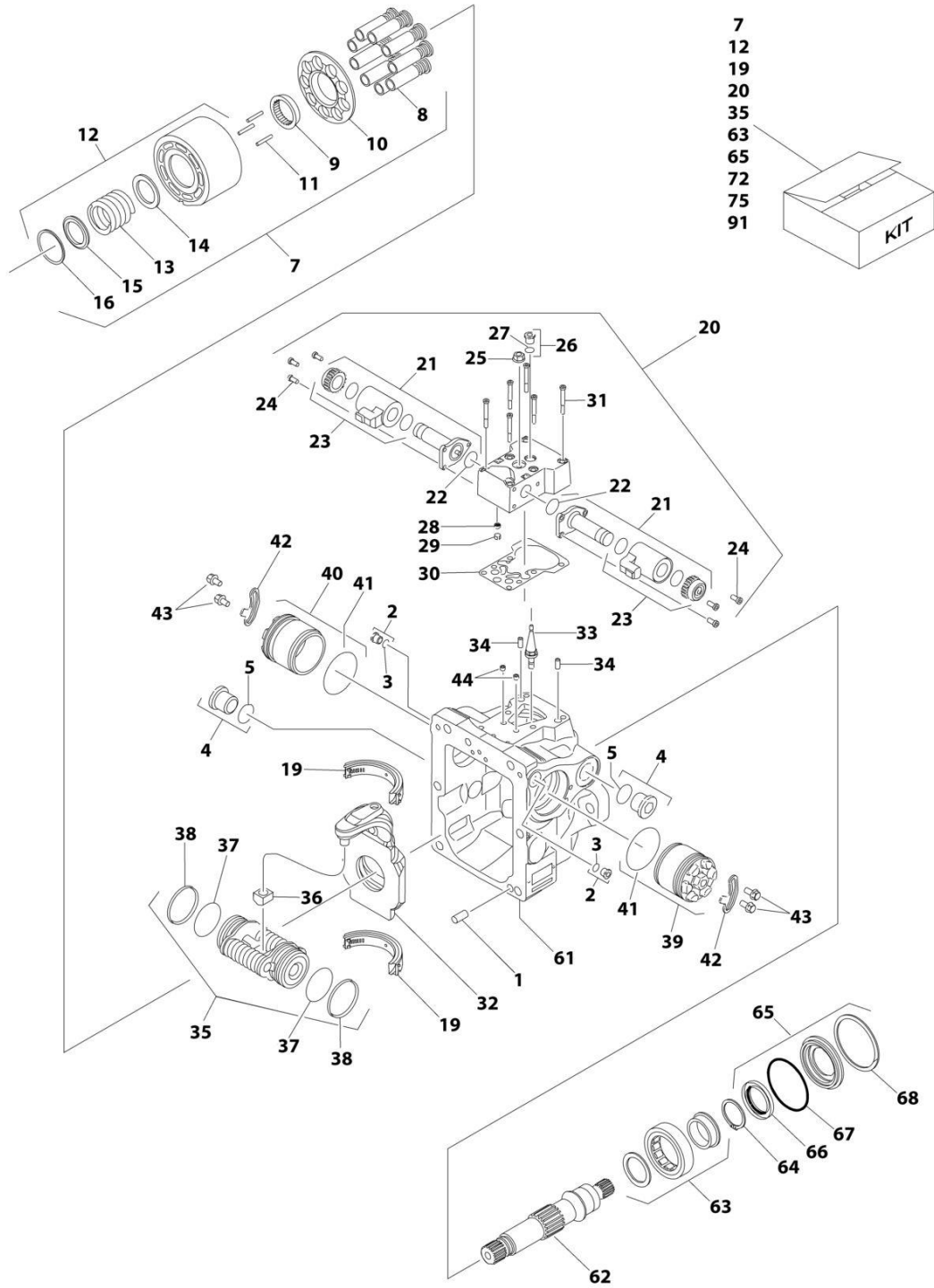
# SECTION 3 - ENGINE

## FIGURE 3-14. TANDEM PUMP ASSEMBLY



ART\_1001108616\_10F2

# SECTION 3 - ENGINE



ART\_1001108616\_20F2

## SECTION 3 - ENGINE

### FIGURE 3-14. TANDEM PUMP ASSEMBLY

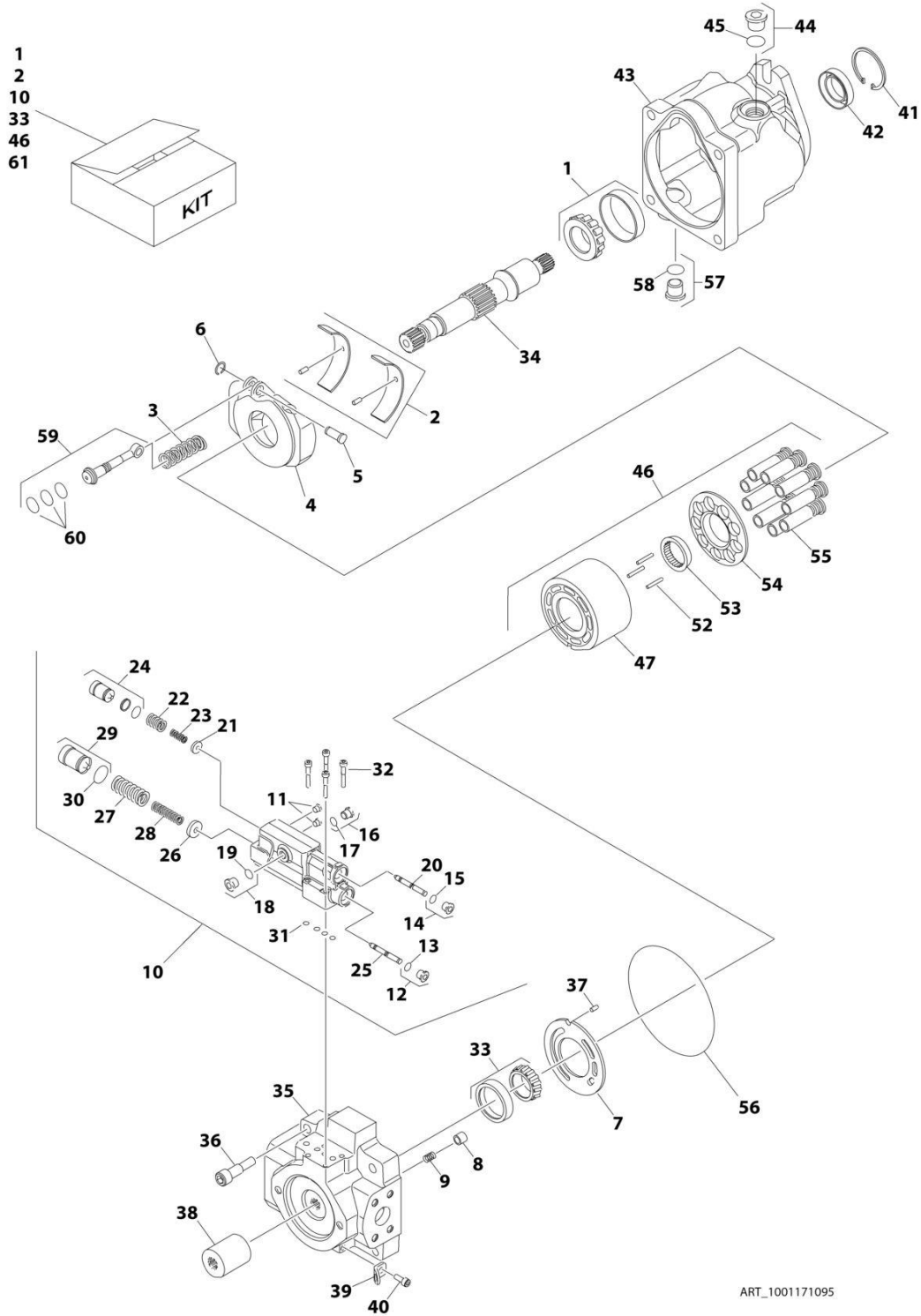
| ITEM | PART NUMBER | QTY | DESCRIPTION   | REV |
|------|-------------|-----|---|-----|
|      | 1001108616  | Ref | TANDEM PUMP ASSEMBLY  | D   |
| 1    | 70002132    | 4   | Pin   |     |
| 2    | 70002133    | 4   | Plug Assembly (Includes Item 3)   |     |
| 3    | 7007207     | 4   | O-Ring (Part of Item 2)   |     |
| 4    | 7007419     | 2   | Plug Assembly (Includes Item 5)   |     |
| 5    | 7007418     | 2   | O-Ring (Part of Item 4)   |     |
| 6    | 70002600    | 1   | Coupling  |     |
| 7    | 70002135    | 2   | Cylinder Block Kit (Each Kit Includes Qty 1 of Items 8-10 & 12-16 & Qty 3 of Item 11) |     |
| 8    | 70002136    | 2   | Piston Assembly Kit (Includes Qty 9 Piston Assemblies) (Part of Item 7)               |     |
| 9    | 70002137    | 2   | Guide, Slipper Retainer (Part of Item 7)  |     |
| 10   | 70002138    | 2   | Retainer, Slipper (Part of Item 7)  |     |
| 11   | 7021275     | 6   | Pin, Slipper Retainer Holddown (Part of Item 7)                                       |     |
| 12   | 70002135    | 2   | Cylinder Block Assembly (Includes Qty 1 of Items 13-16) (Part of Item 7)              |     |
| 13   | 70002139    | 2   | Spring (Part of Item 12)  |     |
| 14   | 70002140    | 2   | Washer (Part of Item 12)  |     |
| 15   | 70002141    | 2   | Washer (Part of Item 12)  |     |
| 16   | 70002142    | 2   | Ring, Retaining (Part of Item 12)   |     |
| 17   | 7007446     | 2   | Pin   |     |
| 18   |             | Ref | Plate, Valve Options:   |     |
| 18A  | 70002601    | 1   | Plate, CW Valve   |     |
| 18B  | 70002602    | 1   | Plate, CCW Valve  |     |
| 19   | 70002145    | 2   | Swash Plate Bearing Kit (Includes Qty 2 Bearing)                                      |     |
| 20   | 70002618    | 2   | EDC Kit (Includes Items 21-31)  |     |
| 21   | 70002619    | 4   | Solenoid Valve Assembly (Includes Items 22 & 23) (Part of Item 20)                    |     |
| 22   | 70002148    | 4   | O-Ring (2 Per EDC Assembly) (Part of Item 21)   |     |
| 23   | 70002620    | 4   | Coil, Nut and Seals Kit (2 Per EDC Assembly) (Part of Item 21)                        |     |
| 24   | 70002150    | 12  | Screw (Part of Item 20)   |     |
| 25   | 7022301     | 2   | Nut, Seal (Part of Item 20)   |     |
| 26   | 70002151    | 2   | Plug Assembly (Part of Item 20) (Includes Item 27)                                    |     |
| 27   | 7007207     | 2   | O-Ring (Part of Item 26)  |     |
| 28   | 70002134    | 2   | Screen (Part of Item 20)  |     |
| 29   | 70002153    | 2   | Ring, Locking (part of Item 20)   |     |
| 30   | 70002154    | 2   | Gasket, Control (Part of Item 20)   |     |
| 31   | 70002156    | 12  | Capscrew (Part of Item 20)  |     |
| 32   | 70002152    | 2   | Swash Plate   |     |
| 33   | 70002155    | 2   | Link, Swash Plate   |     |
| 34   | 70002157    | 4   | Pin, Dowel  |     |
| 35   | 70002158    | 2   | Servo Piston Assembly (Includes Items 36-38)  |     |
| 36   | 70002159    | 2   | Block, Slider (Part of Item 35)   |     |
| 37   | 70002160    | 2   | O-Ring (Part of Item 35)  |     |
| 38   | 70002161    | 2   | Ring, Piston (Part of Item 35)  |     |
| 39   | 70002162    | 2   | Cylinder, Servo   |     |
| 40   | 70002162    | 2   | Cylinder, Servo   |     |
| 41   | 70002163    | 4   | O-Ring  |     |
| 42   | 70002164    | 4   | Plate, Locking  |     |
| 43   | 70002165    | 8   | Screw   |     |

## SECTION 3 - ENGINE

| ITEM | PART NUMBER | QTY | DESCRIPTION   | REV |
|------|-------------|-----|---|-----|
| 44   | 70002604    | 4   | Orifice   |     |
| 45   | 70002605    | 1   | Center Section Assembly (Includes Item 58)  |     |
| 46   | 70002168    | 2   | Gasket, End Cap   |     |
| 47   | 70001958    | 2   | Plug Assembly (Includes Item 48)  |     |
| 48   | 7021256     | 2   | O-Ring (Part of Item 47)  |     |
| 49   | 70001958    | 2   | Plug Assembly (Includes Item 50)  |     |
| 50   | 7021256     | 2   | O-Ring (Part of Item 49)  |     |
| 51   | 70001958    | 2   | Plug Assembly (Includes Item 52)  |     |
| 52   | 7021256     | 2   | O-Ring (Part of Item 51)  |     |
| 53   | 70001958    | 2   | Plug Assembly (Includes Item 54)  |     |
| 54   | 7021256     | 2   | O-Ring (Part of Item 53)  |     |
| 55   | 70002606    | 4   | Capscrew  |     |
| 58   | 70002607    | 2   | Bearing, Journal (Part of Item 45)  |     |
| 59   | 70002608    | 1   | Bracket, Lifting  |     |
| 60   | 70002609    | 1   | Screw   |     |
| 61   | See Note    | 1   | Housing (Note: Not Available for Purchase)  |     |
| 62   | 70002175    | 1   | Shaft   |     |
| 63   | 70002610    | 1   | Ball Bearing Kit  |     |
| 64   | 70007439    | 1   | Ring, Retaining   |     |
| 65   | 70002174    | 1   | Shaft Seal Kit (Includes Items 66-68) (Note: This is a universal kit and will contain extra pieces that are not used on this pump assembly) |     |
| 66   | 70002177    | 1   | Seal, Lip   |     |
| 67   | 70002178    | 1   | O-Ring  |     |
| 68   | 70002179    | 1   | Ring, Retaining   |     |
| 69   | See Note    | 1   | Housing (Note: Not Available for Purchase)  |     |
| 71   | 70002612    | 1   | Shaft   |     |
| 72   | 70002610    | 1   | Ball Bearing Kit  |     |
| 74   | 70002621    | 1   | High Pressure Relief Valve Cartridge Assembly (Includes Item 75)  |     |
| 75   | 70002622    | 1   | Seal Kit - 70002621 Valve (Part of Item 74)   |     |
| 76   | 7007415     | 1   | O-Ring (Part of Items 81, 84, 87 & 90)  |     |
| 77   | 7021293     | 1   | Ring, Back-up (part of Items 81, 84, 87 & 90)   |     |
| 78   | 7022300     | 1   | O-Ring (Part of Items 81, 84, 87 & 90)  |     |
| 79   | 70002616    | 1   | SCR Valve Assembly  |     |
| 80   | 7024800     | 1   | Spring  |     |
| 81   | 7021265     | 1   | Plug Assembly (Includes Qty 1 of Items 76-78)   |     |
| 82   | 70002616    | 1   | SCR Valve Assembly  |     |
| 83   | 7024800     | 1   | Spring  |     |
| 84   | 7021265     | 1   | Plug Assembly (Includes Qty 1 of Items 76-78)   |     |
| 85   | 70002616    | 1   | SCR Valve Assembly  |     |
| 86   | 7024800     | 1   | Spring  |     |
| 87   | 70002617    | 1   | Plug Assembly (Includes Qty 1 of Items 76-78)   |     |
| 88   | 70002616    | 1   | SCR Valve Assembly  |     |
| 89   | 7024800     | 1   | Spring  |     |
| 90   | 7021265     | 1   | Plug Assembly (Includes Qty 1 of Items 76-78)   |     |
| 91   | 70002623    | 1   | Overhaul Seal Kit (Includes Items 3, 5, 22, 27, 30, 37, 38, 41, 46, 48, 50, 52, 54, 66, 67, 75, 76, 77 & 78)                                |     |

# SECTION 3 - ENGINE

## FIGURE 3-15. PISTON PUMP ASSEMBLY



ART\_1001171095



## SECTION 3 - ENGINE

### FIGURE 3-15. PISTON PUMP ASSEMBLY

| ITEM | PART NUMBER | QTY | DESCRIPTION   | REV |
|------|-------------|-----|---|-----|
|      | 1001171095  | Ref | PISTON PUMP ASSEMBLY  | B   |
| 1    | 70002578    | 1   | Bearing Kit - Front (Includes Cup and Cone)                         |     |
| 2    | 70004426    | 1   | Swash Plate Bearing Kit (Includes Qty 2 Bearings and Retainer Pins) |     |
| 3    | 70002580    | 1   | Spring, Bias  |     |
| 4    | 70004416    | 1   | Swash Plate Assembly  |     |
| 5    | 70002582    | 1   | Shaft   |     |
| 6    | 70002583    | 1   | Ring, Retaining   |     |
| 7    | 70004417    | 1   | Plate, Valve  |     |
| 8    | 70001956    | 1   | Poppet, Check Valve   |     |
| 9    | 70001955    | 1   | Spring  |     |
| 10   | 70022286    | 1   | Control Kit (Includes Items 11-32)                                  |     |
| 11   | See Note    | NSS | Setscrew (Note: Use Item 10)  |     |
| 12   | 70002133    | 1   | Plug Assembly (Includes Item 13)                                    |     |
| 13   | 7007207     | 1   | O-Ring (Part of Item 12)  |     |
| 14   | 70002133    | 1   | Plug Assembly (Part of Item 15)                                     |     |
| 15   | 7007207     | 1   | O-Ring (Part of Item 14)  |     |
| 16   | 70002133    | 1   | Plug Assembly (Includes Item 17)                                    |     |
| 17   | 7007207     | 1   | O-Ring (Part of Item 16)  |     |
| 18   | 70002133    | 1   | Plug Assembly (Includes Item 19)                                    |     |
| 19   | 7007207     | 1   | O-Ring (Part of Item 18)  |     |
| 20   | See Note    | NSS | Spool (Note: Use Item 10)   |     |
| 21   | See Note    | NSS | Guide, Spring LS (Note: Use Item 10)                                |     |
| 22   | See Note    | NSS | Spring, Outer LS (Note: Use Item 10)                                |     |
| 23   | See Note    | NSS | Spring, Inner LS (Note: Use Item 10)                                |     |
| 24   | See Note    | NSS | Plug, Adjusting LS (Note: Use Item 10 or 61)                        |     |
| 25   | See Note    | NSS | Spool, Control (Note: Use Item 10)                                  |     |
| 26   | See Note    | NSS | Guide, Spring PC (Note: Use Item 10)                                |     |
| 27   | See Note    | NSS | Spring, Outer PC (Note: Use Item 10)                                |     |
| 28   | See Note    | NSS | Spring, Inner PC (Note: Use Item 10)                                |     |
| 29   | See Note    | NSS | Plug, Adjusting PC (Note: Use Item 10)                              |     |
| 30   | See Note    | NSS | O-Ring (Note: Use Item 10 or 61)                                    |     |
| 31   | See Note    | NSS | Ring, Seal (Note: Use Item 10 or 61)                                |     |
| 32   | See Note    | NSS | Capscrew (Note: Use Item 10)  |     |
| 33   | 70002585    | 1   | Bearing Kit - Rear (Includes Cup and Cone)                          |     |
| 34   | 70002586    | 1   | Shaft   |     |
| 35   | 70004420    | 1   | Cap, End  |     |
| 36   | 70002588    | 4   | Capscrew  |     |
| 37   | 7007446     | 1   | Pin, Slotted  |     |
| 38   | 70002589    | 1   | Coupling  |     |
| 39   | 7022340     | 1   | Bracket, Lifting  |     |
| 40   | 70002590    | 1   | Capscrew  |     |
| 41   | 7023962     | 1   | Ring, Retaining   |     |
| 42   | See Note    | NSS | Seal, Lip (Note: Use Item 61)                                       |     |
| 43   | See Note    | NSS | Housing (Note: Not Available for Purchase)                          |     |
| 44   | 7023964     | 1   | Plug Assembly (Includes Item 45)                                    |     |
| 45   | 7007415     | 1   | O-Ring (Part of Item 44)  |     |
| 46   | 70004423    | 1   | Cylinder Block Kit (Includes Items 47-55)                           |     |
| 47   | 70004421    | 1   | Cylinder  |     |
| 52   | 7021275     | 3   | Pin, Hold-down  |     |

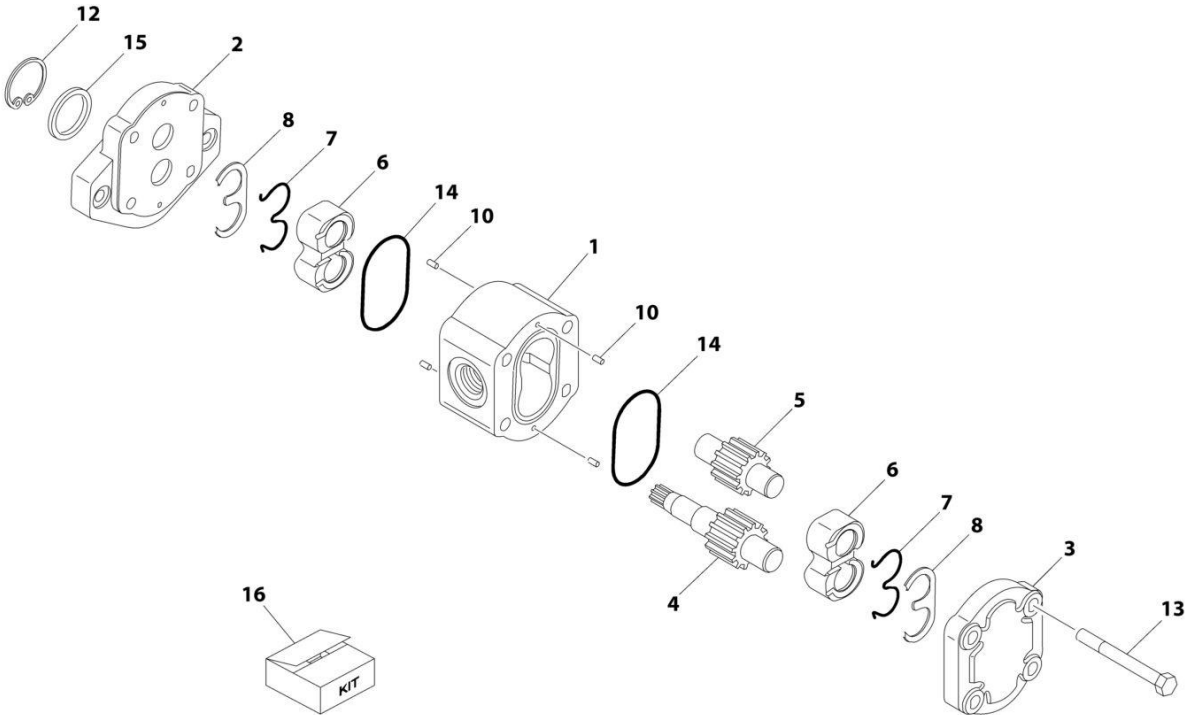
## SECTION 3 - ENGINE

| ITEM | PART NUMBER | QTY | DESCRIPTION  | REV |
|------|-------------|-----|--|-----|
| 53   | 70002592    | 1   | Guide, Slipper Retainer  |     |
| 54   | 70002593    | 1   | Retainer, Slipper  |     |
| 55   | 70004422    | 1   | Piston Assembly  |     |
| 56   | See Note    | NSS | Seal, End Cap (Note: Use Item 61)  |     |
| 57   | 7023964     | 1   | Plug, O-Ring (Includes Item 58)  |     |
| 58   | 7007415     | 1   | O-Ring (Part of Item 57)   |     |
| 59   | 70005418    | 1   | Servo Piston Assembly (Includes Item 60)   |     |
| 60   | See Note    | NSS | Ring Piston (Part of Item 59) (Note: Use Item 61)                                  |     |
| 61   | 70002599    | 1   | Complete Seal Kit (Includes Items 13, 15, 17, 19, 24, 30, 31, 42, 45, 56, 58 & 60) |     |



**SECTION 3 - ENGINE**

**FIGURE 3-16. GEAR PUMP ASSEMBLY**



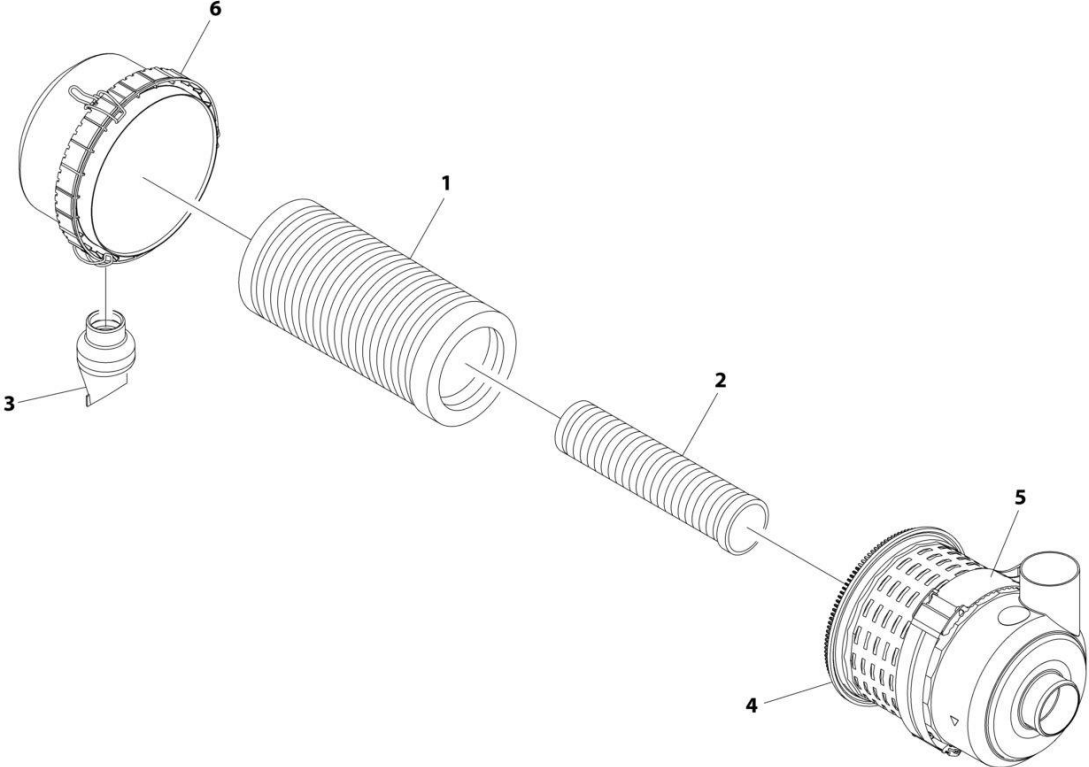
ART\_1001112927

FIGURE 3-16. GEAR PUMP ASSEMBLY

| ITEM | PART NUMBER | QTY | DESCRIPTION   | REV |
|------|-------------|-----|---|-----|
|      | 1001112927  | Ref | GEAR PUMP ASSEMBLY  | A   |
| 1    | See Note    | NSS | Body (Note: Use p/n 1001112927)                           |     |
| 2    | See Note    | NSS | Cover, Front (Note: Use p/n 1001112927)                   |     |
| 3    | See Note    | NSS | Cover, Rear (Note: Use p/n 1001112927)                    |     |
| 4    | See Note    | NSS | Shaft, Gear (Note: Use p/n 1001112927)                    |     |
| 5    | See Note    | NSS | Gear, Idler (Note: Use p/n 1001112927)                    |     |
| 6    | See Note    | NSS | Block, Bearing (Note: Use p/n 1001112927)                 |     |
| 7    | 7007489     | 1   | Ring, Anti-Extrusion                                      |     |
| 8    | 7007489     | 2   | Ring, Seal  |     |
| 10   | See Note    | NSS | Pin, Dowel (Note: Use p/n 1001112927)                     |     |
| 12   | 70002576    | 1   | Ring, Retaining   |     |
| 13   | See Note    | NSS | Capscrew (Note: Use p/n 1001112927)                       |     |
| 14   | 7007489     | 2   | O-Ring  |     |
| 15   | 7007489     | 1   | Seal, Lip   |     |
| 16   | 7007489     | 1   | Seal Kit - 1001112927 Pump (Includes Items 7, 8, 14 & 15) |     |

**SECTION 3 - ENGINE**

**FIGURE 3-17. AIR CLEANER ASSEMBLY**



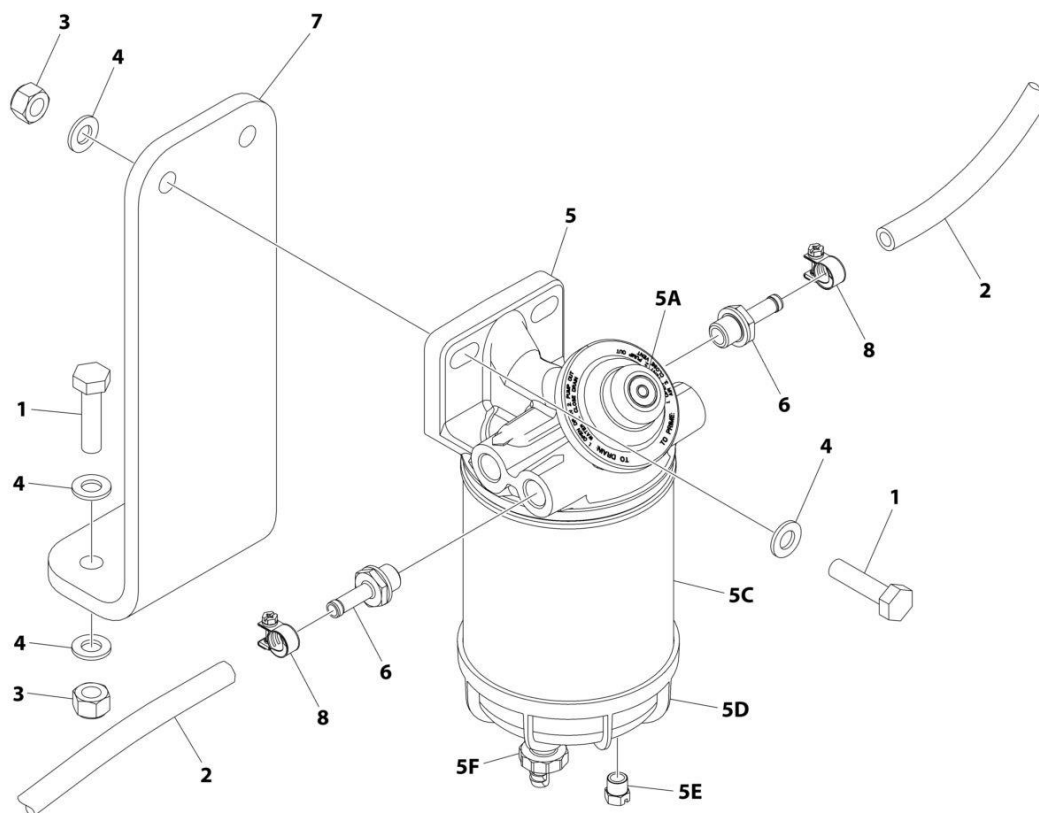
ART\_1001142259\_D

FIGURE 3-17. AIR CLEANER ASSEMBLY

| ITEM | PART NUMBER | QTY | DESCRIPTION                              | REV |
|------|-------------|-----|--|-----|
|      | 1001142259  | Ref | AIR CLEANER ASSEMBLY                     | D   |
| 1    | 70024190    | 1   | Main Air Element                         |     |
| 2    | 70024191    | 1   | Secondary Air Element                    |     |
| 3    | 70025249    | 1   | Dust Valve                               |     |
| 4    | 70030962    | 1   | Filter Housing (Includes Item 6)         |     |
| 5    | 70030963    | 1   | Bracket                                  |     |
| 6    | See Note    | NSS | Cover with Clips (Note: Purchase Item 4) |     |

# SECTION 3 - ENGINE

## FIGURE 3-18. FUEL FILTER INSTALLATION – DEUTZ TD2011 ENGINE (OPTIONAL)



ART\_1001150091



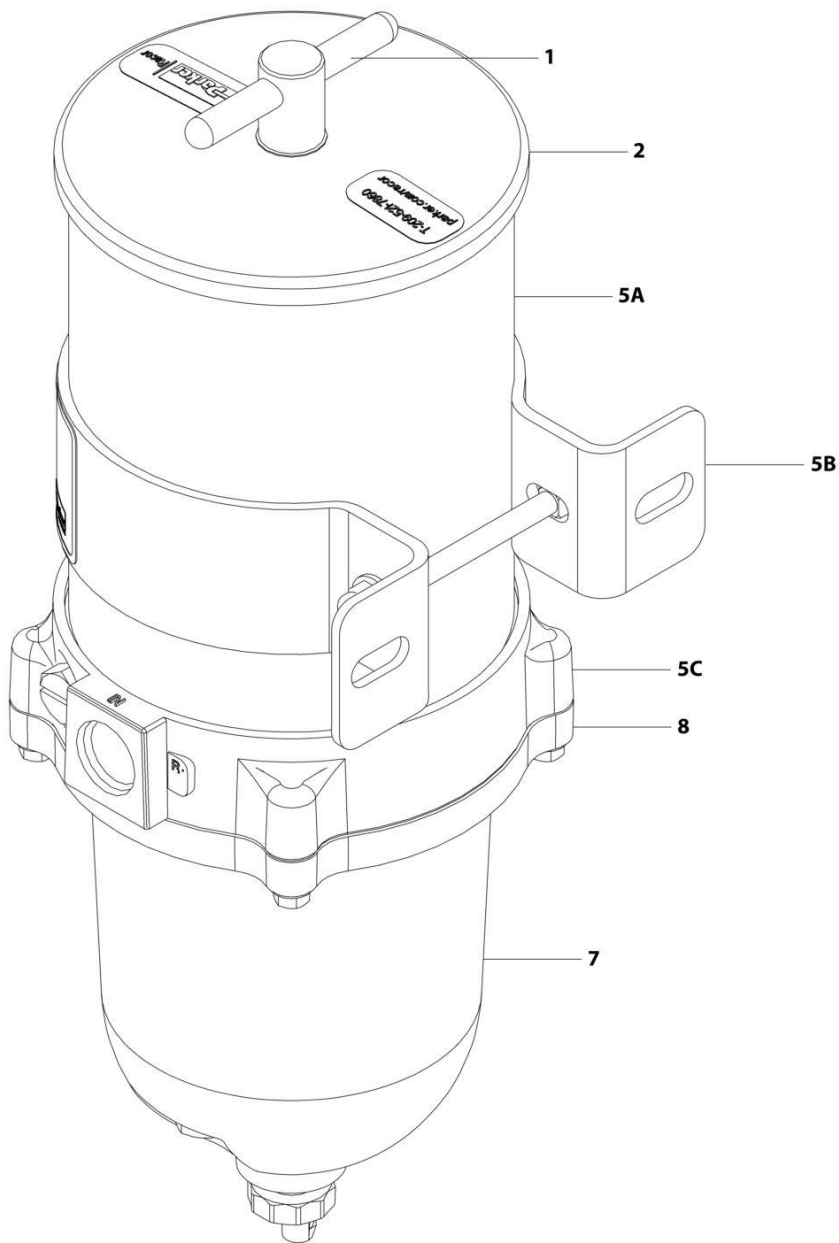
## SECTION 3 - ENGINE

**FIGURE 3-18. FUEL FILTER INSTALLATION – DEUTZ TD2011 ENGINE (OPTIONAL)**

| ITEM | PART NUMBER | QTY              | DESCRIPTION   | REV |
|------|-------------|------------------|---|-----|
|      | 1001150091  | Ref              | FUEL FILTER INSTALLATION – DEUTZ TD2011 ENGINE (OPTIONAL) | B   |
| 1    | 0761016     | 4                | Bolt M10 x 40   |     |
| 2    | 2720058     | 16.7 ft<br>/5.1m | Hose Fuel Line  |     |
| 3    | 3291005     | 4                | Nut M10   |     |
| 4    | 4812000     | 8                | Washer M10  |     |
| 5    | 1001149452  | 1                | Fuel Filter/Water Separator Assembly                      |     |
| 5A   | See Note    | NSS              | Indicator, Restriction (Note: Use p/n 1001149452)         |     |
| 5B   | 70004064    | 1                | Bypass Valve Kit (Not Shown)                              |     |
| 5C   | 70004065    | 1                | Gasket, Head to Element                                   |     |
| 5C   | 70004066    | 1                | Element, Filter   |     |
| 5D   | 70004067    | 1                | Gasket, Element to Bowl                                   |     |
| 5D   | 70004068    | 1                | Bowl Kit (Includes Bowl, Element and Plug)                |     |
| 5E   | 70004069    | 1                | Plug  |     |
| 5F   | 70004070    | 1                | Drain   |     |
| 6    | 1001149469  | 2                | Fitting, Straight Barbed                                  |     |
| 7    | 1001182727  | 1                | Bracket   |     |
| 8    | 1001174486  | 4                | Clamp   |     |

# SECTION 3 - ENGINE

## FIGURE 3-19. FUEL FILTER ASSEMBLY (DEUTZ DT2.9L4 T4F)



ART\_1001222817

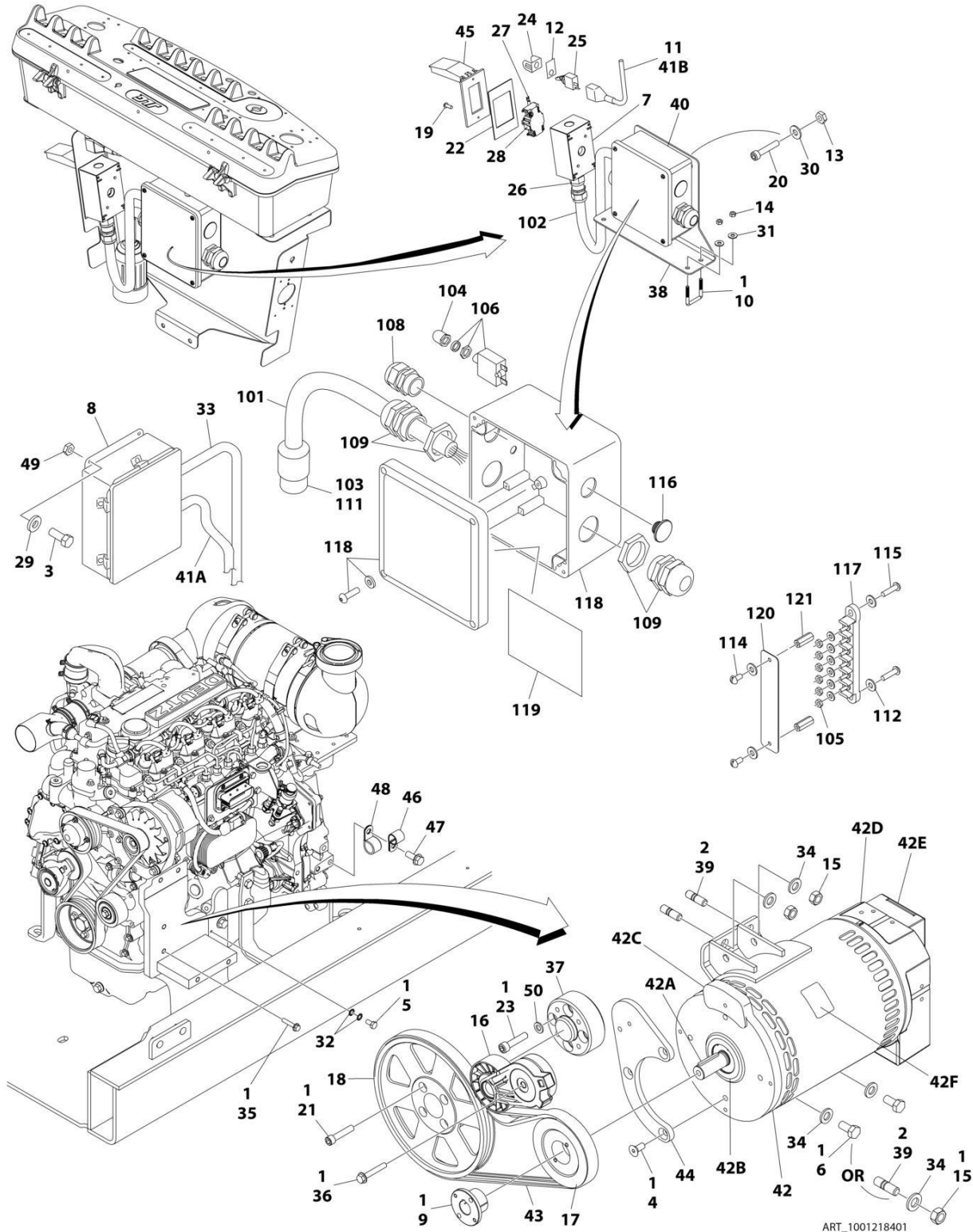
## SECTION 3 - ENGINE

**FIGURE 3-19. FUEL FILTER ASSEMBLY (DEUTZ DT2.9L4 T4F)**

| ITEM | PART NUMBER | QTY | DESCRIPTION   | REV |
|------|-------------|-----|---|-----|
|      | 1001222817  | Ref | FUEL FILTER ASSEMBLY  | A   |
| 1    | 70006403    | 1   | Handle Kit (Includes Handle, Handle O-Ring & Lid Gasket)  |     |
| 2    | 70006404    | 1   | Lid Kit (Includes Lid, Handle O-Ring & Lid Gasket)  |     |
| 3    | 70006405    | 1   | Element, Filter (Not Shown)   |     |
| 5A   | See Note    | NSS | Housing (Note: Use p/n 1001222817)  |     |
| 5B   | See Note    | NSS | Bracket (Note: Use p/n 1001222817)  |     |
| 5C   | See Note    | NSS | Tube, Return (Note: Use p/n 1001222817)   |     |
| 6    | 70006407    | 1   | Certrfuge & Baffle Kit (Not Shown - Located at Bottom of 5C) (Also Includes p/n 70006406 & Bowl Gasket) |     |
| 6    | 70006406    | 1   | Checkball & Gasket Kit (Not Shown - Located at Bottom of 5C)  |     |
| 7    | 70006409    | 1   | Bowl Kit (Includes Bowl Gasket, Plug with O-Ring & Drain)   |     |
| 7    | 70006408    | 1   | Gasket, Bowl  |     |
| 8    | 70006410    | 1   | Bowl Ring Kit (Includes Bowl Gasket & Bolts)  |     |

# SECTION 3 - ENGINE

## FIGURE 3-20. 7500W SKYPOWER GENERATOR INSTALLATION - 60HZ/240V (DEUTZ TD2.9L4 T4F ENGINES) (OPTIONAL)



## SECTION 3 - ENGINE

**FIGURE 3-20. 7500W SKYPOWER GENERATOR INSTALLATION - 60HZ/240V (DEUTZ TD2.9L4 T4F ENGINES) (OPTIONAL)**

| ITEM | PART NUMBER | QTY | DESCRIPTION  | REV |
|------|-------------|-----|--|-----|
|      | 1001218401  | Ref | 7500W SKYPOWER GENERATOR INSTALLATION - 60HZ/240V (DEUTZ TD2.9L4 T4F ENGINES) (OPTIONAL) | D   |
| 1    | 0100011     | AR  | Compound, Locking  |     |
| 2    | 0100019     | AR  | Compound, Locking  |     |
| 3    | 0641404     | 4   | Bolt 1/4 x 1/2   |     |
| 3    | 0760615     | 4   | Bolt M6 x 35   |     |
| 4    | 0741607     | 3   | Screw 3/8 x 7/8  |     |
| 5    | 0760606     | 1   | Bolt M6 x 12   |     |
| 6    | 0761212     | 2   | Bolt M12 x 25  |     |
| 7    | 0860038     | 1   | Box, Receptacle  |     |
| 8    | 0861538     | 1   | Generator Control Box Assembly   |     |
| 8    | 7024488     | 1   | Card, Circuit - Generator Power (Not Shown)  |     |
| 8    | See Note    | 1   | Fuse (Note: Not Available Purchase Locally)  |     |
| 8    | 7024489     | 1   | Card, Circuit - Control (Not Shown)  |     |
|      |             | Ref | Note: When replacing card, rocker switch on card must be set for required application.   |     |
| 8    | 70000619    | 1   | Harness, Circuit Card  |     |
| 9    | 0962520     | 1   | Bushing, Taper   |     |
| 10   | 1320302     | 2   | Clamp  |     |
| 11   | 2820031     | 1   | Heat Shrink  |     |
| 12   | 3251102     | 1   | Nameplate - Generator  |     |
| 13   | 3311005     | 4   | Nut #10  |     |
| 14   | 3311401     | 4   | Nut 1/4  |     |
| 15   | 3331211     | AR  | Nut M12  |     |
| 16   | 3580317     | 1   | Tensioner, Bolt  |     |
| 17   | 3580318     | 1   | Pulley, Generator  |     |
| 18   | 3580320     | 1   | Pulley, Engine   |     |
| 19   | 3910606     | 4   | Screw #6 x 3/8   |     |
| 20   | 3931016     | 4   | Capscrew #10 x 1   |     |
| 21   | 3931628     | 4   | Capscrew 3/8 x 1-3/4   |     |
| 22   | 3960422     | 1   | Gasket   |     |
| 23   | 4032013     | 4   | Capscrew M10 x 45  |     |
| 23   | 4032014     | 4   | Capscrew M10 x 50  |     |
| 24   | 4060802     | 1   | Guard, Switch  |     |
| 25   | 4360336     | 1   | Switch, Toggle   |     |
| 26   | 4460071     | 1   | Connector, Strain Relief   |     |
| 27   | 4460315     | 2   | Terminal   |     |
| 28   | 4460346     | 1   | Receptacle, Female   |     |
| 29   | 4711400     | 4   | Washer 1/4   |     |
| 29   | 4811700     | 8   | Washer M6  |     |
| 30   | 4751000     | 4   | Washer #10   |     |
| 31   | 4751400     | 4   | Washer 1/4   |     |
| 32   | 4871700     | 2   | Washer M6  |     |
| 33   | 4922972     | 1   | Generator Harness (See Separate Breakdown in ELECTRICAL SECTION)                         |     |
| 34   | 5241200     | 4   | Washer M12   |     |
| 35   | 5250816     | 2   | Bolt M8 x 40   |     |
| 36   | 5250818     | 1   | Bolt M8 x 50   |     |
| 37   | 1001135679  | 1   | Adapter, Pulley  |     |

## SECTION 3 - ENGINE

| ITEM | PART NUMBER | QTY             | DESCRIPTION  | REV |
|------|-------------|-----------------|--|-----|
| 38   | 1001141958  | 1               | Bracket  |     |
| 39   | 1001155041  | AR              | Stud   |     |
| 40   | 1001157592  | 1               | Junction Box Assembly (See Items 101-121 for Breakdown)  |     |
| 41   | 1001157770  | AR              | Electrical Diagram Components (Not Shown)  |     |
| 41A  | 1001119968  | 1               | Generator Harness - 7500W SkyPower (60Hz/240V) (Deutz TD2.9L4 TF4 Engines) (Optional) (See Separate Breakdown in ELECTRICAL SECTION) |     |
| 41B  | 4922641     | 1               | Switch Harness   |     |
| 42   | 1001212223  | 1               | Generator Assembly   |     |
| 42   | 70001100    | 1               | Rotor (Includes p/n 70001384 & 70000863) (Not Shown)   |     |
| 42   | 70001384    | 1               | Bearing, Shaft (Rear) (Not Shown)  |     |
| 42   | 70000863    | 1               | Fan, Generator (Not Shown)   |     |
| 42   | 70006093    | 1               | Stator (Not Shown)   |     |
| 42   | See Note    | NSS             | Stud 1/4 x 13-3/8 (Not Shown) (Note: Purchase Locally)   |     |
| 42   | 70003631    | 1               | Brushholder Assembly (Not Shown) (was p/n 7024484)   |     |
| 42A  | 70004099    | 1               | Key  |     |
| 42B  | 70001966    | 1               | Bearing, Ball Radial (Located in Belt Tensioner Endbell)   |     |
| 42B  | 70003709    | 1               | Ring, Retaining (Small)  |     |
| 42B  | 70003708    | 1               | Ring, Retaining (Large)  |     |
| 42C  | 70004092    | 1               | Endbell, Belt Tensioner  |     |
| 42D  | 70004094    | 1               | Endbell, Brush Block   |     |
| 42E  | 70006094    | 1               | Shroud Assembly  |     |
| 42E  | 7027799     | 1               | Block, Connector - 6 Position (Not Shown)  |     |
| 42E  | 70002460    | 6               | Nut, Brass (Attaches p/n 7027799 to Cover) (Not Shown)   |     |
| 42E  | 70006095    | 1               | Breaker, Circuit 30Amp (Not Shown)   |     |
| 42E  | 70006096    | 1               | Boot, Breaker (Not Shown)  |     |
| 42E  | See Note    | NSS             | Connector with Leads (Not Shown) (Note: Not Available for Purchase)  |     |
| 42E  | 7026626     | 1               | Connector with Pins (Not Shown)  |     |
| 42E  | 70004098    | 1               | Clamp, Cable (Not Shown)   |     |
| 42E  | 70006097    | 1               | Plate, End Panel (Not Shown)   |     |
| 42E  | 70002291    | 1               | Insulator, End Panel (Not Shown)   |     |
| 42E  | 70001974    | 1               | Decal - Terminal Connections (Not Shown)   |     |
| 42F  | 70001973    | 1               | Decal - Warning Moving Parts   |     |
| 43   | 1001214683  | 1               | V-Belt   |     |
| 44   | 1001218447  | 1               | Bracket  |     |
| 45   | 1001110873  | 1               | Cover, Receptacle  |     |
| 46   | 1320061     | 1               | Clamp (SN B300002614 through B300005767, Excluding B300005565)   |     |
| 47   | 5251012     | 1               | Bolt M10 x 25 (SN B300002614 through B300005767, Excluding B300005565)   |     |
| 48   | 7274000040  | 1               | Clamp (SN B300002614 through B300005767, Excluding B300005565)   |     |
| 49   | 3290605     | 4               | Nut (SN B300002614 through B300005767, Excluding B300005565)   |     |
| 50   | 4812000     | 4               | Washer   |     |
|      | 1001157592  | Ref             | JUNCTION BOX ASSEMBLY  | C   |
| 101  | 1060343     | 1.5 ft/<br>0.5m | Cable, Electrical 10/4   |     |
| 102  | 1001179154  | 2.5 ft/<br>0.8m | Cable, Electrical 12/3   |     |
| 103  | 1671092     | 1               | Cover  |     |
| 104  | 3300396     | 1               | Cover, Fuse  |     |

## SECTION 3 - ENGINE

| ITEM | PART NUMBER | QTY | DESCRIPTION              | REV |
|------|-------------|-----|--------------------------|-----|
| 105  | 3311001     | 6   | Nut #10                  |     |
| 106  | 4360070     | 1   | Circuit Breaker - 15Amp  |     |
| 108  | 4460425     | 1   | Strain Relief, Terminal  |     |
| 109  | 4460426     | 2   | Connector, Strain Relief |     |
| 111  | 4460963     | 1   | Connector                |     |
| 112  | 4711000     | 10  | Washer #10               |     |
| 114  | 10702077    | 2   | Screw #10 x 3/8          |     |
| 115  | 10702082    | 2   | Screw #10 x 3/4          |     |
| 116  | 1001152525  | 1   | Plug                     |     |
| 117  | 1001157520  | 1   | Block, Terminal          |     |
| 118  | 1001157521  | 1   | Box, Junction            |     |
| 119  | 1001157528  | 1   | Decal - Wiring Schematic |     |
| 120  | 1001158007  | 1   | Cover, PVC               |     |
| 121  | 1001158008  | 2   | Stand-Off                |     |

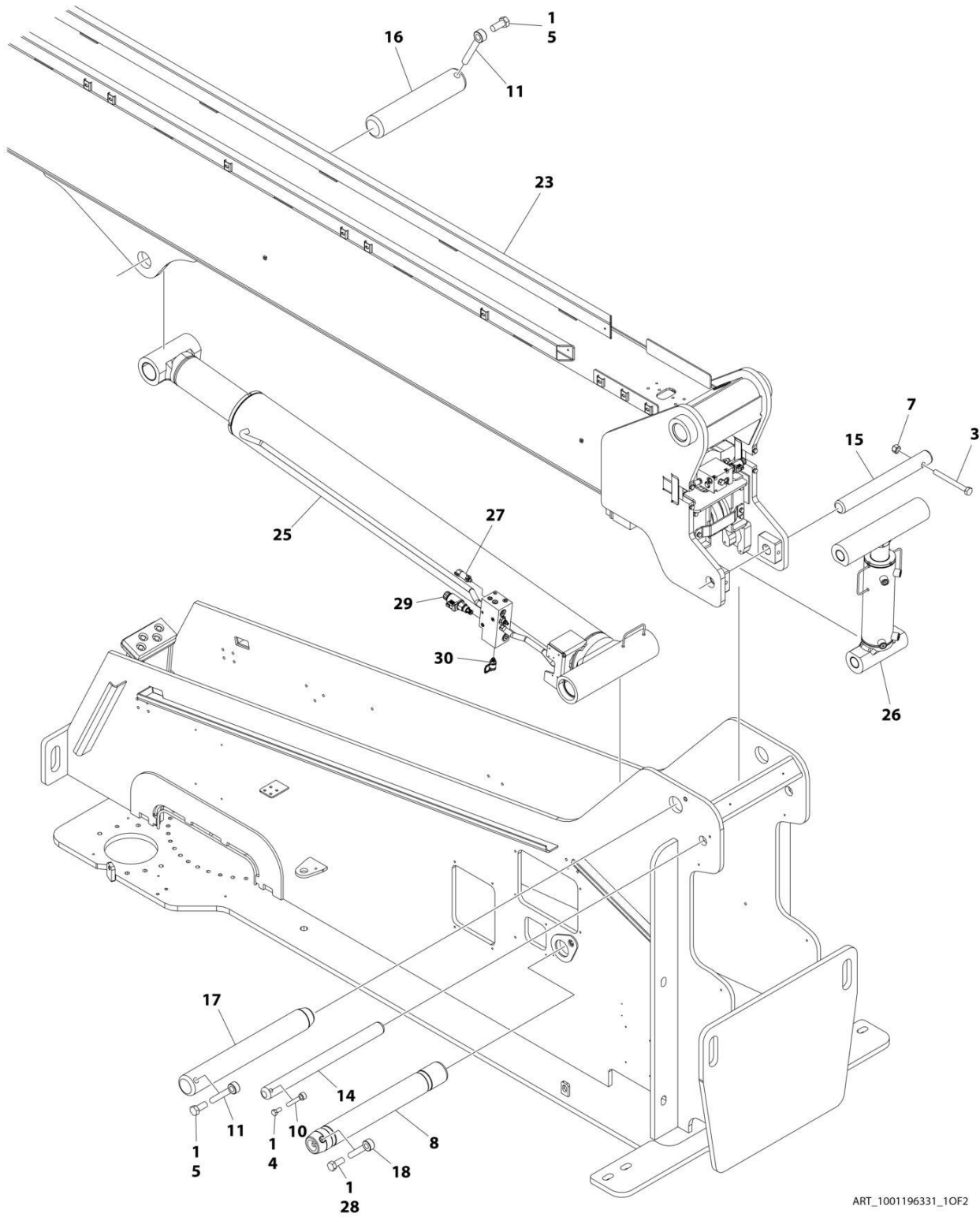




**SECTION 4 - BOOM**

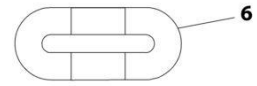
# SECTION 4 - BOOM

## FIGURE 4-1. BOOM INSTALLATION (1030S)

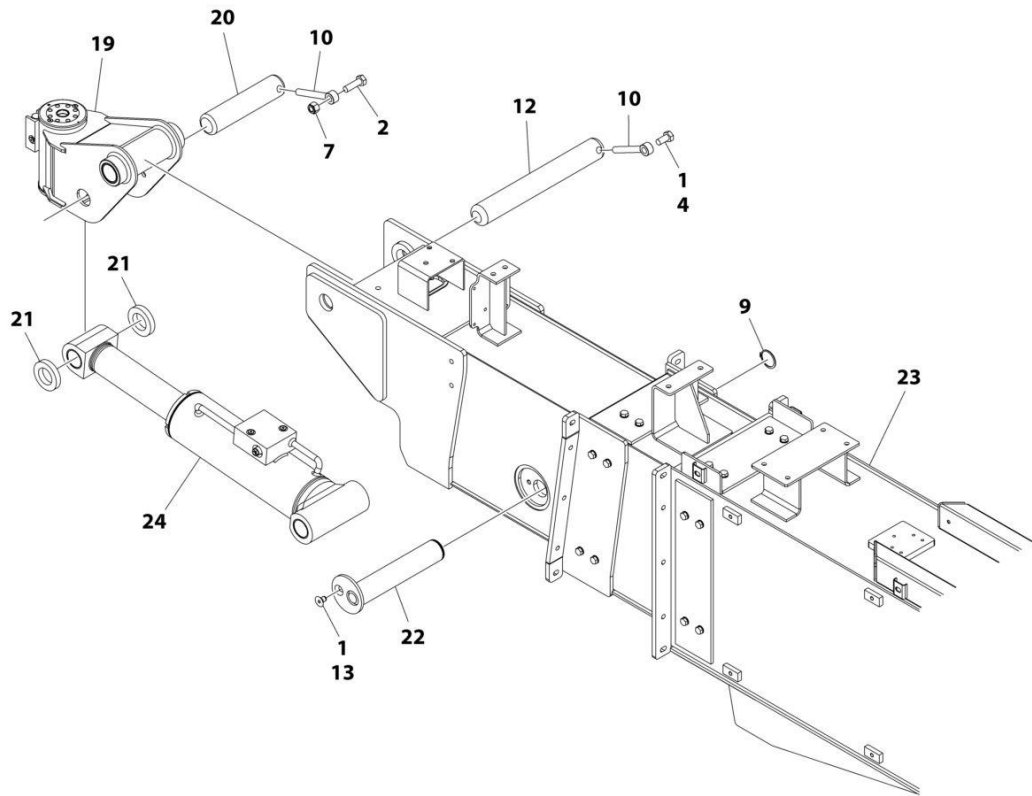


ART\_1001196331\_TOF2

# SECTION 4 - BOOM



DECALS LOCATED ON  
BOTTOM PLATE OF MID BOOM



ART\_1001196331\_2OF2

## SECTION 4 - BOOM

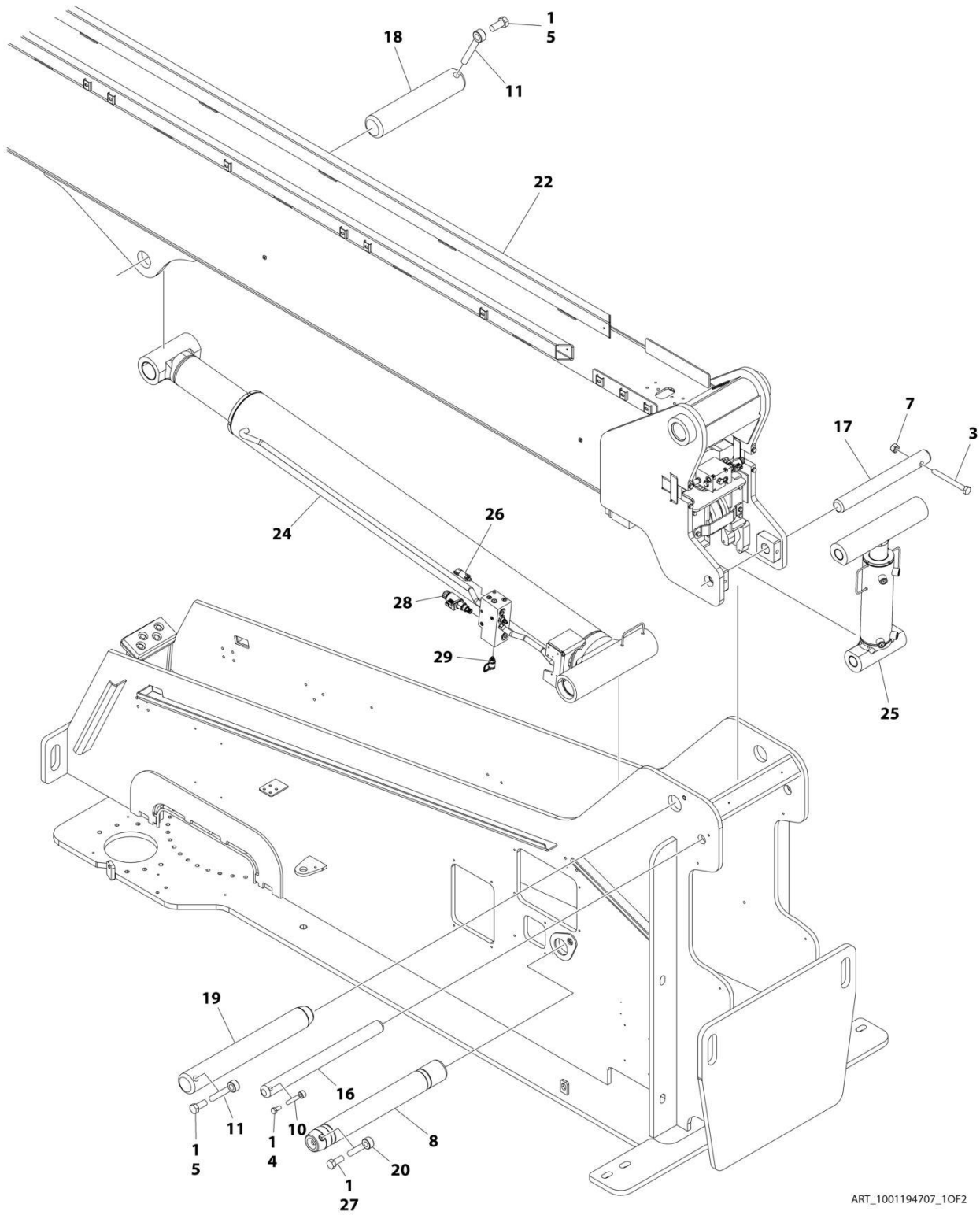
FIGURE 4-1. BOOM INSTALLATION (1030S)

| ITEM | PART NUMBER | QTY | DESCRIPTION  | REV |
|------|-------------|-----|--|-----|
|      | 1001196331  | Ref | BOOM INSTALLATION  | H   |
| 1    | 0100019     | AR  | Compound, Locking  |     |
| 2    | 0701216     | 1   | Bolt M12 x 40  |     |
| 3    | 0701229     | 1   | Bolt M12 x 120   |     |
| 4    | 0761212     | 2   | Bolt M12 x 25  |     |
| 5    | 0762017     | 2   | Bolt M20 x 45  |     |
| 6    | 1705366     | 1   | Decal - Boom Length  |     |
| 7    | 3291205     | AR  | Nut M12  |     |
| 8    | 3423208     | 1   | Pin  |     |
| 9    | 3760233     | 1   | Ring, Retaining  |     |
| 10   | 3841203     | 3   | Keeper, Pin  |     |
| 11   | 3841287     | 2   | Keeper, Pin  |     |
| 12   | 1001116547  | 1   | Pin  |     |
| 13   | 1001137032  | 1   | Screw M10 x 16   |     |
| 14   | 1001150471  | 1   | Pin  |     |
| 15   | 1001200794  | 1   | Pin  |     |
| 16   | 1001150473  | 1   | Pin  |     |
| 17   | 1001150474  | 1   | Pin  |     |
| 18   | 3841581     | 1   | Keeper, Pin  |     |
| 19   | 1001151846  | NLA | Platform Rotator Assembly (Use p/n 1001228211) (See Separate Breakdown in this Section) ( <b>SN B300001586 through B300001726</b> )  |     |
| 19   | 1001228211  | 1   | Platform Rotator Assembly (See Separate Breakdown in this Section) ( <b>SN B300001727 through B300005767, Excluding B300005565</b> ) |     |
| 20   | 1001151874  | 1   | Pin  |     |
| 21   | 1001151984  | 2   | Sleeve, Spacer ( <b>SN B300001586 through B300001726</b> )   |     |
| 22   | 1001194694  | 1   | Pin  |     |
| 23   | 1001194708  | 1   | Boom Assembly (See Separate Breakdown in this Section)   |     |
| 24   | 1001195191  | 1   | Level Cylinder Assembly - Platform Slave (See Separate Breakdown in CYLINDER SECTION)  |     |
| 25   | 1001197797  | 1   | Lift Cylinder Assembly - Boom (See Separate Breakdown in CYLINDER SECTION)   |     |
| 26   | 1001197798  | 1   | Master Cylinder Assembly (See Separate Breakdown in CYLINDER SECTION)  |     |
| 27   | 1001199043  | 1   | Sensor, Pressure Transducer  |     |
| 28   | 0642214     | 1   | Bolt 3/4 x 1-3/4   |     |
| 29   | 1001148972  | 1   | Proportional Valve Assembly ( <b>SN B300001586 through B300001680</b> )  |     |
| 29   | 70002401    | 1   | Cartridge Less Coil  |     |
| 29   | 7017496     | 1   | Seal Kit - 70002401 Cartridge  |     |
| 29   | 70003788    | 1   | Coil   |     |
| 29   | 1001218037  | 1   | Proportional Valve Assembly ( <b>SN B300001681 through B300005767, Excluding B300005565</b> )  |     |
| 29   | 70006003    | 1   | Cartridge Less Coil  |     |
| 29   | 70006005    | 1   | Seal Kit - 70006003 Cartridge  |     |
| 29   | 70006004    | 1   | Coil   |     |
| 29   | 70006006    | 1   | Nut  |     |
| 30   | 2221086     | 1   | Fitting, Test  |     |



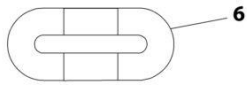
# SECTION 4 - BOOM

## FIGURE 4-2. BOOM INSTALLATION (1100SJ)

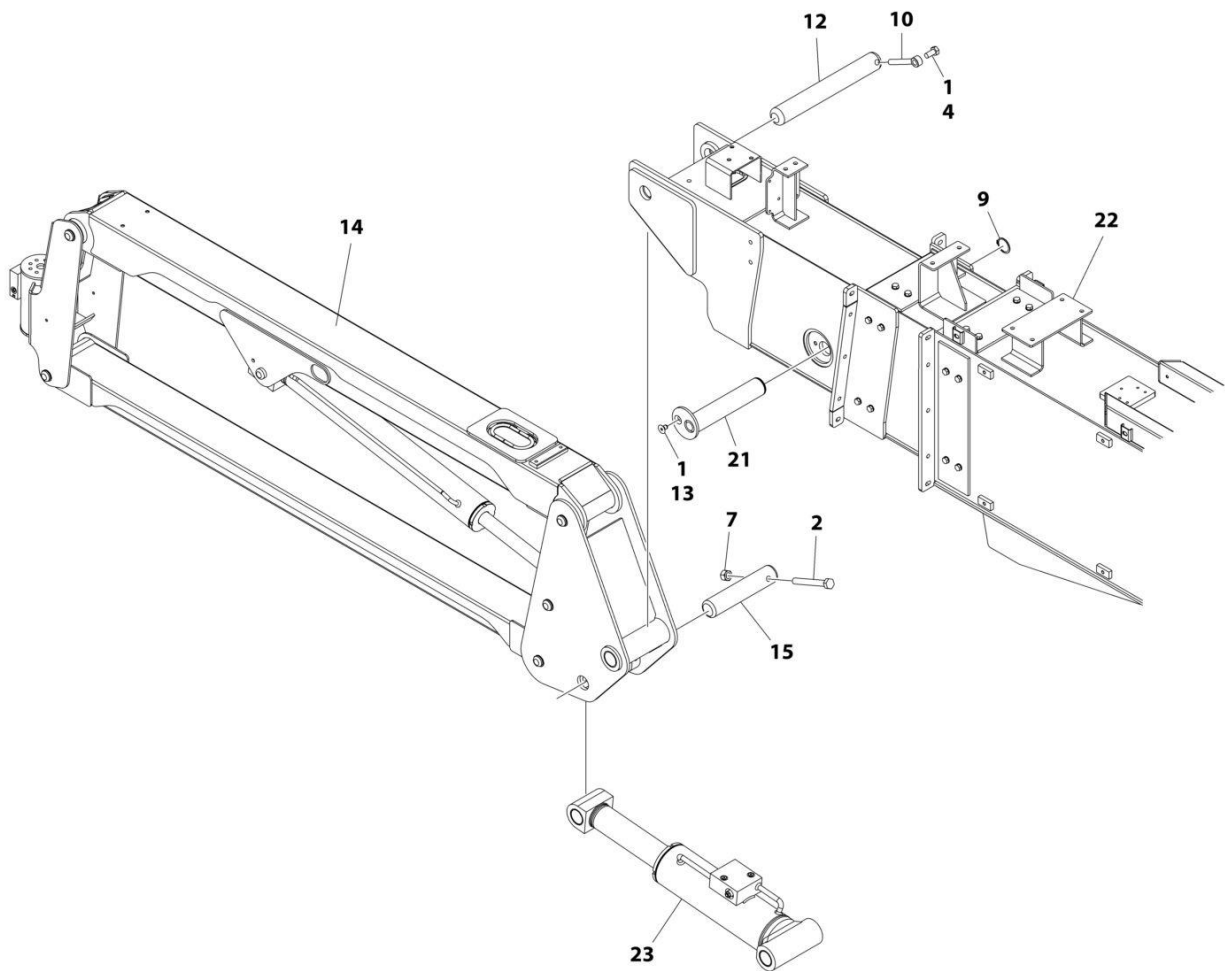


ART\_1001194707\_TOF2

# SECTION 4 - BOOM



**DECALS LOCATED ON  
BOTTOM PLATE OF MID BOOM**



ART\_1001194707\_2OF2

## SECTION 4 - BOOM

FIGURE 4-2. BOOM INSTALLATION (1100SJ)

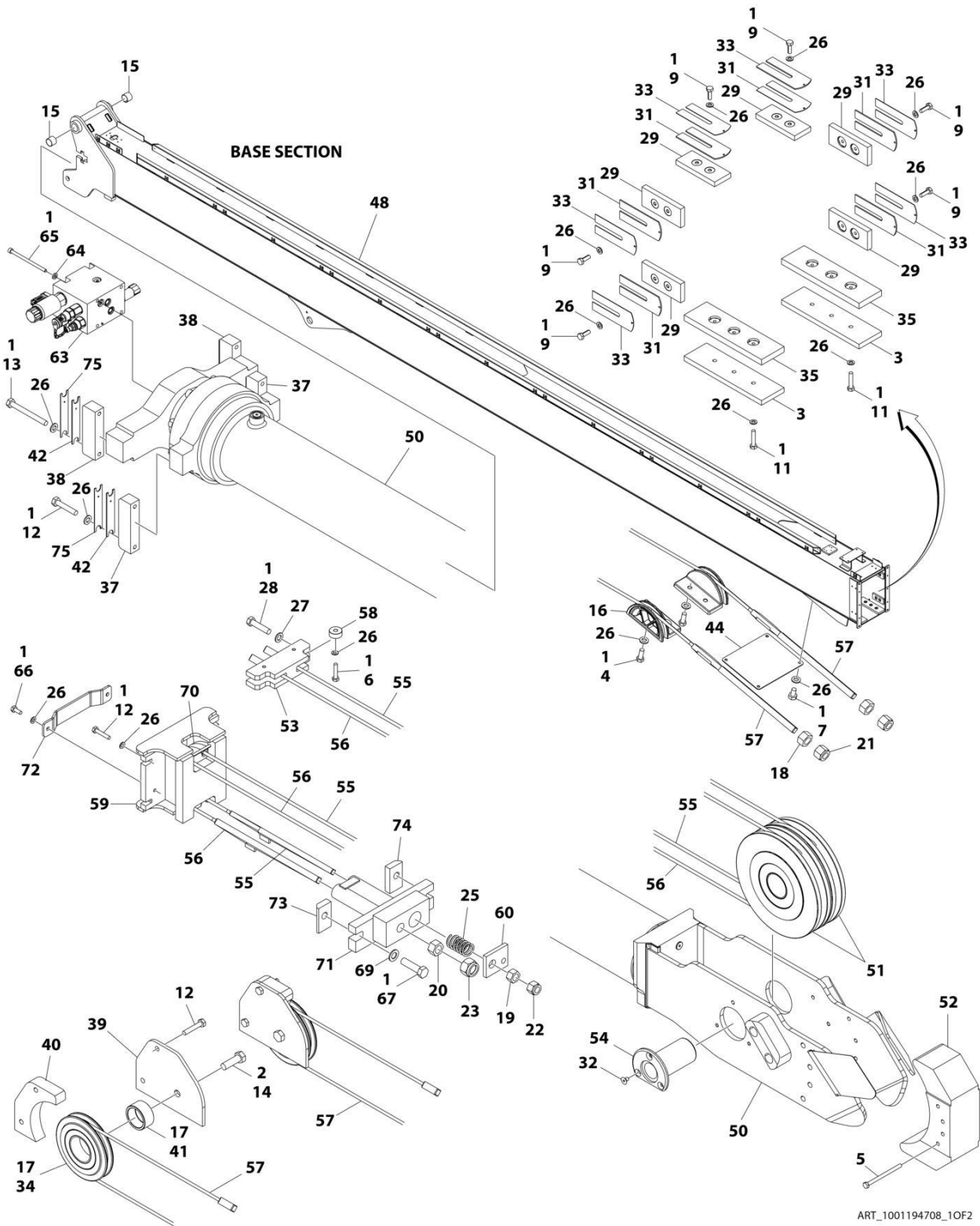
| ITEM | PART NUMBER | QTY | DESCRIPTION   | REV |
|------|-------------|-----|---|-----|
|      | 1001194707  | Ref | BOOM INSTALLATION   | G   |
| 1    | 0100019     | AR  | Compound, Locking   |     |
| 2    | 0701227     | 1   | Bolt M12 x 100  |     |
| 3    | 0701229     | 1   | Bolt M12 x 120  |     |
| 4    | 0761212     | 2   | Bolt M12 x 25   |     |
| 5    | 0762017     | 2   | Bolt M20 x 45   |     |
| 6    | 1705366     | 1   | Decal - Boom Length   |     |
| 7    | 3291205     | 2   | Nut M12   |     |
| 8    | 3423208     | 1   | Pin   |     |
| 9    | 3760233     | 1   | Ring, Retaining   |     |
| 10   | 3841203     | 2   | Keeper, Pin   |     |
| 11   | 3841287     | 2   | Keeper, Pin   |     |
| 12   | 1001116547  | 1   | Pin   |     |
| 13   | 1001137032  | 1   | Screw M10 x 16  |     |
| 14   | 1001150012  | 1   | Jib Assembly (See Separate Breakdown in this Section)   |     |
| 15   | 1001150470  | 1   | Pin   |     |
| 16   | 1001150471  | 1   | Pin   |     |
| 17   | 1001200794  | 1   | Pin   |     |
| 18   | 1001150473  | 1   | Pin   |     |
| 19   | 1001150474  | 1   | Pin   |     |
| 20   | 3841581     | 1   | Keeper, Pin   |     |
| 21   | 1001194694  | 1   | Pin   |     |
| 22   | 1001194708  | 1   | Boom Assembly (See Separate Breakdown in this Section)  |     |
| 23   | 1001195191  | 1   | Level Cylinder Assembly - Platform Slave (See Separate Breakdown in CYLINDER SECTION)         |     |
| 24   | 1001197797  | 1   | Lift Cylinder - Boom (See Separate Breakdown in CYLINDER SECTION)                             |     |
| 25   | 1001197798  | 1   | Master Cylinder Assembly (See Separate Breakdown in CYLINDER SECTION)                         |     |
| 26   | 1001199043  | 1   | Sensor, Pressure Transducer   |     |
| 27   | 0642214     | 1   | Bolt 3/4 x 1-3/4  |     |
| 28   | 1001148972  | 1   | Proportional Valve Assembly ( <b>SN B300001586 through B300001680</b> )                       |     |
| 28   | 70002401    | 1   | Cartridge Less Coil   |     |
| 28   | 7017496     | 1   | Seal Kit - 70002401 Cartridge   |     |
| 28   | 70003788    | 1   | Coil  |     |
| 28   | 1001218037  | 1   | Proportional Valve Assembly ( <b>SN B300001681 through B300005767, Excluding B300005565</b> ) |     |
| 28   | 70006003    | 1   | Cartridge Less Coil   |     |
| 28   | 70006005    | 1   | Seal Kit - 70006003 Cartridge   |     |
| 28   | 70006004    | 1   | Coil  |     |
| 28   | 70006006    | 1   | Nut   |     |
| 29   | 2221086     | 1   | Fitting, Test   |     |





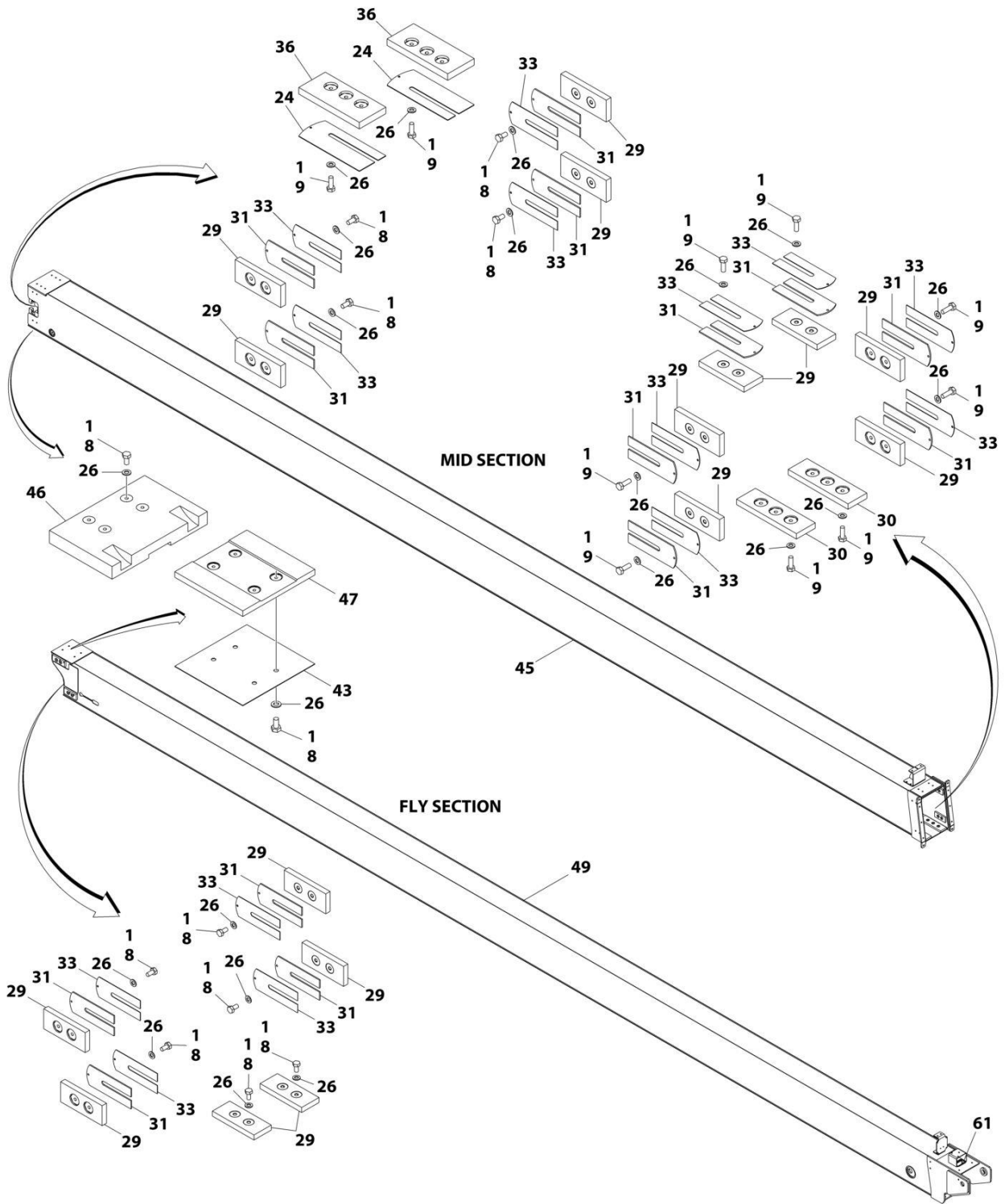
# SECTION 4 - BOOM

## FIGURE 4-3. BOOM ASSEMBLY



ART\_1001194708\_10F2

# SECTION 4 - BOOM



ART\_1001194708\_20F2

## SECTION 4 - BOOM

FIGURE 4-3. BOOM ASSEMBLY

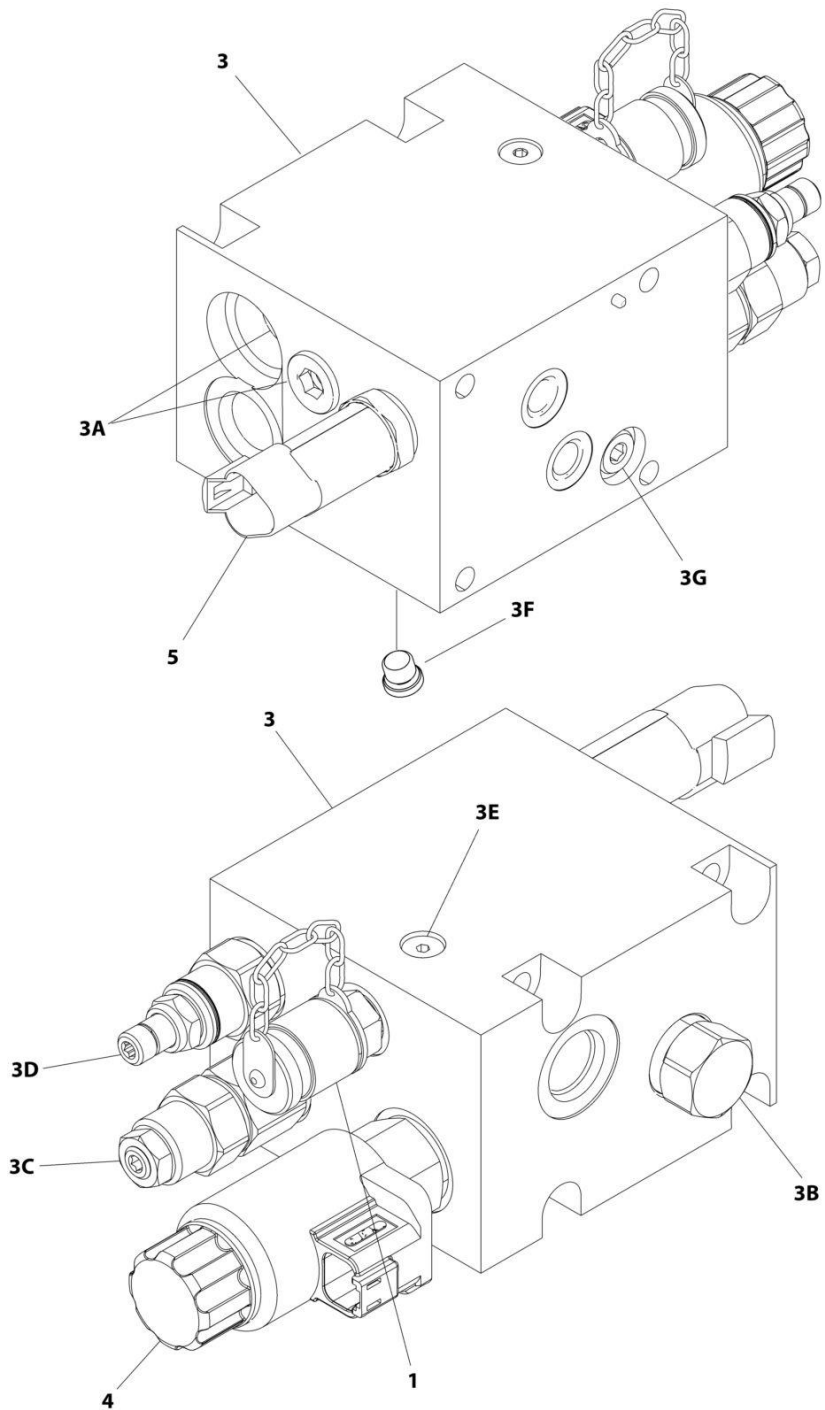
| ITEM | PART NUMBER | QTY | DESCRIPTION                       | REV |
|------|-------------|-----|-----------------------------------|-----|
|      | 1001194708  | Ref | BOOM ASSEMBLY                     | M   |
| 1    | 0100011     | AR  | Compound, Locking                 |     |
| 2    | 0100019     | AR  | Compound, Locking                 |     |
| 3    | 0561471     | 2   | Block, Spacer                     |     |
| 4    | 0641608     | 4   | Bolt 3/8 x 1                      |     |
| 5    | 0701031     | 4   | Bolt M10 x 140                    |     |
| 6    | 0711018     | 2   | Bolt M10 x 50                     |     |
| 7    | 0761009     | 4   | Bolt M10 x 18                     |     |
| 8    | 0761010     | 28  | Bolt M10 x 20                     |     |
| 9    | 0761014     | 36  | Bolt M10 x 30                     |     |
| 11   | 0761018     | 6   | Bolt M10 x 50                     |     |
| 12   | 0761019     | 12  | Bolt M10 x 55                     |     |
| 13   | 0761027     | 4   | Bolt M10 x 100                    |     |
| 14   | 0761618     | 2   | Bolt M16 x 50                     |     |
| 15   | 0962297     | 2   | Bushing                           |     |
| 16   | 1220078     | 2   | Sheave, Block                     |     |
| 17   | 3020039     | AR  | Lubricant                         |     |
| 18   | 3272201     | 2   | Nut 3/4                           |     |
| 19   | 3272401     | 1   | Nut 7/8                           |     |
| 20   | 3282601     | 1   | Nut 1                             |     |
| 21   | 3300241     | 2   | Nut Nylon Collar Locking 3/4-10   |     |
| 22   | 3300242     | 1   | Nut Nylon Collar Locking 7/8-9    |     |
| 23   | 3300459     | 1   | Nut                               |     |
| 24   | 4071015     | 2   | Shim, 16 Gauge                    |     |
| 25   | 4160197     | 1   | Spring                            |     |
| 26   | 4812000     | 94  | Washer M10                        |     |
| 27   | 4812300     | 2   | Washer M16                        |     |
| 28   | 1001110853  | 2   | Bolt M16 x 70                     |     |
| 29   | 1001118287  | 22  | Pad, Wear                         |     |
| 30   | 1001136583  | 2   | Pad, Wear                         |     |
| 31   | 1001136592  | 20  | Shim, 11 Gauge                    |     |
| 32   | 1001137032  | 3   | Screw M10 x 16                    |     |
| 33   | 1001143713  | 20  | Shim, 18 Gauge                    |     |
| 34   | 1001146775  | 2   | Sheave, Assembly                  |     |
| 34   | 0962404     | 2   | Bushing, Bronze (1 Per Sheave)    |     |
| 34   | 0962411     | 2   | Bushing, Composite (1 Per Sheave) |     |
| 35   | 1001148011  | 2   | Pad, Wear                         |     |
| 36   | 1001148012  | 2   | Pad, Wear                         |     |
| 37   | 1001148420  | 2   | Bar                               |     |
| 38   | 1001148421  | 2   | Bar                               |     |
| 39   | 1001148576  | 2   | Cover, Sheave                     |     |
| 40   | 1001148577  | 2   | Block, Rope Retainer              |     |
| 41   | 1001148578  | 2   | Sleeve, Sheave                    |     |
| 42   | 1001194636  | 4   | Shim, 14 Gauge                    |     |
| 43   | 1001194653  | 1   | Shim, 16 Gauge                    |     |
| 44   | 1001194663  | 1   | Cover                             |     |
| 45   | 1001194706  | 1   | Boom, Mid                         |     |
| 46   | 1001194712  | 1   | Pad, Wear                         |     |
| 47   | 1001194715  | 1   | Pad, Wear                         |     |
| 48   | 1001194717  | 1   | Boom, Base                        |     |

## SECTION 4 - BOOM

| ITEM | PART NUMBER | QTY             | DESCRIPTION   | REV |
|------|-------------|-----------------|---|-----|
| 49   | 1001194733  | 1               | Boom, Fly   |     |
| 50   | 1001194925  | NLA             | Telescope Cylinder Assembly (Use p/n 1001232899) (See Separate Breakdown in CYLINDER SECTION) (SN B300001586 through B300002339)  |     |
| 50   | 1001232899  | 1               | Telescope Cylinder Assembly (See Separate Breakdown in CYLINDER SECTION) (SN B300002340 through B300005767, Excluding B300005565) |     |
| 51   | 1001194935  | 2               | Sheave Assembly   |     |
| 51   | 1001154294  | 1               | Ring, Retaining (1 Per Sheave)  |     |
| 51   | 1001154304  | 1               | Bushing, Composite (1 Per Sheave)   |     |
| 51   | 1001154306  | 1               | Bushing, Bronze (1 Per Sheave)  |     |
| 52   | 1001194937  | 1               | Guard, Sheave   |     |
| 53   | 1001194938  | 1               | Block, Extent Rope  |     |
| 54   | 1001194940  | 1               | Pin   |     |
| 55   | 1001194941  | 1               | Rope, Extend  |     |
| 56   | 1001194942  | 1               | Rope, Extend  |     |
| 57   | 1001194943  | 2               | Rope, Retract   |     |
| 58   | 1001195442  | 2               | Washer  |     |
| 59   | 1001216560  | 1               | Support   |     |
| 60   | 1001216835  | 1               | Block   |     |
| 61   | 4060807     | 8.3 in/<br>21cm | Flex-Trim   |     |
| 62   | 3020042     | AR              | Lubricant (Not Shown)   |     |
| 63   | 4641179     | 1               | Telescope Valve Assembly (SN B300001586 through B300001680)   |     |
| 63   | 7026616     | 1               | Seal Kit  |     |
| 63   | 1001221518  | 1               | Telescope Valve Assembly (See Separate Breakdown in this Section) (SN B300001681 through B300005767, Excluding B300005565)        |     |
| 64   | 5240600     | 4               | Washer M6   |     |
| 65   | 5271723     | 4               | Capscrew M6 x 100   |     |
| 66   | 0761012     | 2               | Bolt M10 x 25   |     |
| 67   | 1001119057  | 2               | Bolt M20 x 75   |     |
| 69   | 5242000     | 2               | Washer M20  |     |
| 70   | 1001216555  | 1               | Guide   |     |
| 71   | 1001216832  | 1               | Adjuster, Switch  |     |
| 72   | 1001216836  | 1               | Bracket   |     |
| 73   | 1001220778  | 1               | Spacer (SN B300001586 through B300002613)   |     |
| 74   | 1001220779  | 1               | Pad (SN B300001586 through B300002613)  |     |
| 75   | 1001225343  | 4               | Shim, 18 Gauge  |     |

# SECTION 4 - BOOM

FIGURE 4-4. TELESCOPE VALVE ASSEMBLY (SN B300001681 through B300005767)



ART\_1001221518

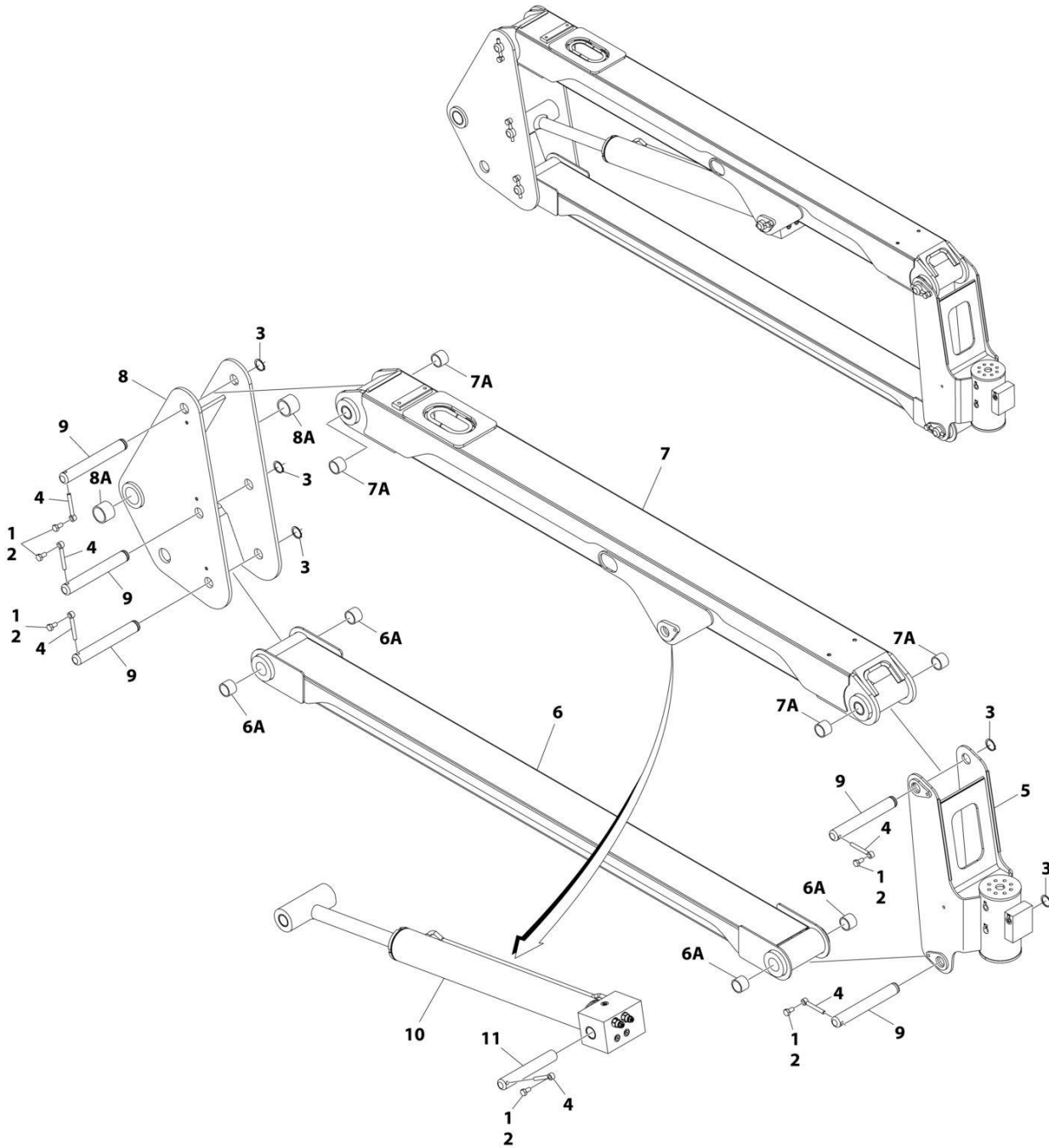
## SECTION 4 - BOOM

**FIGURE 4-4. TELESCOPE VALVE ASSEMBLY (SN B300001681 through B300005767)**

| ITEM | PART NUMBER | QTY | DESCRIPTION                 | REV |
|------|-------------|-----|-----------------------------|-----|
|      | 1001221518  | Ref | TELESCOPE VALVE ASSEMBLY    | C   |
| 1    | 2221086     | 1   | Fitting, Test               |     |
| 3    | 1001226706  | 1   | Load Holding Valve Manifold |     |
| 3A   | 70006282    | 1   | Cartridge                   |     |
| 3A   | 7011346     | 1   | Seal Kit - 70006282 Valve   |     |
| 3B   | 70006098    | 1   | Cartridge                   |     |
| 3B   | 70006099    | 1   | Seal Kit - 70006098 Valve   |     |
| 3C   | 70006283    | 1   | Cartridge                   |     |
| 3C   | 2900700     | 1   | Seal Kit - 70006283 Valve   |     |
| 3D   | 70006101    | 1   | Cartridge                   |     |
| 3D   | 70006102    | 1   | Seal Kit - 70006101 Valve   |     |
| 3E   | 2220881     | 1   | Plug                        |     |
| 3F   | 2220883     | 1   | Plug                        |     |
| 3G   | 2221337     | 1   | Plug                        |     |
| 4    | 1001218037  | 1   | Solenoid Valve              |     |
| 4    | 70006003    | 1   | Cartridge                   |     |
| 4    | 70006004    | 1   | Coil                        |     |
| 4    | 70006005    | 1   | Seal Kit - 70006003 Valve   |     |
| 4    | 70006006    | 1   | Nut                         |     |
| 5    | 1001199043  | 1   | Sensor, Pressure Transducer |     |

# SECTION 4 - BOOM

## FIGURE 4-5. JIB ASSEMBLY (1100SJ)



ART\_1001150012

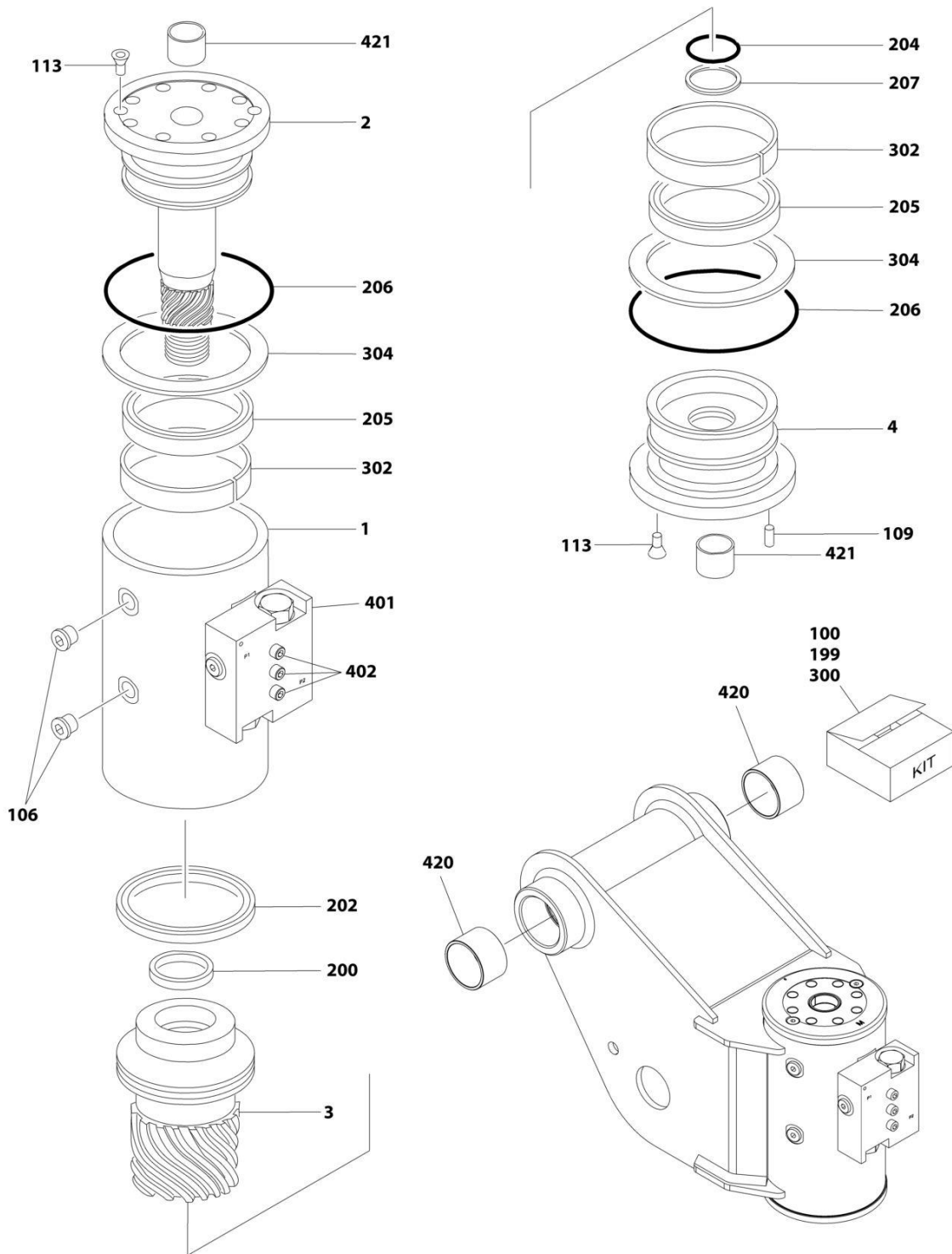


FIGURE 4-5. JIB ASSEMBLY (1100SJ)

| ITEM | PART NUMBER | QTY | DESCRIPTION   | REV |
|------|-------------|-----|---|-----|
|      | 1001150012  | Ref | JIB ASSEMBLY  | B   |
| 1    | 0100011     | AR  | Compound, Locking   |     |
| 2    | 0761010     | 6   | Bolt M10 x 20   |     |
| 3    | 3760133     | 5   | Ring, Retaining   |     |
| 4    | 3841143     | 6   | Keeper, Pin   |     |
| 5    | 1001148919  | 1   | Platform Rotator Assembly (See Separate Breakdown in this Section)        |     |
| 6    | 1001148930  | 1   | Link, Lower Jib Assembly  |     |
| 6A   | 0961951     | 4   | Bushing   |     |
| 7    | 1001148932  | 1   | Link, Upper Jib Assembly  |     |
| 7A   | 0961951     | 4   | Bushing   |     |
| 8    | 1001148953  | 1   | Pivot, Jib Assembly   |     |
| 8A   | 1001118665  | 2   | Bushing   |     |
| 9    | 1001149103  | 5   | Pin, Nickel Plated  |     |
| 10   | 1001149389  | 1   | Lift Cylinder Assembly - Jib (See Separate Breakdown in CYLINDER SECTION) |     |
| 11   | 1001149903  | 1   | Pin, Nickel Plated  |     |

# SECTION 4 - BOOM

FIGURE 4-6. PLATFORM ROTATOR ASSEMBLY (1030S) (SN B300001586 through B300001726)



ART\_1001151846

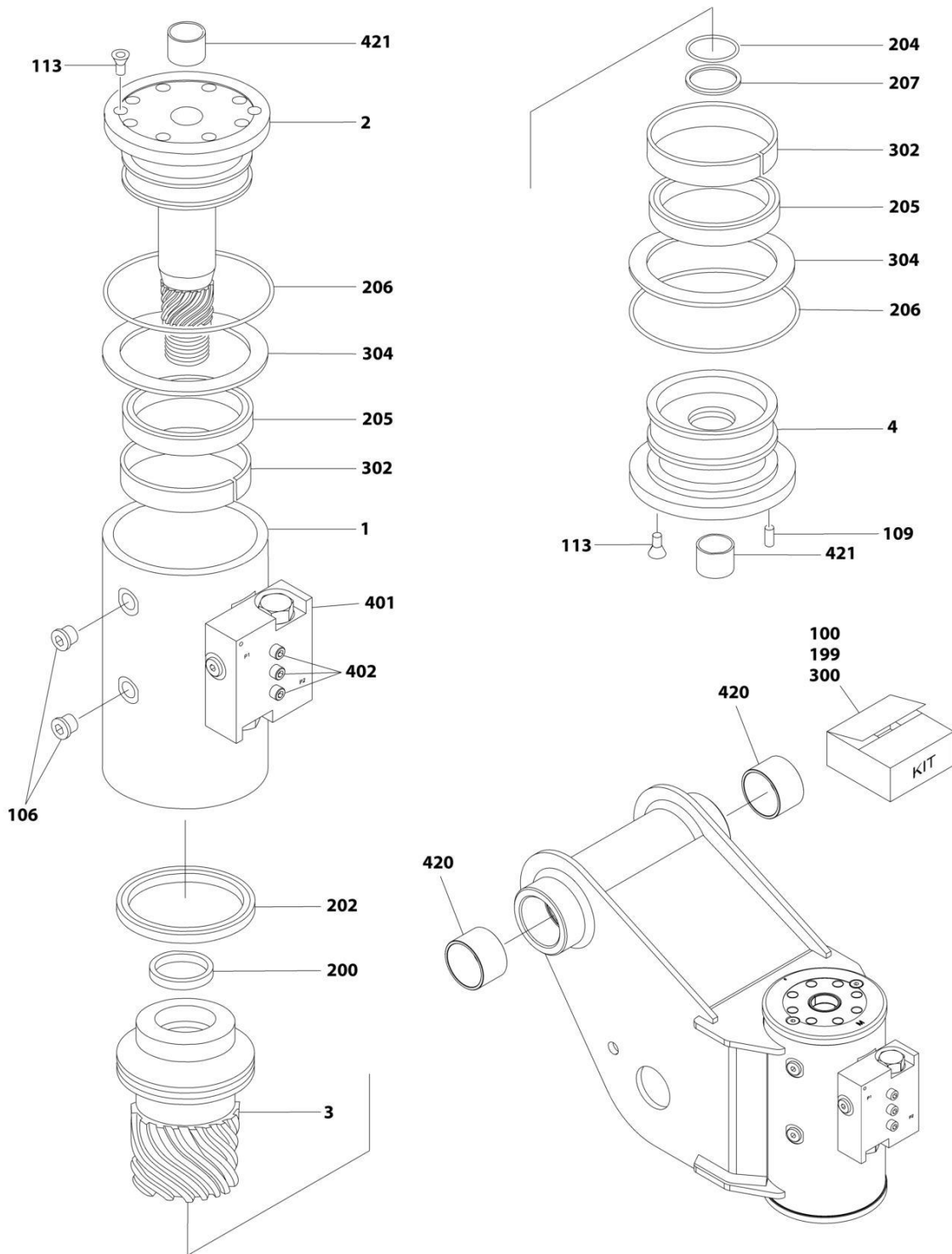
## SECTION 4 - BOOM

**FIGURE 4-6. PLATFORM ROTATOR ASSEMBLY (1030S) (SN B300001586 through B300001726)**

| ITEM | PART NUMBER | QTY | DESCRIPTION   | REV |
|------|-------------|-----|---|-----|
|      | 1001151846  | Ref | PLATFORM ROTATOR ASSEMBLY (SN B300001586 through B300001726)              | F   |
| 1    | See Note    | NSS | Housing/Ring Gear (Note: Purchase Complete Assembly)                      |     |
| 2    | 70003948    | 1   | Shaft   |     |
| 3    | 7017163     | 1   | Piston  |     |
| 4    | 7017164     | 1   | Cap   |     |
| 100  | 7017142     | 1   | Hardware Kit (Includes Items 106-109)                                     |     |
| 106  | See Note    | NSS | Plug (Note: Use Item 100)   |     |
| 109  | See Note    | NSS | Pin, Dowel (Note: Use Item 100)   |     |
| 113  | 70001697    | 6   | Screw 1/4 x 3/8   |     |
| 199  | 70000342    | 1   | Seal Kit - Low Temperature (Includes Items 200-207)                       |     |
| 200  | See Note    | NSS | T-Seal (Note: Use Item 199)   |     |
| 202  | See Note    | NSS | T-Seal (Note: Use Item 199)   |     |
| 204  | See Note    | NSS | O-Ring (Note: Use Item 199)   |     |
| 205  | See Note    | NSS | Seal (Note: Use Item 199)   |     |
| 206  | See Note    | NSS | O-Ring (Note: Use Item 199)   |     |
| 207  | See Note    | 1   | Ring, Back-up (Note: Use Item 199)  |     |
| 300  | 7017159     | 1   | Bearing Kit (Includes Items 302-304)                                      |     |
| 302  | See Note    | NSS | Bearing (Note: Use Item 300)  |     |
| 304  | See Note    | NSS | Washer, Thrust (Note: Use Item 300)                                       |     |
| 401  | 7017172     | 1   | Valve, Control (Note: Sold as Assembly Only)                              |     |
| 401  | 7017192     | 2   | Cartridge, Valve - Counterbalance (Seal Kit Not Available)                |     |
| 401  | See Note    | 1   | Cartridge, Valve - Check (Seal Kit Not Available) (Note: Use p/n 7017172) |     |
| 402  | See Note    | NSS | Bolt 1/4 x 1-1/2 Grade 8 (Note: Purchase Locally)                         |     |
| 420  | 70005819    | 2   | Bushing   |     |
| 421  | 7017195     | 2   | Bushing   |     |

# SECTION 4 - BOOM

FIGURE 4-7. PLATFORM ROTATOR ASSEMBLY (1030S) (SN B300001727 through B300005767)



ART\_1001228211

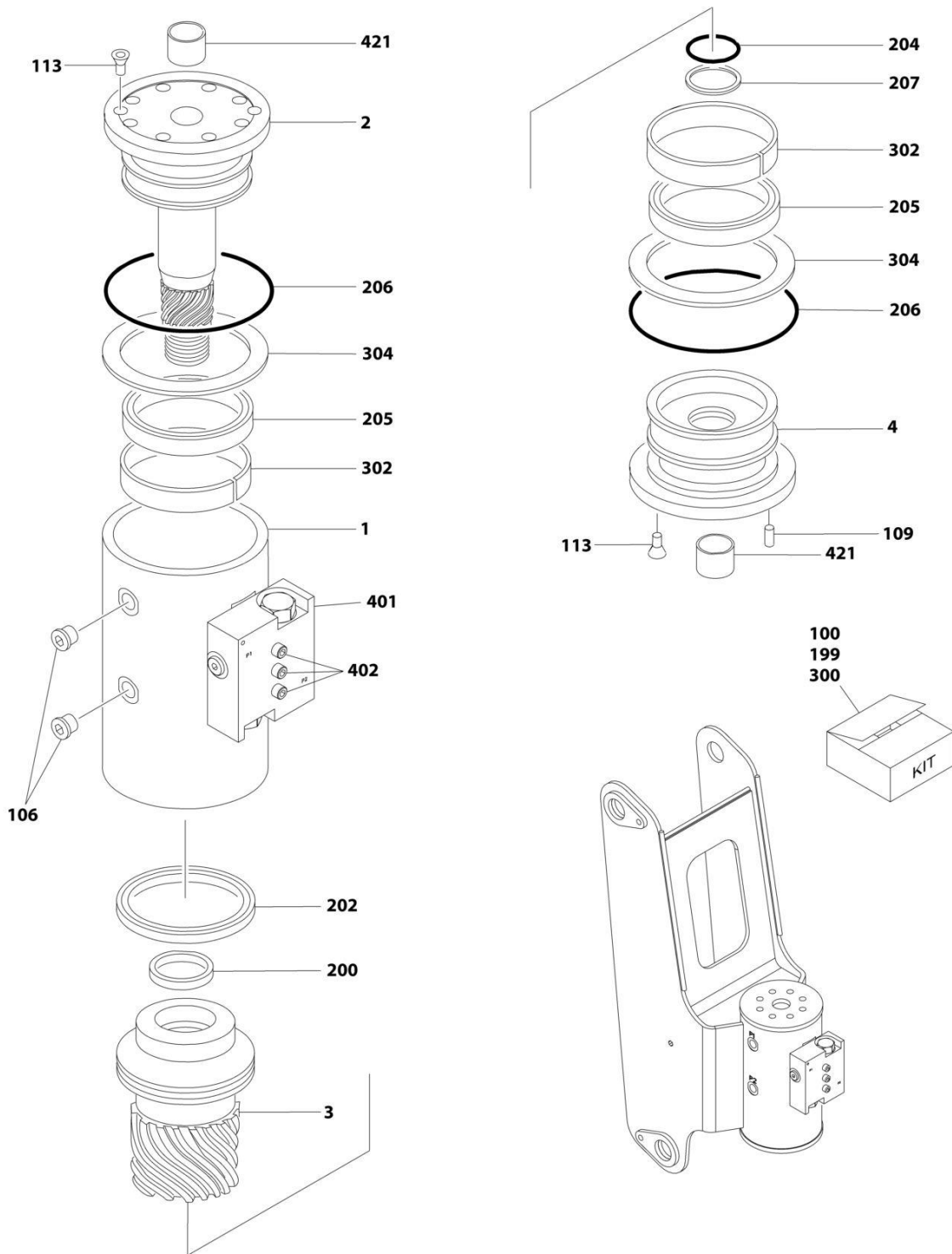
## SECTION 4 - BOOM

**FIGURE 4-7. PLATFORM ROTATOR ASSEMBLY (1030S) (SN B300001727 through B300005767)**

| ITEM | PART NUMBER | QTY | DESCRIPTION   | REV |
|------|-------------|-----|---|-----|
|      | 1001228211  | Ref | PLATFORM ROTATOR ASSEMBLY   | A   |
| 1    | See Note    | NSS | Housing/Ring Gear (Note: Purchase Complete Assembly)                      |     |
| 2    | 70003948    | 1   | Shaft   |     |
| 3    | 7017163     | 1   | Piston  |     |
| 4    | 7017164     | 1   | Cap   |     |
| 100  | 7017142     | 1   | Hardware Kit (Includes Items 106-109)                                     |     |
| 106  | See Note    | NSS | Plug (Note: Use Item 100)   |     |
| 109  | See Note    | NSS | Pin, Dowel (Note: Use Item 100)   |     |
| 113  | 70001697    | 6   | Screw 1/4 x 3/8   |     |
| 199  | 7017158     | 1   | Seal Kit - Low Temperature (Includes Items 200-207)                       |     |
| 200  | See Note    | NSS | T-Seal (Note: Use Item 199)   |     |
| 202  | See Note    | NSS | T-Seal (Note: Use Item 199)   |     |
| 204  | See Note    | NSS | O-Ring (Note: Use Item 199)   |     |
| 205  | See Note    | NSS | Seal (Note: Use Item 199)   |     |
| 206  | See Note    | NSS | O-Ring (Note: Use Item 199)   |     |
| 207  | See Note    | 1   | Ring, Back-up (Note: Use Item 199)  |     |
| 300  | 7017159     | 1   | Bearing Kit (Includes Items 302-304)                                      |     |
| 302  | See Note    | NSS | Bearing (Note: Use Item 300)  |     |
| 304  | See Note    | NSS | Washer, Thrust (Note: Use Item 300)                                       |     |
| 401  | 7017172     | 1   | Valve, Control (Note: Sold as Assembly Only)                              |     |
| 401  | 7017192     | 2   | Cartridge, Valve - Counterbalance (Seal Kit Not Available)                |     |
| 401  | See Note    | 1   | Cartridge, Valve - Check (Seal Kit Not Available) (Note: Use p/n 7017172) |     |
| 402  | See Note    | NSS | Bolt 1/4 x 1-1/2 Grade 8 (Note: Purchase Locally)                         |     |
| 420  | 70005819    | 2   | Bushing   |     |
| 421  | 7017195     | 2   | Bushing   |     |

# SECTION 4 - BOOM

## FIGURE 4-8. PLATFORM ROTATOR ASSEMBLY (1100SJ)



ART\_1001148919

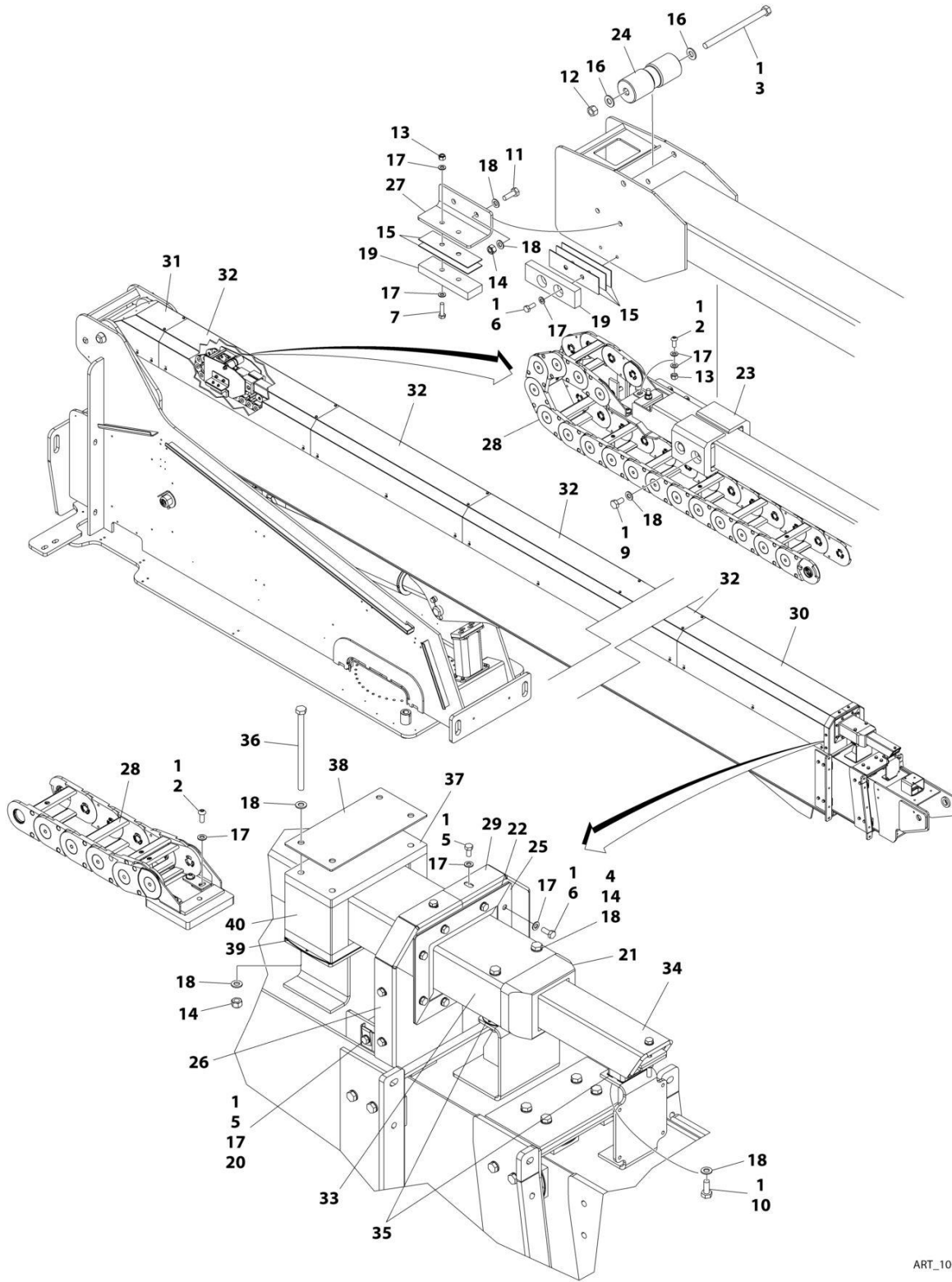
## SECTION 4 - BOOM

**FIGURE 4-8. PLATFORM ROTATOR ASSEMBLY (1100SJ)**

| ITEM | PART NUMBER | QTY | DESCRIPTION   | REV |
|------|-------------|-----|---|-----|
|      | 1001148919  | Ref | PLATFORM ROTATOR ASSEMBLY   | G   |
| 1    | See Note    | NSS | Housing/Ring Gear (Note: Purchase Complete Assembly)                      |     |
| 2    | 70003948    | 1   | Shaft   |     |
| 3    | 7017163     | 1   | Piston  |     |
| 4    | 7017164     | 1   | Cap   |     |
| 100  | 7017142     | 1   | Hardware Kit (Includes Items 106-109)                                     |     |
| 106  | See Note    | NSS | Plug (Note: Use Item 100)   |     |
| 109  | See Note    | NSS | Pin, Dowel (Note: Use Item 100)   |     |
| 113  | 70001697    | 6   | Screw 1/4 x 3/8   |     |
| 199  | 70000342    | 1   | Seal Kit - Low Temperature (Includes Items 200-207)                       |     |
| 200  | See Note    | NSS | T-Seal (Note: Use Item 199)   |     |
| 202  | See Note    | NSS | T-Seal (Note: Use Item 199)   |     |
| 204  | See Note    | NSS | O-Ring (Note: Use Item 199)   |     |
| 205  | See Note    | NSS | Seal (Note: Use Item 199)   |     |
| 206  | See Note    | NSS | O-Ring (Note: Use Item 199)   |     |
| 207  | See Note    | 1   | Ring, Back-up (Note: Use Item 199)  |     |
| 300  | 7017159     | 1   | Bearing Kit (Includes Items 302-304)                                      |     |
| 302  | See Note    | NSS | Bearing (Note: Use Item 300)  |     |
| 304  | See Note    | NSS | Washer, Thrust (Note: Use Item 300)                                       |     |
| 401  | 7017172     | 1   | Valve, Control (Note: Sold as Assembly Only)                              |     |
| 401  | 7017192     | 2   | Cartridge, Valve - Counterbalance (Seal Kit Not Available)                |     |
| 401  | See Note    | 1   | Cartridge, Valve - Check (Seal Kit Not Available) (Note: Use p/n 7017172) |     |
| 402  | See Note    | NSS | Bolt 1/4 x 1-1/2 Grade 8 (Note: Purchase Locally)                         |     |
| 421  | 7017195     | 2   | Bushing   |     |

# SECTION 4 - BOOM

## FIGURE 4-9. POWER TRACK INSTALLATION



ART\_1001194506

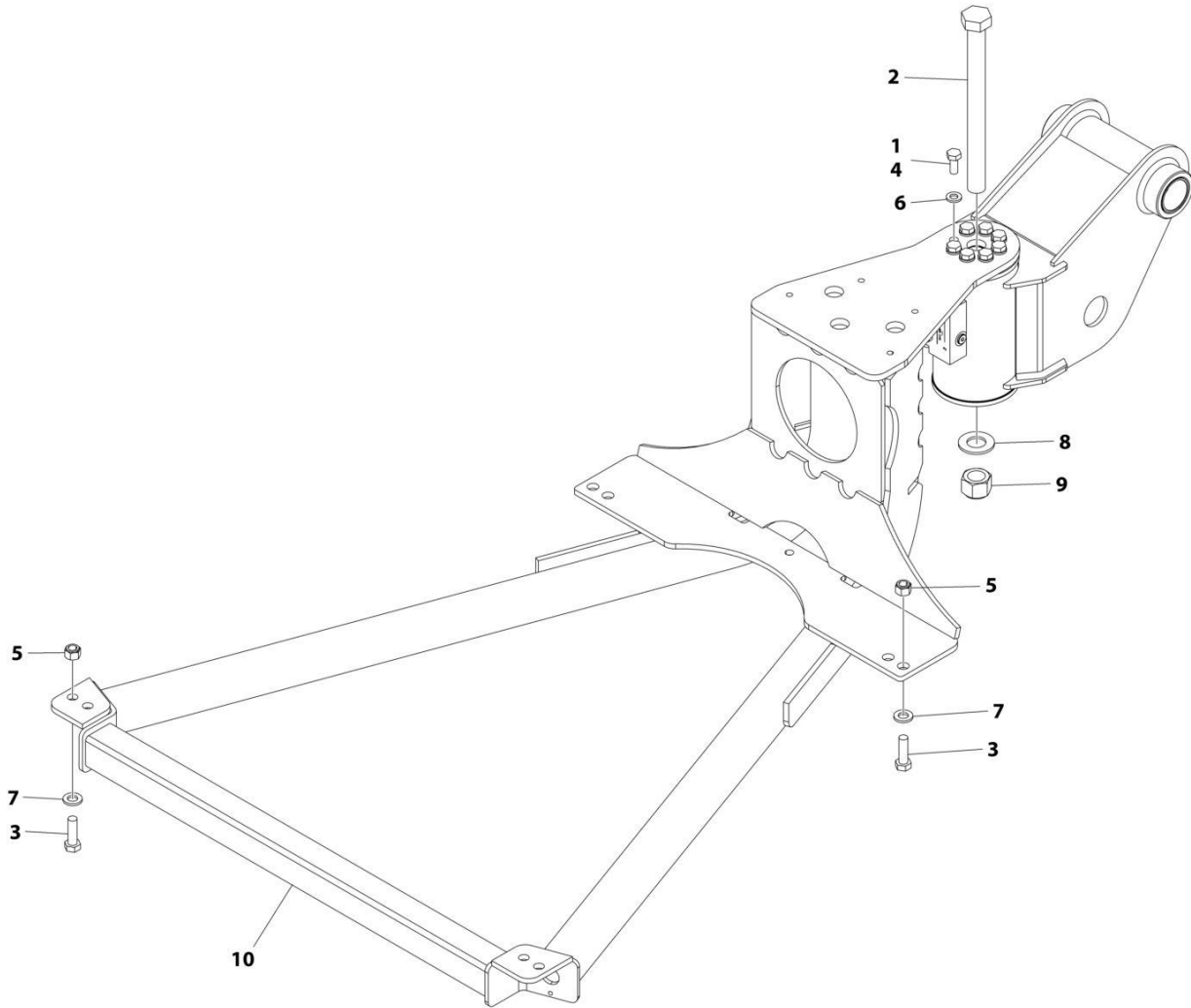


FIGURE 4-9. POWER TRACK INSTALLATION

| ITEM | PART NUMBER | QTY | DESCRIPTION              | REV |
|------|-------------|-----|--------------------------|-----|
|      | 1001194506  | Ref | POWER TRACK INSTALLATION | F   |
| 1    | 0100019     | AR  | Compound, Locking        |     |
| 2    | 0630612     | 8   | Screw M8 x 20            |     |
| 3    | 0641858     | 1   | Bolt 1/2 x 7-1/4         |     |
| 4    | 0701030     | 2   | Bolt M10 x 130           |     |
| 5    | 0760808     | 66  | Bolt M8 x 16             |     |
| 6    | 0760810     | 12  | Bolt M8 x 20             |     |
| 7    | 0760814     | 4   | Bolt M8 x 30             |     |
| 9    | 0761010     | 4   | Bolt M10 x 20            |     |
| 10   | 0761012     | 2   | Bolt M10 x 25            |     |
| 11   | 0761014     | 4   | Bolt M10 x 30            |     |
| 12   | 3271805     | 1   | Nut 1/2                  |     |
| 13   | 3290805     | 8   | Nut M8                   |     |
| 14   | 3291005     | 10  | Nut M10                  |     |
| 15   | 4070895     | 10  | Shim, 16 Gauge           |     |
| 16   | 4711800     | 2   | Washer 1/2               |     |
| 17   | 4811900     | 94  | Washer M8                |     |
| 18   | 4812000     | 26  | Washer M10               |     |
| 19   | 1001148650  | 4   | Pad, Wear                |     |
| 20   | 1001149160  | 60  | Nut, Tinnerman M8        |     |
| 21   | 1001194134  | 2   | Pad, Wear                |     |
| 22   | 1001194136  | 2   | Wiper                    |     |
| 23   | 1001194137  | 2   | Pad, Wear                |     |
| 24   | 1001194138  | 1   | Roller                   |     |
| 25   | 1001194525  | 2   | Bracket                  |     |
| 26   | 1001216208  | 1   | Cover, Front (RH)        |     |
| 27   | 1001194528  | 2   | Bracket                  |     |
| 28   | 1001194548  | 1   | Power Track Assembly     |     |
| 28   | 70005824    | AR  | Repair Section Kit       |     |
| 28   | 70005825    | 1   | Mounting Kit             |     |
| 29   | 1001216207  | 1   | Cover, Front (LH)        |     |
| 30   | 1001194550  | 1   | Cover, Track (Front)     |     |
| 31   | 1001194564  | 1   | Cover, Track (Rear)      |     |
| 32   | 1001194566  | 6   | Cover, Track (Mid)       |     |
| 33   | 1001194568  | 1   | Tube, Push (Mid Boom)    |     |
| 34   | 1001194582  | 1   | Tube, Push (Fly Boom)    |     |
| 35   | 1001198229  | 6   | Shim, 1mm                |     |
| 36   | 0701034     | 4   | Bolt M10 x 170           |     |
| 37   | 1001194133  | 2   | Pad, Wear                |     |
| 38   | 1001197717  | 1   | Plate                    |     |
| 39   | 1001216206  | 4   | Shim, 1mm                |     |
| 40   | 1001217028  | 2   | Pad, Wear                |     |

# SECTION 4 - BOOM

## FIGURE 4-10. PLATFORM SUPPORT INSTALLATION - WITHOUT LSS (1030S)



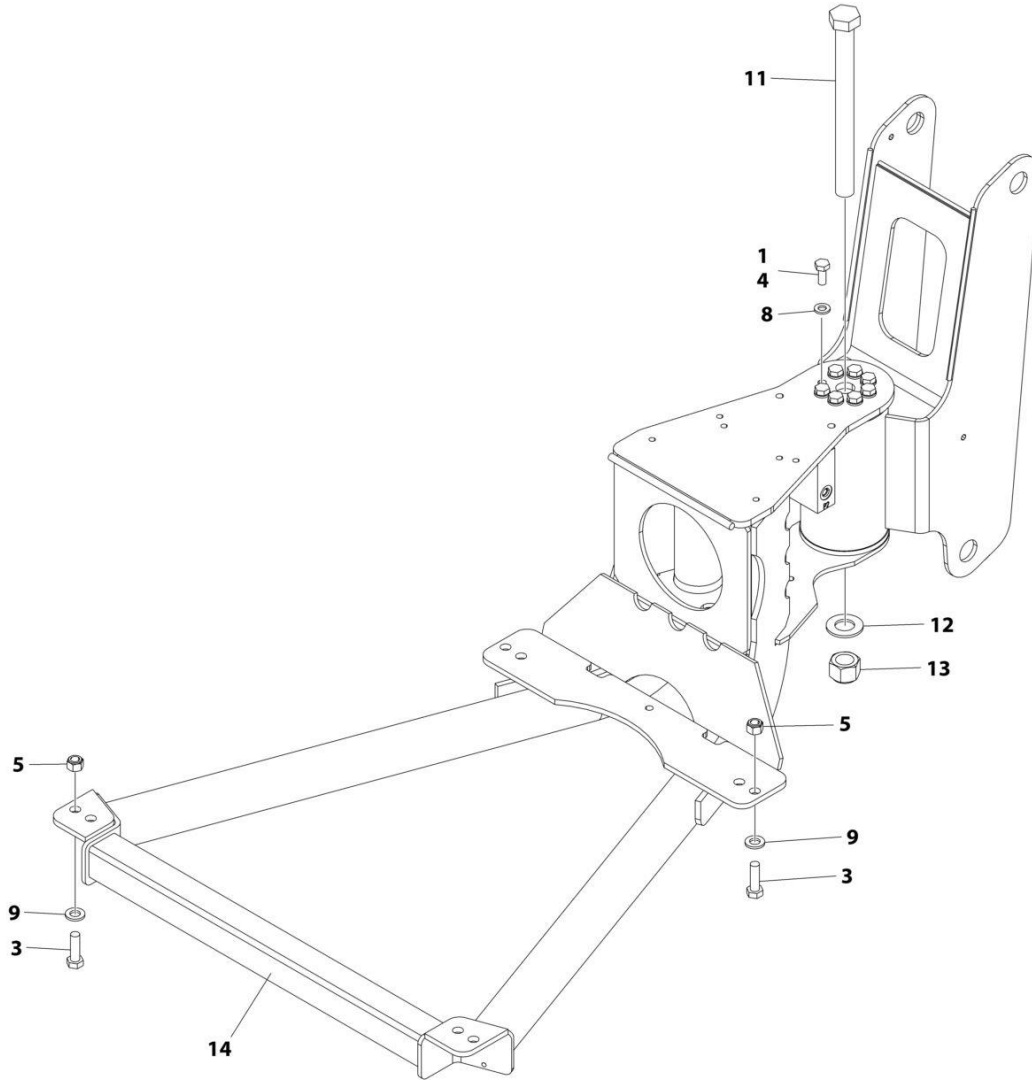
ART\_1001150075

**SECTION 4 - BOOM****FIGURE 4-10. PLATFORM SUPPORT INSTALLATION - WITHOUT LSS (1030S)**

| <b>ITEM</b> | <b>PART NUMBER</b> | <b>QTY</b> | <b>DESCRIPTION</b>                          | <b>REV</b> |
|-------------|--------------------|------------|---|------------|
|             | 1001150075         | Ref        | PLATFORM SUPPORT INSTALLATION - WITHOUT LSS | D          |
| 1           | 0100011            | AR         | Compound, Locking                           |            |
| 2           | 0712444            | 1          | Bolt M24 x 270 Grade 10.9                   |            |
| 3           | 0761216            | 8          | Bolt M12 x 40                               |            |
| 4           | 0771012            | 8          | Bolt M10 x 25 Grade 10.9                    |            |
| 5           | 3291205            | 8          | Nut M12                                     |            |
| 6           | 5241000            | 8          | Washer M10                                  |            |
| 7           | 5241200            | 8          | Washer M12                                  |            |
| 8           | 5242400            | 1          | Washer M24                                  |            |
| 9           | 1001098827         | 1          | Nut M24 Grade 10.9                          |            |
| 10          | 1001149200         | 1          | Support, Platform                           |            |

# SECTION 4 - BOOM

## FIGURE 4-11. PLATFORM SUPPORT INSTALLATION - WITHOUT LSS (1100SJ)



ART\_1001139032

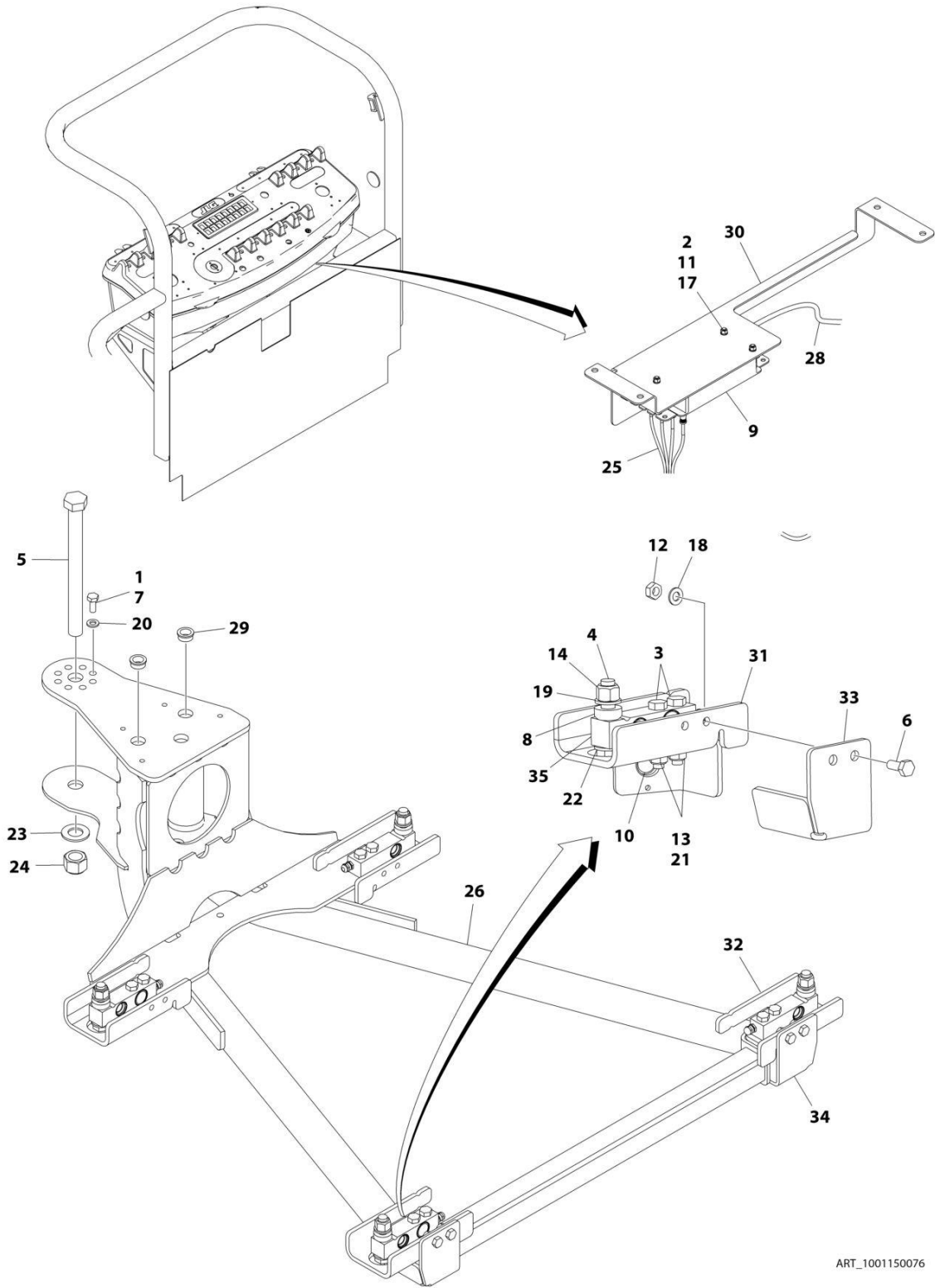
## SECTION 4 - BOOM

**FIGURE 4-11. PLATFORM SUPPORT INSTALLATION - WITHOUT LSS (1100SJ)**

| ITEM | PART NUMBER | QTY | DESCRIPTION                                 | REV |
|------|-------------|-----|---|-----|
|      | 1001139032  | Ref | PLATFORM SUPPORT INSTALLATION - WITHOUT LSS | D   |
| 1    | 0100011     | AR  | Compound, Locking                           |     |
| 3    | 0761216     | 8   | Bolt M12 x 40                               |     |
| 4    | 0771012     | 8   | Bolt M10 x 25 Grade 10.9                    |     |
| 5    | 3291205     | 8   | Nut M12                                     |     |
| 8    | 5241000     | 8   | Washer M10                                  |     |
| 9    | 5241200     | 8   | Washer M12                                  |     |
| 11   | 0712444     | 1   | Bolt M24 x 270 Grade 10.9                   |     |
| 12   | 5242400     | 1   | Washer M24                                  |     |
| 13   | 1001098827  | 1   | Nut M24 Grade 10.9                          |     |
| 14   | 1001149734  | 1   | Support, Platform                           |     |

# SECTION 4 - BOOM

## FIGURE 4-12. PLATFORM SUPPORT INSTALLATION - WITH 4 CELL LSS (1030S)



ART\_1001150076

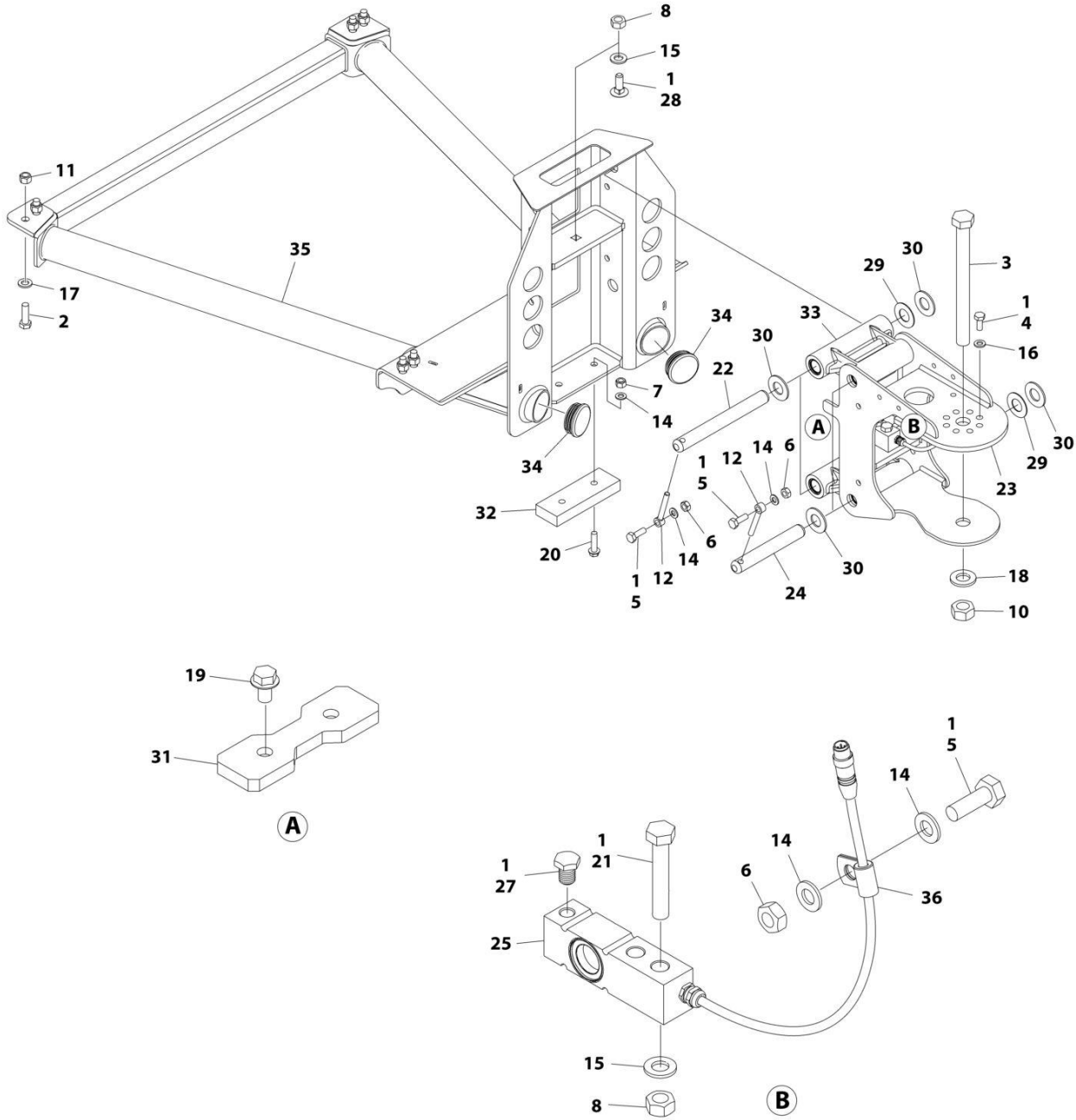
## SECTION 4 - BOOM

**FIGURE 4-12. PLATFORM SUPPORT INSTALLATION - WITH 4 CELL LSS (1030S)**

| ITEM | PART NUMBER | QTY | DESCRIPTION   | REV |
|------|-------------|-----|---|-----|
|      | 1001150076  | Ref | PLATFORM SUPPORT INSTALLATION - WITH 4 CELL LSS                     | D   |
| 1    | 0100011     | AR  | Compound, Locking   |     |
| 2    | 0760618     | 3   | Bolt M6 x 50  |     |
| 3    | 0701222     | 8   | Bolt M12 x 70   |     |
| 4    | 0701624     | 4   | Bolt M16 x 80   |     |
| 5    | 0712444     | 1   | Bolt M24 x 270  |     |
| 6    | 0761012     | 4   | Bolt M10 x 25   |     |
| 7    | 0771012     | 8   | Bolt M10 x 25   |     |
| 8    | 0962450     | 4   | Spacer  |     |
| 9    | 1600387     | 1   | Module, Control - LSS (Note: Re-calibration Required when Replaced) |     |
| 10   | 2540038     | 2   | Grommet   |     |
| 11   | 3290605     | 3   | Nut M6  |     |
| 12   | 3291001     | 4   | Nut M10   |     |
| 13   | 3291205     | 8   | Nut M12   |     |
| 14   | 3291605     | 4   | Nut M16   |     |
| 15   | 4240099     | AR  | Tie-Strap (Not Shown)   |     |
| 17   | 4811700     | 6   | Washer M6   |     |
| 18   | 4812000     | 4   | Washer M10  |     |
| 19   | 4812300     | 4   | Washer M16  |     |
| 20   | 5241000     | 8   | Washer M10  |     |
| 21   | 5241200     | 8   | Washer M12  |     |
| 22   | 5241600     | 4   | Washer M16  |     |
| 23   | 5242400     | 1   | Washer M24  |     |
| 24   | 1001098827  | 1   | Nut M24   |     |
| 25   | 1001121576  | 1   | Cover   |     |
| 26   | 1001149200  | 1   | Support   |     |
| 28   | 1001150197  | 1   | LSS Harness   |     |
| 28   | 4460944     | 6   | Socket, Female  |     |
| 28   | 4460226     | 2   | Socket, Female  |     |
| 28   | 4460836     | 1   | Connector - 12 Position   |     |
| 28   | 4460933     | 1   | Connector - 12 Position   |     |
| 28   | 4460465     | 2   | Socket, Female  |     |
| 28   | 4460466     | 19  | Plug, Socket  |     |
| 28   | 0840055     | 2   | Boot  |     |
| 29   | 1001151731  | 2   | Grommet   |     |
| 30   | 1001113483  | 1   | Bracket   |     |
| 31   | 1001151938  | 2   | Shield  |     |
| 32   | 1001151939  | 2   | Shield  |     |
| 33   | 1001151940  | 1   | Shield  |     |
| 34   | 1001151941  | 1   | Shield  |     |
| 35   | 2420202     | 4   | Gauge   |     |

# SECTION 4 - BOOM

## FIGURE 4-13. PLATFORM SUPPORT INSTALLATION - WITH 1 CELL LSS (1030S)



ART\_1001194264



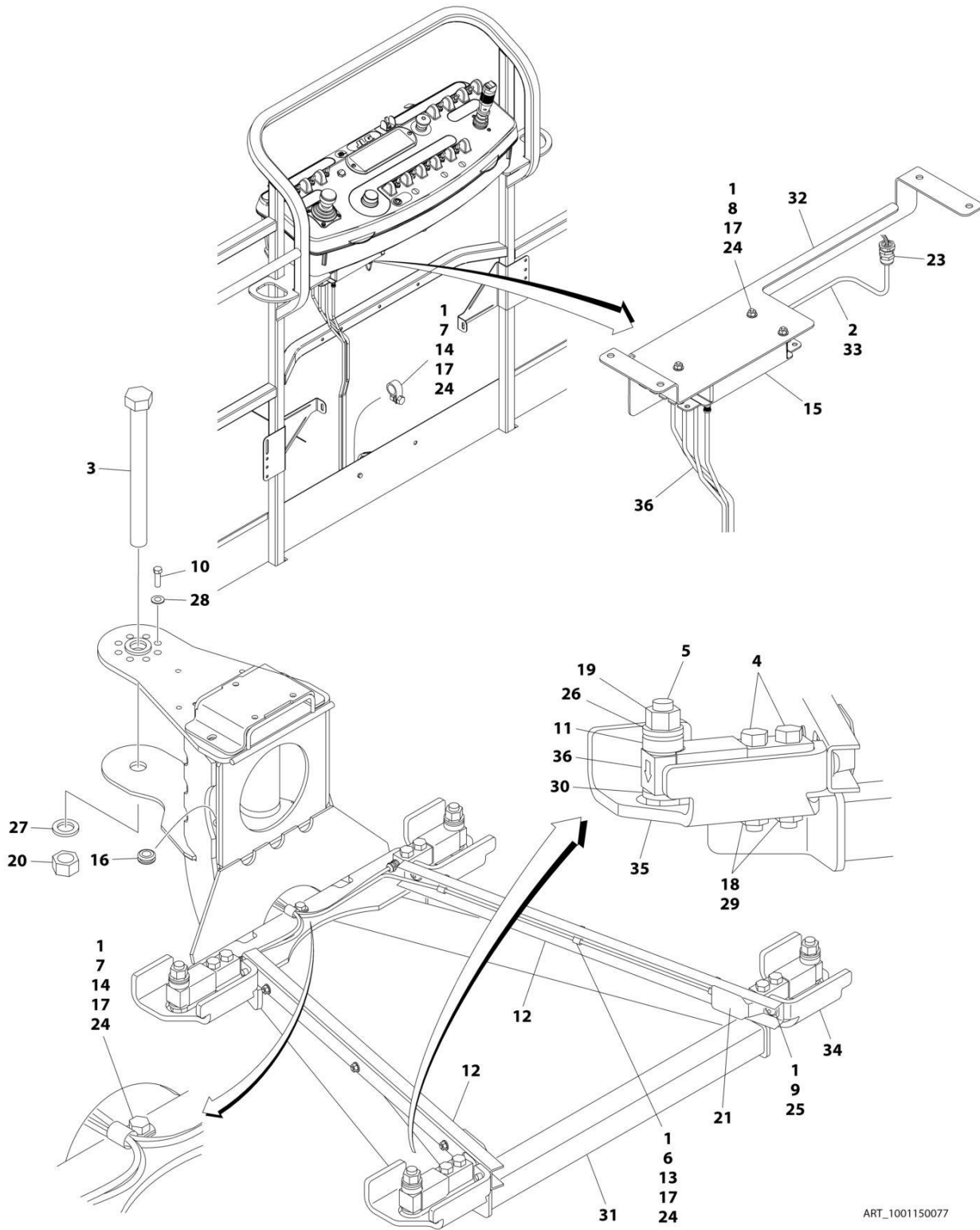
## SECTION 4 - BOOM

**FIGURE 4-13. PLATFORM SUPPORT INSTALLATION - WITH 1 CELL LSS (1030S)**

| ITEM | PART NUMBER | QTY | DESCRIPTION                                     | REV |
|------|-------------|-----|---|-----|
|      | 1001194264  | Ref | PLATFORM SUPPORT INSTALLATION - WITH 1 CELL LSS | G   |
| 1    | 0100011     | AR  | Compound, Locking                               |     |
| 2    | 0761216     | 8   | Bolt M12 x 40                                   |     |
| 3    | 0712444     | 1   | Bolt M24 x 270                                  |     |
| 4    | 0771012     | 8   | Bolt M10 x 25                                   |     |
| 5    | 0761014     | 5   | Bolt M10 x 30                                   |     |
| 6    | 3291001     | 5   | Nut M10   |     |
| 7    | 3291005     | 2   | Nut M10   |     |
| 8    | 3291201     | 3   | Nut M12   |     |
| 10   | 1001098827  | 1   | Nut M24 Grade 10                                |     |
| 11   | 3291205     | 8   | Nut M12   |     |
| 12   | 3841143     | 4   | Keeper  |     |
| 14   | 4812000     | 8   | Washer M10                                      |     |
| 15   | 4812100     | 3   | Washer M12                                      |     |
| 16   | 5241000     | 8   | Washer M10                                      |     |
| 17   | 5241200     | 8   | Washer M12                                      |     |
| 18   | 5242400     | 1   | Washer M24                                      |     |
| 19   | 5251008     | 2   | Bolt M10 x 16                                   |     |
| 20   | 5251016     | 2   | Bolt M10 x 40                                   |     |
| 21   | 1001098828  | 2   | Bolt M12 x 70 Grade 10.9                        |     |
| 22   | 1001167565  | 2   | Pin   |     |
| 23   | 1001217917  | 1   | Support, Rotary Side                            |     |
| 24   | 1001168402  | 2   | Pin   |     |
| 25   | 1001172663  | 1   | Gauge, Load Sensing                             |     |
| 27   | 1001188622  | 1   | Screw   |     |
| 28   | 1001188844  | 1   | Bolt M12 x 35                                   |     |
| 29   | 1001189001  | 4   | Bearing   |     |
| 30   | 1001189002  | 8   | Bearing   |     |
| 31   | 1001190985  | 1   | Wear Pad  |     |
| 32   | 1001200491  | 1   | Plate   |     |
| 33   | 1001201351  | 2   | Link, LSS Assembly                              |     |
| 33   | 1001187382  | 4   | Bearing   |     |
| 33   | 1001187383  | 4   | Seal  |     |
| 34   | 1001204725  | 2   | Plug  |     |
| 35   | 1001205482  | 1   | Support   |     |
| 36   | 91203039    | 1   | Clamp   |     |

# SECTION 4 - BOOM

## FIGURE 4-14. PLATFORM SUPPORT INSTALLATION - WITH 4 CELL LSS (1100SJ)



ART\_1001150077

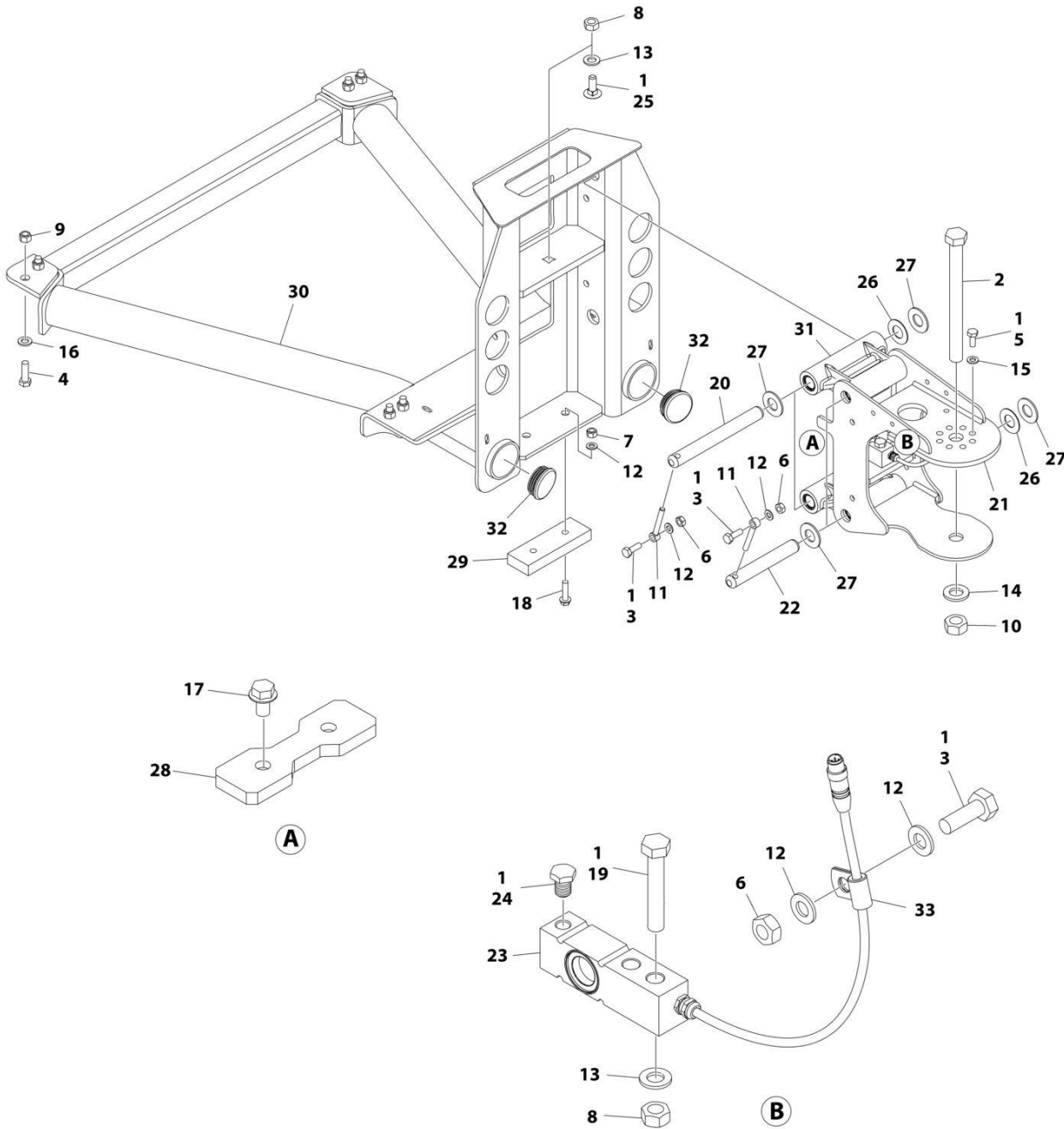
## SECTION 4 - BOOM

**FIGURE 4-14. PLATFORM SUPPORT INSTALLATION - WITH 4 CELL LSS (1100SJ)**

| ITEM | PART NUMBER | QTY | DESCRIPTION   | REV |
|------|-------------|-----|---|-----|
|      | 1001150077  | Ref | PLATFORM SUPPORT INSTALLATION - WITH 4 CELL LSS                     | A   |
| 1    | 0100011     | AR  | Compound, Locking   |     |
| 2    | 0100048     | AR  | Grease, Dielectric  |     |
| 3    | 0642684     | 1   | Bolt 1 x 10-1/2   |     |
| 4    | 0701222     | 8   | Bolt M12 x 70   |     |
| 5    | 0701624     | 4   | Bolt M16 x 80   |     |
| 6    | 0760608     | 6   | Bolt M6 x 16  |     |
| 7    | 0760610     | 1   | Bolt M6 x 20  |     |
| 8    | 0760618     | 3   | Bolt M6 x 50  |     |
| 9    | 0760808     | 4   | Bolt M8 x 16  |     |
| 10   | 0771012     | 8   | Bolt M10 x 25 Grade 10.9  |     |
| 11   | 0962450     | 4   | Spacer  |     |
| 12   | 1271538     | 2   | Channel   |     |
| 13   | 1320136     | 6   | Clamp   |     |
| 14   | 1320224     | 2   | Clamp   |     |
| 15   | 1600387     | 1   | Module, Control - LSS (Note: Re-calibration Required when Replaced) |     |
| 16   | 2540038     | 1   | Grommet   |     |
| 17   | 3290605     | 10  | Nut M6  |     |
| 18   | 3291205     | 8   | Nut M12   |     |
| 19   | 3291605     | 4   | Nut M16   |     |
| 20   | 3300243     | 1   | Nut 1   |     |
| 21   | 4061054     | 2   | Shield  |     |
| 22   | 4240033     | AR  | Tie-Strap (Not Shown)   |     |
| 23   | 4460428     | 1   | Connector, Strain Relief  |     |
| 24   | 4811700     | 13  | Washer M6   |     |
| 25   | 4811900     | 4   | Washer M8   |     |
| 26   | 4812300     | 4   | Washer M16  |     |
| 27   | 4892600     | 1   | Washer 1  |     |
| 28   | 5241000     | 8   | Washer M10  |     |
| 29   | 5241200     | 8   | Washer M12  |     |
| 30   | 5241600     | 4   | Washer M16  |     |
| 31   | 1001113465  | 1   | Support, Platform   |     |
| 32   | 1001113483  | 1   | Bracket   |     |
| 33   | 1001120371  | 1   | LSS Harness   |     |
| 33   | 4460465     | 4   | Socket, Female  |     |
| 33   | 4460944     | 6   | Socket, Female  |     |
| 33   | 4460836     | 1   | Connector - 12 Position   |     |
| 33   | 4460933     | 1   | Connector - 12 Position   |     |
| 33   | 4460466     | 19  | Plug, Socket  |     |
| 33   | 0840055     | 2   | Boot  |     |
| 34   | 1001146213  | 2   | Bracket   |     |
| 35   | 1001146214  | 2   | Bracket   |     |
| 36   | 2420202     | 4   | Gauge   |     |

# SECTION 4 - BOOM

## FIGURE 4-15. PLATFORM SUPPORT INSTALLATION - WITH 1 CELL LSS (1100SJ)



ART\_1001215258

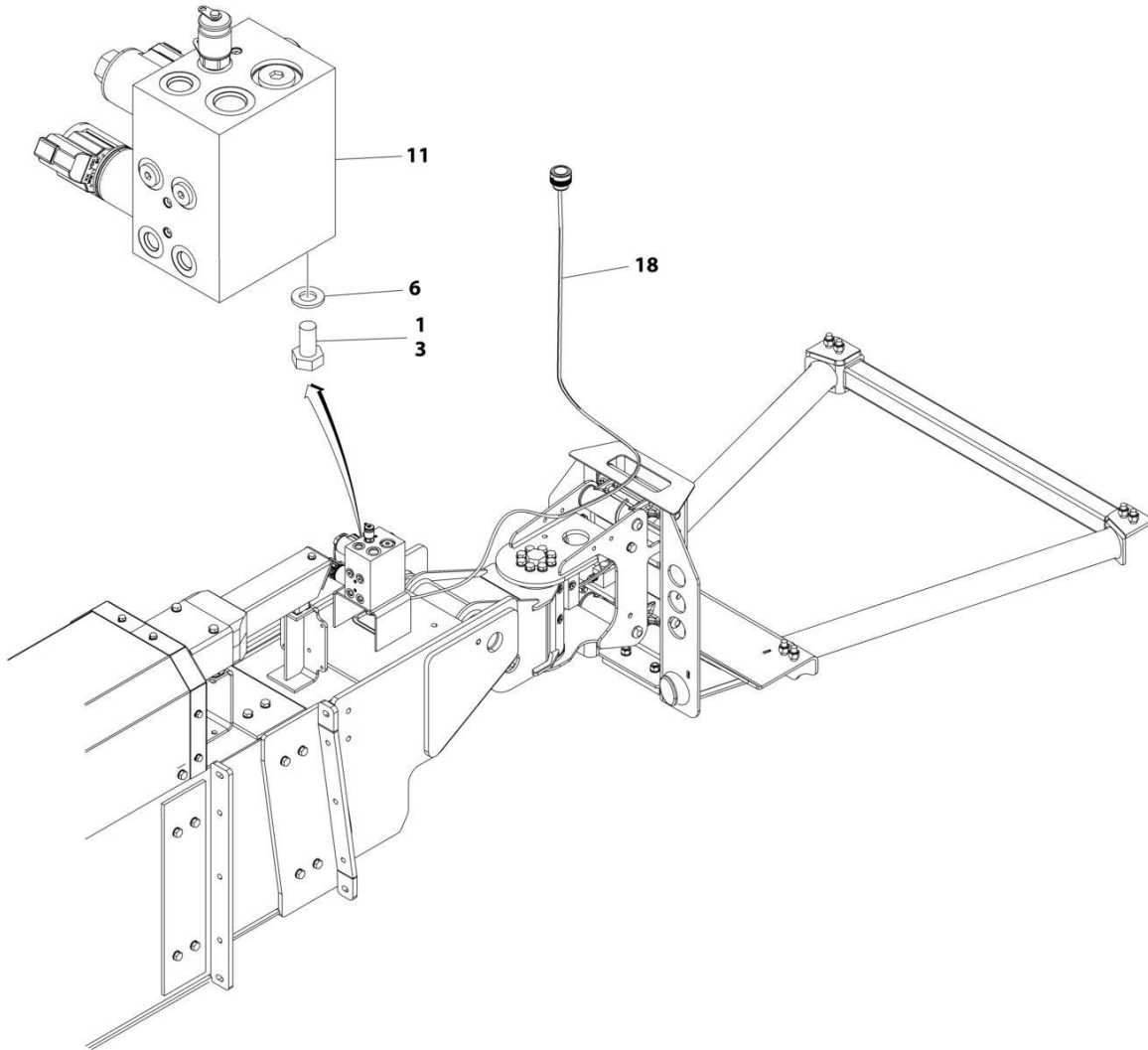
## SECTION 4 - BOOM

**FIGURE 4-15. PLATFORM SUPPORT INSTALLATION - WITH 1 CELL LSS (1100SJ)**

| ITEM | PART NUMBER | QTY | DESCRIPTION                                     | REV |
|------|-------------|-----|---|-----|
|      | 1001215258  | Ref | PLATFORM SUPPORT INSTALLATION - WITH 1 CELL LSS | E   |
| 1    | 0100011     | AR  | Compound, Locking                               |     |
| 2    | 0712444     | 1   | Bolt M24 x 270                                  |     |
| 3    | 0761014     | 5   | Bolt M10 x 30                                   |     |
| 4    | 0761216     | 8   | Bolt M12 x 40                                   |     |
| 5    | 0771012     | 8   | Bolt M10 x 25 Grade 10.9                        |     |
| 6    | 3291001     | 5   | Nut M10   |     |
| 7    | 3291005     | 2   | Nut M10   |     |
| 8    | 3291201     | 3   | Nut M12   |     |
| 9    | 3291205     | 8   | Nut M12   |     |
| 10   | 1001098827  | 1   | Nut M24 Grade 10                                |     |
| 11   | 3841143     | 4   | Keeper  |     |
| 12   | 4812000     | 8   | Washer M10                                      |     |
| 13   | 4812100     | 3   | Washer M12                                      |     |
| 14   | 5242400     | 1   | Washer M24                                      |     |
| 15   | 5241000     | 8   | Washer M10                                      |     |
| 16   | 5241200     | 8   | Washer M12                                      |     |
| 17   | 5251008     | 2   | Bolt M10 x 16                                   |     |
| 18   | 5251016     | 2   | Bolt M10 x 40                                   |     |
| 19   | 1001098828  | 2   | Bolt M12 x 70 Grade 10.9                        |     |
| 20   | 1001167565  | 2   | Pin   |     |
| 21   | 1001217917  | 1   | Support, Rotary Side                            |     |
| 22   | 1001168402  | 2   | Pin   |     |
| 23   | 1001172663  | 1   | Gauge, Load Sensing                             |     |
| 24   | 1001188622  | 1   | Screw   |     |
| 25   | 1001188844  | 1   | Bolt M12 x 35                                   |     |
| 26   | 1001189001  | 4   | Bearing   |     |
| 27   | 1001189002  | 8   | Bearing   |     |
| 28   | 1001190985  | 1   | Wear Pad  |     |
| 29   | 1001200491  | 1   | Plate   |     |
| 30   | 1001200494  | 1   | Support   |     |
| 31   | 1001201351  | 2   | Link, LSS Assembly                              |     |
| 31   | 1001187382  | 4   | Bearing   |     |
| 31   | 1001187383  | 4   | Seal  |     |
| 32   | 1001204725  | 2   | Plug  |     |
| 33   | 91203039    | 1   | Clamp   |     |

# SECTION 4 - BOOM

FIGURE 4-16. VALVE INSTALLATION - BOOM (1030S) (SN B300001586 through B300001676)



ART\_1001151550\_20F2

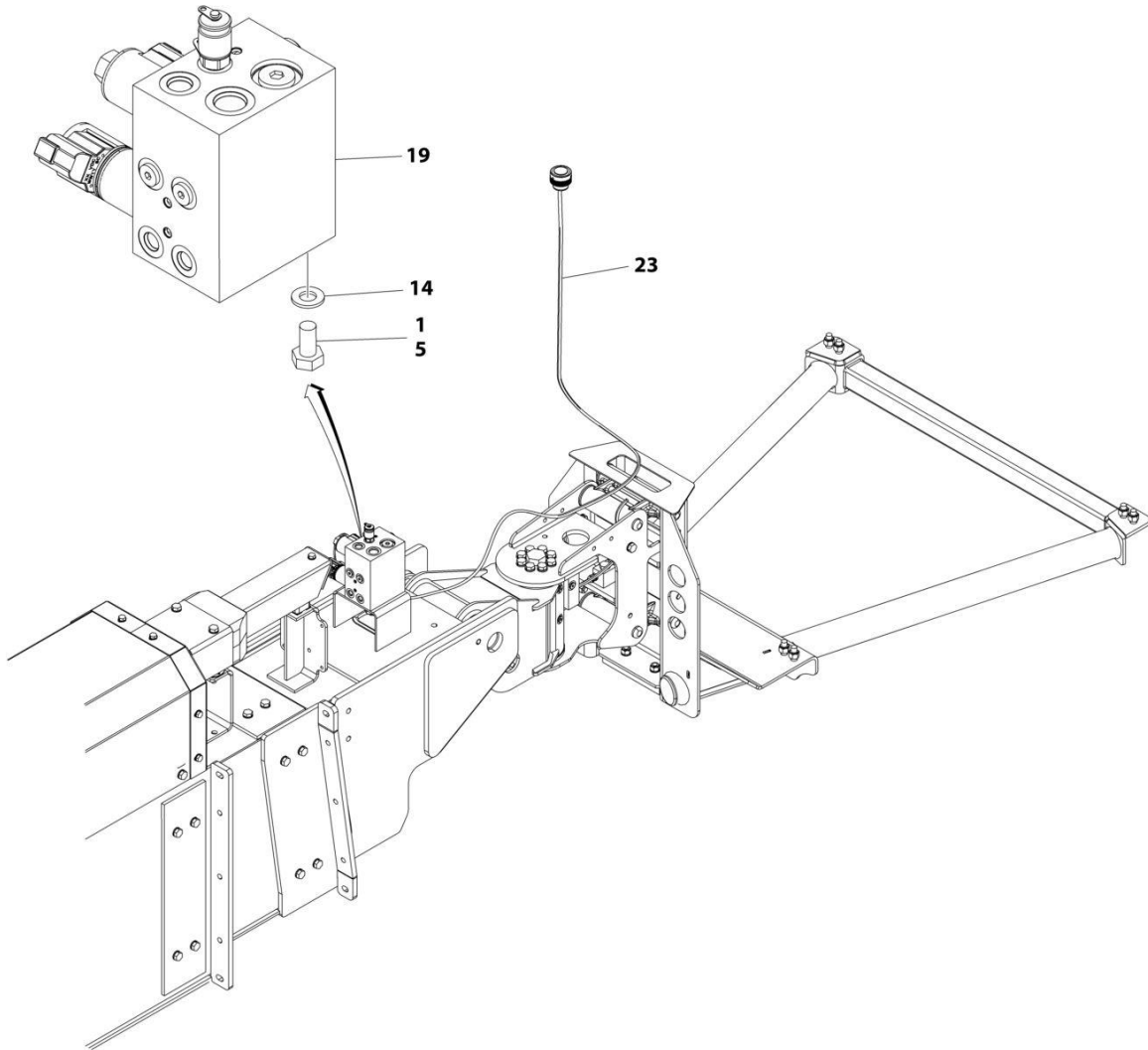
## SECTION 4 - BOOM

**FIGURE 4-16. VALVE INSTALLATION - BOOM (1030S) (SN B300001586 through B300001676)**

| ITEM | PART NUMBER | QTY | DESCRIPTION   | REV |
|------|-------------|-----|---|-----|
|      | 1001151550  | Ref | VALVE INSTALLATION - BOOM (SN B300001586 through <b>B300001676</b> )    | H   |
| 1    | 0100011     | AR  | Compound, Locking   |     |
| 3    | 0761010     | 3   | Bolt M10 x 20   |     |
| 6    | 4812000     | 3   | Washer M10  |     |
| 11   | 1001151502  | 1   | Platform Rotate Valve Assembly (See Separate Breakdown in this Section) |     |
| 18   | 1001203152  | 1   | Platform Valve Harness (See Separate Breakdown in ELECTRICAL SECTION)   |     |

# SECTION 4 - BOOM

FIGURE 4-17. VALVE INSTALLATION - BOOM (WITH 2WD/2WS) (1030S) (SN B300001677 through B300005767)



ART\_1001223985\_30F3



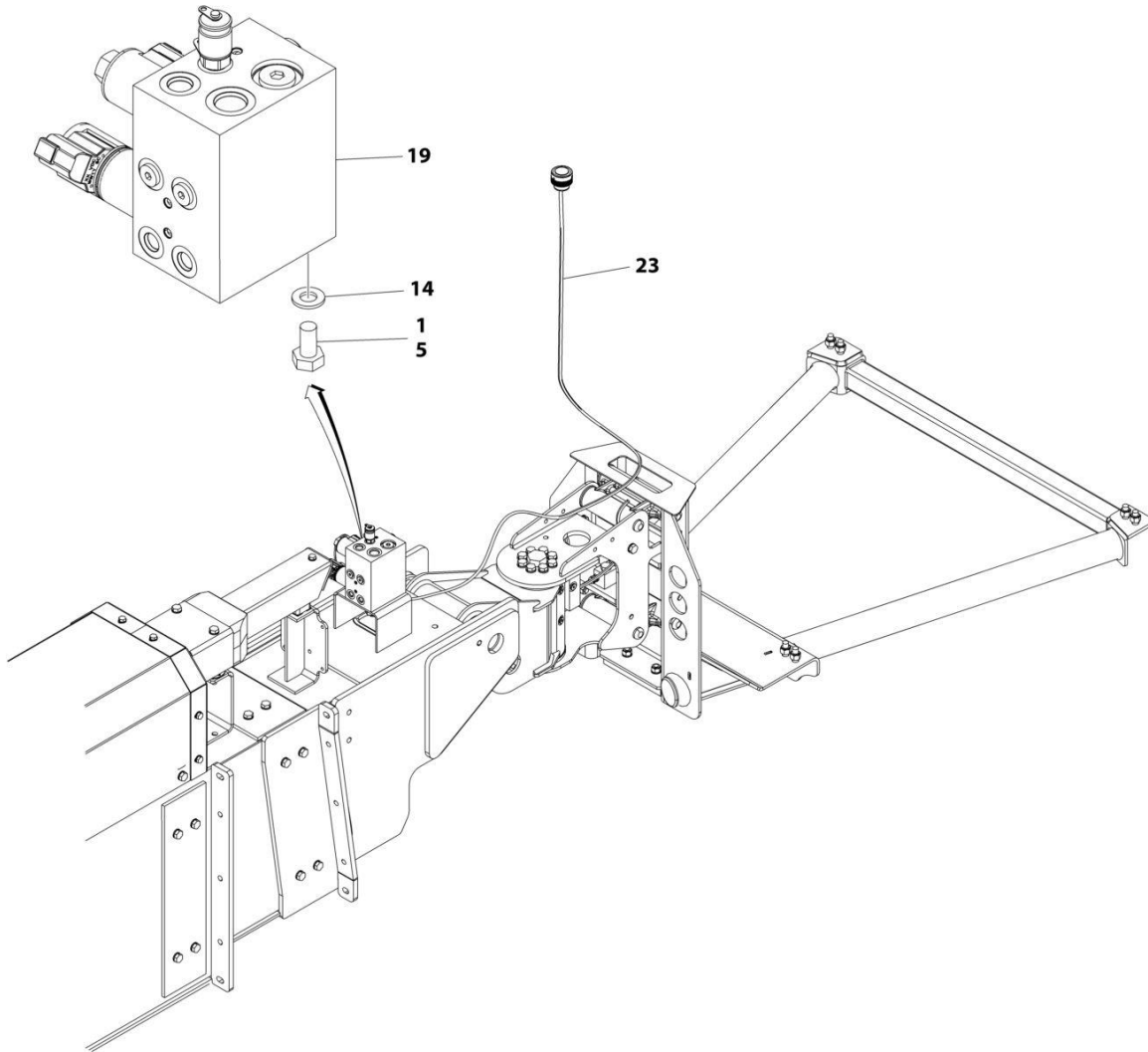
## SECTION 4 - BOOM

**FIGURE 4-17. VALVE INSTALLATION - BOOM (WITH 2WD/2WS) (1030S) (SN B300001677 through B300005767)**

| ITEM | PART NUMBER | QTY | DESCRIPTION   | REV |
|------|-------------|-----|---|-----|
|      | 1001223985  | Ref | VALVE INSTALLATION - BOOM (WITH 2WD/2WS)                                | A   |
| 1    | 0100011     | AR  | Compound, Locking   |     |
| 5    | 0761010     | 3   | Bolt M10 x 20   |     |
| 14   | 4812000     | 3   | Washer M10  |     |
| 19   | 1001151502  | 1   | Platform Rotate Valve Assembly (See Separate Breakdown in this Section) |     |
| 23   | 1001203152  | 1   | Platform Valve Harness (See Separate Breakdown in ELECTRICAL SECTION)   |     |

## SECTION 4 - BOOM

FIGURE 4-18. VALVE INSTALLATION - BOOM (WITH 4WD/2WS) (1030S) (SN B300001677 through B300005767)



ART\_1001223932\_30F3

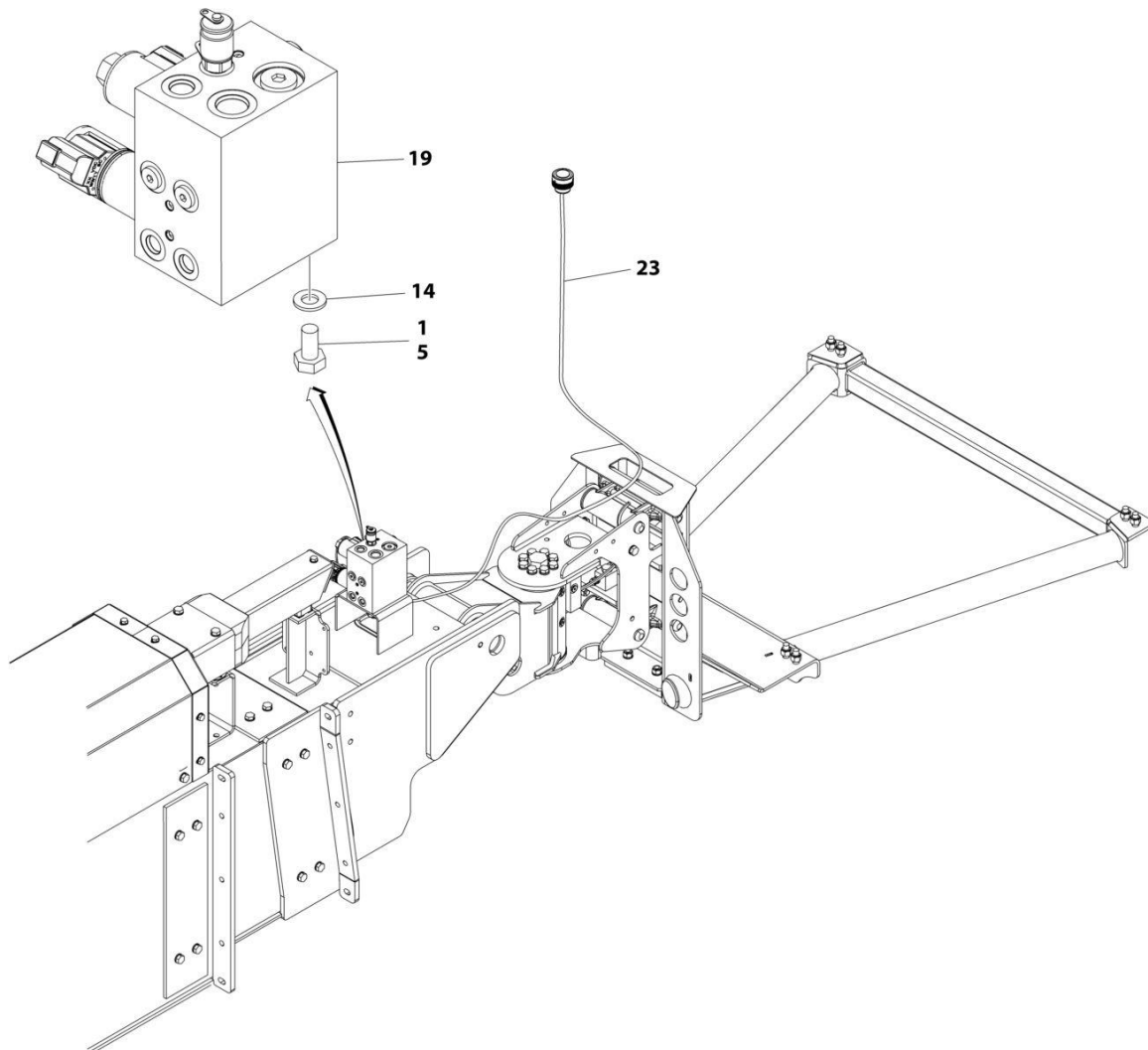
## SECTION 4 - BOOM

**FIGURE 4-18. VALVE INSTALLATION - BOOM (WITH 4WD/2WS) (1030S) (SN B300001677 through B300005767)**

| ITEM | PART NUMBER | QTY | DESCRIPTION   | REV |
|------|-------------|-----|---|-----|
|      | 1001223932  | Ref | VALVE INSTALLATION - BOOM (WITH 4WD/2WS)  | A   |
| 1    | 0100011     | AR  | Compound, Locking   |     |
| 5    | 0761010     | 3   | Bolt M10 x 20   |     |
| 14   | 4812000     | 3   | Washer M10  |     |
| 19   | 1001151502  | 1   | Platform Rotate Valve Assembly (1030S) (See Separate Breakdown in this Section) |     |
| 23   | 1001203152  | 1   | Platform Valve Harness (See Separate Breakdown in ELECTRICAL SECTION)           |     |

# SECTION 4 - BOOM

FIGURE 4-19. VALVE INSTALLATION - BOOM (WITH 4WD/4WS) (1030S)



ART\_1001223891\_30F3

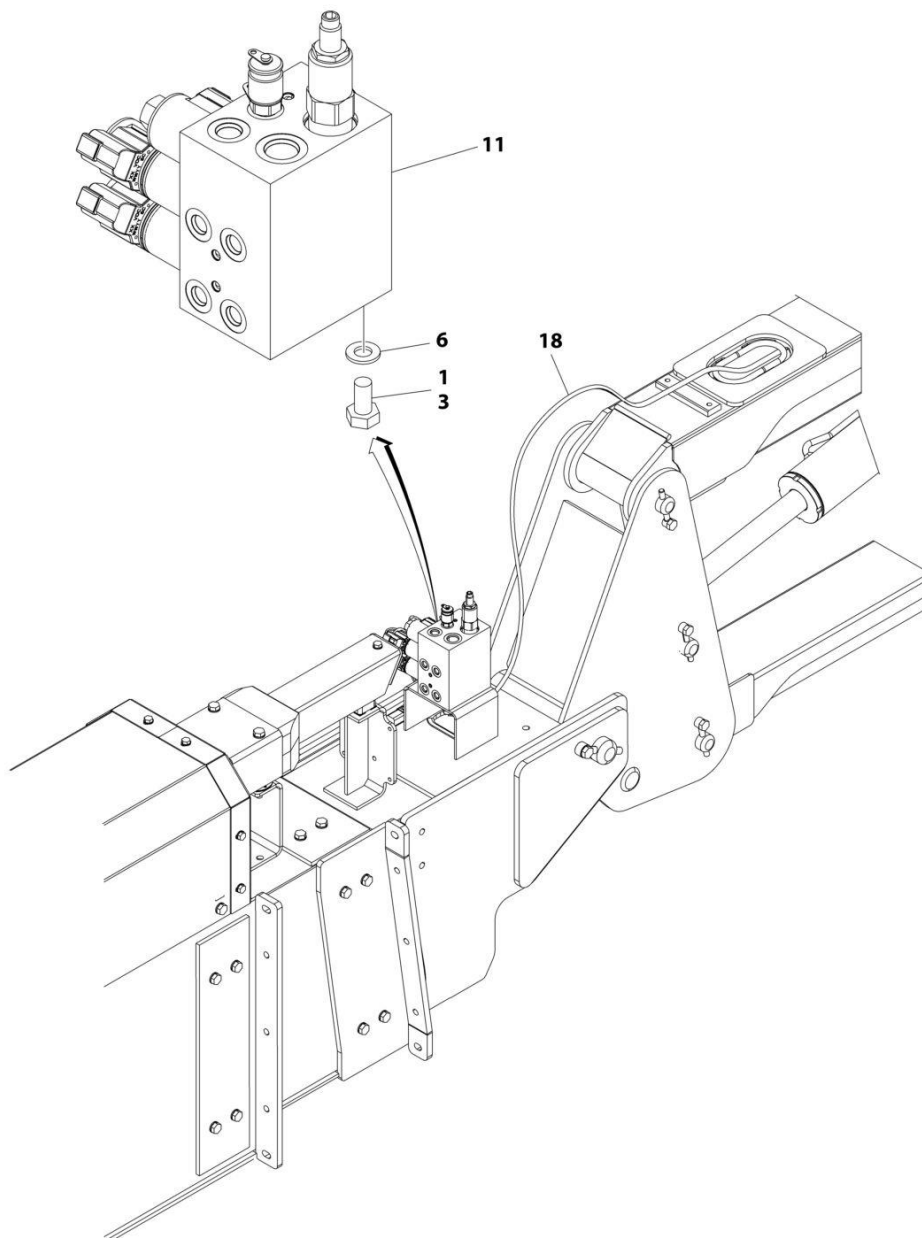
## SECTION 4 - BOOM

**FIGURE 4-19. VALVE INSTALLATION - BOOM (WITH 4WD/4WS) (1030S)**

| ITEM | PART NUMBER | QTY | DESCRIPTION   | REV |
|------|-------------|-----|---|-----|
|      | 1001223891  | Ref | VALVE INSTALLATION - BOOM (WITH 4WD/4WS)                                | A   |
| 1    | 0100011     | AR  | Compound, Locking   |     |
| 5    | 0761010     | 3   | Bolt M10 x 20   |     |
| 14   | 4812000     | 3   | Washer M10  |     |
| 19   | 1001151502  | 1   | Platform Rotate Valve Assembly (See Separate Breakdown in this Section) |     |
| 23   | 1001203152  | 1   | Platform Valve Harness (See Separate Breakdown in ELECTRICAL SECTION)   |     |

## SECTION 4 - BOOM

FIGURE 4-20. VALVE INSTALLATION - BOOM (1100SJ) (SN B300001586 through B300001676)



ART\_1001151549\_2OF2

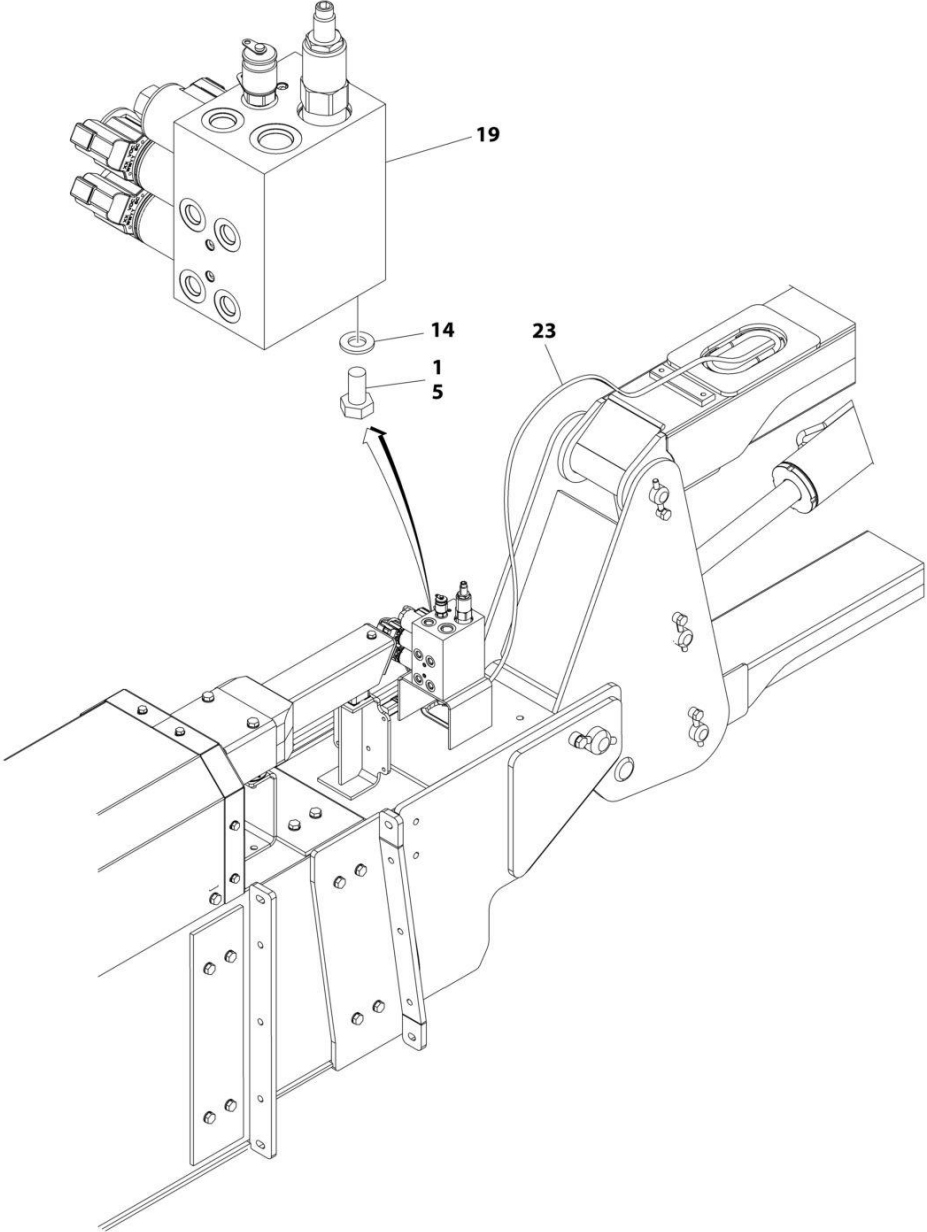
## SECTION 4 - BOOM

**FIGURE 4-20. VALVE INSTALLATION - BOOM (1100SJ) (SN B300001586 through B300001676)**

| ITEM | PART NUMBER | QTY | DESCRIPTION  | REV |
|------|-------------|-----|--|-----|
|      | 1001151549  | Ref | VALVE INSTALLATION - BOOM (SN B300001586 through B300001676)                               | H   |
| 1    | 0100011     | AR  | Compound, Locking  |     |
| 3    | 0761010     | 3   | Bolt M10 x 20  |     |
| 6    | 4812000     | 3   | Washer M10   |     |
| 11   | 1001151500  | 1   | Jib and Platform Rotate Valve Assembly (See Separate Breakdown in this Section)            |     |
| 18   | 1001203004  | 1   | Platform Valve Harness (Use p/n 1001231797) (See Separate Breakdown in ELECTRICAL SECTION) |     |

**SECTION 4 - BOOM**

**FIGURE 4-21. VALVE INSTALLATION - BOOM (WITH 2WD/2WS) (1100SJ) (SN B300001677 through B300005767)**



ART\_1001223984\_3OF3



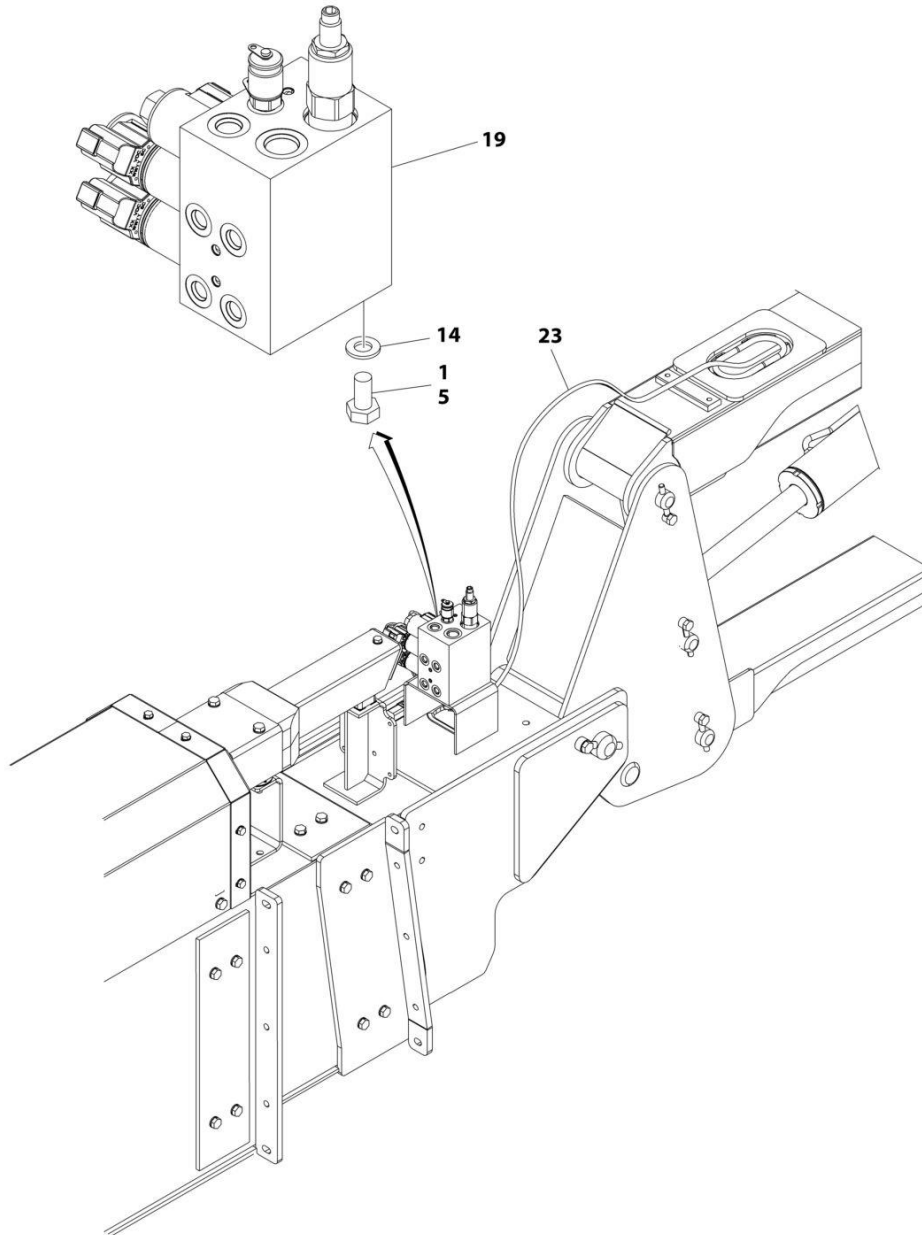
## SECTION 4 - BOOM

**FIGURE 4-21. VALVE INSTALLATION - BOOM (WITH 2WD/2WS) (1100SJ) (SN B300001677 through B300005767)**

| ITEM | PART NUMBER | QTY | DESCRIPTION   | REV |
|------|-------------|-----|---|-----|
|      | 1001223984  | Ref | VALVE INSTALLATION - BOOM (WITH 2WD/2WS)  | B   |
| 1    | 0100011     | AR  | Compound, Locking   |     |
| 5    | 0761010     | 3   | Bolt M10 x 20   |     |
| 14   | 4812000     | 3   | Washer M10  |     |
| 19   | 1001151500  | 1   | Jib and Platform Rotate Valve Assembly (See Separate Breakdown in this Section)   |     |
| 23   | 1001203004  | NLA | Platform Valve Harness (Use p/n 1001231797) (See Separate Breakdown in ELECTRICAL SECTION) <b>(SN B300001586 through B300002339)</b>  |     |
| 23   | 1001231797  | 1   | Platform Valve Harness (See Separate Breakdown in ELECTRICAL SECTION) <b>(SN B300002340 through B300005767, Excluding B300005565)</b> |     |

## SECTION 4 - BOOM

FIGURE 4-22. VALVE INSTALLATION - BOOM (WITH 4WD/2WS) (1100SJ) (SN B300001677 through B300005767)



ART\_1001223931\_3OF3

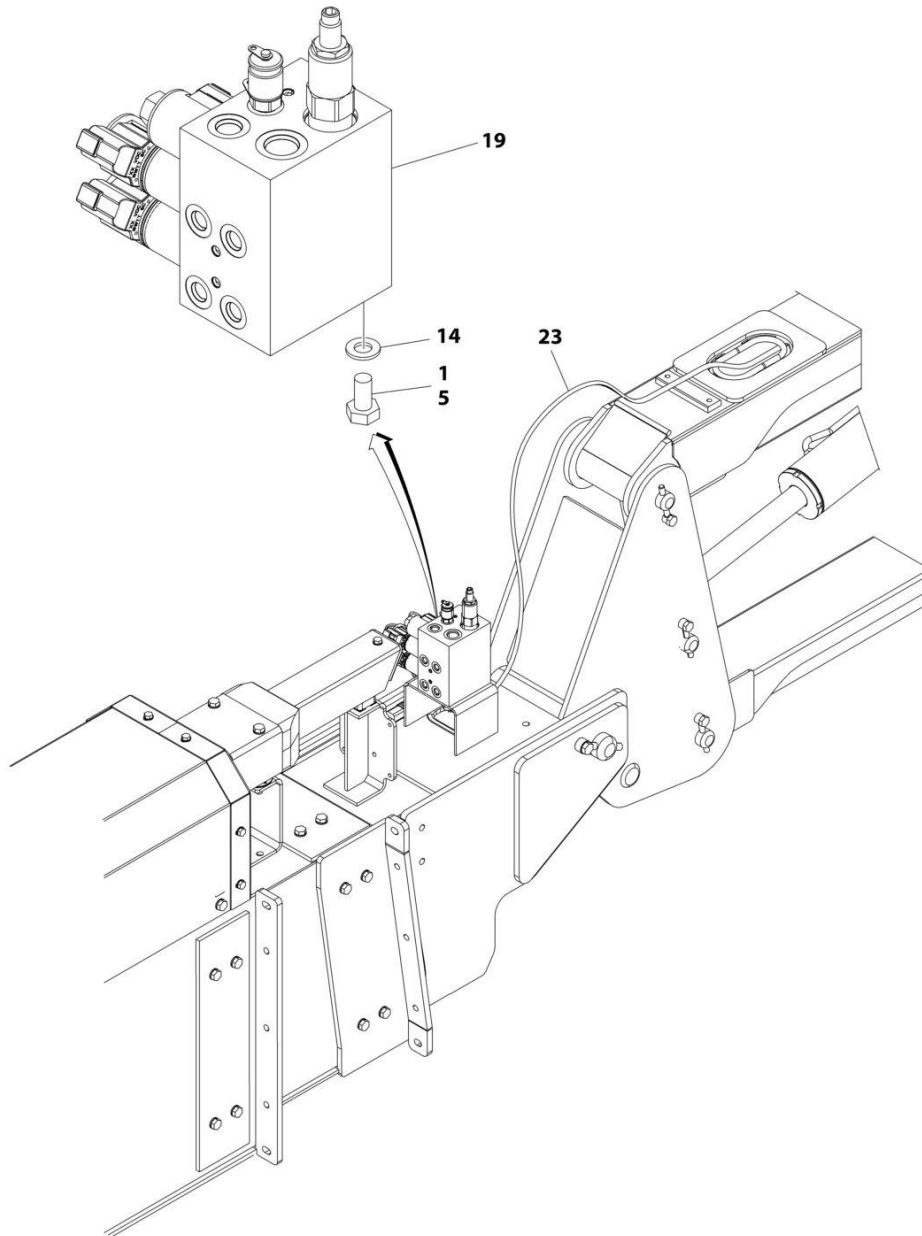
## SECTION 4 - BOOM

**FIGURE 4-22. VALVE INSTALLATION - BOOM (WITH 4WD/2WS) (1100SJ) (SN B300001677 through B300005767)**

| ITEM | PART NUMBER | QTY | DESCRIPTION   | REV |
|------|-------------|-----|---|-----|
|      | 1001223931  | Ref | VALVE INSTALLATION - BOOM (WITH 4WD/2WS)  | B   |
| 1    | 0100011     | AR  | Compound, Locking   |     |
| 5    | 0761010     | 3   | Bolt M10 x 20   |     |
| 14   | 4812000     | 3   | Washer M10  |     |
| 19   | 1001151500  | 1   | Jib and Platform Rotate Valve Assembly (See Separate Breakdown in this Section)   |     |
| 23   | 1001203004  | NLA | Platform Valve Harness (Use p/n 1001231797) (See Separate Breakdown in ELECTRICAL SECTION) <b>(SN B300001586 through B300002339)</b>  |     |
| 23   | 1001231797  | 1   | Platform Valve Harness (See Separate Breakdown in ELECTRICAL SECTION) <b>(SN B300002340 through B300005767, Excluding B300005565)</b> |     |

# SECTION 4 - BOOM

## FIGURE 4-23. VALVE INSTALLATION - BOOM (WITH 4WD/4WS) (1100SJ)



ART\_1001223890\_3OF3

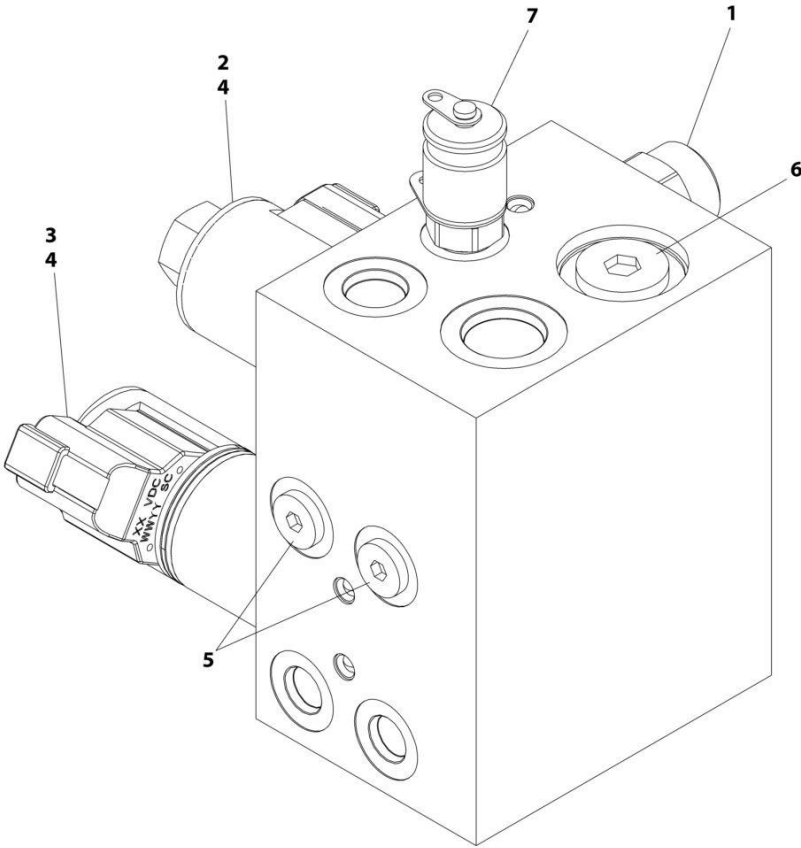
## SECTION 4 - BOOM

**FIGURE 4-23. VALVE INSTALLATION - BOOM (WITH 4WD/4WS) (1100SJ)**

| ITEM | PART NUMBER | QTY | DESCRIPTION   | REV |
|------|-------------|-----|---|-----|
|      | 1001223890  | Ref | VALVE INSTALLATION - BOOM (WITH 4WD/4WS)  | B   |
| 1    | 0100011     | AR  | Compound, Locking   |     |
| 5    | 0761010     | 3   | Bolt M10 x 20   |     |
| 14   | 4812000     | 3   | Washer M10  |     |
| 19   | 1001151500  | 1   | Jib and Platform Rotate Valve Assembly (See Separate Breakdown in this Section)   |     |
| 23   | 1001203004  | NLA | Platform Valve Harness (Use p/n 1001231797) (See Separate Breakdown in ELECTRICAL SECTION) <b>(SN B300001586 through B300002339)</b>  |     |
| 23   | 1001231797  | 1   | Platform Valve Harness (See Separate Breakdown in ELECTRICAL SECTION) <b>(SN B300002340 through B300005767, Excluding B300005565)</b> |     |

**SECTION 4 - BOOM**

**FIGURE 4-24. PLATFORM ROTATE VALVE ASSEMBLY (1030S)**



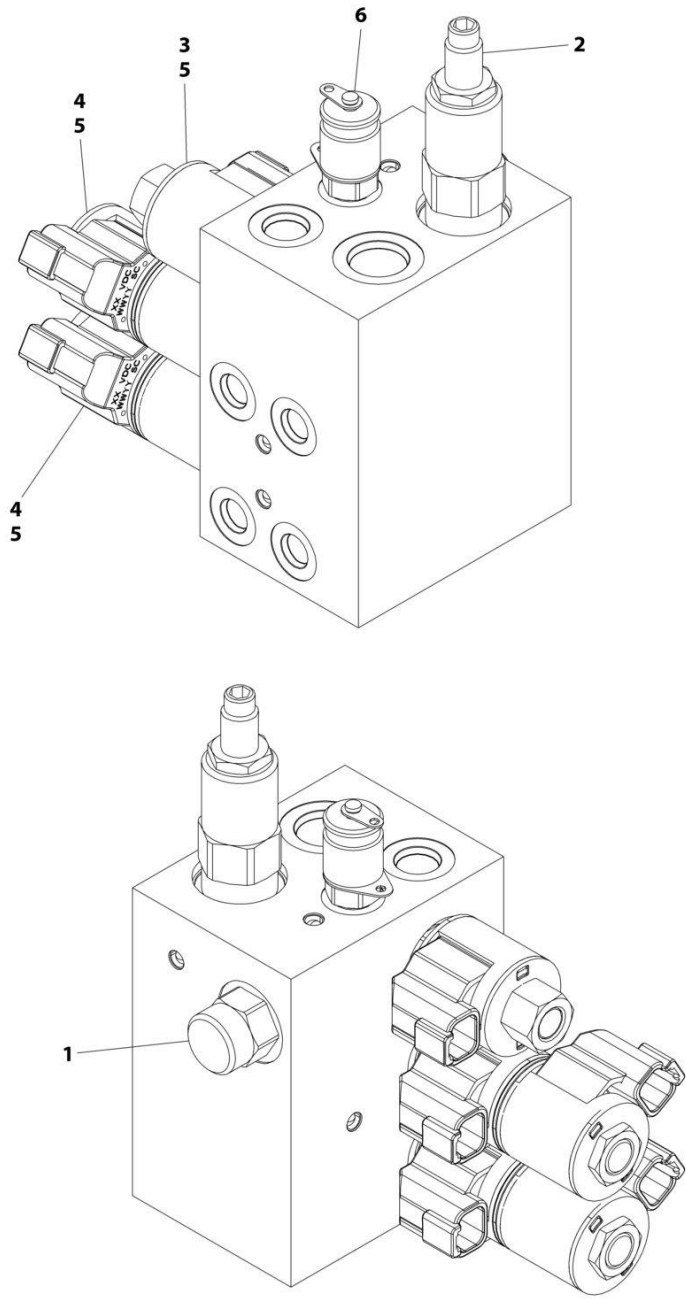
ART\_1001151502

FIGURE 4-24. PLATFORM ROTATE VALVE ASSEMBLY (1030S)

| ITEM | PART NUMBER | QTY | DESCRIPTION                         | REV |
|------|-------------|-----|-------------------------------------|-----|
|      | 1001151502  | Ref | PLATFORM ROTATE VALVE ASSEMBLY      | E   |
| 1    | 70006425    | 1   | Cartridge, Flow Regulator           |     |
| 1    | 8036572     | 1   | Seal Kit - 70005787 Valve           |     |
| 2    | 7017410     | 1   | Cartridge, Solenoid Valve Less Coil |     |
| 2    | 7012967     | 1   | Seal Kit - 7017410 Valve            |     |
| 2    | 70003978    | 1   | Nut, Coil                           |     |
| 3    | 70005789    | 1   | Cartridge, Solenoid Valve Less Coil |     |
| 3    | 7017402     | 1   | Seal Kit - 70005789 Valve           |     |
| 3    | 7022390     | 1   | Nut, Coil                           |     |
| 3    | 70003023    | 1   | Spacer, Coil                        |     |
| 4    | 70002386    | 3   | Coil                                |     |
| 5    | 2220883     | 2   | Plug                                |     |
| 6    | 2220886     | 2   | Plug                                |     |
| 7    | 2221086     | 1   | Fitting, Test                       |     |

**SECTION 4 - BOOM**

**FIGURE 4-25. JIB AND PLATFORM ROTATE VALVE ASSEMBLY (1100SJ)**



ART\_1001151500



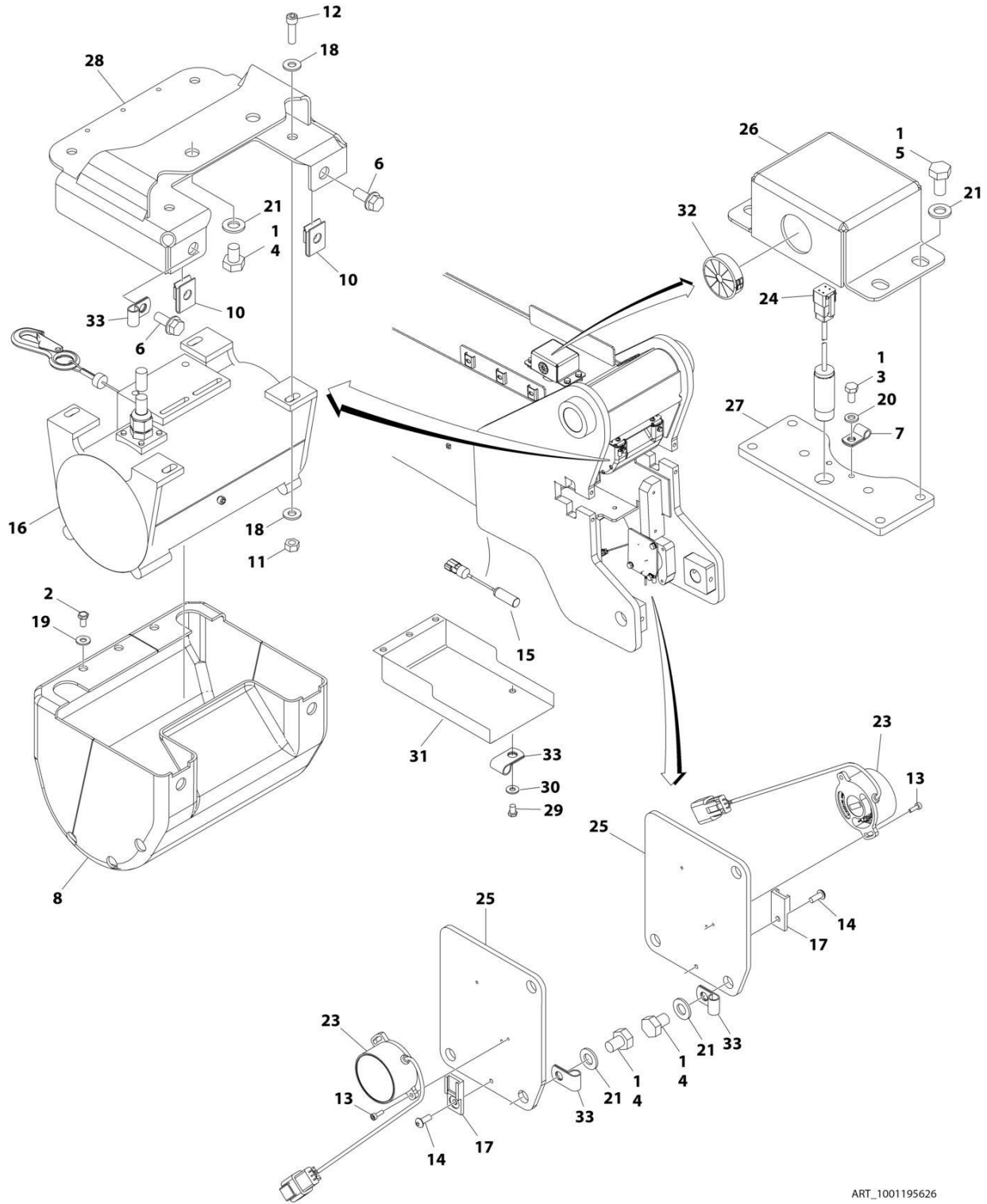
## SECTION 4 - BOOM

**FIGURE 4-25. JIB AND PLATFORM ROTATE VALVE ASSEMBLY (1100SJ)**

| ITEM | PART NUMBER | QTY | DESCRIPTION                            | REV |
|------|-------------|-----|--|-----|
|      | 1001151500  | Ref | JIB AND PLATFORM ROTATE VALVE ASSEMBLY | F   |
| 1    | 70006425    | 1   | Cartridge, Flow Regulator              |     |
| 1    | 8036572     | 1   | Seal Kit - 70005787 Valve              |     |
| 2    | 70023609    | 1   | Cartridge, Relief Valve                |     |
| 2    | 7012998     | 1   | Seal Kit - 70005788 Valve              |     |
| 3    | 7017410     | 1   | Cartridge, Solenoid Valve Less Coil    |     |
| 3    | 7012967     | 1   | Seal Kit - 7017410 Valve               |     |
| 3    | 70003978    | 1   | Nut, Coil                              |     |
| 4    | 70005789    | 2   | Cartridge, Solenoid Valve Less Coil    |     |
| 4    | 7017402     | 2   | Seal Kit - 70005789 Valve              |     |
| 4    | 7022390     | 2   | Nut, Coil                              |     |
| 4    | 70003023    | 2   | Spacer, Coil                           |     |
| 5    | 70002386    | 5   | Coil                                   |     |
| 6    | 2221086     | 1   | Fitting, Test                          |     |

# SECTION 4 - BOOM

## FIGURE 4-26. BOOM SENSORS INSTALLATION



ART\_1001195626

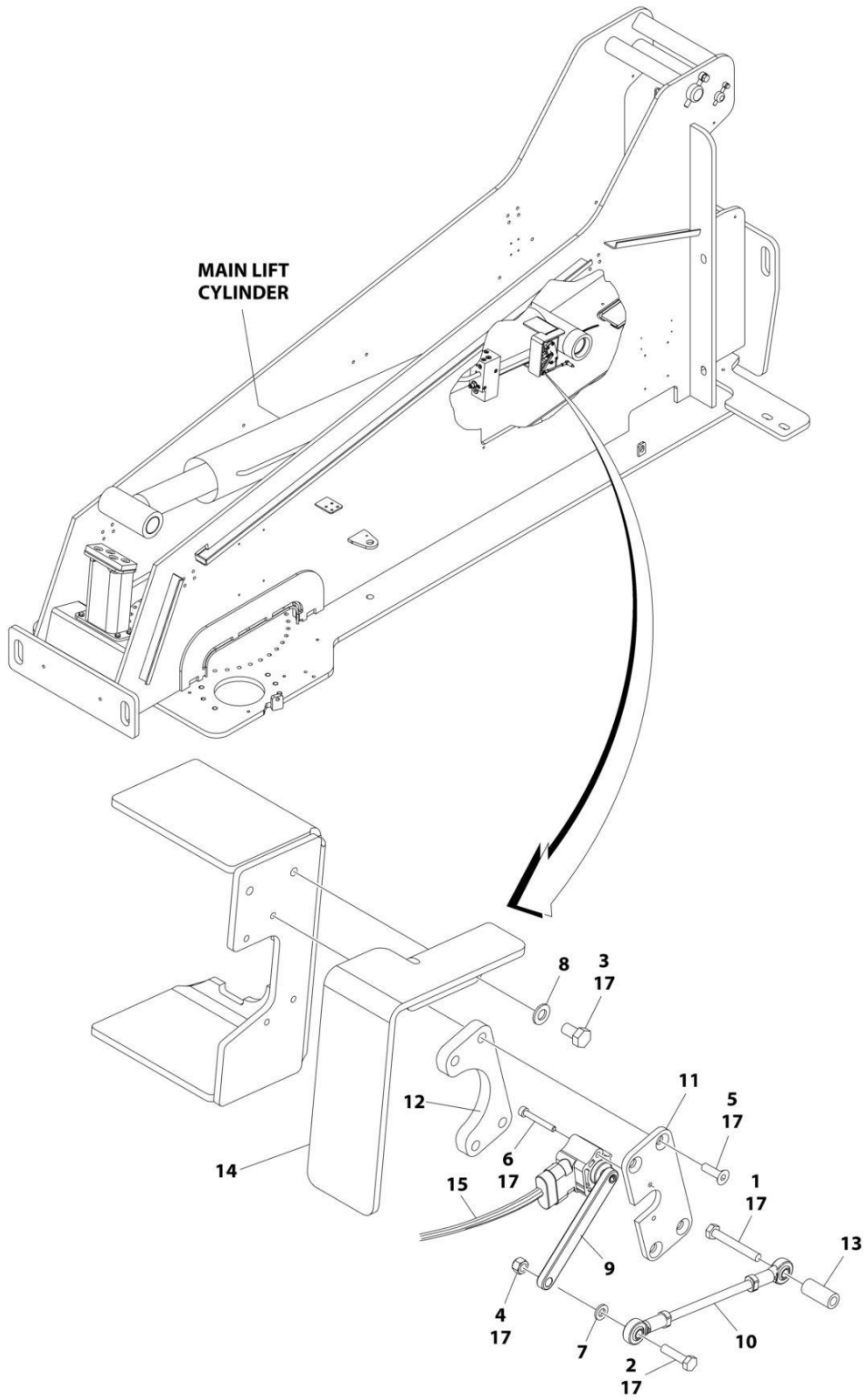
## SECTION 4 - BOOM

### FIGURE 4-26. BOOM SENSORS INSTALLATION

| ITEM | PART NUMBER | QTY | DESCRIPTION   | REV |
|------|-------------|-----|---|-----|
|      | 1001195626  | Ref | BOOM SENSORS INSTALLATION   | E   |
| 1    | 0100011     | AR  | Compound, Locking   |     |
| 2    | 0721003     | 3   | Screw #10 x 3/8   |     |
| 3    | 0760606     | 1   | Bolt M6 x 12  |     |
| 4    | 0761007     | 8   | Bolt M10 x 14   |     |
| 5    | 0761010     | 6   | Bolt M10 x 20   |     |
| 6    | 0791506     | 2   | Screw 5/16 x 3/4  |     |
| 7    | 1320136     | 1   | Clamp   |     |
| 8    | 1671142     | 1   | Cover   |     |
| 10   | 3300364     | 2   | Nut, Tinnerman 5/16   |     |
| 11   | 3311405     | 4   | Nut 1/4   |     |
| 12   | 3931414     | 4   | Capscrew 1/4 x 7/8  |     |
| 13   | 4031205     | 6   | Capscrew M3 x 10  |     |
| 14   | 4031605     | 2   | Capscrew M5 x 10  |     |
| 15   | 1001196517  | 1   | Sensor, Proximity   |     |
| 16   | 4360552     | 1   | Switch, Boom Length   |     |
| 17   | 4460914     | 2   | Terminal, Base  |     |
| 18   | 4711400     | 8   | Washer 1/4  |     |
| 19   | 4751000     | 3   | Washer #10  |     |
| 20   | 4811700     | 1   | Washer M6   |     |
| 21   | 4812000     | 14  | Washer M10  |     |
| 23   | 1001147479  | 2   | Sensor, Angle   |     |
| 24   | 1001204043  | 1   | Sensor, Proximity   |     |
| 25   | 1001151906  | 2   | Plate   |     |
| 26   | 1001151907  | 1   | Cover   |     |
| 27   | 1001151908  | 1   | Plate   |     |
| 28   | 1001195629  | NLA | Support (Use p/n 1001242540) <b>(SN B300001586 through B300003673)</b>  |     |
| 28   | 1001242540  | 1   | Support <b>(SN B300003674 through B300005767, Excluding B300005565)</b> |     |
| 29   | 0760806     | 7   | Bolt M8 x 12  |     |
| 30   | 4811900     | 7   | Washer M8   |     |
| 31   | 1001221435  | 1   | Cover   |     |
| 32   | 1001185281  | 1   | Plug  |     |
| 33   | 1320263     | 6   | Clamp   |     |

# SECTION 4 - BOOM

FIGURE 4-27. BOOM SENSORS INSTALLATION (WITH VERTICAL/HORIZONTAL CONTROLS)



ART\_1001150036

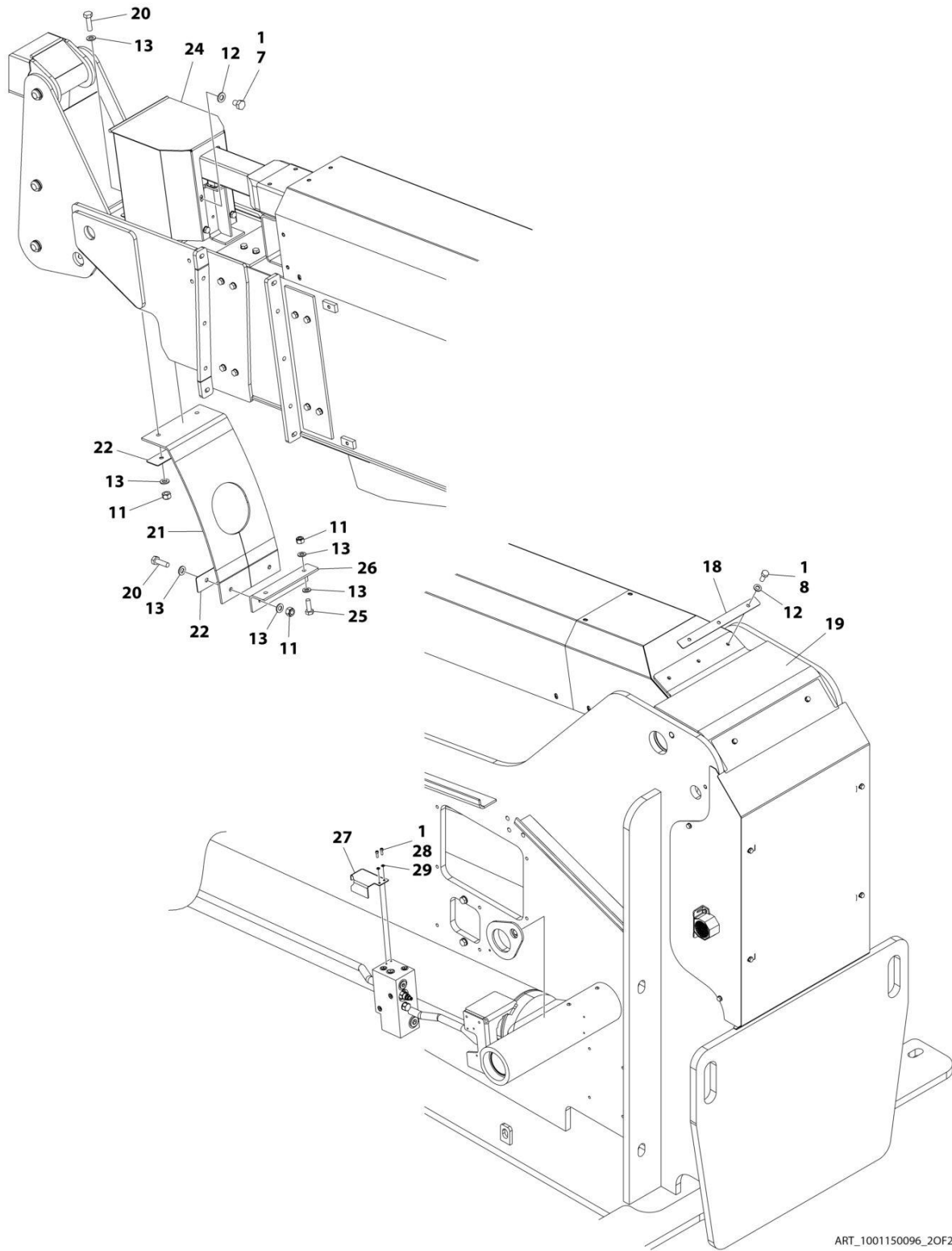
## SECTION 4 - BOOM

**FIGURE 4-27. BOOM SENSORS INSTALLATION (WITH VERTICAL/HORIZONTAL CONTROLS)**

| ITEM | PART NUMBER | QTY | DESCRIPTION   | REV |
|------|-------------|-----|---|-----|
|      | 1001150036  | Ref | BOOM SENSORS INSTALLATION (WITH VERTICAL/HORIZONTAL CONTROLS) | C   |
| 1    | 0700617     | 1   | Bolt M6 x 45  |     |
| 2    | 0760612     | 1   | Bolt M6 x 25  |     |
| 3    | 0760807     | 2   | Bolt M8 x 14  |     |
| 4    | 3290605     | 1   | Nut M6  |     |
| 5    | 1001170305  | 4   | Screw #6  |     |
| 6    | 4031510     | 2   | Capscrew M4 x 30  |     |
| 7    | 4811700     | 1   | Washer M6   |     |
| 8    | 4811900     | 2   | Washer M8   |     |
| 9    | 1001118971  | 1   | Sensor, Angle   |     |
| 10   | 1001119033  | 1   | Link  |     |
| 11   | 1001152039  | 1   | Mount   |     |
| 12   | 1001152059  | 1   | Plate   |     |
| 13   | 1001152060  | 1   | Sleeve  |     |
| 14   | 1001152062  | 1   | Cover   |     |
| 15   | 1001152454  | 1   | HV Protractor Harness   |     |
| 15   | 1001230931  | 1   | Plug, Male - 6 Position (Angle Sensor)                        |     |
| 15   | 1001116748  | 6   | Socket, Female  |     |
| 15   | 4460899     | 1   | Receptacle, Female - 6 Position (BLAM Module)                 |     |
| 15   | 4460464     | 6   | Pin, Male   |     |
| 16   | 1001207673  | 1   | HV Jumper Harness (Not Shown)                                 |     |
| 16   | 4460871     | 2   | Pin, Male   |     |
| 17   | 0100011     | AR  | Compound, Locking   |     |

# SECTION 4 - BOOM

## FIGURE 4-28. BOOM SHIELDS INSTALLATION



ART\_1001150096\_20F2

FIGURE 4-28. BOOM SHIELDS INSTALLATION

| ITEM | PART NUMBER | QTY | DESCRIPTION               | REV |
|------|-------------|-----|---------------------------|-----|
|      | 1001150096  | Ref | BOOM SHIELDS INSTALLATION | J   |
| 1    | 0100011     | AR  | Compound, Locking         |     |
| 7    | 0760807     | 7   | Bolt M8 x 14              |     |
| 8    | 0760810     | 3   | Bolt M8 x 20              |     |
| 11   | 3291005     | 6   | Nut M10                   |     |
| 12   | 4811900     | 6   | Washer M8                 |     |
| 13   | 4812000     | 12  | Washer M10                |     |
| 18   | 1001195876  | 1   | Plate, Clamp              |     |
| 19   | 1001195877  | 1   | Cover, Boom Pivot         |     |
| 20   | 0761015     | 4   | Bolt M10 x 35             |     |
| 21   | 1001200156  | 1   | Cover, Fly Nose           |     |
| 22   | 1001200157  | 2   | Plate, Clamp              |     |
| 24   | 1001205505  | 1   | Cover, Valve              |     |
| 25   | 0761014     | 2   | Bolt M10 x 30             |     |
| 26   | 1001220562  | 1   | Bracket                   |     |
| 27   | 1001245788  | 1   | Cover, Pressure Sensor    |     |
| 28   | 4031607     | 2   | Bolt M5 x 16              |     |
| 29   | 4811600     | 2   | Washer M5                 |     |

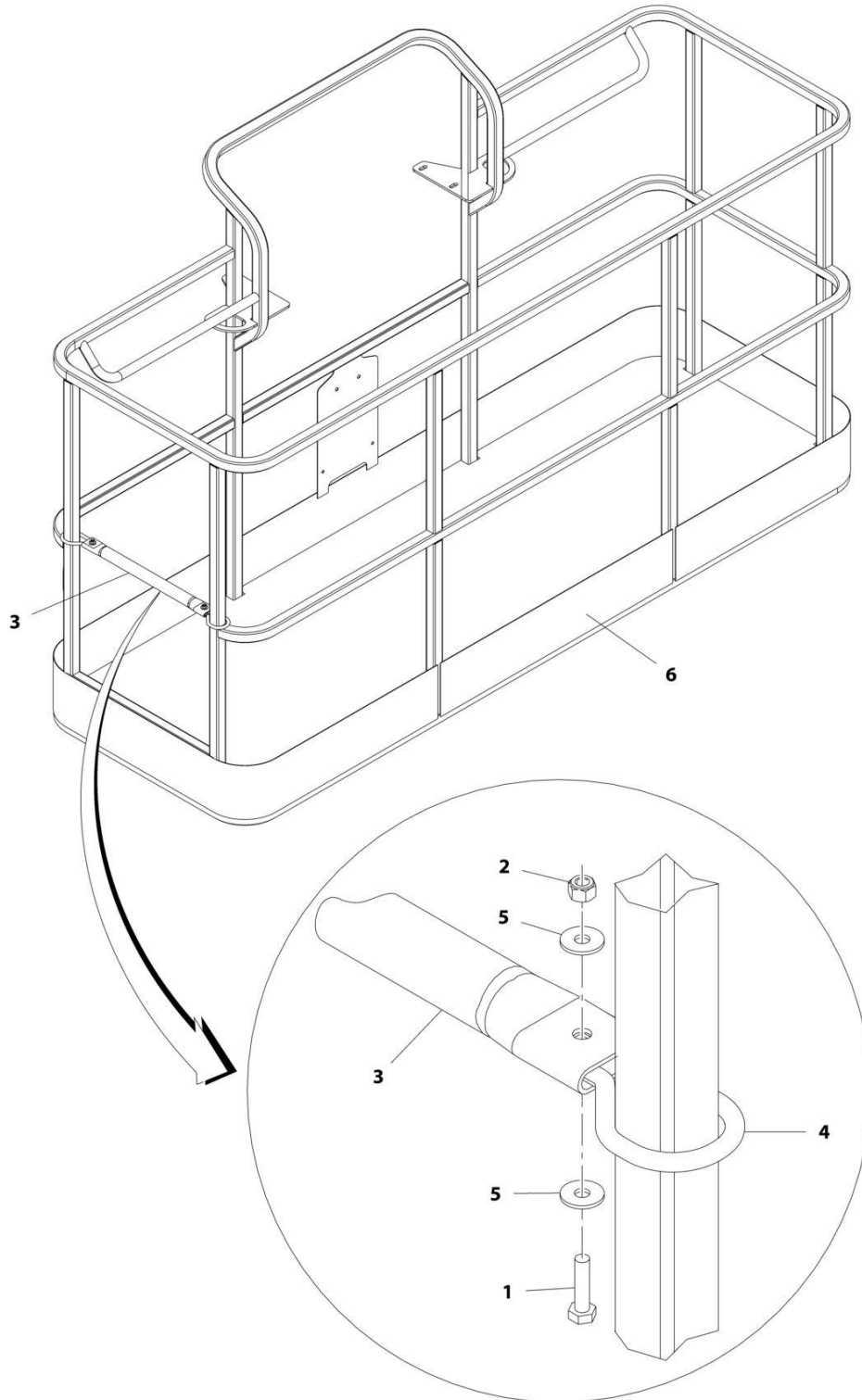




**SECTION 5 - PLATFORM**

# SECTION 5 - PLATFORM

FIGURE 5-1. PLATFORM ASSEMBLY - STANDARD MACHINES (SN B300001586 through B300001680)



ART\_1001134293

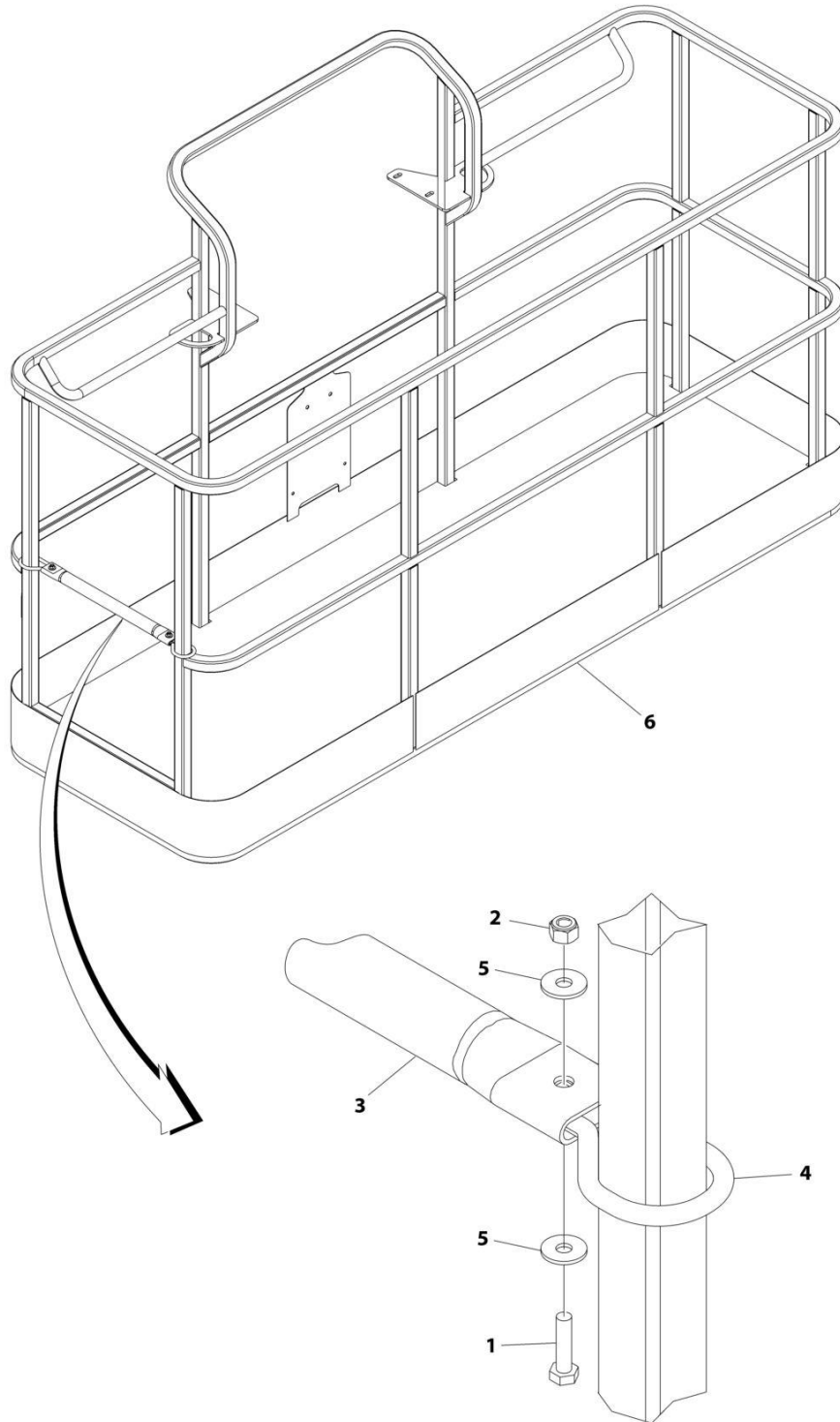
## SECTION 5 - PLATFORM

**FIGURE 5-1. PLATFORM ASSEMBLY - STANDARD MACHINES (SN B300001586 through B300001680)**

| ITEM | PART NUMBER | QTY | DESCRIPTION  | REV |
|------|-------------|-----|--|-----|
|      | 1001134293  | Ref | PLATFORM ASSEMBLY - STANDARD MACHINES (SN <b>B300001586 through B300001680</b> ) | C   |
|      |             | Ref | Note: Replacement Decals Must be Ordered Separately - See DECAL SECTION.         |     |
| 1    | 0760612     | 2   | Bolt M6 x 25   |     |
| 2    | 3290605     | 2   | Nut M6   |     |
| 3    | 3641585     | 1   | Rail   |     |
| 4    | 3841692     | 2   | Loop, Rod  |     |
| 5    | 4811702     | 4   | Washer M6  |     |
| 6    | See Note    | NSS | Platform (Note: Purchase Platform Assembly)                                      |     |

# SECTION 5 - PLATFORM

FIGURE 5-2. PLATFORM ASSEMBLY - STANDARD MACHINES (SN B300001681 through B300005767)



ART\_1001227180

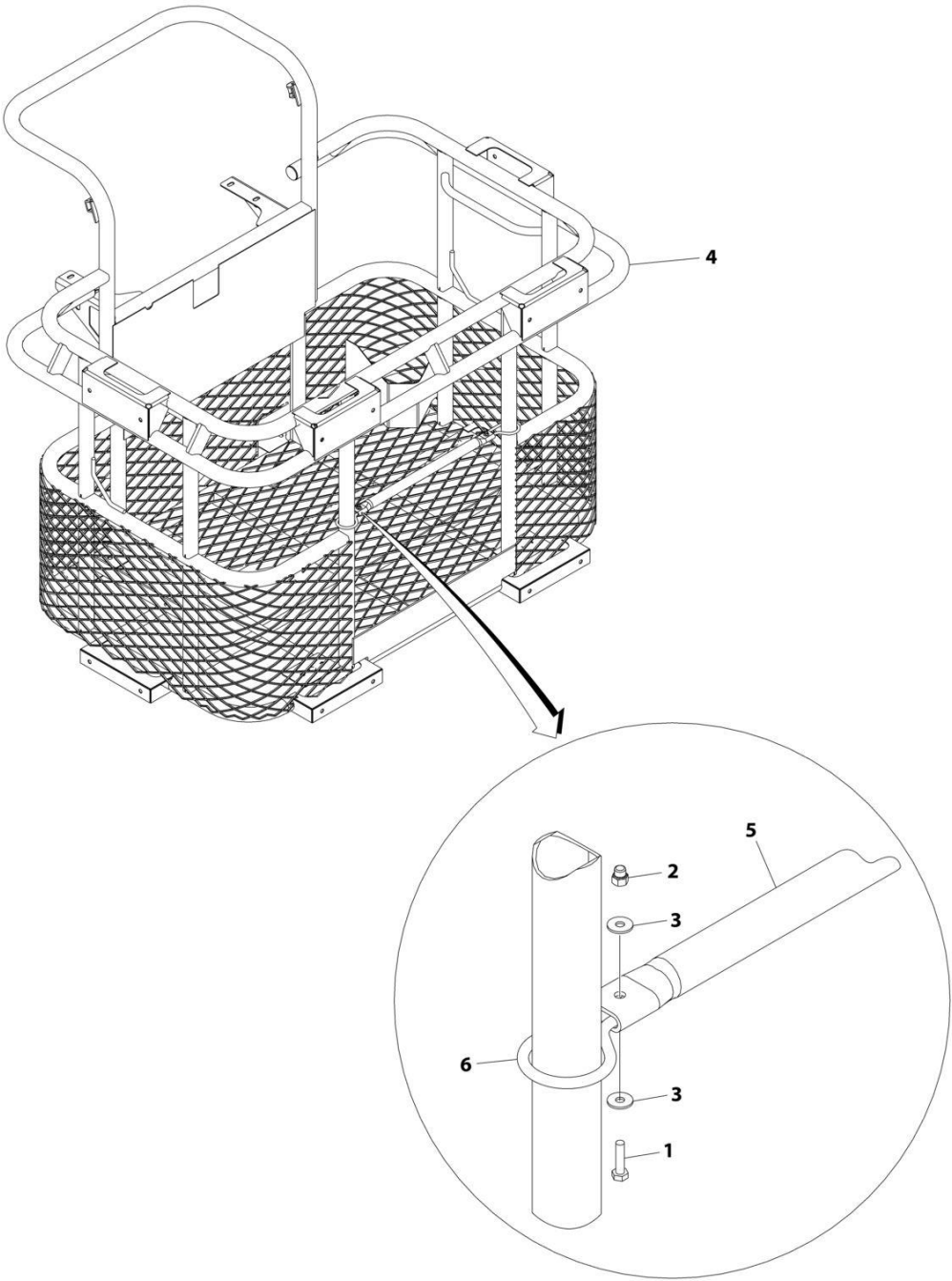
## SECTION 5 - PLATFORM

**FIGURE 5-2. PLATFORM ASSEMBLY - STANDARD MACHINES (SN B300001681 through B300005767)**

| ITEM | PART NUMBER | QTY | DESCRIPTION  | REV |
|------|-------------|-----|--|-----|
|      | 1001227180  | Ref | PLATFORM ASSEMBLY - STANDARD MACHINES                                    | C   |
|      |             | Ref | Note: Replacement Decals Must be Ordered Separately - See DECAL SECTION. |     |
| 1    | 0760612     | 2   | Bolt M6 x 25   |     |
| 2    | 3290605     | 2   | Nut M6   |     |
| 3    | 3641585     | 1   | Rail   |     |
| 4    | 3841692     | 2   | Loop, Rod  |     |
| 5    | 4811702     | 4   | Washer M6  |     |
| 6    | See Note    | NSS | Platform (Note: Purchase Platform Assembly)                              |     |

**SECTION 5 - PLATFORM**

**FIGURE 5-3. PLATFORM ASSEMBLY - SHIPYARD MACHINES**



ART\_1001150037

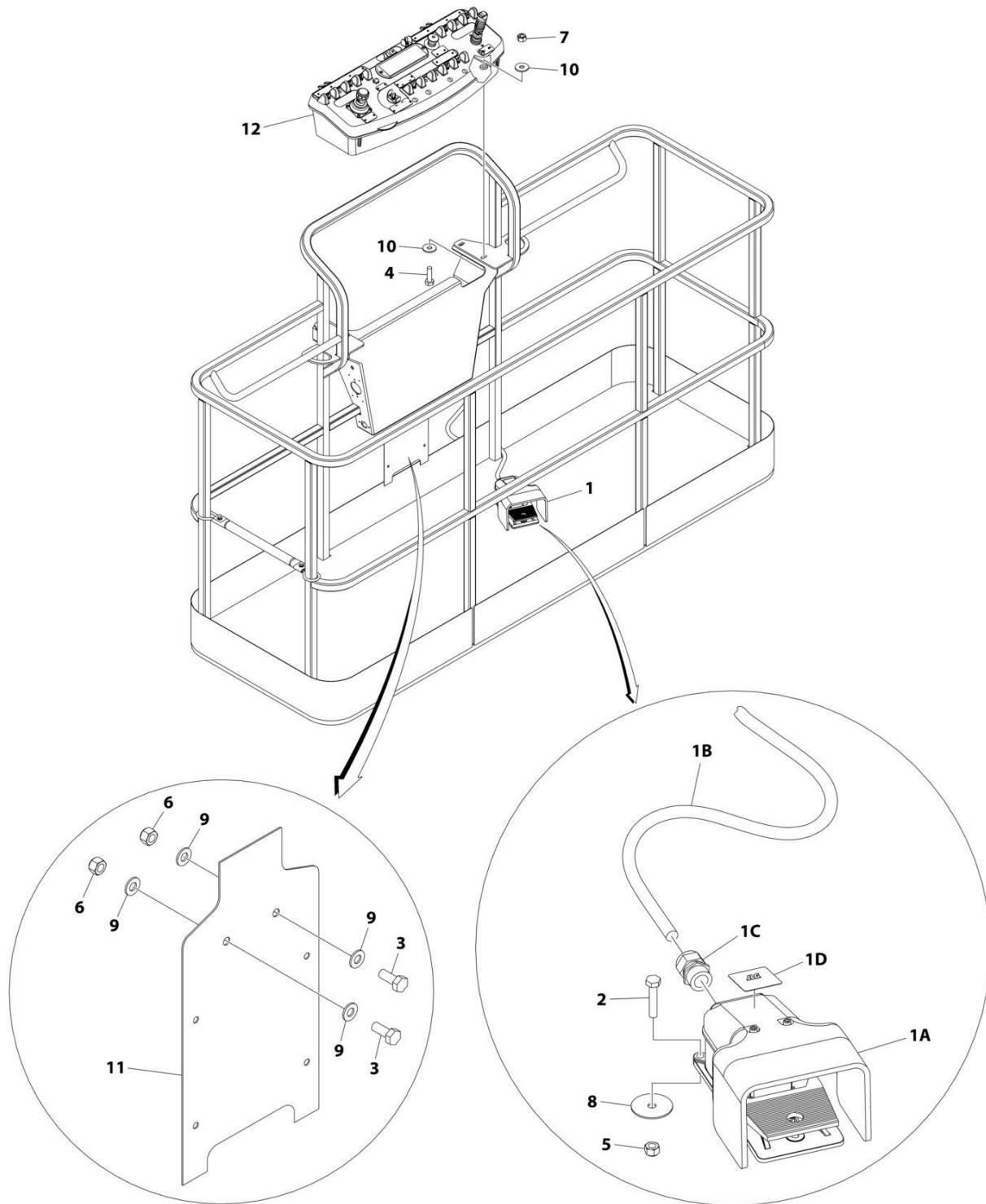
## SECTION 5 - PLATFORM

**FIGURE 5-3. PLATFORM ASSEMBLY - SHIPYARD MACHINES**

| ITEM | PART NUMBER | QTY | DESCRIPTION  | REV |
|------|-------------|-----|--|-----|
|      | 1001150037  | Ref | PLATFORM ASSEMBLY - SHIPYARD MACHINES                                    | B   |
|      |             | Ref | Note: Replacement Decals Must be Ordered Separately - See DECAL SECTION. |     |
| 1    | 0760612     | 2   | Bolt M6 x 25   |     |
| 2    | 3290606     | 2   | Nut M6   |     |
| 3    | 4811702     | 4   | Washer M6  |     |
| 4    | See Note    | NSS | Platform (Note: Purchase Platform Assembly)                              |     |
| 5    | 1001151214  | 1   | Rail   |     |
| 6    | 1001151215  | 2   | Loop, Rod  |     |

# SECTION 5 - PLATFORM

## FIGURE 5-4. PLATFORM CONSOLE AND FOOTSWITCH INSTALLATION - STANDARD MACHINES (ENGLISH LANGUAGE)



ART\_1001215797



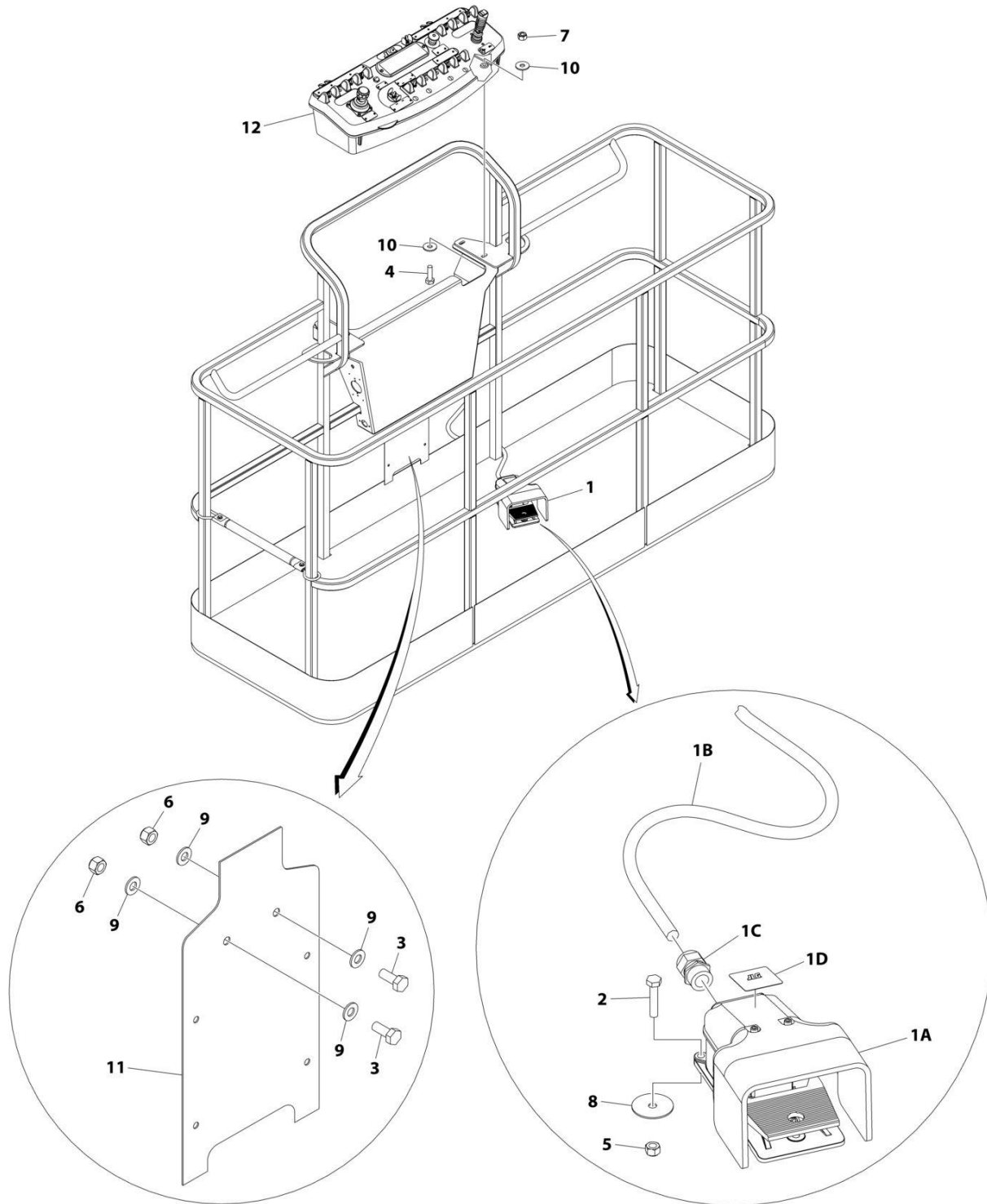
## SECTION 5 - PLATFORM

**FIGURE 5-4. PLATFORM CONSOLE AND FOOTSWITCH INSTALLATION - STANDARD MACHINES  
(ENGLISH LANGUAGE)**

| ITEM | PART NUMBER | QTY       | DESCRIPTION  | REV |
|------|-------------|-----------|--|-----|
|      | 1001215797  | Ref       | PLATFORM CONSOLE AND FOOTSWITCH INSTALLATION - STANDARD MACHINES (ENGLISH LANGUAGE)  | A   |
| 1    | 0272970     | 1         | Footswitch Assembly  | B   |
| 1A   | 1001117320  | 1         | Footswitch   |     |
| 1A   | 70003483    | 1         | Block, Contact   |     |
| 1B   | 1060918     | 7 ft/2.2m | Cable, Electrical - 18/3   |     |
| 1C   | 4460071     | 1         | Connector, Strain Relief   |     |
| 1D   | 3252347     | 1         | Nameplate (Note: See DECAL SECTION for Other Languages)                              |     |
| 2    | 0760614     | 3         | Bolt M6 x 30   |     |
| 3    | 0760810     | 2         | Bolt M8 x 20   |     |
| 4    | 0761015     | 4         | Bolt M10 x 35  |     |
| 5    | 3290605     | 3         | Nut M6   |     |
| 6    | 3290805     | 2         | Nut M8   |     |
| 7    | 3291005     | 4         | Nut M10  |     |
| 8    | 4740362     | 3         | Washer, Fender 1/4   |     |
| 9    | 4811900     | 4         | Washer M8  |     |
| 10   | 4812002     | 8         | Washer M10   |     |
| 11   | 1001145439  | 1         | Panel, Pedestal  |     |
| 12   | 1001196747  | 1         | Console Box Sub-Assembly (English Language) (See Separate Breakdown in this Section) |     |

# SECTION 5 - PLATFORM

## FIGURE 5-5. PLATFORM CONSOLE AND FOOTSWITCH INSTALLATION - STANDARD MACHINES (ENGLISH/CHINESE LANGUAGE)



ART\_1001215799

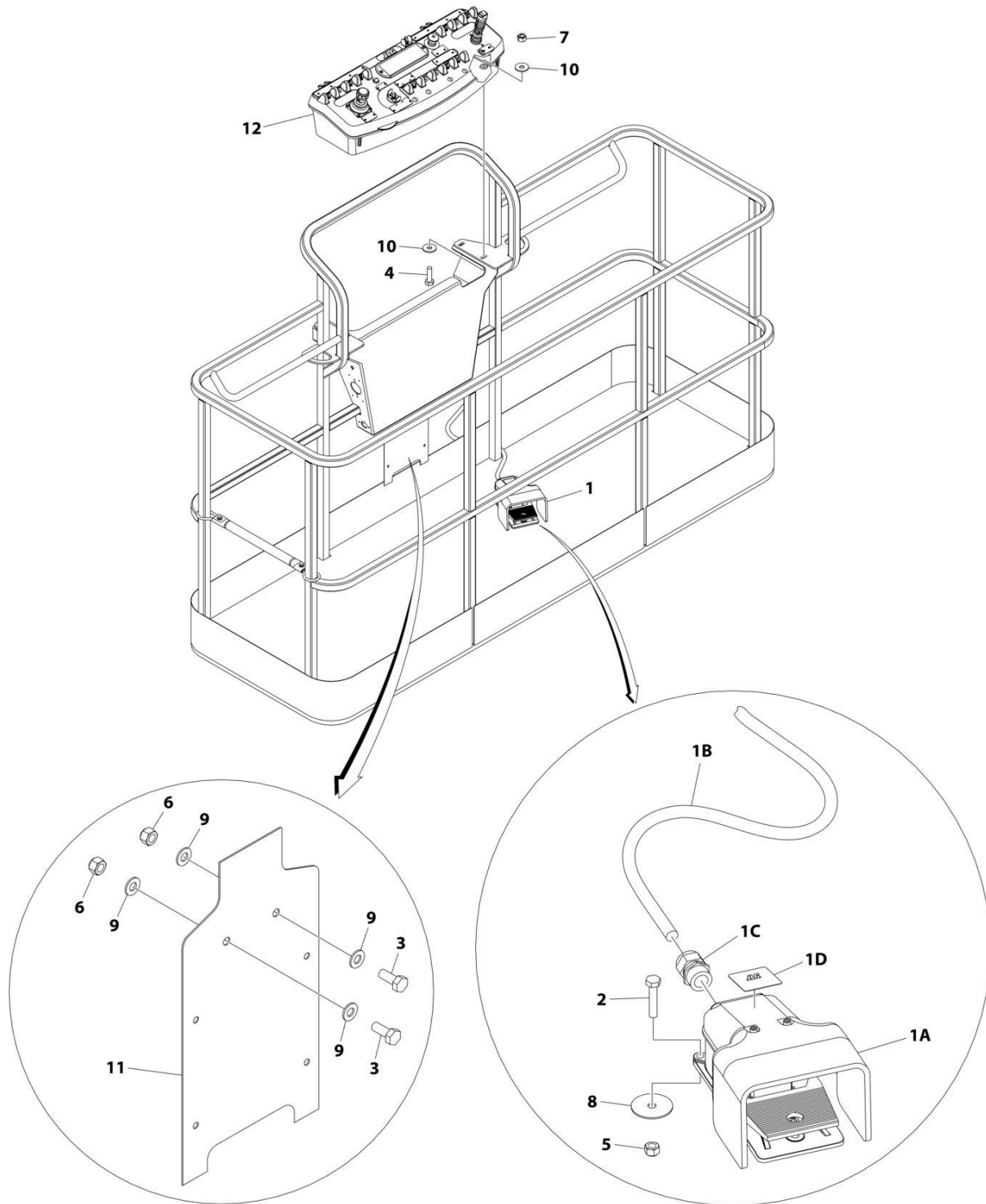
## SECTION 5 - PLATFORM

**FIGURE 5-5. PLATFORM CONSOLE AND FOOTSWITCH INSTALLATION - STANDARD MACHINES  
(ENGLISH/CHINESE LANGUAGE)**

| ITEM | PART NUMBER | QTY       | DESCRIPTION  | REV |
|------|-------------|-----------|--|-----|
|      | 1001215799  | Ref       | PLATFORM CONSOLE AND FOOTSWITCH INSTALLATION - STANDARD MACHINES (ENGLISH/CHINESE LANGUAGE)  | A   |
| 1    | 0272970     | 1         | Footswitch Assembly  | B   |
| 1A   | 1001117320  | 1         | Footswitch   |     |
| 1A   | 70003483    | 1         | Block, Contact   |     |
| 1B   | 1060918     | 7 ft/2.2m | Cable, Electrical - 18/3   |     |
| 1C   | 4460071     | 1         | Connector, Strain Relief   |     |
| 1D   | 3252347     | 1         | Nameplate (Note: See DECAL SECTION for Other Languages)                                      |     |
| 2    | 0760614     | 3         | Bolt M6 x 30   |     |
| 3    | 0760810     | 2         | Bolt M8 x 20   |     |
| 4    | 0761015     | 4         | Bolt M10 x 35  |     |
| 5    | 3290605     | 3         | Nut M6   |     |
| 6    | 3290805     | 2         | Nut M8   |     |
| 7    | 3291005     | 4         | Nut M10  |     |
| 8    | 4740362     | 3         | Washer, Fender 1/4   |     |
| 9    | 4811900     | 4         | Washer M8  |     |
| 10   | 4812002     | 8         | Washer M10   |     |
| 11   | 1001145439  | 1         | Panel, Pedestal  |     |
| 12   | 1001196748  | 1         | Console Box Sub-Assembly (English/Chinese Language) (See Separate Breakdown in this Section) |     |

# SECTION 5 - PLATFORM

## FIGURE 5-6. PLATFORM CONSOLE AND FOOTSWITCH INSTALLATION - STANDARD MACHINES (ENGLISH/JAPANESE LANGUAGE)



ART\_1001215800

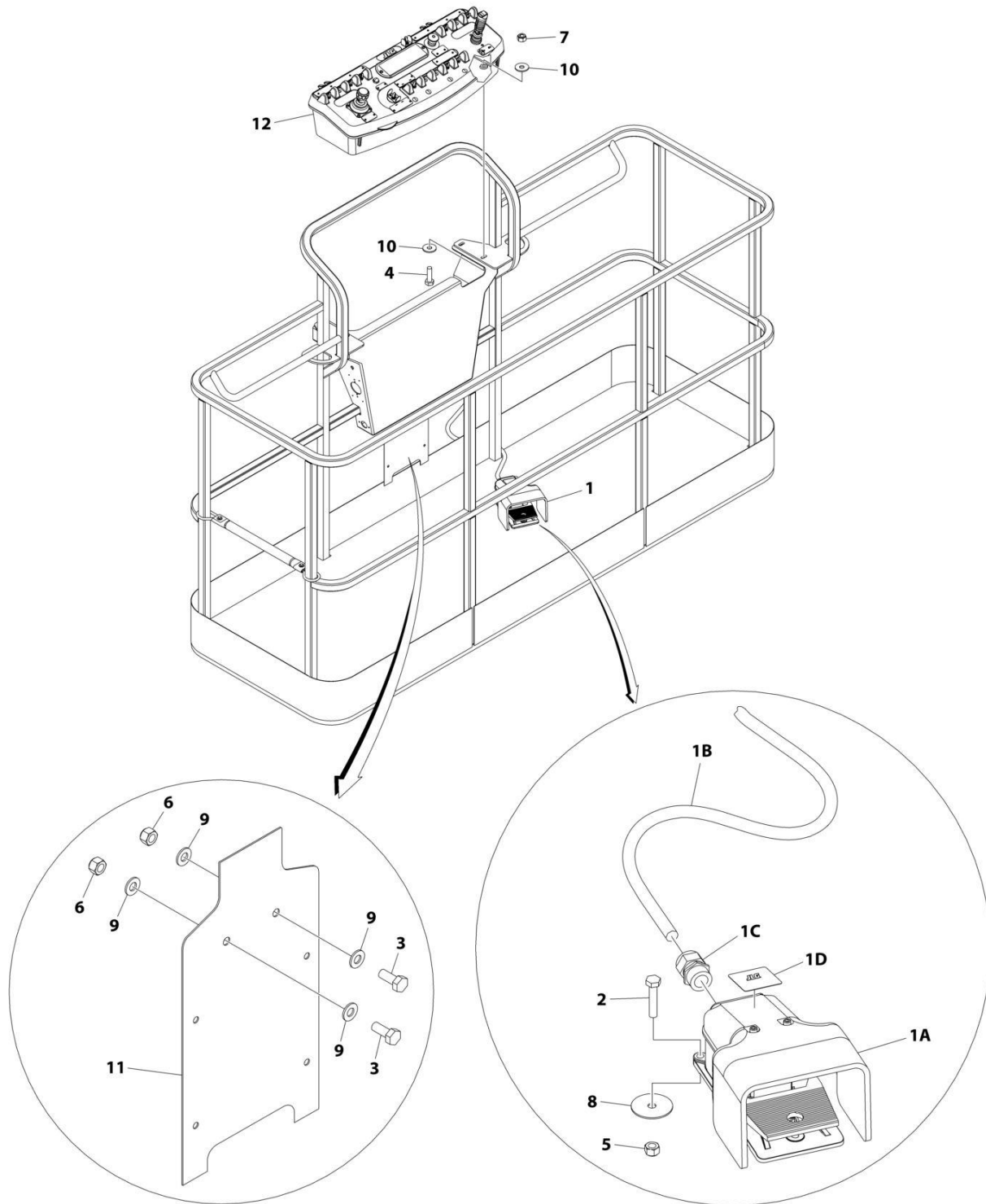
## SECTION 5 - PLATFORM

**FIGURE 5-6. PLATFORM CONSOLE AND FOOTSWITCH INSTALLATION - STANDARD MACHINES  
(ENGLISH/JAPANESE LANGUAGE)**

| ITEM | PART NUMBER | QTY       | DESCRIPTION   | REV |
|------|-------------|-----------|---|-----|
|      | 1001215800  | Ref       | PLATFORM CONSOLE AND FOOTSWITCH INSTALLATION - STANDARD MACHINES (ENGLISH/JAPANESE LANGUAGE)  | A   |
| 1    | 0272970     | 1         | Footswitch Assembly   | B   |
| 1A   | 1001117320  | 1         | Footswitch  |     |
| 1A   | 70003483    | 1         | Block, Contact  |     |
| 1B   | 1060918     | 7 ft/2.2m | Cable, Electrical - 18/3  |     |
| 1C   | 4460071     | 1         | Connector, Strain Relief  |     |
| 1D   | 3252347     | 1         | Nameplate (Note: See DECAL SECTION for Other Languages)                                       |     |
| 2    | 0760614     | 3         | Bolt M6 x 30  |     |
| 3    | 0760810     | 2         | Bolt M8 x 20  |     |
| 4    | 0761015     | 4         | Bolt M10 x 35   |     |
| 5    | 3290605     | 3         | Nut M6  |     |
| 6    | 3290805     | 2         | Nut M8  |     |
| 7    | 3291005     | 4         | Nut M10   |     |
| 8    | 4740362     | 3         | Washer, Fender 1/4  |     |
| 9    | 4811900     | 4         | Washer M8   |     |
| 10   | 4812002     | 8         | Washer M10  |     |
| 11   | 1001145439  | 1         | Panel, Pedestal   |     |
| 12   | 1001196750  | 1         | Console Box Sub-Assembly (English/Japanese Language) (See Separate Breakdown in this Section) |     |

# SECTION 5 - PLATFORM

## FIGURE 5-7. PLATFORM CONSOLE AND FOOTSWITCH INSTALLATION - STANDARD MACHINES (ENGLISH/KOREAN LANGUAGE)



ART\_1001215798

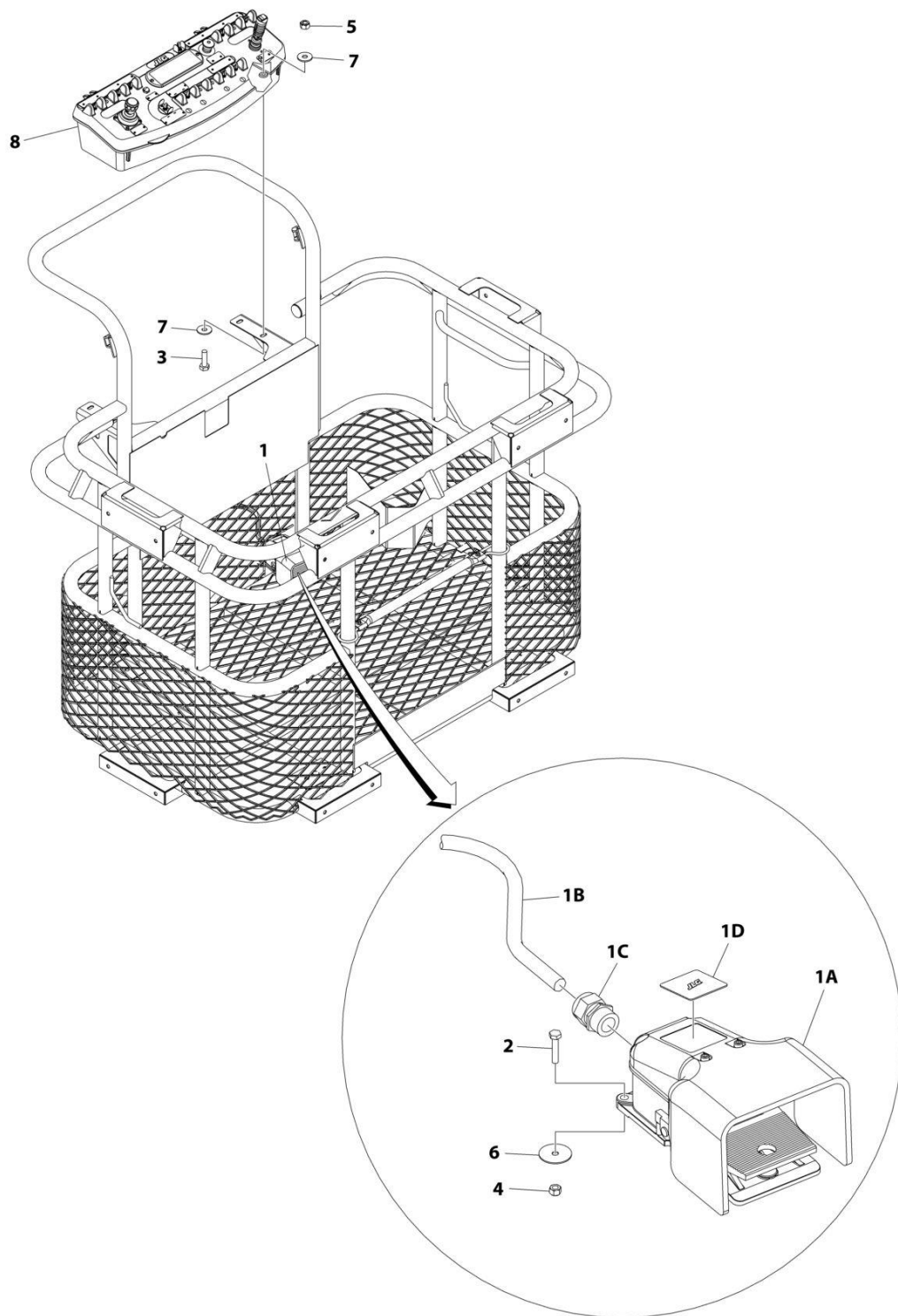
## SECTION 5 - PLATFORM

**FIGURE 5-7. PLATFORM CONSOLE AND FOOTSWITCH INSTALLATION - STANDARD MACHINES  
(ENGLISH/KOREAN LANGUAGE)**

| ITEM | PART NUMBER | QTY       | DESCRIPTION   | REV |
|------|-------------|-----------|---|-----|
|      | 1001215798  | Ref       | PLATFORM CONSOLE AND FOOTSWITCH INSTALLATION - STANDARD MACHINES (ENGLISH/KOREAN LANGUAGE)  | A   |
| 1    | 0272970     | 1         | Footswitch Assembly   | B   |
| 1A   | 1001117320  | 1         | Footswitch  |     |
| 1A   | 70003483    | 1         | Block, Contact  |     |
| 1B   | 1060918     | 7 ft/2.2m | Cable, Electrical - 18/3  |     |
| 1C   | 4460071     | 1         | Connector, Strain Relief  |     |
| 1D   | 3252347     | 1         | Nameplate (Note: See DECAL SECTION for Other Languages)                                     |     |
| 2    | 0760614     | 3         | Bolt M6 x 30  |     |
| 3    | 0760810     | 2         | Bolt M8 x 20  |     |
| 4    | 0761015     | 4         | Bolt M10 x 35   |     |
| 5    | 3290605     | 3         | Nut M6  |     |
| 6    | 3290805     | 2         | Nut M8  |     |
| 7    | 3291005     | 4         | Nut M10   |     |
| 8    | 4740362     | 3         | Washer, Fender 1/4  |     |
| 9    | 4811900     | 4         | Washer M8   |     |
| 10   | 4812002     | 8         | Washer M10  |     |
| 11   | 1001145439  | 1         | Panel, Pedestal   |     |
| 12   | 1001196749  | 1         | Console Box Sub-Assembly (English/Korean Language) (See Separate Breakdown in this Section) |     |

# SECTION 5 - PLATFORM

## FIGURE 5-8. PLATFORM CONSOLE AND FOOTSWITCH INSTALLATION - SHIPYARD MACHINES (ENGLISH LANGUAGE)



ART\_1001153367



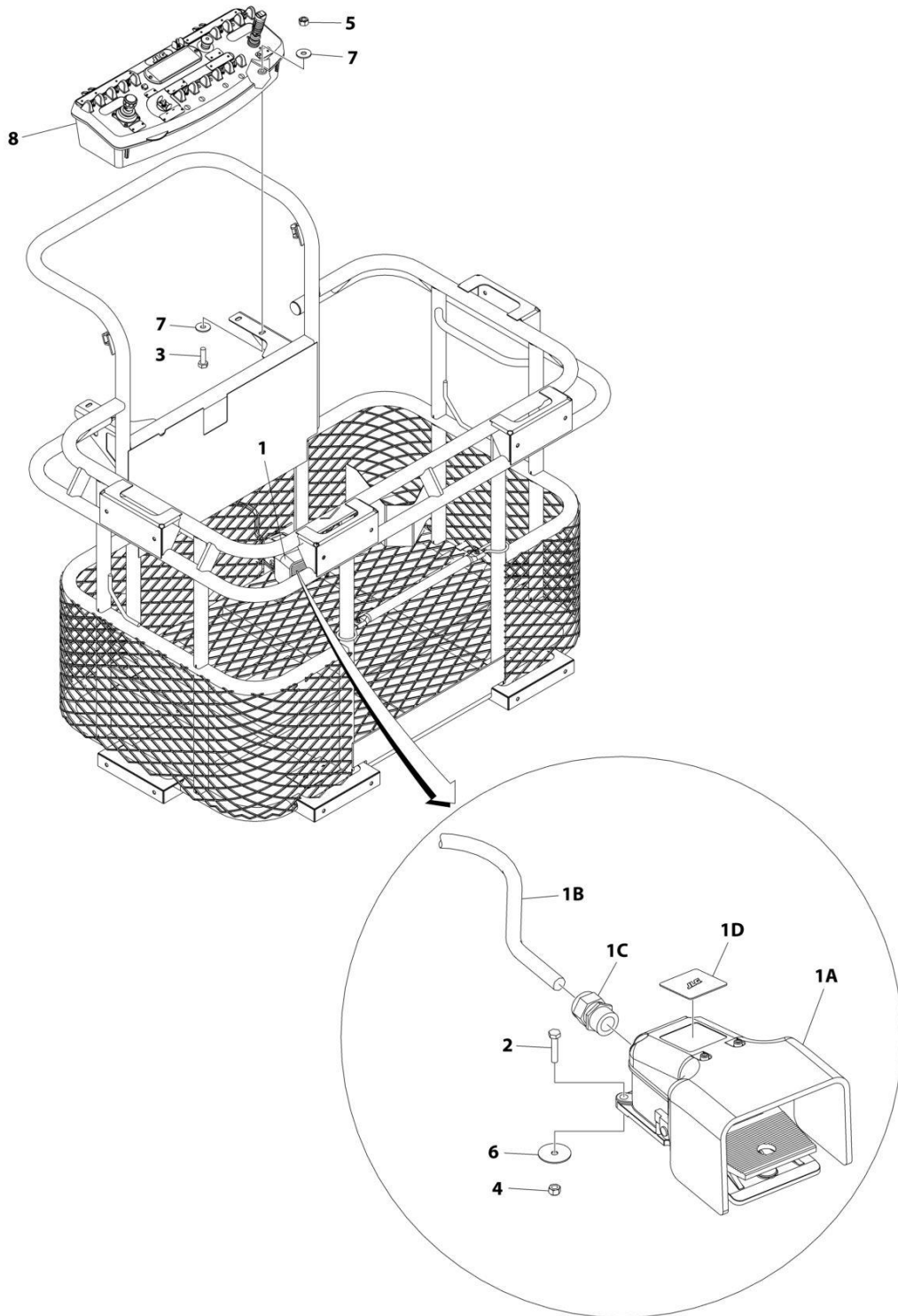
## SECTION 5 - PLATFORM

**FIGURE 5-8. PLATFORM CONSOLE AND FOOTSWITCH INSTALLATION - SHIPYARD MACHINES  
(ENGLISH LANGUAGE)**

| ITEM | PART NUMBER | QTY       | DESCRIPTION  | REV |
|------|-------------|-----------|--|-----|
|      | 1001153367  | Ref       | PLATFORM CONSOLE AND FOOTSWITCH INSTALLATION - SHIPYARD MACHINES (ENGLISH LANGUAGE)  | C   |
| 1    | 0272970     | 1         | Footswitch Assembly  | B   |
| 1A   | 1001117320  | 1         | Footswitch   |     |
| 1A   | 70003483    | 1         | Block, Contact   |     |
| 1B   | 1060918     | 7 ft/2.2m | Cable, Electrical - 18/3   |     |
| 1C   | 4460071     | 1         | Connector, Strain Relief   |     |
| 1D   | 3252347     | 1         | Nameplate (Note: See DECAL SECTION for Other Languages)                              |     |
| 2    | 0760614     | 3         | Bolt M6 x 30   |     |
| 3    | 0761015     | 4         | Bolt M10 x 35  |     |
| 4    | 3290605     | 3         | Nut M6   |     |
| 5    | 3291005     | 4         | Nut M10  |     |
| 6    | 4740362     | 3         | Washer, Fender 1/4   |     |
| 7    | 4812002     | 8         | Washer M10   |     |
| 8    | 1001196747  | 1         | Console Box Sub-Assembly (English Language) (See Separate Breakdown in this Section) |     |

# SECTION 5 - PLATFORM

## FIGURE 5-9. PLATFORM CONSOLE AND FOOTSWITCH INSTALLATION - SHIPYARD MACHINES (ENGLISH/CHINESE LANGUAGE)



ART\_1001153369

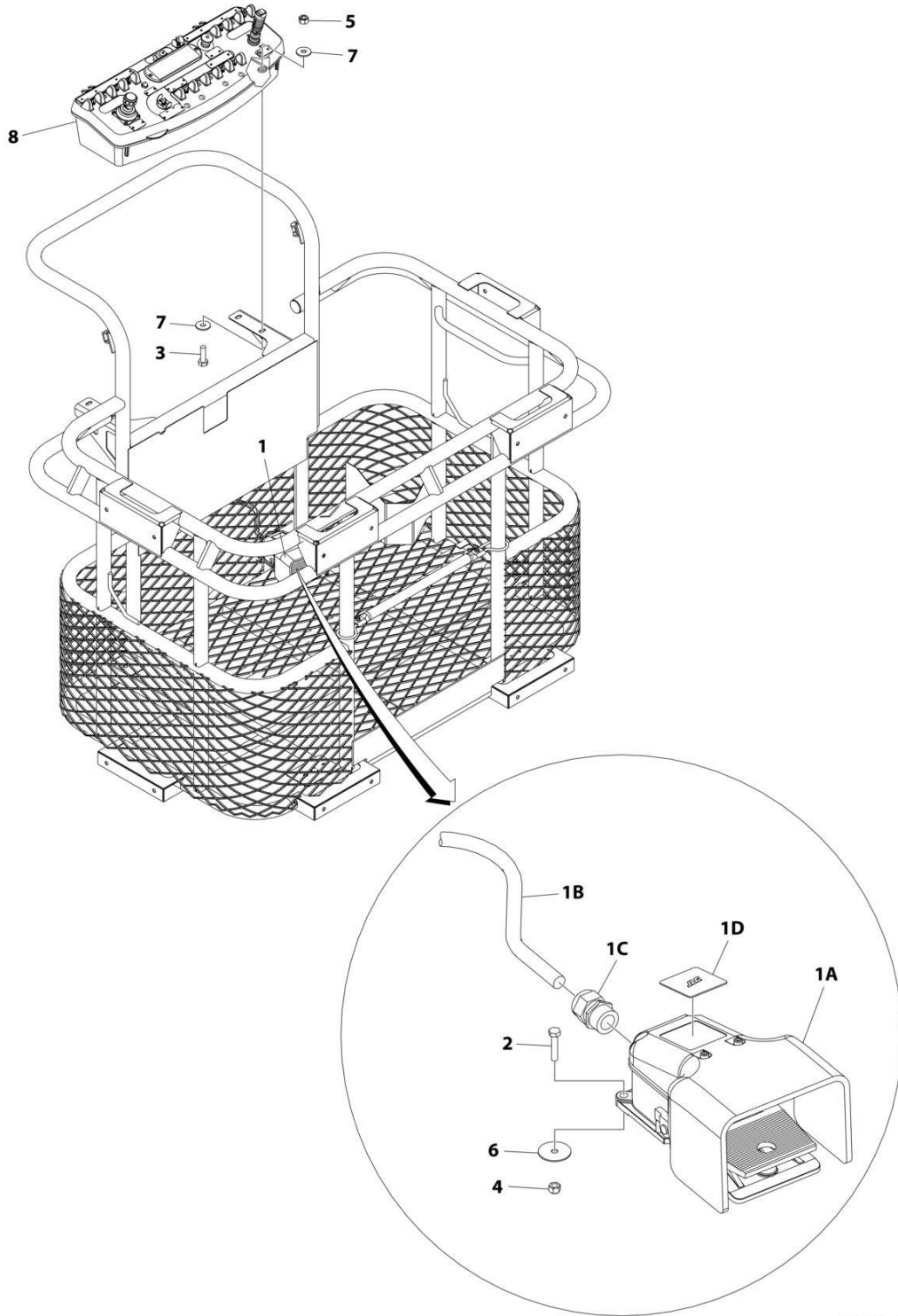
## SECTION 5 - PLATFORM

**FIGURE 5-9. PLATFORM CONSOLE AND FOOTSWITCH INSTALLATION - SHIPYARD MACHINES  
(ENGLISH/CHINESE LANGUAGE)**

| ITEM | PART NUMBER | QTY       | DESCRIPTION  | REV |
|------|-------------|-----------|--|-----|
|      | 1001153369  | Ref       | PLATFORM CONSOLE AND FOOTSWITCH INSTALLATION - SHIPYARD MACHINES (ENGLISH/CHINESE LANGUAGE)  | C   |
| 1    | 0272970     | 1         | Footswitch Assembly  | B   |
| 1A   | 1001117320  | 1         | Footswitch   |     |
| 1A   | 70003483    | 1         | Block, Contact   |     |
| 1B   | 1060918     | 7 ft/2.2m | Cable, Electrical - 18/3   |     |
| 1C   | 4460071     | 1         | Connector, Strain Relief   |     |
| 1D   | 3252347     | 1         | Nameplate (Note: See DECAL SECTION for Other languages)                                      |     |
| 2    | 0760614     | 3         | Bolt M6 x 30   |     |
| 3    | 0761015     | 4         | Bolt M10 x 35  |     |
| 4    | 3290605     | 3         | Nut M6   |     |
| 5    | 3291005     | 4         | Nut M10  |     |
| 6    | 4740362     | 3         | Washer, Fender 1/4   |     |
| 7    | 4812002     | 8         | Washer M10   |     |
| 8    | 1001196748  | 1         | Console Box Sub-Assembly (English/Chinese Language) (See Separate Breakdown in this Section) |     |

# SECTION 5 - PLATFORM

FIGURE 5-10. PLATFORM CONSOLE AND FOOTSWITCH INSTALLATION - SHIPYARD MACHINES  
(ENGLISH/JAPANESE LANGUAGE)



ART\_1001153370

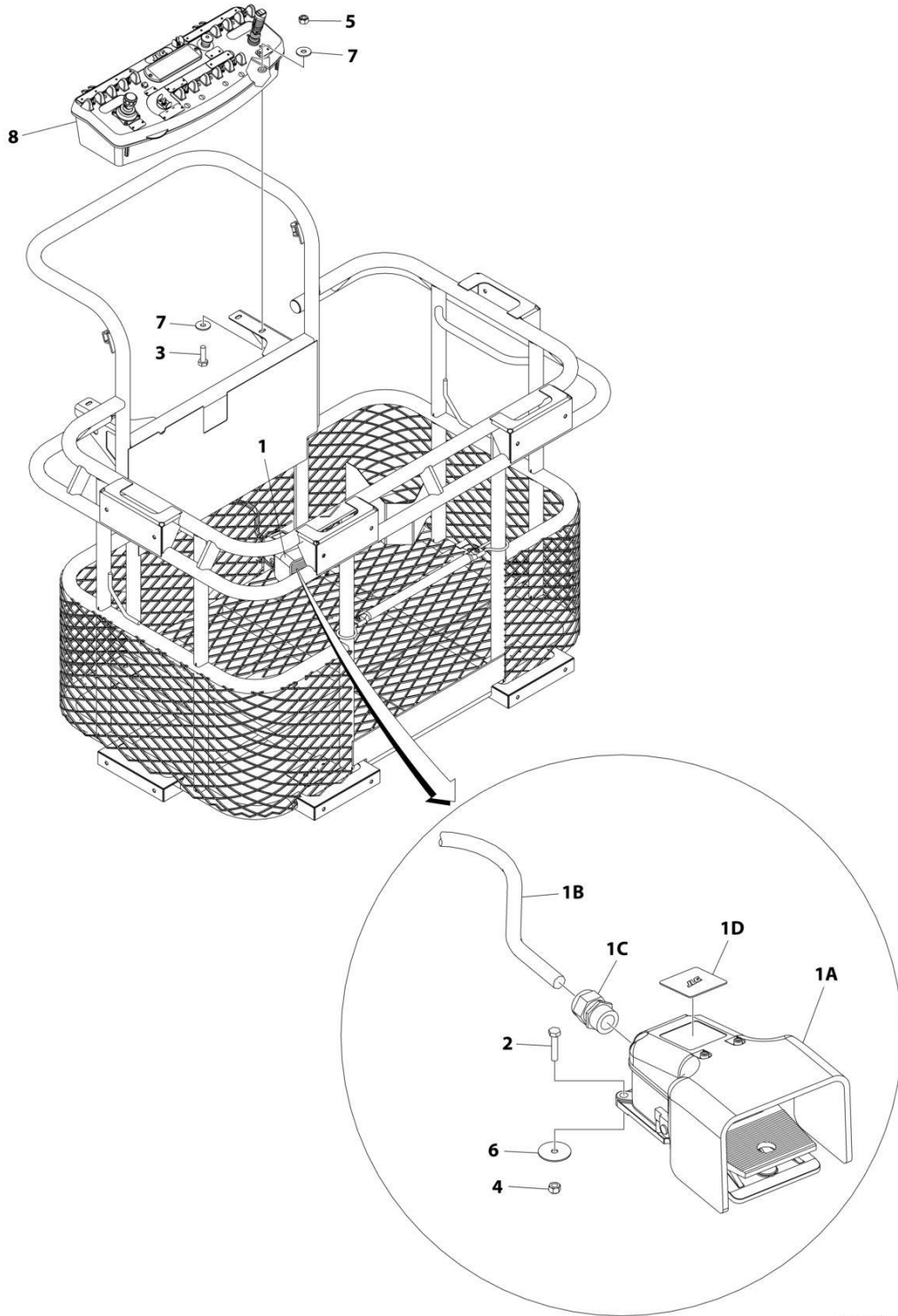
## SECTION 5 - PLATFORM

**FIGURE 5-10. PLATFORM CONSOLE AND FOOTSWITCH INSTALLATION - SHIPYARD MACHINES  
(ENGLISH/JAPANESE LANGUAGE)**

| ITEM | PART NUMBER | QTY       | DESCRIPTION   | REV |
|------|-------------|-----------|---|-----|
|      | 1001153370  | Ref       | PLATFORM CONSOLE AND FOOTSWITCH INSTALLATION - SHIPYARD MACHINES (ENGLISH/JAPANESE LANGUAGE)  | C   |
| 1    | 0272970     | 1         | Footswitch Assembly   | B   |
| 1A   | 1001117320  | 1         | Footswitch  |     |
| 1A   | 70003483    | 1         | Block, Contact  |     |
| 1B   | 1060918     | 7 ft/2.2m | Cable, Electrical - 18/3  |     |
| 1C   | 4460071     | 1         | Connector, Strain Relief  |     |
| 1D   | 3252347     | 1         | Nameplate (Note: See DECAL SECTION for Other Languages)                                       |     |
| 2    | 0760614     | 3         | Bolt M6 x 30  |     |
| 3    | 0761015     | 4         | Bolt M10 x 35   |     |
| 4    | 3290605     | 3         | Nut M6  |     |
| 5    | 3291005     | 4         | Nut M10   |     |
| 6    | 4740362     | 3         | Washer, Fender 1/4  |     |
| 7    | 4812002     | 8         | Washer M10  |     |
| 8    | 1001196750  | 1         | Console Box Sub-Assembly (English/Japanese Language) (See Separate Breakdown in this Section) |     |

# SECTION 5 - PLATFORM

FIGURE 5-11. PLATFORM CONSOLE AND FOOTSWITCH INSTALLATION - SHIPYARD MACHINES  
(ENGLISH/KOREAN LANGUAGE)



ART\_1001153368

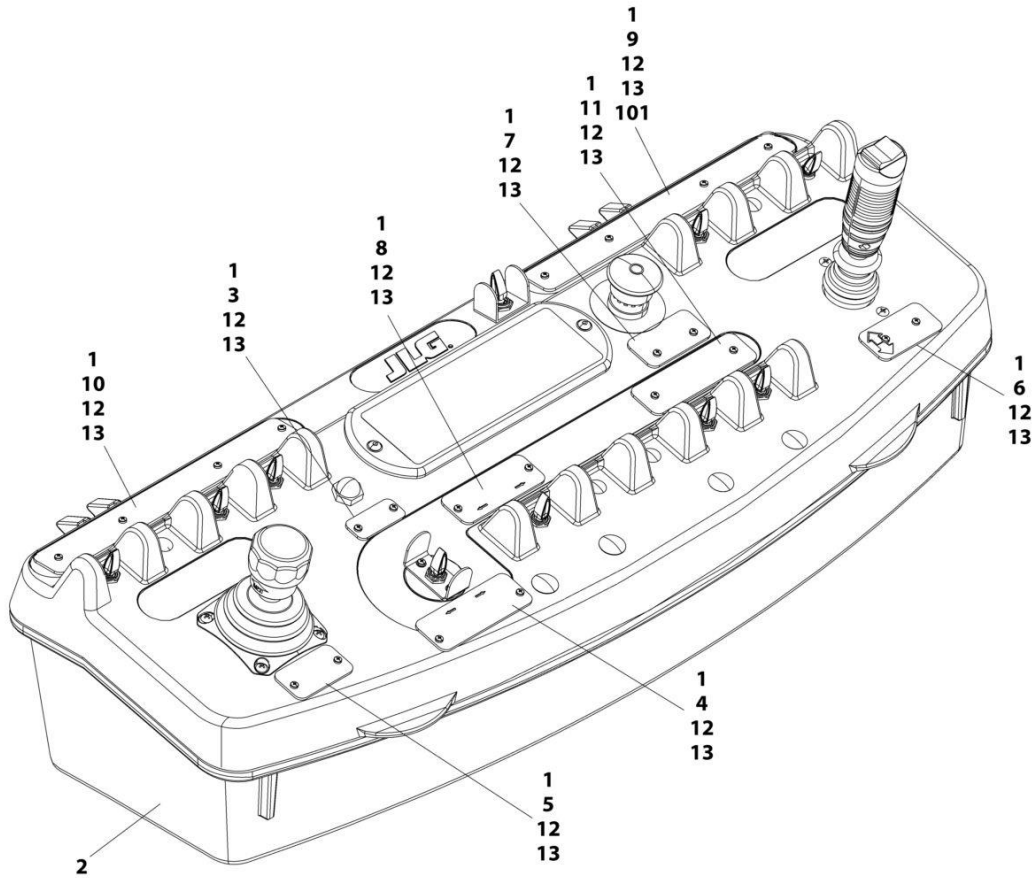
## SECTION 5 - PLATFORM

**FIGURE 5-11. PLATFORM CONSOLE AND FOOTSWITCH INSTALLATION - SHIPYARD MACHINES  
(ENGLISH/KOREAN LANGUAGE)**

| ITEM | PART NUMBER | QTY       | DESCRIPTION   | REV |
|------|-------------|-----------|---|-----|
|      | 1001153368  | Ref       | PLATFORM CONSOLE AND FOOTSWITCH INSTALLATION - SHIPYARD MACHINES (ENGLISH/KOREAN LANGUAGE)  | C   |
| 1    | 0272970     | 1         | Footswitch Assembly   | B   |
| 1A   | 1001117320  | 1         | Footswitch  |     |
| 1A   | 70003483    | 1         | Block, Contact  |     |
| 1B   | 1060918     | 7 ft/2.2m | Cable, Electrical - 18/3  |     |
| 1C   | 4460071     | 1         | Connector, Strain Relief  |     |
| 1D   | 3252347     | 1         | Nameplate (Note: See DECAL SECTION for Other Languages)                                     |     |
| 2    | 0760614     | 3         | Bolt M6 x 30  |     |
| 3    | 0761015     | 4         | Bolt M10 x 35   |     |
| 4    | 3290605     | 3         | Nut M6  |     |
| 5    | 3291005     | 4         | Nut M10   |     |
| 6    | 4740362     | 3         | Washer, Fender 1/4  |     |
| 7    | 4812002     | 8         | Washer M10  |     |
| 8    | 1001196749  | 1         | Console Box Sub-Assembly (English/Korean Language) (See Separate Breakdown in this Section) |     |

# SECTION 5 - PLATFORM

## FIGURE 5-12. CONSOLE BOX SUB-ASSEMBLY (ENGLISH/CHINESE LANGUAGE)



ART\_1001196748



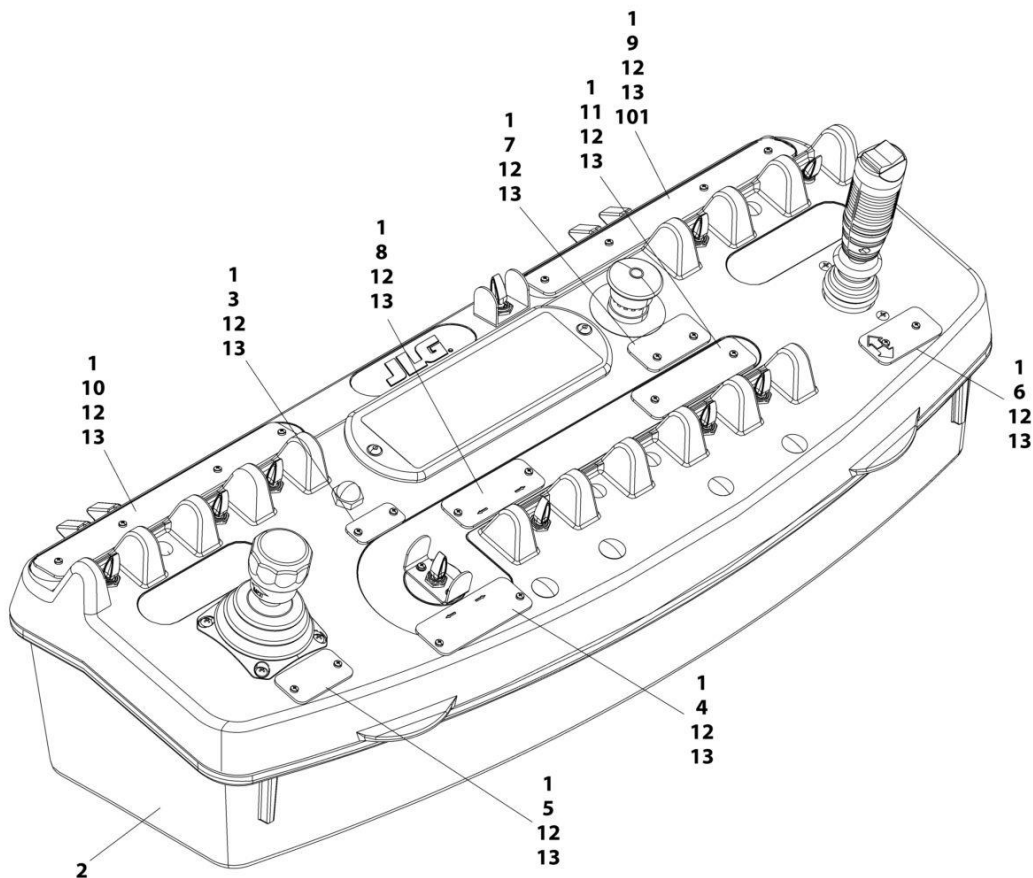
## SECTION 5 - PLATFORM

**FIGURE 5-12. CONSOLE BOX SUB-ASSEMBLY (ENGLISH/CHINESE LANGUAGE)**

| ITEM | PART NUMBER | QTY | DESCRIPTION   | REV |
|------|-------------|-----|---|-----|
|      | 1001196748  | Ref | CONSOLE BOX SUB-ASSEMBLY (ENGLISH/CHINESE LANGUAGE)           | G   |
| 1    | 3290305     | 22  | Nut M3  |     |
| 2    | 1001196743  | 1   | Console Box Assembly (See Separate Breakdown in this Section) |     |
| 3    | 1001198211  | 1   | Decal - Horn  |     |
| 4    | 1001198212  | 1   | Decal - Function Speed Selection                              |     |
| 5    | 1001198214  | 1   | Decal - Lift/Swing Selection                                  |     |
| 6    | 1001198216  | 1   | Decal - Drive/Steer Selection                                 |     |
| 7    | 1001198217  | 1   | Decal - Emergency Stop  |     |
| 8    | 1001198219  | 1   | Decal - Platform Rotate Selection                             |     |
| 9    | 1001198224  | 1   | Decal (With Manual/Auto)                                      |     |
| 10   | 1001198225  | 1   | Decal   |     |
| 11   | 1001198226  | 1   | Decal   |     |
| 12   | 1001198576  | 22  | Screw M3 x 10   |     |
| 13   | 1001110544  | 22  | Washer M3   |     |
|      | 1001199120  | Ref | VERTICAL/HORIZONTAL CONTROLS DECAL INSTALLATION               | B   |
| 101  | 1001198227  | 1   | Decal (With Manual/H/V)                                       |     |

# SECTION 5 - PLATFORM

## FIGURE 5-13. CONSOLE BOX SUB-ASSEMBLY (ENGLISH/JAPANESE LANGUAGE)



ART\_1001196750

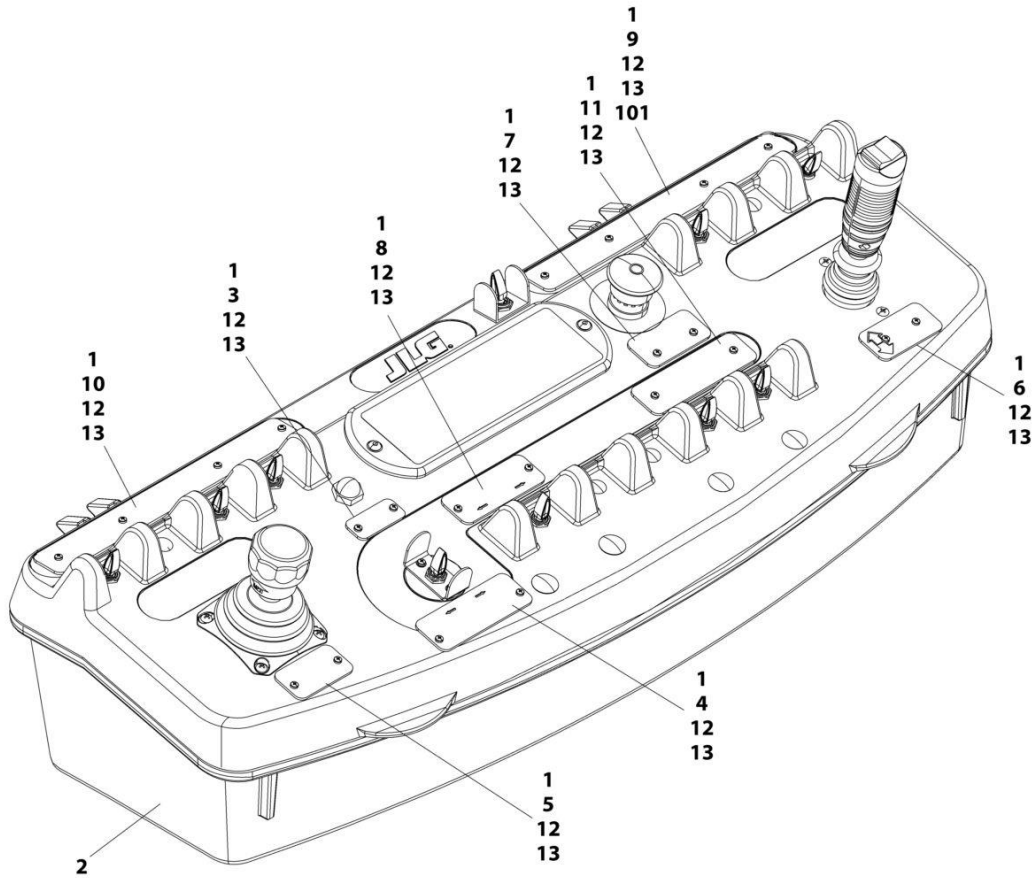
## SECTION 5 - PLATFORM

**FIGURE 5-13. CONSOLE BOX SUB-ASSEMBLY (ENGLISH/JAPANESE LANGUAGE)**

| ITEM | PART NUMBER | QTY | DESCRIPTION   | REV |
|------|-------------|-----|---|-----|
|      | 1001196750  | Ref | CONSOLE BOX SUB-ASSEMBLY (ENGLISH/JAPANESE LANGUAGE)          | G   |
| 1    | 3290305     | 22  | Nut M3  |     |
| 2    | 1001196743  | 1   | Console Box Assembly (See Separate Breakdown in this Section) |     |
| 3    | 1001198144  | 1   | Decal - Horn  |     |
| 4    | 1001198145  | 1   | Decal - Function Speed Selection                              |     |
| 5    | 1001198149  | 1   | Decal - Lift/Swing Selection                                  |     |
| 6    | 1001198153  | 1   | Decal - Drive/Steer Selection                                 |     |
| 7    | 1001198155  | 1   | Decal - Emergency Stop  |     |
| 8    | 1001198160  | 1   | Decal - Platform Rotate Selection                             |     |
| 9    | 1001198166  | 1   | Decal (With Manual/Auto)                                      |     |
| 10   | 1001198167  | 1   | Decal   |     |
| 11   | 1001198170  | 1   | Decal   |     |
| 12   | 1001198576  | 22  | Screw M3 x 10   |     |
| 13   | 1001110544  | 22  | Washer M3   |     |
|      | 1001199214  | Ref | VERTICAL/HORIZONTAL CONTROLS DECAL INSTALLATION               | B   |
| 101  | 1001198171  | 1   | Decal (With Manual/H/V)                                       |     |

# SECTION 5 - PLATFORM

## FIGURE 5-14. CONSOLE BOX SUB-ASSEMBLY (ENGLISH/KOREAN LANGUAGE)



ART\_1001196749

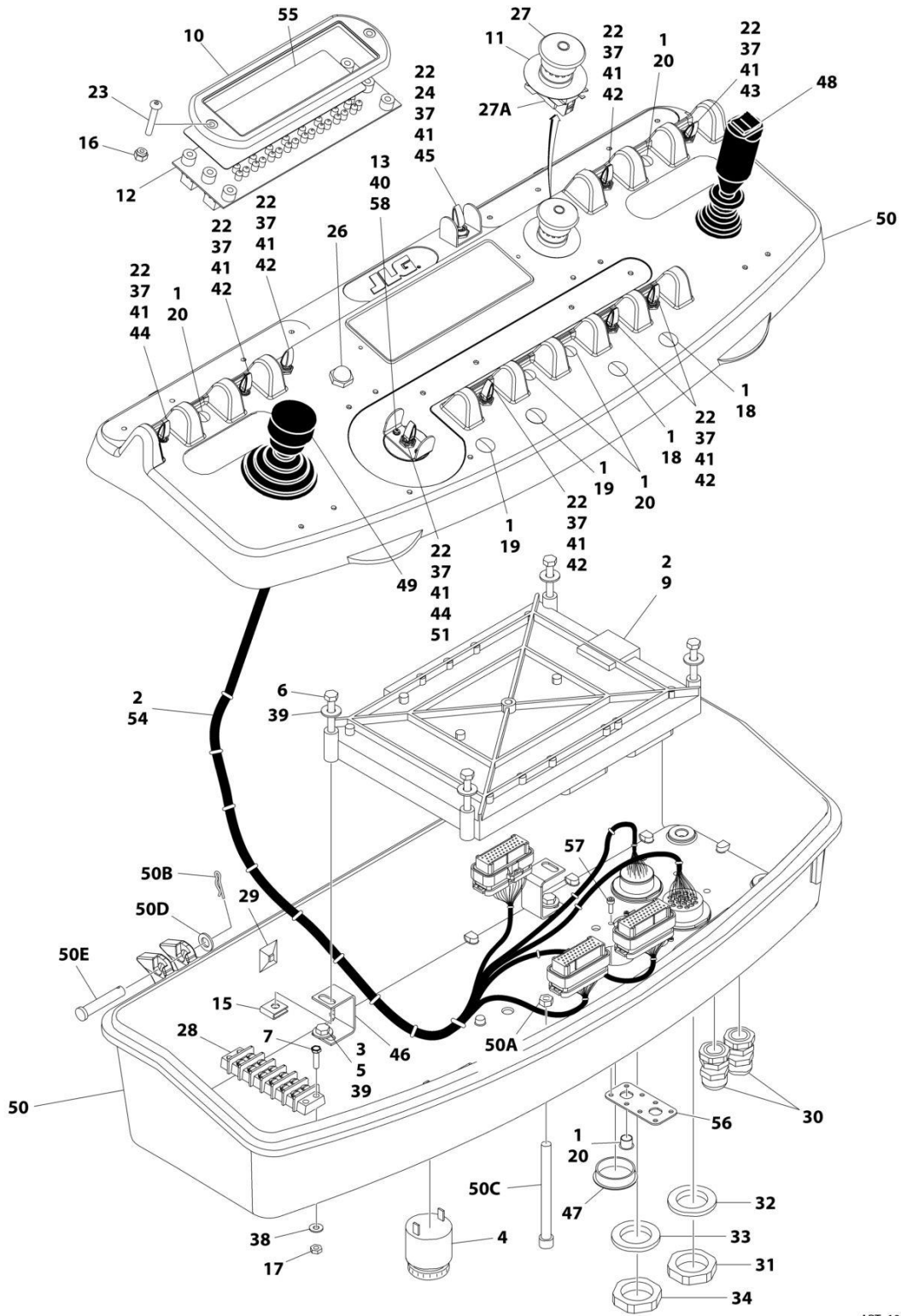
## SECTION 5 - PLATFORM

**FIGURE 5-14. CONSOLE BOX SUB-ASSEMBLY (ENGLISH/KOREAN LANGUAGE)**

| ITEM | PART NUMBER | QTY | DESCRIPTION   | REV |
|------|-------------|-----|---|-----|
|      | 1001196749  | Ref | CONSOLE BOX SUB-ASSEMBLY (ENGLISH/KOREAN LANGUAGE)            | G   |
| 1    | 3290305     | 22  | Nut M3  |     |
| 2    | 1001196743  | 1   | Console Box Assembly (See Separate Breakdown in this Section) |     |
| 3    | 1001198175  | 1   | Decal - Horn  |     |
| 4    | 1001198176  | 1   | Decal - Function Speed Selection                              |     |
| 5    | 1001198178  | 1   | Decal - Lift/Swing Selection                                  |     |
| 6    | 1001198180  | 1   | Decal - Drive/Steer Selection                                 |     |
| 7    | 1001198181  | 1   | Decal - Emergency Stop  |     |
| 8    | 1001198183  | 1   | Decal - Platform Rotate Selection                             |     |
| 9    | 1001198188  | 1   | Decal (With Manual/Auto)                                      |     |
| 10   | 1001198189  | 1   | Decal   |     |
| 11   | 1001198190  | 1   | Decal   |     |
| 12   | 1001198576  | 22  | Screw M3 x 10   |     |
| 13   | 1001110544  | 22  | Washer M3   |     |
|      | 1001199134  | Ref | VERTICAL/HORIZONTAL CONTROLS DECAL INSTALLATION               | B   |
| 101  | 1001198191  | 1   | Decal (With Manual/H/V)                                       |     |

# SECTION 5 - PLATFORM

## FIGURE 5-15. CONSOLE BOX ASSEMBLY



ART\_1001196743

## SECTION 5 - PLATFORM

### FIGURE 5-15. CONSOLE BOX ASSEMBLY

| ITEM | PART NUMBER | QTY | DESCRIPTION   | REV |
|------|-------------|-----|---|-----|
|      | 1001196743  | Ref | CONSOLE BOX ASSEMBLY  | G   |
| 1    | 0100009     | AR  | Sealant   |     |
| 2    | 0100048     | AR  | Grease, Dielectric  |     |
| 3    | 0100081     | AR  | Adhesive  |     |
| 4    | 0140011     | 1   | Alarm   |     |
| 5    | 0641404     | 4   | Bolt 1/4 x 1/2  |     |
| 6    | 0641414     | 4   | Bolt 1/4 x 1-3/4  |     |
| 7    | 0721006     | 2   | Screw #10 x 3/4 <b>(SN B300001586 through B300002613)</b>   |     |
| 9    | 1600343     | 1   | Module, Platform (Note: Re-calibration Required when Replaced)                                      |     |
| 10   | 1671176     | 1   | Bezel   |     |
| 11   | 1704260     | 1   | Decal - Emergency Stop  |     |
| 12   | 2920154     | 1   | Gauge, LED  |     |
| 13   | 3290305     | 2   | Nut M3  |     |
| 15   | 3300353     | 4   | Nut, Tinnerman  |     |
| 16   | 3300408     | 2   | Nut   |     |
| 17   | 3311005     | 2   | Nut #10 <b>(SN B300001586 through B300002613)</b>   |     |
| 18   | 3520026     | 2   | Plug, Hole  |     |
| 19   | 3520027     | 2   | Plug, Hole  |     |
| 20   | 3520054     | 5   | Plug, Hole  |     |
| 21   | 3520174     | 3   | Plug, Hole (Not Shown)  |     |
| 22   | 3790012     | 10  | O-Ring  |     |
| 23   | 3900183     | 2   | Screw #10 x 1-1/4   |     |
| 24   | 4060906     | 1   | Guard, Switch   |     |
| 26   | 4360387     | 1   | Switch, Push Button   |     |
| 27   | 4360475     | 1   | Switch, Emergency Stop  |     |
| 27   | 7020175     | 1   | Cap, Red  |     |
| 27A  | 7020176     | 1   | Contact, Block  |     |
| 28   | 4460007     | 1   | Bar, Buss <b>(SN B300001586 through B300002613)</b>   |     |
| 29   | 4460234     | 3   | Base, Mounting  |     |
| 30   | 4460428     | 2   | Connector, Strain Relief  |     |
| 31   | 4460470     | 1   | Nut, Terminal   |     |
| 32   | 4460471     | 1   | Washer, Terminal  |     |
| 33   | 4460496     | 1   | Washer, Terminal  |     |
| 34   | 4460497     | 1   | Nut, Terminal   |     |
| 35   | 4460708     | 1   | Terminal (Not Shown)  |     |
| 36   | 4460905     | AR  | Plug, Terminal (Not Shown)  |     |
| 37   | 4740397     | 10  | Washer  |     |
| 38   | 4751000     | 2   | Washer #10 <b>(SN B300001586 through B300002613)</b>  |     |
| 39   | 4751400     | 8   | Washer 1/4  |     |
| 40   | 1001110544  | 4   | Washer M3   |     |
| 41   | 1001155044  | 10  | Nut 15/32   |     |
| 42   | 1001155045  | 6   | Switch, Toggle  |     |
| 43   | 1001159256  | 1   | Switch, Toggle  |     |
| 44   | 1001161709  | 2   | Switch, Toggle  |     |
| 45   | 1001161710  | 1   | Switch, Toggle  |     |
| 46   | 1001172760  | 4   | Bracket   |     |
| 47   | 1001185281  | 1   | Plug  |     |
| 48   | 1001166538  | NLA | Controller Assembly (Drive and Steer) (Use p/n 1001212415) (See Separate Breakdown in this Section) |     |

## SECTION 5 - PLATFORM

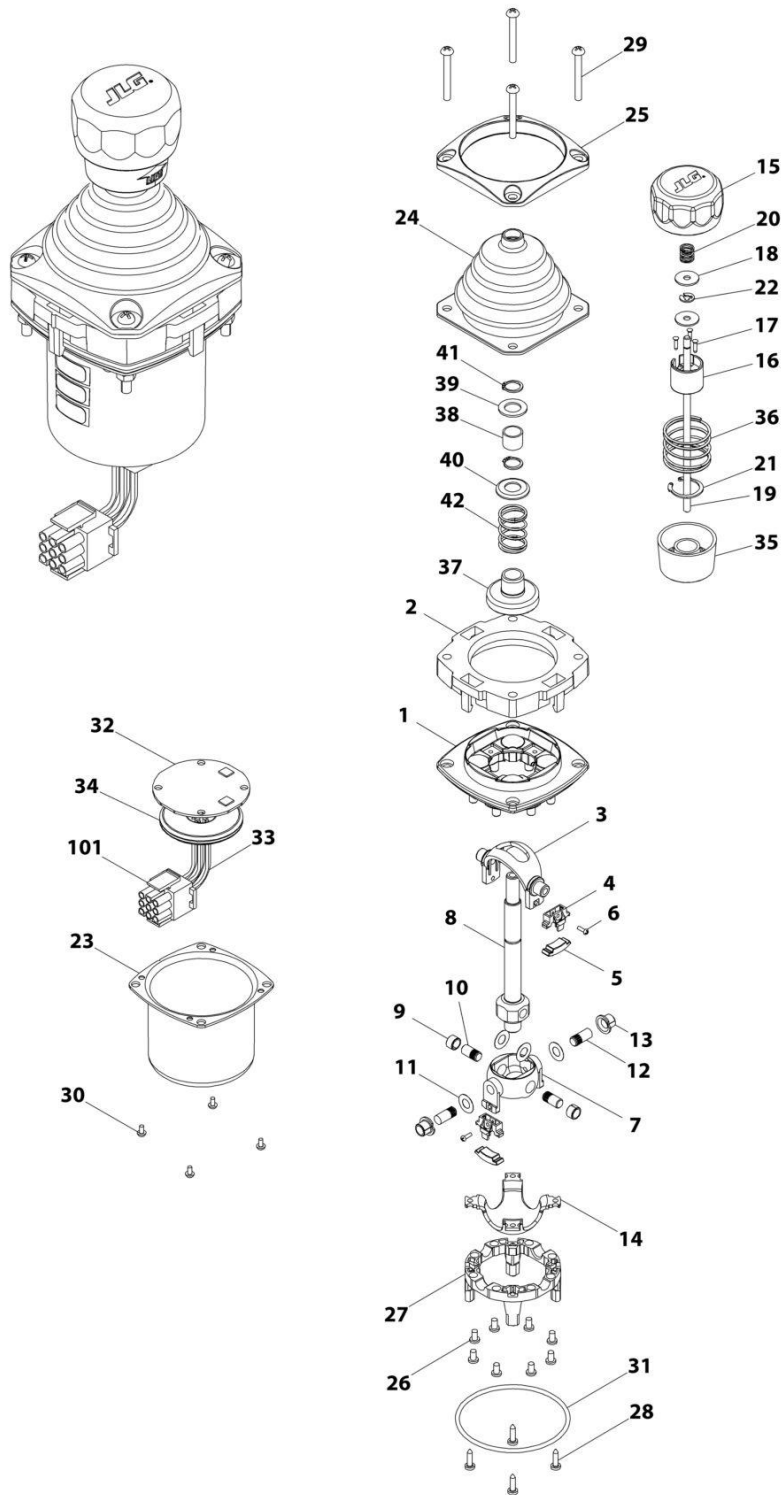
| ITEM | PART NUMBER | QTY | DESCRIPTION  | REV |
|------|-------------|-----|--|-----|
| 49   | 1001166539  | NLA | Controller Assembly (Lift and Swing) (Use p/n 1001129555) (See Separate Breakdown in this Section) |     |
| 50   | 1001196741  | 1   | Box, Console   |     |
| 50A  | 3311601     | 1   | Nut 3/8  |     |
| 50B  | 3470003     | 2   | Pin  |     |
| 50C  | 0630568     | 1   | Screw 3/8 x 4-1/2  |     |
| 50D  | 4711600     | 2   | Washer 3/8   |     |
| 50E  | 3430616     | 2   | Pin  |     |
| 51   | 1001196744  | 1   | Guard, Switch  |     |
| 54   | 1001199119  | 1   | Platform Console Harness (See Separate Breakdown in ELECTRICAL SECTION)                            |     |
| 55   | 1001199212  | 1   | Decal - Display  |     |
| 56   | 1001213882  | 1   | Mount, Connector   |     |
| 57   | 3900349     | 8   | Capscrew M2.5  |     |
| 58   | 1001198576  | 2   | Screw M3 x 10  |     |





# SECTION 5 - PLATFORM

## FIGURE 5-16. CONTROLLER ASSEMBLY (LIFT AND SWING)



ART\_1001166539

## SECTION 5 - PLATFORM

**FIGURE 5-16. CONTROLLER ASSEMBLY (LIFT AND SWING)**

| ITEM | PART NUMBER | QTY | DESCRIPTION   | REV |
|------|-------------|-----|---|-----|
|      | 1001166539  | Ref | CONTROLLER ASSEMBLY (LIFT AND SWING)                                  | D   |
|      |             | Ref | Note: Use p/n 1001129555 as Replacement                               |     |
| 1    | See Note    | NSS | Main Cast Body (Note: Not Available - Purchase Complete Assembly)     |     |
| 2    | 70004752    | 1   | Adapter   |     |
| 3    | See Note    | NSS | Pivot Arm, Plastic (Note: Not Available - Purchase Complete Assembly) |     |
| 4    | See Note    | NSS | Holder, Magnet (Note: Not Available - Purchase Complete Assembly)     |     |
| 5    | See Note    | NSS | Arc, Magnet (Note: Not Available - Purchase Complete Assembly)        |     |
| 6    | See Note    | NSS | Screw (Note: Not Available for Purchase)                              |     |
| 7    | See Note    | NSS | Pivot Arm, Cast (Note: Not Available - Purchase Complete Assembly)    |     |
| 8    | See Note    | NSS | Shaft, Main (Note: Not Available - Purchase Complete Assembly)        |     |
| 9    | See Note    | NSS | Bearing (Note: Not Available - Purchase Complete Assembly)            |     |
| 10   | See Note    | NSS | Pin (Note: Not Available - Purchase Complete Assembly)                |     |
| 11   | See Note    | NSS | Shim (Note: Not Available - Purchase Complete Assembly)               |     |
| 12   | See Note    | NSS | Pin (Note: Not Available - Purchase Complete Assembly)                |     |
| 13   | See Note    | NSS | Bearing (Note: Not Available - Purchase Complete Assembly)            |     |
| 14   | See Note    | NSS | Dome, Centering (Note: Not Available - Purchase Complete Assembly)    |     |
| 15   | 70004753    | 1   | Cap   |     |
| 16   | 70004754    | 1   | Insert, Cap   |     |
| 17   | 70004755    | 3   | Pin   |     |
| 18   | 70004756    | 2   | Washer  |     |
| 19   | 70004757    | 1   | Pin, Centering  |     |
| 20   | 70004758    | 1   | Spring  |     |
| 21   | 70004759    | 1   | Ring, Retaining   |     |
| 22   | 70004760    | 1   | E-Ring  |     |
| 23   | 70004761    | 1   | Can, Enclosure  |     |
| 24   | 70004762    | 1   | Boot  |     |
| 25   | 70004763    | 1   | Bezel   |     |
| 26   | See Note    | NSS | Screw (Note: Not Available for Purchase)                              |     |
| 27   | See Note    | NSS | Base Mounting (Note: Not Available - Purchase Complete Assembly)      |     |
| 28   | See Note    | NSS | Screw (Note: Not Available for Purchase)                              |     |
| 29   | 70004764    | 4   | Screw   |     |
| 30   | 70004765    | 4   | Screw   |     |
| 31   | 70004766    | 1   | O-Ring  |     |
| 32   | See Note    | NSS | Plate (Note: Not Available - Purchase Complete Assembly)              |     |
| 33   | See Note    | NSS | Harness (Note: Not Available - Purchase Complete Assembly)            |     |
| 34   | 70004767    | 1   | Grommet, Rubber   |     |
| 35   | 70004768    | 1   | Housing   |     |
| 36   | 70004769    | 1   | Spring  |     |
| 37   | 70004770    | 1   | Stopper   |     |
| 38   | 70004771    | 1   | Spacer  |     |
| 39   | 70004772    | 1   | Washer  |     |
| 40   | 70004773    | 1   | Disc  |     |
| 41   | 70004774    | 2   | Ring, Retaining   |     |
| 42   | 70004775    | 1   | Spring  |     |

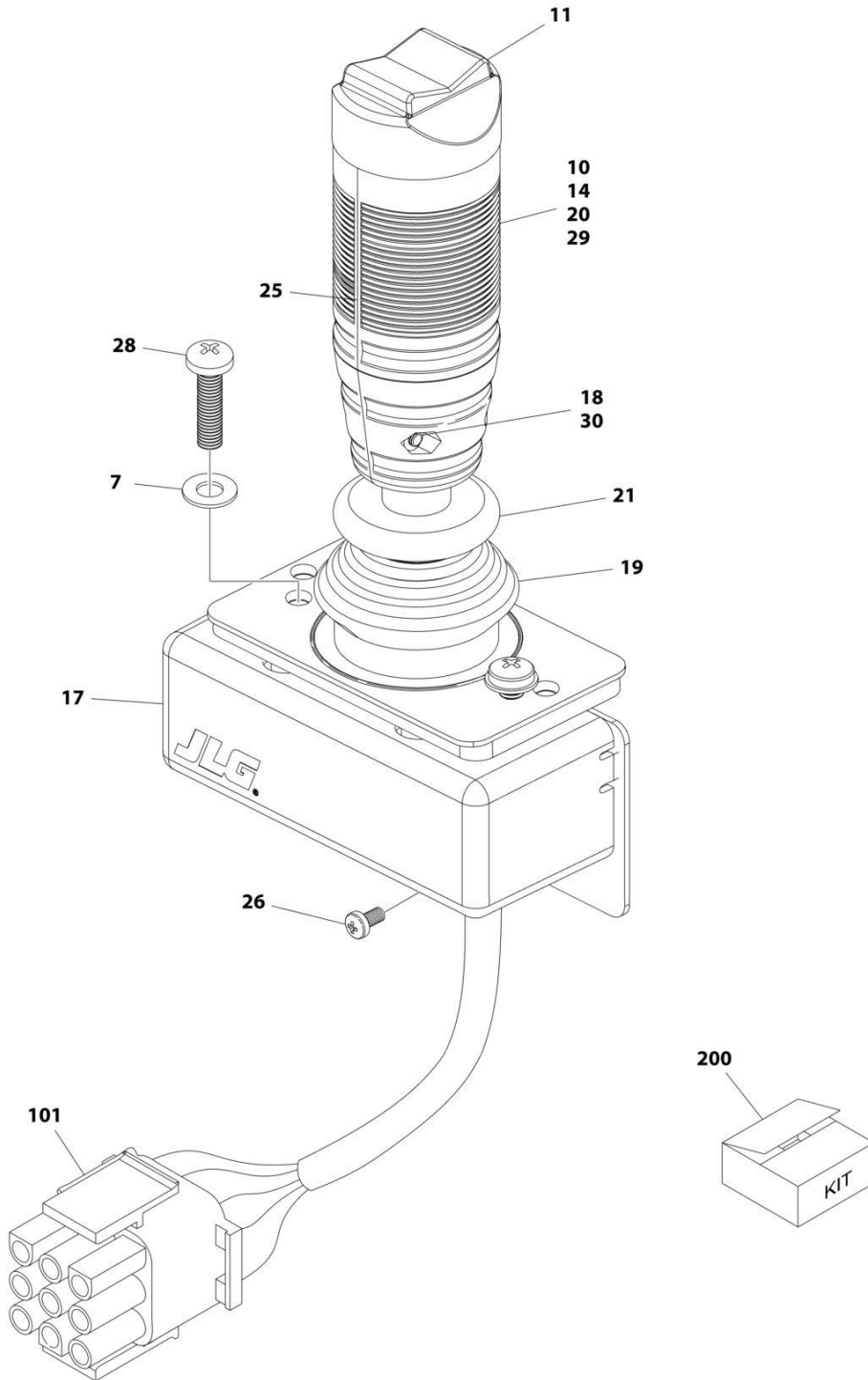
## SECTION 5 - PLATFORM

| ITEM | PART NUMBER | QTY | DESCRIPTION            | REV |
|------|-------------|-----|------------------------|-----|
| 101  | 4460265     | 1   | Connector - 9 Position |     |
| 101  | 4460226     | 6   | Socket, Female         |     |



# SECTION 5 - PLATFORM

## FIGURE 5-17. CONTROLLER ASSEMBLY (DRIVE AND STEER)



ART\_1001166538

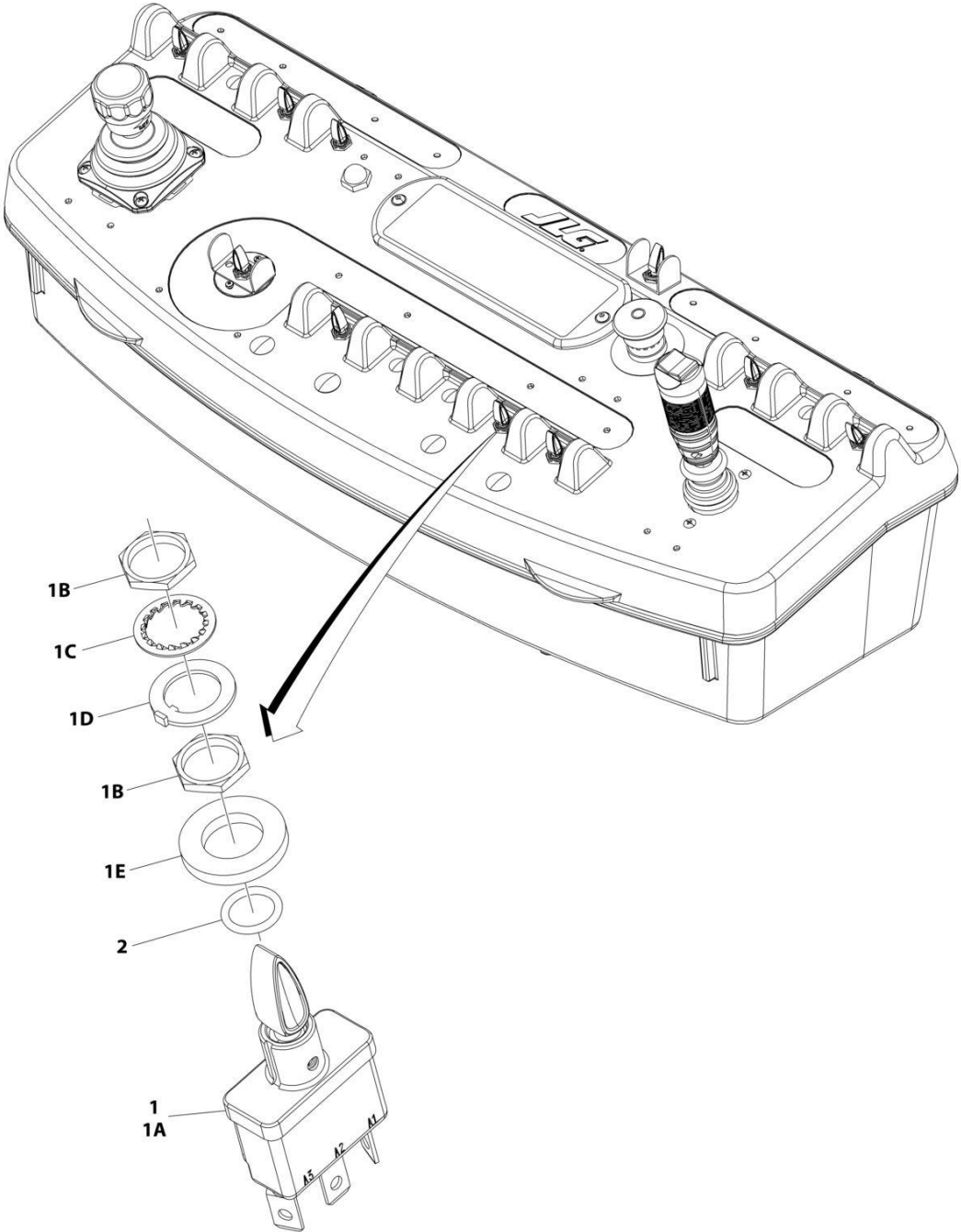
## SECTION 5 - PLATFORM

**FIGURE 5-17. CONTROLLER ASSEMBLY (DRIVE AND STEER)**

| ITEM | PART NUMBER | QTY | DESCRIPTION                                  | REV |
|------|-------------|-----|--|-----|
|      | 1001166538  | Ref | CONTROLLER ASSEMBLY (DRIVE AND STEER)        | G   |
|      |             | Ref | Note: Use p/n 1001212415 Kit as Replacement. |     |
| 7    | 70004738    | 2   | Washer                                       |     |
| 10   | 70004739    | 1   | Roller                                       |     |
| 11   | 70004740    | 1   | Boot, Switch                                 |     |
| 14   | 70004741    | 2   | Half, Handle                                 |     |
| 17   | 70004742    | 1   | Enclosure                                    |     |
| 18   | 70004743    | 4   | Nut  |     |
| 19   | 70004744    | NLA | Boot, Controller (Note: Use Item 200)        |     |
| 20   | 70004745    | NLA | Tube, Locking (Note: Use Item 200)           |     |
| 21   | 70004746    | NLA | Disc, Locking (Note: Use Item 200)           |     |
| 25   | 70004747    | 2   | Seal, Rope                                   |     |
| 26   | 70004748    | 1   | Screw M3 x 6                                 |     |
| 28   | 70004749    | 2   | Screw M5 x 20                                |     |
| 29   | 70004750    | 1   | Pin, Dowel                                   |     |
| 30   | 70004751    | 4   | Screw M3 x 16                                |     |
| 101  | 4460265     | 1   | Connector - 9 Position                       |     |
| 101  | 4460226     | 7   | Socket, Female                               |     |
| 200  | 70005230    | 1   | Boot Kit (Includes Items 19-21)              |     |

**SECTION 5 - PLATFORM**

**FIGURE 5-18. JIB SWITCH INSTALLATION (1100SJ)**



ART\_0271340



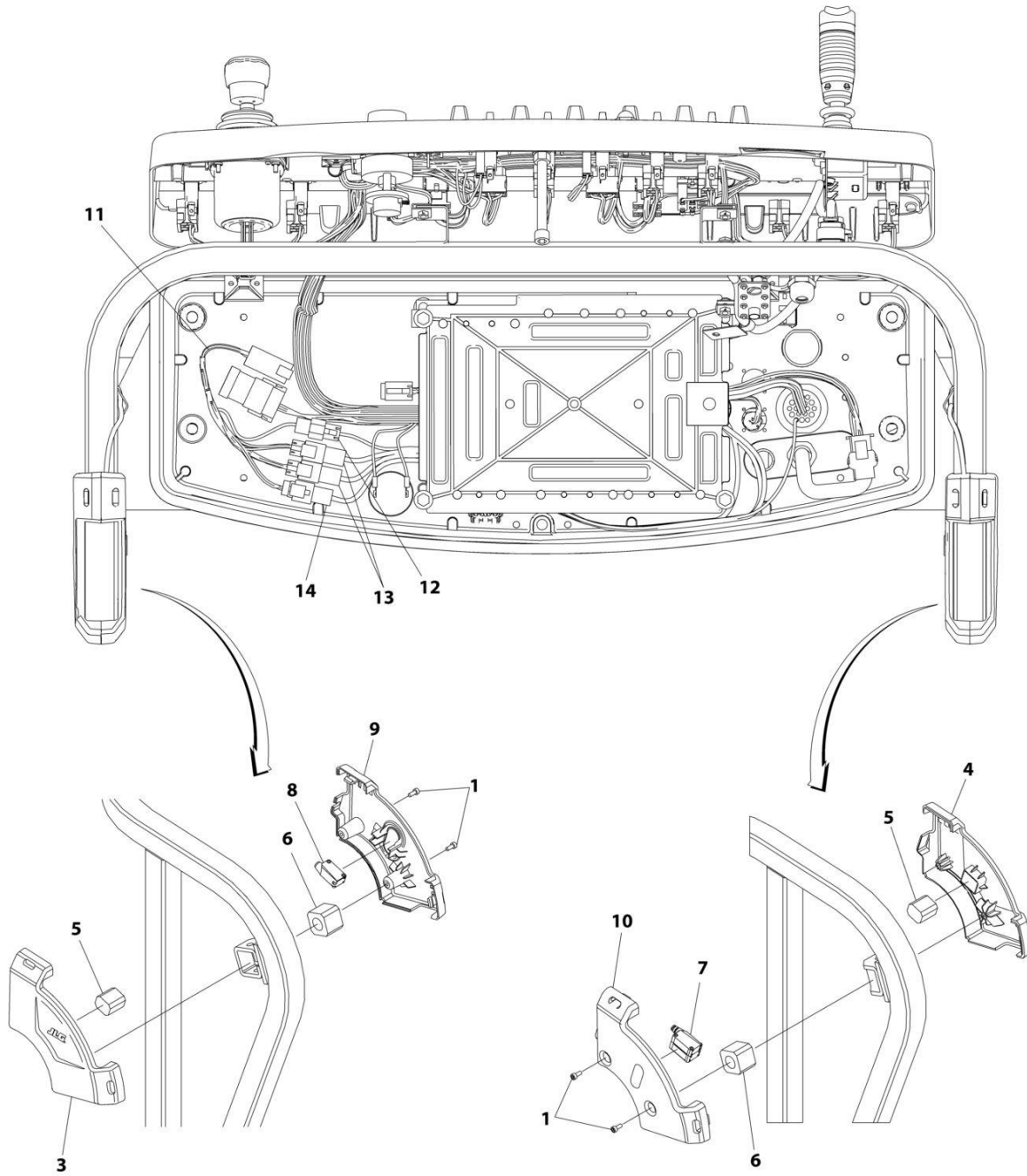
## SECTION 5 - PLATFORM

**FIGURE 5-18. JIB SWITCH INSTALLATION (1100SJ)**

| ITEM | PART NUMBER | QTY | DESCRIPTION             | REV |
|------|-------------|-----|-------------------------|-----|
|      | 0271340     | Ref | JIB SWITCH INSTALLATION | 1/A |
| 1    | 4360328     | 1   | Switch, Toggle          |     |
| 1A   | 1001155045  | 1   | Switch, Toggle          |     |
| 1B   | 1001155044  | 2   | Nut 15/32               |     |
| 1C   | 1001162807  | 1   | Washer                  |     |
| 1D   | 1001155043  | 1   | Washer                  |     |
| 1E   | 4740397     | 1   | Spacer                  |     |
| 2    | 3790012     | 1   | O-Ring                  |     |

# SECTION 5 - PLATFORM

## FIGURE 5-19. SKYEYE INSTALLATION



ART\_1001229341

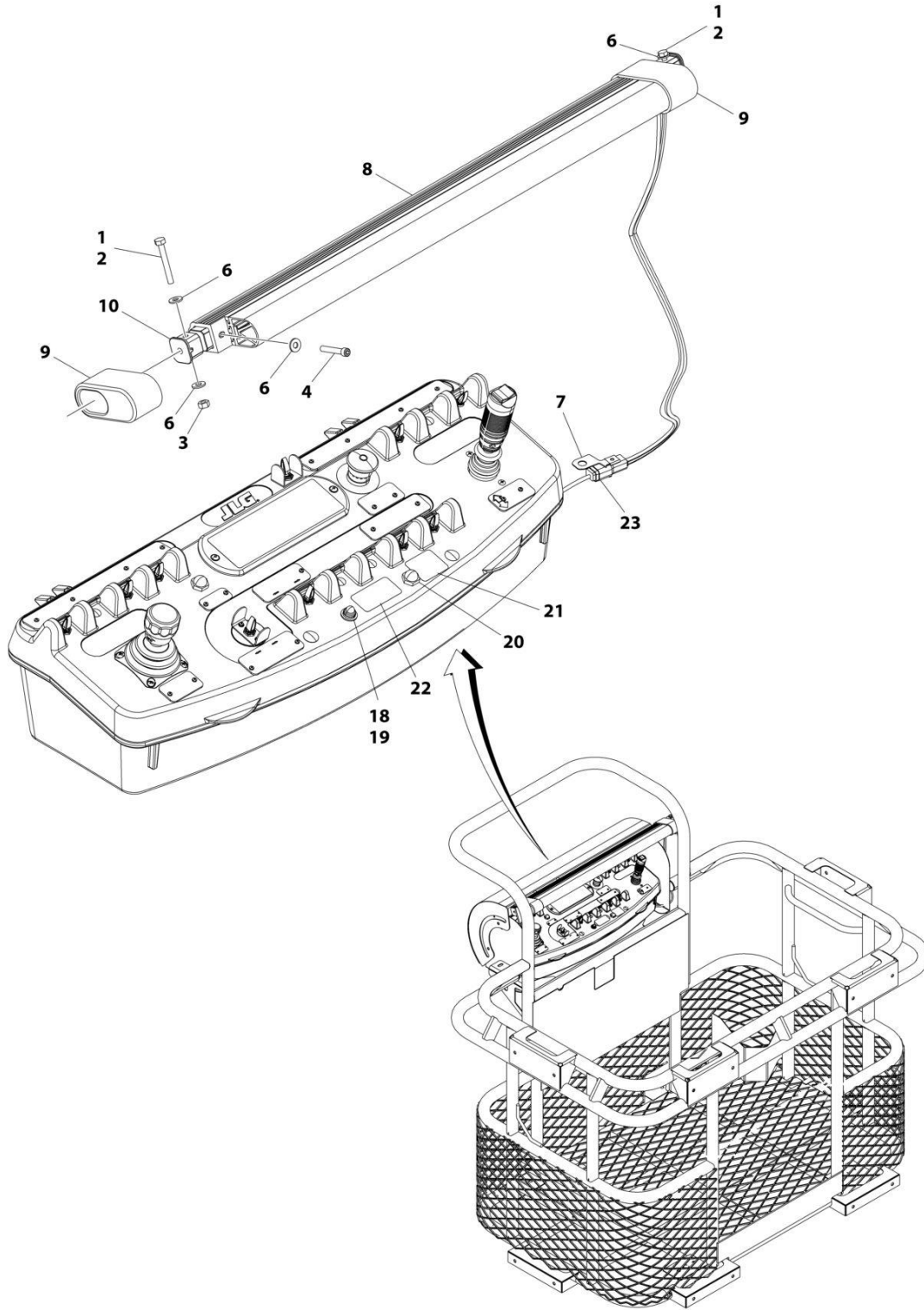
## SECTION 5 - PLATFORM

### FIGURE 5-19. SKYEYE INSTALLATION

| ITEM | PART NUMBER | QTY | DESCRIPTION  | REV |
|------|-------------|-----|--|-----|
|      | 1001229341  | Ref | SKYEYE INSTALLATION  | B   |
| 1    | 4031505     | 4   | Bolt M4 x 10   |     |
| 2    | 4240033     | AR  | Tie-Strap (Not Shown)  |     |
| 3    | 1001227633  | 1   | Housing, LH Outer  |     |
| 4    | 1001227634  | 1   | Housing, RH Outer  |     |
| 5    | 1001227985  | 2   | Shim   |     |
| 6    | 1001227987  | 2   | Shim   |     |
| 7    | 1001228224  | 2   | Sensor, Receiver   |     |
| 8    | 1001228225  | 1   | Sensor, Emitter  |     |
| 9    | 1001232164  | 1   | Housing, LH Inner  |     |
| 10   | 1001232165  | 1   | Housing, RH Inner  |     |
| 11   | 1001237865  | 1   | Harness, Skyeeye Intermediate (See Separate Breakdown in ELECTRICAL Section) |     |
| 12   | 1001238319  | NLA | Harness, Skyeeye Drain Jumper  |     |
| 12   | 1001187674  | 1   | Plug, Male - 2 Position  |     |
| 12   | 4460942     | 1   | Terminal   |     |
| 12   | 4460466     | 1   | Plug, Terminal   |     |
| 12   | 4460508     | 1   | Pin, Male  |     |
| 13   | 1001237863  | 2   | Harness, Skyeeye Receiver (See Separate Breakdown in ELECTRICAL Section)     |     |
| 14   | 1001237864  | 1   | Harness, Skyeeye Emitter (See Separate Breakdown in ELECTRICAL Section)      |     |

# SECTION 5 - PLATFORM

## FIGURE 5-20. SKYGUARD INSTALLATION



ART\_1001153444

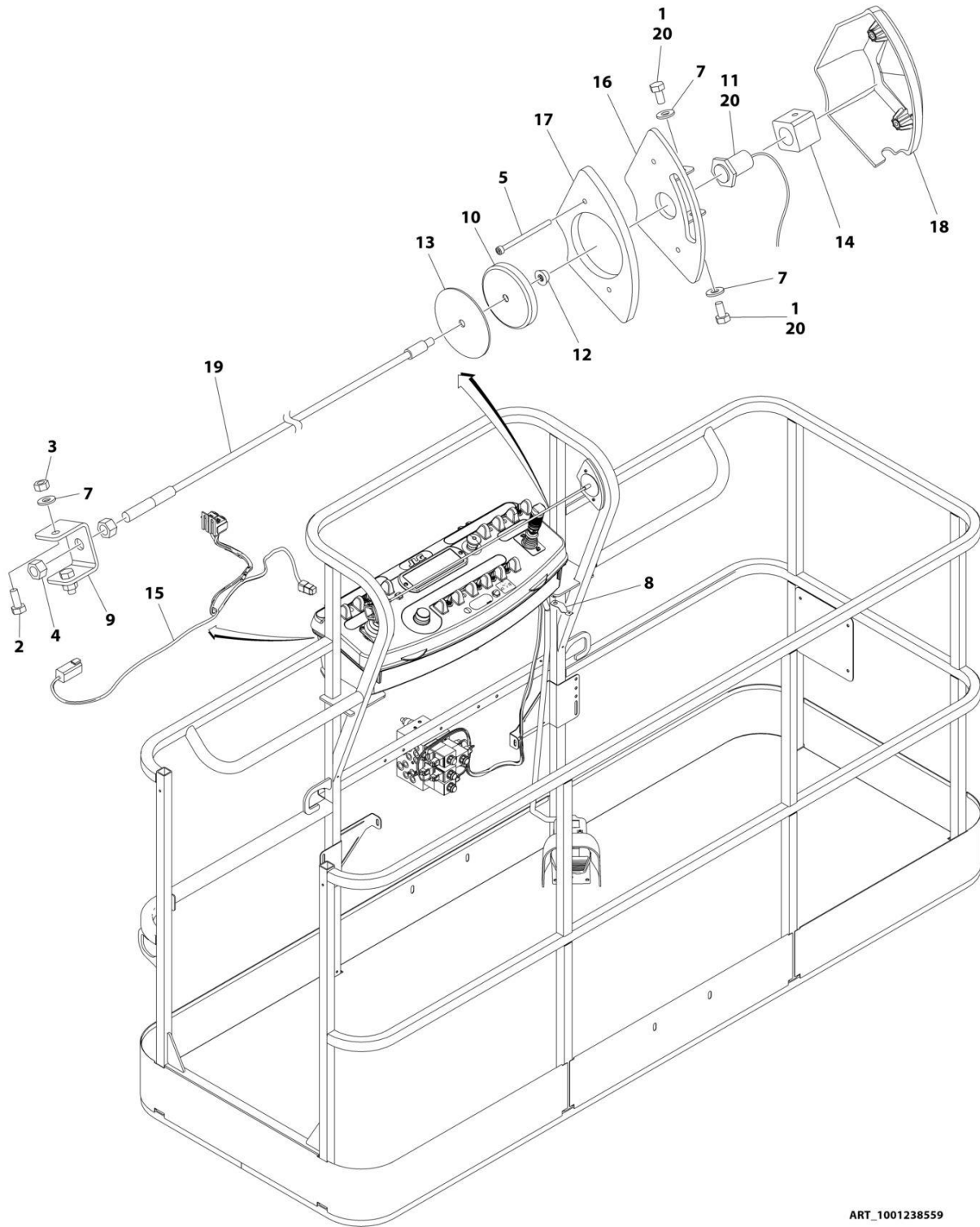
## SECTION 5 - PLATFORM

### FIGURE 5-20. SKYGUARD INSTALLATION

| ITEM | PART NUMBER | QTY | DESCRIPTION  | REV |
|------|-------------|-----|--|-----|
|      | 1001153444  | Ref | SKYGUARD INSTALLATION  | G   |
| 1    | 0100011     | AR  | Compound, Locking  |     |
| 2    | 0641416     | 2   | Bolt 1/4 x 2   |     |
| 3    | 3311405     | 2   | Nut 1/4  |     |
| 4    | 3931424     | 2   | Capscrew 1/4 x 1-1/2 <b>(SN B300000100 through B300004101)</b>                     |     |
| 4    | 3931408     | 2   | Capscrew 1/4 x 1/2 <b>(SN B300004101 through B300005767, Excluding B300005565)</b> |     |
| 5    | 4240033     | 4   | Tie-Strap (Not Shown)  |     |
| 6    | 4711400     | 6   | Washer 1/4   |     |
| 7    | 1001120328  | 1   | Mount, Terminal  |     |
| 8    | 1001137673  | 1   | SkyGuard Switch Assembly   |     |
| 9    | 1001186517  | 2   | Cover, Platform Sensor   |     |
| 10   | 1001188889  | NLA | Support <b>(SN B300000100 through B300004101)</b>                                  |     |
| 10   | 1001209664  | 1   | Support <b>(SN B300004101 through B300005767, Excluding B300005565)</b>            |     |
| 18   | 2920028     | 1   | Lamp, Indicator  |     |
| 19   | 2920029     | 1   | Bulb, Light  |     |
| 20   | 4360387     | 1   | Switch, Push Button  |     |
| 21   | 1001144433  | 1   | Decal - No Weight SkyGuard   |     |
| 22   | 1001224978  | 1   | Decal - Platform Sensor Override   |     |
| 23   | 1001199904  | 1   | SkyGuard Sensor Harness (See Separate Breakdown in ELECTRICAL SECTION)             |     |

# SECTION 5 - PLATFORM

## FIGURE 5-21. SKYLINE INSTALLATION



ART\_1001238559

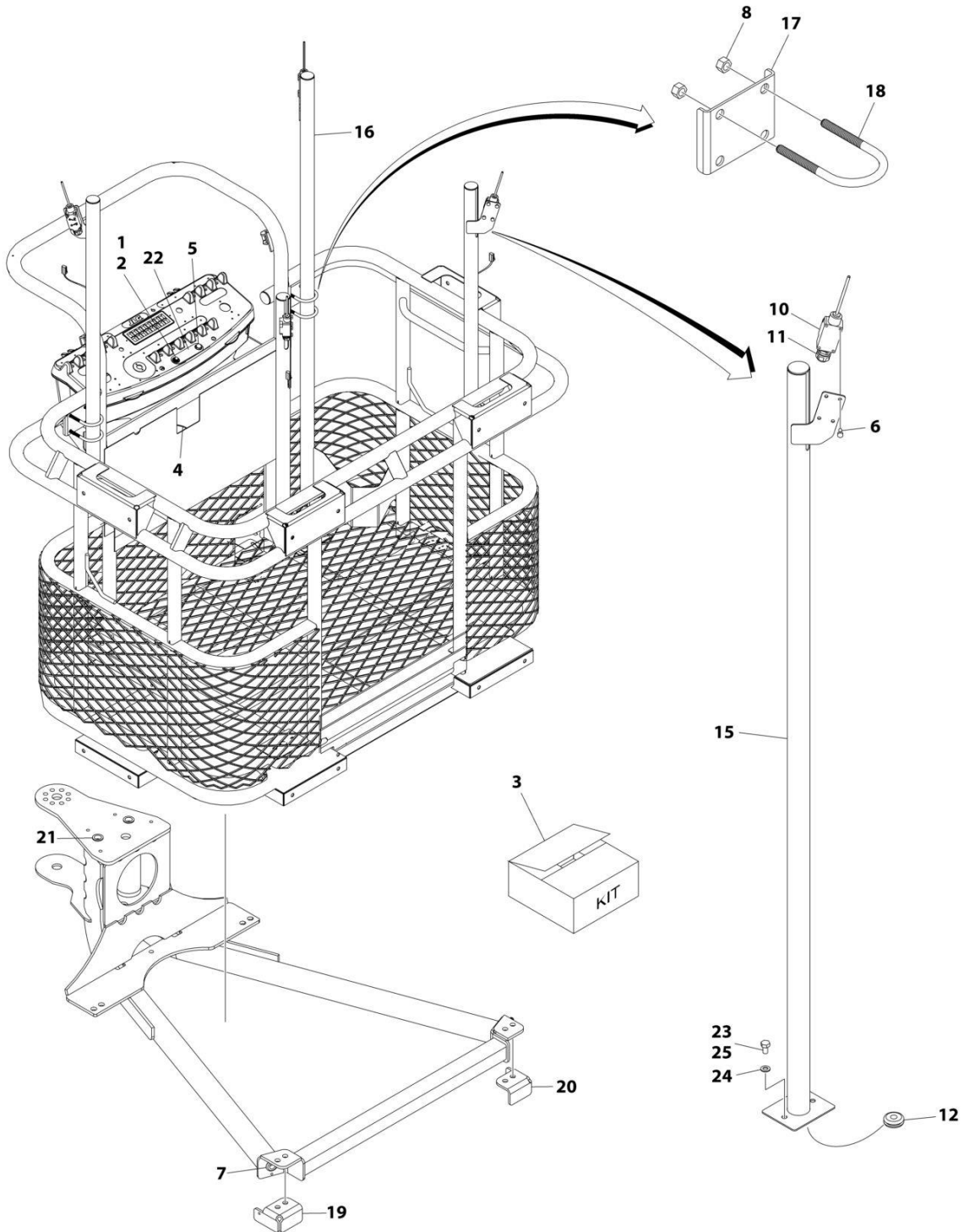
## SECTION 5 - PLATFORM

### FIGURE 5-21. SKYLINE INSTALLATION

| ITEM | PART NUMBER | QTY | DESCRIPTION   | REV |
|------|-------------|-----|---|-----|
|      | 1001238559  | Ref | SKYLINE INSTALLATION  | B   |
| 1    | 0641404     | 2   | Bolt 1/4 x 1/2  |     |
| 2    | 0641405     | 2   | Bolt 1/4 x 5/8  |     |
| 3    | 3311405     | 2   | Nut 1/4   |     |
| 4    | 3311601     | 2   | Nut 3/8   |     |
| 5    | 4031516     | 2   | Capscrew M4 x 60  |     |
| 6    | 4240033     | AR  | Tie-Strap (Not Shown)   |     |
| 7    | 4711400     | 4   | Washer 1/4  |     |
| 8    | 1001120328  | 1   | Mount   |     |
| 9    | 1001232642  | 1   | Bracket   |     |
| 10   | 1001232650  | 1   | Magnet  |     |
| 11   | 1001232667  | 1   | Sensor, Proximity   |     |
| 12   | 1001235011  | 1   | Nut   |     |
| 13   | 1001235013  | 1   | Washer  |     |
| 14   | 1001236552  | 1   | Block   |     |
| 15   | 1001238418  | 1   | Harness, Skyline (See Separate Breakdown in ELECTRICAL Section) |     |
| 16   | 1001238472  | 1   | Mount   |     |
| 17   | 1001238477  | 1   | Housing, LH   |     |
| 18   | 1001241965  | 1   | Housing, RH   |     |
| 19   | 1001238824  | 1   | Rope  |     |
| 20   | 0100011     | AR  | Compound, Locking   |     |

# SECTION 5 - PLATFORM

FIGURE 5-22. OVERHEAD PROTECTION INSTALLATION - WITHOUT LSS (KOREAN/CHINA SPECS)



ART\_1001150098



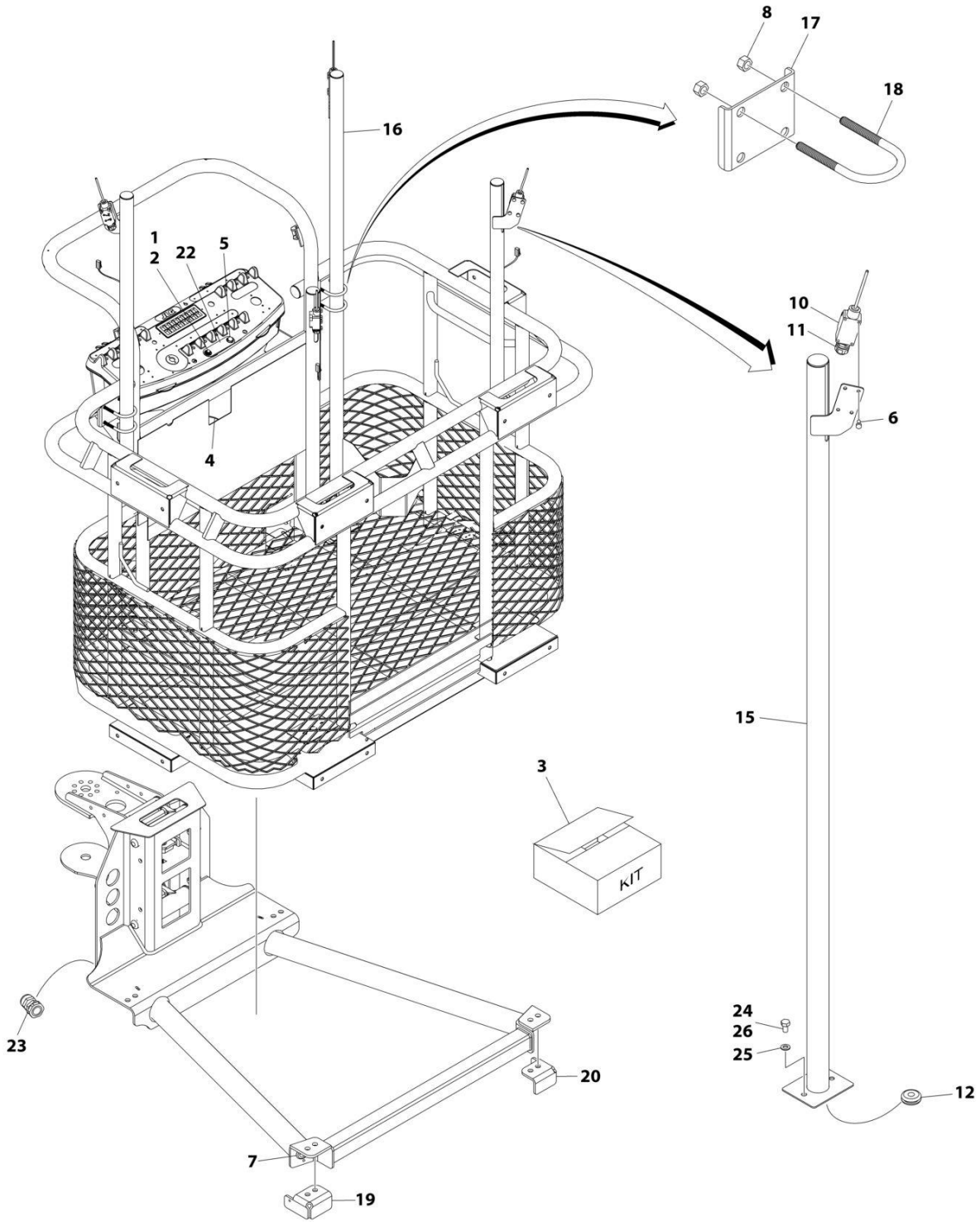
## SECTION 5 - PLATFORM

**FIGURE 5-22. OVERHEAD PROTECTION INSTALLATION - WITHOUT LSS (KOREAN/CHINA SPECS)**

| ITEM | PART NUMBER | QTY | DESCRIPTION  | REV |
|------|-------------|-----|--|-----|
|      | 1001150098  | Ref | OVERHEAD PROTECTION INSTALLATION - WITHOUT LSS<br>(KOREAN/CHINA SPECS) | D   |
| 1    | 2920028     | 1   | Light, Indicator   |     |
| 2    | 2920029     | 1   | Bulb   |     |
| 3    | 1001151061  | 1   | Accessory, O/H Soft Touch Kit (Includes Items 6-21 & 23-25)            |     |
| 4    | 1001151201  | 1   | Harness, Soft Touch (See Separate Breakdown in ELECTRICAL<br>SECTION)  |     |
| 5    | 4360387     | 1   | Switch, Push Button  |     |
| 6    | 0641405     | 16  | Bolt 1/4 x 5/8   |     |
| 7    | 2540038     | 2   | Grommet  |     |
| 8    | 3311605     | 16  | Nut 3/8  |     |
| 9    | 4240099     | 12  | Tie-Strap (Not Shown)  |     |
| 10   | 4360477     | 4   | Switch, Proximity  |     |
| 11   | 4460662     | 4   | Connector, Strain Relief   |     |
| 12   | 1001090615  | 4   | Grommet  |     |
| 14   | 1001121576  | 1   | Cover (Not Shown)  |     |
| 15   | 1001150698  | 2   | Tube   |     |
| 16   | 1001150699  | 2   | Tube   |     |
| 17   | 1001151027  | 4   | Plate  |     |
| 18   | 1001151028  | 8   | Bolt   |     |
| 19   | 1001151651  | 1   | Shield   |     |
| 20   | 1001151652  | 1   | Shield   |     |
| 21   | 1001151731  | 2   | Grommet  |     |
| 22   | 1001113691  | 1   | Decal - Soft Touch Override  |     |
| 23   | 0761009     | 8   | Bolt M10 x 18  |     |
| 24   | 4812000     | 8   | Washer M10   |     |
| 25   | 0100011     | AR  | Compound, Locking  |     |

# SECTION 5 - PLATFORM

FIGURE 5-23. OVERHEAD PROTECTION INSTALLATION - WITH LSS (KOREAN/CHINA SPECS)



ART\_1001206605

## SECTION 5 - PLATFORM

**FIGURE 5-23. OVERHEAD PROTECTION INSTALLATION - WITH LSS (KOREAN/CHINA SPECS)**

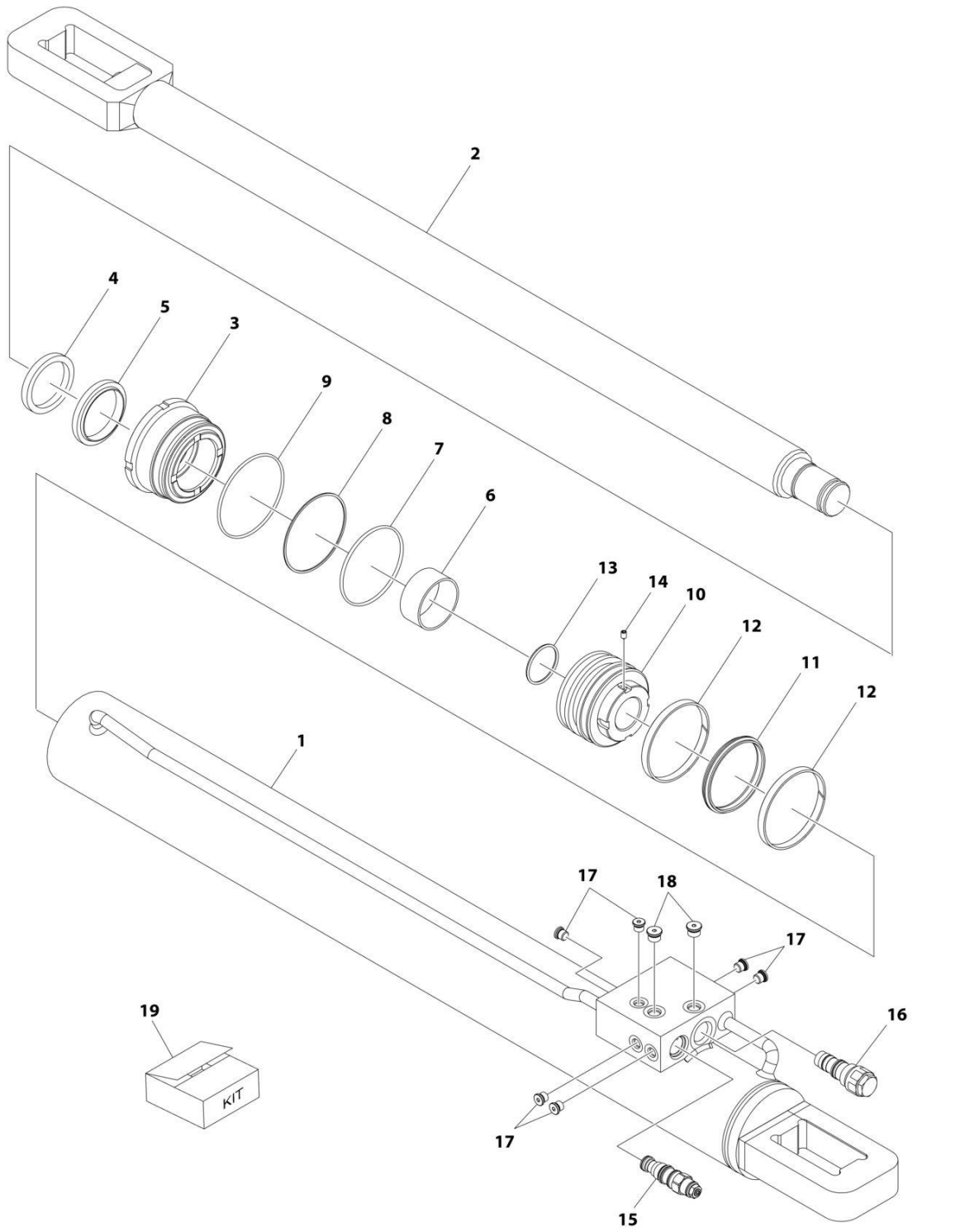
| ITEM | PART NUMBER | QTY | DESCRIPTION   | REV |
|------|-------------|-----|---|-----|
|      | 1001206605  | Ref | OVERHEAD PROTECTION INSTALLATION - WITH LSS<br>(KOREAN/CHINA SPECS)   | C   |
| 1    | 2920028     | 1   | Light, Indicator  |     |
| 2    | 2920029     | 1   | Bulb  |     |
| 3    | 1001151061  | 1   | Accessory, O/H Soft Touch Kit (Includes Items 6-20 & 24-26)           |     |
| 4    | 1001151201  | 1   | Harness, Soft Touch (See Separate Breakdown in ELECTRICAL<br>SECTION) |     |
| 5    | 4360387     | 1   | Switch, Push Button   |     |
| 6    | 0641405     | 16  | Bolt 1/4 x 5/8  |     |
| 7    | 2540038     | 2   | Grommet   |     |
| 8    | 3311605     | 16  | Nut 3/8   |     |
| 9    | 4240099     | 12  | Tie-Strap (Not Shown)   |     |
| 10   | 4360477     | 4   | Switch, Proximity   |     |
| 11   | 4460662     | 4   | Connector, Strain Relief  |     |
| 12   | 1001090615  | 4   | Grommet   |     |
| 14   | 1001121576  | 1   | Cover (Not Shown)   |     |
| 15   | 1001150698  | 2   | Tube  |     |
| 16   | 1001150699  | 2   | Tube  |     |
| 17   | 1001151027  | 4   | Plate   |     |
| 18   | 1001151028  | 8   | Bolt  |     |
| 19   | 1001151651  | 1   | Shield  |     |
| 20   | 1001151652  | 1   | Shield  |     |
| 22   | 1001113691  | 1   | Decal - Soft Touch Override   |     |
| 23   | 4460968     | 2   | Connector, Strain Relief  |     |
| 24   | 0761009     | 8   | Bolt M10 x 18   |     |
| 25   | 4812000     | 8   | Washer M10  |     |
| 26   | 0100011     | AR  | Compound, Locking   |     |



**SECTION 6 - CYLINDER**

# SECTION 6 - CYLINDER

## FIGURE 6-1. AXLE EXTEND CYLINDER ASSEMBLY



ART\_1001149464

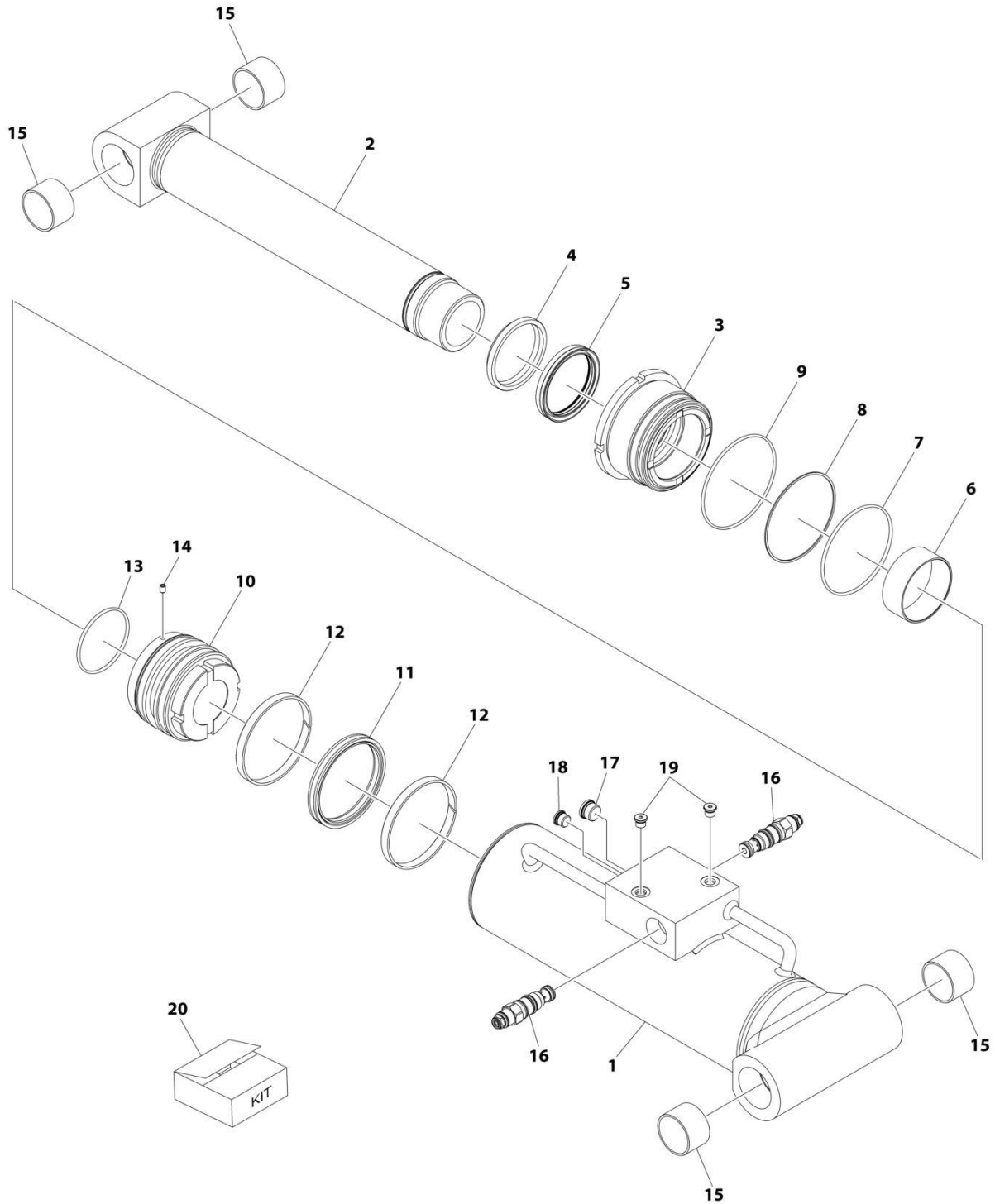
## SECTION 6 - CYLINDER

**FIGURE 6-1. AXLE EXTEND CYLINDER ASSEMBLY**

| ITEM | PART NUMBER | QTY | DESCRIPTION                                 | REV |
|------|-------------|-----|---|-----|
|      | 1001149464  | Ref | AXLE EXTEND CYLINDER ASSEMBLY               | D   |
| 1    | 70005850    | 1   | Barrel                                      |     |
| 2    | 70005851    | 1   | Rod   |     |
| 3    | 70005852    | 1   | Head  |     |
| 4    | See Note    | NSS | Wiper (Note: Use Item 19)                   |     |
| 5    | See Note    | NSS | Seal, Rod (Note: Use Item 19)               |     |
| 6    | 70004637    | 1   | Bearing                                     |     |
| 7    | See Note    | NSS | O-Ring (Note: Use Item 19)                  |     |
| 8    | See Note    | NSS | Ring, Back Up (Note: Use Item 19)           |     |
| 9    | See Note    | NSS | O-Ring (Note: Use Item 19)                  |     |
| 10   | 70005853    | 1   | Piston                                      |     |
| 11   | See Note    | NSS | Seal, Piston (Note: Use Item 19)            |     |
| 12   | See Note    | NSS | Ring, Wear (Note: Use Item 19)              |     |
| 13   | See Note    | NSS | O-Ring (Note: Use Item 19)                  |     |
| 14   | 70005847    | 1   | Setscrew                                    |     |
| 15   | 70005888    | 1   | Cartridge, Valve - Counterbalance           |     |
| 15   | 2900770     | 1   | Seal Kit - 70005888 Valve                   |     |
| 16   | 4640509     | 1   | Cartridge, Valve - Counterbalance           |     |
| 16   | 2900792     | 1   | Seal Kit - 4640509 Valve                    |     |
| 17   | 2220883     | 6   | Plug  |     |
| 18   | 2220885     | 2   | Plug  |     |
| 19   | 70005854    | 1   | Seal Kit (Includes Items 4, 5, 7-9 & 11-13) |     |

# SECTION 6 - CYLINDER

## FIGURE 6-2. LEVEL CYLINDER ASSEMBLY - PLATFORM SLAVE



ART\_1001195191



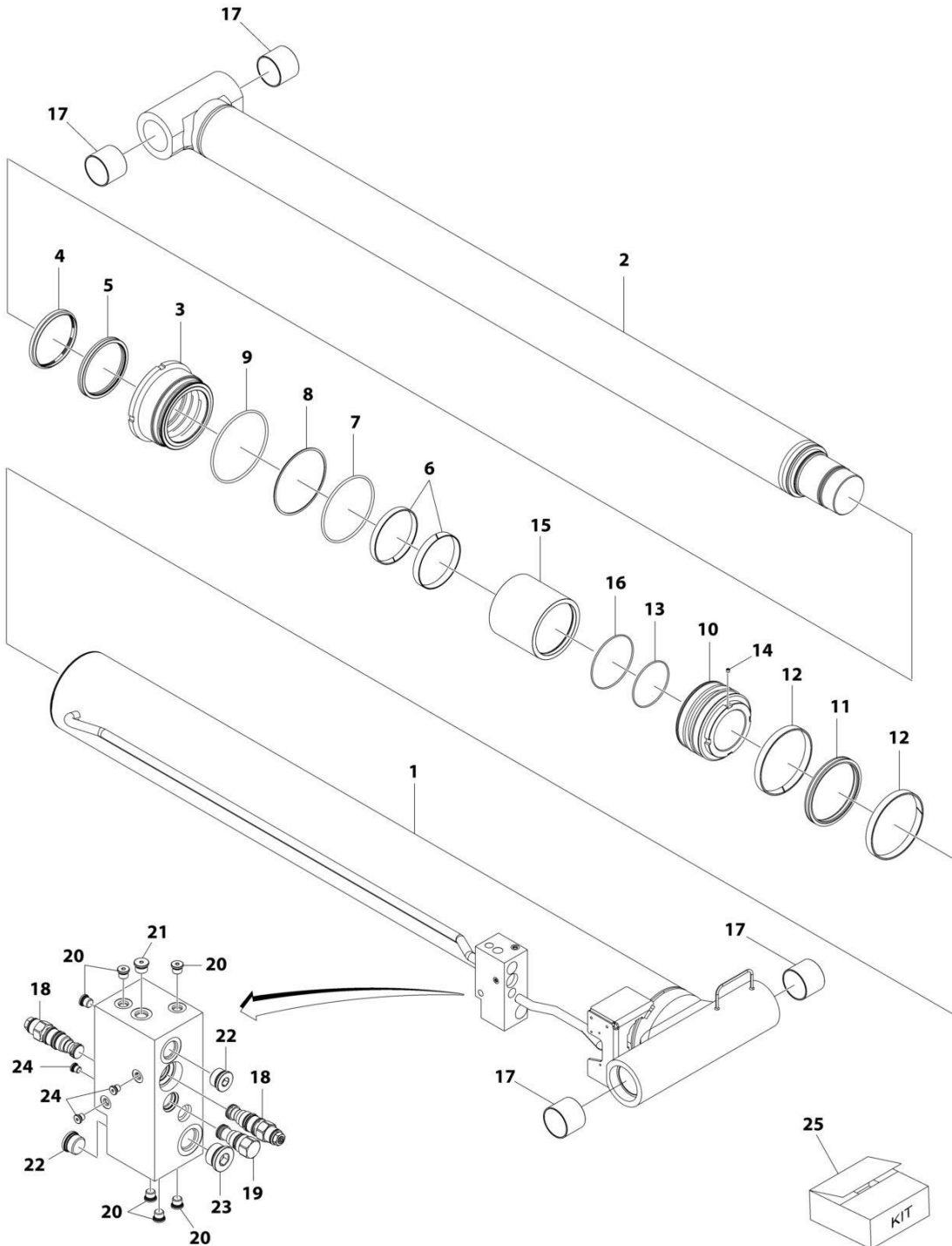
## SECTION 6 - CYLINDER

**FIGURE 6-2. LEVEL CYLINDER ASSEMBLY - PLATFORM SLAVE**

| ITEM | PART NUMBER | QTY | DESCRIPTION                                 | REV |
|------|-------------|-----|---|-----|
|      | 1001195191  | Ref | LEVEL CYLINDER ASSEMBLY - PLATFORM SLAVE    | E   |
| 1    | 70005863    | 1   | Barrel                                      |     |
| 2    | 70005864    | 1   | Rod   |     |
| 3    | 70005845    | 1   | Head  |     |
| 4    | See Note    | NSS | Wiper (Note: Use Item 20)                   |     |
| 5    | See Note    | NSS | Seal, Rod (Note: Use Item 20)               |     |
| 6    | 70026302    | 1   | Bearnig                                     |     |
| 7    | See Note    | NSS | O-Ring (Note: Use Item 20)                  |     |
| 8    | See Note    | NSS | Ring, Back Up (Note: Use Item 20)           |     |
| 9    | See Note    | NSS | O-Ring (Note: Use Item 20)                  |     |
| 10   | 70005865    | 1   | Piston                                      |     |
| 11   | See Note    | NSS | Seal, Piston (Note: Use Item 20)            |     |
| 12   | See Note    | NSS | Ring, Wear (Note: Use Item 20)              |     |
| 13   | See Note    | NSS | O-Ring (Note: Use Item 20)                  |     |
| 14   | 70005866    | 1   | Setscrew                                    |     |
| 15   | 0961949     | 4   | Bearing                                     |     |
| 16   | 1001168209  | 2   | Cartridge, Valve - Counterbalance           |     |
| 16   | 2900770     | 2   | Seal Kit - 1001168209 Valve                 |     |
| 17   | 2220886     | 1   | Plug  |     |
| 18   | 2220885     | 1   | Plug  |     |
| 19   | 2220883     | 2   | Plug  |     |
| 20   | 70005867    | 1   | Seal Kit (Includes Items 4, 5, 7-9 & 11-13) |     |

# SECTION 6 - CYLINDER

## FIGURE 6-3. LIFT CYLINDER ASSEMBLY - BOOM



ART\_1001197797

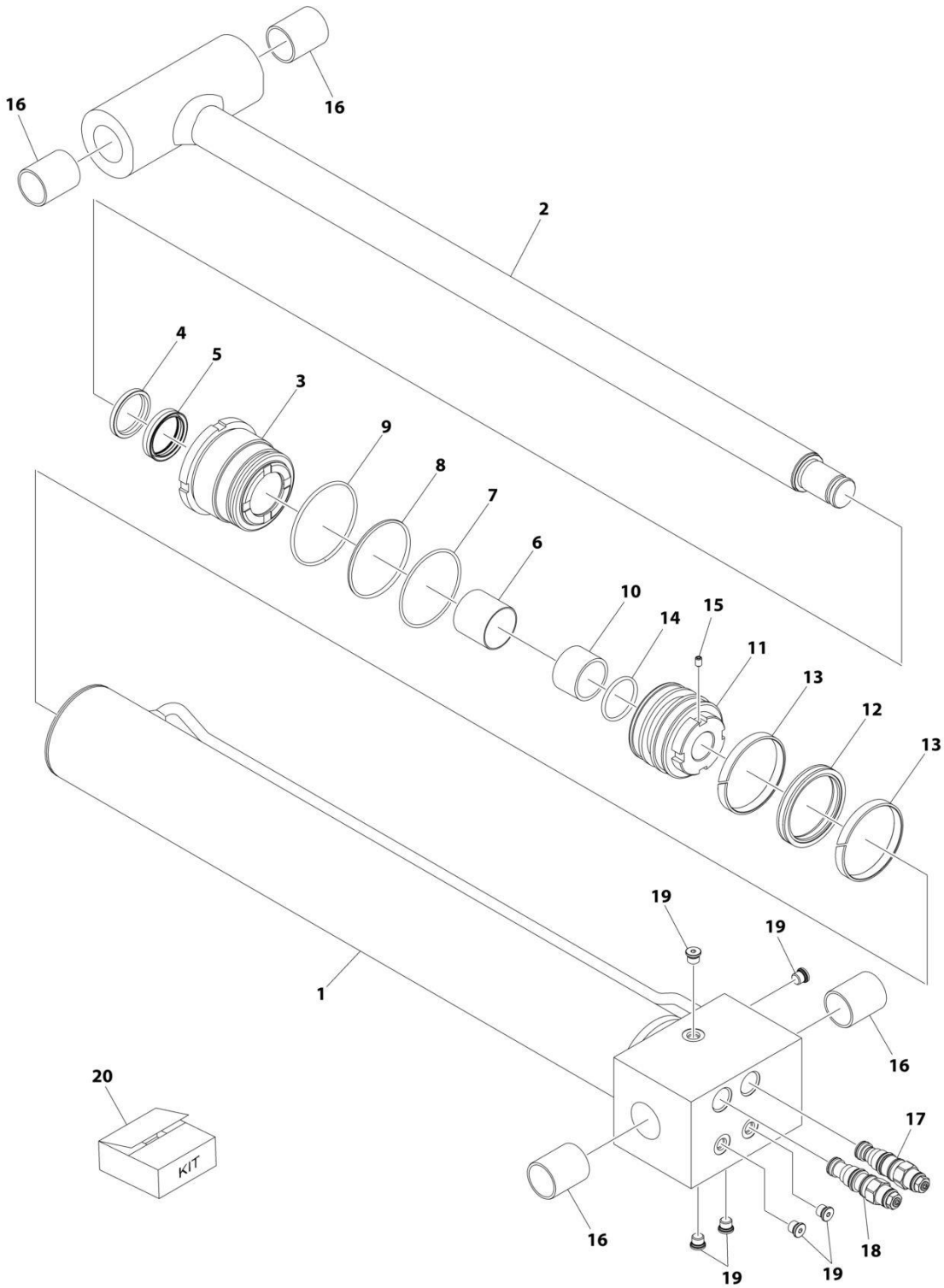
## SECTION 6 - CYLINDER

### FIGURE 6-3. LIFT CYLINDER ASSEMBLY - BOOM

| ITEM | PART NUMBER | QTY | DESCRIPTION                           | REV |
|------|-------------|-----|---------------------------------------|-----|
|      | 1001197797  | Ref | LIFT CYLINDER ASSEMBLY - BOOM         | E   |
| 1    | 70005835    | 1   | Barrel                                |     |
| 2    | 70005836    | 1   | Rod                                   |     |
| 3    | 70005837    | 1   | Head                                  |     |
| 4    | See Note    | NSS | Wiper (Note: Use Item 25)             |     |
| 5    | See Note    | NSS | Seal, Rod (Note: Use Item 25)         |     |
| 6    | See Note    | NSS | Ring, Wear (Note: Use Item 25)        |     |
| 7    | See Note    | NSS | O-Ring (Note: Use Item 25)            |     |
| 8    | See Note    | NSS | Ring, Back Up (Note: Use Item 25)     |     |
| 9    | See Note    | NSS | O-Ring (Note: Use Item 25)            |     |
| 10   | 70005838    | 1   | Piston                                |     |
| 11   | See Note    | NSS | Seal, Piston (Note: Use Item 25)      |     |
| 12   | See Note    | NSS | Ring, Wear (Note: Use Item 25)        |     |
| 13   | See Note    | NSS | O-Ring (Note: Use Item 25)            |     |
| 14   | 70005839    | 1   | Setscrew                              |     |
| 15   | 70005840    | 1   | Spacer                                |     |
| 16   | 70005841    | 1   | O-Ring                                |     |
| 17   | 0962297     | 4   | Bearing                               |     |
| 18   | 1001156016  | 2   | Cartridge, Valve - Counterbalance     |     |
| 18   | 7011376     | 2   | Seal Kit - 1001156016 Valve           |     |
| 19   | 4641285     | 1   | Cartridge, Valve - Shuttle            |     |
| 19   | 7011311     | 1   | Seal Kit - 4641285 Valve              |     |
| 20   | 2220883     | 6   | Plug                                  |     |
| 21   | 2220885     | 1   | Plug                                  |     |
| 22   | 2220887     | 2   | Plug                                  |     |
| 23   | 2220888     | 1   | Plug                                  |     |
| 24   | 2220881     | 3   | Plug                                  |     |
| 25   | 70005842    | 1   | Seal Kit (Includes Items 4-9 & 11-13) |     |

# SECTION 6 - CYLINDER

## FIGURE 6-4. LIFT CYLINDER ASSEMBLY - JIB



ART\_1001149389

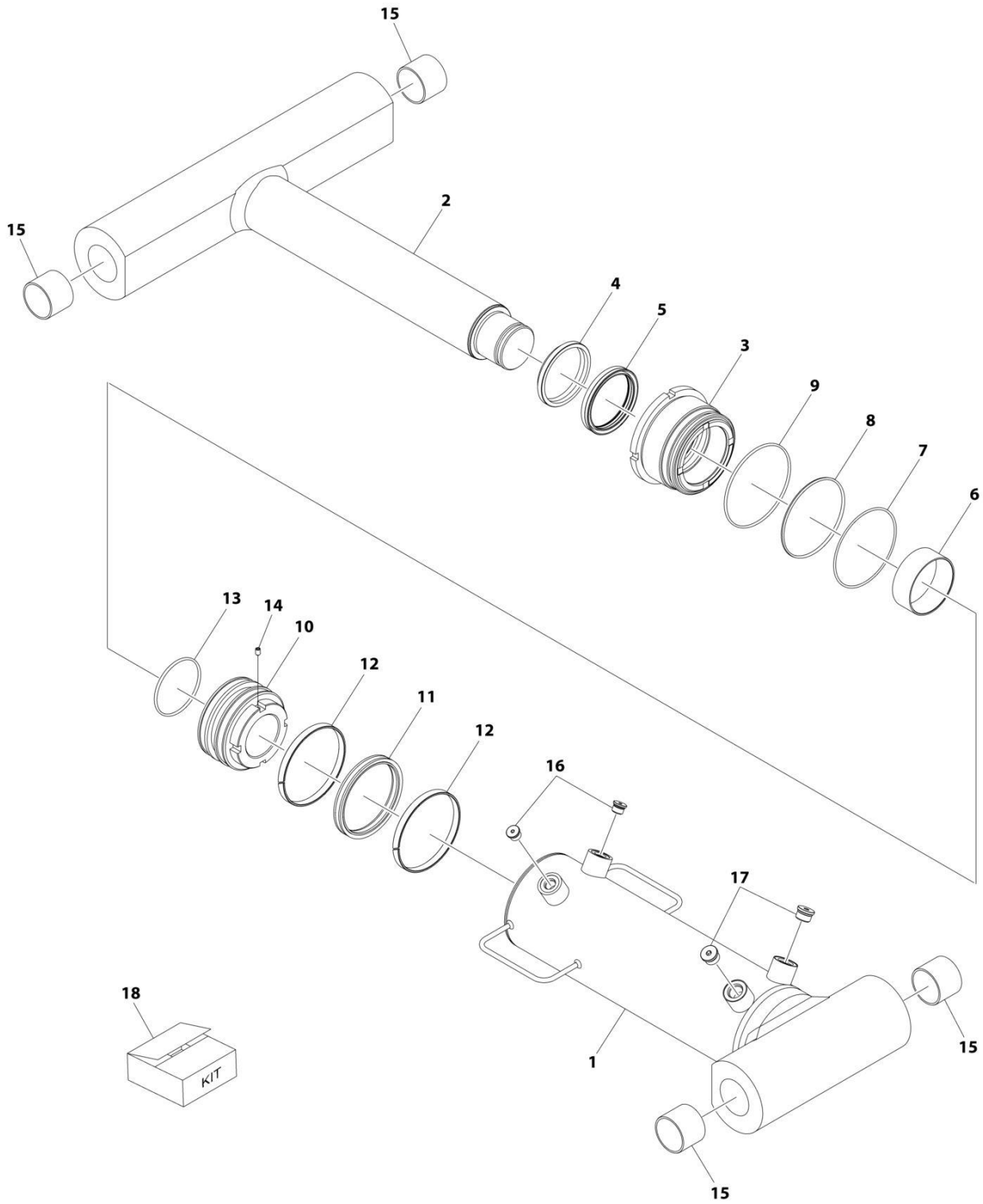
## SECTION 6 - CYLINDER

**FIGURE 6-4. LIFT CYLINDER ASSEMBLY - JIB**

| ITEM | PART NUMBER | QTY | DESCRIPTION                                 | REV |
|------|-------------|-----|---|-----|
|      | 1001149389  | Ref | LIFT CYLINDER ASSEMBLY - JIB                | C   |
| 1    | 70005855    | 1   | Barrel                                      |     |
| 2    | 70005856    | 1   | Rod   |     |
| 3    | 70005857    | 1   | Head  |     |
| 4    | See Note    | NSS | Wiper (Note: Use Item 20)                   |     |
| 5    | See Note    | NSS | Seal, Rod (Note: Use Item 20)               |     |
| 6    | 70005858    | 1   | Bearing                                     |     |
| 7    | See Note    | NSS | O-Ring (Note: Use Item 20)                  |     |
| 8    | See Note    | NSS | Ring, Back Up (Note: Use Item 20)           |     |
| 9    | See Note    | NSS | O-Ring (Note: Use Item 20)                  |     |
| 10   | 70005859    | 1   | Spacer                                      |     |
| 11   | 70005860    | 1   | Piston                                      |     |
| 12   | See Note    | NSS | Seal, Piston (Note: Use Item 20)            |     |
| 13   | See Note    | NSS | Ring, Wear (Note: Use Item 20)              |     |
| 14   | See Note    | NSS | O-Ring (Note: Use Item 20)                  |     |
| 15   | 70005847    | 1   | Setscrew                                    |     |
| 16   | 70005861    | 4   | Bearing                                     |     |
| 17   | 70005890    | 1   | Cartridge, Valve - Counterbalance           |     |
| 17   | 2900770     | 1   | Seal Kit - 70005890 Valve                   |     |
| 18   | 70005889    | 1   | Cartridge, Valve - Counterbalance           |     |
| 18   | 2900770     | 1   | Seal Kit - 70005889 Valve                   |     |
| 19   | 2220883     | 6   | Plug  |     |
| 20   | 70005862    | 1   | Seal Kit (Includes Items 4, 5, 7-9 & 12-14) |     |

# SECTION 6 - CYLINDER

## FIGURE 6-5. MASTER CYLINDER ASSEMBLY



ART\_1001197798

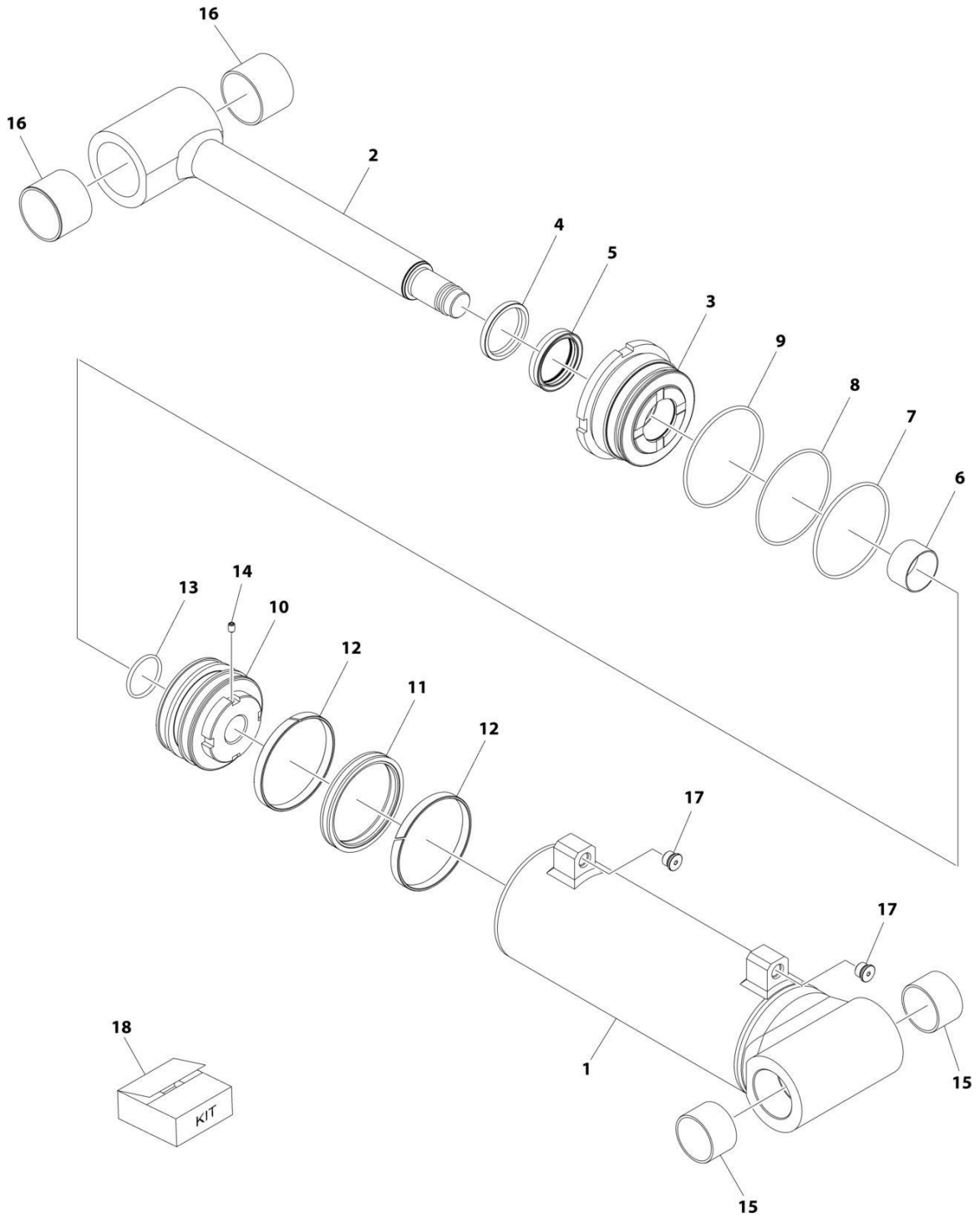
## SECTION 6 - CYLINDER

### FIGURE 6-5. MASTER CYLINDER ASSEMBLY

| ITEM | PART NUMBER | QTY | DESCRIPTION                                   | REV |
|------|-------------|-----|---|-----|
|      | 1001197798  | Ref | MASTER CYLINDER ASSEMBLY                      | F   |
| 1    | 70005843    | 1   | Barrel  |     |
| 2    | 70005844    | 1   | Rod   |     |
| 3    | 70005845    | 1   | Head  |     |
| 4    | See Note    | NSS | Wiper (Note: Use Item 18)                     |     |
| 5    | See Note    | NSS | Seal, Rod (Note: Use Item 18)                 |     |
| 6    | 70026302    | 1   | Bearing                                       |     |
| 7    | See Note    | NSS | O-Ring (Note: Use Item 18)                    |     |
| 8    | See Note    | NSS | Ring, Back Up (Note: Use Item 18)             |     |
| 9    | See Note    | NSS | O-Ring (Note: Use Item 18)                    |     |
| 10   | 70005846    | 1   | Piston  |     |
| 11   | See Note    | NSS | Seal, Piston (Note: Use Item 18)              |     |
| 12   | See Note    | NSS | Ring, Wear (Note: Use Item 18)                |     |
| 13   | See Note    | NSS | O-Ring (Note: Use Item 18)                    |     |
| 14   | 70005847    | 1   | Setscrew                                      |     |
| 15   | 70005848    | 4   | Bearing                                       |     |
| 16   | 2220885     | 2   | Plug  |     |
| 17   | 2220886     | 2   | Plug  |     |
| 18   | 70005849    | 1   | Seal Kit (Includes Items 4, 5, 7-9 and 11-13) |     |

# SECTION 6 - CYLINDER

## FIGURE 6-6. STEER CYLINDER ASSEMBLY



ART\_1001149463



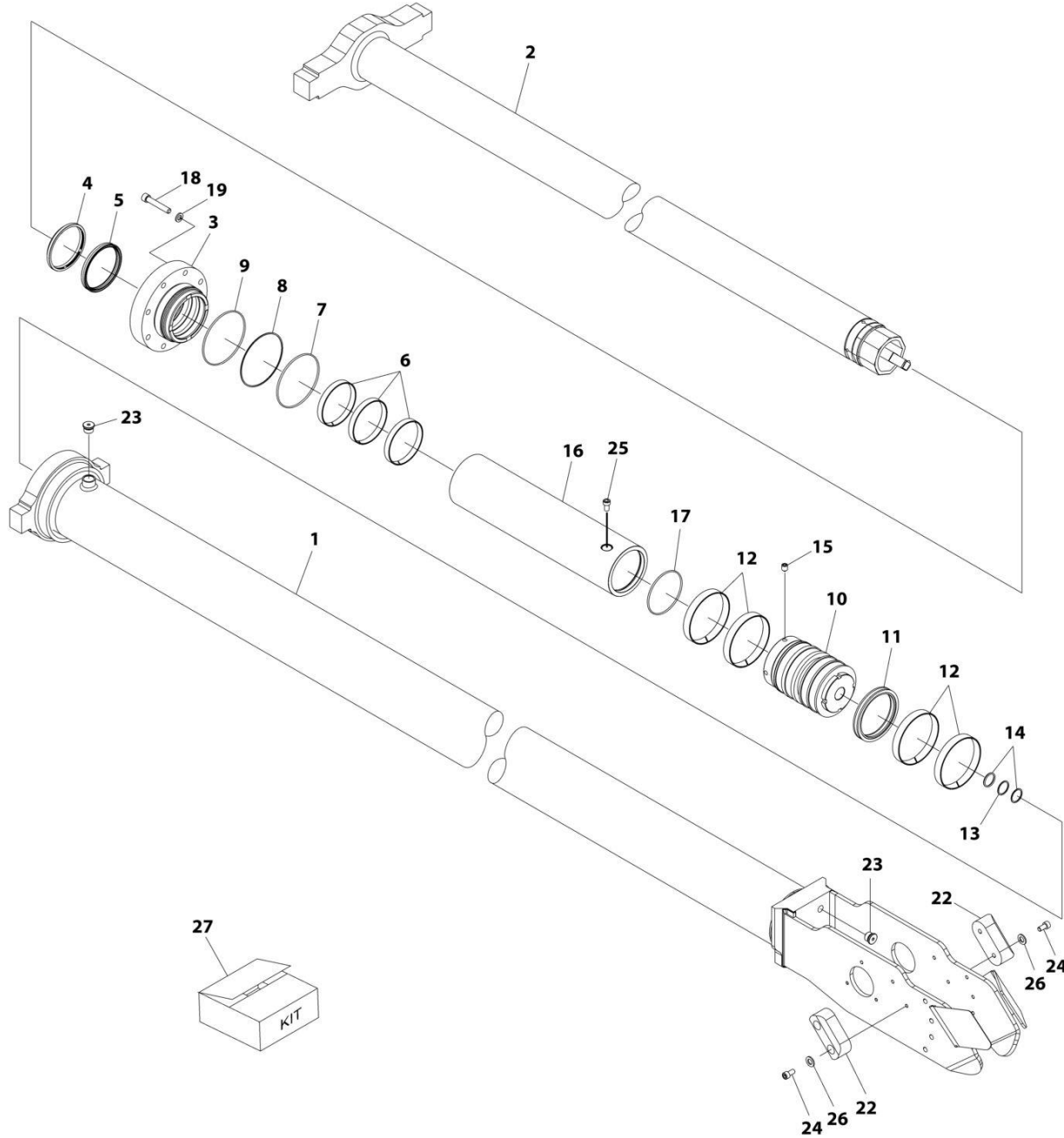
## SECTION 6 - CYLINDER

**FIGURE 6-6. STEER CYLINDER ASSEMBLY**

| ITEM | PART NUMBER | QTY | DESCRIPTION                                 | REV |
|------|-------------|-----|---|-----|
|      | 1001149463  | Ref | STEER CYLINDER ASSEMBLY                     | C   |
| 1    | 70005868    | 1   | Barrel                                      |     |
| 2    | 70005869    | 1   | Rod   |     |
| 3    | 70005870    | 1   | Head  |     |
| 4    | See Note    | NSS | Wiper (Note: Use Item 18)                   |     |
| 5    | See Note    | NSS | Seal, Rod (Note: Use Item 18)               |     |
| 6    | 70005871    | 1   | Bearing                                     |     |
| 7    | See Note    | NSS | O-Ring (Note: Use Item 18)                  |     |
| 8    | See Note    | NSS | Ring, Back Up (Note: Use Item 18)           |     |
| 9    | See Note    | NSS | O-Ring (Note: Use Item 18)                  |     |
| 10   | 70005872    | 1   | Piston                                      |     |
| 11   | See Note    | NSS | Seal, Piston (Note: Use Item 18)            |     |
| 12   | See Note    | NSS | Ring, Wear (Note: Use Item 18)              |     |
| 13   | See Note    | NSS | O-Ring (Note: Use Item 18)                  |     |
| 14   | 70005873    | 1   | Setscrew                                    |     |
| 15   | 0961950     | 2   | Bearing                                     |     |
| 16   | 0961949     | 2   | Bearing                                     |     |
| 17   | 2220885     | 2   | Plug  |     |
| 18   | 70005874    | 1   | Seal Kit (Includes Items 4, 5, 7-9 & 11-13) |     |

# SECTION 6 - CYLINDER

## FIGURE 6-7. TELESCOPE CYLINDER



ART\_1001194925

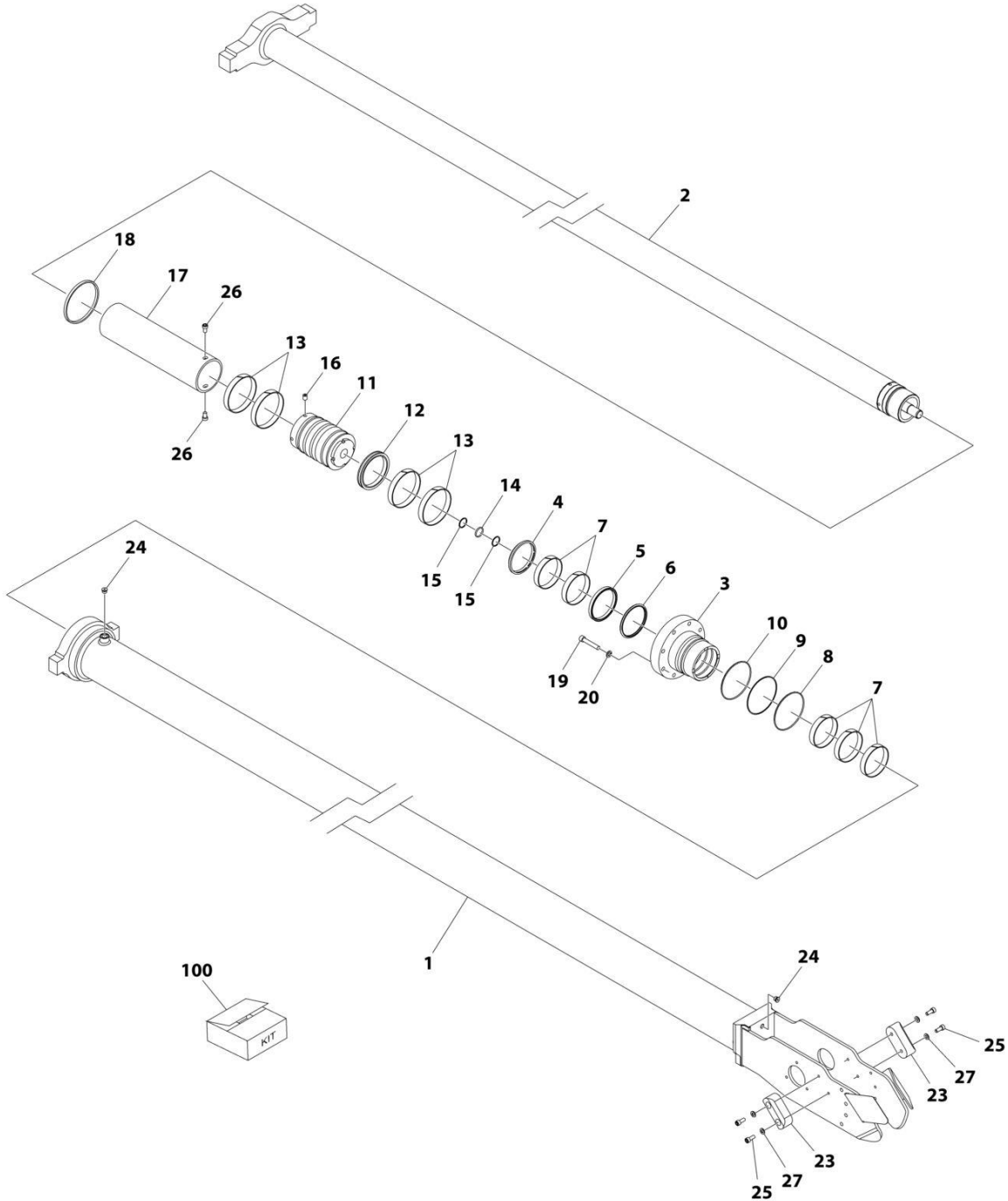
## SECTION 6 - CYLINDER

### FIGURE 6-7. TELESCOPE CYLINDER

| ITEM | PART NUMBER | QTY | DESCRIPTION   | REV |
|------|-------------|-----|---|-----|
|      | 1001194925  | Ref | TELESCOPE CYLINDER  | F   |
|      |             | Ref | Note: Original Cylinder May Have Been Replaced with Service Replacement. Identify PN Stamped on Cylinder Before Ordering Parts. |     |
| 1    | 70005875    | 1   | Barrel  |     |
| 2    | 70005876    | 1   | Rod   |     |
| 3    | 70005877    | 1   | Head  |     |
| 4    | See Note    | NSS | Wiper (Note: Use Item 27)   |     |
| 5    | See Note    | NSS | Seal, Rod (Note: Use Item 27)   |     |
| 6    | See Note    | NSS | Ring, Wear (Note: Use Item 27)  |     |
| 7    | See Note    | NSS | O-Ring (Note: Use Item 27)  |     |
| 8    | See Note    | NSS | Ring, Back Up (Note: Use Item 27)   |     |
| 9    | See Note    | NSS | O-Ring (Note: Use Item 27)  |     |
| 10   | 70005878    | 1   | Piston  |     |
| 11   | See Note    | NSS | Seal, Piston (Note: Use Item 27)  |     |
| 12   | See Note    | NSS | Ring, Wear (Note: Use Item 27)  |     |
| 13   | See Note    | NSS | O-Ring (Note: Use Item 27)  |     |
| 14   | See Note    | NSS | Ring, Back Up (Note: Use Item 27)   |     |
| 15   | 70005879    | 1   | Setscrew  |     |
| 16   | 70005880    | 1   | Spacer  |     |
| 17   | 70005881    | 1   | O-Ring  |     |
| 18   | 70005882    | 8   | Capscrew M12 x 70   |     |
| 19   | 70005883    | 8   | Washer  |     |
| 22   | 70005884    | 2   | Pad   |     |
| 23   | 2220885     | 2   | Plug  |     |
| 24   | 4032009     | 4   | Capscrew M10 x 25   |     |
| 25   | 70006343    | 1   | Capscrew M6 x 8   |     |
| 26   | 70006344    | 4   | Washer  |     |
| 27   | 70005886    | 1   | Seal Kit (Includes Items 4-8 & 10-13)   |     |

# SECTION 6 - CYLINDER

FIGURE 6-8. TELESCOPE CYLINDER (SN B300002340 through B300005767)



ART\_1001232899

## SECTION 6 - CYLINDER

**FIGURE 6-8. TELESCOPE CYLINDER (SN B300002340 through B300005767)**

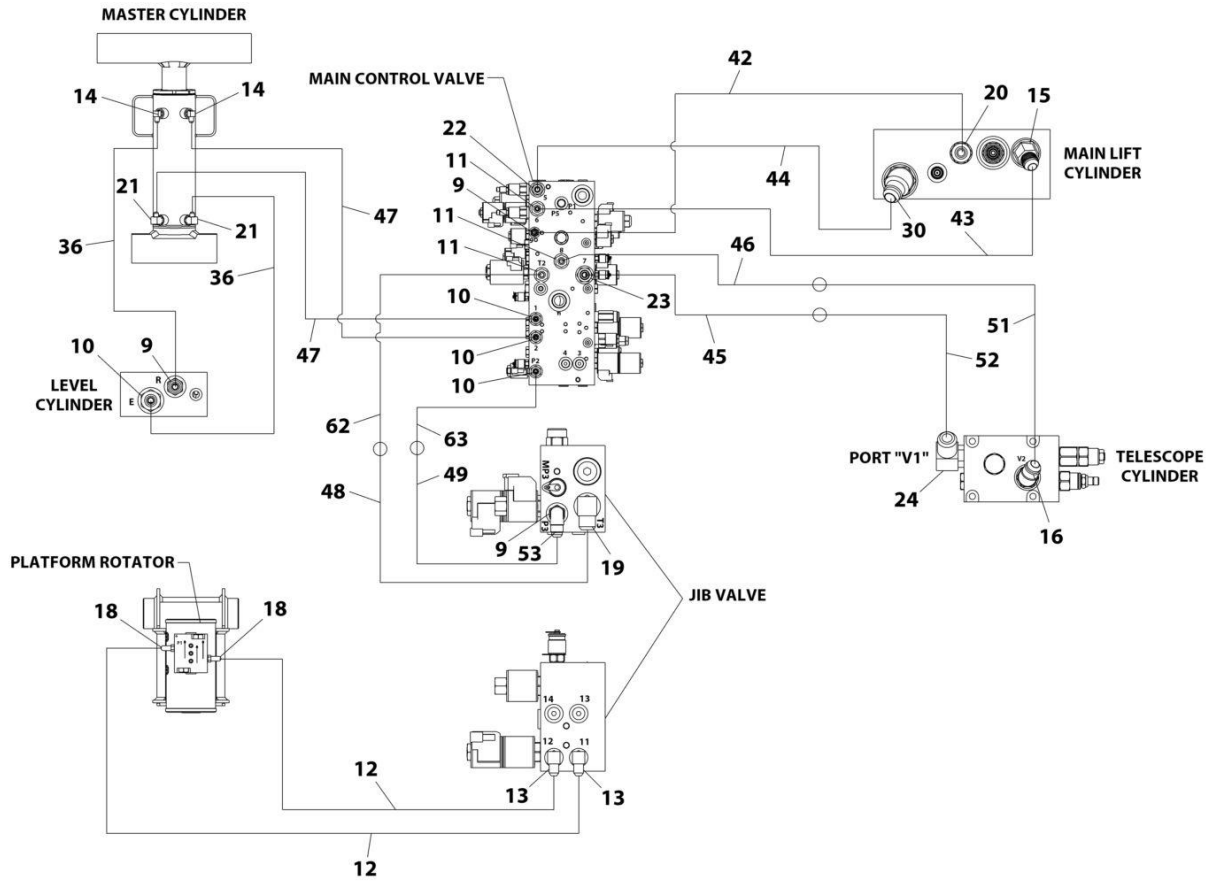
| ITEM | PART NUMBER | QTY | DESCRIPTION   | REV |
|------|-------------|-----|---|-----|
|      | 1001232899  | Ref | TELESCOPE CYLINDER  | A   |
|      |             | Ref | Note: Original Cylinder May Have Been Replaced with Service Replacement. Identify PN Stamped on Cylinder Before Ordering Parts. |     |
| 1    | See Note    | NSS | Barrel Weldment (Note: Not Available for Purchase)  |     |
| 2    | 70005876    | 1   | Rod Weldment  |     |
| 3    | 70006617    | 1   | Head  |     |
| 4    | See Note    | NSS | Wiper (Note: Use Item 100)  |     |
| 5    | See Note    | NSS | Seal, Rod (Note: Use Item 100)  |     |
| 6    | See Note    | NSS | Ring, Buffer (Note: Use Item 100)   |     |
| 7    | See Note    | NSS | Ring, Wear (Note: Use Item 100)   |     |
| 8    | See Note    | NSS | O-Ring (Note: Use Item 100)   |     |
| 9    | See Note    | NSS | Ring, Back Up (Note: Use Item 100)  |     |
| 10   | See Note    | NSS | O-Ring (Note: Use Item 100)   |     |
| 11   | 70005878    | 1   | Piston  |     |
| 12   | See Note    | NSS | Seal, Piston (Note: Use Item 100)   |     |
| 13   | See Note    | NSS | Ring, Wear (Note: Use Item 100)   |     |
| 14   | See Note    | NSS | O-Ring (Note: Use Item 100)   |     |
| 15   | See Note    | NSS | Ring, Back Up (Note: Use Item 100)  |     |
| 16   | 70005879    | 1   | Setscrew  |     |
| 17   | 70005880    | 1   | Spacer  |     |
| 18   | 70005881    | 1   | O-Ring  |     |
| 19   | 70005882    | 8   | Capscrew M12 x 70   |     |
| 20   | 70005883    | 8   | Washer  |     |
| 21   | 70006620    | 1   | Cover (Not Shown)   |     |
| 22   | 70006621    | 4   | Bolt M6 x 16 (Not Shown)  |     |
| 23   | 70006622    | 2   | Pad   |     |
| 24   | 2220885     | 2   | Plug  |     |
| 25   | 70005885    | 4   | Capscrew M10 x 25   |     |
| 26   | 70006343    | 2   | Capscrew M6 x 8   |     |
| 27   | 70006344    | 4   | Washer M10  |     |
| 100  | 70006623    | 1   | Seal Kit (Includes Items 4-10 & 12-15)  |     |



**SECTION 7 - HYDRAULIC**

# SECTION 7 - HYDRAULIC

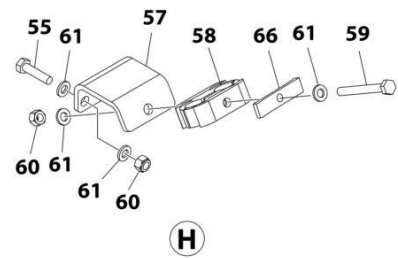
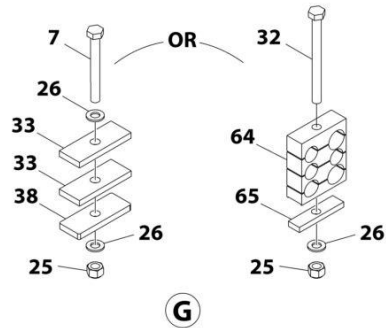
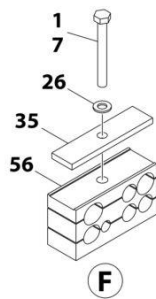
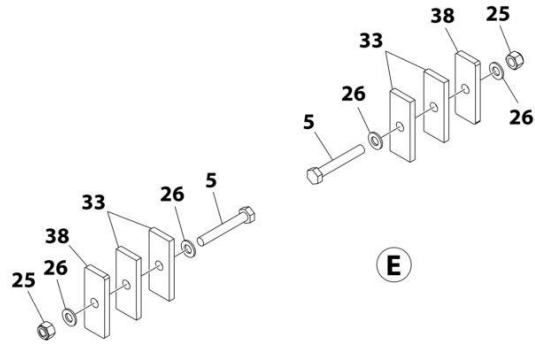
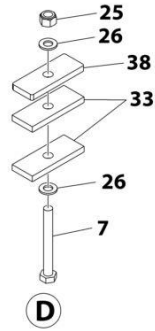
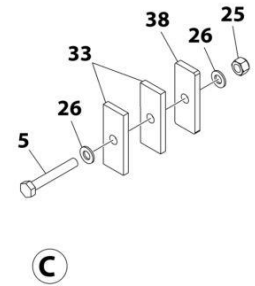
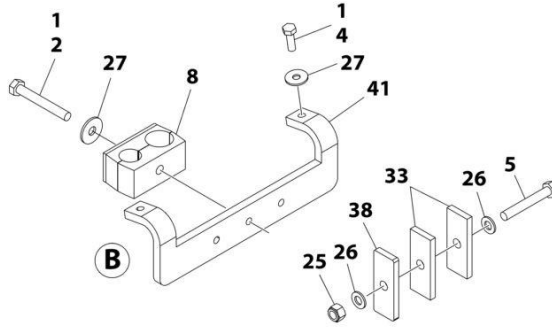
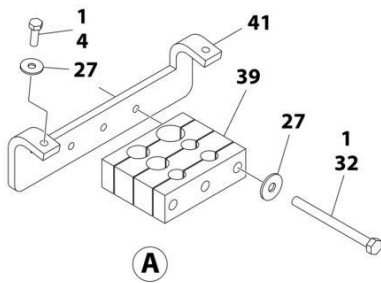
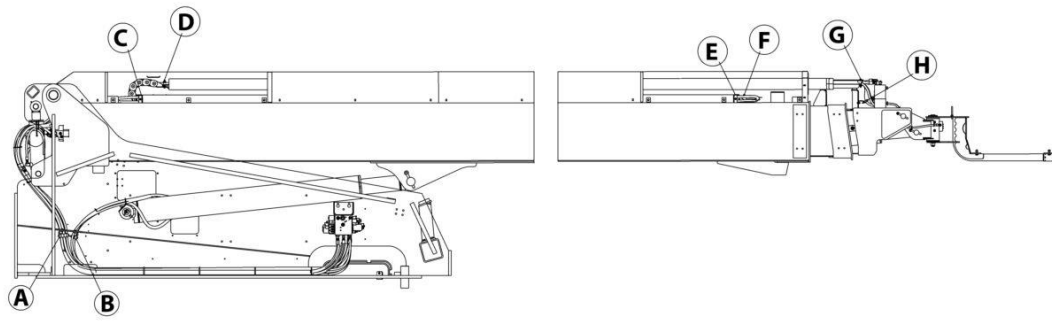
## FIGURE 7-1. BOOM HYDRAULIC DIAGRAM (1030S)



ART\_1001150087\_1OF2



# SECTION 7 - HYDRAULIC



ART\_1001150087\_2OF2

# SECTION 7 - HYDRAULIC

## FIGURE 7-1. BOOM HYDRAULIC DIAGRAM (1030S)

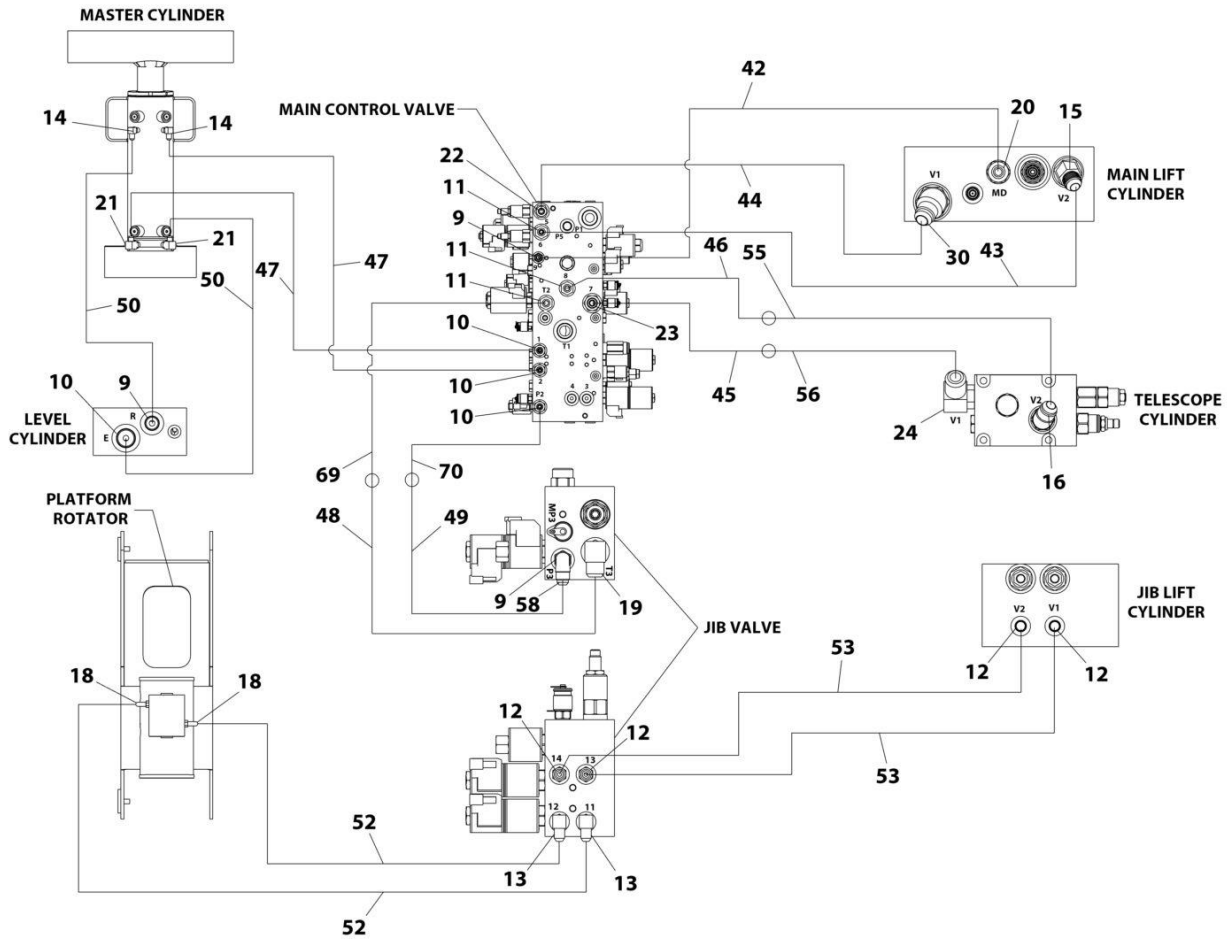
| ITEM | PART NUMBER | QTY             | DESCRIPTION                    | REV |
|------|-------------|-----------------|--------------------------------|-----|
|      | 1001150087  | Ref             | BOOM HYDRAULIC DIAGRAM         | F   |
| 1    | 0100011     | AR              | Compound, Locking              |     |
| 2    | 0700820     | 1               | Bolt M8 x 60                   |     |
| 3    | 4240017     | 9               | Tie-Strap (Not Shown)          |     |
| 4    | 0760812     | 4               | Bolt M8 x 25                   |     |
| 5    | 0700819     | 4               | Bolt M8 x 55                   |     |
| 6    | 4100026     | 4.3 ft/<br>1.3m | Sleeve, Protection (Not Shown) |     |
| 7    | 0700822     | AR              | Bolt M8 x 70                   |     |
| 8    | 1320235     | 1               | Clamp                          |     |
| 9    | 2220371     | 3               | Fitting, Straight JIC/ORB      |     |
| 10   | 2220372     | 4               | Fitting, Straight JIC/ORB      |     |
| 11   | 2220374     | 3               | Fitting, Straight JIC/ORB      |     |
| 12   | 1001207855  | 2               | Hose                           |     |
| 13   | 2220466     | 2               | Fitting, 90 JIC/ORB            |     |
| 14   | 2220473     | 2               | Fitting, 90 JIC/ORB            |     |
| 15   | 2220499     | 1               | Fitting, 45 JIC/ORB            |     |
| 16   | 2220500     | 1               | Fitting, 45 JIC/ORB            |     |
| 18   | 2220502     | 2               | Fitting, 45 JIC/ORB            |     |
| 19   | 2220596     | 1               | Fitting, 90 JIC/ORB            |     |
| 20   | 2220603     | 1               | Fitting, Straight JIC/ORB      |     |
| 21   | 2220628     | 2               | Fitting, 90 JIC/ORB            |     |
| 22   | 2220947     | 1               | Fitting, Straight JIC/ORB      |     |
| 23   | 2220865     | 1               | Fitting, Straight JIC/ORB      |     |
| 24   | 2221042     | 1               | Fitting, 90 JIC/ORB            |     |
| 25   | 3290805     | 6               | Nut M8                         |     |
| 26   | 4811900     | 13              | Washer M8                      |     |
| 27   | 4811902     | 7               | Washer M8                      |     |
| 30   | 8770048     | 1               | Fitting, 45                    |     |
| 32   | 1001127624  | AR              | Bolt M8 x 95                   |     |
| 33   | 1001136402  | AR              | Pad                            |     |
| 35   | 1001147039  | 1               | Plate, Clamp                   |     |
| 36   | 1001206131  | 2               | Hose                           |     |
| 38   | 1001197718  | AR              | Plate, Clamp                   |     |
| 39   | 1001204722  | 1               | Clamp                          |     |
| 40   | 4240018     | 15              | Tie-Strap (Not Shown)          |     |
| 41   | 1001206133  | 2               | Bracket                        |     |
| 42   | 1001206123  | 1               | Hose                           |     |
| 43   | 1001206124  | 1               | Hose                           |     |
| 44   | 1001206125  | 1               | Hose                           |     |
| 45   | 1001206126  | 1               | Hose                           |     |
| 46   | 1001206127  | 1               | Hose                           |     |
| 47   | 1001206128  | 2               | Hose                           |     |
| 48   | 1001206129  | 1               | Hose                           |     |
| 49   | 1001206130  | 1               | Hose                           |     |
| 50   | 1001213663  | 2               | Hose (Not Shown)               |     |
| 51   | 1001213664  | 1               | Hose                           |     |
| 52   | 1001213665  | 1               | Hose                           |     |
| 53   | 8760268     | 1               | Fitting, 90 JIC/FSJIC          |     |
| 55   | 0760612     | 2               | Bolt M6 x 25                   |     |

## SECTION 7 - HYDRAULIC

| ITEM | PART NUMBER | QTY | DESCRIPTION  | REV |
|------|-------------|-----|--|-----|
| 56   | 1001222493  | 1   | Clamp  |     |
| 57   | 1001222586  | 1   | Bracket (SN B300001586 through B300001726)                       |     |
| 57   | 1001230054  | 1   | Bracket (SN B300001727 through B300005767, Excluding B300005565) |     |
| 58   | 1320146     | 1   | Clamp (SN B300001586 through B300001726)                         |     |
| 58   | 1001230052  | 1   | Clamp (SN B300001727 through B300005767, Excluding B300005565)   |     |
| 59   | 0760619     | 1   | Bolt M6 x 55   |     |
| 60   | 3290605     | 3   | Nut M6   |     |
| 61   | 4811700     | 6   | Washer M6  |     |
| 62   | 1001223300  | 1   | Hose   |     |
| 63   | 1001223301  | 1   | Hose   |     |
| 64   | 1001231149  | 1   | Clamp (SN B300001727 through B300005767, Excluding B300005565)   |     |
| 65   | 1001231150  | 1   | Plate (SN B300001727 through B300005767, Excluding B300005565)   |     |
| 66   | 1001230053  | 1   | Plate (SN B300001727 through B300005767, Excluding B300005565)   |     |

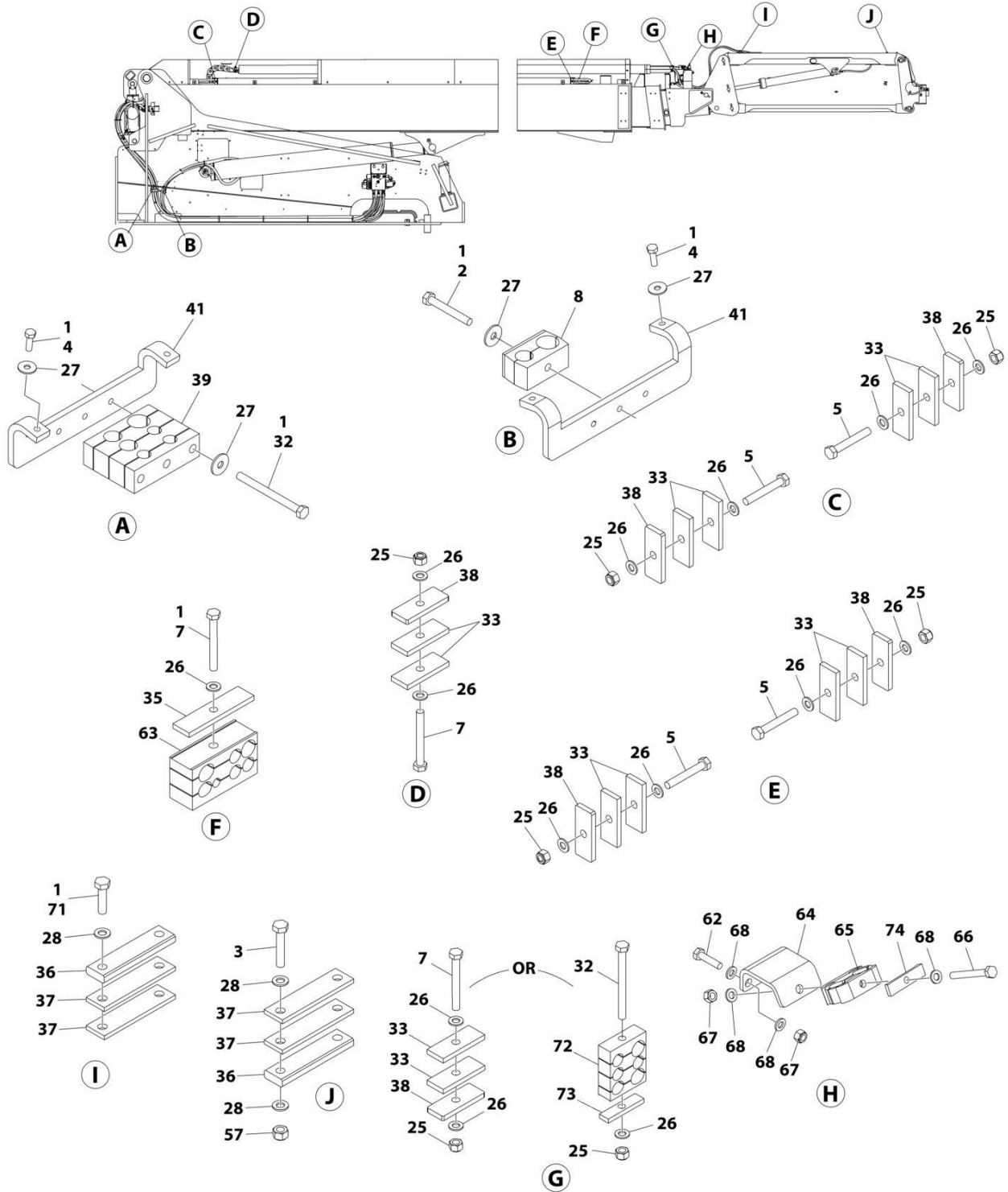
# SECTION 7 - HYDRAULIC

## FIGURE 7-2. BOOM HYDRAULIC DIAGRAM (1100SJ,1100SJ,1100SJ)



ART\_1001150086\_1OF2

# SECTION 7 - HYDRAULIC



ART\_1001150086\_2OF2

# SECTION 7 - HYDRAULIC

## FIGURE 7-2. BOOM HYDRAULIC DIAGRAM (1100SJ)

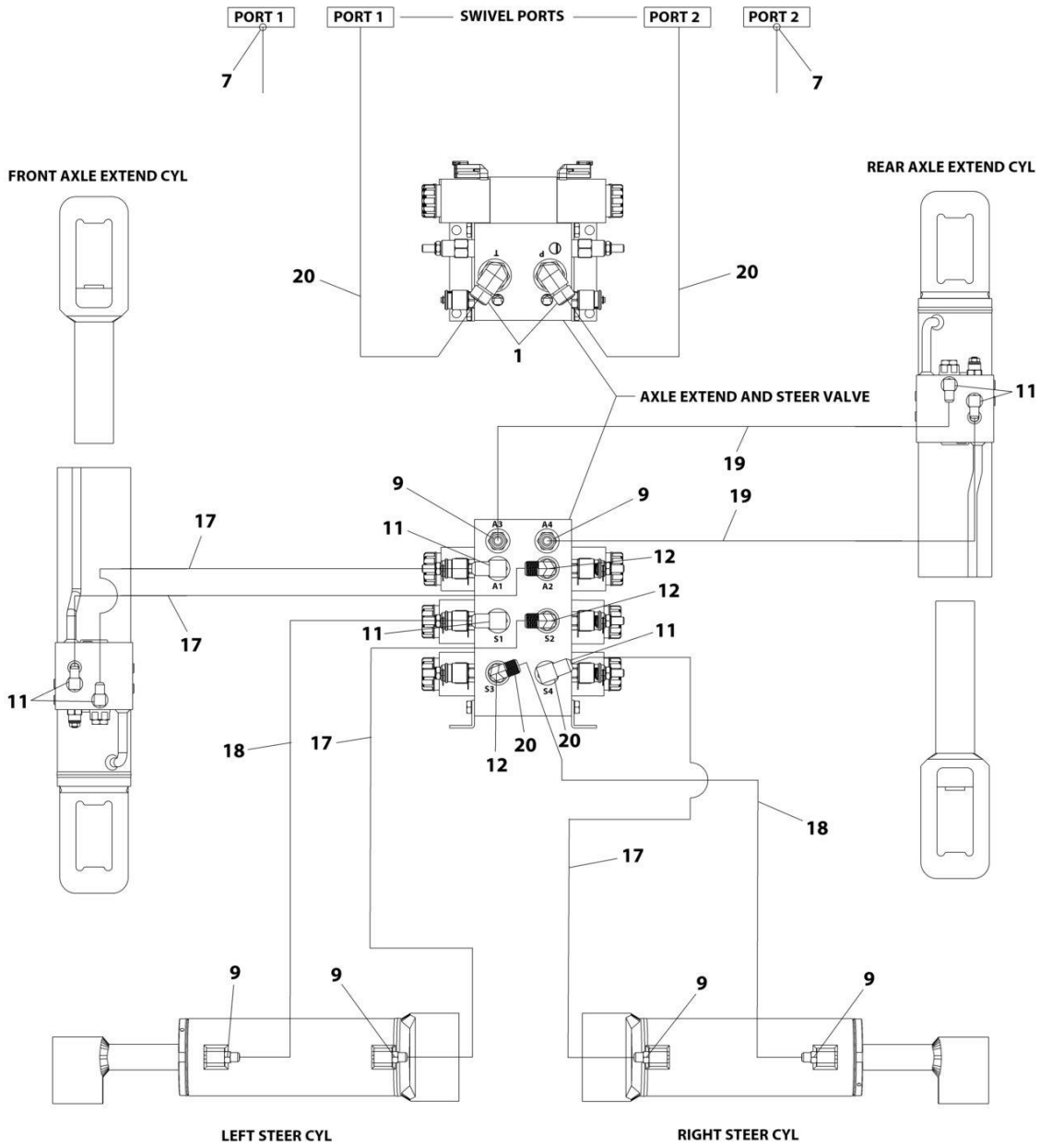
| ITEM | PART NUMBER | QTY              | DESCRIPTION                    | REV |
|------|-------------|------------------|--------------------------------|-----|
|      | 1001150086  | Ref              | BOOM HYDRAULIC DIAGRAM         | F   |
| 1    | 0100011     | AR               | Compound, Locking              |     |
| 2    | 0700820     | 1                | Bolt M8 x 60                   |     |
| 3    | 0701019     | 2                | Bolt M10 x 55                  |     |
| 4    | 0760812     | 4                | Bolt M8 x 25                   |     |
| 5    | 0700819     | 4                | Bolt M8 x 55                   |     |
| 6    | 4100026     | 11.5 ft/<br>3.5m | Sleeve, Protection (Not Shown) |     |
| 7    | 0700822     | AR               | Bolt M8 x 70                   |     |
| 8    | 1320235     | 1                | Clamp                          |     |
| 9    | 2220371     | 3                | Fitting, Straight JIC/ORB      |     |
| 10   | 2220372     | 4                | Fitting, Straight JIC/ORB      |     |
| 11   | 2220374     | 3                | Fitting, Straight JIC/ORB      |     |
| 12   | 2220415     | 4                | Fitting, Straight JIC/ORB      |     |
| 13   | 2220466     | 2                | Fitting, 90 JIC/ORB            |     |
| 14   | 2220473     | 2                | Fitting, 90 JIC/ORB            |     |
| 15   | 2220499     | 1                | Fitting, 45 JIC/ORB            |     |
| 16   | 2220500     | 1                | Fitting, 45 JIC/ORB            |     |
| 18   | 2220502     | 2                | Fitting, 45 JIC/ORB            |     |
| 19   | 2220596     | 1                | Fitting, 90 JIC/ORB            |     |
| 20   | 2220603     | 1                | Fitting, Straight JIC/ORB      |     |
| 21   | 2220628     | 2                | Fitting, 90 JIC/ORB            |     |
| 22   | 2220947     | 1                | Fitting, Straight JIC/ORB      |     |
| 23   | 2220865     | 1                | Fitting, Straight JIC/ORB      |     |
| 24   | 2221042     | 1                | Fitting, 90 JIC/ORB            |     |
| 25   | 3290805     | 6                | Nut M8                         |     |
| 26   | 4811900     | 13               | Washer M8                      |     |
| 27   | 4811902     | 7                | Washer M8                      |     |
| 28   | 4812000     | 6                | Washer M10                     |     |
| 30   | 8770048     | 1                | Fitting, 45                    |     |
| 32   | 1001127624  | AR               | Bolt M8 x 95                   |     |
| 33   | 1001136402  | AR               | Pad                            |     |
| 35   | 1001147039  | 1                | Plate, Clamp                   |     |
| 36   | 1001152704  | 2                | Plate, Clamp                   |     |
| 37   | 1001152708  | 4                | Pad                            |     |
| 38   | 1001197718  | AR               | Plate, Clamp                   |     |
| 39   | 1001204722  | 1                | Clamp                          |     |
| 40   | 4240018     | 20               | Tie-Strap (Not Shown)          |     |
| 41   | 1001206133  | 2                | Bracket                        |     |
| 42   | 1001206123  | 1                | Hose                           |     |
| 43   | 1001206124  | 1                | Hose                           |     |
| 44   | 1001206125  | 1                | Hose                           |     |
| 45   | 1001206126  | 1                | Hose                           |     |
| 46   | 1001206127  | 1                | Hose                           |     |
| 47   | 1001206128  | 2                | Hose                           |     |
| 48   | 1001206129  | 1                | Hose                           |     |
| 49   | 1001206130  | 1                | Hose                           |     |
| 50   | 1001206131  | 2                | Hose                           |     |
| 52   | 1001206121  | 2                | Hose                           |     |
| 53   | 1001206122  | 2                | Hose                           |     |

## SECTION 7 - HYDRAULIC

| ITEM | PART NUMBER | QTY | DESCRIPTION  | REV |
|------|-------------|-----|--|-----|
| 55   | 1001213664  | 1   | Hose   |     |
| 56   | 1001213665  | 1   | Hose   |     |
| 57   | 3291005     | 2   | Nut M10  |     |
| 58   | 8760268     | 1   | Fitting, 90 JIC/FSJIC  |     |
| 60   | 1321385     | 2   | Clamp  |     |
| 61   | 0760606     | 2   | Bolt M6 x 12   |     |
| 62   | 0760612     | 2   | Bolt M6 x 25   |     |
| 63   | 1001222493  | 1   | Clamp  |     |
| 64   | 1001222586  | 1   | Bracket (SN B300001586 through B300001726)                       |     |
| 64   | 1001230054  | 1   | Bracket (SN B300001727 through B300005767, Excluding B300005565) |     |
| 65   | 1320146     | 1   | Clamp (SN B300001586 through B300001726)                         |     |
| 65   | 1001230052  | 1   | Clamp (SN B300001727 through B300005767, Excluding B300005565)   |     |
| 66   | 0760619     | 1   | Bolt M6 x 55   |     |
| 67   | 3290605     | 3   | Nut M6   |     |
| 68   | 4811700     | 8   | Washer M6  |     |
| 69   | 1001223300  | 1   | Hose   |     |
| 70   | 1001223301  | 1   | Hose   |     |
| 71   | 0761016     | 2   | Bolt M10 x 40  |     |
| 72   | 1001231149  | 1   | Clamp (SN B300001727 through B300005767, Excluding B300005565)   |     |
| 73   | 1001231150  | 1   | Plate (SN B300001727 through B300005767, Excluding B300005565)   |     |
| 74   | 1001230053  | 1   | Plate (SN B300001727 through B300005767, Excluding B300005565)   |     |

# SECTION 7 - HYDRAULIC

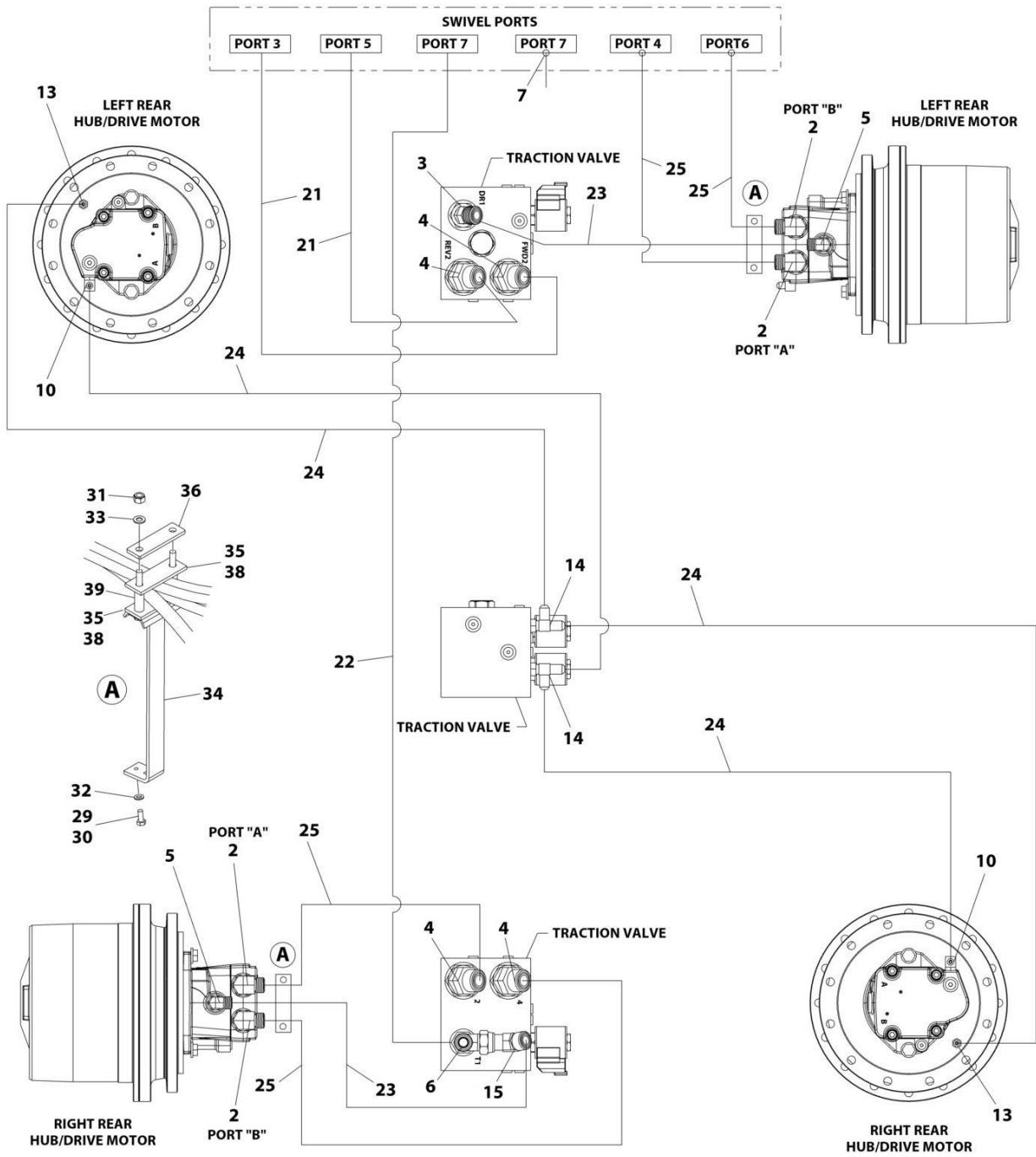
## FIGURE 7-3. CHASSIS HYDRAULIC DIAGRAM - 2WD/2WS



ART\_1001150090\_10F2



# SECTION 7 - HYDRAULIC



ART\_1001150090\_2OF2

# SECTION 7 - HYDRAULIC

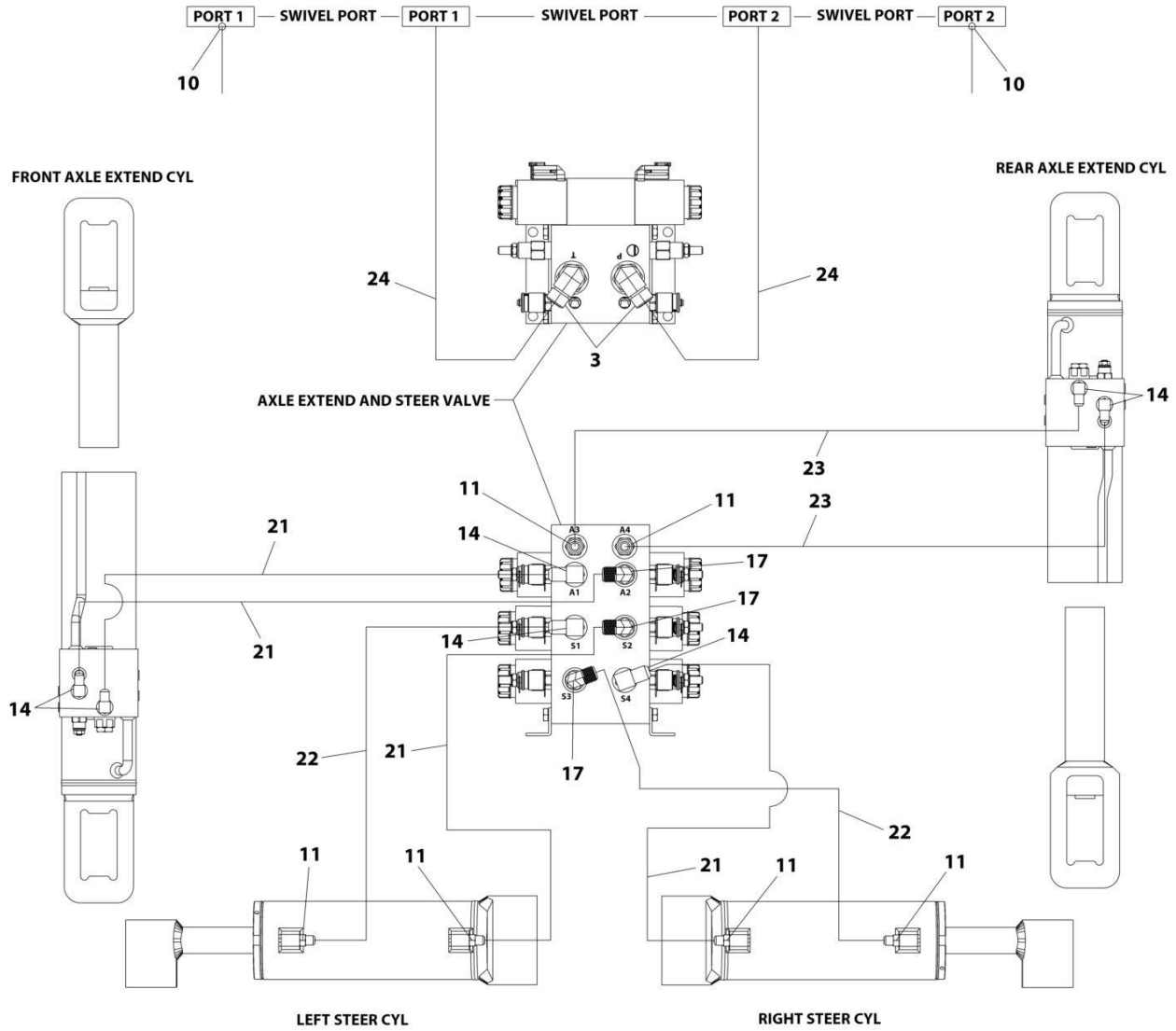
## FIGURE 7-3. CHASSIS HYDRAULIC DIAGRAM - 2WD/2WS

| ITEM | PART NUMBER | QTY            | DESCRIPTION                         | REV |
|------|-------------|----------------|-------------------------------------|-----|
|      | 1001150090  | Ref            | CHASSIS HYDRAULIC DIAGRAM - 2WD/2WS | E   |
| 1    | 2130810     | 2              | Fitting, 90 ORFS/ORB                |     |
| 2    | 2131012     | 4              | Fitting, 90 ORFS/ORB                |     |
| 3    | 2150810     | 1              | Fitting, 45 ORFS/ORB                |     |
| 4    | 2151012     | 4              | Fitting, 45 ORFS/ORB                |     |
| 5    | 2170208     | 2              | Fitting, 90 ORFS/ORB                |     |
| 6    | 2170308     | 1              | Fitting, Tee ORFS/ORB/ORFS          |     |
| 7    | 2170908     | 3              | Fitting, Cap FORFS                  |     |
| 9    | 2220371     | 6              | Fitting, Straight JIC/ORB           |     |
| 10   | 2220472     | 2              | Fitting, 90 JIC/ORB                 |     |
| 11   | 2220473     | 7              | Fitting, 90 JIC/ORB                 |     |
| 12   | 2220819     | 3              | Fitting, 90 JIC/ORB                 |     |
| 13   | 2220923     | 2              | Fitting, Straight JIC/ORB           |     |
| 14   | 2221034     | 2              | Fitting, Tee                        |     |
| 15   | 2221231     | 1              | Fitting, 45 FSORFS/ORFS             |     |
| 17   | 1001194341  | 4              | Hose                                |     |
| 18   | 1001194342  | 2              | Hose                                |     |
| 19   | 1001194345  | 2              | Hose                                |     |
| 20   | 1001194346  | 2              | Hose                                |     |
| 21   | 1001194347  | 2              | Hose                                |     |
| 22   | 1001194348  | 1              | Hose                                |     |
| 23   | 1001194398  | 2              | Hose                                |     |
| 24   | 1001194401  | 4              | Hose                                |     |
| 25   | 1001194410  | 4              | Hose                                |     |
| 27   | 4240017     | 8              | Tie-Strap (Not Shown)               |     |
| 28   | 4240018     | 16             | Tie-Strap (Not Shown)               |     |
| 29   | 0100011     | AR             | Compound, Locking                   |     |
| 30   | 0760810     | 8              | Bolt M8 x 20                        |     |
| 31   | 3291005     | 8              | Nut M10                             |     |
| 32   | 4811900     | 8              | Washer M8                           |     |
| 33   | 4812000     | 8              | Washer M10                          |     |
| 34   | 1001209688  | 4              | Bracket                             |     |
| 35   | 1001209841  | 8              | Pad                                 |     |
| 36   | 1001209842  | 4              | Plate, Clamp                        |     |
| 38   | 0100081     | 1              | Adhesive                            |     |
| 39   | 2750532     | 11 in<br>/28cm | Hose                                |     |



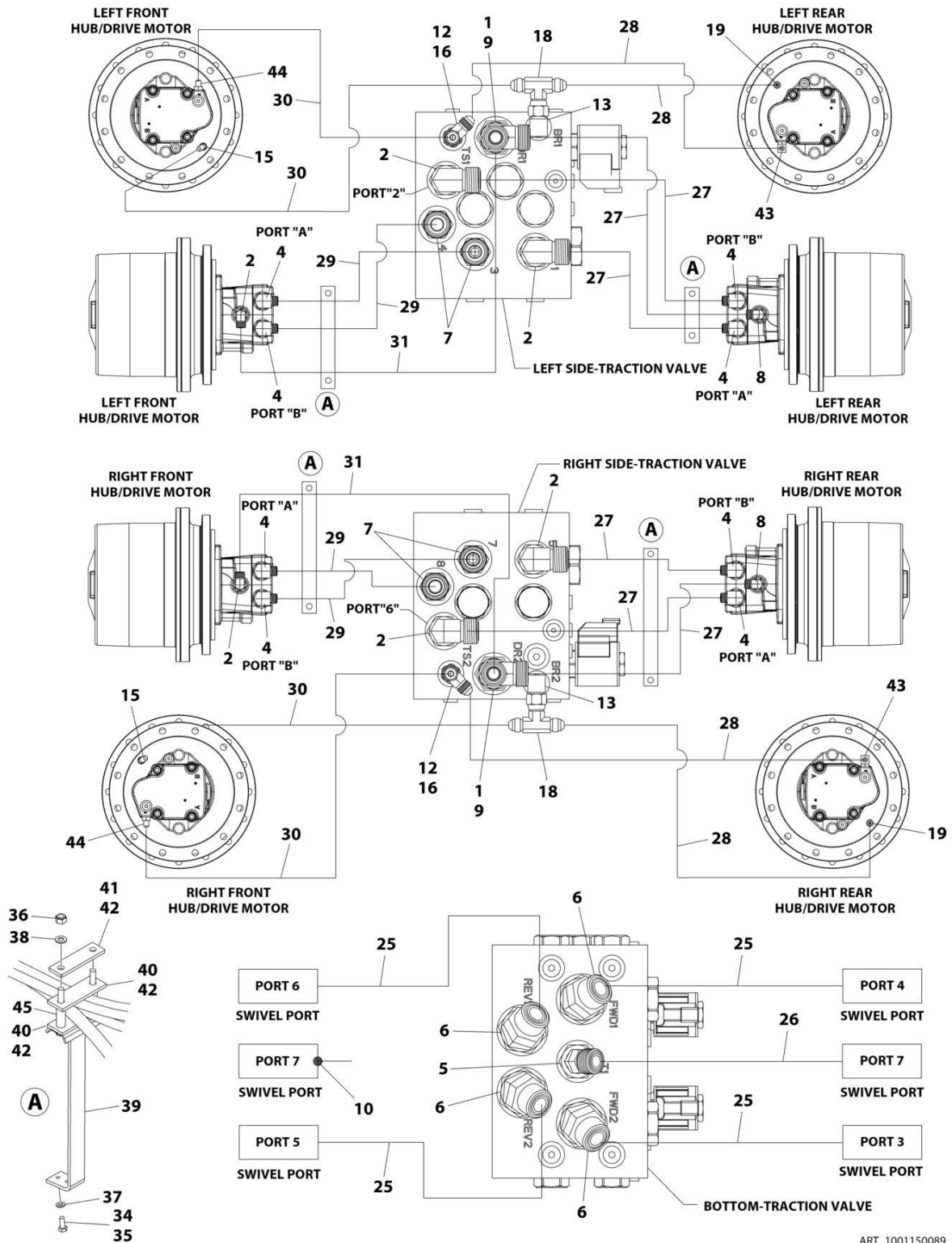
# SECTION 7 - HYDRAULIC

## FIGURE 7-4. CHASSIS HYDRAULIC DIAGRAM - 4WD/2WS



ART\_1001150089\_10F2

# SECTION 7 - HYDRAULIC



ART\_1001150089\_2OF2

# SECTION 7 - HYDRAULIC

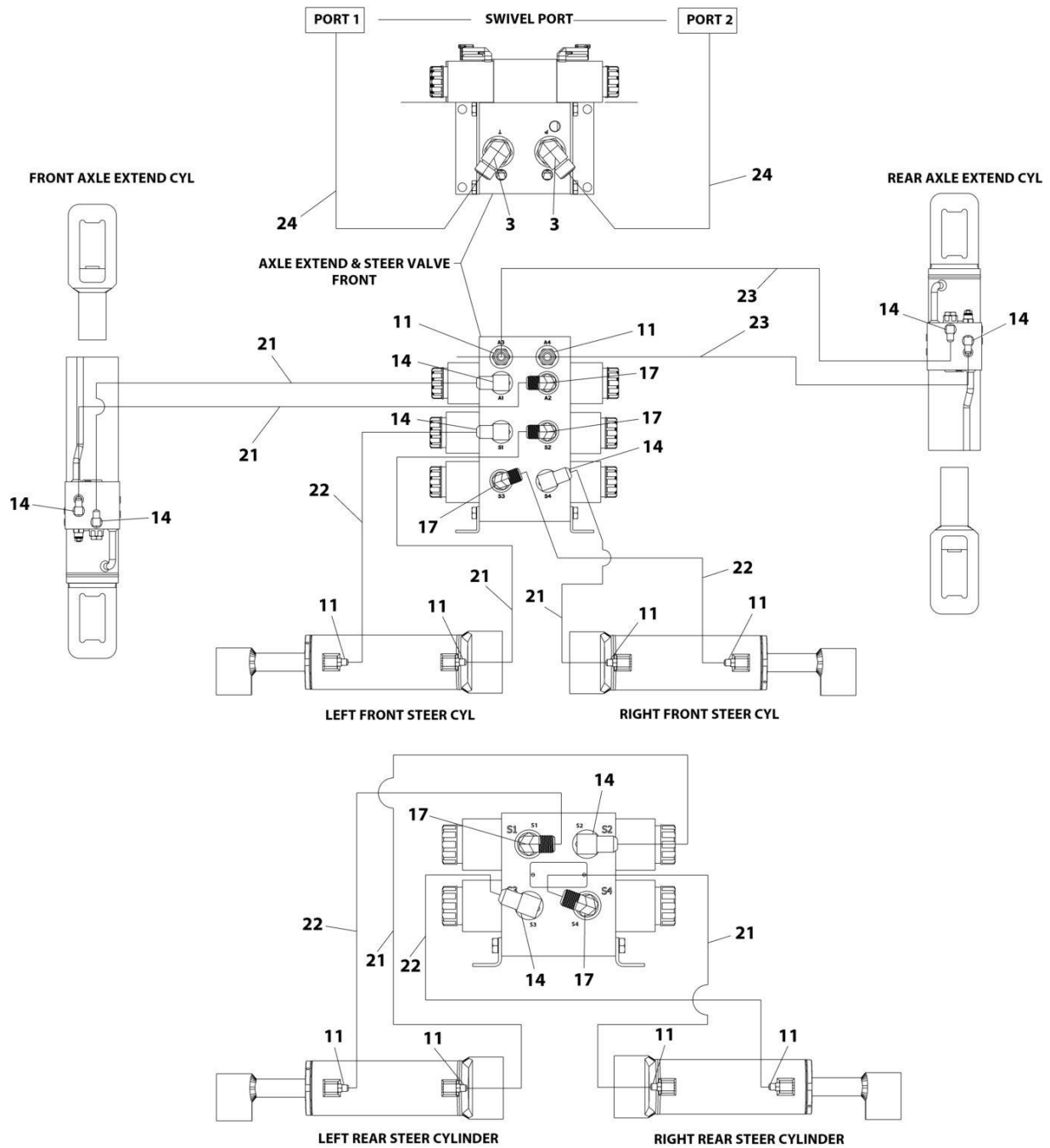
FIGURE 7-4. CHASSIS HYDRAULIC DIAGRAM - 4WD/2WS

| ITEM | PART NUMBER | QTY              | DESCRIPTION                         | REV |
|------|-------------|------------------|-------------------------------------|-----|
|      | 1001150089  | Ref              | CHASSIS HYDRAULIC DIAGRAM - 4WD/2WS | E   |
| 1    | 2110810     | 2                | Fitting, Straight ORFS/ORB          |     |
| 2    | 2130808     | 6                | Fitting, 90 ORFS/ORB                |     |
| 3    | 2130810     | 2                | Fitting, 90 ORFS/ORB                |     |
| 4    | 2130812     | 8                | Fitting, 90 ORFS/ORB                |     |
| 5    | 2150810     | 1                | Fitting, 45 ORFS/ORB                |     |
| 6    | 2151012     | 4                | Fitting, 45 ORFS/ORB                |     |
| 7    | 2170108     | 4                | Fitting, Straight ORFS/ORB          |     |
| 8    | 2170208     | 2                | Fitting, 90 ORFS/ORB                |     |
| 9    | 2170708     | 2                | Fitting, Tee ORFS/FSORFS/ORFS       |     |
| 10   | 2170908     | 3                | Fitting, Cap FORFS                  |     |
| 11   | 2220371     | 6                | Fitting, Straight JIC/ORB           |     |
| 12   | 2220415     | 2                | Fitting, Straight JIC/ORB           |     |
| 13   | 2220466     | 2                | Fitting, 90 JIC/ORB                 |     |
| 14   | 2220473     | 7                | Fitting, 90 JIC/ORB                 |     |
| 15   | 2220502     | 2                | Fitting, 45 JIC/ORB                 |     |
| 16   | 2220605     | 2                | Fitting, Tee JIC/FSJIC/JIC          |     |
| 17   | 2220819     | 3                | Fitting, 90 JIC/ORB                 |     |
| 18   | 2220861     | 2                | Fitting, Tee JIC/FSJIC/JIC          |     |
| 19   | 2220923     | 2                | Fitting, Straight JIC/ORB           |     |
| 21   | 1001194341  | 4                | Hose                                |     |
| 22   | 1001194342  | 2                | Hose                                |     |
| 23   | 1001194345  | 2                | Hose                                |     |
| 24   | 1001194346  | 2                | Hose                                |     |
| 25   | 1001194396  | 4                | Hose                                |     |
| 26   | 1001194397  | 1                | Hose                                |     |
| 27   | 1001194398  | 6                | Hose                                |     |
| 28   | 1001194401  | 4                | Hose                                |     |
| 29   | 1001194402  | 4                | Hose                                |     |
| 30   | 1001194406  | 4                | Hose                                |     |
| 31   | 1001194407  | 2                | Hose                                |     |
| 32   | 4240017     | 3                | Tie-Strap (Not Shown)               |     |
| 33   | 4240018     | 26               | Tie-Strap (Not Shown)               |     |
| 34   | 0100011     | AR               | Compound, Locking                   |     |
| 35   | 0760810     | 8                | Bolt M8 x 20                        |     |
| 36   | 3291005     | 8                | Nut M10                             |     |
| 37   | 4811900     | 8                | Washer M8                           |     |
| 38   | 4812000     | 8                | Washer M10                          |     |
| 39   | 1001209688  | 4                | Bracket                             |     |
| 40   | 1001209841  | 8                | Pad                                 |     |
| 41   | 1001209842  | 4                | Plate, Clamp                        |     |
| 42   | 0100081     | AR               | Adhesive                            |     |
| 43   | 2220472     | 2                | Fitting, 90 JIC/ORB                 |     |
| 44   | 2220582     | 2                | Fitting, Straight JIC/ORB           |     |
| 45   | 2750532     | 12.6 in<br>/32cm | Hose                                |     |



# SECTION 7 - HYDRAULIC

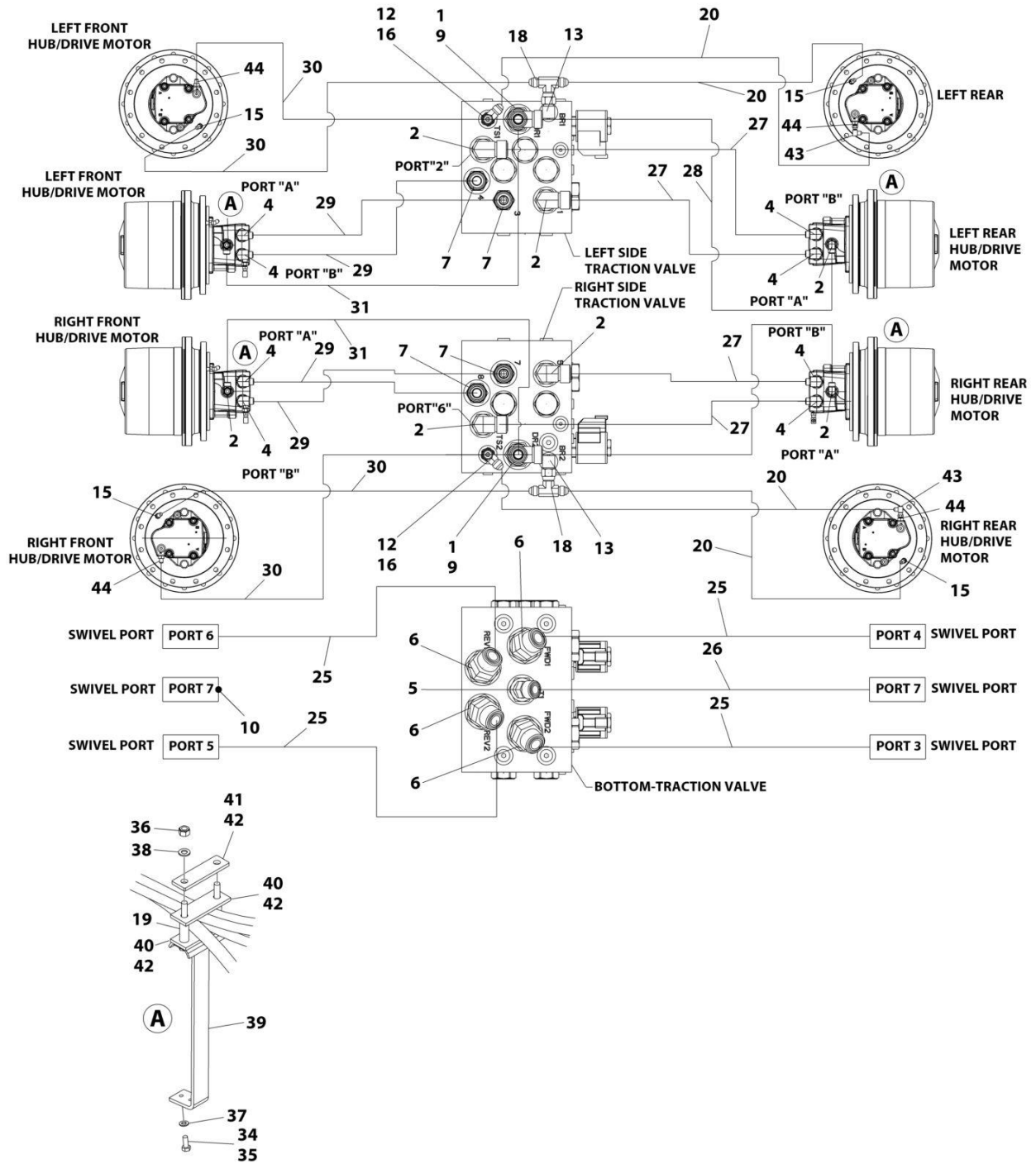
## FIGURE 7-5. CHASSIS HYDRAULIC DIAGRAM - 4WD/4WS



ART\_1001222730\_1OF2



# SECTION 7 - HYDRAULIC



ART\_1001222730\_2OF2

## SECTION 7 - HYDRAULIC

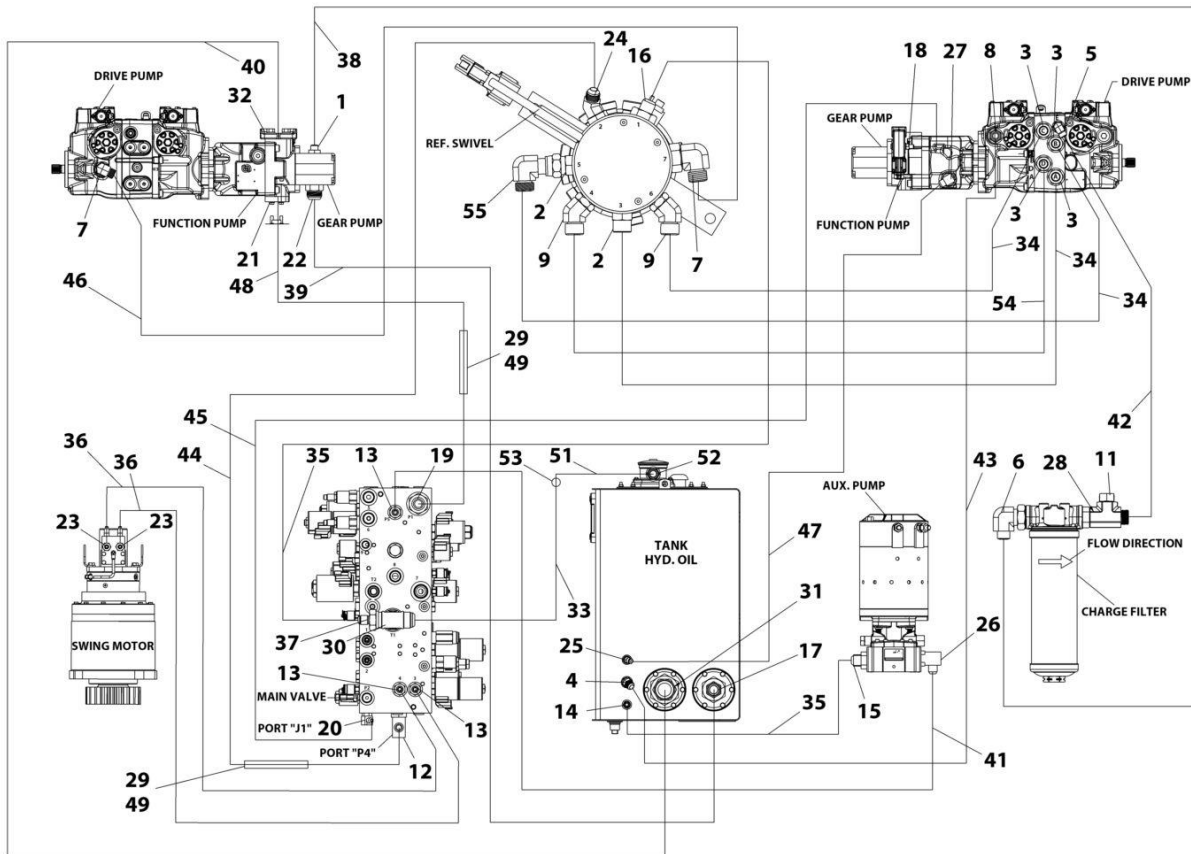
FIGURE 7-5. CHASSIS HYDRAULIC DIAGRAM - 4WD/4WS

| ITEM | PART NUMBER | QTY              | DESCRIPTION                         | REV |
|------|-------------|------------------|-------------------------------------|-----|
|      | 1001222730  | Ref              | CHASSIS HYDRAULIC DIAGRAM - 4WD/4WS | A   |
| 1    | 2110810     | 2                | Fitting, Straight ORFS/ORB          |     |
| 2    | 2130808     | 8                | Fitting, 90 ORFS/ORB                |     |
| 3    | 2130810     | 4                | Fitting, 90 ORFS/ORB                |     |
| 4    | 2130812     | 8                | Fitting, 90 ORFS/ORB                |     |
| 5    | 2150810     | 1                | Fitting, 45 ORFS/ORB                |     |
| 6    | 2151012     | 4                | Fitting, 45 ORFS/ORB                |     |
| 7    | 2170108     | 4                | Fitting, Straight ORFS/ORB          |     |
| 9    | 2170708     | 2                | Fitting, Tee ORFS/FSORFS/ORFS       |     |
| 10   | 2170908     | 1                | Fitting, Cap FORFS                  |     |
| 11   | 2220371     | 10               | Fitting, Straight JIC/ORB           |     |
| 12   | 2220415     | 2                | Fitting, Straight JIC/ORB           |     |
| 13   | 2220466     | 2                | Fitting, 90 JIC/ORB                 |     |
| 14   | 2220473     | 9                | Fitting, 90 JIC/ORB                 |     |
| 15   | 2220502     | 4                | Fitting, 45 JIC/ORB                 |     |
| 16   | 2220605     | 2                | Fitting, Tee JIC/FSJIC/JIC          |     |
| 17   | 2220819     | 5                | Fitting, 90 JIC/ORB                 |     |
| 18   | 2220861     | 2                | Fitting, Tee JIC/FSJIC/JIC          |     |
| 19   | 2750532     | 12.6 in/<br>32cm | Hose                                |     |
| 20   | 1001222796  | 4                | Hose                                |     |
| 21   | 1001194341  | 6                | Hose                                |     |
| 22   | 1001194342  | 4                | Hose                                |     |
| 23   | 1001194345  | 2                | Hose                                |     |
| 24   | 1001194346  | 4                | Hose                                |     |
| 25   | 1001194396  | 4                | Hose                                |     |
| 26   | 1001194397  | 1                | Hose                                |     |
| 27   | 1001194398  | 4                | Hose                                |     |
| 28   | 1001222785  | 2                | Hose                                |     |
| 29   | 1001194402  | 4                | Hose                                |     |
| 30   | 1001194406  | 4                | Hose                                |     |
| 31   | 1001194407  | 2                | Hose                                |     |
| 32   | 4240017     | 1                | Tie-Strap (Not Shown)               |     |
| 33   | 4240018     | 1                | Tie-Strap (Not Shown)               |     |
| 34   | 0100011     | AR               | Compound, Locking                   |     |
| 35   | 0760810     | 8                | Bolt M8 x 20                        |     |
| 36   | 3291005     | 8                | Nut M10                             |     |
| 37   | 4811900     | 8                | Washer M8                           |     |
| 38   | 4812000     | 8                | Washer M10                          |     |
| 39   | 1001209688  | 4                | Bracket                             |     |
| 40   | 1001209841  | 8                | Pad                                 |     |
| 41   | 1001209842  | 4                | Plate, Clamp                        |     |
| 42   | 0100081     | AR               | Adhesive                            |     |
| 43   | 2220654     | 2                | Fitting, 90 JIC/JIC                 |     |
| 44   | 2220582     | 4                | Fitting, Straight JIC/ORB           |     |



# SECTION 7 - HYDRAULIC

## FIGURE 7-6. TURNTABLE HYDRAULIC DIAGRAM



ART\_1001150088

## SECTION 7 - HYDRAULIC

### FIGURE 7-6. TURNTABLE HYDRAULIC DIAGRAM

| ITEM | PART NUMBER | QTY | DESCRIPTION                   | REV |
|------|-------------|-----|-------------------------------|-----|
|      | 1001150088  | Ref | TURNTABLE HYDRAULIC DIAGRAM   | F   |
| 1    | 2110812     | 1   | Fitting, Straight ORFS/ORB    |     |
| 2    | 2111010     | 2   | Fitting, Straight ORFS/ORB    |     |
| 3    | 2111016     | 4   | Fitting, Straight ORFS/ORB    |     |
| 4    | 2220498     | 1   | Fitting, 45 JIC/ORB           |     |
| 5    | 2130810     | 1   | Fitting, 90 ORFS/ORB          |     |
| 6    | 2130812     | 1   | Fitting, 90 ORFS/ORB          |     |
| 7    | 2131012     | 2   | Fitting, 90 ORFS/ORB          |     |
| 8    | 2220451     | 1   | Fitting, Straight JIC/ORB     |     |
| 9    | 2151010     | 2   | Fitting, 45 ORFS/ORB          |     |
| 11   | 2170908     | 1   | Fitting, Cap FORFS            |     |
| 12   | 2220366     | 1   | Fitting, 90 JIC/ORB           |     |
| 13   | 2220372     | 3   | Fitting, Straight JIC/ORB     |     |
| 14   | 2220373     | 1   | Fitting, Straight JIC/ORB     |     |
| 15   | 2220374     | 1   | Fitting, Straight JIC/ORB     |     |
| 16   | 2220375     | 1   | Fitting, Straight JIC/ORB     |     |
| 17   | 2220380     | 1   | Fitting, Straight JIC/ORB     |     |
| 18   | 2220415     | 1   | Fitting, Straight JIC/ORB     |     |
| 19   | 2220435     | 1   | Fitting, Straight JIC/ORB     |     |
| 20   | 2220472     | 1   | Fitting, 90 JIC/ORB           |     |
| 21   | 2220478     | 1   | Fitting Kit - Split Flange    |     |
| 22   | 2220479     | 1   | Fitting, Straight JIC/ORB     |     |
| 23   | 2220497     | 2   | Fitting, Straight JIC/ORB     |     |
| 24   | 2220499     | 1   | Fitting, 45 JIC/ORB           |     |
| 25   | 2220500     | 1   | Fitting, 45 JIC/ORB           |     |
| 26   | 2220628     | 1   | Fitting, 90 JIC/ORB           |     |
| 27   | 2220671     | 1   | Fitting, 90 JIC/ORB           |     |
| 28   | 2221084     | 1   | Fitting, Tee ORFS to ORB      |     |
| 29   | 4100066     | 1   | Sleeve, Hose                  |     |
| 30   | 8760552     | 1   | Fitting, Straight JIC/ORB/JIC |     |
| 31   | 88662013    | 1   | Fitting, Tee JIC/ORB          |     |
| 32   | 1001110604  | 1   | Fitting Kit - Split Flange    |     |
| 33   | 1001219627  | 1   | Tube                          |     |
| 34   | 1001199837  | 3   | Hose                          |     |
| 35   | 1001199839  | 2   | Hose                          |     |
| 36   | 1001199849  | 2   | Hose                          |     |
| 37   | 2220624     | 1   | Fitting, Straight JIC/FSJIC   |     |
| 38   | 1001194348  | 1   | Hose                          |     |
| 39   | 1001199834  | 1   | Hose                          |     |
| 40   | 1001199835  | 1   | Hose                          |     |
| 41   | 1001199840  | 1   | Hose                          |     |
| 42   | 1001199843  | 1   | Hose                          |     |
| 43   | 1001199844  | 1   | Hose                          |     |
| 44   | 1001199845  | 1   | Hose                          |     |
| 45   | 1001199846  | 1   | Hose                          |     |
| 46   | 1001199847  | 1   | Hose                          |     |
| 47   | 1001199848  | 1   | Hose                          |     |
| 48   | 1001199851  | 1   | Hose                          |     |
| 49   | 4240017     | 4   | Tie-Strap                     |     |
| 50   | 4240018     | 3   | Tie-Strap (Not Shown)         |     |

## SECTION 7 - HYDRAULIC

| ITEM | PART NUMBER | QTY            | DESCRIPTION                                    | REV |
|------|-------------|----------------|--|-----|
| 51   | 1001219628  | 1              | Hose   |     |
| 52   | 2220377     | 1              | Fitting, Straight JIC/ORB                      |     |
| 53   | 1001143501  | 1              | Clamp  |     |
| 54   | 1001223381  | 1              | Hose   |     |
| 55   | 2172110     | 1              | Fitting, 90 ORFS/FSORFS                        |     |
| 56   | 4060807     | 17 in<br>/42cm | Flex-Trim (Not Shown - Located on Engine Tray) |     |



## SECTION 7 - HYDRAULIC

**FIGURE 7-7. HYDRAULIC DIAGRAM LIST**

| ITEM | PART NUMBER | QTY | DESCRIPTION   | REV |
|------|-------------|-----|---|-----|
|      |             | Ref | Note: For more information, contact the JLG Service/Parts Department. |     |
|      |             | Ref | HYDRAULIC DIAGRAMS  |     |
|      | 1001150087  | Ref | Boom Hydraulic Diagram (1030S)  |     |
|      | 1001150086  | Ref | Boom Hydraulic Diagram (1100SJ)                                       |     |
|      | 1001150090  | Ref | Chassis Hydraulic Diagram - 2WD/2WS                                   |     |
|      | 1001150089  | Ref | Chassis Hydraulic Diagram - 4WD/2WS                                   |     |
|      | 1001222730  | Ref | Chassis Hydraulic Diagram - 4WD/4WS                                   |     |
|      | 1001150004  | Ref | Standard Hydraulic Schematic (See Service & Maintenance Manual)       |     |
|      | 1001150088  | Ref | Turntable Hydraulic Diagram   |     |



**SECTION 8 - ELECTRICAL**

## SECTION 8 - ELECTRICAL

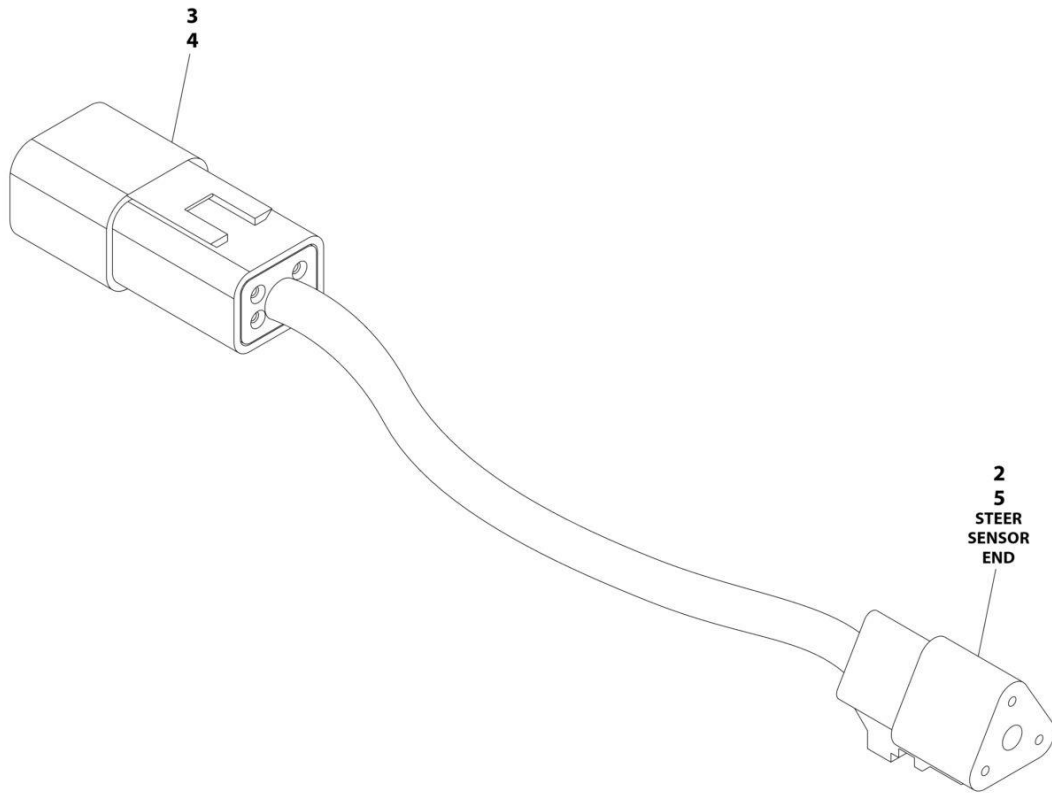
FIGURE 8-1. ELECTRICAL DIAGRAM LIST

| ITEM | PART NUMBER | QTY | DESCRIPTION   | REV |
|------|-------------|-----|---|-----|
|      |             | Ref | Note: For more information, contact the JLG Service/Parts Department. |     |
|      |             | Ref | ELECTRICAL DIAGRAMS   |     |
|      | 1001150005  | Ref | Electrical Schematic (See Service & Maintenance Manual)               |     |
|      | 1001157770  | Ref | Generator Electrical Diagram - 7500W SkyPower Generator               |     |



# SECTION 8 - ELECTRICAL

## FIGURE 8-2. AXLE POWER TRACK HARNESS



ART\_1001152574

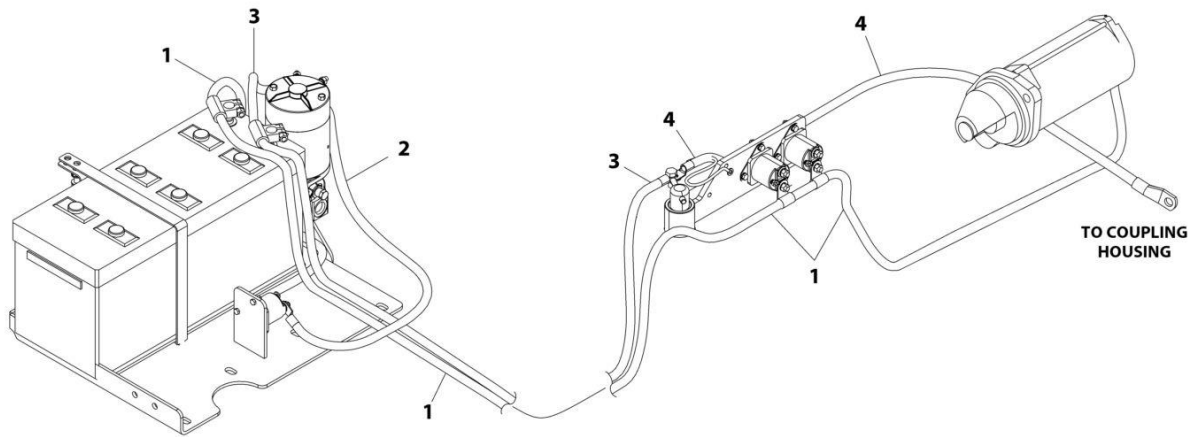
## SECTION 8 - ELECTRICAL

### FIGURE 8-2. AXLE POWER TRACK HARNESS

| ITEM | PART NUMBER | QTY | DESCRIPTION                     | REV |
|------|-------------|-----|---------------------------------|-----|
|      | 1001152574  | Ref | AXLE POWER TRACK HARNESS        | C   |
| 2    | 4460539     | 1   | Plug, Male - 3 Position         |     |
| 3    | 4460932     | 1   | Receptacle, Female - 4 Position |     |
| 4    | 4460943     | 4   | Pin, Male                       |     |
| 5    | 4460944     | 3   | Socket, Female                  |     |

# SECTION 8 - ELECTRICAL

## FIGURE 8-3. BATTERY CABLE KIT - DEUTZ TD2011



ART\_1001150443

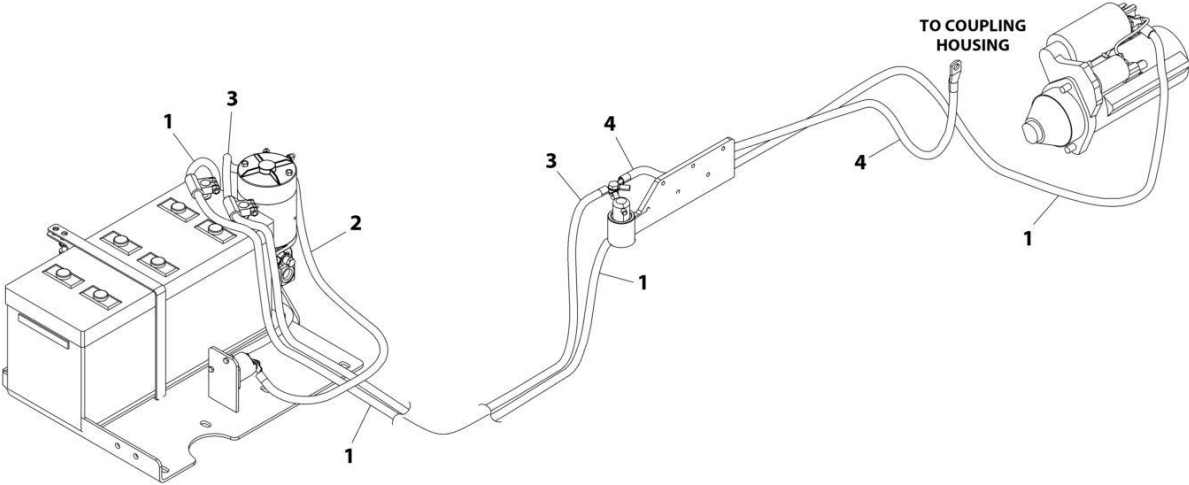
## SECTION 8 - ELECTRICAL

### FIGURE 8-3. BATTERY CABLE KIT - DEUTZ TD2011

| ITEM | PART NUMBER | QTY | DESCRIPTION  | REV |
|------|-------------|-----|--|-----|
|      | 1001150443  | Ref | BATTERY CABLE KIT - DEUTZ TD2011                                 | C   |
| 1    | 70009025    | 1   | Cable, Battery - Battery + to Starter, Start Relay and Aux Relay |     |
| 2    | 70009022    | 1   | Cable, Battery - Aux Relay to Aux Power                          |     |
| 3    | 70009023    | 1   | Cable, Battery - Battery - to Aux Ground, Pivot Ground           |     |
| 4    | 70009026    | 1   | Cable, Battery - Engine to Pivot Ground                          |     |

**SECTION 8 - ELECTRICAL**

**FIGURE 8-4. BATTERY CABLE KIT - DEUTZ TD2.9L4**



ART\_1001220749



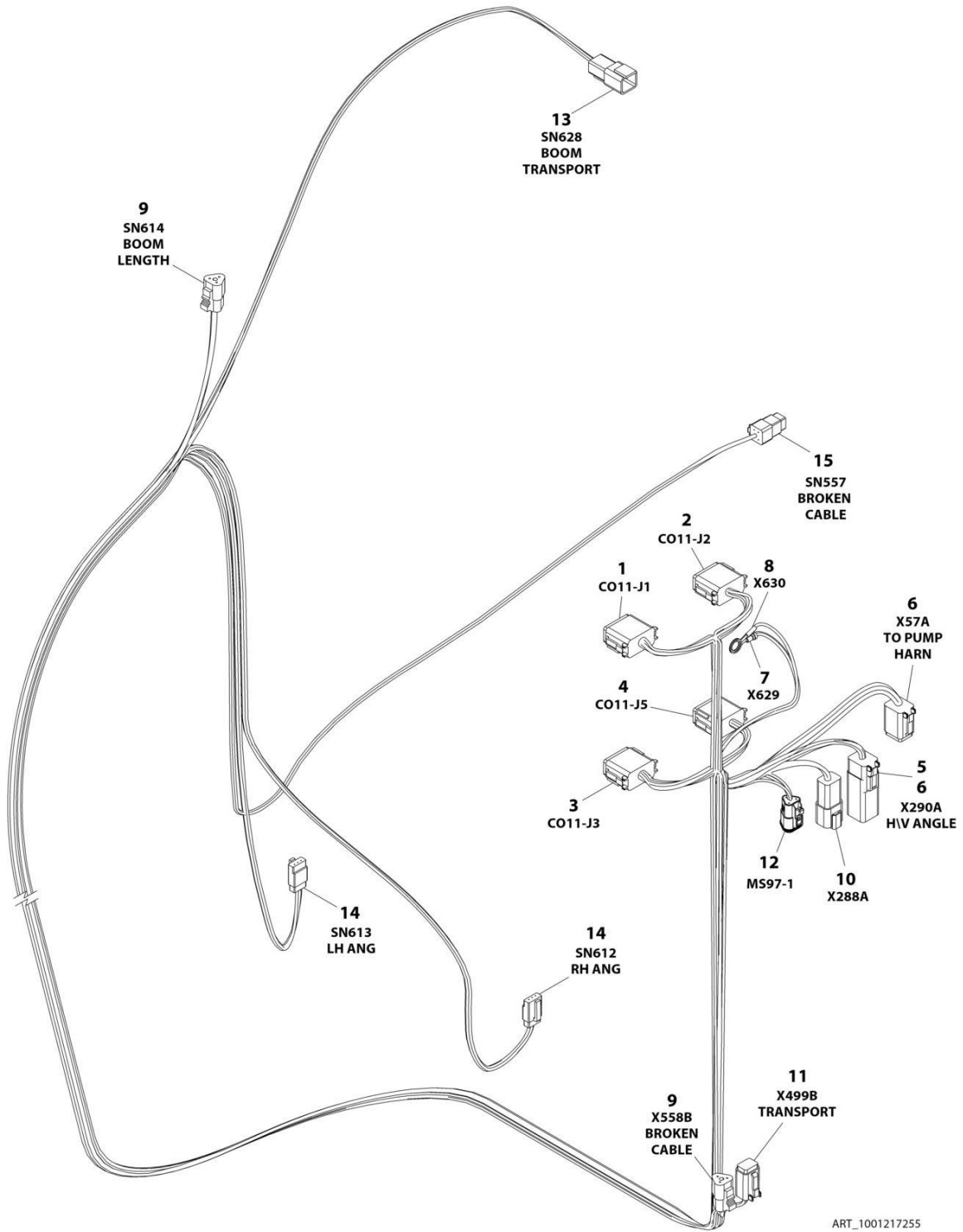
## SECTION 8 - ELECTRICAL

### FIGURE 8-4. BATTERY CABLE KIT - DEUTZ TD2.9L4

| ITEM | PART NUMBER | QTY | DESCRIPTION  | REV |
|------|-------------|-----|--|-----|
|      | 1001220749  | Ref | BATTERY CABLE KIT - DEUTZ TD2.9L4                                | B   |
| 1    | 70009021    | 1   | Cable, Battery - Battery + to Starter, Start Relay and Aux Relay |     |
| 2    | 70009022    | 1   | Cable, Battery - Aux Relay to Aux Power                          |     |
| 3    | 70009023    | 1   | Cable, Battery - Battery - Aux Ground, Pivot Ground              |     |
| 4    | 70009024    | 1   | Cable, Battery - Engine to Pivot Ground                          |     |

# SECTION 8 - ELECTRICAL

## FIGURE 8-5. BLAM HARNESS



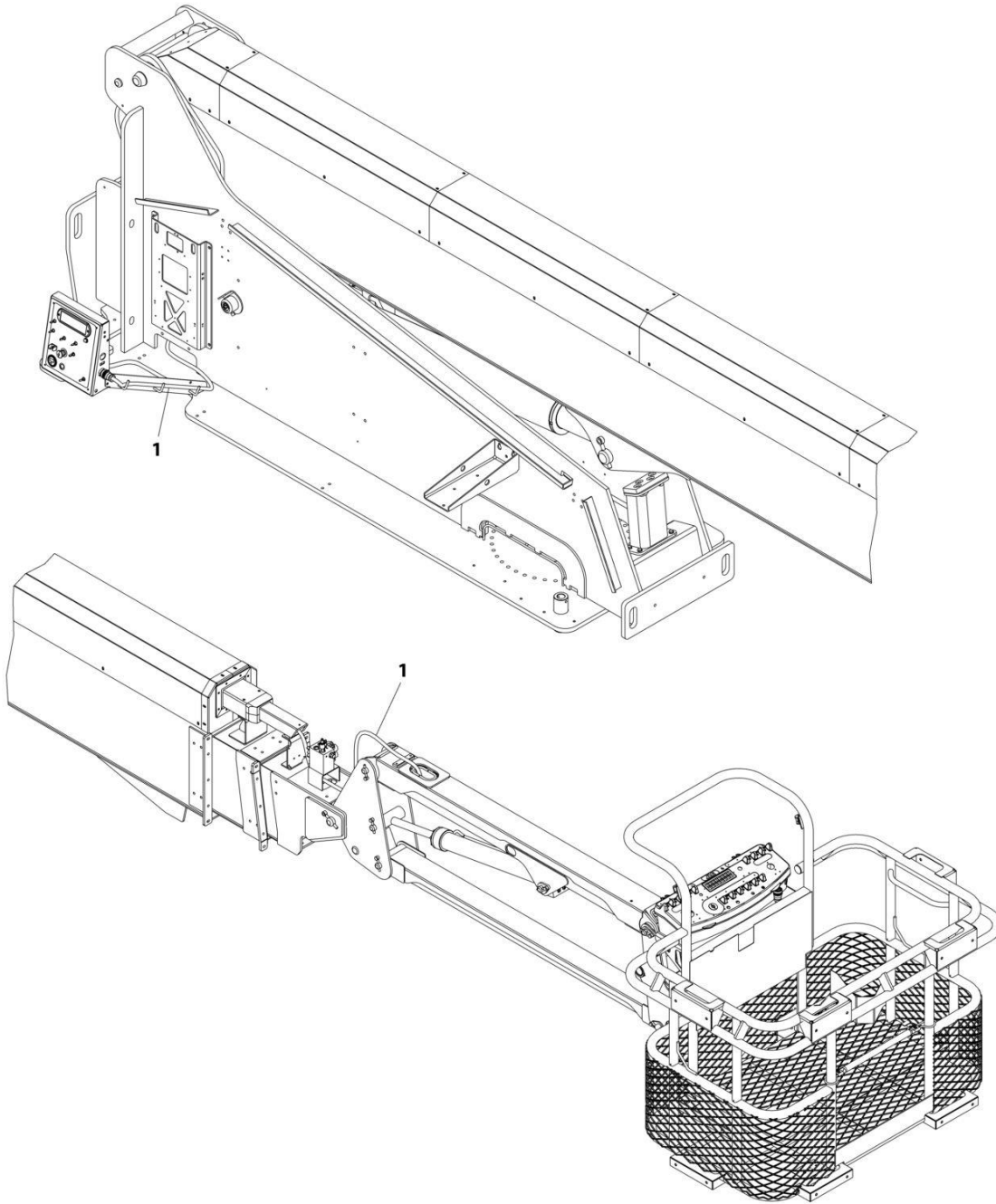
## SECTION 8 - ELECTRICAL

### FIGURE 8-5. BLAM HARNESS

| ITEM | PART NUMBER | QTY | DESCRIPTION                     | REV |
|------|-------------|-----|---------------------------------|-----|
|      | 1001217255  | Ref | BLAM HARNESS                    | C   |
| 1    | 4460933     | 1   | Connector - 12 Position (Gray)  |     |
| 1    | 4460466     | 3   | Plug, Terminal                  |     |
| 1    | 4460465     | 7   | Socket, Female                  |     |
| 1    | 4460942     | 2   | Socket, Female                  |     |
| 2    | 4460836     | 1   | Connector - 12 Position (Black) |     |
| 2    | 4460466     | 5   | Plug, Terminal                  |     |
| 2    | 4460465     | 7   | Socket, Female                  |     |
| 3    | 4460934     | 1   | Connector - 12 Position (Green) |     |
| 3    | 4460466     | 1   | Plug, Terminal                  |     |
| 3    | 4460465     | 11  | Socket, Female                  |     |
| 4    | 4460935     | 1   | Connector - 12 Position (Brown) |     |
| 4    | 4460466     | 7   | Plug, Terminal                  |     |
| 4    | 4460465     | 5   | Socket, Female                  |     |
| 5    | 4460899     | 1   | Connector, Female - 6 Position  |     |
| 6    | 4460894     | 2   | Connector - 6 Posiiton (Gray)   |     |
| 6    | 4460465     | 11  | Socket, Female                  |     |
| 6    | 4460466     | 1   | Plug, Terminal                  |     |
| 7    | 4460670     | 1   | Terminal, Ring                  |     |
| 8    | 4460703     | 1   | Terminal, Ring                  |     |
| 9    | 4460539     | 2   | Plug, Male - 3 Position         |     |
| 9    | 4460465     | 3   | Socket, Female                  |     |
| 9    | 4460944     | 3   | Socket, Female                  |     |
| 10   | 4460932     | 1   | Connector - 4 Position (Gray)   |     |
| 10   | 4460466     | 1   | Plug, Terminal                  |     |
| 10   | 4460941     | 1   | Pin, Male                       |     |
| 10   | 4460464     | 1   | Pin, Male                       |     |
| 11   | 4460884     | 1   | Connector - 4 Position (Gray)   |     |
| 11   | 4460465     | 4   | Socket, Female                  |     |
| 12   | 1001116812  | 1   | Plug, Male - 3 Position         |     |
| 12   | 4460465     | 4   | Socket, Female                  |     |
| 13   | 1001097051  | 1   | Receptacle, Female - 4 Position |     |
| 13   | 1001116695  | 4   | Pin, Male                       |     |
| 14   | 4460911     | 2   | Plug, Male - 3 Position         |     |
| 14   | 4460944     | 6   | Socket, Female                  |     |
| 15   | 4461077     | 1   | Plug, Male - 3 Position         |     |
| 15   | 4460928     | 3   | Socket, Female                  |     |

# SECTION 8 - ELECTRICAL

FIGURE 8-6. BOOM CABLES INSTALLATION - WITHOUT POWER AT PLATFORM (1030S)



ART\_1001200024

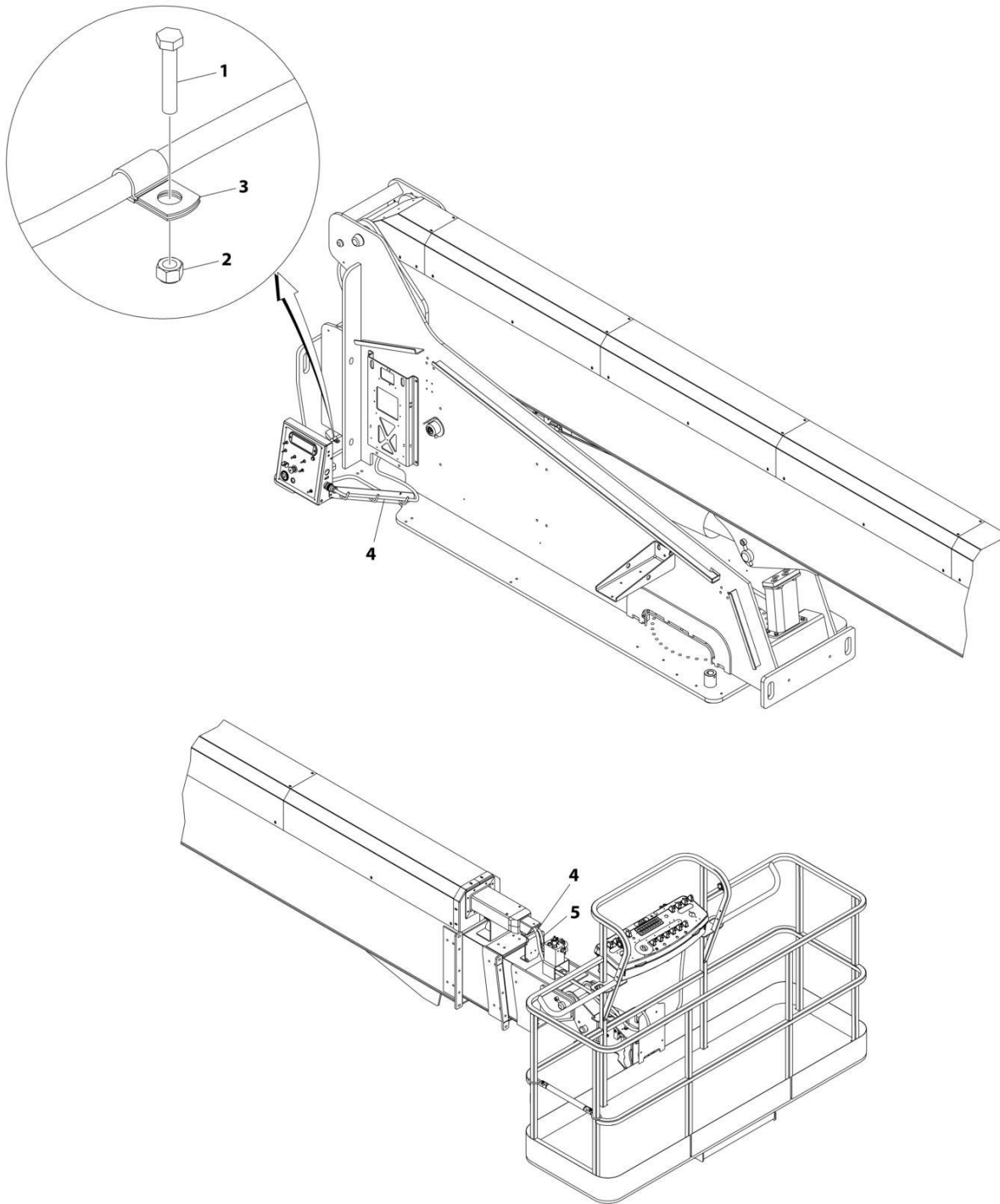
## SECTION 8 - ELECTRICAL

**FIGURE 8-6. BOOM CABLES INSTALLATION - WITHOUT POWER AT PLATFORM (1030S)**

| ITEM | PART NUMBER | QTY | DESCRIPTION  | REV |
|------|-------------|-----|--|-----|
|      | 1001200024  | Ref | BOOM CABLES INSTALLATION - WITHOUT POWER AT PLATFORM       | C   |
| 1    | 1001200030  | 1   | Boom Cable - Main (See Separate Breakdown in this Section) |     |

# SECTION 8 - ELECTRICAL

## FIGURE 8-7. BOOM CABLES INSTALLATION - WITH AC POWER AT PLATFORM (1030S)



ART\_1001200027

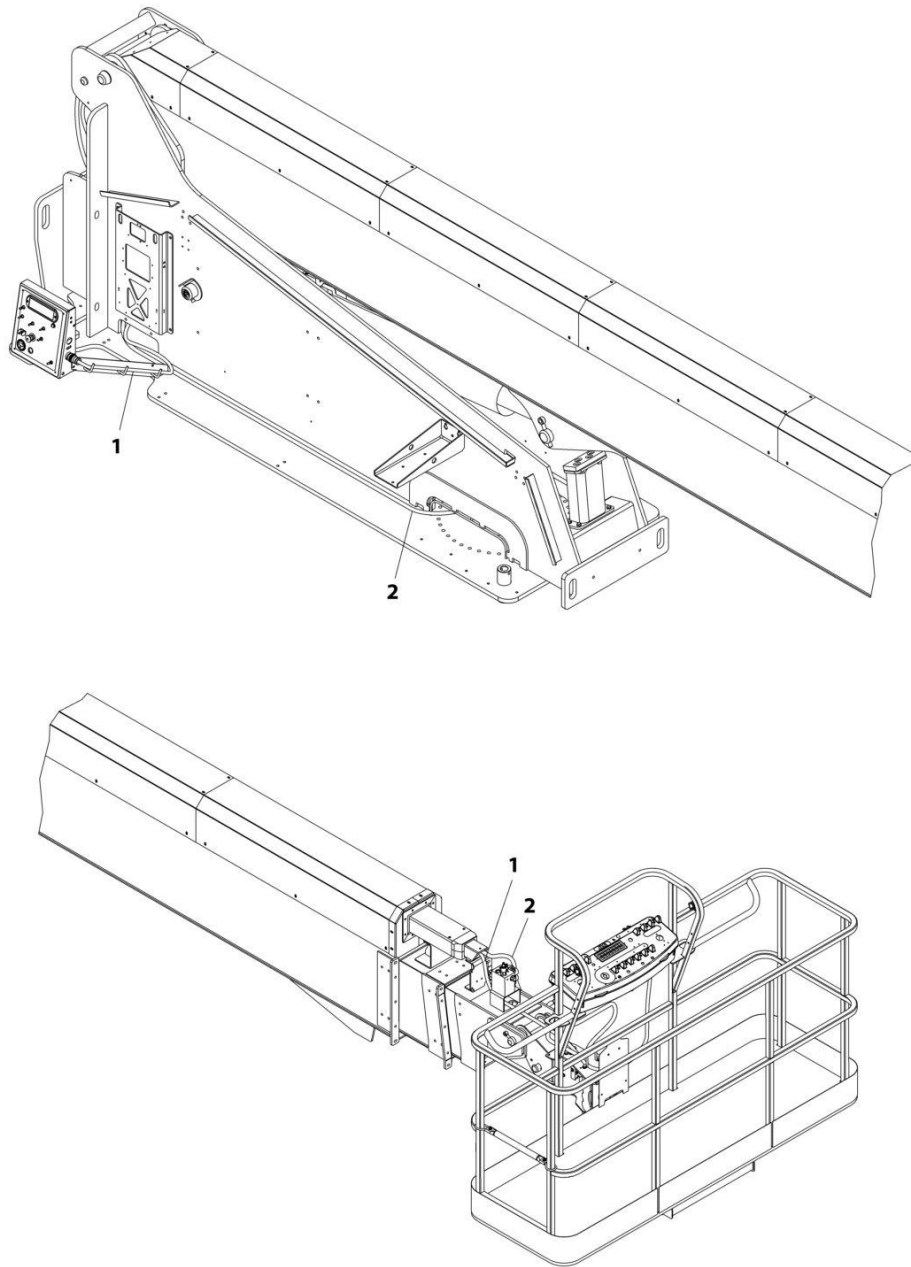
## SECTION 8 - ELECTRICAL

**FIGURE 8-7. BOOM CABLES INSTALLATION - WITH AC POWER AT PLATFORM (1030S)**

| ITEM | PART NUMBER | QTY | DESCRIPTION  | REV |
|------|-------------|-----|--|-----|
|      | 1001200027  | Ref | BOOM CABLES INSTALLATION - WITH AC POWER AT PLATFORM       | B   |
| 1    | 0700817     | 1   | Bolt M8 x 45   |     |
| 2    | 3290805     | 1   | Nut M8   |     |
| 3    | 1001080996  | 1   | Clamp  |     |
| 4    | 1001200031  | 1   | Boom Cable - Main (See Separate Breakdown in this Section) |     |
| 5    | 1001200033  | 1   | Boom Cable - AC (1030S)                                    |     |

# SECTION 8 - ELECTRICAL

## FIGURE 8-8. BOOM CABLES INSTALLATION - WITH SKYPOWER (1030S)



ART\_1001200029



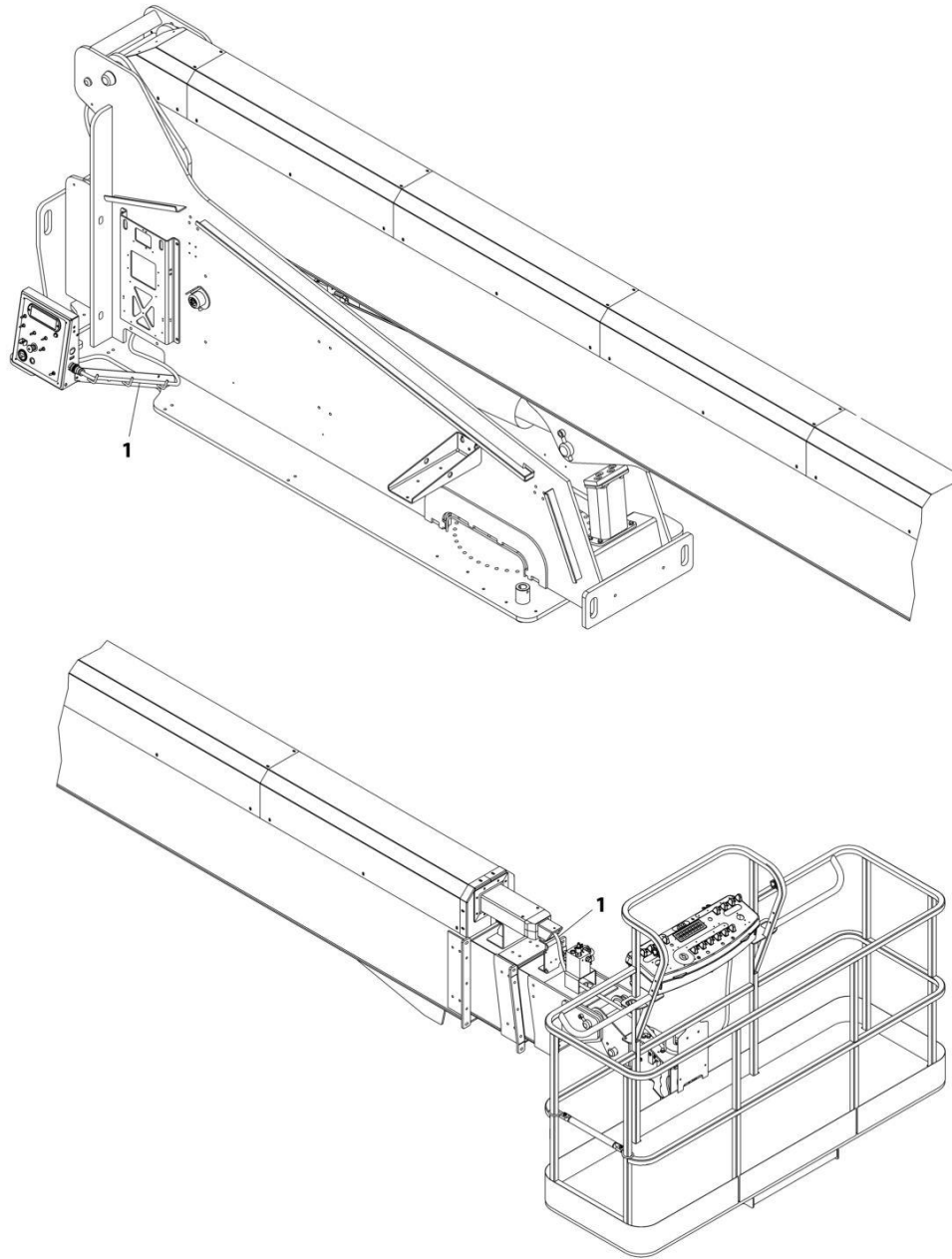
## SECTION 8 - ELECTRICAL

**FIGURE 8-8. BOOM CABLES INSTALLATION - WITH SKYPOWER (1030S)**

| ITEM | PART NUMBER | QTY | DESCRIPTION  | REV |
|------|-------------|-----|--|-----|
|      | 1001200029  | Ref | BOOM CABLES INSTALLATION - WITH SKYPOWER                   | B   |
| 1    | 1001200031  | 1   | Boom Cable - Main (See Separate Breakdown in this Section) |     |
| 2    | 1001200035  | 1   | Boom Cable - SkyPower (1030S)                              |     |

## SECTION 8 - ELECTRICAL

FIGURE 8-9. BOOM CABLES INSTALLATION - WITHOUT POWER AT PLATFORM (1100SJ)



ART\_1001200025

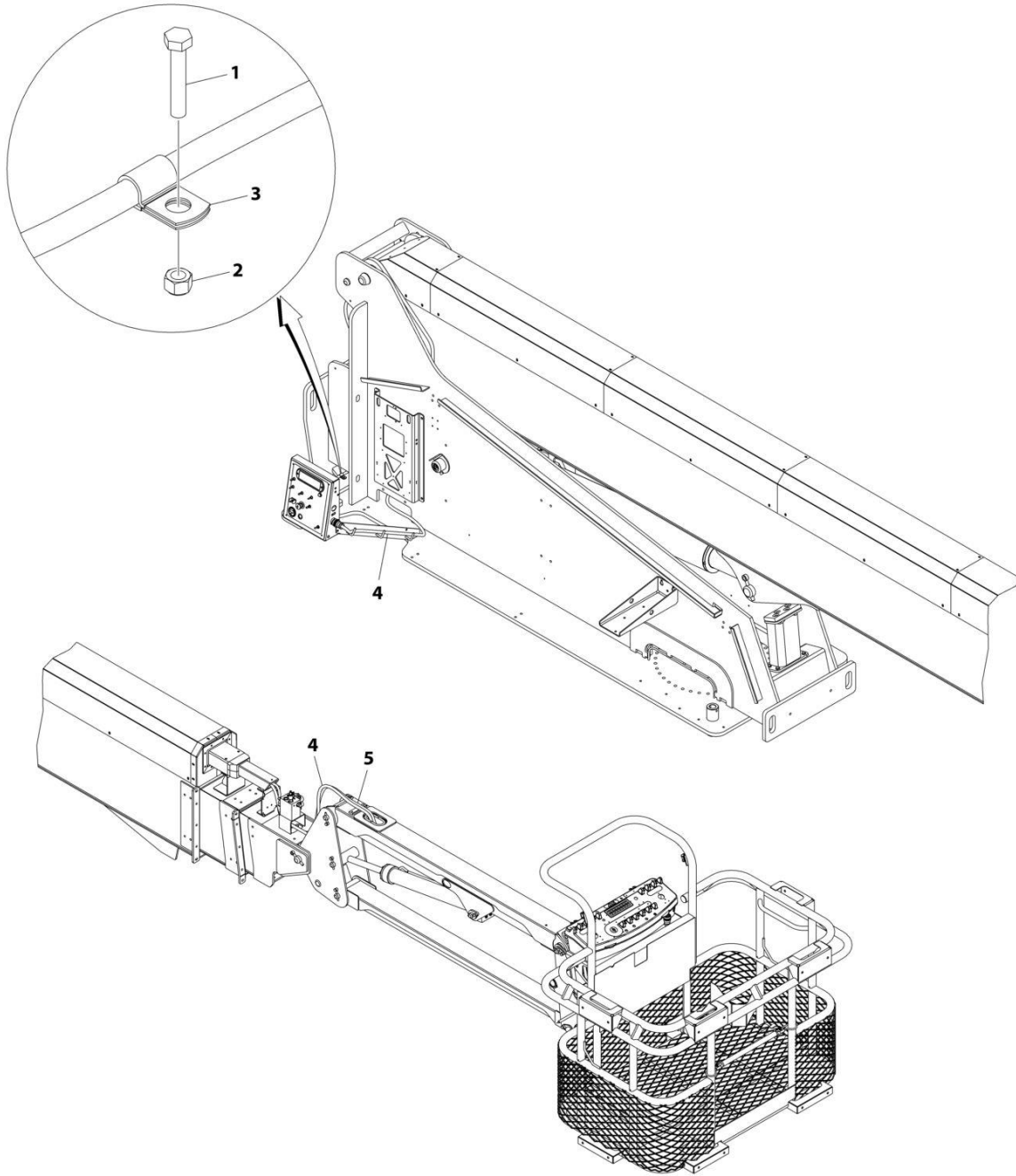
## SECTION 8 - ELECTRICAL

**FIGURE 8-9. BOOM CABLES INSTALLATION - WITHOUT POWER AT PLATFORM (1100SJ)**

| ITEM | PART NUMBER | QTY | DESCRIPTION  | REV |
|------|-------------|-----|--|-----|
|      | 1001200025  | Ref | BOOM CABLES INSTALLATION - WITHOUT POWER AT PLATFORM       | B   |
| 1    | 1001200031  | 1   | Boom Cable - Main (See Separate Breakdown in this Section) |     |

# SECTION 8 - ELECTRICAL

## FIGURE 8-10. BOOM CABLES INSTALLATION - WITH AC POWER AT PLATFORM (1100SJ)



ART\_1001200026

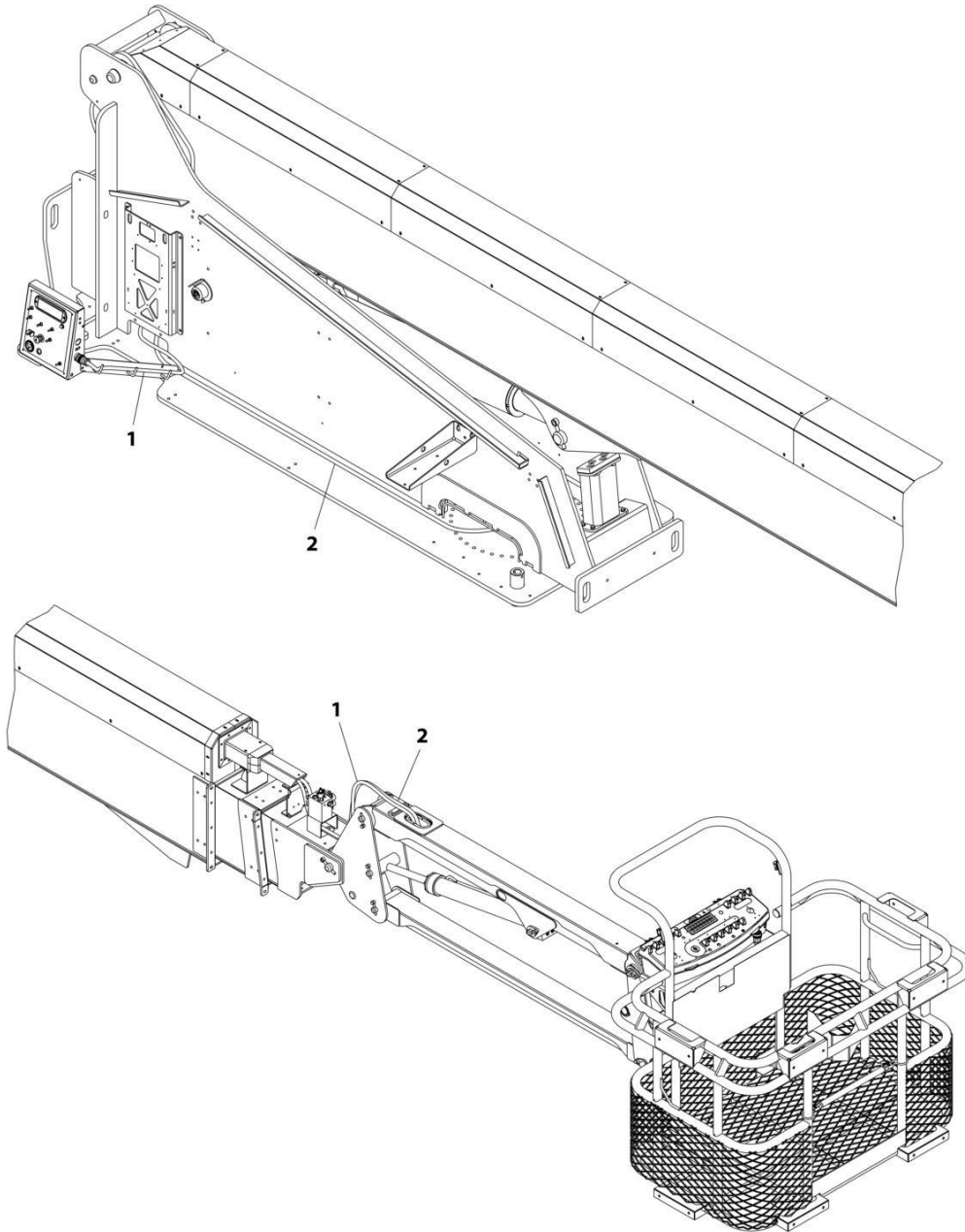
## SECTION 8 - ELECTRICAL

**FIGURE 8-10. BOOM CABLES INSTALLATION - WITH AC POWER AT PLATFORM (1100SJ)**

| ITEM | PART NUMBER | QTY | DESCRIPTION  | REV |
|------|-------------|-----|--|-----|
|      | 1001200026  | Ref | BOOM CABLES INSTALLATION - WITH AC POWER AT PLATFORM       | C   |
| 1    | 0700817     | 1   | Bolt M8 x 45   |     |
| 2    | 3290805     | 1   | Nut M8   |     |
| 3    | 1001080996  | 1   | Clamp  |     |
| 4    | 1001200030  | 1   | Boom Cable - Main (See Separate Breakdown in this Section) |     |
| 5    | 1001200032  | 1   | Boom Cable - AC (1100SJ)                                   |     |

# SECTION 8 - ELECTRICAL

## FIGURE 8-11. BOOM CABLES INSTALLATION - WITH SKYPOWER (1100SJ)



ART\_1001200028

## SECTION 8 - ELECTRICAL

**FIGURE 8-11. BOOM CABLES INSTALLATION - WITH SKYPOWER (1100SJ)**

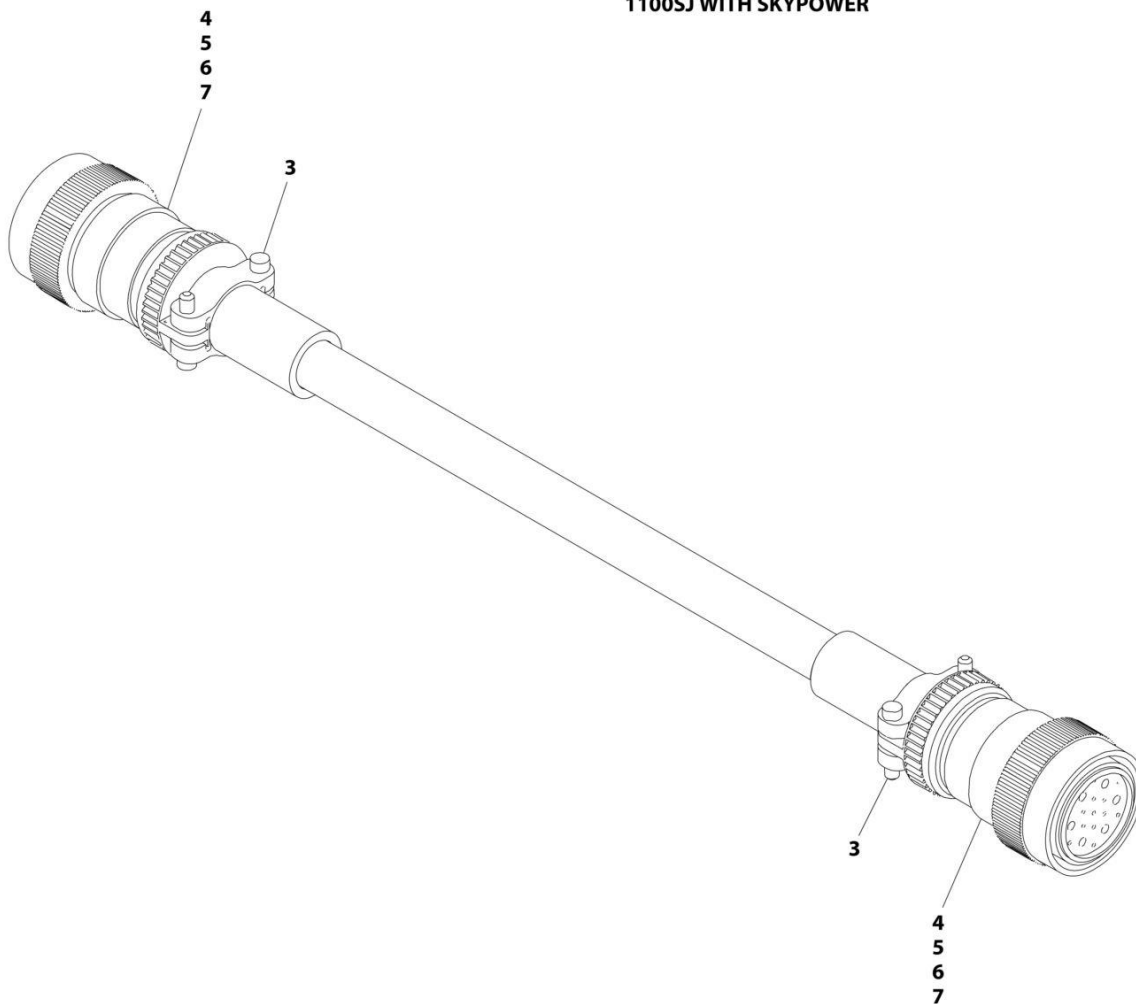
| ITEM | PART NUMBER | QTY | DESCRIPTION  | REV |
|------|-------------|-----|--|-----|
|      | 1001200028  | Ref | BOOM CABLES INSTALLATION - 1100SJ WITH SKYPOWER            | C   |
| 1    | 1001200030  | 1   | Boom Cable - Main (See Separate Breakdown in this Section) |     |
| 2    | 1001200034  | 1   | Boom Cable - SkyPower (1100SJ)                             |     |

# SECTION 8 - ELECTRICAL

## FIGURE 8-12. BOOM CABLE - MAIN

### USAGE CHART:

1030S WITHOUT POWER AT PLATFORM  
1100SJ WITHOUT AC POWER AT PLATFORM  
1100SJ WITH SKYPOWER



ART\_1001200030



## SECTION 8 - ELECTRICAL

### FIGURE 8-12. BOOM CABLE - MAIN

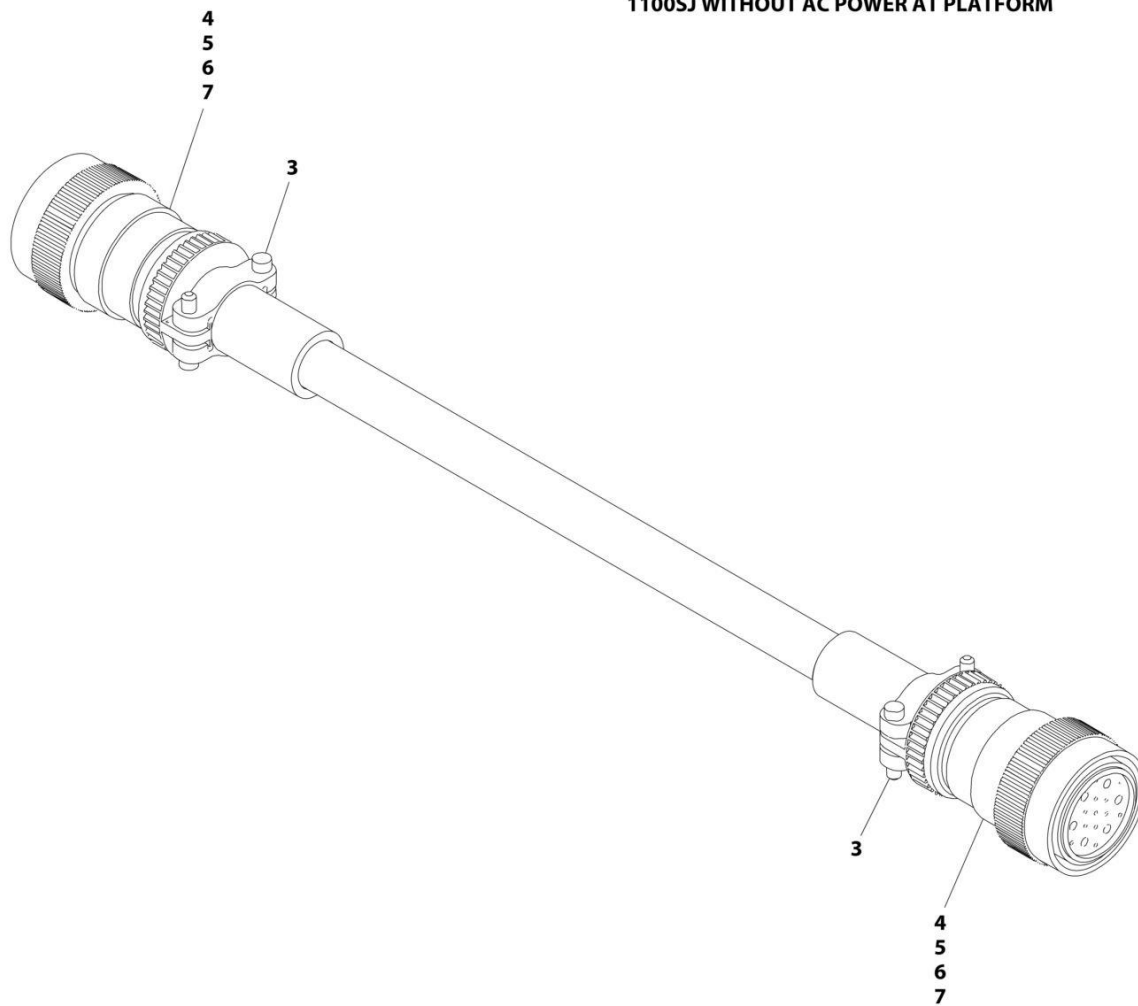
| ITEM | PART NUMBER | QTY | DESCRIPTION             | REV |
|------|-------------|-----|-------------------------|-----|
|      | 1001200030  | Ref | BOOM CABLE - MAIN       | E   |
| 3    | 4460473     | 2   | Clamp                   |     |
| 4    | 4460509     | 8   | Socket, Female          |     |
| 5    | 4460865     | 2   | Connector - 19 Position |     |
| 6    | 4460465     | 22  | Socket, Female          |     |
| 7    | 4460466     | 8   | Plug, Socket            |     |

# SECTION 8 - ELECTRICAL

## FIGURE 8-13. BOOM CABLE - MAIN

### USAGE CHART:

- 1030S WITH AC POWER AT PLATFORM
- 1030S WITH SKYPOWER
- 1100SJ WITHOUT AC POWER AT PLATFORM



ART\_1001200031

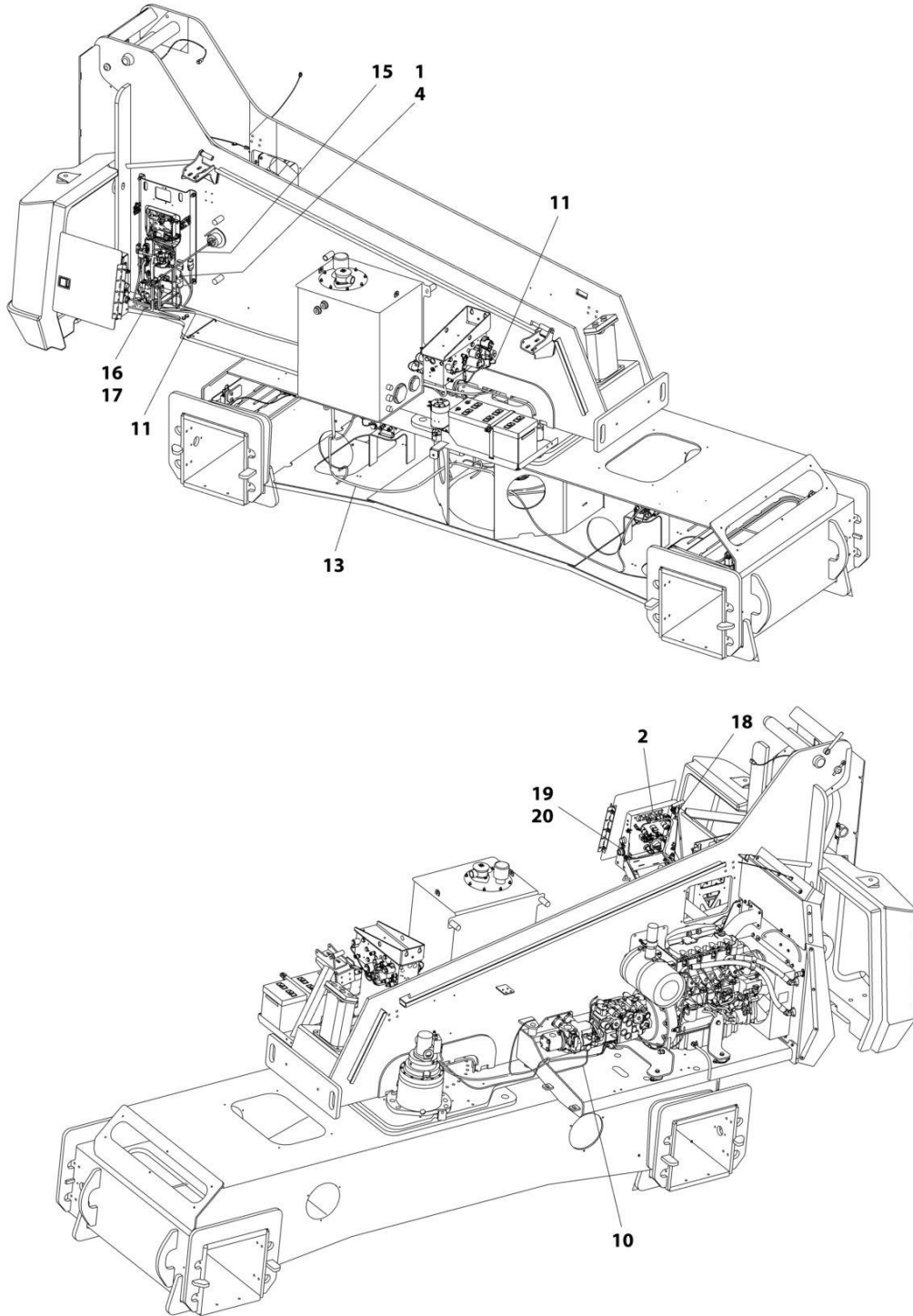
## SECTION 8 - ELECTRICAL

### FIGURE 8-13. BOOM CABLE - MAIN

| ITEM | PART NUMBER | QTY | DESCRIPTION             | REV |
|------|-------------|-----|-------------------------|-----|
|      | 1001200031  | Ref | BOOM CABLE - MAIN       | D   |
| 3    | 4460473     | 2   | Clamp                   |     |
| 4    | 4460509     | 8   | Socket, Female          |     |
| 5    | 4460865     | 2   | Connector - 19 Position |     |
| 6    | 4460465     | 22  | Socket, Female          |     |
| 7    | 4460466     | 8   | Plug, Socket            |     |

# SECTION 8 - ELECTRICAL

## FIGURE 8-14. CHASSIS AND TURNTABLE HARNESS INSTALLATION



ART\_1001193675

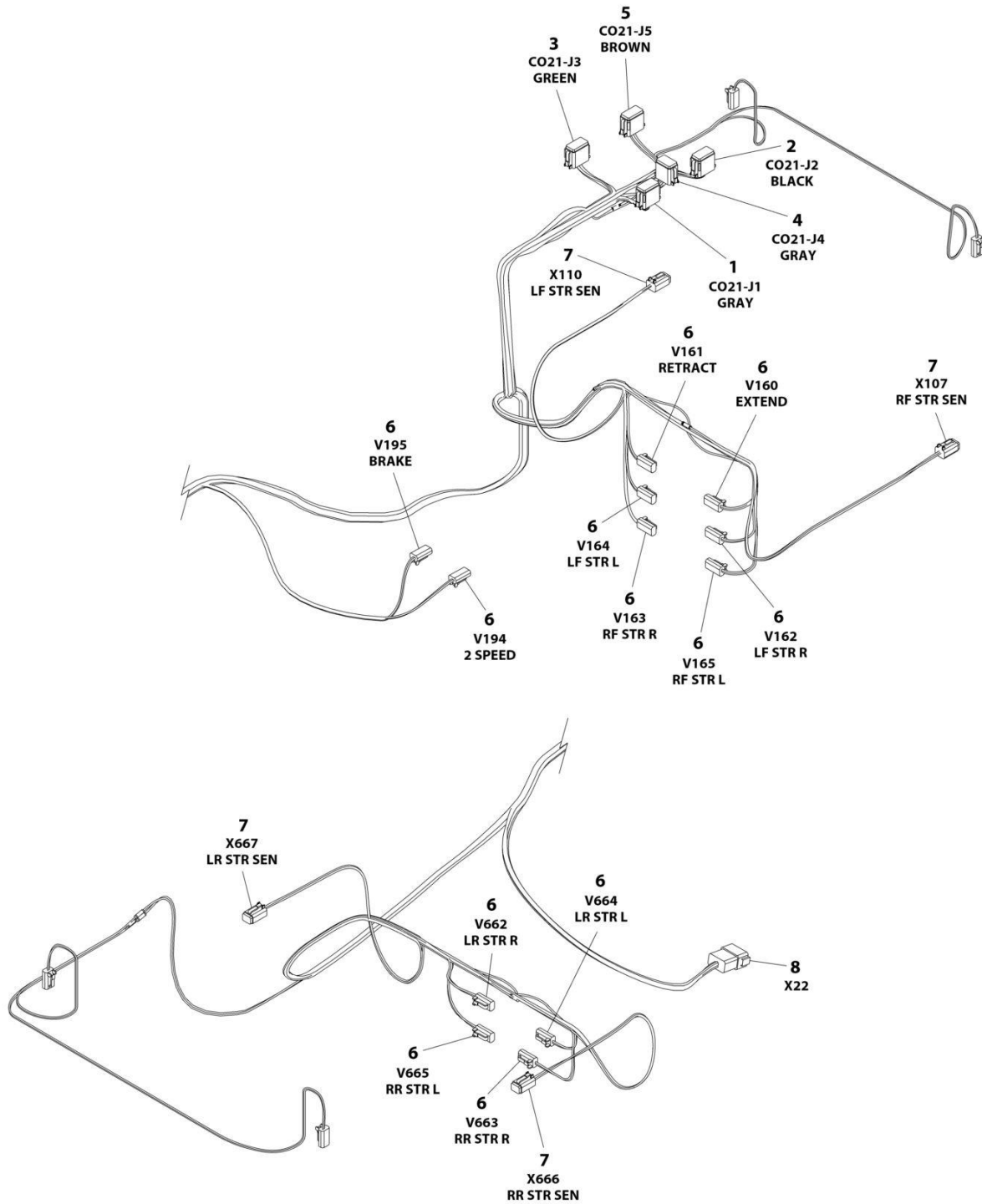
## SECTION 8 - ELECTRICAL

**FIGURE 8-14. CHASSIS AND TURNTABLE HARNESS INSTALLATION**

| ITEM | PART NUMBER | QTY | DESCRIPTION   | REV |
|------|-------------|-----|---|-----|
|      | 1001193675  | Ref | CHASSIS AND TURNTABLE HARNESS INSTALLATION                                    | I   |
| 1    | 0760606     | 1   | Bolt M6 x 12  |     |
| 2    | 2920129     | 8   | Bulb, Light   |     |
| 4    | 4811700     | 1   | Washer M6   |     |
| 10   | 1001150480  | 1   | Swing Drive Harness (See Separate Breakdown in this Section)                  |     |
| 11   | 1001194331  | 1   | Main Valve Harness (See Separate Breakdown in this Section)                   |     |
| 13   | 1001149524  | 1   | Chassis Harness (See Separate Breakdown in this Section)                      |     |
| 14   | 1001152574  | 2   | Axle Power Track Harness (Not Shown - See Separate Breakdown in this Section) |     |
| 15   | 4923256     | 1   | Load Sensing Pin Harness (See Separate Breakdown in this Section)             |     |
| 16   | 1001216943  | 1   | Ground Control Panel Harness (See Separate Breakdown in this Section)         |     |
| 17   | 1001216944  | 1   | Turntable Harness (See Separate Breakdown in this Section)                    |     |
| 18   | 1001217255  | 1   | BLAM Harness (See Separate Breakdown in this Section)                         |     |
| 19   | 4460470     | 1   | Nut, Terminal   |     |
| 20   | 4460471     | 1   | Washer, Terminal  |     |

# SECTION 8 - ELECTRICAL

## FIGURE 8-15. CHASSIS HARNESS



ART\_1001149524

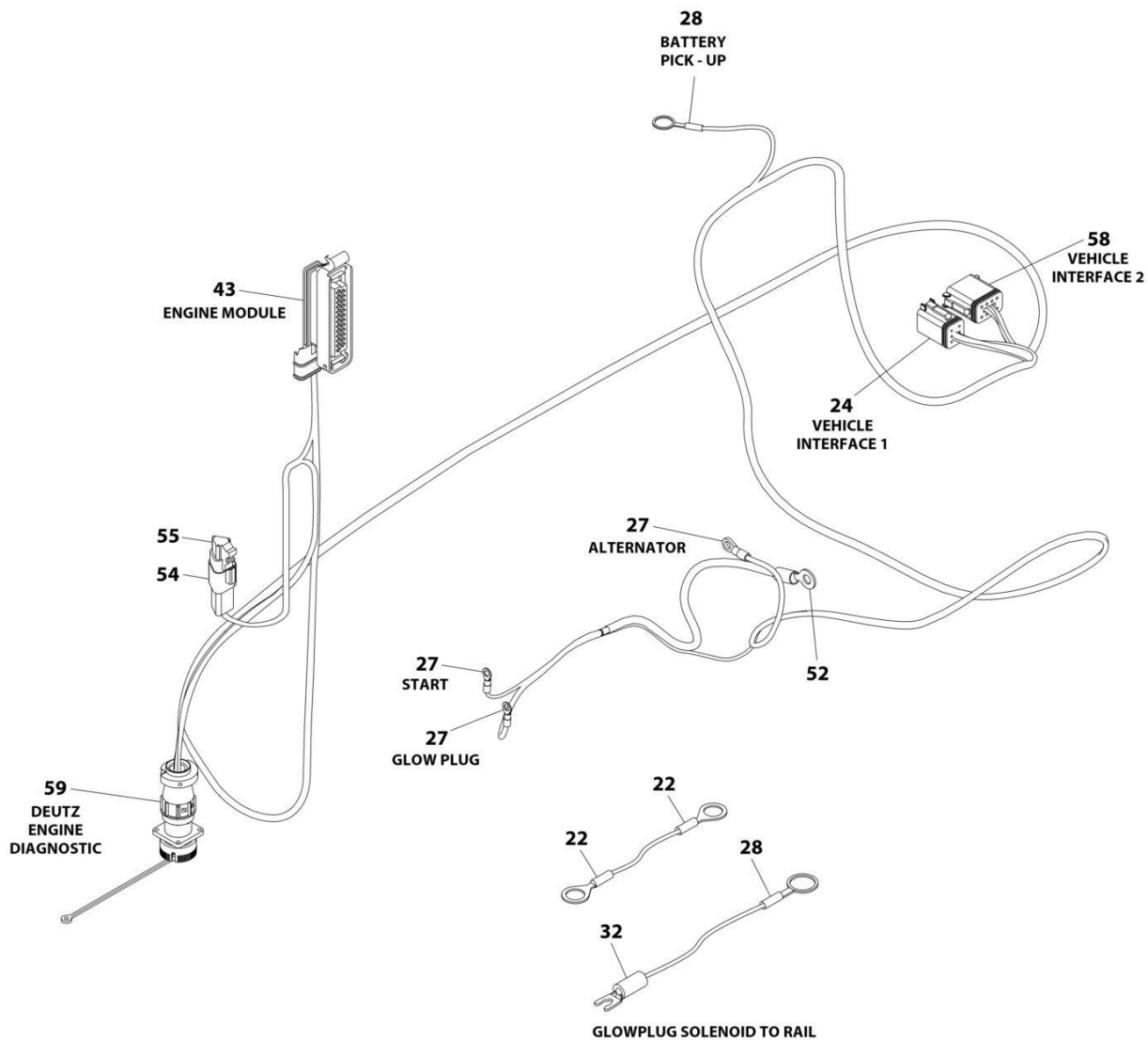
## SECTION 8 - ELECTRICAL

### FIGURE 8-15. CHASSIS HARNESS

| ITEM | PART NUMBER | QTY | DESCRIPTION                     | REV |
|------|-------------|-----|---------------------------------|-----|
|      | 1001149524  | Ref | CHASSIS HARNESS                 | E   |
| 1    | 4460933     | 1   | Connector - 12 Position (Gray)  |     |
| 1    | 4460465     | 8   | Socket, Female                  |     |
| 1    | 4460466     | 4   | Plug, Terminal                  |     |
| 2    | 4460836     | 1   | Connector - 12 Position (Black) |     |
| 2    | 4460465     | 6   | Socket, Female                  |     |
| 2    | 4460466     | 6   | Plug, Terminal                  |     |
| 3    | 4460934     | 1   | Connector - 12 Position (Green) |     |
| 3    | 4460465     | 12  | Socket, Female                  |     |
| 4    | 4460930     | 1   | Connector - 8 Position (Gray)   |     |
| 4    | 4460465     | 4   | Socket, Female                  |     |
| 4    | 4460466     | 4   | Plug, Terminal                  |     |
| 5    | 4460935     | 1   | Connector - 12 Position (Brown) |     |
| 5    | 4460465     | 9   | Socket, Female                  |     |
| 5    | 4460466     | 3   | Plug, Terminal                  |     |
| 6    | 4460891     | 12  | Plug, Male - 2 Position         |     |
| 6    | 4460465     | 24  | Socket, Female                  |     |
| 7    | 4460884     | 4   | Plug, Male - 4 Position         |     |
| 7    | 4460465     | 16  | Socket, Female                  |     |
| 8    | 4460950     | 1   | Connector - 12 Position         |     |
| 8    | 4460464     | 9   | Pin, Male                       |     |
| 8    | 4460466     | 3   | Plug, Terminal                  |     |

# SECTION 8 - ELECTRICAL

## FIGURE 8-16. ENGINE HARNESS - DEUTZ TD2011 ENGINES



ART\_1001119470



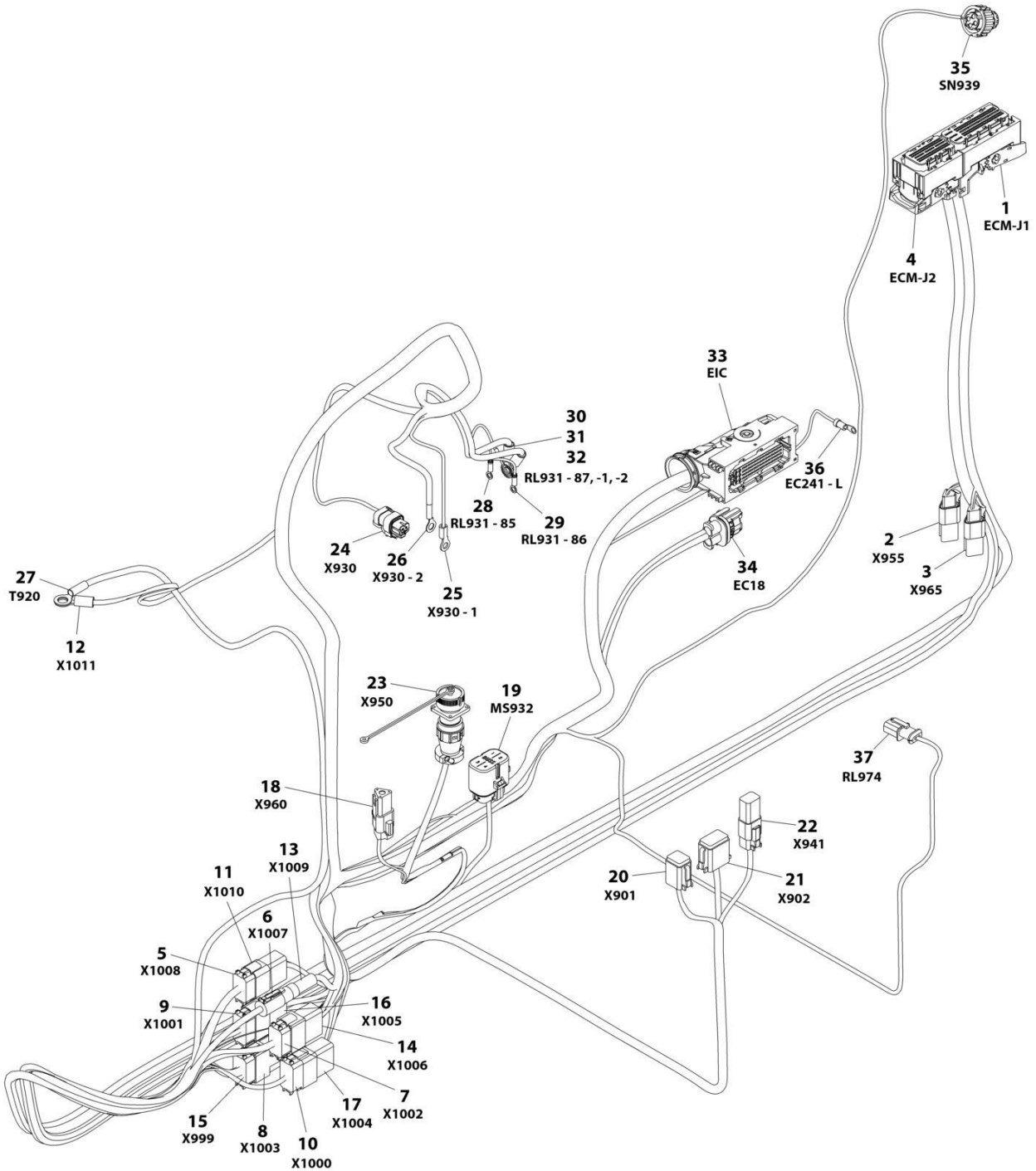
## SECTION 8 - ELECTRICAL

**FIGURE 8-16. ENGINE HARNESS - DEUTZ TD2011 ENGINES**

| ITEM | PART NUMBER | QTY | DESCRIPTION                           | REV |
|------|-------------|-----|---------------------------------------|-----|
|      | 1001119470  | Ref | ENGINE HARNESS - DEUTZ TD2011 ENGINES | B   |
| 22   | 4460702     | 2   | Terminal, Eyelet                      |     |
| 24   | 4460894     | 1   | Connector - 6 Position                |     |
| 24   | 4460465     | 2   | Socket, Female                        |     |
| 24   | 4460944     | 3   | Socket, Female                        |     |
| 24   | 4460944     | 3   | Socket, Female                        |     |
| 27   | 4460313     | 3   | Terminal, Eyelet                      |     |
| 28   | 4460019     | 2   | Terminal, Eyelet                      |     |
| 32   | 4460315     | 1   | Terminal, Fork                        |     |
| 43   | 4461052     | 1   | Connector - 25 Position               |     |
| 43   | 4461005     | 5   | Terminal                              |     |
| 43   | 4461006     | 5   | Seal                                  |     |
| 43   | 4461060     | 2   | Terminal (Tin)                        |     |
| 43   | 4461054     | 2   | Seal, Terminal                        |     |
| 43   | 4461008     | 18  | Plug, Hole                            |     |
| 43   | 4461053     | 1   | Cover, Plug                           |     |
| 50   | 4240032     | AR  | Tie-Strap (Not Shown)                 |     |
| 51   | 4240033     | AR  | Tie-Strap (Not Shown)                 |     |
| 52   | 4461097     | 1   | Terminal, Eyelet                      |     |
| 54   | 4461095     | 1   | Connector - 3 Position                |     |
| 54   | 4460944     | 3   | Socket, Female                        |     |
| 55   | 4461070     | 1   | Connector with Resistor (3 Position)  |     |
| 58   | 4460930     | 1   | Connector - 8 Position                |     |
| 58   | 4460465     | 2   | Socket, Female                        |     |
| 58   | 4460466     | 6   | Seal, Plug                            |     |
| 59   | 2902443     | 1   | Kit, Receptacle                       |     |
| 59   | 4461071     | 8   | Terminal, Female (Gold)               |     |
| 59   | 4461072     | 1   | Connector, Flange Mount               |     |
| 59   | 4461073     | 1   | Connector, Dust Cap                   |     |
| 59   | 4461074     | 1   | Connector, Shell                      |     |

# SECTION 8 - ELECTRICAL

## FIGURE 8-17. ENGINE HARNESS - DEUTZ TD2.9L4 ENGINES



ART\_1001220261

## SECTION 8 - ELECTRICAL

### FIGURE 8-17. ENGINE HARNESS - DEUTZ TD2.9L4 ENGINES

| ITEM | PART NUMBER | QTY | DESCRIPTION  | REV |
|------|-------------|-----|--|-----|
|      | 1001220261  | Ref | ENGINE HARNESS - DEUTZ TD2.9L4 ENGINES                                   | B   |
| 1    | 1001133956  | 1   | Connector (Includes Cover, Locks and Retention Plate)                    |     |
| 1    | 1001126352  | 6   | Terminal   |     |
| 1    | 1001126384  | 19  | Terminal   |     |
| 1    | 1001126351  | 1   | Terminal   |     |
| 1    | 1001126357  | 3   | Plug, Seal   |     |
| 1    | 1001126356  | 65  | Plug, Seal   |     |
| 2    | 4461070     | 1   | Connector with Resistor (3 Position)                                     |     |
| 2    | 4461095     | 1   | Connector - 3 Position   |     |
| 2    | 4460944     | 2   | Socket, Female   |     |
| 2    | 4460466     | 1   | Seal, Plug   |     |
| 3    | 4461070     | 1   | Connector with Resistor (3 Position)                                     |     |
| 3    | 4461095     | 1   | Connector - 3 Position   |     |
| 3    | 4460944     | 2   | Socket, Female   |     |
| 3    | 4460466     | 1   | Seal, Plug   |     |
| 4    | 1001133957  | 1   | Connector (Includes Cover, Locks and Retention Plate)                    |     |
| 4    | 1001126351  | 13  | Terminal   |     |
| 4    | 1001126384  | 17  | Terminal   |     |
| 4    | 1001126356  | 20  | Plug, Seal   |     |
| 4    | 1001126357  | 10  | Plug, Seal   |     |
| 5    | 4460930     | 1   | Connector - 8 Position <b>(SN B300001586 through B300002738)</b>         |     |
| 5    | 4460944     | 5   | Socket, Female (Gold)  |     |
| 5    | 4460465     | 2   | Socket, Female   |     |
| 5    | 4460466     | 1   | Seal, Plug   |     |
| 6    | 1001116707  | 1   | Connector - 1 Position <b>(SN B300001586 through B300002738)</b>         |     |
| 6    | 91143340    | 1   | Terminal   |     |
| 7    | 4460935     | 1   | Plug, Brown - 12 Position <b>(SN B300001586 through B300002738)</b>      |     |
| 7    | 4460465     | 12  | Socket, Female   |     |
| 8    | 4460970     | 1   | Connector - 12 Position  |     |
| 8    | 4460941     | 12  | Pin, Male  |     |
| 9    | 4460934     | 1   | Connector, Green - 12 Position <b>(SN B300001586 through B300002738)</b> |     |
| 9    | 4460465     | 10  | Socket, Female   |     |
| 9    | 4460466     | 2   | Seal, Plug   |     |
| 10   | 4460836     | 1   | Connector, Black - 12 Position <b>(SN B300001586 through B300002738)</b> |     |
| 10   | 4460465     | 8   | Socket, Female   |     |
| 10   | 4460466     | 4   | Seal, Plug   |     |
| 11   | 4460931     | 1   | Connector - 8 Position (Gray) <b>(SN B300001586 through B300002738)</b>  |     |
| 11   | 4460943     | 5   | Pin, Male (Gold)   |     |
| 11   | 4460466     | 3   | Plug, Socket   |     |
| 12   | 8220164     | 1   | Terminal, Eyelet   |     |
| 13   | 1001116967  | 1   | Connector - 1 Position <b>(SN B300001586 through B300002738)</b>         |     |
| 13   | 91143339    | 1   | Terminal   |     |
| 14   | 4460982     | 1   | Connector - 12 Position <b>(SN B300001586 through B300002738)</b>        |     |
| 14   | 4460464     | 12  | Pin, Male  |     |
| 15   | 4460933     | 1   | Connector, Gray - 12 Position <b>(SN B300001586 through B300002738)</b>  |     |
| 15   | 4460942     | 12  | Socket, Female   |     |

## SECTION 8 - ELECTRICAL

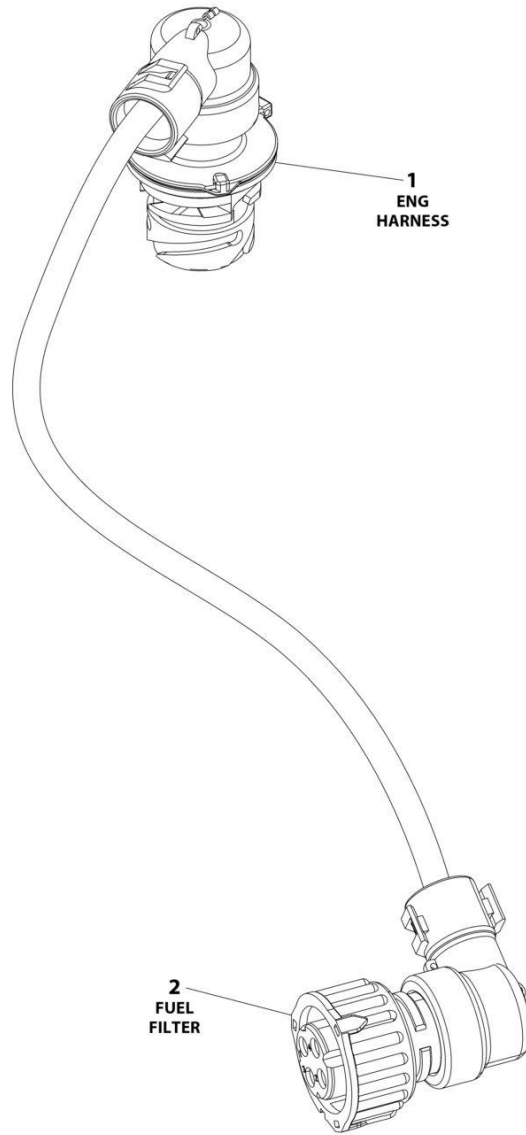
| ITEM | PART NUMBER | QTY | DESCRIPTION  | REV |
|------|-------------|-----|--|-----|
| 16   | 1001152742  | 1   | Connector - 12 Position (SN B300001586 through B300002738) |     |
| 16   | 4460464     | 10  | Pin, Male  |     |
| 16   | 4460466     | 2   | Seal, Plug   |     |
| 17   | 4460950     | 1   | Connector - 12 Position (SN B300001586 through B300002738) |     |
| 17   | 4460464     | 8   | Pin, Male  |     |
| 17   | 4460466     | 4   | Plug, Seal   |     |
| 18   | 4461070     | 1   | Connector with Resistor (3 Position)                       |     |
| 18   | 4461095     | 1   | Connector - 3 Position                                     |     |
| 18   | 4460944     | 2   | Socket, Female   |     |
| 18   | 4460466     | 1   | Seal, Plug   |     |
| 19   | 80484084    | 1   | Connector - 8 Position                                     |     |
| 19   | 8229242     | 1   | Fuse - 5A  |     |
| 19   | 80983191    | 1   | Fuse - 10A   |     |
| 19   | 1001147264  | 1   | Cap  |     |
| 19   | 1001116728  | 4   | Plug   |     |
| 19   | 4460458     | 4   | Seal   |     |
| 19   | 1001116727  | 4   | Seal, Plug   |     |
| 20   | 4460894     | 1   | Connector - 6 Position                                     |     |
| 20   | 4460465     | 3   | Socket, Female   |     |
| 20   | 4460944     | 2   | Socket, Female   |     |
| 20   | 4460466     | 1   | Seal, Plug   |     |
| 21   | 4460930     | 1   | Connector - 8 Position                                     |     |
| 21   | 4460465     | 1   | Socket, Female   |     |
| 21   | 4460466     | 7   | Plug, Seal   |     |
| 22   | 4460884     | 1   | Connector - 4 Position                                     |     |
| 22   | 4460465     | 2   | Socket, Female   |     |
| 22   | 4460942     | 2   | Socket, Female   |     |
| 22   | 4460932     | 1   | Connector - 4 Position                                     |     |
| 22   | 4460466     | 4   | Seal, Plug   |     |
| 23   | 2902443     | 1   | Kit, Receptacle  |     |
| 23   | 4461071     | 8   | Terminal, Female (Gold)                                    |     |
| 23   | 4461072     | 1   | Connector, Flange Mount                                    |     |
| 23   | 4461073     | 1   | Connector, Dust Cap  |     |
| 23   | 4461074     | 1   | Connector, Shell   |     |
| 24   | 1001116952  | 1   | Connector - 2 Position                                     |     |
| 24   | 4460465     | 2   | Socket, Female   |     |
| 25   | 4460043     | 1   | Terminal, Eyelet   |     |
| 26   | 1001117106  | 1   | Terminal, Eyelet   |     |
| 27   | 4460019     | 1   | Terminal, Eyelet   |     |
| 28   | 4460247     | 1   | Terminal, Eyelet   |     |
| 29   | 4460247     | 1   | Terminal, Eyelet   |     |
| 30   | 1001117107  | 1   | Terminal, Eyelet   |     |
| 31   | 1001117107  | 1   | Terminal, Eyelet   |     |
| 32   | 4460703     | 1   | Terminal, Eyelet   |     |
| 33   | 1001126362  | 1   | Connector - 62 Position                                    |     |
| 33   | 1001126363  | 33  | Terminal   |     |
| 33   | 1001126364  | 33  | Seal   |     |
| 33   | 1001126391  | 23  | Plug   |     |
| 33   | 4461008     | 4   | Plug, Cavity   |     |
| 33   | 1001126365  | 2   | Terminal   |     |
| 33   | 4461054     | 2   | Seal   |     |

## SECTION 8 - ELECTRICAL

| ITEM | PART NUMBER | QTY | DESCRIPTION            | REV |
|------|-------------|-----|------------------------|-----|
| 34   | 1001142938  | 1   | Connector - 2 Position |     |
| 34   | 1001142940  | 2   | Terminal, Female       |     |
| 34   | 1001142941  | 2   | Seal                   |     |
| 35   | 1001133714  | 1   | Connector - 4 Position |     |
| 35   | 1001133715  | 3   | Terminal, Female       |     |
| 35   | 1001135650  | 1   | Seal                   |     |
| 35   | 1001135651  | 1   | Plug, Cavity           |     |
| 36   | 4460042     | 1   | Terminal, Eyelet       |     |
| 37   | 1001138110  | 1   | Connector - 2 Position |     |
| 37   | 1001138111  | 2   | Socket, Female         |     |
| 37   | 1001138113  | 2   | Seal                   |     |

# SECTION 8 - ELECTRICAL

## FIGURE 8-18. FUEL FILTER HARNESS - DEUTZ TD2.9L4 T4I



ART\_1001148843

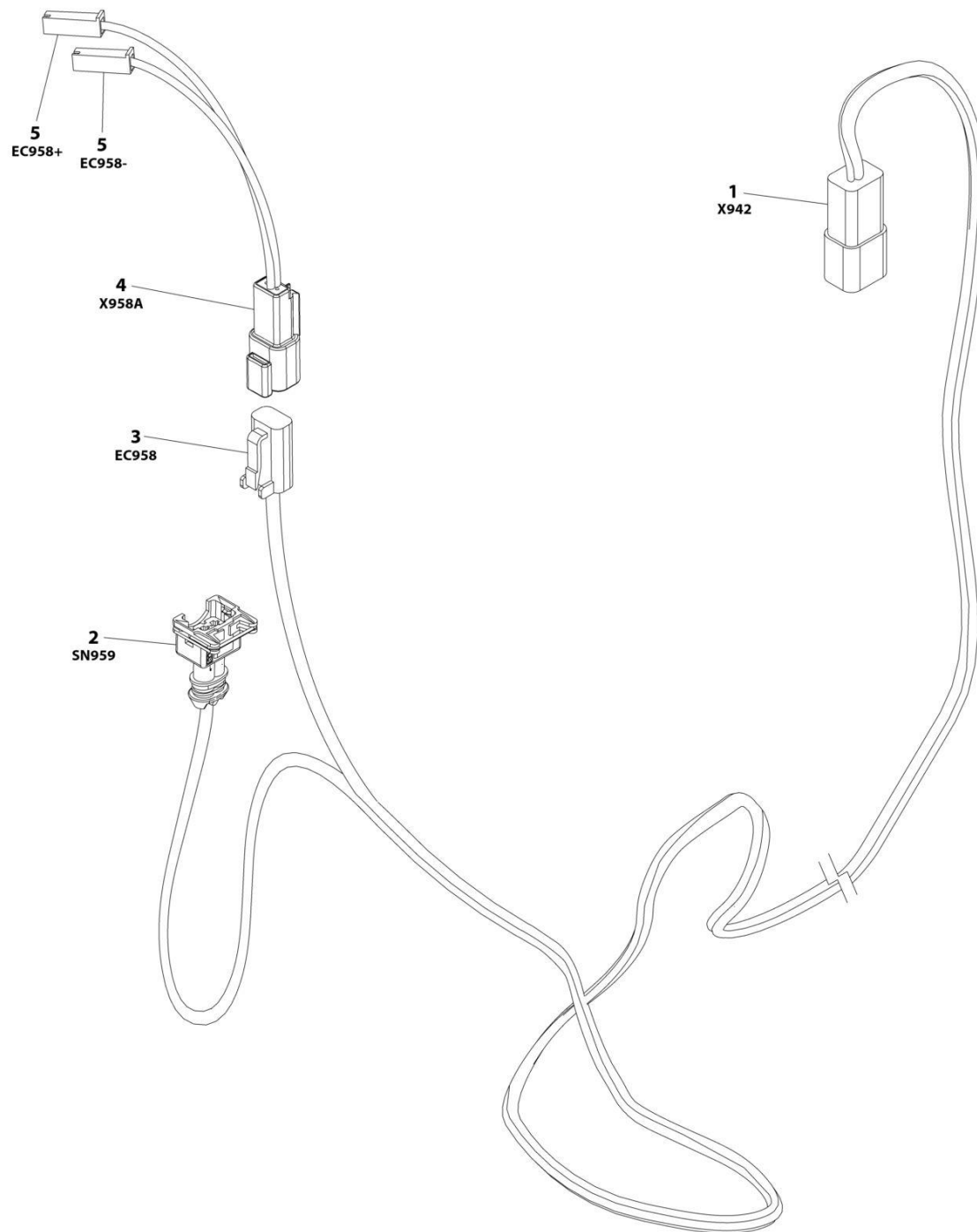
## SECTION 8 - ELECTRICAL

**FIGURE 8-18. FUEL FILTER HARNESS - DEUTZ TD2.9L4 T4I**

| ITEM | PART NUMBER | QTY | DESCRIPTION                                 | REV |
|------|-------------|-----|---|-----|
|      | 1001148843  | Ref | FUEL FILTER HARNESS - DEUTZ TD2.9L4 ENGINES | A   |
| 1    | 1001148842  | 1   | Connector - 4 Position                      |     |
| 1    | 1001148841  | 1   | Pin, Male                                   |     |
| 1    | 1001135650  | 1   | Seal  |     |
| 2    | 1001133714  | 1   | Plug, Male - 4 Position                     |     |
| 2    | 1001133715  | 1   | Socket, Female                              |     |
| 2    | 1001135650  | 1   | Seal  |     |

# SECTION 8 - ELECTRICAL

## FIGURE 8-19. FUEL PUMP HARNESS - DEUTZ TD2.9L4



ART\_1001221289



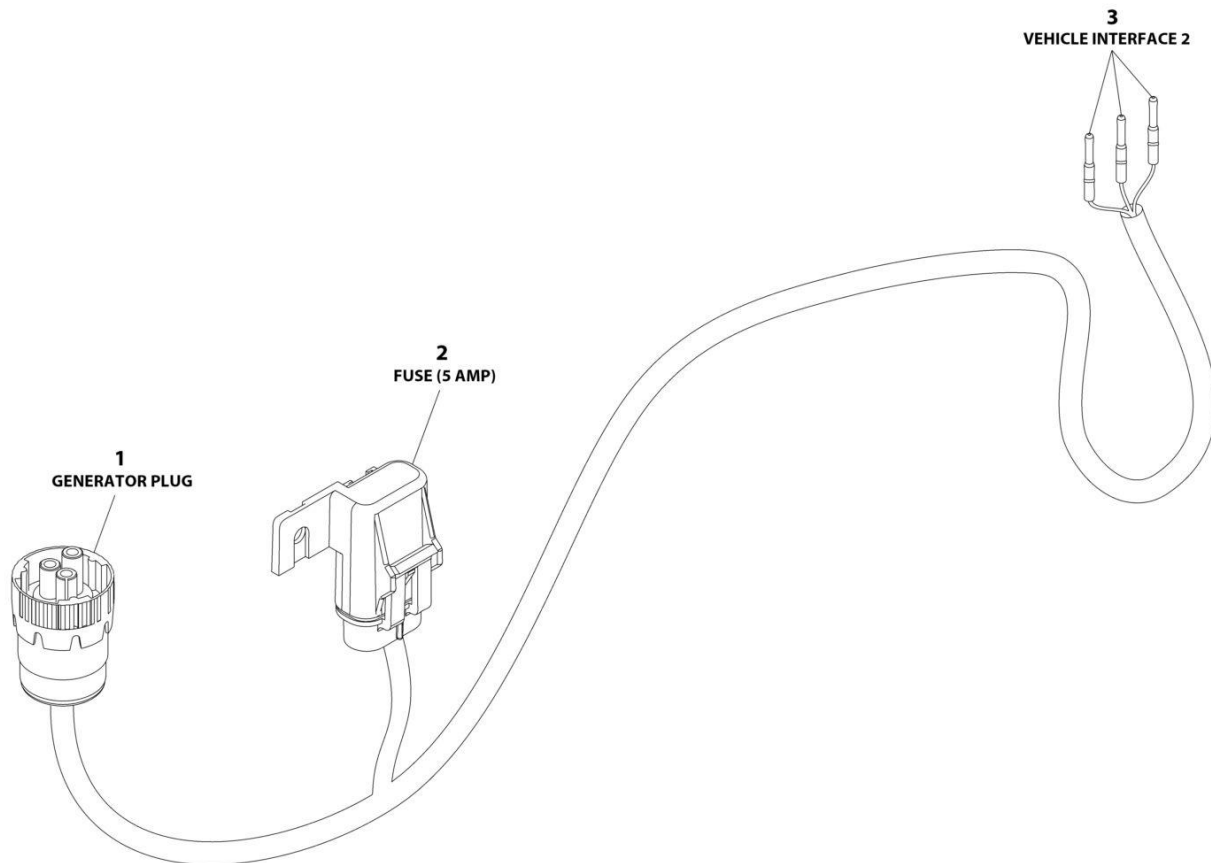
## SECTION 8 - ELECTRICAL

### FIGURE 8-19. FUEL PUMP HARNESS - DEUTZ TD2.9L4

| ITEM | PART NUMBER | QTY | DESCRIPTION                       | REV |
|------|-------------|-----|-----------------------------------|-----|
|      | 1001221289  | Ref | FUEL PUMP HARNESS - DEUTZ TD2.9L4 | B   |
| 1    | 4460932     | 1   | Connector - 4 Position            |     |
| 1    | 4460464     | 2   | Pin, Male                         |     |
| 1    | 4460941     | 2   | Pin, Male                         |     |
| 2    | 1001116983  | 1   | Connector - 2 Position            |     |
| 2    | 1001116710  | 2   | Socket, Female                    |     |
| 2    | 4461054     | 2   | Seal                              |     |
| 3    | 4460891     | 1   | Connector - 2 Position            |     |
| 3    | 4460942     | 2   | Socket, Female                    |     |
| 4    | 4460897     | 1   | Connector - 2 Position            |     |
| 4    | 4460941     | 2   | Pin, Male                         |     |
| 5    | 4460260     | 2   | Cover, Terminal                   |     |
| 5    | 4460259     | 2   | Terminal                          |     |

## SECTION 8 - ELECTRICAL

FIGURE 8-20. GENERATOR HARNESS - 7500W SKYPOWER (60HZ/240V) (DEUTZ TD2.9L4 T4F ENGINES) (OPTIONAL)



ART\_100119968

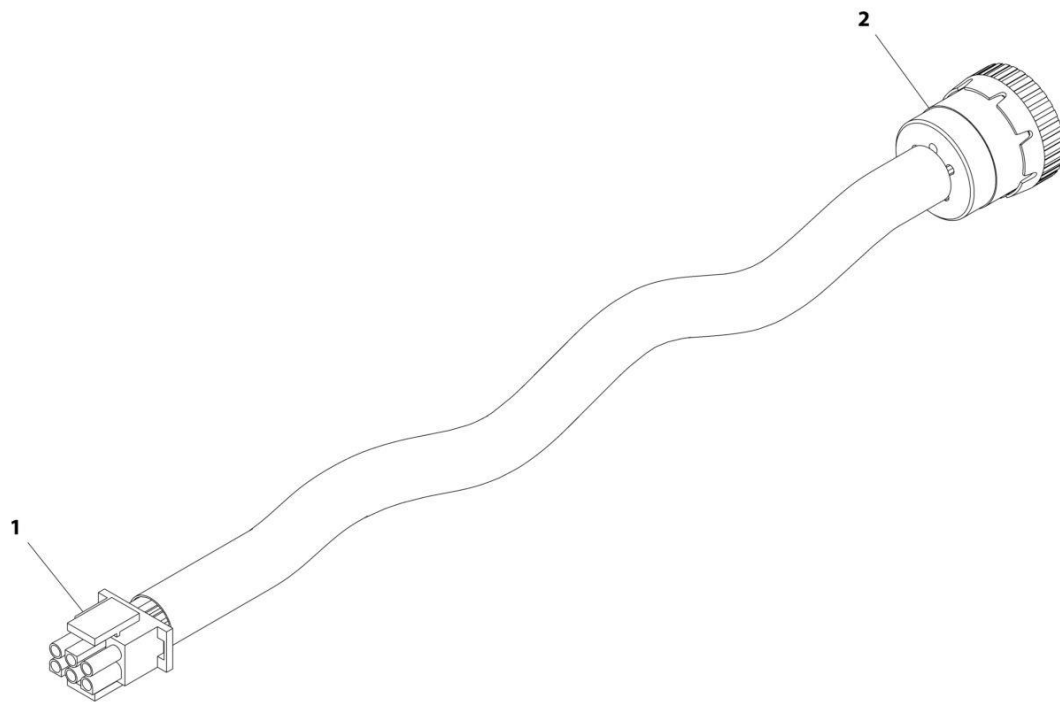
## SECTION 8 - ELECTRICAL

**FIGURE 8-20. GENERATOR HARNESS - 7500W SKYPOWER (60HZ/240V) (DEUTZ TD2.9L4 T4F ENGINES) (OPTIONAL)**

| ITEM | PART NUMBER | QTY | DESCRIPTION   | REV |
|------|-------------|-----|---|-----|
|      | 1001119968  | Ref | GENERATOR HARNESS - 7500W SKYPOWER (60HZ/240V) (DEUTZ TD2.9L4 T4F) (OPTIONAL) | C   |
| 1    | 4460967     | 1   | Connector - 3 Position  |     |
| 1    | 4460465     | 3   | Socket, Female  |     |
| 2    | 1001117078  | 1   | Connector, Metri-Pack with 5Amp Fuse  |     |
| 3    | 4460465     | 3   | Socket, Female  |     |

## SECTION 8 - ELECTRICAL

FIGURE 8-21. GENERATOR CABLE HARNESS - 7500W SKYPOWER (60HZ/240V) (DEUTZ TD2.9L4 T4F ENGINES)



ART\_4922972

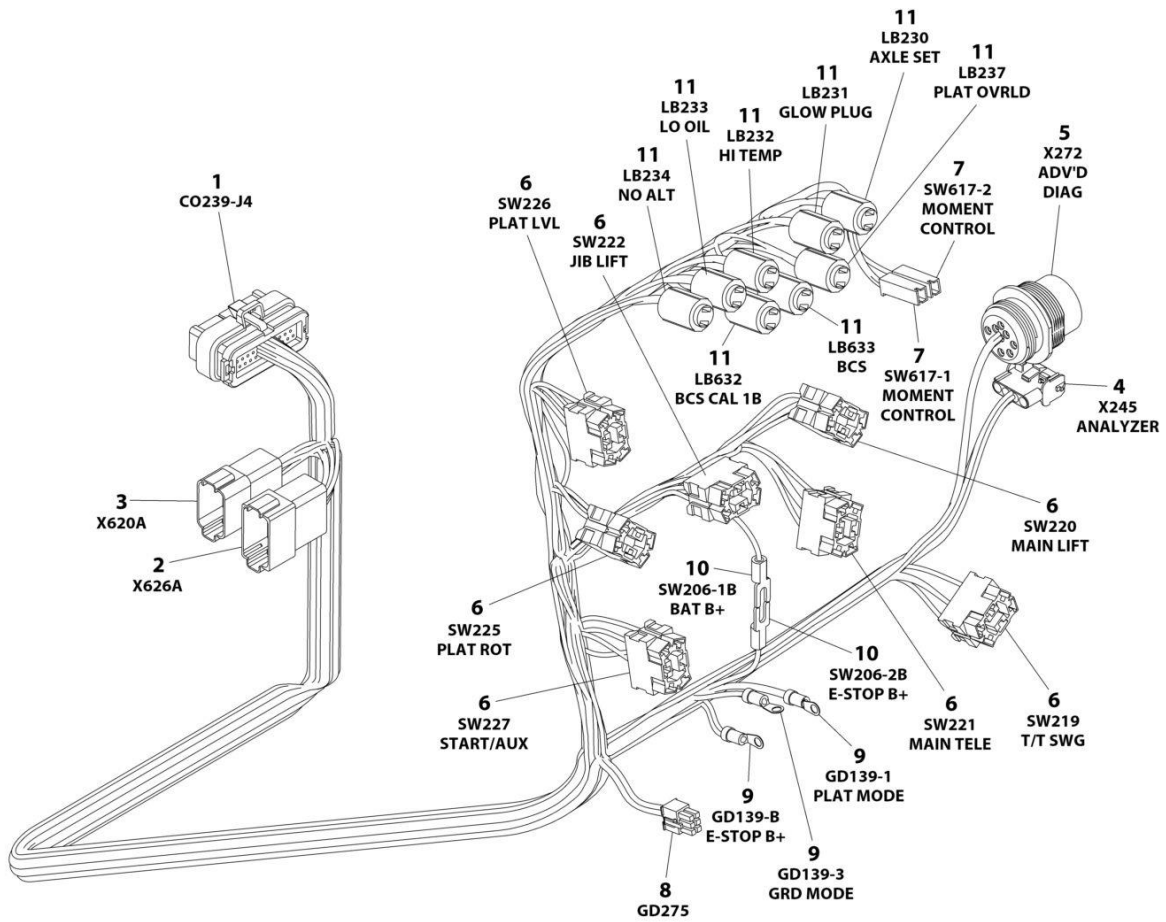
## SECTION 8 - ELECTRICAL

**FIGURE 8-21. GENERATOR CABLE HARNESS - 7500W SKYPOWER (60HZ/240V) (DEUTZ TD2.9L4 T4F ENGINES)**

| ITEM | PART NUMBER | QTY | DESCRIPTION   | REV |
|------|-------------|-----|---|-----|
|      | 4922972     | Ref | GENERATOR CABLE HARNESS - 7500W SKYPOWER<br>(60HZ/240V) (DEUTZ TD2.9L4 T4F) | C   |
| 1    | 4460225     | 1   | Connector - 6 Position  |     |
| 1    | 4460268     | 6   | Socket, Female  |     |
| 1    | 4460807     | 1   | Seal, Plug  |     |
| 1    | 4460808     | 1   | Seal, Plug  |     |
| 2    | 77363233    | 1   | Plug, Male - 6 Position   |     |
| 2    | 4460465     | 6   | Socket, Female  |     |

# SECTION 8 - ELECTRICAL

## FIGURE 8-22. GROUND CONTROL PANEL HARNESS



ART\_1001216943

## SECTION 8 - ELECTRICAL

### FIGURE 8-22. GROUND CONTROL PANEL HARNESS

| ITEM | PART NUMBER | QTY | DESCRIPTION                     | REV |
|------|-------------|-----|---------------------------------|-----|
|      | 1001216943  | Ref | GROUND CONTROL PANEL HARNESS    | C   |
| 1    | 4460876     | 1   | Connector - 35 Position         |     |
| 1    | 4460871     | 24  | Socket, Female                  |     |
| 1    | 4460905     | 11  | Plug, Terminal                  |     |
| 2    | 4460970     | 1   | Connector - 12 Position         |     |
| 2    | 4460464     | 9   | Plug, Male                      |     |
| 2    | 4460466     | 3   | Plug, Terminal                  |     |
| 3    | 4460931     | 1   | Connector - 8 Position          |     |
| 3    | 4460464     | 8   | Plug, Male                      |     |
| 4    | 4460761     | 1   | Receptacle, Female - 4 Position |     |
| 4    | 4460267     | 4   | Pin, Male                       |     |
| 5    | 1001112612  | 1   | Connector - 9 Position          |     |
| 5    | 4460464     | 5   | Plug, Male                      |     |
| 5    | 4460466     | 4   | Plug, Terminal                  |     |
| 5    | 1001106736  | 1   | Cap, Dust                       |     |
| 5    | 4460497     | 1   | Nut, Terminal                   |     |
| 5    | 4460496     | 1   | Washer, Terminal                |     |
| 6    | 4460418     | 7   | Connector - 6 Position          |     |
| 6    | 4460419     | 14  | Socket, Female                  |     |
| 6    | 1001159186  | 14  | Socket, Female                  |     |
| 7    | 4460260     | 2   | Cover, Terminal                 |     |
| 7    | 4460259     | 2   | Terminal                        |     |
| 8    | 4460868     | 1   | Plug, Male - 2 Position         |     |
| 8    | 4460877     | 9   | Socket, Female                  |     |
| 9    | 4460042     | 3   | Terminal, Ring                  |     |
| 10   | 4460144     | 2   | Terminal, Fork                  |     |
| 11   | 4120035     | 8   | Base, Light                     |     |
| 11   | 4460634     | 8   | Terminal                        |     |
| 11   | 4460635     | 16  | Terminal                        |     |

## SECTION 8 - ELECTRICAL

FIGURE 8-23. LOAD SENSING PIN HARNESS



ART\_4923256



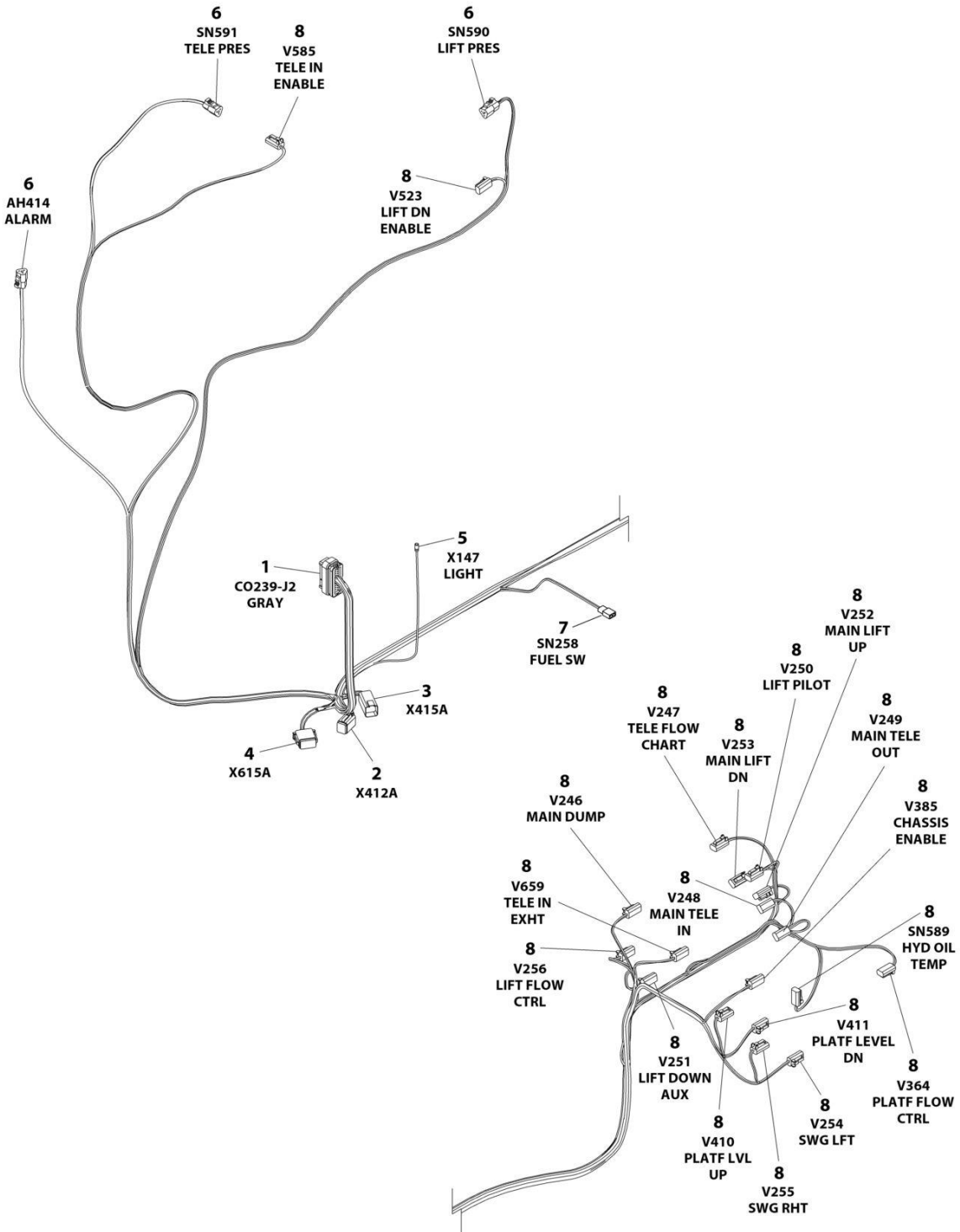
## SECTION 8 - ELECTRICAL

### FIGURE 8-23. LOAD SENSING PIN HARNESS

| ITEM | PART NUMBER | QTY | DESCRIPTION   | REV |
|------|-------------|-----|---|-----|
|      | 4923256     | Ref | LOAD SENSING PIN HARNESS                                  | B   |
| 1    | 4460930     | 1   | Connector - 8 Position (Gray)                             |     |
| 1    | 4460465     | 4   | Socket, Female  |     |
| 1    | 4460466     | 3   | Plug, Sealing   |     |
| 2    | See Note    | NSS | Connector - 4 Position (Note: Not Available for Purchase) |     |
| 2    | See Note    | NSS | Terminal (Note: Not Available for Purchase)               |     |

# SECTION 8 - ELECTRICAL

## FIGURE 8-24. MAIN VALVE HARNESS



ART\_1001194331

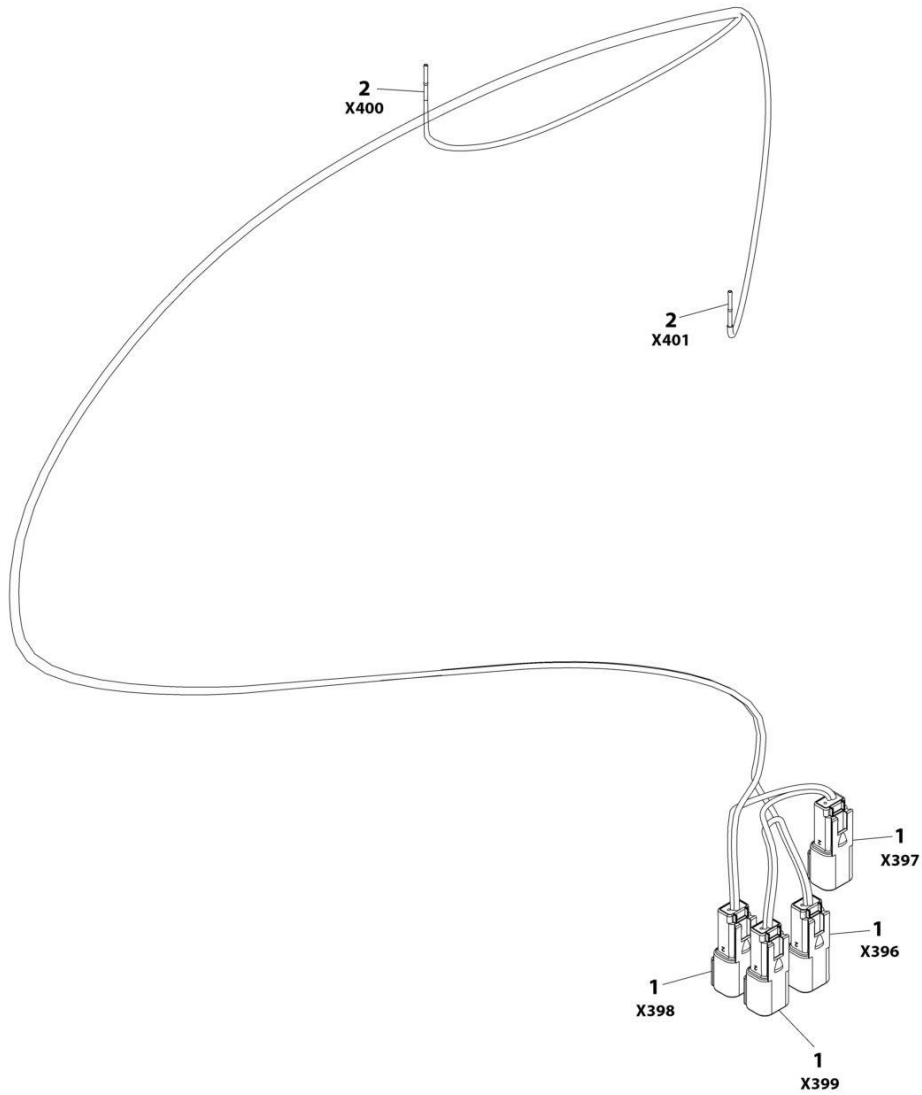
## SECTION 8 - ELECTRICAL

### FIGURE 8-24. MAIN VALVE HARNESS

| ITEM | PART NUMBER | QTY | DESCRIPTION                     | REV |
|------|-------------|-----|---------------------------------|-----|
|      | 1001194331  | Ref | MAIN VALVE HARNESS              | G   |
| 1    | 4460875     | 1   | Connector - 35 Position         |     |
| 1    | 4460871     | 26  | Socket, Female                  |     |
| 1    | 4460905     | 9   | Plug, Terminal                  |     |
| 2    | 4460894     | 1   | Plug, Male - 6 Position         |     |
| 2    | 4460465     | 5   | Socket, Female                  |     |
| 2    | 4460466     | 1   | Plug, Terminal                  |     |
| 3    | 4460899     | 1   | Receptacle, Female - 6 Position |     |
| 3    | 4460464     | 6   | Pin, Male                       |     |
| 4    | 4460930     | 1   | Plug, Male - 8 Position         |     |
| 4    | 4460465     | 7   | Socket, Female                  |     |
| 4    | 4460466     | 1   | Plug, Terminal                  |     |
| 5    | 4460121     | 1   | Terminal, Ring                  |     |
| 6    | 4460539     | 3   | Plug, Male - 2 Position         |     |
| 6    | 4460465     | 6   | Socket, Female                  |     |
| 7    | 4460424     | 1   | Plug, Male - 2 Position         |     |
| 7    | 4460268     | 2   | Socket, Female                  |     |
| 8    | 4460891     | 19  | Plug, Male - 2 Position         |     |
| 8    | 4460465     | 38  | Socket, Female                  |     |

# SECTION 8 - ELECTRICAL

## FIGURE 8-25. OVERHEAD SOFT TOUCH HARNESS



ART\_1001151201

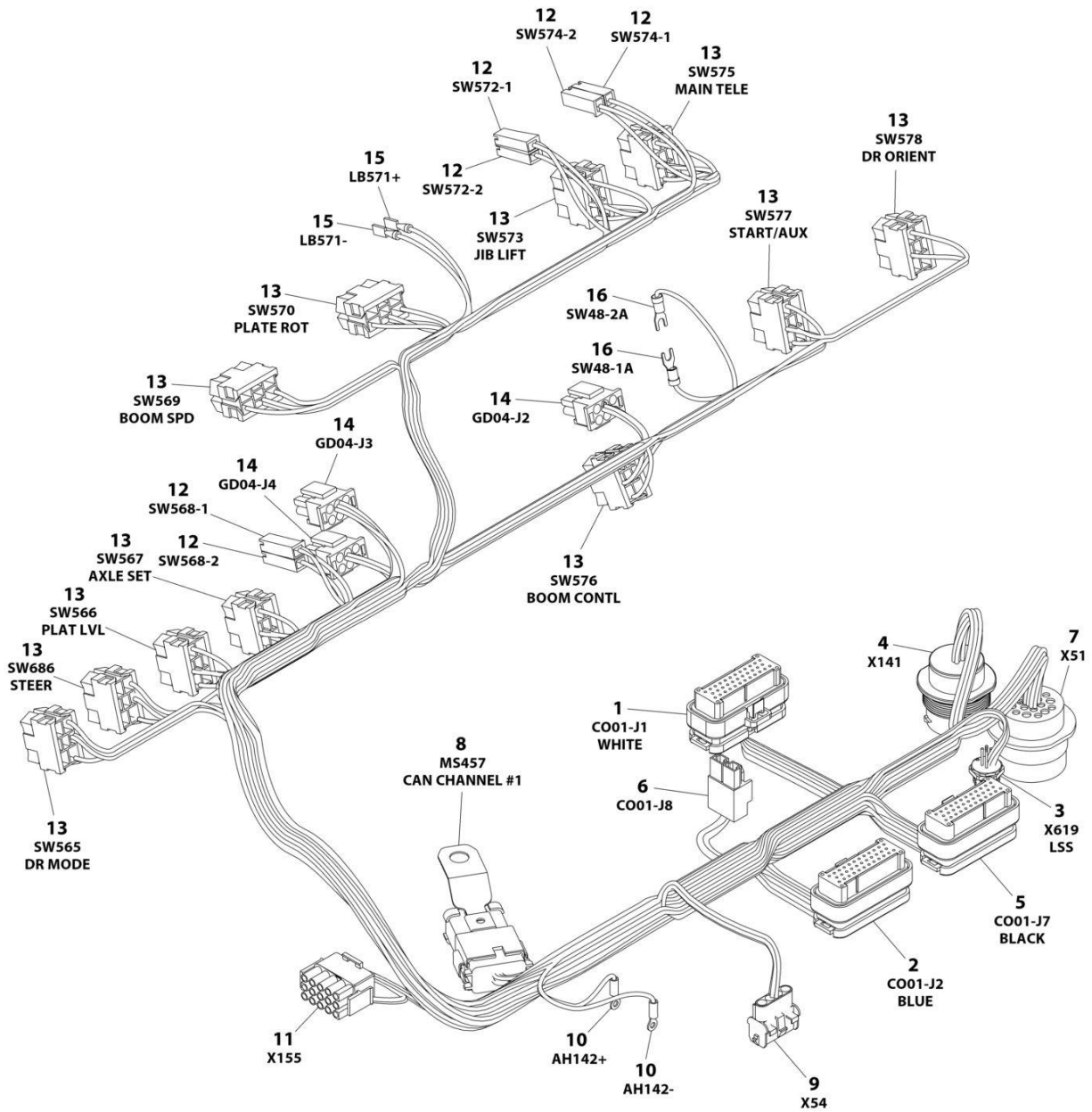
## SECTION 8 - ELECTRICAL

### FIGURE 8-25. OVERHEAD SOFT TOUCH HARNESS

| ITEM | PART NUMBER | QTY | DESCRIPTION                 | REV |
|------|-------------|-----|-----------------------------|-----|
|      | 1001151201  | Ref | OVERHEAD SOFT TOUCH HARNESS | A   |
| 1    | 4460897     | 4   | Connector - 2 Position      |     |
| 1    | 4460464     | 8   | Pin, Male                   |     |
| 2    | 4460226     | 2   | Socket, Female              |     |

# SECTION 8 - ELECTRICAL

## FIGURE 8-26. PLATFORM CONSOLE BOX HARNESS



ART\_1001199119

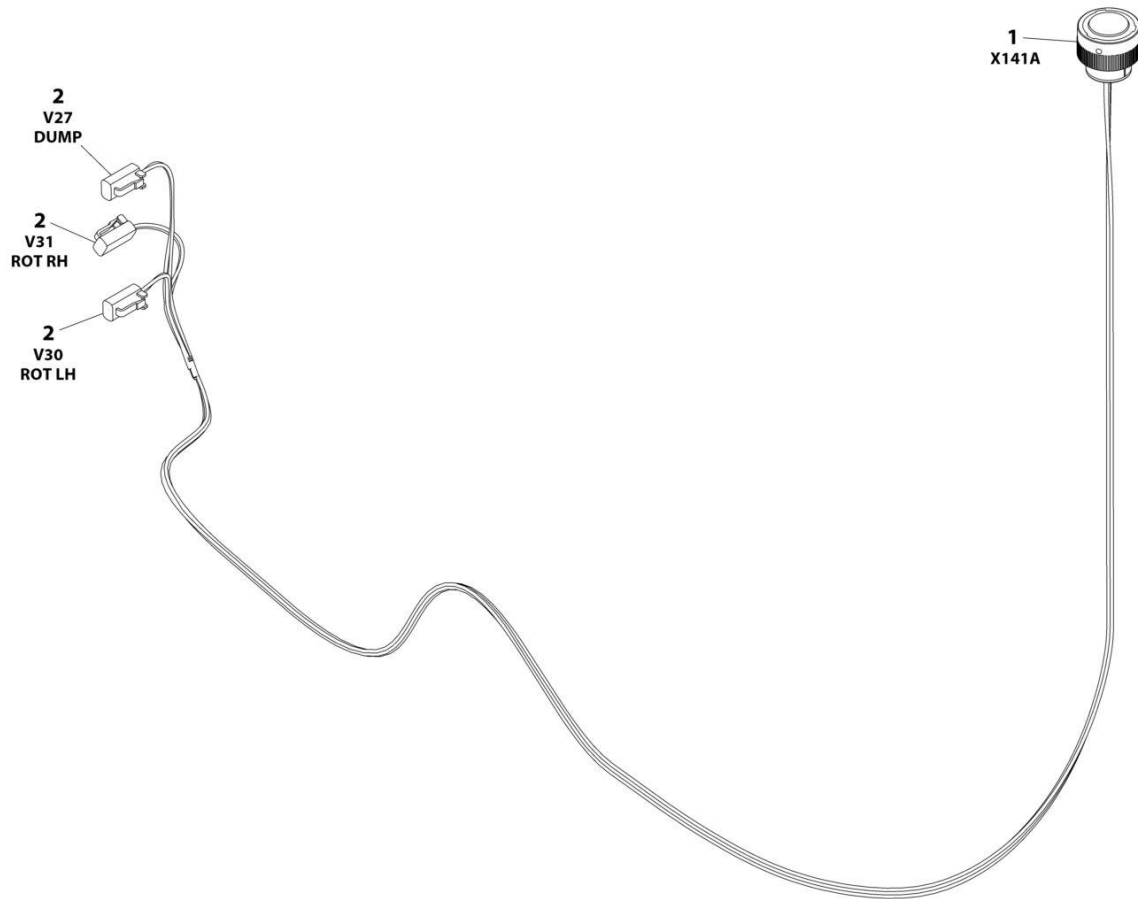
## SECTION 8 - ELECTRICAL

### FIGURE 8-26. PLATFORM CONSOLE BOX HARNESS

| ITEM | PART NUMBER | QTY | DESCRIPTION   | REV |
|------|-------------|-----|---|-----|
|      | 1001199119  | Ref | PLATFORM CONSOLE BOX HARNESS  | F   |
| 1    | 4460874     | 1   | Connector - 35 Position   |     |
| 1    | 4460871     | 23  | Socket, Female  |     |
| 1    | 4460905     | 12  | Plug, Terminal  |     |
| 2    | 4460876     | 1   | Connector - 35 Position   |     |
| 2    | 4460871     | 22  | Socket, Female  |     |
| 2    | 4460905     | 13  | Plug, Terminal  |     |
| 3    | 1001213447  | 1   | Receptacle, Female - 5 Position (With Wires & Terminals)                  |     |
| 4    | 4460925     | 1   | Connector - 21 Position   |     |
| 4    | 1001126011  | 7   | Pin, Male   |     |
| 4    | 4460518     | 14  | Plug, Terminal  |     |
| 5    | 4460873     | 1   | Connector - 35 Position   |     |
| 5    | 4460871     | 19  | Socket, Female  |     |
| 5    | 4460905     | 16  | Plug, Terminal  |     |
| 6    | 4460879     | 1   | Plug, Male - 2 Position   |     |
| 6    | 4460887     | 2   | Terminal  |     |
| 7    | 4460866     | 1   | Connector - 19 Position   |     |
| 7    | 4460943     | 3   | Pin, Male   |     |
| 7    | 4460464     | 5   | Pin, Male   |     |
| 7    | 4460508     | 2   | Pin, Male   |     |
| 7    | 4460466     | 9   | Plug, Terminal  |     |
| 8    | 4460933     | 1   | Plug, Male - 12 Position  |     |
| 8    | 4460465     | 9   | Socket, Female  |     |
| 8    | 4460466     | 3   | Plug, Terminal  |     |
| 8    | 1001119020  | 1   | Bussbar - 12 Position   |     |
| 8    | 1001120328  | 1   | Mount   |     |
| 9    | 4460761     | 1   | Receptacle, Female - 4 Position   |     |
| 9    | 4460227     | 4   | Pin, Male   |     |
| 10   | 1001098122  | 2   | Terminal, Ring  |     |
| 11   | 4460434     | 2   | Plug, Male - 15 Position  |     |
| 11   | 4460227     | AR  | Pin, Male   |     |
| 11   | 4460267     | 5   | Pin, Male <b>(SN B300002614 through B300005767, Excluding B300005565)</b> |     |
| 12   | 4460260     | 6   | Cover, Terminal   |     |
| 12   | 4460259     | 6   | Terminal  |     |
| 13   | 4460418     | 11  | Connector - 6 Position  |     |
| 13   | 4460419     | 20  | Socket, Female  |     |
| 13   | 1001159186  | 21  | Socket, Female  |     |
| 14   | 4460225     | 3   | Plug, Male - 6 Position   |     |
| 14   | 4460226     | 15  | Socket, Female  |     |
| 15   | 4460016     | 2   | Terminal  |     |
| 16   | 4460183     | 2   | Terminal, Fork  |     |

# SECTION 8 - ELECTRICAL

## FIGURE 8-27. PLATFORM VALVE HARNESS (1030S)



ART\_1001203152



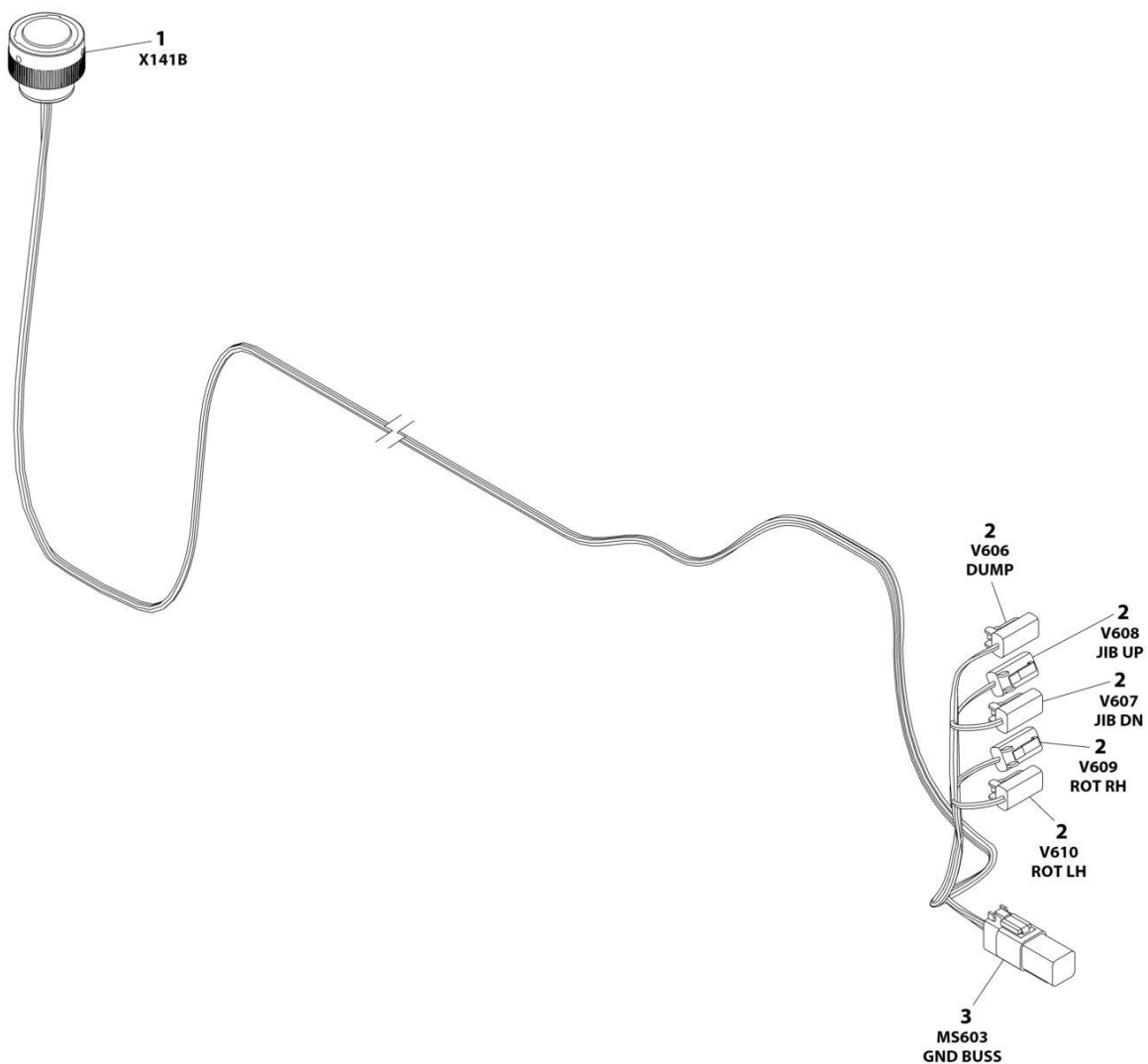
## SECTION 8 - ELECTRICAL

### FIGURE 8-27. PLATFORM VALVE HARNESS (1030S)

| ITEM | PART NUMBER | QTY | DESCRIPTION             | REV |
|------|-------------|-----|-------------------------|-----|
|      | 1001203152  | Ref | PLATFORM VALVE HARNESS  | B   |
| 1    | 4460926     | 1   | Connector - 21 Position |     |
| 1    | 4460928     | 5   | Socket, Female          |     |
| 1    | 4460518     | 16  | Plug, Terminal          |     |
| 2    | 4460891     | 3   | Plug, Male - 2 Position |     |
| 2    | 4460465     | 6   | Socket, Female          |     |

# SECTION 8 - ELECTRICAL

FIGURE 8-28. PLATFORM VALVE HARNESS (1100SJ) (SN B300001586 through B300002339)



ART\_1001203004

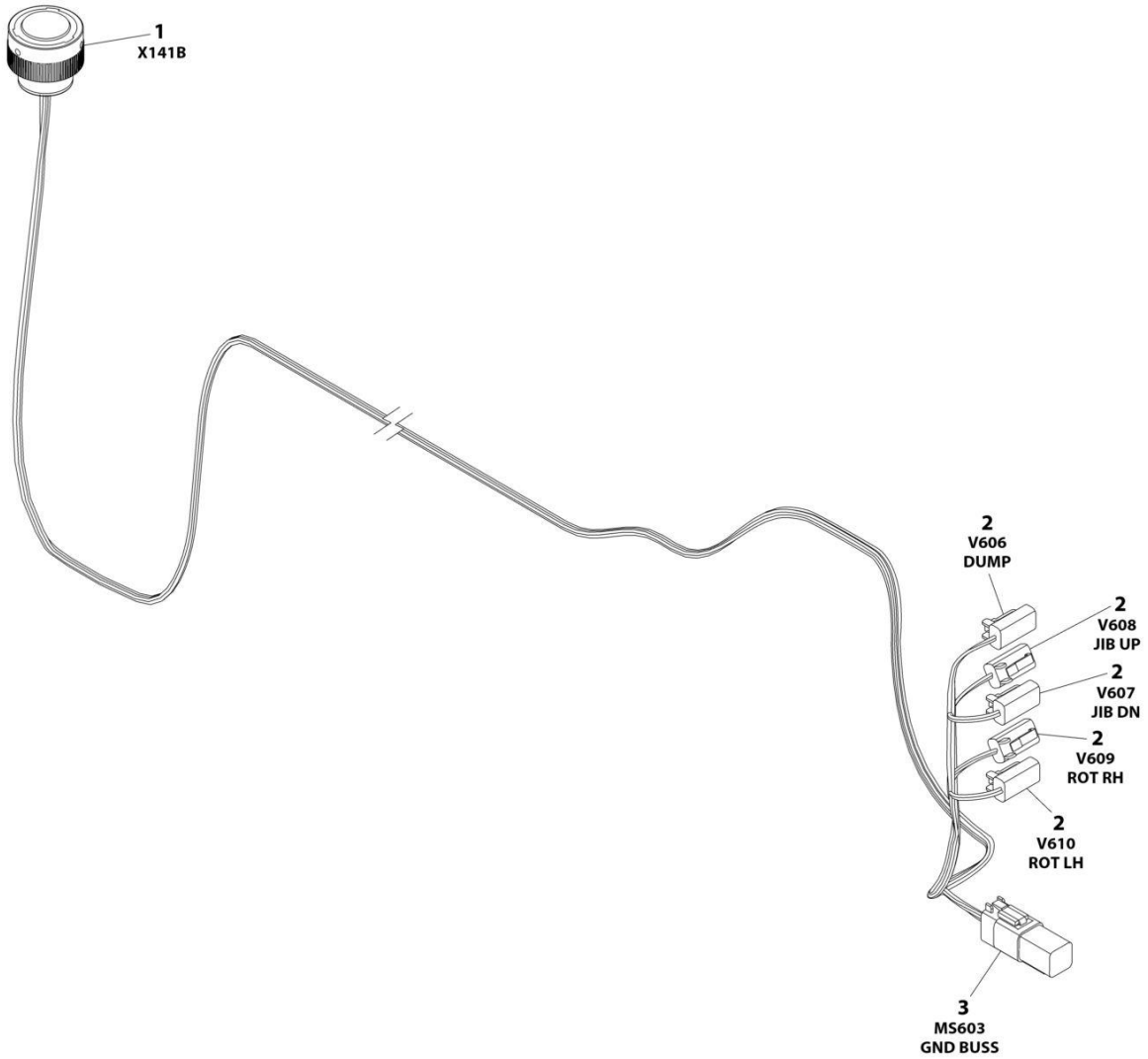
## SECTION 8 - ELECTRICAL

**FIGURE 8-28. PLATFORM VALVE HARNESS (1100SJ) (SN B300001586 through B300002339)**

| ITEM | PART NUMBER | QTY | DESCRIPTION             | REV |
|------|-------------|-----|-------------------------|-----|
|      | 1001203004  | Ref | PLATFORM VALVE HARNESS  | D   |
| 1    | 4460926     | 1   | Connector - 21 Position |     |
| 1    | 4460928     | 7   | Socket, Female          |     |
| 1    | 4460518     | 14  | Plug, Terminal          |     |
| 2    | 4460891     | 5   | Plug, Male - 2 Position |     |
| 2    | 4460465     | 10  | Socket, Female          |     |
| 3    | 4460894     | 1   | Plug, Male - 6 Position |     |
| 3    | 4460465     | 5   | Socket, Female          |     |
| 3    | 4460466     | 1   | Plug, Terminal          |     |
| 3    | 4460892     | 1   | Bussbar - 6 Position    |     |

# SECTION 8 - ELECTRICAL

FIGURE 8-29. PLATFORM VALVE HARNESS (1100SJ) (SN B300002340 through B300005767)



ART\_1001231797

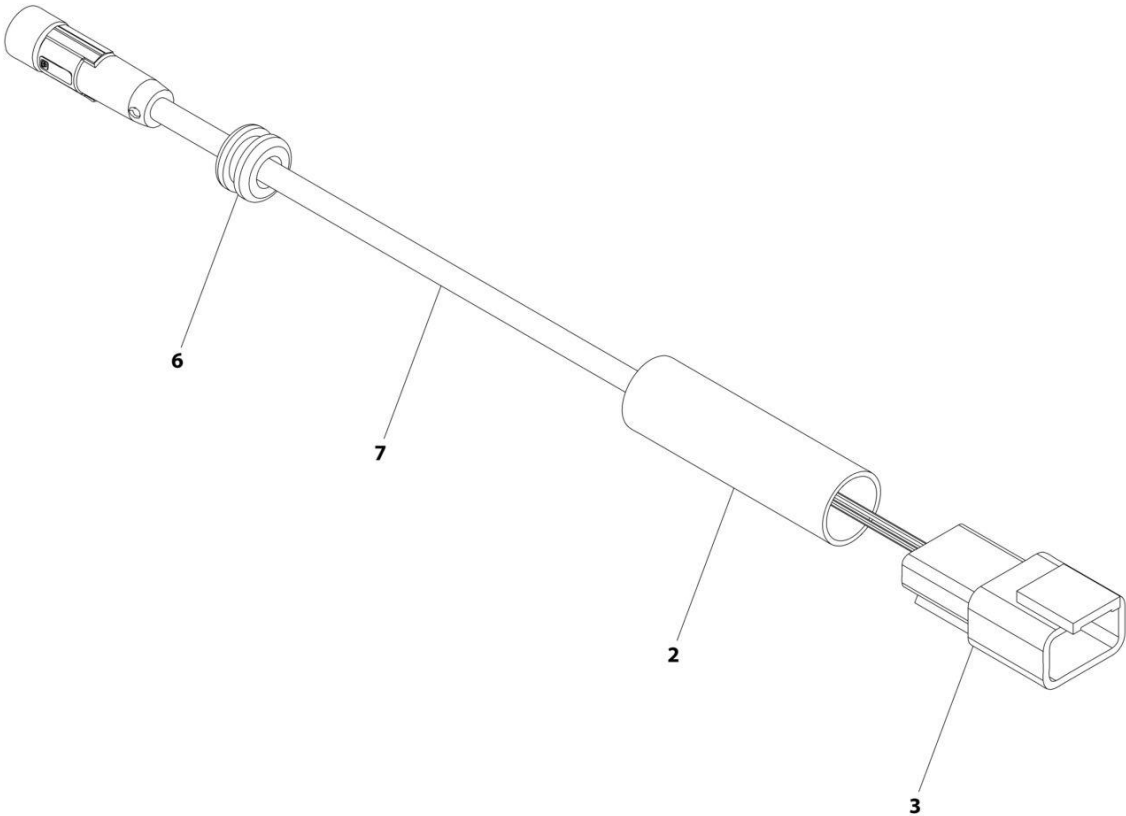
## SECTION 8 - ELECTRICAL

**FIGURE 8-29. PLATFORM VALVE HARNESS (1100SJ) (SN B300002340 through B300005767)**

| ITEM | PART NUMBER | QTY | DESCRIPTION             | REV |
|------|-------------|-----|-------------------------|-----|
|      | 1001231797  | 1   | PLATFORM VALVE HARNESS  | A   |
| 1    | 4460926     | 1   | Connector - 21 Position |     |
| 1    | 4460928     | 7   | Socket, Female          |     |
| 1    | 4460518     | 14  | Plug, Terminal          |     |
| 2    | 4460891     | 5   | Plug, Male - 2 Position |     |
| 2    | 4460465     | 10  | Socket, Female          |     |
| 3    | 4460894     | 1   | Plug, Male - 6 Position |     |
| 3    | 4460465     | 5   | Socket, Female          |     |
| 3    | 4460466     | 1   | Plug, Terminal          |     |
| 3    | 4460892     | 1   | Bussbar - 6 Position    |     |

**SECTION 8 - ELECTRICAL**

**FIGURE 8-30. SKYEYE EMITTER HARNESS**



ART\_1001237864

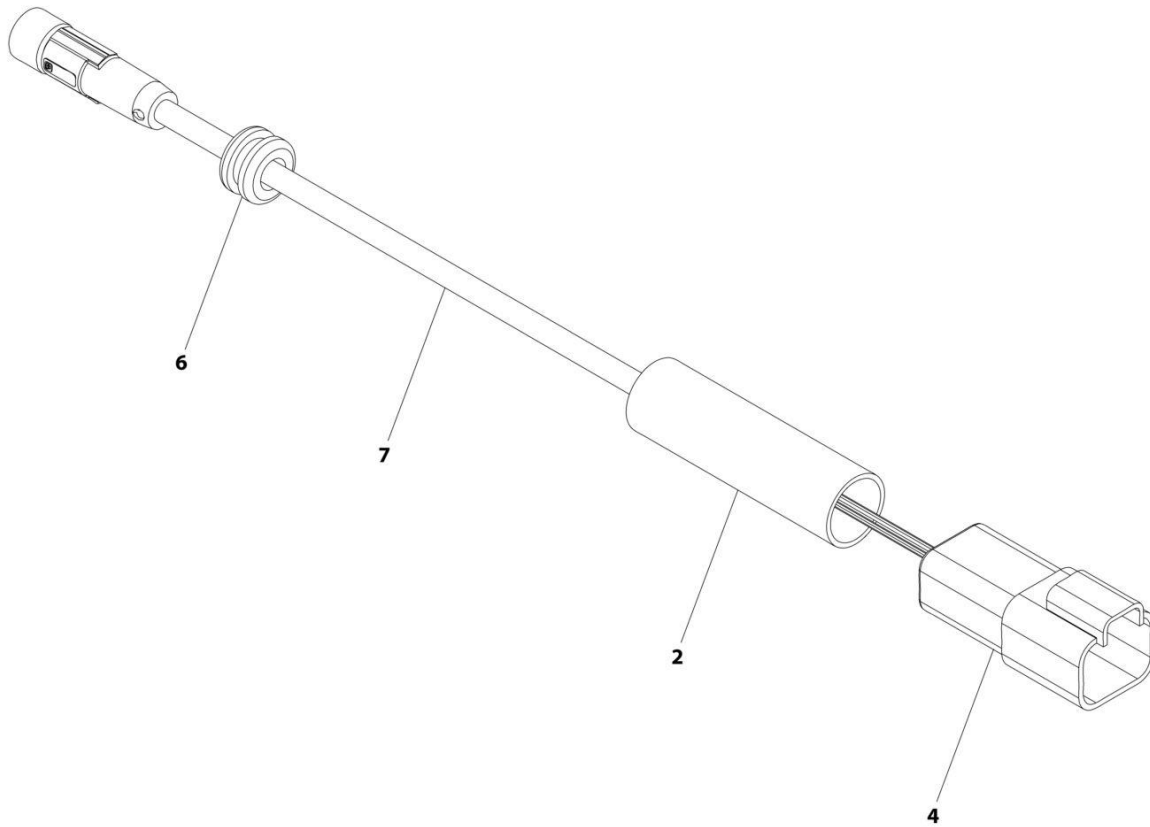
## SECTION 8 - ELECTRICAL

### FIGURE 8-30. SKYEYE EMITTER HARNESS

| ITEM | PART NUMBER | QTY | DESCRIPTION              | REV |
|------|-------------|-----|--------------------------|-----|
|      | 1001237864  | Ref | SKYEYE EMITTER HARNESS   | A   |
| 2    | 2820247     | AR  | Tubing, Heat Shrink      |     |
| 3    | 4460910     | 1   | Connector - 3 Position   |     |
| 3    | 1001119620  | 3   | Pin, Male                |     |
| 6    | 1001227996  | 1   | Grommet                  |     |
| 7    | 1001237862  | 1   | Cable, M8 Female Cordset |     |

# SECTION 8 - ELECTRICAL

## FIGURE 8-31. SKYEYE RECEIVER HARNESS



ART\_1001237863



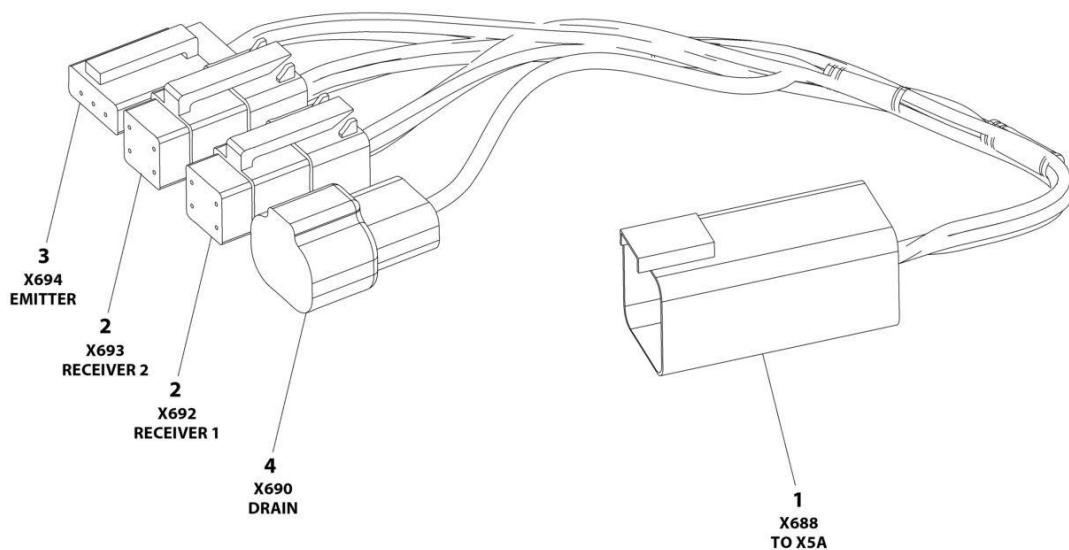
## SECTION 8 - ELECTRICAL

### FIGURE 8-31. SKYEYE RECEIVER HARNESS

| ITEM | PART NUMBER | QTY | DESCRIPTION              | REV |
|------|-------------|-----|--------------------------|-----|
|      | 1001237863  | Ref | SKYEYE RECEIVER HARNESS  | A   |
| 2    | 2820247     | AR  | Tubing, Heat Shrink      |     |
| 4    | 1001097051  | 1   | Connector - 4 Position   |     |
| 4    | 1001119620  | 4   | Pin, Male                |     |
| 6    | 1001227996  | 1   | Grommet                  |     |
| 7    | 1001237862  | 1   | Cable, M8 Female Cordset |     |

# SECTION 8 - ELECTRICAL

## FIGURE 8-32. SKYEYE INTERMEDIATE HARNESS



ART\_1001237865

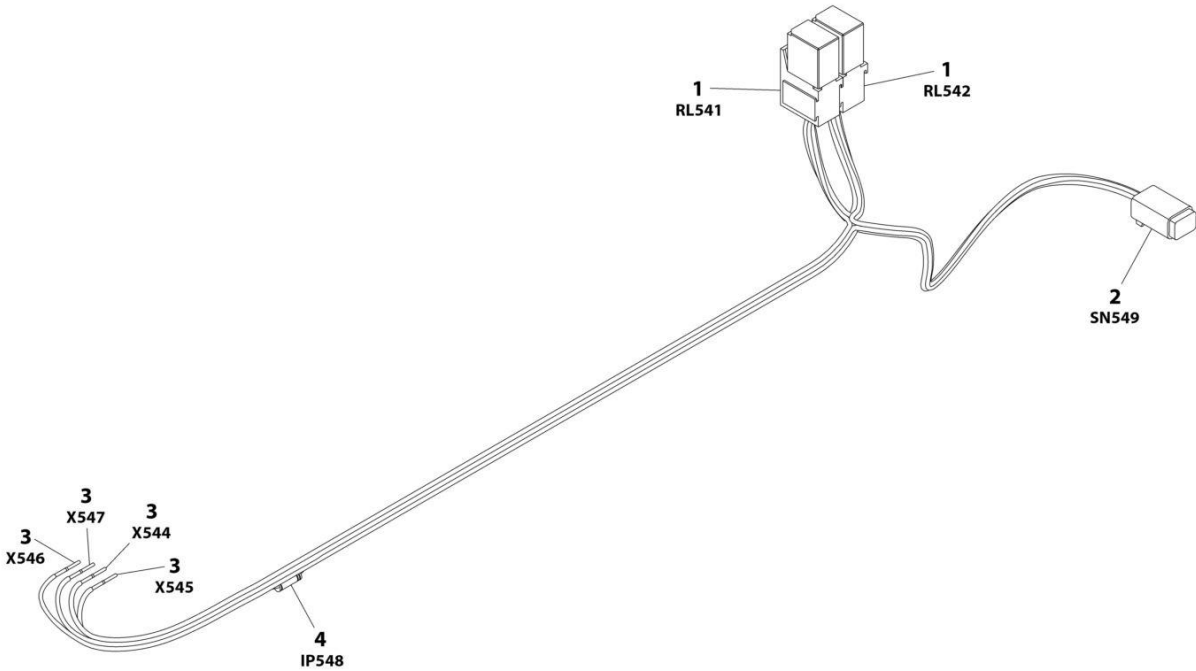
## SECTION 8 - ELECTRICAL

### FIGURE 8-32. SKYEYE INTERMEDIATE HARNESS

| ITEM | PART NUMBER | QTY | DESCRIPTION                 | REV |
|------|-------------|-----|-----------------------------|-----|
|      | 1001237865  | Ref | SKYEYE INTERMEDIATE HARNESS | A   |
| 1    | 4460899     | 1   | Connector - 6 Position      |     |
| 1    | 4460943     | 4   | Pin, Male                   |     |
| 1    | 4460466     | 2   | Plug, Terminal              |     |
| 2    | 4461077     | 2   | Connector - 4 Position      |     |
| 2    | 1001119619  | 8   | Socket, Female              |     |
| 3    | 4460911     | 1   | Connector - 3 Position      |     |
| 3    | 1001119619  | 3   | Socket, Female              |     |
| 4    | 1001187681  | 1   | Connector - 2 Position      |     |
| 4    | 4460941     | 1   | Pin, Male                   |     |
| 4    | 4460466     | 1   | Plug, Terminal              |     |

**SECTION 8 - ELECTRICAL**

**FIGURE 8-33. SKYGUARD SENSOR HARNESS**



ART\_1001199904

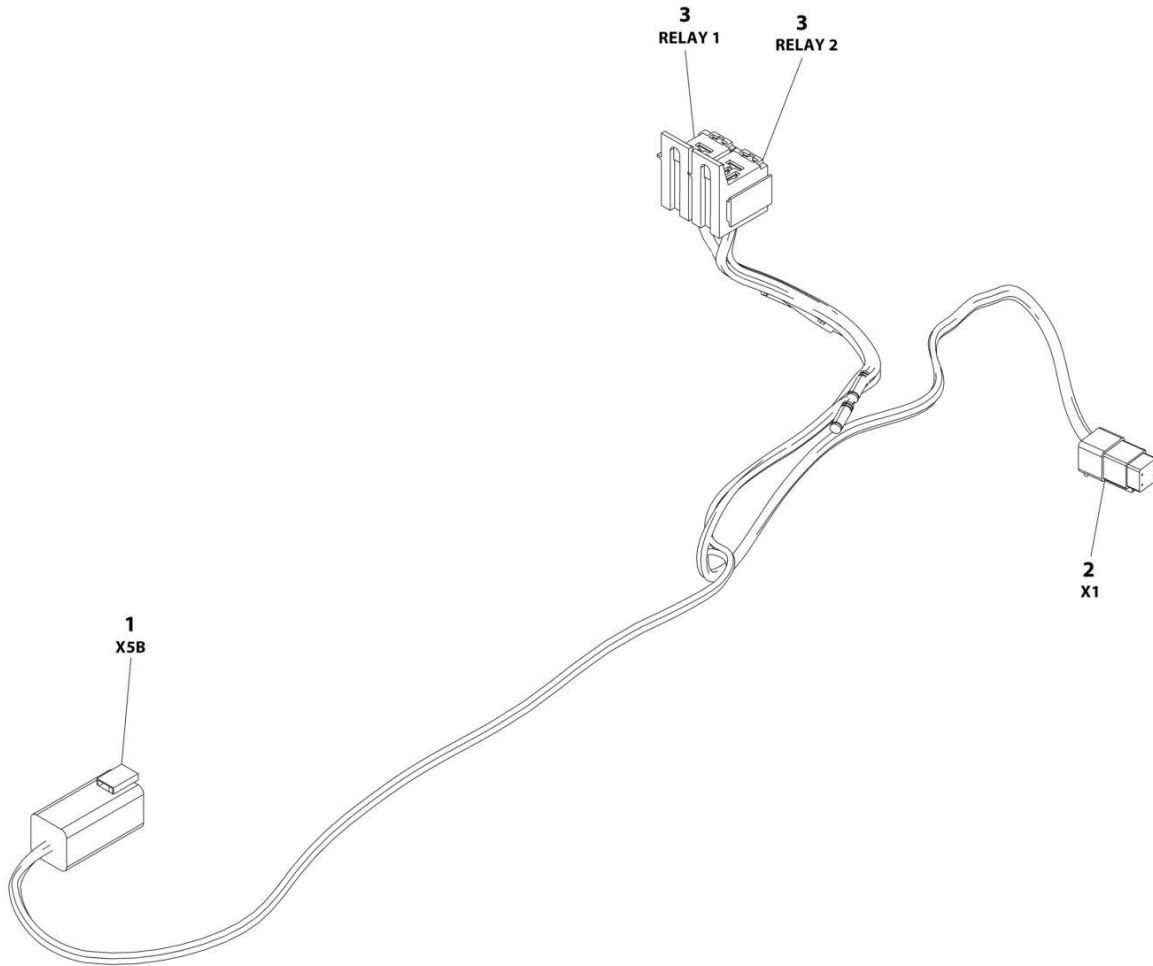
## SECTION 8 - ELECTRICAL

### FIGURE 8-33. SKYGUARD SENSOR HARNESS

| ITEM | PART NUMBER | QTY | DESCRIPTION                                   | REV |
|------|-------------|-----|---|-----|
|      | 1001199904  | Ref | SKYGUARD SENSOR HARNESS                       | B   |
| 1    | 1001186432  | 2   | Connector, Relay                              |     |
| 1    | 1001116720  | 5   | Terminal                                      |     |
| 1    | 1001118388  | 6   | Terminal                                      |     |
| 1    | 1001186431  | 2   | Relay   |     |
| 2    | 4460884     | 1   | Plug, Male - 4 Position                       |     |
| 2    | 4460465     | 4   | Socket, Female                                |     |
| 3    | 4460226     | 4   | Socket, Female                                |     |
| 3    | 4460465     | 5   | Socket, Female                                |     |
| 4    | See Note    | NSS | Resistor 18Ohm/25W (Note: Use p/n 1001199904) |     |

# SECTION 8 - ELECTRICAL

## FIGURE 8-34. SKYLINE HARNESS



ART\_1001238418

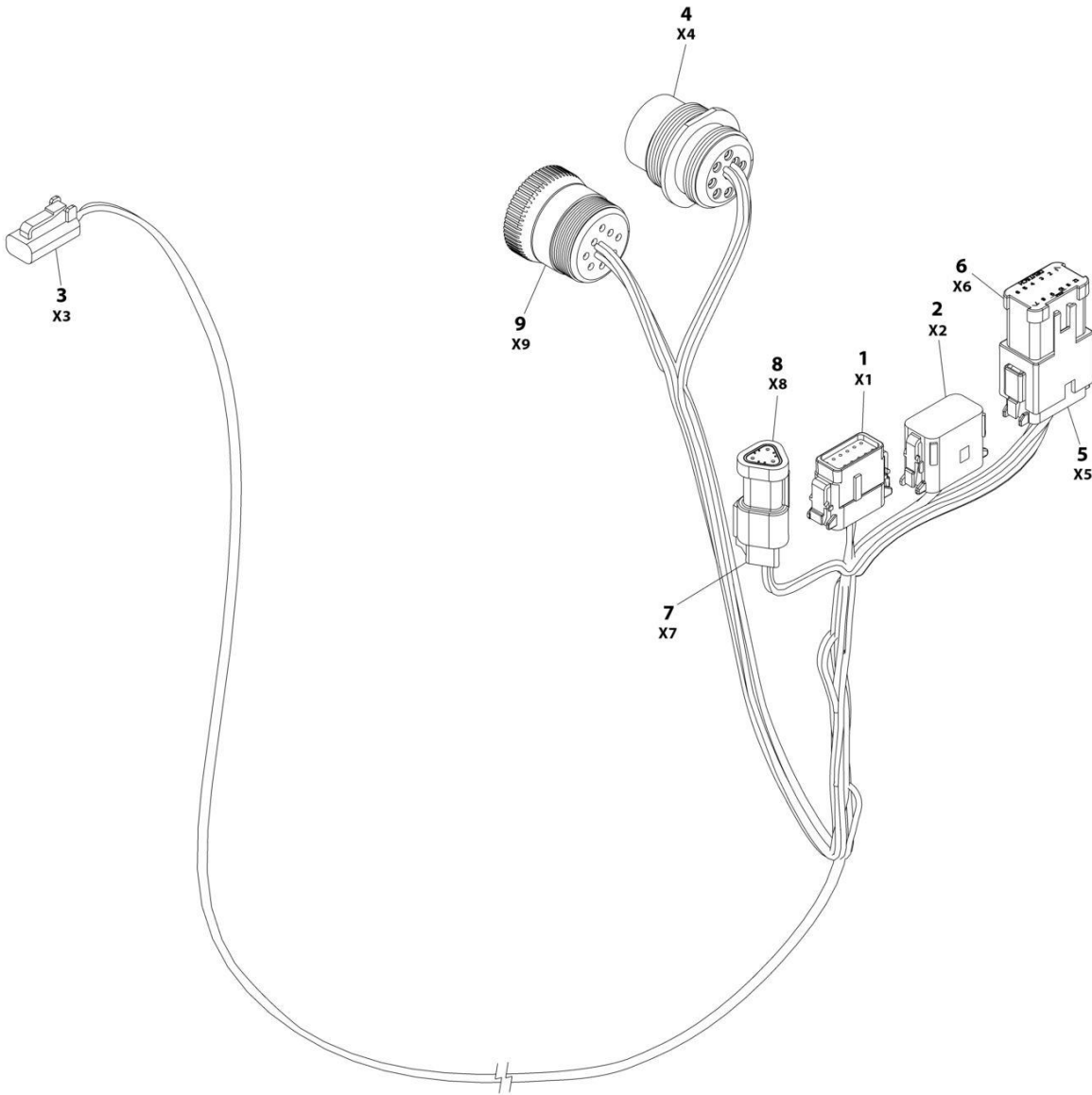
## SECTION 8 - ELECTRICAL

### FIGURE 8-34. SKYLINE HARNESS

| ITEM | PART NUMBER | QTY | DESCRIPTION            | REV |
|------|-------------|-----|------------------------|-----|
|      | 1001238418  | Ref | SKYLINE HARNESS        | B   |
| 1    | 4460899     | 1   | Connector - 6 Position |     |
| 1    | 4460464     | 4   | Pin, Male              |     |
| 1    | 4460466     | 2   | Plug, Terminal         |     |
| 2    | 4461077     | 1   | Connector - 4 Position |     |
| 2    | 1001126009  | 4   | Socket, Female         |     |
| 3    | 1001186432  | 2   | Plug, Relay            |     |
| 3    | 1001118388  | 5   | Terminal               |     |
| 3    | 1001118384  | 3   | Terminal               |     |
| 3    | 3740086     | 2   | Relay                  |     |

# SECTION 8 - ELECTRICAL

## FIGURE 8-35. STROBE LIGHT CONTROL HARNESS (BLUE LIGHT)



ART\_1001142736



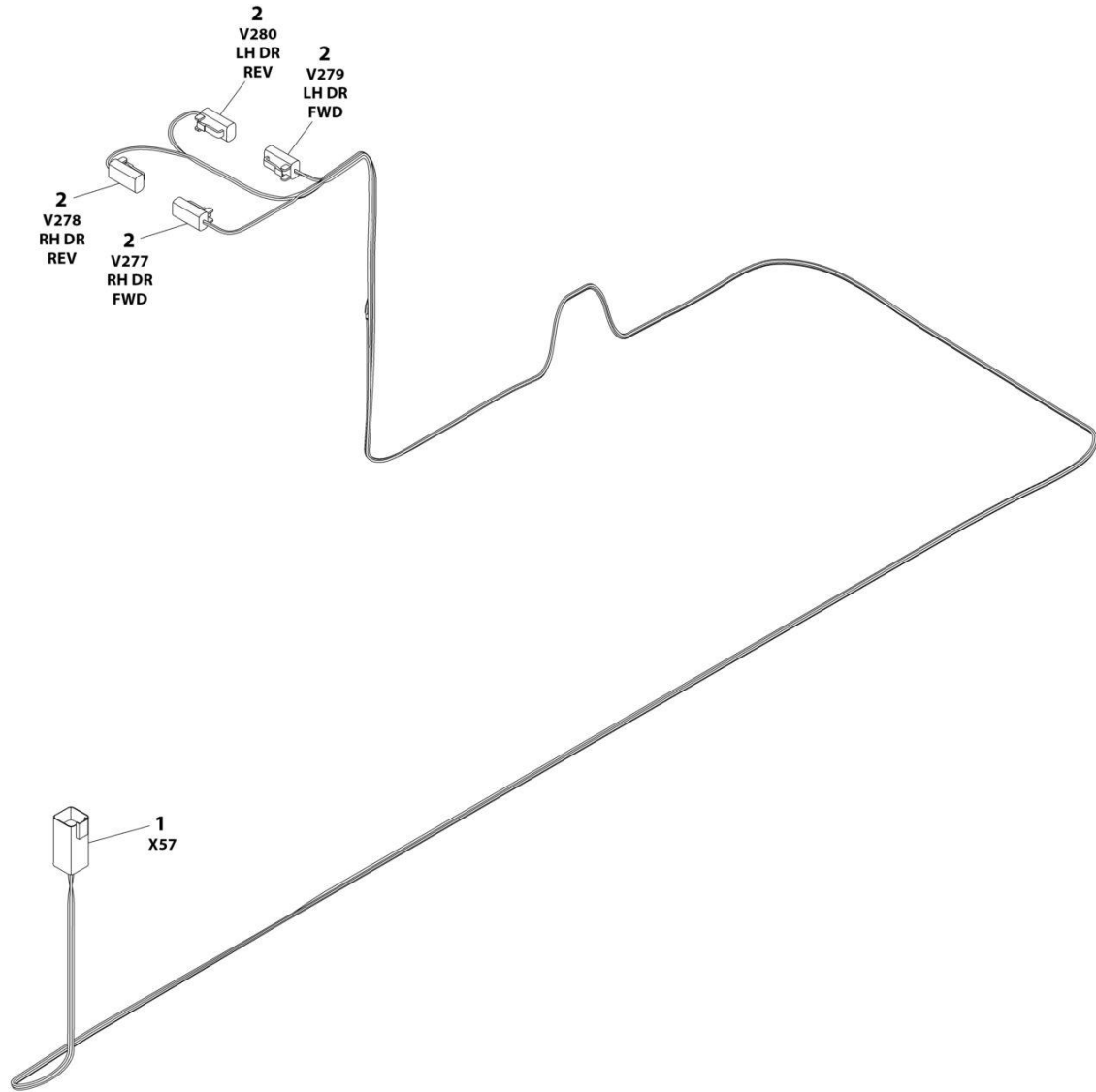
## SECTION 8 - ELECTRICAL

**FIGURE 8-35. STROBE LIGHT CONTROL HARNESS (BLUE LIGHT)**

| ITEM | PART NUMBER | QTY | DESCRIPTION                               | REV |
|------|-------------|-----|---|-----|
|      | 1001142736  | Ref | STROBE LIGHT CONTROL HARNESS (BLUE LIGHT) | F   |
| 1    | 1001116808  | 1   | Plug, Male - 12 Position                  |     |
| 1    | 4460928     | 3   | Socket, Female                            |     |
| 1    | 4460518     | 9   | Plug, Terminal                            |     |
| 2    | 1001116774  | 1   | Plug, Male - 12 Position                  |     |
| 2    | 4460928     | 3   | Socket, Female                            |     |
| 2    | 4460518     | 9   | Plug, Terminal                            |     |
| 3    | 4460891     | 1   | Plug, Male - 2 Position                   |     |
| 3    | 4460465     | 2   | Socket, Female                            |     |
| 4    | 1001112612  | 1   | Connector - 9 Position                    |     |
| 4    | 4460464     | 6   | Pin, Male                                 |     |
| 4    | 4460466     | 3   | Plug, Terminal                            |     |
| 5    | 4460933     | 1   | Plug, Male - 12 Position                  |     |
| 5    | 4460465     | 12  | Socket, Female                            |     |
| 6    | 1001119020  | 1   | Bussbar - 12 Position                     |     |
| 7    | 4461095     | 1   | Plug, Male - 3 Position                   |     |
| 7    | 4460465     | 3   | Socket, Female                            |     |
| 8    | 4461070     | 1   | Bussbar - 3 Position                      |     |
| 9    | 1001112796  | 1   | Connector - 9 Position                    |     |
| 9    | 4460465     | 6   | Socket, Female                            |     |
| 9    | 4460466     | 3   | Plug, Terminal                            |     |

# SECTION 8 - ELECTRICAL

## FIGURE 8-36. SWING DRIVE HARNESS



ART\_1001150480

## SECTION 8 - ELECTRICAL

### FIGURE 8-36. SWING DRIVE HARNESS

| ITEM | PART NUMBER | QTY | DESCRIPTION                     | REV |
|------|-------------|-----|---------------------------------|-----|
|      | 1001150480  | Ref | SWING DRIVE HARNESS             | E   |
| 1    | 4460899     | 1   | Receptacle, Female - 6 Position |     |
| 1    | 4460464     | 5   | Pin, Male                       |     |
| 1    | 4460466     | 1   | Plug, Terminal                  |     |
| 2    | 4460891     | 4   | Plug, Male - 2 Position         |     |
| 2    | 4460465     | 16  | Socket, Female                  |     |



## SECTION 8 - ELECTRICAL

### FIGURE 8-37. TURNTABLE HARNESS

| ITEM | PART NUMBER | QTY | DESCRIPTION                       | REV |
|------|-------------|-----|-----------------------------------|-----|
|      | 1001216944  | Ref | TURNTABLE HARNESS                 | C   |
| 1    | 4460874     | 1   | Connector - 35 Position (Natural) |     |
| 1    | 4460871     | 16  | Pin, Male                         |     |
| 1    | 4460905     | 19  | Plug, Terminal                    |     |
| 2    | 4460873     | 1   | Connector - 35 Position (Black)   |     |
| 2    | 4460871     | 24  | Pin, Male                         |     |
| 2    | 4460905     | 11  | Plug, Terminal                    |     |
| 3    | 4460878     | 1   | Plug, Male - 4 Position           |     |
| 3    | 4460887     | 4   | Terminal                          |     |
| 4    | 1001113961  | 1   | Plug, Male - 8 Position           |     |
| 4    | 4460871     | 4   | Socket, Female                    |     |
| 4    | 4460905     | 4   | Plug, Terminal                    |     |
| 5    | 4460872     | 1   | Connector - 14 Position           |     |
| 5    | 4460871     | 6   | Pin, Male                         |     |
| 5    | 4460905     | 8   | Plug, Terminal                    |     |
| 6    | 4460884     | 2   | Plug, Male - 4 Position           |     |
| 6    | 4460465     | 8   | Socket, Female                    |     |
| 6    | 1001192401  | 1   | Cap, Dust                         |     |
| 7    | 4460539     | 1   | Plug, Male - 3 Position           |     |
| 7    | 4460465     | 2   | Socket, Female                    |     |
| 7    | 4460466     | 1   | Plug, Terminal                    |     |
| 8    | 1001116812  | 1   | Plug, Male - 3 Position           |     |
| 8    | 4460465     | 2   | Socket, Female                    |     |
| 8    | 4460466     | 1   | Plug, Terminal                    |     |
| 9    | 4460930     | 1   | Plug, Male - 8 Position           |     |
| 9    | 4460465     | 2   | Socket, Female                    |     |
| 10   | 4460933     | 3   | Plug, Male - 12 Position          |     |
| 10   | 4460465     | 23  | Socket, Female                    |     |
| 10   | 4460466     | 13  | Plug, Terminal                    |     |
| 10   | 1001119020  | 2   | Bussbar - 12 Position             |     |
| 11   | 4460536     | 1   | Receptacle, Female - 3 Position   |     |
| 11   | 4460464     | 3   | Pin, Male                         |     |
| 12   | 4460932     | 1   | Receptacle, Female - 4 Position   |     |
| 12   | 4460464     | 4   | Pin, Male                         |     |
| 13   | 4460670     | 3   | Terminal, Ring                    |     |
| 14   | 2400060     | 2   | Fuseholder with Cover             |     |
| 15   | See Note    | NSS | Fuse 5A (Note: Purchase Locally)  |     |
| 16   | 4460866     | 1   | Connector - 19 Position           |     |
| 16   | 4460464     | 8   | Pin, Male                         |     |
| 16   | 4460508     | 2   | Pin, Male                         |     |
| 16   | 4460466     | 9   | Plug, Terminal                    |     |
| 17   | 4460894     | 1   | Plug, Male - 6 Position           |     |
| 17   | 4460465     | 6   | Socket, Female                    |     |
| 18   | 4460899     | 2   | Receptacle, Female - 6 Position   |     |
| 18   | 4460464     | 10  | Pin, Male                         |     |
| 18   | 4460466     | 2   | Plug, Terminal                    |     |
| 19   | 1001117025  | 2   | Relay Assembly                    |     |
| 19   | 3740080     | 2   | Relay                             |     |
| 19   | 1001117057  | 2   | Plug, Relay                       |     |
| 19   | 1001116732  | 2   | Terminal                          |     |

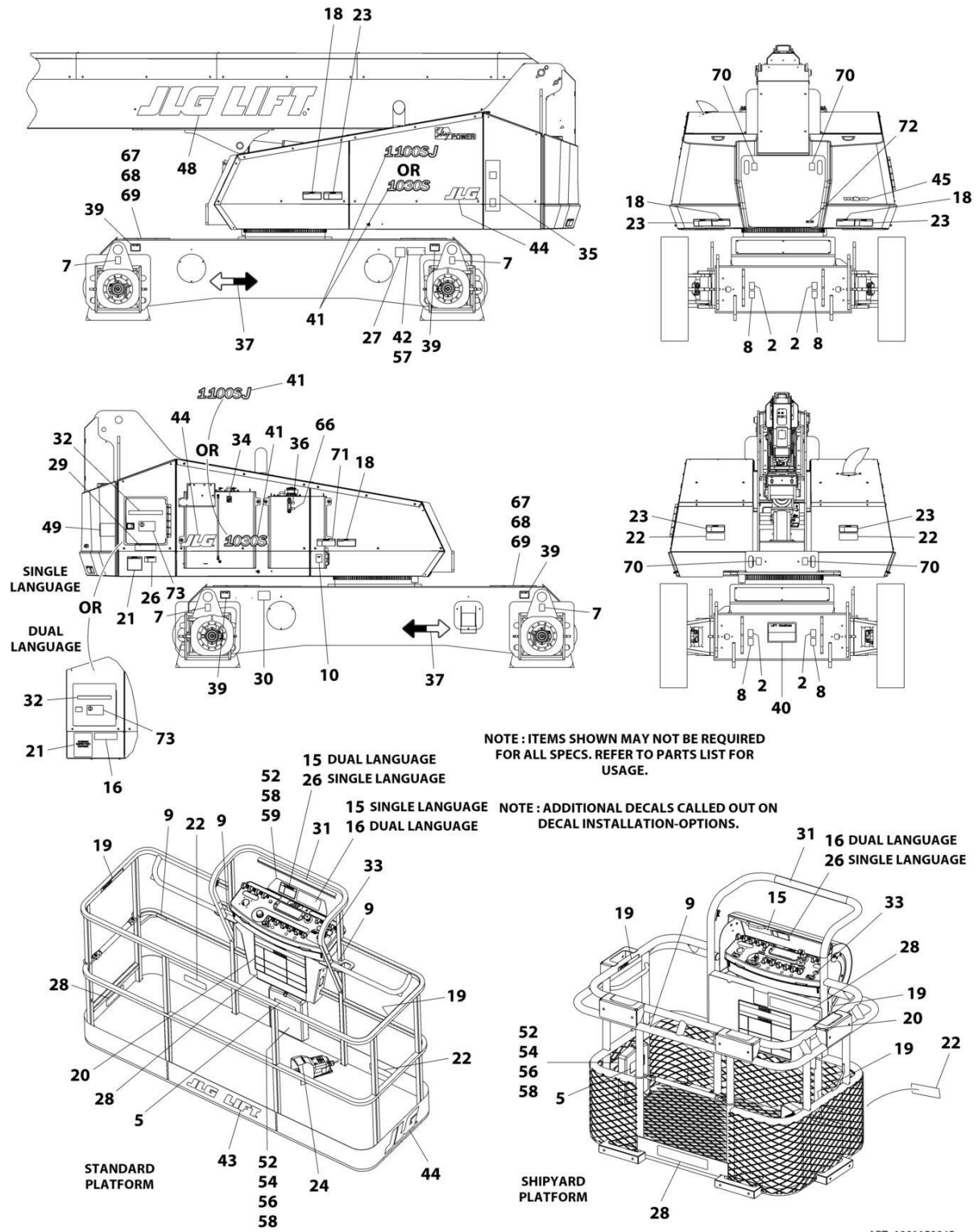
## SECTION 8 - ELECTRICAL

| ITEM | PART NUMBER | QTY | DESCRIPTION                       | REV |
|------|-------------|-----|-----------------------------------|-----|
| 19   | 1001116734  | 2   | Terminal                          |     |
| 19   | 1001128128  | 2   | Plug, Terminal                    |     |
| 20   | 4460836     | 3   | Plug, Male - 12 Position          |     |
| 20   | 4460942     | 7   | Socket, Female                    |     |
| 20   | 4460465     | 14  | Socket, Female                    |     |
| 20   | 4460466     | 15  | Plug, Terminal                    |     |
| 20   | 4460837     | 2   | Bussbar - 12 Position             |     |
| 21   | 4460931     | 2   | Receptacle, Female - 8 Position   |     |
| 21   | 4460464     | 11  | Pin, Male                         |     |
| 21   | 4460466     | 5   | Plug, Terminal                    |     |
| 22   | 4460313     | 1   | Terminal, Ring                    |     |
| 23   | 4460702     | 1   | Terminal, Ring                    |     |
| 24   | 8220045     | 2   | Terminal, Ring                    |     |
| 25   | 2400066     | 2   | Fuseholder with Cover             |     |
| 26   | See Note    | NSS | Fuse 15A (Note: Purchase Locally) |     |
| 27   | See Note    | NSS | Fuse 30A (Note: Purchase Locally) |     |
| 28   | See Note    | NSS | Fuse 3A (Note: Purchase Locally)  |     |
| 29   | 4460897     | 1   | Receptacle, Female - 2 Position   |     |
| 29   | 4460464     | 2   | Pin, Male                         |     |
| 30   | 4460019     | 2   | Terminal, Ring                    |     |
| 31   | 4460945     | 1   | Plug, Female 3-Way                |     |

**SECTION 9 - DECALS**

# SECTION 9 - DECALS

## FIGURE 9-1. DECAL INSTALLATION - WITH STANDARD PLATFORM (ENGLISH LANGUAGE) (1030S)



ART\_1001150045



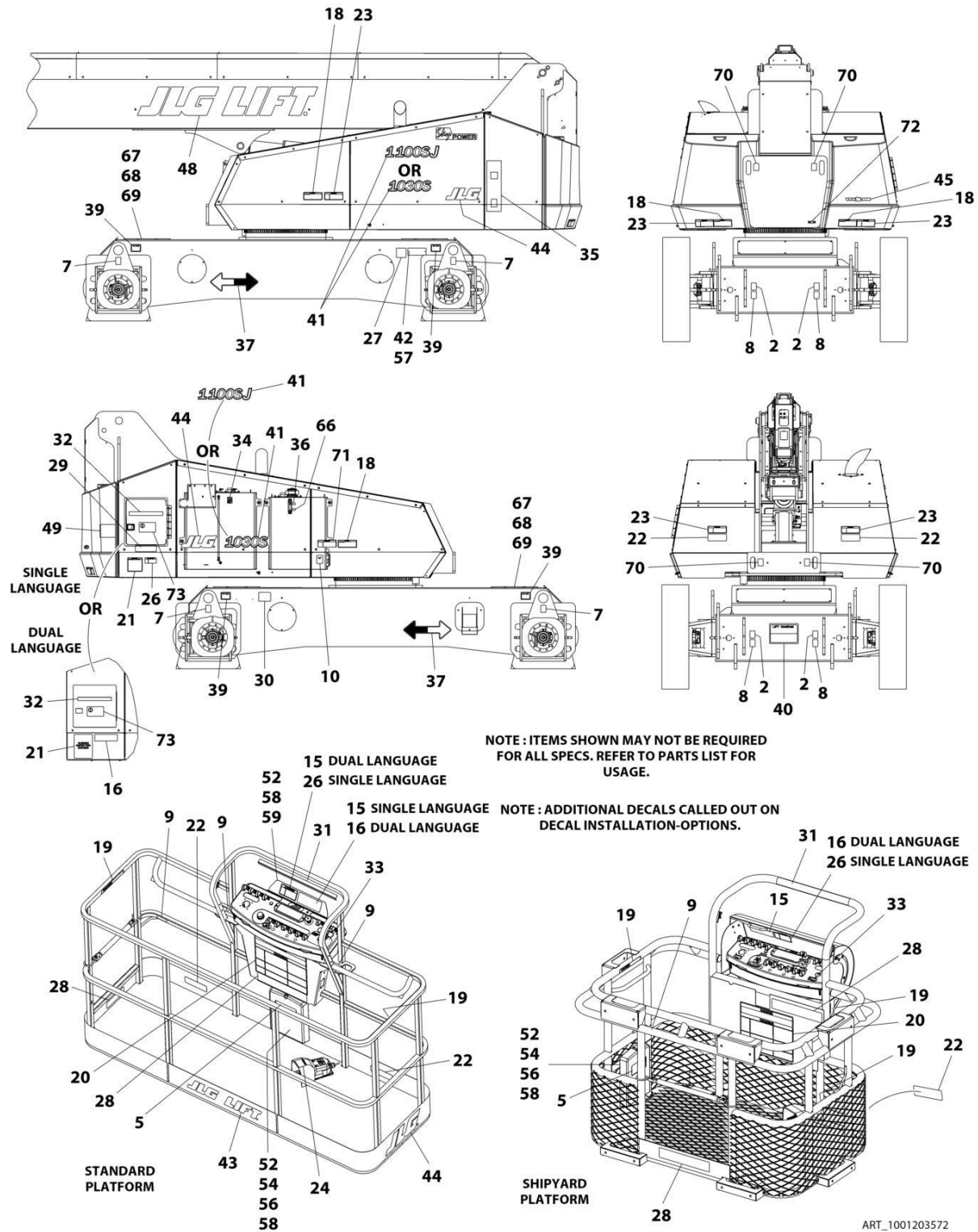
## SECTION 9 - DECALS

**FIGURE 9-1. DECAL INSTALLATION - WITH STANDARD PLATFORM (ENGLISH LANGUAGE) (1030S)**

| ITEM | PART NUMBER | QTY | DESCRIPTION   | REV |
|------|-------------|-----|---|-----|
|      | 1001150045  | Ref | DECAL INSTALLATION - WITH STANDARD PLATFORM<br>(ENGLISH LANGUAGE) | D   |
| 2    | 1701499     | 4   | Decal - No Lift   |     |
| 5    | 1701509     | 1   | Decal - Manual  |     |
| 7    | 1703811     | 4   | Decal - Lift  |     |
| 8    | 1703814     | 4   | Decal - Tie Down  |     |
| 9    | 1704277     | 3   | Decal - Lanyard Attach  |     |
| 10   | 1704412     | 1   | Decal - Hydraulic Oil Chart                                       |     |
| 15   | 1705337     | 1   | Decal - Tip-Over  |     |
| 18   | 1703953     | 4   | Decal - Warning Crushing  |     |
| 19   | 1702868     | 2   | Decal - No Hands  |     |
| 20   | 1703797     | 1   | Decal - Warning/Danger  |     |
| 21   | 1705336     | 1   | Decal - Warning Inspection  |     |
| 22   | 1703804     | 4   | Decal - Warning Crushing  |     |
| 23   | 1703805     | 5   | Decal - Electrocution   |     |
| 24   | 3252347     | 1   | Decal - Footswitch  |     |
| 26   | 1705492     | 2   | Decal - Tip-Over Hazard   |     |
| 27   | See Note    | NSS | Decal - Bar Code (Note: Not Available for Purchase)               |     |
| 28   | 1001203787  | 2   | Decal - 725lbs Capacity   |     |
| 29   | 1001203788  | 1   | Decal - 725lbs Capacity   |     |
| 30   | 1001131269  | 1   | Decal - Patent  |     |
| 31   | 1706751     | 1   | Decal - Legend  |     |
| 32   | 1001206774  | 1   | Decal - Legend  |     |
| 33   | 1705351     | 1   | Decal - Drive/Steer Instructions                                  |     |
| 34   | 1701505     | 2   | Decal - Fuel  |     |
| 36   | 1701502     | 1   | Decal - Hydraulic Oil Level (High)                                |     |
| 37   | 1701501     | 2   | Decal - Arrow   |     |
| 40   | 1001150079  | 1   | Decal - Lift Diagram  |     |
| 43   | 1702774     | 1   | Decal - JLG Lift 3 1/2in  |     |
| 44   | 1702773     | 3   | Decal - JLG 5in   |     |
| 45   | 1704885     | 1   | Decal - www.jlg.com   |     |
| 48   | 1702862     | 2   | Decal - JLG Lift 12in   |     |
| 49   | 1001203790  | 1   | Decal - Daily Check List  |     |
| 52   | 0641406     | 7   | Bolt 1/4 x 3/4  |     |
| 54   | 0860520     | 1   | Box, Manual Storage   |     |
| 56   | 3311405     | 4   | Nut 1/4   |     |
| 57   | 3820001     | 2   | Rivet   |     |
| 58   | 4751400     | 7   | Washer 1/4  |     |
| 59   | 3380474     | 1   | Plate - Decal   |     |
| 66   | 1701503     | 1   | Decal - Hydraulic Oil Level (Low)                                 |     |
| 67   | 1001203791  | 2   | Decal - White Arrow   |     |
| 68   | 1001153281  | 2   | Plate, Arrow  |     |
| 69   | 4031707     | 6   | Capscrew M6 x 16  |     |
| 70   | 1703811     | 4   | Decal - Lift  |     |
| 71   | 1703805     | 1   | Decal - Electrocution   |     |
| 72   | 1702590     | 1   | Decal - 220V/50Hz   |     |
| 73   | 1001117307  | 1   | Decal - Emergency Stop  |     |

# SECTION 9 - DECALS

## FIGURE 9-2. DECAL INSTALLATION - WITH SHIPYARD PLATFORM (ENGLISH LANGUAGE) (1030S)



## SECTION 9 - DECALS

**FIGURE 9-2. DECAL INSTALLATION - WITH SHIPYARD PLATFORM (ENGLISH LANGUAGE) (1030S)**

| ITEM | PART NUMBER | QTY | DESCRIPTION  | REV |
|------|-------------|-----|--|-----|
|      | 1001203572  | Ref | DECAL INSTALLATION - WITH SHIPYARD PLATFORM (ENGLISH LANGUAGE) | E   |
| 2    | 1701499     | 4   | Decal - No Lift  |     |
| 5    | 1701509     | 1   | Decal - Manual   |     |
| 7    | 1703811     | 4   | Decal - Lift   |     |
| 8    | 1703814     | 4   | Decal - Tie Down   |     |
| 9    | 1704277     | 3   | Decal - Lanyard Attach   |     |
| 10   | 1704412     | 1   | Decal - Hydraulic Oil Chart                                    |     |
| 15   | 1705337     | 1   | Decal - Tip-Over   |     |
| 18   | 1703953     | 4   | Decal - Warning Crushing                                       |     |
| 19   | 1702868     | 2   | Decal - No Hands   |     |
| 20   | 1703797     | 1   | Decal - Warning/Danger   |     |
| 21   | 1705336     | 1   | Decal - Warning Inspection                                     |     |
| 22   | 1703804     | 4   | Decal - Warning Crushing                                       |     |
| 23   | 1703805     | 5   | Decal - Electrocution  |     |
| 24   | 3252347     | 1   | Decal - Footswitch   |     |
| 26   | 1705492     | 2   | Decal - Tip-Over Hazard  |     |
| 27   | See Note    | NSS | Decal - Bar Code (Note: Not Available for Purchase)            |     |
| 28   | 1001203787  | 2   | Decal - 725lbs Capacity  |     |
| 29   | 1001203788  | 1   | Decal - 725lbs Capacity  |     |
| 30   | 1001131269  | 1   | Decal - Patent   |     |
| 31   | 1706751     | 1   | Decal - Legend   |     |
| 32   | 1001206774  | 1   | Decal - Legend   |     |
| 33   | 1001203789  | 1   | Decal - Drive/Steer Instructions                               |     |
| 34   | 1701505     | 2   | Decal - Fuel   |     |
| 36   | 1701502     | 1   | Decal - Hydraulic Oil Level (High)                             |     |
| 37   | 1701501     | 2   | Decal - Arrow  |     |
| 40   | 1001150079  | 1   | Decal - Lift Diagram   |     |
| 44   | 1702773     | 2   | Decal - JLG 5in  |     |
| 45   | 1704885     | 1   | Decal - www.jlg.com  |     |
| 48   | 1702862     | 2   | Decal - JLG Lift 12in  |     |
| 49   | 1001203790  | 1   | Decal - Daily Check List                                       |     |
| 52   | 0641406     | 7   | Bolt 1/4 x 3/4   |     |
| 54   | 0860520     | 1   | Box, Manual Storage  |     |
| 56   | 3311405     | 4   | Nut 1/4  |     |
| 57   | 3820001     | 2   | Rivet  |     |
| 58   | 4751400     | 7   | Washer 1/4   |     |
| 66   | 1701503     | 1   | Decal - Hydraulic Oil Level (Low)                              |     |
| 67   | 1001203791  | 2   | Decal - White Arrow  |     |
| 68   | 1001153281  | 2   | Plate, Arrow   |     |
| 69   | 4031707     | 6   | Capscrew M6 x 16   |     |
| 70   | 1703811     | 4   | Decal - Lift   |     |
| 71   | 1703805     | 1   | Decal - Electrocution  |     |
| 72   | 1702590     | 1   | Decal - 220V/50Hz  |     |
| 73   | 1001117307  | 1   | Decal - Emergency Stop   |     |



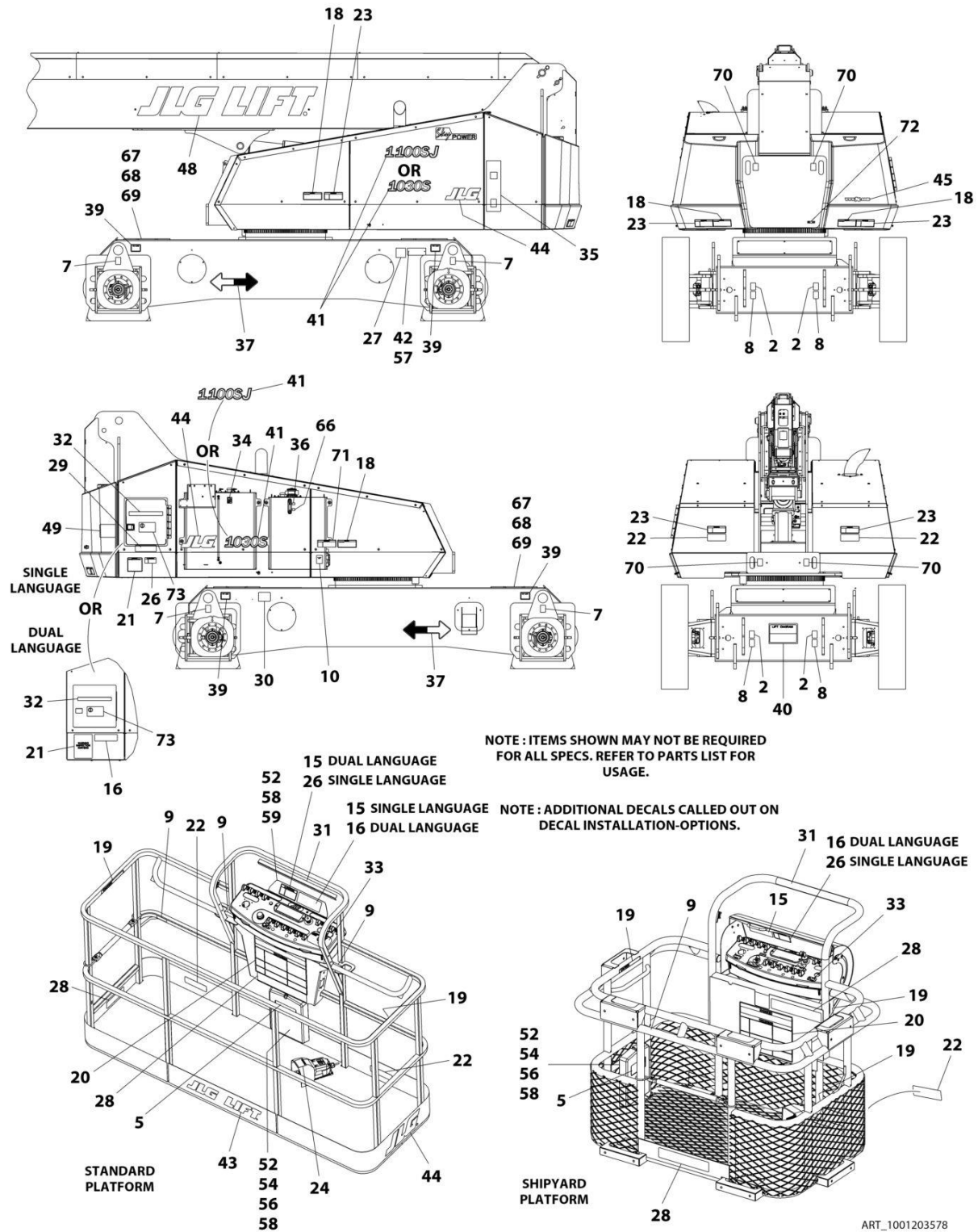
## SECTION 9 - DECALS

**FIGURE 9-3. DECAL INSTALLATION - WITH STANDARD PLATFORM (ENGLISH/CHINESE LANGUAGE) (1030S)**

| ITEM | PART NUMBER | QTY | DESCRIPTION   | REV |
|------|-------------|-----|---|-----|
|      | 1001150047  | Ref | DECAL INSTALLATION - WITH STANDARD PLATFORM<br>(ENGLISH/CHINESE LANGUAGE) | D   |
| 2    | 1701499     | 4   | Decal - No Lift   |     |
| 5    | 1701509     | 1   | Decal - Manual  |     |
| 7    | 1703811     | 4   | Decal - Lift  |     |
| 8    | 1703814     | 4   | Decal - Tie Down  |     |
| 9    | 1704277     | 3   | Decal - Lanyard Attach  |     |
| 10   | 1704412     | 1   | Decal - Hydraulic Oil Chart   |     |
| 15   | 1001117034  | 1   | Decal - Tip-Over  |     |
| 16   | 1001117035  | 2   | Decal - Warning Tip-Over  |     |
| 18   | 1703943     | 4   | Decal - Warning Crushing  |     |
| 19   | 1001116846  | 2   | Decal - No Hands  |     |
| 20   | 1703925     | 1   | Decal - Warning/Danger  |     |
| 21   | 1001116849  | 1   | Decal - Warning Inspection  |     |
| 22   | 1703949     | 4   | Decal - Warning Crushing  |     |
| 23   | 1001116851  | 5   | Decal - Electrocutation   |     |
| 24   | 1703982     | 1   | Decal - Footswitch  |     |
| 27   | See Note    | NSS | Decal - Bar Code (Note: Not Available for Purchase)                       |     |
| 28   | 1001206765  | 2   | Decal - 725lbs Capacity   |     |
| 29   | 1001206766  | 1   | Decal - 725lbs Capacity   |     |
| 31   | 1706751     | 1   | Decal - Legend  |     |
| 32   | 1001206774  | 1   | Decal - Legend  |     |
| 33   | 1705430     | 1   | Decal - Drive/Steer Instructions  |     |
| 34   | 1701505     | 2   | Decal - Fuel  |     |
| 36   | 1701502     | 1   | Decal - Hydraulic Oil Level (High)  |     |
| 37   | 1701501     | 2   | Decal - Arrow   |     |
| 40   | 1001150079  | 1   | Decal - Lift Diagram  |     |
| 43   | 1702774     | 1   | Decal - JLG Lift 3 1/2in  |     |
| 44   | 1702773     | 3   | Decal - JLG 5in   |     |
| 45   | 1704885     | 1   | Decal - www.jlg.com   |     |
| 48   | 1702862     | 2   | Decal - JLG Lift 12in   |     |
| 49   | 1001206772  | 1   | Decal - Daily Check List  |     |
| 52   | 0641406     | 7   | Bolt 1/4 x 3/4  |     |
| 54   | 0860520     | 1   | Box, Manual Storage   |     |
| 56   | 3311405     | 4   | Nut 1/4   |     |
| 57   | 3820001     | 2   | Rivet   |     |
| 58   | 4751400     | 7   | Washer 1/4  |     |
| 59   | 3572327     | 1   | Plate - Decal   |     |
| 66   | 1701503     | 1   | Decal - Hydraulic Oil Level (Low)   |     |
| 67   | 1001203791  | 2   | Decal - White Arrow   |     |
| 68   | 1001153281  | 2   | Plate, Arrow  |     |
| 69   | 4031707     | 6   | Capscrew M6 x 16  |     |
| 70   | 1703811     | 4   | Decal - Lift  |     |
| 71   | 1001116851  | 1   | Decal - Electrocutation   |     |
| 72   | 1702590     | 1   | Decal - 220V/50Hz   |     |
| 73   | 1001117307  | 1   | Decal - Emergency Stop  |     |

# SECTION 9 - DECALS

## FIGURE 9-4. DECAL INSTALLATION - WITH SHIPYARD PLATFORM (ENGLISH/CHINESE LANGUAGE) (1030S)



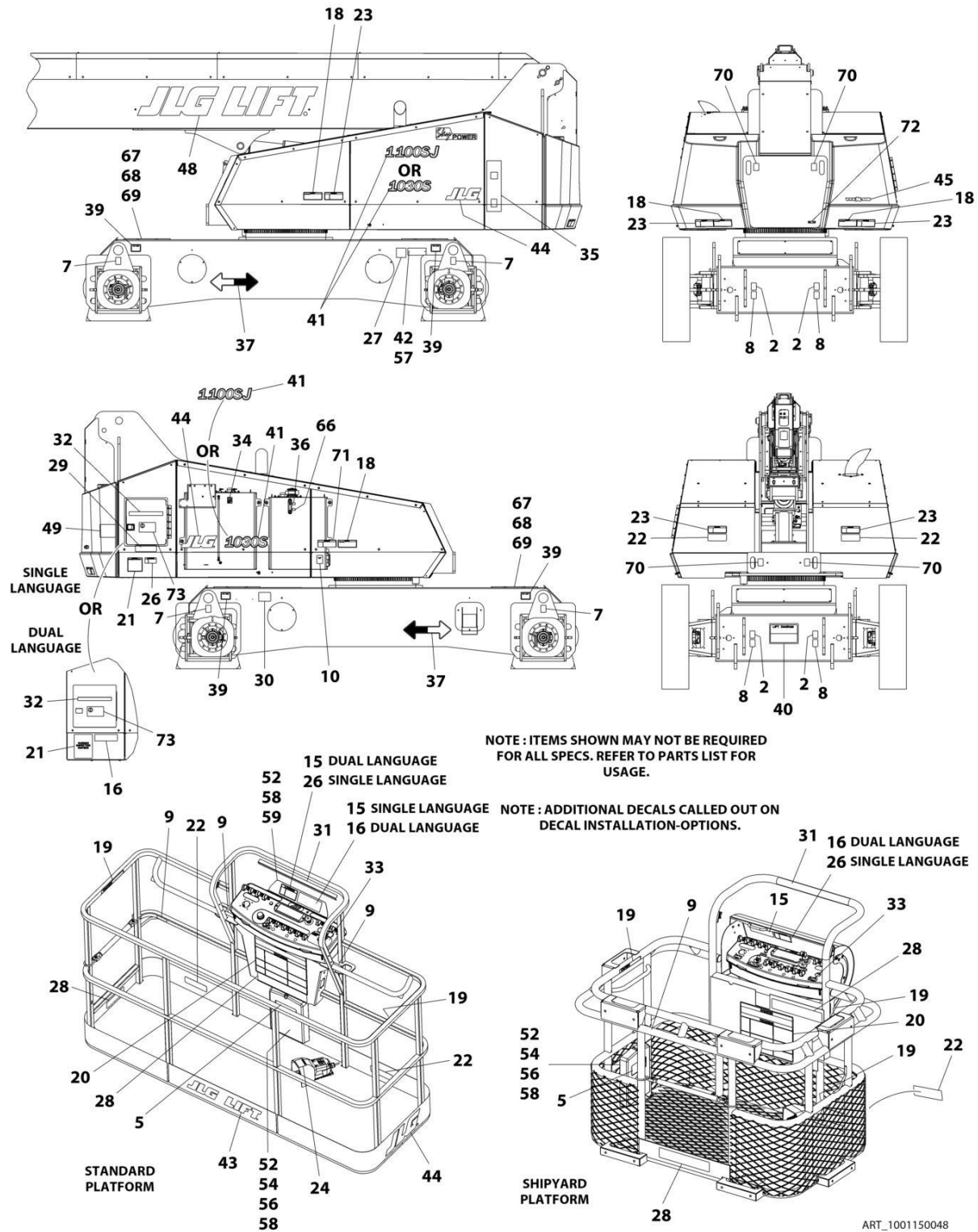
## SECTION 9 - DECALS

**FIGURE 9-4. DECAL INSTALLATION - WITH SHIPYARD PLATFORM (ENGLISH/CHINESE LANGUAGE) (1030S)**

| ITEM | PART NUMBER | QTY | DESCRIPTION   | REV |
|------|-------------|-----|---|-----|
|      | 1001203578  | Ref | DECAL INSTALLATION - WITH SHIPYARD PLATFORM<br>(ENGLISH/CHINESE LANGUAGE) | D   |
| 2    | 1701499     | 4   | Decal - No Lift   |     |
| 5    | 1701509     | 1   | Decal - Manual  |     |
| 7    | 1703811     | 4   | Decal - Lift  |     |
| 8    | 1703814     | 4   | Decal - Tie Down  |     |
| 9    | 1704277     | 3   | Decal - Lanyard Attach  |     |
| 10   | 1704412     | 1   | Decal - Hydraulic Oil Chart   |     |
| 15   | 1001117034  | 1   | Decal - Tip-Over  |     |
| 16   | 1001117035  | 2   | Decal - Warning Tip-Over  |     |
| 18   | 1703943     | 4   | Decal - Warning Crushing  |     |
| 19   | 1001116846  | 2   | Decal - No Hands  |     |
| 20   | 1703925     | 1   | Decal - Warning/Danger  |     |
| 21   | 1001116849  | 1   | Decal - Warning Inspection  |     |
| 22   | 1703949     | 4   | Decal - Warning Crushing  |     |
| 23   | 1001116851  | 5   | Decal - Electrocution   |     |
| 24   | 1703986     | 1   | Decal - Footswitch  |     |
| 27   | See Note    | NSS | Decal - Bar Code (Note: Not Available for Purchase)                       |     |
| 28   | 1001206765  | 2   | Decal - 725lbs Capacity   |     |
| 29   | 1001206766  | 1   | Decal - 725lbs Capacity   |     |
| 31   | 1706751     | 1   | Decal - Legend  |     |
| 32   | 1001206774  | 1   | Decal - Legend  |     |
| 33   | 1001203930  | 1   | Decal - Drive/Steer Instructions  |     |
| 34   | 1701505     | 2   | Decal - Fuel  |     |
| 36   | 1701502     | 1   | Decal - Hydraulic Oil Level (High)  |     |
| 37   | 1701501     | 2   | Decal - Arrow   |     |
| 40   | 1001150079  | 1   | Decal - Lift Diagram  |     |
| 44   | 1702773     | 2   | Decal - JLG 5in   |     |
| 45   | 1704885     | 1   | Decal - www.jlg.com   |     |
| 48   | 1702862     | 2   | Decal - JLG Lift 12in   |     |
| 49   | 1001206772  | 1   | Decal - Daily Check List  |     |
| 52   | 0641406     | 7   | Bolt 1/4 x 3/4  |     |
| 54   | 0860520     | 1   | Box, Manual Storage   |     |
| 56   | 3311405     | 4   | Nut 1/4   |     |
| 57   | 3820001     | 2   | Rivet   |     |
| 58   | 4751400     | 7   | Washer 1/4  |     |
| 66   | 1701503     | 1   | Decal - Hydraulic Oil Level (Low)   |     |
| 67   | 1001203791  | 2   | Decal - White Arrow   |     |
| 68   | 1001153281  | 2   | Plate, Arrow  |     |
| 69   | 4031707     | 6   | Capscrew M6 x 16  |     |
| 70   | 1703811     | 4   | Decal - Lift  |     |
| 71   | 1001116851  | 1   | Decal - Electrocution   |     |
| 72   | 1702590     | 1   | Decal - 220V/50Hz   |     |
| 73   | 1001117307  | 1   | Decal - Emergency Stop  |     |

# SECTION 9 - DECALS

## FIGURE 9-5. DECAL INSTALLATION - WITH STANDARD PLATFORM (ENGLISH/JAPANESE LANGUAGE) (1030S)





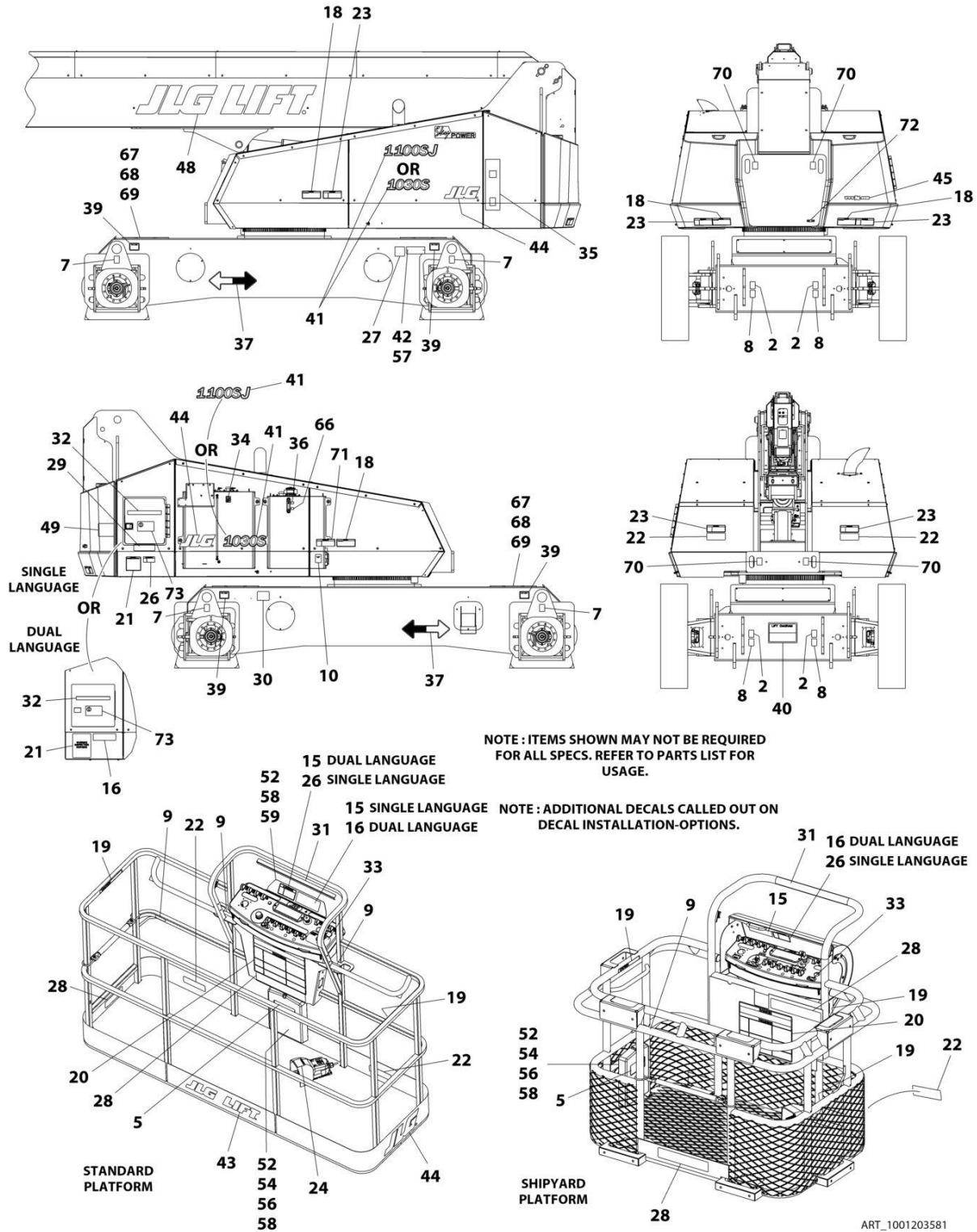
## SECTION 9 - DECALS

**FIGURE 9-5. DECAL INSTALLATION - WITH STANDARD PLATFORM (ENGLISH/JAPANESE LANGUAGE) (1030S)**

| ITEM | PART NUMBER | QTY | DESCRIPTION  | REV |
|------|-------------|-----|--|-----|
|      | 1001150048  | Ref | DECAL INSTALLATION - WITH STANDARD PLATFORM<br>(ENGLISH/JAPANESE LANGUAGE) | D   |
| 2    | 1701499     | 4   | Decal - No Lift  |     |
| 5    | 1701509     | 1   | Decal - Manual   |     |
| 7    | 1703811     | 4   | Decal - Lift   |     |
| 8    | 1703814     | 4   | Decal - Tie Down   |     |
| 9    | 1704277     | 3   | Decal - Lanyard Attach   |     |
| 10   | 1704412     | 1   | Decal - Hydraulic Oil Chart  |     |
| 15   | 1705338     | 1   | Decal - Tip-Over   |     |
| 16   | 1705493     | 2   | Decal - Warning Tip-Over   |     |
| 18   | 1703944     | 4   | Decal - Warning Crushing   |     |
| 20   | 1703926     | 1   | Decal - Warning/Danger   |     |
| 21   | 1705344     | 1   | Decal - Warning Inspection   |     |
| 22   | 1703950     | 4   | Decal - Warning Crushing   |     |
| 23   | 1703938     | 5   | Decal - Electrocution  |     |
| 24   | 1703980     | 1   | Decal - Footswitch   |     |
| 27   | See Note    | NSS | Decal - Bar Code (Note: Not Available for Purchase)                        |     |
| 28   | 1001206769  | 1   | Decal - 725lbs Capacity  |     |
| 29   | 1001206770  | 1   | Decal - 725lbs Capacity  |     |
| 31   | 1706751     | 1   | Decal - Legend   |     |
| 32   | 1001206774  | 1   | Decal - Legend   |     |
| 33   | 1705426     | 1   | Decal - Drive/Steer Instructions   |     |
| 34   | 1701505     | 2   | Decal - Fuel   |     |
| 36   | 1701502     | 1   | Decal - Hydraulic Oil Level (High)   |     |
| 37   | 1701501     | 2   | Decal - Arrow  |     |
| 40   | 1001150079  | 1   | Decal - Lift Diagram   |     |
| 43   | 1702774     | 1   | Decal - JLG Lift 3 1/2in   |     |
| 44   | 1702773     | 3   | Decal - JLG 5in  |     |
| 45   | 1704885     | 1   | Decal - www.jlg.com  |     |
| 48   | 1702862     | 2   | Decal - JLG Lift 12in  |     |
| 49   | 1001206773  | 1   | Decal - Daily Check List   |     |
| 52   | 0641406     | 7   | Bolt 1/4 x 3/4   |     |
| 54   | 0860520     | 1   | Box, Manual Storage  |     |
| 56   | 3311405     | 4   | Nut 1/4  |     |
| 57   | 3820001     | 2   | Rivet  |     |
| 58   | 4751400     | 7   | Washer 1/4   |     |
| 59   | 3572327     | 1   | Plate - Decal  |     |
| 66   | 1701503     | 1   | Decal - Hydraulic Oil Level (Low)  |     |
| 67   | 1001203791  | 2   | Decal - White Arrow  |     |
| 68   | 1001153281  | 2   | Plate, Arrow   |     |
| 69   | 4031707     | 6   | Capscrew M6 x 16   |     |
| 70   | 1703811     | 4   | Decal - Lift   |     |
| 71   | 1703938     | 1   | Decal - Electrocution  |     |
| 72   | 1702590     | 1   | Decal - 220V/50Hz  |     |
| 73   | 1001117307  | 1   | Decal - Emergency Stop   |     |

# SECTION 9 - DECALS

## FIGURE 9-6. DECAL INSTALLATION - WITH SHIPYARD PLATFORM (ENGLISH/JAPANESE LANGUAGE) (1030S)



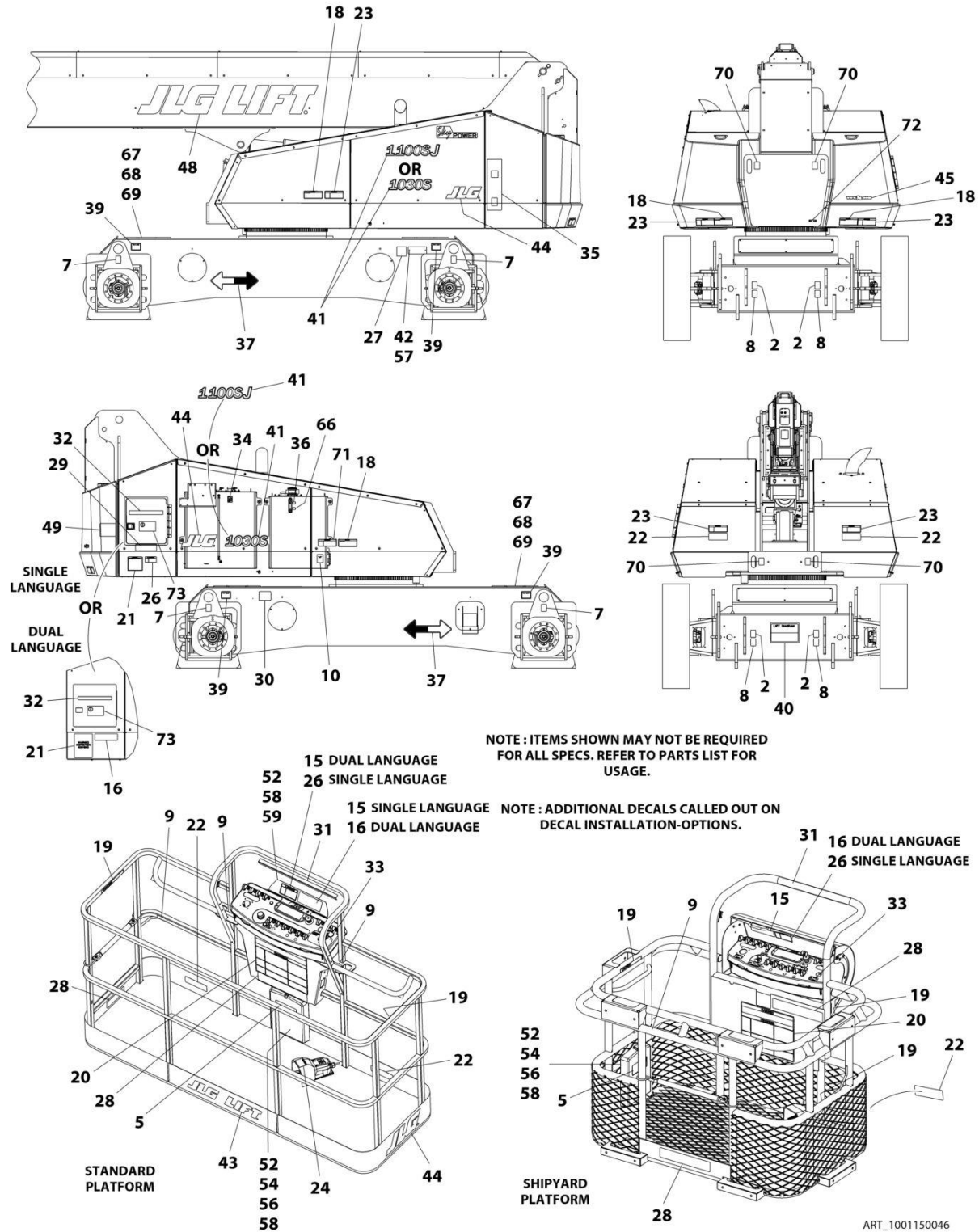
## SECTION 9 - DECALS

**FIGURE 9-6. DECAL INSTALLATION - WITH SHIPYARD PLATFORM (ENGLISH/JAPANESE LANGUAGE) (1030S)**

| ITEM | PART NUMBER | QTY | DESCRIPTION  | REV |
|------|-------------|-----|--|-----|
|      | 1001203581  | Ref | DECAL INSTALLATION - WITH SHIPYARD PLATFORM<br>(ENGLISH/JAPANESE LANGUAGE) | D   |
| 2    | 1701499     | 4   | Decal - No Lift  |     |
| 5    | 1701509     | 1   | Decal - Manual   |     |
| 7    | 1703811     | 4   | Decal - Lift   |     |
| 8    | 1703814     | 4   | Decal - Tie Down   |     |
| 9    | 1704277     | 3   | Decal - Lanyard Attach   |     |
| 10   | 1704412     | 1   | Decal - Hydraulic Oil Chart  |     |
| 15   | 1705338     | 1   | Decal - Tip-Over   |     |
| 16   | 1705493     | 2   | Decal - Warning Tip-Over   |     |
| 18   | 1703944     | 4   | Decal - Warning Crushing   |     |
| 20   | 1703926     | 1   | Decal - Warning/Danger   |     |
| 21   | 1705344     | 1   | Decal - Warning Inspection   |     |
| 22   | 1703950     | 4   | Decal - Warning Crushing   |     |
| 23   | 1703938     | 5   | Decal - Electrocution  |     |
| 24   | 1703980     | 1   | Decal - Footswitch   |     |
| 27   | See Note    | NSS | Decal - Bar Code (Note: Not Available for Purchase)                        |     |
| 28   | 1001206769  | 2   | Decal - 725lbs Capacity  |     |
| 29   | 1001206770  | 1   | Decal - 725lbs Capacity  |     |
| 31   | 1706751     | 1   | Decal - Legend   |     |
| 32   | 1001206774  | 1   | Decal - Legend   |     |
| 33   | 1001203931  | 1   | Decal - Drive/Steer Instructions   |     |
| 34   | 1701505     | 2   | Decal - Fuel   |     |
| 36   | 1701502     | 1   | Decal - Hydraulic Oil Level (High)   |     |
| 37   | 1701501     | 2   | Decal - Arrow  |     |
| 40   | 1001150079  | 1   | Decal - Lift Diagram   |     |
| 44   | 1702773     | 3   | Decal - JLG 5in  |     |
| 45   | 1704885     | 1   | Decal - www.jlg.com  |     |
| 48   | 1702862     | 2   | Decal - JLG Lift 12in  |     |
| 49   | 1001206773  | 1   | Decal - Daily Check List   |     |
| 52   | 0641406     | 7   | Bolt 1/4 x 3/4   |     |
| 54   | 0860520     | 1   | Box, Manual Storage  |     |
| 56   | 3311405     | 4   | Nut 1/4  |     |
| 57   | 3820001     | 2   | Rivet  |     |
| 58   | 4751400     | 7   | Washer 1/4   |     |
| 66   | 1701503     | 1   | Decal - Hydraulic Oil Level (Low)  |     |
| 67   | 1001203791  | 2   | Decal - White Arrow  |     |
| 68   | 1001153281  | 2   | Plate, Arrow   |     |
| 69   | 4031707     | 6   | Capscrew M6 x 16   |     |
| 70   | 1703811     | 4   | Decal - Lift   |     |
| 71   | 1703938     | 1   | Decal - Electrocution  |     |
| 72   | 1702590     | 1   | Decal - 220V/50Hz  |     |
| 73   | 1001117307  | 1   | Decal - Emergency Stop   |     |

# SECTION 9 - DECALS

## FIGURE 9-7. DECAL INSTALLATION - WITH STANDARD PLATFORM (ENGLISH/KOREAN LANGUAGE) (1030S)



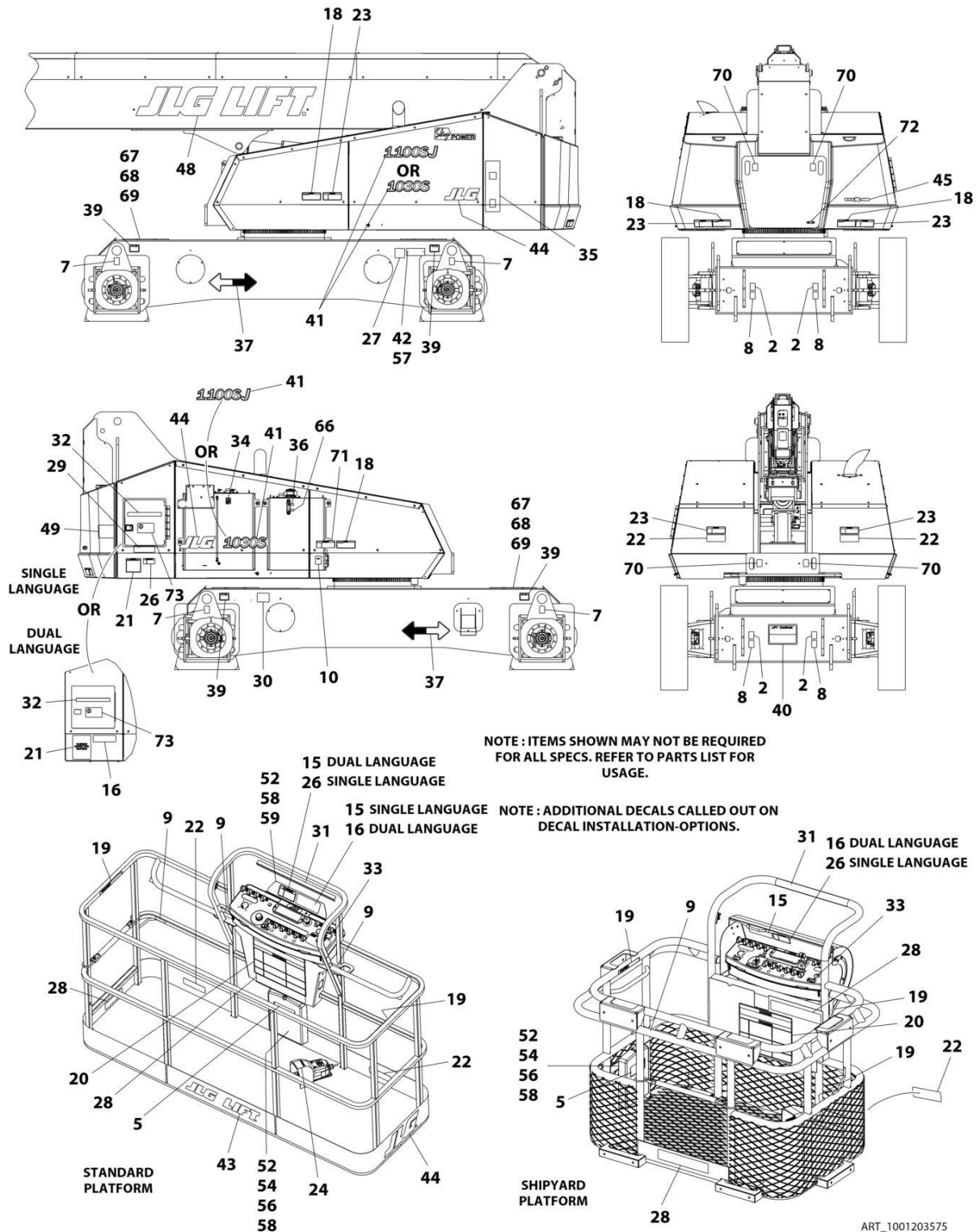
## SECTION 9 - DECALS

**FIGURE 9-7. DECAL INSTALLATION - WITH STANDARD PLATFORM (ENGLISH/KOREAN LANGUAGE) (1030S)**

| ITEM | PART NUMBER | QTY | DESCRIPTION   | REV |
|------|-------------|-----|---|-----|
|      | 1001150046  | Ref | DECAL INSTALLATION - WITH STANDARD PLATFORM (ENGLISH/KOREAN LANGUAGE) | D   |
| 2    | 1701499     | 4   | Decal - No Lift   |     |
| 5    | 1701509     | 1   | Decal - Manual  |     |
| 7    | 1703811     | 4   | Decal - Lift  |     |
| 8    | 1703814     | 4   | Decal - Tie Down  |     |
| 9    | 1704277     | 3   | Decal - Lanyard Attach  |     |
| 10   | 1704412     | 1   | Decal - Hydraulic Oil Chart   |     |
| 15   | 1705339     | 1   | Decal - Tip-Over  |     |
| 16   | 1705503     | 2   | Decal - Warning Tip-Over  |     |
| 18   | 1703945     | 4   | Decal - Warning Crushing  |     |
| 19   | 1705969     | 2   | Decal - No Hands  |     |
| 20   | 1703927     | 1   | Decal - Warning/Danger  |     |
| 21   | 1705345     | 1   | Decal - Warning Inspection  |     |
| 22   | 1703951     | 4   | Decal - Warning Crushing  |     |
| 23   | 1703939     | 5   | Decal - Electrocution   |     |
| 24   | 1703981     | 1   | Decal - Footswitch  |     |
| 27   | See Note    | NSS | Decal - Bar Code (Note: Not Available for Purchase)                   |     |
| 28   | 1001206761  | 2   | Decal - 725lbs Capacity   |     |
| 29   | 1001206762  | 1   | Decal - 725lbs Capacity   |     |
| 31   | 1706751     | 1   | Decal - Legend  |     |
| 32   | 1001206774  | 1   | Decal - Legend  |     |
| 33   | 1705427     | 1   | Decal - Drive/Steer Instructions                                      |     |
| 34   | 1701505     | 2   | Decal - Fuel  |     |
| 36   | 1701502     | 1   | Decal - Hydraulic Oil Level (High)                                    |     |
| 37   | 1701501     | 2   | Decal - Arrow   |     |
| 40   | 1001150079  | 1   | Decal - Lift Diagram  |     |
| 43   | 1702774     | 1   | Decal - JLG Lift 3 1/2in  |     |
| 44   | 1702773     | 3   | Decal - JLG 5in   |     |
| 45   | 1704885     | 1   | Decal - www.jlg.com   |     |
| 48   | 1702862     | 2   | Decal - JLG Lift 12in   |     |
| 49   | 1001206771  | 1   | Decal - Daily Check List  |     |
| 52   | 0641406     | 7   | Bolt 1/4 x 3/4  |     |
| 54   | 0860520     | 1   | Box, Manual Storage   |     |
| 56   | 3311405     | 4   | Nut 1/4   |     |
| 57   | 3820001     | 2   | Rivet   |     |
| 58   | 4751400     | 7   | Washer 1/4  |     |
| 59   | 3572327     | 1   | Plate - Decal   |     |
| 66   | 1701503     | 1   | Decal - Hydraulic Oil Level (Low)                                     |     |
| 67   | 1001203791  | 2   | Decal - White Arrow   |     |
| 68   | 1001153281  | 2   | Plate, Arrow  |     |
| 69   | 4031707     | 6   | Capscrew M6 x 16  |     |
| 70   | 1703811     | 4   | Decal - Lift  |     |
| 71   | 1703939     | 1   | Decal - Electrocution   |     |
| 72   | 1702590     | 1   | Decal - 220V/50Hz   |     |
| 73   | 1001117307  | 1   | Decal - Emergency Stop  |     |

# SECTION 9 - DECALS

## FIGURE 9-8. DECAL INSTALLATION - WITH SHIPYARD PLATFORM (ENGLISH/KOREAN LANGUAGE) (1030S)



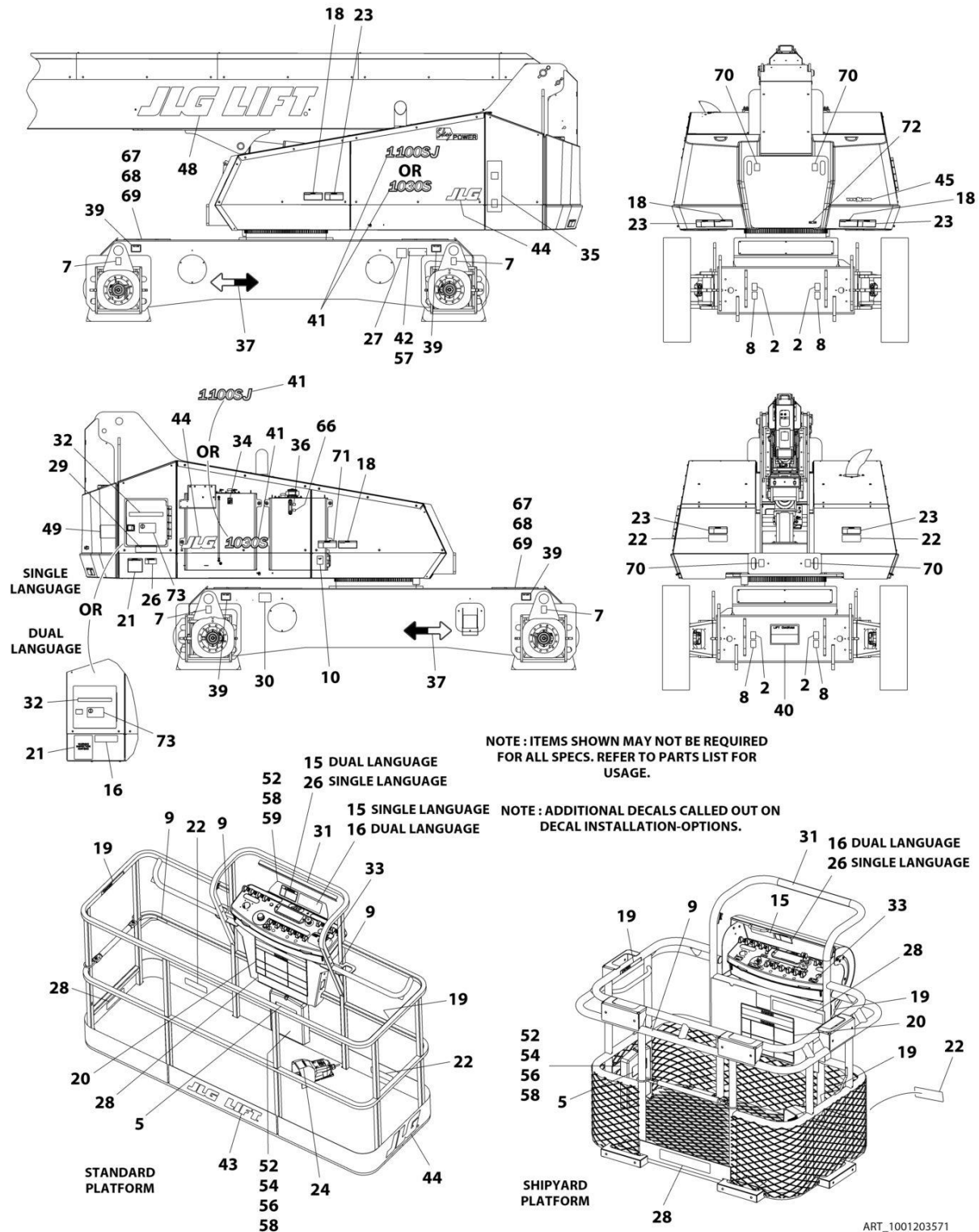
## SECTION 9 - DECALS

**FIGURE 9-8. DECAL INSTALLATION - WITH SHIPYARD PLATFORM (ENGLISH/KOREAN LANGUAGE) (1030S)**

| ITEM | PART NUMBER | QTY | DESCRIPTION   | REV |
|------|-------------|-----|---|-----|
|      | 1001203575  | Ref | DECAL INSTALLATION - WITH SHIPYARD PLATFORM (ENGLISH/KOREAN LANGUAGE) | D   |
| 2    | 1701499     | 4   | Decal - No Lift   |     |
| 5    | 1701509     | 1   | Decal - Manual  |     |
| 7    | 1703811     | 4   | Decal - Lift  |     |
| 8    | 1703814     | 4   | Decal - Tie Down  |     |
| 9    | 1704277     | 3   | Decal - Lanyard Attach  |     |
| 10   | 1704412     | 1   | Decal - Hydraulic Oil Chart   |     |
| 15   | 1705339     | 1   | Decal - Tip-Over  |     |
| 16   | 1705503     | 2   | Decal - Warning Tip-Over  |     |
| 18   | 1703945     | 4   | Decal - Warning Crushing  |     |
| 19   | 1705969     | 2   | Decal - No Hands  |     |
| 20   | 1703927     | 1   | Decal - Warning/Danger  |     |
| 21   | 1705345     | 1   | Decal - Warning Inspection  |     |
| 22   | 1703951     | 4   | Decal - Warning Crushing  |     |
| 23   | 1703939     | 5   | Decal - Electrocution   |     |
| 24   | 1703981     | 1   | Decal - Footswitch  |     |
| 27   | See Note    | NSS | Decal - Bar Code (Note: Not Available for Purchase)                   |     |
| 28   | 1001206761  | 2   | Decal - 725lbs Capacity   |     |
| 29   | 1001206762  | 1   | Decal - 725lbs Capacity   |     |
| 31   | 1706751     | 1   | Decal - Legend  |     |
| 32   | 1001206774  | 1   | Decal - Legend  |     |
| 33   | 1001203929  | 1   | Decal - Drive/Steer Instructions                                      |     |
| 34   | 1701505     | 2   | Decal - Fuel  |     |
| 36   | 1701502     | 1   | Decal - Hydraulic Oil Level (High)                                    |     |
| 37   | 1701501     | 2   | Decal - Arrow   |     |
| 40   | 1001150079  | 1   | Decal - Lift Diagram  |     |
| 44   | 1702773     | 3   | Decal - JLG 5in   |     |
| 45   | 1704885     | 1   | Decal - www.jlg.com   |     |
| 48   | 1702862     | 2   | Decal - JLG Lift 12in   |     |
| 49   | 1001206771  | 1   | Decal - Daily Check List  |     |
| 52   | 0641406     | 7   | Bolt 1/4 x 3/4  |     |
| 54   | 0860520     | 1   | Box, Manual Storage   |     |
| 56   | 3311405     | 4   | Nut 1/4   |     |
| 57   | 3820001     | 2   | Rivet   |     |
| 58   | 4751400     | 7   | Washer 1/4  |     |
| 66   | 1701503     | 1   | Decal - Hydraulic Oil Level (Low)                                     |     |
| 67   | 1001203791  | 2   | Decal - White Arrow   |     |
| 68   | 1001153281  | 2   | Plate, Arrow  |     |
| 69   | 4031707     | 6   | Capscrew M6 x 16  |     |
| 70   | 1703811     | 4   | Decal - Lift  |     |
| 71   | 1703939     | 1   | Decal - Electrocution   |     |
| 72   | 1702590     | 1   | Decal - 220V/50Hz   |     |
| 73   | 1001117307  | 1   | Decal - Emergency Stop  |     |

# SECTION 9 - DECALS

## FIGURE 9-9. DECAL INSTALLATION - WITH STANDARD PLATFORM (ENGLISH LANGUAGE) (1100SJ)





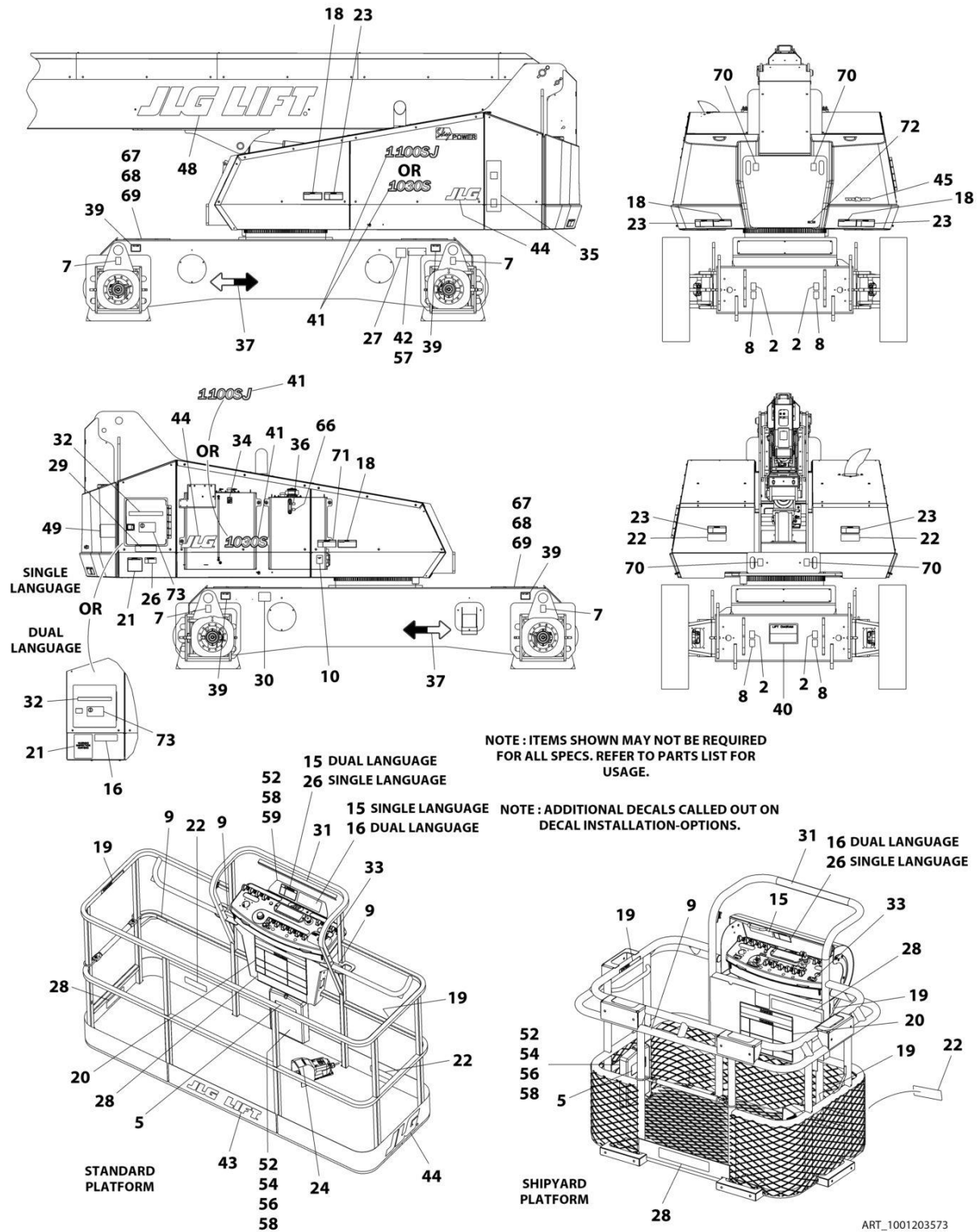
## SECTION 9 - DECALS

**FIGURE 9-9. DECAL INSTALLATION - WITH STANDARD PLATFORM (ENGLISH LANGUAGE)  
(1100SJ)**

| ITEM | PART NUMBER | QTY | DESCRIPTION   | REV |
|------|-------------|-----|---|-----|
|      | 1001203571  | Ref | DECAL INSTALLATION - WITH STANDARD PLATFORM<br>(ENGLISH LANGUAGE) | D   |
| 2    | 1701499     | 4   | Decal - No Lift   |     |
| 5    | 1701509     | 1   | Decal - Manual  |     |
| 7    | 1703811     | 4   | Decal - Lift  |     |
| 8    | 1703814     | 4   | Decal - Tie Down  |     |
| 9    | 1704277     | 3   | Decal - Lanyard Attach  |     |
| 10   | 1704412     | 1   | Decal - Hydraulic Oil Chart                                       |     |
| 15   | 1705337     | 1   | Decal - Tip-Over  |     |
| 18   | 1703953     | 4   | Decal - Warning Crushing  |     |
| 19   | 1702868     | 2   | Decal - No Hands  |     |
| 20   | 1703797     | 1   | Decal - Warning/Danger  |     |
| 21   | 1705336     | 1   | Decal - Warning Inspection  |     |
| 22   | 1703804     | 4   | Decal - Warning Crushing  |     |
| 23   | 1703805     | 5   | Decal - Electrocution   |     |
| 24   | 3252347     | 1   | Decal - Footswitch  |     |
| 26   | 1705492     | 2   | Decal - Tip-Over Hazard   |     |
| 27   | See Note    | NSS | Decal - Bar Code (Note: Not Available for Purchase)               |     |
| 28   | 1001203785  | 2   | Decal - 550lbs Capacity   |     |
| 29   | 1001203786  | 1   | Decal - 550lbs Capacity   |     |
| 30   | 1001131269  | 1   | Decal - Patent  |     |
| 31   | 1706751     | 1   | Decal - Legend  |     |
| 32   | 1001206774  | 1   | Decal - Legend  |     |
| 33   | 1705351     | 1   | Decal - Drive/Steer Instructions                                  |     |
| 34   | 1701505     | 2   | Decal - Fuel  |     |
| 36   | 1701502     | 1   | Decal - Hydraulic Oil Level (High)                                |     |
| 37   | 1701501     | 2   | Decal - Arrow   |     |
| 40   | 1001150079  | 1   | Decal - Lift Diagram  |     |
| 43   | 1702774     | 1   | Decal - JLG Lift 3 1/2in  |     |
| 44   | 1702773     | 3   | Decal - JLG 5in   |     |
| 45   | 1704885     | 1   | Decal - www.jlg.com   |     |
| 48   | 1702862     | 2   | Decal - JLG Lift 12in   |     |
| 49   | 1001203790  | 1   | Decal - Daily Check List  |     |
| 52   | 0641406     | 7   | Bolt 1/4 x 3/4  |     |
| 54   | 0860520     | 1   | Box, Manual Storage   |     |
| 56   | 3311405     | 4   | Nut 1/4   |     |
| 57   | 3820001     | 2   | Rivet   |     |
| 58   | 4751400     | 7   | Washer 1/4  |     |
| 59   | 3380474     | 1   | Plate - Decal   |     |
| 66   | 1701503     | 1   | Decal - Hydraulic Oil Level (Low)                                 |     |
| 67   | 1001203791  | 2   | Decal - White Arrow   |     |
| 68   | 1001153281  | 2   | Plate, Arrow  |     |
| 69   | 4031707     | 6   | Capscrew M6 x 16  |     |
| 70   | 1703811     | 4   | Decal - Lift  |     |
| 71   | 1703805     | 1   | Decal - Electrocution   |     |
| 72   | 1702590     | 1   | Decal - 220V/50Hz   |     |
| 73   | 1001117307  | 1   | Decal - Emergency Stop  |     |

# SECTION 9 - DECALS

## FIGURE 9-10. DECAL INSTALLATION - WITH SHIPYARD PLATFORM (ENGLISH LANGUAGE) (1100SJ)



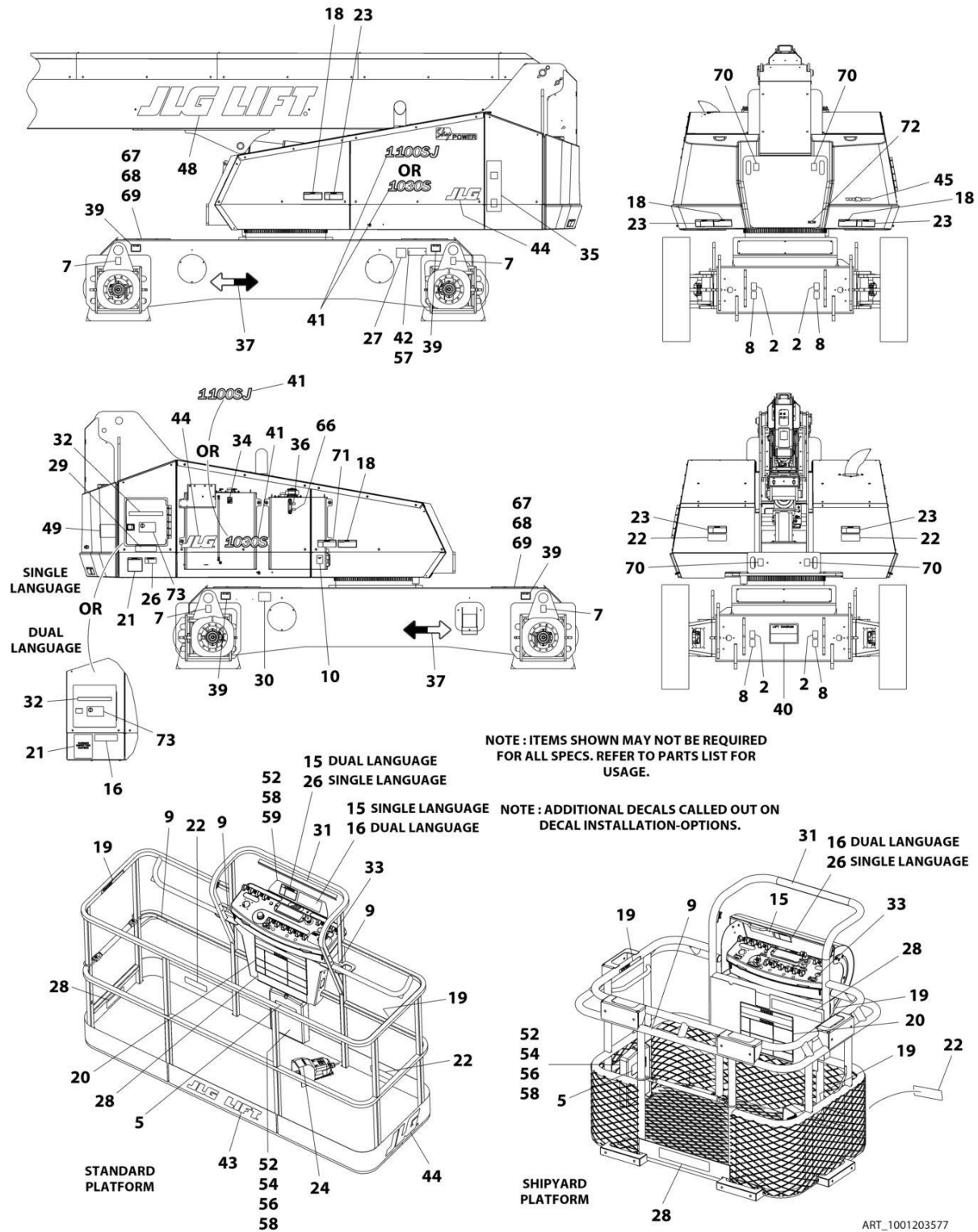
## SECTION 9 - DECALS

**FIGURE 9-10. DECAL INSTALLATION - WITH SHIPYARD PLATFORM (ENGLISH LANGUAGE)  
(1100SJ)**

| ITEM | PART NUMBER | QTY | DESCRIPTION  | REV |
|------|-------------|-----|--|-----|
|      | 1001203573  | Ref | DECAL INSTALLATION - WITH SHIPYARD PLATFORM (ENGLISH LANGUAGE) | D   |
| 2    | 1701499     | 4   | Decal - No Lift  |     |
| 5    | 1701509     | 1   | Decal - Manual   |     |
| 7    | 1703811     | 4   | Decal - Lift   |     |
| 8    | 1703814     | 4   | Decal - Tie Down   |     |
| 9    | 1704277     | 3   | Decal - Lanyard Attach   |     |
| 10   | 1704412     | 1   | Decal - Hydraulic Oil Chart                                    |     |
| 15   | 1705337     | 1   | Decal - Tip-Over   |     |
| 18   | 1703953     | 4   | Decal - Warning Crushing                                       |     |
| 19   | 1702868     | 2   | Decal - No Hands   |     |
| 20   | 1703797     | 1   | Decal - Warning/Danger   |     |
| 21   | 1705336     | 1   | Decal - Warning Inspection                                     |     |
| 22   | 1703804     | 4   | Decal - Warning Crushing                                       |     |
| 23   | 1703805     | 5   | Decal - Electrocution  |     |
| 24   | 3252347     | 1   | Decal - Footswitch   |     |
| 26   | 1705492     | 2   | Decal - Tip-Over Hazard  |     |
| 27   | See Note    | NSS | Decal - Bar Code (Note: Not Available for Purchase)            |     |
| 28   | 1001203785  | 2   | Decal - 550lbs Capacity  |     |
| 29   | 1001203786  | 1   | Decal - 550lbs Capacity  |     |
| 30   | 1001131269  | 1   | Decal - Patent   |     |
| 31   | 1706751     | 1   | Decal - Legend   |     |
| 32   | 1001206774  | 1   | Decal - Legend   |     |
| 33   | 1001203789  | 1   | Decal - Drive/Steer Instructions                               |     |
| 34   | 1701505     | 2   | Decal - Fuel   |     |
| 36   | 1701502     | 1   | Decal - Hydraulic Oil Level (High)                             |     |
| 37   | 1701501     | 2   | Decal - Arrow  |     |
| 40   | 1001150079  | 1   | Decal - Lift Diagram   |     |
| 44   | 1702773     | 2   | Decal - JLG 5in  |     |
| 45   | 1704885     | 1   | Decal - www.jlg.com  |     |
| 48   | 1702862     | 2   | Decal - JLG Lift 12in  |     |
| 49   | 1001203790  | 1   | Decal - Daily Check List                                       |     |
| 52   | 0641406     | 7   | Bolt 1/4 x 3/4   |     |
| 54   | 0860520     | 1   | Box, Manual Storage  |     |
| 56   | 3311405     | 4   | Nut 1/4  |     |
| 57   | 3820001     | 2   | Rivet  |     |
| 58   | 4751400     | 7   | Washer 1/4   |     |
| 66   | 1701503     | 1   | Decal - Hydraulic Oil Level (Low)                              |     |
| 67   | 1001203791  | 2   | Decal - White Arrow  |     |
| 68   | 1001153281  | 2   | Plate, Arrow   |     |
| 69   | 4031707     | 6   | Capscrew M6 x 16   |     |
| 70   | 1703811     | 4   | Decal - Lift   |     |
| 71   | 1703805     | 1   | Decal - Electrocution  |     |
| 72   | 1702590     | 1   | Decal - 220V/50Hz  |     |
| 73   | 1001117307  | 1   | Decal - Emergency Stop   |     |

# SECTION 9 - DECALS

## FIGURE 9-11. DECAL INSTALLATION - WITH STANDARD PLATFORM (ENGLISH/CHINESE LANGUAGE) (1100SJ)



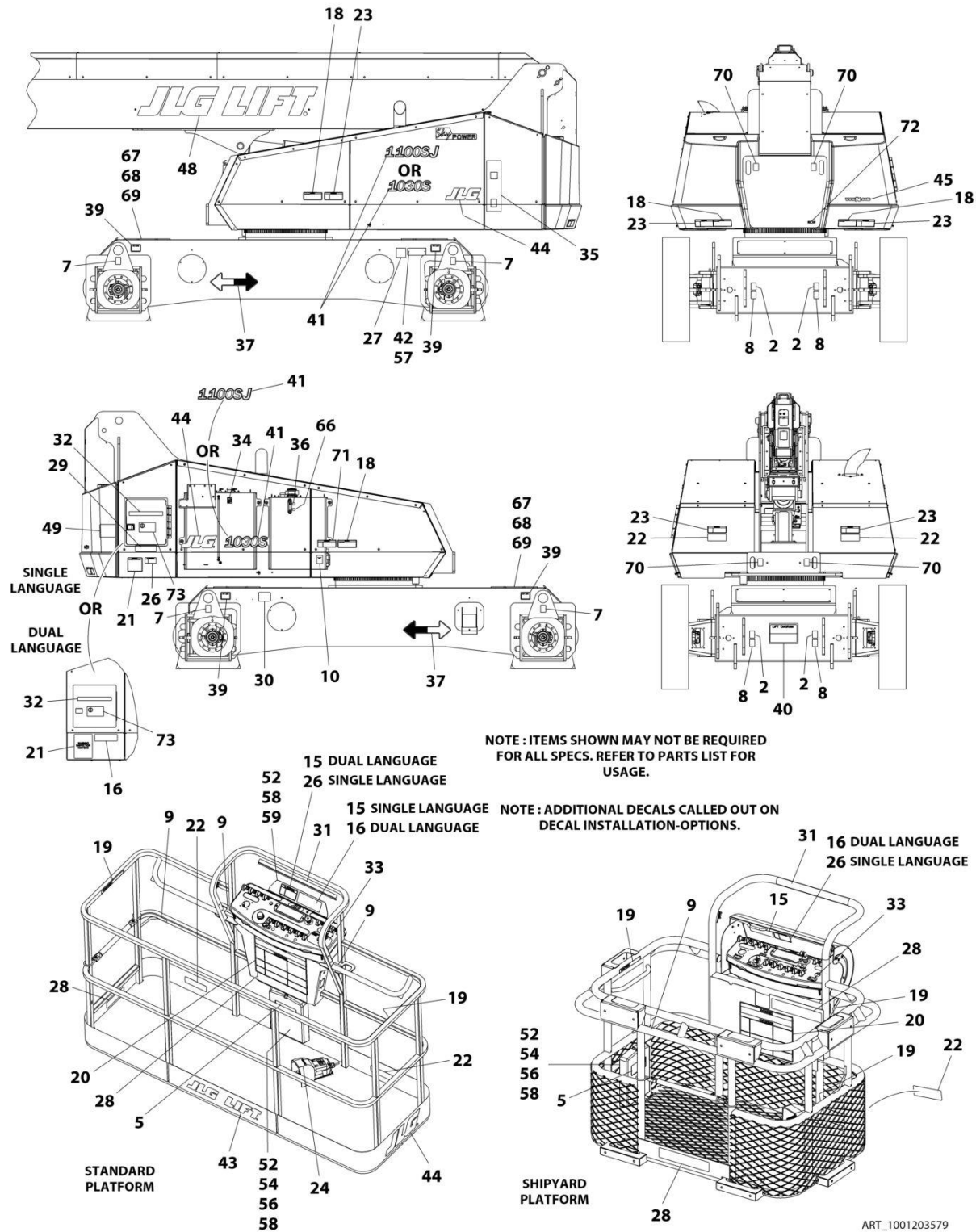
## SECTION 9 - DECALS

**FIGURE 9-11. DECAL INSTALLATION - WITH STANDARD PLATFORM (ENGLISH/CHINESE LANGUAGE) (1100SJ)**

| ITEM | PART NUMBER | QTY | DESCRIPTION   | REV |
|------|-------------|-----|---|-----|
|      | 1001203577  | Ref | DECAL INSTALLATION - WITH STANDARD PLATFORM<br>(ENGLISH/CHINESE LANGUAGE) | D   |
| 2    | 1701499     | 4   | Decal - No Lift   |     |
| 5    | 1701509     | 1   | Decal - Manual  |     |
| 7    | 1703811     | 4   | Decal - Lift  |     |
| 8    | 1703814     | 4   | Decal - Tie Down  |     |
| 9    | 1704277     | 3   | Decal - Lanyard Attach  |     |
| 10   | 1704412     | 1   | Decal - Hydraulic Oil Chart   |     |
| 15   | 1001117034  | 1   | Decal - Tip-Over  |     |
| 16   | 1001117035  | 2   | Decal - Warning Tip-Over  |     |
| 18   | 1703943     | 4   | Decal - Warning Crushing  |     |
| 19   | 1001116846  | 2   | Decal - No Hands  |     |
| 20   | 1703925     | 1   | Decal - Warning/Danger  |     |
| 21   | 1001116849  | 1   | Decal - Warning Inspection  |     |
| 22   | 1703949     | 4   | Decal - Warning Crushing  |     |
| 23   | 1001116851  | 5   | Decal - Electrocution   |     |
| 24   | 1703982     | 1   | Decal - Footswitch  |     |
| 27   | See Note    | NSS | Decal - Bar Code (Note: Not Available for Purchase)                       |     |
| 28   | 1001206763  | 2   | Decal - 550lbs Capacity   |     |
| 29   | 1001206764  | 1   | Decal - 550lbs Capacity   |     |
| 31   | 1706751     | 1   | Decal - Legend  |     |
| 32   | 1001206774  | 1   | Decal - Legend  |     |
| 33   | 1705430     | 1   | Decal - Drive/Steer Instructions  |     |
| 34   | 1701505     | 2   | Decal - Fuel  |     |
| 36   | 1701502     | 1   | Decal - Hydraulic Oil Level (High)  |     |
| 37   | 1701501     | 2   | Decal - Arrow   |     |
| 40   | 1001150079  | 1   | Decal - Lift Diagram  |     |
| 43   | 1702774     | 1   | Decal - JLG Lift 3 1/2in  |     |
| 44   | 1702773     | 3   | Decal - JLG 5in   |     |
| 45   | 1704885     | 1   | Decal - www.jlg.com   |     |
| 48   | 1702862     | 2   | Decal - JLG Lift 12in   |     |
| 49   | 1001206772  | 1   | Decal - Daily Check List  |     |
| 52   | 0641406     | 7   | Bolt 1/4 x 3/4  |     |
| 54   | 0860520     | 1   | Box, Manual Storage   |     |
| 56   | 3311405     | 4   | Nut 1/4   |     |
| 57   | 3820001     | 2   | Rivet   |     |
| 58   | 4751400     | 7   | Washer 1/4  |     |
| 59   | 3572327     | 1   | Plate - Decal   |     |
| 66   | 1701503     | 1   | Decal - Hydraulic Oil Level (Low)   |     |
| 67   | 1001203791  | 2   | Decal - White Arrow   |     |
| 68   | 1001153281  | 2   | Plate, Arrow  |     |
| 69   | 4031707     | 6   | Capscrew M6 x 16  |     |
| 70   | 1703811     | 4   | Decal - Lift  |     |
| 71   | 1001116851  | 1   | Decal - Electrocution   |     |
| 72   | 1702590     | 1   | Decal - 220V/50Hz   |     |
| 73   | 1001117307  | 1   | Decal - Emergency Stop  |     |

# SECTION 9 - DECALS

## FIGURE 9-12. DECAL INSTALLATION - WITH SHIPYARD PLATFORM (ENGLISH/CHINESE LANGUAGE) (1100SJ)



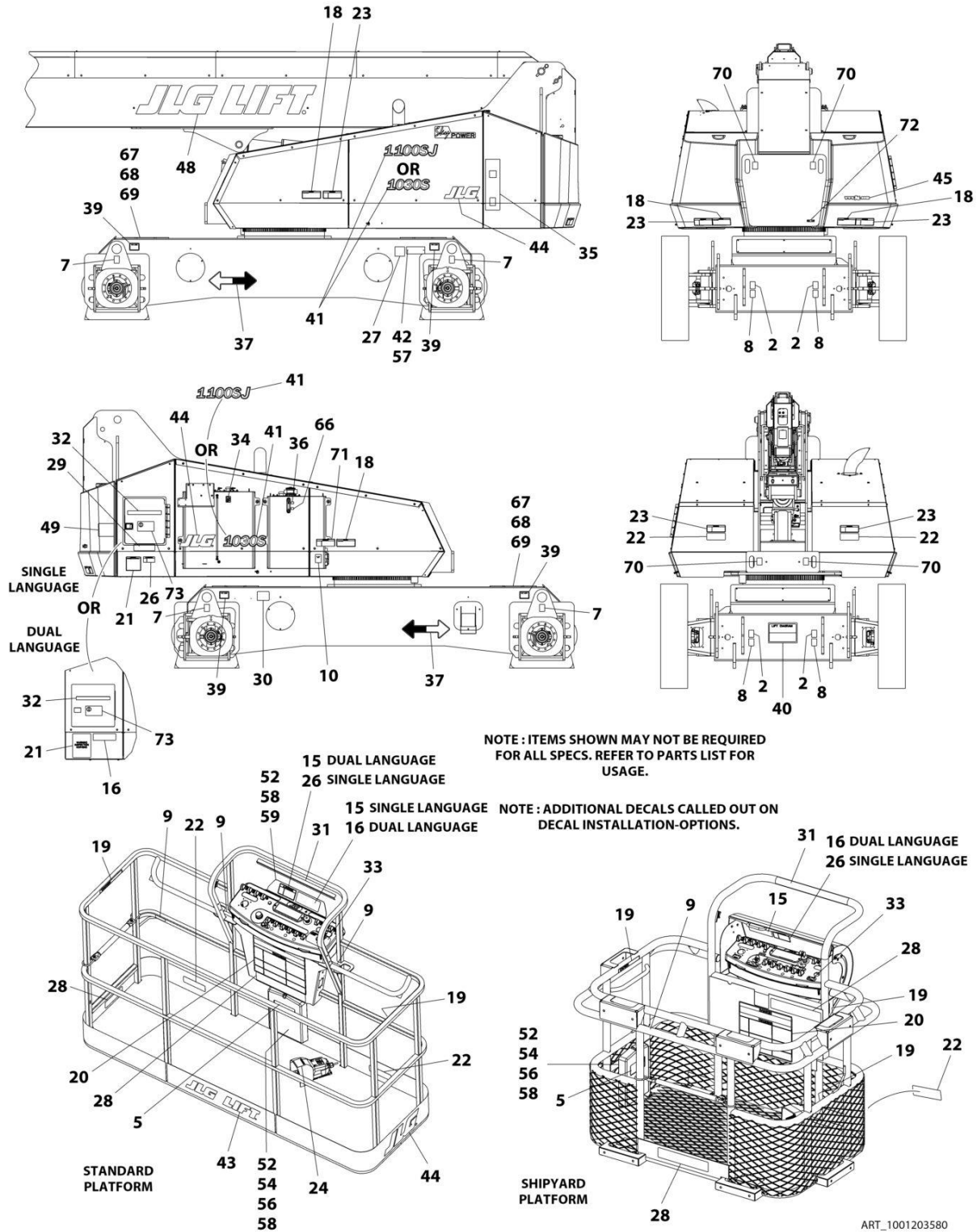
## SECTION 9 - DECALS

**FIGURE 9-12. DECAL INSTALLATION - WITH SHIPYARD PLATFORM (ENGLISH/CHINESE LANGUAGE) (1100SJ)**

| ITEM | PART NUMBER | QTY | DESCRIPTION   | REV |
|------|-------------|-----|---|-----|
|      | 1001203579  | Ref | DECAL INSTALLATION - WITH SHIPYARD PLATFORM<br>(ENGLISH/CHINESE LANGUAGE) | D   |
| 2    | 1701499     | 4   | Decal - No Lift   |     |
| 5    | 1701509     | 1   | Decal - Manual  |     |
| 7    | 1703811     | 4   | Decal - Lift  |     |
| 8    | 1703814     | 4   | Decal - Tie Down  |     |
| 9    | 1704277     | 3   | Decal - Lanyard Attach  |     |
| 10   | 1704412     | 1   | Decal - Hydraulic Oil Chart   |     |
| 15   | 1001117034  | 1   | Decal - Tip-Over  |     |
| 16   | 1001117035  | 2   | Decal - Warning Tip-Over  |     |
| 18   | 1703943     | 4   | Decal - Warning Crushing  |     |
| 19   | 1001116846  | 2   | Decal - No Hands  |     |
| 20   | 1703925     | 1   | Decal - Warning/Danger  |     |
| 21   | 1001116849  | 1   | Decal - Warning Inspection  |     |
| 22   | 1703949     | 4   | Decal - Warning Crushing  |     |
| 23   | 1001116851  | 5   | Decal - Electrocution   |     |
| 24   | 1703982     | 1   | Decal - Footswitch  |     |
| 27   | See Note    | NSS | Decal - Bar Code (Note: Not Available for Purchase)                       |     |
| 28   | 1001206763  | 2   | Decal - 550lbs Capacity   |     |
| 29   | 1001206764  | 1   | Decal - 550lbs Capacity   |     |
| 31   | 1706751     | 1   | Decal - Legend  |     |
| 32   | 1001206774  | 1   | Decal - Legend  |     |
| 33   | 1001203930  | 1   | Decal - Drive/Steer Instructions  |     |
| 34   | 1701505     | 2   | Decal - Fuel  |     |
| 36   | 1701502     | 1   | Decal - Hydraulic Oil Level (High)  |     |
| 37   | 1701501     | 2   | Decal - Arrow   |     |
| 40   | 1001150079  | 1   | Decal - Lift Diagram  |     |
| 44   | 1702773     | 2   | Decal - JLG 5in   |     |
| 45   | 1704885     | 1   | Decal - www.jlg.com   |     |
| 48   | 1702862     | 2   | Decal - JLG Lift 12in   |     |
| 49   | 1001206772  | 1   | Decal - Daily Check List  |     |
| 52   | 0641406     | 7   | Bolt 1/4 x 3/4  |     |
| 54   | 0860520     | 1   | Box, Manual Storage   |     |
| 56   | 3311405     | 4   | Nut 1/4   |     |
| 57   | 3820001     | 2   | Rivet   |     |
| 58   | 4751400     | 7   | Washer 1/4  |     |
| 66   | 1701503     | 1   | Decal - Hydraulic Oil Level (Low)   |     |
| 67   | 1001203791  | 2   | Decal - White Arrow   |     |
| 68   | 1001153281  | 2   | Plate, Arrow  |     |
| 69   | 4031707     | 6   | Capscrew M6 x 16  |     |
| 70   | 1703811     | 4   | Decal - Lift  |     |
| 71   | 1001116851  | 1   | Decal - Electrocution   |     |
| 72   | 1702590     | 1   | Decal - 220V/50Hz   |     |
| 73   | 1001117307  | 1   | Decal - Emergency Stop  |     |

# SECTION 9 - DECALS

## FIGURE 9-13. DECAL INSTALLATION - WITH STANDARD PLATFORM (ENGLISH/JAPANESE LANGUAGE) (1100SJ)





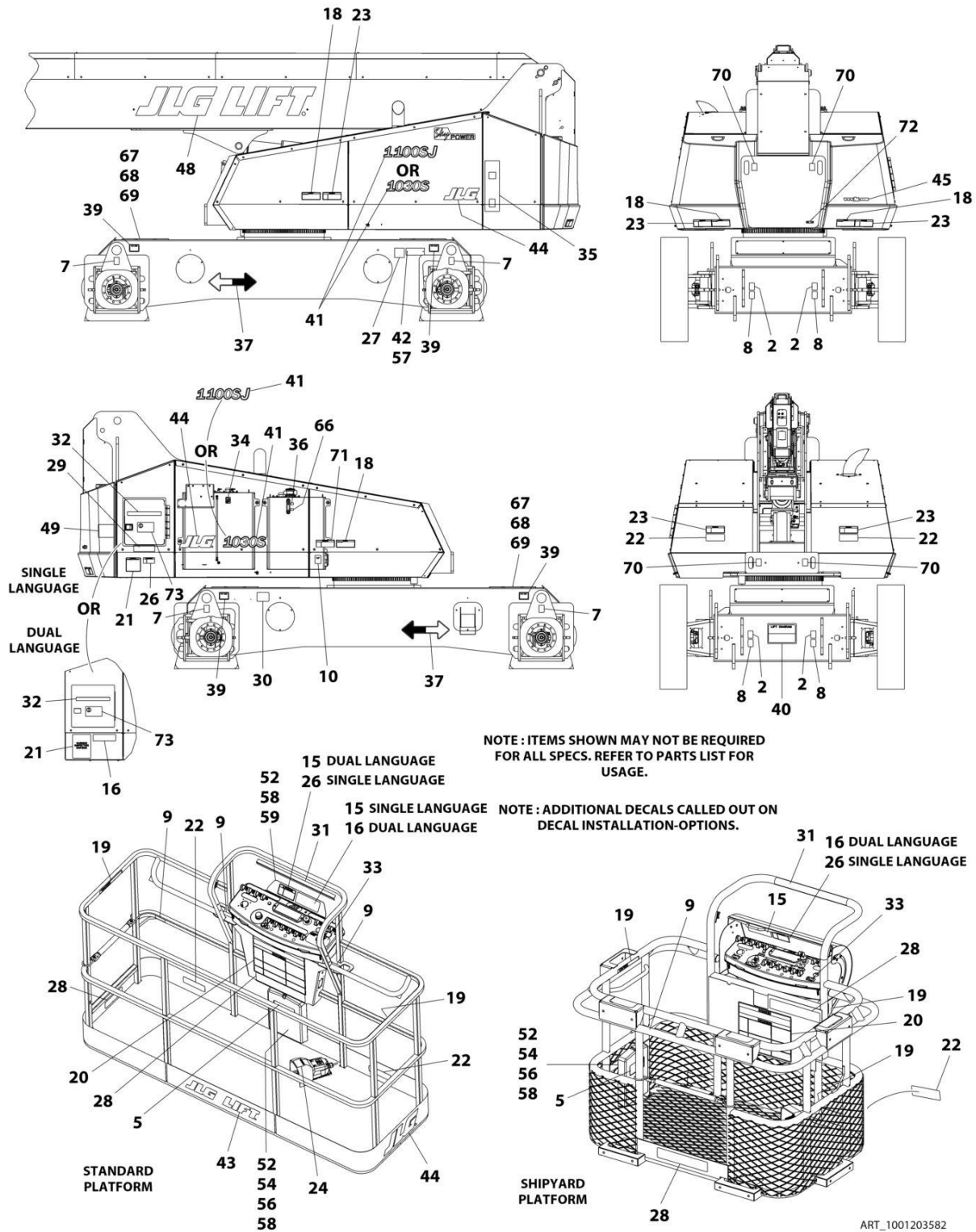
## SECTION 9 - DECALS

**FIGURE 9-13. DECAL INSTALLATION - WITH STANDARD PLATFORM (ENGLISH/JAPANESE LANGUAGE) (1100SJ)**

| ITEM | PART NUMBER | QTY | DESCRIPTION   | REV |
|------|-------------|-----|---|-----|
|      | 1001203580  | Ref | DECAL INSTALLATION - WITH STANDARD PLATFORM (ENGLISH/JAPANESE LANGUAGE) | D   |
| 2    | 1701499     | 4   | Decal - No Lift   |     |
| 5    | 1701509     | 1   | Decal - Manual  |     |
| 7    | 1703811     | 4   | Decal - Lift  |     |
| 8    | 1703814     | 4   | Decal - Tie Down  |     |
| 9    | 1704277     | 3   | Decal - Lanyard Attach  |     |
| 10   | 1704412     | 1   | Decal - Hydraulic Oil Chart   |     |
| 15   | 1705338     | 1   | Decal - Tip-Over  |     |
| 16   | 1705493     | 2   | Decal - Warning Tip-Over  |     |
| 18   | 1703944     | 4   | Decal - Warning Crushing  |     |
| 20   | 1703926     | 2   | Decal - Warning/Danger  |     |
| 21   | 1705344     | 1   | Decal - Warning Inspection  |     |
| 22   | 1703950     | 4   | Decal - Warning Crushing  |     |
| 23   | 1703938     | 5   | Decal - Electrocution   |     |
| 24   | 1703980     | 1   | Decal - Footswitch  |     |
| 27   | See Note    | NSS | Decal - Bar Code (Note: Not Available for Purchase)                     |     |
| 28   | 1001206767  | 2   | Decal - 550lbs Capacity   |     |
| 29   | 1001206768  | 1   | Decal - 550lbs Capacity   |     |
| 31   | 1706751     | 1   | Decal - Legend  |     |
| 32   | 1001206774  | 1   | Decal - Legend  |     |
| 33   | 1705426     | 1   | Decal - Drive/Steer Instructions  |     |
| 34   | 1701505     | 2   | Decal - Fuel  |     |
| 36   | 1701502     | 1   | Decal - Hydraulic Oil Level (High)                                      |     |
| 37   | 1701501     | 2   | Decal - Arrow   |     |
| 40   | 1001150079  | 1   | Decal - Lift Diagram  |     |
| 43   | 1702774     | 1   | Decal - JLG Lift 3 1/2in  |     |
| 44   | 1702773     | 3   | Decal - JLG 5in   |     |
| 45   | 1704885     | 1   | Decal - www.jlg.com   |     |
| 48   | 1702862     | 2   | Decal - JLG Lift 12in   |     |
| 49   | 1001206773  | 1   | Decal - Daily Check List  |     |
| 52   | 0641406     | 7   | Bolt 1/4 x 3/4  |     |
| 54   | 0860520     | 1   | Box, Manual Storage   |     |
| 56   | 3311405     | 4   | Nut 1/4   |     |
| 57   | 3820001     | 2   | Rivet   |     |
| 58   | 4751400     | 7   | Washer 1/4  |     |
| 59   | 3572327     | 1   | Plate - Decal   |     |
| 66   | 1701503     | 1   | Decal - Hydraulic Oil Level (Low)                                       |     |
| 67   | 1001203791  | 2   | Decal - White Arrow   |     |
| 68   | 1001153281  | 2   | Plate, Arrow  |     |
| 69   | 4031707     | 6   | Capscrew M6 x 16  |     |
| 70   | 1703811     | 4   | Decal - Lift  |     |
| 71   | 1703938     | 1   | Decal - Electrocution   |     |
| 72   | 1702590     | 1   | Decal - 220V/50Hz   |     |
| 73   | 1001117307  | 1   | Decal - Emergency Stop  |     |

# SECTION 9 - DECALS

## FIGURE 9-14. DECAL INSTALLATION - WITH SHIPYARD PLATFORM (ENGLISH/JAPANESE LANGUAGE) (1100SJ)



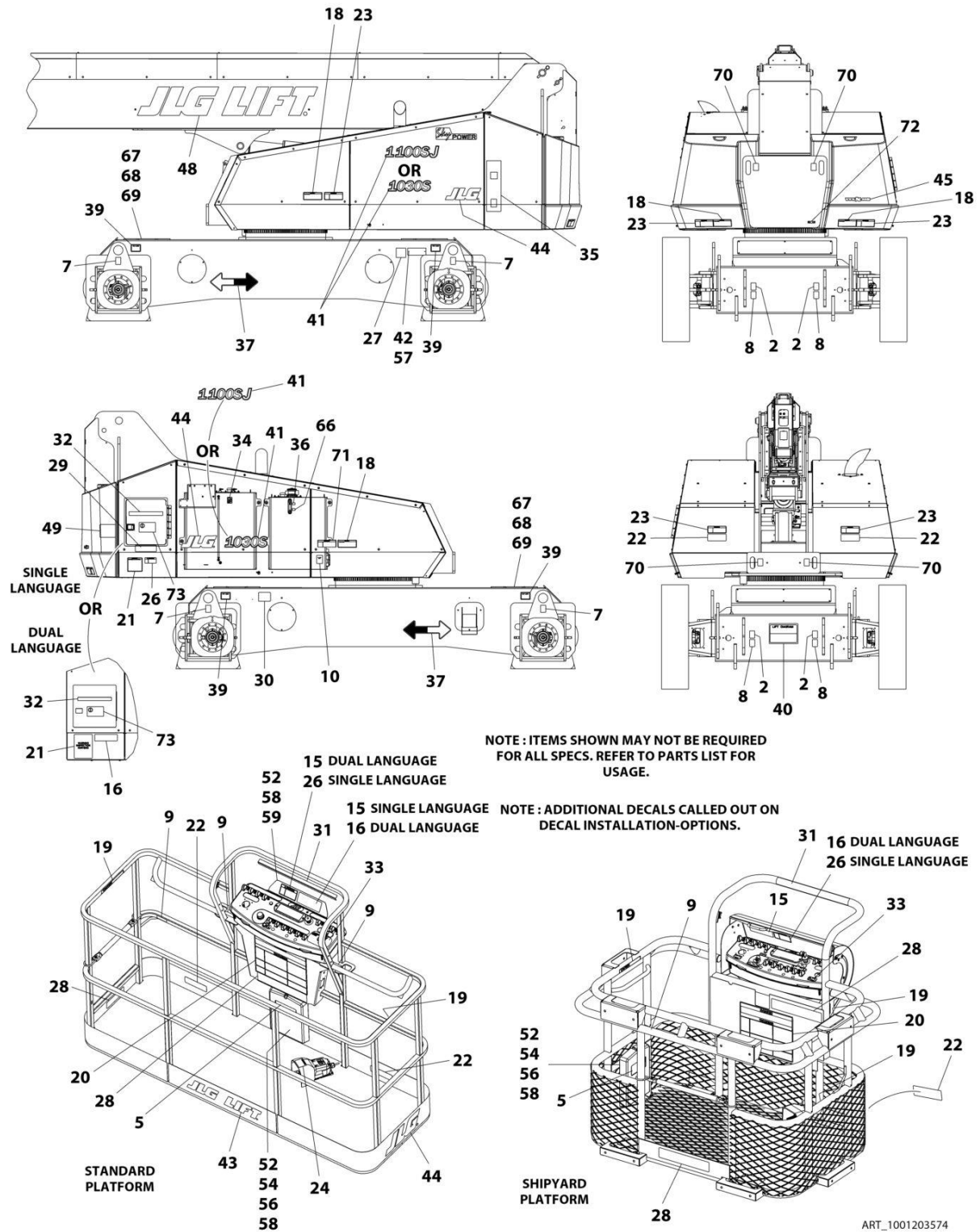
## SECTION 9 - DECALS

**FIGURE 9-14. DECAL INSTALLATION - WITH SHIPYARD PLATFORM (ENGLISH/JAPANESE LANGUAGE) (1100SJ)**

| ITEM | PART NUMBER | QTY | DESCRIPTION  | REV |
|------|-------------|-----|--|-----|
|      | 1001203582  | Ref | DECAL INSTALLATION - WITH SHIPYARD PLATFORM<br>(ENGLISH/JAPANESE LANGUAGE) | D   |
| 2    | 1701499     | 4   | Decal - No Lift  |     |
| 5    | 1701509     | 1   | Decal - Manual   |     |
| 7    | 1703811     | 4   | Decal - Lift   |     |
| 8    | 1703814     | 4   | Decal - Tie Down   |     |
| 9    | 1704277     | 3   | Decal - Lanyard Attach   |     |
| 10   | 1704412     | 1   | Decal - Hydraulic Oil Chart  |     |
| 15   | 1705338     | 1   | Decal - Tip-Over   |     |
| 16   | 1705493     | 2   | Decal - Warning Tip-Over   |     |
| 18   | 1703944     | 4   | Decal - Warning Crushing   |     |
| 20   | 1703926     | 2   | Decal - Warning/Danger   |     |
| 21   | 1705344     | 1   | Decal - Warning Inspection   |     |
| 22   | 1703950     | 4   | Decal - Warning Crushing   |     |
| 23   | 1703938     | 5   | Decal - Electrocution  |     |
| 24   | 1703980     | 1   | Decal - Footswitch   |     |
| 27   | See Note    | NSS | Decal - Bar Code (Note: Not Available for Purchase)                        |     |
| 28   | 1001206767  | 2   | Decal - 550lbs Capacity  |     |
| 29   | 1001206768  | 1   | Decal - 550lbs Capacity  |     |
| 31   | 1706751     | 1   | Decal - Legend   |     |
| 32   | 1001206774  | 1   | Decal - Legend   |     |
| 33   | 1001203931  | 1   | Decal - Drive/Steer Instructions   |     |
| 34   | 1701505     | 2   | Decal - Fuel   |     |
| 36   | 1701502     | 1   | Decal - Hydraulic Oil Level (High)   |     |
| 37   | 1701501     | 2   | Decal - Arrow  |     |
| 40   | 1001150079  | 1   | Decal - Lift Diagram   |     |
| 44   | 1702773     | 3   | Decal - JLG 5in  |     |
| 45   | 1704885     | 1   | Decal - www.jlg.com  |     |
| 48   | 1702862     | 2   | Decal - JLG Lift 12in  |     |
| 49   | 1001206773  | 1   | Decal - Daily Check List   |     |
| 52   | 0641406     | 7   | Bolt 1/4 x 3/4   |     |
| 54   | 0860520     | 1   | Box, Manual Storage  |     |
| 56   | 3311405     | 4   | Nut 1/4  |     |
| 57   | 3820001     | 2   | Rivet  |     |
| 58   | 4751400     | 7   | Washer 1/4   |     |
| 66   | 1701503     | 1   | Decal - Hydraulic Oil Level (Low)  |     |
| 67   | 1001203791  | 2   | Decal - White Arrow  |     |
| 68   | 1001153281  | 2   | Plate, Arrow   |     |
| 69   | 4031707     | 6   | Capscrew M6 x 16   |     |
| 70   | 1703811     | 4   | Decal - Lift   |     |
| 71   | 1703938     | 1   | Decal - Electrocution  |     |
| 72   | 1702590     | 1   | Decal - 220V/50Hz  |     |
| 73   | 1001117307  | 1   | Decal - Emergency Stop   |     |

# SECTION 9 - DECALS

## FIGURE 9-15. DECAL INSTALLATION - WITH STANDARD PLATFORM (ENGLISH/KOREAN LANGUAGE) (1100SJ)



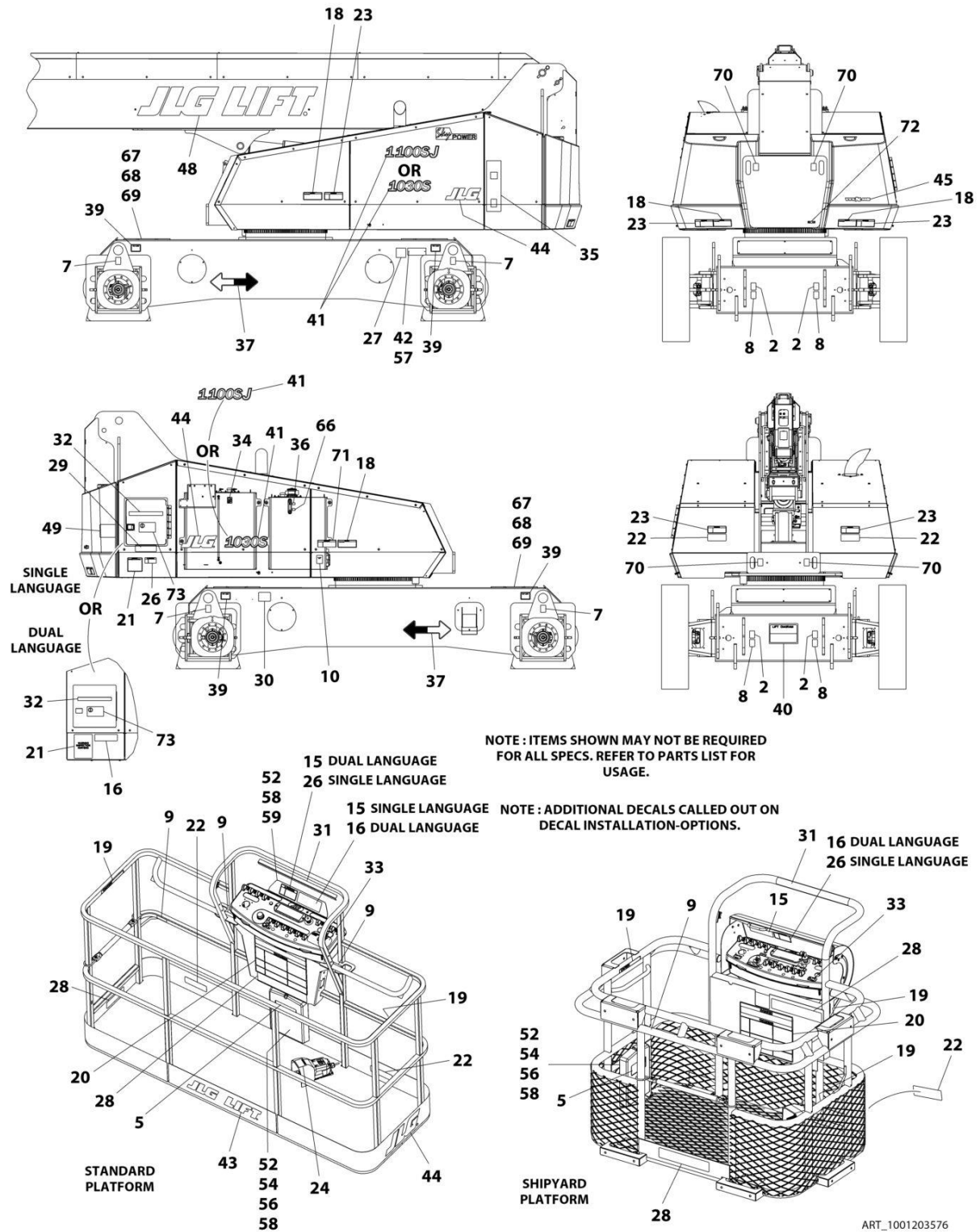
## SECTION 9 - DECALS

**FIGURE 9-15. DECAL INSTALLATION - WITH STANDARD PLATFORM (ENGLISH/KOREAN LANGUAGE) (1100SJ)**

| ITEM | PART NUMBER | QTY | DESCRIPTION   | REV |
|------|-------------|-----|---|-----|
|      | 1001203574  | Ref | DECAL INSTALLATION - WITH STANDARD PLATFORM (ENGLISH/KOREAN LANGUAGE) | D   |
| 2    | 1701499     | 4   | Decal - No Lift   |     |
| 5    | 1701509     | 1   | Decal - Manual  |     |
| 7    | 1703811     | 4   | Decal - Lift  |     |
| 8    | 1703814     | 4   | Decal - Tie Down  |     |
| 9    | 1704277     | 3   | Decal - Lanyard Attach  |     |
| 10   | 1704412     | 1   | Decal - Hydraulic Oil Chart   |     |
| 15   | 1705339     | 1   | Decal - Tip-Over  |     |
| 16   | 1705503     | 2   | Decal - Warning Tip-Over  |     |
| 18   | 1703945     | 4   | Decal - Warning Crushing  |     |
| 19   | 1705969     | 2   | Decal - No Hands  |     |
| 20   | 1703927     | 1   | Decal - Warning/Danger  |     |
| 21   | 1705345     | 1   | Decal - Warning Inspection  |     |
| 22   | 1703951     | 4   | Decal - Warning Crushing  |     |
| 23   | 1703939     | 5   | Decal - Electrocution   |     |
| 24   | 1703981     | 1   | Decal - Footswitch  |     |
| 27   | See Note    | NSS | Decal - Bar Code (Note: Not Available for Purchase)                   |     |
| 28   | 1001206759  | 2   | Decal - 550lbs Capacity   |     |
| 29   | 1001206760  | 1   | Decal - 550lbs Capacity   |     |
| 31   | 1706751     | 1   | Decal - Legend  |     |
| 32   | 1001206774  | 1   | Decal - Legend  |     |
| 33   | 1705427     | 1   | Decal - Drive/Steer Instructions                                      |     |
| 34   | 1701505     | 2   | Decal - Fuel  |     |
| 36   | 1701502     | 1   | Decal - Hydraulic Oil Level (High)                                    |     |
| 37   | 1701501     | 2   | Decal - Arrow   |     |
| 40   | 1001150079  | 1   | Decal - Lift Diagram  |     |
| 43   | 1702774     | 1   | Decal - JLG Lift 3 1/2in  |     |
| 44   | 1702773     | 3   | Decal - JLG 5in   |     |
| 45   | 1704885     | 1   | Decal - www.jlg.com   |     |
| 48   | 1702862     | 2   | Decal - JLG Lift 12in   |     |
| 49   | 1001206771  | 1   | Decal - Daily Check List  |     |
| 52   | 0641406     | 7   | Bolt 1/4 x 3/4  |     |
| 54   | 0860520     | 1   | Box, Manual Storage   |     |
| 56   | 3311405     | 4   | Nut 1/4   |     |
| 57   | 3820001     | 2   | Rivet   |     |
| 58   | 4751400     | 7   | Washer 1/4  |     |
| 59   | 3572327     | 1   | Plate - Decal   |     |
| 66   | 1701503     | 1   | Decal - Hydraulic Oil Level (Low)                                     |     |
| 67   | 1001203791  | 2   | Decal - White Arrow   |     |
| 68   | 1001153281  | 2   | Plate, Arrow  |     |
| 69   | 4031707     | 6   | Capscrew M6 x 16  |     |
| 70   | 1703811     | 4   | Decal - Lift  |     |
| 71   | 1703939     | 1   | Decal - Electrocution   |     |
| 72   | 1702590     | 1   | Decal - 220V/50Hz   |     |
| 73   | 1001117307  | 1   | Decal - Emergency Stop  |     |

# SECTION 9 - DECALS

## FIGURE 9-16. DECAL INSTALLATION - WITH SHIPYARD PLATFORM (ENGLISH/KOREAN LANGUAGE) (1100SJ)



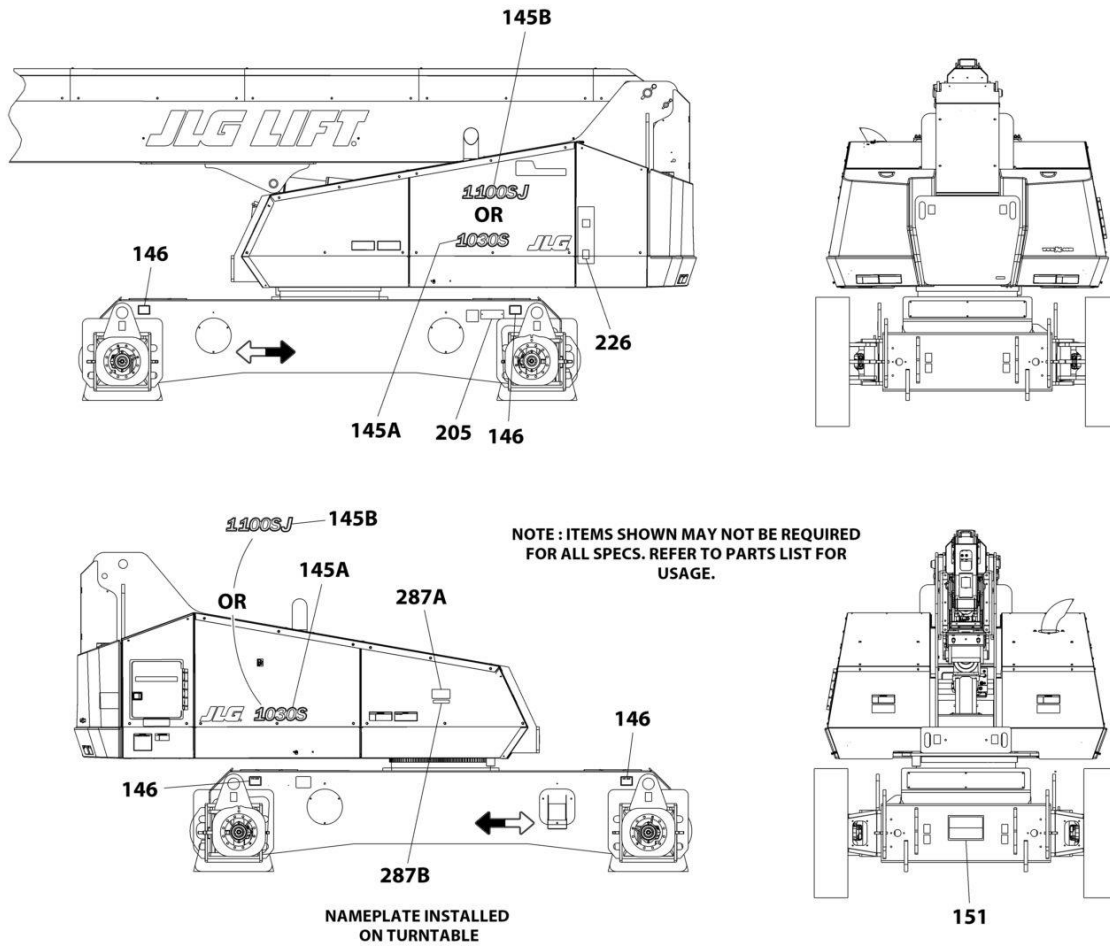
## SECTION 9 - DECALS

**FIGURE 9-16. DECAL INSTALLATION - WITH SHIPYARD PLATFORM (ENGLISH/KOREAN LANGUAGE) (1100SJ)**

| ITEM | PART NUMBER | QTY | DESCRIPTION  | REV |
|------|-------------|-----|--|-----|
|      | 1001203576  | Ref | DECAL INSTALLATION - WITH SHIPYARD PLATFORM<br>(ENGLISH/KOREAN LANGUAGE) | D   |
| 2    | 1701499     | 4   | Decal - No Lift  |     |
| 5    | 1701509     | 1   | Decal - Manual   |     |
| 7    | 1703811     | 4   | Decal - Lift   |     |
| 8    | 1703814     | 4   | Decal - Tie Down   |     |
| 9    | 1704277     | 3   | Decal - Lanyard Attach   |     |
| 10   | 1704412     | 1   | Decal - Hydraulic Oil Chart  |     |
| 15   | 1705339     | 1   | Decal - Tip-Over   |     |
| 16   | 1705503     | 2   | Decal - Warning Tip-Over   |     |
| 18   | 1703945     | 4   | Decal - Warning Crushing   |     |
| 19   | 1705969     | 2   | Decal - No Hands   |     |
| 20   | 1703927     | 1   | Decal - Warning/Danger   |     |
| 21   | 1705345     | 1   | Decal - Warning Inspection   |     |
| 22   | 1703951     | 4   | Decal - Warning Crushing   |     |
| 23   | 1703939     | 5   | Decal - Electrocutation  |     |
| 24   | 1703981     | 1   | Decal - Footswitch   |     |
| 27   | See Note    | NSS | Decal - Bar Code (Note: Not Available for Purchase)                      |     |
| 28   | 1001206759  | 2   | Decal - 550lbs Capacity  |     |
| 29   | 1001206760  | 1   | Decal - 550lbs Capacity  |     |
| 31   | 1706751     | 1   | Decal - Legend   |     |
| 32   | 1001206774  | 1   | Decal - Legend   |     |
| 33   | 1001203929  | 1   | Decal - Drive/Steer Instructions   |     |
| 34   | 1701505     | 2   | Decal - Fuel   |     |
| 36   | 1701502     | 1   | Decal - Hydraulic Oil Level (High)                                       |     |
| 37   | 1701501     | 2   | Decal - Arrow  |     |
| 40   | 1001150079  | 1   | Decal - Lift Diagram   |     |
| 44   | 1702773     | 3   | Decal - JLG 5in  |     |
| 45   | 1704885     | 1   | Decal - www.jlg.com  |     |
| 48   | 1702862     | 2   | Decal - JLG Lift 12in  |     |
| 49   | 1001206771  | 1   | Decal - Daily Check List   |     |
| 52   | 0641406     | 7   | Bolt 1/4 x 3/4   |     |
| 54   | 0860520     | 1   | Box, Manual Storage  |     |
| 56   | 3311405     | 4   | Nut 1/4  |     |
| 57   | 3820001     | 2   | Rivet  |     |
| 58   | 4751400     | 7   | Washer 1/4   |     |
| 66   | 1701503     | 1   | Decal - Hydraulic Oil Level (Low)  |     |
| 67   | 1001203791  | 2   | Decal - White Arrow  |     |
| 68   | 1001153281  | 2   | Plate, Arrow   |     |
| 69   | 4031707     | 6   | Capscrew M6 x 16   |     |
| 70   | 1703811     | 4   | Decal - Lift   |     |
| 71   | 1703939     | 1   | Decal - Electrocutation  |     |
| 72   | 1702590     | 1   | Decal - 220V/50Hz  |     |
| 73   | 1001117307  | 1   | Decal - Emergency Stop   |     |

# SECTION 9 - DECALS

## FIGURE 9-17. DECAL INSTALLATIONS - OPTIONS



ART\_DECAL\_OPTIONS



## SECTION 9 - DECALS

**FIGURE 9-17. DECAL INSTALLATIONS - OPTIONS**

| ITEM | PART NUMBER | QTY | DESCRIPTION  | REV |
|------|-------------|-----|--|-----|
|      |             | Ref | DECAL INSTALLATIONS - OPTIONS                                |     |
| 145B | 1001150071  | 2   | Decal - Model Designation                                    |     |
| 146  | 1001150074  | 4   | Decal - Max Tire Load  |     |
| 151  | 1001150079  | 1   | Decal - Lift Diagram   |     |
| 205  | See Note    | 1   | Decal - Nameplate (Note: Not Available for Purchase)         |     |
| 226  | 1704972     | 1   | Decal - Warning Eplosion/Fire (English Language)             |     |
| 226  | 1706060     | 1   | Decal - Warning Eplosion/Fire (English/Chinese Language)     |     |
| 226  | 1706062     | 1   | Decal - Warning Eplosion/Fire (English/Japanese Language)    |     |
| 226  | 1706061     | 1   | Decal - Warning Eplosion/Fire (English/Korean Language)      |     |
| 287  | 1001236438  | Ref | ECO Label Installation                                       |     |
| 287A | See Note    | NSS | Nameplate - Serial Number (Note: Not Available for Purchase) |     |
| 287A | 3820001     | 4   | Pop Rivet  |     |
| 287B | See Note    | NSS | Plate – Mein Code (Note: Not Available for Purchase)         |     |
| 287B | 3820001     | 4   | Pop Rivet  |     |



## **SECTION 10 - RECOMMENDED SERVICE PARTS STOCK**

## **SECTION 10 - RECOMMENDED SERVICE PARTS STOCK**

# SECTION 10 - RECOMMENDED SERVICE PARTS STOCK

## FIGURE 10-1. RECOMMENDED SERVICE PARTS STOCK

| ITEM | PART NUMBER | QTY | DESCRIPTION   | REV |
|------|-------------|-----|---|-----|
|      |             | Ref | Note: The following list will service one machine (built to current production per date on the front cover) with emergency repair parts which can be installed in the field. Parts from the list should be replaced when inventory is depleted to keep service parts stock supplied. For further information, contact your JLG dealer or the JLG Industries Parts Department. |     |
|      |             | Ref | STANDARD PARTS  |     |
|      | 70002386    | 1   | Coil  |     |
|      | 70004463    | 1   | Coil  |     |
|      | 70004460    | 1   | Coil  |     |
|      | 70002231    | 12  | Element, Pressure Filter  |     |
|      | 70002971    | 1   | Coil  |     |
|      | 70027006    | 1   | Coil  |     |
|      | 70003789    | 1   | Coil  |     |
|      | 70006004    | 1   | Coil  |     |
|      | 7026031     | 1   | Sensor, Proximity   |     |
|      | 3740067     | 1   | Relay   |     |
|      | 70005707    | 12  | Element, Filter   |     |
|      | 1001221172  | 12  | Breather  |     |
|      | 4360328     | 1   | Switch, Toggle  |     |
|      | 4360475     | 1   | Switch, Mushroom  |     |
|      | 4360476     | 1   | Contact, Switch Block   |     |
|      | 4360274     | 1   | Switch, Push Button   |     |
|      | 4360469     | 1   | Switch, Key (ANSI, ANSI Export and Australian Specs)  |     |
|      | 70003788    | 1   | Coil  |     |
|      | 1001155045  | 1   | Switch, Toggle  |     |
|      | 1001159256  | 1   | Switch, Toggle  |     |
|      | 1001161709  | 1   | Switch, Toggle  |     |
|      | 1001161710  | 1   | Switch, Toggle  |     |
|      | 1001212415  | 1   | Controller, Drive and Steer   |     |
|      | 1001129555  | 1   | Controller, Lift and Swing  |     |
|      | 1001137673  | 1   | Switch, SkyGuard  |     |
|      | 8229242     | 2   | Fuse - 5Amp   |     |
|      | 80983191    | 2   | Fuse - 10Amp  |     |
|      | 3740080     | 1   | Relay   |     |
|      |             | Ref | VARIABLE PARTS  |     |
|      | 4360578     | 1   | Switch, Limit   |     |
|      | 4360505     | 1   | Switch  |     |
|      | 1001112758  | 1   | Module (Chassis)  |     |
|      | 1001151525  | 1   | Sensor, Temperature   |     |
|      | 1001227960  | 1   | Module (B.L.A.M.)   |     |
|      | 1001151274  | 1   | Module (Ground Control)   |     |
|      | 1001142683  | 1   | Module (Blue Beacon)  |     |
|      | 7003655     | 12  | Element, Deutz TD2011 Engine Air Filter   |     |
|      | 7016331     | 12  | Element, Deutz TD2011 Engine Oil Filter   |     |
|      | 7016328     | 12  | Element, Deutz TD2011 Engine Fuel   |     |
|      | 1600443     | 1   | Module, Deutz TD2011 Engine   |     |
|      | 70024190    | 12  | Element, Deutz TCD2.9L4 Engine Air Filter (Primary)   |     |
|      | 70024191    | 12  | Element, Deutz TCD2.9L4 Engine Air Filter (Secondary)   |     |

## SECTION 10 - RECOMMENDED SERVICE PARTS STOCK

| ITEM | PART NUMBER | QTY | DESCRIPTION  | REV |
|------|-------------|-----|--|-----|
|      | 7016331     | 12  | Element, Deutz TCD2.9L4 Engine Oil Filter                  |     |
|      | 1001225430  | 12  | Element, Deutz TCD2.9L4 Engine Fuel Filter (Primary)       |     |
|      | 1001225431  | 12  | Element, Deutz TCD2.9L4 Engine Fuel Filter (Secondary)     |     |
|      | 1001225432  | 12  | Element, Deutz TCD2.9L4 T4i Engine Fuel Filter (Secondary) |     |
|      | 70025153    | 12  | Element, Deutz TCD2.9L4 Engine Fule Filter                 |     |
|      | 70025210    | 1   | Module, Deutz TCD2.9L4 Engine                              |     |
|      | 1001138228  | 1   | Relay (Deutz TCD2.9L4 T4i Engine)                          |     |
|      | 70004066    | 12  | Element, Filter (With Optional Fuel Water Separator)       |     |
|      | 4360336     | 1   | Switch, Toggle (Generator Options)                         |     |
|      | 4360070     | 1   | Circuit Breaker 15Amp (Machines with 7500W Generator)      |     |
|      | 1001196517  | 1   | Sensor, Proximity  |     |
|      | 4360552     | 1   | Switch, Boom Length  |     |
|      | 1001204043  | 1   | Sensor, Proximity  |     |
|      | 1001117320  | 1   | Footswitch   |     |
|      | 1600343     | 1   | Module, Platform Control                                   |     |



**SECTION 11 - SPECIAL OPTIONS**

# SECTION 11 - SPECIAL OPTIONS

## FIGURE 11-1. SPECIAL OPTIONS

| ITEM | PART NUMBER | QTY | DESCRIPTION   | REV |
|------|-------------|-----|---|-----|
|      |             | Ref | Note: This list is to accommodate machines ordered with special equipment. Options may not be applicable to all models. For more specific parts information contact JLG Parts Department. |     |
|      |             | Ref | MISCELLANEOUS SPECIAL OPTIONS   |     |
|      | 1001216793  | Ref | Air Cleaner Pre-Cleaner   |     |
|      | 1001198481  | Ref | Airline Installation (1030S)  |     |
|      | 1001150058  | Ref | Airline Installation (1100SJ)   |     |
|      | 1001153446  | Ref | Analyzer Installation   |     |
|      | 1001150053  | Ref | Bellows Installation - Boom (1030S)   |     |
|      | 1001150052  | Ref | Bellows Installation - Boom (1100SJ)  |     |
|      | 1001150054  | Ref | Bellows Installation - Chassis  |     |
|      | 1001150093  | Ref | Boom Rest Block Installation (1030S)  |     |
|      | 1001150094  | Ref | Boom Rest Block Installation (1100SJ)   |     |
|      | 1001195494  | Ref | Boom Wipers Installation  |     |
|      | 1001246542  | 1   | ClearSky E-Boom   |     |
|      | 1001242624  | Ref | ClearSky Canbus (N.A.)  |     |
|      | 1001242625  | Ref | ClearSky Canbus (C.E.)  |     |
|      | 1001242626  | Ref | ClearSky 3-Wire (N.A.)  |     |
|      | 1001242627  | Ref | ClearSky 3-Wire (C.E.)  |     |
|      |             | Ref | Decal Kits  |     |
|      | 2902303     | Ref | Decal Kit - Master  |     |
|      | 2902307     | Ref | Decal Kit - Country Spec (ANSI Spec)  |     |
|      | 2902309     | Ref | Decal Kit - Country Spec (Chinese Spec)   |     |
|      | 2902308     | Ref | Decal Kit - Country Spec (Japanese Spec)  |     |
|      | 2902310     | Ref | Decal Kit - Country Spec (Korean Spec)  |     |
|      |             | Ref | Electrical Connector Kits   |     |
|      | 1001148902  | Ref | Amp/Tyco Electrical Connector Kit   |     |
|      | 1001148903  | Ref | Deutsch DT Electrical Connector Kit   |     |
|      | 1001148904  | Ref | Deutsch HD Electrical Connector Kit   |     |
|      | 1001148905  | Ref | Packard Electrical Connector Kit  |     |
|      | 1001148906  | Ref | Various Electrical Connectors Kit   |     |
|      |             | Ref | Fluids  |     |
|      | 3020008     | Ref | Drive Hub Lubricant   |     |
|      | 2300014     | Ref | Hydraulic Fluid - Mobil 424   |     |
|      | 1001150099  | Ref | Hose & Cable Protection Installation (1030S)  |     |
|      | 1001150100  | Ref | Hose & Cable Protection Installation (1100SJ)   |     |
|      | 1001148971  | Ref | Lanyard (Bolt-on) Installation Kit  |     |
|      |             | Ref | Light Options:  |     |
|      | 1001201539  | Ref | Chassis Illuminations Lights Installation   |     |
|      | 1001152640  | Ref | Platform Beacon Light Installation  |     |
|      | 1001120467  | Ref | Platform Floodlights Installation   |     |
|      | 1001150064  | Ref | Oil Cooler Installation (Deutz TD2011 Engines)  |     |
|      | 1001218402  | Ref | Oil Cooler Installation (Deutz TD2.9L4 Engines)   |     |
|      | 1001150095  | Ref | Platform Bumpers Installation   |     |
|      | 1001193568  | Ref | Platform Console Cover Installation <b>(SN B300001586 through B300001680)</b>   |     |
|      | 1001110974  | Ref | Platform Console Cover Installation <b>(SN B300001681 through B300005767, Excluding B300005565)</b>   |     |



## SECTION 11 - SPECIAL OPTIONS

| ITEM | PART NUMBER | QTY | DESCRIPTION  | REV |
|------|-------------|-----|--|-----|
|      | 1001150098  | Ref | Soft-Touch (Overhead) Installation - Without LSS (Chinese & Korean Specs)    |     |
|      | 1001206605  | Ref | Soft-Touch (Overhead) Installation - With LSS (Chinese & Korean Specs)       |     |
|      |             | Ref | Tools For Service:   |     |
|      | 2901443     | 1   | Analyzer Kit   |     |
|      | 7002821     | 1   | Crimper, Wire  |     |
|      | 7002823     | 1   | Pin Extractor - Universal (For Electrical Connectors with Pins and Sockets)  |     |
|      | 4460467     | 1   | Extractor - 16-18 Gauge (For Removal of Pin/Sockets from Deutsch Connectors) |     |
|      | 4460510     | 1   | Extractor - 12-14 Gauge (For Removal of Pin/Sockets from Deutsch Connectors) |     |
|      | 70004646    | 1   | Puller (Hub Assembly)  |     |
|      | 70004648    | 1   | Puller (Hub Assembly)  |     |
|      | 7016654     | 1   | Screwdriver, Magnetic  |     |
|      | 7002822     | 1   | Screwdriver, Potentiometer   |     |
|      | 7004275     | 1   | Seal Tool 1 (For Cylinders)  |     |
|      | 7004276     | 1   | Seal Tool 1 1/2 (For Cylinders)  |     |
|      | 70004647    | 1   | Seal Tool (Hub Assembly)   |     |
|      | 1001137005  | 1   | Software Cable Kit   |     |
|      | 7002828     | 1   | Stripper, Wire   |     |
|      | 4921850     | 1   | Throttle Service Harness   |     |
|      | 70004185    | 1   | Torque Multiplier  |     |
|      | 7016655     | 1   | Wire Rope Sheave Gauge   |     |
|      | 1001247280  | 1   | White Noise Alarm Installation   |     |
|      | 2910894     | 1   | Wire Rope Kit  |     |



**PART NUMBER INDEX**

## SECTION 11 - SPECIAL OPTIONS

|                            |                             |                             |                           |
|----------------------------|-----------------------------|-----------------------------|---------------------------|
| 0080237.....171            | 0682418.....101             | 0760812 ... 43, 45, 47, 49, | 0962411.....244           |
| 0080277.....19, 21         | 0682422.....103             | 51, 53, 55, 57, 133,        | 0962423.....19, 21        |
| 0100009.....327            | 0700306.....188             | 135, 143, 149, 152,         | 0962450.....263, 267      |
| 0100011....15, 17, 19, 21, | 0700615 ... 147, 159, 161,  | 156, 159, 161, 163,         | 0962520.....229           |
| 25, 27, 45, 47, 49, 51,    | 163                         | 180, 196, 370, 374          | 1001026127.....188, 204   |
| 53, 55, 57, 77, 79, 81,    | 0700617.....167, 293        | 0760814 .... 131, 171, 257  | 1001080996.....407, 413   |
| 83, 85, 87, 89, 91, 115,   | 0700618....143, 186, 202    | 0760815.....149             | 1001090615.....345, 347   |
| 119, 123, 125, 127,        | 0700817.....407, 413        | 0761007.....291             | 1001091102.....145        |
| 129, 131, 133, 135,        | 0700819.....370, 374        | 0761008 ... 67, 69, 71, 73, | 1001091460.....106        |
| 147, 149, 152, 156,        | 0700820.....370, 374        | 186, 202                    | 1001091461.....106        |
| 159, 161, 163, 167,        | 0700822.....370, 374        | 0761009 .... 244, 345, 347  | 1001092856.....172        |
| 169, 171, 180, 183,        | 0700824.....172             | 0761010 ... 77, 79, 81, 83, | 1001097051.....403, 457   |
| 186, 196, 199, 202,        | 0700830.....43, 45, 47      | 85, 87, 89, 91, 180,        | 1001098122.....447        |
| 229, 244, 249, 259,        | 0701014.....15, 17          | 196, 244, 249, 257,         | 1001098601.....171, 175   |
| 261, 263, 265, 267,        | 0701017.....188, 204        | 271, 273, 275, 277,         | 1001098827.....259, 261,  |
| 269, 271, 273, 275,        | 0701019.....374             | 279, 281, 283, 285, 291     | 263, 265, 269             |
| 277, 279, 281, 283,        | 0701024....152, 156, 204    | 0761012 ... 15, 17, 49, 51, | 1001098828.....265, 269   |
| 285, 291, 293, 295,        | 0701030.....257             | 53, 55, 57, 159, 161,       | 1001099125.....137, 139   |
| 341, 343, 345, 347,        | 0701031.....244             | 163, 167, 171, 180,         | 1001101550.....25, 27, 31 |
| 370, 374, 378, 382, 386    | 0701034.....257             | 196, 245, 257, 263          | 1001106736.....439        |
| 0100019....15, 17, 19, 21, | 0701216 ... 167, 180, 196,  | 0761014 ... 171, 244, 257,  | 1001108616.....169, 183,  |
| 25, 27, 101, 103, 117,     | 236                         | 265, 269, 295               | 199, 214                  |
| 229, 236, 240, 244, 257    | 070121919, 21, 133, 135,    | 0761015 ... 172, 295, 305,  | 1001108617....77, 79, 81, |
| 0100020....129, 131, 172,  | 152, 156                    | 307, 309, 311, 313,         | 83, 85, 87, 89, 91, 167   |
| 181, 186, 197, 202         | 0701221.....15, 17          | 315, 317, 319               | 1001109503.....137, 139   |
| 0100035.....19, 21         | 0701222.....263, 267        | 0761016 .... 125, 225, 375  | 1001109730.....19, 21     |
| 0100048....123, 267, 327   | 0701227.....240             | 0761018.....244             | 1001110425.....180, 196   |
| 0100071.....29             | 0701229.....236, 240        | 0761019.....244             | 1001110544.....321, 323,  |
| 0100081 15, 17, 327, 378,  | 0701619.....39, 41          | 0761027.....244             | 325, 327                  |
| 382, 386                   | 0701622.....19, 21          | 0761210.....180, 196        | 1001110604.....389        |
| 0140011.....327            | 0701624.....263, 267        | 0761212 ... 119, 149, 229,  | 1001110853.....244        |
| 0140043.....149            | 0711018.....244             | 236, 240                    | 1001110873.....230        |
| 0200833.....19, 21         | 0711030.....152, 156        | 076121425, 27, 115, 119,    | 1001110877.....71, 73     |
| 0259666.....141            | 0711224 ... 172, 186, 202   | 123, 125, 171               | 1001110974.....512        |
| 0271340.....337            | 0711624.....117             | 0761215 ..... 43, 49, 169   | 1001111116.....171        |
| 0272970....305, 307, 309,  | 0711629.....117             | 076121615, 17, 183, 199,    | 1001112612.....439, 465   |
| 311, 313, 315, 317, 319    | 0712444 ... 259, 261, 263,  | 259, 261, 265, 269          | 1001112757.....143        |
| 0340003.....171            | 265, 269                    | 0761217 ... 15, 17, 77, 79, | 1001112758....43, 45, 47, |
| 0340051.....171            | 0721003.....291             | 81, 83, 85, 87, 89, 91      | 49, 51, 53, 55, 57, 508   |
| 0400020.....125            | 0721006.....327             | 0761218.....15, 17          | 1001112796.....465        |
| 0440162....167, 180, 196   | 0741607.....229             | 0761221 .... 123, 152, 156  | 1001112927.....169, 183,  |
| 0561471.....244            | 0760306.....188, 204        | 0761229.....127             | 199, 221                  |
| 0630464.....19, 21         | 0760410.....145             | 0761616.....25, 27          | 1001113047.....133, 135   |
| 0630568.....328            | 0760606 ... 229, 291, 375,  | 0761618 .... 101, 103, 244  | 1001113465.....267        |
| 0630612.....257            | 421                         | 0762017 ..... 236, 240      | 1001113483.....263, 267   |
| 0641404....229, 327, 343   | 0760608.....125, 267        | 0770814.....197             | 1001113691.....345, 347   |
| 0641405....343, 345, 347   | 0760610 ... 133, 135, 143,  | 0771012 ... 259, 261, 263,  | 1001113961.....469        |
| 0641406....186, 202, 473,  | 149, 186, 202, 267          | 265, 267, 269               | 1001116547.....236, 240   |
| 475, 477, 479, 481,        | 076061243, 49, 131, 171,    | 0771414.....171             | 1001116695.....403        |
| 483, 485, 487, 489,        | 293, 299, 301, 303,         | 0771416.....172             | 1001116707.....427        |
| 491, 493, 495, 497,        | 370, 375                    | 0772020.....101             | 1001116710.....433        |
| 499, 501, 503              | 0760614 ... 43, 45, 47, 49, | 0772021.....103             | 1001116720.....461        |
| 0641408....159, 161, 163   | 51, 53, 55, 57, 305,        | 0791506.....291             | 1001116727.....428        |
| 0641414.....327            | 307, 309, 311, 313,         | 0811606.....186, 202        | 1001116728.....428        |
| 0641416.....341            | 315, 317, 319               | 0840055.....263, 267        | 1001116732.....469        |
| 0641505.....19, 21         | 0760615 .... 180, 196, 229  | 0860038.....229             | 1001116734.....470        |
| 0641506.....123, 171       | 0760618.....263, 267        | 0860520 ... 473, 475, 477,  | 1001116748.....293        |
| 0641511.....19, 21         | 0760619.....371, 375        | 479, 481, 483, 485,         | 1001116774.....465        |
| 0641524.....172            | 0760806.....291             | 487, 489, 491, 493,         | 1001116792.....180, 196   |
| 0641606....77, 79, 81, 83, | 0760807 ... 119, 293, 295   | 495, 497, 499, 501, 503     | 1001116808.....465        |
| 85, 87, 89, 91, 167        | 0760808 .... 29, 180, 186,  | 0861538.....229             | 1001116812.....403, 469   |
| 0641608.....169, 244       | 196, 202, 257, 267          | 0940071.....152, 156        | 1001116846.....477, 479,  |
| 0641812....169, 183, 199   | 0760810 ... 152, 156, 159,  | 0961949.....353, 361        | 493, 495                  |
| 0641858.....257            | 161, 163, 186, 202,         | 0961950.....361             | 1001116849.....477, 479,  |
| 0642214.....236, 240       | 257, 295, 305, 307,         | 0961951.....249             | 493, 495                  |
| 0642684.....267            | 309, 311, 378, 382, 386     | 0962297.....244, 355        | 1001116851.....477, 479,  |
| 0681607.....125            |                             | 0962404.....244             | 493, 495                  |

## SECTION 11 - SPECIAL OPTIONS

|                 |  |                 |                                      |                 |                  |
|-----------------|--|-----------------|--------------------------------------|-----------------|------------------|
| 1001116952..... | 428  | 1001147230..... | 129                                  | 1001149314..... | 172              |
| 1001116967..... | 427  | 1001147231..... | 129                                  | 1001149315..... | 172              |
| 1001116983..... | 433  | 1001147247..... | 41                                   | 1001149316..... | 172              |
| 1001117025..... | 469  | 1001147264..... | 428                                  | 1001149389..... | 249, 357         |
| 1001117034..... | 477, 479,<br>493, 495  | 1001147479..... | 291                                  | 1001149440..... | 19, 21           |
| 1001117035..... | 477, 479,<br>493, 495  | 1001147549..... | 129, 131                             | 1001149441..... | 19, 21           |
| 1001117057..... | 469  | 1001147551..... | 131                                  | 1001149452..... | 225              |
| 1001117078..... | 435  | 1001148011..... | 244                                  | 1001149456..... | 27, 37           |
| 1001117106..... | 428  | 1001148012..... | 244                                  | 1001149458..... | 25, 35           |
| 1001117107..... | 428  | 1001148420..... | 244                                  | 1001149463..... | 19, 21, 361      |
| 1001117307..... | 473, 475,<br>477, 479, 481, 483,<br>485, 487, 489, 491,<br>493, 495, 497, 499,<br>501, 503 | 1001148421..... | 244                                  | 1001149464..... | 15, 17, 351      |
| 1001117308..... | 187, 203   | 1001148576..... | 244                                  | 1001149469..... | 225              |
| 1001117320..... | 305, 307,<br>309, 311, 313, 315,<br>317, 319, 509  | 1001148577..... | 244                                  | 1001149524..... | 421, 423         |
| 1001118287..... | 244  | 1001148578..... | 244                                  | 1001149530..... | 172              |
| 1001118384..... | 463  | 1001148584..... | 125                                  | 1001149639..... | 172, 187,<br>203 |
| 1001118388..... | 461, 463   | 1001148585..... | 125                                  | 1001149657..... | 19               |
| 1001118665..... | 249  | 1001148587..... | 125                                  | 1001149658..... | 15               |
| 1001118971..... | 293  | 1001148588..... | 125                                  | 1001149671..... | 15, 17           |
| 1001119020..... | 447, 465,<br>469   | 1001148650..... | 257                                  | 1001149672..... | 15, 17           |
| 1001119033..... | 293  | 1001148768..... | 149                                  | 1001149680..... | 29               |
| 1001119057..... | 245  | 1001148841..... | 431                                  | 1001149681..... | 29               |
| 1001119470..... | 167, 425   | 1001148842..... | 431                                  | 1001149734..... | 261              |
| 1001119619..... | 459  | 1001148843..... | 187, 203,<br>431                     | 1001149742..... | 29               |
| 1001119620..... | 455, 457   | 1001148902..... | 512                                  | 1001149744..... | 172              |
| 1001119727..... | 204  | 1001148903..... | 512                                  | 1001149785..... | 15               |
| 1001119968..... | 230, 435   | 1001148904..... | 512                                  | 1001149786..... | 15               |
| 1001120328..... | 341, 343,<br>447   | 1001148905..... | 512                                  | 1001149865..... | 29               |
| 1001120371..... | 267  | 1001148906..... | 512                                  | 1001149903..... | 249              |
| 1001120467..... | 512  | 1001148919..... | 249, 255                             | 1001149994..... | 147              |
| 1001121172..... | 143  | 1001148930..... | 249                                  | 1001150004..... | 392              |
| 1001121576..... | 263, 345,<br>347   | 1001148932..... | 249                                  | 1001150005..... | 394              |
| 1001122383..... | 137, 139   | 1001148953..... | 249                                  | 1001150012..... | 240, 249         |
| 1001126009..... | 463  | 1001148971..... | 512                                  | 1001150013..... | 167              |
| 1001126011..... | 447  | 1001148972..... | 236, 240                             | 1001150015..... | 152              |
| 1001126351..... | 427  | 1001149061..... | 159, 161                             | 1001150016..... | 127              |
| 1001126352..... | 427  | 1001149062..... | 163                                  | 1001150017..... | 27               |
| 1001126356..... | 427  | 1001149075..... | 152, 159                             | 1001150018..... | 25               |
| 1001126357..... | 427  | 1001149076..... | 159, 161                             | 1001150019..... | 121              |
| 1001126362..... | 428  | 1001149077..... | 159, 161                             | 1001150022..... | 39               |
| 1001126363..... | 428  | 1001149078..... | 159, 161                             | 1001150023..... | 41               |
| 1001126364..... | 428  | 1001149079..... | 159, 161                             | 1001150024..... | 101              |
| 1001126365..... | 428  | 1001149080..... | 159, 161                             | 1001150025..... | 123              |
| 1001126384..... | 427  | 1001149081..... | 159, 161                             | 1001150026..... | 117              |
| 1001126391..... | 428  | 1001149082..... | 152, 156                             | 1001150033..... | 133              |
| 1001126874..... | 187, 203   | 1001149083..... | 152, 156                             | 1001150034..... | 135              |
| 1001127624..... | 370, 374   | 1001149084..... | 159                                  | 1001150036..... | 293              |
| 1001128128..... | 470  | 1001149085..... | 152, 156,<br>163                     | 1001150037..... | 303              |
| 1001129555..... | 508  | 1001149086..... | 163                                  | 1001150040..... | 49               |
| 1001130220..... | 133, 135   | 1001149087..... | 163                                  | 1001150041..... | 43               |
| 1001131269..... | 473, 475,<br>489, 491  | 1001149088..... | 163                                  | 1001150042..... | 71               |
| 1001133714..... | 429, 431   | 1001149089..... | 163                                  | 1001150044..... | 67               |
| 1001133715..... | 429, 431   | 1001149090..... | 163                                  | 1001150045..... | 473              |
| 1001133956..... | 427  | 1001149091..... | 163                                  | 1001150046..... | 485              |
| 1001133957..... | 427  | 1001149092..... | 152, 156                             | 1001150047..... | 477              |
| 1001134098..... | 101, 106   | 1001149093..... | 152, 156                             | 1001150048..... | 481              |
|                 |  | 1001149094..... | 163                                  | 1001150052..... | 512              |
|                 |  | 1001149095..... | 152, 156                             | 1001150053..... | 512              |
|                 |  | 1001149096..... | 152, 156                             | 1001150054..... | 512              |
|                 |  | 1001149098..... | 152, 156                             | 1001150058..... | 512              |
|                 |  | 1001149099..... | 152, 156                             | 1001150064..... | 512              |
|                 |  | 1001149101..... | 152, 156                             | 1001150071..... | 505              |
|                 |  | 1001149103..... | 249                                  | 1001150074..... | 505              |
|                 |  | 1001149160..... | 149, 152,<br>156, 159, 161, 163, 257 | 1001150075..... | 259              |
|                 |  | 1001149200..... | 259, 263                             | 1001150076..... | 263              |
|                 |  |                 |                                      | 1001150077..... | 267              |
|                 |  |                 |                                      | 1001150078..... | 115              |

## SECTION 11 - SPECIAL OPTIONS

|  |   |   |  |
|--|---|---|--|
| 1001150079.....473, 475,<br>477, 479, 481, 483,<br>485, 487, 489, 491,<br>493, 495, 497, 499,<br>501, 503, 505 | 1001151221 ..... 149                                  | 1001152704 ..... 374  | 1001169967..... 187, 203                   |
| 1001150086.....374, 392  | 1001151222 ..... 149                                  | 1001152708 ..... 374  | 1001170035..... 187, 203                   |
| 1001150087.....370, 392  | 1001151223 ..... 149                                  | 1001152742 ..... 428  | 1001170305.....293                         |
| 1001150088.....389, 392  | 1001151226 ..... 159, 161                             | 1001153027 ..... 167, 180,<br>196   | 1001170982..... 181, 197                   |
| 1001150089.....382, 392  | 1001151229 ..... 159, 161                             | 1001153028 ..... 152, 156   | 1001171095..... 169, 183,<br>199, 217      |
| 1001150090.....378, 392  | 1001151274 ..... 143, 508                             | 1001153029 ..... 152, 156   | 1001172663.....265, 269                    |
| 1001150091 .....225  | 1001151320 ..... 172                                  | 1001153030 ..... 152, 156   | 1001172760.....327                         |
| 1001150093 .....512  | 1001151393 ..... 141                                  | 1001153034 ..... 152, 156   | 1001174486..... 129, 167,<br>187, 203, 225 |
| 1001150094 .....512  | 1001151409... 49, 51, 53,<br>55, 57, 61               | 1001153035 ..... 152, 156   | 1001174928..... 187, 191                   |
| 1001150095 .....512  | 1001151420 .... 77, 85, 93                            | 1001153046 ..... 167, 181,<br>197   | 1001175568..... 181, 197                   |
| 1001150096..... 119, 295   | 1001151436 ..... 39                                   | 1001153083 ..... 167, 181,<br>197   | 1001179154.....230                         |
| 1001150098.....345, 513  | 1001151437 ..... 39                                   | 1001153086 ..... 152, 156,<br>167, 181, 197   | 1001180516..... 188, 204                   |
| 1001150099.....512   | 1001151500 .... 279, 281,<br>283, 285, 289            | 1001153162 ..... 152, 156   | 1001180620..... 187, 203                   |
| 1001150100.....512   | 1001151502 .... 271, 273,<br>275, 277, 287            | 1001153195 ..... 152, 156   | 1001181899..... 188, 204                   |
| 1001150197 .....263  | 1001151525 ... 77, 79, 81,<br>83, 85, 87, 89, 91, 508 | 1001153198 ..... 152, 156   | 1001182617.....137                         |
| 1001150320 .....15, 17   | 1001151549 ..... 85, 279                              | 1001153199 ..... 152, 156   | 1001182618.....139                         |
| 1001150321 .....15, 17   | 1001151550 ..... 77, 271                              | 1001153281 ..... 473, 475,<br>477, 479, 481, 483,<br>485, 487, 489, 491,<br>493, 495, 497, 499,<br>501, 503 | 1001182727.....225                         |
| 1001150322 .....15, 17   | 1001151604 ..... 119                                  | 1001153367 ..... 313  | 1001182997..... 127, 129,<br>187, 203      |
| 1001150323 .....15, 17   | 1001151646 ..... 117                                  | 1001153368 ..... 319  | 1001185281.....291, 327                    |
| 1001150325 .....15, 17   | 1001151651 ..... 345, 347                             | 1001153369 ..... 315  | 1001186431.....461                         |
| 1001150326 .....15, 17   | 1001151652 ..... 345, 347                             | 1001153370 ..... 317  | 1001186432.....461, 463                    |
| 1001150407 .....15, 17   | 1001151701 ..... 145                                  | 1001153444 ..... 512  | 1001186517.....341                         |
| 1001150408 .....15, 17   | 1001151730 ..... 125                                  | 1001154294 ..... 245  | 1001187382.....265, 269                    |
| 1001150418 .....19, 21   | 1001151731 ..... 263, 345                             | 1001154304 ..... 245  | 1001187383.....265, 269                    |
| 1001150419 .....19, 21   | 1001151809 ..... 127                                  | 1001154306 ..... 245  | 1001187674.....339                         |
| 1001150443 ..... 167, 399  | 1001151834 ... 43, 45, 47,<br>49, 51, 53, 55, 57, 63  | 1001154405 ..... 181, 197   | 1001187681.....459                         |
| 1001150458 .....15, 17   | 1001151840 ... 77, 79, 81,<br>83, 85, 87, 89, 91      | 1001155041 ..... 230  | 1001188622.....265, 269                    |
| 1001150460 .....19, 21   | 1001151846 ..... 236, 251                             | 1001155043 ..... 337  | 1001188844.....265, 269                    |
| 1001150470 .....240  | 1001151874 ..... 236                                  | 1001155044 22, 327, 337   | 1001188889.....341                         |
| 1001150471 .....236, 240   | 1001151906 ..... 291                                  | 1001155045 ..... 327, 337,<br>508   | 1001189001.....265, 269                    |
| 1001150473 .....236, 240   | 1001151907 ..... 291                                  | 1001155550 ..... 172  | 1001189002.....265, 269                    |
| 1001150474 .....236, 240   | 1001151908 ..... 291                                  | 1001155823 ..... 181, 197   | 1001190985.....265, 269                    |
| 1001150480 .....421, 467   | 1001151912 ..... 152, 156                             | 1001156016 ..... 355  | 1001191610..... 172, 187,<br>203           |
| 1001150558 .....15, 17   | 1001151913 ..... 263                                  | 1001157520 ..... 231  | 1001192401.....469                         |
| 1001150577 ....67, 69, 71,<br>73   | 1001151938 ..... 263                                  | 1001157521 ..... 231  | 1001193568.....512                         |
| 1001150578 ....67, 69, 71,<br>73   | 1001151939 ..... 263                                  | 1001157528 ..... 231  | 1001193675.....421                         |
| 1001150579 ....67, 69, 71,<br>73   | 1001151940 ..... 263                                  | 1001157592 ..... 230  | 1001194133.....257                         |
| 1001150644 ..... 123   | 1001151941 ..... 263                                  | 1001157770 ..... 230, 394   | 1001194134.....257                         |
| 1001150698 .....345, 347   | 1001151984 ..... 236                                  | 1001158007 ..... 231  | 1001194136.....257                         |
| 1001150699 .....345, 347   | 1001152039 ..... 293                                  | 1001158008 ..... 231  | 1001194137.....257                         |
| 1001150902 ..... 129   | 1001152059 ..... 293                                  | 1001159186 ..... 439, 447   | 1001194138.....257                         |
| 1001151025 ..... 121   | 1001152060 ..... 293                                  | 1001159256 ..... 327, 508   | 1001194264.....265                         |
| 1001151027 .....345, 347   | 1001152062 ..... 293                                  | 1001161709 22, 327, 508   | 1001194331..... 421, 443                   |
| 1001151028 .....345, 347   | 1001152193 .... 133, 135,<br>143                      | 1001161710 ..... 327, 508   | 1001194341.....378, 382,<br>386            |
| 1001151046 ..... 101   | 1001152194 ..... 143                                  | 1001162807 ..... 337  | 1001194342.....378, 382,<br>386            |
| 1001151058 ..... 117   | 1001152195 ..... 143                                  | 1001165035 ..... 181, 187,<br>197, 203  | 1001194345..... 378, 382,<br>386           |
| 1001151061 .....345, 347   | 1001152197 ..... 133, 135                             | 1001165820 ..... 187, 203   | 1001194346.....378, 382,<br>386            |
| 1001151092 .....27   | 1001152207 ..... 137, 139                             | 1001166538 ..... 327, 335   | 1001194347..... 378                        |
| 1001151094 .....25   | 1001152208 ..... 135, 139                             | 1001166539 ..... 328, 331   | 1001194348.....378, 389                    |
| 1001151094 .....25   | 1001152214 ..... 133, 135                             | 1001167565 ..... 265, 269   | 1001194396.....382, 386                    |
| 1001151128 ..... 169, 171  | 1001152217 ..... 133, 135                             | 1001168018 .... 172, 187,<br>203  | 1001194397.....382, 386                    |
| 1001151129 ..... 167, 169  | 1001152366 ..... 133, 137                             | 1001168209 ..... 353  | 1001194398.....378, 382,<br>386            |
| 1001151157 ..... 172   | 1001152454 ..... 293                                  | 1001168402 ..... 265, 269   | 1001194401..... 378, 382                   |
| 1001151158 ..... 172   | 1001152488 ..... 172                                  | 1001169054 ..... 187, 203   | 1001194402.....382, 386                    |
| 1001151159 ..... 172   | 1001152493 ..... 172                                  | 1001169138 ..... 187, 203   | 1001194406.....382, 386                    |
| 1001151180 ..... 115   | 1001152496 ..... 172                                  |   | 1001194407.....382, 386                    |
| 1001151201 .....345, 347,<br>445   | 1001152497 ..... 172                                  |   | 1001194410.....378                         |
| 1001151213 ..... 149   | 1001152500 ..... 172                                  |   | 1001194506.....257                         |
| 1001151214 ..... 303   | 1001152525 ..... 231                                  |   |  |
| 1001151215 ..... 303   | 1001152574 22, 397, 421                               |   |  |
|  | 1001152640 ..... 512                                  |   |  |

## SECTION 11 - SPECIAL OPTIONS

|  |                                       |  |   |
|--|---------------------------------------|--|---|
| 1001194525 ..... 257                   | 1001198160..... 323                   | 1001200494..... 269  | 1001206771 ..... 485, 487,<br>501, 503  |
| 1001194528 ..... 257                   | 1001198166..... 323                   | 1001200794..... 236, 240   | 1001206772 ..... 477, 479,<br>493, 495  |
| 1001194532 ... 43, 45, 47,<br>59       | 1001198167..... 323                   | 1001200910..... 147  | 1001206773 ..... 481, 483,<br>497, 499  |
| 1001194548 ..... 257                   | 1001198170..... 323                   | 1001201351..... 265, 269   | 1001206774 ..... 473, 475,<br>477, 479, 481, 483,<br>485, 487, 489, 491,<br>493, 495, 497, 499,<br>501, 503 |
| 1001194550 ..... 257                   | 1001198171..... 323                   | 1001201539..... 512  | 1001207673 ..... 293  |
| 1001194564 ..... 257                   | 1001198175..... 325                   | 1001203004..... 279, 281,<br>283, 285, 451   | 1001207855 ..... 370  |
| 1001194566 ..... 257                   | 1001198176..... 325                   | 1001203152..... 271, 273,<br>275, 277, 449   | 1001209664 ..... 341  |
| 1001194568 ..... 257                   | 1001198178..... 325                   | 1001203571 ..... 489   | 1001209688 ..... 378, 382,<br>386   |
| 1001194582 ..... 257                   | 1001198180..... 325                   | 1001203572..... 475  | 1001209841 ..... 378, 382,<br>386   |
| 1001194636 ..... 244                   | 1001198181..... 325                   | 1001203573..... 491  | 1001209842 ..... 378, 382,<br>386   |
| 1001194653 ..... 244                   | 1001198183..... 325                   | 1001203574..... 501  | 1001210887 ..... 29   |
| 1001194663 ..... 244                   | 1001198188..... 325                   | 1001203575..... 487  | 1001211508 ..... 29   |
| 1001194694 ..... 236, 240              | 1001198189..... 325                   | 1001203576..... 503  | 1001212223 ..... 230  |
| 1001194706 ..... 244                   | 1001198190..... 325                   | 1001203577..... 493  | 1001212415 ..... 508  |
| 1001194707 ..... 240                   | 1001198191..... 325                   | 1001203578..... 479  | 1001212817 ..... 172  |
| 1001194708 ..... 236, 240,<br>244      | 1001198211..... 321                   | 1001203579..... 495  | 1001213447 ..... 447  |
| 1001194712 ..... 244                   | 1001198212..... 321                   | 1001203580..... 497  | 1001213663 ..... 370  |
| 1001194715 ..... 244                   | 1001198214..... 321                   | 1001203581..... 483  | 1001213664 ..... 370, 375   |
| 1001194717 ..... 244                   | 1001198216..... 321                   | 1001203582..... 499  | 1001213665 ..... 370, 375   |
| 1001194733 ..... 245                   | 1001198217..... 321                   | 1001203583..... 489, 491   | 1001213882 ..... 328  |
| 1001194925 ..... 245, 363              | 1001198219..... 321                   | 1001203785..... 489, 491   | 1001214683 ..... 230  |
| 1001194935 ..... 245                   | 1001198222..... 321                   | 1001203786..... 489, 491   | 1001215258 ..... 269  |
| 1001194937 ..... 245                   | 1001198225..... 321                   | 1001203787..... 473, 475   | 1001215629 ..... 121  |
| 1001194938 ..... 245                   | 1001198226..... 321                   | 1001203788..... 473, 475   | 1001215797 ..... 305  |
| 1001194940 ..... 245                   | 1001198227..... 321                   | 1001203789..... 475, 491   | 1001215798 ..... 311  |
| 1001194941 ..... 245                   | 1001198229..... 257                   | 1001203790..... 473, 475,<br>489, 491  | 1001215799 ..... 307  |
| 1001194942 ..... 245                   | 1001198481..... 512                   | 1001203791..... 473, 475,<br>477, 479, 481, 483,<br>485, 487, 489, 491,<br>493, 495, 497, 499,<br>501, 503 | 1001215800 ..... 309  |
| 1001194943 ..... 245                   | 1001198576..... 321, 323,<br>325, 328 | 1001203929..... 487, 503   | 1001216206 ..... 257  |
| 1001195191 ..... 236, 240,<br>353      | 1001199043..... 236, 240,<br>247      | 1001203930..... 479, 495   | 1001216207 ..... 257  |
| 1001195442 ..... 245                   | 1001199119..... 328, 447              | 1001203931..... 483, 499   | 1001216208 ..... 257  |
| 1001195494 ..... 512                   | 1001199120..... 321                   | 1001204043..... 291, 509   | 1001216394 ..... 123  |
| 1001195626 ..... 291                   | 1001199134..... 325                   | 1001204509 ..... 171   | 1001216555 ..... 245  |
| 1001195629 ..... 291                   | 1001199212..... 328                   | 1001204722..... 370, 374   | 1001216560 ..... 245  |
| 1001195876 ..... 295                   | 1001199214..... 323                   | 1001204725..... 265, 269   | 1001216793 ..... 512  |
| 1001195877 ..... 295                   | 1001199834..... 389                   | 1001205482..... 265  | 1001216832 ..... 245  |
| 1001196107 ..... 172                   | 1001199835..... 389                   | 1001205505..... 295  | 1001216835 ..... 245  |
| 1001196331 ..... 236                   | 1001199837..... 389                   | 1001206121..... 374  | 1001216836 ..... 245  |
| 1001196517 ..... 291, 509              | 1001199839..... 389                   | 1001206122..... 374  | 1001216943 ..... 421, 439   |
| 1001196741 ..... 328                   | 1001199840..... 389                   | 1001206123..... 370, 374   | 1001216944 ..... 421, 469   |
| 1001196743 ..... 321, 323,<br>325, 327 | 1001199843..... 389                   | 1001206124..... 370, 374   | 1001217028 ..... 257  |
| 1001196744 ..... 328                   | 1001199844..... 389                   | 1001206125..... 370, 374   | 1001217255 ..... 403, 421   |
| 1001196747 ..... 305, 313              | 1001199845..... 389                   | 1001206126..... 370, 374   | 1001217854 ..... 133  |
| 1001196748 ..... 307, 315,<br>321      | 1001199846..... 389                   | 1001206127..... 370, 374   | 1001217857 ..... 133, 135   |
| 1001196749 ..... 311, 319,<br>325      | 1001199847..... 389                   | 1001206128..... 370, 374   | 1001217858 ..... 133, 135   |
| 1001196750 ..... 309, 317,<br>323      | 1001199848..... 389                   | 1001206129..... 370, 374   | 1001217859 ..... 133, 135   |
| 1001196776 ..... 147                   | 1001199849..... 389                   | 1001206130..... 370, 374   | 1001217864 ..... 133, 135   |
| 1001196894 ..... 172                   | 1001199851..... 389                   | 1001206131..... 370, 374   | 1001217917 ..... 265, 269   |
| 1001196896 ..... 172                   | 1001199904..... 341, 461              | 1001206133..... 370, 374   | 1001218037 ..... 236, 240,<br>247   |
| 1001197477 ..... 172                   | 1001200024..... 405                   | 1001206605..... 347, 513   | 1001218400 ..... 180  |
| 1001197717 ..... 257                   | 1001200025..... 411                   | 1001206759..... 501, 503   | 1001218401 ..... 229  |
| 1001197718 ..... 370, 374              | 1001200026..... 413                   | 1001206760..... 501, 503   | 1001218402 ..... 512  |
| 1001197797 ..... 236, 240,<br>355      | 1001200027..... 407                   | 1001206761..... 485, 487   | 1001218403 ..... 181, 183   |
| 1001197798 ..... 236, 240,<br>359      | 1001200028..... 415                   | 1001206762..... 485, 487   | 1001218404 ..... 183, 186   |
| 1001198144 ..... 323                   | 1001200029..... 409                   | 1001206763..... 493, 495   | 1001218405 ..... 187, 203   |
| 1001198145 ..... 323                   | 1001200030..... 405, 413,<br>415, 417 | 1001206764..... 493, 495   | 1001218406 ..... 187, 203   |
| 1001198149 ..... 323                   | 1001200031..... 407, 409,<br>411, 419 | 1001206765..... 477, 479   |   |
| 1001198153 ..... 323                   | 1001200032..... 413                   | 1001206766..... 477, 479   |   |
| 1001198155 ..... 323                   | 1001200033..... 407                   | 1001206767..... 497, 499   |   |
|  | 1001200034..... 415                   | 1001206768..... 497, 499   |   |
|  | 1001200035..... 409                   | 1001206769..... 481, 483   |   |
|  | 1001200156..... 295                   | 1001206770..... 481, 483   |   |
|  | 1001200157..... 295                   |  |   |
|  | 1001200491..... 265, 269              |  |   |

## SECTION 11 - SPECIAL OPTIONS

|                           |                           |                           |                           |
|---------------------------|---------------------------|---------------------------|---------------------------|
| 1001218408.....187, 203   | 1001221435.....291        | 1001232667.....343        | 487, 489, 491, 493,       |
| 1001218409.....187        | 1001221518.....245, 247   | 1001232782.....73         | 495, 497, 499, 501, 503   |
| 1001218411.....187, 203   | 1001221679.....119        | 1001232783.....69         | 1701502....473, 475, 477, |
| 1001218412.....187, 203   | 1001221680.....119        | 1001232899.....245, 365   | 479, 481, 483, 485,       |
| 1001218414.....187, 203   | 1001222091.....204        | 1001235011.....343        | 487, 489, 491, 493,       |
| 1001218416.....188, 203   | 1001222493.....371, 375   | 1001235013.....343        | 495, 497, 499, 501, 503   |
| 1001218417.....188, 204   | 1001222524.....53, 57, 65 | 1001236143.....129        | 1701503....473, 475, 477, |
| 1001218423.....188, 204   | 1001222586.....371, 375   | 1001236438.....505        | 479, 481, 483, 485,       |
| 1001218425.....188, 204   | 1001222642.....17         | 1001236552.....343        | 487, 489, 491, 493,       |
| 1001218427.....188        | 1001222688.....21         | 1001237862.....455, 457   | 495, 497, 499, 501, 503   |
| 1001218429.....188, 204   | 1001222730.....386, 392   | 1001237863.....339, 457   | 1701505....473, 475, 477, |
| 1001218430.....188, 204   | 1001222785.....386        | 1001237864.....339, 455   | 479, 481, 483, 485,       |
| 1001218431.....188, 204   | 1001222796.....386        | 1001237865.....339, 459   | 487, 489, 491, 493,       |
| 1001218432.....188, 204   | 1001222817.....181, 197,  | 1001238319.....339        | 495, 497, 499, 501, 503   |
| 1001218434.....188, 204   | 227                       | 1001238418.....343, 463   | 1701509....473, 475, 477, |
| 1001218436.....188, 204   | 1001223300.....371, 375   | 1001238472.....343        | 479, 481, 483, 485,       |
| 1001218437.....188, 204   | 1001223301.....371, 375   | 1001238477.....343        | 487, 489, 491, 493,       |
| 1001218440.....188, 204   | 1001223381.....390        | 1001238559.....343        | 495, 497, 499, 501, 503   |
| 1001218443.....188, 204   | 1001223890..57, 91, 285   | 1001238824.....343        | 1702590....473, 475, 477, |
| 1001218444.....188, 204   | 1001223891..53, 83, 277   | 1001241965.....343        | 479, 481, 483, 485,       |
| 1001218447.....230        | 1001223930.....133, 135   | 1001242540.....291        | 487, 489, 491, 493,       |
| 1001218448.....188, 204   | 1001223931..55, 89, 283   | 1001242624.....512        | 495, 497, 499, 501, 503   |
| 1001218545.....133, 135   | 1001223932..51, 81, 275   | 1001242625.....512        | 1702773....473, 475, 477, |
| 1001218580.....188, 204   | 1001223984..47, 87, 281   | 1001242626.....512        | 479, 481, 483, 485,       |
| 1001218733.....149        | 1001223985..45, 79, 273   | 1001242627.....512        | 487, 489, 491, 493,       |
| 1001218944.....188, 204   | 1001224023.....181, 197   | 1001245788.....295        | 495, 497, 499, 501, 503   |
| 1001218945.....188, 204   | 1001224978.....341        | 1001246542.....512        | 1702774....473, 477, 481, |
| 1001219116....79, 81, 83, | 1001225210.....156        | 1001247280.....513        | 485, 489, 493, 497, 501   |
| 87, 89, 91, 97            | 1001225211.....156, 161   | 1060343.....230           | 1702862....473, 475, 477, |
| 1001219400.....196        | 1001225244.....161        | 1060918 ...305, 307, 309, | 479, 481, 483, 485,       |
| 1001219403.....197, 199   | 1001225343.....245        | 311, 313, 315, 317, 319   | 487, 489, 491, 493,       |
| 1001219404.....199, 202   | 1001225430.....509        | 10702077.....231          | 495, 497, 499, 501, 503   |
| 1001219455.....204        | 1001225431.....509        | 10702082.....231          | 1702868....473, 475, 489, |
| 1001219627.....389        | 1001225432.....509        | 10837489.....98           | 491                       |
| 1001219628.....390        | 1001226706.....247        | 1120549.....19, 21        | 1703162....171, 186, 202  |
| 1001219631.....181, 197   | 1001227180.....301        | 1120550.....19, 21        | 1703797....473, 475, 489, |
| 1001219642.....204, 207   | 1001227633.....339        | 1220078.....244           | 491                       |
| 1001219726.....181        | 1001227634.....339        | 1260017.....121           | 1703804....473, 475, 489, |
| 1001220200.....181, 197   | 1001227960.....143, 508   | 1271538.....267           | 491                       |
| 1001220261.....188, 204,  | 1001227985.....339        | 1320022 ...129, 187, 203  | 1703805....473, 475, 489, |
| 427                       | 1001227987.....339        | 1320058.....171           | 491                       |
| 1001220535.....181, 197   | 1001227996.....455, 457   | 1320061 ...149, 180, 196, | 1703811....473, 475, 477, |
| 1001220562.....295        | 1001228200.....186, 202   | 230                       | 479, 481, 483, 485,       |
| 1001220749.....181, 197,  | 1001228211.....236, 253   | 1320136.....267, 291      | 487, 489, 491, 493,       |
| 401                       | 1001228224.....339        | 1320146.....371, 375      | 495, 497, 499, 501, 503   |
| 1001220778.....245        | 1001228225.....339        | 1320223.....180, 196      | 1703814....473, 475, 477, |
| 1001220779.....245        | 1001228485.....129, 131   | 1320224.....267           | 479, 481, 483, 485,       |
| 1001221172.....508        | 1001228488.....103, 111   | 1320235.....370, 374      | 487, 489, 491, 493,       |
| 1001221173.....129        | 1001228618.....103        | 1320263.....15, 17, 291   | 495, 497, 499, 501, 503   |
| 1001221175.....127, 129   | 1001229141.....103        | 1320302.....229           | 1703925....477, 479, 493, |
| 1001221203.....204        | 1001229341.....339        | 1321320.....171           | 495                       |
| 1001221205.....197        | 1001229542.....187, 203   | 1321385.....375           | 1703926....481, 483, 497, |
| 1001221207.....204        | 1001230051.....131        | 1380169.....133, 135      | 499                       |
| 1001221212.....204        | 1001230052.....371, 375   | 1600343.....327, 509      | 1703927....485, 487, 501, |
| 1001221217.....204        | 1001230053.....371, 375   | 1600387.....263, 267      | 503                       |
| 1001221284.....127, 131   | 1001230054.....371, 375   | 1600443.....175, 508      | 1703938....481, 483, 497, |
| 1001221285.....131        | 1001230931.....293        | 1670829.....137, 139      | 499                       |
| 1001221286.....131        | 1001231149.....371, 375   | 1671049 ...67, 69, 71, 73 | 1703939....485, 487, 501, |
| 1001221289.....180, 196,  | 1001231150.....371, 375   | 1671092.....230           | 503                       |
| 433                       | 1001231245.....188        | 1671142.....291           | 1703943....477, 479, 493, |
| 1001221290.....131        | 1001231797.....281, 283,  | 1671176.....327           | 495                       |
| 1001221291.....131        | 285, 453                  | 1701499 ...473, 475, 477, | 1703944....481, 483, 497, |
| 1001221312.....131        | 1001232164.....339        | 479, 481, 483, 485,       | 499                       |
| 1001221313.....131        | 1001232165.....339        | 487, 489, 491, 493,       | 1703945....485, 487, 501, |
| 1001221334.....131        | 1001232358.....161        | 495, 497, 499, 501, 503   | 503                       |
| 1001221340.....131        | 1001232642.....343        | 1701501 ...473, 475, 477, | 1703949....477, 479, 493, |
| 1001221427.....204        | 1001232650.....343        | 479, 481, 483, 485,       | 495                       |



## SECTION 11 - SPECIAL OPTIONS

|  |  |  |  |
|--|--|--|--|
| 1703950 ... 481, 483, 497, 499   | 2131012 ..... 378, 389                             | 2221086.... 63, 65, 94, 98, 236, 240, 247, 287, 289                    | 267, 293, 299, 301, 305, 307, 309, 311, 313, 315, 317, 319, 371, 375   |
| 1703951 ... 485, 487, 501, 503   | 2150810 .... 378, 382, 386                         | 2221231 ..... 378  | 3290606 ..... 303  |
| 1703953 ... 473, 475, 489, 491   | 2151010 ..... 389                                  | 2221337 ..... 247  | 3290607 ..... 147  |
| 1703980 ... 481, 483, 497, 499   | 2170108 ..... 382, 386                             | 2300014 ..... 512  | 3290801 ... 129, 131, 180, 196   |
| 1703981 ... 485, 487, 501, 503   | 2170208 ..... 378, 382                             | 2400060 ..... 469  | 3290805 ... 43, 45, 47, 49, 51, 53, 55, 57, 133, 135, 143, 149, 152, 156, 159, 161, 163, 171, 172, 257, 305, 307, 309, 311, 370, 374, 407, 413 |
| 1703982 .... 477, 493, 495   | 2170308 ..... 378                                  | 2400066 ..... 470  |  |
| 1703986 ..... 479  | 2170708 ..... 382, 386                             | 2420202 ..... 263, 267   |  |
| 1704260 ..... 327  | 2170908 ... 378, 382, 386, 389                     | 2540038.... 263, 267, 345, 347   |  |
| 1704277 ... 473, 475, 477, 479, 481, 483, 485, 487, 489, 491, 493, 495, 497, 499, 501, 503 | 2172110 ..... 390                                  | 2560187 .... 159, 161, 163   |  |
| 1704412 ... 473, 475, 477, 479, 481, 483, 485, 487, 489, 491, 493, 495, 497, 499, 501, 503 | 2180832 ..... 180, 196                             | 2720015 ..... 186, 202   |  |
| 1704885 ... 473, 475, 477, 479, 481, 483, 485, 487, 489, 491, 493, 495, 497, 499, 501, 503 | 2220313 .... 129, 180, 196                         | 2720058 ..... 167, 225   |  |
| 1704972 ..... 505  | 2220315 ..... 171                                  | 2750532 .... 171, 378, 382, 386  |  |
| 1705336 ... 473, 475, 489, 491   | 2220366 ..... 389                                  | 2760105 ..... 137, 139   |  |
| 1705337 ... 473, 475, 489, 491   | 2220371 ... 370, 374, 378, 382, 386                | 2820031 ..... 229  |  |
| 1705338 ... 481, 483, 497, 499   | 2220372 .... 370, 374, 389                         | 2820247 ..... 455, 457   |  |
| 1705339 ... 485, 487, 501, 503   | 2220373 ..... 389                                  | 2860030 ..... 141  |  |
| 1705344 ... 481, 483, 497, 499   | 2220374 .... 370, 374, 389                         | 2900700 ..... 247  |  |
| 1705345 ... 485, 487, 501, 503   | 2220375 ..... 389                                  | 2900707 ..... 94, 98   |  |
| 1705351 ..... 473, 489   | 2220377 ..... 390                                  | 2900708 ..... 97   |  |
| 1705366 ..... 236, 240   | 2220380 ..... 389                                  | 2900770 94, 98, 106, 351, 353, 357                                     |  |
| 1705426 ..... 481, 497   | 2220415 ... 374, 382, 386, 389                     | 2900792 ..... 351  |  |
| 1705427 ..... 485, 501   | 2220435 ..... 389                                  | 2901443 ..... 513  |  |
| 1705430 ..... 477, 493   | 2220451 ..... 389                                  | 2902065 .... 171, 183, 199, 211  |  |
| 1705492 ... 473, 475, 489, 491   | 2220466 ... 370, 374, 382, 386                     | 2902303 ..... 512  |  |
| 1705493 ... 481, 483, 497, 499   | 2220472 .... 378, 382, 389                         | 2902307 ..... 512  |  |
| 1705503 ... 485, 487, 501, 503   | 2220473 ... 370, 374, 378, 382, 386                | 2902308 ..... 512  |  |
| 1705969 ... 485, 487, 501, 503   | 2220478 ..... 389                                  | 2902309 ..... 512  |  |
| 1706060 ..... 505  | 2220479 ..... 389                                  | 2902310 ..... 512  |  |
| 1706061 ..... 505  | 2220497 ..... 389                                  | 2902443 ..... 425, 428   |  |
| 1706062 ..... 505  | 2220498 ..... 171, 389                             | 2910894 ..... 513  |  |
| 1706751 ... 473, 475, 477, 479, 481, 483, 485, 487, 489, 491, 493, 495, 497, 499, 501, 503 | 2220499 .... 370, 374, 389                         | 2920028 .... 341, 345, 347   |  |
| 2060025 ..... 171  | 2220500 ... 370, 374, 389                          | 2920029 .... 341, 345, 347   |  |
| 2110810 ..... 382, 386   | 2220502 ... 370, 374, 382, 386                     | 2920129 ..... 421  |  |
| 2110812 ..... 389  | 2220582 ..... 382, 386                             | 2920154 ..... 327  |  |
| 2111010 ..... 389  | 2220596 ..... 370, 374                             | 2920161 ..... 145  |  |
| 2111016 ..... 389  | 2220603 ..... 370, 374                             | 2940045 ..... 133, 135   |  |
| 2130808 ..... 382, 386   | 2220605 ..... 382, 386                             | 2940173 .... 159, 161, 163   |  |
| 2130810 ... 378, 382, 386, 389   | 2220624 ..... 389                                  | 3020008 ..... 25, 27, 512  |  |
| 2130812 .... 382, 386, 389   | 2220628 .... 370, 374, 389                         | 3020016 ..... 171  |  |
|  | 2220654 ..... 386                                  | 3020021 ..... 211  |  |
|  | 2220671 ..... 389                                  | 3020039 ..... 244  |  |
|  | 2220816 ..... 181, 197                             | 3020042 ..... 245  |  |
|  | 2220819 .... 378, 382, 386                         | 3220126 ..... 171  |  |
|  | 2220861 ..... 382, 386                             | 3251102 ..... 229  |  |
|  | 2220865 ..... 370, 374                             | 3252347 ... 305, 307, 309, 311, 313, 315, 317, 319, 473, 475, 489, 491 |  |
|  | 2220881 59, 61, 247, 355                           | 3271601 ..... 152, 156   |  |
|  | 2220883 . 61, 94, 98, 247, 287, 351, 353, 355, 357 | 3271805 ..... 257  |  |
|  | 2220885 94, 98, 351, 353, 355, 359, 361, 363, 365  | 3272201 ..... 244  |  |
|  | 2220886 94, 98, 287, 353, 359                      | 3272401 ..... 244  |  |
|  | 2220887 ..... 355                                  | 3282601 ..... 244  |  |
|  | 2220888 ..... 355                                  | 3290305 .... 188, 204, 321, 323, 325, 327                              |  |
|  | 2220923 ..... 378, 382                             | 3290405 ..... 15, 17, 145  |  |
|  | 2220947 ..... 370, 374                             | 3290501 ..... 180, 196   |  |
|  | 2221034 ..... 378                                  | 3290505 ..... 137, 139   |  |
|  | 2221042 ..... 370, 374                             | 3290601 .... 125, 159, 161, 163, 186, 202                              |  |
|  | 2221084 ..... 389                                  | 3290605 .... 43, 45, 47, 49, 51, 53, 55, 57, 149, 167, 171, 230, 263,  |  |

## SECTION 11 - SPECIAL OPTIONS

|                           |                             |                            |                           |
|---------------------------|-----------------------------|----------------------------|---------------------------|
| 3450810.....29            | 4031607 ..... 129, 295      | 4460247 ..... 428          | 4460874.....447, 469      |
| 3451214.....19, 21        | 4031707 19, 21, 473, 475,   | 4460259 .... 433, 439, 447 | 4460875.....443           |
| 3470003.....328           | 477, 479, 481, 483,         | 4460260 .... 433, 439, 447 | 4460876.....439, 447      |
| 3520026.....327           | 485, 487, 489, 491,         | 4460265 ..... 332, 335     | 4460877.....439           |
| 3520027.....327           | 493, 495, 497, 499,         | 4460267 ..... 439, 447     | 4460878.....469           |
| 3520054....171, 183, 199, | 501, 503                    | 4460268 ..... 437, 443     | 4460879.....447           |
| 327                       | 4031914 ..... 186, 202      | 4460313 ..... 425, 470     | 4460884....403, 423, 428, |
| 3520174.....327           | 4032009 ..... 363           | 4460315 ..... 229, 425     | 461, 469                  |
| 3572327....477, 481, 485, | 4032013 ..... 229           | 4460346 ..... 229          | 4460887.....447, 469      |
| 493, 497, 501             | 4032014 ..... 229           | 4460418 ..... 439, 447     | 4460891....145, 423, 433, |
| 3573294.....15, 17        | 4032022 ..... 171           | 4460419 ..... 439, 447     | 443, 449, 451, 453,       |
| 3580317 ..... 229         | 4032310 ..... 19, 21        | 4460424 ..... 443          | 465, 467                  |
| 3580318 ..... 229         | 4060802 ..... 229           | 4460425 ..... 231          | 4460892.....451, 453      |
| 3580320 ..... 229         | 4060807 ..... 245, 390      | 4460426 ..... 231          | 4460894....403, 425, 428, |
| 3600424.....125           | 4060808 ... 43, 45, 47, 49, | 4460428 ..... 267, 327     | 443, 451, 453, 469        |
| 3641585.....299, 301      | 51, 53, 55, 57              | 4460434 ..... 447          | 4460897....147, 433, 445, |
| 3740067....125, 171, 508  | 4060865 ..... 145           | 4460458 ..... 428          | 470                       |
| 3740080.....469, 508      | 4060906 .... 137, 139, 327  | 4460464 ... 147, 293, 403, | 4460899....293, 403, 443, |
| 3740086.....463           | 4061054 ..... 267           | 423, 427, 428, 433,        | 459, 463, 467, 469        |
| 3760133.....249           | 4070895 ..... 257           | 439, 443, 445, 447,        | 4460905....327, 439, 443, |
| 3760170.....121           | 4071015 ..... 244           | 463, 465, 467, 469, 470    | 447, 469                  |
| 3760233.....236, 240      | 4071041 ..... 101, 103      | 4460465 ... 145, 263, 267, | 4460910.....455           |
| 3760383.....19, 21        | 4100026 ..... 370, 374      | 403, 417, 419, 423,        | 4460911.....403, 459      |
| 3790012.....21, 327, 337  | 4100066 ..... 389           | 425, 427, 428, 435,        | 4460914.....19, 21, 291   |
| 3790152....169, 183, 199  | 4120035 ..... 439           | 437, 441, 443, 447,        | 4460925.....447           |
| 3790155....169, 183, 199  | 4160197 ..... 244           | 449, 451, 453, 461,        | 4460926....449, 451, 453  |
| 3790158.....25, 27        | 4240017 ... 370, 378, 382,  | 465, 467, 469, 470         | 4460928....403, 449, 451, |
| 3820001....473, 475, 477, | 386, 389                    | 4460466 ... 123, 263, 267, | 453, 465                  |
| 479, 481, 483, 485,       | 4240018 ... 370, 374, 378,  | 339, 403, 417, 419,        | 4460930....423, 425, 427, |
| 487, 489, 491, 493,       | 382, 386, 389               | 423, 425, 427, 428,        | 428, 441, 443, 469        |
| 495, 497, 499, 501,       | 4240032 ..... 425           | 439, 441, 443, 447,        | 4460931....427, 439, 470  |
| 503, 505                  | 4240033 ... 147, 267, 339,  | 451, 453, 459, 463,        | 4460932....397, 403, 428, |
| 3841143....167, 180, 196, | 341, 343, 425               | 465, 467, 469, 470         | 433, 469                  |
| 249, 265, 269             | 4240099 ... 188, 204, 263,  | 4460467 ..... 513          | 4460933....263, 267, 403, |
| 3841203.19, 21, 236, 240  | 345, 347                    | 4460470 ..... 327, 421     | 423, 427, 447, 465, 469   |
| 3841258.....19, 21        | 4360070 ..... 231, 509      | 4460471 ..... 327, 421     | 4460934....403, 423, 427  |
| 3841287 ..... 236, 240    | 4360274 .... 137, 139, 508  | 4460473 ..... 417, 419     | 4460935....403, 423, 427  |
| 3841581.....236, 240      | 4360328 ... 137, 139, 337,  | 4460496 ..... 327, 439     | 4460941....123, 403, 427, |
| 3841692.....299, 301      | 508                         | 4460497 ..... 327, 439     | 433, 459                  |
| 3900085.....147           | 4360336 ..... 229, 509      | 4460508 .... 339, 447, 469 | 4460942....123, 339, 403, |
| 3900174.....133, 135      | 4360387 ... 327, 341, 345,  | 4460509 ..... 417, 419     | 427, 428, 433, 470        |
| 3900183.....327           | 347                         | 4460510 ..... 513          | 4460943....123, 397, 427, |
| 3900210.....133, 135      | 4360436 ..... 127           | 4460518 ... 447, 449, 451, | 447, 459                  |
| 3900349.....328           | 4360469 ..... 141, 508      | 453, 465                   | 4460944....123, 263, 267, |
| 3900363....159, 161, 163, | 4360475 ... 137, 139, 327,  | 4460536 ..... 469          | 397, 403, 425, 427, 428   |
| 171                       | 508                         | 4460539 ... 397, 403, 443, | 4460945.....470           |
| 3900364.....186, 202      | 4360476 .... 137, 139, 508  | 469                        | 4460950.....423, 428      |
| 3910606.....229           | 4360477 ..... 345, 347      | 4460634 ..... 439          | 4460963.....231           |
| 3910804.....141           | 4360505 ..... 19, 21, 508   | 4460635 ..... 439          | 4460967.....435           |
| 3931008.....123           | 4360552 ..... 291, 509      | 4460662 ..... 345, 347     | 4460968.....15, 17, 347   |
| 3931016.....229           | 4360578 ..... 15, 17, 508   | 4460670 ..... 403, 469     | 4460970.....427, 439      |
| 3931020.....19, 21        | 4460007 ..... 327           | 4460702 ..... 425, 470     | 4460982.....427           |
| 3931408.....341           | 4460016 ..... 447           | 4460703 ..... 403, 428     | 4461005.....425           |
| 3931414.....291           | 4460019 .... 425, 428, 470  | 4460708 ..... 327          | 4461006.....425           |
| 3931424.....341           | 4460042 ..... 429, 439      | 4460761 ..... 439, 447     | 4461008.....425, 428      |
| 3931432.....186, 202      | 4460043 ..... 428           | 4460807 ..... 437          | 4461052.....425           |
| 3931512....123, 186, 202  | 4460071 ... 229, 305, 307,  | 4460808 ..... 437          | 4461053.....425           |
| 3931620.....183, 199      | 309, 311, 313, 315,         | 4460836 ... 123, 263, 267, | 4461054....425, 428, 433  |
| 3931628.....229           | 317, 319                    | 403, 423, 427, 470         | 4461060.....425           |
| 3960422.....229           | 4460121 ..... 443           | 4460837 ..... 123, 470     | 4461070....425, 427, 428, |
| 3960551.....19, 21        | 4460144 ..... 439           | 4460865 ..... 417, 419     | 465                       |
| 3960552.....19, 21        | 4460183 ..... 447           | 4460866 ..... 447, 469     | 4461071.....425, 428      |
| 4031205.....291           | 4460225 ..... 437, 447      | 4460868 ..... 439          | 4461072.....425, 428      |
| 4031505.....339           | 4460226 ... 263, 332, 335,  | 4460871 ... 293, 439, 443, | 4461073.....425, 428      |
| 4031510.....15, 17, 293   | 445, 447, 461               | 447, 469                   | 4461074.....425, 428      |
| 4031516.....343           | 4460227 ..... 447           | 4460872 ..... 469          | 4461077....403, 459, 463  |
| 4031605.....291           | 4460234 ..... 327           | 4460873 ..... 447, 469     |                           |

## SECTION 11 - SPECIAL OPTIONS

|  |  |                               |  |
|--|--|-------------------------------|--|
| 4461095 ... 425, 427, 428, 465   | 257, 263, 265, 269, 271, 273, 275, 277, 279, 281, 283, 285, 291, 295, 345, 347, 374, 378, 382, 386   | 5260600.....186, 202          | 70002032..... 31, 111                              |
| 4461097 ..... 425  | 4812002 ... 188, 204, 305, 307, 309, 311, 313, 315, 317, 319   | 5260800....180, 186, 196, 202 | 70002033..... 31                                   |
| 4568293 ..... 171  | 4812100 ... 15, 17, 19, 21, 43, 49, 77, 79, 81, 83, 85, 87, 89, 91, 115, 119, 123, 125, 127, 133, 135, 149, 152, 156, 167, 171, 180, 196, 265, 269 | 5261000.....186, 202          | 70002034..... 31                                   |
| 4640509 ..... 351  | 4812200 ..... 171  | 5271723.....245               | 70002035..... 31                                   |
| 4640751 .... 171, 186, 202   | 4812300 19, 21, 167, 180, 196, 244, 263, 267   | 70000044.....175              | 70002036..... 31                                   |
| 4641129 ..... 93, 97   | 4812300 19, 21, 167, 180, 196, 244, 263, 267   | 70000342.....251, 255         | 70002037..... 31                                   |
| 4641179 ..... 245  | 4812300 19, 21, 167, 180, 196, 244, 263, 267   | 70000345..175, 191, 193, 207  | 70002039..... 31                                   |
| 4641210 ..... 94, 98   | 4812300 19, 21, 167, 180, 196, 244, 263, 267   | 70000619.....229              | 70002040..... 31                                   |
| 4641285 ..... 355  | 4812300 19, 21, 167, 180, 196, 244, 263, 267   | 70000793.....211              | 70002041..... 31                                   |
| 4711000 ..... 231  | 4812300 19, 21, 167, 180, 196, 244, 263, 267   | 70000804.....59, 61           | 70002042..... 31                                   |
| 4711400 ... 159, 161, 163, 186, 202, 229, 291, 341, 343  | 4812300 19, 21, 167, 180, 196, 244, 263, 267   | 70000805.....59, 61           | 70002043..... 31                                   |
| 4711500 19, 21, 172, 186, 202  | 4812300 19, 21, 167, 180, 196, 244, 263, 267   | 70000852.....35, 37           | 70002044..... 31                                   |
| 4711600 ... 77, 79, 81, 83, 85, 87, 89, 91, 125, 167, 328  | 4812300 19, 21, 167, 180, 196, 244, 263, 267   | 70000853.....35, 37           | 70002045..... 31                                   |
| 4711800 ..... 19, 21, 257  | 4812300 19, 21, 167, 180, 196, 244, 263, 267   | 70000854.....35, 37           | 70002046..... 31                                   |
| 4740181 ..... 19, 21   | 4812300 19, 21, 167, 180, 196, 244, 263, 267   | 70000855.....35               | 70002047..... 31                                   |
| 4740229 ..... 19, 21   | 4812300 19, 21, 167, 180, 196, 244, 263, 267   | 70000856.....35               | 70002048..... 31                                   |
| 4740362 ... 305, 307, 309, 311, 313, 315, 317, 319   | 4812300 19, 21, 167, 180, 196, 244, 263, 267   | 70000857.....35, 37           | 70002049..... 31                                   |
| 4740397 ..... 21, 327, 337   | 4812300 19, 21, 167, 180, 196, 244, 263, 267   | 70000858.....35, 37           | 70002050..... 31                                   |
| 4740505 ..... 19, 21   | 4812300 19, 21, 167, 180, 196, 244, 263, 267   | 70000859.....35, 37           | 70002052..... 31                                   |
| 4750800 ..... 19, 21   | 4812300 19, 21, 167, 180, 196, 244, 263, 267   | 70000860.....37               | 70002057 ..... 31, 111                             |
| 4751000 ... 147, 229, 291, 327   | 4812300 19, 21, 167, 180, 196, 244, 263, 267   | 70000861.....35, 37           | 7000213 ..... 107                                  |
| 4751400 ... 186, 202, 229, 327, 473, 475, 477, 479, 481, 483, 485, 487, 489, 491, 493, 495, 497, 499, 501, 503   | 4812300 19, 21, 167, 180, 196, 244, 263, 267   | 70000862.....35, 37           | 70002132..... 214                                  |
| 4751500 ..... 133, 135   | 4812300 19, 21, 167, 180, 196, 244, 263, 267   | 70000863.....230              | 70002133..... 35, 37, 214, 217                     |
| 4755000 ..... 19, 21   | 4812300 19, 21, 167, 180, 196, 244, 263, 267   | 70000916.....175              | 70002134..... 214                                  |
| 4791400 ..... 186, 202   | 4812300 19, 21, 167, 180, 196, 244, 263, 267   | 70000917.....175              | 70002135..... 214                                  |
| 4811400 ..... 15, 17   | 4812300 19, 21, 167, 180, 196, 244, 263, 267   | 70000918.....175              | 70002136..... 214                                  |
| 4811600 ... 129, 180, 196, 295   | 4812300 19, 21, 167, 180, 196, 244, 263, 267   | 70000919.....175              | 70002137..... 214                                  |
| 4811700 ... 43, 45, 47, 49, 51, 53, 55, 57, 125, 133, 135, 143, 147, 149, 167, 171, 180, 186, 196, 202, 229, 263, 267, 291, 293, 371, 375, 421   | 4812300 19, 21, 167, 180, 196, 244, 263, 267   | 70001056.....125              | 70002138..... 214                                  |
| 4811702 ... 131, 299, 301, 303   | 4812300 19, 21, 167, 180, 196, 244, 263, 267   | 70001100.....230              | 70002139..... 214                                  |
| 4811900 ... 29, 43, 45, 47, 49, 51, 53, 55, 57, 119, 129, 131, 149, 152, 156, 159, 161, 163, 171, 180, 186, 196, 202, 257, 267, 291, 293, 295, 305, 307, 309, 311, 370, 374, 378, 382, 386 | 4812300 19, 21, 167, 180, 196, 244, 263, 267   | 70001123.....123              | 70002140..... 214                                  |
| 4811902 ... 133, 135, 143, 186, 202, 370, 374  | 4812300 19, 21, 167, 180, 196, 244, 263, 267   | 70001125.....175              | 70002141..... 214                                  |
| 4812000 ... 15, 17, 49, 51, 53, 55, 57, 67, 69, 71, 73, 77, 79, 81, 83, 85, 87, 89, 91, 125, 152, 156, 159, 161, 163, 171, 180, 186, 196, 202, 225, 230, 244,                              | 4812300 19, 21, 167, 180, 196, 244, 263, 267   | 70001126.....175              | 70002142..... 214                                  |
|  | 4812300 19, 21, 167, 180, 196, 244, 263, 267   | 70001128.....175              | 70002145..... 214                                  |
|  | 4812300 19, 21, 167, 180, 196, 244, 263, 267   | 70001129.....175              | 70002148..... 214                                  |
|  | 4812300 19, 21, 167, 180, 196, 244, 263, 267   | 70001130.....175              | 70002150..... 214                                  |
|  | 4812300 19, 21, 167, 180, 196, 244, 263, 267   | 70001131.....175              | 70002151..... 214                                  |
|  | 4812300 19, 21, 167, 180, 196, 244, 263, 267   | 70001135.....175              | 70002152..... 214                                  |
|  | 4812300 19, 21, 167, 180, 196, 244, 263, 267   | 70001384.....230              | 70002153..... 214                                  |
|  | 4812300 19, 21, 167, 180, 196, 244, 263, 267   | 70001435.....175              | 70002154..... 214                                  |
|  | 4812300 19, 21, 167, 180, 196, 244, 263, 267   | 70001697...251, 253, 255      | 70002155..... 214                                  |
|  | 4812300 19, 21, 167, 180, 196, 244, 263, 267   | 70001847.....175              | 70002156..... 214                                  |
|  | 4812300 19, 21, 167, 180, 196, 244, 263, 267   | 70001850.....175              | 70002157..... 214                                  |
|  | 4812300 19, 21, 167, 180, 196, 244, 263, 267   | 70001857.....175              | 70002158..... 214                                  |
|  | 4812300 19, 21, 167, 180, 196, 244, 263, 267   | 70001867.....175              | 70002159..... 214                                  |
|  | 4812300 19, 21, 167, 180, 196, 244, 263, 267   | 70001868.....175              | 70002160..... 214                                  |
|  | 4812300 19, 21, 167, 180, 196, 244, 263, 267   | 70001870...175, 191, 207      | 70002161..... 214                                  |
|  | 4812300 19, 21, 167, 180, 196, 244, 263, 267   | 70001871.....175              | 70002162..... 214                                  |
|  | 4812300 19, 21, 167, 180, 196, 244, 263, 267   | 70001939.....63               | 70002163..... 214                                  |
|  | 4812300 19, 21, 167, 180, 196, 244, 263, 267   | 70001955.....217              | 70002164..... 214                                  |
|  | 4812300 19, 21, 167, 180, 196, 244, 263, 267   | 70001956.....217              | 70002165..... 214                                  |
|  | 4812300 19, 21, 167, 180, 196, 244, 263, 267   | 70001958.....215              | 70002168..... 215                                  |
|  | 4812300 19, 21, 167, 180, 196, 244, 263, 267   | 70001966.....230              | 70002174..... 215                                  |
|  | 4812300 19, 21, 167, 180, 196, 244, 263, 267   | 70001973.....230              | 70002175..... 215                                  |
|  | 4812300 19, 21, 167, 180, 196, 244, 263, 267   | 70001974.....230              | 70002176..... 35, 37                               |
|  | 4812300 19, 21, 167, 180, 196, 244, 263, 267   | 70001978.....94               | 70002177..... 215                                  |
|  | 4812300 19, 21, 167, 180, 196, 244, 263, 267   | 70002015.....31               | 70002178..... 215                                  |
|  | 4812300 19, 21, 167, 180, 196, 244, 263, 267   | 70002016.....31               | 70002179..... 215                                  |
|  | 4812300 19, 21, 167, 180, 196, 244, 263, 267   | 70002018.....31               | 70002231. 77, 79, 81, 83, 85, 87, 89, 91, 167, 508 |
|  | 4812300 19, 21, 167, 180, 196, 244, 263, 267   | 70002019.....31               | 70002224..... 106                                  |
|  | 4812300 19, 21, 167, 180, 196, 244, 263, 267   | 70002020.....31               | 70002247..... 32                                   |
|  | 4812300 19, 21, 167, 180, 196, 244, 263, 267   | 70002026.....31               | 70002248..... 31                                   |
|  | 4812300 19, 21, 167, 180, 196, 244, 263, 267   | 70002027.....31               | 70002249..... 32                                   |
|  | 4812300 19, 21, 167, 180, 196, 244, 263, 267   | 70002029.....31               | 70002291..... 230                                  |
|  | 4812300 19, 21, 167, 180, 196, 244, 263, 267   | 70002030.....31               | 7000236..... 106                                   |
|  | 4812300 19, 21, 167, 180, 196, 244, 263, 267   | 70002031.....31               |  |

## SECTION 11 - SPECIAL OPTIONS

|   |                            |                         |                                 |
|---|----------------------------|-------------------------|---------------------------------|
| 70002386..59, 61, 93, 97,<br>287, 289, 508          | 70004064 ..... 225         | 70004759 ..... 331      | 70005845.....353, 359           |
| 7000239..... 106                                    | 70004065 ..... 225         | 70004760 ..... 331      | 70005846.....359                |
| 7000240..... 106                                    | 70004066 ..... 225, 509    | 70004761 ..... 331      | 70005847...351, 357, 359        |
| 70002401.....236, 240                               | 70004067 ..... 225         | 70004762 ..... 331      | 70005848.....359                |
| 70002460.....230                                    | 70004068 ..... 225         | 70004763 ..... 331      | 70005849.....359                |
| 70002576.....221                                    | 70004069 ..... 225         | 70004764 ..... 331      | 70005850.....351                |
| 70002578.....217                                    | 70004070 ..... 225         | 70004765 ..... 331      | 70005851.....351                |
| 70002580.....217                                    | 70004092 ..... 230         | 70004766 ..... 331      | 70005852.....351                |
| 70002582.....217                                    | 70004094 ..... 230         | 70004767 ..... 331      | 70005853.....351                |
| 70002583.....217                                    | 70004098 ..... 230         | 70004768 ..... 331      | 70005854.....351                |
| 70002585.....217                                    | 70004099 ..... 230         | 70004769 ..... 331      | 70005855.....357                |
| 70002586.....217                                    | 70004152 ..... 94, 98      | 70004770 ..... 331      | 70005856.....357                |
| 70002588.....217                                    | 70004185 ..... 513         | 70004771 ..... 331      | 70005857.....357                |
| 70002589.....217                                    | 70004201 ..... 35, 37      | 70004772 ..... 331      | 70005858.....357                |
| 70002590.....217                                    | 70004202 ..... 35, 37      | 70004773 ..... 331      | 70005859.....357                |
| 70002592.....218                                    | 70004207 ..... 35          | 70004774 ..... 331      | 70005860.....357                |
| 70002593.....218                                    | 70004276 ..... 192, 208    | 70004775 ..... 331      | 70005861.....357                |
| 70002599.....218                                    | 70004277 ..... 192, 209    | 70005171 ..... 191, 207 | 70005862.....357                |
| 70002600.....214                                    | 70004280 ..... 191, 207    | 70005172 ..... 191, 207 | 70005863.....353                |
| 70002601.....214                                    | 70004282 ..... 192, 208    | 70005173 ..... 191, 207 | 70005864.....353                |
| 70002602.....214                                    | 70004416 ..... 217         | 70005174 ..... 191, 207 | 70005865.....353                |
| 70002604.....215                                    | 70004417 ..... 217         | 70005177 ..... 193, 208 | 70005866.....353                |
| 70002605.....215                                    | 70004420 ..... 217         | 70005181 ..... 208      | 70005867.....353                |
| 70002606.....215                                    | 70004421 ..... 217         | 70005184 ..... 192, 208 | 70005868.....361                |
| 70002607.....215                                    | 70004422 ..... 218         | 70005188 ..... 192, 208 | 70005869.....361                |
| 70002608.....215                                    | 70004423 ..... 217         | 70005189 ..... 192, 208 | 70005870.....361                |
| 70002609.....215                                    | 70004426 ..... 217         | 70005191 ..... 193, 209 | 70005871.....361                |
| 70002610.....215                                    | 70004459 ..... 63          | 70005230 ..... 335      | 70005872.....361                |
| 70002612.....215                                    | 70004460 ..... 63, 508     | 70005317 ..... 111      | 70005873.....361                |
| 70002616.....215                                    | 70004461 ..... 63, 65      | 70005318 ..... 111      | 70005874.....361                |
| 70002617.....215                                    | 70004463 ..... 63, 65, 508 | 70005418 ..... 218      | 70005875.....363                |
| 70002618.....214                                    | 70004467 ..... 111         | 70005456 ..... 123      | 70005876.....363, 365           |
| 70002619.....214                                    | 70004469 ..... 111         | 70005527 ..... 193      | 70005877.....363                |
| 70002620.....214                                    | 70004474 ..... 111         | 70005647 ..... 192, 209 | 70005878.....363, 365           |
| 70002621.....215                                    | 70004477 ..... 111         | 70005648 ..... 192, 209 | 70005879.....363, 365           |
| 70002622.....215                                    | 70004480 ..... 111         | 70005707 ..... 131, 508 | 70005880.....363, 365           |
| 70002623.....215                                    | 70004481 ..... 111         | 70005717 ..... 97       | 70005881.....363, 365           |
| 70002718...175, 191, 207                            | 70004494 ..... 112         | 70005725 ..... 97       | 70005882.....363, 365           |
| 7000281..... 106                                    | 70004501 ..... 192, 208    | 70005774 ..... 61       | 70005883.....363, 365           |
| 7000287..... 106                                    | 70004504 ..... 193         | 70005775 ..... 59, 61   | 70005884.....363                |
| 7000288..... 106                                    | 70004511 ..... 207         | 70005776 ..... 59, 61   | 70005885.....365                |
| 70002958..... 61                                    | 70004512 ..... 207         | 70005777 ..... 93       | 70005886.....363                |
| 70002959..... 61                                    | 70004637 ..... 351         | 70005778 ..... 93, 97   | 70005888.....351                |
| 70002969.....93, 97                                 | 70004646 ..... 513         | 70005779 ..... 93       | 70005889.....357                |
| 70002971.....93, 97, 508                            | 70004647 ..... 513         | 70005780 ..... 93       | 70005890.....357                |
| 70003023..... 287, 289                              | 70004648 ..... 513         | 70005781 ..... 93, 97   | 70005920..... 191, 207          |
| 70003024.....93, 97                                 | 70004738 ..... 335         | 70005782 ..... 93, 97   | 70005921..... 191, 207          |
| 70003135..... 175                                   | 70004739 ..... 335         | 70005783 ..... 93       | 70005923..... 193, 208          |
| 70003136..... 175                                   | 70004740 ..... 335         | 70005784 ..... 94, 98   | 70005924..... 193, 208          |
| 70003475..... 175                                   | 70004741 ..... 335         | 70005785 ..... 94, 98   | 70005925..... 208               |
| 70003483..305, 307, 309,<br>311, 313, 315, 317, 319 | 70004742 ..... 335         | 70005786 ..... 94, 98   | 70005926..... 192, 208          |
| 70003523..... 106                                   | 70004743 ..... 335         | 70005789 ..... 287, 289 | 70005927..... 193, 208          |
| 70003524..... 106, 107                              | 70004744 ..... 335         | 70005819 ..... 251, 253 | 70005928..... 193, 208          |
| 70003628..... 35, 37                                | 70004745 ..... 335         | 70005820 ..... 37       | 70005929..... 192, 208          |
| 70003629..... 106                                   | 70004746 ..... 335         | 70005821 ..... 37       | 70005931..... 192               |
| 70003631..... 230                                   | 70004747 ..... 335         | 70005824 ..... 257      | 70005933..... 192               |
| 70003708..... 230                                   | 70004748 ..... 335         | 70005825 ..... 257      | 70005937..... 193               |
| 70003709..... 230                                   | 70004749 ..... 335         | 70005835 ..... 355      | 70005941..... 191, 207          |
| 70003788.....93, 97, 236,<br>240, 508               | 70004750 ..... 335         | 70005836 ..... 355      | 70005942..... 191, 207          |
| 70003789.....93, 97, 508                            | 70004751 ..... 335         | 70005837 ..... 355      | 70006003..236, 240, 247         |
| 70003948...251, 253, 255                            | 70004752 ..... 331         | 70005838 ..... 355      | 70006004..236, 240, 247,<br>508 |
| 70003972.....93, 97                                 | 70004753 ..... 331         | 70005839 ..... 355      | 70006005...236, 240, 247        |
| 70003976.....93, 97                                 | 70004754 ..... 331         | 70005840 ..... 355      | 70006006...236, 240, 247        |
| 70003978.....287, 289                               | 70004755 ..... 331         | 70005841 ..... 355      | 70006086.....63, 65             |
|   | 70004756 ..... 331         | 70005842 ..... 355      | 70006087.....63, 65             |
|   | 70004757 ..... 331         | 70005843 ..... 359      | 70006088.....63, 65             |
|   | 70004758 ..... 331         | 70005844 ..... 359      |                                 |

## SECTION 11 - SPECIAL OPTIONS

|                |          |                |                    |                |               |                |                         |
|----------------|----------|----------------|--------------------|----------------|---------------|----------------|-------------------------|
| 70006089 ..... | 63       | 70007353 ..... | 176                | 70025135 ..... | 207           | 7004276 .....  | 513                     |
| 70006093 ..... | 230      | 70007439 ..... | 215                | 70025137 ..... | 191, 207      | 7004453 .....  | 107                     |
| 70006094 ..... | 230      | 70009021 ..... | 401                | 70025140 ..... | 191, 207      | 7007207 .....  | 214, 217                |
| 70006095 ..... | 230      | 70009022 ..... | 399, 401           | 70025142 ..... | 192, 208      | 7007415 .....  | 215, 217, 218           |
| 70006096 ..... | 230      | 70009023 ..... | 399, 401           | 70025144 ..... | 191, 207      | 7007418 .....  | 214                     |
| 70006097 ..... | 230      | 70009024 ..... | 401                | 70025145 ..... | 191, 207      | 7007419 .....  | 214                     |
| 70006098 ..... | 247      | 70009025 ..... | 399                | 70025146 ..... | 191, 207      | 7007420 .....  | 35, 37                  |
| 70006099 ..... | 247      | 70009026 ..... | 399                | 70025149 ..... | 192, 209      | 7007438 .....  | 35                      |
| 70006101 ..... | 247      | 7001900 .....  | 106                | 70025151 ..... | 192, 208      | 7007439 .....  | 35, 37                  |
| 70006102 ..... | 247      | 7001902 .....  | 106                | 70025152 ..... | 191, 207      | 7007446 .....  | 35, 37, 214, 217        |
| 70006127 ..... | 191, 207 | 7001904 .....  | 106                | 70025153 ..... | 191, 207, 509 | 7007489 .....  | 221                     |
| 70006237 ..... | 97       | 7001906 .....  | 106                | 70025154 ..... | 191, 207      | 7007645 .....  | 106                     |
| 70006238 ..... | 97       | 7001917 .....  | 106                | 70025155 ..... | 208           | 7007646 .....  | 106                     |
| 70006239 ..... | 97       | 7001918 .....  | 106                | 70025156 ..... | 192           | 7007648 .....  | 106                     |
| 70006240 ..... | 97       | 7001920 .....  | 106                | 70025158 ..... | 208           | 70104570 ..... | 191                     |
| 70006241 ..... | 98       | 7001921 .....  | 106                | 70025160 ..... | 192           | 7010467 .....  | 106                     |
| 70006242 ..... | 98       | 7001922 .....  | 106                | 70025161 ..... | 192           | 7010543 .....  | 93, 97                  |
| 70006282 ..... | 247      | 7001923 .....  | 106                | 70025162 ..... | 207           | 7010545 .....  | 94, 98                  |
| 70006283 ..... | 247      | 7001924 .....  | 106                | 70025164 ..... | 192, 208      | 7010635 .....  | 97                      |
| 70006343 ..... | 363, 365 | 7001926 .....  | 106                | 70025171 ..... | 191, 207      | 7010795 .....  | 107                     |
| 70006344 ..... | 363, 365 | 7001927 .....  | 106                | 70025174 ..... | 192           | 7011016 .....  | 125                     |
| 70006403 ..... | 227      | 7001928 .....  | 106                | 70025175 ..... | 192           | 7011043 .....  | 125                     |
| 70006404 ..... | 227      | 7001929 .....  | 106                | 70025176 ..... | 191, 207      | 7011044 .....  | 125                     |
| 70006405 ..... | 227      | 70021895 ..... | 192, 208           | 70025178 ..... | 192, 208      | 7011048 .....  | 125                     |
| 70006406 ..... | 227      | 70022286 ..... | 217                | 70025179 ..... | 192, 208      | 7011311 .....  | 355                     |
| 70006407 ..... | 227      | 70023609 ..... | 289                | 70025180 ..... | 192, 208      | 7011346 .....  | 63, 65, 247             |
| 70006408 ..... | 227      | 70024190 ..... | 223, 508           | 70025181 ..... | 191, 207      | 7011376 .....  | 355                     |
| 70006409 ..... | 227      | 70024191 ..... | 223, 508           | 70025182 ..... | 192, 208      | 70124530 ..... | 191                     |
| 70006410 ..... | 227      | 70024484 ..... | 192, 208           | 70025183 ..... | 192, 208      | 70124538 ..... | 191                     |
| 70006425 ..... | 287, 289 | 70024488 ..... | 191, 207           | 70025184 ..... | 192, 208      | 7012518 .....  | 93, 97                  |
| 70006427 ..... | 98       | 70024494 ..... | 191, 207           | 70025185 ..... | 208           | 7012540 .....  | 93, 97                  |
| 70006617 ..... | 365      | 70024502 ..... | 208                | 70025200 ..... | 192, 208      | 7012773 .....  | 63, 65                  |
| 70006620 ..... | 365      | 70024504 ..... | 192, 193, 207, 209 | 70025203 ..... | 192, 208      | 7012914 .....  | 93, 97                  |
| 70006621 ..... | 365      | 70024507 ..... | 192, 209           | 70025204 ..... | 191           | 7012918 .....  | 93, 97                  |
| 70006622 ..... | 365      | 70024509 ..... | 208                | 70025205 ..... | 191, 207      | 7012925 .....  | 93, 97                  |
| 70006623 ..... | 365      | 70024513 ..... | 191, 207           | 70025210 ..... | 192, 208, 509 | 7012953 .....  | 94, 98                  |
| 70006929 ..... | 63, 65   | 70024517 ..... | 191, 207           | 70025231 ..... | 191, 193, 207 | 7012967 .....  | 93, 97, 287, 289        |
| 70006950 ..... | 63, 65   | 70024669 ..... | 125                | 70025235 ..... | 192, 208      | 7012975 .....  | 93                      |
| 70006986 ..... | 111      | 70024905 ..... | 191, 207           | 70025239 ..... | 191, 207      | 7012989 .....  | 94                      |
| 70006987 ..... | 111      | 70024906 ..... | 191, 207           | 70025240 ..... | 208           | 7012998 .....  | 94, 98, 289             |
| 70006988 ..... | 111      | 70024910 ..... | 192, 208           | 70025242 ..... | 193           | 7015014 .....  | 171                     |
| 70006989 ..... | 111      | 70024912 ..... | 192, 208           | 70025245 ..... | 193           | 7015015 .....  | 171                     |
| 70006990 ..... | 111      | 70024915 ..... | 192, 209           | 70025246 ..... | 193           | 7016319 .....  | 145                     |
| 70006991 ..... | 111      | 70024917 ..... | 192, 193           | 70025249 ..... | 223           | 7016328 .....  | 175, 508                |
| 70006992 ..... | 111      | 70024918 ..... | 193, 209           | 70025477 ..... | 192, 208      | 7016331 .....  | 175, 191, 207, 508, 509 |
| 70006993 ..... | 111      | 70024920 ..... | 192, 193, 208, 209 | 70025533 ..... | 192, 209      | 7016372 .....  | 145                     |
| 70006994 ..... | 111      | 70024922 ..... | 192, 209           | 70025660 ..... | 191, 209      | 7016654 .....  | 513                     |
| 70006995 ..... | 111      | 70024924 ..... | 191, 207           | 70025768 ..... | 192, 208      | 7016655 .....  | 513                     |
| 70006996 ..... | 111      | 70024925 ..... | 191, 207           | 70025877 ..... | 193           | 7017072 .....  | 106                     |
| 70006997 ..... | 111      | 70024961 ..... | 191, 207           | 70025931 ..... | 208           | 7017082 .....  | 106                     |
| 70006998 ..... | 111      | 70025076 ..... | 191, 207           | 70026210 ..... | 193, 209      | 7017085 .....  | 107                     |
| 70006999 ..... | 111      | 70025077 ..... | 192, 209           | 70026302 ..... | 353, 359      | 7017142 .....  | 251, 253, 255           |
| 70007000 ..... | 111      | 70025080 ..... | 207                | 70026995 ..... | 192, 208      | 7017158 .....  | 253                     |
| 70007001 ..... | 111      | 70025082 ..... | 191, 207           | 70027006 ..... | 93, 97, 508   | 7017159 .....  | 251, 253, 255           |
| 70007002 ..... | 111      | 70025084 ..... | 192, 208           | 70027278 ..... | 93, 97        | 7017163 .....  | 251, 253, 255           |
| 70007003 ..... | 111      | 70025091 ..... | 191, 207           | 7002821 .....  | 513           | 7017164 .....  | 251, 253, 255           |
| 70007004 ..... | 112      | 70025101 ..... | 208                | 7002822 .....  | 513           | 7017172 .....  | 251, 253, 255           |
| 70007005 ..... | 112      | 70025107 ..... | 193, 208           | 7002823 .....  | 513           | 7017192 .....  | 251, 253, 255           |
| 70007006 ..... | 112      | 70025109 ..... | 208                | 7002828 .....  | 513           | 7017195 .....  | 251, 253, 255           |
| 70007007 ..... | 112      | 7002511 .....  | 191                | 70030962 ..... | 223           | 7017402 .....  | 93, 97, 287, 289        |
| 70007008 ..... | 112      | 70025111 ..... | 207                | 70030963 ..... | 223           | 7017410 .....  | 287, 289                |
| 70007009 ..... | 111      | 70025112 ..... | 192, 208           | 70035212 ..... | 209           | 7017418 .....  | 94, 98                  |
| 70007010 ..... | 112      | 70025115 ..... | 208                | 7003655 .....  | 171, 508      | 7017420 .....  | 94, 98                  |
| 70007011 ..... | 111      | 70025120 ..... | 192, 209           | 7004035 .....  | 107           | 7017453 .....  | 93, 97                  |
| 70007012 ..... | 112      | 70025133 ..... | 208                | 7004043 .....  | 107           | 7017467 .....  | 93, 97                  |
| 70007013 ..... | 112      |                |                    | 7004044 .....  | 107           | 7017479 .....  | 93                      |
| 7000731 .....  | 106, 107 |                |                    | 7004275 .....  | 513           |                |                         |

## SECTION 11 - SPECIAL OPTIONS

|  |                          |                            |                                  |
|--|--------------------------|----------------------------|----------------------------------|
| 7017493.....61                         | 7022391 ..... 93, 97     | 7024453 ..... 107          | 77363233.....437                 |
| 7017495.....93, 97                     | 7023919 ..... 93, 97, 98 | 7024488 ..... 229          | 8036572.....287, 289             |
| 7017496.93, 94, 236, 240               | 7023923 ..... 93, 97     | 7024489 ..... 229          | 80484084.....428                 |
| 7018942.....63                         | 7023924 ..... 98         | 7024565 ..... 175          | 80983191.....428, 508            |
| 7020175.....137, 139, 327              | 7023962 ..... 217        | 7024579 .... 175, 191, 207 | 8220045.....470                  |
| 7020176.....137, 139, 327              | 7023964 ..... 217, 218   | 7024763 ..... 106          | 8220164.....427                  |
| 7020414.....175                        | 7024135 ..... 106        | 7024800 ..... 215          | 8229242.....428, 508             |
| 7020447.....175                        | 7024182 ..... 107        | 7024808 ..... 61           | 8405007.....186, 202             |
| 7020460.....175                        | 7024183 ..... 106        | 7024865 ..... 35           | 8405104.....187, 203             |
| 7020465.....175, 191, 207              | 7024184 ..... 106        | 7024867 ..... 35, 37       | 8405204.....187, 203             |
| 7020468.....175                        | 7024185 ..... 106        | 7024868 ..... 35, 37       | 8406002.....43, 49               |
| 7020471.....175                        | 7024186 ..... 106        | 7024894 ..... 94           | 8406105.....43, 49               |
| 7020479.....175                        | 7024188 ..... 106, 107   | 7026029 ..... 123          | 8406109.....187, 203             |
| 7020486.....175                        | 7024189 ..... 107        | 7026030 ..... 123          | 8406202....180, 188, 196,<br>204 |
| 7020492.....192, 208                   | 7024190 ..... 107        | 7026031 ..... 123, 508     | 8410011.....187, 203             |
| 7021249.....35, 37                     | 7024191 ..... 107        | 7026032 ..... 123          | 8410013.....129, 171             |
| 7021256.....215                        | 7024192 ..... 107        | 7026608 ..... 175          | 8750024.....171                  |
| 7021265.....215                        | 7024193 ..... 107        | 7026616 ..... 245          | 8750025.....172                  |
| 7021275.35, 37, 214, 217               | 7024194 ..... 107        | 7026626 ..... 230          | 8760268.....370, 375             |
| 7021293.....215                        | 7024196 ..... 107        | 7026665 ..... 123          | 8760552.....389                  |
| 7021375.....63, 65                     | 7024197 ..... 107, 108   | 7027235 ..... 175          | 8770048.....370, 374             |
| 7021636.....93, 97                     | 7024379 ..... 107        | 7027236 ..... 175          | 88521205.....172                 |
| 7022300.....215                        | 7024380 ..... 107        | 7027239 ..... 175          | 88662013.....389                 |
| 7022301.....214                        | 7024381 ..... 107        | 7027240 ..... 175          | 91043147.....180, 196            |
| 7022311.....35, 37                     | 7024389 ..... 107        | 7027276 ..... 175          | 91143339.....427                 |
| 7022314.....35, 37                     | 7024390 ..... 107        | 7027740 ..... 35           | 91143340.....427                 |
| 7022321.....35, 37                     | 7024391 ..... 107        | 7027790 ..... 175          | 91203039.....265, 269            |
| 7022340.....217                        | 7024392 ..... 107        | 7027791 ..... 175          |                                  |
| 7022368.....35, 37                     | 7024393 ..... 107        | 7027792 ..... 175          |                                  |
| 7022371.....35, 37                     | 7024394 ..... 107        | 7027799 ..... 230          |                                  |
| 7022390....59, 61, 93, 97,<br>287, 289 | 7024395 ..... 107        | 7029593 ..... 125          |                                  |
|  | 7024441 ..... 131        | 7274000040 ..... 230       |                                  |





An Oshkosh Corporation Company

**Corporate Office**  
**JLG Industries, Inc.**  
**1 JLG Drive**  
**McConnellsburg, PA 17233-9533 USA**  
**☎ (717) 485-5161 (Corporate)**  
**☎ (877) 554-5438 (Customer Support)**  
**☎ (717) 485-6417**

**Visit our website for JLG Worldwide Locations.**  
**[www.jlg.com](http://www.jlg.com)**