



# Illustrated Parts Manual

## **Model 10MSP**

SN 0130032507 to SN 0130037734

P/N  
3121780

January 2, 2020 - Rev F

**ANSI**

**CE**



**AS/NZS**



An Oshkosh Corporation Company



## **REVISION LOG**

NOTES: Machines SN 0130032134 - 0130032138 also Built to 1001229200 Specs.

### **PARTS MANUAL REVISION LOG:**

October 16, 2017 - A - Original Issue Of Manual (Edited to B/M 1001229200 Revision B)

February 28, 2018 - B - Revised Manual (Edited to B/M 1001229200 Revision C)

May 30, 2018 - C - Revised Manual (Edited to B/M 1001229200 Revision C)

August 20, 2018 - D - Revised Manual (Edited to B/M 1001229200 Revision D)

January 2, 2019 - E - Revised Manual (Edited to B/M 1001229200 Revision F)

January 2, 2020 - F - Revised Manual (Edited to B/M 1001229200 Revision F)

# GENERAL INFORMATION

SECTION 6 CYLINDER

FIGURE 6-3. LIFT CYLINDER ASSEMBLY

PG# Model Designation Manual #

SECTION 6 CYLINDER

FIGURE 6-3. LIFT CYLINDER ASSEMBLY

ITEM #	PART NUMBER	QTY.	DESCRIPTION	REV.
	1001140104	Ref	LIFT CYLINDER ASSEMBLY	B
1	0100011	AR	Compound, Locking	
2	0630535	3	Capscrew 1/4-20 x 1-1/8	
3	0791003	1	Screw #10-24 x 3/8	
4	0961897	1	Bushing, Tapered	
5	1320136	1	Clamp, Cable	
6	1683063	1	Head	
7	2220883	1	Plug, O-Ring	
8	2220885	2	Plug, O-Ring	
9	2220886	1	Plug, O-Ring	
10	3020039	AR	Lubricant	
11	3480282	1	Piston	
12	3760371	1	Ring, Washer	
13	3931420	8	Capscrew 1/4-20 x 1-1/4	
14	3931824	8	Capscrew 1/2-13 x 1-1/2	
15	3951003	1	Setscrew #10-24 x 3/8	
16	4100099	1	Spacer	
17	4640999	1	Cartridge, Holding Valve (Non Vented)	
17	2900792	1	Kit, Seal - 4640999 Cartridge Valve	
18	4641248	1	Cartridge, Counterbalance Valve (Non Vented)	
18	70004186	1	Kit, Seal - 4641248 Cartridge Valve	
19	100117991	1	Sensor, Cylinder Length	
20	100118070	1	Cap, Retainer	
21	100118084	1	Barrel	
21A	0961950	2	Bushing	
22	100118066	1	Rod	
22A	0961950	2	Bushing	
100	1001139996	1	Kit, Seal (Includes Items 101-109)	
101	See Note	2	Ring, Wear (Note: Use pin 1001139996)	
102	See Note	1	Ring, Back-Up (Note: Use pin 1001139996)	
103	See Note	2	Ring, Lock (Note: Use pin 1001139996)	
104	See Note	2	Ring, Back-Up (Note: Use pin 1001139996)	
105	See Note	2	O-Ring (Note: Use pin 1001139996)	
106	See Note	1	O-Ring (Note: Use pin 1001139996)	
107	See Note	1	Seal (Note: Use pin 1001139996)	
108	See Note	1	Wiper, Rod (Note: Use pin 1001139996)	
109	See Note	2	Seal (Note: Use pin 1001139996)	
200	1001119105	1	Kit, Sensor Magnet (Includes Items 201-203)	
201	See Note	NSS	Sieve, Spacer (Note: Use pin 1001119105)	
202	100118066	1	Magnet, Sensor	
203	100118069	1	Ring, Internal Retaining	

Manual # Model Designation PG#

## 1) MACHINE IDENTIFICATION

Machines are identified by model and in some cases a combination of models, serial number (SN) or regional standard (i.e. ANSI, CE, CSA). Components may also be identified by SN or manufacturer. Common components that may be identified by these characteristics are engines and hydraulic components.

## 2) PARTS MANUAL ORGANIZATION

Product information in this manual is organized under section titles. Frame, Cylinder, Hydraulic and Electrical are a few examples. Each section is organized by figure and page number. The information within the Figure is then organized by item number, part number, description and corresponding illustration (s).

## 3) TABLE OF CONTENTS

A table of contents is found toward the beginning of the manual. Figure number, description and page number are provided for quick reference to the page containing the related information.

## 4) RECOMMENDED SPARE PARTS

The Recommended Spare Parts, located near the end of the manual, reference most frequently used maintenance parts.

## 5) PART NUMBER INDEX

A numerical index listing all part numbers and the corresponding page number(s) appears at the back of the manual.



## GENERAL INFORMATION

### 6) NON-SERVICED PARTS

In some instances, it is necessary to display non-serviced parts, assemblies or installations. In the case of assemblies and installations there will be a Ref in the Qty column. In case of parts that are not available for service within assemblies or components, there will be a NSS (Not Sold Separately) or NLA (No Longer Available) listed in the Qty. column of the manual.

### 7) PARTS LIST ITEM NUMBERS

Numbers shown in the item# column correspond to numbers used in the associated illustration (s). Item numbers which are missing from the sequence in the parts list are not used on that page

### 8) INDENTED PARTS DESCRIPTION

An indented part description is included in the item under which it is indented.

### 9) ABB REVIATION AND SYMBOLS

AC.....	.. Alternating Current	LCD .....	.. Liquid Crystal Display
ADE.....	..Advanced Design Electronics	LED .....	.. Light Emitting Diodes
ANSI .....	..American National Standards Institute	LH.....	.. Left Hand
AR.....	..As Required	LSS .....	..Load Sensing System
ASSY .....	.. Assembly	M(m).....	.. Metric/Meter
AUX.....	..Auxiliary	MM (mm) .....	..Milimeter
AWG.....	..American WireGauge	mA.....	.. Miliamps
B/M.....	.. Bill of Material	NLA.....	..No Longer Available
CE.....	..European Conformity	NPT .....	.. National Pipe Threads
CCW .....	..Counter Clockwise	NSS .....	..Not So Id Separately
cm.....	..Centimeter	OD.....	..Outside Diameter
CW .....	..Clockwise	ORB.....	.. O-Ring Boss
CSA.....	..Canadian Standards Association	ORFS.....	.. O-Ring Face Seal
CYL.....	..Cylinder	OZ (oz).....	..Ounces
DIA.....	..Diameter	PG .....	..Page
DC.....	..Direct Current	P/N.....	..Part Number
EMS .....	.. Emergency Stop	qt.....	..Quarts
ENG .....	..Engine	QTY.....	..Quantity
FT (ft).....	.. Feet	REF .....	..Reference
GA (Ga).....	..Gauge	REV .....	..Revision Level
HYD.....	..Hydraulic	RH.....	.. Right Hand
Hz.....	.. Hertz	SAE.....	.. Society of Automotive Engineers
ID.....	..Inside Diameter	SN.....	..Serial Number
in.....	..inches	SPEC(S).....	..Specifications
ISO .....	..International Organization for Standards	T/T.....	..Turntable
JIC.....	..Joint Industry Council	UGM .....	..Universal Ground Module
KG .....	..Kilogram	V.....	..Volts
L.....	..Liter	W.....	..Watts
LB.....	..Pounds	#.....	.. Number

### 10) ILLUSTRATION REFERENCE LETTERS

When necessary, illustrations may contain reference letters that are intended to track information (i. e. hoses, harnesses) from one point to another or to track visual enlargement of components to show details that may be located in another area on the illustration.

*Note: Due to continuous product improvements, JLG Industries, Inc. reserves the right to make specification changes without prior notification. Contact JLG Industries, Inc. for updated information.*



# TABLE OF CONTENTS

SECTION 1 - BASE .....	9
FIGURE 1-1. BASE INSTALLATION .....	10
FIGURE 1-2. DRIVE MOTOR ASSEMBLY .....	12
FIGURE 1-3. COVERS INSTALLATION - MANUAL TRAY .....	14
FIGURE 1-4. COVERS INSTALLATION - POWER TRAY .....	16
FIGURE 1-5. TIE-DOWNS INSTALLATION .....	18
FIGURE 1-6. BUMPERS INSTALLATION (OPTIONAL) .....	20
FIGURE 1-7. GUIDE ROLLER INSTALLATION (OPTIONAL) .....	22
FIGURE 1-8. OBSTRUCTION SENSING PAD INSTALLATION (OPTIONAL) .....	24
FIGURE 1-9. REMOTE MANUAL DESCENT INSTALLATION (OPTIONAL) .....	26
SECTION 2 - CONTROLS .....	29
FIGURE 2-1. PUMP AND MOTOR ASSEMBLY .....	30
FIGURE 2-2. BATTERIES, ALARM AND STROBE INSTALLATION .....	34
FIGURE 2-3. BATTERY CHARGER INSTALLATION (WITHOUT CORD REEL) .....	36
FIGURE 2-4. BATTERY CHARGER INSTALLATION (WITH CORD REEL) .....	38
FIGURE 2-5. CHARGER PLUG INSTALLATION - CUSTOMER SUPPLIED PLUG .....	40
FIGURE 2-6. CHARGER PLUG INSTALLATION - 110V PLUG.....	42
FIGURE 2-7. CHARGER PLUG INSTALLATION - 110V IEC YELLOW PLUG (CE SPECS) .....	44
FIGURE 2-8. CHARGER PLUG INSTALLATION - 220V IEC BLUE PLUG (CE SPECS) .....	46
FIGURE 2-9. CHARGER PLUG INSTALLATION - 220V IEC KEYED GROUND PLUG (CE SPECS) .....	48
FIGURE 2-10. CHARGER PLUG INSTALLATION - 220V IEC POST GROUND PLUG (CE SPECS) .....	50
FIGURE 2-11. CHARGER PLUG INSTALLATION - 220V IEC SIDE GROUND PLUG (CE SPECS) .....	52
FIGURE 2-12. CHARGER PLUG INSTALLATION - 220V (AUSTRALIAN SPECS) .....	54
FIGURE 2-13. GROUND CONTROL AND TRACTION MODULE INSTALLATION (ALL SPECS EXCEPT AUSTRALIAN, CHINESE AND JAPANESE SPECS) .....	56
FIGURE 2-14. GROUND CONTROL AND TRACTION MODULE INSTALLATION (AUSTRALIAN SPECS) .....	58
FIGURE 2-15. GROUND CONTROL AND TRACTION MODULE INSTALLATION (CHINESE AND JAPANESE SPECS) .....	60
FIGURE 2-16. PLATFORM CONTROL BOX ASSEMBLY (ALL SPECS EXCEPT AUSTRALIAN SPECS) .....	62
FIGURE 2-17. PLATFORM CONTROL BOX ASSEMBLY (AUSTRALIAN SPECS) .....	64
FIGURE 2-18. CONTROLLER ASSEMBLY .....	66
SECTION 3 - MAST .....	69
FIGURE 3-1. MAST INSTALLATION .....	70
FIGURE 3-2. MAST ASSEMBLY .....	72
SECTION 4 - PLATFORM .....	75
FIGURE 4-1. PLATFORM INSTALLATION - WITHOUT GATE LATCH .....	76
FIGURE 4-2. PLATFORM ASSEMBLY - WITHOUT GATE LATCH .....	78
FIGURE 4-3. PLATFORM INSTALLATION - WITH GATE LATCH .....	80
FIGURE 4-4. PLATFORM ASSEMBLY - WITH GATE LATCH .....	82
FIGURE 4-5. TRAY INSTALLATION - MANUAL .....	84
FIGURE 4-6. TRAY ASSEMBLY - MANUAL .....	86
FIGURE 4-7. TRAY INSTALLATION - POWER .....	88
FIGURE 4-8. PUMP ASSEMBLY - POWER TRAY .....	92
FIGURE 4-9. BICYCLE CARRIER INSTALLATION - ONE SIDE (OPTIONAL) .....	94
FIGURE 4-10. BICYCLE CARRIER INSTALLATION - BOTH SIDES (OPTIONAL) .....	96
FIGURE 4-11. CARGO BELT INSTALLATION (OPTIONAL) .....	98
FIGURE 4-12. FLOORMAT INSTALLATION (OPTIONAL) .....	100
FIGURE 4-13. FLUORESCENT TUBE CADDY INSTALLATION (OPTIONAL) .....	102
FIGURE 4-14. RUG CARRIER INSTALLATION (OPTIONAL) .....	104
FIGURE 4-15. SCANNER POCKET INSTALLATION (OPTIONAL) .....	106
SECTION 5 - CYLINDER .....	109
FIGURE 5-1. LIFT CYLINDER ASSEMBLY .....	110
FIGURE 5-2. POWER TRAY CYLINDER ASSEMBLY .....	112
SECTION 6 - HYDRAULIC .....	115
FIGURE 6-1. HYDRAULIC SYSTEM INSTALLATION - STANDARD .....	116
FIGURE 6-2. HYDRAULIC SYSTEM INSTALLATION - FIRE RESISTANT .....	118

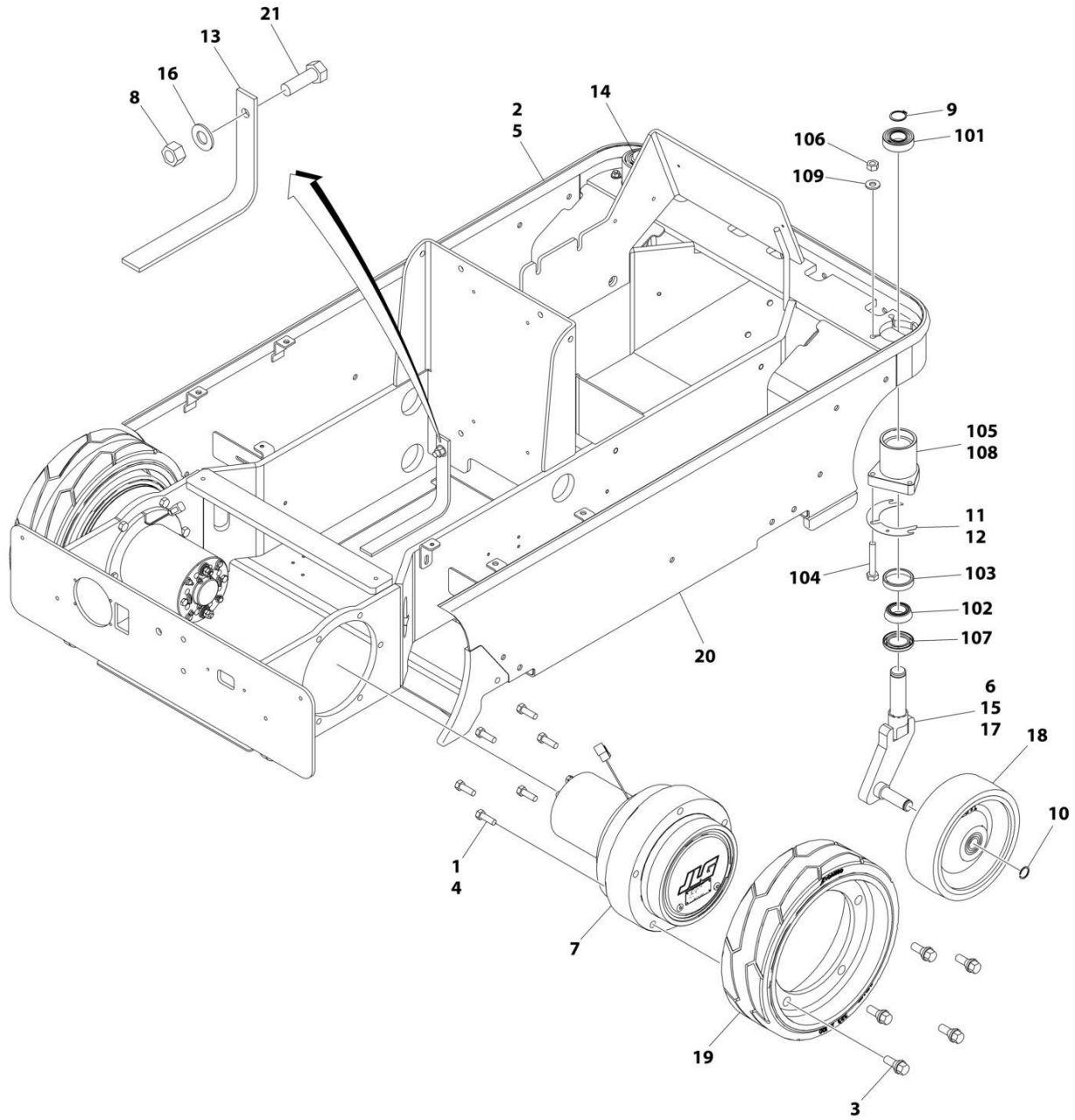
# TABLE OF CONTENTS

SECTION 7 - ELECTRICAL .....	121
FIGURE 7-1. CABLES INSTALLATION (ALL SPECS EXCEPT AUSTRALIAN SPECS) .....	122
FIGURE 7-2. CABLES INSTALLATION (AUSTRALIAN SPECS) .....	124
FIGURE 7-3. DRIVE MOTOR HARNESS .....	126
FIGURE 7-4. FOOTSWITCH JUMPER HARNESS .....	128
FIGURE 7-5. GROUND TO PLATFORM HARNESS .....	130
FIGURE 7-6. LED AND TEMPERATURE SENSOR HARNESS .....	132
FIGURE 7-7. PLATFORM BOX POWER HARNESS .....	134
FIGURE 7-8. PLATFORM CONTROLS HARNESS .....	136
FIGURE 7-9. TRAY HARNESS.....	138
SECTION 8 - DECALS .....	141
FIGURE 8-1. COMMON DECALS INSTALLATION - MANUAL TRAY AND STANDARD PAINT .....	142
FIGURE 8-2. COMMON DECALS INSTALLATION - MANUAL TRAY AND SPECIAL PAINT .....	144
FIGURE 8-3. COMMON DECALS INSTALLATION - POWER TRAY AND STANDARD PAINT .....	146
FIGURE 8-4. COMMON DECALS INSTALLATION - POWER TRAY AND SPECIAL PAINT .....	148
FIGURE 8-5. DECAL INSTALLATION - ANSI SPECS (ENGLISH LANGUAGE) (MANUAL TRAY) .....	150
FIGURE 8-6. DECAL INSTALLATION - ANSI SPECS (ENGLISH LANGUAGE) (POWER TRAY) .....	152
FIGURE 8-7. DECAL INSTALLATION - AUSTRALIAN SPECS (ENGLISH LANGUAGE) (MANUAL TRAY) .....	154
FIGURE 8-8. DECAL INSTALLATION - AUSTRALIAN SPECS (ENGLISH LANGUAGE) (POWER TRAY) .....	156
FIGURE 8-9. DECAL INSTALLATION - BRAZIL SPECS (PORTUGUESE LANGUAGE) (MANUAL TRAY) .....	158
FIGURE 8-10. DECAL INSTALLATION - BRAZIL SPECS (PORTUGUESE LANGUAGE) (POWER TRAY) .....	160
FIGURE 8-11. DECAL INSTALLATION - CE SPECS (ENGLISH LANGUAGE) (MANUAL TRAY) .....	162
FIGURE 8-12. DECAL INSTALLATION - CE SPECS (ENGLISH LANGUAGE) (POWER TRAY) .....	164
FIGURE 8-13. DECAL INSTALLATION - CHINA SPECS (CHINESE LANGUAGE) (MANUAL TRAY) .....	166
FIGURE 8-14. DECAL INSTALLATION - CHINA SPECS (CHINESE LANGUAGE) (POWER TRAY) .....	168
FIGURE 8-15. DECAL INSTALLATION - CSA SPECS (FRENCH LANGUAGE) (MANUAL TRAY) .....	170
FIGURE 8-16. DECAL INSTALLATION - CSA SPECS (FRENCH LANGUAGE) (POWER TRAY) .....	172
FIGURE 8-17. DECAL INSTALLATION - JAPAN SPECS (JAPANESE LANGUAGE) (MANUAL TRAY) .....	174
FIGURE 8-18. DECAL INSTALLATION - JAPAN SPECS (JAPANESE LANGUAGE) (POWER TRAY) .....	176
FIGURE 8-19. DECAL INSTALLATION - LATIN AMERICAN SPECS (SPANISH LANGUAGE) (MANUAL TRAY) .....	178
FIGURE 8-20. DECAL INSTALLATION - LATIN AMERICAN SPECS (SPANISH LANGUAGE) (POWER TRAY) .....	180
SECTION 9 - RECOMMENDED SERVICE PARTS STOCK .....	183
FIGURE 9-1. RECOMMENDED SERVICE PARTS STOCK.....	184
SECTION 10 - SPECIAL OPTIONS .....	185
FIGURE 10-1. SPECIAL OPTIONS .....	186
PART NUMBER INDEX.....	187

**SECTION 1 - BASE**

# SECTION 1 - BASE

## FIGURE 1-1. BASE INSTALLATION



ART\_1001228849

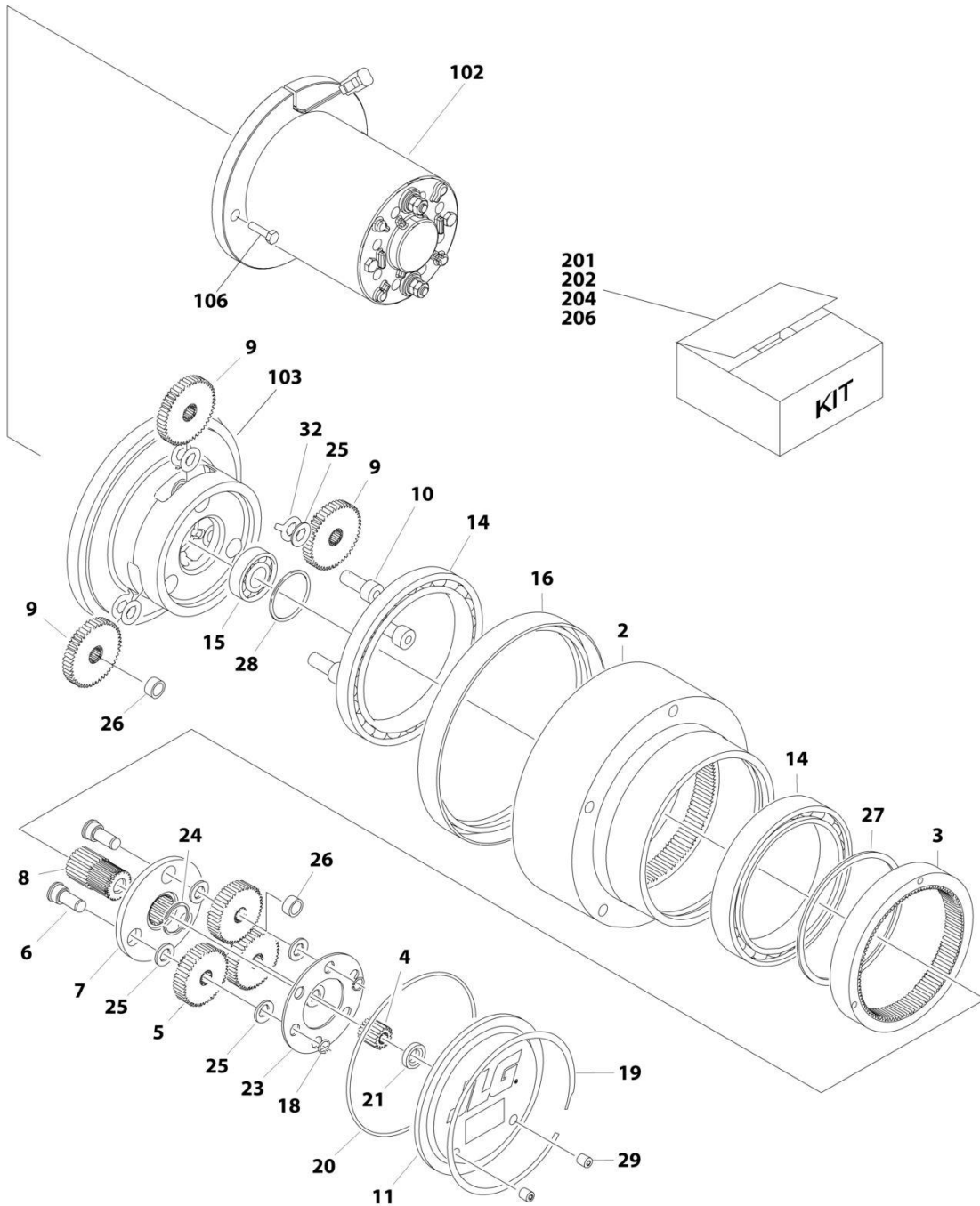
# SECTION 1 - BASE

## FIGURE 1-1. BASE INSTALLATION

ITEM	PART NUMBER	QTY	DESCRIPTION	REV
	1001228849	Ref	BASE INSTALLATION	C
1	0100011	AR	Compound, Locking	
2	0100081	AR	Compound, Locking	
3	0630580	10	Bolt, Wheel	
4	0641609	12	Bolt 3/8 x 1-1/8	
5	0940132	1	Bumper, Chassis	
6	3020039	AR	Lubricant	
7	1001229310	2	Drive Motor Assembly (See Separate Breakdown in this Section)	
8	3311605	1	Nut 3/8	
9	3760115	2	Ring, Retaining	
10	3760496	2	Ring, Retaining	
11	4071113	AR	Shim .015	
12	4071114	AR	Shim .036	
13	4240147	1	Strap, Static	
14	4520342	1	Spindle (Left Side)	
15	4520343	1	Spindle (Right Side)	
16	4711600	1	Washer 3/8	
17	8882970	AR	Lubricant	
18	1001098810	2	Tire and Wheel Assembly	
19	1001114467	2	Tire and Wheel Assembly	
20	1001228850	NLA	Caster Assembly (Not Available - Purchase Individual Components)(Includes Items 101-109)	
21	0641607	1	Bolt 3/8 x 7/8	
	1001228850	Ref	CASTER ASSEMBLY	B
101	0440306	2	Bearing, Ball	
102	0440307	2	Bearing, Roller	
103	0440308	2	Bearing, Race	
104	0641413	6	Bolt 1/4 x 1-5/8	
104	0641414	6	Bolt 1/4 x 1-3/4	
105	3020029	AR	Grease	
106	3271405	6	Nut 1/4	
107	3960590	2	Seal	
108	4341155	2	Mount, Caster	
109	4711400	6	Washer 1/4	

# SECTION 1 - BASE

## FIGURE 1-2. DRIVE MOTOR ASSEMBLY



ART\_1001229310

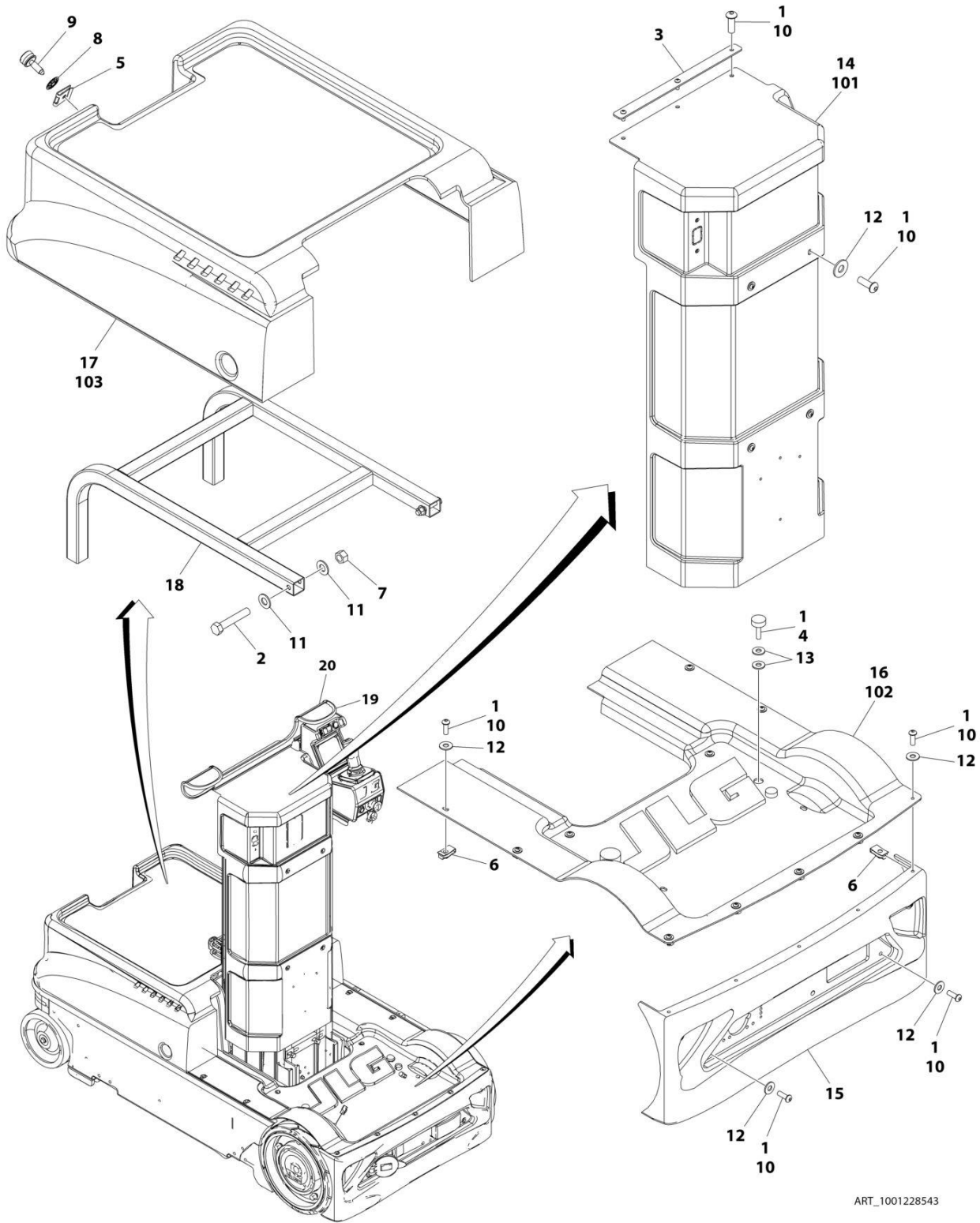


FIGURE 1-2. DRIVE MOTOR ASSEMBLY

ITEM	PART NUMBER	QTY	DESCRIPTION	REV
	1001229310	Ref	DRIVE MOTOR ASSEMBLY	A
		Ref	HUB ASSEMBLY	
1	See Note	NSS	Spindle (Note: Purchase Complete Assembly)	
2	See Note	NSS	Hub (Note: Use Item 206)	
3	See Note	NSS	Ring, Input (Note: Use Item 204)	
4	70007194	1	Gear, Input Sun	
5	70007198	3	Gear, Input Planet	
6	70007196	3	Pin, Planet Gear	
7	70007197	1	Carrier	
8	70007195	1	Gear, Output Sun	
9	70007193	3	Gear, Output Planet (Includes Item 26)	
10	70007199	3	Pin, Output Planet	
11	See Note	NSS	Cover (Note: Use Item 201)	
14	See Note	NSS	Bearing, Main (Note: Use Item 202, 204 or 206)	
15	70007200	1	Bearing, Shaft	
16	See Note	NSS	Seal, Lip (Note: Use Item 202 or 206)	
17	7024786	1	Seal, Lip	
18	70007204	3	Ring, Retaining	
19	See Note	NSS	Ring, Retaining (Note: Use Item 201)	
20	See Note	NSS	O-Ring (Note: Use Item 201)	
21	See Note	NSS	Washer, Thrust (Note: Use Item 201)	
23	70007207	1	Plate, Thrust	
24	70007203	1	Ring, Retaining	
25	70007206	9	Washer, Thrust	
26	70007201	3	Bushing	
27	See Note	NSS	Ring, Retaining (Note: Use Item 204 or 206)	
28	70007202	1	Ring, Retaining	
29	See Note	NSS	Plug (Note: Use Item 201)	
32	70007205	3	Washer, Tanged	
		Ref	BRAKE AND MOTOR	
102	70007192	1	Motor, Electric	
103	70007190	1	Brake, Input	
106	70007191	2	Bolt M6 x 20	
		Ref	KIT OPTIONS	
201	7024747	1	Cover Kit (Includes Items 11, 19, 20, 21 & 29)	
202	7024748	1	Main Seal Kit (Includes Qty 1 of Items 14, 16 & 20)	
204	7024758	1	Input Ring Kit (Includes Items 3, 20, 27 & Qty 1 of Item 14)	
206	7024756	1	Hub Kit (Includes Items 2, 16, 20, 27 & Qty 1 of Item 14)	

# SECTION 1 - BASE

## FIGURE 1-3. COVERS INSTALLATION - MANUAL TRAY



ART\_1001228543

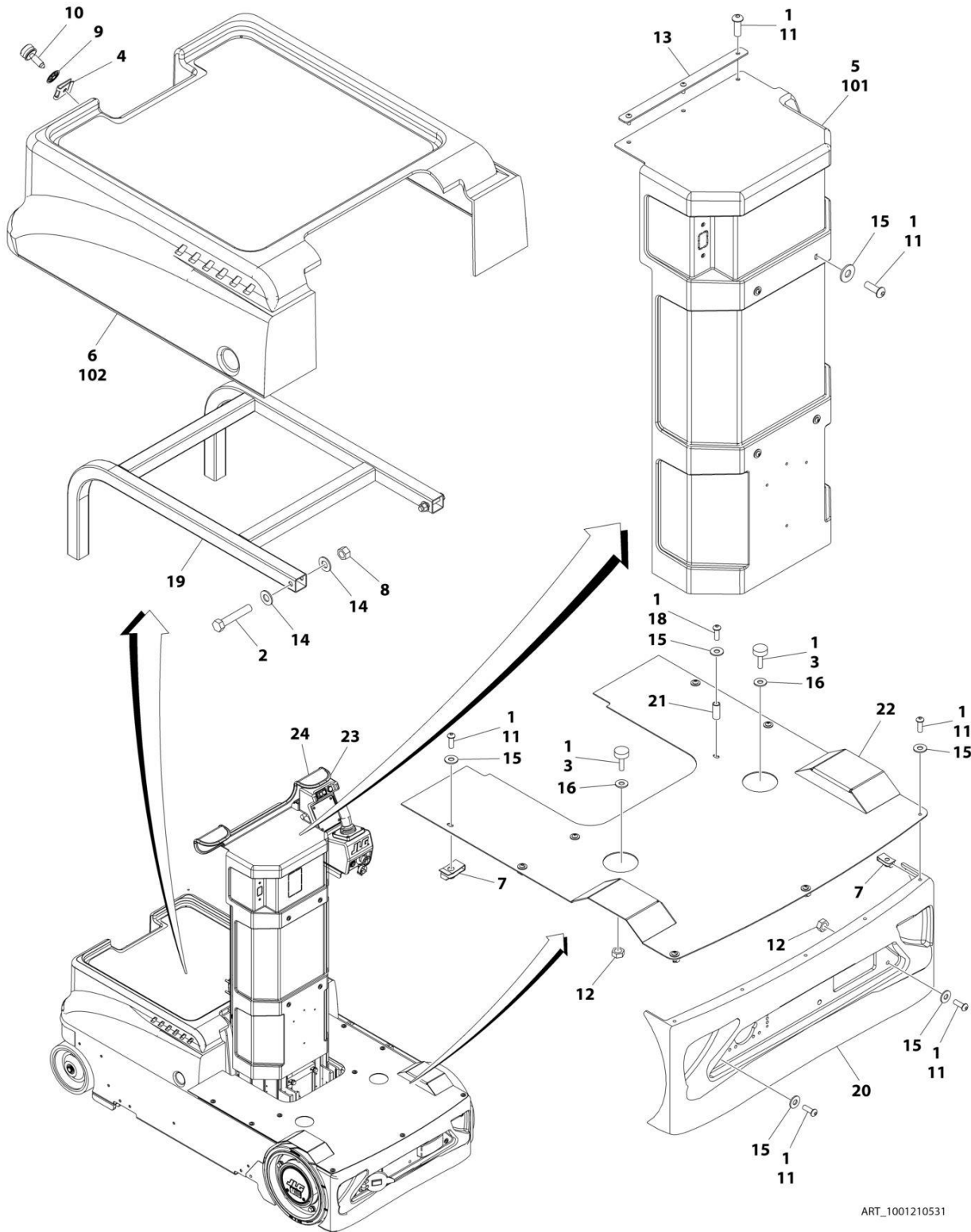
# SECTION 1 - BASE

## FIGURE 1-3. COVERS INSTALLATION - MANUAL TRAY

ITEM	PART NUMBER	QTY	DESCRIPTION	REV
	1001228543	Ref	COVERS INSTALLATION	C
1	0100011	AR	Compound, Locking	
2	0641617	2	Bolt 3/8 x 2-1/8	
3	1001229778	1	Bracket	
4	0940049	2	Stopper	
5	1380169	1	Clip	
6	3300454	9	Nut, Tinnerman 1/4	
7	3311605	2	Nut 3/8	
8	3760308	1	Retainer	
9	3900174	1	Screw, Thumb	
10	3900258	22	Screw 1/4 x 3/4	
11	4711600	4	Washer 3/8	
12	4751400	19	Washer 1/4	
13	4751500	4	Washer 5/16	
14	1001228538	1	Cover, Mast	
15	1001228539	1	Cover, Rear Bumper	
16	1001228540	1	Cover, Battery	
17	1001228541	1	Cover, Front	
18	1001228852	1	Support	
19	4060805	AR	Shield, Flex Trim <b>(SN 0130033190 through 0130037734)</b>	
20	1001234322	1	Plate, Platform Controls Guard <b>(SN 0130033190 through 0130037734)</b>	
100	1001233045	1	Kit, Hood / Covers, with OSS (10MSP) <b>(SN 0130033190 through 0130037734)</b>	
101	1001228538	NSS	Cover, Mast	
102	1001228540	NSS	Cover, Battery and Frame	
103	1001228541	NSS	Hood, Front Cover Assembly	

# SECTION 1 - BASE

## FIGURE 1-4. COVERS INSTALLATION - POWER TRAY



ART\_1001210531

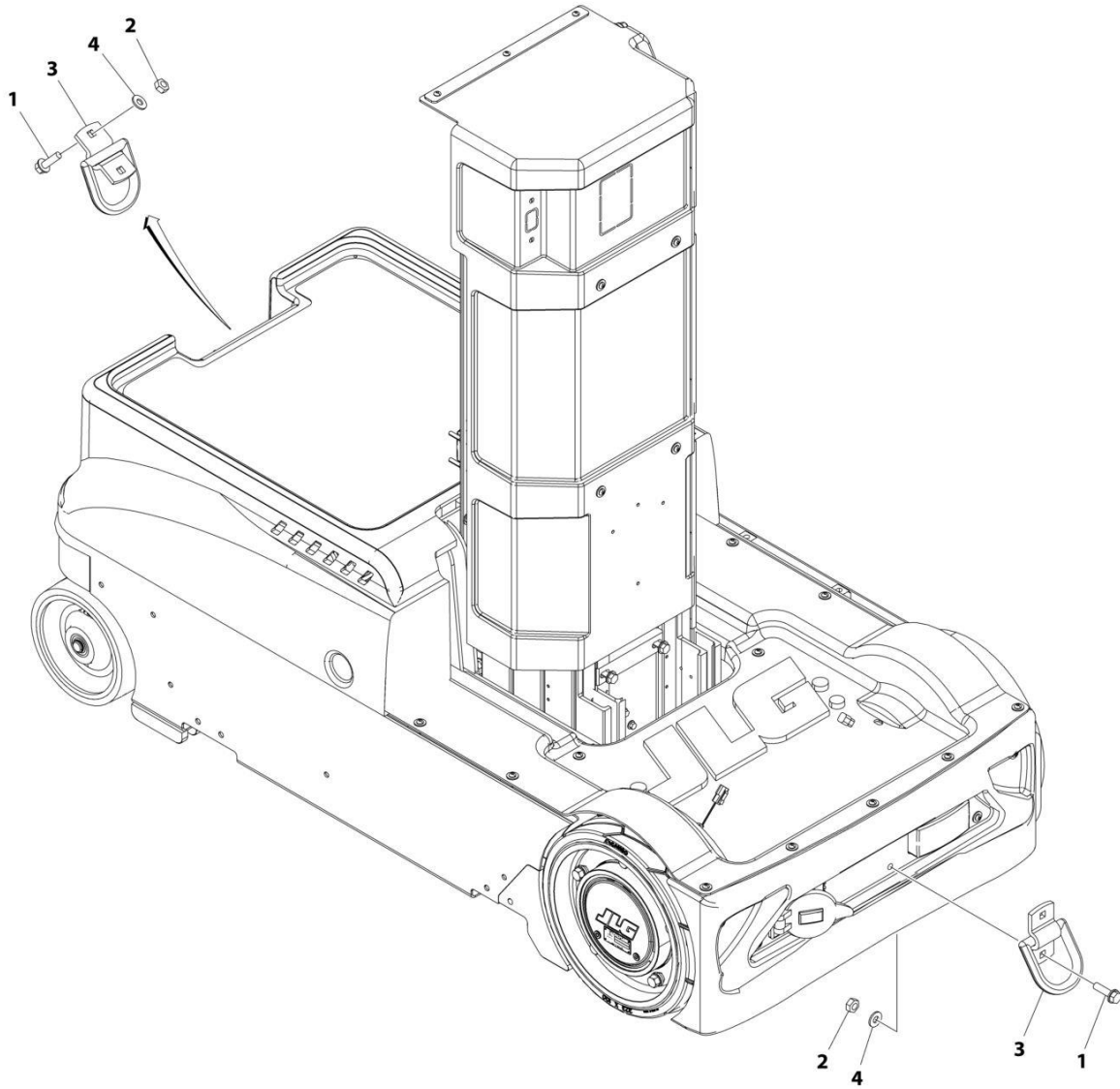
# SECTION 1 - BASE

## FIGURE 1-4. COVERS INSTALLATION - POWER TRAY

ITEM	PART NUMBER	QTY	DESCRIPTION	REV
	1001210531	Ref	COVERS INSTALLATION	C
1	0100011	AR	Compound, Locking	
2	0641617	2	Screw 3/8 x 2-1/8	
3	0940049	2	Stopper	
4	1380169	1	Clip	
5	1001228538	1	Cover, Mast	
6	1001228541	1	Cover, Front	
7	3300454	9	Nut, Tinnerman 1/4	
8	3311605	2	Nut 3/8	
9	3760308	1	Retainer	
10	3900174	1	Screw, Thumb	
11	3900258	16	Screw 1/4 x 3/4	
12	3311501	2	Nut 5/16	
13	1001229778	1	Bracket	
14	4711600	4	Washer 3/8	
15	4751400	15	Washer 1/4	
16	4751500	2	Washer 5/16	
18	3911432	2	Screw 1/4 x 2	
19	1001228852	1	Support	
20	1001228539	1	Cover, Rear Bumper	
21	1001157665	2	Tube, Spacer	
22	1001171824	1	Cover, Battery	
23	4060805	AR	Shield, Flex Trim <b>(SN 0130033190 through 0130037734)</b>	
24	1001234322	1	Plate, Platform Controls Guard <b>(SN 0130033190 through 0130037734)</b>	
100	1001233046	1	Kit, Hood / Covers, with OSS (10MSP) <b>(SN 0130033190 through 0130037734)</b>	
101	See Note	NSS	Cover, Mast (Note: Use Item 100)	
102	See Note	NSS	Hood, Front Cover Assembly (Note: Use Item 100)	

# SECTION 1 - BASE

## FIGURE 1-5. TIE-DOWNS INSTALLATION



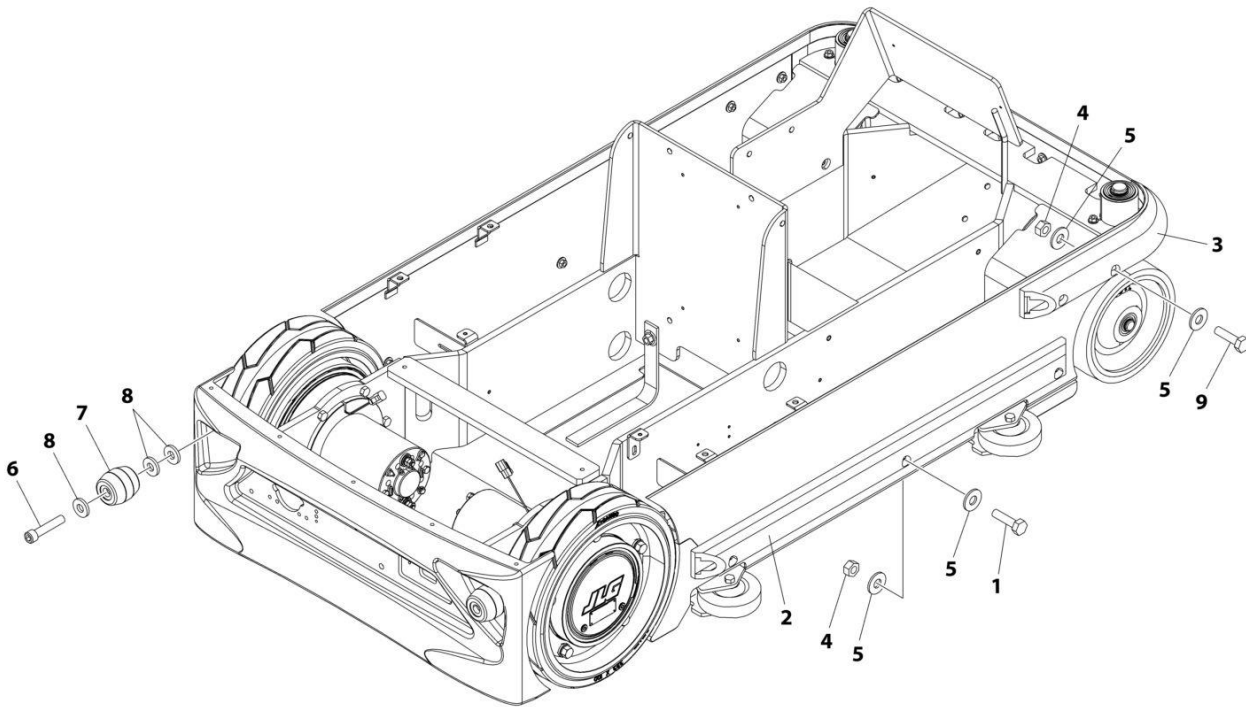
ART\_0240114

FIGURE 1-5. TIE-DOWNS INSTALLATION

ITEM	PART NUMBER	QTY	DESCRIPTION	REV
	0240114	Ref	TIE-DOWNS INSTALLATION	A
1	0811610	4	Screw 3/8 x 1-1/4	
2	3311605	4	Nut 3/8	
3	3760365	2	Tie-Ring	
4	4711600	4	Washer 3/8	

# SECTION 1 - BASE

## FIGURE 1-6. BUMPERS INSTALLATION (OPTIONAL)



ART\_0274078



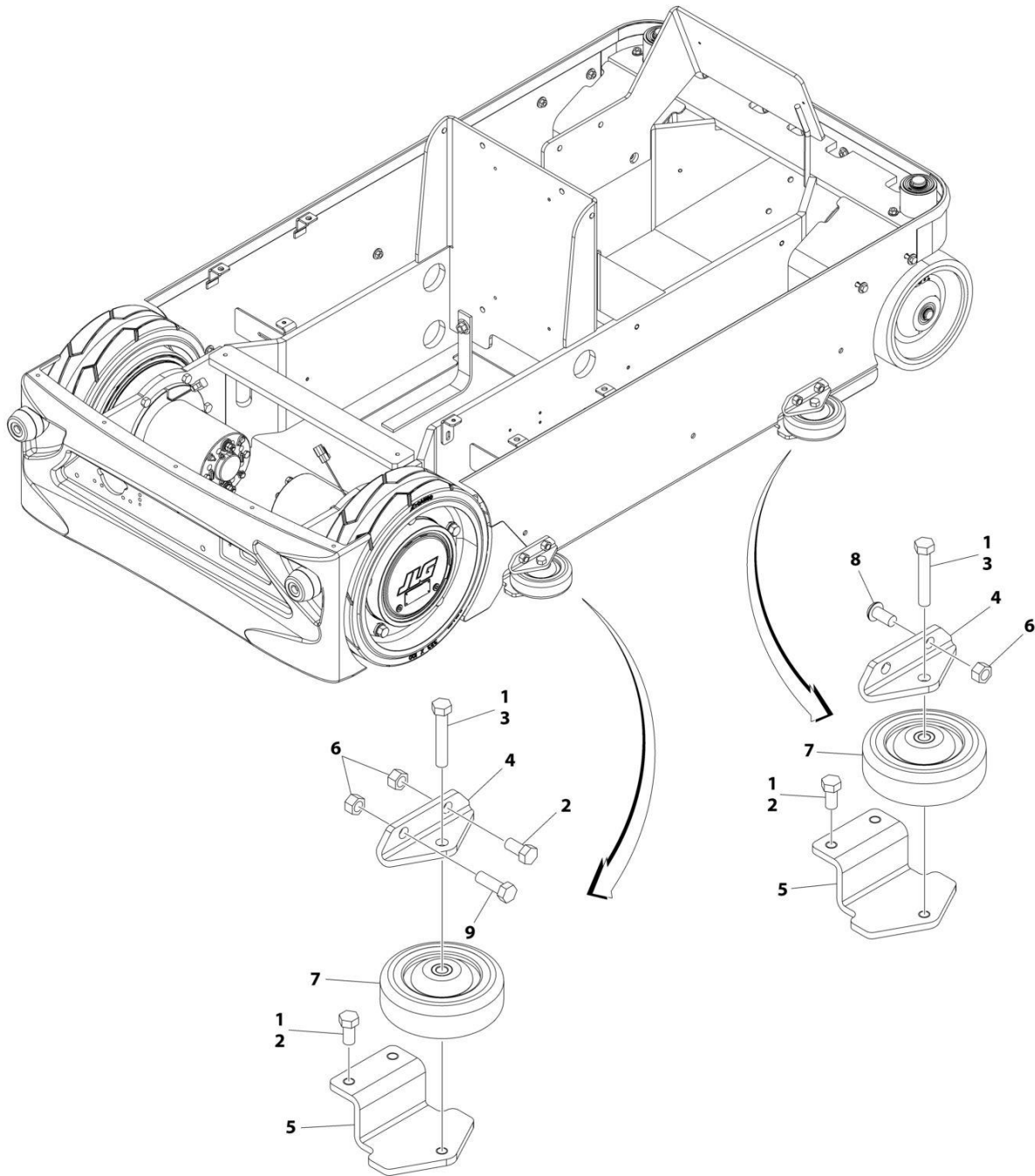
# SECTION 1 - BASE

## FIGURE 1-6. BUMPERS INSTALLATION (OPTIONAL)

ITEM	PART NUMBER	QTY	DESCRIPTION	REV
	0274078	Ref	BUMPERS INSTALLATION	F
1	0641408	13	Bolt 1/4 - 20NC x 1 (SN 0130032507 through 01300332763)	
1	0641408	6	Bolt 1/4 - 20NC x 1 (SN 01300332764 through 0130037734)	
2	0940152	2	Bumper, Side	
3	1001204273	2	Bumper, Front	
4	3311405	AR	Nut 1/4	
5	4751400	AR	Washer 1/4	
6	3931420	2	Capscrew 1/4 x 1-1/4	
7	4160187	2	Spring, Rubber	
8	4891400	6	Washer 1/4	
9	0641410	8	Bolt 1/4 - 20NC x 1-1/4 (SN 01300332764 through 0130037734)	

# SECTION 1 - BASE

## FIGURE 1-7. GUIDE ROLLER INSTALLATION (OPTIONAL)



ART\_0240103

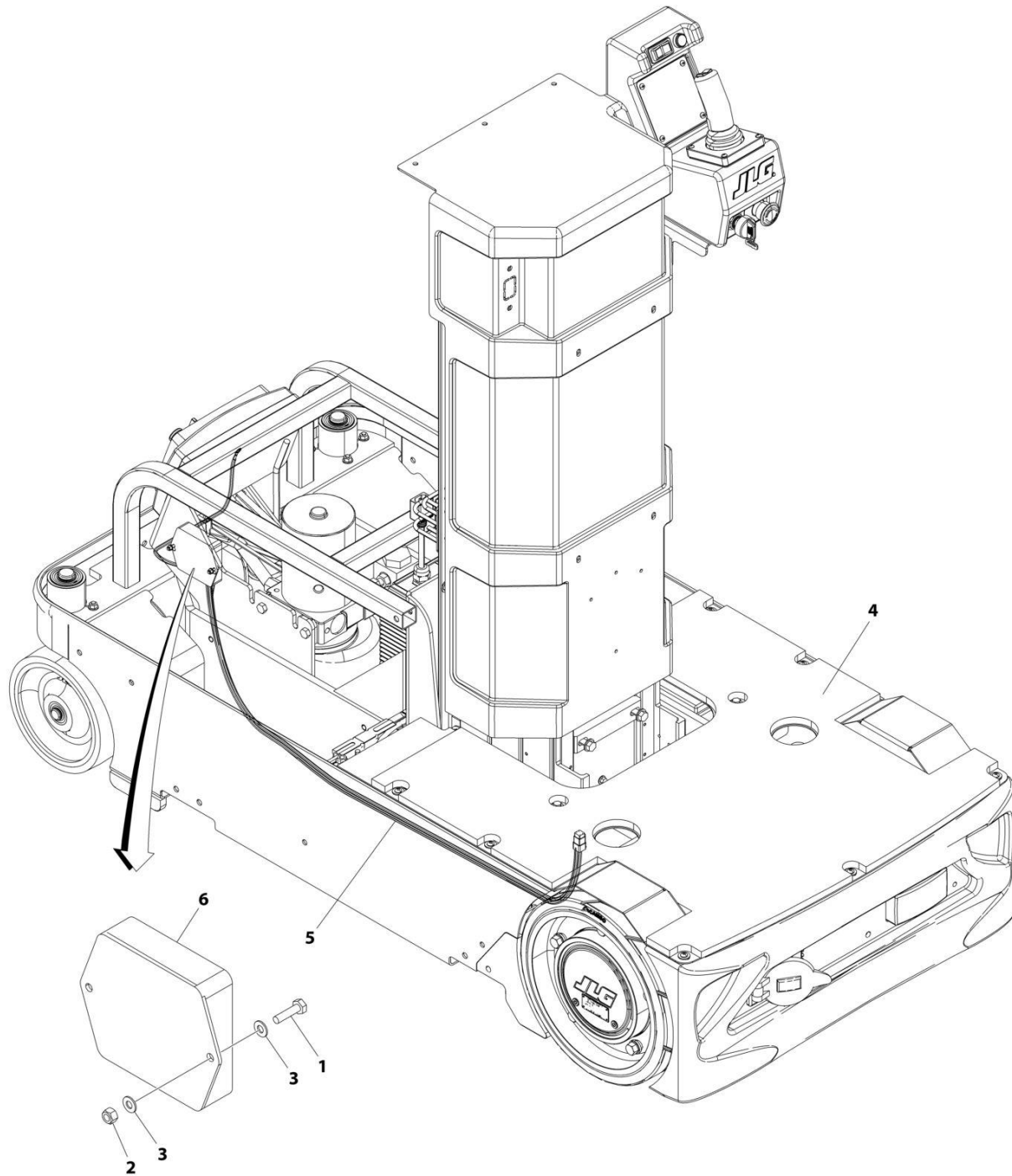
## SECTION 1 - BASE

### FIGURE 1-7. GUIDE ROLLER INSTALLATION (OPTIONAL)

ITEM	PART NUMBER	QTY	DESCRIPTION	REV
	0240103	Ref	GUIDE ROLLER INSTALLATION	B
1	0100011	AR	Compound, Locking	
2	0641606	10	Bolt 3/8 x 3/4	
3	0641617	4	Bolt 3/8 x 2-1/8	
4	0903120	4	Bracket, Top Roller	
5	0903121	4	Bracket, Bottom Roller	
6	3311605	8	Nut 3/8	
7	4520352	4	Wheel	
8	3900283	4	Screw 3/8 x 3/4	
9	0641609	2	Bolt 3/8 x 1-1/8	

# SECTION 1 - BASE

## FIGURE 1-8. OBSTRUCTION SENSING PAD INSTALLATION (OPTIONAL)



ART\_1001210574

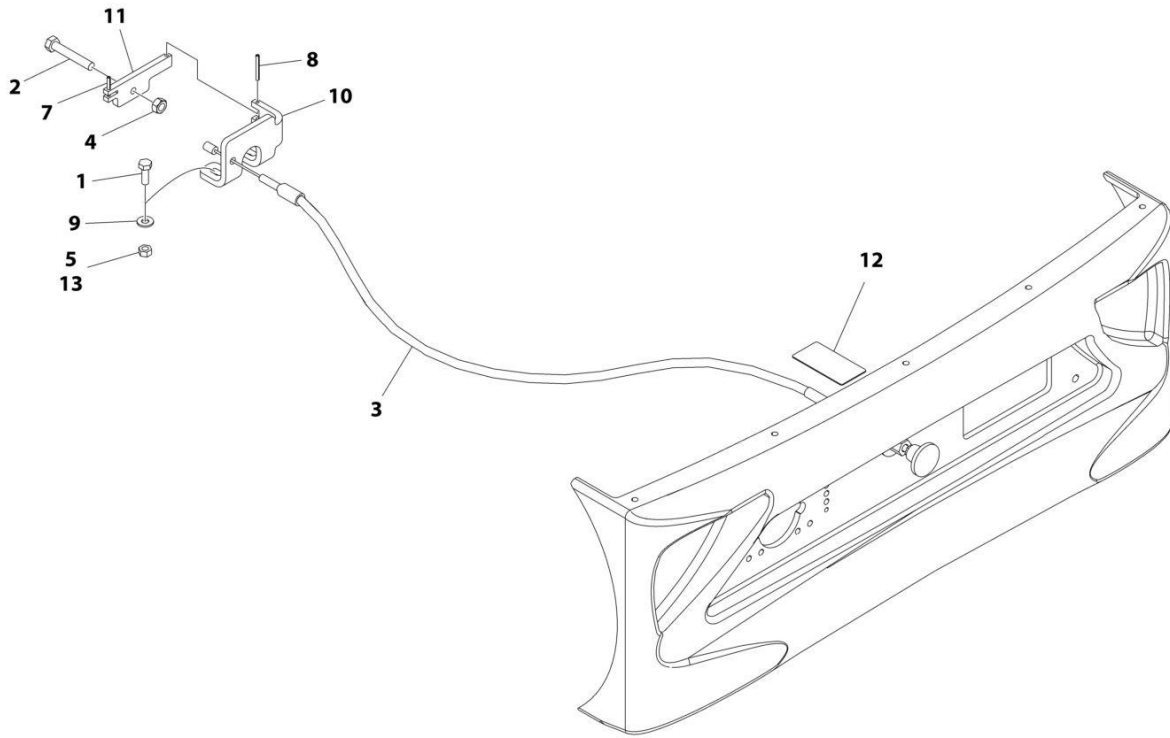
## SECTION 1 - BASE

### FIGURE 1-8. OBSTRUCTION SENSING PAD INSTALLATION (OPTIONAL)

ITEM	PART NUMBER	QTY	DESCRIPTION	REV
	1001210574	Ref	OBSTRUCTION SENSING PAD INSTALLATION	A
1	0760408	2	Bolt M4 x 16	
2	3290405	2	Nut M4	
3	4811400	4	Washer M4	
4	1001210573	1	Pad, Obstruction Switch	
5	1001228994	1	Sensing Pad Harness	
6	1001229990	1	Relay	

# SECTION 1 - BASE

## FIGURE 1-9. REMOTE MANUAL DESCENT INSTALLATION (OPTIONAL)



ART\_1001206177

## SECTION 1 - BASE

**FIGURE 1-9. REMOTE MANUAL DESCENT INSTALLATION (OPTIONAL)**

ITEM	PART NUMBER	QTY	DESCRIPTION	REV
	1001206177	Ref	REMOTE MANUAL DESCENT INSTALLATION	D
1	0641406	2	Bolt 1/4 x 3/4	
2	0760818	1	Bolt M8 x 50	
3	1001229725	1	Cable, Release	
4	3290801	1	Nut M8	
5	3311405	2	Nut 1/4 <b>(Prior to SN 0130032919)</b>	
7	3440410	1	Rollpin	
8	3440418	1	Rollpin	
9	4711400	2	Washer 1/4	
10	1001201909	1	Bracket	
11	1001201910	1	Plate	
12	1001206261	1	Decal - Manual Descent	
13	3321402	2	Nut 1/4 <b>(SN 0130032919 through 0130037734)</b>	

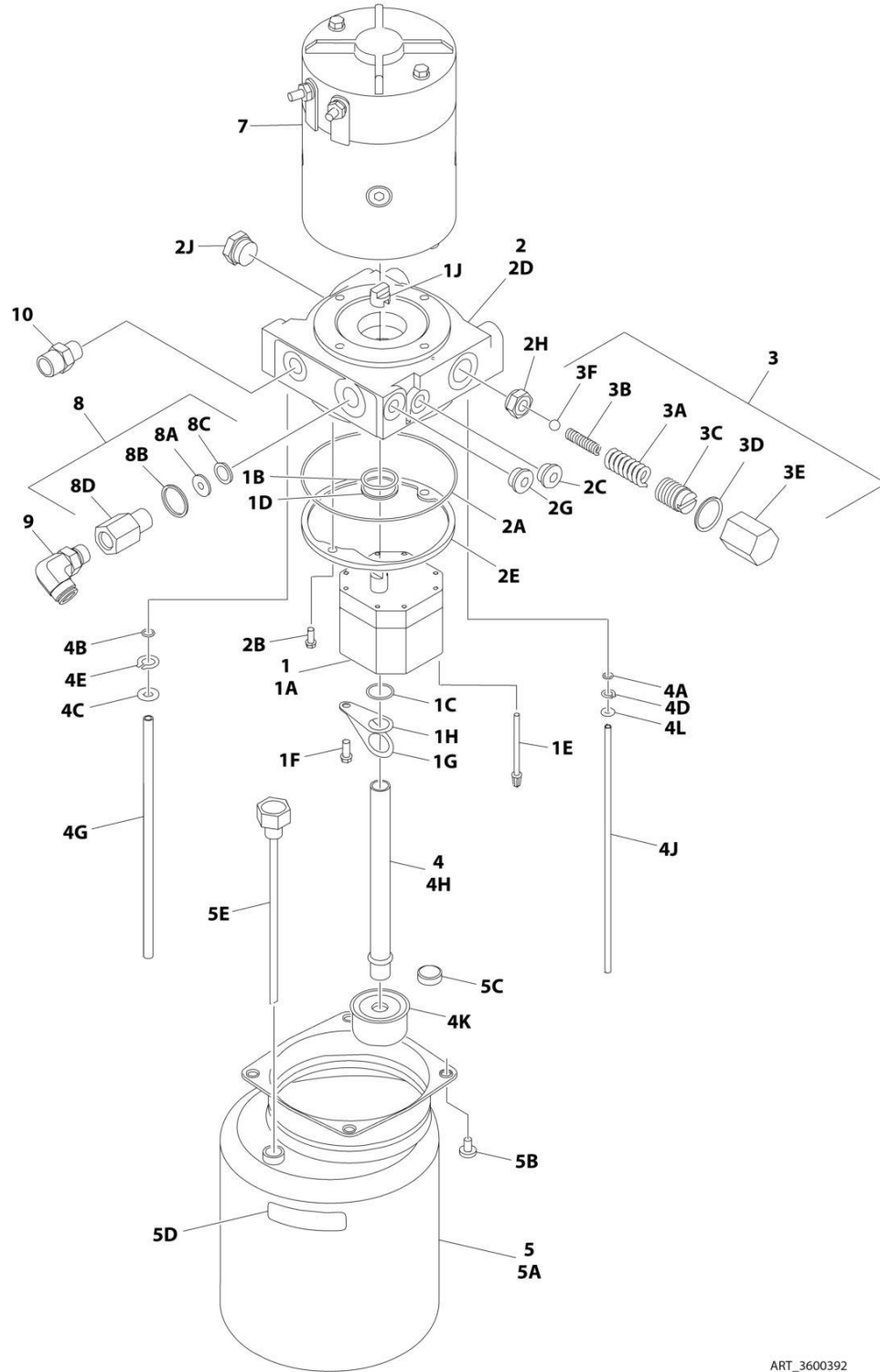




**SECTION 2 - CONTROLS**

# SECTION 2 - CONTROLS

## FIGURE 2-1. PUMP AND MOTOR ASSEMBLY



ART\_3600392

## SECTION 2 - CONTROLS

### FIGURE 2-1. PUMP AND MOTOR ASSEMBLY

ITEM	PART NUMBER	QTY	DESCRIPTION	REV
	3600392	Ref	PUMP AND MOTOR ASSEMBLY	D
1	7027943	Ref	Pump Components Kit	
1A	See Note	NSS	Pump (Note: Use Item 1)	
1B	7027943	1	Seal	
1C	7011021	1	Seal	
1D	See Note	NSS	Seal (Note: Use Item 1)	
1E	7010928	4	Screw	
1F	7011033	1	Screw	
1G	See Note	NSS	Lockwasher (Note: Use Item 1)	
1H	See Note	NSS	Retainer (Note: Use Item 1)	
1J	7011016	1	Coupler	
2	7027944	Ref	Adaptor Components Kit	
2A	7011025	1	Seal	
2B	7011011	2	Screw	
2C	See Note	NSS	Plug (Note: Use Item 2)	
2D	See Note	NSS	Adaptor (Note: Use Item 2)	
2E	7011013	1	Retainer	
2F	See Note	NSS	Plug, Plastic (Not Shown) (Note: Use Item 2)	
2G	See Note	NSS	Plug, Steel (Note: Use Item 2)	
2H	See Note	NSS	Seat Assembly (Note: Use item 2)	
2J	See Note	NSS	Plug (Note: Use Item 2)	
3	7027945	Ref	Relief Valve Components Kit	
3A	7011008	1	Spring	
3B	7011017	1	Spring	
3C	7011009	1	Screw, Adjustment	
3D	See Note	NSS	Gasket (Note: Use Item 3)	
3E	7011004	1	Cap	
3F	See Note	NSS	Ball (Note: Use Item 3)	
4	7027946	Ref	Tube Components Kit	
4A	7011024	1	Seal	
4B	See Note	NSS	Seal (Note: Use Item 4)	
4C	See Note	NSS	Washer (Note: Use Item 4)	
4D	7011031	1	Ring, Retaining	
4E	7011032	1	Ring, Retaining	
4G	See Note	NSS	Tube (Note: Use Item 4)	
4H	See Note	NSS	Tube (Note: Use Item 4)	
4J	See Note	NSS	Tube (Note: Use Item 4)	
4K	7011029	1	Strainer	
4L	7011034	1	Spacer	
5	7027947	Ref	Tank Components Kit	
5A	See Note	NSS	Tank (Note: Use Item 5)	
5B	See Note	NSS	Screw (Note: Use Item 5)	
5C	7011027	1	Magnet	
5D	See Note	NSS	Label (Note: Use Item 5)	
5E	7011069	1	Breather/Dipstick	
6	See Note	1	Label (Not Shown) (Note: Not Available for Purchase)	
7	7027948	1	Motor Assembly	
7	See Note	NSS	Brush Kit (Note: Use Item 7)	
8	7027949	Ref	Return Port Components Kit	
8A	See Note	NSS	Seal (Note: Use Item 8)	

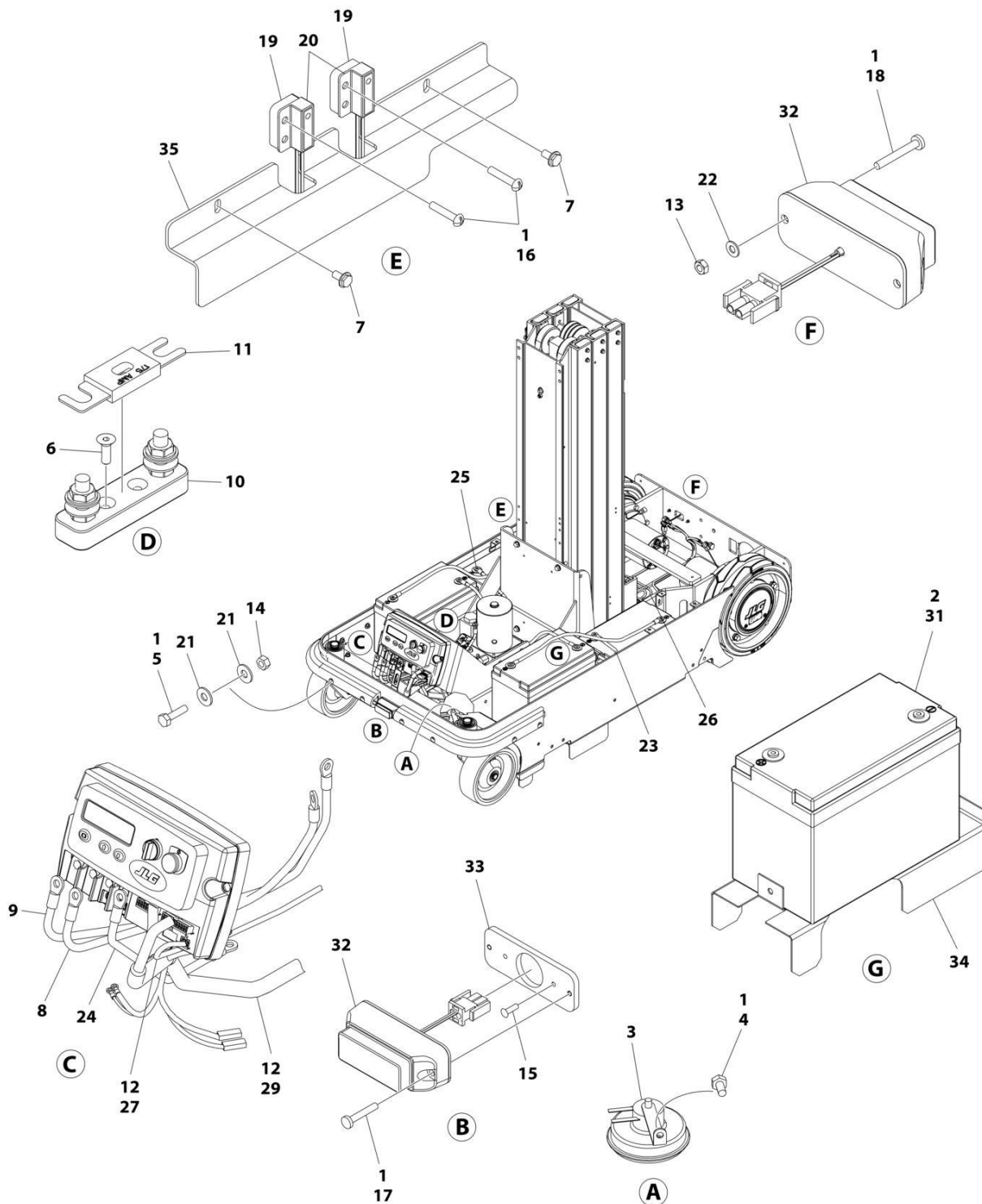
## SECTION 2 - CONTROLS

ITEM	PART NUMBER	QTY	DESCRIPTION	REV
8B	See Note	NSS	Seal (Note: Use Item 8)	
8C	See Note	NSS	Washer (Note: Use Item 8)	
8D	See Note	NSS	Body, Return Port (Note: Use Item 8)	
9	2221185	1	Fitting, 90	
10	2110606	1	Fitting, Straight	



# SECTION 2 - CONTROLS

## FIGURE 2-2. BATTERIES, ALARM AND STROBE INSTALLATION



ART\_1001229682

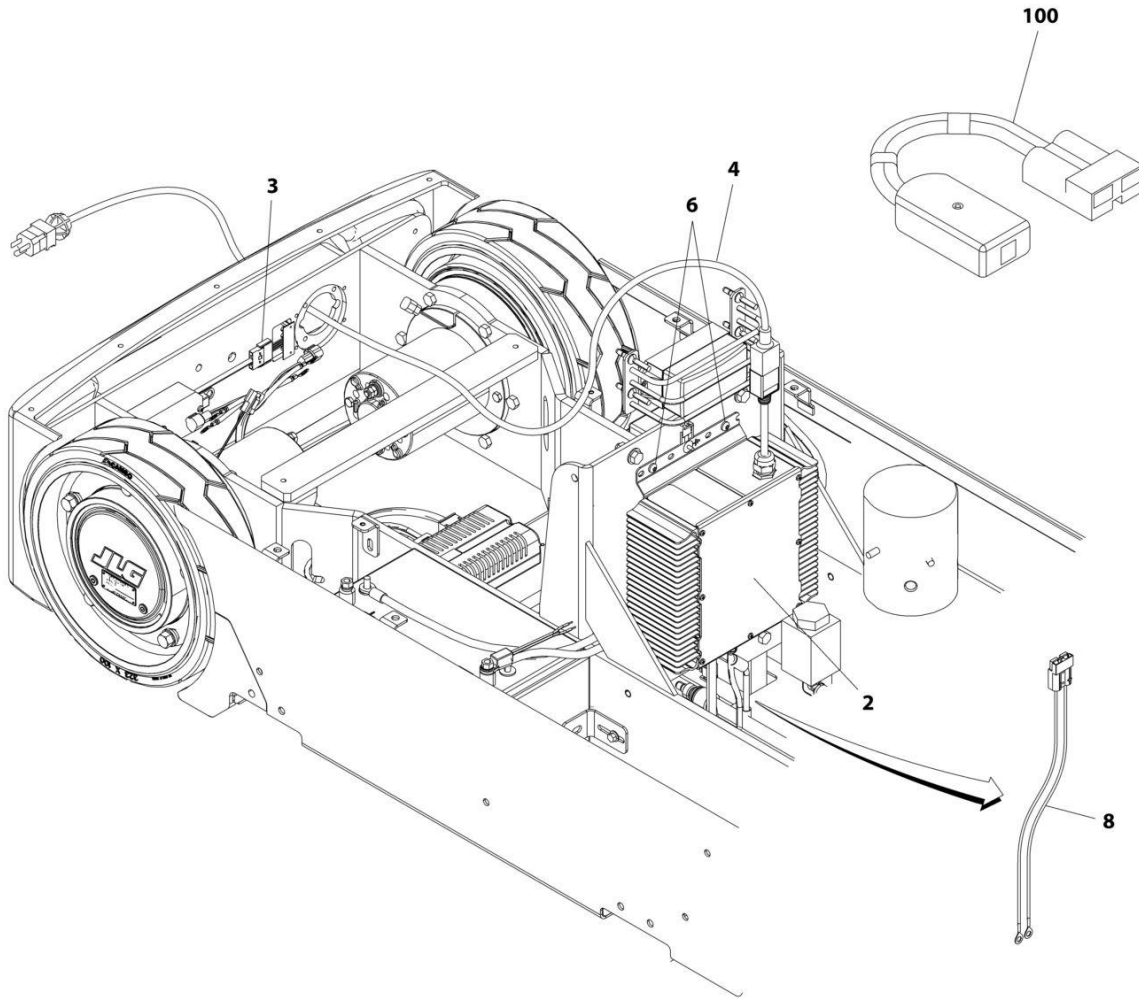
## SECTION 2 - CONTROLS

**FIGURE 2-2. BATTERIES, ALARM AND STROBE INSTALLATION**

ITEM	PART NUMBER	QTY	DESCRIPTION	REV
	1001229682	Ref	BATTERIES, ALARM AND STROBE INSTALLATION	B
1	0100011	AR	Compound, Locking	
2	0100051	AR	Grease, Terminal	
3	0140022	1	Alarm	
4	0641404	1	Bolt 1/4 x 1/2	
5	0641408	8	Bolt 1/4 x 1	
6	0741005	2	Screw #10 x 5/8	
7	0791003	2	Screw #10 x 3/8	
8	1060943	1	Cable (GSM P+ to Pump+)	
9	1060944	1	Cable (GSM P- to Pump-)	
10	2400044	1	Fuse, Mounting Block	
11	2400069	1	Fuse 175Amp	
12	3020038	AR	Grease, Contact	
13	3290401	2	Nut M4	
14	3311405	8	Nut 1/4	
15	3820013	2	Rivet	
16	3911016	4	Screw #10 x 1 (SN 0130032507 through 0130032818)	
16	3931016	4	Screw 10-24 x 1 (SN 0130032819 through 0130037734)	
17	4010412	2	Screw M4 x 24	
18	4010414	2	Screw M4 x 30 (SN 0130032507 through 0130032818)	
18	4031511	2	Screw M4 x 35 (SN 0130032819 through 0130037734)	
19	4071084	2	Shim	
20	4360514	2	Switch, Proximity	
21	4751400	16	Washer 1/4	
22	4811400	2	Washer M4	
23	4923022	1	Cable (B+ to Fuse)	
24	4923023	1	Cable (Fuse to GSM)	
25	4923024	1	Cable (B- to GSM)	
26	4923028	1	Traction Module Power Harness	
27	4923029	1	Ground Station to Traction Module Harness	
28	4923383	1	Drive Motor Harness (Not Shown) (See Separate Breakdown in ELECTRICAL SECTION)	
29	4923446	1	Main (MSP) Harness	
30	1001121700	3	Cable (Battery B+ to B-) (Not Shown)	
31	1001177558	4	Battery	
32	1001187862	2	Light, Strobe	
33	1001207630	1	Plate	
34	1001229683	2	Plate	
35	1001229684	1	Shield, Wire	

# SECTION 2 - CONTROLS

## FIGURE 2-3. BATTERY CHARGER INSTALLATION (WITHOUT CORD REEL)



ART\_0274898



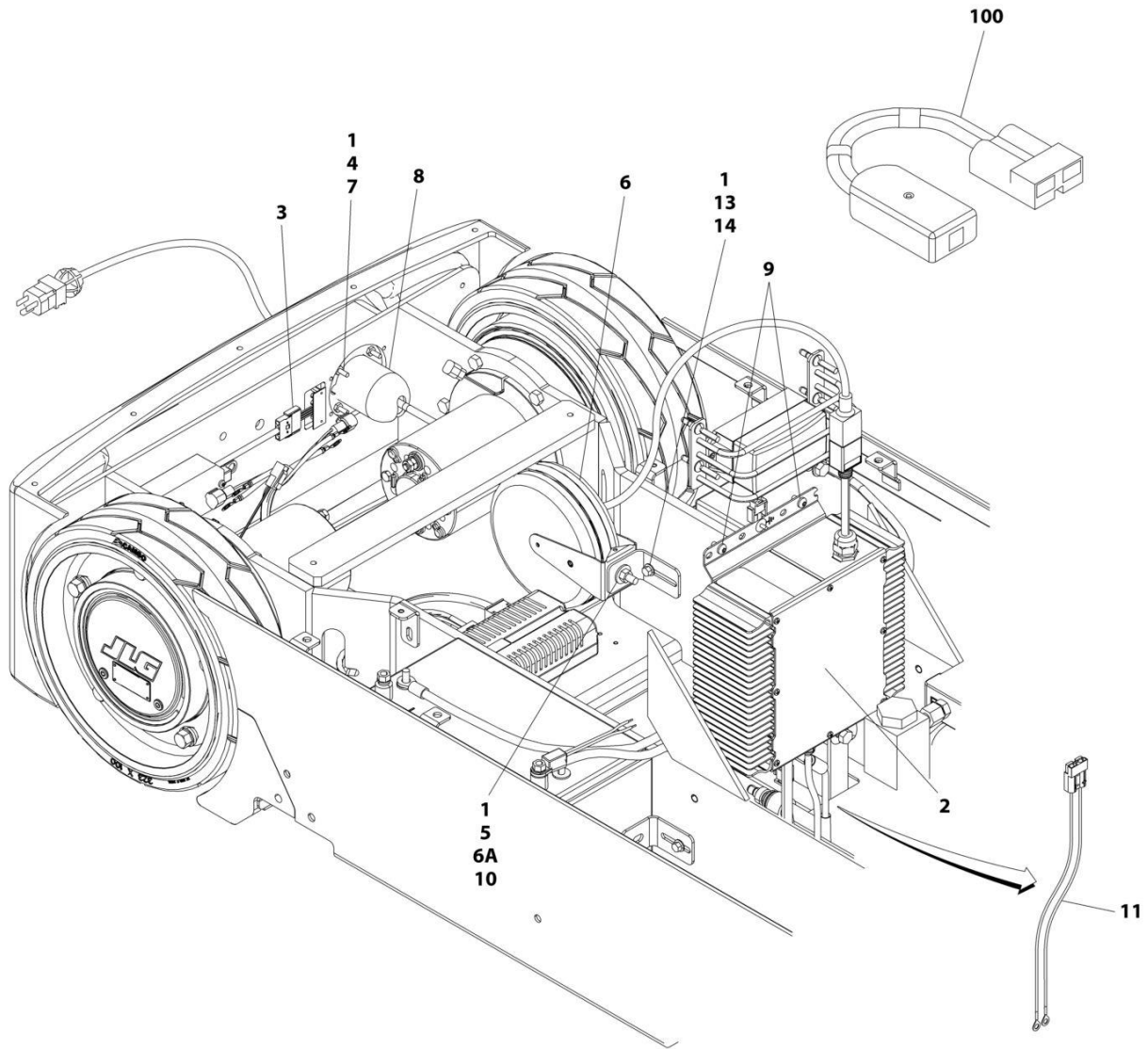
**SECTION 2 - CONTROLS**

**FIGURE 2-3. BATTERY CHARGER INSTALLATION (WITHOUT CORD REEL)**

ITEM	PART NUMBER	QTY	DESCRIPTION	REV
	0274898	Ref	BATTERY CHARGER INSTALLATION	F
		Ref	Note: Available on all Specs.	
2	1001136381	1	Battery Charger Assembly (No Serviceable Parts Available)	
3	0610131	1	LED, Board	
4	1060689	1	Cord, Electrical	
6	4191706	4	Screw M6 x 12	
8	4923438	1	Battery Charger Harness	
9	1001109821	1	LED and Temperature Sensor Harness (Not Shown) (See Separate Breakdown in ELECTRICAL SECTION)	
100	1600466	1	BATTERY CHARGER REPROGRAM CONTROLLER KIT (Use p/n 2915230)	

# SECTION 2 - CONTROLS

## FIGURE 2-4. BATTERY CHARGER INSTALLATION (WITH CORD REEL)



ART\_0274900

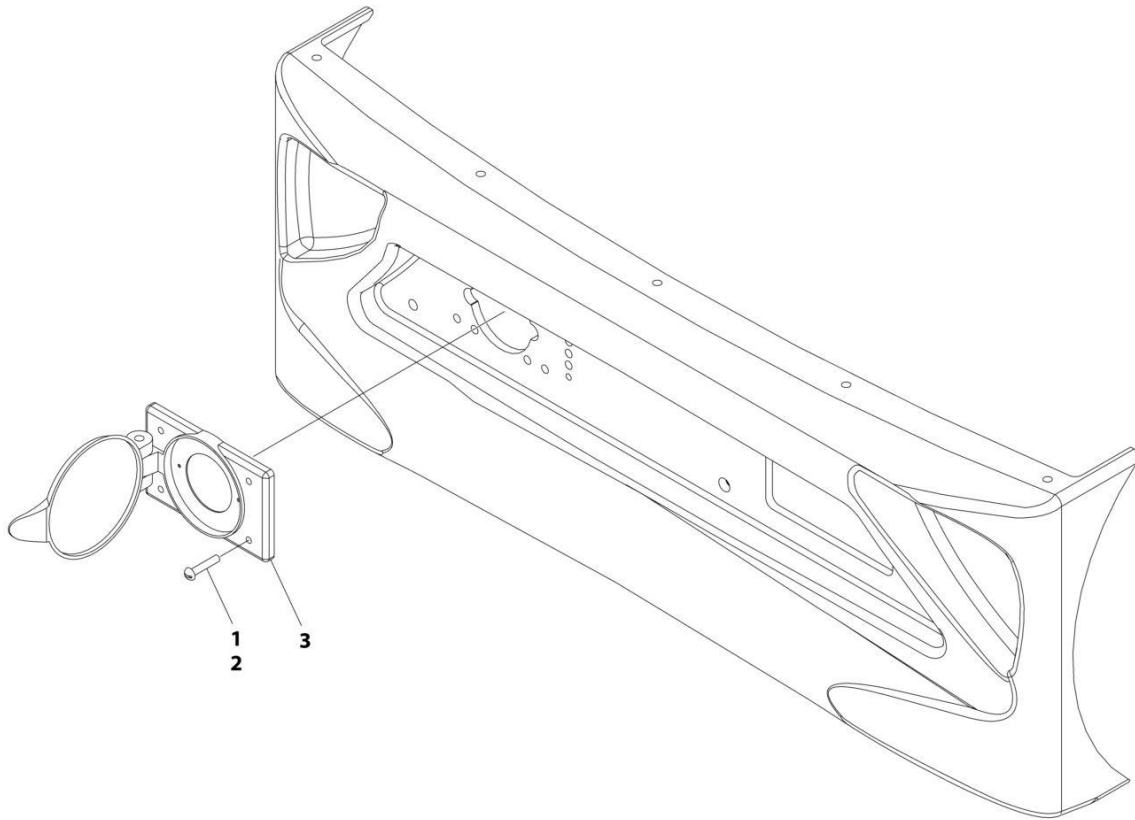
## SECTION 2 - CONTROLS

**FIGURE 2-4. BATTERY CHARGER INSTALLATION (WITH CORD REEL)**

ITEM	PART NUMBER	QTY	DESCRIPTION	REV
	0274900	Ref	BATTERY CHARGER INSTALLATION	F
		Ref	Note: Available on ANSI, ANSI Export and CSA Specs.	
1	0100011	AR	Compound, Locking	
2	1001136381	1	Battery Charger Assembly (No Serviceable Parts Available)	
3	0610131	1	LED Board	
4	3311001	4	Nut #10	
5	3311501	1	Nut 5/16	
6	3680057	1	Reel, Charger Cord	
6A	0791508	1	Screw 5/16 x 1	
7	3911016	4	Screw #10 x 1	
8	4120046	1	Terminal, Inlet Socket, Cord Reel Stop	
9	4191706	4	Screw M6 x 12	
10	4751500	1	Washer 5/16	
11	4923438	1	Battery Charger Harness	
12	1001109821	1	LED and Temperature Sensor Harness (Not Shown) (See Separate Breakdown in ELECTRICAL SECTION)	
100	1600466	1	BATTERY CHARGER REPROGRAM CONTROLLER KIT (Use p/n 2915230)	

## SECTION 2 - CONTROLS

FIGURE 2-5. CHARGER PLUG INSTALLATION - CUSTOMER SUPPLIED PLUG



ART\_1001097456

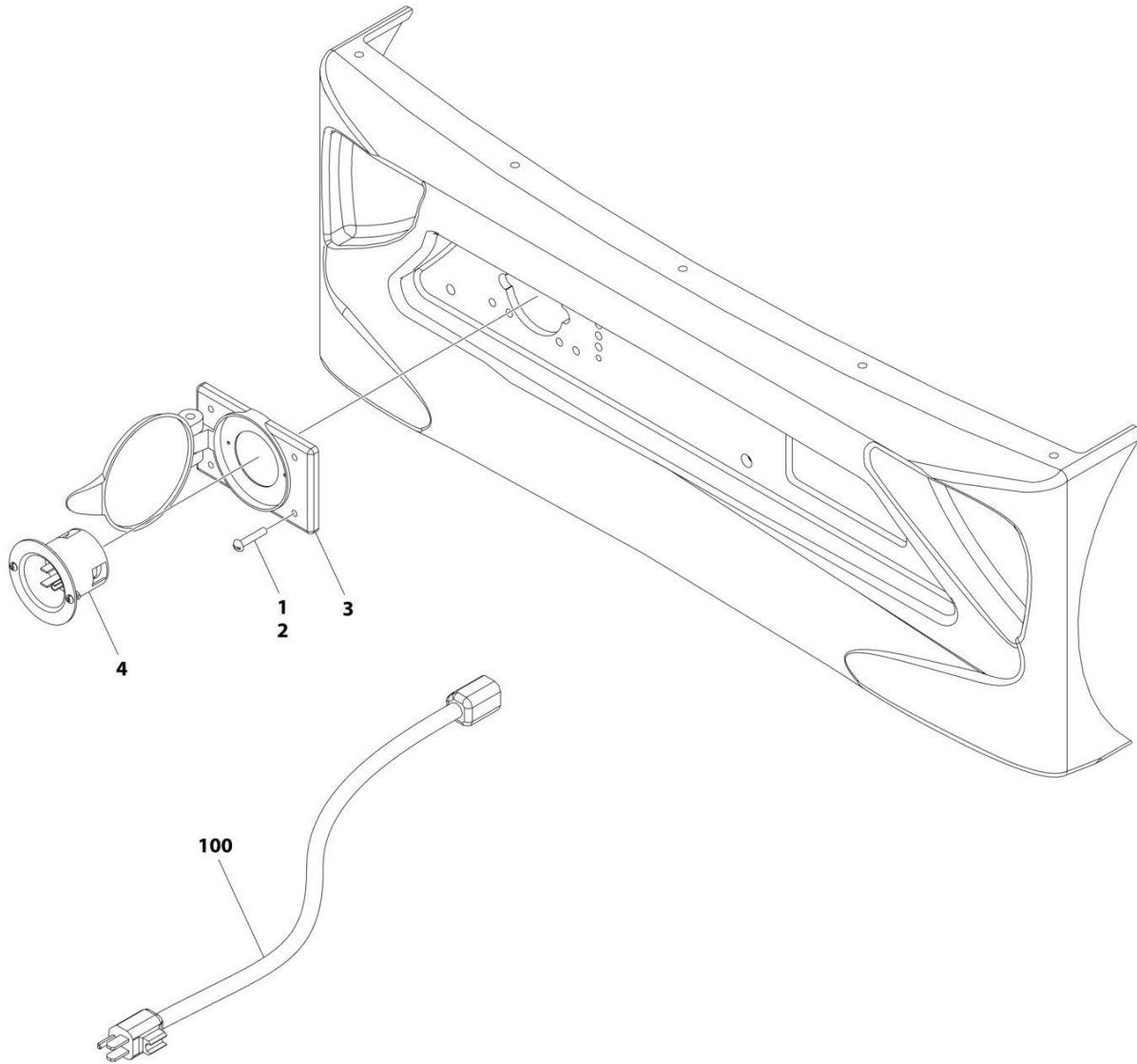
**SECTION 2 - CONTROLS**

**FIGURE 2-5. CHARGER PLUG INSTALLATION - CUSTOMER SUPPLIED PLUG**

<b>ITEM</b>	<b>PART NUMBER</b>	<b>QTY</b>	<b>DESCRIPTION</b>	<b>REV</b>
	1001097456	Ref	CHARGER PLUG INSTALLATION	A
1	0100011	AR	Compound, Locking	
2	3911016	4	Screw #10 x 1	
3	4460802	1	Cover, Weatherproof	

# SECTION 2 - CONTROLS

## FIGURE 2-6. CHARGER PLUG INSTALLATION - 110V PLUG



ART\_1001097449

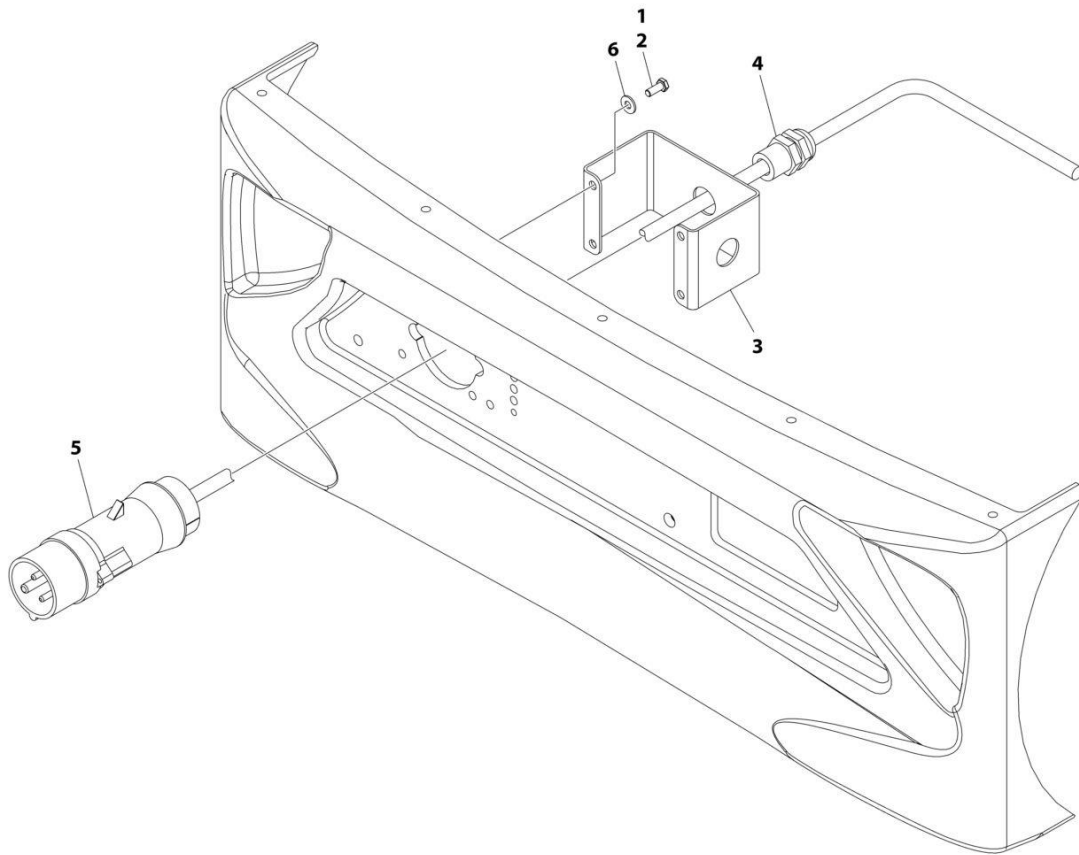
**SECTION 2 - CONTROLS**

**FIGURE 2-6. CHARGER PLUG INSTALLATION - 110V PLUG**

<b>ITEM</b>	<b>PART NUMBER</b>	<b>QTY</b>	<b>DESCRIPTION</b>	<b>REV</b>
	1001097449	Ref	CHARGER PLUG INSTALLATION - 110V PLUG	B
1	0100011	AR	Compound, Locking	
2	3911016	4	Screw #10 x 1	
3	4460802	1	Cover, Weatherproof	
4	4460803	1	Receptacle with Boot and Mounting Hardware	
100	4923174	6 ft/ 1.83m	CORD, EXTENSION (OPTIONAL)	

## SECTION 2 - CONTROLS

FIGURE 2-7. CHARGER PLUG INSTALLATION - 110V IEC YELLOW PLUG (CE SPECS)



ART\_1001097453



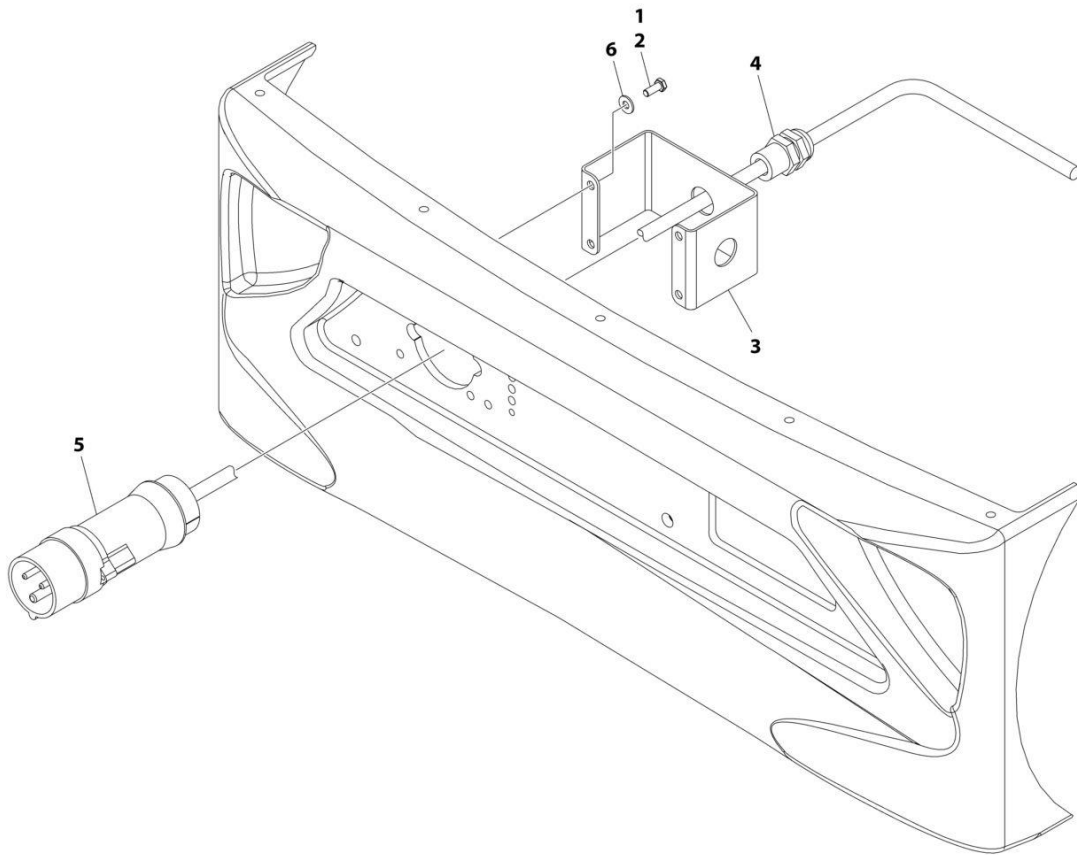
**SECTION 2 - CONTROLS**

**FIGURE 2-7. CHARGER PLUG INSTALLATION - 110V IEC YELLOW PLUG (CE SPECS)**

<b>ITEM</b>	<b>PART NUMBER</b>	<b>QTY</b>	<b>DESCRIPTION</b>	<b>REV</b>
	1001097453	Ref	CHARGER PLUG INSTALLATION - 110V IEC YELLOW PLUG	B
1	0100011	AR	Compound, Locking	
2	0721004	4	Screw #10 x 1/2	
3	3571584	1	Plate	
4	4460428	1	Connector, Strain Relief	
5	4461196	1	Plug - 110V IEC Yellow	
6	4711000	4	Washer #10	

## SECTION 2 - CONTROLS

FIGURE 2-8. CHARGER PLUG INSTALLATION - 220V IEC BLUE PLUG (CE SPECS)



ART\_1001097454

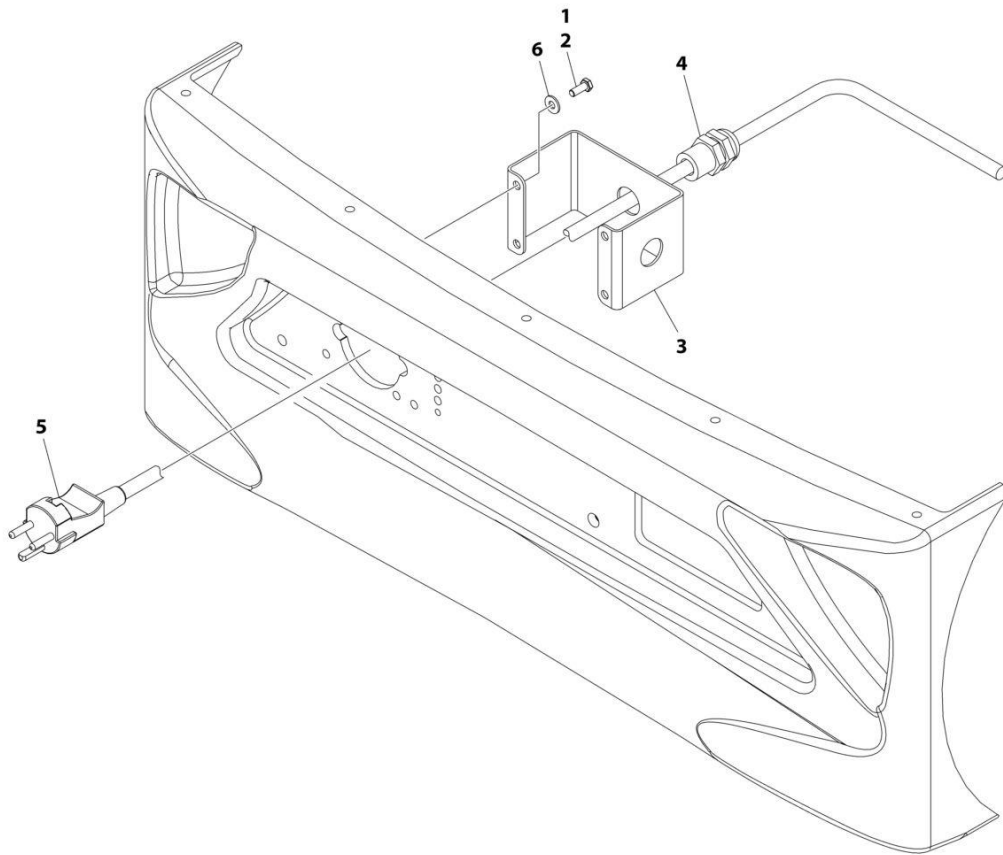
**SECTION 2 - CONTROLS**

**FIGURE 2-8. CHARGER PLUG INSTALLATION - 220V IEC BLUE PLUG (CE SPECS)**

ITEM	PART NUMBER	QTY	DESCRIPTION	REV
	1001097454	Ref	CHARGER PLUG INSTALLATION - 220V IEC BLUE PLUG	B
1	0100011	AR	Compound, Locking	
2	0721004	4	Screw #10 x 1/2	
3	3571584	1	Plate	
4	4460428	1	Connector, Strain Relief	
5	4461199	1	Plug - 220V IEC Blue	
6	4711000	4	Washer #10	

## SECTION 2 - CONTROLS

FIGURE 2-9. CHARGER PLUG INSTALLATION - 220V IEC KEYED GROUND PLUG (CE SPECS)



ART\_1001097452

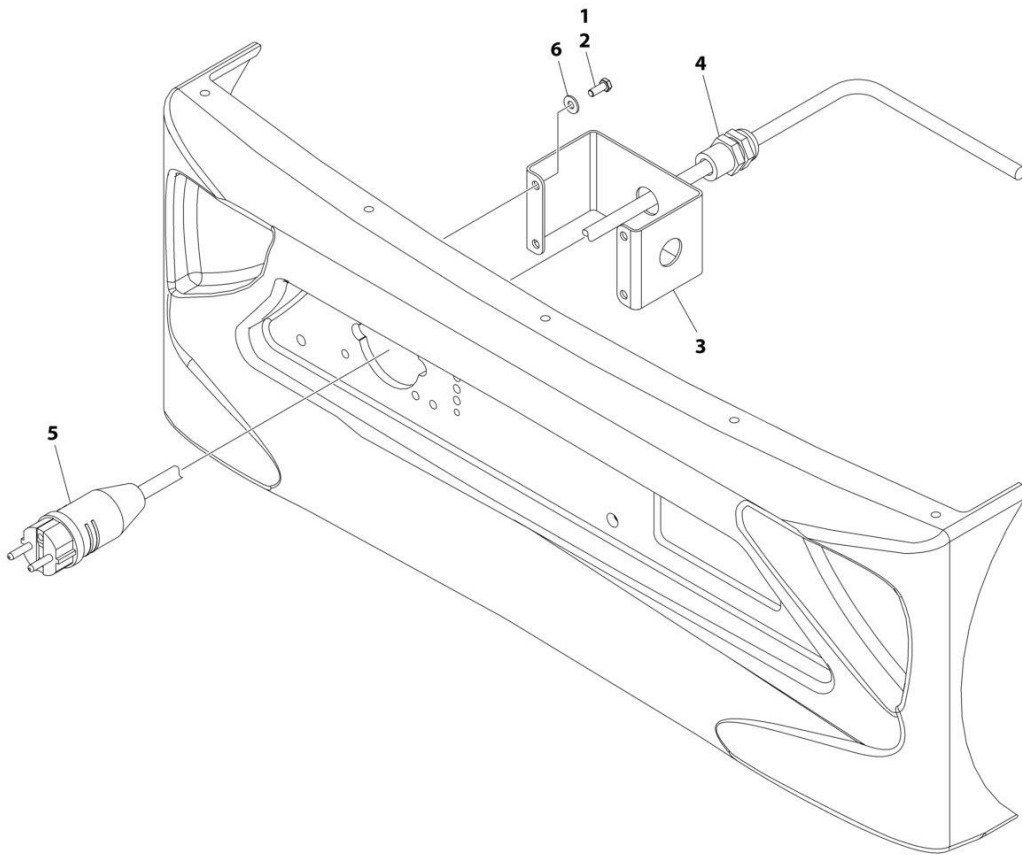
**SECTION 2 - CONTROLS**

**FIGURE 2-9. CHARGER PLUG INSTALLATION - 220V IEC KEYED GROUND PLUG (CE SPECS)**

ITEM	PART NUMBER	QTY	DESCRIPTION	REV
	1001097452	Ref	CHARGER PLUG INSTALLATION - 220V IEC KEYED GROUND PLUG	B
1	0100011	AR	Compound, Locking	
2	0721004	4	Screw #10 x 1/2	
3	3571584	1	Plate	
4	4460428	1	Connector, Strain Relief	
5	4461249	1	Plug - 220V Keyed	
6	4711000	4	Washer #10	

## SECTION 2 - CONTROLS

FIGURE 2-10. CHARGER PLUG INSTALLATION - 220V IEC POST GROUND PLUG (CE SPECS)



ART\_1001097450

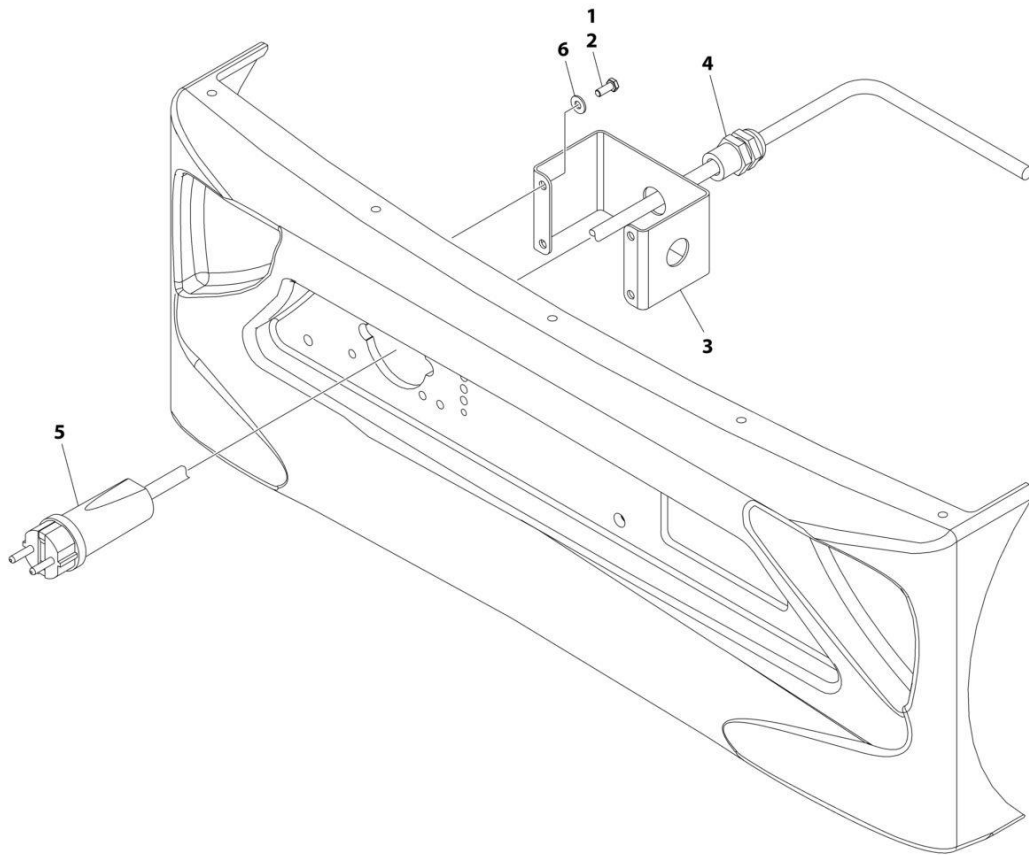
**SECTION 2 - CONTROLS**

**FIGURE 2-10. CHARGER PLUG INSTALLATION - 220V IEC POST GROUND PLUG (CE SPECS)**

ITEM	PART NUMBER	QTY	DESCRIPTION	REV
	1001097450	Ref	CHARGER PLUG INSTALLATION - 220V IEC POST GROUND PLUG	C
1	0100011	AR	Compound, Locking	
2	0721004	4	Screw #10 x 1/2	
3	3571584	1	Plate	
4	4460428	1	Strain Relief, Connector	
5	4461205	1	Plug - 220V IEC Post Ground	
6	4711000	4	Washer #10	

## SECTION 2 - CONTROLS

FIGURE 2-11. CHARGER PLUG INSTALLATION - 220V IEC SIDE GROUND PLUG (CE SPECS)



ART\_1001097451



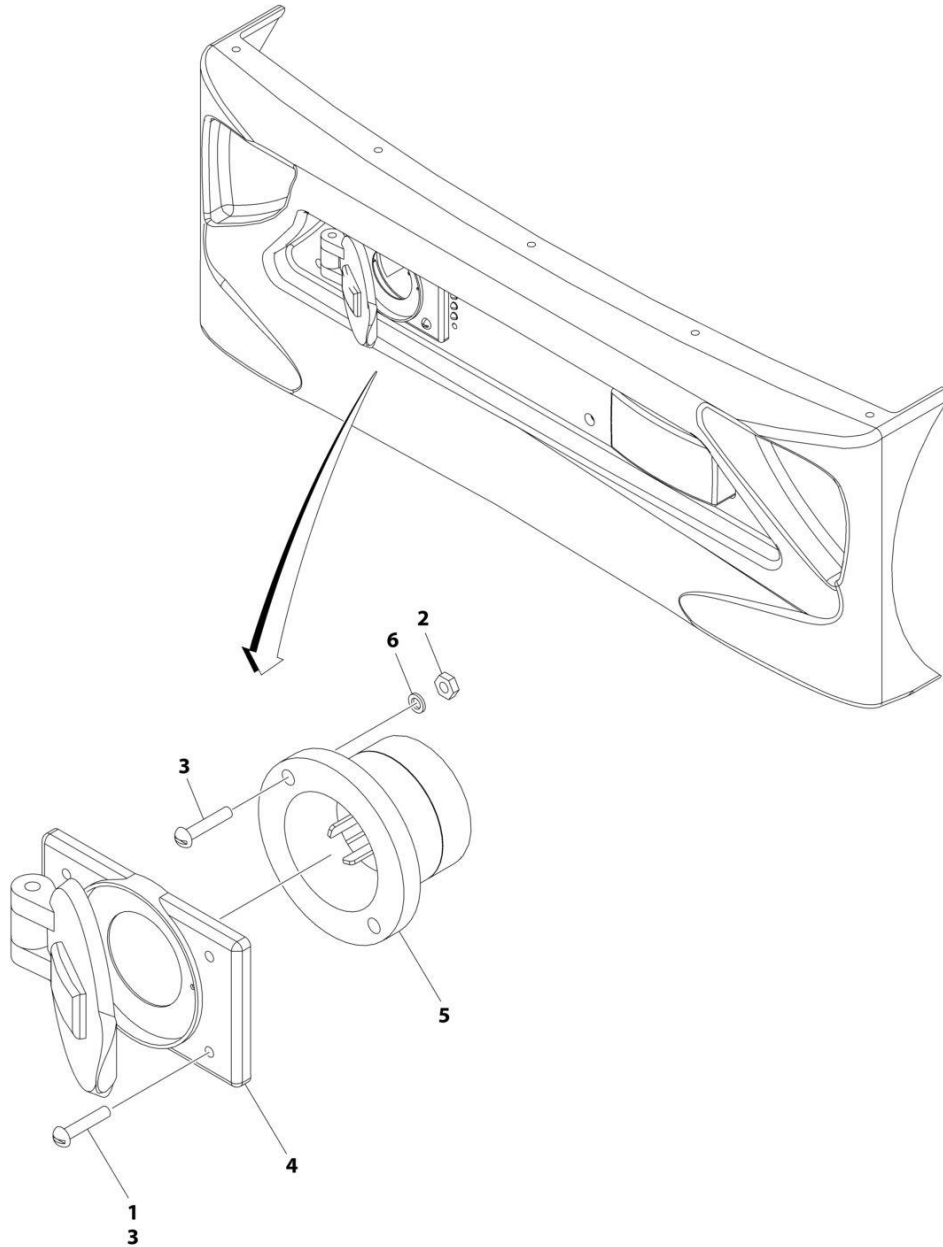
**SECTION 2 - CONTROLS**

**FIGURE 2-11. CHARGER PLUG INSTALLATION - 220V IEC SIDE GROUND PLUG (CE SPECS)**

ITEM	PART NUMBER	QTY	DESCRIPTION	REV
	1001097451	Ref	CHARGER PLUG INSTALLATION - 220V IEC SIDE GROUND PLUG	B
1	0100011	AR	Compound, Locking	
2	0721004	4	Screw #10 x 1/2	
3	3571584	1	Plate	
4	4460428	1	Connector, Strain Relief	
5	4461205	1	Plug - 220V Side Ground	
6	4711000	4	Washer #10	

## SECTION 2 - CONTROLS

FIGURE 2-12. CHARGER PLUG INSTALLATION - 220V (AUSTRALIAN SPECS)



ART\_1001097455

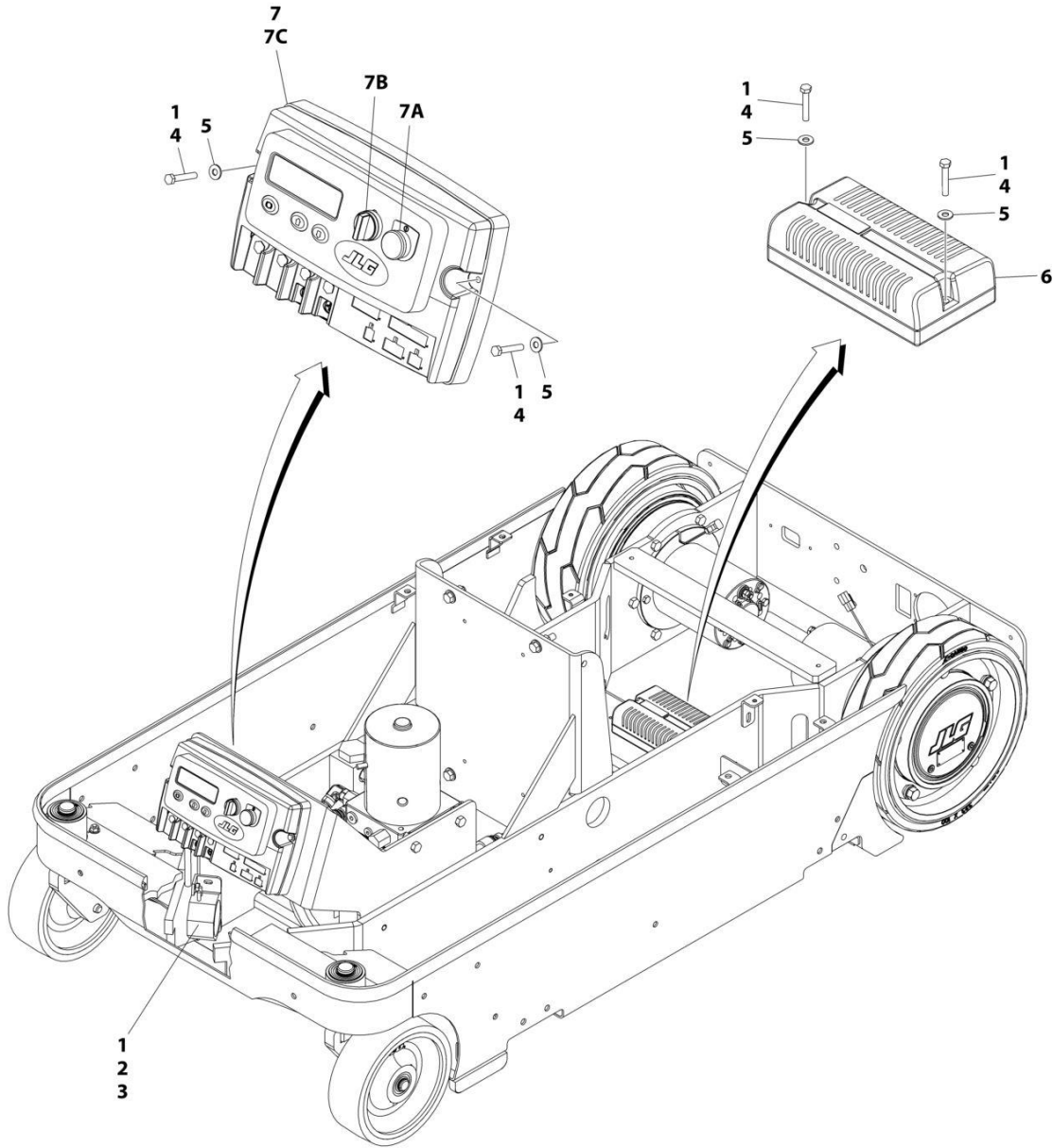
## SECTION 2 - CONTROLS

**FIGURE 2-12. CHARGER PLUG INSTALLATION - 220V (AUSTRALIAN SPECS)**

ITEM	PART NUMBER	QTY	DESCRIPTION	REV
	1001097455	Ref	CHARGER PLUG INSTALLATION - 220V	C
1	0100011	AR	Compound, Locking	
2	3311001	1	Nut #10	
3	3911016	6	Screw #24 x 1	
4	4460802	1	Cover, Weatherproof	
5	4460940	1	Plug	
6	4761000	2	Washer #10	

## SECTION 2 - CONTROLS

FIGURE 2-13. GROUND CONTROL AND TRACTION MODULE INSTALLATION (ALL SPECS EXCEPT AUSTRALIAN, CHINESE AND JAPANESE SPECS)



ART\_1001229629

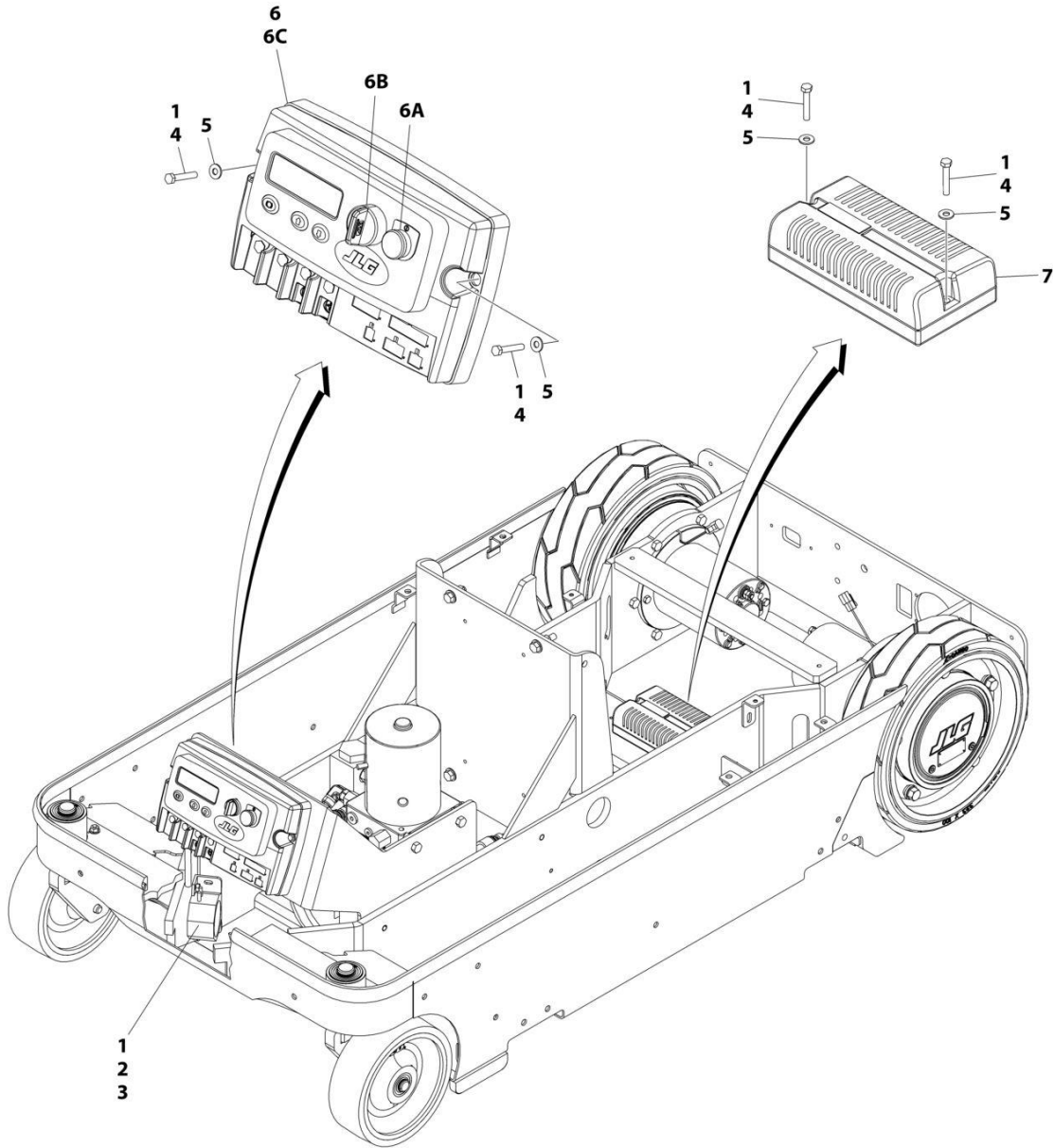
## SECTION 2 - CONTROLS

**FIGURE 2-13. GROUND CONTROL AND TRACTION MODULE INSTALLATION (ALL SPECS EXCEPT AUSTRALIAN, CHINESE AND JAPANESE SPECS)**

ITEM	PART NUMBER	QTY	DESCRIPTION	REV
	1001229629	Ref	GROUND CONTROL AND TRACTION MODULE INSTALLATION	B
1	0100011	AR	Compound, Locking	
2	0140033	1	Alarm	
3	0641404	2	Bolt 1/4 x 1/2	
4	0760514	4	Bolt M5 x 30 (SN 0130032507 through 0130032818)	
4	0721010	4	Bolt 1/4 (SN 0130032819 through 0130037734)	
5	4751000	4	Washer #10	
6	1001231450	1	Module, Traction	
7	1001229632	1	Ground Control Station/Module Assembly	
7A	7024428	1	Switch, Emergency Stop	
7B	7024591	1	Switch, Selector	
7C	7024592	1	Cover	

# SECTION 2 - CONTROLS

## FIGURE 2-14. GROUND CONTROL AND TRACTION MODULE INSTALLATION (AUSTRALIAN SPECS)



ART\_1001229631

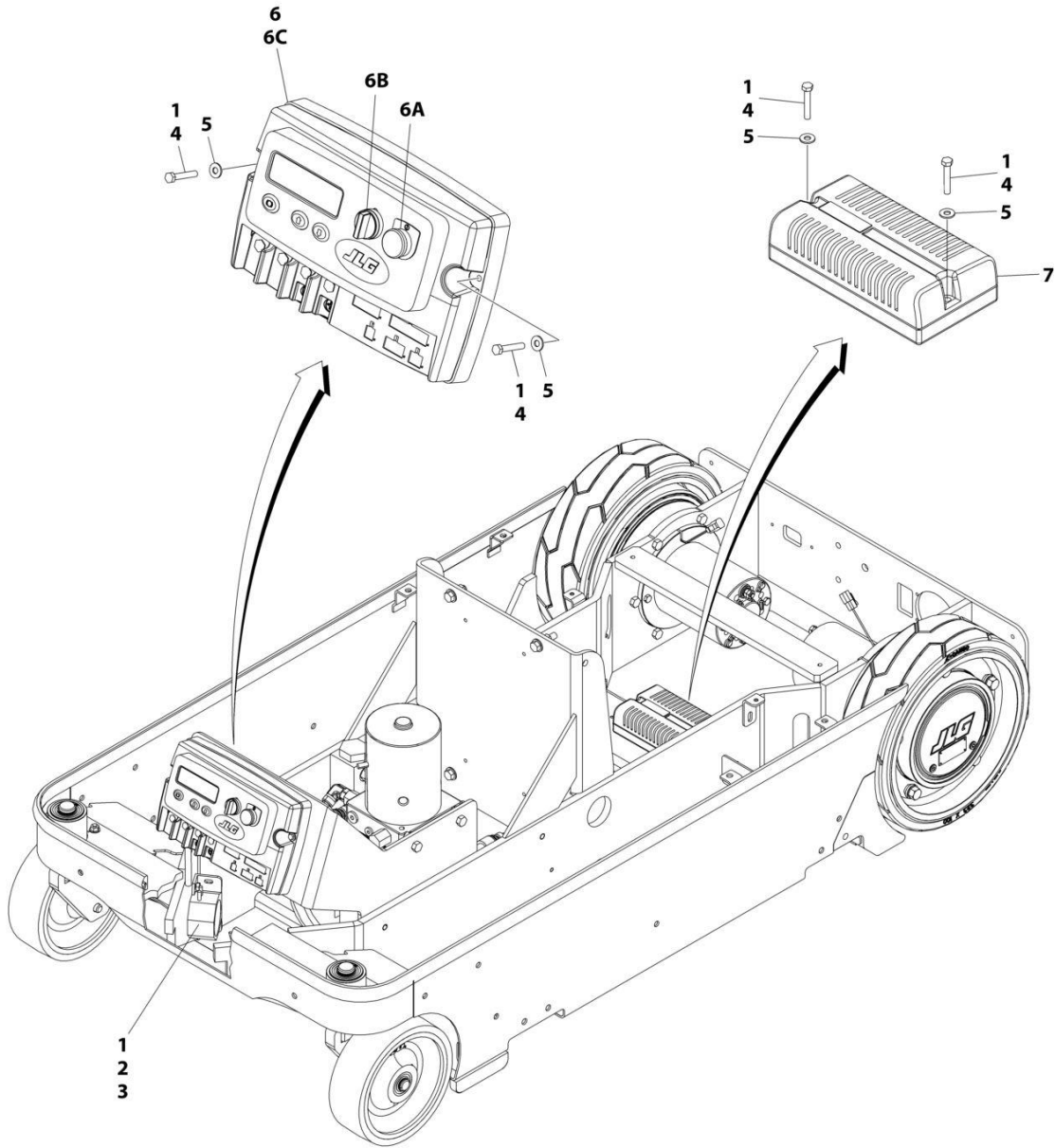
## SECTION 2 - CONTROLS

**FIGURE 2-14. GROUND CONTROL AND TRACTION MODULE INSTALLATION (AUSTRALIAN SPECS)**

ITEM	PART NUMBER	QTY	DESCRIPTION	REV
	1001229631	Ref	GROUND CONTROL AND TRACTION MODULE INSTALLATION	B
1	0100011	AR	Compound, Locking	
2	0140033	1	Alarm	
3	0641404	2	Bolt 1/4 x 1/2	
4	0760514	4	Bolt M5 x 30 (SN 0130032507 through 0130032818)	
4	0721010	4	Bolt 1/4 (SN 0130032819 through 0130037734)	
5	4751000	4	Washer #10	
6	1001229634	1	Ground Control Station/Module Assembly	
6A	7024428	1	Switch, Emergency Stop	
6B	7024591	1	Switch, Selector	
6C	7024592	1	Cover	
7	1001231450	1	Module, Traction	

## SECTION 2 - CONTROLS

FIGURE 2-15. GROUND CONTROL AND TRACTION MODULE INSTALLATION (CHINESE AND JAPANESE SPECS)



ART\_1001229630



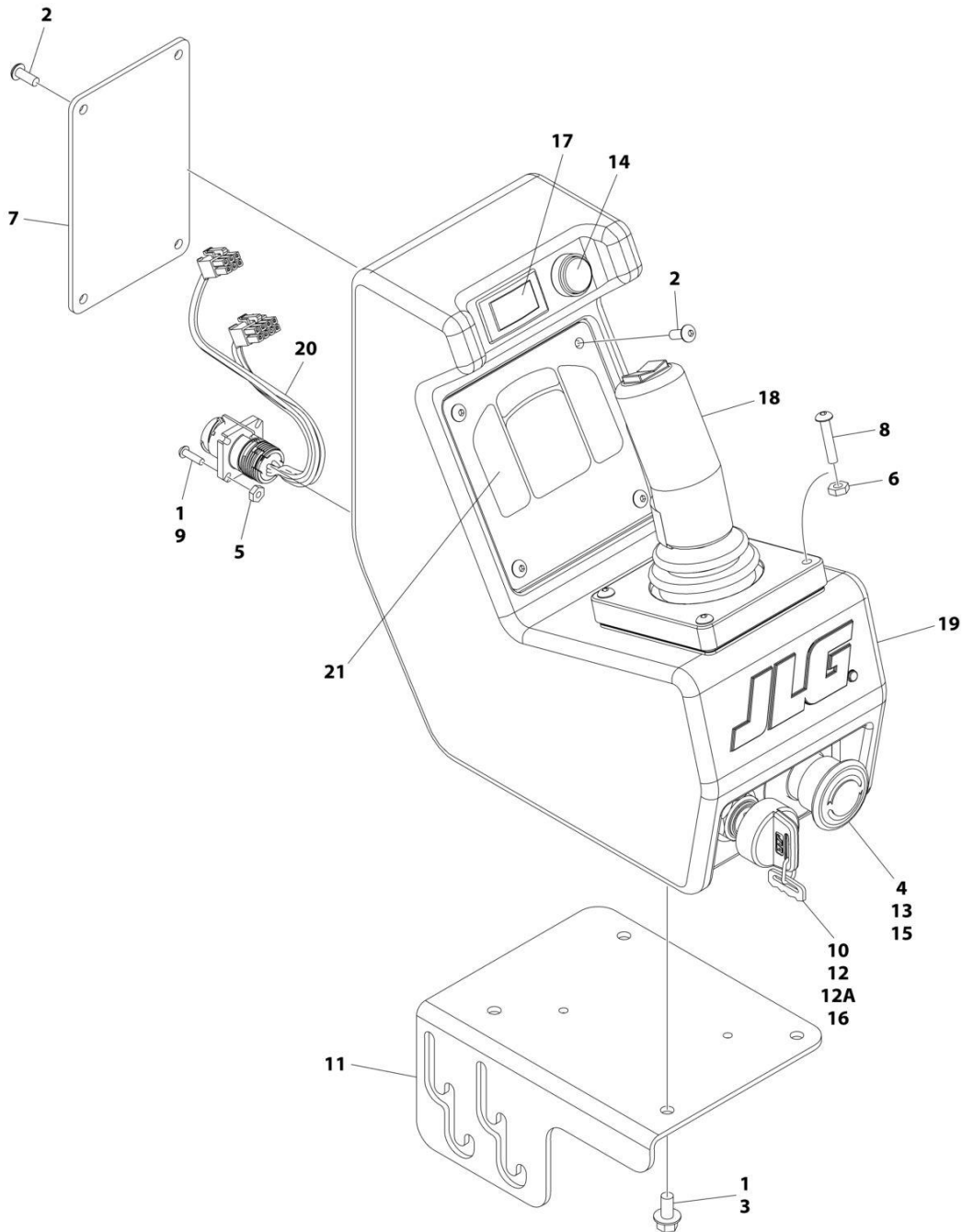
## SECTION 2 - CONTROLS

**FIGURE 2-15. GROUND CONTROL AND TRACTION MODULE INSTALLATION (CHINESE AND JAPANESE SPECS)**

ITEM	PART NUMBER	QTY	DESCRIPTION	REV
	1001229630	Ref	GROUND CONTROL AND TRACTION MODULE INSTALLATION	B
1	0100011	AR	Compound, Locking	
2	0140033	1	Alarm	
3	0641404	2	Bolt 1/4 x 1/2	
4	0760514	4	Bolt M5 x 30 (SN 0130032507 through 0130032818)	
4	0721010	4	Bolt 1/4 (SN 0130032819 through 0130037734)	
5	4751000	4	Washer #10	
6	1001229633	1	Ground Control Station/Module Assembly	
6A	7024428	1	Switch, Emergency Stop	
6B	7024591	1	Switch, Selector	
6C	7024592	1	Cover	
7	1001231450	1	Module, Traction	

# SECTION 2 - CONTROLS

FIGURE 2-16. PLATFORM CONTROL BOX ASSEMBLY (ALL SPECS EXCEPT AUSTRALIAN SPECS)



ART\_1001228495

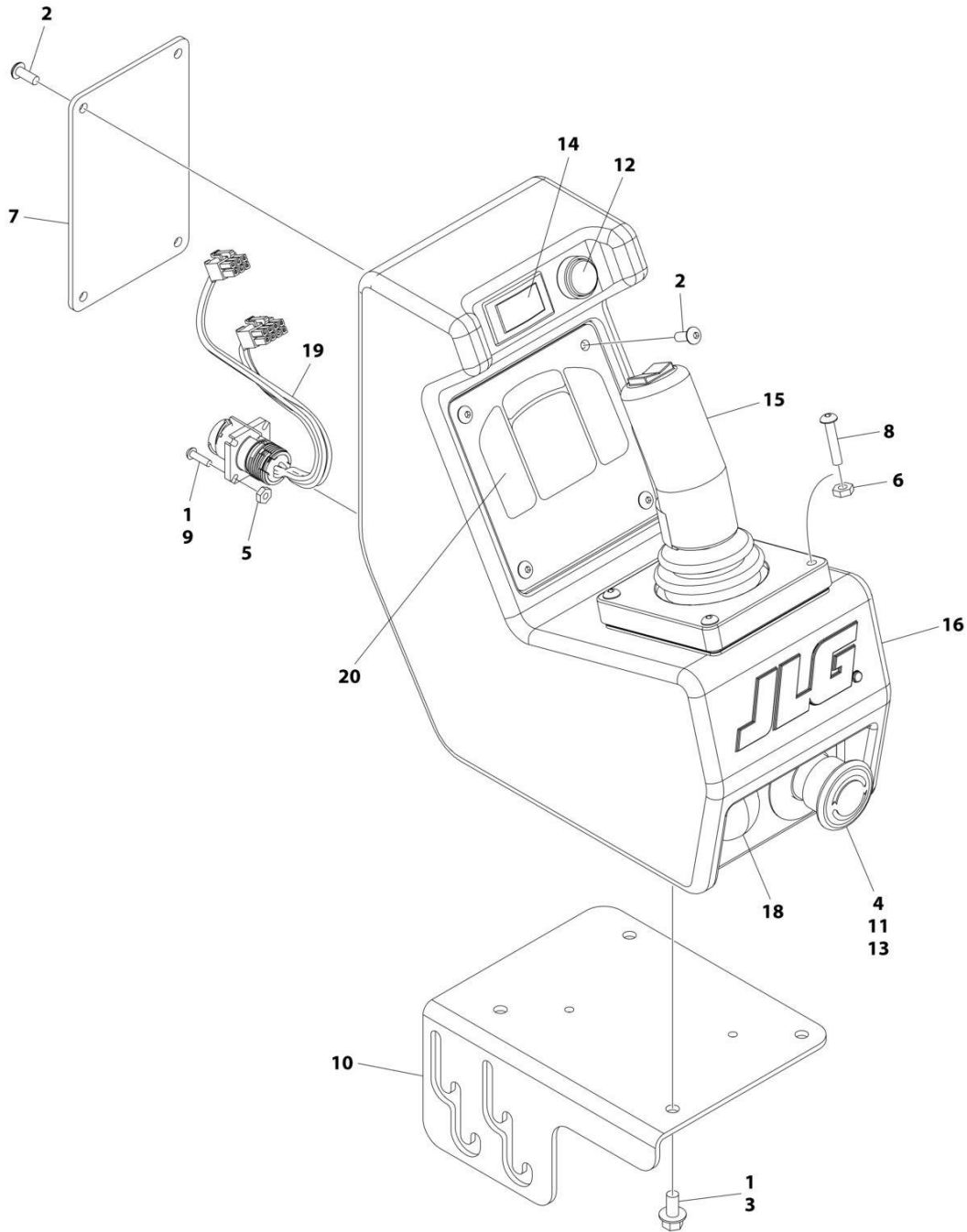
## SECTION 2 - CONTROLS

**FIGURE 2-16. PLATFORM CONTROL BOX ASSEMBLY (ALL SPECS EXCEPT AUSTRALIAN SPECS)**

ITEM	PART NUMBER	QTY	DESCRIPTION	REV
	1001228495	Ref	PLATFORM CONTROL BOX ASSEMBLY	D
1	0100011	AR	Compound, Locking	
2	0630464	8	Screw #10 x 1/2	
3	0791404	4	Screw 1/4 x 1/2	
4	1706007	1	Decal - Emergency Stop	
5	3310601	4	Nut #6	
6	3311005	4	Nut #10	
7	3380540	1	Panel, Control Box	
8	3900189	4	Screw #10 x 1	
9	3910608	4	Screw #6 x 1/2	
10	3910804	2	Screw #8 x 1/4	
11	4340884	1	Mount, Control Box	
12	4360467	1	Switch, Key	
12A	2860030	1	Key, Replacement	
13	4360562	1	Switch, Emergency Stop	
14	4360567	1	Switch, Horn	
15	4923107	1	Emergency Stop Harness	
16	4923108	1	Key Switch Harness	
17	1001228835	1	Plug	
18	1001098192	1	Controller Assembly (See Separate Breakdown in this Section)	
19	1001098193	1	Box, Control	
20	1001227884	1	Power Harness (See Separate Breakdown in ELECTRICAL Section)	
21	1001228458	1	Module, Controller	

# SECTION 2 - CONTROLS

## FIGURE 2-17. PLATFORM CONTROL BOX ASSEMBLY (AUSTRALIAN SPECS)



ART\_1001228496

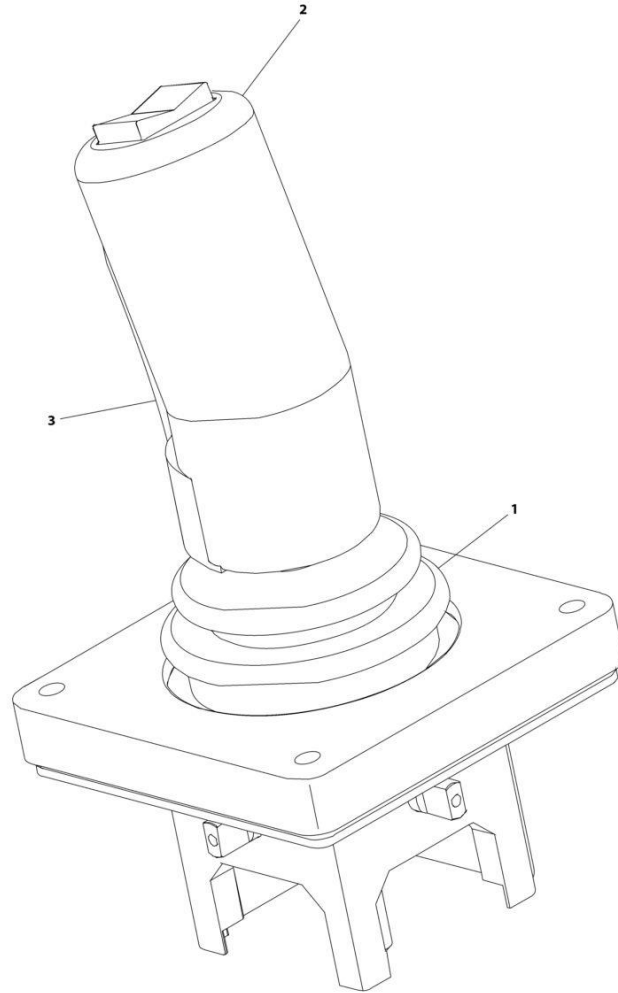
## SECTION 2 - CONTROLS

**FIGURE 2-17. PLATFORM CONTROL BOX ASSEMBLY (AUSTRALIAN SPECS)**

ITEM	PART NUMBER	QTY	DESCRIPTION	REV
	1001228496	Ref	PLATFORM CONTROL BOX ASSEMBLY	D
1	0100011	AR	Compound, Locking	
2	0630464	8	Screw #10 x 1/2	
3	0791404	4	Screw 1/4 x 1/2	
4	1706007	1	Decal - Emergency Stop	
5	3310601	4	Nut #6	
6	3311005	4	Nut #10	
7	3380540	1	Panel, Control Box	
8	3900189	4	Screw #10 x 1	
9	3910608	4	Screw #6 x 1/2	
10	4340884	1	Mount, Control Box	
11	4360562	1	Switch, Emergency Stop	
12	4360567	1	Switch, Horn	
13	4923107	1	Emergency Stop Harness	
14	1001228835	1	Plug	
15	1001098192	1	Controller Assembly (See Separate Breakdown in this Section)	
16	1001098193	1	Box, Control	
17	1001137026	1	Key Switch Harness (Not Shown)	
18	1001137484	1	Plug	
19	1001227884	1	Power Harness	
20	1001228458	1	Module, Controller	

## SECTION 2 - CONTROLS

FIGURE 2-18. CONTROLLER ASSEMBLY



ART\_1001098192

## SECTION 2 - CONTROLS

**FIGURE 2-18. CONTROLLER ASSEMBLY**

ITEM	PART NUMBER	QTY	DESCRIPTION	REV
	1001098192	Ref	CONTROLLER ASSEMBLY	A
1	70001250	1	Boot, Rubber (Base of Controller)	
1	7027766	1	Ring, Retaining	
1	70001251	1	Bezel, Mounting	
1	70001252	1	Gasket, Mounting	
2	70000084	1	Boot, Rubber (Steer Switch)	
2	70000082	2	Microswitch	
2	7027365	1	Actuator, Handle	
2	70000684	2	Screw	
2	70000686	2	Screw	
2	70000683	4	Washer, Neoprene	
2	70000685	2	Spacer	
2	70001253	1	Gasket, Handle	
3	7027765	1	Lever, Enable	
3	7027367	1	Switch, Push Button (Note: Not Shown - Located Behind Lever)	

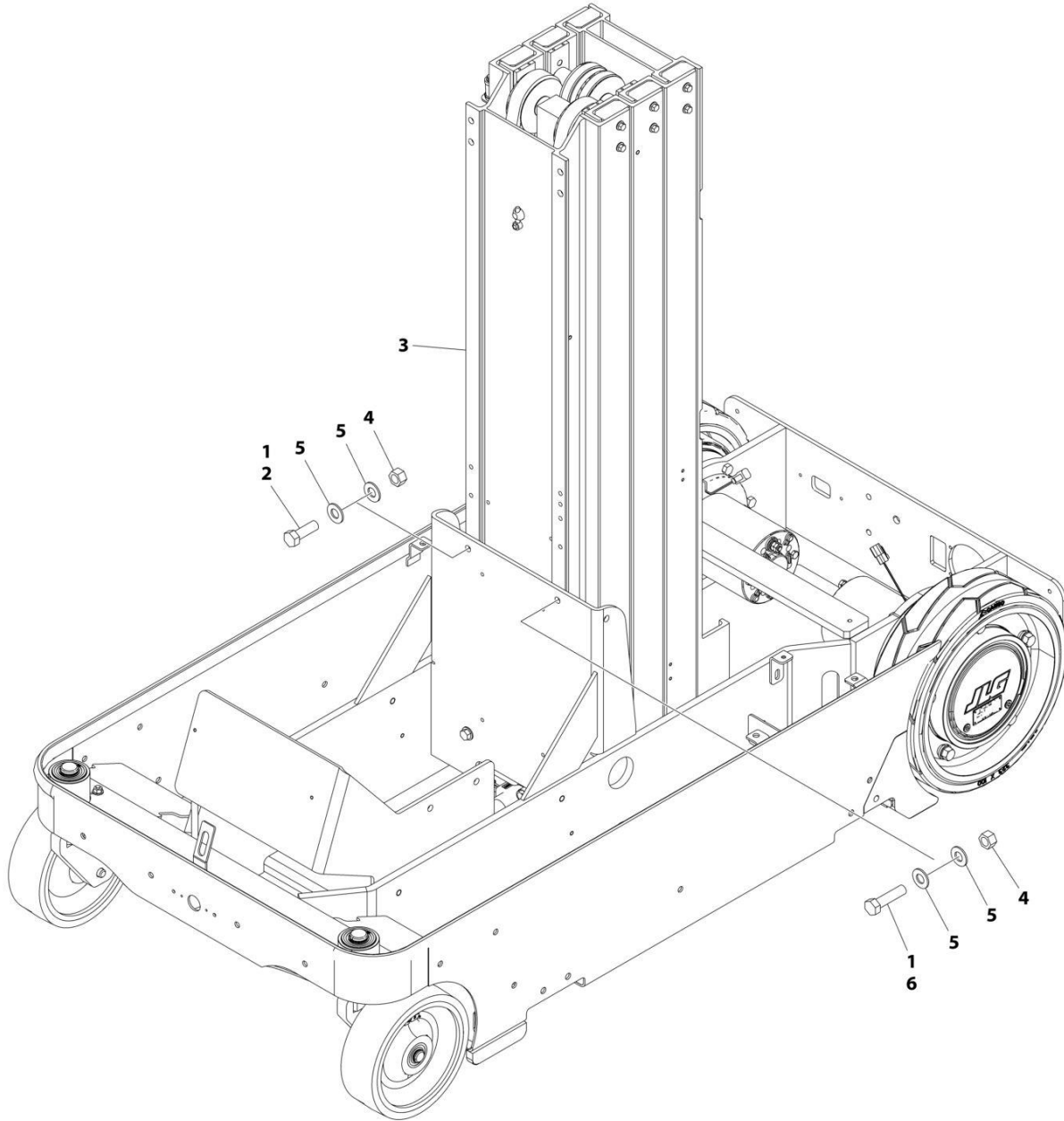




**SECTION 3 - MAST**

# SECTION 3 - MAST

## FIGURE 3-1. MAST INSTALLATION



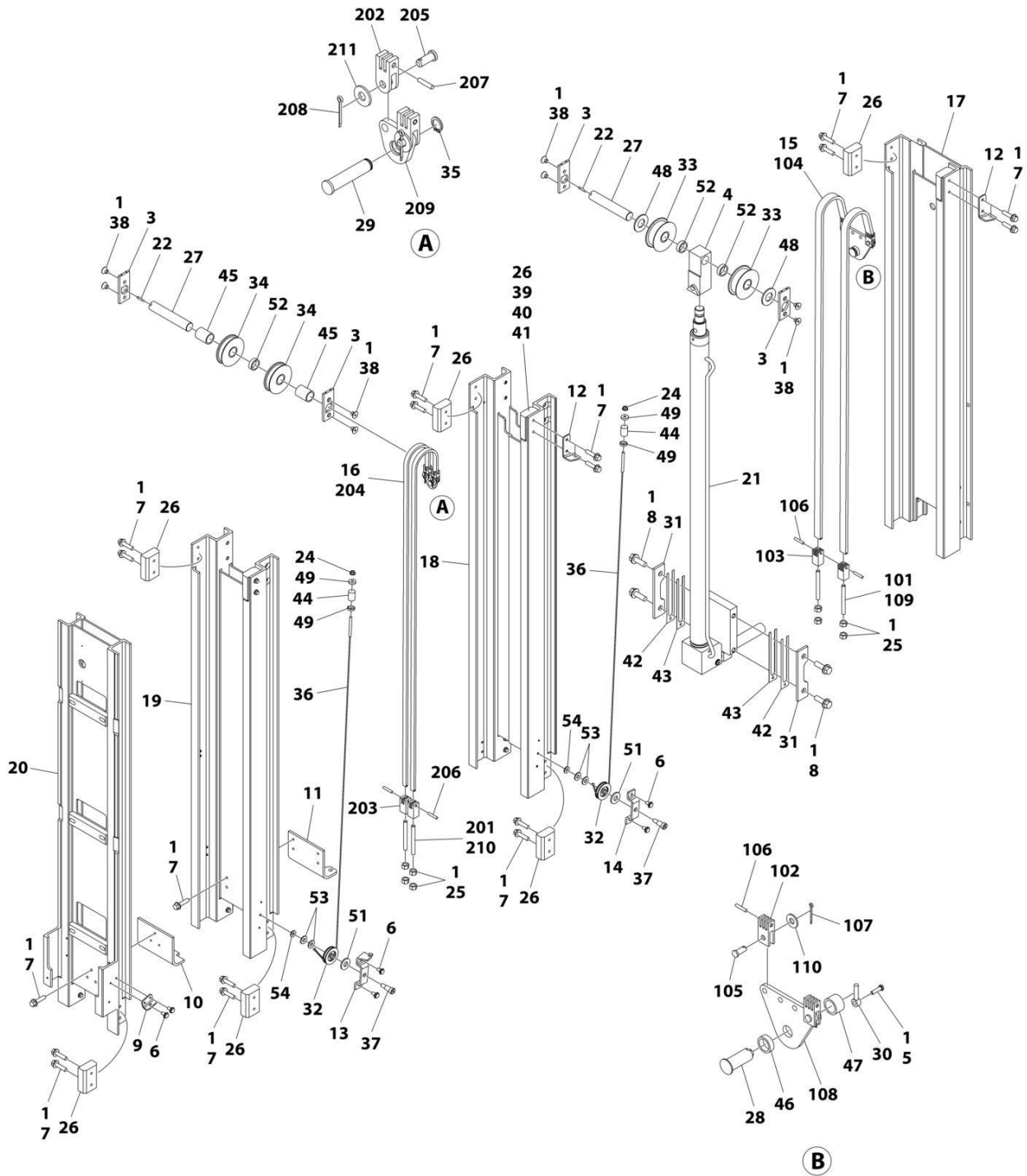
ART\_0273545

**FIGURE 3-1. MAST INSTALLATION**

ITEM	PART NUMBER	QTY	DESCRIPTION	REV
	0273545	Ref	MAST INSTALLATION	B
1	0100019	AR	Compound, Locking	
2	0641609	3	Bolt 3/8 x 1-1/8	
3	0801394	1	Mast Assembly (See Separate Breakdown in this Section)	
4	3311601	4	Nut 3/8	
5	4711600	8	Washer 3/8	
6	0641612	1	Bolt 3/8 x 1-1/2	

# SECTION 3 - MAST

## FIGURE 3-2. MAST ASSEMBLY



ART\_0801394

# SECTION 3 - MAST

## FIGURE 3-2. MAST ASSEMBLY

ITEM	PART NUMBER	QTY	DESCRIPTION	REV
	0801394	Ref	MAST ASSEMBLY	F
1	0100011	AR	Compound, Locking	
3	0362735	4	Bar, Support	
4	0561341	1	Block, Anchor	
5	0721006	1	Screw #10 x 3/4	
6	0791003	6	Screw #10 x 3/8	
7	0811408	31	Screw 1/4 x 1	
8	0791812	4	Screw 1/2 x 1-1/2	
9	0902047	1	Bracket, Sequence Cable	
10	0902423	1	Bracket, Chain Attach	
11	0902424	1	Bracket, Chain Attach	
12	0902431	2	Bracket, Sequence Cable	
13	0902445	1	Bracket, Sequence Cable	
14	0902698	1	Bracket, Sequence Cable	
15	1260375	1	Chain Assembly - #446 (See Items 101-110 for Breakdown)	
16	1260376	1	Chain Assembly - #444 (See Items 201-211 for Breakdown)	
17	1271567	1	Channel, Mast #1	
18	1271568	1	Channel, Mast #2	
19	1271569	1	Channel, Mast #3	
20	1271577	1	Channel, Header	
21	1001225209	1	Lift Cylinder Assembly (See Separate Breakdown in CYLINDER SECTION)	
22	2880310	2	Key	
23	3020041	AR	Lubricant (Not Shown - Used on Slides)	
24	3311408	2	Nut 1/4	
25	3311601	8	Nut 3/8	
26	3340845	12	Pad	
27	3422717	2	Pin	
28	3422750	1	Pin	
29	3422752	1	Pin	
30	3422757	1	Pin, Keeper	
31	3570893	2	Plate, Cylinder Mounting	
32	3580269	2	Sheave, Sequence Cable	
33	3580286	2	Sheave Assembly	
33	0440246	2	Bearing (1 Per Assembly)	
34	3580293	2	Sheave Assembly	
34	0440249	2	Bearing (1 Per Assembly)	
35	3760383	1	Ring, Retaining	
36	3890039	2	Cable, Sequence	
37	3900187	2	Screw, Shoulder	
38	3900192	8	Screw 3/8 x 1/2	
39	4070860	AR	Shim, Slide Pad	
40	4070861	AR	Shim, Slide Pad	
41	4070862	AR	Shim, Slide Pad	
42	4070970	AR	Shim, Cylinder Mount	
43	4070971	AR	Shim, Cylinder Mount	
44	4160124	2	Spring	
45	4567491	1	Tube, Spacer	
46	4567750	1	Tube, Spacer	
47	4567751	1	Tube, Spacer	

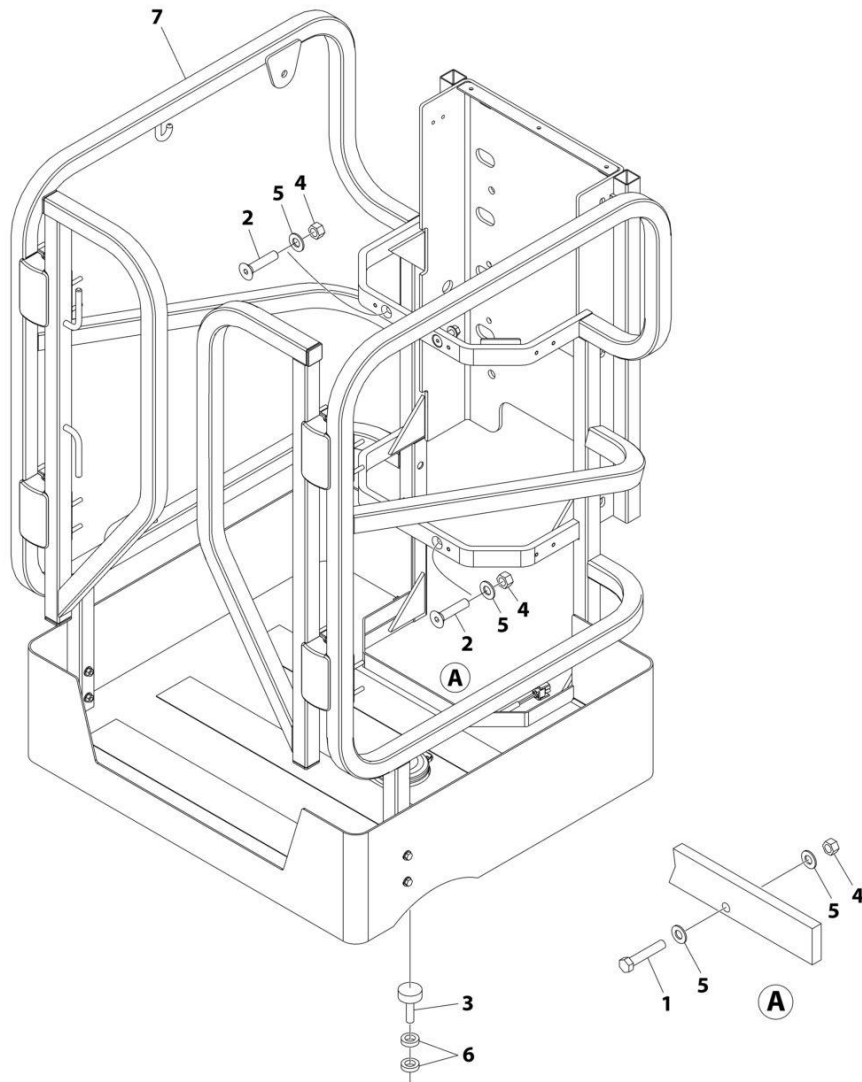
## SECTION 3 - MAST

ITEM	PART NUMBER	QTY	DESCRIPTION	REV
48	4740007	2	Washer	
49	4740414	4	Washer, Cup	
51	4711500	2	Washer 5/16	
52	4569003	3	Tube, Spacer	
53	4711400	4	Washer 1/4	
54	4761400	2	Washer, Lock 1/4	
60	0273417	Ref	Mast Kit (Includes Items 17-20) (Not Shown)	H
	1260375	Ref	CHAIN ASSEMBLY - #446 CHAIN	B
101	0100062	AR	Compound, Locking	
102	0561153	2	Block, Chain Anchor	
103	0561409	2	Block, Chain Anchor	
104	See Note	NLA	Chain (Note: Use p/n 1260375)	
105	3422338	2	Pin	
106	3422346	4	Pin	
107	3450304	2	Pin, Cotter	
108	3571101	1	Plate, Chain Adjustment	
109	4300111	2	Stud	
110	4751500	2	Washer 5/16	
	1260376	Ref	CHAIN ASSEMBLY - #444 CHAIN	C
201	0100019	AR	Compound, Locking	
202	0561149	2	Block, Chain Anchor	
203	0561408	2	Block, Chain Anchor	
204	See Note	NLA	Chain (Note: Use p/n 1260376)	
205	3422338	2	Pin	
206	3422346	2	Pin	
207	3422355	2	Pin	
208	3450304	2	Pin, Cotter	
209	3571103	1	Plate, Chain Adjustment	
210	4300111	2	Stud	
211	4751500	2	Washer 5/16	

**SECTION 4 - PLATFORM**

# SECTION 4 - PLATFORM

## FIGURE 4-1. PLATFORM INSTALLATION - WITHOUT GATE LATCH



ART\_1001204795



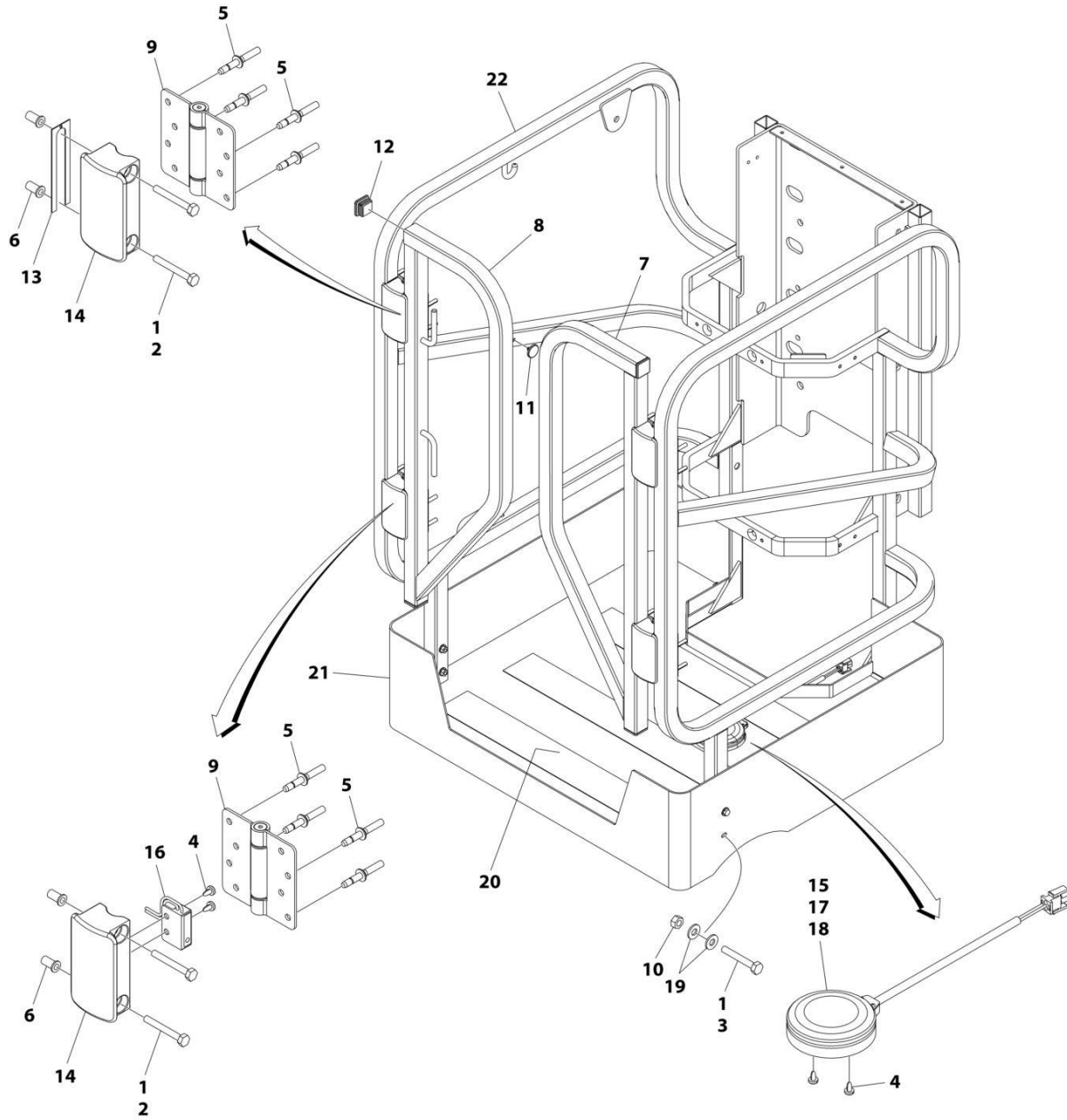
**SECTION 4 - PLATFORM**

**FIGURE 4-1. PLATFORM INSTALLATION - WITHOUT GATE LATCH**

<b>ITEM</b>	<b>PART NUMBER</b>	<b>QTY</b>	<b>DESCRIPTION</b>	<b>REV</b>
	1001204795	Ref	PLATFORM INSTALLATION	A
1	0641616	2	Bolt 3/8 x 2	
2	0741614	4	Screw 3/8 x 1-3/4	
3	0940049	2	Stopper	
4	3311605	6	Nut 3/8	
5	4711600	8	Washer 3/8	
6	4740139	4	Washer	
7	1001204796	1	Platform Assembly (See Separate Breakdown in this Section)	

# SECTION 4 - PLATFORM

## FIGURE 4-2. PLATFORM ASSEMBLY - WITHOUT GATE LATCH



ART\_1001204796

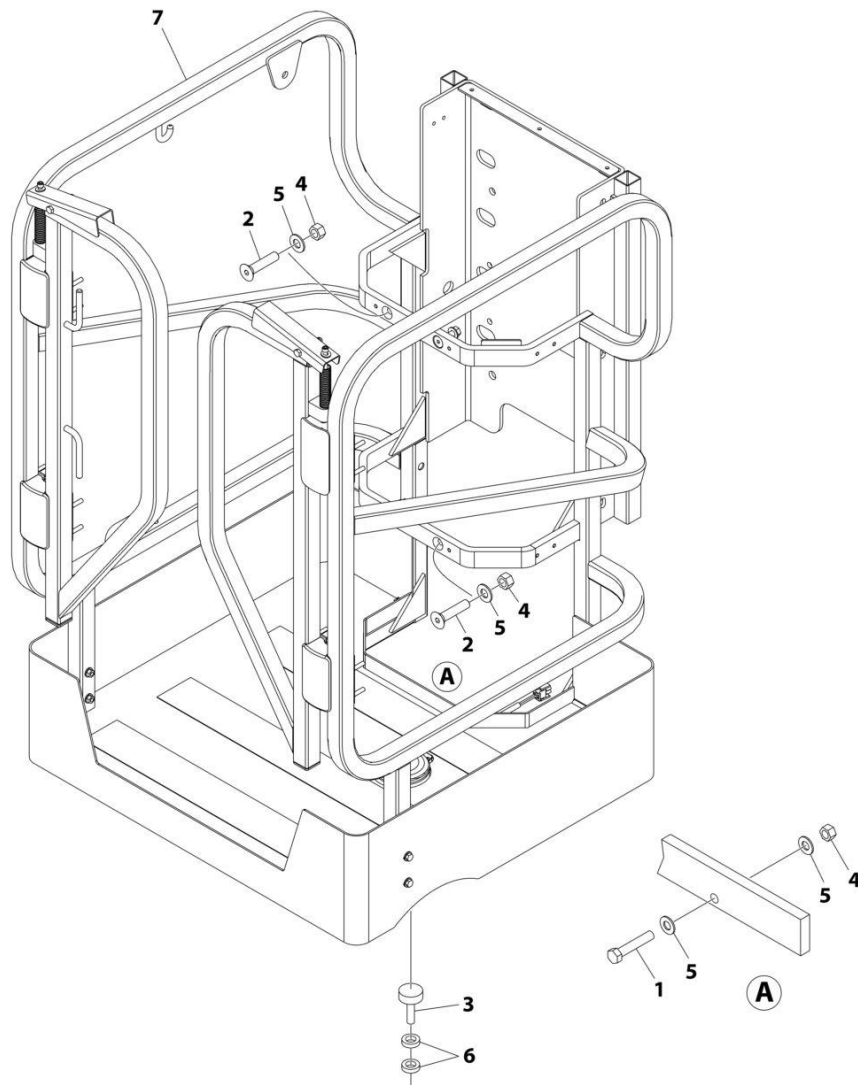
# SECTION 4 - PLATFORM

**FIGURE 4-2. PLATFORM ASSEMBLY - WITHOUT GATE LATCH**

ITEM	PART NUMBER	QTY	DESCRIPTION	REV
	1001204796	Ref	PLATFORM ASSEMBLY	D
1	0100011	AR	Compound, Locking	
2	0641416	8	Bolt 1/4 x 2	
3	0681414	4	Bolt 1/4 x 1-3/4	
4	0751003	6	Screw	
5	2080040	16	Fastener	
6	2080043	8	Rivnut 1/4	
7	1001228875	1	Gate (RH)	
8	1001228876	1	Gate (LH)	
9	2600294	4	Hinge	
10	3311405	4	Nut 1/4	
11	3340962	2	Pad	
12	3520072	4	Plug	
13	4071095	AR	Shim 20Ga	
14	4220309	4	Stop, Gate	
15	1001229726	1	Footswitch	
16	1001230161	2	Switch, Proximity	
17	4460035	1	Terminal	
18	4460320	1	Plug, Male - 2 Position	
19	4711400	8	Washer 1/4	
20	1001099638	3	Tape, Safety	
21	1001206743	1	Base	
22	1001228239	1	Rail	

# SECTION 4 - PLATFORM

## FIGURE 4-3. PLATFORM INSTALLATION - WITH GATE LATCH



ART\_1001206387

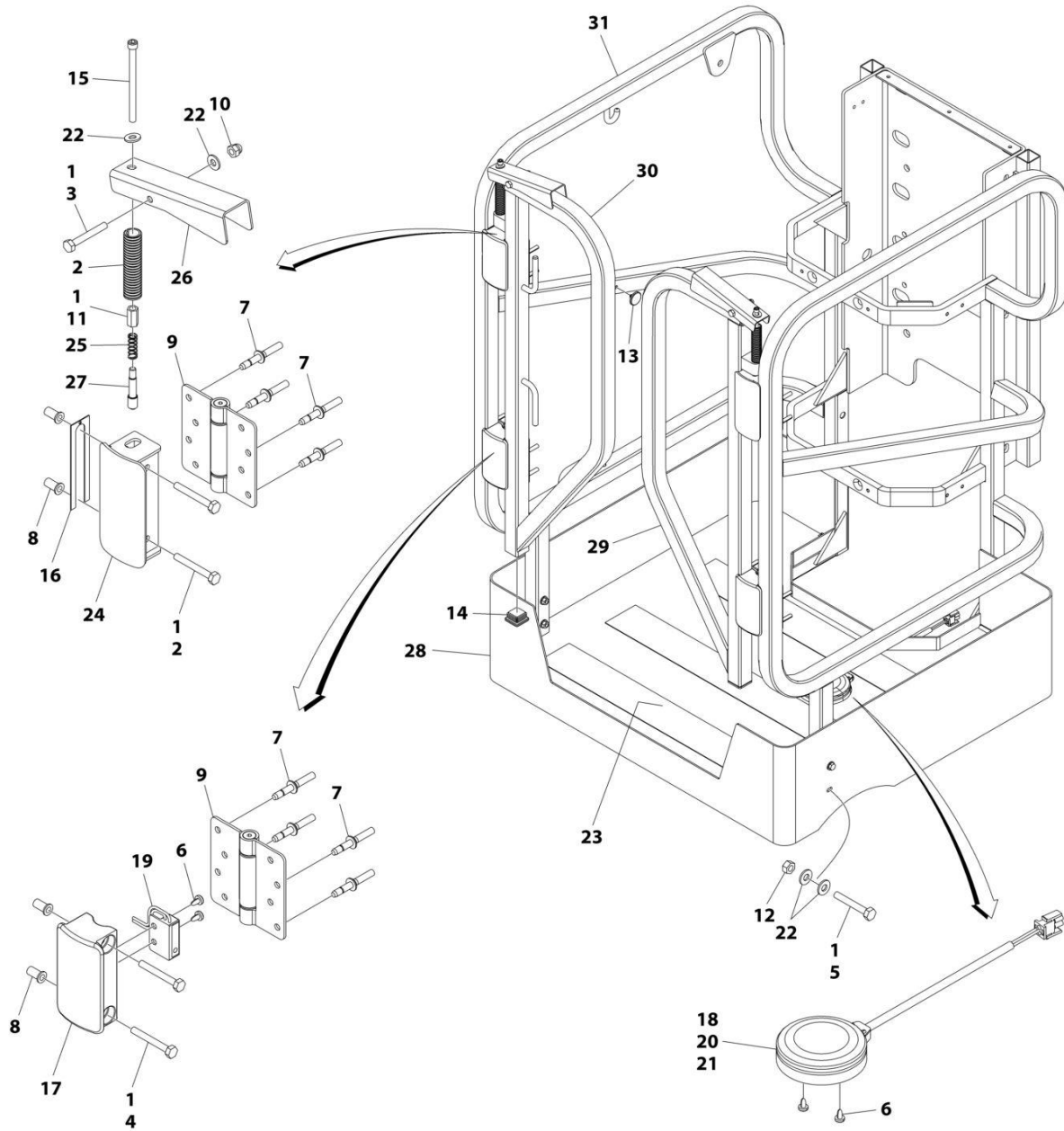
**SECTION 4 - PLATFORM**

**FIGURE 4-3. PLATFORM INSTALLATION - WITH GATE LATCH**

<b>ITEM</b>	<b>PART NUMBER</b>	<b>QTY</b>	<b>DESCRIPTION</b>	<b>REV</b>
	1001206387	Ref	PLATFORM INSTALLATION	A
1	0641616	2	Bolt 3/8 x 2	
2	0741614	4	Screw 3/8 x 1-3/4	
3	0940049	2	Stopper	
4	3311605	6	Nut 3/8	
5	4711600	8	Washer 3/8	
6	4740139	4	Washer	
7	1001207352	1	Platform Assembly (See Separate Breakdown in this Section)	

# SECTION 4 - PLATFORM

## FIGURE 4-4. PLATFORM ASSEMBLY - WITH GATE LATCH



ART\_1001207352

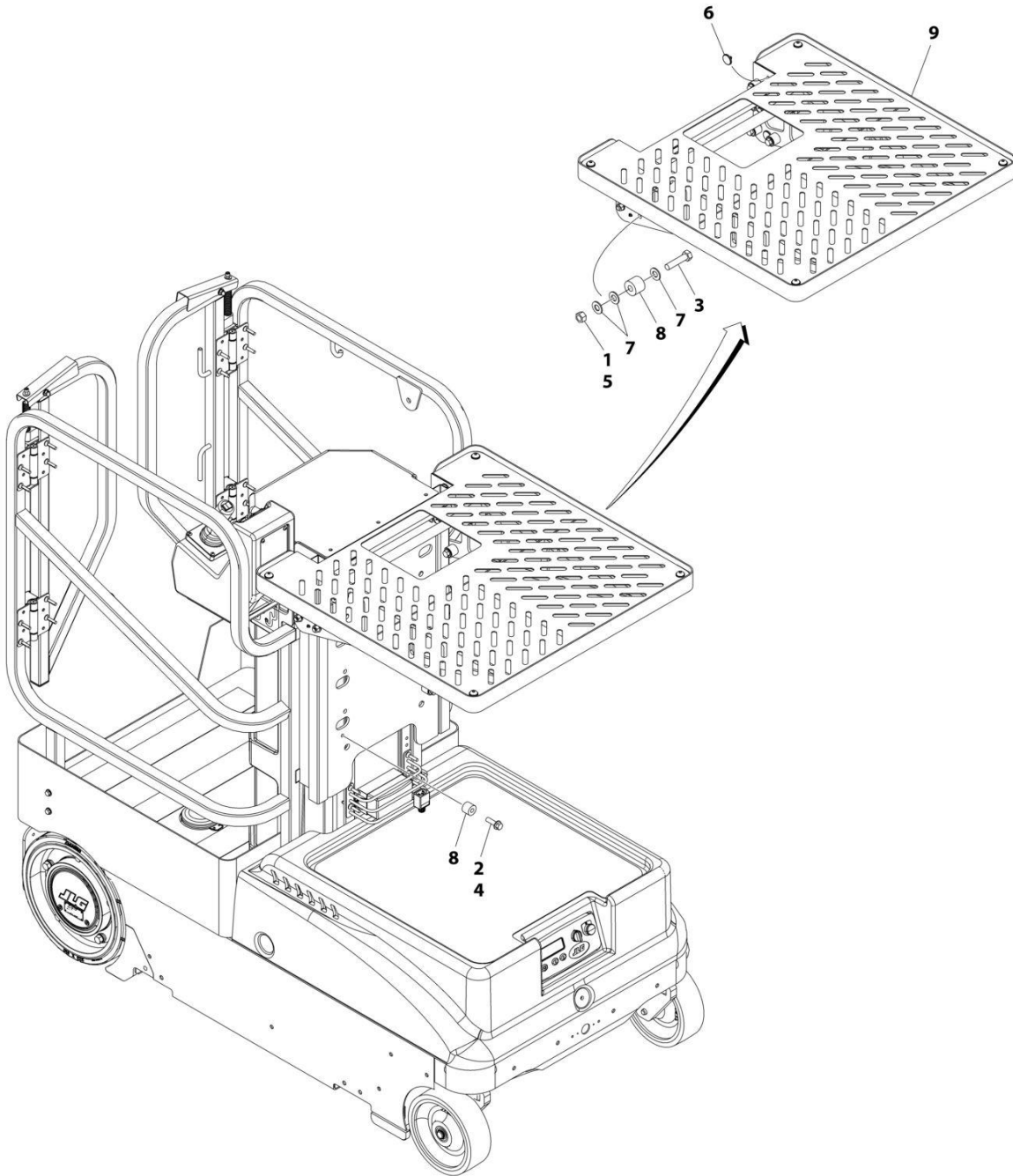
# SECTION 4 - PLATFORM

## FIGURE 4-4. PLATFORM ASSEMBLY - WITH GATE LATCH

ITEM	PART NUMBER	QTY	DESCRIPTION	REV
	1001207352	Ref	PLATFORM ASSEMBLY	D
1	0100011	AR	Compound, Locking	
2	280013	6 in/16cm	Conduit	
3	0641415	2	Bolt 1/4 x 1-7/8	
4	0641416	8	Bolt 1/4 x 2	
5	0681414	4	Bolt 1/4 x 1-3/4	
6	0751003	6	Screw	
7	2080040	16	Fastener	
8	2080043	8	Rivnut 1/4	
9	2600294	4	Hinge	
10	3300151	2	Nut 1/4	
11	3300381	2	Nut	
12	3311405	4	Nut 1/4	
13	3340962	2	Pad	
14	3520072	4	Plug	
15	3931456	2	Capscrew 1/4 x 3-1/2	
16	4071095	AR	Shim 20Ga	
17	4220309	2	Stop, Gate	
18	1001229726	1	Footswitch	
19	1001230161	2	Switch, Proximity	
20	4460035	1	Terminal	
21	4460320	1	Plug, Male - 2 Position	
22	4711400	12	Washer 1/4	
23	1001099638	3	Tape, Safety	
24	1001100141	2	Stop, Gate	
25	1001100634	2	Spring	
26	1001100142	2	Handle	
27	1001101529	2	Pin, Plunger	
28	1001206743	1	Base	
29	1001228873	1	Gate (RH)	
30	1001228874	1	Gate (LH)	
31	1001228239	1	Rail	

# SECTION 4 - PLATFORM

## FIGURE 4-5. TRAY INSTALLATION - MANUAL



ART\_1001228847



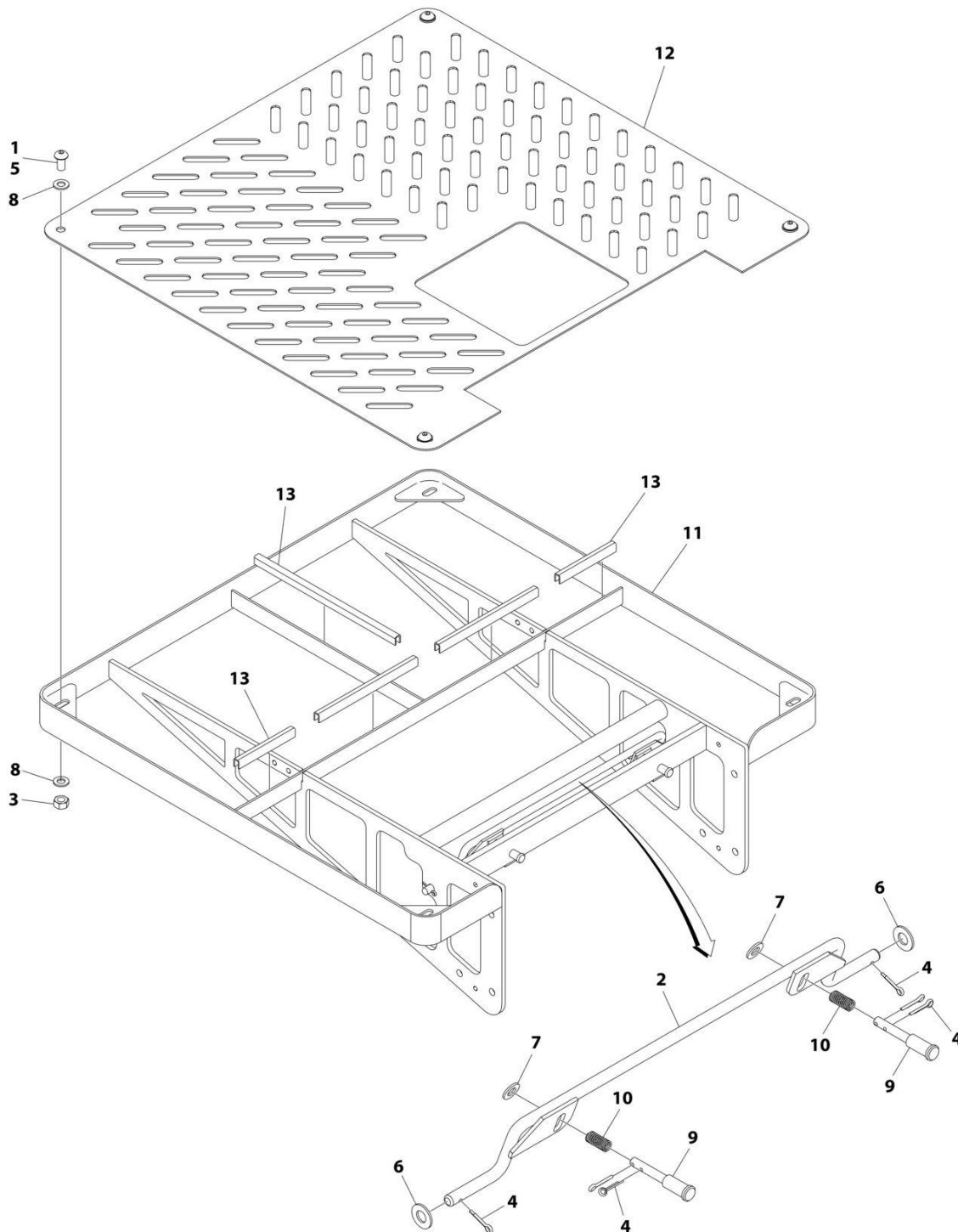
**SECTION 4 - PLATFORM**

**FIGURE 4-5. TRAY INSTALLATION - MANUAL**

ITEM	PART NUMBER	QTY	DESCRIPTION	REV
	1001228847	Ref	TRAY INSTALLATION	A
1	0100011	AR	Compound, Locking	
2	0100019	AR	Compound, Locking	
3	0641613	6	Bolt 3/8 x 1-5/8	
4	0811610	2	Screw 3/8 x 1-1/4	
5	3271601	6	Nut 3/8	
6	3340962	4	Pad	
7	4711600	18	Washer 3/8	
8	1001181407	8	Bar, Spacer	
9	1001228854	1	Tray Assembly (See Separate Breakdown in this Section)	

# SECTION 4 - PLATFORM

## FIGURE 4-6. TRAY ASSEMBLY - MANUAL



ART\_1001228854

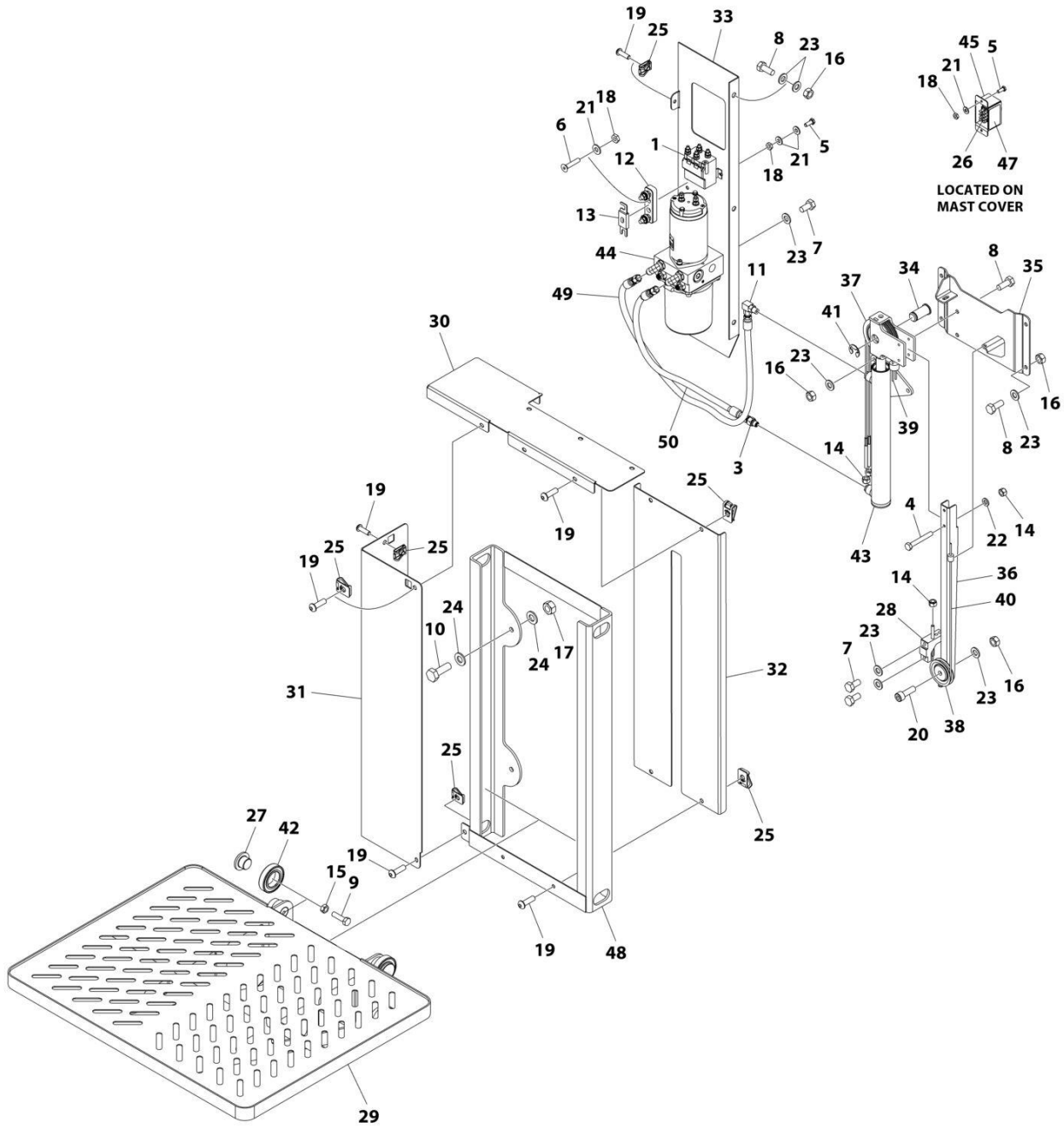
**SECTION 4 - PLATFORM**

**FIGURE 4-6. TRAY ASSEMBLY - MANUAL**

ITEM	PART NUMBER	QTY	DESCRIPTION	REV
	1001228854	Ref	TRAY ASSEMBLY	B
1	0100011	AR	Compound, Locking	
2	2940165	1	Latch	
3	3291007	4	Nut M10	
4	3450302	6	Pin .09 x 1/2	
5	3900393	4	Screw M10 x 20	
6	4711600	2	Washer 3/8	
7	4811900	2	Washer M8	
8	4812000	8	Washer M10	
9	1001171856	2	Pin, Plunger	
10	1001171869	2	Spring	
11	1001228848	1	Shelf	
12	1001228853	1	Plate	
13	4060805	2.6 in/0.8m	Trim	

# SECTION 4 - PLATFORM

## FIGURE 4-7. TRAY INSTALLATION - POWER



ART\_1001228398

# SECTION 4 - PLATFORM

## FIGURE 4-7. TRAY INSTALLATION - POWER

ITEM	PART NUMBER	QTY	DESCRIPTION	REV
	1001228398	Ref	TRAY INSTALLATION	E
1	260269	1	Inverter/Relay	
3	1001231257	1	Fitting, Flow Control	
4	0700617	2	Bolt M6 x 45	
5	0721004	4	Screw #10 x 1/2	
6	0741008	2	Screw #10 x 1 (SN 0130032507 through 0130032818)	
6	0741006	2	Screw #10 x 3/4 (SN 0130032819 through 0130037734)	
7	0760808	4	Bolt M8 x 16 (SN 0130032507 through 0130032818)	
7	0760807	4	Bolt M8 x 14 (SN 0130032819 through 0130037734)	
8	0760810	10	Bolt M8 x 20	
9	0760814	4	Bolt M8 x 30	
10	0761014	4	Bolt M10 x 30	
11	2220775	1	Fitting, 90 JIC/ORB (SN 0130032507 through 0130033693)	
11	2220466	1	Fitting, 90 JIC/ORB (SN 0130033694 through 0130037734)	
12	2400044	1	Fuse, Mounting Block	
13	2400054	1	Fuse 35Amp	
14	3290605	5	Nut M6	
15	3290801	4	Nut M8	
16	3290807	11	Nut M8	
17	3291007	4	Nut M10	
18	3311005	6	Nut #10	
19	3900364	9	Screw M6 x 20	
20	4031909	1	Capscrew M8 x 25 (SN 0130032507 through 0130032818)	
20	4031910	1	Capscrew M8 x 30 (SN 0130032819 through 0130037734)	
21	4711000	8	Washer #10	
22	4811700	2	Washer M6	
23	4811900	18	Washer M8	
24	4812000	8	Washer M10	
25	8305919	9	Nut, Retainer M6	
26	1001164530	1	Switch	
27	1001204754	4	Pad	
28	1001204755	1	Bracket	
29	1001204756	1	Tray	
30	1001204770	1	Cover	
31	1001204771	1	Cover	
32	1001204772	1	Cover	
33	1001204779	1	Plate	
34	1001204783	1	Pin	
35	1001204787	1	Mount, Cylinder	
36	1001204791	1	Link	
37	1001205547	1	Pulley (Double)	
38	1001205548	1	Pulley (Single)	
39	1001205549	1	Cable (Double)	
40	1001205550	1	Cable (Single)	
41	1001205701	1	Circlip	
42	1001205719	4	Bearing	
43	1001205838	1	Power Tray Cylinder Assembly (See Separate Breakdown in CYLINDER SECTION)	
44	1001208602	1	Pump Assembly (See Separate Breakdown in this Section)	
45	1001210379	1	Cover	

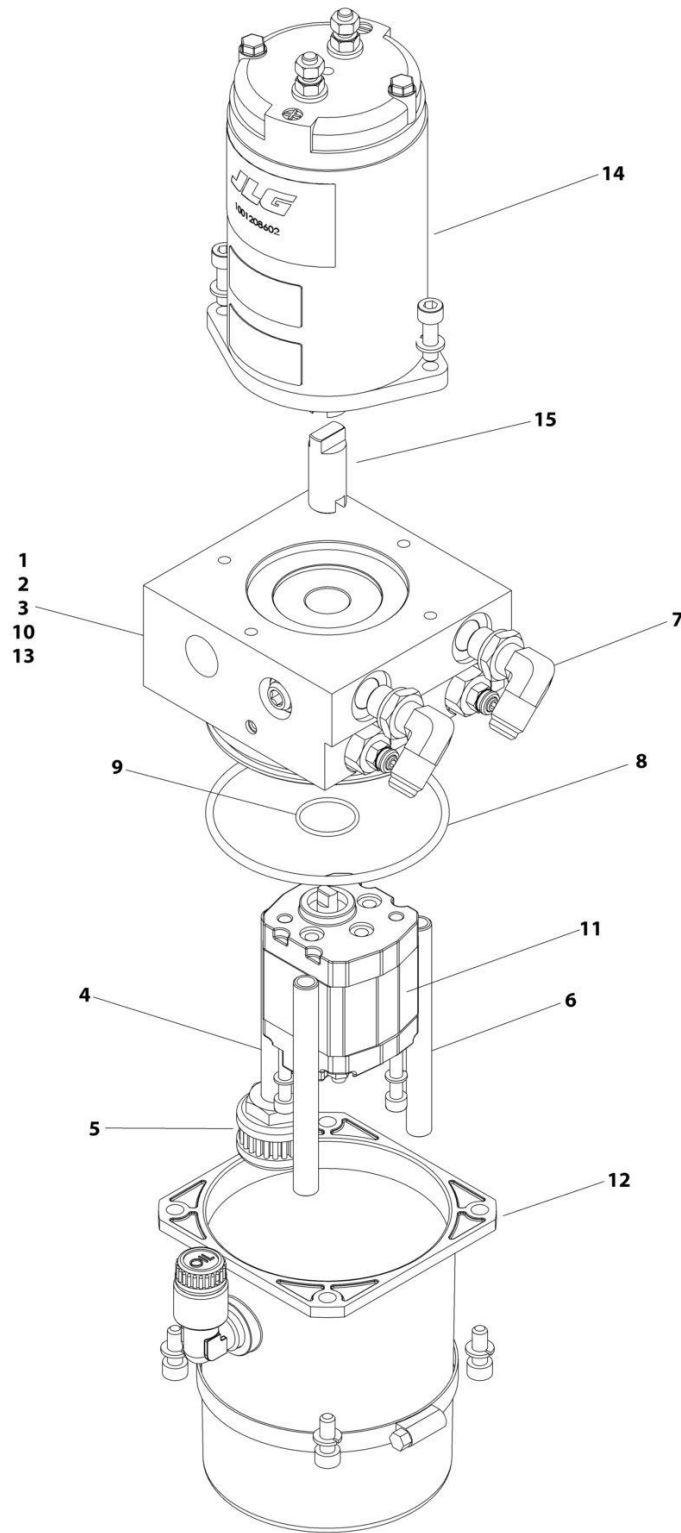
## SECTION 4 - PLATFORM

ITEM	PART NUMBER	QTY	DESCRIPTION	REV
46	1001210491	1	Tray Harness (Not Shown - See Separate Breakdown in ELECTRICAL SECTION)	
47	1001210530	1	Decal - Power Tray Up/Down	
48	1001228236	1	Channel	
49	1001229115	1	Hose	
50	1001229116	1	Hose	



# SECTION 4 - PLATFORM

## FIGURE 4-8. PUMP ASSEMBLY - POWER TRAY



ART\_1001208602



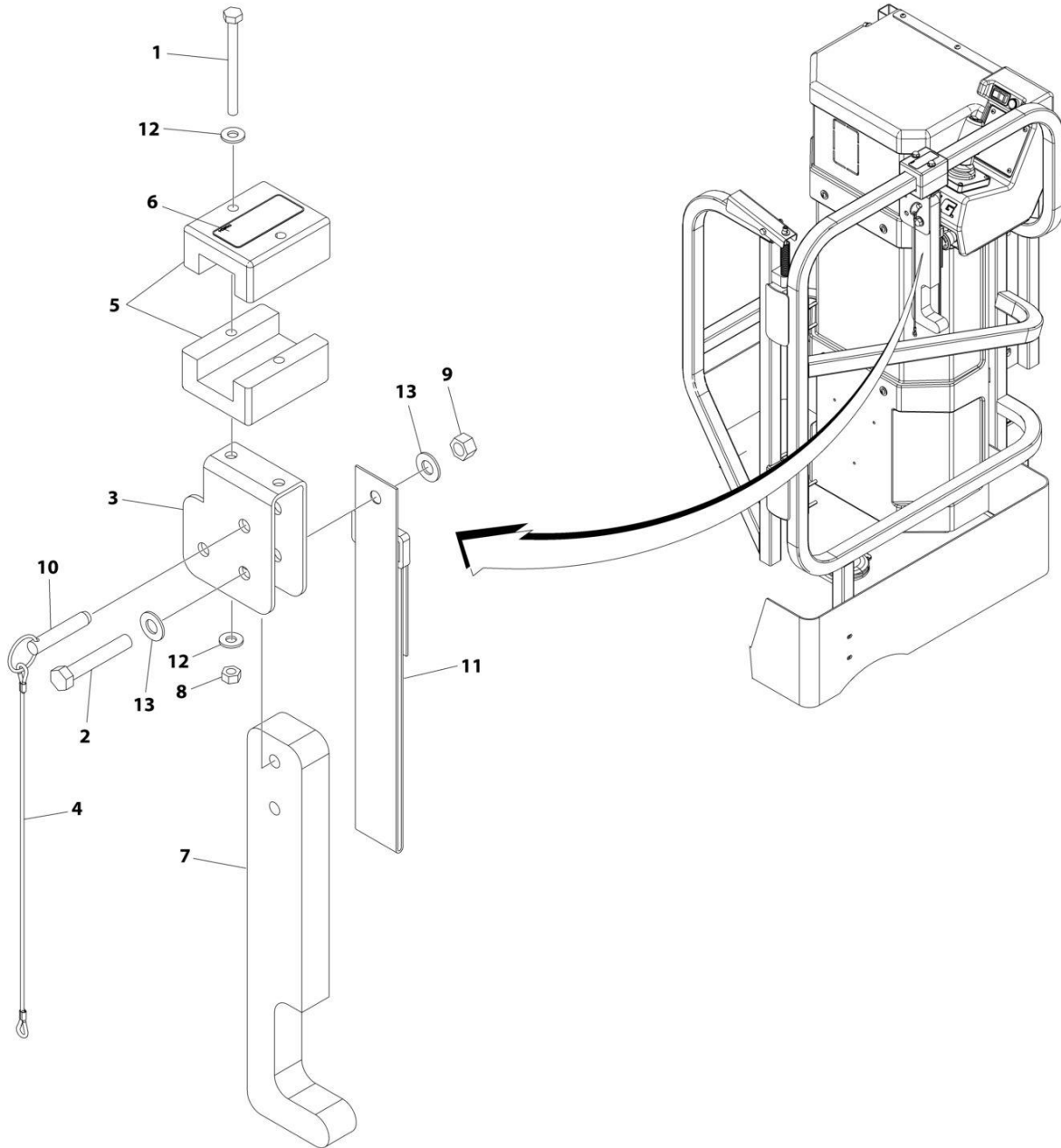
**SECTION 4 - PLATFORM**

**FIGURE 4-8. PUMP ASSEMBLY - POWER TRAY**

ITEM	PART NUMBER	QTY	DESCRIPTION	REV
	1001208602	Ref	PUMP ASSEMBLY	A
1	70007292	2	Spring, Check Valve	
2	70007293	1	Valve, Piloted Check	
3	70007294	1	Plug	
4	70007295	1	Pipe, Suction	
5	70007296	1	Filter	
6	70007297	2	Pipe, Drain	
7	70007298	2	Fitting 90	
8	70007299	1	O-Ring	
9	70007300	1	O-Ring	
10	70007301	2	Cartridge	
11	70007302	1	Kit, Gear Pump (Includes Screws)	
12	70007303	1	Kit, Tank (Includes Seal, Plugs, Tank, Screws, Washers and Clamp)	
13	70007304	1	Kit, Spool (Includes Spool, Spring and Seals)	
14	70007305	1	Kit, Motor (Includes Motor, Screws and Washers)	
15	70007306	1	Coupling	

# SECTION 4 - PLATFORM

## FIGURE 4-9. BICYCLE CARRIER INSTALLATION - ONE SIDE (OPTIONAL)



ART\_0273570

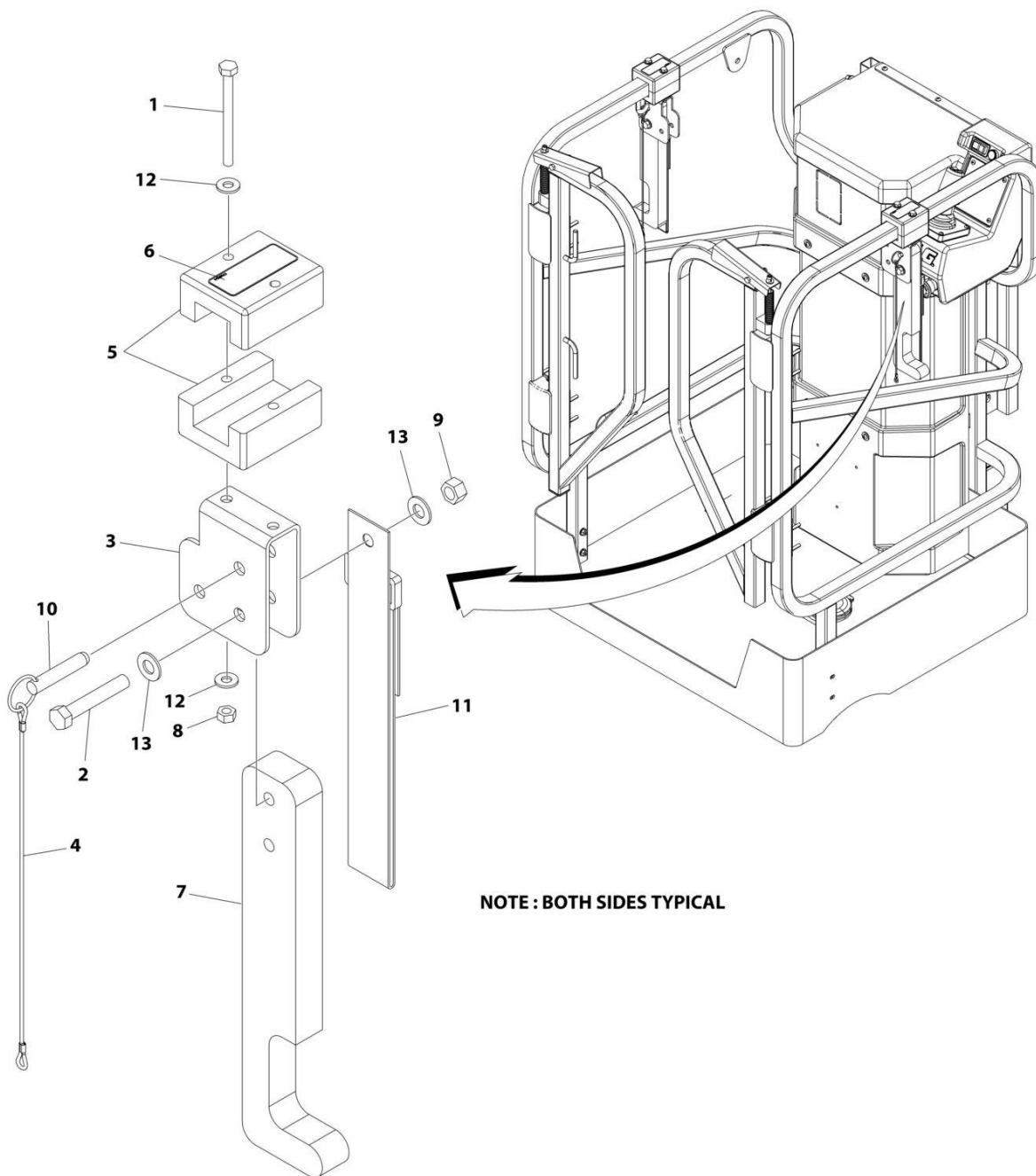
**SECTION 4 - PLATFORM**

**FIGURE 4-9. BICYCLE CARRIER INSTALLATION - ONE SIDE (OPTIONAL)**

ITEM	PART NUMBER	QTY	DESCRIPTION	REV
	0273570	Ref	BICYCLE CARRIER INSTALLATION	C
1	0641424	2	Bolt 1/4 x 3	
2	0641618	1	Bolt 3/8 x 2-1/4	
3	0902895	1	Bracket, Hanger	
4	1060799	1	Lanyard	
5	1320316	1	Clamp, Block	
6	1706134	1	Decal - Maximum Capacity	
7	2660121	1	Arm	
8	3311405	2	Nut 1/4	
9	3311605	1	Nut 3/8	
10	3420198	1	Pin, Quick Release	
11	4240163	1	Strap	
12	4711400	4	Washer 1/4	
13	4711600	4	Washer 3/8	

# SECTION 4 - PLATFORM

## FIGURE 4-10. BICYCLE CARRIER INSTALLATION - BOTH SIDES (OPTIONAL)



**NOTE : BOTH SIDES TYPICAL**

ART\_0273571

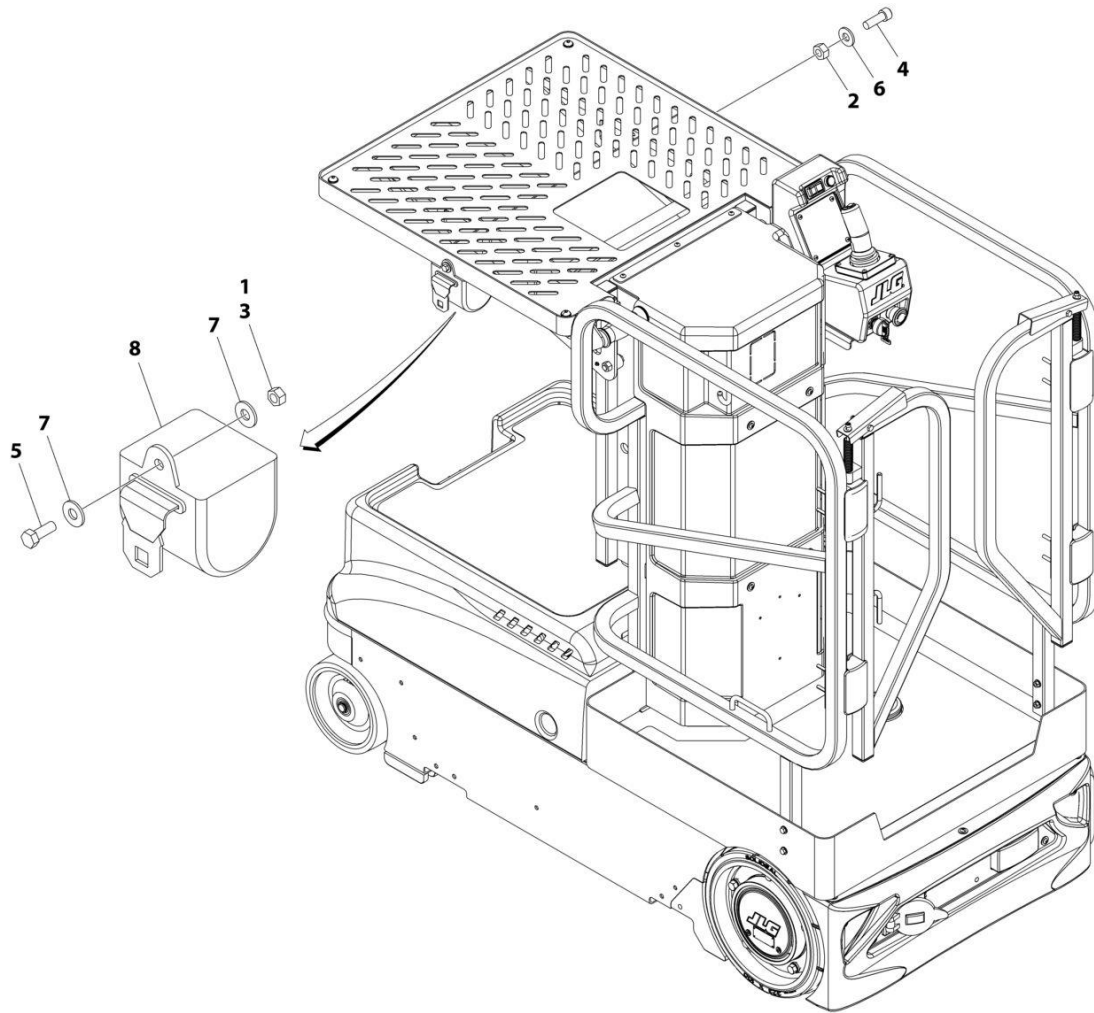
**SECTION 4 - PLATFORM**

**FIGURE 4-10. BICYCLE CARRIER INSTALLATION - BOTH SIDES (OPTIONAL)**

ITEM	PART NUMBER	QTY	DESCRIPTION	REV
	0273571	Ref	BICYCLE CARRIER INSTALLATION	C
1	0641424	4	Bolt 1/4 x 3	
2	0641618	2	Bolt 3/8 x 2-1/4	
3	0902895	2	Bracket, Hanger	
4	1060799	2	Lanyard	
5	1320316	2	Clamp, Block	
6	1706134	2	Decal - Maximum Capacity	
7	2660121	2	Arm	
8	3311405	4	Nut 1/4	
9	3311605	2	Nut 3/8	
10	3420198	2	Pin, Quick Release	
11	4240163	2	Strap	
12	4711400	8	Washer 1/4	
13	4711600	4	Washer 3/8	

# SECTION 4 - PLATFORM

## FIGURE 4-11. CARGO BELT INSTALLATION (OPTIONAL)



ART\_1001091680

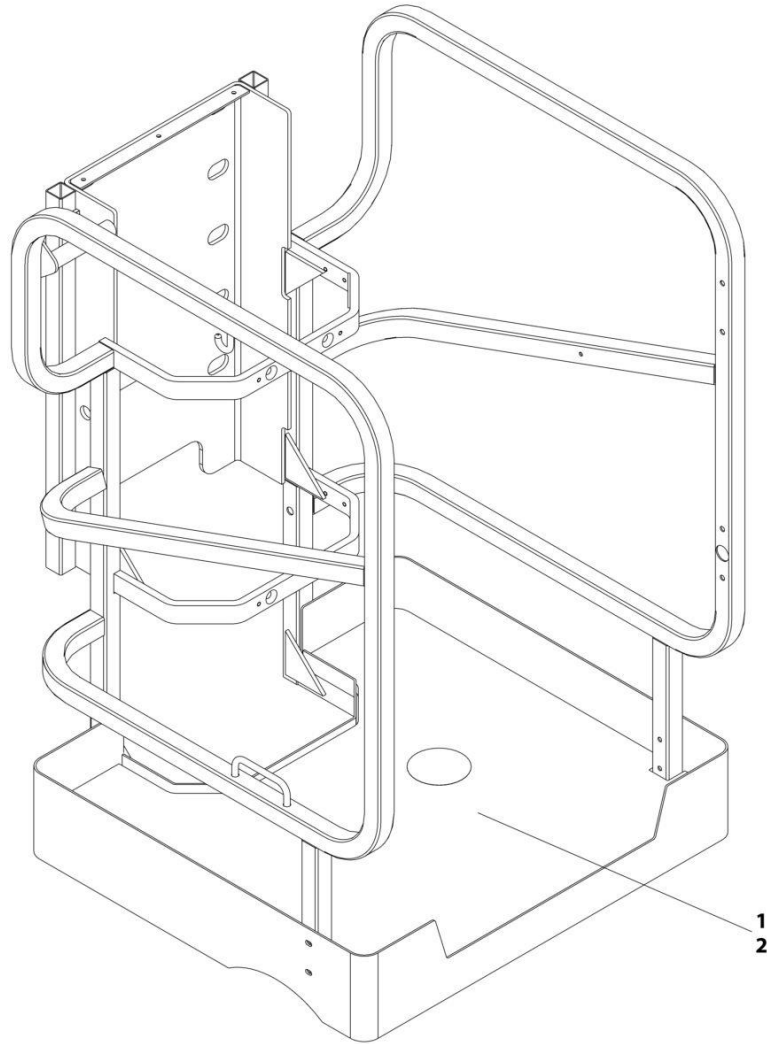
**SECTION 4 - PLATFORM**

**FIGURE 4-11. CARGO BELT INSTALLATION(OPTIONAL)**

ITEM	PART NUMBER	QTY	DESCRIPTION	REV
	1001091680	Ref	CARGO BELT INSTALLATION	B
1	0100011	AR	Compound, Locking	
2	3311405	1	Nut 1/4	
3	3311501	1	Nut 5/16	
4	3931412	1	Capscrew 1/4 x 3/4	
5	0641507	1	Bolt 5/16 x 7/8	
6	4711400	1	Washer 1/4	
7	4751500	2	Washer 5/16	
8	1001091679	1	Belt, Cargo	

# SECTION 4 - PLATFORM

## FIGURE 4-12. FLOORMAT INSTALLATION (OPTIONAL)



ART\_1001222318



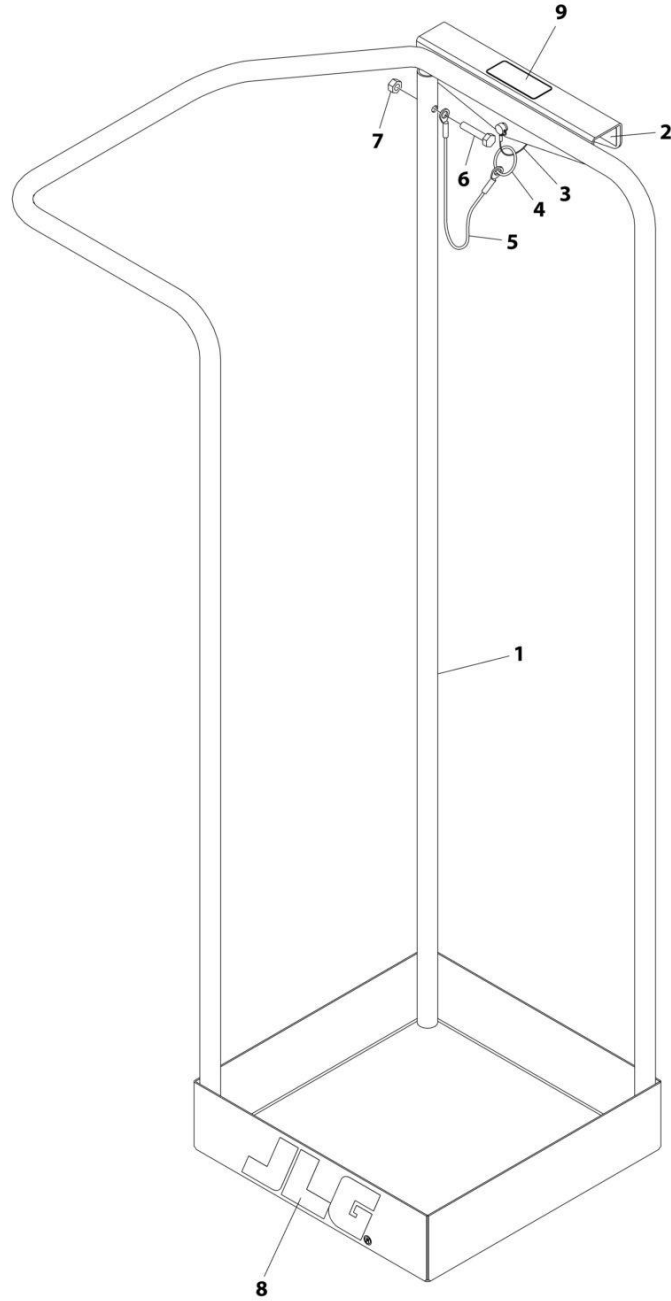
**SECTION 4 - PLATFORM**

**FIGURE 4-12. FLOORMAT INSTALLATION(OPTIONAL)**

ITEM	PART NUMBER	QTY	DESCRIPTION	REV
1	1001222318	Ref	FLOORMAT INSTALLATION	A
2	8882320	AR	Sealer, Seam	
2	1001206615	1	Floor Mat	

# SECTION 4 - PLATFORM

## FIGURE 4-13. FLUORESCENT TUBE CADDY INSTALLATION (OPTIONAL)



ART\_0255040

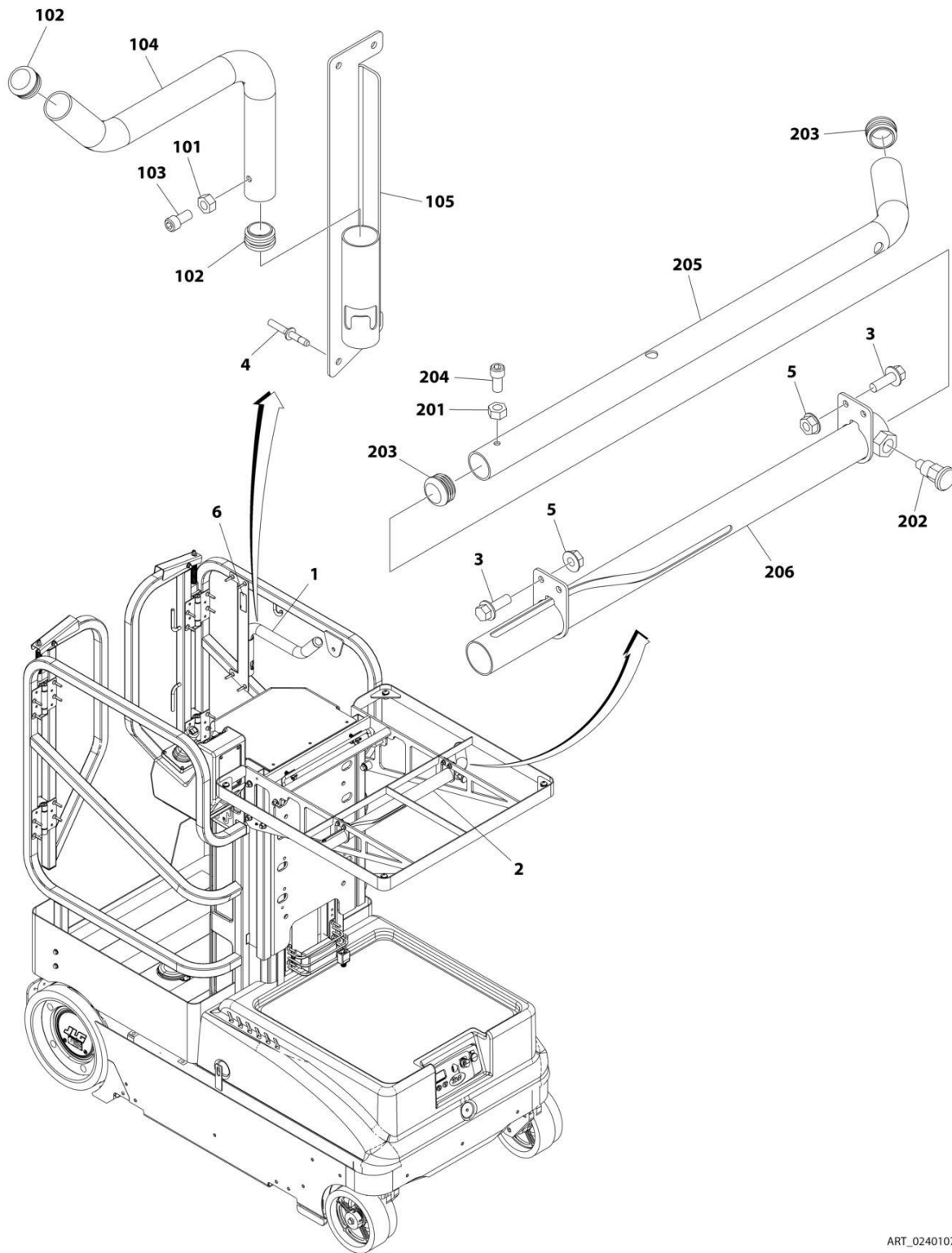
**SECTION 4 - PLATFORM**

**FIGURE 4-13. FLUORESCENT TUBE CADDY INSTALLATION (OPTIONAL)**

ITEM	PART NUMBER	QTY	DESCRIPTION	REV
	0255040	Ref	TUBE CADDY INSTALLATION	B
1	4844840	1	Caddy, Fluorescent Tube	
2	4280296	2 ft/0.7m	Strip, Wear	
3	3421453	1	Pin, Snapper	
4	3760170	1	Ring, Split	
5	1060380	1	Cable, Lanyard	
6	0641410	1	Bolt 1/4 x 1-1/4	
7	3311405	1	Nut 1/4	
8	1702365	1	Decal - JLG	
9	1706326	1	Decal - Max Capacity (15lb./7kg)	

# SECTION 4 - PLATFORM

## FIGURE 4-14. RUG CARRIER INSTALLATION (OPTIONAL)



ART\_0240107

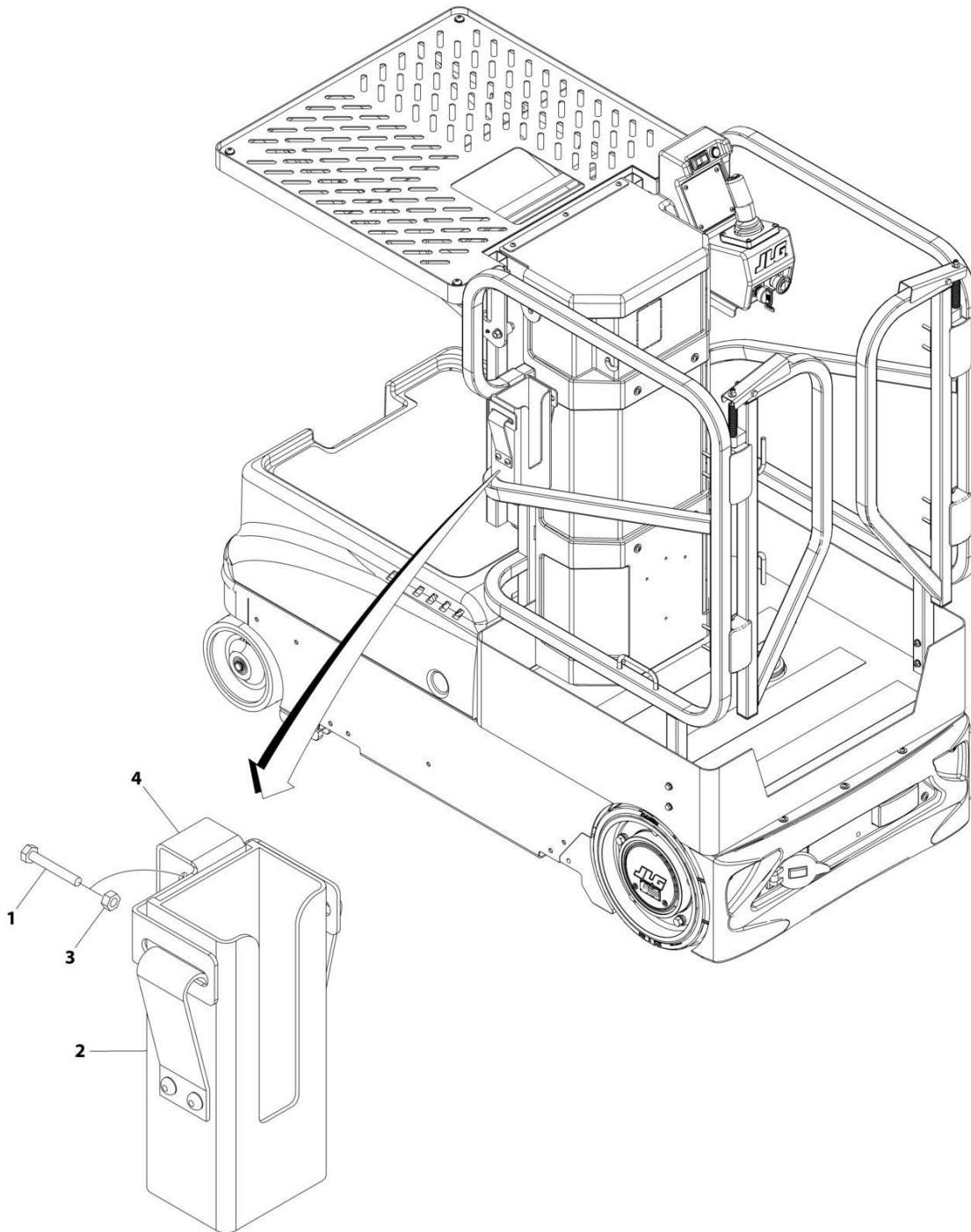
**SECTION 4 - PLATFORM**

**FIGURE 4-14. RUG CARRIER INSTALLATION (OPTIONAL)**

ITEM	PART NUMBER	QTY	DESCRIPTION	REV
	0240107	Ref	RUG CARRIER INSTALLATION	C
1	0240108	1	Accessory, Rug Carrier (Rear) (See Items 101 - 105 for Breakdown)	
2	0240109	1	Accessory, Rug Carrier (Front) (See Items 201 - 206 for Breakdown)	
3	0791406	4	Bolt 1/4 x 3/4	
4	2080040	4	Fastener, Huck	
5	3311408	4	Nut 1/4	
6	1706134	1	Decal - Capacity	
	0240108	Ref	ACCESSORY RUG CARRIER (REAR)	A
101	3311405	1	Nut 1/4	
102	3520176	2	Plug	
103	3931408	1	Screw 1/4 x 1/2	
104	4568208	1	Tube	
105	4630009	1	Carrier Pivot	
	0240109	Ref	ACCESSORY RUG CARRIER (FRONT)	A
201	3311405	1	Nut 1/4	
202	3422744	1	Pin, Plunger	
203	3520176	2	Plug	
204	3931408	1	Screw 1/4 x 1/2	
205	4569158	1	Tube	
206	4630010	1	Carrier Pivot	

# SECTION 4 - PLATFORM

## FIGURE 4-15. SCANNER POCKET INSTALLATION (OPTIONAL)



ART\_0240112

**SECTION 4 - PLATFORM**

**FIGURE 4-15. SCANNER POCKET INSTALLATION (OPTIONAL)**

ITEM	PART NUMBER	QTY	DESCRIPTION	REV
	0240112	Ref	SCANNER POCKET INSTALLATION	B
1	0641414	1	Bolt 1/4 x 1-3/4	
2	1580031	1	Pocket, Scanner	
3	3311405	1	Nut 1/4	
4	4341005	1	Mount	

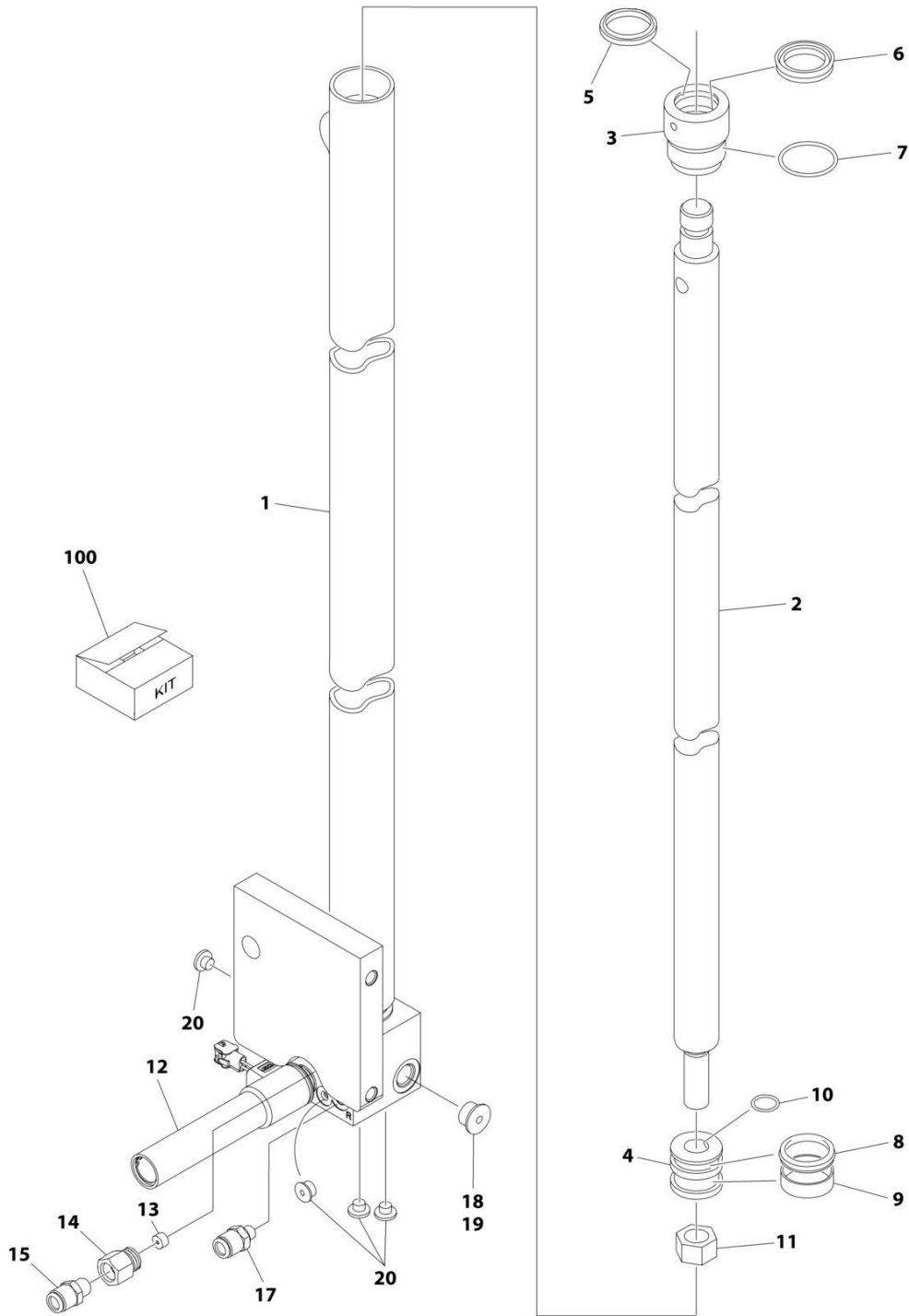




**SECTION 5 - CYLINDER**

# SECTION 5 - CYLINDER

## FIGURE 5-1. LIFT CYLINDER ASSEMBLY



ART\_1001225209

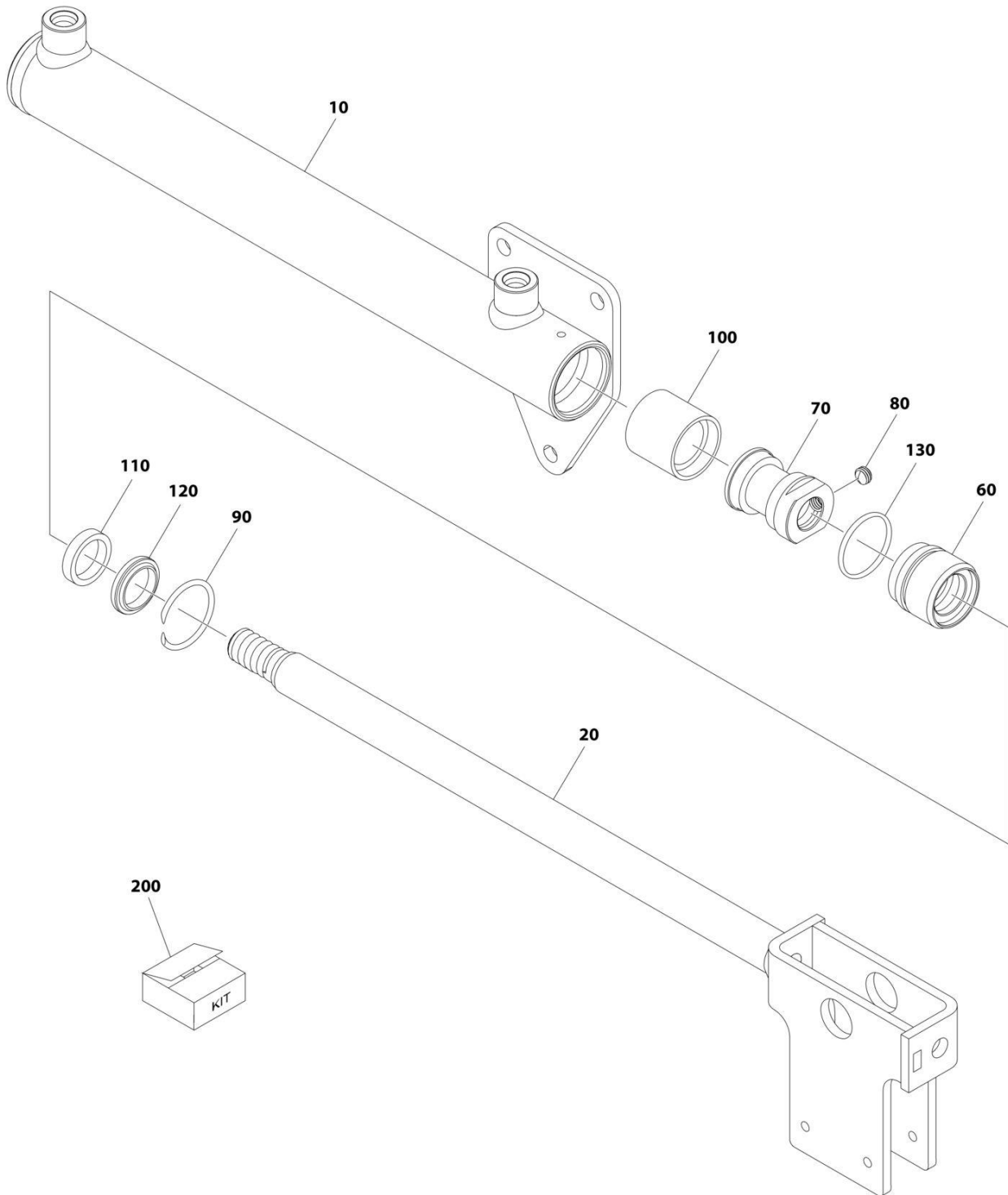
## SECTION 5 - CYLINDER

### FIGURE 5-1. LIFT CYLINDER ASSEMBLY

ITEM	PART NUMBER	QTY	DESCRIPTION	REV
	1001225209	Ref	LIFT CYLINDER ASSEMBLY	B
1	70000991	1	Barrel	
2	70000992	1	Rod	
3	70000993	1	Head	
4	7023392	1	Piston	
5	See Note	NSS	Wiper, Rod (Note: Use Item 100)	
6	See Note	NSS	Seal, Rod (Note: Use Item 100)	
7	See Note	NSS	O-Ring (Note: Use Item 100)	
8	See Note	NSS	Seal, Piston (Note: Use Item 100)	
9	See Note	NSS	Ring, Wear (Note: Use Item 100)	
10	See Note	NSS	O-Ring (Note: Use Item 100)	
11	7023391	1	Nut	
12	70006454	1	Valve, Manual Descent	
12	70006455	1	Coil	
12	70006453	1	Cartridge	
12	70006451	1	Manual Override	
13	70000218	1	Valve, Check	
14	2220591	1	Fitting, Reducer	
15	2221173	1	Fitting	
17	2221172	1	Fitting	
18	70000995	1	Valve, Flow Control	
19	See Note	1	Plug (Note: Not Available - Purchase Locally)	
20	See Note	4	Plug (Note: Not Available - Purchase Locally)	
		Ref	KIT OPTIONS:	
100	7023395	1	Seal Kit (Includes Items 5-10)	
		Ref	TOOL OPTIONS:	
200	7027247	1	Tool, Perma-Push Insert Disconnect (Not Shown)	

# SECTION 5 - CYLINDER

## FIGURE 5-2. POWER TRAY CYLINDER ASSEMBLY



ART\_1001205838

## SECTION 5 - CYLINDER

**FIGURE 5-2. POWER TRAY CYLINDER ASSEMBLY**

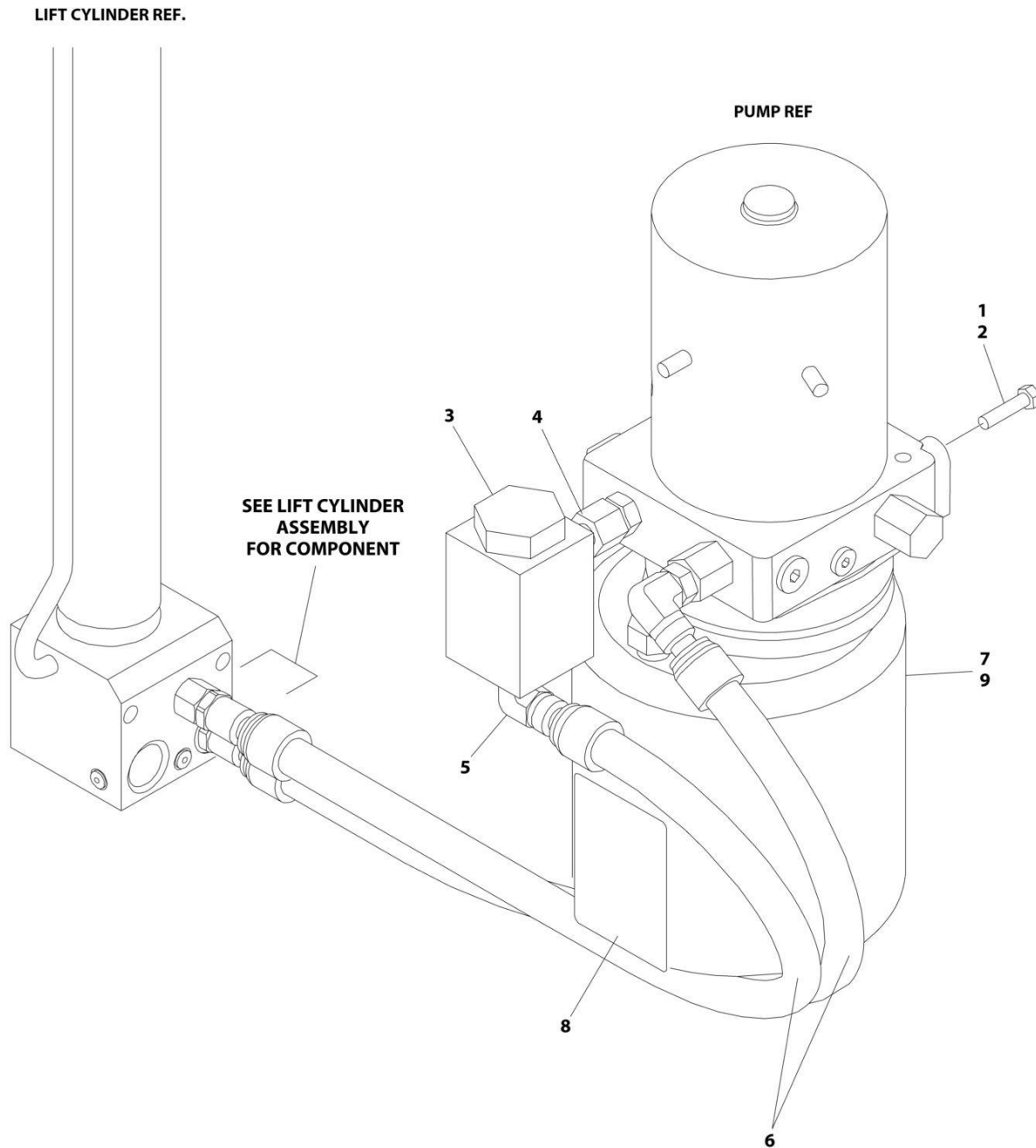
ITEM	PART NUMBER	QTY	DESCRIPTION	REV
	1001205838	Ref	POWER TRAY CYLINDER ASSEMBLY	A
10	See Note	NSS	Barrel (Note: Purchase Complete Cylinder)	
20	70006456	1	Rod	
60	70022704	1	Head	
70	70022703	1	Piston	
80	70006457	1	Setscrew	
90	70022700	1	Ring, Wire	
100	See Note	NSS	Seal, Piston (Note: Use Item 200)	
110	See Note	NSS	Seal, Rod (Note: Use Item 200)	
120	See Note	NSS	Wiper (Note: Use Item 200)	
130	See Note	NSS	O-Ring Wiper (Note: Use Item 200)	
200	70022705	1	Seal Kit (Includes Items 100-130)	



**SECTION 6 - HYDRAULIC**

# SECTION 6 - HYDRAULIC

## FIGURE 6-1. HYDRAULIC SYSTEM INSTALLATION - STANDARD



ART\_0273546



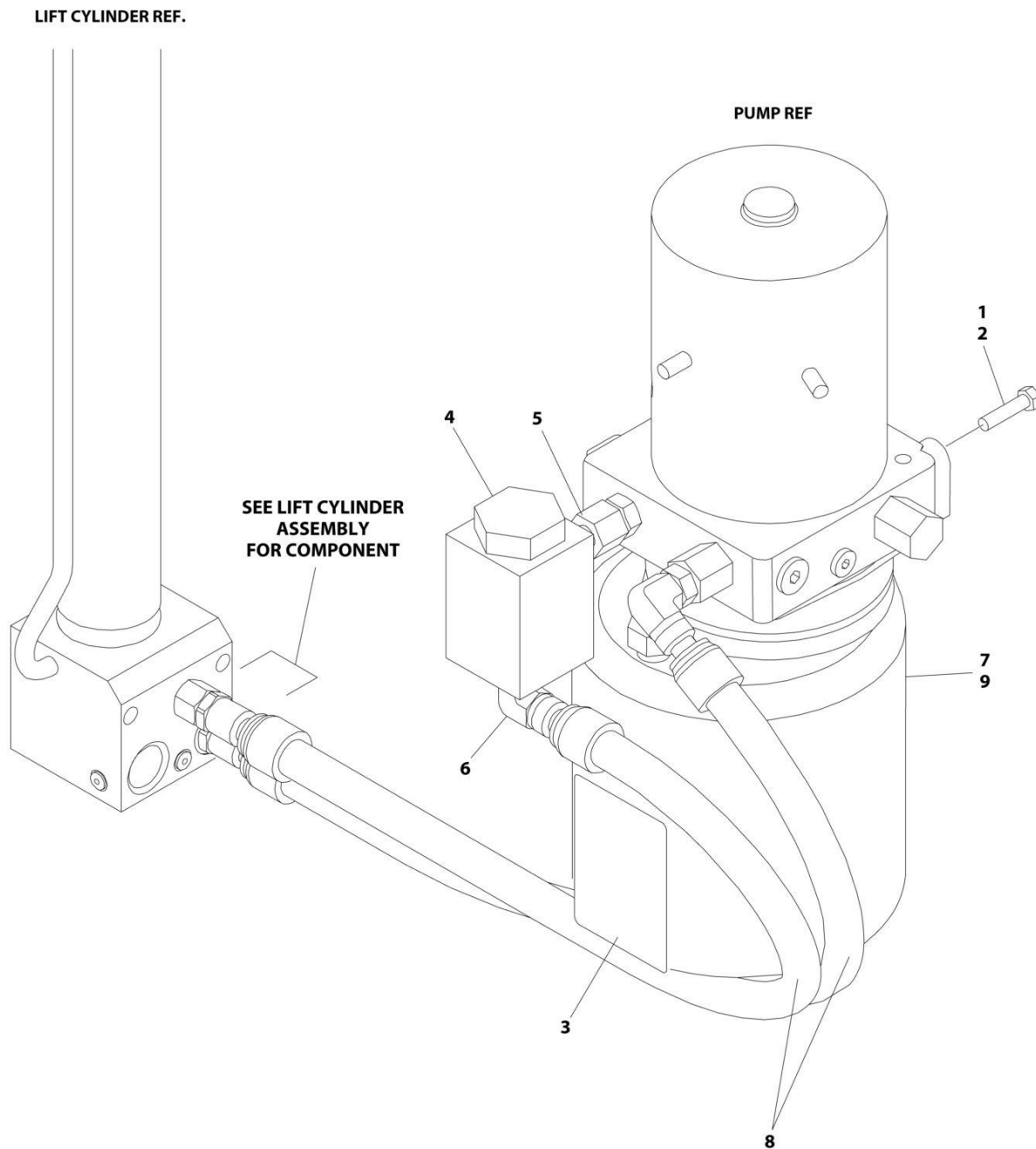
## SECTION 6 - HYDRAULIC

**FIGURE 6-1. HYDRAULIC SYSTEM INSTALLATION - STANDARD**

ITEM	PART NUMBER	QTY	DESCRIPTION	REV
	0273546	Ref	HYDRAULIC SYSTEM INSTALLATION	E
1	0100011	AR	Compound, Locking	
2	0641606	2	Bolt 3/8 x 3/4	
3	2120183	1	Filter, In-Line Pressure	
4	2221123	1	Fitting, Straight ORFS/ORB	
5	2221185	1	Fitting, 90 ORB/Push Hose	
6	2754025	2	Hose	
7	3600392	1	Pump and Motor Assembly (See Separate Breakdown in CONTROLS SECTION)	
8	1704412	1	Decal - Hydraulic oil	
9	2300014	AR	Fluid, Hydraulic	

# SECTION 6 - HYDRAULIC

## FIGURE 6-2. HYDRAULIC SYSTEM INSTALLATION - FIRE RESISTANT



ART\_0274181

## SECTION 6 - HYDRAULIC

**FIGURE 6-2. HYDRAULIC SYSTEM INSTALLATION - FIRE RESISTANT**

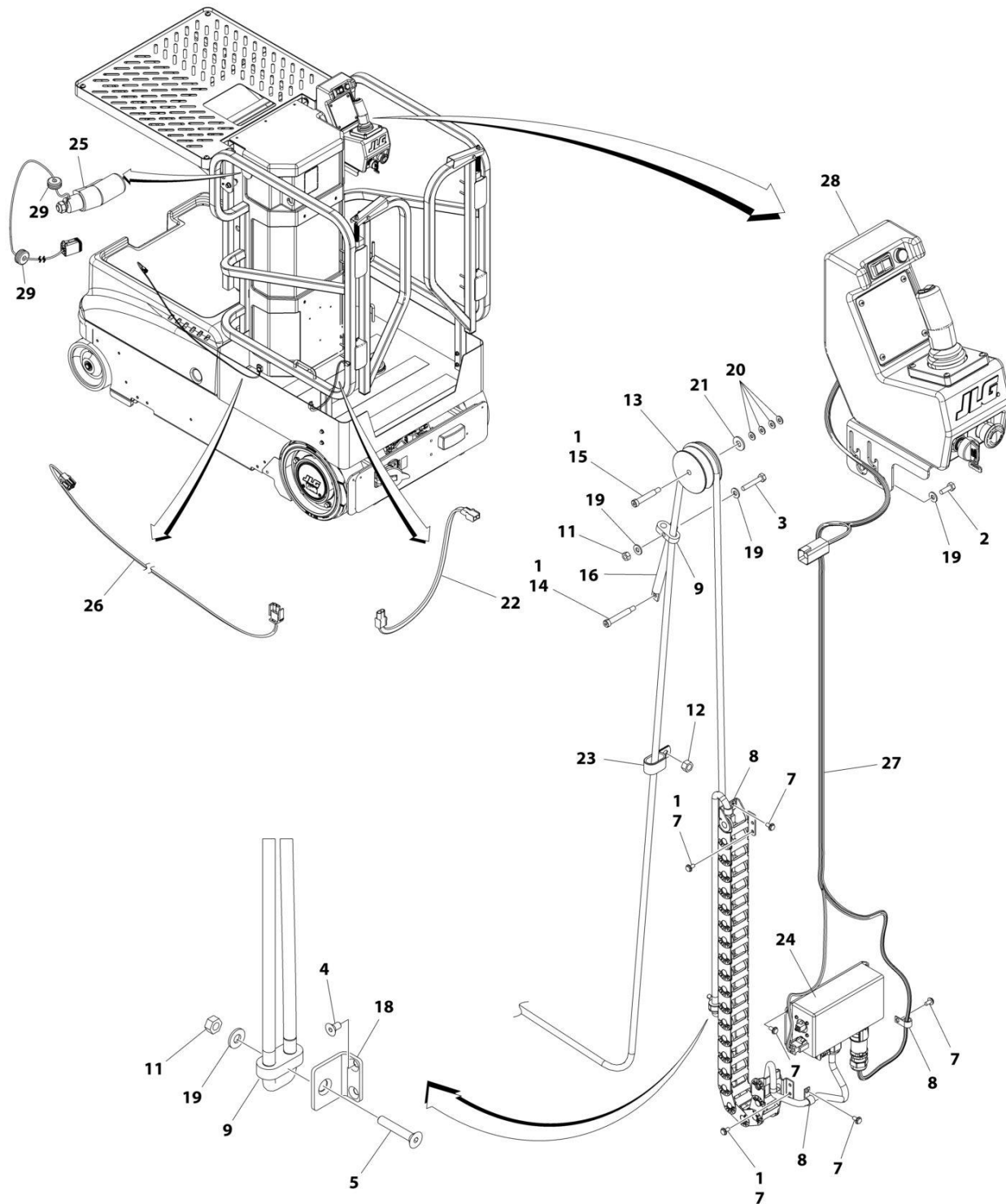
ITEM	PART NUMBER	QTY	DESCRIPTION	REV
	0274181	Ref	HYDRAULIC SYSTEM INSTALLATION	A
1	0100011	AR	Compound, Locking	
2	0641606	2	Bolt 3/8 x 3/4	
3	1704412	1	Decal - Hydraulic Oil	
4	2120183	1	Filter, In-Line Pressure	
5	2221123	1	Fitting, Straight ORFS/ORB	
6	2221185	1	Fitting, 90 ORB/Push Hose	
7	2300021	AR	Fluid, Hydraulic	
8	2754025	2	Hose	
9	3600392	1	Pump and Motor Assembly (See Separate Breakdown in CONTROLS SECTION)	



**SECTION 7 - ELECTRICAL**

# SECTION 7 - ELECTRICAL

## FIGURE 7-1. CABLES INSTALLATION (ALL SPECS EXCEPT AUSTRALIAN SPECS)



ART\_1001206460

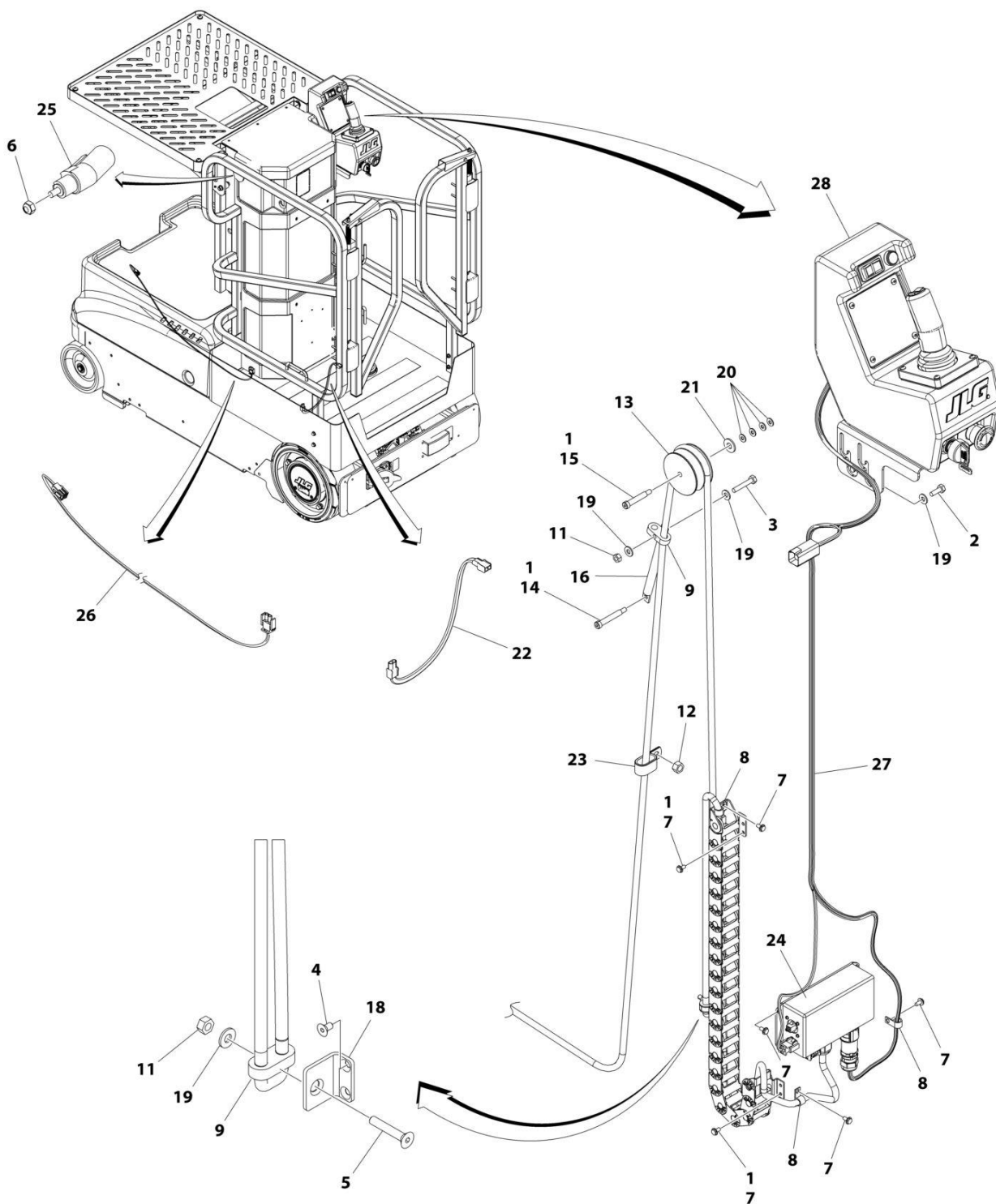
## SECTION 7 - ELECTRICAL

**FIGURE 7-1. CABLES INSTALLATION (ALL SPECS EXCEPT AUSTRALIAN SPECS)**

ITEM	PART NUMBER	QTY	DESCRIPTION	REV
	1001206460	Ref	CABLES INSTALLATION	C
1	0100011	AR	Compound, Locking	
2	0641406	2	Bolt 1/4 x 3/4	
3	0641412	1	Bolt 1/4 x 1-1/2	
4	0741003	2	Screw #10 x 3/8	
5	0741412	1	Screw 1/4 x 1-1/2	
7	0791003	11	Screw #10 x 3/8	
8	1320043	3	Clamp	
9	1320149	2	Clamp	
10	3020038	AR	Grease, Terminal (Not Shown)	
11	3311405	2	Nut 1/4	
12	3311605	1	Nut 3/8	
13	3580344	1	Pulley	
14	3900264	1	Capscrew	
15	3900373	1	Capscrew	
16	4160130	1	Spring	
17	4240018	3	Tie-Strap (Not Shown)	
18	4340838	1	Support	
19	4711400	5	Washer 1/4	
20	4751000	4	Washer #10	
21	4751500	1	Washer 5/16	
22	1001112143	1	Aux 2 Jumper Harness	
22	4460424	2	Receptacle, Female - 2 Position	
22	4460268	4	Socket, Female	
23	1001116792	1	Clamp	
24	1001207339	1	Ground to Platform Harness (See Separate Breakdown in this Section)	
25	1001208283	1	Switch, Left Hand Control	
26	1001215226	1	Footswitch Jumper Harness (See Separate Breakdown in this Section)	
27	1001227882	1	Platform Controls Harness (See Separate Breakdown in this Section)	
28	1001228495	1	Platform Control Box Assembly (See Separate Breakdown in CONTROLS SECTION)	
29	1001081050	2	Grommet (SN 0130032819 through 0130037734)	

# SECTION 7 - ELECTRICAL

## FIGURE 7-2. CABLES INSTALLATION (AUSTRALIAN SPECS)



ART\_1001228494



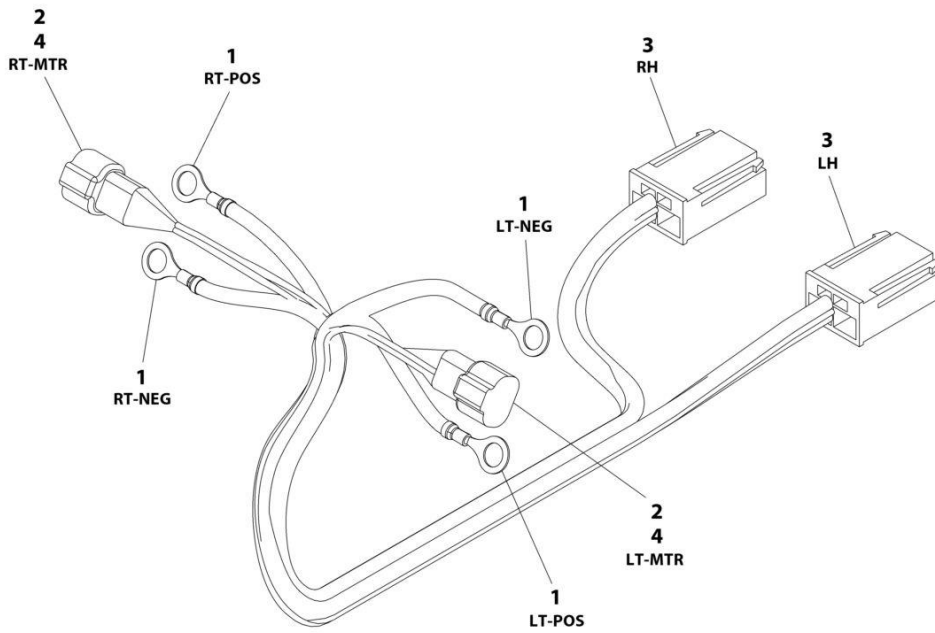
## SECTION 7 - ELECTRICAL

**FIGURE 7-2. CABLES INSTALLATION(AUSTRALIAN SPECS)**

ITEM	PART NUMBER	QTY	DESCRIPTION	REV
	1001228494	Ref	CABLES INSTALLATION	A
1	0100011	AR	Compound, Locking	
2	0641406	2	Bolt 1/4 x 3/4	
3	0641412	1	Bolt 1/4 x 1-1/2	
4	0741003	2	Screw #10 x 3/8	
5	0741412	1	Screw 1/4 x 1-1/2	
6	0780808	1	Screw M8 x 16	
7	0791003	11	Screw #10 x 3/8	
8	1320043	3	Clamp	
9	1320149	2	Clamp	
10	3020038	AR	Grease, Terminal (Not Shown)	
11	3311405	2	Nut 1/4	
12	3311605	1	Nut 3/8	
13	3580344	1	Pulley	
14	3900264	1	Capscrew	
15	3900373	1	Capscrew	
16	4160130	1	Spring	
17	4240018	3	Tie-Strap (Not Shown)	
18	4340838	1	Support	
19	4711400	5	Washer 1/4	
20	4751000	4	Washer #10	
21	4751500	1	Washer 5/16	
22	1001112143	1	Aux 2 Jumper Harness	
22	4460424	2	Receptacle, Female - 2 Position	
22	4460268	4	Socket, Female	
23	1001116792	1	Clamp	
24	1001207339	1	Ground to Platform Harness (See Separate Breakdown in this Section)	
25	1001208283	1	Switch, Left Hand Control	
26	1001215226	1	Footswitch Jumper Harness (See Separate Breakdown in this Section)	
27	1001227882	1	Platform Controls Harness (See Separate Breakdown in this Section)	
28	1001228496	1	Platform Control Box Assembly (See Separate Breakdown in CONTROLS SECTION)	

# SECTION 7 - ELECTRICAL

## FIGURE 7-3. DRIVE MOTOR HARNESS



ART\_4923383

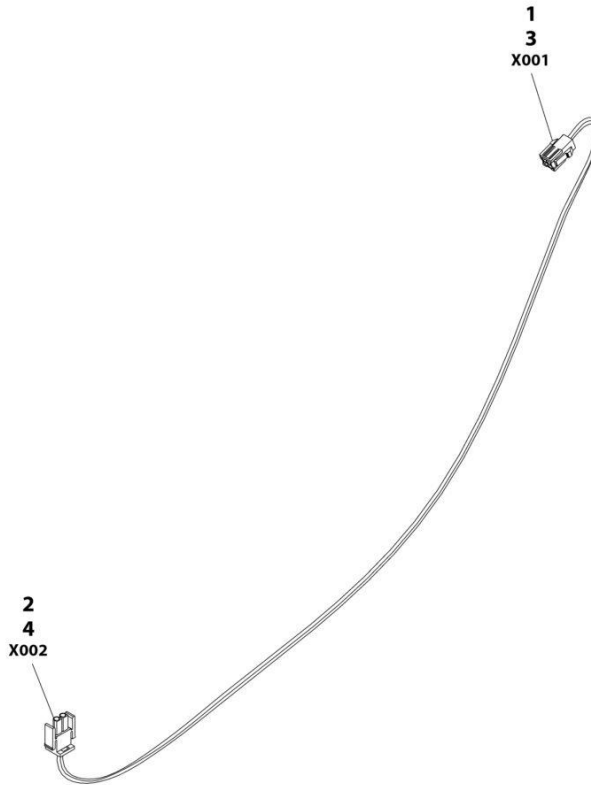
# SECTION 7 - ELECTRICAL

## FIGURE 7-3. DRIVE MOTOR HARNESS

ITEM	PART NUMBER	QTY	DESCRIPTION	REV
	4923383	Ref	DRIVE MOTOR HARNESS	E
1	4460738	4	Terminal, Ring	
2	4460897	2	Receptacle, Female - 2 Position	
3	4461108	2	Connector, P&G Drive Motor	
4	4460464	4	Pin, Male	

# SECTION 7 - ELECTRICAL

## FIGURE 7-4. FOOTSWITCH JUMPER HARNESS



ART\_1001215226

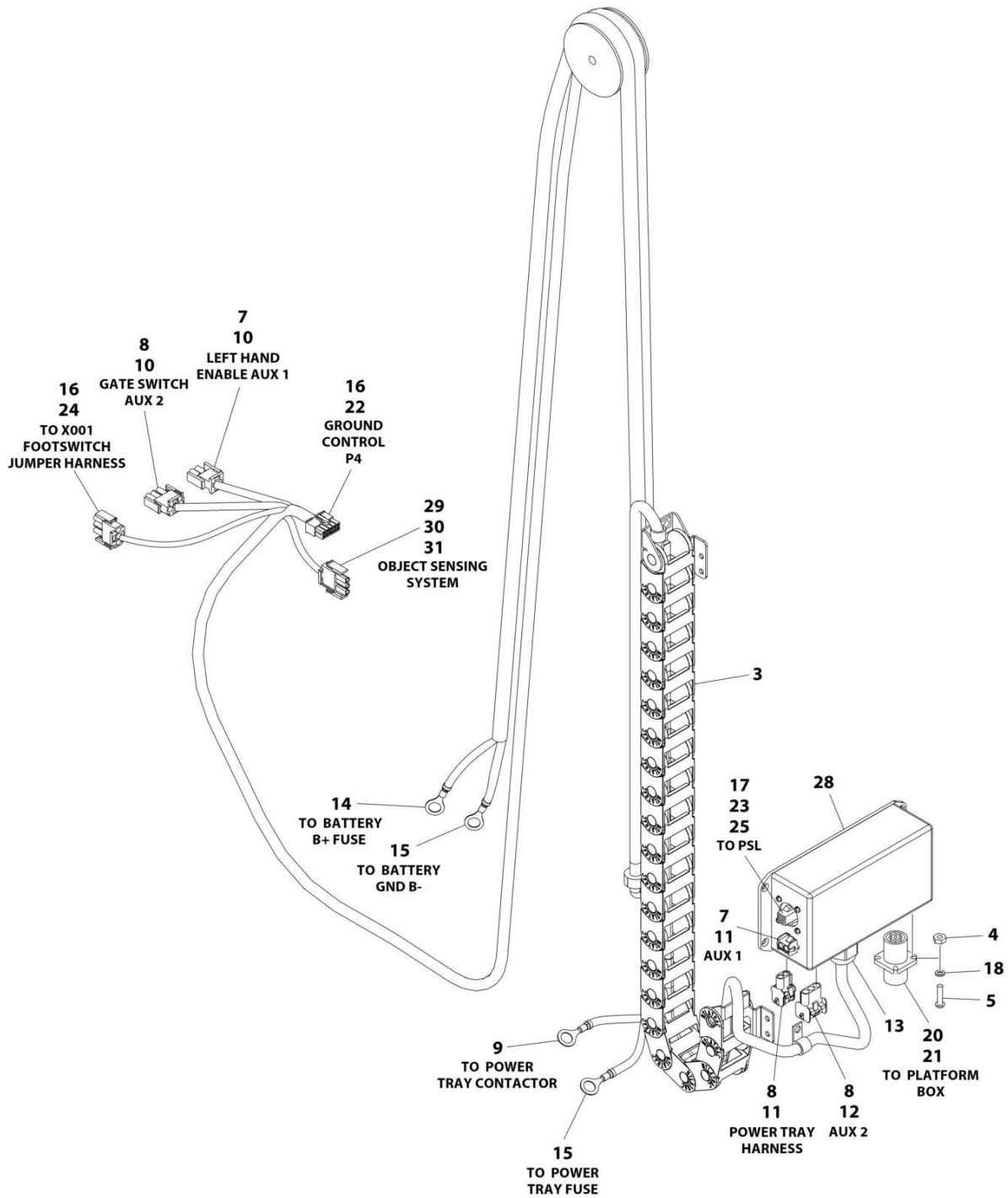
## SECTION 7 - ELECTRICAL

### FIGURE 7-4. FOOTSWITCH JUMPER HARNESS

ITEM	PART NUMBER	QTY	DESCRIPTION	REV
	1001215226	Ref	FOOTSWITCH JUMPER HARNESS	A
1	1001197889	1	Connector, 4 Position	
2	4460320	1	Plug, Male - 2 Position	
3	1001118156	2	Terminal	
4	4460226	2	Socket, Female	

# SECTION 7 - ELECTRICAL

## FIGURE 7-5. GROUND TO PLATFORM HARNESS



ART\_1001207339

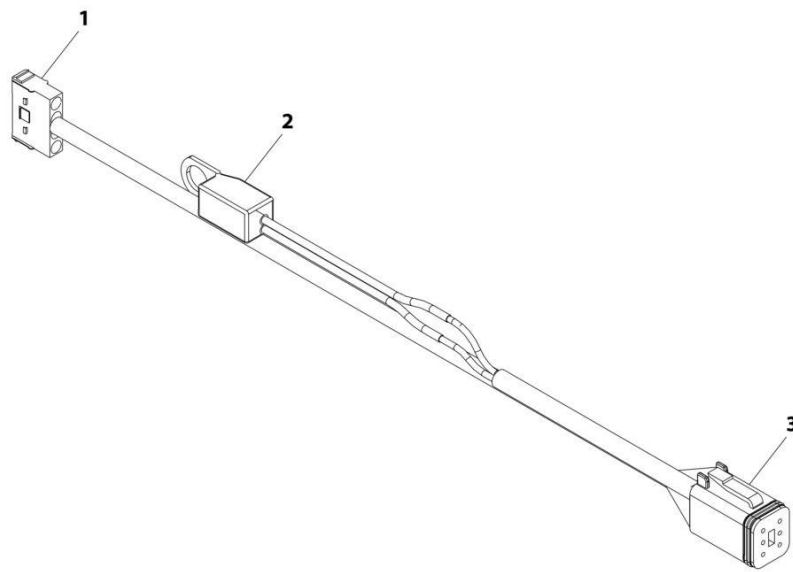
## SECTION 7 - ELECTRICAL

### FIGURE 7-5. GROUND TO PLATFORM HARNESS

ITEM	PART NUMBER	QTY	DESCRIPTION	REV
	1001207339	Ref	GROUND TO PLATFORM HARNESS	E
3	1180397	1	Power Track	
4	3310401	8	Nut #4	
5	3910408	8	Screw, #4 x 1/2	
7	4460226	4	Socket Contact	
8	4460267	7	Pin, Male	
9	4460312	1	Terminal, Ring	
10	4460320	2	Plug, Male 2 - Position	
11	4460424	2	Receptacle, Female - 2 Position	
12	4460445	1	Receptacle, Female - 3 Position	
13	4460633	1	Connector, Strain Relief	
14	4460670	1	Terminal, Ring	
15	4460738	2	Terminal, Ring	
16	4461023	10	Socket, Female	
17	4461025	2	Pin, Male	
18	4760400	8	Washer, #4	
20	1001215633	1	Connector - 9 Position	
21	1001215635	6	Pin, Male	
22	1001153723	1	Connector - 10 Position	
23	1001197889	1	Connector - 4 Position	
24	1001214996	1	Plug, Male - 4 Position	
25	1001215135	1	Plate, Adapter	
28	1001217893	1	Box, Junction	
29	4460465	2	Socket, Female	
30	4460891	1	Plug, Male - 2 Position	
31	1001144295	1	Cap	

# SECTION 7 - ELECTRICAL

## FIGURE 7-6. LED AND TEMPERATURE SENSOR HARNESS



ART\_1001109821



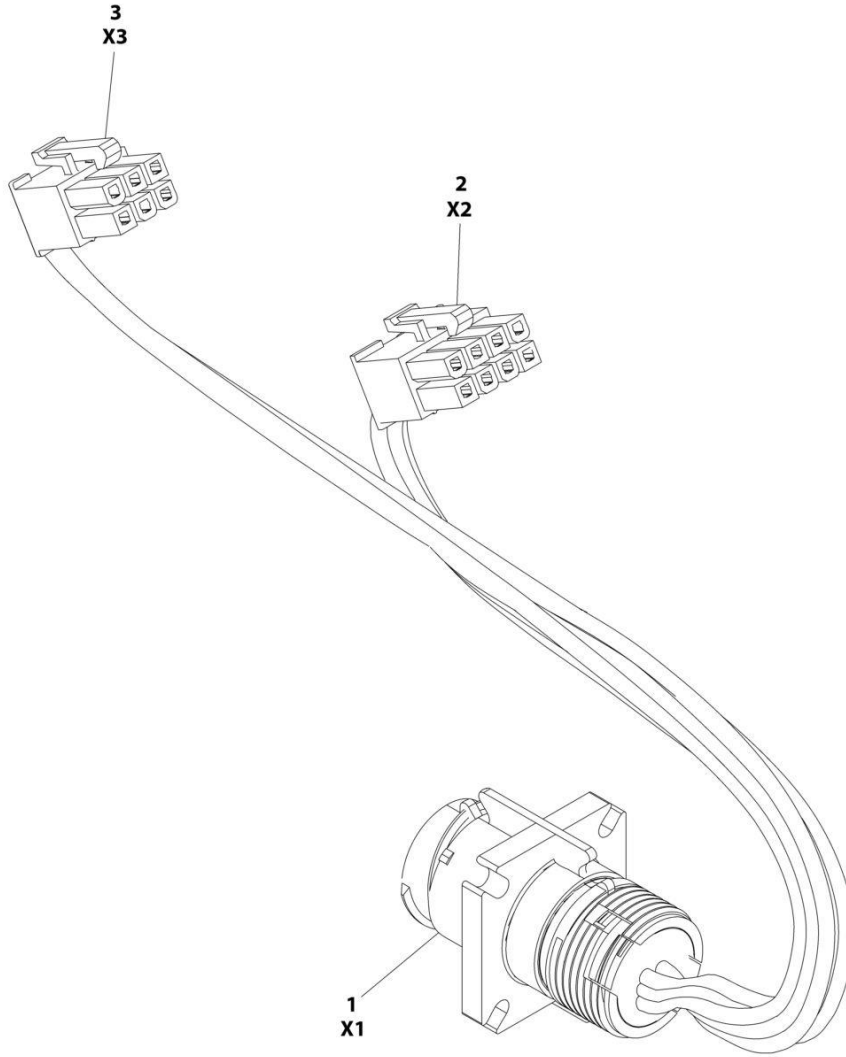
## SECTION 7 - ELECTRICAL

### FIGURE 7-6. LED AND TEMPERATURE SENSOR HARNESS

ITEM	PART NUMBER	QTY	DESCRIPTION	REV
	1001109821	Ref	LED AND TEMPERATURE SENSOR HARNESS	A
1	4460961	1	Receptacle, Female - 4 Position	
1	4460226	4	Socket, Female	
2	1001102771	1	Terminal, Temperature Sensor Ring	
3	4460894	1	Plug, Male - 6 Position	
3	4460465	6	Socket, Female	

# SECTION 7 - ELECTRICAL

## FIGURE 7-7. PLATFORM BOX POWER HARNESS



ART\_1001227884

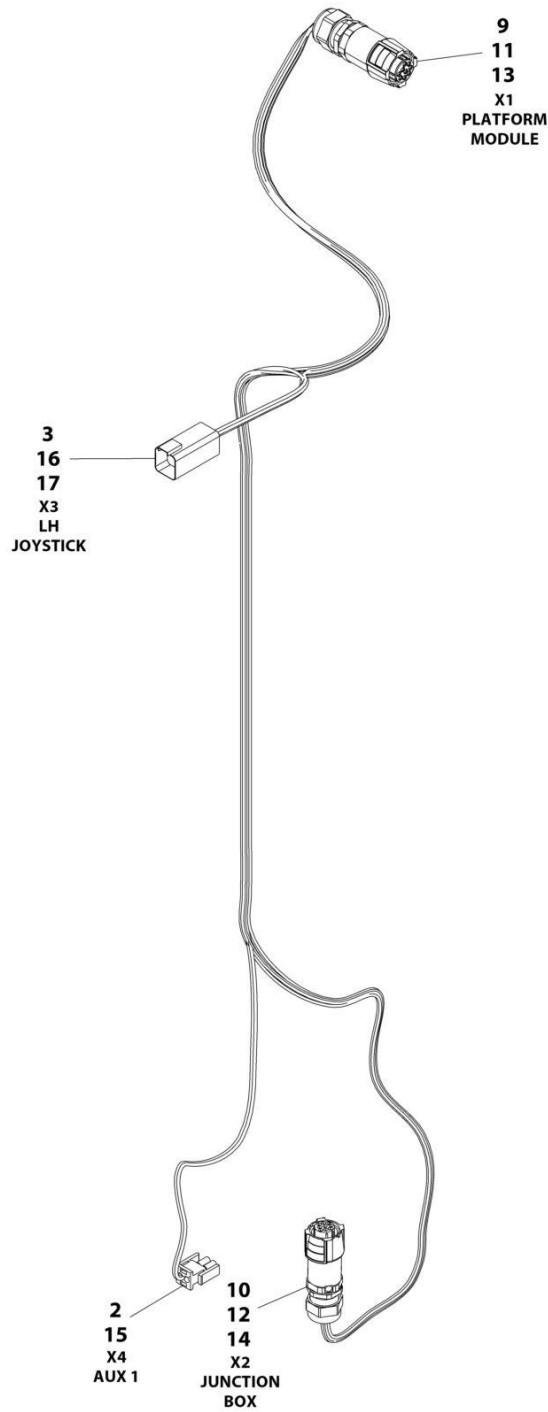
## SECTION 7 - ELECTRICAL

### FIGURE 7-7. PLATFORM BOX POWER HARNESS

ITEM	PART NUMBER	QTY	DESCRIPTION	REV
	1001227884	Ref	PLATFORM BOX POWER HARNESS	A
1	1001215633	1	Connector - 9 Position	
1	1001215635	8	Terminal	
2	1001151629	1	Plug, Male - 8 Position	
2	4461023	5	Socket, Female	
3	1001228387	1	Plug, Male - 6 Position	
3	4461023	3	Socket, Female	

# SECTION 7 - ELECTRICAL

## FIGURE 7-8. PLATFORM CONTROLS HARNESS



ART\_1001227882

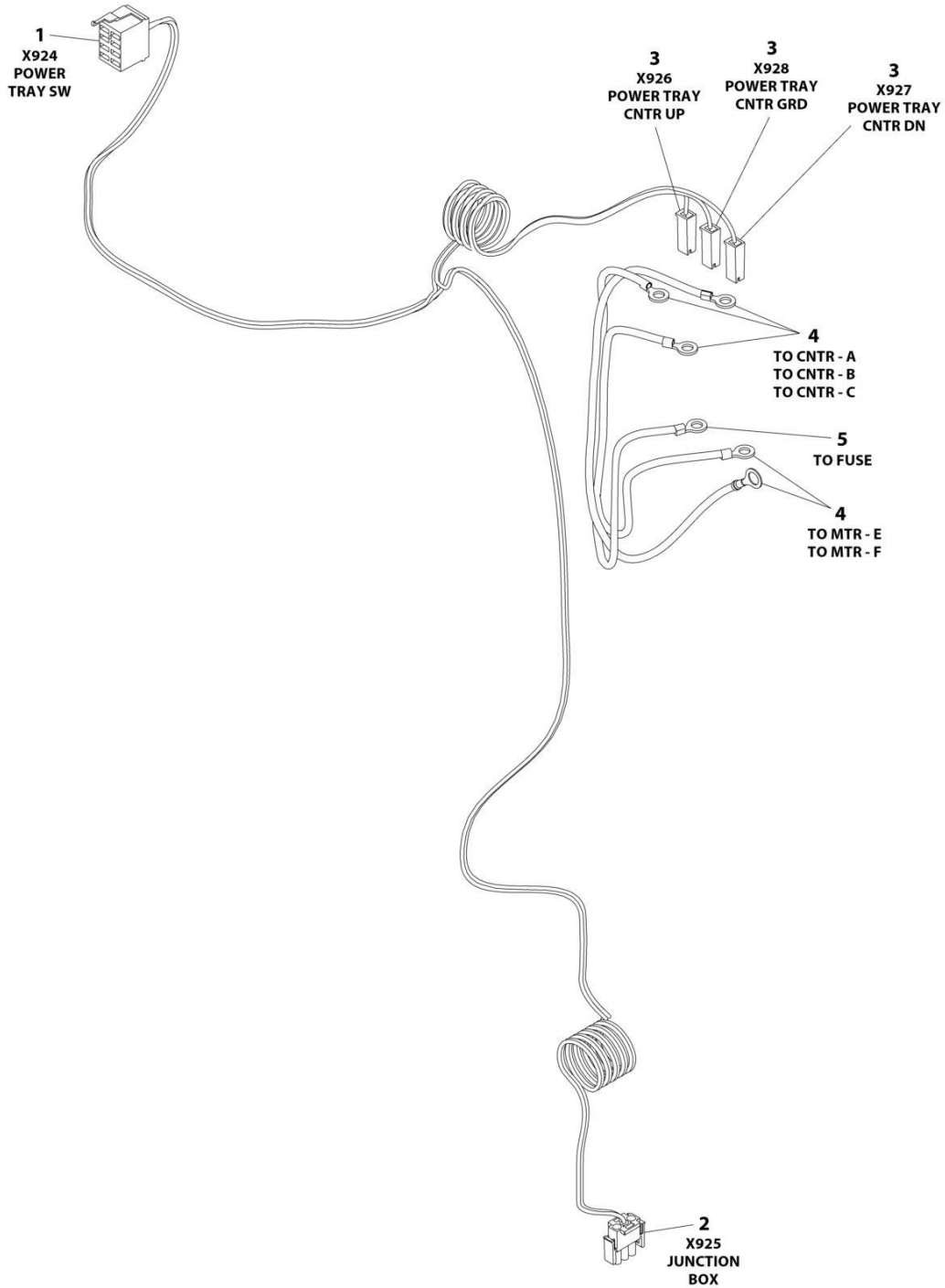
# SECTION 7 - ELECTRICAL

## FIGURE 7-8. PLATFORM CONTROLS HARNESS

ITEM	PART NUMBER	QTY	DESCRIPTION	REV
	1001227882	Ref	PLATFORM CONTROLS HARNESS	E
2	4460267	2	Pin, Male	
3	4460466	1	Terminal, Sealing Plug	
9	1001212654	9	Socket, Female	
10	1001212655	6	Socket, Female	
11	1001212656	1	Backshell	
12	1001212657	1	Backshell	
13	1001212660	1	Connector - 9 Position	
14	1001212661	1	Connector - 9 Position	
15	4460320	1	Plug, Male - 2 Position	
16	4460464	5	Pin, Male	
17	4460899	1	Receptacle, Female - 6 Position	

# SECTION 7 - ELECTRICAL

## FIGURE 7-9. TRAY HARNESS



ART\_1001210491

# SECTION 7 - ELECTRICAL

## FIGURE 7-9. TRAY HARNESS

ITEM	PART NUMBER	QTY	DESCRIPTION	REV
	1001210491	Ref	TRAY HARNESS	A
1	8220904	1	Connector - 8 Position	
1	4460829	3	Terminal	
2	4460326	1	Plug, Male 2 - Position	
2	4460268	2	Socket, Female	
3	4460260	3	Cover, Terminal	
3	4460259	3	Terminal	
4	4460312	5	Terminal, Ring	
5	4460738	5	Terminal, Ring	

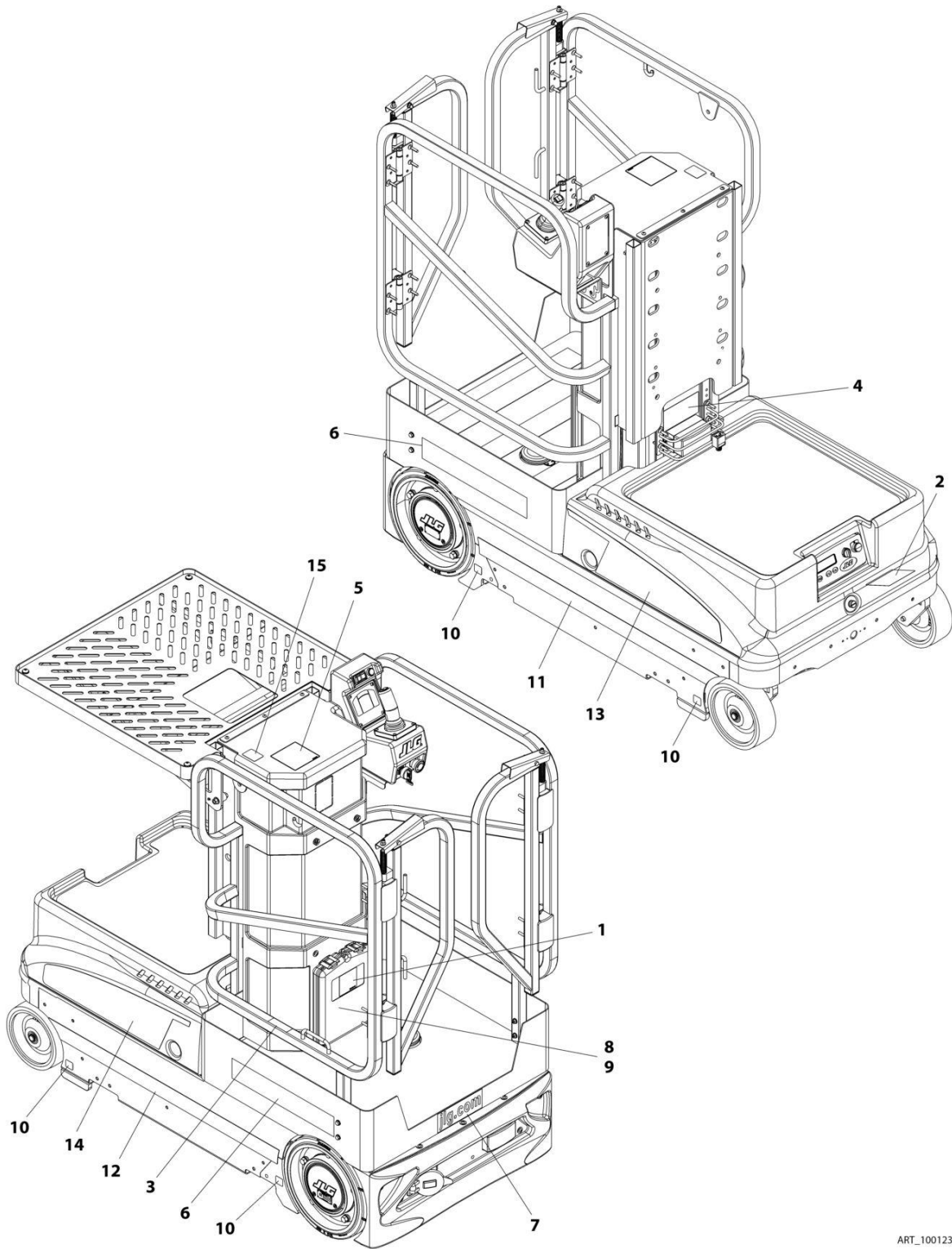




**SECTION 8 - DECALS**

# SECTION 8 - DECALS

## FIGURE 8-1. COMMON DECALS INSTALLATION - MANUAL TRAY AND STANDARD PAINT



ART\_1001230220

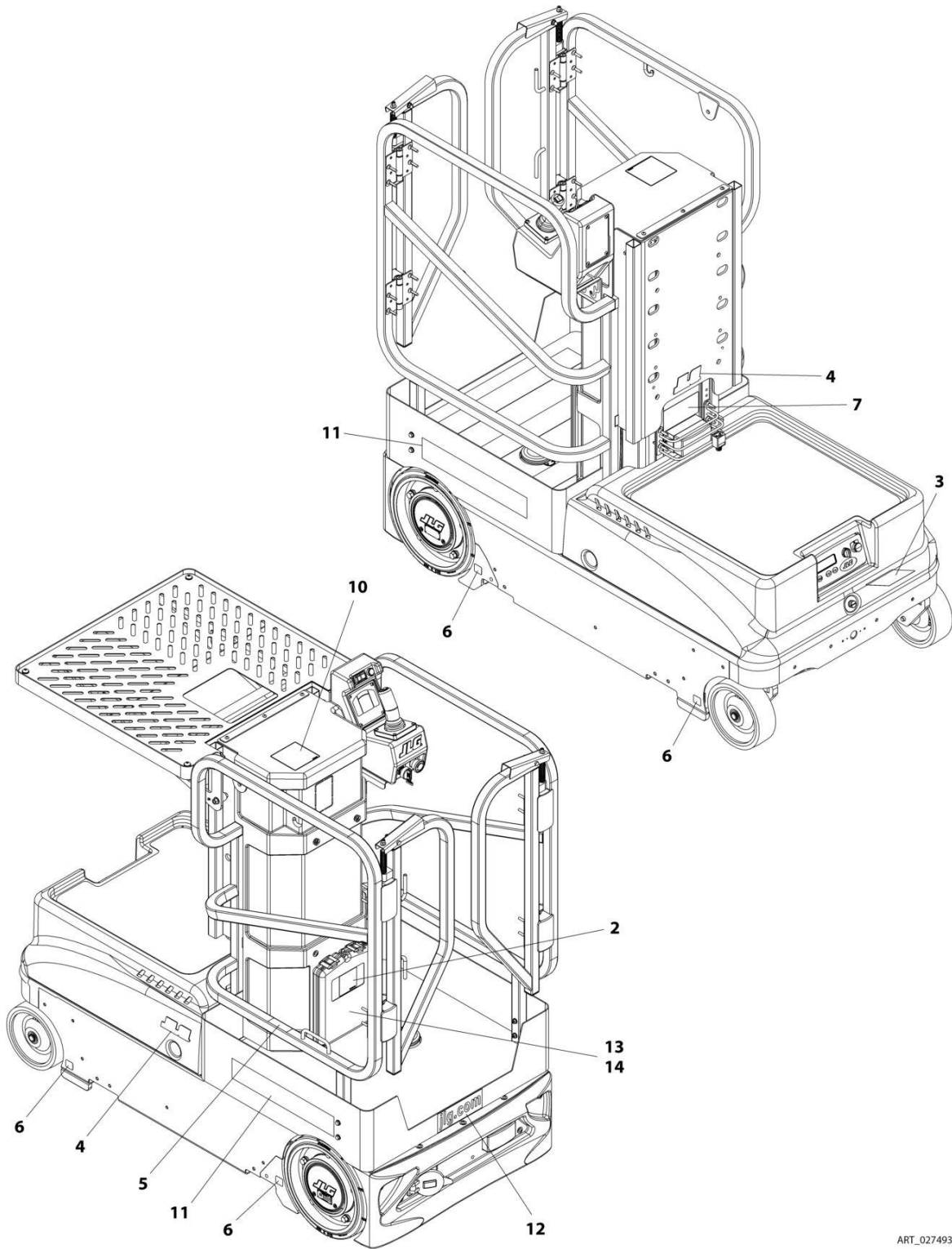
## SECTION 8 - DECALS

**FIGURE 8-1. COMMON DECALS INSTALLATION - MANUAL TRAY AND STANDARD PAINT**

ITEM	PART NUMBER	QTY	DESCRIPTION	REV
	1001230220	Ref	COMMON DECALS INSTALLATION	A
1	1701640	1	Decal - Manual	
2	See Note	NSS	Decal - Bar Code (Note: Not Available for Purchase)	
3	1705624	1	Decal - Lanyard Attach	
4	1705992	1	Decal - Mount Decent Location	
5	1706131	1	Decal - Danger	
6	1706743	2	Decal - 10MSP	
7	1706764	1	Decal - Website	
8	3820032	4	Rivet	
9	8990147	1	Holder, Manual	
10	1001143557	4	Decal - Maximum Wheel Load	
11	1001230062	1	Decal - Stripe (LH)	
12	1001230063	1	Decal - Stripe (RH)	
13	1001230064	1	Decal - Logo (LH)	
14	1001230065	1	Decal - Logo (RH)	
15	1001230219	1	Decal - Lift	

# SECTION 8 - DECALS

## FIGURE 8-2. COMMON DECALS INSTALLATION - MANUAL TRAY AND SPECIAL PAINT



ART\_0274935

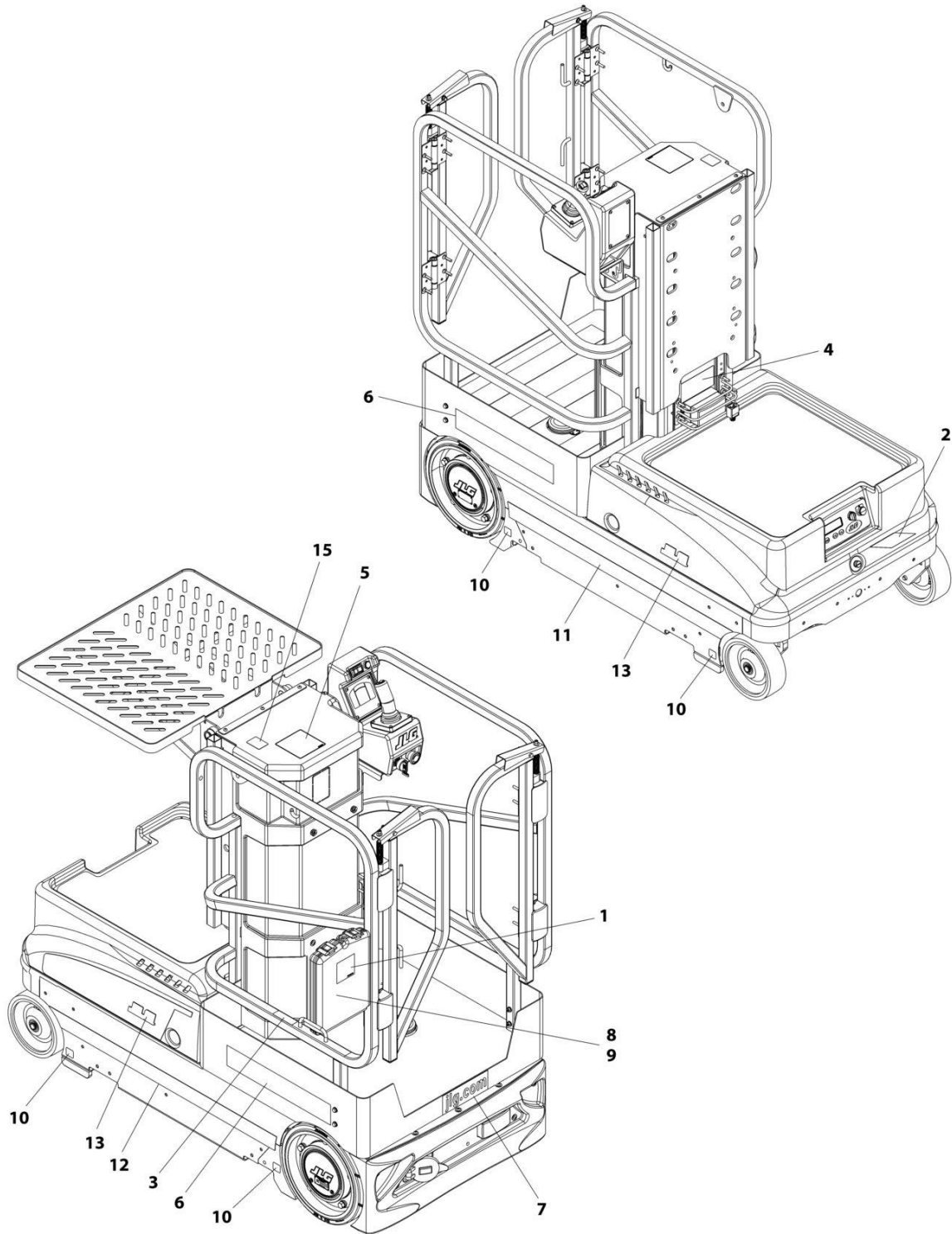
## SECTION 8 - DECALS

**FIGURE 8-2. COMMON DECALS INSTALLATION - MANUAL TRAY AND SPECIAL PAINT**

ITEM	PART NUMBER	QTY	DESCRIPTION	REV
	0274935	Ref	COMMON DECALS INSTALLATION	G
2	1701640	1	Decal - Manual	
3	See Note	NSS	Decal - Bar Code (Note: Not Available for Purchase)	
4	1703681	3	Decal - JLG	
5	1705624	1	Decal - Lanyard Attach	
6	1001143557	4	Decal - Maximum Wheel Load	
7	1705992	1	Decal - Manual Decent Location	
10	1706131	1	Decal - Danger	
11	1706743	2	Decal - 10MSP	
12	1706764	1	Decal - Website	
13	3820032	4	Rivet	
14	8990147	1	Holder, Manual	

# SECTION 8 - DECALS

## FIGURE 8-3. COMMON DECALS INSTALLATION - POWER TRAY AND STANDARD PAINT



ART\_1001230221

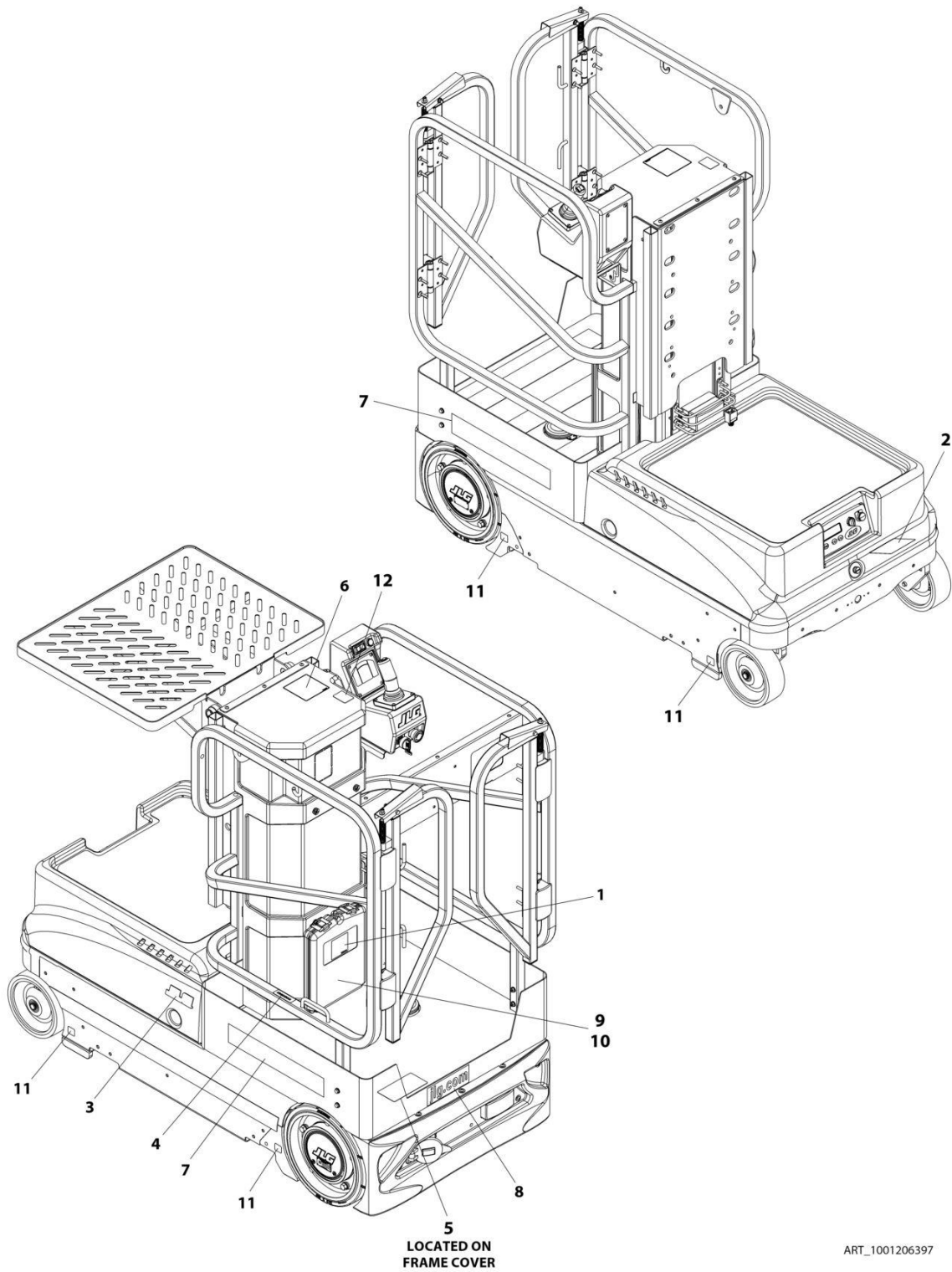
## SECTION 8 - DECALS

**FIGURE 8-3. COMMON DECALS INSTALLATION - POWER TRAY AND STANDARD PAINT**

ITEM	PART NUMBER	QTY	DESCRIPTION	REV
	1001230221	Ref	COMMON DECALS INSTALLATION	B
1	1701640	1	Decal - Manual	
2	See Note	NSS	Decal - Bar Code (Note: Not Available for Purchase)	
3	1705624	1	Decal - Lanyard Attach <b>(SN 0130032507 through 0130032818)</b>	
3	1001213582	1	Decal - Lanyard Attach <b>(SN 0130032819 through 0130037734)</b>	
4	1705992	1	Decal - Manual Decent Location	
5	1706131	1	Decal - Danger	
6	1706743	2	Decal - 10MSP	
7	1706764	1	Decal - Website	
8	3820032	4	Rivet	
9	8990147	1	Holder, Manual	
10	1001143557	4	Decal - Maximum Wheel Load	
11	1001230062	1	Decal - Stripe (LH)	
12	1001230063	1	Decal - Stripe (RH)	
13	1001230064	1	Decal - Logo (LH) <b>(SN 0130032507 through 0130032818)</b>	
13	1703681	2	Decal - Logo <b>(SN 0130032819 through 0130037734)</b>	
14	1001230065	1	Decal - Logo (RH) <b>(SN 0130032507 through 0130032818)</b>	
15	1001230219	1	Decal - Lift	

# SECTION 8 - DECALS

## FIGURE 8-4. COMMON DECALS INSTALLATION - POWER TRAY AND SPECIAL PAINT





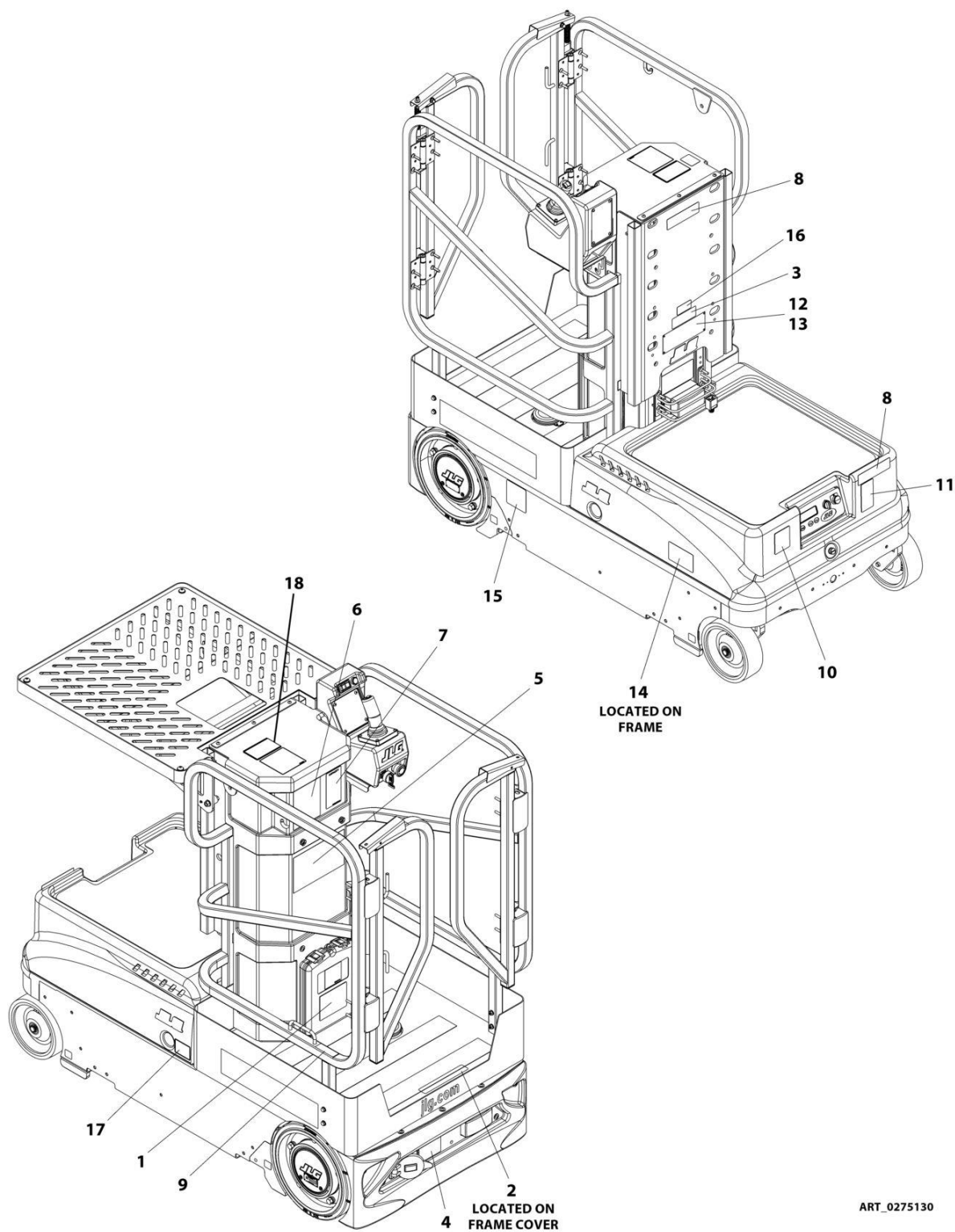
## SECTION 8 - DECALS

**FIGURE 8-4. COMMON DECALS INSTALLATION - POWER TRAY AND SPECIAL PAINT**

ITEM	PART NUMBER	QTY	DESCRIPTION	REV
	1001206397	Ref	COMMON DECALS INSTALLATION	B
1	1701640	1	Decal - Manual	
2	See Note	NSS	Decal - Bar Code (Note: Not Available for Purchase)	
3	1703681	2	Decal - JLG	
4	1705624	1	Decal - Lanyard Attach <b>(SN 0130032507 through 0130032818)</b>	
4	1001213582	1	Decal - Lanyard Attach <b>(SN 0130032819 through 0130037734)</b>	
5	1705992	1	Decal - Manual Decent Location	
6	1706131	1	Decal - Danger	
7	1706743	2	Decal - 10MSP	
8	1706764	1	Decal - Website	
9	3820032	4	Rivet	
10	8990147	1	Holder, Manual	
11	1001143557	4	Decal - Maximum Wheel Load	
12	1001230219	1	Decal - Lift <b>(SN 0130032819 through 0130037734)</b>	

# SECTION 8 - DECALS

## FIGURE 8-5. DECAL INSTALLATION - ANSI SPECS (ENGLISH LANGUAGE) (MANUAL TRAY)



ART\_0275130

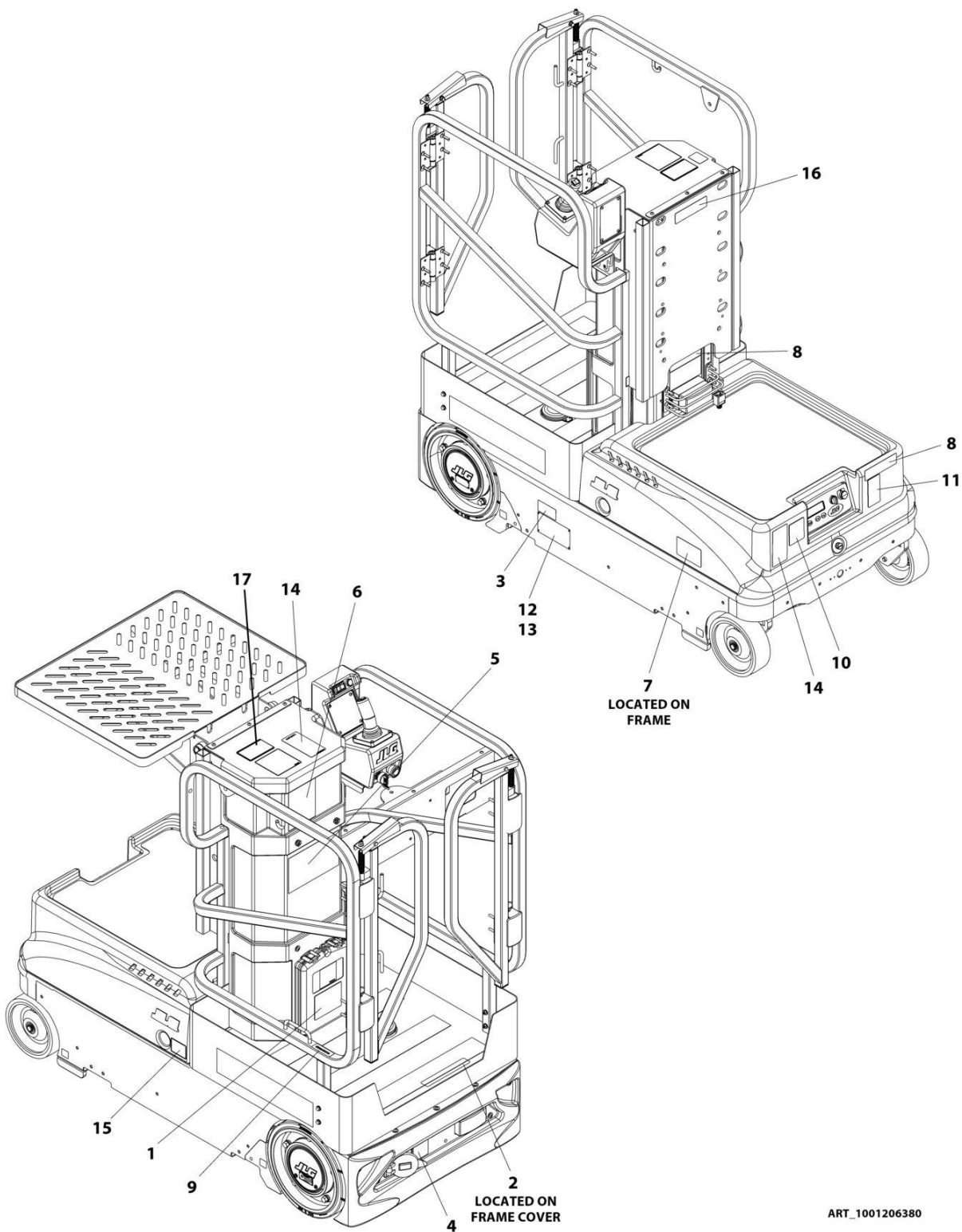
## SECTION 8 - DECALS

**FIGURE 8-5. DECAL INSTALLATION - ANSI SPECS (ENGLISH LANGUAGE) (MANUAL TRAY)**

ITEM	PART NUMBER	QTY	DESCRIPTION	REV
	0275130	Ref	DECAL INSTALLATION	I
1	1703779	1	Decal - USA	
2	1703786	1	Decal - Crushing Hazard	
3	1705303	1	Decal - C.S.A	
4	1705929	1	Decal - Charger (SN 0130032507 through 0130032818)	
4	1001233054	1	Decal - Charger (SN 0130032819 through 0130037734)	
5	1705937	1	Decal - Warning	
6	1705938	1	Decal - Danger	
7	1001207205	1	Decal - Capacity	
8	1705995	3	Decal - Crushing Hazard (SN 0130032507 through 0130032818)	
8	1705995	2	Decal - Crushing Hazard (SN 0130032819 through 0130037734)	
9	1706115	1	Decal - Fall Restraint (SN 0130032507 through 0130032818)	
10	1706616	1	Decal - Capacity	
11	1706617	1	Decal - No Riders	
12	2080057	4	Fastener	
13	See Note	NSS	Nameplate - Serial Number (Note: Not Available for Purchase)	
14	1001131273	1	Decal - Patent	
15	1001223055	1	Decal - Yearly Inspection	
16	1001228370	1	Decal - Canada ICES-001	
17	1706740	1	Decal - Battery Disconnect (SN 0130032819 through 0130037734)	
18	1001231801	1	Decal - Prop 65 (SN 0130034880 through 0130037734)	

# SECTION 8 - DECALS

## FIGURE 8-6. DECAL INSTALLATION - ANSI SPECS (ENGLISH LANGUAGE) (POWER TRAY)



ART\_1001206380

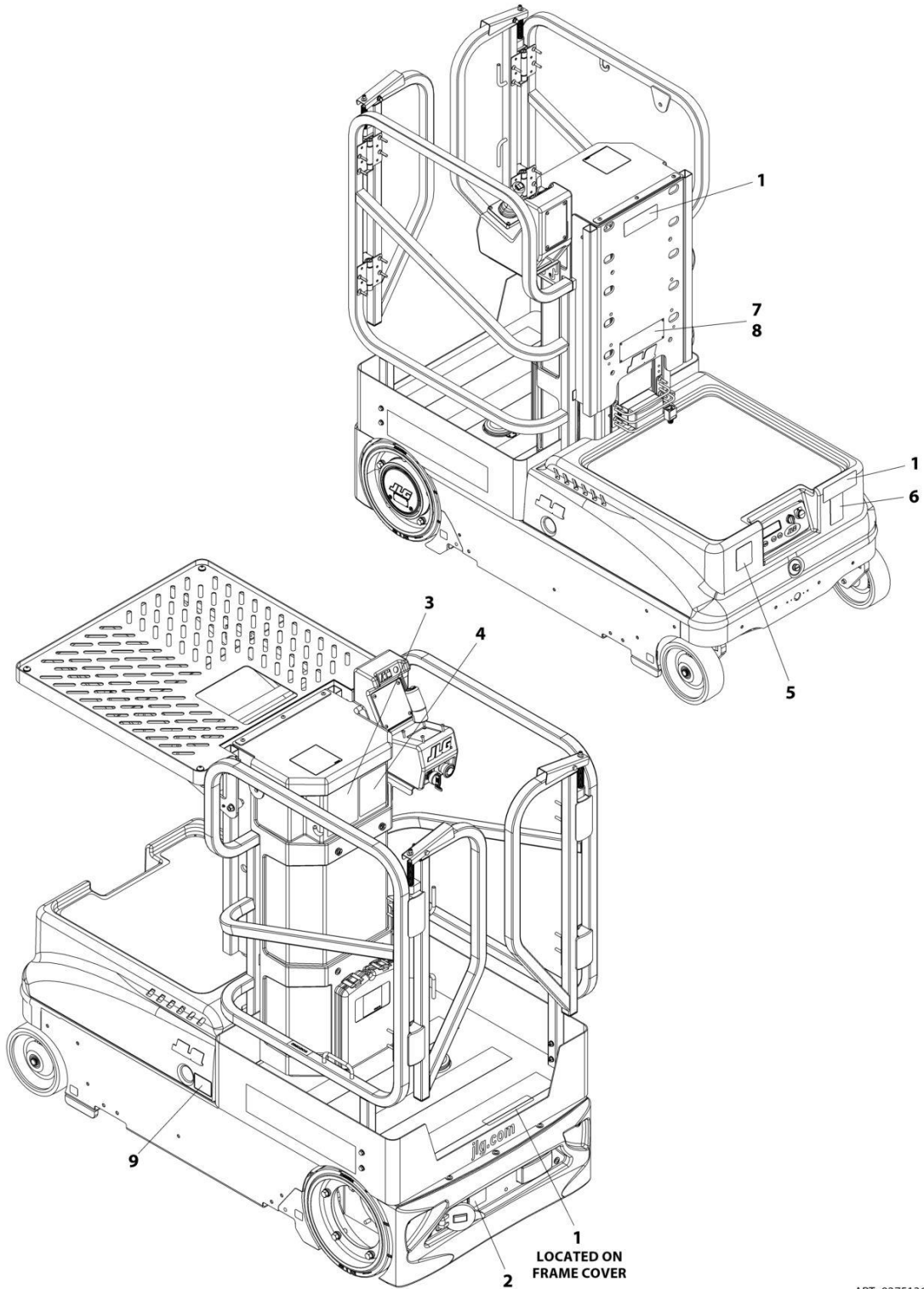
## SECTION 8 - DECALS

**FIGURE 8-6. DECAL INSTALLATION - ANSI SPECS (ENGLISH LANGUAGE) (POWER TRAY)**

ITEM	PART NUMBER	QTY	DESCRIPTION	REV
	1001206380	Ref	DECAL INSTALLATION	C
1	1703779	1	Decal - USA	
2	1703786	1	Decal - Crushing Hazard	
3	1705303	1	Decal - C.S.A.	
4	1705929	1	Decal - Charger (SN 0130032507 through 0130032818)	
4	1001233054	1	Decal - Charger (SN 0130032819 through 0130037734)	
5	1705937	1	Decal - Warning	
6	1705938	1	Decal - Danger	
7	1001131273	1	Decal - Patent	
8	1705995	3	Decal - Crushing Hazard (SN 0130032507 through 0130032818)	
8	1705995	2	Decal - Crushing Hazard (SN 0130032819 through 0130037734)	
9	1706115	1	Decal - Fall Restraint (SN 0130032507 through 0130032818)	
10	1706616	1	Decal - Capacity	
11	1706617	1	Decal - No Riders	
12	2080057	4	Fastener	
13	See Note	NSS	Nameplate - Serial Number (Note: Not Available for Purchase)	
14	1001206313	2	Decal - Capacity	
15	1706740	1	Decal - Battery Disconnect (SN 0130032819 through 0130037734)	
16	1706302	1	Decal - Pinch Point (SN 0130032819 through 0130037734)	
17	1001231801	1	Decal - Prop 65 (SN 0130034880 through 0130037734)	

# SECTION 8 - DECALS

## FIGURE 8-7. DECAL INSTALLATION - AUSTRALIAN SPECS (ENGLISH LANGUAGE) (MANUAL TRAY)



ART\_0275136

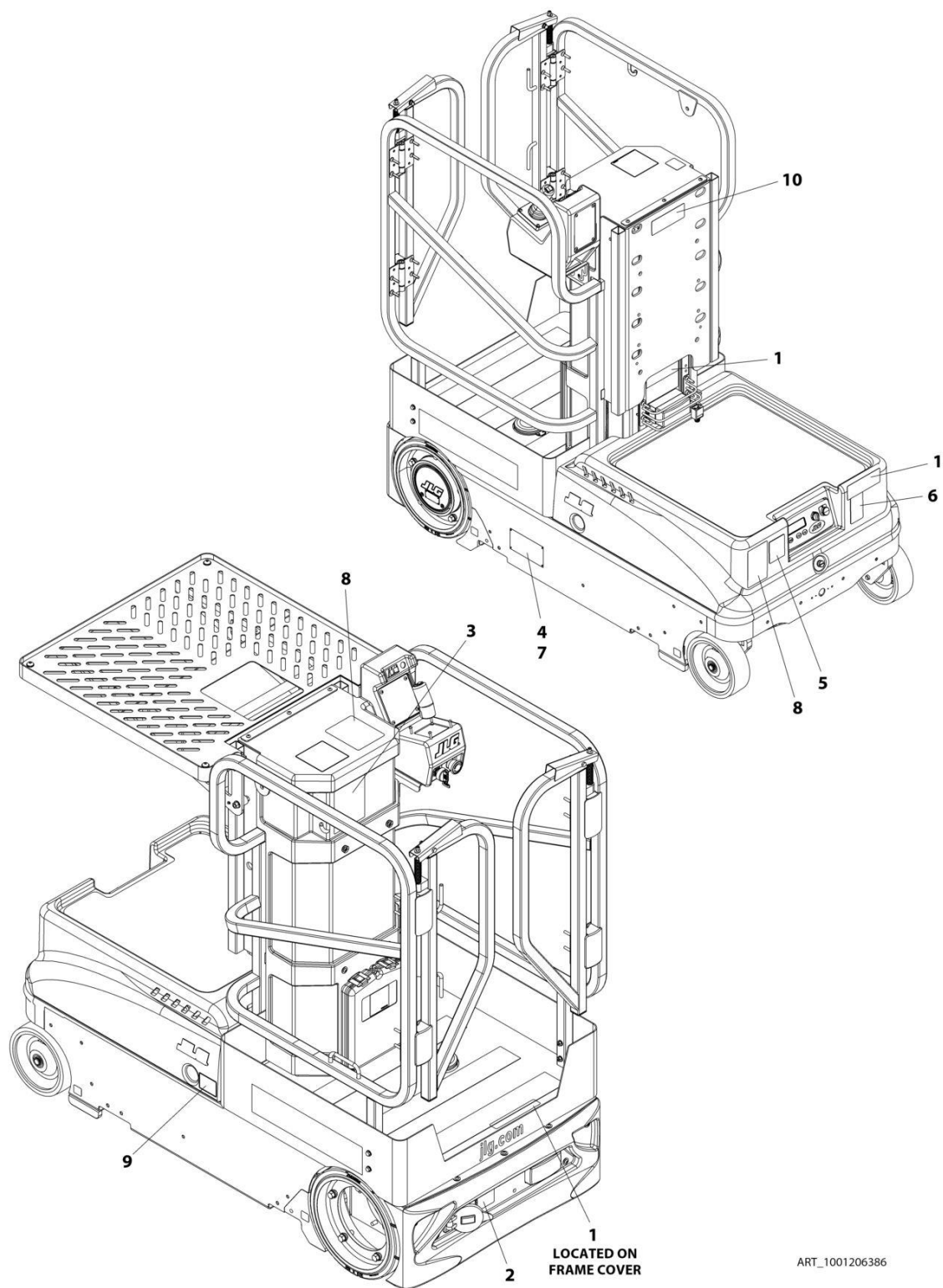
## SECTION 8 - DECALS

**FIGURE 8-7. DECAL INSTALLATION - AUSTRALIAN SPECS (ENGLISH LANGUAGE) (MANUAL TRAY)**

ITEM	PART NUMBER	QTY	DESCRIPTION	REV
	0275136	Ref	DECAL INSTALLATION	F
1	1705099	4	Decal - Crushing Hazard <b>(SN 0130032507 through 0130032818)</b>	
1	1705099	3	Decal - Crushing Hazard <b>(SN 0130032819 through 0130037734)</b>	
2	1706077	1	Decal - Battery Charging Instruction	
3	1706078	1	Decal - Warning	
4	1001207206	1	Decal - Capacity	
5	1706616	1	Decal - Capacity	
6	1706617	1	Decal - No Riders	
7	2080057	2	Fastener	
8	See Note	NSS	Nameplate - Serial Number (Note: Not Available for Purchase)	
9	1706740	1	Decal - Battery Disconnect <b>(SN 0130032819 through 0130037734)</b>	

# SECTION 8 - DECALS

## FIGURE 8-8. DECAL INSTALLATION - AUSTRALIAN SPECS (ENGLISH LANGUAGE) (POWER TRAY)



ART\_1001206386



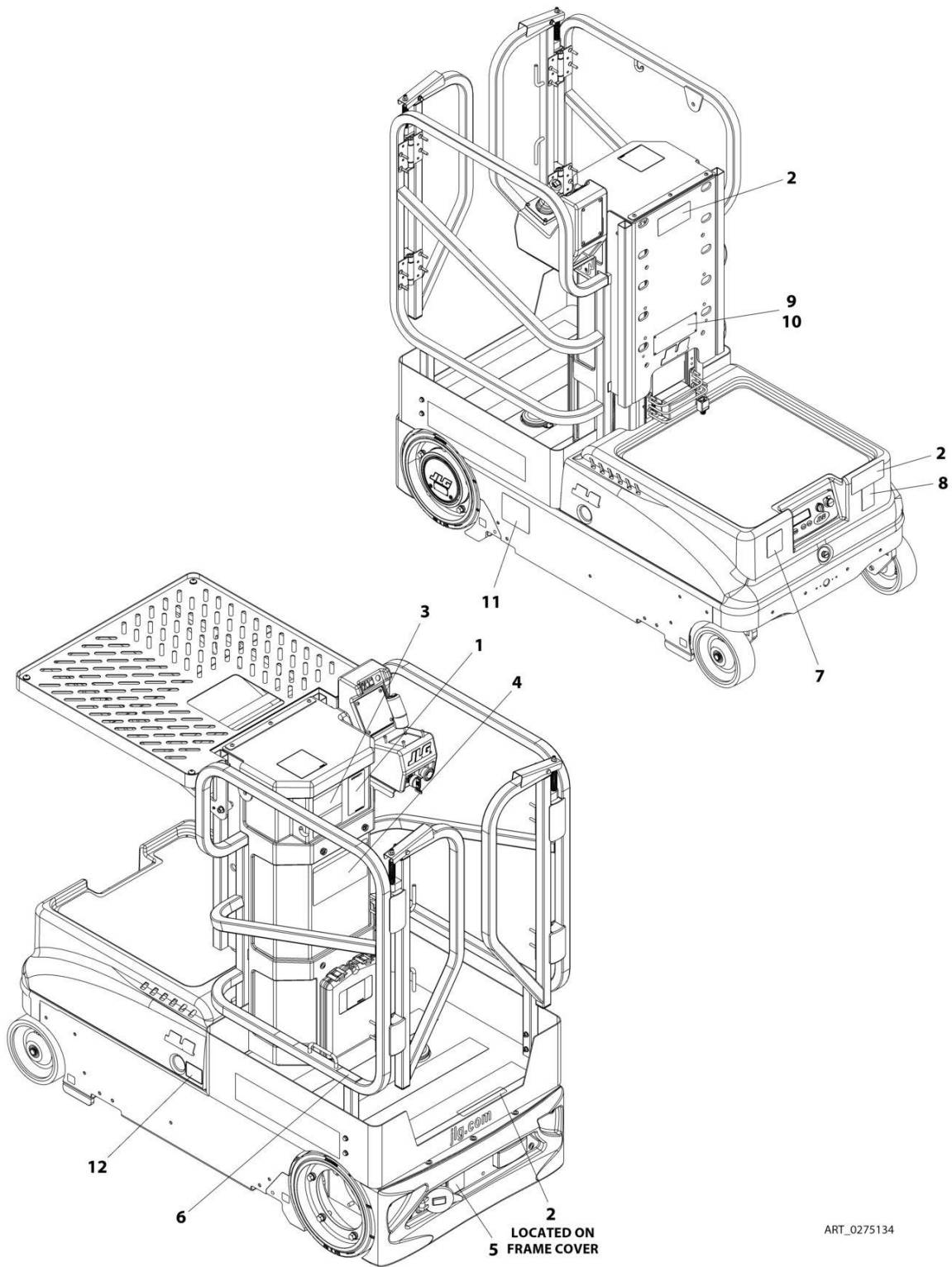
## SECTION 8 - DECALS

**FIGURE 8-8. DECAL INSTALLATION - AUSTRALIAN SPECS (ENGLISH LANGUAGE) (POWER TRAY)**

ITEM	PART NUMBER	QTY	DESCRIPTION	REV
	1001206386	Ref	DECAL INSTALLATION	B
1	1705099	1	Decal - Crushing Hazard <b>(SN 0130032507 through 0130032818)</b>	
1	1705099	3	Decal - Crushing Hazard <b>(SN 0130032819 through 0130037734)</b>	
2	1706077	1	Decal - Battery Charging Instruction	
3	1706078	1	Decal - Warning	
4	See Note	NSS	Nameplate - Serial Number (Note: Not Available for Purchase)	
5	1706616	1	Decal - Capacity	
6	1706617	1	Decal - No Riders	
7	2080057	2	Fastener	
8	1001202686	2	Decal - Capacity	
9	1706740	1	Decal - Battery Disconnect <b>(SN 0130032819 through 0130037734)</b>	
10	1706292	1	Decal - Pinch Point <b>(SN 0130032819 through 0130037734)</b>	

# SECTION 8 - DECALS

## FIGURE 8-9. DECAL INSTALLATION - BRAZIL SPECS (PORTUGUESE LANGUAGE) (MANUAL TRAY)



ART\_0275134

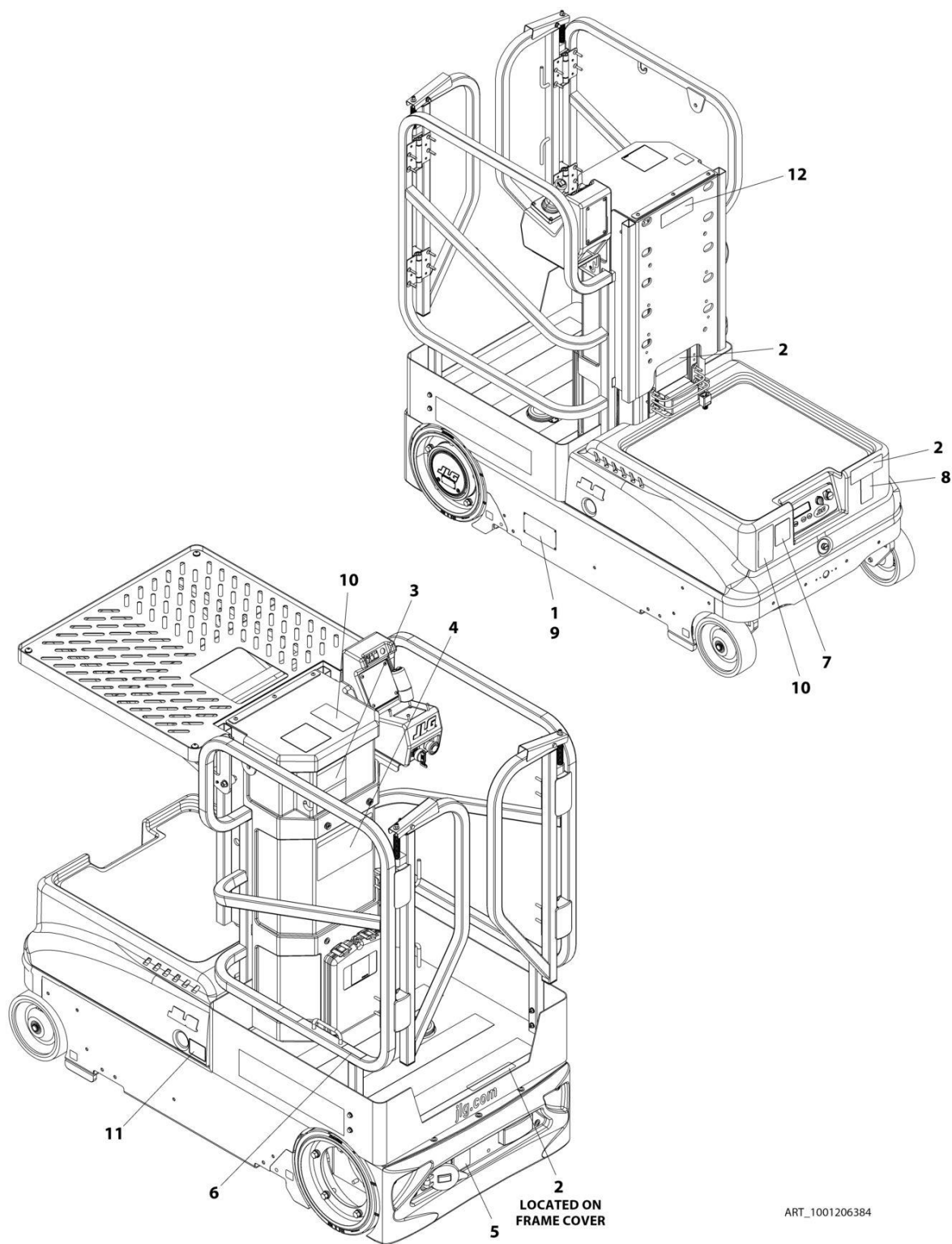
## SECTION 8 - DECALS

**FIGURE 8-9. DECAL INSTALLATION - BRAZIL SPECS (PORTUGUESE LANGUAGE) (MANUAL TRAY)**

ITEM	PART NUMBER	QTY	DESCRIPTION	REV
	0275134	Ref	DECAL INSTALLATION	G
1	1001207205	1	Decal - Capacity	
2	1706086	4	Decal - Crushing Hazard ( <b>SN 0130032507 through 0130032818</b> )	
2	1706086	3	Decal - Crushing Hazard ( <b>SN 0130032819 through 0130037734</b> )	
3	1706087	1	Decal - Danger	
4	1706088	1	Decal - Warning	
5	1706089	1	Decal - Battery Charging Instruction ( <b>SN 0130032507 through 0130032818</b> )	
5	1001233057	1	Decal - Battery Charging Instruction ( <b>SN 0130032819 through 0130037734</b> )	
6	1706118	1	Decal - Fall Restraint	
7	1706616	1	Decal - Capacity	
8	1706617	1	Decal - No Riders	
9	2080057	4	Fastener	
10	See Note	NSS	Nameplate - Serial Number (Note: Not Available for Purchase)	
11	1001224052	1	Decal - Yearly Inspection	
12	1706740	1	Decal - Battery Disconnect ( <b>SN 0130032819 through 0130037734</b> )	

# SECTION 8 - DECALS

## FIGURE 8-10. DECAL INSTALLATION - BRAZIL SPECS (PORTUGUESE LANGUAGE) (POWER TRAY)



ART\_1001206384

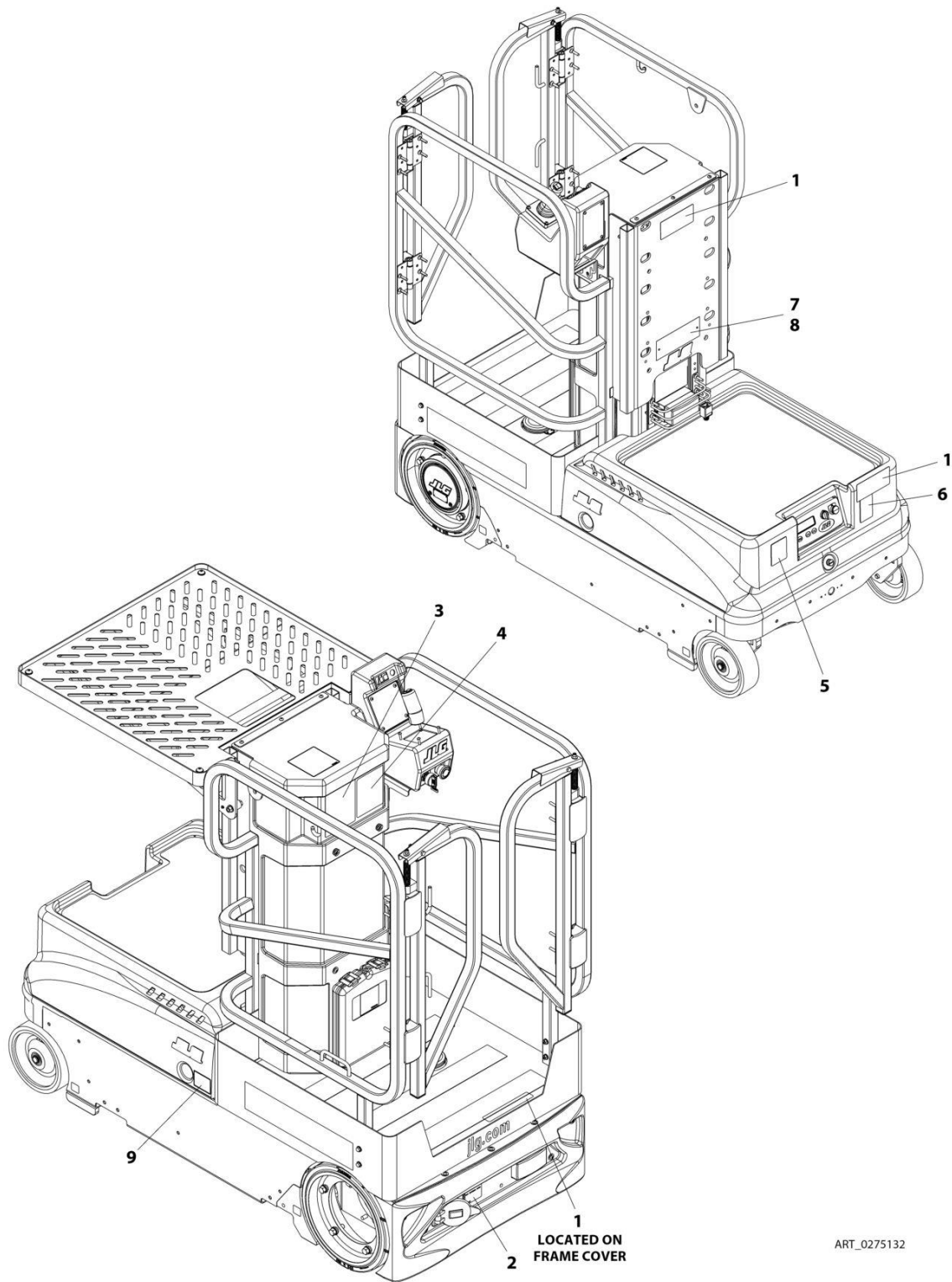
## SECTION 8 - DECALS

**FIGURE 8-10. DECAL INSTALLATION - BRAZIL SPECS (PORTUGUESE LANGUAGE) (POWER TRAY)**

ITEM	PART NUMBER	QTY	DESCRIPTION	REV
	1001206384	Ref	DECAL INSTALLATION	B
1	See Note	NSS	Nameplate - Serial Number (Note: Not Available for Purchase)	
2	1706086	4	Decal - Crushing Hazard <b>(SN 0130032507 through 0130032818)</b>	
2	1706086	3	Decal - Crushing Hazard <b>(SN 0130032819 through 0130037734)</b>	
3	1706087	1	Decal - Danger	
4	1706088	1	Decal - Warning	
5	1706089	1	Decal - Battery Charging Instruction <b>(SN 0130032507 through 0130032818)</b>	
5	1706089	1	Decal - Battery Charging Instruction <b>(SN 0130032819 through 0130037734)</b>	
6	1706118	1	Decal - Fall Restraint	
7	1706616	1	Decal - Capacity	
8	1706617	1	Decal - No Riders	
9	2080057	4	Fastener	
10	1001206313	2	Decal - Capacity	
11	1706740	1	Decal - Battery Disconnect <b>(SN 0130032819 through 0130037734)</b>	
12	1001233728	1	Decal - Pinch Point <b>(SN 0130032819 through 0130037734)</b>	

# SECTION 8 - DECALS

## FIGURE 8-11. DECAL INSTALLATION - CE SPECS (ENGLISH LANGUAGE) (MANUAL TRAY)



ART\_0275132

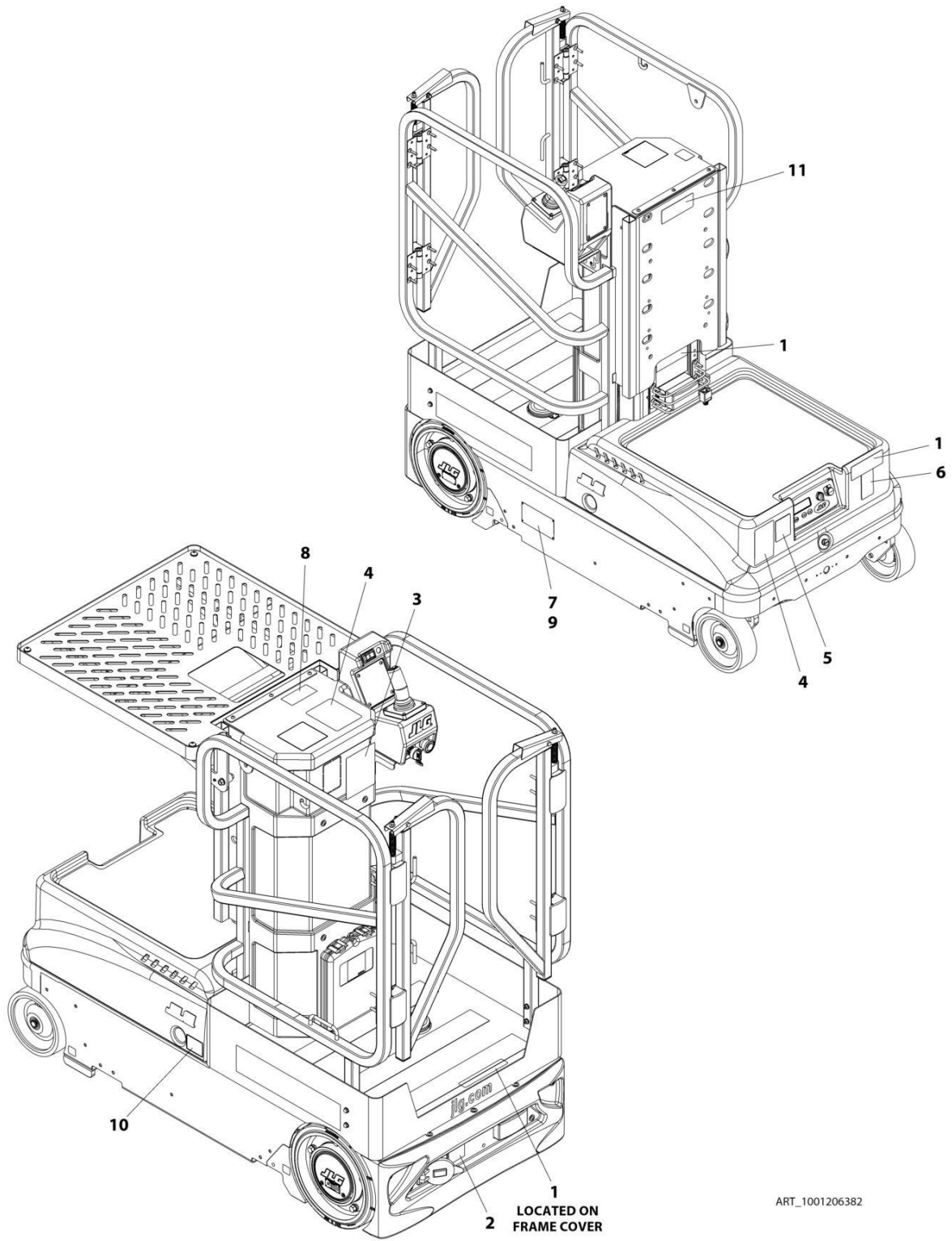
## SECTION 8 - DECALS

**FIGURE 8-11. DECAL INSTALLATION - CE SPECS (ENGLISH LANGUAGE) (MANUAL TRAY)**

ITEM	PART NUMBER	QTY	DESCRIPTION	REV
	0275132	Ref	DECAL INSTALLATION	F
1	1705099	4	Decal - Crushing Hazard ( <b>SN 0130032507 through 0130032818</b> )	
1	1705099	3	Decal - Crushing Hazard ( <b>SN 0130032819 through 0130037734</b> )	
2	1706077	1	Decal - Battery Charging Instruction	
3	1706078	1	Decal - Warning	
4	1001207206	1	Decal - Capacity	
5	1706616	1	Decal - Capacity	
6	1706617	1	Decal - No Riders	
7	2080057	2	Fastener	
8	See Note	NSS	Nameplate - Serial Number (Note: Not Available for Purchase)	
9	1706740	1	Decal - Battery Disconnect ( <b>SN 0130032819 through 0130037734</b> )	

# SECTION 8 - DECALS

## FIGURE 8-12. DECAL INSTALLATION - CE SPECS (ENGLISH LANGUAGE) (POWER TRAY)



ART\_1001206382



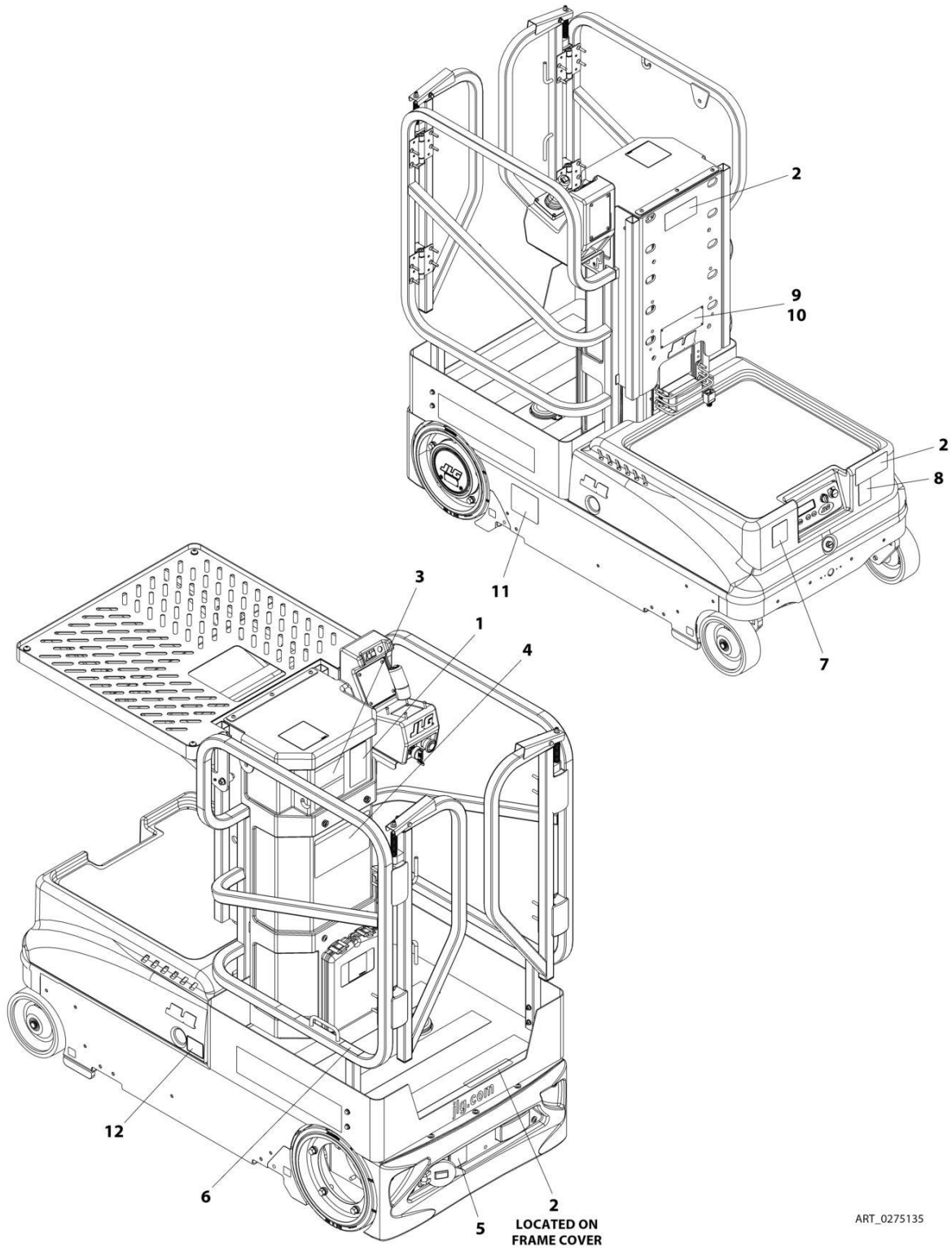
## SECTION 8 - DECALS

**FIGURE 8-12. DECAL INSTALLATION - CE SPECS (ENGLISH LANGUAGE) (POWER TRAY)**

ITEM	PART NUMBER	QTY	DESCRIPTION	REV
	1001206382	Ref	DECAL INSTALLATION	B
1	1705099	4	Decal - Crushing Hazard ( <b>SN 0130032507 through 0130032818</b> )	
1	1705099	3	Decal - Crushing Hazard ( <b>SN 0130032819 through 0130037734</b> )	
2	1706077	1	Decal - Battery Charging Instruction	
3	1706078	1	Decal - Warning	
4	1001202686	1	Decal - Capacity	
5	1706616	1	Decal - Capacity	
6	1706617	1	Decal - No Riders	
7	2080057	2	Fastener	
8	1001158844	1	Decal - Hand Crushing Hazard	
9	See Note	NSS	Nameplate - Serial Number (Note: Not Available for Purchase)	
10	1706740	1	Decal - Battery Disconnect ( <b>SN 0130032819 through 0130037734</b> )	
11	1706292	1	Decal - Pinch Point ( <b>SN 0130032819 through 0130037734</b> )	

# SECTION 8 - DECALS

## FIGURE 8-13. DECAL INSTALLATION - CHINA SPECS (CHINESE LANGUAGE) (MANUAL TRAY)



ART\_0275135

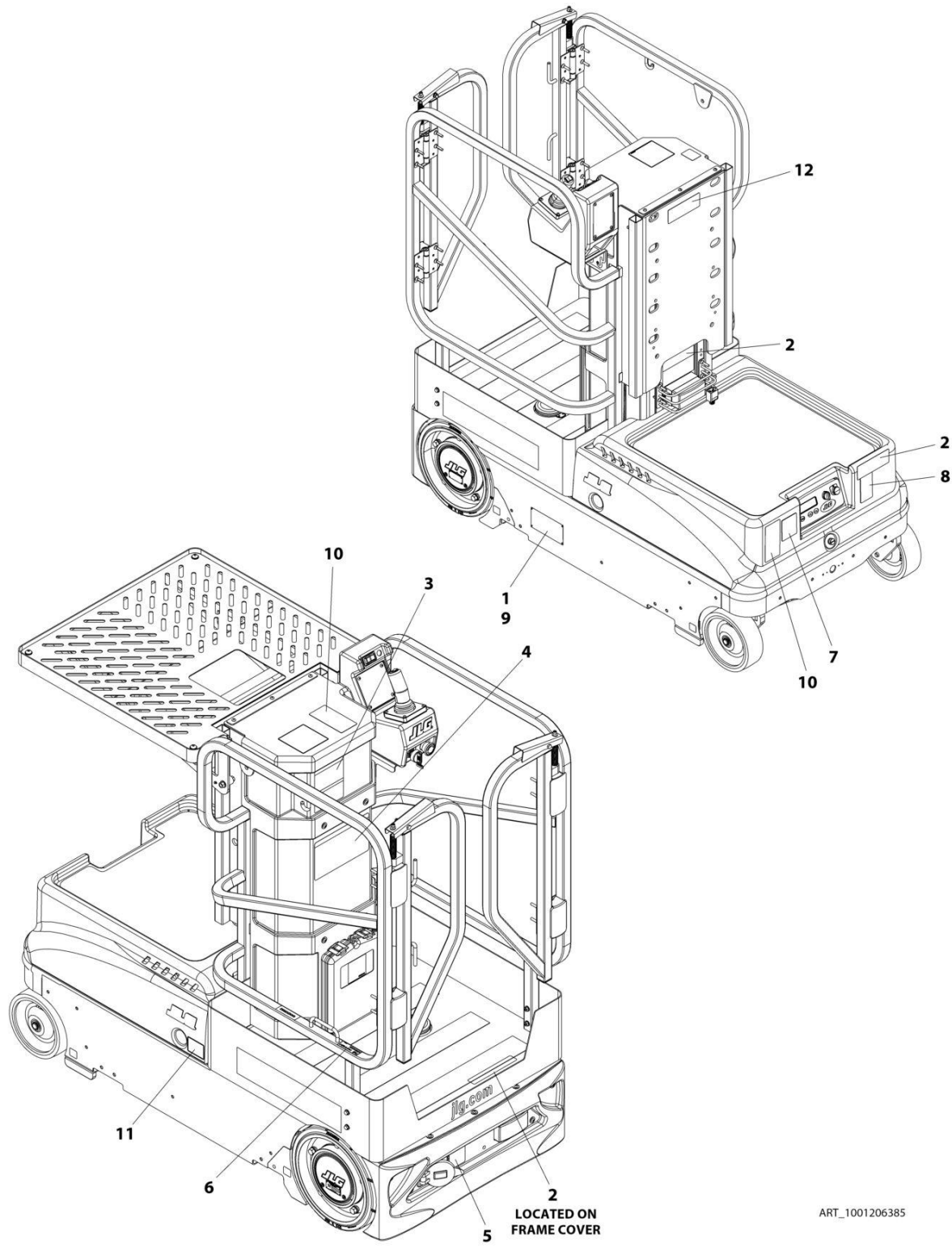
## SECTION 8 - DECALS

**FIGURE 8-13. DECAL INSTALLATION - CHINA SPECS (CHINESE LANGUAGE) (MANUAL TRAY)**

ITEM	PART NUMBER	QTY	DESCRIPTION	REV
	0275135	Ref	DECAL INSTALLATION	G
1	1001207205	1	Decal - Capacity	
2	1706090	4	Decal - Crushing Hazard <b>(SN 0130032507 through 0130032818)</b>	
2	1706090	3	Decal - Crushing Hazard <b>(SN 0130032819 through 0130037734)</b>	
3	1706091	1	Decal - Danger	
4	1706092	1	Decal - Warning	
5	1706093	1	Decal - Battery Charging Instruction <b>(SN 0130032507 through 0130032818)</b>	
5	1001233058	1	Decal - Battery Charging Instruction <b>(SN 0130032819 through 0130037734)</b>	
6	1706117	1	Decal - Fall Restraint	
7	1706616	1	Decal - Capacity	
8	1706617	1	Decal - No Riders	
9	2080057	4	Fastener	
10	See Note	NSS	Nameplate - Serial Number (Note: Not Available for Purchase)	
11	1001224051	1	Decal - Yearly Inspection	
12	1706740	1	Decal - Battery Disconnect <b>(SN 0130032819 through 0130037734)</b>	

# SECTION 8 - DECALS

## FIGURE 8-14. DECAL INSTALLATION - CHINA SPECS (CHINESE LANGUAGE) (POWER TRAY)



ART\_1001206385

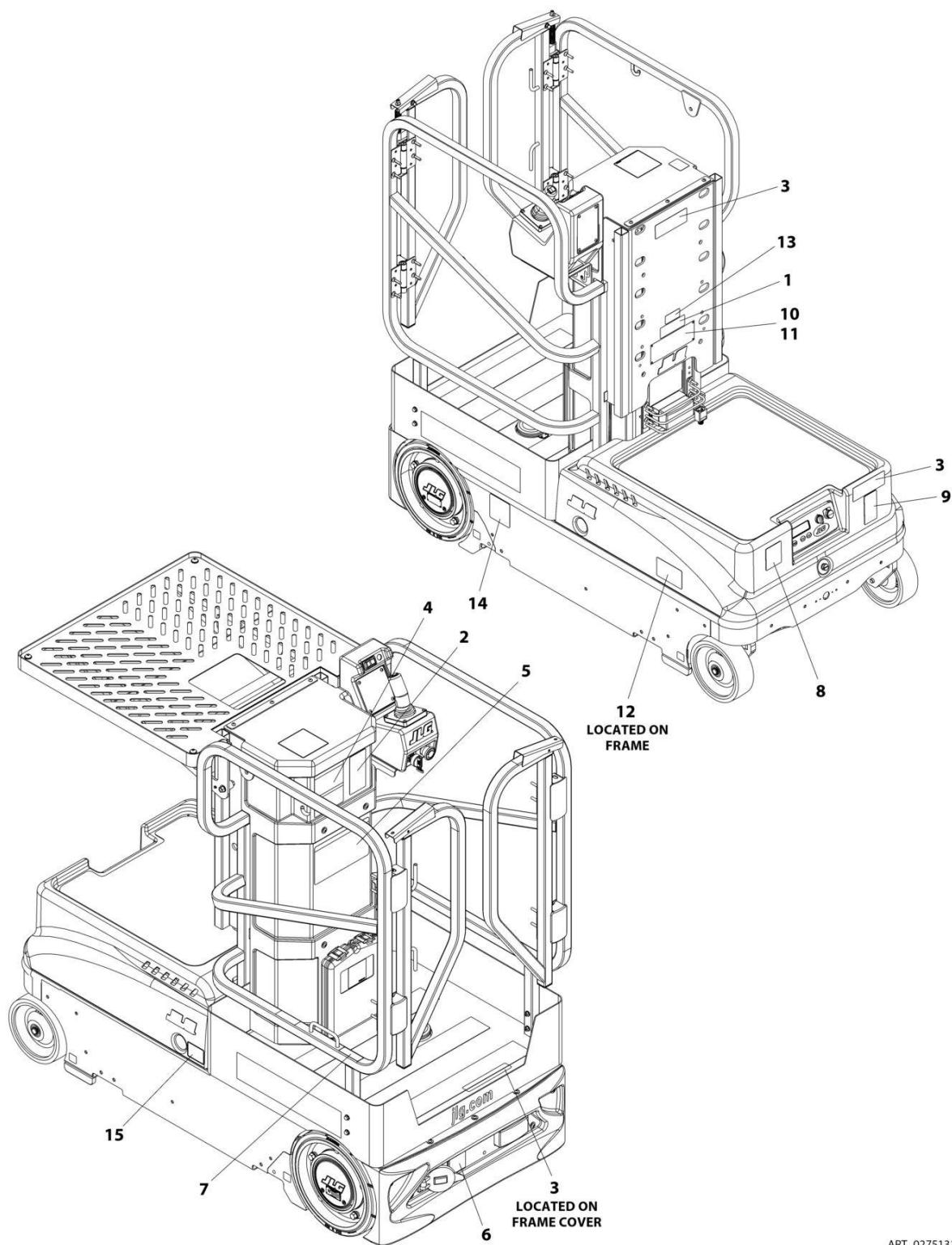
## SECTION 8 - DECALS

**FIGURE 8-14. DECAL INSTALLATION - CHINA SPECS (CHINESE LANGUAGE) (POWER TRAY)**

ITEM	PART NUMBER	QTY	DESCRIPTION	REV
	1001206385	Ref	DECAL INSTALLATION	B
1	See Note	NSS	Nameplate - Serial Number (Note: Not Available for Purchase)	
2	1706090	4	Decal - Crushing Hazard <b>(SN 0130032507 through 0130032818)</b>	
2	1706090	3	Decal - Crushing Hazard <b>(SN 0130032819 through 0130037734)</b>	
3	1706091	1	Decal - Danger	
4	1706092	1	Decal - Warning	
5	1706093	1	Decal - Battery Charging Instruction <b>(SN 0130032507 through 0130032818)</b>	
5	1001233058	1	Decal - Battery Charging Instruction <b>(SN 0130032819 through 0130037734)</b>	
6	1706117	1	Decal - Fall Restraint	
7	1706616	1	Decal - Capacity	
8	1706617	1	Decal - No Riders	
9	2080057	4	Fastener	
10	1001206313	2	Decal - Capacity	
11	1706740	1	Decal - Battery Disconnect <b>(SN 0130032819 through 0130037734)</b>	
12	1001233729	1	Decal - Pinch Point <b>(SN 0130032819 through 0130037734)</b>	

# SECTION 8 - DECALS

## FIGURE 8-15. DECAL INSTALLATION - CSA SPECS (FRENCH LANGUAGE) (MANUAL TRAY)



ART\_0275131

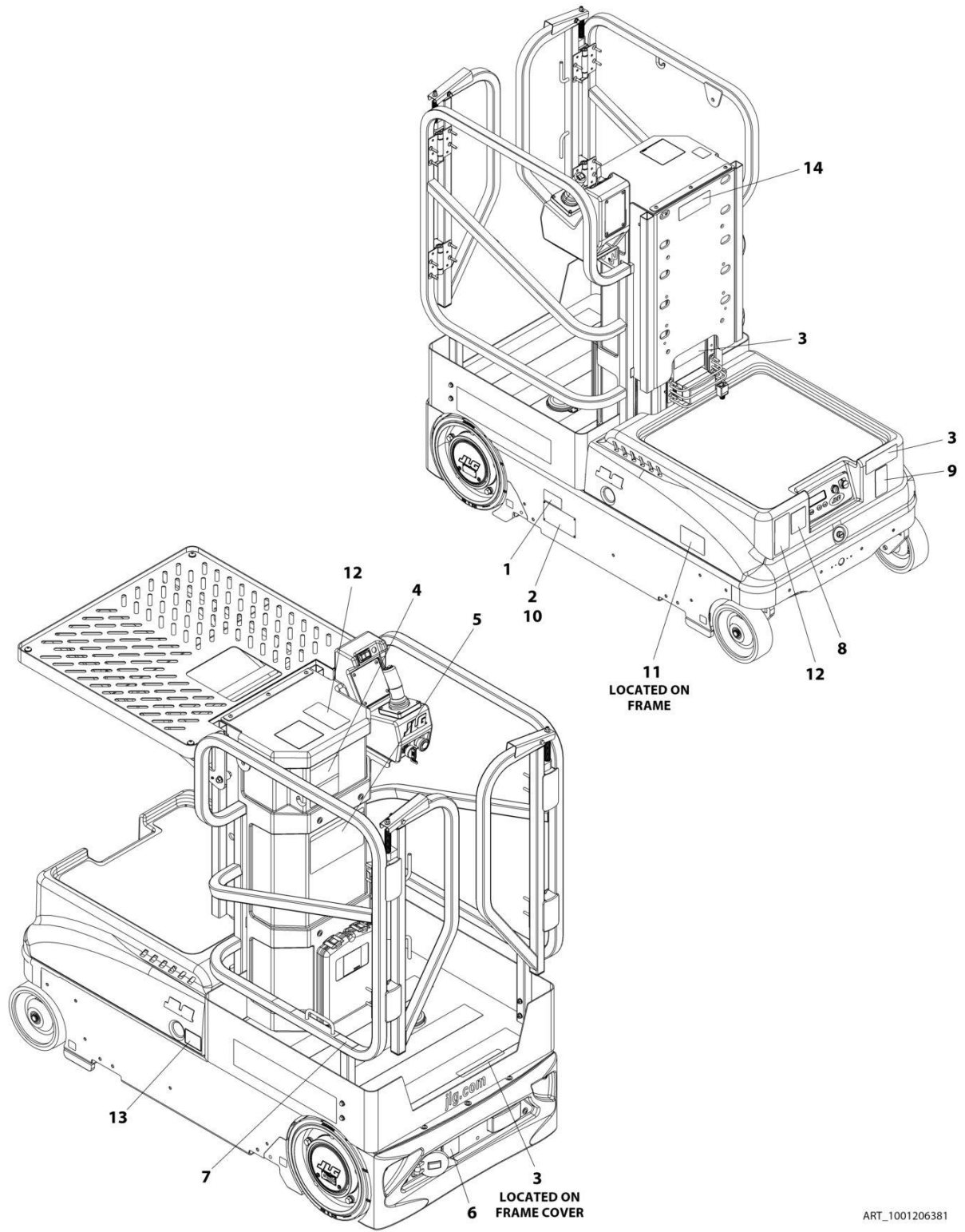
## SECTION 8 - DECALS

**FIGURE 8-15. DECAL INSTALLATION - CSA SPECS (FRENCH LANGUAGE) (MANUAL TRAY)**

ITEM	PART NUMBER	QTY	DESCRIPTION	REV
	0275131	Ref	DECAL INSTALLATION	H
1	1705303	1	Decal - C.S.A.	
2	1001207205	1	Decal - Capacity	
3	1706094	4	Decal - Crushing Hazard (SN 0130032507 through 0130032818)	
3	1706094	3	Decal - Crushing Hazard (SN 0130032819 through 0130037734)	
4	1706095	1	Decal - Danger	
5	1706096	1	Decal - Warning	
6	1706097	1	Decal - Battery Charging Instruction (SN 0130032507 through 0130032818)	
6	1001233055	1	Decal - Battery Charging Instruction (SN 0130032819 through 0130037734)	
7	1706119	1	Decal - Fall Restraint	
8	1706616	1	Decal - Capacity	
9	1706617	1	Decal - No Riders	
10	2080057	4	Fastener	
11	See Note	NSS	Nameplate - Serial Number (Note: Not Available for Purchase)	
12	1001131273	1	Decal - Patent	
13	1001228370	1	Decal - Canada ICES-001	
14	1001223971	1	Decal - Yearly Inspection	
15	1706740	1	Decal - Battery Disconnect (SN 0130032819 through 0130037734)	

# SECTION 8 - DECALS

## FIGURE 8-16. DECAL INSTALLATION - CSA SPECS (FRENCH LANGUAGE) (POWER TRAY)



ART\_1001206381



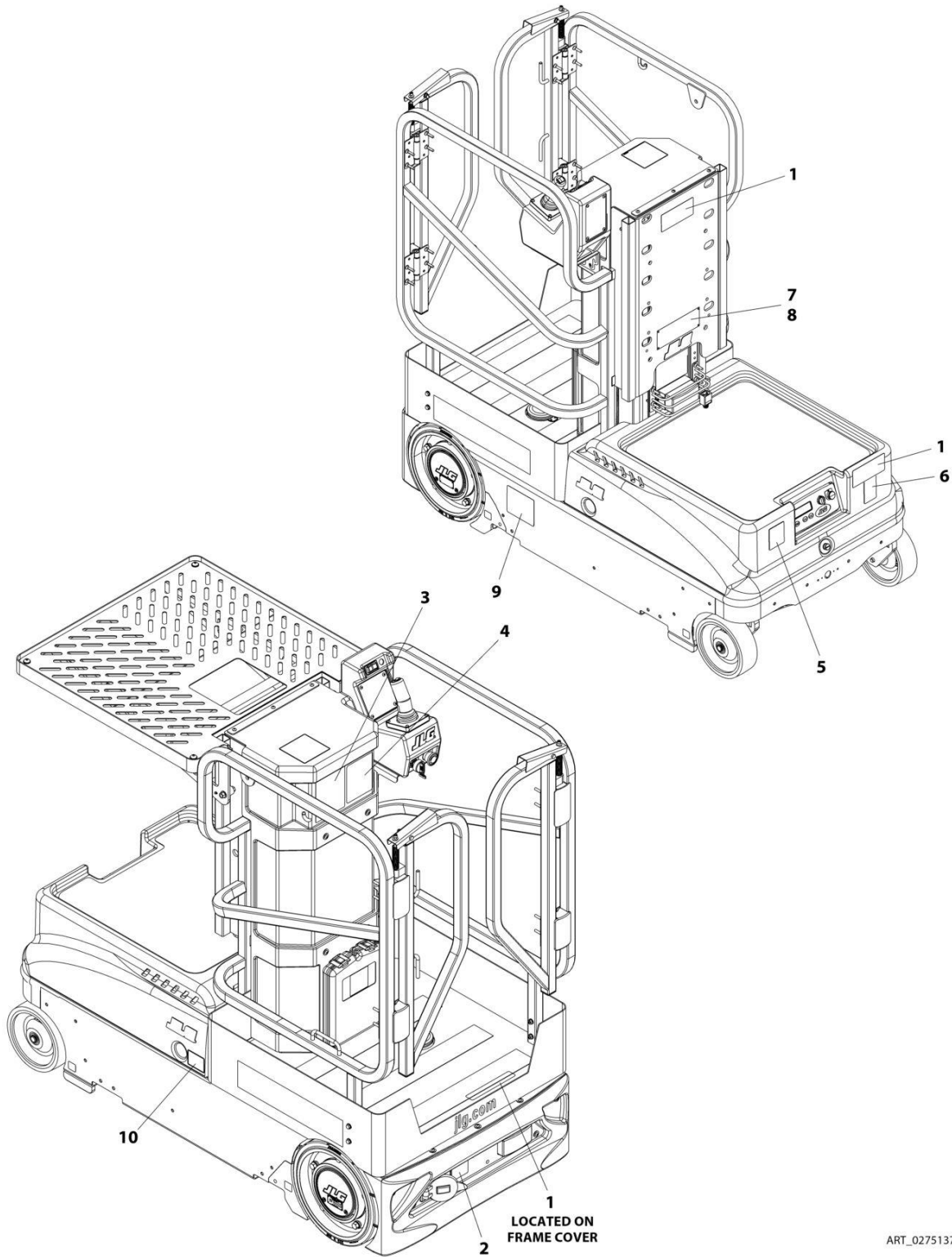
## SECTION 8 - DECALS

**FIGURE 8-16. DECAL INSTALLATION - CSA SPECS (FRENCH LANGUAGE) (POWER TRAY)**

ITEM	PART NUMBER	QTY	DESCRIPTION	REV
	1001206381	Ref	DECAL INSTALLATION	B
1	1705303	1	Decal - C.S.A.	
2	See Note	NSS	Nameplate - Serial Number (Note: Not Available for Purchase)	
3	1706094	4	Decal - Crushing Hazard ( <b>SN 0130032507 through 0130032818</b> )	
3	1706094	3	Decal - Crushing Hazard ( <b>SN 0130032819 through 0130037734</b> )	
4	1706095	1	Decal - Danger	
5	1706096	1	Decal - Warning	
6	1706097	1	Decal - Battery Charging Instruction ( <b>SN 0130032507 through 0130032818</b> )	
6	1001233055	1	Decal - Battery Charging Instruction ( <b>SN 0130032819 through 0130037734</b> )	
7	1706119	1	Decal - Fall Restraint	
8	1706616	1	Decal - Capacity	
9	1706617	1	Decal - No Riders	
10	2080057	4	Fastener	
11	1001131273	1	Decal - Patent	
12	1001206313	2	Decal - Capacity	
13	1706740	1	Decal - Battery Disconnect ( <b>SN 0130032819 through 0130037734</b> )	
14	1001093992	1	Decal - Pinch Point ( <b>SN 0130032819 through 0130037734</b> )	

# SECTION 8 - DECALS

## FIGURE 8-17. DECAL INSTALLATION - JAPAN SPECS (JAPANESE LANGUAGE) (MANUAL TRAY)



ART\_0275137

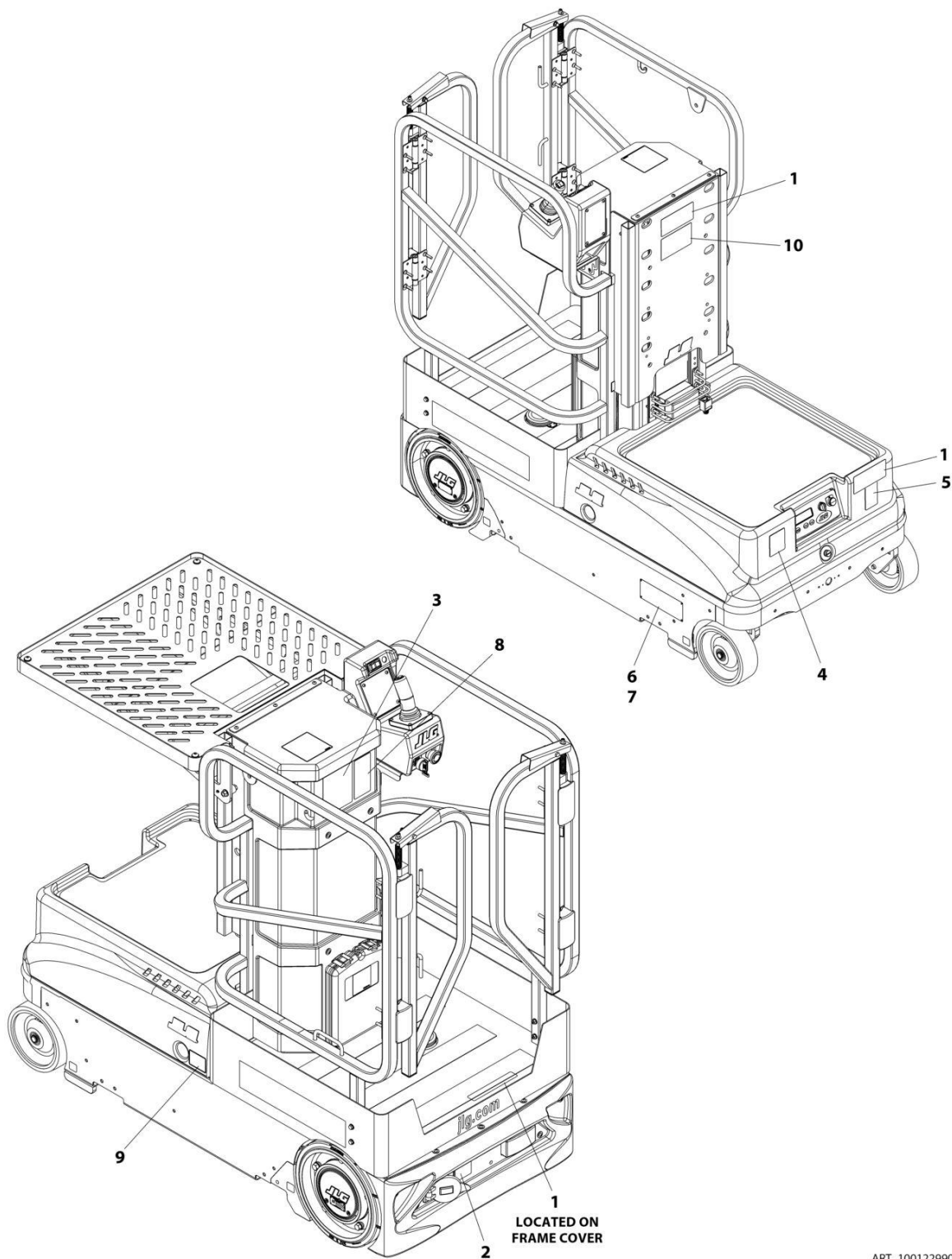
## SECTION 8 - DECALS

**FIGURE 8-17. DECAL INSTALLATION - JAPAN SPECS (JAPANESE LANGUAGE) (MANUAL TRAY)**

ITEM	PART NUMBER	QTY	DESCRIPTION	REV
	0275137	Ref	DECAL INSTALLATION	F
1	1705099	4	Decal - Crushing Hazard ( <b>SN 0130032507 through 0130032818</b> )	
1	1705099	3	Decal - Crushing Hazard ( <b>SN 0130032819 through 0130037734</b> )	
2	1706077	1	Decal - Battery Charging Instruction	
3	1706078	1	Decal - Warning	
4	1001207206	1	Decal - Capacity	
5	1706616	1	Decal - Capacity	
6	1706617	1	Decal - No Riders	
7	2080057	2	Fastener	
8	See Note	NSS	Nameplate - Serial Number (Note: Not Available for Purchase)	
9	1001224053	1	Decal - Yearly Inspection	
10	1706740	1	Decal - Battery Disconnect ( <b>SN 0130032819 through 0130037734</b> )	

# SECTION 8 - DECALS

## FIGURE 8-18. DECAL INSTALLATION - JAPAN SPECS (JAPANESE LANGUAGE) (POWER TRAY)



ART\_1001229901

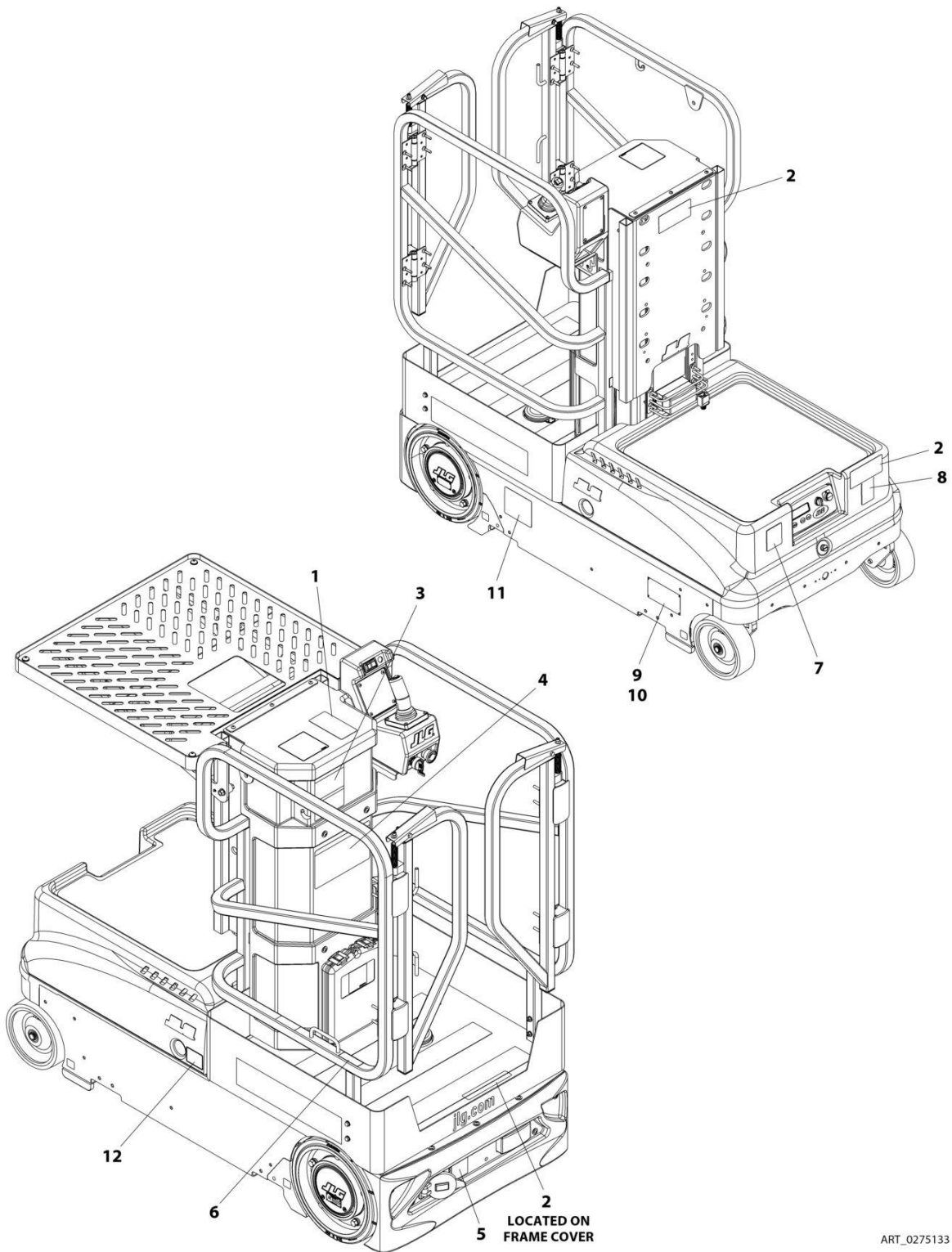
## SECTION 8 - DECALS

**FIGURE 8-18. DECAL INSTALLATION - JAPAN SPECS (JAPANESE LANGUAGE) (POWER TRAY)**

ITEM	PART NUMBER	QTY	DESCRIPTION	REV
	1001229901	Ref	DECAL INSTALLATION	B
1	1705099	4	Decal - Crushing Hazard <b>(SN 0130032507 through 0130032818)</b>	
1	1705099	3	Decal - Crushing Hazard <b>(SN 0130032819 through 0130037734)</b>	
2	1706077	1	Decal - Battery Charging Instruction	
3	1706078	1	Decal - Warning	
4	1706616	1	Decal - Capacity	
5	1706617	1	Decal - No Riders	
6	2080057	2	Fastener	
7	See Note	NSS	Nameplate - Serial Number (Note: Not Available for Purchase)	
8	1001206313	1	Decal - Capacity	
9	1706740	1	Decal - Battery Disconnect <b>(SN 0130032819 through 0130037734)</b>	
10	1706292	1	Decal - Pinch Point (ISO) <b>(SN 0130032819 through 0130037734)</b>	

# SECTION 8 - DECALS

## FIGURE 8-19. DECAL INSTALLATION - LATIN AMERICAN SPECS (SPANISH LANGUAGE) (MANUAL TRAY)



ART\_0275133

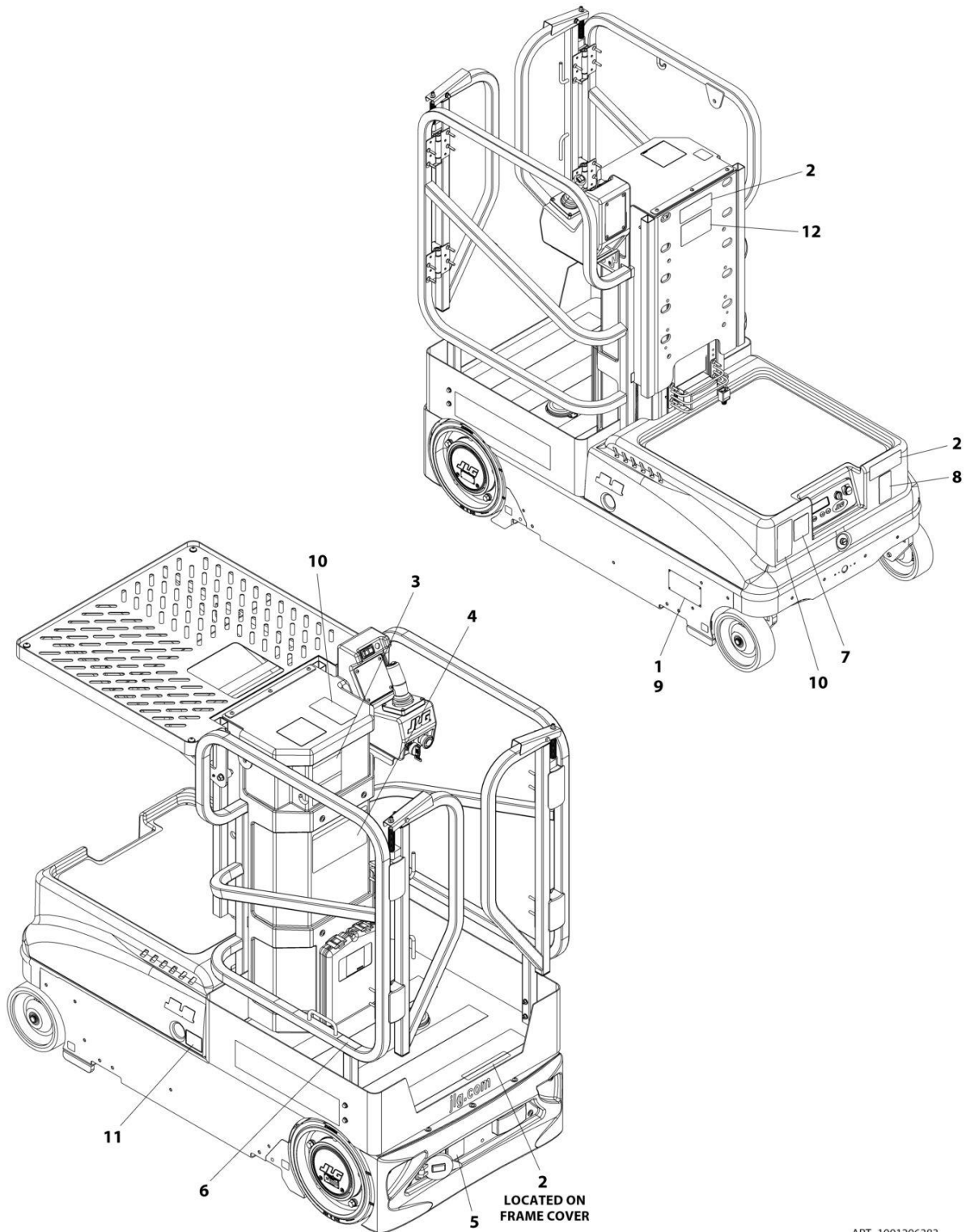
## SECTION 8 - DECALS

**FIGURE 8-19. DECAL INSTALLATION - LATIN AMERICAN SPECS (SPANISH LANGUAGE) (MANUAL TRAY)**

ITEM	PART NUMBER	QTY	DESCRIPTION	REV
	0275133	Ref	DECAL INSTALLATION	G
1	1001207205	1	Decal - Capacity	
2	1706082	4	Decal - Crushing Hazard <b>(SN 0130032507 through 0130032818)</b>	
2	1706082	3	Decal - Crushing Hazard <b>(SN 0130032819 through 0130037734)</b>	
3	1706083	1	Decal - Danger	
4	1706084	1	Decal - Warning	
5	1706085	1	Decal - Battery Charging Instruction <b>(SN 0130032507 through 0130032818)</b>	
5	1001233056	1	Decal - Battery Charging Instruction <b>(SN 0130032819 through 0130037734)</b>	
6	1706116	1	Decal - Fall Restraint	
7	1706616	1	Decal - Capacity	
8	1706617	1	Decal - No Riders	
9	2080057	4	Fastener	
10	See Note	NSS	Nameplate - Serial Number (Note: Not Available for Purchase)	
11	1001224049	1	Decal - Yearly Inspection	
12	1706740	1	Decal - Battery Disconnect <b>(SN 0130032819 through 0130037734)</b>	

# SECTION 8 - DECALS

## FIGURE 8-20. DECAL INSTALLATION - LATIN AMERICAN SPECS (SPANISH LANGUAGE) (POWER TRAY)



ART\_1001206383



## SECTION 8 - DECALS

**FIGURE 8-20. DECAL INSTALLATION - LATIN AMERICAN SPECS (SPANISH LANGUAGE) (POWER TRAY)**

ITEM	PART NUMBER	QTY	DESCRIPTION	REV
	1001206383	Ref	DECAL INSTALLATION	B
1	See Note	NSS	Nameplate - Serial Number (Note: Not Available for Purchase)	
2	1706082	4	Decal - Crushing Hazard ( <b>SN 0130032507 through 0130032818</b> )	
2	1706082	3	Decal - Crushing Hazard ( <b>SN 0130032819 through 0130037734</b> )	
3	1706083	1	Decal - Danger	
4	1706084	1	Decal - Warning	
5	1706085	1	Decal - Battery Charging Instruction ( <b>SN 0130032507 through 0130032818</b> )	
5	1001233056	1	Decal - Battery Charging Instruction ( <b>SN 0130032819 through 0130037734</b> )	
6	1706116	1	Decal - Fall Restraint	
7	1706616	1	Decal - Capacity	
8	1706617	1	Decal - No Riders	
9	2080057	4	Fastener	
10	1001206313	2	Decal - Capacity	
11	1706740	1	Decal - Battery Disconnect ( <b>SN 0130032819 through 0130037734</b> )	
12	1001233727	1	Decal - Pinch Point ( <b>SN 0130032819 through 0130037734</b> )	



## **SECTION 9 - RECOMMENDED SERVICE PARTS STOCK**

## **SECTION 9 - RECOMMENDED SERVICE PARTS STOCK**

## SECTION 9 - RECOMMENDED SERVICE PARTS STOCK

FIGURE 9-1. RECOMMENDED SERVICE PARTS STOCK

ITEM	PART NUMBER	QTY	DESCRIPTION	REV
		Ref	Note: The following list will service one machine (built to current production per date on the front cover) with emergency repair parts which can be installed in the field. Parts from the list should be replaced when inventory is depleted to keep service parts stock supplied. For further information, contact your JLG dealer or the JLG Industries Parts Department.	
		Ref	STANDARD PARTS	
	7011069	1	Breather	
	2400069	2	Fuse 175 Amp	
	4360514	1	Proximity Switch	
	7024428	1	Emergency Stop Switch	
	7024591	1	Selector Switch	
	1001098192	1	Controller Assembly	
	4360467	1	Keyswitch	
	2860030	1	Key, Replacement	
	4360562	1	Switch, Emergency	
	4360567	1	Switch, Push Button	
	1001229726	1	Footswitch	
	1001230161	1	Proximity Switch	
	70006455	1	Coil	
	2120183	4	Filter, In-Line	
	1001208283	1	Switch, Left Hand Control	
		Ref	VARIABLE PARTS	
	1001231450	1	Traction Module	
	1001229629	1	Ground Control Module (All Specs except Australian, Japanese & Chinese Specs)	
	1001229634	1	Ground Control Module (Australian Spec)	
	1001229633	1	Ground Control Module (Japanese & Chinese Specs)	
	1001228458	1	Platform Module	

**SECTION 10 - SPECIAL OPTIONS**

# SECTION 10 - SPECIAL OPTIONS

## FIGURE 10-1. SPECIAL OPTIONS

ITEM	PART NUMBER	QTY	DESCRIPTION	REV
		Ref	Note: This list is to accommodate machines ordered with special equipment. Options may not be applicable to all models. For more specific parts information contact JLG Parts Department.	
		Ref	MISCELLANEOUS SPECIAL OPTIONS	
	1001229107	Ref	ClearSky Telematics 3 Wire Installation (Factory Installed) (North American Specs)	
	1001233237	Ref	ClearSky Telematics 3 Wire Installation (Factory Installed) (CE Spec)	
		Ref	Decals Installations	
	1001229710	Ref	Decal - Clear Sky	
	1001214031	Ref	Decal - EAC (Russian/CIS Specs)	
	0274568	Ref	Decal - Ground Support Service	
		Ref	Electrical Connector Kits	
	1001148902	Ref	Amp Connector Kit	
	1001148903	Ref	Deutsch DT Connector Kit	
	1001148904	Ref	Deutsch HD Connector Kit	
	1001148905	Ref	Packard Connector Kit	
	1001148906	Ref	Various Connector Kit	
	1001234481	Ref	Power Material Tray Kit	
	1001234482	Ref	Obstruction Sensing Pad Kit	
	1001234483	Ref	Remote Manual Decent Kit	
	1001213967	Ref	Security Lock Installation	
		Ref	Tools For Service:	
	7002821	1	Crimper (For Wire to Pin/Socket Connections)	
	7002823	1	Extractor (For Removal of Pin/Sockets Connectors)	
	4460467	1	Extractor 16-18 Gauge (For Wire to Pin/Socket from Deutsch Connectors)	
	4460510	1	Extractor 12-14 Gauge (For Wire to Pin/Socket from Deutsch Connectors)	
	7016654	1	Screwdriver, Magnetic	
	7004275	1	Seal Tool - 1in	
	7004276	1	Seal Tool - 1-1/2in	
	7002826	1	Seal Tool - 2in	
	8896941	1	Stripper, Wire	
	2915027	1	Rear Wheel Puller	
	7002842	1	Brake Crimp Removal Tool	
	7002841	1	Motor Crimp Removal Tool	
	7016618	1	Molex Tool (For Ground Control Station Electrical Connectors)	
	7002841	1	Intech Tool (For Drive Motor Electrical Connectors)	
	7002842	1	Intech Tool (For Drive Motor Brake Electrical Connectors)	
	7002847	1	Tyco/AMP Electronics Tool (For other General Electrical Connectors)	
	7002848	1	Tyco/AMP Electronics Tool (For other General Electrical Connectors)	
	7027247	1	Perma-Push Insert Disconnect Tool (For Hydraulic Fittings)	
	31201384	NLA	Video Operators	

**PART NUMBER INDEX**

## SECTION 10 - SPECIAL OPTIONS

0100011.....11, 15, 17, 23, 35, 39, 41, 43, 45, 47, 49, 51, 53, 55, 57, 59, 61, 63, 65, 73, 79, 83, 85, 87, 99, 117, 119, 123, 125	0641612 .....71	1001100634 ..... 83	1001206385.....169
0100019.....71, 74, 85	0641613 .....85	1001101529 ..... 83	1001206386.....157
0100051.....35	0641616 .....77, 81	1001102771 ..... 133	1001206387.....81
0100062.....74	0641617 ..... 15, 17, 23	1001109821 ...37, 39, 133	1001206397.....149
0100081.....11	0641618 .....95, 97	1001112143 ..... 123, 125	1001206460.....123
0140022.....35	0681414 .....79, 83	1001114467 ..... 11	1001206615.....101
0140033.....57, 59, 61	0700617 .....89	1001116792 ..... 123, 125	1001206743.....79, 83
0240103.....23	0721004 ....45, 47, 49, 51, 53, 89	1001118156 ..... 129	1001207205.....151, 159, 167, 171, 179
0240107.....105	0721006 .....73	1001121700 ..... 35	1001207206.....155, 163, 175
0240108.....105	0721010 ..... 57, 59, 61	1001131273 .....151, 153, 171, 173	1001207339.....123, 125, 131
0240109.....105	0741003 .....123, 125	1001136381 ..... 37, 39	1001207352.....81, 83
0240112.....107	0741005 .....35	1001137026 ..... 65	1001207630.....35
0240114.....19	0741006 .....89	1001137484 ..... 65	1001208283.....123, 125, 184
0255040.....103	0741008 .....89	1001143557 .....143, 145, 147, 149	1001208602.....89, 93
0273417.....74	0741412 .....123, 125	1001144295 ..... 131	1001210379.....89
0273545.....71	0741614 .....77, 81	1001148902 ..... 186	1001210491.....90, 139
0273546.....117	0751003 .....79, 83	1001148903 ..... 186	1001210530.....90
0273570.....95	0760408 .....25	1001148904 ..... 186	1001210531.....17
0273571.....97	0760514 ..... 57, 59, 61	1001148905 ..... 186	1001210573.....25
0274078.....21	0760807 .....89	1001148906 ..... 186	1001210574.....25
0274181.....119	0760808 .....89	1001151629 ..... 135	1001212654.....137
0274568.....186	0760810 .....89	1001153723 ..... 131	1001212655.....137
0274898.....37	0760814 .....89	1001157665 ..... 17	1001212656.....137
0274900.....39	0760818 .....27	1001158844 ..... 165	1001212657.....137
0274935.....145	0761014 .....89	1001164530 ..... 89	1001212660.....137
0275130.....151	0780808 .....125	1001171824 ..... 17	1001212661.....137
0275131.....171	0791003 .35, 73, 123, 125	1001171856 ..... 87	1001213582.....147, 149
0275132.....163	0791404 .....63, 65	1001171869 ..... 87	1001213967.....186
0275133.....179	0791406 .....105	1001177558 ..... 35	1001214031.....186
0275134.....159	0791508 .....39	1001181407 ..... 85	1001214996.....131
0275135.....167	0791812 .....73	1001187862 ..... 35	1001215135.....131
0275136.....155	0801394 .....71, 73	1001197889 ..... 129, 131	1001215226.....123, 125, 129
0275137.....175	0811408 .....73	1001201909 ..... 27	1001215633.....131, 135
0362735.....73	0811610 .....19, 85	1001201910 ..... 27	1001215635.....131, 135
0440246.....73	0902047 .....73	1001202686 .....157, 165	1001217893.....131
0440249.....73	0902423 .....73	1001204273 ..... 21	1001222318.....101
0440306.....11	0902424 .....73	1001204754 ..... 89	1001223055.....151
0440307.....11	0902431 .....73	1001204755 ..... 89	1001223971.....171
0440308.....11	0902445 .....73	1001204756 ..... 89	1001224049.....179
0561149.....74	0902698 .....73	1001204770 ..... 89	1001224051.....167
0561153.....74	0902895 .....95, 97	1001204771 ..... 89	1001224052.....159
0561341.....73	0903120 .....23	1001204772 ..... 89	1001224053.....175
0561408.....74	0903121 .....23	1001204779 ..... 89	1001225209.....73, 111
0561409.....74	0940049 .... 15, 17, 77, 81	1001204783 ..... 89	1001227882.....123, 125, 137
0610131.....37, 39	0940132 .....11	1001204787 ..... 89	1001227884... 63, 65, 135
0630464.....63, 65	0940152 .....21	1001204791 ..... 89	1001228236.....90
0630580.....11	1001081050 .....123	1001204795 ..... 77	1001228239.....79, 83
0641404.....35, 57, 59, 61	1001091679 .....99	1001204796 .....77, 79	1001228370.....151, 171
0641406.....27, 123, 125	1001093992 .....173	1001205547 ..... 89	1001228387 .....135
0641408.....21, 35	1001097449 .....43	1001205548 ..... 89	1001228398 .....89
0641410.....21, 103	1001097450 .....51	1001205549 ..... 89	1001228458... 63, 65, 184
0641412.....123, 125	1001097451 .....53	1001205550 ..... 89	1001228494.....125
0641413.....11	1001097452 .....49	1001205701 ..... 89	1001228495.....63, 123
0641414.....11, 107	1001097453 .....45	1001205719 ..... 89	1001228496.....65, 125
0641415.....83	1001097454 .....47	1001205838 .....89, 113	1001228538.....15, 17
0641416.....79, 83	1001097455 .....55	1001206177 ..... 27	1001228539.....15, 17
0641424.....95, 97	1001097456 .....41	1001206261 ..... 27	1001228540.....15
0641507.....99	1001098192 .... 63, 65, 67, 184	1001206313 .....153, 161, 169, 173, 177, 181	1001228541.....15, 17
0641606.....23, 117, 119	1001098193 .....63, 65	1001206380 ..... 153	1001228543.....15
0641607.....11	1001098810 .....11	1001206381 ..... 173	1001228835.....63, 65
0641609.....11, 23, 71	1001099638 .....79, 83	1001206382 ..... 165	
	1001100141 .....83	1001206383 ..... 181	
	1001100142 .....83	1001206384 ..... 161	



## SECTION 10 - SPECIAL OPTIONS

1001228847 .....85	1271567 ..... 73	165, 167, 169, 171,	3311605 .... 11, 15, 17, 19,
1001228848 .....87	1271568 ..... 73	173, 175, 177, 179, 181	23, 77, 81, 95, 97, 123,
1001228849 .....11	1271569 ..... 73	1706740.....151, 153, 155,	125
1001228850 .....11	1271577 ..... 73	157, 159, 161, 163,	3321402 .....27
1001228852 ..... 15, 17	1320043 .....123, 125	165, 167, 169, 171,	3340845 ..... 73
1001228853 .....87	1320149 .....123, 125	173, 175, 177, 179, 181	3340962 ..... 79, 83, 85
1001228854 ..... 85, 87	1320316 .....95, 97	1706743.....143, 145, 147,	3380540 .....63, 65
1001228873 .....83	1380169 .....15, 17	149	3420198 .....95, 97
1001228874 .....83	1580031 .....107	1706764.....143, 145, 147,	3421453 .....103
1001228875 .....79	1600466 .....37, 39	149	3422338 .....74
1001228876 .....79	1701640 .... 143, 145, 147,	2080040.....79, 83, 105	3422346 .....74
1001228994 .....25	149	2080043.....79, 83	3422355 .....74
1001229107 .....186	1702365 .....103	2080057.....151, 153, 155,	3422717 .....73
1001229115 .....90	1703681 .... 145, 147, 149	157, 159, 161, 163,	3422744 .....105
1001229116 .....90	1703779 .....151, 153	165, 167, 169, 171,	3422750 .....73
1001229310 ..... 11, 13	1703786 .....151, 153	173, 175, 177, 179, 181	3422752 .....73
1001229629 ..... 57, 184	1704412 .....117, 119	2110606 .....32	3422757 .....73
1001229630 .....61	1705099 .... 155, 157, 163,	2120183.....117, 119, 184	3440410 .....27
1001229631 .....59	165, 175, 177	2220466 .....89	3440418 .....27
1001229632 .....57	1705303 .... 151, 153, 171,	2220591 .....111	3450302 .....87
1001229633 ..... 61, 184	173	2220775 .....89	3450304 .....74
1001229634 ..... 59, 184	1705624 .... 143, 145, 147,	2221123 .....117, 119	3520072 .....79, 83
1001229682 .....35	149	2221172 .....111	3520176 .....105
1001229683 .....35	1705929 .....151, 153	2221173 .....111	3570893 .....73
1001229684 .....35	1705937 .....151, 153	2221185.....32, 117, 119	3571101 .....74
1001229710 .....186	1705938 .....151, 153	2300014 .....117	3571103 .....74
1001229725 .....27	1705992 .... 143, 145, 147,	2300021 .....119	3571584 .... 45, 47, 49, 51,
1001229726 ...79, 83, 184	149	2400044 .....35, 89	53
1001229778 ..... 15, 17	1705995 .....151, 153	2400054 .....89	3580269 .....73
1001229901 .....177	1706007 .....63, 65	2400069 .....35, 184	3580286 .....73
1001229990 .....25	1706077 .... 155, 157, 163,	2600294 .....79, 83	3580293 .....73
1001230062 ..... 143, 147	165, 175, 177	260269 .....89	3580344 .....123, 125
1001230063 ..... 143, 147	1706078 .... 155, 157, 163,	2660121 .....95, 97	3600392 ..... 31, 117, 119
1001230064 ..... 143, 147	165, 175, 177	2754025 .....117, 119	3680057 .....39
1001230065 ..... 143, 147	1706082 .....179, 181	280013 .....83	3760115 .....11
1001230161 ...79, 83, 184	1706083 .....179, 181	2860030 .....63, 184	3760170 .....103
1001230219 ..... 143, 147,	1706084 .....179, 181	2880310 .....73	3760308 .....15, 17
149	1706085 .....179, 181	2915027 .....186	3760365 .....19
1001230220 .....143	1706086 .....159, 161	2940165 .....87	3760383 .....73
1001230221 .....147	1706087 .....159, 161	3020029 .....11	3760496 .....11
1001231257 .....89	1706088 .....159, 161	3020038 .....35, 123, 125	3820013 .....35
1001231450 .... 57, 59, 61,	1706089 .....159, 161	3020039 .....11	3820032 .... 143, 145, 147,
184	1706090 .....167, 169	3020041 .....73	149
1001231801 ..... 151, 153	1706091 .....167, 169	31201384 .....186	3890039 .....73
1001233045 .....15	1706092 .....167, 169	3271405 .....11	3900174 .....15, 17
1001233046 .....17	1706093 .....167, 169	3271601 .....85	3900187 .....73
1001233054 ..... 151, 153	1706094 .....171, 173	3290401 .....35	3900189 .....63, 65
1001233055 ..... 171, 173	1706095 .....171, 173	3290405 .....25	3900192 .....73
1001233056 ..... 179, 181	1706096 .....171, 173	3290605 .....89	3900258 .....15, 17
1001233057 .....159	1706097 .....171, 173	3290801 .....27, 89	3900264 .....123, 125
1001233058 ..... 167, 169	1706115 .....151, 153	3290807 .....89	3900283 .....23
1001233237 .....186	1706116 .....179, 181	3291007 .....87, 89	3900364 .....89
1001233727 .....181	1706117 .....167, 169	3300151 .....83	3900373 .....123, 125
1001233728 .....161	1706118 .....159, 161	3300381 .....83	3900393 .....87
1001233729 .....169	1706119 .....171, 173	3300454 .....15, 17	3910408 .....131
1001234322 ..... 15, 17	1706131 .... 143, 145, 147,	3310401 .....131	3910608 .....63, 65
1001234481 .....186	149	3310601 .....63, 65	3910804 .....63
1001234482 .....186	1706134 ..... 95, 97, 105	3311001 .....39, 55	3911016 .... 35, 39, 41, 43,
1001234483 .....186	1706292 .... 157, 165, 177	3311005 .....63, 65, 89	55
1060380 .....103	1706302 .....153	3311405.....21, 27, 35, 79,	3911432 .....17
1060689 .....37	1706326 .....103	83, 95, 97, 99, 103,	3931016 .....35
1060799 ..... 95, 97	1706616 .... 151, 153, 155,	105, 107, 123, 125	3931408 .....105
1060943 .....35	157, 159, 161, 163,	3311408 .....73, 105	3931412 .....99
1060944 .....35	165, 167, 169, 171,	3311501 .....17, 39, 99	3931420 .....21
1180397 .....131	173, 175, 177, 179, 181	3311601 .....71, 73	3931456 .....83
1260375 ..... 73, 74	1706617 .... 151, 153, 155,		3960590 .....11
1260376 ..... 73, 74	157, 159, 161, 163,		4010412 .....35

## SECTION 10 - SPECIAL OPTIONS

4010414.....	35	4460894.....	133	7000082.....	67	7002823.....	186
4031511.....	35	4460897.....	127	7000084.....	67	7002826.....	186
4031909.....	89	4460899.....	137	70000218.....	111	7002841.....	186
4031910.....	89	4460940.....	55	70000683.....	67	7002842.....	186
4060805.....	15, 17, 87	4460961.....	133	70000684.....	67	7002847.....	186
4070860.....	73	4461023.....	131, 135	70000685.....	67	7002848.....	186
4070861.....	73	4461025.....	131	70000686.....	67	7004275.....	186
4070862.....	73	4461108.....	127	70000991.....	111	7004276.....	186
4070970.....	73	4461196.....	45	70000992.....	111	7010928.....	31
4070971.....	73	4461199.....	47	70000993.....	111	7011004.....	31
4071084.....	35	4461205.....	51, 53	70000995.....	111	7011008.....	31
4071095.....	79, 83	4461249.....	49	70001250.....	67	7011009.....	31
4071113.....	11	4520342.....	11	70001251.....	67	7011011.....	31
4071114.....	11	4520343.....	11	70001252.....	67	7011013.....	31
4120046.....	39	4520352.....	23	70001253.....	67	7011016.....	31
4160124.....	73	4567491.....	73	70006451.....	111	7011017.....	31
4160130.....	123, 125	4567750.....	73	70006453.....	111	7011021.....	31
4160187.....	21	4567751.....	73	70006454.....	111	7011024.....	31
4191706.....	37, 39	4568208.....	105	70006455.....	111, 184	7011025.....	31
4220309.....	79, 83	4569003.....	74	70006456.....	113	7011027.....	31
4240018.....	123, 125	4569158.....	105	70006457.....	113	7011029.....	31
4240147.....	11	4630009.....	105	70007190.....	13	7011031.....	31
4240163.....	95, 97	4630010.....	105	70007191.....	13	7011032.....	31
4280296.....	103	4711000.....	45, 47, 49, 51, 53, 89	70007192.....	13	7011033.....	31
4300111.....	74	4711400.....	11, 27, 74, 79, 83, 95, 97, 99, 123, 125	70007193.....	13	7011034.....	31
4340838.....	123, 125	4711500.....	74	70007194.....	13	7011069.....	31, 184
4340884.....	63, 65	4711600.....	11, 15, 17, 19, 71, 77, 81, 85, 87, 95, 97	70007195.....	13	7016618.....	186
4341005.....	107	4740007.....	74	70007196.....	13	7016654.....	186
4341155.....	11	4740139.....	77, 81	70007197.....	13	7023391.....	111
4360467.....	63, 184	4740414.....	74	70007198.....	13	7023392.....	111
4360514.....	35, 184	4751000.....	57, 59, 61, 123, 125	70007199.....	13	7023395.....	111
4360562.....	63, 65, 184	4751400.....	15, 17, 21, 35	70007200.....	13	7024428.....	57, 59, 61, 184
4360567.....	63, 65, 184	4751500.....	15, 17, 39, 74, 99, 123, 125	70007201.....	13	7024591.....	57, 59, 61, 184
4460035.....	79, 83	4760400.....	131	70007202.....	13	7024592.....	57, 59, 61
4460226.....	129, 131, 133	4761000.....	55	70007203.....	13	7024747.....	13
4460259.....	139	4761400.....	74	70007204.....	13	7024748.....	13
4460260.....	139	4811400.....	25, 35	70007205.....	13	7024756.....	13
4460267.....	131, 137	4811700.....	89	70007206.....	13	7024758.....	13
4460268.....	123, 125, 139	4811900.....	87, 89	70007207.....	13	7024786.....	13
4460312.....	131, 139	4812000.....	87, 89	70007292.....	93	7027247.....	111, 186
4460320.....	79, 83, 129, 131, 137	4844840.....	103	70007293.....	93	7027365.....	67
4460326.....	139	4891400.....	21	70007294.....	93	7027367.....	67
4460424.....	123, 125, 131	4923022.....	35	70007295.....	93	7027765.....	67
4460428.....	45, 47, 49, 51, 53	4923023.....	35	70007296.....	93	7027766.....	67
4460445.....	131	4923024.....	35	70007297.....	93	7027943.....	31
4460464.....	127, 137	4923028.....	35	70007298.....	93	7027944.....	31
4460465.....	131, 133	4923029.....	35	70007299.....	93	7027945.....	31
4460466.....	137	4923107.....	63, 65	70007300.....	93	7027946.....	31
4460467.....	186	4923108.....	63	70007301.....	93	7027947.....	31
4460510.....	186	4923174.....	43	70007302.....	93	7027948.....	31
4460633.....	131	4923383.....	35, 127	70007303.....	93	7027949.....	31
4460670.....	131	4923438.....	37, 39	70007304.....	93	8220904.....	139
4460738.....	127, 131, 139	4923446.....	35	70007305.....	93	8305919.....	89
4460802.....	41, 43, 55			70007306.....	93	8882320.....	101
4460803.....	43			70022700.....	113	8882970.....	11
4460829.....	139			70022703.....	113	8896941.....	186
4460891.....	131			70022704.....	113	8990147.....	143, 145, 147, 149
				70022705.....	113		
				7002821.....	186		





3121780



An Oshkosh Corporation Company

**Corporate Office**  
**JLG Industries, Inc.**  
**1 JLG Drive**  
**McConnellsburg, PA 17233-9533 USA**  
**☎ (717) 485-5161 (Corporate)**  
**☎ (877) 554-5438 (Customer Support)**  
**☎ (717) 485-6417**

**Visit our website for JLG Worldwide Locations.**  
**[www.jlg.com](http://www.jlg.com)**