



# Illustrated Parts Manual

*Models*  
**600S HC3**  
**660SJ HC3**

PVC  
2001

P/N  
31215909  
July 17, 2023 - Rev F

**ANSI**

**CE**



**AS/NZS**



An Oshkosh Corporation Company



## REVISION LOG

February 1, 2020 - A - Original Issue of Manual (Edited to B/M 1001246000 Revision D)

March 15, 2021 - B - Revised Manual (Edited to B/M 1001246000 Revision P)

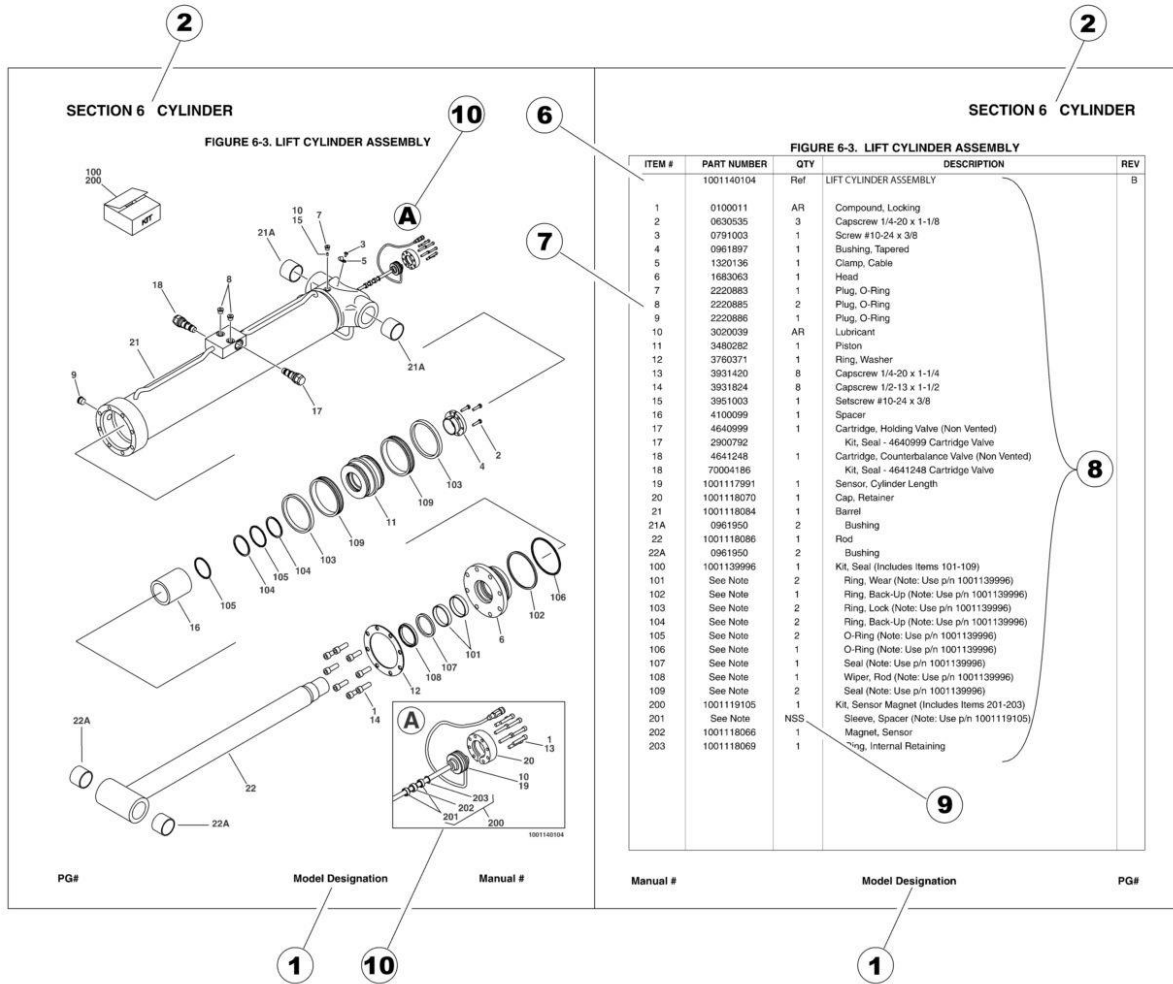
May 31, 2021 - C - Revised Manual (Edited to B/M 1001246000 Revision Q)

July 11, 2022 - D - Revised Manual (Edited to B/M 1001246000 Revision Q)

February 15, 2023 - E - Revised Manual (Edited to B/M 1001246000 Revision Q)

July 17, 2023 - F - Revised Manual (Edited to B/M 1001246000 Revision Q)

# GENERAL INFORMATION



## 1) MACHINE IDENTIFICATION

Machines are identified by model and in some cases a combination of models, serial number (SN) or regional standard (i.e ANSI, CE, CSA). Components may also be identified by SN or manufacturer. Common components that may be identified by these characteristics are engines and hydraulic components.

## 2) PARTS MANUAL ORGANIZATION

Product information in this manual is organized under section titles. Frame, Cylinder, Hydraulic and Electrical are a few examples. Each section is organized by figure and page number. The information within the Figure is then organized by item number, part number, description and corresponding illustration (s).

## 3) TABLE OF CONTENTS (NOT SHOWN)

A table of contents is found toward the beginning of the manual. Figure number, description and page number are provided for quick reference to the page containing the related information.

## 4) RECOMMENDED SPARE PARTS (NOT SHOWN)

The Recommended Spare Parts List, located near the end of the manual, reference most frequently used maintenance parts.

## 5) PART NUMBER INDEX (NOT SHOWN)

A numerical index listing all part numbers and the corresponding page number(s) appears at the back of the manual.

## GENERAL INFORMATION

### 6) NON-SERVICED PARTS

In some instances, it is necessary to display non-serviced parts, assemblies or installations. In the case of assemblies and installations there will be a Ref in the Qty. column. In case of parts that are not available for service within assemblies or components, there will be a NSS (Not Sold Separately) or NLA (No Longer Available) listed in the Qty. column of the manual.

### 7) PARTS LIST ITEM NUMBERS

Numbers shown in the item# column correspond to numbers used in the associated illustration (s). Item numbers which are missing from the sequence in the parts list are not used on that page.

### 8) INDENTED PARTS DESCRIPTION

An indented part description is included in the item under which it is indented.

### 9) ABBREVIATION AND SYMBOLS

AC.....	Alternating Current	L.....	Liter
ADE.....	Advanced Design Electronics	LB(LBS).....	Pounds
AG.....	Agricultural	LCD.....	Liquid Crystal Display
ANSI.....	American National Standards Institute	LED.....	Light Emitting Diodes
AR.....	As Required	LH.....	Left Hand
ASSY.....	Assembly	LRC.....	Low Rated Countries
AUS.....	Australia	LSS.....	Load Sensing System
AUX.....	Auxiliary	M(m).....	Metric/Meter
AWG.....	American Wire Gauge	MM(mm).....	Milimeter
B/M.....	Bill of Material	mA.....	Miliamps
CAC.....	Charge Air Cooler	NLA.....	No Longer Available
CE.....	European Conformity	NPT.....	National Pipe Threads
CCW.....	Counter Clockwise	NSS.....	Not Sold Separately
CM.....	Centimeter	OD.....	Outside Diameter
CW.....	Clockwise	ORB.....	O-Ring Boss
CSA.....	Canadian Standards Association	ORFS.....	O-Ring Face Seal
CYL.....	Cylinder	OZ (oz).....	Ounces
DIA.....	Diameter	PG.....	Page
DC.....	Direct Current	PN.....	Part Number
DEF.....	Diesel Exhaust Fluid	QT(qt.).....	Quarts
EMS.....	Emergency Stop	QTY.....	Quantity
ENG.....	Engine	REF.....	Reference
FT(ft).....	Feet	REV.....	Revision Level
GA(Ga).....	Gauge	RH.....	Right Hand
HRC.....	High Rated Countries	SAE.....	Society of Automotive Engineers
HVAC.....	Heating, Ventilating, and Air Conditioning	SN.....	Serial Number
HYD.....	Hydraulic	SPEC(S).....	Specifications
Hz.....	Hertz	T/T.....	Turntable
ID.....	Inside Diameter	UGM.....	Universal Ground Module
IN.....	inches	V.....	Volts
ISO.....	International Organization for Standards	W.....	Watts
JIC.....	Joint Industry Council	#.....	Number
KG.....	Kilogram		

### 10) ILLUSTRATION REFERENCE LETTERS

When necessary, illustrations may contain reference letters that are intended to track information (i. e. hoses, harnesses) from one point to another or to track visual enlargement of components to show details that may be located in another area on the illustration.

*Note: Due to continuous product improvements, JLG Industries, Inc. reserves the right to make specification changes without prior notification. Contact JLG Industries, Inc. for updated information.*



# TABLE OF CONTENTS

SECTION 1 - FRAME.....	15
FIGURE 1-1. AXLE INSTALLATION - FRONT .....	16
FIGURE 1-2. STEER INSTALLATION - WITHOUT TOW PACKAGE (600S HC3) .....	18
FIGURE 1-3. STEER INSTALLATION - WITH TOW PACKAGE (600S HC3) .....	20
FIGURE 1-4. STEER INSTALLATION - WITHOUT TOW PACKAGE (660SJ HC3) .....	22
FIGURE 1-5. STEER INSTALLATION - WITH TOW PACKAGE (660SJ HC3) .....	24
FIGURE 1-6. WHEEL DRIVE INSTALLATION - 4WD/2WS (600S HC3) .....	26
FIGURE 1-7. WHEEL DRIVE INSTALLATION - 4WD/2WS (660SJ HC3).....	28
FIGURE 1-8. DRIVE MOTOR ASSEMBLY (600S HC3) .....	30
FIGURE 1-9. DRIVE MOTOR ASSEMBLY (660SJ HC3) .....	32
FIGURE 1-10. DRIVE HUB ASSEMBLY (600S HC3) .....	34
FIGURE 1-11. DRIVE HUB ASSEMBLY (660SJ HC3) .....	38
FIGURE 1-12. TRACTION VALVE ASSEMBLY .....	42
FIGURE 1-13. TIRE & WHEEL INSTALLATION - IN355-55 D625 FOAM FILLED (AVAILABLE ON ALL SPECS) .....	44
FIGURE 1-14. TIRE & WHEEL INSTALLATION - IN355-55 D625 FOAM FILLED NON-MARKING (AVAILABLE ON ALL SPECS) .....	46
FIGURE 1-15. TIRE & WHEEL INSTALLATION - 41-18LL X 22.5 FOAM FILLED TURF & SAND (AVAILABLE ON ALL SPECS EXCEPT AUSTRALIAN & CE SPECS) .....	48
FIGURE 1-16. MATTRACKS INSTALLATION.....	50
FIGURE 1-17. MATTRACKS INSTALLATION.....	52
FIGURE 1-18. MATTRACKS INSTALLATION.....	54
FIGURE 1-19. MATTRACKS INSTALLATION.....	56
FIGURE 1-20. LP TANKS AND BRACKETS INST ALLATION (FORD ENGINES) .....	62
FIGURE 1-21. FRAME COVERS INST ALLATION - 2WS .....	64
FIGURE 1-22. TOW BAR INSTALLATION (OPTIONAL).....	66
SECTION 2 - TURNTABLE.....	69
FIGURE 2-1. VALVE INSTALLATION - 600S HC3 (Prior to SN 0300276771) .....	70
FIGURE 2-2. VALVE INSTALLATION - 600S HC3 (SN 0300276771 to Present) .....	72
FIGURE 2-3. VALVE INSTALLATION - 660SJ HC3 .....	74
FIGURE 2-4. MAIN VALVE ASSEMBLY - 2WS .....	76
FIGURE 2-5. AXLE VALVE ASSEMBLY.....	80
FIGURE 2-6. SWING DRIVE INSTALLATION.....	82
FIGURE 2-7. SWING MOTOR/HUB ASSEMBLY.....	84
FIGURE 2-8. TURNTABLE BEARING AND LUBE INSTALLATION .....	88
FIGURE 2-9. TURNTABLE LOCK INSTALLATION .....	90
FIGURE 2-10. ROTARY COUPLING INSTALLATION.....	92
FIGURE 2-11. ROTARY COUPLING ASSEMBLY .....	94
FIGURE 2-12. TANKS INSTALLATION - DIESEL MACHINES (POLY FUEL TANK) (600S HC3) .....	96
FIGURE 2-13. TANKS INSTALLATION - DIESEL MACHINES (POLY FUEL TANK) (660SJ HC3) .....	98
FIGURE 2-14. TANKS INSTALLATION - DIESEL MACHINES (STEEL FUEL TANK) (600S HC3) .....	100
FIGURE 2-15. TANKS INSTALLATION - DIESEL MACHINES (STEEL FUEL TANK) (660SJ HC3) .....	102
FIGURE 2-16. TANKS INSTALLATION - GAS MACHINES (600S HC3) .....	104
FIGURE 2-17. TANKS INSTALLATION - GAS MACHINES (660SJ HC3).....	106
FIGURE 2-18. HYDRAULIC TANK ASSEMBLY .....	108
FIGURE 2-19. BATTERY AND AUXILIARY PUMP INSTALLATION .....	110
FIGURE 2-20. BATTERY AND AUXILIARY PUMP WITH DISCONNECT SWITCH INST ALLATION .....	112
FIGURE 2-21. ELECTRICAL COMPONENTS INST ALLATION - 600S HC3 .....	114
FIGURE 2-22. ELECTRICAL COMPONENTS INST ALLATION - 660SJ HC3 .....	116
FIGURE 2-23. ELECTRICAL COMPONENTS INST ALLATION - 600S HC3 (STAGE V) (SN 0300274693 to Present).....	118
FIGURE 2-24. ELECTRICAL COMPONENTS INST ALLATION - 660SJ HC3 (STAGE V) .....	120
FIGURE 2-25. GROUND CONTROL ASSEMBLY - 600S HC3.....	122
FIGURE 2-26. GROUND CONTROL ASSEMBLY - 660SJ HC3.....	124
FIGURE 2-27. GROUND CONTROL ASSEMBLY - 600S HC3 (STAGE V) (SN 0300274693 to Present) .....	126
FIGURE 2-28. GROUND CONTROL ASSEMBLY - 660SJ HC3 (STAGE V) .....	128
FIGURE 2-29. LIGHT PANEL INSTALLATION .....	130
FIGURE 2-30. KEYSWITCH INSTALLATION - 600S HC3 (ALL SPECS EXCEPT CE SPECS) .....	132
FIGURE 2-31. KEYSWITCH INSTALLATION - 600S HC3 (CE SPECS) .....	134
FIGURE 2-32. KEYSWITCH INSTALLATION - 660SJ HC3 (ALL SPECS EXCEPT CE SPECS) .....	136
FIGURE 2-33. KEYSWITCH INSTALLATION - 660SJ HC3 (CE SPECS).....	138
FIGURE 2-34. KEYSWITCH INSTALLATION - 600SJ HC3 (WITHOUT JIB) (WITH MSSO)(CE SPECS) (SN 0300274693 to Present).....	140
FIGURE 2-35. KEYSWITCH INSTALLATION - 660SJ HC3 (WITH JIB) (WITH MSSO) (CE SPECS) (SN 0300274693 to Present) .....	142

# TABLE OF CONTENTS

FIGURE 2-36. STROBE LIGHT INSTALLATION - AMBER (OPTIONAL) .....	144
FIGURE 2-37. STROBE LIGHT INSTALLATION - BLUE (OPTIONAL) .....	146
FIGURE 2-38. STROBE LIGHT INSTALLATION - RED (OPTIONAL) .....	148
FIGURE 2-39. WHITE NOISE ALARM INSTALLATION .....	150
FIGURE 2-40. HOODS INSTALLATIONS - ABS .....	152
FIGURE 2-41. HOOD ASSEMBLY - ENGINE SIDE (ABS) (SN 0300275114 to Present) .....	156
FIGURE 2-42. HOOD ASSEMBLY - TANK SIDE (ABS) (SN 0300275114 to Present) .....	158
FIGURE 2-43. HOODS INSTALLATIONS - STEEL (SN 0300275114 to Present) .....	160
FIGURE 2-44. HOODS INSTALLATIONS - STEEL .....	164
FIGURE 2-45. HOOD ASSEMBLY - ENGINE SIDE (STEEL) (SN 0300275114 to Present) .....	168
FIGURE 2-46. HOOD ASSEMBLY - TANK SIDE (STEEL) (SN 0300275114 to Present) .....	170
FIGURE 2-47. HOODS INSTALLATIONS - ABS (SN 0300275114 to Present) .....	172
FIGURE 2-48. NOISE REDUCTION PACKAGE (600S HC3) .....	176
FIGURE 2-49. TURNTABLE COVERS INSTALLATION .....	178
SECTION 3 - ENGINE .....	181
FIGURE 3-1. DEUTZ D2011 ENGINE INSTALLATION - WITHOUT ARCTIC PACKAGE (600S HC3) .....	182
FIGURE 3-2. DEUTZ D2011 ENGINE INSTALLATION - WITHOUT ARCTIC PACKAGE (660SJ HC3) .....	184
FIGURE 3-3. DEUTZ D2011 ENGINE AND PUMPS SUB-ASSEMBLY - WITHOUT ARCTIC PACKAGE (600S HC3/660SJ HC3) .....	186
FIGURE 3-4. DEUTZ D2011 ENGINE ASSEMBLY - WITHOUT ARCTIC PACKAGE (600S HC3/660SJ HC3) .....	188
FIGURE 3-5. DEUTZ D2011 ENGINE INSTALLATION - WITH ARCTIC PACKAGE (600S HC3) .....	192
FIGURE 3-6. DEUTZ D2011 ENGINE INSTALLATION - WITH ARCTIC PACKAGE (660SJ HC3) .....	196
FIGURE 3-7. DEUTZ D2011 ENGINE AND PUMPS SUB-ASSEMBLY - WITH ARCTIC PACKAGE (600S HC3/660SJ HC3) .....	200
FIGURE 3-8. DEUTZ D2011 ENGINE ASSEMBLY - WITH ARCTIC PACKAGE (600S HC3/660SJ HC3) .....	202
FIGURE 3-9. DEUTZ D2011 ENGINE COMPONENTS (600S HC3/660SJ HC3) .....	206
FIGURE 3-10. DEUTZ D2011 (STAGE V) ENGINE INSTALLATION (600S HC3) (Prior to SN 0300274693) .....	210
FIGURE 3-11. DEUTZ D2011 (STAGE V) ENGINE INSTALLATION (660SJ HC3) (Prior to SN 0300274693) .....	212
FIGURE 3-12. DEUTZ D2011 (STAGE V) ENGINE AND PUMPS SUB-ASSEMBLY (600S HC3/660SJ HC3) (Prior to SN 0300274693) .....	214
FIGURE 3-13. DEUTZ D2011 (STAGE V) ENGINE ASSEMBLY (600S HC3/660SJ HC3) (Prior to SN 0300274693) .....	216
FIGURE 3-14. DEUTZ D2011 (STAGE V) ENGINE COMPONENTS (600S HC3/660SJ HC3) (Prior to SN 0300274693) .....	220
FIGURE 3-15. DEUTZ TD 2.2L3 (STAGE V) ENGINE INSTALLATION (600S HC3) (SN 0300274693 to Present) .....	224
FIGURE 3-16. DEUTZ TD 2.2L3 (STAGE V) ENGINE INSTALLATION (660S HC3) (SN 0300274693 to Present) .....	228
FIGURE 3-17. DEUTZ TD2.2L3 ENGINE AND PUMPS SUB-ASSEMBLY - WITHOUT ARCTIC PACKAGE (600S HC3/660SJ HC3) (SN 0300274693 to Present) .....	232
FIGURE 3-18. DEUTZ TD2.2L3 ENGINE ASSEMBLY - WITHOUT ARCTIC PACKAGE (600S HC3/660SJ HC3) (SN 0300274693 to Present) .....	234
FIGURE 3-19. DEUTZ TD2.2L3 (STAGE V) ENGINE COMPONENTS .....	240
FIGURE 3-20. DEUTZ D 2.9L4 (TIER 4 FINAL) ENGINE INSTALLATION (600S HC3) (SN 0300275114 to Present) .....	244
FIGURE 3-21. DEUTZ D 2.9L4 (TIER 4 FINAL) ENGINE INSTALLATION (660S HC3) (SN 0300275114 to Present) .....	248
FIGURE 3-22. DEUTZ TD2.9L4 ENGINE AND PUMPS SUB-ASSEMBLY - WITHOUT ARCTIC PACKAGE (600S HC3/660SJ HC3) (SN 0300275114 to Present) .....	252
FIGURE 3-23. DEUTZ TD2.9L4 ENGINE ASSEMBLY - WITHOUT ARCTIC PACKAGE (600S HC3/660SJ HC3) (SN 0300275114 to Present) .....	254
FIGURE 3-24. DEUTZ D 2.9L4 (TIER 4 FINAL) ENGINE INSTALLATION (600S HC3) (ARCTIC) (SN 0300275114 to Present) .....	260
FIGURE 3-25. DEUTZ D 2.9L4 (TIER 4 FINAL) ENGINE INSTALLATION (660S HC3) (ARCTIC) (SN 0300275114 to Present) .....	264
FIGURE 3-26. DEUTZ TD2.9L4 ENGINE AND PUMPS SUB-ASSEMBLY - WITH ARCTIC PACKAGE (600S HC3/660SJ HC3) (SN 0300275114 to Present) .....	268
FIGURE 3-27. DEUTZ TD2.9L4 ENGINE ASSEMBLY - WITH ARCTIC PACKAGE (600S HC3/660SJ HC3) (SN 0300275114 to Present) .....	270
FIGURE 3-28. DEUTZ TD2.9L4 ENGINE COMPONENTS - WITH ARCTIC PACKAGE (600S HC3/660SJ HC3) (SN 0300275114 to Present) .....	276
FIGURE 3-29. DEUTZ TD2.9L4 ENGINE INSTALLATION - WITHOUT ARCTIC PACKAGE (600S HC3) .....	280
FIGURE 3-30. DEUTZ TD2.9L4 ENGINE INSTALLATION - WITHOUT ARCTIC PACKAGE (660SJ HC3) .....	284
FIGURE 3-31. DEUTZ TD2.9L4 ENGINE AND PUMPS SUB-ASSEMBLY - WITHOUT ARCTIC PACKAGE (600S HC3/660SJ HC3) .....	288
FIGURE 3-32. DEUTZ TD2.9L4 ENGINE ASSEMBLY - WITHOUT ARCTIC PACKAGE (600S HC3/660SJ HC3) .....	290
FIGURE 3-33. DEUTZ TD2.9L4 ENGINE INSTALLATION - WITH ARCTIC PACKAGE (600S HC3) .....	294
FIGURE 3-34. DEUTZ TD2.9L4 ENGINE INSTALLATION - WITH ARCTIC PACKAGE (660SJ HC3) .....	298
FIGURE 3-35. DEUTZ TD2.9L4 ENGINE AND PUMPS SUB-ASSEMBLY - WITH ARCTIC PACKAGE (600S HC3/660SJ HC3) .....	302
FIGURE 3-36. DEUTZ TD2.9L4 ENGINE ASSEMBLY - WITH ARCTIC PACKAGE (600S HC3/660SJ HC3) .....	304
FIGURE 3-37. DEUTZ TD2.9L4 ENGINE COMPONENTS (600S HC3/660SJ HC3) .....	308
FIGURE 3-38. BREATHER HEATER INSTALLATION - DEUTZ D2.9L4 - 49HP AND DEUTZ TD2.9L4 - 67HP ENGINES WITH ARCTIC PACKAGE .....	314



# TABLE OF CONTENTS

FIGURE 3-39. FORD ENGINE INSTALLATION - WITHOUT ARCTIC PACKAGE (600S HC3)	316
FIGURE 3-40. FORD ENGINE INSTALLATION - WITHOUT ARCTIC PACKAGE (660SJ HC3)	320
FIGURE 3-41. FORD ENGINE AND PUMPS SUB-ASSEMBLY - WITHOUT ARCTIC PACKAGE (600S HC3/660SJ HC3)	324
FIGURE 3-42. FORD ENGINE ASSEMBLY - WITHOUT ARCTIC PACKAGE (600S HC3/660SJ HC3)	326
FIGURE 3-43. FORD ENGINE INSTALLATION - WITH ARCTIC PACKAGE (600S HC3)	332
FIGURE 3-44. FORD ENGINE INSTALLATION - WITH ARCTIC PACKAGE (660SJ HC3)	336
FIGURE 3-45. FORD ENGINE AND PUMPS SUB-ASSEMBLY - WITH ARCTIC PACKAGE (600S HC3/660SJ HC3)	340
FIGURE 3-46. FORD ENGINE ASSEMBLY - WITH ARCTIC PACKAGE (600S HC3/660SJ HC3)	342
FIGURE 3-47. FORD ENGINE PREP ASSEMBLY (600S HC3/660SJ HC3)	348
FIGURE 3-48. FORD ENGINE COMPONENTS (600S HC3/660SJ HC3)	350
FIGURE 3-49. PUMP COUPLING KIT (DEUTZ ENGINES)	354
FIGURE 3-50. PISTON PUMP ASSEMBLY	356
FIGURE 3-51. FUEL FILTER INSTALLATION (POLY FUEL TANK)	360
FIGURE 3-52. FUEL FILTER INSTALLATION (STEEL FUEL TANK) (DEUTZ D2011 ENGINES)	362
FIGURE 3-53. FUEL FILTER INSTALLATION (STEEL FUEL TANK) (DEUTZ DT2.9L4 ENGINES)	364
FIGURE 3-54. MUFFLER INSTALLATION - SPARK ARRESTING (DEUTZ D2011 ENGINES)	366
FIGURE 3-55. EXHAUST PIPE INSTALLATION - (DEUTZ D2011 ENGINES)	368
FIGURE 3-56. MOTOR MOUNT INSTALLATION - WITHOUT GENERATOR (DEUTZ D2011 ENGINES)	370
FIGURE 3-57. MOTOR MOUNT INSTALLATION - WITHOUT GENERATOR (DEUTZ DT2.9L4 ENGINES)	372
FIGURE 3-58. MOTOR MOUNT INSTALLATION - WITH GENERATOR (DEUTZ D2011 ENGINES)	374
FIGURE 3-59. MOTOR MOUNT INSTALLATION - WITH GENERATOR (DEUTZ DT2.9L4 ENGINES)	376
FIGURE 3-60. MOTOR MOUNT INSTALLATION - WITH GENERATOR (STAGE V) (DEUTZ TD 2.2L3 ENGINES) (SN 0300274693 to Present)	378
FIGURE 3-61. MOTOR MOUNT INSTALLATION - WITHOUT GENERATOR (STAGE V) (DEUTZ TD 2.2L3 ENGINES) (SN 0300274693 to Present)	380
FIGURE 3-62. MOTOR MOUNT INSTALLATION - WITH GENERATOR (STAGE V) (DEUTZ TD 2.9L4 ENGINES) (SN 0300274693 to Present)	382
FIGURE 3-63. MOTOR MOUNT INSTALLATION - WITHOUT GENERATOR (STAGE V) (DEUTZ TD 2.9L4 ENGINES) (SN 0300274693 to Present)	384
FIGURE 3-64. BELT WITHOUT GENERATOR INSTALLATION (FORD ENGINES)	386
FIGURE 3-65. TRAY JACK INSTALLATION	388
FIGURE 3-66. TRAY JACK INSTALLATION (STAGE V) (SN 0300274693 to Present)	390
FIGURE 3-67. ENGINE HOOD BAFFLES INSTALLATION - ABS HOODS	392
FIGURE 3-68. ENGINE HOOD BAFFLES INSTALLATION - STEEL HOODS	394
FIGURE 3-69. ENGINE HOOD BAFFLES INSTALLATION - ABS HOODS (CE SPECS) (SN 0300275114 to Present)	396
FIGURE 3-70. ENGINE HOOD BAFFLES INSTALLATION - STEEL HOODS (CE SPECS) (SN 0300275114 to Present)	398
FIGURE 3-71. 2500W GENERATOR INSTALLATION - 110V/60HZ (DEUTZ D2011 ENGINES) (OPTIONAL)	400
FIGURE 3-72. 2500W GENERATOR INSTALLATION - 110V/60HZ (DEUTZ TD2.9L4 ENGINES) (OPTIONAL)	402
FIGURE 3-73. 2500W GENERATOR INSTALLATION - 110V/60HZ (FORD ENGINES) (OPTIONAL)	406
FIGURE 3-74. 2500W GENERATOR INSTALLATION - 220V/50HZ (DEUTZ D2011 ENGINES) (OPTIONAL)	408
FIGURE 3-75. 2500W GENERATOR INSTALLATION - 120V/60HZ (DEUTZ TD2.9L4 ENGINES) (OPTIONAL) (SN 0300275114 to Present)	410
FIGURE 3-76. 4000W GENERATOR INSTALLATION - 110V/60HZ (DEUTZ D2011 ENGINES) (OPTIONAL)	414
FIGURE 3-77. 4000W GENERATOR INSTALLATION - 110V/60HZ (DEUTZ TD2.9L4 ENGINES) (OPTIONAL)	418
FIGURE 3-78. 4000W GENERATOR INSTALLATION - 220V/50HZ (DEUTZ D2011 ENGINES) (OPTIONAL)	422
FIGURE 3-79. 4000W GENERATOR INSTALLATION - 220V/50HZ (DEUTZ TD2.2L3 ENGINES) (SKYPOWER)(OPTIONAL) (SN 0300274693 to Present)	426
FIGURE 3-80. 4000W GENERATOR INSTALLATION - 220V/60HZ (DEUTZ TD2.9L4 ENGINES) (SKYPOWER)(OPTIONAL) (SN 0300275114 to Present)	428
FIGURE 3-81. 7500W GENERATOR INSTALLATION - 220V/60HZ (DEUTZ TD2.9L4 ENGINES) (SKYPOWER)(OPTIONAL) (SN 0300275114 to Present)	432
FIGURE 3-82. 7500W SKYPOWER GENERATOR INSTALLATION - 110/60HZ (DEUTZ D2011 ENGINES) (OPTIONAL)	436
FIGURE 3-83. 7500W SKYPOWER GENERATOR INSTALLATION - 110V/60HZ (DEUTZ TD2.9L4 ENGINES) (OPTIONAL)	440
FIGURE 3-84. 7500W SKYPOWER GENERATOR INSTALLATION - 110V/60HZ (FORD ENGINES) (OPTIONAL)	444
FIGURE 3-85. 7500W SKYPOWER GENERATOR INSTALLATION - 220V/50HZ (DEUTZ D2011 ENGINES) (OPTIONAL)	448
<b>SECTION 4 - BOOM</b>	<b>451</b>
FIGURE 4-1. BOOM INSTALLATION - 600S HC3 (Prior to SN 0300282236)	452
FIGURE 4-2. BOOM INSTALLATION - 600S HC3 (SN 0300282236 to Present, SN B300012852 to Present)	456
FIGURE 4-3. BOOM INSTALLATION - 660SJ HC3 (Prior to SN 0300282236)	460
FIGURE 4-4. BOOM INSTALLATION - 660SJ HC3 (SN 0300282236 to Present, SN B300012852 to Present)	464
FIGURE 4-5. BOOM ASSEMBLY - 600S HC3	468
FIGURE 4-6. BOOM ASSEMBLY - 660SJ HC3	472
FIGURE 4-7. JIB ASSEMBLY - 660SJ HC3	476
FIGURE 4-8. PLATFORM ROTATOR ASSEMBLY - 600S HC3	478
FIGURE 4-9. PLATFORM ROTATOR ASSEMBLY - 660SJ HC3	480

# TABLE OF CONTENTS

FIGURE 4-10. POWER TRACK INSTALLATION - 600S HC3 .....	482
FIGURE 4-11. POWER TRACK ASSEMBLY - 660SJ HC3 (Prior to SN 0300274693) .....	484
FIGURE 4-12. POWER TRACK ASSEMBLY - 660SJ HC3 (SN 0300274693 to Present) .....	486
FIGURE 4-13. BOOM VALVES INSTALLATION - 600S HC3 .....	488
FIGURE 4-14. BOOM VALVES INSTALLATION - 660SJ HC3 .....	490
FIGURE 4-15. PLATFORM VALVE ASSEMBLY - 600S HC3 .....	492
FIGURE 4-16. PLATFORM VALVE ASSEMBLY - 660SJ HC3 .....	494
FIGURE 4-17. BOOM SENSORS INSTALLATION - 600S HC3 .....	496
FIGURE 4-18. BOOM SENSORS INSTALLATION - 660SJ HC3 .....	498
FIGURE 4-19. PLATFORM SUPPORT INSTALLATION .....	500
SECTION 5 - PLATFORM .....	503
FIGURE 5-1. PLATFORM ASSEMBLY - 30IN X 3FT (76CM X .91M) - DROP BAR ENTRY .....	504
FIGURE 5-2. PLATFORM ASSEMBLY - 30IN X 4FT (76CM X 1.22M) WITH SWING GATE .....	506
FIGURE 5-3. PLATFORM ASSEMBLY - 30IN X 4FT (76CM X 1.22M) WITH DROP BAR .....	508
FIGURE 5-4. PLATFORM ASSEMBLY - 30IN X 5FT (76CM X 1.52M) WITH SWING GATE .....	510
FIGURE 5-5. PLATFORM ASSEMBLY - 30IN X 5FT (76CM X 1.52M) WITH DROP BAR .....	512
FIGURE 5-6. PLATFORM ASSEMBLY - 36IN X 6FT (91.5CM X 1.83M) WITH SWING GATE .....	514
FIGURE 5-7. PLATFORM ASSEMBLY - 36IN X 6FT (91.5CM X 1.83M) WITH DROP BAR .....	516
FIGURE 5-8. PLATFORM ASSEMBLY - 36IN X 6FT (91.5CM X 1.83M) WITH FALL ARREST (ANSI, ANSI EXPORT, CHINA AND CSA SPECS) .....	518
FIGURE 5-9. PLATFORM ASSEMBLY - 36IN X 6FT (91.5CM X 1.83M) TRI-ENTRY WITH SWING GATE .....	520
FIGURE 5-10. PLATFORM ASSEMBLY - 36IN X 6FT (91.5CM X 1.83M) TRI-ENTRY WITH DROP BAR .....	522
FIGURE 5-11. PLATFORM ASSEMBLY - 36IN X 8FT (91.5CM X 2.44M) WITH SWING GATE .....	524
FIGURE 5-12. PLATFORM ASSEMBLY - 36IN X 8FT (91.5CM X 2.44M) WITH DROP BAR .....	526
FIGURE 5-13. PLATFORM ASSEMBLY - 36IN X 8FT (91.5CM X 2.44M) WITH FALL ARREST .....	528
FIGURE 5-14. PLATFORM ASSEMBLY - 36IN X 8FT (91.5CM X 2.44M) TRI-ENTRY WITH SWING GATE .....	530
FIGURE 5-15. PLATFORM ASSEMBLY - 36IN X 8FT (91.5CM X 2.44M) TRI-ENTRY WITH DROP BAR .....	532
FIGURE 5-16. PLATFORM POWER USB (SN 0300276771 to Present) .....	534
FIGURE 5-17. TRAY ASSEMBLY .....	536
FIGURE 5-18. PLATFORM CONSOLE AND FOOTSWITCH INSTALLATION - 600S HC3 .....	538
FIGURE 5-19. PLATFORM CONSOLE AND FOOTSWITCH INSTALLATION - 660SJ HC3 .....	540
FIGURE 5-20. CONSOLE BOX ASSEMBLY .....	542
FIGURE 5-21. CONTROLLER ASSEMBLY (DRIVE AND STEER) .....	546
FIGURE 5-22. CONTROLLER ASSEMBLY (LIFT AND SWING) .....	548
FIGURE 5-23. FOOTSWITCH ASSEMBLY .....	552
FIGURE 5-24. LIGHT PANEL INSTALLATION .....	554
FIGURE 5-25. SKYEYE INSTALLATION .....	556
FIGURE 5-26. SKYGUARD BAR INSTALLATION .....	558
FIGURE 5-27. SKYLINE INSTALLATION .....	560
FIGURE 5-28. SKYGLAZIER INSTALLATION - 600S & 660SJ (ANSI, AUSTRALIAN AND CSA SPECS) .....	562
FIGURE 5-29. SKYGLAZIER INSTALLATION - 600S (BRAZIL SPECS) .....	564
FIGURE 5-30. SKYGLAZIER INSTALLATION - 600S (LATIN AMERICAN SPECS) .....	566
FIGURE 5-31. SKYWELDER INSTALLATION (50HZ) .....	568
FIGURE 5-32. SKYWELDER INSTALLATION (60HZ) .....	570
FIGURE 5-33. SKYWELDER PREP PACKAGE (60HZ) .....	572
FIGURE 5-34. WELDER ASSEMBLY .....	574
FIGURE 5-35. PIPE RACK INSTALLATION (ALL SPECS EXCEPT AUSTRALIAN SPECS) .....	576
FIGURE 5-36. PIPE RACK INSTALLATION (AUSTRALIAN SPECS) .....	578
FIGURE 5-37. SKYGLAZIER INSTALLATION (600S HC3 ANSI, ANSI EXPORT & CSA SPECS/660SJ HC3 ANSI, AUSTRALIAN & CSA SPECS) .....	580
FIGURE 5-38. SOFT TOUCH INSTALLATION - 6FT (1.83M) PLATFORM (OPTIONAL) .....	582
FIGURE 5-39. SOFT TOUCH INSTALLATION - 6FT (1.83M) FALL ARREST PLATFORM (600S) (OPTIONAL) .....	584
FIGURE 5-40. SOFT TOUCH INSTALLATION - 8FT (2.4M) PLATFORM (OPTIONAL) .....	586
FIGURE 5-41. SOFT TOUCH INSTALLATION - 8FT (2.4M) FALL ARREST PLATFORM (600S) (OPTIONAL) .....	588
FIGURE 5-42. FALL ARREST INSTALLATION (BOLT-ON EXTERNAL) (6FT/1.82M PLATFORM) .....	590
FIGURE 5-43. FALL ARREST INSTALLATION (BOLT-ON EXTERNAL) (6FT/1.82M TRI-ENTRY PLATFORM) .....	592
FIGURE 5-44. FALL ARREST INSTALLATION (BOLT-ON EXTERNAL) (2.5FT/1.22M PLATFORM) (SN 0300275114 to Present) .....	594
FIGURE 5-45. FALL ARREST INSTALLATION (BOLT-ON EXTERNAL) (2.5FT/1.52M PLATFORM) (SN 0300275114 to Present) .....	596
FIGURE 5-46. FALL ARREST INSTALLATION (BOLT-ON EXTERNAL) (8FT/2.4M PLATFORM) .....	598
SECTION 6 - CYLINDER .....	601
FIGURE 6-1. AXLE LOCKOUT CYLINDER ASSEMBLY .....	602

# TABLE OF CONTENTS

FIGURE 6-2. LEVEL CYLINDER ASSEMBLY - PLATFORM SLAVE (600S HC3) .....	604
FIGURE 6-3. LEVEL CYLINDER ASSEMBLY - PLATFORM SLAVE (660SJ HC3) .....	606
FIGURE 6-4. LIFT CYLINDER ASSEMBLY BOOM (600S HC3) (Prior to SN 0300282236) .....	608
FIGURE 6-5. LIFT CYLINDER ASSEMBLY BOOM (600S HC3) (SN 0300282236 to Present, SN B300012852 to Present) .....	610
FIGURE 6-6. LIFT CYLINDER ASSEMBLY BOOM (660SJ HC3) (Prior to SN 0300282236) .....	612
FIGURE 6-7. LIFT CYLINDER ASSEMBLY BOOM (660SJ HC3) (SN 0300282236 to Present, SN B300012852 to Present) .....	614
FIGURE 6-8. LIFT CYLINDER ASSEMBLY - JIB (660SJ HC3) .....	616
FIGURE 6-9. STEER CYLINDER ASSEMBLY .....	618
FIGURE 6-10. TELESCOPE CYLINDER ASSEMBLY .....	620
<b>SECTION 7 - HYDRAULIC</b> .....	<b>623</b>
FIGURE 7-1. DRIVE HYDRAULIC DIAGRAM (2WS WITHOUT ARCTIC PACKAGE) (600S HC3) .....	624
FIGURE 7-2. DRIVE HYDRAULIC DIAGRAM (2WS WITHOUT ARCTIC PACKAGE) (660SJ HC3) .....	628
FIGURE 7-3. DRIVE HYDRAULIC DIAGRAM (2WS WITH ARCTIC PACKAGE) (600S HC3) .....	632
FIGURE 7-4. DRIVE HYDRAULIC DIAGRAM (2WS WITH ARCTIC PACKAGE) (660SJ HC3) .....	636
FIGURE 7-5. STANDARD HYDRAULIC DIAGRAM (600S HC3) (Prior to SN 0300276771) .....	640
FIGURE 7-6. STANDARD HYDRAULIC DIAGRAM (660S HC3) (SN 0300276771 to Present) .....	646
FIGURE 7-7. STANDARD HYDRAULIC DIAGRAM (660SJ HC3) .....	652
FIGURE 7-8. TOW HYDRAULIC DIAGRAM .....	658
<b>SECTION 8 - ELECTRICAL</b> .....	<b>661</b>
FIGURE 8-1. AC BOX AT PLATFORM INSTALLATION - 110V (ALL SPECS EXCEPT AUSTRALIAN & CE SPECS) .....	662
FIGURE 8-2. AC BOX AT PLATFORM INSTALLATION - 110V IEC YELLOW (CE SPECS WITHOUT 4000W/50HZ GENERATOR) .....	664
FIGURE 8-3. AC BOX AT PLATFORM INSTALLATION - 110V IEC YELLOW (CE SPECS WITH 4000W/50HZ GENERATOR) .....	666
FIGURE 8-4. AC BOX AT PLATFORM INSTALLATION - 220V IEC BLUE (CE SPECS WITHOUT 4000W/50HZ GENERATOR) .....	668
FIGURE 8-5. AC BOX AT PLATFORM INSTALLATION - 220V IEC BLUE (CE SPECS WITH 4000W/50HZ GENERATOR) .....	670
FIGURE 8-6. AC BOX AT PLATFORM INSTALLATION - 220V CEE7 2IN X 4IN POST GROUND (CE SPECS WITHOUT 4000W/50HZ GENERATOR) .....	672
FIGURE 8-7. AC BOX AT PLATFORM INSTALLATION - 220V CEE7 2IN X 4IN POST GROUND (CE SPECS WITH 4000W/50HZ GENERATOR) .....	674
FIGURE 8-8. AC BOX AT PLATFORM INSTALLATION - 220V CEE7 2IN X 4IN SIDE GROUND (CE SPECS WITHOUT 4000W/50HZ GENERATOR) .....	676
FIGURE 8-9. AC BOX AT PLATFORM INSTALLATION - 220V CEE7 2IN X 4IN SIDE GROUND (CE SPECS WITH 4000W/50HZ GENERATOR) .....	678
FIGURE 8-10. AC BOX AT PLATFORM INSTALLATION - 220V AFSINT107 (CE SPECS WITHOUT 4000W/50HZ GENERATOR) .....	680
FIGURE 8-11. AC BOX AT PLATFORM INSTALLATION - 220V AFSINT107 (CE SPECS WITH 4000W/50HZ GENERATOR) .....	682
FIGURE 8-12. AC BOX AT PLATFORM INSTALLATION - 220V CUSTOMER SUPPLIED COMPONENTS (ANSI EXPORT, AUSTRALIAN, CE AND CHINA SPECS) .....	684
FIGURE 8-13. AC BOX AT PLATFORM INSTALLATION - 240V (WITH 4000W GENERATOR) (ALL SPECS EXCEPT AUSTRALIAN & CE SPECS) .....	686
FIGURE 8-14. AC BOX AT PLATFORM INSTALLATION - 240V (WITH 7500W SKYPOWER GENERATOR) (ALL SPECS EXCEPT AUSTRALIAN & CE SPECS) .....	688
FIGURE 8-15. AC BREAKER BOX INSTALLATION - SINGLE DOUBLE POLE BREAKER .....	690
FIGURE 8-16. AC BREAKER BOX INSTALLATION - 3 BREAKERS .....	692
FIGURE 8-17. AC CABLES AND CLAMPS INSTALLATION - 600S HC3 WITHOUT GENERATOR (ANSI, CSA AND JAPANESE SPECS) (Prior to SN 0300276771) .....	694
FIGURE 8-18. AC CABLES AND CLAMPS INSTALLATION - 600S HC3 WITHOUT GENERATOR (ANSI, CSA AND JAPANESE SPECS) (SN 0300276771 to Present) .....	696
FIGURE 8-19. AC CABLES AND CLAMPS INSTALLATION - 600S HC3 WITHOUT GENERATOR (ANSI EXPORT, CE AND CHINA SPECS) (Prior to SN 0300276771) .....	698
FIGURE 8-20. AC CABLES AND CLAMPS INSTALLATION - 600S HC3 WITHOUT GENERATOR (ANSI EXPORT, CE AND CHINA SPECS) (SN 0300276771 to Present) .....	700
FIGURE 8-21. AC CABLES AND CLAMPS INSTALLATION - 600S HC3 WITH 2500W GENERATOR (ALL SPECS EXCEPT AUSTRALIAN AND CE SPECS) (Prior to SN 0300276771) .....	702
FIGURE 8-22. AC CABLES AND CLAMPS INSTALLATION - 600S HC3 WITH 2500W GENERATOR (ALL SPECS EXCEPT AUSTRALIAN AND CE SPECS) (SN 0300276771 to Present) .....	704
FIGURE 8-23. AC CABLES AND CLAMPS INSTALLATION - 600S HC3 WITH 4000W/50HZ GENERATOR (ANSI EXPORT, CE AND CHINA SPECS) (Prior to SN 0300276771) .....	706
FIGURE 8-24. AC CABLES AND CLAMPS INSTALLATION - 600S HC3 WITH 4000W/50HZ GENERATOR (ANSI EXPORT, CE AND CHINA SPECS) (SN 0300276771 to Present) .....	708

# TABLE OF CONTENTS

FIGURE 8-25. AC CABLES AND CLAMPS INSTALLATION - 600S HC3 WITH 4000W/60HZ GENERATOR (ALL SPECS EXCEPT AUSTRALIAN, CE AND CHINA SPECS) (Prior to SN 0300276771) .....	710
FIGURE 8-26. AC CABLES AND CLAMPS INSTALLATION - 600S HC3 WITH 4000W/60HZ GENERATOR (ALL SPECS EXCEPT AUSTRALIAN, CE AND CHINA SPECS) (SN 0300276771 to Present) .....	712
FIGURE 8-27. AC CABLES AND CLAMPS INSTALLATION - 600S HC3 WITH 7500W SKYPOWER GENERATOR (Prior to SN 0300276771).....	714
FIGURE 8-28. AC CABLES AND CLAMPS INSTALLATION - 600S HC3 WITH 7500W SKYPOWER GENERATOR (SN 0300276771 to Present) .....	716
FIGURE 8-29. AC CABLES AND CLAMPS INSTALLATION - 660SJ HC3 WITHOUT GENERATOR (ANSI, CSA AND JAPANESE SPECS) .....	718
FIGURE 8-30. AC CABLES AND CLAMPS INSTALLATION - 660SJ HC3 WITHOUT GENERATOR (ANSI EXPORT AUSTRALIAN, CE & CHINA SPECS).....	720
FIGURE 8-31. AC CABLES AND CLAMPS INSTALLATION - 660SJ HC3 WITH 2500W GENERATOR (ALL SPECS EXCEPT AUSTRALIAN AND CE SPECS).....	722
FIGURE 8-32. AC CABLES AND CLAMPS INSTALLATION - 660SJ HC3 WITH 4000W/50HZ GENERATOR (ANSI EXPORT AUSTRALIAN, CE AND CHINA SPECS) .....	724
FIGURE 8-33. AC CABLES AND CLAMPS INSTALLATION - 660SJ HC3 WITH 4000W/60HZ GENERATOR (ANSI EXPORT AUSTRALIAN, CE AND CHINA SPECS) .....	726
FIGURE 8-34. AC CABLES AND CLAMPS INSTALLATION - 660SJ HC3 WITH 7500W GENERATOR .....	728
FIGURE 8-35. AC CABLES AND CLAMPS INSTALLATION - 660SJ HC3 WITHOUT GENERATOR (ANSI, CSA AND JAPANESE SPECS) .....	730
FIGURE 8-36. AC CABLES AND CLAMPS INSTALLATION - 660SJ HX3 WITHOUT GENERATOR (ANSI EXPORT, AUSTRALIAN, CE AND CHINA SPECS) .....	732
FIGURE 8-37. AC CABLES AND CLAMPS INSTALLATION - 660SJ HC3 WITH 2500W GENERATOR (ALL SPECS EXCEPT CE SPECS).....	734
FIGURE 8-38. AC CABLES AND CLAMPS INSTALLATION - 660SJ HC3 WITH 4000W/50HZ GENERATOR (ANSI EXPORT, AUSTRALIAN AND CE SPECS) .....	736
FIGURE 8-39. AC CABLES AND CLAMPS INSTALLATION - 660SJ HC3 WITH 4000W/60HZ GENERATOR (ALL SPECS EXCEPT AUSTRALIAN, CE AND CHINA SPECS) .....	738
FIGURE 8-40. AC CABLES AND CLAMPS INSTALLATION - 660SJ HC3 WITH 7500W SKYPOWER GENERATOR .....	740
FIGURE 8-41. BATTERY DISCONNECT SWITCH INSTALLATION .....	742
FIGURE 8-42. BREAKER BOX KIT - SINGLE DOUBLE POLE BREAKER (WITHOUT 4000W/50HZ G GENERATOR) .....	744
FIGURE 8-43. BREAKER BOX KIT - SINGLE DOUBLE POLE BREAKER (WITH 4000W/50HZ GENERATOR) .....	746
FIGURE 8-44. BREAKER BOX KIT - 3 BREAKERS .....	748
FIGURE 8-45. BOOM ANGLE SENSOR HARNESS .....	750
FIGURE 8-46. BOOM CABLE - LOWER .....	752
FIGURE 8-47. BOOM CABLE - UPPER (600S HC3) .....	754
FIGURE 8-48. BOOM CABLE - UPPER (660SJ HC3) .....	756
FIGURE 8-49. CAPACITY PROXIMITY HARNESS (1000LBS) .....	758
FIGURE 8-50. CAPACITY PROXIMITY HARNESS (750 LBS) .....	760
FIGURE 8-51. ELECTRICAL COMPONENTS INSTALLATION - 600S HC3 .....	762
FIGURE 8-52. ELECTRICAL COMPONENTS INSTALLATION - 660SJ HC3.....	764
FIGURE 8-53. ELECTRICAL COMPONENTS INST ALLATION - 600S HC3 (SN 0300274693 to Present).....	766
FIGURE 8-54. ELECTRICAL COMPONENTS INSTALLATION - 660SJ HC3 (SN 0300274693 to Present).....	768
FIGURE 8-55. ENGINE HARNESS - DEUTZ D2011 ENGINES .....	770
FIGURE 8-56. ENGINE HARNESS - DEUTZ TD2.2L3 ENGINES .....	772
FIGURE 8-57. ENGINE HARNESS - DEUTZ D2.9L4 - 49HP AND DEUTZ TD2.9L4 - 67HP ENGINES .....	776
FIGURE 8-58. ENGINE HARNESS - FORD ENGINES .....	780
FIGURE 8-59. FUEL FILTER HARNESS .....	782
FIGURE 8-60. FUEL PUMP HARNESS - DEUTZ D2.9L4 - 49HP AND DEUTZ TD2.9L4 - 67HP ENGINES .....	784
FIGURE 8-61. GENERATOR HARNESS - 2500W .....	786
FIGURE 8-62. GENERATOR HARNESS - 4000W .....	788
FIGURE 8-63. GENERATOR HARNESS - 7500W SKYPOWER .....	790
FIGURE 8-64. GENERATOR TO ENGINE HARNESS - 7500W SKYPOWER GENERATOR (DEUTZ D2011 ONLY) .....	792
FIGURE 8-65. GROUND CONTROL HARNESS .....	794
FIGURE 8-66. LIFT CYLINDER HARNESS .....	796
FIGURE 8-67. PLATFORM BOX HARNESS .....	798
FIGURE 8-68. PLATFORM VALVE HARNESS - 600S HC3.....	802
FIGURE 8-69. PLATFORM VALVE HARNESS - 660SJ HC3.....	804
FIGURE 8-70. RECEPTACLE BOX KIT - 110V IEC YELLOW (CE SPEC) .....	806
FIGURE 8-71. RECEPTACLE BOX KIT - 220V IEC BLUE (CE SPEC) .....	808
FIGURE 8-72. RECEPTACLE BOX KIT - 220V CEE7 POST GROUND 2X4 BOX (CE SPEC) .....	810
FIGURE 8-73. RECEPTACLE BOX KIT - 220V CEE7 SIDE GROUND (CE SPEC) .....	812
FIGURE 8-74. RECEPTACLE BOX KIT - 220V AFSINT 107 (CE SPEC) .....	814
FIGURE 8-75. SKYEYE EMITTER HARNESS .....	816
FIGURE 8-76. SKYEYE INTERMEDIATE HARNESS.....	818
FIGURE 8-77. SKYEYE RECEIVER HARNESS .....	820

# TABLE OF CONTENTS

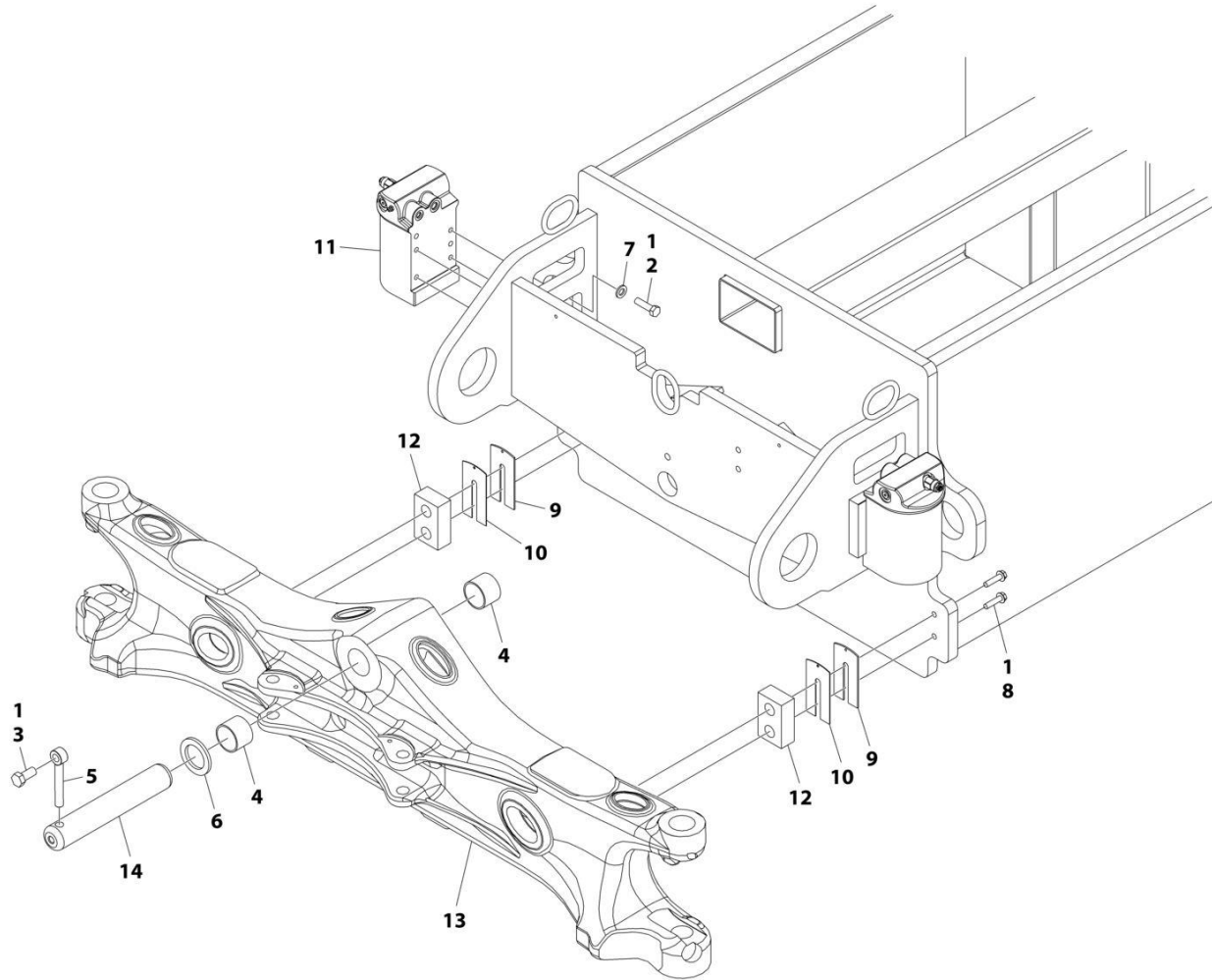
FIGURE 8-78. SKYGUARD INTERFACE HARNESS .....	822
FIGURE 8-79. SKYLINE HARNESS .....	824
FIGURE 8-80. STROBE LIGHT HARNESS (RED AND BLUE BEACON LIGHTS) .....	826
FIGURE 8-81. TELE PROXIMITY HARNESS .....	828
FIGURE 8-82. TRANSPORT SWITCH HARNESS (660SJ HC3) .....	830
FIGURE 8-83. TURNABLE HARNESS .....	832
FIGURE 8-84. VALVE HARNESS - MAIN VALVE .....	836
FIGURE 8-85. VALVE HARNESS - PLATFORM VALVE (600S HC3) .....	838
FIGURE 8-86. WHITE NOISE ALARM HARNESS .....	840
SECTION 9 - DECALS .....	843
FIGURE 9-1. DECAL INSTALLATION (ANSI SPECS - ENGLISH LANGUAGE) .....	844
FIGURE 9-2. DECAL INSTALLATION (AUSTRALIAN SPECS - ENGLISH LANGUAGE) .....	846
FIGURE 9-3. DECAL INSTALLATION (BRAZIL SPECS - PORTUGUESE/SPANISH LANGUAGES) .....	848
FIGURE 9-4. DECAL INSTALLATION (CE SPECS - ENGLISH LANGUAGE) .....	850
FIGURE 9-5. DECAL INSTALLATION (CHINESE SPECS - ENGLISH/SIMPLIFIED CHINESE LANGUAGES) .....	852
FIGURE 9-6. DECAL INSTALLATION (CHINESE SPECS - ENGLISH/TRADITIONAL CHINESE LANGUAGES) .....	854
FIGURE 9-7. DECAL INSTALLATION (CSA SPECS - ENGLISH/FRENCH LANGUAGES) .....	856
FIGURE 9-8. DECAL INSTALLATION (JAPANESE SPECS - ENGLISH/JAPANESE LANGUAGES) .....	858
FIGURE 9-9. DECAL INSTALLATION (KOREAN SPECS - ENGLISH/KOREAN LANGUAGES) .....	860
FIGURE 9-10. DECAL INSTALLATION - LATIN AMERICAN SPECS - ENGLISH/SPANISH LANGUAGES) .....	862
FIGURE 9-11. DECALS INSTALLATION - OPTIONS .....	864
FIGURE 9-12. DECAL INSTALLATION - SKYWELDER (50HZ) .....	868
FIGURE 9-13. DECAL INSTALLATION - SKYWELDER (60HZ) .....	870
FIGURE 9-14. DECAL INSTALLATION - TOW (ANSI SPECS) .....	872
FIGURE 9-15. DECAL INSTALLATION - TOW (ANSI EXPORT & CE SPECS) .....	874
FIGURE 9-16. DECAL INSTALLATION - TOW (CSA SPECS) .....	876
SECTION 10 - RECOMMENDED SERVICE PARTS STOCK .....	879
FIGURE 10-1. RECOMMENDED SERVICE PARTS STOCK .....	880
SECTION 11 - SPECIAL OPTIONS/ACCESSORIES/KITS .....	883
FIGURE 11-1. SPECIAL OPTIONS/ACCESSORIES/KITS .....	884
PART NUMBER INDEX .....	889



**SECTION 1 - FRAME**

# SECTION 1 - FRAME

## FIGURE 1-1. AXLE INSTALLATION - FRONT



ART\_1001181774



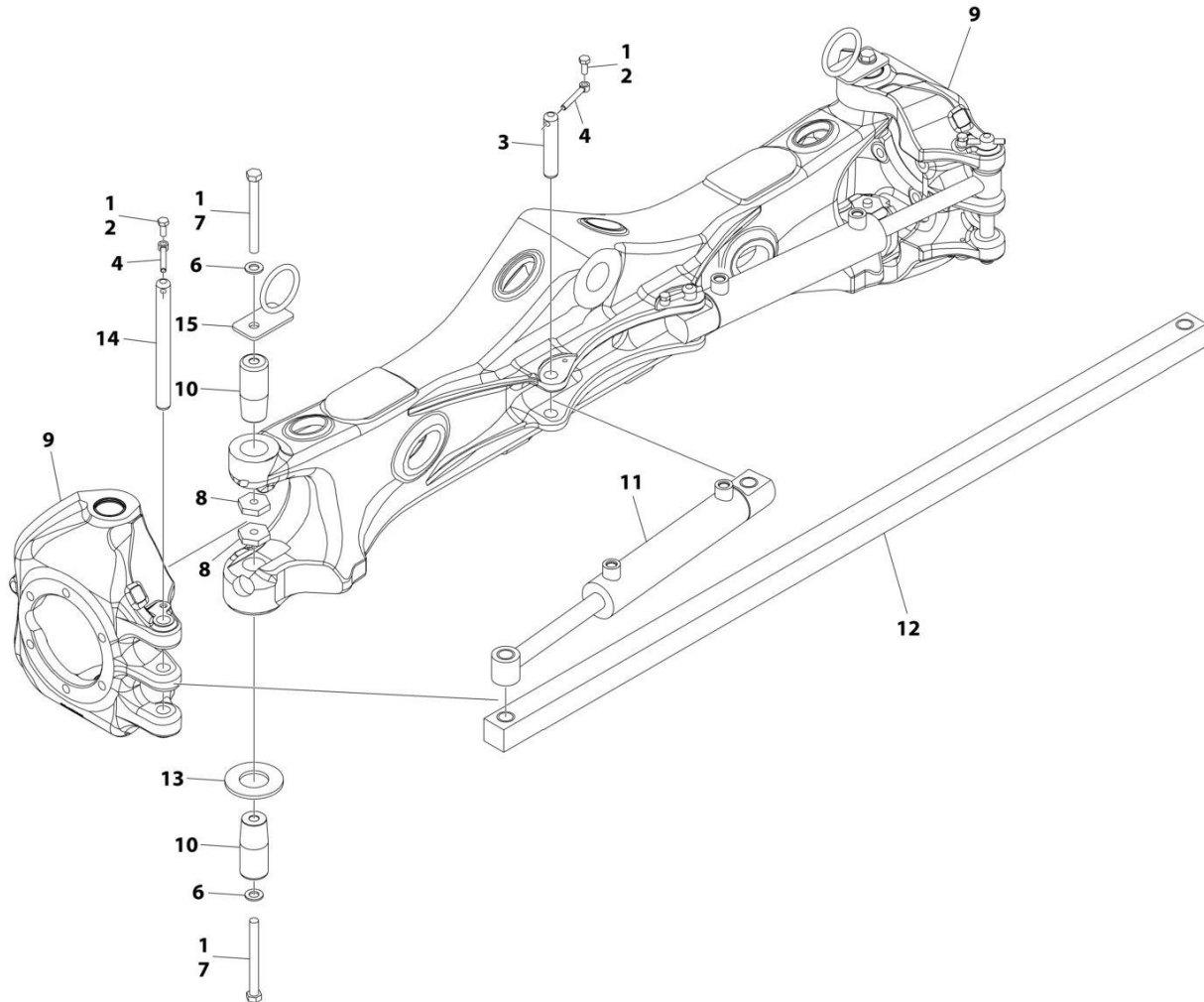
# SECTION 1 - FRAME

## FIGURE 1-1. AXLE INSTALLATION - FRONT

ITEM	PART NUMBER	QTY	DESCRIPTION	REV
	1001181774	Ref	AXLE INSTALLATION	B
1	0100011	AR	Compound, Locking	
2	0701217	8	Bolt M12 x 45	
3	0761615	1	Bolt M16 x 35	
4	0961950	2	Bearing	
5	3841258	1	Keeper, Pin	
6	4740158	1	Washer	
7	5241200	8	Washer M12	
8	5251016	4	Bolt M10 x 40	
9	1001150324	2	Shim (3mm)	
10	1001150326	2	Shim (1.2mm)	
11	1001219040	2	Axle Lockout Cylinder (See Separate Breakdown in CYLINDER SECTION)	
12	1001166563	2	Pad, Wear	
13	1001184209	1	Axle	
14	1001185030	1	Pin	

# SECTION 1 - FRAME

## FIGURE 1-2. STEER INSTALLATION - WITHOUT TOW PACKAGE (600S HC3)



ART\_1001181770

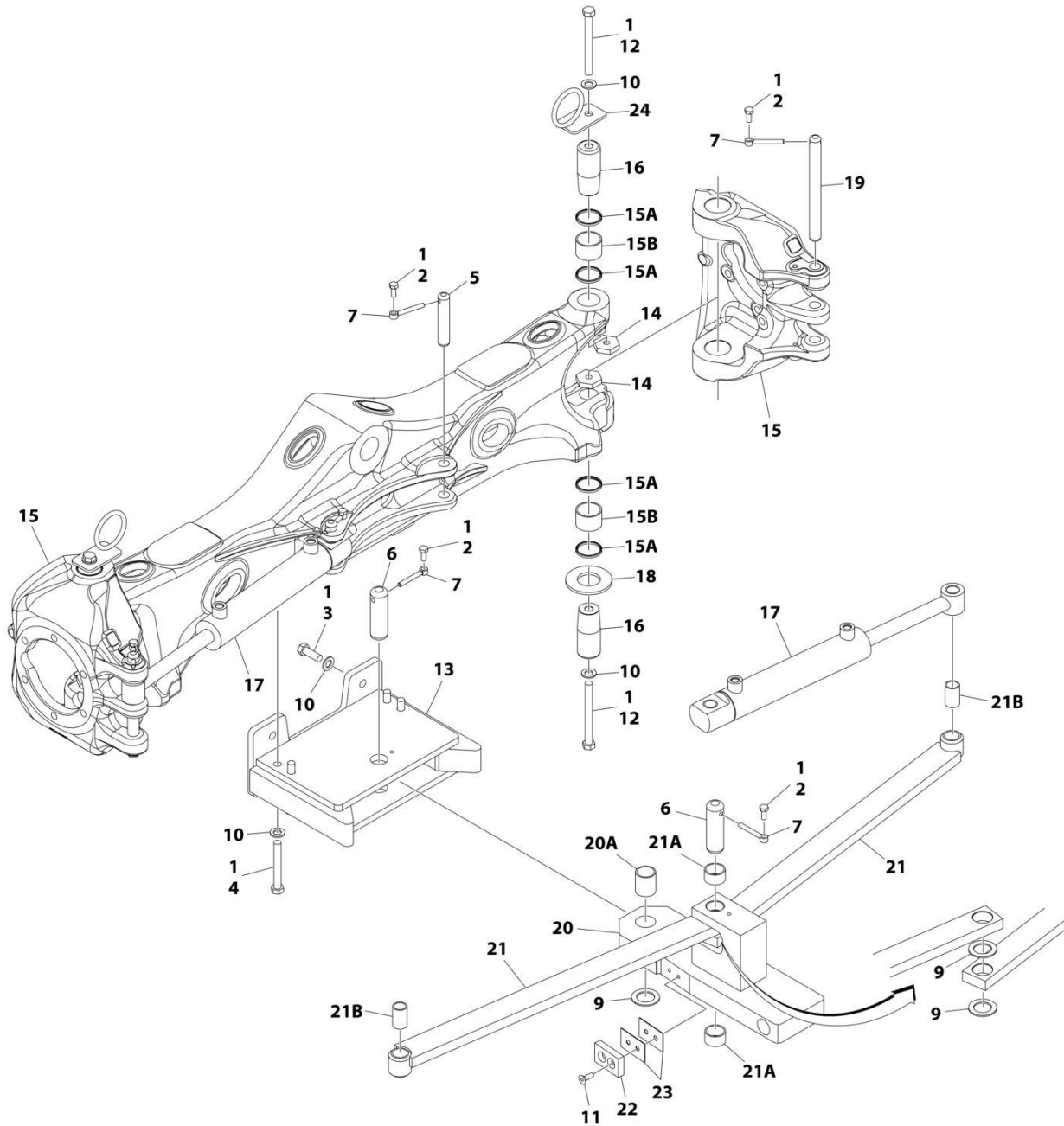
## SECTION 1 - FRAME

**FIGURE 1-2. STEER INSTALLATION - WITHOUT TOW PACKAGE (600S HC3)**

ITEM	PART NUMBER	QTY	DESCRIPTION	REV
	1001181770	Ref	STEER INSTALLATION	E
1	0100011	AR	Compound, Locking	
2	0701012	4	Bolt M10 x 25	
3	3422351	2	Pin	
4	3841143	4	Keeper, Pin	
6	5241600	4	Washer M16	
7	1001096456	4	Bolt M16 x 160	
8	1001176848	4	Nut M16	
9	1001181787	2	Knuckle	
9	1001181791	8	Seal (4 Per Assembly)	
9	1001182694	4	Bearing (2 Per Assembly)	
10	1001181790	4	Kingpin	
11	1001181792	2	Steer Cylinder Assembly (See Separate Breakdown in CYLINDER Section)	
12	1001181793	1	Tie-Rod	
12	1001182695	2	Bearing	
13	1001190194	2	Bearing	
14	1001182697	2	Pin	
15	1001196390	2	Bracket	

# SECTION 1 - FRAME

## FIGURE 1-3. STEER INSTALLATION - WITH TOW PACKAGE (600S HC3)



ART\_1001181772

# SECTION 1 - FRAME

**FIGURE 1-3. STEER INSTALLATION - WITH TOW PACKAGE (600S HC3)**

ITEM	PART NUMBER	QTY	DESCRIPTION	REV
	1001181772	Ref	STEER INSTALLATION	E
1	0100011	AR	Compound, Locking	
2	0701012	6	Bolt M10 x 25	
3	0701617	2	Bolt M16 x 45	
4	0711629	4	Bolt M16 x 120	
5	3422351	2	Pin	
6	3422848	2	Pin	
7	3841143	6	Keeper, Pin	
9	4740155	3	Washer	
10	5241600	10	Washer M16	
11	8310614	4	Screw M10 x 30	
12	1001096456	4	Bolt M16 x 160	
13	1001163717	1	Bracket	
14	1001176848	4	Nut M16	
15	1001181787	2	Knuckle	
15A	1001181791	8	Seal (4 Per Assembly)	
15B	1001182694	4	Bearing (2 Per Assembly)	
16	1001181790	4	Kingpin	
17	1001181792	2	Steer Cylinder Assembly (See Separate Breakdown in CYLINDER Section)	
18	1001190194	2	Bearing	
19	1001182697	2	Pin	
20	1001188503	1	Link	
20A	0962348	1	Bearing	
21	1001184213	2	Link	
21A	0962181	2	Bushing 1-1/2in ID	
21B	1001182695	2	Bearing 1in ID	
22	1001185906	2	Block, Stop	
23	1001185907	4	Shim (1.5mm)	
24	1001196390	2	Bracket	



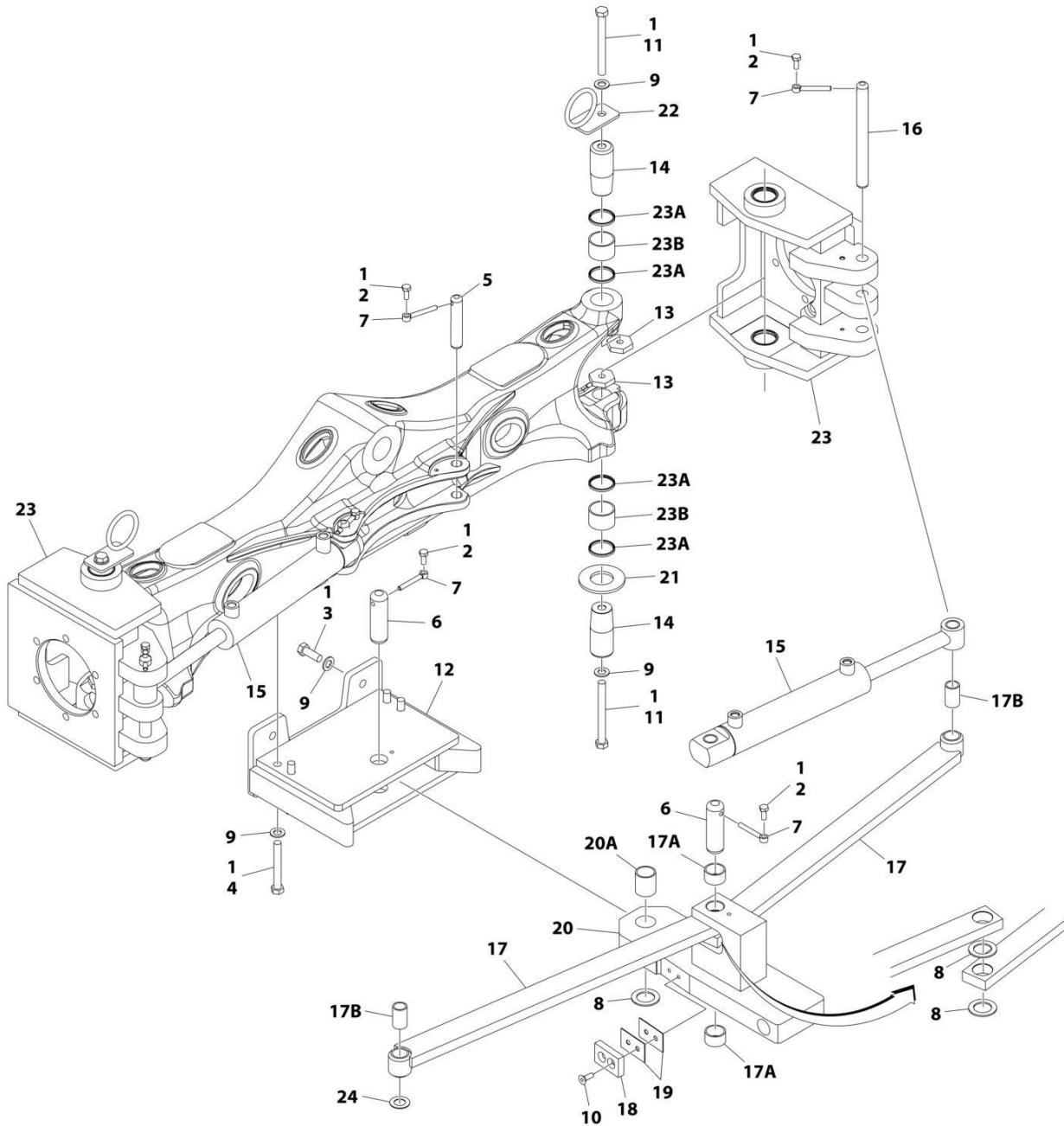
# SECTION 1 - FRAME

**FIGURE 1-4. STEER INSTALLATION - WITHOUT TOW PACKAGE (660SJ HC3)**

ITEM	PART NUMBER	QTY	DESCRIPTION	REV
	1001250106	Ref	STEER INSTALLATION	B
1	0100011	AR	Compound, Locking	
2	0701012	4	Bolt M10 x 25	
3	3422351	2	Pin	
4	3841143	4	Keeper, Pin	
5	5241600	4	Washer M16	
6	1001096456	4	Bolt M16 x 160	
7	1001176848	4	Nut M16	
8	1001181790	4	Kingpin	
9	1001181792	2	Steer Cylinder Assembly (See Separate Breakdown in CYLINDER SECTION)	
10	1001182697	2	Pin	
11	1001190194	2	Bearing	
12	1001196390	2	Bracket	
13	1001250117	2	Knuckle	
13	1001181791	8	Seal (4 Per Assembly)	
13	1001182694	4	Bearing (2 Per Assembly)	
14	1001181793	1	Tie-Rod	
14	1001182695	2	Bearing	
15	4740446	2	Washer	

# SECTION 1 - FRAME

## FIGURE 1-5. STEER INSTALLATION - WITH TOW PACKAGE (660SJ HC3)



ART\_1001250362



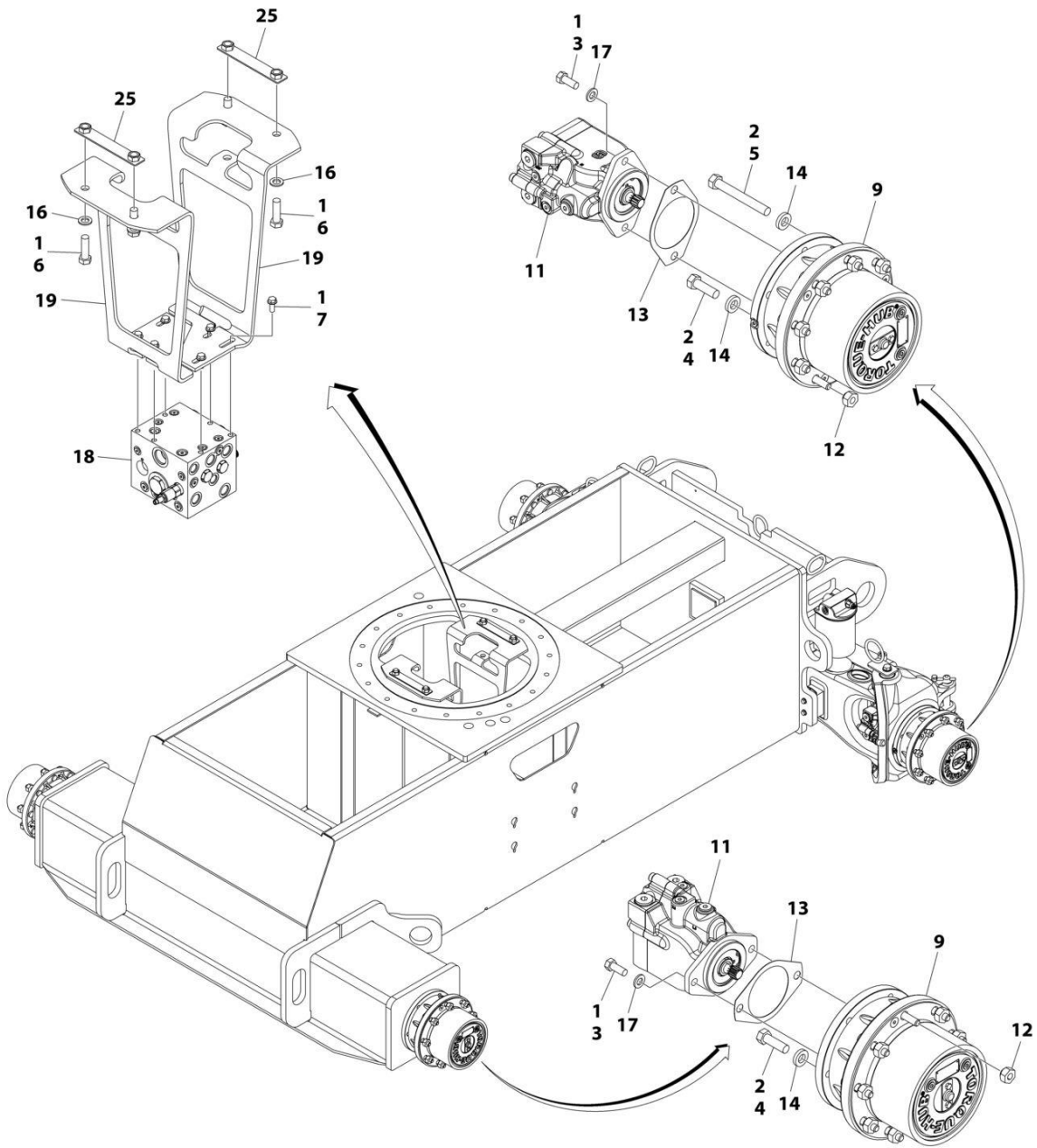
# SECTION 1 - FRAME

**FIGURE 1-5. STEER INSTALLATION - WITH TOW PACKAGE (660SJ HC3)**

ITEM	PART NUMBER	QTY	DESCRIPTION	REV
	1001250362	Ref	STEER INSTALLATION	B
1	0100011	AR	Compound, Locking	
2	0701012	6	Bolt M10 x 25	
3	0701617	2	Bolt M16 x 45	
4	0711629	4	Bolt M16 x 120	
5	3422351	2	Pin	
6	3422848	2	Pin	
7	3841143	6	Keeper, Pin	
8	4740155	3	Washer	
9	5241600	10	Washer M16	
10	8310614	4	Screw M10 x 30	
11	1001096456	4	Bolt M16 x 160	
12	1001163717	1	Bracket	
13	1001176848	4	Nut M16	
14	1001181790	4	Kingpin	
15	1001181792	2	Steer Cylinder Assembly (See Separate Breakdown in CYLINDER SECTION)	
16	1001182697	2	Pin	
17	1001184213	2	Link	
17A	0962181	1	Bushing 1-1/2in ID	
17B	1001182695	1	Bearing 1in ID	
18	1001185906	2	Block, Stop	
19	1001185907	4	Shim (1.5mm)	
20	1001188503	1	Link	
20A	0962348	1	Bearing	
21	1001190194	2	Bearing	
22	1001196390	2	Bracket	
23	1001250117	2	Knuckle	
23A	1001181791	8	Seal (4 Per Assembly)	
23B	1001182694	4	Bearing (2 Per Assembly)	
24	4740446	2	Washer	

# SECTION 1 - FRAME

## FIGURE 1-6. WHEEL DRIVE INSTALLATION - 4WD/2WS (600S HC3)



ART\_1001186443\_J

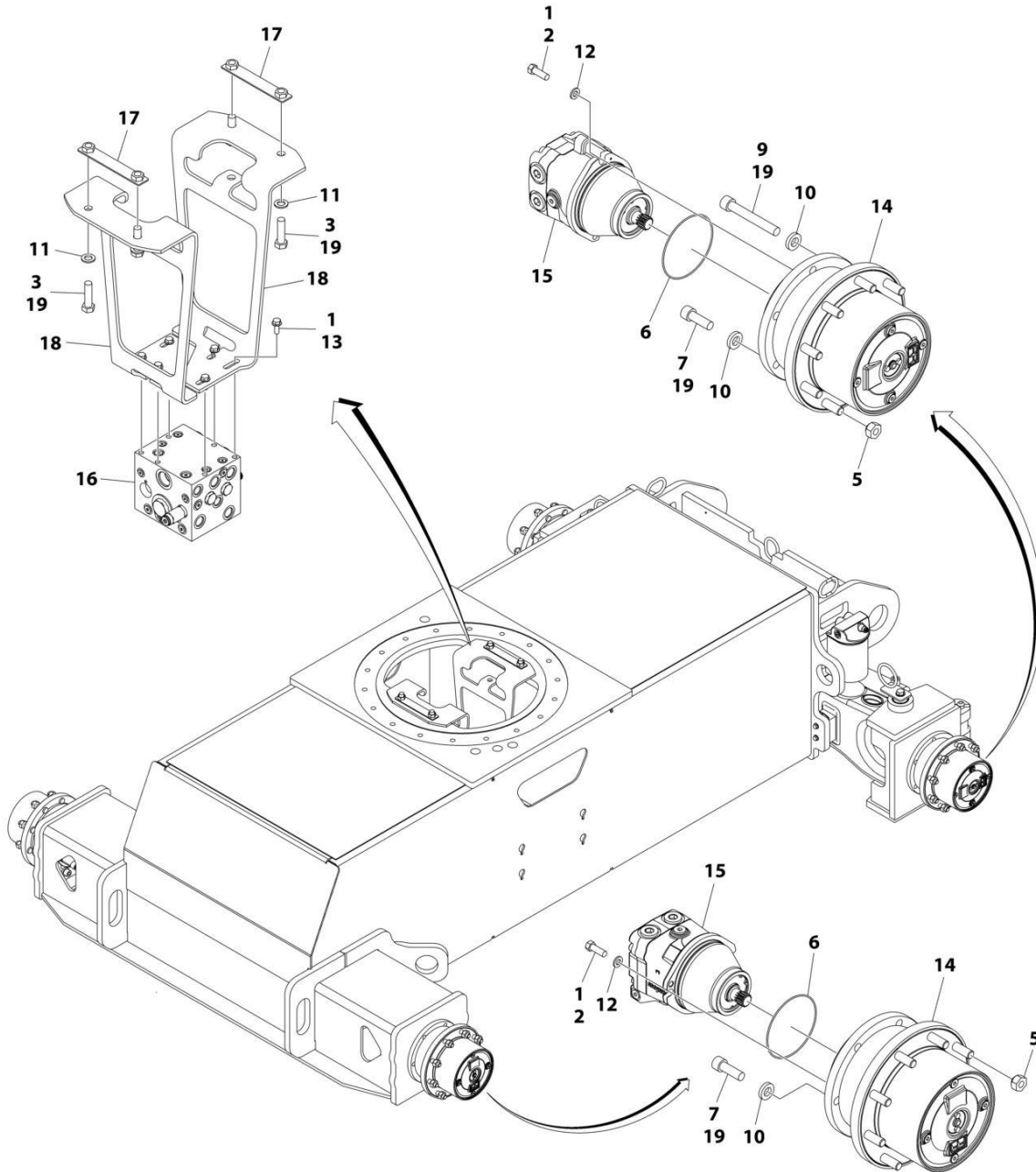
## SECTION 1 - FRAME

**FIGURE 1-6. WHEEL DRIVE INSTALLATION - 4WD/2WS (600S HC3)**

ITEM	PART NUMBER	QTY	DESCRIPTION	REV
	1001186443	Ref	WHEEL DRIVE INSTALLATION	J
1	0100011	AR	Compound, Locking	
2	0100019	AR	Compound, Locking	
3	0681810	8	Bolt 1/2 x 1-1/4 Grade 8	
4	0682016	20	Bolt 5/8 x 2 Grade 8	
5	0682040	4	Bolt 5/8 x 5 Grade 8	
5	0682036	4	Bolt 5/8 x 4 Grade 8	
6	0701619	4	Bolt M16 x 55	
7	5251012	6	Bolt M10 x 25	
9	2780269	4	Drive Hub Assembly (See Separate Breakdown in this Section)	
11	3160350	4	Drive Motor Assembly (See Separate Breakdown in this Section)	
12	3300106	36	Lugnut	
13	3960526	4	Gasket	
14	4740393	24	Washer	
16	4812300	4	Washer M16	
17	5241200	8	Washer M12	
18	1001187521	1	Traction Valve Assembly (See Separate Breakdown in this Section)	
19	1001232292	2	Bracket	
25	1001198631	2	Bracket	

# SECTION 1 - FRAME

## FIGURE 1-7. WHEEL DRIVE INSTALLATION - 4WD/2WS (660SJ HC3)



ART\_1001249985

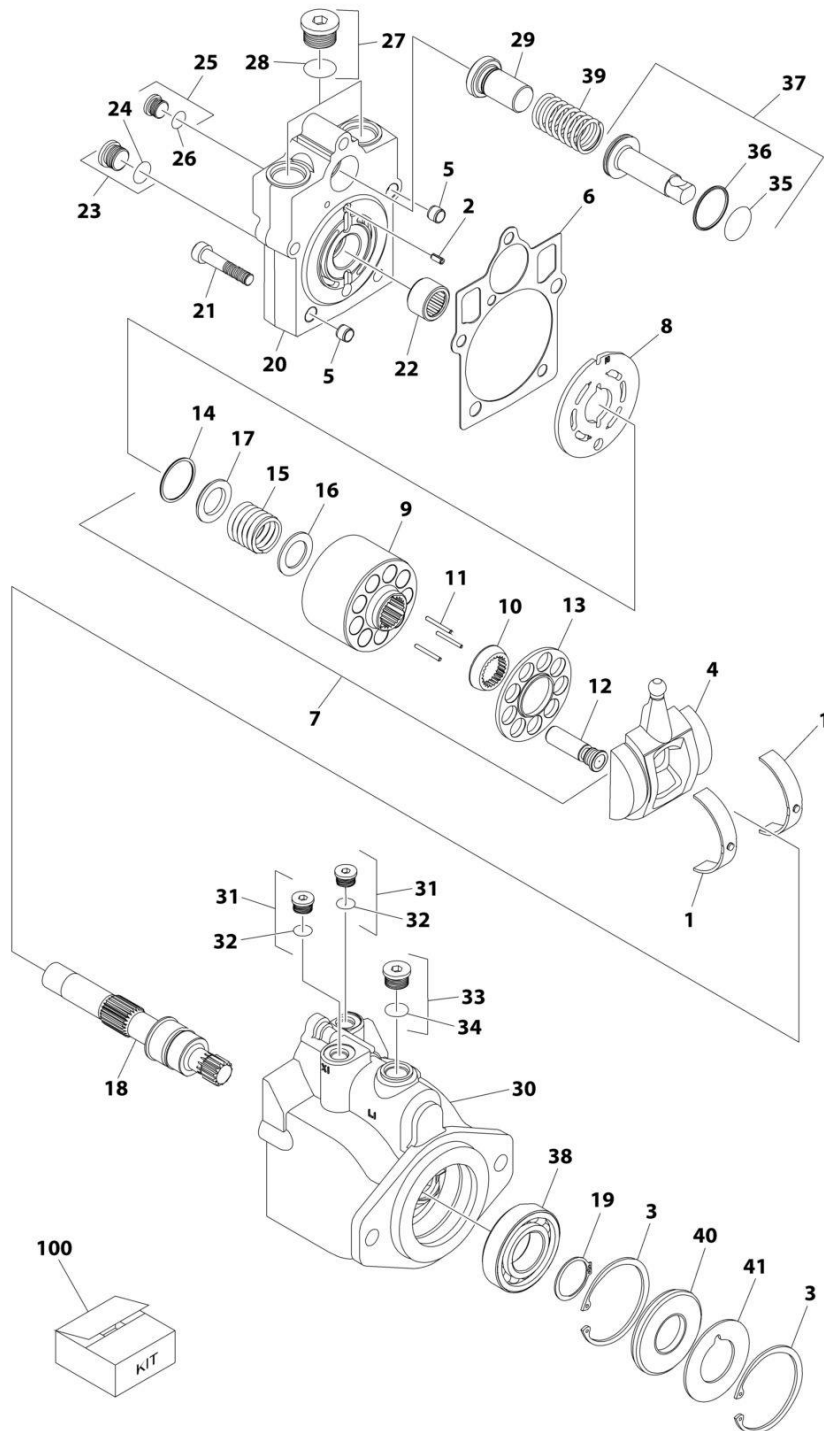
# SECTION 1 - FRAME

**FIGURE 1-7. WHEEL DRIVE INSTALLATION - 4WD/2WS (660SJ HC3)**

ITEM	PART NUMBER	QTY	DESCRIPTION	REV
	1001249985	Ref	WHEEL DRIVE INSTALLATION	E
1	0100011	AR	Compound, Locking	
2	0681710	8	Bolt 7/16 x 1-1/4	
3	0701620	4	Bolt M16 x 60	
5	3300106	36	Lugnut	
6	3790158	4	O-Ring	
7	3932030	20	Capscrew 5/8 x 1-7/8	
8	3932032	8	Capscrew 5/8 x 2	
9	3932072	4	Capscrew 5/8 x 4-1/2	
10	4740393	24	Washer	
11	4812300	4	Washer M16	
12	5241000	8	Washer	
13	5251012	6	Bolt M10 x 25	
14	1001113984	4	Drive Hub Assembly (See Separate Breakdown in this Section)	
15	1001135600	4	Drive Motor Assembly (See Separate Breakdown in this Section)	
16	1001187521	1	Traction Valve Assembly (See Separate Breakdown in this Section)	
17	1001198631	2	Bracket	
18	1001232292	2	Bracket	
19	0100019	AR	Compound, Locking	

# SECTION 1 - FRAME

## FIGURE 1-8. DRIVE MOTOR ASSEMBLY (600S HC3)



ART\_3160350

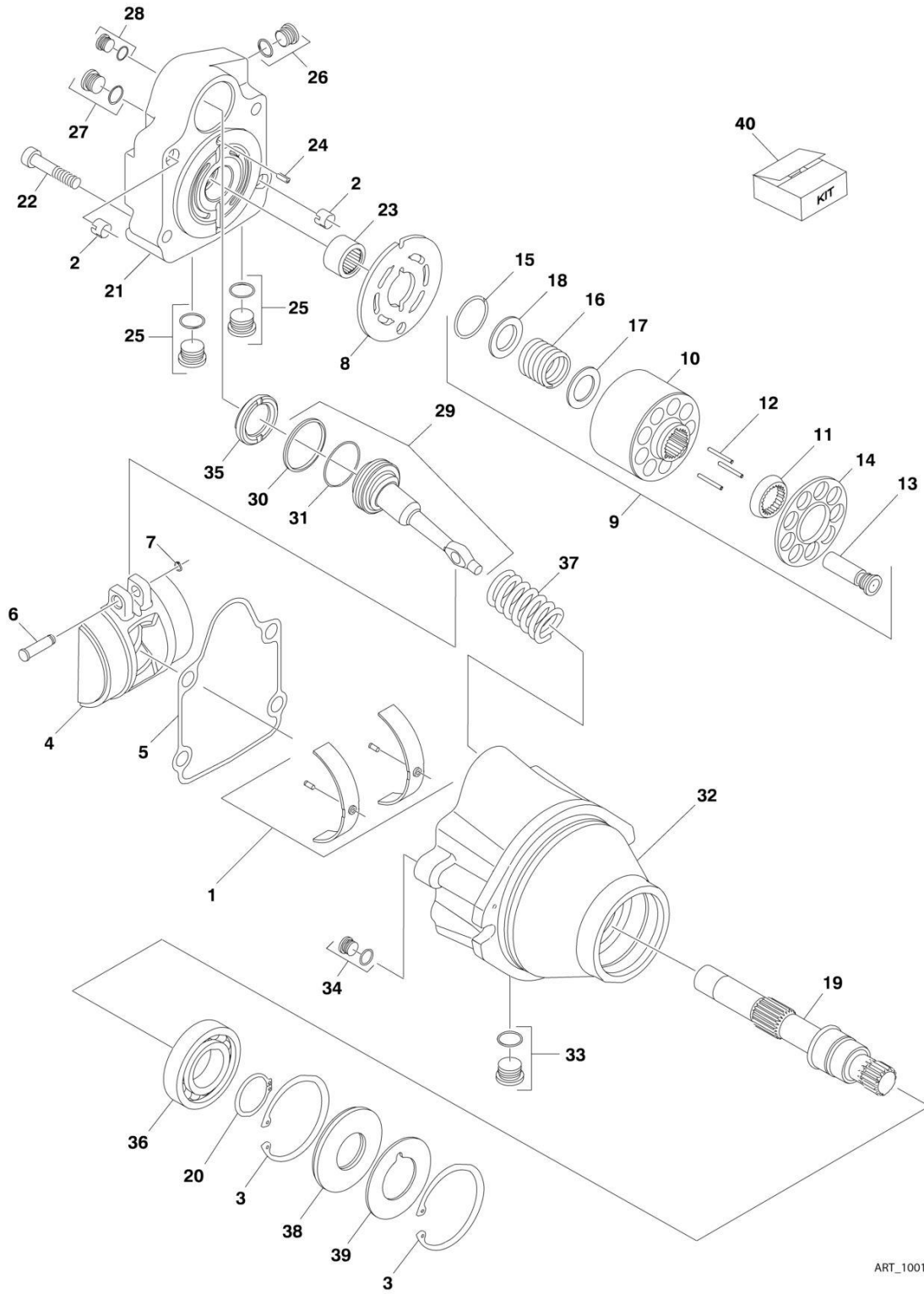
# SECTION 1 - FRAME

## FIGURE 1-8. DRIVE MOTOR ASSEMBLY (600S HC3)

ITEM	PART NUMBER	QTY	DESCRIPTION	REV
	3160350	Ref	DRIVE MOTOR ASSEMBLY	D
1	7022302	2	Bearing, Journal	
2	7007446	1	Pin	
3	7007438	2	Ring, Retaining	
4	70000794	1	Swash Plate	
5	See Note	NSS	Pin (Note: Not Available for Purchase)	
6	See Note	NSS	Gasket (Note: Use Item 42)	
7	7027740	1	Cylinder Block Kit (Includes Items 9-17)	
8	7024862	1	Plate, Valve	
9	See Note	NSS	Block, Cylinder	
10	See Note	NSS	Guide, Slipper Retainer	
11	7021275	3	Pin, Slipper Hold Down	
12	7024865	9	Piston Assembly	
13	See Note	NSS	Retainer, Slipper	
14	7022311	1	Ring, Retaining	
15	7024867	1	Spring	
16	7022313	1	Washer	
17	7022314	1	Retainer, Spring	
18	7023910	1	Shaft	
19	7007439	1	Ring, Retaining	
20	70000795	1	Cap, End - Axial	
21	7022368	5	Screw	
22	7021249	1	Bearing, Needle	
23	2220886	1	Plug (Includes Item 24)	
24	See Note	NSS	O-Ring (Note: Use Item 23 or 42)	
25	2220883	1	Plug (Includes Item 26)	
26	See Note	NSS	O-Ring (Note: Use Item 25 or 42)	
27	7027419	2	Plug (Includes Item 28)	
28	See Note	NSS	O-Ring (Note: Use Item 27 or 42)	
29	7022372	1	Seat, Spring	
30	See Note	NSS	Housing (Note: Not Available - Purchase Complete Assembly)	
31	2220883	2	Plug (Includes Item 32)	
32	See Note	NSS	O-Ring (Note: Use Item 31 or 42)	
33	2220886	1	Plug (Includes Item 34)	
34	See Note	NSS	O-Ring (Note: Use Item 33 or 42)	
35	See Note	NSS	O-Ring (Note: Use Item 42)	
36	See Note	NSS	Ring, Seal (Note: Use Item 42)	
37	7024871	1	Piston, Servo	
38	7007437	1	Bearing	
39	7022326	1	Spring	
40	See Note	NSS	Seal, Lip (Note: Use Item 42)	
41	7022371	1	Washer, Support	
100	7022328	1	Seal Kit (Includes Items 6, 24, 26, 28, 32, 34, 35, 36 & 40)	

# SECTION 1 - FRAME

## FIGURE 1-9. DRIVE MOTOR ASSEMBLY (660SJ HC3)



ART\_1001135600



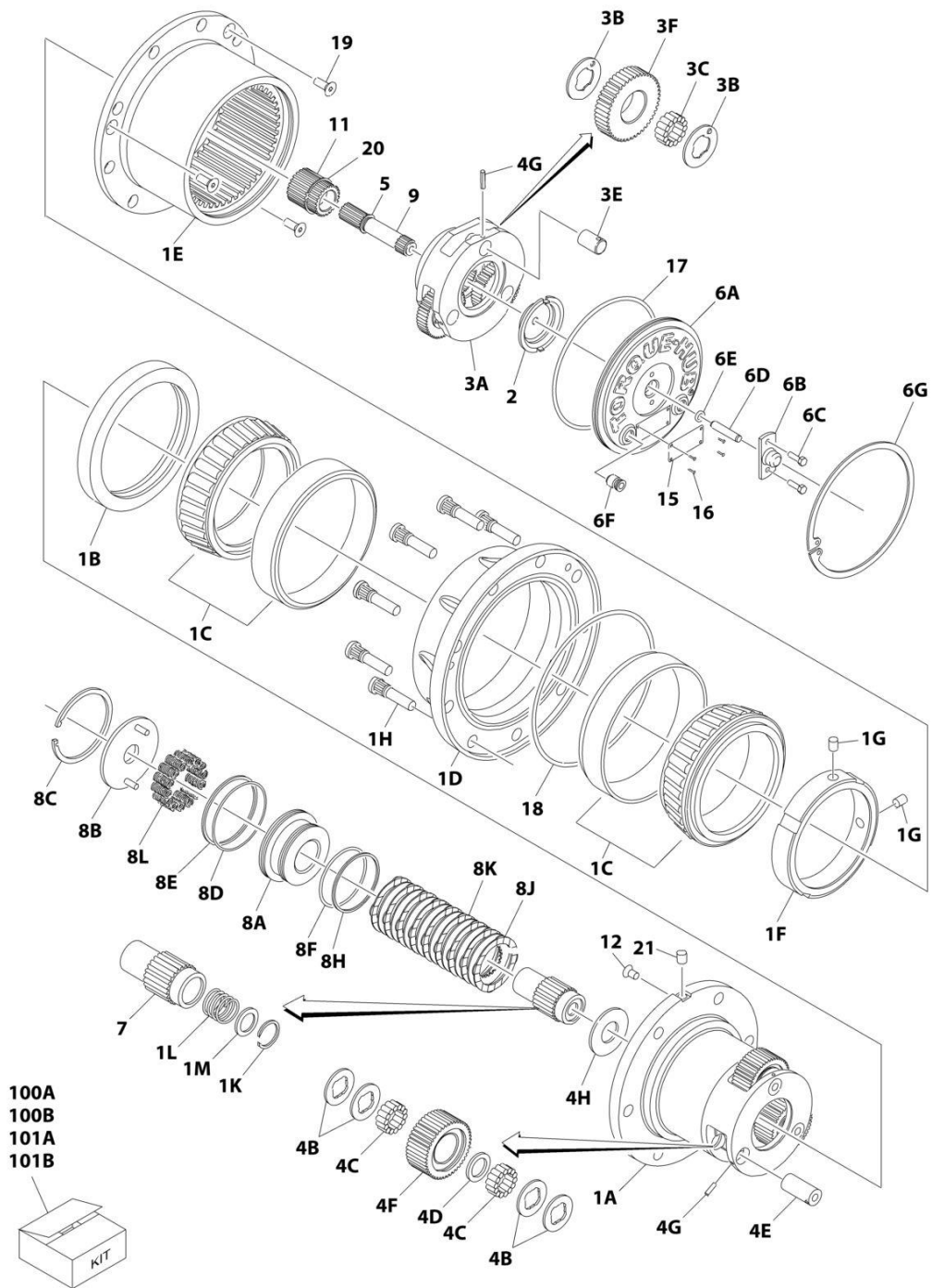
# SECTION 1 - FRAME

## FIGURE 1-9. DRIVE MOTOR ASSEMBLY (660SJ HC3)

ITEM	PART NUMBER	QTY	DESCRIPTION	REV
	1001135600	Ref	DRIVE MOTOR ASSEMBLY	C
1	70000852	1	Swash Plate Bearing Kit	
2	70003628	2	Pin	
3	70007438	2	Ring, Retaining	
4	70000853	1	Swash Plate	
5	See Note	NSS	Gasket (Note: Use Item 40)	
6	70004201	1	Pin	
7	70004202	1	Ring, Retaining	
8	70000854	1	Plate, Valve	
9	7027740	1	Cylinder Block Kit (Includes Items 10-18)	
10	7027740	1	Block, Cylinder	
11	70000854	1	Guide, Slipper Retainer	
12	7021275	3	Pin, Slipper Hold Down	
13	70004203	9	Piston Assembly	
14	70000857	1	Retainer, Slipper	
15	7022311	1	Ring, Retaining	
16	7024867	1	Spring	
17	7024868	1	Washer	
18	7022314	1	Retainer, Spring	
19	70000858	1	Shaft	
20	7007439	1	Ring, Retaining	
21	70004204	1	Cap, End - Axial	
22	7022368	4	Capscrew	
23	7021249	1	Bearing, Needle	
24	7007446	1	Pin	
25	7007419	2	Plug with O-Ring	
25	See Note	NSS	O-Ring (Note: Not Sold Separately - Purchase Item 25 or 40)	
26	7007420	1	Plug with O-Ring	
26	70000862	1	O-Ring (Note: Not Sold Separately - Purchase Item 26 or 40)	
27	7022321	1	Plug with O-Ring	
27	70000862	1	O-Ring (Note: Not Sold Separately - Purchase Item 27 or 40)	
28	7007420	1	Plug with O-Ring	
28	70000862	1	O-Ring (Note: Not Sold Separately - Purchase Item 28 or 40)	
29	70004205	1	Servo - 4WD	
30	See Note	NSS	Ring, Piston (Note: Not Sold Separately - Purchase Item 29 or 40)	
31	See Note	NSS	O-Ring (Note: Not Sold Separately - Purchase Item 29 or 40)	
32	See Note	NSS	Housing (Note: Not Available - Purchase Complete Motor)	
33	7022321	1	Plug with O-Ring	
33	70000862	1	O-Ring (Note: Not Sold Separately - Purchase Item 33 or 40)	
34	70002133	1	Plug with O-Ring	
34	70000862	1	O-Ring (Note: Not Sold Separately - Purchase Item 34 or 40)	
35	70004205	1	Stop (4WD Motor Only)	
36	70002176	1	Bearing	
37	70000861	1	Spring	
38	See Note	NSS	Seal, Lip (Note: Use Item 40)	
39	7022371	1	Washer, Support	
40	70000862	1	Seal Kit (Includes Items 5, 30, 31, 38 and Plug O-Rings)	

# SECTION 1 - FRAME

## FIGURE 1-10. DRIVE HUB ASSEMBLY (600S HC3)



ART\_2780269

# SECTION 1 - FRAME

## FIGURE 1-10. DRIVE HUB ASSEMBLY (600S HC3)

ITEM	PART NUMBER	QTY	DESCRIPTION	REV
	2780269	Ref	DRIVE HUB/BRAKE ASSEMBLY	E
1	See Note	NSS	Spindle/Housing Assembly (Note: Not Available - Purchase Individual Components)	
1A	7024729	1	Spindle	
1B	70001119	1	Seal, Lip	
1C	7024735	2	Bearing (Includes Cup and Cone)	
1D	2780269	1	Housing (Note: Not Available for Purchase)	
1E	7024730	1	Ring, Gear	
1F	7024744	1	Nut, Bearing	
1G	See Note	NSS	Setscrew 1/4 x 1/2 (Note: Use Item 26A, 26B, 27A or 27B)	
1H	7024732	9	Stud, Wheel	
1K	7024125	1	Ring, Retaining	
1L	7024124	1	Spring	
1M	7024129	1	Thrustwasher	
2	7024741	1	Thrustwasher	
3	See Note	NSS	Carrier Assembly (Note: Not Available - Purchase Individual Components)	
3A	7024725	1	Carrier	
3B	7024127	6	Thrustwasher	
3C	7024733	42	Bearing, Needle	
3E	7024724	3	Shaft, Planet	
3F	7024727	3	Gear, Planet	
4	See Note	NSS	Planet Gear Sub-Assembly (Note: Not Available - Purchase Individual Components)	
4B	7024740	12	Thrustwasher	
4C	7024734	84	Bearing, Needle	
4D	7024736	3	Spacer, Thrust	
4E	7024726	3	Shaft, Planet	
4F	7024728	3	Gear, Planet	
4G	7001913	6	Roll Pin	
4H	7024742	1	Thrustwasher	
5	7017027	1	Ring, Retaining	
6	See Note	NSS	Cover Assembly (Note: Not Available - Purchase Individual Components)	
6A	7024731	1	Plate, Cover	
6B	7017093	1	Cap, Disengage	
6C	7000216	2	Bolt 1/2in-20NC x 1/2in	
6D	7024739	1	Pin, Dowel	
6E	7017095	1	O-Ring	
6F	7017072	2	Plug, Pipe	
6G	7024738	1	Ring, Retaining	
7	7024722	1	Coupling	
8	See Note	NSS	Brake, Input (Note: Not Available - Purchase Individual Components)	
8A	70000782	1	Piston, Brake	
8B	7024743	1	Plate, Pressure	
8C	See Note	NSS	Ring, Retaining (Note: Use Item 26B, 27A or 27B)	
8D	See Note	NSS	O-Ring (Note: Use Item 26B or 27A)	
8E	See Note	NSS	Ring, Back-up (Note: Use Item 26B or 27A)	
8F	See Note	NSS	O-Ring (Note: Use Item 26B or 27A)	
8H	See Note	NSS	Ring, Back-up (Note: Use Item 26B or 27A)	

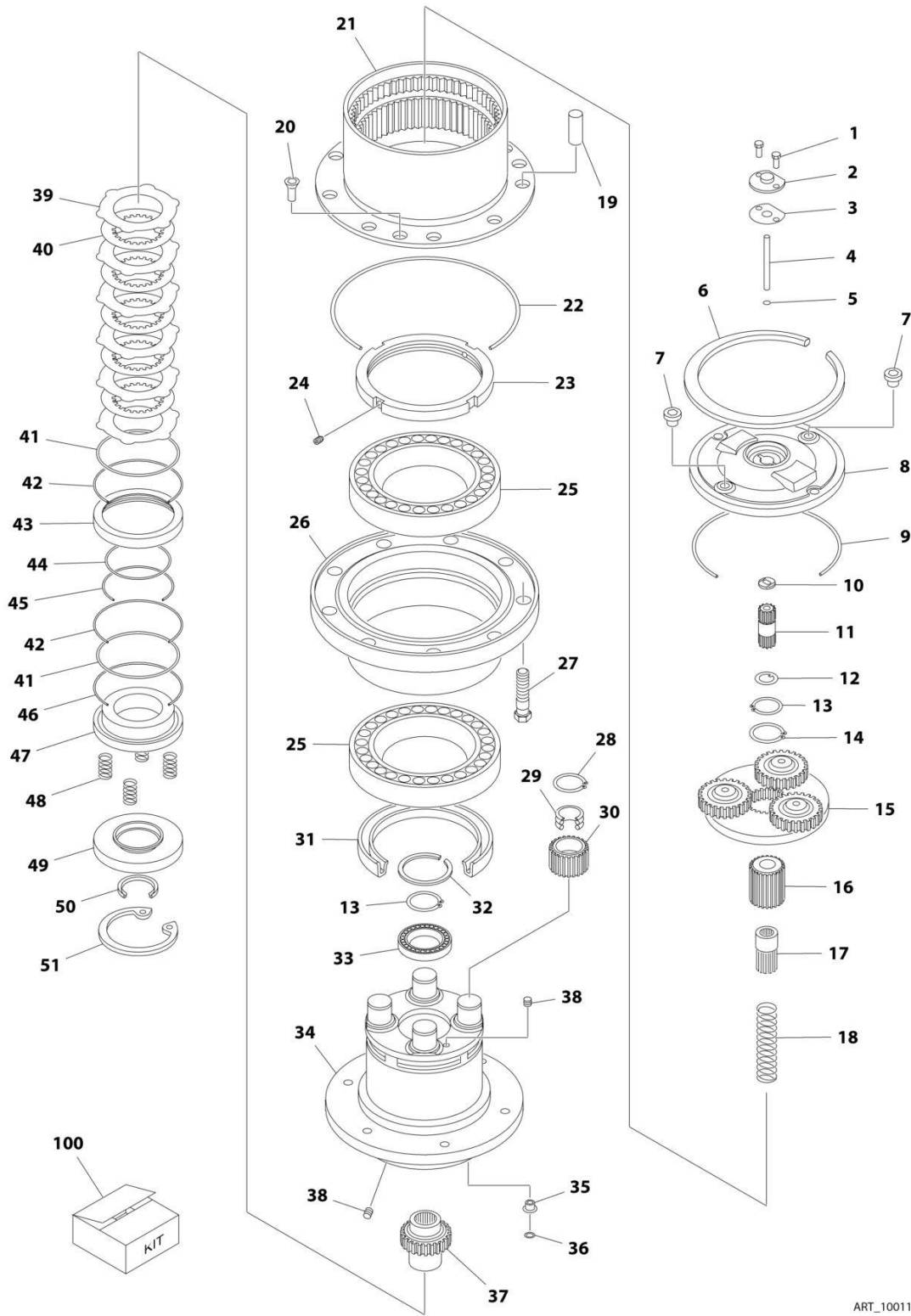
## SECTION 1 - FRAME

ITEM	PART NUMBER	QTY	DESCRIPTION	REV
8J	See Note	NSS	Rotor, Brake (Note: Use Item 27A)	
8K	See Note	NSS	Stator, Brake (Note: Use Item 27A)	
8L	See Note	NSS	Spring, Brake (Note: Use Item 27B)	
9	7024721	1	Shaft, Input	
11	7024723	1	Gear, Sun	
12	See Note	NSS	Plug (Note: Not Available for Purchase)	
15	See Note	NSS	Plate, ID (Not Shown) (Note: Not Available for Purchase)	
16	7000281	4	Screw, Drive	
17	7024134	1	O-Ring	
18	See Note	NSS	O-Ring (Note: Use Item 26A)	
19	7017022	3	Screw, Countersunk 3/8in-16NC	
20	7024737	1	Ring, Retaining	
21	See Note	NSS	Plug (Note: Not Available - Purchase Locally)	
26		Ref	Seal Kit Options:	
26A	7024744	1	Hub Seal Kit (Includes Items 1B, 1F, 1G, 17, 18 & 19)	
26B	7024765	1	Brake Seal Kit (Includes Items 1G, 8C, 8D, 8E, 8F & 8H)	
27		Ref	Repair Kit Options:	
27A	7024764	1	Brake Lining Kit (Includes Items 1G, 8C, 8D, 8E, 8F, 8H, 8J & 8K)	
27B	7024766	1	Brake Spring Kit (Includes Items 1G, 8C & 8L)	



# SECTION 1 - FRAME

## FIGURE 1-11. DRIVE HUB ASSEMBLY (660SJ HC3)



ART\_1001113984

# SECTION 1 - FRAME

## FIGURE 1-11. DRIVE HUB ASSEMBLY (660SJ HC3)

ITEM	PART NUMBER	QTY	DESCRIPTION	REV
	1001113984	Ref	DRIVE HUB ASSEMBLY	E
1	70004353	2	Screw	
2	70005298	1	Cover, Disengagement	
3	70002201	1	Gasket	
4	70002059	1	Pin, Disengagement	
5	See Note	NSS	O-Ring (Note: Use Item 100)	
6	70005299	1	Ring	
7	70002057	4	Plug	
8	70005300	1	Cover	
9	See Note	NSS	O-Ring (Note: Use Item 100)	
10	70002054	1	Shim	
11	70005301	1	Pinion	
12	70005302	1	Shim	
13	70004355	2	Ring, Outer Retention	
14	70004356	1	Ring, Inner Retention	
15	70005303	1	Reduction Gear Assembly	
16	70005304	1	Pinion	
17	70005305	1	Coupling, Disengagement Half	
18	70005306	1	Spring, Disengagement	
19	70005307	9	Plug	
20	70004361	3	Screw	
21	70005308	1	Ring, Planetary	
22	See Note	NSS	O-Ring (Note: Use Item 100)	
23	70005309	1	Nut, Ring	
24	70004363	2	Screw	
25	70005311	2	Bearing	
26	70004365	1	Support, Hub	
27	70005312	9	Column	
28	70004367	4	Ring, Outer Retention	
29	70005313	4	Bearing	
30	70004369	4	Wheel, Planet	
31	See Note	NSS	Seal, Oil (Note: Use Item 100)	
32	70004370	1	Ring	
33	70004371	1	Bearing	
34	70005314	1	Axle, Stub	
35	70005315	1	Plug	
36	See Note	NSS	O-Ring (Note: Use Item 100)	
37	70005316	1	Shaft, Input	
38	70004447	2	Plug	
39	70002027	6	Disc, Steel	
40	70002026	5	Disc, Sintered	
41	See Note	NSS	Seal (Note: Use Item 100)	
42	See Note	NSS	O-Ring (Note: Use Item 100)	
43	70005317	1	Spacer	
44	See Note	NSS	Seal (Note: Use Item 100)	
45	See Note	NSS	O-Ring (Note: Use Item 100)	
46	See Note	NSS	O-Ring (Note: Use Item 100)	
47	70005318	1	Piston	
48	70002020	6	Spring, Brake	
49	70005319	1	Spacer	

## SECTION 1 - FRAME

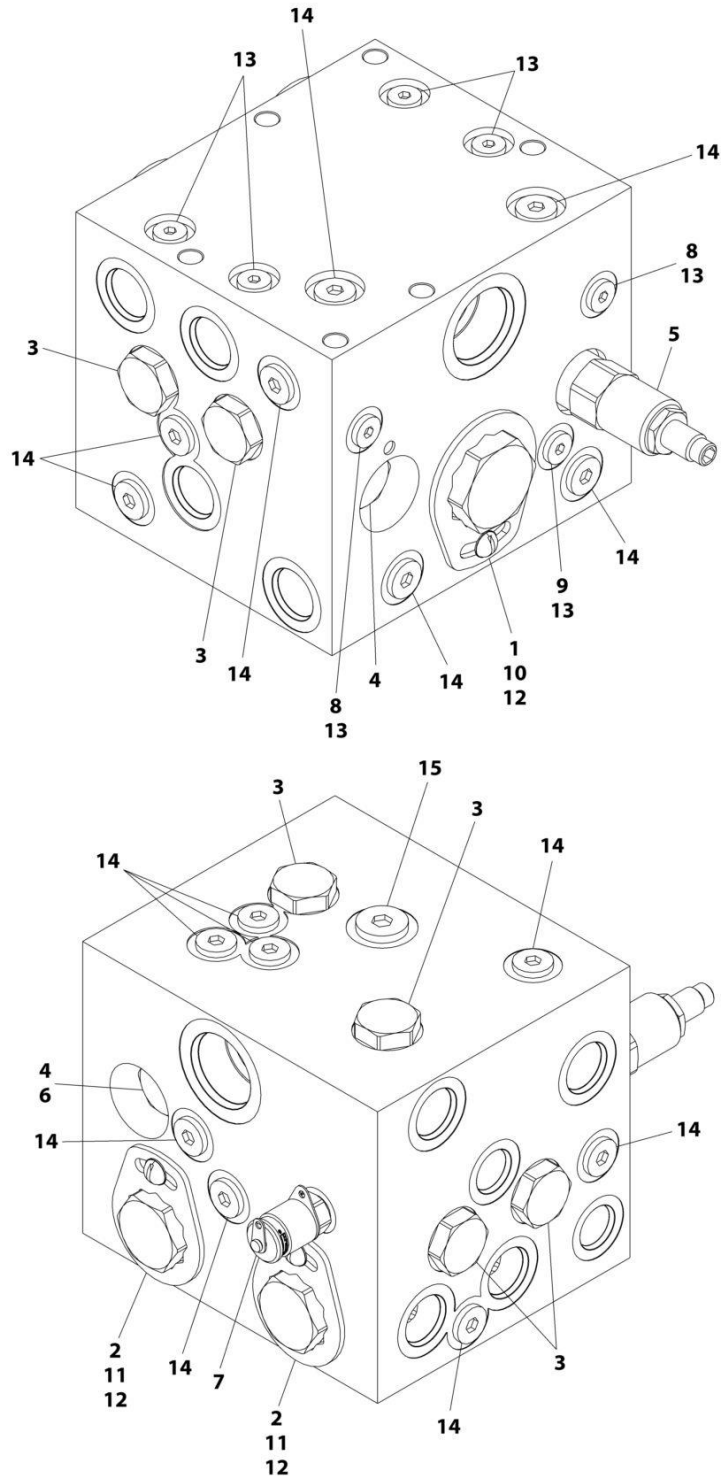
ITEM	PART NUMBER	QTY	DESCRIPTION	REV
50	See Note	NSS	Seal, Oil (Note: Use Item 100)	
51	70005320	1	Ring, Inner Retention	
100	70005321	1	Seal Kit (Includes Items 5, 9, 22, 31, 36, 41, 42, 44, 45, 46 & 50)	





# SECTION 1 - FRAME

## FIGURE 1-12. TRACTION VALVE ASSEMBLY



ART\_1001187521

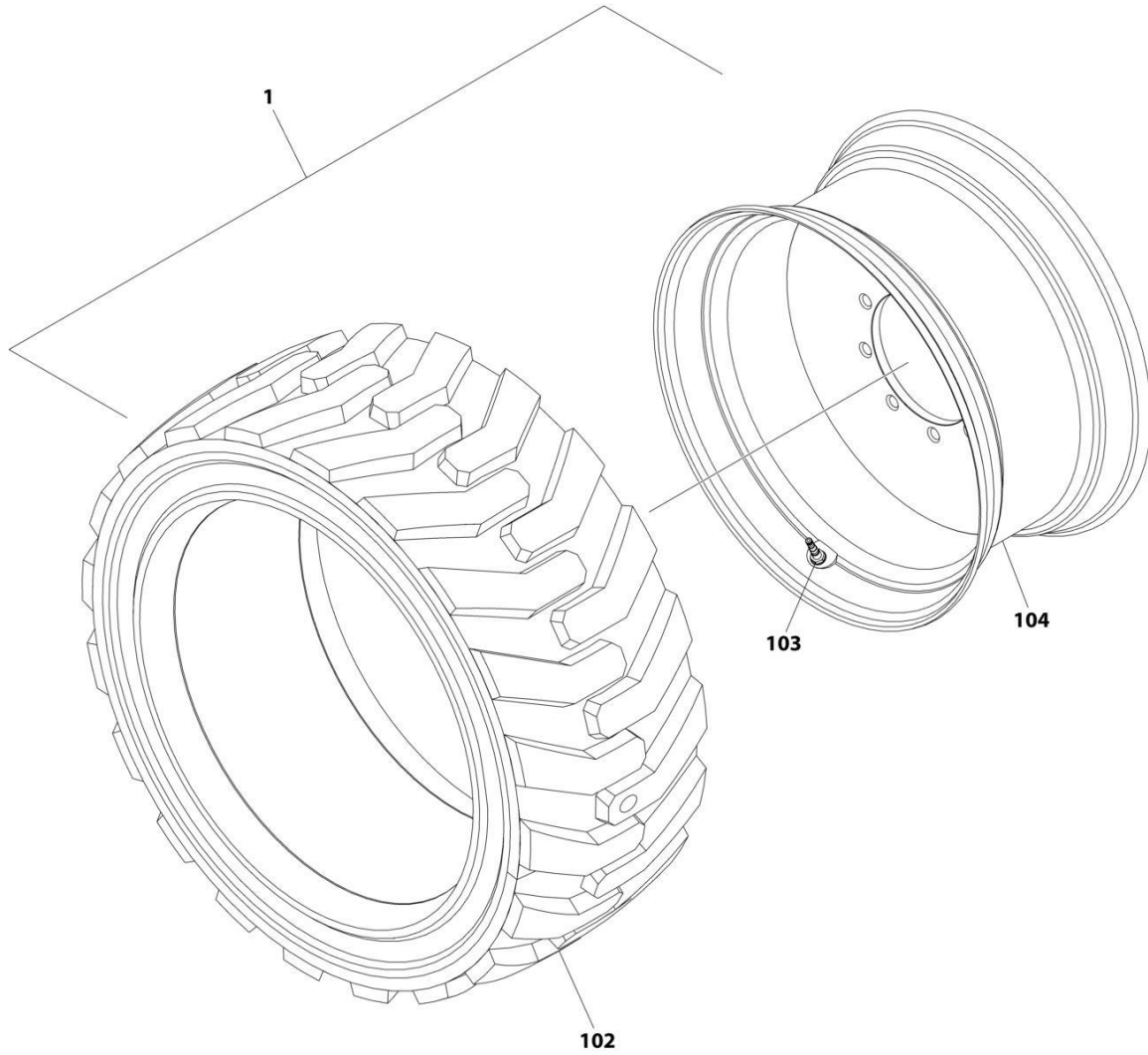
# SECTION 1 - FRAME

## FIGURE 1-12. TRACTION VALVE ASSEMBLY

ITEM	PART NUMBER	QTY	DESCRIPTION	REV
	1001187521	Ref	TRACTION VALVE ASSEMBLY	H
1	70005668	1	Valve, Flow Divider	
1	7021625	1	Seal Kit - 70005668 Valve	
2	70005669	2	Valve, Flow Divider	
2	70004577	2	Seal Kit - 70005669 Valve	
3	70026444	6	Valve, Check	
3	7022399	6	Seal Kit - 7022397 Valve	
4	70002390	2	Valve, Check	
4	7022399	2	Seal Kit - 70002390 Valve	
5	70007507	1	Valve, Relief	
5	7012998	1	Seal Kit - 70007507 Valve	
6	7024881	1	Piston	
7	2221086	1	Fitting, Test	
8	70003975	2	Orifice	
9	70002209	1	Orifice	
10	70000781	1	Lock Down Kit	
11	70002962	2	Lock Down Kit	
12	70004888	3	Screw	
13	2220883	7	Plug	
14	2220885	15	Plug	
15	2220886	1	Plug	

# SECTION 1 - FRAME

FIGURE 1-13. TIRE & WHEEL INSTALLATION - IN355-55 D625 FOAM FILLED (AVAILABLE ON ALL SPECS)



ART\_1001185596

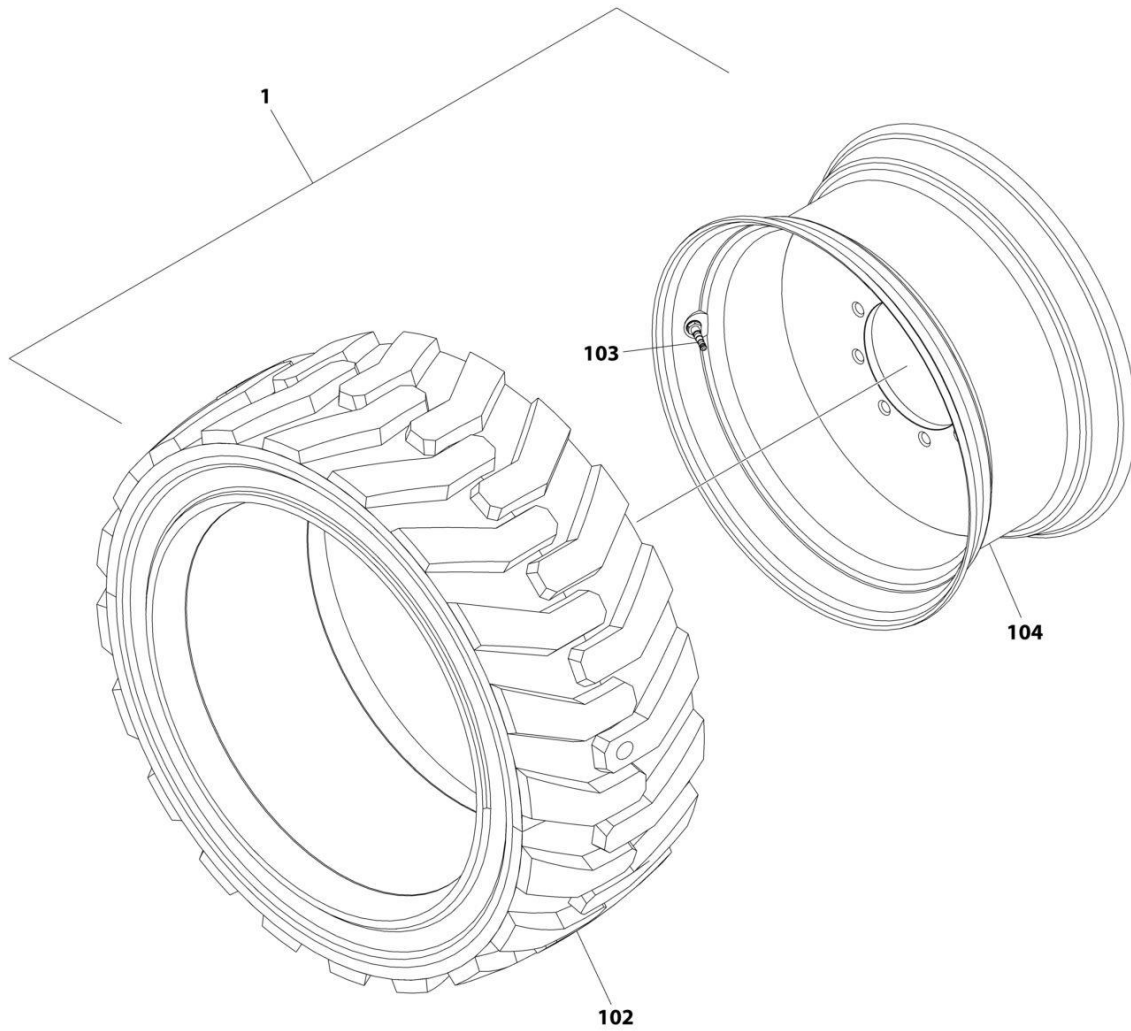
## SECTION 1 - FRAME

**FIGURE 1-13. TIRE & WHEEL INSTALLATION - IN355-55 D625 FOAM FILLED (AVAILABLE ON ALL SPECS)**

ITEM	PART NUMBER	QTY	DESCRIPTION	REV
	1001185596	Ref	TIRE & WHEEL INSTALLATION	A
		Ref	Note: Assemblies may require ballast/foam filling to manufacturer's specifications prior to installing on a machine. Refer to Operation and Safety or Service and Maintenance Manuals.	
		Ref	Note: Purchase individual tire and/or rim only if able to foam fill tire and wheel assembly, otherwise, purchase complete assembly.	
1	1001181795	Ref	Tire and Wheel Assembly (LH Side)	D
1	1001181796	Ref	Tire and Wheel Assembly (RH Side)	D
102	4520288	4	Tire - IN355-55 D625	
103	4641122	4	Valve	
104	1001181797	4	Rim, Wheel	

# SECTION 1 - FRAME

FIGURE 1-14. TIRE & WHEEL INSTALLATION - IN355-55 D625 FOAM FILLED NON-MARKING  
(AVAILABLE ON ALL SPECS)



ART\_1001185597

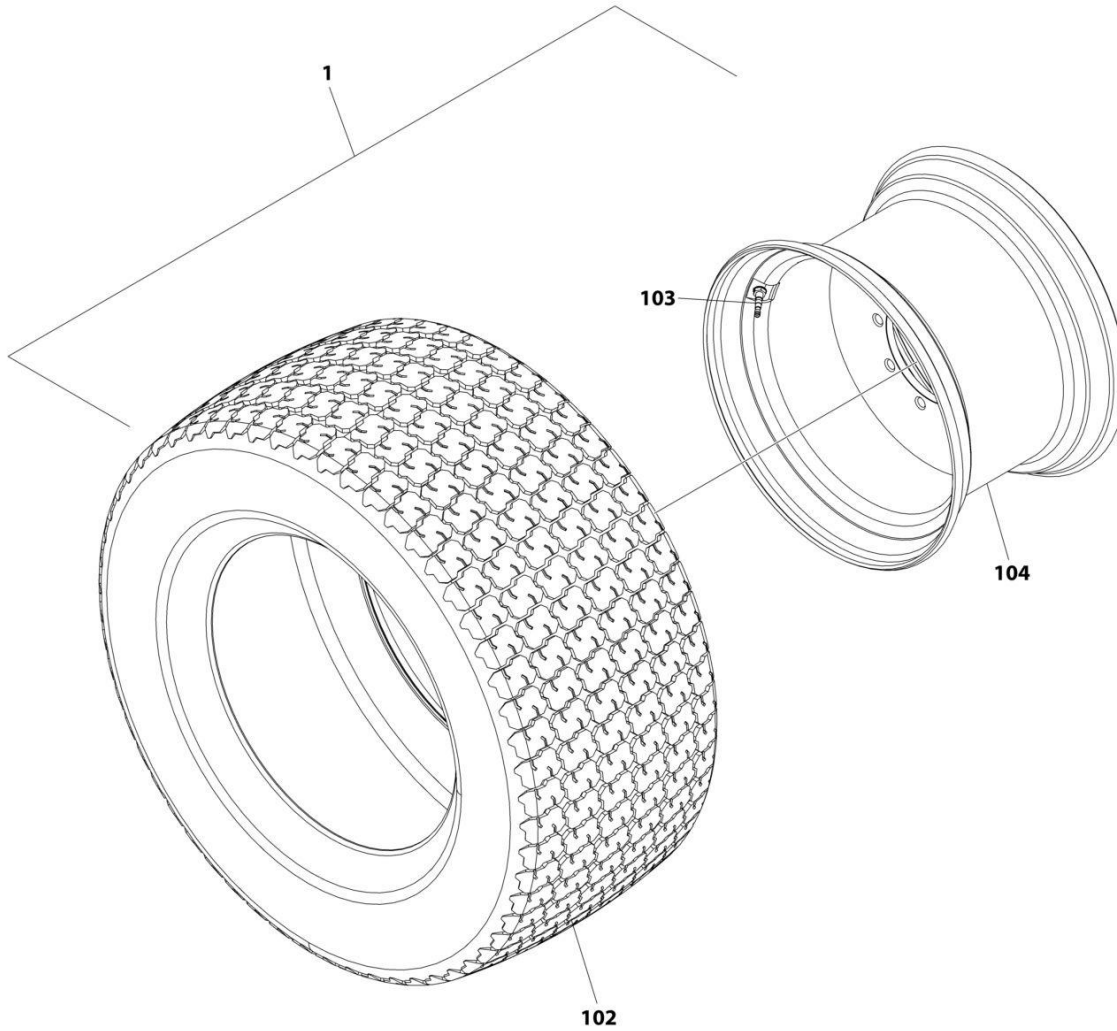
## SECTION 1 - FRAME

**FIGURE 1-14. TIRE & WHEEL INSTALLATION - IN355-55 D625 FOAM FILLED NON-MARKING  
(AVAILABLE ON ALL SPECS)**

ITEM	PART NUMBER	QTY	DESCRIPTION	REV
	1001185597	Ref	TIRE & WHEEL INSTALLATION	A
		Ref	Note: Assemblies may require ballast/foam filling to manufacturer's specifications prior to installing on a machine. Refer to Operation and Safety or Service and Maintenance Manuals.	
		Ref	Note: Purchase individual tire and/or rim only if able to foam fill tire and wheel assembly, otherwise, purchase complete assembly.	
1	1001184727	Ref	Tire and Wheel Assembly (RH Side)	E
1	1001184728	1	Tire and Wheel Assembly (LH Side)	E
102	1001184881	4	Tire - IN355-55 D625	
103	4641122	4	Valve	
104	1001181797	4	Rim, Wheel	

# SECTION 1 - FRAME

FIGURE 1-15. TIRE & WHEEL INSTALLATION - 41-18LL X 22.5 FOAM FILLED TURF & SAND  
(AVAILABLE ON ALL SPECS EXCEPT AUSTRALIAN & CE SPECS)



ART\_1001216195



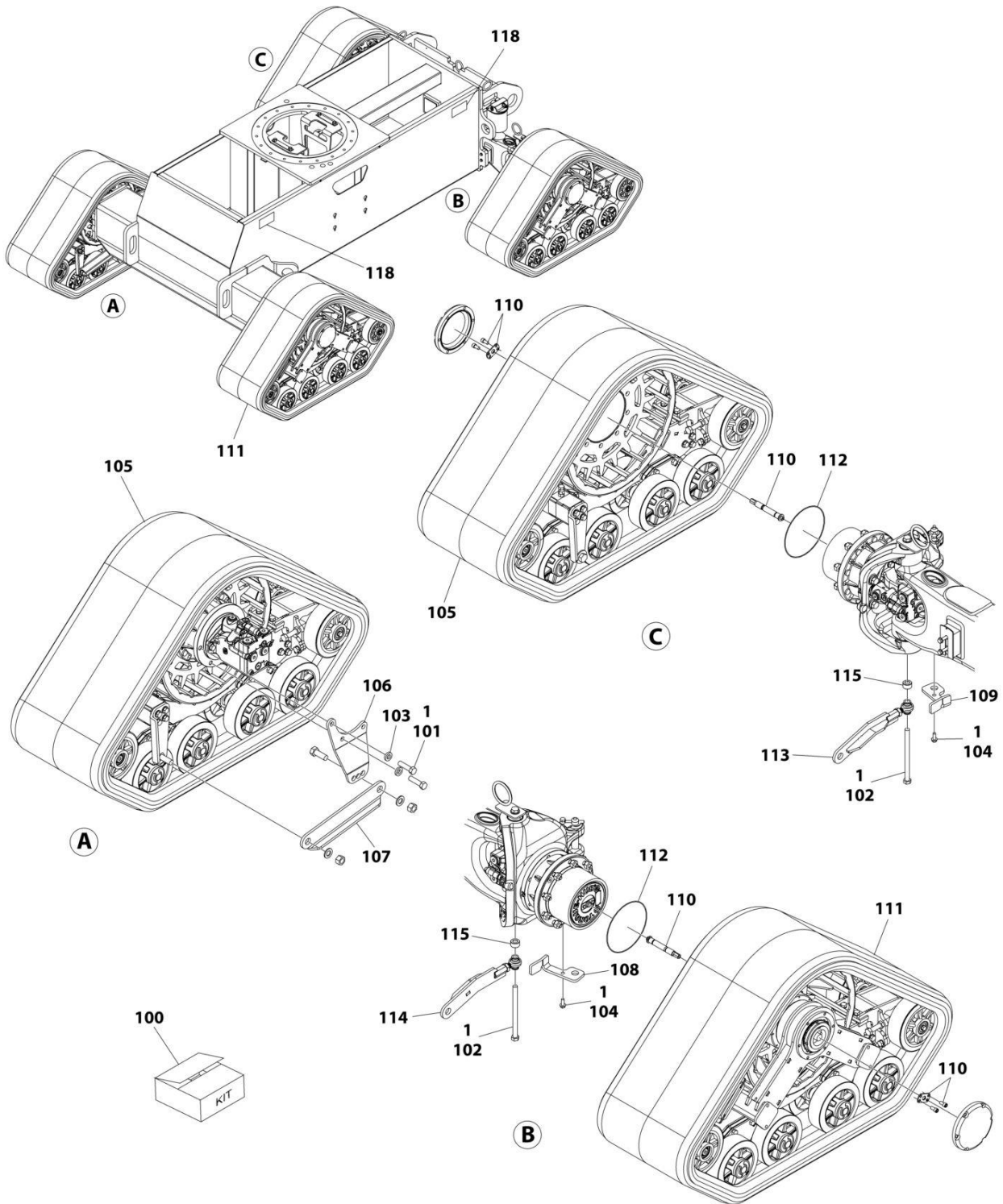
## SECTION 1 - FRAME

**FIGURE 1-15. TIRE & WHEEL INSTALLATION - 41-18LL X 22.5 FOAM FILLED TURF & SAND  
(AVAILABLE ON ALL SPECS EXCEPT AUSTRALIAN & CE SPECS)**

ITEM	PART NUMBER	QTY	DESCRIPTION	REV
	1001216195	Ref	TIRE & WHEEL INSTALLATION	A
		Ref	Note: Not Available on Shipyard Machines.	
		Ref	Note: Turf/Sand Tires Required Additional Chassis Counterweight. See SPECIAL OPTIONS SECTION Before Installing this Option.	
		Ref	Note: Assemblies may require ballast/foam filling to manufacturer's specifications prior to installing on a machine. Refer to Operation and Safety or Service and Maintenance Manuals.	
		Ref	Note: Purchase individual tire and/or rim only if able to foam fill tire and wheel assembly, otherwise, purchase complete assembly.	
1	1001216196	Ref	Tire and Wheel Assembly - Turf and Sand	C
102	4520256	4	Tire - 41-18LL x 22.5	
103	4641122	4	Valve	
104	1001208017	4	Rim, Wheel	

# SECTION 1 - FRAME

## FIGURE 1-16. MATTRACKS INSTALLATION

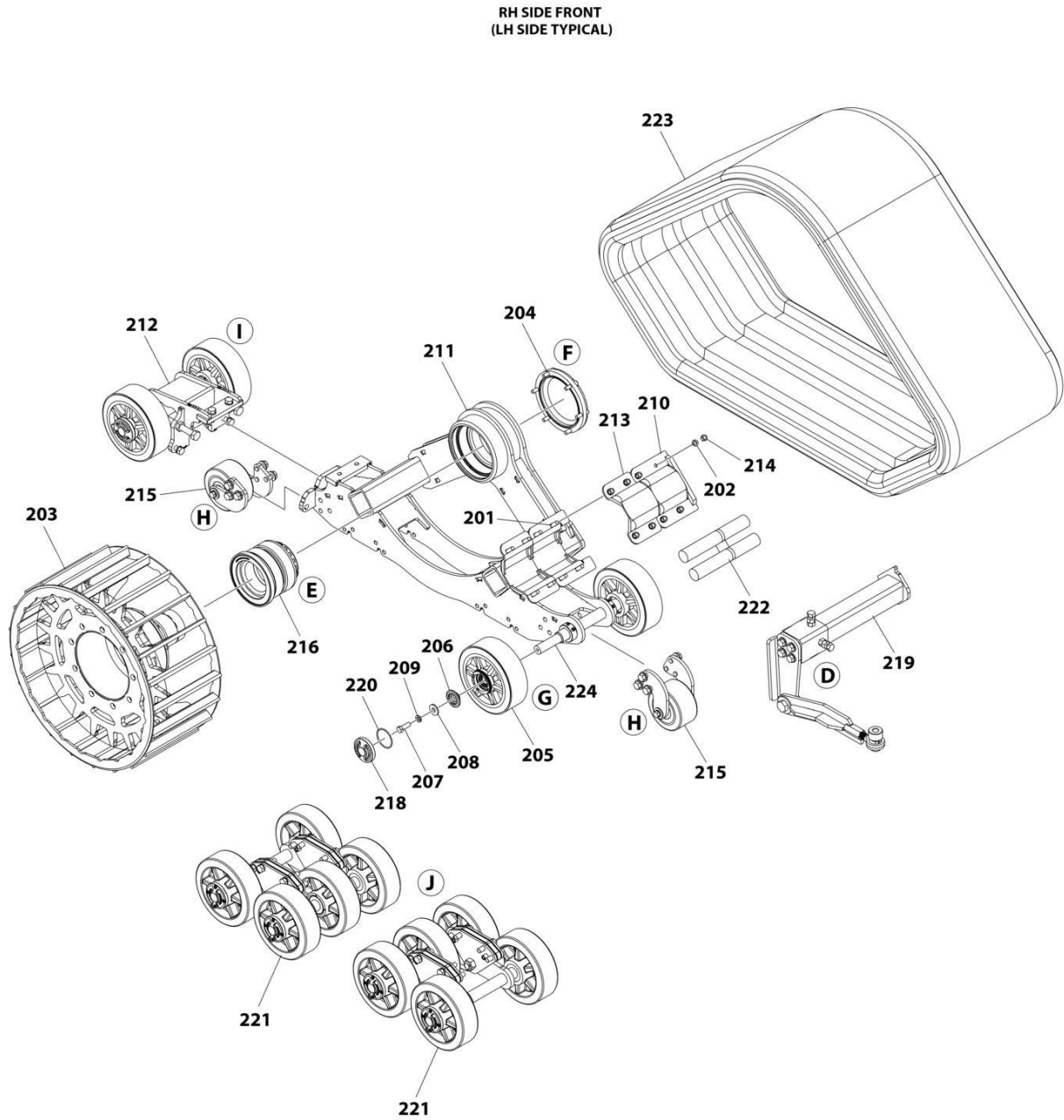


ART\_1001243431\_C\_10F4



# SECTION 1 - FRAME

## FIGURE 1-17. MATTRACKS INSTALLATION

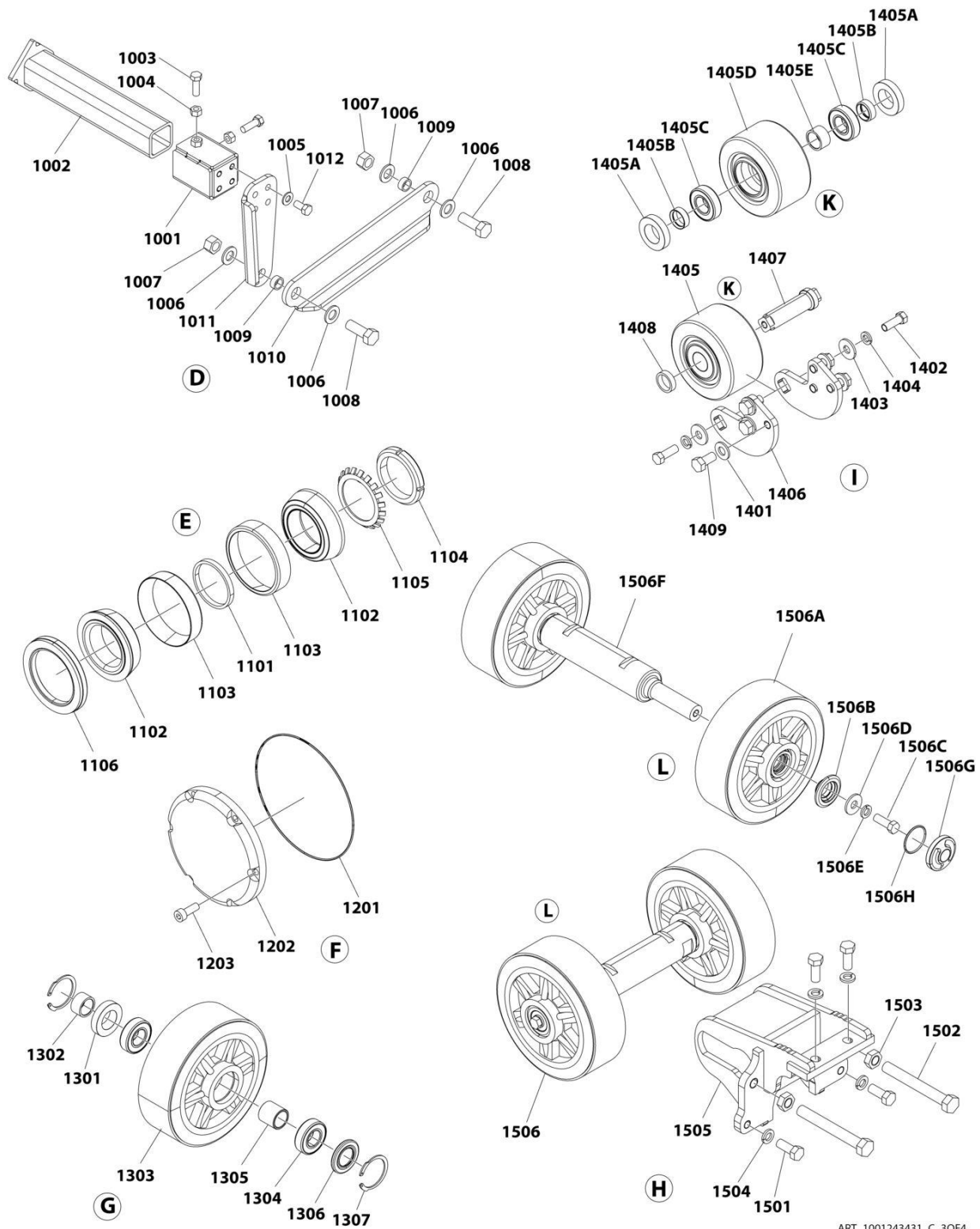


ART\_1001243431\_C\_2OF4



# SECTION 1 - FRAME

## FIGURE 1-18. MATTRACKS INSTALLATION

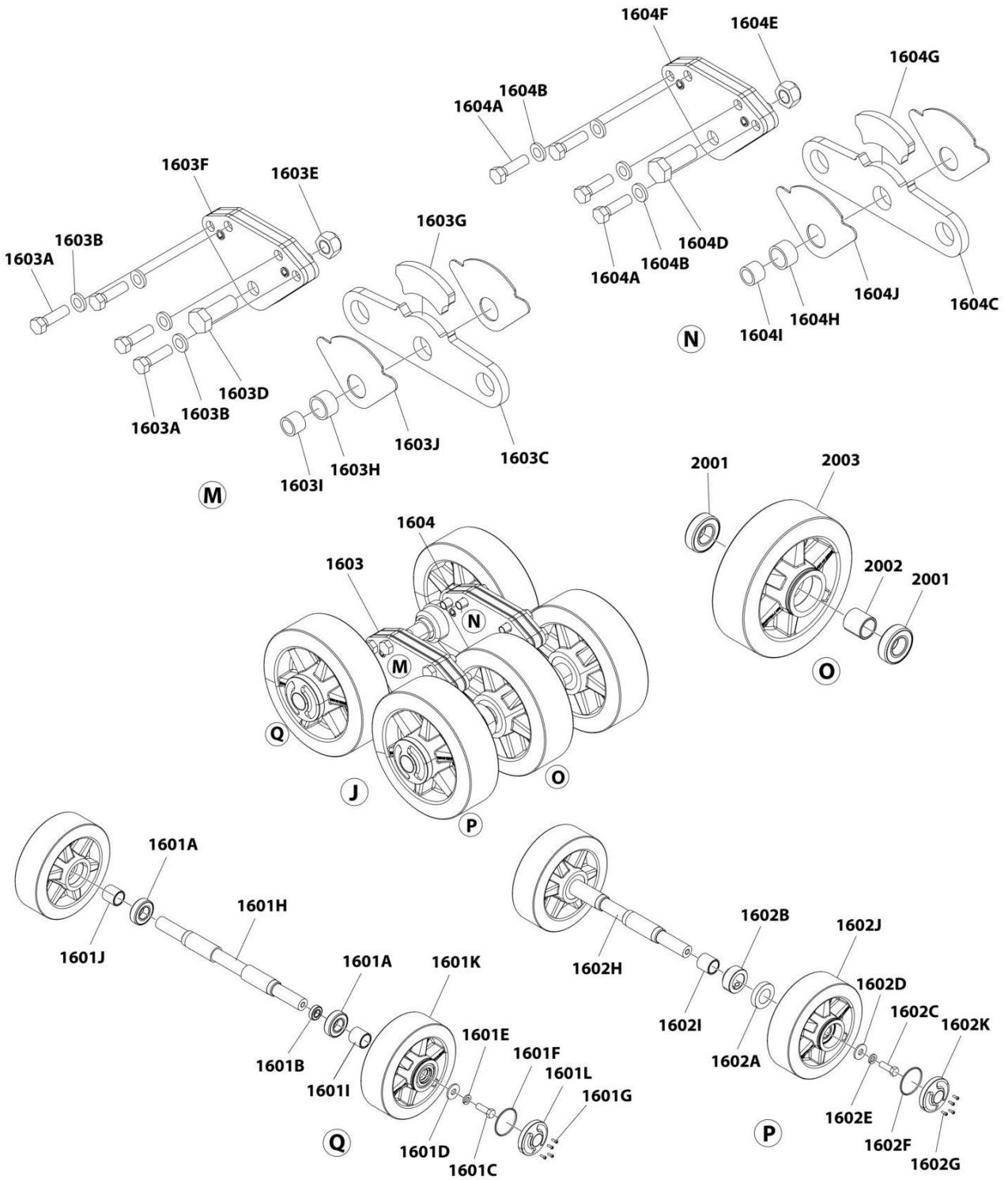


ART\_1001243431\_C\_30F4



# SECTION 1 - FRAME

## FIGURE 1-19. MATTRACKS INSTALLATION



ART\_1001243431\_C\_40F4



# SECTION 1 - FRAME

## FIGURE 1-19. MATTRACKS INSTALLATION

ITEM	PART NUMBER	QTY	DESCRIPTION	REV
	1001243431	Ref	MATTRACKS INSTALLATION	C
1	0100011	AR	Compound, Locking	
100	1001277880	1	Mattracks Kit	B
101	0682019	6	Bolt 5/8 x 2-3/8	
102	0701639	2	Bolt M16 x 220	
103	4740393	6	Washer	
104	5201012	2	Bolt M10 x 25	
105	1001231957	2	Track Assembly (LH) (See Items 201-223)	
106	1001238851	2	Plate, Hub	
107	1001238858	2	Plate	
108	1001239295	1	Plate, Stopper (RH)	
109	1001239296	1	Plate, Stopper (LH)	
110	1001292406	4	Pin	
111	1001242991	2	Track Assembly (RH) (See Items 201-223)	
112	1001248720	4	O-Ring	
113	1001253468	1	Link (LH)	
114	1001253469	1	Link (RH)	
115	1001253470	2	Sleeve	
117	1001293465	1	Manual (Not Shown)	
118	1001293730	4	Decal, Max Track Load	
	1001231957	Ref	TRACK ASSEMBLY (LH)	B
	1001242991	Ref	TRACK ASSEMBLY (RH)	B
		Ref	Note: Quantity Shown is for Quantity 1 Track Assembly.	
201	70007680	8	Screw 3/8 x 1-1/4	
202	70007681	8	Washer 3/8	
203	70007682	1	Spindle/Sprocket	
204	70007683	1	Spindle/Cap Assembly (Includes Items 1201-1203)	
205	70007684	2	Wheel, 8 x 250 (Includes Items 1301-1307)	
206	70007685	2	Washer	
207	70007686	2	Bolt 7/16 x 1-1/4	
208	70007687	2	Washer 1/2	
209	70007688	2	Washer 7/16	
210	70007689	1	Clamp	
211	70007690	1	Frame (LH) (Not Shown)	
211	70007702	1	Frame (RH)	
212	70007691	1	Nose Assembly (Includes Items 1501-1506)	
213	70007692	1	Clamp	
214	70007693	8	Nut 3/8	
215	70007694	2	Guide Wheel Assembly (Includes Items 1401-1408)	
216	70007695	1	Bearing (1 Set) (Includes Items 1101-1106)	
218	70007696	2	Cap, Wheel	
219	70007964	1	Torque/Slide Tube Arm Assembly (LH) (Not Shown) (Includes Items 1001-1012)	
219	70007697	1	Torque/Slide Tube Arm Assembly (RH) (Includes Items 1001-1012)	
220	70007698	2	O-Ring	
221	70007699	2	Rocker Assembly (Includes Items 1601-1604)	
222	70007700	1	Cushions Assembly	
223	70007701	1	Track	
224	70008279	1	Shaft, Frame	

# SECTION 1 - FRAME

ITEM	PART NUMBER	QTY	DESCRIPTION	REV
1001	See Note	NSS	Tube (Note: Not Available for Purchase)	
1002	See Note	NSS	Tube (Note: Not Available for Purchase)	
1003	70008297	1	Bolt 1/2 x 1-1/2 Grade 8	
1004	70008298	2	Nut 1/2	
1005	70008299	4	Washer 1/2	
1006	70008300	2	Washer 3/4	
1007	70008301	2	Nut 3/4	
1008	70008302	2	Bolt 3/4 Grade 8	
1009	70008303	2	Bushing	
1010	70008304	1	Link	
1011	70008305	1	Link	
1012	70008306	4	Bolt 1/2 x 1 Grade 8	
1101	70008308	1	Spacer	
1102	70008309	2	Bearing, Cone	
1103	70008310	2	Bearing, Cup	
1104	70008311	1	Nut	
1105	70008312	1	Nut	
1106	70008313	1	Seal	
1201	70008314	1	O-Ring	
1202	See Note	NSS	Cap, Spindle (Note: Not Available for Purchase)	
1203	70008315	6	Bolt 3/8 x 1-1/4	
1301	70008277	1	Seal	
1302	70008282	1	O-Ring	
1303	See Note	1	Wheel	
1304	70008278	2	Bearing	
1305	70008307	1	Spacer	
1306	70008316	1	Seal	
1307	70008317	2	Ring, Snap	
1401	70008341	6	Washer 1/2	
1402	70007686	2	Bolt 7/16 x 1-1/4	
1403	70007687	2	Washer 1/2	
1404	70007688	2	Washer 7/16	
1405	70008318	1	Bearing/ Wheel Guide	
1405A	70008277	2	Seal	
1405B	70008282	2	O-Ring	
1405C	70008278	2	Bearing	
1405D	See Note	1	Guide, Wheel (Note: Not Available for Purchase)	
1405E	70008319	1	Spacer	
1406	See Note	NSS	Plate (Note: Not Available for Purchase)	
1407	70008320	1	Guide, Wheel	
1408	70008321	1	Spacer	
1409	70008306	6	Bolt 1/2 x 1 Grade 8	
1501	70008326	4	Bolt 1/2 x 1-1/4 Grade 8	
1502	70008327	2	Bolt 5/8 x 5	
1503	70008328	2	Nut 5/8 Grade 8	
1504	70008299	4	Washer 1/2	
1505	70008329	1	Housing, Axle	
1506	70008322	1	Axle Wheel Assembly	
1506A	70007684	2	Wheel	
1506B	70007685	2	Washer	
1506C	70007686	2	Bolt 7/16 x 1-1/4	

## SECTION 1 - FRAME

ITEM	PART NUMBER	QTY	DESCRIPTION	REV
1506D	70007687	2	Washer 1/2	
1506E	70007688	2	Washer 7/16	
1506F	70008324	1	Adjuster	
1506G	70007696	2	Cap, Wheel	
1506H	70007698	2	O-Ring	
1601	See Note	NSS	Wheel and Axle (Note: Not Available for Purchase)	
1601A	70008277	4	Seal	
1601B	70008282	4	O-Ring	
1601C	70007686	2	Bolt 7/16 x 1-1/4	
1601D	70007687	2	Washer 1/2	
1601E	70007688	2	Washer 7/16	
1601F	70008283	2	O-Ring	
1601G	70008284	8	Bolt 32 x 1/2	
1601H	70008285	1	Rocker	
1601I	70008286	2	Spacer	
1601J	70008287	1	Spacer	
1601K	70008288	3	Wheel (Includes Items 2001-2003)	
1601L	70007276	2	Cap, Wheel	
1602	70008330	1	Wheel and Axle	
1602A	70008277	2	Cap, Wheel	
1602B	70008282	2	O-Ring	
1602C	70007686	2	Bolt 7/16 x 1-1/4	
1602D	70007687	2	Washer 1/2	
1602E	70007688	2	Washer 7/16	
1602F	70008283	2	O-Ring	
1602G	70008284	8	Bolt 10 x 1/2	
1602H	70008159	1	Axle, Rocker	
1602I	70008286	2	Spacer	
1602J	70008288	2	Wheel (Includes Items 2001-2003)	
1602K	70008276	2	Cap, Wheel	
1603	70008339	1	Rocker, Cushion	
1603A	70008332	4	Bolt 1/2 x 1-3/4	
1603B	70008333	4	Washer 1/2	
1603C	See Note	NSS	Plate (Note: Not Available for Purchase)	
1603D	70008334	1	Bolt 3/4 x 2	
1603E	70008301	1	Nut 3/4	
1603F	See Note	NSS	Rocker (Note: Not Available for Purchase)	
1603G	70008335	1	Cushion, Rocker	
1603H	70008336	1	Bushing	
1603I	70008337	2	Bushing	
1603J	70008338	2	Spacer	
1604	70008331	1	Rocker, Cushion	
1604A	70008332	4	Bolt 1/2 x 1-3/4 Grade 8	
1604B	70008333	4	Washer 1/2	
1604C	See Note	NSS	Plate (Note: Not Available for Purchase)	
1604D	70008334	1	Bolt 3/4 x 2	
1604E	70008301	1	Nut 3/4	
1604F	See Note	NSS	Rocker (Note: Not Available for Purchase)	
1604G	70008335	1	Cushion	
1604H	70008336	1	Bushing	
1604I	70008337	2	Bushing	

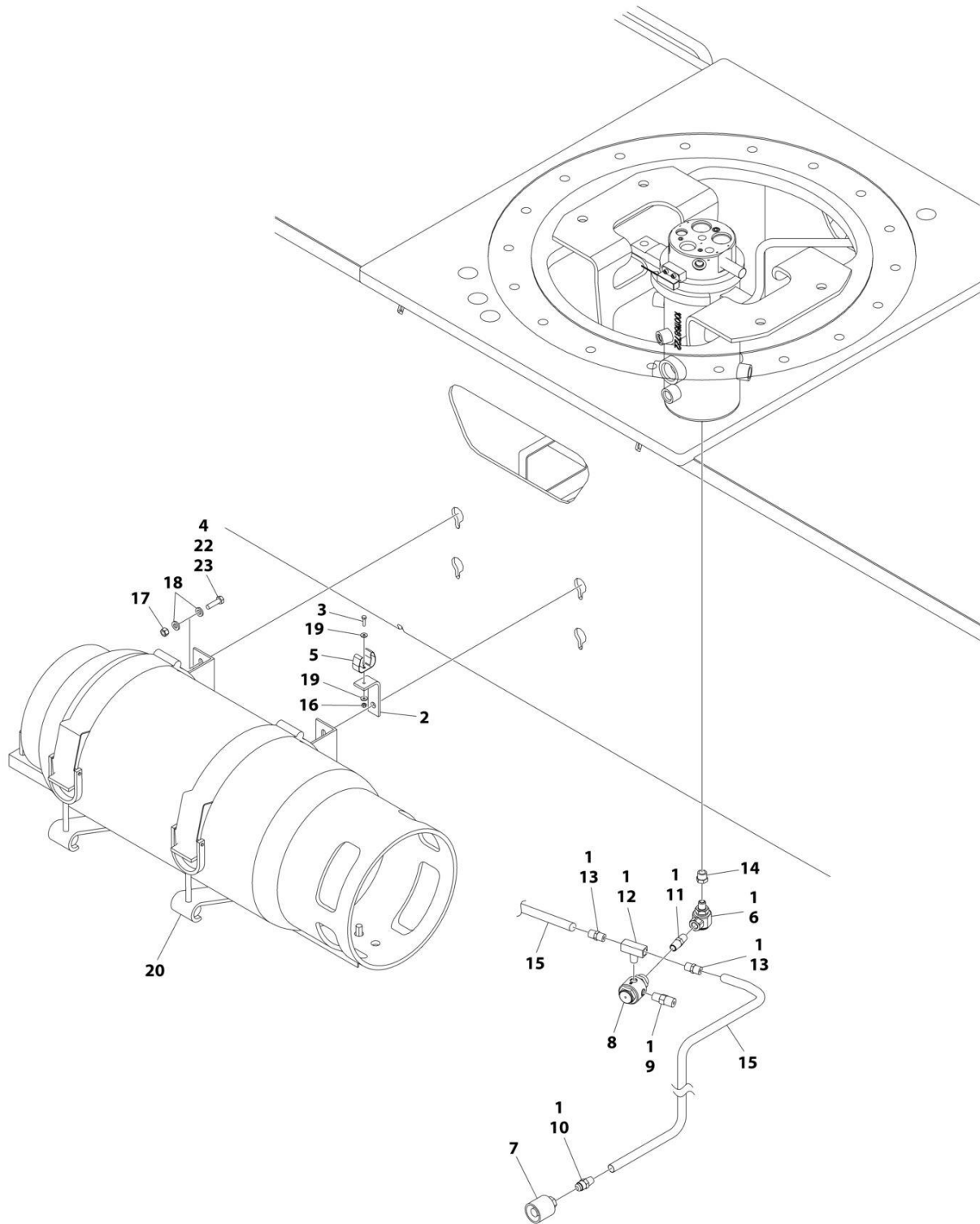
## SECTION 1 - FRAME

ITEM	PART NUMBER	QTY	DESCRIPTION	REV
1604J	70008338	2	Spacer	
2001	70008278	2	Bearing	
2002	70008307	1	Spacer	
2003	See Note	NSS	Wheel (Note: Not Available for Purchase)	



# SECTION 1 - FRAME

## FIGURE 1-20. LP TANKS AND BRACKETS INSTALLATION (FORD ENGINES)



ART\_1001185598

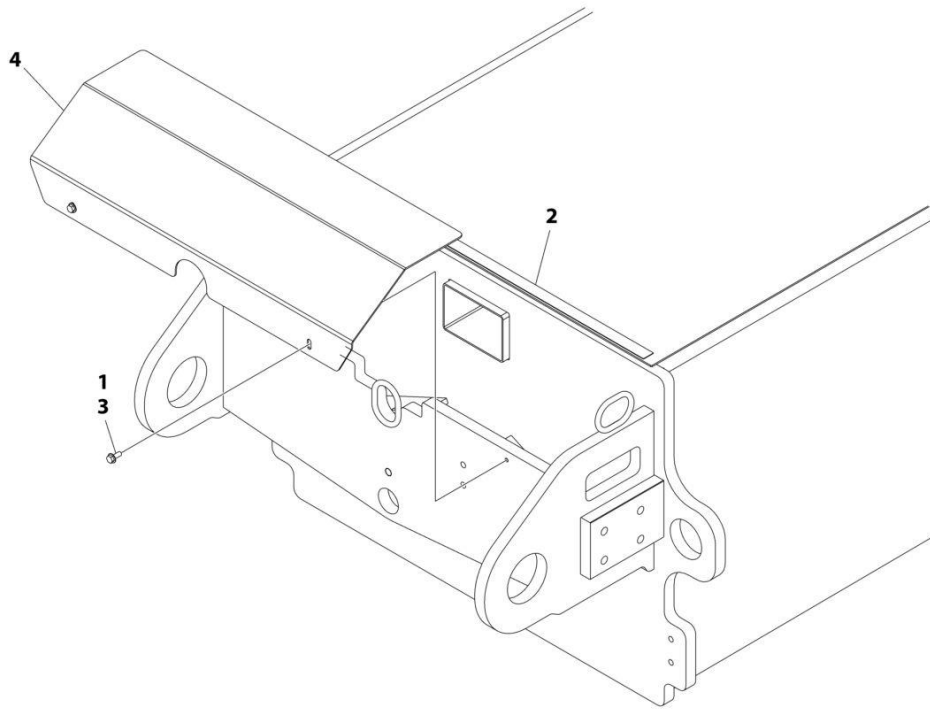
## SECTION 1 - FRAME

**FIGURE 1-20. LP TANKS AND BRACKETS INSTALLATION (FORD ENGINES)**

ITEM	PART NUMBER	QTY	DESCRIPTION	REV
	1001185598	Ref	LP TANK AND BRACKETS INSTALLATION	D
1	0100020	AR	Sealant	
2	0181949	2	Angle	
3	0760408	2	Bolt M4 x 16	
4	0760816	8	Bolt M8 x 40	
5	1320218	2	Clamp	
6	1001247358	1	Fitting, 90	
7	2180387	2	Fitting, Tank Connector	
8	2180388	1	Fitting, Bulkhead	
9	2180389	1	Valve, Relief	
10	2180418	2	Fitting, Straight	
11	2220261	1	Fitting, Nipple	
12	2220418	1	Fitting, Tee	
13	2221024	2	Fitting, Ball Check	
14	2221197	1	Fitting, Straight	
15	2720144	2	Hose	
16	3290405	2	Nut M4	
17	3290805	8	Nut M8	
18	5240800	16	Washer M8	
19	1001091102	4	Washer M4	
20	1001184725	2	Clamp Kit	
20	1320127	2	Clamp, Toggle (1 Per Strap)	
21	4240018	2	Tie-Strap (Not Shown)	
22	0100011	AR	Compound, Locking	
23	0760814	8	Bolt M8 x 30	
100	4400275	2	Tank, LP	

# SECTION 1 - FRAME

## FIGURE 1-21. FRAME COVERS INSTALLATION - 2WS



ART\_1001187864



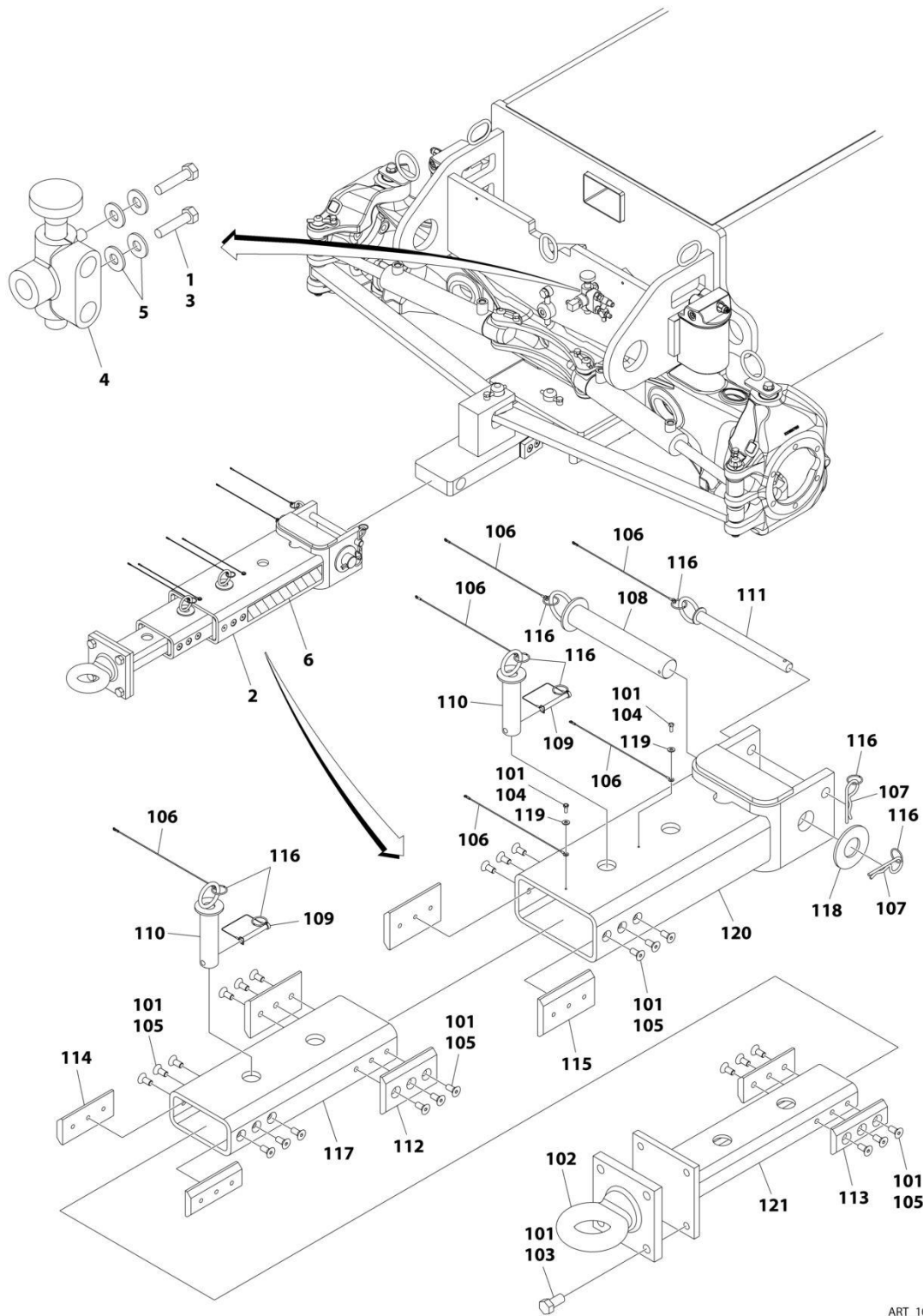
# SECTION 1 - FRAME

## FIGURE 1-21. FRAME COVERS INSTALLATION - 2WS

ITEM	PART NUMBER	QTY	DESCRIPTION	REV
	1001187864	Ref	FRAME COVERS INSTALLATION	B
1	0100011	AR	Compound, Locking	
2	4280296	32 in/ 80cm	Tape	
3	5250810	2	Bolt M8 x 20	
4	1001187870	1	Cover	

# SECTION 1 - FRAME

## FIGURE 1-22. TOW BAR INSTALLATION (OPTIONAL)



ART\_1001188893

# SECTION 1 - FRAME

## FIGURE 1-22. TOW BAR INSTALLATION (OPTIONAL)

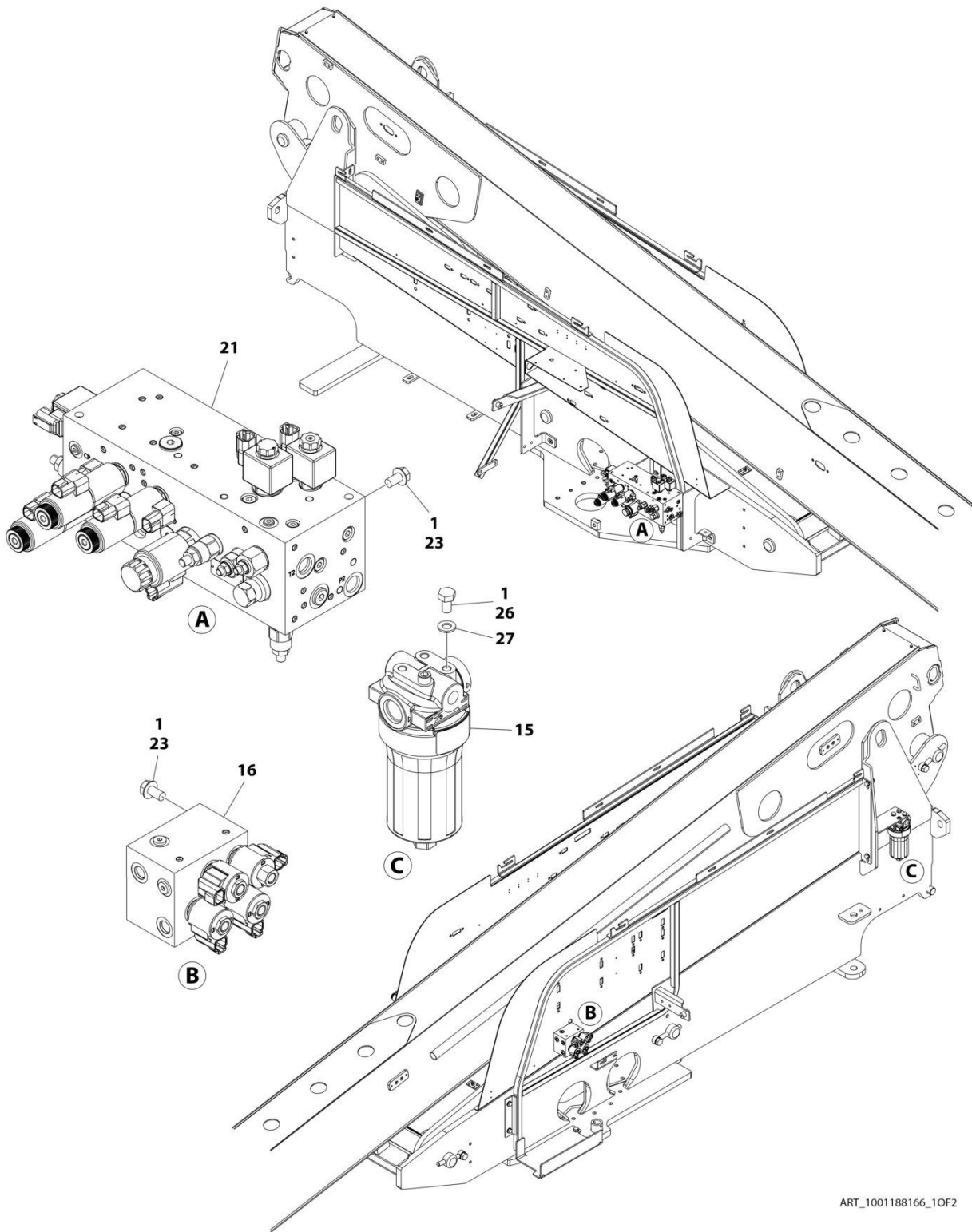
ITEM	PART NUMBER	QTY	DESCRIPTION	REV
	1001188893	Ref	TOW BAR INSTALLATION	B
		Ref	MACHINES WITH SN STARTING WITH 03:	
	1001150571	Ref	ANSI Spec	D
	1001150570	Ref	CSA Spec	D
	1001150569	Ref	CE & UK CA Spec	A
		Ref	MACHINES WITH SN STARTING WITH B3:	
	1001150571	Ref	ANSI Export Spec	D
1	0100011	AR	Compound, Locking	
2	0270528	1	Tow Bar Assembly (See Items 101-121 for Breakdown)	
3	0641511	2	Bolt 5/6 x 1-3/8	
4	4640261	1	Valve, Select	
5	4751500	4	Washer 5/16	
6	4420051	2 ft/.61m	Tape, Safety	
	0270528	Ref	Tow Bar Assembly	B
101	0100011	AR	Compound, Locking	
102	0362910	1	Pintle, Draw Eye	
103	0642010	4	Bolt 5/8 x 1-1/4	
104	0721004	2	Screw	
105	0741607	24	Screw 3/8 x 7/8	
106	1060584	6	Lanyard	
107	3420372	2	Pin, Cotter	
108	3420447	1	Pin	
109	3421565	2	Snap - Pin	
110	3422841	2	Pin	
111	3422847	1	Pin	
112	3572009	2	Plate, Slide Stop	
113	3572010	2	Plate, Slide Stop	
114	3572011	2	Plate, Slide Stop	
115	3572012	2	Plate, Slide Stop	
116	3760170	8	Ring, Split	
117	4568133	1	Tube, Tow Bar	
118	4740036	1	Washer	
119	4751000	2	Washer #10	
120	4846295	1	Tube, Tow Bar Attach	
121	4846296	1	Tube, Pintle Attach	



**SECTION 2 - TURNTABLE**

# SECTION 2 - TURNTABLE

FIGURE 2-1. VALVE INSTALLATION - 600S HC3 (Prior to SN 0300276771)



ART\_1001188166\_10F2

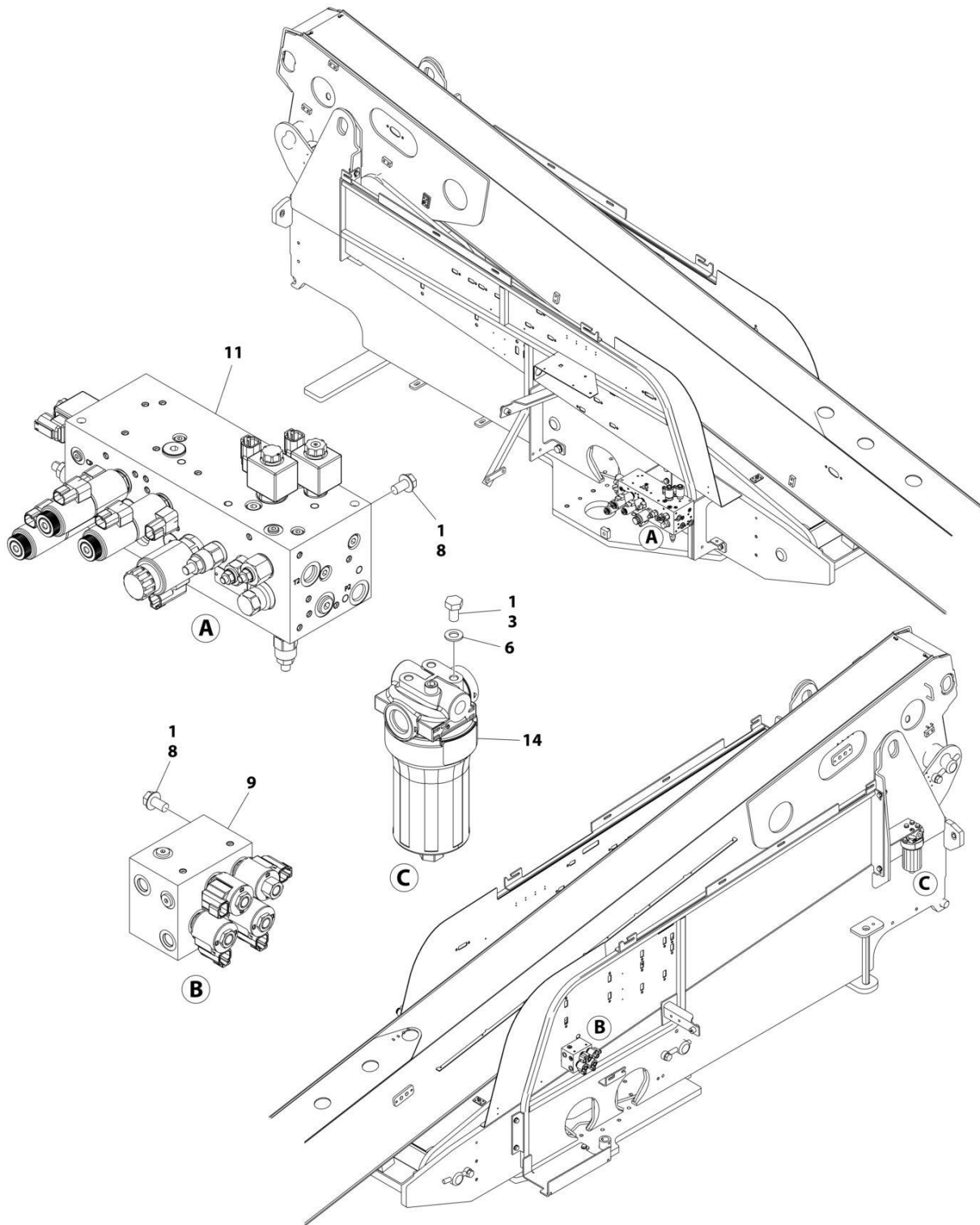
**SECTION 2 - TURNTABLE**

**FIGURE 2-1. VALVE INSTALLATION - 600S HC3 (Prior to SN 0300276771)**

ITEM	PART NUMBER	QTY	DESCRIPTION	REV
	1001188166	Ref	VALVE INSTALLATION	G
1	0100011	AR	Compound, Locking	
15	1001208874	1	Filter, Hydraulic	
15	70010383	1	Element, Filter	
16	1001162538	1	Axle Valve Assembly (See Separate Breakdown in this Section)	
21	1001190169	1	Main Valve Assembly (See Separate Breakdown in this Section)	
23	5251009	6	Bolt M10 x 18	
26	0761009	3	Bolt M10 x 18	
27	4812000	3	Washer M10	

# SECTION 2 - TURNTABLE

FIGURE 2-2. VALVE INSTALLATION - 600S HC3 (SN 0300276771 to Present)



ART\_1001265701\_10F2



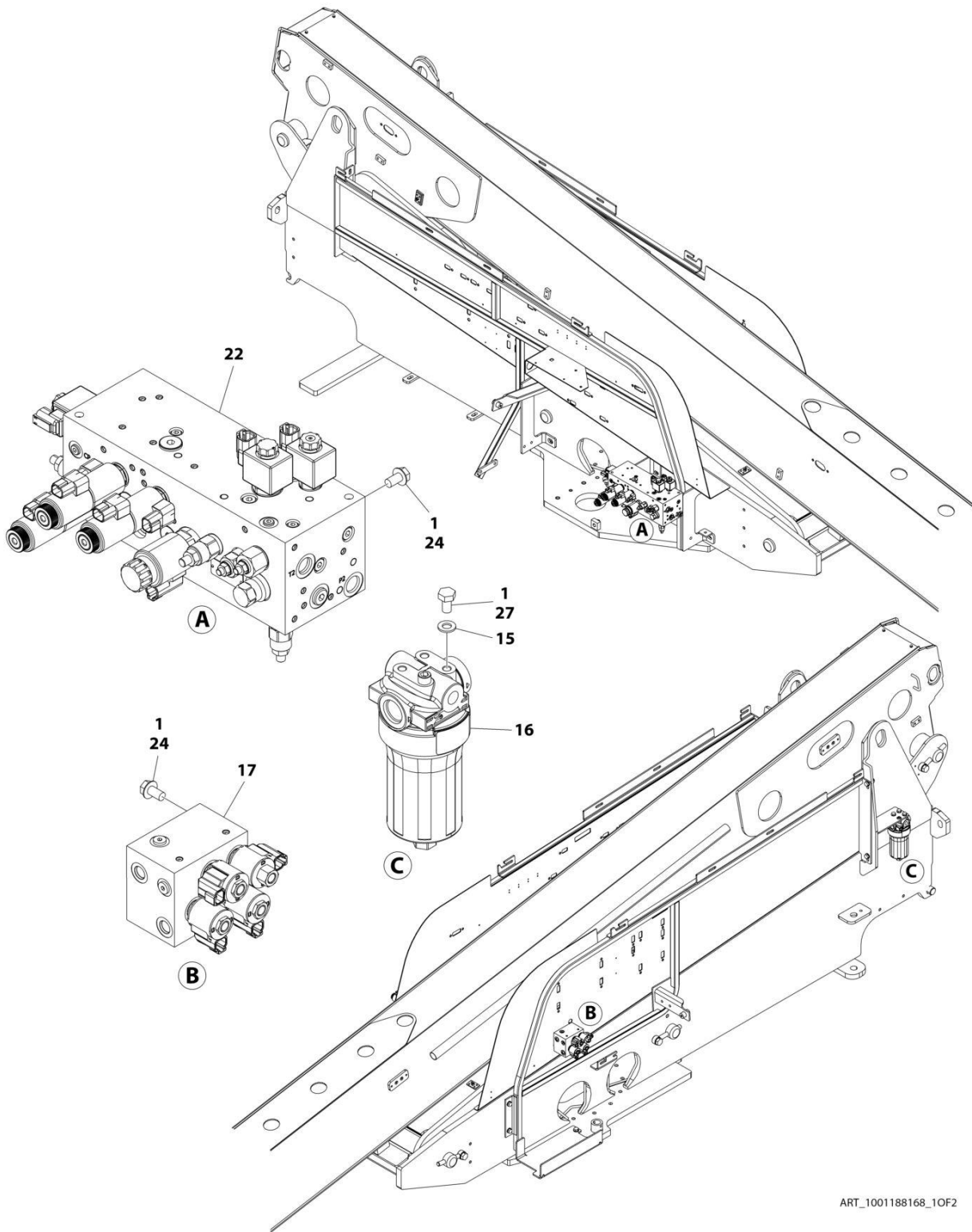
## SECTION 2 - TURNTABLE

**FIGURE 2-2. VALVE INSTALLATION - 600S HC3 (SN 0300276771 to Present)**

ITEM	PART NUMBER	QTY	DESCRIPTION	REV
	1001265701	Ref	VALVE INSTALLATION	A
1	0100011	AR	Compound, Locking	
3	0761009	6	Bolt M10 x 18	
6	4812000	6	Washer M10	
8	5251009	6	Bolt M10 x 18	
9	1001162538	1	Axle Valve Assembly (See Separate Breakdown in this Section)	
11	1001190169	1	Main Valve Assembly (See Separate Breakdown in this Section)	
14	1001208874	1	Filter, Hydraulic	
14	70010383	1	Element, Filter	

# SECTION 2 - TURNTABLE

## FIGURE 2-3. VALVE INSTALLATION - 660SJ HC3



ART\_1001188168\_10F2

**SECTION 2 - TURNTABLE**

**FIGURE 2-3. VALVE INSTALLATION - 660SJ HC3**

ITEM	PART NUMBER	QTY	DESCRIPTION	REV
	1001188168	Ref	VALVE INSTALLATION	G
1	0100011	AR	Compound, Locking	
15	4812000	3	Washer M10	
16	1001208874	1	Filter, Hydraulic	
16	70010383	1	Element, Filter	
17	1001162538	1	Axle Valve Assembly (See Separate Breakdown in this Section)	
22	1001190169	1	Main Valve Assembly (See Separate Breakdown in this Section)	
24	5251009	6	Bolt M10 x 18	
27	0761009	3	Bolt M10 x 18	



## SECTION 2 - TURNTABLE

### FIGURE 2-4. MAIN VALVE ASSEMBLY - 2WS

ITEM	PART NUMBER	QTY	DESCRIPTION	REV
	1001190169	Ref	MAIN VALVE ASSEMBLY	F
110	70006109	1	Valve, Flow/Pressure Control	
110	70004656	1	Seal Kit - 70006109 Valve	
120	70003019	1	Valve, Relief	
120	70004052	1	Seal Kit - 70003019 Valve	
130	70004607	1	Valve, Relief	
130	70004602	1	Seal Kit - 70004607 Valve	
140	70004668	1	Orifice	
150	70006111	1	Valve, Solenoid Without Coil	
150	70004584	1	Seal Kit - 70006111 Valve	
150	70004051	1	Coil Nut & Pole Tube O-Ring Kit	
155	70004653	1	Coil	
160	70006112	1	Valve, Load Sense	
160	70006113	1	Seal Kit - 70006112 Valve	
170	70005952	1	Valve, Check	
170	70004052	1	Seal Kit - 70005952 Valve	
180	7022527	1	Orifice 2mm	
190	7022527	1	Orifice 2mm	
200	70004659	1	Valve, Solenoid Without Coil (Steer)	
200	70004660	1	Seal Kit	
200	70004661	1	Nut, Coil	
200	70024457	1	O-Ring at Coil Nut	
200	70004662	1	O-Ring at Bottom of Pole Tube	
205	80434249	2	Coil	
210	70003019	2	Valve, Relief	
210	70004052	2	Seal Kit - 70003019 Valve	
220	70003027	1	Valve, Flow/Pressure Control	
220	70004052	1	Seal Kit - 70003027 Valve	
230	70003019	1	Valve, Relief	
230	70004052	1	Seal Kit - 70003019 Valve	
240	70023859	5	Valve, Relief	
240	70023860	5	Seal Kit - 70023859 Valve	
250	70006114	1	Valve, Pressure Compensator	
250	70004656	1	Seal Kit - 70006114 Valve	
260	70006114	1	Valve, Pressure Compensator	
260	70004656	1	Seal Kit - 70006114 Valve	
270	70006115	1	Valve, Solenoid Without Coil (Swing)	
270	70006116	1	Seal Kit - 70006115 Valve	
270	70004661	1	Nut, Coil	
270	70024457	1	O-Ring at Coil Nut	
270	70004662	1	O-Ring at Bottom of Pole Tube	
275	80434249	2	Coil	
280	70006117	1	Valve, Solenoid Without Coil (Tele)	
280	70006116	1	Seal Kit - 70006117 Valve	
280	70004661	1	Nut, Coil	
280	70024457	1	O-Ring at Coil Nut	
280	70004662	1	O-Ring at Bottom of Pole Tube	
285	80434249	2	Coil	
290	70004657	1	Valve, Solenoid (Lift)	
290	70004594	1	Seal Kit - 70004657 Valve	

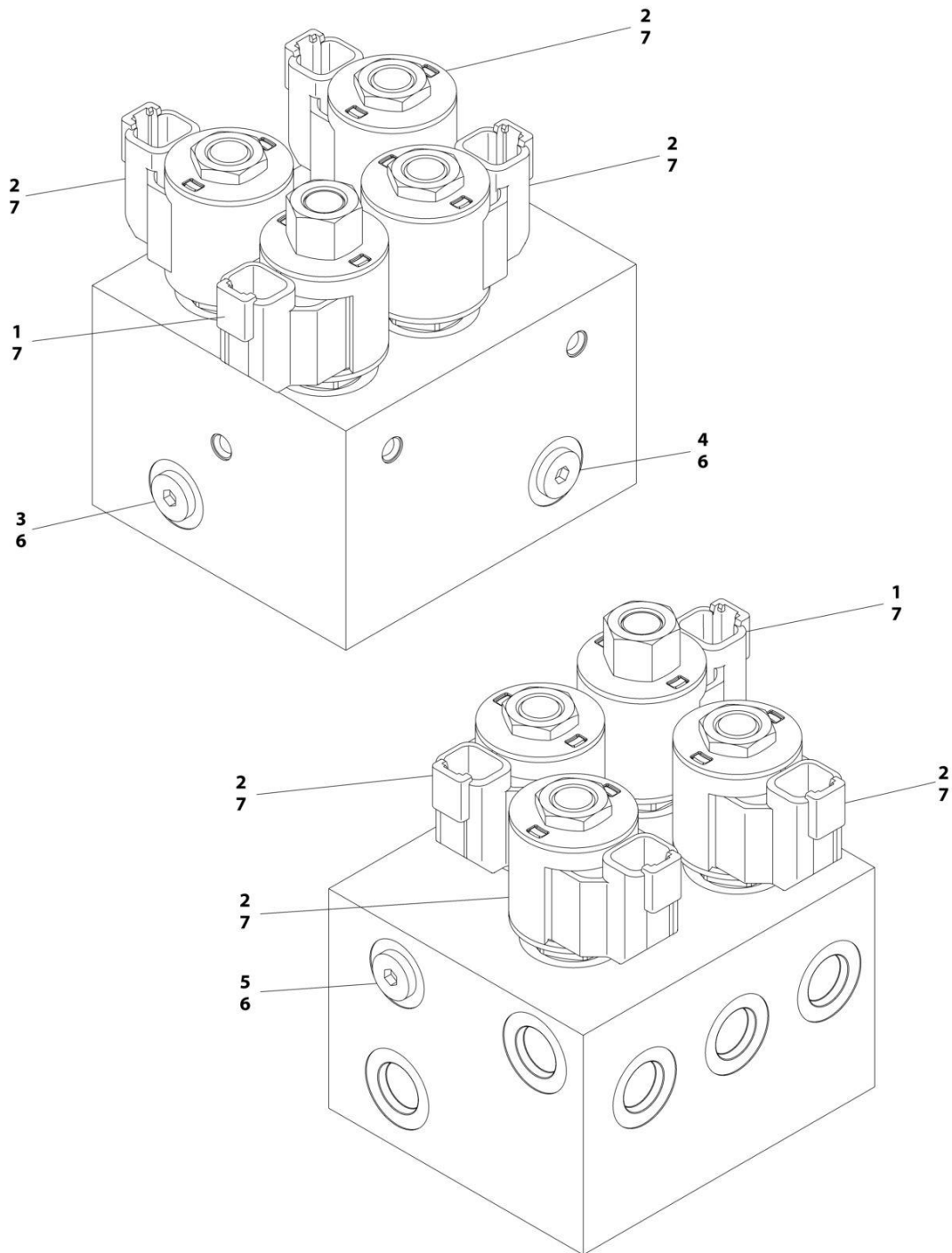
## SECTION 2 - TURNTABLE

ITEM	PART NUMBER	QTY	DESCRIPTION	REV
290	70004597	1	Nut, Coil	
290	70004596	1	O-Ring at Coil Nut	
295	70004595	1	Coil	
300	70004598	1	Valve, Solenoid (Lift)	
300	70004055	1	Seal Kit - 70004598 Valve	
300	70005947	1	Coil Nut & Pole Tube O-Ring Kit	
305	70004653	1	Coil	
310	70006118	1	Valve, Solenoid (Lift)	
310	70004052	1	Seal Kit - 70006118 Valve	
310	70004051	1	Coil Nut & Pole Tube O-Ring Kit	
315	70004653	1	Coil	
330	7023821	1	Orifice 0.8mm	
340	70006119	2	Valve, Check	
350	70006357	1	Orifice 4mm	
801	70002759	3	Plug	
802	70004617	3	Plug	
803	70002758	10	Plug	
806	70006120	2	Plug	



# SECTION 2 - TURNTABLE

## FIGURE 2-5. AXLE VALVE ASSEMBLY



ART\_1001162538



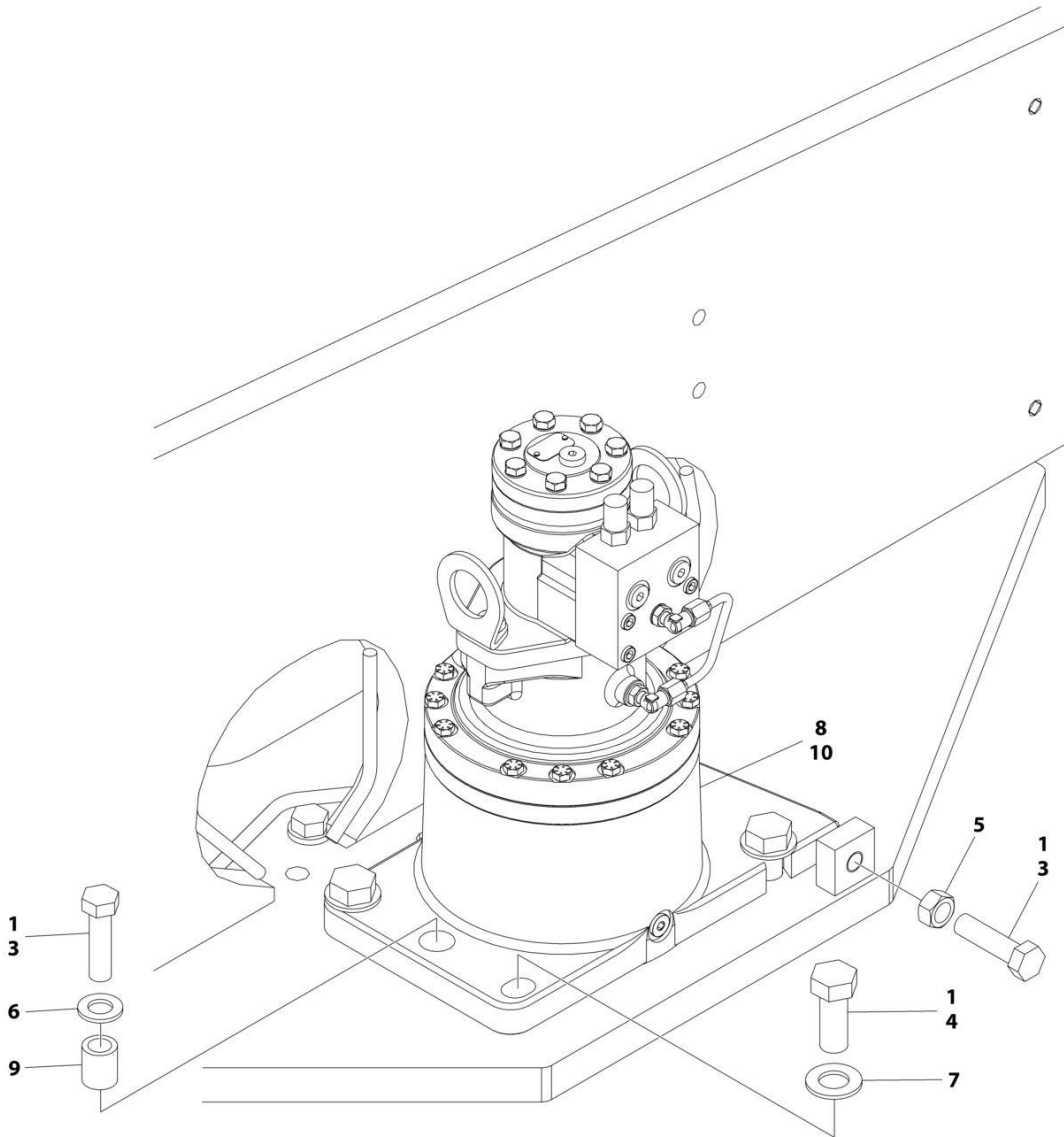
## SECTION 2 - TURNTABLE

### FIGURE 2-5. AXLE VALVE ASSEMBLY

ITEM	PART NUMBER	QTY	DESCRIPTION	REV
	1001162538	Ref	AXLE VALVE ASSEMBLY	D
1	7017410	1	Cartridge, Solenoid Valve Less Coil (Secondary Axle Release)	
1	7012967	1	Seal Kit - 7017410 Valve	
2	7012941	3	Cartridge, Solenoid Valve Less Coil (Brake Release, Primary Axle Release and 2 Speed)	
2	7010543	3	Seal Kit - 7012941 Valve	
3	70004883	1	Orifice	
4	70004884	1	Orifice	
5	70002063	1	Orifice	
6	2220883	3	Plug, O-Ring #4	
7	70002386	4	Coil	

# SECTION 2 - TURNTABLE

## FIGURE 2-6. SWING DRIVE INSTALLATION



ART\_1001185842

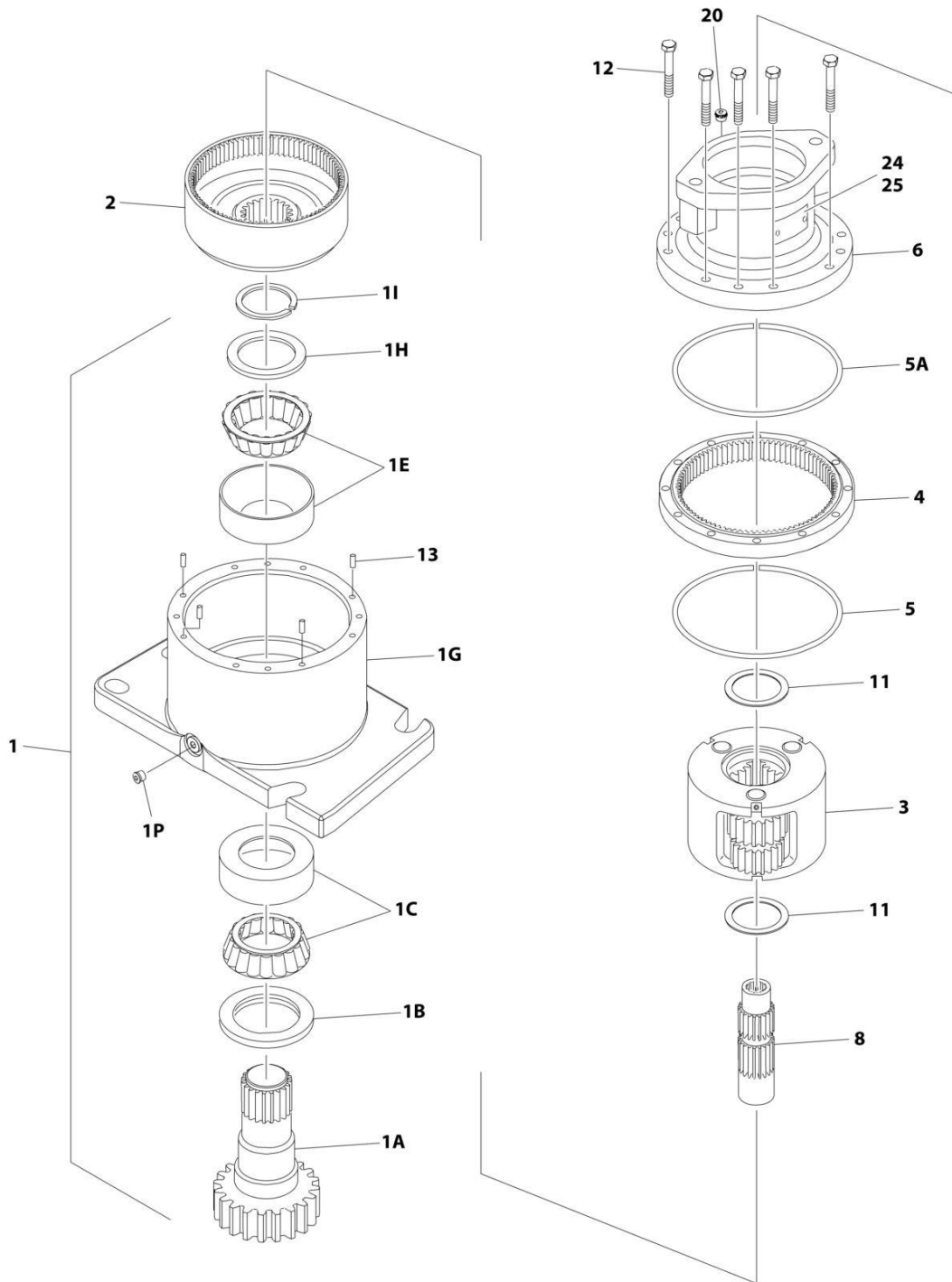
## SECTION 2 - TURNTABLE

### FIGURE 2-6. SWING DRIVE INSTALLATION

ITEM	PART NUMBER	QTY	DESCRIPTION	REV
	1001185842	Ref	SWING DRIVE INSTALLATION	B
1	0100019	AR	Compound, Locking	
3	0771620	2	Bolt M16 x 60	
4	0772018	4	Bolt M20 x 50	
5	3291601	1	Nut M16	
6	5241600	1	Washer M16	
7	5242000	4	Washer M20	
8	1001125492	1	Shim	
9	1001134543	1	Spacer	
10	1001187855	1	Swing Motor/Hub Assembly (See Separate Breakdown in this Section)	

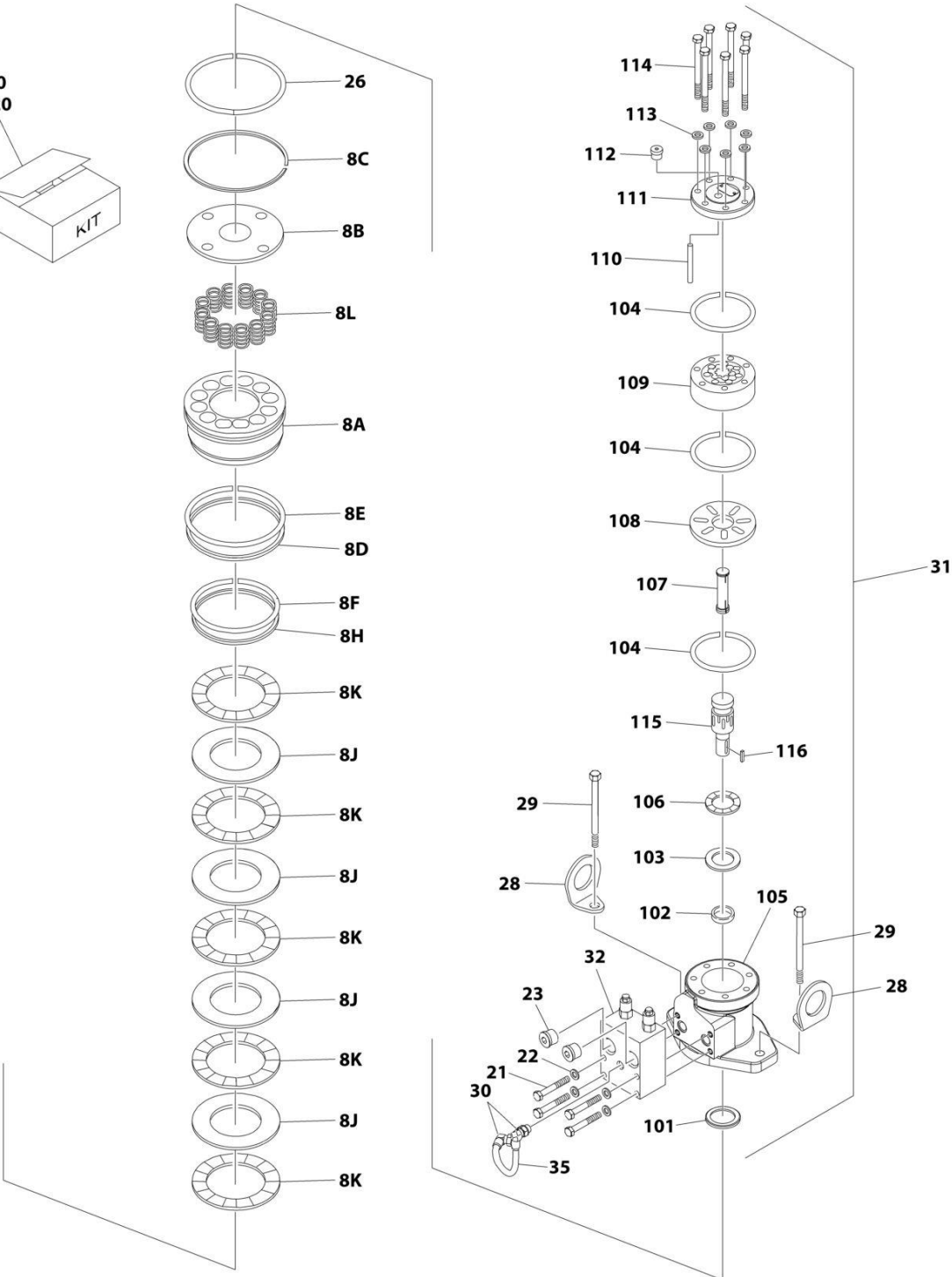
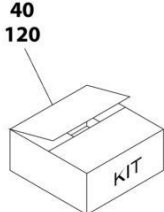
# SECTION 2 - TURNTABLE

## FIGURE 2-7. SWING MOTOR/HUB ASSEMBLY



ART\_1001187855\_10F2

# SECTION 2 - TURNTABLE



ART\_1001187855\_2OF2

## SECTION 2 - TURNTABLE

FIGURE 2-7. SWING MOTOR/HUB ASSEMBLY

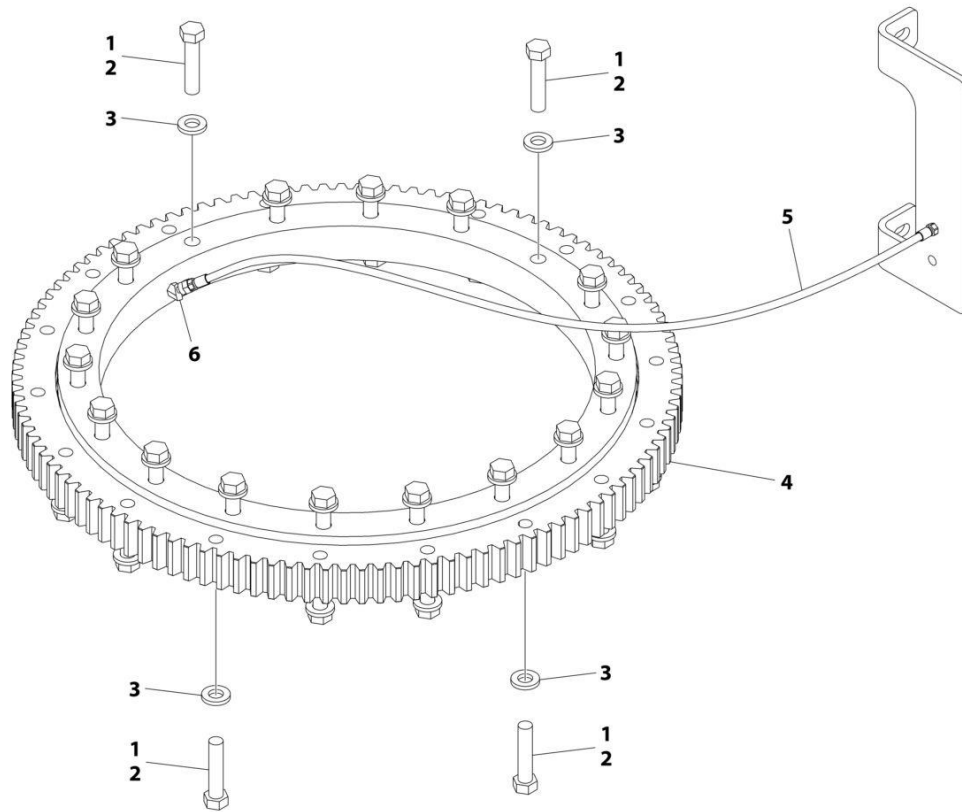
ITEM	PART NUMBER	QTY	DESCRIPTION	REV
	1001187855	Ref	SWING MOTOR/HUB ASSEMBLY	D
1	See Note	NSS	Housing/Shaft Assembly (Note: Not Available - Purchase Complete Swing Motor/Hub Assembly)	
1A	7010492	1	Shaft, Output	
1B	7000228	1	Seal, Lip	
1C	7000255	1	Bearing Kit (Includes Cup and Cone)	
1E	7000257	1	Bearing Kit (Includes Cup and Cone)	
1G	See Note	1	Housing (Note: Not Available for Purchase)	
1H	7007633	1	Thrustwasher	
1I	7000229	1	Ring, Retaining	
1P	7017072	1	Plug, Pipe	
2	7000246	1	Gear, Internal	
3	7000247	1	Carrier Assembly	
3A	7001931	1	Carrier	
3B	7001985	6	Washer, Tanged	
3C	7001909	96	Bearing, Needle	
3D	7000263	3	Thrustwasher	
3E	7001911	3	Shaft, Planet	
3F	7001912	3	Gear, Cluster	
3G	7010474	3	Roll Pin	
4	7000248	1	Gear, Ring	
5	7000230	1	O-Ring (Black)	
5A	7017070	1	O-Ring (White)	
6	See Note	NSS	Housing, Brake (Note: Not Available for Purchase)	
7	70005203	1	Gear, Sun	
8		Ref	Brake Components	
8A	70004037	1	Piston, Brake	
8B	7024743	1	Plate, Pressure	
8C	70004039	1	Ring, Retaining	
8D	70004041	1	O-Ring	
8E	70004044	1	Ring, Back-up	
8F	70004042	1	O-Ring	
8H	70004043	1	Ring, Back-up	
8J	See Note	NSS	Rotor, Brake (Note: Use p/n 70002085)	
8K	See Note	NSS	Stator, Brake (Note: Use p/n 70002085)	
8L	70002066	7	Spring, Brake	
11	7000253	2	Thrustwasher	
12	7000217	12	Bolt, 5/16 x 2-1/4 Grade 8	
13	7017080	4	Pin, Dowel	
20	7017072	1	Plug, Pipe	
21	7024704	4	Bolt 5/16 x 2 Grade 8	
22	70004045	4	Lockwasher	
23	7017023	2	Plug, Pipe	
24	See Note	NSS	Plate, ID (Note: Not Available for Purchase)	
25	See Note	NSS	Rivet	
26	7024763	1	O-Ring	
28	See Note	NSS	Lug, Lifting (Note: Not Available for Purchase)	
29	70004040	2	Bolt 1/2 x 1-1/2 Grade 8	
30	7017085	2	Elbow	
31	70006304	1	Motor Assembly (See Items 101-120 for Breakdown)	

## SECTION 2 - TURNTABLE

ITEM	PART NUMBER	QTY	DESCRIPTION	REV
32	7024784	1	Valve (No Serviceable Parts)	
33	7017082	1	Plug, Pipe (Not Shown)	
35	70004047	1	Tube	
40	7024100	1	Seal Kit - Hub (Includes Items 1B, 1I, 5, 5A & 11)	
	70006304	Ref	Motor Assembly	
101	See Note	NSS	Seal, Dust (Note: Use Item 120)	
102	See Note	NSS	Seal, Shaft (Note: Use Item 120)	
103	See Note	NSS	Thrustwasher (Note: Use Item 120)	
104	See Note	NSS	Seal, Ring (Note: Use Item 120)	
105	See Note	NSS	Housing (Note: Purchase Complete Assembly)	
106	70006306	1	Bearing, Thrust	
107	7005889	1	Link, Drive	
108	70006307	1	Plate, Wear	
109	70006310	1	Rotor Set	
110	7005891	1	Pin	
111	70006308	1	Cover, End	
112	See Note	NSS	Plug (Note: Purchase Complete Assembly)	
113	70006309	1	Washer Kit (Includes 7 Washers)	
114	70006313	1	Bolt Kit (Includes 7 Bolts)	
115	See Note	NSS	Shaft (Note: Purchase Complete Assembly)	
116	See Note	NSS	Key (Note: Purchase Complete Assembly)	
120	70006305	1	Seal Kit - Motor (Includes Items 101-104)	

# SECTION 2 - TURNTABLE

## FIGURE 2-8. TURNTABLE BEARING AND LUBE INSTALLATION



ART\_1001185709



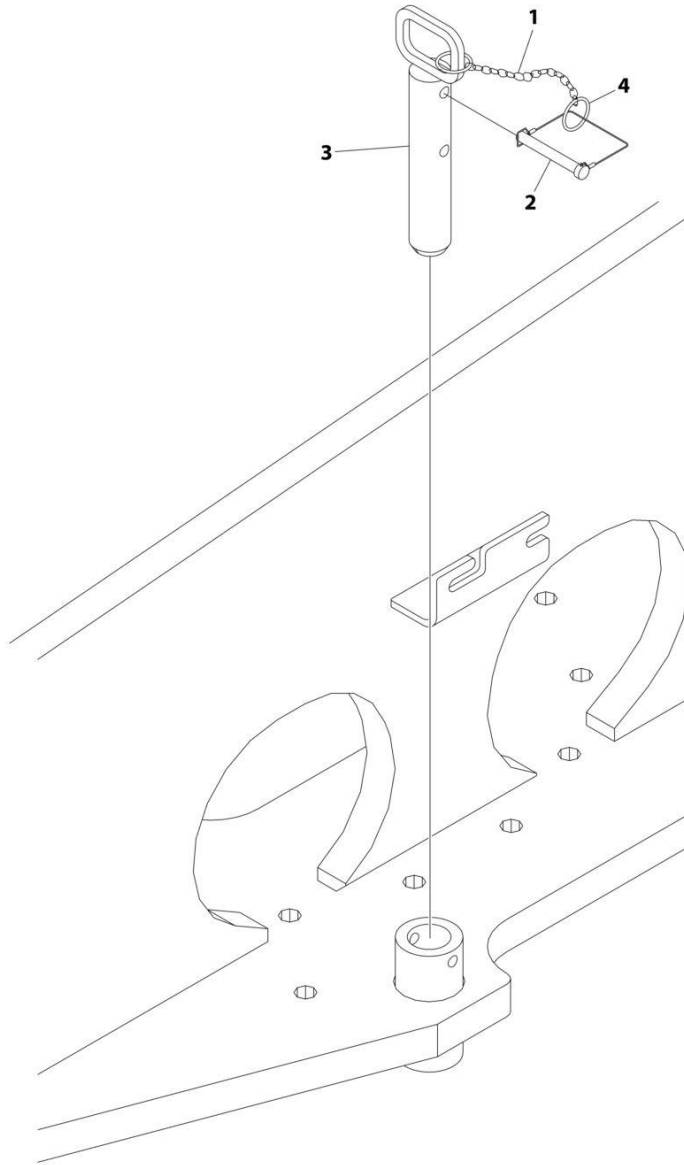
## SECTION 2 - TURNTABLE

### FIGURE 2-8. TURNTABLE BEARING AND LUBE INSTALLATION

ITEM	PART NUMBER	QTY	DESCRIPTION	REV
	1001185709	Ref	TURNTABLE BEARING AND LUBE INSTALLATION	D
1	0100019	AR	Compound, Locking	
2	0682023	36	Bolt 5/8 x 2-7/8	
3	4892000	36	Washer 5/8	
4	0440233	1	Bearing, Turntable	
5	1001188125	1	Hose	
6	2220124	1	Fitting, 45	

# SECTION 2 - TURNTABLE

## FIGURE 2-9. TURNTABLE LOCK INSTALLATION



ART\_1001187022\_B

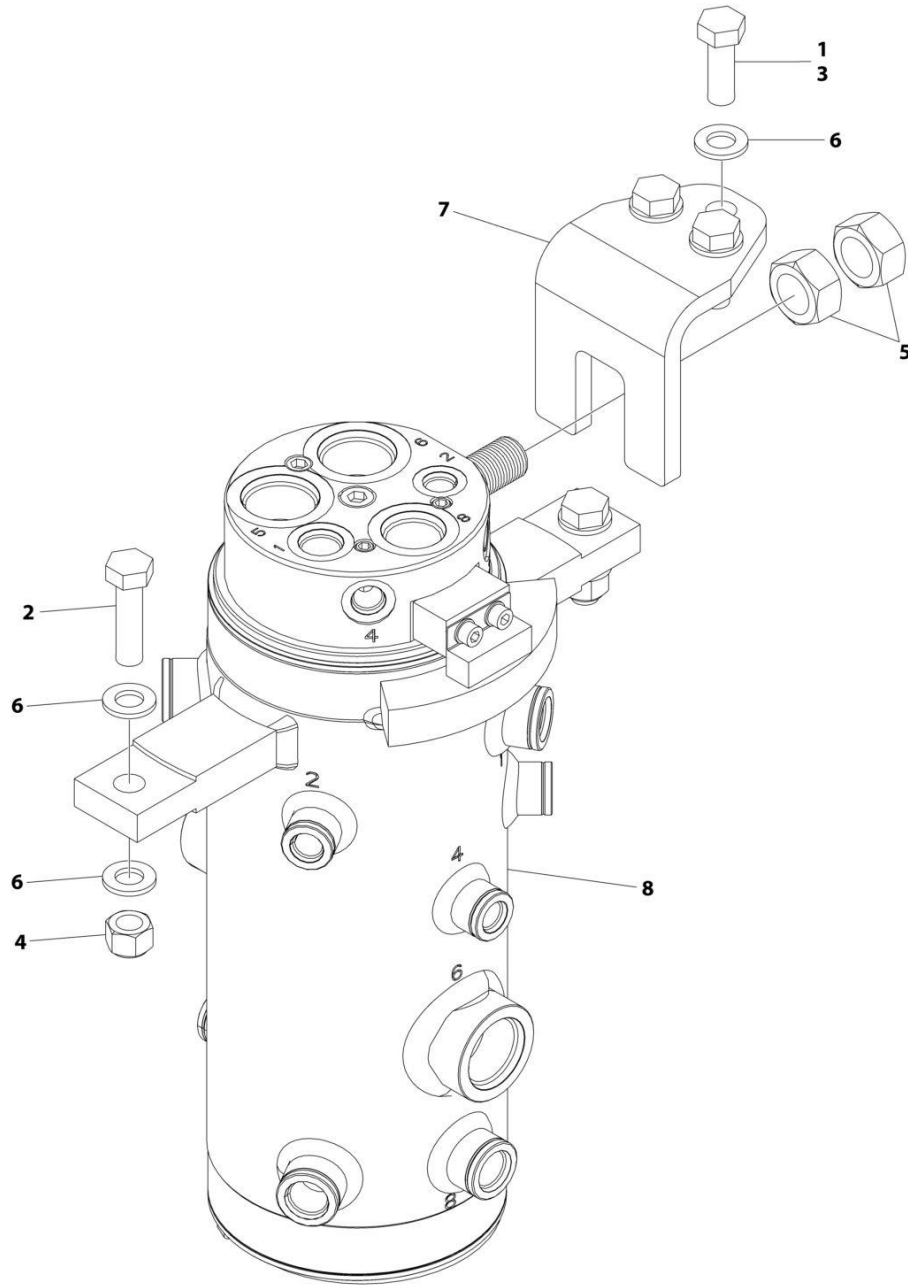
**SECTION 2 - TURNTABLE**

**FIGURE 2-9. TURNTABLE LOCK INSTALLATION**

ITEM	PART NUMBER	QTY	DESCRIPTION	REV
	1001187022	Ref	TURNTABLE LOCK INSTALLATION	B
1	1260017	9 in/23cm	Chain	
2	3421565	1	Snap-Pin	
3	1001169582	1	Pin, Lock	
4	3760170	2	Ring	

# SECTION 2 - TURNTABLE

## FIGURE 2-10. ROTARY COUPLING INSTALLATION



ART\_1001188337

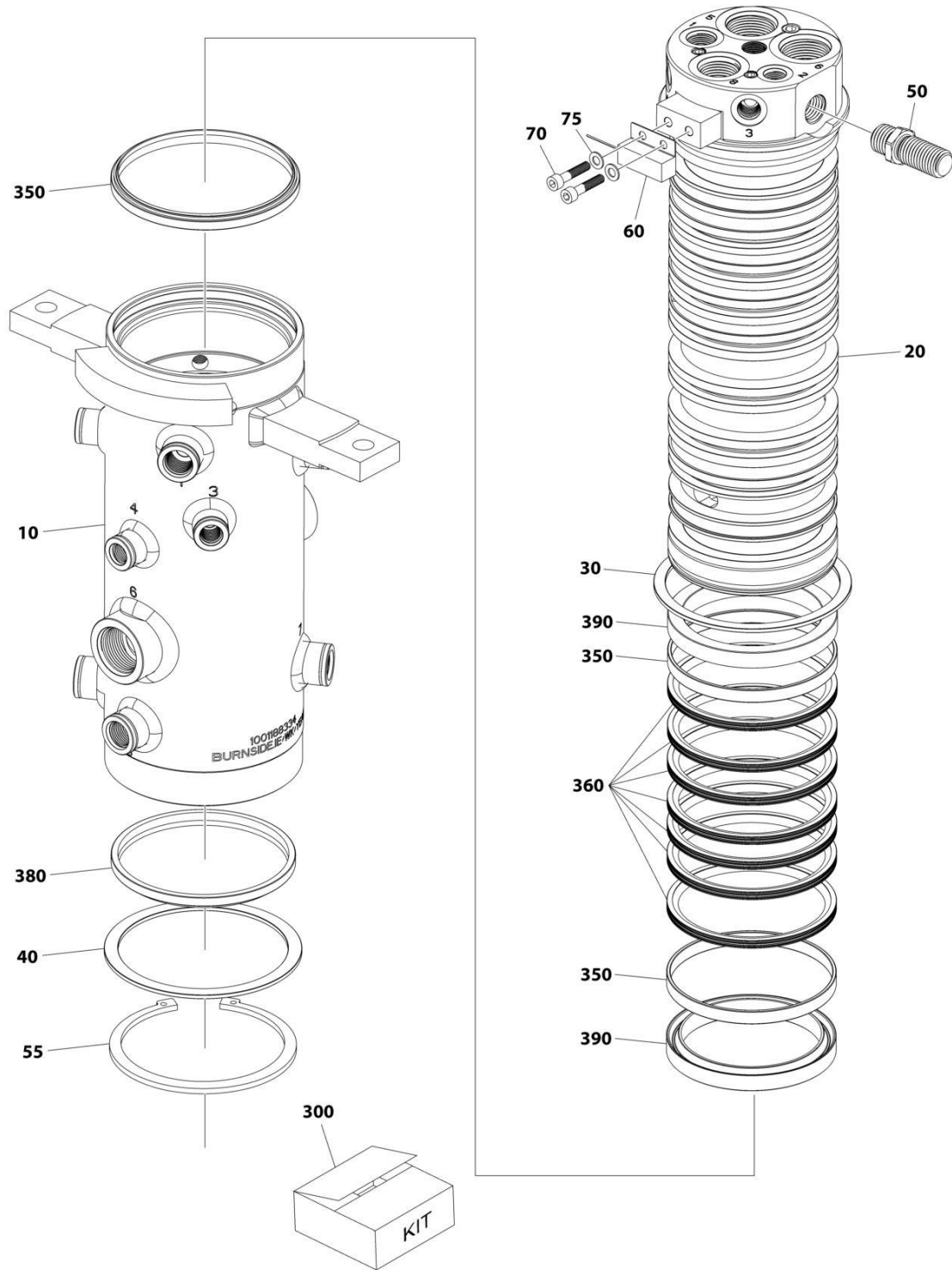
**SECTION 2 - TURNTABLE**

**FIGURE 2-10. ROTARY COUPLING INSTALLATION**

ITEM	PART NUMBER	QTY	DESCRIPTION	REV
	1001188337	Ref	ROTARY COUPLING INSTALLATION	B
1	0100011	AR	Compound, Locking	
2	0701217	2	Bolt M12 x 45	
3	0761215	3	Bolt M12 x 35	
4	3291205	2	Nut M12	
5	3292001	2	Nut M20	
6	4812100	7	Washer M12	
7	1001187953	1	Mount	
8	1001188334	1	Rotary Coupling Assembly (See Separate Breakdown in this Section)	

# SECTION 2 - TURNTABLE

## FIGURE 2-11. ROTARY COUPLING ASSEMBLY



ART\_1001188334

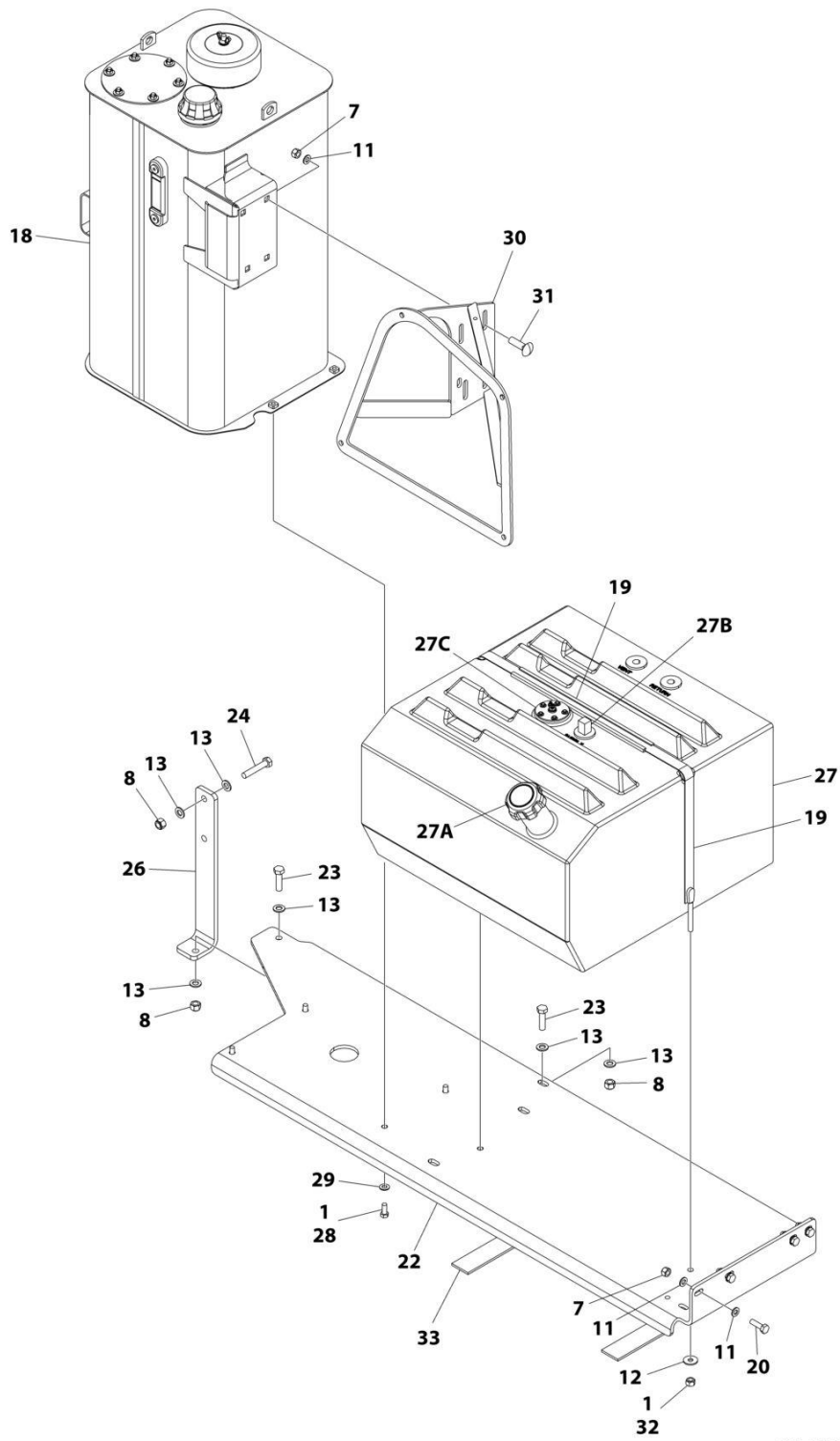
## SECTION 2 - TURNTABLE

**FIGURE 2-11. ROTARY COUPLING ASSEMBLY**

ITEM	PART NUMBER	QTY	DESCRIPTION	REV
	1001188334	Ref	ROTARY COUPLING ASSEMBLY	G
10	See Note	NSS	Housing (Note: Purchase Complete Assembly)	
20	See Note	NSS	Shaft (Note: Purchase Complete Assembly)	
30	70005710	1	Spacer	
40	70005711	1	Spacer	
50	70005712	1	Fitting	
55	70005713	1	Circlip	
60	4360517	1	Sensor	
60	4460320	1	Plug, Male - 2 Position	
60	4460227	2	Socket, Female	
70	70006537	2	Bolt	
75	70006538	2	Washer	
300	70005716	1	Seal Kit (Includes Items 350-390)	
350	See Note	NSS	Ring, Wear (Note: Use Item 300)	
360	See Note	NSS	Seal (Note: Use Item 300)	
370	See Note	NSS	Wiper (Note: Use Item 300) (Not Shown)	
380	See Note	NSS	Wiper (Note: Use Item 300)	
390	See Note	NSS	Seal, Rod (Note: Use Item 300)	

# SECTION 2 - TURNTABLE

FIGURE 2-12. TANKS INSTALLATION - DIESEL MACHINES (POLY FUEL TANK) (600S HC3)



ART\_1001188257\_L



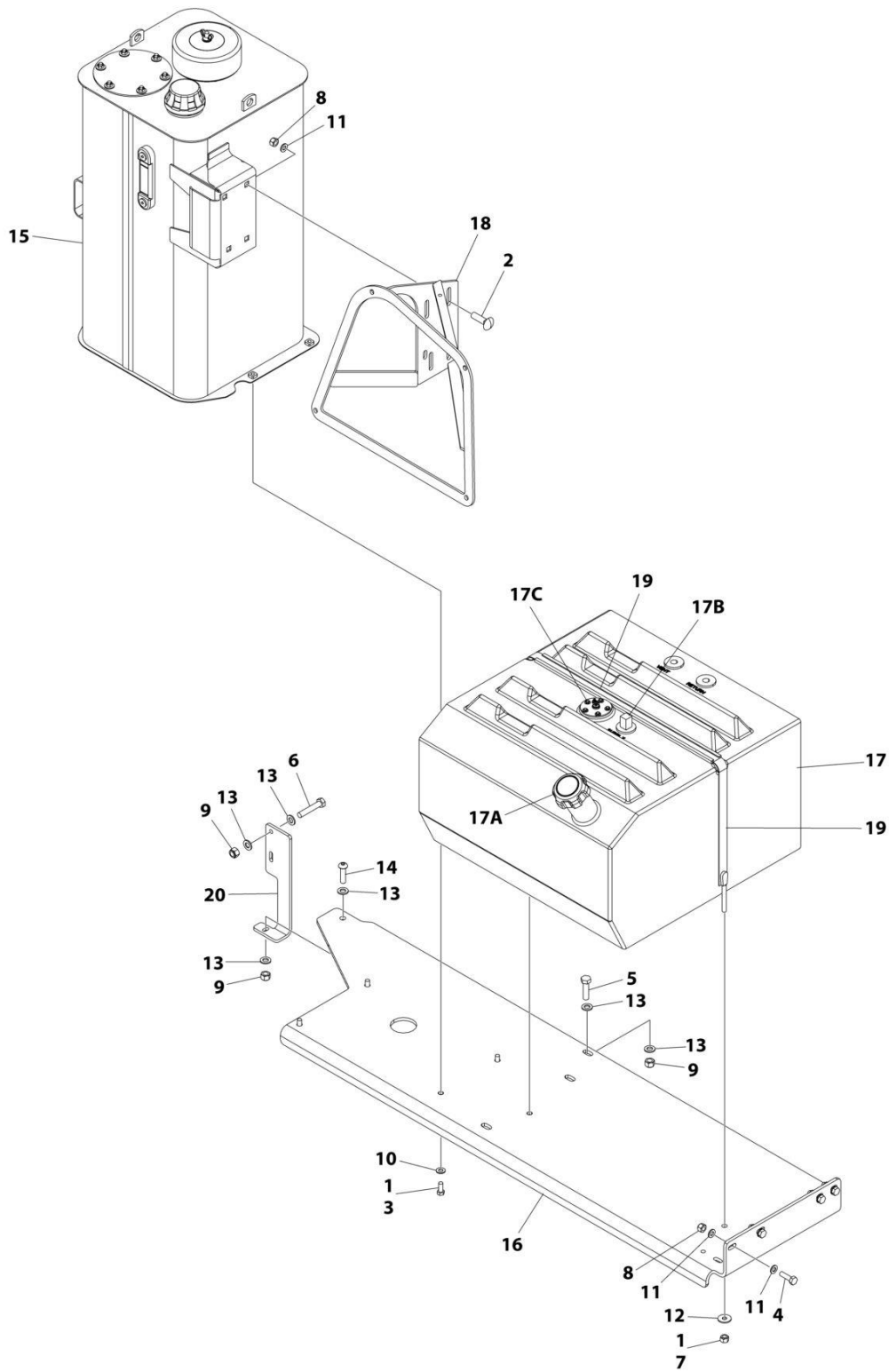
## SECTION 2 - TURNTABLE

**FIGURE 2-12. TANKS INSTALLATION - DIESEL MACHINES (POLY FUEL TANK) (600S HC3)**

ITEM	PART NUMBER	QTY	DESCRIPTION	REV
	1001188257	Ref	TANKS INSTALLATION	L
1	0100011	AR	Compound, Locking	
7	3291005	8	Nut M10	
8	3291205	4	Nut M12	
11	4812000	12	Washer M10	
12	4812002	2	Washer M10	
13	4812100	8	Washer M12	
18	1001178057	1	Hydraulic Tank Assembly (See Separate Breakdown in this Section)	
19	1001238954	1	Strap Assembly	
19	1001189119	1	Strap	
19	4280295	48 in/ 122cm	Strip, Protector	
20	0701015	4	Bolt M10 x 35	
22	1001199933	1	Tray	
23	0701217	2	Bolt M12 x 45	
24	0701221	2	Bolt M12 x 65	
26	1001199883	1	Support	
27	1001201325	1	Tank, Fuel	
27A	70004414	1	Cap, Fill	
27B	7020043	1	Tube, Pickup	
27C	1001148607	1	Sender, Fuel Level	
27C	0731005	5	Screw #10 x 5/8	
27C	4751000	5	Washer #10	
28	0641608	4	Bolt 3/8 x 1	
29	4711600	4	Washer 3/8	
30	1001213251	1	Support, Ground Control	
31	0630613	4	Bolt M10 x 30	
32	3291001	2	Nut M10	
33	4420038	AR	Tape	

# SECTION 2 - TURNTABLE

## FIGURE 2-13. TANKS INSTALLATION - DIESEL MACHINES (POLY FUEL TANK) (660SJ HC3)



ART\_1001258172

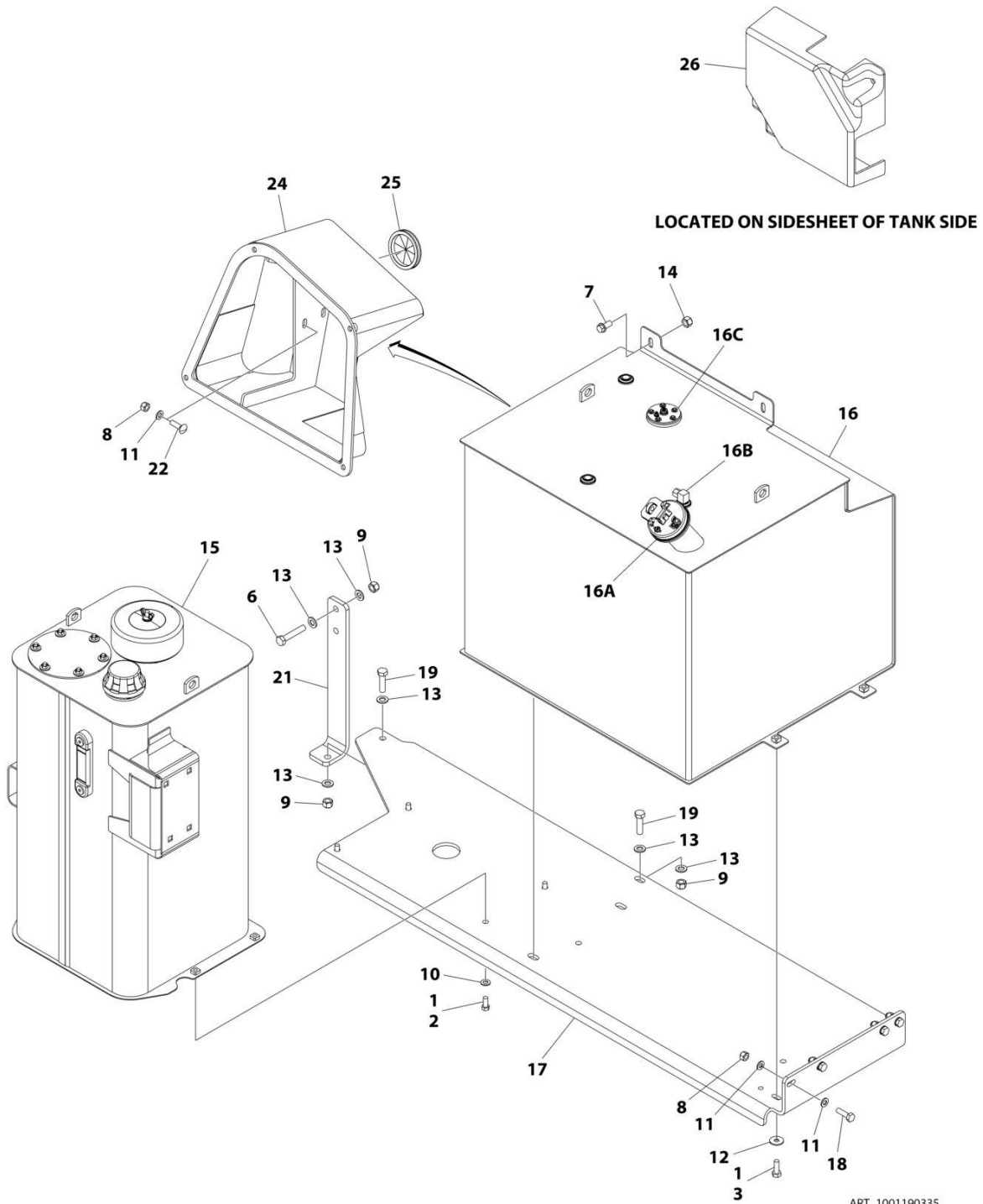
## SECTION 2 - TURNTABLE

**FIGURE 2-13. TANKS INSTALLATION - DIESEL MACHINES (POLY FUEL TANK) (660SJ HC3)**

ITEM	PART NUMBER	QTY	DESCRIPTION	REV
	1001258172	Ref	TANKS INSTALLATION	A
1	0100011	AR	Compound, Locking	
2	0630613	4	Bolt M10 x 30	
3	0641608	4	Bolt 3/8 x 1	
4	0701015	4	Bolt M10 x 35	
5	0701217	1	Bolt M12 x 45	
6	0701221	2	Bolt M12 x 65	
7	3291001	2	Nut M10	
8	3291005	8	Nut, Lock M10	
9	3291205	4	Nut, Lock M12	
10	4711600	4	Washer 3/8	
11	4812000	12	Washer M10	
12	4812002	2	Washer M10	
13	4812100	8	Washer M12	
14	1001102978	1	Screw M12 X 45	
15	1001178057	1	Hydraulic Tank Assembly (See Separate Breakdown in this Section)	
16	1001199933	1	Tray	
17	1001201325	1	Tank, Fuel	
17A	70004414	1	Cap, Fill	
17B	7020043	1	Tube, Pickup	
17C	1001148607	1	Sender, Fuel Level	
17C	0731005	5	Screw #10 x 5/8	
17C	4751000	5	Washer #10	
18	1001213251	1	Support, Ground Control	
19	1001238954	1	Strap Assembly	
19	1001189119	1	Strap	
19	4280295	48 in/ 122cm	Strip, Protector	
20	1001256667	1	Support	

# SECTION 2 - TURNTABLE

## FIGURE 2-14. TANKS INSTALLATION - DIESEL MACHINES (STEEL FUEL TANK) (600S HC3)



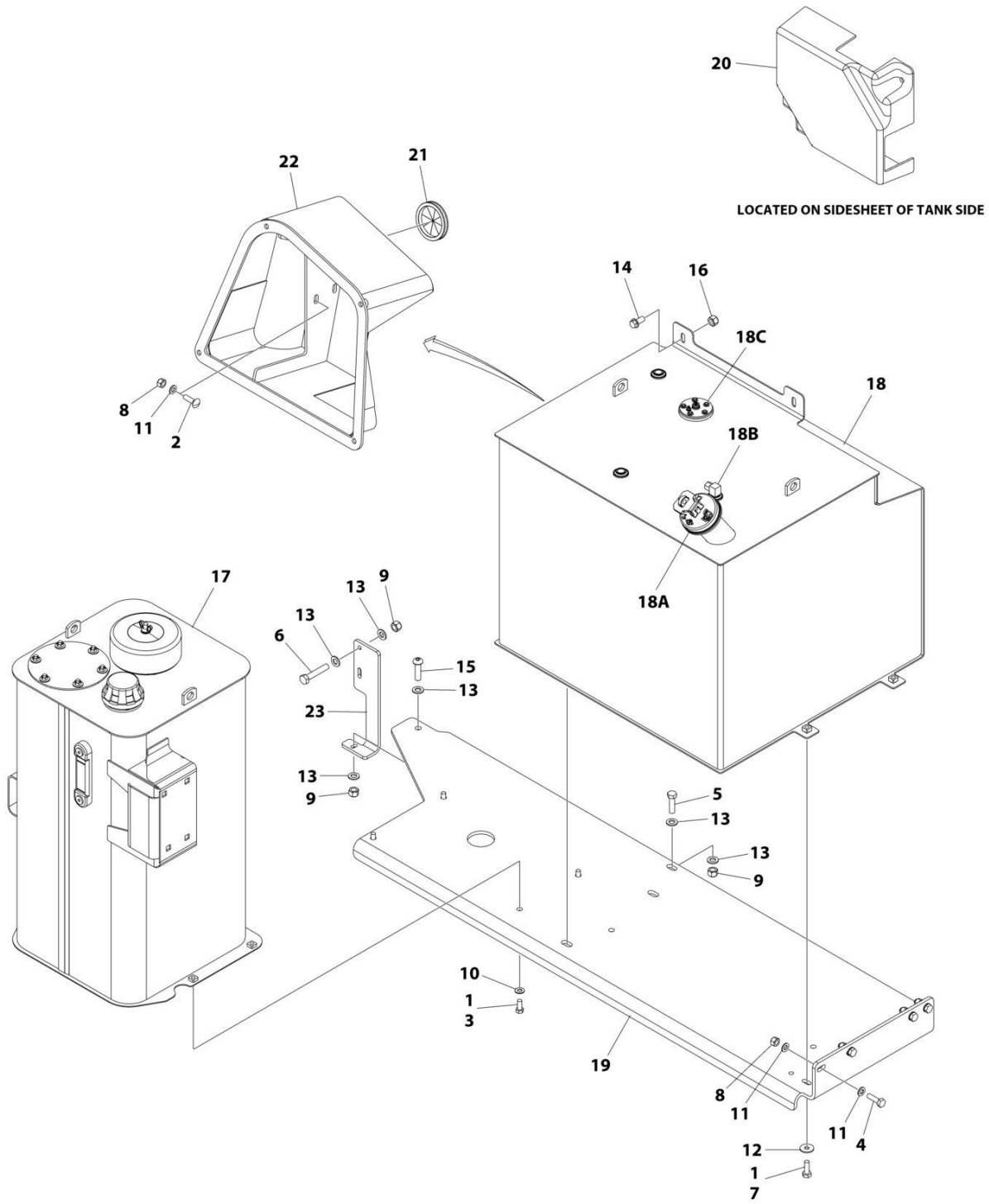
## SECTION 2 - TURNTABLE

**FIGURE 2-14. TANKS INSTALLATION - DIESEL MACHINES (STEEL FUEL TANK) (600S HC3)**

ITEM	PART NUMBER	QTY	DESCRIPTION	REV
	1001190335	Ref	TANKS INSTALLATION	I
1	0100011	AR	Compound, Locking	
2	0641607	4	Bolt 3/8 x 7/8	
2	0641608	4	Bolt 3/8 x 1	
3	0761014	4	Bolt M10 x 30	
6	0701221	2	Bolt M12 x 65	
7	5251012	2	Bolt M10 x 25	
8	3291005	8	Nut M10	
9	3291205	4	Nut M12	
10	4711600	4	Washer 3/8	
11	4812000	12	Washer M10	
12	4812002	4	Washer M10	
13	4812100	8	Washer M12	
14	1001118972	1	Nut, Tinnerman M10	
15	1001178057	1	Hydraulic Tank Assembly (See Separate Breakdown in this Section)	
16	1001189764	1	Tank, Fuel	
16A	1001080707	1	Cap, Fill	
16B	70006314	1	Tube, Pickup	
16C	1001189800	1	Sender, Fuel Level	
16C	0731005	5	Screw #10 x 5/8	
16C	4751000	5	Washer #10	
17	1001199933	1	Tray	
18	0701015	4	Bolt M10 x 35	
19	0701217	2	Bolt M12 x 45	
21	1001199883	1	Support	
22	1001228406	4	Bolt M10 x 35	
22	0630613	4	Bolt M10 x 30	
24	1001229572	1	Mount, Ground Control	
25	1001218676	1	Grommet	
26	1001218539	1	Cover	

# SECTION 2 - TURNTABLE

## FIGURE 2-15. TANKS INSTALLATION - DIESEL MACHINES (STEEL FUEL TANK) (660SJ HC3)



ART\_1001258174

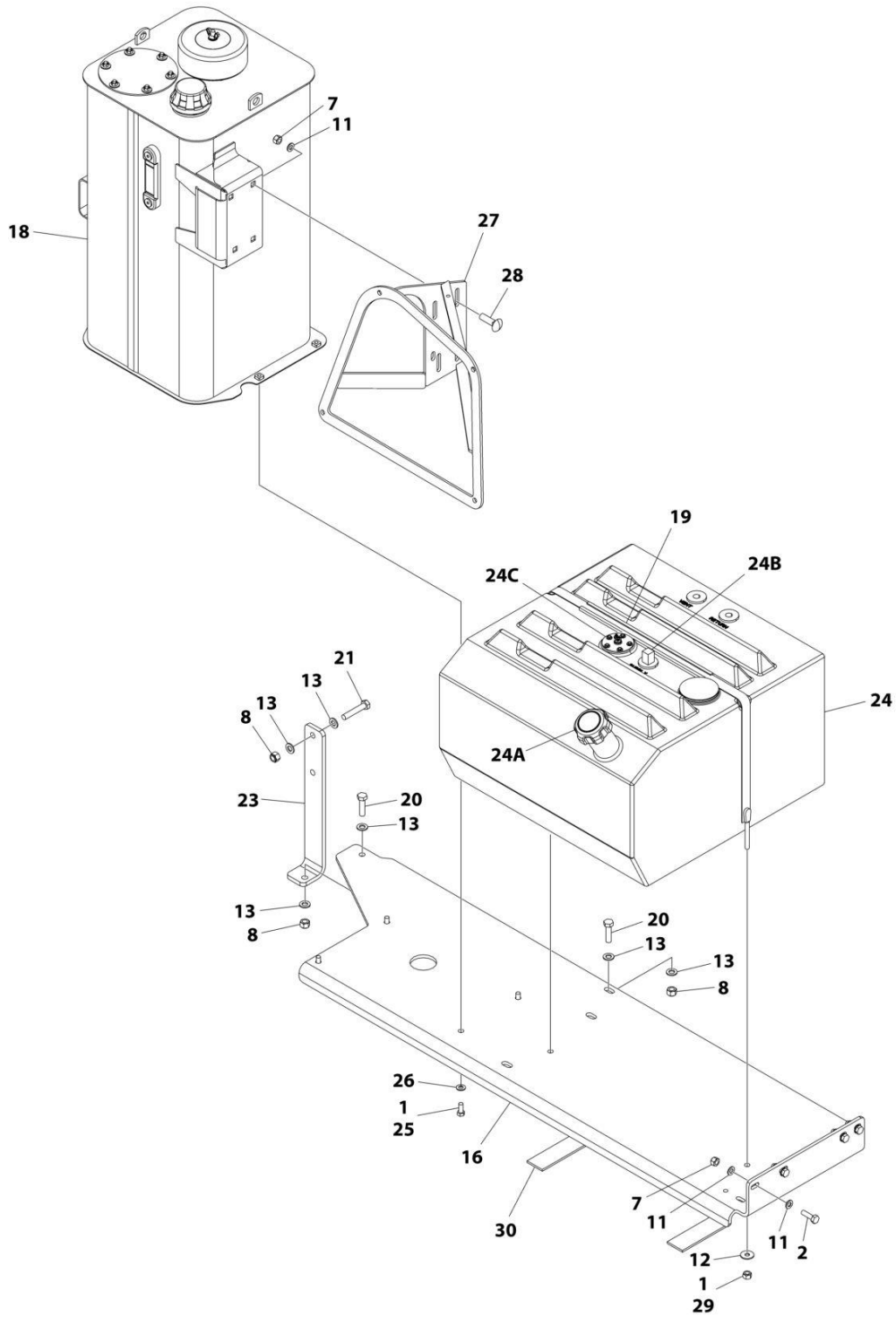
## SECTION 2 - TURNTABLE

**FIGURE 2-15. TANKS INSTALLATION - DIESEL MACHINES (STEEL FUEL TANK) (660SJ HC3)**

ITEM	PART NUMBER	QTY	DESCRIPTION	REV
	1001258174	Ref	TANKS INSTALLATION	A
1	0100011	AR	Compound, Locking	
2	0630613	4	Bolt M10 x 30	
3	0641608	4	Bolt 3/8 x 1	
4	0701015	4	Bolt M10 x 35	
5	0701217	1	Bolt M12 x 45	
6	0701221	2	Bolt M12 x 65	
7	0761014	4	Bolt M10 x 30	
8	3291005	8	Nut M10	
9	3291205	4	Nut M12	
10	4711600	4	Washer 3/8	
11	4812000	12	Washer M10	
12	4812002	4	Washer M10	
13	4812100	8	Washer M12	
14	5251012	1	Bolt M10 x 25	
15	1001102978	1	Screw M12 X 45	
16	1001118972	1	Nut, Tinnerman M10	
17	1001178057	1	Hydraulic Tank Assembly (See Separate Breakdown in this Section)	
18	1001189764	1	Tank, Fuel	
18A	1001080707	1	Cap, Fill	
18B	70006314	1	Tube, Pickup	
18C	1001189800	1	Sender, Fuel Level	
18C	0731005	5	Screw #10 x 5/8	
18C	4751000	5	Washer #10	
19	1001199933	1	Tray	
20	1001218539	1	Cover	
21	1001218676	1	Grommet	
22	1001229572	1	Mount, Ground Control	
23	1001256667	1	Support	

# SECTION 2 - TURNTABLE

## FIGURE 2-16. TANKS INSTALLATION - GAS MACHINES (600S HC3)



ART\_1001189228



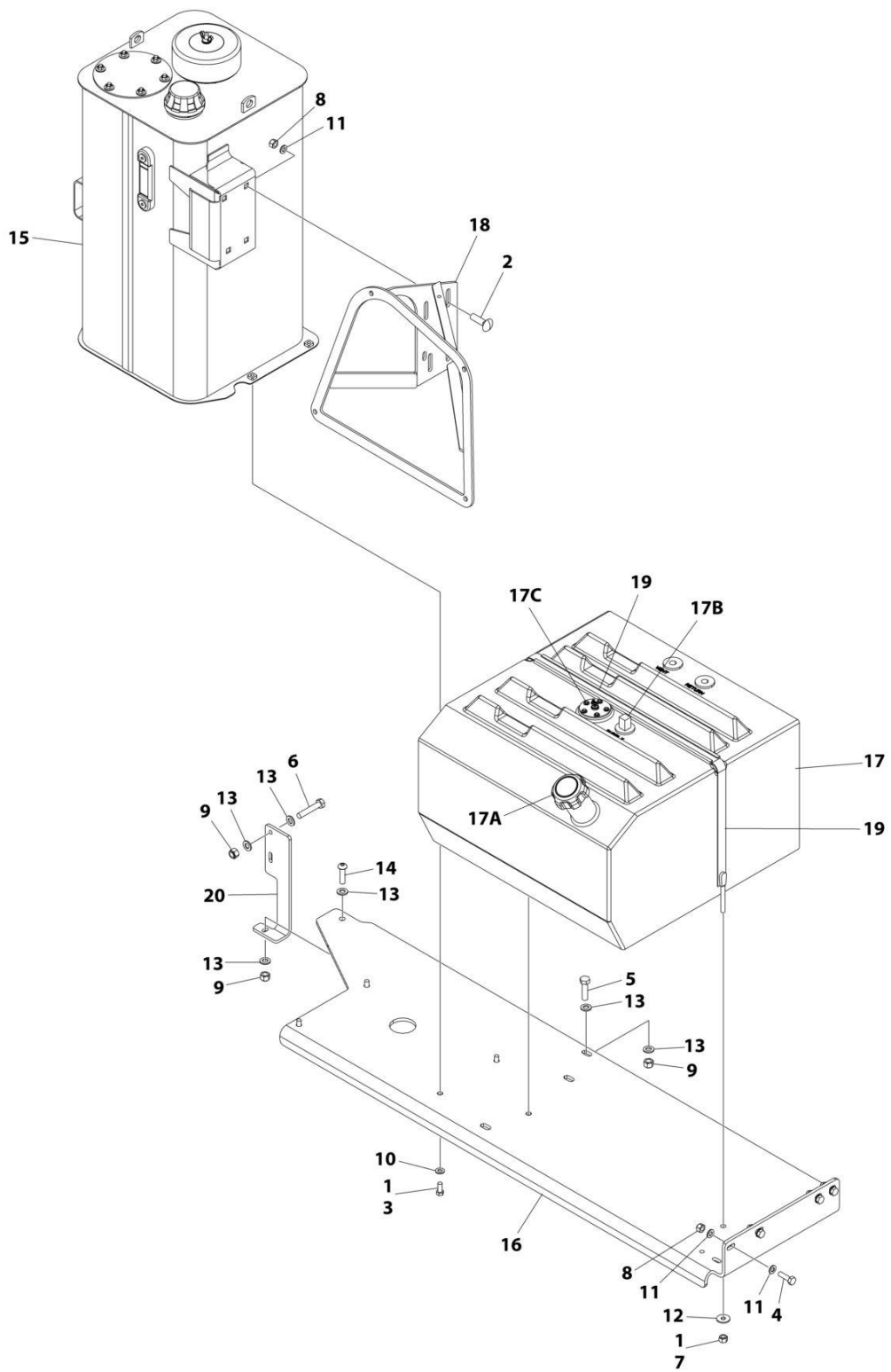
## SECTION 2 - TURNTABLE

**FIGURE 2-16. TANKS INSTALLATION - GAS MACHINES (600S HC3)**

ITEM	PART NUMBER	QTY	DESCRIPTION	REV
	1001189228	Ref	TANKS INSTALLATION	I
1	0100011	AR	Compound, Locking	
2	0701015	4	Bolt M10 x 35	
7	3291005	8	Nut M10	
8	3291205	4	Nut M12	
11	4812000	12	Washer M10	
12	4812002	2	Washer M10	
13	4812100	8	Washer M12	
16	1001199933	1	Tray	
18	1001178057	1	Hydraulic Tank Assembly (See Separate Breakdown in this Section)	
19	1001238954	1	Strap Assembly	
19	1001189119	1	Strap, Tank	
19	4280295	48 in/ 122cm	Strip, Protector	
20	0701217	2	Bolt M12 x 45	
21	0701221	2	Bolt M12 x 65	
23	1001199883	1	Support	
24	1001201326	1	Tank, Fuel	
24A	70001103	1	Cap, Fill	
24B	7020043	1	Tube, Pickup	
24C	1001148607	1	Sender, Fuel Level	
24C	0731005	5	Screw #10 x 5/8	
24C	4751000	5	Washer #10	
25	0641607	4	Bolt 3/8 x 7/8	
25	0641608	4	Bolt 3/8 x 1	
26	4711600	4	Washer 3/8	
27	1001213251	1	Support, Ground Control	
28	1001228406	4	Bolt M10 x 35	
28	0630613	4	Bolt M10 x 30	
29	3291005	2	Nut M10	
29	3291001	2	Nut M10	
30	4420038	30 in/ 76.2 cm	Tape, Rubatex	

# SECTION 2 - TURNTABLE

## FIGURE 2-17. TANKS INSTALLATION - GAS MACHINES (660SJ HC3)



ART\_1001258173

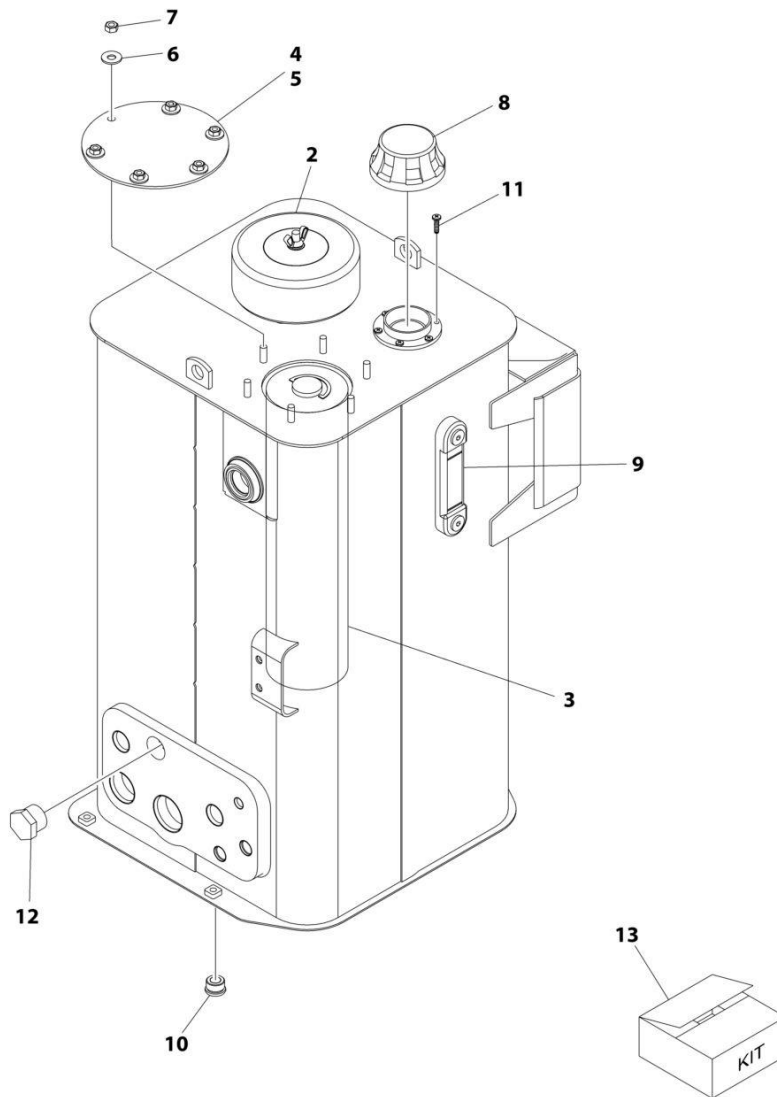
## SECTION 2 - TURNTABLE

**FIGURE 2-17. TANKS INSTALLATION - GAS MACHINES (660SJ HC3)**

ITEM	PART NUMBER	QTY	DESCRIPTION	REV
	1001258173	Ref	TANKS INSTALLATION	A
1	0100011	AR	Compound, Locking	
2	0630613	4	Bolt M10 x 30	
3	0641608	4	Bolt 3/8 x 1	
4	0701015	4	Bolt M10 x 35	
5	0701217	1	Bolt M12 x 45	
6	0701221	2	Bolt M12 x 65	
7	3291001	2	Nut M10	
8	3291005	8	Nut M10	
9	3291205	4	Nut M12	
10	4711600	4	Washer 3/8	
11	4812000	12	Washer M10	
12	4812002	2	Washer M10	
13	4812100	8	Washer M12	
14	1001102978	1	Screw M12 X 45	
15	1001178057	1	Hydraulic Tank Assembly (See Separate Breakdown in this Section)	
16	1001199933	1	Tray	
17	1001201326	1	Tank, Fuel	
17A	70001103	1	Cap, Fill	
17B	7020043	1	Tube, Pickup	
17C	1001148607	1	Sender, Fuel Level	
17C	0731005	5	Screw #10 x 5/8	
17C	4751000	5	Washer #10	
18	1001213251	1	Support, Ground Control	
19	1001238954	1	Strap Assembly	
19	1001189119	1	Strap, Tank	
19	4280295	48 in/ 122cm	Strip, Protector	
20	1001256667	1	Support	

# SECTION 2 - TURNTABLE

## FIGURE 2-18. HYDRAULIC TANK ASSEMBLY



ART\_1001178057

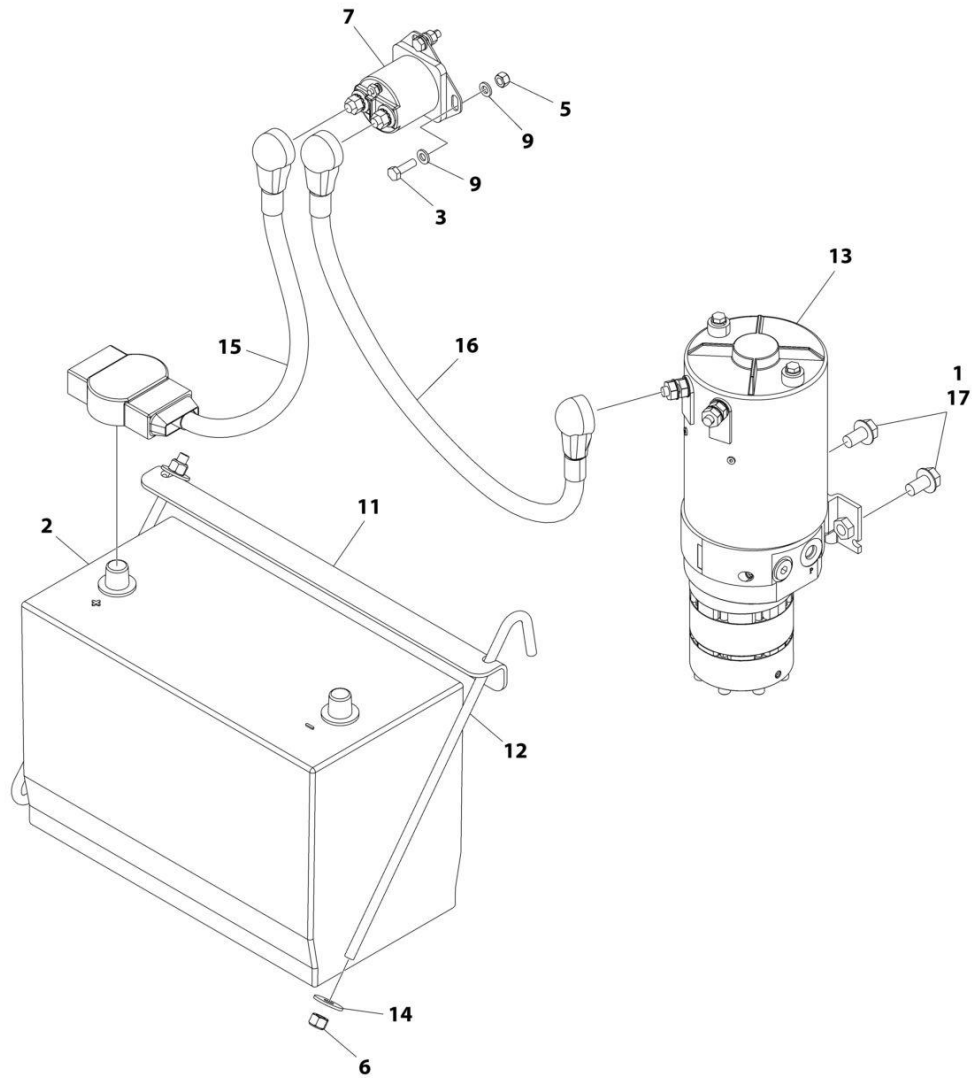
## SECTION 2 - TURNTABLE

**FIGURE 2-18. HYDRAULIC TANK ASSEMBLY**

ITEM	PART NUMBER	QTY	DESCRIPTION	REV
	1001178057	Ref	HYDRAULIC TANK ASSEMBLY	D
2	70005708	1	Breather Assembly (Includes Breather, Element and Wingnut)	
2	See Note	NSS	Element, Breather (Note: Use p/n 70005708 or Item 13)	
3	See Note	NSS	Element, Hydraulic (Note: Use Item 13)	
4	70002839	1	Gasket	
5	See Note	NSS	Cover (Note: Not Available for Purchase)	
6	83304173	6	Washer 5/16	
7	70004199	6	Nut 5/16	
8	70002838	1	Cap, Fill	
9	7024441	1	Gauge, Level	
10	70002112	1	Plug	
11	70004795	6	Screw #10 x 3/4	
12	See Note	NSS	Plug (Note: Not Available - Purchase Locally)	
13	70002814	1	Hydraulic Tank Service Kit (Includes Items 2-4)	

# SECTION 2 - TURNTABLE

## FIGURE 2-19. BATTERY AND AUXILIARY PUMP INSTALLATION



ART\_1001186346

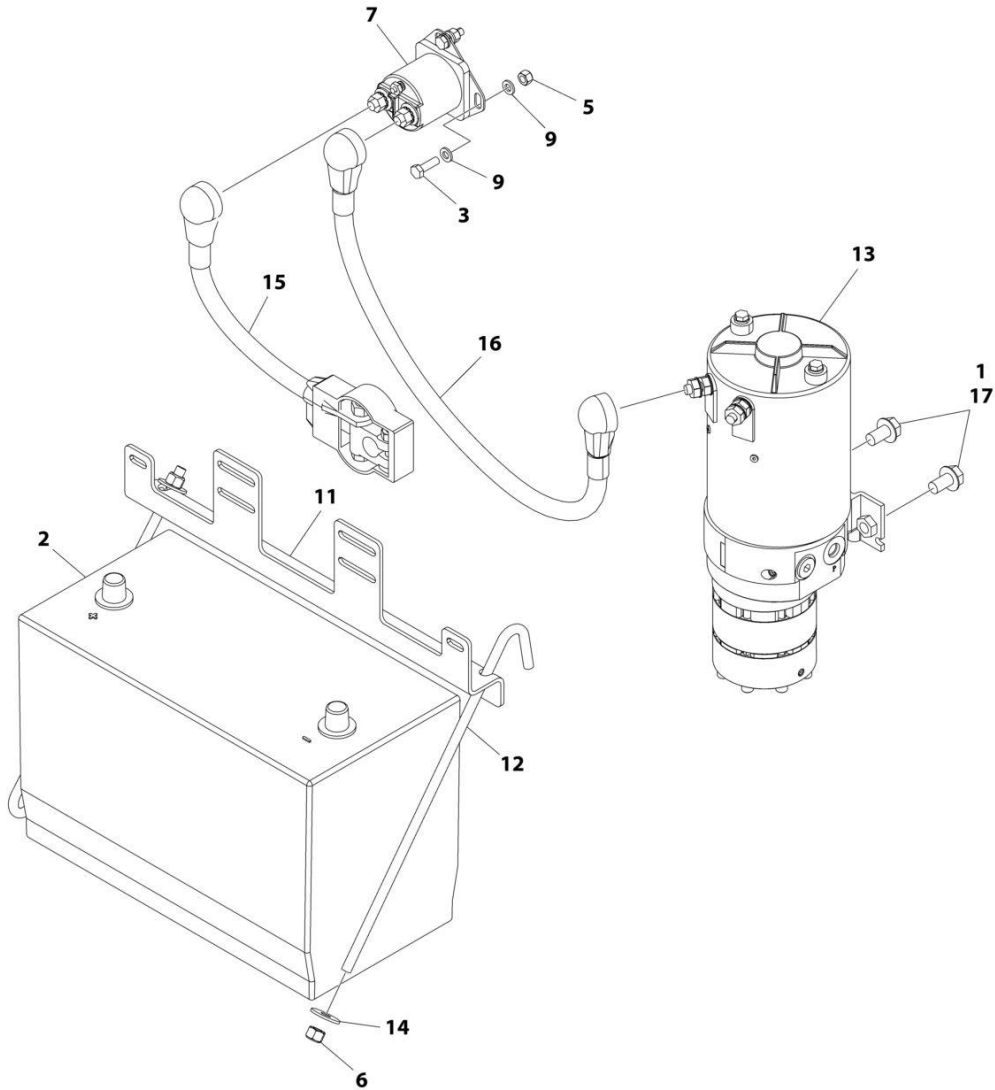
## SECTION 2 - TURNTABLE

**FIGURE 2-19. BATTERY AND AUXILIARY PUMP INSTALLATION**

ITEM	PART NUMBER	QTY	DESCRIPTION	REV
	1001186346	Ref	BATTERY AND AUXILIARY PUMP INSTALLATION	G
1	0100011	AR	Compound, Locking	
2	0400075	1	Battery	
3	0700610	2	Bolt M6 x 20	
5	3290605	2	Nut M6	
6	3290805	2	Nut M8	
7	3740067	1	Relay	
9	4811700	4	Washer M6	
11	91401281	1	Bracket, Hold Down	
12	1001192012	2	J-Bolt	
13	1001187808	1	Auxiliary Pump/Motor Assembly (Note: Replacement Motor is only Service Component Available. For Other Components, Replace Complete Assembly.)	
13	70003998	1	Motor, Replacement	
14	4811902	2	Washer M8	
15	1001188664	1	Cable, Battery (+)	
16	1001188666	1	Cable, Aux Relay to Aux Pump	
17	5251009	2	Bolt M10 x 18	

## SECTION 2 - TURNTABLE

FIGURE 2-20. BATTERY AND AUXILIARY PUMP WITH DISCONNECT SWITCH INSTALLATION



ART\_1001238663



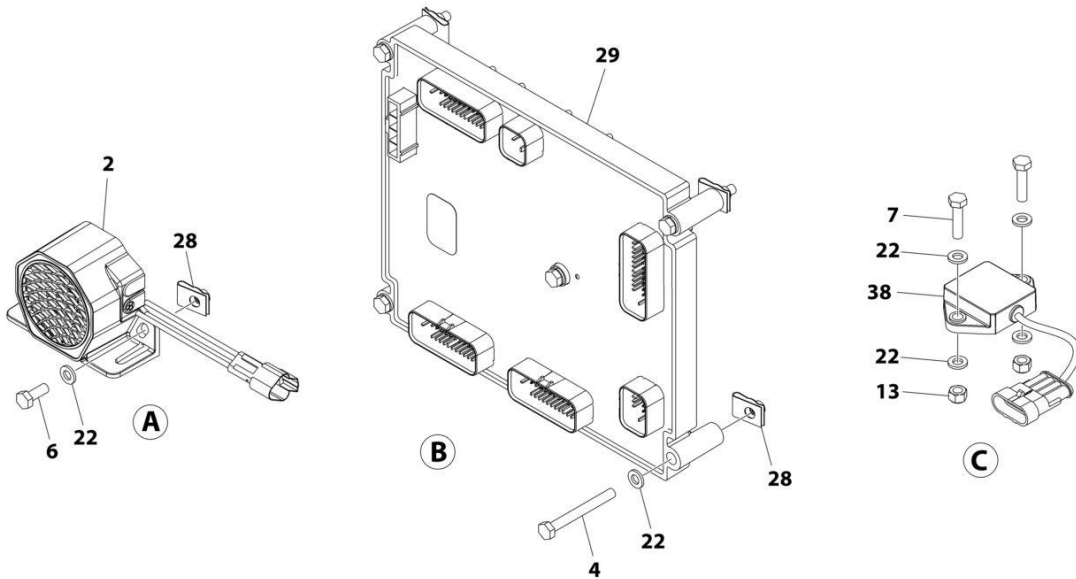
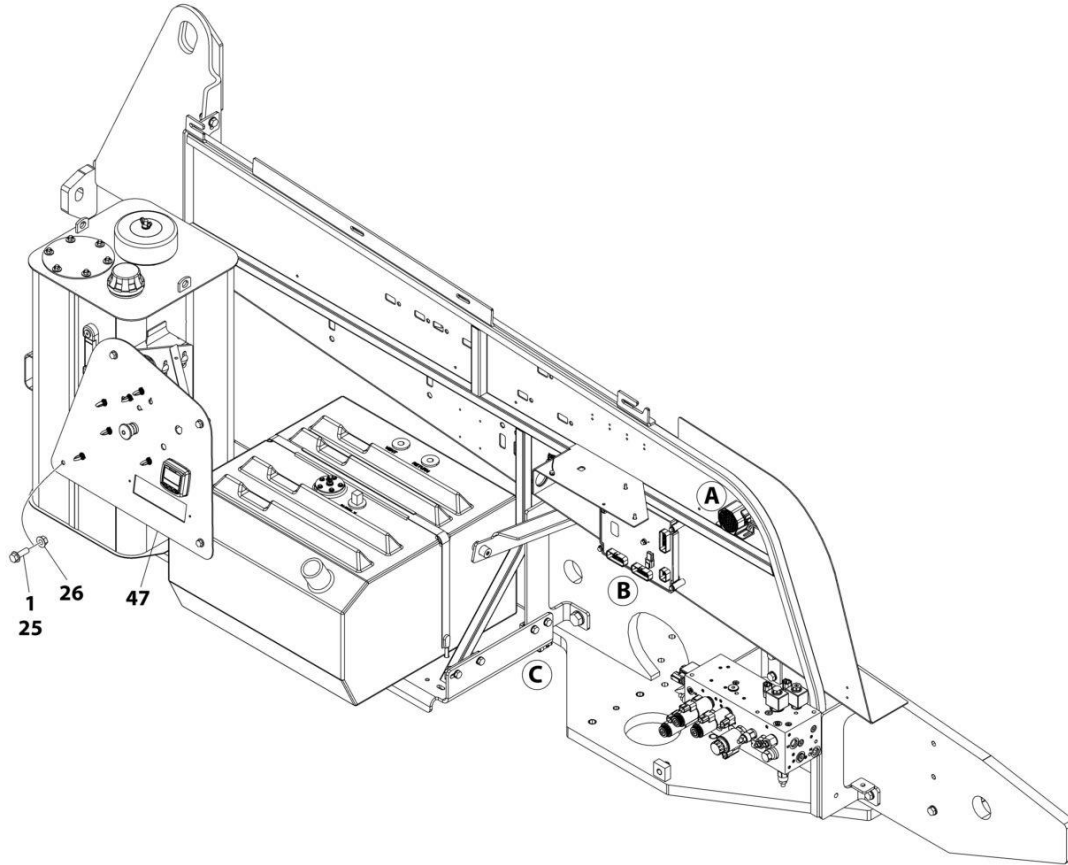
## SECTION 2 - TURNTABLE

**FIGURE 2-20. BATTERY AND AUXILIARY PUMP WITH DISCONNECT SWITCH INSTALLATION**

ITEM	PART NUMBER	QTY	DESCRIPTION	REV
	1001238663	Ref	BATTERY AND AUXILIARY PUMP W/DISCONNECT SWITCH INSTALLATION	B
1	0100011	AR	Compound, Locking	
2	0400075	1	Battery	
3	0700610	2	Bolt M6 x 20	
5	3290605	2	Nut M6	
6	3290805	2	Nut M8	
7	3740067	1	Relay	
9	4811700	4	Washer M6	
11	1001236303	1	Bracket, Hold Down	
12	1001192012	2	J-Bolt	
13	1001187808	1	Auxiliary Pump/Motor Assembly (Note: Replacement Motor is only Service Component Available. For Other Components, Replace Complete Assembly.)	
13	70003998	1	Motor, Replacement	
14	4811902	2	Washer M8	
15	1001188664	1	Cable, Battery (+)	
16	1001188666	1	Cable, Aux Relay to Aux Pump	
17	5251009	2	Bolt M10 x 18	

# SECTION 2 - TURNTABLE

## FIGURE 2-21. ELECTRICAL COMPONENTS INSTALLATION - 600S HC3



ART\_1001235143\_10F2

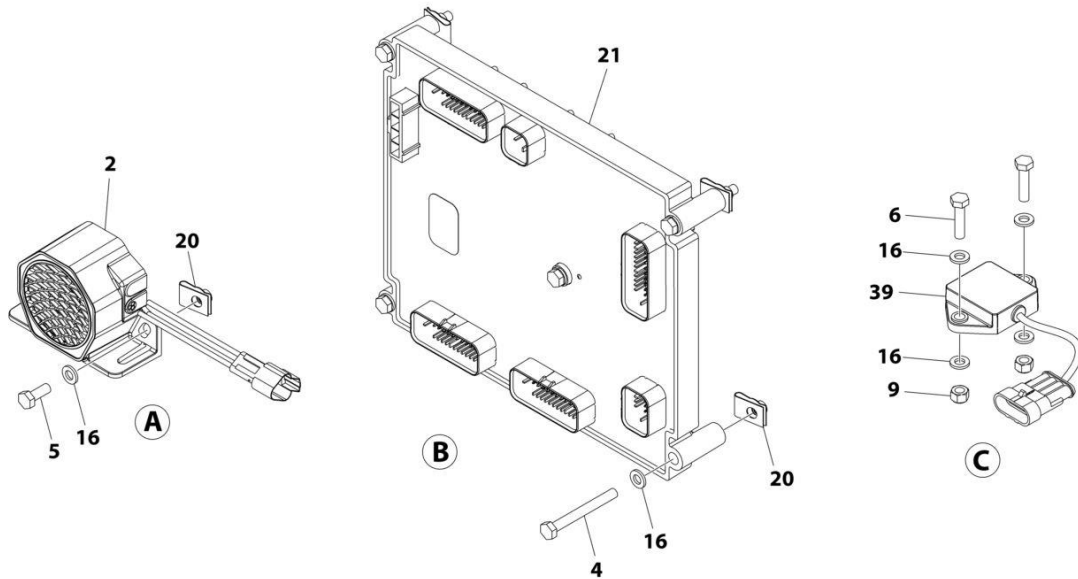
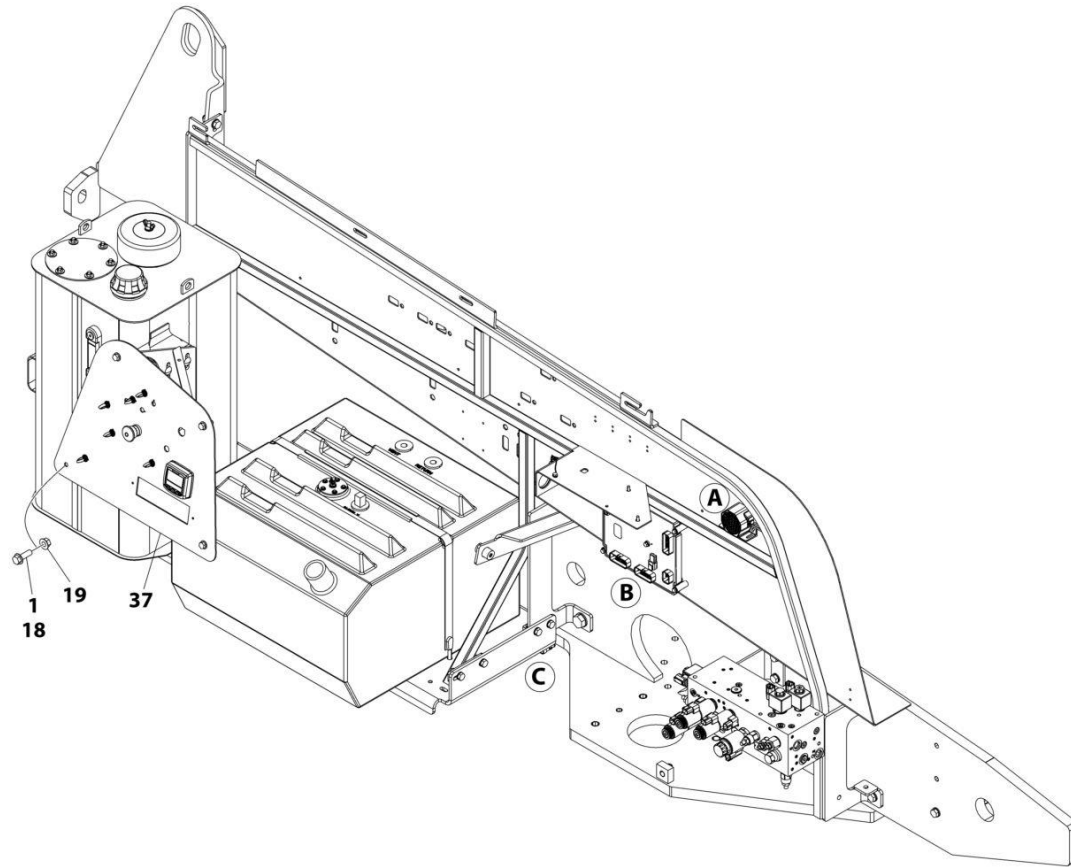
## SECTION 2 - TURNTABLE

**FIGURE 2-21. ELECTRICAL COMPONENTS INSTALLATION - 600S HC3**

ITEM	PART NUMBER	QTY	DESCRIPTION	REV
	1001235143	Ref	ELECTRICAL COMPONENTS INSTALLATION	C
1	0100011	AR	Compound, Locking	
2	0140043	1	Alarm	
4	0700619	5	Bolt M6 x 55	
6	0700608	5	Bolt M6 x 16	
7	0760612	2	Bolt M6 x 25	
13	3290605	5	Nut M6	
22	4811700	18	Washer M6	
25	5251014	4	Bolt M10 x 30	
26	5261000	4	Nut M10 Class 10	
28	1001130220	7	Nut, Tinnerman M6	
29	1001187200	1	Module, Ground Control (Note: Re-calibration Required when Replaced)	
38	1001219601	1	Sensor	
47	1001241588	1	Ground Control Panel Assembly (See Separate Breakdown in this Section)	

# SECTION 2 - TURNTABLE

## FIGURE 2-22. ELECTRICAL COMPONENTS INSTALLATION - 660SJ HC3



ART\_1001250012\_1OF2

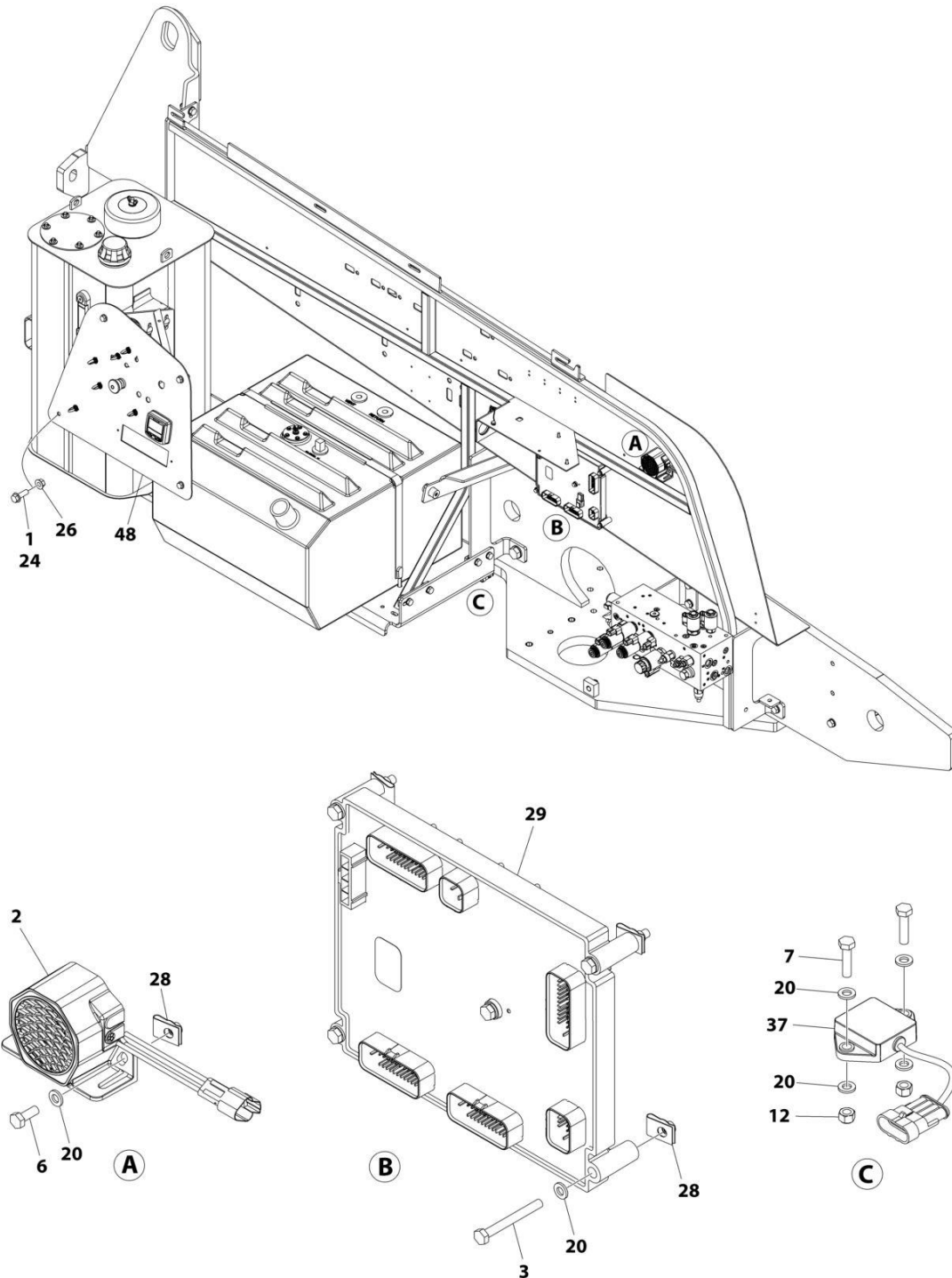
## SECTION 2 - TURNTABLE

**FIGURE 2-22. ELECTRICAL COMPONENTS INSTALLATION - 660SJ HC3**

ITEM	PART NUMBER	QTY	DESCRIPTION	REV
	1001250012	Ref	ELECTRICAL COMPONENTS INSTALLATION	D
1	0100011	AR	Compound, Locking	
2	0140043	1	Alarm	
4	0700619	5	Bolt M6 x 55	
5	0700608	5	Bolt M6 x 16	
6	0760612	2	Bolt M6 x 25	
9	3290605	5	Nut,Lock M6	
16	4811700	17	Washer M6	
18	5251014	4	Bolt M10 x 30	
19	5261000	4	Nut M10 Class 10	
20	1001130220	7	Nut, Tinnerman M6	
21	1001187200	1	Module, Ground Control (Note: Re-calibration Required when Replaced)	
37	1001250273	1	Ground Control Panel Assembly (See Separate Breakdown in this Section)	
39	1001219601	1	Sensor	

# SECTION 2 - TURNTABLE

FIGURE 2-23. ELECTRICAL COMPONENTS INSTALLATION - 600S HC3 (STAGE V) (SN 0300274693 to Present)



ART\_1001262633\_10F2

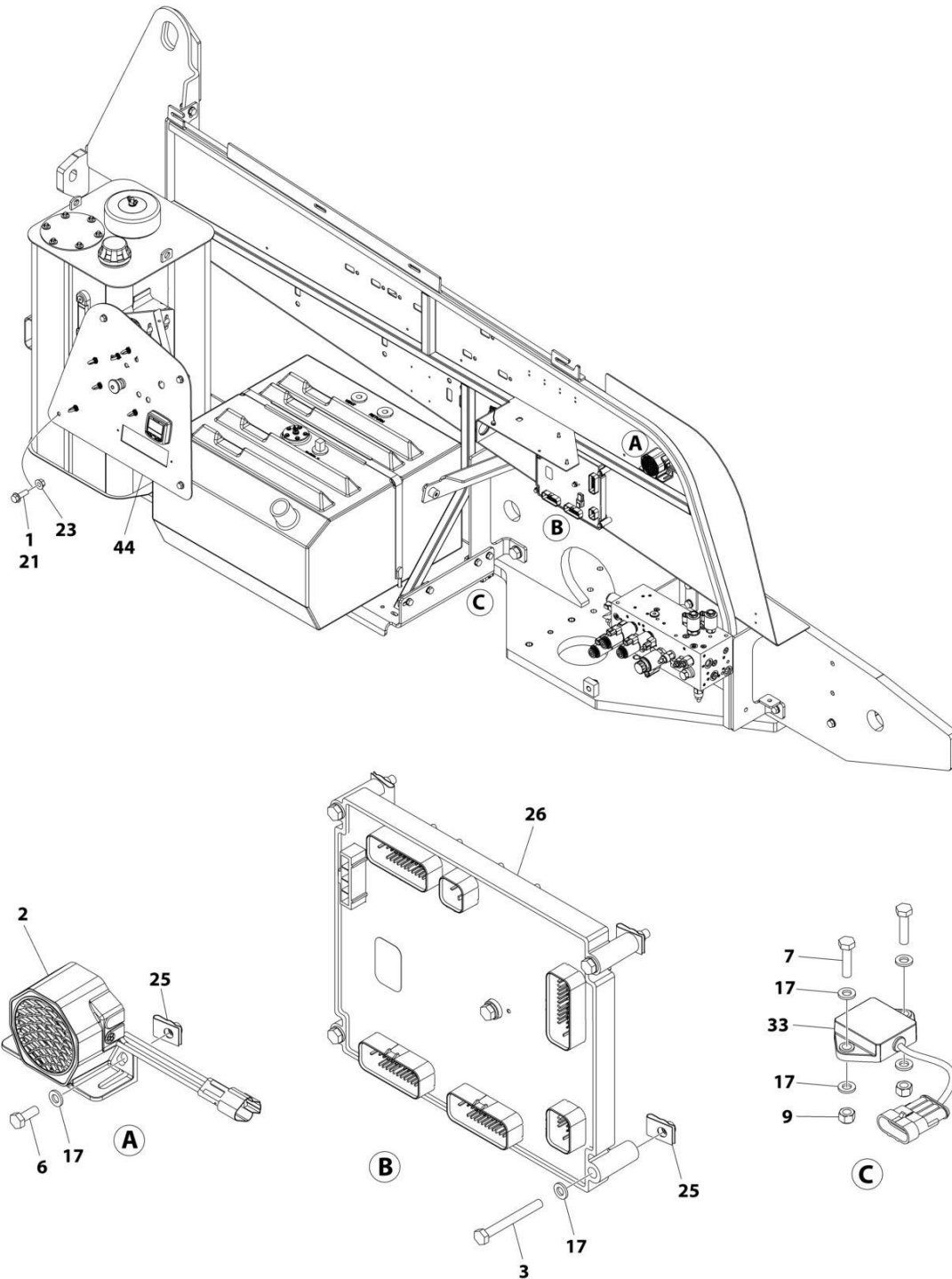
## SECTION 2 - TURNTABLE

**FIGURE 2-23. ELECTRICAL COMPONENTS INSTALLATION - 600S HC3 (STAGE V) (SN 0300274693 to Present)**

ITEM	PART NUMBER	QTY	DESCRIPTION	REV
	1001262633	Ref	ELECTRICAL COMPONENTS INSTALLATION	B
1	0100011	AR	Compound, Locking	
2	0140043	1	Alarm	
3	0700619	5	Bolt M6 x 55	
6	0760608	3	Bolt M6 x 16	
7	0760612	2	Bolt M6 x 25	
12	3290605	3	Nut, Lock M6	
20	4811700	13	Washer M6	
24	5251014	4	Bolt M10 x 30	
26	5261000	5	Nut M10 Class 10	
28	1001130220	7	Nut, Tinnerman M6	
29	1001187200	1	Module, Ground Control (Note: Re-calibration Required when Replaced)	
37	1001219601	1	Sensor	
48	1001245774	1	Ground Control Panel Assembly (See Separate Breakdown in this Section)	

# SECTION 2 - TURNTABLE

## FIGURE 2-24. ELECTRICAL COMPONENTS INSTALLATION - 660SJ HC3 (STAGE V)



ART\_1001262634\_1OF2



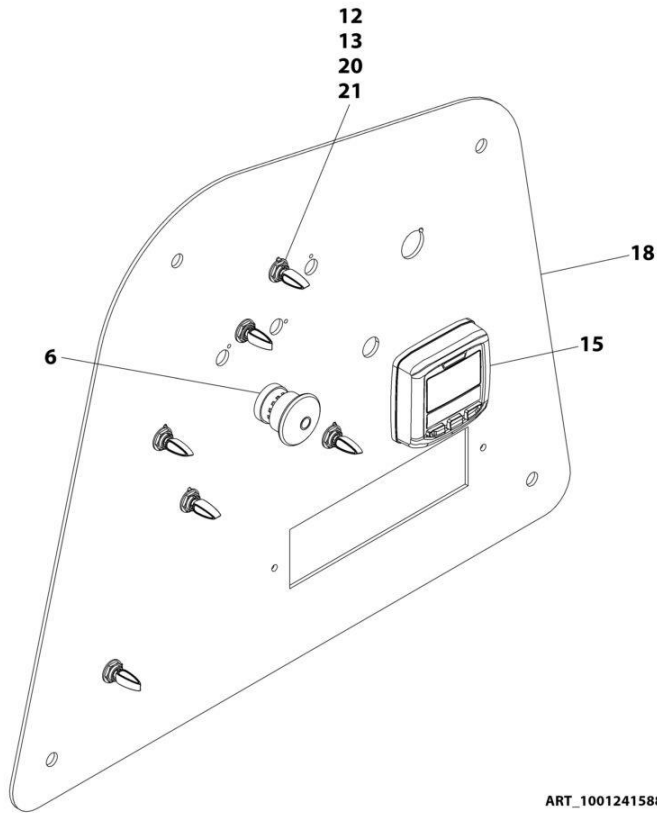
**SECTION 2 - TURNTABLE**

**FIGURE 2-24. ELECTRICAL COMPONENTS INSTALLATION - 660SJ HC3 (STAGE V)**

ITEM	PART NUMBER	QTY	DESCRIPTION	REV
	1001262634	Ref	ELECTRICAL COMPONENTS INSTALLATION	B
1	0100011	AR	Compound, Locking	
2	0140043	1	Alarm	
3	0700619	5	Bolt M6 x 55	
6	0700608	3	Bolt M6 x 16	
7	0760612	2	Bolt M6 x 25	
9	3290605	3	Nut, Lock M6	
17	4811700	13	Washer M6	
21	5251014	4	Bolt M10 x 30	
23	5261000	5	Nut M10 Class 10	
25	1001130220	7	Nut, Tinnerman M6	
26	1001187200	1	Module, Ground Control (Note: Re-calibration Required when Replaced)	
33	1001219601	1	Sensor	
44	1001245775	1	Ground Control Panel Assembly (See Separate Breakdown in this Section)	

# SECTION 2 - TURNTABLE

## FIGURE 2-25. GROUND CONTROL ASSEMBLY - 600S HC3



ART\_1001241588

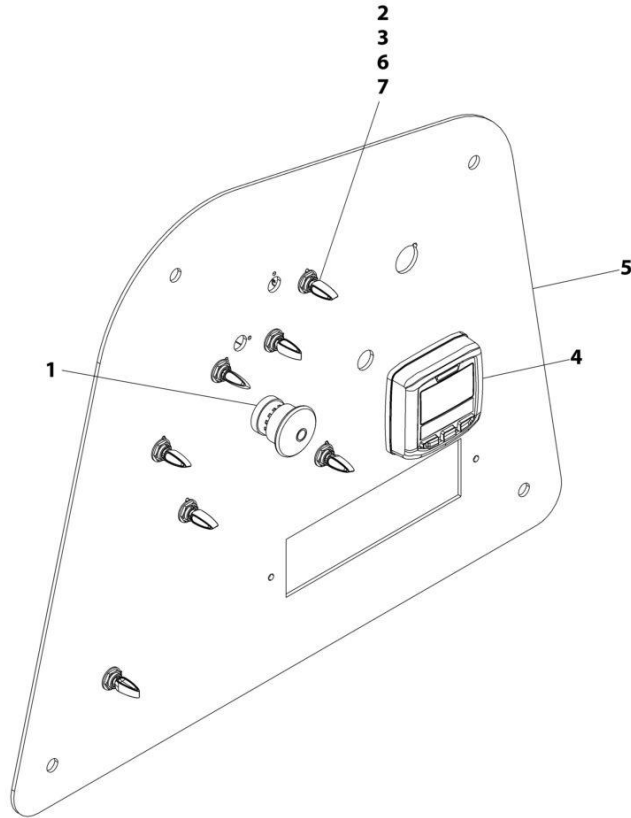
## SECTION 2 - TURNTABLE

### FIGURE 2-25. GROUND CONTROL ASSEMBLY - 600S HC3

ITEM	PART NUMBER	QTY	DESCRIPTION	REV
	1001241588	Ref	GROUND CONTROL PANEL ASSEMBLY	B
6	4360475	1	Switch, Emergency Stop	
6	7020175	1	Cap	
6	7020176	1	Block, Contact	
12	1001155043	6	Washer	
13	1001155044	6	Nut 15/32	
15	1001171482	1	Gauge	
18	1001191126	1	Plate	
20	4740397	6	Washer	
21	1001155045	6	Switch, Toggle	

## SECTION 2 - TURNTABLE

FIGURE 2-26. GROUND CONTROL ASSEMBLY - 660SJ HC3



**NOTE: FOR LIGHT PANEL COMPONENTS, SEE SEPARATE BREAKDOWN  
IN ELECTRICAL INSTALLATION OR LIGHT PANEL INSTALLATION.**

ART\_1001250273

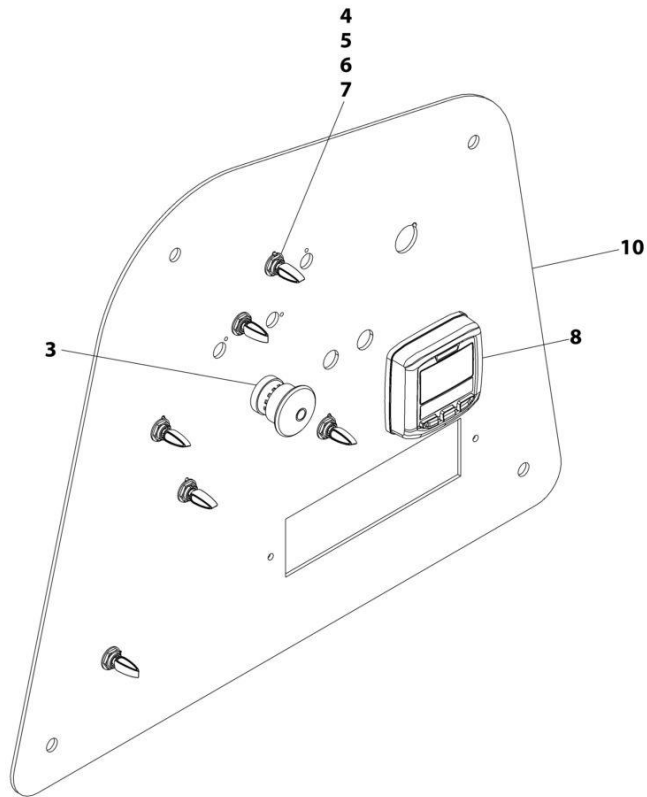
## SECTION 2 - TURNTABLE

**FIGURE 2-26. GROUND CONTROL ASSEMBLY - 660SJ HC3**

ITEM	PART NUMBER	QTY	DESCRIPTION	REV
	1001250273	Ref	GROUND CONTROL PANEL ASSEMBLY	B
1	4360475	1	Switch, Emergency Stop	
1	7020175	1	Cap	
1	7020176	1	Block, Contact	
2	1001155043	7	Washer	
3	1001155044	7	Nut 15/32	
4	1001171482	1	Gauge	
5	1001191126	1	Plate	
6	4740397	7	Washer	
7	1001155045	7	Switch, Toggle	
8	4460234	AR	Mount, Tie Strap (Not Shown)	

## SECTION 2 - TURNTABLE

FIGURE 2-27. GROUND CONTROL ASSEMBLY - 600S HC3 (STAGE V) (SN 0300274693 to Present)



ART\_1001245774

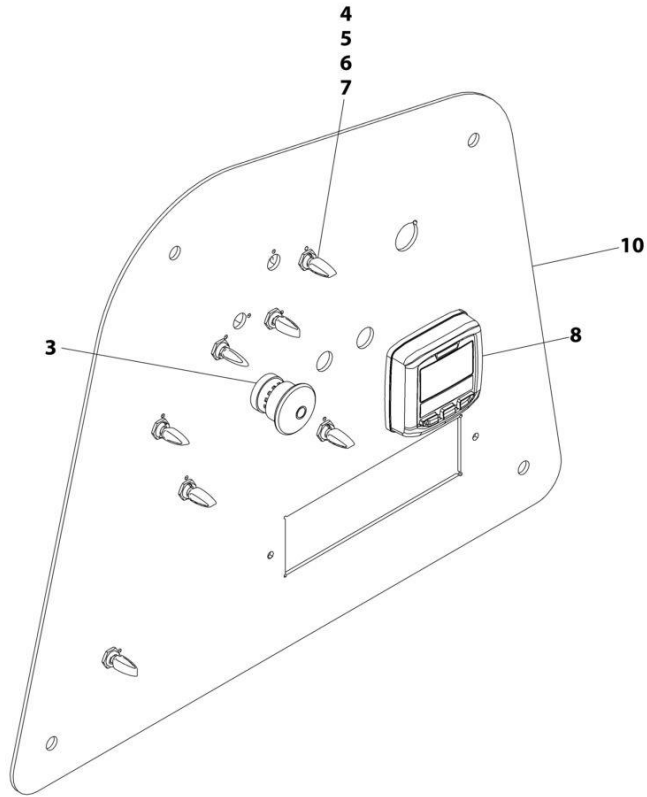
## SECTION 2 - TURNTABLE

**FIGURE 2-27. GROUND CONTROL ASSEMBLY - 600S HC3 (STAGE V) (SN 0300274693 to Present)**

ITEM	PART NUMBER	QTY	DESCRIPTION	REV
	1001245774	Ref	GROUND CONTROL PANEL ASSEMBLY	B
3	4360475	1	Switch, Emergency Stop	
3	7020175	1	Cap	
3	7020176	1	Block, Contact	
4	4740397	6	Washer	
5	1001155043	6	Washer	
6	1001155044	6	Nut 15/32	
7	1001155045	6	Switch, Toggle	
8	1001171482	1	Gauge	
10	1001245773	1	Plate	

## SECTION 2 - TURNTABLE

FIGURE 2-28. GROUND CONTROL ASSEMBLY - 660SJ HC3 (STAGE V)



ART\_1001245775



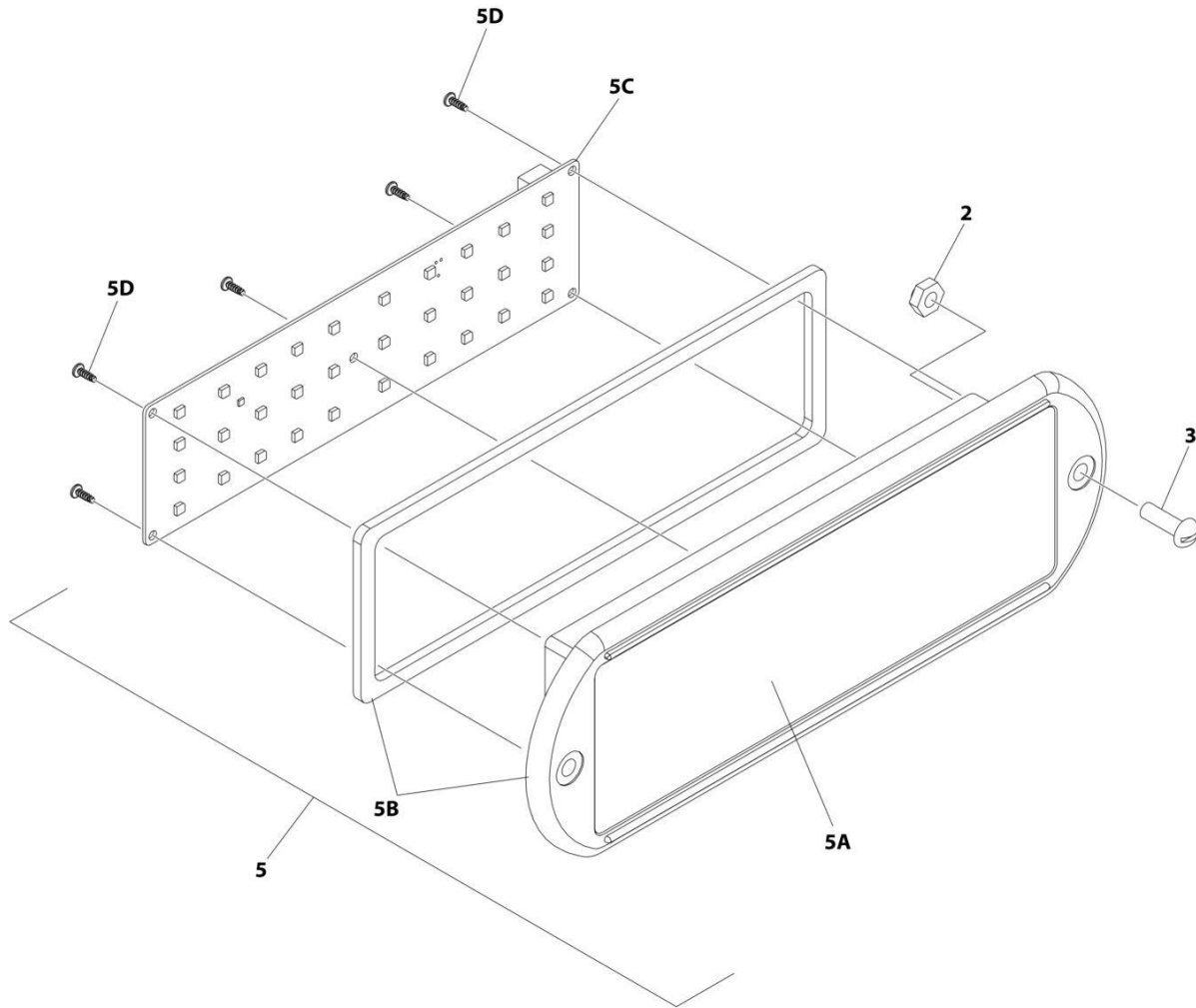
## SECTION 2 - TURNTABLE

**FIGURE 2-28. GROUND CONTROL ASSEMBLY - 660SJ HC3 (STAGE V)**

ITEM	PART NUMBER	QTY	DESCRIPTION	REV
	1001245775	Ref	GROUND CONTROL PANEL ASSEMBLY	B
3	4360475	1	Switch, Emergency Stop	
3	7020175	1	Cap	
3	7020176	1	Block, Contact	
4	4740397	7	Washer	
5	1001155043	7	Washer	
6	1001155044	7	Nut 15/32	
7	1001155045	7	Switch, Toggle	
8	1001171482	1	Gauge	
10	1001245773	1	Plate	

# SECTION 2 - TURNTABLE

## FIGURE 2-29. LIGHT PANEL INSTALLATION



ART\_1001233959\_10F2

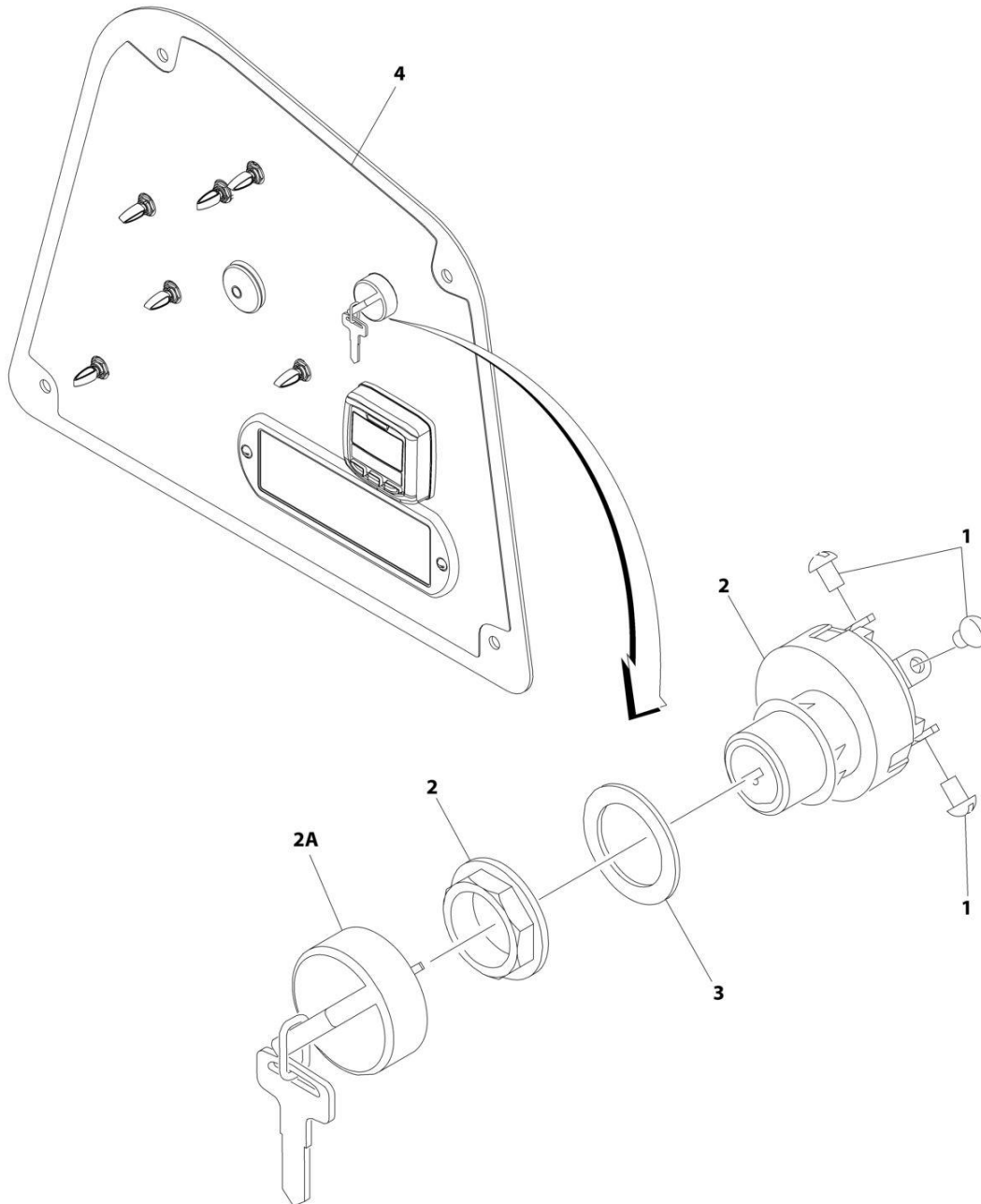
**SECTION 2 - TURNTABLE**

**FIGURE 2-29. LIGHT PANEL INSTALLATION**

ITEM	PART NUMBER	QTY	DESCRIPTION	REV
	1001233959	Ref	LIGHT PANEL INSTALLATION	C
2	3300408	2	Nut, Nylon Insert	
3	0630518	2	Screw #10 x 3/4	
5	1001237546	1	Light Panel Assembly	
5A	1001236091	1	Lens, I-Con/Bezel	
5C	1001187807	1	Panel, LED Light	
5D		Ref	Screw	

## SECTION 2 - TURNTABLE

FIGURE 2-30. KEYSWITCH INSTALLATION - 600S HC3 (ALL SPECS EXCEPT CE SPECS)



ART\_1001239448

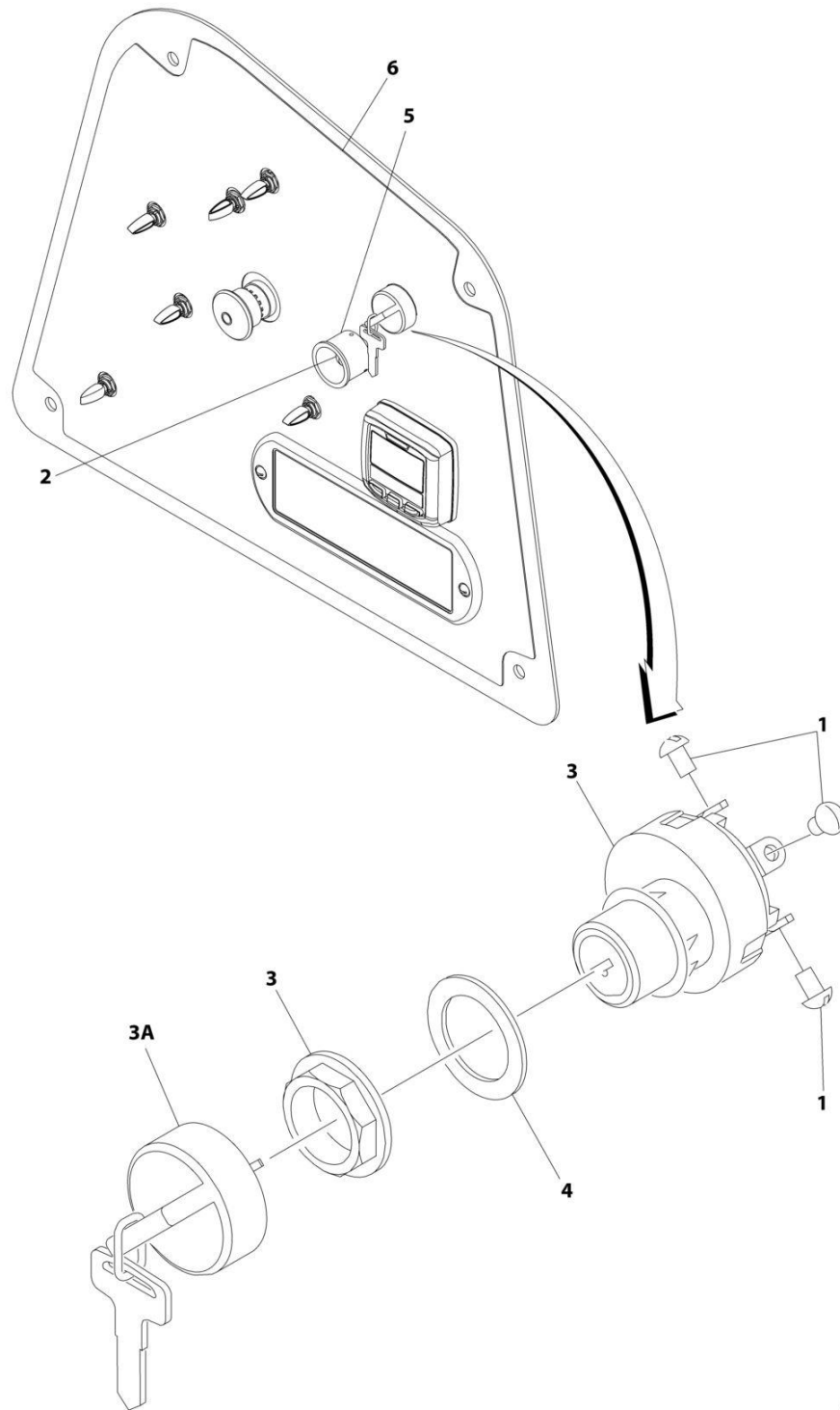
## SECTION 2 - TURNTABLE

**FIGURE 2-30. KEYSWITCH INSTALLATION - 600S HC3 (ALL SPECS EXCEPT CE SPECS)**

ITEM	PART NUMBER	QTY	DESCRIPTION	REV
	1001239448	Ref	KEYSWITCH INSTALLATION	B
1	3910804	6	Screw #8 x 1/4	
2	4360469	1	Switch, Key	
2A	2860030	1 Set	Key, Replacement	
3	1001151393	1	Shim	
4	1001239450	1	Decal - Ground Control Panel	

# SECTION 2 - TURNTABLE

## FIGURE 2-31. KEYSWITCH INSTALLATION - 600S HC3 (CE SPECS)



ART\_1001239449

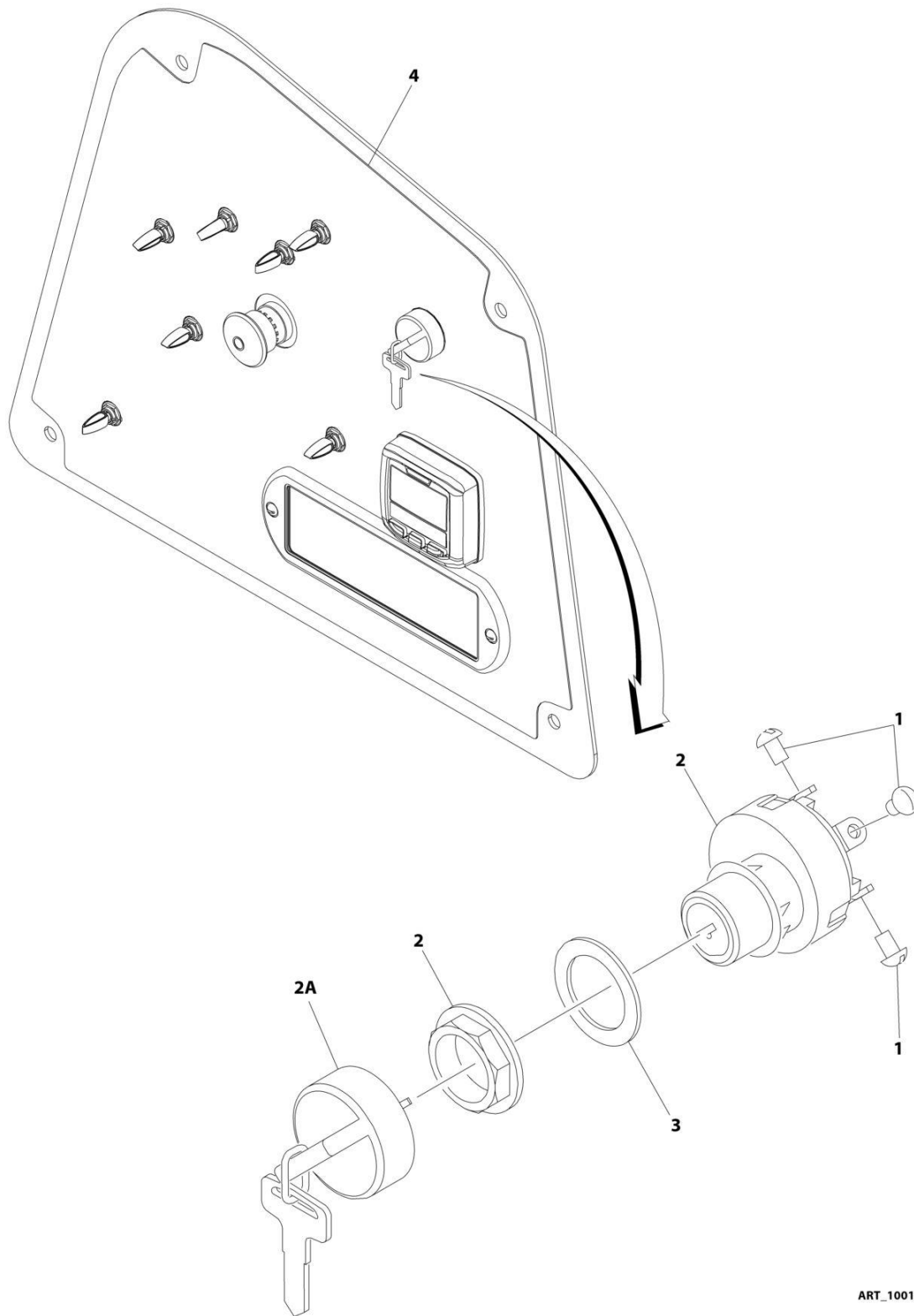
## SECTION 2 - TURNTABLE

**FIGURE 2-31. KEYSWITCH INSTALLATION - 600S HC3 (CE SPECS)**

ITEM	PART NUMBER	QTY	DESCRIPTION	REV
	1001239449	Ref	KEYSWITCH INSTALLATION	B
1	3910804	6	Screw #8-32 x 1/4	
2	4360387	1	Switch, Push Button	
3	4360469	1	Switch, Key	
3A	2860030	1 Set	Key, Replacement	
4	1001151393	1	Shim	
5	1001176469	1	Shroud, Switch	
6	1001239451	1	Decal - Ground Control Panel	

## SECTION 2 - TURNTABLE

FIGURE 2-32. KEYSWITCH INSTALLATION - 660SJ HC3 (ALL SPECS EXCEPT CE SPECS)



ART\_1001230196



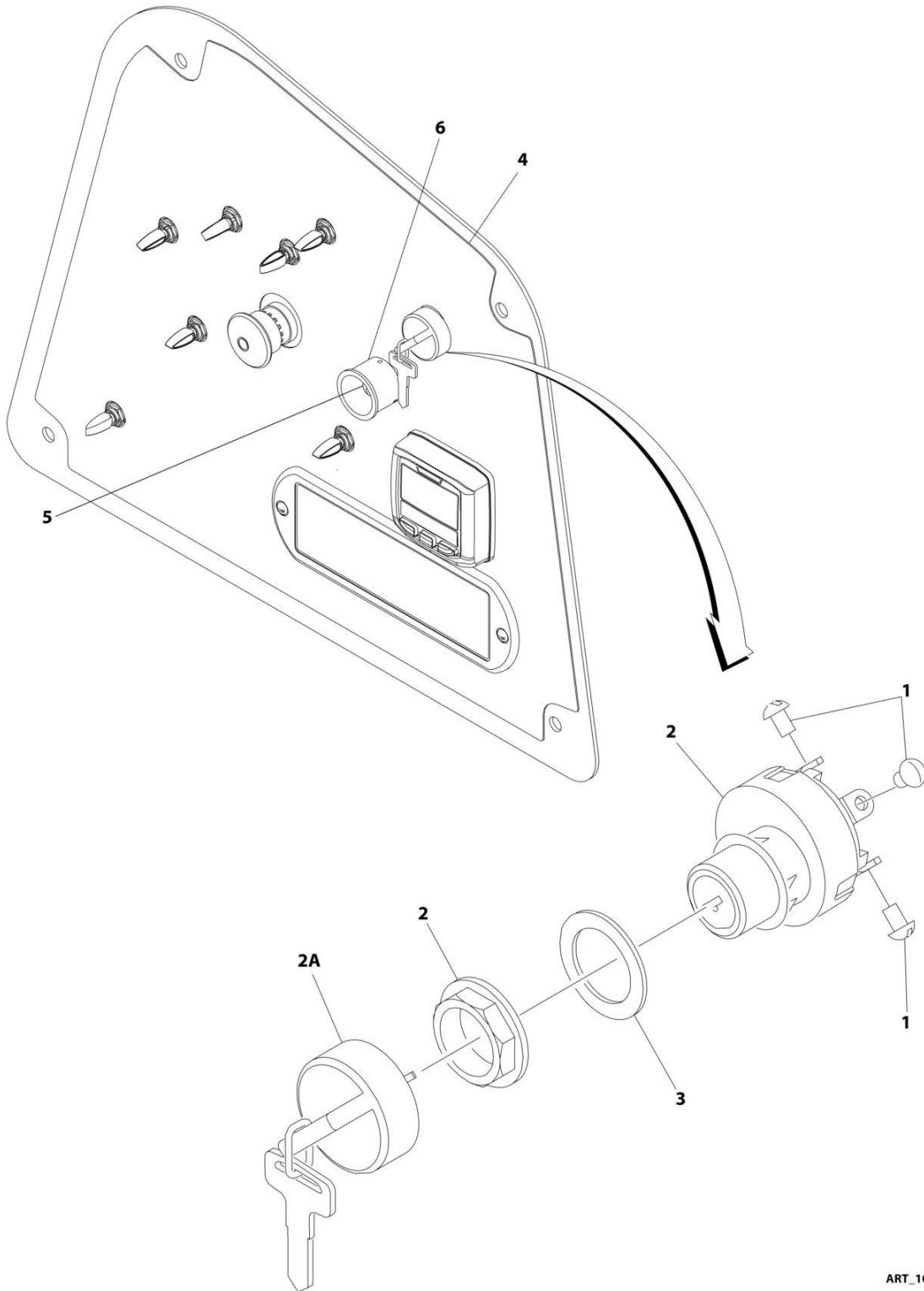
## SECTION 2 - TURNTABLE

**FIGURE 2-32. KEYSWITCH INSTALLATION - 660SJ HC3 (ALL SPECS EXCEPT CE SPECS)**

ITEM	PART NUMBER	QTY	DESCRIPTION	REV
	1001250196	Ref	KEYSWITCH INSTALLATION	A
1	3910804	6	Screw #8 x 1/4	
2	4360469	1	Switch, Key	
2A	2860030	1 Set	Key, Replacement	
3	1001151393	1	Shim	
4	1001250193	1	Decal - Ground Control Panel	

# SECTION 2 - TURNTABLE

## FIGURE 2-33. KEYSWITCH INSTALLATION - 660SJ HC3 (CE SPECS)



ART\_1001250197

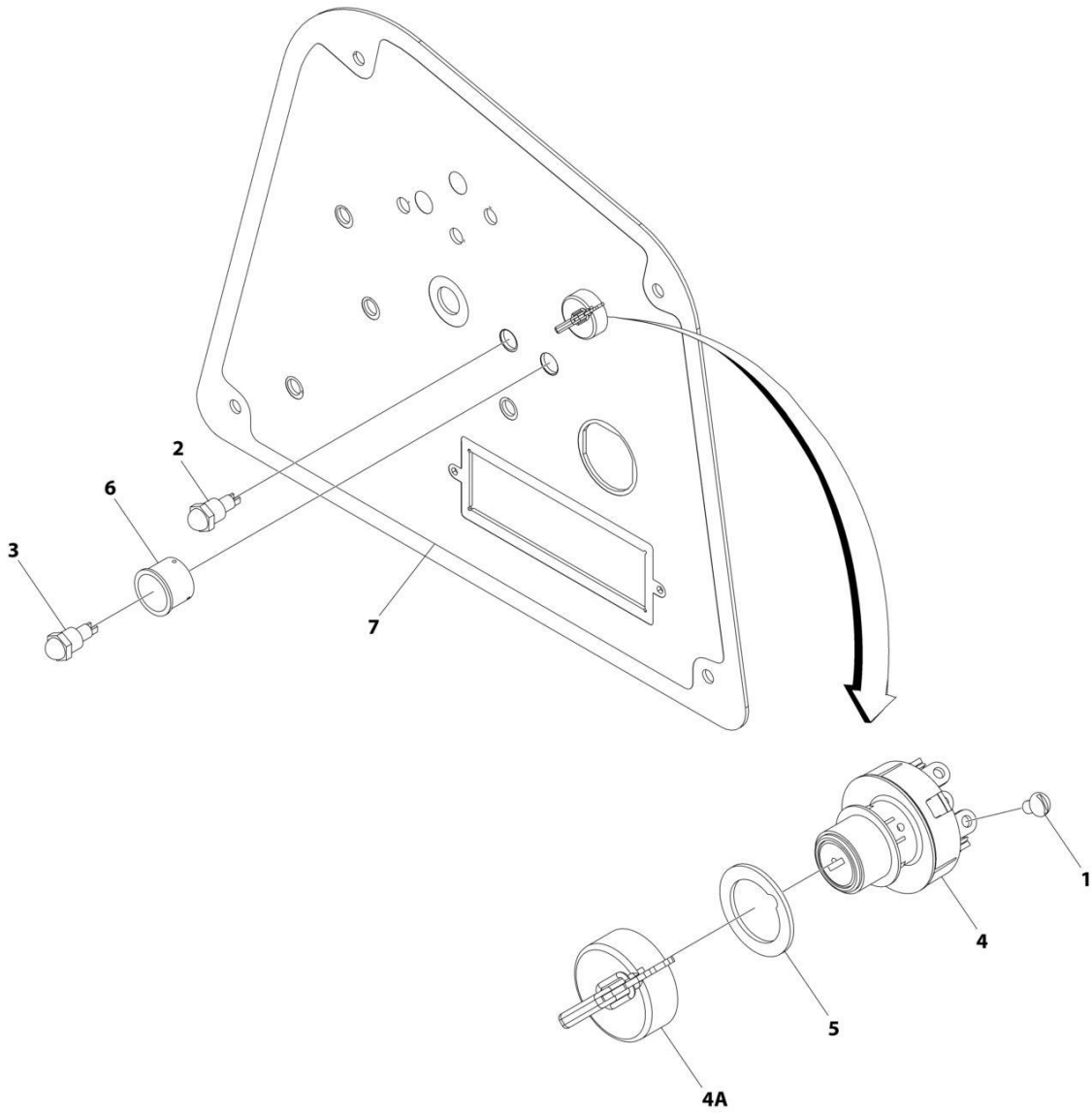
## SECTION 2 - TURNTABLE

**FIGURE 2-33. KEYSWITCH INSTALLATION - 660SJ HC3 (CE SPECS)**

ITEM	PART NUMBER	QTY	DESCRIPTION	REV
	1001250197	Ref	KEYSWITCH INSTALLATION	A
1	3910804	6	Screw #8 x 1/4	
2	4360469	1	Switch, Key	
2A	2860030	1 Set	Key, Replacement	
3	1001151393	1	Shim	
4	1001250194	1	Decal - Ground Control Panel	
5	4360387	1	Switch, Push Button	
6	1001176469	1	Shroud, Switch	

## SECTION 2 - TURNTABLE

FIGURE 2-34. KEYSWITCH INSTALLATION - 600SJ HC3 (WITHOUT JIB) (WITH MSSO)(CE SPECS)  
(SN 0300274693 to Present)



ART\_1001245782

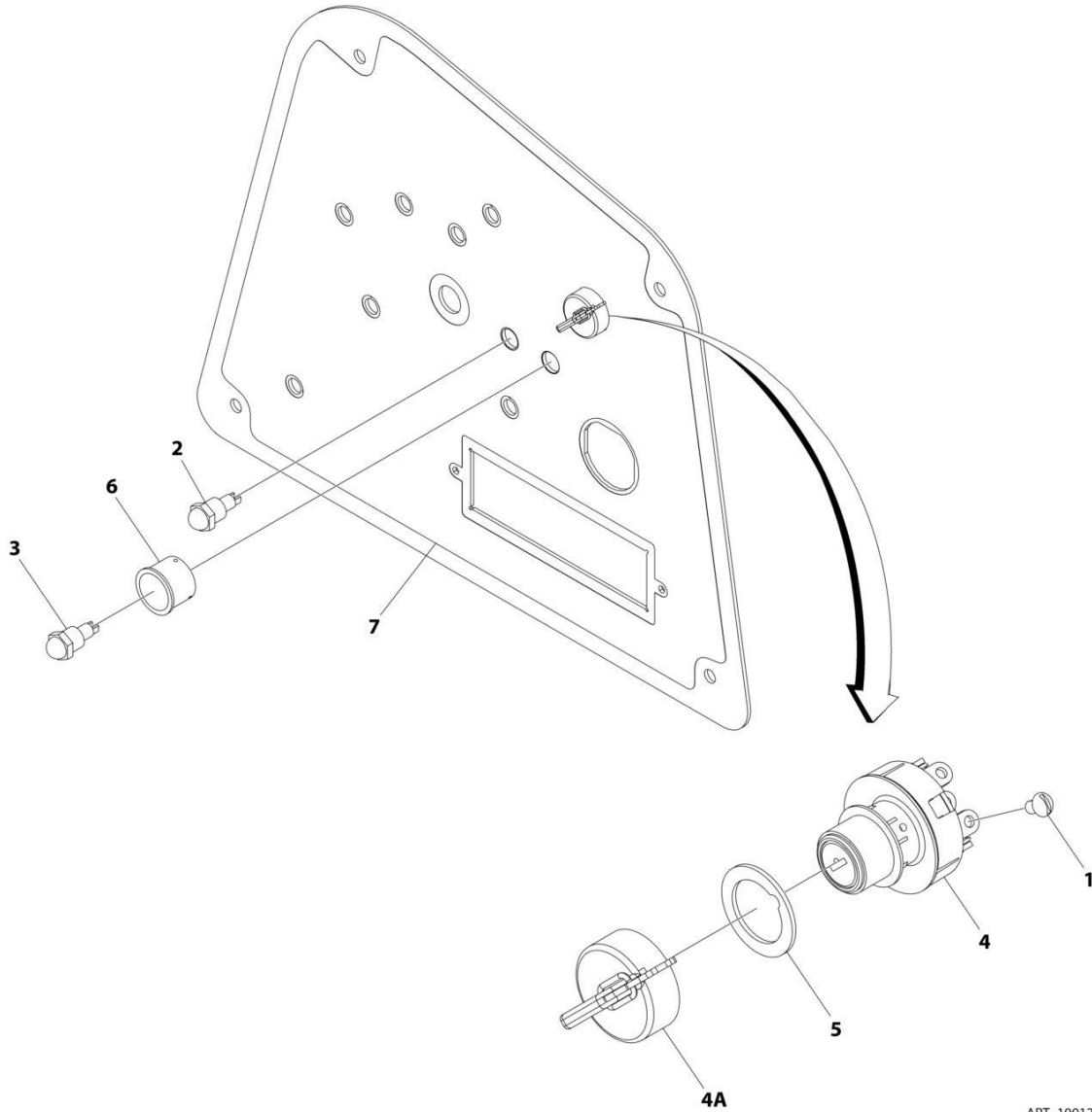
**SECTION 2 - TURNTABLE**

**FIGURE 2-34. KEYSWITCH INSTALLATION - 600SJ HC3 (WITHOUT JIB) (WITH MSSO)(CE SPECS)  
(SN 0300274693 to Present)**

ITEM	PART NUMBER	QTY	DESCRIPTION	REV
	1001245782	Ref	KEYSWITCH INSTALLATION	B
1	3910804	6	Screw #8 x 1/4	
2	4360274	1	Switch, Push Button	
3	4360387	1	Switch, Push Button	
4	4360469	1	Switch, Key	
4A	2860030	Set	Key, Replacement	
5	1001151393	1	Shim	
6	1001176469	1	Shroud, Switch	
7	1001245769	1	Decal - Ground Control Panel	

## SECTION 2 - TURNTABLE

FIGURE 2-35. KEYSWITCH INSTALLATION - 660SJ HC3 (WITH JIB) (WITH MSSO) (CE SPECS) (SN 0300274693 to Present)



ART\_1001245783

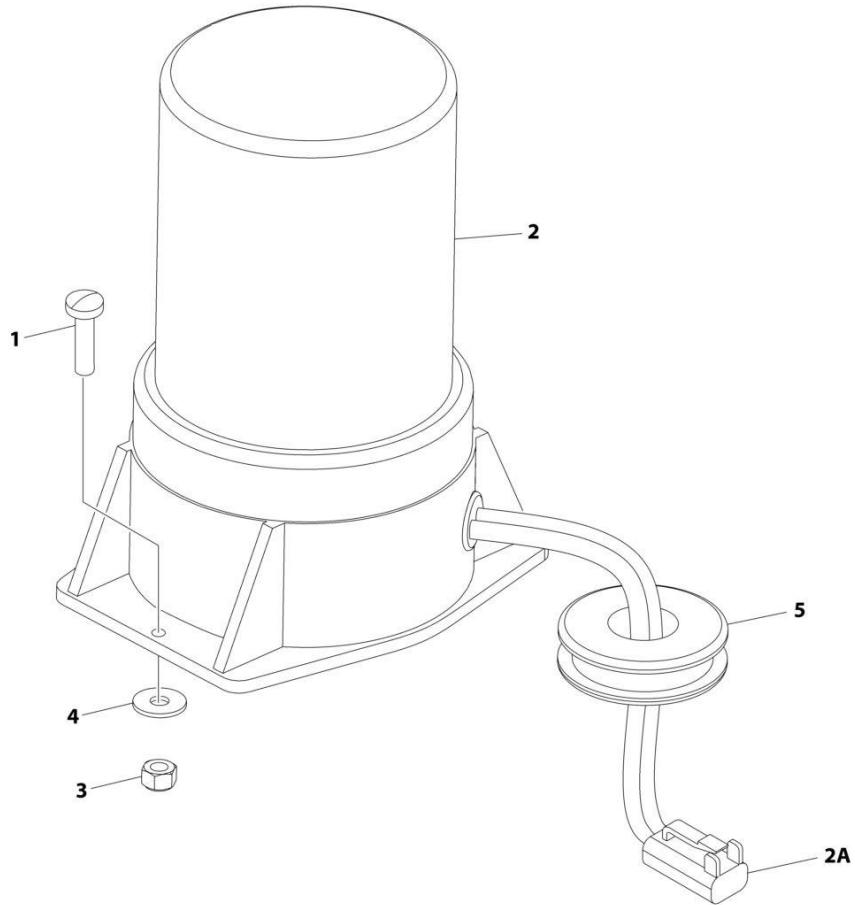
## SECTION 2 - TURNTABLE

**FIGURE 2-35. KEYSWITCH INSTALLATION - 660SJ HC3 (WITH JIB) (WITH MSSO) (CE SPECS) (SN 0300274693 to Present)**

ITEM	PART NUMBER	QTY	DESCRIPTION	REV
	1001245783	Ref	KEYSWITCH INSTALLATION	B
1	3910804	6	Screw #8 x 1/4	
2	4360274	1	Switch, Push Button	
3	4360387	1	Switch, Push Button	
4	4360469	1	Switch, Key	
4A	2860030	1 Set	Key, Replacement	
5	1001151393	1	Shim	
6	1001176469	1	Shroud, Switch	
7	1001245770	1	Decal - Ground Control Panel	

## SECTION 2 - TURNTABLE

FIGURE 2-36. STROBE LIGHT INSTALLATION - AMBER (OPTIONAL)



ART\_1001191557



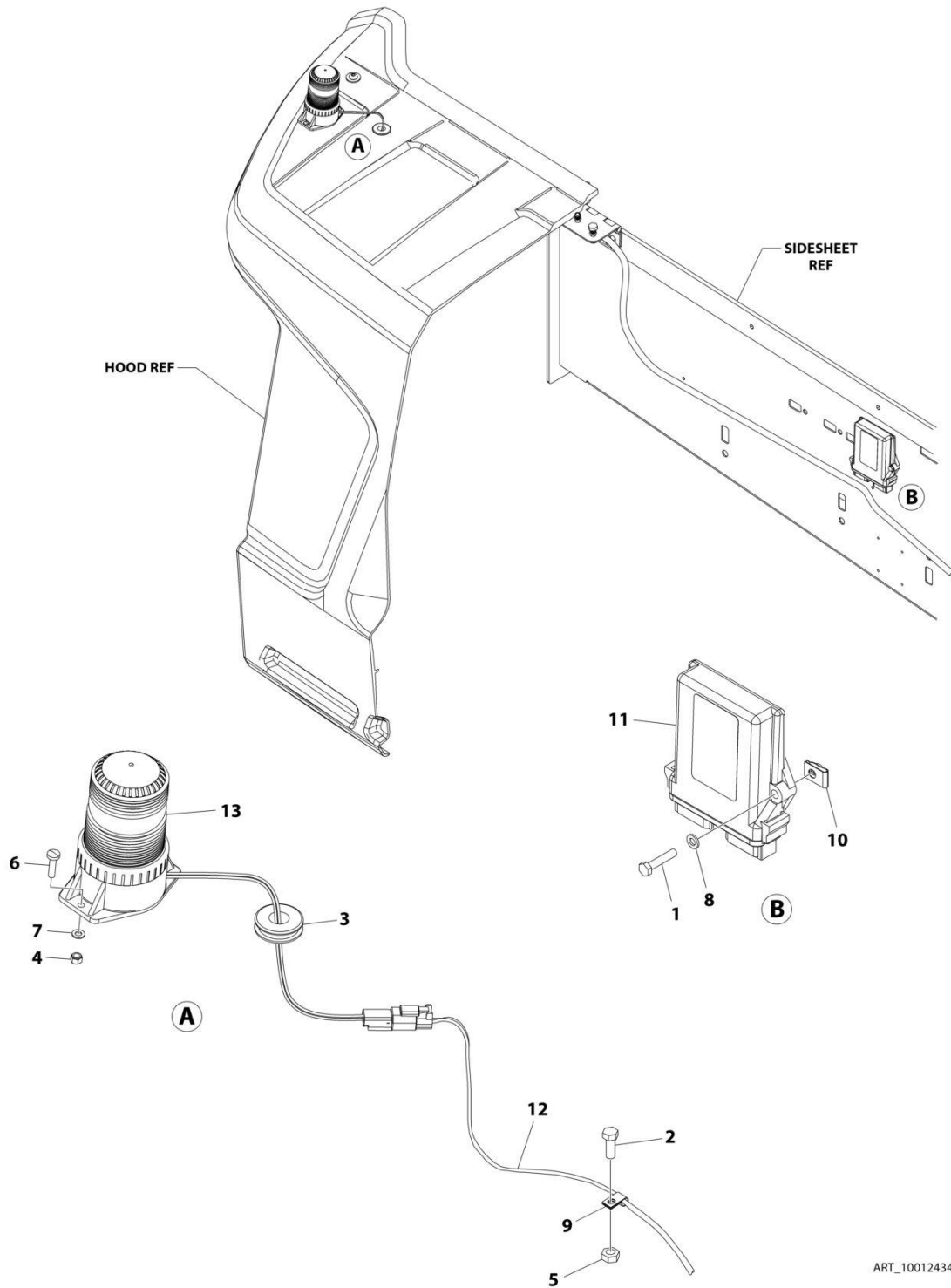
**SECTION 2 - TURNTABLE**

**FIGURE 2-36. STROBE LIGHT INSTALLATION - AMBER (OPTIONAL)**

ITEM	PART NUMBER	QTY	DESCRIPTION	REV
	1001191557	Ref	STROBE LIGHT INSTALLATION	D
1	4010510	2	Screw M5 x 20	
2	2920161	1	Light Strobe (Amber)	
2	7016319	1	Bulb	
2	7016372	1	Lens	
2A	4460891	1	Plug, Male - 2 Position	
2A	4460465	2	Socket, Female	
3	3290505	2	Nut M5	
4	4811600	2	Washer M5	
5	2540020	1	Grommet	
7	4240099	1	Tie-Strap (Not Shown)	

# SECTION 2 - TURNTABLE

## FIGURE 2-37. STROBE LIGHT INSTALLATION - BLUE (OPTIONAL)



ART\_1001243464

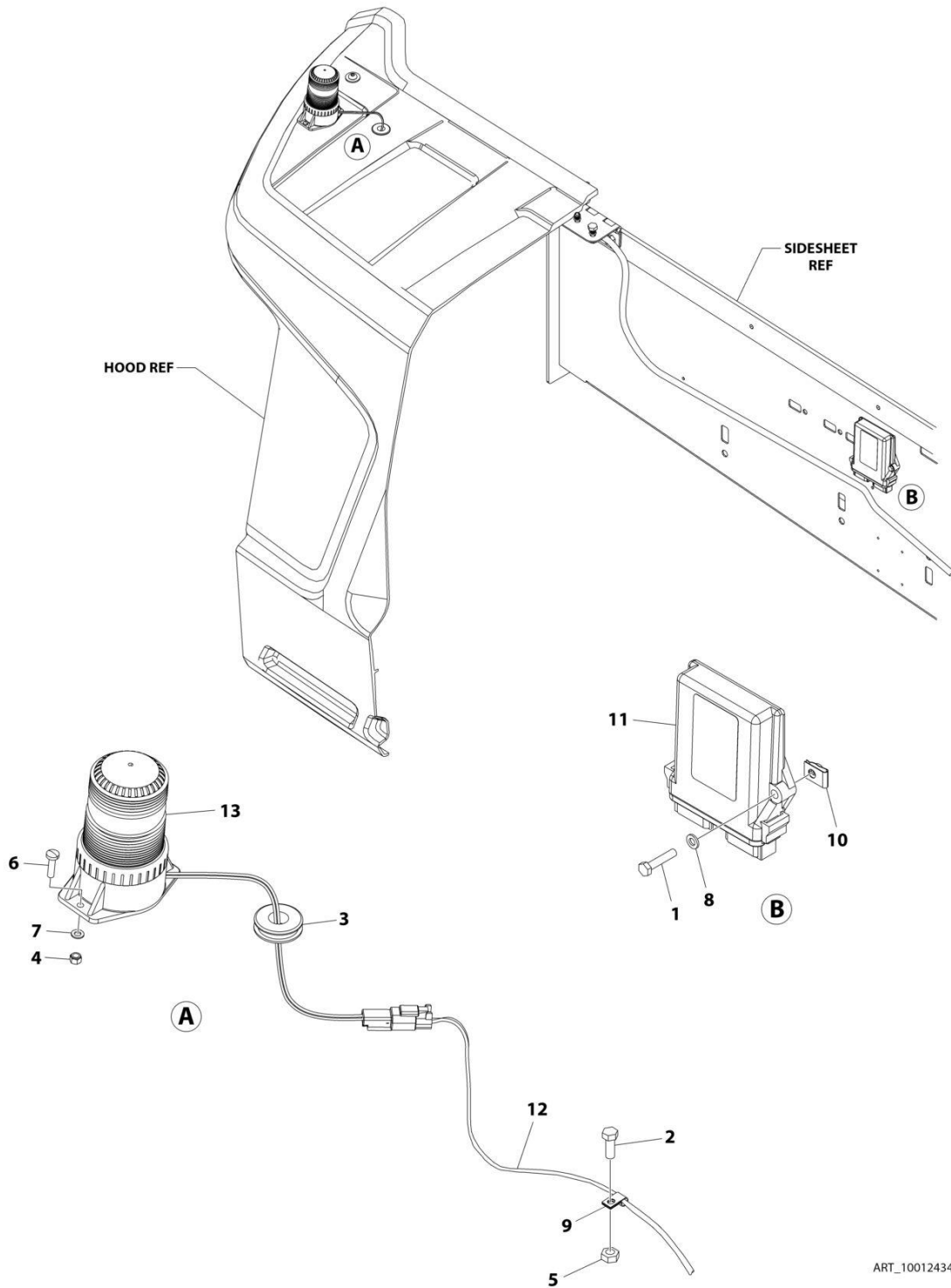
## SECTION 2 - TURNTABLE

**FIGURE 2-37. STROBE LIGHT INSTALLATION - BLUE (OPTIONAL)**

ITEM	PART NUMBER	QTY	DESCRIPTION	REV
	1001243464	Ref	STROBE LIGHT INSTALLATION	A
1	0760614	2	Bolt M6 x 30	
2	0761016	1	Bolt M10 x 40	
3	2540020	1	Grommet	
4	3290505	2	Nut M5	
5	3291005	1	Nut M10	
6	4010510	2	Screw M5 x 20	
7	4811600	2	Washer M5	
8	4811700	2	Washer M6	
9	8406110	1	Clip	
10	1001130220	2	Nut, Tinnerman M6	
11	1001142683	1	Module, Beacon Control	
12	1001142736	1	Strobe Light Control Harness (See Separate Breakdown in ELECTRICAL SECTION)	
13	1001200910	1	Light, Strobe (Blue)	
13	4460897	2	Receptacle, Female - 2 Position	
13	4460464	4	Pin, Male	

# SECTION 2 - TURNTABLE

## FIGURE 2-38. STROBE LIGHT INSTALLATION - RED (OPTIONAL)



ART\_1001243465

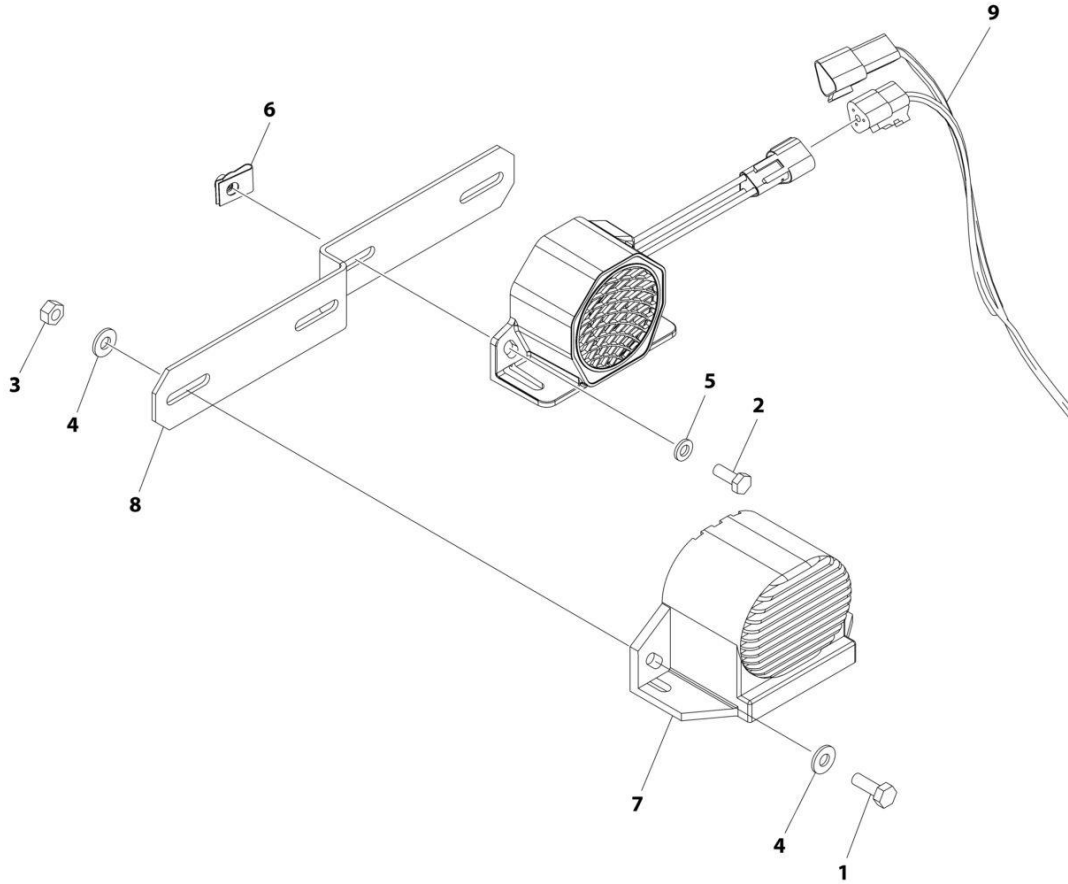
## SECTION 2 - TURNTABLE

**FIGURE 2-38. STROBE LIGHT INSTALLATION - RED (OPTIONAL)**

ITEM	PART NUMBER	QTY	DESCRIPTION	REV
	1001243465	Ref	STROBE LIGHT INSTALLATION	A
1	0760614	2	Bolt M6 x 30	
2	0761016	1	Bolt M10 x 40	
3	2540020	1	Grommet	
4	3290505	2	Nut M5	
5	3291005	1	Nut M10	
6	4010510	2	Screw M5 x 20	
7	4811600	2	Washer M5	
8	4811700	2	Washer M6	
9	8406110	1	Clip	
10	1001130220	2	Nut, Tinnerman M6	
11	1001142683	1	Module, Beacon Control	
12	1001142736	1	Strobe Light Control Harness (See Separate Breakdown in ELECTRICAL SECTION)	
13	1001207004	1	Light, Strobe (Red)	
13	4460897	2	Receptacle, Female - 2 Position	
13	4460464	4	Pin, Male	

# SECTION 2 - TURNTABLE

## FIGURE 2-39. WHITE NOISE ALARM INSTALLATION



ART\_1001247386

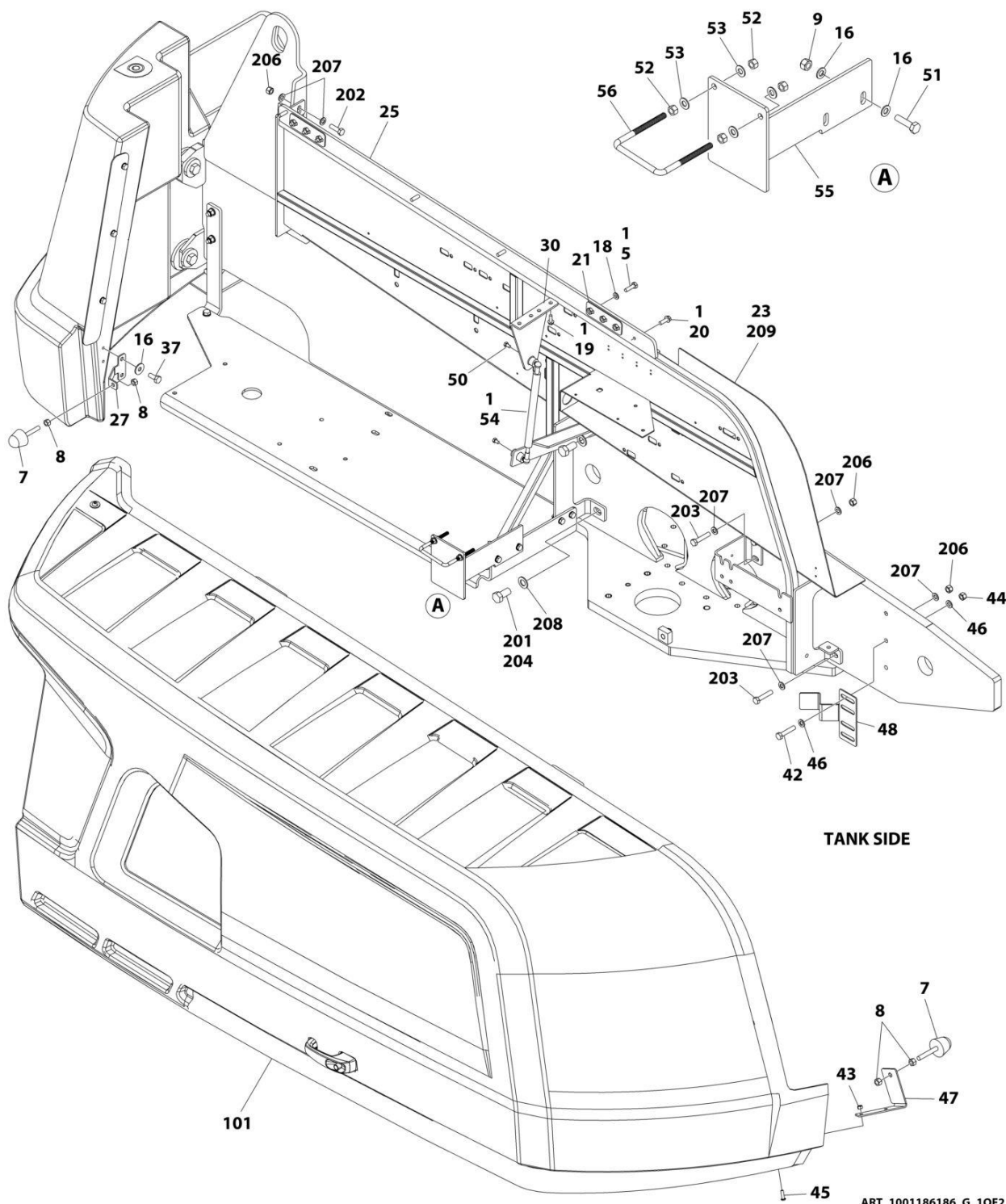
## SECTION 2 - TURNTABLE

### FIGURE 2-39. WHITE NOISE ALARM INSTALLATION

ITEM	PART NUMBER	QTY	DESCRIPTION	REV
	1001247386	Ref	WHITE NOISE ALARM INSTALLATION	A
1	0641406	2	Bolt 1/4 x 3/4	
2	0760608	2	Bolt M6 x 16	
3	3311405	2	Nut 1/4	
4	4711400	4	Washer 1/4	
5	4811700	2	Washer M6	
6	1001130220	2	Nut, Tinnerman M6	
7	1001182806	1	Alarm	
8	1001231711	1	Bracket	
9	1001243682	1	White Noise Alarm Harness (See Separate Breakdown in ELECTRICAL SECTION)	

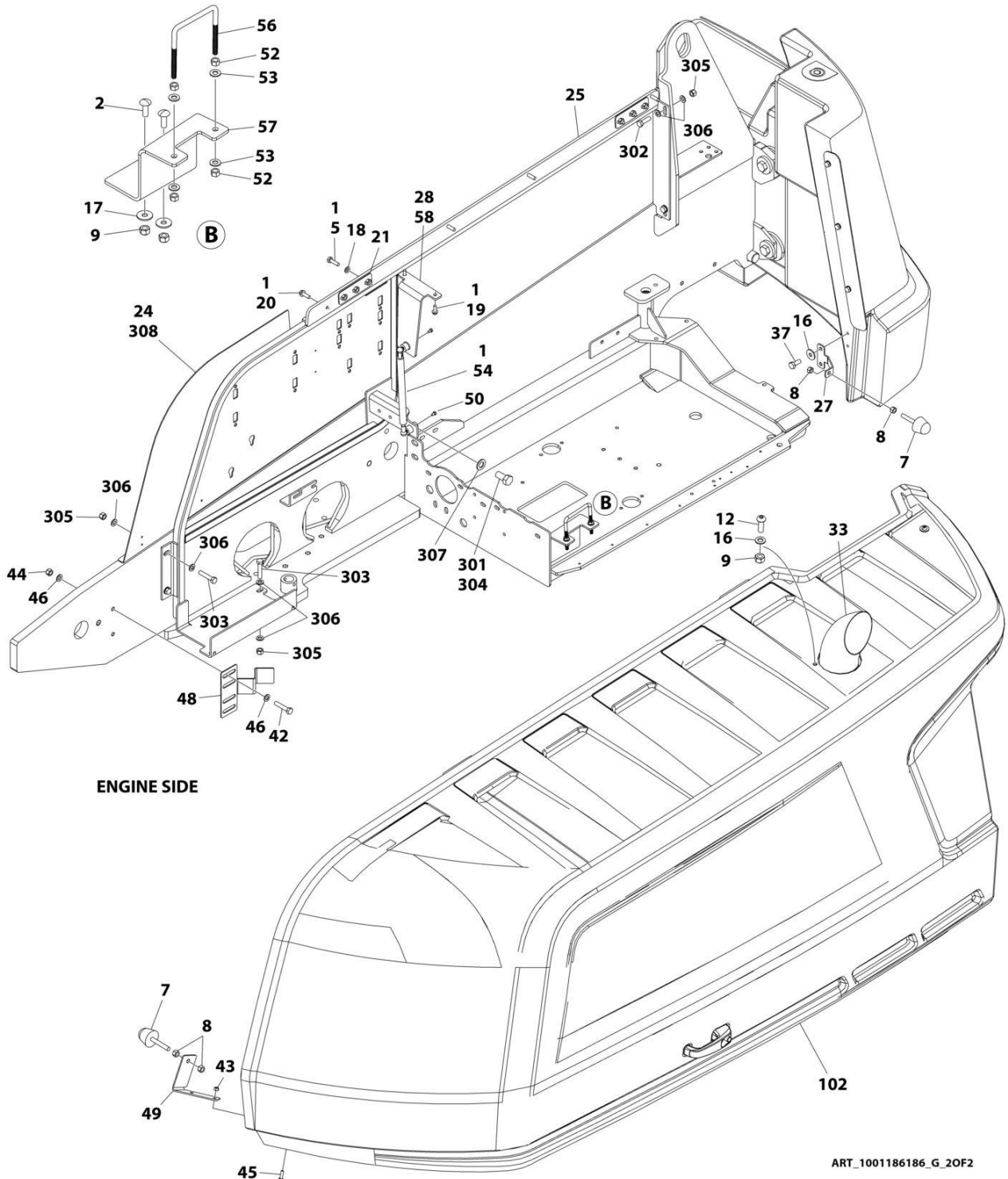
# SECTION 2 - TURNTABLE

## FIGURE 2-40. HOODS INSTALLATIONS - ABS





# SECTION 2 - TURNTABLE



ENGINE SIDE

ART\_1001186186\_G\_20F2

## SECTION 2 - TURNTABLE

FIGURE 2-40. HOODS INSTALLATIONS - ABS

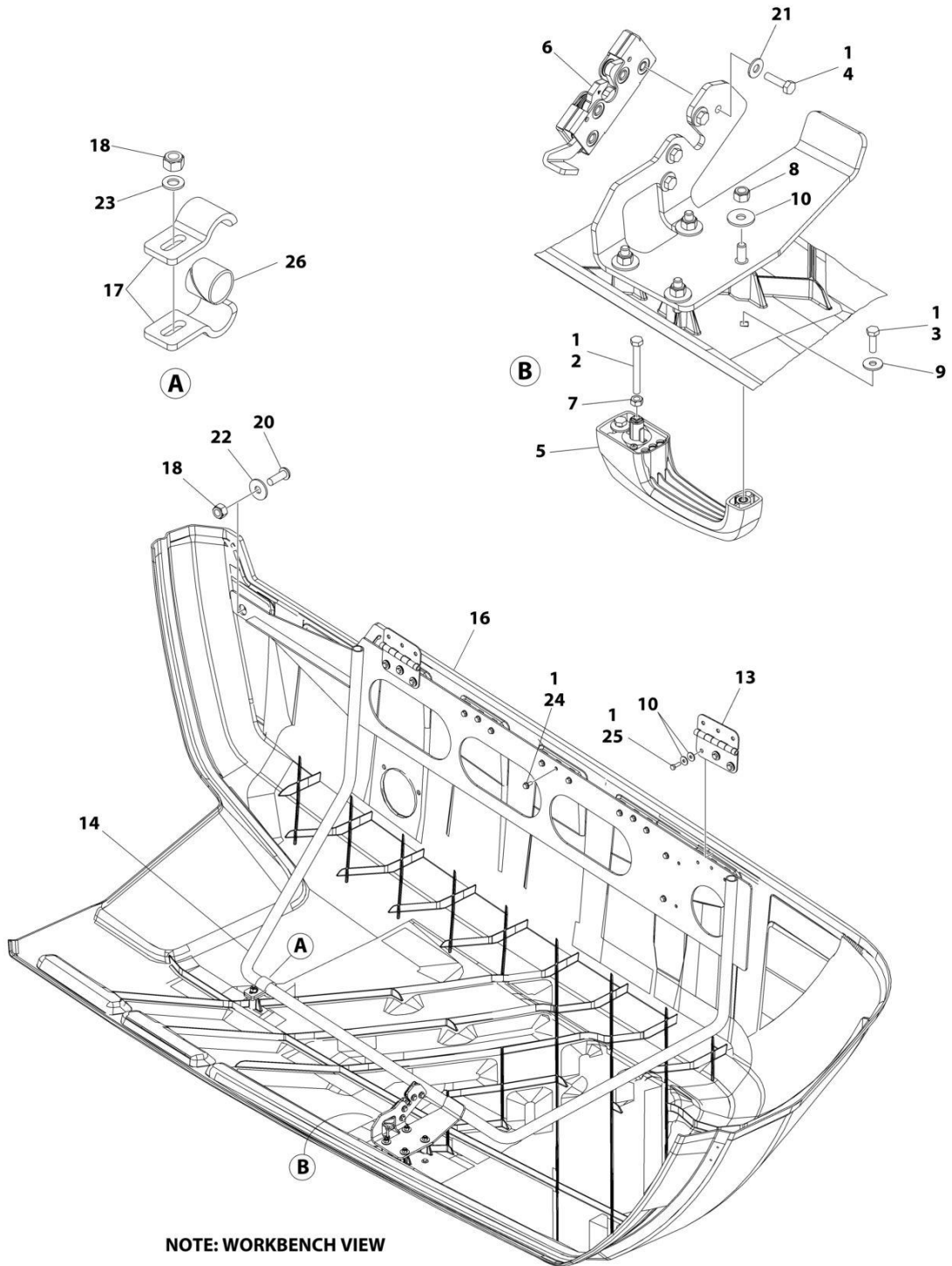
ITEM	PART NUMBER	QTY	DESCRIPTION	REV
	1001186186	Ref	HOODS INSTALLATIONS	G
1	0100011	AR	Compound, Locking	
2	0630613	2	Bolt M10 x 30	
4	0760810	8	Bolt M8 x 20	
5	0761015	12	Bolt M10 x 35	
7	1001206314	4	Bumper	
8	3311601	8	Nut 3/8	
9	3291005	6	Nut M10	
12	1001174673	2	Screw M10 x 30	
16	4812000	6	Washer M10	
17	4812002	4	Washer M10	
18	5241000	12	Washer M10	
19	5250812	4	Bolt M8 x 25	
20	5251014	8	Bolt M10 x 30	
21	1001169046	4	Nut, Hinge	
23	1001187950	1	Side-Sheet Assembly - Tank Side (See Items 201-209 for Breakdown)	
24	1001187951	1	Side-Sheet Assembly - Engine Side (See Items 301-308 for Breakdown)	
25	1001189067	2	Mount	
27	1001190338	2	Bracket	
30	1001192841	1	Bracket	
33	1001193760	1	Pipe, Exhaust	
37	0701012	2	Bolt M10 x 25	
42	0701220	2	Bolt M12 x 60	
43	3290605	4	Nut M6	
44	3291205	2	Nut M12	
45	3900364	4	Screw M6 x 20	
46	4812100	4	Washer M12	
47	1001213543	1	Bracket	
48	1001231310	2	Bracket	
49	1001213744	1	Bracket	
50	0641504	4	Bolt 5/16 x 1/2	
51	0701016	2	Bolt M10 x 40	
52	3271601	8	Nut 3/8	
53	4711600	8	Washer 3/8	
54	1001213794	2	Spring, Gas	
55	1001243171	1	Support	
56	1001243414	2	U-Bolt 3/8	
57	1001243522	1	Bracket	
58	1001243654	1	Bracket	
100	1001227887	1	Hood Kit (Not Shown)	
101	1001195454	1	Hood Assembly - Tank Side (See Separate Breakdown in this Section)	
102	1001195455	1	Hood Assembly - Engine Side (See Separate Breakdown in this Section)	
	1001187950	Ref	SIDE-SHEET ASSEMBLY - TANK SIDE	C
201	0100011	AR	Compound, Locking	
202	0701216	2	Bolt M12 x 40	
203	0701220	4	Bolt M12 x 60	

## SECTION 2 - TURNTABLE

ITEM	PART NUMBER	QTY	DESCRIPTION	REV
204	0762016	2	Bolt M20 x 40	
206	3291205	6	Nut M12	
207	4812100	12	Washer M12	
208	4812500	2	Washer M20	
209	1001188194	1	Side-Sheet, Tank Side	
	1001187951	Ref	SIDE-SHEET ASSEMBLY - ENGINE SIDE	B
301	0100011	AR	Compound, Locking	
302	0701216	2	Bolt M12 x 40	
303	0701220	3	Bolt M12 x 60	
304	0762016	1	Bolt M20 x 40	
305	3291205	5	Nut M12	
306	4812100	10	Washer M12	
307	4812500	1	Washer M20	
308	1001188187	1	Side-Sheet, Engine Side	

# SECTION 2 - TURNTABLE

## FIGURE 2-41. HOOD ASSEMBLY - ENGINE SIDE (ABS) (SN 0300275114 to Present)



ART\_1001195455

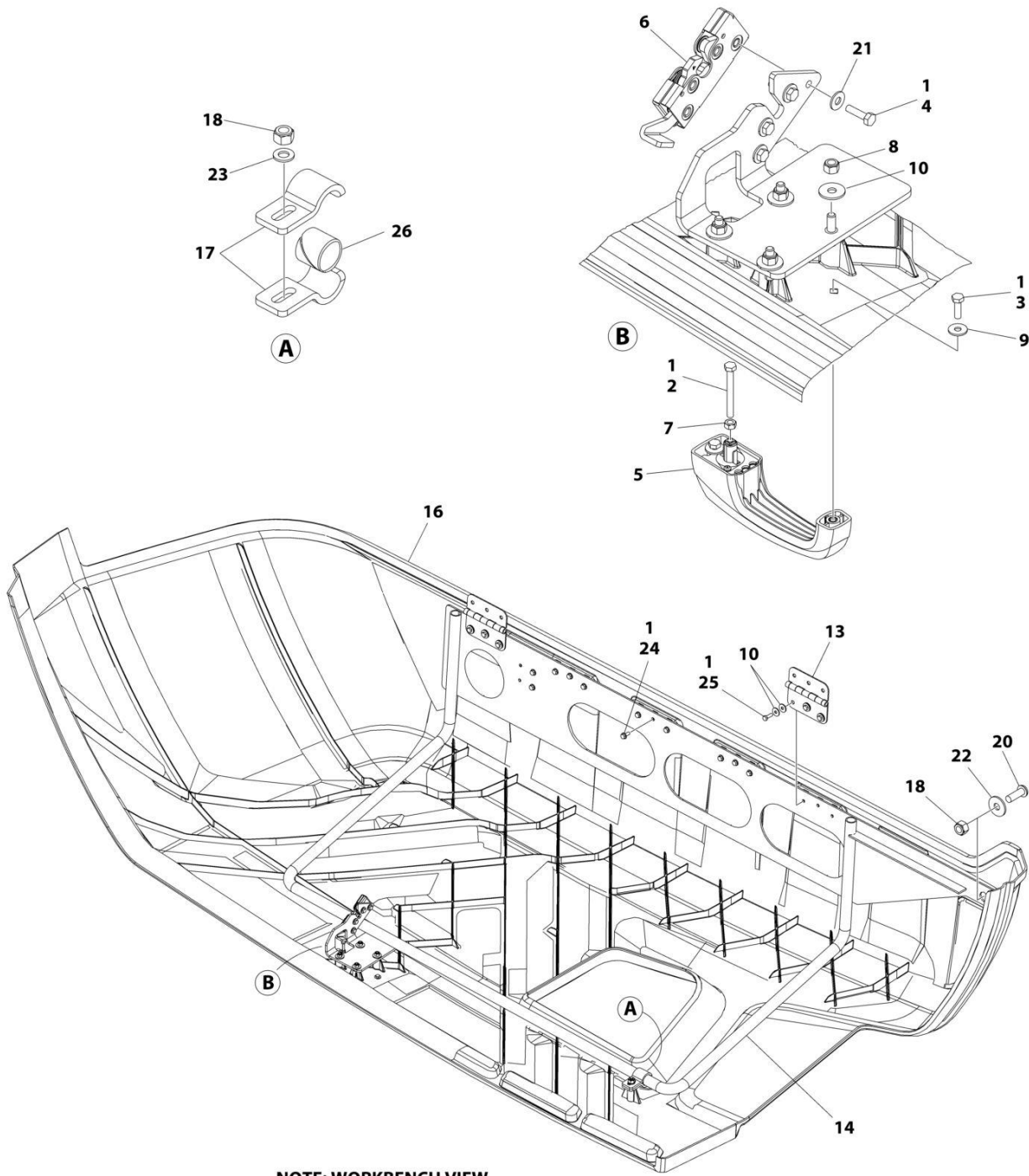
## SECTION 2 - TURNTABLE

**FIGURE 2-41. HOOD ASSEMBLY - ENGINE SIDE (ABS) (SN 0300275114 to Present)**

ITEM	PART NUMBER	QTY	DESCRIPTION	REV
	1001195455	Ref	HOOD ASSEMBLY	H
1	0100011	AR	Compound, Locking	
2	0700619	1	Bolt M6 x 55	
3	0760610	2	Bolt M6 x 20	
4	0641408	4	Bolt 1/4 x 1	
5	2560187	1	Handle, Push Button	
6	2940173	1	Latch, Rotary	
7	3290601	1	Nut M6	
8	3290805	4	Nut M8	
9	4811702	2	Washer M6	
10	4811902	16	Washer M8	
13	1001139384	2	Hinge	
14	1001204251	1	Support	
16	1001193169	1	Hood	
17	1321384	2	Clamp	
18	3291005	2	Nut M10	
20	1001174673	1	Screw M10 x 30	
21	4751400	4	Washer 1/4	
22	4812002	1	Washer M10	
23	4812000	1	Washer M10	
24	5250810	11	Bolt M8 x 20	
25	0760812	6	Bolt M8 x 25	
26	1001227367	1	Bearing	

# SECTION 2 - TURNTABLE

## FIGURE 2-42. HOOD ASSEMBLY - TANK SIDE (ABS) (SN 0300275114 to Present)



NOTE: WORKBENCH VIEW

ART\_1001195454

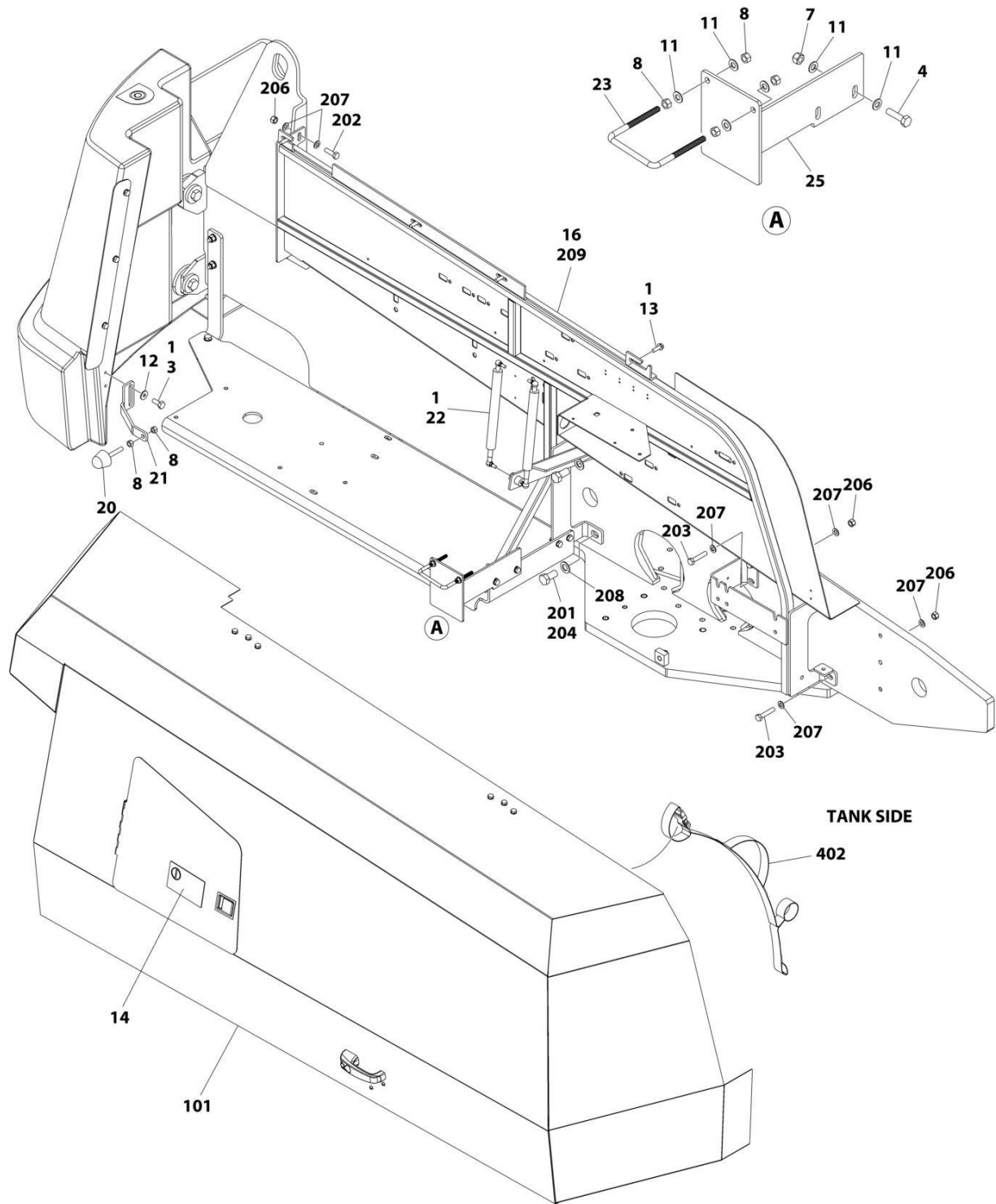
## SECTION 2 - TURNTABLE

**FIGURE 2-42. HOOD ASSEMBLY - TANK SIDE (ABS) (SN 0300275114 to Present)**

ITEM	PART NUMBER	QTY	DESCRIPTION	REV
	1001195454	Ref	HOOD ASSEMBLY	G
1	0100011	AR	Compound, Locking	
2	0700619	1	Bolt M6 x 55	
3	0760610	2	Bolt M6 x 20	
4	0641408	4	Bolt 1/4 x 1	
5	2560187	1	Handle, Push Button	
6	2940173	1	Latch, Rotary	
7	3290601	1	Nut M6	
8	3290805	4	Nut M8	
9	4811702	2	Washer M6	
10	4811902	16	Washer M8	
13	1001139384	2	Hinge	
14	1001204303	1	Support	
16	1001193168	1	Hood	
17	1321384	2	Clamp	
18	3291005	2	Nut M10	
20	1001174673	1	Screw M10 x 30	
21	4751400	4	Washer 1/4	
22	4812002	1	Washer M10	
23	4812000	1	Washer M10	
24	5250810	11	Bolt M8 x 20	
25	0760812	6	Bolt M8 x 25	
26	1001227367	1	Bearing	

# SECTION 2 - TURNTABLE

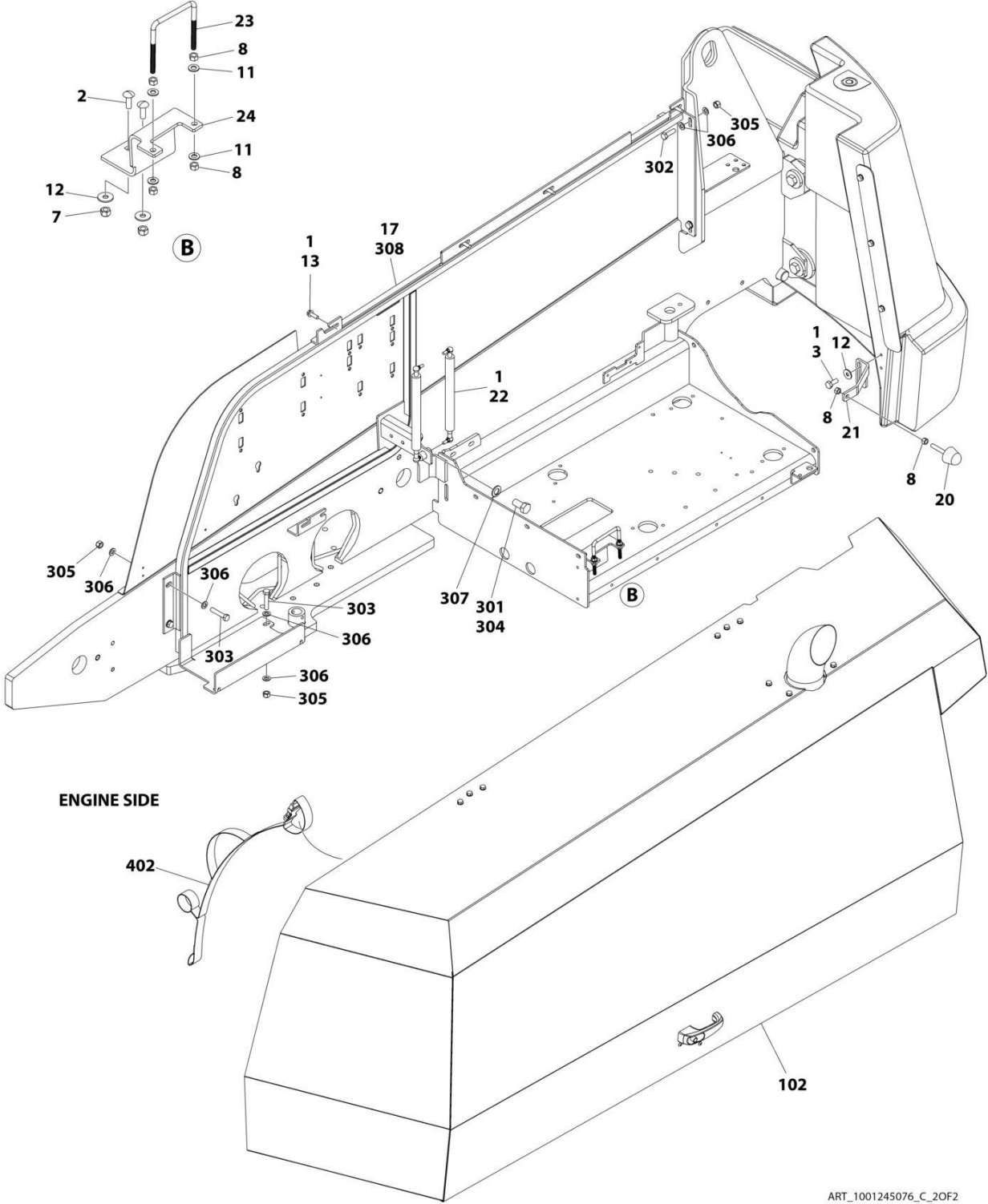
## FIGURE 2-43. HOODS INSTALLATIONS - STEEL (SN 0300275114 to Present)



ART\_1001245076\_C\_10F2



**SECTION 2 - TURNTABLE**



ART\_1001245076\_C\_20F2

## SECTION 2 - TURNTABLE

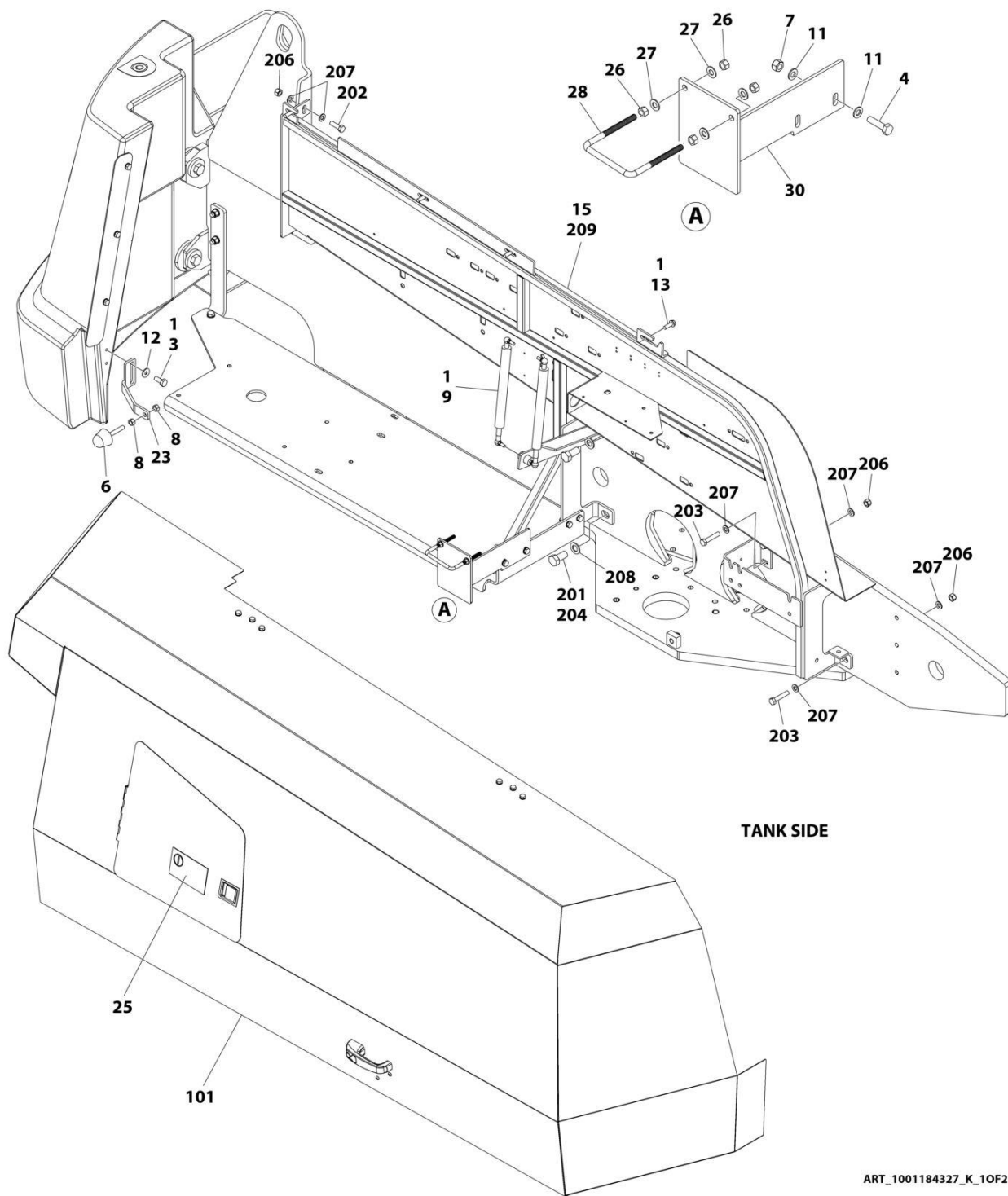
FIGURE 2-43. HOODS INSTALLATIONS - STEEL (SN 0300275114 to Present)

ITEM	PART NUMBER	QTY	DESCRIPTION	REV
	1001245076	Ref	HOODS INSTALLATIONS	C
1	0100011	AR	Compound, Locking	
2	0630613	2	Bolt M10 x 30	
3	0701012	4	Bolt M10 x 25	
4	0701016	2	Bolt M10 x 40	
7	3291005	4	Nut M10	
8	3311601	12	Nut 3/8	
11	4812000	12	Washer M10	
12	4812002	4	Washer M10	
13	5251014	8	Bolt M10 x 30	
14	1001117307	1	Decal - Emergency Stop	
16	1001187950	1	Side Sheet Assembly - Tank Side (See Items 201-209 for Breakdown)	
17	1001187951	1	Side Sheet Assembly - Engine Side (See Items 301-308 for Breakdown)	
20	1001206314	2	Bumper	
21	1001212333	2	Bracket	
22	1001219138	4	Spring, Gas	
23	1001243414	2	Bolt, U-Bolt	
24	1001244878	1	Bracket	
25	1001243171	1	Support	
100	1001227888	1	Hood Kit (Not Shown)	
101	1001211762	1	Hood Assembly - Tank Side (See Separate Breakdown in this Section)	
102	1001211774	1	Hood Assembly - Engine Side (See Separate Breakdown in this Section)	
	1001187950	Ref	SIDE-SHEET ASSEMBLY - TANK SIDE	C
201	0100011	AR	Compound, Locking	
202	0701216	2	Bolt M12 x 40	
203	0701220	4	Bolt M12 x 60	
204	0762016	2	Bolt M20 x 40	
206	3291205	6	Nut M12	
207	4812100	12	Washer M12	
208	4812500	2	Washer M20	
209	1001188194	1	Side-Sheet, Tank Side	
	1001187951	Ref	SIDE-SHEET ASSEMBLY - ENGINE SIDE	B
301	0100011	AR	Compound, Locking	
302	0701216	2	Bolt M12 x 40	
303	0701220	3	Bolt M12 x 60	
304	0762016	1	Bolt M20 x 40	
305	3291205	5	Nut M12	
306	4812100	10	Washer M12	
307	4812500	1	Washer M20	
308	1001188187	1	Side-Sheet, Engine Side	
	1001270243	Ref	STRAP INSTALLATION	B
402	1001160505	2	Strap, Hand	



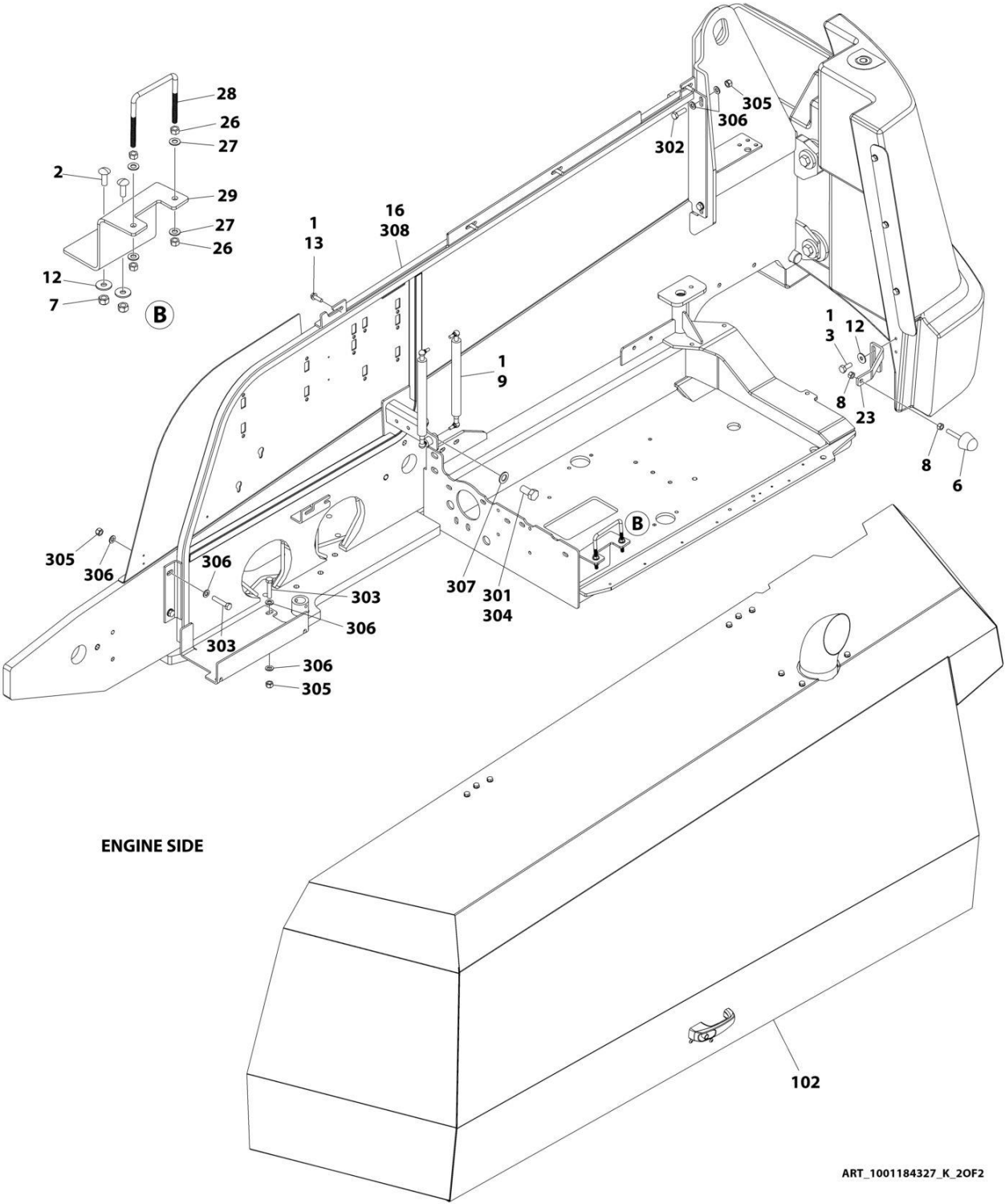
# SECTION 2 - TURNTABLE

## FIGURE 2-44. HOODS INSTALLATIONS - STEEL



ART\_1001184327\_K\_10F2

**SECTION 2 - TURNTABLE**



ART\_1001184327\_K\_20F2

## SECTION 2 - TURNTABLE

FIGURE 2-44. HOODS INSTALLATIONS - STEEL

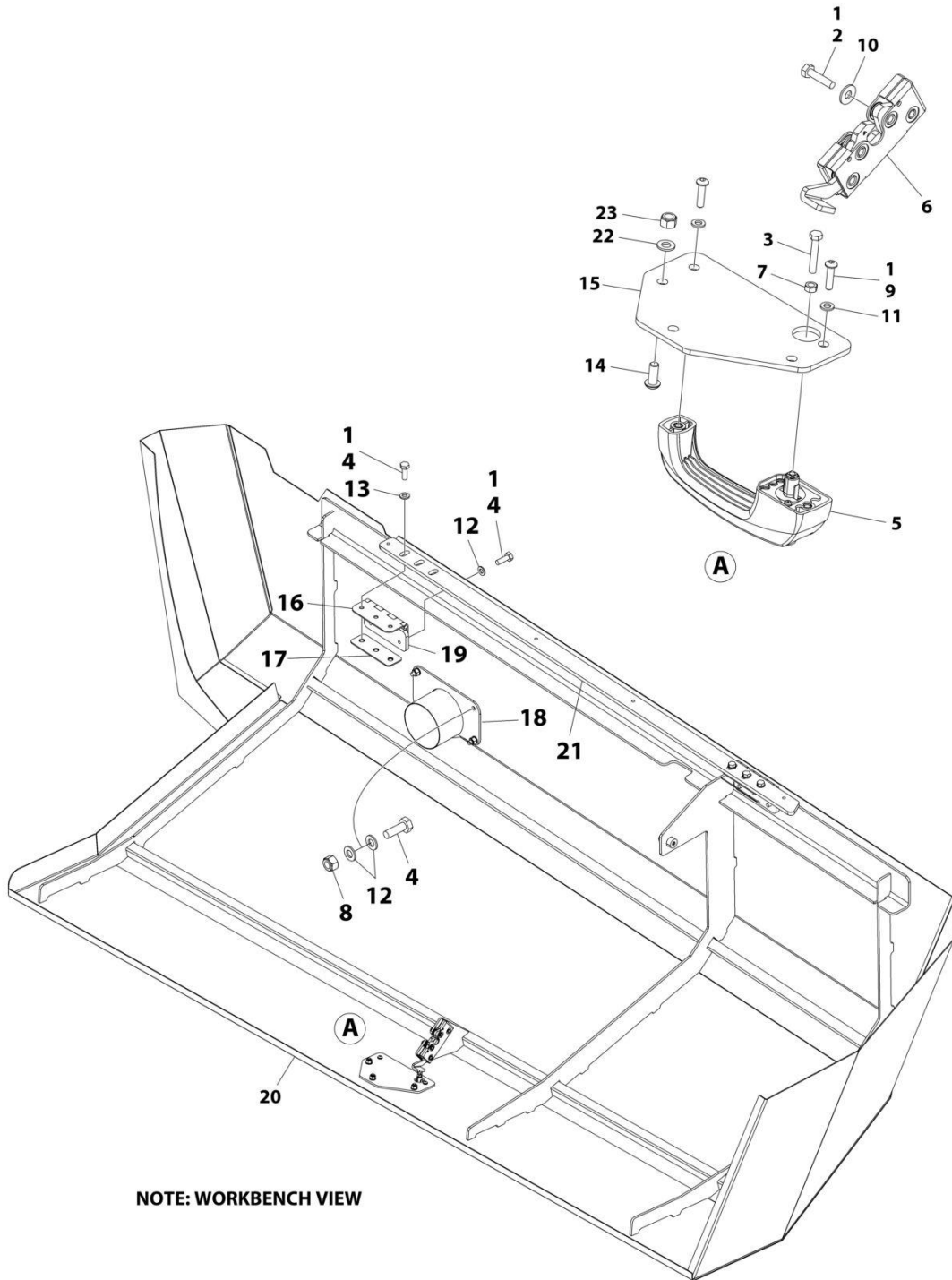
ITEM	PART NUMBER	QTY	DESCRIPTION	REV
	1001184327	Ref	HOODS INSTALLATIONS	K
1	0100011	AR	Compound, Locking	
2	0630613	AR	Bolt M10 x 30	
3	0701012	4	Bolt M10 x 25	
4	0701016	2	Bolt M10 x 40	
5	0760810	8	Bolt M8 x 20	
6	1001206314	2	Bumper	
7	3291005	AR	Nut M10	
8	3311601	4	Nut 3/8	
9	1001219138	4	Spring, Gas	
10	4811902	8	Washer M8	
11	4812000	4	Washer M10	
12	4812002	AR	Washer M10	
13	5251014	8	Bolt M10 x 30	
14	1001172615	1	Mount	
15	1001187950	1	Side-Sheet Assembly - Tank Side (See Items 201-209 for Breakdown)	
16	1001187951	1	Side-Sheet Assembly - Engine Side (See Items 301-308 for Breakdown)	
17	1001190756	1	Support	
18	1001192842	1	Mount	
19	1001192843	1	Support	
20	1001195535	1	Mount	
23	1001212333	2	Bracket	
25	1001117307	1	Decal - Emergency Stop	
26	3271601	8	Nut 3/8	
27	4711600	8	Washer 3/8	
28	1001243414	2	U-Bolt 3/8	
29	1001243522	1	Bracket	
30	1001243171	1	Support	
100	1001227888	1	Hood Kit (Not Shown)	
101	1001211762	1	Hood Assembly - Tank Side (See Separate Breakdown in this Section)	
102	1001211774	1	Hood Assembly - Engine Side (See Separate Breakdown in this Section)	
	1001187950	Ref	SIDE-SHEET ASSEMBLY - TANK SIDE	C
201	0100011	AR	Compound, Locking	
202	0701216	2	Bolt M12 x 40	
203	0701220	4	Bolt M12 x 60	
204	0762016	2	Bolt M20 x 40	
206	3291205	6	Nut M12	
207	4812100	12	Washer M12	
208	4812500	2	Washer M20	
209	1001188194	1	Side-Sheet, Tank Side	
	1001187951	Ref	SIDE-SHEET ASSEMBLY - ENGINE SIDE	B
301	0100011	AR	Compound, Locking	
302	0701216	2	Bolt M12 x 40	
303	0701220	3	Bolt M12 x 60	
304	0762016	1	Bolt M20 x 40	
305	3291205	5	Nut M12	

**SECTION 2 - TURNTABLE**

ITEM	PART NUMBER	QTY	DESCRIPTION	REV
306	4812100	10	Washer M12	
307	4812500	1	Washer M20	
308	1001188187	1	Side-Sheet, Engine Side	

# SECTION 2 - TURNTABLE

## FIGURE 2-45. HOOD ASSEMBLY - ENGINE SIDE (STEEL) (SN 0300275114 to Present)



ART\_1001211774



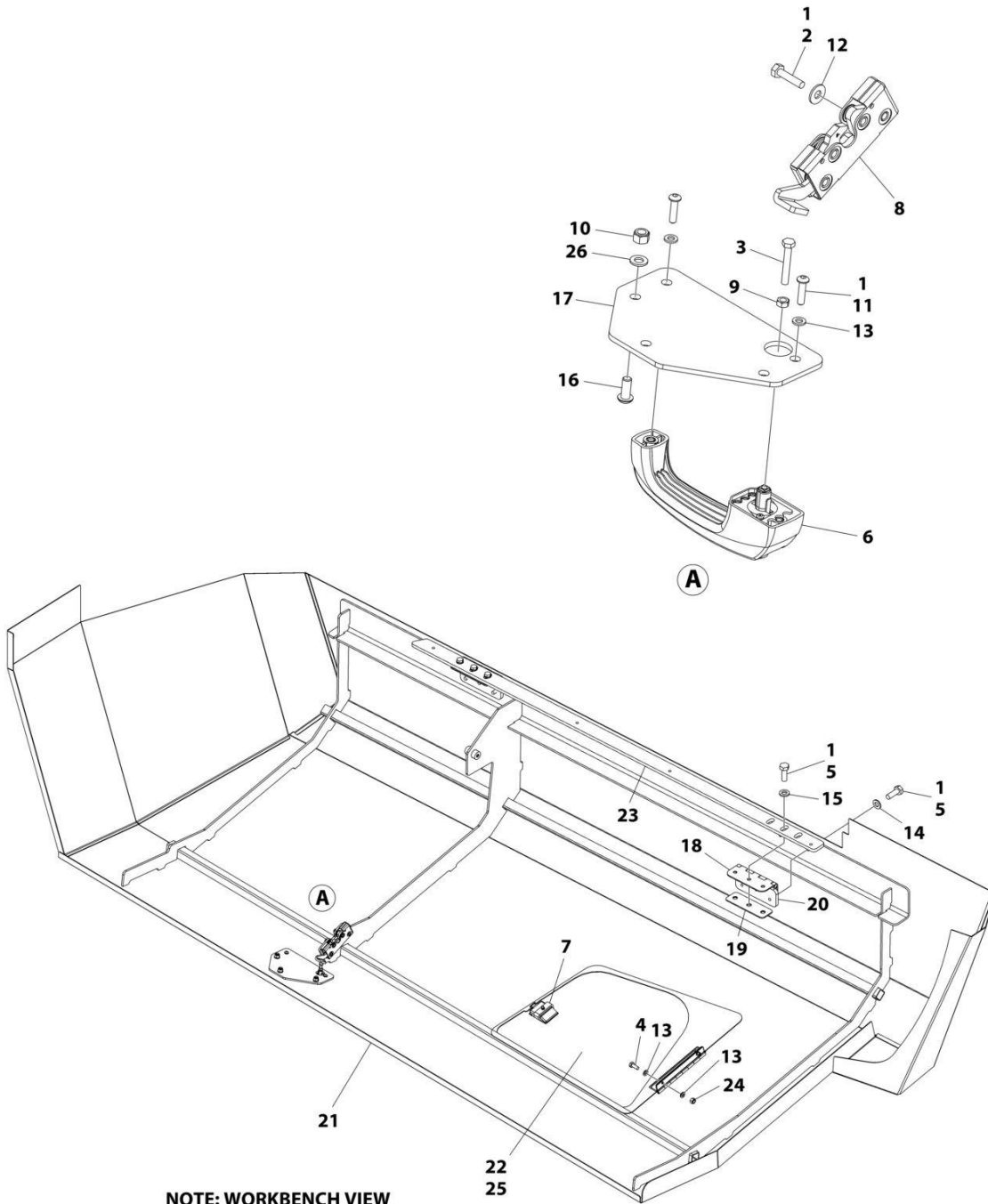
## SECTION 2 - TURNTABLE

**FIGURE 2-45. HOOD ASSEMBLY - ENGINE SIDE (STEEL) (SN 0300275114 to Present)**

ITEM	PART NUMBER	QTY	DESCRIPTION	REV
	1001211774	Ref	HOOD ASSEMBLY	J
1	0100011	AR	Compound, Locking	
2	0641409	4	Bolt 1/4 x 1-1/8	
3	0700615	1	Bolt M6 x 35	
4	0761014	16	Bolt M10 x 30	
5	2560187	1	Handle , Push Button	
6	2940173	1	Latch, Rotary	
7	3290601	1	Nut M6	
8	3291005	4	Nut M10	
9	3900363	2	Screw M6 x 25	
10	4751400	4	Washer 1/4	
11	4811700	2	Washer M6	
12	4812000	14	Washer M10	
13	5241000	6	Washer M10	
14	1001164726	3	Screw M8 x 20	
15	1001116290	1	Plate	
16	1001139384	2	Hinge	
17	1001169046	2	Nut, Hinge	
18	1001194888	1	Pipe, Exhaust	
19	1001202333	2	Plate, Nut	
20	1001211767	1	Hood	
21	1001211773	1	Plate	
22	4811900	3	Washer M8	
23	3290805	3	Nut M8	

# SECTION 2 - TURNTABLE

FIGURE 2-46. HOOD ASSEMBLY - TANK SIDE (STEEL) (SN 0300275114 to Present)



ART\_1001211762

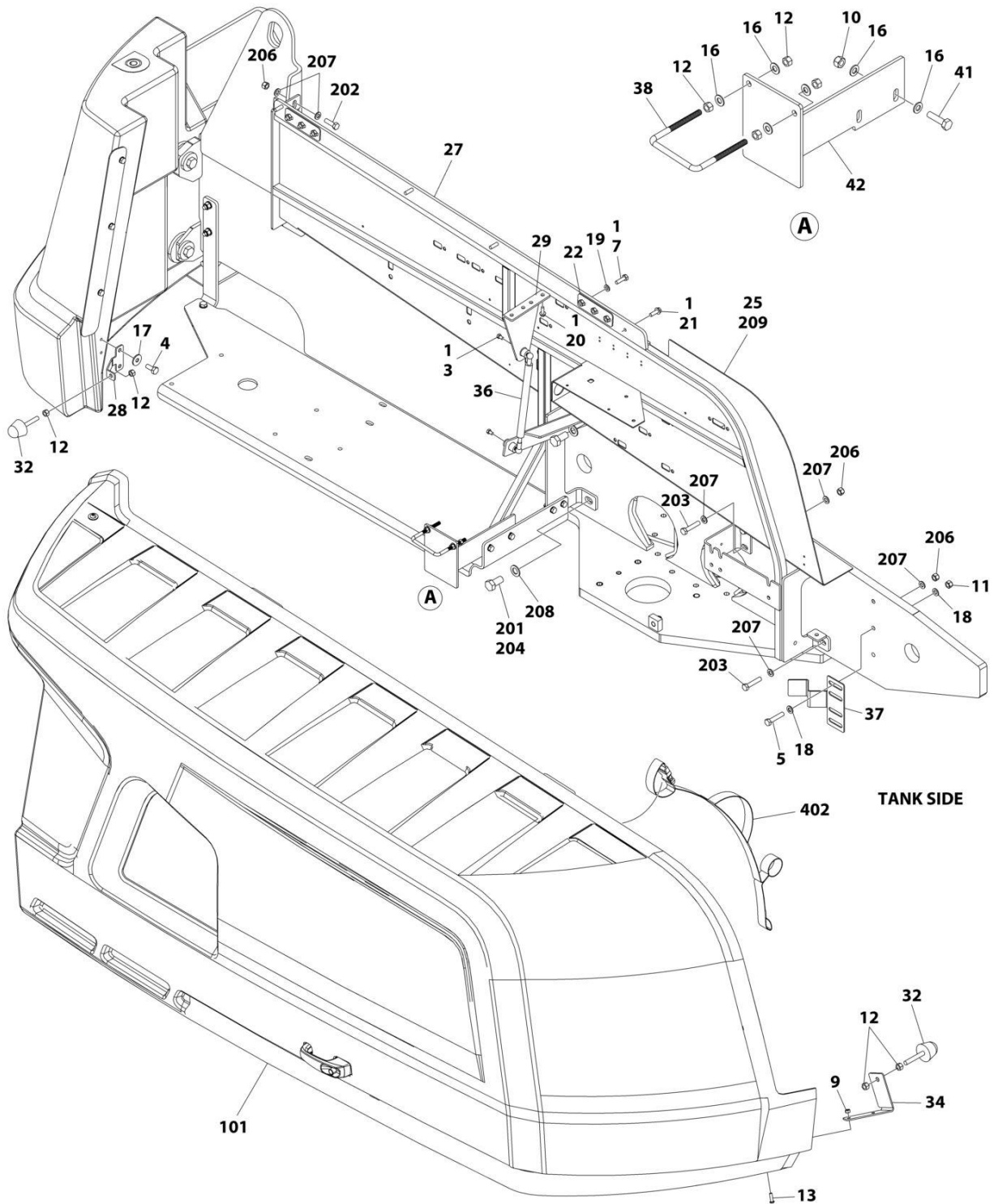
## SECTION 2 - TURNTABLE

**FIGURE 2-46. HOOD ASSEMBLY - TANK SIDE (STEEL) (SN 0300275114 to Present)**

ITEM	PART NUMBER	QTY	DESCRIPTION	REV
	1001211762	Ref	HOOD ASSEMBLY	J
1	0100011	AR	Compound, Locking	
2	0641409	4	Bolt 1/4 x 1-1/8	
3	0700616	1	Bolt M6 x 40	
4	0760608	2	Bolt M6 x 16	
5	0761014	12	Bolt M10 x 30	
6	2560187	1	Handle, Push Button	
7	2940045	1	Latch, Paddle	
8	2940173	1	Latch, Rotary	
9	3290601	1	Nut M6	
10	3290805	3	Nut M8	
11	3900363	2	Screw M6 x 25	
12	4751400	4	Washer 1/4	
13	4811700	6	Washer M6	
14	4812000	6	Washer M10	
15	5241000	6	Washer M10	
16	1001164726	3	Screw M8 x 20	
17	1001116290	1	Plate	
18	1001139384	2	Hinge	
19	1001169046	2	Nut, Hinge	
20	1001202333	2	Plate, Nut	
21	1001211752	1	Hood	
22	1001211760	1	Door	
23	1001211761	1	Plate	
24	3290605	2	Nut M6	
25	1001113047	78 in/ 2m	Seal	
26	4811900	3	Washer M8	

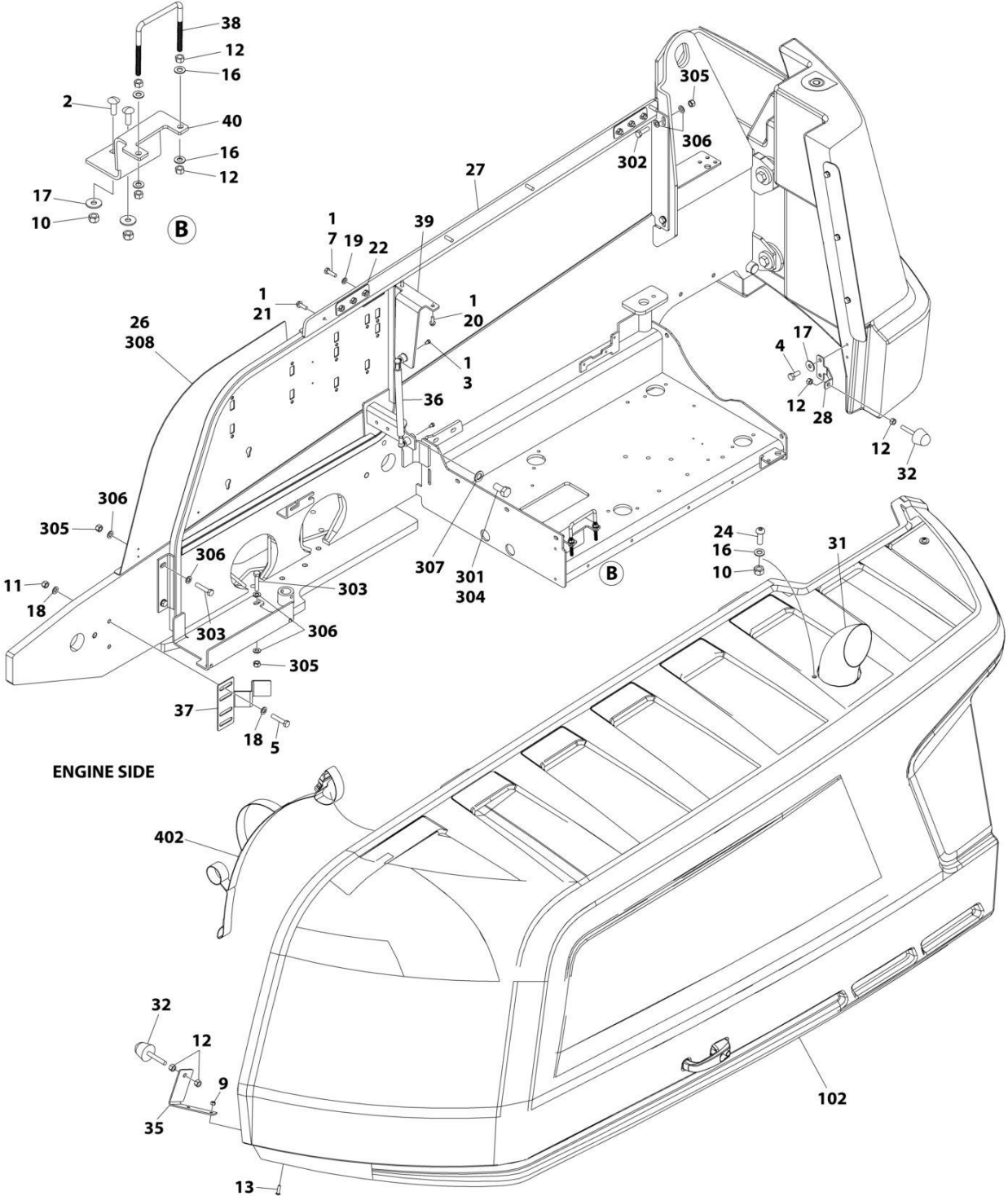
# SECTION 2 - TURNTABLE

## FIGURE 2-47. HOODS INSTALLATIONS - ABS (SN 0300275114 to Present)



ART\_1001244902\_C\_10F2

# SECTION 2 - TURNTABLE



ART\_1001244902\_C\_20F2

## SECTION 2 - TURNTABLE

FIGURE 2-47. HOODS INSTALLATIONS - ABS (SN 0300275114 to Present)

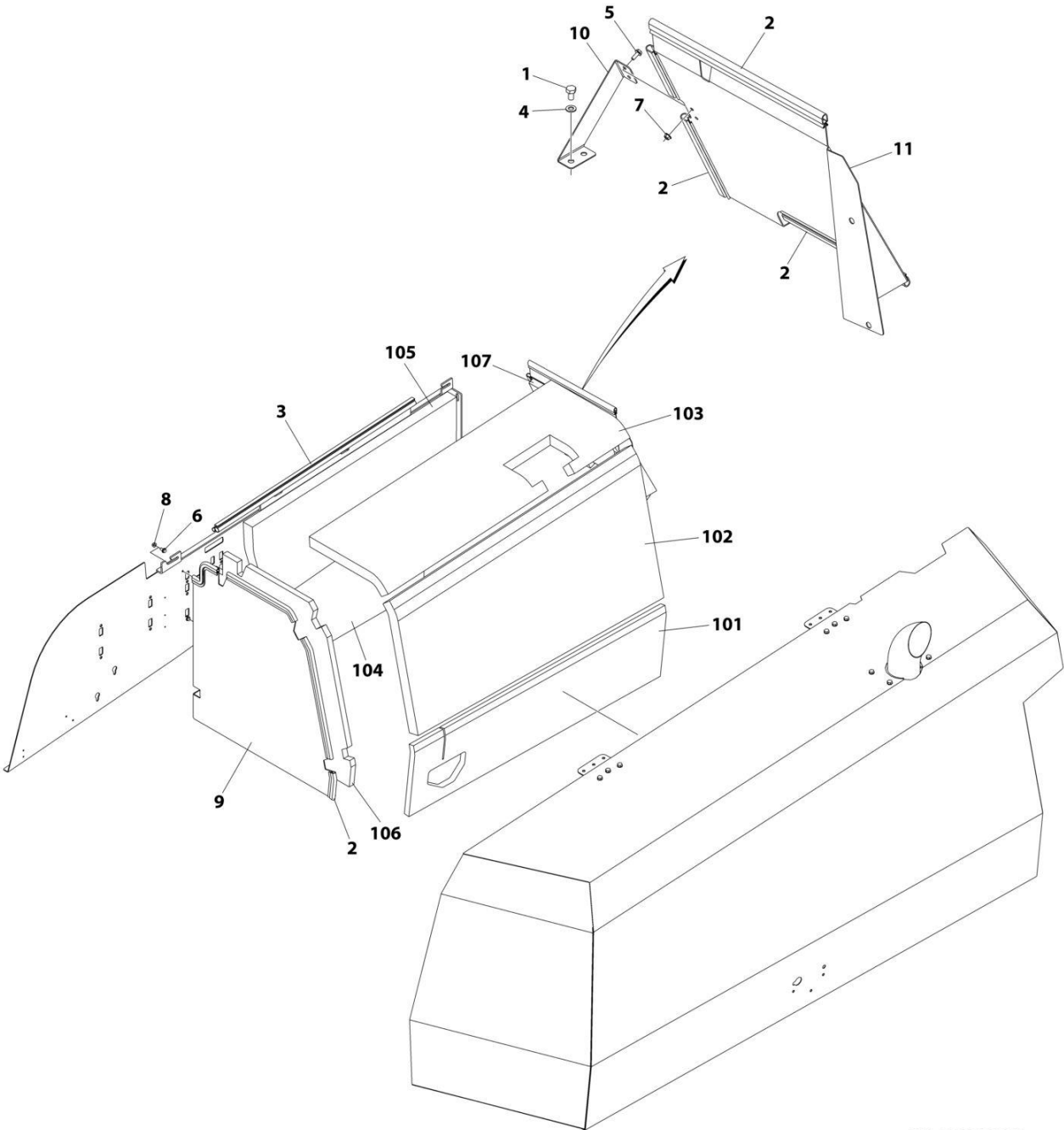
ITEM	PART NUMBER	QTY	DESCRIPTION	REV
	1001244902	Ref	HOODS INSTALLATIONS	C
1	0100011	AR	Compound, Locking	
2	0630613	2	Bolt M10 x 30	
3	0641504	4	Bolt 5/16 x 1/2	
4	0701012	2	Bolt M10 x 25	
5	0701220	2	Bolt M12 x 60	
7	0761015	12	Bolt M10 x 35	
9	3290605	4	Nut M6	
10	3291005	6	Nut M10	
11	3291205	2	Nut M12	
12	3311601	16	Nut 3/8	
13	3900364	4	Screw M6 x 20	
16	4812000	14	Washer M10	
17	4812002	4	Washer M10	
18	4812100	4	Washer M12	
19	5241000	12	Washer M10	
20	5250812	4	Bolt M8 x 25	
21	5251014	8	Bolt M10 x 30	
22	1001169046	4	Nut, Hinge	
24	1001174673	2	Screw M10 x 30	
25	1001187950	1	Side-Sheet Assembly - Tank Side (See Items 201-209 for Breakdown)	
26	1001187951	1	Side-Sheet Assembly - Engine Side (See Items 301-308 for Breakdown)	
27	1001189067	2	Mount	
28	1001190338	2	Bracket	
29	1001192841	1	Bracket	
31	1001193760	1	Pipe, Exhaust	
32	1001206314	4	Bumper	
34	1001213543	1	Bracket	
35	1001213744	1	Bracket	
36	1001213794	4	Spring, Gas	
37	1001231310	2	Bracket	
38	1001243414	2	Bolt, U-Bolt	
39	1001243654	1	Bracket	
40	1001244878	1	Bracket	
41	0701016	2	Bolt M10 x 40	
42	1001243171	1	Support	
100	1001227887	1	Hood Kit (Not Shown)	
101	1001195454	1	Hood Assembly - Tank Side (See Separate Breakdown in this Section)	
102	1001195455	1	Hood Assembly - Engine Side (See Separate Breakdown in this Section)	
	1001187950	Ref	SIDE-SHEET ASSEMBLY - TANK SIDE	C
201	0100011	AR	Compound, Locking	
202	0701216	2	Bolt M12 x 40	
203	0701220	4	Bolt M12 x 60	
204	0762016	2	Bolt M20 x 40	
206	3291205	6	Nut M12	
207	4812100	12	Washer M12	

## SECTION 2 - TURNTABLE

ITEM	PART NUMBER	QTY	DESCRIPTION	REV
208	4812500	2	Washer M20	
209	1001188194	1	Side-Sheet, Tank Side	
	1001187951	Ref	SIDE-SHEET ASSEMBLY - ENGINE SIDE	B
301	0100011	AR	Compound, Locking	
302	0701216	2	Bolt M12 x 40	
303	0701220	3	Bolt M12 x 60	
304	0762016	1	Bolt M20 x 40	
305	3291205	5	Nut M12	
306	4812100	10	Washer M12	
307	4812500	1	Washer M20	
308	1001188187	1	Side-Sheet, Engine Side	
	1001270242	Ref	STRAP INSTALLATION	A
402	1001160505	2	Strap, Hand	

# SECTION 2 - TURNTABLE

## FIGURE 2-48. NOISE REDUCTION PACKAGE (600S HC3)



ART\_1001234080\_B



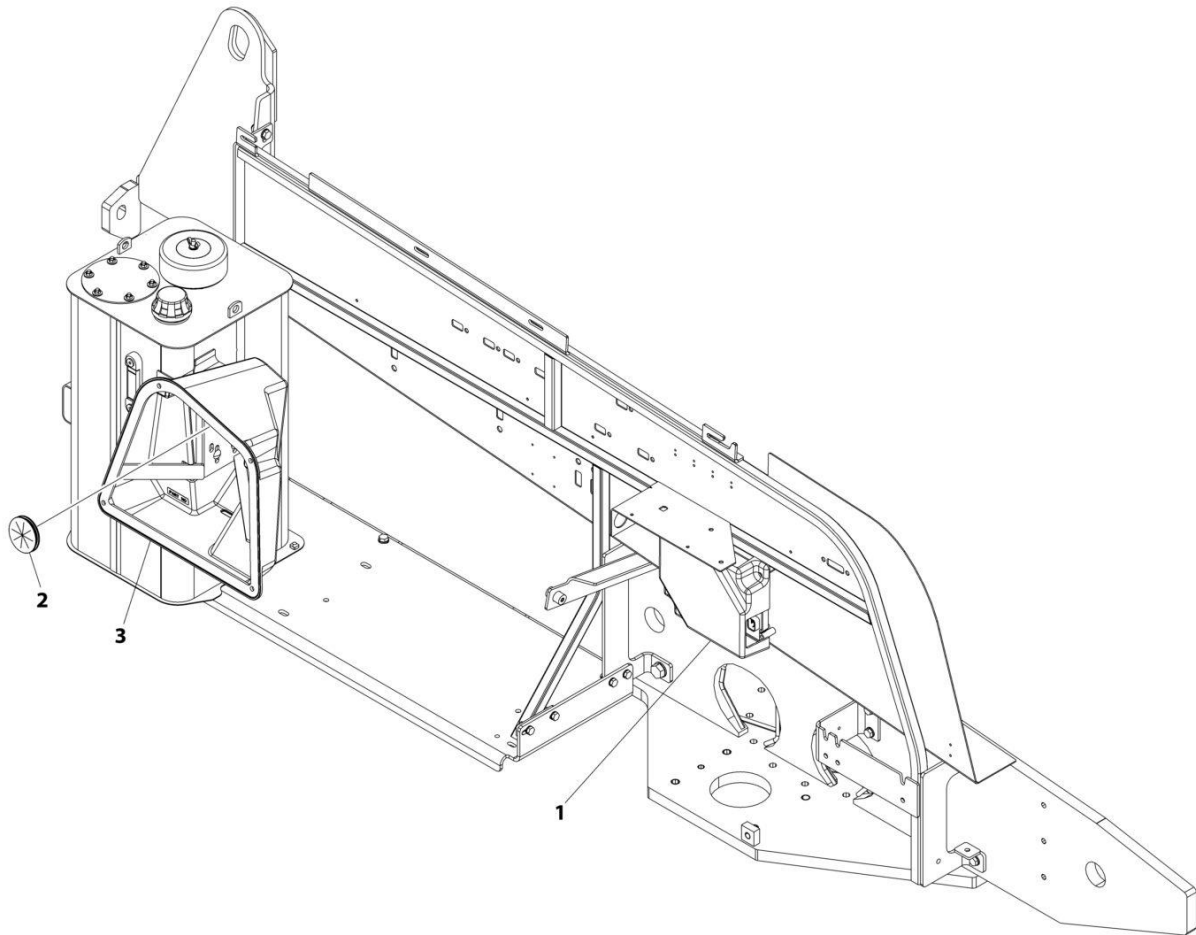
## SECTION 2 - TURNTABLE

**FIGURE 2-48. NOISE REDUCTION PACKAGE (600S HC3)**

ITEM	PART NUMBER	QTY	DESCRIPTION	REV
	1001234080	Ref	SOUND REDUCTION PACKAGE	B
1	0761009	2	Bolt M10 x 18	
2	3960389	8.2 ft/ 2.49m	Seal	
3	3960464	3.6 ft/ 1.10m	Seal	
4	4812000	2	Washer M10	
5	5250608	2	Bolt M6 x 16	
6	5250808	2	Bolt M8 x 16	
7	5260600	2	Nut M6	
8	5260800	2	Nut M8	
9	1001241729	1	Plate	
10	1001233948	1	Bracket	
11	1001233949	1	Plate	
100	1001237550	1	Sound Foam Insulate Kit (Includes Items 101-107)	B
101	1001233953	1	Insulate	
102	1001233954	1	Insulate	
103	1001233955	1	Insulate	
104	1001233966	1	Insulate	
105	1001233967	1	Insulate	
106	1001234269	1	Insulate	
107	1001234270	1	Insulate	

# SECTION 2 - TURNTABLE

## FIGURE 2-49. TURNTABLE COVERS INSTALLATION



ART\_1001219128

**SECTION 2 - TURNTABLE**

**FIGURE 2-49. TURNTABLE COVERS INSTALLATION**

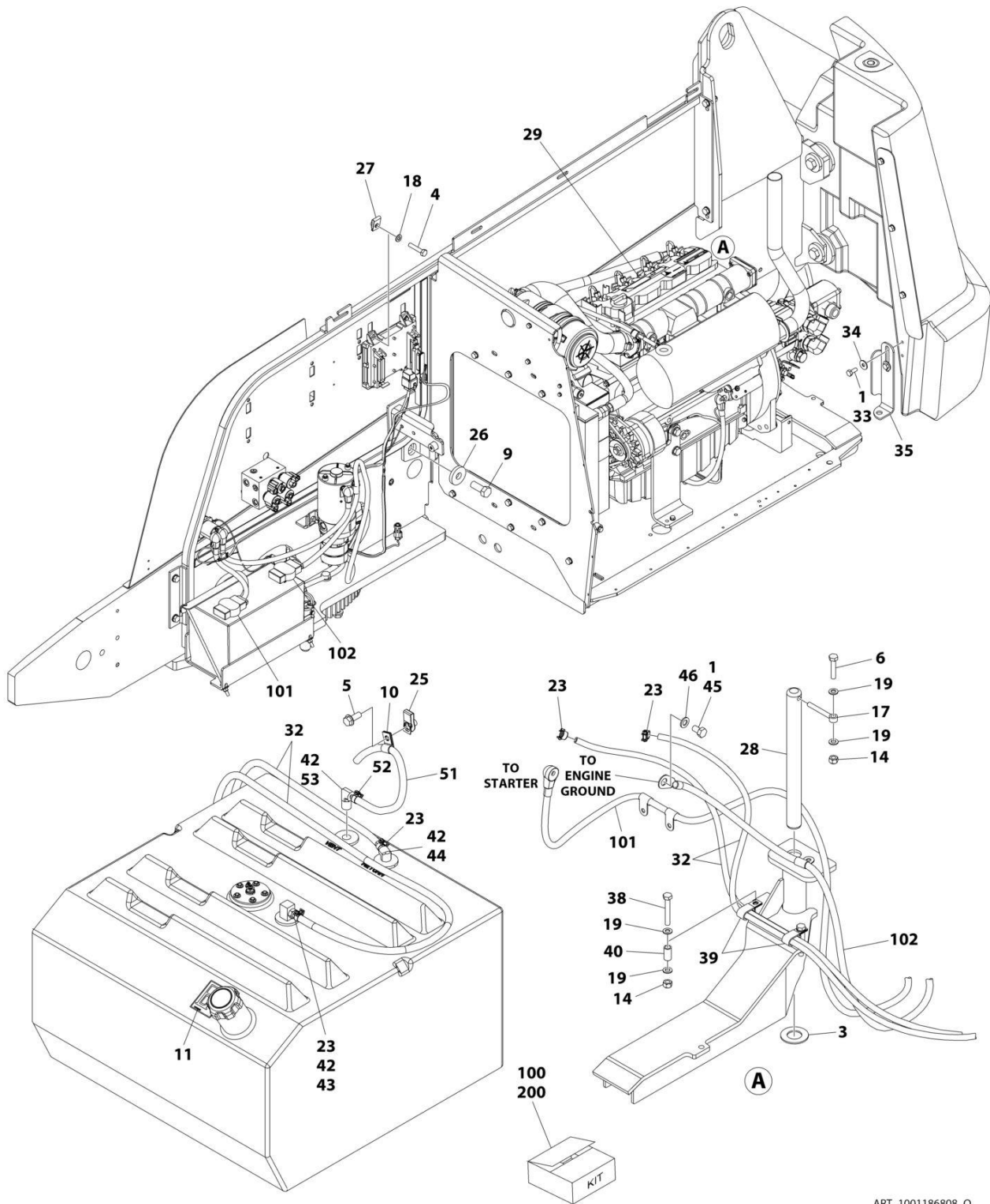
ITEM	PART NUMBER	QTY	DESCRIPTION	REV
	1001219128	Ref	COVERS INSTALLATION	A
1	1001218539	1	Cover, Controller	
2	1001218676	1	Grommet	
3	1001220638	1	Cover, Ground Control	



**SECTION 3 - ENGINE**

# SECTION 3 - ENGINE

FIGURE 3-1. DEUTZ D2011 ENGINE INSTALLATION - WITHOUT ARCTIC PACKAGE (600S HC3)



ART\_1001186808\_O

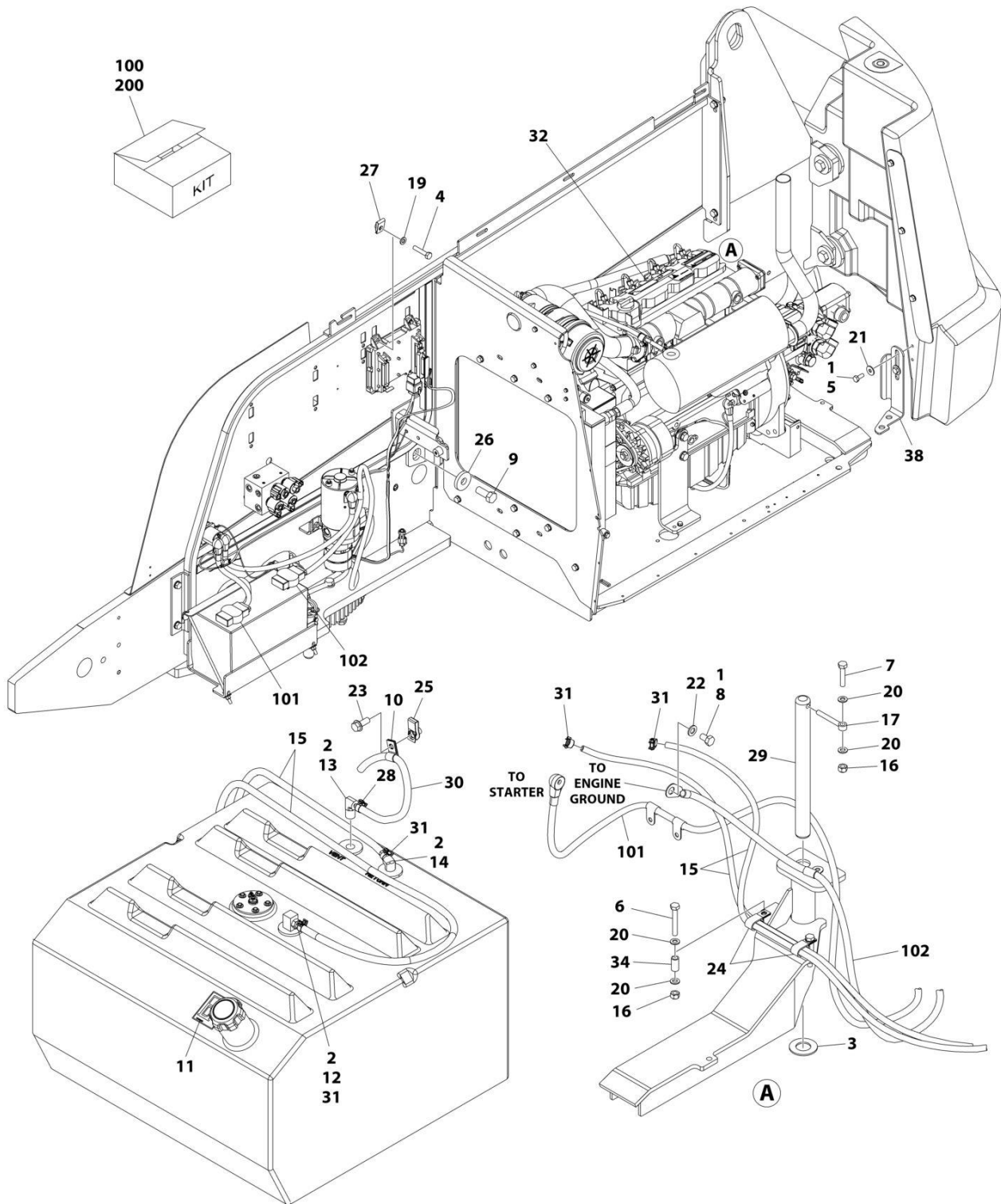
## SECTION 3 - ENGINE

**FIGURE 3-1. DEUTZ D2011 ENGINE INSTALLATION - WITHOUT ARCTIC PACKAGE (600S HC3)**

ITEM	PART NUMBER	QTY	DESCRIPTION	REV
	1001186808	Ref	DEUTZ D2011 ENGINE INSTALLATION	O
1	0100011	AR	Compound, Locking	
3	0440162	1	Bearing	
4	0700614	4	Bolt M6 x 30	
5	5251012	1	Bolt M10 x 25	
6	0711018	1	Bolt M10 x 50	
9	0772018	1	Bolt M20 x 50	
10	1320061	1	Clamp	
11	1701505	1	Decal - Diesel Fuel	
14	3291005	3	Nut M10	
17	3841143	1	Keeper, Pin	
18	4811700	4	Washer M6	
19	4812000	6	Washer M10	
23	1001174486	4	Clamp	
25	1001118972	1	Nut, Tinnerman M10	
26	1001119051	1	Washer	
27	1001130220	4	Nut, Tinnerman M6	
28	1001155094	1	Pin	
29	1001186815	1	Deutz D2011 Engine and Pumps Sub-Assembly (See Separate Breakdown in this Section)	
32	2720058	288 in/ 7.3m	Hose, Fuel	
33	0701012	2	Bolt M10 x 70	
34	4812002	2	Washer M10	
35	1001196398	1	Bracket	
38	0701022	2	Bolt M10 x 70	
39	1001026127	2	Clamp	
40	1001200731	2	Tube	
41	4240099	5	Tie-Strap (Not Shown)	
42	0100020	AR	Sealant	
43	2180348	1	Fitting, Straight NPT x Barb	
44	2221176	1	Fitting, 90 Barbed	
45	0761210	1	Bolt M12 x 20	
46	4812100	1	Washer M12	
51	1001165035	20 in/ 0.5m	Hose	
52	1001136975	1	Clamp	
53	2220313	1	Fitting, 90 NPTF/Barb	
100	1001235699	1	Battery Cable Kit	
101	1001188667	1	Cable, Battery (+) to Aux Relay to Starter	
102	1001188670	1	Cable, Battery (-) to Aux Pump and Ground	
200	1001269919	1	Hose Assembly Kit	
201	1001192690	1	Hose (Case Drain) (Drive Pump Case Gauge Port to Tank) (Not Shown)	
202	1001203431	1	Hose (Case Drain) (Drive Pump Case Outlet Port to Tank) (Not Shown)	
203	1001203432	1	Hose (Function Suction) (Not Shown)	
204	1001203433	1	Hose (Drive Suction) (Not Shown)	

# SECTION 3 - ENGINE

FIGURE 3-2. DEUTZ D2011 ENGINE INSTALLATION - WITHOUT ARCTIC PACKAGE (660SJ HC3)



ART\_1001258167



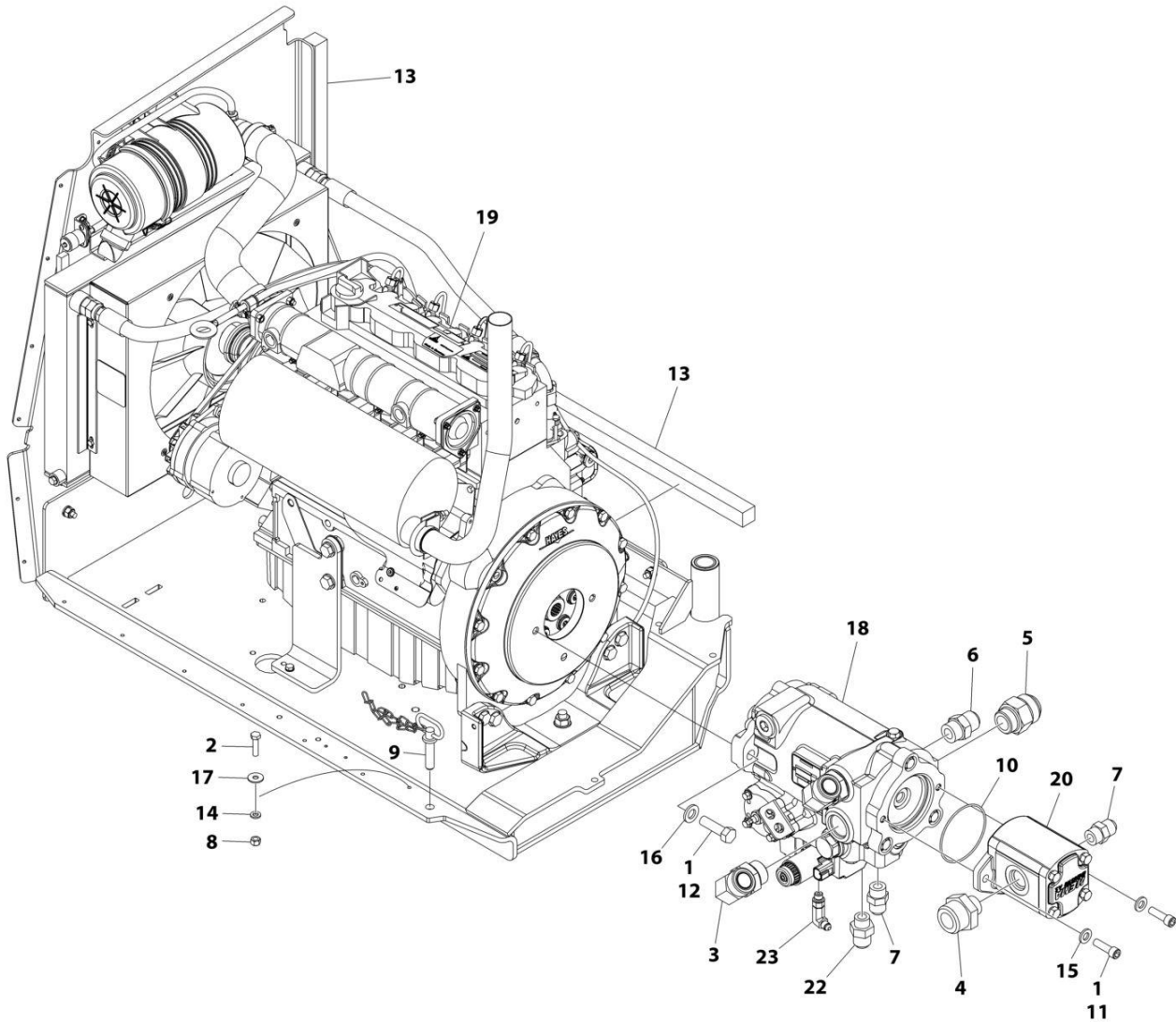
## SECTION 3 - ENGINE

**FIGURE 3-2. DEUTZ D2011 ENGINE INSTALLATION - WITHOUT ARCTIC PACKAGE (660SJ HC3)**

ITEM	PART NUMBER	QTY	DESCRIPTION	REV
	1001258167	Ref	DEUTZ D2011 ENGINE INSTALLATION	B
1	0100011	AR	Compound, Locking	
2	0100020	AR	Sealant	
3	0440162	1	Bearing	
4	0700614	4	Bolt M6 x 30	
5	0701012	2	Bolt M10 x 70	
6	0701022	2	Bolt M10 x 70	
7	0711018	1	Bolt M10 x 50 Class 10.9	
8	0761210	1	Bolt M12 x 20	
9	0772018	1	Bolt M20 x 50	
10	1320061	1	Clamp	
11	1701505	1	Decal - Diesel Fuel	
12	2180348	1	Fitting, Straight NPT x Barb	
13	2220313	1	Fitting, 90 NPTF/Barb	
14	2221176	1	Fitting, 90 Barbed	
15	2720058	288 in/ 7.3m	Hose, Fuel	
16	3291005	3	Nut, Lock M10	
17	3841143	1	Keeper, Pin	
18	4240099	AR	Tie-Strap (Not Shown)	
19	4811700	4	Washer M6	
20	4812000	6	Washer M10	
21	4812002	2	Washer M10	
22	4812100	1	Washer M12	
23	5251012	1	Bolt M10 x 25	
24	1001026127	2	Clamp	
25	1001118972	1	Nut, Tinnerman M10	
26	1001119051	1	Washer	
27	1001130220	4	Nut, Tinnerman M6	
28	1001136975	1	Clamp	
29	1001155094	1	Pin	
30	1001165035	20 in/0.5m	Hose	
31	1001174486	4	Clamp	
32	1001186815	1	Deutz D2011 Engine and Pumps Sub-Assembly (See Separate Breakdown in this Section)	
34	1001200731	2	Tube	
38	1001258175	1	Bracket	
100	1001235699	1	Battery Cable Kit	
101	1001188667	1	Cable, Battery (+) to Aux Relay to Starter	
102	1001188670	1	Cable, Battery (-) to Aux Pump and Ground	
200	1001269920	1	Engine Hose Kit	
201	1001192690	1	Hose (Case Drain) (Drive Pump Case Gauge Port to Tank) (Not Shown)	
202	1001203431	1	Hose (Case Drain) (Drive Pump Case Outlet Port to Tank) (Not Shown)	
203	1001258156	1	Hose (Function Suction) (Not Shown)	
204	1001258157	1	Hose (Drive Suction) (Not Shown)	

# SECTION 3 - ENGINE

## FIGURE 3-3. DEUTZ D2011 ENGINE AND PUMPS SUB-ASSEMBLY - WITHOUT ARCTIC PACKAGE (600S HC3/660SJ HC3)



ART\_1001186815\_G

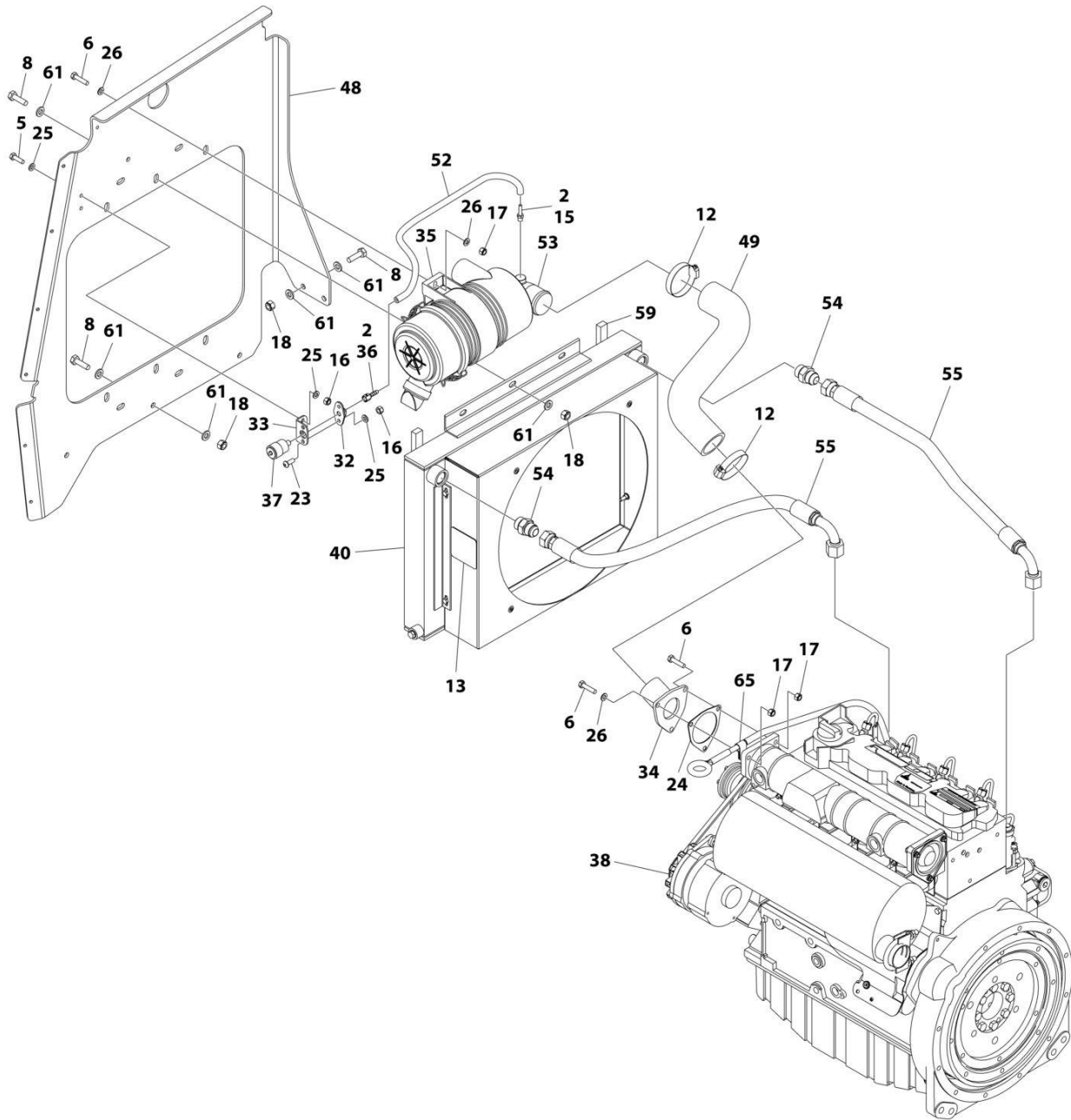
## SECTION 3 - ENGINE

**FIGURE 3-3. DEUTZ D2011 ENGINE AND PUMPS SUB-ASSEMBLY - WITHOUT ARCTIC PACKAGE  
(600S HC3/660SJ HC3)**

ITEM	PART NUMBER	QTY	DESCRIPTION	REV
	1001186815	Ref	DEUTZ D2011 ENGINE AND PUMPS SUB-ASSEMBLY	G
1	0100011	AR	Compound, Locking	
2	0760612	1	Bolt M6 x 25	
3	2131616	2	Fitting, 90 ORFS/ORB	
4	2220946	1	Fitting, Straight JIC/ORB	
5	2220479	1	Fitting, Straight JIC/ORB	
6	2220451	1	Fitting, Straight JIC/ORB	
7	2220947	2	Fitting, Straight JIC/ORB	
8	3290605	1	Nut M6	
9	3422532	1	Pin	
10	3790152	1	O-Ring	
11	3931620	2	Capscrew 3/8 x 1-1/4	
11	3931618	2	Capscrew 3/8 x 1-1/8	
12	0641814	2	Bolt 1/2 x 1-3/4	
13	3960469	2	Seal	
14	4811700	1	Washer M6	
15	5241000	2	Washer M10	
16	5241200	2	Washer M12	
17	4811702	1	Washer M6	
18	1001184930	1	Piston Pump Assembly (See Separate Breakdown in this Section)	
19	1001186816	1	Deutz D2011 Engine Assembly (See Separate Breakdown in this Section)	
20	1001190143	1	Gear Pump Assembly	
20	70006356	1	Seal Kit - 1001190143 Pump	
22	2220408	1	Fitting, Straight JIC/ORB	
23	2220940	1	Fitting, 90 JIC/ORB	

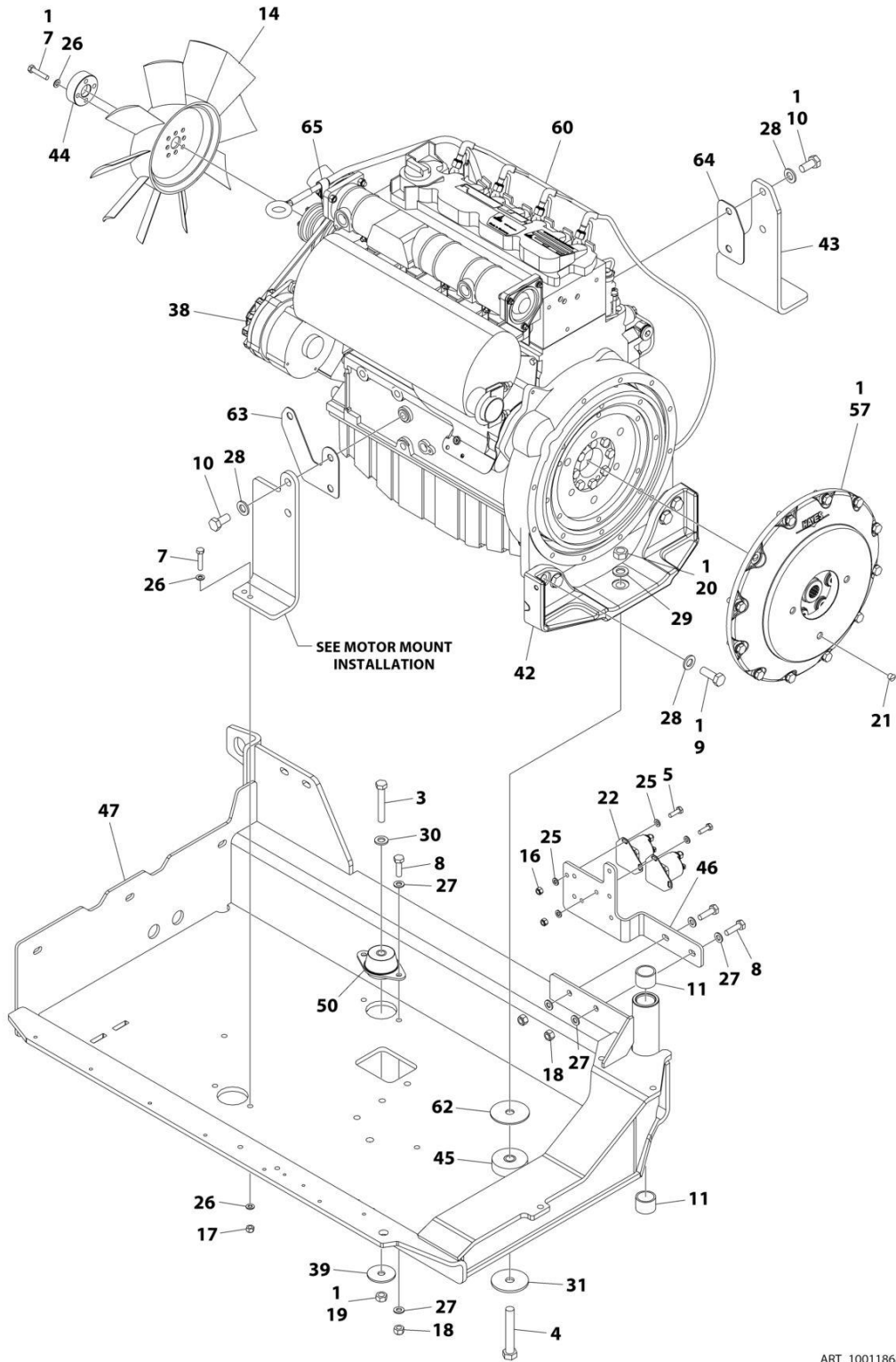
# SECTION 3 - ENGINE

FIGURE 3-4. DEUTZ D2011 ENGINE ASSEMBLY - WITHOUT ARCTIC PACKAGE (600S HC3/660SJ HC3)



ART\_1001186816\_T\_10F2

# SECTION 3 - ENGINE



ART\_1001186816\_T\_2OF2

## SECTION 3 - ENGINE

**FIGURE 3-4. DEUTZ D2011 ENGINE ASSEMBLY - WITHOUT ARCTIC PACKAGE (600S HC3/660SJ HC3)**

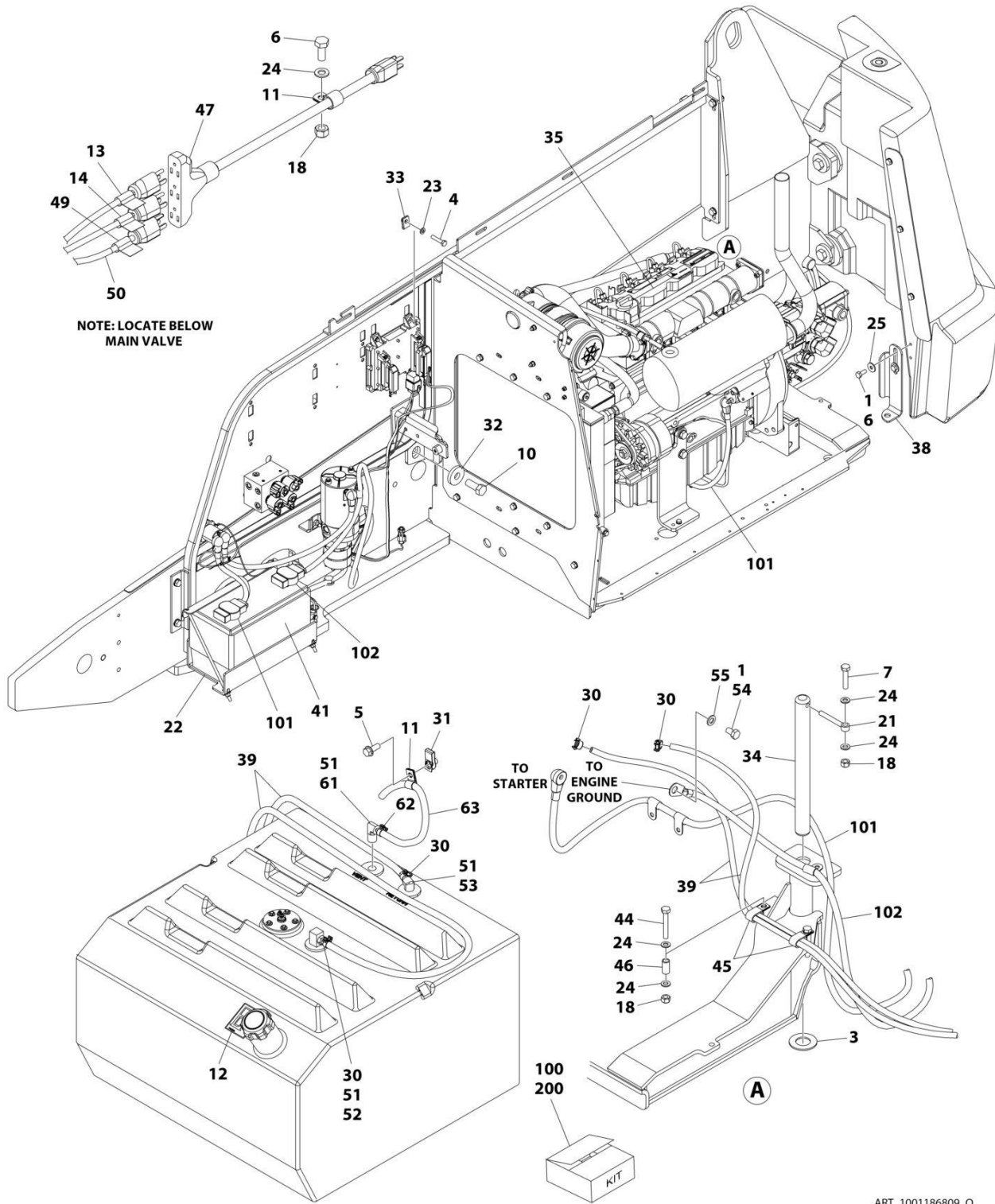
ITEM	PART NUMBER	QTY	DESCRIPTION	REV
	1001186816	Ref	DEUTZ D2011 ENGINE ASSEMBLY	T
1	0100011	AR	Compound, Locking	
2	0100020	AR	Sealant	
3	0711224	1	Bolt M12 x 80	
4	0711627	1	Bolt M16 x 100	
5	0760610	6	Bolt M6 x 20	
6	0760815	5	Bolt M8 x 35	
7	0760816	5	Bolt M8 x 40	
8	0761015	15	Bolt M10 x 35	
9	0771416	4	Bolt M14 x 40	
10	0771414	4	Bolt M14 x 30	
11	0961951	2	Bushing	
12	8405202	2	Clamp	
13	1703162	2	Decal - Fan Blade	
14	2060025	1	Fan	
15	2220315	1	Fitting, Straight Barbed	
16	3290605	8	Nut M6	
17	3290805	6	Nut M8	
18	3291005	15	Nut M10	
19	3331211	1	Nut M12	
20	3331611	1	Nut M16	
21	3520054	2	Plug	
22	3740067	2	Relay	
23	3900357	2	Screw M6 x 16	
24	3960407	1	Gasket, Air Intake Adapter	
25	4811700	14	Washer M6	
26	4811900	11	Washer M8	
27	4812000	8	Washer M10	
28	5241400	8	Washer M14	
29	4812300	1	Washer M16	
30	5241200	1	Washer M12	
31	7300435	1	Washer	
32	1001138173	1	Support	
33	1001138175	1	Bracket	
34	1001139819	1	Adapter	
35	1001141694	1	Clamp, Air Cleaner	
36	1001141995	1	Fitting, Straight NPT/Barbed	
37	1001143390	1	Indicator, Air Filter Service	
38	1001146368	1	Deutz D2011 Engine (See Separate Breakdown in this Section)	
39	1001168018	1	Washer	
40	1001187082	1	Radiator	
41	1001188236	1	Engine Harness - Deutz D2011 Engines (Not Shown) (See Separate Breakdown in ELECTRICAL SECTION)	
42	1001188535	1	Bracket, Engine - Rear	
43	1001189026	1	Bracket, Engine - Right	
44	1001189161	1	Adapter, Fan	
45	1001190164	1	Mount, Motor	
46	1001203885	1	Plate	
47	1001200435	1	Tray	

## SECTION 3 - ENGINE

ITEM	PART NUMBER	QTY	DESCRIPTION	REV
48	1001236499	1	Support, Radiator	
49	1001191271	1	Hose	
50	1001191610	1	Mount, Motor	
52	1001138248	21.7 in/ 0.6m	Tube	
53	1001165388	1	Filter, Air	
53	70003783	1	Element, Filter	
54	2220451	2	Fitting, Straight ORB/JIC	
55	2720398	2	Hose	
57	2902065	1	Pump Coupling Kit (See Separate Breakdown in this Section)	
59	1001168166	2	Seal	
60	1001234396	1	Glow Plug Harness	
61	5241000	22	Washer M10	
62	1001197725	1	Spacer	
63	1001201843	1	Shim .079	
64	1001201844	1	Shim .079	
65	1320070	1	Clamp	

# SECTION 3 - ENGINE

FIGURE 3-5. DEUTZ D2011 ENGINE INSTALLATION - WITH ARCTIC PACKAGE (600S HC3)





## SECTION 3 - ENGINE

**FIGURE 3-5. DEUTZ D2011 ENGINE INSTALLATION - WITH ARCTIC PACKAGE (600S HC3)**

ITEM	PART NUMBER	QTY	DESCRIPTION	REV
	1001186809	Ref	DEUTZ D2011 ENGINE INSTALLATION	O
1	0100011	AR	Compound, Locking	
3	0440162	1	Bearing	
4	0700614	4	Bolt M6 x 30	
5	5251012	1	Bolt M10 x 25	
6	0701012	3	Bolt M10 x 25	
7	0711018	1	Bolt M10 x 50	
10	0772018	1	Bolt M20 x 50	
11	1320061	2	Clamp	
12	1701505	1	Decal - Diesel Fuel	
13	1702941	1	Decal - Battery Heater	
14	1702943	1	Decal - Hydraulic Tank Heater	
17	1001188972	1	Heater, Immersion (Not Shown - Located on Hydraulic Tank)	
18	3291005	4	Nut M10	
21	3841143	1	Keeper, Pin	
22	3980007	1	Seal, Battery	
23	4811700	4	Washer M6	
24	4812000	7	Washer M10	
25	4812002	2	Washer M10	
30	1001174486	4	Clamp	
31	1001118972	1	Nut, Tinnerman M10	
32	1001119051	1	Washer	
33	1001130220	4	Nut, Tinnerman M6	
34	1001155094	1	Pin	
35	1001186817	1	Deutz D2011 Engine and Pumps Sub-Assembly (See Separate Breakdown in this Section)	
38	1001196398	1	Bracket	
39	2720058	208 in/ 7.3m	Hose, Fuel	
41	2580024	1	Heater, Battery	
44	0701022	2	Bolt M10 x 70	
45	1001026127	2	Clamp	
46	1001200731	2	Tube	
47	1060626	1	Plug, 3 Way	
48	4240099	5	Tie-Strap (Not Shown)	
49	1702942	1	Decal - Engine Block Heater	
50	1001150918	1	Cable, Extension	
51	0100020	AR	Sealant	
52	2180348	1	Fitting, Straight NPT/Barbed	
53	2221176	1	Fitting, 90 Barbed	
54	0761210	1	Bolt M12 x 20	
55	4812100	1	Washer M12	
61	2220313	1	Fitting, 90 NPTF/Barb	
62	1001136975	1	Clamp	
63	1001165035	20 in/ 0.5m	Hose	
100	1001235699	1	Battery Cable Kit	
101	1001188667	1	Cable, Battery (+) to Aux Relay to Starter	
102	1001188670	1	Cable, Battery (-) to Aux Pump and Ground	
200	1001269919	1	Hose Assembly Kit	

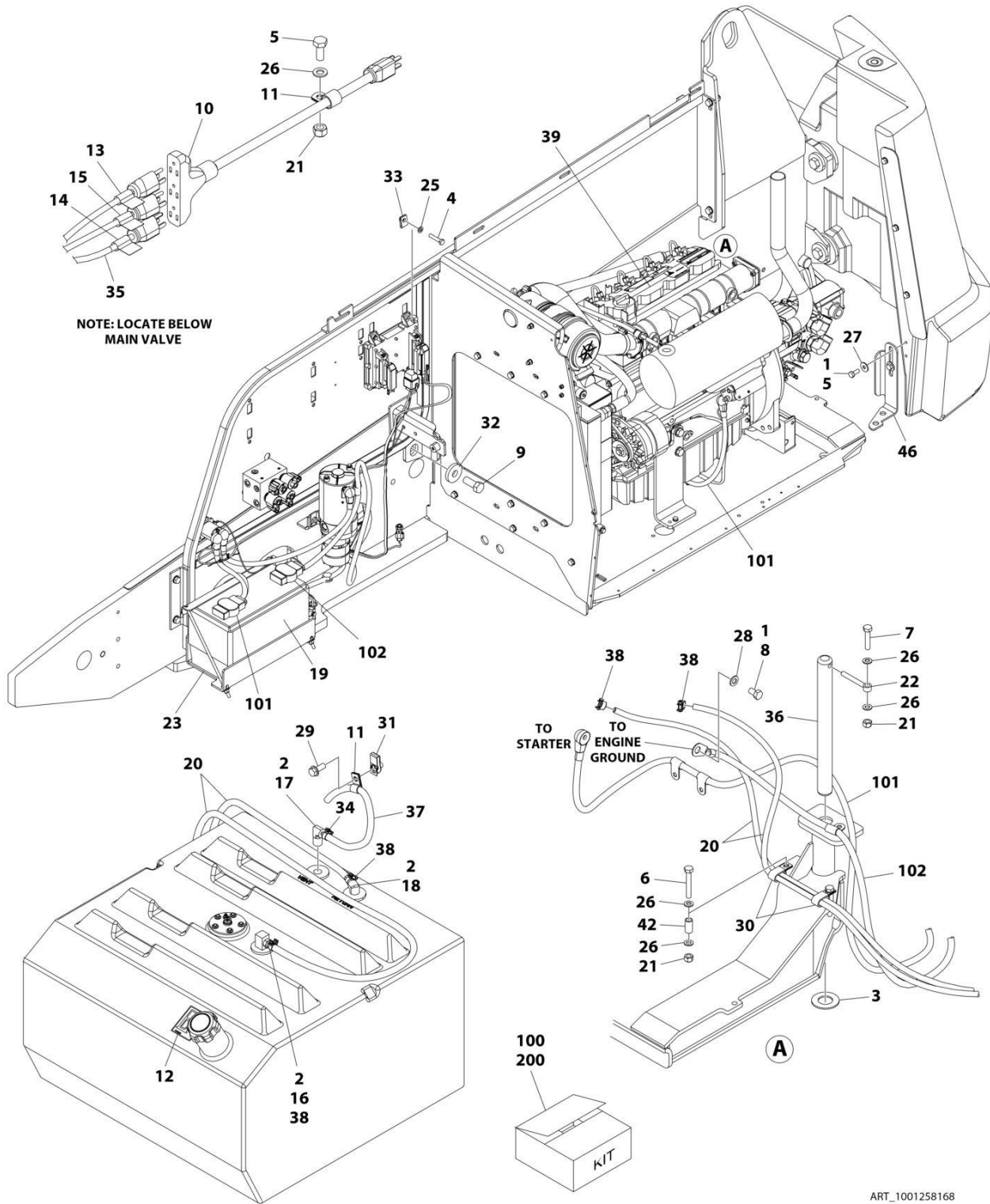
## SECTION 3 - ENGINE

ITEM	PART NUMBER	QTY	DESCRIPTION	REV
201	1001192690	1	Hose (Case Drain) (Drive Pump Case Gauge Port to Tank) (Not Shown)	
202	1001203431	1	Hose (Case Drain) (Drive Pump Case Outlet Port to Tank) (Not Shown)	
203	1001203432	1	Hose (Function Suction) (Not Shown)	
204	1001203433	1	Hose (Drive Suction) (Not Shown)	



# SECTION 3 - ENGINE

FIGURE 3-6. DEUTZ D2011 ENGINE INSTALLATION - WITH ARCTIC PACKAGE (660SJ HC3)



## SECTION 3 - ENGINE

**FIGURE 3-6. DEUTZ D2011 ENGINE INSTALLATION - WITH ARCTIC PACKAGE (660SJ HC3)**

ITEM	PART NUMBER	QTY	DESCRIPTION	REV
	1001258168	Ref	DEUTZ D2011 ENGINE INSTALLATION	B
1	0100011	AR	Compound, Locking	
2	0100020	AR	Sealant	
3	0440162	1	Bearing	
4	0700614	4	Bolt M6 x 30	
5	0701012	3	Bolt M10 x 25	
6	0701022	2	Bolt M10 x 70	
7	0711018	1	Bolt M10 x 50 Class 10.9	
8	0761210	1	Bolt M12 x 20	
9	0772018	1	Bolt M20 x 50	
10	1060626	1	Plug, 3 Way	
11	1320061	2	Clamp	
12	1701505	1	Decal - Diesel Fuel	
13	1702941	1	Decal - Battery Heater	
14	1702942	1	Decal - Engine Block Heater	
15	1702943	1	Decal - Hydraulic Tank Heater	
16	2180348	1	Fitting, Straight NPT/Barbed	
17	2220313	1	Fitting, 90 NPTF/Barb	
18	2221176	1	Fitting, 90 Barbed	
19	2580024	1	Heater, Battery	
20	2720058	208 in/ 7.3m	Hose, Fuel	
21	3291005	4	Nut, Lock M10	
22	3841143	1	Keeper, Pin	
23	3980007	1	Seal, Battery	
24	4240099	AR	Tie-Strap (Not Shown)	
25	4811700	4	Washer M6	
26	4812000	7	Washer M10	
27	4812002	2	Washer M10	
28	4812100	1	Washer M12	
29	5251012	1	Bolt M10 x 25	
30	1001026127	2	Clamp	
31	1001118972	1	Nut, Tinnerman M10	
32	1001119051	1	Washer	
33	1001130220	4	Nut, Tinnerman M6	
34	1001136975	1	Clamp	
35	1001150918	1	Cable, Extension	
36	1001155094	1	Pin	
37	1001165035	20 in/ 0.5m	Hose	
38	1001174486	4	Clamp	
39	1001186817	1	Deutz D2011 Engine and Pumps Sub-Assembly (See Separate Breakdown in this Section)	
40	1001188972	1	Heater, Immersion (Not Shown - Located on Hydraulic Tank)	
42	1001200731	2	Tube	
46	1001258175	1	Bracket	
100	1001235699	1	Battery Cable Kit	
101	1001188667	1	Cable, Battery (+) to Aux Relay to Starter	
102	1001188670	1	Cable, Battery (-) to Aux Pump and Ground	
200	1001269920	1	Engine Hose Kit	

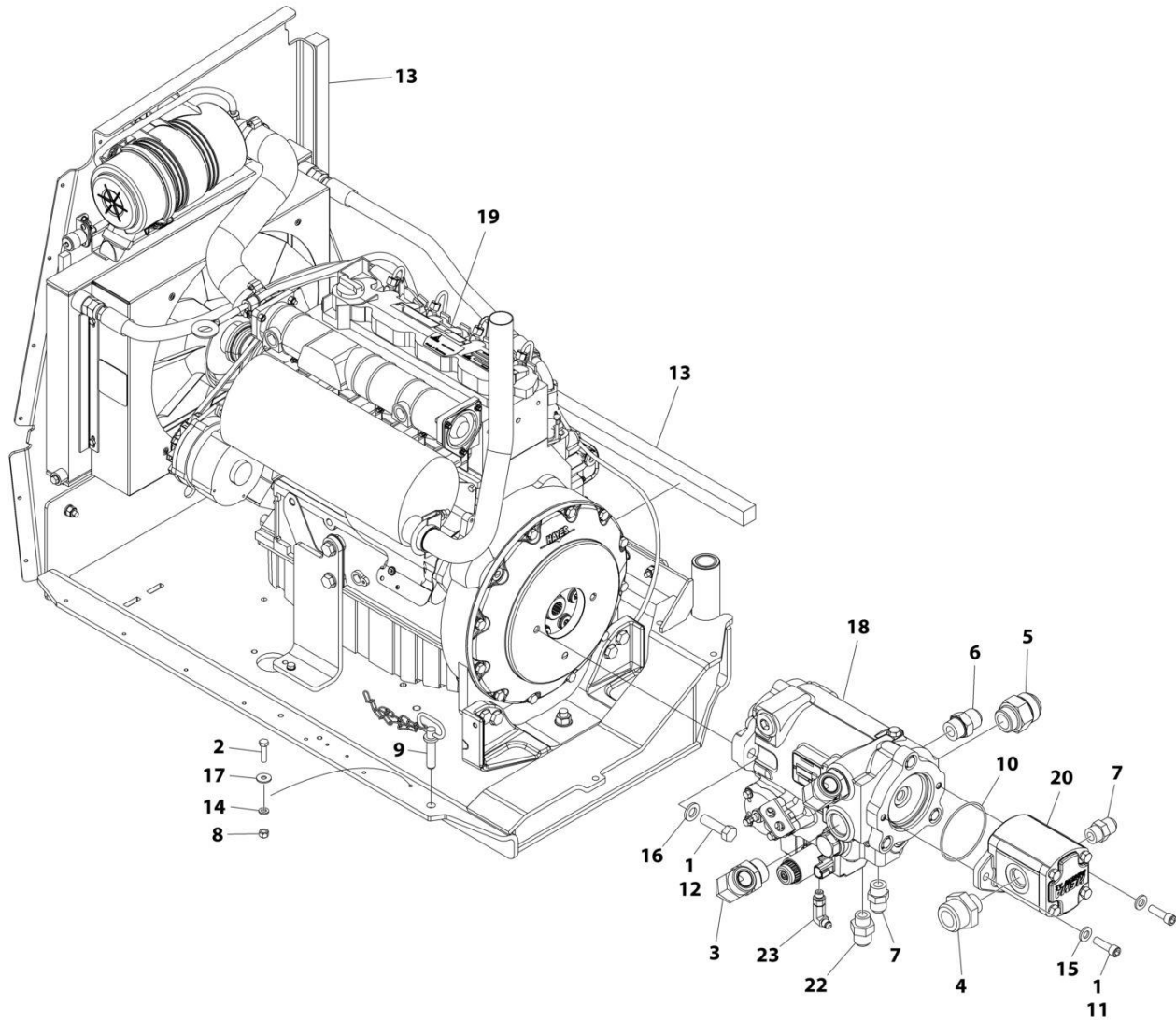
## SECTION 3 - ENGINE

ITEM	PART NUMBER	QTY	DESCRIPTION	REV
201	1001192690	1	Hose (Case Drain) (Drive Pump Case Gauge Port to Tank) (Not Shown)	
202	1001203431	1	Hose (Case Drain) (Drive Pump Case Outlet Port to Tank) (Not Shown)	
203	1001258156	1	Hose (Function Suction) (Not Shown)	
204	1001258157	1	Hose (Drive Suction) (Not Shown)	



# SECTION 3 - ENGINE

## FIGURE 3-7. DEUTZ D2011 ENGINE AND PUMPS SUB-ASSEMBLY - WITH ARCTIC PACKAGE (600S HC3/660SJ HC3)



ART\_1001186817\_G



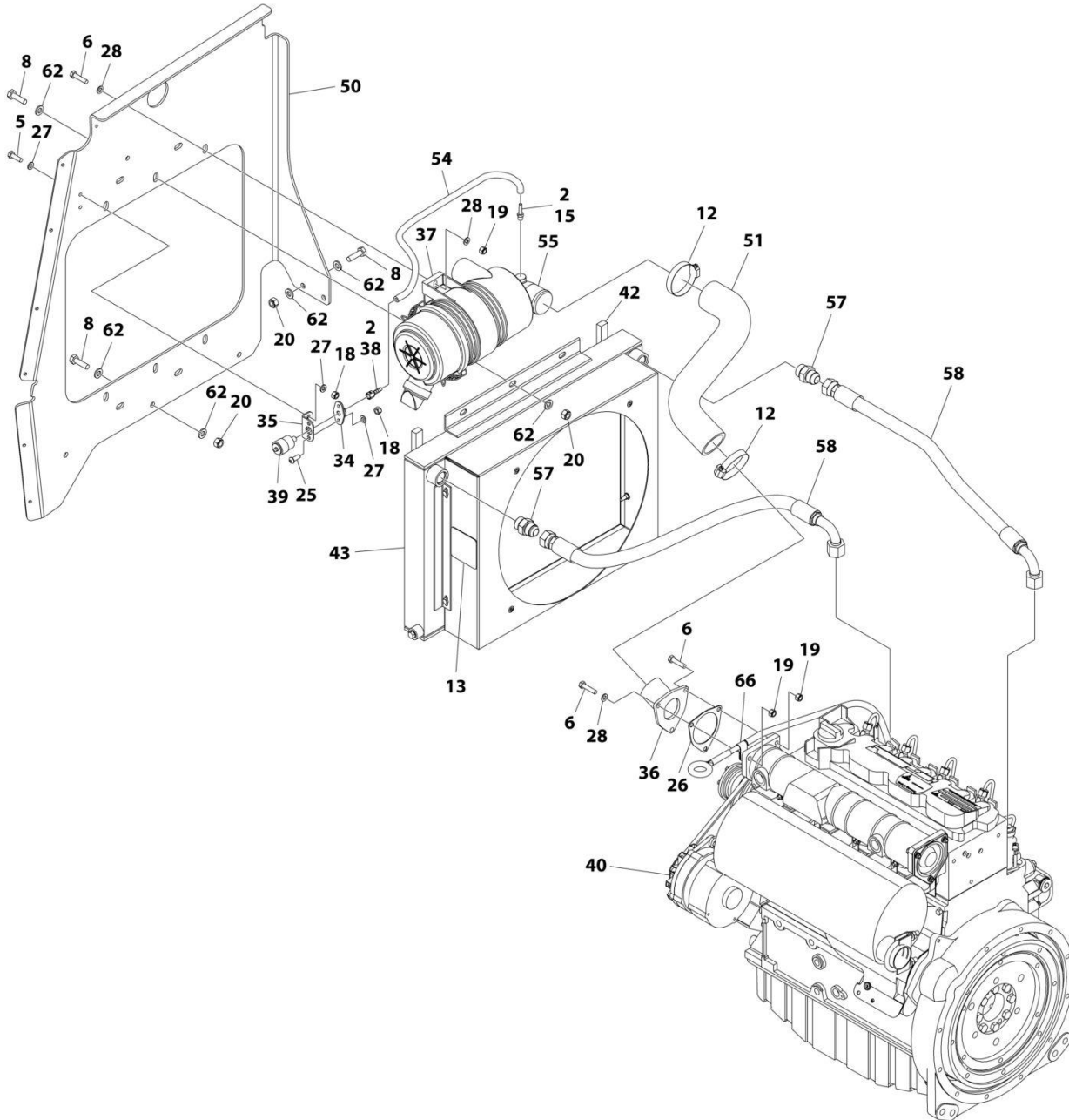
## SECTION 3 - ENGINE

**FIGURE 3-7. DEUTZ D2011 ENGINE AND PUMPS SUB-ASSEMBLY - WITH ARCTIC PACKAGE (600S HC3/660SJ HC3)**

ITEM	PART NUMBER	QTY	DESCRIPTION	REV
	1001186817	Ref	DEUTZ D2011 ENGINE AND PUMPS SUB-ASSEMBLY	G
1	0100011	AR	Compound, Locking	
2	0760612	1	Bolt M6 x 25	
3	2131616	2	Fitting, 90 ORFS/ORB	
4	2220946	1	Fitting, Straight JIC/ORB	
5	2220479	1	Fitting, Straight JIC/ORB	
6	2220451	1	Fitting, Straight JIC/ORB	
7	2220947	2	Fitting, Straight JIC/ORB	
8	3290605	1	Nut M6	
9	3422532	1	Pin	
10	3790152	1	O-Ring	
11	3931620	2	Capscrew 3/8 x 1-1/4	
11	3931618	2	Capscrew 3/8 x 1-1/8	
12	0641814	2	Bolt 1/2 x 1-3/4	
13	3960469	2	Seal	
14	4811700	1	Washer M6	
15	5241000	2	Washer M10	
16	5241200	2	Washer M12	
17	4811702	1	Washer M6	
18	1001184930	1	Piston Pump Assembly (See Separate Breakdown in this Section)	
19	1001186818	1	Deutz D2011 Engine Assembly (See Separate Breakdown in this Section)	
20	1001190143	1	Gear Pump Assembly	
20	70006356	1	Seal Kit - 1001190143 Pump	
22	2220408	1	Fitting, Straight JIC/ORB	
23	2220940	1	Fitting, 90 JIC/ORB	

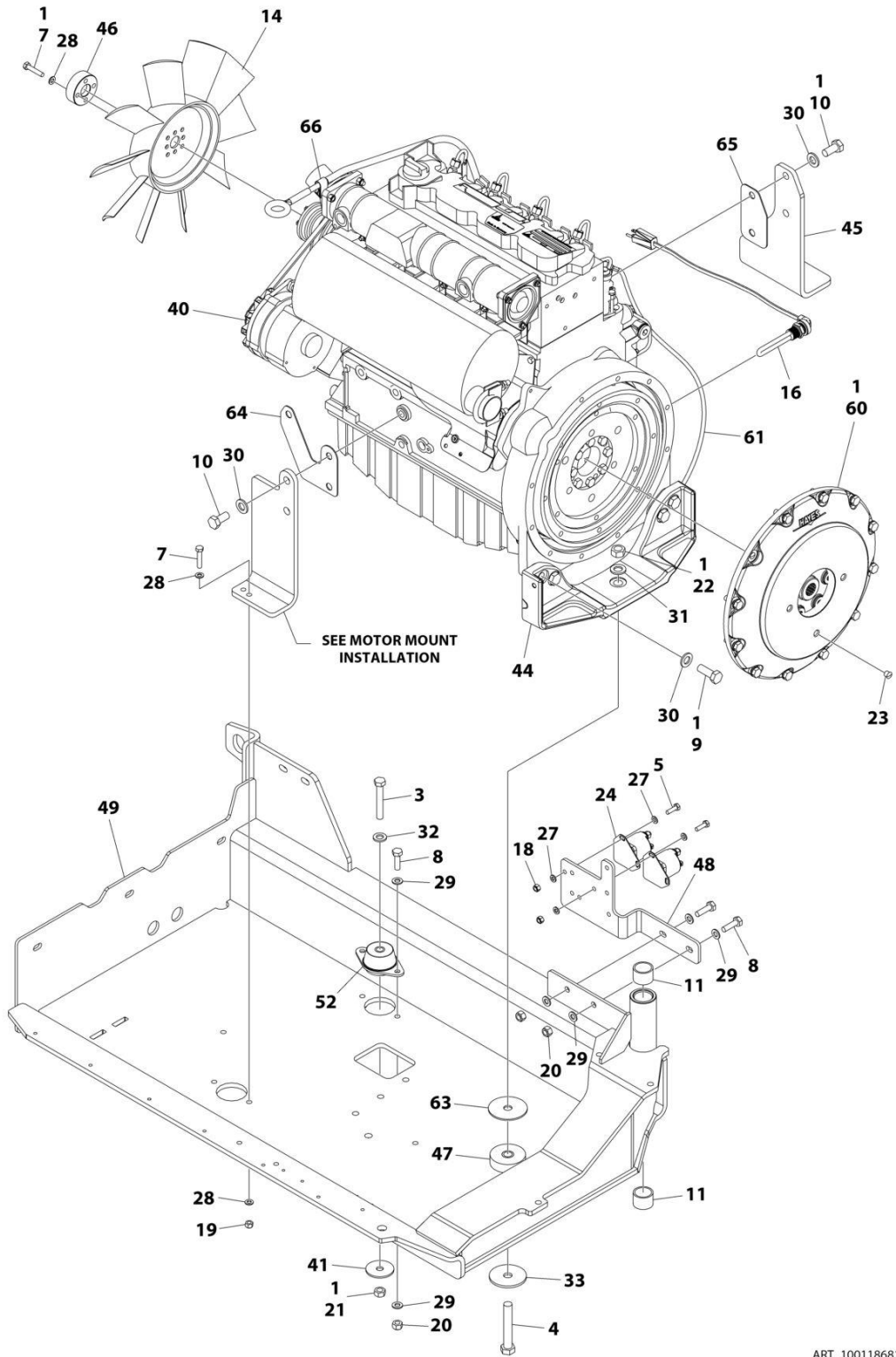
# SECTION 3 - ENGINE

## FIGURE 3-8. DEUTZ D2011 ENGINE ASSEMBLY - WITH ARCTIC PACKAGE (600S HC3/660SJ HC3)



ART\_1001186818\_W\_10F2

# SECTION 3 - ENGINE



ART\_1001186818\_W\_2OF2

## SECTION 3 - ENGINE

FIGURE 3-8. DEUTZ D2011 ENGINE ASSEMBLY - WITH ARCTIC PACKAGE (600S HC3/660SJ HC3)

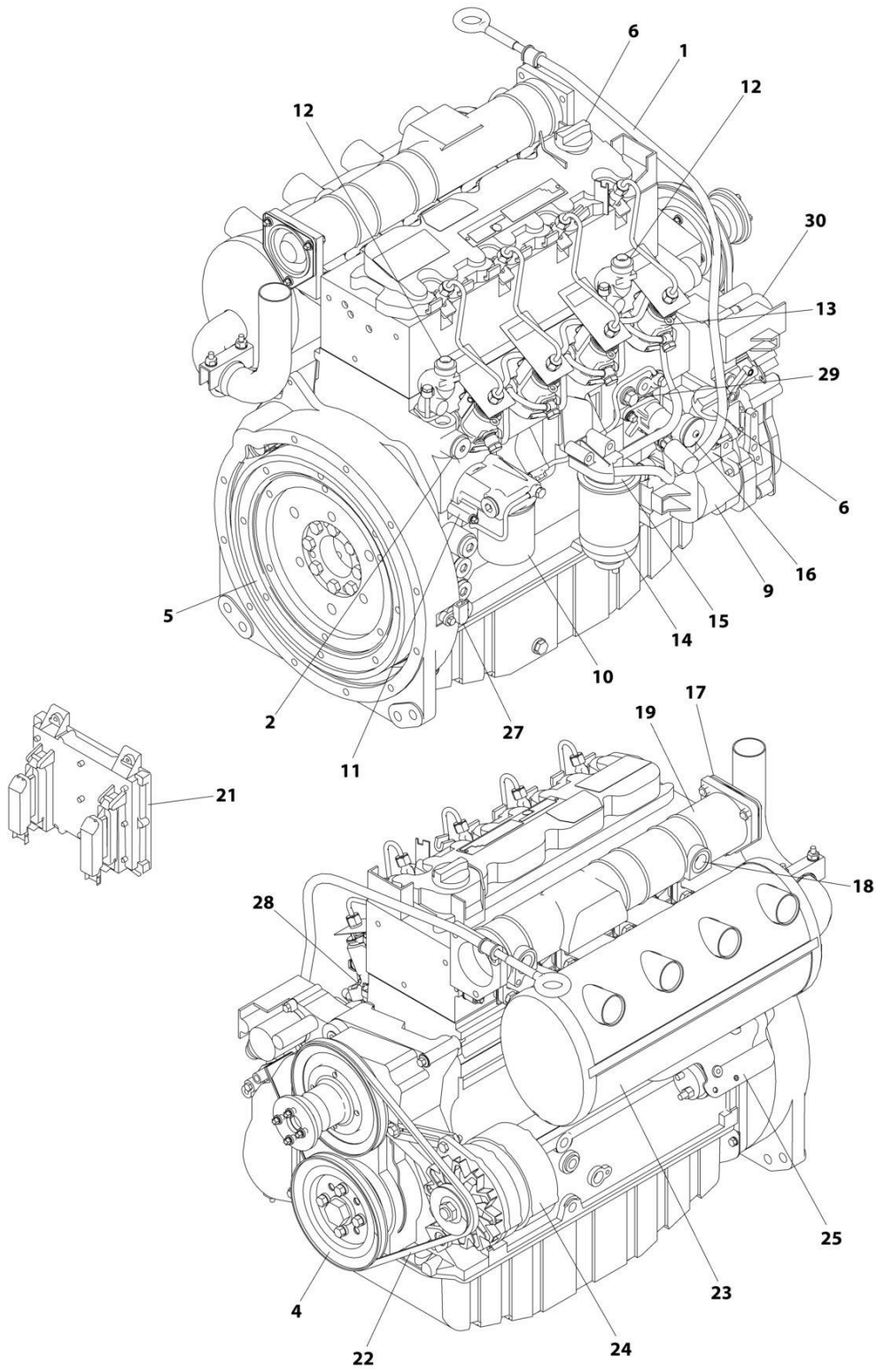
ITEM	PART NUMBER	QTY	DESCRIPTION	REV
	1001186818	Ref	DEUTZ D2011 ENGINE ASSEMBLY	W
1	0100011	AR	Compound, Locking	
2	0100020	AR	Sealant	
3	0711224	1	Bolt M12 x 80	
4	0711627	1	Bolt M16 x 100	
5	0760610	6	Bolt M6 x 20	
6	0760815	5	Bolt M8 x 35	
7	0760816	5	Bolt M8 x 40	
8	0761015	15	Bolt M10 x 35	
9	0771416	4	Bolt M14 x 40	
10	0771414	4	Bolt M14 x 30	
11	0961951	2	Bushing	
12	8405202	2	Clamp	
13	1703162	2	Decal - Fan Blade	
14	2060025	1	Fan	
15	2220315	1	Fitting, Straight Barbed	
16	2580062	1	Heater, Engine Block	
18	3290605	8	Nut M6	
19	3290805	6	Nut M8	
20	3291005	15	Nut M10	
21	3331211	1	Nut M12	
22	3331611	1	Nut M16	
23	3520054	2	Plug	
24	3740067	2	Relay	
25	3900357	2	Screw M6 x 16	
26	3960407	1	Gasket, Air Intake Adapter	
27	4811700	14	Washer M6	
28	4811900	11	Washer M8	
29	4812000	8	Washer M10	
30	5241400	8	Washer M14	
31	4812300	1	Washer M16	
32	5241200	1	Washer M12	
33	7300435	1	Washer	
34	1001138173	1	Support	
35	1001138175	1	Bracket	
36	1001139819	1	Adapter	
37	1001141694	1	Clamp, Air Cleaner	
38	1001141995	1	Fitting, Straight NPT/Barbed	
39	1001143390	1	Indicator, Air Filter Service	
40	1001146368	1	Deutz D2011 Engine (See Separate Breakdown in this Section)	
41	1001168018	1	Washer	
42	1001168166	2	Seal	
43	1001187082	1	Radiator	
44	1001188535	1	Bracket, Engine - Rear	
45	1001189026	1	Bracket, Engine - Right	
46	1001189161	1	Adapter, Fan	
47	1001190164	1	Mount, Motor	
48	1001203885	1	Plate	
49	1001200435	1	Tray	
50	1001236499	1	Support, Radiator	

## SECTION 3 - ENGINE

ITEM	PART NUMBER	QTY	DESCRIPTION	REV
51	1001191271	1	Hose	
52	1001191610	1	Mount, Motor	
54	1001138248	2 ft/1 m	Tube	
55	1001165388	1	Filter, Air Cleaner	
55	70003783	1	Element, Filter	
56	1001188236	1	Engine Harness - Deutz D2011 Engines (Not Shown) (See Separate Breakdown in ELECTRICAL Section)	
57	2220451	2	Fitting, Straight ORB/JIC	
58	2720398	2	Hose	
60	2902065	1	Pump Coupling Kit (See Separate Breakdown in this Section)	
61	1001234396	1	Glow Plug Harness	
62	5241000	22	Washer M10	
63	1001197725	1	Spacer	
64	1001201843	1	Shim .079	
65	1001201844	1	Shim .079	
66	1320070	1	Clamp	

# SECTION 3 - ENGINE

## FIGURE 3-9. DEUTZ D2011 ENGINE COMPONENTS (600S HC3/660SJ HC3)



ART\_1001146368

## SECTION 3 - ENGINE

**FIGURE 3-9. DEUTZ D2011 ENGINE COMPONENTS (600S HC3/660SJ HC3)**

ITEM	PART NUMBER	QTY	DESCRIPTION	REV
	1001146368	Ref	DEUTZ D2011 ENGINE COMPONENTS	D
1	7026631	1	Dipstick	
1	7020487	1	O-Ring, Dipstick	
1	70001002	1	Tube, Dipstick	
1	7020403	1	Seal, Dipstick Tube	
2	70003475	1	Thermostat	
2	7020460	1	Spring, Compression	
3	70002718	1	Seal, Rear Main (Not Shown)	
4	70005479	1	Pulley	
5	70001870	1	Flywheel	
5	7024579	1	Ring Gear	
6	7020465	2	Cap, Filler	
7	70003456	1	Gasket, Head (Not Shown)	
7	70003457	1	Gasket, Head (Not Shown)	
7	70003003	1	Gasket, Head (Not Shown)	
8	7020431	1	Gasket, Valve Cover (Not Shown)	
9	70001850	1	Pump, Oil Lube	
9	7020468	1	Seal Between Oil Pump and Engine Block (Not Shown)	
10	7016331	1	Filter, Oil	
11	70003472	1	Bracket, Oil Filter (Includes Spring, Control Valve, Temperature Sensor, Seal and Plug)	
11	7027236	1	Sensor, Temperature	
11	70003473	1	Gasket, Oil Filter Bracket to Engine Block	
12	70004268	2	Fitting, Radiator Connector (Located Between Item 220 and Engine Block)	
12	70004269	2	Seal for Radiator Connector Fitting	
13	70003478	4	Injector, Fuel	
13	70003136	4	Seal	
13		Ref	Pump, Injector Options:	
13	70000912	1	Series A Injector	
13	70000913	4	Series B Injector	
13	70000914	1	Series C Injector	
13	70000915	1	Series D Injector	
14	7016328	1	Filter, Fuel	
15	70001423	1	Bracket, Fuel Filter	
16	70000916	1	Pump Fuel Supply	
16	70001435	1	Repair Kit for Pump	
16	70000919	1	Hand Pump	
16	70000918	1	Seal, Hand Pump	
16	70000917	1	O-Seal Between Fuel Pump and Engine Block (Not Shown)	
17	70003469	1	Flange	
17	70003468	1	O-Seal	
18	70025084	1	Plug	
19	70003470	1	Manifold, Intake	
19	70001871	4	Gasket, Intake Manifold to Engine Block (Not Shown)	
20	70001847	1	Breather Valve (Not Shown - Located on Front Cover)	
20	70001126	1	Seal, Breather Valve	
21	7027795	1	Module, Control	
22	7020408	1	V-Belt	
23	7000695	1	Muffler (Includes Saddle Clamp)	

## SECTION 3 - ENGINE

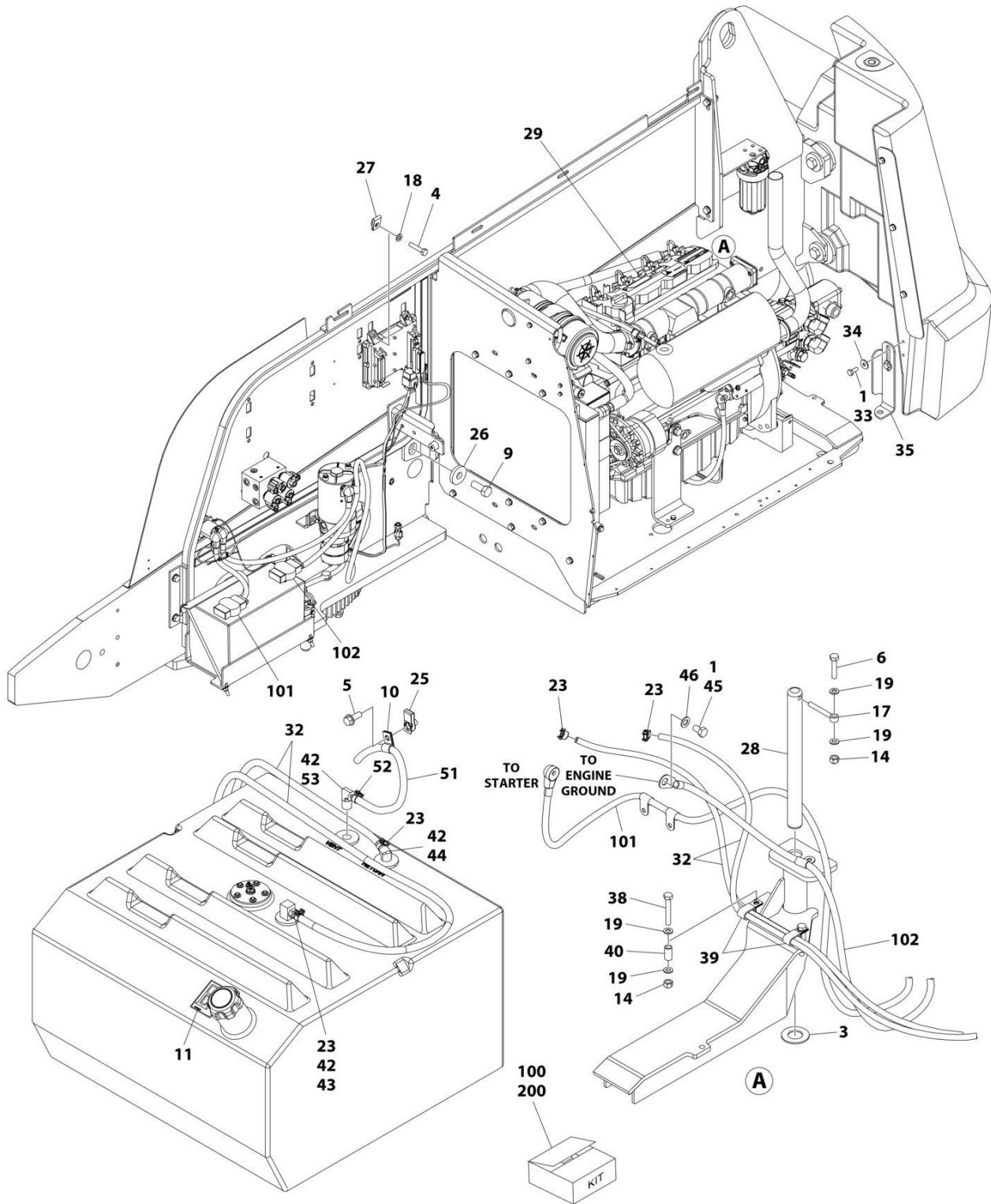
ITEM	PART NUMBER	QTY	DESCRIPTION	REV
23	7020471	4	Gasket, Exhaust Manifold (Not Shown)	
23	70004270	8	Stud, Exhaust Manifold (Not Shown)	
24	70004056	1	Alternator	
24	70001868	1	Regulator, Voltage Options (Not Shown)	
24	70001866	1	Gasket for Voltage Regulator (Not Shown)	
24	70002234	1	Bracket, Adjusting (Not Shown)	
24	70000851	1	Bracket, Mounting (Not Shown)	
25	7020479	1	Starter	
25	70004058	1	Relay	
25	70001498	1	Shield, Starter Heat	
26	70004059	1	Plug- In Connector for Analyzer (Not Shown)	
26	7027796	1	Harness, Module to Engine Harness (Not Shown)	
26	70004060	1	Plug- In Connector on p/n 7027796 Harness (Not Shown)	
26	70001872	1	Harness, Engine (Not Shown)	
26	70004103	1	Harness, Alternator (Not Shown)	
26	70004271	1	Harness, Starter (Not Shown)	
27	70004272	1	Sensor, Speed	
27	70003932	1	Spacer	
28	7027791	1	Transmitter, Temperature	
29	7027790	1	Sensor, Oil Pressure	
30	7027792	1	Actuator, Throttle	
30	7027276	1	Spring, Actuator	
31	70000345	4	Plug, Glow (Not Shown)	
32	70004273	1	Set, Engine Gasket (Not Shown)	





# SECTION 3 - ENGINE

FIGURE 3-10. DEUTZ D2011 (STAGE V) ENGINE INSTALLATION (600S HC3) (Prior to SN 0300274693)



ART\_1001235469

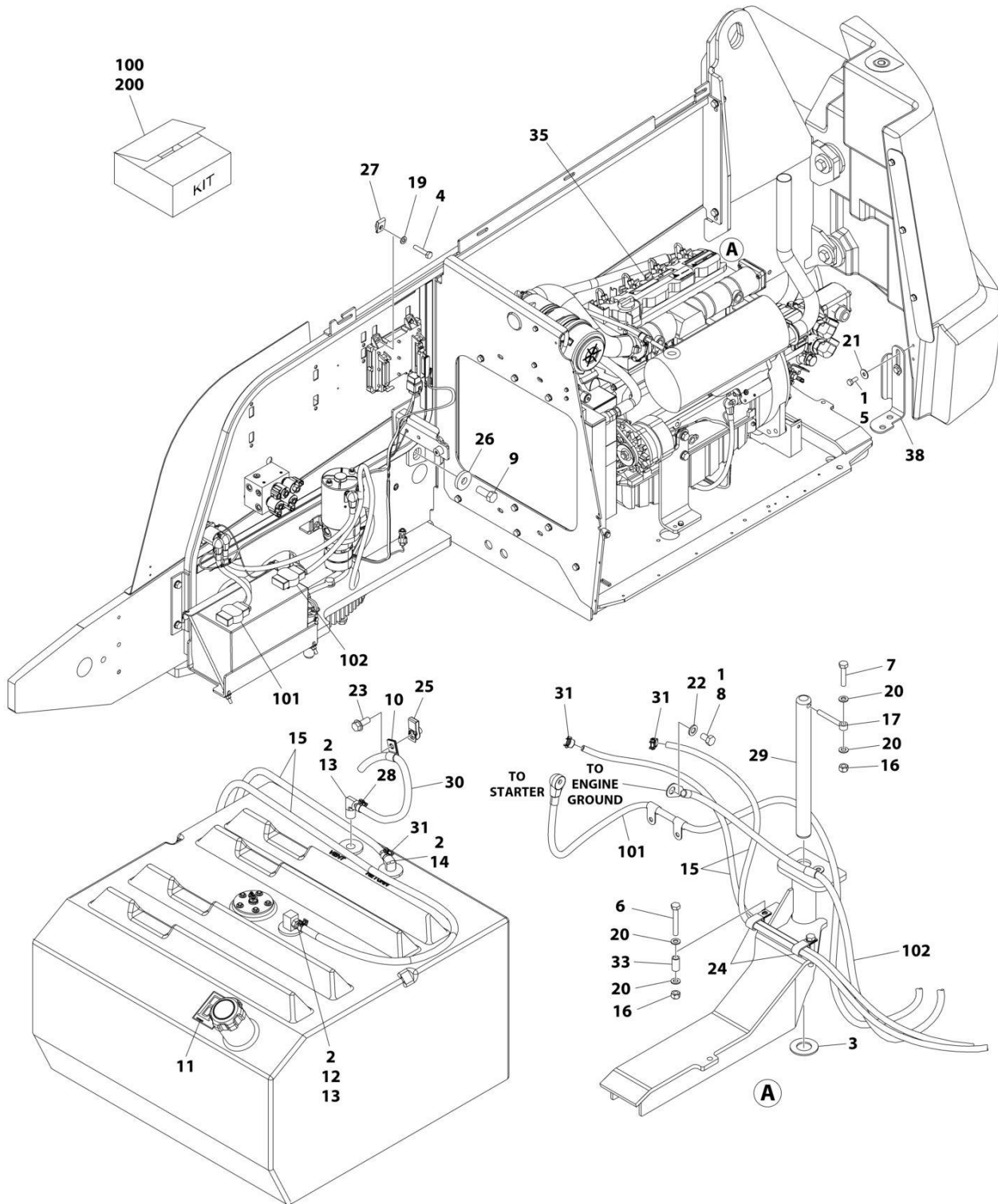
## SECTION 3 - ENGINE

**FIGURE 3-10. DEUTZ D2011 (STAGE V) ENGINE INSTALLATION (600S HC3) (Prior to SN 0300274693)**

ITEM	PART NUMBER	QTY	DESCRIPTION	REV
	1001235469	Ref	DEUTZ D2011 (STAGE V) ENGINE INSTALLATION	D
1	0100011	AR	Compound, Locking	
3	0440162	1	Bearing	
4	0700614	4	Bolt M6 x 30	
5	5251012	1	Bolt M10 x 25	
6	0711018	1	Bolt M10 x 50	
9	0772018	1	Bolt M20 x 50	
10	8406110	1	Clip	
11	1701505	1	Decal - Diesel Fuel	
14	3291005	3	Nut M10	
17	3841143	1	Keeper, Pin	
18	4811700	4	Washer M6	
19	4812000	6	Washer M10	
23	1001174486	4	Clamp	
25	1001118972	1	Nut, Tinnerman M10	
26	1001119051	1	Washer	
27	1001130220	4	Nut, Tinnerman M6	
28	1001155094	1	Pin	
29	1001235470	1	Deutz D2011 (Stage V) Engine and Pumps Sub-Assembly (See Separate Breakdown in this Section)	
32	2720058	288 in/ 7.3m	Hose, Fuel	
33	0701012	2	Bolt M10 x 70	
34	4812002	2	Washer M10	
35	1001196398	1	Bracket	
38	0701022	2	Bolt M10 x 70	
39	1001026127	2	Clamp	
40	1001200731	2	Tube	
41	4240099	5	Tie-Strap (Not Shown)	
42	0100020	AR	Sealant	
43	2180348	1	Fitting, Straight NPT x Barb	
44	2221176	1	Fitting, 90 Barbed	
45	0761210	1	Bolt M12 x 20	
46	4812100	1	Washer M12	
51	1001165035	20 in/ 0.5m	Hose	
52	1001136975	1	Clamp	
53	2220313	1	Fitting, 90 NPTF/Barb	
100	1001235699	1	Battery Cable Kit	
101	1001188667	1	Cable, Battery (+) to Aux Relay to Starter	
102	1001188670	1	Cable, Battery (-) to Aux Pump and Ground	
200	1001269919	1	Hose Assembly Kit	
201	1001192690	1	Hose (Case Drain) (Drive Pump Case Gauge Port to Tank) (Not Shown)	
202	1001203431	1	Hose (Case Drain) (Drive Pump Case Outlet Port to Tank) (Not Shown)	
203	1001203432	1	Hose (Function Suction) (Not Shown)	
204	1001203433	1	Hose (Drive Suction) (Not Shown)	

# SECTION 3 - ENGINE

**FIGURE 3-11. DEUTZ D2011 (STAGE V) ENGINE INSTALLATION (660SJ HC3) (Prior to SN 0300274693)**



ART\_1001258171

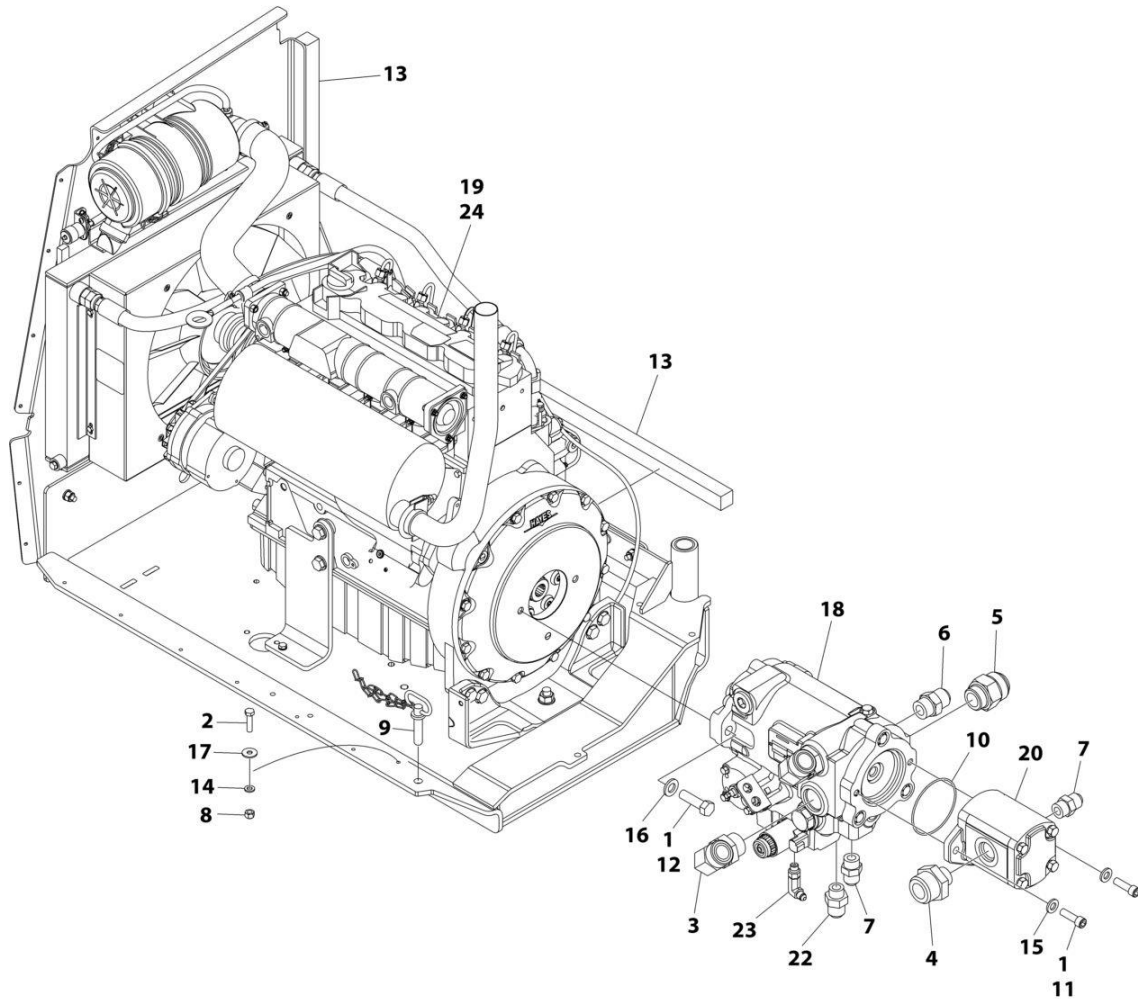
## SECTION 3 - ENGINE

**FIGURE 3-11. DEUTZ D2011 (STAGE V) ENGINE INSTALLATION (660SJ HC3) (Prior to SN 0300274693)**

ITEM	PART NUMBER	QTY	DESCRIPTION	REV
	1001258171	Ref	DEUTZ D2011 (STAGE V) ENGINE INSTALLATION	B
1	0100011	AR	Compound, Locking	
2	0100020	AR	Sealant	
3	0440162	1	Bearing	
4	0700614	4	Bolt M6 x 30	
5	0701012	2	Bolt M10 x 70	
6	0701022	2	Bolt M10 x 70	
7	0711018	1	Bolt M10 x 50	
8	0761210	1	Bolt M12 x 20	
9	0772018	1	Bolt M20 x 50	
10	1320061	1	Clamp	
11	1701505	1	Decal - Diesel Fuel	
12	2180348	1	Fitting, Straight NPT x Barb	
13	2220313	1	Fitting, 90 NPTF/Barb	
14	2221176	1	Fitting, 90 Barbed	
15	2720058	288 in/ 7.3m	Hose, Fuel	
16	3291005	3	Nut M10	
17	3841143	1	Keeper, Pin	
18	4240099	5	Tie-Strap (Not Shown)	
19	4811700	4	Washer M6	
20	4812000	6	Washer M10	
21	4812002	2	Washer M10	
22	4812100	1	Washer M12	
23	5251012	1	Bolt M10 x 25	
24	1001026127	2	Clamp	
25	1001118972	1	Nut, Tinnerman M10	
26	1001119051	1	Washer	
27	1001130220	4	Nut, Tinnerman M6	
28	1001136975	1	Clamp	
29	1001155094	1	Pin	
30	1001165035	20 in/ 0.5m	Hose	
31	1001174486	4	Clamp	
33	1001200731	2	Tube	
35	1001235470	1	Deutz D2011 (Stage V) Engine and Pumps Sub-Assembly (See Separate Breakdown in this Section)	
38	1001258175	1	Bracket	
100	1001235699	1	Battery Cable Kit	
101	1001188667	1	Cable, Battery (+) to Aux Relay to Starter	
102	1001188670	1	Cable, Battery (-) to Aux Pump and Ground	
200	1001269920	1	Engine Hose Kit	
201	1001192690	1	Hose (Case Drain) (Drive Pump Case Gauge Port to Tank) (Not Shown)	
202	1001203431	1	Hose (Case Drain) (Drive Pump Case Outlet Port to Tank) (Not Shown)	
203	1001258156	1	Hose (Function Suction) (Not Shown)	
204	1001258157	1	Hose (Drive Suction) (Not Shown)	

# SECTION 3 - ENGINE

FIGURE 3-12. DEUTZ D2011 (STAGE V) ENGINE AND PUMPS SUB-ASSEMBLY (600S HC3/660SJ HC3) (Prior to SN 0300274693)



ART\_1001235470\_C

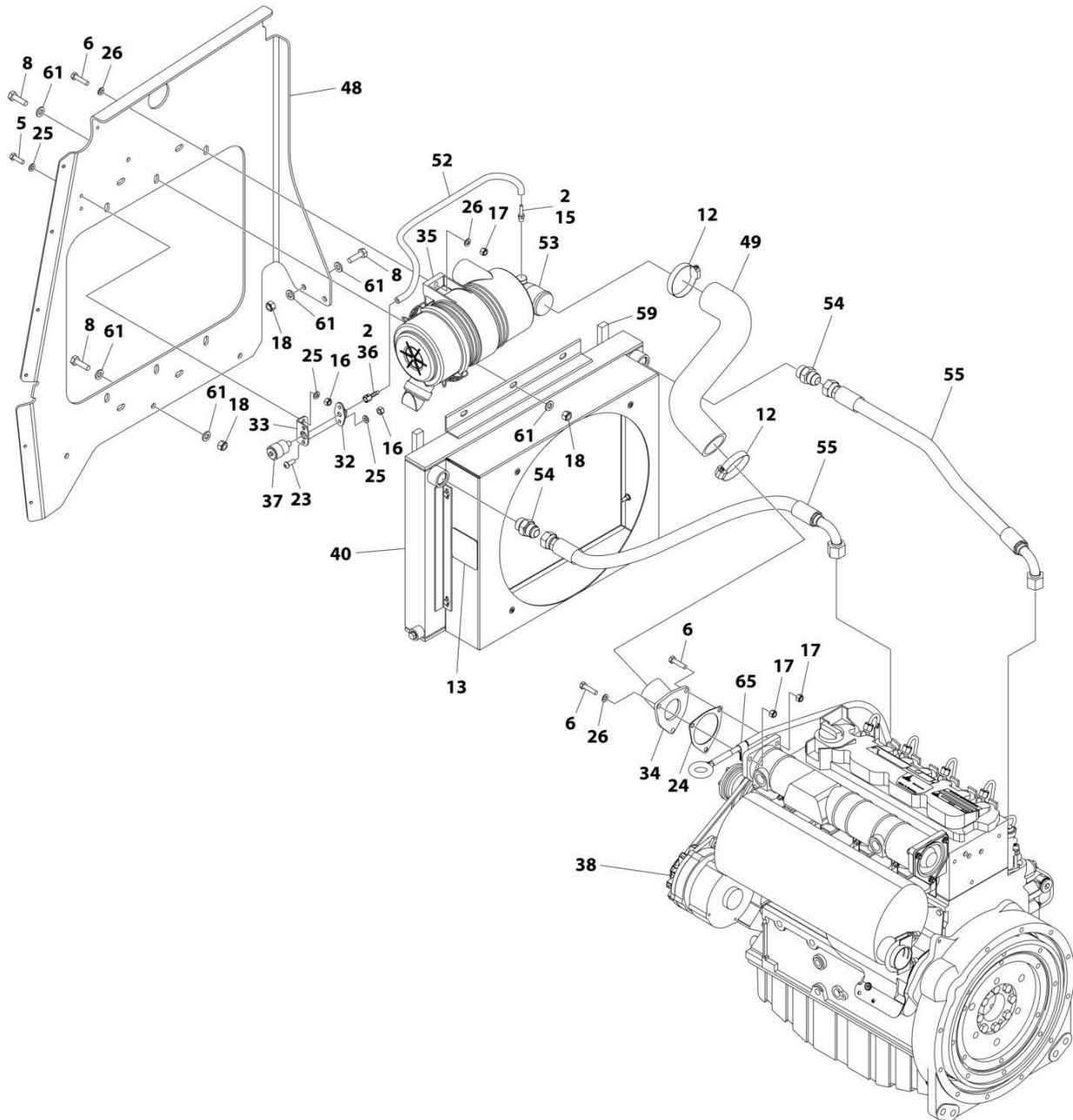
## SECTION 3 - ENGINE

**FIGURE 3-12. DEUTZ D2011 (STAGE V) ENGINE AND PUMPS SUB-ASSEMBLY (600S HC3/660SJ HC3) (Prior to SN 0300274693)**

ITEM	PART NUMBER	QTY	DESCRIPTION	REV
	1001235470	Ref	DEUTZ D2011 (STAGE V) ENGINE AND PUMPS SUB-ASSEMBLY	C
1	0100011	AR	Compound, Locking	
2	0760612	1	Bolt M6 x 25	
3	2131616	2	Fitting, 90 ORFS/ORB	
4	2220946	1	Fitting, Straight JIC/ORB	
5	2220479	1	Fitting, Straight JIC/ORB	
6	2220451	1	Fitting, Straight JIC/ORB	
7	2220947	2	Fitting, Straight JIC/ORB	
8	3290605	1	Nut M6	
9	3422532	1	Pin	
10	3790152	1	O-Ring	
11	3931618	2	Capscrew 3/8 x 1-1/8	
12	0641814	2	Bolt 1/2 x 1-3/4	
13	3960469	2	Seal	
14	4811700	1	Washer M6	
15	5241000	2	Washer M10	
16	5241200	2	Washer M12	
17	4811702	1	Washer M6	
18	1001184930	1	Piston Pump Assembly (See Separate Breakdown in this Section)	
19	1001235471	1	Deutz D2011 (Stage V) Engine Assembly (See Separate Breakdown in this Section)	
20	1001190143	1	Gear Pump Assembly	
20	70006356	1	Seal Kit - 1001190143 Pump	
22	2220408	1	Fitting, Straight JIC/ORB	
23	2220940	1	Fitting, 90 JIC/ORB	
24	1001235457	1	Deutz D2011 (Stage V) Engine Components (See Separate Breakdown in this Section)	

# SECTION 3 - ENGINE

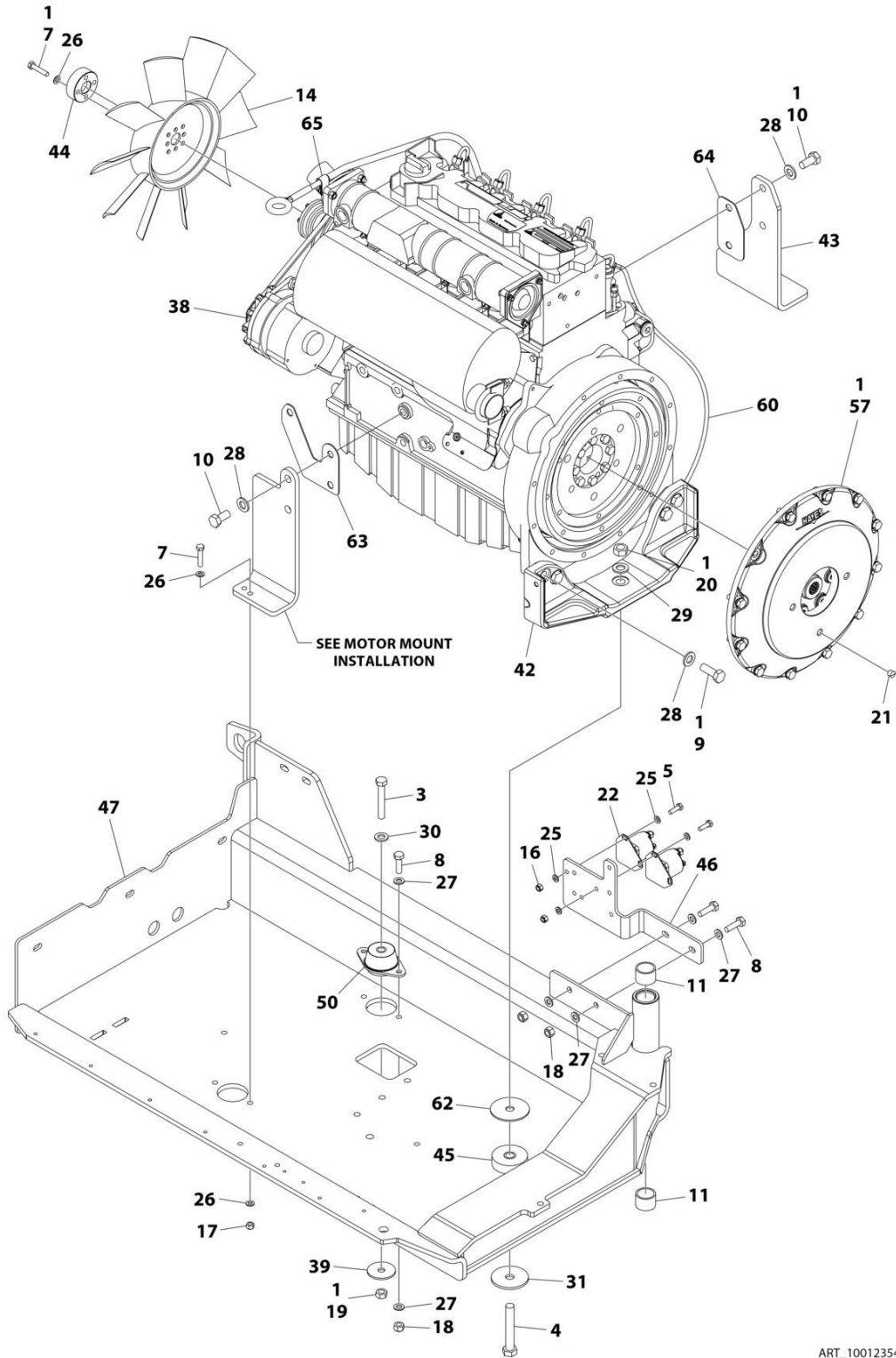
FIGURE 3-13. DEUTZ D2011 (STAGE V) ENGINE ASSEMBLY (600S HC3/660SJ HC3) (Prior to SN 0300274693)



ART\_1001235471\_D\_10F2



# SECTION 3 - ENGINE



ART\_1001235471\_D\_20F2

## SECTION 3 - ENGINE

**FIGURE 3-13. DEUTZ D2011 (STAGE V) ENGINE ASSEMBLY (600S HC3/660SJ HC3) (Prior to SN 0300274693)**

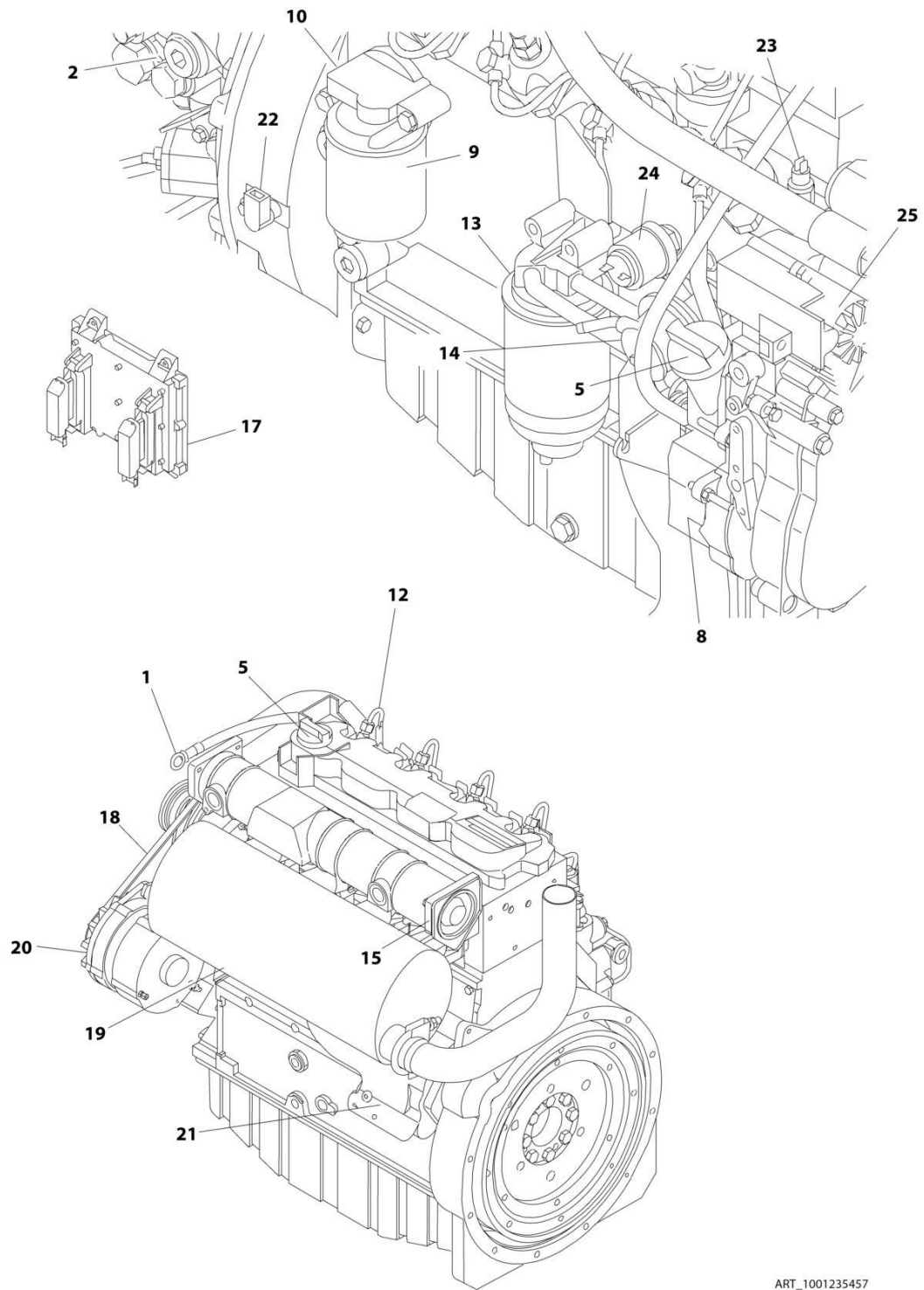
ITEM	PART NUMBER	QTY	DESCRIPTION	REV
	1001235471	Ref	DEUTZ D2011 (STAGE V) ENGINE ASSEMBLY	D
1	0100011	AR	Compound, Locking	
2	0100020	AR	Sealant	
3	0711224	1	Bolt M12 x 80	
4	0711627	1	Bolt M16 x 100	
5	0760610	6	Bolt M6 x 20	
6	0760815	5	Bolt M8 x 35	
7	0760816	5	Bolt M8 x 40	
8	0761015	15	Bolt M10 x 35	
9	0771416	4	Bolt M14 x 40	
10	0771414	4	Bolt M14 x 30	
11	0961951	2	Bushing	
12	8405202	2	Clamp	
13	1703162	2	Decal - Fan Blade	
14	2060025	1	Fan	
15	2220315	1	Fitting, Straight Barbed	
16	3290605	8	Nut M6	
17	3290805	6	Nut M8	
18	3291005	15	Nut M10	
19	3331211	1	Nut M12	
20	3331611	1	Nut M16	
21	3520054	2	Plug	
22	3740067	2	Relay	
23	3900357	2	Screw M6 x 16	
24	3960407	1	Gasket, Air Intake Adapter	
25	4811700	14	Washer M6	
26	4811900	11	Washer M8	
27	4812000	8	Washer M10	
28	5241400	8	Washer M14	
29	4812300	1	Washer M16	
30	5241200	1	Washer M12	
31	7300435	1	Washer	
32	1001138173	1	Support	
33	1001138175	1	Bracket	
34	1001139819	1	Adapter	
35	1001141694	1	Clamp, Air Cleaner	
36	1001141995	1	Fitting, Straight NPT/Barbed	
37	1001143390	1	Indicator, Air Filter Service	
38	1001235457	1	Deutz D2011 (Stage V) Engine Components (See Separate Breakdown in this Section)	
39	1001168018	1	Washer	
40	1001187082	1	Radiator	
41	1001188236	1	Engine Harness - Deutz D2011 Engines (Not Shown) (See Separate Breakdown in ELECTRICAL SECTION)	
42	1001188535	1	Bracket, Engine - Rear	
43	1001189026	1	Bracket, Engine - Right	
44	1001189161	1	Adapter, Fan	
45	1001190164	1	Mount, Motor	
46	1001203885	1	Plate	

## SECTION 3 - ENGINE

ITEM	PART NUMBER	QTY	DESCRIPTION	REV
47	1001200435	1	Tray	
48	1001200791	1	Support, Radiator	
49	1001191271	1	Hose	
50	1001191610	1	Mount, Motor	
52	1001138248	21.7 in/ 0.6m	Tube	
53	1001165388	1	Filter, Air	
53	70003783	1	Element, Filter	
54	2220451	2	Fitting, Straight ORB/JIC	
55	2720398	2	Hose	
57	2902065	1	Pump Coupling Kit (See Separate Breakdown in this Section)	
59	1001168166	2	Seal	
60	1001234396	1	Glow Plug Harness	
61	5241000	22	Washer M10	
62	1001197725	1	Spacer	
63	1001201843	1	Shim .079	
64	1001201844	1	Shim .079	
65	1320070	1	Clamp	

# SECTION 3 - ENGINE

FIGURE 3-14. DEUTZ D2011 (STAGE V) ENGINE COMPONENTS (600S HC3/660SJ HC3) (Prior to SN 0300274693)



ART\_1001235457

## SECTION 3 - ENGINE

**FIGURE 3-14. DEUTZ D2011 (STAGE V) ENGINE COMPONENTS (600S HC3/660SJ HC3) (Prior to SN 0300274693)**

ITEM	PART NUMBER	QTY	DESCRIPTION	REV
	1001235457	Ref	DEUTZ D2011 (STAGE V) ENGINE COMPONENTS	B
1	7026631	1	Dipstick	
1	7020487	1	Seal, Dipstick	
1	70001002	1	Tube, Dipstick	
1	7020403	1	Seal, Dipstick Tube	
2	70003475	1	Thermostat	
3	70002718	1	Seal, Rear Main (Not Shown)	
4	70001870	1	Flywheel (Not Shown)	
4	7024579	1	Ring Gear (Located on Flywheel - Not Shown)	
5	7020465	2	Cap, Filler	
6		Ref	Gasket, Head Options (Not Shown):	
6	70003456	1	Gasket with 1 Notch	
6	70003457	1	Gasket with 2 Notches	
6	70003003	1	Gasket with 3 Notches	
6	7020431	1	Gasket, Valve Cover (Not Shown)	
6	70004273	1	Gasket Kit (Note: Does not include Head Gasket)	
7	70000800	1	Kit, Timing Belt/Idler (Not Shown)	
8	70001850	1	Pump, Oil Lube	
8	7020468	1	Seal Between Oil Pump and Engine Block (Not Shown)	
9	7016331	1	Filter, Oil	
10	70003472	1	Bracket, Oil Filter	
10	7027236	1	Sender, Temperature	
10	70003473	1	Gasket, Bracket to Engine Block	
11	70004268	2	Connector, Radiator Hose (Not Shown)	
11	70004269	2	Ring, Sealing (Not Shown)	
12	70003478	4	Injector, Fuel	
12	70003136	4	Seal	
12		Ref	Pump, Injector Options:	
12	70000912	Ref	Series A Injector	
12	70000913	4	Series B Injector	
12	70000914	4	Series C Injector	
12	70000915	4	Series D Injector	
12	70003464	4	O-Ring	
13	7016328	1	Filter, Fuel	
13	70001423	1	Bracket, Fuel Filter	
14	70000916	1	Pump Fuel Supply	
14	70001435	1	Repair Kit for 70000916 Pump	
14	70000919	1	Hand Pump	
14	70000918	1	Seal, Hand Pump	
14	70000917	1	O-Seal Between Fuel Pump and Engine Block	
15		Ref	Intake Manifold Components	
15	70003469	1	Flange, Blanking	
15	70003468	1	Seal (Flange to Air Intake Manifold)	
15	70001871	4	Gasket, Intake Manifold to Engine Block (Not Shown)	
15	70003470	8	Screw, Torx Head (Not Shown)	
16	70001847	1	Breather Valve (Not Shown - Located On Front Cover)	
16	70001126	1	Seal, Breather Valve	
17	7027795	1	Module, Control	
17		Ref	Left Module Connections:	

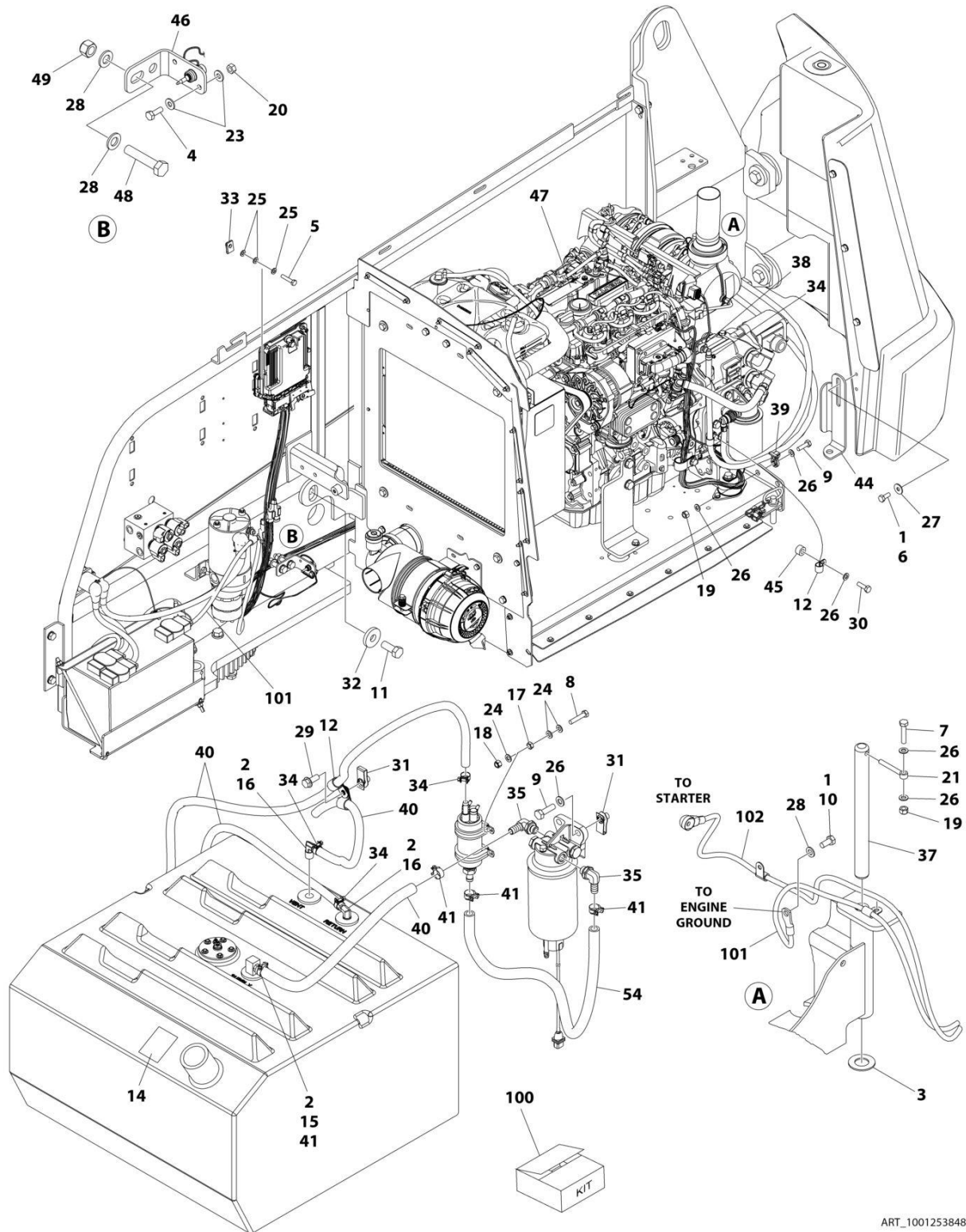
## SECTION 3 - ENGINE

ITEM	PART NUMBER	QTY	DESCRIPTION	REV
17	7027796	1	Cable, Interconnect (Module to 70001872 Cable)	
17	70004060	1	Plug, Connector	
17	70001872	1	Cable, Harness	
17	70004103	1	Cable (Alternator to 70001872 Cable)	
17	70004271	1	Cable (Starter to 70001872 Cable)	
17		Ref	Right Module Connections:	
17	70004059	1	Plug, Diagnostic	
18	7020408	1	V-Belt	
19		Ref	Muffler Options:	
19	7000695	1	Standard Muffler (Supplied with Engine)	
19	See Note	1	Spark Arrester Muffler	
19	See Note	1	Catalytic Muffler	
19		Ref	Muffler Components:	
19	1320176	1	Clamp, Saddle	
19	70001017	1	Clamp	
19	7024560	1	Plug, Brass	
19	See Note	1	Pipe, Exhaust Standard Muffler (Note: Purchase Locally)	
19	7024398	1	Pipe, Exhaust	
19	7020471	4	Gasket, Exhaust Manifold to Engine Block	
19	70004270	8	Stud, Muffler	
20	70004056	1	Alternator	
20	70001868	1	Regulator, Voltage (Not Shown)	
20	70001866	1	Seal, Gasket for Voltage Regulator (Not Shown)	
20	70000851	1	Bracket, Mounting (Not Shown)	
20	70002234	1	Bracket, Adjusting (Not Shown)	
21	7020479	1	Starter	
21	70004058	1	Relay	
21	70001498	1	Shield, Starter Heat	
22	70004272	1	Sensor, Speed	
22	70003932	1	Spacer, Sensor	
23	7027791	1	Transmitter, Temperature	
24	7027790	1	Sensor, Oil Pressure	
25	7027792	1	Actuator, Throttle	
25	7027276	2	Spring, Actuator	
26	70000345	4	Plug, Glow (Not Shown)	
27	70005479	1	Pulley, Crankshaft (Not Shown)	



# SECTION 3 - ENGINE

FIGURE 3-15. DEUTZ TD 2.2L3 (STAGE V) ENGINE INSTALLATION (600S HC3 (SN 0300274693 to Present))



ART\_1001253848



## SECTION 3 - ENGINE

**FIGURE 3-15. DEUTZ TD 2.2L3 (STAGE V) ENGINE INSTALLATION (600S HC3 (SN 0300274693 to Present))**

ITEM	PART NUMBER	QTY	DESCRIPTION	REV
	1001253848	Ref	DEUTZ TD2.2L3 (STAGE V) ENGINE INSTALLATION	G
1	0100011	AR	Compound, Locking	
2	0100020	AR	Sealant	
3	0440162	1	Bearing	
4	0641406	1	Bolt 1/4 x 3/4	
5	0700614	4	Bolt M6 x 30	
6	0701012	2	Bolt M10 x 25	
7	0711018	1	Bolt M10 x 50	
8	0760512	4	Bolt M5 x 25	
9	0761015	3	Bolt M10 x 35	
10	0771212	1	Bolt M12 x 25	
11	0772018	1	Bolt M20 x 50	
12	1320061	3	Clamp	
14	1701505	1	Decal - Diesel Fuel	
15	2180832	1	Fitting, Straight Barbed	
16	2220313	2	Fitting, 90 NPTF/Barb	
17	3290501	4	Nut M5	
18	3290505	4	Nut M5	
19	3291005	2	Nut M10	
20	3311405	1	Nut 1/4	
21	3841143	1	Keeper, Pin	
22	4240099	AR	Tie-Strap (Not Shown)	
23	4711400	2	Washer 1/4	
24	4811600	12	Washer M5	
25	4811700	12	Washer M6	
26	4812000	7	Washer M10	
27	4812002	2	Washer M10	
28	4812100	5	Washer M12	
29	5251012	1	Bolt M10 x 25	
30	0761014	1	Bolt M10 x 30	
31	1001118972	3	Nut, Tinnerman M10	
32	1001119051	1	Washer	
33	1001130220	4	Nut, Tinnerman M6	
34	1001136975	5	Clamp	
35	1001142501	2	Fitting, 90 Barbed	
36	1001146588	1	Tie-Strap (Not Shown)	
37	1001155094	1	Pin	
38	1001155823	1	Fitting, 90 Quick Connect	
39	1001156107	1	Holder, Cable	
40	1001165035	27 ft/ 8.3m	Hose	
41	8405006	4	Clip	
43	1001190444	1	Fuel Pump Harness - Deutz TD2.2L3 (Stage V) Engine (Not Shown) (See Separate Breakdown in ELECTRICAL Section)	
44	1001196398	1	Bracket	
45	1001220266	1	Spacer	
46	1001253879	1	Bracket	
47	1001253847	1	Deutz TD2.2L3 (Stage V) Engine and Pump Sub-Assembly (See Separate Breakdown in this Section)	

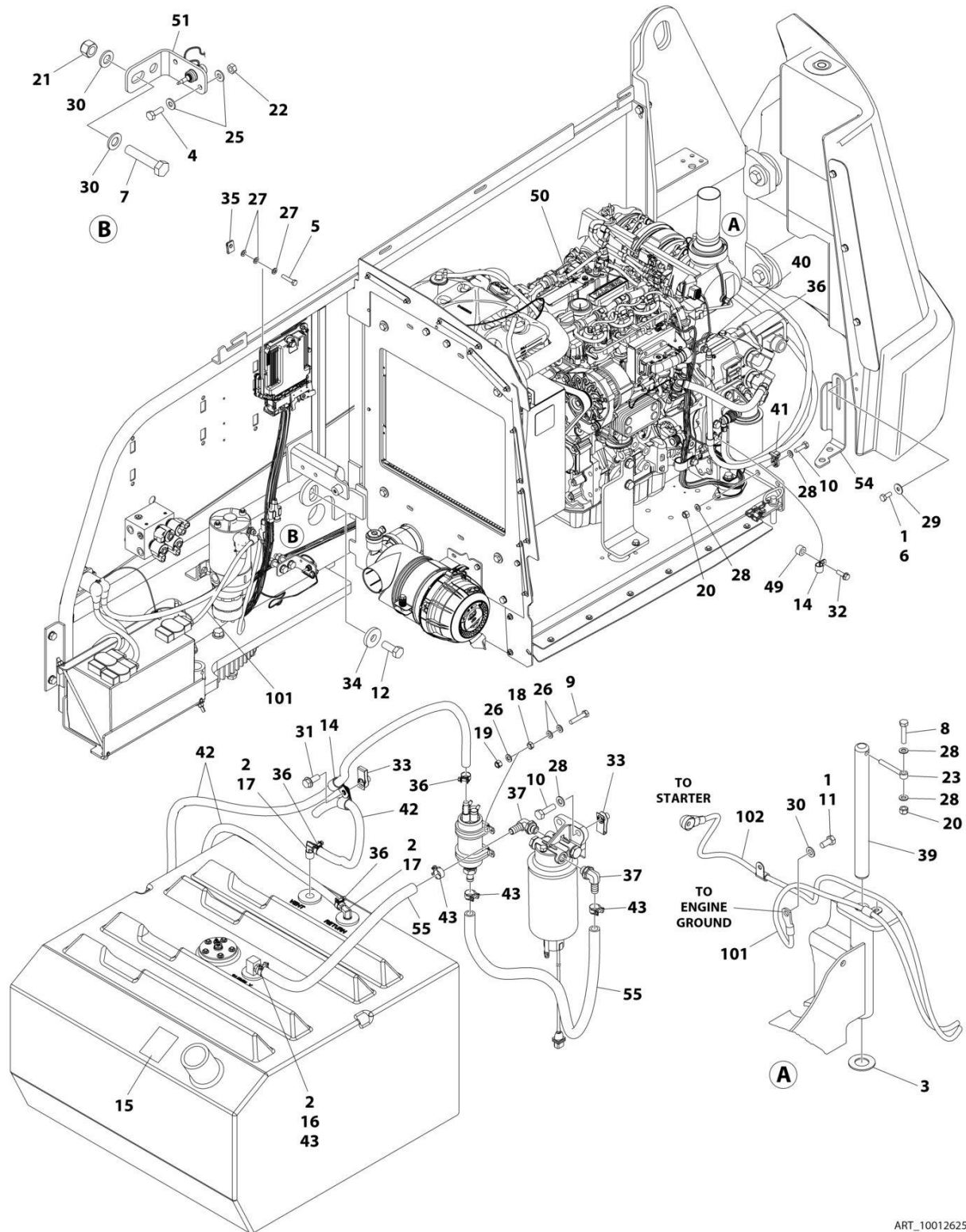
## SECTION 3 - ENGINE

ITEM	PART NUMBER	QTY	DESCRIPTION	REV
48	0701220	2	Bolt M12 x 60	
49	3291205	2	Nut M12	
54	1001154405	2.8 ft/ 0.8m	Hose	
100	1001235532	1	Battery Cable Kit (Includes Items 101 & 102)	
101	1001188668	1	Cable, Battery (-) to Aux Pump and Ground	
102	1001188669	1	Cable, Battery (+) to Aux Relay to Starter	
200	1001269919	1	Hose Kit (Not Shown)	
201	1001192690	1	Hose (Case Drain) (Drive Pump Case Gauge Port to Tank) (Not Shown)	
202	1001203431	1	Hose (Case Drain) (Drive Pump Case Outlet Port to Tank) (Not Shown)	
203	1001203432	1	Hose (Function Suction) (Not Shown)	
204	1001203433	1	Hose (Drive Suction) (Not Shown)	



# SECTION 3 - ENGINE

FIGURE 3-16. DEUTZ TD 2.2L3 (STAGE V) ENGINE INSTALLATION (660S HC3) (SN 0300274693 to Present)



ART\_1001262589

## SECTION 3 - ENGINE

**FIGURE 3-16. DEUTZ TD 2.2L3 (STAGE V) ENGINE INSTALLATION (660S HC3) (SN 0300274693 to Present)**

ITEM	PART NUMBER	QTY	DESCRIPTION	REV
	1001262589	Ref	DEUTZ TD2.2L3 (STAGE V) ENGINE INSTALLATION	C
1	0100011	AR	Compound, Locking	
2	0100020	AR	Sealant	
3	0440162	1	Bearing	
4	0641406	1	Bolt 1/4 x 3/4	
5	0700614	4	Bolt M6 x 30	
6	0701012	2	Bolt M10 x 25	
7	0701220	2	Bolt M12 x 60	
8	0711018	1	Bolt M10 x 50	
9	0760512	4	Bolt M5 x 25	
10	0761015	3	Bolt M10 x 35	
11	0771212	1	Bolt M12 x 25	
12	0772018	1	Bolt M20 x 50	
14	1320061	3	Clamp	
15	1701505	1	Decal - Diesel Fuel	
16	2180832	1	Fitting, Straight Barbed	
17	2220313	2	Fitting, 90 NPTF/Barb	
18	3290501	4	Nut M5	
19	3290505	4	Nut M5	
20	3291005	2	Nut M10	
21	3291205	2	Nut M12	
22	3311405	1	Nut 1/4	
23	3841143	1	Keeper, Pin	
24	4240099	AR	Tie-Strap (Not Shown)	
25	4711400	2	Washer 1/4	
26	4811600	12	Washer M5	
27	4811700	12	Washer M6	
28	4812000	7	Washer M10	
29	4812002	2	Washer M10	
30	4812100	5	Washer M12	
31	5251012	1	Bolt M10 x 25	
32	0761014	1	Bolt M10 x 30	
33	1001118972	3	Nut, Tinnerman M10	
34	1001119051	1	Washer	
35	1001130220	4	Nut, Tinnerman M6	
36	1001136975	5	Clamp	
37	1001142501	2	Fitting, 90 Barbed	
38	1001146588	1	Tie-Strap (Not Shown)	
39	1001155094	1	Pin	
40	1001155823	1	Fitting, 90 Quick Connect	
41	1001156107	1	Holder, Cable	
42	1001165035	27 ft/ 8.3m	Hose	
43	8405006	4	Clamp	
46	1001190444	1	Fuel Pump Harness - Deutz TD2.2L3 (Stage V) Engine (Not Shown) (See Separate Breakdown in ELECTRICAL Section)	
49	1001220266	1	Spacer	
50	1001253847	1	Deutz TD2.2L3 (Stage V) Engine and Pump Sub-Assembly (See Separate Breakdown in this Section)	

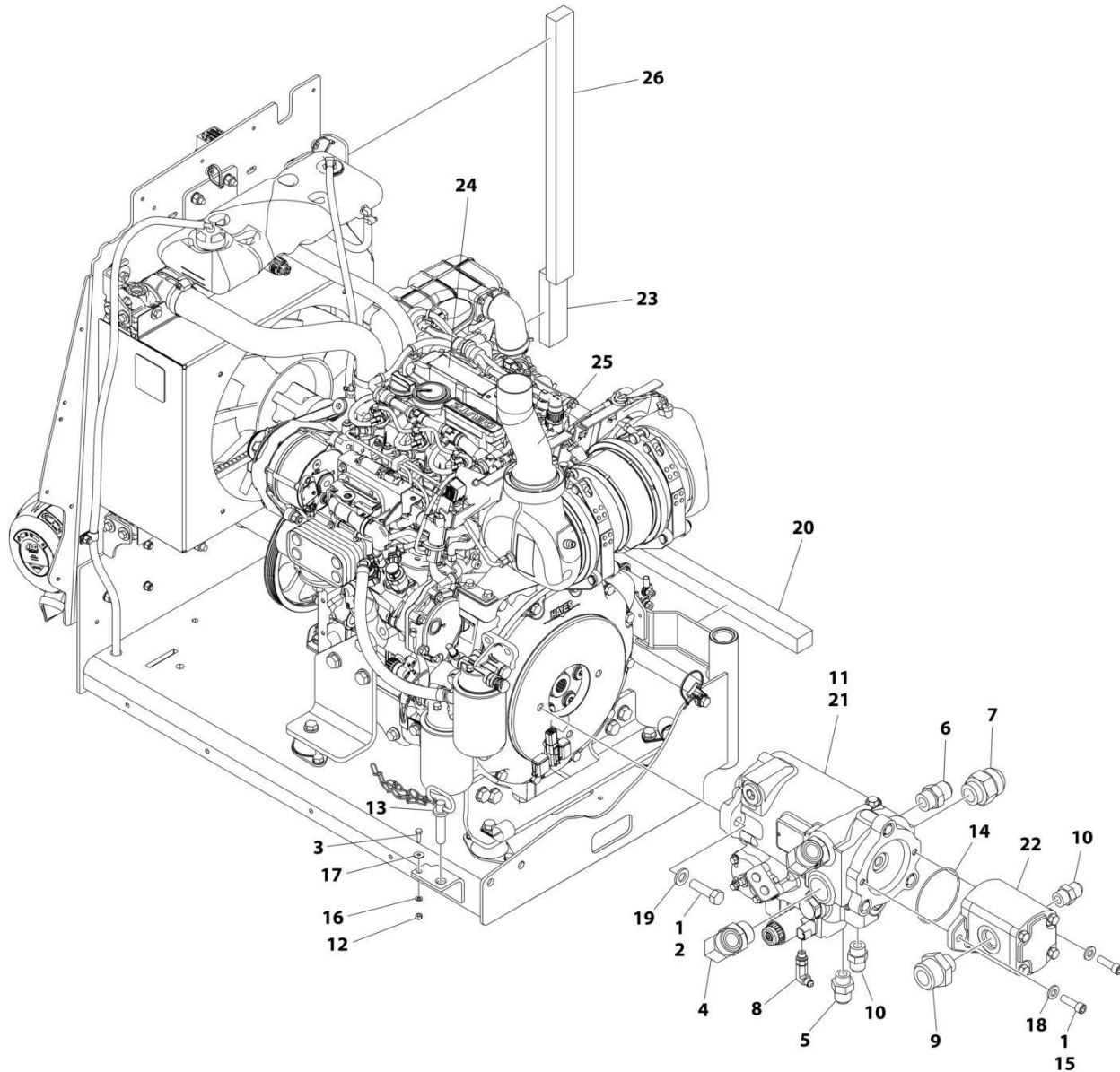
## SECTION 3 - ENGINE

ITEM	PART NUMBER	QTY	DESCRIPTION	REV
51	1001256879	1	Bracket	
54	1001258175	2.77 ft/ 0.8m	Bracket	
55	1001154405	1	Hose	
100	1001235532	1	Battery Cable Kit (Includes Items 101 & 102) (Not Shown)	
101	1001188668	1	Cable, Battery (-) to Aux Pump and Ground	
102	1001188669	1	Cable, Battery (+) to Aux Relay to Starter	
200	1001269920	1	Hose Kit (Not Shown)	
201	1001192690	1	Hose (Case Drain) (Drive Pump Case Gauge Port to Tank) (Not Shown)	
202	1001203431	1	Hose (Case Drain) (Drive Pump Case Outlet Port to Tank) (Not Shown)	
203	1001258156	1	Hose (Function Suction) (Not Shown)	
204	1001258157	1	Hose (Drive Suction) (Not Shown)	



# SECTION 3 - ENGINE

FIGURE 3-17. DEUTZ TD2.2L3 ENGINE AND PUMPS SUB-ASSEMBLY - WITHOUT ARCTIC PACKAGE  
(600S HC3/660SJ HC3) (SN 0300274693 to Present)



ART\_1001253847



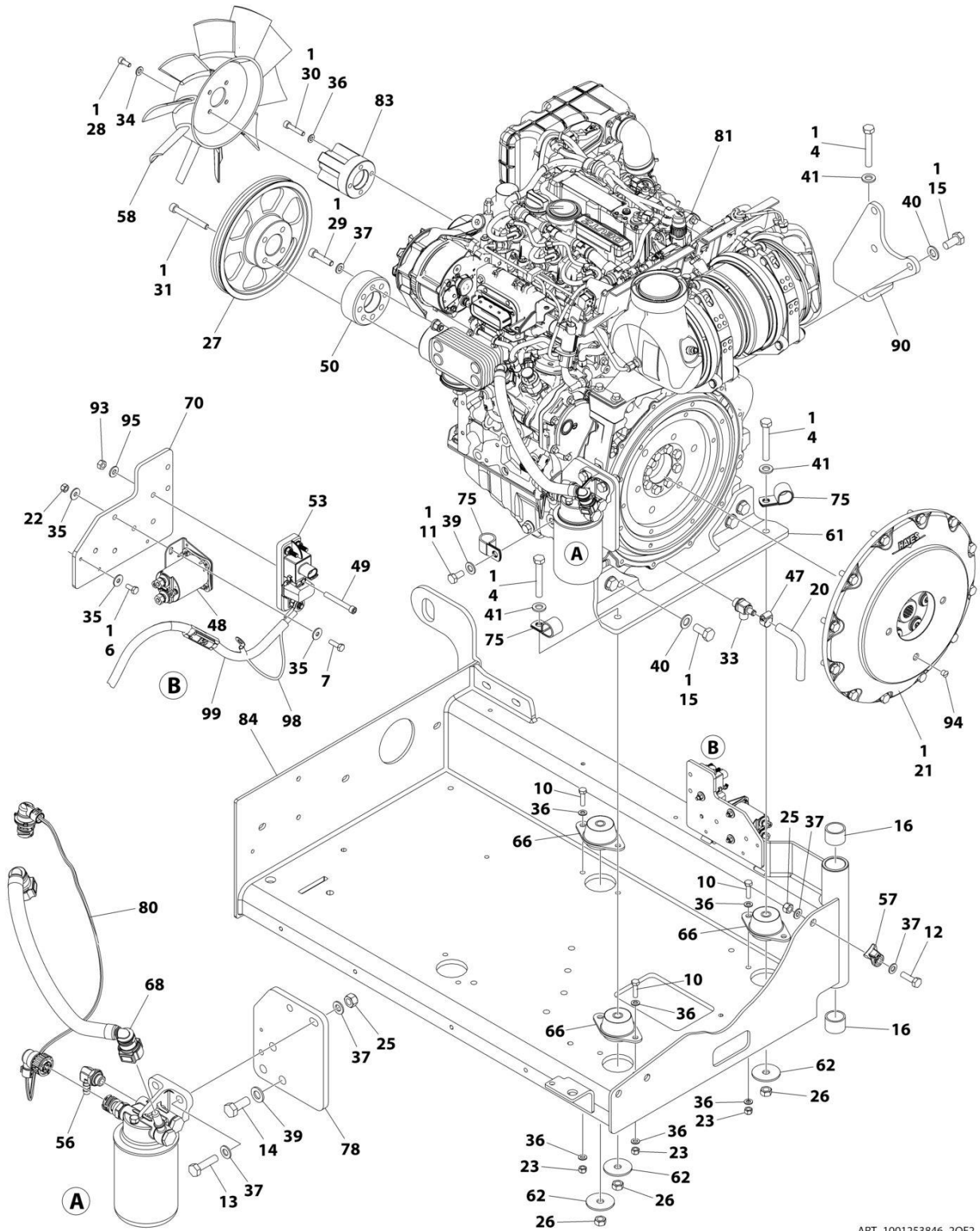
## SECTION 3 - ENGINE

**FIGURE 3-17. DEUTZ TD2.2L3 ENGINE AND PUMPS SUB-ASSEMBLY - WITHOUT ARCTIC PACKAGE  
(600S HC3/660SJ HC3) (SN 0300274693 to Present)**

ITEM	PART NUMBER	QTY	DESCRIPTION	REV
	1001253847	Ref	DEUTZ TD2.2L3 ENGINE AND PUMPS SUB-ASSEMBLY	A
1	0100011	AR	Compound, Locking	
2	0641814	2	Bolt 1/2 x 1-3/4	
3	0760610	1	Bolt M6 x 20	
4	2131616	2	Fitting, 90 ORFS/ORB	
5	2220408	1	Fitting, Straight JIC/ORB	
6	2220451	1	Fitting, Straight JIC/ORB	
7	2220479	1	Fitting, Straight JIC/ORB	
8	2220940	1	Fitting, 90 JIC/ORB	
9	2220946	1	Fitting, Straight JIC/ORB	
10	2220947	2	Fitting, Straight JIC/ORB	
11	3020037	AR	Lube, Coupling Grease	
12	3290605	1	Nut M6	
13	3422532	1	Pin	
14	3790152	1	O-Ring	
15	3931618	2	Capscrew 3/8 x 1-1/8	
16	4811700	1	Washer M6	
17	4811702	1	Washer M6	
18	5241000	2	Washer M10	
19	5241200	2	Washer M12	
20	1001171953	1	Seal	
21	1001184930	1	Piston Pump Assembly (See Separate Breakdown in this Section)	
22	1001190143	1	Gear Pump Assembly	
22	70006356	1	Seal Kit - 1001190143 Pump	
23	1001244508	1	Seal	
24	1001253846	1	Deutz TD2.2L3 Engine Assembly (See Separate Breakdown in this Section)	
25	1001253906	1	Pipe, Exhaust	
26	1001254279	1	Seal	



# SECTION 3 - ENGINE



ART\_1001253846\_20F2

## SECTION 3 - ENGINE

**FIGURE 3-18. DEUTZ TD2.2L3 ENGINE ASSEMBLY - WITHOUT ARCTIC PACKAGE (600S HC3/660SJ HC3) (SN 0300274693 to Present)**

ITEM	PART NUMBER	QTY	DESCRIPTION	REV
	1001253846	Ref	DEUTZ TD2.2L3 (STAGE V) ENGINE ASSEMBLY	J
1	0100011	AR	Compound, Locking	
3	0100020	AR	Sealant	
4	0711224	3	Bolt M12 x 80	
5	0681605	2	Bolt 3/8 x 5/8	
6	0760607	3	Bolt M6 x 14	
7	0760610	2	Bolt M6 x 20	
8	0760810	10	Bolt M8 x 20	
9	0760812	1	Bolt M8 x 25	
10	0760814	8	Bolt M8 x 30	
11	0761212	1	Bolt M12 x 25	
12	0761015	8	Bolt M10 x 35	
13	0761016	2	Bolt M10 x 40	
14	0761214	3	Bolt M12 x 30	
15	0771414	7	Bolt M14 x 30	
16	0961951	2	Bushing	
17	1703162	2	Decal - Fan Blade	
19	2720015	6 ft/1.83m	Hose	
20	2720340	6 in/ 1.52cm	Hose	
21	2902065	1	Pump Coupling Kit (See Separate Breakdown in this Section)	
22	3290605	2	Nut M6	
23	3290805	11	Nut M8	
25	3291005	14	Nut M10	
26	3331211	3	Nut M12	
27	1001260432	1	Pulley	
28	4031908	4	Bolt M8 x 20	
29	1001261045	4	Capscrew M10 x 45	
30	4031912	4	Bolt M8 x 40	
31	1001261085	4	Capscrew M10 x 85	
32	4240099	AR	Tie-Strap (Not Shown)	
33	4640751	1	Valve, Oil Drain	
34	4711500	4	Washer 5/16	
35	4811702	7	Washer M6	
36	4811900	26	Washer M8	
37	4812000	24	Washer M10	
38	4812002	4	Washer M10	
39	4812100	4	Washer M12	
40	4812200	7	Washer M14	
41	5241200	3	Washer M12	
42	8405007	2	Clamp	
43	8405009	4	Clamp	
44	8405104	4	Clamp	
45	8406109	1	Clip	
46	8410011	3	Clamp	
47	8410013	1	Clamp	
48	1001117308	1	Contactactor	
49	3931432	1	Bolt 1/4 x 20	
50	1001258800	1	Adapter	

## SECTION 3 - ENGINE

ITEM	PART NUMBER	QTY	DESCRIPTION	REV
52	1001136834	1	Cap, Tank	
53	1001138228	1	Relay	
54	1001143797	1	Fitting, Straight Barbed	
55	1001146588	5	Tie-Strap (Not Shown)	
56	1001152489	1	Fitting, 90 Barbed	
57	1001156107	1	Holder, Cable	
58	1001165849	1	Fan	
59	1001166716	1	Restriction, Indicator	
61	1001166924	1	Bracket, Engine - Rear	
62	1001168018	3	Washer	
63	1001169054	4	Isolator	
64	1001169138	4	Pad, Snubbing	
65	1001204325	2	Bracket	
66	1001166718	3	Isolator	
67	1001176511	1	Hose	
68	1001177359	1	Hose	
69	1001178223	2	Bracket	
70	1001179903	1	Bracket	
71	1001180620	AR	Adhesive	
72	1001186426	1	Clamp	
73	1001189979	1	Filter, Air Cleaner	
73	70005008	1	Element, Filter	
74	1001190942	1	Support	
75	1001191620	3	Clamp	
76	1001192400	1	Bracket	
77	1001230635	1	Tank, Surge	
77	1001134488	1	Fitting, 90 Barbed	
77	1001138827	1	Sensor, Coolant Level	
77	1001140564	1	Fitting, 90 Barbed	
78	1001258804	1	Mount, Fuel Filter	
79	1001238911	1	Pipe	
80	1001245913	1	Harness, Fuel Filter (Deutz TD2.2L3 (Stage V) Engine) (See Separate Breakdown in ELECTRICAL Section)	
81	1001246012	1	Deutz TD2.2L3 (Stage V) Engine (See Separate Breakdown in this Section)	
82	1001256930	1	Radiator	
83	1001248608	1	Adapter	
84	1001248817	1	Support, Engine Tray	
85	1001248819	1	Plate	
86	1001253798	1	Engine Harness - Deutz TD2.2L3 (Stage V) Engine (Not Shown) (See Separate Breakdown in ELECTRICAL Section)	
87	1001253849	1	Hose, Radiator (Top)	
88	1001253863	1	Hose, Radiator (Bottom)	
89	1001253870	1	Hose	
90	1001254878	1	Bracket, Engine - Right	
91	4811902	8	Washer	
92	0701017	4	Bolt M10 x 25	
93	3311405	1	Nut 1/4	
94	3520054	1	Plug	
95	4711400	1	Washer 1/4	
96	4751600	2	Washer 3/8	
97	1001138248	3.6	Tube Nylon	

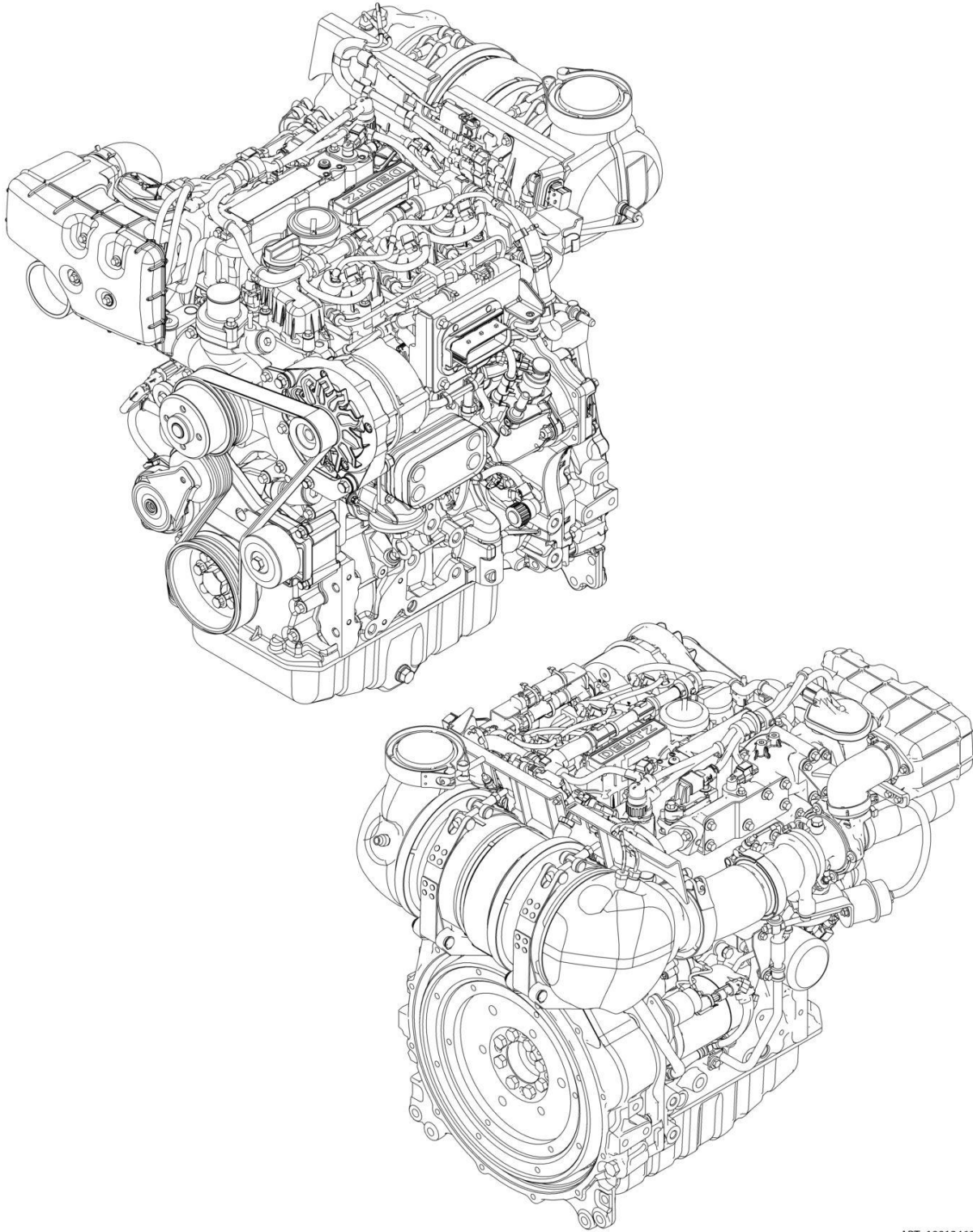
## SECTION 3 - ENGINE

ITEM	PART NUMBER	QTY	DESCRIPTION	REV
98	1001141304	1	Wire, Glow Plug Fuse	
99	1001143907	1	Cable	



## SECTION 3 - ENGINE

FIGURE 3-19. DEUTZ TD2.2L3 (STAGE V) ENGINE COMPONENTS



ART\_1001246012



## SECTION 3 - ENGINE

### FIGURE 3-19. DEUTZ TD2.2L3 (STAGE V) ENGINE COMPONENTS

ITEM	PART NUMBER	QTY	DESCRIPTION	REV
	1001246012	Ref	DEUTZ ENGINE COMPONENTS	C
		Ref	Note: For complete list of parts, contact JLG Parts Department	
		Ref	Air Intake System Components	
		Ref	Turbocharger	
		Ref	Cooling System Components	
		Ref	Pump, Coolant (Includes Gasket & Seals)	
	70007603	1	Thermostat	
	70005184	1	O-Ring	
	70005931	1	Gasket	
	70025142	1	Cover	
		Ref	Electrical System Components	
	70029512	1	Module, ECU/ECM	
	70006652	1	Generator (Includes Controller, Fan & Hardware)	
	70124507	1	Starter (Includes Solenoid & Relay)	
	70005648	1	Relay, Starter	
	70026210	1	Sender, Tacho-Generator (Speed) (On Rear of Block & Cover) (Includes Seal)	
	70024922	1	Sender, Temperature (Includes Seal) (On Air Intake Manifold)	
	70024507	1	Sensor, Pressure (Includes Seal) (On Air Intake Manifold)	
	70024504	1	Sensor, Pressure (Includes Seal) (On Fuel Filter & Side of Block)	
		Ref	Sensor, Pressure (Includes Seal) (On Exhaust Manifold)	
		Ref	Sensor, Temperature (Includes Seal) (On Exhaust Manifold)	
		Ref	Plug, Glow	
		Ref	Exhaust System Components	
		Ref	Valve, EGR	
	70025130	8	Bolt, Exhaust Manifold	
		Ref	Gasket, Exhaust Manifold	
		Ref	Outlet, Muffler	
		Ref	Muffler	
		Ref	Bracket, Muffler Mounting	
		Ref	Compensator, Exhaust	
		Ref	Fuel System Components	
	70024924	1	Pump, High Pressure	
	70025181	4	Injector (Includes Sealing washer, Clamp & O-Ring)	
	70006144	1	Pump, Fuel Supply (Includes Clamps)	
	70024961	1	Filter, Fuel (Pre-Filter Assembly) (Includes Head, Spin on filter, Sensor Cable & Seal)	
	70025153	1	Filter, Fuel Spin On	
	70024513	1	Sensor Cable (Includes Seal)	
	70025160	1	Filter, Fuel (Assembly) (Includes Head & Spin on Filter)	
	70025161	1	Filter, Fuel Spin On	
	70004508	1	Vol. Control Valve (Includes O-Ring & Gasket)	
		Ref	Lubricating System Components	
	7020465	2	Cap, Oil Fill	
	70005941	2	Plug, Oil Drain	
	70005942	2	Seal, Oil Drain Plug	
		Ref	Pump, Oil (Includes Seal & Gasket)	
	7016331	1	Filter, Oil	
	70123584	1	Cooler, Oil	
		Ref	Dipstick (Includes Seal)	

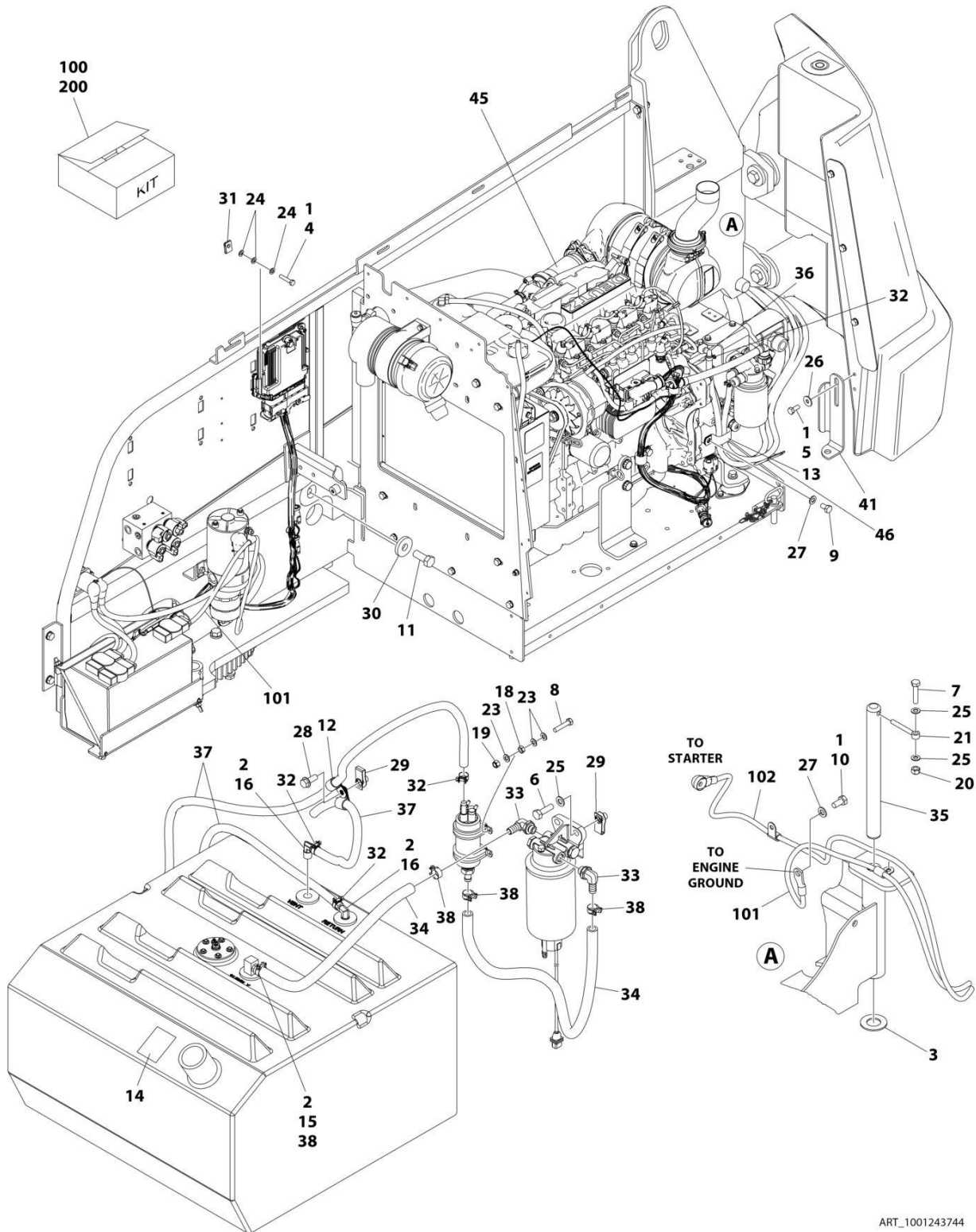
## SECTION 3 - ENGINE

ITEM	PART NUMBER	QTY	DESCRIPTION	REV
		Ref	Mechanical Components	
		Ref	Flywheel (includes Gear)	
	70004277	1	V-Belt	
	70025477	1	Belt Tensioner	



# SECTION 3 - ENGINE

FIGURE 3-20. DEUTZ D 2.9L4 (TIER 4 FINAL) ENGINE INSTALLATION (600S HC3) (SN 0300275114 to Present)



ART\_1001243744

## SECTION 3 - ENGINE

**FIGURE 3-20. DEUTZ D 2.9L4 (TIER 4 FINAL) ENGINE INSTALLATION (600S HC3) (SN 0300275114 to Present)**

ITEM	PART NUMBER	QTY	DESCRIPTION	REV
	1001243744	Ref	DEUTZ D2.9L4 - 49HP ENGINE INSTALLATION	C
1	0100011	AR	Compound, Locking	
2	0100020	AR	Sealant	
3	0440162	1	Bearing	
4	0700614	4	Bolt M6 x 30	
5	0701012	2	Bolt M10 x 25	
6	0701015	2	Bolt M10 x 35	
7	0711018	1	Bolt M10 x 50	
8	0760512	4	Bolt M5 x 25	
9	0761210	1	Bolt M12 x 20	
10	0771212	1	Bolt M12 x 25	
11	0772018	1	Bolt M20 x 50	
12	1320061	2	Clamp	
13	1001195039	1	Clamp	
14	1701505	1	Decal - Diesel Fuel	
15	2180832	1	Fitting, Straight Barbed	
16	2220313	2	Fitting, 90 NPTF/Barb	
18	3290501	4	Nut M5	
19	3290505	4	Nut M5	
20	3291005	1	Nut M10	
21	3841143	1	Keeper, Pin	
22	4240099	7	Tie-Strap (Not Shown)	
23	4811600	12	Washer M5	
24	4811700	12	Washer M6	
25	4812000	4	Washer M10	
26	4812002	2	Washer M10	
27	4812100	2	Washer M12	
28	5251012	1	Bolt M10 x 25	
29	1001118972	3	Nut, Tinnerman M10	
30	1001119051	1	Washer	
31	1001130220	4	Nut, Tinnerman M6	
32	1001136975	5	Clamp	
33	1001142501	2	Fitting, 90 Barbed	
34	1001154405	34 in/ 86.4cm	Hose	
35	1001155094	1	Pin	
36	1001155823	1	Fitting, 90 Quick Connect	
37	1001165035	27 ft/ 8.3m	Hose	
38	1001175568	4	Clip	
39	1001190444	1	Fuel Pump Harness - Deutz D2.9L4 - 49HP and Deutz TD2.9L4 - 67HP Engines (Not Shown) (See Separate Breakdown in ELECTRICAL Section)	
41	1001196398	1	Bracket	
45	1001243743	1	Deutz D2.9L4 - 49HP Engine and Pump Sub-Assembly (See Separate Breakdown in this Section)	
46	4061032	1	Shield	
100	1001235532	1	Battery Cable Kit	
101	1001188668	1	Cable, Battery (-) to Aux Pump and Ground	
102	1001188669	1	Cable, Battery (+) to Aux Relay to Starter	

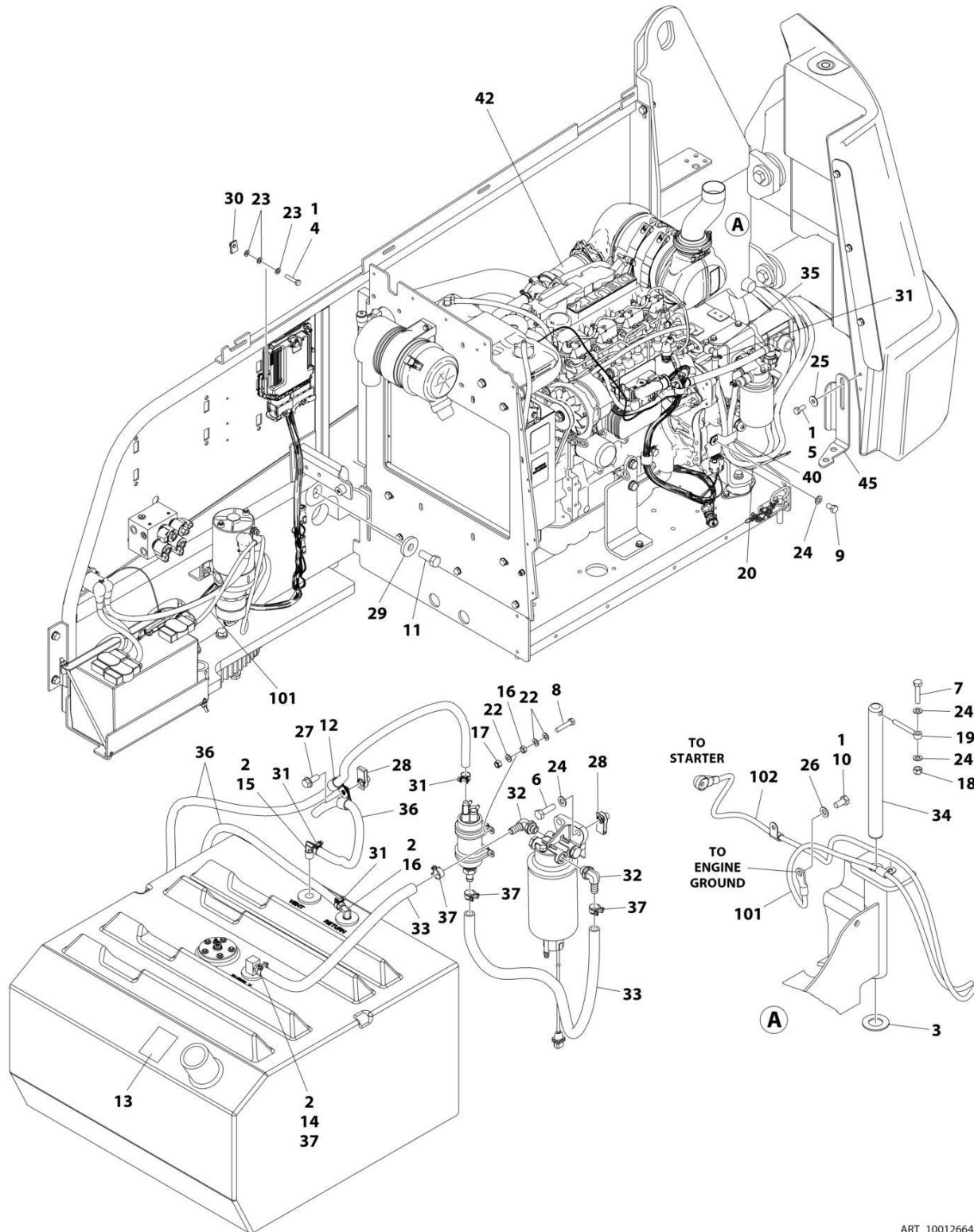
## SECTION 3 - ENGINE

ITEM	PART NUMBER	QTY	DESCRIPTION	REV
200	1001269919	1	Hose Assembly Kit	
201	1001192690	1	Hose (Case Drain) (Drive Pump Case Gauge Port to Tank) (Not Shown)	
202	1001203431	1	Hose (Case Drain) (Drive Pump Case Outlet Port to Tank) (Not Shown)	
203	1001203432	1	Hose (Function Suction) (Not Shown)	
204	1001203433	1	Hose (Drive Suction) (Not Shown)	



# SECTION 3 - ENGINE

FIGURE 3-21. DEUTZ D 2.9L4 (TIER 4 FINAL) ENGINE INSTALLATION (660S HC3) (SN 0300275114 to Present)



ART\_1001266441



## SECTION 3 - ENGINE

**FIGURE 3-21. DEUTZ D 2.9L4 (TIER 4 FINAL) ENGINE INSTALLATION (660S HC3) (SN 0300275114 to Present)**

ITEM	PART NUMBER	QTY	DESCRIPTION	REV
	1001266441	Ref	DEUTZ D2.9L4 - 49HP ENGINE INSTALLATION	B
1	0100011	AR	Compound, Locking	
2	0100020	AR	Sealant	
3	0440162	1	Bearing	
4	0700614	4	Bolt M6 x 30	
5	0701012	2	Bolt M10 x 25	
6	0701015	2	Bolt M10 x 35	
7	0711018	1	Bolt M10 x 50	
8	0760512	4	Bolt M5 x 25	
9	0761210	1	Bolt M12 x 20	
10	0771212	1	Bolt M12 x 25	
11	0772018	1	Bolt M20 x 50	
12	1320061	2	Clamp	
13	1701505	1	Decal - Diesel Fuel	
14	2180832	1	Fitting, Straight Barbed	
15	2220313	2	Fitting, 90 NPTF/Barb	
16	3290501	4	Nut M5	
17	3290505	4	Nut M5	
18	3291005	1	Nut M10	
19	3841143	1	Keeper, Pin	
20	4061032	1	Shield	
21	4240099	7	Tie-Strap (Not Shown)	
22	4811600	12	Washer M5	
23	4811700	12	Washer M6	
24	4812000	4	Washer M10	
25	4812002	2	Washer M10	
26	4812100	2	Washer M12	
27	5251012	1	Bolt M10 x 25	
28	1001118972	3	Nut, Tinnerman M10	
29	1001119051	1	Washer	
30	1001130220	4	Nut, Tinnerman M6	
31	1001136975	5	Clamp	
32	1001142501	2	Fitting, 90 Barbed	
33	1001154405	34 in/ 86.4cm	Hose	
34	1001155094	1	Pin	
35	1001155823	1	Fitting, 90 Quick Connect	
36	1001165035	27 ft/ 8.3m	Hose	
37	1001175568	4	Clip	
38	1001190444	1	Fuel Pump Harness - Deutz D2.9L4 - 49HP and Deutz TD2.9L4 - 67HP Engines (Not Shown) (See Separate Breakdown in ELECTRICAL Section)	
40	1001195039	1	Clamp	
42	1001243743	1	Deutz D2.9L4 - 49HP Engine and Pump Sub-Assembly (See Separate Breakdown in this Section)	
45	1001258175	1	Bracket	
100	1001235532	1	Battery Cable Kit (Includes Items 101 & 102) (Not Shown)	
101	1001188668	1	Cable, Battery (-) to Aux Pump and Ground	
102	1001188669	1	Cable, Battery (+) to Aux Relay to Starter	

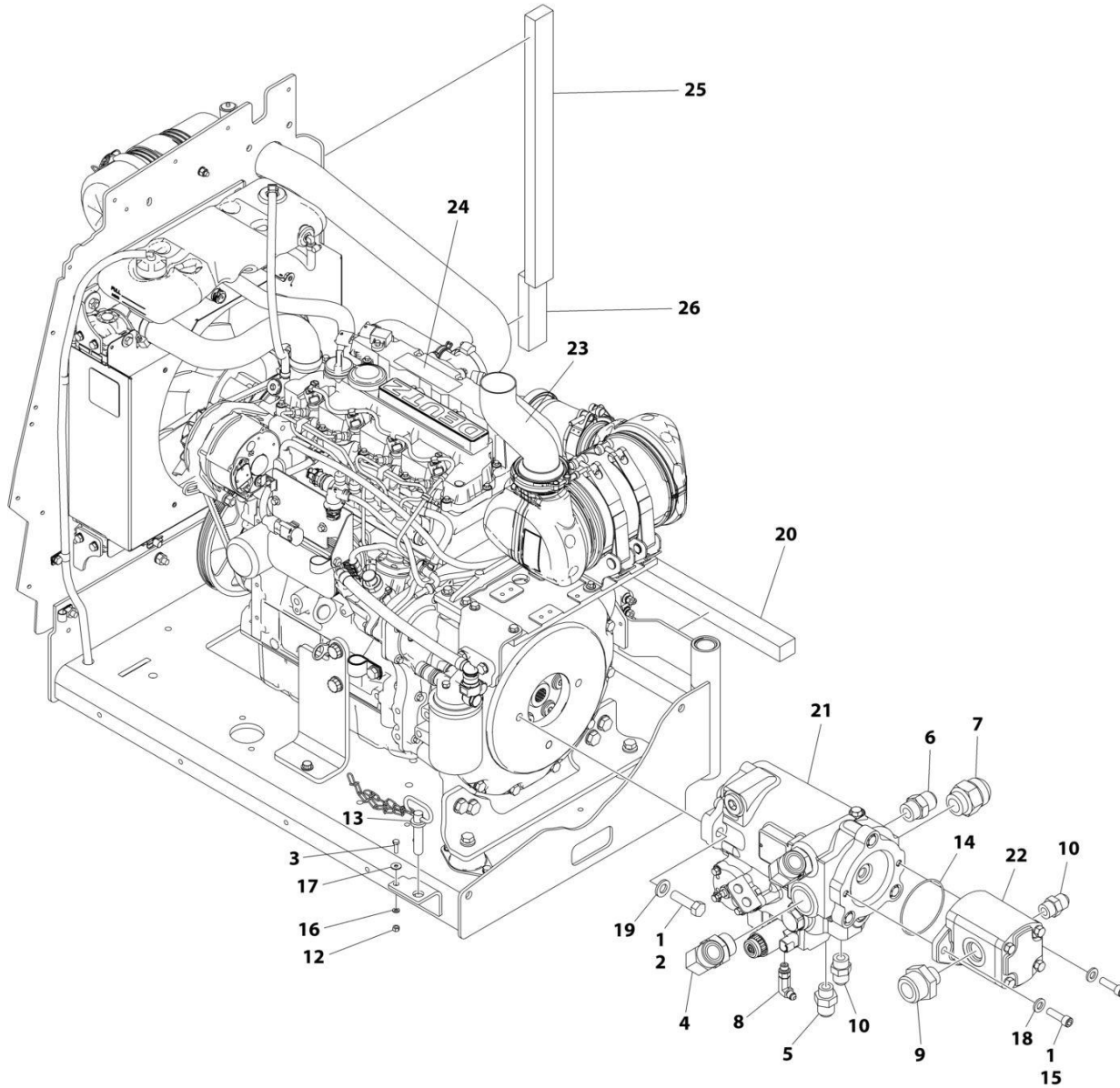
## SECTION 3 - ENGINE

ITEM	PART NUMBER	QTY	DESCRIPTION	REV
200	1001269920	1	Hose Kit (Not Shown)	
201	1001192690	1	Hose (Case Drain) (Drive Pump Case Gauge Port to Tank) (Not Shown)	
202	1001203431	1	Hose (Case Drain) (Drive Pump Case Outlet Port to Tank) (Not Shown)	
203	1001258156	1	Hose (Function Suction) (Not Shown)	
204	1001258157	1	Hose (Drive Suction) (Not Shown)	



# SECTION 3 - ENGINE

FIGURE 3-22. DEUTZ TD2.9L4 ENGINE AND PUMPS SUB-ASSEMBLY - WITHOUT ARCTIC PACKAGE  
(600S HC3/660SJ HC3) (SN 0300275114 to Present)



ART\_1001243743\_D

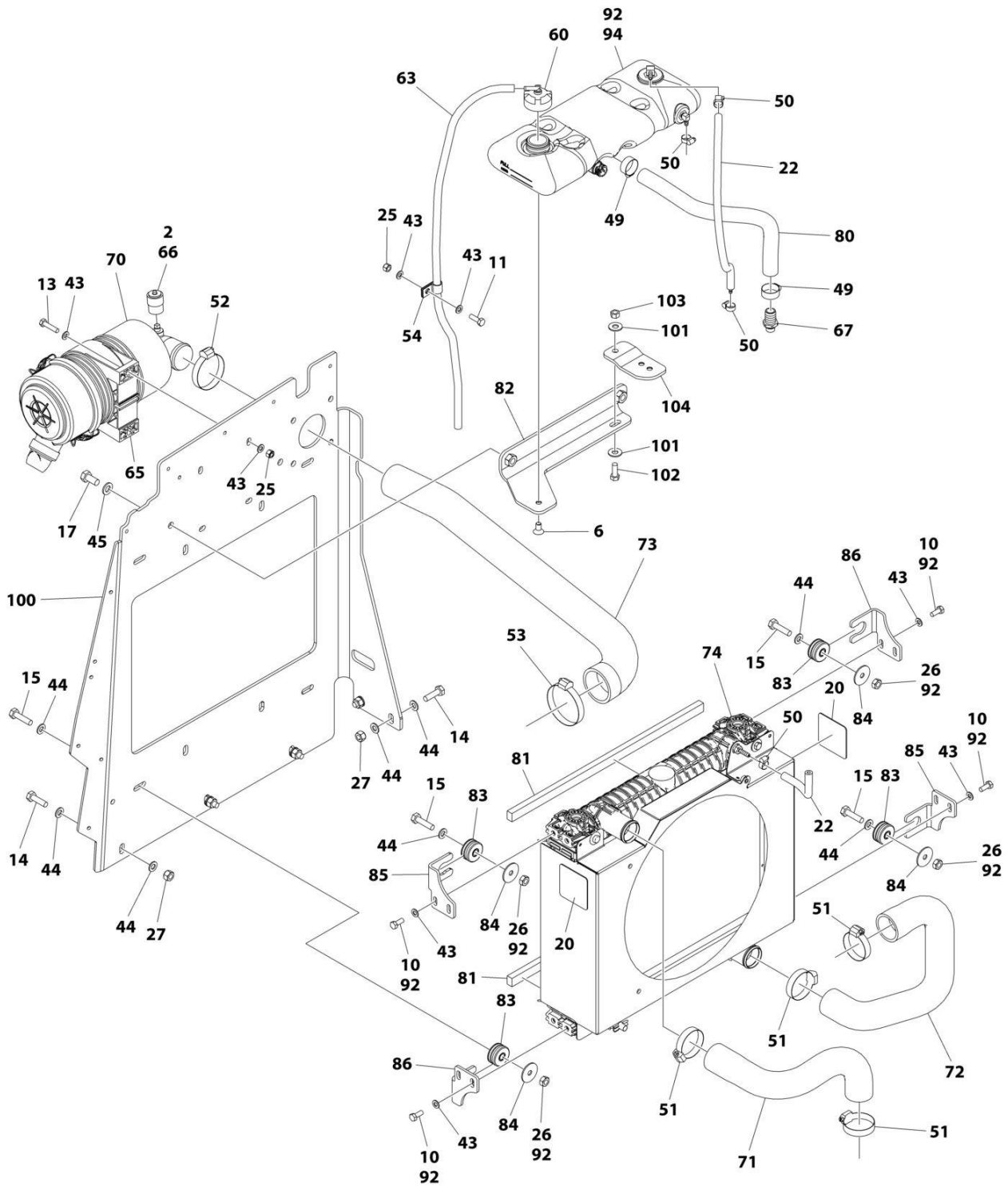
## SECTION 3 - ENGINE

**FIGURE 3-22. DEUTZ TD2.9L4 ENGINE AND PUMPS SUB-ASSEMBLY - WITHOUT ARCTIC PACKAGE  
(600S HC3/660SJ HC3) (SN 0300275114 to Present)**

ITEM	PART NUMBER	QTY	DESCRIPTION	REV
	1001243743	Ref	DEUTZ D2.9L4 – 49HP ENGINE AND PUMPS SUB-ASSEMBLY	D
1	0100011	AR	Compound, Locking	
2	0641814	2	Bolt 1/2 x 1-3/4	
3	0760610	1	Bolt M6 x 20	
4	2131616	2	Fitting, 90 ORFS/ORB	
5	2220408	1	Fitting, Straight JIC/ORB	
6	2220451	1	Fitting, Straight JIC/ORB	
7	2220479	1	Fitting, Straight JIC/ORB	
8	2220940	1	Fitting, 90 JIC/ORB	
9	2220946	1	Fitting, Straight JIC/ORB	
10	2220947	2	Fitting, Straight JIC/ORB	
12	3290605	1	Nut M6	
13	3422532	1	Pin	
14	3790152	1	O-Ring	
15	3931618	2	Capscrew 3/8 x 1-1/8	
16	4811700	1	Washer M6	
17	4811702	1	Washer M6	
18	5241000	2	Washer M10	
19	5241200	2	Washer M12	
20	1001171953	1	Seal	
21	1001184930	1	Piston Pump Assembly (See Separate Breakdown in this Section)	
22	1001190143	1	Gear Pump Assembly	
22	70006356	1	Seal Kit - 1001190143 Pump	
23	1001241366	1	Pipe, Exhaust	
24	1001243742	1	Deutz D2.9L4 – 49HP Engine Assembly (See Separate Breakdown in this Section)	
25	1001254279	1	Seal	
26	1001244508	1	Seal	

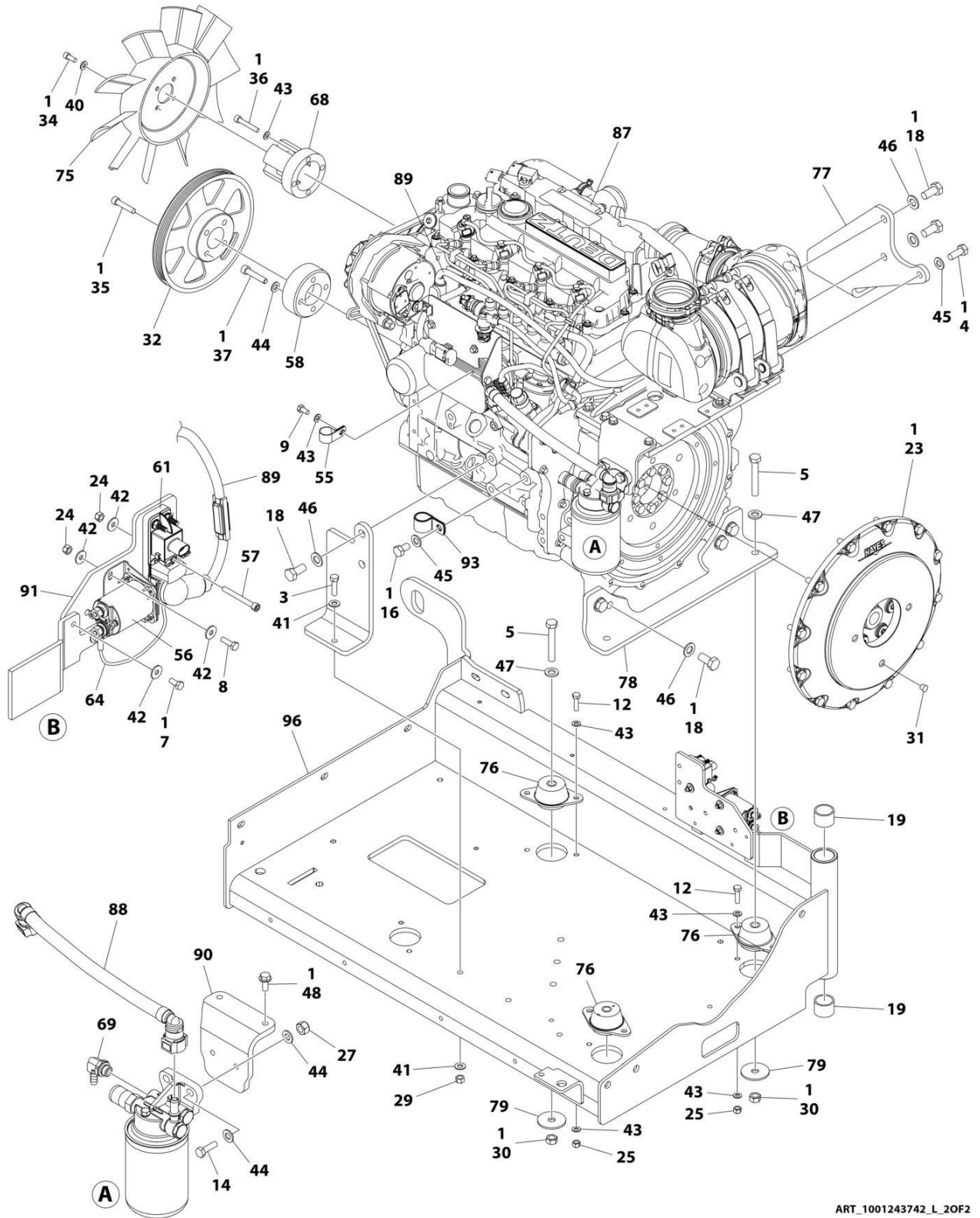
# SECTION 3 - ENGINE

## FIGURE 3-23. DEUTZ TD2.9L4 ENGINE ASSEMBLY - WITHOUT ARCTIC PACKAGE (600S HC3/660SJ HC3) (SN 0300275114 to Present)



ART\_1001243742\_L\_10F2

# SECTION 3 - ENGINE



ART\_1001243742\_L\_20F2

## SECTION 3 - ENGINE

**FIGURE 3-23. DEUTZ TD2.9L4 ENGINE ASSEMBLY - WITHOUT ARCTIC PACKAGE (600S HC3/660SJ HC3) (SN 0300275114 to Present)**

ITEM	PART NUMBER	QTY	DESCRIPTION	REV
	1001243742	Ref	DEUTZ D2.9L4 - 49HP ENGINE ASSEMBLY	L
1	0100011	AR	Compound, Locking	
2	0100020	AR	Sealant	
3	0641611	1	Bolt 3/8 x 1-3/8	
4	0711214	1	Bolt M12 x 30	
5	0711224	3	Bolt M12 x 80	
6	0741606	2	Screw 3/8 x 7/8	
7	0760607	3	Bolt M6 x 14	
8	0760610	2	Bolt M6 x 20	
9	0760808	1	Bolt M8 x 16	
10	0760810	8	Bolt M8 x 20	
11	0760812	1	Bolt M8 x 25	
12	0760814	AR	Bolt M8 x 30	
13	0760815	2	Bolt M8 x 35	
14	0761015	7	Bolt M10 x 35	
15	0761016	4	Bolt M10 x 40	
16	0761210	1	Bolt M12 x 20	
17	0761212	2	Bolt M12 x 25	
18	0771414	8	Bolt M14 x 30	
19	0961951	2	Bushing	
20	1703162	2	Decal - Fan Blade	
22	2720015	AR	Hose	
23	2902065	1	Pump Coupling Kit (See Separate Breakdown in this Section)	
24	3290605	3	Nut M6	
25	3290805	9	Nut M8	
26	3291001	4	Nut M10	
27	3291005	7	Nut M10	
29	3311601	1	Nut 3/8	
30	3331211	1	Nut M12	
31	3520054	1	Plug	
32	3580320	1	Pulley	
34	3931512	4	Capscrew 5/16 x 3/4	
35	3931628	4	Capscrew 3/8 x 1-3/4	
36	4031914	4	Capscrew M8 x 50	
37	4032014	4	Capscrew M10 x 50	
38	4240099	AR	Tie-Strap (Not Shown)	
40	4711500	4	Washer 5/16	
41	4711600	2	Washer 3/8	
42	4811702	8	Washer M6	
43	4811900	31	Washer M8	
44	4812000	22	Washer M10	
45	4812100	4	Washer M12	
46	4812200	8	Washer M14	
47	5241200	3	Washer M12	
48	5250810	2	Bolt M8 x 20	
49	8405007	2	Clamp	
50	8405009	4	Clamp	
51	8405104	4	Clamp	
52	8405202	1	Clamp	



## SECTION 3 - ENGINE

ITEM	PART NUMBER	QTY	DESCRIPTION	REV
53	8405204	1	Clamp	
54	8406109	1	Clip	
55	8406201	1	Clip	
56	1001117308	1	Contactora	
57	1001118878	1	Bolt M6 x 55	
58	1001135679	1	Adapter	
60	1001136834	1	Cap, Tank	
61	1001138228	1	Relay	
63	1001138248	3.5 ft/ 1.067m	Tube	
64	1001141304	1	Harness, Glow Fuse	
65	1001141694	1	Clamp	
66	1001143390	1	Indicator, Air Filter Service	
67	1001143797	1	Fitting, Straight Barbed	
68	1001144116	1	Adapter	
69	1001152489	1	Fitting, 90 Barbed	
70	1001165388	1	Filter, Air Cleaner	
70	70003783	1	Element, Filter	
71	1001165405	1	Hose, Radiator (Top)	
72	1001165406	1	Hose, Radiator (Bottom)	
73	1001165721	1	Hose	
74	1001165722	1	Radiator	
75	1001165849	1	Fan	
76	1001166718	3	Isolator	
77	1001166921	1	Bracket, Engine - Right	
78	1001166924	1	Bracket, Engine - Rear	
79	1001168018	3	Washer	
80	1001168099	1	Hose	
81	1001168166	2	Seal	
82	1001260420	1	Bracket	
83	1001169054	4	Isolator	
84	1001169138	4	Pad, Snubbing	
85	1001169967	2	Bracket	
86	1001170035	2	Bracket	
87	1001249965	1	Deutz D2.9L4-49HP Engine (See Separate Breakdown in this Section)	
88	1001177359	1	Hose	
89	1001178788	1	Cable, Alternator Power	
90	1001178876	1	Mount, Fuel Filter	
91	1001179903	1	Bracket	
92	1001180620	AR	Adhesive	
93	1001191620	1	Clamp	
94	1001230635	1	Tank, Surge	
94	1001134488	1	Fitting, 90 Barbed	
94	1001138827	1	Sensor, Coolant Level	
94	1001140564	1	Fitting, 90 Barbed	
95	1001233895	1	Engine Harness - Deutz D2.9L4 - 49HP and Deutz TD2.9L4 - 67HP Engines (Not Shown) (See Separate Breakdown in ELECTRICAL Section)	
96	1001243656	1	Support, Engine Tray	
100	1001243850	1	Support, Radiator	
101	4751600	2	Washer 3/8	

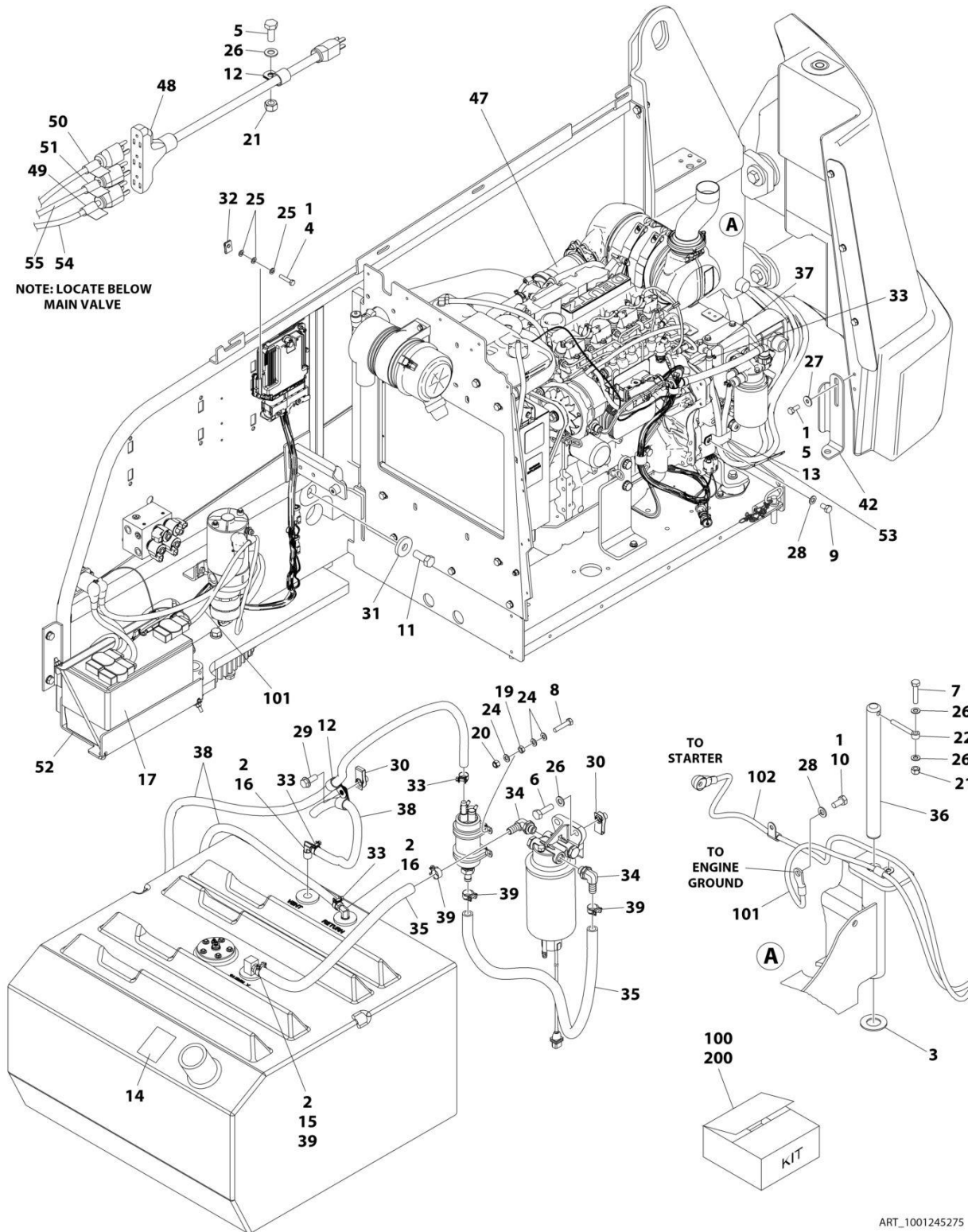
## SECTION 3 - ENGINE

ITEM	PART NUMBER	QTY	DESCRIPTION	REV
102	0681608	1	Bolt 3/8 x 1	
103	3311605	1	Nut 3/8	
104	1001260412	1	Bracket	



# SECTION 3 - ENGINE

**FIGURE 3-24. DEUTZ D 2.9L4 (TIER 4 FINAL) ENGINE INSTALLATION (600S HC3) (ARCTIC) (SN 0300275114 to Present)**



## SECTION 3 - ENGINE

**FIGURE 3-24. DEUTZ D 2.9L4 (TIER 4 FINAL) ENGINE INSTALLATION (600S HC3) (ARCTIC) (SN 0300275114 to Present)**

ITEM	PART NUMBER	QTY	DESCRIPTION	REV
	1001245275	Ref	DEUTZ D2.9L4 - 49HP ENGINE INSTALLATION	C
1	0100011	AR	Compound, Locking	
2	0100020	AR	Sealant	
3	0440162	1	Bearing	
4	0700614	4	Bolt M6 x 30	
5	0701012	3	Bolt M10 x 25	
6	0701015	2	Bolt M10 x 35	
7	0711018	1	Bolt M10 x 50	
8	0760512	4	Bolt M5 x 25	
9	0761210	1	Bolt M12 x 20	
10	0771212	1	Bolt M12 x 25	
11	0772018	1	Bolt M20 x 50	
12	1320061	3	Clamp	
13	1001195039	1	Clamp	
14	1701505	1	Decal - Diesel Fuel	
15	2180832	1	Fitting, Straight Barbed	
16	2220313	2	Fitting, 90 NPTF/Barb	
17	2580024	1	Heater, Battery	
19	3290501	4	Nut M5	
20	3290505	4	Nut M5	
21	3291005	2	Nut M10	
22	3841143	1	Keeper, Pin	
23	4240099	7	Tie-Strap (Not Shown)	
24	4811600	12	Washer M5	
25	4811700	12	Washer M6	
26	4812000	5	Washer M10	
27	4812002	2	Washer M10	
28	4812100	2	Washer M12	
29	5251012	1	Bolt M10 x 25	
30	1001118972	3	Nut, Tinnerman M10	
31	1001119051	1	Washer	
32	1001130220	4	Nut, Tinnerman M6	
33	1001136975	5	Clamp	
34	1001142501	2	Fitting, 90 Barbed	
35	1001154405	34 in/ 86.36cm	Hose	
36	1001155094	1	Pin	
37	1001155823	1	Fitting, 90 Quick Connect	
38	1001165035	27 ft/ 8.23m	Hose	
39	1001175568	4	Clip	
40	1001190444	1	Fuel Pump Harness - Deutz D2.9L4 – 49HP and Deutz TD2.9L4 – 67HP Engines (Not Shown) (See Separate Breakdown in ELECTRICAL Section)	
42	1001196398	1	Bracket	
46	1001233763	1	Deutz Breather Heater Installation (Not Shown) (See Separate Breakdown in this Section)	
46	4240099	AR	Tie-Strap	
46	1001196634	1	Fuse 2amp	
46	1001232842	1	Heater, Deutz Breather Kit	

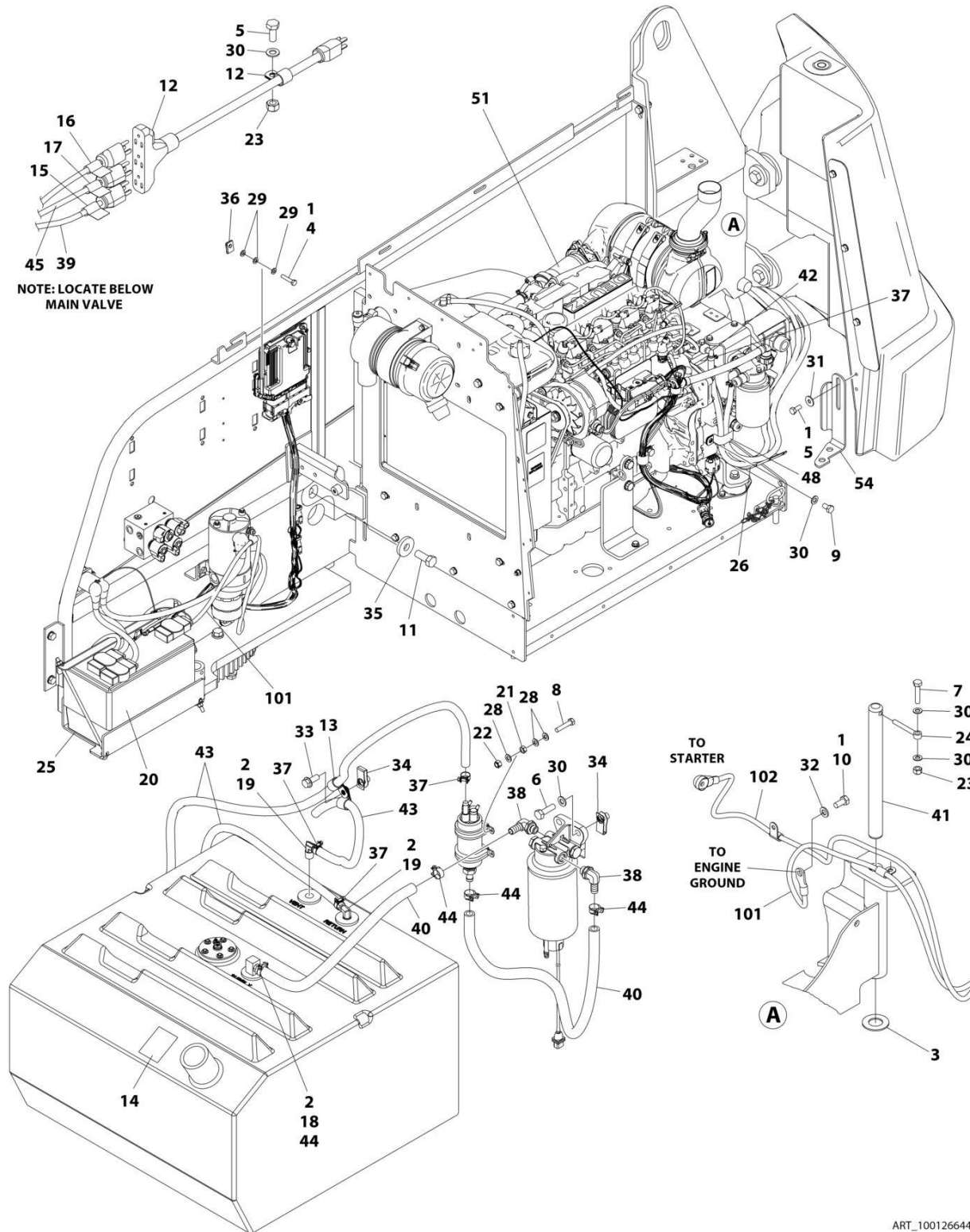
## SECTION 3 - ENGINE

ITEM	PART NUMBER	QTY	DESCRIPTION	REV
46	2400060	1	Fuse, Holder	
47	1001245274	1	Deutz D2.9L4 – 49HP Engine and Pump Sub-Assembly (See Separate Breakdown in this Section)	
48	1060626	1	Plug, 3 Way	
49	1702941	1	Decal - Battery Heater	
50	1702942	1	Decal - Engine Block Heater	
51	1702943	1	Decal - Hydraulic Tank Heater	
52	3980007	1	Seat, Battery	
53	4061032	1	Shield	
54	1001150918	1	Cable, Extension	
55	1001188972	1	Heater, Immersion	
100	1001235532	1	Battery Cable Kit	
101	1001188668	1	Cable, Battery (-) to Aux Pump and Ground	
102	1001188669	1	Cable, Battery (+) to Aux Relay to Starter	
200	1001269919	1	Hose Assembly Kit	
201	1001192690	1	Hose (Case Drain) (Drive Pump Case Gauge Port to Tank) (Not Shown)	
202	1001203431	1	Hose (Case Drain) (Drive Pump Case Outlet Port to Tank) (Not Shown)	
203	1001203432	1	Hose (Function Suction) (Not Shown)	
204	1001203433	1	Hose (Drive Suction) (Not Shown)	



# SECTION 3 - ENGINE

**FIGURE 3-25. DEUTZ D 2.9L4 (TIER 4 FINAL) ENGINE INSTALLATION (660S HC3) (ARCTIC) (SN 0300275114 to Present)**



ART\_1001266442



## SECTION 3 - ENGINE

**FIGURE 3-25. DEUTZ D 2.9L4 (TIER 4 FINAL) ENGINE INSTALLATION (660S HC3) (ARCTIC) (SN 0300275114 to Present)**

ITEM	PART NUMBER	QTY	DESCRIPTION	REV
	1001266442	Ref	DEUTZ D2.9L4 – 49HP ENGINE INSTALLATION	A
1	0100011	AR	Compound, Locking	
2	0100020	AR	Sealant	
3	0440162	1	Bearing	
4	0700614	4	Bolt M6 x 30	
5	0701012	3	Bolt M10 x 25	
6	0701015	2	Bolt M10 x 35	
7	0711018	1	Bolt M10 x 50	
8	0760512	4	Bolt M5 x 25	
9	0761210	1	Bolt M12 x 20	
10	0771212	1	Bolt M12 x 25	
11	0772018	1	Bolt M20 x 50	
12	1060626	1	Plug, 3 Way	
13	1320061	3	Clamp	
14	1701505	1	Decal - Diesel Fuel	
15	1702941	1	Decal - Battery Heater	
16	1702942	1	Decal - Engine Block Heater	
17	1702943	1	Decal - Hydraulic Tank Heater	
18	2180832	1	Fitting, Straight Barbed	
19	2220313	2	Fitting, 90 NPTF/Barb	
20	2580024	1	Heater, Battery	
21	3290501	4	Nut M5	
22	3290505	4	Nut M5	
23	3291005	2	Nut M10	
24	3841143	1	Keeper, Pin	
25	3980007	1	Seat, Battery	
26	4061032	1	Shield	
27	4240099	6	Tie-Strap (Not Shown)	
28	4811600	12	Washer M5	
29	4811700	12	Washer M6	
30	4812000	5	Washer M10	
31	4812002	2	Washer M10	
32	4812100	2	Washer M12	
33	5251012	1	Bolt M10 x 25	
34	1001118972	3	Nut, Tinnerman M10	
35	1001119051	1	Washer	
36	1001130220	4	Nut, Tinnerman M6	
37	1001136975	5	Clamp	
38	1001142501	2	Fitting, 90 Barbed	
39	1001150918	1	Cable, Extension	
40	1001154405	34 in/ 86.36cm	Hose	
41	1001155094	1	Pin	
42	1001155823	1	Fitting, 90 Quick Connect	
43	1001165035	27 ft/ 8.23m	Hose	
44	1001175568	4	Clip	
45	1001188972	1	Heater, Immersion	
46	1001190444	1	Fuel Pump Harness - Deutz D2.9L4 – 49HP and Deutz TD2.9L4 –	

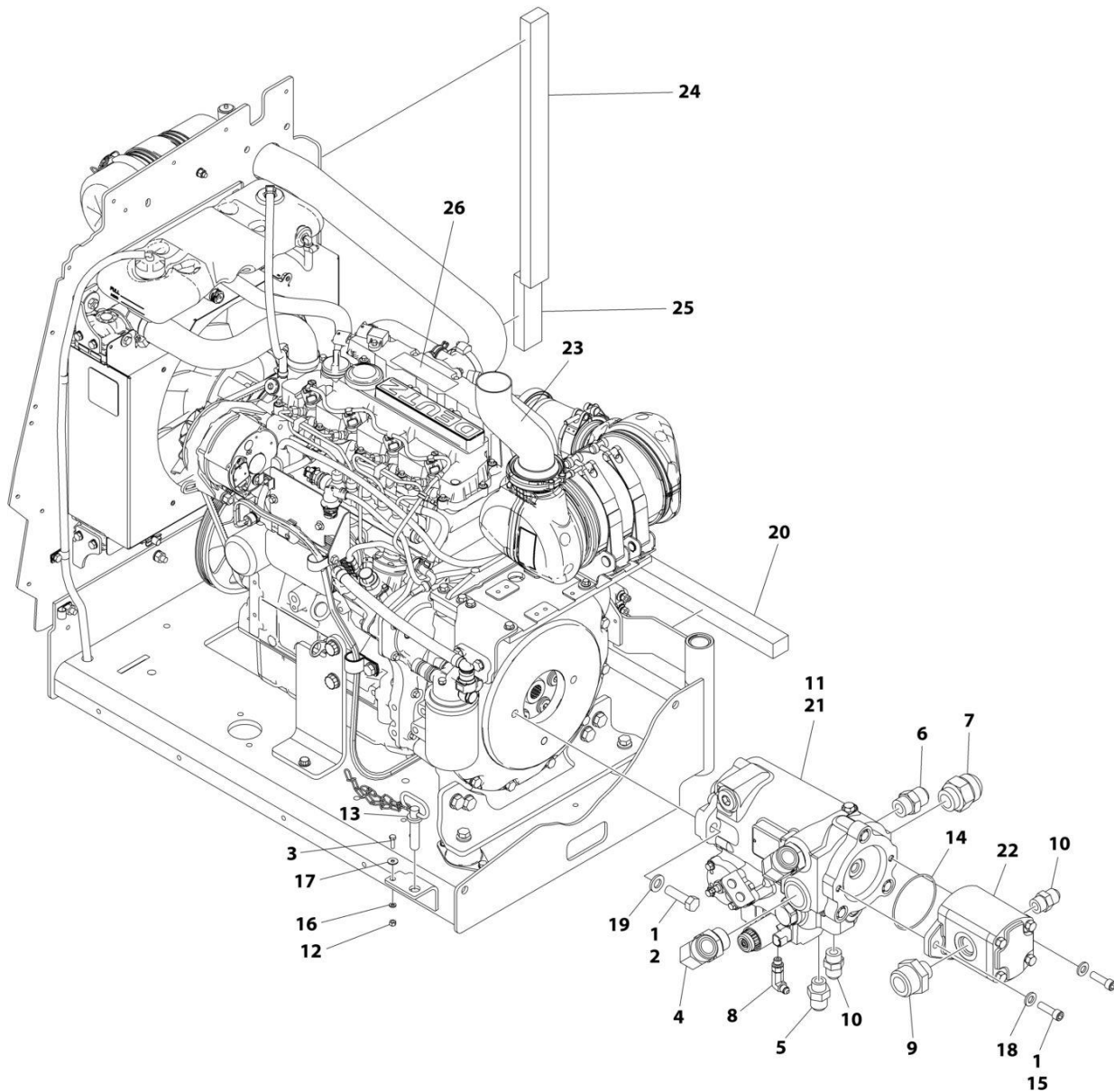
## SECTION 3 - ENGINE

ITEM	PART NUMBER	QTY	DESCRIPTION	REV
			67HP Engines (Not Shown) (See Separate Breakdown in ELECTRICAL Section)	
47	1001192690	1	Hose (Case Drain) (Drive Pump Case Gauge Port to Tank) (Not Shown)	
48	1001195039	1	Clamp	
49	1001203431	1	Hose (Case Drain) (Drive Pump Case Outlet Port to Tank) (Not Shown)	
50	1001233763	1	Deutz Breather Heater Installation (Not Shown) (See Separate Breakdown in this Section)	
51	1001245274	1	Deutz D2.9L4 - 49HP Engine and Pump Sub-Assembly (See Separate Breakdown in this Section)	
52	1001258156	1	Hose (Function Suction) (Not Shown)	
53	1001258157	1	Hose (Drive Suction) (Not Shown)	
54	1001258175	1	Bracket	
100	1001235532	1	Battery Cable Kit (Includes Items 101 & 102) (Not Shown)	
101	1001188668	1	Cable, Battery (-) to Aux Pump and Ground	
102	1001188669	1	Cable, Battery (+) to Aux Relay to Starter	



# SECTION 3 - ENGINE

FIGURE 3-26. DEUTZ TD2.9L4 ENGINE AND PUMPS SUB-ASSEMBLY - WITH ARCTIC PACKAGE  
(600S HC3/660SJ HC3) (SN 0300275114 to Present)



ART\_1001245274\_C

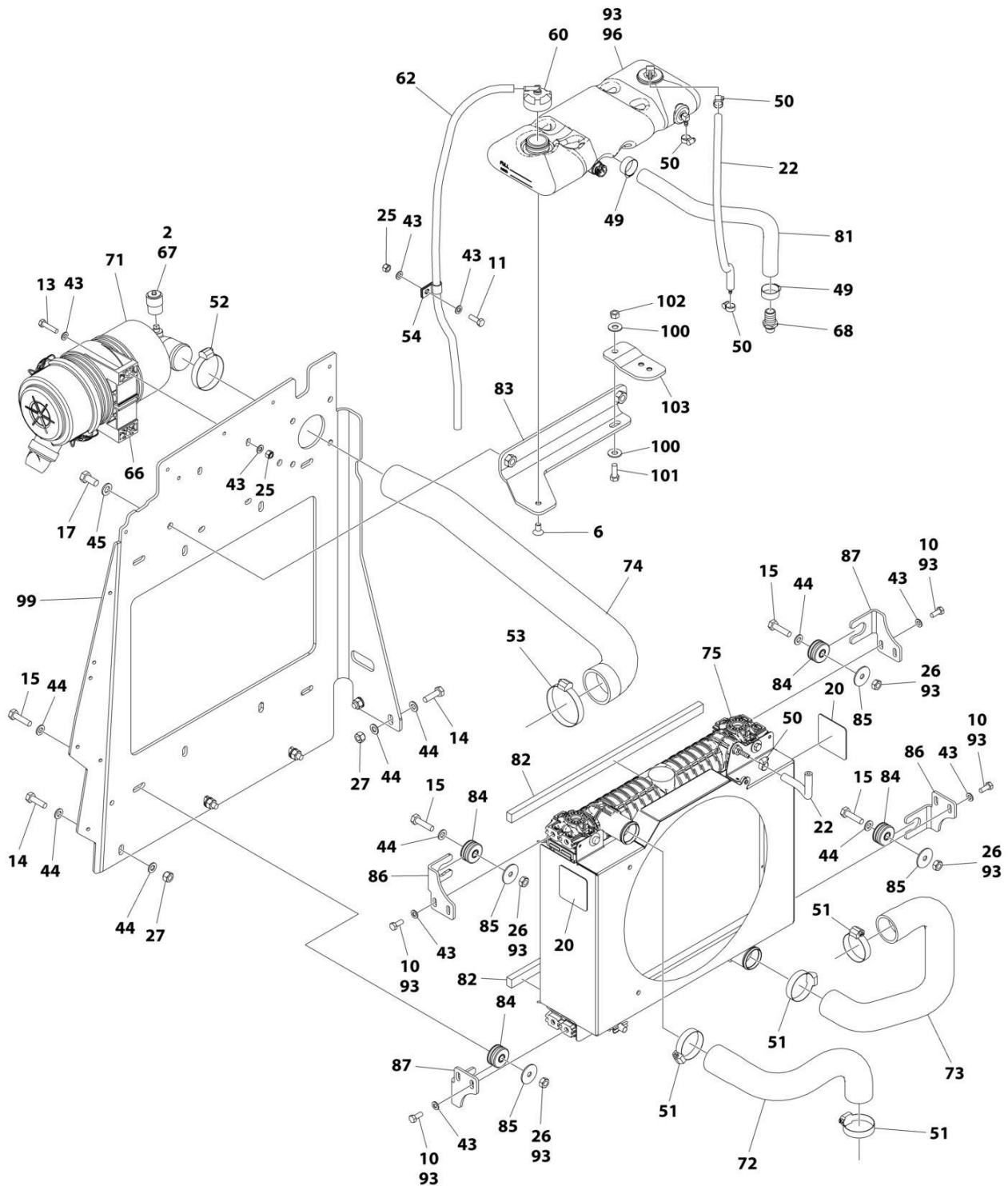
## SECTION 3 - ENGINE

**FIGURE 3-26. DEUTZ TD2.9L4 ENGINE AND PUMPS SUB-ASSEMBLY - WITH ARCTIC PACKAGE  
(600S HC3/660SJ HC3) (SN 0300275114 to Present)**

ITEM	PART NUMBER	QTY	DESCRIPTION	REV
	1001245274	Ref	DEUTZ D2.9L4 – 49HP ENGINE AND PUMPS SUB-ASSEMBLY	C
1	0100011	AR	Compound, Locking	
2	0641814	2	Bolt 1/2 x 1-3/4	
3	0760610	1	Bolt M6 x 20	
4	2131616	2	Fitting, 90 ORFS/ORB	
5	2220408	1	Fitting, Straight JIC/ORB	
6	2220451	1	Fitting, Straight JIC/ORB	
7	2220479	1	Fitting, Straight JIC/ORB	
8	2220940	1	Fitting, 90 JIC/ORB	
9	2220946	1	Fitting, Straight JIC/ORB	
10	2220947	2	Fitting, Straight JIC/ORB	
11	3020037	AR	Lube, Coupling Grease	
12	3290605	1	Nut M6	
13	3422532	1	Pin	
14	3790152	1	O-Ring	
15	3931618	2	Capscrew 3/8 x 1-1/8	
16	4811700	1	Washer M6	
17	4811702	1	Washer M6	
18	5241000	2	Washer M10	
19	5241200	2	Washer M12	
20	1001171953	1	Seal	
21	1001184930	1	Piston Pump Assembly (See Separate Breakdown in this Section)	
22	1001190143	1	Gear Pump Assembly	
22	70006356	1	Seal Kit - 1001190143 Pump	
23	1001241366	1	Pipe, Exhaust	
24	1001254279	1	Seal	
25	1001244508	1	Seal	
26	1001245257	1	Deutz D2.9L4 – 49HP Engine Assembly (See Separate Breakdown in this Section)	

# SECTION 3 - ENGINE

FIGURE 3-27. DEUTZ TD2.9L4 ENGINE ASSEMBLY - WITH ARCTIC PACKAGE (600S HC3/660SJ HC3) (SN 0300275114 to Present)



ART\_1001245257\_L\_10F2



## SECTION 3 - ENGINE

**FIGURE 3-27. DEUTZ TD2.9L4 ENGINE ASSEMBLY - WITH ARCTIC PACKAGE (600S HC3/660SJ HC3) (SN 0300275114 to Present)**

ITEM	PART NUMBER	QTY	DESCRIPTION	REV
	1001245257	Ref	DEUTZ D2.9L4 - 49HP ENGINE ASSEMBLY	L
1	0100011	AR	Compound, Locking	
2	0100020	AR	Sealant	
3	0641611	1	Bolt 3/8 x 1-3/8	
4	0711214	1	Bolt M12 x 30	
5	0711224	3	Bolt M12 x 80	
6	0741606	2	Screw 3/8 x 7/8	
7	0760607	3	Bolt M6 x 14	
8	0760610	2	Bolt M6 x 20	
9	0760808	1	Bolt M8 x 16	
10	0760810	8	Bolt M8 x 20	
11	0760812	1	Bolt M8 x 25	
12	0760814	AR	Bolt M8 x 30	
13	0760815	2	Bolt M8 x 35	
14	0761015	7	Bolt M10 x 35	
15	0761016	4	Bolt M10 x 40	
16	0761210	1	Bolt M12 x 20	
17	0761212	2	Bolt M12 x 25	
18	0771414	8	Bolt M14 x 30	
19	0961951	2	Bushing	
20	1703162	2	Decal - Fan Blade	
22	2720015	AR	Hose	
23	2902065	1	Pump Coupling Kit (See Separate Breakdown in this Section)	
24	3290605	3	Nut M6	
25	3290805	9	Nut M8	
26	3291001	4	Nut M10	
27	3291005	7	Nut M10	
29	3311601	1	Nut 3/8	
30	3331211	1	Nut M12	
31	3520054	1	Plug	
32	3580320	1	Pulley	
34	3931512	4	Capscrew 5/16 x 3/4	
35	3931628	4	Capscrew 3/8 x 1-3/4	
36	4031914	4	Capscrew M8 x 50	
37	4032014	4	Capscrew M10 x 50	
38	4240099	AR	Tie-Strap (Not Shown)	
40	4711500	4	Washer 5/16	
41	4711600	2	Washer 3/8	
42	4811702	8	Washer M6	
43	4811900	31	Washer M8	
44	4812000	22	Washer M10	
45	4812100	4	Washer M12	
46	4812200	8	Washer M14	
47	5241200	3	Washer M12	
48	5250810	2	Bolt M8 x 20	
49	8405007	2	Clamp	
50	8405009	4	Clamp	
51	8405104	4	Clamp	
52	8405202	1	Clamp	



## SECTION 3 - ENGINE

ITEM	PART NUMBER	QTY	DESCRIPTION	REV
53	8405204	1	Clamp	
54	8406109	1	Clip	
55	8406201	1	Clip	
56	1001117308	1	Contactora	
57	1001118878	1	Bolt M6 x 55	
58	1001135679	1	Adapter	
60	1001136834	1	Cap, Tank	
61	1001138228	1	Relay	
62	1001138248	3.5 ft/ 1.067m	Tube	
64	1001140312	1	Heater, Engine Block	
65	1001141304	1	Harness, Glow Fuse	
66	1001141694	1	Clamp	
67	1001143390	1	Indicator, Air Filter Service	
68	1001143797	1	Fitting, Straight Barbed	
69	1001144116	1	Adapter	
70	1001152489	1	Fitting, 90 Barbed	
71	1001165388	1	Filter, Air Cleaner	
71	70003783	1	Element, Filter	
72	1001165405	1	Hose, Radiator (Top)	
73	1001165406	1	Hose, Radiator (Bottom)	
74	1001165721	1	Hose	
75	1001165722	1	Radiator	
76	1001165849	1	Fan	
77	1001166718	3	Isolator	
78	1001166921	1	Bracket, Engine - Right	
79	1001166924	1	Bracket, Engine - Rear	
80	1001168018	3	Washer	
81	1001168099	1	Hose	
82	1001168166	2	Seal	
83	1001260420	1	Bracket	
84	1001169054	4	Isolator	
85	1001169138	4	Pad, Snubbing	
86	1001169967	2	Bracket	
87	1001170035	2	Bracket	
88	1001249965	1	Deutz D2.9L4 - 49HP Engine (See Separate Breakdown in this Section)	
89	1001177359	1	Hose	
90	1001178788	1	Cable, Alternator Power	
91	1001178876	1	Mount, Fuel Filter	
92	1001179903	1	Bracket	
93	1001180620	AR	Adhesive	
94	1001181895	AR	Adhesive	
95	1001191620	1	Clamp	
96	1001230635	1	Tank, Surge	
96	1001134488	1	Fitting, 90 Barbed (Part of Item 58)	
96	1001138827	1	Sensor, Coolant Level (Part of Item 58)	
96	1001140564	1	Fitting, 90 Barbed	
97	1001233895	1	Engine Harness - Deutz D2.9L4 - 49HP and Deutz TD2.9L4 - 67HP Engines (Not Shown) (See Separate Breakdown in ELECTRICAL Section)	
98	1001243656	1	Support, Engine Tray	

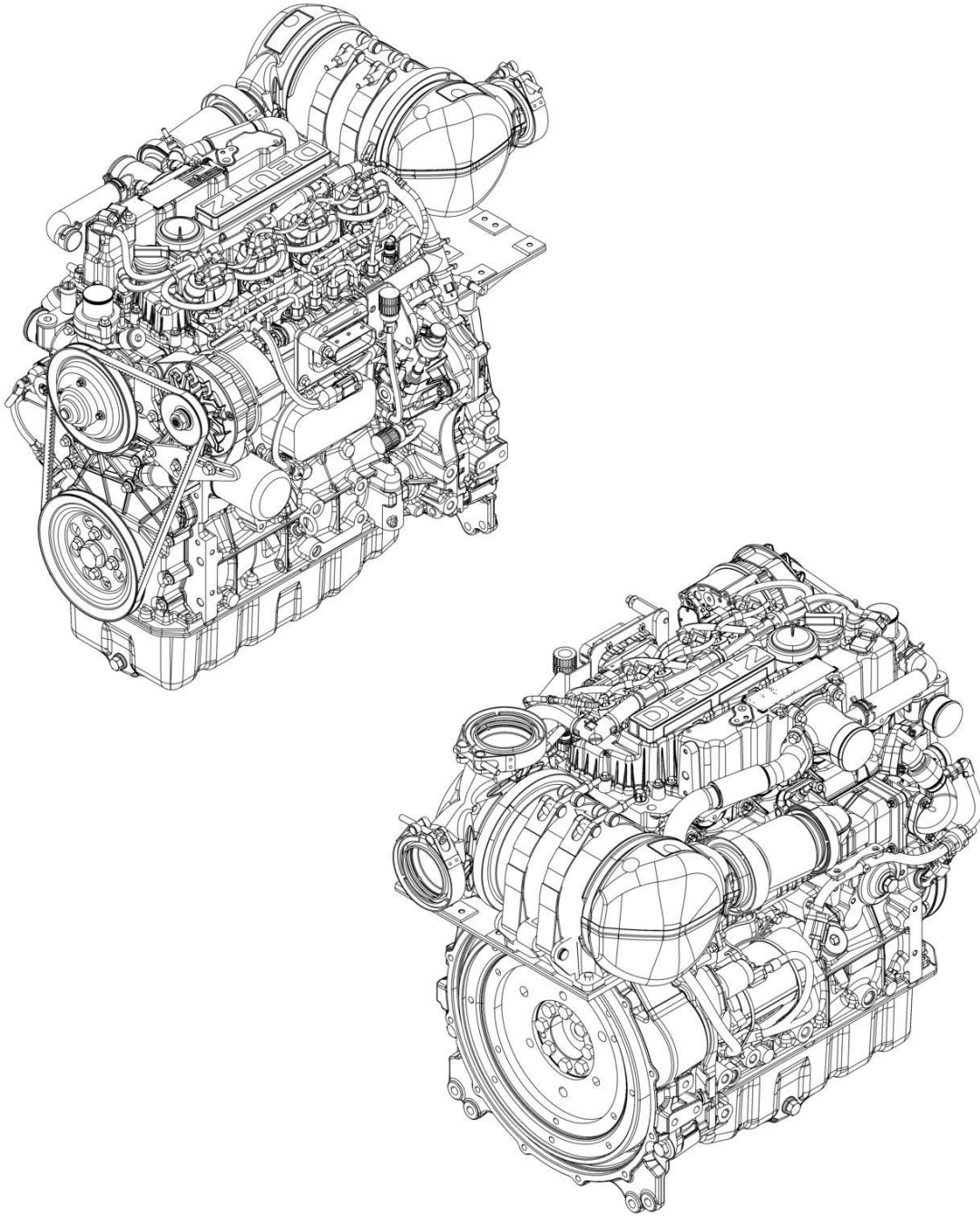
## SECTION 3 - ENGINE

ITEM	PART NUMBER	QTY	DESCRIPTION	REV
99	1001243850	1	Support, Radiator	
100	4751600	2	Washer 3/8	
101	0681608	1	Bolt 3/8 x 1	
102	3311605	1	Nut 3/8	
103	1001260412	1	Bracket	



## SECTION 3 - ENGINE

FIGURE 3-28. DEUTZ TD2.9L4 ENGINE COMPONENTS - WITH ARCTIC PACKAGE (600S HC3/660SJ HC3) (SN 0300275114 to Present)



ART\_1001249965

## SECTION 3 - ENGINE

**FIGURE 3-28. DEUTZ TD2.9L4 ENGINE COMPONENTS - WITH ARCTIC PACKAGE (600S HC3/660SJ HC3) (SN 0300275114 to Present)**

ITEM	PART NUMBER	QTY	DESCRIPTION	REV
	1001249965	Ref	DEUTZ D2.9L4 - 49HP ENGINE COMPONENTS	B
	See Note	Ref	Note: Contact JLG Customer Service for Availability of Additional Components.	
		Ref	Air Intake System	
	70005182	1	Charge Air Elbow	
	70005183	1	Breather Line	
		Ref	Cooling System Components	
	70030360	1	Pump, Coolant	
	70007603	1	Thermostat	
		Ref	Electrical Components	
	70025210	1	Module, Engine Control (ECM/ECU)	
	70024513	1	Harness, Fuel Filter Sensor	
	70024504	1	Sensor, Fuel Pressure	
	70006652	1	Generator	
	70024915	1	Starter	
	70025231	1	Harness, Glow Plug	
	70028540	1	Sensor, Temperature	
	70026210	1	Sensor, Speed	
	70024507	1	Sensor, Pressure (Air Intake)	
	70031145	4	Plug, Glow	
		Ref	Exhaust Components	
	70031136	1	Pipe, Exhaust	
	70004282	1	Exhaust Manifold	
		Ref	Fuel System Components	
	70030381	1	Pump, High Pressure	
	700004508	1	Valve, Volume Control	
	70004281	1	Injector, Fuel	
	70006144	1	Pump, Fuel Supply (Includes Qty 2 Mounting Clamps)	
	1001225430	1	Filter, Fuel (Pre-Filter) Assembly	
	70024961	1	Filter, Fuel	
	70025239	1	Seal	
	70024513	1	Cable, Sensor	
	70029451	1	Filter, Fuel	
		Ref	Gasket & Seal Components	
	70024905	1	Seal, Dipstick	
	70005942	2	Seal, Oil Plug	
	70024906	1	Gasket, Head	
	70005171	1	Gasket, Valve Cover	
	70002718	1	Seal, Rear Main	
	70025135	1	O-Ring, Oil Lube Pump	
	70005173	1	Gasket, Oil Lube Pump	
	70024925	1	Seal, Oil Cooler	
	70005177	1	Gasket, Charge Air Housing	
	70025200	1	O-Ring, Coolant Pump	
	70007325	1	Seal, Coolant Pump	
	70005184	1	O-Ring, Thermostat	
	70005931	1	Seal, Thermostat	
	70025164	1	Gasket, Exhaust Manifold to Head	
	70007354	1	Gasket, Short Exhaust Pipe to JLG supplied Exhaust	

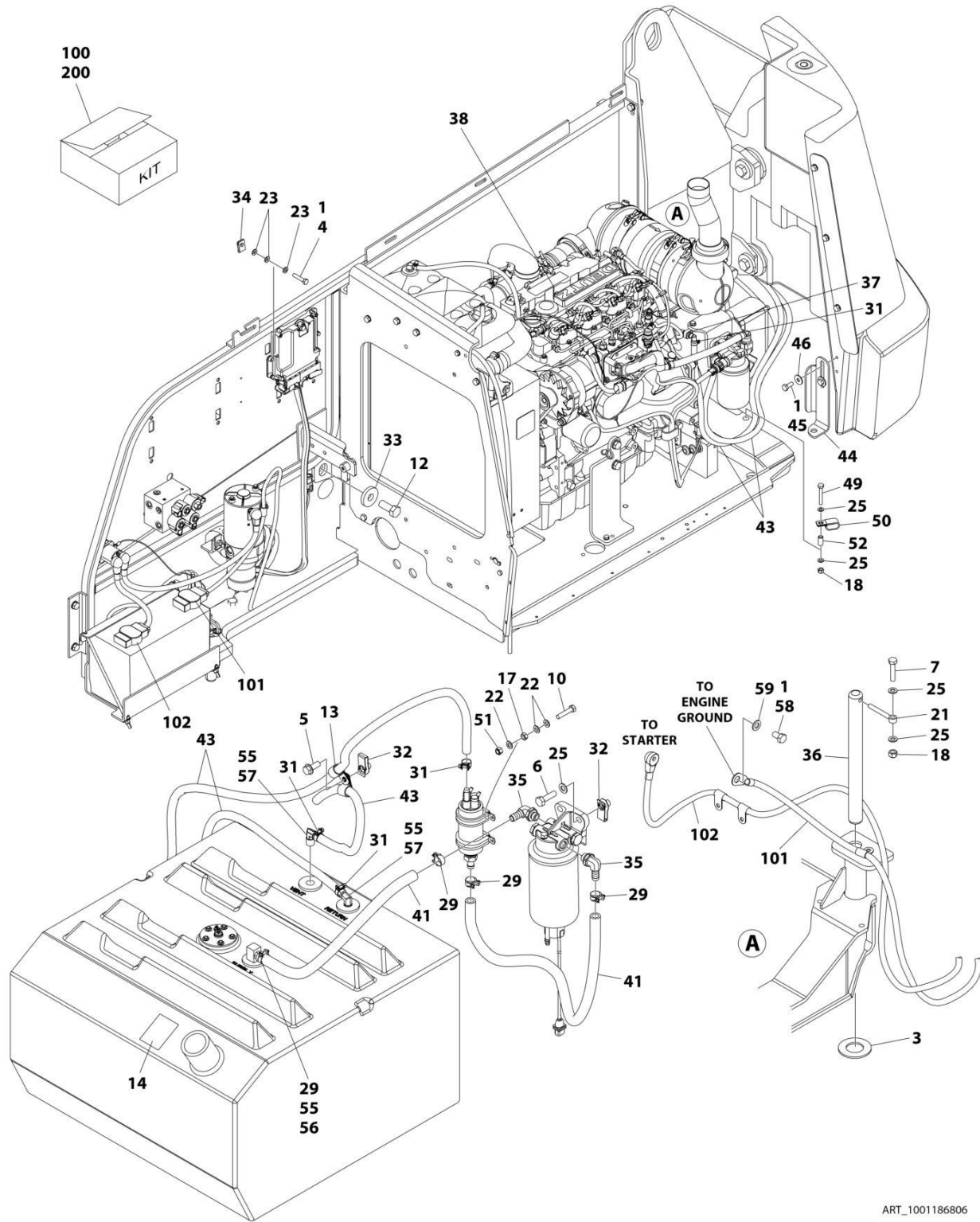
## SECTION 3 - ENGINE

ITEM	PART NUMBER	QTY	DESCRIPTION	REV
	70007326	1	Gasket EGR Valve	
	70031095	1	Gasket, Exhaust Return Pipe (to Air Intake Housing)	
		Ref	Other Components	
	70001870	1	Flywheel	
	7024579	1	Gear, Ring	
		Ref	Oil Lube System	
	7020465	1	Cap, Oil Fill	
	70024904	1	Dipstick	
	70005941	2	Plug, Oil (Includes Seal)	
	70005172	1	Pump, Oil Lube (Includes O-Ring & Gasket)	
	70024494	1	Oil Cooler	
	7016331	1	Filter, Oil	



# SECTION 3 - ENGINE

## FIGURE 3-29. DEUTZ TD2.9L4 ENGINE INSTALLATION - WITHOUT ARCTIC PACKAGE (600S HC3)



ART\_1001186806



## SECTION 3 - ENGINE

**FIGURE 3-29. DEUTZ TD2.9L4 ENGINE INSTALLATION - WITHOUT ARCTIC PACKAGE (600S HC3)**

ITEM	PART NUMBER	QTY	DESCRIPTION	REV
	1001186806	Ref	DEUTZ TD2.9L4 - 67HP ENGINE INSTALLATION	O
1	0100011	AR	Compound, Locking	
3	0440162	1	Bearing	
4	0700614	4	Bolt M6 x 30	
5	5251012	1	Bolt M10 x 25	
6	0701015	2	Bolt M10 x 35	
7	0711018	1	Bolt M10 x 50	
10	0760512	4	Bolt M5 x 25	
12	0772018	1	Bolt M20 x 50	
13	1320061	2	Clamp	
14	1701505	1	Decal - Diesel Fuel	
17	3290501	4	Nut M5	
18	3291005	2	Nut M10	
21	3841143	1	Keeper, Pin	
22	4811600	12	Washer M5	
23	4811700	12	Washer M6	
25	4812000	6	Washer M10	
29	1001175568	4	Clip	
31	1001136975	5	Clamp	
32	1001118972	3	Nut, Tinnerman M10	
33	1001119051	1	Washer	
34	1001130220	4	Nut, Tinnerman M6	
35	1001142501	2	Fitting, 90 Barbed	
36	1001155094	1	Pin	
37	1001155823	1	Fitting, 90 Quick Connect	
38	1001186811	1	Deutz TD2.9L4 - 67HP Engine and Pump Sub-Assembly (See Separate Breakdown in this Section)	
41	1001154405	33 in/ 0.8cm	Hose	
43	1001165035	27 ft/ 8.2m	Hose	
44	1001196398	1	Bracket	
45	0701012	2	Bolt M10 x 25	
46	4812002	2	Washer M10	
49	0701022	1	Bolt M10 x 70	
50	1001026127	1	Clamp	
51	3290505	4	Nut M5	
52	1001200731	1	Tube	
53	4240099	7	Tie-Strap (Not Shown)	
54	1001190444	1	Fuel Pump Harness - Deutz TD2.9L4 - 67HP Engine (Not Shown) (See Separate Breakdown in ELECTRICAL SECTION)	
55	0100020	AR	Sealant	
56	2180832	1	Fitting, Straight Barbed	
57	2220313	2	Fitting, 90 NPTF/Barb	
58	0761210	1	Bolt M12 x 20	
59	4812100	1	Washer M12	
100	1001235532	1	Battery Cable Kit	
101	1001188668	1	Cable, Battery (-) to Aux Pump and Ground	
102	1001188669	1	Cable, Battery (+) to Aux Relay to Starter	
200	1001269919	1	Hose Assembly Kit	

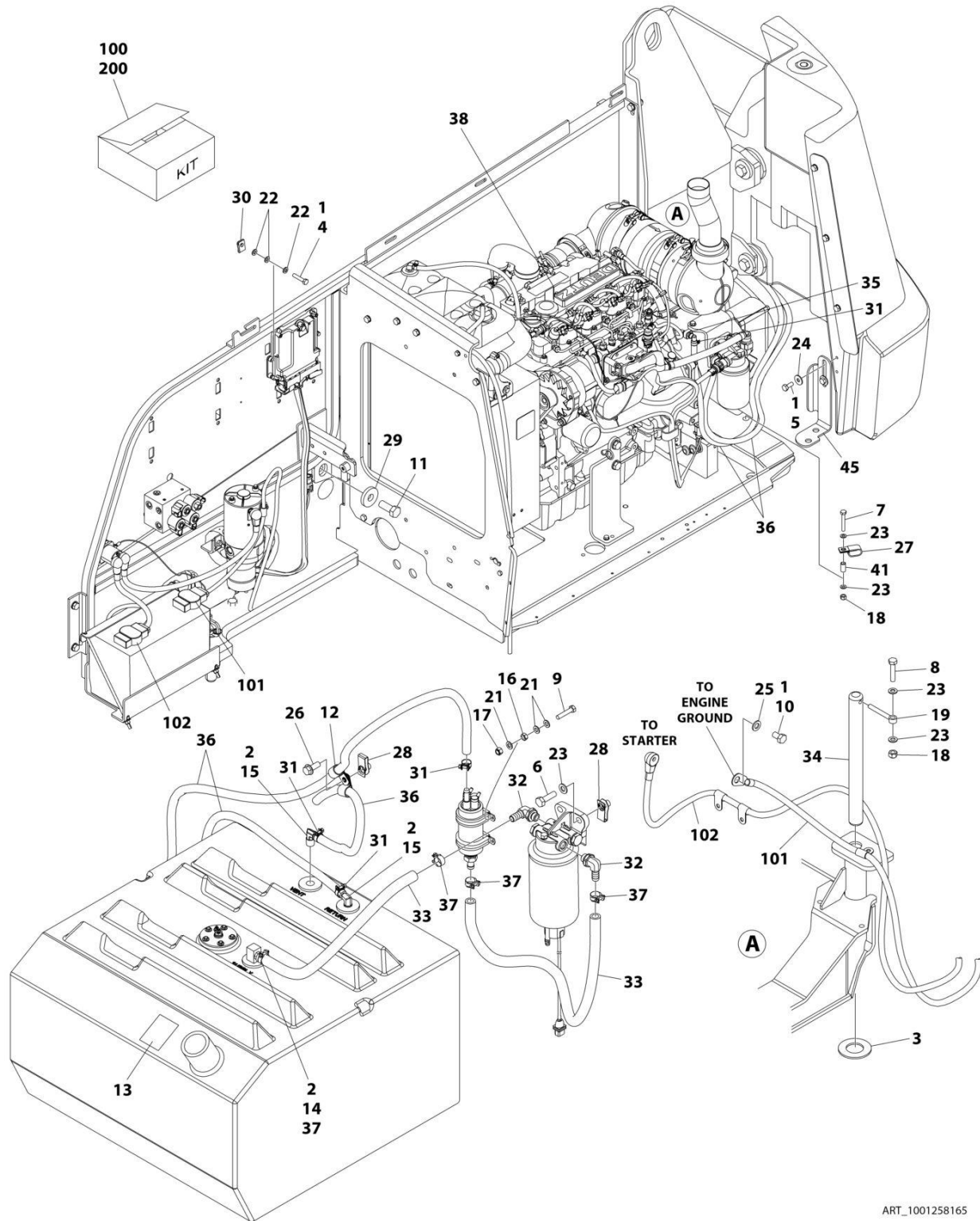
## SECTION 3 - ENGINE

ITEM	PART NUMBER	QTY	DESCRIPTION	REV
201	1001192690	1	Hose (Case Drain) (Drive Pump Case Gauge Port to Tank) (Not Shown)	
202	1001203431	1	Hose (Case Drain) (Drive Pump Case Outlet Port to Tank) (Not Shown)	
203	1001203432	1	Hose (Function Suction) (Not Shown)	
204	1001203433	1	Hose (Drive Suction) (Not Shown)	



# SECTION 3 - ENGINE

FIGURE 3-30. DEUTZ TD2.9L4 ENGINE INSTALLATION - WITHOUT ARCTIC PACKAGE (660SJ HC3)



ART\_1001258165

## SECTION 3 - ENGINE

**FIGURE 3-30. DEUTZ TD2.9L4 ENGINE INSTALLATION - WITHOUT ARCTIC PACKAGE (660SJ HC3)**

ITEM	PART NUMBER	QTY	DESCRIPTION	REV
	1001258165	Ref	DEUTZ TD2.9L4 - 67HP ENGINE INSTALLATION	B
1	0100011	AR	Compound, Locking	
2	0100020	AR	Sealant	
3	0440162	1	Bearing	
4	0700614	4	Bolt M6 x 30	
5	0701012	2	Bolt M10 x 25	
6	0701015	2	Bolt M10 x 35	
7	0701022	1	Bolt M10 x 70	
8	0711018	1	Bolt M10 x 50	
9	0760512	4	Bolt M5 x 25	
10	0761210	1	Bolt M12 x 20	
11	0772018	1	Bolt M20 x 50	
12	1320061	2	Clamp	
13	1701505	1	Decal - Diesel Fuel	
14	2180832	1	Fitting, Straight Barbed	
15	2220313	2	Fitting, 90 NPTF/Barb	
16	3290501	4	Nut M5	
17	3290505	4	Nut M5	
18	3291005	2	Nut M10	
19	3841143	1	Keeper, Pin	
20	4240099	7	Tie-Strap (Not Shown)	
21	4811600	12	Washer M5	
22	4811700	12	Washer M6	
23	4812000	6	Washer M10	
24	4812002	2	Washer M10	
25	4812100	1	Washer M12	
26	5251012	1	Bolt M10 x 25	
27	1001026127	1	Clamp	
28	1001118972	3	Nut, Tinnerman M10	
29	1001119051	1	Washer	
30	1001130220	4	Nut, Tinnerman M6	
31	1001136975	5	Clamp	
32	1001142501	2	Fitting, 90 Barbed	
33	1001154405	33 in/ 0.8cm	Hose	
34	1001155094	1	Pin	
35	1001155823	1	Fitting, 90 Quick Connect	
36	1001165035	27 ft/ 8.2m	Hose	
37	1001175568	4	Clip	
38	1001186811	1	Deutz TD2.9L4 - 67HP Engine and Pump Sub-Assembly (See Separate Breakdown in this Section)	
39	1001190444	1	Fuel Pump Harness - Deutz TD2.9L4 - 67HP Engine (Not Shown) (See Separate Breakdown in ELECTRICAL SECTION)	
41	1001200731	1	Tube	
45	1001258175	1	Bracket	
100	1001235532	1	Battery Cable Kit	
101	1001188668	1	Cable, Battery (-) to Aux Pump and Ground	
102	1001188669	1	Cable, Battery (+) to Aux Relay to Starter	
200	1001269920	1	Engine Hose Kit	

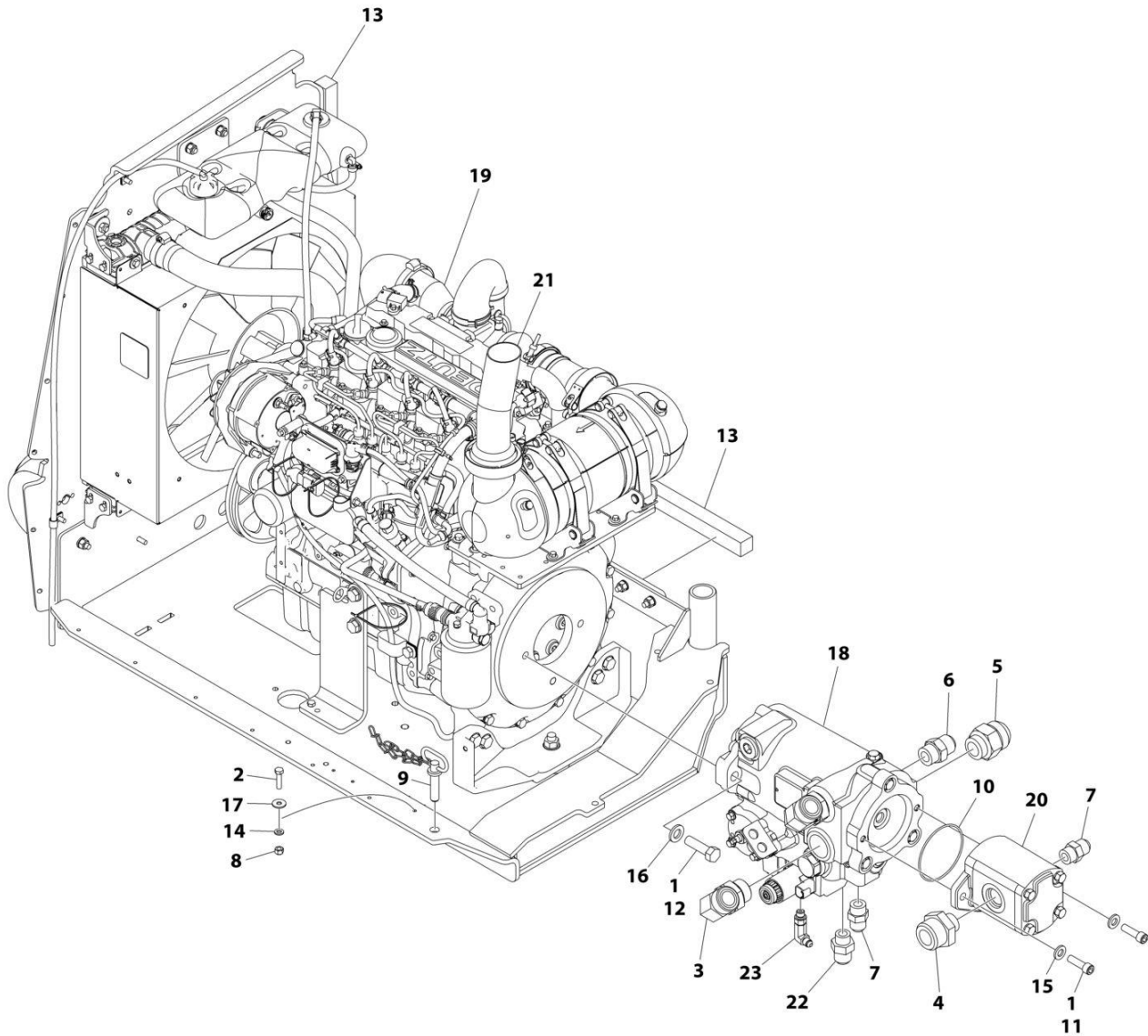
## SECTION 3 - ENGINE

ITEM	PART NUMBER	QTY	DESCRIPTION	REV
201	1001192690	1	Hose (Case Drain) (Drive Pump Case Gauge Port to Tank) (Not Shown)	
202	1001203431	1	Hose (Case Drain) (Drive Pump Case Outlet Port to Tank) (Not Shown)	
203	1001258156	1	Hose (Function Suction) (Not Shown)	
204	1001258157	1	Hose (Drive Suction) (Not Shown)	



# SECTION 3 - ENGINE

## FIGURE 3-31. DEUTZ TD2.9L4 ENGINE AND PUMPS SUB-ASSEMBLY - WITHOUT ARCTIC PACKAGE (600S HC3/660SJ HC3)



ART\_1001186811\_I



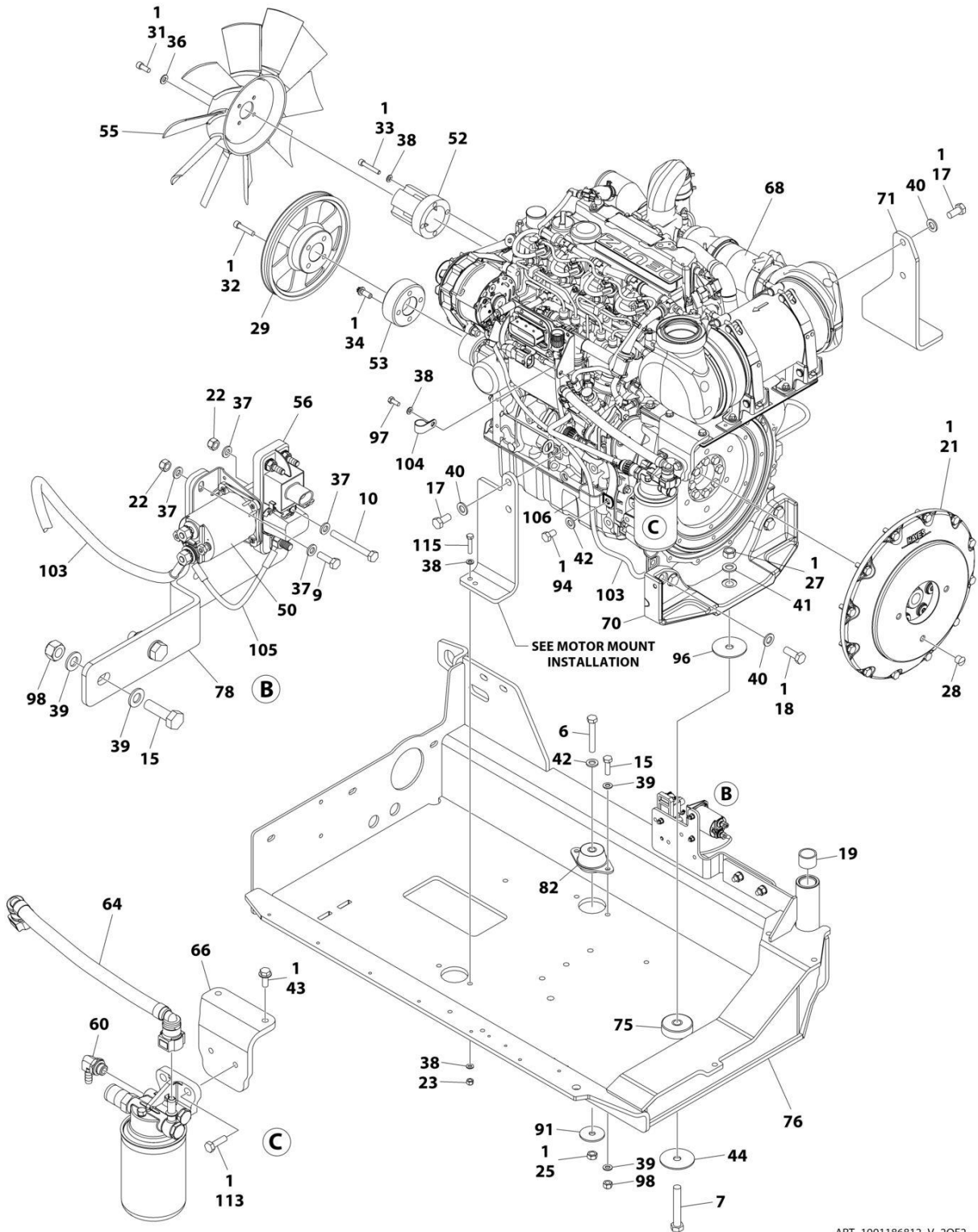
## SECTION 3 - ENGINE

**FIGURE 3-31. DEUTZ TD2.9L4 ENGINE AND PUMPS SUB-ASSEMBLY - WITHOUT ARCTIC PACKAGE  
(600S HC3/660SJ HC3)**

ITEM	PART NUMBER	QTY	DESCRIPTION	REV
	1001186811	Ref	DEUTZ TD2.9L4 - 67HP ENGINE AND PUMPS SUB-ASSEMBLY	I
1	0100011	AR	Compound, Locking	
2	0760612	1	Bolt M6 x 25	
3	2131616	2	Fitting, 90 ORFS/ORB	
4	2220946	1	Fitting, Straight JIC/ORB	
5	2220479	1	Fitting, Straight JIC/ORB	
6	2220451	1	Fitting, Straight JIC/ORB	
7	2220947	2	Fitting, Straight JIC/ORB	
8	3290605	1	Nut M6	
9	3422532	1	Pin	
10	3790152	1	O-Ring	
11	3931620	2	Capscrew 3/8 x 1-1/4	
11	3931618	2	Capscrew 3/8 x 1-1/8	
12	0641814	2	Bolt 1/2 x 1-3/4	
13	3960469	1	Seal	
14	4811700	1	Washer M6	
15	5241000	2	Washer M10	
16	5241200	2	Washer M12	
17	4811702	1	Washer M6	
18	1001184930	1	Piston Pump Assembly (See Separate Breakdown in this Section)	
19	1001186812	1	Deutz TD2.9L4 - 67HP Engine Assembly (See Separate Breakdown in this Section)	
20	1001190143	1	Gear Pump Assembly	
20	70006356	1	Seal Kit - 1001190143 Pump	
21	1001239207	1	Pipe, Exhaust	
22	2220408	1	Fitting, Straight JIC/ORB	
23	2220940	1	Fitting, 90 JIC/ORB	



# SECTION 3 - ENGINE



ART\_1001186812\_V\_20F2

## SECTION 3 - ENGINE

**FIGURE 3-32. DEUTZ TD2.9L4 ENGINE ASSEMBLY - WITHOUT ARCTIC PACKAGE (600S HC3/660SJ HC3)**

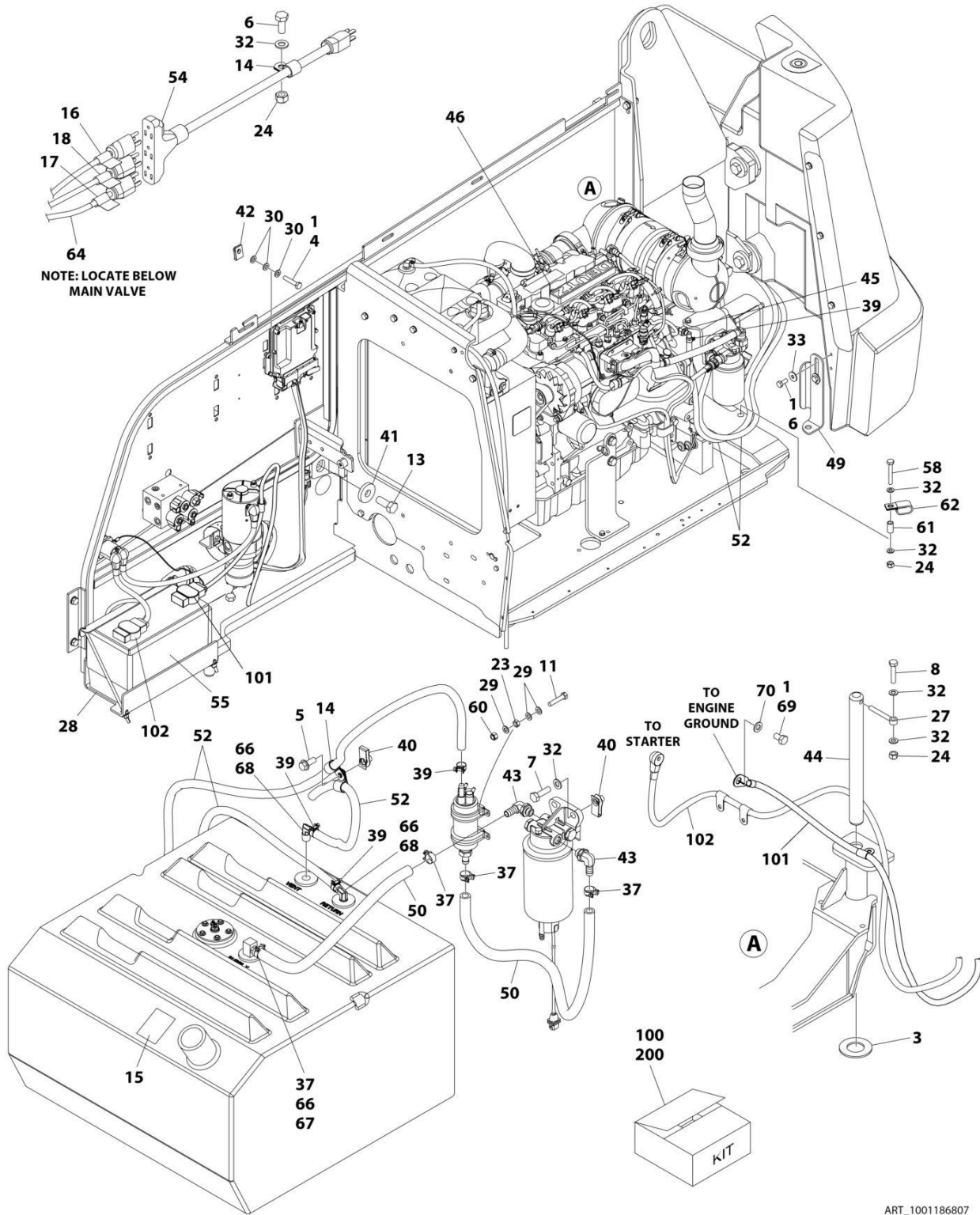
ITEM	PART NUMBER	QTY	DESCRIPTION	REV
	1001186812	Ref	DEUTZ TD2.9L4 - 67HP ENGINE ASSEMBLY	V
1	0100011	AR	Compound, Locking	
2	0100020	AR	Sealant	
6	0711224	1	Bolt M12 x 80	
7	0711627	1	Bolt M16 x 100	
8	0741605	2	Screw 3/8 x 5/8	
9	0760610	2	Bolt M6 x 20	
10	0760619	1	Bolt M6 x 55	
13	0760814	AR	Bolt M8 x 30	
15	0761015	6	Bolt M10 x 35	
16	0761016	5	Bolt M10 x 40	
17	0771414	4	Bolt M14 x 30	
18	0771416	4	Bolt M14 x 40	
19	0961951	2	Bushing	
20	1703162	2	Decal - Fan Blade	
21	2902065	1	Pump Coupling Kit (See Separate Breakdown in this Section)	
22	3290605	AR	Nut M6	
23	3290805	AR	Nut M8	
24	3291001	4	Nut M10	
25	3331211	1	Nut M12	
27	3331611	1	Nut M16	
28	3520054	1	Plug	
29	3580320	1	Pulley	
31	3931512	4	Capscrew 5/16 x 3/4	
32	3931628	4	Capscrew 3/8 x 1-3/4	
33	4031914	4	Capscrew M8 x 50	
34	4032014	4	Capscrew M10 x 50	
36	4711500	4	Washer 5/16	
37	4811700	AR	Washer M6	
38	4811900	AR	Washer M8	
39	4812000	20	Washer M10	
40	5241400	8	Washer M14	
41	4812300	1	Washer M16	
42	5241200	2	Washer M12	
43	5250810	2	Bolt M8 x 20	
44	7300435	1	Washer	
45	8405007	2	Clamp	
46	8405009	4	Clamp	
47	8405104	4	Clamp	
48	8406109	AR	Clip	
49	8410011	2	Clamp	
50	1001117308	1	Contactactor	
51	1001134488	1	Fitting, 90 Barbed (Part of Item 58)	
52	1001135138	1	Adapter, Fan	
53	1001135679	1	Adapter	
54	1001136834	1	Cap, Tank	
55	1001137276	1	Fan	
56	1001138228	1	Relay	
57	1001138827	1	Sensor, Coolant Level (Part of Item 58)	

## SECTION 3 - ENGINE

ITEM	PART NUMBER	QTY	DESCRIPTION	REV
58	1001230635	1	Tank, Surge (Include Items 51, 57 & 59)	
59	1001140564	1	Fitting, 90 Barbed (Part of Item 58)	
60	1001152489	1	Fitting, 90 Barbed	
61	1001167042	1	Radiator	
62	1001169967	2	Bracket	
63	1001170035	2	Bracket	
64	1001177359	1	Hose	
65	1001177844	1	Hose, Radiator (Top)	
66	1001231805	1	Mount	
67	1001186426	1	Clamp, Air Cleaner	
68	1001249943	1	Deutz TD2.9L4 - 67HP Engine (See Separate Breakdown in this Section)	
69	1001233895	1	Engine Harness - Deutz TD2.9L4 - 67HP Engines (Not Shown) (See Separate Breakdown in ELECTRICAL Section)	
70	1001188535	1	Bracket, Engine - Rear	
71	1001189026	1	Bracket, Engine - Right	
72	1001166716	1	Restriction, Indicator	
73	1001189913	1	Hose	
74	1001189979	1	Filter, Air	
74	70005008	1	Element, Filter	
75	1001190164	1	Mount, Motor	
76	1001200745	1	Tray	
77	1001229091	1	Support, Radiator	
78	1001203885	1	Plate	
79	1001190942	1	Support	
80	1001191025	1	Hose, Radiator (Bottom)	
82	1001191610	1	Mount, Motor	
83	1001192400	1	Bracket	
85	1001193049	1	Hose	
87	2720015	AR	Hose	
90	1001168166	2	Seal	
91	1001168018	1	Washer	
92	1001180620	AR	Adhesive	
94	0761210	1	Bolt M12 x 20	
96	1001197725	1	Spacer	
97	0760810	11	Bolt M8 x 20	
98	3291005	11	Nut M10	
99	4811902	8	Washer M8	
100	5241000	10	Washer M10	
101	1001169054	4	Isolator	
102	1001169138	4	Pad, Snubbing	
103	1001190442	1	Harness, Alternator Power	
103	1001098764	1	Boot - Red	
104	1320202	1	Clamp	
105	1001141304	1	Harness, Glow Fuse	
106	1001181899	1	Clamp	
108	4240099	1	Tie-Strap (Not Shown)	
113	5251012	2	Bolt M10 x 25	
115	0760816	3	Bolt M8 x 40	
116	0761017	4	Bolt M10 x 45	
117	1001138248	4 ft/1.25m	Tube	

# SECTION 3 - ENGINE

## FIGURE 3-33. DEUTZ TD2.9L4 ENGINE INSTALLATION - WITH ARCTIC PACKAGE (600S HC3)



## SECTION 3 - ENGINE

**FIGURE 3-33. DEUTZ TD2.9L4 ENGINE INSTALLATION - WITH ARCTIC PACKAGE (600S HC3)**

ITEM	PART NUMBER	QTY	DESCRIPTION	REV
	1001186807	Ref	DEUTZ TD2.9L4 - 67HP ENGINE INSTALLATION	O
1	0100011	AR	Compound, Locking	
3	0440162	1	Bearing	
4	0700614	4	Bolt M6 x 30	
5	5251012	1	Bolt M10 x 25	
6	0701012	3	Bolt M10 x 25	
7	0701015	2	Bolt M10 x 35	
8	0711018	1	Bolt M10 x 50	
11	0760512	4	Bolt M5 x 25	
13	0772018	1	Bolt M20 x 50	
14	1320061	3	Clamp	
15	1701505	1	Decal - Diesel Fuel	
16	1702941	1	Decal - Battery Heater	
17	1702942	1	Decal - Engine Block Heater	
18	1702943	1	Decal - Hydraulic Tank Heater	
22	1001188972	1	Heater, Immersion (Not Shown - Located on Hydraulic Tank)	
23	3290501	4	Nut M5	
24	3291005	3	Nut M10	
27	3841143	1	Keeper, Pin	
28	3980007	1	Seat, Battery	
29	4811600	12	Washer M5	
30	4811700	12	Washer M6	
32	4812000	7	Washer M10	
33	4812002	2	Washer M10	
37	1001175568	4	Clip	
39	1001136975	5	Clamp	
40	1001118972	3	Nut, Tinnerman M10	
41	1001119051	1	Washer	
42	1001130220	4	Nut, Tinnerman M6	
43	1001142501	2	Fitting, 90 Barbed	
44	1001155094	1	Pin	
45	1001155823	1	Fitting, 90 Quick Connect	
46	1001186813	1	Deutz TD2.9L4 - 67HP Engine and Pumps Sub-Assembly (See Separate Breakdown in this Section)	
49	1001196398	1	Bracket	
50	1001154405	33 in/ 0.8cm	Hose	
52	1001165035	27 ft/ 8.2m	Hose	
54	1060626	1	Plug, 3 Way	
55	2580024	1	Heater, Battery	
58	0701022	1	Bolt M10 x 70	
60	3290505	4	Nut M5	
61	1001200731	1	Tube	
62	1001026127	1	Clamp	
63	4240099	7	Tie-Strap (Not Shown)	
64	1001150918	1	Cable, Extension	
65	1001190444	1	Engine Harness - Deutz TD2.9L4 - 67HP Engines (Not Shown) (See Separate Breakdown in ELECTRICAL Section)	
66	0100020	AR	Sealant	

## SECTION 3 - ENGINE

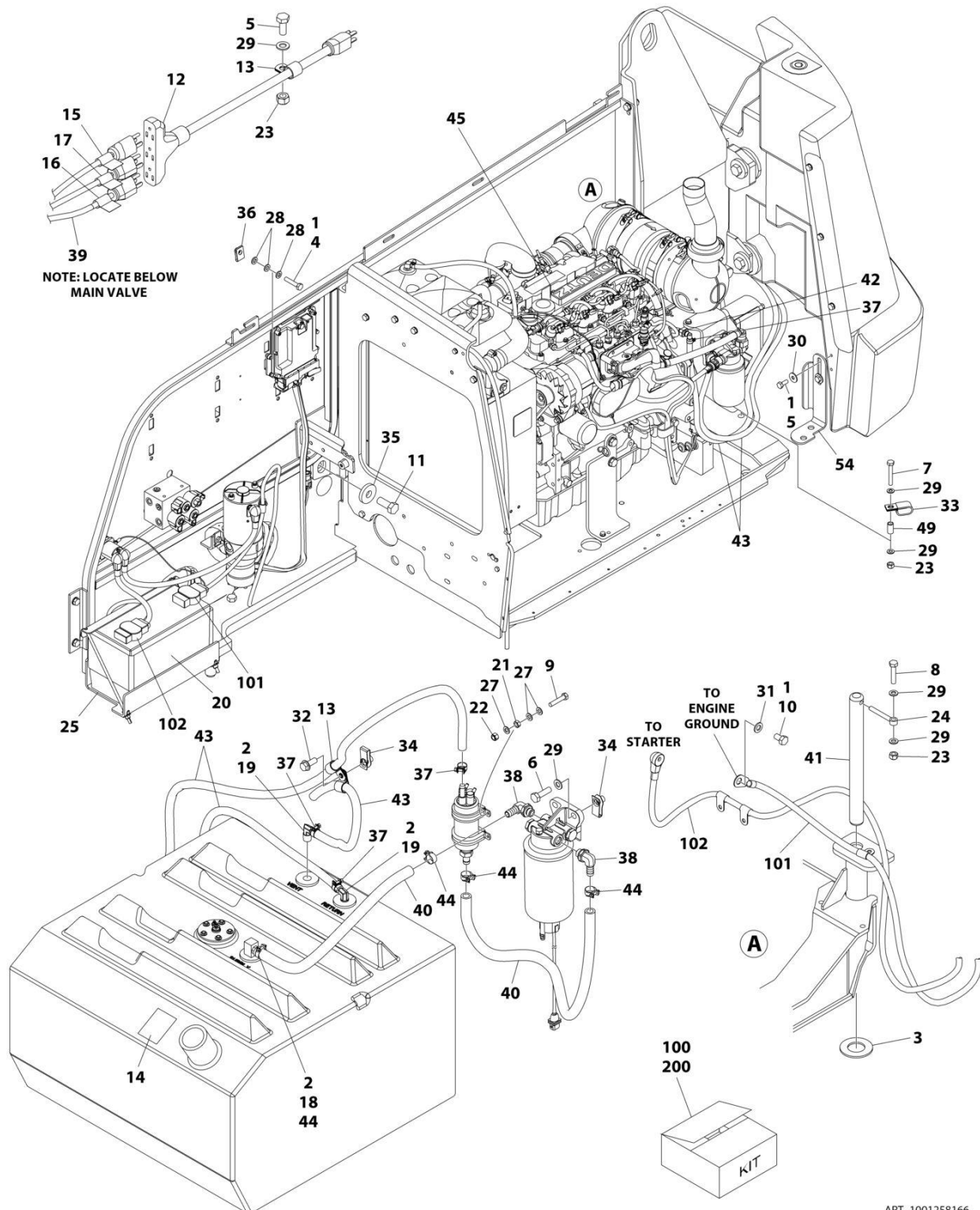
ITEM	PART NUMBER	QTY	DESCRIPTION	REV
67	2180832	1	Fitting, Straight Barbed	
68	2220313	2	Fitting, 90 NPTF/Barb	
69	0761210	1	Bolt M12 x 20	
70	4812100	1	Washer M12	
75	1001233763	1	Deutz Breather Heater Installation (Not Shown) (See Separate Breakdown in this Section)	
75	4240099	AR	Tie-Strap	
75	1001196634	1	Fuse 2amp	
75	1001232842	1	Heater, Deutz Breather Kit	
75	2400060	1	Fuse, Holder	
100	1001235532	1	Battery Cable Kit	
101	1001188668	1	Cable, Battery (-) to Aux Pump and Ground	
102	1001188669	1	Cable, Battery (+) to Aux Relay to Starter	
200	1001269919	1	Hose Assembly Kit	
201	1001192690	1	Hose (Case Drain) (Drive Pump Case Gauge Port to Tank) (Not Shown)	
202	1001203431	1	Hose (Case Drain) (Drive Pump Case Outlet Port to Tank) (Not Shown)	
203	1001203432	1	Hose (Function Suction) (Not Shown)	
204	1001203433	1	Hose (Drive Suction) (Not Shown)	





# SECTION 3 - ENGINE

FIGURE 3-34. DEUTZ TD2.9L4 ENGINE INSTALLATION - WITH ARCTIC PACKAGE (660SJ HC3)



ART\_1001258166

## SECTION 3 - ENGINE

**FIGURE 3-34. DEUTZ TD2.9L4 ENGINE INSTALLATION - WITH ARCTIC PACKAGE (660SJ HC3)**

ITEM	PART NUMBER	QTY	DESCRIPTION	REV
	1001258166	Ref	DEUTZ TD2.9L4 - 67HP ENGINE INSTALLATION	B
1	0100011	AR	Compound, Locking	
2	0100020	AR	Sealant	
3	0440162	1	Bearing	
4	0700614	4	Bolt M6 x 30	
5	0701012	3	Bolt M10 x 25	
6	0701015	2	Bolt M10 x 35	
7	0701022	1	Bolt M10 x 70	
8	0711018	1	Bolt M10 x 50	
9	0760512	4	Bolt M5 x 25	
10	0761210	1	Bolt M12 x 20	
11	0772018	1	Bolt M20 x 50	
12	1060626	1	Plug, 3 Way	
13	1320061	3	Clamp	
14	1701505	1	Decal - Diesel Fuel	
15	1702941	1	Decal - Battery Heater	
16	1702942	1	Decal - Engine Block Heater	
17	1702943	1	Decal - Hydraulic Tank Heater	
18	2180832	1	Fitting, Straight Barbed	
19	2220313	2	Fitting, 90 NPTF/Barb	
20	2580024	1	Heater, Battery	
21	3290501	4	Nut M5	
22	3290505	4	Nut M5	
23	3291005	3	Nut M10	
24	3841143	1	Keeper, Pin	
25	3980007	1	Seat, Battery	
26	4240099	1	Tie-Strap (Not Shown)	
27	4811600	12	Washer M5	
28	4811700	12	Washer M6	
29	4812000	7	Washer M10	
30	4812002	2	Washer M10	
31	4812100	1	Washer M12	
32	5251012	1	Bolt M10 x 25	
33	1001026127	1	Clamp	
34	1001118972	3	Nut, Tinnerman M10	
35	1001119051	1	Washer	
36	1001130220	4	Nut, Tinnerman M6	
37	1001136975	5	Clamp	
38	1001142501	2	Fitting, 90 Barbed	
39	1001150918	1	Cable, Extension	
40	1001154405	33 in/ 0.8cm	Hose	
41	1001155094	1	Pin	
42	1001155823	1	Fitting, 90 Quick Connect	
43	1001165035	27 ft/ 8.2m	Hose	
44	1001175568	4	Clip	
45	1001186813	1	Deutz TD2.9L4 - 67HP Engine and Pumps Sub-Assembly (See Separate Breakdown in this Section)	
46	1001188972	1	Heater, Immersion (Not Shown - Located on Hydraulic Tank)	

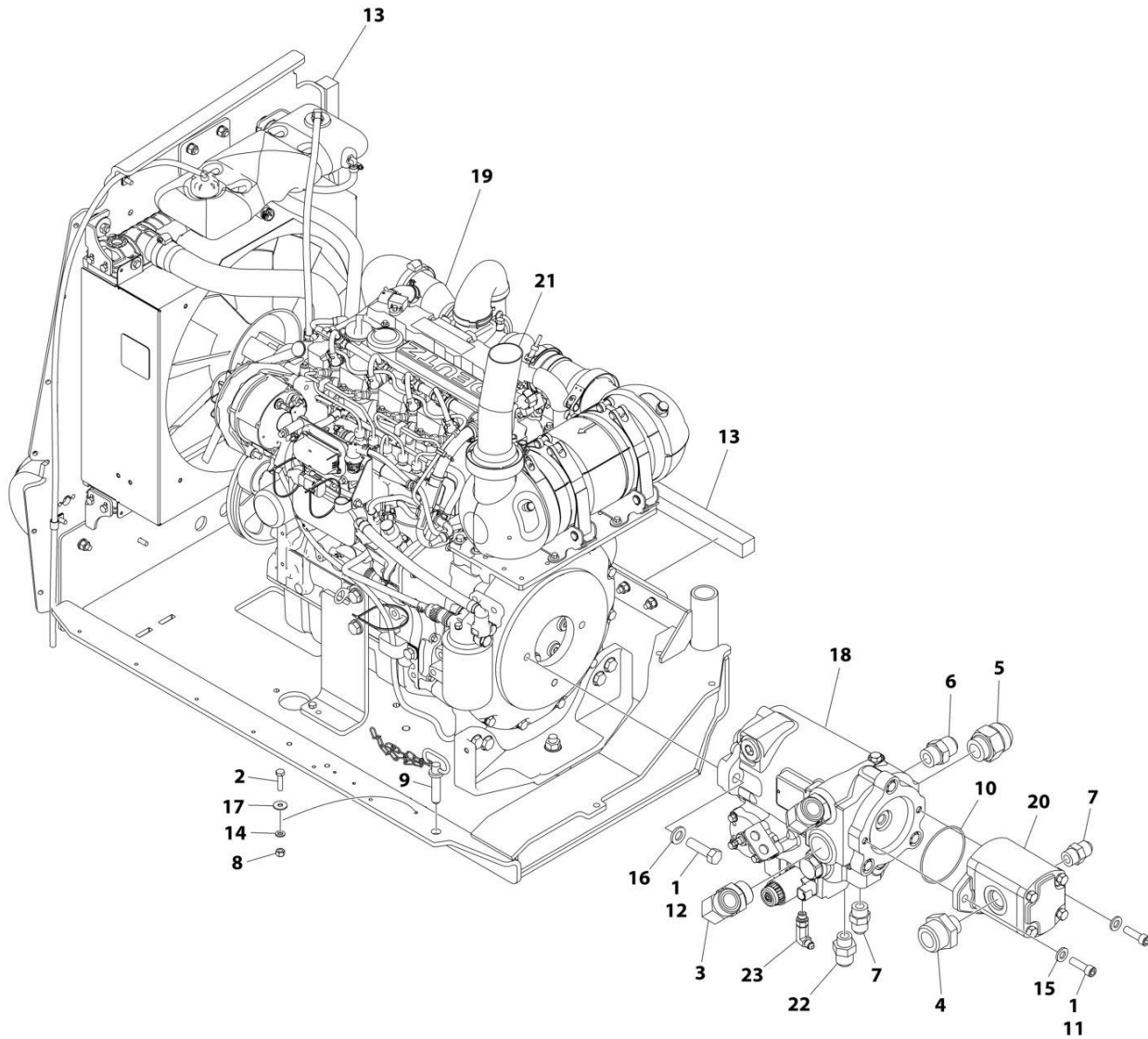
## SECTION 3 - ENGINE

ITEM	PART NUMBER	QTY	DESCRIPTION	REV
47	1001190444	1	Engine Harness - Deutz TD2.9L4 - 67HP Engines (Not Shown) (See Separate Breakdown in ELECTRICAL SECTION)	
49	1001200731	1	Tube	
51	1001233763	1	Deutz Breather Heater Installation (Not Shown) (See Separate Breakdown in this Section)	
54	1001258175	1	Bracket	
100	1001235532	1	Battery Cable Kit	
101	1001188668	1	Cable, Battery (-) to Aux Pump and Ground	
102	1001188669	1	Cable, Battery (+) to Aux Relay to Starter	
200	1001269920	1	Hose Assembly Kit	
201	1001192690	1	Hose (Case Drain) (Drive Pump Case Gauge Port to Tank) (Not Shown)	
202	1001203431	1	Hose (Case Drain) (Drive Pump Case Outlet Port to Tank) (Not Shown)	
203	1001258156	1	Hose (Function Suction) (Not Shown)	
204	1001258157	1	Hose (Drive Suction) (Not Shown)	



# SECTION 3 - ENGINE

FIGURE 3-35. DEUTZ TD2.9L4 ENGINE AND PUMPS SUB-ASSEMBLY - WITH ARCTIC PACKAGE  
(600S HC3/660SJ HC3)



ART\_1001186813\_I

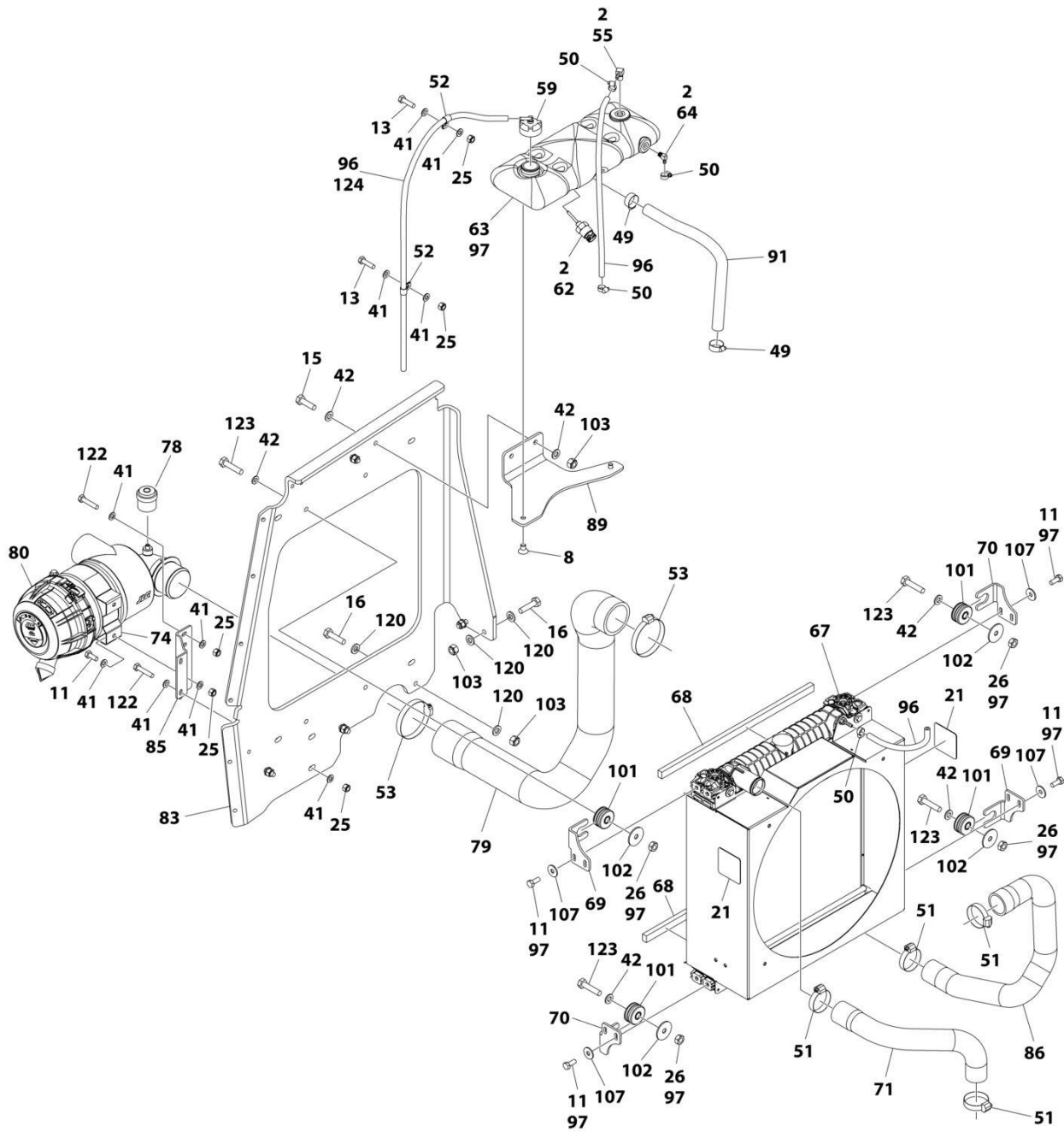
## SECTION 3 - ENGINE

**FIGURE 3-35. DEUTZ TD2.9L4 ENGINE AND PUMPS SUB-ASSEMBLY - WITH ARCTIC PACKAGE  
(600S HC3/660SJ HC3)**

ITEM	PART NUMBER	QTY	DESCRIPTION	REV
	1001186813	Ref	DEUTZ TD2.9L4 - 67HP ENGINE AND PUMPS SUB-ASSEMBLY	I
1	0100011	AR	Compound, Locking	
2	0760612	1	Bolt M6 x 25	
3	2131616	2	Fitting, 90 ORFS/ORB	
4	2220946	1	Fitting, Straight JIC/ORB	
5	2220479	1	Fitting, Straight JIC/ORB	
6	2220451	1	Fitting, Straight JIC/ORB	
7	2220947	2	Fitting, Straight JIC/ORB	
8	3290605	1	Nut M6	
9	3422532	1	Pin	
10	3790152	1	O-Ring	
11	3931620	2	Capscrew 3/8 x 1-1/4	
11	3931618	2	Capscrew 3/8 x 1-1/8	
12	0641814	2	Bolt 1/2 x 1-3/4	
13	3960469	2	Seal	
14	4811700	1	Washer M6	
15	5241000	2	Washer M10	
16	5241200	2	Washer M12	
17	4811702	1	Washer M6	
18	1001184930	1	Piston Pump Assembly (See Separate Breakdown in this Section)	
19	1001186814	1	Deutz TD2.9L4 - 67HP Engine Assembly (See Separate Breakdown in this Section)	
20	1001190143	1	Gear Pump Assembly	
20	70006356	1	Seal Kit - 1001190143 Pump	
21	1001239207	1	Pipe, Exhaust	
22	2220408	1	Fitting, Straight JIC/ORB	
23	2220940	1	Fitting, 90 JIC/ORB	

# SECTION 3 - ENGINE

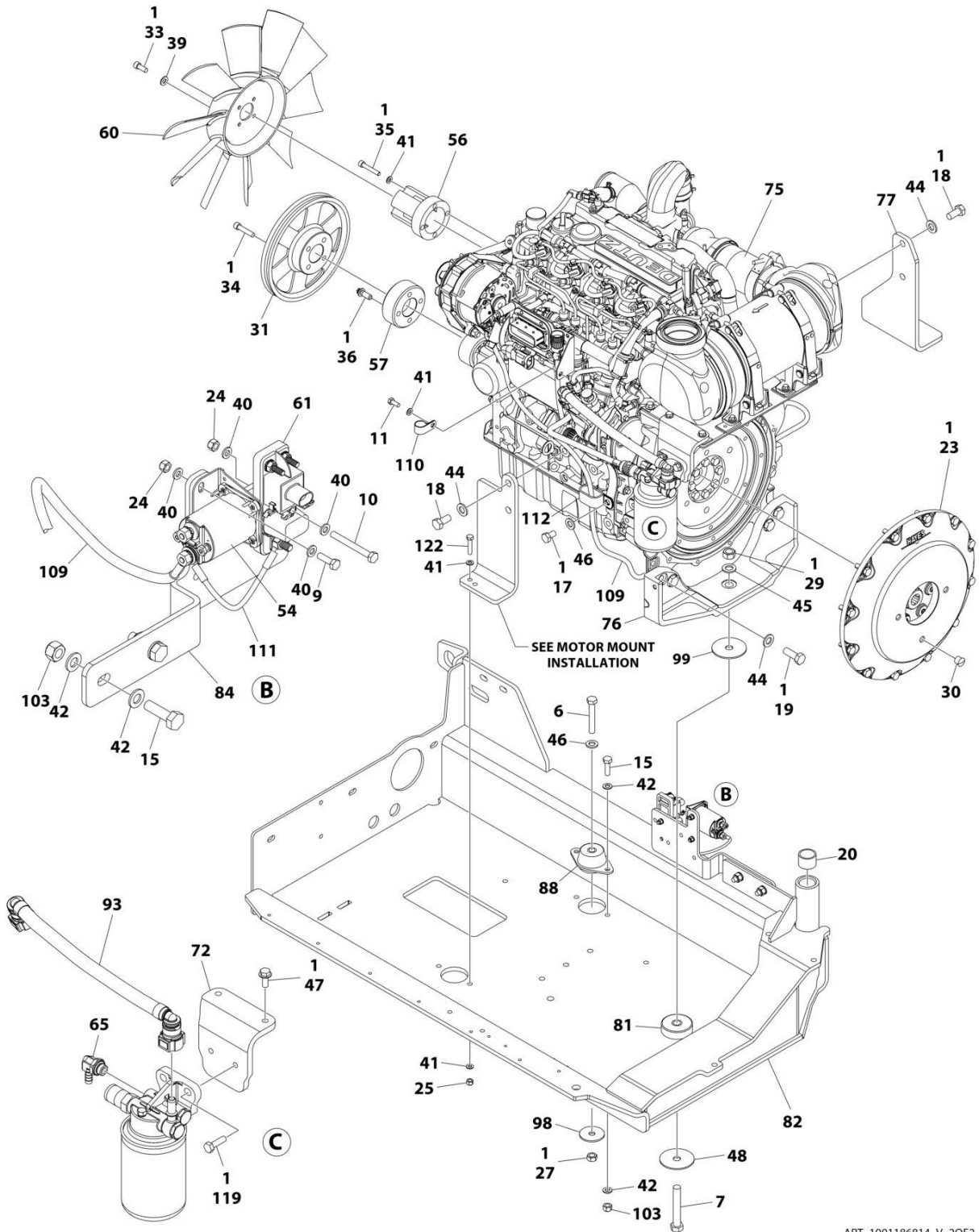
## FIGURE 3-36. DEUTZ TD2.9L4 ENGINE ASSEMBLY - WITH ARCTIC PACKAGE (600S HC3/660SJ HC3)



ART\_1001186814\_V\_10F2



# SECTION 3 - ENGINE



ART\_1001186814\_V\_20F2

## SECTION 3 - ENGINE

**FIGURE 3-36. DEUTZ TD2.9L4 ENGINE ASSEMBLY - WITH ARCTIC PACKAGE (600S HC3/660SJ HC3)**

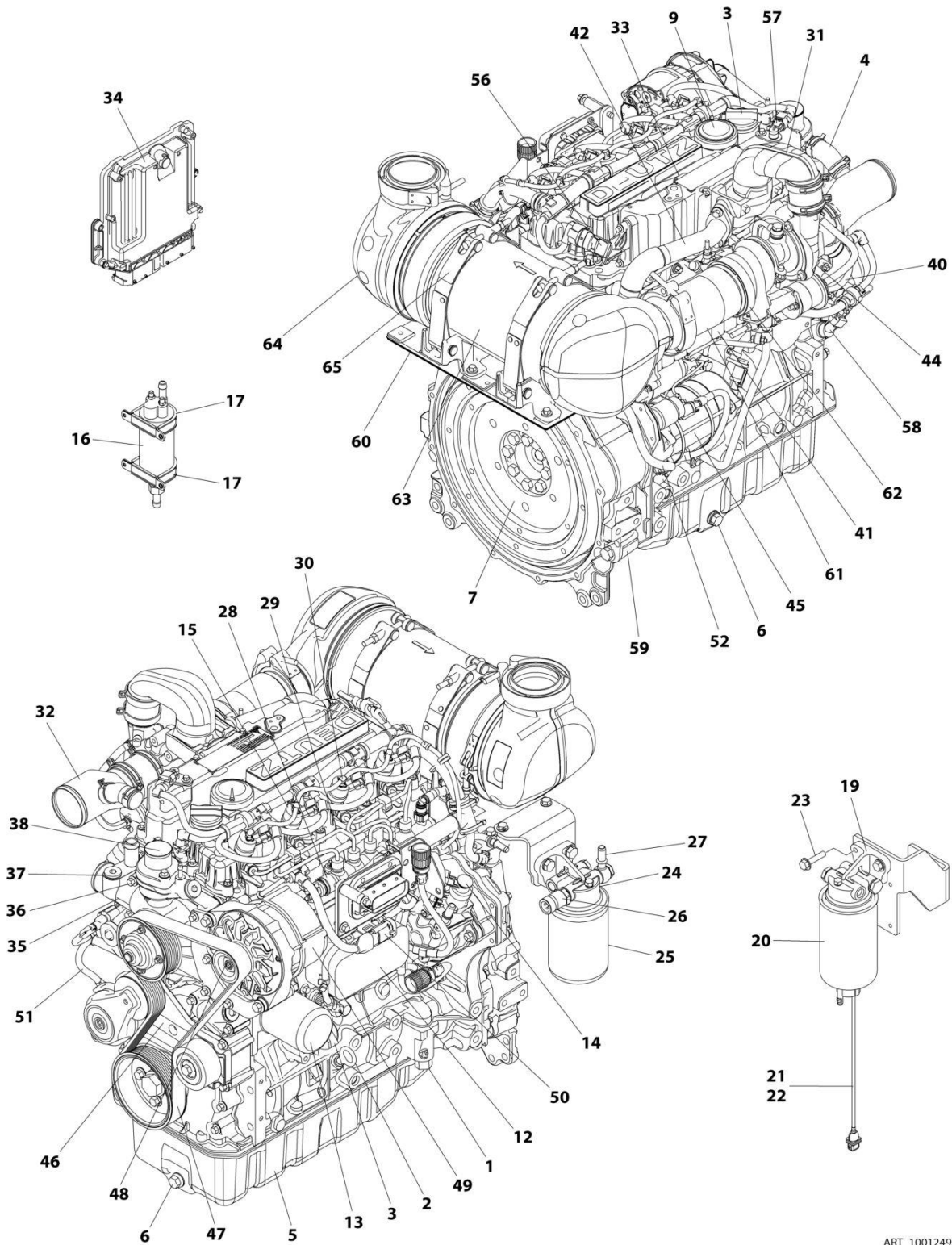
ITEM	PART NUMBER	QTY	DESCRIPTION	REV
	1001186814	Ref	DEUTZ TD2.9L4 - 67HP ENGINE ASSEMBLY	V
1	0100011	AR	Compound, Locking	
2	0100020	AR	Sealant	
6	0711224	1	Bolt M12 x 80	
7	0711627	1	Bolt M16 x 100	
8	0741605	2	Screw 3/8 x 5/8	
9	0760610	2	Bolt M6 x 20	
10	0760619	1	Bolt M6 x 55	
11	0760810	11	Bolt M8 x 20	
13	0760814	AR	Bolt M8 x 30	
15	0761015	6	Bolt M10 x 35	
16	0761016	5	Bolt M10 x 40	
17	0761210	1	Bolt M12 x 20	
18	0771414	4	Bolt M14 x 30	
19	0771416	4	Bolt M14 x 40	
20	0961951	2	Bushing	
21	1703162	2	Decal - Fan Blade	
23	2902065	1	Pump Coupling Kit (See Separate Breakdown in this Section)	
24	3290605	AR	Nut M6	
25	3290805	AR	Nut M8	
26	3291001	4	Nut M10	
27	3331211	1	Nut M12	
29	3331611	1	Nut M16	
30	3520054	1	Plug	
31	3580320	1	Pulley	
33	3931512	4	Capscrew 5/16 x 3/4	
34	3931628	4	Capscrew 3/8 x 1-3/4	
35	4031914	4	Capscrew M8 x 50	
36	4032014	4	Capscrew M10 x 50	
39	4711500	4	Washer 5/16	
40	4811700	AR	Washer M6	
41	4811900	AR	Washer M8	
42	4812000	20	Washer M10	
44	5241400	8	Washer M14	
45	4812300	1	Washer M16	
46	5241200	2	Washer M12	
47	5250810	2	Bolt M8 x 20	
48	7300435	1	Washer	
49	8405007	2	Clamp	
50	8405009	4	Clamp	
51	8405104	4	Clamp	
52	8406109	AR	Clip	
53	8410011	2	Clamp	
54	1001117308	1	Contactora	
55	1001134488	1	Fitting, 90 Barbed (Part of Item 63)	
56	1001135138	1	Adapter	
57	1001135679	1	Adapter	
59	1001136834	1	Cap, Tank	
60	1001137276	1	Fan	

## SECTION 3 - ENGINE

ITEM	PART NUMBER	QTY	DESCRIPTION	REV
61	1001138228	1	Relay	
62	1001138827	1	Sensor, Coolant Level (Part of Item 63)	
63	1001230635	1	Tank, Surge (Includes Items 55, 62 & 64)	
64	1001140564	1	Fitting, 90 Barbed (Part of Item 63)	
65	1001152489	1	Fitting, 90 Pipe/Barbed	
67	1001167042	1	Radiator	
68	1001168166	2	Seal	
69	1001169967	2	Bracket	
70	1001170035	2	Bracket	
71	1001177844	1	Hose, Radiator (Top)	
72	1001231805	1	Mount	
74	1001186426	1	Clamp, Air Cleaner	
75	1001249943	1	Deutz TD2.9L4 - 67HP Engine (See Separate Breakdown in this Section)	
76	1001188535	1	Bracket, Engine - Rear	
77	1001189026	1	Bracket, Engine - Right	
78	1001166716	1	Restriction, Indicator	
79	1001189913	1	Hose	
80	1001189979	1	Filter, Air	
80	70005008	1	Element, Filter	
81	1001190164	1	Mount, Motor	
82	1001200745	1	Tray	
83	1001229091	1	Support, Radiator	
84	1001203885	1	Plate	
85	1001190942	1	Support	
86	1001191025	1	Hose, Radiator (Bottom)	
88	1001191610	1	Mount, Motor	
89	1001192400	1	Bracket	
91	1001193049	1	Hose	
92	1001140312	1	Heater, Engine Block	
93	1001177359	1	Hose	
96	2720015	AR	Hose	
97	1001180620	AR	Adhesive	
98	1001168018	1	Washer	
99	1001197725	1	Spacer	
101	1001169054	4	Isolator	
102	1001169138	4	Pad, Snubbing	
103	3291005	11	Nut M10	
107	4811902	8	Washer M8	
108	1001181895	AR	Adhesive	
109	1001190442	1	Harness, Alternator Power	
109	1001098764	1	Boot - Red	
110	1320202	1	Clamp	
111	1001141304	1	Harness, Glow Fuse	
112	1001181899	1	Clamp	
114	4240099	1	Tie-Strap (Not Shown)	
119	5251012	2	Bolt M10 x 25	
120	5241000	10	Washer M10	
122	0760816	3	Bolt M8 x 40	
123	0761017	4	Bolt M10 x 45	
124	1001138248	4 ft/1.25m	Tube	

# SECTION 3 - ENGINE

## FIGURE 3-37. DEUTZ TD2.9L4 ENGINE COMPONENTS (600S HC3/660SJ HC3)



ART\_1001249943

## SECTION 3 - ENGINE

**FIGURE 3-37. DEUTZ TD2.9L4 ENGINE COMPONENTS (600S HC3/660SJ HC3)**

ITEM	PART NUMBER	QTY	DESCRIPTION	REV
	1001249943	Ref	ENGINE ASSEMBLY	A
1	70006265	1	Spring	
1	70006266	1	Seal	
1	70025660	1	Plug	
1	70006264	1	Valve, Plunger	
2	70024904	1	Dipstick	
2	70024905	2	Seal	
3	7020465	1	Cap, Fill	
4	70005920	1	Line, Breather	
4	70025111	2	Clamp	
5	70025162	1	Oil Pan	
6	70005942	1	Seal	
6	70005941	1	Plug	
7	70001870	1	Flywheel	
7	7024579	1	Ring Gear	
7	70025139	8	Bolt	
8	70024906	1	Gasket, Cylinder Head (Not Shown)	
9	70005921	1	Valve Cover	
9	70025205	1	Gasket	
10		Ref	Gasket & Seal Options (Not Shown)	
10	70005938	1	Gasket Kit	
10	70005171	1	Gasket	
10	70002718	1	Seal, Rear Main	
10	70028185	1	Gasket, Front Cover	
10	70004280	1	Seal, Front Main	
11	70005172	1	Pump, Lube (Not Shown - Located RH Rear)	
11	70025125	4	Bolt	
11	70025135	1	O-Seal	
11	70005173	1	Gasket	
12	70024494	1	Cooler, Oil	
12	70024925	1	Gasket, Oil Filter	
12	70025125	6	Bolt	
13	70025137	1	Bushing, Oil Filter	
13	7016331	1	Filter, Oil	
14	70024924	1	Pump, High Pressure	
14	70024517	1	Gasket (Spacer to Block)	
14	70025104	3	Nut	
14	70025152	1	Gasket (Spacer to Pump)	
14	70004505	1	Valve, Overflow	
14	70004506	1	Gasket, Overflow	
14	70004507	1	Gasket, Overflow	
14	70004508	1	Valve, Volume Control	
14	70004509	1	Seal, Ring	
14	70004510	1	Gasket	
14	70027415	2	Bolt	
15	70025181	4	Injector	
15	70025140	4	Washer, Sealing	
15	70025146	4	Clamp	
15	70025145	4	O-Seal	
15	70025154	4	Shoe/Pad, Clamping	

## SECTION 3 - ENGINE

ITEM	PART NUMBER	QTY	DESCRIPTION	REV
15	70025147	4	Bolt	
16	70006144	1	Pump, Fuel Supply	
17	70025144	2	Clip, Clamp	
18	70029393	2	Receptacle Plug (Not Shown)	
19	70024961	1	Fuel Filter Assembly	
20	1001225430	1	Element, Filter	
21	70024513	1	Cable, Sensor	
22	70025239	1	Seal, Ring	
23	70025121	4	Bolt	
24	70029451	1	Fuel Filter Assembly	
25	1001225431	1	Element, Filter	
26	70028538	1	Cable, Sensor	
26	70024920	1	O-Seal	
27	70004513	2	Seal (at Hollow Bolt)	
28	70025151	1	Rail, Fuel	
28	70028186	2	Bolt	
28	70025235	1	Repair Kit - Fuel Rail	
28	70025240	1	O-Ring	
29	70025182	1	Tube, Fuel - Cylinders 1 & 2	
29	70025183	1	Tube, Fuel - Cylinders 3 & 4	
29	70025184	1	Tube, Fuel	
30	70024502	1	Pipe, Fuel Leakage	
30	70025185	1	Hose, Fuel	
30	70025158	1	Manifold	
30	70025109	2	Clamp, Spring	
30	70025115	1	Clamp	
30	70001655	1	Bolt	
30	70025101	2	Clamp	
30	70025148	1	Connector, Plug-in	
31	70005928	1	Elbow, Air Charge	
31	70025122	2	Bolt	
32	70004501	1	Sleeve, Rubber	
32	70025112	2	Clamp	
32	70005926	1	Elbow	
33	70005176	1	O-Ring	
33	70005177	1	Gasket, Charger Air Manifold	
33	70005178	2	Bolt	
33	70005179	9	Bolt	
34	70025210	1	Module, ECU	
35	70029797	1	Pump, Coolant	
35	70025200	1	Ring, Sealing (Pump to Block)	
35	70007325	1	Gasket, Coolant Pump	
36	70025129	4	Bolt	
37	7020492	2	Ring, Sealing	
38	70005929	1	Thermostat	
38	70005184	1	O-Seal (Thermostat to Housing)	
38	70025142	1	Cover, Thermostat	
38	70025124	2	Bolt	
38	70005931	1	O-Seal (Thermostat to Pump)	
39	70004282	1	Manifold, Exhaust (Not Shown)	
39	70025130	8	Bolt, Manifold (Not Shown)	

## SECTION 3 - ENGINE

ITEM	PART NUMBER	QTY	DESCRIPTION	REV
39	70025164	1	Gasket, Manifold to Head (Not Shown)	
40	70025179	1	Gasket, Manifold to Elbow	
40	70007354	1	Gasket, Elbow End	
41	70007326	1	Gasket, EGR	
41	70007327	1	Valve, EGR Control	
41	70027428	4	Bolt	
41	70025106	4	Bolt, EGR Module	
41	70025155	2	Plug, EGR	
41	70025696	2	Bolt, EGR Valve Housing	
42	70029557	2	Gasket, Exhaust Pipe	
42	70025098	4	Bolt, Exhaust Pipe	
43	70024912	1	Gasket, Exhaust Manifold (Not Shown)	
43	70025676	4	Bolt, Exhaust Manifold (Not Shown)	
44	70004276	1	Turbocharger	
44	70024509	1	Gasket (Turbocharger to Oil Return Tube Housing)	
44	70025095	2	Bolt, Turbocharger	
44	70006294	1	O-Seal	
45	70024915	1	Starter	
45	70005647	1	Switch, Solenoid	
45	70005648	1	Relay	
45	70025099	2	Starter Bolt	
46	70028699	1	Belt Tensioner	
47	70004277	1	Belt	
48	70025733	1	Pulley, Alternator	
49	70006652	1	Generator	
49	70006653	1	Voltage, Regulator	
49	70029015	1	Fan	
49	70029402	1	Nut, Pulley	
49	70029403	1	Nut	
49	70029404	1	Washer	
50	70025231	1	Harness, Glow Plug	
50	70025233	1	Connector, Plug-in	
50	70000345	4	Glow Plug (Not Shown)	
51	70025226	1	Plug-In Connector	
51	70007086	4	Plug-In Connector	
51	70007087	5	Plug-In Connector	
51	70007088	1	Plug-In Connector	
51	70007089	1	Plug-In Connector	
51	70027440	1	Plug-In Connector	
51	70025221	2	Plug-In Connector	
51	70025327	1	Plug-In Connector	
51	70025216	1	Adapter	
51	70025215	1	Fixing, Bracket	
51	70025134	4	Screw	
51	70025165	1	Retaining Plate	
51	70025228	2	Bracket	
51	70025229	1	Wire Fastener	
51	70025217	4	Clamping Band	
51	70025224	3	Clamping Band	
51	70025225	2	Support, Cable	
51	70027446	1	Clamp, Support	

## SECTION 3 - ENGINE

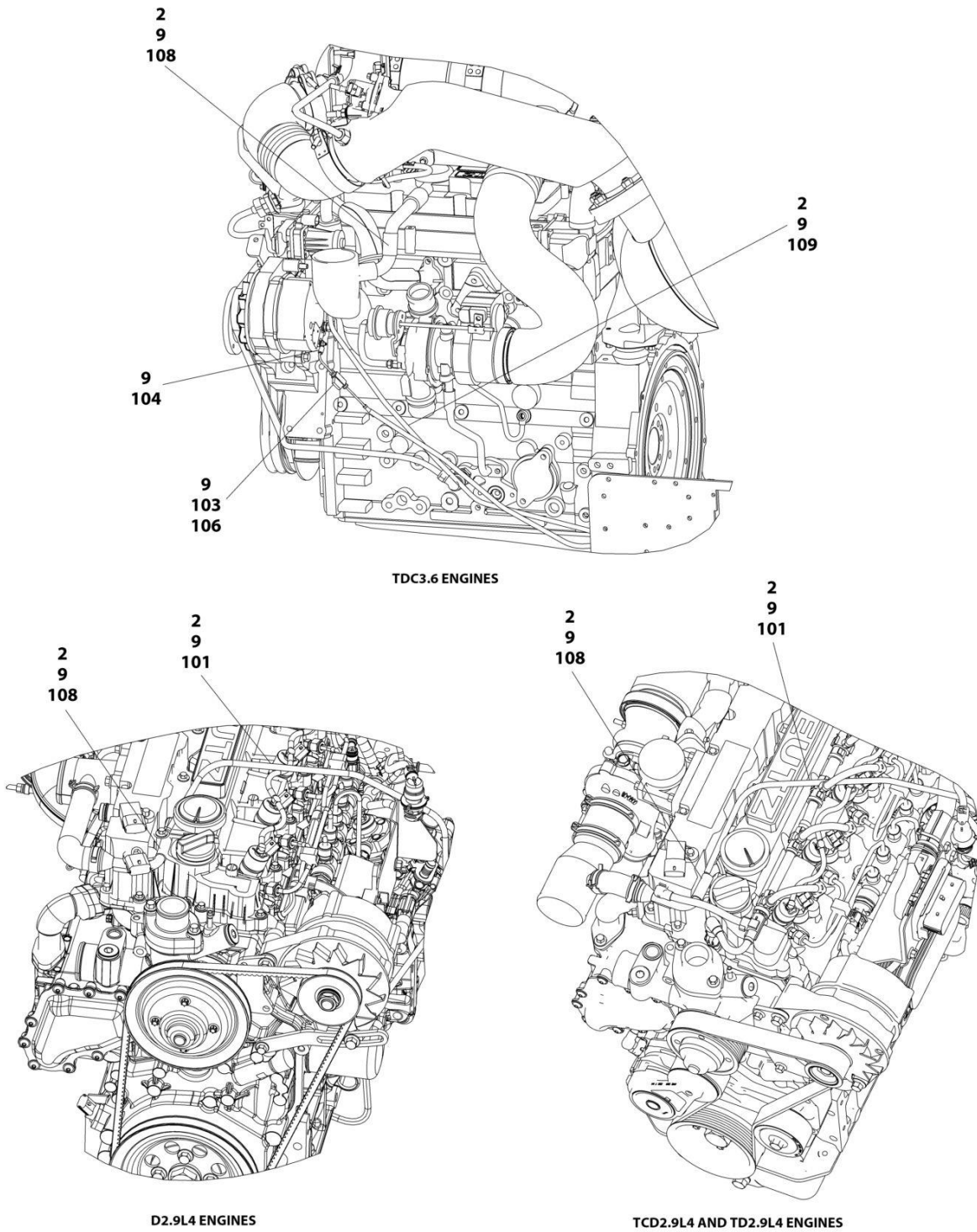
ITEM	PART NUMBER	QTY	DESCRIPTION	REV
51	70025214	1	Cover, Cap	
52	70025166	1	Angle, Support	
52	70001655	1	Bolt	
52	70025126	6	Bolt	
53	70028540	1	Sender, Temperature (Not Shown)	
54	70028538	1	Sensor, Pressure (Not Shown)	
54	70024920	1	O-Seal	
55	70026210	1	Tacho-Generator (Not Shown)	
55	70005191	1	Ring, Seal	
56	70005179	2	Bolt	
56	70005933	1	Adapter	
56	70005934	1	O-Seal	
56	70024507	1	Sensor, Pressure	
56	70025120	1	O-Seal	
56	70001655	2	Bolt	
57	70024922	1	Sender, Temperature	
57	70025212	1	O-Seal	
58	70025128	1	Bolt	
58	70026210	1	Sensor, Speed	
58	70024917	1	O-Seal	
59	70025192	1	Housing	
59	70025113	2	Straight, Pin	
59	70025108	4	Bolt	
60	70005935	1	Bracket	
60	70005936	4	Bolt	
61	70004504	1	Compensator	
61	70025242	1	Gasket	
62	70005527	1	Clip	
62	70029433	1	Clip	
62	70025788	1	Nut, Clip	
63	70007355	1	Inlet, Muffler	
63	70029517	1	Clip	
63	70029250	1	Gasket, Inlet	
64	70007331	1	Outlet, Muffler	
64	70029517	1	Clip	
64	70029250	1	Gasket, Outlet	
65	70029415	2	Bracket, Muffler	
65	70025098	8	Bolt	





# SECTION 3 - ENGINE

## FIGURE 3-38. BREATHER HEATER INSTALLATION - DEUTZ D2.9L4 - 49HP AND DEUTZ TD2.9L4 - 67HP ENGINES WITH ARCTIC PACKAGE



ART\_1001233763

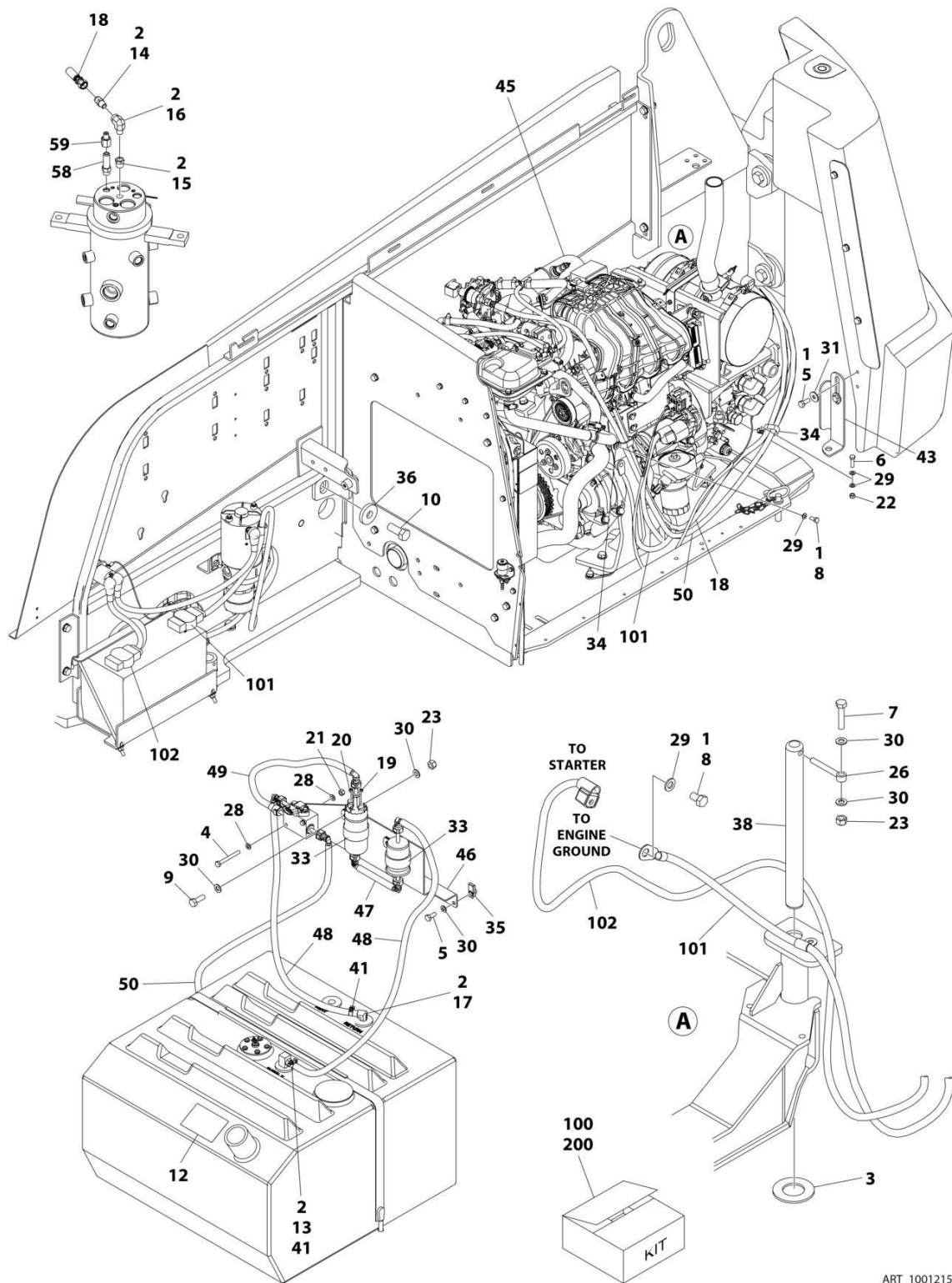
## SECTION 3 - ENGINE

**FIGURE 3-38. BREATHER HEATER INSTALLATION - DEUTZ D2.9L4 - 49HP AND DEUTZ TD2.9L4 - 67HP ENGINES WITH ARCTIC PACKAGE**

ITEM	PART NUMBER	QTY	DESCRIPTION	REV
	1001233763	Ref	BREATHER HEATER INSTALLATION - DEUTZ ENGINES	D
2	4240099	AR	Tie-Strap	
9	1001243895	1	Breather Heater Harness	C
101	2820035	AR	Insulation	
103	2400060	1	Fuseholder with Cover	
104	4460043	1	Terminal, Ring	
105	4460722	1	Terminal, Ring (Not Shown)	
106	1001196634	1	Fuse - 2 Amp	
108	1001232842	1	Breather Heater Kit	

# SECTION 3 - ENGINE

FIGURE 3-39. FORD ENGINE INSTALLATION - WITHOUT ARCTIC PACKAGE (600S HC3)



ART\_1001215608\_J

## SECTION 3 - ENGINE

**FIGURE 3-39. FORD ENGINE INSTALLATION - WITHOUT ARCTIC PACKAGE (600S HC3)**

ITEM	PART NUMBER	QTY	DESCRIPTION	REV
	1001215608	Ref	FORD ENGINE INSTALLATION	J
1	0100011	AR	Compound, Locking	
2	0100020	AR	Sealant	
3	0440162	1	Bearing	
4	0700619	2	Bolt M6 x 55	
5	0701012	4	Bolt M10 x 25	
6	0760814	1	Bolt M8 x 30	
7	0711018	1	Bolt M10 x 50	
8	0760810	2	Bolt M8 x 20	
9	0761014	2	Bolt M10 x 30	
10	0772018	1	Bolt M20 x 50	
12	1701542	1	Decal - Gas	
13	2180348	1	Fitting, Straight NPT/BARB	
14	2180418	1	Fitting, Straight	
15	2221197	1	Fitting, Straight NPT	
16	1001247359	1	Fitting, 90	
17	2221176	1	Fitting, 90	
18	1001222133	1	Hose	
19	3290405	1	Nut M4	
20	3290505	1	Nut M5	
21	3290605	2	Nut M6	
22	3290805	1	Nut M8	
23	3291005	3	Nut M10	
25	3790012	1	O-Ring (Not Shown - Located on Platform Console)	
26	3841143	1	Keeper, Pin	
27	4740397	1	Spacer (Not Shown - Located on Platform Console)	
28	4811700	4	Washer M6	
29	4811900	4	Washer M8	
30	4812000	8	Washer M10	
31	4812002	2	Washer M10	
33	85941018	2	Clamp	
34	1321283	2	Clamp	
35	1001118972	2	Nut, Tinnerman	
36	1001119051	1	Washer	
37	1001115044	1	Nut 15/32 (Not Shown - Located on Platform Console)	
38	1001155094	1	Pin	
39	1001161710	1	Switch, Toggle (Not Shown - Located on Platform Console)	
41	1001174486	2	Clamp	
43	1001196398	1	Bracket	
45	1001215610	1	Ford Engine and Pumps Sub-Assembly (See Separate Breakdown in this Section)	
46	1001219005	1	Bracket	
47	1001219015	1	Hose	
48	1001219021	2	Hose	
49	1001219022	1	Hose	
50	1001219024	1	Hose	
56	1701543	2	Decal - LPG (Not Shown - See DECALS INSTALLATION - OPTIONS for Locations)	
57	4240099	1	Tie-Strap (Not Shown)	
58	2220998	1	Fitting, Straight JIC/ORB	

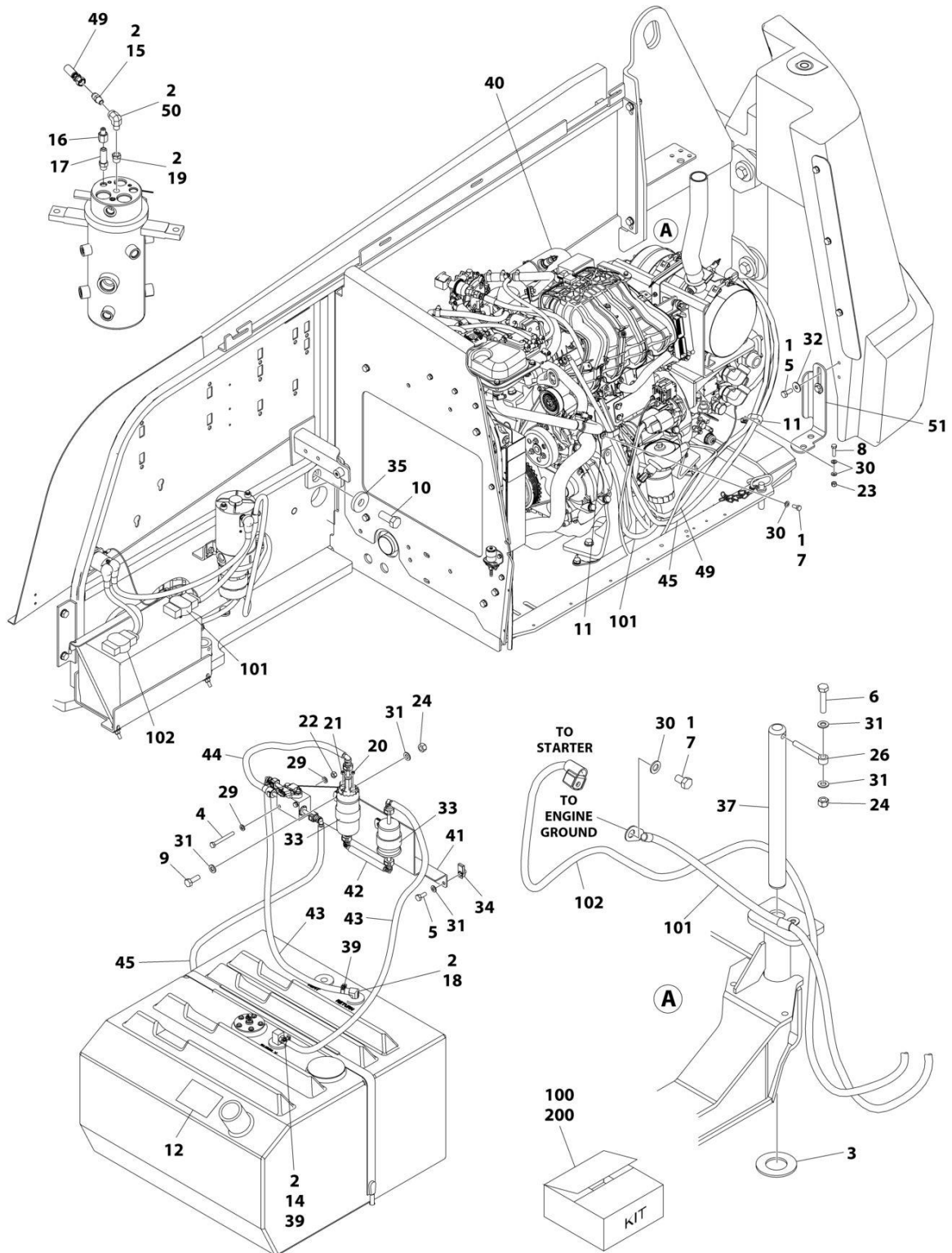
## SECTION 3 - ENGINE

ITEM	PART NUMBER	QTY	DESCRIPTION	REV
59	2220609	1	Fitting, Straight JIC/FSJIC	
100	1001236136	1	Battery Cable Kit	
101	1001215220	1	Cable, Battery (-) to Aux Pump to Ground	
102	1001215219	1	Cable, Battery (+) to Aux Ready to Starter	
200	1001269921	1	Engine Hose Kit	
201	1001203432	1	Hose (Drive Suction) (Not Shown)	
202	1001221942	1	Hose (Function Suction) (Not Shown)	
203	1001221943	1	Hose (Case Drain) (Drive Pump Case Outlet Port to Tank) (Not Shown)	
204	1001221944	1	Hose (Case Drain) (Drive Pump Case Gauge Port to Tank) (Not Shown)	



# SECTION 3 - ENGINE

FIGURE 3-40. FORD ENGINE INSTALLATION - WITHOUT ARCTIC PACKAGE (660SJ HC3)



ART\_1001258169



## SECTION 3 - ENGINE

**FIGURE 3-40. FORD ENGINE INSTALLATION - WITHOUT ARCTIC PACKAGE (660SJ HC3)**

ITEM	PART NUMBER	QTY	DESCRIPTION	REV
	1001258169	Ref	FORD ENGINE INSTALLATION	B
1	0100011	AR	Compound, Locking	
2	0100020	AR	Sealant	
3	0440162	1	Bearing	
4	0700619	2	Bolt M6 x 55	
5	0701012	4	Bolt M10 x 25	
6	0711018	1	Bolt M10 x 50	
7	0760810	2	Bolt M8 x 20	
8	0760814	1	Bolt M8 x 30	
9	0761014	2	Bolt M10 x 30	
10	0772018	1	Bolt M20 x 50	
11	1321283	2	Clamp	
12	1701542	1	Decal - Gas	
13	1701543	2	Decal - LPG (Not Shown - See DECALS INSTALLATION - OPTIONS for Locations)	
14	2180348	1	Fitting, Straight NPT/BARB	
15	2180418	1	Fitting, Straight	
16	2220609	1	Fitting, Straight JIC/FSJIC	
17	2220998	1	Fitting, Straight JIC/ORB	
18	2221176	1	Fitting, 90	
19	2221197	1	Fitting, Straight NPT	
20	3290405	1	Nut M4	
21	3290505	1	Nut M5	
22	3290605	2	Nut M6	
23	3290805	1	Nut M8	
24	3291005	3	Nut M10	
25	3790012	1	O-Ring (Not Shown - Located on Platform Console)	
26	3841143	1	Keeper, Pin	
27	4240099	1	Tie-Strap (Not Shown)	
28	4740397	1	Spacer (Not Shown - Located on Platform Console)	
29	4811700	4	Washer M6	
30	4811900	4	Washer M8	
31	4812000	8	Washer M10	
32	4812002	2	Washer M10	
33	85941018	2	Clamp	
34	1001118972	2	Nut, Tinnerman	
35	1001119051	1	Washer	
36	1001115044	1	Nut 15/32 (Not Shown - Located on Platform Console)	
37	1001155094	1	Pin	
38	1001161710	1	Switch, Toggle (Not Shown - Located on Platform Console)	
39	1001174486	2	Clamp	
40	1001215610	1	Ford Engine and Pumps Sub-Assembly (See Separate Breakdown in this Section)	
41	1001219005	1	Bracket	
42	1001219015	1	Hose	
43	1001219021	2	Hose	
44	1001219022	1	Hose	
45	1001219024	1	Hose	
49	1001222133	1	Hose	
50	1001247359	1	Fitting, 90	

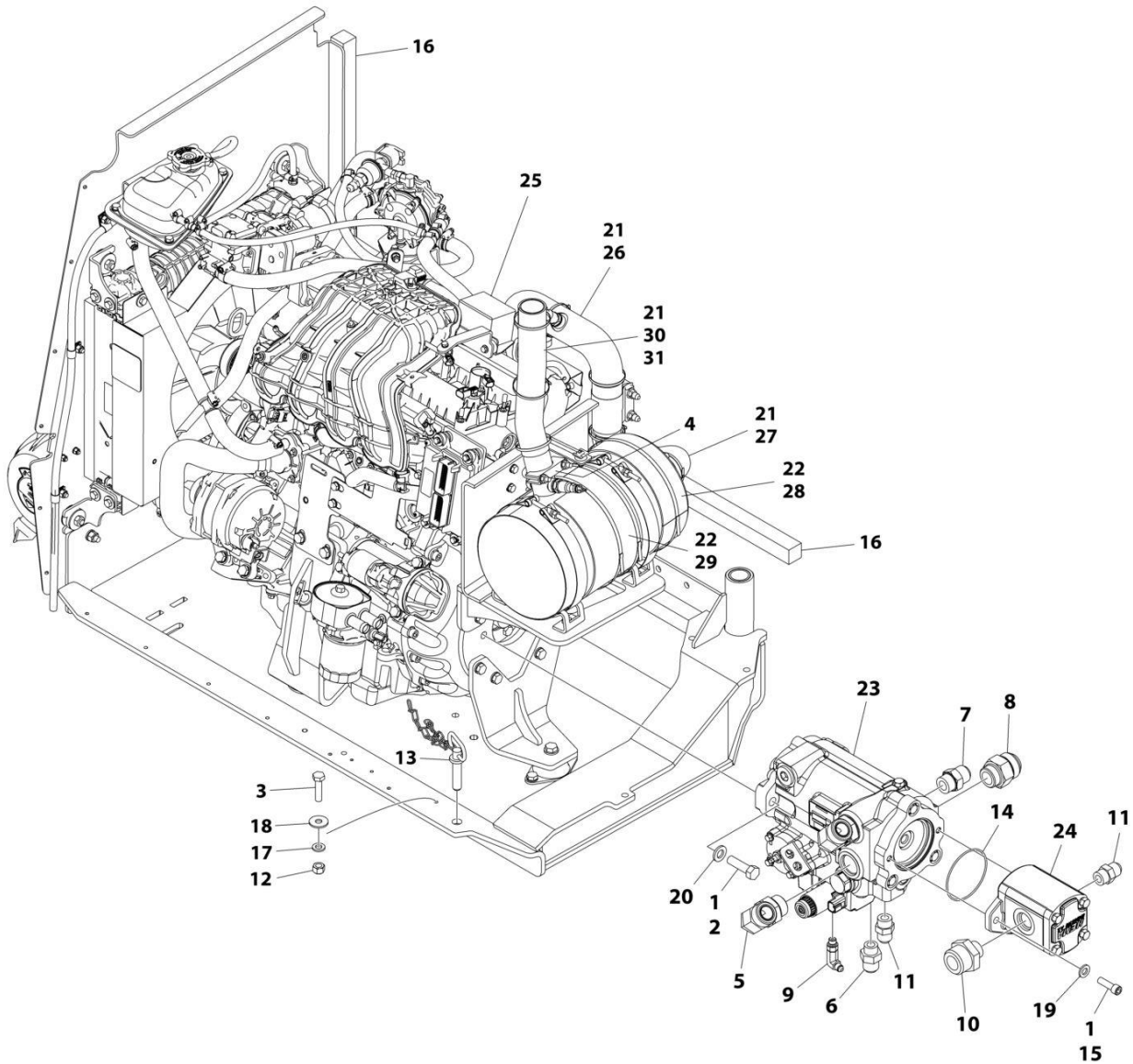
## SECTION 3 - ENGINE

ITEM	PART NUMBER	QTY	DESCRIPTION	REV
51	1001258175	1	Bracket	
100	1001236136	1	Battery Cable Kit	
101	1001215220	1	Cable, Battery (-) to Aux Pump to Ground	
102	1001215219	1	Cable, Battery (+) to Aux Ready to Starter	
200	1001269922	1	Engine Hose Kit	
201	1001221942	1	Hose (Function Suction) (Not Shown)	
202	1001221943	1	Hose (Case Drain) (Drive Pump Case Outlet Port to Tank) (Not Shown)	
203	1001221944	1	Hose (Case Drain) (Drive Pump Case Gauge Port to Tank) (Not Shown)	
204	1001258263	1	Hose (Function Suction) (Not Shown)	



# SECTION 3 - ENGINE

## FIGURE 3-41. FORD ENGINE AND PUMPS SUB-ASSEMBLY - WITHOUT ARCTIC PACKAGE (600S HC3/660SJ HC3)



ART\_1001215610

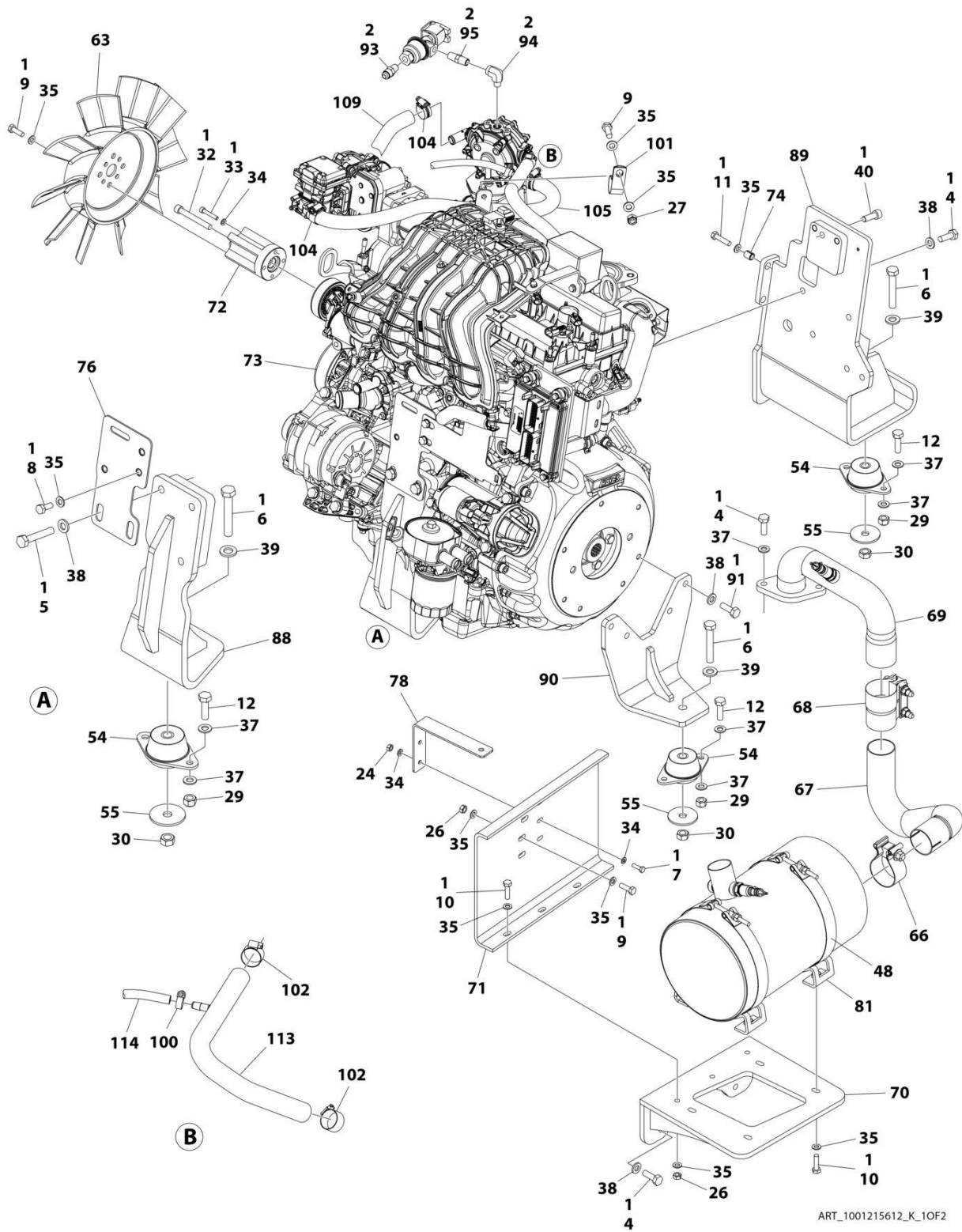
## SECTION 3 - ENGINE

**FIGURE 3-41. FORD ENGINE AND PUMPS SUB-ASSEMBLY - WITHOUT ARCTIC PACKAGE (600S HC3/660SJ HC3)**

ITEM	PART NUMBER	QTY	DESCRIPTION	REV
	1001215610	Ref	FORD ENGINE AND PUMPS SUB-ASSEMBLY	F
1	0100011	AR	Compound, Locking	
2	0641814	2	Bolt 1/2 x 1-3/4	
3	0760612	1	Bolt M6 x 25	
4	1001221397	1	Clamp	
5	2131616	2	Fitting, 90 ORFS/ORB	
6	2220408	1	Fitting, Straight JIC/ORB	
7	2220451	1	Fitting, Straight ORB/JIC	
8	2220479	1	Fitting, Straight JIC/ORB	
9	2220940	1	Fitting, 90 JIC/ORB	
10	2220946	1	Fitting, Straight JIC/ORB	
11	2220947	2	Fitting, Straight JIC/ORB	
12	3290605	1	Nut M6	
13	3422532	1	Pin	
14	3790152	1	O-Ring	
15	3931620	2	Capscrew 3/8 x 1-1/4	
15	3931618	2	Capscrew 3/8 x 1-1/8	
16	3960469	2	Seal	
17	4811700	1	Washer M6	
18	4811702	1	Washer M6	
19	5241000	2	Washer M10	
20	5241200	2	Washer M12	
21	1001100825	9	Strap	
22	1001221464	3	Strap	
23	1001184930	1	Piston Pump Assembly (See Separate Breakdown in this Section)	
24	1001190143	1	Gear Pump Assembly	
24	70006356	1	Seal Kit - 1001190143 Pump	
25	1001215612	1	Ford Engine Assembly (See Separate Breakdown in this Section)	
26	1001216532	1	Insulate, Exhaust	
27	1001216533	1	Insulate, Exhaust	
28	1001216534	1	Insulate, Muffler	
29	1001216535	1	Insulate, Muffler	
30	1001216947	1	Pipe, Exhaust	
31	1001217563	1	Insulate, Exhaust	

# SECTION 3 - ENGINE

## FIGURE 3-42. FORD ENGINE ASSEMBLY - WITHOUT ARCTIC PACKAGE (600S HC3/660SJ HC3)





## SECTION 3 - ENGINE

FIGURE 3-42. FORD ENGINE ASSEMBLY - WITHOUT ARCTIC PACKAGE (600S HC3/660SJ HC3)

ITEM	PART NUMBER	QTY	DESCRIPTION	REV
	1001215612	Ref	FORD ENGINE ASSEMBLY	K
1	0100011	AR	Compound, Locking	
2	0100020	AR	Sealant	
3	1001180620	AR	Adhesive	
4	0711014	10	Bolt M10 x 30	
5	0711020	3	Bolt M10 x 60	
6	0711223	3	Bolt M12 x 75	
7	0760610	4	Bolt M6 x 20	
8	0760810	11	Bolt M8 x 20	
9	0760812	18	Bolt M8 x 25	
10	0760814	11	Bolt M8 x 30	
11	0760815	2	Bolt M8 x 35	
12	0761015	11	Bolt M10 x 35	
13	0761016	4	Bolt M10 x 40	
14	0961951	2	Bushing	
16	1320110	1	Clamp	
18	1703162	2	Decal - Fan Blade	
19	2180467	1	Fitting, Straight NPT/Barb	
21	2720058	AR	Hose, Fuel	
23	1001165035	11 in/ 28cm	Hose	
24	3290601	2	Nut M6	
25	3290605	4	Nut M6	
26	3290801	5	Nut M8	
27	3290805	17	Nut M8	
28	3291001	4	Nut M10	
29	3291005	11	Nut M10	
30	3331211	3	Nut M12	
31	3900364	2	Capscrew M6 x 20	
32	3931648	1	Capscrew 3/8 x 3	
33	4031711	1	Capscrew M6 x 35	
34	4811700	14	Washer M6	
35	4811900	54	Washer M8	
36	4811902	10	Washer M8	
37	4812000	14	Washer M10	
38	5241000	30	Washer M10	
39	5241200	3	Washer M12	
40	5272010	1	Capscrew M10 x 30	
41	8405006	2	Clamp	
43	8405102	2	Clamp	
44	8405104	2	Clamp	
45	8405203	3	Clamp	
46	8406109	AR	Clip	
47	8410011	1	Clamp	
48	1001128901	2	Strap	
49	1001138173	1	Support	
50	1001138175	1	Bracket	
51	1001138248	23 in/.6m	Hose	
52	1001141995	2	Fitting, Straight NPT/Barbed	
53	1001149639	1	Indicator, Restriction	



## SECTION 3 - ENGINE

ITEM	PART NUMBER	QTY	DESCRIPTION	REV
54	1001191610	3	Mount, Motor	
55	1001168018	3	Washer	
56	1001169054	4	Isolator	
57	1001169138	4	Pad, Snubbing	
58	1001169967	3	Bracket	
59	1001170035	1	Bracket	
60	1001186426	1	Clamp	
61	1001189979	1	Filter, Air	
61	70005008	1	Element, Filter	
62	1001190942	1	Support	
63	1001223042	1	Fan	
64	1001215218	1	Engine Harness - Ford Engines (Not Shown) (See Separate Breakdown in ELECTRICAL SECTION)	
65	1001223923	1	Radiator	
66	1001215681	1	Clamp	
67	1001215899	1	Pipe, Exhaust	
68	1001215974	1	Clamp	
69	1001216075	1	Pipe, Exhaust	
70	1001216086	1	Bracket	
71	1001216092	1	Shield, Heat	
72	1001216201	1	Adapter	
73	1001216910	1	Ford Engine Prep Assembly (See Separate Breakdown in this Section)	
74	1001216919	2	Sleeve	
76	1001222033	1	Plate	
77	1001217185	2	Seal	
78	1001217186	1	Support	
79	1001217450	1	Tray	
80	1001217453	1	Support, Radiator	
81	1001217543	2	Mount	
82	1001217593	1	Pipe, Air Intake	
83	1001217594	1	Pipe, Air Intake	
84	1001217595	1	Pipe, Air Intake	
85	1001217647	1	Hose, Radiator (Lower)	
86	1001217648	1	Hose, Radiator (Upper)	
87	1001218471	1	Bracket	
88	1001218559	1	Mount, Engine (RH Front)	
89	1001218565	1	Mount, Engine (LH Front)	
90	1001218575	1	Mount, Engine (Rear)	
91	0761014	4	Bolt M10 x 30	
92	1001187781	1	Tie-Strap (Not Shown)	
93	2180418	1	Fitting	
94	1001247359	1	Fitting, 90	
95	2220261	1	Fitting	
96	1001217183	2	Seal	
100	8405009	AR	Gear	
101	8406201	1	Clip	
102	8410009	AR	Clamp	
103	8420231	1	Fitting, Barb	
104	1001173535	6	Clamp	
105	1001216531	25 in/ 63cm	Hose	

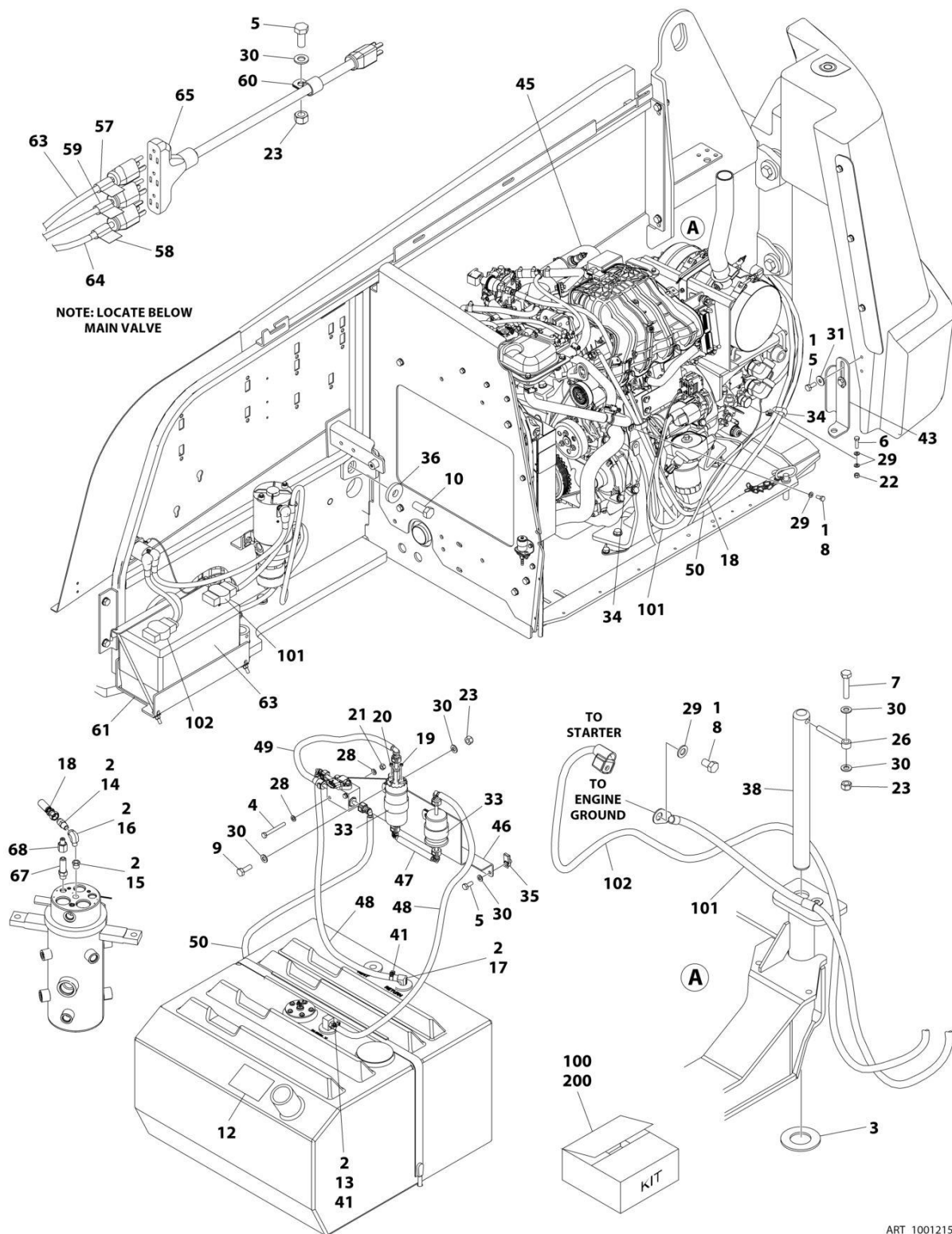
## SECTION 3 - ENGINE

ITEM	PART NUMBER	QTY	DESCRIPTION	REV
106	1001223584	1	Tank, Surge	
109	1001224486	1	Hose	
110	1001224489	1	Hose	
111	1001225442	1	Bracket	
112	1001225510	1	Decal - Full Cold, Surge Tank	
113	1001227666	1	Hose	
114	1001227667	1	Hose	



# SECTION 3 - ENGINE

FIGURE 3-43. FORD ENGINE INSTALLATION - WITH ARCTIC PACKAGE (600S HC3)



## SECTION 3 - ENGINE

**FIGURE 3-43. FORD ENGINE INSTALLATION - WITH ARCTIC PACKAGE (600S HC3)**

ITEM	PART NUMBER	QTY	DESCRIPTION	REV
	1001215609	Ref	FORD ENGINE INSTALLATION	H
1	0100011	AR	Compound, Locking	
2	0100020	AR	Sealant	
3	0440162	1	Bearing	
4	0700619	2	Bolt M6 x 55	
5	0701012	5	Bolt M10 x 25	
6	0760814	1	Bolt M8 x 30	
7	0711018	1	Bolt M10 x 50	
8	0760810	2	Bolt M8 x 20	
9	0761014	2	Bolt M10 x 30	
10	0772018	1	Bolt M20 x 50	
12	1701542	1	Decal - Gas	
13	2180348	1	Fitting, Straight NPT/BARB	
14	2180418	1	Fitting, Straight	
15	2221197	1	Fitting, Straight NPT	
16	1001247359	1	Fitting, 90	
17	2221176	1	Fitting, 90	
18	1001222133	1	Hose	
19	3290405	1	Nut M4	
20	3290505	1	Nut M5	
21	3290605	2	Nut M6	
22	3290805	1	Nut M8	
23	3291005	4	Nut M10	
25	3790012	1	O-Ring (Not Shown - Located on Platform Console)	
26	3841143	1	Keeper, Pin	
27	4740397	1	Spacer (Not Shown - Located on Platform Console)	
28	4811700	4	Washer M6	
29	4811900	4	Washer M8	
30	4812000	9	Washer M10	
31	4812002	2	Washer M10	
33	85941018	2	Clamp	
34	1321283	2	Clamp	
35	1001118972	2	Nut, Tinnerman	
36	1001119051	1	Washer	
37	1001115044	1	Nut 15/32 (Not Shown - Located on Platform Console)	
38	1001155094	1	Pin	
39	1001161710	1	Switch, Toggle (Not Shown - Located on Platform Console)	
41	1001174486	2	Clamp	
43	1001196398	1	Bracket	
45	1001215611	1	Ford Engine and Pumps Sub-Assembly (See Separate Breakdown in this Section)	
46	1001219005	1	Bracket	
47	1001219015	1	Hose	
48	1001219021	2	Hose	
49	1001219022	1	Hose	
50	1001219024	1	Hose	
56	1701543	2	Decal - LPG (Not Shown - See DECALS INSTALLATION - OPTIONS for Locations)	
57	1702941	1	Decal - Battery Heater	
58	1702942	1	Decal - Engine Block Heater	

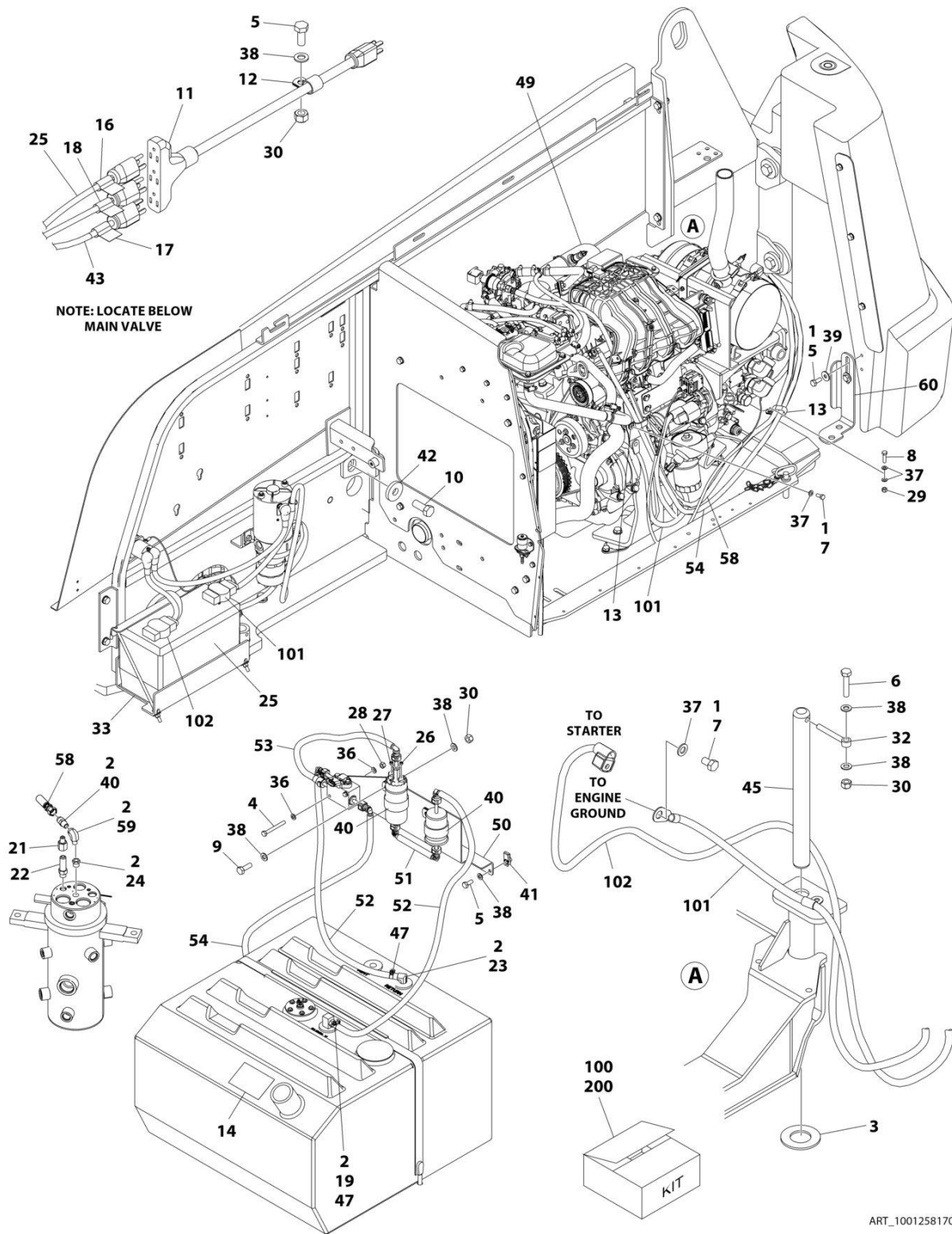
## SECTION 3 - ENGINE

ITEM	PART NUMBER	QTY	DESCRIPTION	REV
59	1702943	1	Decal - Hydraulic Tank Heater	
60	1320061	1	Clamp	
61	3980007	1	Seat, Battery	
62	1001188972	1	Heater, Immersion (Not Shown - Located on Hydraulic Tank)	
63	2580024	1	Heater, Battery	
64	1001150918	1	Cable, Extension Cord	
65	1060626	1	Plug, 3 Way	
66	4240099	2	Tie-Strap (Not Shown)	
67	2220998	1	Fitting, Straight JIC/ORB	
68	2220609	1	Fitting, Straight JIC/FSJIC	
100	1001236136	1	Battery Cable Kit	
101	1001215220	1	Cable, Battery (-) to Aux Pump to Ground	
102	1001215219	1	Cable, Battery (+) to Aux Ready to Starter	
200	1001269921	1	Engine Hose Kit	
201	1001203432	1	Hose (Drive Suction) (Not Shown)	
202	1001221942	1	Hose (Function Suction) (Not Shown)	
203	1001221943	1	Hose (Case Drain) (Drive Pump Case Outlet Port to Tank) (Not Shown)	
204	1001221944	1	Hose (Case Drain) (Drive Pump Case Gauge Port to Tank) (Not Shown)	



# SECTION 3 - ENGINE

FIGURE 3-44. FORD ENGINE INSTALLATION - WITH ARCTIC PACKAGE (660SJ HC3)





## SECTION 3 - ENGINE

**FIGURE 3-44. FORD ENGINE INSTALLATION - WITH ARCTIC PACKAGE (660SJ HC3)**

ITEM	PART NUMBER	QTY	DESCRIPTION	REV
	1001258170	Ref	FORD ENGINE INSTALLATION	B
1	0100011	AR	Compound, Locking	
2	0100020	AR	Sealant	
3	0440162	1	Bearing	
4	0700619	2	Bolt M6 x 55	
5	0701012	5	Bolt M10 x 25	
7	0711018	1	Bolt M10 x 50	
8	0760810	2	Bolt M8 x 20	
6	0760814	1	Bolt M8 x 30	
9	0761014	2	Bolt M10 x 30	
10	0772018	1	Bolt M20 x 50	
11	1060626	1	Plug, 3 Way	
12	1320061	1	Clamp	
13	1321283	2	Clamp	
14	1701542	1	Decal - Gas	
15	1701543	2	Decal - LPG (Not Shown - See DECALS INSTALLATION - OPTIONS for Locations)	
16	1702941	1	Decal - Battery Heater	
17	1702942	1	Decal - Engine Block Heater	
18	1702943	1	Decal - Hydraulic Tank Heater	
19	2180348	1	Fitting, Straight NPT/BARB	
20	2180418	1	Fitting, Straight	
21	2220609	1	Fitting, Straight JIC/FSJIC	
22	2220998	1	Fitting, Straight JIC/ORB	
23	2221176	1	Fitting, 90	
24	2221197	1	Fitting, Straight NPT	
25	2580024	1	Heater, Battery	
26	3290405	1	Nut M4	
27	3290505	1	Nut M5	
28	3290605	2	Nut M6	
29	3290805	1	Nut M8	
30	3291005	4	Nut M10	
31	3790012	1	O-Ring (Not Shown - Located on Platform Console)	
32	3841143	1	Keeper, Pin	
33	3980007	1	Seat, Battery	
34	4240099	2	Tie-Strap (Not Shown)	
35	4740397	1	Spacer (Not Shown - Located on Platform Console)	
36	4811700	4	Washer M6	
37	4811900	4	Washer M8	
38	4812000	9	Washer M10	
39	4812002	2	Washer M10	
40	85941018	2	Clamp	
41	1001118972	2	Nut, Tinnerman	
42	1001119051	1	Washer	
43	1001150918	1	Cable, Extension Cord	
44	1001115044	1	Nut 15/32 (Not Shown - Located on Platform Console)	
45	1001155094	1	Pin	
46	1001161710	1	Switch, Toggle (Not Shown - Located on Platform Console)	
47	1001174486	2	Clamp	
48	1001188972	1	Heater, Immersion (Not Shown - Located on Hydraulic Tank)	

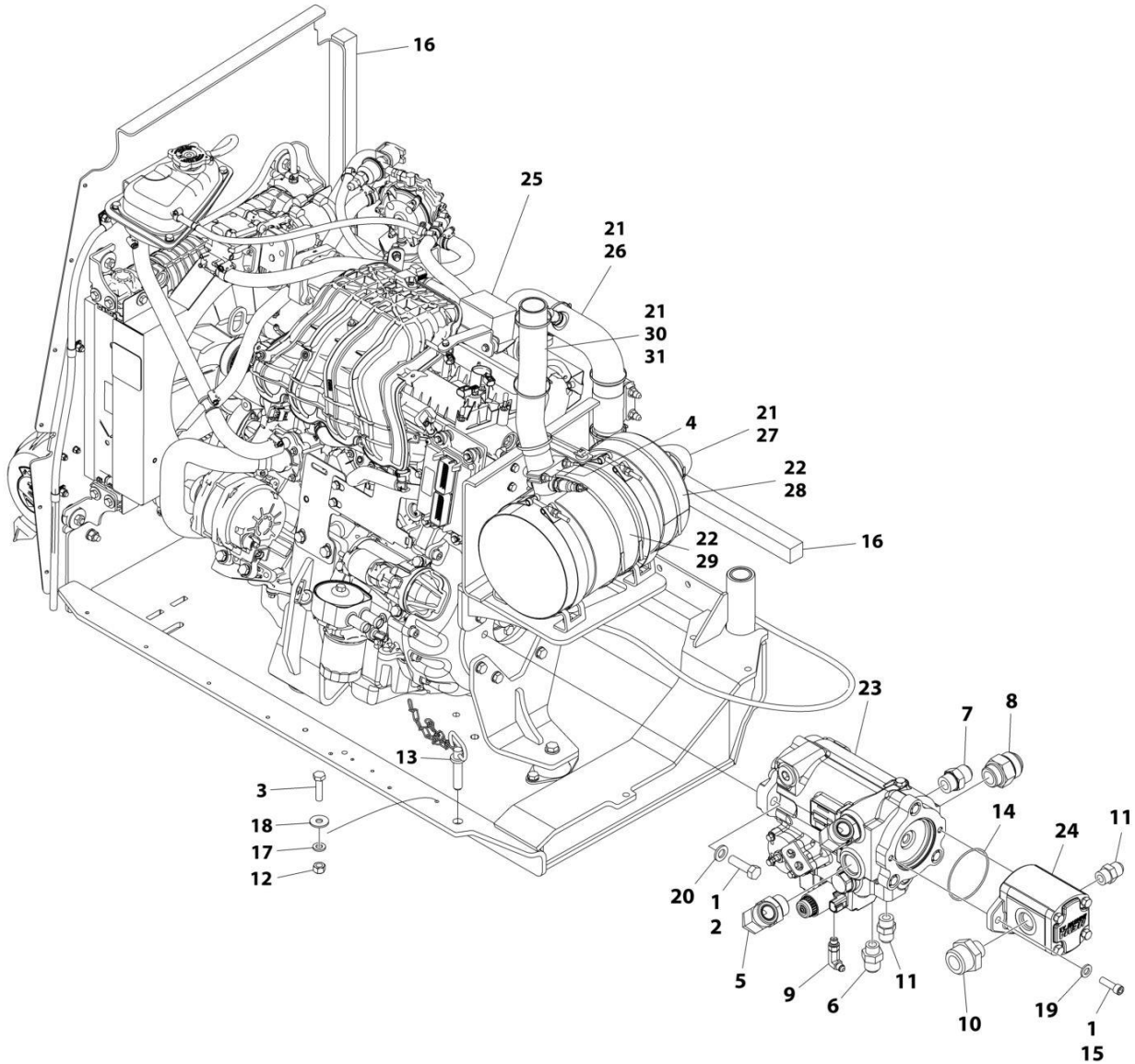
## SECTION 3 - ENGINE

ITEM	PART NUMBER	QTY	DESCRIPTION	REV
49	1001215611	1	Ford Engine and Pumps Sub-Assembly (See Separate Breakdown in this Section)	
50	1001219005	1	Bracket	
51	1001219015	1	Hose	
52	1001219021	2	Hose	
53	1001219022	1	Hose	
54	1001219024	1	Hose	
58	1001222133	1	Hose	
59	1001247359	1	Fitting, 90	
60	1001258175	1	Bracket	
100	1001236136	1	Battery Cable Kit	
101	1001215220	1	Cable, Battery (-) to Aux Pump to Ground	
102	1001215219	1	Cable, Battery (+) to Aux Ready to Starter	
200	1001269922	1	Engine Hose Kit	
201	1001221942	1	Hose (Function Suction) (Not Shown)	
202	1001221943	1	Hose (Case Drain) (Drive Pump Case Outlet Port to Tank) (Not Shown)	
203	1001221944	1	Hose (Case Drain) (Drive Pump Case Gauge Port to Tank) (Not Shown)	
204	1001258263	1	Hose (Function Suction) (Not Shown)	



# SECTION 3 - ENGINE

## FIGURE 3-45. FORD ENGINE AND PUMPS SUB-ASSEMBLY - WITH ARCTIC PACKAGE (600S HC3/660SJ HC3)



ART\_1001215611

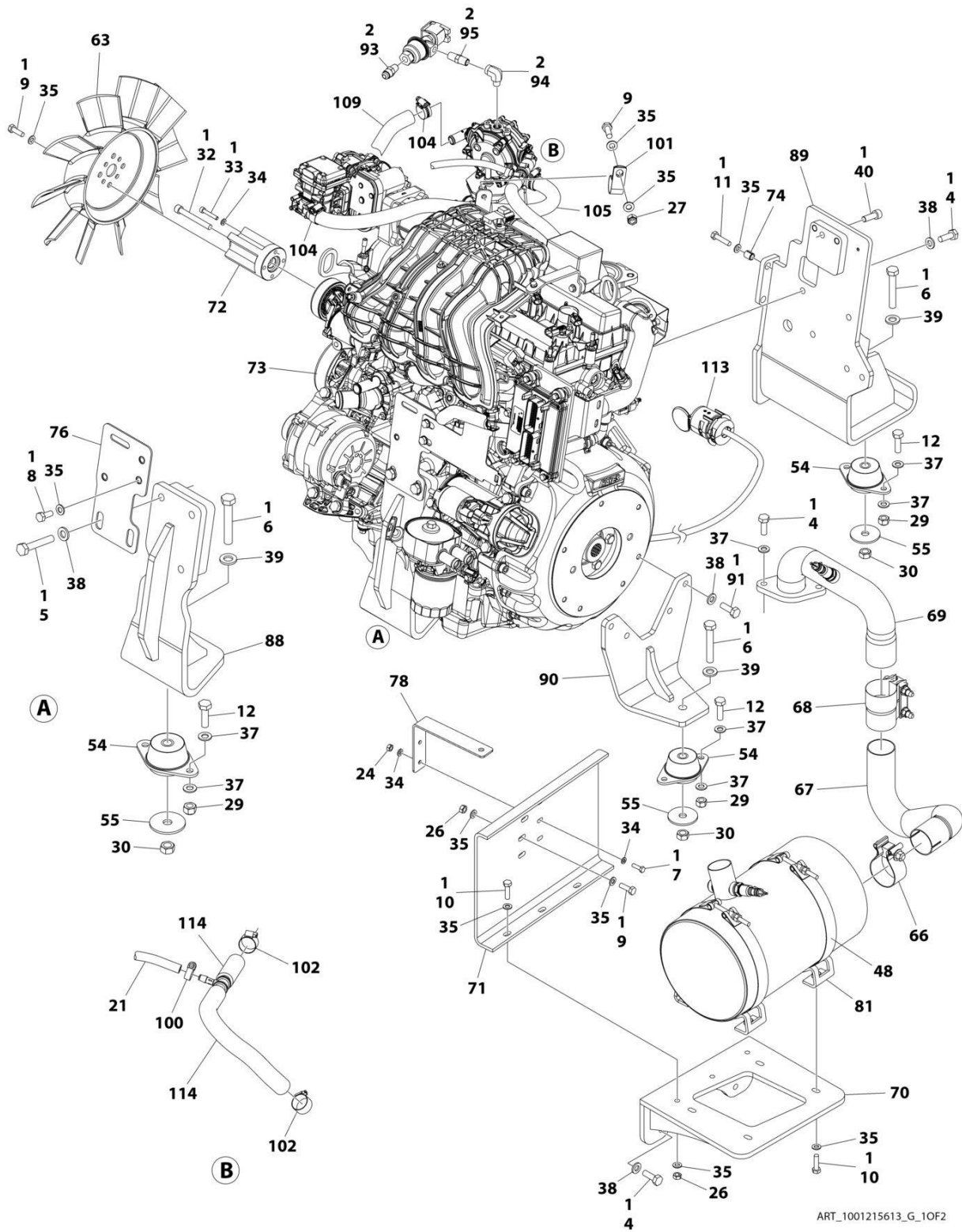
## SECTION 3 - ENGINE

**FIGURE 3-45. FORD ENGINE AND PUMPS SUB-ASSEMBLY - WITH ARCTIC PACKAGE (600S HC3/660SJ HC3)**

ITEM	PART NUMBER	QTY	DESCRIPTION	REV
	1001215611	Ref	FORD ENGINE AND PUMPS SUB-ASSEMBLY	C
1	0100011	AR	Compound, Locking	
2	0641814	2	Bolt 1/2 x 1-3/4	
3	0760612	1	Bolt M6 x 25	
4	1001221397	1	Clamp	
5	2131616	2	Fitting, 90 ORFS/ORB	
6	2220408	1	Fitting, Straight JIC/ORB	
7	2220451	1	Fitting, Straight ORB/JIC	
8	2220479	1	Fitting, Straight JIC/ORB	
9	2220940	1	Fitting, 90 JIC/ORB	
10	2220946	1	Fitting, Straight JIC/ORB	
11	2220947	2	Fitting, Straight JIC/ORB	
12	3290605	1	Nut M6	
13	3422532	1	Pin	
14	3790152	1	O-Ring	
15	3931620	2	Capscrew 3/8 x 1-1/4	
15	3931618	2	Capscrew 3/8 x 1-1/8	
16	3960469	2	Seal	
17	4811700	1	Washer M6	
18	4811702	1	Washer M6	
19	5241000	2	Washer M10	
20	5241200	2	Washer M12	
21	1001100825	9	Strap	
22	1001221464	3	Strap	
23	1001184930	1	Piston Pump Assembly (See Separate Breakdown in this Section)	
24	1001190143	1	Gear Pump Assembly	
24	70006356	1	Seal Kit - 1001190143 Pump	
25	1001215613	1	Ford Engine Assembly (See Separate Breakdown in this Section)	
26	1001216532	1	Insulate, Exhaust	
27	1001216533	1	Insulate, Exhaust	
28	1001216534	1	Insulate, Muffler	
29	1001216535	1	Insulate, Muffler	
30	1001216947	1	Pipe, Exhaust	
31	1001217563	1	Insulate, Exhaust	

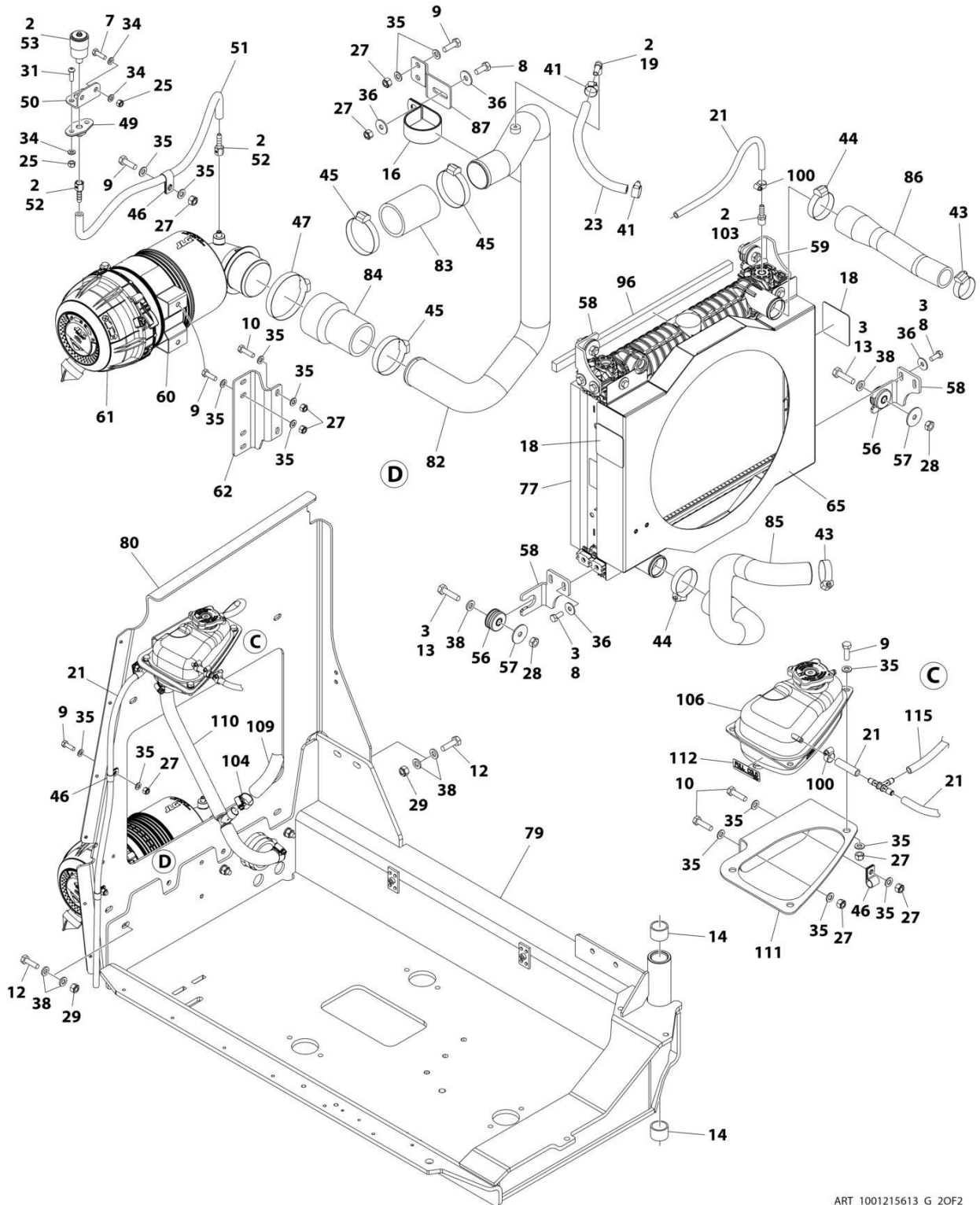
# SECTION 3 - ENGINE

## FIGURE 3-46. FORD ENGINE ASSEMBLY - WITH ARCTIC PACKAGE (600S HC3/660SJ HC3)



ART\_1001215613\_G\_10F2

# SECTION 3 - ENGINE



ART\_1001215613\_G\_20F2

## SECTION 3 - ENGINE

FIGURE 3-46. FORD ENGINE ASSEMBLY - WITH ARCTIC PACKAGE (600S HC3/660SJ HC3)

ITEM	PART NUMBER	QTY	DESCRIPTION	REV
	1001215613	Ref	FORD ENGINE ASSEMBLY	G
1	0100011	AR	Compound, Locking	
2	0100020	AR	Sealant	
3	1001180620	AR	Adhesive	
4	0711014	10	Bolt M10 x 30	
5	0711020	3	Bolt M10 x 60	
6	0711223	3	Bolt M12 x 75	
7	0760610	4	Bolt M6 x 20	
8	0760810	11	Bolt M8 x 20	
9	0760812	18	Bolt M8 x 25	
10	0760814	11	Bolt M8 x 30	
11	0760815	2	Bolt M8 x 35	
12	0761015	11	Bolt M10 x 35	
13	0761016	4	Bolt M10 x 40	
14	0961951	2	Bushing	
16	1320110	1	Clamp	
18	1703162	2	Decal - Fan Blade	
19	2180467	1	Fitting, Straight NPT/Barb	
21	2720058	95 in/2.5m	Hose, Fuel	
23	1001165035	1	Hose	
24	3290601	2	Nut M6	
25	3290605	4	Nut M6	
26	3290801	5	Nut M8	
27	3290805	17	Nut M8	
28	3291001	4	Nut M10	
29	3291005	11	Nut M10	
30	3331211	3	Nut M12	
31	3900364	2	Capscrew M6 x 20	
32	3931648	1	Capscrew 3/8 x 3	
33	4031711	4	Capscrew M6 x 35	
34	4811700	14	Washer M6	
35	4811900	54	Washer M8	
36	4811902	10	Washer M8	
37	4812000	14	Washer M10	
38	5241000	30	Washer M10	
39	5241200	3	Washer M12	
40	5272010	1	Capscrew M10 x 30	
41	8405006	2	Clamp	
43	8405102	2	Clamp	
44	8405104	2	Clamp	
45	8405203	3	8405203	
46	8406109	6	Clip	
47	8410011	1	Clamp	
48	1001128901	2	Strap	
49	1001138173	1	Support	
50	1001138175	1	Bracket	
51	1001138248	23 in/.6m	Hose	
52	1001141995	2	Fitting, Straight NPT/Barbed	
53	1001149639	1	Indicator, Restriction	
54	1001191610	3	Mount, Motor	



## SECTION 3 - ENGINE

ITEM	PART NUMBER	QTY	DESCRIPTION	REV
55	1001168018	3	Washer	
56	1001169054	4	Isolator	
57	1001169138	4	Pad, Snubbing	
58	1001169967	3	Bracket	
59	1001170035	1	Bracket	
60	1001186426	1	Clamp	
61	1001189979	1	Filter, Air	
61	70005008	1	Element, Filter	
62	1001190942	1	Support	
63	1001223042	1	Fan	
64	1001215218	1	Engine Harness - Ford Engines (Not Shown) (See Separate Breakdown in ELECTRICAL SECTION)	
65	1001223923	1	Radiator	
66	1001215681	1	Clamp	
67	1001215899	1	Pipe, Exhaust	
68	1001215974	1	Clamp	
69	1001216075	1	Pipe, Exhaust	
70	1001216086	1	Bracket	
71	1001216092	1	Shield, Heat	
72	1001216201	1	Adapter	
73	1001216910	1	Ford Engine Prep Assembly (See Separate Breakdown in this Section)	
74	1001216919	2	Sleeve	
76	1001222033	1	Plate	
77	1001217185	2	Seal	
78	1001217186	1	Support	
79	1001217450	1	Tray	
80	1001217453	1	Support, Radiator	
81	1001217543	2	Mount	
82	1001217593	1	Pipe, Air Intake	
83	1001217594	1	Pipe, Air Intake	
84	1001217595	1	Pipe, Air Intake	
85	1001217647	1	Hose, Radiator (Lower)	
86	1001217648	1	Hose, Radiator (Upper)	
87	1001218471	1	Bracket	
88	1001218559	1	Mount, Engine (RH Front)	
89	1001218565	1	Mount, Engine (LH Front)	
90	1001218575	1	Mount, Engine (Rear)	
91	0761014	4	Bolt M10 x 30	
92	1001187781	1	Tie-Strap (Not Shown)	
93	2180418	1	Fitting	
94	1001247359	1	Fitting, 90	
95	2220261	1	Fitting	
96	1001217183	2	Seal	
100	8405009	3	Gear	
101	8406201	1	Clip	
102	8410009	2	Clamp	
103	8420231	1	Fitting, Barb	
104	1001173535	6	Clamp	
105	1001216531	25 in/ 63cm	Hose	
106	1001223584	1	Tank, Surge	

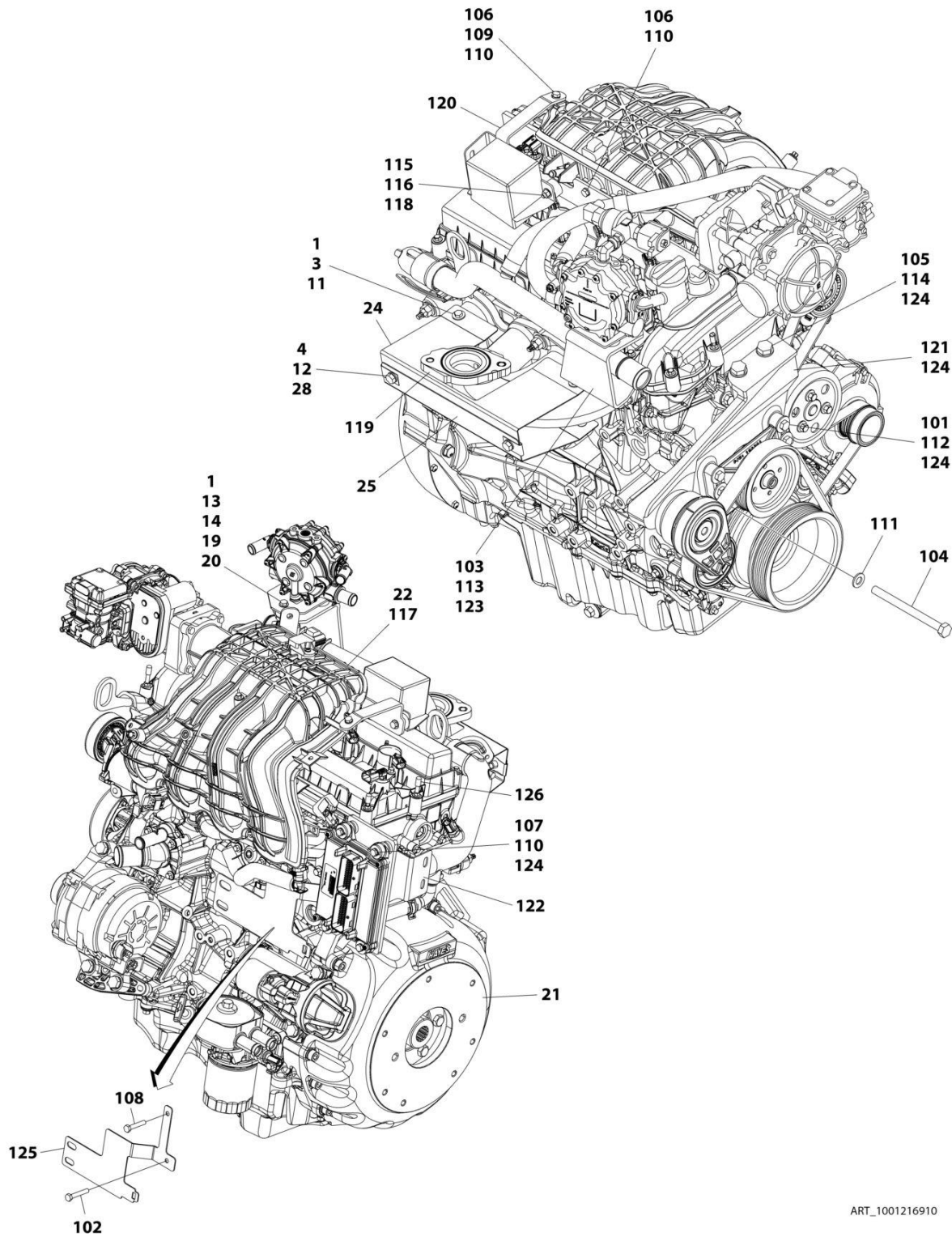
## SECTION 3 - ENGINE

ITEM	PART NUMBER	QTY	DESCRIPTION	REV
109	1001224486	1	Hose	
110	1001224489	1	Hose	
111	1001225442	1	Bracket	
112	1001225510	1	Decal - Full Cold, Surge Tank	
113	1001216393	1	Heater, Block	
114	1001227666	1	Hose	
115	1001227667	1	Hose	



# SECTION 3 - ENGINE

## FIGURE 3-47. FORD ENGINE PREP ASSEMBLY (600S HC3/660SJ HC3)



ART\_1001216910

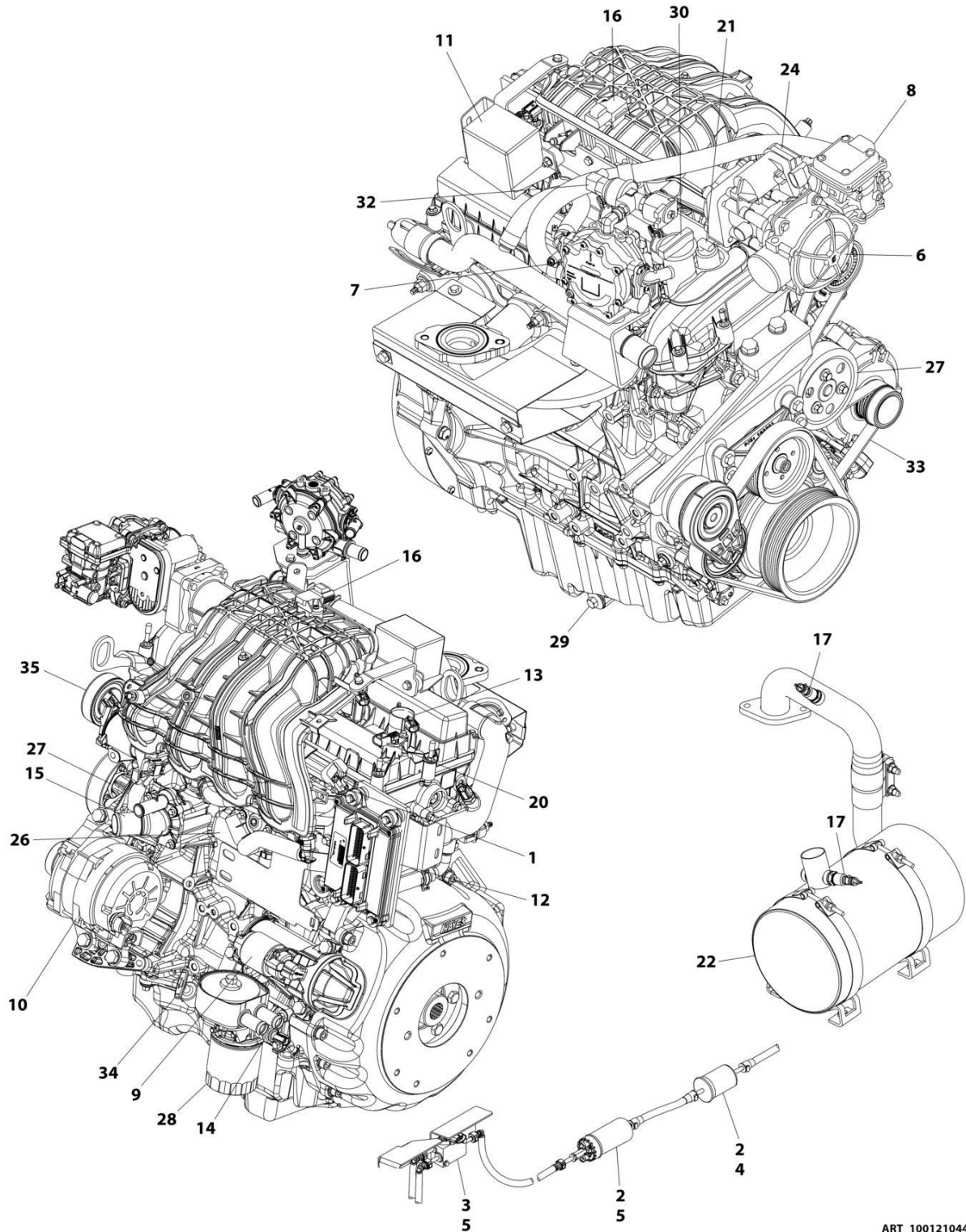
## SECTION 3 - ENGINE

**FIGURE 3-47. FORD ENGINE PREP ASSEMBLY (600S HC3/660SJ HC3)**

ITEM	PART NUMBER	QTY	DESCRIPTION	REV
	1001216910	Ref	FORD ENGINE PREP ASSEMBLY	F
1	0100011	AR	Compound, Locking	
3	0760605	4	Bolt M6 x 10	
4	0760807	2	Bolt M8 x 14	
11	4811702	4	Washer M6	
12	4811900	2	Washer M8	
13	5250605	3	Bolt M6 x 10	
14	5260600	1	Nut M6 Class 10	
19	1001211794	3	Mount, Isolator	
20	1001227769	1	Plate	
21	1001213810	1	Pump Coupling Kit	
21	70006134	1	Coupling	
21	70006135	1	Housing	
21	70006136	1	Hardware Kit	
22	1001216065	1	Ford Engine Assembly (See Items 101-126 for Breakdown)	
24	1001216768	1	Bracket	
25	1001216769	1	Bracket	
28	1001149160	2	Nut, Tinnerman M8	
	1001216065	Ref	FORD ENGINE PREP ASSEMBLY - BRACKETS/EXHAUST MANIFOLD	M
101	0700816	4	Bolt M8 x 40	
102	0700818	1	Bolt M8 x 50	
103	0701014	2	Bolt M10 x 30	
104	0710827	1	Bolt M8 x 100 Grade 10.9	
105	0711216	2	Bolt M12 x 40	
106	0760610	3	Bolt M6 x 20	
107	0760615	4	Bolt M6 x 35	
108	0760817	1	Bolt M8 x 45	
109	3290601	1	Nut M6	
110	4811700	8	Washer M6	
111	4811900	1	Washer M8	
112	4811902	4	Washer M8	
113	4812000	1	Washer M10	
114	4812100	2	Washer M12	
115	5250605	2	Bolt M6 x 10	
116	5260600	2	Nut M6 Class 10	
117	1001210448	1	Engine, Ford 2.5L (See Separate Breakdown in this Section)	
118	1001211794	2	Mount	
119	1001214827	1	Manifold, Exhaust	
120	1001215384	1	Bracket	
121	1001216071	1	Bracket	
122	1001216144	1	Support, Muffler	
123	1001227772	1	Mount, Vaporizer	
124	0100011	AR	Compound, Locking	
125	1001221545	1	Plate	
126	1001222641	6	Cap	

# SECTION 3 - ENGINE

## FIGURE 3-48. FORD ENGINE COMPONENTS (600S HC3/660SJ HC3)



ART\_1001210448

## SECTION 3 - ENGINE

**FIGURE 3-48. FORD ENGINE COMPONENTS (600S HC3/660SJ HC3)**

ITEM	PART NUMBER	QTY	DESCRIPTION	REV
	1001210448	Ref	FORD ENGINE COMPONENTS	H
1	70006145	4	Injector, Fuel	
1	70006147	1	Rail, Fuel	
2	70006150	1	Pump, Fuel	
2	70006154	1	Fitting M10	
3	70006151	1	Block, Fuel	
3	70006152	2	Fitting SAE6	
3	70006153	1	Fitting SAE3	
3	70006189	1	Harness, Fuel Block	
4	70006155	1	Filter, Fuel	
5	7022162	8	Clamp	
5	70006157	8	Clip, Fuel Quick Disconnect	
6	70006158	1	Mixer, LP	
6	70006168	1	Mixer Diaphragm Replacement Kit	
6	70006159	1	Adapter, Mixer to Governor	
6	70006160	1	O-Ring, Mixer to Adapter	
6	70006161	1	Seal, Mixer to Adapter	
7	70006162	1	Regulator, LP Vapor	
7	70006166	2	Fitting	
7	70006167	1	Fitting, Straight	
7	70006165	2	Isolator, Rubber	
8	70006163	1	Regulator, Direct Electronic Pressure	
8	70006164	1	Adapter, Fitting 90	
9	70006169	1	Starter	
9	70006233	1	Harness, Alternator/Starter	
10	70006170	1	Alternator	
11	70006173	1	Cover, Relay Box	
11	70006171	2	Relay (Fuel Pump & Power)	
11	70006172	1	Relay (Starter)	
11	70006175	1	Fuse - 20Amp (Starter)	
11	70006174	1	Decal - Relay Box Cover	
11	70006188	1	Harness, Engine	
11	70006165	2	Isolator, Rubber	
12	70006176	1	Module - Engine Control Unit (ECU/GCP)	
12	70006191	1	Software & Diagnostic Cable	
13	70006177	4	Coil and Boot Assembly	
13	70006178	4	Plug, Spark	
14	70006179	1	Switch, Oil Pressure	
15	70006180	1	Sensor, Knock	
16	70006181	1	Sensor, TMAP	
17	70006182	2	Sensor, O2	
18	70006183	1	Sensor, Coolant Temperature (Not Shown - Located Rear of Engine Block)	
19	70006184	1	Sensor, Crank Position (Not Shown - Located at Front RH Side of Block)	
20	70006185	1	Sensor, Cam Position	
21	70006186	1	Solenoid, Timing	
21	70006187	1	Grommet, Rubber	
22	70006194	1	Muffler	
22	70006195	1	Plug (Located at Muffler Outlet)	

## SECTION 3 - ENGINE

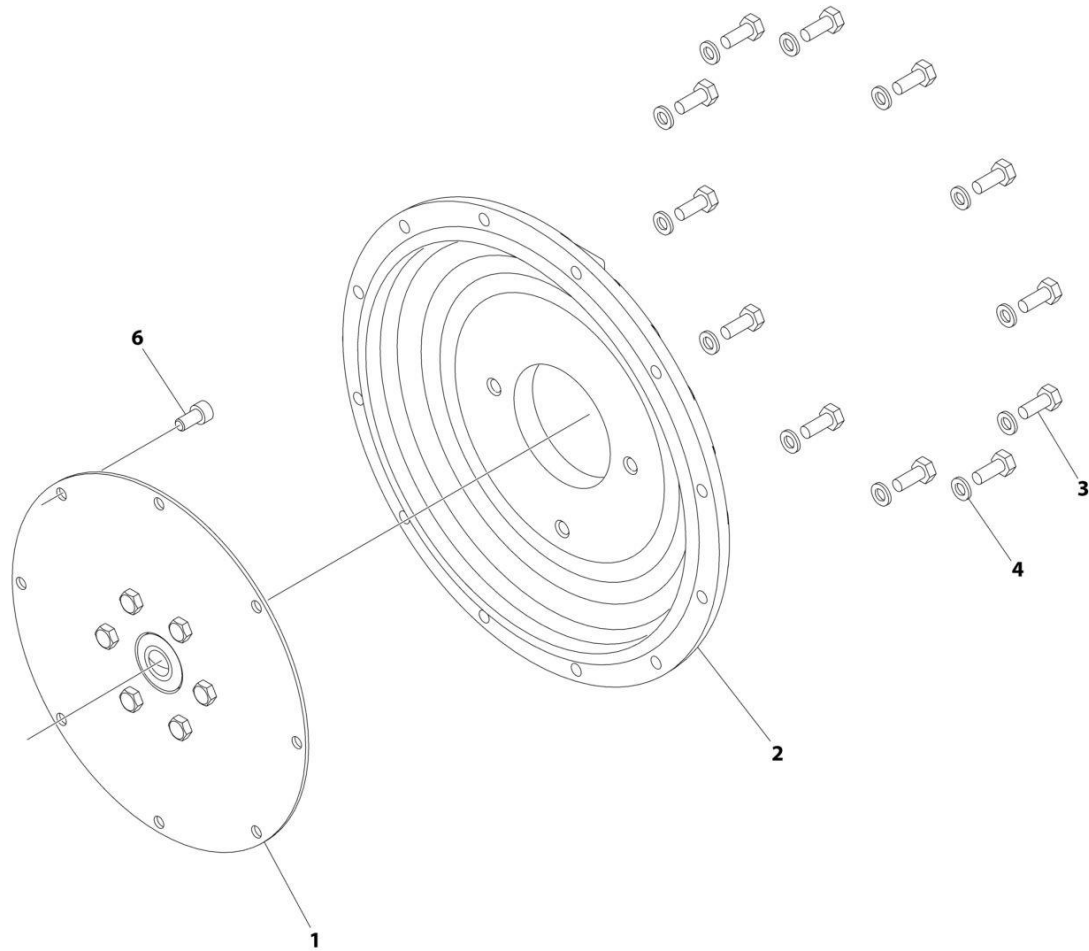
ITEM	PART NUMBER	QTY	DESCRIPTION	REV
23		Ref	Gasket Options (Not Shown)	
23	70006196	1	Gasket, Exhaust Manifold to Head	
23	70006197	1	Gasket, Exhaust Manifold Outlet	
23	70006200	1	Gasket, Intake Manifold to Head	
23	70006219	1	Gasket Set - Camshaft Cover	
23	70006225	1	Gasket, Cylinder Head	
24	70006198	1	Governor	
24	7027404	1	Gasket, Governor Actuator	
24	70006199	1	Gasket, Governor to Intake Manifold Adapter	
25	70006203	1	Flywheel (Not Shown)	
26	70006205	1	Thermostat (Includes Housing)	
26	70006206	1	Gasket, Water Inlet	
27	70006207	1	Pump, Water	
27	70006208	1	O-Ring, Water Pump	
27	See Note	NSS	Pulley, Water Pump (Note: Not Available for Purchase at This Time)	
28	70006213	1	Filter, Oil	
29	70006215	1	Plug, Oil Drain	
29	70006217	1	Gasket, Oil Drain Plug	
30	70006221	1	Cap, Oil Fill	
31	70006232	1	Sensor, Crank (Not Shown)	
32	70006235	1	Valve, Lock-Off (Includes Filter)	
33	70006202	1	Belt	
34	70006236	1	Dipstick	
35	70007108	1	Belt Tensioner	





# SECTION 3 - ENGINE

## FIGURE 3-49. PUMP COUPLING KIT (DEUTZ ENGINES)



ART\_2902065

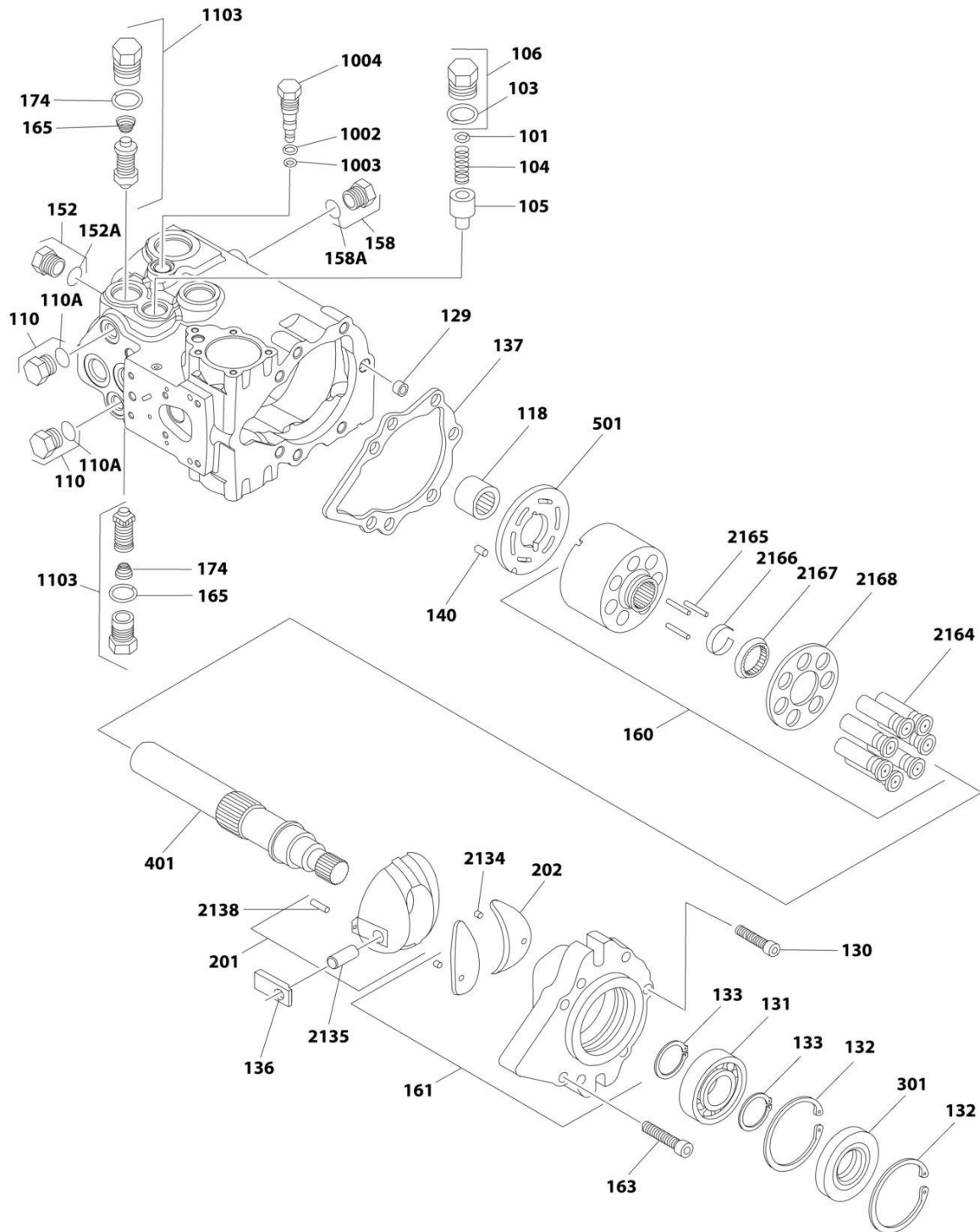
## SECTION 3 - ENGINE

### FIGURE 3-49. PUMP COUPLING KIT (DEUTZ ENGINES)

ITEM	PART NUMBER	QTY	DESCRIPTION	REV
	2902065	Ref	PUMP COUPLING KIT	L
1	70000793	1	Coupling, Hayes	
2	See Note	NSS	Plate, Pump Adapter (Note: Use p/n 2902065)	
3	See Note	NSS	Bolt M10 x 30 Grade 10.9 (Note: Use p/n 2902065)	
4	See Note	NSS	Washer M10 (Note: Use p/n 2902065)	
6	See Note	NSS	Bolt M10 x 20 Grade 10.9 (Note: Use p/n 2902065)	

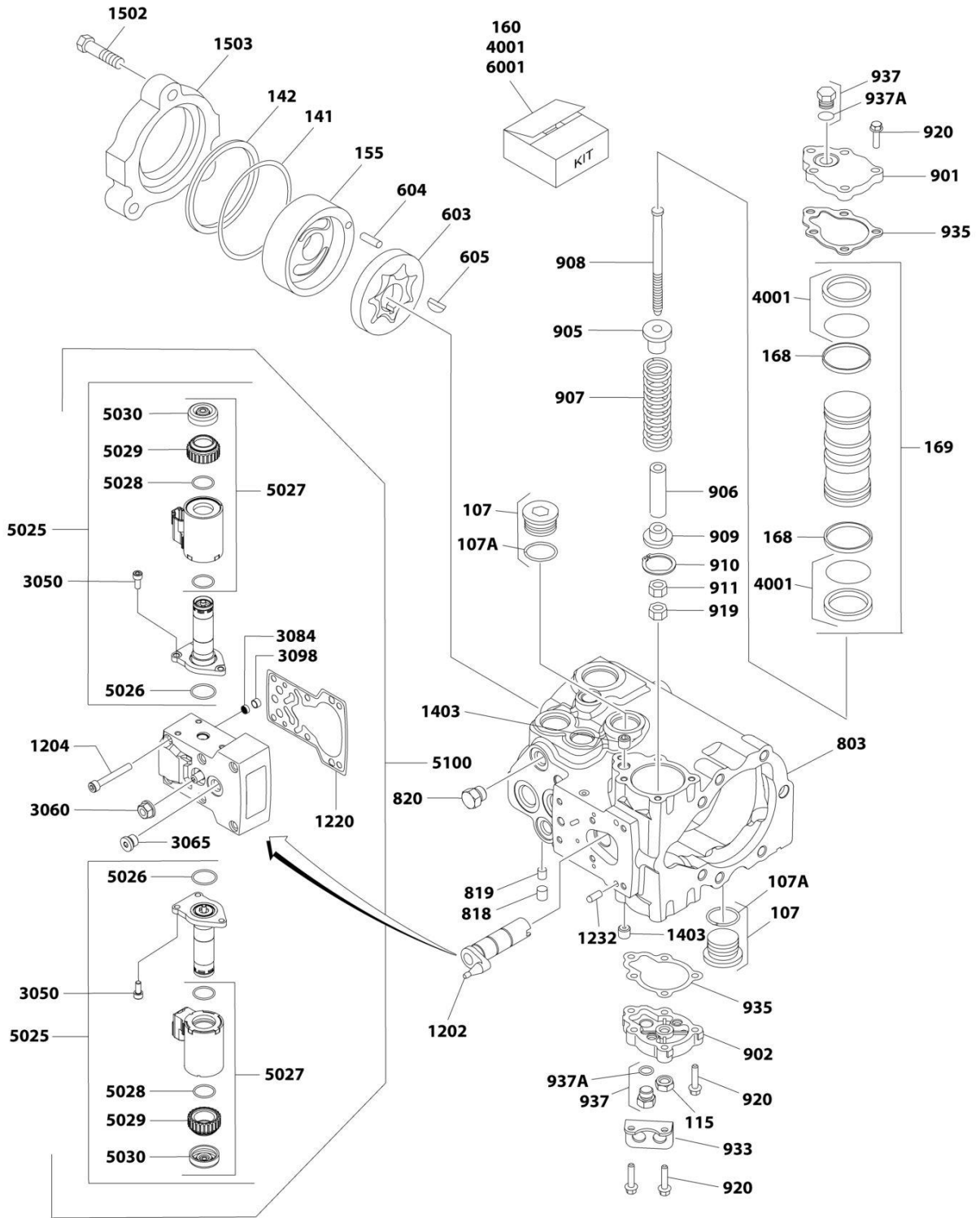
# SECTION 3 - ENGINE

## FIGURE 3-50. PISTON PUMP ASSEMBLY



ART\_1001184930\_10F2

# SECTION 3 - ENGINE



ART\_1001184930\_20F2

# SECTION 3 - ENGINE

## FIGURE 3-50. PISTON PUMP ASSEMBLY

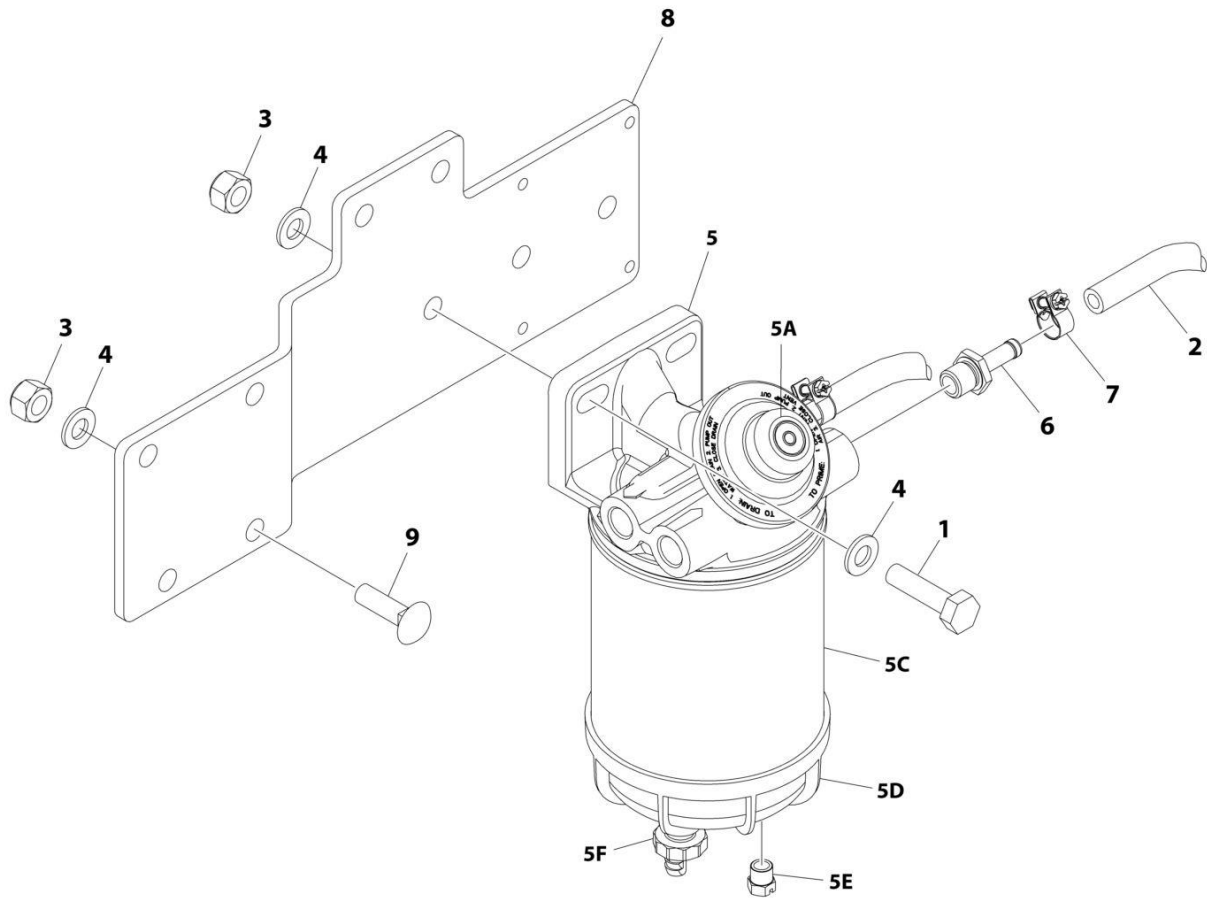
ITEM	PART NUMBER	QTY	DESCRIPTION	REV
	1001184930	Ref	PISTON PUMP ASSEMBLY	C
101	7007413	1	Shim Kit	
103	7007415	1	O-Ring (Part of Item 106)	
104	7021200	1	Spring, Relief Valve	
105	7007417	1	Valve, Relief	
106	7024874	2	Plug (Includes Item 103)	
107	7007419	2	Plug	
107A	7007418	2	O-Ring	
110	7007420	2	Plug	
110A	7021256	2	O-Ring	
115	7007423	1	Nut, Special	
118	7007425	1	Bearing, Needle	
129	7007435	1	Pin, Spring	
130	7021202	1	Screw	
131	70002176	1	Bearing, Ball	
132	7007438	2	Ring, Retainer	
133	7007439	2	Ring	
136	7007442	1	Sleeve, Bearing	
137	7007443	1	Gasket, Front Cover	
140	7007446	1	Pin	
141	7021233	1	O-Ring	
142	7007448	1	Ring, Load Temper	
152	7007420	1	Plug, Assembly	
152A	7021256	1	O-Ring	
155	70005466	1	Cover, Gerotor	
158	7007208	1	Plug	
158A	7007207	1	O-Ring	
160	7010116	1	Cylinder Block Kit (Includes Items 2164-2168)	
161	7024875	1	Cover Assembly - Front (Includes Items 202 & 2134)	
163	7021207	6	Screw	
165	70005467	2	Spring	
168	7021210	2	Bearing	
169	70005468	1	Servo Piston Assembly (Includes Items 168 & QB)	
174	7007418	2	O-Ring	
201	7007457	1	Swash Plate Assembly (Includes Items 2135 & 2138)	
202	7021212	1	Journal, Bearing	
301	7007459	1	Seal, Lip	
401	7010121	1	Shaft, Main Pump	
501	7021214	1	Plate, Valve	
603	7007463	1	Gerotor Assembly	
604	7007464	1	Pin	
605	7007465	1	Key, Woodruff	
803	See Note	NSS	Housing, Pump (Note: Use p/n 1001184930)	
818	70005469	1	Plug	
819	70005470	1	Plug	
820	70005469	1	Plug	
901	7021219	1	Cover, Servo (With Adjuster)	
902	7021220	1	Cover, Servo (Without Adjuster)	
905	7023979	1	Guide, Spring	
906	7007484	1	Stop, Servo	

## SECTION 3 - ENGINE

ITEM	PART NUMBER	QTY	DESCRIPTION	REV
907	7007485	1	Spring	
908	7021221	1	Screw	
909	7007487	1	Guide, Spring	
910	7007488	1	Ring, Retaining	
911	7021222	1	Locknut	
919	7021206	1	Nut	
920	7021223	10	Screw	
933	7021201	1	Bracket, Lifting	
935	7007422	2	Gasket, Servo Cover	
937	7007420	2	Plug	
937A	7021256	2	O-Ring	
1002	7007450	1	Ring, Back-up	
1003	70005471	1	O-Ring	
1004	7024877	1	Valve, Bypass	
1103	7024851	2	Valve, Pressure Relief (Includes Items 165 & 174)	
1202	70005472	1	Sleeve	
1204	70002156	6	Screw	
1220	70002154	1	Gasket	
1232	70002157	2	Pin	
1403	7007477	2	Plug, Orifice	
1502	7007453	3	Bolt, Hex	
1503	7007476	1	Adapter, Auxiliary Pump	
2134	7021203	2	Pin, Spring	
2135	7007441	1	Handle, Pin	
2138	7007444	1	Pin	
2164	7010117	7	Piston Assembly	
2165	7007431	3	Pin, Slipper Holddown	
2166	7007430	1	Retainer	
2167	7007434	1	Guide, Retainer	
2168	7010119	1	Retainer, Slipper	
3050	70002150	6	Screw	
3060	7022301	1	Nut, Seal	
3065	70002151	1	Plug	
3084	70002134	1	Screen	
3098	70002153	1	Ring	
4001	7007412	1	Seal Kit - Servo Piston	
5025	70002147	2	Solenoid Assembly (Includes Items 5026-5030)	
5026	70002148	2	O-Ring	
5027	70002149	2	Coil Assembly (Includes Items 5028-5030)	
5028	70005474	2	O-Ring	
5029	70005475	2	Screw	
5030	70005476	2	Cap	
5100	70002146	1	EDC Assembly (Includes Items 1204, 1220, 3050-3098 & 5025-5030)	
6001	7021232	1	Seal Kit - Complete (Includes Items 103, 137, 141, 142, 168, 174, 301, 935, 1002, 1003, 4001 and Plug O-Ring)	

# SECTION 3 - ENGINE

## FIGURE 3-51. FUEL FILTER INSTALLATION (POLY FUEL TANK)



ART\_1001224200



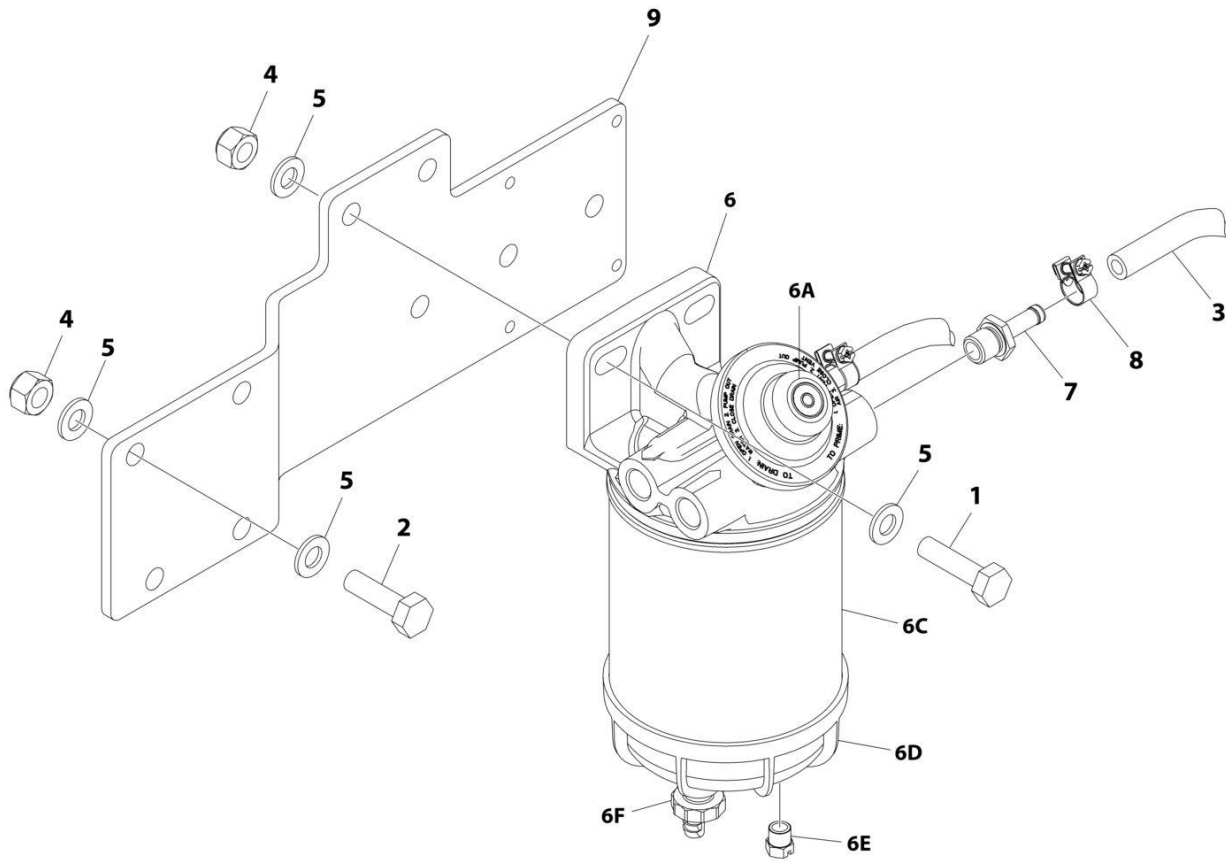
## SECTION 3 - ENGINE

**FIGURE 3-51. FUEL FILTER INSTALLATION (POLY FUEL TANK)**

ITEM	PART NUMBER	QTY	DESCRIPTION	REV
	1001224200	Ref	FUEL FILTER INSTALLATION	B
1	0761016	2	Bolt M10 x 40	
2	2720058	46 in/1.2m	Hose, Fuel Line	
3	3291005	4	Nut M10	
4	4812000	6	Washer M10	
5	1001149452	1	Fuel Filter/Water Separator Assembly	
5A	See Note	NSS	Indicator, Restriction (Note: Use p/n 1001149452)	
5B	70004064	1	Bypass Valve Kit (Not Shown)	
5C	70004065	1	Gasket, Head to Element	
5C	70004066	1	Element, Filter	
5D	70004067	1	Gasket Element to Bowl	
5D	70004068	1	Bowl Kit (Includes Bowl, Element and Plug)	
5E	70004069	1	Plug	
5F	70004070	1	Drain	
6	1001149469	2	Fitting, Straight Barbed	
7	1001174486	2	Clamp	
8	1001224967	1	Bracket	
9	1001228406	2	Bolt M10 x 35	

# SECTION 3 - ENGINE

## FIGURE 3-52. FUEL FILTER INSTALLATION (STEEL FUEL TANK) (DEUTZ D2011 ENGINES)



ART\_1001225054

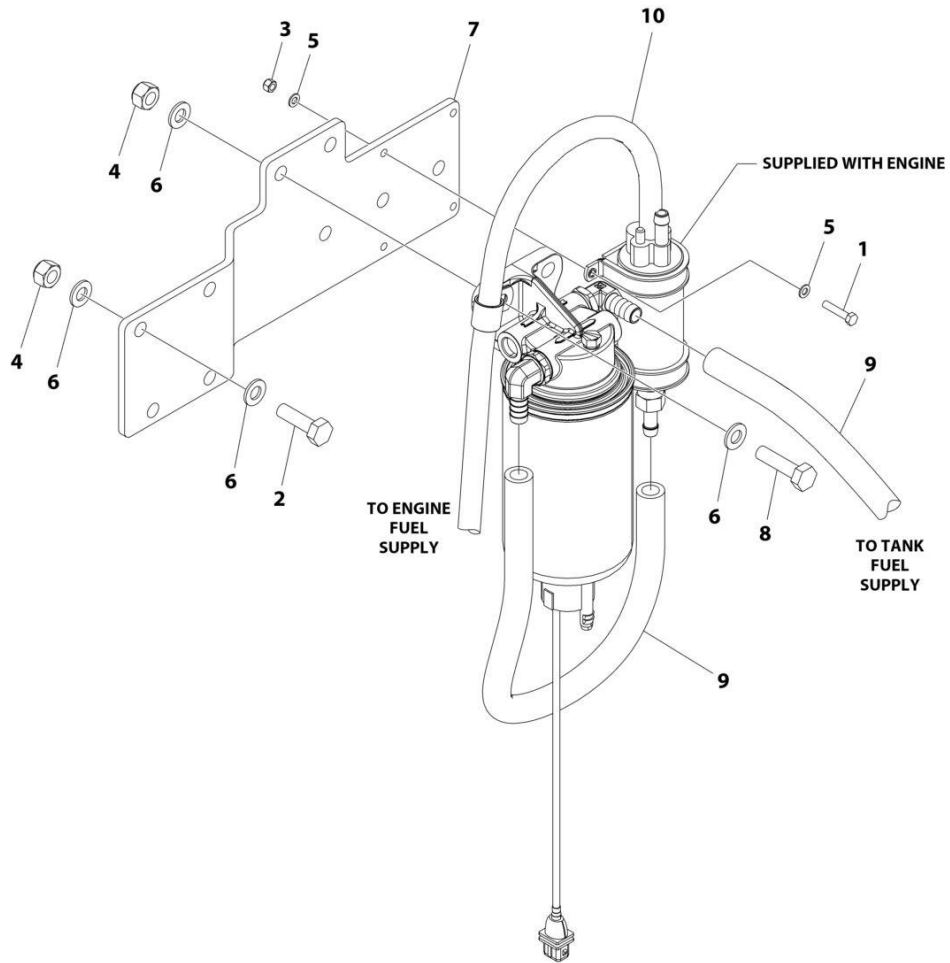
## SECTION 3 - ENGINE

**FIGURE 3-52. FUEL FILTER INSTALLATION (STEEL FUEL TANK) (DEUTZ D2011 ENGINES)**

ITEM	PART NUMBER	QTY	DESCRIPTION	REV
	1001225054	Ref	FUEL FILTER INSTALLATION	B
1	0761016	2	Bolt M10 x 40	
2	0761015	2	Bolt M10 x 35	
2	1001228406	2	Bolt M10 x 35	
3	2720058	32 in/ 80cm	Hose, Fuel Line	
4	3291005	4	Nut M10	
5	4812000	AR	Washer M10	
6	1001149452	1	Fuel Filter/Water Separator Assembly	
6A	See Note	NSS	Indicator, Restriction (Note: Use p/n 1001149452)	
6B	70004064	1	Bypass Valve Kit (Not Shown)	
6C	70004065	1	Gasket, Head to Element	
6C	70004066	1	Element, Filter	
6D	70004067	1	Gasket, Element to Bowl	
6D	70004068	1	Bowl Kit (Includes Bowl, Element and Plug)	
6E	70004069	1	Plug	
6F	70004070	1	Drain	
7	1001149469	2	Fitting, Straight Barbed	
8	1001174486	2	Clamp	
9	1001224967	1	Bracket	

# SECTION 3 - ENGINE

## FIGURE 3-53. FUEL FILTER INSTALLATION (STEEL FUEL TANK) (DEUTZ DT2.9L4 ENGINES)



ART\_1001204902

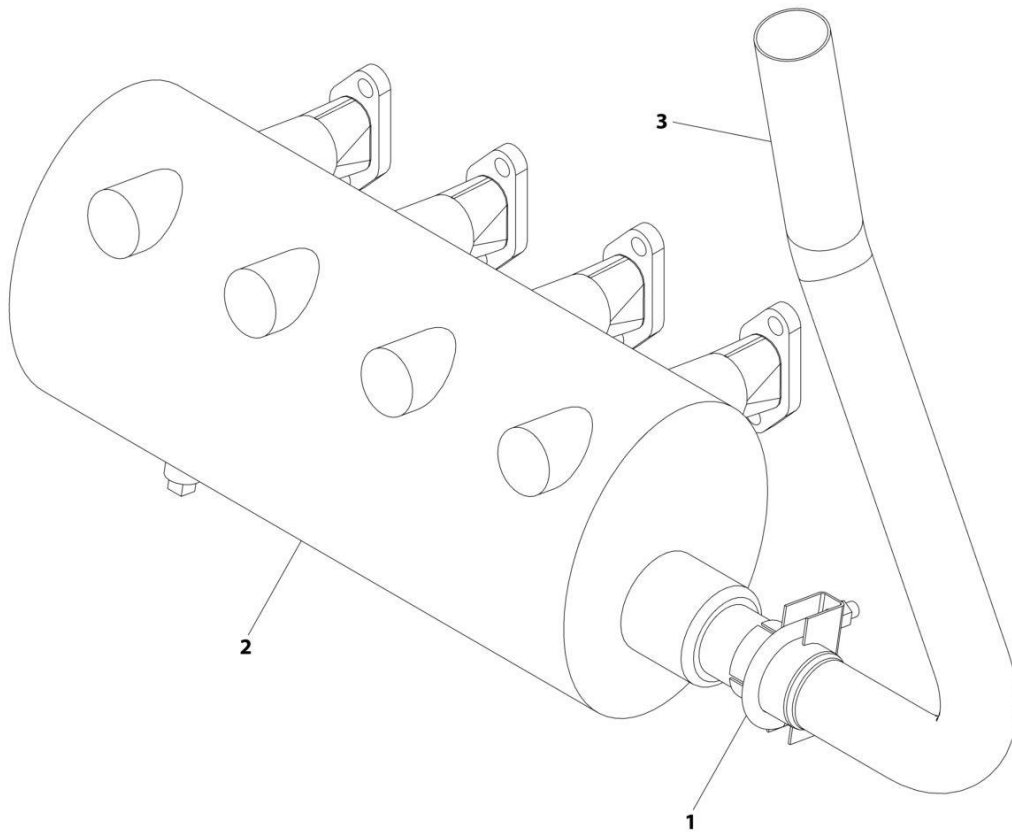
## SECTION 3 - ENGINE

**FIGURE 3-53. FUEL FILTER INSTALLATION (STEEL FUEL TANK) (DEUTZ DT2.9L4 ENGINES)**

ITEM	PART NUMBER	QTY	DESCRIPTION	REV
	1001204902	Ref	FUEL PUMP AND FILTER INSTALLATION	D
1	0760512	4	Bolt M5 x 25	
2	0761015	2	Bolt M10 x 35	
2	1001228406	2	Bolt M10 x 35	
3	3290505	4	Nut M5	
4	3291005	4	Nut M10	
5	4811600	8	Washer M5	
6	4812000	AR	Washer M10	
7	1001224967	1	Bracket	
8	0701016	2	Bolt M10 x 40	
9	1001154405	2.3 ft/ 70cm	Hose	
10	1001165035	2.5 ft/ 75cm	Hose	

## SECTION 3 - ENGINE

FIGURE 3-54. MUFFLER INSTALLATION - SPARK ARRESTING (DEUTZ D2011 ENGINES)



ART\_1001192284

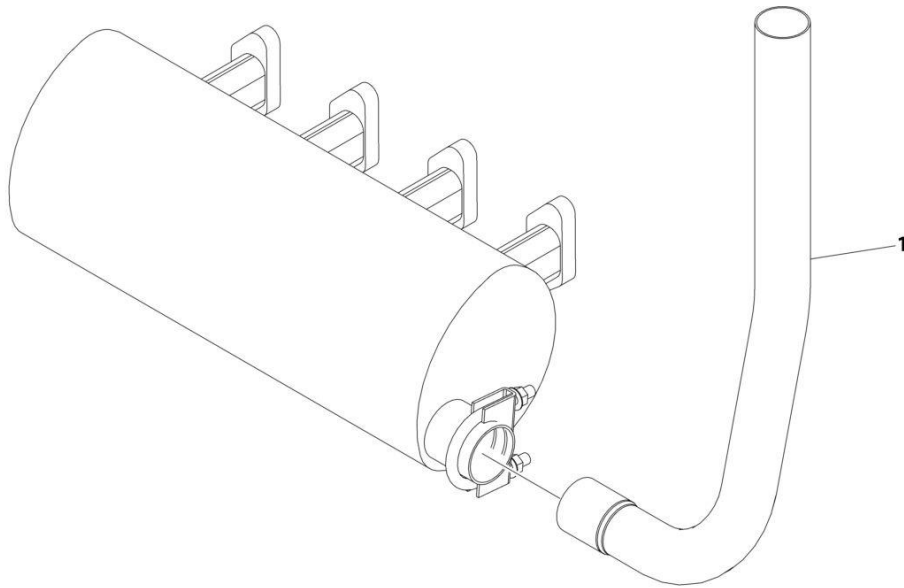
## SECTION 3 - ENGINE

**FIGURE 3-54. MUFFLER INSTALLATION - SPARK ARRESTING (DEUTZ D2011 ENGINES)**

ITEM	PART NUMBER	QTY	DESCRIPTION	REV
	1001192284	Ref	MUFFLER INSTALLATION	B
1	1320176	1	Clamp	
2	1001191156	1	Muffler, Spark Arresting	
3	1001195763	1	Pipe, Exhaust	

# SECTION 3 - ENGINE

FIGURE 3-55. EXHAUST PIPE INSTALLATION - (DEUTZ D2011 ENGINES)



ART\_1001239563



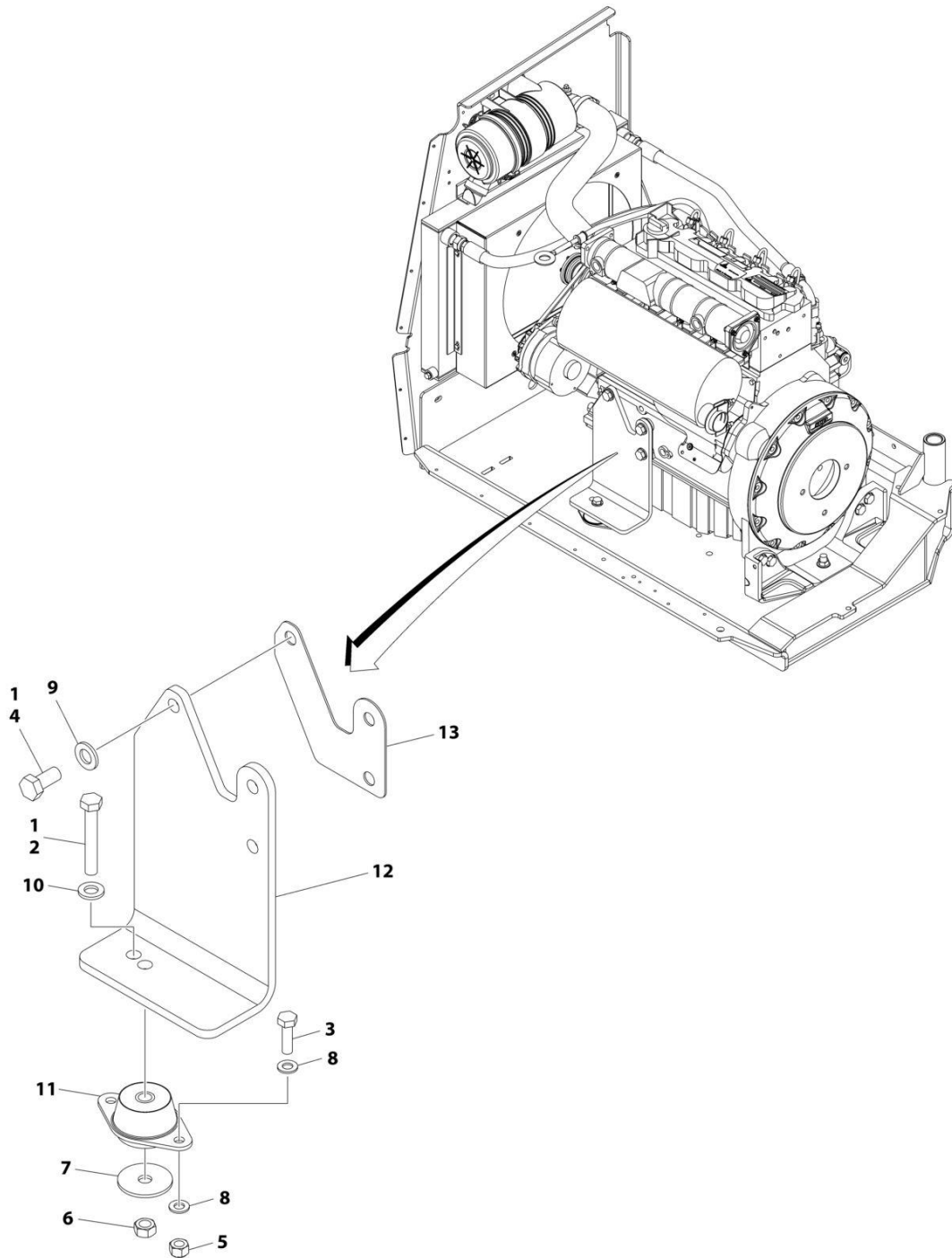
## SECTION 3 - ENGINE

**FIGURE 3-55. EXHAUST PIPE INSTALLATION - (DEUTZ D2011 ENGINES)**

ITEM	PART NUMBER	QTY	DESCRIPTION	REV
1	1001239563	Ref	MUFFLER INSTALLATION	A
	1001191273	1	Pipe, Exhaust	

# SECTION 3 - ENGINE

## FIGURE 3-56. MOTOR MOUNT INSTALLATION - WITHOUT GENERATOR (DEUTZ D2011 ENGINES)



ART\_1001192443

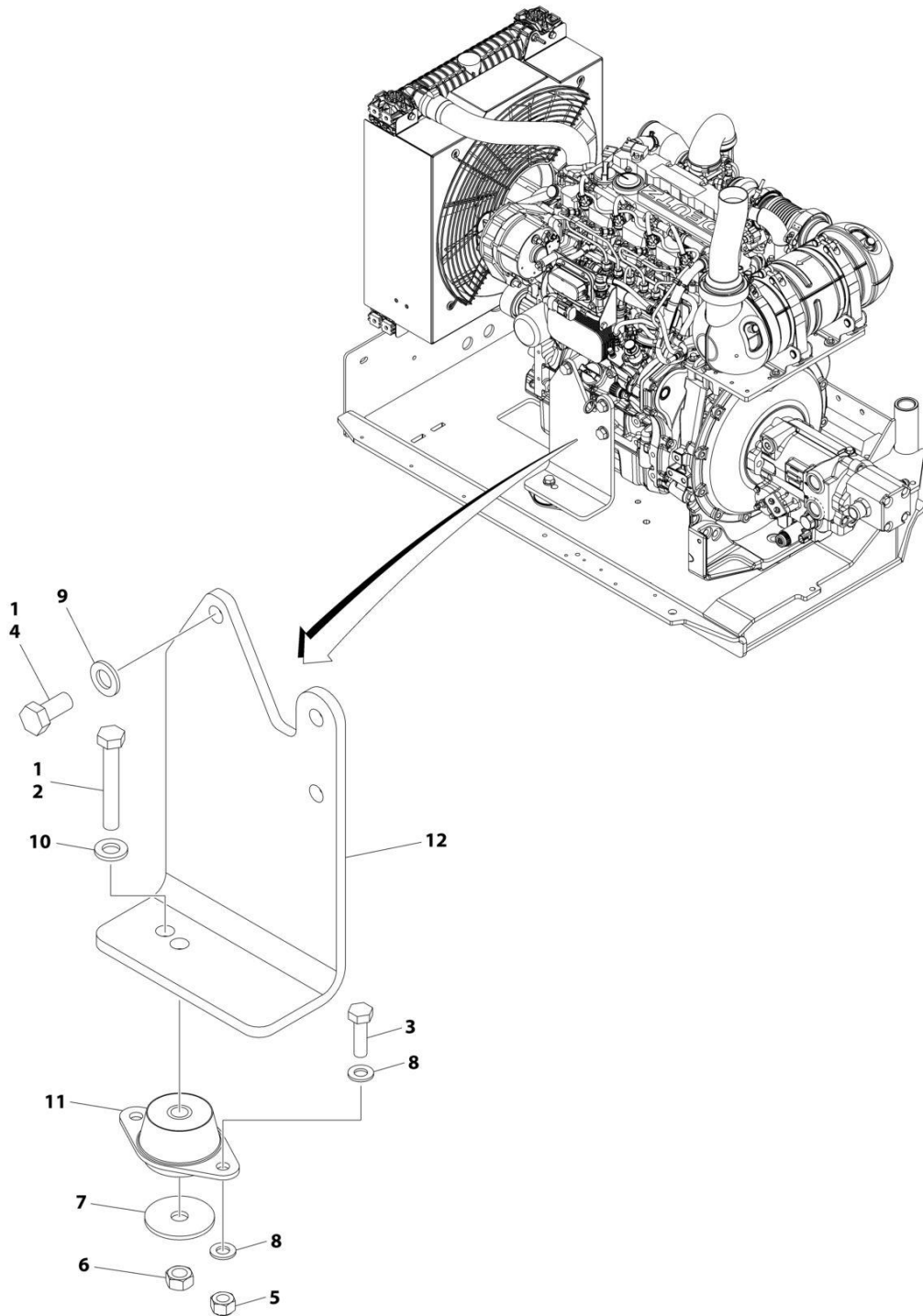
## SECTION 3 - ENGINE

**FIGURE 3-56. MOTOR MOUNT INSTALLATION - WITHOUT GENERATOR (DEUTZ D2011 ENGINES)**

ITEM	PART NUMBER	QTY	DESCRIPTION	REV
	1001192443	Ref	MOTOR MOUNT INSTALLATION	D
1	0100011	AR	Compound, Locking	
2	0711224	1	Bolt M12 x 80	
3	0761015	2	Bolt M10 x 35	
4	0771414	3	Bolt M14 x 30	
5	3291005	2	Nut M10	
6	3331211	1	Nut M12	
7	1001168018	1	Washer	
8	4812000	4	Washer M10	
9	5241400	3	Washer M14	
10	5241200	1	Washer M12	
11	1001191610	1	Mount, Motor	
12	1001189227	1	Mount	
13	1001201843	1	Shim	

# SECTION 3 - ENGINE

FIGURE 3-57. MOTOR MOUNT INSTALLATION - WITHOUT GENERATOR (DEUTZ DT2.9L4 ENGINES)



ART\_1001192442

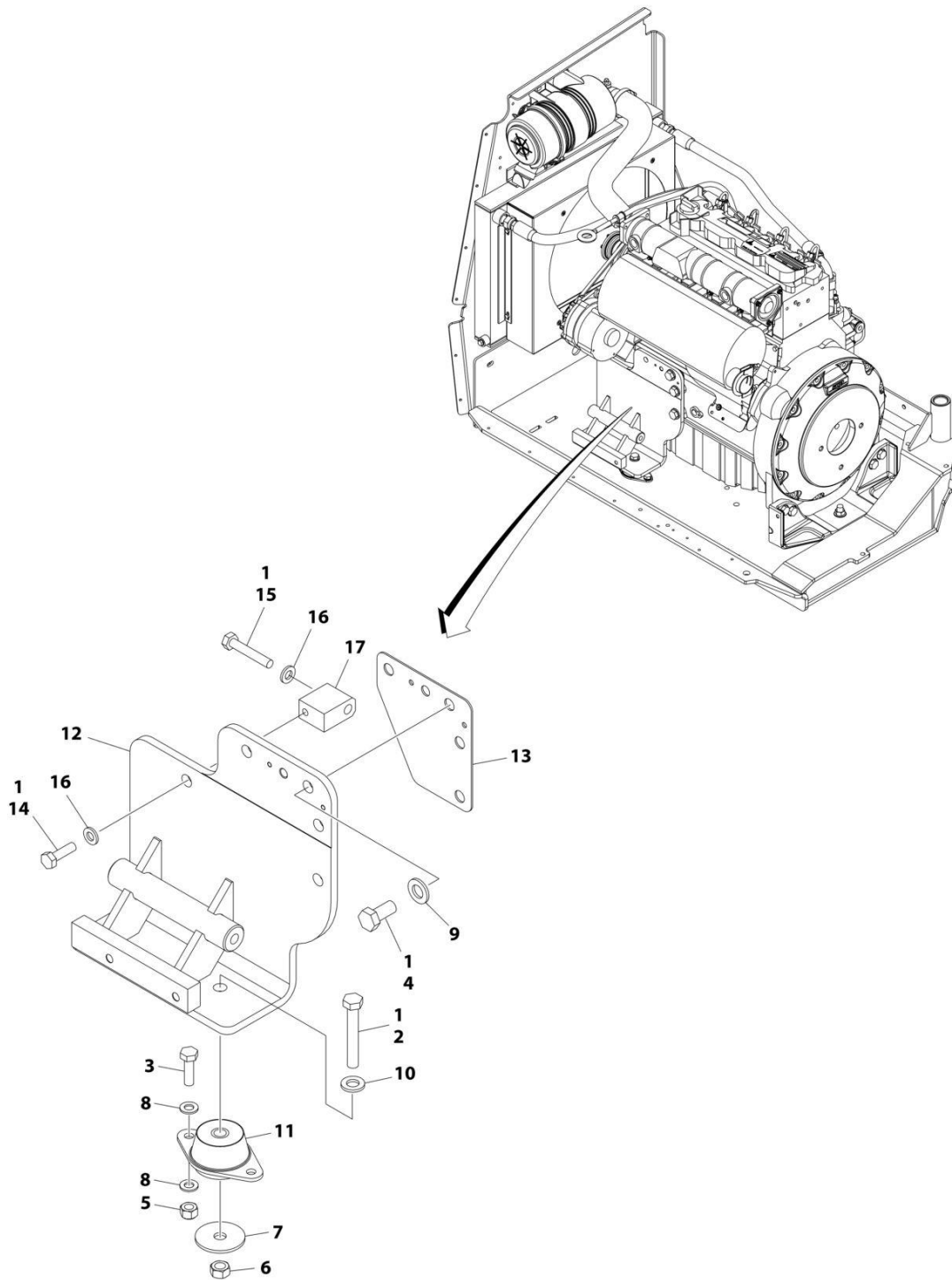
## SECTION 3 - ENGINE

**FIGURE 3-57. MOTOR MOUNT INSTALLATION - WITHOUT GENERATOR (DEUTZ DT2.9L4 ENGINES)**

ITEM	PART NUMBER	QTY	DESCRIPTION	REV
	1001192442	Ref	MOTOR MOUNT INSTALLATION	D
1	0100011	AR	Compound, Locking	
2	0711224	1	Bolt M12 x 80	
3	0761015	2	Bolt M10 x 35	
4	0771414	3	Bolt M14 x 30	
5	3291005	2	Nut M10	
6	3331211	1	Nut M12	
7	1001168018	1	Washer	
8	4812000	4	Washer M10	
9	5241400	3	Washer M14	
10	5241200	1	Washer M12	
11	1001191610	1	Mount, Motor	
12	1001189227	1	Mount	

# SECTION 3 - ENGINE

## FIGURE 3-58. MOTOR MOUNT INSTALLATION - WITH GENERATOR (DEUTZ D2011 ENGINES)



ART\_1001191856

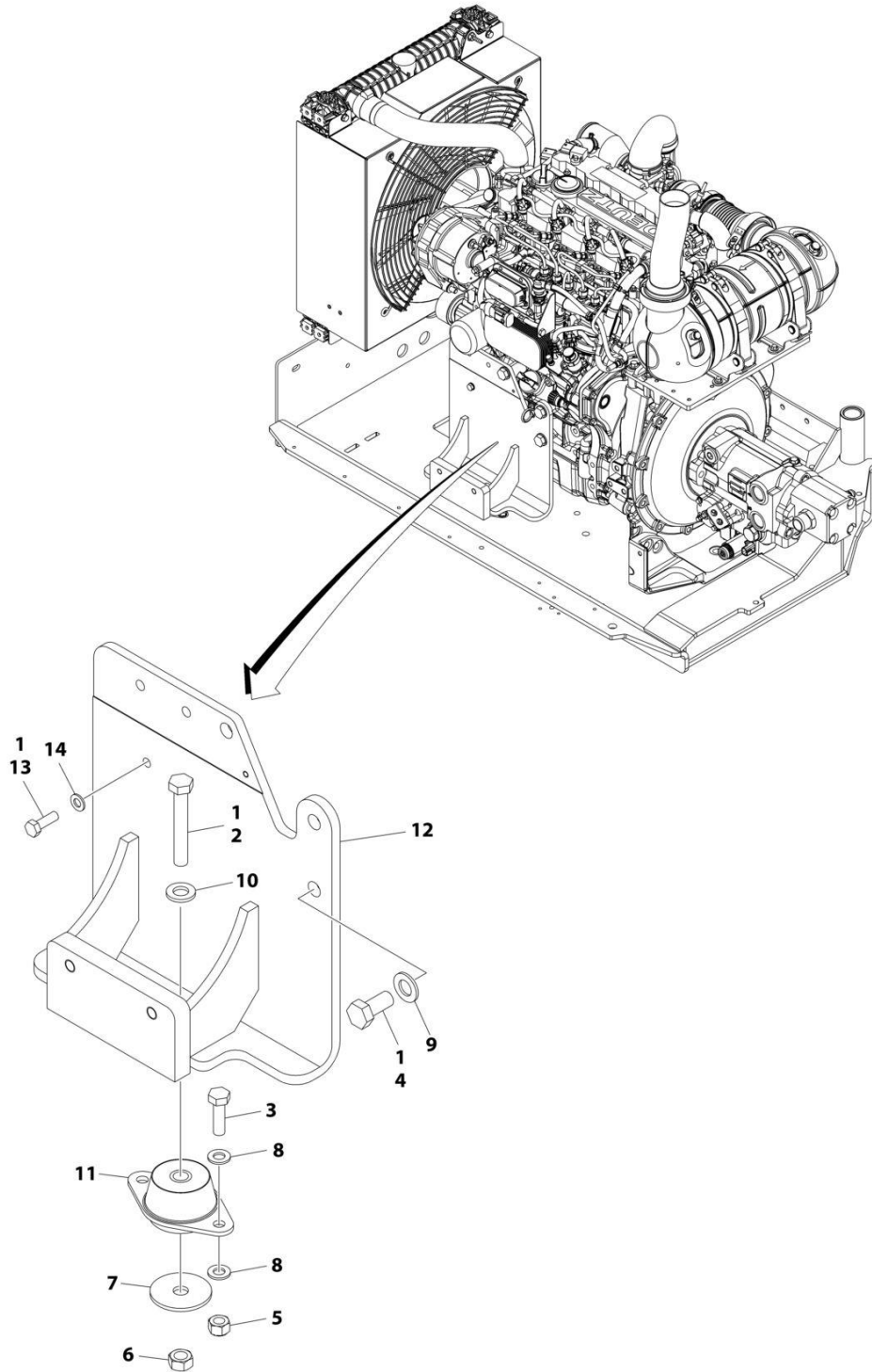
## SECTION 3 - ENGINE

**FIGURE 3-58. MOTOR MOUNT INSTALLATION - WITH GENERATOR (DEUTZ D2011 ENGINES)**

ITEM	PART NUMBER	QTY	DESCRIPTION	REV
	1001191856	Ref	MOTOR MOUNT INSTALLATION	F
1	0100011	AR	Compound, Locking	
2	0711224	1	Bolt M12 x 80	
3	0761015	2	Bolt M10 x 35	
4	0771415	3	Bolt M14 x 35	
5	3291005	2	Nut M10	
6	3331211	1	Nut M12	
7	1001168018	1	Washer	
8	4812000	4	Washer M10	
9	5241400	3	Washer M14	
10	5241200	1	Washer M12	
11	1001191610	1	Mount, Engine	
12	1001239710	1	Bracket	
13	1001205957	1	Shim	
14	0711015	1	Bolt M10 x 35	
15	0711020	1	Bolt M10 x 60	
16	5241000	2	Washer M10	
17	1001239715	1	Block	

# SECTION 3 - ENGINE

## FIGURE 3-59. MOTOR MOUNT INSTALLATION - WITH GENERATOR (DEUTZ DT2.9L4 ENGINES)



ART\_1001192008



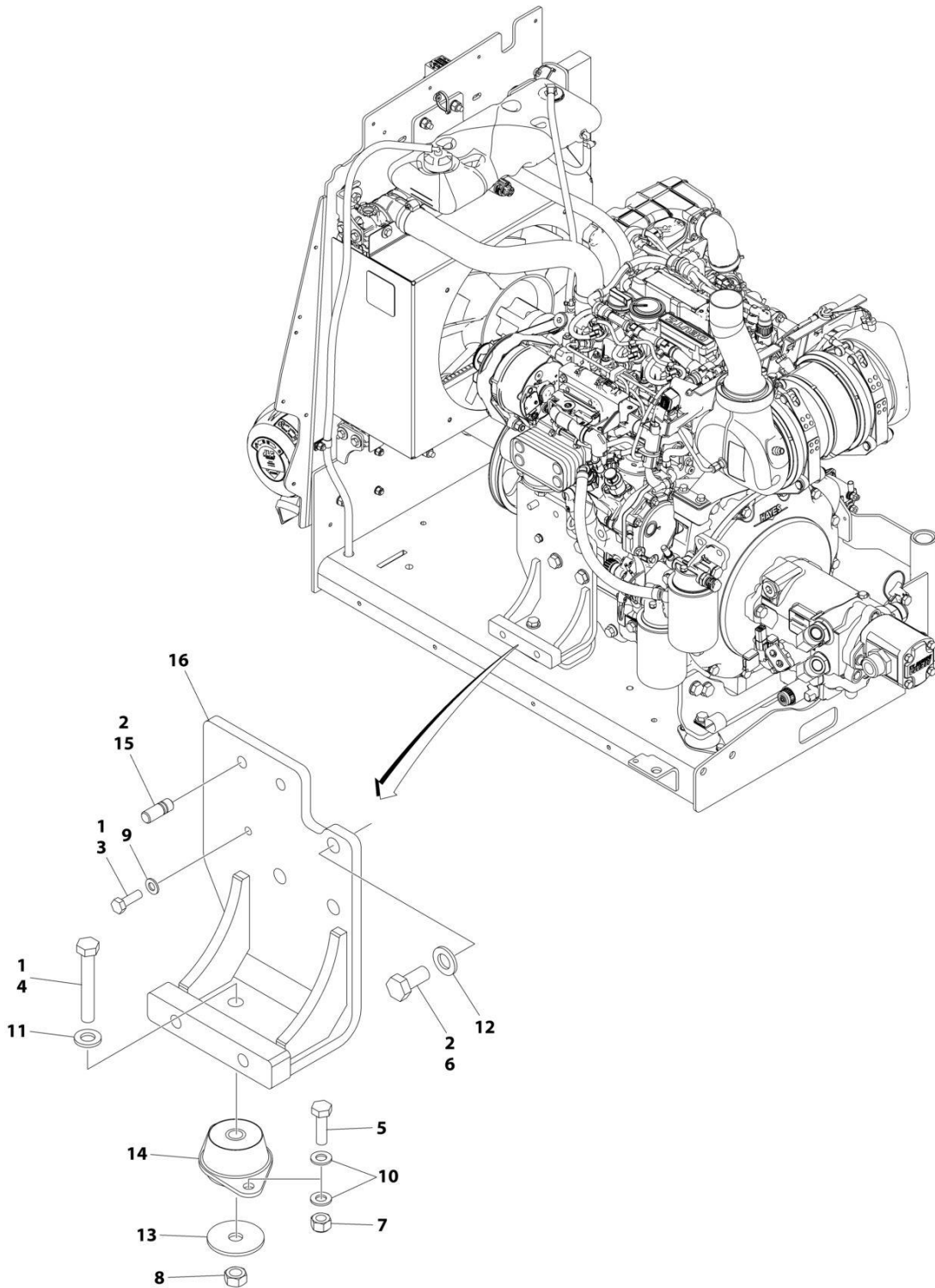
## SECTION 3 - ENGINE

**FIGURE 3-59. MOTOR MOUNT INSTALLATION - WITH GENERATOR (DEUTZ DT2.9L4 ENGINES)**

ITEM	PART NUMBER	QTY	DESCRIPTION	REV
	1001192008	Ref	MOTOR MOUNT INSTALLATION	F
1	0100011	AR	Compound, Locking	
2	0711224	1	Bolt M12 x 80	
3	0761015	2	Bolt M10 x 35	
4	0771415	3	Bolt M14 x 35	
5	3291005	2	Nut M10	
6	3331211	1	Nut M12	
7	1001168018	1	Washer	
8	4812000	4	Washer M10	
9	5241400	3	Washer M14	
10	5241200	1	Washer M12	
11	1001191610	1	Mount, Motor	
12	1001209016	1	Mount	
13	0770814	1	Bolt M8 x 30	
14	5240800	1	Washer M8	

# SECTION 3 - ENGINE

FIGURE 3-60. MOTOR MOUNT INSTALLATION - WITH GENERATOR (STAGE V) (DEUTZ TD 2.2L3 ENGINES) (SN 0300274693 to Present)



ART\_1001255280

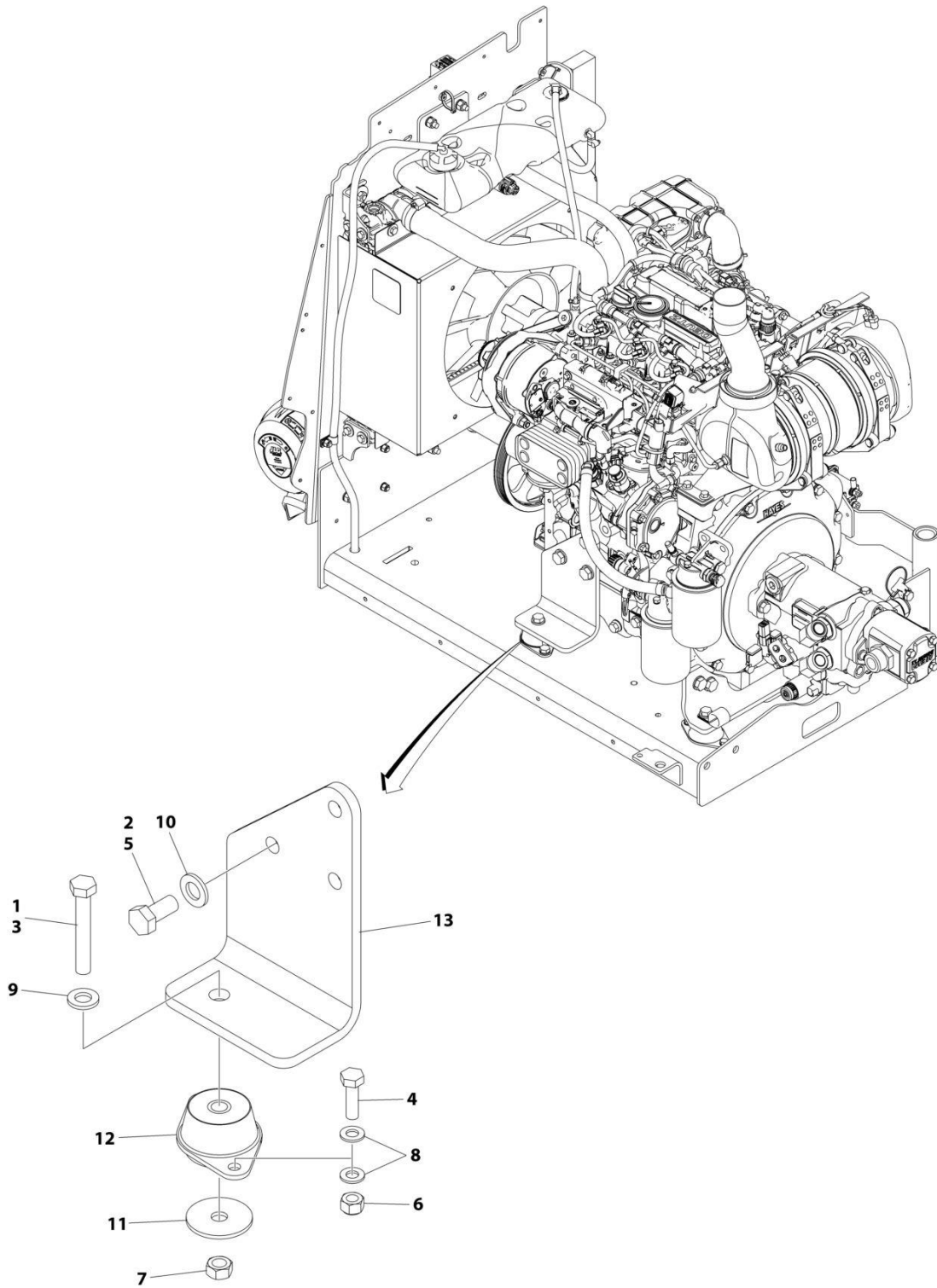
## SECTION 3 - ENGINE

**FIGURE 3-60. MOTOR MOUNT INSTALLATION - WITH GENERATOR (STAGE V) (DEUTZ TD 2.2L3 ENGINES) (SN 0300274693 to Present)**

ITEM	PART NUMBER	QTY	DESCRIPTION	REV
	1001255280	Ref	MOTOR MOUNT INSTALLATION	C
1	0100011	AR	Compound, Locking	
2	0100019	AR	Compound, Locking	
3	0700812	1	Bolt M8 x 25	
4	0711224	1	Bolt M12 x 80	
5	0761015	2	Bolt M10 x 35	
6	0771414	3	Bolt M14 x 30	
7	3291005	2	Nut M10	
8	3331211	1	Nut M12	
9	4811900	1	Washer M8	
10	4812000	4	Washer M10	
11	5241200	1	Washer M12	
12	5241400	1	Washer M14	
13	1001168018	1	Washer	
14	1001166718	1	Mount, Motor	
15	1001196382	1	Stud	
16	1001254899	1	Mount	

# SECTION 3 - ENGINE

**FIGURE 3-61. MOTOR MOUNT INSTALLATION - WITHOUT GENERATOR (STAGE V) (DEUTZ TD 2.2L3 ENGINES) (SN 0300274693 to Present)**



ART\_1001255281

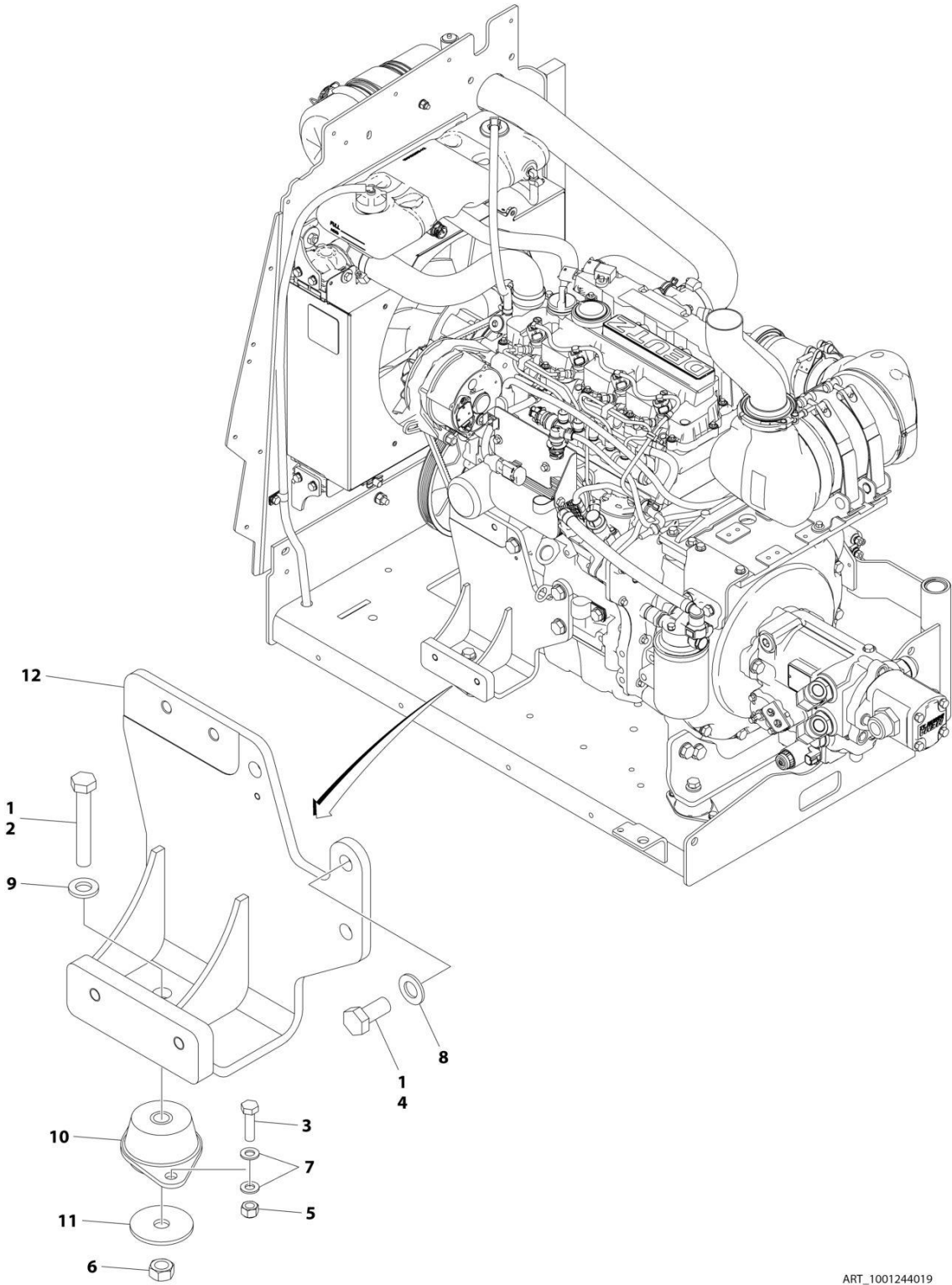
## SECTION 3 - ENGINE

**FIGURE 3-61. MOTOR MOUNT INSTALLATION - WITHOUT GENERATOR (STAGE V) (DEUTZ TD 2.2L3 ENGINES) (SN 0300274693 to Present)**

ITEM	PART NUMBER	QTY	DESCRIPTION	REV
	1001255281	Ref	MOTOR MOUNT INSTALLATION	C
1	0100011	AR	Compound, Locking	
2	0100019	AR	Compound, Locking	
3	0711224	1	Bolt M12 x 80	
4	0761015	2	Bolt M10 x 35	
5	0771414	3	Bolt M14 x 30	
6	3291005	2	Nut M10	
7	3331211	1	Nut M12	
8	4812000	4	Washer M10	
9	5241200	1	Washer M12	
10	5241400	3	Washer M14	
11	1001168018	1	Washer	
12	1001166718	1	Mount, Motor	
13	1001254423	1	Mount	

# SECTION 3 - ENGINE

FIGURE 3-62. MOTOR MOUNT INSTALLATION - WITH GENERATOR (STAGE V) (DEUTZ TD 2.9L4 ENGINES) (SN 0300274693 to Present)



ART\_1001244019

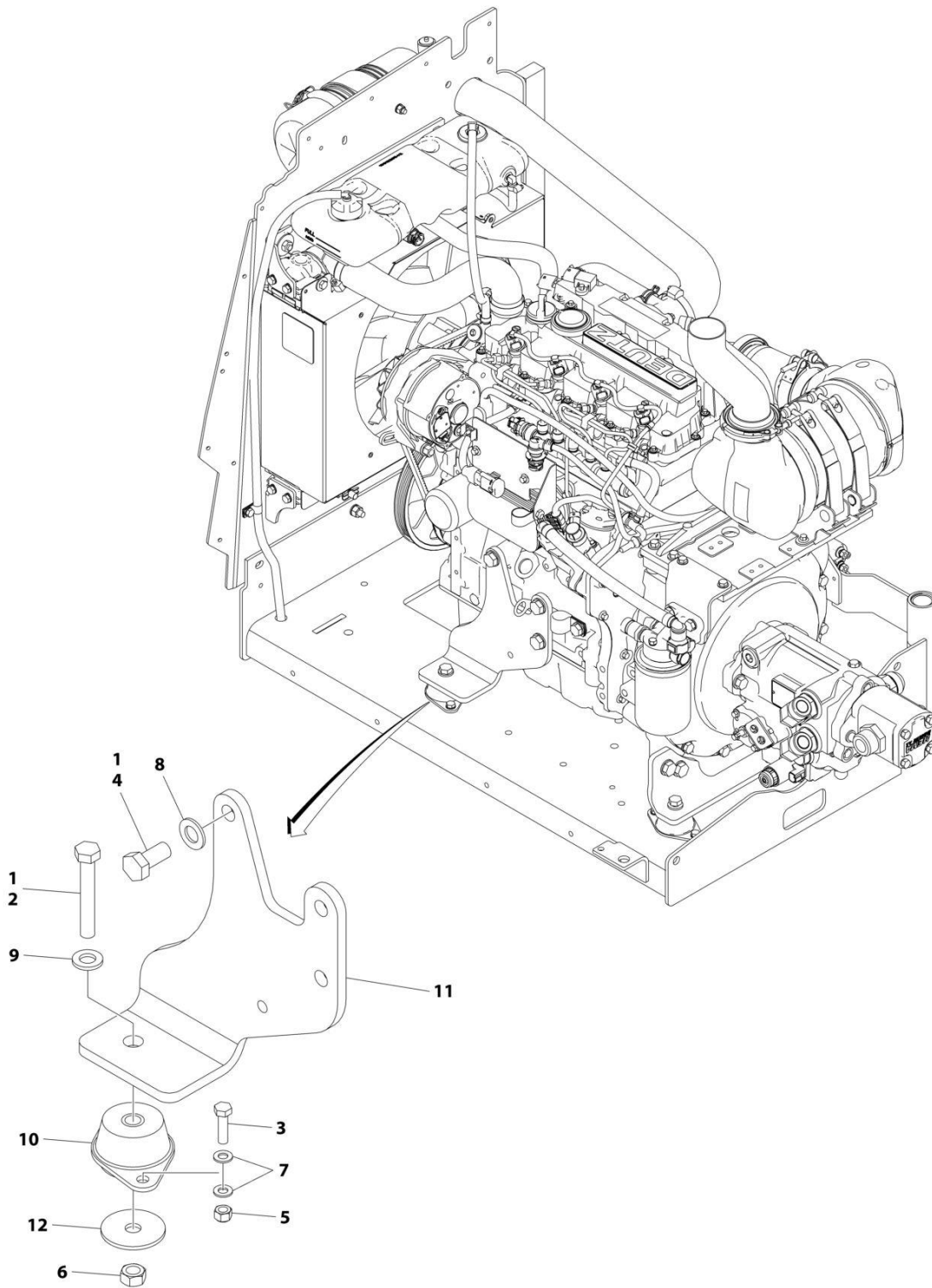
## SECTION 3 - ENGINE

**FIGURE 3-62. MOTOR MOUNT INSTALLATION - WITH GENERATOR (STAGE V) (DEUTZ TD 2.9L4 ENGINES) (SN 0300274693 to Present)**

ITEM	PART NUMBER	QTY	DESCRIPTION	REV
	1001244019	Ref	MOTOR MOUNT INSTALLATION	A
1	0100011	AR	Compound, Locking	
2	0711224	1	Bolt M12 x 80	
3	0760814	2	Bolt M8 x 30	
4	0771414	3	Bolt M14 x 30	
5	3290805	2	Nut M8	
6	3331211	1	Nut M12	
7	4811900	4	Washer M8	
8	4812200	3	Washer M14	
9	5241200	1	Washer M12	
10	1001166718	1	Mount, Motor	
11	1001168018	1	Washer	
12	1001168207	1	Mount	

# SECTION 3 - ENGINE

**FIGURE 3-63. MOTOR MOUNT INSTALLATION - WITHOUT GENERATOR (STAGE V) (DEUTZ TD 2.9L4 ENGINES) (SN 0300274693 to Present)**



ART\_1001244024



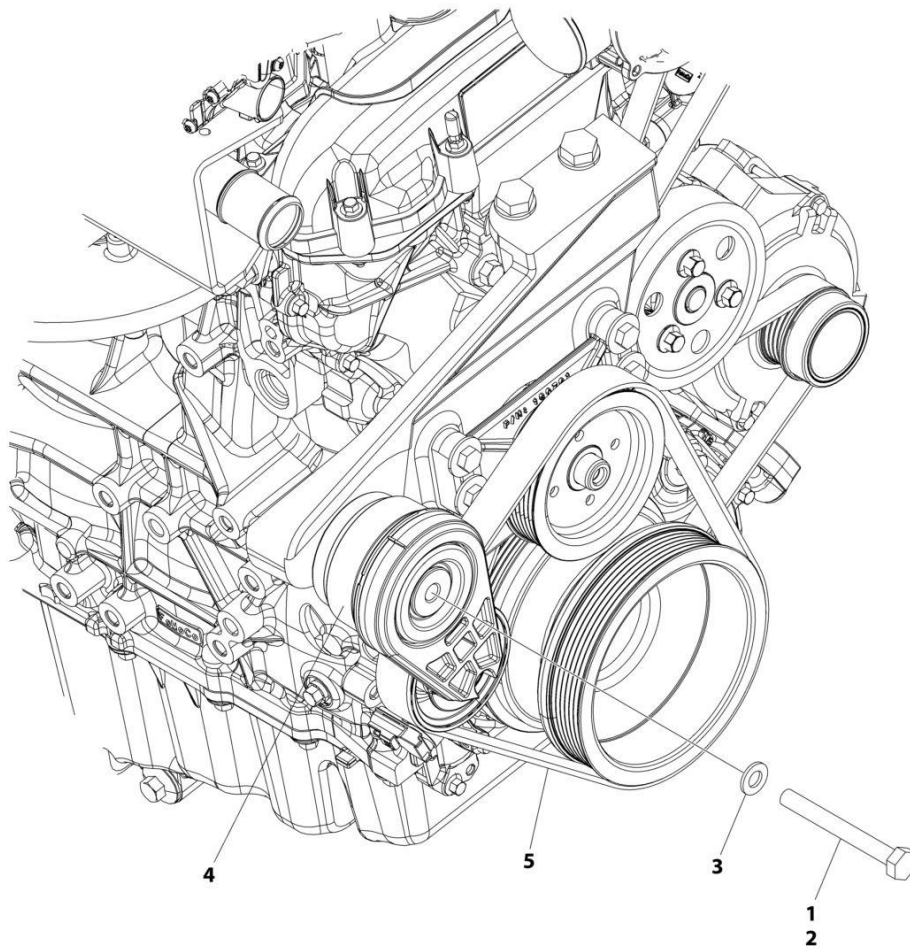
## SECTION 3 - ENGINE

**FIGURE 3-63. MOTOR MOUNT INSTALLATION - WITHOUT GENERATOR (STAGE V) (DEUTZ TD 2.9L4 ENGINES) (SN 0300274693 to Present)**

ITEM	PART NUMBER	QTY	DESCRIPTION	REV
	1001244024	Ref	MOTOR MOUNT INSTALLATION	A
1	0100011	AR	Compound, Locking	
2	0711224	1	Bolt M12 x 80	
3	0760814	2	Bolt M8 x 30	
4	0771414	3	Bolt M14 x 30	
5	3290805	2	Nut M8	
6	3331211	1	Nut M12	
7	4811900	4	Washer M8	
8	4812200	3	Washer M14	
9	5241200	1	Washer M12	
10	1001166718	1	Mount, Motor	
11	1001166922	1	Mount	
12	1001168018	1	Washer	

# SECTION 3 - ENGINE

## FIGURE 3-64. BELT WITHOUT GENERATOR INSTALLATION (FORD ENGINES)



ART\_1001220404

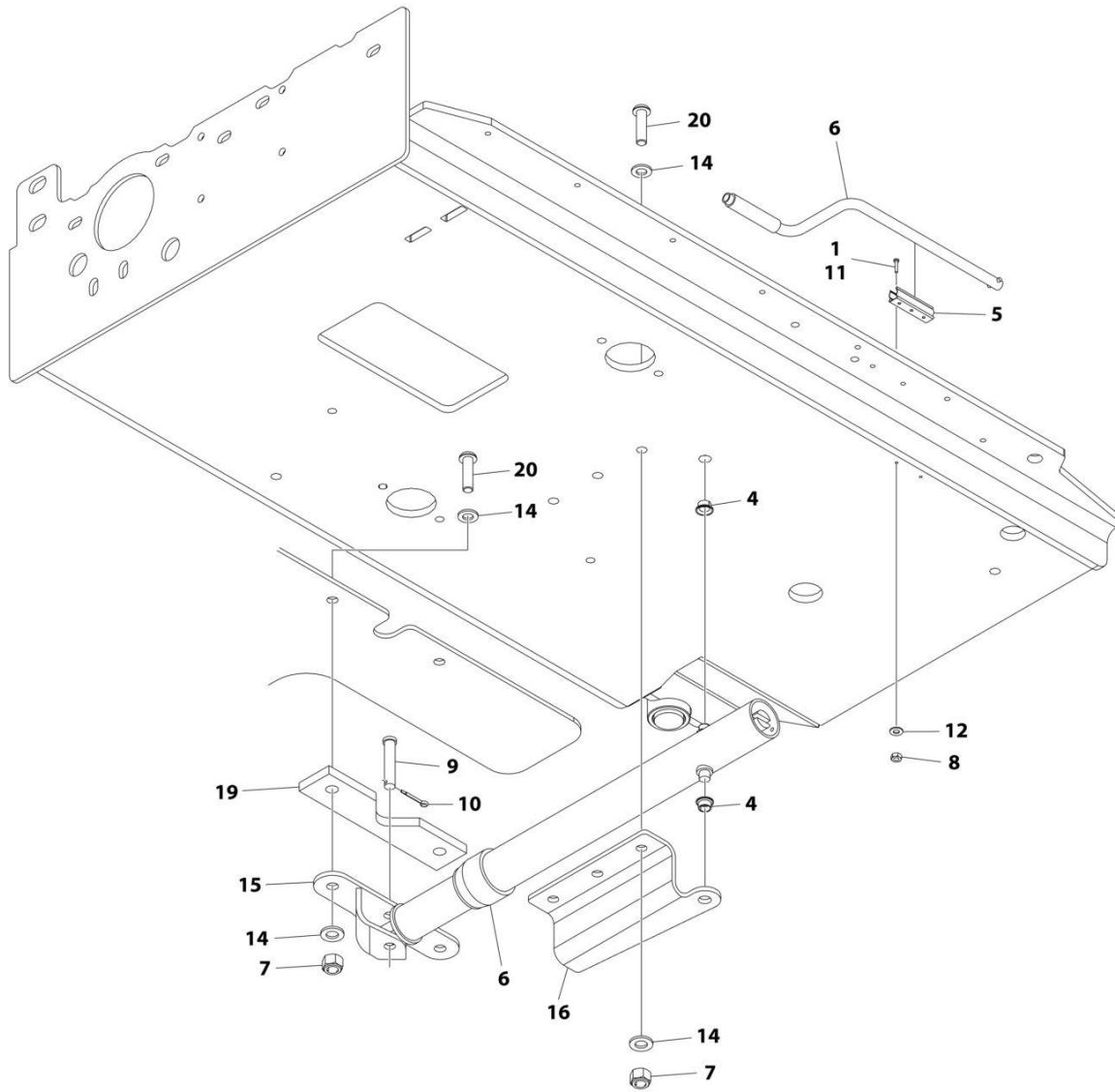
## SECTION 3 - ENGINE

**FIGURE 3-64. BELT WITHOUT GENERATOR INSTALLATION (FORD ENGINES)**

ITEM	PART NUMBER	QTY	DESCRIPTION	REV
	1001220404	Ref	DRIVE BELT INSTALLATION	C
1	0100011	AR	Compound, Locking	
2	0701026	1	Bolt M10 x 90	
3	4812002	1	Washer M10	
4	1001216300	1	Pulley	
5	1001216619	1	V-Belt	

# SECTION 3 - ENGINE

## FIGURE 3-65. TRAY JACK INSTALLATION



ART\_1001186980\_E

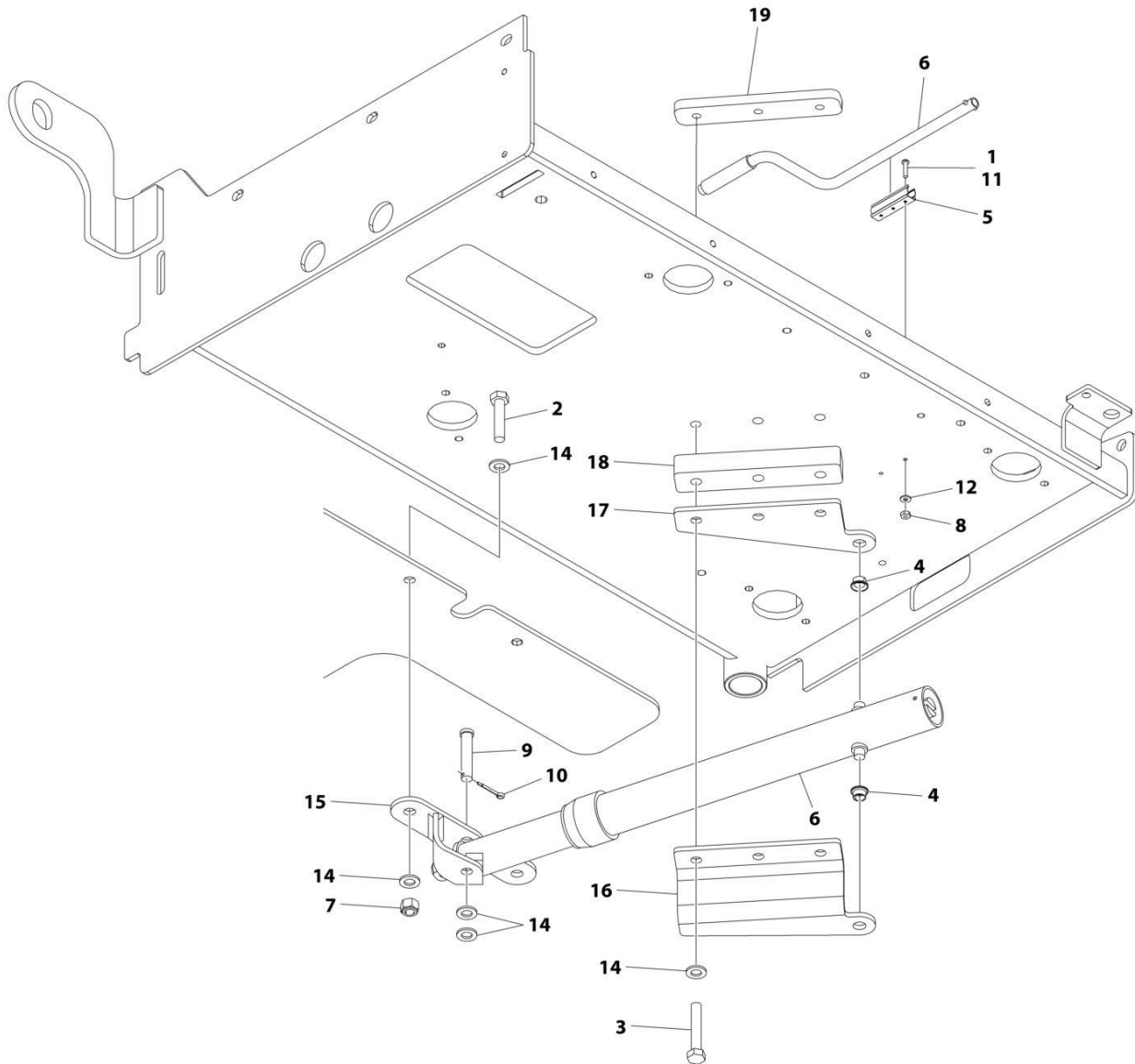
## SECTION 3 - ENGINE

### FIGURE 3-65. TRAY JACK INSTALLATION

ITEM	PART NUMBER	QTY	DESCRIPTION	REV
	1001186980	Ref	TRAY JACK INSTALLATION	E
1	0100011	AR	Compound, Locking	
4	0962051	2	Bearing	
5	1380147	1	Clip	
6	2840016	1	Jack and Handle Assembly	
6	7024598	1	Handle	
7	3291205	5	Nut M12	
8	3290301	2	Nut M3	
9	3430820	1	Pin	
10	1001236121	1	Pin	
11	4010308	2	Screw M3 x 16	
12	4811400	2	Washer M4	
14	4812100	10	Washer M12	
15	1001166894	1	Support	
16	1001175073	1	Support	
19	1001186981	1	Plate	
20	1001102978	5	Screw M12 x 45 Grade 10.9	

# SECTION 3 - ENGINE

## FIGURE 3-66. TRAY JACK INSTALLATION (STAGE V) (SN 0300274693 to Present)



ART\_1001244023\_C

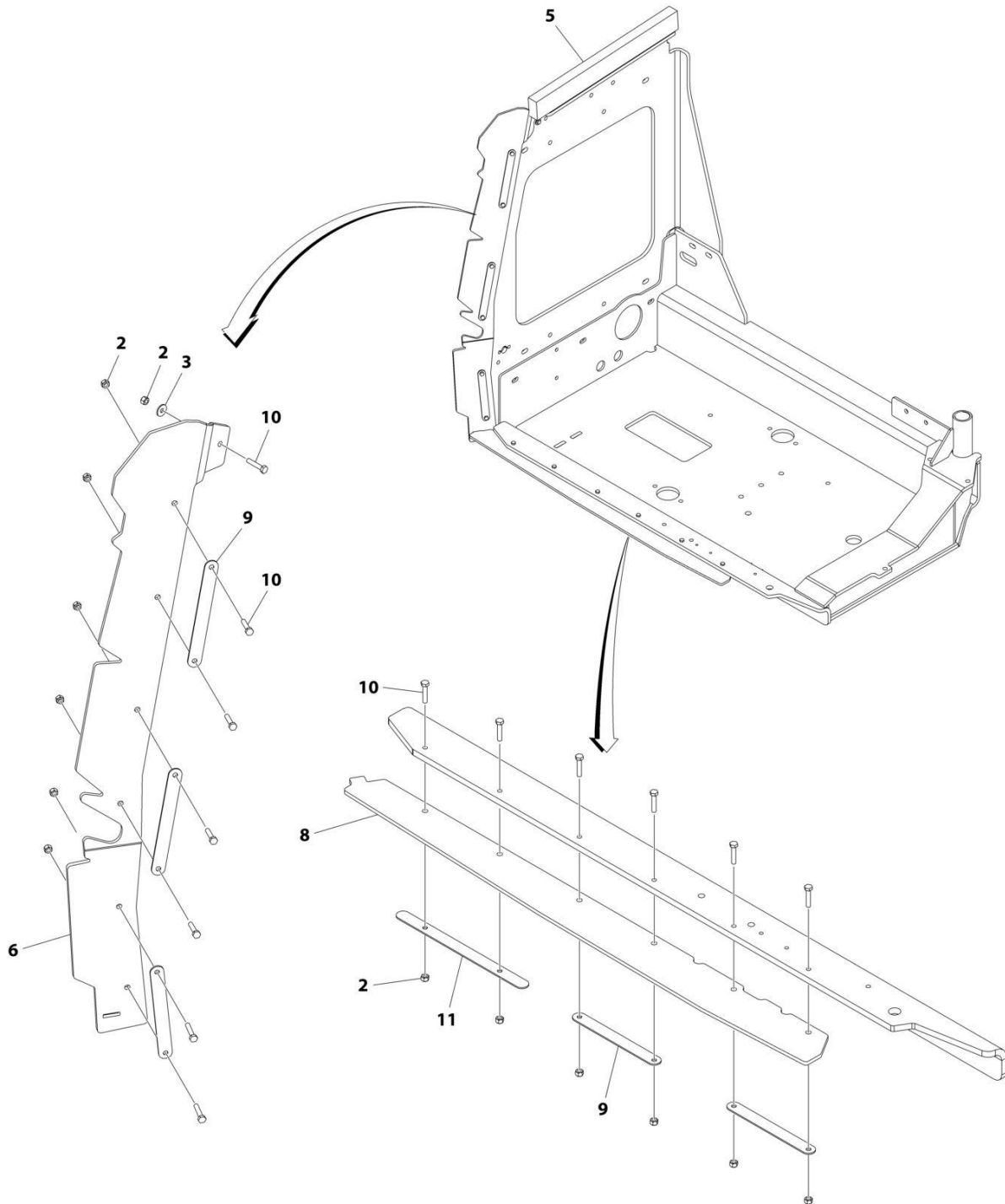
## SECTION 3 - ENGINE

**FIGURE 3-66. TRAY JACK INSTALLATION (STAGE V) (SN 0300274693 to Present)**

ITEM	PART NUMBER	QTY	DESCRIPTION	REV
	1001244023	Ref	TRAY JACK INSTALLATION	C
1	0100011	AR	Compound, Locking	
2	1001102978	2	Bolt M12 x 45	
3	0701222	3	Bolt M12 x 70	
4	0962051	2	Bearing	
5	1380147	1	Clip	
6	2840016	1	Jack and Handle Assembly	
6	7024598	1	Handle	
7	3291205	2	Nut M12	
8	3290301	2	Nut M3	
9	3430820	1	Pin	
10	1001236121	1	Pin	
11	4010308	2	Screw M3 x 16	
12	4811400	1	Washer M4	
14	4812100	9	Washer M12	
15	1001166894	1	Support	
16	1001175073	1	Support	
17	1001175074	1	Support	
18	1001244025	1	Shim	
19	1001254719	1	Plate, Nut	

# SECTION 3 - ENGINE

## FIGURE 3-67. ENGINE HOOD Baffles INSTALLATION - ABS HOODS



ART\_1001197268\_G



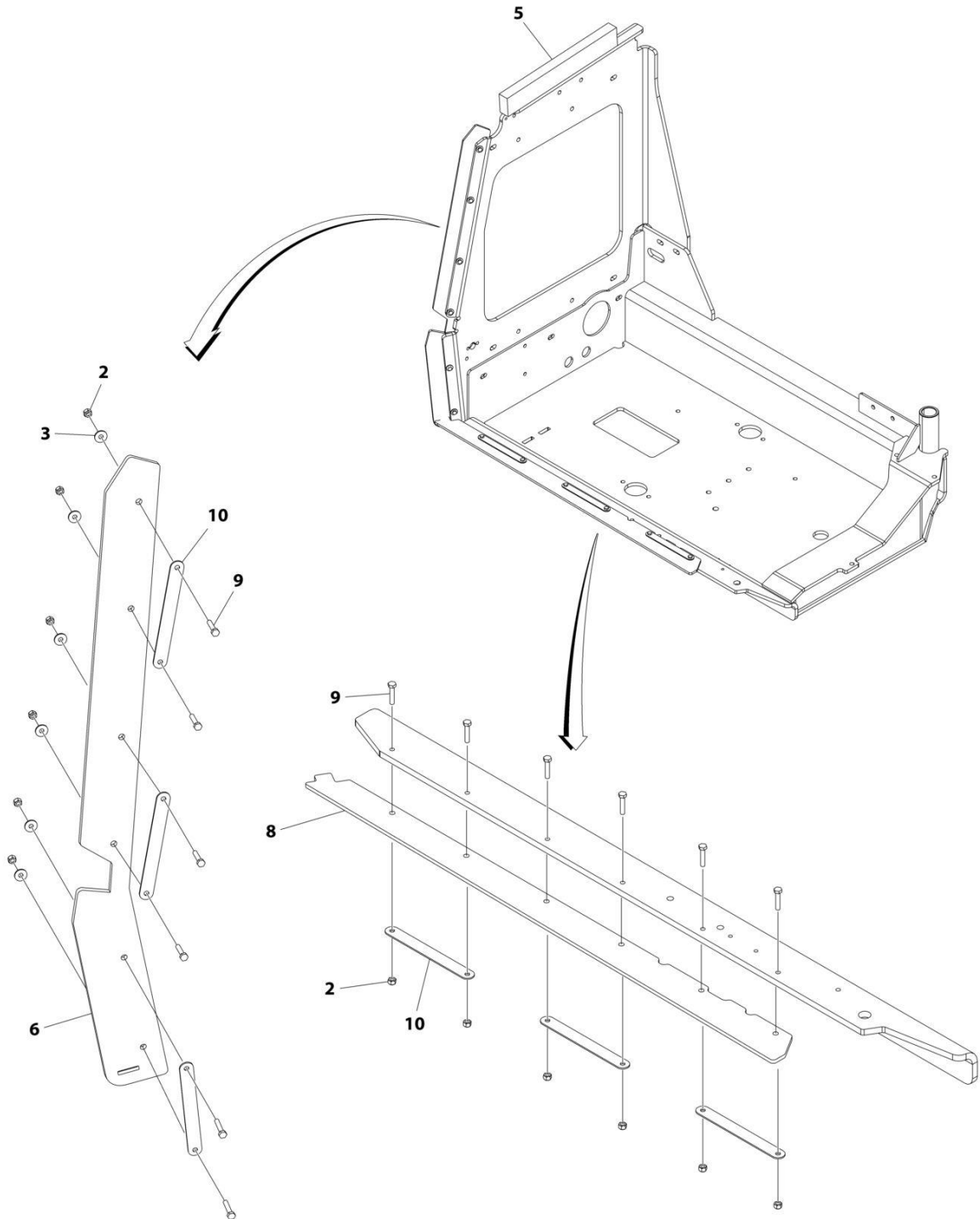
## SECTION 3 - ENGINE

### FIGURE 3-67. ENGINE HOOD BAFFLES INSTALLATION - ABS HOODS

ITEM	PART NUMBER	QTY	DESCRIPTION	REV
	1001197268	Ref	ENGINE HOOD BAFFLES INSTALLATION	G
2	3290605	13	Nut M6	
3	4811702	8	Washer M6	
5	1001197389	1	Seal	
6	1001234370	1	Seal	
8	1001234371	1	Seal	
9	1001167164	5	Support	
10	0760614	13	Bolt M6 x 30	
11	1001233429	1	Support	

# SECTION 3 - ENGINE

## FIGURE 3-68. ENGINE HOOD Baffles INSTALLATION - STEEL HOODS



ART\_1001197269\_F

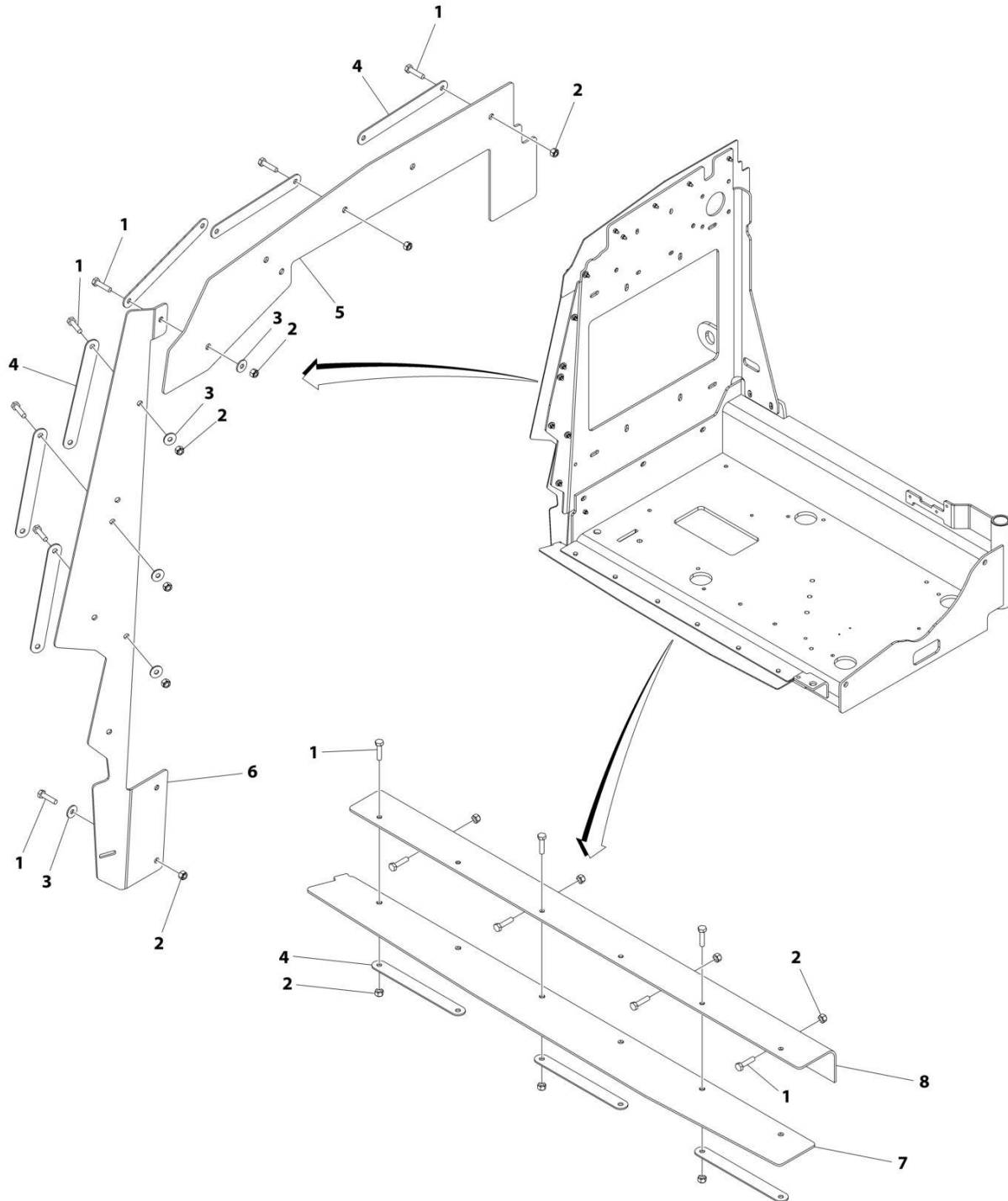
## SECTION 3 - ENGINE

### FIGURE 3-68. ENGINE HOOD BAFFLES INSTALLATION - STEEL HOODS

ITEM	PART NUMBER	QTY	DESCRIPTION	REV
	1001197269	Ref	ENGINE HOOD BAFFLES INSTALLATION	F
2	3290605	AR	Nut M6	
3	4811702	AR	Washer M6	
5	1001234281	1	Seal	
6	1001234299	1	Seal	
8	1001234283	1	Seal	
9	0760614	AR	Bolt M6 x 30	
10	1001167164	6	Support	

# SECTION 3 - ENGINE

## FIGURE 3-69. ENGINE HOOD Baffles INSTALLATION - ABS HOODS (CE SPECS) (SN 0300275114 to Present)



ART\_1001244119

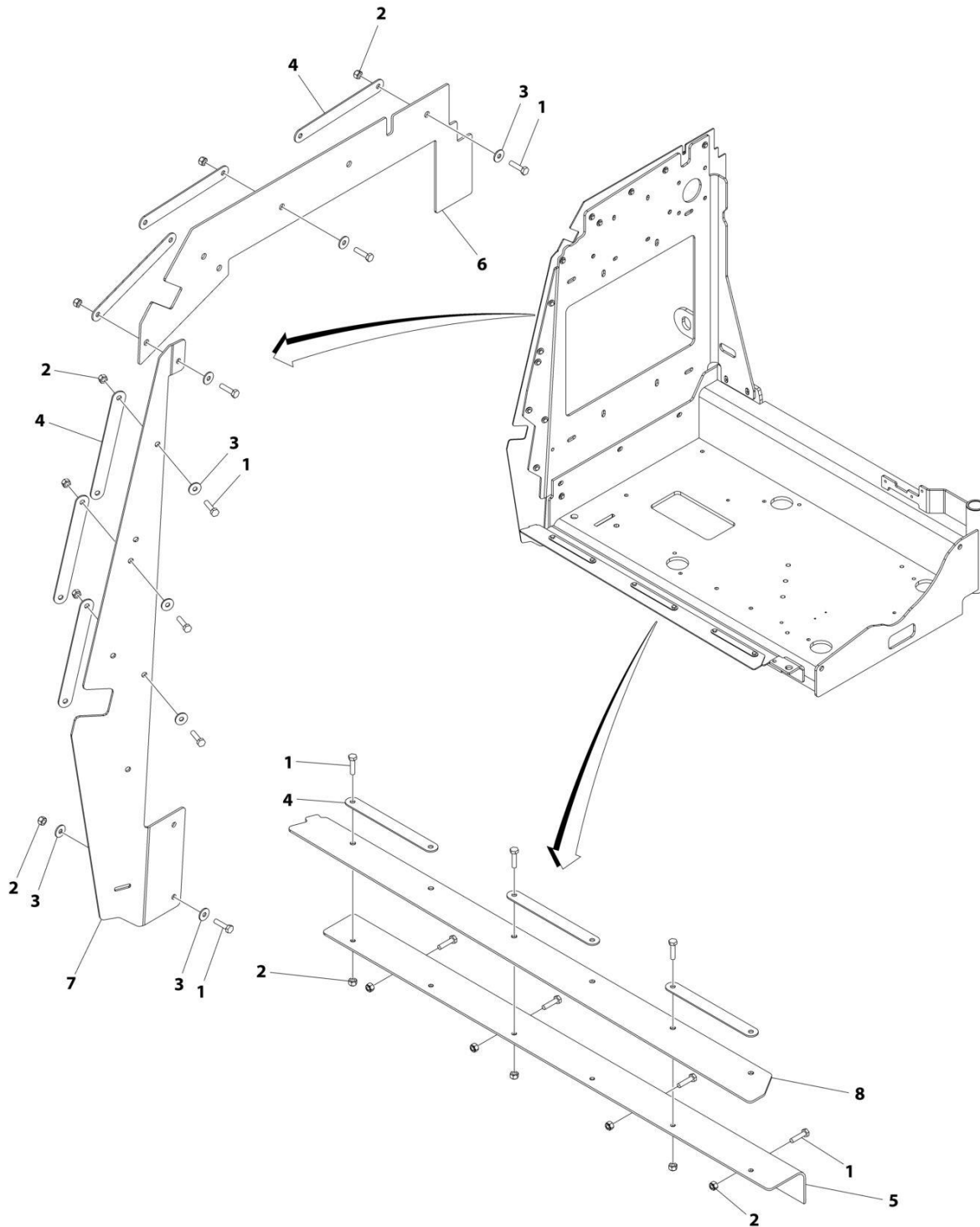
## SECTION 3 - ENGINE

**FIGURE 3-69. ENGINE HOOD BAFFLES INSTALLATION - ABS HOODS (CE SPECS) (SN 0300275114 to Present)**

ITEM	PART NUMBER	QTY	DESCRIPTION	REV
	1001244119	Ref	ENGINE HOOD BAFFLES INSTALLATION	B
1	0760612	24	Bolt M6 x 25	
2	3290605	24	Nut M6	
3	4811702	30	Washer M6	
4	1001167164	9	Support	
5	1001244120	1	Seal	
6	1001244121	1	Seal	
7	1001244122	1	Seal	
8	1001244123	1	Plate	

# SECTION 3 - ENGINE

## FIGURE 3-70. ENGINE HOOD Baffles INSTALLATION - STEEL HOODS (CE SPECS) (SN 0300275114 to Present)



ART\_1001244464

## SECTION 3 - ENGINE

**FIGURE 3-70. ENGINE HOOD BAFFLES INSTALLATION - STEEL HOODS (CE SPECS) (SN 0300275114 to Present)**

ITEM	PART NUMBER	QTY	DESCRIPTION	REV
	1001244464	Ref	ENGINE HOOD BAFFLES INSTALLATION	B
1	0760612	24	Bolt M6 x 25	
2	3290605	24	Nut M6	
3	4811702	30	Washer M6	
4	1001167164	9	Support	
5	1001244123	1	Plate	
6	1001244468	1	Seal	
7	1001244469	1	Seal	
8	1001244470	1	Seal	





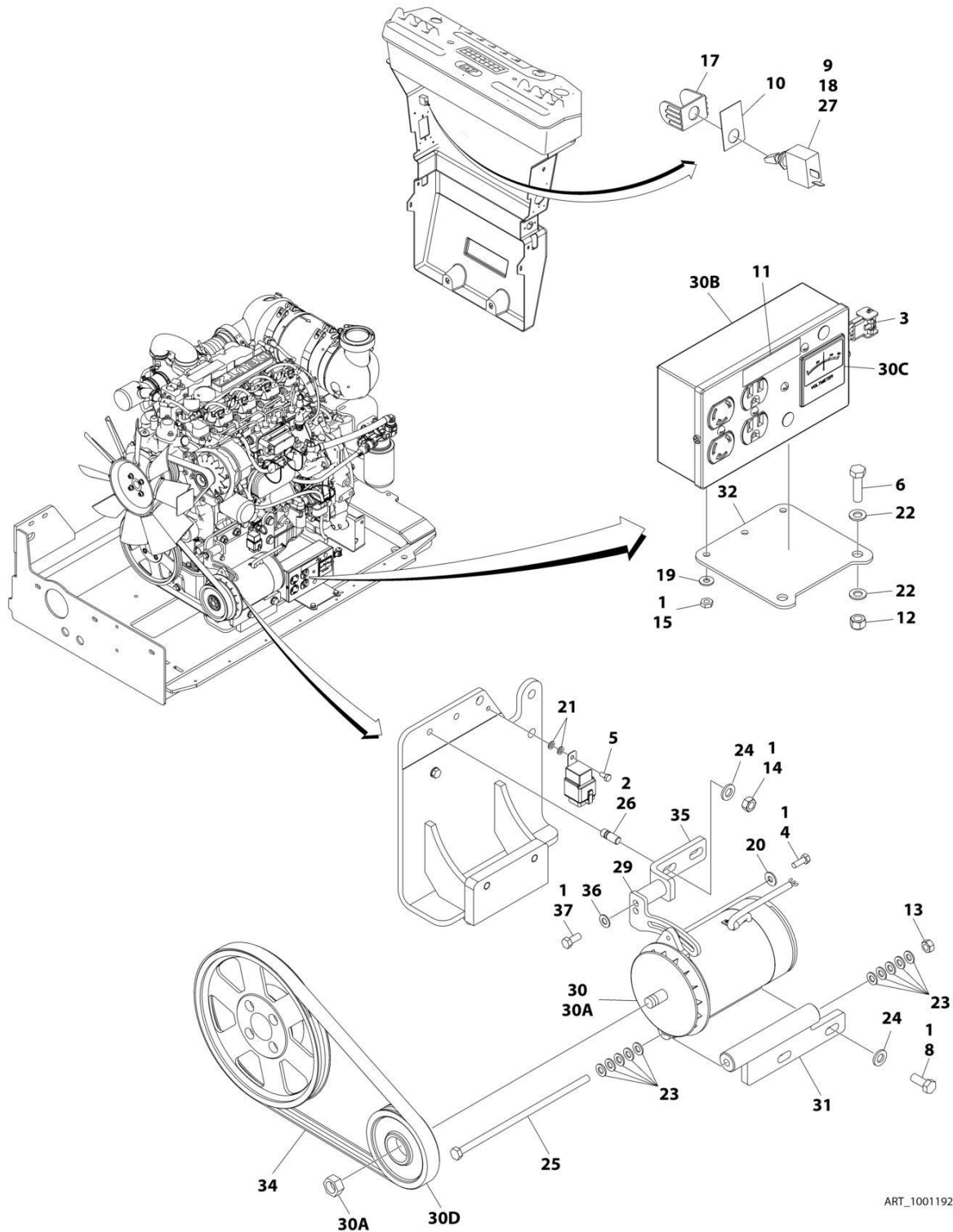
## SECTION 3 - ENGINE

**FIGURE 3-71. 2500W GENERATOR INSTALLATION - 110V/60HZ (DEUTZ D2011 ENGINES)  
(OPTIONAL)**

ITEM	PART NUMBER	QTY	DESCRIPTION	REV
	1001192485	Ref	2500W GENERATOR INSTALLATION	F
1	0100011	AR	Compound, Locking	
2	1001239716	1	Arm, Adjusting	
3	0480124	1	Belt	
4	0641508	1	Bolt 5/16 x 1	
5	0761012	1	Bolt M10 x 25	
6	0700610	1	Bolt M6 x 20	
7	0760606	1	Bolt M6 x 12	
8	0760814	2	Bolt M8 x 30	
9	2460055	1	Generator and Control Box Assembly	
9A	7012558	1	Generator, Replacement	
9A		Ref	Note: Replacement Generators come standard with p/n 3580134 pulley. This pulley may not be correct for all applications. Refer to pulley options below.	
9A	7012513	4	Cap, Brush Holder	
9A	7020108	4	Brush	
9A	7020109	4	Holder, Brush	
9A	7012514	1	Fan	
9A	7020190	2	Bearing	
9A	7020110	1	Bell, Front	
9A	7020111	1	Bell, Rear	
9B	7019680	1	Box, Control	
9B	4360542	1	Breaker, Circuit	
9B	4460190	AR	Receptacle, Standard	
9B	4460027	AR	Receptacle, Twistlock	
9C	2420203	1	Voltmeter	
9D	3580276	1	Pulley	
9D	7027887	1	Key, Woodruff	
10	2820031	AR	Heat Shrink	
11	3251102	1	Nameplate - Generator On/Off	
12	3251243	1	Decal - 120V-60Hz	
13	3290805	2	Nut M8	
14	3291007	1	Nut M10	
15	3311001	2	Nut #10	
17	3580158	1	Pulley	
19	4060802	1	Guard, Switch	
20	4360336	1	Switch, Toggle	
21	4751000	1	Washer #10	
22	4811902	1	Washer M8	
23	4811700	1	Washer M6	
24	4811900	4	Washer M8	
25	4812000	14	Washer M10	
26	4871700	2	Washer M6	
27	1001119280	1	Bolt M10 x 260	
28	4922641	1	Generator Switch Harness	
29	1001193167	1	Plate, Mounting	
30	1001194114	1	Generator Harness - 2500W (Not Shown) (See Separate Breakdown in ELECTRICAL SECTION)	

# SECTION 3 - ENGINE

## FIGURE 3-72. 2500W GENERATOR INSTALLATION - 110V/60HZ (DEUTZ TD2.9L4 ENGINES) (OPTIONAL)



ART\_1001192280

## SECTION 3 - ENGINE

**FIGURE 3-72. 2500W GENERATOR INSTALLATION - 110V/60HZ (DEUTZ TD2.9L4 ENGINES)  
(OPTIONAL)**

ITEM	PART NUMBER	QTY	DESCRIPTION	REV
	1001192280	Ref	2500W GENERATOR INSTALLATION	F
1	0100011	AR	Compound, Locking	
2	0100019	AR	Compound, Locking	
3	0100048	AR	Silicone	
4	0641507	1	Bolt 5/16 x 7/8	
5	0760606	1	Bolt M6 x 12	
6	0760814	2	Bolt M8 x 30	
8	0761214	2	Bolt M12 x 30	
9	2820031	AR	Heat Shrink	
10	3251102	1	Nameplate - Generator On/Off	
11	3251243	1	Decal - 120V-60Hz	
12	3290805	2	Nut M8	
13	3291007	1	Nut M10	
14	3291201	2	Nut M12	
15	3311001	2	Nut #10	
17	4060802	1	Guard, Switch	
18	4360336	1	Switch, Toggle	
19	4751000	2	Washer #10	
20	4751500	1	Washer 5/16	
21	4811700	2	Washer M6	
22	4811900	4	Washer M8	
23	4812000	10	Washer M10	
24	5241200	4	Washer M12	
25	1001119280	1	Bolt M10 x 260	
26	1001196382	2	Stud	
27	4922641	1	Generator Switch Harness	
29	1001179837	1	Arm, Adjusting	
30	1001180001	1	Generator and Control Box Assembly	
30A	7012558	1	Generator, Replacement	
30A		Ref	Note: Replacement Generators come standard with p/n 3580134 pulley. This Pulley may not be correct for all applications. Refer to Pulley options below.	
30A	7026199	1	Armature with Slip Rings	
30A	7012513	4	Cap, Brush Holder	
30A	7020108	4	Brush	
30A	7020109	4	Holder, Brush	
30A	7012514	1	Fan	
30A	7020110	1	Bell, Front	
30A	7020111	1	Bell, Rear	
30A	7020190	2	Bearing	
30B	7019680	1	Box, Control	
30B		Ref	Receptacle Options:	
30B	4460190	1	Receptacle, Standard	
30B	4460027	1	Receptacle, Twistlock	
30B	4360542	1	Breaker, Circuit	
30B	3520028	1	Plug, Hole	
30C	2420203	1	Voltmeter	
30D	3580276	1	Pulley	
30D	7027887	1	Key, Woodruff	

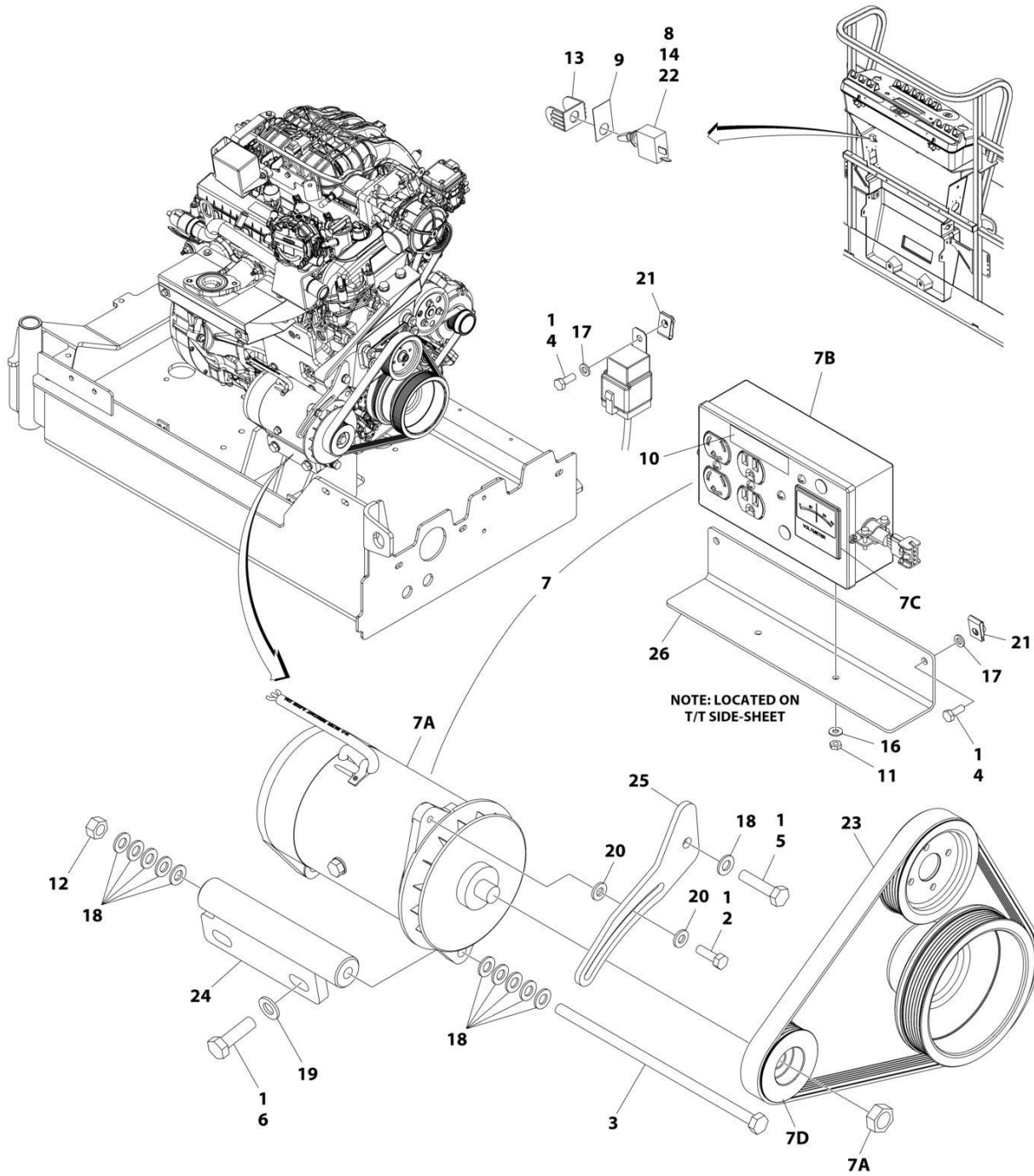
## SECTION 3 - ENGINE

ITEM	PART NUMBER	QTY	DESCRIPTION	REV
31	1001181243	1	Mount (Lower)	
32	1001193167	1	Plate	
33	1001194114	1	Generator Harness - 2500W (Not Shown) (See Separate Breakdown in ELECTRICAL SECTION)	
34	1001148138	1	Belt	
35	1001216015	1	Mount (Upper)	
36	4711600	1	Washer 3/8	
37	0641607	1	Bolt 3/8 x 7/8	



# SECTION 3 - ENGINE

## FIGURE 3-73. 2500W GENERATOR INSTALLATION - 110V/60HZ (FORD ENGINES) (OPTIONAL)



ART\_1001219853

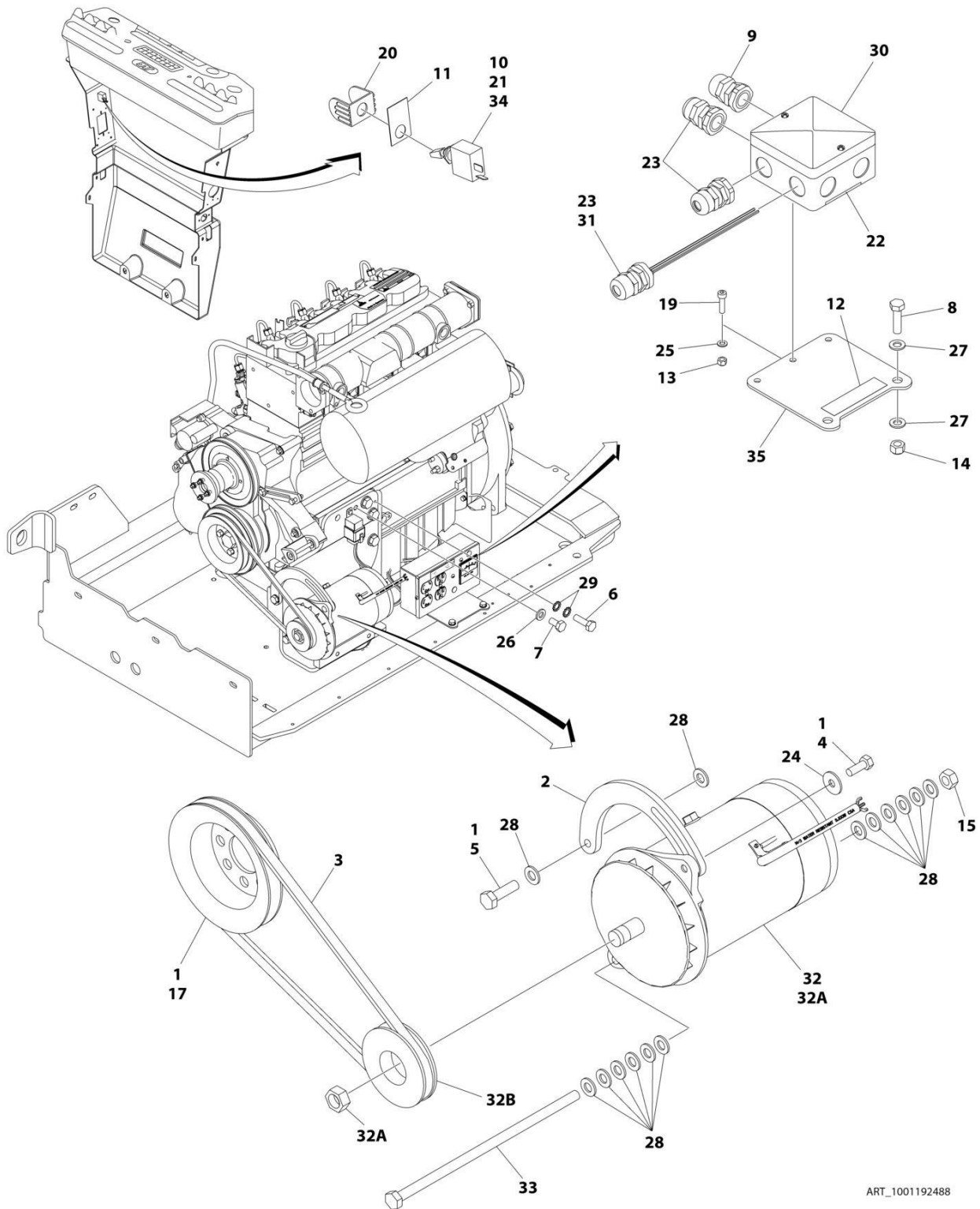
## SECTION 3 - ENGINE

**FIGURE 3-73. 2500W GENERATOR INSTALLATION - 110V/60HZ (FORD ENGINES) (OPTIONAL)**

ITEM	PART NUMBER	QTY	DESCRIPTION	REV
	1001219853	Ref	2500W GENERATOR INSTALLATION	D
1	0100011	AR	Compound, Locking	
2	0641508	1	Bolt 5/16 x 1	
3	1001119280	1	Bolt M10 x 260	
4	0760608	3	Bolt M6 x 16	
5	0761016	1	Bolt M10 x 40	
6	0761216	2	Bolt M12 x 40	
7	2460051	1	Generator and Control Box Assembly	
7A	7012558	1	Generator, Replacement	
		Ref	Note: Replacement Generators come standard with p/n 3580134 pulley. This pulley may not be correct for all applications. Refer to pulley options below.	
7A	7026199	1	Armature with Slip Rings	
7A	7012513	4	Cap, Brush Holder	
7A	7020108	4	Brush	
7A	7020109	4	Holder, Brush	
7A	7012514	1	Fan	
7A	7020110	1	Bell, Front	
7A	7020111	1	Bell, Rear	
7A	7020190	2	Bearing	
7B	7019680	1	Box, Control	
7B		Ref	Receptacle Options:	
7B	4460190	1	Receptacle, Standard	
7B	4460027	1	Receptacle, Twistlock	
7B	4360542	1	Breaker, Circuit	
7B	3520028	1	Plug, Hole	
7C	2420203	1	Voltmeter	
7D	3580324	1	Pulley	
7D	7027887	1	Key, Woodruff	
8	2820031	AR	Heat Shrink	
9	3251102	1	Nameplate - Generator On/Off	
10	3251243	1	Decal - 120V-60Hz	
11	3311005	2	Nut #10	
12	3291007	1	Nut M10	
13	4060802	1	Guard, Switch	
14	4360336	1	Switch, Toggle	
16	4751000	2	Washer #10	
17	4811700	3	Washer M6	
18	4812000	11	Washer M10	
19	4812100	2	Washer M12	
20	4891500	2	Washer 5/16	
21	1001130220	3	Nut, Tinnerman M6	
22	4922641	1	Generator Switch Harness	
23	1001216391	1	Belt	
24	1001219630	1	Mount (Lower)	
25	1001219632	1	Arm, Adjusting	
26	1001220728	1	Bracket	
27	1001194114	1	Generator Harness - 2500W (Not Shown) (See Separate Breakdown in ELECTRICAL SECTION)	

# SECTION 3 - ENGINE

## FIGURE 3-74. 2500W GENERATOR INSTALLATION - 220V/50HZ (DEUTZ D2011 ENGINES) (OPTIONAL)



ART\_1001192488



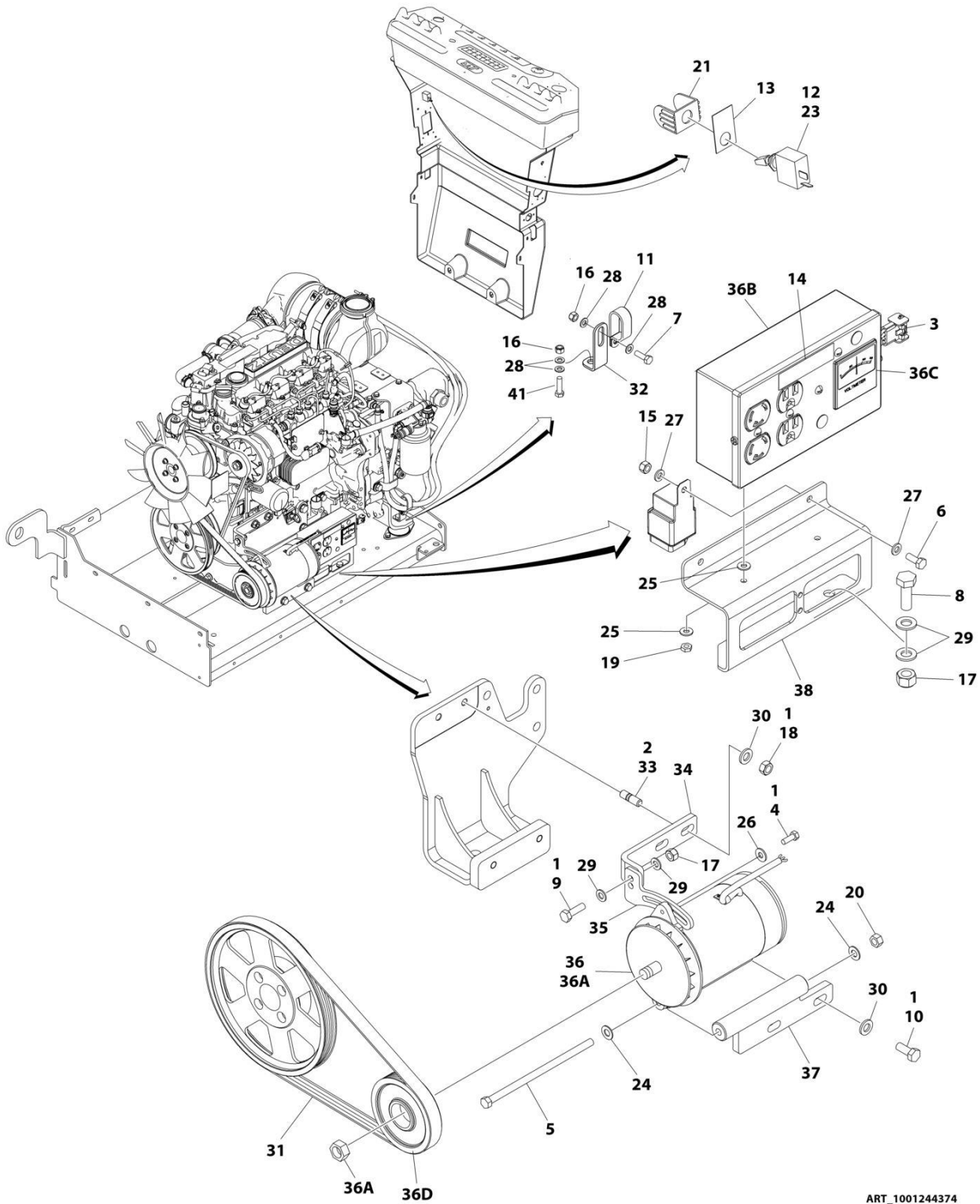
## SECTION 3 - ENGINE

**FIGURE 3-74. 2500W GENERATOR INSTALLATION - 220V/50HZ (DEUTZ D2011 ENGINES)  
(OPTIONAL)**

ITEM	PART NUMBER	QTY	DESCRIPTION	REV
	1001192488	Ref	2500W GENERATOR INSTALLATION	F
1	0100011	AR	Compound, Locking	
2	1001239716	1	Arm, Adjusting	
3	0480124	1	Belt, Generator	
4	0641508	1	Bolt 5/16 x 1	
5	0761012	1	Bolt M10 x 25	
6	0700610	1	Bolt M6 x 20	
7	0760606	1	Bolt M6 x 12	
8	0760814	2	Bolt M8 x 30	
9	0962449	1	Bushing	
10	2820031	AR	Heat Shrink	
11	3251102	1	Nameplate - Generator On/Off	
12	3252507	1	Decal - 220 Volt	
13	3290505	1	Nut M5	
14	3290805	2	Nut M8	
15	3291007	1	Nut M10	
17	3580158	1	Pulley	
19	4031608	1	Capscrew M5 x 20	
20	4060802	1	Guard, Switch	
21	4360336	1	Switch, Toggle	
22	4420060	1	Tape	
23	4460968	3	Connector, Strain Relief	
24	4811902	1	Washer M8	
25	4811600	1	Washer M5	
26	4811700	1	Washer M6	
27	4811900	4	Washer M8	
28	4812000	14	Washer M10	
29	4871700	2	Washer M6	
30	1001099869	1	Box, Junction	
31	1001100234	1	Lamp, Red	
32	1001100321	1	Generator Assembly	
32A		Ref	Note: Replacement Generators come standard with p/n 3580134 pulley. This pulley may not be correct for all applications. Refer to pulley options below.	
32A	70000123	1	Armature with Slip Rings	
32A	7012513	4	Cap, Brush Holder	
32A	7020108	4	Brush	
32A	7020109	4	Holder, Brush	
32A	7012514	1	Fan	
32A	7020110	1	Bell, Front	
32A	7020111	1	Bell, Rear	
32A	7020190	2	Bearing	
32B	3580134	1	Pulley	
32B	7027887	1	Key, Woodruff	
33	1001119280	1	Bolt M10 x 260	
34	4922641	1	Generator Switch Harness	
35	1001193167	1	Plate	
36	1001194114	1	Generator Harness - 2500W (Not Shown) (See Separate Breakdown in ELECTRICAL SECTION)	

# SECTION 3 - ENGINE

## FIGURE 3-75. 2500W GENERATOR INSTALLATION - 120V/60HZ (DEUTZ TD2.9L4 ENGINES) (OPTIONAL) (SN 0300275114 to Present)



ART\_1001244374

## SECTION 3 - ENGINE

**FIGURE 3-75. 2500W GENERATOR INSTALLATION - 120V/60HZ (DEUTZ TD2.9L4 ENGINES)  
(OPTIONAL) (SN 0300275114 to Present)**

ITEM	PART NUMBER	QTY	DESCRIPTION	REV
	1001244374	Ref	2500W GENERATOR INSTALLATION	B
1	0100011	AR	Compound, Locking	
2	0100019	AR	Compound, Locking	
3	0100048	AR	Silicone	
4	0641507	1	Bolt 5/16 x 7/8	
5	0641772	1	Bolt 7/16 x 9	
6	0760608	1	Bolt M6 x 16	
7	0760812	1	Bolt M8 x 25	
8	0761014	2	Bolt M10 x 30	
9	0761015	1	Bolt M10 x 35	
10	0761214	2	Bolt M12 x 30	
11	1321716	1	Clamp	
12	2820031	AR	Heat Shrink	
13	3251102	1	Nameplate - Generator On/Off	
14	3251243	1	Decal - 120V-60Hz	
15	3290605	1	Nut M6	
16	3290805	2	Nut M8	
17	3291005	3	Nut M10	
18	3291201	2	Nut M12	
19	3311001	2	Nut #10	
20	3311705	1	Nut 7/16	
21	4060802	1	Guard, Switch	
22	4240099	AR	Tie-Strap (Not Shown)	
23	4360336	1	Switch, Toggle	
24	4711700	2	Washer 7/16	
25	4751000	4	Washer #10	
26	4751500	1	Washer 5/16	
27	4811700	2	Washer M6	
28	4811900	4	Washer M8	
29	4812000	6	Washer M10	
30	5241200	4	Washer M12	
31	1001148138	1	Belt	
32	1001223122	1	Bracket	
33	1001155041	2	Stud	
34	1001179836	1	Mount (Upper)	
35	1001179837	1	Arm, Adjusting	
36	1001180001	1	Generator and Control Box Assembly	
36A	7012558	1	Generator, Replacement	
36A		Ref	Note: Replacement Generators come standard with p/n 3580134 pulley. This Pulley may not be correct for all applications. Refer to Pulley options below.	
36A	7026199	1	Armature with Slip Rings	
36A	7012513	4	Cap, Brush Holder	
36A	7020108	4	Brush	
36A	7020109	4	Holder, Brush	
36A	7012514	1	Fan	
36A	7020110	1	Bell, Front	
36A	7020111	1	Bell, Rear	
36A	7020190	2	Bearing	

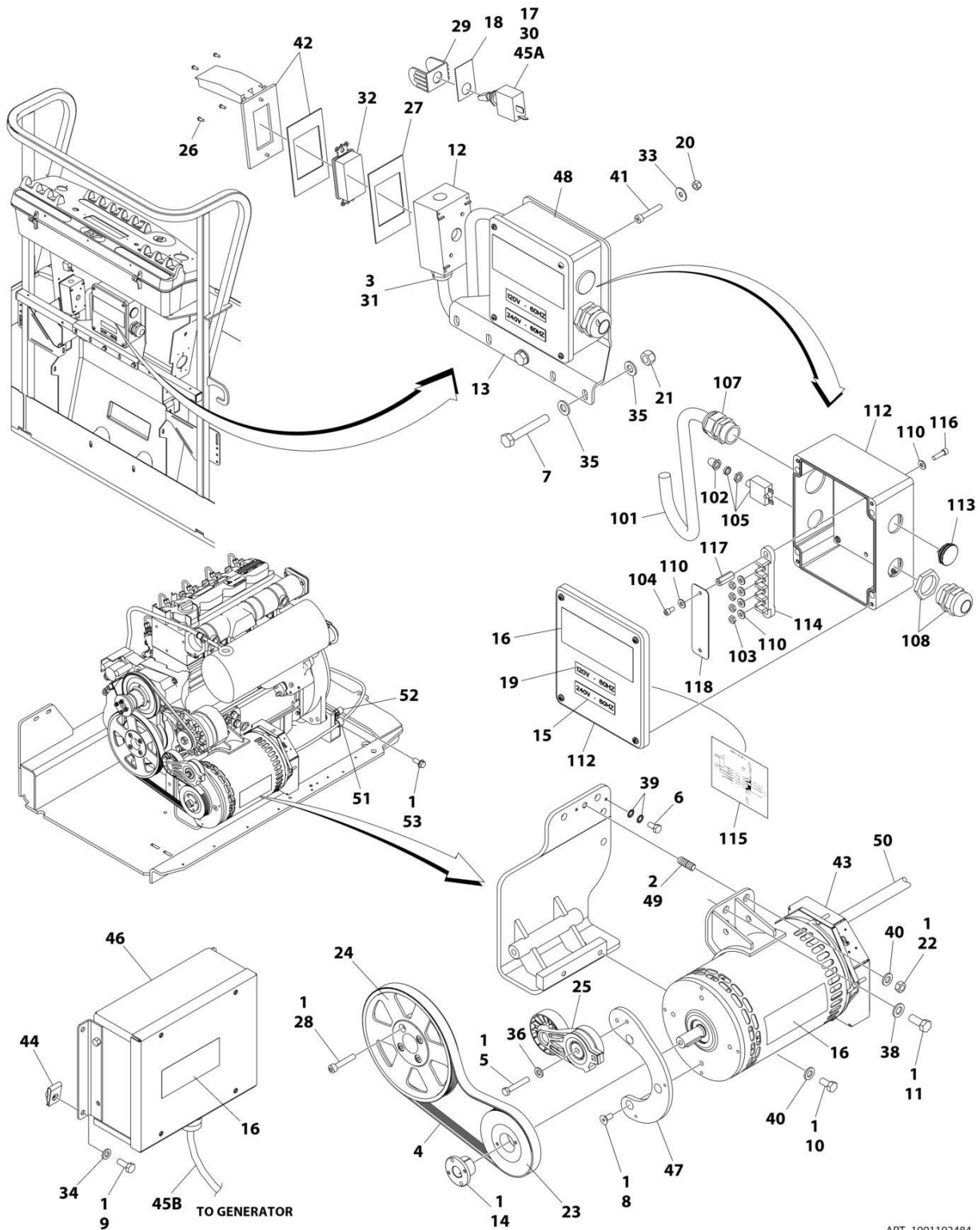
## SECTION 3 - ENGINE

ITEM	PART NUMBER	QTY	DESCRIPTION	REV
36B	7019680	1	Box, Control	
36B		Ref	Receptacle Options:	
36B	4460190	1	Receptacle, Standard	
36B	4460027	1	Receptacle, Twistlock	
36B	4360542	1	Breaker, Circuit	
36B	3520028	1	Plug, Hole	
36C	2420203	1	Voltmeter	
36D	3580276	1	Pulley	
36D	7027887	1	Key, Woodruff	
37	1001181243	1	Mount (Lower)	
38	1001183477	1	Support	
40	1001194114	1	Generator Harness - 2500W (Not Shown) (See Separate Breakdown in ELECTRICAL SECTION)	
41	0760814	1	Bolt M8 x 30	



# SECTION 3 - ENGINE

**FIGURE 3-76. 4000W GENERATOR INSTALLATION - 110V/60HZ (DEUTZ D2011 ENGINES)  
(OPTIONAL)**



ART\_1001192484

## SECTION 3 - ENGINE

**FIGURE 3-76. 4000W GENERATOR INSTALLATION - 110V/60HZ (DEUTZ D2011 ENGINES)  
(OPTIONAL)**

ITEM	PART NUMBER	QTY	DESCRIPTION	REV
	1001192484	Ref	4000W GENERATOR INSTALLATION	H
1	0100011	AR	Compound, Locking	
2	0100019	AR	Compound, Locking	
3	0100079	AR	Sealant	
4	1001136356	1	Belt	
5	0641618	1	Bolt 3/8 x 2-1/4	
6	0760606	1	Bolt M6 x 12	
7	0700819	1	Bolt M8 x 55	
8	0741607	3	Screw 3/8 x 7/8	
9	0760608	4	Bolt M6 x 16	
10	0761212	2	Bolt M12 x 25	
11	0771415	1	Bolt M14 x 35	
12	0860038	1	Box, Receptacle	
13	0902888	1	Bracket	
14	0962520	1	Bushing, Split	
15	1705374	1	Decal - 240V-60Hz	
16	1705387	3	Decal - Hazardous Voltage	
17	2820031	AR	Heat Shrink	
18	3251102	1	Nameplate - Generator On/Off	
19	3251243	1	Decal - 120V-60Hz	
20	3290505	4	Nut M5	
21	3290805	2	Nut M8	
22	3291201	1	Nut M12	
23	3580318	1	Pulley	
24	3580320	1	Pulley	
25	3580317	1	Tensioner, Belt	
26	3910606	4	Screw #6 x 3/8	
27	3960422	1	Gasket	
28	4032015	4	Capscrew M10 x 55	
29	4060802	1	Guard, Switch	
30	4360336	1	Switch, Toggle	
31	4460071	1	Connector, Strain Relief	
32	4460346	1	Receptacle	
33	4811602	4	Washer M5	
34	4811700	4	Washer M6	
35	4811900	4	Washer M8	
36	5241000	1	Washer M10	
38	5241400	1	Washer M14	
39	4871700	2	Washer M6	
40	5241200	3	Washer M12	
41	1001104029	4	Capscrew M5 x 30 Grade 12.9	
42	1001110873	1	Cover, Receptacle	
43	1001129858	1	Generator Assembly (60Hz)	
43	70003709	1	Ring, Retaining (External)	
43	70003708	1	Ring, Retaining (Internal)	
43	70001966	1	Bearing	
43	70004092	1	Endbell (Shaft End)	
43	70004171	1	Key	
43	70004676	1	Rotor	

## SECTION 3 - ENGINE

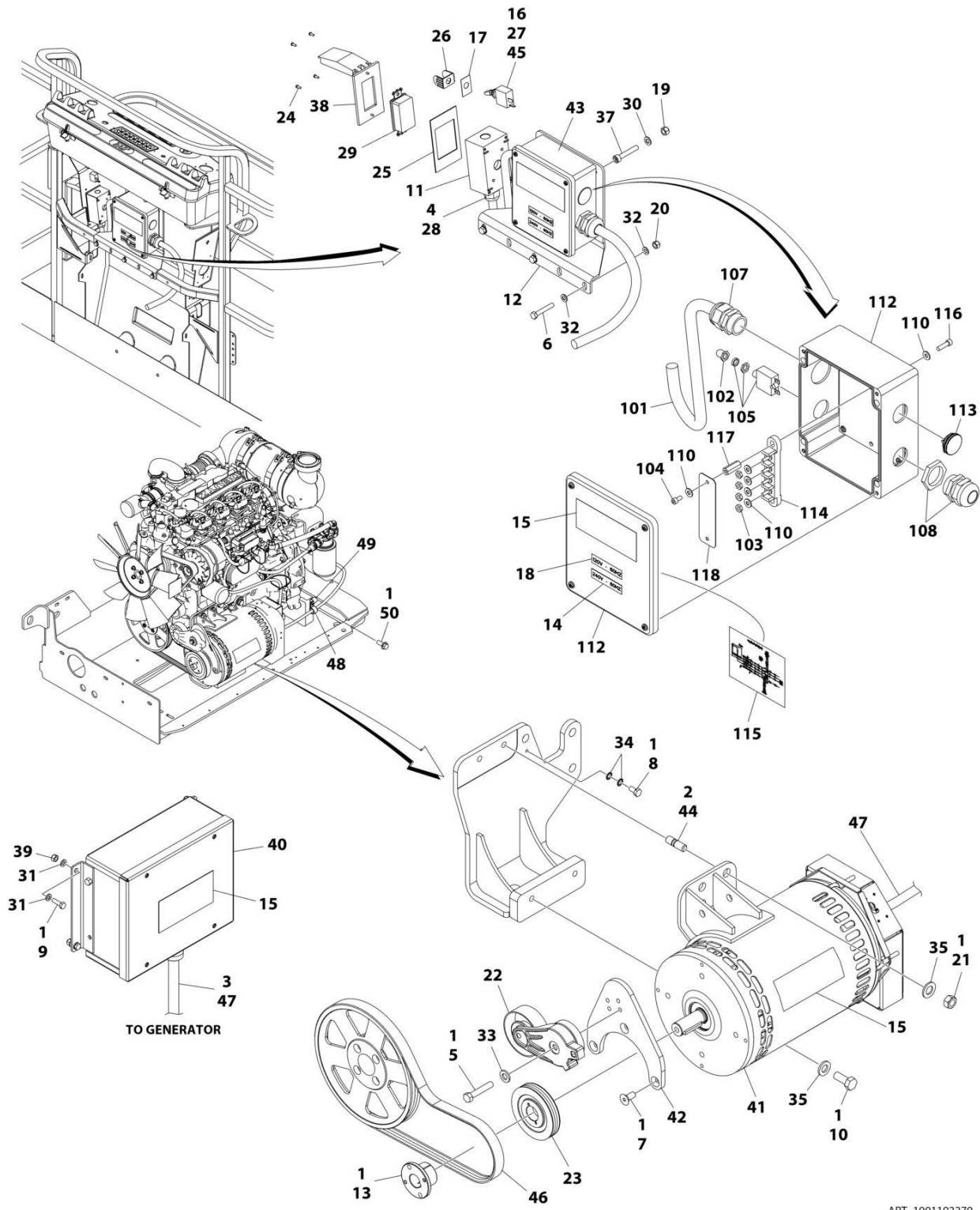
ITEM	PART NUMBER	QTY	DESCRIPTION	REV
43	70004684	1	Stator	
43	70004678	1	Endbell (Rear)	
43	70004679	1	Cover, Endbell (Rear)	
43	70004680	1	Enclosure, Wiring	
43	70004685	1	Cover, Enclosure	
43	70004682	1	Switch, Reset (Located on Enclosure Cover)	
43	70004098	1	Connector, Strain Relief (Located on Enclosure Cover)	
44	1001130220	4	Nut, Tinnerman M6	
45A	4922641	1	Generator Switch Harness	
45B	1001153197	1	Generator to Engine Harness	
45B	4460967	1	Connector - 3 Position	
45B	4460465	2	Socket, Female	
46	1001138566	1	Box, Control	
46	70006552	1	Capacitor	
46	70006553	1	Relay	
47	1001139357	1	Mount	
48	1001152457	1	Junction Box Assembly (See Items 101-118 for Breakdown)	
49	1001196382	1	Stud	
50	1001152532	1	Generator Harness (See Separate Breakdown in ELECTRICAL SECTION)	
51	7274000040	1	Clamp	
52	1320061	1	Clamp	
53	5251012	1	Bolt M10 x 25	
	1001152457	Ref	JUNCTION BOX ASSEMBLY	
101	1001179154	2.5 ft/ 0.8m	Cable, Electrical - 12/3	
102	3300396	1	Cover, Breaker	
103	3311001	4	Nut #10	
104	3900300	2	Screw	
105	4360070	1	Breaker, Circuit - 15Amp	
107	4460425	1	Connector, Strain Relief (LH Side)	
108	4460426	1	Connector, Strain Relief (RH Side)	
110	4711000	8	Washer #10	
112	1001152456	1	Box, Junction	
113	1001152525	1	Plug	
114	1001152530	1	Terminal, Block	
115	1001153260	1	Decal - Wiring Diagram	
116	3900267	2	Screw	
117	1001158008	2	Stand-Off	
118	1001158363	1	Cover, Terminal Block	





# SECTION 3 - ENGINE

## FIGURE 3-77. 4000W GENERATOR INSTALLATION - 110V/60HZ (DEUTZ TD2.9L4 ENGINES) (OPTIONAL)



ART\_1001192279

## SECTION 3 - ENGINE

**FIGURE 3-77. 4000W GENERATOR INSTALLATION - 110V/60HZ (DEUTZ TD2.9L4 ENGINES)  
(OPTIONAL)**

ITEM	PART NUMBER	QTY	DESCRIPTION	REV
	1001192279	Ref	4000W GENERATOR INSTALLATION	F
1	0100011	AR	Compound, Locking	
2	0100019	AR	Compound, Locking	
3	0100048	AR	Compound, Locking	
4	0100079	AR	Sealant	
5	0641616	1	Bolt 3/8 x 2	
6	0700819	2	Bolt M8 x 55	
7	0741607	3	Screw 3/8 x 7/8	
8	0760606	1	Bolt M6 x 12	
9	0760608	4	Bolt M6 x 16	
10	0761212	2	Bolt M12 x 25	
11	0860038	1	Box, Receptacle	
12	0902888	1	Bracket	
13	0962520	1	Bushing, Split	
14	1705374	1	Decal - 240V-60Hz	
15	1705387	3	Decal - Hazardous Voltage	
16	2820031	AR	Heat Shrink	
17	3251102	1	Nameplate - Generator On/Off	
18	3251243	1	Decal - 120V-60Hz	
19	3290505	4	Nut M5	
20	3290805	2	Nut M8	
21	3291201	2	Nut M12	
22	3580317	1	Tensioner, Belt	
23	3580318	1	Pulley	
24	3910606	4	Screw #6 x 3/8	
25	3960422	1	Gasket	
26	4060802	1	Guard, Switch	
27	4360336	1	Switch, Toggle	
28	4460071	1	Connector, Strain Relief	
29	4460346	1	Receptacle	
30	4811602	4	Washer M5	
31	4811700	4	Washer M6	
32	4811900	4	Washer M8	
33	5241000	1	Washer M10	
34	4871700	2	Washer M6	
35	5241200	4	Washer M12	
37	1001104029	4	Capscrew M5 x 30 Grade 12.9	
38	1001110873	1	Cover	
39	1001130220	4	Nut, Tinnerman M6	
40	1001138566	1	Box, Control	
40	70006552	1	Capacitor	
40	70006553	1	Relay	
41	1001140346	1	Generator Assembly (60Hz)	
41	70003709	1	Ring, Retaining (External)	
41	70003708	1	Ring, Retaining (Internal)	
41	70001966	1	Bearing	
41	70004092	1	Endbell (Shaft End)	
41	70004099	1	Key	
41	70004676	1	Rotor	

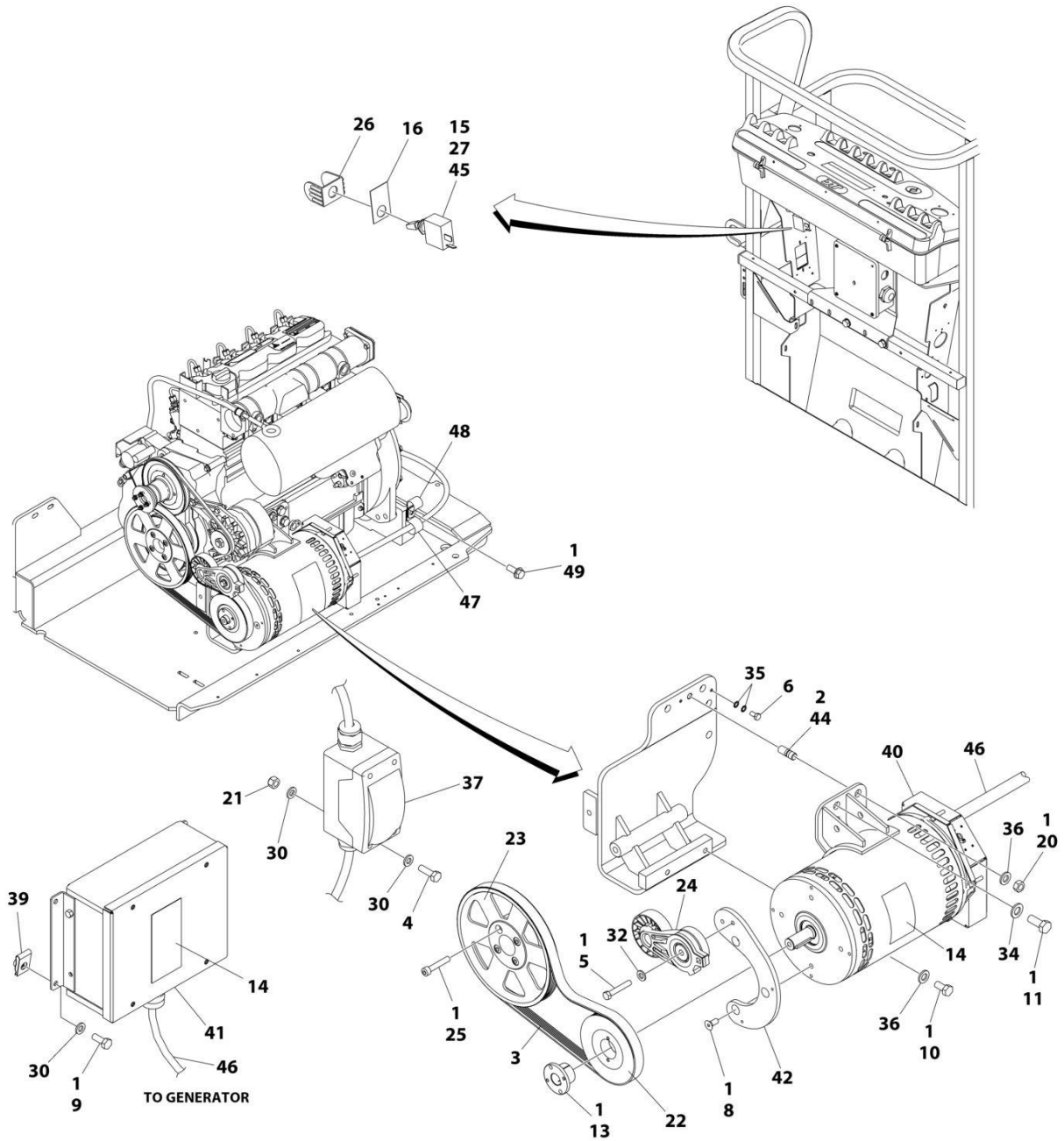
## SECTION 3 - ENGINE

ITEM	PART NUMBER	QTY	DESCRIPTION	REV
41	70004687	1	Stator	
41	70004678	1	Endbell (Rear)	
41	70004679	1	Cover, Endbell (Rear)	
41	70004680	1	Enclosure, Wiring	
41	70004685	1	Cover, Enclosure	
41	70004682	1	Switch, Reset (Located on Enclosure Cover)	
41	70004098	1	Connector, Strain Relief (Located on Enclosure Cover)	
42	1001142643	1	Support	
43	1001152457	1	Junction Box Assembly (See Items 101-118 for Breakdown)	
44	1001196382	2	Stud	
45	4922641	1	Generator Switch Harness	
46	1001142646	1	Belt	
47	1001152532	1	Generator Harness (See Separate Breakdown in ELECTRICAL SECTION)	
48	7274000040	1	Clamp	
49	1320061	1	Clamp	
50	5251012	1	Bolt M10 x 25	
	1001152457	Ref	JUNCTION BOX ASSEMBLY	
101	1001179154	2.5 ft/ 0.8m	Cable, Electrical - 12/3	
102	3300396	1	Cover, Breaker	
103	3311001	4	Nut #10	
104	3900300	2	Screw	
105	4360070	1	Breaker, Circuit - 15Amp	
107	4460425	1	Connector, Strain Relief (LH Side)	
108	4460426	1	Connector, Strain Relief (RH Side)	
110	4711000	8	Washer #10	
112	1001152456	1	Box, Junction	
113	1001152525	1	Plug	
114	1001152530	1	Terminal, Block	
115	1001153260	1	Decal - Wiring Diagram	
116	3900267	2	Screw	
117	1001158008	2	Stand-Off	
118	1001158363	1	Cover, Terminal Block	



# SECTION 3 - ENGINE

## FIGURE 3-78. 4000W GENERATOR INSTALLATION - 220V/50HZ (DEUTZ D2011 ENGINES) (OPTIONAL)



ART\_1001192487

## SECTION 3 - ENGINE

**FIGURE 3-78. 4000W GENERATOR INSTALLATION - 220V/50HZ (DEUTZ D2011 ENGINES)  
(OPTIONAL)**

ITEM	PART NUMBER	QTY	DESCRIPTION	REV
	1001192487	Ref	4000W GENERATOR INSTALLATION	H
1	0100011	AR	Compound, Locking	
2	0100019	AR	Compound, Locking	
3	1001141814	1	Belt	
4	0760610	2	Bolt M6 x 20	
5	0641618	1	Bolt 3/8 x 2-1/4	
6	0760606	1	Bolt M6 x 12	
8	0741607	3	Screw 3/8 x 7/8	
9	0760608	4	Bolt M6 x 16	
10	0761212	2	Bolt M12 x 25	
11	0771415	1	Bolt 14 x 35	
13	0962520	1	Bushing, Split	
14	1705489	2	Decal - Hazardous Voltage	
15	2820031	AR	Heat Shrink	
16	3251102	1	Nameplate - Generator On/Off	
20	3291201	1	Nut M12	
21	3290605	2	Nut M6	
22	3580319	1	Pulley	
23	3580320	1	Pulley	
24	3580317	1	Tensioner, Belt	
25	4032015	4	Capscrew M10 x 55	
26	4060802	1	Guard, Switch	
27	4360336	1	Switch, Toggle	
30	4811700	8	Washer M6	
32	5241000	1	Washer M10	
34	5241400	1	Washer M14	
35	4871700	2	Washer M6	
36	5241200	3	Washer M12	
37	1001096070	1	Breaker Box Kit (See Separate Breakdown in ELECTRICAL SECTION)	
39	1001130220	4	Nut, Tinnerman M6	
40	1001138565	1	Generator Assembly (50Hz)	
40	70003709	1	Ring, Retaining (External)	
40	70003708	1	Ring, Retaining (Internal)	
40	70001966	1	Bearing	
40	70004092	1	Endbell (Shaft End)	
40	70004171	1	Key	
40	70004676	1	Rotor	
40	70004677	1	Stator	
40	70004678	1	Endbell (Rear)	
40	70004679	1	Cover, Endbell (Rear)	
40	70004680	1	Enclosure, Wiring	
40	70004681	1	Cover, Enclosure	
40	70004682	1	Switch, Reset (Located on Enclosure Cover)	
40	70004683	1	Connector, Strain Relief (Located on Enclosure Cover)	
41	1001138566	1	Box, Control	
41	70006552	1	Capacitor	
41	70006553	1	Relay	
42	1001139357	1	Mount	

## SECTION 3 - ENGINE

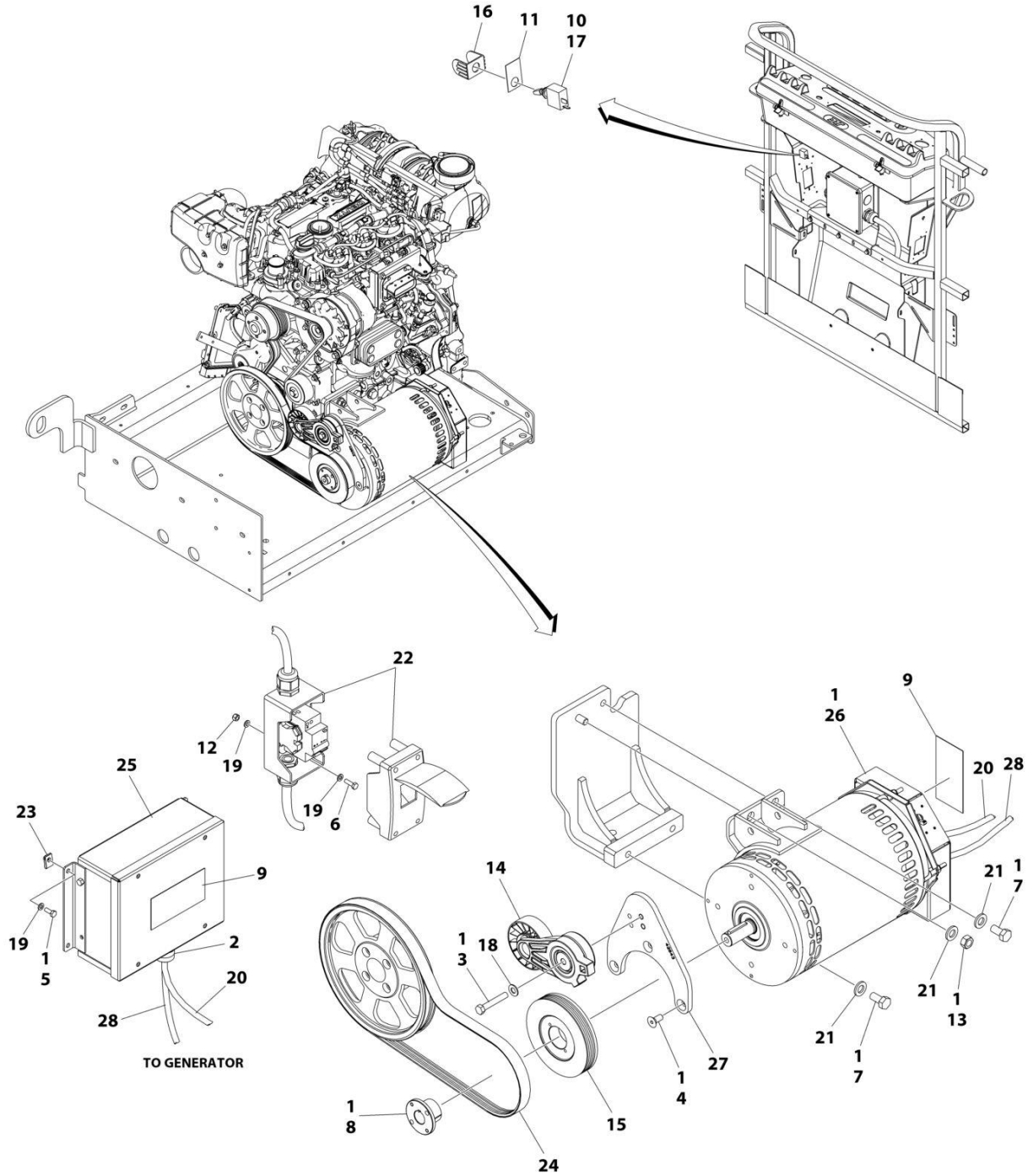
ITEM	PART NUMBER	QTY	DESCRIPTION	REV
44	1001196382	1	Stud	
45	4922641	1	Generator Switch Harness	
46	1001152532	1	Generator Harness (See Separate Breakdown in ELECTRICAL SECTION)	
47	7274000040	1	Clamp	
48	1320061	1	Clamp	
49	5251012	1	Bolt M10 x 25	





# SECTION 3 - ENGINE

**FIGURE 3-79. 4000W GENERATOR INSTALLATION - 220V/50HZ (DEUTZ TD2.2L3 ENGINES)  
(SKYPOWER)(OPTIONAL) (SN 0300274693 to Present)**



ART\_1001255871

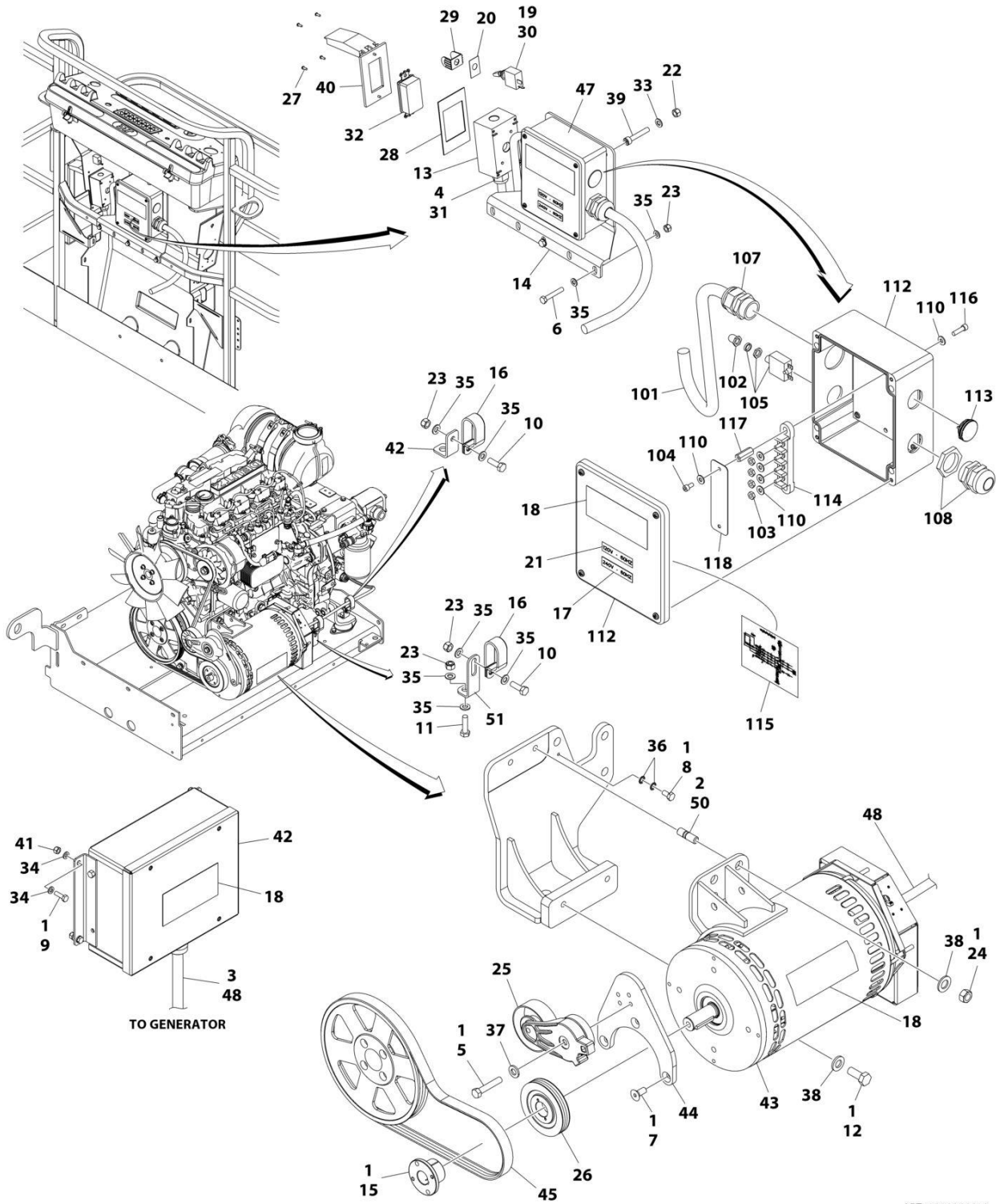
## SECTION 3 - ENGINE

**FIGURE 3-79. 4000W GENERATOR INSTALLATION - 220V/50HZ (DEUTZ TD2.2L3 ENGINES)  
(SKYPOWER)(OPTIONAL) (SN 0300274693 to Present)**

ITEM	PART NUMBER	QTY	DESCRIPTION	REV
	1001255871	Ref	4000W GENERATOR INSTALLATION	B
1	0100011	AR	Compound, Locking	
2	0100048	AR	Grease, Terminal	
3	0641618	1	Bolt 3/8 x 2-1/4	
4	0741607	3	Screw 3/8 x 7/8	
5	0760608	4	Bolt M6 x 16	
6	0760610	2	Bolt M6 x 20	
7	0761212	3	Bolt M12 x 25	
8	0962520	1	Bushing, Split	
9	1705489	2	Decal - Hazardous Voltage	
10	2820031	AR	Heatshrink	
11	3252764	1	Nameplate - AC & Weld	
12	3290605	2	Nut M6	
13	3291201	1	Nut M12	
14	3580317	1	Tensioner, Belt	
15	3580319	1	Pulley	
16	4060802	1	Guard, Switch	
17	4360336	1	Switch, Toggle	
18	4711600	1	Washer 3/8	
19	4811700	8	Washer M6	
20	4922925	1	Generator Harness (See Separate Breakdown in ELECTRICAL SECTION)	
21	5241200	4	Washer M12	
22	1001096070	1	Box & Breaker Kit (See Separate Breakdown in ELECTRICAL SECTION)	
23	1001130220	4	Nut, Tinnerman M6	
24	1001136356	1	Belt	
25	1001138566	1	Box, Control	
25	70006552	1	Capacitor	
25	70006553	1	Relay	
26	1001140347	1	Generator Assembly - 50Hz	
26	70003709	1	Ring, Retaining (External)	
26	70003708	1	Ring, Retaining (Internal)	
26	70001966	1	Bearing	
26	70004092	1	Endbell (Shaft End)	
26	70004099	1	Key	
26	70004676	1	Rotor	
26	70004686	1	Stator	
26	70004678	1	Endbell (Rear)	
26	70004679	1	Cover, Endbell (Rear)	
26	70004680	1	Enclosure, Wiring	
26	70004681	1	Cover, Enclosure	
26	70004682	1	Switch, Reset (Located on Enclosure Cover)	
26	70004683	1	Connector, Strain Relief (Located on Enclosure Cover)	
26	4460224	1	Connector - 6 Position (Located on Enclosure Cover)	
26	4460294	1	Pin, Male (Located on Enclosure Cover)	
27	1001142643	1	Support	
28	1001152532	1	Generator Harness (See Separate Breakdown in ELECTRICAL SECTION)	

# SECTION 3 - ENGINE

**FIGURE 3-80. 4000W GENERATOR INSTALLATION - 220V/60HZ (DEUTZ TD2.9L4 ENGINES)  
(SKYPOWER)(OPTIONAL) (SN 0300275114 to Present)**



ART\_1001244410

## SECTION 3 - ENGINE

**FIGURE 3-80. 4000W GENERATOR INSTALLATION - 220V/60HZ (DEUTZ TD2.9L4 ENGINES)  
(SKYPOWER)(OPTIONAL) (SN 0300275114 to Present)**

ITEM	PART NUMBER	QTY	DESCRIPTION	REV
	1001244410	Ref	4000W GENERATOR INSTALLATION	B
1	0100011	AR	Compound, Locking	
2	0100019	AR	Compound, Locking	
3	0100048	AR	Compound, Locking	
4	0100079	AR	Sealant	
5	0641616	1	Bolt 3/8 x 2	
6	0700819	2	Bolt M8 x 55	
7	0741607	3	Screw 3/8 x 7/8	
8	0760606	1	Bolt M6 x 12	
9	0760608	4	Bolt M6 x 16	
10	0760812	1	Bolt M8 x 25	
11	0760814	1	Bolt M8 x 30	
12	0761212	2	Bolt M12 x 25	
13	0860038	1	Box, Receptacle	
14	0902888	1	Bracket	
15	0962520	1	Bushing, Split	
16	1321716	1	Clamp	
17	1705374	1	Decal - 240V-60Hz	
18	1705387	3	Decal - Hazardous Voltage	
19	2820031	AR	Heat Shrink	
20	3251102	1	Nameplate - Generator On/Off	
21	3251243	1	Decal - 120V-60Hz	
22	3290505	4	Nut M5	
23	3290805	4	Nut M8	
24	3291201	2	Nut M12	
25	3580317	1	Tensioner, Belt	
26	3580318	1	Pulley	
27	3910606	4	Screw #6 x 3/8	
28	3960422	1	Gasket	
29	4060802	1	Guard, Switch	
30	4360336	1	Switch, Toggle	
31	4460071	1	Connector, Strain Relief	
32	4460346	1	Receptacle	
33	4811602	4	Washer M5	
34	4811700	4	Washer M6	
35	4811900	8	Washer M8	
36	4871700	2	Washer M6	
37	5241000	1	Washer M10	
38	5241200	4	Washer M12	
39	1001104029	4	Capscrew M5 x 30 Grade 12.9	
40	1001110873	1	Cover	
41	1001130220	4	Nut, Tinnerman M6	
42	1001138566	1	Box, Control	
42	70006552	1	Capacitor	
42	70006553	1	Relay	
43	1001140346	1	Generator Assembly (60Hz)	
43	70003709	1	Ring, Retaining (External)	
43	70003708	1	Ring, Retaining (Internal)	
43	70001966	1	Bearing	

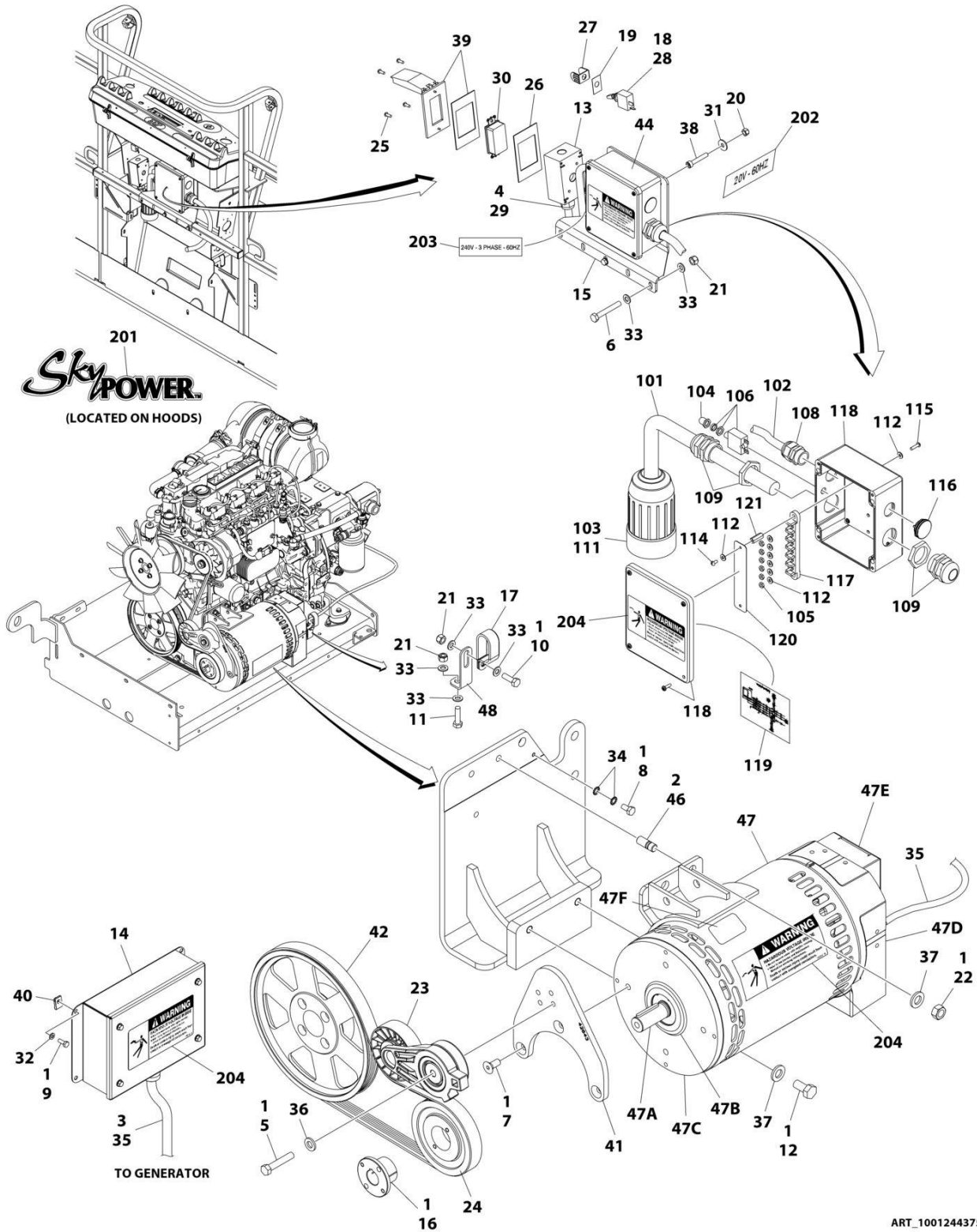
## SECTION 3 - ENGINE

ITEM	PART NUMBER	QTY	DESCRIPTION	REV
43	70004092	1	Endbell (Shaft End)	
43	70004099	1	Key	
43	70004676	1	Rotor	
43	70004687	1	Stator	
43	70004678	1	Endbell (Rear)	
43	70004679	1	Cover, Endbell (Rear)	
43	70004680	1	Enclosure, Wiring	
43	70004685	1	Cover, Enclosure	
43	70004682	1	Switch, Reset (Located on Enclosure Cover)	
43	70004098	1	Connector, Strain Relief (Located on Enclosure Cover)	
44	1001142643	1	Support	
45	1001142646	1	Belt	
47	1001152457	1	Junction Box Assembly (See Items 101-118 for Breakdown)	
48	1001152532	1	Generator Harness (See Separate Breakdown in ELECTRICAL SECTION)	
50	1001196382	2	Stud	
51	1001223122	1	Support	
	1001152457	Ref	JUNCTION BOX ASSEMBLY	
101	1001179154	2.5 ft/ 0.8m	Cable, Electrical - 12/3	
102	3300396	1	Cover, Breaker	
103	3311001	4	Nut #10	
104	3900300	2	Screw	
105	4360070	1	Breaker, Circuit - 15Amp	
107	4460425	1	Connector, Strain Relief (LH Side)	
108	4460426	1	Connector, Strain Relief (RH Side)	
110	4711000	8	Washer #10	
112	1001152456	1	Box, Junction	
113	1001152525	1	Plug	
114	1001152530	1	Terminal, Block	
115	1001153260	1	Decal - Wiring Diagram	
116	3900267	2	Screw	
117	1001158008	2	Stand-Off	
118	1001158363	1	Cover, Terminal Block	



# SECTION 3 - ENGINE

**FIGURE 3-81. 7500W GENERATOR INSTALLATION - 220V/60HZ (DEUTZ TD2.9L4 ENGINES) (SKYPOWER)(OPTIONAL) (SN 0300275114 to Present)**





## SECTION 3 - ENGINE

**FIGURE 3-81. 7500W GENERATOR INSTALLATION - 220V/60HZ (DEUTZ TD2.9L4 ENGINES)  
(SKYPOWER)(OPTIONAL) (SN 0300275114 to Present)**

ITEM	PART NUMBER	QTY	DESCRIPTION	REV
	1001244375	Ref	7500W SKYPOWER GENERATOR INSTALLATION	B
1	0100011	AR	Compound, Locking	
2	0100019	AR	Compound, Locking	
3	0100048	AR	Compound Terminal	
4	0100079	AR	Sealant	
5	0641616	1	Bolt 3/8 x 2	
6	0700819	2	Bolt M8 x 55	
7	0741607	3	Screw 3/8 x 7/8	
8	0760606	1	Bolt M6 x 12	
9	0760608	4	Bolt M6 x 16	
10	0760812	1	Bolt M8 x 25	
11	0760814	1	Bolt M8 x 30	
12	0761212	2	Bolt M12 x 25	
13	0860038	1	Box, Receptacle	
14	0861538	1	Control Box Assembly	
14	7024488	1	Card, Circuit - Generator Power	
14	See Note	NSS	Fuse (Note: Not Available - Purchase Locally)	
14	7024489	1	Card, Circuit - Control	
14	70000619	1	Harness, Control Box (Internal)	
		Ref	Note: Same Circuit Card (P/N 7024489) is used for both 60Hz and 50Hz. When replacing card, rocker switch on card must be set for required application.	
15	0902888	1	Bracket	
16	0962520	1	Bushing, Split	
17	1321716	1	Clamp	
18	2820031	AR	Heat Shrink	
19	3252764	1	Nameplate - AC & Weld	
20	3290505	4	Nut M5	
21	3290805	4	Nut M8	
22	3291201	2	Nut M12	
23	3580317	1	Tensioner, Belt	
24	3580318	1	Pulley	
25	3910606	4	Screw #6 x 3/8	
26	3960422	1	Gasket	
27	4060802	1	Guard, Switch	
28	4360336	1	Switch, Toggle	
29	4460071	1	Connector, Strain Relief	
30	4460346	1	Receptacle	
31	4811602	4	Washer M5	
32	4811700	4	Washer M6	
33	4811900	8	Washer M8	
34	4871700	2	Washer M6	
35	4922925	1	Generator Harness (See Separate Breakdown in ELECTRICAL SECTION)	
36	5241000	1	Washer M10	
37	5241200	4	Washer M12	
38	1001104029	4	Capscrew M5 x 30 Grade 12.9	
39	1001110873	1	Cover	
40	1001130220	4	Nut, Tinnerman M6	

## SECTION 3 - ENGINE

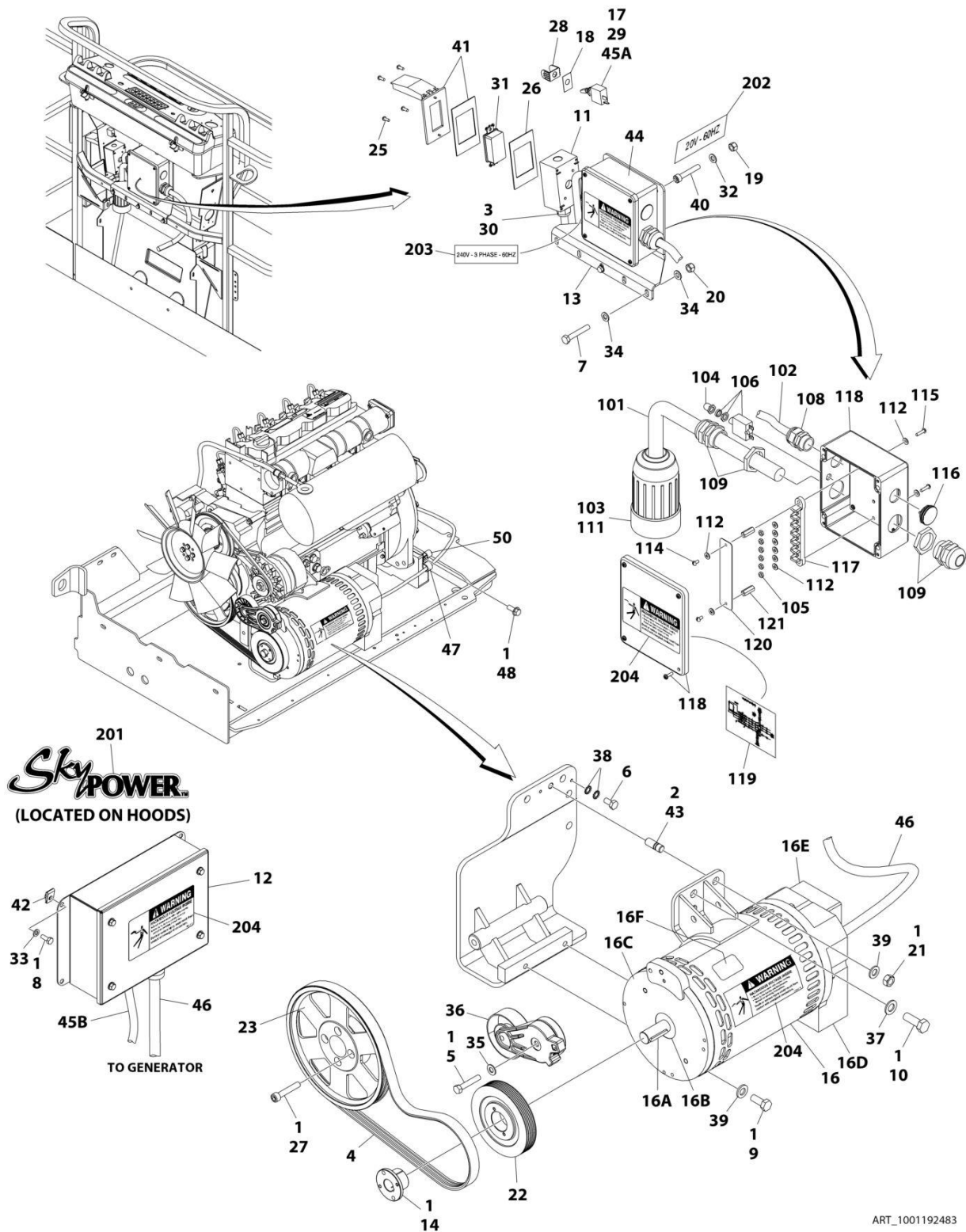
ITEM	PART NUMBER	QTY	DESCRIPTION	REV
41	1001142643	1	Support	
42	1001142646	1	Belt	
44	1001157592	1	Junction Box Assembly (See Items 101-121 for Breakdown)	
46	1001196382	2	Stud	
47	1001212223	1	Generator Assembly	
47	70001100	1	Rotor (Includes p/n 70001384 & 70000863) (Not Shown)	
47	70001384	1	Bearing, Ball Radial (Not Shown)	
47	70000863	1	Fan (Not Shown)	
47	70006093	1	Stator (Not Shown)	
47	70002297	1	Stud	
47	70003631	1	Brushholder Assembly (Not Shown) (was p/n 7024484)	
47A	70004099	1	Key	
47B	70001966	1	Bearing, Ball Radial (Located in Belt Tensioner Endbell)	
47B	70003708	1	Ring, Internal Retaining (Located in Belt Tensioner Endbell)	
47B	70003709	1	Ring, External Retaining (Located in Belt Tensioner Endbell)	
47C	70004092	1	Endbell, Belt Tensioner	
47D	70004094	1	Endbell, Brush Block	
47E	70006094	1	Shroud	
47E	70002291	1	Insulator, Endbell	
47E	7027799	1	Block, Connector - 6 Position (Not Shown)	
47E	70002460	1	Nut, Brass (Attaches p/n 7027799 to Cover) (Not Shown)	
47E	70006095	1	Breaker, Circuit 30Amp (Not Shown)	
47E	70006096	1	Boot, Breaker (Not Shown)	
47E	7026626	1	Connector, 6 Position (Includes Seal) (Not Shown - Plugs into Item 45)	
47E	7026597	1	Connector with Leads (Not Shown)	
47E	70004098	1	Clamp, Cable (Not Shown)	
47E	70006097	1	Plate, End Panel	
47E	70001974	1	Decal - Terminal Connections	
47F	70001973	1	Decal - Warning Moving Parts	
48	1001223122	1	Support	
	1001157592	Ref	JUNCTION BOX ASSEMBLY	C
101	1060343	1.5 ft/ 0.5m	Cable, Electrical 10/4	
102	1001179154	2.5 ft/ 76cm	Cable, Electrical 12/3	
103	1671092	1	Cover, Connector	
104	3300396	1	Cover, Fuse	
105	3311001	6	Nut #10	
106	4360070	1	Circuit Breaker - 15Amp	
108	4460425	1	Connector, Strain Relief	
109	4460426	2	Connector, Strain Relief	
111	4460963	1	Connector	
112	4711000	4	Washer #10	
114	10702077	2	Screw #10 x 3/8	
115	10702082	2	Screw #10 x 3/4	
116	1001152525	1	Plug	
117	1001157520	1	Block, Terminal	
118	1001157521	1	Box, Junction	
119	1001157528	1	Decal - Wiring Schematic	
120	1001158007	1	Cover, PVC	
121	1001158008	1	Stand-Off	

## SECTION 3 - ENGINE

ITEM	PART NUMBER	QTY	DESCRIPTION	REV
	0272435	Ref	DECAL INSTALLATION	D
201	1705460	2	Decal - SkyPower	
202	3251243	1	Decal - 120V-60Hz	
203	1705375	1	Decal - 240V - 3 Phase - 60Hz	
204	1705387	3	Decal - Hazardous Voltage	

# SECTION 3 - ENGINE

## FIGURE 3-82. 7500W SKYPOWER GENERATOR INSTALLATION - 110/60HZ (DEUTZ D2011 ENGINES) (OPTIONAL)



## SECTION 3 - ENGINE

**FIGURE 3-82. 7500W SKYPOWER GENERATOR INSTALLATION - 110/60HZ (DEUTZ D2011 ENGINES)  
(OPTIONAL)**

ITEM	PART NUMBER	QTY	DESCRIPTION	REV
	1001192483	Ref	7500W SKYPOWER GENERATOR INSTALLATION	I
1	0100011	AR	Compound, Locking	
2	0100019	AR	Compound, Locking	
3	0100079	AR	Sealant	
4	1001136356	1	Belt	
5	0641618	1	Bolt 3/8 x 2-1/4	
6	0760606	1	Bolt M6 x 12	
7	0700819	2	Bolt M8 x 55	
8	0760608	4	Bolt M6 x 16	
9	0761212	2	Bolt M12 x 25	
10	0771415	1	Bolt M14 x 35	
11	0860038	1	Box, Receptacle	
12	0861538	1	Control Box Assembly	
12	7024488	1	Card, Circuit - Generator Power	
12	See Note	NSS	Fuse (Note: Not Available - Purchase Locally)	
12	7024489	1	Card, Circuit - Control	
12	70000619	1	Harness, Control Box (Internal)	
13	0902888	1	Bracket	
14	0962520	1	Bushing, Split	
16	2460048	1	Generator Assembly	
16	70001100	1	Rotor (Includes p/n 70001384 & 70000863) (Not Shown)	
16	70001384	1	Bearing, Ball Radial (Not Shown)	
16	70000863	1	Fan (Not Shown)	
16	70002088	1	Stator (Not Shown)	
16	70002297	1	Stud	
16	70003631	1	Brushholder Assembly (Not Shown)	
16A	70004171	1	Key	
16B	70001966	1	Bearing, Ball Radial (Located in Belt Tensioner Endbell)	
16B	70003708	1	Ring, Internal Retaining (Located in Belt Tensioner Endbell)	
16B	70003709	1	Ring, External Retaining (Located in Belt Tensioner Endbell)	
16C	70001953	1	Endbell, Belt Tensioner	
16D	70004169	1	Endbell, Brush Block	
16E	70004169	1	Shroud	
16E	See Note	NSS	Insulator, Endbell (Note: Not Available for Purchase)	
16E	7027799	1	Block, Connector - 6 Position (Not Shown)	
16E	70002460	1	Nut, Brass (Attaches p/n 7027799 to Cover) (Not Shown)	
16E	7024485	1	Breaker, Circuit 30Amp (Not Shown)	
16E	70001696	1	Boot, Breaker (Not Shown)	
16E	7026626	1	Connector, 6 Position (Includes Seal) (Not Shown - Plugs into Item 39)	
16E	7026597	1	Connector, with Leads (Not Shown)	
16E	7026188	1	Clamp, Cable Options (Not Shown)	
16E	70004169	1	Plate, End Panel	
16E	70001974	1	Decal - Terminal Connections	
16F	70001973	1	Decal - Warning Moving Parts	
17	2820031	AR	Heat Shrink	
18	3252764	1	Nameplate - AC & Weld	
19	3290505	4	Nut M5	
20	3290805	2	Nut M8	

## SECTION 3 - ENGINE

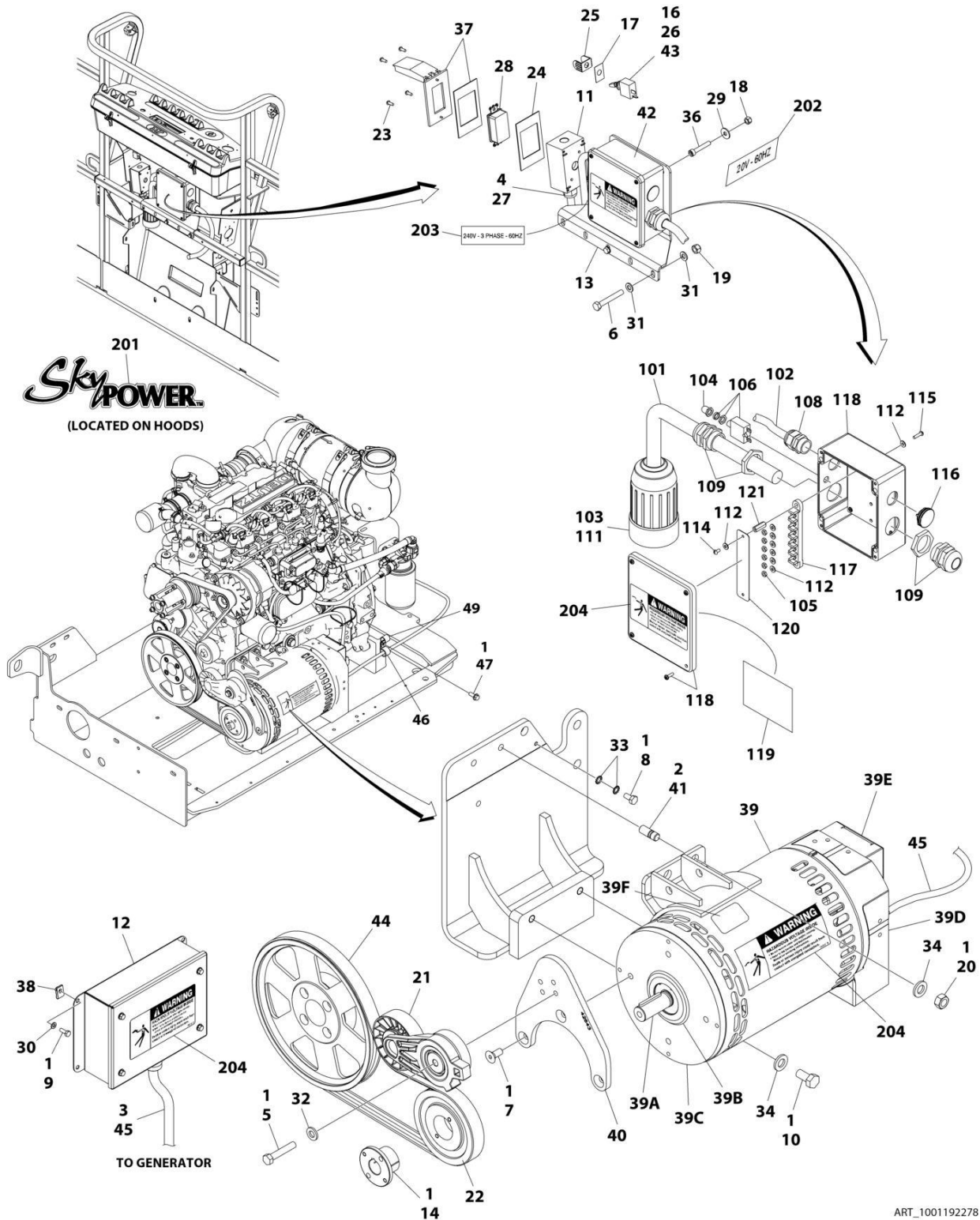
ITEM	PART NUMBER	QTY	DESCRIPTION	REV
21	3291201	1	Nut M12	
22	3580318	1	Pulley	
23	3580320	1	Pulley	
25	3910606	4	Screw #6 x 3/8	
26	3960422	1	Gasket	
27	4032015	4	Capscrew M10 x 55	
28	4060802	1	Guard, Switch	
29	4360336	1	Switch, Toggle	
30	4460071	1	Connector, Strain Relief	
31	4460346	1	Receptacle	
32	4811602	4	Washer M5	
33	4811700	4	Washer M6	
34	4811900	4	Washer M8	
35	5241000	1	Washer M10	
36	3580317	1	Tensioner, Belt	
37	5241400	1	Washer M14	
38	4871700	2	Washer M6	
39	5241200	3	Washer M12	
40	1001104029	4	Capscrew M5 x 30 Grade 12.9	
41	1001110873	1	Cover	
42	1001130220	4	Nut, Tinnerman M6	
43	1001196382	1	Stud	
44	1001157592	1	Junction Box Assembly (See Items 101-121 for Breakdown)	
45A	4922641	1	Generator Switch Harness	
45B	1001152429	1	Generator to Engine Harness (See Separate Breakdown in ELECTRICAL SECTION)	
46	4922925	1	Generator Harness (See Separate Breakdown in ELECTRICAL SECTION)	
47	7274000040	1	Clamp	
48	5251012	1	Bolt M10 x 25	
50	1320061	1	Clamp	
	1001157592	Ref	JUNCTION BOX ASSEMBLY	C
101	1060343	1.5 ft/ 0.5m	Cable, Electrical 10/4	
102	1001179154	2.5 ft/ 0.8m	Cable, Electrical 12/3	
103	1671092	1	Cover	
104	3300396	1	Cover, Fuse	
105	3311001	6	Nut #10	
106	4360070	1	Circuit Breaker - 15Amp	
108	4460425	1	Connector, Strain Relief	
109	4460426	2	Connector, Strain Relief	
111	4460963	1	Connector	
112	4711000	10	Washer #10	
114	10702077	2	Screw #10 x 3/8	
115	10702082	2	Screw #10 x 3/4	
116	1001152525	1	Plug	
117	1001157520	1	Block, Terminal	
118	1001157521	1	Box, Junction	
119	1001157528	1	Decal - Wiring Schematic	
120	1001158007	1	Cover, PVC	
121	1001158008	2	Stand-Off	

## SECTION 3 - ENGINE

ITEM	PART NUMBER	QTY	DESCRIPTION	REV
	0272435	Ref	DECAL INSTALLATION	D
201	1705460	2	Decal - SkyPower	
202	3251243	1	Decal - 120V-60Hz	
203	1705375	1	Decal - 240V - 3 Phase - 60Hz	
204	1705387	3	Decal - Hazardous Voltage	

# SECTION 3 - ENGINE

FIGURE 3-83. 7500W SKYPOWER GENERATOR INSTALLATION - 110V/60HZ (DEUTZ TD2.9L4 ENGINES) (OPTIONAL)





## SECTION 3 - ENGINE

**FIGURE 3-83. 7500W SKYPOWER GENERATOR INSTALLATION - 110V/60HZ (DEUTZ TD2.9L4 ENGINES) (OPTIONAL)**

ITEM	PART NUMBER	QTY	DESCRIPTION	REV
	1001192278	Ref	7500W SKYPOWER GENERATOR INSTALLATION	G
1	0100011	AR	Compound, Locking	
2	0100019	AR	Compound, Locking	
3	0100048	AR	Compound Terminal	
4	0100079	AR	Sealant	
5	0641616	1	Bolt 3/8 x 2	
6	0700819	2	Bolt M8 x 55	
7	0741607	3	Screw 3/8 x 7/8	
8	0760606	1	Bolt M6 x 12	
9	0760608	4	Bolt M6 x 16	
10	0761212	2	Bolt M12 x 25	
11	0860038	1	Box, Receptacle	
12	0861538	1	Control Box Assembly	
12	7024488	1	Card, Circuit - Generator Power	
12	See Note	NSS	Fuse (Note: Not Available - Purchase Locally)	
12	7024489	1	Card, Circuit - Control	
12	70000619	1	Harness, Control Box (Internal)	
		Ref	Note: Same Circuit Card (P/N 7024489) is used for both 60Hz and 50Hz. When replacing card, rocker switch on card must be set for required application.	
13	0902888	1	Bracket	
14	0962520	1	Bushing, Split	
16	2820031	AR	Heat Shrink	
17	3252764	1	Nameplate - AC & Weld	
18	3290505	4	Nut M5	
19	3290805	2	Nut M8	
20	3291201	2	Nut M12	
21	3580317	1	Tensioner, Belt	
22	3580318	1	Pulley	
23	3910606	4	Screw #6 x 3/8	
24	3960422	1	Gasket	
25	4060802	1	Guard, Switch	
26	4360336	1	Switch, Toggle	
27	4460071	1	Connector, Strain Relief	
28	4460346	1	Receptacle	
29	4811602	4	Washer M5	
30	4811700	4	Washer M6	
31	4811900	4	Washer M8	
32	5241000	1	Washer M10	
33	4871700	2	Washer M6	
34	5241200	4	Washer M12	
36	1001104029	1	Capscrew M5 x 30 Grade 12.9	
37	1001110873	1	Cover	
38	1001130220	4	Nut, Tinnerman M6	
39	1001212223	1	Generator Assembly	
39	70001100	1	Rotor (Includes p/n 70001384 & 70000863) (Not Shown)	
39	70001384	1	Bearing, Ball Radial (Not Shown)	
39	70000863	1	Fan (Not Shown)	

## SECTION 3 - ENGINE

ITEM	PART NUMBER	QTY	DESCRIPTION	REV
39	70006093	1	Stator (Not Shown)	
39	70002297	1	Stud	
39	70003631	1	Brushholder Assembly (Not Shown) (was p/n 7024484)	
39A	70004099	1	Key	
39B	70001966	1	Bearing, Ball Radial (Located in Belt Tensioner Endbell)	
39B	70003708	1	Ring, Internal Retaining (Located in Belt Tensioner Endbell)	
39B	70003709	1	Ring, External Retaining (Located in Belt Tensioner Endbell)	
39C	70004092	1	Endbell, Belt Tensioner	
39D	70004094	1	Endbell, Brush Block	
39E	70006094	1	Shroud	
39E	70002291	1	Insulator, Endbell	
39E	7027799	1	Block, Connector - 6 Position (Not Shown)	
39E	70002460	1	Nut, Brass (Attaches p/n 7027799 to Cover) (Not Shown)	
39E	70006095	1	Breaker, Circuit 30Amp (Not Shown)	
39E	70006096	1	Boot, Breaker (Not Shown)	
39E	7026626	1	Connector, 6 Position (Includes Seal) (Not Shown - Plugs into Item 45)	
39E	7026597	1	Connector with Leads (Not Shown)	
39E	70004098	1	Clamp, Cable (Not Shown)	
39E	70006097	1	Plate, End Panel	
39E	70001974	1	Decal - Terminal Connections	
39F	70001973	1	Decal - Warning Moving Parts	
40	1001142643	1	Support	
41	1001196382	2	Stud	
42	1001157592	1	Junction Box Assembly (See Items 101-121 for Breakdown)	
43	4922641	1	Generator Switch Harness	
44	1001142646	1	Belt	
45	4922925	1	Generator Harness (See Separate Breakdown in ELECTRICAL SECTION)	
46	7274000040	1	Clamp	
47	5251012	1	Bolt M10 x 25	
49	1320061	1	Clamp	
	1001157592	Ref	JUNCTION BOX ASSEMBLY	C
101	1060343	1.5 ft/ 0.5m	Cable, Electrical 10/4	
102	1001179154	2.5 ft/ 76cm	Cable, Electrical 12/3	
103	1671092	1	Cover, Connector	
104	3300396	1	Cover, Fuse	
105	3311001	6	Nut #10	
106	4360070	1	Circuit Breaker - 15Amp	
108	4460425	1	Connector, Strain Relief	
109	4460426	2	Connector, Strain Relief	
111	4460963	1	Connector	
112	4711000	4	Washer #10	
114	10702077	2	Screw #10 x 3/8	
115	10702082	2	Screw #10 x 3/4	
116	1001152525	1	Plug	
117	1001157520	1	Block, Terminal	
118	1001157521	1	Box, Junction	
119	1001157528	1	Decal - Wiring Schematic	
120	1001158007	1	Cover, PVC	

## SECTION 3 - ENGINE

ITEM	PART NUMBER	QTY	DESCRIPTION	REV
121	1001158008	1	Stand-Off	D
	0272435	Ref	DECAL INSTALLATION	
201	1705460	2	Decal - SkyPower	
202	3251243	1	Decal - 120V-60Hz	
203	1705375	1	Decal - 240V - 3 Phase - 60Hz	
204	1705387	3	Decal - Hazardous Voltage	



## SECTION 3 - ENGINE

**FIGURE 3-84. 7500W SKYPOWER GENERATOR INSTALLATION - 110V/60HZ (FORD ENGINES)  
(OPTIONAL)**

ITEM	PART NUMBER	QTY	DESCRIPTION	REV
	1001219852	Ref	7500W SKYPOWER GENERATOR INSTALLATION	C
1	0100011	AR	Compound, Locking	
2	0100019	AR	Compound, Locking	
3	0100079	AR	Sealant	
4	0700819	2	Bolt M8 x 55	
5	0741607	3	Screw 3/8 x 7/8	
6	0760606	1	Bolt M6 x 12	
7	0760608	4	Bolt M6 x 16	
8	0761019	1	Bolt M10 x 55	
10	0860038	1	Box, Receptacle	
11	0861538	1	Control Box Assembly	
11	7024488	1	Card, Circuit - Generator Power	
11	See Note	NSS	Fuse (Note: Not Available - Purchase Locally)	
11	7024489	1	Card, Circuit - Control	
11	70000619	1	Harness, Control Box (Internal)	
12	0902888	1	Bracket	
13	0962520	1	Bushing, Split	
15	2820031	AR	Heat Shrink	
16	3252764	1	Nameplate - AC & Weld	
17	3290505	4	Nut M5	
18	3290805	2	Nut M8	
19	3291201	4	Nut M12	
20	3580314	1	Pulley	
21	3580317	1	Tensioner, Belt	
22	3910606	4	Screw #6 x 3/8	
23	3960422	1	Gasket	
24	4060802	1	Guard, Switch	
25	4360336	1	Switch, Toggle	
26	4460071	1	Connector, Strain Relief	
27	4460346	1	Receptacle	
28	4811602	4	Washer M5	
29	4811700	4	Washer M6	
30	4811900	4	Washer M8	
31	4871700	2	Washer M6	
32	4922925	1	Generator Harness (See Separate Breakdown in ELECTRICAL SECTION)	
33	5241000	1	Washer M10	
34	5241200	4	Washer M12	
35	1001104029	4	Capscrew M5 x 30 Grade 12.9	
36	1001110873	1	Cover	
37	1001130220	4	Nut, Tinnerman M6	
38	1001136104	1	Generator Assembly	
38	70003631	1	Brushholder Assembly (Not Shown) (was p/n 7024484)	
38	7024485	1	Breaker, Circuit 30Amp (Not Shown)	
38	70001696	1	Boot, Breaker (was p/n 7024486 - Not Shown)	
38	70001966	1	Bearing, Ball Radial (Located in Belt Tensioner Endbell - Not Shown)	
38	7027799	1	Block, Connector - 6 Position (Not Shown)	
38	70002460	6	Nut, Brass (Attaches p/n 7027799 to Cover) (Not Shown)	

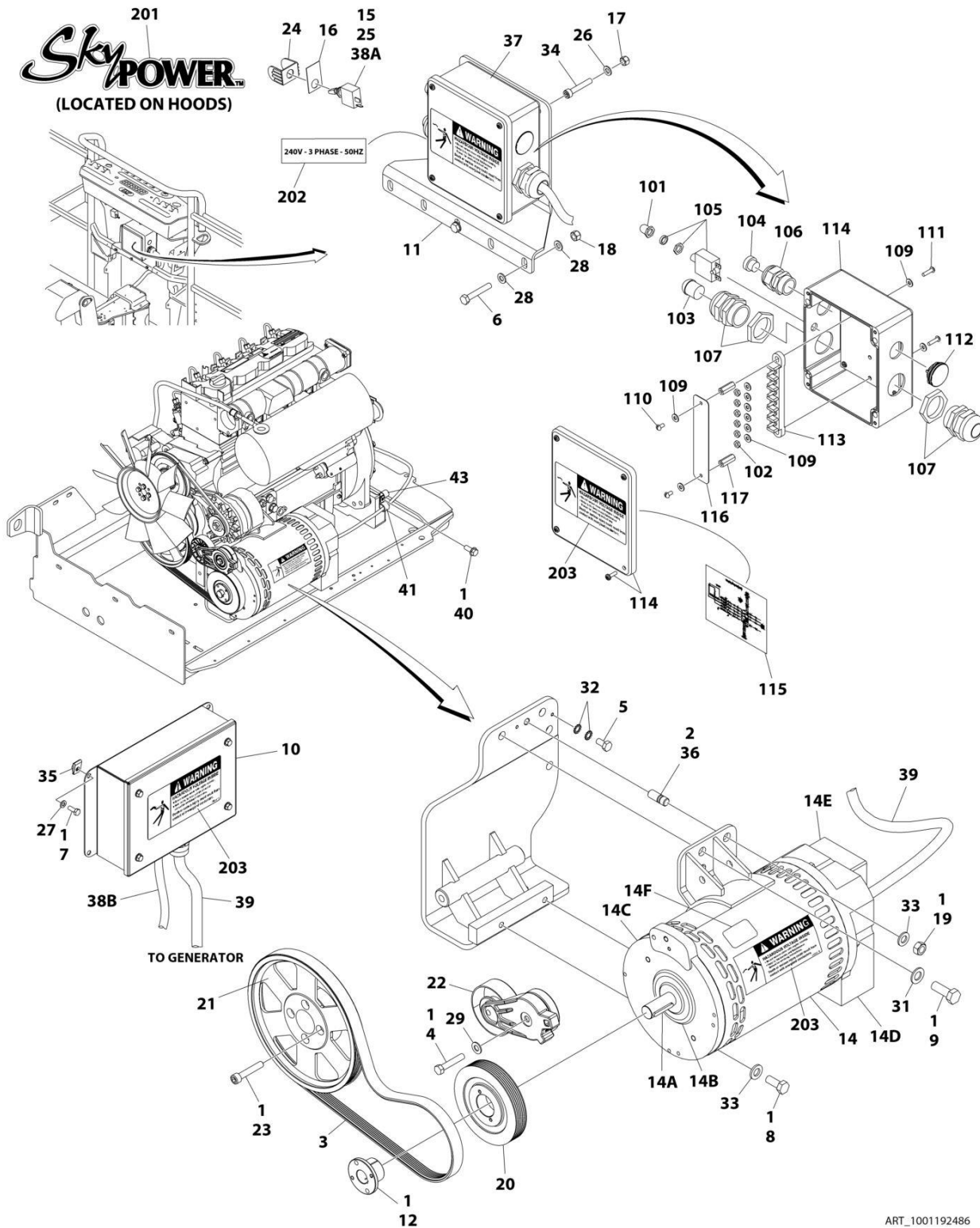
## SECTION 3 - ENGINE

ITEM	PART NUMBER	QTY	DESCRIPTION	REV
38	7026188	1	Clamp, Cable (Not Shown)	
38	7026597	1	Connector, with Leads (Not Shown)	
38	7026626	1	Connector - 6 Position with Seal (Not Shown)	
38	70002088	1	Stator (Not Shown)	
38	70004169	1	Panel, End (Not Shown) (was p/n 70002255)	
38	70001974	1	Decal - Terminal Connections (Not Shown)	
38	70000863	1	Fan (Not Shown)	
38	70002297	4	Stud (Not Shown)	
38A	70004171	1	Key (was p/n 7024561)	
38A	70001100	1	Armature, Generator (Includes Radial Ball Bearing on End with Brushes and Fan)	
38A	70001384	1	Bearing, Ball Radial	
38B	70001966	1	Bearing, Radial Ball	
38B	70003708	1	Ring, Internal Retaining (Located in Belt Tensioner Endbell)	
38B	70003709	1	Ring, External Retaining (Located in Belt Tensioner Endbell)	
38C	70001973	1	Decal - Warning Moving Parts	
38D	70004169	1	Endbell, Brush Block (was p/n 70001385)	
38E	70001953	1	Endbell, Belt Tensioner	
38F	70004169	1	Endbell, Shroud Assembly (was p/n 70002290)	
39	1001157592	1	Junction Box Assembly (See Items 101-121 for Breakdown)	
40	4922641	1	Generator Switch Harness	
41	1001196382	4	Stud	
42	1001216390	1	Belt	
43	1001218930	1	Mount	
	1001157592	Ref	JUNCTION BOX ASSEMBLY	C
101	1060343	1.5 ft/ 0.5m	Cable, Electrical - 10/4	
102	1001179154	2.5 ft/ 0.8m	Cable, Electrical - 12/3	
103	1671092	1	Cover, Connector	
104	3300396	1	Cover, Fuse	
105	3311001	6	Nut #10	
106	4360070	1	Breaker, Circuit 15Amp	
107	4460425	1	Connector, Strain Relief	
108	4460426	2	Connector, Strain Relief	
111	4460963	1	Receptacle	
112	4711000	10	Washer #10	
114	10702077	2	Screw #10 x 3/8	
115	10702082	2	Screw #10 x 3/4	
116	1001152525	1	Plug, Hole	
117	1001157520	1	Block, Terminal Pole	
118	1001157521	1	Box, Junction	
119	1001157528	1	Decal - Box Junction	
120	1001158007	1	Cover	
121	1001158008	2	Stand-Off	
	0272435	Ref	DECAL INSTALLATION	D
201	1705460	2	Decal - SkyPower	
202	3251243	1	Decal - 120V/60Hz (Located on Opposite Side)	
203	1705375	1	Decal - 240V - 3 Phase	
204	1705387	3	Decal - Hazardous Voltage	



# SECTION 3 - ENGINE

FIGURE 3-85. 7500W SKYPOWER GENERATOR INSTALLATION - 220V/50HZ (DEUTZ D2011 ENGINES) (OPTIONAL)





## SECTION 3 - ENGINE

**FIGURE 3-85. 7500W SKYPOWER GENERATOR INSTALLATION - 220V/50HZ (DEUTZ D2011 ENGINES) (OPTIONAL)**

ITEM	PART NUMBER	QTY	DESCRIPTION	REV
	1001192486	Ref	7500W SKYPOWER GENERATOR INSTALLATION	I
1	0100011	AR	Compound, Locking	
2	0100019	AR	Compound, Locking	
3	1001141814	1	Belt	
4	0641618	1	Bolt 3/8 x 2-1/4	
5	0760606	1	Bolt M6 x 12	
6	0700819	2	Bolt M8 x 55	
7	0760608	4	Bolt M6 x 16	
8	0761212	2	Bolt M12 x 25	
9	0771415	1	Bolt M14 x 35	
10	0861572	1	Control Box Assembly	
10	7024488	1	Card, Circuit - Generator Power	
10	See Note	NSS	Fuse (Note: Not Available - Purchase Locally)	
10	7024489	1	Card, Circuit - Control	
10	70000619	1	Harness, Control Box (Internal)	
11	0902888	1	Bracket	
12	0962520	1	Bushing, Split	
14	2460048	1	Generator Assembly	
14	70001100	1	Rotor (Includes p/n 70001384 & 70000863) (Not Shown)	
14	70001384	1	Bearing, Ball Radial (Not Shown)	
14	70000863	1	Fan (Not Shown)	
14	70002088	1	Stator (Not Shown)	
14	70002297	1	Stud	
14	70003631	1	Brushholder Assembly (Not Shown)	
14A	70004171	1	Key	
14B	70001966	1	Bearing, Ball Radial (Located in Belt Tensioner Endbell)	
14B	70003708	1	Ring, Internal Retaining (Located in Belt Tensioner Endbell)	
14B	70003709	1	Ring, External Retaining (Located in Belt Tensioner Endbell)	
14C	70001953	1	Endbell, Belt Tensioner	
14D	70004169	1	Endbell, Brush Block	
14E	70004169	1	Shroud	
14E	See Note	NSS	Insulator, Endbell (Note: Not Available for Purchase)	
14E	7027799	1	Block, Connector 6 Position (Not Shown)	
14E	70002460	1	Nut, Brass (Attaches p/n 7027799 to Cover) (Not Shown)	
14E	7024485	1	Breaker, Circuit 30Amp (Not Shown)	
14E	70001696	1	Boot, Breaker (Not Shown)	
14E	7026626	1	Connector, 6 Position (Includes Seal) (Not Shown - Plugs into Item 39)	
14E	7026597	1	Connector, with Leads (Not Shown)	
14E	7026188	1	Clamp, Cable Options (Not Shown)	
14E	70004169	1	Plate, End Panel	
14E	70001974	1	Decal - Terminal Connections	
14F	70001973	1	Decal - Warning Moving Parts	
15	2820031	AR	Heat Shrink	
16	3252764	1	Nameplate - AC & Weld	
17	3290505	4	Nut M5	
18	3290805	2	Nut M8	
19	3291201	1	Nut M12	
20	3580319	1	Pulley	

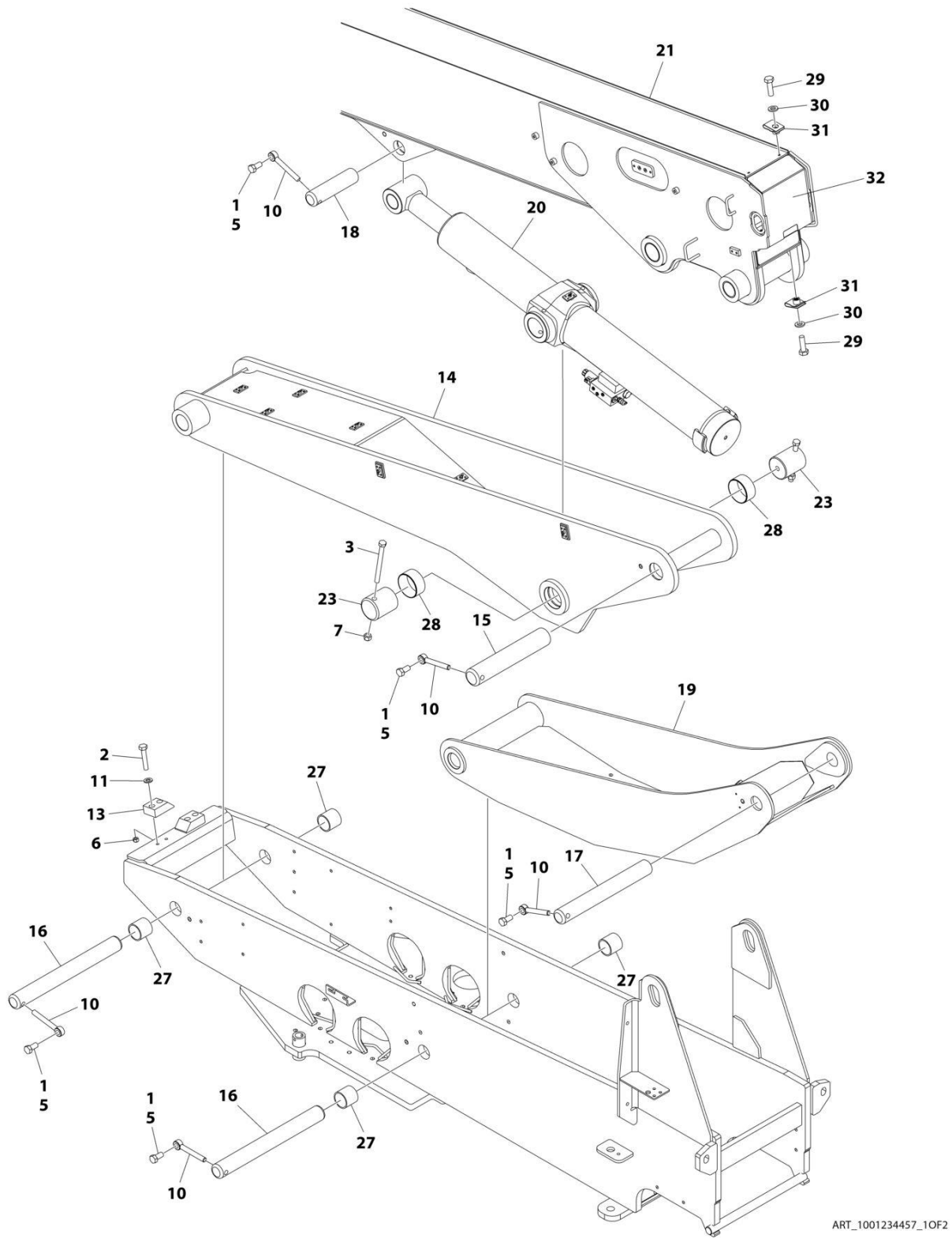
## SECTION 3 - ENGINE

ITEM	PART NUMBER	QTY	DESCRIPTION	REV
21	3580320	1	Pulley	
22	3580317	1	Tensioner, Belt	
23	4032015	4	Capscrew M10 x 55	
24	4060802	1	Guard, Switch	
25	4360336	1	Switch, Toggle	
26	4811602	4	Washer M5	
27	4811700	4	Washer M6	
28	4811900	4	Washer M8	
29	5241000	1	Washer M10	
31	5241400	1	Washer M14	
32	4871700	2	Washer M6	
33	5241200	3	Washer M12	
34	1001104029	4	Capscrew M5 x 30 Grade 12.9	
35	1001130220	4	Nut, Tinnerman M6	
36	1001196382	1	Stud	
37	1001157525	1	Junction Box Assembly (See Items 101-117 for Breakdown)	
38A	4922641	1	Generator Switch Harness	
38B	1001152429	1	Generator to Engine Harness (See Separate Breakdown in ELECTRICAL SECTION)	
39	4922925	1	Generator Harness (See Separate Breakdown in ELECTRICAL SECTION)	
40	5251012	1	Bolt M10 x 25	
41	7274000040	1	Clamp	
43	1320061	1	Clamp	
	1001157525	Ref	JUNCTION BOX ASSEMBLY	B
101	3300396	1	Cover, Fuse	
102	3311001	6	Nut #10	
103	3520189	1	Plug	
104	3520192	1	Plug	
105	4360070	1	Circuit Breaker - 15Amp	
106	4460425	1	Connector, Strain Relief	
107	4460426	2	Connector, Strain Relief	
109	4711000	30	Washer #10	
110	10702077	2	Screw #10 x 3/8	
111	10702082	2	Screw #10 x 3/4	
112	1001152525	1	Plug	
113	1001152520	1	Block, Terminal	
114	1001157521	1	Box, Junction	
115	1001157528	1	Decal - Wiring Schematic	
116	1001158007	1	Cover, PVC	
117	1001158008	2	Stand-Off	
	0272589	Ref	DECAL INSTALLATION	A
201	1705460	2	Decal - SkyPower	
202	1705461	1	Decal - 240V - 3 Phase - 50Hz	
203	1705489	3	Decal - Hazardous Voltage	

**SECTION 4 - BOOM**

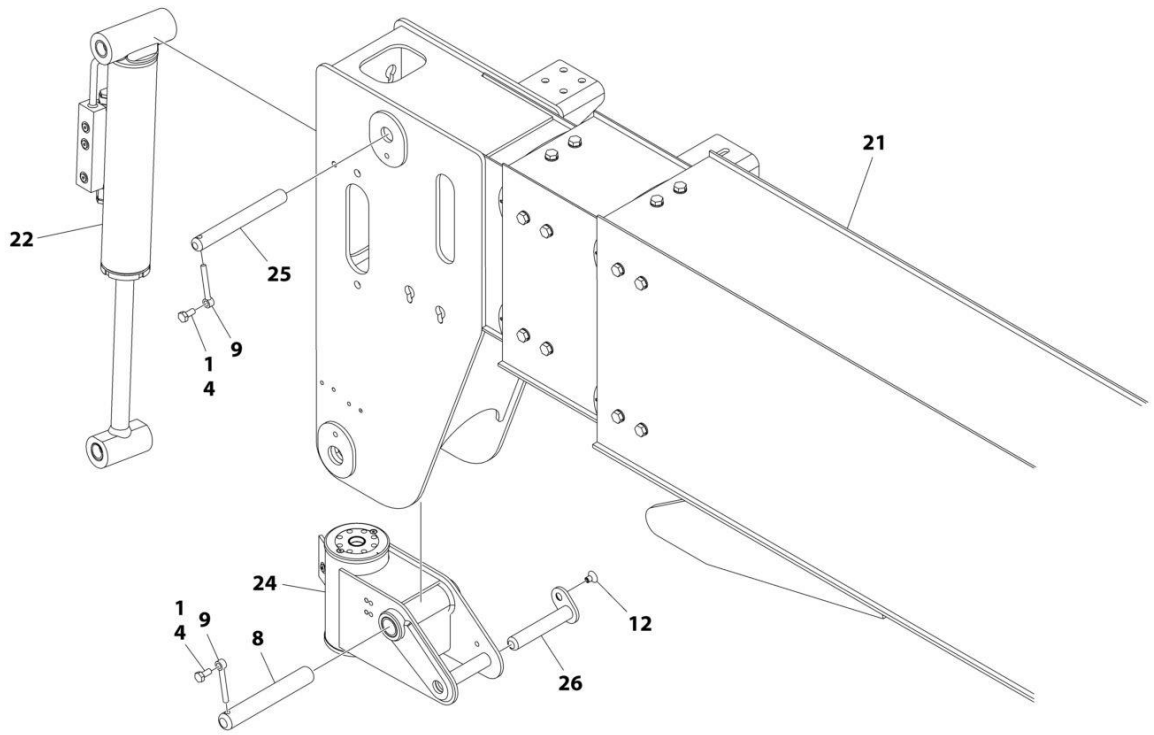
# SECTION 4 - BOOM

## FIGURE 4-1. BOOM INSTALLATION - 600S HC3 (Prior to SN 0300282236)



ART\_1001234457\_1OF2

# SECTION 4 - BOOM



ART\_1001234457\_2OF2

## SECTION 4 - BOOM

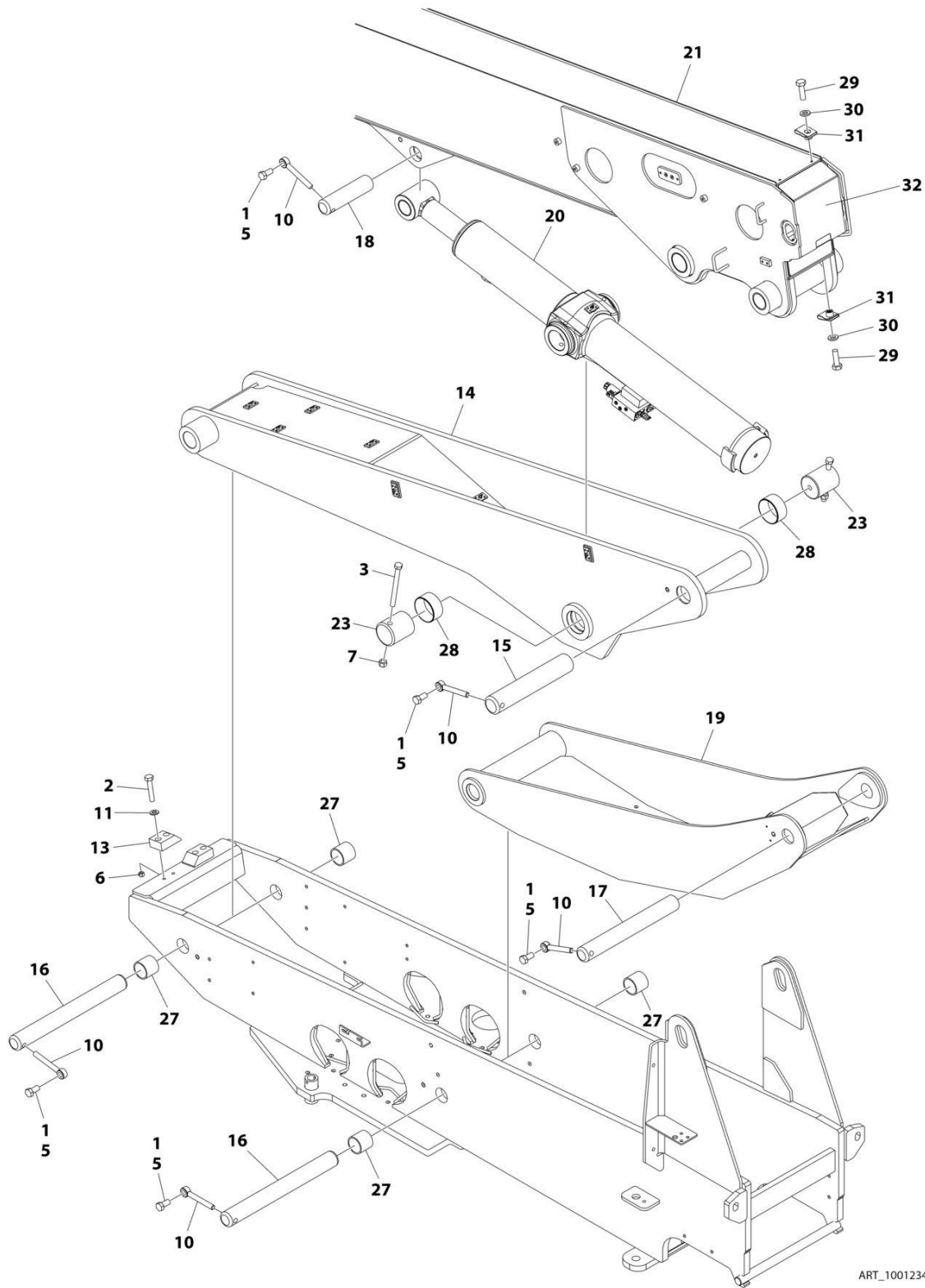
**FIGURE 4-1. BOOM INSTALLATION - 600S HC3 (Prior to SN 0300282236)**

ITEM	PART NUMBER	QTY	DESCRIPTION	REV
	1001234457	Ref	BOOM INSTALLATION	C
1	0100011	AR	Compound, Locking	
2	0701019	4	Bolt M10 x 55	
3	0711635	2	Bolt M16 x 180	
4	0761011	2	Bolt M10 x 22	
5	0762016	5	Bolt M20 x 40	
6	3291005	4	Nut M10	
7	3291605	2	Nut M16	
8	3422582	1	Pin	
9	3841143	2	Keeper, Pin	
10	3841287	5	Keeper, Pin	
11	4812000	4	Washer M10	
12	1001137032	1	Screw M10 x 16	
13	1001138459	2	Pad	
14	1001174231	1	Link	
15	1001174250	1	Pin	
16	1001174252	2	Pin	
17	1001174253	1	Pin	
18	1001174254	1	Pin	
19	1001174256	1	Link	
20	1001250382	1	Lift Cylinder Assembly (See Separate Breakdown in CYLINDER SECTION)	
21	1001234458	1	Boom Assembly (See Separate Breakdown in this Section)	
22	1001184954	1	Level Cylinder Assembly - Platform Slave (See Separate Breakdown in CYLINDER SECTION)	
23	1001183926	2	Pin	
24	1001187348	1	Platform Rotator Assembly (See Separate Breakdown in this Section)	
25	1001192910	1	Pin	
26	1001192991	1	Pin	
27	0962423	4	Bearing	
28	1001174251	2	Bearing	
29	0760610	4	Bolt M6 x 20	
30	4811700	4	Washer M6	
31	1001130220	4	Nut, Tinnerman M6	
32	1001228177	1	Cover	



# SECTION 4 - BOOM

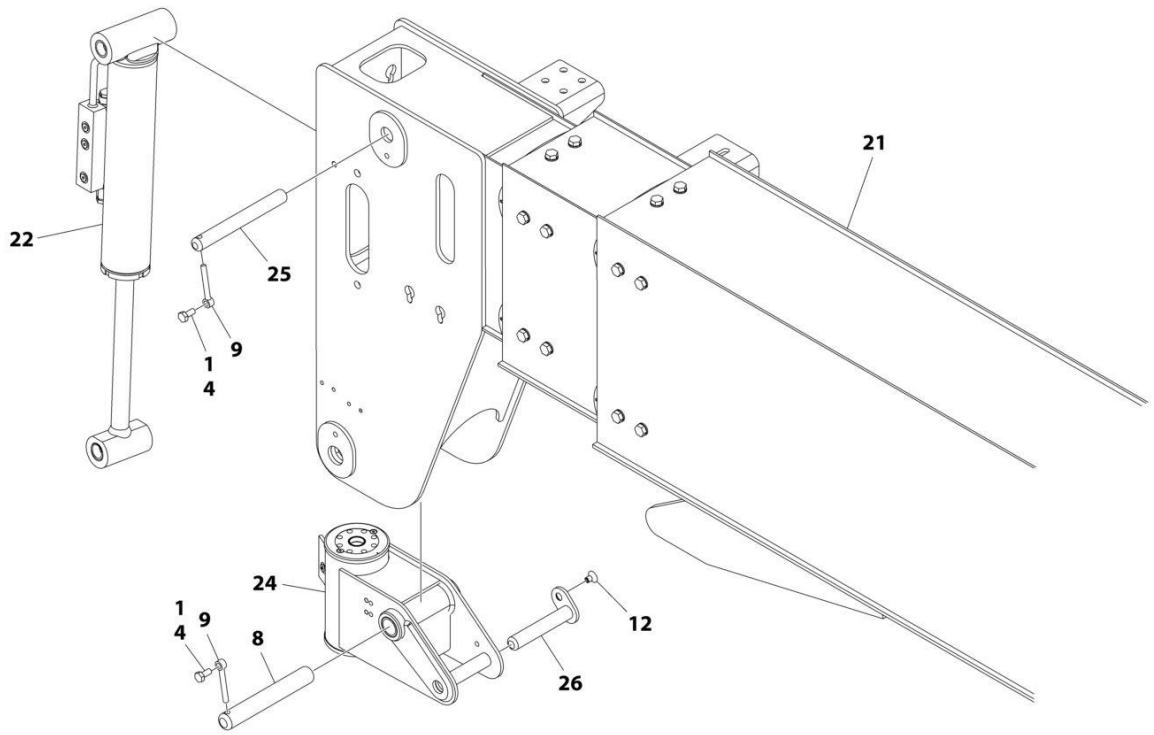
FIGURE 4-2. BOOM INSTALLATION - 600S HC3 (SN 0300282236 to Present, SN B300012852 to Present)



ART\_1001234457\_10F2\_D



# SECTION 4 - BOOM



ART\_1001234457\_20F2\_D

## SECTION 4 - BOOM

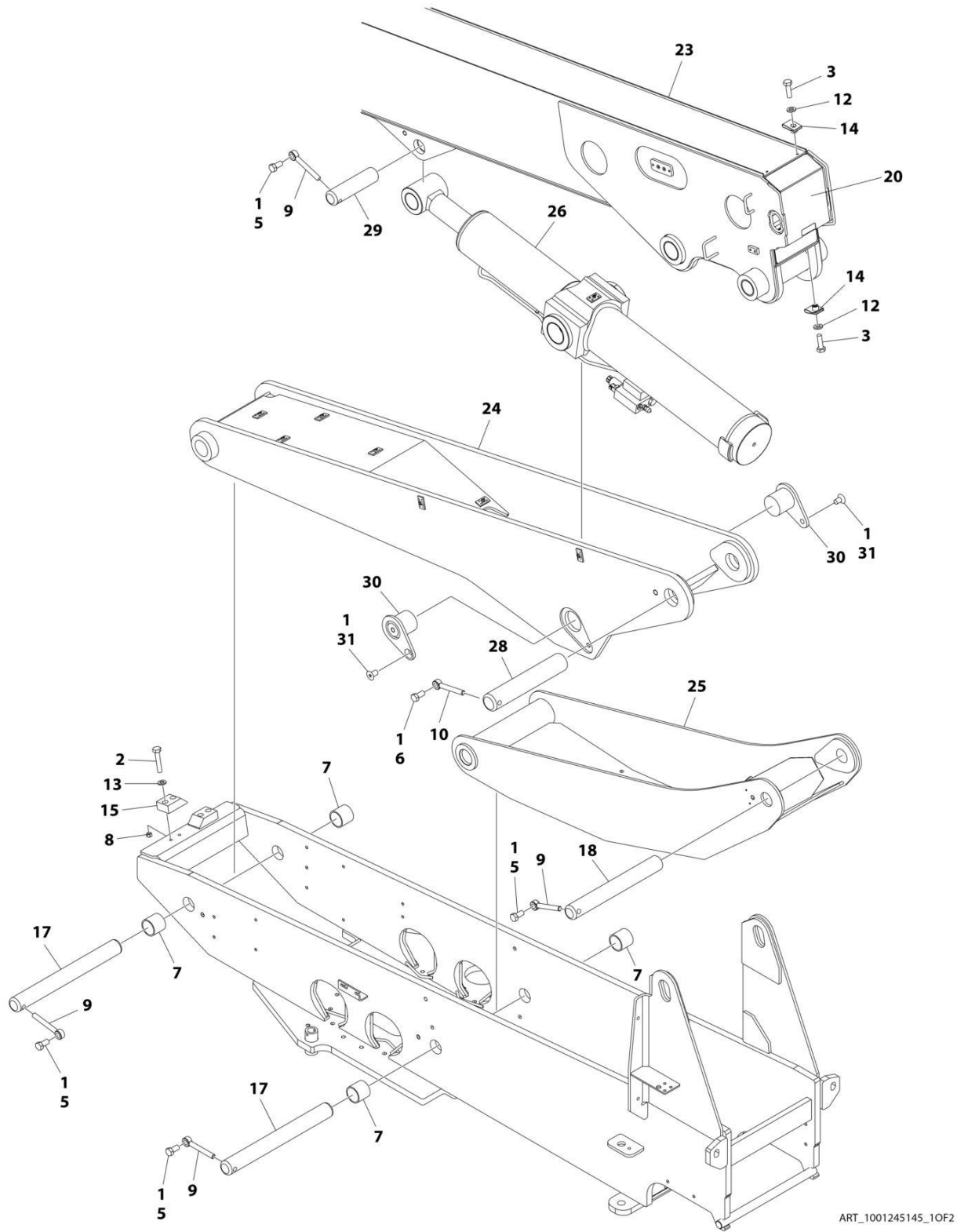
**FIGURE 4-2. BOOM INSTALLATION - 600S HC3 (SN 0300282236 to Present, SN B300012852 to Present)**

ITEM	PART NUMBER	QTY	DESCRIPTION	REV
	1001234457	Ref	BOOM INSTALLATION	D
1	0100011	AR	Compound, Locking	
2	0701019	4	Bolt M10 x 55	
3	0711635	2	Bolt M16 x 180	
4	0761011	2	Bolt M10 x 22	
5	0762016	5	Bolt M20 x 40	
6	3291005	4	Nut M10	
7	3291605	2	Nut M16	
8	3422582	1	Pin	
9	3841143	2	Keeper, Pin	
10	3841287	5	Keeper, Pin	
11	4812000	4	Washer M10	
12	1001137032	1	Screw M10 x 16	
13	1001138459	2	Pad	
14	1001174231	1	Link	
15	1001174250	1	Pin	
16	1001174252	2	Pin	
17	1001174253	1	Pin	
18	1001174254	1	Pin	
19	1001174256	1	Link	
20	1001272076	1	Lift Cylinder Assembly (See Separate Breakdown in CYLINDER Section)	
21	1001234458	1	Boom Assembly (See Separate Breakdown in this Section)	
22	1001184954	1	Level Cylinder Assembly - Platform Slave (See Separate Breakdown in CYLINDER Section)	
23	1001183926	2	Pin	
24	1001187348	1	Platform Rotator Assembly (See Separate Breakdown in this Section)	
25	1001192910	1	Pin	
26	1001192991	1	Pin	
27	0962423	4	Bearing	
28	1001174251	2	Bearing	
29	0760610	4	Bolt M6 x 20	
30	4811700	4	Washer M6	
31	1001130220	4	Nut, Tinnerman M6	
32	1001228177	1	Cover	



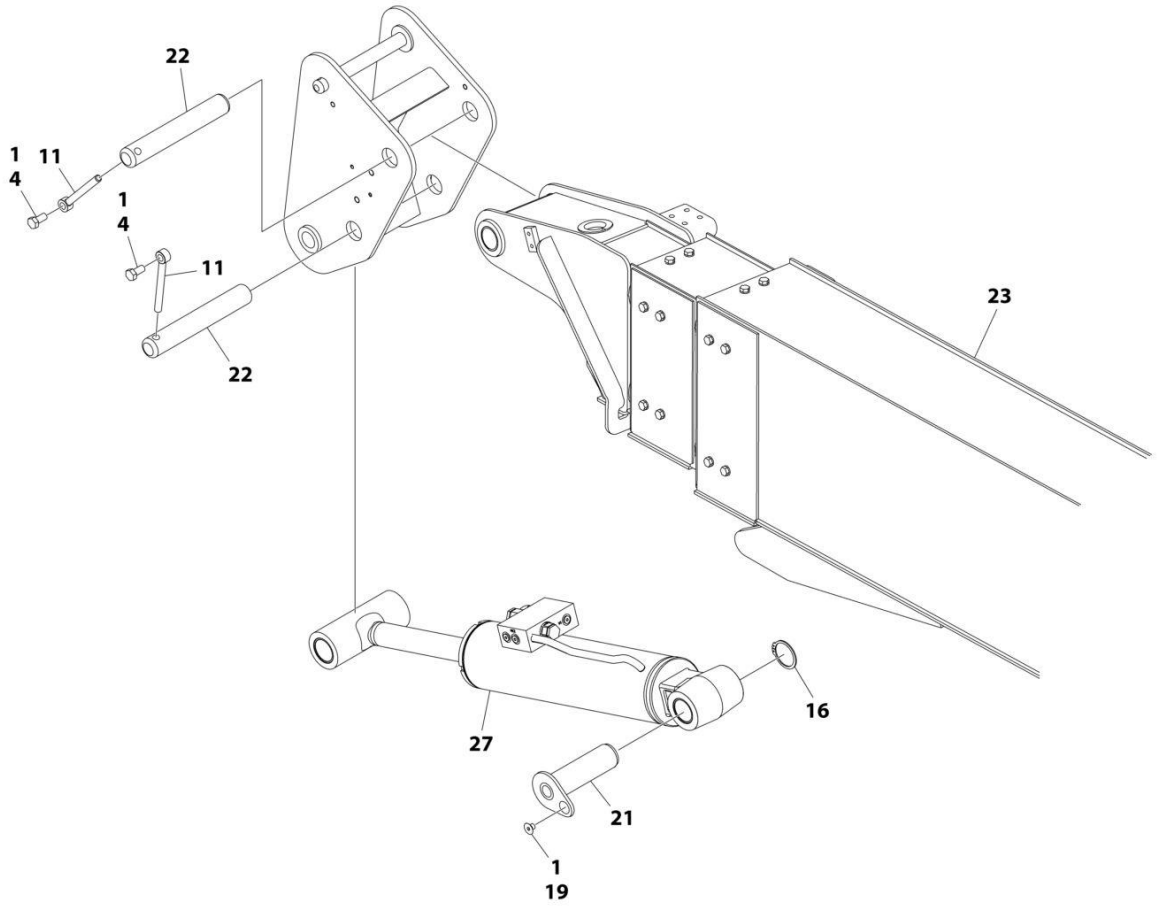
# SECTION 4 - BOOM

## FIGURE 4-3. BOOM INSTALLATION - 660SJ HC3 (Prior to SN 0300282236)



ART\_1001245145\_10F2

# SECTION 4 - BOOM



ART\_1001245145\_20F2

## SECTION 4 - BOOM

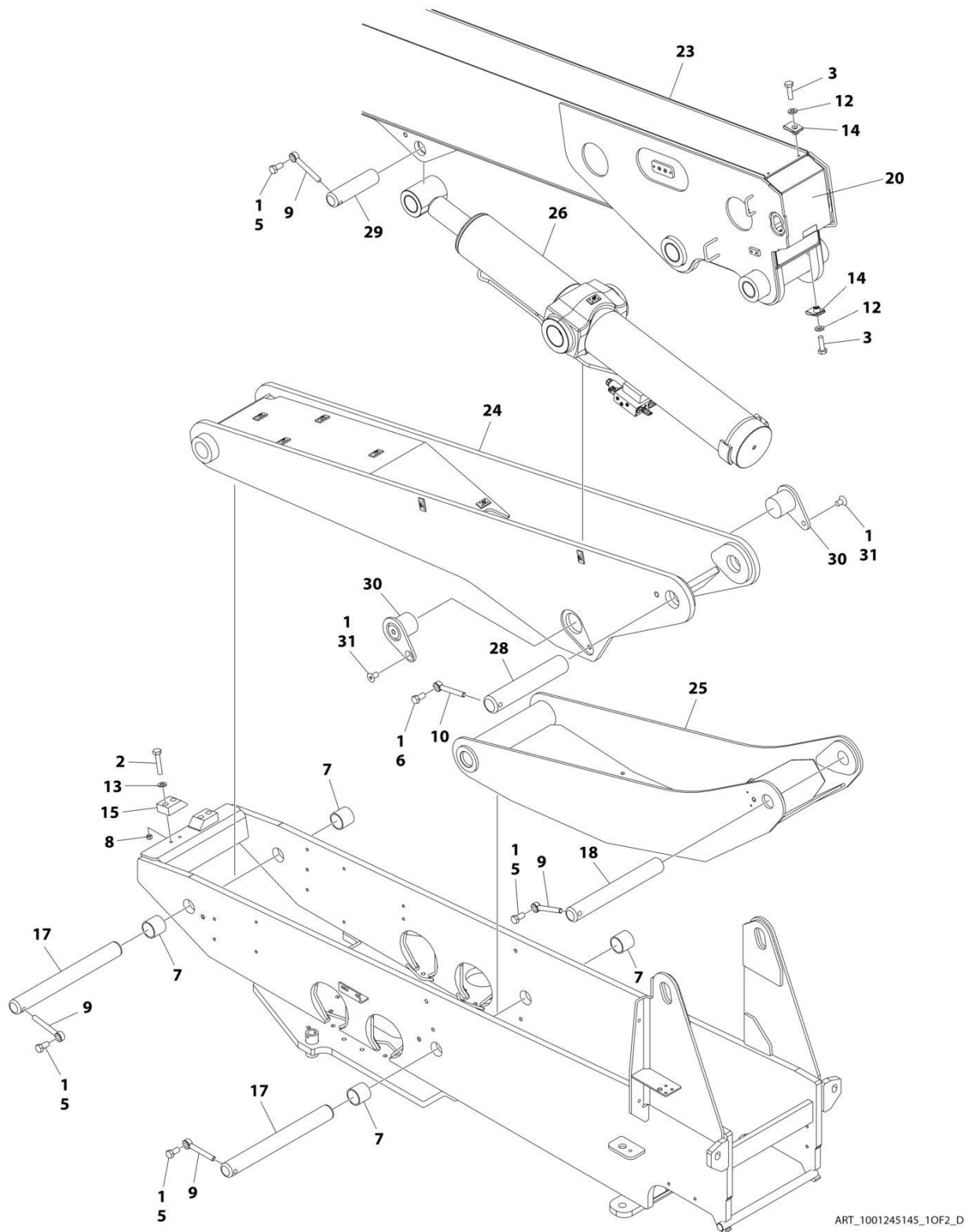
**FIGURE 4-3. BOOM INSTALLATION - 660SJ HC3 (Prior to SN 0300282236)**

ITEM	PART NUMBER	QTY	DESCRIPTION	REV
	1001245145	Ref	BOOM INSTALLATION	C
1	0100011	AR	Compound, Locking	
2	0701019	4	Bolt M10 x 55	
3	0760610	4	Bolt M6 x 20	
4	0761212	2	Bolt M12 x 25	
5	0762016	4	Bolt M20 x 40	
6	0762418	1	Bolt M24 x 50	
7	0962423	4	Bearing	
8	3291005	4	Nut M10	
9	3841287	4	Keeper, Pin	
10	3841356	1	Keeper, Pin	
11	3841203	2	Keeper, Pin	
12	4811700	4	Washer M6	
13	4812000	4	Washer M10	
14	1001130220	4	Nut - Tinnerman M6	
15	1001138459	2	Pad	
16	1001138671	1	Ring, Retaining	
17	1001174252	2	Pin	
18	1001174253	1	Pin	
19	1001192027	1	Screw M10 x 12	
20	1001228177	1	Cover	
21	1001237142	1	Pin	
22	1001237949	2	Pin	
23	1001244771	1	Boom assembly (See separate Breakdown in this Section)	
24	1001246502	1	Link	
25	1001247260	1	Link	
26	1001254890	1	Lift Cylinder Assembly (See Separate Breakdown in CYLINDER SECTION)	
27	1001247466	1	Level Cylinder Assembly Platform Slave (See Separate Breakdown in CYLINDER SECTION)	
28	1001249454	1	Pin	
29	1001249455	1	Pin	
30	1001249458	2	Pin	
31	1001249774	2	Bolt M20 x 35	



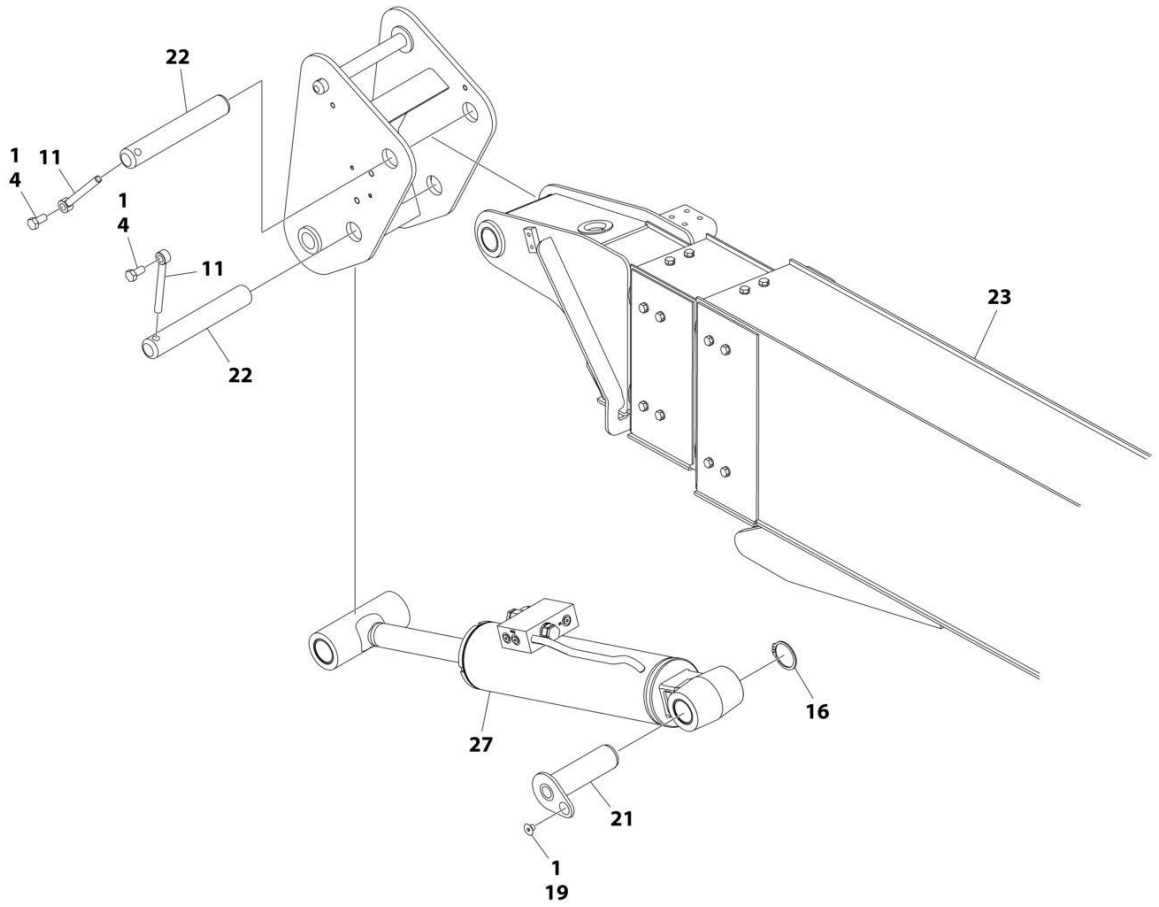
# SECTION 4 - BOOM

FIGURE 4-4. BOOM INSTALLATION - 660SJ HC3 (SN 0300282236 to Present, SN B300012852 to Present)





# SECTION 4 - BOOM



ART\_1001245145\_20F2\_D

## SECTION 4 - BOOM

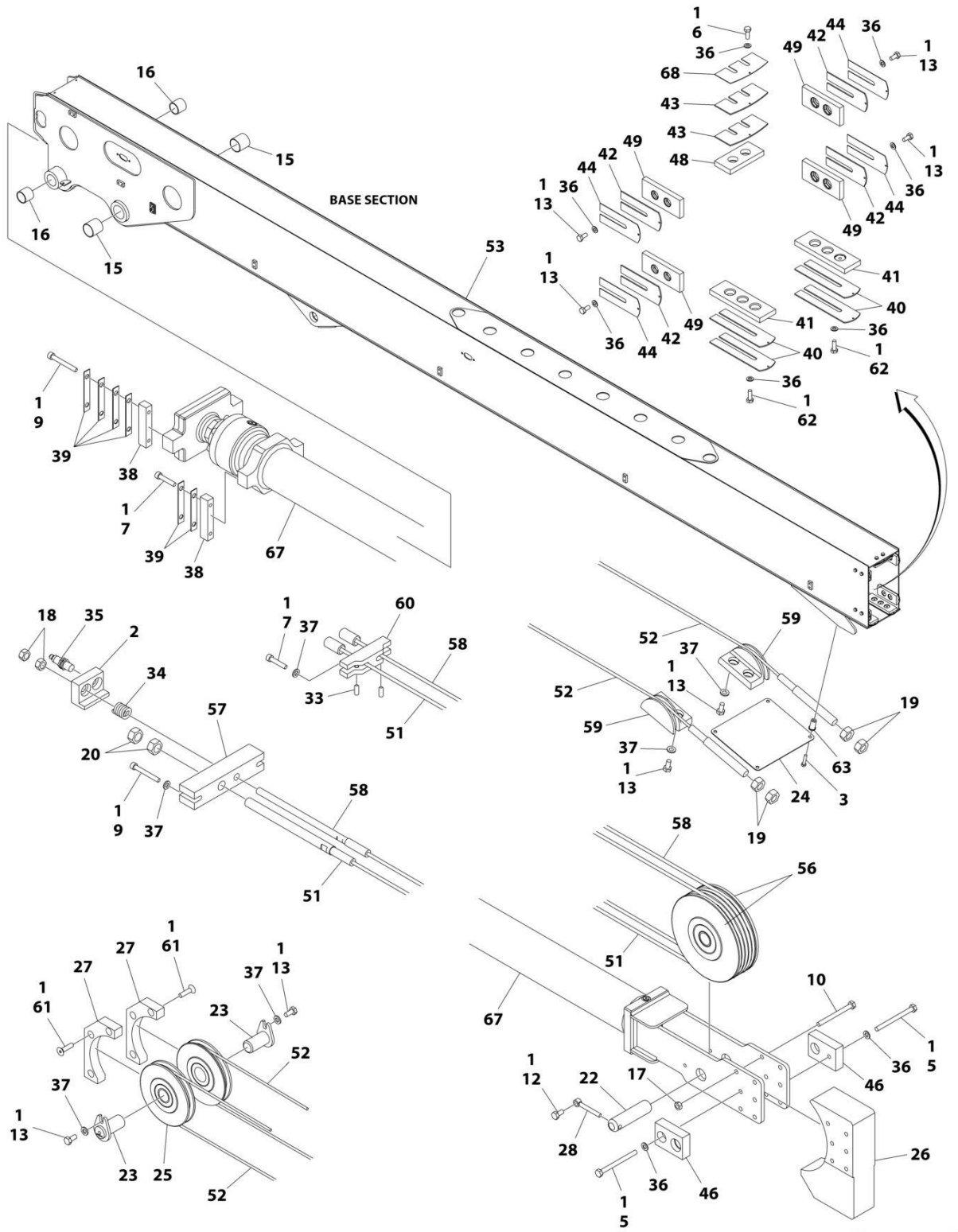
**FIGURE 4-4. BOOM INSTALLATION - 660SJ HC3 (SN 0300282236 to Present, SN B300012852 to Present)**

ITEM	PART NUMBER	QTY	DESCRIPTION	REV
	1001245145	Ref	BOOM INSTALLATION	D
1	0100011	AR	Compound, Locking	
2	0701019	4	Bolt M10 x 55	
3	0760610	4	Bolt M6 x 20	
4	0761212	2	Bolt M12 x 25	
5	0762016	4	Bolt M20 x 40	
6	0762418	1	Bolt M24 x 50	
7	0962423	4	Bearing	
8	3291005	4	Nut M10	
9	3841287	4	Keeper, Pin	
10	3841356	1	Keeper, Pin	
11	3841203	2	Keeper, Pin	
12	4811700	4	Washer M6	
13	4812000	4	Washer M10	
14	1001130220	4	Nut - Tinnerman M6	
15	1001138459	2	Pad	
16	1001138671	1	Ring, Retaining	
17	1001174252	2	Pin	
18	1001174253	1	Pin	
19	1001192027	1	Screw M10 x 12	
20	1001228177	1	Cover	
21	1001237142	1	Pin	
22	1001237949	2	Pin	
23	1001244771	1	Boom assembly (See separate Breakdown in this Section)	
24	1001246502	1	Link	
25	1001247260	1	Link	
26	1001272100	1	Lift Cylinder Assembly (See Separate Breakdown in CYLINDER Section)	
27	1001247466	1	Level Cylinder Assembly Platform Slave (See Separate Breakdown in CYLINDER Section)	
28	1001249454	1	Pin	
29	1001249455	1	Pin	
30	1001249458	2	Pin	
31	1001249774	2	Bolt M20 x 35	



# SECTION 4 - BOOM

## FIGURE 4-5. BOOM ASSEMBLY - 600S HC3



ART\_1001234458\_10F2



# SECTION 4 - BOOM

## FIGURE 4-5. BOOM ASSEMBLY - 600S HC3

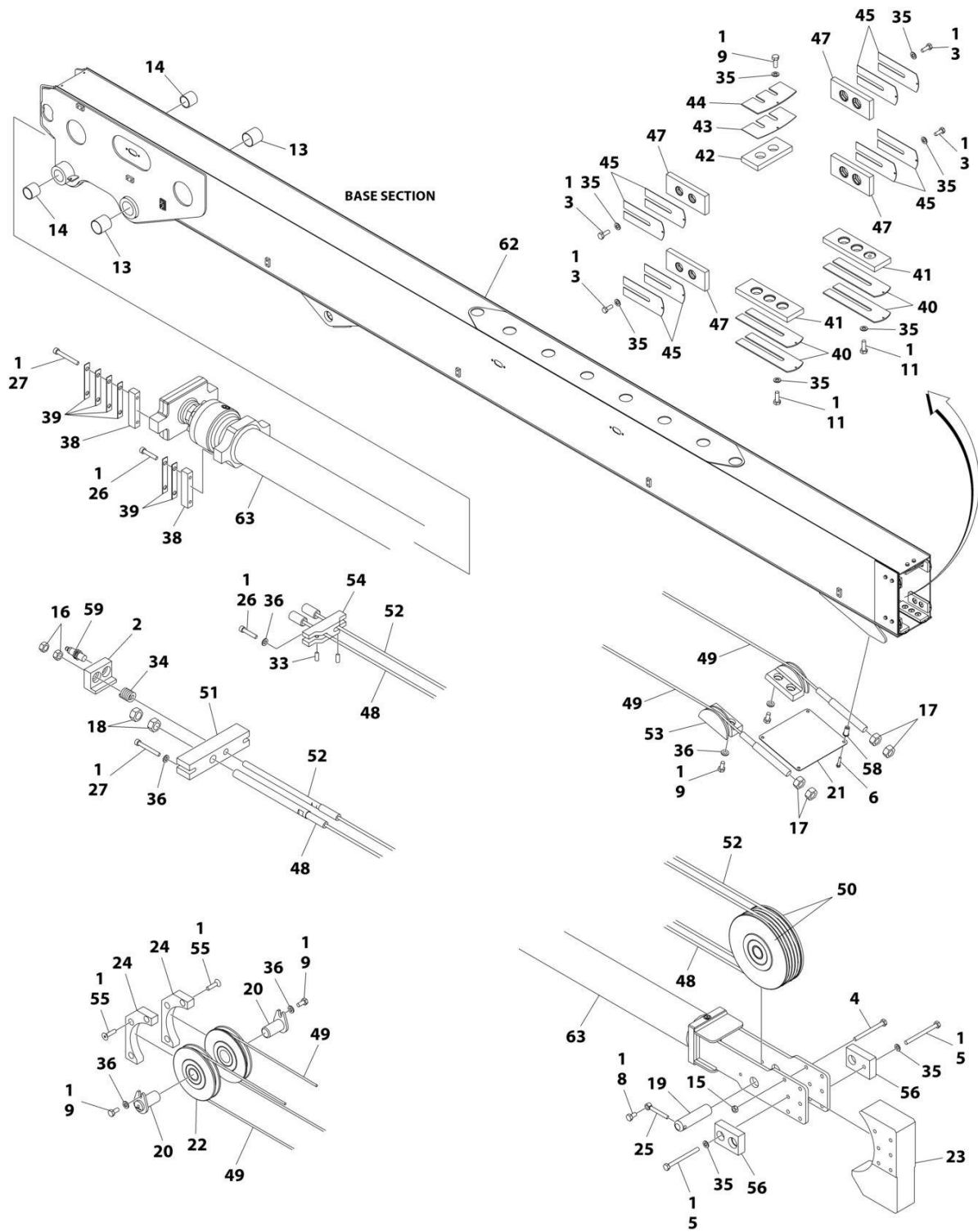
ITEM	PART NUMBER	QTY	DESCRIPTION	REV
	1001234458	Ref	BOOM ASSEMBLY	F
1	0100011	AR	Compound, Locking	
2	0561508	1	Block	
3	0760614	4	Bolt M6 x 30	
5	0701029	2	Bolt M10 x 120	
6	0701013	8	Bolt M10 x 28	
7	4032014	6	Capscrew M10 x 50	
9	4032020	6	Capscrew M10 x 80	
10	0701028	4	Bolt M10 x 110	
11	0761009	10	Bolt M10 x 18	
12	0761010	9	Bolt M10 x 20	
13	0761011	22	Bolt M10 x 22	
14	0761012	6	Bolt M10 x 25	
15	0962033	2	Bushing	
16	0962423	2	Bearing	
17	3291001	4	Nut M10	
18	3291601	2	Nut M16	
19	3292001	4	Nut M20	
20	3292201	2	Nut M22	
21	1001191385	2	Pad, Wear	
22	3422417	1	Pin	
23	3422424	2	Pin	
24	3539622	1	Cover	
25	3580243	2	Sheave, Retract	
25	0961951	2	Bushing (1 Per Sheave)	
26	3580248	1	Guard, Sheave (Extend)	
27	3580249	2	Guard, Sheave (Retract)	
28	3841143	1	Keeper, Pin	
29	4070895	6	Shim 16Ga	
30	4070896	2	Shim .06	
31	4070939	1	Shim 16Ga	
32	4070940	1	Shim 16Ga	
33	4092009	2	Setscrew M10 x 25	
34	4160149	1	Spring	
35	1001285877	1	Switch, Proximity	
36	4812000	38	Washer M10	
37	5241000	10	Washer M10	
38	1001135488	4	Block	
39	1001136571	12	Shim 16Ga	
40	1001136575	9	Shim 11Ga	
41	1001136583	5	Pad, Wear	
42	4070898	16	Shim 11Ga	
43	1001138436	4	Shim 11Ga	
44	4070897	16	Shim 18Ga	
45	1001148650	2	Pad, Wear	
46	1001191384	2	Pad, Wear	
48	1001136587	2	Pad, Wear	
49	1001153398	16	Pad, Wear	
51	1001175998	1	Rope, Wire (Extend)	
52	1001175999	2	Rope, Wire (Retract)	

## SECTION 4 - BOOM

ITEM	PART NUMBER	QTY	DESCRIPTION	REV
53	1001234459	1	Base Boom	
54	1001176212	1	Mid, Boom	
55	1001180882	1	Fly, Boom	
56	1001184913	2	Sheave, Extend	
56	1001184918	2	Bushing (1 Per Sheave)	
56	1001184917	2	Sleeve, Bronze (1 Per Sheave)	
56	1001184915	2	Ring, Retaining (1 Per Sheave)	
57	1001186541	1	Block	
58	1001189859	1	Rope, Wire (Extend)	
59	1001191048	2	Sheave, Block	
60	1001191202	1	Block	
61	1001191205	6	Screw M10 x 40	
62	0761014	6	Bolt M10 x 30	
63	1001203719	4	Wellnut M6	
64	0761016	4	Bolt M10 x 40	
65	0761017	4	Bolt M10 x 45	
67	1001251079	1	Telescope Cylinder Assembly (See Separate Breakdown in CYLINDER SECTION)	
68	1001136590	2	Shim	

# SECTION 4 - BOOM

## FIGURE 4-6. BOOM ASSEMBLY - 660SJ HC3



ART\_1001244771\_10F2





# SECTION 4 - BOOM

## FIGURE 4-6. BOOM ASSEMBLY - 660SJ HC3

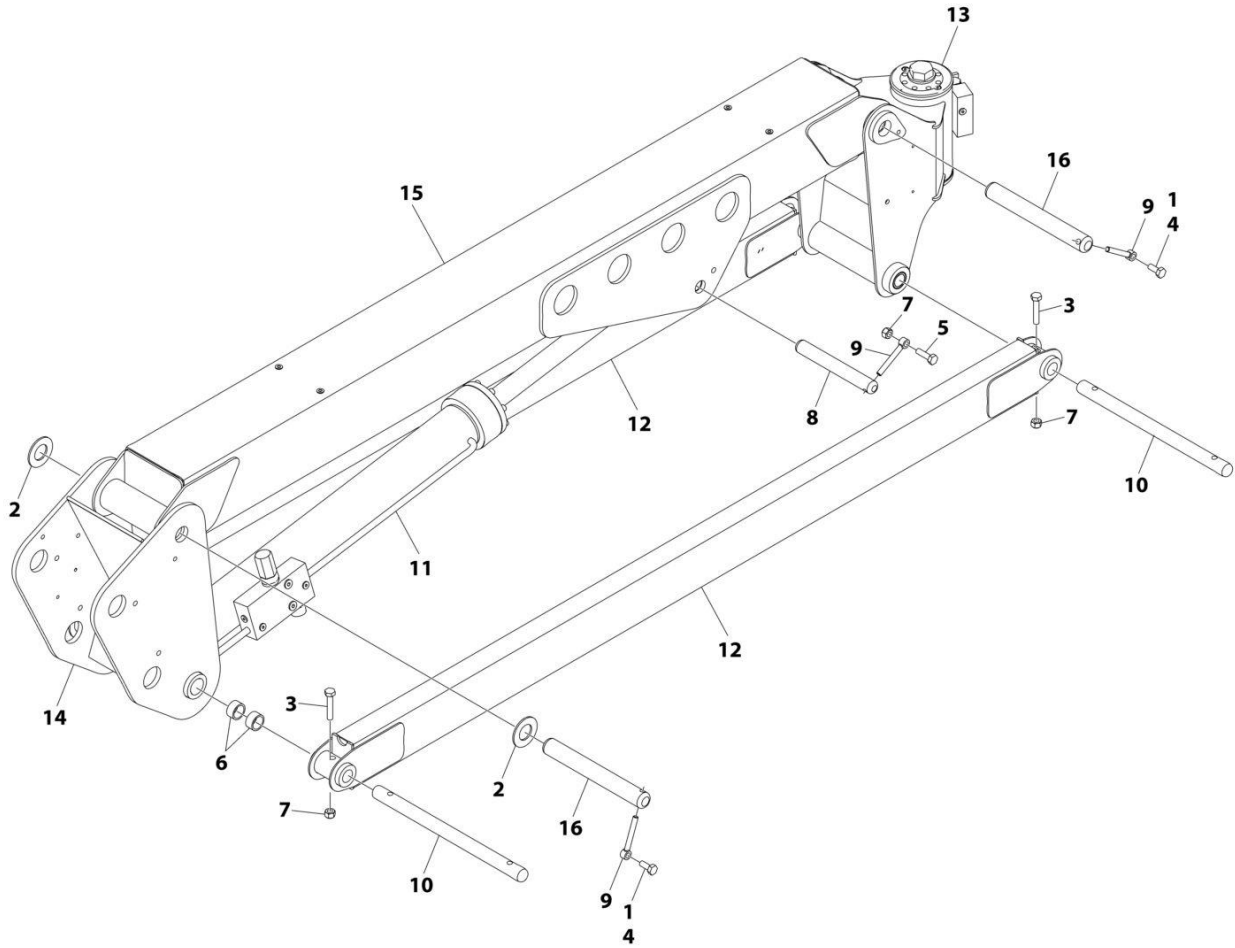
ITEM	PART NUMBER	QTY	DESCRIPTION	REV
	1001244771	Ref	BOOM ASSEMBLY	D
1	0100011	AR	Compound, Locking	
2	0561508	1	Block	
3	0701013	14	Bolt M10 x 28	
4	0701028	4	Bolt M10 x 110	
5	0701029	2	Bolt M10 x 120	
6	0760614	4	Bolt M6 x 30	
7	0761009	10	Bolt M10 x 18	
8	0761010	5	Bolt M10 x 20	
9	0761011	12	Bolt M10 x 22	
10	0761012	14	Bolt M10 x 25	
11	0761014	6	Bolt M10 x 30	
12	0761016	8	Bolt M10 x 40	
13	0962033	2	Bushing	
14	0962423	2	Bearing	
15	3291001	4	Nut M10	
16	3291601	2	Nut M16	
17	3292001	4	Nut M20	
18	3292201	2	Nut M22	
19	3422417	1	Pin	
20	3422424	2	Pin	
21	3539622	1	Cover	
22	3580243	2	Sheave, Retract	
22	0961951	2	Bushing (1 Per Sheave)	
23	3580248	1	Guard, Sheave (Extend)	
24	3580249	2	Guard, Sheave (Retract)	
25	3841143	1	Keeper, Pin	
26	4032014	6	Capscrew M10 x 50	
27	4032020	6	Capscrew M10 x 80	
28	4060805	6 in/ 16cm	Flex - Trim	
29	4070895	4	Shim 16Ga	
30	4070896	2	Shim .06	
31	4070939	1	Shim 16Ga	
32	4070940	1	Shim 16Ga	
33	4092009	2	Setscrew M10 x 25	
34	4160149	1	Spring	
35	4812000	38	Washer M10	
36	5241000	10	Washer M10	
37	1001118666	2	Bushing	
38	1001135488	4	Block	
39	1001136571	12	Shim 16Ga	
40	1001136575	9	Shim 11Ga	
41	1001136583	5	Pad, Wear	
42	1001136587	2	Pad, Wear	
43	1001136590	1	Shim	
44	1001138436	3	Shim 11Ga	
45	4070897	32	Shim 18Ga	
46	1001148650	2	Pad, Wear	
47	1001153398	16	Pad, Wear	
48	1001175998	1	Rope, Wire (Extend)	

## SECTION 4 - BOOM

ITEM	PART NUMBER	QTY	DESCRIPTION	REV
49	1001175999	2	Rope, Wire (Retract)	
50	1001184913	2	Sheave, Extend	
50	1001184918	2	Bushing (1 per Sheave)	
50	1001184915	2	Ring, Retaining (1 per Sheave)	
50	1001184917	2	Sleeve, Bronze (1 per Sheave)	
51	1001186541	1	Block	
52	1001189859	1	Rope, Wire (Extend)	
53	1001191048	2	Sheave, Block	
54	1001191202	1	Block	
55	1001191205	6	Screw M10 x 40	
56	1001191384	2	Pad, Wear	
57	1001191385	2	Pad, Wear	
58	1001203719	4	Wellnut M6	
59	1001285877	1	Switch, Proximity	
60	1001244747	1	Fly, Boom	
61	1001244762	1	Mid, Boom	
62	1001244770	1	Base, Boom	
63	1001251079	1	Telescope Cylinder Assembly (See Separate Breakdown in CYLINDER SECTION)	

# SECTION 4 - BOOM

## FIGURE 4-7. JIB ASSEMBLY - 660SJ HC3



ART\_1001238328\_F

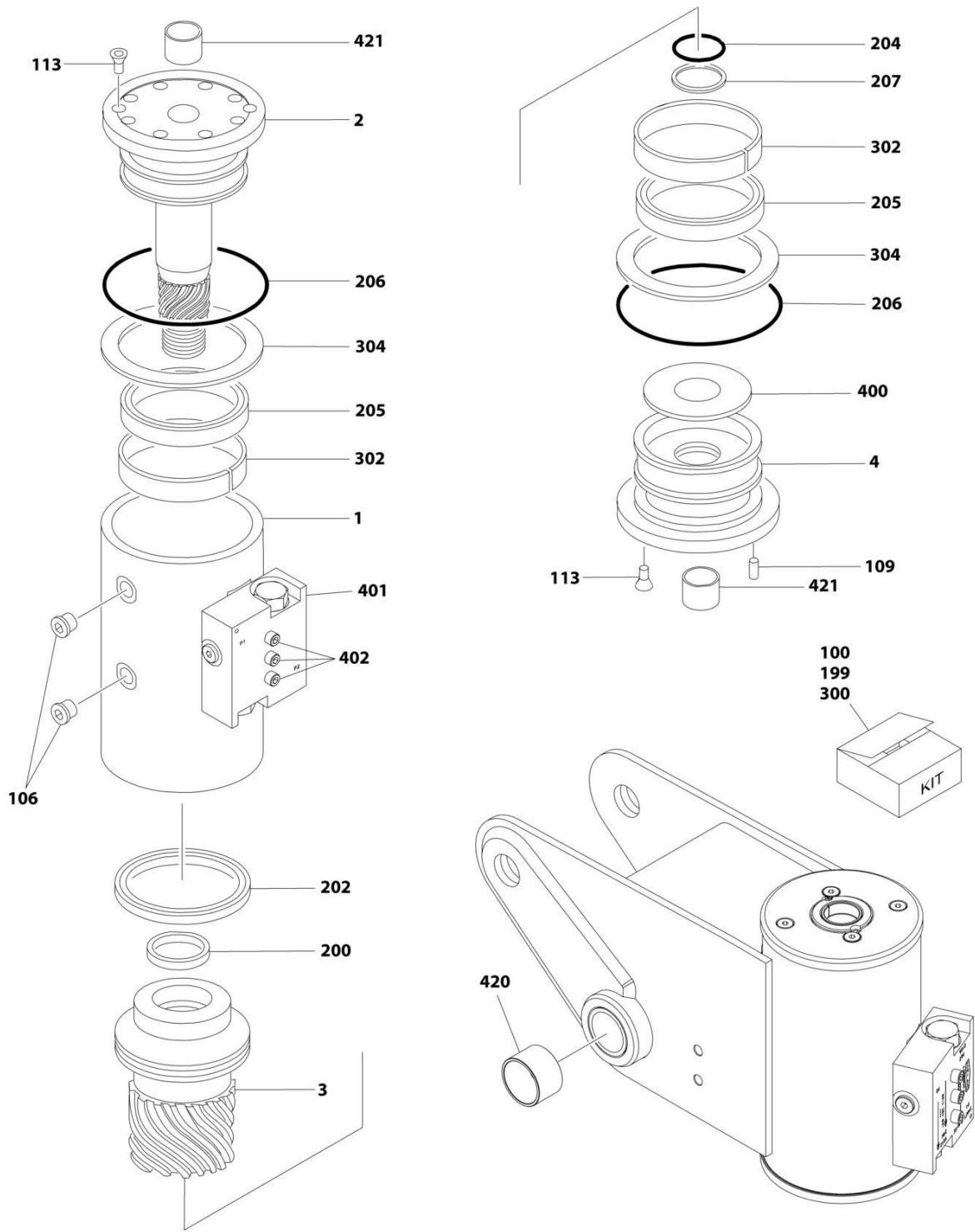
## SECTION 4 - BOOM

**FIGURE 4-7. JIB ASSEMBLY - 660SJ HC3**

ITEM	PART NUMBER	QTY	DESCRIPTION	REV
	1001238328	Ref	JIB BOOM ASSEMBLY	F
1	0100011	AR	Compound, Locking	
2	0440162	2	Thrustwasher 0.188IN Thick	
2	0440237	1	Thrustwasher 0.125IN Thick	
3	0701020	1	Bolt M10 x 60	
4	0761012	2	Bolt M10 x 25	
5	0761015	1	Bolt M10 x 35	
6	0961947	4	Bearing 1IN ID x 1.25IN OD x 5/8IN L	
6	1001134289	4	Bearing 1IN ID x 1.5IN OD x 1IN L	
7	3291005	5	Nut M10	
8	3422867	1	Pin	
9	3841143	3	Keeper, Pin	
10	3422861	1	Pin	
11	1001264991	1	Lift Cylinder Assembly - Jib (See Separate Breakdown in CYLINDER SECTION)	
12	4844817	1	Link	
13	1001234811	1	Rotator Assembly (See Separate Breakdown in this Section)	
14	1001238168	1	Pivot	
15	1001238333	1	Tube (Upper)	
15	0962155	1	Bushing	
16	1001238398	2	Pin	

# SECTION 4 - BOOM

## FIGURE 4-8. PLATFORM ROTATOR ASSEMBLY - 600S HC3



ART\_1001187348

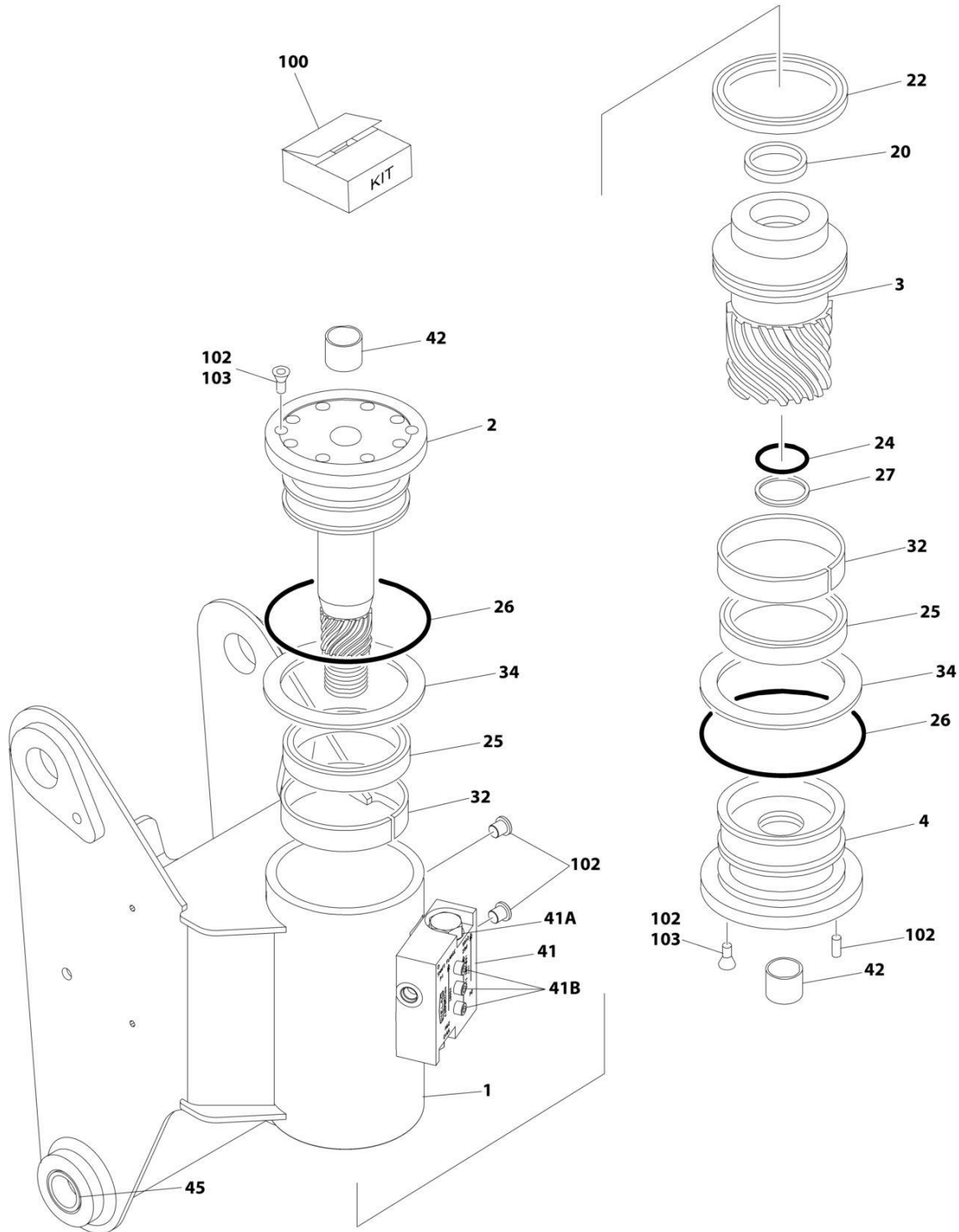
## SECTION 4 - BOOM

**FIGURE 4-8. PLATFORM ROTATOR ASSEMBLY - 600S HC3**

ITEM	PART NUMBER	QTY	DESCRIPTION	REV
	1001187348	Ref	PLATFORM ROTATOR ASSEMBLY	E
1	See Note	NSS	Housing/Ring Gear (Note: Purchase Complete Assembly)	
2	7017162	1	Shaft	
3	7017163	1	Piston	
4	7017164	1	Cap	
100	7017142	1	Hardware Kit (Includes Items 106-109)	
106	See Note	NSS	Plug (Note: Use Item 100)	
109	See Note	NSS	Pin, Dowel (Note: Use Item 100)	
113	70001697	6	Screw 1/4 x 3/8	
199	70000342	1	Seal Kit - Low Temperature (Includes Items 200-207)	
200	See Note	NSS	T-Seal (Note: Use Item 199)	
202	See Note	NSS	T-Seal (Note: Use Item 199)	
204	See Note	NSS	O-Ring (Note: Use Item 199)	
205	See Note	NSS	Seal (Note: Use Item 199)	
206	See Note	NSS	O-Ring (Note: Use Item 199)	
207	See Note	NSS	Ring, Back-up (Note: Use Item 199)	
300	7017159	1	Bearing Kit (Includes Items 302-304)	
302	See Note	NSS	Bearing (Note: Use Item 300)	
304	See Note	NSS	Washer, Thrust (Note: Use Item 300)	
400	70005671	1	Stop	
401	7017172	1	Valve, Control (Note: Sold as Assembly Only)	
401	7017192	2	Cartridge, Valve - Counterbalance (Seal Kit Not Available)	
401	See Note	1	Cartridge, Valve - Check (Seal Kit Not Available) (Note: Use p/n 7017172)	
402	See Note	1	Bolt 1/4 x 1-1/2 Grade 8 (Note: Purchase Locally)	
420	0961951	2	Bushing	
421	7017195	2	Bushing	

# SECTION 4 - BOOM

## FIGURE 4-9. PLATFORM ROTATOR ASSEMBLY - 660SJ HC3



ART\_1001234811



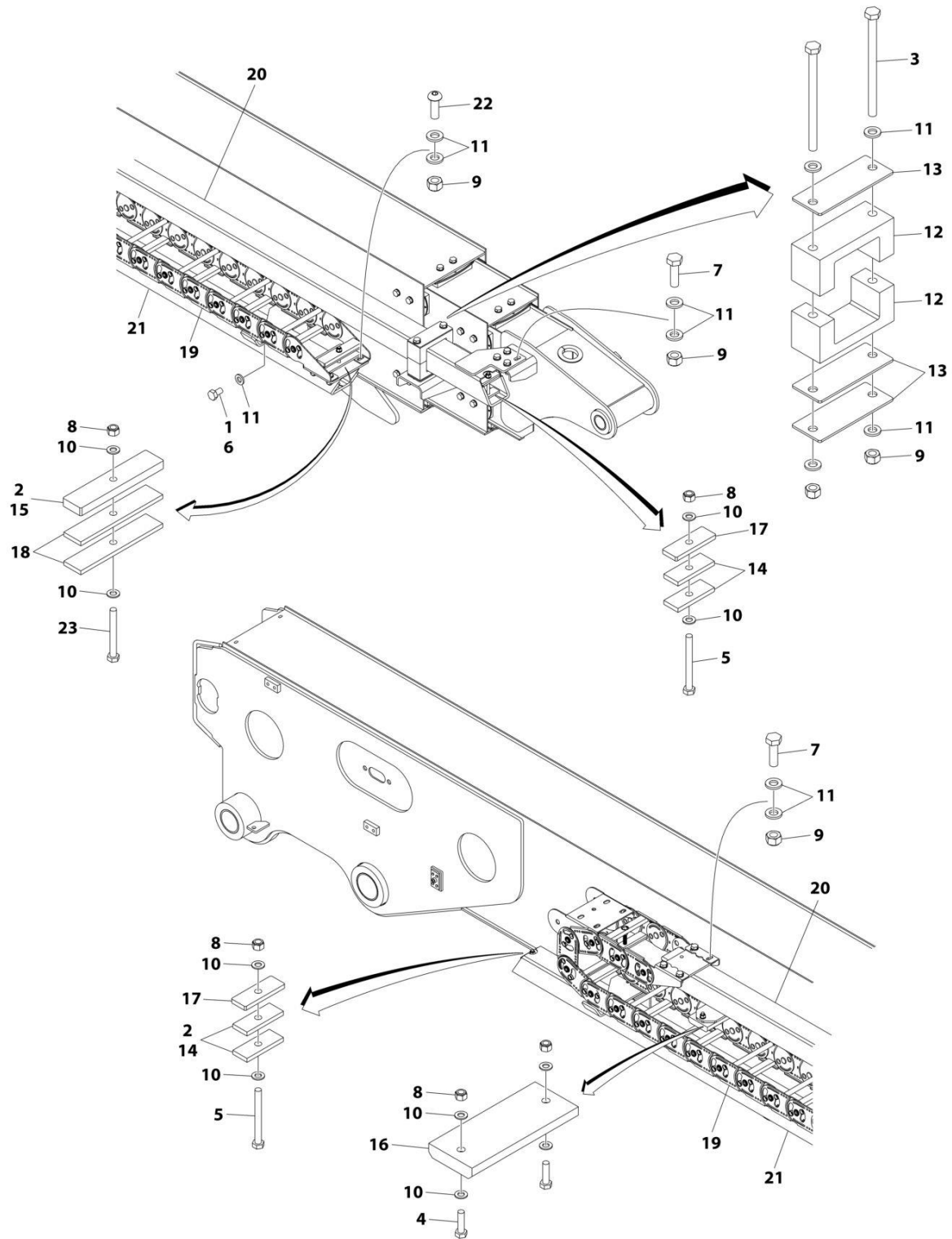
## SECTION 4 - BOOM

**FIGURE 4-9. PLATFORM ROTATOR ASSEMBLY - 660SJ HC3**

ITEM	PART NUMBER	QTY	DESCRIPTION	REV
	1001234811	Ref	ROTATOR ASSEMBLY	B
1	See Note	NSS	Housing/Ring Gear Assembly (Note: Not Available - Purchase Complete Rotator Assembly)	
2	7017162	1	Shaft Weldment	
3	7017163	1	Piston/Sleeve Assembly	
4	7017164	1	Cap, End	
20	See Note	NSS	T-Seal (Note: Use Item 100)	
22	See Note	NSS	T-Seal (Note: Use Item 100)	
24	See Note	NSS	O-Ring (Note: Use Item 100)	
25	See Note	NSS	Seal (Note: Use Item 100)	
26	See Note	NSS	O-Ring (Note: Use Item 100)	
27	See Note	NSS	Ring, Back-up (Note: Use Item 100)	
32	See Note	NSS	Ring, Wear (Note: Use Item 101)	
34	See Note	NSS	Washer, Thrust (Note: Use Item 101)	
41	7017172	AR	Valve Assembly	
41A	7017192	2	Cartridge, Valve	
41A	See Note	NSS	Seal Kit - 7017192 Valve (Note: Not Available for Purchase)	
41B	See Note	3	Bolt 1/4-20NC x 1-1/2 Grade 8 (Note: Not Available - Purchase Locally)	
42	7017195	2	Bushing	
45	0961947	2	Bushing 1IN ID x 1.25IN OD x 5/8IN L	
45	1001134289	2	Bushing 1IN ID x 1.5IN OD x 1IN L	
100	70000342	1	Seal Kit (Includes Items 20, 22, 24, 25, 27 & 33)	
101	7017159	1	Bearing Kit (Includes Items 32 & 34)	
102	7017142	1	Hardware Kit	
103	70001697	4	Screw, Countersunk 1/4 x 3/8 Grade 8	

# SECTION 4 - BOOM

## FIGURE 4-10. POWER TRACK INSTALLATION - 600S HC3



ART\_1001174630\_F

## SECTION 4 - BOOM

**FIGURE 4-10. POWER TRACK INSTALLATION - 600S HC3**

ITEM	PART NUMBER	QTY	DESCRIPTION	REV
	1001174630	Ref	POWER TRACK INSTALLATION	F
1	0100011	AR	Compound, Locking	
2	0100081	AR	Adhesive	
3	0701032	2	Bolt M10 x 150	
4	0760814	2	Bolt M8 x 30	
5	0760824	2	Bolt M8 x 80	
6	0761009	8	Bolt M10 x 18	
7	0761015	8	Bolt M10 x 35	
8	3290805	5	Nut M8	
9	3291005	14	Nut M10	
10	4811900	10	Washer M8	
11	5241000	36	Washer M10	
12	1001136398	2	Pad	
13	1001136400	AR	Plate	
14	1001136402	4	Pad	
15	1001136461	1	Plate	
16	3340787	1	Pad, Wear	
17	1001139078	2	Plate	
18	1001151192	2	Pad	
19	1001174631	1	Powertrack Assembly	
19	70005683	AR	Repair Section - Power Track	
19	70005684	1	Mounting Kit - Power Track (Includes Mounting Feet and Hardware)	
20	1001174632	1	Tube, Push	
21	1001174636	1	Support	
22	1001174673	4	Screw M10 x 30	
23	0760822	1	Bolt M8 x 70	



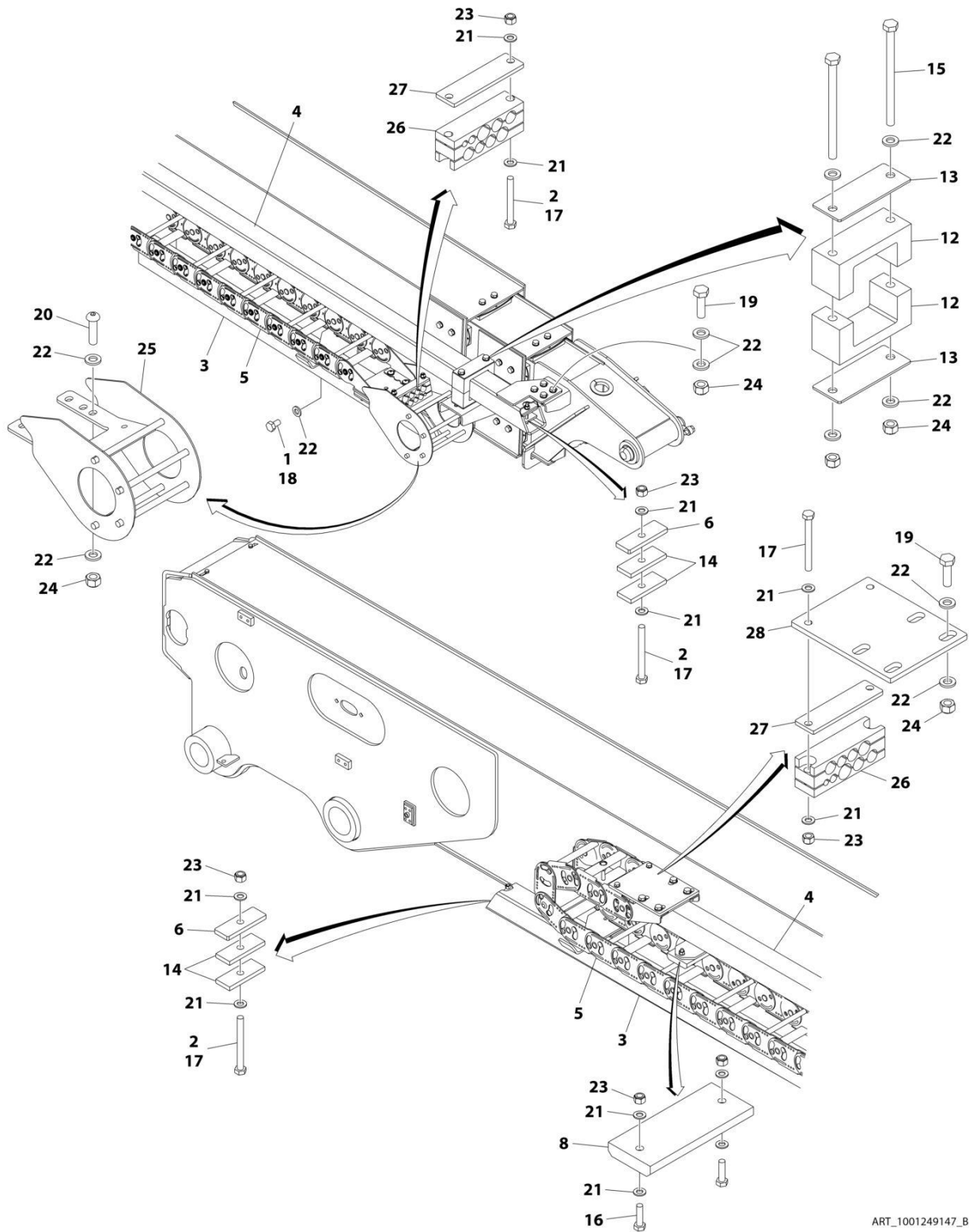
## SECTION 4 - BOOM

**FIGURE 4-11. POWER TRACK ASSEMBLY - 660SJ HC3 (Prior to SN 0300274693)**

ITEM	PART NUMBER	QTY	DESCRIPTION	REV
	1001249147	Ref	POWER TRACK INSTALLATION	A
1	0100011	AR	Compound, Locking	
2	0100081	AR	Adhesive	
3	1001174636	1	Support	
4	1001174632	1	Tube, Push	
5	1001174631	1	Powertrack Assembly	
5	70005683	AR	Repair Section - Power Track	
5	70005684	1	Mounting Kit - Power Track (Includes Mounting Feet and Hardware)	
6	1001139078	2	Plate	
8	3340787	1	Pad, Wear	
12	1001136398	2	Pad	
13	1001136400	2	Plate	
14	1001136402	4	Pad	
15	0701032	2	Bolt M10 x 150	
16	0760814	2	Bolt M8 x 30	
17	0760824	6	Bolt M8 x 80	
18	0761009	8	Bolt M10 x 18	
19	0761015	8	Bolt M10 x 35	
20	3900394	4	Bolt M10 x 40	
21	4811900	18	Washer M8	
22	5241000	36	Washer M10	
23	3290805	10	Nut M8	
24	3291005	14	Nut M10	
25	1001243755	1	Mount	
26	1001249823	2	Clamp	
27	1001249824	2	Plate, Clamp Block	
28	1001249825	1	Plate	

# SECTION 4 - BOOM

## FIGURE 4-12. POWER TRACK ASSEMBLY - 660SJ HC3 (SN 0300274693 to Present)



ART\_1001249147\_B

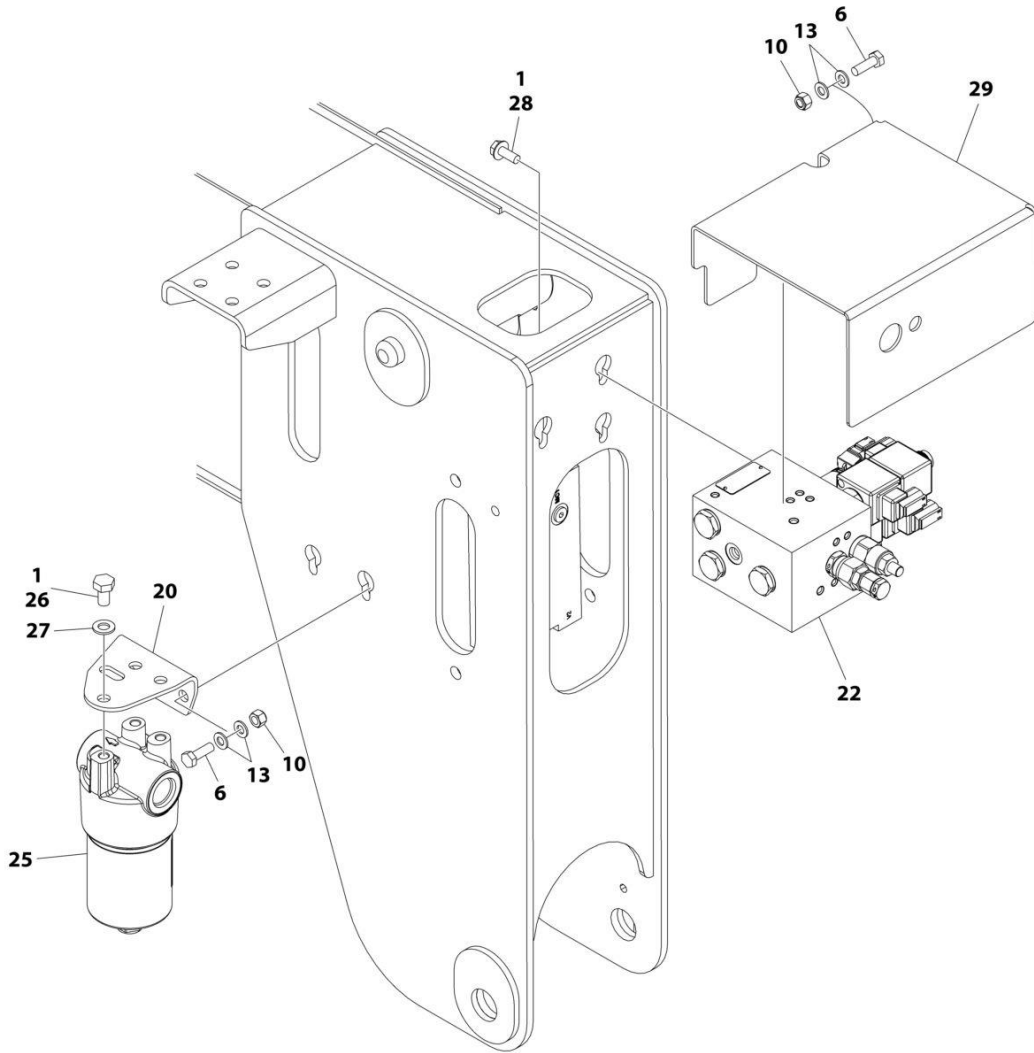
## SECTION 4 - BOOM

**FIGURE 4-12. POWER TRACK ASSEMBLY - 660SJ HC3 (SN 0300274693 to Present)**

ITEM	PART NUMBER	QTY	DESCRIPTION	REV
	1001249147	Ref	POWER TRACK INSTALLATION	B
1	0100011	AR	Compound, Locking	
2	0100081	AR	Adhesive	
3	1001174636	1	Support	
4	1001174632	1	Tube, Push	
5	1001174631	1	Powertrack Assembly	
5	70005683	AR	Repair Section - Power Track	
5	70005684	1	Mounting Kit - Power Track (Includes Mounting Feet and Hardware)	
6	1001139078	2	Plate	
8	3340787	1	Pad, Wear	
12	1001136398	2	Pad	
13	1001136400	2	Plate	
14	1001136402	4	Pad	
15	0701032	2	Bolt M10 x 150	
16	0760814	2	Bolt M8 x 30	
17	0760824	6	Bolt M8 x 80	
18	0761009	8	Bolt M10 x 18	
19	0761015	8	Bolt M10 x 35	
20	3900394	4	Bolt M10 x 40	
21	4811900	18	Washer M8	
22	5241000	36	Washer M10	
23	3290805	10	Nut M8	
24	3291005	14	Nut M10	
25	1001243755	1	Mount	
26	1001249823	2	Clamp	
27	1001249824	2	Plate, Clamp Block	
28	1001249825	1	Plate	

# SECTION 4 - BOOM

## FIGURE 4-13. BOOM VALVES INSTALLATION - 600S HC3



ART\_1001188166\_20F2



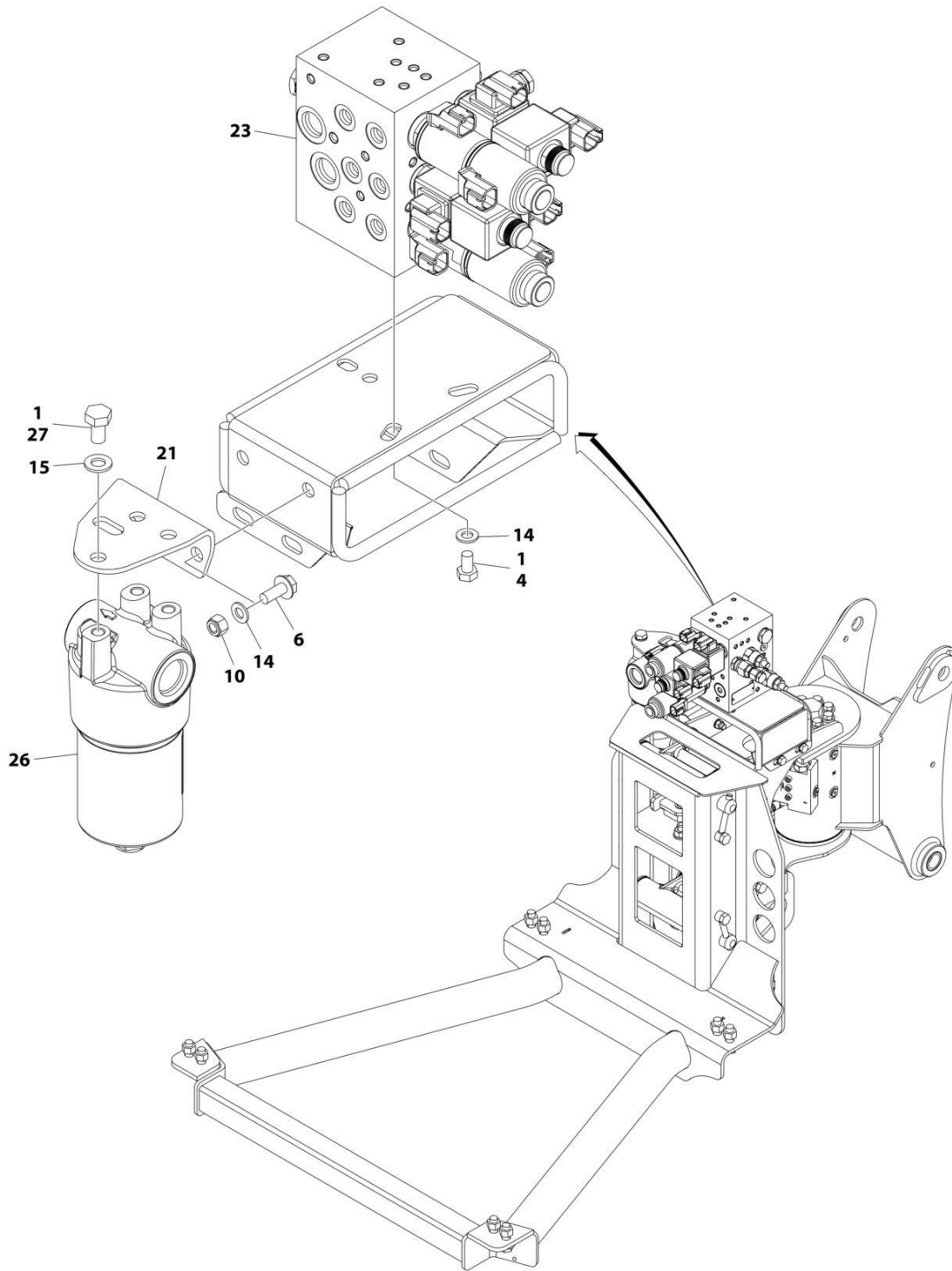
## SECTION 4 - BOOM

**FIGURE 4-13. BOOM VALVES INSTALLATION - 600S HC3**

ITEM	PART NUMBER	QTY	DESCRIPTION	REV
	1001188166	Ref	BOOM VALVES INSTALLATION	G
1	0100011	AR	Compound, Locking	
6	0760812	AR	Bolt M8 x 25	
6	0760814	AR	Bolt M8 x 30	
10	3290805	3	Nut M8	
13	4811900	6	Washer M8	
20	1001188302	1	Plate	
22	1001190287	1	Platform Valve Assembly (See Separate Breakdown in this Section)	
25	1001201511	1	Filter, High Pressure	
25	70005335	1	Element, Filter	
25	70005682	1	Repair Kit (Includes Element O-Ring, Bowl O-Ring & Back-up Ring)	
26	0761009	3	Bolt M10 x 18	
27	4812000	3	Washer M10	
28	5250810	3	Bolt M8 x 20	
29	1001204529	1	Cover	

# SECTION 4 - BOOM

## FIGURE 4-14. BOOM VALVES INSTALLATION - 660SJ HC3



ART\_1001188168\_2OF2

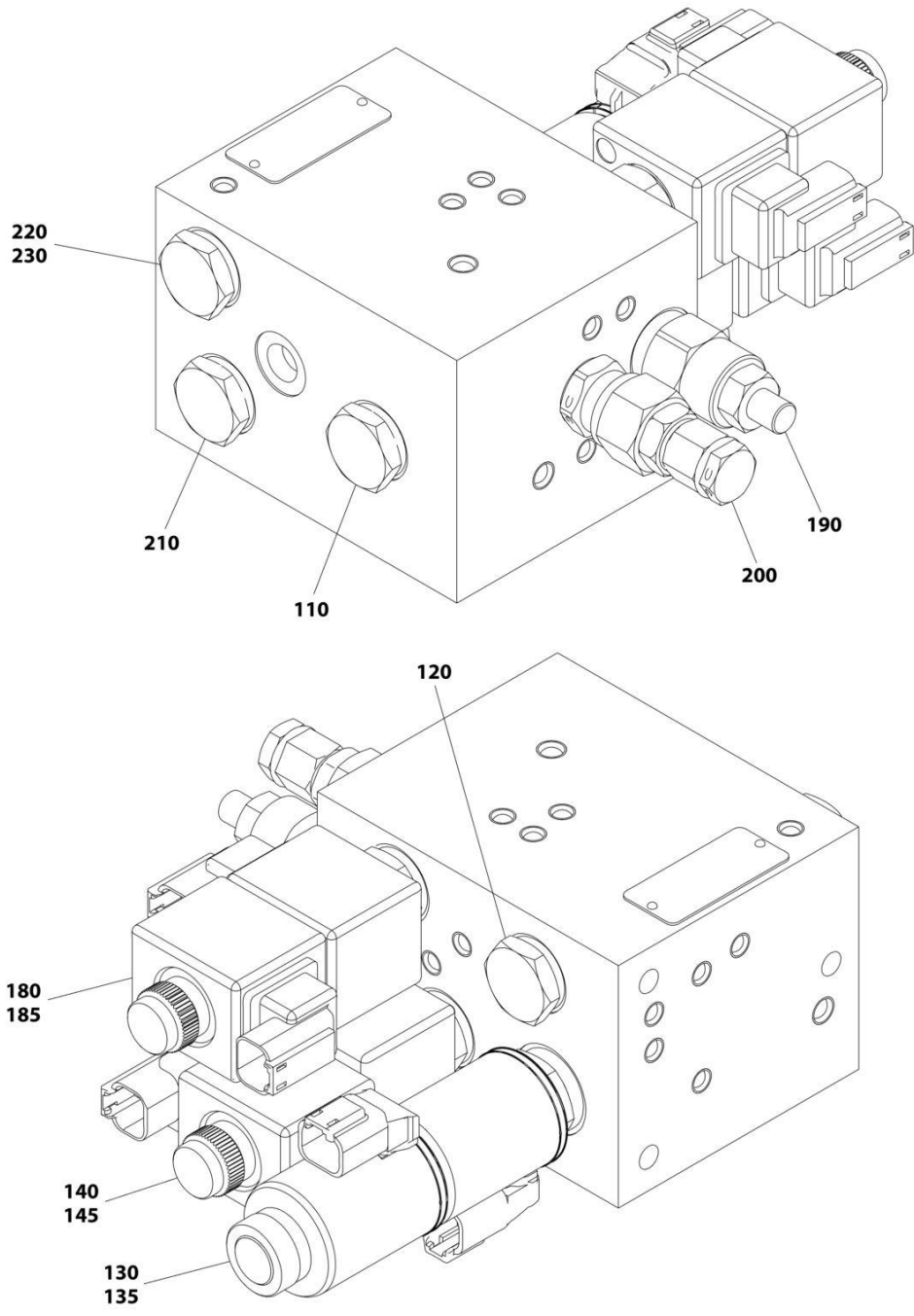
## SECTION 4 - BOOM

**FIGURE 4-14. BOOM VALVES INSTALLATION - 660SJ HC3**

ITEM	PART NUMBER	QTY	DESCRIPTION	REV
	1001188168	Ref	BOOM VALVES INSTALLATION	G
1	0100011	AR	Compound, Locking	
4	0760807	3	Bolt M8 x 14	
6	5250810	2	Bolt M8 x 20	
10	3290805	2	Nut M8	
14	4811900	5	Washer M8	
15	4812000	3	Washer M10	
21	1001188302	1	Plate	
23	1001190286	1	Platform Valve Assembly (See Separate Breakdown in this Section)	
26	1001201511	1	Filter, High Pressure	
26	70005335	1	Element, Filter	
26	70005682	1	Repair Kit (Includes Element O-Ring, Bowl O-Ring & Back-up Ring)	
27	0761009	3	Bolt M10 x 18	

# SECTION 4 - BOOM

## FIGURE 4-15. PLATFORM VALVE ASSEMBLY - 600S HC3



ART\_1001190287

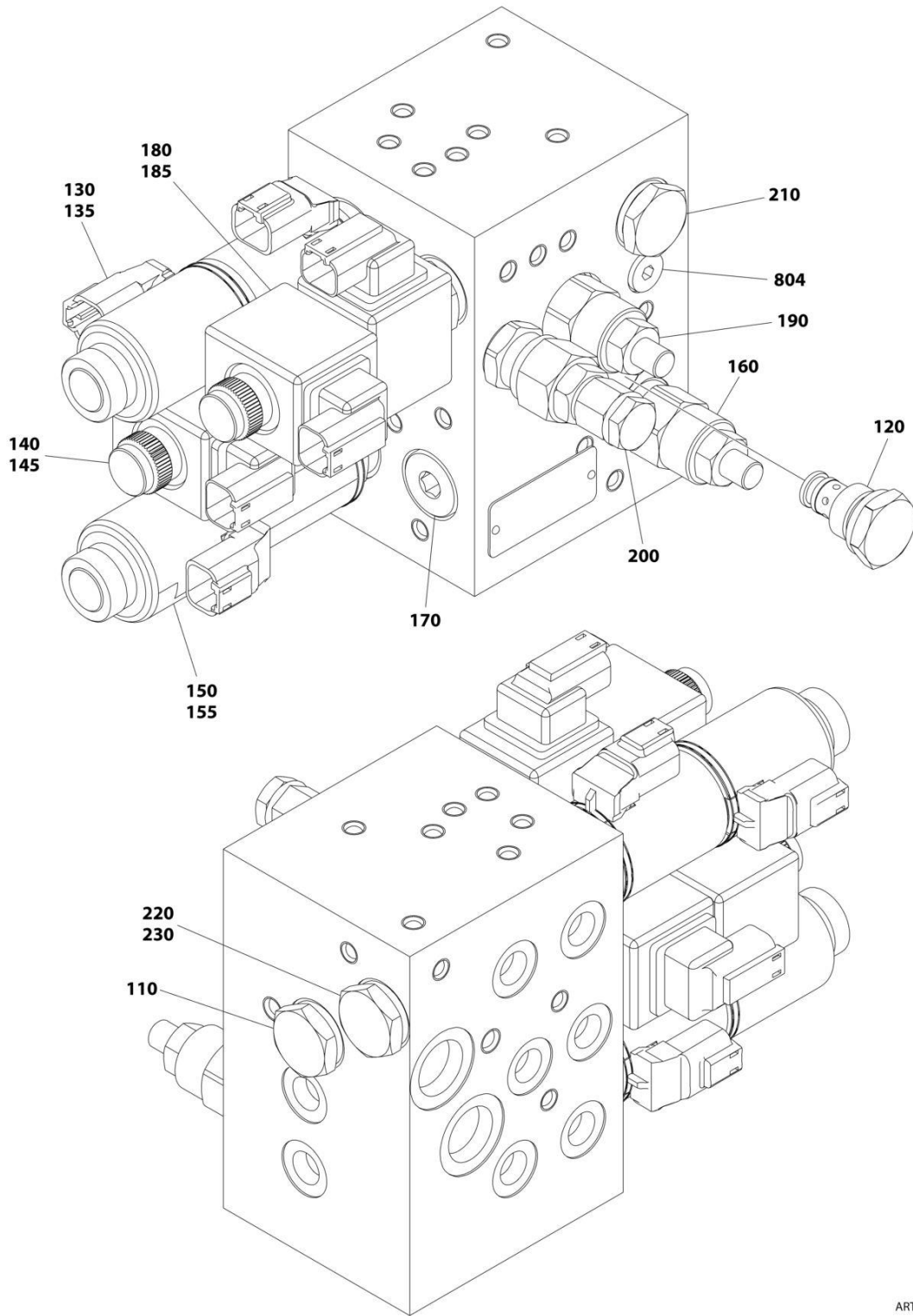
## SECTION 4 - BOOM

**FIGURE 4-15. PLATFORM VALVE ASSEMBLY - 600S HC3**

ITEM	PART NUMBER	QTY	DESCRIPTION	REV
	1001190287	Ref	PLATFORM VALVE ASSEMBLY	E
110	70005951	1	Valve, Check	
110	70004052	1	Seal Kit - 70005951 Valve	
120	70003027	1	Valve, Flow/Pressure Control	
120	70004052	1	Seal Kit - 70003027 Valve	
130	70006121	1	Valve, Solenoid (Platform Level)	
130	70006116	1	Seal Kit - 70006121 Valve	
135	70006122	2	Coil	
140	70005627	1	Valve, Solenoid (Platform Swing)	
140	70004053	1	Seal Kit - 70005627 Valve	
140	70006123	1	Coil Nut & Pole Tube O-Ring Kit	
145	70004653	2	Coil	
180	70006124	1	Valve, Solenoid	
180	70023862	1	Seal Kit - 70006124 Valve	
180	70006123	1	Coil Nut & Pole Tube O-Ring Kit	
185	70004653	2	Coil	
190	70003019	1	Valve, Relief	
190	70004052	1	Seal Kit - 70003019 Valve	
200	70006125	1	Valve, Relief	
200	70006126	1	Seal Kit - 70006125 Valve	
210	70005952	1	Valve, Check	
210	70004052	1	Seal Kit - 70005952 Valve	
220	7022524	1	Orifice 0.5mm	
230	70005952	1	Valve, Check	
230	70004052	1	Seal Kit - 70005952 Valve	

# SECTION 4 - BOOM

## FIGURE 4-16. PLATFORM VALVE ASSEMBLY - 660SJ HC3



ART\_1001190286

## SECTION 4 - BOOM

**FIGURE 4-16. PLATFORM VALVE ASSEMBLY - 660SJ HC3**

ITEM	PART NUMBER	QTY	DESCRIPTION	REV
	1001190286	Ref	PLATFORM VALVE ASSEMBLY	D
110	70005951	1	Valve, Check	
110	70004052	1	Seal Kit - 70005951 Valve	
120	70003027	1	Valve, Flow/Pressure Control	
120	70004052	1	Seal Kit - 70003027 Valve	
130	70006121	1	Valve, Solenoid (Platform Level)	
130	70006116	1	Seal Kit - 70006121 Valve	
135	70006122	2	Coil	
140	70005627	1	Valve, Solenoid (Platform Swing)	
140	70004053	1	Seal Kit - 70005627 Valve	
140	70006123	1	Coil Nut & Pole Tube O-Ring Kit	
145	70004653	2	Coil	
150	70006121	1	Valve, Solenoid (JIB Up/Down)	
150	70006116	1	Seal Kit - 70006121 Valve	
155	70006122	2	Coil	
160	70003019	1	Valve, Relief	
160	70004052	1	Seal Kit - 70003019 Valve	
170	70004613	1	Valve, Relief	
170	70023860	1	Seal Kit - 70004613 Valve	
180	70006124	1	Valve, Solenoid	
180	70023862	1	Seal Kit - 70006124 Valve	
180	70006123	1	Coil Nut & Pole Tube O-Ring Kit	
185	70004653	2	Coil	
190	70003019	1	Valve, Relief	
190	70004052	1	Seal Kit - 70003019 Valve	
200	70006125	1	Valve, Relief	
200	70006126	1	Seal Kit - 70006125 Valve	
210	70005952	1	Valve, Check	
210	70004052	1	Seal Kit - 70003019 Valve	
220	7022524	1	Orifice 0.5mm	
230	70005952	1	Valve, Check	
230	70004052	1	Seal Kit - 70005952 Valve	
804	70005200	1	Plug	





## SECTION 4 - BOOM

**FIGURE 4-17. BOOM SENSORS INSTALLATION - 600S HC3**

ITEM	PART NUMBER	QTY	DESCRIPTION	REV
	1001234585	Ref	BOOM SENSORS INSTALLATION	E
1	0100011	AR	Compound, Locking	
2	5250812	2	Bolt M8 x 25	
3	1001137125	4	Screw M8 x 20	
4	1001155441	4	Screw M10 x 20 Grade 10.9	
5	4811900	2	Washer M8	
10	1001170847	3	Sensor, Proximity	
11	1001204715	3	Bracket	
12	1001182570	3	Sensor, Proximity	
13	1001211585	1	Plate	
14	1001211588	2	Shield	
15	1001211577	1	Sensor (Lower)	
15	4010303	1	Screw Posi-drive M3 x 6	
15	1001204939	1	Sensor, Angle	
15	1001211580	1	Bracket	
15	1001211582	1	Link, Angle Sensor Arm	
16	1001211578	1	Sensor (Upper)	
16	4010303	1	Screw Posi-drive M3 x 6	
16	1001191020	1	Sensor, Angle	
16	1001211581	1	Bracket	
16	1001211583	1	Link, Angle Sensor Arm	
17	1001211586	1	Plate	
18	8406003	1	Clip	
19	3290805	2	Nut M8	
20	5251008	14	Bolt M10 x 16	
21	4240033	7	Tie-Strap (Not Shown)	
23	1001238138	2	Angle	
24	1001238327	1	Angle	
25	1001169085	1	Grommet	
26	1001257436	1	Shield, Sensor Cable	



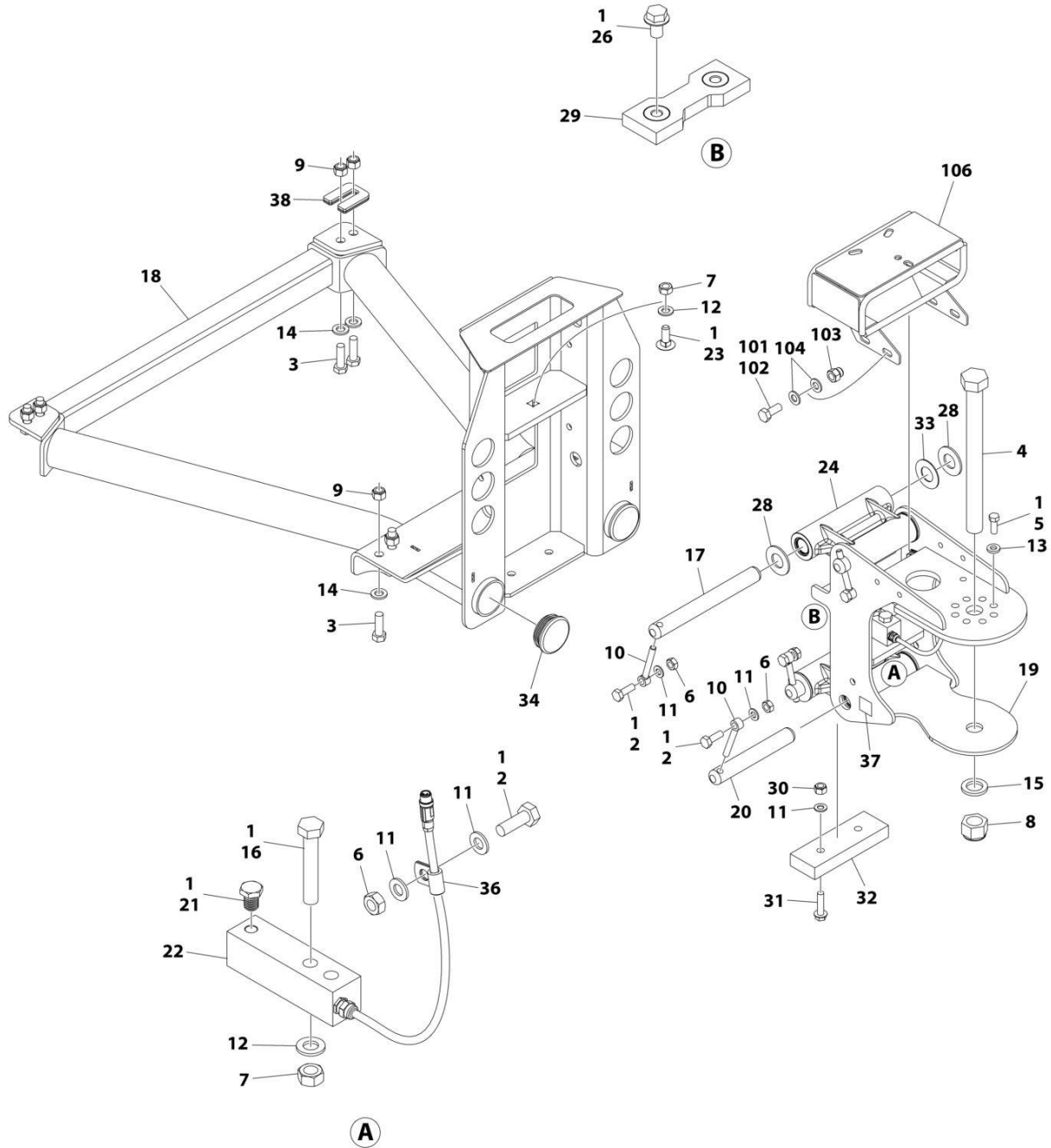
## SECTION 4 - BOOM

**FIGURE 4-18. BOOM SENSORS INSTALLATION - 660SJ HC3**

ITEM	PART NUMBER	QTY	DESCRIPTION	REV
	1001245308	Ref	BOOM SENSORS INSTALLATION	C
1	0100011	AR	Compound, Locking	
2	3290805	2	Nut M8	
3	4240033	7	Tie-Strap (Not Shown)	
4	4811900	2	Washer M8	
5	5250812	2	Bolt M8 x 25	
6	5251008	14	Bolt M10 x 16	
8	1001137125	4	Screw M8 x 20	
7	8406003	1	Clip	
9	1001155441	4	Screw M10 x 20 Grade 10.9	
10	1001170847	3	Sensor, Proximity	
11	1001182570	3	Sensor, Proximity	
12	1001204715	3	Bracket	
13	1001211577	1	Sensor (Lower)	
13	4010303	1	Screw Posi-drive M3 x 6	
13	1001204939	1	Sensor angle	
13	1001211580	1	Bracket	
13	1001211582	1	Link, Angle Sensor Arm	
14	1001211579	1	Sensor (Upper)	
14	4010303	1	Screw Posi-drive M3 x 6	
14	1001191020	1	Sensor angle	
14	1001211581	1	Bracket	
14	1001211584	1	Link, Angle Sensor Arm	
15	1001211585	1	Plate	
16	1001211587	1	Plate	
17	1001211588	2	Shield	
18	1001238138	1	Angle	
19	1001238327	1	Angle	
20	1001169085	1	Grommet	
21	1001247453	1	Angle	
22	1001257436	1	Shield	

# SECTION 4 - BOOM

## FIGURE 4-19. PLATFORM SUPPORT INSTALLATION



ART\_1001167596\_N

## SECTION 4 - BOOM

### FIGURE 4-19. PLATFORM SUPPORT INSTALLATION

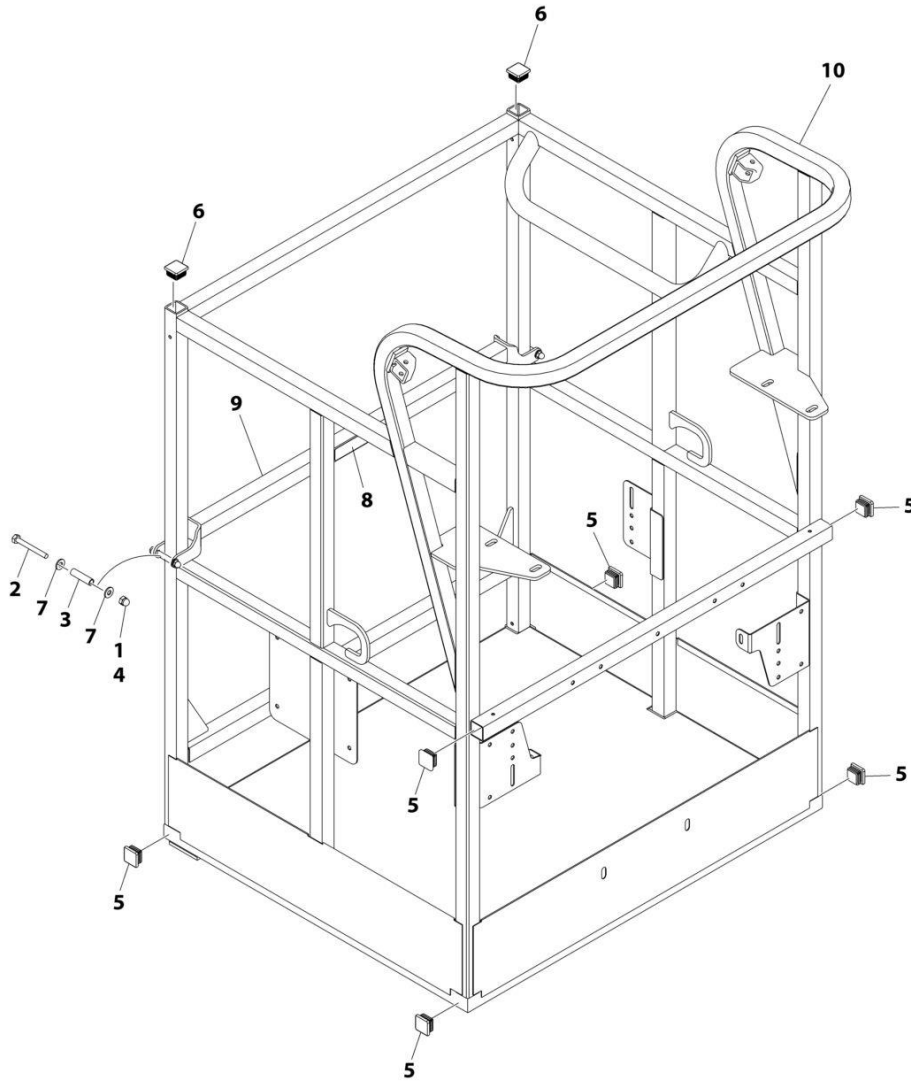
ITEM	PART NUMBER	QTY	DESCRIPTION	REV
	1001167596	Ref	PLATFORM SUPPORT INSTALLATION	N
1	0100011	AR	Compound, Locking	
2	0761014	5	Bolt M10 x 30	
3	0761216	8	Bolt M12 x 40	
4	1001255133	1	Bolt 1 x 11	
5	0681608	8	Bolt 3/8 x 1	
6	3291001	5	Nut M10	
7	3291201	3	Nut M12	
8	1001174040	1	Nut 1	
9	3291205	8	Nut M12	
10	3841143	4	Keeper, Pin	
11	4812000	8	Washer M10	
12	4812100	3	Washer M12	
13	4891600	8	Washer 3/8	
14	5241200	8	Washer M12	
15	4892600001	1	Washer 1	
16	1001098828	2	Bolt M12 x 70 Grade 10.9	
17	1001167565	2	Pin	
18	1001200494	1	Support, Platform	
19	1001167567	1	Support, Rotator	
20	1001168402	2	Pin	
21	1001188622	1	Screw	
22	1001247468	1	Loadcell	
23	1001188844	1	Bolt M12 x 35	
24	1001201351	2	Link	
24	1001187382	4	Bearing	
24	1001187383	4	Seal	
26	5251008	2	Bolt M10 x 16	
28	1001189002	8	Bearing	
29	1001190985	1	Pad, Wear	
30	3291005	2	Nut M10	
31	5251016	2	Bolt M10 x 40	
32	1001200491	1	Pad, Wear	
33	1001189001	4	Bearing	
34	1001204725	2	Plug	
36	91203039	1	Clamp	
37	1001216630	2	Decal - Tie Down/No Lift	
38	1001238421	Ref	Kit, Platform Leveling (Not Shown)	
	1001202687	Ref	VALVE MOUNT INSTALLATION	B
101	0100011	AR	Compound, Locking	
102	0760810	4	Bolt M8 x 20	
103	3290806	4	Nut M8	
104	4811900	8	Washer M8	
106	1001208994	1	Mount, Valve	



**SECTION 5 - PLATFORM**

# SECTION 5 - PLATFORM

FIGURE 5-1. PLATFORM ASSEMBLY - 30IN X 3FT (76CM X .91M) - DROP BAR ENTRY



ART\_1001228215



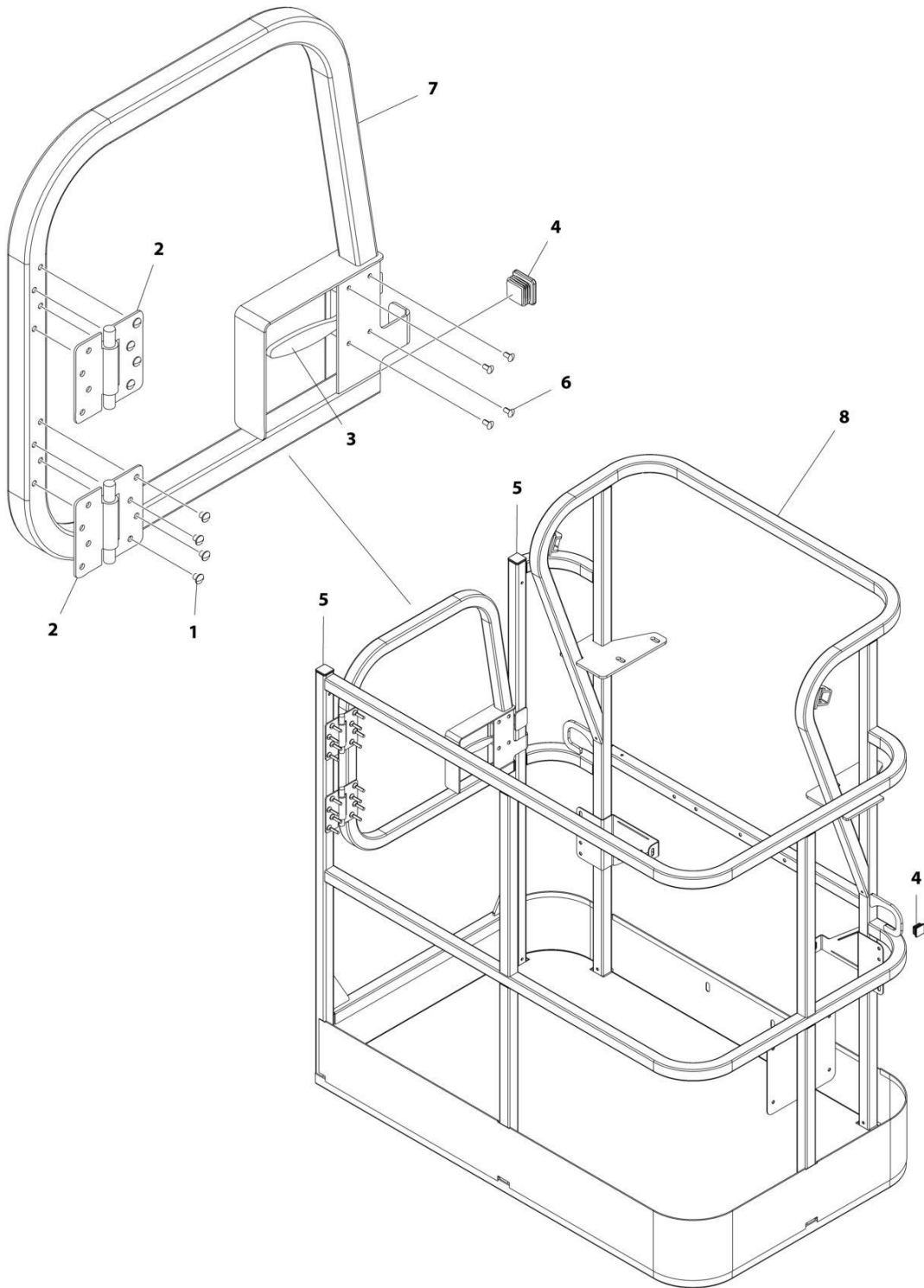
## SECTION 5 - PLATFORM

**FIGURE 5-1. PLATFORM ASSEMBLY - 30IN X 3FT (76CM X .91M) - DROP BAR ENTRY**

ITEM	PART NUMBER	QTY	DESCRIPTION	REV
	1001228215	Ref	PLATFORM ASSEMBLY	A
	See Note	Ref	Note: Platform and Mesh must be ordered separately for Platforms with Mesh. See SPECIAL OPTIONS SECTION for Mesh Installations.	
	See Note	Ref	Note: Replacement Decals Must be Ordered Separately - See DECAL SECTION.	
1	0100011	AR	Compound, Locking	
2	0641418	2	Bolt 1/4 x 2-1/4	
3	0961845	2	Bushing	
4	3300151	2	Nut 1/4	
5	3520072	6	Cap, Plug	
6	3520198	2	Cap, Plug	
7	4711400	4	Washer 1/4	
8	1001140429	1	Decal - Drop Bar	
9	1001226872	1	Bar, Drop	
10	See Note	NSS	Platform (Note: Not Available - Purchase Platform Assembly)	

# SECTION 5 - PLATFORM

## FIGURE 5-2. PLATFORM ASSEMBLY - 30IN X 4FT (76CM X 1.22M) WITH SWING GATE



ART\_1001186387

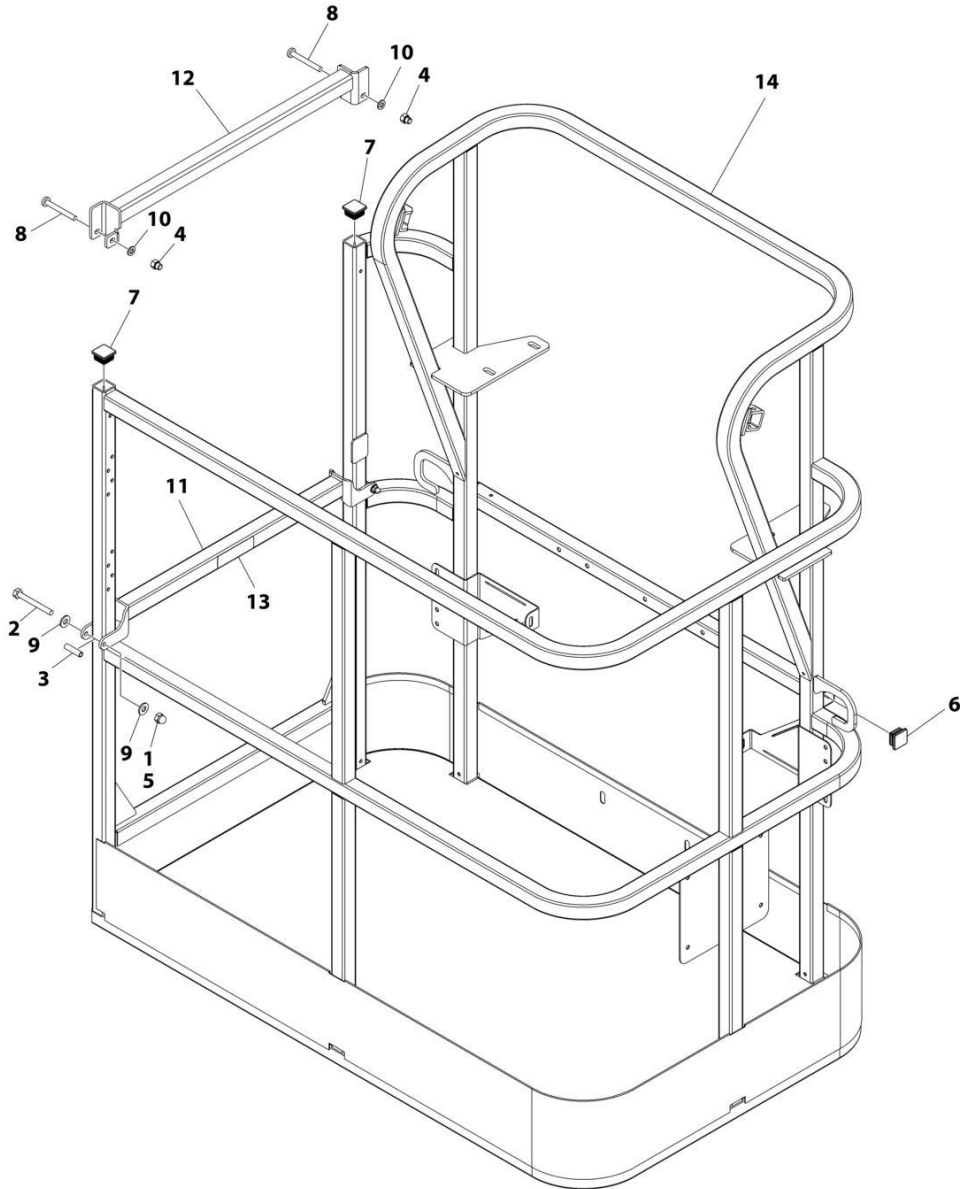
## SECTION 5 - PLATFORM

**FIGURE 5-2. PLATFORM ASSEMBLY - 30IN X 4FT (76CM X 1.22M) WITH SWING GATE**

ITEM	PART NUMBER	QTY	DESCRIPTION	REV
	1001186387	Ref	PLATFORM ASSEMBLY	C
		Ref	Note: Platform and Mesh must be ordered separately for Platforms with Mesh. See SPECIAL OPTIONS SECTION for Mesh Installations.	
		Ref	Note: Replacement Decals Must be Ordered Separately - See DECALS SECTION.	
1	2080040	16	Fastener, Huck	
2	2600281	2	Hinge, Self-Closing	
3	2940074	1	Latch	
4	3520072	3	Plug	
5	3520198	2	Plug	
6	3820020	4	Rivet	
7	1001144629	1	Gate	
8	See Note	1	Platform (Note: Not Available - Purchase Platform Assembly)	

# SECTION 5 - PLATFORM

FIGURE 5-3. PLATFORM ASSEMBLY - 30IN X 4FT (76CM X 1.22M) WITH DROP BAR



ART\_1001186375

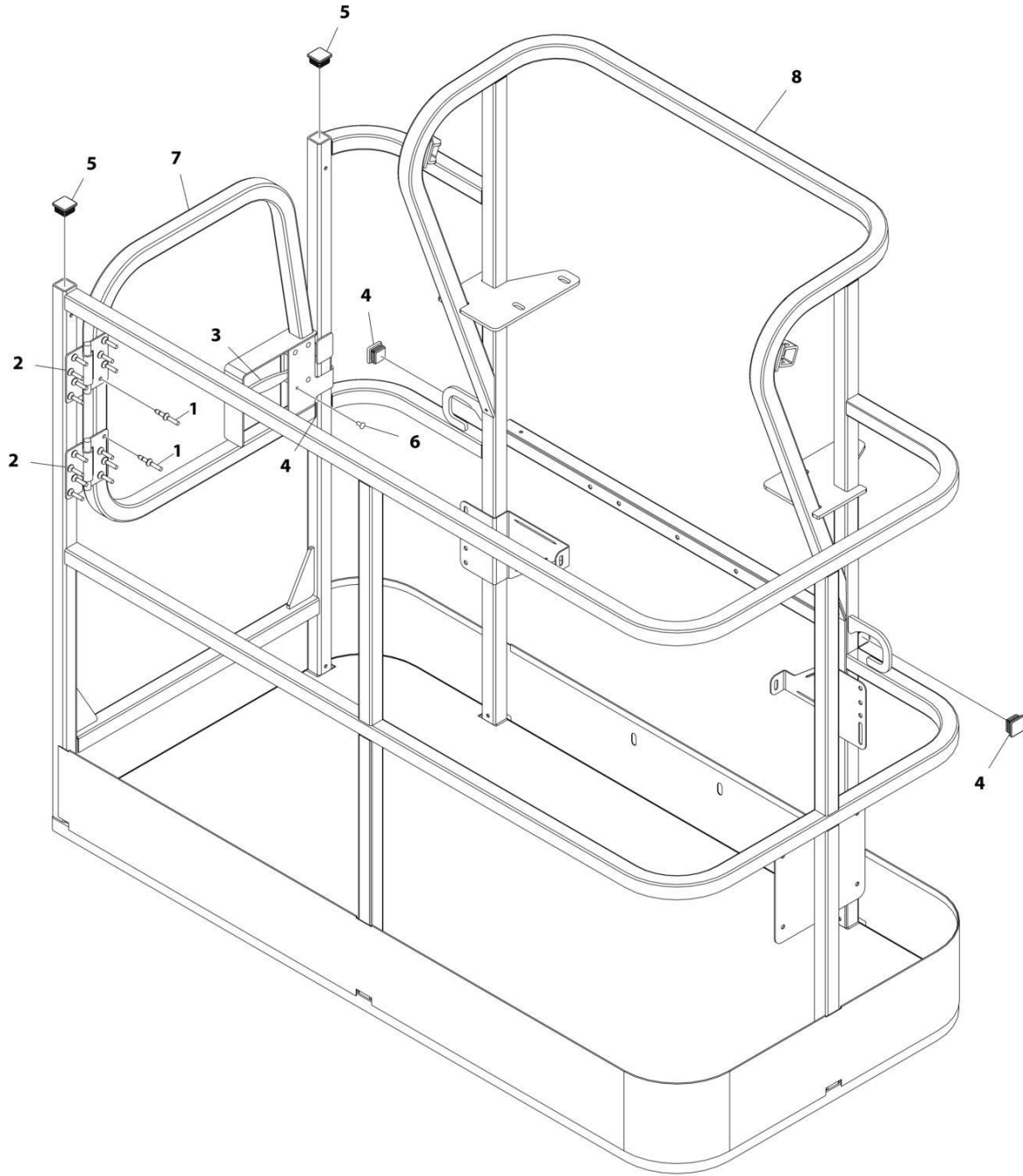
## SECTION 5 - PLATFORM

**FIGURE 5-3. PLATFORM ASSEMBLY - 30IN X 4FT (76CM X 1.22M) WITH DROP BAR**

ITEM	PART NUMBER	QTY	DESCRIPTION	REV
	1001186375	Ref	PLATFORM ASSEMBLY	B
		Ref	Note: Platform and Mesh must be ordered separately for Platforms with Mesh. See SPECIAL OPTIONS SECTION for Mesh Installations.	
		Ref	Note: Replacement Decals Must be Ordered Separately - See DECALS SECTION.	
1	0100011	AR	Compound, Locking	
2	0641418	2	Bolt 1/4 x 2-1/4	
3	0961845	2	Bushing	
4	3290606	2	Nut M6	
5	3300151	2	Nut 1/4	
6	3520072	2	Plug	
7	3520198	2	Plug	
8	4010618	2	Screw M6 x 50	
9	4711400	4	Washer 1/4	
10	4811700	2	Washer M6	
11	1001138494	1	Bar, Drop	
12	1001138514	1	Rail - Top	
13	1001140429	1	Decal - Drop Bar	
14	See Note	1	Platform (Note: Not Available - Purchase Platform Assembly)	

# SECTION 5 - PLATFORM

FIGURE 5-4. PLATFORM ASSEMBLY - 30IN X 5FT (76CM X 1.52M) WITH SWING GATE



ART\_1001186386

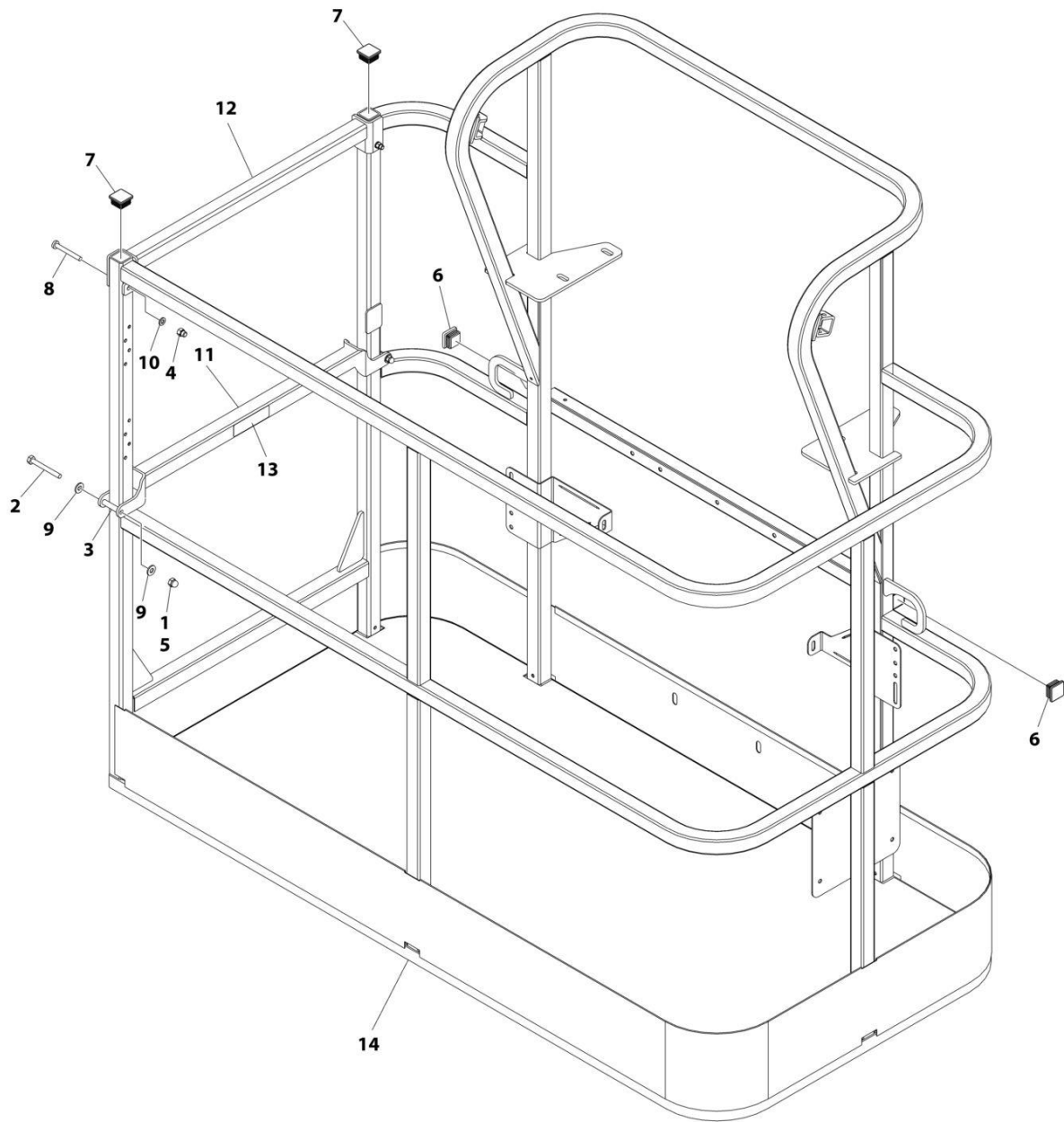
## SECTION 5 - PLATFORM

**FIGURE 5-4. PLATFORM ASSEMBLY - 30IN X 5FT (76CM X 1.52M) WITH SWING GATE**

ITEM	PART NUMBER	QTY	DESCRIPTION	REV
	1001186386	Ref	PLATFORM ASSEMBLY	C
		Ref	Note: Platform and Mesh must be ordered separately for Platforms with Mesh. See SPECIAL OPTIONS SECTION for Mesh Installations.	
		Ref	Note: Replacement Decals Must be Ordered Separately - See DECALS SECTION.	
1	2080040	16	Fastener, Huck	
2	2600281	2	Hinge, Self-Closing	
3	2940074	1	Latch	
4	3520072	3	Plug	
5	3520198	2	Plug	
6	3820020	4	Rivet	
7	1001144629	1	Gate	
8	See Note	NSS	Platform (Note: Not Available - Purchase Platform Assembly)	

# SECTION 5 - PLATFORM

FIGURE 5-5. PLATFORM ASSEMBLY - 30IN X 5FT (76CM X 1.52M) WITH DROP BAR



ART\_1001186377



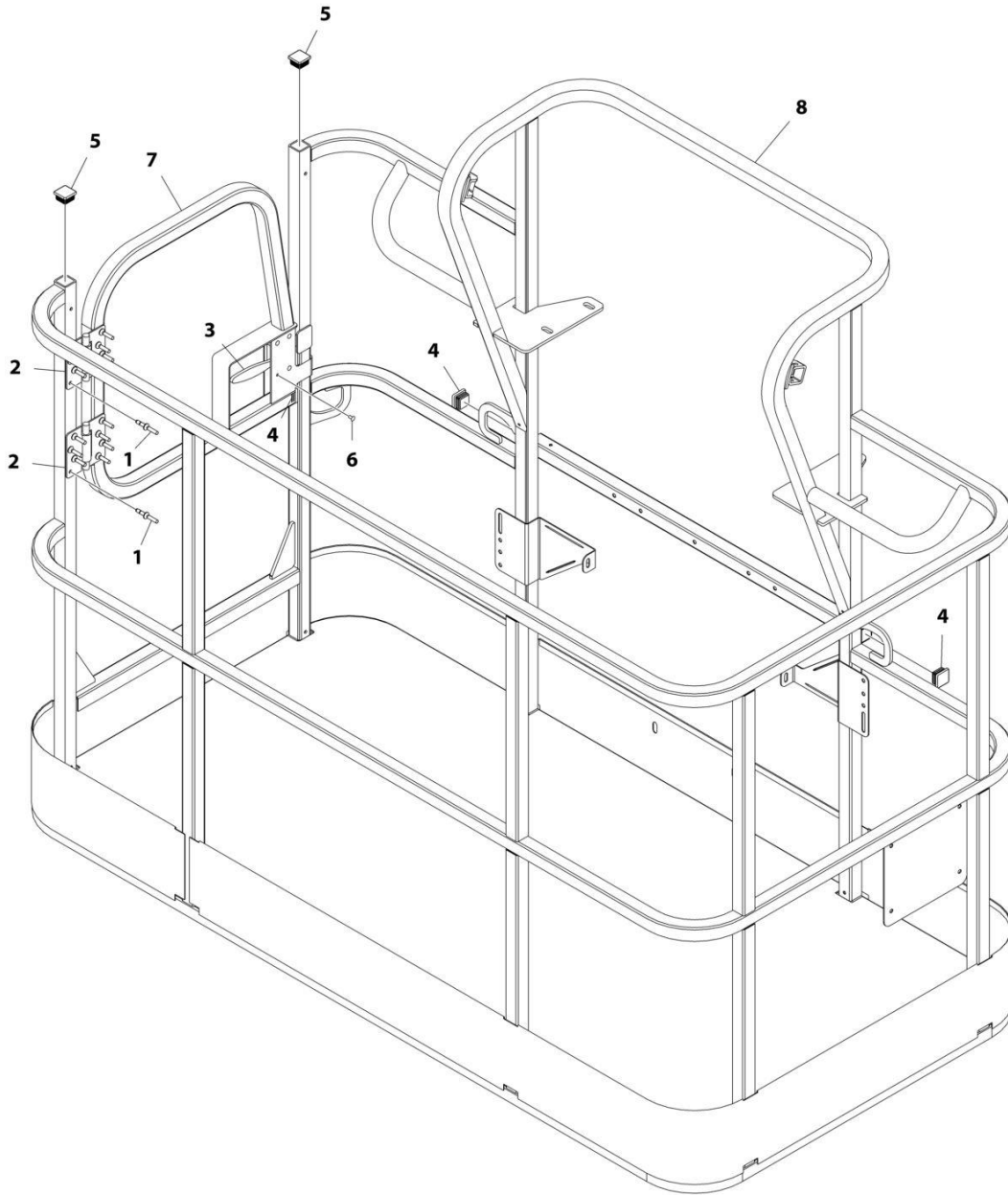
## SECTION 5 - PLATFORM

**FIGURE 5-5. PLATFORM ASSEMBLY - 30IN X 5FT (76CM X 1.52M) WITH DROP BAR**

ITEM	PART NUMBER	QTY	DESCRIPTION	REV
	1001186377	Ref	PLATFORM ASSEMBLY	C
		Ref	Note: Platform and Mesh must be ordered separately for Platforms with Mesh. See SPECIAL OPTIONS SECTION for Mesh Installations.	
		Ref	Note: Replacement Decals Must be Ordered Separately - See DECALS SECTION.	
1	0100011	AR	Compound, Locking	
2	0641420	2	Bolt 1/4 x 2-1/2	
3	0961845	2	Bushing	
4	3290606	2	Nut M6	
5	3300151	2	Nut 1/4	
6	3520072	2	Plug	
7	3520198	2	Plug	
8	4010618	2	Screw M6 x 50	
9	4711400	4	Washer 1/4	
10	4811700	2	Washer M6	
11	1001138494	1	Bar, Drop	
12	1001138514	1	Rail (Top)	
13	1001140429	1	Decal - Drop Bar	
14	See Note	NSS	Platform (Note: Not Available - Purchase Platform Assembly)	

# SECTION 5 - PLATFORM

FIGURE 5-6. PLATFORM ASSEMBLY - 36IN X 6FT (91.5CM X 1.83M) WITH SWING GATE



ART\_1001186384

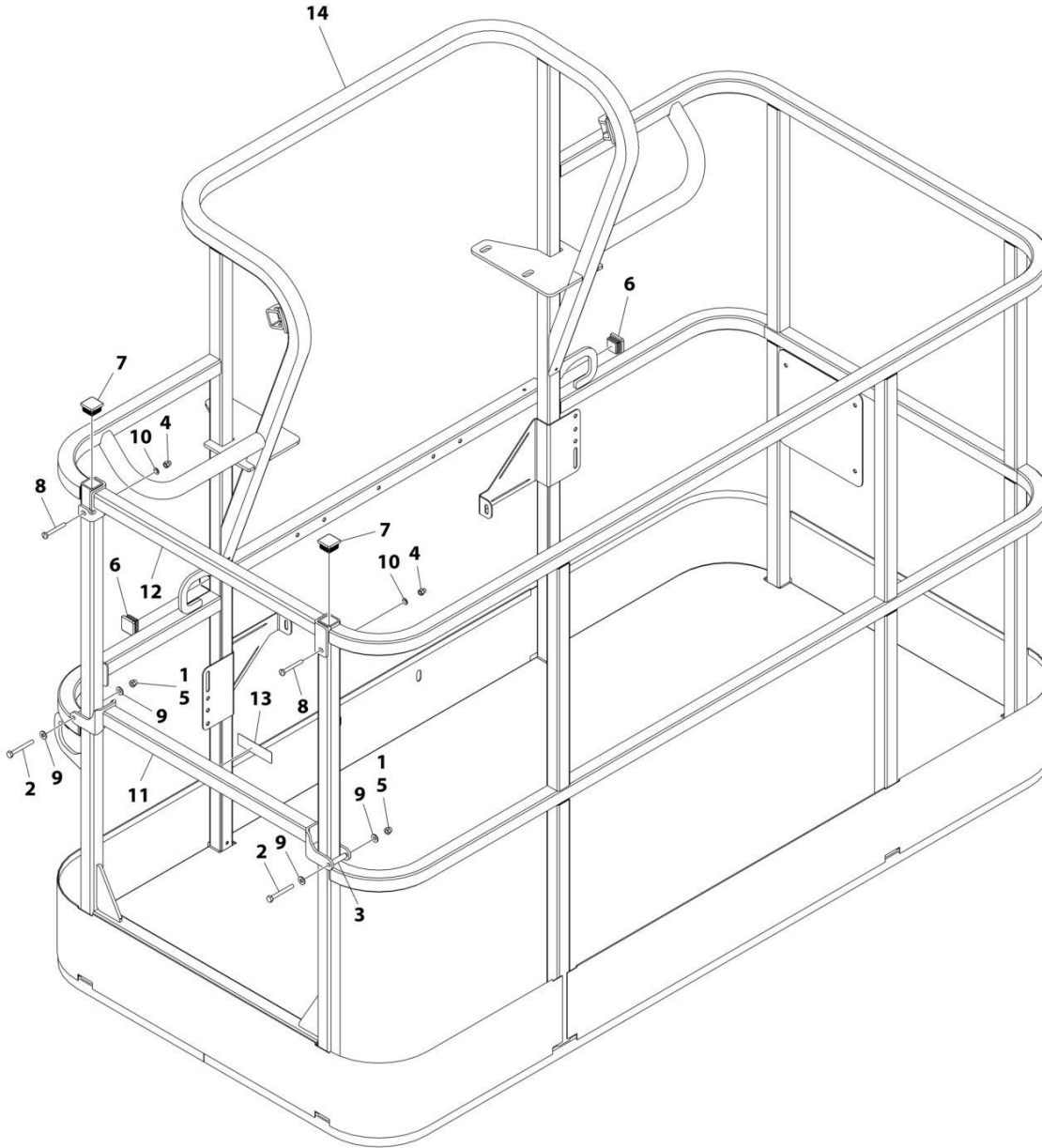
## SECTION 5 - PLATFORM

**FIGURE 5-6. PLATFORM ASSEMBLY - 36IN X 6FT (91.5CM X 1.83M) WITH SWING GATE**

ITEM	PART NUMBER	QTY	DESCRIPTION	REV
	1001186384	Ref	PLATFORM ASSEMBLY - 36IN X 6FT (91.5CM X 1.83M) WITH SWING GATE	C
	See Note	Ref	Note: Platform and Mesh must be ordered separately for Platforms with Mesh. See SPECIAL OPTIONS SECTION for Mesh Installations.	
	See Note	Ref	Note: Replacement Decals Must be Ordered Separately - See DECALS SECTION.	
1	2080040	16	Fastener, Huck	
2	2600281	2	Hinge	
3	2940074	1	Latch	
4	3520072	3	Plug	
5	3520198	2	Plug	
6	3820020	4	Rivet	
7	1001144629	1	Gate	
8	See Note	NSS	Platform (Note: Not Available - Purchase Platform Assembly)	

# SECTION 5 - PLATFORM

FIGURE 5-7. PLATFORM ASSEMBLY - 36IN X 6FT (91.5CM X 1.83M) WITH DROP BAR



ART\_1001186379

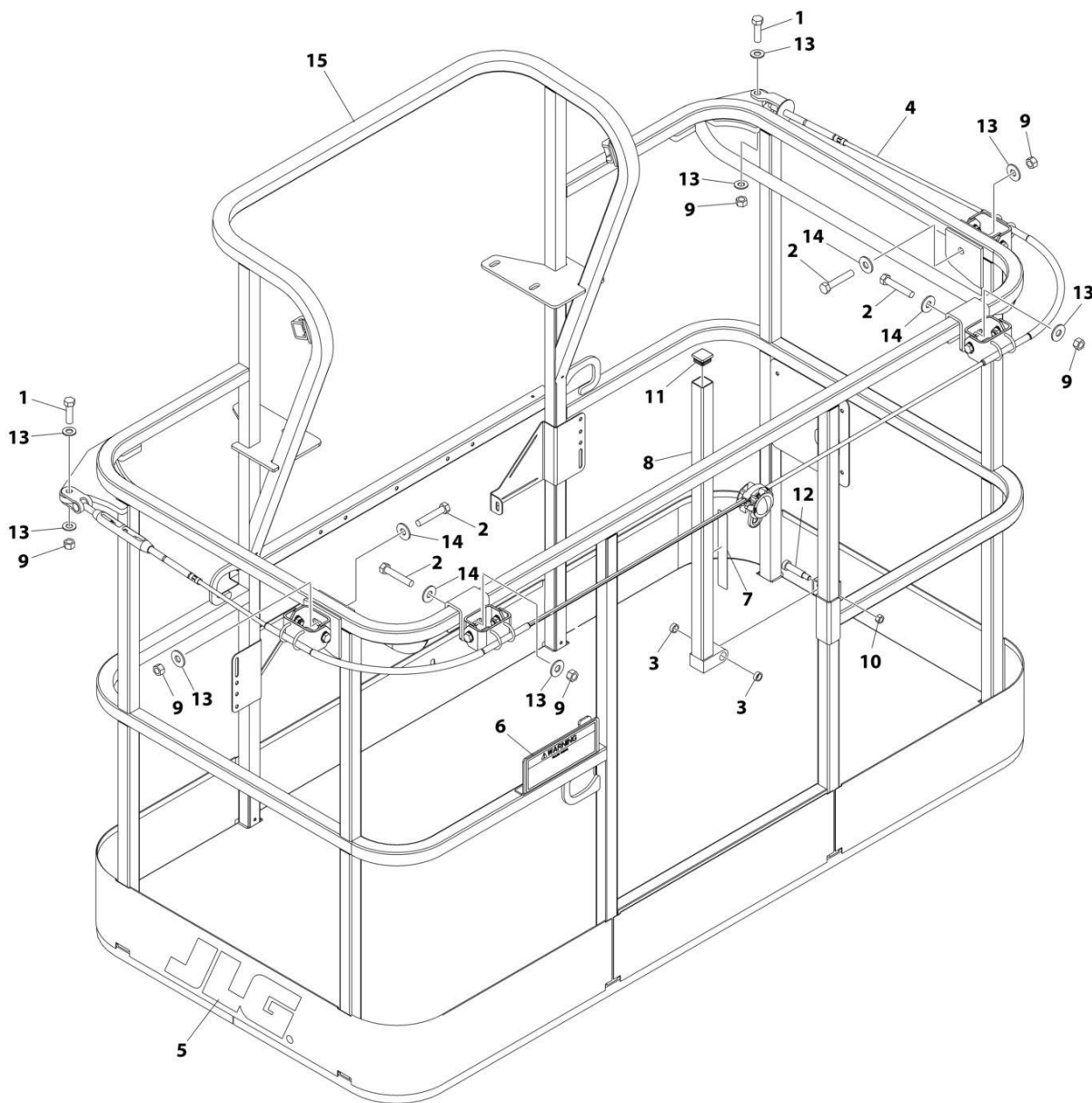
## SECTION 5 - PLATFORM

**FIGURE 5-7. PLATFORM ASSEMBLY - 36IN X 6FT (91.5CM X 1.83M) WITH DROP BAR**

ITEM	PART NUMBER	QTY	DESCRIPTION	REV
	1001186379	Ref	PLATFORM ASSEMBLY - 36IN X 6FT (91.5CM X 1.83M) WITH DROP BAR	B
		Ref	Note: Platform and Mesh must be ordered separately for Platforms with Mesh. See SPECIAL OPTIONS SECTION for Mesh Installations.	
		Ref	Note: Replacement Decals Must be Ordered Separately - See DECALS SECTION.	
1	0100011	AR	Compound, Locking	
2	0641418	2	Bolt 1/4 x 2-1/4	
3	0961845	2	Bushing	
4	3290606	2	Nut M6	
5	3300151	2	Nut 1/4	
6	3520072	2	Plug	
7	3520198	2	Plug	
8	4010618	2	Screw M6 x 50	
9	4711400	4	Washer 1/4	
10	4811700	2	Washer M6	
11	1001138494	1	Bar, Drop	
12	1001138514	1	Rail (Top)	
13	1001140429	1	Decal - Drop Bar	
14	See Note	NSS	Platform (Note: Not Available - Purchase Platform Assembly)	

# SECTION 5 - PLATFORM

FIGURE 5-8. PLATFORM ASSEMBLY - 36IN X 6FT (91.5CM X 1.83M) WITH FALL ARREST (ANSI, ANSI EXPORT, CHINA AND CSA SPECS)



ART\_1001186333

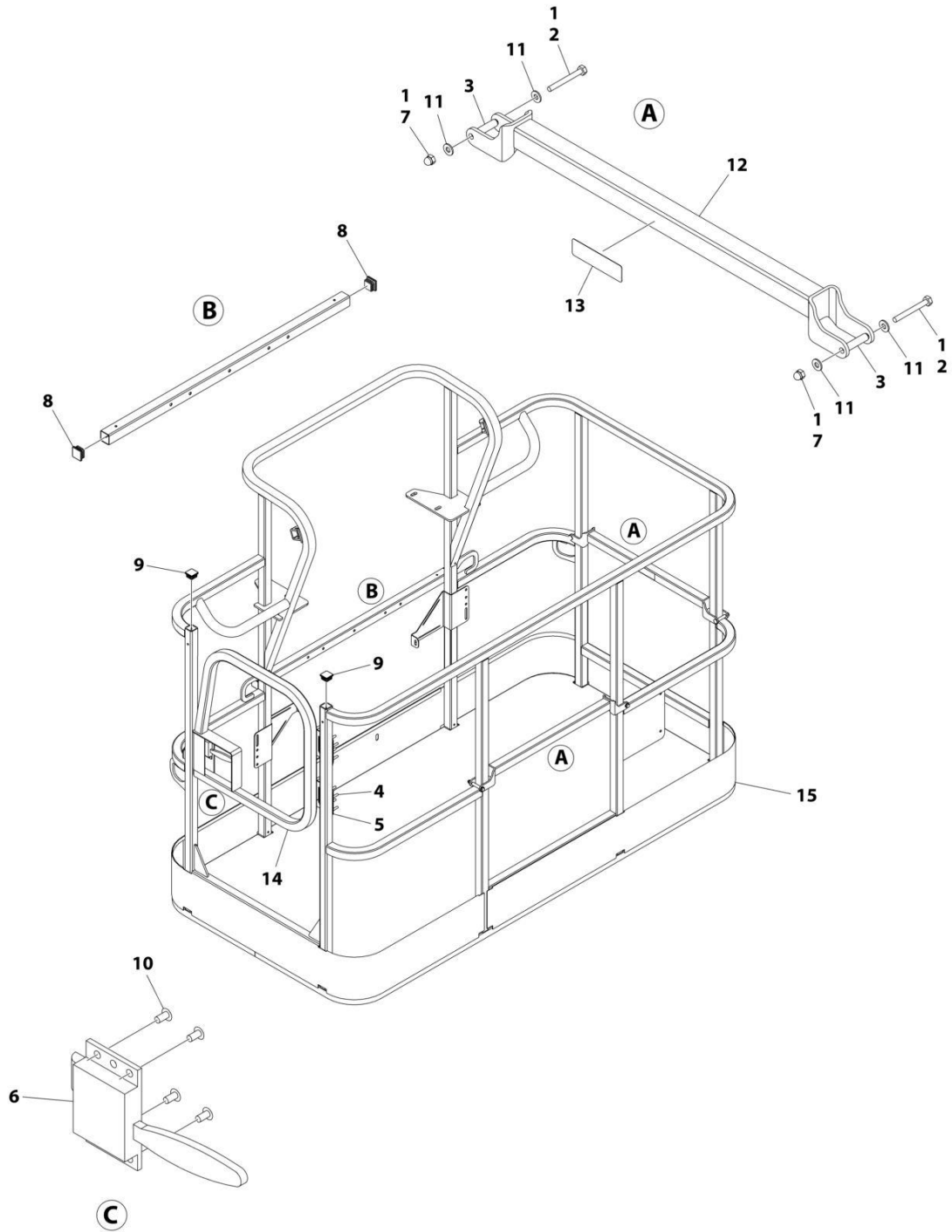
## SECTION 5 - PLATFORM

**FIGURE 5-8. PLATFORM ASSEMBLY - 36IN X 6FT (91.5CM X 1.83M) WITH FALL ARREST (ANSI, ANSI EXPORT, CHINA AND CSA SPECS)**

ITEM	PART NUMBER	QTY	DESCRIPTION	REV
	1001186333	Ref	PLATFORM ASSEMBLY	C
		Ref	Note: Replacement Decals Must be Ordered Separately - See DECALS SECTION.	
1	0681814	2	Bolt 1/2 x 1-3/4 Grade 8	
2	0681822	4	Bolt 1/2 x 2-3/4 Grade 8	
3	0962270	2	Bearing	
4	1001203655	1	Cable	
5	1702773	1	Decal - JLG	
6	1705014	1	Decal - Safety	
7	1706385	1	Decal - Drop Bar	
8	2410014	1	Bar, Drop	
9	3271805	6	Nut 1/2 Grade 8	
10	3311605	1	Nut 3/8	
11	3520072	1	Plug	
12	3900054	1	Bolt 1/2 x 1-3/4	
13	4711800	8	Washer 1/2	
14	4751800	4	Washer 1/2	
15	See Note	NSS	Platform (Note: Not Available - Purchase Platform Assembly)	

# SECTION 5 - PLATFORM

FIGURE 5-9. PLATFORM ASSEMBLY - 36IN X 6FT (91.5CM X 1.83M) TRI-ENTRY WITH SWING GATE



ART\_1001228376



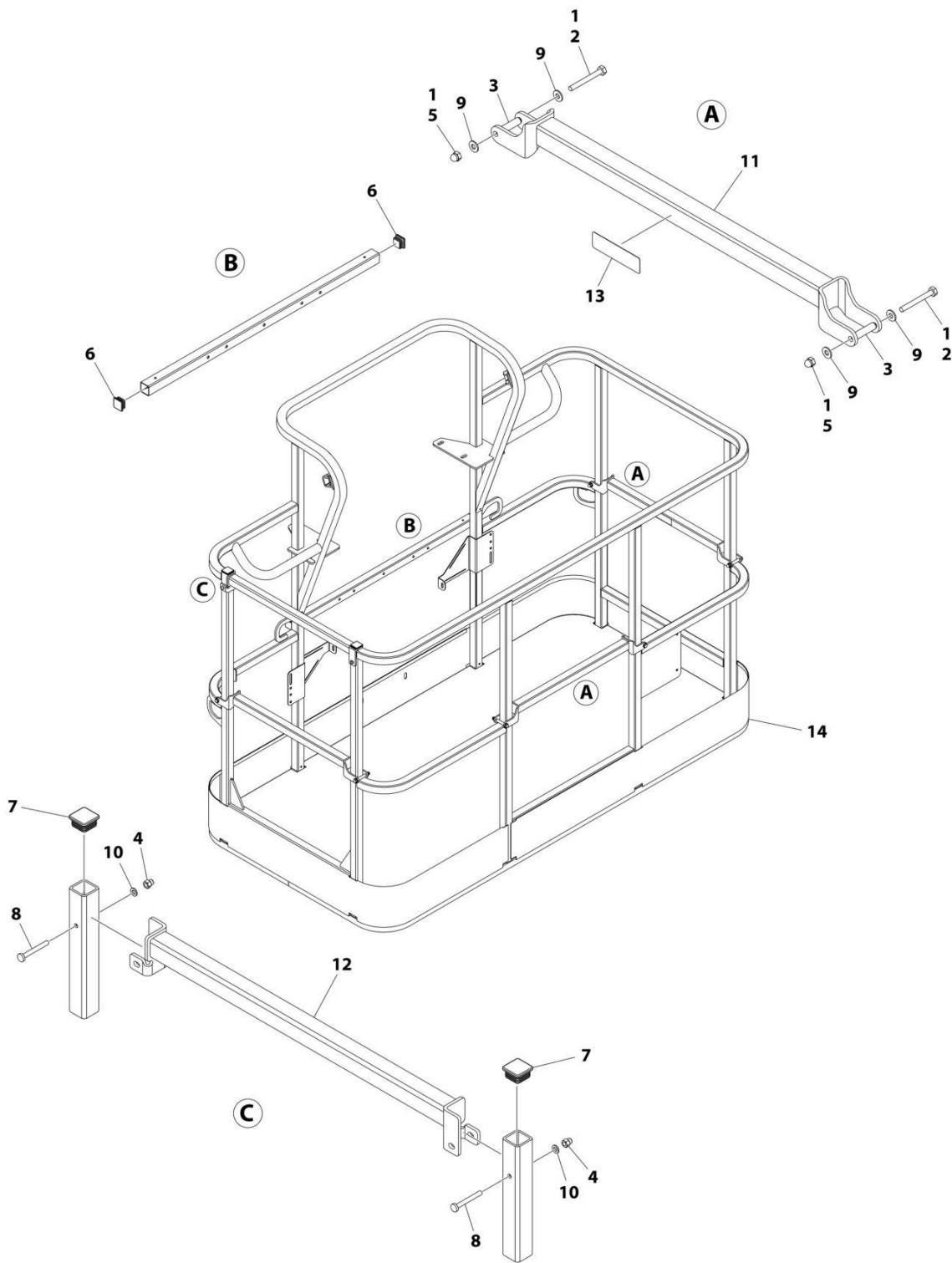
## SECTION 5 - PLATFORM

**FIGURE 5-9. PLATFORM ASSEMBLY - 36IN X 6FT (91.5CM X 1.83M) TRI-ENTRY WITH SWING GATE**

ITEM	PART NUMBER	QTY	DESCRIPTION	REV
	1001228376	Ref	PLATFORM ASSEMBLY - 36IN x 6FT (91.5CM x 1.83M)	B
		Ref	Note: Platform and Mesh must be ordered separately for Platforms with Mesh. See SPECIAL OPTIONS SECTION for Mesh Installations.	
		Ref	Note: Replacement Decals Must be Ordered Separately - See DECAL SECTION.	
1	0100011	AR	Compound, Locking	
2	0641418	4	Bolt 1/4 x 2-1/4	
3	0961845	4	Bushing	
4	2080040	16	Fastener	
5	2600281	2	Hinge	
6	2940074	1	Latch	
7	3300151	4	Nut 1/4	
8	3520072	3	Plug	
9	3520198	2	Plug	
10	3820020	4	Rivet	
11	4711400	8	Washer 1/4	
12	1001138494	2	Bar, Drop	
13	1001140429	2	Decal - Drop Bar	
14	1001144629	1	Gate	
15	See Note	NSS	Platform (Note: Not Available - Purchase Platform Assembly)	

# SECTION 5 - PLATFORM

FIGURE 5-10. PLATFORM ASSEMBLY - 36IN X 6FT (91.5CM X 1.83M) TRI-ENTRY WITH DROP BAR



ART\_1001228377

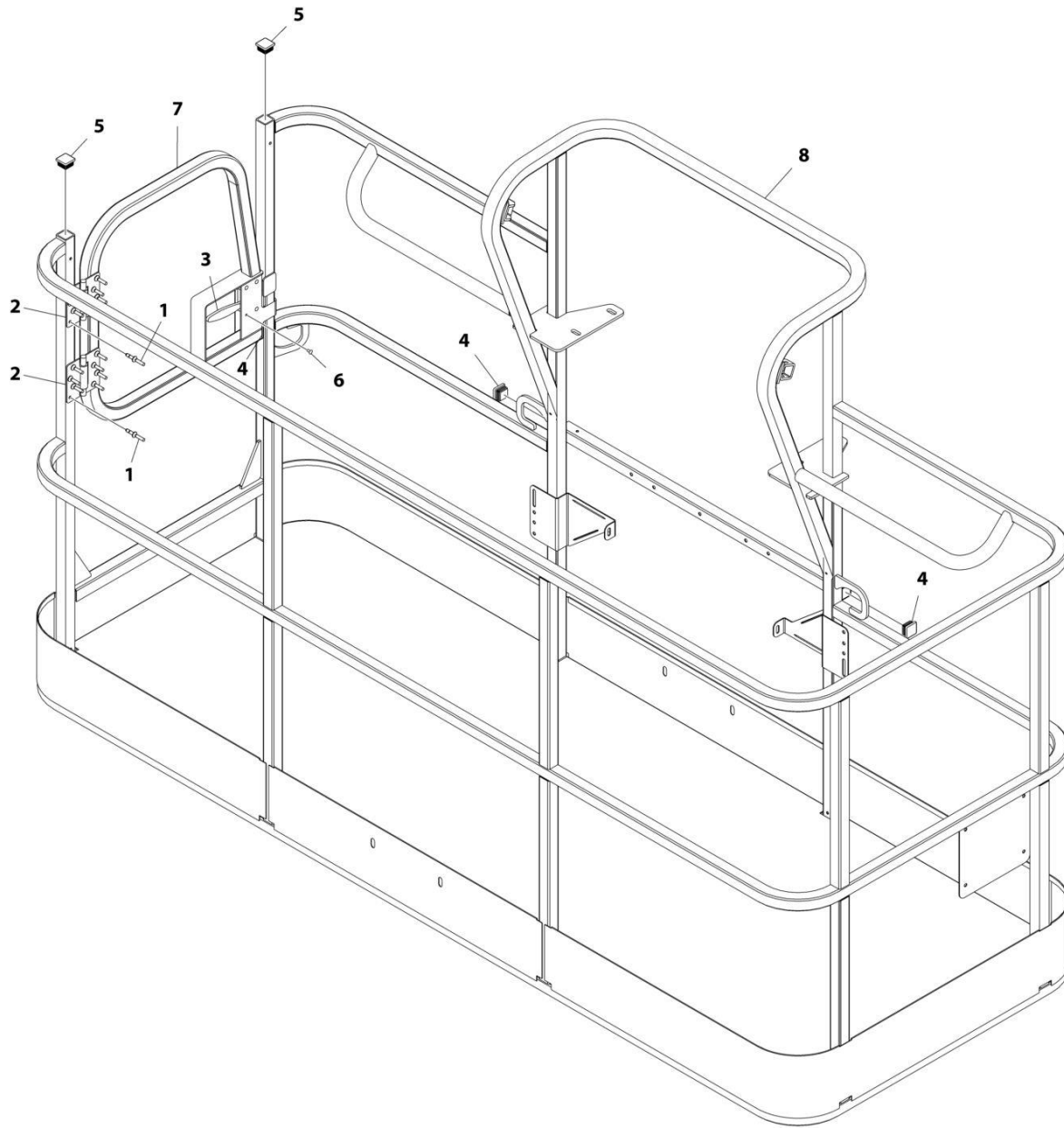
## SECTION 5 - PLATFORM

**FIGURE 5-10. PLATFORM ASSEMBLY - 36IN X 6FT (91.5CM X 1.83M) TRI-ENTRY WITH DROP BAR**

ITEM	PART NUMBER	QTY	DESCRIPTION	REV
	1001228377	Ref	PLATFORM ASSEMBLY - 36IN x 6FT (91.5CM x 1.83M)	B
		Ref	Note: Platform and Mesh must be ordered separately for Platforms with Mesh. See SPECIAL OPTIONS SECTION for Mesh Installations.	
		Ref	Note: Replacement Decals Must be Ordered Separately - See DECAL SECTION.	
1	0100011	1	Compound, Locking	
2	0641418	6	Bolt 1/4 x 2-1/4	
3	0961845	6	Bushing	
4	3290606	2	Nut M6	
5	3300151	6	Nut 1/4	
6	3520072	2	Plug	
7	3520198	2	Plug	
8	4010618	2	Screw M6 x 50	
9	4711400	12	Washer 1/4	
10	4811700	2	Washer M6	
11	1001138494	3	Bar, Drop	
12	1001138514	1	Rail (Top)	
13	1001140429	3	Decal - Drop Bar	
14	See Note	NSS	Platform, Weldment (Note: Not Available - Purchase Platform Assembly)	

# SECTION 5 - PLATFORM

FIGURE 5-11. PLATFORM ASSEMBLY - 36IN X 8FT (91.5CM X 2.44M) WITH SWING GATE



ART\_1001186383

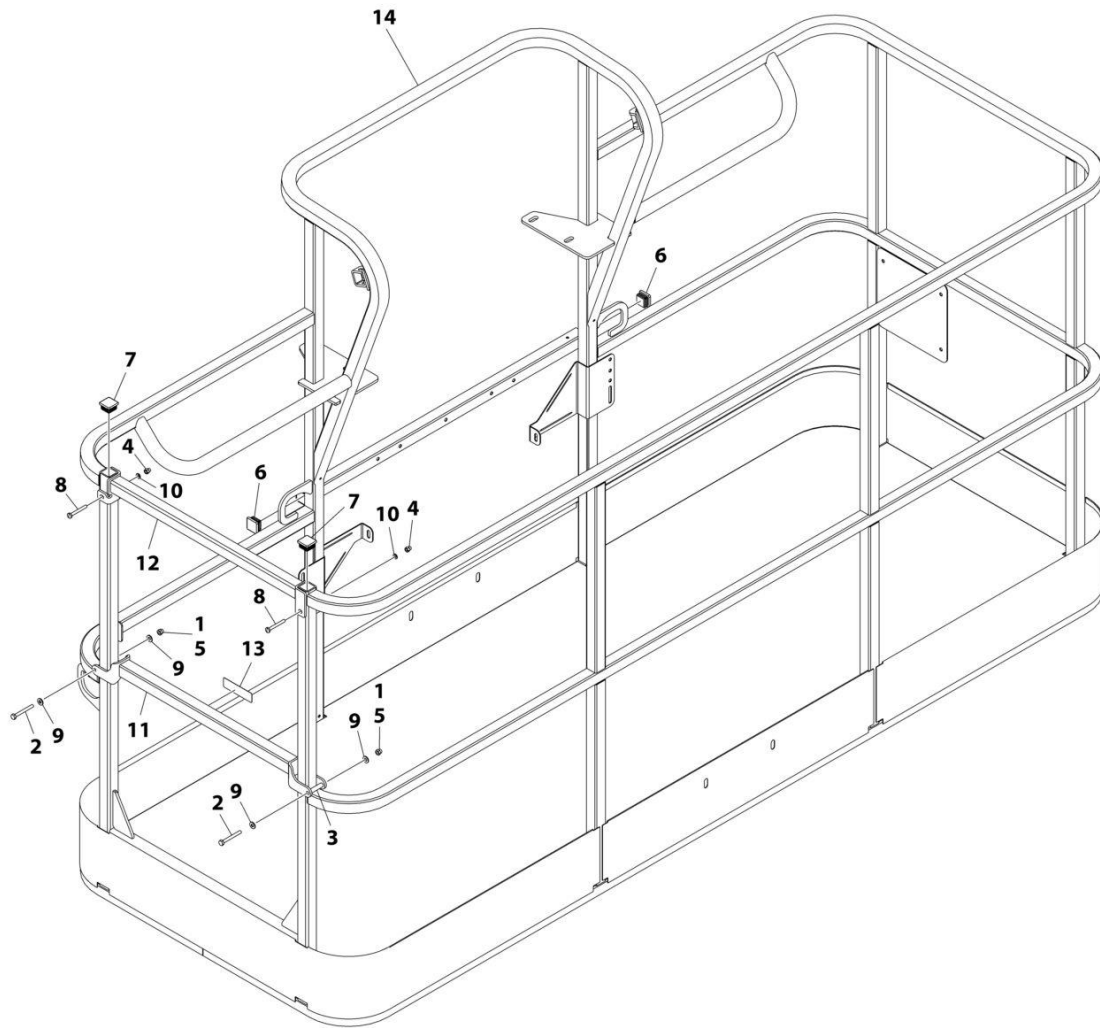
## SECTION 5 - PLATFORM

**FIGURE 5-11. PLATFORM ASSEMBLY - 36IN X 8FT (91.5CM X 2.44M) WITH SWING GATE**

ITEM	PART NUMBER	QTY	DESCRIPTION	REV
	1001186383	Ref	PLATFORM ASSEMBLY - 36IN X 8FT (91.5CM X 2.44M) WITH SWING GATE	D
		Ref	Note: Platform and Mesh must be ordered separately for Platforms with Mesh. See SPECIAL OPTIONS SECTION for Mesh Installations.	
		Ref	Note: Replacement Decals Must be Ordered Separately - See DECALS SECTION.	
1	2080040	16	Fastener, Huck	
2	2600281	2	Hinge	
3	2940074	1	Latch	
4	3520072	3	Plug	
5	3520198	2	Plug	
6	3820020	4	Rivet	
7	1001144629	1	Gate	
8	See Note	NSS	Platform (Note: Not Available - Purchase Platform Assembly)	

# SECTION 5 - PLATFORM

FIGURE 5-12. PLATFORM ASSEMBLY - 36IN X 8FT (91.5CM X 2.44M) WITH DROP BAR



ART\_1001186382

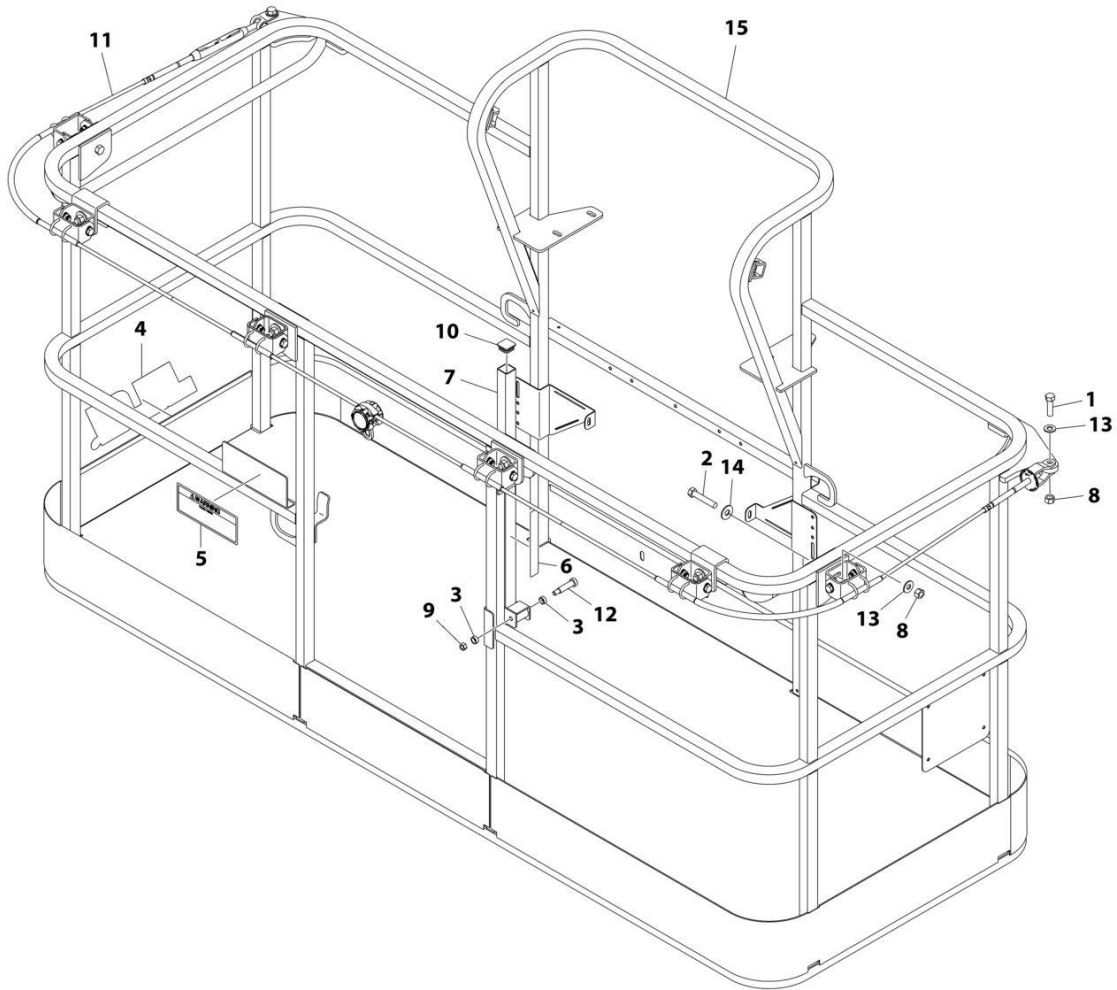
## SECTION 5 - PLATFORM

**FIGURE 5-12. PLATFORM ASSEMBLY - 36IN X 8FT (91.5CM X 2.44M) WITH DROP BAR**

ITEM	PART NUMBER	QTY	DESCRIPTION	REV
	1001186382	Ref	PLATFORM ASSEMBLY - 36IN X 8FT (91.5CM X 2.44M) WITH DROP BAR	C
		Ref	Note: Platform and Mesh must be ordered separately for Platforms with Mesh. See SPECIAL OPTIONS SECTION for Mesh Installations.	
		Ref	Note: Replacement Decals Must be Ordered Separately - See DECALS SECTION.	
1	0100011	AR	Compound, Locking	
2	0641418	2	Bolt 1/4 x 2-1/4	
3	0961845	2	Bushing	
4	3290606	2	Nut M6	
5	3300151	2	Nut 1/4	
6	3520072	2	Plug	
7	3520198	2	Plug	
8	4010618	2	Screw M6 x 50	
9	4711400	4	Washer 1/4	
10	4811700	2	Washer M6	
11	1001138494	1	Bar, Drop	
12	1001138514	1	Rail (Top)	
13	1001140429	1	Decal - Drop Bar	
14	See Note	NSS	Platform (Note: Not Available - Purchase Platform Assembly)	

# SECTION 5 - PLATFORM

FIGURE 5-13. PLATFORM ASSEMBLY - 36IN X 8FT (91.5CM X 2.44M) WITH FALL ARREST



ART\_1001186334



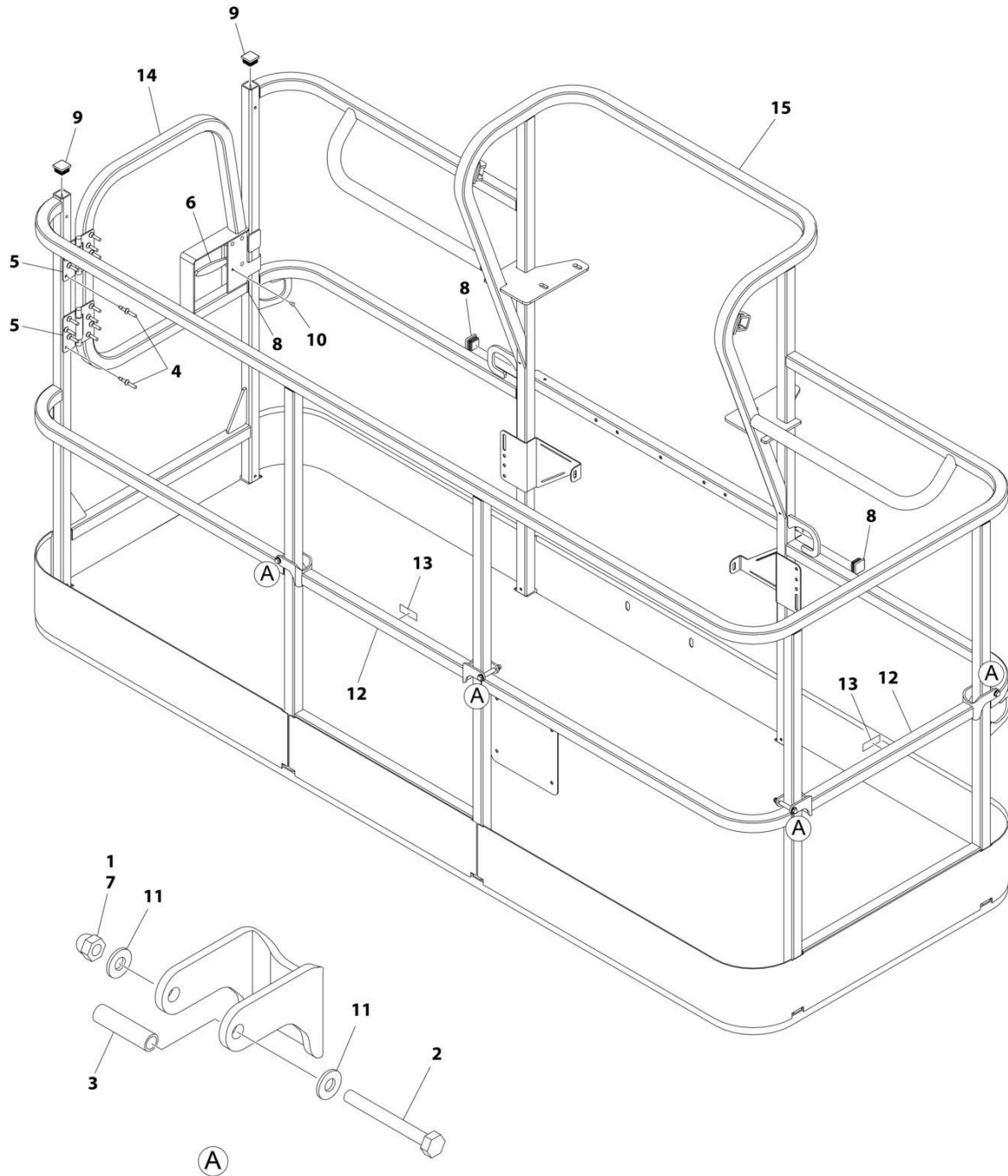
## SECTION 5 - PLATFORM

**FIGURE 5-13. PLATFORM ASSEMBLY - 36IN X 8FT (91.5CM X 2.44M) WITH FALL ARREST**

ITEM	PART NUMBER	QTY	DESCRIPTION	REV
	1001186334	Ref	PLATFORM ASSEMBLY	D
		Ref	Note: Replacement Decals Must be Ordered Separately - See DECALS SECTION.	
1	0681814	2	Bolt 1/2 x 1-3/4 Grade 8	
2	0681822	6	Bolt 1/2 x 2-3/4 Grade 8	
3	0962270	2	Bearing	
4	1702773	1	Decal - JLG	
5	1705014	1	Decal - Safety	
6	1706385	1	Decal - Drop Bar	
7	2410014	1	Bar, Drop	
8	3271805	8	Nut 1/2 Grade 8	
9	3311605	1	Nut 3/8	
10	3520072	1	Plug	
11	1001203656	1	Cable	
12	3900054	1	Bolt 1/2 x 1-3/4	
13	4711800	2	Washer 1/2	
14	4751800	6	Washer 1/2	
15	See Note	NSS	Platform (Note: Purchase Platform Assembly)	

# SECTION 5 - PLATFORM

## FIGURE 5-14. PLATFORM ASSEMBLY - 36IN X 8FT (91.5CM X 2.44M) TRI-ENTRY WITH SWING GATE



ART\_1001228243

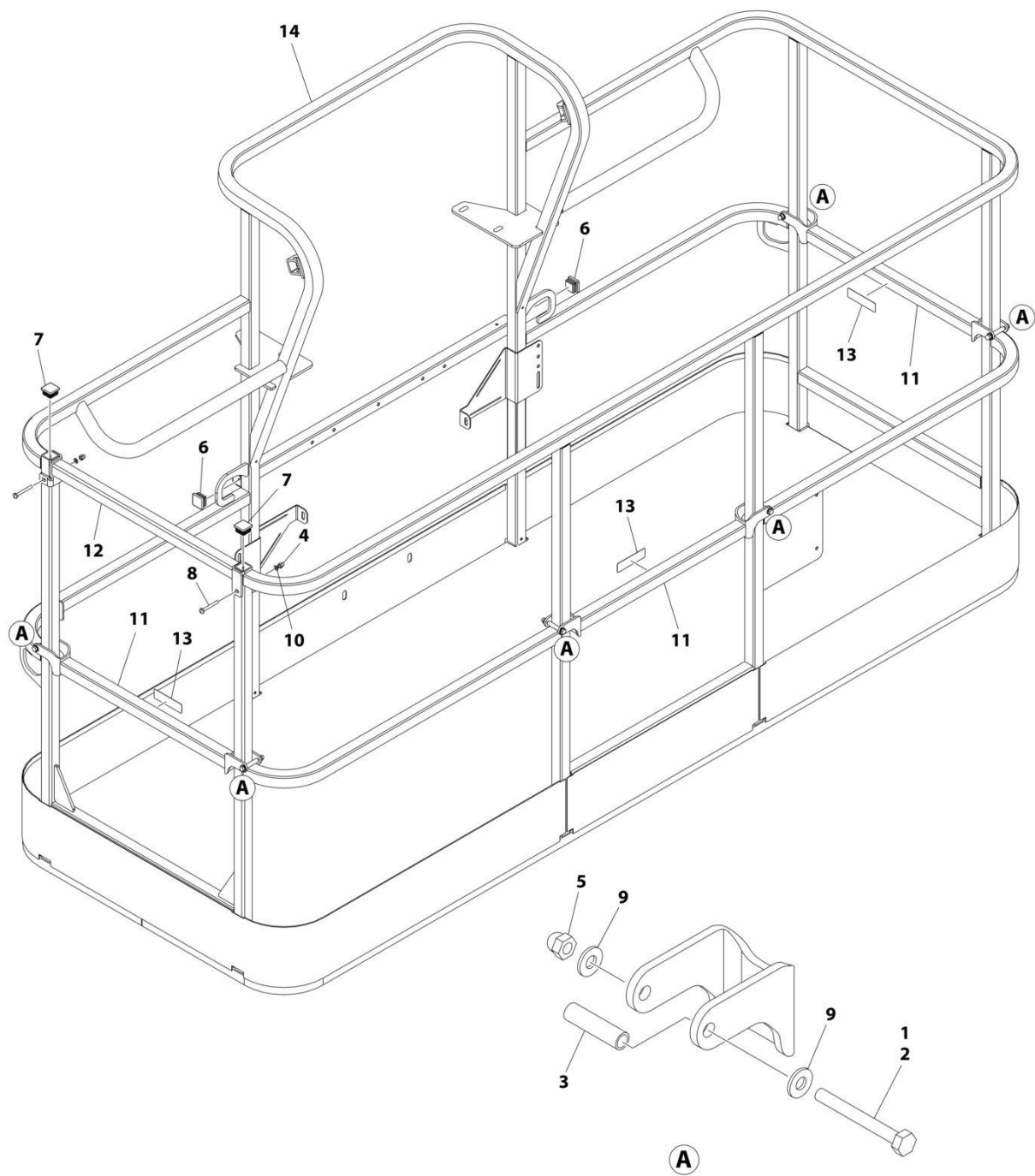
## SECTION 5 - PLATFORM

**FIGURE 5-14. PLATFORM ASSEMBLY - 36IN X 8FT (91.5CM X 2.44M) TRI-ENTRY WITH SWING GATE**

ITEM	PART NUMBER	QTY	DESCRIPTION	REV
	1001228243	Ref	PLATFORM ASSEMBLY - 36IN X 8FT (91.5CM X 2.44M) WITH TRI-ENTRY	A
		Ref	Note: Platform and Mesh must be ordered separately for Platforms with Mesh. See SPECIAL OPTIONS SECTION for Mesh Installations.	
1	0100011	AR	Compound, Locking	
2	0641418	4	Bolt 1/4 x 2-1/4	
3	0961845	4	Bushing	
4	2080040	16	Fastener, Huck	
5	2600281	2	Hinge, Self-Closing	
6	2940074	1	Latch	
7	3300151	4	Nut 1/4	
8	3520072	3	Cap, Plug	
9	3520198	2	Cap, Plug	
10	3820020	4	Rivet	
11	4711400	8	Washer 1/4	
12	1001138494	2	Bar, Drop	
13	1001140429	2	Decal - Drop Bar	
14	1001144629	1	Gate, Weldment	
15	See Note	1	Platform (Note: Not Available - Purchase Platform Assembly)	

# SECTION 5 - PLATFORM

FIGURE 5-15. PLATFORM ASSEMBLY - 36IN X 8FT (91.5CM X 2.44M) TRI-ENTRY WITH DROP BAR



ART\_1001228375

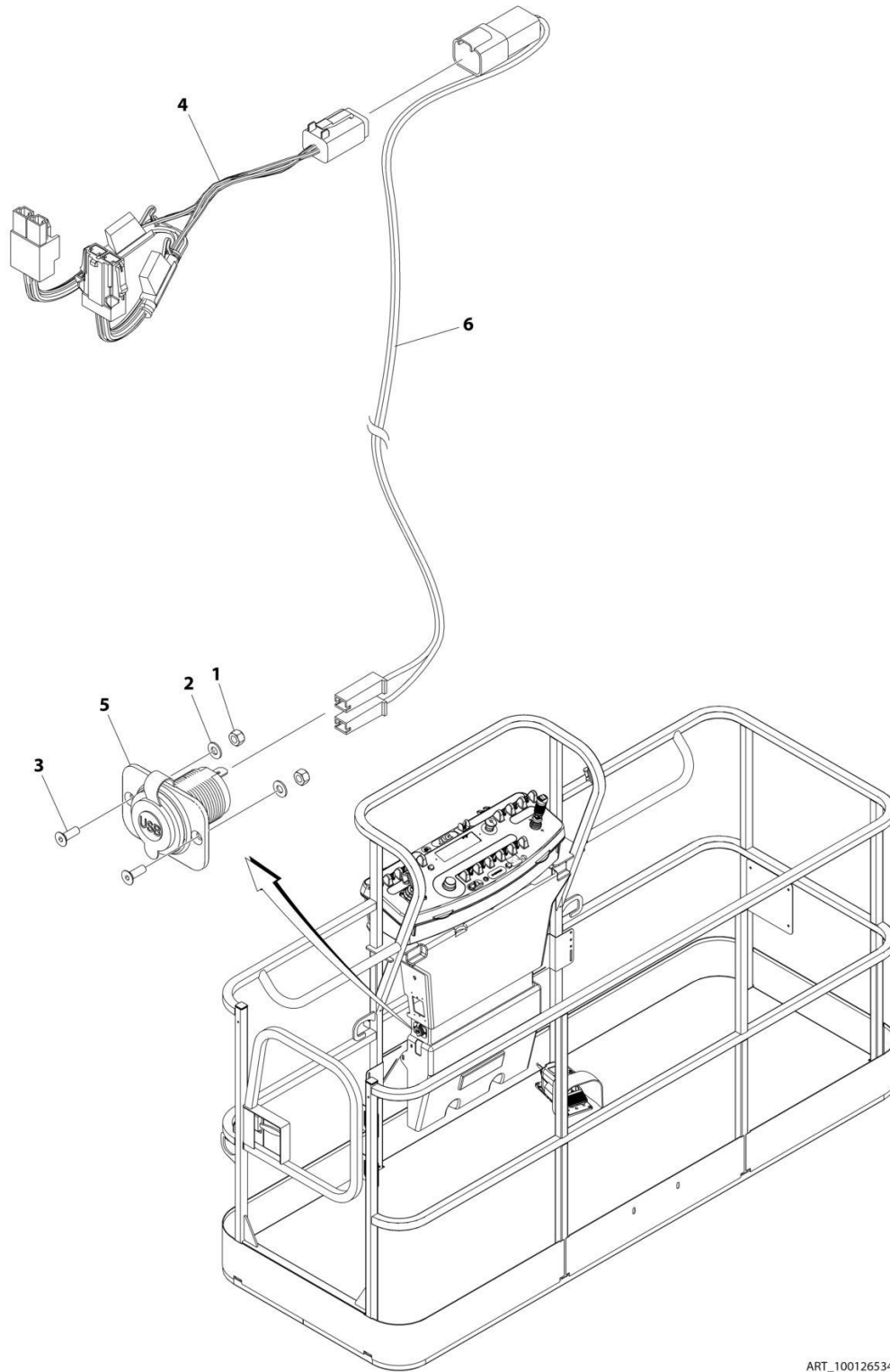
## SECTION 5 - PLATFORM

**FIGURE 5-15. PLATFORM ASSEMBLY - 36IN X 8FT (91.5CM X 2.44M) TRI-ENTRY WITH DROP BAR**

ITEM	PART NUMBER	QTY	DESCRIPTION	REV
	1001228375	Ref	PLATFORM ASSEMBLY - 36IN X 8FT (91.5CM X 2.44M) WITH TRI-ENTRY	A
		Ref	Note: Platform and Mesh must be ordered separately for Platforms with Mesh. See SPECIAL OPTIONS SECTION for Mesh Installations.	
		Ref	Note: Replacement Decals Must be Ordered Separately - See DECAL SECTION.	
1	0100011	AR	Compound, Locking	
2	0641418	6	Bolt 1/4 x 2-1/4	
3	0961845	6	Bushing	
4	3290606	2	Nut M6 x 1	
5	3300151	6	Nut 1/4	
6	3520072	2	Cap, Plug	
7	3520198	2	Cap, Plug	
8	4010618	2	Screw M6 x 50	
9	4711400	12	Washer 1/4	
10	4811700	2	Washer M6	
11	1001138494	3	Bar, Drop	
12	1001138514	1	Rail (Top)	
13	1001140429	3	Decal - Drop Bar	
14	See Note	1	Platform (Note: Not Available - Purchase Platform Assembly)	

# SECTION 5 - PLATFORM

FIGURE 5-16. PLATFORM POWER USB (SN 0300276771 to Present)



ART\_1001265342

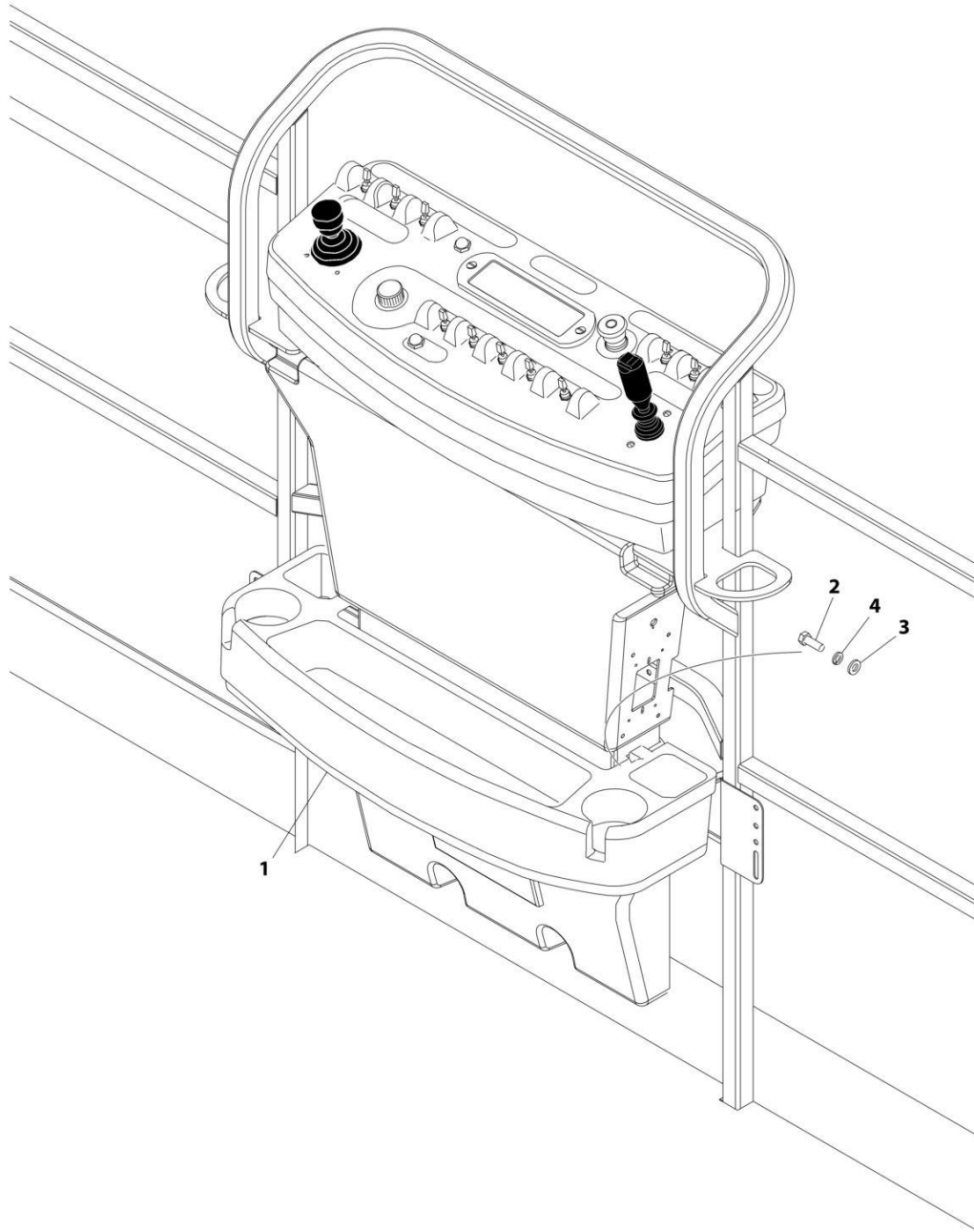
## SECTION 5 - PLATFORM

**FIGURE 5-16. PLATFORM POWER USB (SN 0300276771 to Present)**

ITEM	PART NUMBER	QTY	DESCRIPTION	REV
	1001265342	Ref	USB CHARGER INSTALLATION	A
1	3290405	2	Nut M4	
2	4811400	2	Washer M4	
3	1001097244	2	Screw M4 x 12	
4	1001120484	1	Harness, Work Lights	
4	4460879	1	Plug, Male - 2 Position	
4	4460887	2	Terminal	
4	2400060	2	Fuseholder Includes Cover	
4	8229249	2	Fuse, 3 Amp	
4	4460884	1	Connector - 4 Position	
4	4460465	4	Socket, Female	
4	1001120471	1	Connector - 2 Position	
4	1001120477	2	Terminal	
5	1001210636	1	Receptacle, USB	
6	1001265163	1	Harness, USB	A
6	4460260	2	Cover, Terminal	
6	4460259	2	Terminal	
6	4460932	1	Receptacle, Bussbar - 4 Position	
6	4460464	2	Pin, Male	
6	4460466	2	Plug, Terminal	

# SECTION 5 - PLATFORM

## FIGURE 5-17. TRAY ASSEMBLY



ART\_1580012



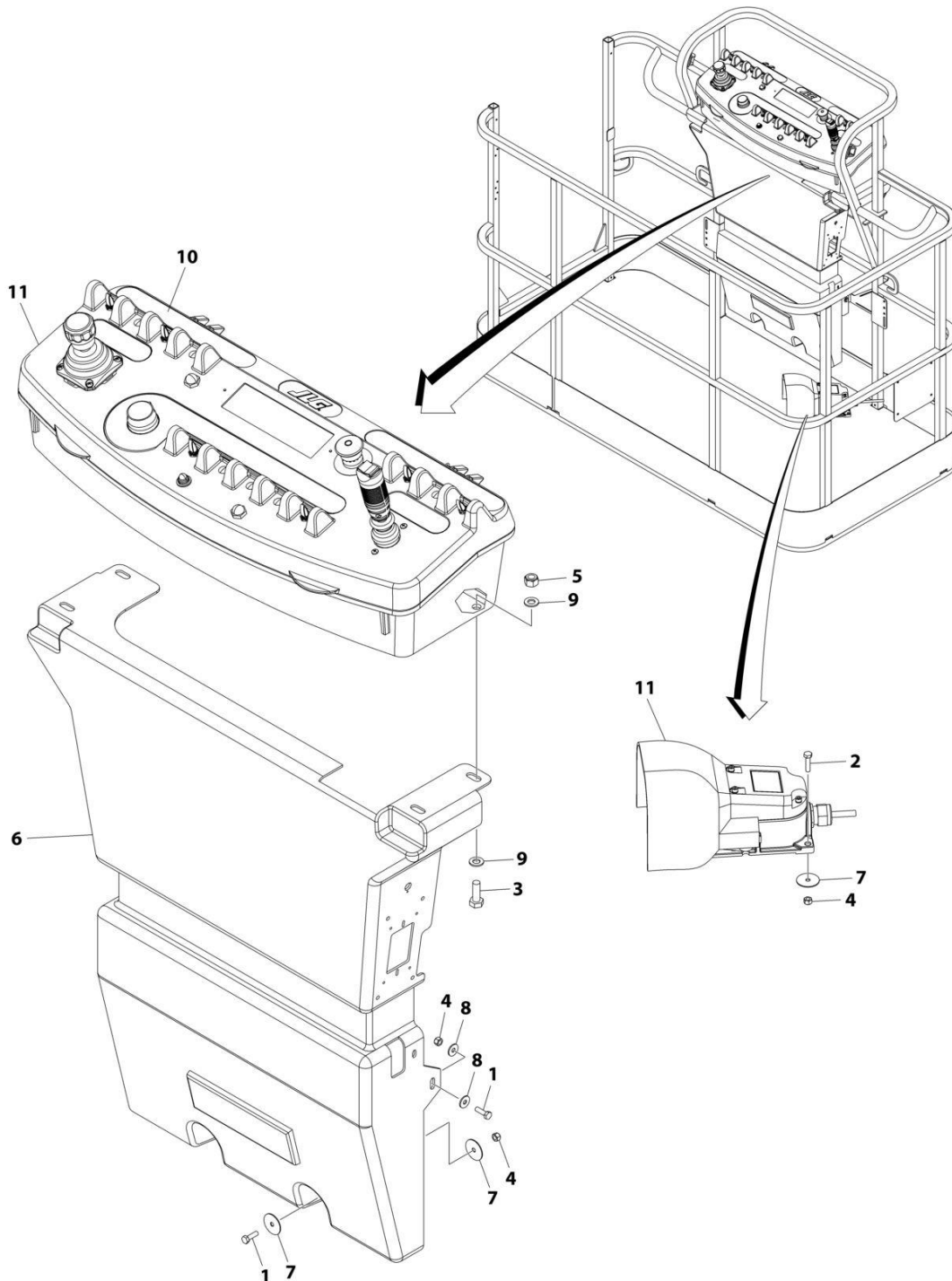
## SECTION 5 - PLATFORM

### FIGURE 5-17. TRAY ASSEMBLY

ITEM	PART NUMBER	QTY	DESCRIPTION	REV
	1580012	Ref	TRAY ASSEMBLY	C
1	See Note	NSS	Tray, Storage (Center) (Note: Purchase p/n 1580012)	
2	0641406	2	Bolt 1/4 x 3/4	
3	4751400	2	Washer 1/4	
4	4761400	2	Washer 1/4	

# SECTION 5 - PLATFORM

## FIGURE 5-18. PLATFORM CONSOLE AND FOOTSWITCH INSTALLATION - 600S HC3



ART\_1001250953

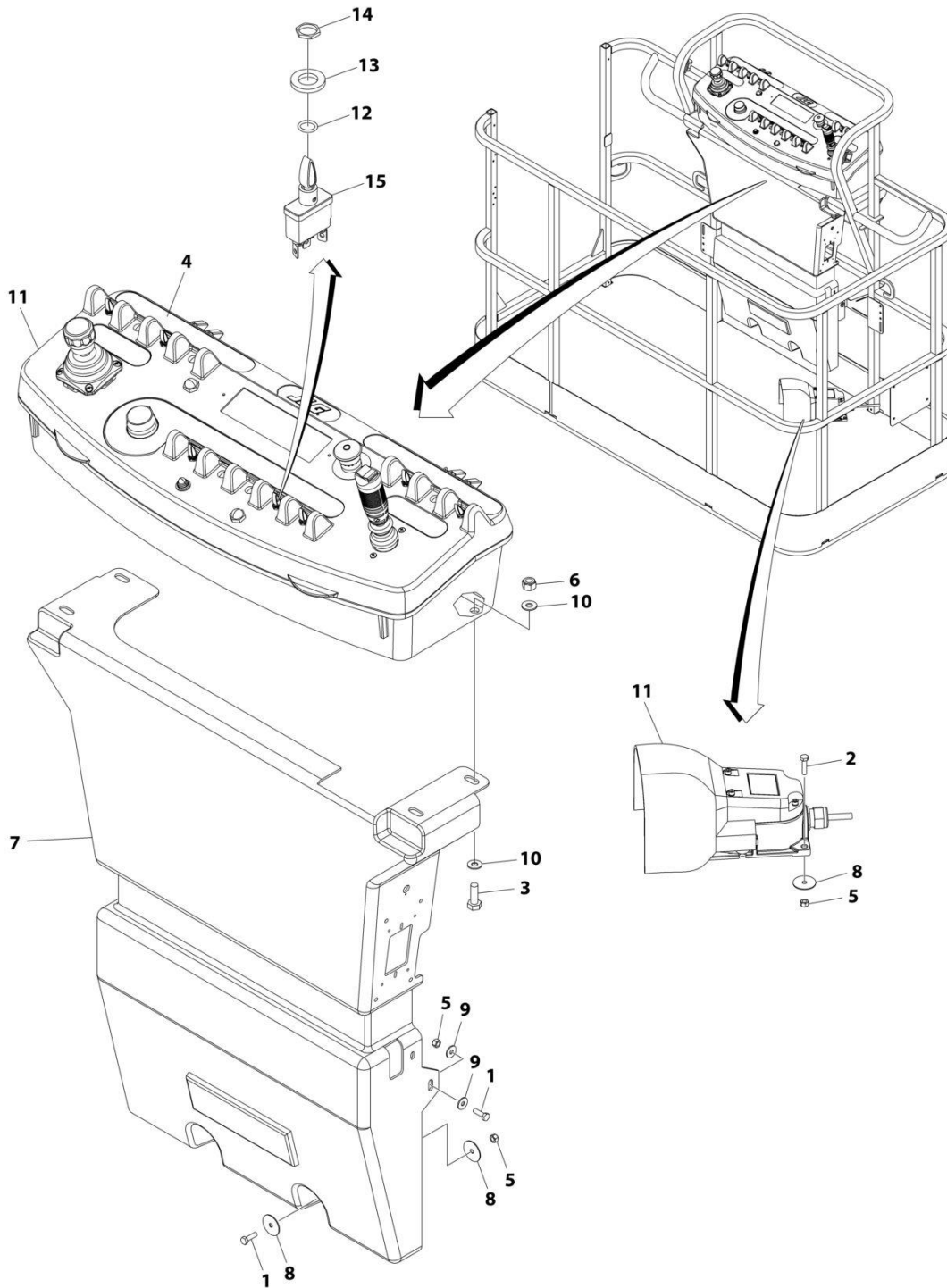
## SECTION 5 - PLATFORM

**FIGURE 5-18. PLATFORM CONSOLE AND FOOTSWITCH INSTALLATION - 600S HC3**

ITEM	PART NUMBER	QTY	DESCRIPTION	REV
	1001250953	Ref	PLATFORM CONSOLE AND FOOTSWITCH INSTALLATION	B
1	0700610	4	Bolt M6 x 20	
2	0700612	3	Bolt M6 x 25	
3	0701015	4	Bolt M10 x 35	
4	3290605	7	Nut M6	
5	3291005	4	Nut M10	
6	3380434	1	Panel	
7	4740362	7	Washer	
8	4811702	4	Washer M6	
9	4751600	8	Washer 3/8	
10	1001184626	1	Decal - Horn	
11	1001250952	1	Platform Console Assembly (See Separate Breakdown in this Section)	

# SECTION 5 - PLATFORM

## FIGURE 5-19. PLATFORM CONSOLE AND FOOTSWITCH INSTALLATION - 660SJ HC3



ART\_1001250011

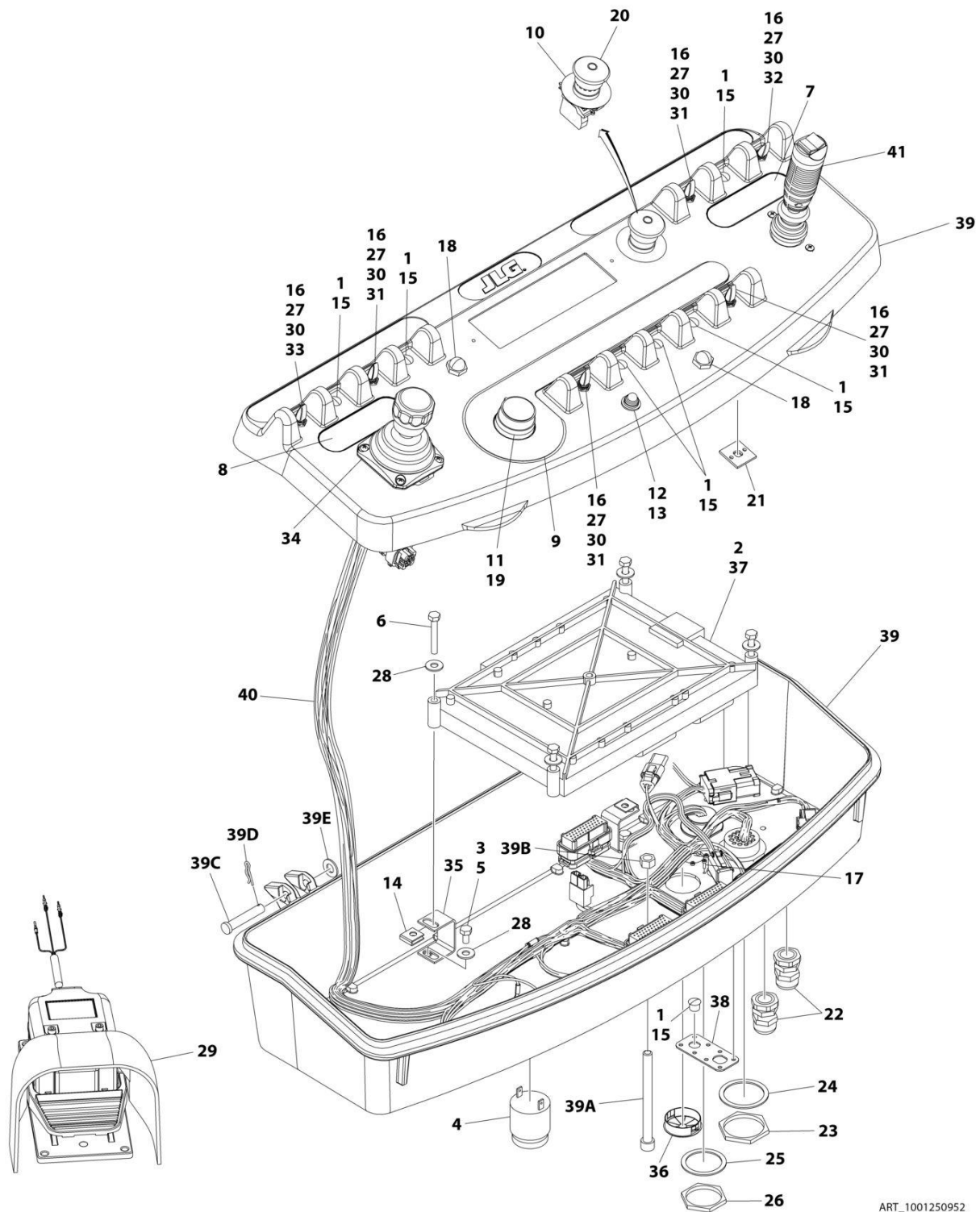
## SECTION 5 - PLATFORM

**FIGURE 5-19. PLATFORM CONSOLE AND FOOTSWITCH INSTALLATION - 660SJ HC3**

ITEM	PART NUMBER	QTY	DESCRIPTION	REV
	1001250011	Ref	PLATFORM CONSOLE AND FOOTSWITCH INSTALLATION	C
1	0700610	4	Bolt M6 x 20	
2	0700612	3	Bolt M6 x 25	
3	0701014	4	Bolt M10 x 30	
4	1001184626	1	Decal - Horn	
5	3290605	7	Nut M6	
6	3291005	4	Nut M10	
7	3380434	1	Panel	
8	4740362	7	Washer	
9	4811702	4	Washer M6	
10	4751600	8	Washer 3/8	
11	1001250952	1	Platform Console Assembly (See Separate Breakdown in this Section)	
12	3790012	1	O-Ring	
13	4740397	1	Washer	
14	1001155044	1	Nut	
15	1001155045	1	Switch, Toggle	

# SECTION 5 - PLATFORM

## FIGURE 5-20. CONSOLE BOX ASSEMBLY



ART\_1001250952

## SECTION 5 - PLATFORM

### FIGURE 5-20. CONSOLE BOX ASSEMBLY

ITEM	PART NUMBER	QTY	DESCRIPTION	REV
	1001250952	Ref	CONSOLE BOX ASSEMBLY	C
1	0100009	AR	Sealant	
2	0100048	AR	Grease, Dielectric	
3	0100035	AR	Compound, Locking	
4	0140011	1	Alarm	
5	0641404	4	Bolt 1/4 x 1/2	
6	0641414	4	Bolt 1/4 x 1-3/4	
7	1702565	1	Decal - Drive and Steer	
8	1702566	1	Decal - Lift and Swing	
9	1702567	1	Decal - Function Speed	
10	1704260	1	Decal - Emergency Stop	
11	2560136	1	Handle, Knob	
12	2920028	1	Light, Indicator	
13	2920029	1	Bulb, Light	
14	3300353	4	Nut, Tinnerman	
15	3520054	7	Plug	
16	3790012	6	O-Ring	
17	3900349	8	Capscrew M2.5 x 8	
18	4360387	2	Switch, Push Button	
19	4360407	1	Controller, Speed	
19	4460224	1	Receptacle, Female - 6 Position	
19	4460226	6	Socket, Female	
19	See Note	1	Gasket "Top Hat" (Included with Switch) (Note: Not Available - Purchase Complete Controller)	
19	70003784	1	Seal	
20	4360475	1	Switch, Emergency Stop	
20	7020175	1	Cap, Red	
20	7020176	1	Block, Contact	
21	4460234	3	Mount, Tie-Strap	
22	4460428	2	Connector, Strain Relief	
23	4460470	1	Nut, Terminal	
24	4460471	1	Washer, Terminal	
25	4460496	1	Washer, Terminal	
26	4460497	1	Nut, Terminal	
27	4740397	6	Washer	
28	4751400	8	Washer 1/4	
29	1001117174	1	Footswitch Assembly (See Separate Breakdown in this Section)	
30	1001155044	6	Nut 15/32	
31	1001155045	4	Switch, Toggle	
32	1001159256	1	Switch, Toggle	
33	1001161709	1	Switch, Toggle	
34	1001166539	NLA	Controller Assembly (Lift and Swing) (Use p/n 1001129555) (See Separate Breakdown in this Section)	
35	1001172760	4	Bracket	
36	1001185281	1	Plug	
37	1001261325	1	Module, Platform (Note: Re-calibration Required when Replaced)	
38	1001213882	1	Mount, Connector	
39	1001215228	1	Console Box Assembly	
39A	0630568	1	Capscrew 3/8 x 4-1/2	
39B	3311601	1	Nut 3/8	

## SECTION 5 - PLATFORM

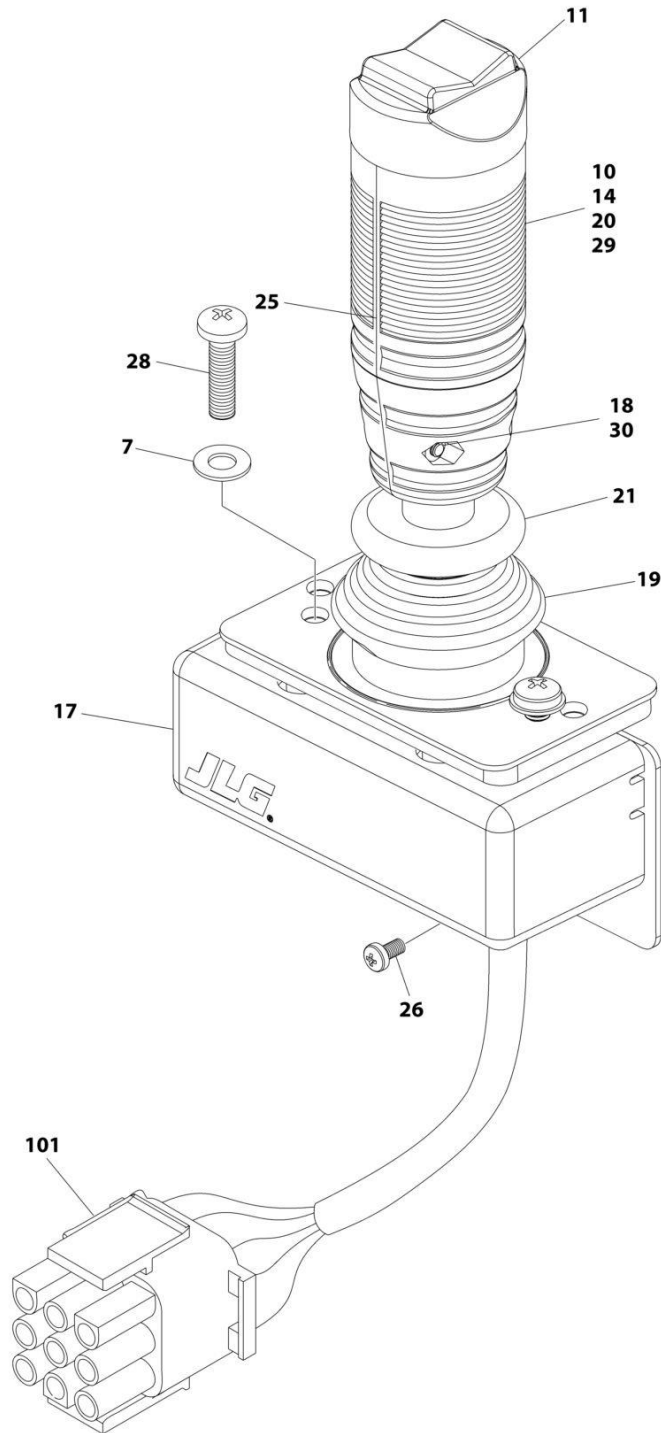
ITEM	PART NUMBER	QTY	DESCRIPTION	REV
39C	3430616	2	Pin	
39D	3470003	2	Hairpin	
39E	4711600	2	Washer 3/8	
40	1001238409	1	Platform Console Harness (See Separate Breakdown in ELECTRICAL SECTION)	
41	1001166538	NLA	Controller Assembly (Drive and Steer) (Use p/n 1001212415) (See Separate Breakdown in this Section)	





# SECTION 5 - PLATFORM

## FIGURE 5-21. CONTROLLER ASSEMBLY (DRIVE AND STEER)



ART\_1001166538

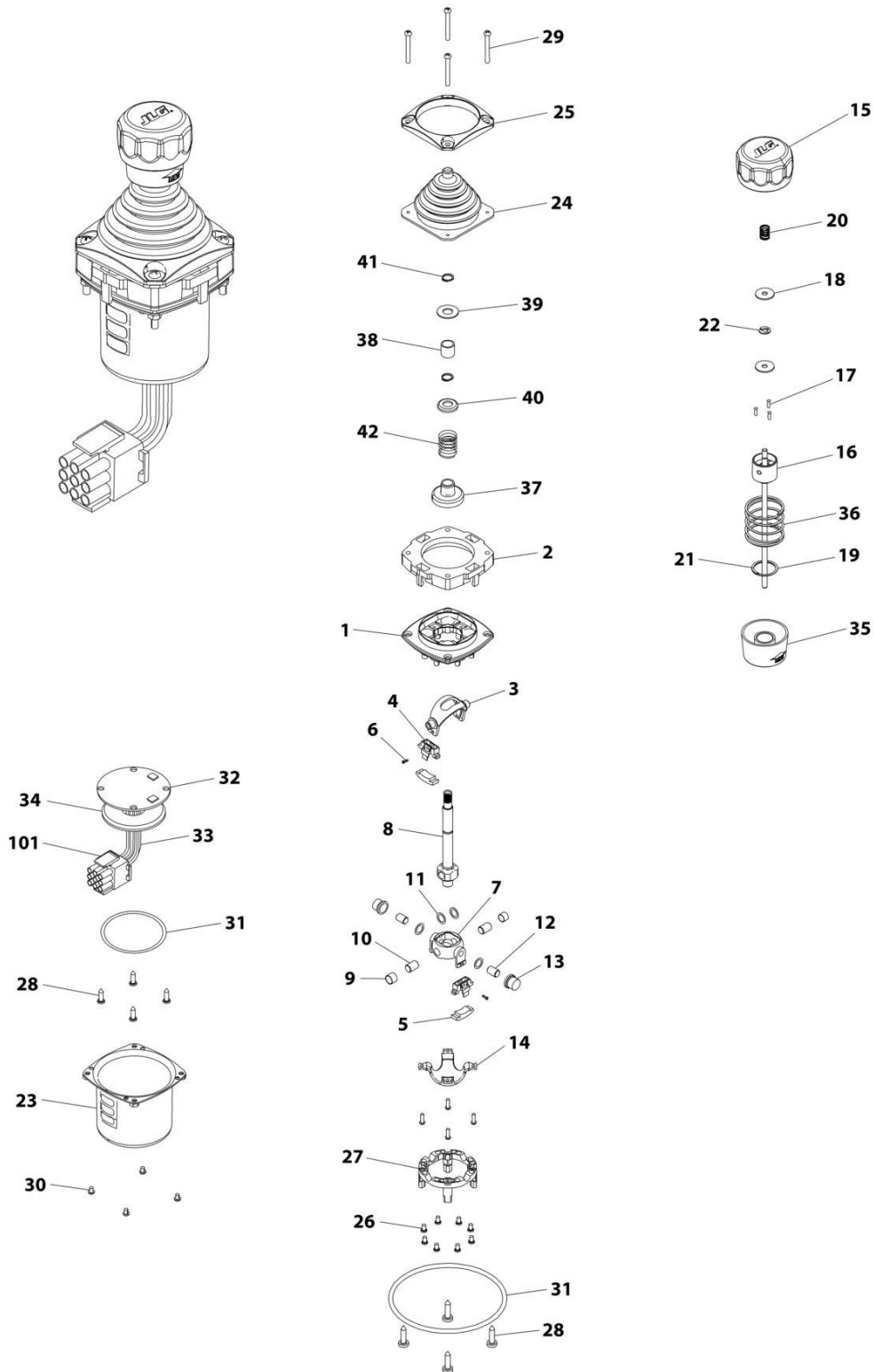
## SECTION 5 - PLATFORM

**FIGURE 5-21. CONTROLLER ASSEMBLY (DRIVE AND STEER)**

ITEM	PART NUMBER	QTY	DESCRIPTION	REV
	1001166538	Ref	CONTROLLER ASSEMBLY - DRIVE AND STEER	G
		Ref	Note: For Replacement, Use p/n 1001212415.	
7	70004738	2	Washer	
10	70004739	1	Roller	
11	70004740	1	Boot, Switch	
14	70004741	2	Half, Handle	
17	70004742	1	Enclosure	
18	70004743	4	Nut	
19	70004744	NLA	Boot, Controller (Use p/n 70005230 Boot/Base Assembly)	
20	70004745	NLA	Tube, Locking (Use p/n 70005230 Boot/Base Assembly)	
21	70004746	NLA	Disc, Locking (Use p/n 70005230 Boot/Base Assembly)	
25	70004747	2	Seal, Rope	
26	70004748	1	Screw M3 x 6	
28	70004749	2	Screw M5 x 20	
29	70004750	1	Pin, Dowel	
30	70004751	4	Screw M3 x 16	
101	4460265	1	Connector - 9 Position	
101	4460226	7	Socket, Female	

# SECTION 5 - PLATFORM

## FIGURE 5-22. CONTROLLER ASSEMBLY (LIFT AND SWING)



ART\_1001166539

## SECTION 5 - PLATFORM

**FIGURE 5-22. CONTROLLER ASSEMBLY (LIFT AND SWING)**

ITEM	PART NUMBER	QTY	DESCRIPTION	REV
	1001166539	Ref	CONTROLLER ASSEMBLY	E
		Ref	Note: Original Equipment Controller May Have Been Replaced with Service Replacement Controller. Visually Identify Controller Before Ordering Parts.	
		Ref	Note: For Replacement, Use p/n 1001129555	
1	See Note	NSS	Main Cast Body (Note: Not Available - Purchase Complete Assembly)	
2	70004752	1	Adapter	
3	See Note	NSS	Pivot Arm, Plastic (Note: Not Available - Purchase Complete Assembly)	
4	See Note	NSS	Holder, Magnet (Note: Not Available - Purchase Complete Assembly)	
5	See Note	NSS	Arc, Magnet (Note: Not Available - Purchase Complete Assembly)	
6	See Note	NSS	Screw (Note: Not Available for Purchase)	
7	See Note	NSS	Pivot Arm, Cast (Note: Not Available - Purchase Complete Assembly)	
8	See Note	NSS	Shaft, Main (Note: Not Available - Purchase Complete Assembly)	
9	See Note	NSS	Bearing (Note: Not Available - Purchase Complete Assembly)	
10	See Note	NSS	Pin (Note: Not Available - Purchase Complete Assembly)	
11	See Note	NSS	Shim (Note: Not Available - Purchase Complete Assembly)	
12	See Note	NSS	Pin (Note: Not Available - Purchase Complete Assembly)	
13	See Note	NSS	Bearing (Note: Not Available - Purchase Complete Assembly)	
14	See Note	NSS	Dome, Centering (Note: Not Available - Purchase Complete Assembly)	
15	70004753	1	Cap	
16	70004754	1	Insert, Cap	
17	70004755	3	Pin	
18	70004756	2	Washer	
19	70004757	1	Pin, Centering	
20	70004758	1	Spring	
21	70004759	1	Ring, Retaining	
22	70004760	1	E-Ring	
23	70004761	1	Can, Enclosure	
24	70004762	1	Boot	
25	70004763	1	Bezel	
26	See Note	NSS	Screw (Note: Not Available for Purchase)	
27	See Note	NSS	Base Mounting (Note: Not Available - Purchase Complete Assembly)	
28	See Note	NSS	Screw (Note: Not Available for Purchase)	
29	70004764	4	Screw	
30	70004765	4	Screw	
31	70004766	1	O-Ring	
32	See Note	NSS	Plate (Note: Not Available - Purchase Complete Assembly)	
33	See Note	NSS	Harness (Note: Not Available - Purchase Complete Assembly)	
34	70004767	1	Grommet, Rubber	
35	70004768	1	Housing	
36	70004769	1	Spring	
37	70004770	1	Stopper	
38	70004771	1	Spacer	
39	70004772	1	Washer	
40	70004773	1	Disc	

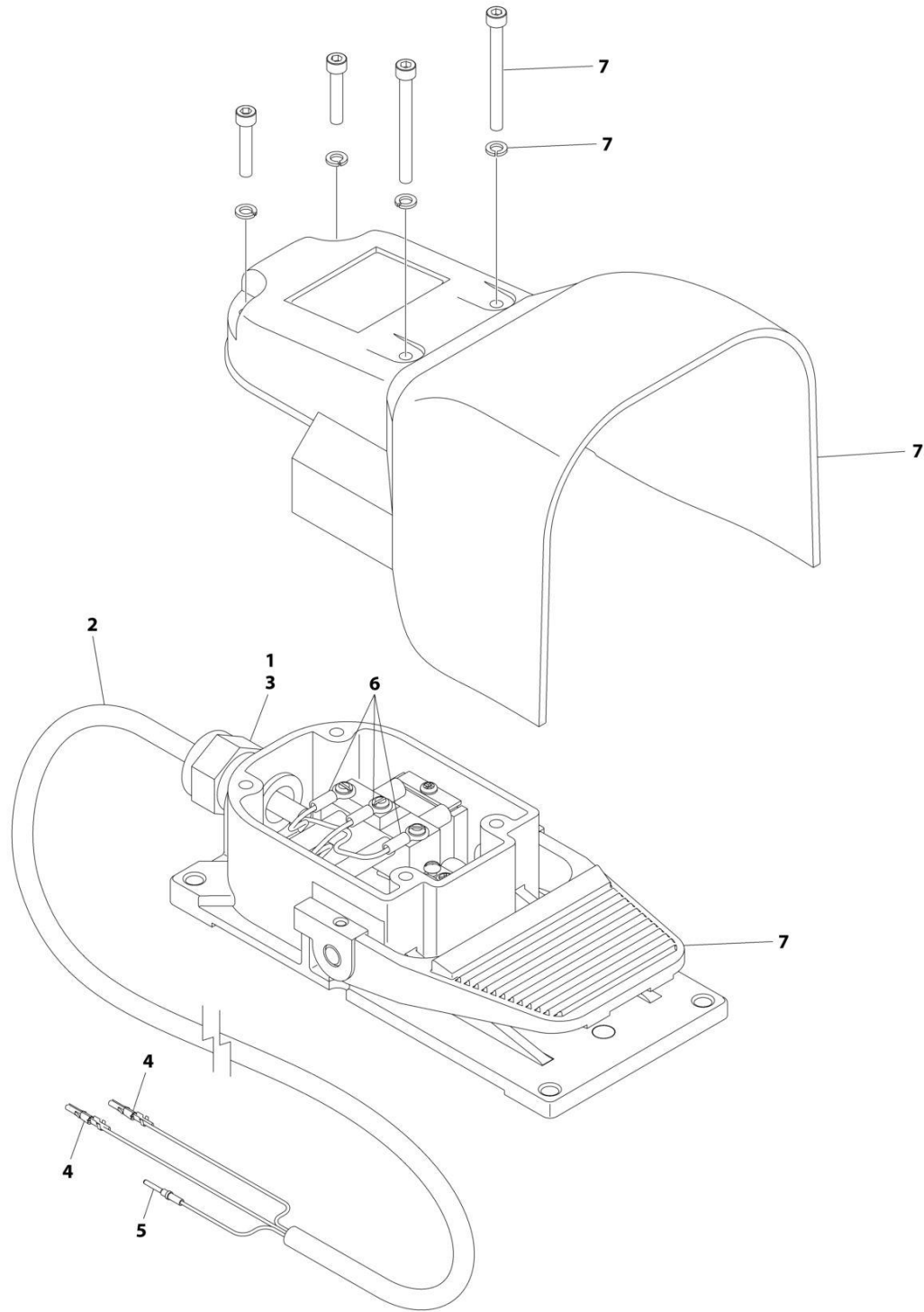
## SECTION 5 - PLATFORM

ITEM	PART NUMBER	QTY	DESCRIPTION	REV
41	70004774	2	Ring, Retaining	
42	70004775	1	Spring	
101	4460265	1	Connector - 9 Position	
101	4460226	6	Socket, Female	



# SECTION 5 - PLATFORM

## FIGURE 5-23. FOOTSWITCH ASSEMBLY



ART\_1001117174



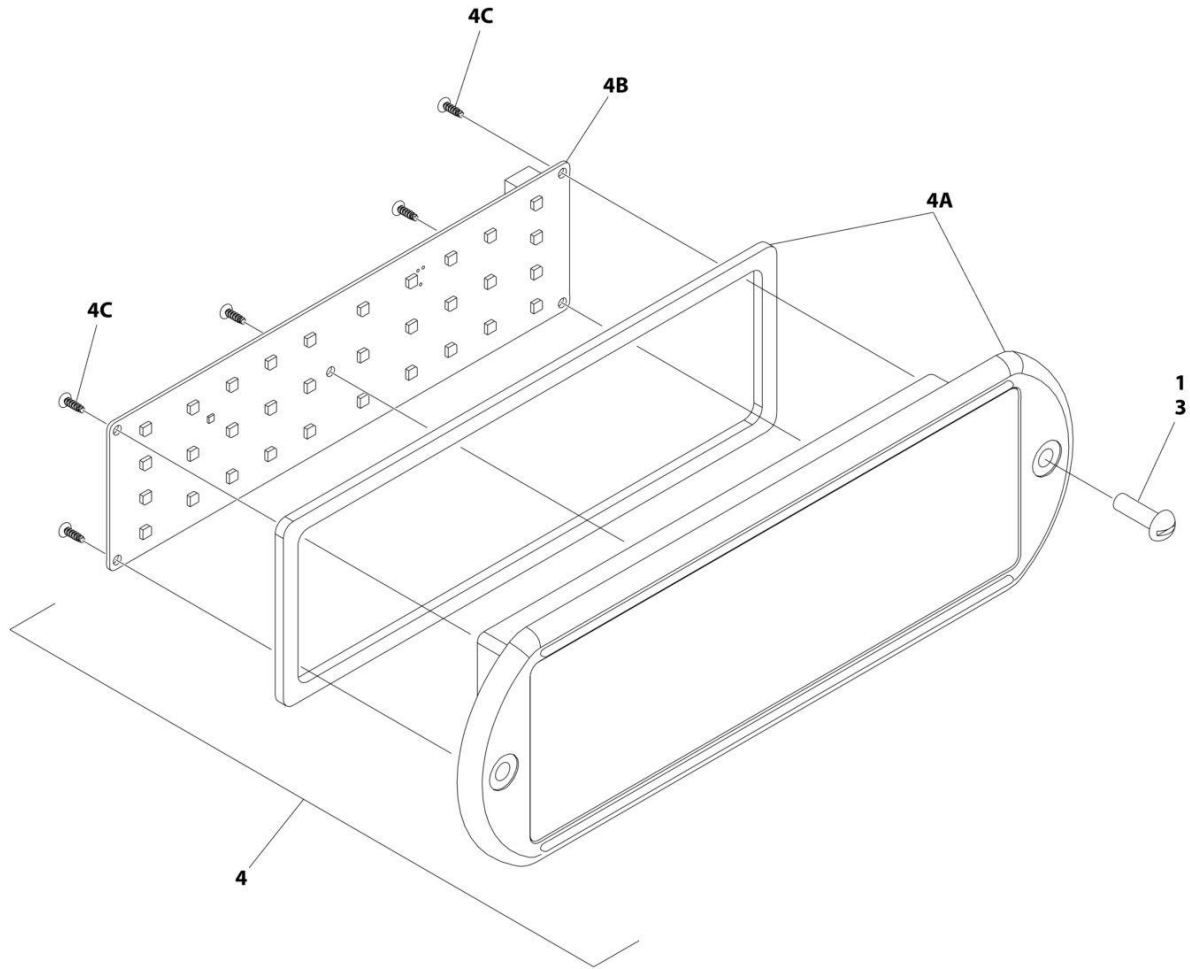
## SECTION 5 - PLATFORM

**FIGURE 5-23. FOOTSWITCH ASSEMBLY**

ITEM	PART NUMBER	QTY	DESCRIPTION	REV
	1001117174	Ref	FOOTSWITCH ASSEMBLY	C
1	0100020	AR	Sealant	
2	1060918	7.5 ft/ 2.3m	Cable, Electrical - 18/3	
3	4460071	1	Connector, Strain Relief	
4	4460226	2	Socket, Female	
5	4460464	1	Pin, Male	
6	1001098122	3	Terminal	
7	1001117172	1	Footswitch	
7	70002902	1	Switch, 20Amp	
7	70002903	1	Gasket	
7	70002905	1	Cover	
7	70002904	1	Kit, Replacement Bolt	

# SECTION 5 - PLATFORM

## FIGURE 5-24. LIGHT PANEL INSTALLATION



ART\_1001233959\_20F2

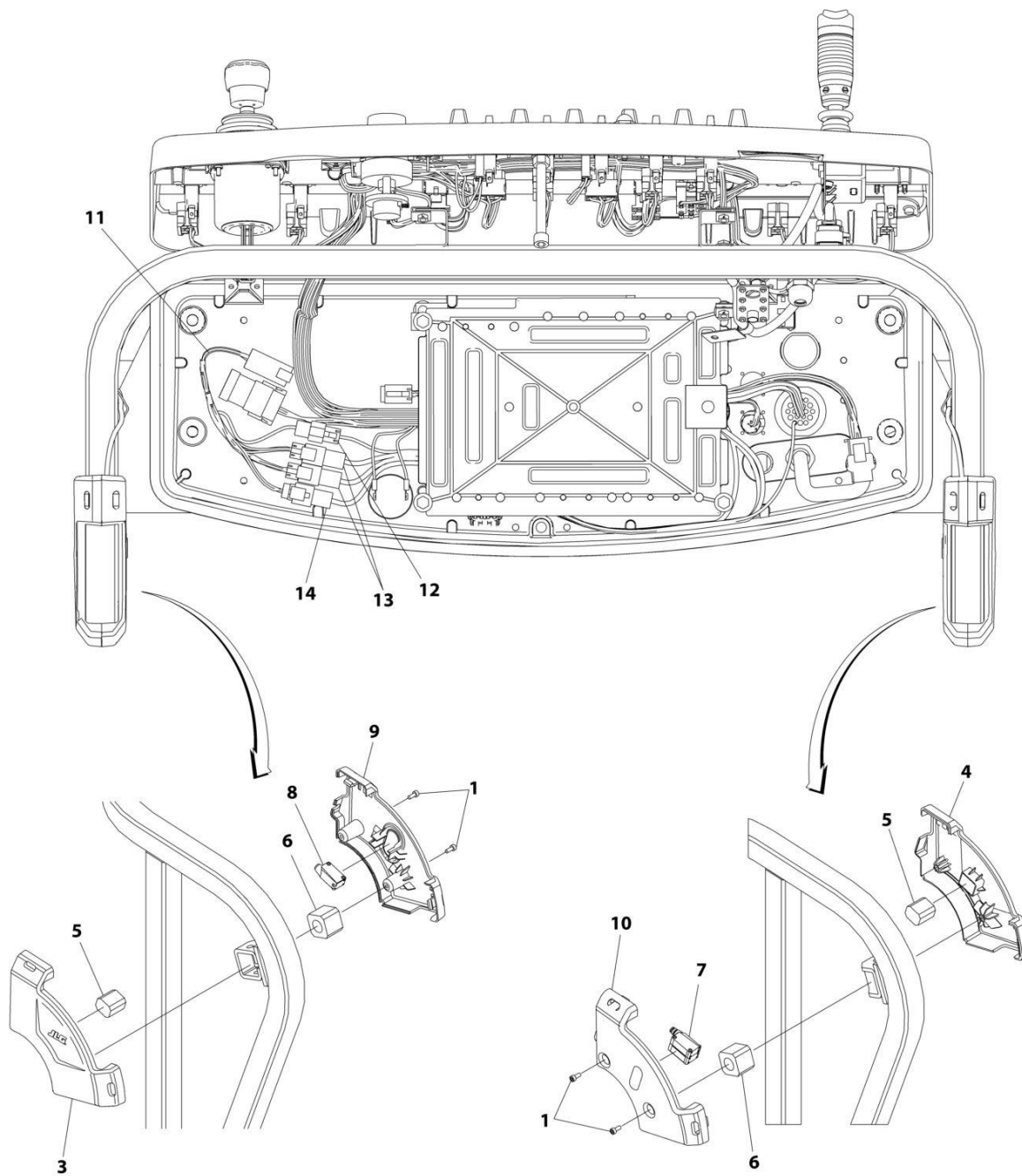
## SECTION 5 - PLATFORM

### FIGURE 5-24. LIGHT PANEL INSTALLATION

ITEM	PART NUMBER	QTY	DESCRIPTION	REV
	1001233959	Ref	LIGHT PANEL INSTALLATION - PLATFORM CONSOLE	C
1	0100035	AR	Compound, Locking	
3	0630518	2	Screw #10 x 3/4	
4	1001237544	1	Light Panel Assembly	
4A	1001236087	1	Lens, I-Con (Includes Gasket)	
4B	1001187807	1	Panel, LED Light	
4C		Ref	Screw	

# SECTION 5 - PLATFORM

## FIGURE 5-25. SKYEYE INSTALLATION



ART\_1001229341

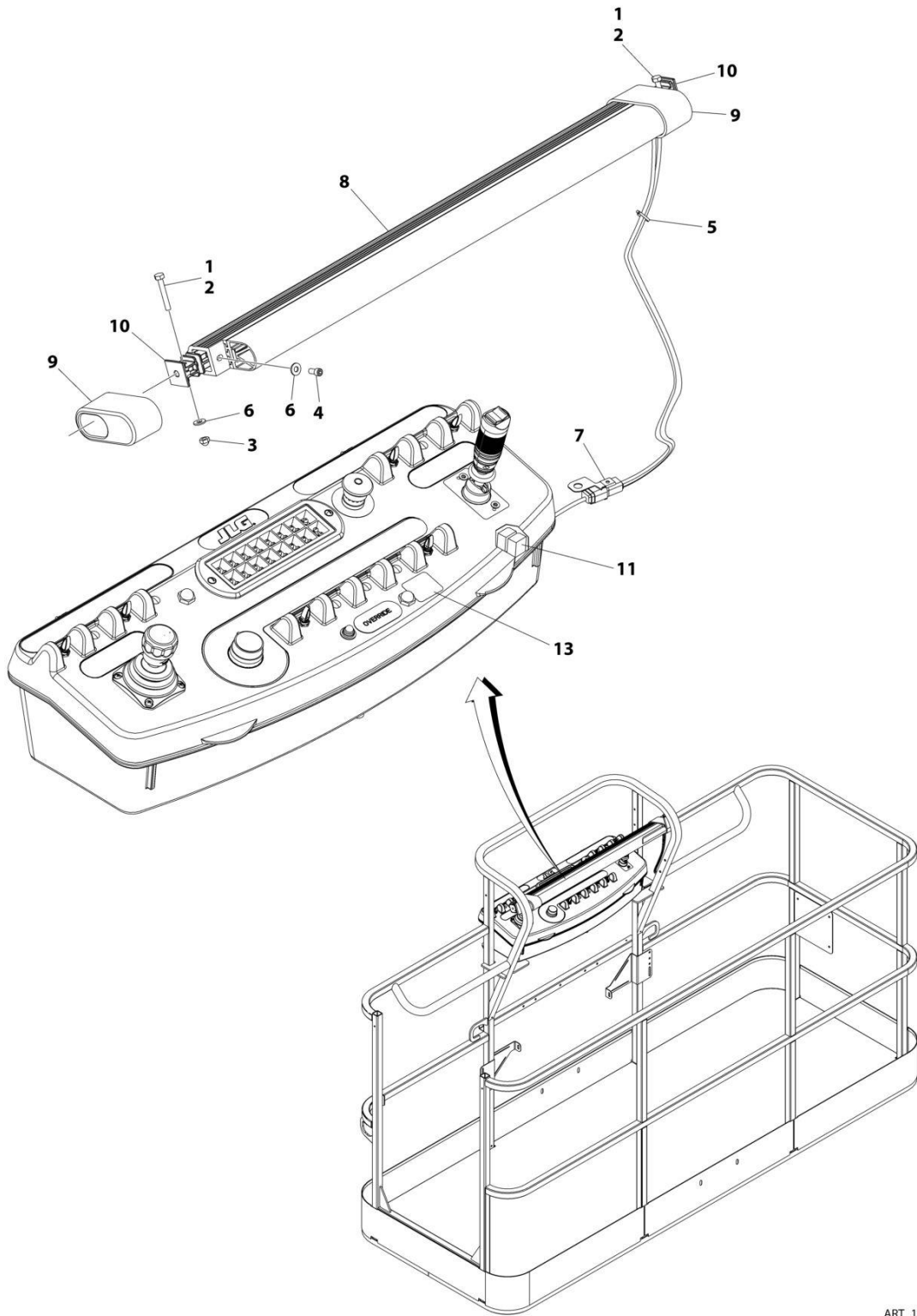
## SECTION 5 - PLATFORM

### FIGURE 5-25. SKYEYE INSTALLATION

ITEM	PART NUMBER	QTY	DESCRIPTION	REV
	1001229341	Ref	SKYEYE INSTALLATION	B
1	4031505	4	Bolt M4 x 10	
2	4240033	AR	Tie-Strap (Not Shown)	
3	1001227633	1	Housing, LH Outer	
4	1001227634	1	Housing, RH Outer	
5	1001227985	2	Shim	
6	1001227987	2	Shim	
7	1001228224	2	Sensor, Receiver	
8	1001228225	1	Sensor, Emitter	
9	1001232164	1	Housing, LH Inner	
10	1001232165	1	Housing, RH Inner	
11	1001237865	1	Harness, Skyeye Intermediate (See Separate Breakdown in ELECTRICAL Section)	
12	1001238319	NLA	Harness, Skyeye Drain Jumper	
12	1001187674	1	Plug, Male - 2 Position	
12	4460942	1	Terminal	
12	4460466	1	Plug, Terminal	
12	4460508	1	Pin, Male	
13	1001237863	2	Harness, Skyeye Receiver (See Separate Breakdown in ELECTRICAL Section)	
14	1001237864	1	Harness, Skyeye Emitter (See Separate Breakdown in ELECTRICAL Section)	

# SECTION 5 - PLATFORM

## FIGURE 5-26. SKYGUARD BAR INSTALLATION



ART\_1001238495

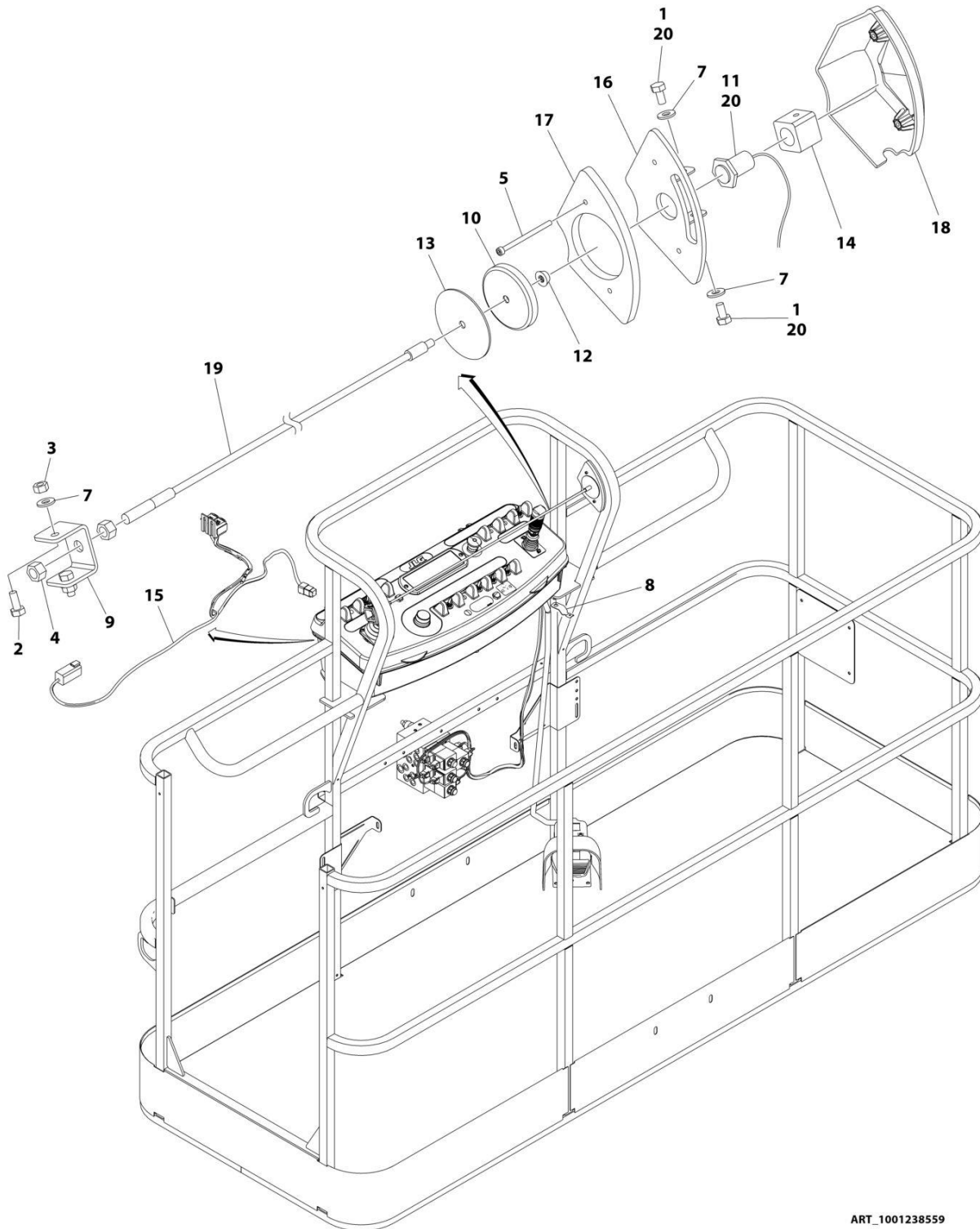
## SECTION 5 - PLATFORM

**FIGURE 5-26. SKYGUARD BAR INSTALLATION**

ITEM	PART NUMBER	QTY	DESCRIPTION	REV
	1001238495	Ref	SKYGUARD BAR INSTALLATION	A
1	0100011	AR	Compound, Locking	
2	0641414	2	Bolt 1/4 x 1-3/4	
3	3300430	2	Nut 1/4	
4	3931408	2	Capscrew 1/4 x 1/2	
5	4240033	8	Tie-Strap	
6	4711400	6	Washer 1/4	
7	1001120328	1	Mount	
8	1001137673	1	SkyGuard Switch Assembly	
9	1001186517	2	Cover, Platform Sensor	
10	1001209664	2	Support, Block	
11	1001186431	2	Relay	
12	1001225580	1	Interface Harness Assembly (Not Shown - Located Inside Console Box) (See Separate Breakdown in ELECTRICAL Section)	
13	1001144433	1	Decal - No Weight SkyGuard	

# SECTION 5 - PLATFORM

## FIGURE 5-27. SKYLINE INSTALLATION



ART\_1001238559



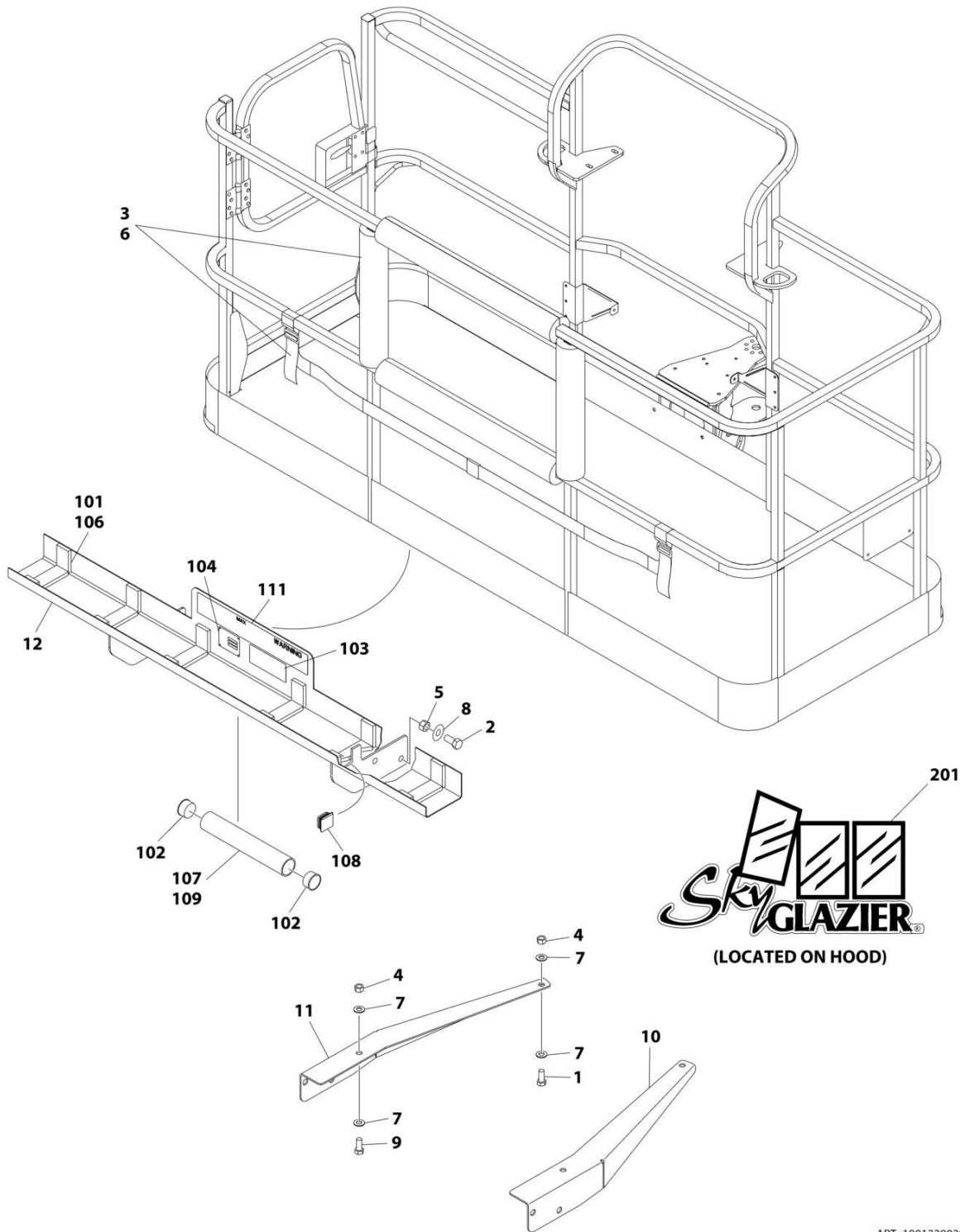
## SECTION 5 - PLATFORM

### FIGURE 5-27. SKYLINE INSTALLATION

ITEM	PART NUMBER	QTY	DESCRIPTION	REV
	1001238559	Ref	SKYLINE INSTALLATION	B
1	0641404	2	Bolt 1/4 x 1/2	
2	0641405	2	Bolt 1/4 x 5/8	
3	3311405	2	Nut 1/4	
4	3311601	2	Nut 3/8	
5	4031516	2	Capscrew M4 x 60	
6	4240033	AR	Tie-Strap (Not Shown)	
7	4711400	4	Washer 1/4	
8	1001120328	1	Mount	
9	1001232642	1	Bracket	
10	1001232650	1	Magnet	
11	1001232667	1	Sensor, Proximity	
12	1001235011	1	Nut	
13	1001235013	1	Washer	
14	1001236552	1	Block	
15	1001238418	1	Harness, Skyline (See Separate Breakdown in ELECTRICAL Section)	
16	1001238472	1	Mount	
17	1001238477	1	Housing, LH	
18	1001241965	1	Housing, RH	
19	1001238824	1	Rope	
20	0100011	AR	Compound, Locking	

# SECTION 5 - PLATFORM

FIGURE 5-28. SKYGLAZIER INSTALLATION - 600S & 660SJ (ANSI, AUSTRALIAN AND CSA SPECS)



ART\_1001229020

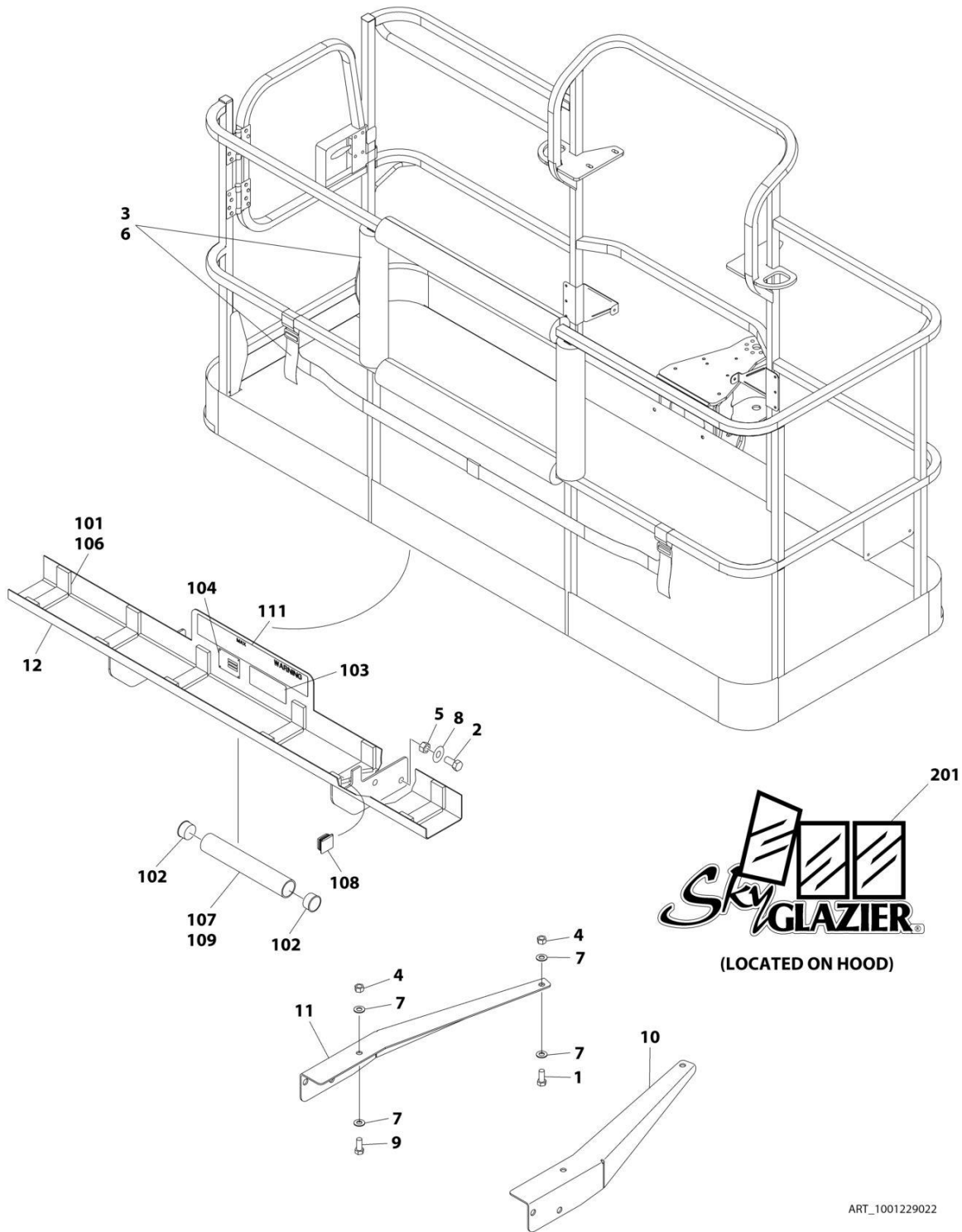
## SECTION 5 - PLATFORM

**FIGURE 5-28. SKYGLAZIER INSTALLATION - 600S & 660SJ (ANSI, AUSTRALIAN AND CSA SPECS)**

ITEM	PART NUMBER	QTY	DESCRIPTION	REV
	1001229020	Ref	SKYGLAZIER INSTALLATION	A
1	0642012	2	Bolt 5/8 x 1-1/2	
2	0642212	4	Bolt 3/4 x 1-1/2	
3	2902212	1	Bumpers and Strap Kit	
3	0940102	1	Bumper Only	
3	4240149	1	Strap Only	
4	3312005	4	Nut 5/8	
5	3312205	4	Nut 3/4	
6	4420014	AR	Tape	
7	4712000	6	Washer 5/8	
8	4712200	8	Washer 3/4	
9	8310129	2	Bolt 3/4 x 2-1/2	
10	1001099366	1	Support	
11	1001099367	1	Support	
12	1001229082	1	Tray Assembly (See Items 101-111 for Breakdown)	
	1001229082	Ref	TRAY ASSEMBLY	B
101	0100081	AR	Adhesive	
102	1120555	2	Cap, Tube	
103	1701509	1	Decal - Manual	
104	See Note	NSS	Nameplate - Serial Number (Note: Not Available for Purchase)	
106	3340956	1	Pad Kit	
107	3460334	1	Tube	
108	3520071	2	Plug	
109	4420066	AR	Tape, Double Sided	
111	1001199035	2	Decal - Glazier Capacity	
	0272418	Ref	SKYGLAZIER DECAL INSTALLATION	4
201	1705358	2	Decal - SkyGlazier	

# SECTION 5 - PLATFORM

## FIGURE 5-29. SKYGLAZIER INSTALLATION - 600S (BRAZIL SPECS)



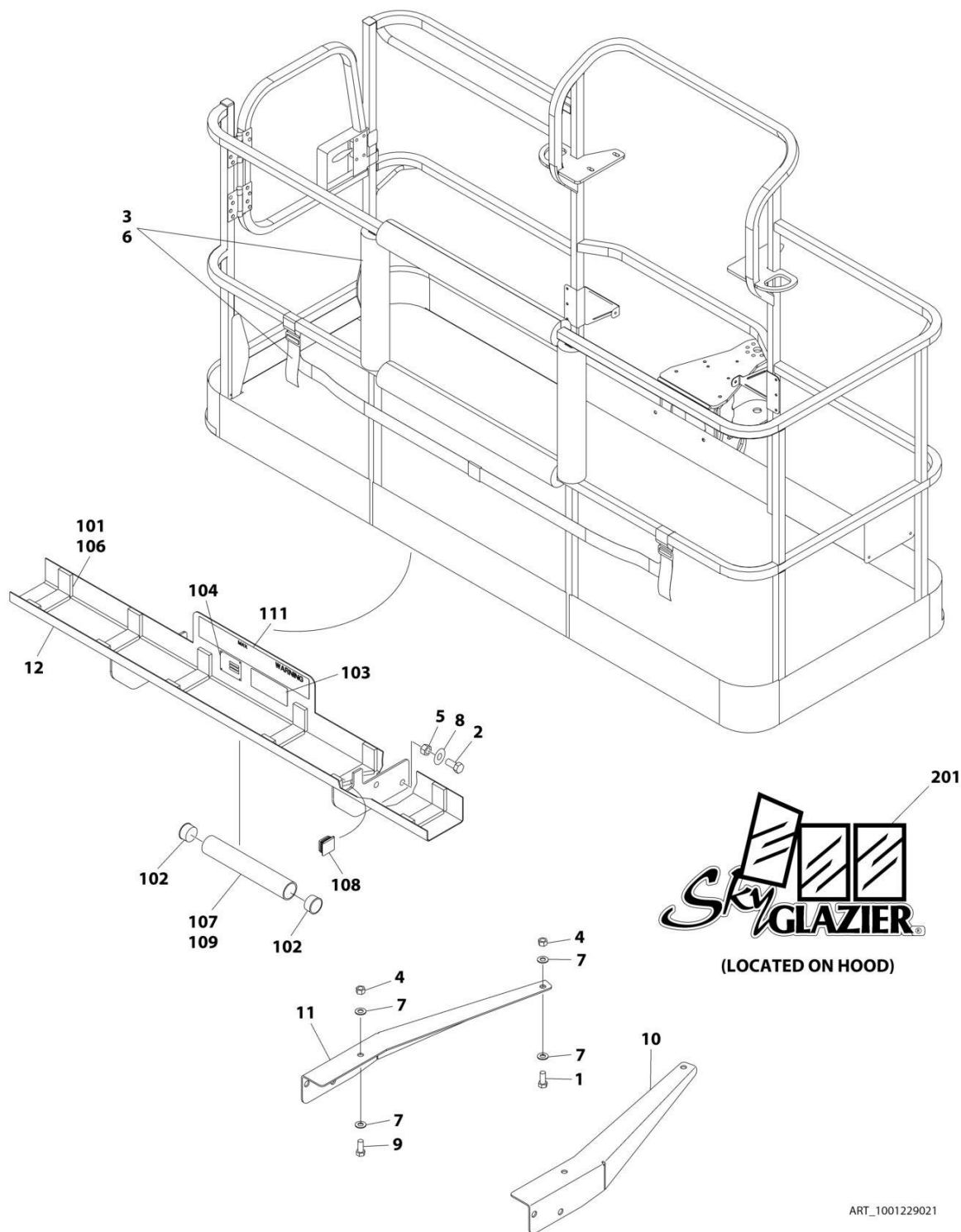
## SECTION 5 - PLATFORM

**FIGURE 5-29. SKYGLAZIER INSTALLATION - 600S (BRAZIL SPECS)**

ITEM	PART NUMBER	QTY	DESCRIPTION	REV
	1001229022	Ref	SKYGLAZIER INSTALLATION	A
1	0642012	2	Bolt 5/8 x 1-1/2	
2	0642212	4	Bolt 3/4 x 1-1/2	
3	2902212	1	Bumpers and Strap Kit	
3	0940102	1	Bumper Only	
3	4240149	1	Strap Only	
4	3312005	4	Nut 5/8	
5	3312205	4	Nut 3/4	
6	4420014	AR	Tape	
7	4712000	6	Washer 5/8	
8	4712200	8	Washer 3/4	
9	8310129	2	Bolt 3/4 x 2-1/2	
10	1001099366	1	Support	
11	1001099367	1	Support	
12	1001229118	1	Tray Assembly (See Items 101-111 for Breakdown)	
	1001229118	Ref	TRAY ASSEMBLY	B
101	0100081	AR	Adhesive	
102	1120555	2	Cap, Tube	
103	1701509	1	Decal - Manual	
104	See Note	NSS	Nameplate - Serial Number (Note: Not Available for Purchase)	
106	3340956	1	Pad Kit	
107	3460334	1	Tube	
108	3520071	2	Plug	
109	4420066	AR	Tape, Double Sided	
111	1001229112	2	Decal - Glazier Capacity	
	0272418	Ref	SKYGLAZIER DECAL INSTALLATION	4
201	1705358	2	Decal - SkyGlazier	

# SECTION 5 - PLATFORM

## FIGURE 5-30. SKYGLAZIER INSTALLATION - 600S (LATIN AMERICAN SPECS)



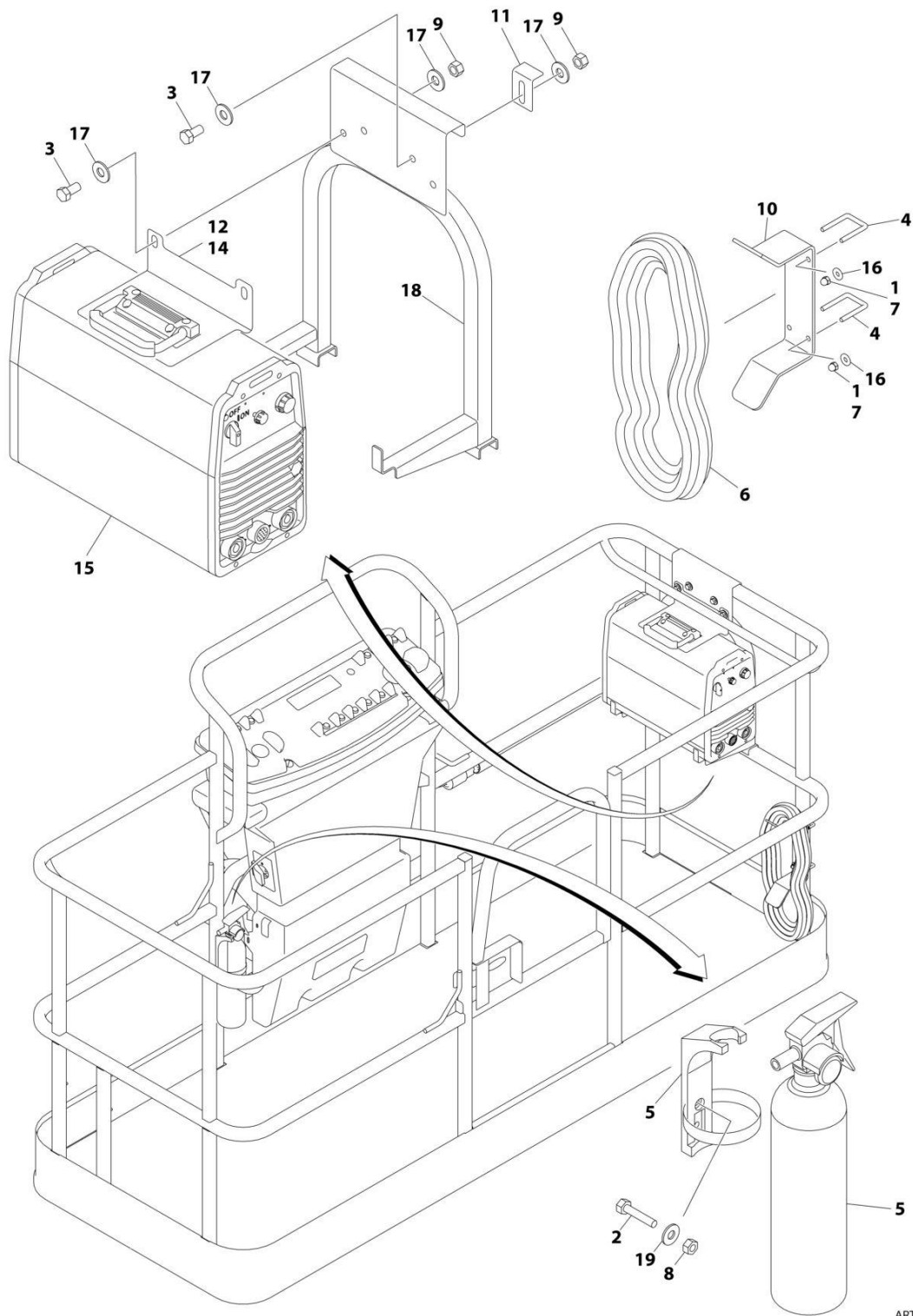
## SECTION 5 - PLATFORM

**FIGURE 5-30. SKYGLAZIER INSTALLATION - 600S (LATIN AMERICAN SPECS)**

ITEM	PART NUMBER	QTY	DESCRIPTION	REV
	1001229021	Ref	SKYGLAZIER INSTALLATION	A
1	0642012	2	Bolt 5/8 x 1-1/2	
2	0642212	4	Bolt 3/4 x 1-1/2	
3	2902212	1	Bumpers and Strap Kit	
3	0940102	1	Bumper Only	
3	4240149	1	Strap Only	
4	3312005	4	Nut 5/8	
5	3312205	4	Nut 3/4	
6	4420014	AR	Tape	
7	4712000	6	Washer 5/8	
8	4712200	8	Washer 3/4	
9	8310129	2	Bolt 3/4 x 2-1/2	
10	1001099366	1	Support	
11	1001099367	1	Support	
12	1001229108	1	Tray Assembly (See Items 101-111 for Breakdown)	
	1001229108	Ref	TRAY ASSEMBLY	B
101	0100081	AR	Adhesive	
102	1120555	2	Cap, Tube	
103	1701509	1	Decal - Manual	
104	See Note	NSS	Nameplate - Serial Number (Note: Not Available for Purchase)	
106	3340956	1	Pad Kit	
107	3460334	1	Tube	
108	3520071	2	Plug	
109	4420066	AR	Tape, Double Sided	
111	1001229111	2	Decal - Glazier Capacity	
	0272418	Ref	SKYGLAZIER DECAL INSTALLATION	4
201	1705358	2	Decal - SkyGlazier	

# SECTION 5 - PLATFORM

## FIGURE 5-31. SKYWELDER INSTALLATION (50HZ)



ART\_0272521\_F



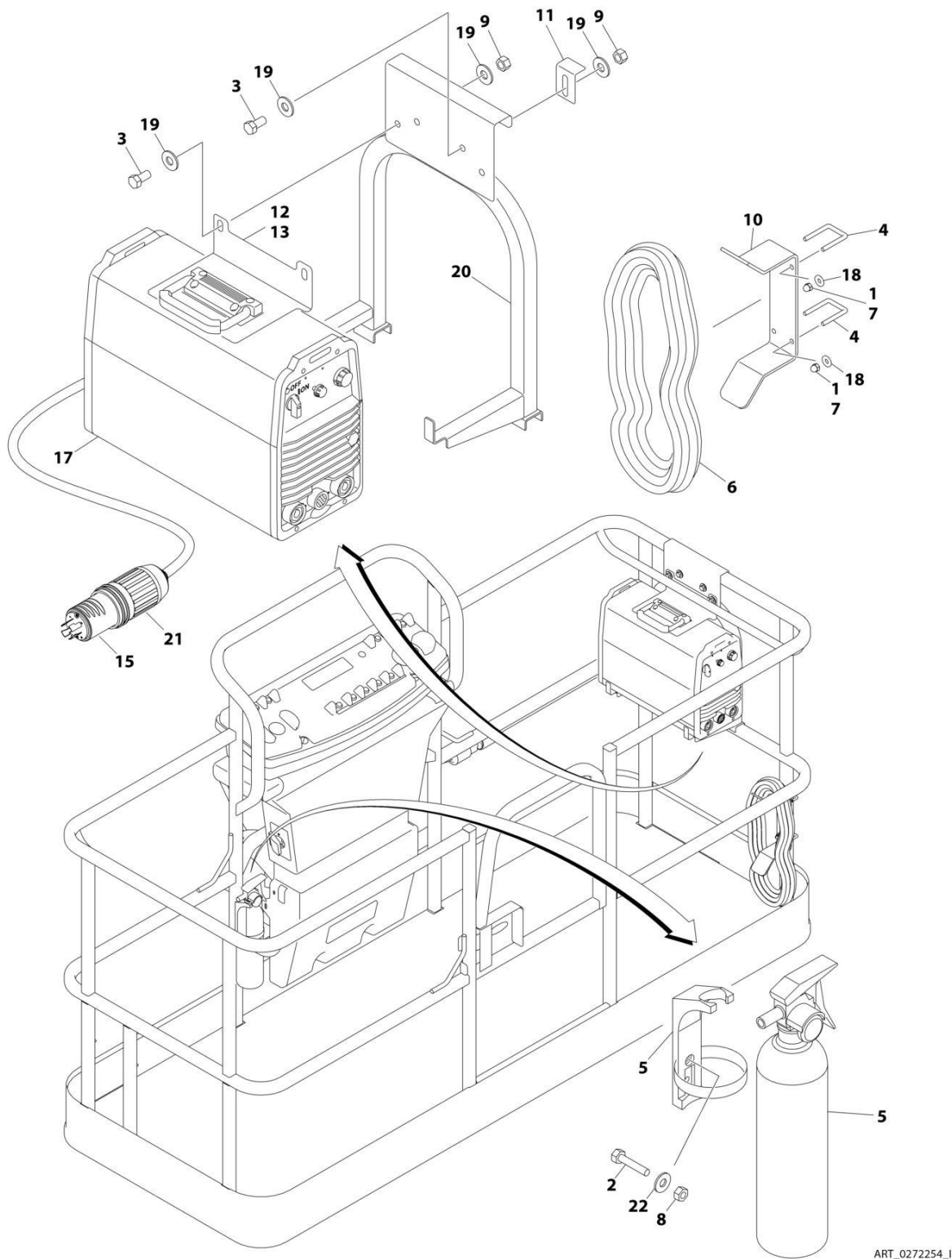
## SECTION 5 - PLATFORM

**FIGURE 5-31. SKYWELDER INSTALLATION (50HZ)**

ITEM	PART NUMBER	QTY	DESCRIPTION	REV
	0272521	Ref	SKYWELDER INSTALLATION	F
1	0100011	AR	Compound, Locking	
2	0630518	2	Screw #10 x 3/4	
3	0641606	4	Bolt 3/8 x 3/4	
4	1320302	2	U-Clamp	
5	2030010	1	Extinguisher, Fire	
6	2902217	1	Weld Leads Kit	
7	3300151	4	Nut 1/4	
8	3311005	2	Nut #10	
9	3311605	4	Nut 3/8	
10	3573400	1	Bracket	
11	3577121	2	Angle	
12	3573642	1	Plate	
13	4240099	AR	Tie-Strap (Not Shown)	
14	4420037	AR	Tape	
15	4530028	1	Welder Assembly (See Separate Breakdown in this Section)	
16	4751400	4	Washer 1/4	
17	4751600	8	Washer 3/8	
18	4846627	1	Support	
19	4751000	2	Washer #10	

# SECTION 5 - PLATFORM

## FIGURE 5-32. SKYWELDER INSTALLATION (60HZ)



ART\_0272254\_I

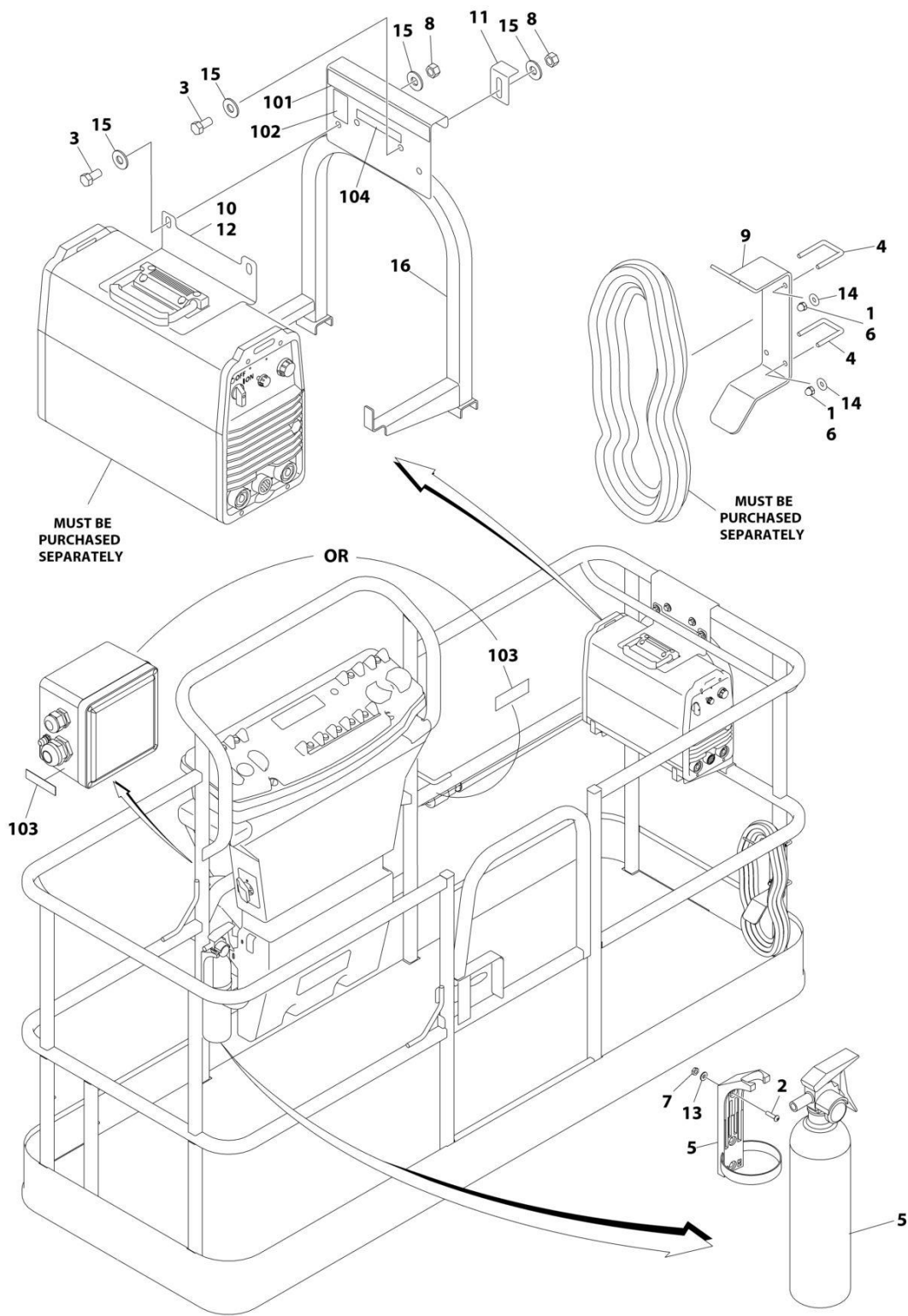
## SECTION 5 - PLATFORM

**FIGURE 5-32. SKYWELDER INSTALLATION (60HZ)**

ITEM	PART NUMBER	QTY	DESCRIPTION	REV
	0272254	Ref	SKYWELDER INSTALLATION	I
1	0100011	AR	Compound, Locking	
2	0630518	2	Screw #10 x 3/4	
3	0641606	4	Bolt 3/8 x 3/4	
4	1320302	2	U-Clamp	
5	2030010	1	Extinguisher, Fire	
6	2902217	1	Weld Leads Kit	
7	3300151	4	Nut 1/4	
8	3311005	2	Nut #10	
9	3311605	4	Nut 3/8	
10	3573400	1	Bracket	
11	3577121	2	Angle	
12	3573642	1	Plate	
13	4420037	AR	Tape	
14	4240099	AR	Tie-Strap (Not Shown)	
15	4460962	1	Plug, Male Twistlock	
17	4530028	1	Welder Assembly (See Separate Breakdown in this Section)	
18	4751400	4	Washer 1/4	
19	4751600	8	Washer 3/8	
20	4846627	1	Support	
21	1671093	1	Cover, Plug	
22	4751000	2	Washer #10	

# SECTION 5 - PLATFORM

## FIGURE 5-33. SKYWELDER PREP PACKAGE (60HZ)



ART\_1001128527\_B

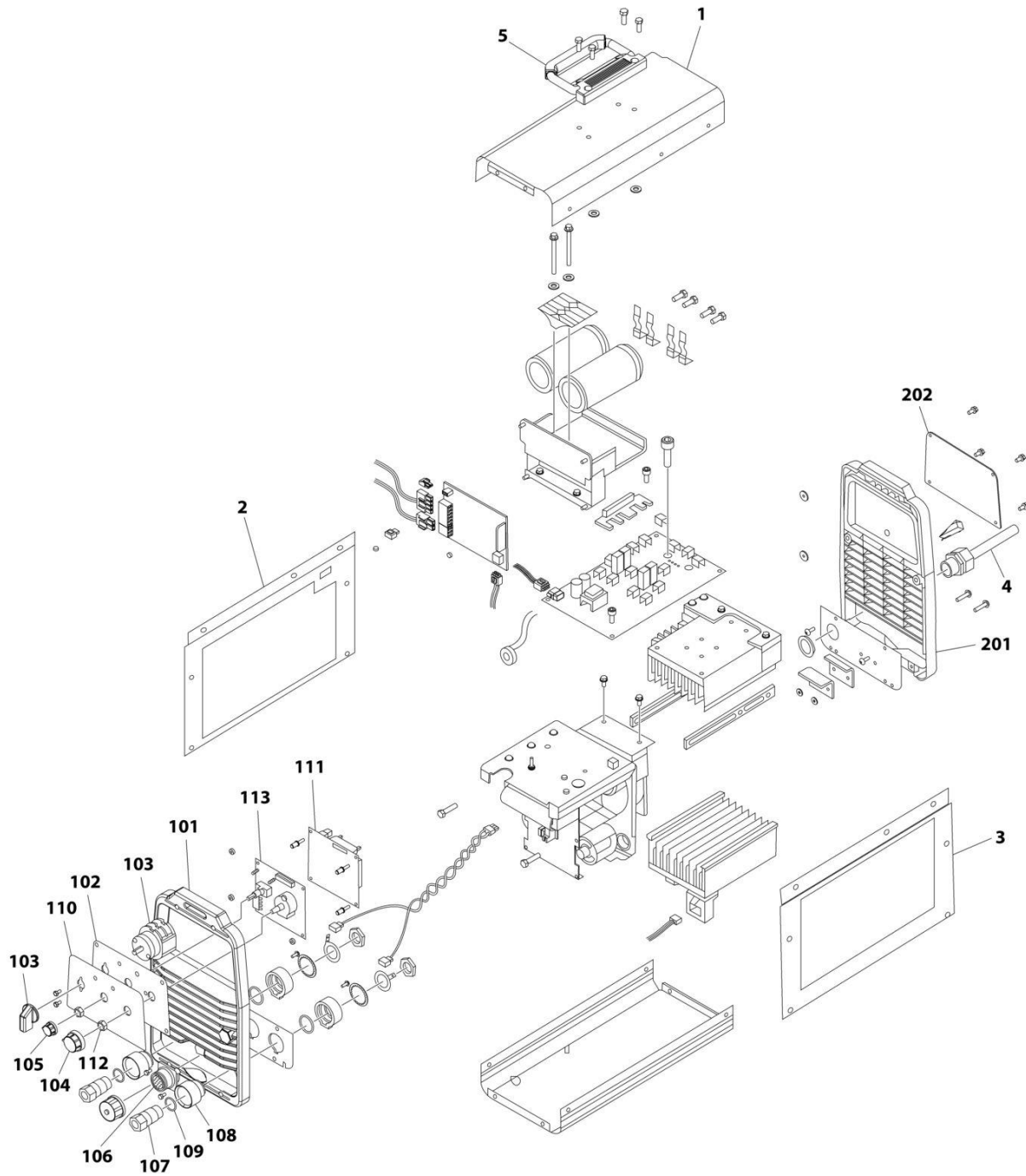
## SECTION 5 - PLATFORM

**FIGURE 5-33. SKYWELDER PREP PACKAGE (60HZ)**

ITEM	PART NUMBER	QTY	DESCRIPTION	REV
	1001128527	Ref	SKYWELDER PREP PACKAGE	B
1	0100011	AR	Compound, Locking	
2	0630518	2	Screw #10 x 3/4	
3	0641606	4	Bolt 3/8 x 3/4	
4	1320302	2	U-Clamp	
5	2030010	1	Extinguisher, Fire	
6	3300151	4	Nut 1/4	
7	3311005	2	Nut #10	
8	3311605	4	Nut 3/8	
9	3573400	1	Bracket	
10	3573642	1	Plate	
11	3577121	2	Angle	
12	4420037	AR	Tape	
13	4751000	2	Washer #10	
14	4751400	4	Washer 1/4	
15	4751600	8	Washer 3/8	
16	4846627	1	Support	
	1001128556	Ref	SKYWELDER DECAL INSTALLATION	C
101	1702868	1	Decal - No Hands	
102	1705305	1	Decal - Weld Lead	
103	1705375	1	Decal - 240V - 3 Phase - 60Hz	
104	1001228988	1	Decal - Weight	

# SECTION 5 - PLATFORM

## FIGURE 5-34. WELDER ASSEMBLY



ART\_4530028

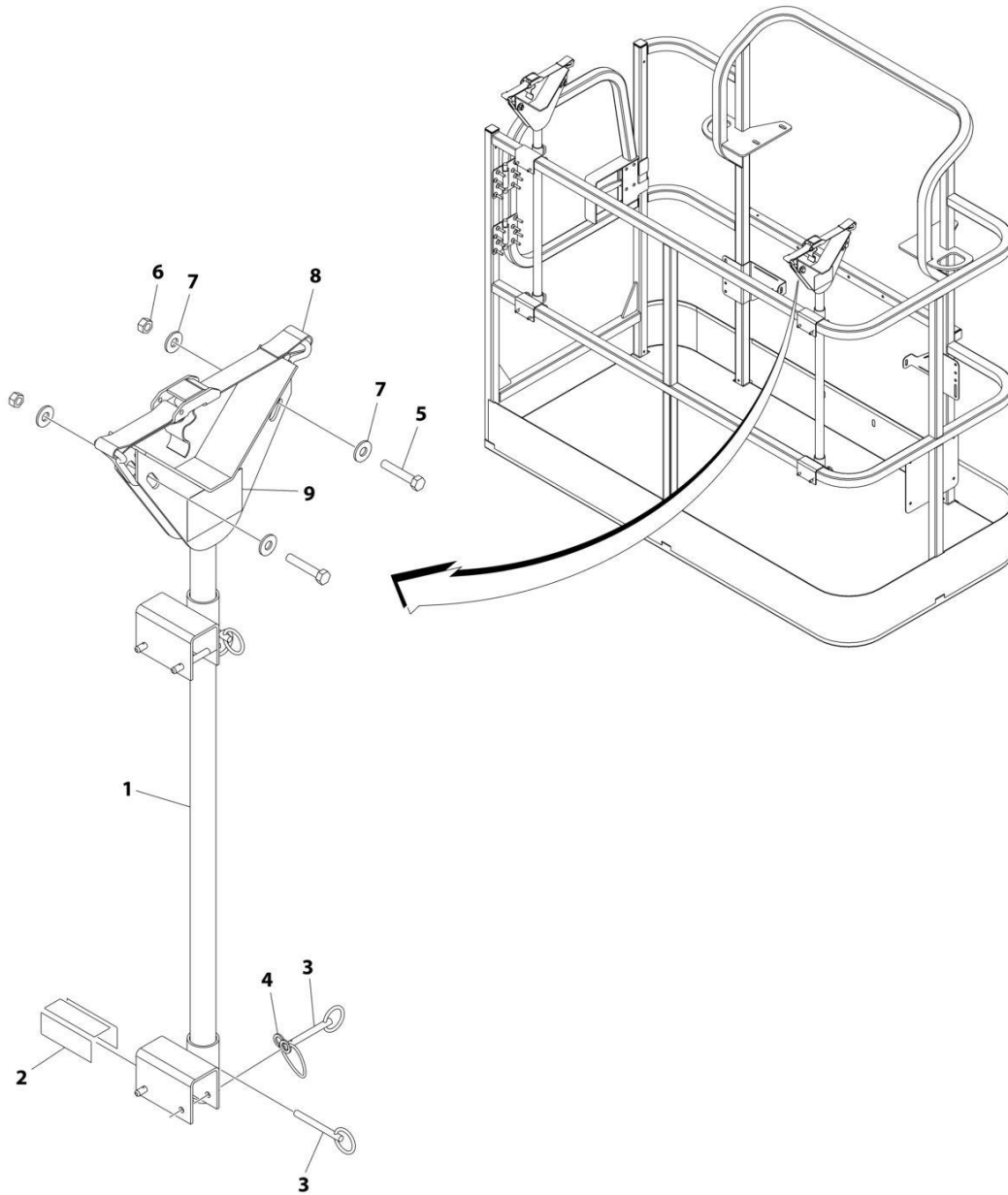
## SECTION 5 - PLATFORM

### FIGURE 5-34. WELDER ASSEMBLY

ITEM	PART NUMBER	QTY	DESCRIPTION	REV
	4530028	Ref	WELDER ASSEMBLY	B
		Ref	Note: For Other Components, contact your Miller Welder Dealer.	
1	7027773	1	Cover, Top	
1	7027774	1	Decal - Static Precautionary Warning	
2	See Note	NSS	Panel, LH Side (Note: Part of Item 1. Purchase Item 1)	
3	See Note	NSS	Panel, RH Side (Note: Part of Item 1. Purchase Item 1)	
4	7024467	1	Cable, Power	
4	7027775	1	Decal - Electrical Shock Warning (Not Shown)	
5	7027776	1	Handle, Carrying	
101	7024462	1	Panel, Front	
102	7024463	1	Panel, Console	
103	7024469	1	Switch with Lead	
104	7024470	1	Knob	
105	7024471	1	Knob	
106	7024472	1	Receptacle with Leads and Plugs	
107	7024473	2	Receptacle, Twistlock Female	
108	7024474	2	Insulator	
109	7024475	2	O-Ring	
110	7027777	1	Nameplate	
111	7027779	1	Circuit Card Assembly (Process Control)	
112	7024478	2	Nut	
113	7027778	1	Circuit Card Assembly (Operator Interface)	
201	7024462	1	Panel, Rear	
202	7027780	1	Panel, Cover	

# SECTION 5 - PLATFORM

FIGURE 5-35. PIPE RACK INSTALLATION (ALL SPECS EXCEPT AUSTRALIAN SPECS)



ART\_0257728



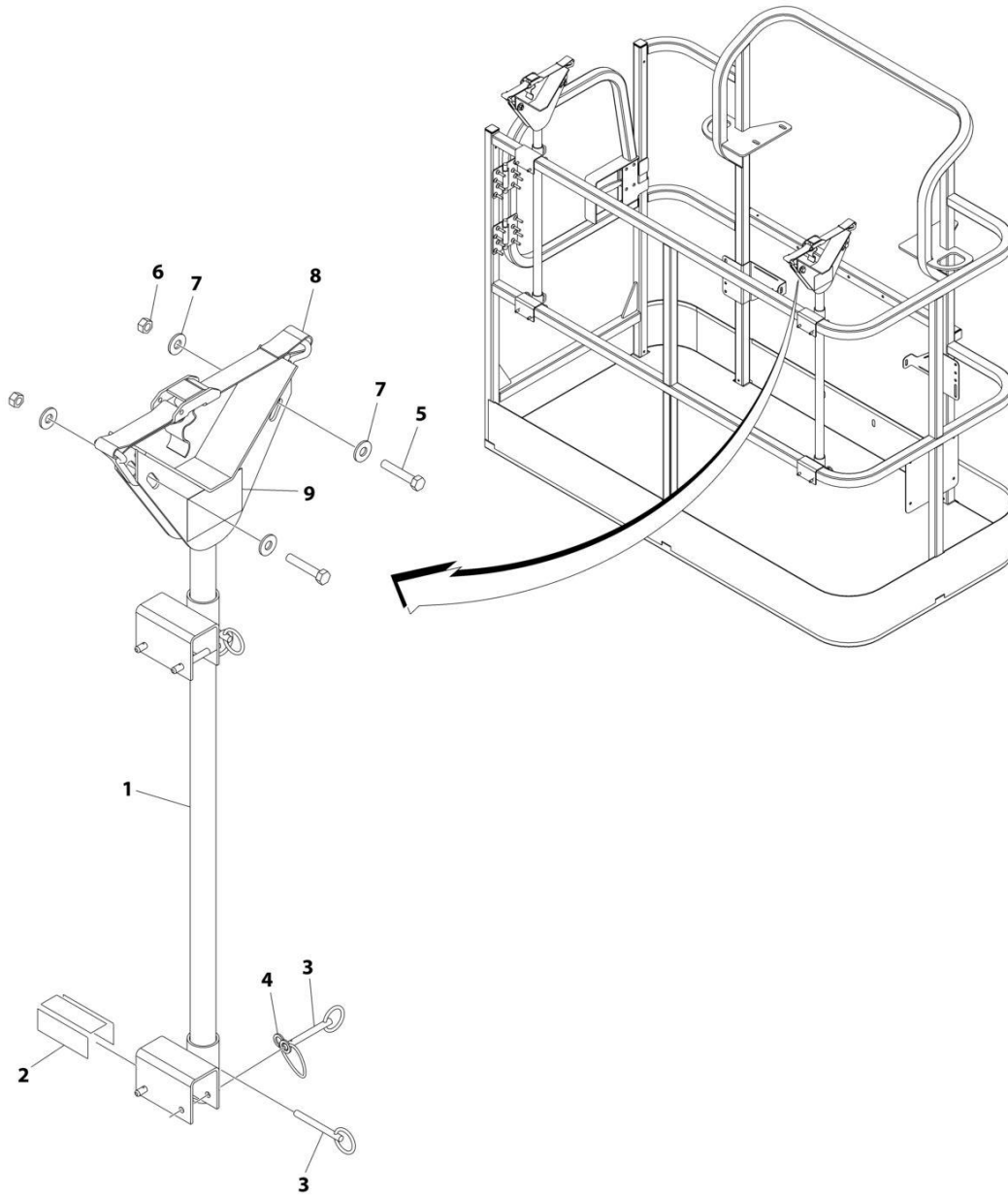
## SECTION 5 - PLATFORM

**FIGURE 5-35. PIPE RACK INSTALLATION (ALL SPECS EXCEPT AUSTRALIAN SPECS)**

ITEM	PART NUMBER	QTY	DESCRIPTION	REV
	0257728	Ref	PIPE RACK INSTALLATION	3/E
1	4845582	2	Rack, Pipe	
2	4420062	AR	Tape	
3	3422661	10	Pin	
4	1060379	4	Lanyard	
5	0641514	4	Bolt 5/16 x 1-3/4	
6	3311505	4	Nut 5/16	
7	4751500	8	Washer 5/16	
8	0480100	2	Tie-Down	
11	1001252946	2	Decal - Tube Rack Cap (1)	
12	1001252947	2	Decal - Tube Rack Cap (2)	

# SECTION 5 - PLATFORM

## FIGURE 5-36. PIPE RACK INSTALLATION (AUSTRALIAN SPECS)



ART\_1001229019

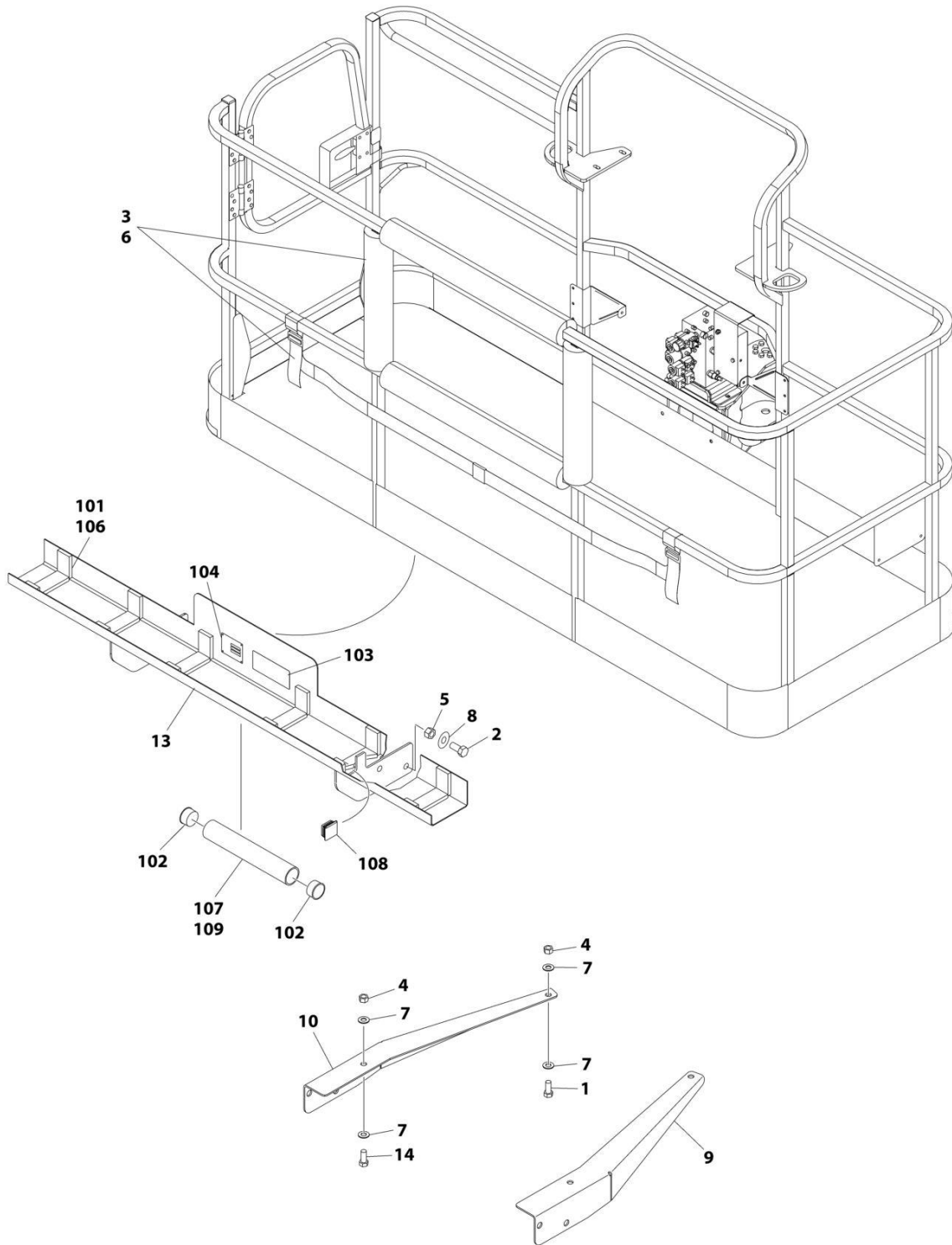
## SECTION 5 - PLATFORM

**FIGURE 5-36. PIPE RACK INSTALLATION (AUSTRALIAN SPECS)**

ITEM	PART NUMBER	QTY	DESCRIPTION	REV
	1001229019	Ref	PIPE RACK INSTALLATION	A
1	4845582	2	Rack, Pipe	
2	4420062	AR	Tape	
3	3422661	10	Pin	
4	1060379	4	Lanyard	
5	0641514	4	Bolt 5/16 x 1-3/4	
6	3311505	4	Nut 5/16	
7	4751500	8	Washer 5/16	
8	0480100	2	Tie-Down	
9	1001229090	2	Decal - Capacity	

# SECTION 5 - PLATFORM

FIGURE 5-37. SKYGLAZIER INSTALLATION (600S HC3 ANSI, ANSI EXPORT & CSA SPECS/660SJ HC3 ANSI, AUSTRALIAN & CSA SPECS)



ART\_1001172578

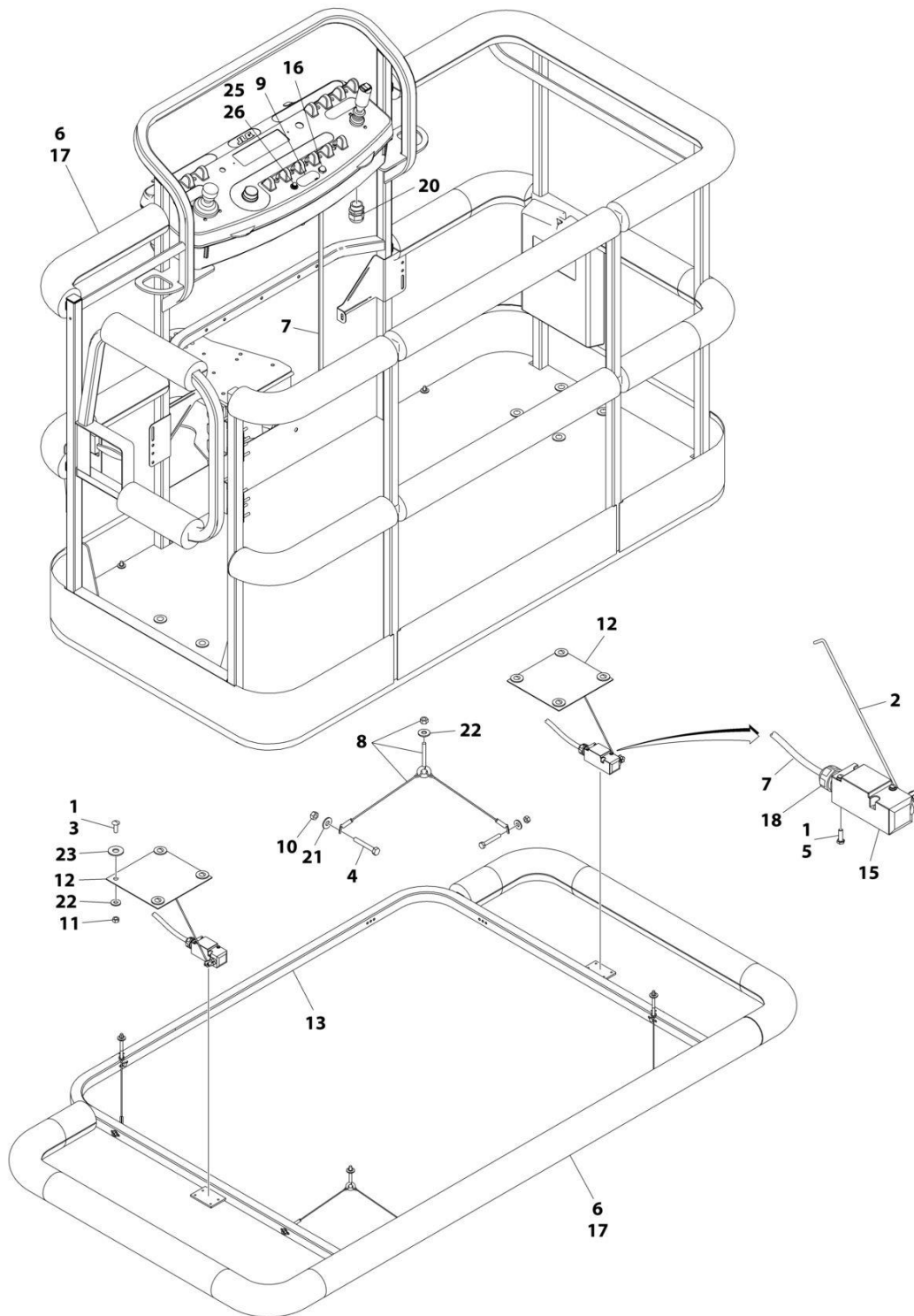
## SECTION 5 - PLATFORM

**FIGURE 5-37. SKYGLAZIER INSTALLATION (600S HC3 ANSI, ANSI EXPORT & CSA SPECS/660SJ HC3 ANSI, AUSTRALIAN & CSA SPECS)**

ITEM	PART NUMBER	QTY	DESCRIPTION	REV
	1001172578	Ref	SKYGLAZIER INSTALLATION	C
1	0642012	2	Bolt 5/8 x 1-1/2	
2	0642212	4	Bolt 3/4 x 1-1/2	
3	2902212	1	Bumpers and Strap Kit	
3	0940102	1	Bumper Only	
3	4240149	1	Strap Only	
4	3312005	1	Nut 5/8	
5	3312205	4	Nut 3/4	
6	4420014	AR	Tape	
7	4712000	6	Washer 5/8	
8	4712200	8	Washer 3/4	
9	1001099366	1	Support	
10	1001099367	1	Support	
13	1001172577	1	Tray Assembly (See Items 101-111 for Breakdown)	
14	8310129	2	Bolt 3/4 x 2-1/2	
	1001172577	Ref	TRAY ASSEMBLY	C
101	0100081	AR	Adhesive	
102	1120555	2	Cap, Tube	
103	1701509	1	Decal - Manual	
104	See Note	NSS	Nameplate - Serial Number (Note: Not Available for Purchase)	
106	3340956	1	Pad Kit	
107	3460334	1	Tube	
108	3520071	2	Plug	
109	4420066	AR	Tape, Double Sided	

# SECTION 5 - PLATFORM

## FIGURE 5-38. SOFT TOUCH INSTALLATION - 6FT (1.83M) PLATFORM (OPTIONAL)



ART\_0273824

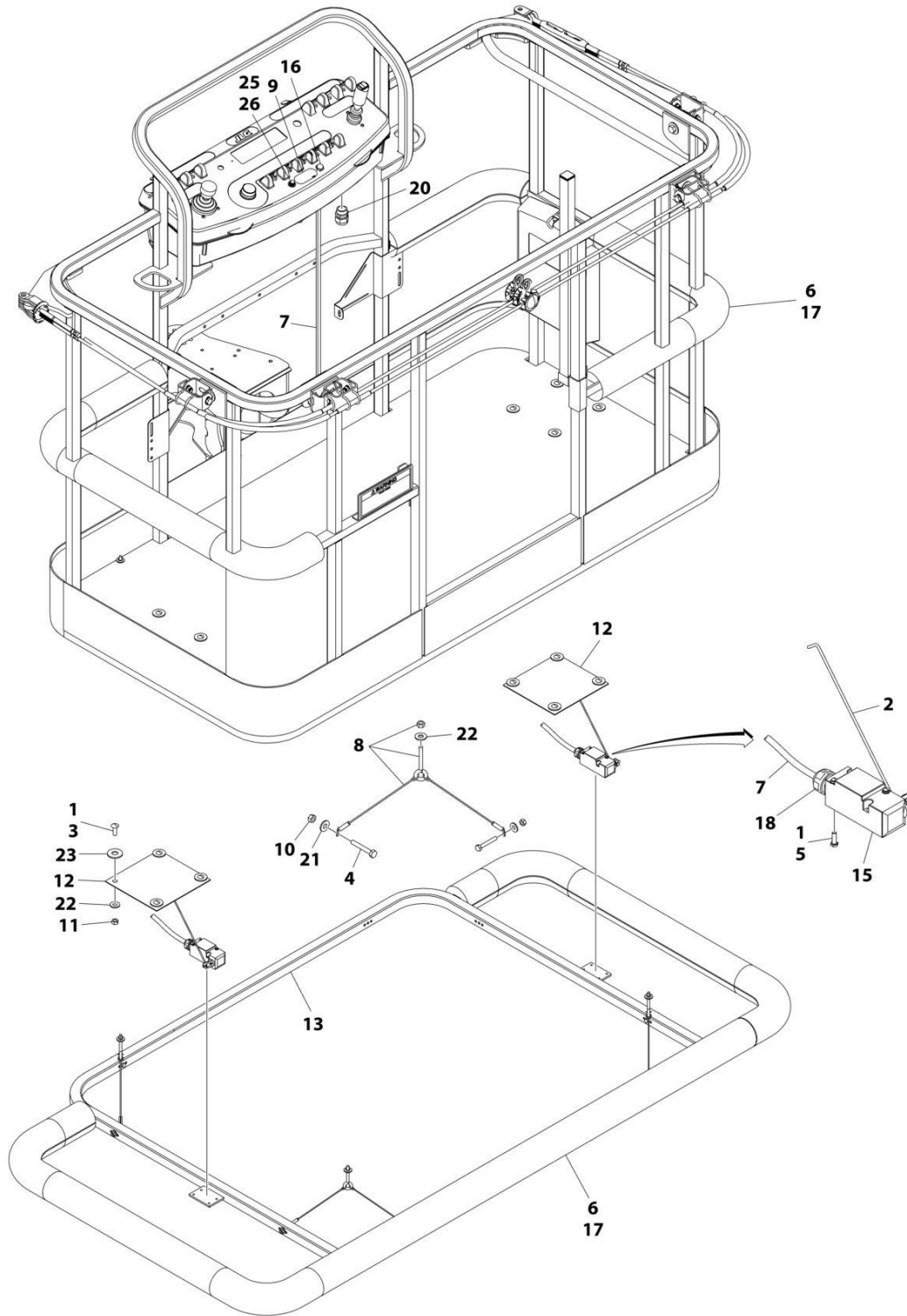
## SECTION 5 - PLATFORM

**FIGURE 5-38. SOFT TOUCH INSTALLATION - 6FT (1.83M) PLATFORM (OPTIONAL)**

ITEM	PART NUMBER	QTY	DESCRIPTION	REV
	0273824	Ref	SOFT TOUCH SYSTEM INSTALLATION	D
1	0100011	AR	Compound, Locking	
2	0200048	2	Arm, Switch	
3	0630462	8	Bolt	
4	0641414	8	Bolt 1/4 x 1-3/4	
5	0731005	4	Bolt #10 x 5/8	
6	0940134	1	Bumper Kit (Includes Corners and Enough Straight Material for One Platform)	
6	0940092	AR	Bumper (Corner)	
6	0940094	AR	Bumper (12ft Length)	
7	1060341	23 ft/7m	Cable, Soft Touch - 16/2	
8	1060903	4	Wire Rope and Eyebolt Assembly	
9	1702938	1	Decal - Soft Touch Override	
10	3311401	8	Nut 1/4	
11	3311501	8	Nut 5/16	
12	3575359	2	Plate, Switch Strike	
13	3641569	1	Rail, Soft Touch	
14	4240099	7	Tie-Strap (Not Shown)	
15	4360057	2	Switch, Limit	
16	4360387	1	Switch, Push Button	
17	4420068	AR	Tape, Adhesive	
17	1001197017	AR	Tie-Strap	
18	4460049	2	Connector, Strain Relief	
19	4460234	7	Tie-Strap (Not Shown)	
20	4460425	1	Connector, Strain Relief	
21	4751400	8	Washer 1/4	
22	4751500	12	Washer 5/16	
23	4751800	8	Washer 1/2	
24	4933218	1	Wiring Diagram (Not Shown - Reference Only)	
25	2920028	1	Light, Indicator	
26	2920029	1	Bulb, Light	

# SECTION 5 - PLATFORM

## FIGURE 5-39. SOFT TOUCH INSTALLATION - 6FT (1.83M) FALL ARREST PLATFORM (600S) (OPTIONAL)



ART\_1001108256



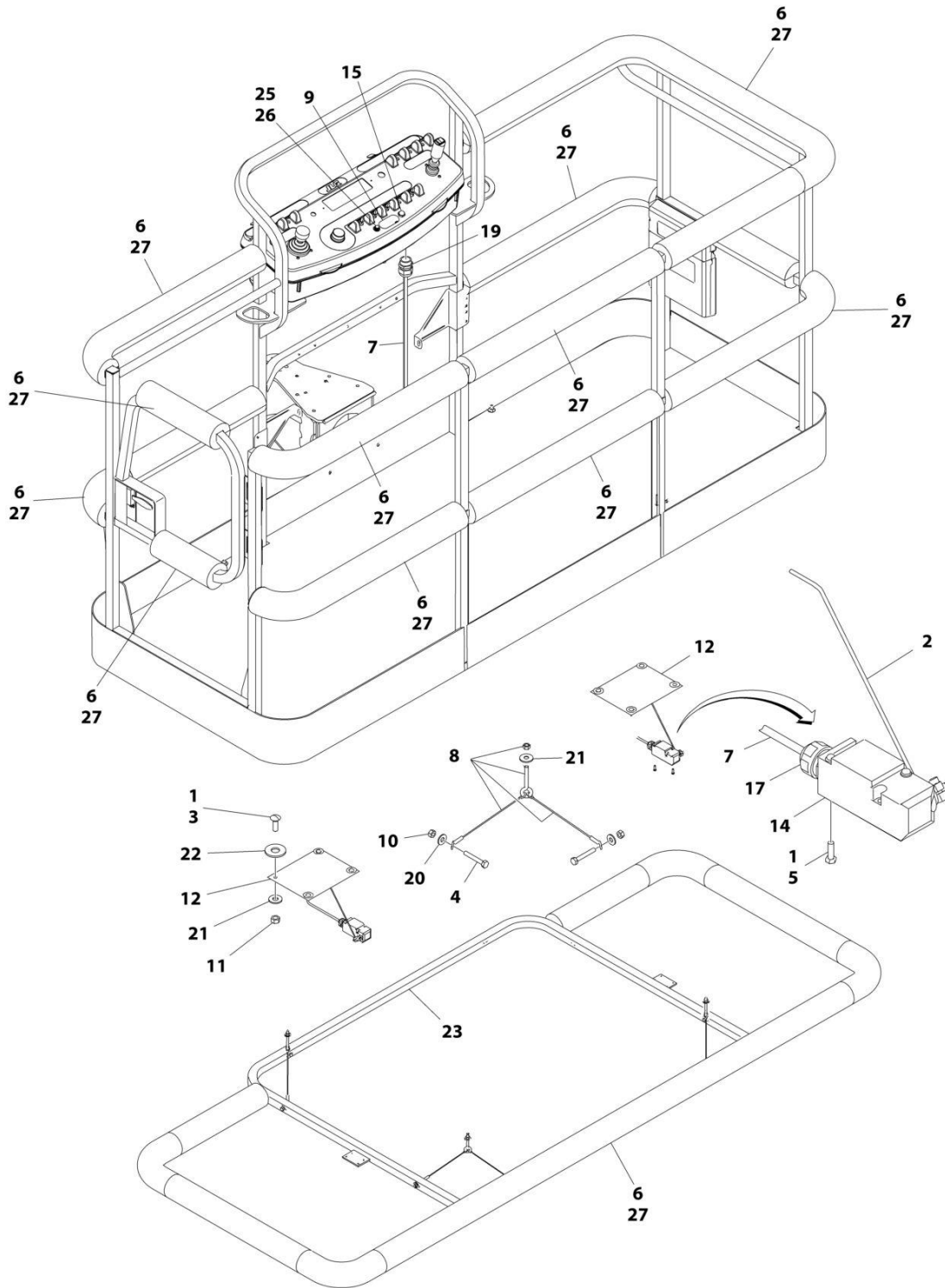
## SECTION 5 - PLATFORM

**FIGURE 5-39. SOFT TOUCH INSTALLATION - 6FT (1.83M) FALL ARREST PLATFORM (600S)  
(OPTIONAL)**

ITEM	PART NUMBER	QTY	DESCRIPTION	REV
	1001108256	Ref	SOFT TOUCH INSTALLATION	C
1	0100011	AR	Compound, Locking	
2	0200048	2	Arm, Switch	
3	0630462	8	Bolt	
4	0641414	8	Bolt 1/4 x 1-3/4	
5	0731005	4	Bolt #10 x 5/8	
6	0940177	1	Bumper Kit (Includes Corners and Enough Straight Material for One Platform)	
6	0940092	8	Bumper (Corner)	
6	0940094	AR	Bumper (12ft Length)	
7	1060341	23 ft/7m	Cable, Soft Touch - 16/2	
8	1060903	4	Wire Rope and Eyebolt Assembly	
9	1702938	1	Decal - Soft Touch Override	
10	3311401	8	Nut 1/4	
11	3311501	8	Nut 5/16	
12	3575359	2	Plate, Switch Strike	
13	3641569	1	Rail, Soft Touch	
14	4240099	7	Tie-Strap (Not Shown)	
15	4360057	2	Switch, Limit	
16	4360387	1	Switch, Push Button	
17	4420068	AR	Tape, Adhesive	
17	1001197017	AR	Tie-Strap	
18	4460049	2	Connector, Strain Relief	
19	4460234	7	Tie-Strap (Not Shown)	
20	4460425	1	Connector, Strain Relief	
21	4751400	8	Washer 1/4	
22	4751500	9	Washer 5/16	
23	4751800	8	Washer 1/2	
25	2920028	1	Light, Indicator	
26	2920029	1	Bulb, Light	

# SECTION 5 - PLATFORM

## FIGURE 5-40. SOFT TOUCH INSTALLATION - 8FT (2.4M) PLATFORM (OPTIONAL)



ART\_0272427\_G

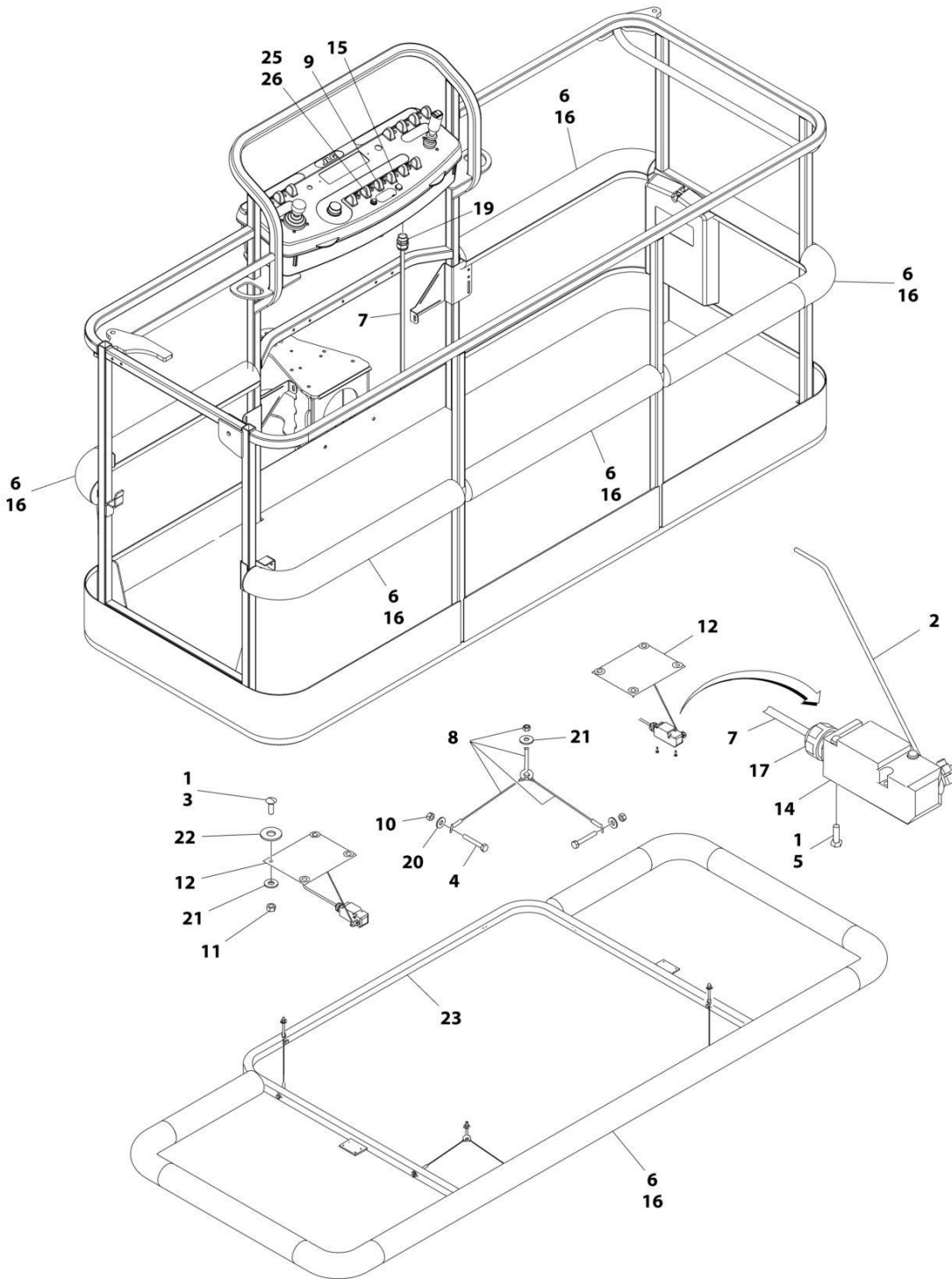
## SECTION 5 - PLATFORM

**FIGURE 5-40. SOFT TOUCH INSTALLATION - 8FT (2.4M) PLATFORM (OPTIONAL)**

ITEM	PART NUMBER	QTY	DESCRIPTION	REV
	0272427	Ref	SOFT TOUCH INSTALLATION - 36IN X 8FT (91.5CM X 2.44M) PLATFORM (OPTIONAL)	G
1	0100011	AR	Compound, Locking	
2	0200048	2	Arm, Switch	
3	0630462	8	Bolt	
4	0641414	8	Bolt 1/4 x 1-3/4	
5	0721005	4	Bolt #10 x 5/8	
6	0940103	1	Bumper Kit (Includes Corners and Enough Straight Material for One Platform)	
6	0940092	12	Bumper (Corner)	
6	0940094	AR	Bumper (12ft Length)	
7	1060341	23 ft/7m	Cable, Soft Touch - 16/2	
8	1060903	4	Wire Rope and Eyebolt Assembly	
9	1702938	1	Decal - Soft Touch Override	
10	3311401	8	Nut 1/4	
11	3311501	8	Nut 5/16	
12	3574091	2	Plate, Switch Strike	
13	4240099	7	Tie-Strap (Not Shown)	
14	4360057	2	Switch, Limit	
15	4360387	1	Switch, Push Button	
16	4420068	AR	Tape, Adhesive	
16	1001197017	AR	Tie-Strap	
17	4460049	2	Connector, Strain Relief	
18	4460234	7	Tie-Strap (Not Shown)	
19	4460425	1	Connector, Strain Relief	
20	4751400	8	Washer 1/4	
21	4751500	12	Washer 5/16	
22	4751800	8	Washer 1/2	
23	4846673	1	Rail, Soft Touch	
24	4933218	1	Soft Touch Wiring Diagram (Not Shown - Reference Only)	
25	2920028	1	Light, Indicator	
26	2920029	1	Bulb, Light	

# SECTION 5 - PLATFORM

## FIGURE 5-41. SOFT TOUCH INSTALLATION - 8FT (2.4M) FALL ARREST PLATFORM (600S) (OPTIONAL)



ART\_0273706

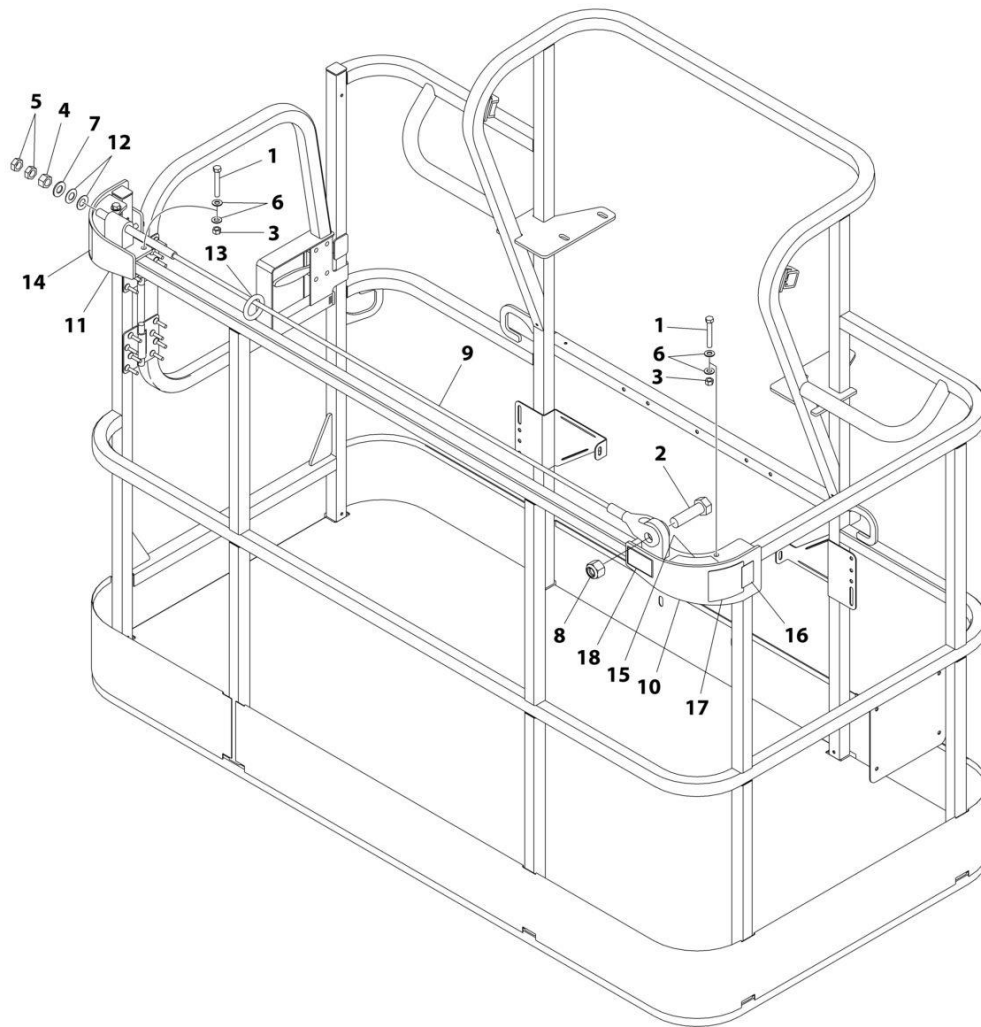
## SECTION 5 - PLATFORM

**FIGURE 5-41. SOFT TOUCH INSTALLATION - 8FT (2.4M) FALL ARREST PLATFORM (600S)  
(OPTIONAL)**

ITEM	PART NUMBER	QTY	DESCRIPTION	REV
	0273706	Ref	SOFT TOUCH INSTALLATION	D
1	0100011	AR	Compound, Locking	
2	0200048	2	Arm, Switch	
3	0630462	8	Bolt	
4	0641414	8	Bolt 1/4 x 1-3/4	
5	0721005	4	Bolt #10 x 5/8	
6	0940133	1	Bumper Kit (Includes Corners and Enough Straight Material for One Platform)	
6	0940092	8	Bumper (Corner)	
6	0940094	AR	Bumper (12ft Length)	
7	1060341	23 ft/7m	Cable, Soft Touch - 16/2	
8	1060903	4	Wire Rope and Eyebolt Assembly	
9	1702938	1	Decal - Soft Touch Override	
10	3311401	8	Nut 1/4	
11	3311501	8	Nut 5/16	
12	3574091	2	Plate, Switch Strike	
13	4240099	7	Tie-Strap (Not Shown)	
14	4360057	2	Switch, Limit	
15	4360387	1	Switch, Push Button	
16	4420068	AR	Tape, Adhesive	
16	1001197017	AR	Tie-Strap	
17	4460049	2	Connector, Strain Relief	
18	4460234	7	Tie-Strap (Not Shown)	
19	4460425	1	Connector, Strain Relief	
20	4751400	8	Washer 1/4	
21	4751500	12	Washer 5/16	
22	4751800	8	Washer 1/2	
23	4846673	1	Rail, Soft Touch	
25	2920028	1	Light, Indicator	
26	2920029	1	Bulb, Light	

# SECTION 5 - PLATFORM

FIGURE 5-42. FALL ARREST INSTALLATION (BOLT-ON EXTERNAL) (6FT/1.82M PLATFORM)



ART\_1001236747

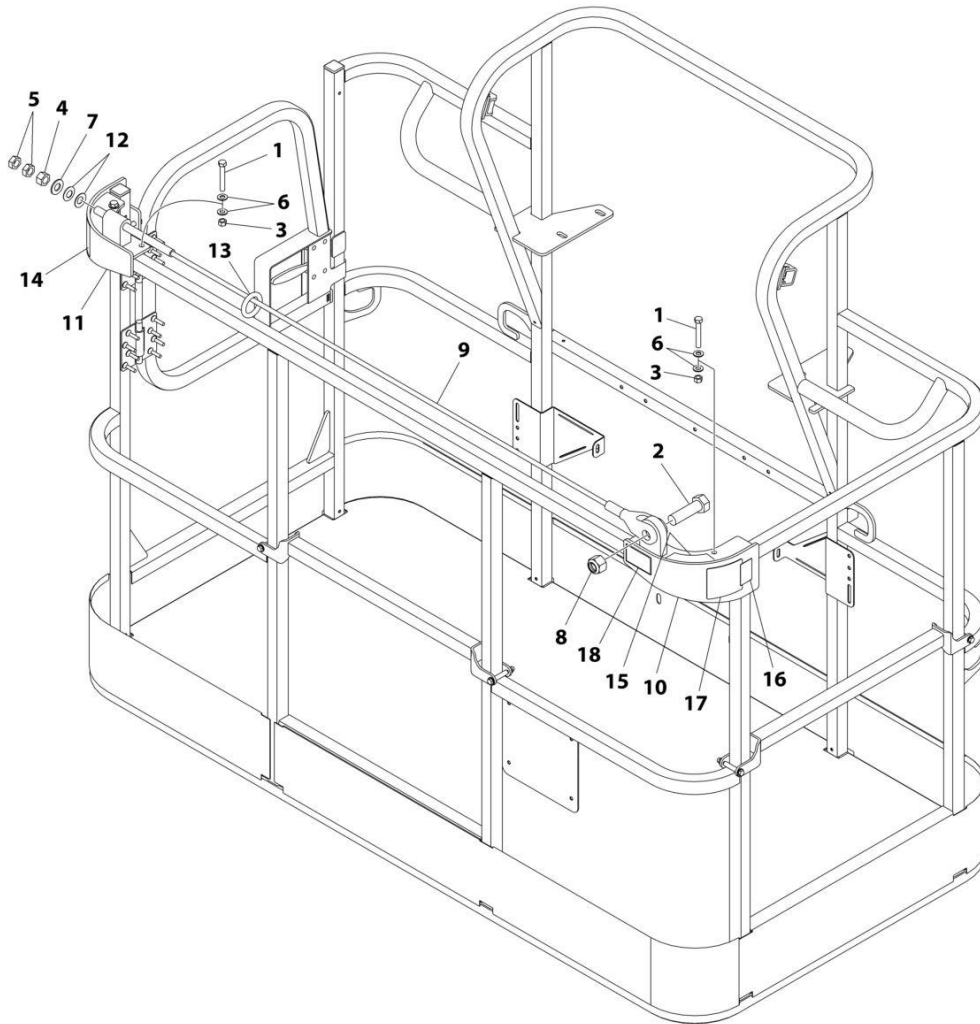
## SECTION 5 - PLATFORM

**FIGURE 5-42. FALL ARREST INSTALLATION (BOLT-ON EXTERNAL) (6FT/1.82M PLATFORM)**

ITEM	PART NUMBER	QTY	DESCRIPTION	REV
	1001236747	Ref	FALL ARREST INSTALLATION (BOLT - ON) 6FT/1.82M PLATFORM	C
1	0681620	6	Bolt 3/8 x 2-1/2	
2	0682424	1	Bolt 7/8 x 3	
3	3271605	6	Nut 3/8	
4	3272001	1	Nut 5/8	
5	3312002	2	Nut 5/8	
6	4711600	12	Washer 3/8	
7	4712000	1	Washer 5/8	
8	88521214	1	Nut 7/8	
9	1001231950	1	Rope	
10	1001232010	1	Bracket (RH)	
11	1001232011	1	Bracket (LH)	
12	1001236891	2	Washer	
13	1001236895	1	Ring	
14	1001238263	1	Decal - Warning Falling Hazard	
15	1001252629	1	Decal - Weight	
16	1001248140	1	Decal - Bolt Fall Arrest Re-Cert	
17	1001248141	1	Decal - Inscription	

# SECTION 5 - PLATFORM

FIGURE 5-43. FALL ARREST INSTALLATION (BOLT-ON EXTERNAL) (6FT/1.82M TRI-ENTRY PLATFORM)



ART\_1001238463



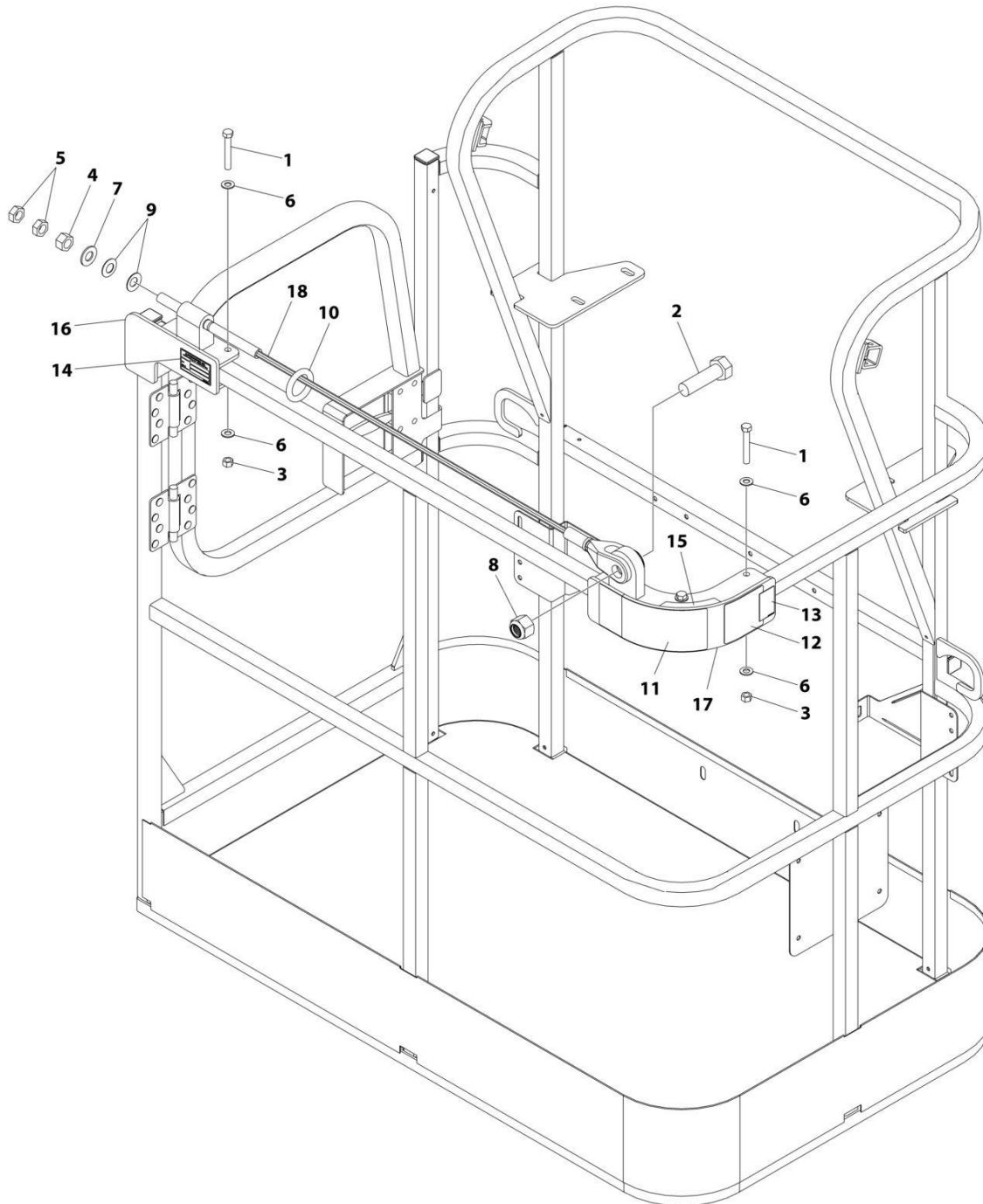
## SECTION 5 - PLATFORM

**FIGURE 5-43. FALL ARREST INSTALLATION (BOLT-ON EXTERNAL) (6FT/1.82M TRI-ENTRY PLATFORM)**

ITEM	PART NUMBER	QTY	DESCRIPTION	REV
	1001238463	Ref	FALL ARREST INSTALLATION (BOLT - ON) 6FT/1.82M PLATFORM	C
1	0681620	6	Bolt 3/8 x 2-1/2	
2	0682424	1	Bolt 7/8 x 3	
3	3271605	6	Nut 3/8	
4	3272001	1	Nut 5/8	
5	3312002	2	Nut 5/8	
6	4711600	12	Washer 3/8	
7	4712000	1	Washer 5/8	
8	88521214	1	Nut 7/8	
9	1001231950	1	Rope	
10	1001232010	1	Bracket (RH)	
11	1001232011	1	Bracket (LH)	
12	1001236891	2	Washer	
13	1001236895	1	Ring	
14	1001238263	1	Decal - Warning Falling Hazard	
15	1001252629	1	Decal - Weight	
16	1001248140	1	Decal - Bolt Fall Arrest Re-Cert	
17	1001248141	1	Decal - Inscription	

# SECTION 5 - PLATFORM

FIGURE 5-44. FALL ARREST INSTALLATION (BOLT-ON EXTERNAL) (2.5FT/1.22M PLATFORM) (SN 0300275114 to Present)



ART\_1001261338

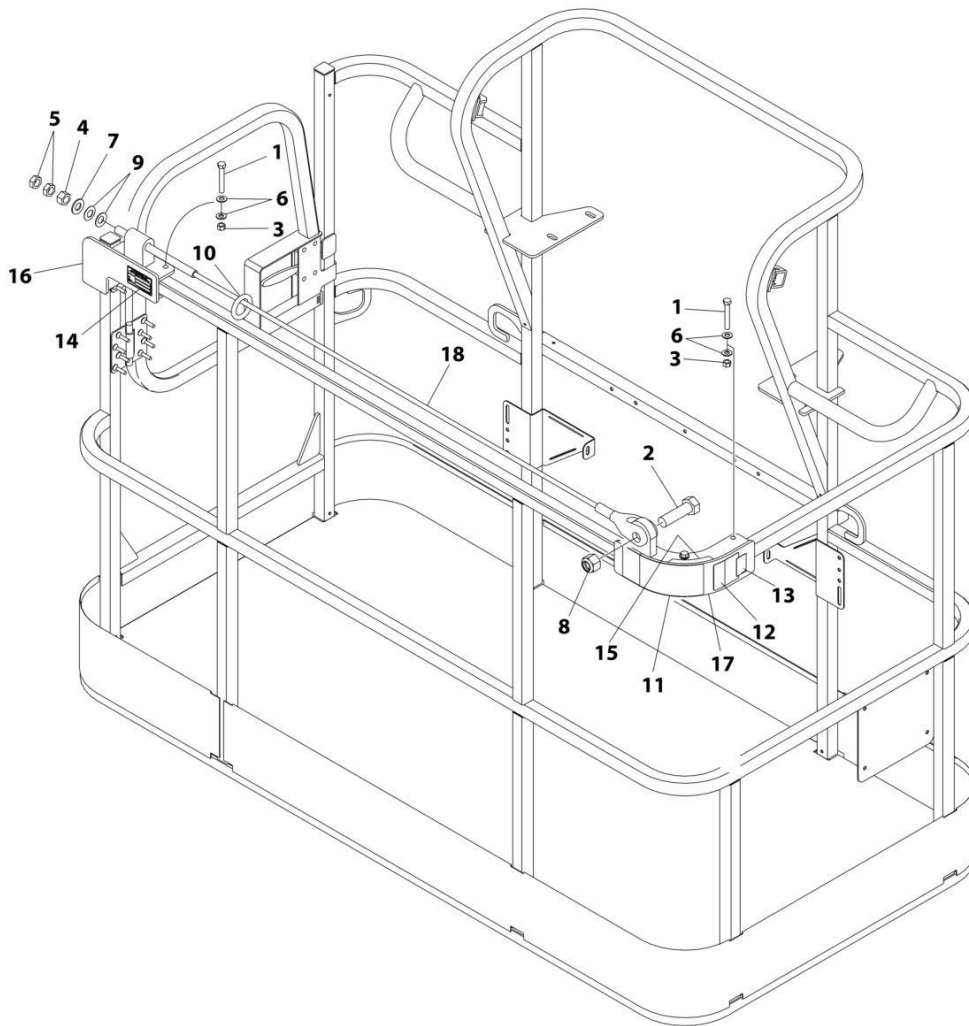
## SECTION 5 - PLATFORM

**FIGURE 5-44. FALL ARREST INSTALLATION (BOLT-ON EXTERNAL) (2.5FT/1.22M PLATFORM) (SN 0300275114 to Present)**

ITEM	PART NUMBER	QTY	DESCRIPTION	REV
	1001261338	Ref	FALL ARREST INSTALLATION	A
1	0681620	6	Bolt 3/8 x 2-1/2	
2	0682424	1	Bolt 7/8 x 3	
3	3271605	6	Nut 3/8	
4	3272001	1	Nut 5/8	
5	3312002	2	Nut 5/8	
6	4711600	12	Washer 3/8	
7	4712000	1	Washer 5/8	
8	88521214	1	Nut 7/8	
9	1001236891	2	Washer	
10	1001236895	1	Ring	
11	1001238263	1	Decal - Warning Falling Hazard	
12	1001248140	1	Decal - Bolt Fall Arrest Re-Cert	
13	1001248141	1	Decal - Incription	
14	See Note	NSS	Nameplate - Manufacturers Serial Number (Note: Not Available for Purchase)	
15	1001252629	1	Decal - Weight	
16	1001257271	1	Bracket (RH)	
17	1001257274	1	Bracket (LH)	
18	1001261335	1	Rope	

# SECTION 5 - PLATFORM

FIGURE 5-45. FALL ARREST INSTALLATION (BOLT-ON EXTERNAL) (2.5FT/1.52M PLATFORM) (SN 0300275114 to Present)



ART\_1001257275

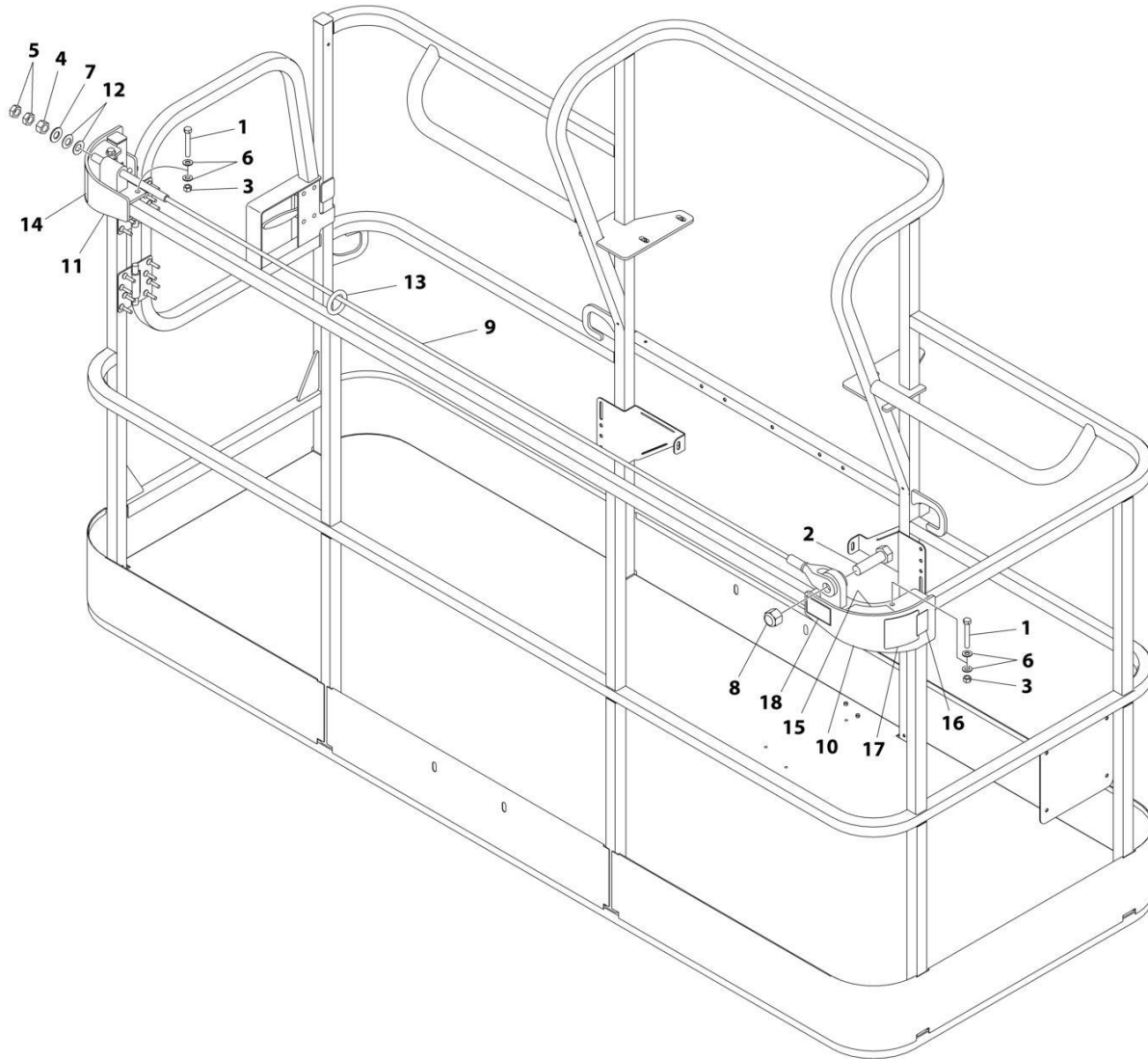
## SECTION 5 - PLATFORM

**FIGURE 5-45. FALL ARREST INSTALLATION (BOLT-ON EXTERNAL) (2.5FT/1.52M PLATFORM) (SN 0300275114 to Present)**

ITEM	PART NUMBER	QTY	DESCRIPTION	REV
	1001257275	Ref	FALL ARREST INSTALLATION (BOLT - ON) 6FT/1.82M PLATFORM	A
1	0681620	6	Bolt 3/8 x 2-1/2	
2	0682424	1	Bolt 7/8 x 3	
3	3271605	6	Nut 3/8	
4	3272001	1	Nut 5/8	
5	3312002	2	Nut 5/8	
6	4711600	12	Washer 3/8	
7	4712000	1	Washer 5/8	
8	88521214	1	Nut 7/8	
9	1001236891	2	Washer	
10	1001236895	1	Ring	
11	1001238263	1	Decal - Warning Falling Hazard	
12	1001248140	1	Decal - Bolt Fall Arrest Re-Cert	
13	1001248141	1	Decal - Incription	
14	See Note	NSS	Nameplate - Manufacturers Serial Number (Note: Not Available for Purchase)	
15	1001252629	1	Decal - Weight	
16	1001257271	1	Bracket (RH)	
17	1001257274	1	Bracket (LH)	
18	1001258005	1	Rope	

# SECTION 5 - PLATFORM

FIGURE 5-46. FALL ARREST INSTALLATION (BOLT-ON EXTERNAL) (8FT/2.4M PLATFORM)



ART\_1001236746

## SECTION 5 - PLATFORM

**FIGURE 5-46. FALL ARREST INSTALLATION (BOLT-ON EXTERNAL) (8FT/2.4M PLATFORM)**

ITEM	PART NUMBER	QTY	DESCRIPTION	REV
	1001236746	Ref	FALL ARREST INSTALLATION (BOLT - ON) 8FT/2.4M PLATFORM	C
1	0681620	6	Bolt 3/8 x 2-1/2	
2	0682424	1	Bolt 7/8 x 3	
3	3271605	6	Nut 3/8	
4	3272001	1	Nut 5/8	
5	3312002	2	Nut 5/8	
6	4711600	12	Washer 3/8	
7	4712000	1	Washer 5/8	
8	88521214	1	Nut 7/8	
9	1001231949	1	Rope	
10	1001232010	1	Bracket (RH)	
11	1001232011	1	Bracket (LH)	
12	1001236891	2	Washer	
13	1001236895	1	Ring	
14	1001238263	1	Decal - Warning Falling Hazard	
15	1001252629	1	Decal - Weight 23LBS/10.4KG	
16	1001248140	1	Decal - Bolt Fall Arrest Re-Cert	
17	1001248141	1	Decal - Inscription	

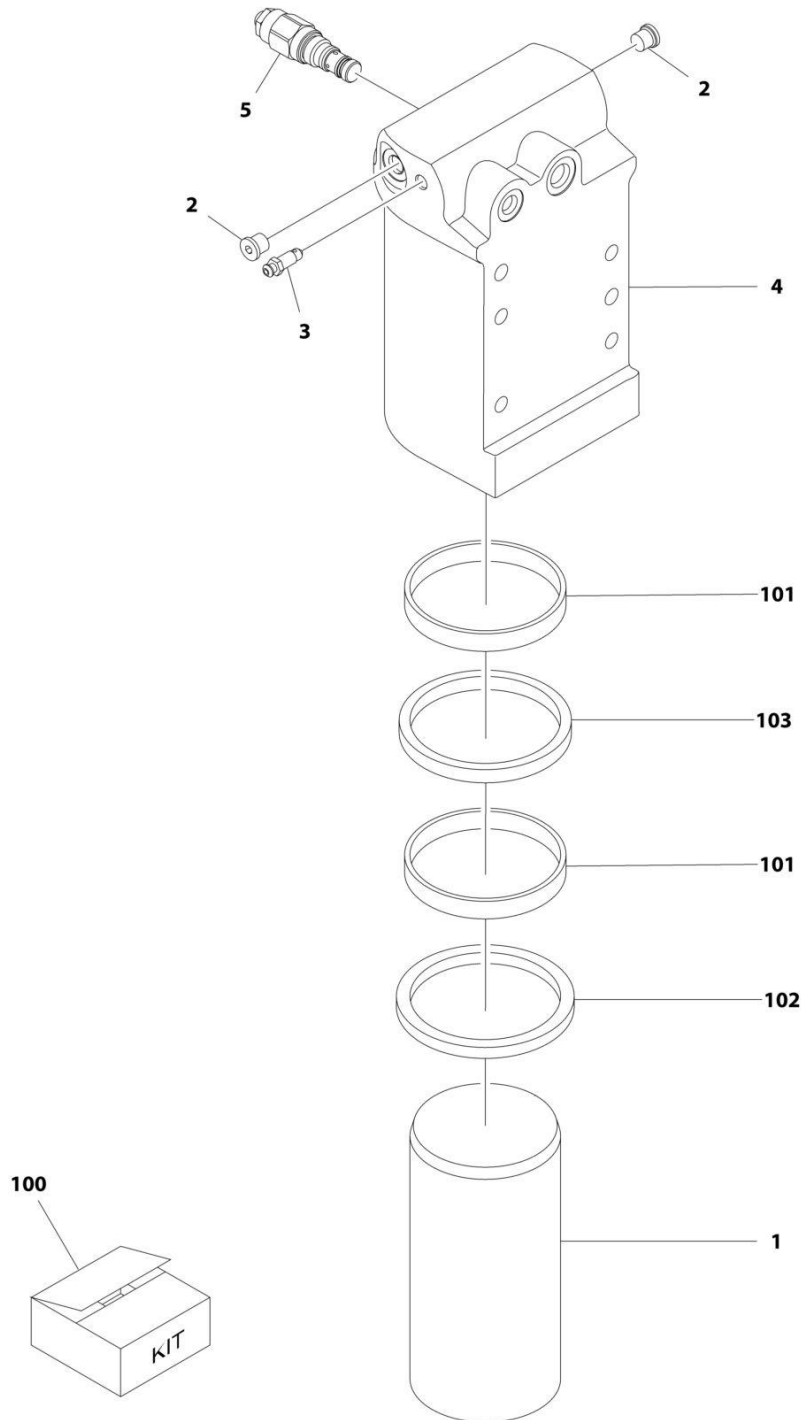




**SECTION 6 - CYLINDER**

# SECTION 6 - CYLINDER

## FIGURE 6-1. AXLE LOCKOUT CYLINDER ASSEMBLY



ART\_1001219040

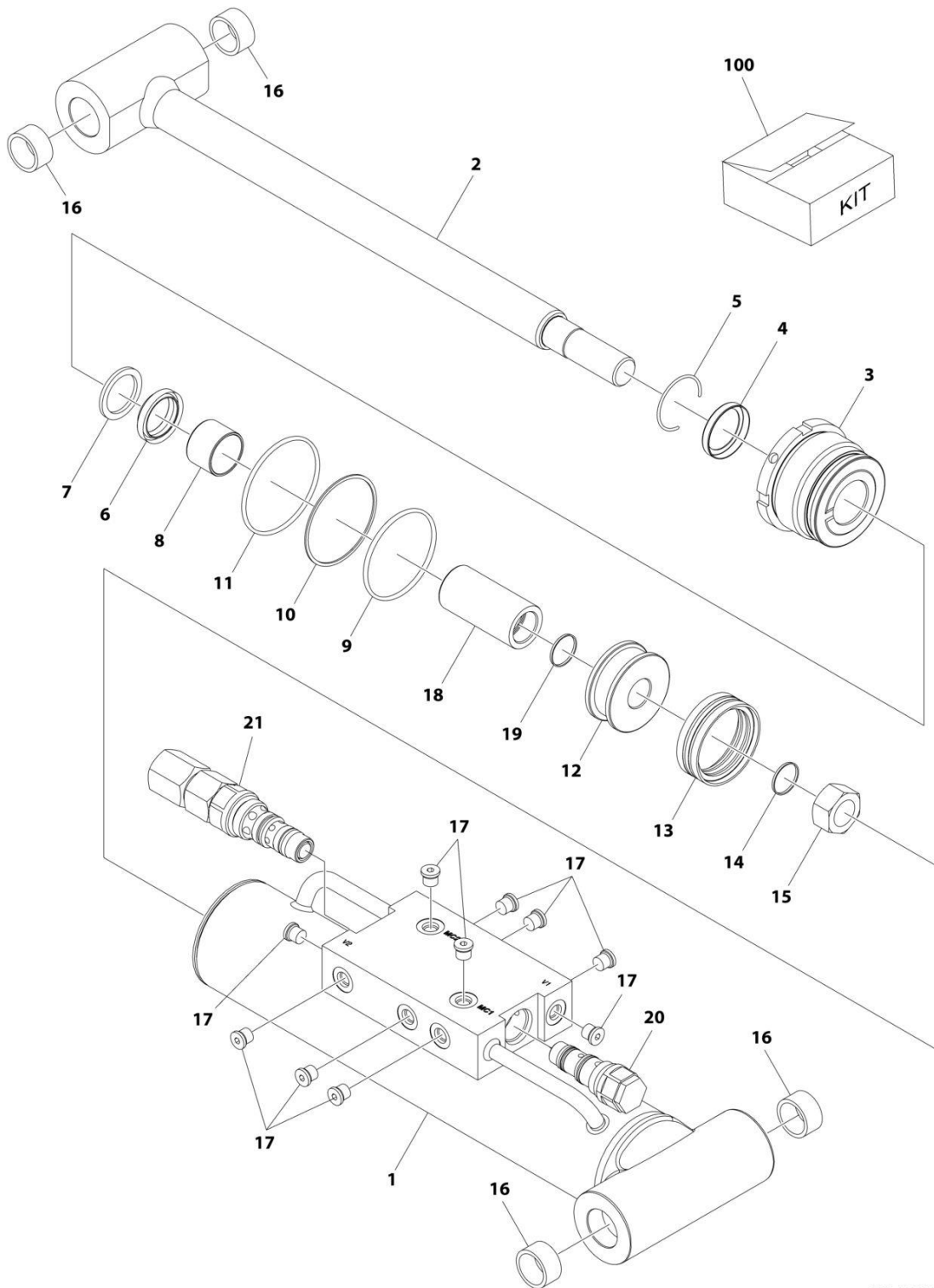
## SECTION 6 - CYLINDER

### FIGURE 6-1. AXLE LOCKOUT CYLINDER ASSEMBLY

ITEM	PART NUMBER	QTY	DESCRIPTION	REV
	1001219040	Ref	AXLE LOCKOUT CYLINDER ASSEMBLY	A
1	1684290	1	Rod	
2	2220883	2	Plug #4	
3	4640858	1	Valve, Bleeder	
4	1001164817	1	Barrel	
5	1001218594	1	Cartridge, Valve	
5	70002842	1	Seal Kit - 1001218594 Valve	
100	2902266	1	Seal Kit - 1001219040 Cylinder (Includes Items 101-103)	
101	See Note	NSS	Ring, Wear	
102	See Note	NSS	Seal	
103	See Note	NSS	Wiper	

# SECTION 6 - CYLINDER

## FIGURE 6-2. LEVEL CYLINDER ASSEMBLY - PLATFORM SLAVE (600S HC3)



ART\_1001184954

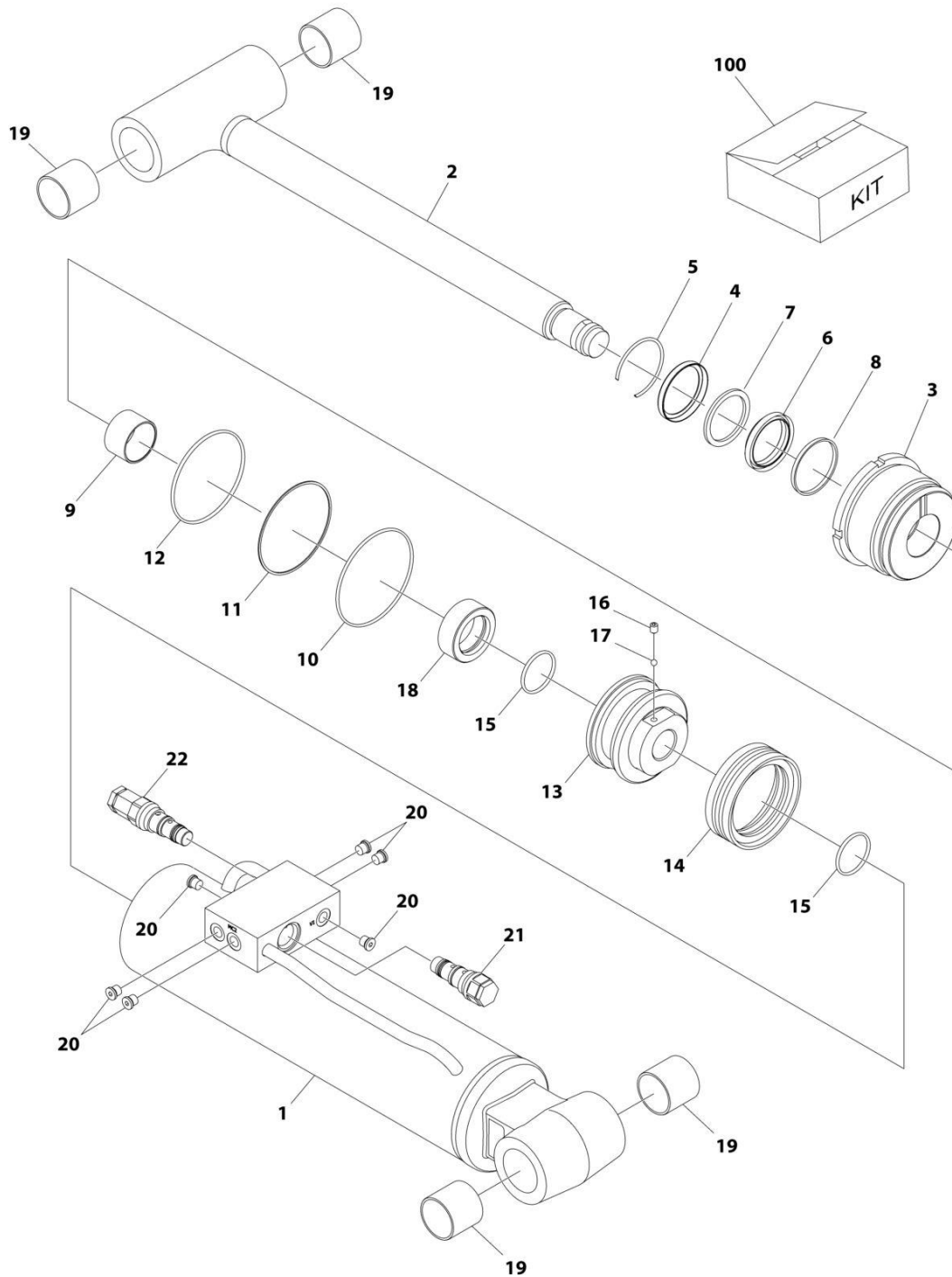
## SECTION 6 - CYLINDER

**FIGURE 6-2. LEVEL CYLINDER ASSEMBLY - PLATFORM SLAVE (600S HC3)**

ITEM	PART NUMBER	QTY	DESCRIPTION	REV
	1001184954	Ref	LEVEL CYLINDER ASSEMBLY	E
		Ref	Note: Original Cylinder may have been replaced with Service Replacement. Identify PN Stamped on Cylinder Before Ordering Parts.	
1	70005693	1	Barrel	
2	70005694	1	Rod	
3	70003085	1	Head	
4	See Note	NSS	Wiper (Note: Use Item 100)	
5	70002366	1	Ring, Retaining	
6	See Note	NSS	Seal, Rod (Note: Use Item 100)	
7	See Note	NSS	Ring, Back-up (Note: Use Item 100)	
8	70005695	1	Bearing	
9	See Note	NSS	O-Ring (Note: Use Item 100)	
10	See Note	NSS	Ring, Back-up (Note: Use Item 100)	
11	See Note	NSS	O-Ring (Note: Use Item 100)	
12	70002381	1	Piston	
13	See Note	NSS	Seal, Piston (Note: Use Item 100)	
14	See Note	NSS	O-Ring (Note: Use Item 100)	
15	70002335	1	Nut	
16	0961947	4	Bearing	
17	2220883	10	Plug	
18	70005696	1	Spacer	
19	See Note	NSS	O-Ring (Note: Use Item 100)	
20	4640999	1	Valve, Counterbalance	
20	2900792	1	Seal Kit - 4640999 Valve	
21	1001232117	1	Valve, Counterbalance	
21	7011112	1	Seal Kit - 1001232117 Valve	
100	70005697	1	Seal Kit - 1001184954 Cylinder (Includes Items 4, 6, 7, 9, 10, 11, 13, 14 & 19)	

# SECTION 6 - CYLINDER

## FIGURE 6-3. LEVEL CYLINDER ASSEMBLY - PLATFORM SLAVE (660SJ HC3)



ART\_1001247466

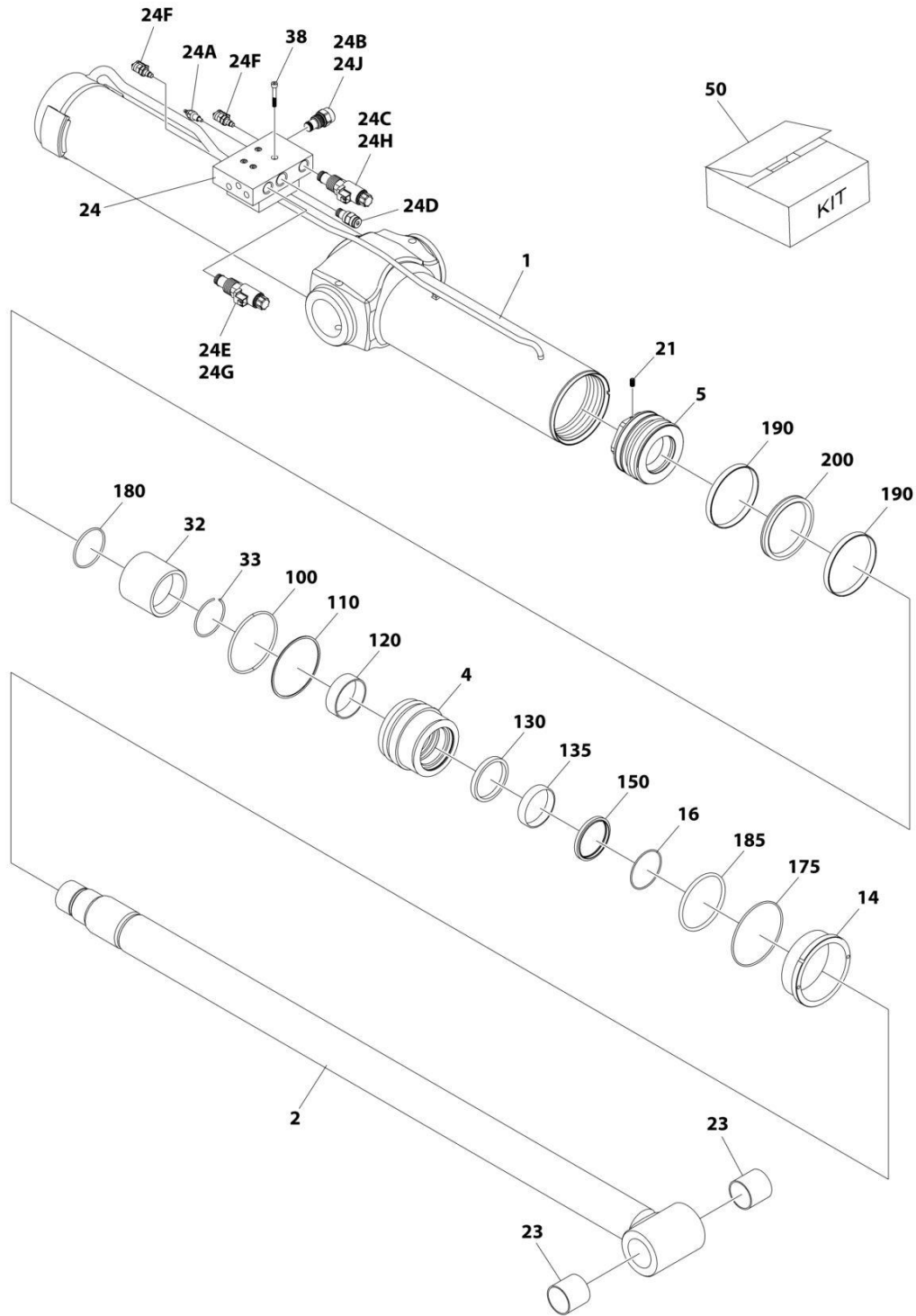
## SECTION 6 - CYLINDER

**FIGURE 6-3. LEVEL CYLINDER ASSEMBLY - PLATFORM SLAVE (660SJ HC3)**

ITEM	PART NUMBER	QTY	DESCRIPTION	REV
	1001247466	Ref	LEVEL CYLINDER ASSEMBLY	C
		Ref	Note: Original Cylinder May Have Been Replaced with Service Replacement. Identify PN Stamped on Cylinder Before Ordering Parts.	
1	See Note	NSS	Barrel (Note: Use P/N 1001247466)	
2	70007168	1	Rod	
3	70007157	1	Head	
4	See Note	NSS	Wiper (Use Item:100)	
5	70002410	1	Ring, Retaining	
6	See Note	NSS	Seal, Rod (Use Item:100)	
7	See Note	NSS	Ring, Back Up (Use Item:100)	
8	See Note	NSS	Ring, Buffer (Use Item:100)	
9	70004237	1	Ring, Wear (Use Item:100)	
10	See Note	NSS	O-Ring (Use Item:100)	
11	See Note	NSS	Ring, Back up (Use Item:100)	
12	See Note	NSS	O-Ring (Use Item:100)	
13	70007161	1	Piston	
14	See Note	NSS	Seal, Piston (Use Item:100)	
15	See Note	NSS	O-Ring (Use Item:100)	
16	70006596	1	Setscrew	
17	70022564	1	Ball	
18	70007169	1	Spacer	
19	70007159	4	Bearing	
20	2220883	6	Plug	
21	4640999	1	Valve, Counterbalance	
21	2900792	1	Seal Kit - 4640999 Valve	
22	4640932	1	Valve, Counterbalance	
22	7011112	1	Seal Kit - 4640932 Valve	
100	70007251	1	Seal Kit, Cylinder (Include items : 4,6,7,8,10,11,12,14 & 15)	

# SECTION 6 - CYLINDER

FIGURE 6-4. LIFT CYLINDER ASSEMBLY BOOM (600S HC3) (Prior to SN 0300282236)



ART\_1001250382



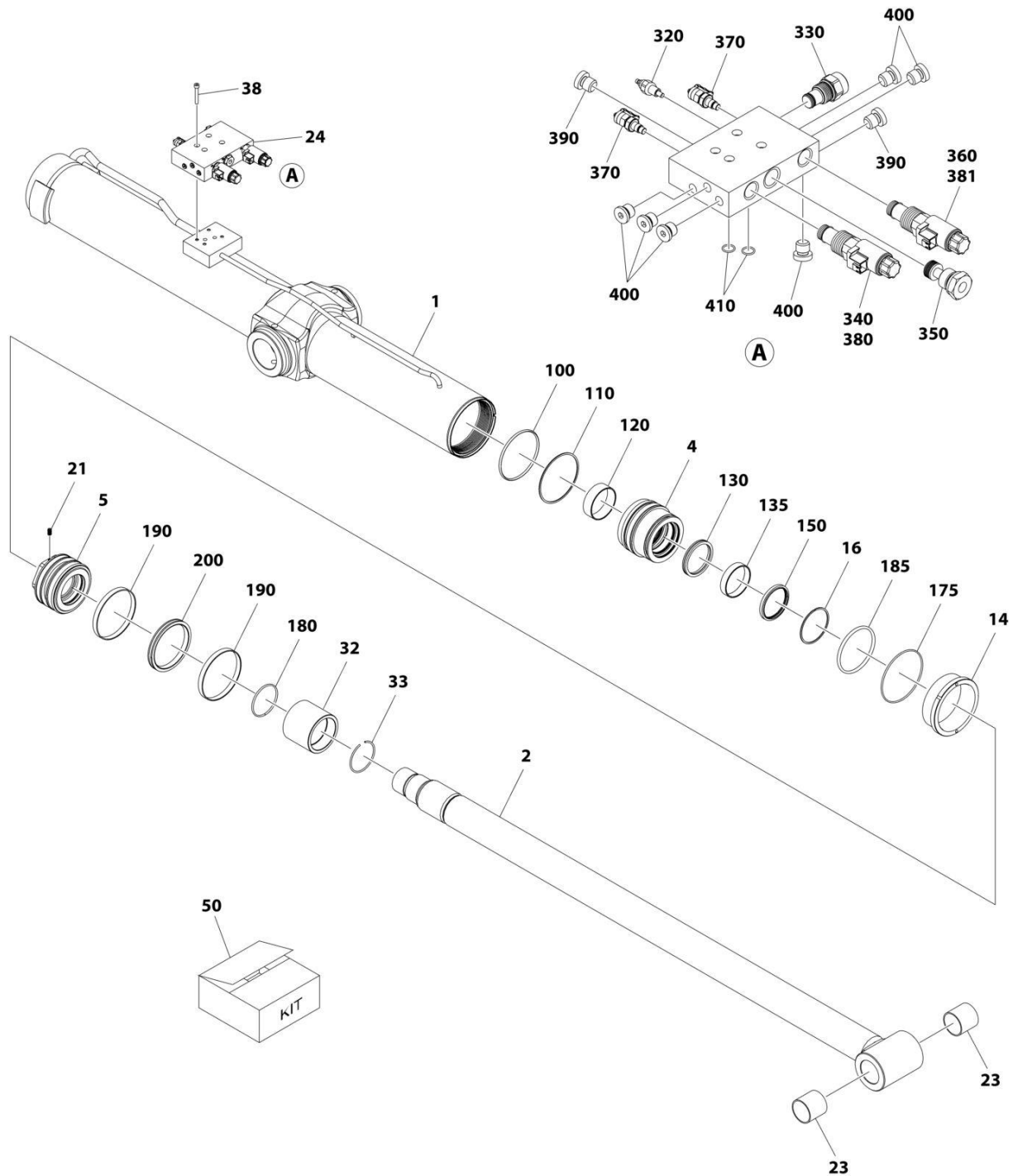
## SECTION 6 - CYLINDER

**FIGURE 6-4. LIFT CYLINDER ASSEMBLY BOOM (600S HC3) (Prior to SN 0300282236)**

ITEM	PART NUMBER	QTY	DESCRIPTION	REV
	1001250382	Ref	LIFT CYLINDER ASSEMBLY	A
		Ref	Note: Original Cylinder May Have Been Replaced with Service Replacement. Identify PN Stamped on Cylinder Before Ordering Parts.	
1	See Note	NSS	Barrel (Use Part No.1001250382)	
2	70007332	1	Rod	
4	70005572	1	Head	
5	70025580	1	Piston	
14	70026164	1	Collar, Locking	
16	70000699	1	Ring, retaining	
21	70025582	1	Setscrew	
23	0962423	2	Bushing	
24	70007333	1	Valve Assembly	
24A	70007341	1	Cartridge Valve	
24A	70004867	1	Seal Kit	
24B	70007342	1	Cartridge Valve (Relief)	
24B	7024502	1	Seal Kit	
24C	70007343	1	Cartridge Solenoid Valve Less Coil (No Seal Kit Available)	
24D	70007344	1	Cartridge Valve (No Seal Kit Available) (Without 1001271456 Enhancement Kit)	
24D	1001271454	1	Plug (No Seal Kit Available) (With 1001271456 Enhancement Kit)	
24E	70007345	1	Cartridge Solenoid Valve Less Coil	
24E	7024503	1	Seal Kit	
24F	2221086	1	Fitting, Test	
24G	70007323	1	Coil	
24H	70006004	1	Coil	
24J	70007346	1	Nozzle	
24K	70007347	1	O-Ring (Valve to Mounting Block - Not Shown)	
32	70006260	1	Spacer	
33	70005575	1	Wire, retaining	
38	70007334	4	Capscrew	
50	70005563	1	Seal Kit - Cylinder (Includes Items 100 - 200)	
100	See Note	NSS	O-Ring (Note: Use Item 50)	
110	See Note	NSS	Ring, Backup (Note: Use Item 50)	
120	See Note	NSS	Ring, Bearing (Note: Use Item 50)	
130	See Note	NSS	Seal, Rod (Note: Use Item 50)	
135	See Note	NSS	Ring, Bearing (Note: Use Item 50)	
150	See Note	NSS	Wiper (Note: Use Item 50)	
175	See Note	NSS	O-Ring (Note: Use Item 50)	
180	See Note	NSS	O-Ring (Note: Use Item 50)	
185	See Note	NSS	O-Ring (Note: Use Item 50)	
190	See Note	NSS	Ring, Bearing (Note: Use Item 50)	
200	See Note	NSS	Seal, Piston (Note: Use Item 50)	

# SECTION 6 - CYLINDER

FIGURE 6-5. LIFT CYLINDER ASSEMBLY BOOM (600S HC3) (SN 0300282236 to Present, SN B300012852 to Present)



ART\_1001272076

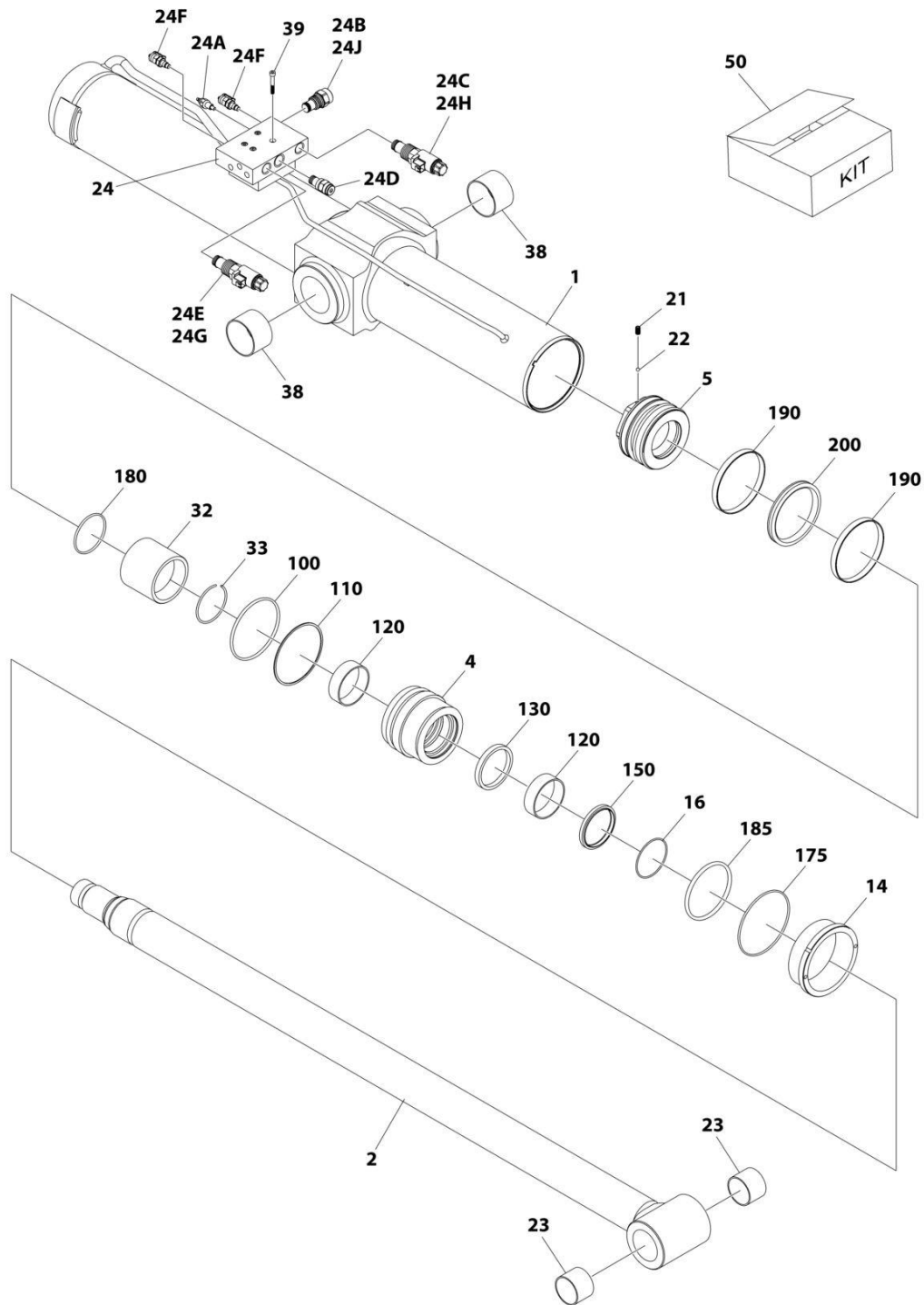
## SECTION 6 - CYLINDER

**FIGURE 6-5. LIFT CYLINDER ASSEMBLY BOOM (600S HC3) (SN 0300282236 to Present, SN B300012852 to Present)**

ITEM	PART NUMBER	QTY	DESCRIPTION	REV
	1001272076	Ref	LIFT CYLINDER ASSEMBLY	A
		Ref	Note: Original Cylinder May Have Been Replaced with Service Replacement. Identify PN Stamped on Cylinder Before Ordering Parts.	
1	See Note	NSS	Barrel (Note: Use PN 1001272076)	
2	See Note	NSS	Rod (Note: Use PN 1001272076)	
4	70005572	1	Head	
5	70025580	1	Piston	
14	70026164	1	Lock	
16	70000699	1	Ring, Retaining	
21	70025582	1	Set Screw M10 x 20	
23	70007838	2	Bushing	
24	See Note	NSS	Valve Assembly (Note: Complete Assembly Not Available - Purchase Individual Components) (See Items 320-410)	
32	70006260	1	Spacer	
33	70005575	1	Ring, Retaining	
38	70007334	4	Capscrew M8 x 55	
50	70005563	1	Seal Kit - 1001272076 Cylinder (Includes Items 100-200)	
100	See Note	NSS	O-Ring (Note: Use Item 50)	
110	See Note	NSS	Ring, Back-Up (Note: Use Item 50)	
120	See Note	NSS	Ring, Wear (Note: Use Item 50)	
130	See Note	NSS	Seal (Note: Use Item 50)	
135	See Note	NSS	Ring, Wear (Note: Use Item 50)	
150	See Note	NSS	Wiper (Note: Use Item 50)	
175	See Note	NSS	O-Ring (Note: Use Item 50)	
180	See Note	NSS	O-Ring (Note: Use Item 50)	
185	See Note	NSS	O-Ring (Note: Use Item 50)	
190	See Note	NSS	Ring (Note: Use Item 50)	
200	See Note	NSS	Seal (Note: Use Item 50)	
320	70007341	1	Cartridge	
320	70004867	1	Seal Kit - 70007341 Valve	
330	70007342	1	Cartridge, Relief	
330	7024502	1	Seal Kit - 70007342 Valve	
340	70007343	1	Cartridge, Solenoid	
350	1001271454	1	Plug	
360	70007345	1	Cartridge, Solenoid	
360	7024503	1	Seal Kit - 70007345 Valve	
370	2221086	2	Fitting, Test	
380	70007323	1	Coil	
381	70006004	1	Coil	
390	70007346	2	Orifice	
400	70026973	6	Plug 1/8	
410	70007347	2	O-Ring	

# SECTION 6 - CYLINDER

FIGURE 6-6. LIFT CYLINDER ASSEMBLY BOOM (660SJ HC3) (Prior to SN 0300282236)



ART\_1001254890

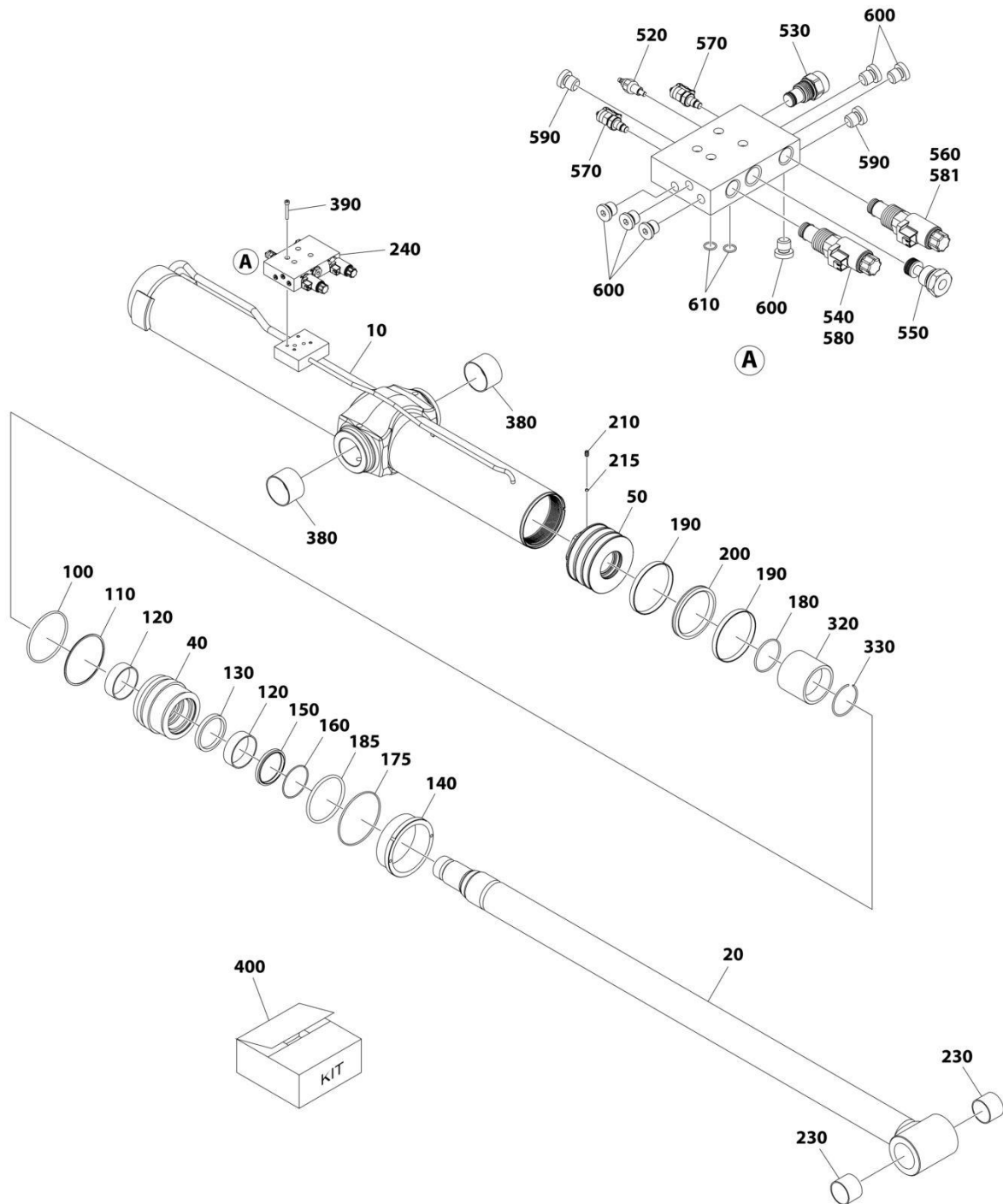
## SECTION 6 - CYLINDER

**FIGURE 6-6. LIFT CYLINDER ASSEMBLY BOOM (660SJ HC3) (Prior to SN 0300282236)**

ITEM	PART NUMBER	QTY	DESCRIPTION	REV
	1001254890	Ref	LIFT CYLINDER ASSEMBLY	D
		Ref	Note: Original Cylinder May Have Been Replaced with Service Replacement. Identify PN Stamped on Cylinder Before Ordering Parts.	
1	See Note	NSS	Barrel (Use P/N 1001254890)	
2	70007335	1	Rod	
4	70007336	1	Head	
5	70027337	1	Piston	
14	70026175	1	Collar, Locking	
16	70000699	1	Ring, retaining	
21	70025613	1	Setscrew	
22	70025614	1	Ball	
23	70007338	2	Bushing	
24	70007333	1	Valve Assembly	
24A	70007341	1	Cartridge Valve	
24A	70004867	1	Seal Kit	
24B	70007342	1	Cartridge Valve (Relief)	
24B	7024502	1	Seal Kit	
24C	70007343	1	Cartridge Solenoid Valve Less Coil (No Seal Kit Available)	
24D	70007344	1	Cartridge Valve (No Seal Kit Available) (Without 1001271456 Enhancement Kit)	
24D	1001271454	1	Cartridge Valve (No Seal Kit Available) (With 1001271456 Enhancement Kit)	
24E	70007345	1	Cartridge Solenoid Valve Less Coil	
24E	7024503	1	Seal Kit	
24F	2221086	1	Fitting, Test	
24G	70007323	1	Coil	
24H	70006004	1	Coil	
24J	70007346	1	Nozzle	
24K	70007347	2	O-Ring (Valve to Mounting Block - Not Shown)	
32	70006260	1	Spacer	
33	70005575	1	Wire, retaining	
38	70007339	2	Bushing	
39	70007334	4	Capscrew	
50	70007340	1	Seal Kit - Cylinder (Includes Items 100 - 200)	
100	See Note	NSS	O-Ring (Note: Use Item 50)	
110	See Note	NSS	Ring, Backup (Note: Use Item 50)	
120	See Note	NSS	Ring, Bearing (Note: Use Item 50)	
130	See Note	NSS	Seal, Rod (Note: Use Item 50)	
135	See Note	NSS	Ring, Bearing (Note: Use Item 50)	
150	See Note	NSS	Wiper (Note: Use Item 50)	
175	See Note	NSS	O-Ring (Note: Use Item 50)	
180	See Note	NSS	O-Ring (Note: Use Item 50)	
185	See Note	NSS	O-Ring (Note: Use Item 50)	
190	See Note	NSS	Ring, Bearing (Note: Use Item 50)	
200	See Note	NSS	Seal, Piston (Note: Use Item 50)	

# SECTION 6 - CYLINDER

FIGURE 6-7. LIFT CYLINDER ASSEMBLY BOOM (660SJ HC3) (SN 0300282236 to Present, SN B300012852 to Present)



ART\_1021072100

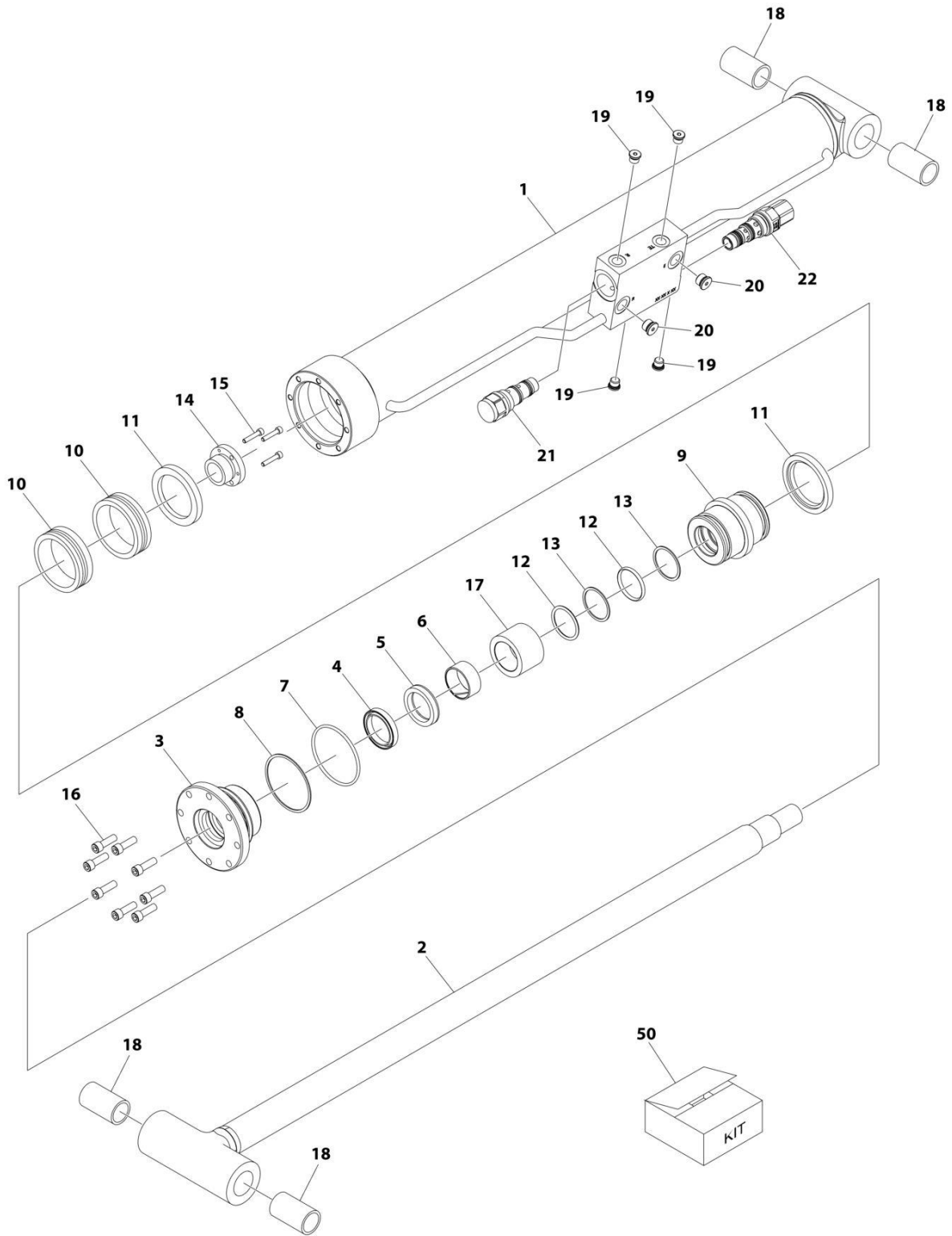
## SECTION 6 - CYLINDER

**FIGURE 6-7. LIFT CYLINDER ASSEMBLY BOOM (660SJ HC3) (SN 0300282236 to Present, SN B300012852 to Present)**

ITEM	PART NUMBER	QTY	DESCRIPTION	REV
	1001272100	Ref	CYLINDER ASSEMBLY	B
		Ref	Note: Original Cylinder May Have Been Replaced with Service Replacement. Identify PN Stamped on Cylinder Before Ordering Parts.	
10	See Note	NSS	Barrel (Note: Use PN 1001272100)	
20	See Note	NSS	Rod (Note: Use PN 1001272100)	
40	70007336	1	Head	
50	70007337	1	Piston	
100	See Note	NSS	O-Ring	
110	See Note	NSS	Ring, Back-up (Note: Use Item 400)	
120	See Note	NSS	Ring, Wear (Note: Use Item 400)	
130	See Note	NSS	Seal, Head (Note: Use Item 400)	
140	70026179	1	Lock	
150	See Note	NSS	Wiper (Note: Use Item 400)	
160	70000699	1	Ring, Retaining	
175	See Note	NSS	O-Ring (Note: Use Item 400)	
180	See Note	NSS	O-Ring (Note: Use Item 400)	
185	See Note	NSS	O-Ring (Note: Use Item 400)	
190	See Note	NSS	Ring, Bearing (Note: Use Item 400)	
200	See Note	NSS	Seal, Piston (Note: Use Item 400)	
210	70025613	1	Screw M10 x 16	
215	70025614	1	Ball	
230	70007338	2	Bushing	
240	NPN	Ref	Valve Assembly (See Items 520-610)	
320	70006260	1	Spacer	
330	70005575	1	Ring	
380	70007339	2	Bushing	
390	70007334	4	Screw M8 x 55	
400	70008132	1	Seal Kit (Includes Items 100-130, 150 & 175-200)	
520	70007341	1	Cartridge	
520	70004867	1	Seal Kit - 70007341 Valve	
530	70007342	1	Cartridge, Relief	
530	7024502	1	Seal Kit - 70007342 Valve	
540	70007343	1	Cartridge, Solenoid	
550	1001271454	1	Plug	
560	70007345	1	Cartridge, Solenoid	
560	7024503	1	Seal Kit - 70007345 Valve	
570	2221086	2	Fitting, Test	
580	70007323	1	Coil	
581	70006004	1	Coil	
590	70007346	2	Orifice	
600	70008133	7	Plug	
610	70008134	2	O-Ring	

# SECTION 6 - CYLINDER

## FIGURE 6-8. LIFT CYLINDER ASSEMBLY - JIB (660SJ HC3)



ART\_1001264991



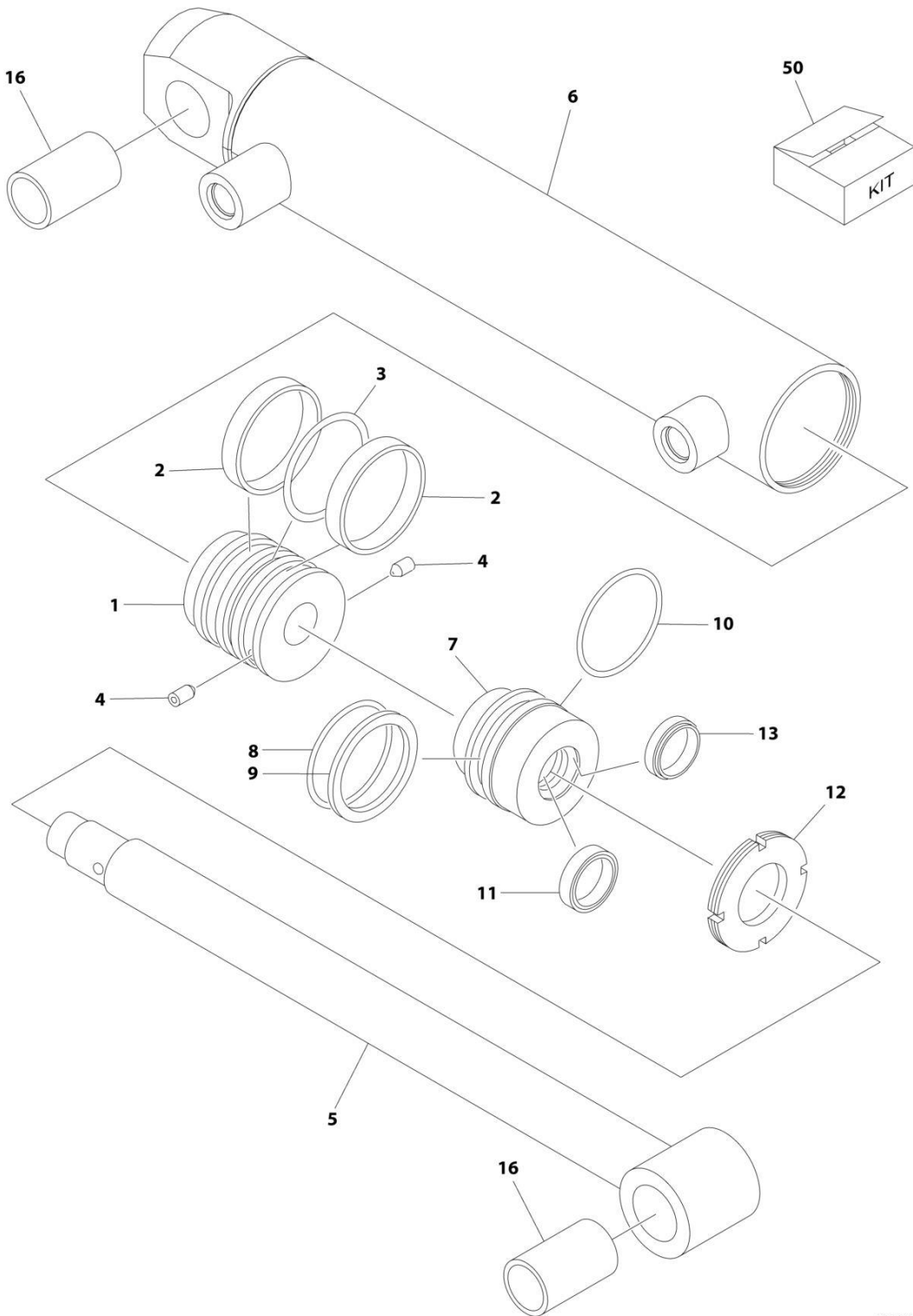
## SECTION 6 - CYLINDER

**FIGURE 6-8. LIFT CYLINDER ASSEMBLY - JIB (660SJ HC3)**

ITEM	PART NUMBER	QTY	DESCRIPTION	REV
	1001264991	Ref	LIFT CYLINDER ASSEMBLY - JIB	B
		Ref	Note: Original Cylinder May Have Been Replaced with Service Replacement. Identify PN Stamped on Cylinder Before Ordering Parts.	
1	See Note	NSS	Barrel (Note: Use PN 1001264991)	
2	70006734	1	Rod	
3	70006649	1	Head	
4	See Note	NSS	Wiper (Note: Use Item 50)	
5	See Note	NSS	Seal, Rod (Note: Use Item 50)	
6	See Note	NSS	Ring, Wear (Note: Use Item 50)	
7	See Note	NSS	O-Ring (Note: Use Item 50)	
8	See Note	NSS	Ring, Back-up (Note: Use Item 50)	
9	70006650	1	Piston	
10	See Note	NSS	Ring, Hydro Lock (Note: Use Item 50)	
11	See Note	NSS	Ring, Guide Lock (Note: Use Item 50)	
12	See Note	NSS	O-Ring (Note: Use Item 50)	
13	See Note	NSS	Ring, Back-up (Note: Use Item 50)	
14	0961893	1	Bushing, Tapered	
15	0630534	3	Capscrew	
16	70006735	8	Capscrew	
17	70006736	1	Spacer	
18	0962336	4	Bearing	
19	70023370	4	Plug	
20	70023371	2	Plug	
21	4640509	1	Cartridge, Counterbalance Valve	
21	2900792	1	Seal Kit - 4640509 Valve	
22	1001263800	1	Cartridge, Counterbalance Valve	
22	70004186	1	Seal Kit - 1001263800 Valve	
50	1001138795	1	Seal Kit - 1001264991 Cylinder (Includes Items 4-8 & 10-13)	

# SECTION 6 - CYLINDER

## FIGURE 6-9. STEER CYLINDER ASSEMBLY



ART\_1001181792

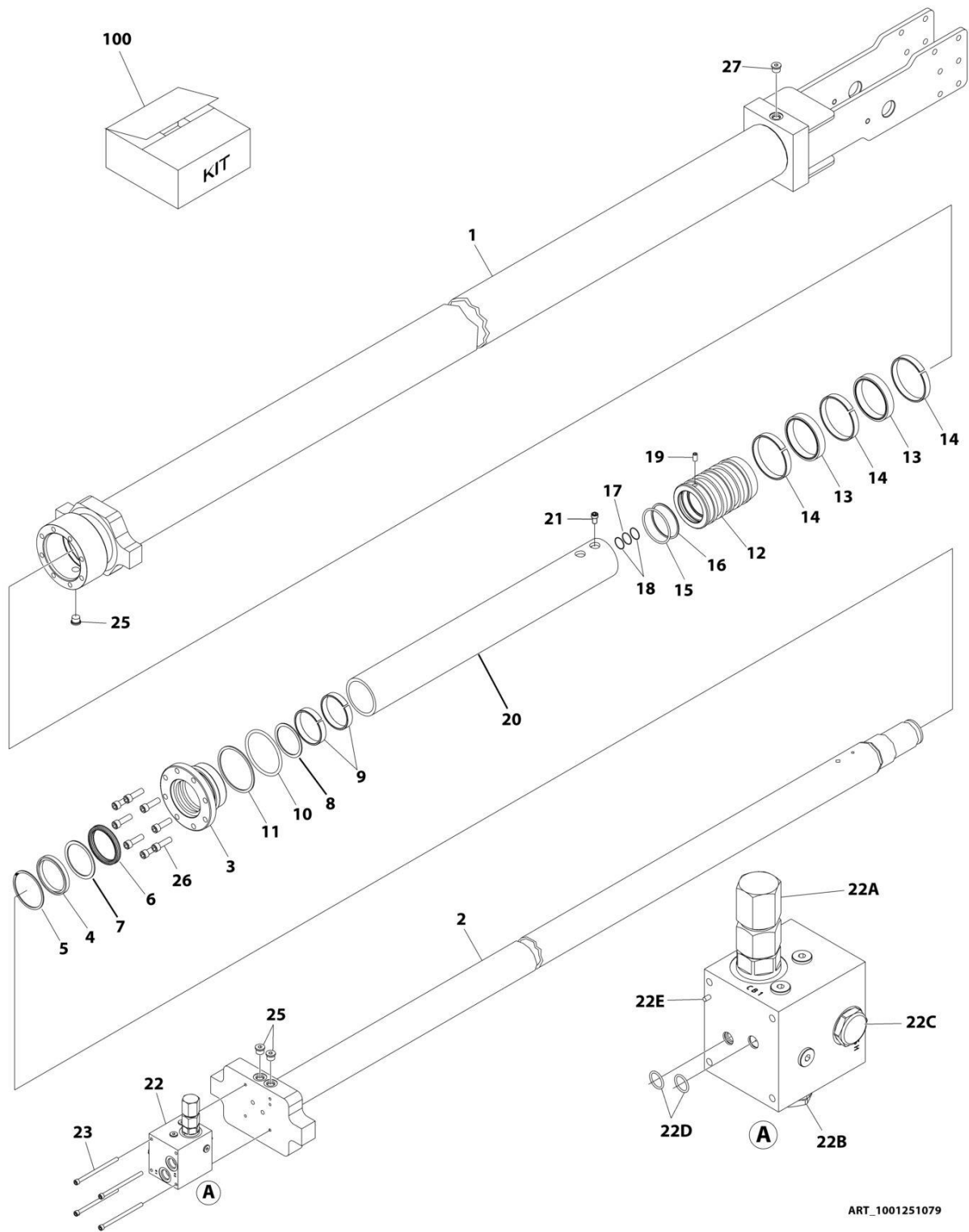
## SECTION 6 - CYLINDER

**FIGURE 6-9. STEER CYLINDER ASSEMBLY**

ITEM	PART NUMBER	QTY	DESCRIPTION	REV
	1001181792	Ref	STEER CYLINDER ASSEMBLY	F
		Ref	Note: Original Cylinder may have been replaced with Service Replacement. Identify PN Stamped on Cylinder Before Ordering Parts.	
1	70006106	1	Piston	
2	See Note	NSS	Ring, Wear (Note: Use Item 50)	
3	See Note	NSS	Seal, Piston (Note: Use Item 50)	
4	70002745	2	Setscrew	
5	70006107	1	Rod	
6	See Note	NSS	Barrel	
7	70002755	1	Head	
8	See Note	1	O-Ring (Note: Use Item 50)	
9	See Note	NSS	Ring, Back-up (Note: Use Item 50)	
10	See Note	NSS	Ring (Note: Use Item 50)	
11	See Note	NSS	Seal, Rod (Note: Use Item 50)	
12	70002756	1	Nut, Spanner (Note: Use Item 50)	
13	See Note	NSS	Wiper (Note: Use Item 50)	
16	1001182695	2	Bearing	
50	70006108	1	Seal Kit - 1001181792 (Includes Items 2, 3, 8-11 & 13)	

# SECTION 6 - CYLINDER

## FIGURE 6-10. TELESCOPE CYLINDER ASSEMBLY



ART\_1001251079

## SECTION 6 - CYLINDER

### FIGURE 6-10. TELESCOPE CYLINDER ASSEMBLY

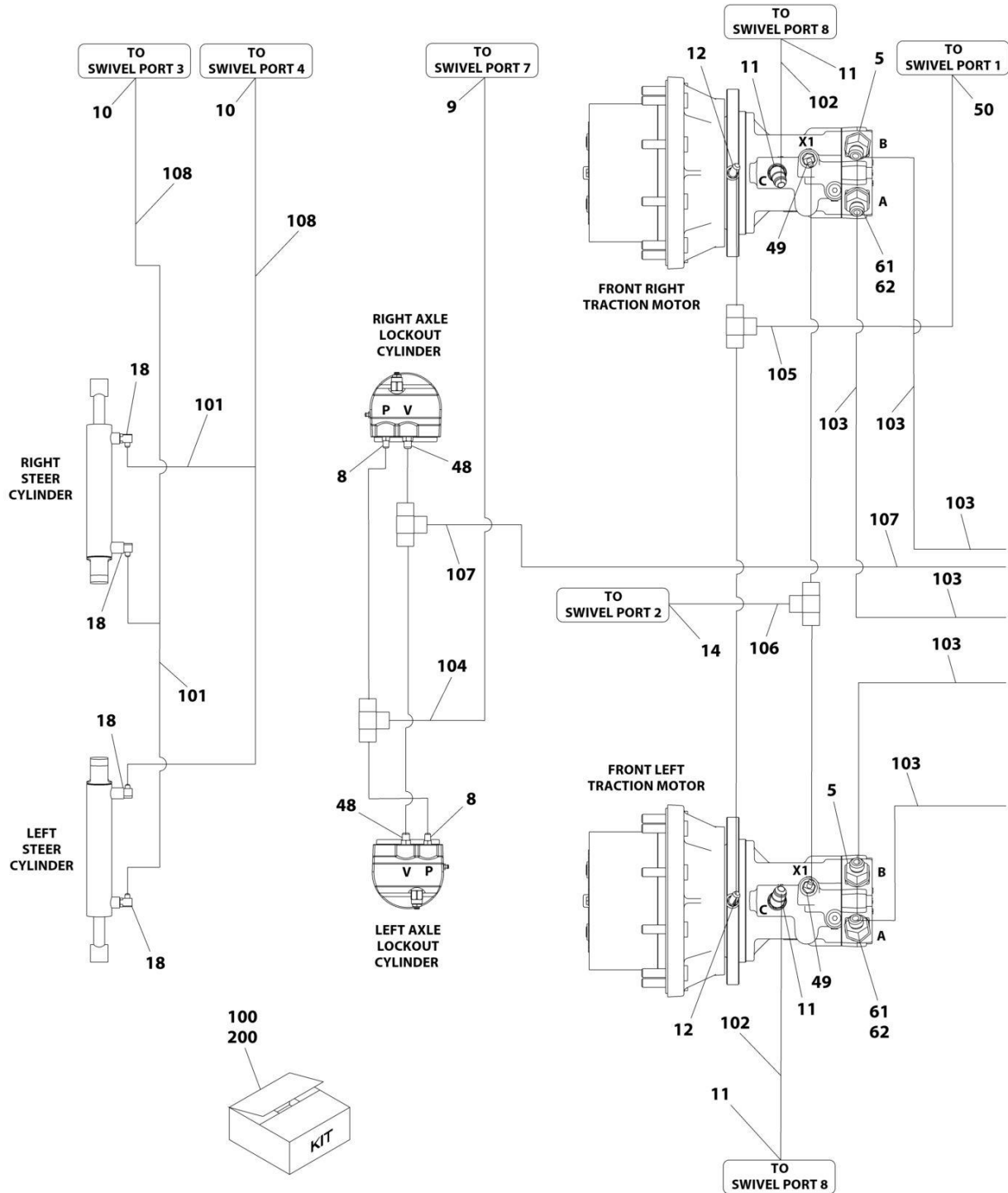
ITEM	PART NUMBER	QTY	DESCRIPTION	REV
	1001251079	Ref	TELESCOPE CYLINDER ASSEMBLY	B
	See Note	Ref	Note: Original Cylinder may have been replaced with Service Replacement. Identify PN Stamped on Cylinder Before Ordering Parts.	
1	See Note	NSS	Barrel (Note: Use PN 1001251079)	
2	70006978	1	Rod	
3	70006979	1	Head	
4	See Note	NSS	Wiper (Note: Use Item 100)	
5	70050795	1	Ring, Retaining	
6	See Note	NSS	Seal, Rod (Note: Use Item 100)	
7	See Note	NSS	Ring, Back-up (Note: Use Item 100)	
8	See Note	NSS	Ring, Buffer (Note: Use Item 100)	
9	See Note	NSS	Ring, Wear (Note: Use Item 100)	
10	See Note	NSS	O-Ring (Note: Use Item 100)	
11	See Note	NSS	Ring, Back-up (Note: Use Item 100)	
12	70006980	1	Piston	
13	See Note	NSS	Seal, Piston (Note: Use Item 100)	
14	See Note	NSS	Ring, Wear (Note: Use Item 100)	
15	See Note	NSS	O-Ring (Note: Use Item 100)	
16	See Note	NSS	Ring, Back-up (Note: Use Item 100)	
17	See Note	NSS	O-Ring (Note: Use Item 100)	
18	See Note	NSS	Ring, Back-up (Note: Use Item 100)	
19	70005839	1	Setscrew M8 x 12	
20	70006981	1	Spacer	
21	70006731	1	Bolt M8 x 12	
22	1001133245	1	Valve Assembly	
22A	70003926	1	Cartridge, Valve	
22A	70004186	1	Seal Kit - 70003926 Valve	
22B	70004155	1	Cartridge, Valve	
22B	70004186	1	Seal Kit - 70004155 Valve	
22C	70003928	1	Cartridge, Valve	
22C	70003929	1	Seal Kit - 70003928 Valve	
22D	70003982	2	Seal	
22E	70003930	1	Roll Pin	
23	70005595	4	Bolt M6 x 100	
25	2220885	3	Plug 9/16	
26	70006982	8	Bolt M10 x 45	
27	2220883	1	Plug 7/16	
100	70006983	1	Seal Kit - 1001251079 Cylinder (Includes Items 4, 6-11 & 13-18)	



**SECTION 7 - HYDRAULIC**

# SECTION 7 - HYDRAULIC

FIGURE 7-1. DRIVE HYDRAULIC DIAGRAM (2WS WITHOUT ARCTIC PACKAGE) (600S HC3)



ART\_1001188342\_G\_1OF2





## SECTION 7 - HYDRAULIC

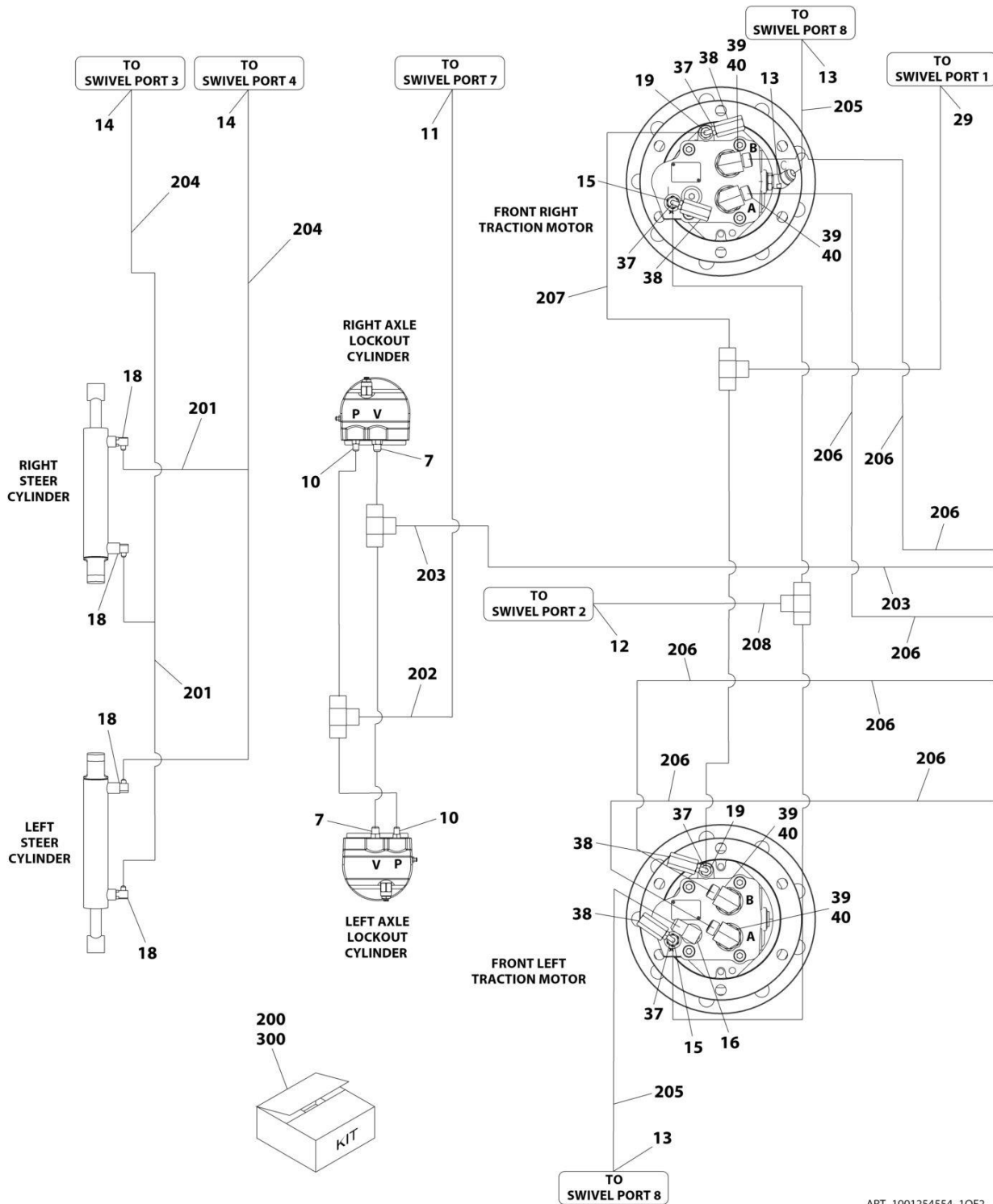
**FIGURE 7-1. DRIVE HYDRAULIC DIAGRAM (2WS WITHOUT ARCTIC PACKAGE) (600S HC3)**

ITEM	PART NUMBER	QTY	DESCRIPTION	REV
	1001188342	Ref	DRIVE HYDRAULIC DIAGRAM	G
1	2110810	8	Fitting, Straight ORFS/ORB	
2	2110812	4	Fitting, Straight ORFS/ORB	
3	2111216	2	Fitting, Straight ORFS/ORB	
4	2131216	2	Fitting, 90 ORFS/ORB	
5	2150812	2	Fitting, 45 ORFS/ORB	
6	2220372	1	Fitting, Straight JIC ORB	
7	2220373	2	Fitting, Straight JIC/ORB	
8	2220415	4	Fitting, Straight JIC/ORB	
9	2220468	1	Fitting, Straight JIC/ORB	
10	2220501	2	Fitting, 45 JIC/ORB	
11	2220500	4	Fitting, 45 JIC/ORB	
12	2220502	2	Fitting, 45 JIC/ORB	
14	2220472	2	Fitting, 90 JIC/ORB	
15	2220596	1	Fitting, 90 JIC/ORB	
16	2220602	1	Fitting, Tee JIC/ORB/JIC	
18	2220628	4	Fitting, 90 JIC/ORB	
23	4240018	21	Tie-Strap (Not Shown)	
48	2220371	2	Fitting, Straight JIC/ORB	
49	2221040	2	Fitting, 45 JIC/ORB	
50	1001197045	2	Fitting, 90 JIC/ORB	
59	4240033	2	Tie-Strap (Not Shown)	
60	2220582	2	Fitting, Straight JIC/ORB	
61	2150808	2	Fitting, 45 ORFS/ORB	
62	2220811	2	Fitting, Straight FORB/ORB	
100	1001269909	1	Front Hose Kit	
101	1001187308	2	Hose	
102	1001187311	2	Hose	
103	1001187317	4	Hose	
104	1001199654	1	Hose	
105	1001199655	1	Hose	
106	1001199656	1	Hose	
107	1001199661	1	Hose	
108	1001200432	2	Hose	
200	1001269908	1	Rear Hose Kit	
201	1001187312	1	Hose	
202	1001187318	2	Hose	
203	1001188763	4	Hose	
204	1001199657	1	Hose	
205	1001199658	1	Hose	
206	1001199662	1	Hose	



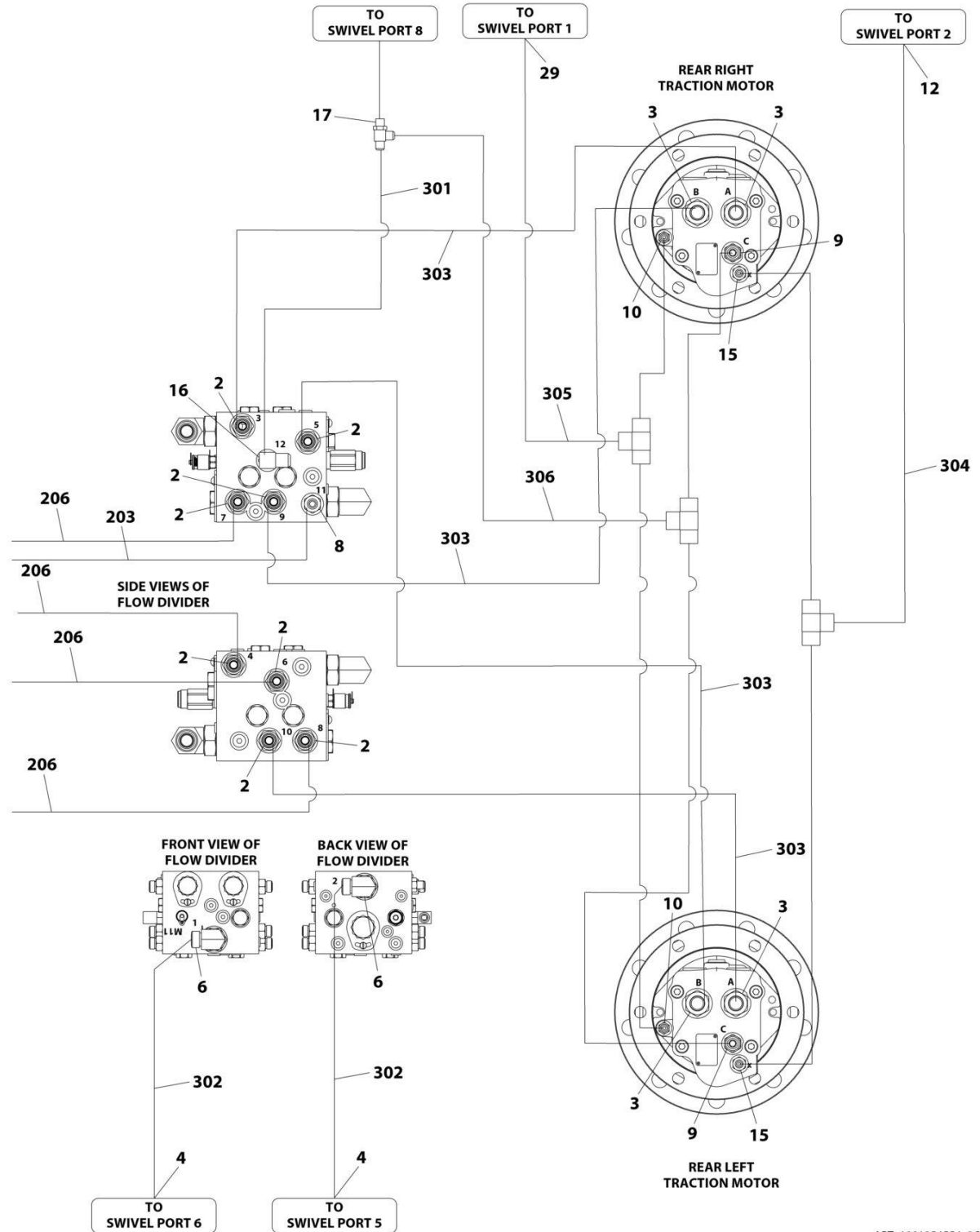
# SECTION 7 - HYDRAULIC

FIGURE 7-2. DRIVE HYDRAULIC DIAGRAM (2WS WITHOUT ARCTIC PACKAGE) (660SJ HC3)



ART\_1001254554\_10F2

# SECTION 7 - HYDRAULIC



ART\_1001254554\_2OF2

## SECTION 7 - HYDRAULIC

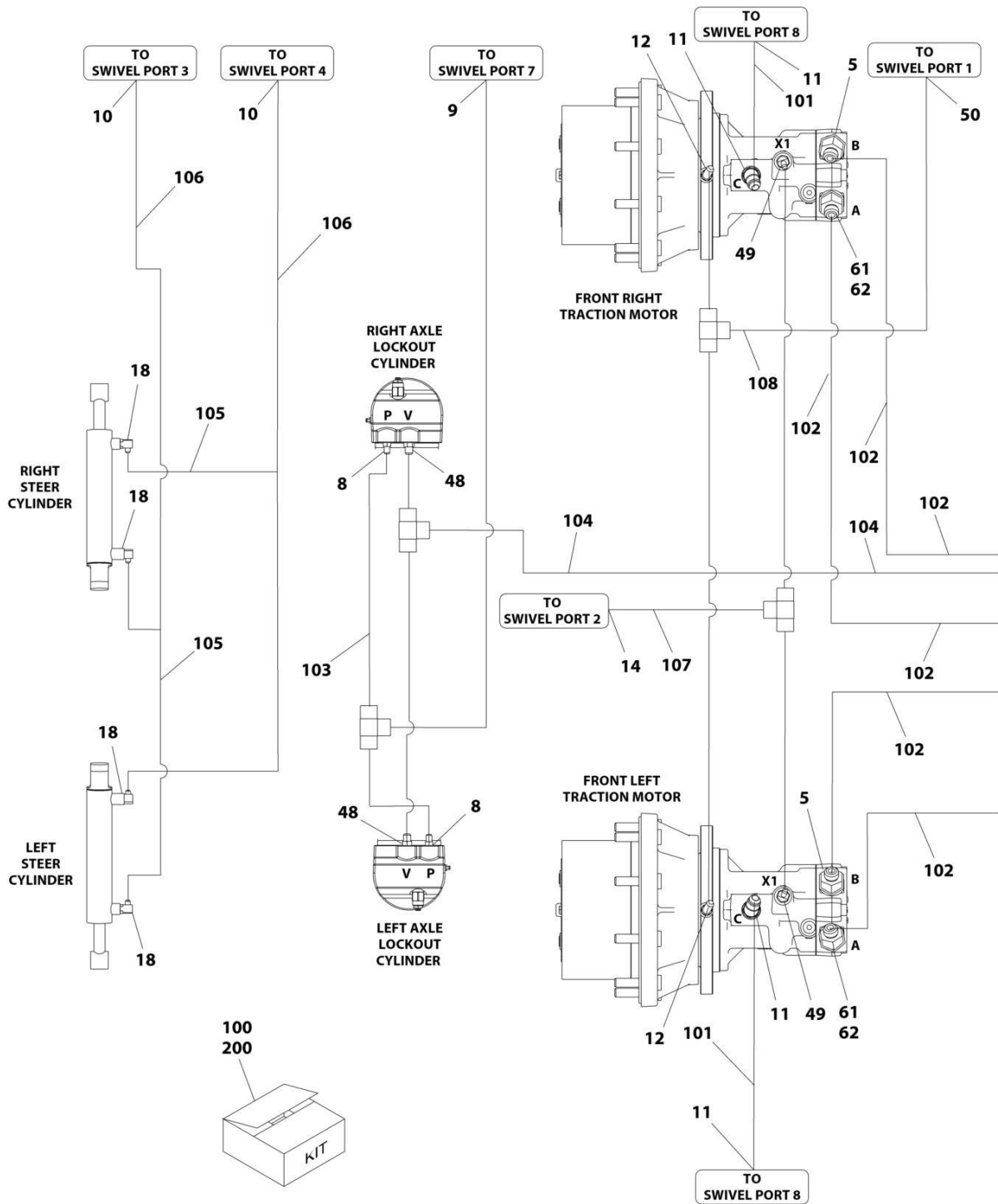
**FIGURE 7-2. DRIVE HYDRAULIC DIAGRAM (2WS WITHOUT ARCTIC PACKAGE) (660SJ HC3)**

ITEM	PART NUMBER	QTY	DESCRIPTION	REV
	1001254554	Ref	DRIVE HYDRAULIC DIAGRAM	F
2	2110810	8	Fitting, Straight ORFS/ORB	
3	2110812	4	Fitting, Straight ORFS/ORB	
4	2111216	2	Fitting, Straight ORFS/ORB	
6	2131216	2	Fitting, 90 ORFS/ORB	
7	2220371	2	Fitting, Straight JIC/ORB	
8	2220372	1	Fitting, Straight JIC ORB	
9	2220373	2	Fitting, Straight JIC/ORB	
10	2220415	4	Fitting, Straight JIC/ORB	
11	2220468	1	Fitting, Straight JIC/ORB	
12	2220472	2	Fitting, 90 JIC/ORB	
13	2220500	3	Fitting, 45 JIC/ORB	
14	2220501	2	Fitting, 45 JIC/ORB	
15	2220582	4	Fitting, Straight JIC/ORB	
16	2220596	2	Fitting, 90 JIC/ORB	
17	2220602	1	Fitting, Tee JIC/ORB/JIC	
18	2220628	4	Fitting, 90 JIC/ORB	
19	2220923	2	Fitting, Straight JIC/ORB	
21	4240018	21	Tie-Strap (Not Shown)	
22	4240033	2	Tie-Strap (Not Shown)	
29	1001197045	2	Fitting, 90 JIC/ORB	
37	1001260286	4	Fitting, 90 JIC/FSJIC	
38	1001260644	4	Fitting, FQL/FJIC	
39	2220811	4	Fitting, Straight FORB/ORB	
40	2130808	4	Fitting, 90 ORFS/ORB	
200	1001269907	1	Front Hose Kit	
201	1001187308	2	Hose	
202	1001199654	1	Hose	
203	1001199661	1	Hose	
204	1001200432	2	Hose	
205	1001256429	2	Hose	
206	1001256430	4	Hose	
207	1001260077	1	Hose	
208	1001260078	1	Hose	
300	1001269908	1	Rear Hose Kit	
301	1001187312	1	Hose	
302	1001187318	2	Hose	
303	1001188763	4	Hose	
304	1001199657	1	Hose	
305	1001199658	1	Hose	
306	1001199662	1	Hose	



# SECTION 7 - HYDRAULIC

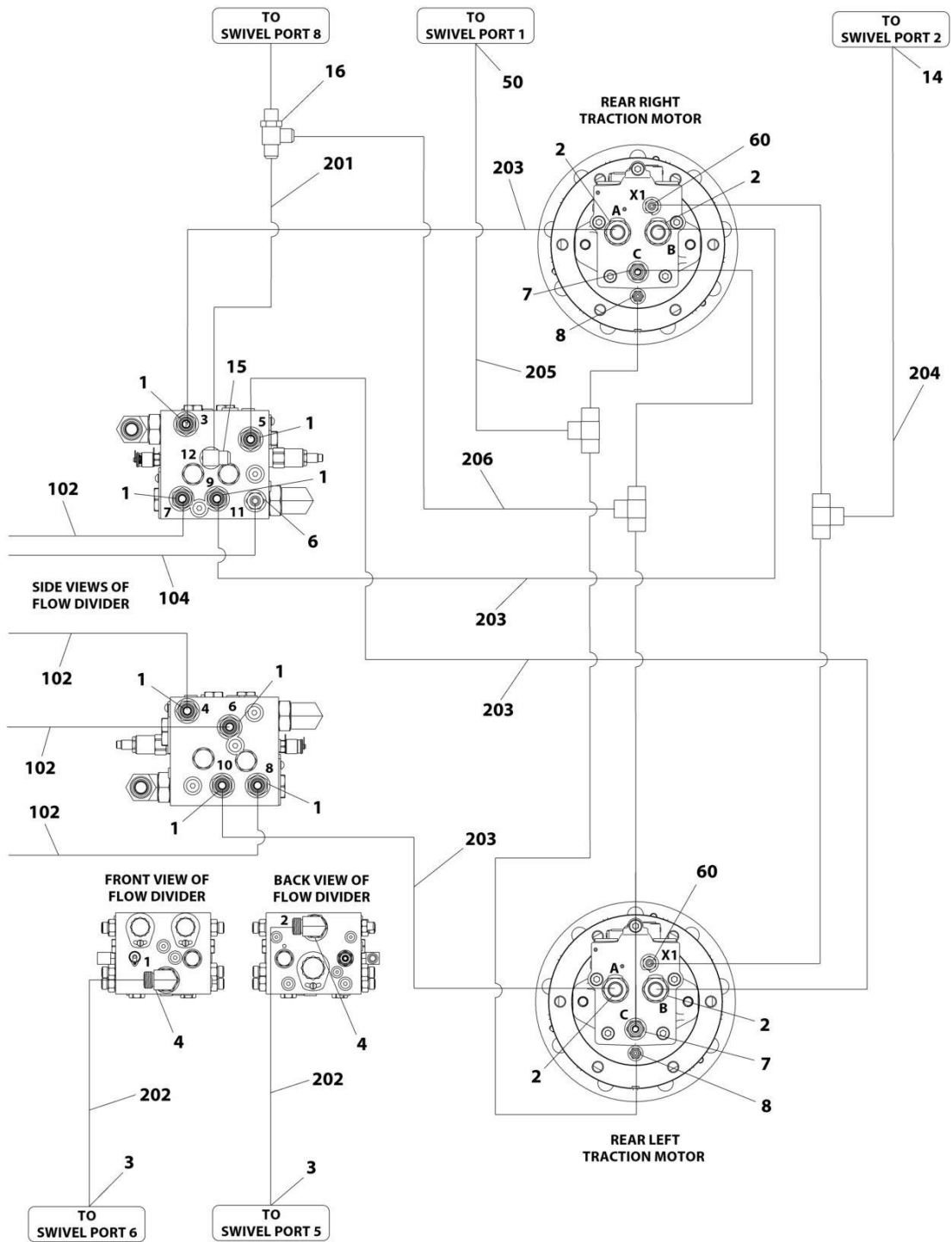
FIGURE 7-3. DRIVE HYDRAULIC DIAGRAM (2WS WITH ARCTIC PACKAGE) (600S HC3)



ART\_1001192265\_F\_10F2



# SECTION 7 - HYDRAULIC



ART\_1001192265\_F\_20F2

## SECTION 7 - HYDRAULIC

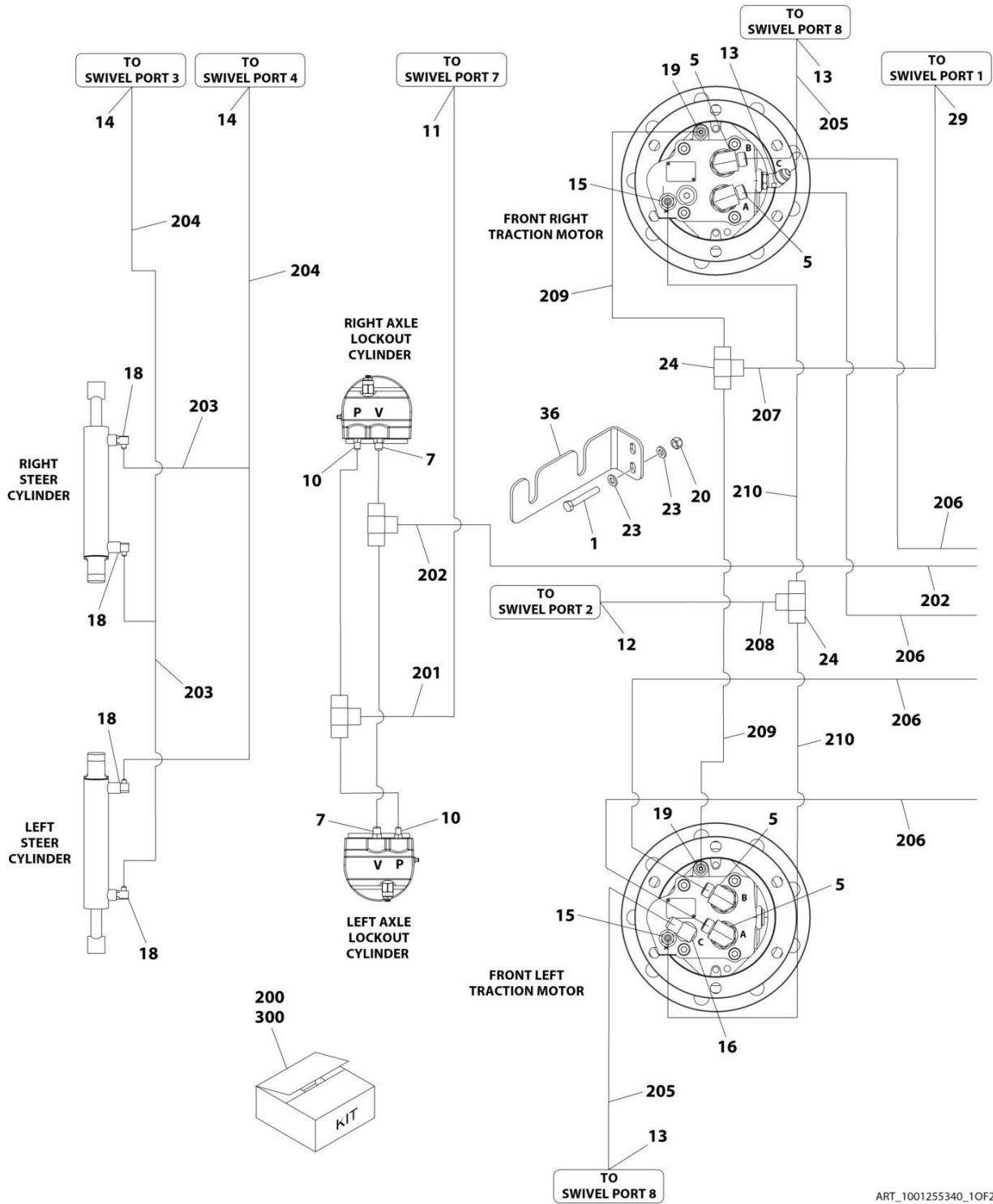
**FIGURE 7-3. DRIVE HYDRAULIC DIAGRAM (2WS WITH ARCTIC PACKAGE) (600S HC3)**

ITEM	PART NUMBER	QTY	DESCRIPTION	REV
	1001192265	Ref	DRIVE HYDRAULIC DIAGRAM	F
1	2110810	8	Fitting, Straight ORFS/ORB	
2	2110812	4	Fitting, Straight ORFS/ORB	
3	2111216	2	Fitting, Straight ORFS/ORB	
4	2131216	2	Fitting, 90 ORFS/ORB	
5	2150812	2	Fitting, 45 ORFS/ORB	
6	2220372	1	Fitting, Straight JIC/ORB	
7	2220373	2	Fitting, Straight JIC/ORB	
8	2220415	4	Fitting, Straight JIC/ORB	
9	2220468	1	Fitting, Straight JIC/ORB	
10	2220501	2	Fitting, 45 JIC/ORB	
11	2220500	4	Fitting, 45 JIC/ORB	
12	2220502	2	Fitting, 45 JIC/ORB	
14	2220472	2	Fitting, 90 JIC/ORB	
15	2220596	1	Fitting, 90 JIC/ORB	
16	2220602	1	Fitting, Tee JIC/ORB/JIC	
18	2220628	4	Fitting, 90 JIC/ORB	
23	4240018	21	Tie-Strap (Not Shown)	
48	2220371	2	Fitting, Straight JIC/ORB	
49	2221040	2	Fitting, 45 JIC/ORB	
50	1001197045	2	Fitting, 90 JIC/ORB	
59	4240033	2	Tie-Strap (Not Shown)	
60	2220582	2	Fitting, Straight JIC/ORB	
61	2150808	2	Fitting, 45 ORFS/ORB	
62	2220811	2	Fitting, Straight FORB/ORB	
100	1001269910	1	Arctic Front Hose Kit	
101	1001193610	2	Hose	
102	1001193611	4	Hose	
103	1001199654	1	Hose	
104	1001169661	1	Hose	
105	1001203853	2	Hose	
106	1001203854	2	Hose	
107	1001203859	1	Hose	
108	1001203860	1	Hose	
200	1001269908	1	Rear Hose Kit	
201	1001187312	1	Hose	
202	1001187318	2	Hose	
203	1001188763	4	Hose	
204	1001199657	1	Hose	
205	1001199658	1	Hose	
206	1001199662	1	Hose	



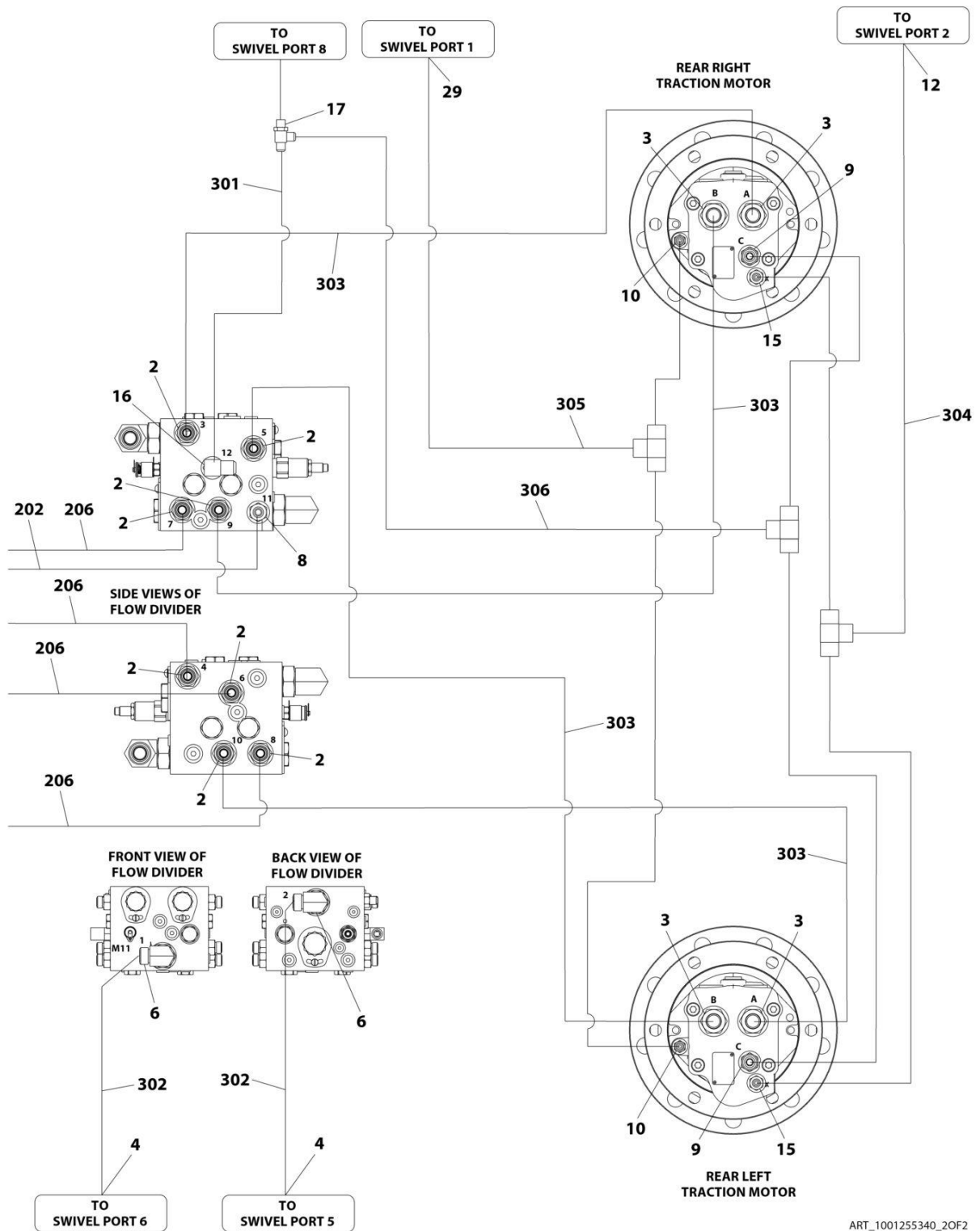
# SECTION 7 - HYDRAULIC

FIGURE 7-4. DRIVE HYDRAULIC DIAGRAM (2WS WITH ARCTIC PACKAGE) (660SJ HC3)



ART\_1001255340\_10F2

# SECTION 7 - HYDRAULIC



## SECTION 7 - HYDRAULIC

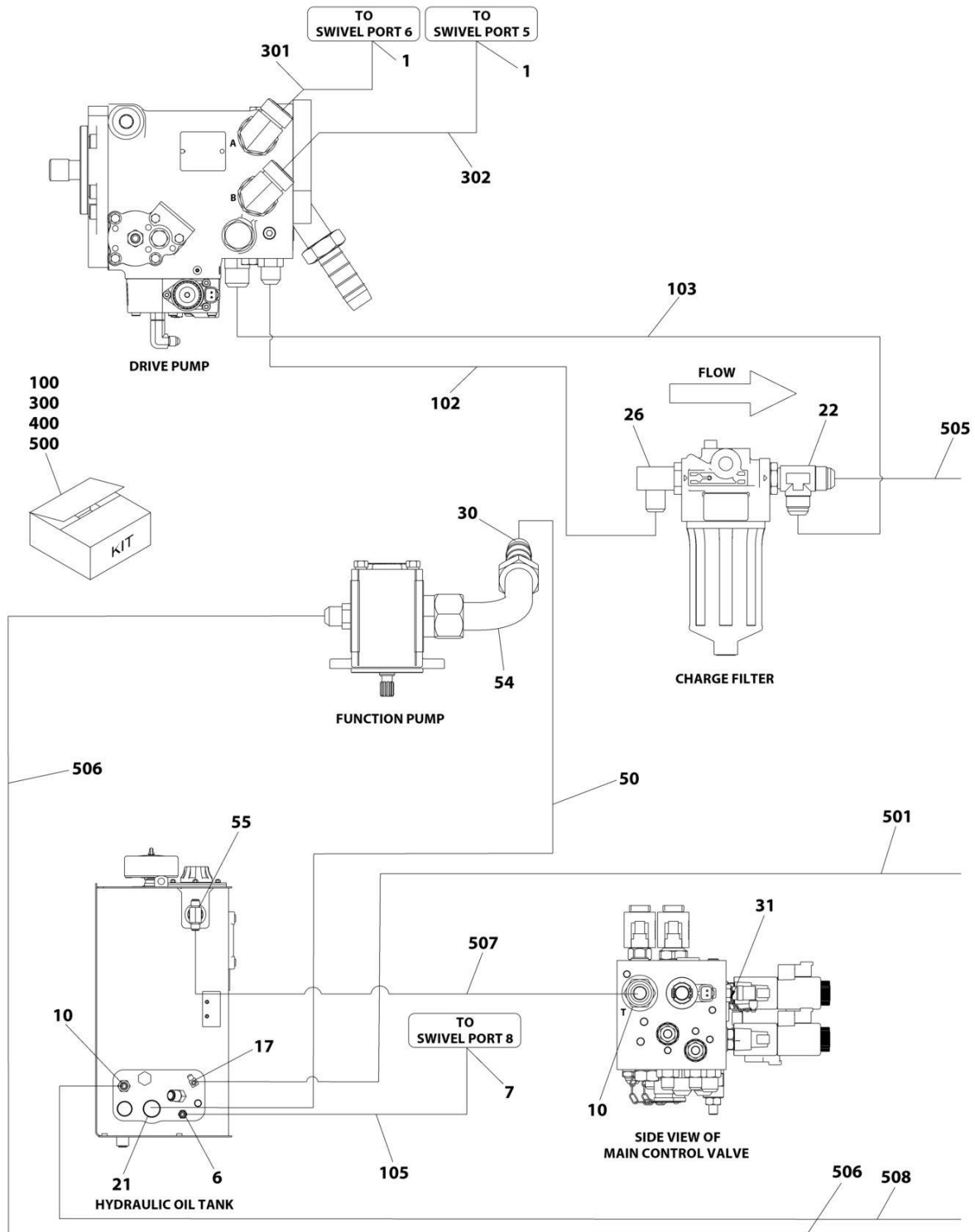
**FIGURE 7-4. DRIVE HYDRAULIC DIAGRAM (2WS WITH ARCTIC PACKAGE) (660SJ HC3)**

ITEM	PART NUMBER	QTY	DESCRIPTION	REV
	1001255340	Ref	DRIVE HYDRAULIC DIAGRAM	D
1	0700616	2	Bolt M6 x 40	
2	2110810	8	Fitting, Straight ORFS/ORB	
3	2110812	4	Fitting, Straight ORFS/ORB	
4	2111216	2	Fitting, Straight ORFS/ORB	
5	2130812	4	Fitting, 90 ORFS/ORB	
6	2131216	2	Fitting, 90 ORFS/ORB	
7	2220371	2	Fitting, Straight JIC/ORB	
8	2220372	1	Fitting, Straight JIC/ORB	
9	2220373	2	Fitting, Straight JIC/ORB	
10	2220415	4	Fitting, Straight JIC/ORB	
11	2220468	1	Fitting, Straight JIC/ORB	
12	2220472	2	Fitting, 90 JIC/ORB	
13	2220500	3	Fitting, 45 JIC/ORB	
14	2220501	2	Fitting, 45 JIC/ORB	
15	2220582	4	Fitting, Straight JIC/ORB	
16	2220596	2	Fitting, 90 JIC/ORB	
17	2220602	1	Fitting, Tee JIC/ORB/JIC	
18	2220628	4	Fitting, 90 JIC/ORB	
19	2220923	2	Fitting, Straight JIC/ORB	
20	3290605	2	Nut M6	
21	4240018	21	Tie-Strap (Not Shown)	
22	4240033	2	Tie-Strap (Not Shown)	
23	4811700	4	Washer M6	
24	10728823	2	Fitting, Tee JIC/JIC/JIC	
29	1001197045	2	Fitting, 90 JIC/ORB	
36	1001256311	1	Bracket	
200	1001269912	1	Arctic Front Hose Kit	
201	1001199654	1	Hose	
202	1001169661	1	Hose	
203	1001203853	2	Hose	
204	1001203854	2	Hose	
205	1001257048	2	Hose	
206	1001257049	4	Hose	
207	1001257050	1	Hose	
208	1001257051	1	Hose	
209	1001257052	2	Hose	
210	1001257053	2	Hose	
300	1001269908	1	Rear Hose Kit	
301	1001187312	1	Hose	
302	1001187318	2	Hose	
303	1001188763	4	Hose	
304	1001199657	1	Hose	
305	1001199658	1	Hose	
306	1001199662	1	Hose	



# SECTION 7 - HYDRAULIC

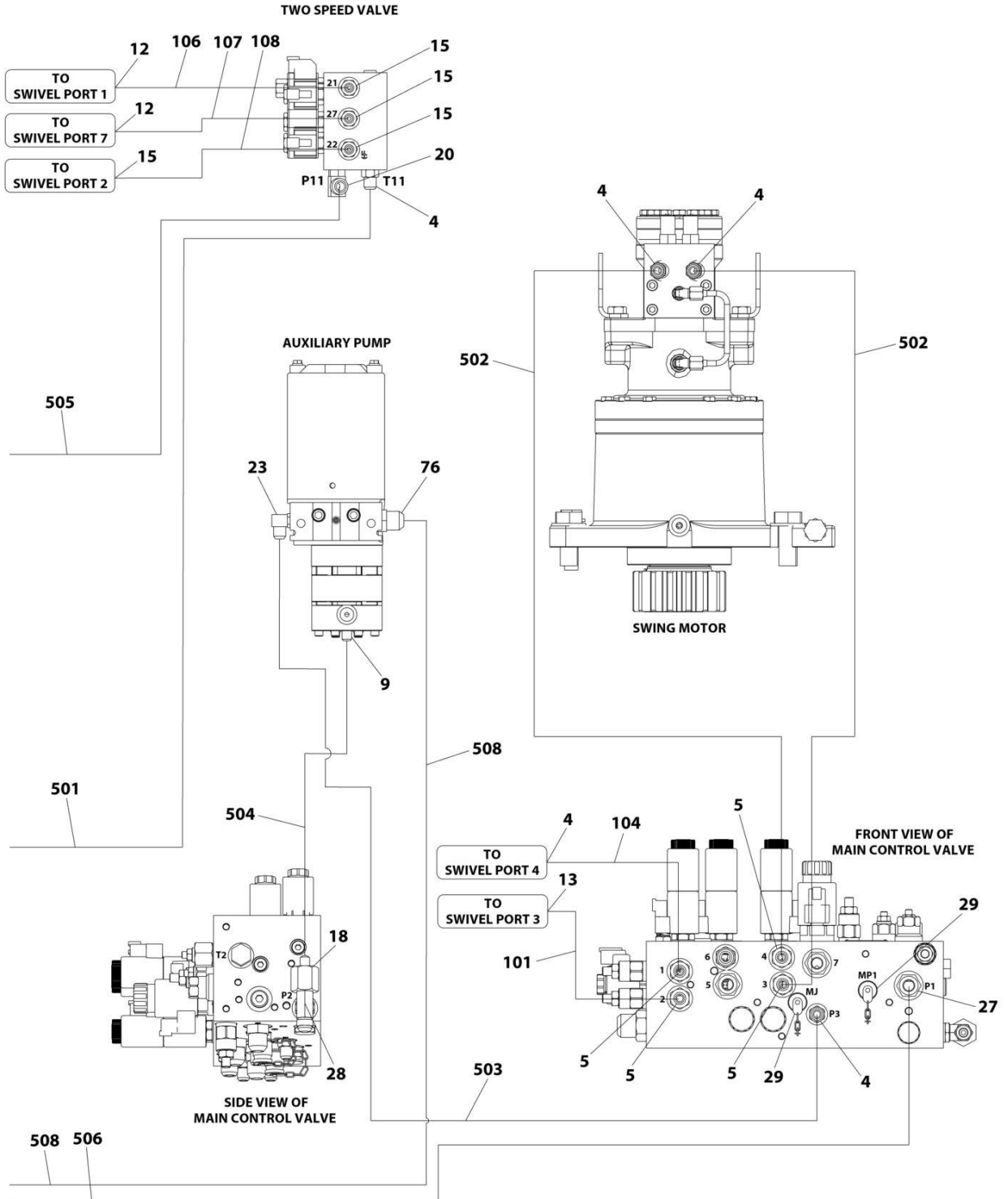
FIGURE 7-5. STANDARD HYDRAULIC DIAGRAM (600S HC3) (Prior to SN 0300276771)



ART\_1001247883\_E\_10F4

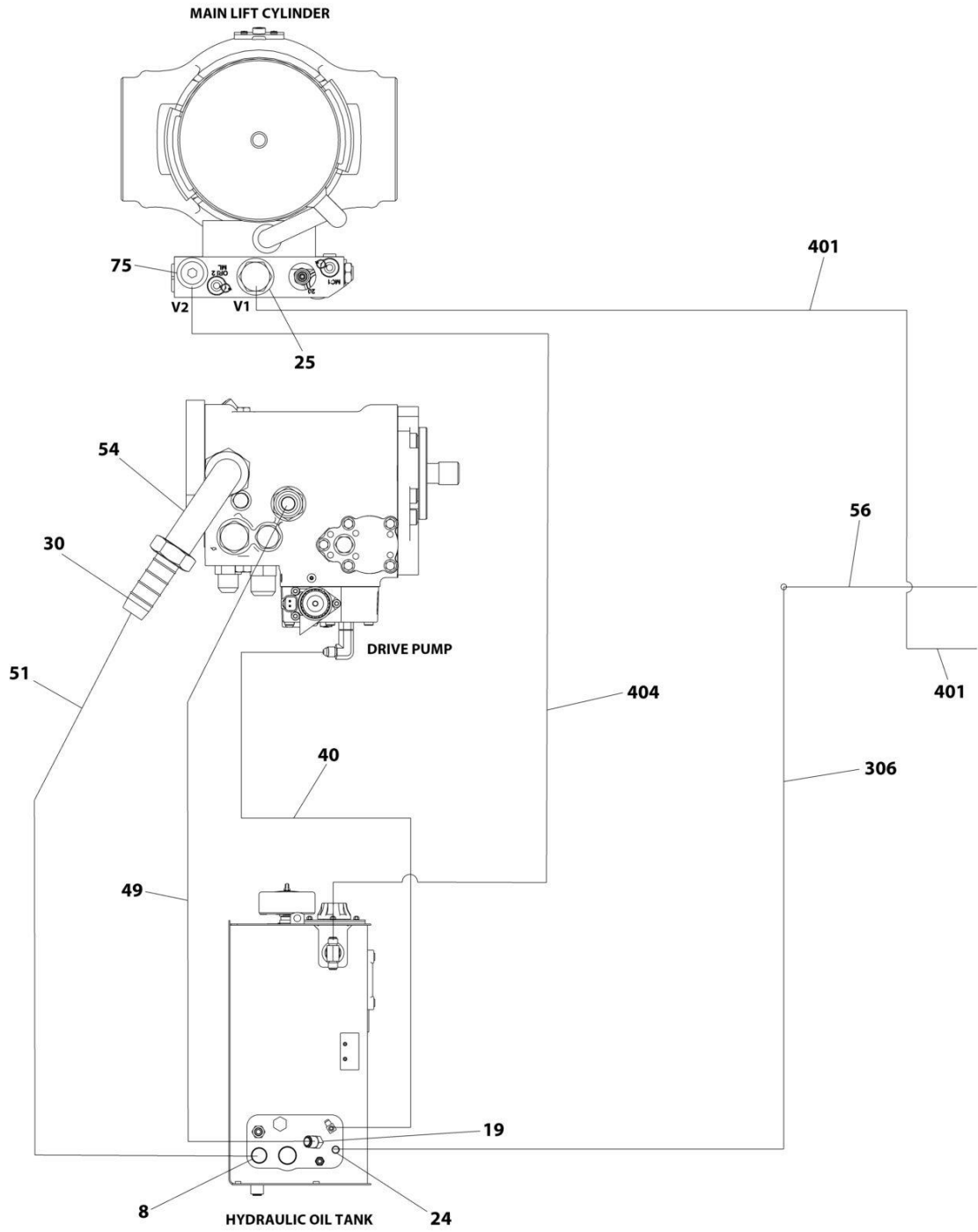


# SECTION 7 - HYDRAULIC



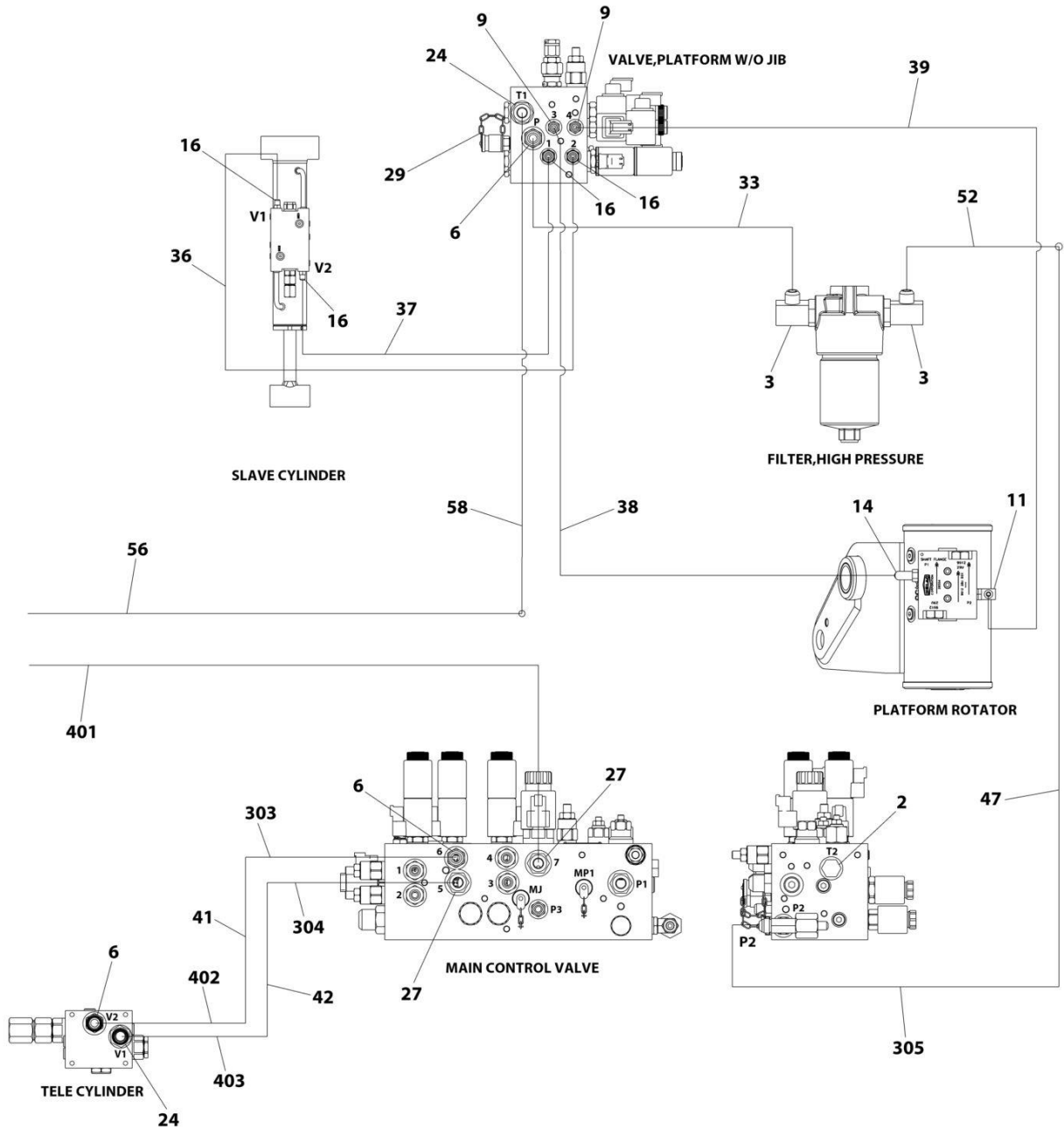
ART\_1001247883\_E\_20F4

# SECTION 7 - HYDRAULIC



ART\_1001247883\_E\_30F4

# SECTION 7 - HYDRAULIC



ART\_1001247883\_E\_40F4

# SECTION 7 - HYDRAULIC

**FIGURE 7-5. STANDARD HYDRAULIC DIAGRAM (600S HC3) (Prior to SN 0300276771)**

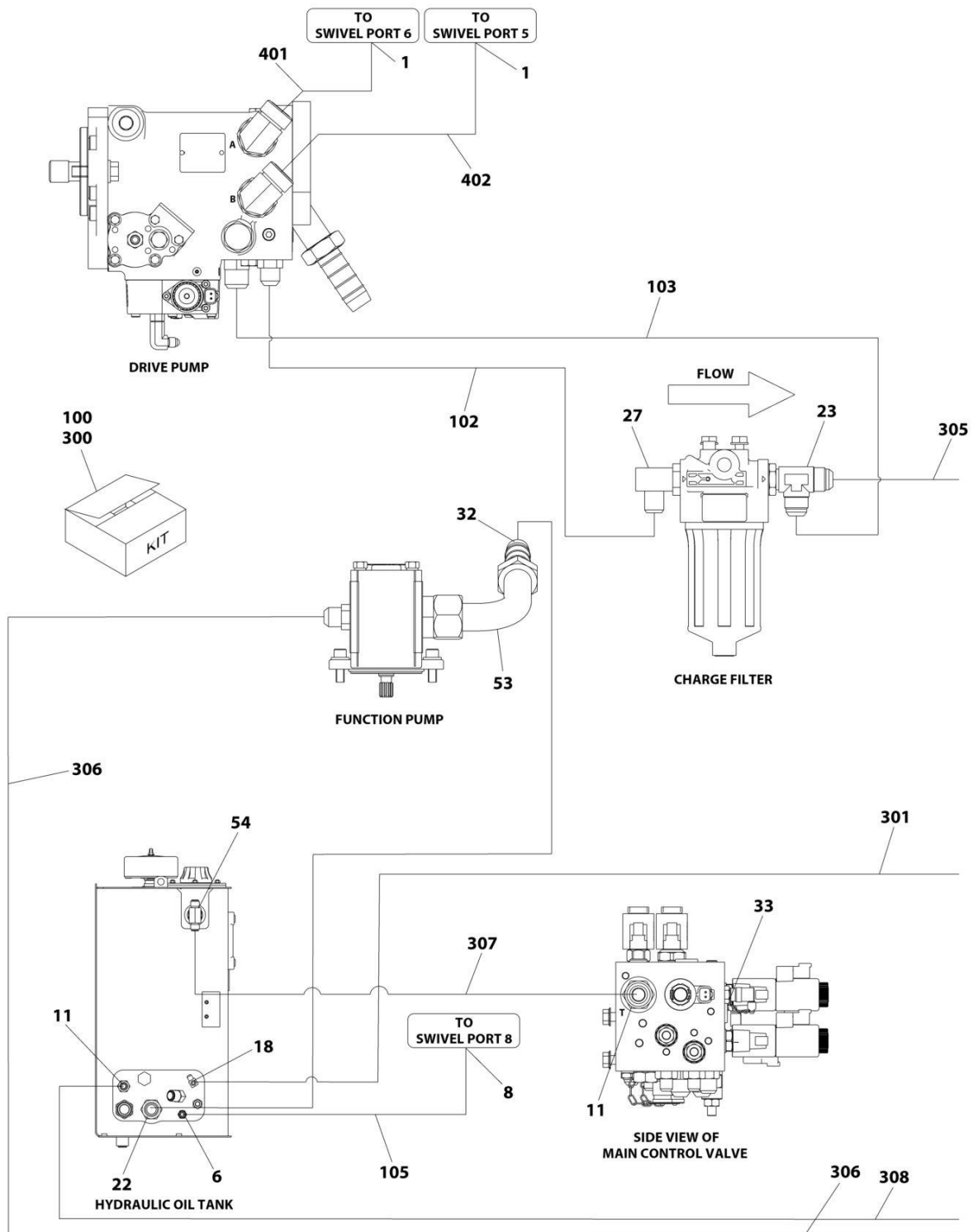
ITEM	PART NUMBER	QTY	DESCRIPTION	REV
	1001247883	Ref	STANDARD HYDRAULIC DIAGRAM	E
1	2111616	2	Fitting, Straight ORFS/ORB	
2	2220238	1	Plug	
3	2220366	2	Fitting, 90 JIC/ORB	
4	2220371	5	Fitting, Straight JIC/ORB	
5	2220372	4	Fitting, Straight JIC/ORB	
6	2220373	4	Fitting, Straight JIC/ORB	
7	2220375	1	Fitting, Straight JIC/ORB	
8	2220380	1	Fitting, Straight JIC/ORB	
9	2220415	3	Fitting, Straight JIC/ORB	
10	2220451	2	Fitting, Straight JIC/ORB	
11	2220466	1	Fitting, 90 JIC/ORB	
12	2220468	2	Fitting, Straight JIC/ORB	
13	2220473	1	Fitting, 90 JIC/ORB	
14	2220502	1	Fitting, 45 JIC/ORB	
15	2220582	4	Fitting, Straight JIC/ORB	
16	2220603	4	Fitting, Straight JIC/ORB	
17	2220606	1	Fitting, Tee JIC/ORB/JIC	
18	2220618	1	Fitting, Straight JIC/FSJIC	
19	2220637	1	Fitting, 45 JIC/ORB	
20	2220726	1	Fitting, 90 JIC/ORB	
21	2220733	1	Fitting, Straight JIC/ORB	
22	2220738	1	Fitting, Tee JIC/ORB/JIC	
23	2220775	1	Fitting, 90 JIC/ORB	
24	2220852	3	Fitting, Straight JIC/ORB	
25	2220865	1	Fitting, Straight JIC/ORB	
26	2220906	1	Fitting, 90 JIC/ORB	
27	2220947	3	Fitting, Straight JIC/ORB	
28	2220999	1	Fitting, Tee JIC/ORB/JIC	
29	2221086	3	Fitting, Test	
30	80633030	2	Clamp	
31	1001119455	1	Valve, Oil Sampling	
33	1001192658	1	Hose	
36	1001192684	1	Hose	
37	1001192685	1	Hose	
38	1001192686	1	Hose	
39	1001192687	1	Hose	
40	1001192690	1	Hose	
41	1001192693	1	Pipe	
42	1001192694	1	Pipe	
47	1001201255	1	Pipe	
49	1001203431	1	Hose	
50	1001203432	1	Hose	
51	1001203433	1	Hose	
52	1001204389	1	Hose	
54	1001205824	2	Fitting, 90 Barb	
55	1001214408	1	Fitting, Tee JIC/ORB/JIC	
56	1001220903	1	Pipe	
58	1001220941	1	Hose	
75	2220374	1	Fitting, Straight JIC/ORB	

## SECTION 7 - HYDRAULIC

ITEM	PART NUMBER	QTY	DESCRIPTION	REV
76	2220408	1	Fitting, Straight JIC/ORB	
100	1001250981	1	Engine Side Hose Kit	
101	1001247876	1	Hose	
102	1001247871	1	Hose	
103	1001247872	1	Hose	
104	1001247877	1	Hose	
105	1001247881	1	Hose	
106	1001247878	1	Hose	
107	1001247879	1	Hose	
108	1001247994	1	Hose	
300	1001269913	1	Turntable Hose Kit	
301	1001192661	1	Hose	
302	1001192663	1	Hose	
303	1001192695	1	Hose	
304	1001192698	1	Hose	
305	1001203424	1	Hose	
306	1001220912	1	Hose	
400	1001269914	1	Boom Hose Kit	
401	1001192641	1	Hose	
402	1001192696	1	Hose	
403	1001192699	1	Hose	
404	1001204645	1	Hose	
500	1001274127	1	Tank Side Hose Kit	
501	1001247865	1	Hose	
502	1001247866	2	Hose	
503	1001247868	1	Hose	
504	1001247869	1	Hose	
505	1001247873	1	Hose	
506	1001247875	1	Hose	
507	1001247882	1	Hose	
508	1001274114	1	Hose	

# SECTION 7 - HYDRAULIC

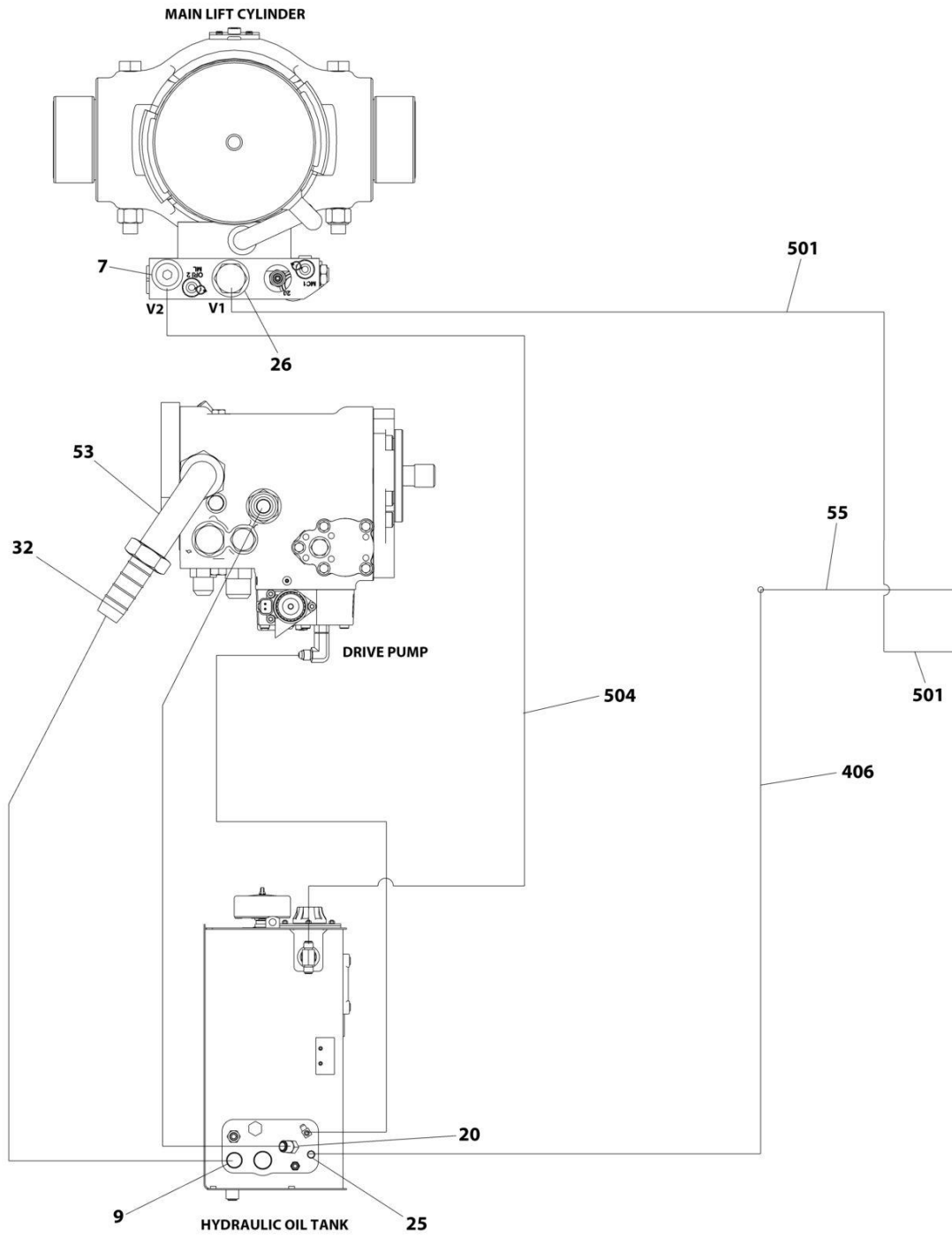
FIGURE 7-6. STANDARD HYDRAULIC DIAGRAM (660S HC3) (SN 0300276771 to Present)



ART\_1001265771\_1OF4



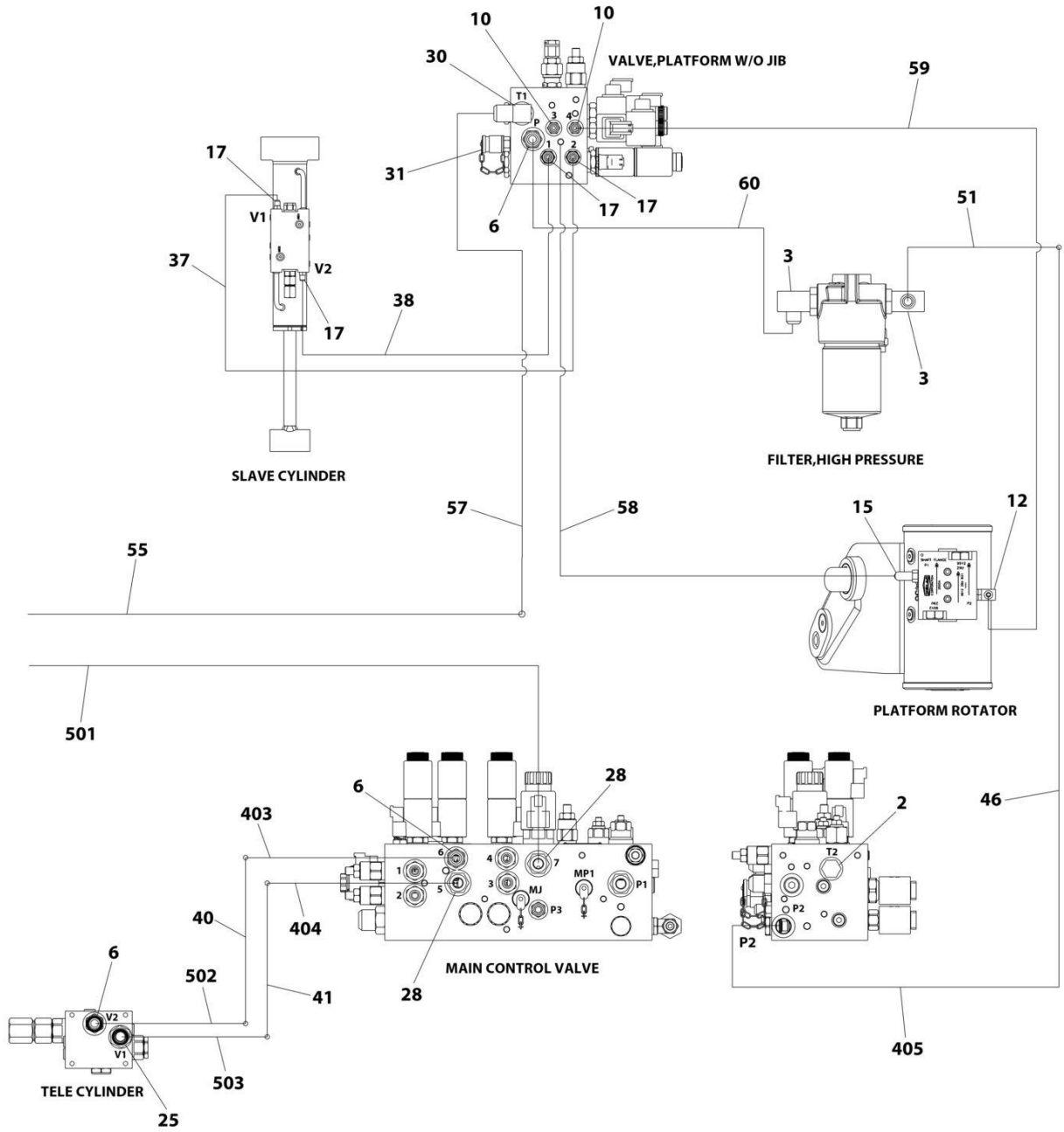
# SECTION 7 - HYDRAULIC



ART\_1001265771\_30F4



# SECTION 7 - HYDRAULIC



ART\_1001265771\_4OF4

# SECTION 7 - HYDRAULIC

**FIGURE 7-6. STANDARD HYDRAULIC DIAGRAM (660S HC3) (SN 0300276771 to Present)**

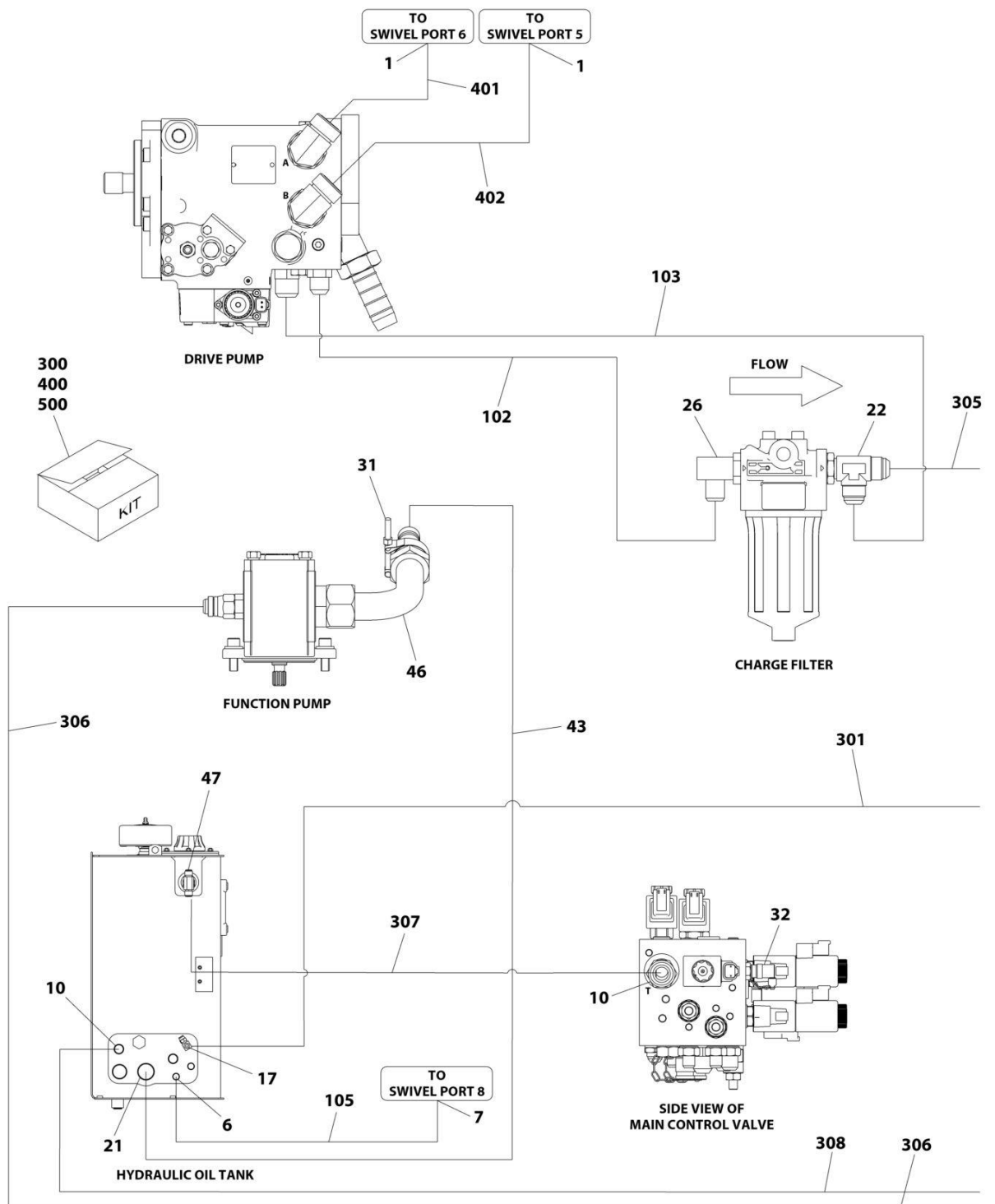
ITEM	PART NUMBER	QTY	DESCRIPTION	REV
	1001265771	Ref	STANDARD HYDRAULIC DIAGRAM	C
1	2111616	2	Fitting, Straight ORFS/ORB	
2	2220238	1	Plug	
3	2220366	2	Fitting, 90 JIC/ORB	
4	2220371	5	Fitting, Straight JIC/ORB	
5	2220372	4	Fitting, Straight JIC/ORB	
6	2220373	4	Fitting, Straight JIC/ORB	
7	2220374	1	Fitting, Straight JIC/ORB	
8	2220375	1	Fitting, Straight JIC/ORB	
9	2220380	1	Fitting, Straight JIC/ORB	
10	2220415	3	Fitting, Straight JIC/ORB	
11	2220451	2	Fitting, Straight JIC/ORB	
12	2220466	1	Fitting, 90 JIC/ORB	
13	2220468	2	Fitting, Straight JIC/ORB	
14	2220473	1	Fitting, 90 JIC/ORB	
15	2220502	1	Fitting, 45 JIC/ORB	
16	2220582	4	Fitting, Straight JIC/ORB	
17	2220603	4	Fitting, Straight JIC/ORB	
18	2220606	1	Fitting, Tee JIC/ORB/JIC	
19	2220618	1	Fitting, Straight JIC/FSJIC	
20	2220637	1	Fitting, 45 JIC/ORB	
21	2220726	1	Fitting, 90 JIC/ORB	
22	2220733	1	Fitting, Straight JIC/ORB	
23	2220738	1	Fitting, Tee JIC/ORB/JIC	
24	2220775	1	Fitting, 90 JIC/ORB	
25	2220852	2	Fitting, Straight JIC/ORB	
26	2220865	1	Fitting, Straight JIC/ORB	
27	2220906	1	Fitting, 90 JIC/ORB	
28	2220947	3	Fitting, Straight JIC/ORB	
29	2220999	1	Fitting, Tee JIC/ORB/JIC	
30	2221042	1	Fitting, 90 JIC/ORB	
31	2221086	3	Fitting, Test	
32	80633030	2	Clamp	
33	1001119455	1	Valve, Oil Sampling	
37	1001192684	1	Hose	
38	1001192685	1	Hose	
40	1001192693	1	Pipe	
41	1001192694	1	Pipe	
46	1001201255	1	Pipe	
51	1001204389	1	Hose	
53	1001205824	2	Fitting, 90 Barb	
54	1001214408	1	Fitting, Tee JIC/ORB/JIC	
55	1001220903	1	Pipe	
57	1001220941	1	Hose	
58	1001259019	1	Hose	
59	1001259020	1	Hose	
60	1001260486	1	Hose	
61	2220408	1	Fitting, Straight JIC/ORB	
100	1001250981	1	Engine Side Hose Kit	
101	1001247876	1	Hose	

## SECTION 7 - HYDRAULIC

ITEM	PART NUMBER	QTY	DESCRIPTION	REV
102	1001247871	1	Hose	
103	1001247872	1	Hose	
104	1001247877	1	Hose	
105	1001247881	1	Hose	
106	1001247878	1	Hose	
107	1001247879	1	Hose	
108	1001247994	1	Hose	
300	1001274127	1	Tank Side Hose Kit	
301	1001247865	1	Hose	
302	1001247866	2	Hose	
303	1001247868	1	Hose	
304	1001247869	1	Hose	
305	1001247873	1	Hose	
306	1001247875	1	Hose	
307	1001247882	1	Hose	
308	1001274114	1	Hose	
400	1001269913	1	Hose Kit - Turntable (Not Shown)	
401	1001192661	1	Hose	
402	1001192663	1	Hose	
403	1001192695	1	Hose	
404	1001192698	1	Hose	
405	1001203424	1	Hose	
406	1001220912	1	Hose	
500	1001269914	1	Hose Kit - Boom (Not Shown)	
501	1001192641	1	Hose	
502	1001192696	1	Hose	
503	1001192699	1	Hose	
504	1001204645	1	Hose	

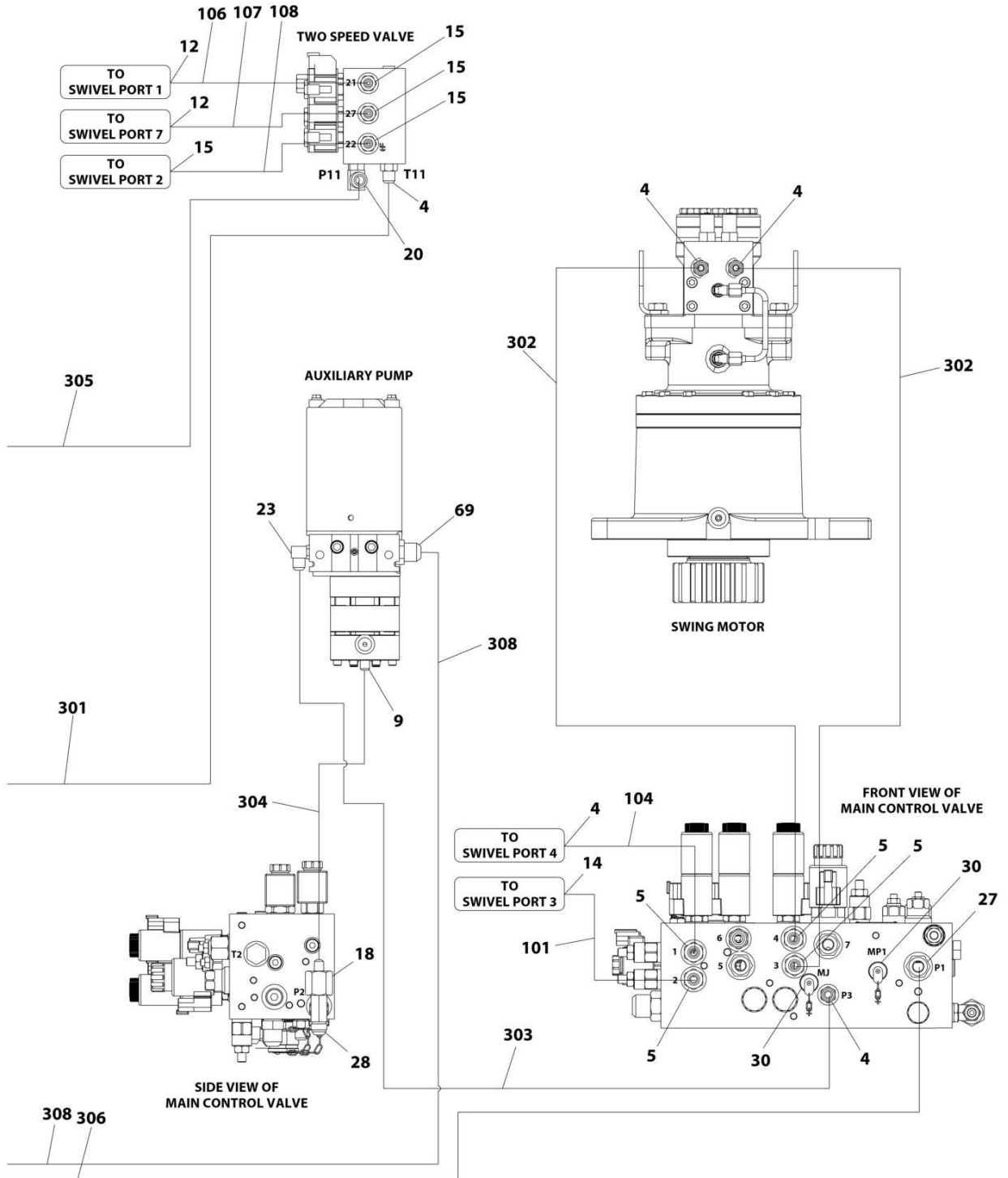
# SECTION 7 - HYDRAULIC

## FIGURE 7-7. STANDARD HYDRAULIC DIAGRAM (660SJ HC3)



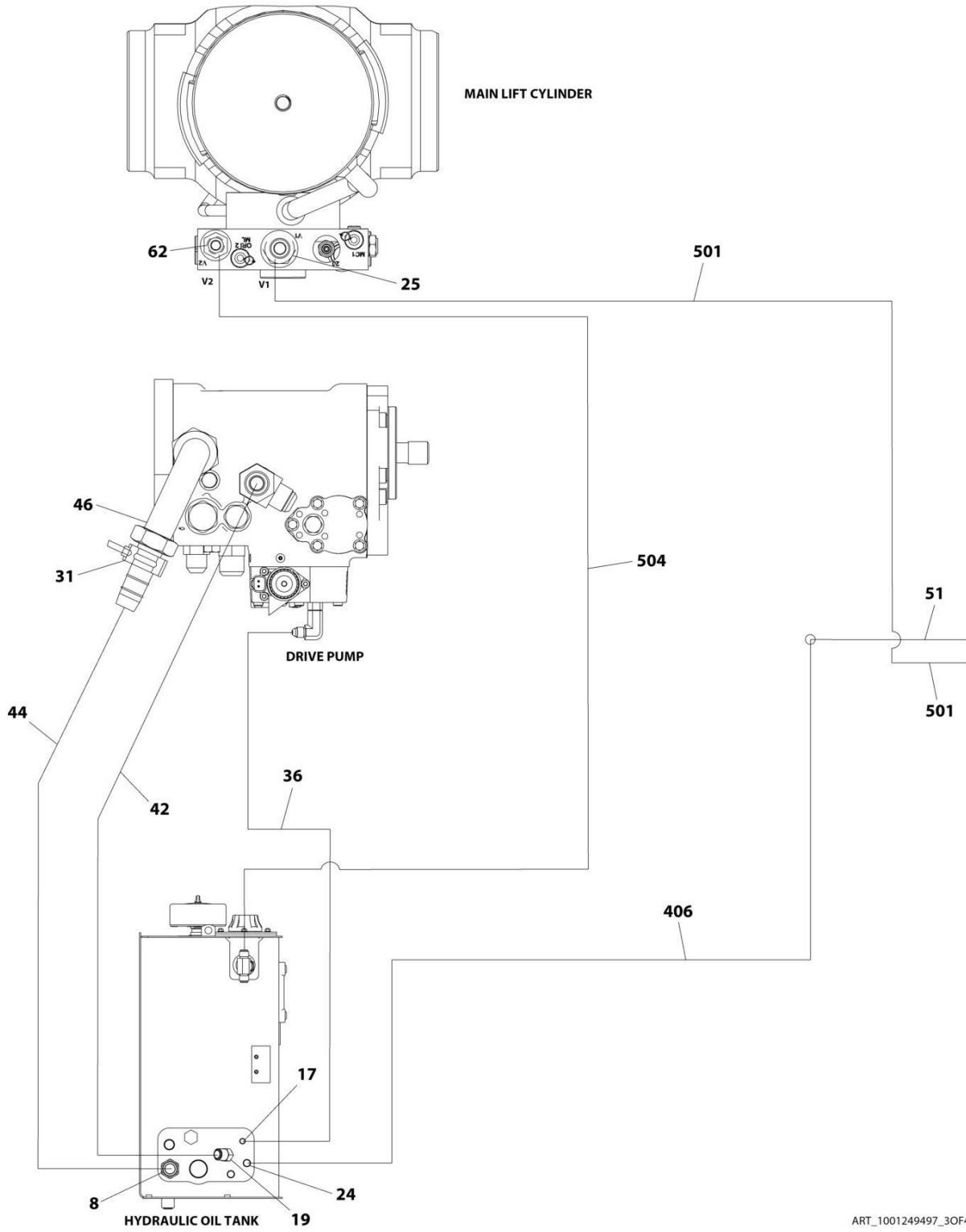
ART\_1001249497\_10F4

# SECTION 7 - HYDRAULIC



ART\_1001249497\_20F4

# SECTION 7 - HYDRAULIC



ART\_1001249497\_30F4



# SECTION 7 - HYDRAULIC

## FIGURE 7-7. STANDARD HYDRAULIC DIAGRAM (660SJ HC3)

ITEM	PART NUMBER	QTY	DESCRIPTION	REV
	1001249497	Ref	STANDARD HYDRAULIC DIAGRAM	G
1	2111616	2	Fitting, Straight ORFS/ORB	
2	2220238	1	Plug	
3	2220366	1	Fitting, 90 JIC/ORB	
4	2220371	5	Fitting, Straight JIC/ORB	
5	2220372	5	Fitting, Straight JIC/ORB	
6	2220373	3	Fitting, Straight JIC/ORB	
7	2220375	1	Fitting, Straight JIC/ORB	
8	2220380	1	Fitting, Straight JIC/ORB	
9	2220415	5	Fitting, Straight JIC/ORB	
10	2220451	2	Fitting, Straight JIC/ORB	
11	2220466	1	Fitting, 90 JIC/ORB	
12	2220468	2	Fitting, Straight JIC/ORB	
13	2220472	1	Fitting, 90 JIC/ORB	
14	2220473	2	Fitting, 90 JIC/ORB	
15	2220582	4	Fitting, Straight JIC/ORB	
16	2220603	5	Fitting, Straight JIC/ORB	
17	2220606	1	Fitting, Tee JIC/ORB/JIC	
18	2220618	1	Fitting, Straight JIC/FSJIC	
19	2220637	1	Fitting, 45 JIC/ORB	
20	2220726	1	Fitting, 90 JIC/ORB	
21	2220733	1	Fitting, Straight JIC/ORB	
22	2220738	1	Fitting, Tee JIC/ORB/JIC	
23	2220775	1	Fitting, 90 JIC/ORB	
24	2220852	3	Fitting, Straight JIC/ORB	
25	2220865	1	Fitting, Straight JIC/ORB	
26	2220906	1	Fitting, 90 JIC/ORB	
27	2220947	3	Fitting, Straight JIC/ORB	
28	2220999	1	Fitting, Tee JIC/ORB/JIC	
29	2221048	1	Fitting, 90 JIC/ORB	
30	2221086	4	Fitting, Test	
31	80633030	2	Clamp	
32	1001119455	1	Valve, Oil Sampling	
36	1001192690	1	Hose	
42	1001203431	1	Hose	
43	1001258157	1	Hose	
44	1001258156	1	Hose	
46	1001205824	2	Fitting, 90 Barb	
47	1001214408	1	Fitting, Tee JIC/ORB/JIC	
49	1001221016	1	Hose	
50	1001222522	1	Hose	
51	1001249492	1	Pipe	
52	1001249493	1	Pipe	
53	1001249494	1	Pipe	
54	1001249495	1	Pipe	
55	1001193927	1	Hose	
56	1001193928	1	Hose	
57	1001193929	1	Hose	
58	1001193930	1	Hose	
59	1001269096	1	Hose	

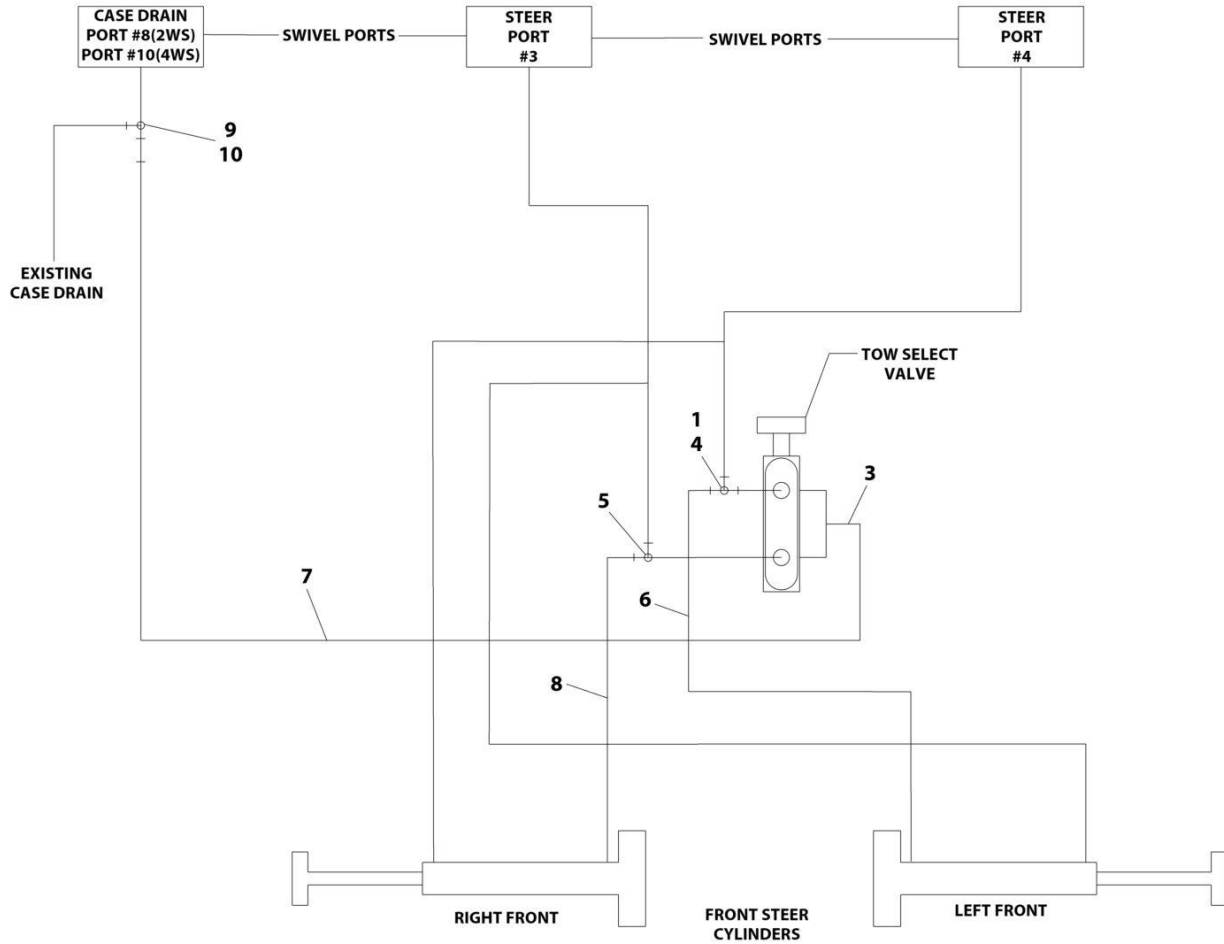


## SECTION 7 - HYDRAULIC

ITEM	PART NUMBER	QTY	DESCRIPTION	REV
60	1001269097	1	Hose	
61	1001203426	1	Hose	
62	2220374	1	Fitting, Straight JIC/ORB	
63	4240156	2	Strap (Not Shown)	
64	3311505	2	Nut 5/16	
65	4711500	4	Washer 5/16	
66	88261024	2	Bolt 5/16 x 1	
67	1001207969	1	Cover	
68	1001136358	1	Sleeve (Not Shown)	
69	2220408	1	Fitting, Straight JIC/ORB	
100	1001250981	1	Engine Side Hose Kit	
101	1001247876	1	Hose	
102	1001247871	1	Hose	
103	1001247872	1	Hose	
104	1001247877	1	Hose	
105	1001247881	1	Hose	
106	1001247878	1	Hose	
107	1001247879	1	Hose	
108	1001247994	1	Hose	
300	1001274127	1	Tank Side Hose Kit	
301	1001247865	1	Hose	
302	1001247866	2	Hose	
303	1001247868	1	Hose	
304	1001247869	1	Hose	
305	1001247873	1	Hose	
306	1001247875	1	Hose	
307	1001247882	1	Hose	
308	1001274114	1	Hose	
400	1001269913	1	Turntable Hose Kit	
401	1001192661	1	Hose	
402	1001192663	1	Hose	
403	1001192695	1	Hose	
404	1001192698	1	Hose	
405	1001203424	1	Hose	
406	1001220912	1	Hose	
500	1001269914	1	Boom Hose Kit	
501	1001192641	1	Hose	
502	1001192696	1	Hose	
503	1001192699	1	Hose	
504	1001204645	1	Hose	

# SECTION 7 - HYDRAULIC

## FIGURE 7-8. TOW HYDRAULIC DIAGRAM



ART\_1001191956

## SECTION 7 - HYDRAULIC

### FIGURE 7-8. TOW HYDRAULIC DIAGRAM

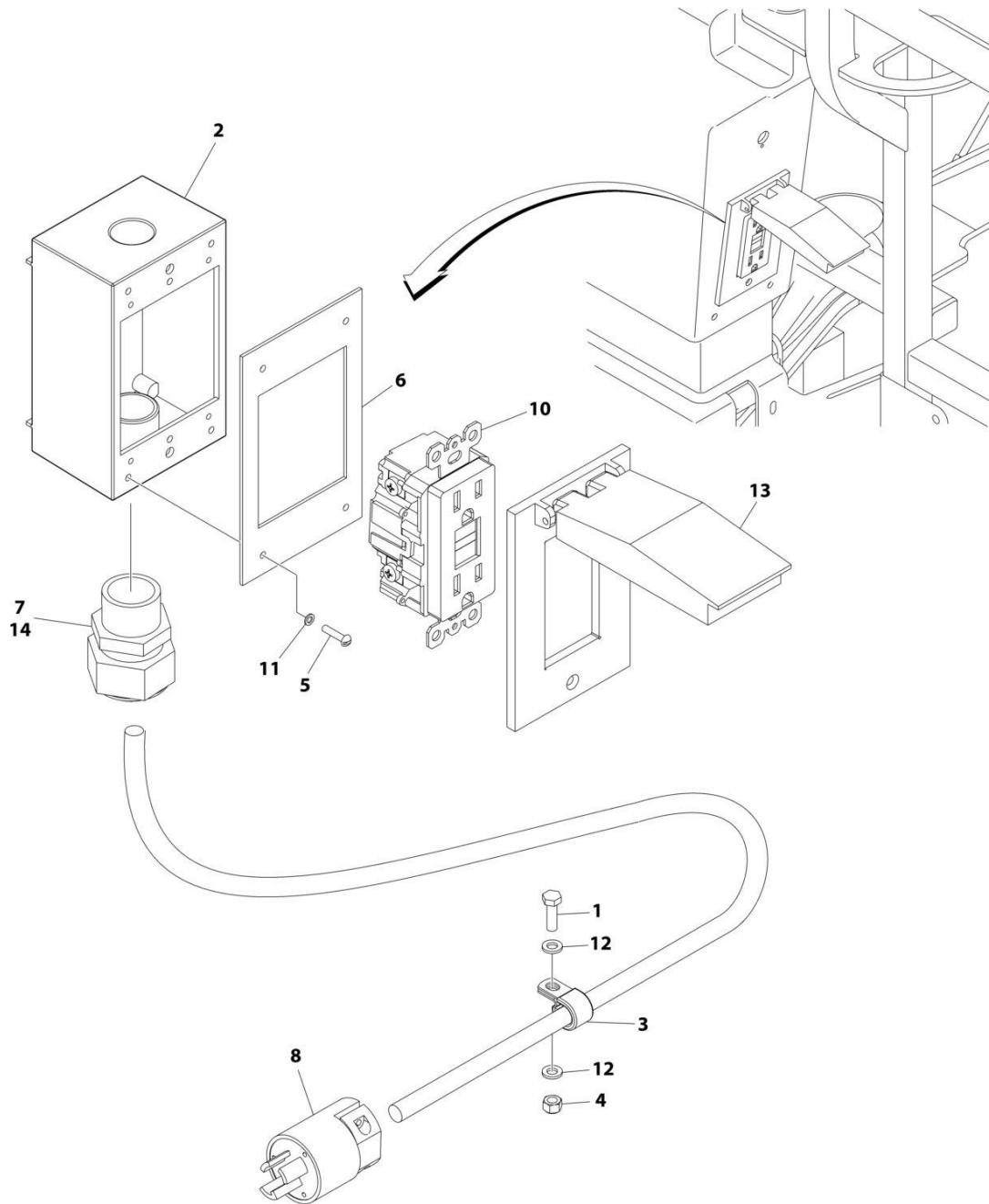
ITEM	PART NUMBER	QTY	DESCRIPTION	REV
	1001191956	Ref	TOW HYDRAULIC DIAGRAM	B
1	2220372	1	Fitting, Straight JIC/ORB	
3	2220628	1	Fitting, 90 JIC/ORB	
4	2220635	1	Fitting, Tee FM SW/JIC/JIC	
5	2221053	1	Fitting, Tee FM SW/JIC/JIC	
6	1001113790	1	Hose	
7	1001113818	1	Hose	
8	1001208964	1	Hose	
9	2220619	1	Fitting, Straight JIC/FS/JIC	
10	2220602	1	Fitting, Tee JIC/ORB/JIC	



**SECTION 8 - ELECTRICAL**

# SECTION 8 - ELECTRICAL

## FIGURE 8-1. AC BOX AT PLATFORM INSTALLATION - 110V (ALL SPECS EXCEPT AUSTRALIAN & CE SPECS)



ART\_1001190773

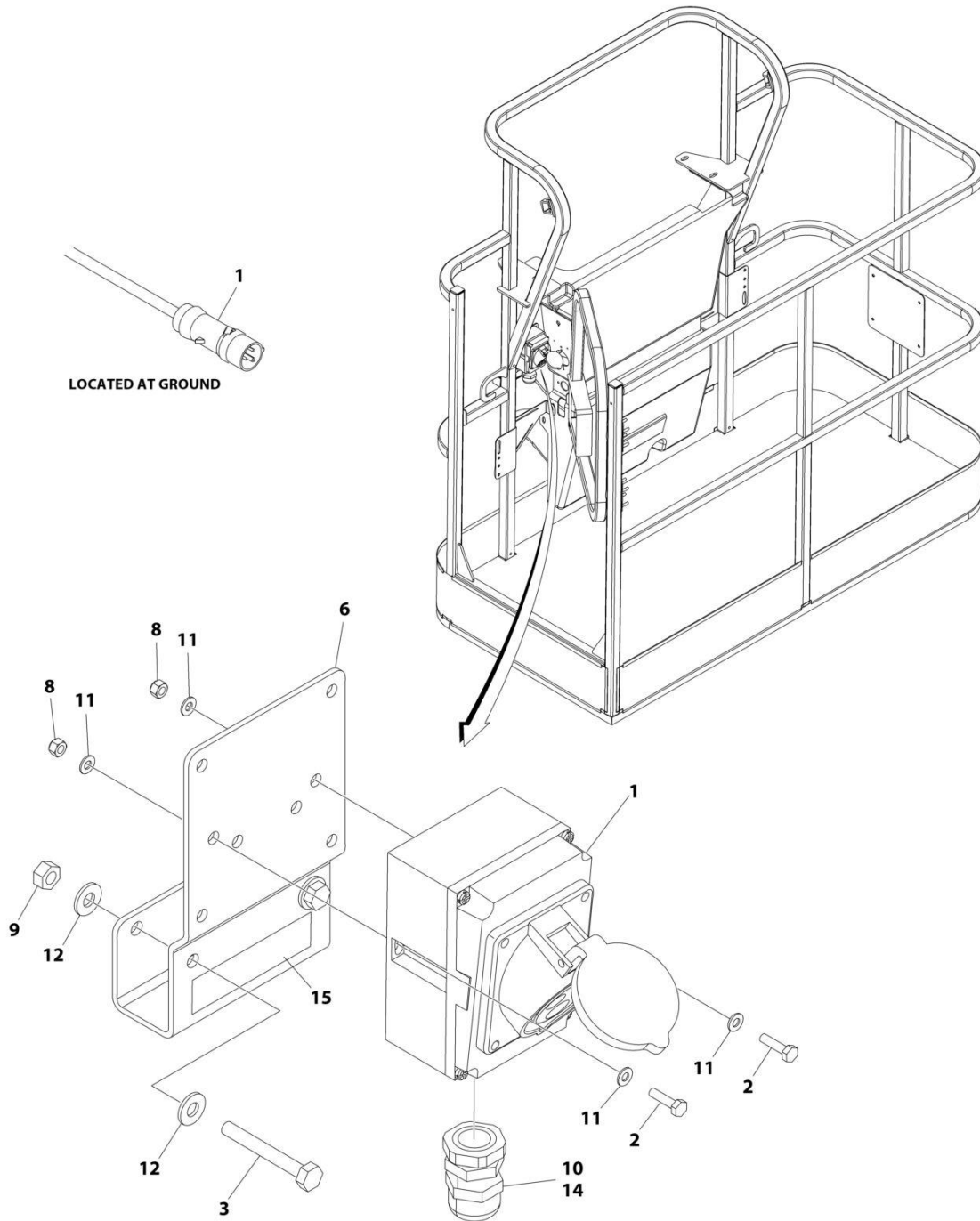
## SECTION 8 - ELECTRICAL

**FIGURE 8-1. AC BOX AT PLATFORM INSTALLATION - 110V (ALL SPECS EXCEPT AUSTRALIAN & CE SPECS)**

ITEM	PART NUMBER	QTY	DESCRIPTION	REV
	1001190773	Ref	AC BOX AT PLATFORM INSTALLATION	C
1	0760610	1	Bolt M6 x 20	
2	0860038	1	Box, Switch	
3	1320041	1	Clamp	
4	3290605	1	Nut M6	
5	3910610	4	Screw #6 x 5/8	
6	3960422	1	Gasket	
7	4460071	1	Connector, Strain Relief	
8	4460205	1	Plug, Male	
9	4460315	1	Terminal, Spade (Not Shown)	
10	4460346	1	Receptacle	
11	4760600	4	Washer #6	
12	4811700	2	Washer M6	
13	1001110873	1	Shield, Cover	
14	0100079	AR	Sealant	

# SECTION 8 - ELECTRICAL

FIGURE 8-2. AC BOX AT PLATFORM INSTALLATION - 110V IEC YELLOW (CE SPECS WITHOUT 4000W/50HZ GENERATOR)



ART\_1001190493



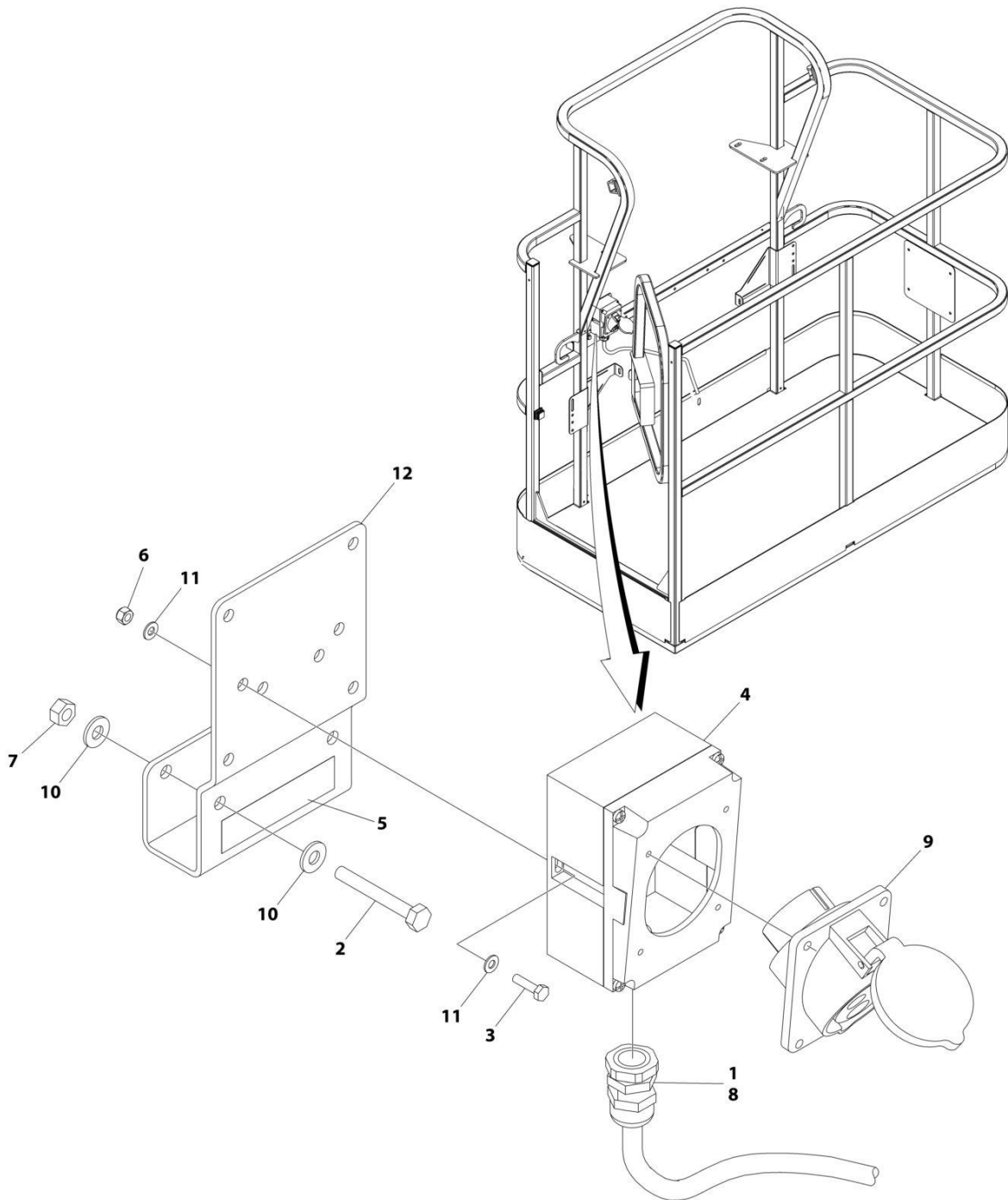
## SECTION 8 - ELECTRICAL

**FIGURE 8-2. AC BOX AT PLATFORM INSTALLATION - 110V IEC YELLOW (CE SPECS WITHOUT 4000W/50HZ GENERATOR)**

ITEM	PART NUMBER	QTY	DESCRIPTION	REV
	1001190493	Ref	AC BOX AT PLATFORM INSTALLATION	C
1	0275216	1	Receptacle Box Kit - 110V IEC Yellow (See Separate Breakdown in this Section)	
2	0700408	2	Bolt M4 x 16	
3	0700618	2	Bolt M6 x 50	
6	1001193018	1	Bracket	
8	3290405	2	Nut M4	
9	3290605	2	Nut M6	
10	4460968	1	Connector, Strain Relief	
11	4811400	4	Washer M4	
12	4811700	4	Washer M6	
14	0100079	AR	Sealant	
15	1705325	1	Decal - 110V	

# SECTION 8 - ELECTRICAL

FIGURE 8-3. AC BOX AT PLATFORM INSTALLATION - 110V IEC YELLOW (CE SPECS WITH 4000W/50HZ GENERATOR)



ART\_1001194203

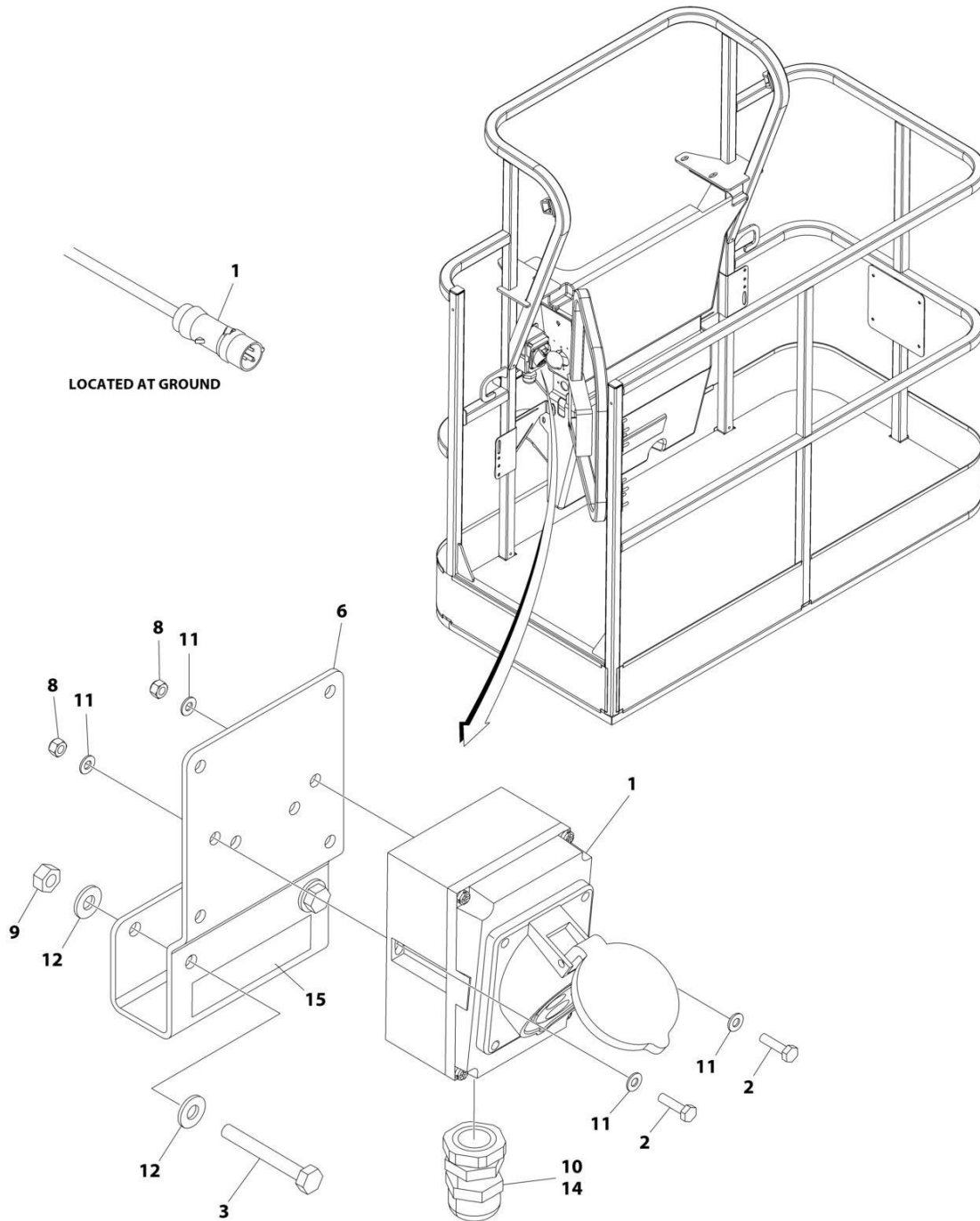
## SECTION 8 - ELECTRICAL

**FIGURE 8-3. AC BOX AT PLATFORM INSTALLATION - 110V IEC YELLOW (CE SPECS WITH 4000W/50HZ GENERATOR)**

ITEM	PART NUMBER	QTY	DESCRIPTION	REV
	1001194203	Ref	AC BOX AT PLATFORM INSTALLATION	B
1	0100020	AR	Sealant, Pipe	
2	0641416	2	Bolt 1/4 x 2	
3	0700408	2	Bolt M4 x 16	
4	0861781	1	Box, Switch	
5	1705325	1	Decal - 110V	
6	3290405	2	Nut M4	
7	3311405	2	Nut 1/4	
8	4460968	1	Connector, Strain Relief	
9	4461198	1	Receptacle	
10	4711400	4	Washer 1/4	
11	4811400	4	Washer M4	
12	1001193018	1	Bracket, AC Receptacle	

# SECTION 8 - ELECTRICAL

FIGURE 8-4. AC BOX AT PLATFORM INSTALLATION - 220V IEC BLUE (CE SPECS WITHOUT 4000W/50HZ GENERATOR)



ART\_1001190495

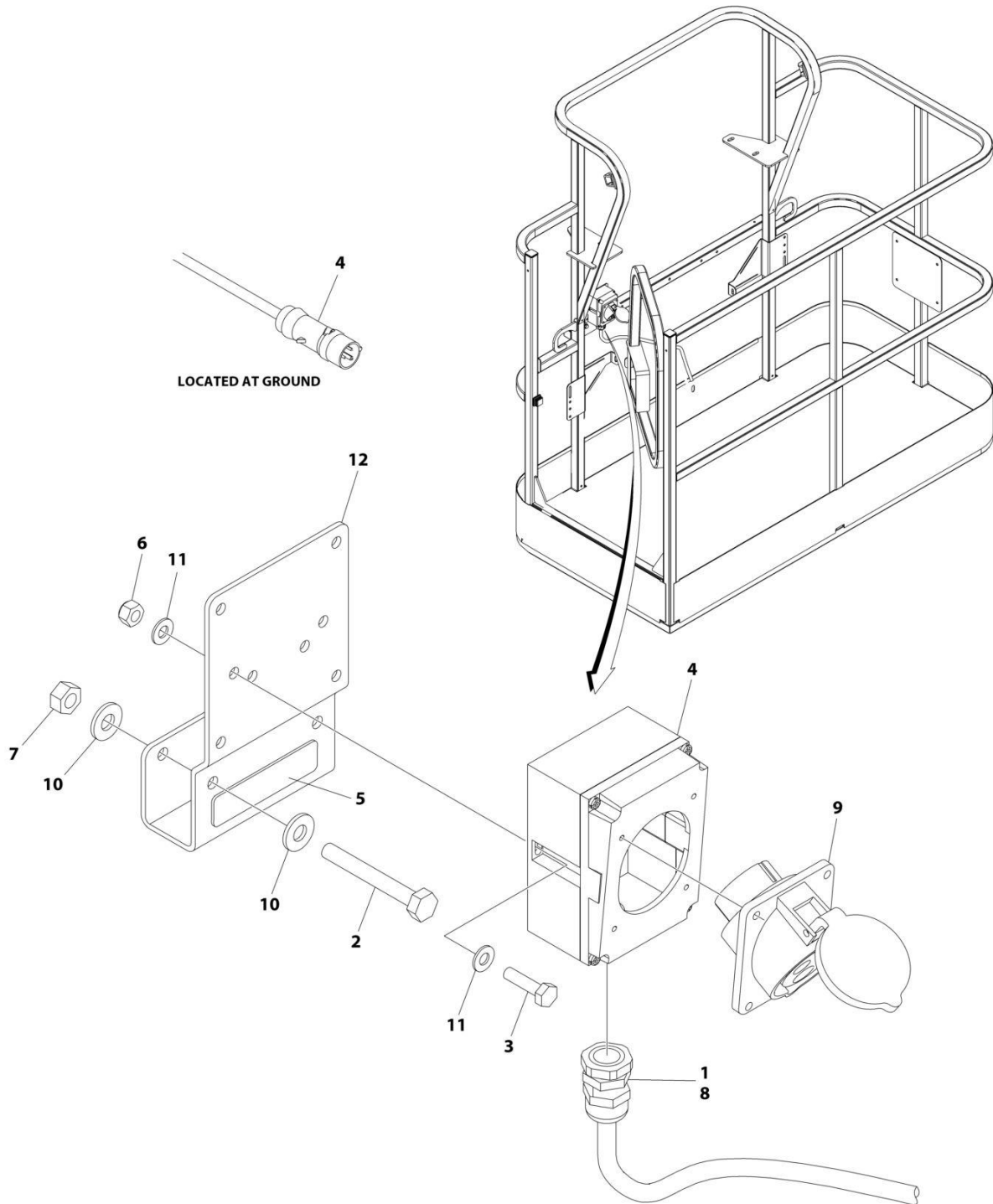
## SECTION 8 - ELECTRICAL

**FIGURE 8-4. AC BOX AT PLATFORM INSTALLATION - 220V IEC BLUE (CE SPECS WITHOUT 4000W/50HZ GENERATOR)**

ITEM	PART NUMBER	QTY	DESCRIPTION	REV
	1001190495	Ref	AC BOX AT PLATFORM INSTALLATION	C
1	0275217	1	Receptacle Box Kit - 220V IEC Blue (See Separate Breakdown in this Section)	
2	0700408	2	Bolt M4 x 16	
3	0700618	2	Bolt M6 x 50	
6	1001193018	1	Bracket	
8	3290405	2	Nut M4	
9	3290605	2	Nut M6	
10	4460968	1	Connector, Strain Relief	
11	4811400	4	Washer M4	
12	4811700	4	Washer M6	
14	0100079	AR	Sealant	
15	3252507	1	Decal - 220 Volt	

# SECTION 8 - ELECTRICAL

FIGURE 8-5. AC BOX AT PLATFORM INSTALLATION - 220V IEC BLUE (CE SPECS WITH 4000W/50HZ GENERATOR)



ART\_1001194204

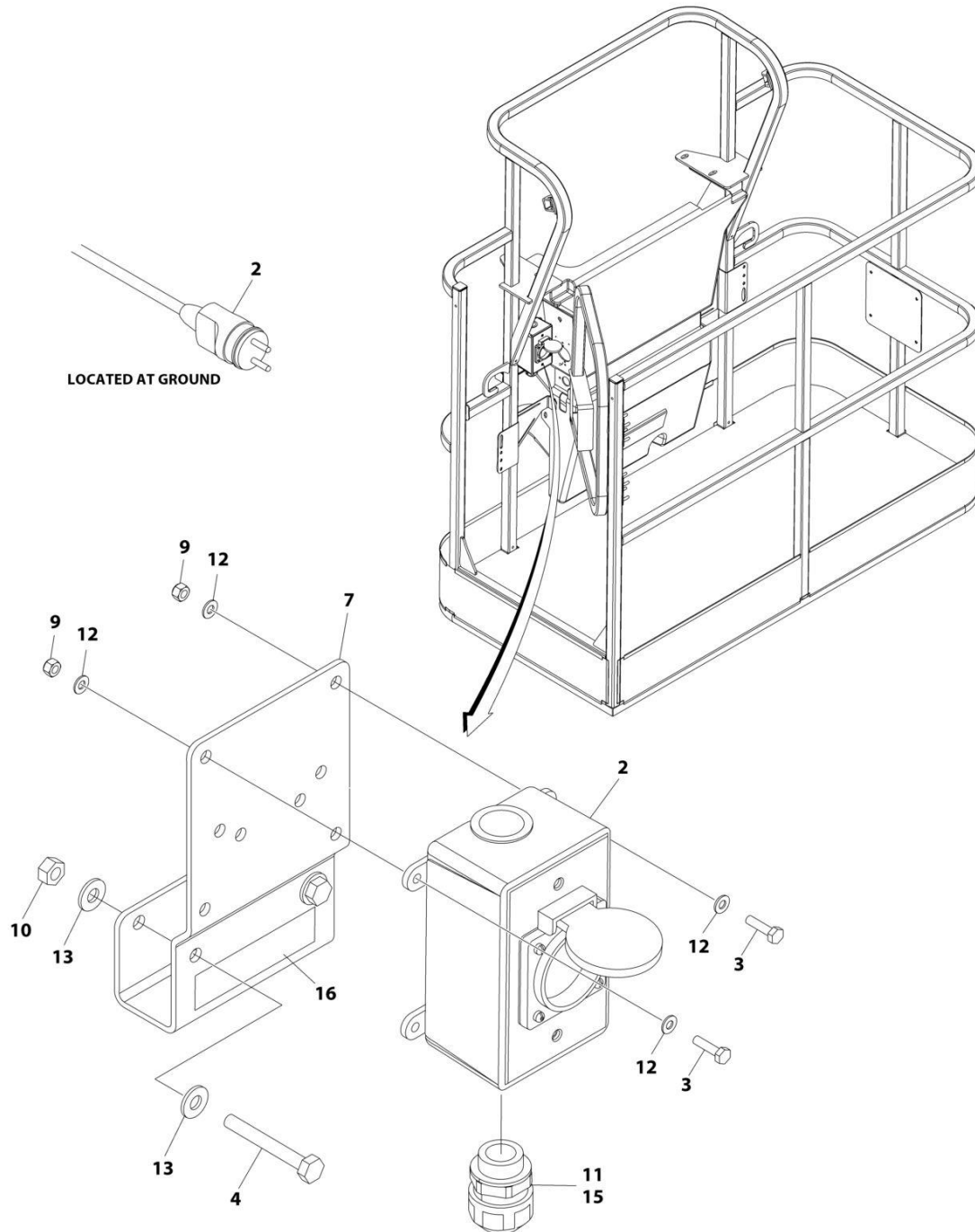
## SECTION 8 - ELECTRICAL

**FIGURE 8-5. AC BOX AT PLATFORM INSTALLATION - 220V IEC BLUE (CE SPECS WITH 4000W/50HZ GENERATOR)**

ITEM	PART NUMBER	QTY	DESCRIPTION	REV
	1001194204	Ref	AC BOX AT PLATFORM INSTALLATION	B
1	0100020	AR	Sealant, Pipe	
2	0641416	2	Bolt 1/4 x 2	
3	0700408	2	Bolt M4 x 16	
4	0861781	1	Box, Switch	
5	3251242	1	Decal - 240V/50Hz	
6	3290405	2	Nut M4	
7	3311405	2	Nut 1/4	
8	4460968	1	Connector, Strain Relief	
9	4461201	1	Receptacle	
10	4711400	4	Washer 1/4	
11	4811400	4	Washer M4	
12	1001193018	1	Bracket, AC Receptacle	

# SECTION 8 - ELECTRICAL

FIGURE 8-6. AC BOX AT PLATFORM INSTALLATION - 220V CEE7 2IN X 4IN POST GROUND (CE SPECS WITHOUT 4000W/50HZ GENERATOR)



ART\_1001190441



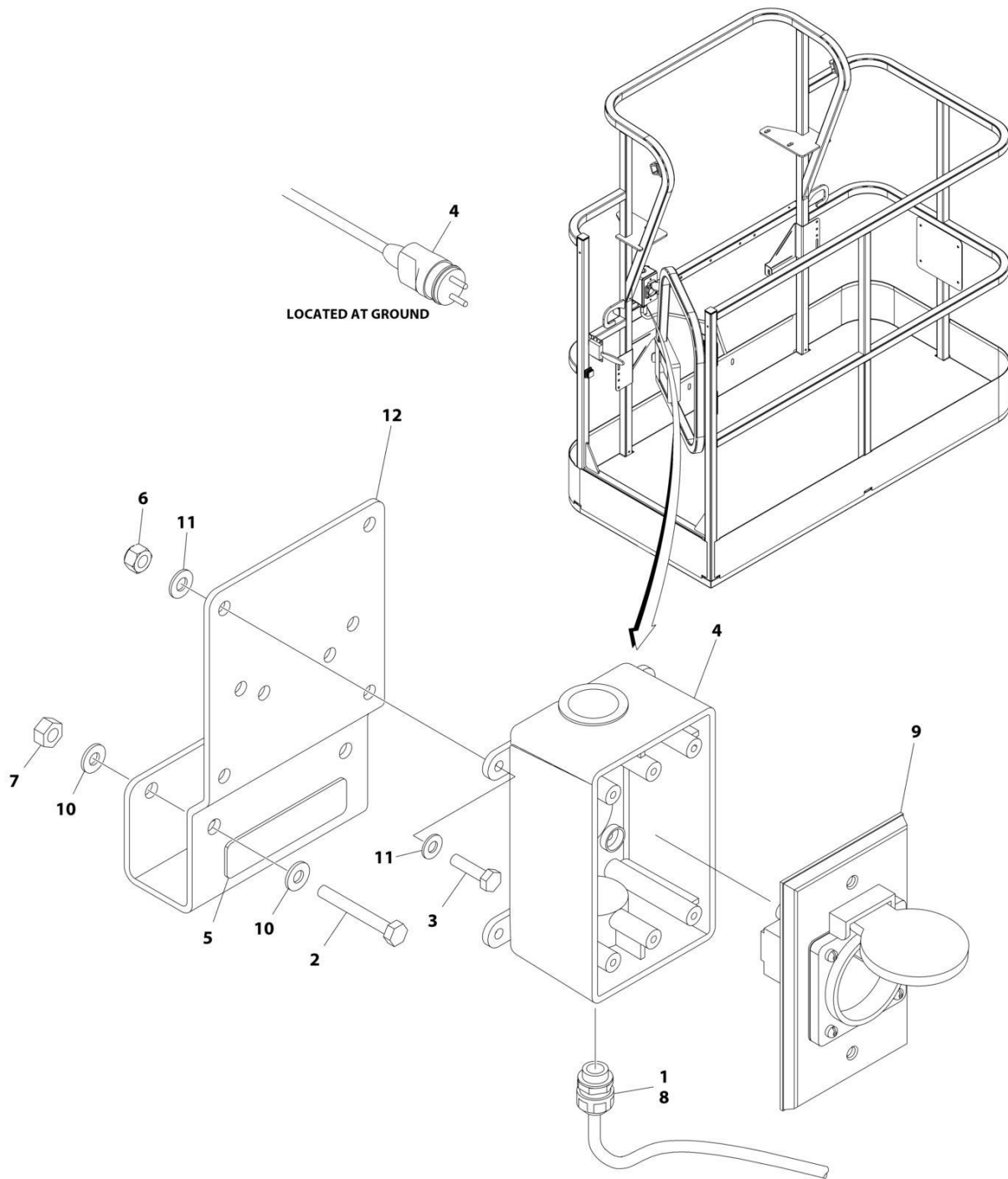
## SECTION 8 - ELECTRICAL

**FIGURE 8-6. AC BOX AT PLATFORM INSTALLATION - 220V CEE7 2IN X 4IN POST GROUND (CE SPECS WITHOUT 4000W/50HZ GENERATOR)**

ITEM	PART NUMBER	QTY	DESCRIPTION	REV
	1001190441	Ref	AC BOX AT PLATFORM INSTALLATION	D
2	0275452	1	Receptacle Box Kit - 220V CEE7 Post Ground 2in x 4in (See Separate Breakdown in this Section)	
3	0700408	4	Bolt M4 x 16	
4	0700618	2	Bolt M6 x 50	
7	1001193018	1	Bracket	
9	3290405	4	Nut M4	
10	3290605	2	Nut M6	
11	4460662	1	Connector, Strain Relief	
12	4811400	8	Washer M4	
13	4811700	4	Washer M6	
15	0100079	AR	Sealant	
16	3252507	1	Decal - 220 Volt	

# SECTION 8 - ELECTRICAL

FIGURE 8-7. AC BOX AT PLATFORM INSTALLATION - 220V CEE7 2IN X 4IN POST GROUND (CE SPECS WITH 4000W/50HZ GENERATOR)



ART\_1001194197

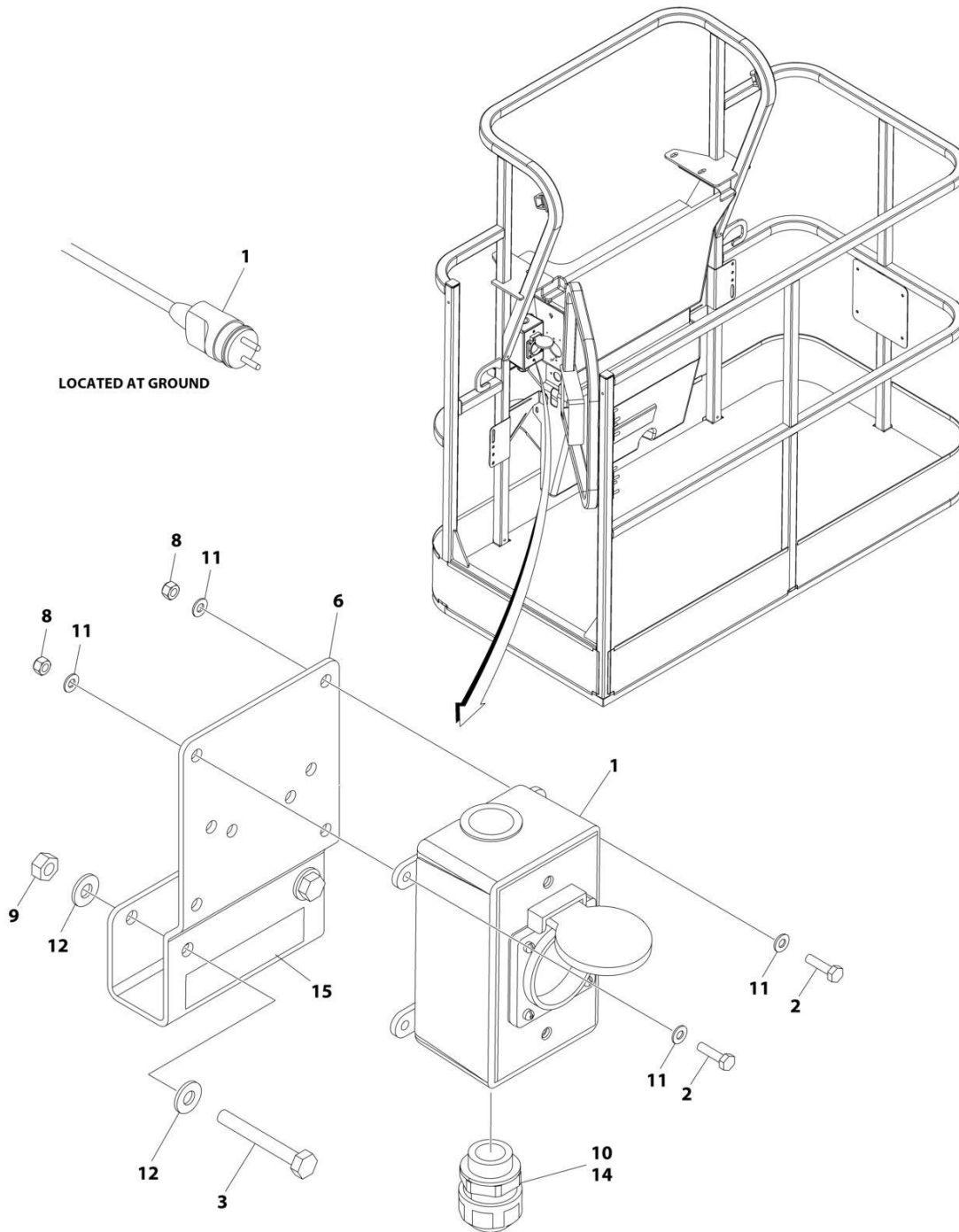
## SECTION 8 - ELECTRICAL

**FIGURE 8-7. AC BOX AT PLATFORM INSTALLATION - 220V CEE7 2IN X 4IN POST GROUND (CE SPECS WITH 4000W/50HZ GENERATOR)**

ITEM	PART NUMBER	QTY	DESCRIPTION	REV
	1001194197	Ref	AC BOX AT PLATFORM INSTALLATION	B
1	0100020	AR	Sealant, Pipe	
2	0641416	2	Bolt 1/4 x 2	
3	0700408	4	Bolt M4 x 16	
4	0861731	1	Box, Switch	
5	3251242	1	Decal - 240V/50Hz	
6	3290405	4	Nut M4	
7	3311405	2	Nut 1/4	
8	4460662	1	Connector, Strain Relief	
9	4461244	1	Receptacle	
10	4711400	4	Washer 1/4	
11	4811400	8	Washer M4	
12	1001193018	1	Bracket, AC Receptacle	
13	4460806	2	Terminal, Fork (Not Shown)	
14	1001205958	1	Terminal (Not Shown)	

# SECTION 8 - ELECTRICAL

FIGURE 8-8. AC BOX AT PLATFORM INSTALLATION - 220V CEE7 2IN X 4IN SIDE GROUND (CE SPECS WITHOUT 4000W/50HZ GENERATOR)



ART\_1001190484

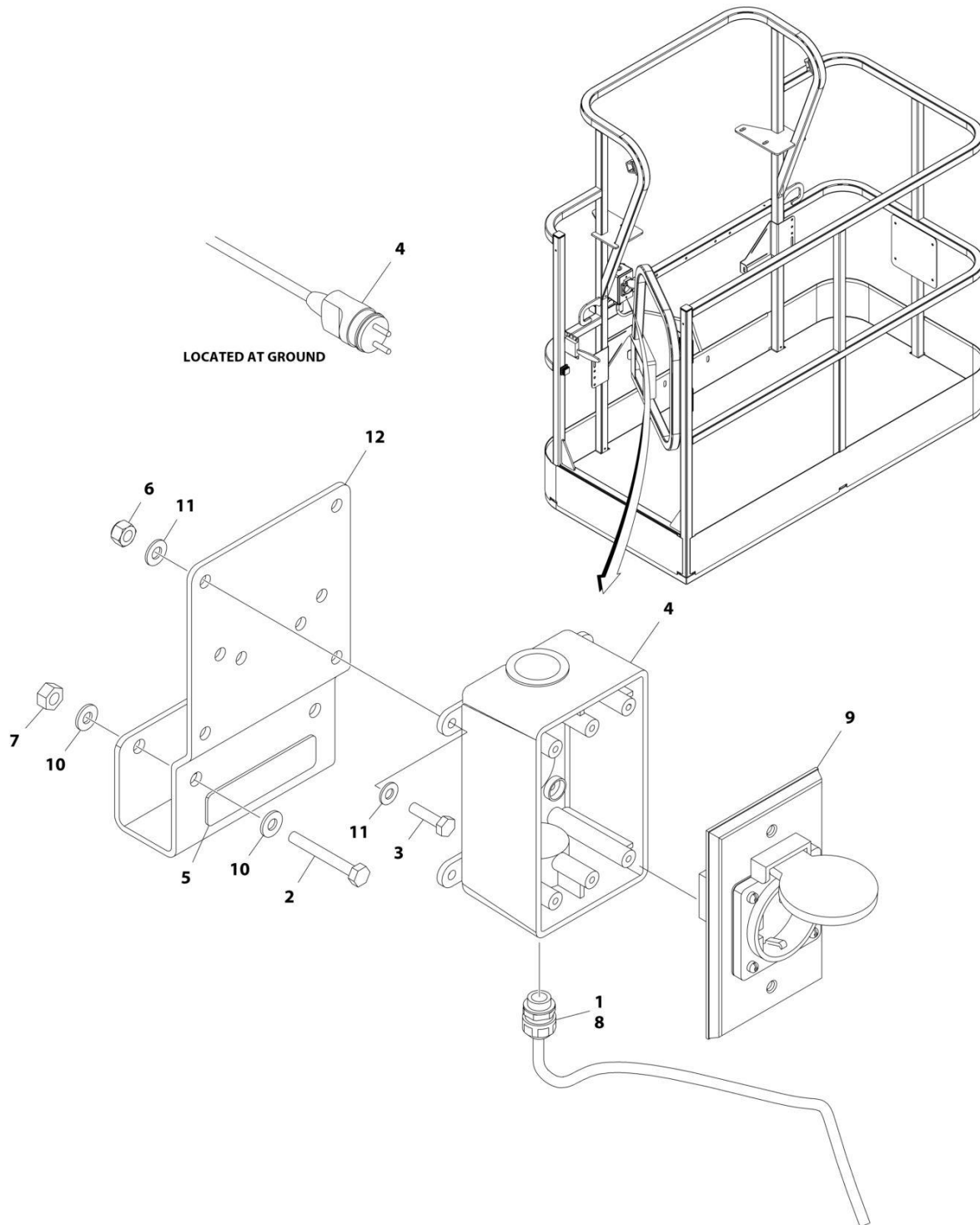
## SECTION 8 - ELECTRICAL

**FIGURE 8-8. AC BOX AT PLATFORM INSTALLATION - 220V CEE7 2IN X 4IN SIDE GROUND (CE SPECS WITHOUT 4000W/50HZ GENERATOR)**

ITEM	PART NUMBER	QTY	DESCRIPTION	REV
	1001190484	Ref	AC BOX AT PLATFORM INSTALLATION	D
1	0275453	1	Receptacle Box Kit - 220V CEE7 Side Ground 2in x 4in (See Separate Breakdown in this Section)	
2	0700408	4	Bolt M4 x 16	
3	0700618	2	Bolt M6 x 50	
6	1001193018	1	Bracket	
8	3290405	4	Nut M4	
9	3290605	2	Nut M6	
10	4460662	1	Connector, Strain Relief	
11	4811400	8	Washer M4	
12	4811700	4	Washer M6	
14	0100079	AR	Sealant	
15	3252507	1	Decal - 220 Volt	

# SECTION 8 - ELECTRICAL

FIGURE 8-9. AC BOX AT PLATFORM INSTALLATION - 220V CEE7 2IN X 4IN SIDE GROUND (CE SPECS WITH 4000W/50HZ GENERATOR)



ART\_1001194198

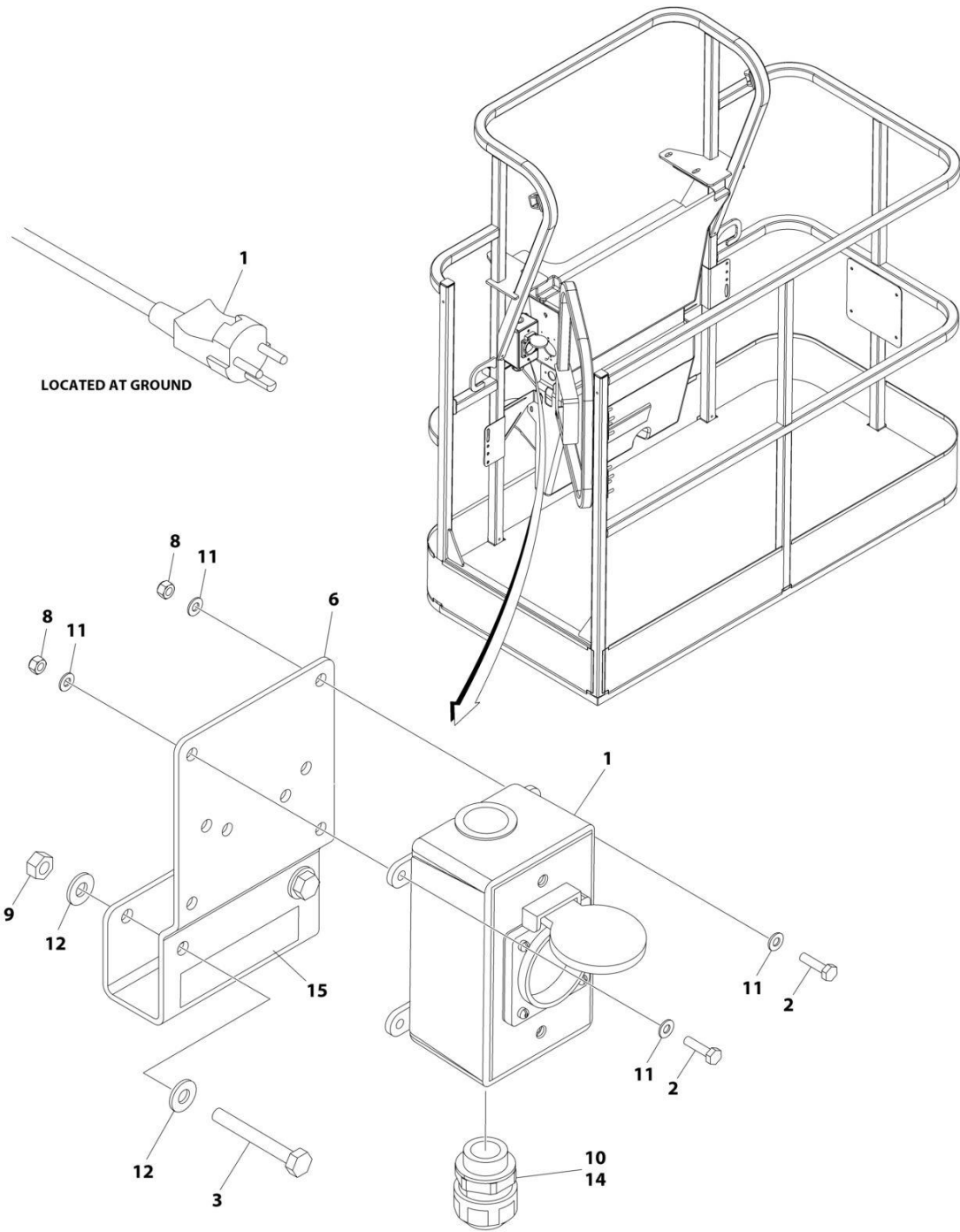
## SECTION 8 - ELECTRICAL

**FIGURE 8-9. AC BOX AT PLATFORM INSTALLATION - 220V CEE7 2IN X 4IN SIDE GROUND (CE SPECS WITH 4000W/50HZ GENERATOR)**

ITEM	PART NUMBER	QTY	DESCRIPTION	REV
	1001194198	Ref	AC BOX AT PLATFORM INSTALLATION	B
1	0100020	AR	Sealant, Pipe	
2	0641416	2	Bolt 1/4 x 2	
3	0700408	4	Bolt M4 x 16	
4	0861731	1	Box, Switch	
5	3251242	1	Decal - 240V/50Hz	
6	3290405	4	Nut M4	
7	3311405	2	Nut 1/4	
8	4460662	1	Connector, Strain Relief	
9	4461245	1	Receptacle	
10	4711400	4	Washer 1/4	
11	4811400	8	Washer M4	
12	1001193018	1	Bracket, AC Receptacle	
13	4460806	2	Terminal, Fork (Not Shown)	
14	1001205958	1	Terminal (Not Shown)	

# SECTION 8 - ELECTRICAL

FIGURE 8-10. AC BOX AT PLATFORM INSTALLATION - 220V AFSINT107 (CE SPECS WITHOUT 4000W/50HZ GENERATOR)



ART\_1001190485



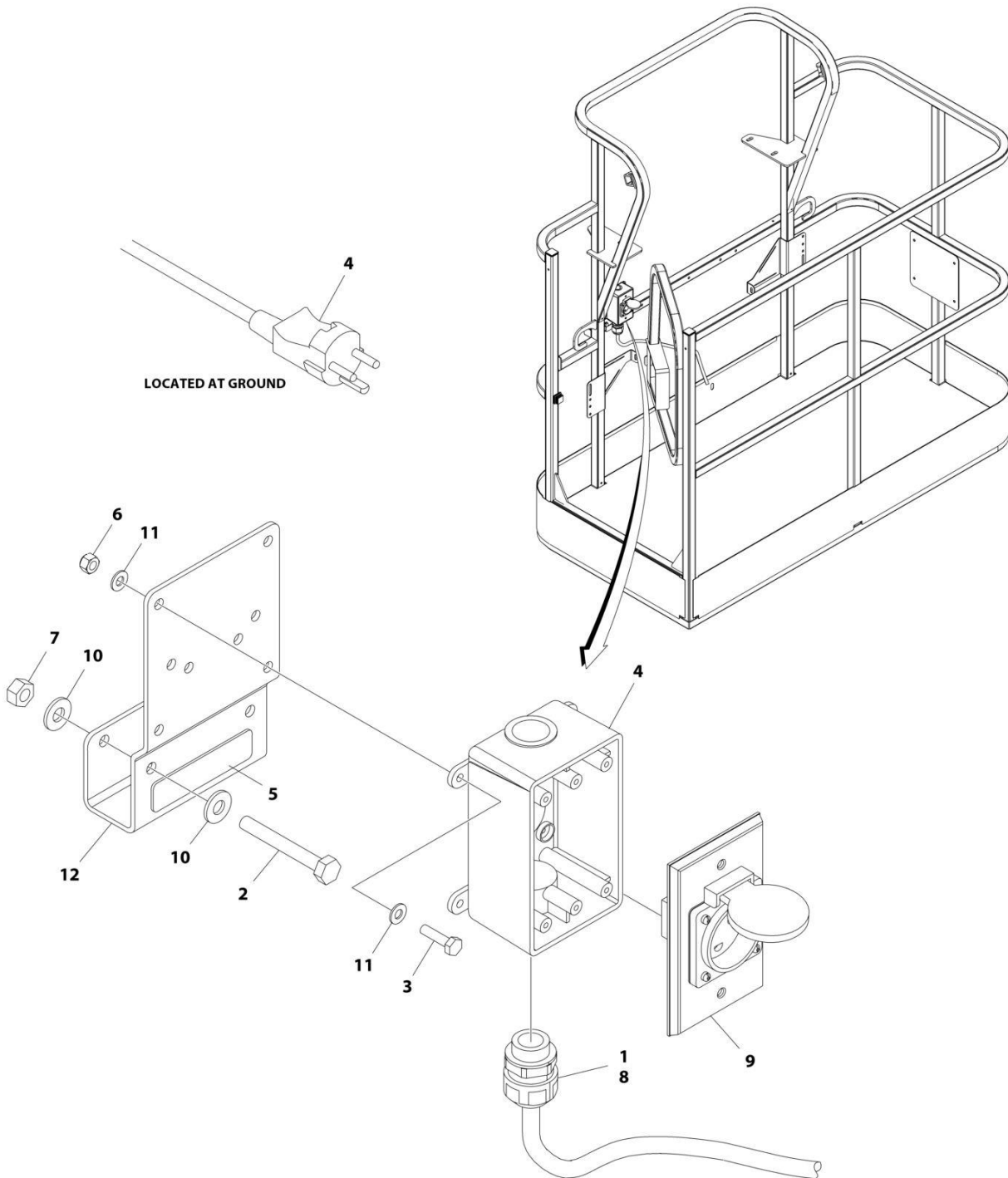
## SECTION 8 - ELECTRICAL

**FIGURE 8-10. AC BOX AT PLATFORM INSTALLATION - 220V AFSINT107 (CE SPECS WITHOUT 4000W/50HZ GENERATOR)**

ITEM	PART NUMBER	QTY	DESCRIPTION	REV
	1001190485	Ref	AC BOX AT PLATFORM INSTALLATION	C
1	0275454	1	Receptacle Box Kit - 220V AFSINT107 (See Separate Breakdown in this Section)	
2	0700408	4	Bolt M4 x 16	
3	0700618	2	Bolt M6 x 50	
6	1001193018	1	Bracket	
8	3290405	4	Nut M4	
9	3290605	2	Nut M6	
10	4460662	1	Connector, Strain Relief	
11	4811400	8	Washer M4	
12	4811700	4	Washer M6	
14	0100079	AR	Sealant	
15	3252507	1	Decal - 220 Volt	

# SECTION 8 - ELECTRICAL

FIGURE 8-11. AC BOX AT PLATFORM INSTALLATION - 220V AFSINT107 (CE SPECS WITH 4000W/50HZ GENERATOR)



ART\_1001194200

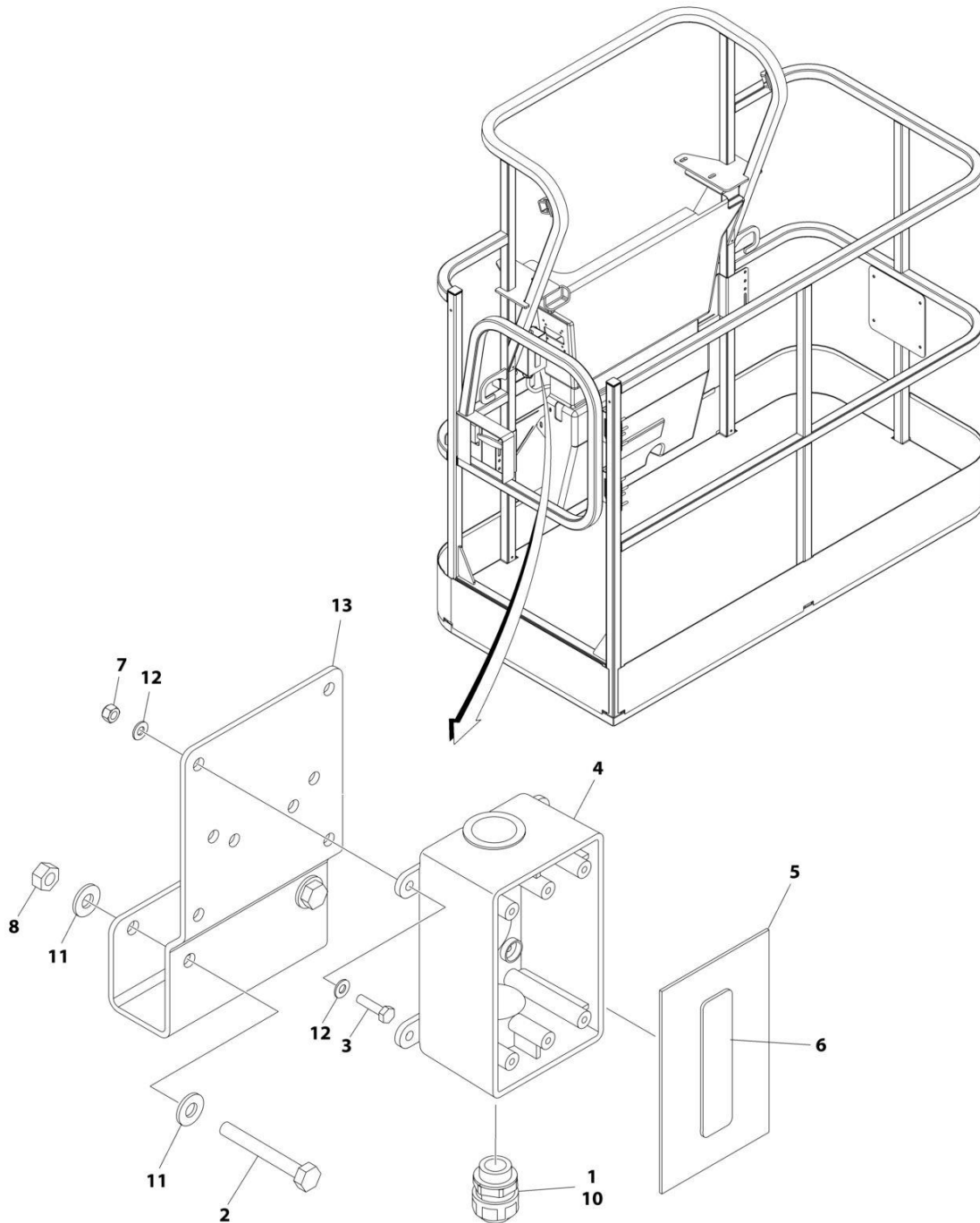
## SECTION 8 - ELECTRICAL

**FIGURE 8-11. AC BOX AT PLATFORM INSTALLATION - 220V AFSINT107 (CE SPECS WITH 4000W/50HZ GENERATOR)**

ITEM	PART NUMBER	QTY	DESCRIPTION	REV
	1001194200	Ref	AC BOX AT PLATFORM INSTALLATION	B
1	0100020	AR	Sealant, Pipe	
2	0641416	2	Bolt 1/4 x 2	
3	0700408	4	Bolt M4 x 16	
4	0861731	1	Box, Switch	
5	3251242	1	Decal - 240V/50Hz	
6	3290405	4	Nut M4	
7	3311405	2	Nut 1/4	
8	4460662	1	Connector, Strain Relief	
9	4461246	1	Receptacle	
10	4711400	4	Washer 1/4	
11	4811400	8	Washer M4	
12	1001193018	1	Bracket, AC Receptacle	
13	1001205958	1	Terminal (Not Shown)	

# SECTION 8 - ELECTRICAL

FIGURE 8-12. AC BOX AT PLATFORM INSTALLATION - 220V CUSTOMER SUPPLIED COMPONENTS  
(ANSI EXPORT, AUSTRALIAN, CE AND CHINA SPECS)



ART\_1001194365

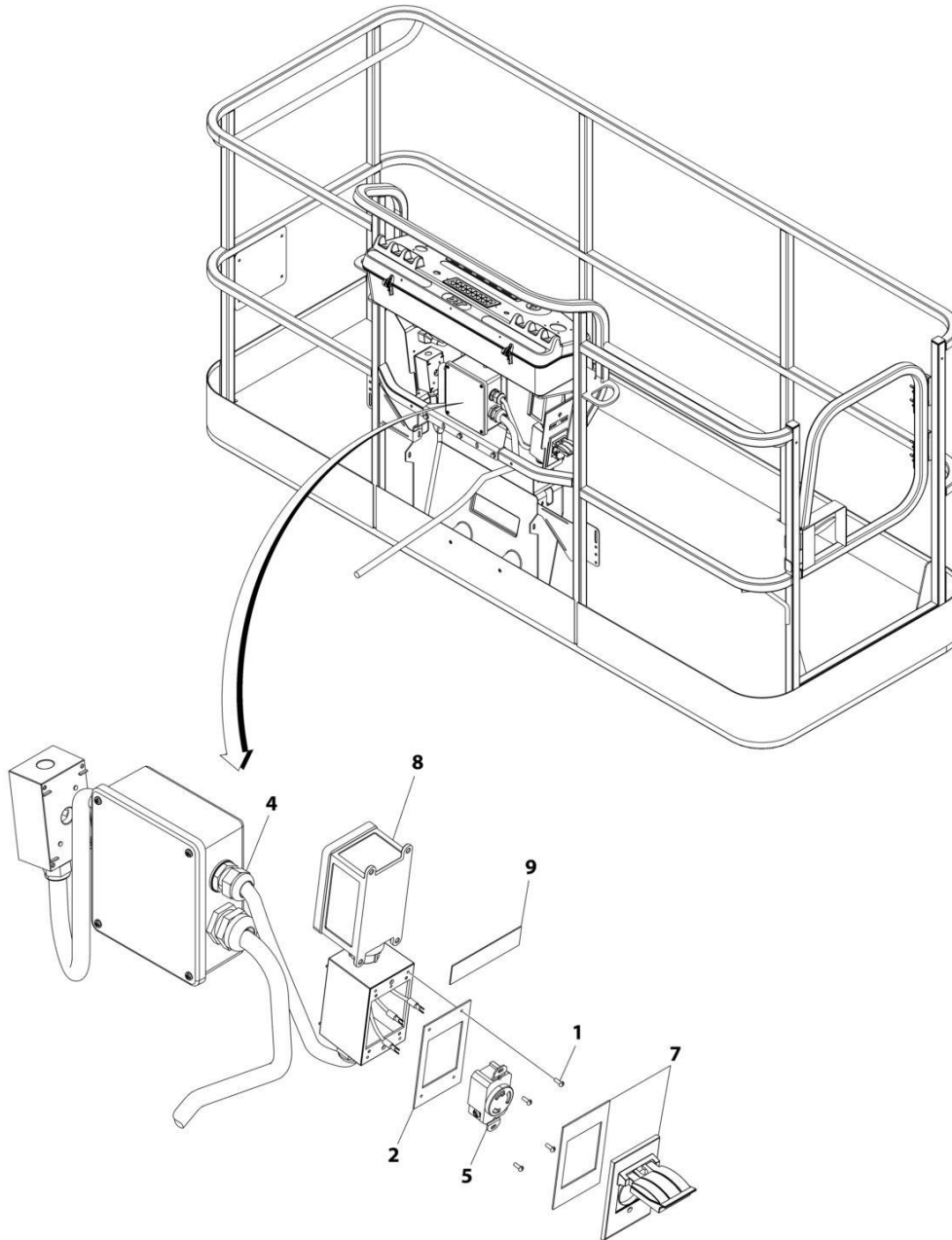
## SECTION 8 - ELECTRICAL

**FIGURE 8-12. AC BOX AT PLATFORM INSTALLATION - 220V CUSTOMER SUPPLIED COMPONENTS  
(ANSI EXPORT, AUSTRALIAN, CE AND CHINA SPECS)**

ITEM	PART NUMBER	QTY	DESCRIPTION	REV
	1001194365	Ref	AC BOX AT PLATFORM INSTALLATION - BOX WITH COVER (2X4 BOX)	A
1	0100020	AR	Sealant	
2	0641416	2	Bolt 1/4 x 2	
3	0700408	4	Bolt M4 x 16	
4	0861731	1	Box, Switch	
5	1670603	1	Cover	
6	3251242	1	Decal - 240V/50Hz	
7	3290405	4	Nut M4	
8	3311405	2	Nut 1/4	
9	4460384	3	Terminal (Not Shown)	
10	4460662	1	Connector, Strain Relief	
11	4711400	4	Washer 1/4	
12	4811400	8	Washer M4	
13	1001193018	1	Bracket, AC Receptacle	

## SECTION 8 - ELECTRICAL

FIGURE 8-13. AC BOX AT PLATFORM INSTALLATION - 240V (WITH 4000W GENERATOR) (ALL SPECS EXCEPT AUSTRALIAN & CE SPECS)



ART\_1001171131

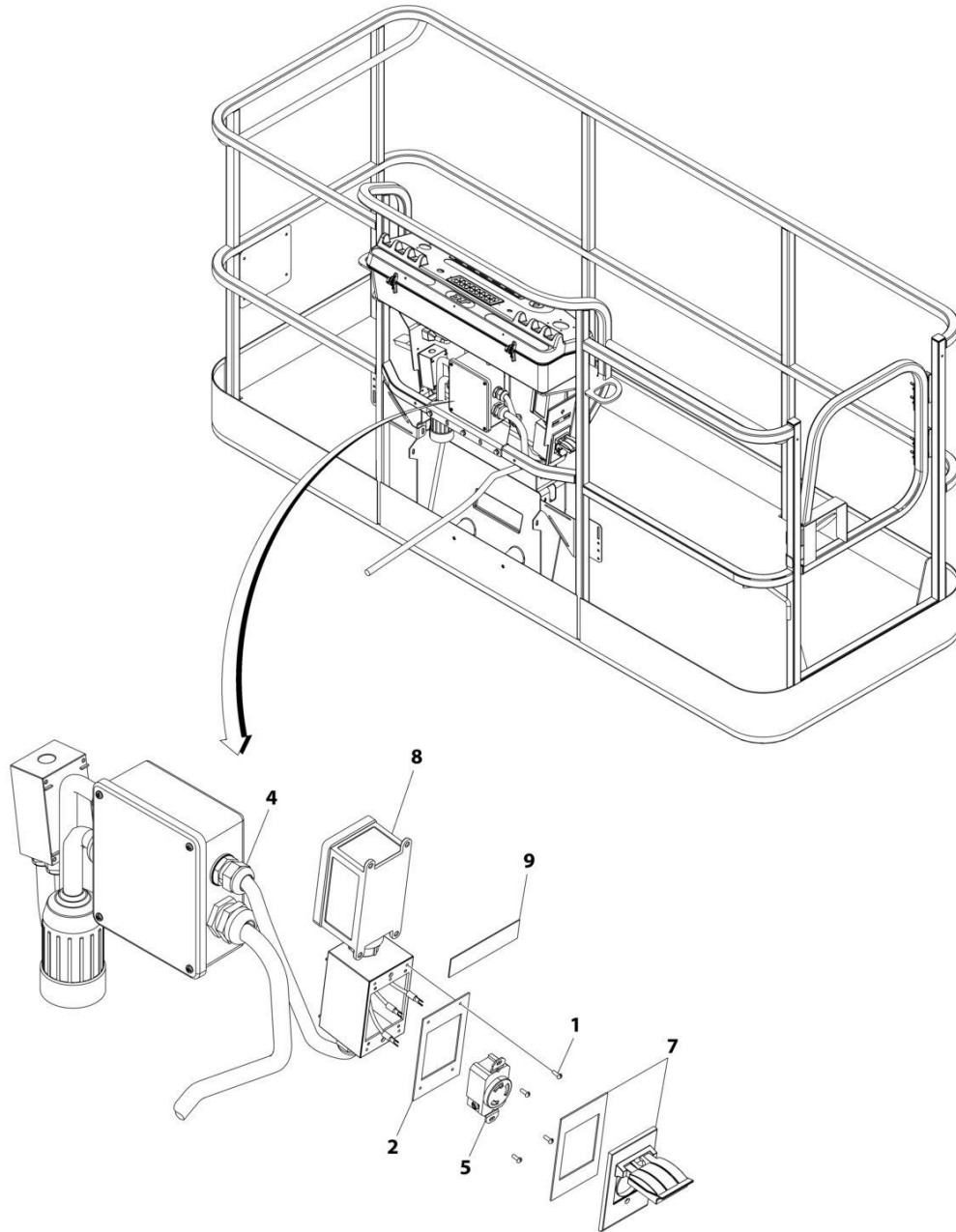
## SECTION 8 - ELECTRICAL

**FIGURE 8-13. AC BOX AT PLATFORM INSTALLATION - 240V (WITH 4000W GENERATOR) (ALL SPECS EXCEPT AUSTRALIAN & CE SPECS)**

ITEM	PART NUMBER	QTY	DESCRIPTION	REV
	1001171131	Ref	AC BOX AT PLATFORM INSTALLATION - 240V RECEPTACLE	B
1	3910606	4	Screw 6 x 3/8	
2	3960422	1	Gasket	
3	4240018	AR	Tie-Strap (Not Shown)	
4	4460425	1	Connector, Strain Relief	
5	1001176862	1	Receptacle	
7	1001110872	1	Cover, Receptacle	
8	1001159120	1	Receptacle/Breaker Box Assembly	
8	1001148675	1	Box, Receptacle	
8	1001159118	1	Breaker GFCI 30Amp 240VAC	
8	4460612	1	Connector, Strain Relief	
8	1001159119	1	Connector (Between Boxes)	
9	1705374	1	Decal - 240V/60Hz	

# SECTION 8 - ELECTRICAL

**FIGURE 8-14. AC BOX AT PLATFORM INSTALLATION - 240V (WITH 7500W SKYPOWER GENERATOR) (ALL SPECS EXCEPT AUSTRALIAN & CE SPECS)**



ART\_1001159121



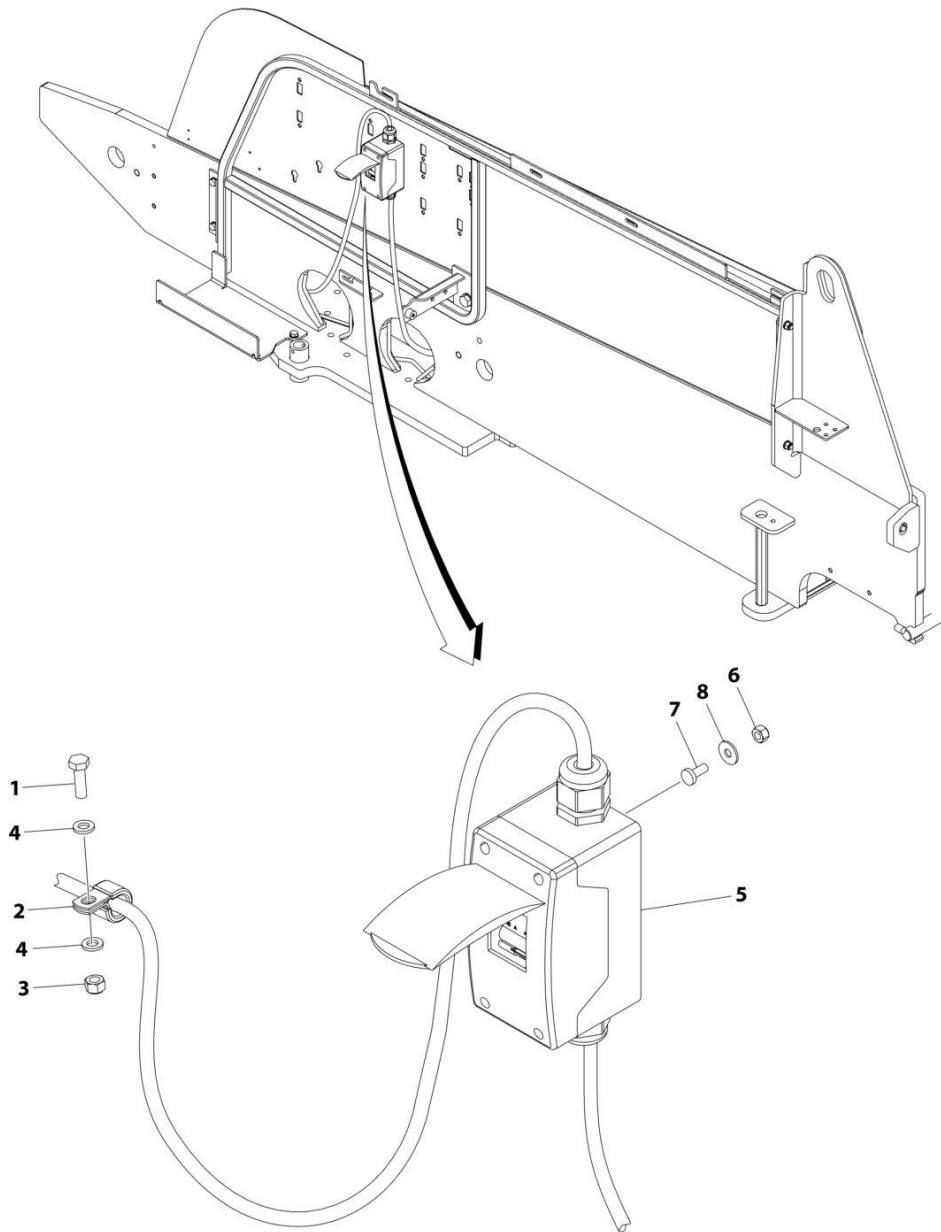
## SECTION 8 - ELECTRICAL

**FIGURE 8-14. AC BOX AT PLATFORM INSTALLATION - 240V (WITH 7500W SKYPOWER GENERATOR) (ALL SPECS EXCEPT AUSTRALIAN & CE SPECS)**

ITEM	PART NUMBER	QTY	DESCRIPTION	REV
	1001159121	Ref	AC BOX AT PLATFORM INSTALLATION - 240V RECEPTACLE	B
1	3910606	4	Screw 6 x 3/8	
2	3960422	1	Gasket	
3	4240018	AR	Tie-Strap (Not Shown)	
4	4460425	1	Connector, Strain Relief	
5	4460958	1	Receptacle	
7	1001110872	1	Cover, Receptacle	
8	1001159120	1	Receptacle/Breaker Box Assembly	
8	1001148675	1	Box, Receptacle	
8	1001159118	1	Breaker Box Assembly	
8	4460612	1	Connector, Strain Relief	
8	1001159119	1	Connector (Between Boxes)	
9	1705374	1	Decal - 240V/60Hz	

# SECTION 8 - ELECTRICAL

## FIGURE 8-15. AC BREAKER BOX INSTALLATION - SINGLE DOUBLE POLE BREAKER



ART\_1001190774

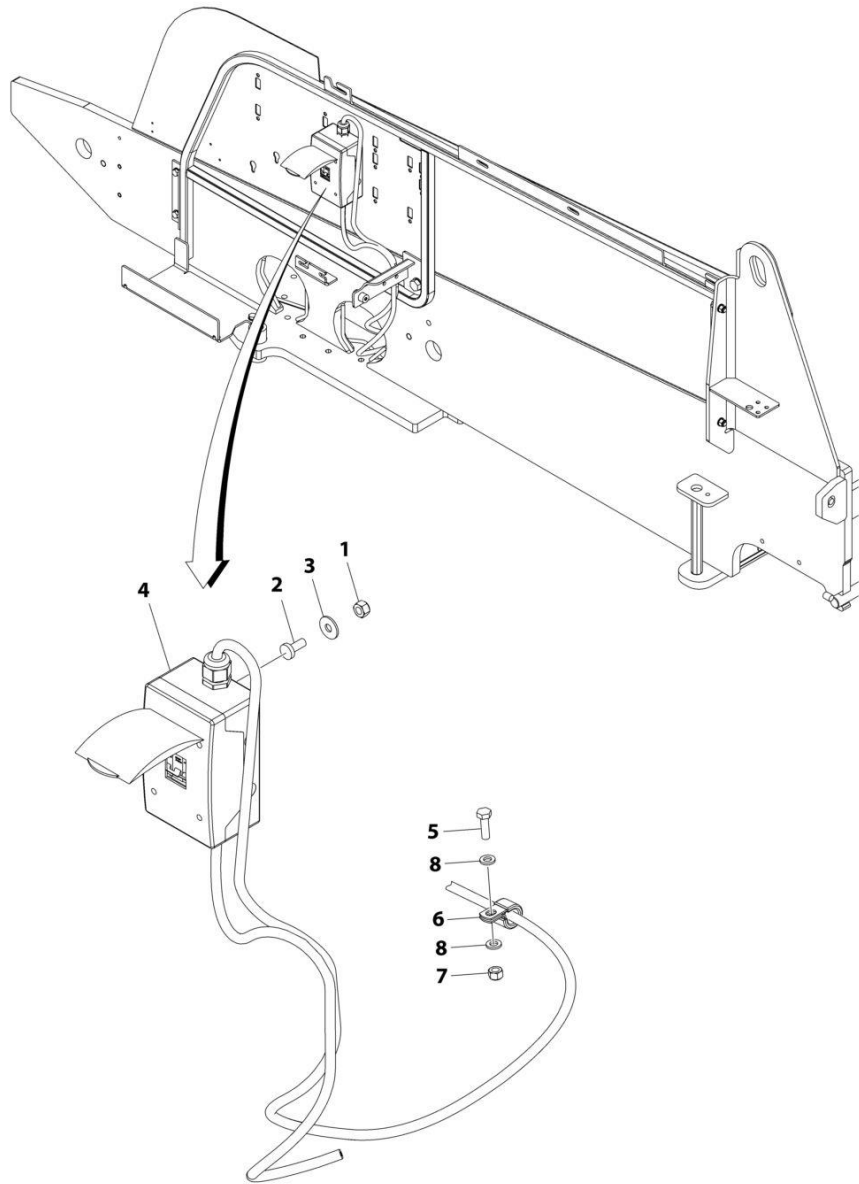
## SECTION 8 - ELECTRICAL

**FIGURE 8-15. AC BREAKER BOX INSTALLATION - SINGLE DOUBLE POLE BREAKER**

ITEM	PART NUMBER	QTY	DESCRIPTION	REV
	1001190774	Ref	AC BREAKER BOX INSTALLATION	C
1	0760610	1	Bolt M6 x 20	
2	1320041	1	Clamp	
3	3290605	1	Nut M6	
4	4811700	2	Washer M6	
5	2902549	1	Breaker Box Kit - Single Double Pole Breaker (See Separate Breakdown in this Section)	
6	3290405	2	Nut M4	
7	4010405	2	Screw M4 x 10	
8	1001091102	2	Washer M4	

# SECTION 8 - ELECTRICAL

## FIGURE 8-16. AC BREAKER BOX INSTALLATION - 3 BREAKERS



ART\_1001211049\_C

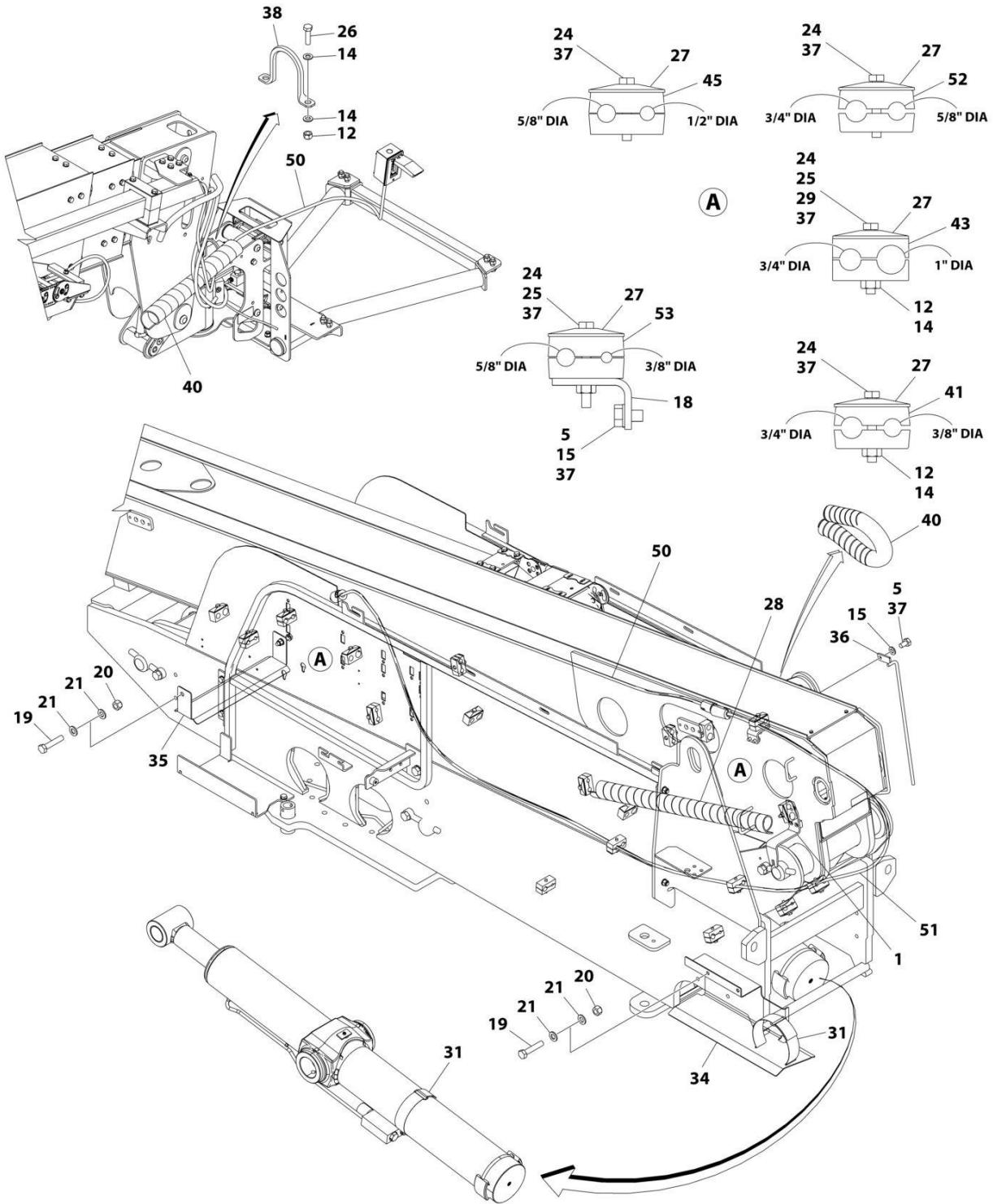
## SECTION 8 - ELECTRICAL

### FIGURE 8-16. AC BREAKER BOX INSTALLATION - 3 BREAKERS

ITEM	PART NUMBER	QTY	DESCRIPTION	REV
	1001211049	Ref	AC BREAKER BOX INSTALLATION	C
1	3290405	2	Nut M4	
2	4010405	2	Screw M4 x 10	
3	1001091102	2	Washer M4	
4	1001152486	1	Breaker Box Kit - 3 Breakers (See Separate Breakdown in this Section)	
5	0760610	1	Bolt M6 x 20	
6	1320041	1	Clamp	
7	3290605	1	Nut M6	
8	4811700	2	Washer M6	

# SECTION 8 - ELECTRICAL

## FIGURE 8-17. AC CABLES AND CLAMPS INSTALLATION - 600S HC3 WITHOUT GENERATOR (ANSI, CSA AND JAPANESE SPECS) (Prior to SN 0300276771)



ART\_1001193207\_L

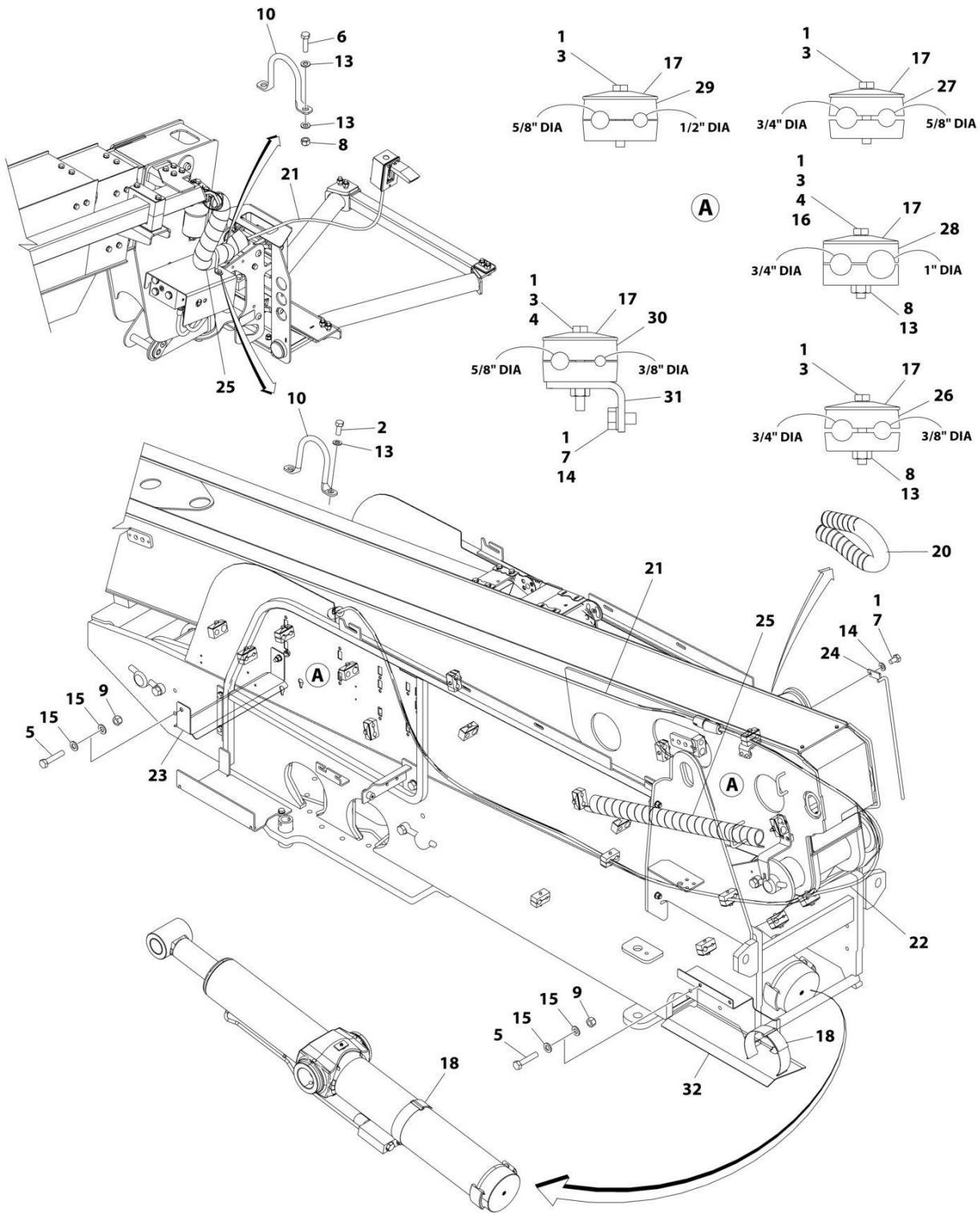
## SECTION 8 - ELECTRICAL

**FIGURE 8-17. AC CABLES AND CLAMPS INSTALLATION - 600S HC3 WITHOUT GENERATOR (ANSI, CSA AND JAPANESE SPECS) (Prior to SN 0300276771)**

ITEM	PART NUMBER	QTY	DESCRIPTION	REV
	1001193207	Ref	AC CABLES AND CLAMPS INSTALLATION	L
1	1001211585	1	Bracket	
5	0761009	3	Bolt M10 x 18	
12	3290805	4	Nut M8	
14	4811900	5	Washer M8	
15	4812000	3	Washer M10	
16	1001146588	4	Tie-Strap (Not Shown)	
18	1001229637	1	Bracket	
19	0701220	4	Bolt M12 x 60	
20	3291205	4	Nut M12	
21	4812100	8	Washer M12	
24	0700818	16	Bolt M8 x 50	
25	0700822	2	Bolt M8 x 70	
26	0760814	2	Bolt M8 x 30	
27	77133137	19	Cover, Clamp	
28	1001204690	1	Shield, Tube	
29	5281918	1	Capscrew M8 x 70	
31	1001143645	2	Strap, Cinch	
34	1001252945	1	Support	
35	1001201342	1	Support	
36	1001202936	1	Guide	
37	0100011	AR	Compound, Locking	
38	3841340	1	Loop, Hose	
39	4240018	3	Tie-Strap (Not Shown)	
40	1001181923	AR	Shield, Tube	
41	1001209948	3	Clamp	
43	1001209951	6	Clamp	
45	1001209953	3	Clamp	
46	4240099	2	Tie-Strap (Not Shown)	
50	1001195227	1	AC Ground to Platform Cable (Upper)	
50	1001120204	1	Plug, Male	
51	1001195525	1	AC Ground to Platform Cable (Lower)	
51	1001120205	1	Receptacle, Female	
52	1001209949	3	Clamp	
53	1001228809	4	Clamp	

# SECTION 8 - ELECTRICAL

## FIGURE 8-18. AC CABLES AND CLAMPS INSTALLATION - 600S HC3 WITHOUT GENERATOR (ANSI, CSA AND JAPANESE SPECS) (SN 0300276771 to Present)



ART\_1001265756



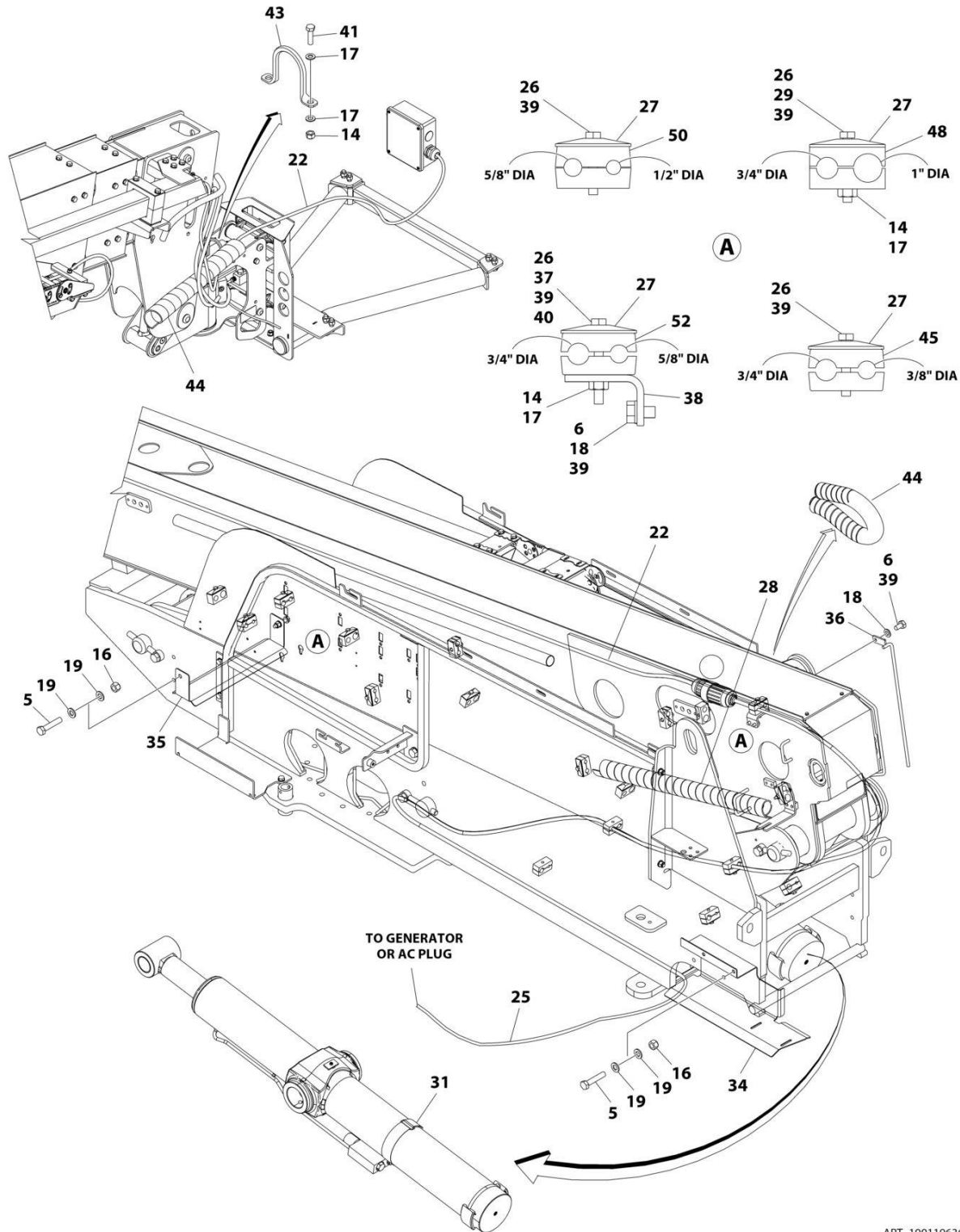
## SECTION 8 - ELECTRICAL

**FIGURE 8-18. AC CABLES AND CLAMPS INSTALLATION - 600S HC3 WITHOUT GENERATOR (ANSI, CSA AND JAPANESE SPECS) (SN 0300276771 to Present)**

ITEM	PART NUMBER	QTY	DESCRIPTION	REV
	1001265756	Ref	AC CABLES AND CLAMPS INSTALLATION	A
1	0100011	AR	Compound, Locking	
2	0641506	2	Bolt 5/16 x 3/4	
3	0700818	16	Bolt M8 x 50	
4	0700822	2	Bolt M8 x 70	
5	0701220	4	Bolt M12 x 60	
6	0760814	2	Bolt M8 x 30	
7	0761009	3	Bolt M10 x 18	
8	3290805	4	Nut M8	
9	3291205	4	Nut M12	
10	3841340	2	Loop, Hose	
11	4240018	3	Tie-Strap (Not Shown)	
12	4240099	3	Tie-Strap (Not Shown)	
13	4811900	7	Washer M8	
14	4812000	3	Washer M10	
15	4812100	8	Washer M12	
16	5281918	1	Capscrew M8 x 70	
17	77133137	19	Cover, Clamp	
18	1001143645	2	Strap, Cinch	
19	1001146588	4	Tie-Strap (Not Shown)	
20	1001181923	1	Shield, Tube	
21	1001195227	1	AC Ground to Platform Cable (Upper)	
21	1001120204	1	Plug, Male	
22	1001195525	1	AC Ground to Platform Cable (Lower)	
22	1001120205	1	Receptacle, Female	
23	1001201342	1	Support	
24	1001202936	1	Guide	
25	1001204690	2	Shield, Tube	
26	1001209948	3	Clamp	
27	1001209949	3	Clamp	
28	1001209951	6	Clamp	
29	1001209953	3	Clamp	
30	1001228809	4	Clamp	
31	1001229637	1	Bracket	
32	1001252945	1	Support	

# SECTION 8 - ELECTRICAL

**FIGURE 8-19. AC CABLES AND CLAMPS INSTALLATION - 600S HC3 WITHOUT GENERATOR (ANSI EXPORT, CE AND CHINA SPECS) (Prior to SN 0300276771)**



ART\_1001196366\_J

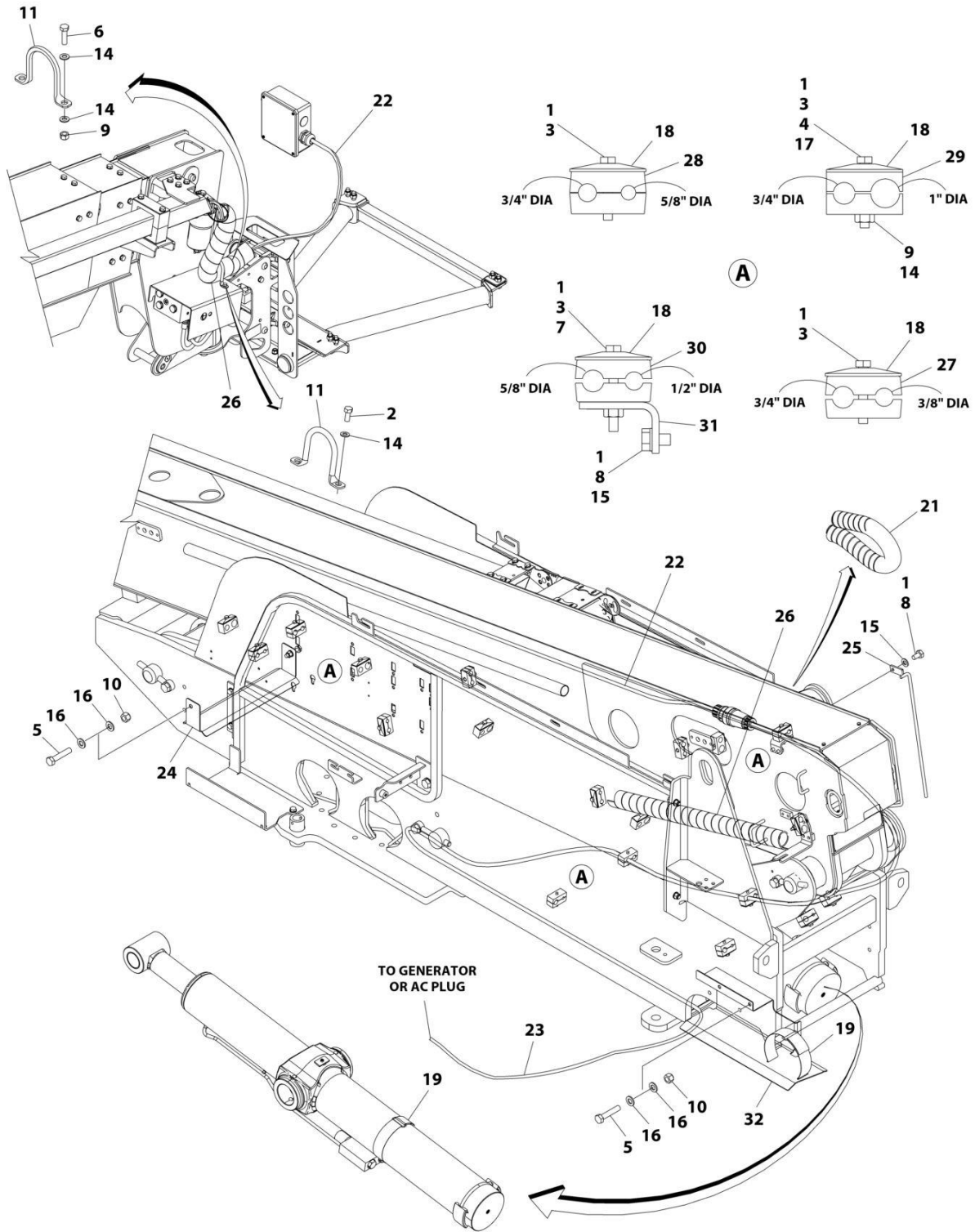
## SECTION 8 - ELECTRICAL

**FIGURE 8-19. AC CABLES AND CLAMPS INSTALLATION - 600S HC3 WITHOUT GENERATOR (ANSI EXPORT, CE AND CHINA SPECS) (Prior to SN 0300276771)**

ITEM	PART NUMBER	QTY	DESCRIPTION	REV
	1001196366	Ref	AC CABLES AND CLAMPS INSTALLATION	J
5	0701220	4	Bolt M12 x 60	
6	0761009	2	Bolt M10 x 18	
14	3290805	4	Nut M8	
16	3291205	4	Nut M12	
17	4811900	5	Washer M8	
18	4812000	3	Washer M10	
19	4812100	8	Washer M12	
20	1001146588	4	Tie-Strap (Not Shown)	
22	1001195225	1	AC Ground to Platform Cable (Upper)	
22	1001214095	1	Plug, Male	
25	1001196368	1	AC Ground to Platform Cable (Lower)	
25	1001214096	1	Receptacle, Female	
26	0700818	16	Bolt M8 x 50	
27	77133137	19	Cover, Clamp	
28	1001204690	1	Shield, Tube	
29	5281918	1	Capscrew M8 x 70	
31	1001143645	2	Strap, Cinch	
34	1001252945	1	Support	
35	1001201342	1	Support	
36	1001202936	1	Guide	
37	0700822	1	Bolt M8 x 70	
38	1001229637	1	Bracket	
39	0100011	AR	Compound, Locking	
40	0760822	1	Bolt M8 x 70	
41	0760814	2	Bolt M8 x 30	
42	4240018	3	Tie-Strap (Not Shown)	
43	3841340	1	Loop, Hose	
44	1001181923	AR	Shield, Tube	
45	1001209948	3	Clamp	
48	1001209951	6	Clamp	
50	1001209953	7	Clamp	
51	4240099	2	Tie-Strap (Not Shown)	
52	1001209949	3	Clamp	

# SECTION 8 - ELECTRICAL

**FIGURE 8-20. AC CABLES AND CLAMPS INSTALLATION - 600S HC3 WITHOUT GENERATOR (ANSI EXPORT, CE AND CHINA SPECS) (SN 0300276771 to Present)**



ART\_1001265758

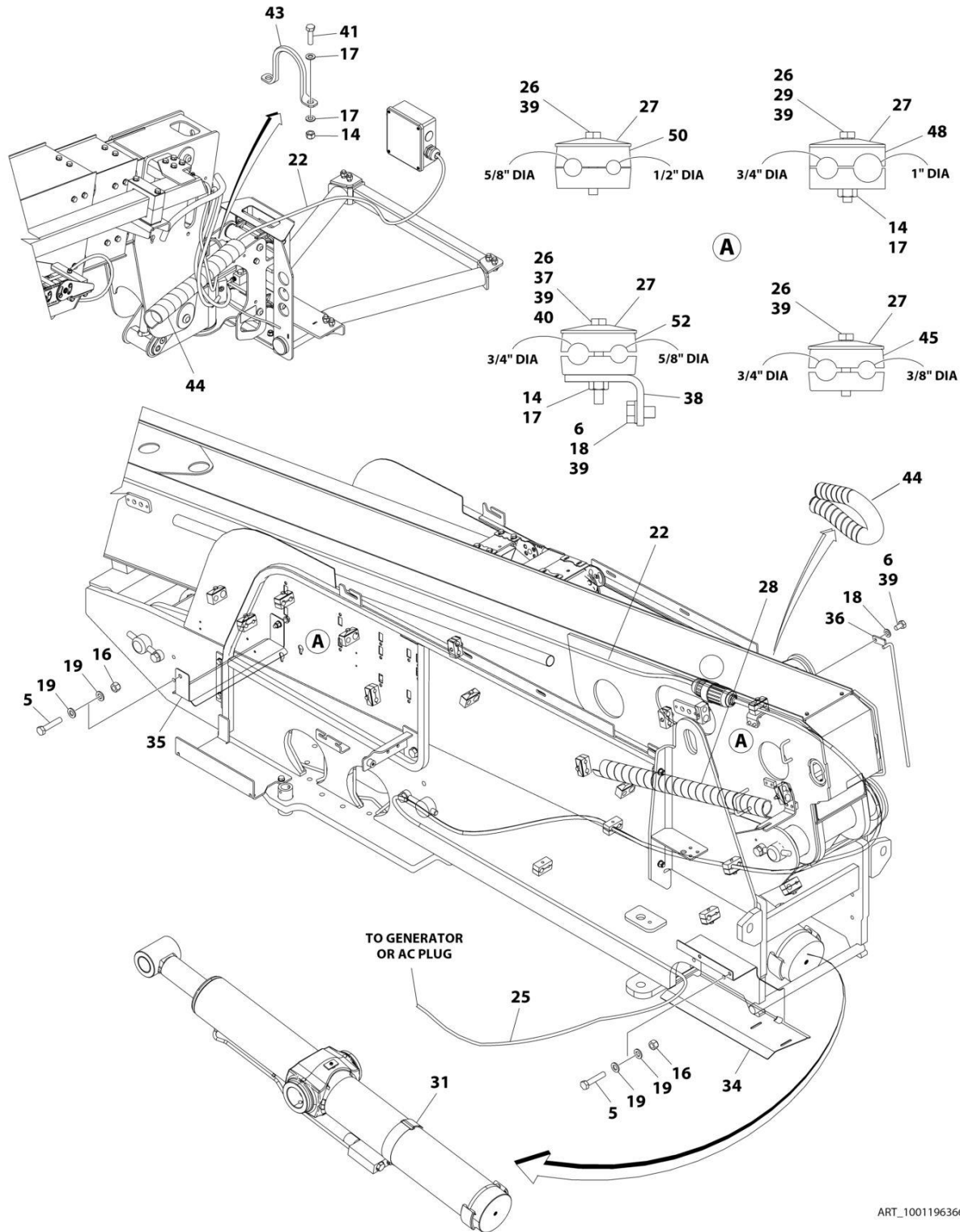
## SECTION 8 - ELECTRICAL

**FIGURE 8-20. AC CABLES AND CLAMPS INSTALLATION - 600S HC3 WITHOUT GENERATOR (ANSI EXPORT, CE AND CHINA SPECS) (SN 0300276771 to Present)**

ITEM	PART NUMBER	QTY	DESCRIPTION	REV
	1001265758	Ref	AC CABLES AND CLAMPS INSTALLATION	A
1	0100011	AR	Compound, Locking	
2	0641506	2	Bolt 5/16 x 3/4	
3	0700818	16	Bolt M8 x 50	
4	0700822	1	Bolt M8 x 70	
5	0701220	4	Bolt M12 x 60	
6	0760814	2	Bolt M8 x 30	
7	0760822	1	Bolt M8 x 70	
8	0761009	3	Bolt M10 x 18	
9	3290805	4	Nut M8	
10	3291205	4	Nut M12	
11	3841340	2	Loop, Hose	
12	4240018	3	Tie-Strap (Not Shown)	
13	4240099	3	Tie-Strap (Not Shown)	
14	4811900	7	Washer M8	
15	4812000	3	Washer M10	
16	4812100	8	Washer M12	
17	5281918	1	Capscrew M8 x 70	
18	77133137	19	Cover, Clamp	
19	1001143645	2	Strap, Cinch	
20	1001146588	4	Tie-Strap (Not Shown)	
21	1001181923	1	Shield, Tube	
22	1001195225	1	AC Ground to Platform Cable (Upper)	
22	1001214095	1	Plug, Male	
23	1001196368	1	AC Ground to Platform Cable (Lower)	
23	1001214096	1	Receptacle, Female	
24	1001201342	1	Support	
25	1001202936	1	Guide	
26	1001204690	2	Shield, Tube	
27	1001209948	3	Clamp	
28	1001209949	3	Clamp	
29	1001209951	6	Clamp	
30	1001209953	7	Clamp	
31	1001229637	1	Bracket	
32	1001252945	1	Support	

# SECTION 8 - ELECTRICAL

**FIGURE 8-21. AC CABLES AND CLAMPS INSTALLATION - 600S HC3 WITH 2500W GENERATOR  
(ALL SPECS EXCEPT AUSTRALIAN AND CE SPECS) (Prior to SN 0300276771)**



ART\_1001196366

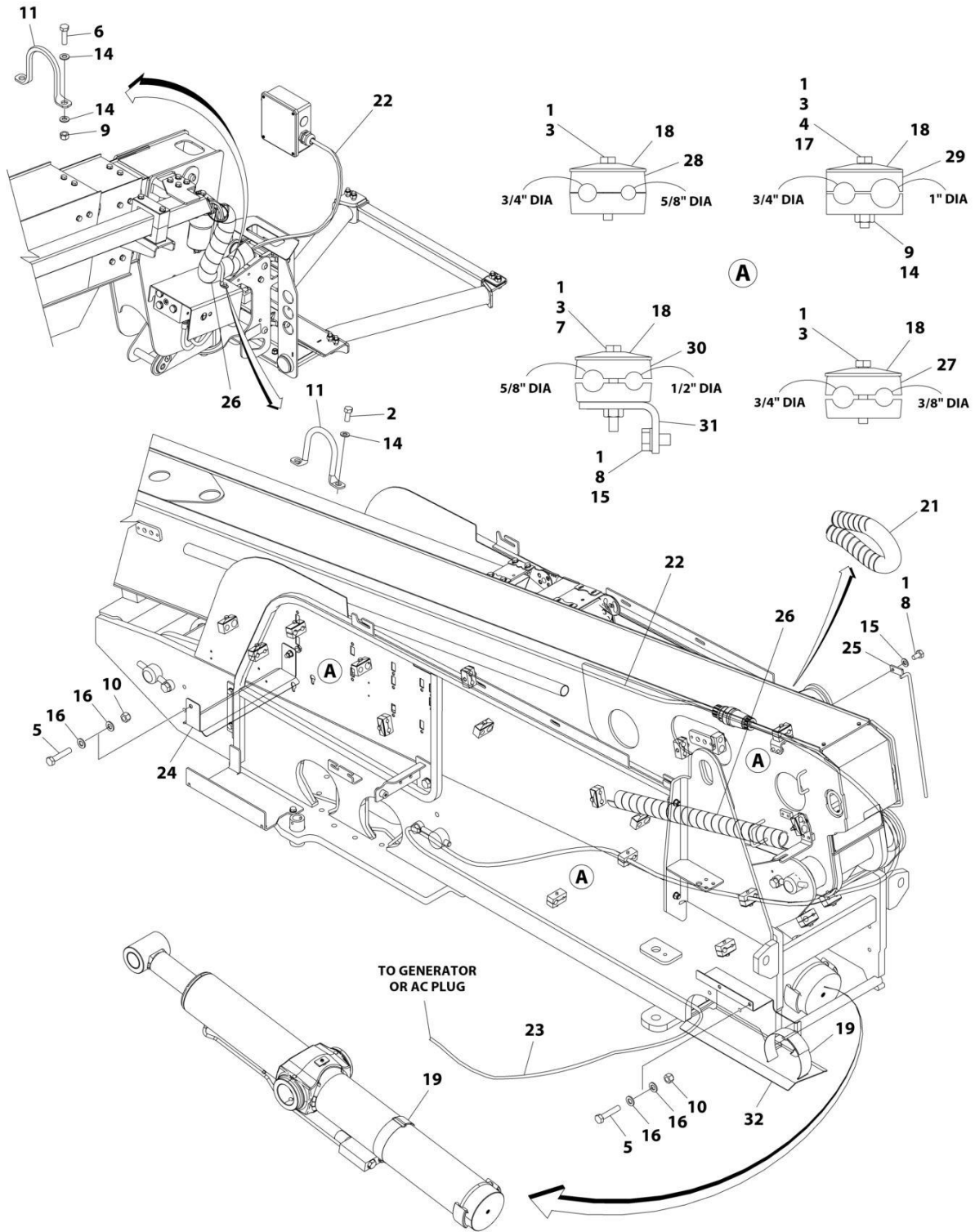
## SECTION 8 - ELECTRICAL

**FIGURE 8-21. AC CABLES AND CLAMPS INSTALLATION - 600S HC3 WITH 2500W GENERATOR  
(ALL SPECS EXCEPT AUSTRALIAN AND CE SPECS) (Prior to SN 0300276771)**

ITEM	PART NUMBER	QTY	DESCRIPTION	REV
	1001196366	Ref	AC CABLES AND CLAMPS INSTALLATION	I
5	0701220	4	Bolt M12 x 60	
6	0761009	2	Bolt M10 x 18	
14	3290805	4	Nut M8	
16	3291205	4	Nut M12	
17	4811900	5	Washer M8	
18	4812000	3	Washer M10	
19	4812100	8	Washer M12	
20	1001146588	4	Tie-Strap (Not Shown)	
22	1001195225	1	AC Ground to Platform Cable (Upper)	
22	1001214095	1	Plug, Male	
25	1001196368	1	AC Ground to Platform Cable (Lower)	
25	1001214096	1	Receptacle, Female	
26	0700818	16	Bolt M8 x 50	
27	77133137	19	Cover, Clamp	
28	1001204690	1	Shield, Tube	
29	5281918	1	Capscrew M8 x 70	
31	1001143645	2	Strap, Cinch	
34	1001199881	1	Support	
35	1001201342	1	Support	
36	1001202936	1	Guide	
37	0700822	1	Bolt M8 x 70	
38	1001229637	1	Bracket	
39	0100011	AR	Compound, Locking	
40	0760822	1	Bolt M8 x 70	
41	0760814	2	Bolt M8 x 30	
42	4240018	3	Tie-Strap (Not Shown)	
43	3841340	1	Loop, Hose	
44	1001181923	AR	Shield, Tube	
45	1001209948	3	Clamp	
48	1001209951	6	Clamp	
50	1001209953	7	Clamp	
51	4240099	2	Tie-Strap (Not Shown)	
52	1001209949	3	Clamp	

# SECTION 8 - ELECTRICAL

**FIGURE 8-22. AC CABLES AND CLAMPS INSTALLATION - 600S HC3 WITH 2500W GENERATOR  
(ALL SPECS EXCEPT AUSTRALIAN AND CE SPECS) (SN 0300276771 to Present)**



ART\_1001265758



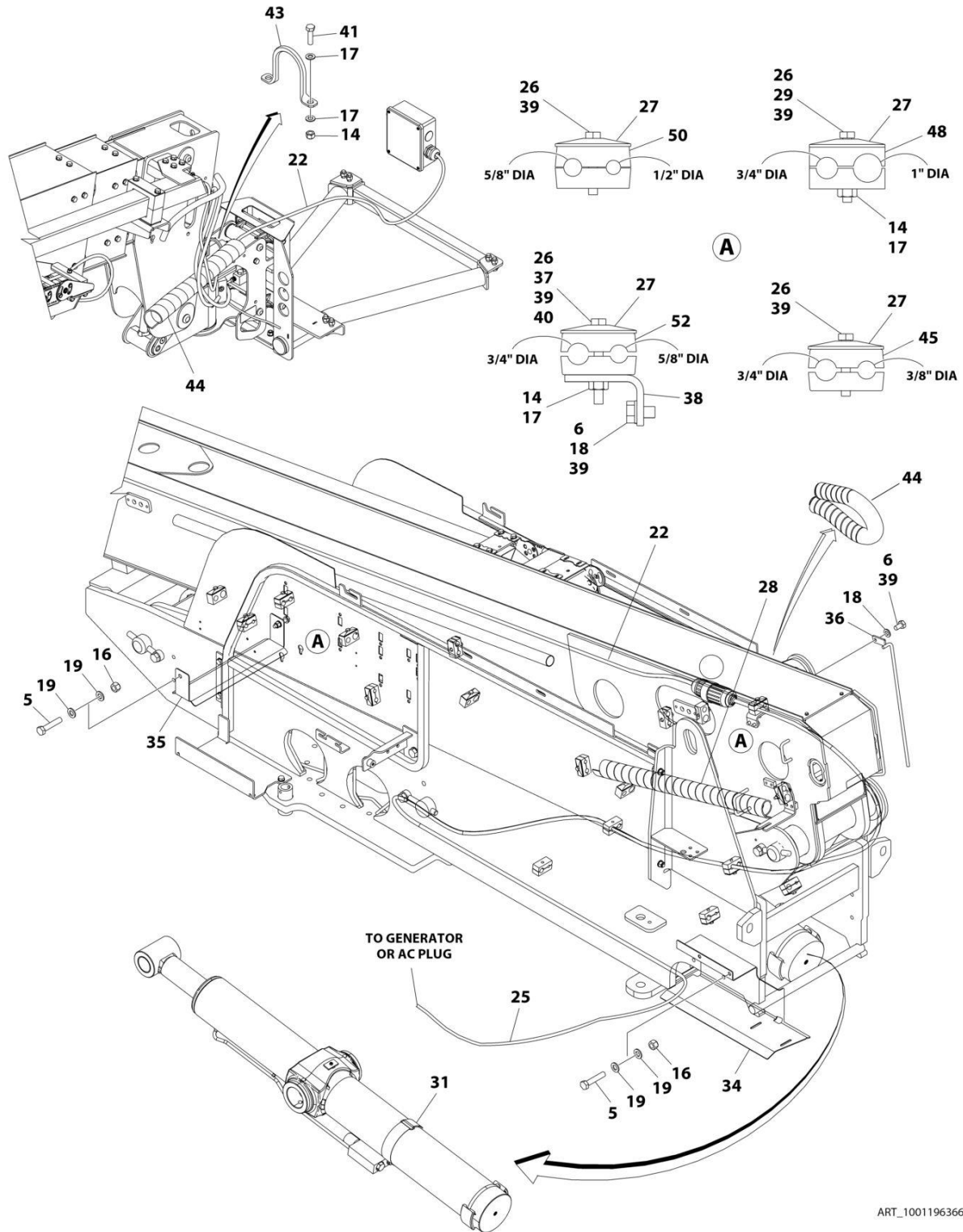
## SECTION 8 - ELECTRICAL

**FIGURE 8-22. AC CABLES AND CLAMPS INSTALLATION - 600S HC3 WITH 2500W GENERATOR  
(ALL SPECS EXCEPT AUSTRALIAN AND CE SPECS) (SN 0300276771 to Present)**

ITEM	PART NUMBER	QTY	DESCRIPTION	REV
	1001265758	Ref	AC CABLES AND CLAMPS INSTALLATION	A
1	0100011	AR	Compound, Locking	
2	0641506	2	Bolt 5/16 x 3/4	
3	0700818	16	Bolt M8 x 50	
4	0700822	1	Bolt M8 x 70	
5	0701220	4	Bolt M12 x 60	
6	0760814	2	Bolt M8 x 30	
7	0760822	1	Bolt M8 x 70	
8	0761009	3	Bolt M10 x 18	
9	3290805	4	Nut M8	
10	3291205	4	Nut M12	
11	3841340	2	Loop, Hose	
12	4240018	3	Tie-Strap (Not Shown)	
13	4240099	3	Tie-Strap (Not Shown)	
14	4811900	7	Washer M8	
15	4812000	3	Washer M10	
16	4812100	8	Washer M12	
17	5281918	1	Capscrew M8 x 70	
18	77133137	19	Cover, Clamp	
19	1001143645	2	Strap, Cinch	
20	1001146588	4	Tie-Strap (Not Shown)	
21	1001181923	1	Shield, Tube	
22	1001195225	1	AC Ground to Platform Cable (Upper)	
22	1001214095	1	Plug, Male	
23	1001196368	1	AC Ground to Platform Cable (Lower)	
23	1001214096	1	Receptacle, Female	
24	1001201342	1	Support	
25	1001202936	1	Guide	
26	1001204690	2	Shield, Tube	
27	1001209948	3	Clamp	
28	1001209949	3	Clamp	
29	1001209951	6	Clamp	
30	1001209953	7	Clamp	
31	1001229637	1	Bracket	
32	1001252945	1	Support	

# SECTION 8 - ELECTRICAL

**FIGURE 8-23. AC CABLES AND CLAMPS INSTALLATION - 600S HC3 WITH 4000W/50HZ GENERATOR (ANSI EXPORT, CE AND CHINA SPECS) (Prior to SN 0300276771)**



ART\_1001196366

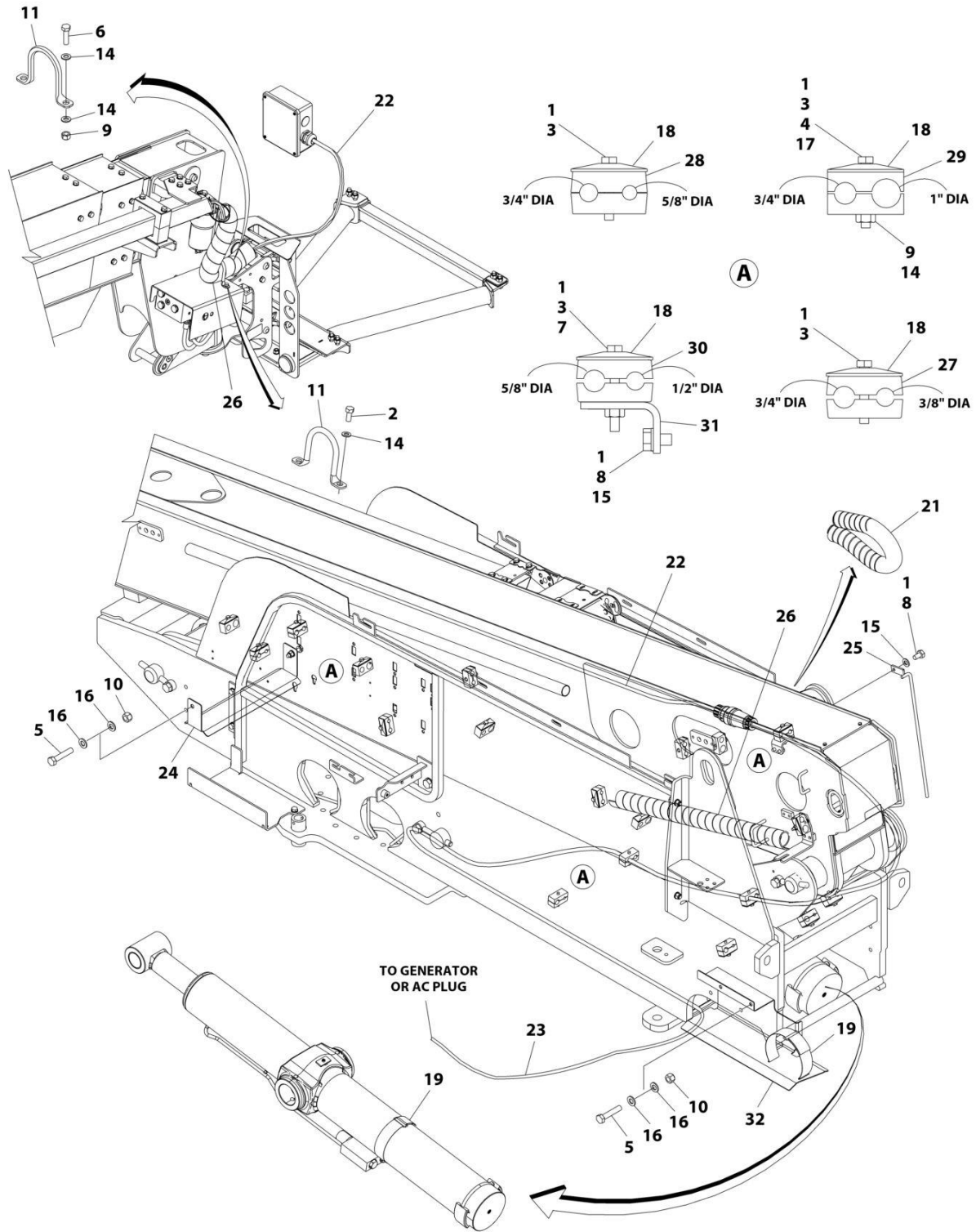
## SECTION 8 - ELECTRICAL

**FIGURE 8-23. AC CABLES AND CLAMPS INSTALLATION - 600S HC3 WITH 4000W/50HZ GENERATOR (ANSI EXPORT, CE AND CHINA SPECS) (Prior to SN 0300276771)**

ITEM	PART NUMBER	QTY	DESCRIPTION	REV
	1001196366	Ref	AC CABLES AND CLAMPS INSTALLATION	I
5	0701220	4	Bolt M12 x 60	
6	0761009	2	Bolt M10 x 18	
14	3290805	4	Nut M8	
16	3291205	4	Nut M12	
17	4811900	5	Washer M8	
18	4812000	3	Washer M10	
19	4812100	8	Washer M12	
20	1001146588	4	Tie-Strap (Not Shown)	
22	1001195225	1	AC Ground to Platform Cable (Upper)	
22	1001214095	1	Plug, Male	
25	1001196368	1	AC Ground to Platform Cable (Lower)	
25	1001214096	1	Receptacle, Female	
26	0700818	16	Bolt M8 x 50	
27	77133137	19	Cover, Clamp	
28	1001204690	1	Shield, Tube	
29	5281918	1	Capscrew M8 x 70	
31	1001143645	2	Strap, Cinch	
34	1001199881	1	Support	
35	1001201342	1	Support	
36	1001202936	1	Guide	
37	0700822	1	Bolt M8 x 70	
38	1001229637	1	Bracket	
39	0100011	AR	Compound, Locking	
40	0760822	1	Bolt M8 x 70	
41	0760814	2	Bolt M8 x 30	
42	4240018	3	Tie-Strap (Not Shown)	
43	3841340	1	Loop, Hose	
44	1001181923	AR	Shield, Tube	
45	1001209948	3	Clamp	
48	1001209951	6	Clamp	
50	1001209953	7	Clamp	
51	4240099	2	Tie-Strap (Not Shown)	
52	1001209949	3	Clamp	

# SECTION 8 - ELECTRICAL

**FIGURE 8-24. AC CABLES AND CLAMPS INSTALLATION - 600S HC3 WITH 4000W/50HZ GENERATOR (ANSI EXPORT, CE AND CHINA SPECS) (SN 0300276771 to Present)**



ART\_1001265758

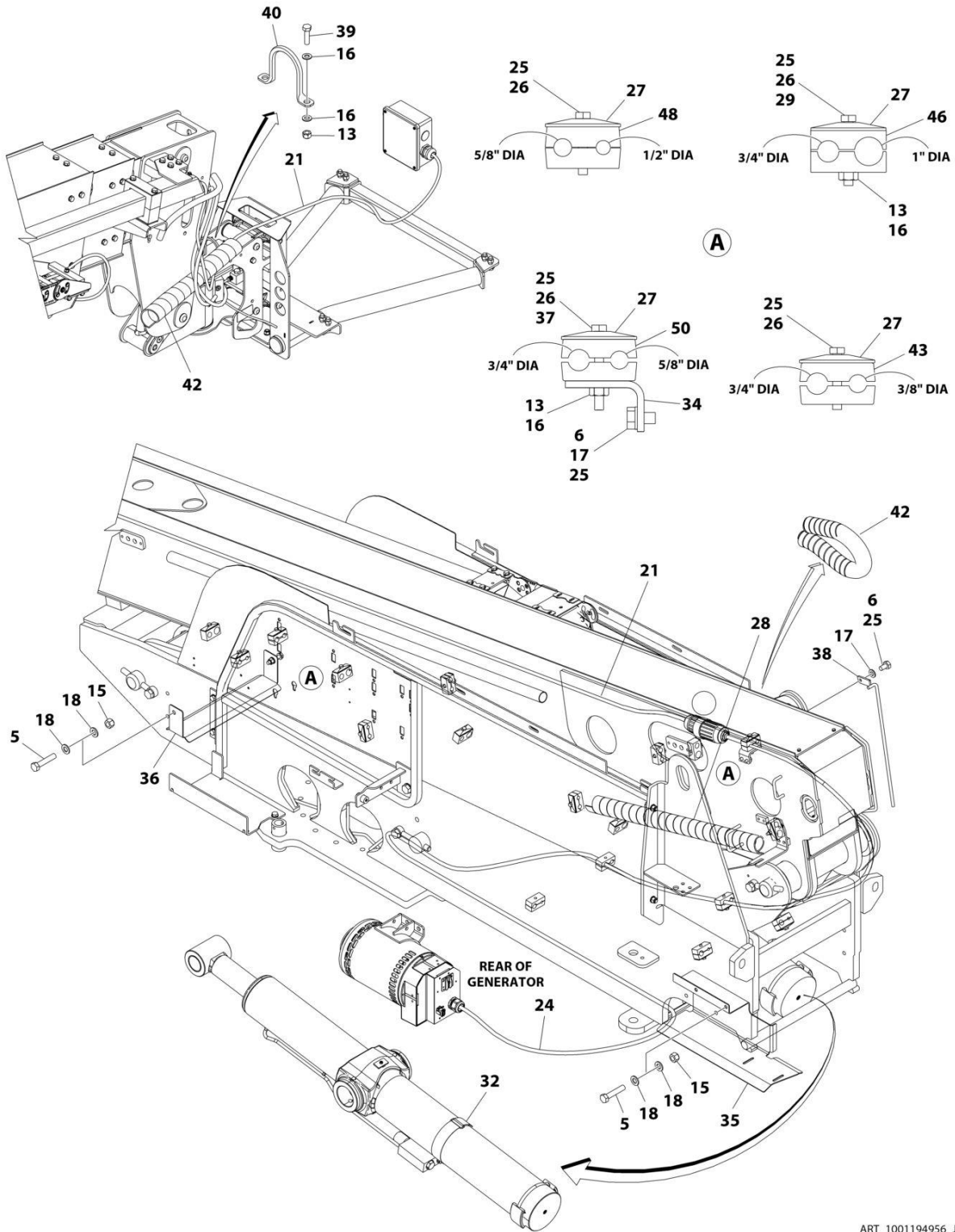
## SECTION 8 - ELECTRICAL

**FIGURE 8-24. AC CABLES AND CLAMPS INSTALLATION - 600S HC3 WITH 4000W/50HZ GENERATOR (ANSI EXPORT, CE AND CHINA SPECS) (SN 0300276771 to Present)**

ITEM	PART NUMBER	QTY	DESCRIPTION	REV
	1001265758	Ref	AC CABLES AND CLAMPS INSTALLATION	A
1	0100011	AR	Compound, Locking	
2	0641506	2	Bolt 5/16 x 3/4	
3	0700818	16	Bolt M8 x 50	
4	0700822	1	Bolt M8 x 70	
5	0701220	4	Bolt M12 x 60	
6	0760814	2	Bolt M8 x 30	
7	0760822	1	Bolt M8 x 70	
8	0761009	3	Bolt M10 x 18	
9	3290805	4	Nut M8	
10	3291205	4	Nut M12	
11	3841340	2	Loop, Hose	
12	4240018	3	Tie-Strap (Not Shown)	
13	4240099	3	Tie-Strap (Not Shown)	
14	4811900	7	Washer M8	
15	4812000	3	Washer M10	
16	4812100	8	Washer M12	
17	5281918	1	Capscrew M8 x 70	
18	77133137	19	Cover, Clamp	
19	1001143645	2	Strap, Cinch	
20	1001146588	4	Tie-Strap (Not Shown)	
21	1001181923	1	Shield, Tube	
22	1001195225	1	AC Ground to Platform Cable (Upper)	
22	1001214095	1	Plug, Male	
23	1001196368	1	AC Ground to Platform Cable (Lower)	
23	1001214096	1	Receptacle, Female	
24	1001201342	1	Support	
25	1001202936	1	Guide	
26	1001204690	2	Shield, Tube	
27	1001209948	3	Clamp	
28	1001209949	3	Clamp	
29	1001209951	6	Clamp	
30	1001209953	7	Clamp	
31	1001229637	1	Bracket	
32	1001252945	1	Support	

# SECTION 8 - ELECTRICAL

**FIGURE 8-25. AC CABLES AND CLAMPS INSTALLATION - 600S HC3 WITH 4000W/60HZ GENERATOR (ALL SPECS EXCEPT AUSTRALIAN, CE AND CHINA SPECS) (Prior to SN 0300276771)**



ART\_1001194956\_J

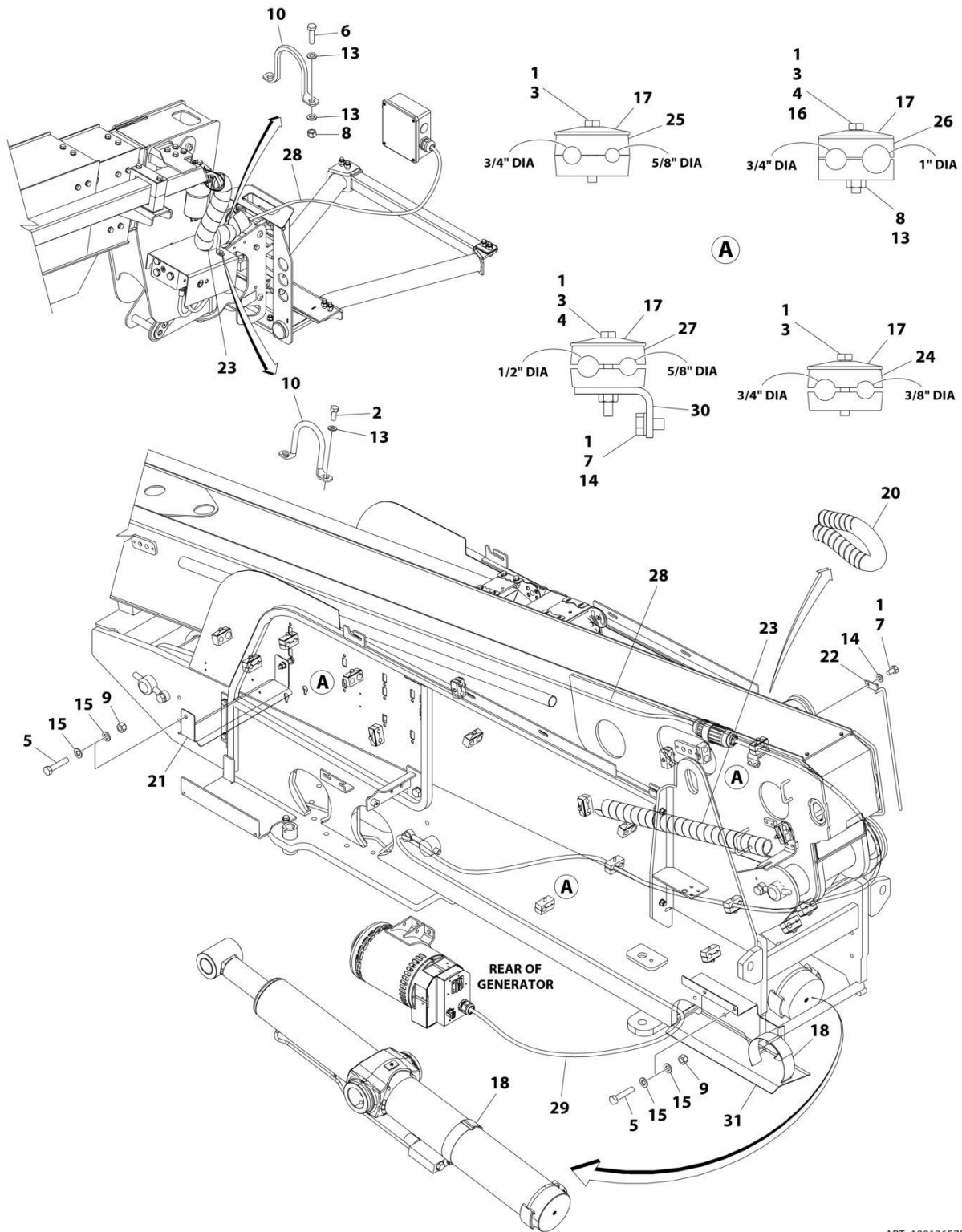
## SECTION 8 - ELECTRICAL

**FIGURE 8-25. AC CABLES AND CLAMPS INSTALLATION - 600S HC3 WITH 4000W/60HZ GENERATOR (ALL SPECS EXCEPT AUSTRALIAN, CE AND CHINA SPECS) (Prior to SN 0300276771)**

ITEM	PART NUMBER	QTY	DESCRIPTION	REV
	1001194956	Ref	AC CABLES AND CLAMPS INSTALLATION	J
5	0701220	4	Bolt M12 x 60	
6	0761009	3	Bolt M10 x 18	
13	3290805	4	Nut M8	
15	3291205	4	Nut M12	
16	4811900	5	Washer M8	
17	4812000	3	Washer M10	
18	4812100	8	Washer M12	
19	1001146588	4	Tie-Strap (Not Shown)	
21	1001228186	1	AC Ground to Platform Cable (Upper)	
21	4460959	1	Plug, Male	
21	1671093	1	Cover, Plug	
24	1001228188	1	AC Ground to Platform Cable (Lower)	
24	4460960	1	Receptacle, Female	
24	1671092	1	Cover, Receptacle	
25	0100011	AR	Compound, Locking	
26	0700818	16	Bolt M8 x 50	
27	77133137	19	Cover, Clamp	
28	1001204690	1	Shield, Tube	
29	5281918	1	Capscrew M8 x 70	
32	1001143645	2	Strap, Cinch	
34	1001229637	1	Bracket	
35	1001252945	1	Support	
36	1001201342	1	Support	
37	0700822	2	Bolt M8 x 70	
38	1001202936	1	Guide	
39	0760814	2	Bolt M8 x 30	
40	3841340	1	Loop, Hose	
41	4240018	3	Tie-Strap (Not Shown)	
42	1001181923	AR	Shield, Tube	
43	1001209948	3	Clamp	
46	1001209951	6	Clamp	
48	1001209953	7	Clamp	
49	4240099	2	Tie-Strap (Not Shown)	
50	1001209949	3	Clamp	

# SECTION 8 - ELECTRICAL

**FIGURE 8-26. AC CABLES AND CLAMPS INSTALLATION - 600S HC3 WITH 4000W/60HZ GENERATOR (ALL SPECS EXCEPT AUSTRALIAN, CE AND CHINA SPECS) (SN 0300276771 to Present)**



ART\_1001265757



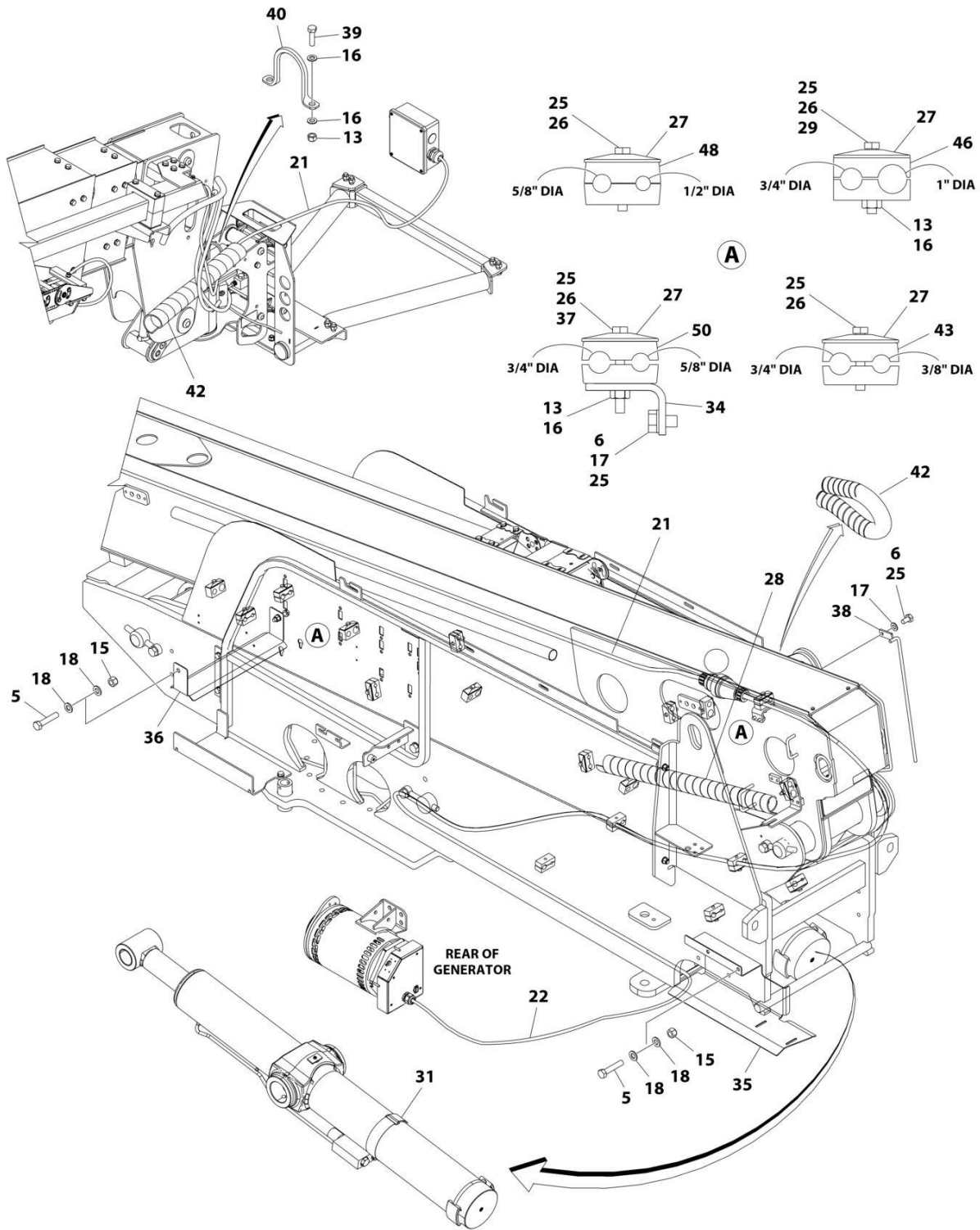
## SECTION 8 - ELECTRICAL

**FIGURE 8-26. AC CABLES AND CLAMPS INSTALLATION - 600S HC3 WITH 4000W/60HZ GENERATOR (ALL SPECS EXCEPT AUSTRALIAN, CE AND CHINA SPECS) (SN 0300276771 to Present)**

ITEM	PART NUMBER	QTY	DESCRIPTION	REV
	1001265757	Ref	AC CABLES AND CLAMPS INSTALLATION	A
1	0100011	AR	Compound, Locking	
2	0641506	2	Bolt 5/16 x 3/4	
3	0700818	16	Bolt M8 x 50	
4	0700822	2	Bolt M8 x 70	
5	0701220	4	Bolt M12 x 60	
6	0760814	2	Bolt M8 x 30	
7	0761009	3	Bolt M10 x 18	
8	3290805	4	Nut M8	
9	3291205	4	Nut M12	
10	3841340	2	Loop, Hose	
11	4240018	3	Tie-Strap (Not Shown)	
12	4240099	3	Tie-Strap (Not Shown)	
13	4811900	7	Washer M8	
14	4812000	3	Washer M10	
15	4812100	8	Washer M12	
16	5281918	1	Capscrew M8 x 70	
17	77133137	19	Cover, Clamp	
18	1001143645	2	Strap, Cinch	
19	1001146588	4	Tie-Strap (Not Shown)	
20	1001181923	1	Shield, Tube	
21	1001201342	1	Support	
22	1001202936	1	Guide	
23	1001204690	2	Shield, Tube	
24	1001209948	3	Clamp	
25	1001209949	3	Clamp	
26	1001209951	6	Clamp	
27	1001209953	7	Clamp	
28	1001228186	1	AC Ground to Platform Cable (Upper)	
28	4460959	1	Plug, Male	
28	1671093	1	Cover, Plug	
29	1001228188	1	AC Ground to Platform Cable (Lower)	
29	4460960	1	Receptacle, Female	
29	1671092	1	Cover, Receptacle	
30	1001229637	1	Bracket	
31	1001252945	1	Support	

# SECTION 8 - ELECTRICAL

## FIGURE 8-27. AC CABLES AND CLAMPS INSTALLATION - 600S HC3 WITH 7500W SKYPOWER GENERATOR (Prior to SN 0300276771)



ART\_1001194961\_K

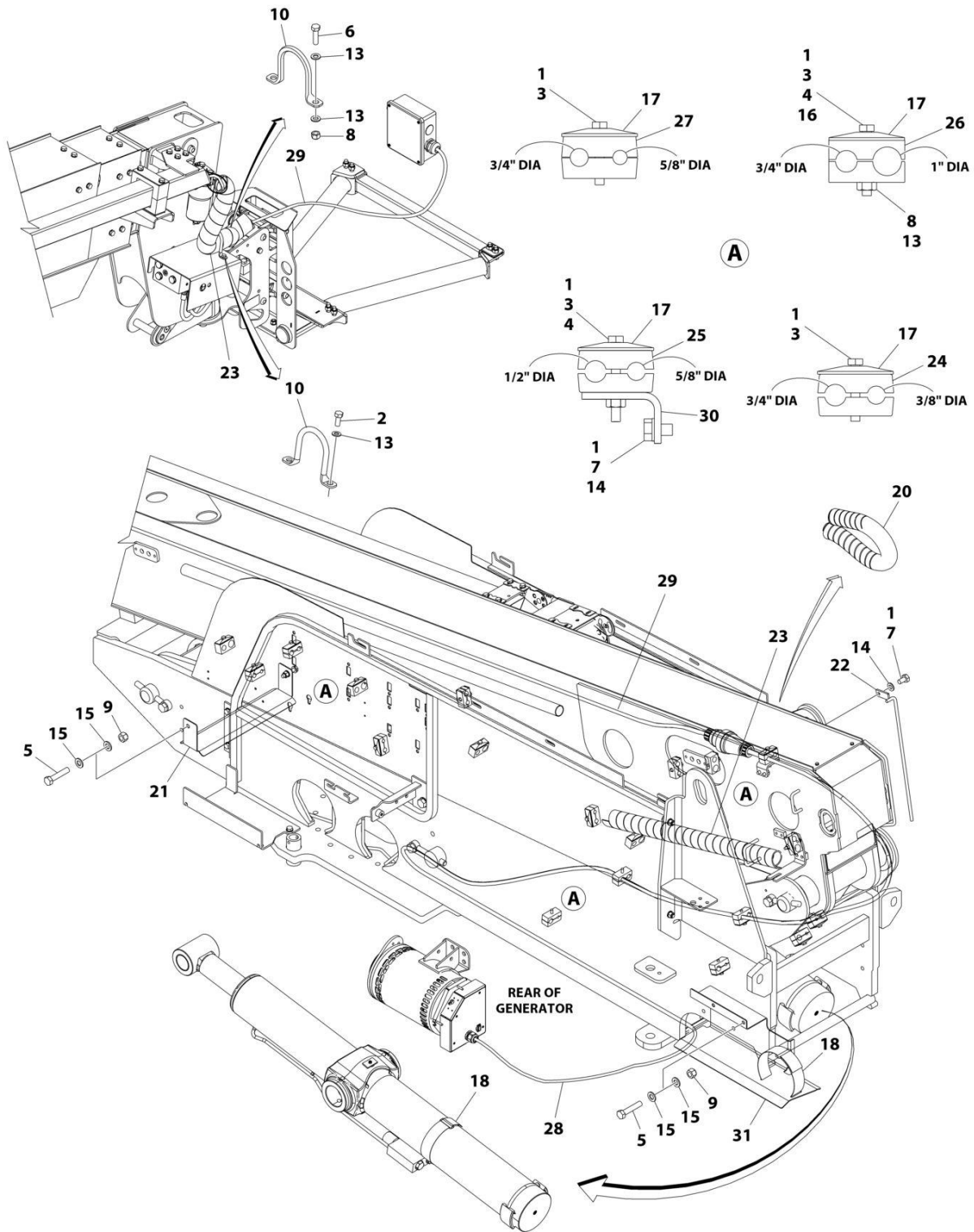
## SECTION 8 - ELECTRICAL

**FIGURE 8-27. AC CABLES AND CLAMPS INSTALLATION - 600S HC3 WITH 7500W SKYPOWER GENERATOR (Prior to SN 0300276771)**

ITEM	PART NUMBER	QTY	DESCRIPTION	REV
	1001194961	Ref	AC CABLES AND CLAMPS INSTALLATION	K
5	0701220	4	Bolt M12 x 60	
6	0761009	3	Bolt M10 x 18	
13	3290805	4	Nut M8	
15	3291205	4	Nut M12	
16	4811900	5	Washer M8	
17	4812000	3	Washer M10	
18	4812100	8	Washer M12	
19	1001146588	4	Tie-Strap (Not Shown)	
21	1001195229	1	AC Ground to Platform Cable (Upper)	
21	4460959	1	Plug, Male	
21	1671093	1	Cover, Plug	
22	1001195357	1	AC Ground to Platform Cable (Lower)	
22	4460960	1	Receptacle, Female	
22	1671092	1	Cover, Female	
25	0100011	AR	Compound, Locking	
26	0700818	16	Bolt M8 x 50	
27	77133137	19	Cover, Clamp	
28	1001204690	1	Shield, Tube	
29	5281918	1	Capscrew M8 x 70	
31	1001143645	2	Strap, Cinch	
34	1001229637	1	Bracket	
35	1001252945	1	Support	
36	1001201342	1	Support	
37	0700822	2	Bolt M8 x 70	
38	1001202936	1	Guide	
39	0760814	2	Bolt M8 x 30	
40	3841340	1	Loop, Hose	
41	4240018	3	Tie-Strap (Not Shown)	
42	1001181923	AR	Shield, Tube	
43	1001209948	3	Clamp	
46	1001209951	6	Clamp	
48	1001209953	3	Clamp	
49	4240099	2	Tie-Strap (Not Shown)	
50	1001209949	7	Clamp	

# SECTION 8 - ELECTRICAL

**FIGURE 8-28. AC CABLES AND CLAMPS INSTALLATION - 600S HC3 WITH 7500W SKYPOWER GENERATOR (SN 0300276771 to Present)**



ART\_1001265759

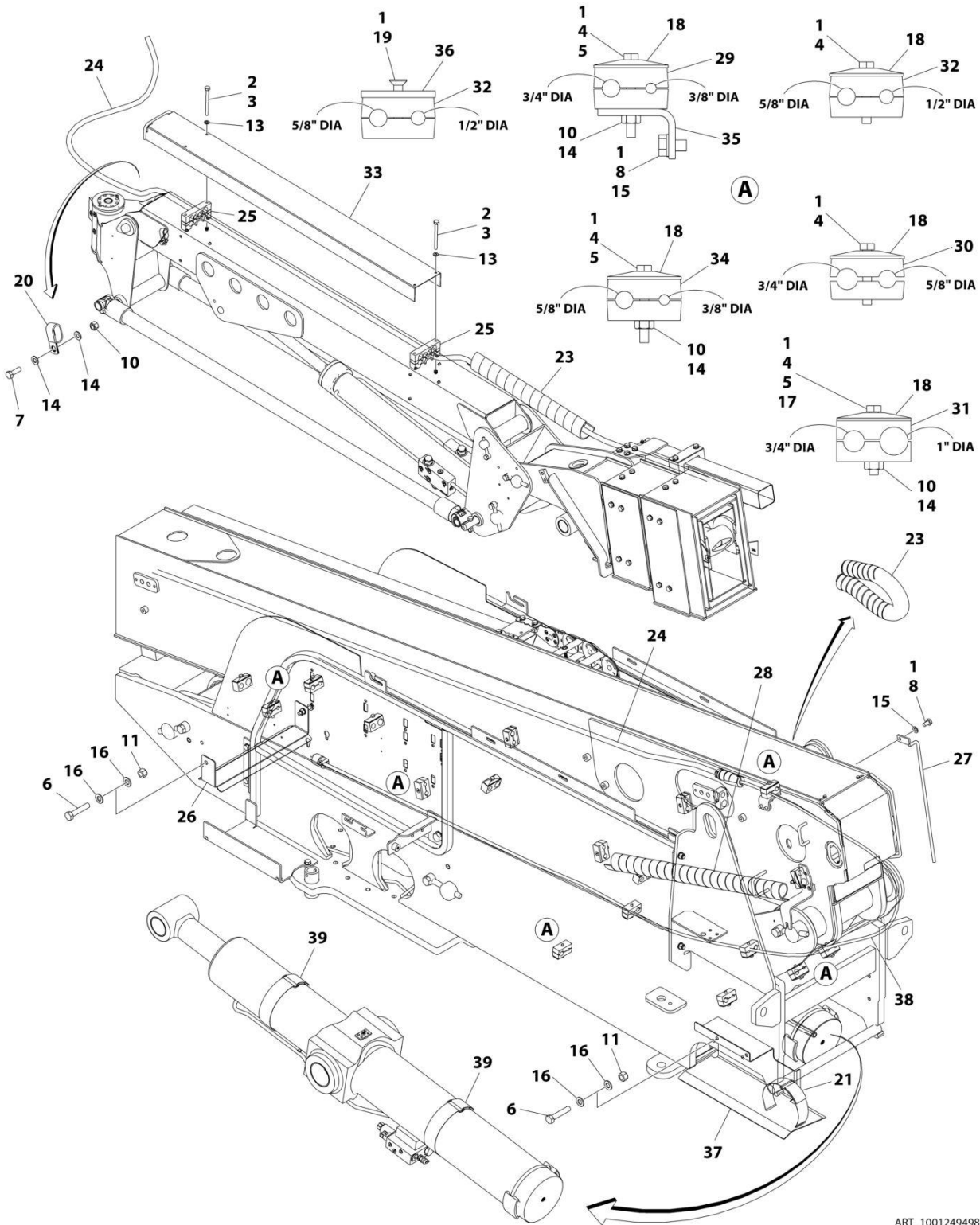
## SECTION 8 - ELECTRICAL

**FIGURE 8-28. AC CABLES AND CLAMPS INSTALLATION - 600S HC3 WITH 7500W SKYPOWER GENERATOR (SN 0300276771 to Present)**

ITEM	PART NUMBER	QTY	DESCRIPTION	REV
	1001265759	Ref	AC CABLES AND CLAMPS INSTALLATION	A
1	0100011	AR	Compound, Locking	
2	0641506	2	Bolt 5/16 x 3/4	
3	0700818	16	Bolt M8 x 50	
4	0700822	2	Bolt M8 x 70	
5	0701220	4	Bolt M12 x 60	
6	0760814	2	Bolt M8 x 30	
7	0761009	3	Bolt M10 x 18	
8	3290805	4	Nut M8	
9	3291205	4	Nut M12	
10	3841340	2	Loop, Hose	
11	4240018	3	Tie-Strap (Not Shown)	
12	4240099	3	Tie-Strap (Not Shown)	
13	4811900	7	Washer M8	
14	4812000	3	Washer M10	
15	4812100	8	Washer M12	
16	5281918	1	Capscrew M8 x 70	
17	77133137	19	Cover, Clamp	
18	1001143645	2	Strap, Cinch	
19	1001146588	4	Tie-Strap (Not Shown)	
20	1001181923	1	Shield, Tube	
21	1001201342	1	Support	
22	1001202936	1	Guide	
23	1001204690	2	Shield, Tube	
24	1001209948	3	Clamp	
25	1001209949	7	Clamp	
26	1001209951	6	Clamp	
27	1001209953	3	Clamp	
28	1001226304	1	AC Ground to Platform Cable (Lower)	
28	4460960	1	Receptacle, Female	
28	1671092	1	Cover, Receptacle	
29	1001226305	1	AC Ground to Platform Cable (Upper)	
29	1060945	1	Cable	
29	1001218622	1	Plug	
30	1001229637	1	Bracket	
31	1001252945	1	Support	

# SECTION 8 - ELECTRICAL

## FIGURE 8-29. AC CABLES AND CLAMPS INSTALLATION - 660SJ HC3 WITHOUT GENERATOR (ANSI, CSA AND JAPANESE SPECS)



ART\_1001249498

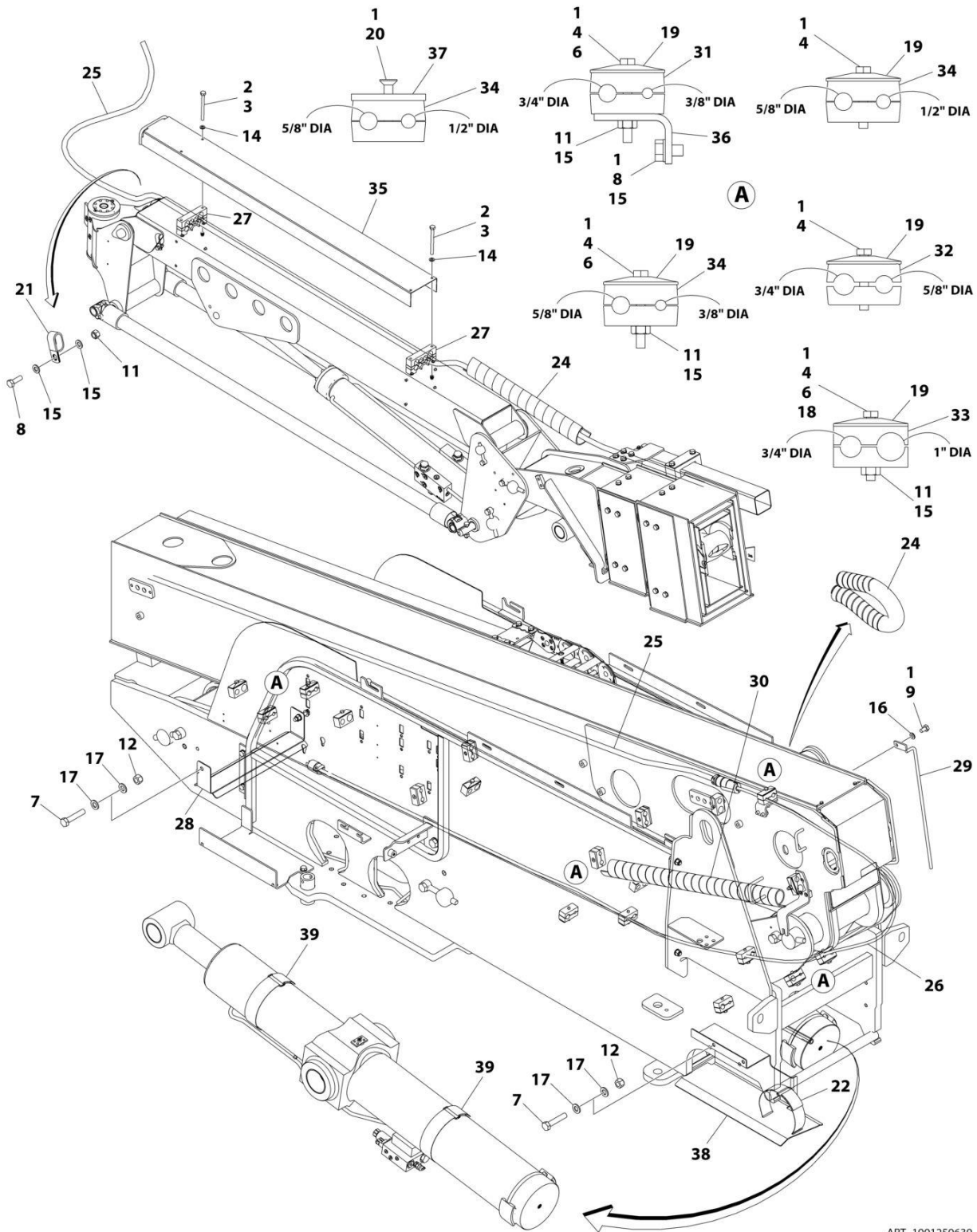
## SECTION 8 - ELECTRICAL

**FIGURE 8-29. AC CABLES AND CLAMPS INSTALLATION - 660SJ HC3 WITHOUT GENERATOR  
(ANSI, CSA AND JAPANESE SPECS)**

ITEM	PART NUMBER	QTY	DESCRIPTION	REV
	1001249498	Ref	AC CABLES & CLAMPS INSTALLATION	E
1	0100011	AR	Compound, Locking	
2	0100035	AR	Compound, Locking	
3	0700624	4	Bolt M6 x 80	
4	0700818	12	Bolt M8 x 50	
5	0700822	2	Bolt M8 x 70	
6	0701220	4	Bolt M12 x 60	
7	0760812	1	Bolt M8 x 25	
8	0761009	3	Bolt M10 x 18	
10	3290805	3	Nut M8	
11	3291205	4	Nut M12	
12	4240018	4	Tie-Strap (Not Shown)	
13	4811700	4	Washer M6	
14	4811900	3	Washer M8	
15	4812000	3	Washer M10	
16	4812100	8	Washer M12	
17	5281918	1	Capscrew M8 x 70	
18	77133137	15	Cover, Clamp	
19	1001102830	4	Screw M8 x 45	
20	1001116792	1	Clamp	
21	1001143645	1	Strap, Cinch	
22	1001146588	4	Tie-Strap (Not Shown)	
23	1001181923	2	Shield, Tube	
24	1001195228	1	AC Ground to Platform Cable (Upper)	
24	1001120204	1	Plug, Male	
25	1001201090	2	Block, Clamp	
26	1001201342	1	Support	
27	1001202936	1	Guide	
28	1001204690	1	Shield, Tube	
29	1001209948	3	Clamp	
30	1001209949	3	Clamp	
31	1001209951	6	Clamp	
32	1001209953	3	Clamp	
33	1001209957	1	Cover	
34	1001228809	4	Clamp	
35	1001229637	1	Bracket	
36	1001249496	4	Plate, Clamp	
37	1001252945	1	Support	
38	1001195525	1	AC Ground to Platform Cable (Lower)	
38	1001120205	1	Receptacle, Female	
39	1001265308	2	Strap, Cinch	

# SECTION 8 - ELECTRICAL

**FIGURE 8-30. AC CABLES AND CLAMPS INSTALLATION - 660SJ HC3 WITHOUT GENERATOR (ANSI EXPORT AUSTRALIAN, CE & CHINA SPECS)**



ART\_1001250639\_E



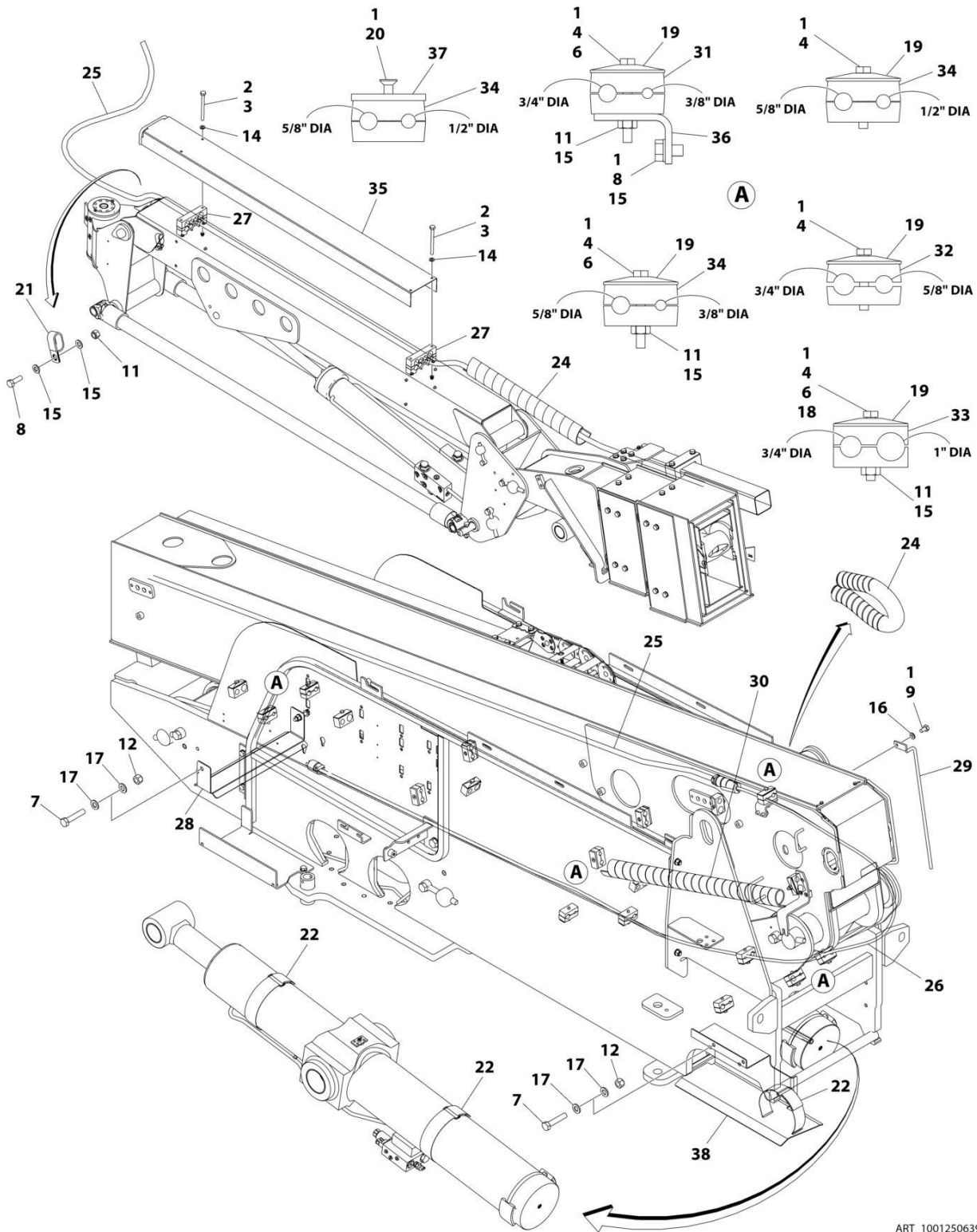
## SECTION 8 - ELECTRICAL

**FIGURE 8-30. AC CABLES AND CLAMPS INSTALLATION - 660SJ HC3 WITHOUT GENERATOR (ANSI EXPORT AUSTRALIAN, CE & CHINA SPECS)**

ITEM	PART NUMBER	QTY	DESCRIPTION	REV
	1001250639	Ref	AC CABLES AND CLAMPS INSTALLATION	E
1	0100011	AR	Compound, Locking	
2	0100035	AR	Compound, Locking	
3	0700624	4	Bolt M6 x 80	
4	0700818	12	Bolt M8 x 50	
5	0700819	3	Bolt M8 x 55 (Not Shown)	
6	0700822	2	Bolt M8 x 70	
7	0701220	4	Bolt M12 x 60	
8	0760812	1	Bolt M8 x 25	
9	0761009	3	Bolt M10 x 18	
11	3290805	6	Nut M8	
12	3291205	4	Nut M12	
13	4240018	4	Tie-Strap (Not Shown)	
14	4811700	4	Washer M6	
15	4811900	9	Washer M8	
16	4812000	3	Washer M10	
17	4812100	8	Washer M12	
18	5281918	1	Capscrew M8 x 70	
19	77133137	15	Cover, Clamp	
20	1001102830	4	Screw M8 x 45	
21	1001116792	1	Clamp	
22	1001143645	3	Strap, Cinch	
23	1001146588	4	Tie-Strap (Not Shown)	
24	1001181923	2	Shield, Tube	
25	1001195226	1	AC Ground to Platform Cable (Upper)	
25	1001214095	1	Plug, Male	
26	1001196368	1	AC Ground to Platform Cable (Lower)	
26	1001214096	1	Receptacle, Female	
27	1001201090	2	Block, Clamp	
28	1001201342	1	Support	
29	1001202936	1	Guide	
30	1001204690	1	Shield, Tube	
31	1001209948	3	Clamp	
32	1001209949	3	Clamp	
33	1001209951	6	Clamp	
34	1001209953	7	Clamp	
35	1001209957	1	Cover	
36	1001229637	1	Bracket	
37	1001249496	4	Plate, Clamp	
38	1001252945	1	Support	
39	1001265308	2	Strap, Cinch	

# SECTION 8 - ELECTRICAL

## FIGURE 8-31. AC CABLES AND CLAMPS INSTALLATION - 660SJ HC3 WITH 2500W GENERATOR (ALL SPECS EXCEPT AUSTRALIAN AND CE SPECS)



ART\_1001250639

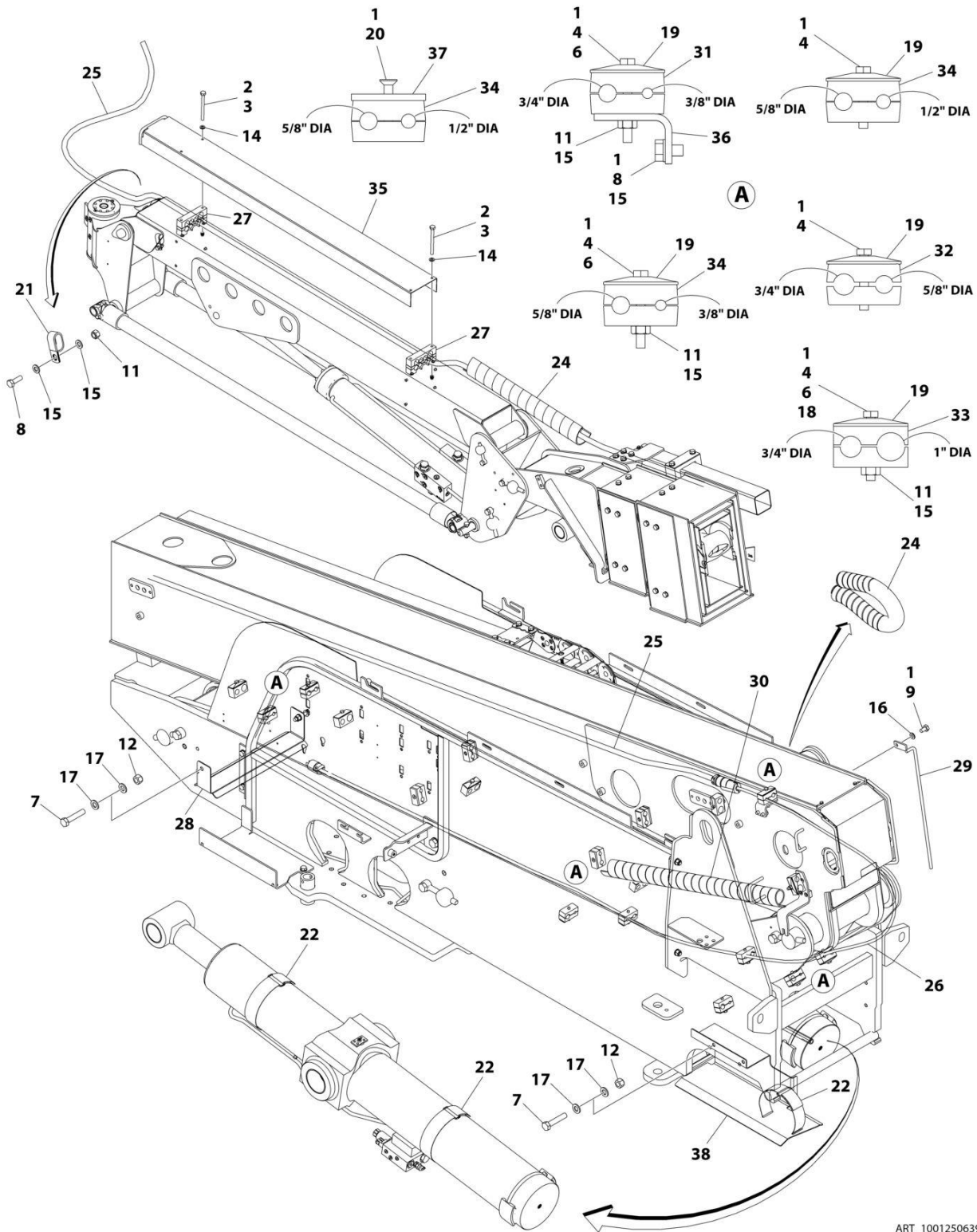
## SECTION 8 - ELECTRICAL

**FIGURE 8-31. AC CABLES AND CLAMPS INSTALLATION - 660SJ HC3 WITH 2500W GENERATOR  
(ALL SPECS EXCEPT AUSTRALIAN AND CE SPECS)**

ITEM	PART NUMBER	QTY	DESCRIPTION	REV
	1001250639	Ref	AC CABLES AND CLAMPS INSTALLATION	D
1	0100011	AR	Compound, Locking	
2	0100035	AR	Compound, Locking	
3	0700624	4	Bolt M6 x 80	
4	0700818	12	Bolt M8 x 50	
5	0700819	3	Bolt M8 x 55 (Not Shown)	
6	0700822	2	Bolt M8 x 70	
7	0701220	4	Bolt M12 x 60	
8	0760812	1	Bolt M8 x 25	
9	0761009	3	Bolt M10 x 18	
11	3290805	6	Nut M8	
12	3291205	4	Nut M12	
13	4240018	4	Tie-Strap (Not Shown)	
14	4811700	4	Washer M6	
15	4811900	9	Washer M8	
16	4812000	3	Washer M10	
17	4812100	8	Washer M12	
18	5281918	1	Capscrew M8 x 70	
19	77133137	15	Cover, Clamp	
20	1001102830	4	Screw M8 x 45	
21	1001116792	1	Clamp	
22	1001143645	3	Strap, Cinch	
23	1001146588	4	Tie-Strap (Not Shown)	
24	1001181923	2	Shield, Tube	
25	1001195226	1	AC Ground to Platform Cable (Upper)	
25	1001214095	1	Plug, Male	
26	1001196368	1	AC Ground to Platform Cable (Lower)	
26	1001214096	1	Receptacle, Female	
27	1001201090	2	Block, Clamp	
28	1001201342	1	Support	
29	1001202936	1	Guide	
30	1001204690	1	Shield, Tube	
31	1001209948	3	Clamp	
32	1001209949	3	Clamp	
33	1001209951	6	Clamp	
34	1001209953	7	Clamp	
35	1001209957	1	Cover	
36	1001229637	1	Bracket	
37	1001249496	4	Plate, Clamp	
38	1001252945	1	Support	

# SECTION 8 - ELECTRICAL

**FIGURE 8-32. AC CABLES AND CLAMPS INSTALLATION - 660SJ HC3 WITH 4000W/50HZ GENERATOR (ANSI EXPORT AUSTRALIAN, CE AND CHINA SPECS)**



ART\_1001250639

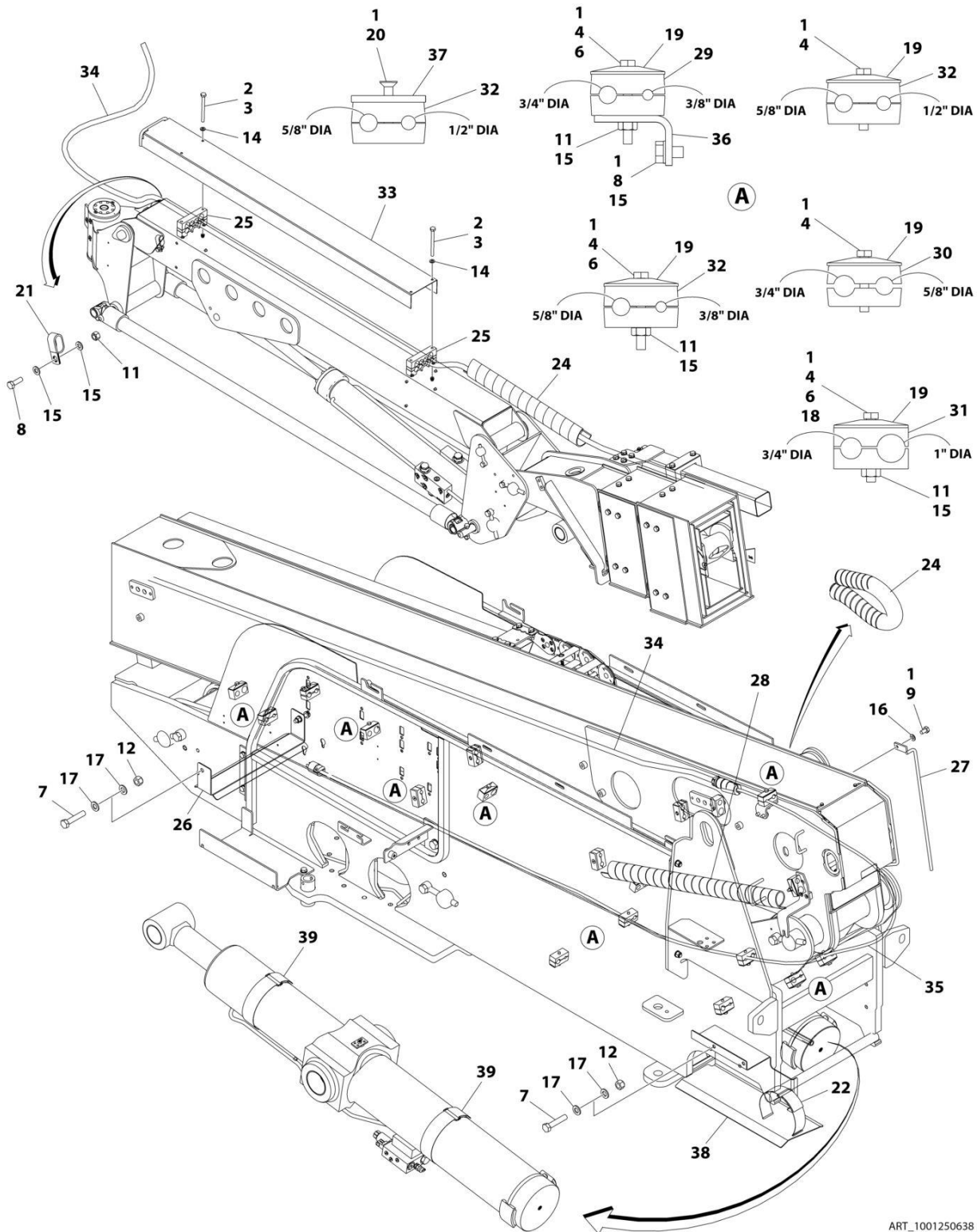
## SECTION 8 - ELECTRICAL

**FIGURE 8-32. AC CABLES AND CLAMPS INSTALLATION - 660SJ HC3 WITH 4000W/50HZ GENERATOR (ANSI EXPORT AUSTRALIAN, CE AND CHINA SPECS)**

ITEM	PART NUMBER	QTY	DESCRIPTION	REV
	1001250639	Ref	AC CABLES AND CLAMPS INSTALLATION	D
1	0100011	AR	Compound, Locking	
2	0100035	AR	Compound, Locking	
3	0700624	4	Bolt M6 x 80	
4	0700818	12	Bolt M8 x 50	
5	0700819	3	Bolt M8 x 55 (Not Shown)	
6	0700822	2	Bolt M8 x 70	
7	0701220	4	Bolt M12 x 60	
8	0760812	1	Bolt M8 x 25	
9	0761009	3	Bolt M10 x 18	
11	3290805	6	Nut M8	
12	3291205	4	Nut M12	
13	4240018	4	Tie-Strap (Not Shown)	
14	4811700	4	Washer M6	
15	4811900	9	Washer M8	
16	4812000	3	Washer M10	
17	4812100	8	Washer M12	
18	5281918	1	Capscrew M8 x 70	
19	77133137	15	Cover, Clamp	
20	1001102830	4	Screw M8 x 45	
21	1001116792	1	Clamp	
22	1001143645	3	Strap, Cinch	
23	1001146588	4	Tie-Strap (Not Shown)	
24	1001181923	2	Shield, Tube	
25	1001195226	1	AC Ground to Platform Cable (Upper)	
25	1001214095	1	Plug, Male	
26	1001196368	1	AC Ground to Platform Cable (Lower)	
26	1001214096	1	Receptacle, Female	
27	1001201090	2	Block, Clamp	
28	1001201342	1	Support	
29	1001202936	1	Guide	
30	1001204690	1	Shield, Tube	
31	1001209948	3	Clamp	
32	1001209949	3	Clamp	
33	1001209951	6	Clamp	
34	1001209953	7	Clamp	
35	1001209957	1	Cover	
36	1001229637	1	Bracket	
37	1001249496	4	Plate, Clamp	
38	1001252945	1	Support	

# SECTION 8 - ELECTRICAL

**FIGURE 8-33. AC CABLES AND CLAMPS INSTALLATION - 660SJ HC3 WITH 4000W/60HZ GENERATOR (ANSI EXPORT AUSTRALIAN, CE AND CHINA SPECS)**



ART\_1001250638

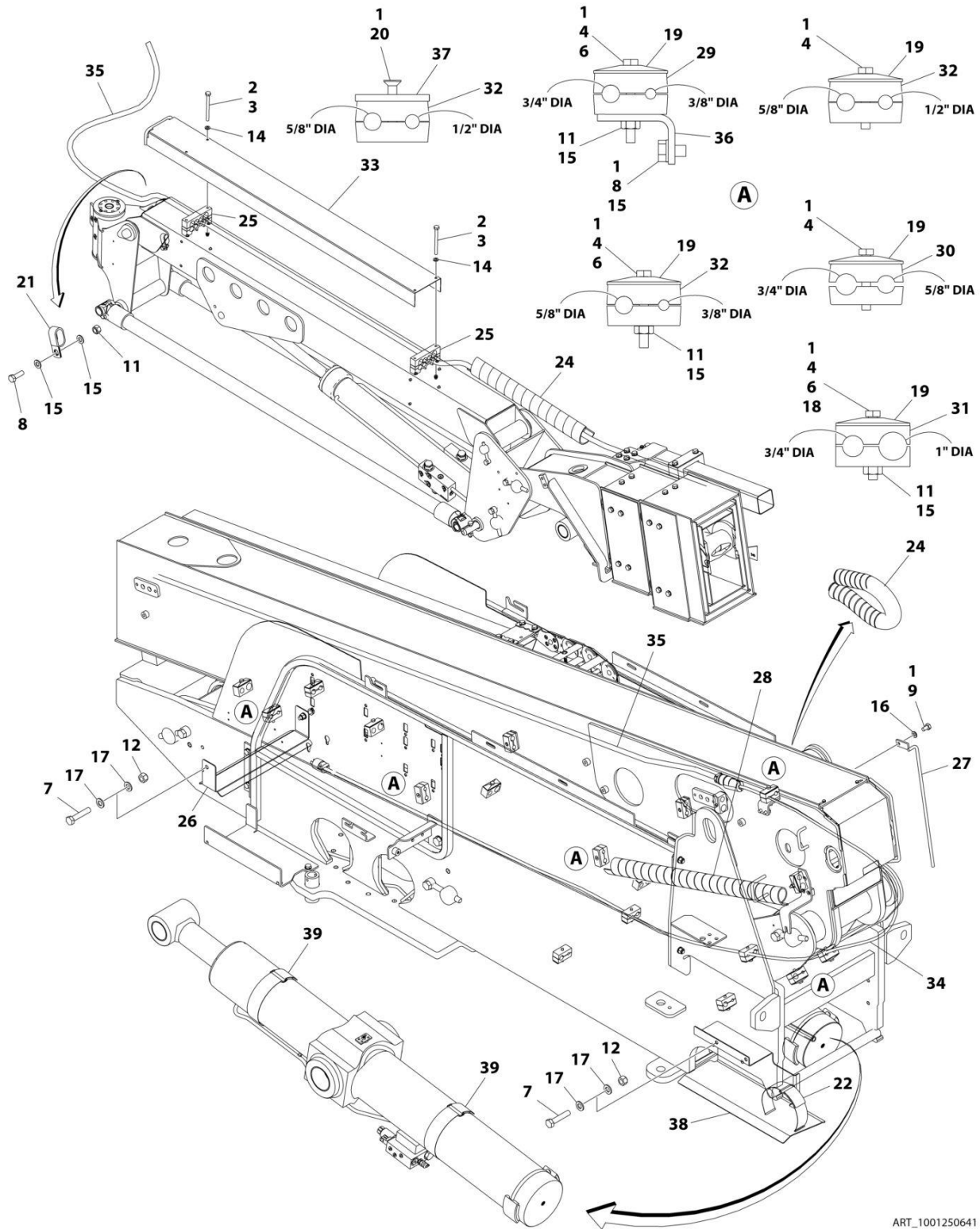
## SECTION 8 - ELECTRICAL

**FIGURE 8-33. AC CABLES AND CLAMPS INSTALLATION - 660SJ HC3 WITH 4000W/60HZ GENERATOR (ANSI EXPORT AUSTRALIAN, CE AND CHINA SPECS)**

ITEM	PART NUMBER	QTY	DESCRIPTION	REV
	1001250638	Ref	AC CABLES AND CLAMPS INSTALLATION	E
1	0100011	AR	Compound, Locking	
2	0100035	AR	Compound, Locking	
3	0700624	4	Bolt M6 x 80	
4	0700818	12	Bolt M8 x 50	
5	0700819	3	Bolt M8 x 55 (Not Shown)	
6	0700822	2	Bolt M8 x 70	
7	0701220	4	Bolt M12 x 60	
8	0760812	1	Bolt M8 x 25	
9	0761009	3	Bolt M10 x 18	
11	3290805	6	Nut M8	
12	3291205	4	Nut M12	
13	4240018	4	Tie-Strap (Not Shown)	
14	4811700	4	Washer M6	
15	4811900	9	Washer M8	
16	4812000	3	Washer M10	
17	4812100	8	Washer M12	
18	5281918	1	Capscrew M8 x 70	
19	77133137	15	Cover, Clamp	
20	1001102830	4	Screw M8 x 45	
21	1001116792	1	Clamp	
22	1001143645	1	Strap, Cinch	
23	1001146588	4	Tie-Strap (Not Shown)	
24	1001181923	2	Shield, Tube	
25	1001201090	2	Block, Clamp	
26	1001201342	1	Support	
27	1001202936	1	Guide	
28	1001204690	1	Shield, Tube	
29	1001209948	3	Clamp	
30	1001209949	3	Clamp	
31	1001209951	6	Clamp	
32	1001209953	7	Clamp	
33	1001209957	1	Cover	
34	1001228187	1	AC Ground to Platform Cable (Upper)	
34	4460959	1	Plug, Male	
34	1671093	1	Cover, Plug	
35	1001228188	1	AC Ground to Platform Cable (Lower)	
35	4460960	1	Receptacle, Female	
35	1671092	1	Cover, Receptacle	
36	1001229637	1	Bracket	
37	1001249496	4	Plate, Clamp	
38	1001252945	1	Support	
39	1001265308	2	Strap, Cinch	

# SECTION 8 - ELECTRICAL

## FIGURE 8-34. AC CABLES AND CLAMPS INSTALLATION - 660SJ HC3 WITH 7500W GENERATOR



ART\_1001250641



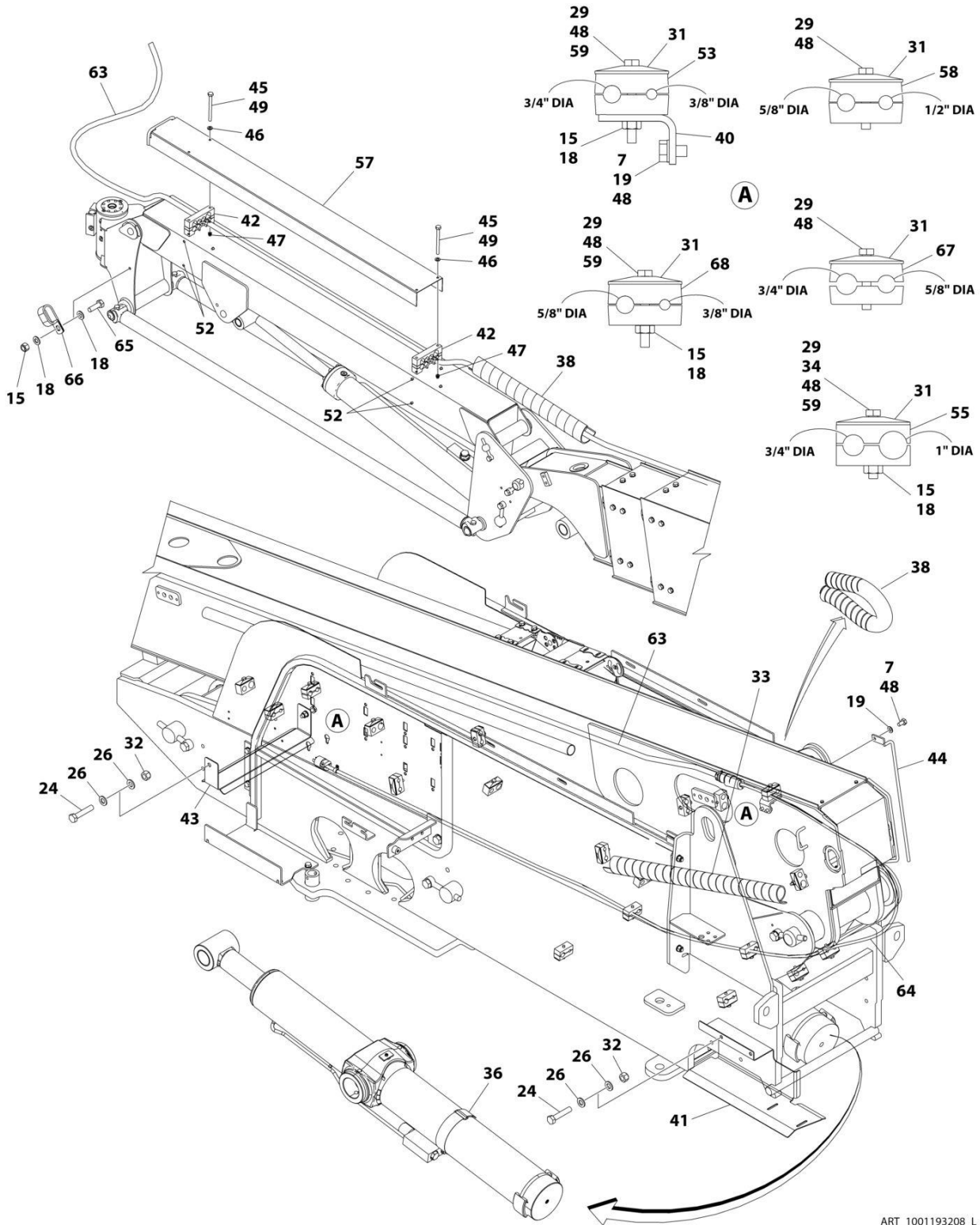
## SECTION 8 - ELECTRICAL

**FIGURE 8-34. AC CABLES AND CLAMPS INSTALLATION - 660SJ HC3 WITH 7500W GENERATOR**

ITEM	PART NUMBER	QTY	DESCRIPTION	REV
	1001250641	Ref	AC CABLES & CLAMPS INSTALLATION	E
1	0100011	AR	Compound, Locking	
2	0100035	AR	Compound, Locking	
3	0700624	4	Bolt M6 x 80	
4	0700818	12	Bolt M8 x 50	
5	0700819	3	Bolt M8 x 55 (Not Shown)	
6	0700822	2	Bolt M8 x 70	
7	0701220	4	Bolt M12 x 60	
8	0760812	1	Bolt M8 x 25	
9	0761009	3	Bolt M10 x 18	
11	3290805	6	Nut M8	
12	3291205	4	Nut M12	
13	4240018	4	Tie-Strap (Not Shown)	
14	4811700	4	Washer M6	
15	4811900	9	Washer M8	
16	4812000	3	Washer M10	
17	4812100	8	Washer M12	
18	5281918	1	Capscrew M8 x 70	
19	77133137	15	Cover, Clamp	
20	1001102830	4	Screw M8 x 45	
21	1001116792	1	Clamp	
22	1001143645	3	Strap, Cinch	
23	1001146588	4	Tie-Strap (Not Shown)	
24	1001181923	2	Shield, Tube	
25	1001201090	2	Block, Clamp	
26	1001201342	1	Support	
27	1001202936	1	Guide	
28	1001204690	1	Shield, Tube	
29	1001209948	3	Clamp	
30	1001209949	3	Clamp	
31	1001209951	3	Clamp	
32	1001209953	7	Clamp	
33	1001209957	1	Cover	
34	1001226304	1	AC Ground to Platform Cable (Upper)	
34	1001218623	1	Receptacle, Female	
35	1001227075	1	AC Ground to Platform Cable (Lower)	
35	1001218622	1	Plug, Male	
36	1001229637	1	Bracket	
37	1001249496	4	Plate, Clamp	
38	1001252945	1	Support	
39	1001265308	2	Strap, Cinch	

# SECTION 8 - ELECTRICAL

## FIGURE 8-35. AC CABLES AND CLAMPS INSTALLATION - 660SJ HC3 WITHOUT GENERATOR (ANSI, CSA AND JAPANESE SPECS)



ART\_1001193208\_L

## SECTION 8 - ELECTRICAL

**FIGURE 8-35. AC CABLES AND CLAMPS INSTALLATION - 660SJ HC3 WITHOUT GENERATOR  
(ANSI, CSA AND JAPANESE SPECS)**

ITEM	PART NUMBER	QTY	DESCRIPTION	REV
	1001193208	Ref	AC CABLES AND CLAMPS INSTALLATION	L
7	0761009	3	Bolt M10 x 18	
15	3290805	3	Nut M8	
18	4811900	3	Washer M8	
19	4812000	3	Washer M10	
20	1001146588	4	Tie-Strap (Not Shown)	
24	0701220	4	Bolt M12 x 60	
26	4812100	8	Washer M12	
29	0700818	16	Bolt M8 x 50	
31	77133137	19	Cover, Clamp	
32	3291205	4	Nut M12	
33	1001204690	1	Shield, Tube	
34	5281918	1	Capscrew M8 x 70	
36	1001143645	2	Strap, Cinch	
38	1001181923	AR	Shield, Tube	
40	1001229637	1	Bracket	
41	1001252945	1	Support	
42	1001201090	2	Block, Clamp	
43	1001201342	1	Support	
44	1001202936	1	Guide	
45	0641424	4	Bolt 1/4 x 3	
46	4811700	4	Washer M6	
47	2080044	4	Rivet - Nut 1/4	
48	0100011	AR	Compound, Locking	
49	0100035	AR	Compound, Locking	
51	4240018	4	Tie-Strap (Not Shown)	
52	3520034	8	Plug	
53	1001209948	3	Clamp	
55	1001209951	6	Clamp	
57	1001209957	1	Cover	
58	1001209953	3	Clamp	
59	0700822	2	Bolt M8 x 70	
63	1001195228	1	AC Ground to Platform Cable (Upper)	
63	1001120204	1	Plug, Male	
64	1001195525	1	AC Ground to Platform Cable (Lower)	
64	1001120205	1	Receptacle, Female	
65	0760812	1	Bolt M8 x 25	
66	1001116792	1	Clamp	
67	1001209949	3	Clamp	
68	1001228809	4	Clamp	



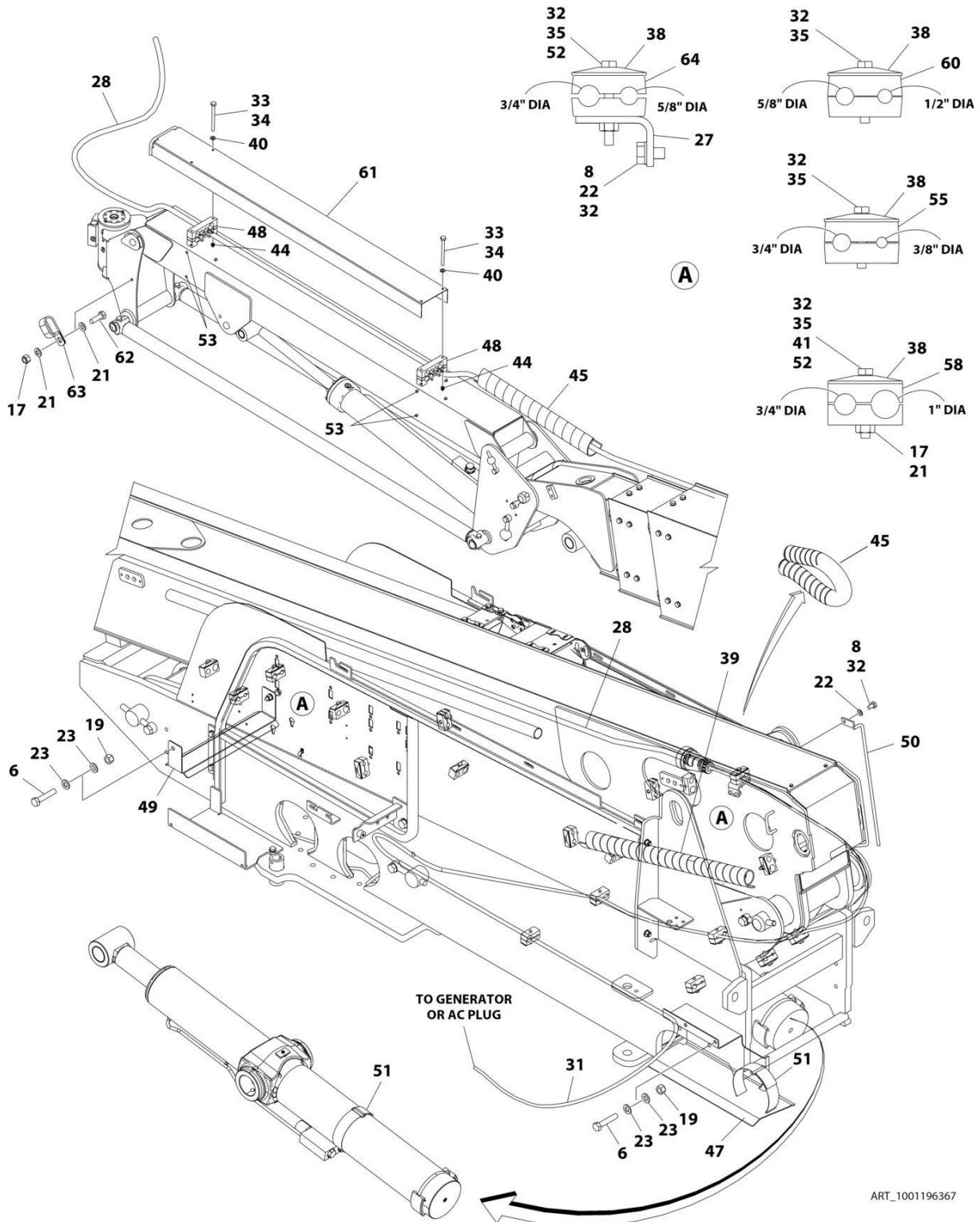
## SECTION 8 - ELECTRICAL

**FIGURE 8-36. AC CABLES AND CLAMPS INSTALLATION - 660SJ HX3 WITHOUT GENERATOR (ANSI EXPORT, AUSTRALIAN, CE AND CHINA SPECS)**

ITEM	PART NUMBER	QTY	DESCRIPTION	REV
	1001196367	Ref	AC CABLES AND CLAMPS INSTALLATION	J
6	0701220	4	Bolt M12 x 60	
8	0761009	3	Bolt M10 x 18	
17	3290805	4	Nut M8	
19	3291205	4	Nut M12	
21	4811900	5	Washer M8	
22	4812000	3	Washer M10	
23	4812100	8	Washer M12	
24	1001146588	4	Tie-Strap (Not Shown)	
27	1001229637	1	Bracket	
28	1001195226	1	AC Ground to Platform Cable (Upper)	
28	1001214095	1	Plug, Male	
31	1001196368	1	AC Ground to Platform Cable (Lower)	
31	1001214096	1	Receptacle, Female	
32	0100011	AR	Compound, Locking	
33	0100035	AR	Compound, Locking	
34	0641424	4	Bolt 1/4 x 3	
35	0700818	16	Bolt M8 x 50	
38	77133137	19	Cover, Clamp	
39	1001204690	1	Shield, Tube	
40	4811700	4	Washer M6	
41	5281918	1	Capscrew M8 x 70	
44	2080044	4	Rivet - Nut 1/4	
45	1001181923	AR	Shield, Tube	
47	1001252945	1	Support	
48	1001201090	2	Block, Clamp	
49	1001201342	1	Support	
50	1001202936	1	Guide	
51	1001143645	2	Strap, Cinch	
52	0700822	2	Bolt M8 x 70	
53	3520034	8	Plug	
54	4240018	4	Tie-Strap (Not Shown)	
55	1001209948	3	Clamp	
58	1001209951	6	Clamp	
60	1001209953	7	Clamp	
61	1001209957	1	Cover	
62	0760812	1	Bolt M8 x 25	
63	1001116792	1	Clamp	
64	1001209949	3	Clamp	

# SECTION 8 - ELECTRICAL

**FIGURE 8-37. AC CABLES AND CLAMPS INSTALLATION - 660SJ HC3 WITH 2500W GENERATOR  
(ALL SPECS EXCEPT CE SPECS)**



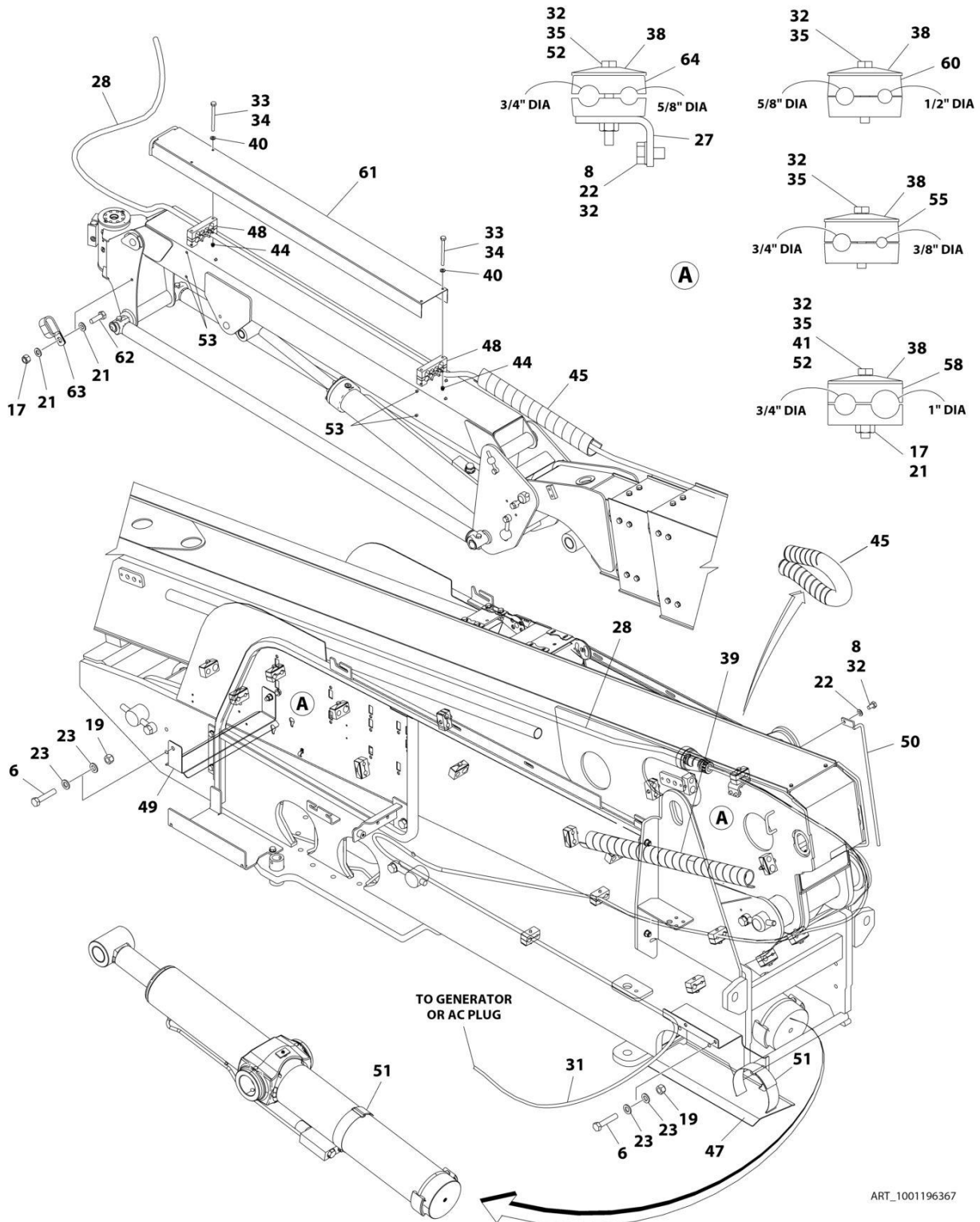
## SECTION 8 - ELECTRICAL

**FIGURE 8-37. AC CABLES AND CLAMPS INSTALLATION - 660SJ HC3 WITH 2500W GENERATOR  
(ALL SPECS EXCEPT CE SPECS)**

ITEM	PART NUMBER	QTY	DESCRIPTION	REV
	1001196367	Ref	AC CABLES AND CLAMPS INSTALLATION	I
6	0701220	4	Bolt M12 x 60	
8	0761009	3	Bolt M10 x 18	
17	3290805	4	Nut M8	
19	3291205	4	Nut M12	
21	4811900	5	Washer M8	
22	4812000	3	Washer M10	
23	4812100	8	Washer M12	
24	1001146588	4	Tie-Strap (Not Shown)	
27	1001229637	1	Bracket	
28	1001195226	1	AC Ground to Platform Cable (Upper)	
28	1001214095	1	Plug, Male	
31	1001196368	1	AC Ground to Platform Cable (Lower)	
31	1001214096	1	Receptacle, Female	
32	0100011	AR	Compound, Locking	
33	0100035	AR	Compound, Locking	
34	0641424	4	Bolt 1/4 x 3	
35	0700818	16	Bolt M8 x 50	
38	77133137	19	Cover, Clamp	
39	1001204690	1	Shield, Tube	
40	4811700	4	Washer M6	
41	5281918	1	Capscrew M8 x 70	
44	2080044	4	Rivet - Nut 1/4	
45	1001181923	AR	Shield, Tube	
47	1001199881	1	Support	
48	1001201090	2	Block, Clamp	
49	1001201342	1	Support	
50	1001202936	1	Guide	
51	1001143645	2	Strap, Cinch	
52	0700822	2	Bolt M8 x 70	
53	3520034	8	Plug	
54	4240018	4	Tie-Strap (Not Shown)	
55	1001209948	3	Clamp	
58	1001209951	6	Clamp	
60	1001209953	7	Clamp	
61	1001209957	1	Cover	
62	0760812	1	Bolt M8 x 25	
63	1001116792	1	Clamp	
64	1001209949	3	Clamp	

# SECTION 8 - ELECTRICAL

## FIGURE 8-38. AC CABLES AND CLAMPS INSTALLATION - 660SJ HC3 WITH 4000W/50HZ GENERATOR (ANSI EXPORT, AUSTRALIAN AND CE SPECS)





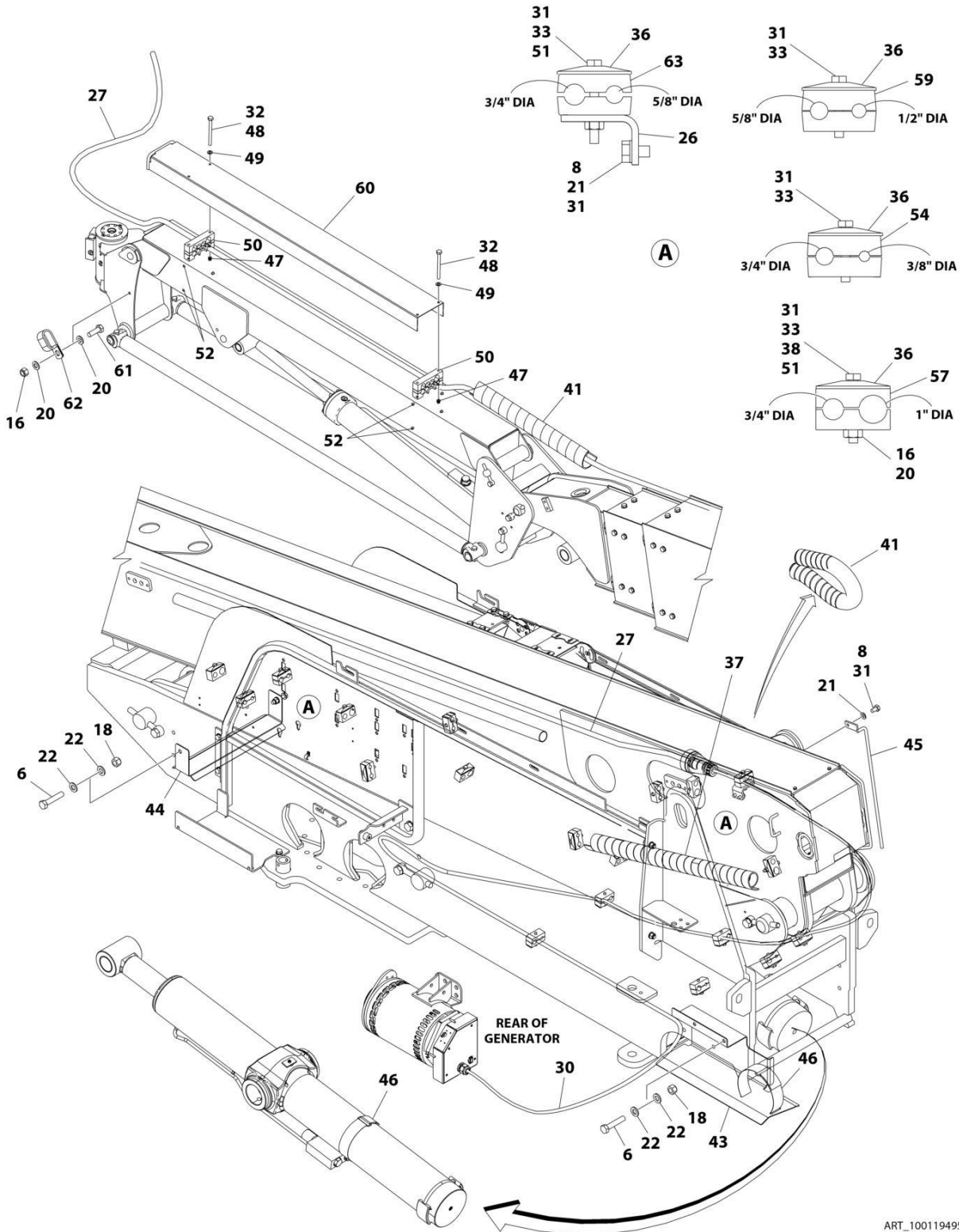
## SECTION 8 - ELECTRICAL

**FIGURE 8-38. AC CABLES AND CLAMPS INSTALLATION - 660SJ HC3 WITH 4000W/50HZ GENERATOR (ANSI EXPORT, AUSTRALIAN AND CE SPECS)**

ITEM	PART NUMBER	QTY	DESCRIPTION	REV
	1001196367	Ref	AC CABLES AND CLAMPS INSTALLATION	I
6	0701220	4	Bolt M12 x 60	
8	0761009	3	Bolt M10 x 18	
17	3290805	4	Nut M8	
19	3291205	4	Nut M12	
21	4811900	5	Washer M8	
22	4812000	3	Washer M10	
23	4812100	8	Washer M12	
24	1001146588	4	Tie-Strap (Not Shown)	
27	1001229637	1	Bracket	
28	1001195226	1	AC Ground to Platform Cable (Upper)	
28	1001214095	1	Plug, Male	
31	1001196368	1	AC Ground to Platform Cable (Lower)	
31	1001214096	1	Receptacle, Female	
32	0100011	AR	Compound, Locking	
33	0100035	AR	Compound, Locking	
34	0641424	4	Bolt 1/4 x 3	
35	0700818	16	Bolt M8 x 50	
38	77133137	19	Cover, Clamp	
39	1001204690	1	Shield, Tube	
40	4811700	4	Washer M6	
41	5281918	1	Capscrew M8 x 70	
44	2080044	4	Rivet - Nut 1/4	
45	1001181923	AR	Shield, Tube	
47	1001199881	1	Support	
48	1001201090	2	Block, Clamp	
49	1001201342	1	Support	
50	1001202936	1	Guide	
51	1001143645	2	Strap, Cinch	
52	0700822	2	Bolt M8 x 70	
53	3520034	8	Plug	
54	4240018	4	Tie-Strap (Not Shown)	
55	1001209948	3	Clamp	
58	1001209951	6	Clamp	
60	1001209953	7	Clamp	
61	1001209957	1	Cover	
62	0760812	1	Bolt M8 x 25	
63	1001116792	1	Clamp	
64	1001209949	3	Clamp	

# SECTION 8 - ELECTRICAL

**FIGURE 8-39. AC CABLES AND CLAMPS INSTALLATION - 660SJ HC3 WITH 4000W/60HZ GENERATOR (ALL SPECS EXCEPT AUSTRALIAN, CE AND CHINA SPECS)**



ART\_1001194957\_J

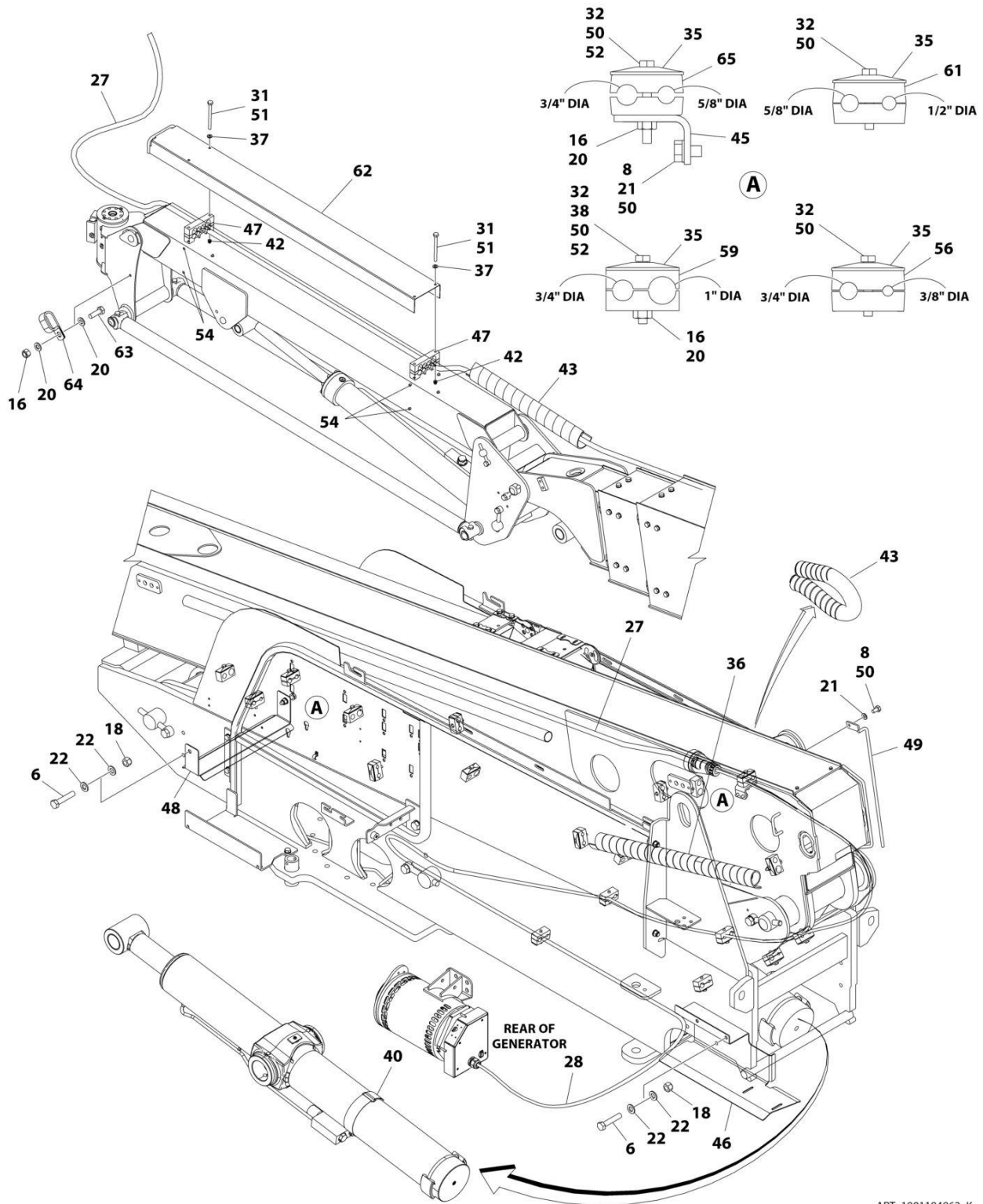
## SECTION 8 - ELECTRICAL

**FIGURE 8-39. AC CABLES AND CLAMPS INSTALLATION - 660SJ HC3 WITH 4000W/60HZ GENERATOR (ALL SPECS EXCEPT AUSTRALIAN, CE AND CHINA SPECS)**

ITEM	PART NUMBER	QTY	DESCRIPTION	REV
	1001194957	Ref	AC CABLES AND CLAMPS INSTALLATION	J
6	0701220	4	Bolt M12 x 60	
8	0761009	3	Bolt M10 x 18	
16	3290805	4	Nut M8	
18	3291205	4	Nut M12	
20	4811900	5	Washer M8	
21	4812000	3	Washer M10	
22	4812100	8	Washer M12	
23	1001146588	4	Tie-Strap (Not Shown)	
26	1001229637	1	Bracket	
27	1001228187	1	AC Ground to Platform Cable (Upper)	
27	4460959	1	Plug, Male	
27	1671093	1	Cover, Plug	
30	1001228188	1	AC Ground to Platform Cable (Lower)	
30	4460960	1	Receptacle, Female	
30	1671092	1	Cover, Receptacle	
31	0100011	AR	Compound, Locking	
32	0100035	AR	Compound, Locking	
33	0700818	16	Bolt M8 x 50	
36	77133137	19	Cover, Clamp	
37	1001204690	1	Shield, Tube	
38	5281918	1	Capscrew M8 x 70	
41	1001181923	AR	Shield, Tube	
43	1001252945	1	Support	
44	1001201342	1	Support	
45	1001202936	1	Guide	
46	1001143645	2	Strap, Cinch	
47	2080044	4	Rivet - Nut 1/4	
48	0641424	4	Bolt 1/4 x 3	
49	4811700	4	Washer M6	
50	1001201090	2	Block, Clamp	
51	0700822	2	Bolt M8 x 70	
52	3520034	8	Plug	
53	4240018	4	Tie-Strap (Not Shown)	
54	1001209948	3	Clamp	
57	1001209951	6	Clamp	
59	1001209953	7	Clamp	
60	1001209957	1	Cover	
61	0760812	1	Bolt M8 x 25	
62	1001116792	1	Clamp	
63	1001209949	3	Clamp	

# SECTION 8 - ELECTRICAL

FIGURE 8-40. AC CABLES AND CLAMPS INSTALLATION - 660SJ HC3 WITH 7500W SKYPOWER GENERATOR



ART\_1001194962\_K

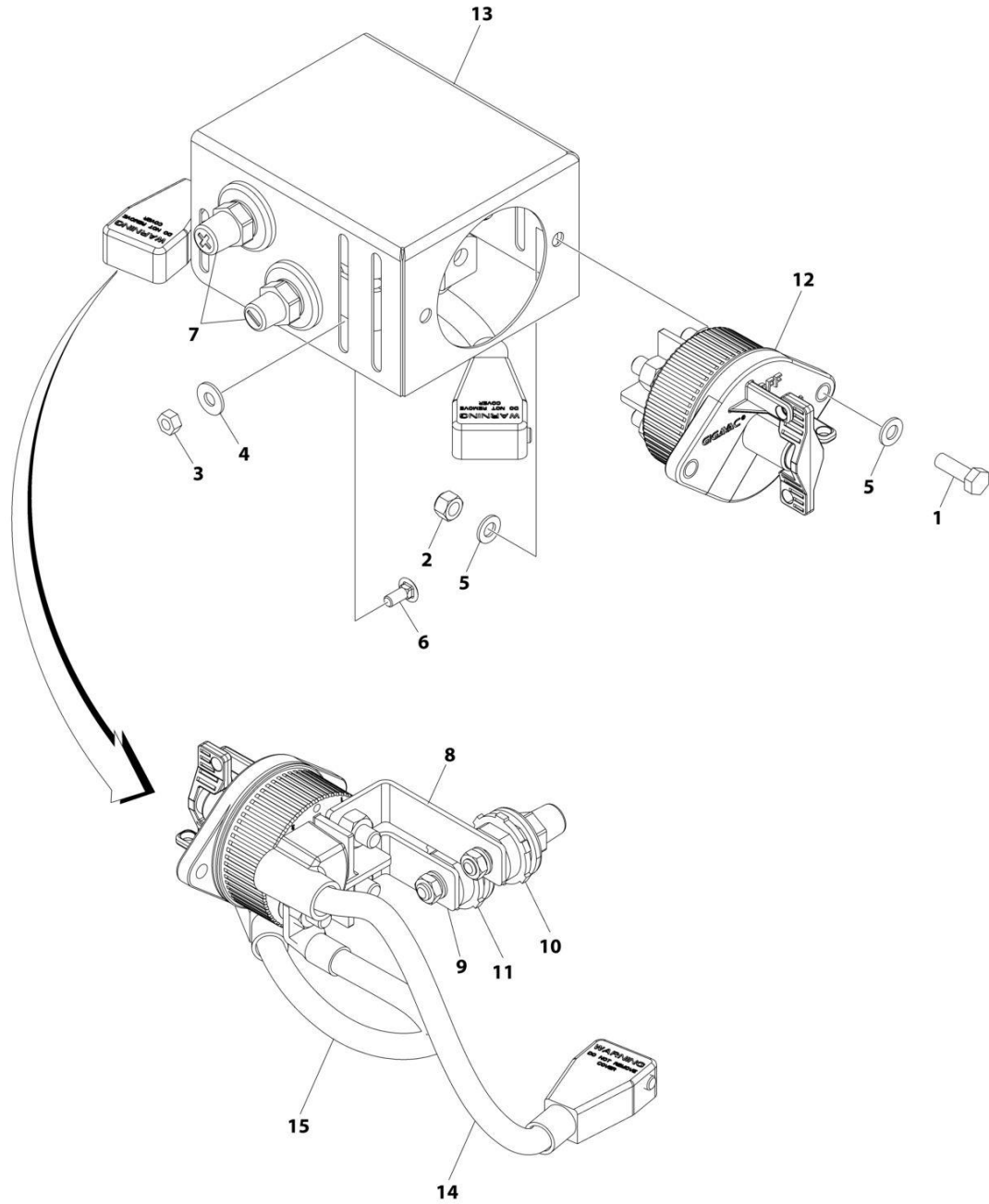
## SECTION 8 - ELECTRICAL

**FIGURE 8-40. AC CABLES AND CLAMPS INSTALLATION - 660SJ HC3 WITH 7500W SKYPOWER GENERATOR**

ITEM	PART NUMBER	QTY	DESCRIPTION	REV
	1001194962	Ref	AC CABLES AND CLAMPS INSTALLATION	K
6	0701220	4	Bolt M12 x 60	
8	0761009	3	Bolt M10 x 18	
16	3290805	4	Nut M8	
18	3291205	4	Nut M12	
20	4811900	5	Washer M8	
21	4812000	3	Washer M10	
22	4812100	8	Washer M12	
23	1001146588	4	Tie-Strap (Not Shown)	
27	1001227075	1	AC Ground to Platform Cable (Upper)	
27	4460959	1	Plug, Male	
27	1671093	1	Cover, Plug	
28	1001226304	1	AC Ground to Platform Cable (Lower)	
28	4460960	1	Receptacle, Female	
28	1671092	1	Cover, Receptacle	
31	0641424	4	Bolt 1/4 x 3	
32	0700818	16	Bolt M8 x 50	
35	77133137	19	Cover, Clamp	
36	1001204690	1	Shield, Tube	
37	4811700	4	Washer M6	
38	5281918	1	Capscrew M8 x 70	
40	1001143645	2	Strap, Cinch	
42	2080044	4	Rivet - Nut 1/4	
43	1001181923	AR	Shield, Tube	
45	1001229637	1	Bracket	
46	1001252945	1	Support	
47	1001201090	2	Block, Clamp	
48	1001201342	1	Support	
49	1001202936	1	Guide	
50	0100011	AR	Compound, Locking	
51	0100035	AR	Compound, Locking	
52	0700822	2	Bolt M8 x 70	
54	3520034	8	Plug	
55	4240018	4	Tie-Strap (Not Shown)	
56	1001209948	3	Clamp	
59	1001209951	6	Clamp	
61	1001209953	3	Clamp	
62	1001209957	1	Cover	
63	0760812	1	Bolt M8 x 25	
64	1001116792	1	Clamp	
65	1001209949	7	Clamp	
66	0700819	1	Bolt M8 x 55 (Not Shown)	

# SECTION 8 - ELECTRICAL

## FIGURE 8-41. BATTERY DISCONNECT SWITCH INSTALLATION



ART\_1001236304

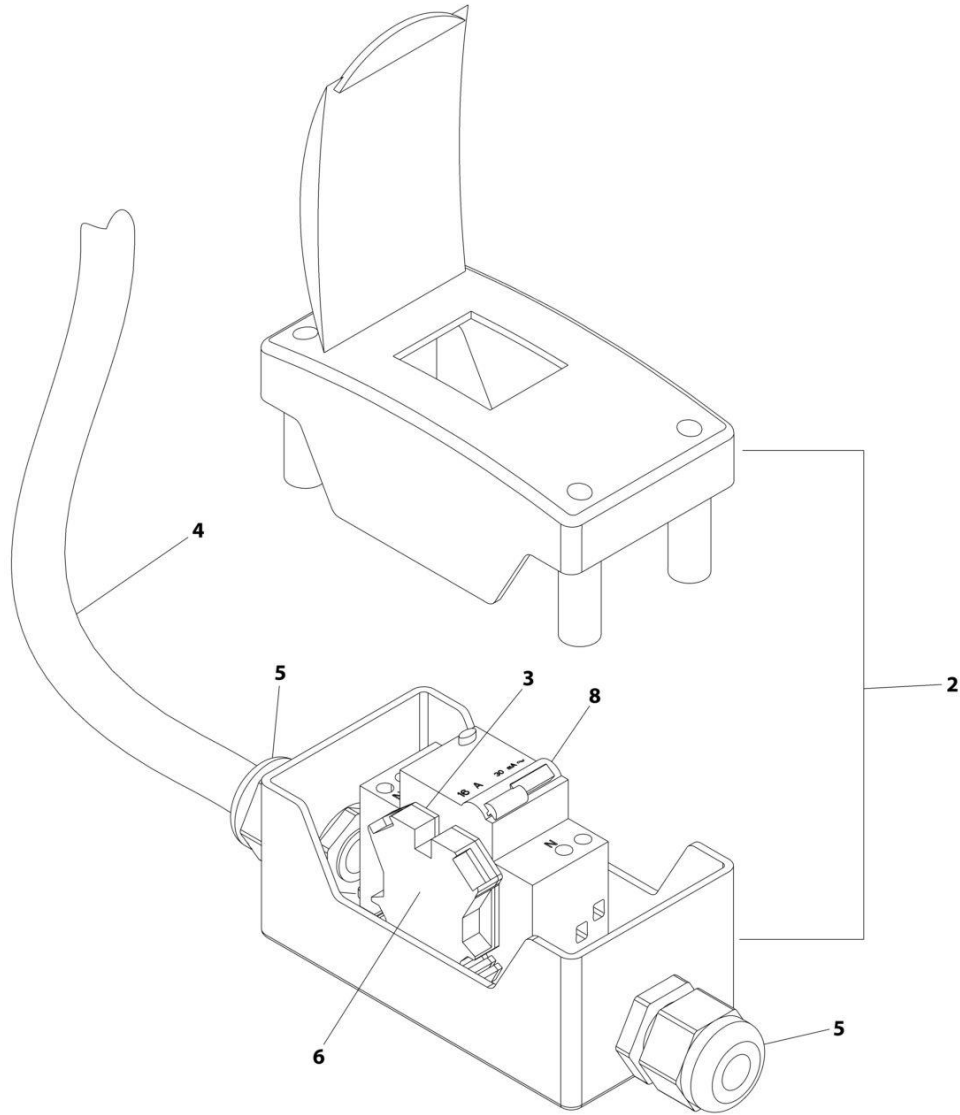
## SECTION 8 - ELECTRICAL

**FIGURE 8-41. BATTERY DISCONNECT SWITCH INSTALLATION**

ITEM	PART NUMBER	QTY	DESCRIPTION	REV
	1001236304	Ref	BATTERY DISCONNECT SWITCH INSTALLATION	A
1	0760812	2	Bolt M8 x 25	
2	3290805	2	Nut M8	
3	3311405	3	Nut 1/4	
4	4751400	3	Washer 1/4	
5	4811900	4	Washer M8	
6	88411013	3	Bolt 1/4 x 3/4	
7	1001206476	1	Connectors, Post	
8	1001209432	1	Bussbar	
9	1001209474	1	Bussbar	
10	1001214570	1	Connector (Red)	
11	1001214571	1	Connector (Black)	
12	1001225346	1	Switch, Battery	
13	1001226531	1	Mount	
14	1001236504	1	Cable, Battery (+)	
15	1001236505	1	Cable, Battery (-)	

# SECTION 8 - ELECTRICAL

**FIGURE 8-42. BREAKER BOX KIT - SINGLE DOUBLE POLE BREAKER (WITHOUT 4000W/50HZ GENERATOR)**



ART\_2902549\_F



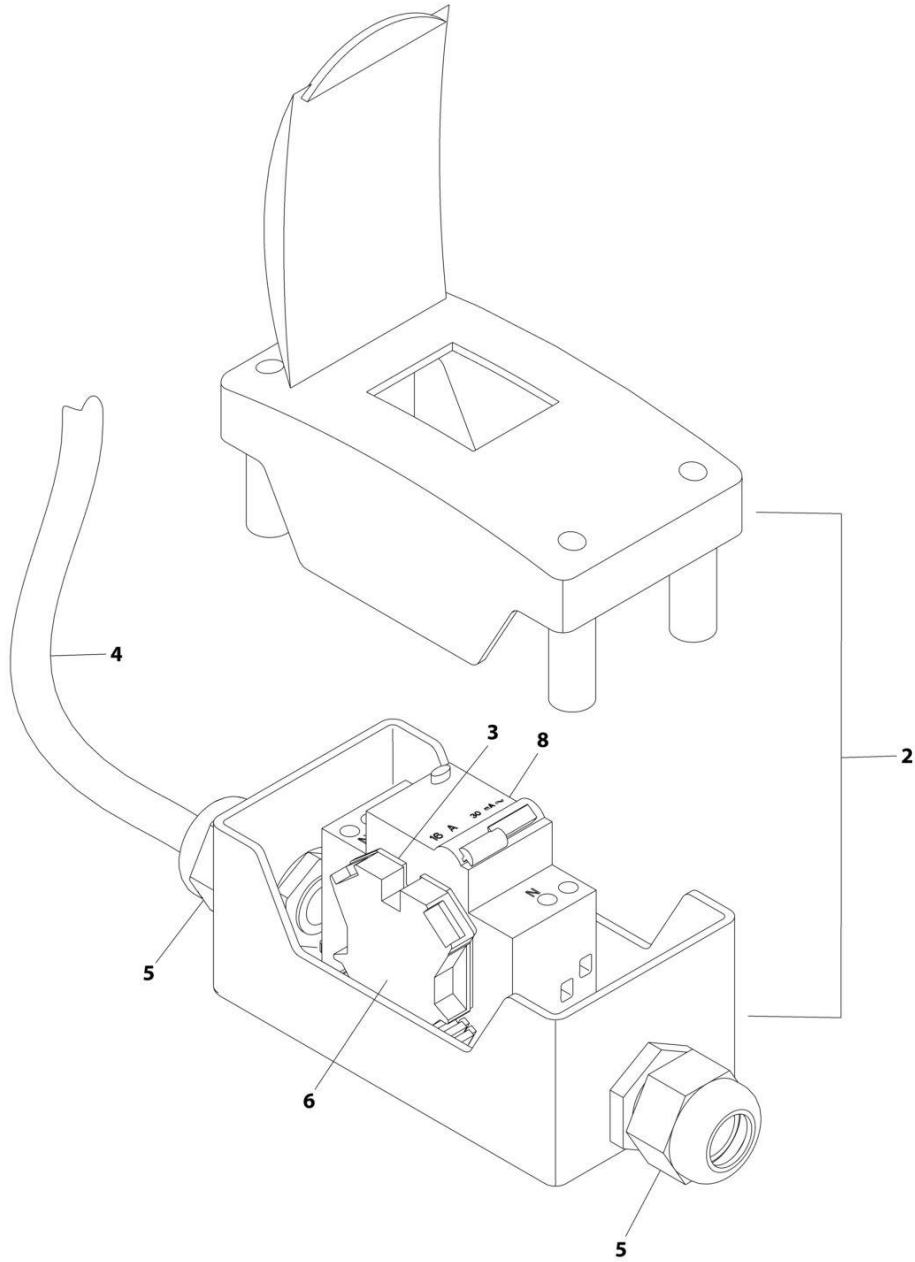
## SECTION 8 - ELECTRICAL

**FIGURE 8-42. BREAKER BOX KIT - SINGLE DOUBLE POLE BREAKER (WITHOUT 4000W/50HZ GENERATOR)**

ITEM	PART NUMBER	QTY	DESCRIPTION	REV
	2902549	Ref	BREAKER BOX KIT	F
2	0861880	1	Box	
3	4460956	1	Barrier, Terminal	
4	1060908	6 ft/1.8m	Cable, 12/3	
5	1001097150	2	Connector, Strain Relief	
6	4460957	1	Block, Terminal	
8	1001181045	1	Breaker, 16Amp	

# SECTION 8 - ELECTRICAL

**FIGURE 8-43. BREAKER BOX KIT - SINGLE DOUBLE POLE BREAKER (WITH 4000W/50HZ GENERATOR)**



ART\_1001096070

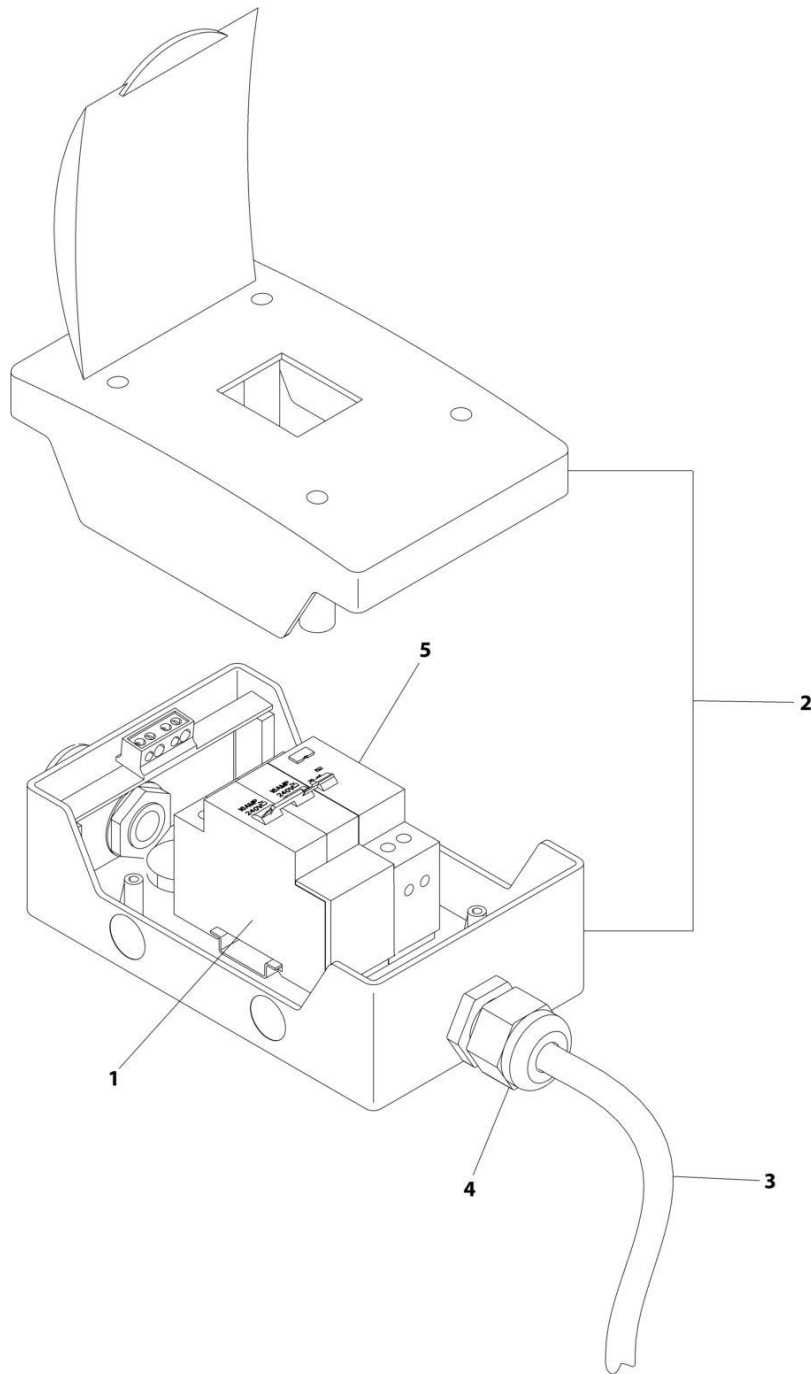
## SECTION 8 - ELECTRICAL

**FIGURE 8-43. BREAKER BOX KIT - SINGLE DOUBLE POLE BREAKER (WITH 4000W/50HZ GENERATOR)**

ITEM	PART NUMBER	QTY	DESCRIPTION	REV
	1001096070	Ref	BREAKER BOX KIT	E
2	0861880	1	Box	
3	4460956	1	Barrier, Terminal Block End	
4	1060908	12 ft/ 3.6m	Cable, 12/3	
5	1001097150	2	Connector, Strain Relief	
6	4460957	1	Block, Terminal	
8	1001181045	1	Breaker, 16Amp	

# SECTION 8 - ELECTRICAL

## FIGURE 8-44. BREAKER BOX KIT - 3 BREAKERS



ART\_1001152486\_C

## SECTION 8 - ELECTRICAL

### FIGURE 8-44. BREAKER BOX KIT - 3 BREAKERS

ITEM	PART NUMBER	QTY	DESCRIPTION	REV
	1001152486	Ref	BREAKER BOX KIT	C
1	1001189172	1	Breaker, 16 Amp (Double)	
2	1001152483	1	Box	
3	1060908	12 ft/ 3.66m	Cable, 12/3	
4	1001097150	1	Connector, Strain Relief	
5	1001189171	1	Breaker, 30mA	

# SECTION 8 - ELECTRICAL

## FIGURE 8-45. BOOM ANGLE SENSOR HARNESS



ART\_1001189005

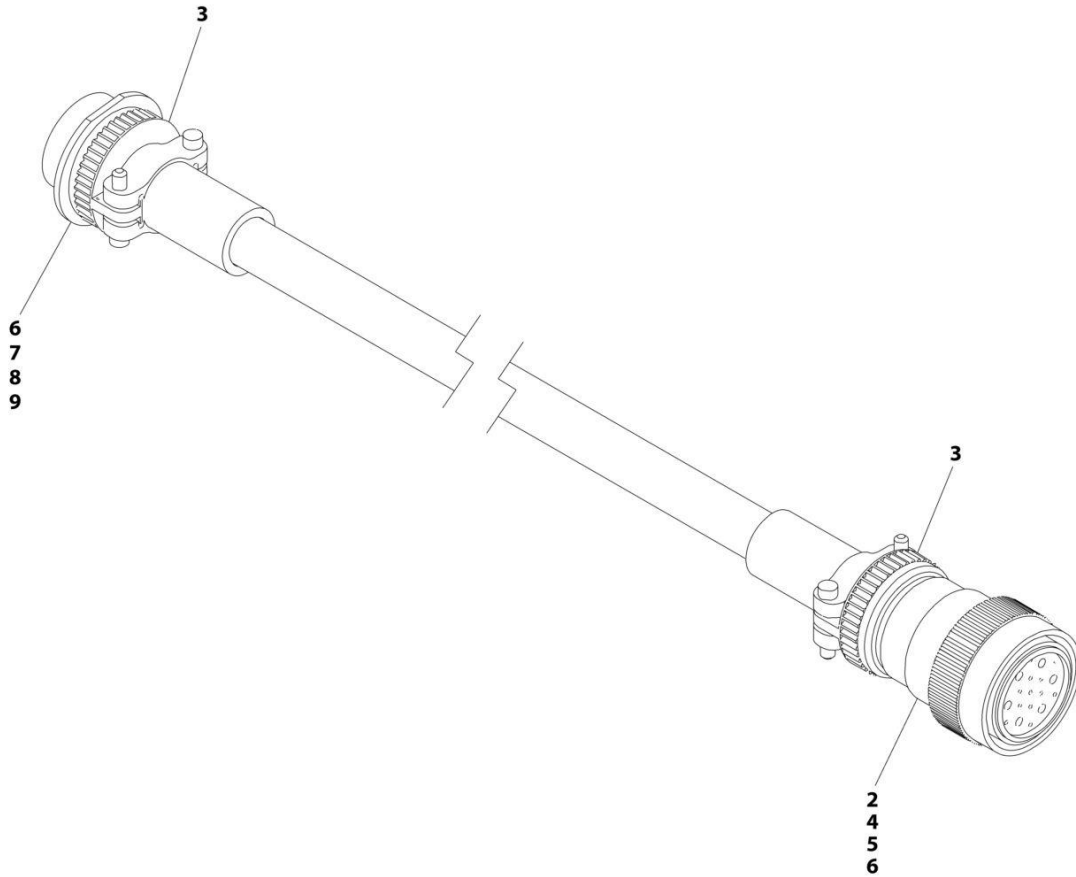
## SECTION 8 - ELECTRICAL

### FIGURE 8-45. BOOM ANGLE SENSOR HARNESS

ITEM	PART NUMBER	QTY	DESCRIPTION	REV
	1001189005	Ref	BOOM ANGLE SENSOR HARNESS	D
1	1001230931	1	Plug, Male - 6 Position	
1	1001116748	6	Terminal	
2	4460932	1	Receptacle, Female - 4 Position	
2	4460464	4	Pin, Male	

# SECTION 8 - ELECTRICAL

## FIGURE 8-46. BOOM CABLE - LOWER



ART\_1001206082



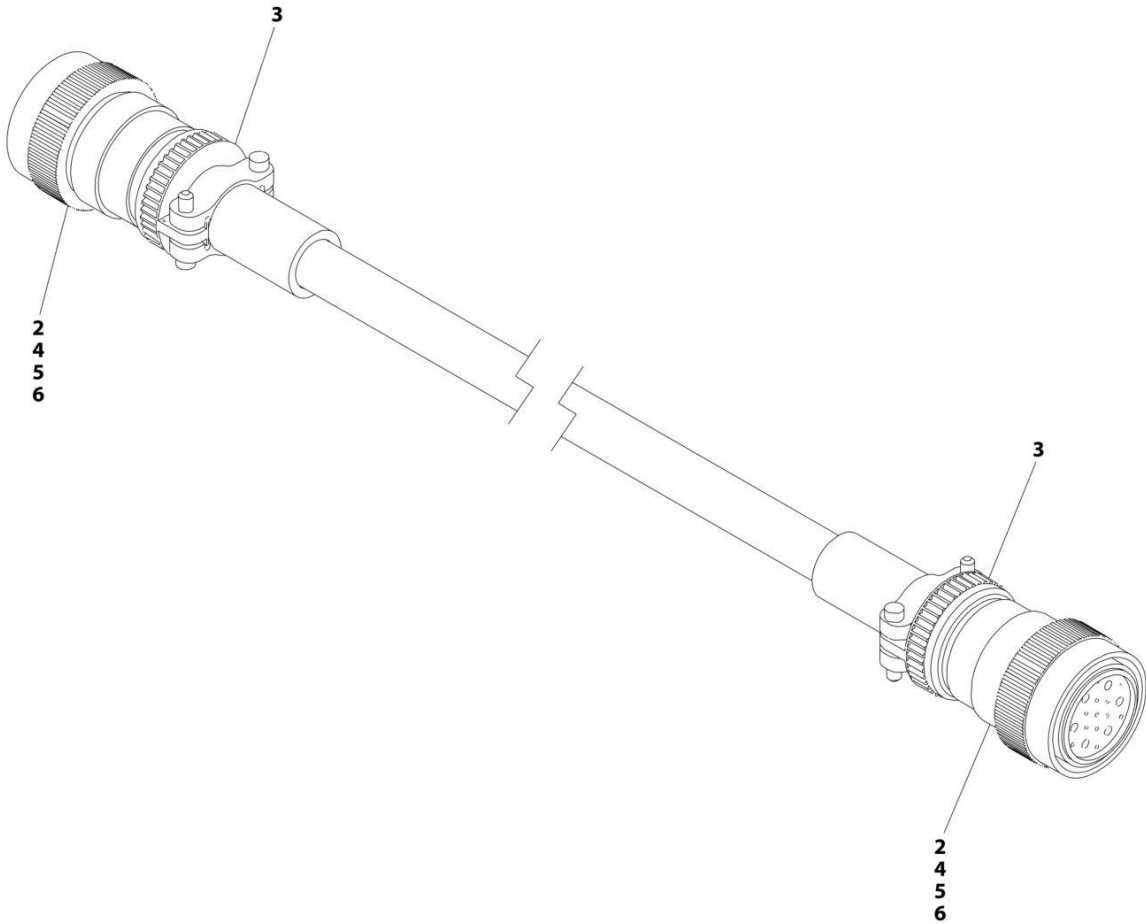
## SECTION 8 - ELECTRICAL

### FIGURE 8-46. BOOM CABLE - LOWER

ITEM	PART NUMBER	QTY	DESCRIPTION	REV
	1001206082	Ref	BOOM CABLE	C
2	4460865	1	Connector - 19 Position	
3	4460473	2	Clamp	
4	4460465	10	Socket, Female	
5	4460509	4	Socket, Female	
6	4460466	10	Plug, Socket	
7	4460866	1	Connector - 19 Position	
8	4460508	4	Pin, Male	
9	4460464	10	Pin, Male	

# SECTION 8 - ELECTRICAL

## FIGURE 8-47. BOOM CABLE - UPPER (600S HC3)



ART\_1001188533

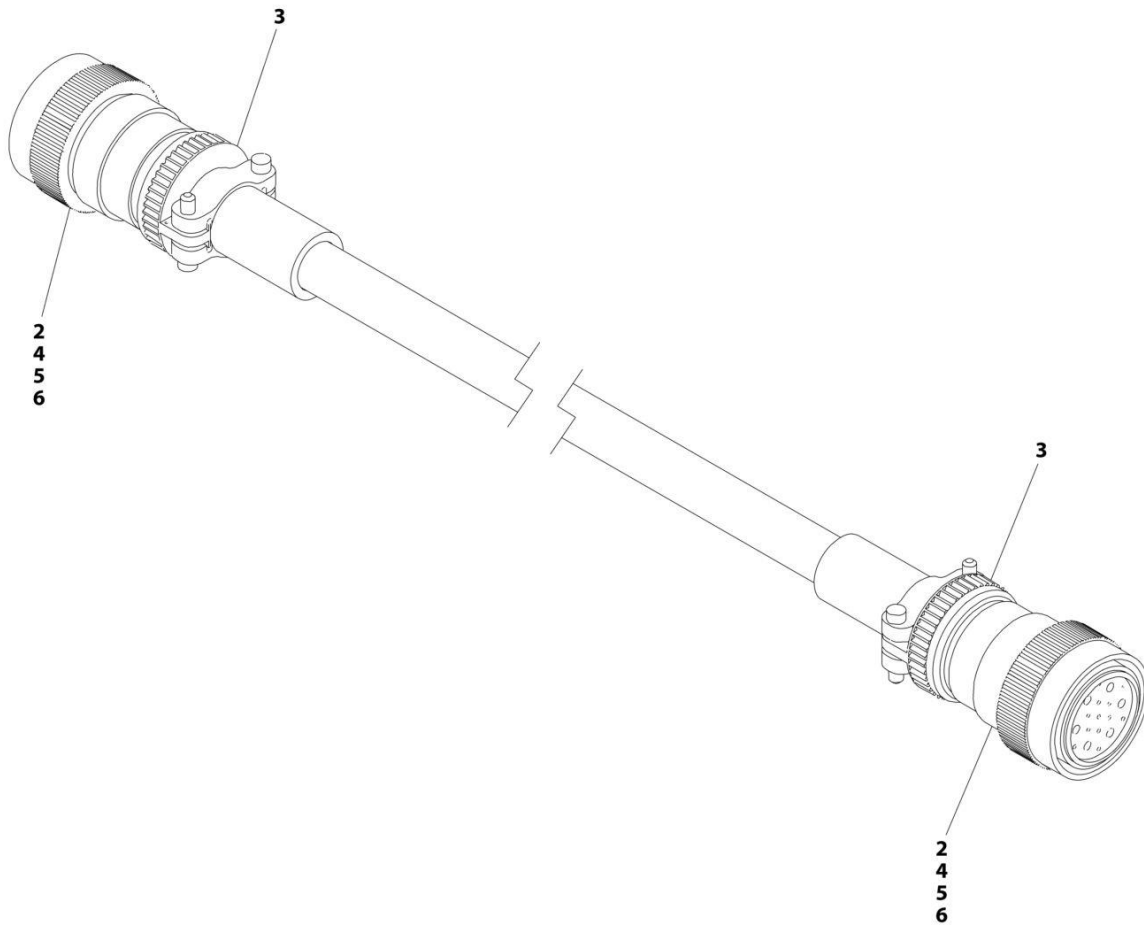
## SECTION 8 - ELECTRICAL

### FIGURE 8-47. BOOM CABLE - UPPER (600S HC3)

ITEM	PART NUMBER	QTY	DESCRIPTION	REV
	1001188533	Ref	BOOM CABLE	C
2	4460865	2	Connector - 19 Position	
3	4460473	2	Clamp	
4	4460465	20	Socket, Female	
5	4460509	8	Socket, Female	
6	4460466	10	Plug, Socket	
7	1001226400	2	Heat Shrink (Not Shown)	

# SECTION 8 - ELECTRICAL

## FIGURE 8-48. BOOM CABLE - UPPER (660SJ HC3)



ART\_1001188534

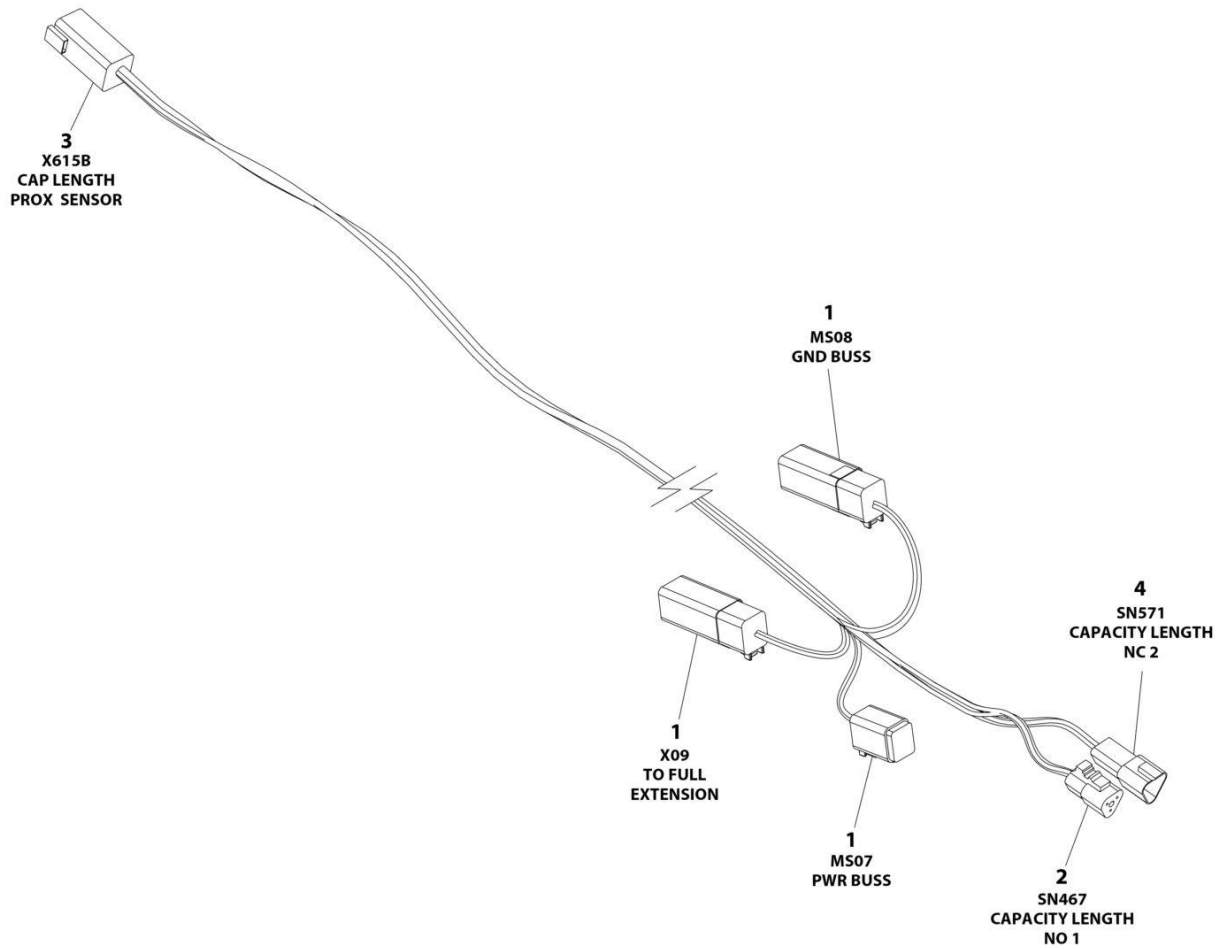
## SECTION 8 - ELECTRICAL

### FIGURE 8-48. BOOM CABLE - UPPER (660SJ HC3)

ITEM	PART NUMBER	QTY	DESCRIPTION	REV
	1001188534	Ref	BOOM CABLE	C
2	4460865	2	Connector - 19 Position	
3	4460473	2	Clamp	
4	4460465	20	Socket, Female	
5	4460509	8	Socket, Female	
6	4460466	10	Plug, Socket	
7	1001226400	2	Heat Shrink (Not Shown)	

# SECTION 8 - ELECTRICAL

## FIGURE 8-49. CAPACITY PROXIMITY HARNESS (1000LBS)



ART\_1001238191

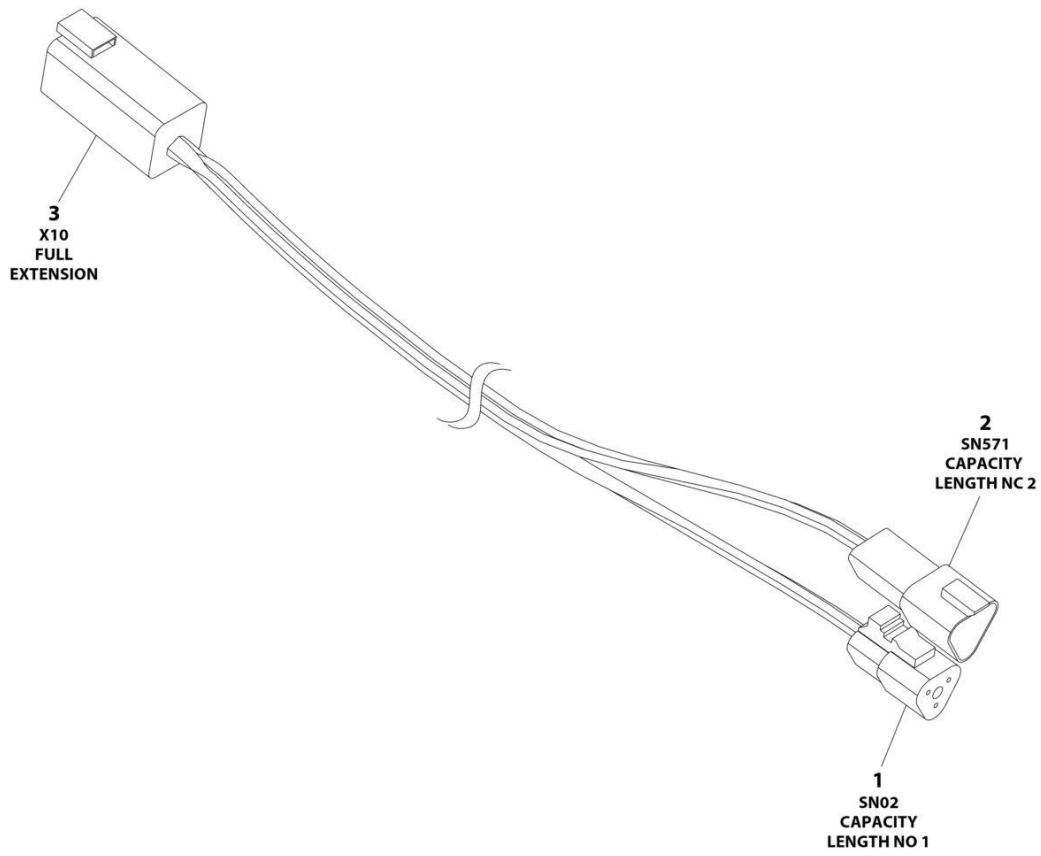
## SECTION 8 - ELECTRICAL

### FIGURE 8-49. CAPACITY PROXIMITY HARNESS (1000LBS)

ITEM	PART NUMBER	QTY	DESCRIPTION	REV
	1001238191	Ref	CAPACITY PROXIMITY HARNESS	D
1	4460894	3	Plug, Male - 6 Position	
1	4460465	16	Socket, Female	
1	4460466	2	Plug, Terminal	
1	4460892	2	Bussbar - 6 Position	
2	4460539	1	Plug, Male - 3 Position	
2	4460465	3	Socket, Female	
3	4460899	1	Receptacle, Female - 6 Position	
3	4460464	6	Pin, Male	
4	4460536	1	Receptacle, Female - 3 Position	
4	4640464	3	Pin, Male	

# SECTION 8 - ELECTRICAL

## FIGURE 8-50. CAPACITY PROXIMITY HARNESS (750 LBS)



ART\_1001238192



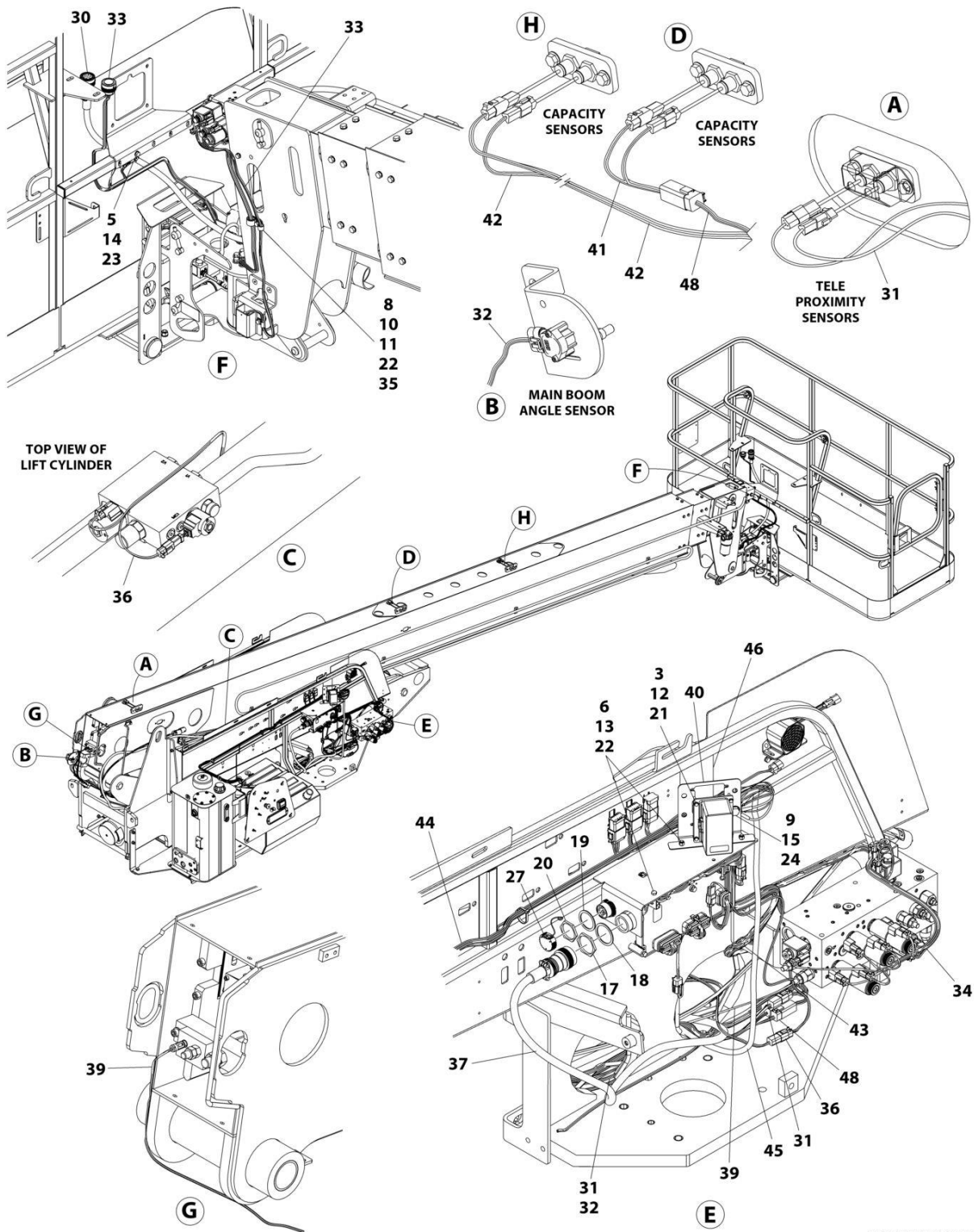
## SECTION 8 - ELECTRICAL

### FIGURE 8-50. CAPACITY PROXIMITY HARNESS (750 LBS)

ITEM	PART NUMBER	QTY	DESCRIPTION	REV
	1001238192	Ref	BOOM SENSOR / CAPACITY PROXIMITY HARNESS	B
1	4460539	1	Plug, Male - 3 Position	
1	4460465	3	Socket, Female	
2	4460536	1	Receptacle, Female - 3 Position	
2	4640464	3	Pin, Male	
3	4460899	1	Receptacle, Female - 6 Position	
3	4460464	6	Pin, Male	

# SECTION 8 - ELECTRICAL

## FIGURE 8-51. ELECTRICAL COMPONENTS INSTALLATION - 600S HC3



ART\_1001235143\_20F2

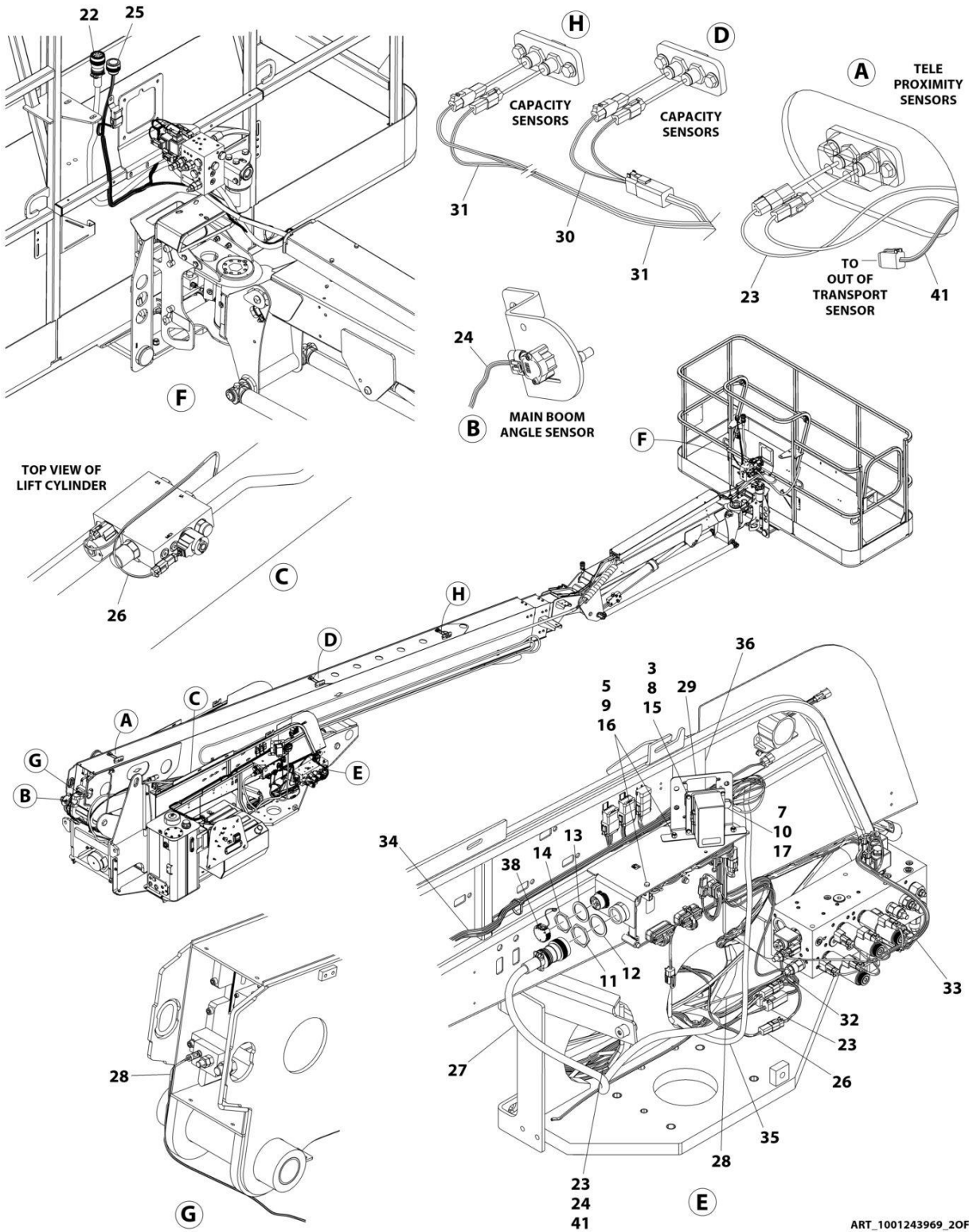
## SECTION 8 - ELECTRICAL

**FIGURE 8-51. ELECTRICAL COMPONENTS INSTALLATION - 600S HC3**

ITEM	PART NUMBER	QTY	DESCRIPTION	REV
	1001235143	Ref	ELECTRICAL COMPONENTS INSTALLATION	C
3	0700412	4	Bolt M4 x 25	
5	0700819	1	Bolt M8 x 55	
6	0760608	5	Bolt M6 x 16	
8	0760615	1	Bolt M6 x 35	
9	0761014	1	Bolt M10 x 30	
10	1320041	1	Clamp	
11	1320043	1	Clamp	
12	3290405	4	Nur M4	
13	3290605	5	Nut M6	
14	3290805	1	Nut M8	
15	3291001	1	Nut M10	
16	4240099	AR	Tie-Strap (Not Shown)	
17	4460470	1	Nut, Terminal	
18	4460471	1	Washer, Terminal	
19	4460496	1	Washer, Terminal	
20	4460497	1	Nut, Terminal	
21	4811400	1	Washer M4	
22	4811700	18	Washer M6	
23	4811900	2	Washer M8	
24	4812000	2	Washer M10	
27	1001106736	1	Cap, Dust	
30	1001188533	1	Boom Cable - Upper (See Separate Breakdown in this Section)	
31	1001189003	1	Tele Proximity Harness (See Separate Breakdown in this Section)	
32	1001189005	1	Boom Angle Sensor Harness (See Separate Breakdown in this Section)	
33	1001191328	1	Valve Harness - Platform Valve (See Separate Breakdown in this Section)	
34	1001238407	1	Valve Harness - Main Valve (See Separate Breakdown in this Section)	
35	1001203719	1	Nut M6	
36	1001205923	1	Lift Cylinder Harness (See Separate Breakdown in this Section)	
37	1001206082	1	Boom Cable - Lower (See Separate Breakdown in this Section)	
39	1001227527	1	Service Cable	
40	1001237822	1	Plate, Fuse Box	
41	1001238191	1	Capacity Proximity Harness (1000LBS) (See Separate Breakdown in this Section)	
42	1001238192	1	Capacity Proximity Harness (750LBS) (See Separate Breakdown in this Section)	
43	1001238405	1	Turntable Harness (See Separate Breakdown in this Section)	
44	1001238408	1	Ground Control Harness (See Separate Breakdown in this Section)	
45	1001239290	1	UGM Ground Cable	
46	1001239512	1	Decal - Fuse Box	
48	1001242908	1	Cable, Capacity	
48	4460894	2	Plug, Male - 6 Position	
48	4460465	12	Socket, Female	

# SECTION 8 - ELECTRICAL

## FIGURE 8-52. ELECTRICAL COMPONENTS INSTALLATION - 660SJ HC3



## SECTION 8 - ELECTRICAL

**FIGURE 8-52. ELECTRICAL COMPONENTS INSTALLATION - 660SJ HC3**

ITEM	PART NUMBER	QTY	DESCRIPTION	REV
	1001250012	Ref	ELECTRICAL COMPONENTS INSTALLATION	D
3	0700412	4	Bolt M4 x 25	
5	0760608	5	Bolt M6 x 16	
7	0761014	1	Bolt M10 x 30	
8	3290405	4	Nut M4	
9	3290605	5	Nut M6	
10	3291001	1	Nut M10	
11	4460470	1	Nut, Terminal	
12	4460471	1	Washer, Terminal	
13	4460496	1	Washer, Terminal	
14	4460497	1	Nut, Terminal	
15	4811400	8	Washer M4	
16	4811700	17	Washer M6	
17	4812000	2	Washer M10	
22	1001188534	1	Boom Cable - Upper (See Separate Breakdown in this Section)	
23	1001189003	1	Tele Proximity Harness (See Separate Breakdown in this Section)	
24	1001189005	1	Boom Angle Sensor Harness (See Separate Breakdown in this Section)	
25	1001264338	1	Valve Harness - Platform Valve (See Separate Breakdown in this Section)	
26	1001205923	1	Lift Cylinder Harness (See Separate Breakdown in this Section)	
27	1001206082	1	Boom Cable - Lower (See Separate Breakdown in this Section)	
28	1001227527	1	Service Cable	
29	1001237822	1	Plate	
30	1001238191	1	Capacity Proximity Harness (1000LBS) (See Separate Breakdown in this Section))	
31	1001238192	1	Capacity Proximity Harness (750LBS) (See Separate Breakdown in this Section))	
32	1001238405	1	Turntable Harness (See Separate Breakdown in this Section)	
33	1001238407	1	Valve Harness - Main Valve (See Separate Breakdown in this Section)	
34	1001238408	1	Ground Control Harness (See Separate Breakdown in this Section)	
35	1001239290	1	UGM Ground Cable	
36	1001239512	1	Decal - Fuse Box	
38	1001106736	1	Cap, Dust	
40	4240099	AR	Tie-Strap (Not Shown)	
41	1001242908	1	Transport Switch Harness (See Separate Breakdown in this Section)	



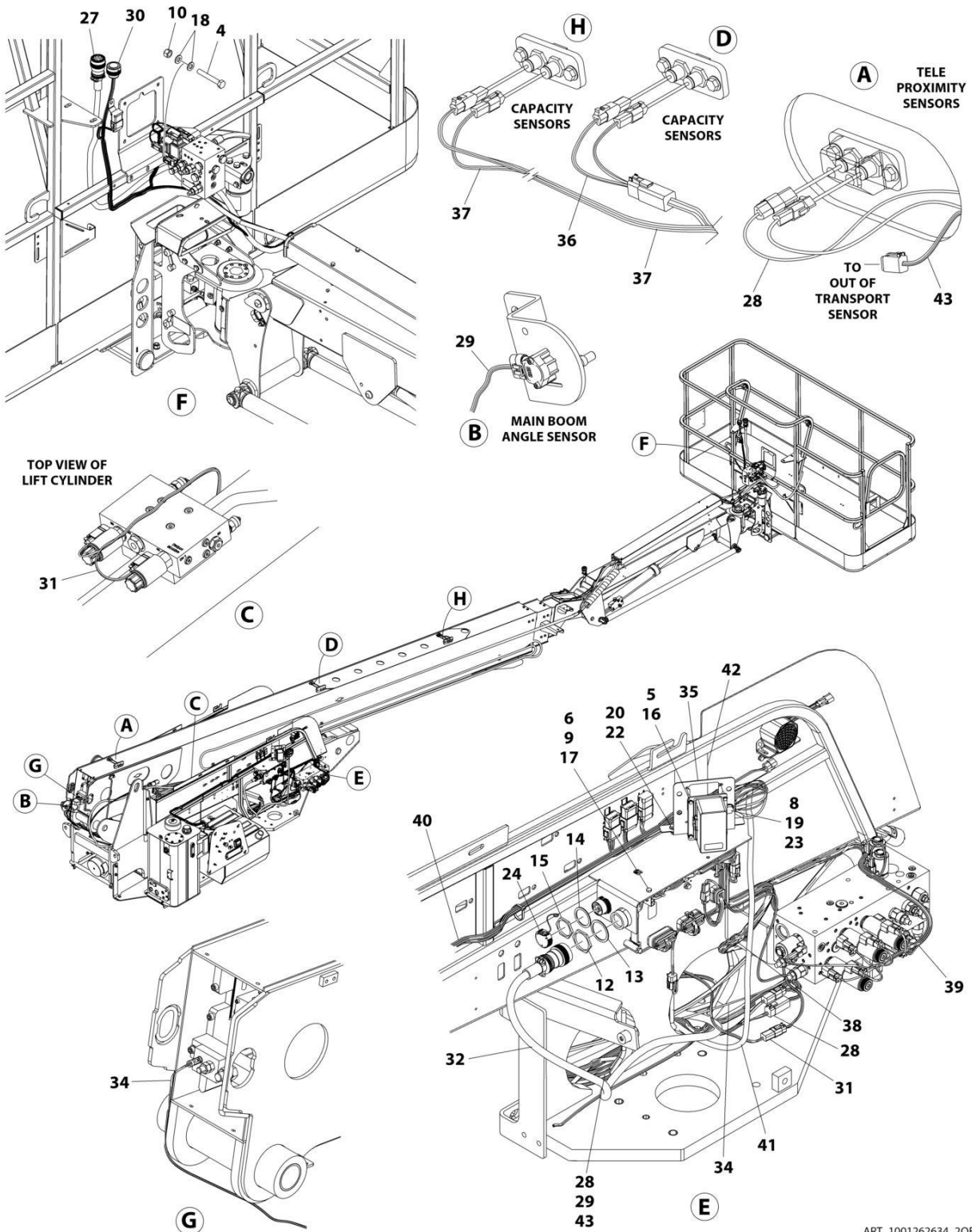
## SECTION 8 - ELECTRICAL

**FIGURE 8-53. ELECTRICAL COMPONENTS INSTALLATION - 600S HC3 (SN 0300274693 to Present)**

ITEM	PART NUMBER	QTY	DESCRIPTION	REV
	1001262633	Ref	ELECTRICAL COMPONENTS INSTALLATION	B
5	0731005	4	Bolt 10 x 0.625	
6	0760608	3	Bolt M6 x 16	
9	0761012	1	Bolt M10 x 25	
12	3290605	3	Nut M6	
14	4240099	AR	Tie-Strap (Not Shown)	
15	4460470	1	Nut, Terminal	
16	4460471	1	Washer, Terminal	
17	4460496	1	Washer, Terminal	
18	4460497	1	Nut, Terminal	
19	4711000	4	Washer	
20	4811700	13	Washer M6	
21	4811900	2	Washer M8	
22	4812000	1	Washer M10	
23	5250608	2	Bolt M6 x 16	
25	5260600	3	Nut M6	
26	5261000	5	Nut M10	
27	1001106736	1	Cap, Dust	
30	1001188533	1	Boom Cable - Upper (See Separate Breakdown in this Section)	
31	1001189003	1	Tele Proximity Harness (See Separate Breakdown in this Section)	
32	1001189005	1	Boom Angle Sensor Harness (See Separate Breakdown in this Section)	
33	1001266276	1	Harness, Platform Valve (See Separate Breakdown in this Section)	
35	1001205923	1	Lift Cylinder Harness (See Separate Breakdown in this Section)	
36	1001206082	1	Boom Cable - Lower (See Separate Breakdown in this Section)	
38	1001227527	1	Service Cable	
39	1001237822	1	Plate, Fuse Box	
40	1001238191	1	Capacity Proximity Harness (1000LBS) (See Separate Breakdown in this Section)	
41	1001238192	1	Capacity Proximity Harness (750LBS) (See Separate Breakdown in this Section)	
42	1001238405	1	Turntable Harness (See Separate Breakdown in this Section)	
43	1001238407	1	Valve Harness - Main Valve (See Separate Breakdown in this Section)	
44	1001238408	1	Ground Control Harness (See Separate Breakdown in this Section)	
45	1001239290	1	UGM Ground Cable	
46	1001239512	1	Decal - Fuse Box	
47	1001242908	1	Transport Switch Harness (See Separate Breakdown in this Section)	
49	1001266277	1	Platform Valve Cable (See Separate Breakdown in this Section)	
50	0760808	1	Bolt M8 x 16	
51	8406110	2	Clip	
52	1001149160	1	Nut, Tinnerman M8	
53	0760810	1	Bolt M8 x 20	

# SECTION 8 - ELECTRICAL

FIGURE 8-54. ELECTRICAL COMPONENTS INSTALLATION - 660SJ HC3 (SN 0300274693 to Present)



ART\_1001262634\_20F2



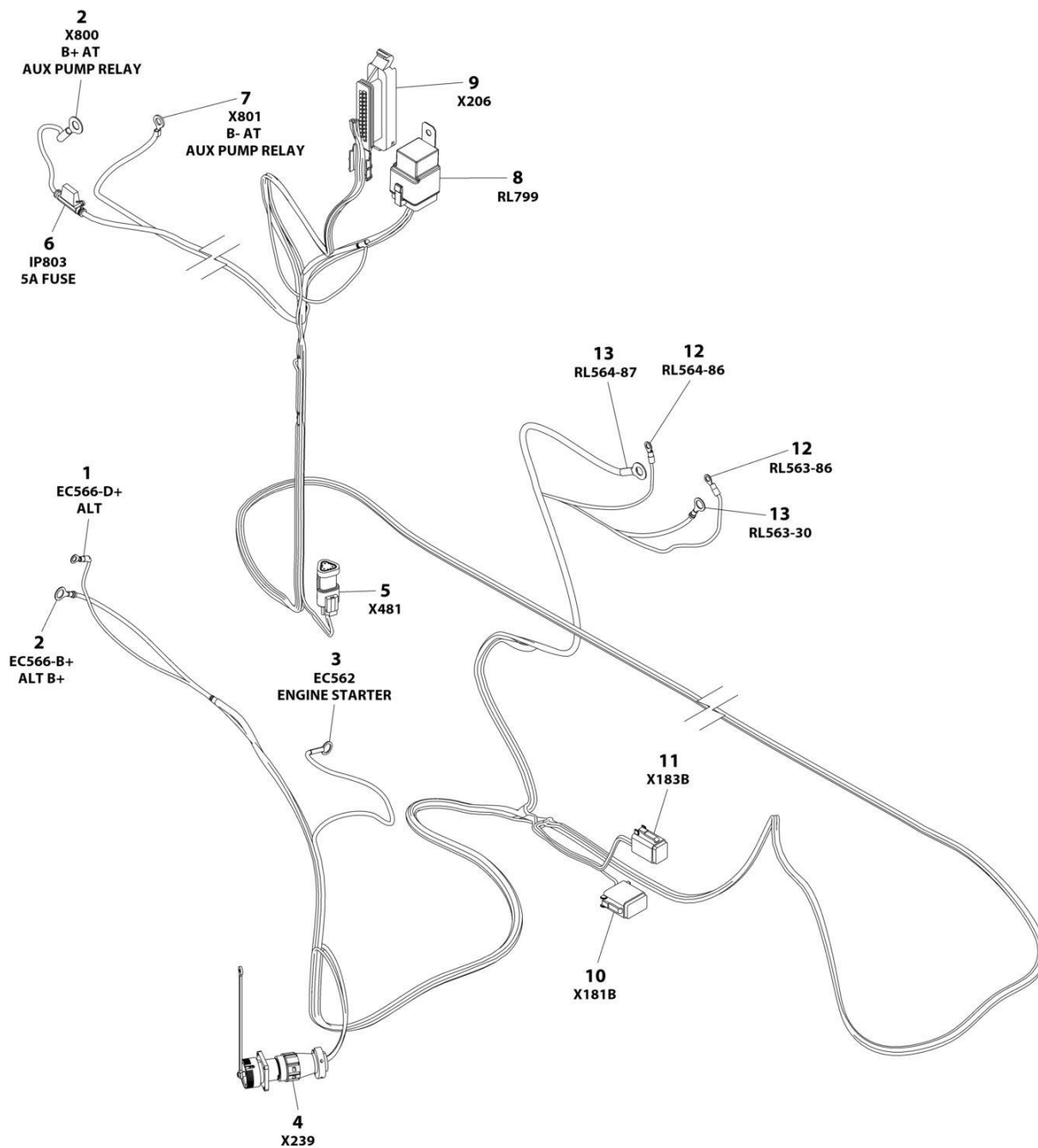
## SECTION 8 - ELECTRICAL

**FIGURE 8-54. ELECTRICAL COMPONENTS INSTALLATION - 660SJ HC3 (SN 0300274693 to Present)**

ITEM	PART NUMBER	QTY	DESCRIPTION	REV
	1001262634	Ref	ELECTRICAL COMPONENTS INSTALLATION	B
4	0700819	1	Bolt M8 x 55	
5	0731005	4	Bolt M10	
6	0760608	3	Bolt M6 x 16	
8	0761012	1	Bolt M10 x 25	
9	3290605	3	Nut M6	
10	3290805	1	Nut M8	
11	4240099	AR	Tie-Strap (Not Shown)	
12	4460470	1	Nut, Terminal	
13	4460471	1	Washer, Terminal	
14	4460496	1	Washer, Terminal	
15	4460497	1	Nut, Terminal	
16	4711000	4	Washer	
17	4811700	13	Washer M6	
18	4811900	2	Washer M8	
19	4812000	1	Washer M10	
20	5250608	2	Bolt M6 x 16	
22	5260600	3	Nut M6	
23	5261000	5	Nut M10	
24	1001106736	1	Cap, Dust	
27	1001188534	1	Boom Cable - Upper (See Separate Breakdown in this Section)	
28	1001189003	1	Tele Proximity Harness (See Separate Breakdown in this Section)	
29	1001189005	1	Boom Angle Sensor Harness (See Separate Breakdown in this Section)	
30	1001264338	1	Harness, Platform Valve (See Separate Breakdown in this Section)	
31	1001205923	1	Lift Cylinder Harness (See Separate Breakdown in this Section)	
32	1001206082	1	Boom Cable - Lower (See Separate Breakdown in this Section)	
34	1001227527	1	Service Cable	
35	1001237822	1	Plate	
36	1001238191	1	Capacity Proximity Harness (1000lbs) (See Separate Breakdown in this Section))	
37	1001238192	1	Capacity Proximity Harness (750lbs) (See Separate Breakdown in this Section))	
38	1001238405	1	Turntable Harness (See Separate Breakdown in this Section)	
39	1001238407	1	Valve Harness - Main Valve (See Separate Breakdown in this Section)	
40	1001238408	1	Ground Control Harness (See Separate Breakdown in this Section)	
41	1001239290	1	UGM Ground Cable	
42	1001239512	1	Decal - Fuse Box	
43	1001242908	1	Transport Switch Harness (See Separate Breakdown in this Section)	

# SECTION 8 - ELECTRICAL

## FIGURE 8-55. ENGINE HARNESS - DEUTZ D2011 ENGINES



ART\_1001188236\_F

## SECTION 8 - ELECTRICAL

### FIGURE 8-55. ENGINE HARNESS - DEUTZ D2011 ENGINES

ITEM	PART NUMBER	QTY	DESCRIPTION	REV
	1001188236	Ref	ENGINE HARNESS	F
1	4460042	1	Terminal, Ring	
2	8220045	2	Terminal, Ring	
3	4460142	1	Terminal, Ring	
4	2902443	1	Receptacle Kit	
4	4461073	1	Cap, Dust	
5	4461095	1	Plug, Male - 3 Position	
5	4460944	2	Socket, Female	
5	4460466	1	Plug, Terminal	
5	4461070	1	Receptacle, Female - 3 Position	
5	4460943	3	Pin, Male	
6	2600066	2	Fuseholder with 5Amp Fuse	
6	See Note	NSS	Fuse - 5Amp (Note: Purchase Locally)	
7	4460312	1	Terminal, Ring	
8	1001117025	1	Plug, Relay	
8	1001116734	1	Terminal	
8	1001116732	3	Terminal	
8	1001128128	1	Plug, Terminal	
9	4461052	1	Connector - 25 Position	
9	4461060	1	Terminal	
9	4461005	6	Terminal	
9	4461008	18	Plug, Terminal	
9	4461054	1	Seal	
9	4461006	6	Seal	
9	4461053	1	Cover	
10	4460930	1	Plug, Male - 8 Position	
10	4460465	8	Socket, Female	
10	4460466	7	Plug, Terminal	
11	4460894	1	Plug, Male - 6 Position	
11	4460465	3	Socket, Female	
11	4460944	2	Socket, Female	
11	4460466	1	Plug, Terminal	
12	4460313	2	Terminal, Ring	
13	8220164	2	Terminal, Ring	



## SECTION 8 - ELECTRICAL

**FIGURE 8-56. ENGINE HARNESS - DEUTZ TD2.2L3 ENGINES**

ITEM	PART NUMBER	QTY	DESCRIPTION	REV
	1001253798	Ref	ENGINE HARNESS	D
1	1001133714	1	Connector - 4 Position	
1	1001133715	3	Terminal	
1	1001135651	1	Plug, Terminal	
1	1001135650	3	Seal	
2	1001117106	1	Terminal, Ring	
3	4460703	1	Terminal, Ring	
4	4460247	1	Terminal, Ring	
5	1001117107	1	Terminal, Ring	
6	4460247	1	Terminal, Ring	
7	4460043	1	Terminal, Ring	
8	1001116952	1	Plug, Male - 2 Position	
8	4460465	2	Socket, Female	
9	1001170764	1	Holder, Fuse	
9	1001197719	1	Resistor 0.5 Watt	
10	4460894	1	Plug, Male - 6 Position	
10	4460465	2	Socket, Female	
10	4460944	2	Socket, Female	
10	4460466	2	Plug, Terminal	
11	1001116812	5	Connector, 3 Position	
11	4460944	10	Socket, Female	
11	4460466	5	Plug, Terminal	
12	4460539	4	Plug, Male - 3 Position	
12	4460944	8	Socket, Female	
12	4460466	4	Plug, Terminal	
13	2902443	1	Receptacle Kit	
13	4461071	6	Terminal	
14	80484084	1	Plug, Male - 8 Position	
14	1001116728	4	Terminal	
14	1001116727	4	Plug, Terminal	
14	4460458	4	Plug, Terminal	
15	4460884	1	Plug, Male - 4 Position	
15	4460465	3	Socket, Female	
15	4460942	1	Socket, Female	
16	4460019	1	Terminal, Ring	
17	4460930	1	Plug, Male - 8 Position	
17	4460465	1	Socket, Female	
17	4460466	7	Plug, Terminal	
18	8220164	1	Terminal, Ring	
19	1001253873	1	Connector, 1 Position	
19	1001142940	1	Terminal	
19	1001142941	1	Seal	
20	1001239202	1	Connector - 8 Position	
20	1001126363	7	Terminal	
20	1001126391	1	Seal, Terminal	
20	1001126364	7	Seal, Terminal	
21	1001126362	1	Connector - 62 Position	
21	1001126363	37	Terminal	
21	1001126365	2	Terminal	
21	1001126391	9	Plug, Terminal	

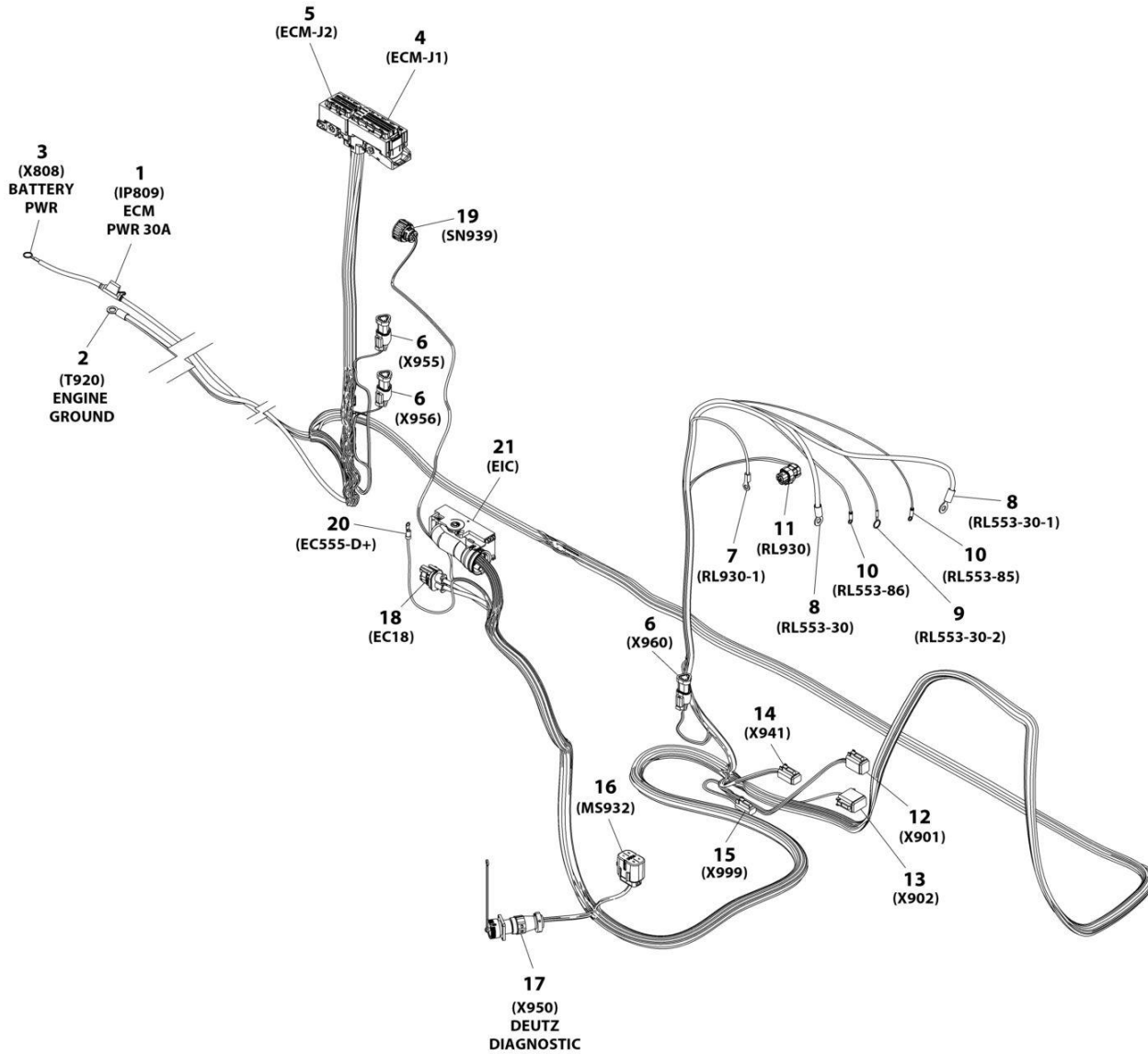
## SECTION 8 - ELECTRICAL

ITEM	PART NUMBER	QTY	DESCRIPTION	REV
21	4461008	4	Plug, Terminal	
21	1001126392	10	Terminal	
21	1001126364	37	Seal, Terminal	
21	1001223459	10	Seal, Terminal	
21	4461054	2	Seal	
22	4460042	1	Terminal, Ring	
23	1001133956	1	Connector - 94 Position	
23	1001126351	3	Terminal	
23	1001182361	6	Terminal	
23	1001252527	4	Terminal	
23	1001230934	25	Terminal	
23	1001230935	55	Plug, Terminal	
23	1001230936	1	Plug, Terminal	
23	1001182365	6	Seal, Terminal	
24	1001126487	1	Connector - 2 Position	
24	1001167635	2	Terminal	
24	1001126485	2	Seal	
25	1001133957	1	Connector - 60 Position	
25	1001126351	11	Terminal	
25	1001230934	26	Terminal	
25	1001230935	10	Plug, Terminal	
25	1001230936	13	Plug, Terminal	
26	4460466	4	Plug, Terminal	
27	4460932	1	Receptacle, Bussbar - 4 Position	
28	4460945	4	Connector, 3-Way Tee	
29	8229242	1	Fuse 5Amp	
30	80983191	1	Fuse, 10Amp	
31	1001116815	3	Plug, Male - 3 Position	
32	1001147264	1	Cap	



# SECTION 8 - ELECTRICAL

FIGURE 8-57. ENGINE HARNESS - DEUTZ D2.9L4 - 49HP AND DEUTZ TD2.9L4 - 67HP ENGINES



ART\_1001233895 D



## SECTION 8 - ELECTRICAL

**FIGURE 8-57. ENGINE HARNESS - DEUTZ D2.9L4 - 49HP AND DEUTZ TD2.9L4 - 67HP ENGINES**

ITEM	PART NUMBER	QTY	DESCRIPTION	REV
	1001233895	Ref	ENGINE HARNESS	F
1	1001172064	1	Fuseholder with 30Amp Fuse	
1	1001172065	1	Fuse - 30A	
2	8220115	1	Terminal, Ring	
3	4460019	1	Terminal, Ring	
4	1001133956	1	Connector - 94 Position	
4	1001126351	2	Terminal	
4	1001126352	6	Terminal	
4	1001126384	21	Terminal	
4	1001126357	2	Plug, Terminal	
4	1001126356	63	Plug, Terminal	
5	1001133957	1	Connector - 60 Position	
5	1001126351	13	Terminal	
5	1001126384	17	Terminal	
5	1001126357	11	Plug, Terminal	
5	1001126356	19	Plug, Terminal	
6	4461095	3	Plug, Male - 3 Position	
6	4460944	6	Socket, Female	
6	4460466	3	Plug, Terminal	
6	4461070	3	Receptacle, Female - 3 Position	
6	4460943	9	Pin, Male	
7	4460043	1	Terminal, Ring	
8	1001117107	2	Terminal, Ring	
9	4460703	1	Terminal, Ring	
10	4460313	2	Terminal, Ring	
11	1001116952	1	Plug, Male - 2 Position	
11	4460465	2	Socket, Female	
12	4460894	1	Plug, Male - 6 Position	
12	4460465	3	Socket, Female	
12	4460944	2	Socket, Female	
12	4460466	1	Plug, Terminal	
13	4460930	1	Plug, Male - 8 Position	
13	4460465	1	Socket, Female	
13	4460466	7	Plug, Terminal	
14	1001220379	1	Plug, Male - 4 Position	
14	4460465	2	Socket, Female	
14	4460942	2	Socket, Female	
15	4460891	1	Plug, Male - 4 Position	
15	4460465	2	Socket, Female	
16	80484084	1	Plug, Male - 8 Position	
16	8229242	1	Fuse - 5Amp	
16	80983191	1	Fuse - 10Amp	
16	1001116728	4	Socket, Female	
16	1001116727	4	Plug, Terminal	
16	1001147264	1	Cap	
17	2902443	1	Receptacle Kit	
17	4461073	1	Cap, Dust	
17	4461071	6	Terminal	
18	1001142938	1	Plug, Male - 2 Position	
18	1001142940	2	Terminal	

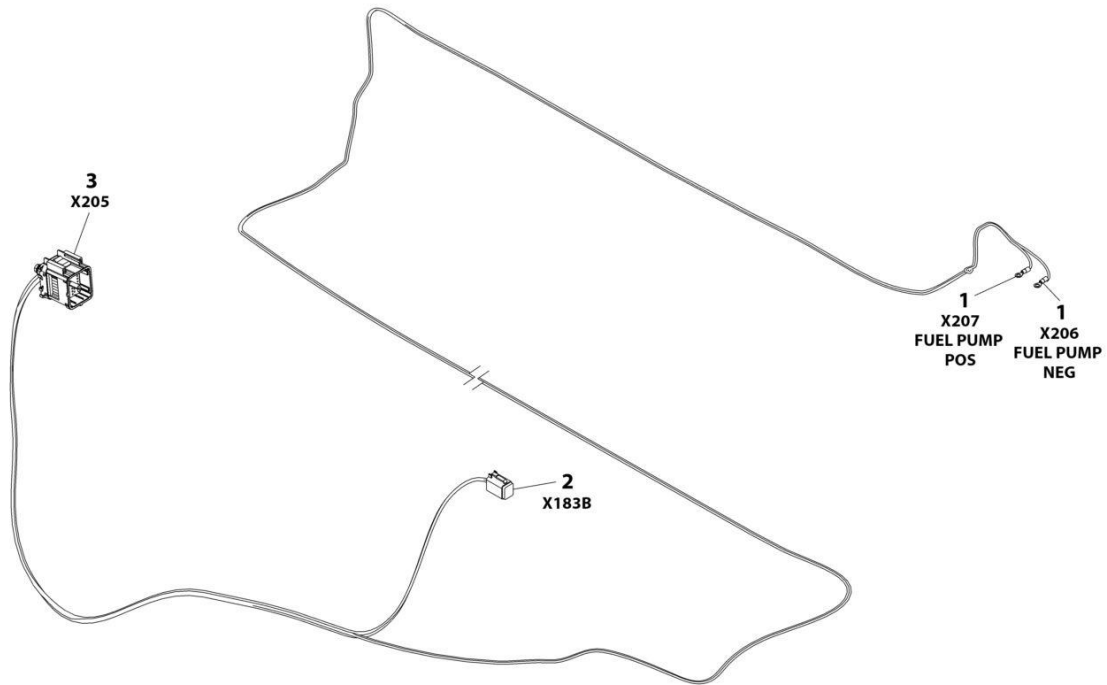
## SECTION 8 - ELECTRICAL

ITEM	PART NUMBER	QTY	DESCRIPTION	REV
18	1001142941	2	Seal	
19	1001133714	1	Connector - 4 Position	
19	1001133715	13	Terminal	
19	1001135651	11	Plug, Terminal	
20	4460042	1	Terminal, Ring	
21	1001126362	1	Connector - 62 Position	
21	1001126363	35	Terminal	
21	1001126365	2	Terminal	
21	1001126391	20	Plug, Terminal	
21	4461008	4	Plug, Terminal	
21	1001151856	1	Elbow	



# SECTION 8 - ELECTRICAL

## FIGURE 8-58. ENGINE HARNESS - FORD ENGINES



ART\_1001215218

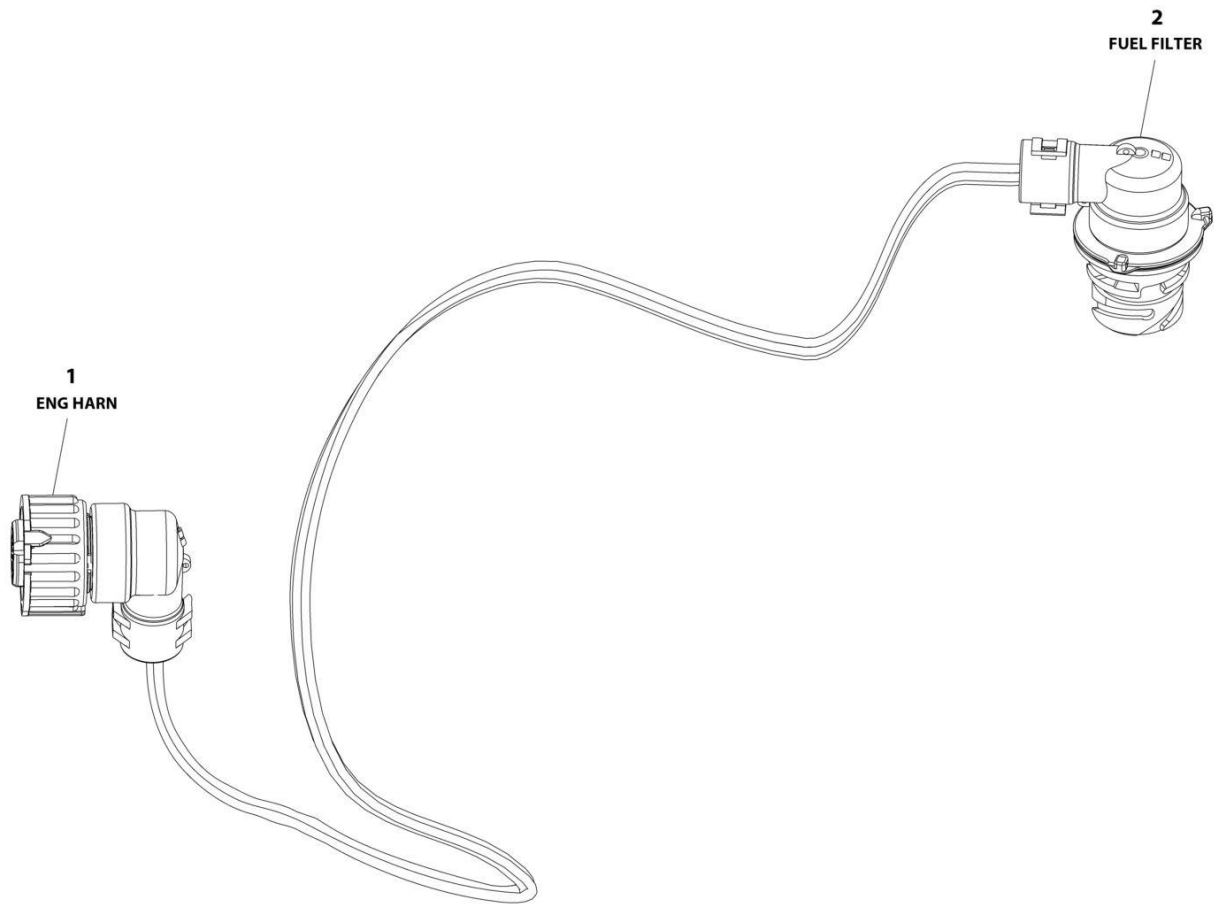
## SECTION 8 - ELECTRICAL

**FIGURE 8-58. ENGINE HARNESS - FORD ENGINES**

ITEM	PART NUMBER	QTY	DESCRIPTION	REV
	1001215218	Ref	ENGINE HARNESS	C
1	4460042	2	Terminal, Ring	
2	4460894	1	Plug, Male - 6 Position	
2	4460465	4	Socket, Female	
2	4460466	2	Plug, Terminal	
3	1001215016	1	Connector - 42 Position	
3	1001216212	1	Terminal	
3	1001221210	2	Terminal	
3	1001215091	3	Terminal	
3	1001216213	2	Plug, Terminal	
3	1001215534	34	Plug, Terminal	

# SECTION 8 - ELECTRICAL

## FIGURE 8-59. FUEL FILTER HARNESS



ART\_1001245913

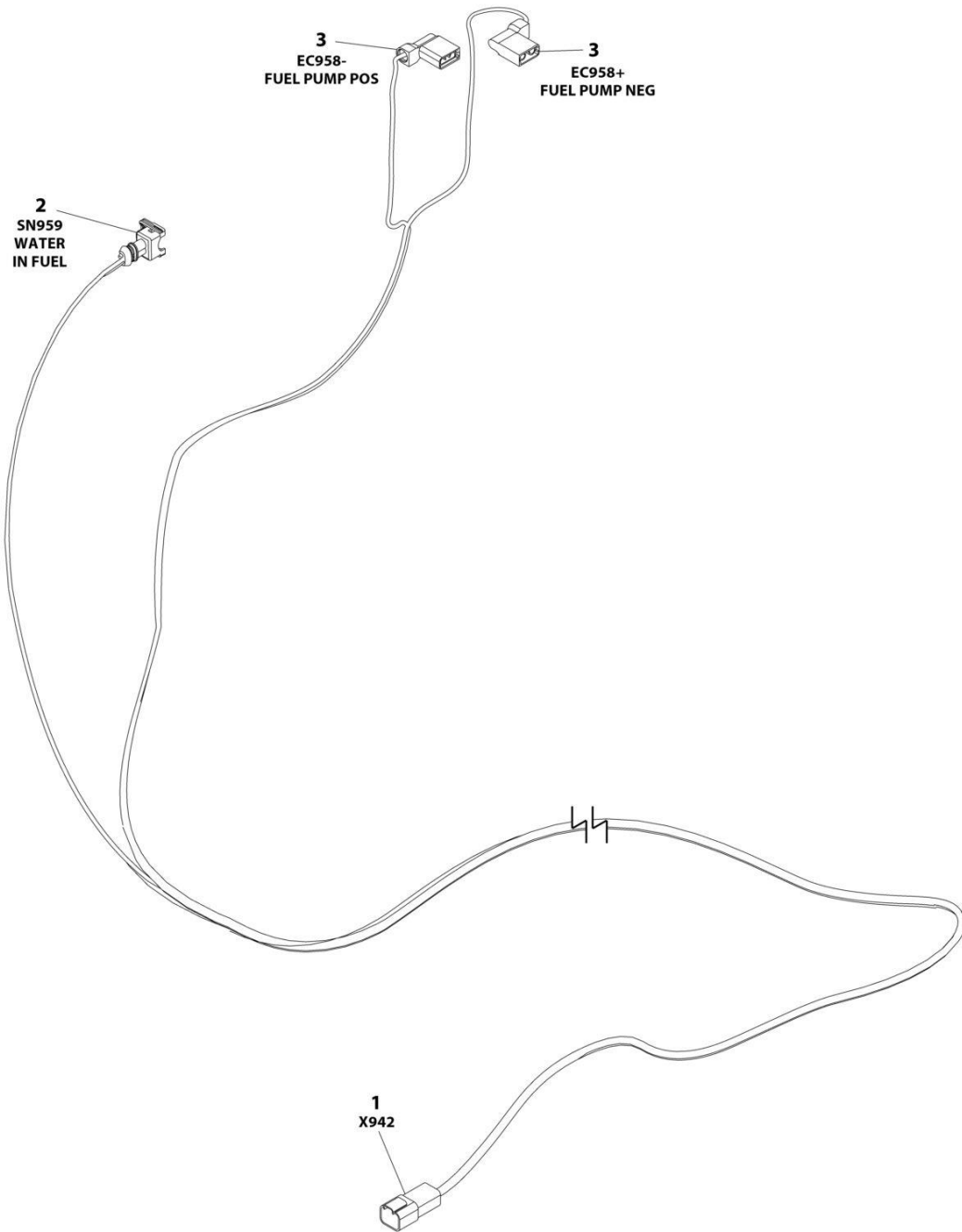
## SECTION 8 - ELECTRICAL

### FIGURE 8-59. FUEL FILTER HARNESS

ITEM	PART NUMBER	QTY	DESCRIPTION	REV
	1001245913	Ref	FUEL HARNESS - DEUTZ (STAGE V) ENGINE	D
1	1001148842	1	Connector - 4 Position	
1	1001148841	4	Pin, Male	
1	1001135650	4	Seal	
2	1001133714	1	Plug, Male - 4 Position	
2	1001133715	4	Socket, Female	
2	1001135650	4	Seal	

# SECTION 8 - ELECTRICAL

## FIGURE 8-60. FUEL PUMP HARNESS - DEUTZ D2.9L4 - 49HP AND DEUTZ TD2.9L4 - 67HP ENGINES



ART\_1001190444



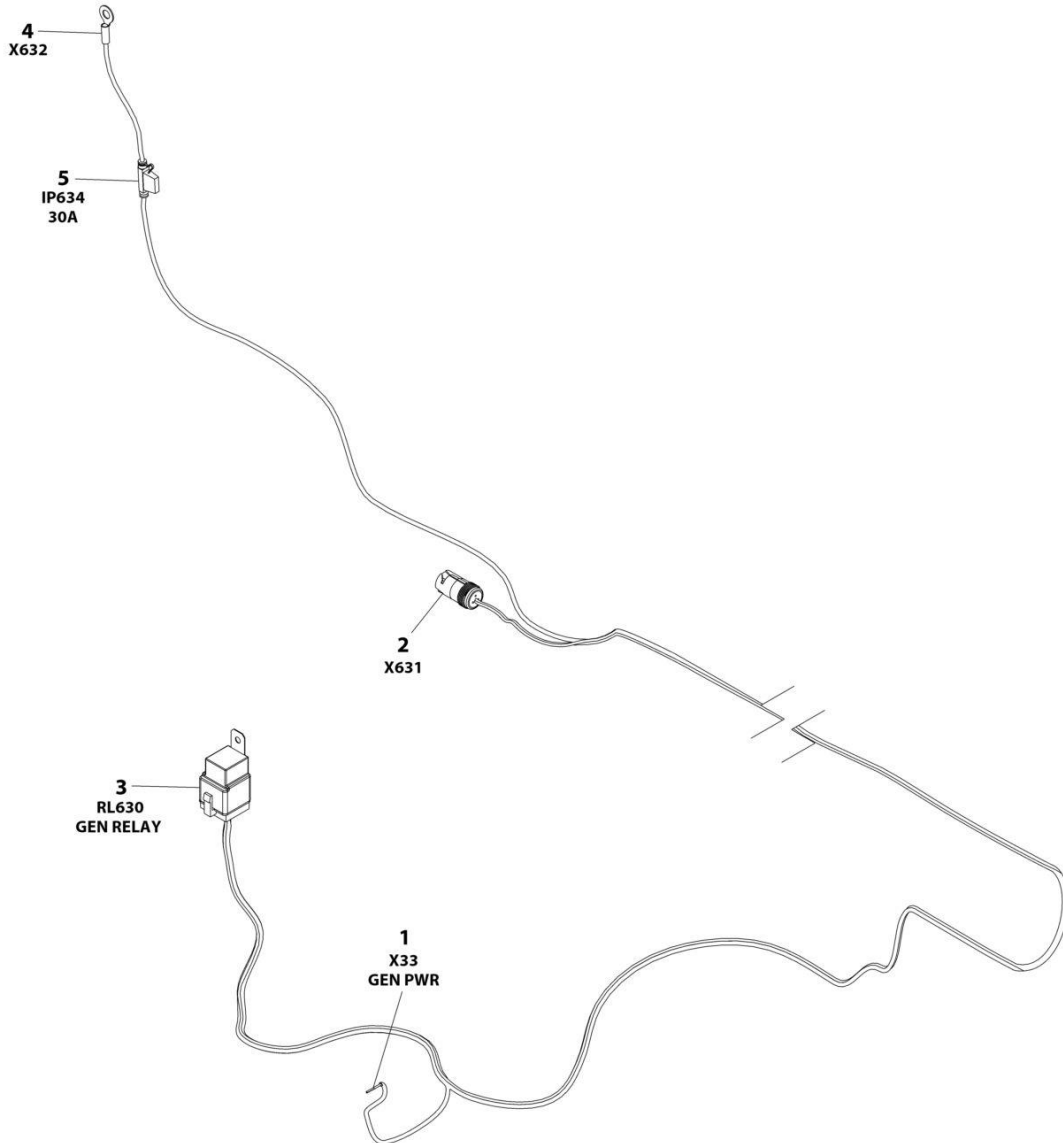
## SECTION 8 - ELECTRICAL

**FIGURE 8-60. FUEL PUMP HARNESS - DEUTZ D2.9L4 - 49HP AND DEUTZ TD2.9L4 - 67HP ENGINES**

ITEM	PART NUMBER	QTY	DESCRIPTION	REV
	1001190444	Ref	FUEL PUMP HARNESS	D
1	4460932	1	Receptacle, Female - 4 Position	
1	4460941	4	Pin, Male	
2	1001116983	1	Plug, Male - 2 Posiiton	
2	1001227507	2	Socket, Female	
2	4461054	2	Seal	
3	1001223045	2	Connector	

# SECTION 8 - ELECTRICAL

## FIGURE 8-61. GENERATOR HARNESS - 2500W



ART\_1001194114\_B

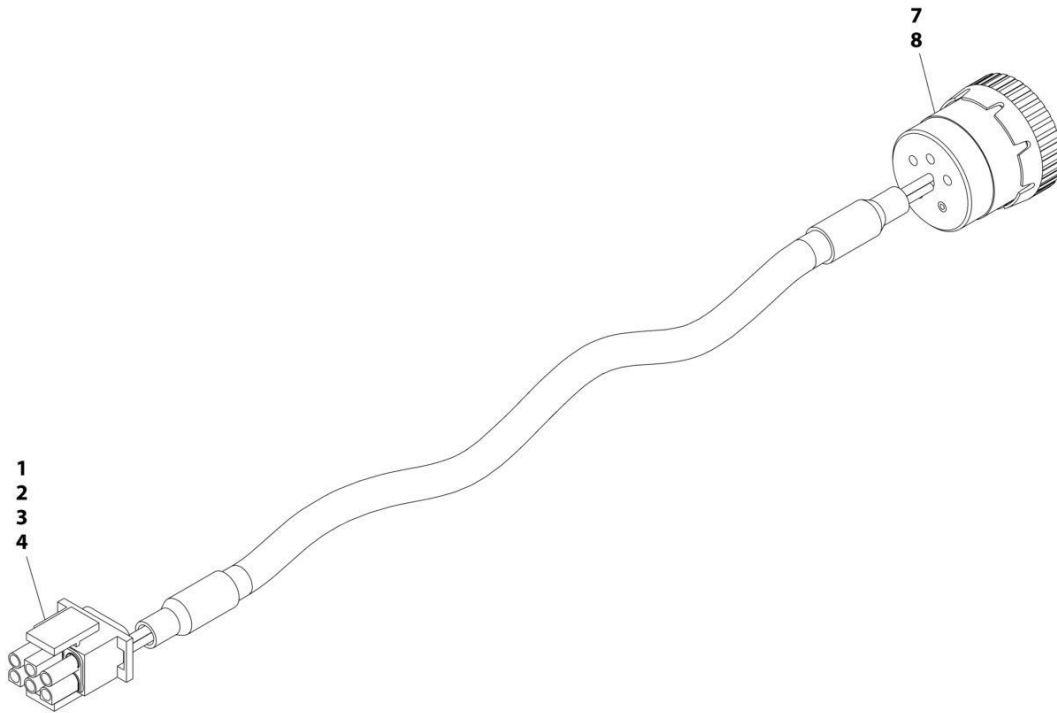
## SECTION 8 - ELECTRICAL

**FIGURE 8-61. GENERATOR HARNESS - 2500W**

ITEM	PART NUMBER	QTY	DESCRIPTION	REV
	1001194114	Ref	GENERATOR HARNESS	B
1	4460906	1	Socket, Female	
2	1001154726	1	Receptacle, Female - 3 Position	
2	4460464	2	Pin, Male	
2	4460466	1	Plug, Terminal	
3	1001120851	1	Connector, Relay	
3	1001116734	2	Terminal	
3	1001116732	2	Terminal	
3	3740080	1	Relay	
4	8220045	1	Terminal, Ring	
5	2400060	1	Fuseholder - 30Amp (Includes Cover)	
5	8229245	1	Fuse - 30Amp	

# SECTION 8 - ELECTRICAL

## FIGURE 8-62. GENERATOR HARNESS - 4000W



ART\_1001152532

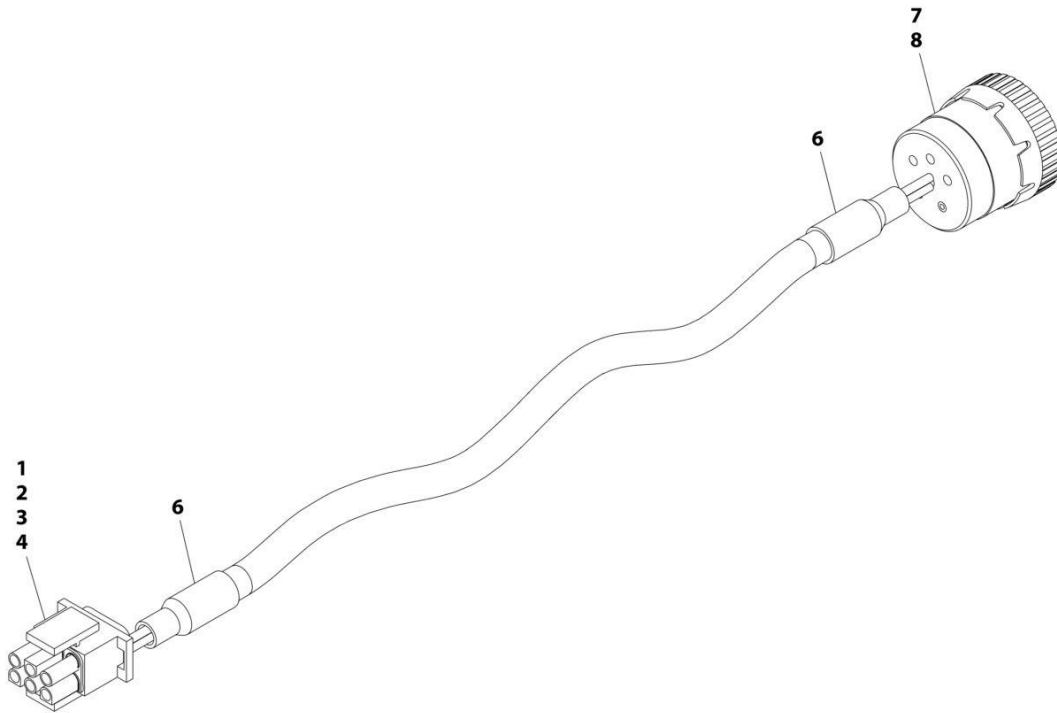
## SECTION 8 - ELECTRICAL

### FIGURE 8-62. GENERATOR HARNESS - 4000W

ITEM	PART NUMBER	QTY	DESCRIPTION	REV
	1001152532	Ref	GENERATOR HARNESS	A
1	4460225	1	Connector - 6 Position	
2	4460268	2	Socket, Female	
3	4460807	1	Seal	
4	4460808	1	Seal	
7	4460465	2	Socket, Female	
8	77363233	1	Connector - 6 Position	

# SECTION 8 - ELECTRICAL

FIGURE 8-63. GENERATOR HARNESS - 7500W SKYPOWER



ART\_4922925

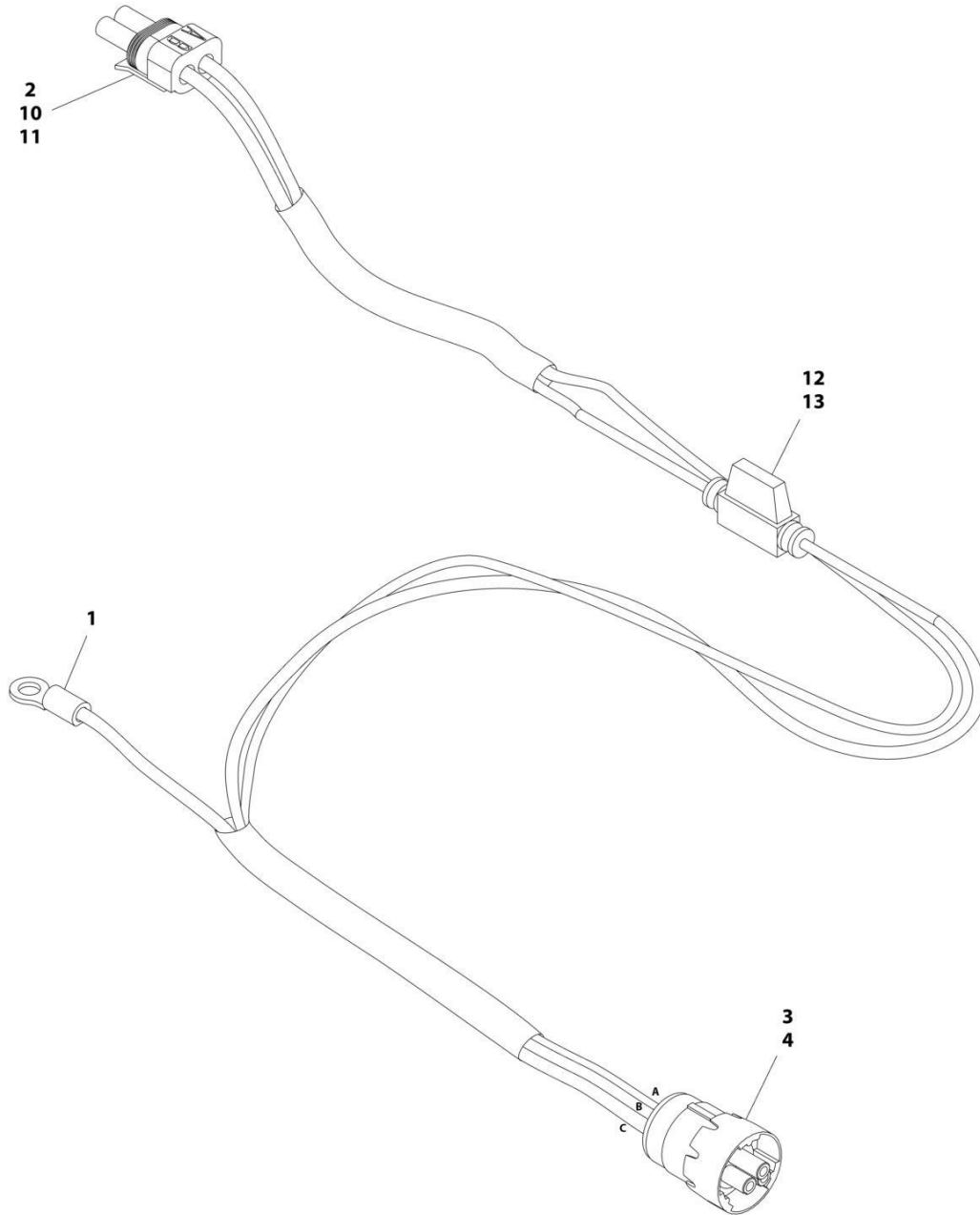
## SECTION 8 - ELECTRICAL

### FIGURE 8-63. GENERATOR HARNESS - 7500W SKYPOWER

ITEM	PART NUMBER	QTY	DESCRIPTION	REV
	4922925	Ref	GENERATOR TO CONTROL BOX HARNESS (7500W GENERATOR)	C
1	4460225	1	Plug, Male - 2 Position	
2	4460268	6	Socket, Female	
3	4460807	1	Seal	
4	4460808	1	Seal	
6	2820019	AR	Heat Shrink	
7	4460465	6	Socket, Female	
8	77363233	1	Connector - 6 Position	

# SECTION 8 - ELECTRICAL

FIGURE 8-64. GENERATOR TO ENGINE HARNESS - 7500W SKYPOWER GENERATOR (DEUTZ D2011 ONLY)



ART\_1001152429



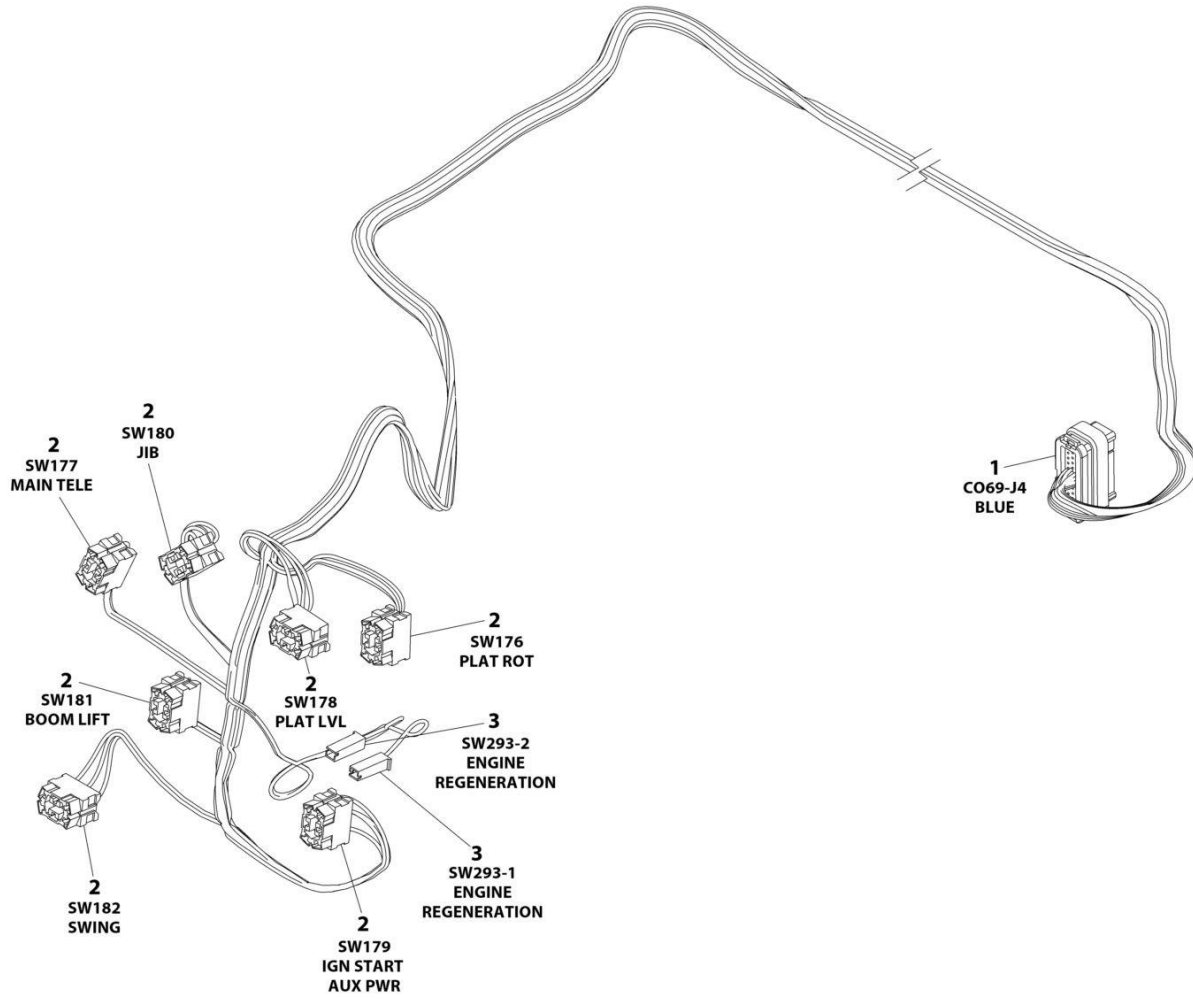
## SECTION 8 - ELECTRICAL

**FIGURE 8-64. GENERATOR TO ENGINE HARNESS - 7500W SKYPOWER GENERATOR (DEUTZ D2011 ONLY)**

ITEM	PART NUMBER	QTY	DESCRIPTION	REV
	1001152429	Ref	GENERATOR TO ENGINE HARNESS	C
1	4460043	1	Terminal, Ring	
2	4460742	1	Plug, Male - 2 Position	
3	4460967	1	Connector - 3 Position	
4	4460465	3	Socket, Female	
10	4460743	2	Terminal, Female	
11	4460458	2	Seal	
12	2400060	1	Fuseholder (Includes Cover)	
13	2400064	1	Fuse - 5Amp	

# SECTION 8 - ELECTRICAL

## FIGURE 8-65. GROUND CONTROL HARNESS



ART\_1001238408

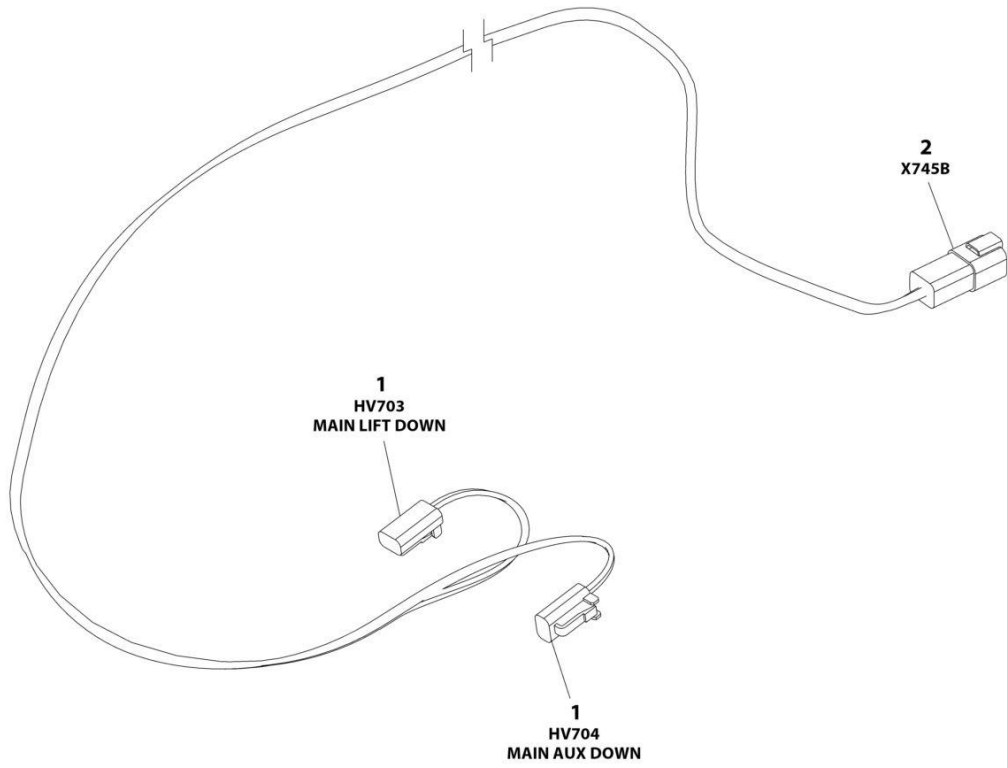
## SECTION 8 - ELECTRICAL

### FIGURE 8-65. GROUND CONTROL HARNESS

ITEM	PART NUMBER	QTY	DESCRIPTION	REV
	1001238408	Ref	GROUND CONTROL HARNESS	B
1	4460876	1	Connector - 35 Position	
1	4460871	16	Socket, Female	
1	4460905	19	Plug, Terminal	
2	4460418	7	Connector, Switch	
2	4460419	14	Terminal	
2	1001159186	14	Terminal	
3	4460260	2	Terminal	
3	4460259	2	Terminal	

# SECTION 8 - ELECTRICAL

## FIGURE 8-66. LIFT CYLINDER HARNESS



ART\_1001205923

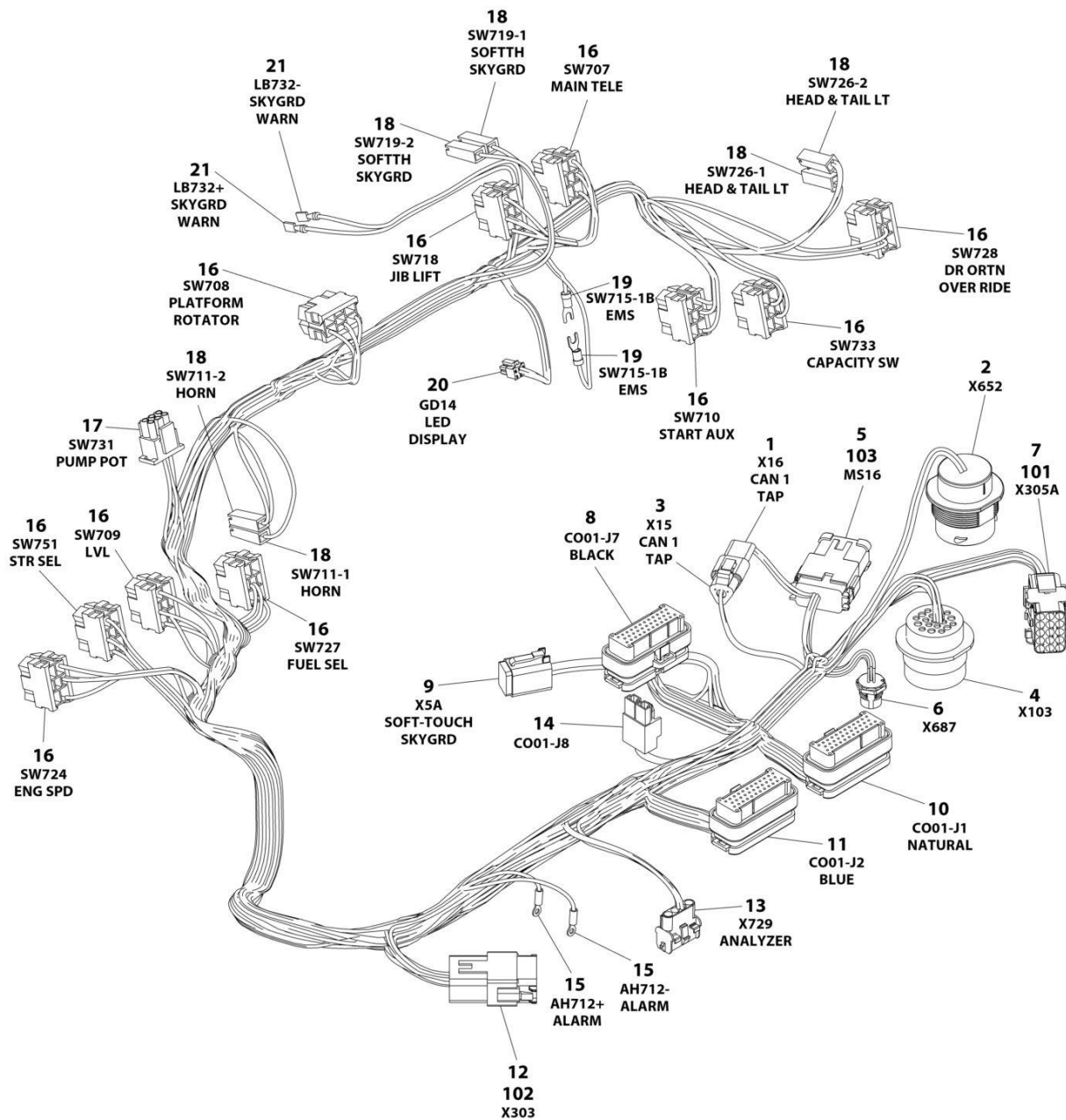
# SECTION 8 - ELECTRICAL

## FIGURE 8-66. LIFT CYLINDER HARNESS

ITEM	PART NUMBER	QTY	DESCRIPTION	REV
	1001205923	Ref	LIFT CYLINDER HARNESS	C
1	4460891	2	Plug, Male - 2 Position	
1	4460465	4	Socket, Female	
2	4460932	1	Receptacle, Female - 4 Position	
2	4460464	4	Pin, Male	

# SECTION 8 - ELECTRICAL

## FIGURE 8-67. PLATFORM BOX HARNESS



ART\_1001238409

## SECTION 8 - ELECTRICAL

### FIGURE 8-67. PLATFORM BOX HARNESS

ITEM	PART NUMBER	QTY	DESCRIPTION	REV
	1001238409	Ref	PLATFORM CONSOLE HARNESS	J
1	4460536	1	Receptacle, Female - 3 Position	
1	4460943	2	Pin, Male	
1	4460466	1	Plug, Terminal	
2	4460925	1	Connector - 21 Position	
2	1001116695	15	Pin, Male	
2	4460518	6	Plug, Terminal	
3	4460539	1	Plug, Male - 3 Position	
3	4460944	2	Socket, Female	
3	4460466	1	Plug, Terminal	
4	4460866	1	Connector - 19 Position	
4	4460464	7	Pin, Male	
4	4460943	2	Pin, Male	
4	4460508	1	Pin, Male	
4	4460466	8	Plug, Terminal	
5	4460933	1	Plug, Male - 12 Position	
5	4460465	10	Socket, Female	
5	4460466	2	Plug, Terminal	
6	1001213447	1	Connector - 4 Position	
6	See Note	NSS	Terminal (Note: Purchase p/n 1001213447)	
7	4460434	1	Connector - 15 Position	
7	4460267	8	Pin, Male	
8	4460873	1	Connector - 35 Position	
8	4460871	24	Socket, Female	
8	4460905	11	Plug, Terminal	
9	4460894	1	Plug, Male - 6 Position	
9	4460465	6	Socket, Female	
10	4460874	1	Connector - 35 Position	
10	4460871	29	Socket, Female	
10	4460905	6	Plug, Terminal	
11	4460876	1	Connector - 35 Position	
11	4460871	12	Socket, Female	
11	4460905	23	Plug, Terminal	
12	4460970	1	Receptacle, Female - 12 Position	
12	1001116693	6	Pin, Male	
12	4460466	6	Plug, Terminal	
13	4460761	1	Receptacle, Female - 4 Position	
13	1001118378	4	Pin, Male	
14	4460879	1	Plug, Male - 2 Position	
14	4460887	2	Terminal	
15	1001098122	2	Terminal, Ring	
16	4460418	10	Connector - 6 Position	
16	4460419	20	Terminal	
16	1001159186	18	Terminal	
17	4460225	1	Plug, Male - 6 Position	
17	4460227	6	Pin, Male (Note: Used on Pump Potentiometer Connection Only)	
17	4460267	2	Terminal	
18	4460260	6	Housing, Terminal	
18	4460259	6	Terminal	
19	4460183	2	Terminal, Fork	

## SECTION 8 - ELECTRICAL

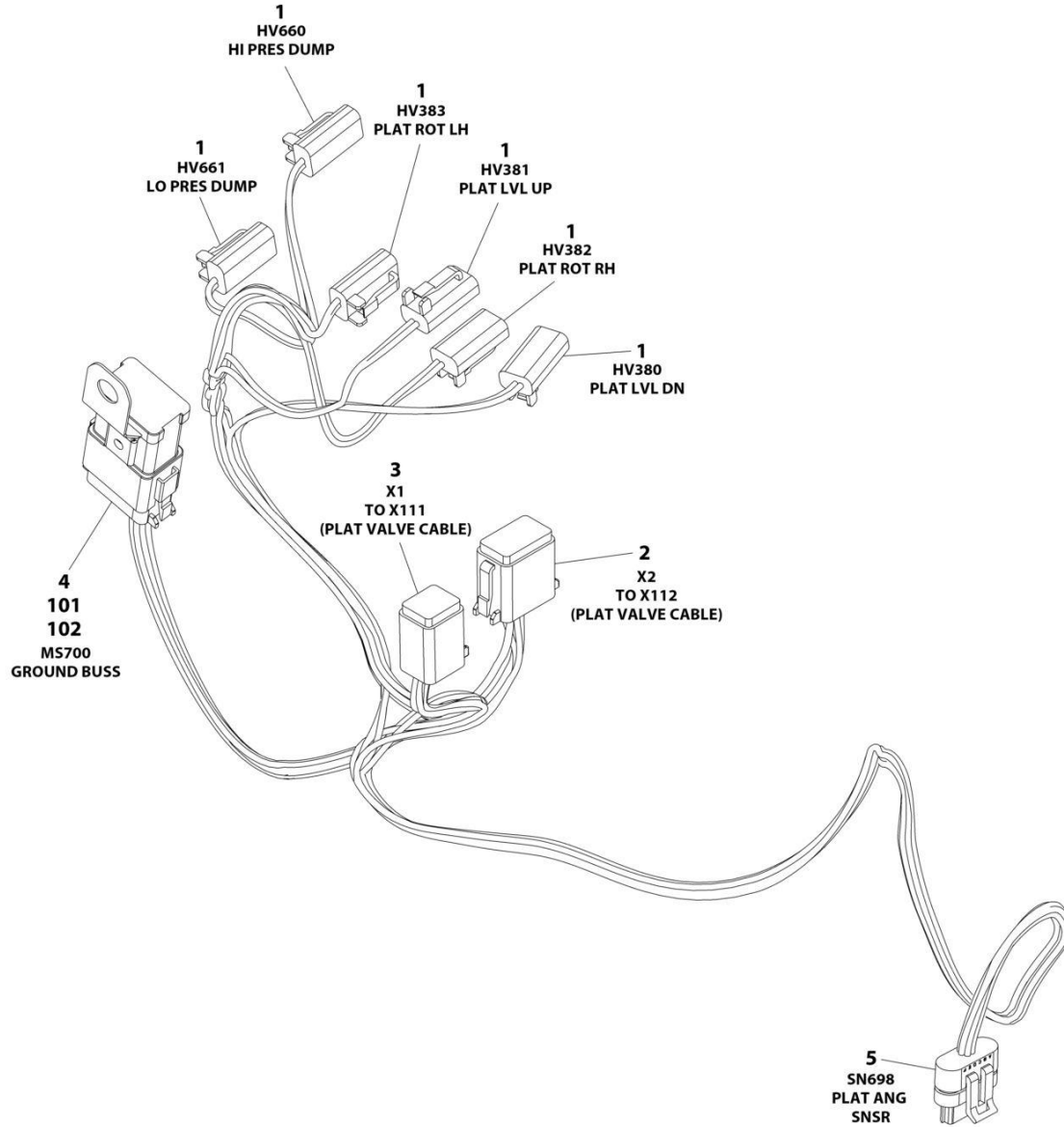
ITEM	PART NUMBER	QTY	DESCRIPTION	REV
20	1001237667	1	Connector - 6 Position	
20	1001237668	4	Terminal	
21	1001271497	1	Terminal	
101	4460708	1	Connector - 12 Position	
102	4460933	1	Plug, Male - 12 Position	
103	1001125677	1	Connector, Bussbar	





# SECTION 8 - ELECTRICAL

## FIGURE 8-68. PLATFORM VALVE HARNESS - 600S HC3



ART\_1001266276

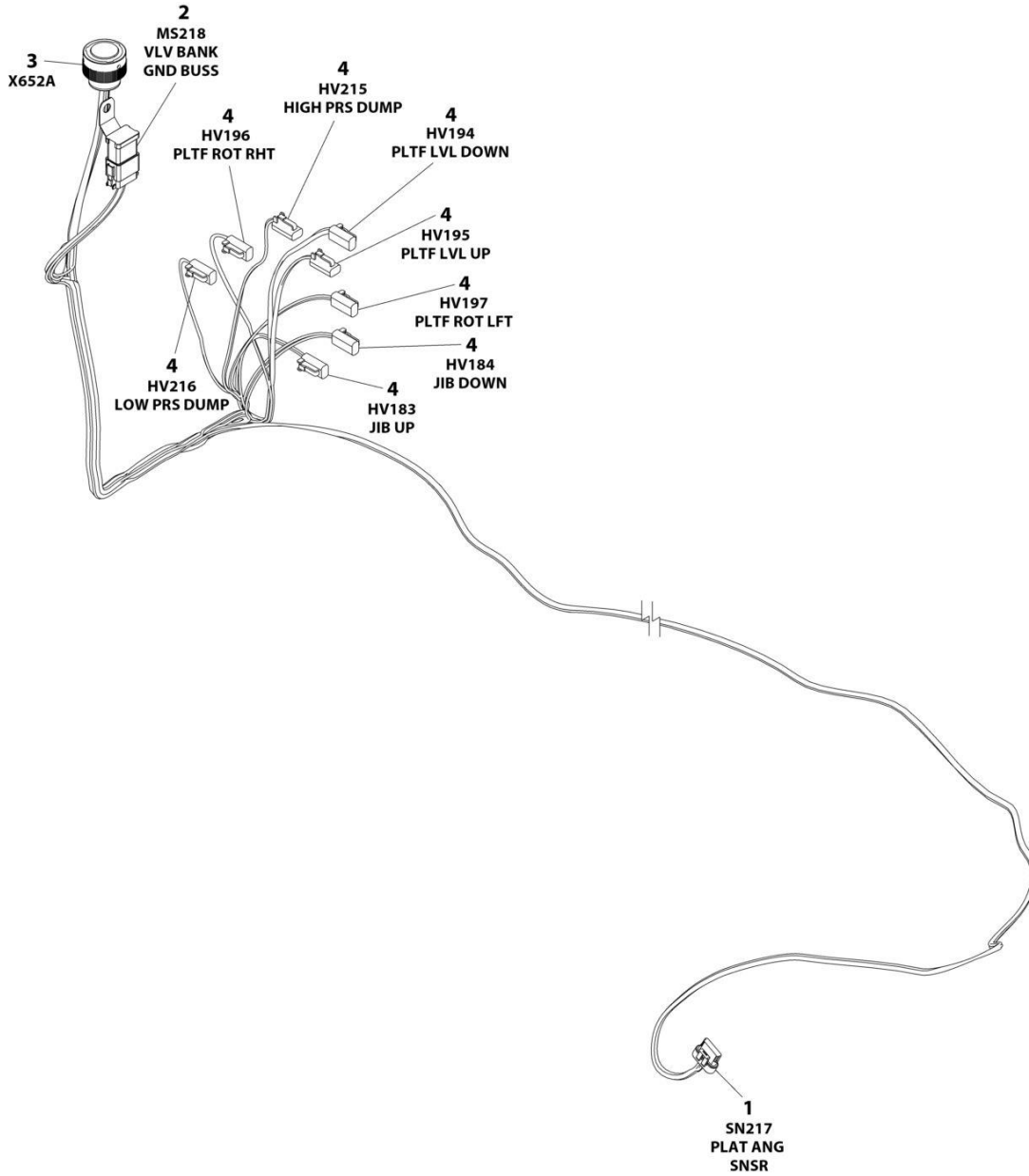
## SECTION 8 - ELECTRICAL

**FIGURE 8-68. PLATFORM VALVE HARNESS - 600S HC3**

ITEM	PART NUMBER	QTY	DESCRIPTION	REV
	1001266276	Ref	PLATFORM VALVE HARNESS	A
1	4460891	1	Connector	
2	4460465	2	Terminal	
3	4460891	1	Connector	
4	4460465	2	Terminal	
5	4460891	1	Connector	
6	4460465	2	Terminal	
7	4460891	1	Connector	
8	4460465	2	Terminal	
9	4460891	1	Connector	
10	4460465	2	Terminal	
11	4460891	1	Connector	
12	4460465	2	Terminal	
13	4460930	1	Connector	
14	4460465	7	Terminal	
15	4460466	1	Plug	
16	4460894	1	Connector	
17	4460465	6	Terminal	
18	4460836	1	Connector	
19	4460465	7	Terminal	
20	4460466	5	Plug	
21	1001230931	1	Connector	
22	1001116748	6	Terminal	
23	4460837	1	Connector	
24	1001120328	1	Mount	

# SECTION 8 - ELECTRICAL

## FIGURE 8-69. PLATFORM VALVE HARNESS - 660SJ HC3



ART\_1001264338

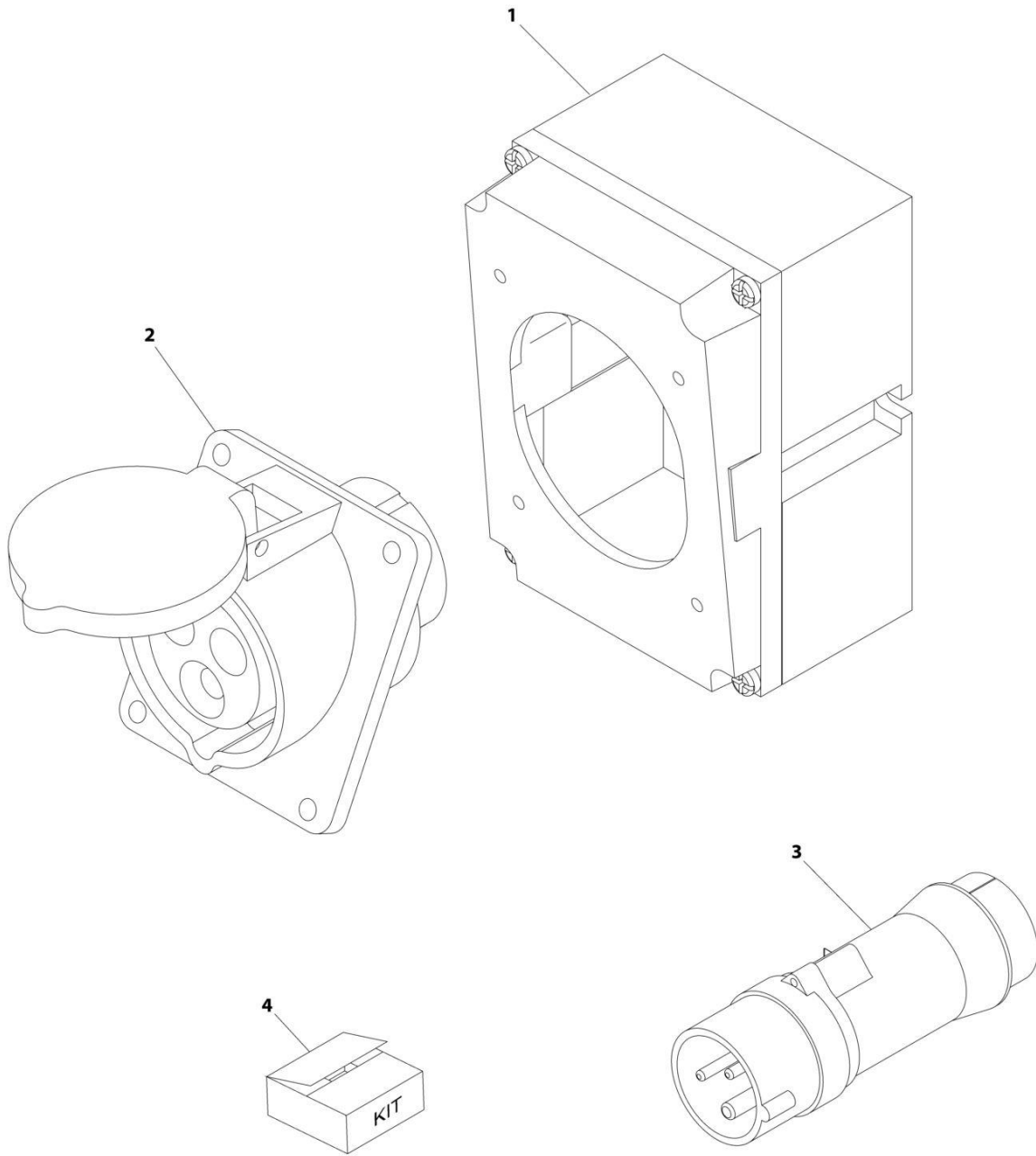
## SECTION 8 - ELECTRICAL

**FIGURE 8-69. PLATFORM VALVE HARNESS - 660SJ HC3**

ITEM	PART NUMBER	QTY	DESCRIPTION	REV
	1001264338	Ref	PLATFORM VALVE HARNESS	A
1	1001230931	1	Plug, Male - 6 Position	
1	1001116748	6	Terminal	
2	4460836	1	Plug, Male - 12 Position	
2	4460465	9	Socket, Female	
2	4460466	3	Plug, Terminal	
2	4460837	1	Connector, Bussbar	
2	1001120328	1	Clip, Mounting	
3	4460926	1	Connector - 21 Position	
3	4460928	15	Socket, Female	
3	4460518	6	Plug, Terminal	
4	4460891	8	Plug, Male - 2 Position	
4	4460465	16	Socket, Female	

# SECTION 8 - ELECTRICAL

FIGURE 8-70. RECEPTACLE BOX KIT - 110V IEC YELLOW (CE SPEC)



ART\_0275216

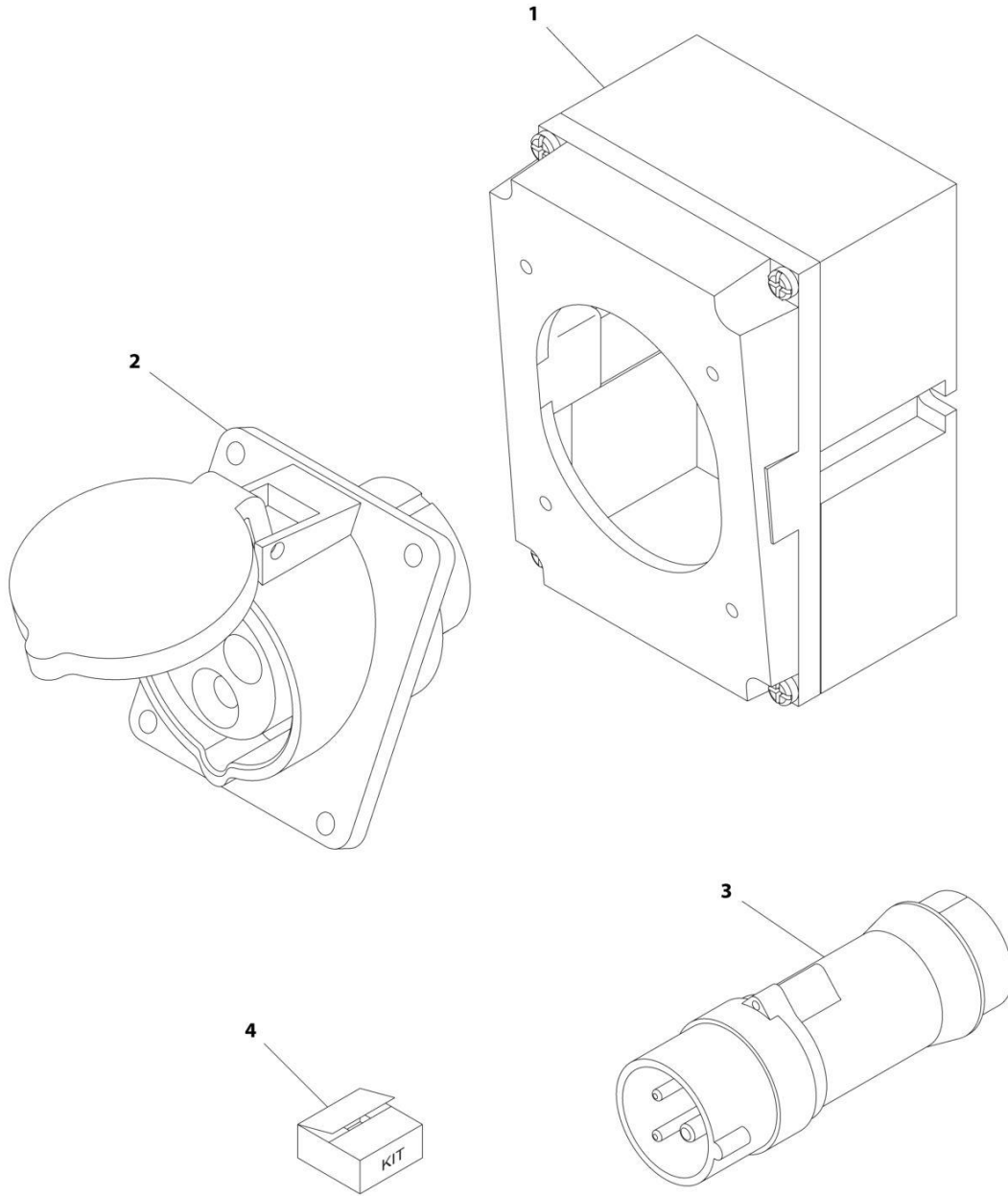
## SECTION 8 - ELECTRICAL

**FIGURE 8-70. RECEPTACLE BOX KIT - 110V IEC YELLOW (CE SPEC)**

ITEM	PART NUMBER	QTY	DESCRIPTION	REV
	0275216	Ref	RECEPTACLE BOX KIT - 110V IEC YELLOW	B
1	0861781	1	Box, Switch	
2	4461198	1	Receptacle	
3	4461196	1	Plug, Male	
4	1001100341	1	Plug and Socket Kit (Includes Items 1-3 and Female Plug p/n 4461197)	

# SECTION 8 - ELECTRICAL

FIGURE 8-71. RECEPTACLE BOX KIT - 220V IEC BLUE (CE SPEC)



ART\_0275217



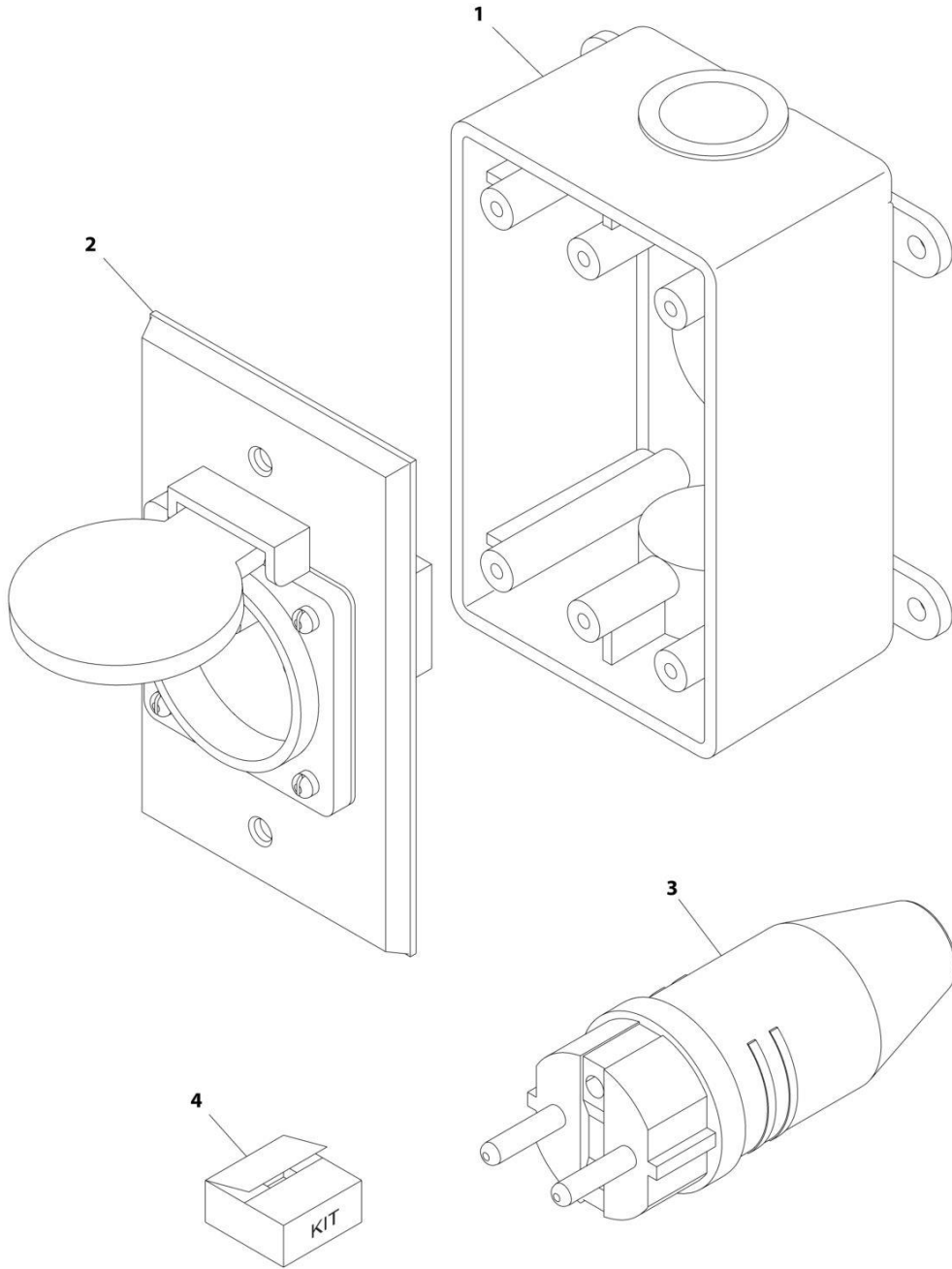
## SECTION 8 - ELECTRICAL

**FIGURE 8-71. RECEPTACLE BOX KIT - 220V IEC BLUE (CE SPEC)**

ITEM	PART NUMBER	QTY	DESCRIPTION	REV
	0275217	Ref	RECEPTACLE BOX KIT - 220V IEC BLUE	B
1	0861781	1	Box, Switch	
2	4461201	1	Receptacle	
3	4461199	1	Plug, Male	
4	1001100342	1	Plug and Socket Kit (Includes Items 1-3 and Female Plug p/n 4461200)	

# SECTION 8 - ELECTRICAL

FIGURE 8-72. RECEPTACLE BOX KIT - 220V CEE7 POST GROUND 2X4 BOX (CE SPEC)



ART\_0275452-C

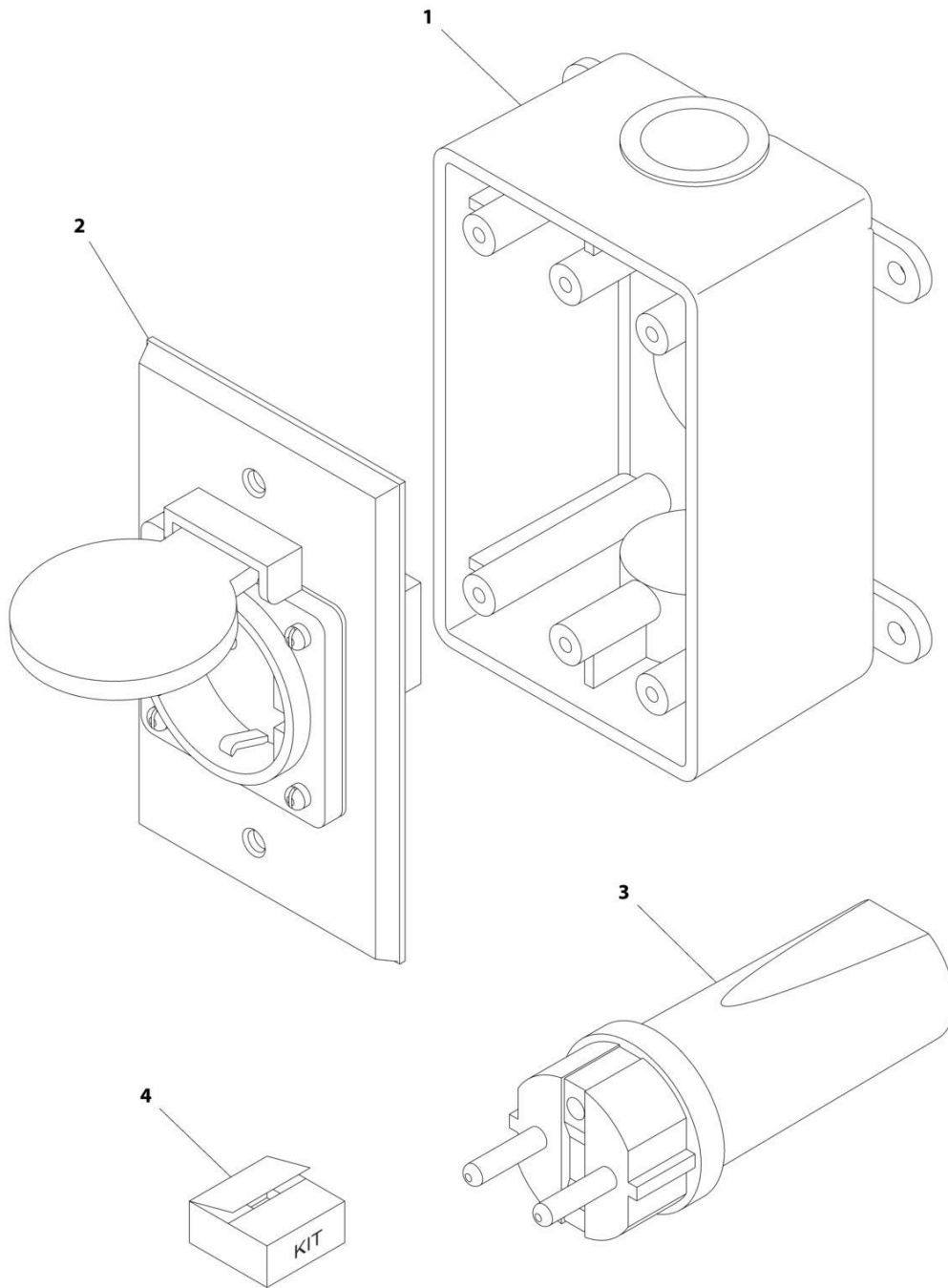
## SECTION 8 - ELECTRICAL

**FIGURE 8-72. RECEPTACLE BOX KIT - 220V CEE7 POST GROUND 2X4 BOX (CE SPEC)**

ITEM	PART NUMBER	QTY	DESCRIPTION	REV
	0275452	Ref	RECEPTACLE BOX KIT - 220V CEE7 POST GROUND 2IN X 4IN BOX	C
1	0861731	1	Box, Switch	
2	4461244	1	Receptacle	
3	4461205	1	Plug, Male	
4	1001100345	1	Plug and Socket Kit (Includes Items 1-3 and Female Plug p/n 4461203)	

# SECTION 8 - ELECTRICAL

FIGURE 8-73. RECEPTACLE BOX KIT - 220V CEE7 SIDE GROUND (CE SPEC)



ART\_0275453

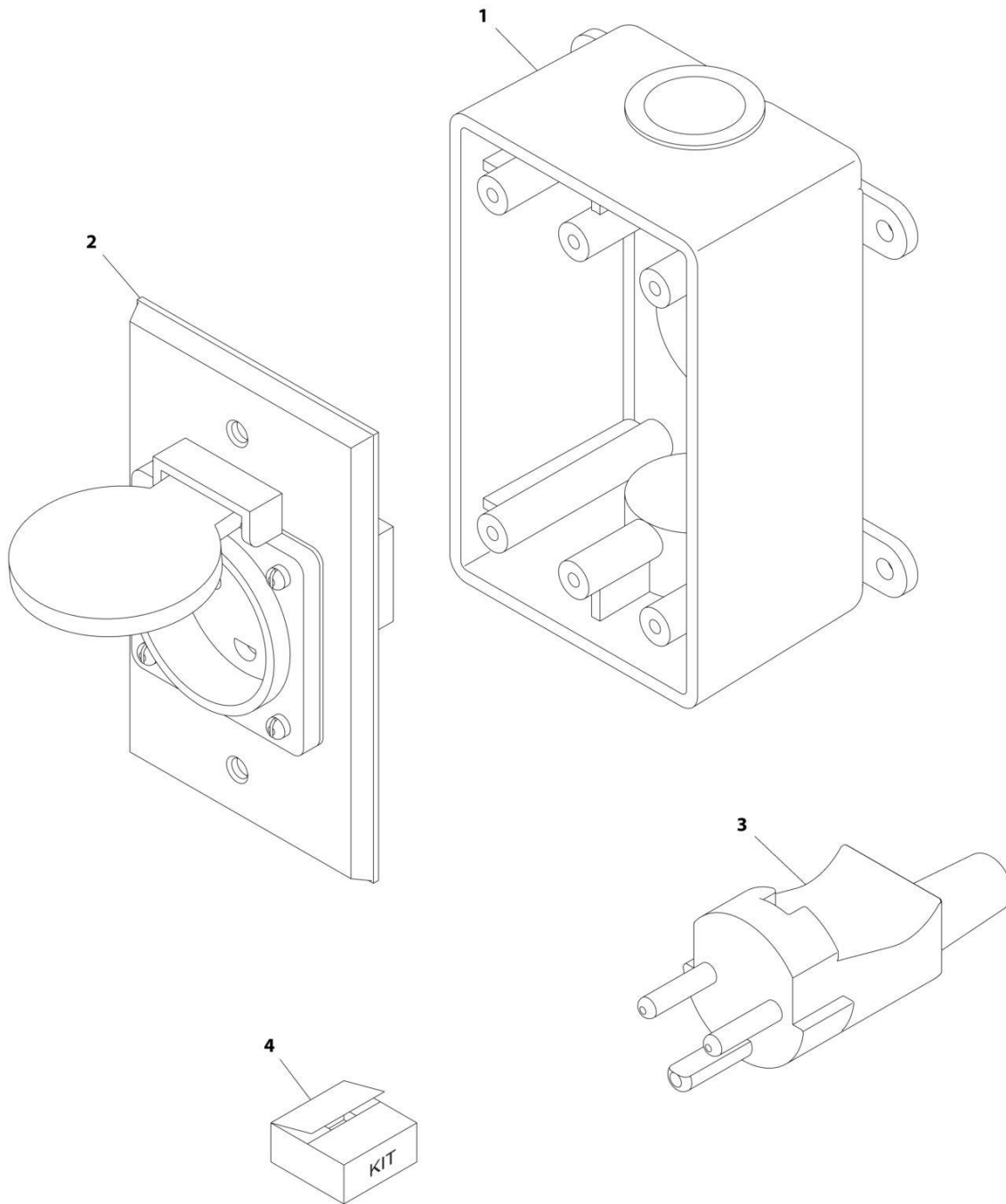
## SECTION 8 - ELECTRICAL

**FIGURE 8-73. RECEPTACLE BOX KIT - 220V CEE7 SIDE GROUND (CE SPEC)**

ITEM	PART NUMBER	QTY	DESCRIPTION	REV
	0275453	Ref	RECEPTACLE BOX KIT - 220V CEE7 SIDE GROUND	B
1	0861731	1	Box, Switch	
2	4461245	1	Receptacle	
3	4461205	1	Plug, Male	
4	1001100347	1	Plug and Socket Kit (Includes Items 1-3 and Female Plug p/n 4461206)	

# SECTION 8 - ELECTRICAL

FIGURE 8-74. RECEPTACLE BOX KIT - 220V AFSINT 107 (CE SPEC)



ART\_0275454

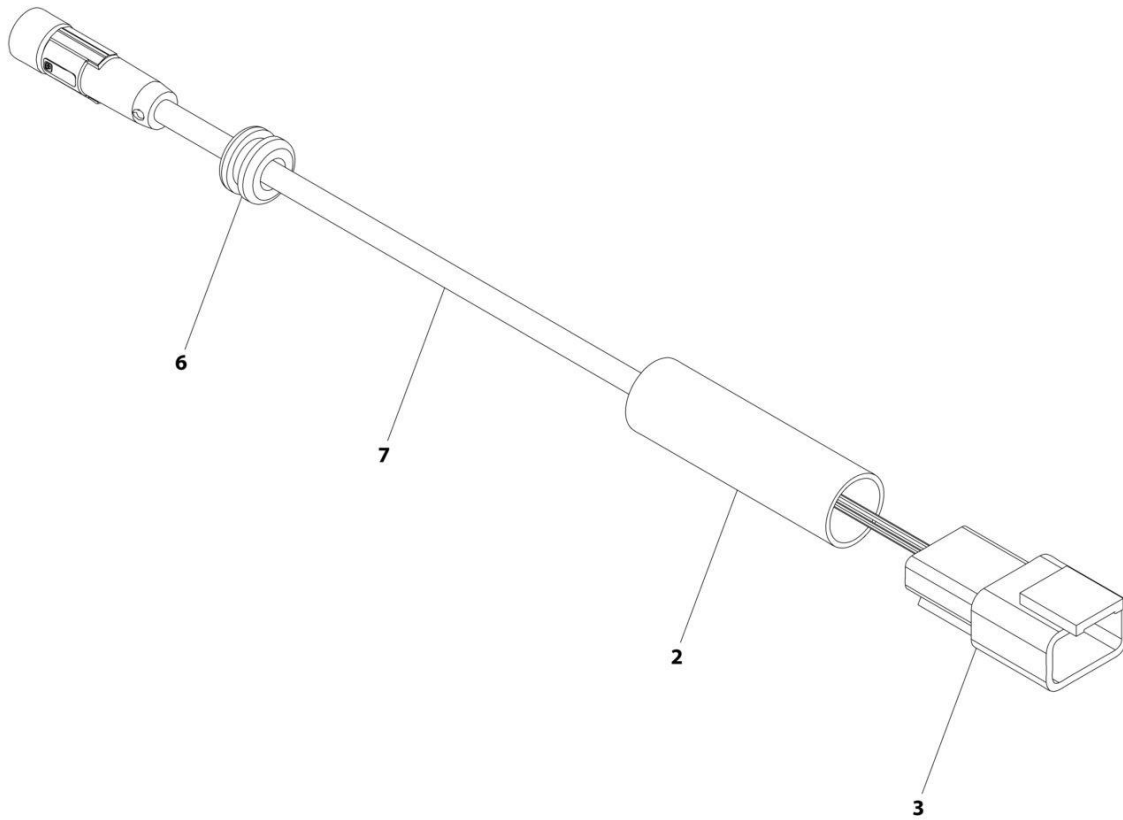
## SECTION 8 - ELECTRICAL

**FIGURE 8-74. RECEPTACLE BOX KIT - 220V AFSINT 107 (CE SPEC)**

ITEM	PART NUMBER	QTY	DESCRIPTION	REV
	0275454	Ref	RECEPTACLE BOX KIT - 220V AFSINT 107	B
1	0861731	1	Box, Switch	
2	4461246	1	Receptacle	
3	4461249	1	Plug, Male	
4	1001100346	1	Plug and Socket Kit (Includes Items 1-3 and Female Plug p/n 4461250)	

# SECTION 8 - ELECTRICAL

## FIGURE 8-75. SKYEYE EMITTER HARNESS



ART\_1001237864



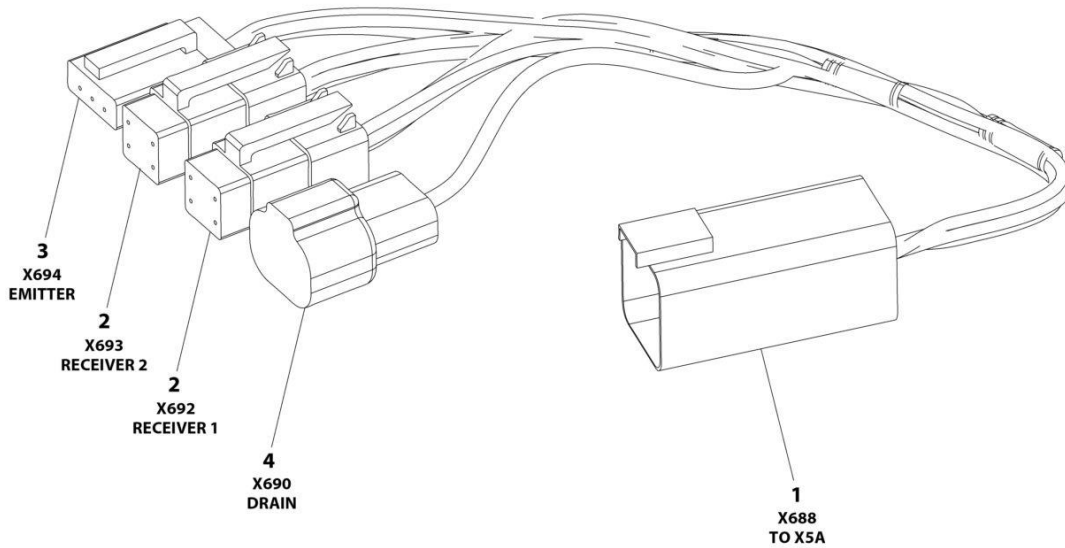
## SECTION 8 - ELECTRICAL

### FIGURE 8-75. SKYEYE EMITTER HARNESS

ITEM	PART NUMBER	QTY	DESCRIPTION	REV
	1001237864	Ref	SKYEYE EMITTER HARNESS	A
2	2820247	AR	Tubing, Heat Shrink	
3	4460910	1	Connector - 3 Position	
3	1001119620	3	Pin, Male	
6	1001227996	1	Grommet	
7	1001237862	1	Cable, M8 Female Cordset	

# SECTION 8 - ELECTRICAL

## FIGURE 8-76. SKYEYE INTERMEDIATE HARNESS



ART\_1001237865

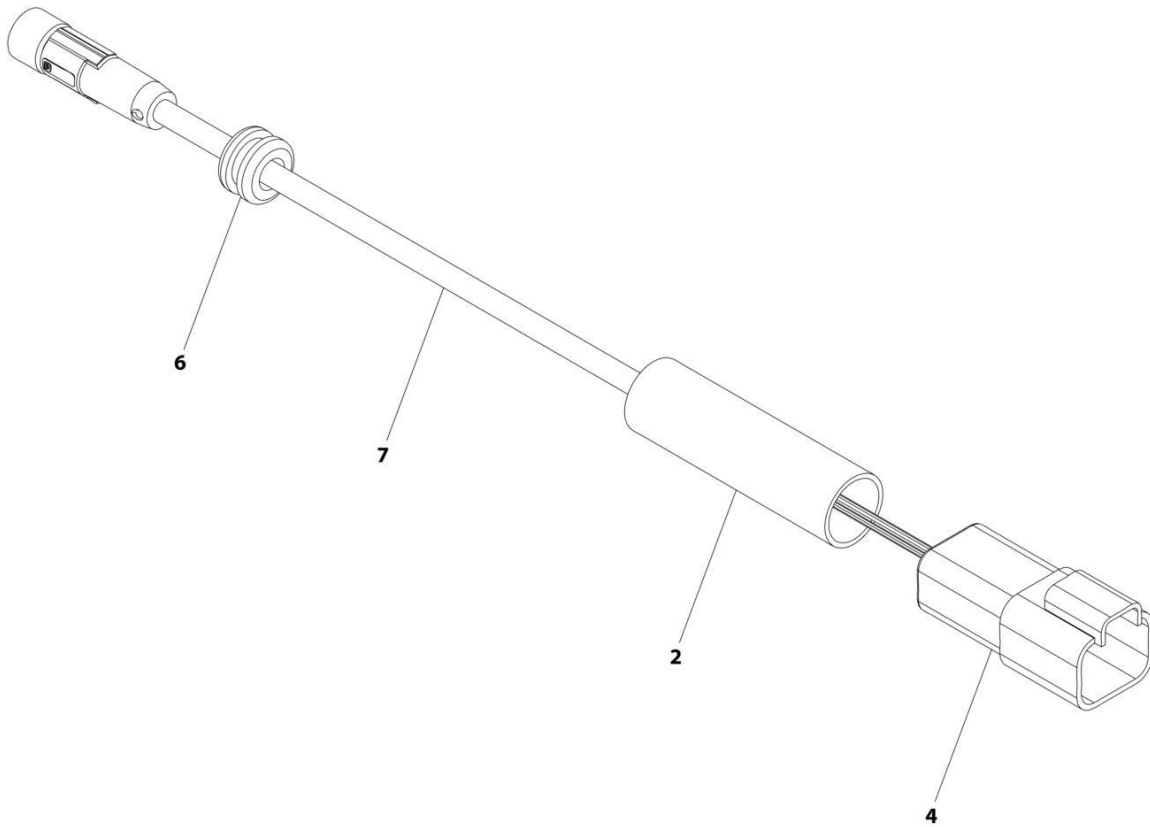
## SECTION 8 - ELECTRICAL

**FIGURE 8-76. SKYEYE INTERMEDIATE HARNESS**

ITEM	PART NUMBER	QTY	DESCRIPTION	REV
	1001237865	Ref	SKYEYE INTERMEDIATE HARNESS	A
1	4460899	1	Connector - 6 Position	
1	4460943	4	Pin, Male	
1	4460466	2	Plug, Terminal	
2	4461077	2	Connector - 4 Position	
2	1001119619	8	Socket, Female	
3	4460911	1	Connector - 3 Position	
3	1001119619	3	Socket, Female	
4	1001187681	1	Connector - 2 Position	
4	4460941	1	Pin, Male	
4	4460466	1	Plug, Terminal	

# SECTION 8 - ELECTRICAL

## FIGURE 8-77. SKYEYE RECEIVER HARNESS



ART\_1001237863

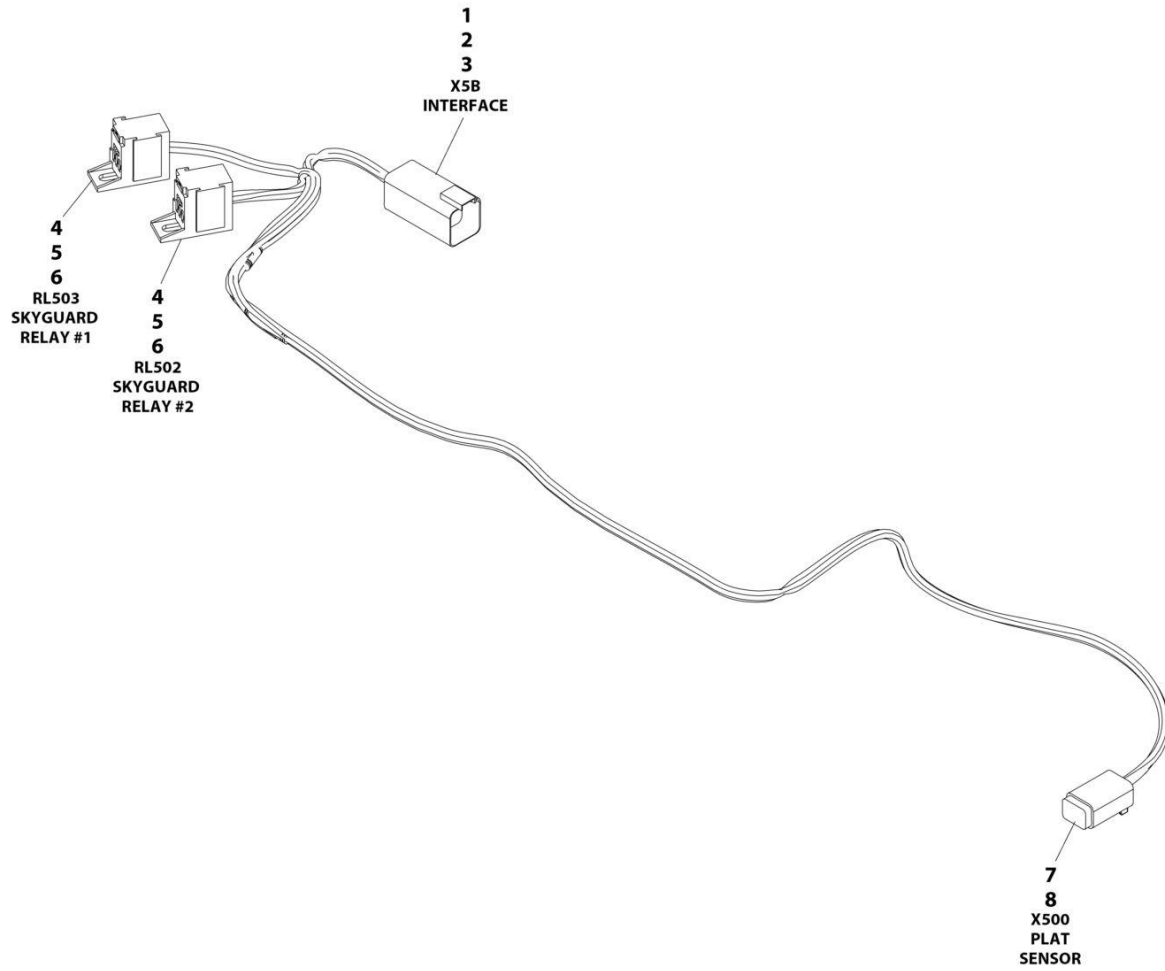
## SECTION 8 - ELECTRICAL

### FIGURE 8-77. SKYEYE RECEIVER HARNESS

ITEM	PART NUMBER	QTY	DESCRIPTION	REV
	1001237863	Ref	SKYEYE RECEIVER HARNESS	A
2	2820247	AR	Tubing, Heat Shrink	
4	1001097051	1	Connector - 4 Position	
4	1001119620	4	Pin, Male	
6	1001227996	1	Grommet	
7	1001237862	1	Cable, M8 Female Cordset	

# SECTION 8 - ELECTRICAL

## FIGURE 8-78. SKYGUARD INTERFACE HARNESS



ART\_1001225580

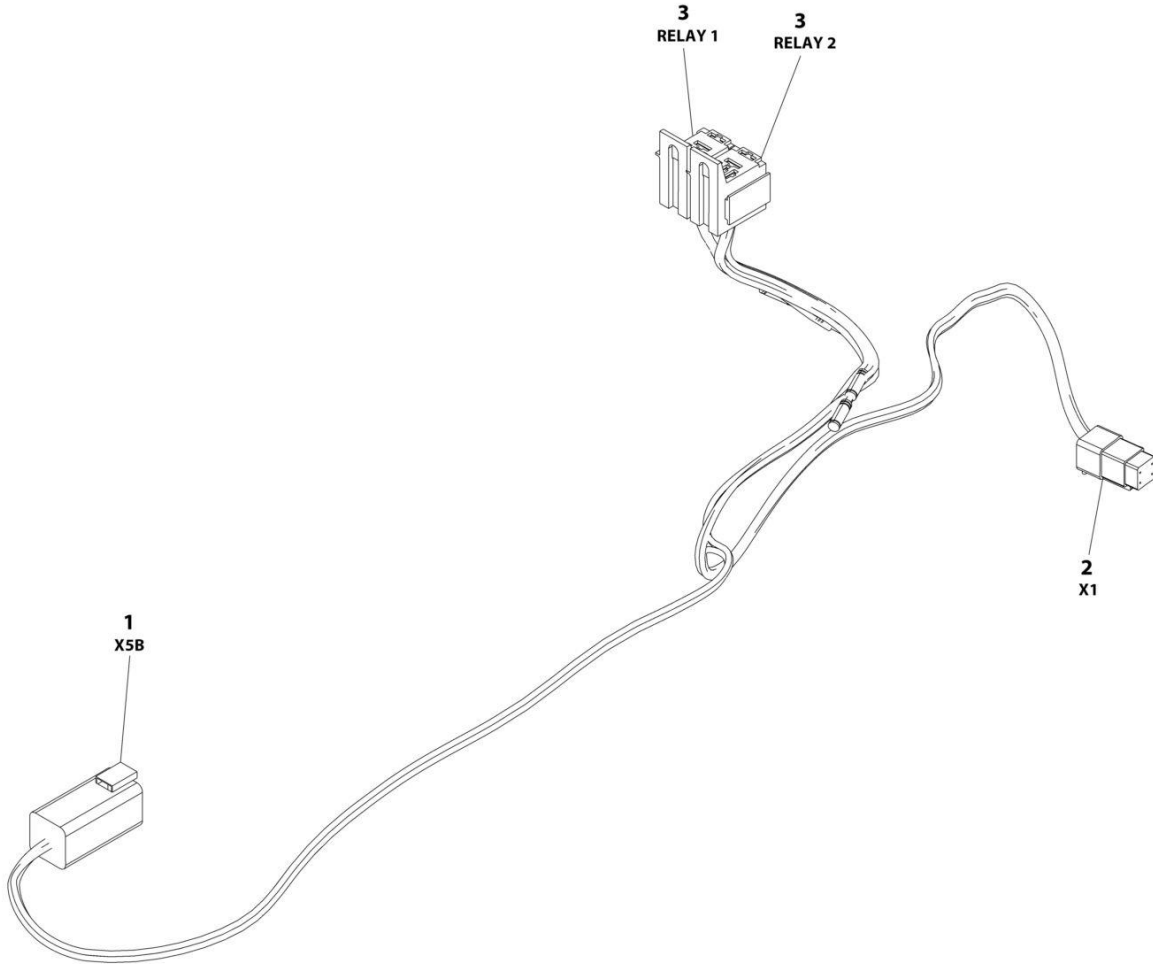
## SECTION 8 - ELECTRICAL

### FIGURE 8-78. SKYGUARD INTERFACE HARNESS

ITEM	PART NUMBER	QTY	DESCRIPTION	REV
	1001225580	Ref	INTERFACE HARNESS - WITH 1 CELL LSS	D
1	4460899	1	Connector	
2	4460464	4	Terminal	
3	4460466	2	Plug	
4	1001186432	2	Connector	
5	1001116720	4	Terminal	
6	1001118388	4	Terminal	
7	4460884	1	Connector	
8	4460465	4	Terminal	

# SECTION 8 - ELECTRICAL

## FIGURE 8-79. SKYLINE HARNESS



ART\_1001238418



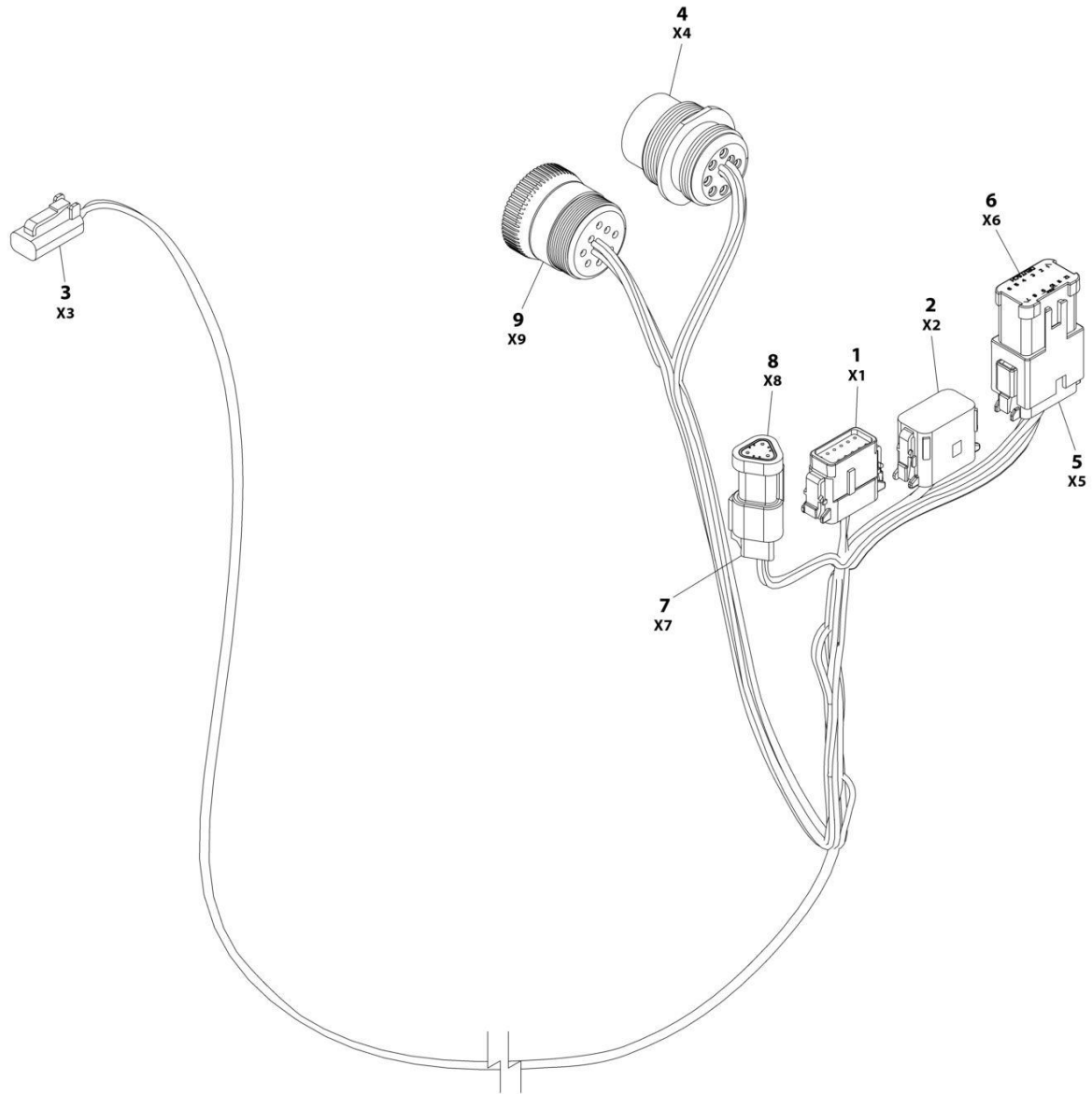
# SECTION 8 - ELECTRICAL

## FIGURE 8-79. SKYLINE HARNESS

ITEM	PART NUMBER	QTY	DESCRIPTION	REV
	1001238418	Ref	SKYLINE HARNESS	B
1	4460899	1	Connector - 6 Position	
1	4460464	4	Pin, Male	
1	4460466	2	Plug, Terminal	
2	4461077	1	Connector - 4 Position	
2	1001126009	4	Socket, Female	
3	1001186432	2	Plug, Relay	
3	1001118388	5	Terminal	
3	1001118384	3	Terminal	
3	3740086	2	Relay	

# SECTION 8 - ELECTRICAL

## FIGURE 8-80. STROBE LIGHT HARNESS (RED AND BLUE BEACON LIGHTS)



ART\_1001142736

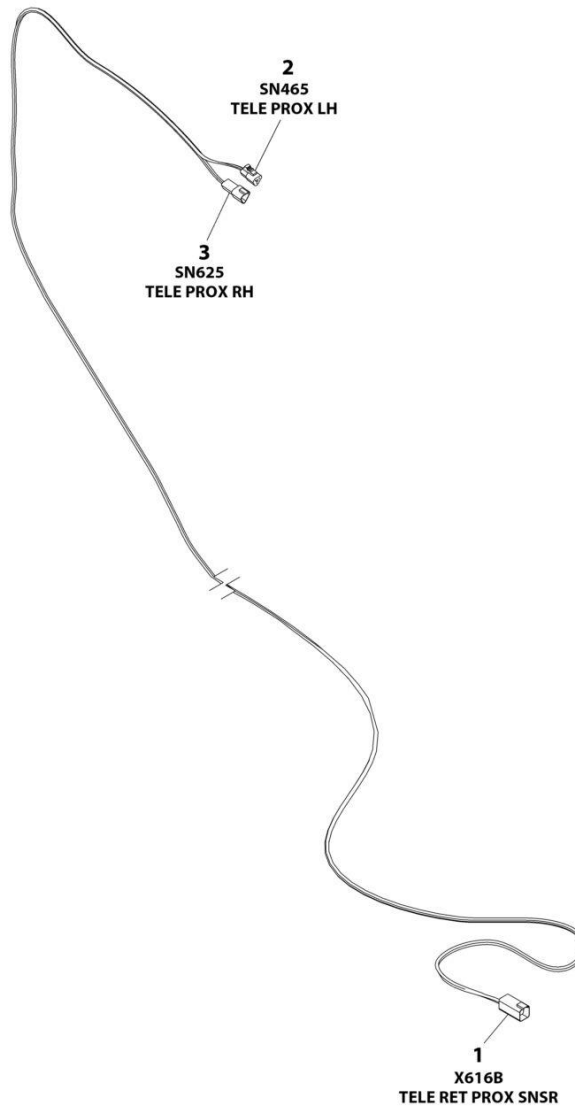
## SECTION 8 - ELECTRICAL

**FIGURE 8-80. STROBE LIGHT HARNESS (RED AND BLUE BEACON LIGHTS)**

ITEM	PART NUMBER	QTY	DESCRIPTION	REV
	1001142736	Ref	STROBE LIGHT HARNESS	F
1	1001116808	1	Plug, Male - 12 Position	
1	4460928	3	Socket, Female	
1	4460518	9	Plug, Terminal	
2	1001116774	1	Plug, Male - 12 Position	
2	4460928	3	Socket, Female	
2	4460518	9	Plug, Terminal	
3	4460891	1	Plug, Male - 2 Position	
3	4460465	2	Socket, Female	
4	1001112612	1	Connector - 9 Position	
4	4460464	6	Pin, Male	
4	4460466	3	Plug, Terminal	
5	4460933	1	Plug, Male - 12 Position	
5	4460465	12	Socket, Female	
6	1001119020	1	Bussbar - 12 Position	
7	4461095	1	Plug, Male - 3 Position	
7	4460465	3	Socket, Female	
8	4461070	1	Bussbar - 3 Position	
9	1001112796	1	Connector - 9 Position	
9	4460465	6	Socket, Female	
9	4460466	3	Plug, Terminal	

# SECTION 8 - ELECTRICAL

## FIGURE 8-81. TELE PROXIMITY HARNESS



ART\_1001189003

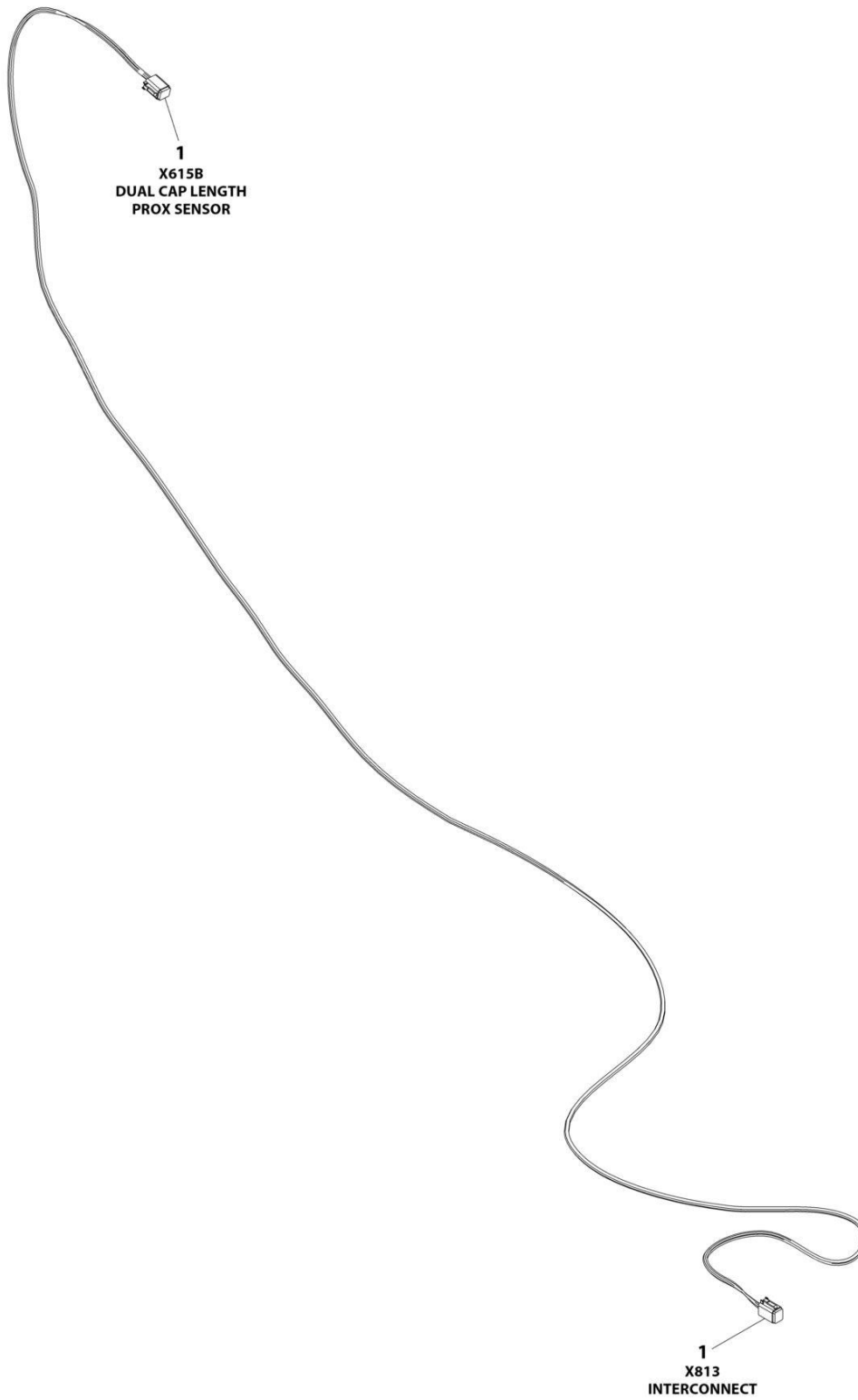
## SECTION 8 - ELECTRICAL

### FIGURE 8-81. TELE PROXIMITY HARNESS

ITEM	PART NUMBER	QTY	DESCRIPTION	REV
	1001189003	Ref	TELE PROXIMITY HARNESS	E
1	4460899	1	Receptacle, Female - 6 Position	
1	4460464	6	Pin, Male	
2	4460539	1	Plug, Male - 3 Position	
2	4460465	3	Socket, Female	
3	4460536	1	Receptacle, Female - 3 Position	
3	4460464	3	Pin, Male	

# SECTION 8 - ELECTRICAL

## FIGURE 8-82. TRANSPORT SWITCH HARNESS (660SJ HC3)



ART\_1001242908

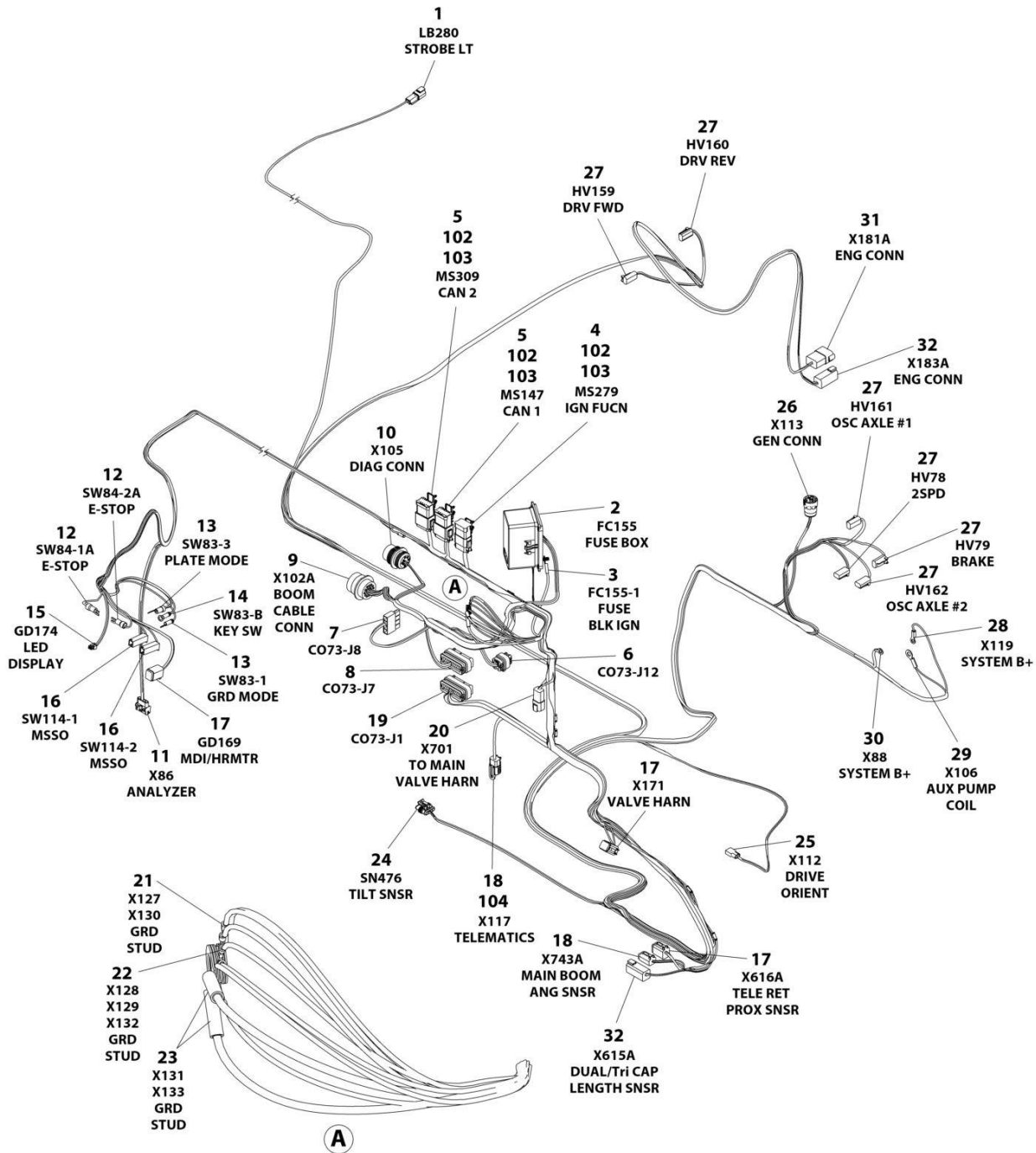
## SECTION 8 - ELECTRICAL

### FIGURE 8-82. TRANSPORT SWITCH HARNESS (660SJ HC3)

ITEM	PART NUMBER	QTY	DESCRIPTION	REV
	1001242908	Ref	CAPACITY PROXIMITY HARNESS	B
1	4460894	2	Plug, Male - 6 Position	
1	4460465	12	Socket, Female	

# SECTION 8 - ELECTRICAL

## FIGURE 8-83. TURNTABLE HARNESS



ART\_1001238405



# SECTION 8 - ELECTRICAL

## FIGURE 8-83. TURNTABLE HARNESS

ITEM	PART NUMBER	QTY	DESCRIPTION	REV
	1001238405	Ref	TURNTABLE HARNESS	H
1	4460897	1	Receptacle, Female - 2 Position	
1	4460464	9	Pin, Male	
2	1001196602	1	Box, Fuse Less Fuses	
2	1001196604	1	Cover, Box	
2	1001190921	1	Spacer, Foam	
2	1001196634	2	Fuse 2 Amp	
2	8229242	7	Fuse 5 Amp	
2	8229244	2	Fuse 15Amp	
2	1001095704	2	Relay	
2	1001196636	2	Diode 1 Amp	
2	8220098	6	Terminal	
2	8220089	6	Seal, Terminal	
2	8220097	19	Terminal	
2	4460458	19	Seal, Terminal	
2	4460748	10	Plug, Terminal	
3	1001117106	1	Terminal, Ring	
4	4460933	1	Plug, Male - 12 Position	
4	4460465	8	Socket, Female	
4	4460466	4	Seal, Terminal	
5	4460933	2	Plug, Male - 12 Position	
5	4460465	16	Socket, Female	
5	4460466	8	Plug, Terminal	
6	1001113961	1	Connector - 8 Position	
6	4460871	5	Socket, Female	
6	4460905	3	Plug, Terminal	
7	4460878	1	Plug, Male - 4 Position	
7	4460887	2	Socket, Female	
8	4460873	1	Connector - 35 Position	
8	4460871	26	Socket, Female	
8	4460905	9	Plug, Terminal	
9	4460866	1	Connector - 19 Position	
9	4460464	10	Pin, Male	
9	4460508	2	Pin, Male	
9	4460466	7	Plug, Terminal	
10	1001112612	1	Connector - 9 Position	
10	4460464	5	Pin, Male	
10	4460466	4	Plug, Terminal	
11	1001119032	1	Receptacle, Female - 4 Position	
11	1001118378	4	Pin, Male	
12	4460183	2	Terminal, Ring	
13	4460042	2	Terminal, Ring	
14	4460247	1	Terminal, Ring	
15	1001237667	1	Plug, Male - 6 Position	
15	1001237668	5	Terminal	
16	4460260	2	Cover, Terminal	
16	4460259	2	Terminal	
17	4460894	3	Plug, Male - 6 Position	
17	4460465	13	Socket, Female	
17	4460466	5	Plug, Terminal	

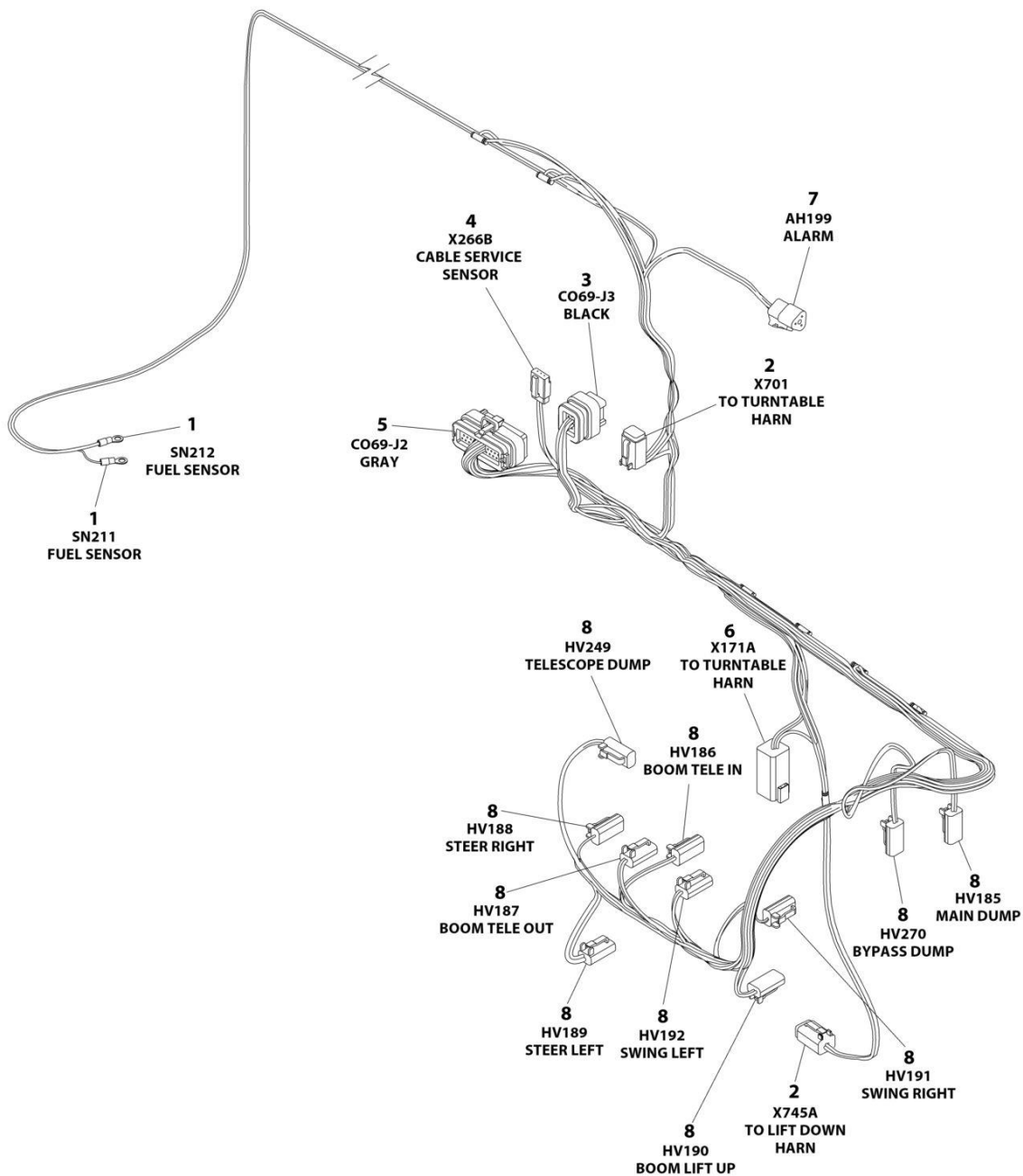
## SECTION 8 - ELECTRICAL

ITEM	PART NUMBER	QTY	DESCRIPTION	REV
18	4460884	2	Plug, Male - 4 Position	
18	4460465	8	Socket, Female	
19	4460874	1	Connector - 35 Position	
19	4460871	21	Socket, Female	
19	4460905	14	Plug, Terminal	
20	4460932	1	Receptacle, Female - 4 Position	
20	4460464	4	Pin, Male	
21	1001187078	2	Terminal, Ring	
22	1001187077	3	Terminal, Ring	
23	1001117110	2	Terminal, Ring	
24	1001103012	1	Plug, Male - 4 Position	
24	1001107854	4	Terminal	
25	4460424	1	Receptacle, Female - 2 Position	
25	4460226	2	Socket, Female	
26	4460967	1	Plug, Male - 3 Position	
26	4460465	3	Socket, Female	
27	4460891	6	Plug, Male - 2 Position	
27	4460465	12	Socket, Female	
28	4460703	1	Terminal, Ring	
29	4460702	1	Terminal, Ring	
30	8220045	1	Terminal, Ring	
31	4460931	1	Receptacle, Female - 8 Position	
31	4460464	5	Pin, Male	
31	4460466	3	Socket, Female	
32	4460899	2	Receptacle, Female - 6 Position	
32	4460464	11	Pin, Male	
32	4460466	1	Seal, Terminal	
102	1001125677	3	Connector, Bussbar	
103	1001121172	3	Mount, Connector	
104	1001192401	1	Cap, Dust	



# SECTION 8 - ELECTRICAL

## FIGURE 8-84. VALVE HARNESS - MAIN VALVE



ART\_1001238407

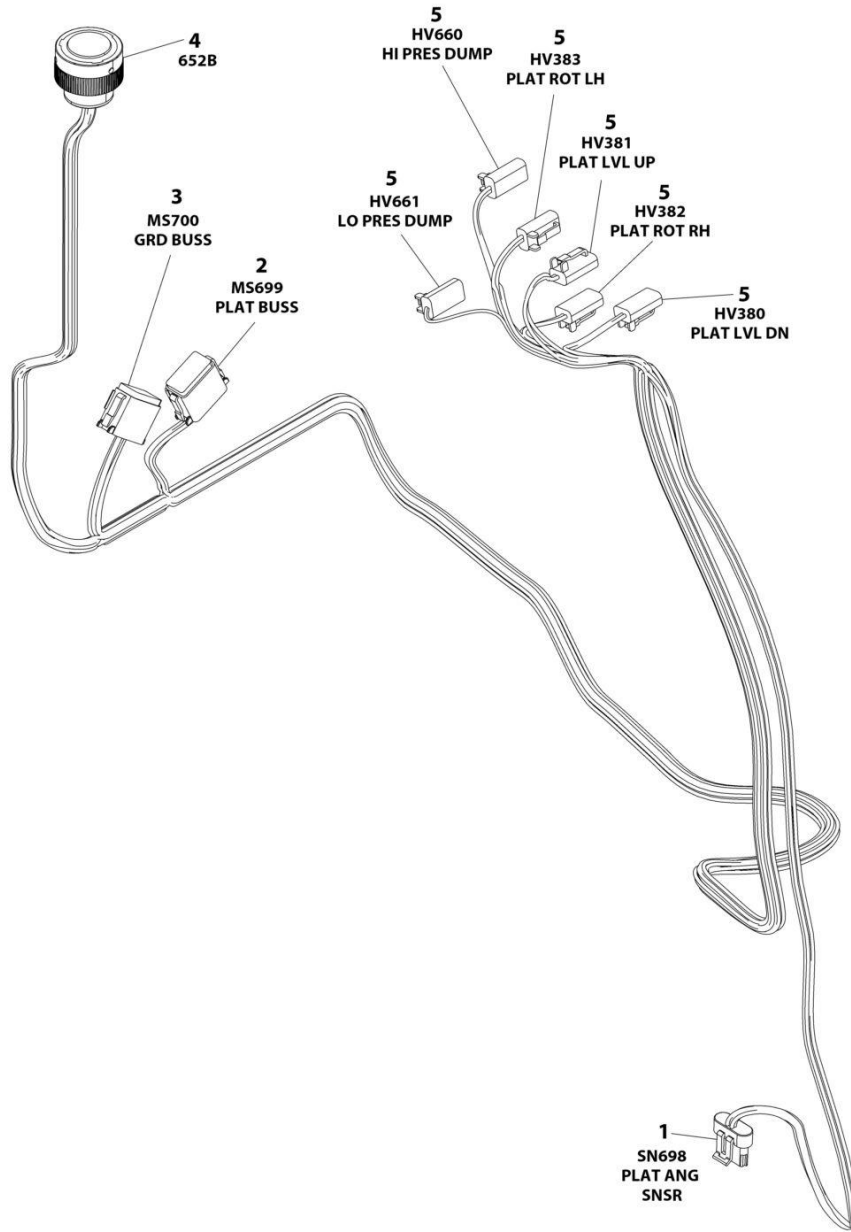
## SECTION 8 - ELECTRICAL

### FIGURE 8-84. VALVE HARNESS - MAIN VALVE

ITEM	PART NUMBER	QTY	DESCRIPTION	REV
	1001238407	Ref	MAIN VALVE HARNESS	B
1	4460313	2	Terminal, Ring	
2	4460884	2	Plug, Male - 4 Position	
2	4460465	8	Socket, Female	
3	4460872	1	Connector - 14 Position	
3	4460871	10	Socket, Female	
3	4460905	4	Plug, Terminal	
4	4460911	1	Plug, Male - 3 Position	
4	1001116694	3	Socket, Female	
5	4460875	1	Connector - 35 Position	
5	4460871	24	Socket, Female	
5	4460905	11	Plug, Terminal	
6	4460899	1	Receptacle, Female - 6 Position	
6	4460464	6	Pin, Male	
7	4460539	1	Plug, Male - 3 Position	
7	4460465	3	Socket, Female	
8	4460891	10	Plug, Male - 2 Position	
8	4460465	20	Socket, Female	

# SECTION 8 - ELECTRICAL

## FIGURE 8-85. VALVE HARNESS - PLATFORM VALVE (600S HC3)



ART\_1001191328

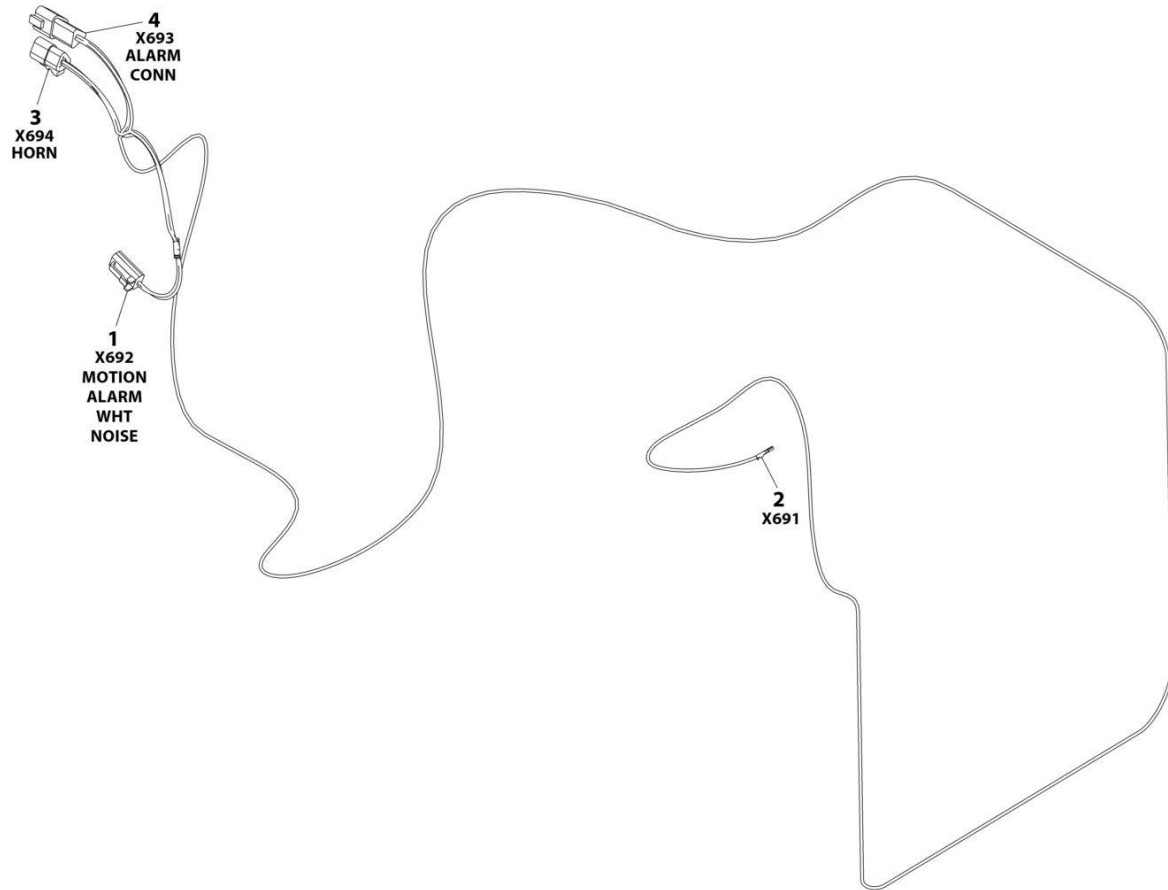
## SECTION 8 - ELECTRICAL

**FIGURE 8-85. VALVE HARNESS - PLATFORM VALVE (600S HC3)**

ITEM	PART NUMBER	QTY	DESCRIPTION	REV
	1001191328	Ref	PLATFORM VALVE HARNESS	G
1	1001230931	1	Plug, Male - 6 Position	
1	1001116748	6	Terminal	
2	4460933	1	Plug, Male - 12 Position	
2	4460465	6	Socket, Female	
2	4460466	6	Plug, Terminal	
2	1001125677	1	Connector, Bussbar	
2	1001120328	1	Mount, Connector	
3	4460836	1	Plug, Male - 12 Posiiton	
3	4460465	7	Socket, Female	
3	4460466	5	Plug, Terminal	
3	4460837	1	Connector, Bussbar	
3	1001120328	1	Mount, Connector	
4	4460926	1	Connector - 21 Position	
4	4460465	11	Socket, Female	
4	4460466	10	Plug, Terminal	
5	4460891	6	Plug, Male - 2 Position	
5	4460465	12	Socket, Female	

# SECTION 8 - ELECTRICAL

## FIGURE 8-86. WHITE NOISE ALARM HARNESS



ART\_1001243682



## SECTION 8 - ELECTRICAL

### FIGURE 8-86. WHITE NOISE ALARM HARNESS

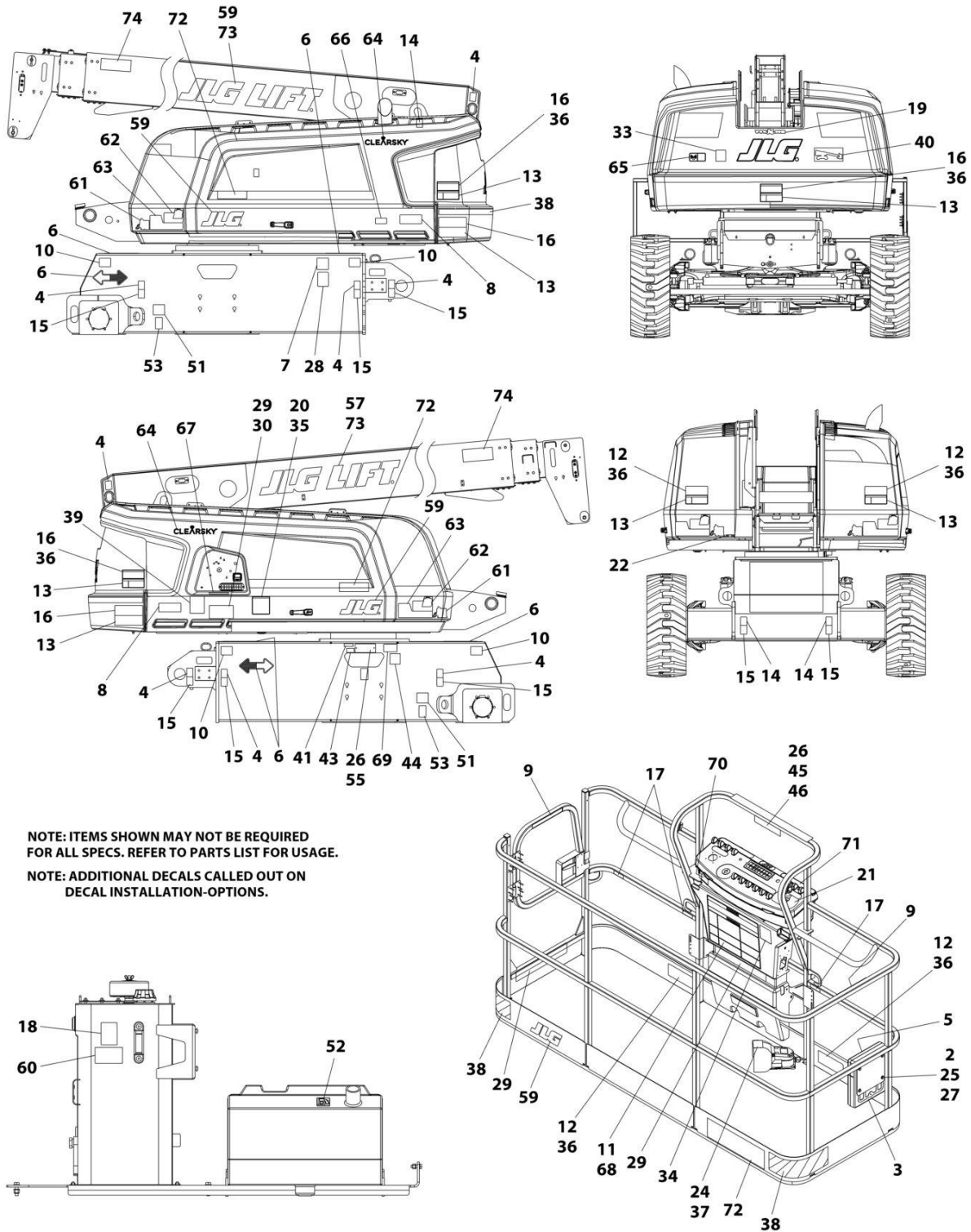
ITEM	PART NUMBER	QTY	DESCRIPTION	REV
	1001243682	Ref	WHITE NOISE ALARM HARNESS	A
1	4460891	1	Plug, Male - 2 Position	
1	4460465	2	Socket, Female	
2	4460871	1	Terminal	
3	4460539	1	Plug, Male- 3 Position	
3	4460465	3	Socket, Female	
4	4460536	1	Receptacle, Female- 3 Position	
4	4460464	3	Pin, Male	



**SECTION 9 - DECALS**

# SECTION 9 - DECALS

## FIGURE 9-1. DECAL INSTALLATION (ANSI SPECS - ENGLISH LANGUAGE)



NOTE: ITEMS SHOWN MAY NOT BE REQUIRED FOR ALL SPECS. REFER TO PARTS LIST FOR USAGE.  
 NOTE: ADDITIONAL DECALS CALLED OUT ON DECAL INSTALLATION-OPTIONS.

ART\_1001235387

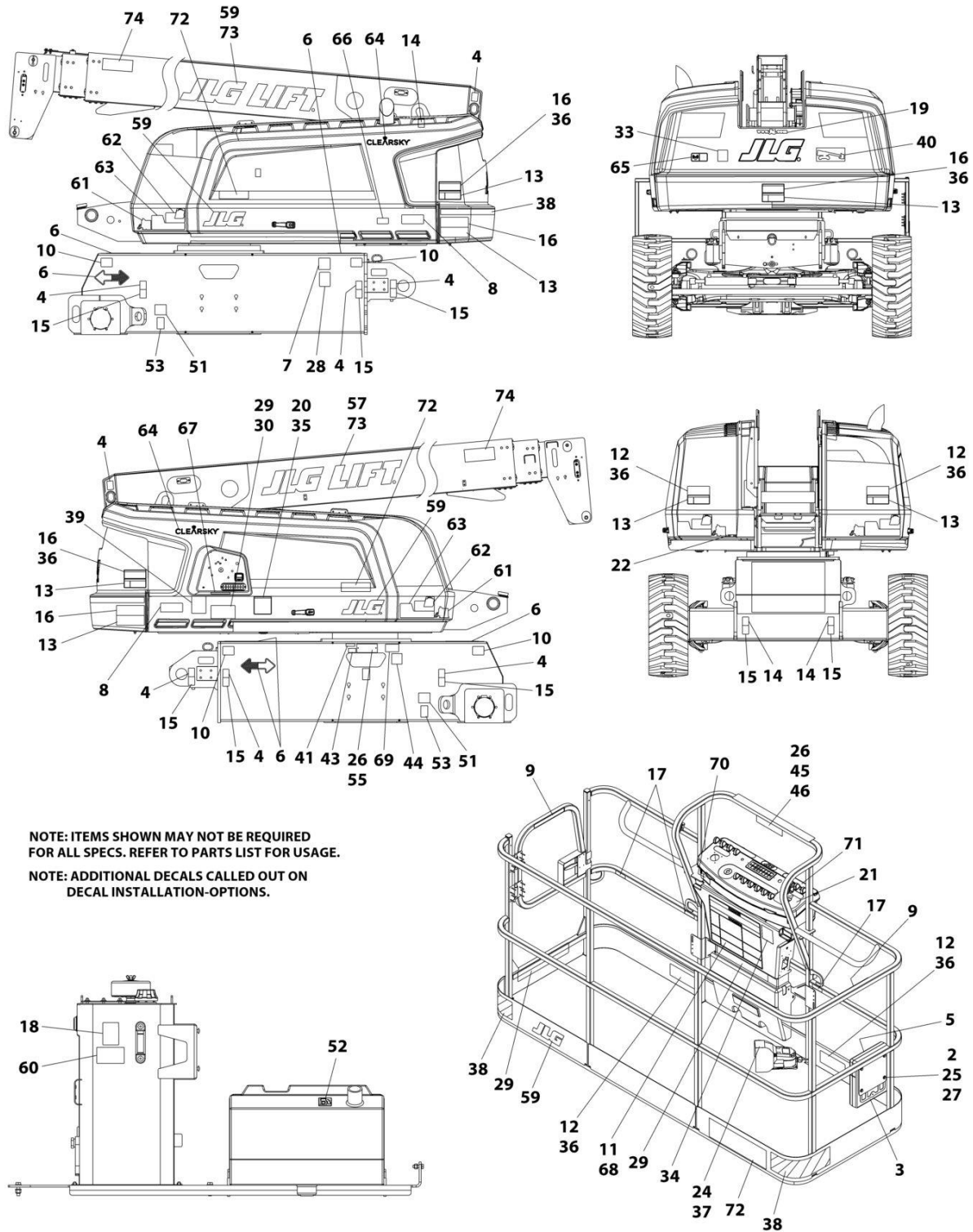
## SECTION 9 - DECALS

**FIGURE 9-1. DECAL INSTALLATION (ANSI SPECS - ENGLISH LANGUAGE)**

ITEM	PART NUMBER	QTY	DESCRIPTION	REV
	1001235387	Ref	DECAL INSTALLATION	B
2	0700610	4	Bolt M6 x 20	
3	91403230	1	Box, Manual Storage	
4	1701499	8	Decal - No Tie Down/Lift	
5	1701509	1	Decal - Manual	
6	1701529	4	Decal - Arrow	
7	See Note	NSS	Decal - Bar Code (Note: Not Available for Purchase)	
9	1702868	2	Decal - No Hands	
11	1703797	1	Decal - Danger/Warning	
12	1703804	4	Decal - Warning/Crushing	
13	1703805	5	Decal - Electrocution	
14	1703811	4	Decal - Lifting Lug	
15	1703814	8	Decal - Tie Down	
16	1703953	3	Decal - Warning/Crushing	
17	1704277	3	Decal - Lanyard Attach	
18	1704412	1	Decal - Hydraulic Oil	
20	1705336	1	Decal - Danger/Warning	
21	1705351	1	Decal - Drive/Steer Instruction	
22	3251243	1	Decal - 120V/60Hz	
24	3252347	1	Nameplate - Footswitch	
25	3290605	4	Nut M6	
26	3820001	2	Rivet	
27	4811700	8	Washer M6	
28	1001131269	1	Decal - Patent	
29	1001234425	1	Decal - Warning/Tri-Capacity	
30	1001234426	1	Decal - Warning/Tri-Capacity	
38	4420051	208 in /5.3m	Tape, Safety	
43	1001223453	1	Decal - ICES (Canada)	
44	1001223055	1	Decal - Yearly Inspection	
71	1001184618	1	Decal - Stop Auxiliary/Power	

# SECTION 9 - DECALS

FIGURE 9-2. DECAL INSTALLATION (AUSTRALIAN SPECS - ENGLISH LANGUAGE)



NOTE: ITEMS SHOWN MAY NOT BE REQUIRED FOR ALL SPECS. REFER TO PARTS LIST FOR USAGE.  
 NOTE: ADDITIONAL DECALS CALLED OUT ON DECAL INSTALLATION-OPTIONS.

ART\_1001250609

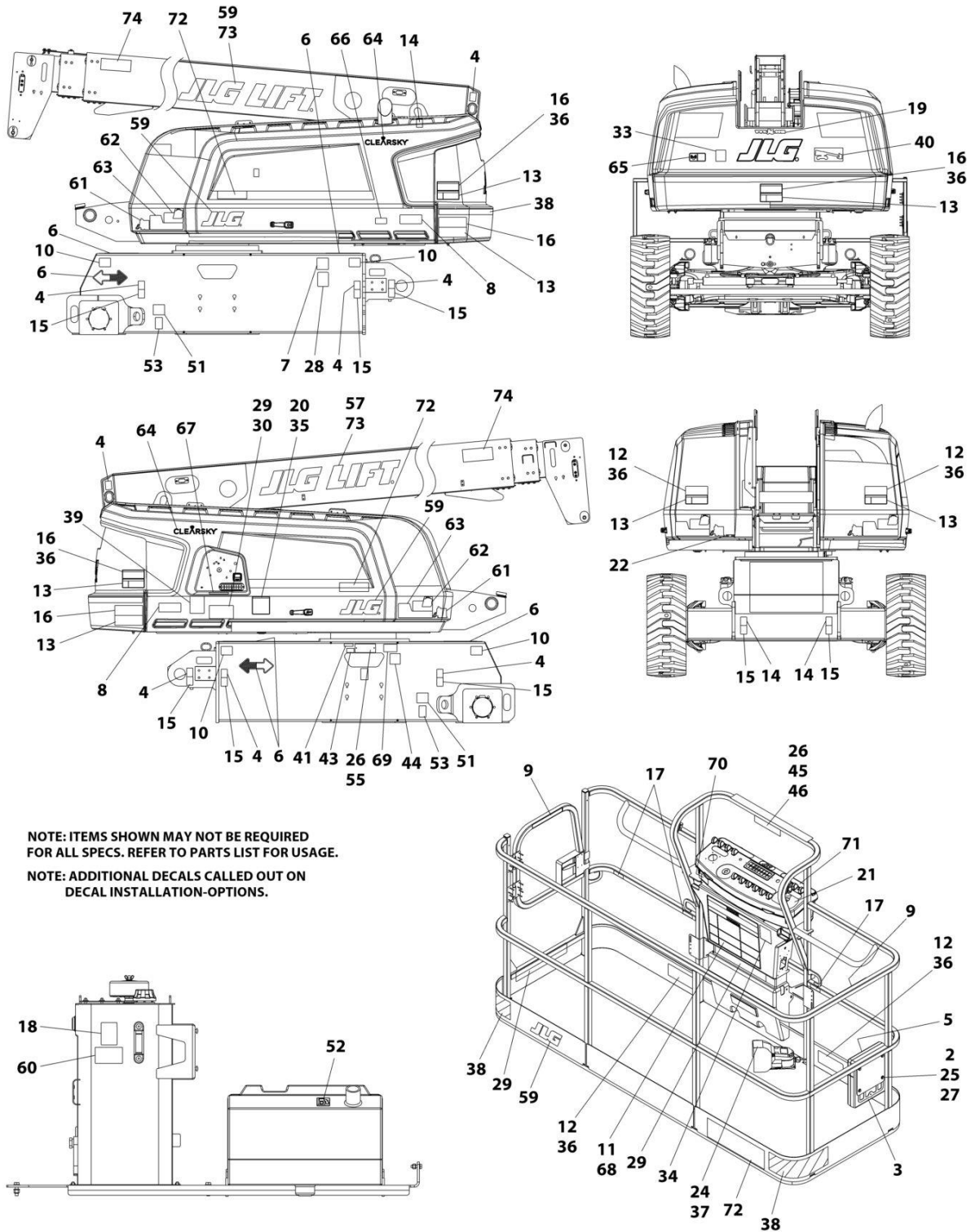
## SECTION 9 - DECALS

**FIGURE 9-2. DECAL INSTALLATION (AUSTRALIAN SPECS - ENGLISH LANGUAGE)**

ITEM	PART NUMBER	QTY	DESCRIPTION	REV
	1001250609	Ref	DECAL INSTALLATION	C
2	0700610	4	Bolt M6 x 20	
3	91403230	1	Box, Manual Storage	
4	1701499	8	Decal - No Tie Down/Lift	
5	1701509	1	Decal - Manual	
6	1701529	4	Decal - Arrow	
7	See Note	NSS	Decal - Bar Code (Note: Not Available For Purchase)	
13	1705961	5	Decal - Electrocution	
14	1703811	4	Decal - Lifting Lug	
15	1703814	8	Decal - Tie Down	
17	1704277	3	Decal - Lanyard Attach	
18	1704412	1	Decal - Hydraulic Oil	
25	3290605	4	Nut M6	
26	3820001	2	Rivet	
27	4811700	8	Washer M6	
29	1001234439	1	Decal - Warning/Tri - Capacity	
30	1001234439	1	Decal - Warning/Tri - Capacity	
34	1705921	1	Decal - Tipping/Electrocution	
35	1705822	1	Decal - Electrocution/Safety Manual	
36	1701518	7	Decal - Crushing	
37	1705828	1	Nameplate - Footswitch	
38	4420051	208 in/ 5.3m	Tape, Safety	
39	1001112551	1	Decal - Emergency Controls	
69	1001231422	1	Decal - Wheel Assembly Mass	
71	1001184618	1	Decal - Stop/Auxiliary Power	

# SECTION 9 - DECALS

FIGURE 9-3. DECAL INSTALLATION (BRAZIL SPECS - PORTUGUESE/SPANISH LANGUAGES)



NOTE: ITEMS SHOWN MAY NOT BE REQUIRED FOR ALL SPECS. REFER TO PARTS LIST FOR USAGE.  
 NOTE: ADDITIONAL DECALS CALLED OUT ON DECAL INSTALLATION-OPTIONS.

ART\_1001235446



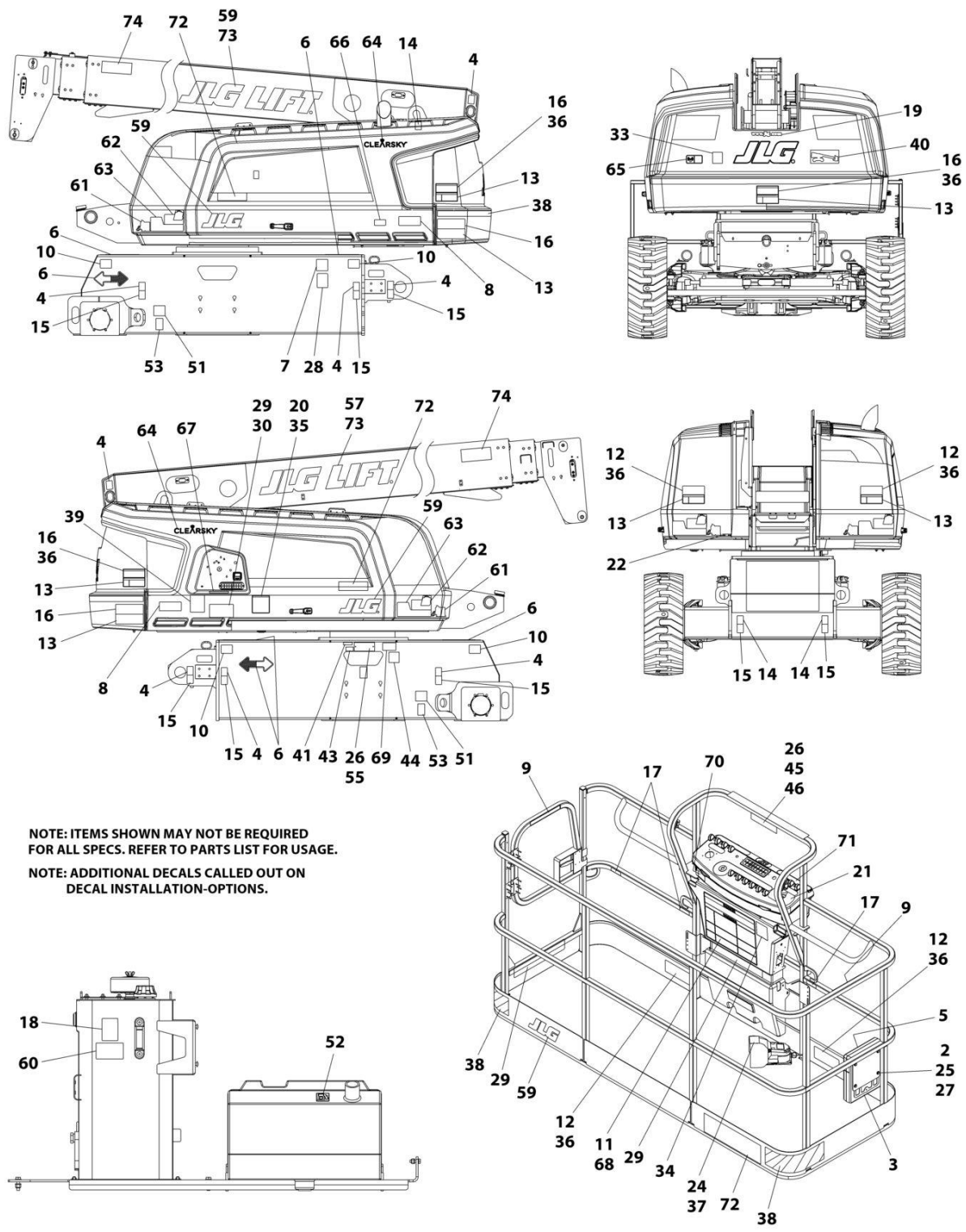
## SECTION 9 - DECALS

**FIGURE 9-3. DECAL INSTALLATION (BRAZIL SPECS - PORTUGUESE/SPANISH LANGUAGES)**

ITEM	PART NUMBER	QTY	DESCRIPTION	REV
	1001235446	Ref	DECAL INSTALLATION	B
2	0700610	4	Bot M6 x 20	
3	91403230	1	Box, Manual Storage	
4	1701499	8	Decal - No Tie Down/Lift	
5	1701509	1	Decal - Manual	
6	1701529	4	Decal - Arrow	
7	See Note	NSS	Decal - Bar Code (Note: Not Available For Purchase)	
9	1704002	2	Decal - No Hands	
11	1703928	1	Decal - Danger/Warning	
12	1703952	4	Decal - Warning/Crushing	
13	1703940	5	Decal - Electrocution	
14	1703811	4	Decal - Lifting Lug	
15	1703814	8	Decal - Tie Down	
16	1703946	3	Decal - Warning/Crushing	
17	1704277	3	Decal - Lanyard Attach	
18	1704412	1	Decal - Hydraulic Oil	
20	1705349	1	Decal - Warning/Inspection	
21	1001113680	1	Decal - Drive/Steer Instruction	
22	3251243	1	Decal - 120V/60Hz	
24	1703985	1	Nameplate - Footswitch	
25	3290605	4	Nut M6	
26	3820001	2	Rivet	
27	4811700	8	Washer M6	
29	1001234437	2	Decal - Warning/Tri-Capacity	
30	1001234438	1	Decal - Warning/Tri-Capacity	
38	4420051	208 in /5.3m	Tape, Safety	
44	1001224052	1	Decal - Yearly Inspection	
71	1001184618	1	Decal - Stop/Auxiliary Power	

# SECTION 9 - DECALS

## FIGURE 9-4. DECAL INSTALLATION (CE SPECS - ENGLISH LANGUAGE)



NOTE: ITEMS SHOWN MAY NOT BE REQUIRED FOR ALL SPECS. REFER TO PARTS LIST FOR USAGE.  
 NOTE: ADDITIONAL DECALS CALLED OUT ON DECAL INSTALLATION-OPTIONS.

ART\_1001235449

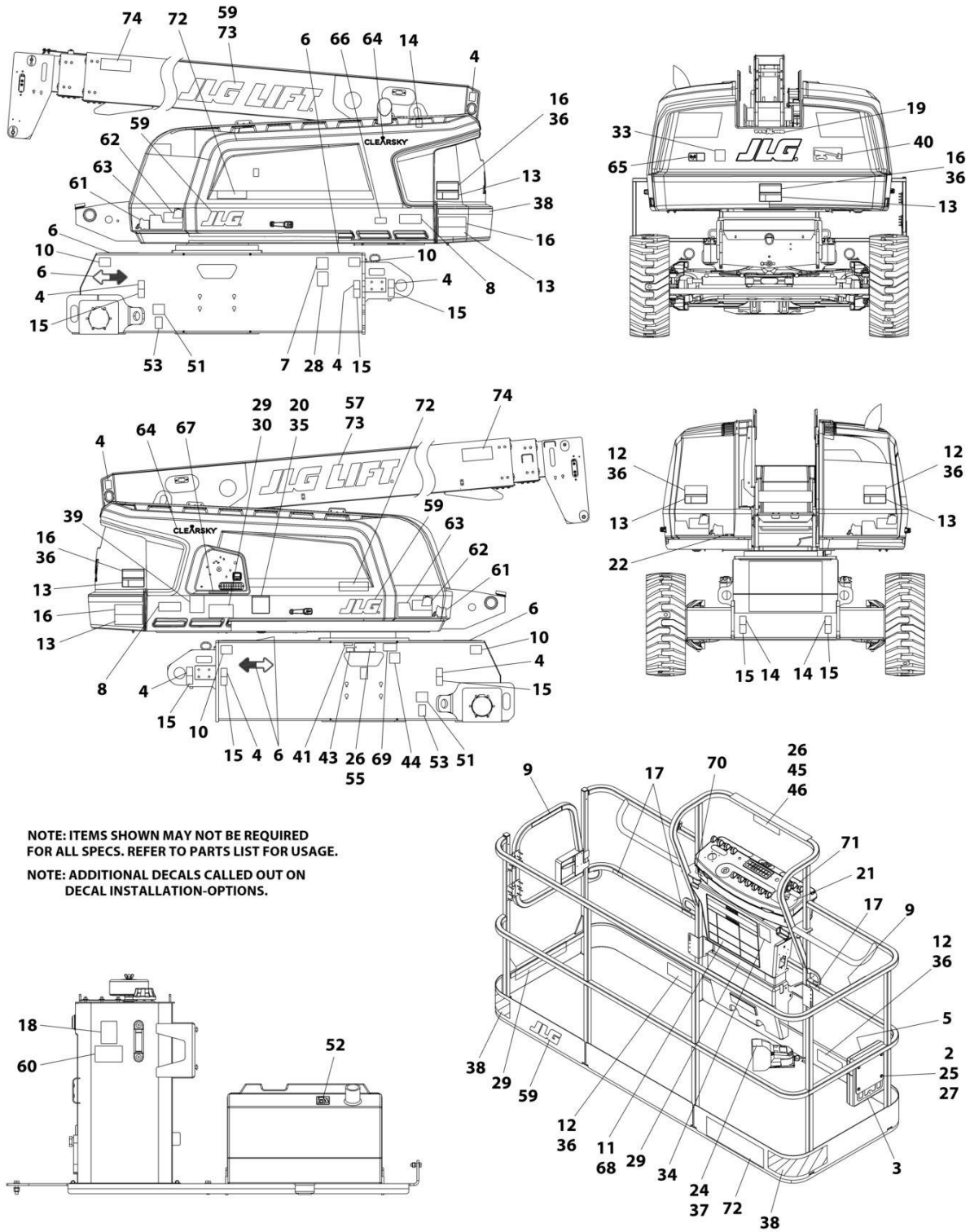
## SECTION 9 - DECALS

**FIGURE 9-4. DECAL INSTALLATION (CE SPECS - ENGLISH LANGUAGE)**

ITEM	PART NUMBER	QTY	DESCRIPTION	REV
	1001235449	Ref	DECAL INSTALLATION	B
2	0700610	4	Bolt M6 x 20	
3	91403230	1	Box, Manual Storage	
4	1701499	8	Decal - No Tie Down/Lift	
5	1701509	1	Decal - Manual	
6	1701529	4	Decal - Arrow	
7	See Note	NSS	Decal - Bar Code (Note: Not Available For Purchase)	
13	1705961	5	Decal - Electrocutation	
14	1703811	4	Decal - Lifting Lug	
15	1703814	8	Decal - Tie Down	
17	1704277	3	Decal - Lanyard Attach	
18	1704412	1	Decal - Hydraulic Oil	
25	3290605	4	Nut M6	
26	3820001	2	Rivet	
27	4811700	8	Washer M6	
29	1001234439	1	Decal - Warning/Tri-Capacity	
30	1001234439	1	Decal - Warning/Tri-Capacity	
34	1705921	1	Decal - Tipping/Electrocutation	
35	1705822	1	Decal - Electrocutation/Safety Manual	
36	1701518	7	Decal - Crushing	
37	1705828	1	Nameplate - Footswitch	
38	4420051	208 in/ 5.3m	Tape, Safety	
71	1001184618	1	Decal - Stop/Auxiliary Power	

# SECTION 9 - DECALS

FIGURE 9-5. DECAL INSTALLATION (CHINESE SPECS - ENGLISH/SIMPLIFIED CHINESE LANGUAGES)



NOTE: ITEMS SHOWN MAY NOT BE REQUIRED FOR ALL SPECS. REFER TO PARTS LIST FOR USAGE.

NOTE: ADDITIONAL DECALS CALLED OUT ON DECAL INSTALLATION-OPTIONS.

ART\_1001235445

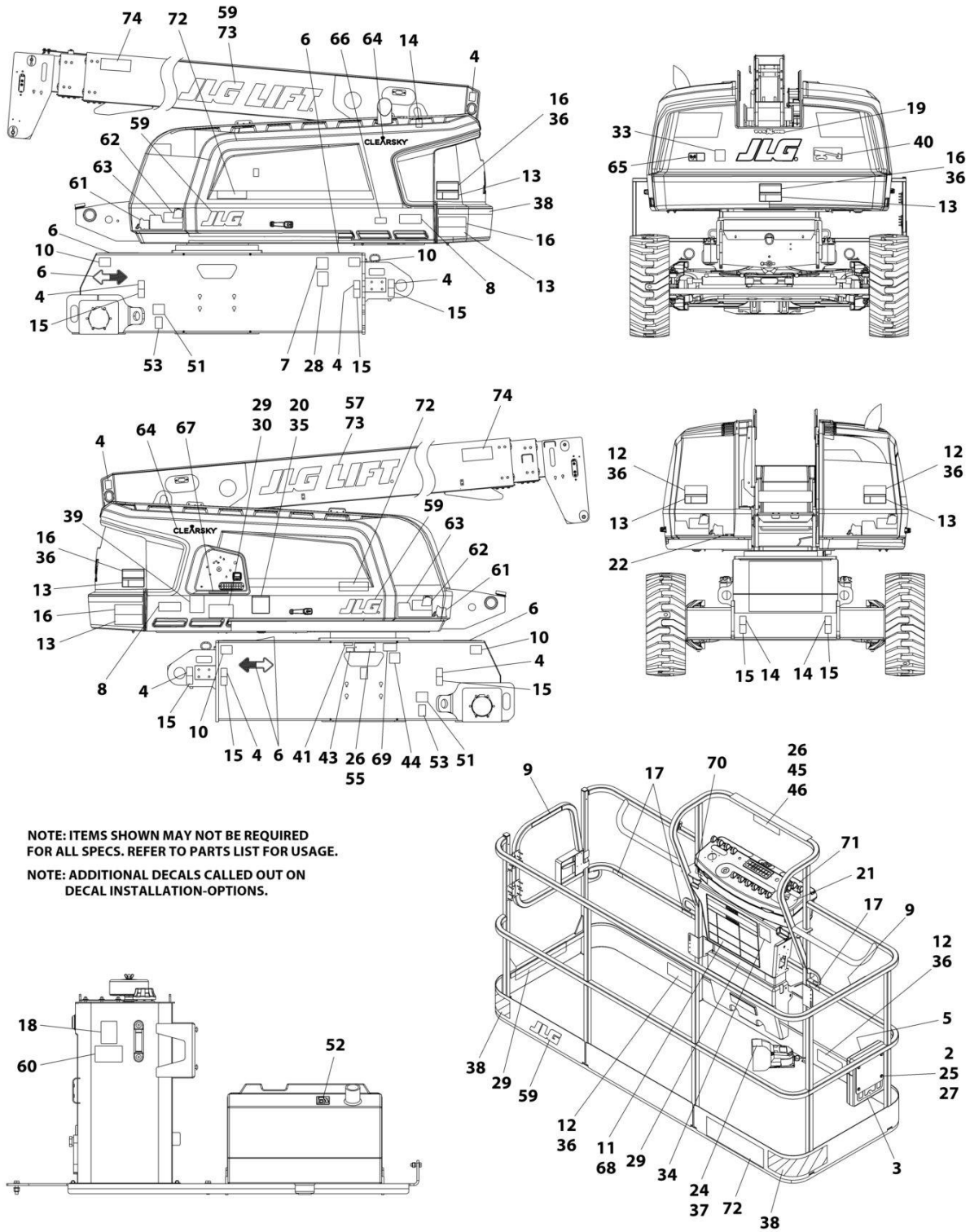
## SECTION 9 - DECALS

**FIGURE 9-5. DECAL INSTALLATION (CHINESE SPECS - ENGLISH/SIMPLIFIED CHINESE LANGUAGES)**

ITEM	PART NUMBER	QTY	DESCRIPTION	REV
	1001235445	Ref	DECAL INSTALLATION	B
2	0700610	4	Bolt M6 x 20	
3	91403230	1	Box, Manual Storage	
4	1701499	8	Decal - No Tie Down/Lift	
5	1701509	1	Decal - Manual	
6	1701529	4	Decal - Arrow	
7	See Note	1	Decal - Bar Code (Note: Not Available for Purchase)	
9	1705968	2	Decal - No Hands	
11	1001116847	1	Decal - Warning	
12	1001116850	4	Decal - Warning/Crushing	
13	1703937	5	Decal - Electrocution	
14	1703811	4	Decal - Lifting Lug	
15	1703814	8	Decal - Tie Down	
16	1001116845	3	Decal - Warning/Crushing	
17	1704277	3	Decal - Lanyard Attach	
18	1704412	1	Decal - Hydraulic Oil	
20	1001116848	1	Decal - Warning/Inspection	
21	1705430	1	Decal - Drive Steer	
22	3251243	1	Decal - 120V/60Hz	
24	1001116852	1	Decal - Footswitch	
25	3290605	4	Nut M6	
26	3820001	2	Rivet	
27	4811700	8	Washer M6	
29	1001235401	1	Decal - Warning/Tri-Capacity	
30	1001235402	1	Decal - Warning/Tri-Capacity	
38	4420051	208 ft/ 5.3m	Tape, Safety	
44	1001224051	1	Decal - Yearly Inspection	
71	1001184618	1	Decal - Stop/Auxiliary Power	

# SECTION 9 - DECALS

FIGURE 9-6. DECAL INSTALLATION (CHINESE SPECS - ENGLISH/TRADITIONAL CHINESE LANGUAGES)



NOTE: ITEMS SHOWN MAY NOT BE REQUIRED FOR ALL SPECS. REFER TO PARTS LIST FOR USAGE.

NOTE: ADDITIONAL DECALS CALLED OUT ON DECAL INSTALLATION-OPTIONS.

ART\_1001235444

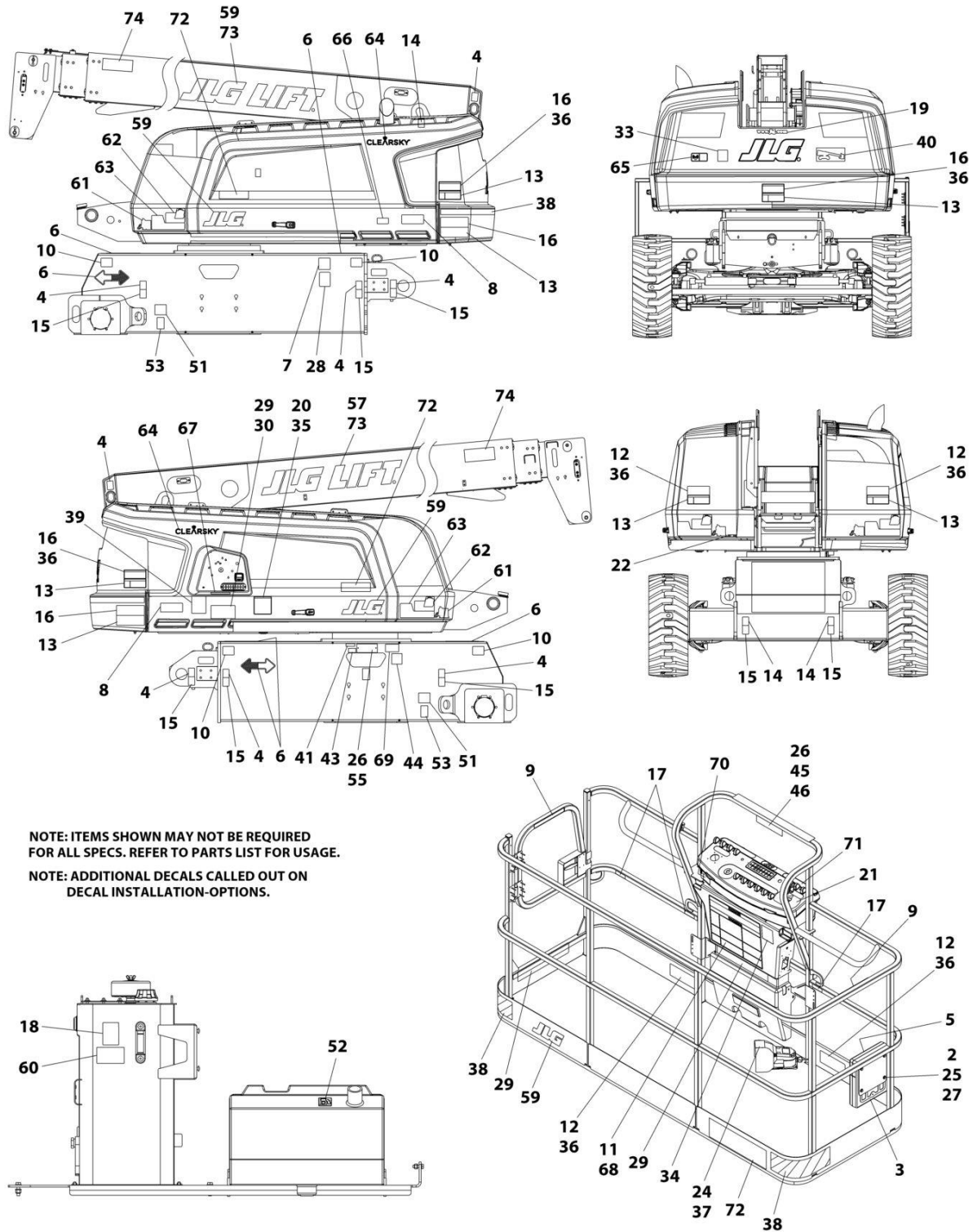
## SECTION 9 - DECALS

**FIGURE 9-6. DECAL INSTALLATION (CHINESE SPECS - ENGLISH/TRADITIONAL CHINESE LANGUAGES)**

ITEM	PART NUMBER	QTY	DESCRIPTION	REV
	1001235444	Ref	DECAL INSTALLATION	B
2	0700610	4	Bolt M6 x 20	
3	91403230	1	Box, Manual Storage	
4	1701499	8	Decal - No Tie Down/Lift	
5	1701509	1	Decal - Manual	
6	1701529	4	Decal - Arrow	
7	See Note	1	Decal - Bar Code (Note: Not Available For Purchase)	
9	1001116846	2	Decal - No Hands	
11	1703925	1	Decal - Danger/Warning	
12	1703949	4	Decal - Crushing	
13	1001116851	5	Decal - Electrocution	
14	1703811	4	Decal - Lifting Lug	
15	1703814	8	Decal - Tie Down	
16	1703943	3	Decal - Warning/Crushing	
17	1704277	3	Decal - Lanyard Attach	
18	1704412	1	Decal - Hydraulic Oil	
20	1001116849	1	Decal - Warning/Inspection	
21	1001116863	1	Decal - Drive/Steer Instruction	
22	3251243	1	Decal - 120V/60Hz	
24	1703982	1	Nameplate - Footswitch	
25	3290605	4	Nut M6	
26	3820001	2	Rivet	
27	4811700	8	Washer M6	
29	1001234435	2	Decal - Warning/Tri-Capacity	
30	1001234436	1	Decal - Warning/Tri-Capacity	
38	4420051	208 in/ 5.3m	Tape, Safety	
44	1001224050	1	Decal - Yearly Inspection	
71	1001184618	1	Decal - Stop/Auxiliary Power	

# SECTION 9 - DECALS

FIGURE 9-7. DECAL INSTALLATION (CSA SPECS - ENGLISH/FRENCH LANGUAGES)



NOTE: ITEMS SHOWN MAY NOT BE REQUIRED FOR ALL SPECS. REFER TO PARTS LIST FOR USAGE.  
 NOTE: ADDITIONAL DECALS CALLED OUT ON DECAL INSTALLATION-OPTIONS.

ART\_1001235448



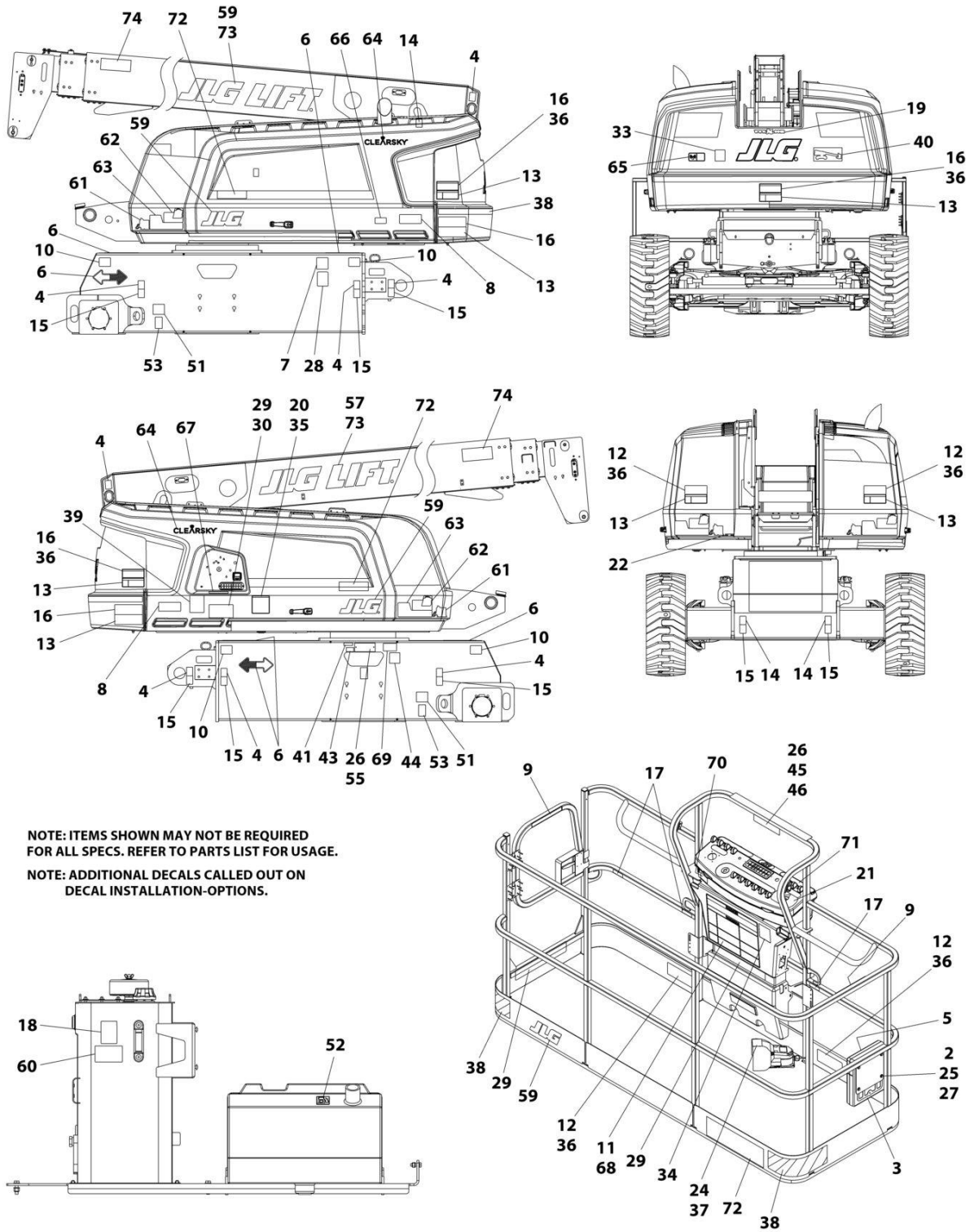
## SECTION 9 - DECALS

**FIGURE 9-7. DECAL INSTALLATION (CSA SPECS - ENGLISH/FRENCH LANGUAGES)**

ITEM	PART NUMBER	QTY	DESCRIPTION	REV
	1001235448	Ref	DECAL INSTALLATION	B
2	0700610	4	Bolt M6 x 20	
3	91403230	1	Box, Manual Storage	
4	1701499	8	Decal - No Tie Down/Lift	
5	1701509	1	Decal - Manual	
6	1701529	4	Decal - Arrow	
7	See Note	NSS	Decal - Bar Code (Note: Not Available For Purchase)	
9	1704000	2	Decal - No Hands	
11	1703924	1	Decal - Danger/Warning	
12	1703948	4	Decal - Warning/Crushing	
13	1703936	5	Decal - Electrocution	
14	1703811	4	Decal - Lifting Lug	
15	1703814	8	Decal - Tie Down	
16	1703942	3	Decal - Crushing	
17	1704277	3	Decal - Lanyard Attach	
18	1704412	1	Decal - Hydraulic Oil	
20	1705347	1	Decal - Warning/Inspection	
21	1705429	1	Decal - Drive/Steer Instruction	
22	3251243	1	Decal - 120V/60Hz	
24	1703984	1	Nameplate - Footswitch	
25	3290605	4	Nut M6	
26	3820001	2	Rivet	
27	4811700	8	Washer M6	
28	1001131269	1	Decal - Patent	
29	1001234433	1	Decal - Warning/Tri-Capacity	
30	1001234434	1	Decal - Warning/Tri-Capacity	
38	4420051	208 in /5.3m	Tape, Safety	
43	1001223453	1	Decal - ICES (Canada)	
44	1001223971	1	Decal - Yearly Inspection	
71	1001184618	1	Decal - Stop/Auxiliary Power	

# SECTION 9 - DECALS

FIGURE 9-8. DECAL INSTALLATION (JAPANESE SPECS - ENGLISH/JAPANESE LANGUAGES)



NOTE: ITEMS SHOWN MAY NOT BE REQUIRED FOR ALL SPECS. REFER TO PARTS LIST FOR USAGE.  
 NOTE: ADDITIONAL DECALS CALLED OUT ON DECAL INSTALLATION-OPTIONS.

ART\_1001235450

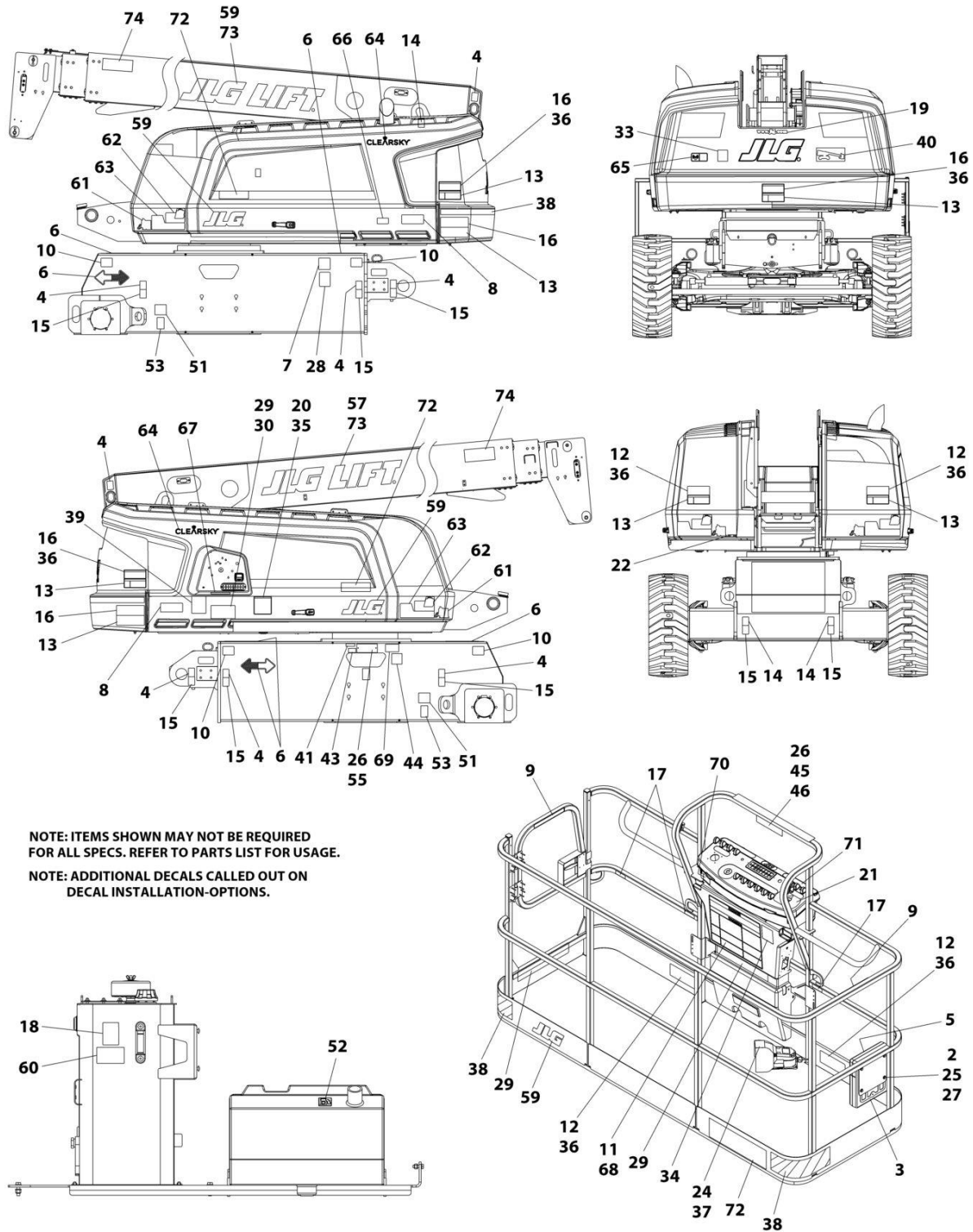
## SECTION 9 - DECALS

**FIGURE 9-8. DECAL INSTALLATION (JAPANESE SPECS - ENGLISH/JAPANESE LANGUAGES)**

ITEM	PART NUMBER	QTY	DESCRIPTION	REV
	1001235450	Ref	DECAL INSTALLATION	B
2	0700610	4	Bolt M6 x 20	
3	91403230	1	Box, Manual Storage	
4	1701499	8	Decal - No Tie Down/Lift	
5	1701509	1	Decal - Manual	
6	1701529	4	Decal - Arrow	
7	See Note	NSS	Decal - Bar Code (Note: Not Available For Purchase)	
11	1703926	1	Decal - Danger/Warning	
12	1703950	4	Decal - Crushing	
13	1703938	5	Decal - Electrocution	
14	1703811	4	Decal - Lifting Lug	
15	1703814	8	Decal - Tie Down	
16	1703944	3	Decal - Warning/Crushing	
17	1704277	3	Decal - Lanyard Attach	
18	1704412	1	Decal - Hydraulic Oil	
20	1705344	1	Decal - Warning/Inspection	
21	1705426	1	Decal - Drive/Steer Instruction	
22	3251243	1	Decal - 120V/60Hz	
24	1703980	1	Nameplate - Footswitch	
25	3290605	4	Nut M6	
26	3820001	2	Rivet	
27	4811700	8	Washer M6	
29	1001234428	1	Decal - Warning/Tri-Capacity	
30	1001234429	1	Decal - Warning/Tri-Capacity	
38	4420051	208 in /5.3m	Tape, Safety	
44	1001224053	1	Decal - Yearly Inspection	
71	1001184618	1	Decal - Stop/Auxiliary Power	

# SECTION 9 - DECALS

## FIGURE 9-9. DECAL INSTALLATION (KOREAN SPECS - ENGLISH/KOREAN LANGUAGES)



NOTE: ITEMS SHOWN MAY NOT BE REQUIRED FOR ALL SPECS. REFER TO PARTS LIST FOR USAGE.  
 NOTE: ADDITIONAL DECALS CALLED OUT ON DECAL INSTALLATION-OPTIONS.

ART\_1001235388

## SECTION 9 - DECALS

**FIGURE 9-9. DECAL INSTALLATION (KOREAN SPECS - ENGLISH/KOREAN LANGUAGES)**

ITEM	PART NUMBER	QTY	DESCRIPTION	REV
	1001235388	Ref	DECAL INSTALLATION	B
2	0700610	4	Bolt M6 x 20	
3	91403230	1	Box, Manual Storage	
4	1701499	8	Decal - No Tie Down/Lift	
5	1701509	1	Decal - Manual	
6	1701529	4	Decal - Arrow	
7	See Note	NSS	Decal - Bar Code (Note: Not Available for Purchase)	
9	1705969	2	Decal - No Hands	
11	1703927	1	Decal - Warning/Danger	
12	1703951	4	Decal - Warning/Crushing	
13	1703939	5	Decal - Danger Electricution	
14	1703811	4	Decal - Lifting Lug	
15	1703814	8	Decal - Tie Down	
16	1703945	3	Decal - Warning Crushing	
17	1704277	3	Decal - Lanyard Attach Graphic	
18	1704412	1	Decal - Hydraulic Oil	
20	1705345	1	Decal - Warning/Inspection	
21	1705427	1	Decal - Drive/Steer Instruction	
24	1703981	1	Nameplate - Footswitch	
25	3290605	4	Nut M6	
26	3820001	2	Rivet	
27	4811700	8	Washer M6	
29	1001234430	1	Decal - Warning/Tri-Capacity	
30	1001235585	1	Decal - Warning/Tri-Capacity	
38	4420051	208 in /5.3m	Tape, Safety	
44	1001224048	1	Decal - Yearly Inspection	
71	1001184618	1	Decal - Stop/Auxiliary Power	



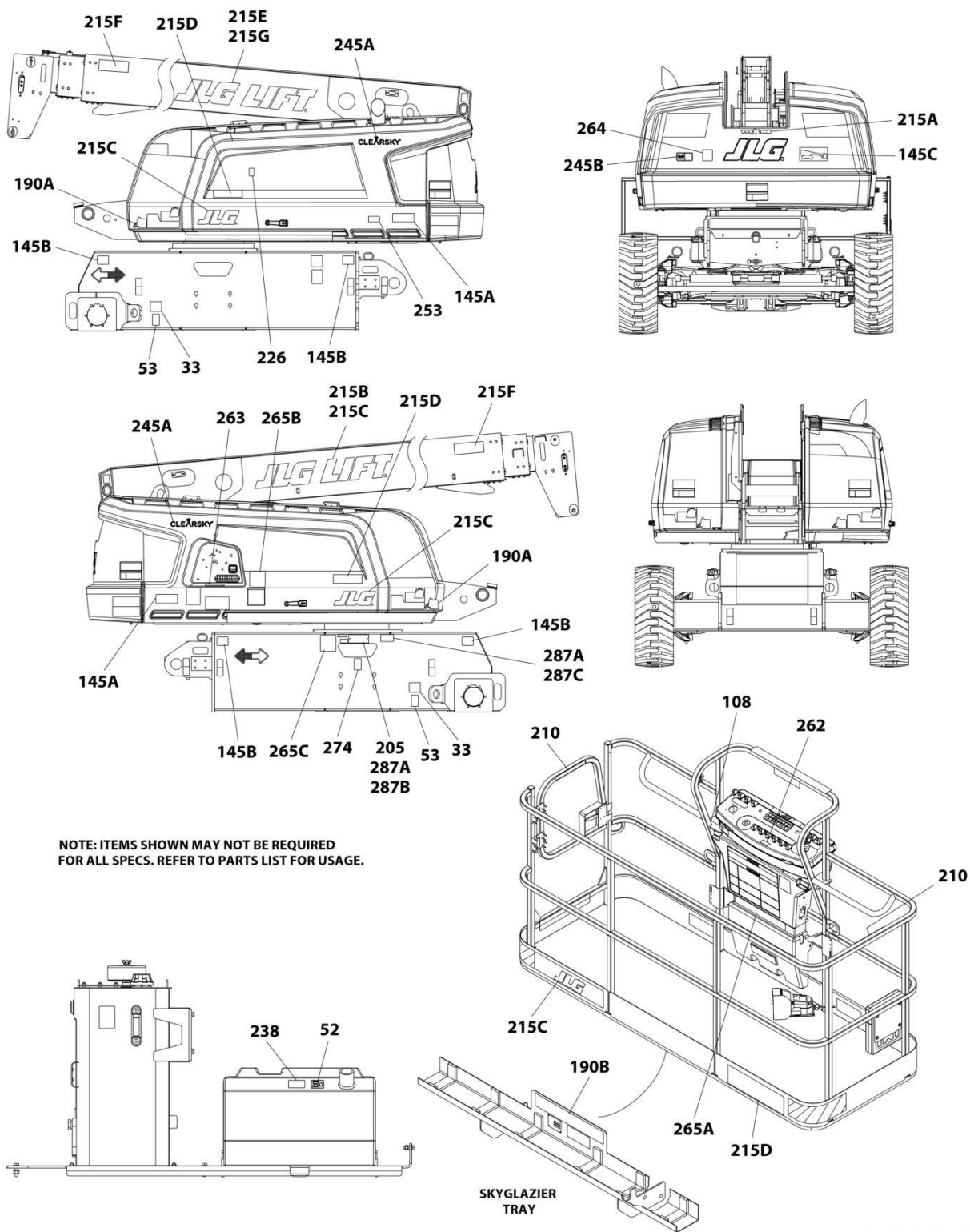
## SECTION 9 - DECALS

**FIGURE 9-10. DECAL INSTALLATION - LATIN AMERICAN SPECS - ENGLISH/SPANISH LANGUAGES)**

ITEM	PART NUMBER	QTY	DESCRIPTION	REV
	1001235447	Ref	DECAL INSTALLATION	B
2	0700610	4	Bolt M6 x 20	
3	91403230	1	Box, Manual Storage	
4	1701499	8	Decal - No Tie Down/Lift	
5	1701509	1	Decal - Manual	
6	1701529	4	Decal - Arrow	
7	See Note	NSS	Decal - Bar Code (Note: Not Available for Purchase)	
9	1704001	2	Decal - No Hands	
11	1703923	1	Decal - Warning/Danger	
12	1703947	4	Decal - Warning/Crushing	
13	1703935	5	Decal - Electrocution	
14	1703811	4	Decal - Lifting Lug	
15	1703814	8	Decal - Tie Down	
16	1703941	3	Decal - Warning/Crushing	
17	1704277	3	Decal - Lanyard Attach	
18	1704412	1	Decal - Hydraulic Oil	
20	1705917	1	Decal - Warning/Inspection	
21	1705910	1	Decal - Drive/Steer Instruction	
22	3251243	1	Decal - 120V/60Hz	
24	1703983	1	Nameplate - Footswitch	
25	3290605	4	Nut M6	
26	3820001	2	Rivet	
27	4811700	8	Washer M6	
29	1001234431	1	Decal - Warning/Tri-Capacity	
30	1001234432	1	Decal - Warning/Tri-Capacity	
38	4420051	208 in /5.3m	Tape, Safety	
44	1001224049	1	Decal - Yearly Inspection	
71	1001184618	1	Decal - Stop/Auxiliary Power	

# SECTION 9 - DECALS

## FIGURE 9-11. DECALS INSTALLATION - OPTIONS



ART\_DECAL\_OPTIONS



## SECTION 9 - DECALS

### FIGURE 9-11. DECALS INSTALLATION - OPTIONS

ITEM	PART NUMBER	QTY	DESCRIPTION	REV
	1001245998	Ref	DECAL INSTALLATION - REFERENCE CHART	D
	1001246000	Ref	DECAL INSTALLATION - OPTIONS	A
33	1700818	2	Decal - LP Gas Liquid Withdrawal System (ANSI & ANSI Export Specs)	
33	1704271	2	Decal - LP Gas Liquid Withdrawal System (CSA Spec)	
33	1702720	2	Decal - LP Gas Liquid Withdrawal System (ANSI Export Specs)	
52	1701542	1	Decal - Gas	
52	1701505	1	Decal - Diesel Fuel	
53	1701543	1	Decal - LPG (Gas Machines Only)	
108	1001231801	1	Decal - Proposition 65 Warning (Diesel Engines)	
145	1001250606	Ref	Model Designation Decals (600S HC3)	
145	1001250608	Ref	Model Designation Decals (660SJ HC3)	
145A	1702815	2	Decal - 600S	
145A	1702817	2	Decal - 660SJ	
145B	1703470	4	Decal - Maximum Tire Load (600S HC3)	
145B	1001250604	4	Decal - Maximum Tire Load (660SJ HC3)	
145C	1001215615	1	Decal - Lift Diagram	
190	1001262102	Ref	Decal - SkyGlazier (ANSI and CSA Specs) (English Decals)	
190	1001262104	Ref	Decal - SkyGlazier (Brazil Specs) (Portuguese Decals)	
190	1001262103	Ref	Decal - SkyGlazier (Latin American Specs) (Spanish Decals)	
190	1001262105	Ref	Decal - SkyGlazier (Australian Specs)	
190A	1705358	2	Decal - SkyGlazier	
190B	1001259018	2	Decal - SkyGlazier Capacity (ANSI and CSA Specs)	
190B	1001262116	2	Decal - SkyGlazier Capacity (Brazil Specs)	
190B	1001262115	2	Decal - SkyGlazier Capacity (Latin American Specs)	
205	See Note	NSS	Nameplate - Manufacturers Serial Number (Note: Not Available for Purchase)	
210		Ref	Decal - No Hands Options (Machines with Platform Mesh/Soft-Touch Options):	
210	1702868	2	Decal - No Hands (ANSI/ANSI Export/Australian/CE Specs) (English Language)	
210	1704002	2	Decal - No Hands (Brazil Specs) (Portuguese & Spanish Languages)	
210	1705968	2	Decal - No Hands (China Specs) (English & Simplified Chinese Languages)	
210	1001116846	2	Decal - No Hands (China Specs) (English & Traditional Chinese Languages)	
210	1704000	2	Decal - No Hands (CSA Specs) (English & French Languages)	
210	1705969	2	Decal - No Hands (Korean Specs) (English & Korean Languages)	
210	1704001	2	Decal - No Hands (Latin American Specs) (English & Spanish Languages)	
	1001254460	Ref	Decal Installation - JLG Logo (All Specs except CE Specs)	B
	1001254461	Ref	Decal Installation - JLG Logo (CE Specs)	B
215A	1704865	1	Decal Website - JLG Logo (All Specs except CE Specs)	
215B	1702861	1	Decal - JLG Lift (All Specs except CE Specs)	
215C	1702773	AR	Decal - JLG	
215D	1001244212	3	Decal - HC3	
215E	1702860	1	Decal - JLG Lift	
215F	1001250906	2	Decal - HC3	
215G	1001159323	1	Decal - JLG (CE Specs)	
226		Ref	Decal - Warning Explosion/Fire Options (Diesel Engine Machines)	

## SECTION 9 - DECALS

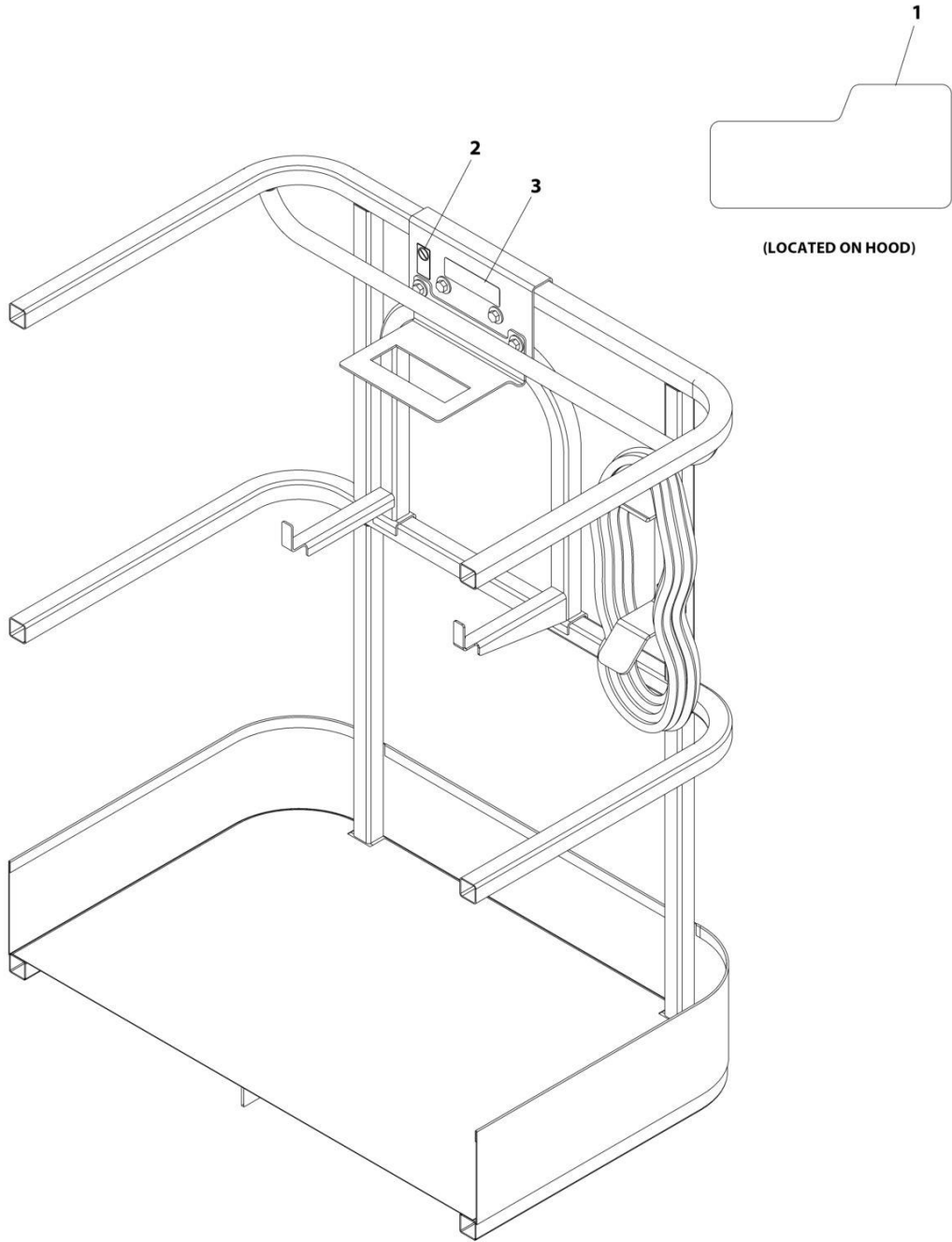
ITEM	PART NUMBER	QTY	DESCRIPTION	REV
			Only):	
226	1704972	1	Decal - Warning Explosion/Fire (ANSI/ANSI Export Spec)	
226	1706098	1	Decal - Warning Explosion/Fire (Australian and CE Specs)	
226	1706059	1	Decal - Warning Explosion/Fire (Brazil Spec - Dual Language English/Portuguese)	
226	1706060	1	Decal - Warning Explosion/Fire (Chinese Spec - Dual Language English/Chinese)	
226	1706064	1	Decal - Warning Explosion/Fire (CSA Spec - Dual Language English/French)	
226	1706062	1	Decal - Warning Explosion/Fire (Japanese Spec - Dual Language English/Japanese)	
226	1706061	1	Decal - Warning Explosion/Fire (Korean Spec - Dual Language English/Korean)	
226	1706063	1	Decal - Warning Explosion/Fire (Latin American - Dual Language English/Spanish)	
238	1001125387	1	Decal - Ultra Low Sulfur Fuel (ANSI & CSA Specs)	
238	1001139654	1	Decal - Ultra Low Sulfur Fuel (ANSI Export HRC, CE & Japanese Specs)	
245	1001120992	Ref	Decal Installation - ClearSky	
245A	1001116208	2	Decal - ClearSky	
245B	1001120989	1	Decal - Radio Frequency	
253	1001143852	1	Decal - Emission Compliance (Machines with Diesel Engines) (ANSI Export, Australian, CE & China Specs)	
262	1001141300	1	Decal - SkyGuard Override (Without Soft-Touch)	
262	1001141302	1	Decal - SkyGuard Override (With Soft-Touch)	
263	1001197408	1	Decal - MSSO (CE Specs)	
264	1001130492	1	Decal - Sound Power (Deutz D2011 Engines) (Australian and CE Specs)	
264	1705515	1	Decal - Sound Power (Deutz TD2.9L4 Engines) (Australian and CE Specs)	
265	1001261342	Ref	Decal - Soft Touch (ANSI Specs) (600S HC3)	A
265	1001261343	Ref	Decal - Soft Touch (CE Specs) (600S HC3)	A
265	1001261344	Ref	Decal - Soft Touch (ANSI Specs) (660SJ HC3)	A
265	1001261345	Ref	Decal - Soft Touch (CE Specs) (660SJ HC3)	A
		Ref	<b>600S HC3:</b>	
265A	1001261347	1	Decal - Warning (ANSI Specs)	
265A	1001261586	1	Decal - Warning (CE Specs)	
265B	1001261348	1	Decal - Warning (ANSI Specs)	
265B	1001261586	1	Decal - Warning (CE Specs)	
265C	1001195491	1	Decal - ANSI	
265C	1001195490	1	Decal - CE	
		Ref	<b>660SJ HC3:</b>	
265A	1001261349	1	Decal - Warning (ANSI Specs)	
265A	1001261587	1	Decal - Warning (CE Specs)	
265B	1001261350	1	Decal - Warning (ANSI Specs)	
265B	1001261587	1	Decal - Warning (CE Specs)	
265C	1001195491	1	Decal - ANSI	
265C	1001195490	1	Decal - CE	
274	1001214030	Ref	Decal - EAC Installation (CIS and Russia Specs)	
274	1001173703	1	Decal - EAC	
	1001239371	1	ECO Label Installation	A
287A	3820001	8	Rivet	
287B	See Note	NSS	Decal - ECO Label (Note: Not Available for Purchase)	

## SECTION 9 - DECALS

ITEM	PART NUMBER	QTY	DESCRIPTION	REV
287C	See Note	NSS	Decal - Plate Main Code (Note: Not Available for Purchase)	

# SECTION 9 - DECALS

## FIGURE 9-12. DECAL INSTALLATION - SKYWELDER (50HZ)



ART\_0272588

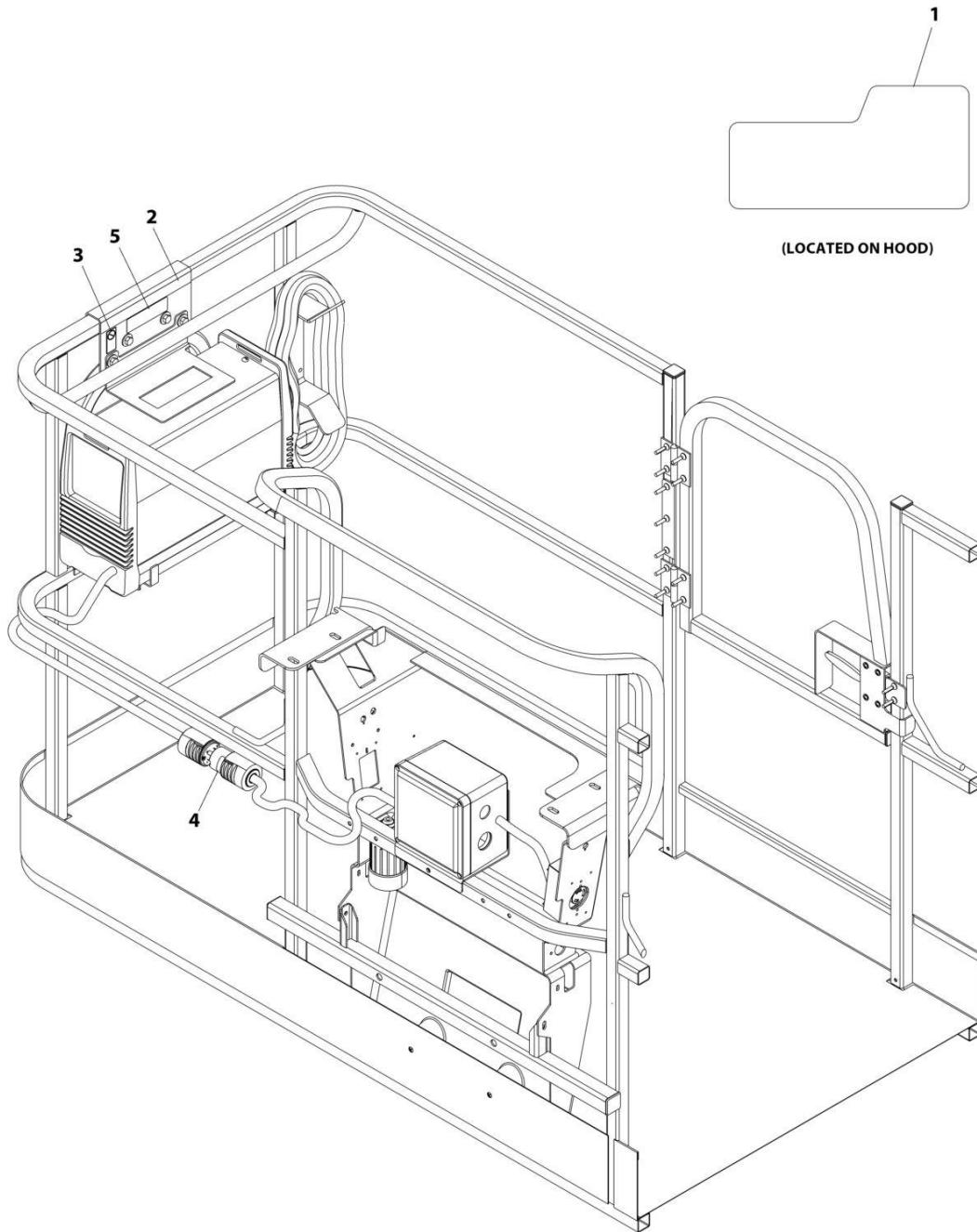
## SECTION 9 - DECALS

**FIGURE 9-12. DECAL INSTALLATION - SKYWELDER (50HZ)**

ITEM	PART NUMBER	QTY	DESCRIPTION	REV
	0272588	Ref	SKYWELDER DECAL INSTALLATION - 50Hz	B
1	1705355	2	Decal - SkyWelder	
2	1705305	1	Decal - Weld Lead	
3	1001228988	1	Decal - Weight	

# SECTION 9 - DECALS

## FIGURE 9-13. DECAL INSTALLATION - SKYWELDER (60HZ)



ART\_0272448

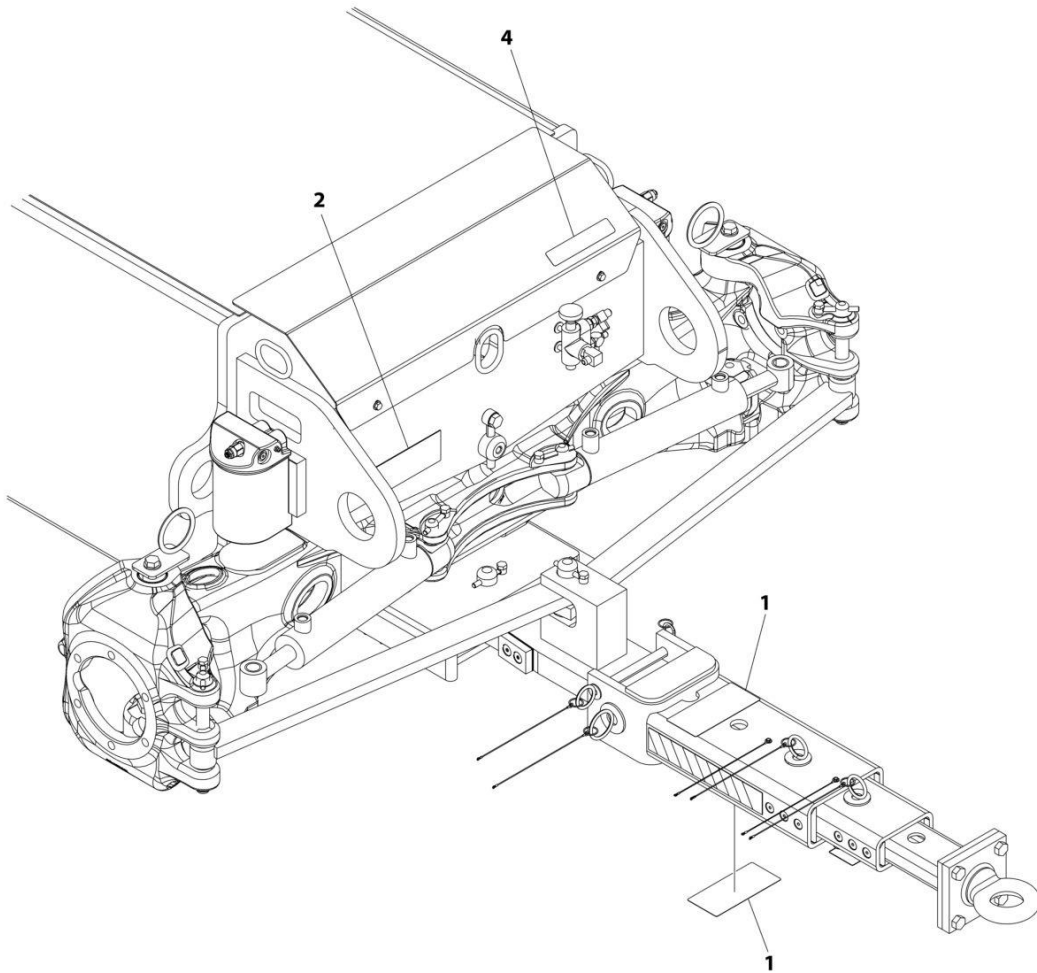
## SECTION 9 - DECALS

**FIGURE 9-13. DECAL INSTALLATION - SKYWELDER (60HZ)**

ITEM	PART NUMBER	QTY	DESCRIPTION	REV
	0272448	Ref	SKYWELDER DECAL INSTALLATION - 60Hz	B
1	1705355	2	Decal - SkyWelder	
2	1702868	1	Decal - No Hands	
3	1705305	1	Decal - Weld Lead	
4	1705375	1	Decal - 240V - 3 Phase - 60Hz	
5	1001228988	1	Decal - Weight	

# SECTION 9 - DECALS

## FIGURE 9-14. DECAL INSTALLATION - TOW (ANSI SPECS)



ART\_1001188894



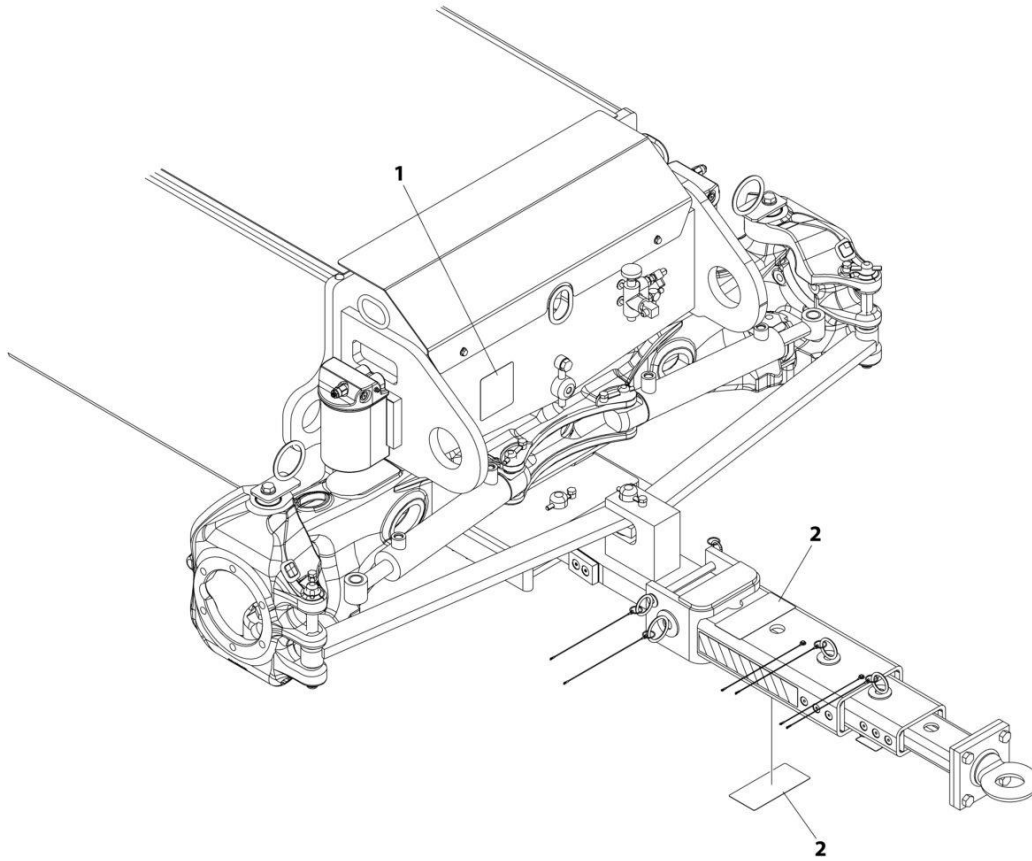
## SECTION 9 - DECALS

FIGURE 9-14. DECAL INSTALLATION - TOW (ANSI SPECS)

ITEM	PART NUMBER	QTY	DESCRIPTION	REV
	1001188894	Ref	DECAL INSTALLATION	B
1	1704578	2	Decal - Crushing	
2	1705090	1	Decal - Towing Instructions	
4	1001190159	1	Decal - Steer/Tow Select Valve	

# SECTION 9 - DECALS

FIGURE 9-15. DECAL INSTALLATION - TOW (ANSI EXPORT & CE SPECS)



ART\_1001188896

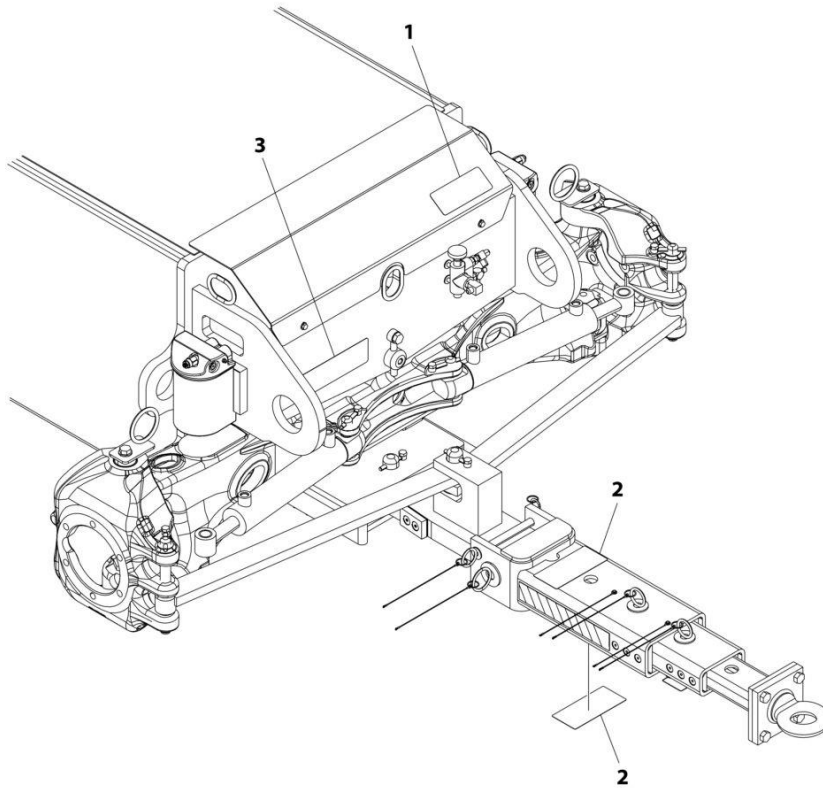
## SECTION 9 - DECALS

**FIGURE 9-15. DECAL INSTALLATION - TOW (ANSI EXPORT & CE SPECS)**

ITEM	PART NUMBER	QTY	DESCRIPTION	REV
	1001188896	Ref	DECAL INSTALLATION	C
1	1706957	1	Decal - Tow Bar and Steer Select	
2	1706960	2	Decal - Tow Bar Crushing	

# SECTION 9 - DECALS

## FIGURE 9-16. DECAL INSTALLATION - TOW (CSA SPECS)



ART\_1001188895

## SECTION 9 - DECALS

**FIGURE 9-16. DECAL INSTALLATION - TOW (CSA SPECS)**

ITEM	PART NUMBER	QTY	DESCRIPTION	REV
	1001188895	Ref	DECAL INSTALLATION	B
1	1704272	1	Decal - Steer/Tow Select Valve	
2	1704578	2	Decal - Crushing	
3	1705820	1	Decal - Towing Instructions	



## **SECTION 10 - RECOMMENDED SERVICE PARTS STOCK**

## **SECTION 10 - RECOMMENDED SERVICE PARTS STOCK**

# SECTION 10 - RECOMMENDED SERVICE PARTS STOCK

## FIGURE 10-1. RECOMMENDED SERVICE PARTS STOCK

ITEM	PART NUMBER	QTY	DESCRIPTION	REV
		Ref	Note: The following list will service one machine (built to current production per date on the front cover) with emergency repair parts which can be installed in the field. Parts from the list should be replaced when inventory is depleted to keep service parts stock supplied. For further information, contact your JLG dealer or the JLG Industries Parts Department.	
		Ref	STANDARD PARTS	
	70004653	1	Coil	
	80434249	1	Coil	
	70004595	1	Coil	
	70002386	1	Coil	
	70006122	1	Coil	
	70007323	1	Coil	
	70006004	1	Coil	
	1001212415	1	Controller Assembly (Drive and Steer)	
	1001166539	1	Controller Assembly (Lift and Swing)	
	70010383	1	Element, Filter Charge Pump (Includes O-Ring)	
	70005335	1	Element, Filter High Pressure	
	70005708	1	Filter Kit (Includes Hydraulic Element, Breather Element and Gasket)	
	3740067	1	Relay	
	1001186431	1	Relay	
	1001095704	1	Relay	
	2860030	1	Key, Replacement	
	4360387	1	Switch, Push Button	
	4360475	1	Switch, Emergency Stop	
	4360476	1	Switch, Contact Block	
	4360407	1	Switch, Potentiometer	
	1001155045	1	Switch, Toggle	
	1001159256	1	Switch, Toggle	
	1001161709	1	Switch, Toggle	
		Ref	VARIABLE PARTS	
	1001152479	1	Breaker, 16 Amp	
	1001181045	1	Breaker, 30mA/16 Amp	
	1001152482	1	Breaker, 30mA	
	70003783	12	Element, Air Cleaner (Deutz D2011 and Deutz D2011 (Stage V) Engines)	
	70005008	12	Element, Air Cleaner (Deutz 2.9L4 Engines)	
	7016331	12	Filter, Oil (Deutz Engines)	
	1001225430	12	Filter, Fuel (Deutz 2.9L4 Engines)	
	1001225431	12	Filter, Fuel (Deutz 2.9L4 Engines)	
	7016328	12	Filter, Fuel (Deutz D2011 and Deutz D2011 (Stage V) Engines)	
	70004066	12	Filter, Fuel	
	1001196634	1	Fuse - 2Amp	
	2400064	1	Fuse - 5Amp	
	8229242	1	Fuse - 5Amp	
	80983191	1	Fuse - 10Amp	
	8229244	1	Fuse - 15Amp	
	70006175	1	Fuse - 20Amp	
	8229245	1	Fuse - 30 Amp	



## SECTION 10 - RECOMMENDED SERVICE PARTS STOCK

ITEM	PART NUMBER	QTY	DESCRIPTION	REV
	1001172065	1	Fuse - 30 Amp	
	2940074	1	Latch (Machines with Gate)	
	1001187200	1	Module, Ground Control	
	1001138228	1	Module, Power Relay	
	7027795	1	Module, ECU (Deutz D2011 and Deutz D2011 (Stage V) Engines)	
	70025210	1	Module, ECU (Deutz 2.9L4 Engines)	
	70006176	1	Module, ECU (Ford Engines)	
	1001185726	1	Module, Platform Control	
	1001142683	1	Module, Beacon Light Control	
	3740080	1	Relay (Machines with 2500W Generator)	
	3740086	1	Relay (Machines with SkyLine)	
	1001161710	1	Switch, Toggle (Dual Fuel Machines - Ford Engines)	
	4360336	1	Switch, Toggle (Generator Option)	
	4360057	1	Switch, Limit (Soft Touch Option)	
	4360387	1	Switch, Toggle (Soft Touch Option)	
	1001137673	1	Switch, SkyGuard Assembly	



**SECTION 11 - SPECIAL OPTIONS/ACCESSORIES/KITS**

**SECTION 11 - SPECIAL OPTIONS/ACCESSORIES/KITS**

# SECTION 11 - SPECIAL OPTIONS/ACCESSORIES/KITS

FIGURE 11-1. SPECIAL OPTIONS/ACCESSORIES/KITS

ITEM	PART NUMBER	QTY	DESCRIPTION	REV
		Ref	Note: This list is to accommodate machines ordered with special equipment. Options may not be applicable to all models. For more specific parts information contact JLG Parts Department.	
		Ref	SPECIAL OPTIONS/ACCESSORIES/KITS	
		Ref	Airline to Platform Installation Options:	
	1001192931	Ref	Airline Installation (600S)	
	1001194110	Ref	Airline Installation (600S Arctic Package)	
	1001193215	Ref	Airline Installation (660SJ)	
	1001194045	Ref	Airline Installation (660SJ Arctic Package)	
	1001194205	Ref	Airline Installation - Dual Lines (600S) (ANSI, ANSI Export, China & CSA Specs)	
	1001235884	Ref	Air Intake Shutoff Valve (Deutz TD2.9L4 Engines)	
	1001205017	Ref	Arctic Package Installation Kit - With Deutz TD2.9L4 Engines and Without SkyPower (600S)	
	1001205016	Ref	Arctic Package Installation Kit - With Deutz TD2.9L4 Engines and Without With SkyPower (600S)	
	1001205021	Ref	Arctic Package Installation Kit - With Deutz TD2.9L4 Engines and Without SkyPower (660SJ)	
	1001205020	Ref	Arctic Package Installation Kit - With Deutz TD2.9L4 -67HP Engines and Without With SkyPower (660SJ)	
	1001189169	Ref	Bellows Installation - Boom (600S)	
	1001251410	Ref	Bellows Installation - Boom (660SJ)	
	1001181778	Ref	Bellows Installation - Chassis (2WS)	
	1001195235	Ref	Boom Wipers Installation (600S) (All Specs except Australian Specs)	
	1001254362	Ref	Boom Wipers Installation (660SJ) (All Specs)	
	1001233047	Ref	Breather Heater Kit (Deutz Engines)	
		Ref	ClearSky (Telematics) Installations (Dealer Installed)	
	1001243183	Ref	ClearSky (Telematics) Added-on Kit (Dealer Installed) (ANSI, ANSI Export, CSA and CE Specs)	
	1001246142	Ref	ClearSky (Telematics) Add-on Kit (Australian Specs) (Dealer Installed)	
	1001243184	Ref	ClearSky (Telematics) Added-on Kit (Dealer Installed) (CE Specs)	
	1001242639	Ref	ClearSky (Telematics) Access Control Add-on Kit (Dealer Installed)	
		Ref	ClearSky Telematics (Factory Installed)	
	1001227404	Ref	ClearSky Telematics Installation - Canbus Connection (Factory Installed) (ANSI & CSA Specs)	
	1001246524	Ref	ClearSky Telematics Installation - Canbus Connection (Factory Installed) (Australian Specs)	
	1001228947	Ref	ClearSky Telematics Installation - Canbus Connection (Factory Installed) (CE Specs)	
	1001246525	Ref	ClearSky Telematics Installation - Canbus Connection (Factory Installed) (China Specs)	
	1001229107	Ref	ClearSky Telematics Installation - 3 Wire Connection (Factory Installed) (ANSI & CSA Specs)	
	1001233237	Ref	ClearSky Telematics Installation - 3 Wire Connection (Factory Installed) (CE Specs)	
		Ref	Cold Weather Package Installation Options:	
	1001192489	Ref	Cold Weather Package Installation (Deutz TD2011L04 Engine Machines)	

## SECTION 11 - SPECIAL OPTIONS/ACCESSORIES/KITS

ITEM	PART NUMBER	QTY	DESCRIPTION	REV
	1001192475	Ref	Cold Weather Package Installation (Deutz Deutz TD2.9L4 Engines Machines)	
	1001219855	Ref	Cold Weather Package Installation (Ford Engine Machines)	
	1001239526	Ref	Container Transport Installation	
	1001195224	Ref	Counterweight Installation - Chassis (Required for Turf Tires)	
	1001191019	Ref	Cribbing Switch installation	
		Ref	Decal Installations Options:	
	0257195	Ref	Decal - Government Warranty	
	1001200131	Ref	Decal - Quick Reference (Danish) (Lomax Rentals)	
	1001200129	Ref	Decal - Quick Reference (Dutch) (Lomax Rentals)	
	1001181145	Ref	Decal - Quick Reference (English) (Lomax Rentals)	
	1001200128	Ref	Decal - Quick Reference (French) (Lomax Rentals)	
	1001200130	Ref	Decal - Quick Reference (German) (Lomax Rentals)	
	1001200134	Ref	Decal - Quick Reference (Norwegian) (Lomax Rentals)	
	1001200133	Ref	Decal - Quick Reference (Spanish) (Lomax Rentals)	
	1001200132	Ref	Decal - Quick Reference (Swedish) (Lomax Rentals)	
		Ref	Decal Kits	
	1001108718	Ref	Platform Decal Kit (600S)	
	1001238895	Ref	Platform Decal Kit (660SJ)	
	1001119562	Ref	Platform Console Box Decal Kit (600S)	
	1001109259	Ref	Drive Orientation Kit (660SJ)	
		Ref	Electrical Connector Kits	
	1001148902	Ref	Amp/Tyco Electrical Connector Kit	
	1001148903	Ref	Deutsch DT Electrical Connector Kit	
	1001148904	Ref	Deutsch HD Electrical Connector Kit	
	1001148905	Ref	Packard Electrical Connector Kit	
	1001148906	Ref	Various Electrical Connectors Kit	
	1001220390	Ref	Engine Block Heater Installation (Ford Engine Machines)	
	1001237883	Ref	Fall Arrest (Bolt-on) Add-on Kit (6ft/1.82m Platform (ANSI, ANSI Export, China, CSA & Japanese Specs Only) (Fits Platform p/ns 1001186384 & 1001228376)	
	1001237882	Ref	Fall Arrest (Bolt-on) Add-on Kit (8ft/2.4m Platform (ANSI, ANSI Export, China, CSA & Japanese Specs Only) (Fits Platform p/ns 1001186383)	
	1001192482	Ref	Fan Grille Installation (Deutz D2011 Engines)	
	1001192610	Ref	Fan Grille Installation (Deutz TD2.9L4 Engines)	
		Ref	Filter Kits:	
		Ref	Combined Filter Kit (Hydraulic/Air and Fuel/Engine Oil)	
	1001238957	1	Deutz D2011 Engines	
	1001238961	1	Deutz TD2.9L4 Engines	
	1001238960	1	Ford Engines	
	1001109692	1	Hydraulic/Air Filter	
	1001110133	1	Fuel/Engine Oil Filter (Deutz Engines Only)	
	1001139099	Ref	Fire Extinguisher installation (Platform Mounted)	
	1001117294	Ref	Footswitch Shield (Note: Move Decal to Shield)	
	1001202749	Ref	Fuel Cap Cover Installation (Black) (Note: Lock p/n 1001102157 must be Purchased Separately)	
	1001191395	Ref	Fuel Cap Cover Installation (Green) (Diesel Machines) (Note: Lock p/n 1001102157 must be Purchased Separately)	
	1001191394	Ref	Fuel Cap Cover Installation (Red) (Gas Machines) (Note: Lock p/n 1001102157 must be Purchased Separately)	
		Ref	Hood (Steel) Replacement Kit	
	1001126286	Ref	Deutz Engine Machines	

## SECTION 11 - SPECIAL OPTIONS/ACCESSORIES/KITS

ITEM	PART NUMBER	QTY	DESCRIPTION	REV
		Ref	Hose Kit Options:	
	1001238903	Ref	Hose Kit - Platform Valve (600S)	
	1001238906	Ref	Hose Kit - Platform Valve (660SJ)	
	1001238902	Ref	Hose Kit - Upper Power Track (600S)	
	1001238904	Ref	Hose Kit - Upper Power Track (660SJ)	
		Ref	Hostile Environment Installation Options:	
	1001238927	Ref	Hostile Environment Installation (600S)	
	1001238929	Ref	Hostile Environment Installation (660SJ)	
	1001195237	Ref	Hostile Package (Extreme) Installation (600S/660SJ)	
	1001268752	Ref	Jib Cylinder Kit (660SJ HC3)	
	1001189615	Ref	Kingpin Removal Kit	
	1001148971	Ref	Lanyard (Bolt-On) Kit Installation	
	1001253783	Ref	Lift Cylinder Kit (600S)	
	1001249437	Ref	Lift Cylinder Valve Kit	
		Ref	Light Options:	
	1001190761	Ref	Chassis Illumination Lights Installation	
	1001190717	Ref	Headlights & Taillights Installation	
	1001120467	Ref	Platform Floodlights Installation	
	1001178951	Ref	Platform Mounted Strobe Light Installation	
	1001193521	Ref	Platform/Ground Dual Located Mounted Strobe Light Installation	
	1001120466	Ref	Platform Worklights Installation	
	1001183407	Ref	Low Temperature Cutout Installation (Russian Specs)	
		Ref	Oil Cooler Options:	
	1001195355	Ref	Oil Cooler Installation (Deutz TD2011 Engine) (600S HC3)	
	1001252491	Ref	Oil Cooler Installation (Deutz TD2011 Engine) (660SJ HC3)	
	1001195354	Ref	Oil Cooler Installation (Deutz TD2.9L4 Engine) (600S HC3)	
	1001257490	Ref	Oil Cooler Installation (Deutz TD2.9L4 Engine) (660SJ HC3)	
	1001219854	Ref	Oil Cooler Installation (Ford Engine) (600S HC3)	
	1001257492	Ref	Oil Cooler Installation (Ford Engine) (660SJ HC3)	
	1001233035	Ref	Pinion Shield Installation	
		Ref	Platform Console Cover Installations	
	1001195304	Ref	Platform Console Cover Installation (Clear Polycarbonate)	
	1001110974	Ref	Platform Console Cover Installation (Steel) (All Specs)	
		Ref	Platform Entry Kit	
	1001142504	Ref	Platform Entry Kit - Replace Swing Gate with Drop Bar	
	1001142505	Ref	Platform Entry Kit - Replace Drop Bar with Swing Gate	
		Ref	Platform Extension (Top Rail)	
	0272733	Ref	36in x 72in Platforms	
	0272725	Ref	36in x 96in Platforms	
		Ref	Platform Mesh to Top Rail Add-on Kits:	
	1001214552	Ref	30in x 4ft (76cm x 1.22m) with Gate	
	1001214559	Ref	30in x 5ft (76cm x 1.52m) with Gate	
	1001214560	Ref	30in x 6ft (91.5cm x 1.83m) with Gate	
	1001214561	Ref	36in x 6ft (91.5cm x 1.83m) with Gate	
	1001214562	Ref	36in x 8ft (91.5cm x 2.44m) with Gate	
		Ref	Platform Mesh to Top Rail Installations	
	0273147	Ref	30in x 4ft (76cm x 1.22m)	
	0273146	Ref	30in x 5ft (76cm x 1.52m)	
	0273149	Ref	36in x 6ft (91.5cm x 1.83m)	
	0273145	Ref	36in x 8ft (91.5cm x 2.44m)	
		Ref	Platform Mesh to Mid Rail Add-on Kits:	

## SECTION 11 - SPECIAL OPTIONS/ACCESSORIES/KITS

ITEM	PART NUMBER	QTY	DESCRIPTION	REV
	1001214478	Ref	30in x 4ft (76cm x 1.22m) with Gate	
	1001214515	Ref	30in x 5ft (76cm x 1.52m) with Gate	
	1001214540	Ref	36in x 6ft (91.5cm x 1.83m) with Gate	
	1001214548	Ref	36in x 8ft (91.5cm x 2.44m) with Gate	
		Ref	Platform Mesh to Mid Rail Installation	
	1001140318	Ref	30in x 4ft (76cm x 1.22m)	
	1001140315	Ref	30in x 5ft (76cm x 1.52m)	
	1001138772	Ref	36in x 6ft (91.5cm x 1.83m)	
	1001138773	Ref	36in x 8ft (91.5cm x 2.44m)	
	1580013	Ref	Platform Storage Tray (Corner Mounted)	
	1001211366	Ref	Service Kits	J
	1001247073	Ref	SkyEye Add-on Kit (Dealer Installed)	
	1001241547	Ref	SkyEye Repair Kit (LH Side)	
	1001241548	Ref	SkyEye Repair Kit (RH Side)	
	2902232	Ref	SkyGlazier Kit (Includes 36in x 8ft (91.5cm x 2.44m) Platform)	
	1001101422	Ref	SkyGlazier Kit (Platform not Included)	
	1001249052	Ref	SkyGuard Add-on Kit (Dealer Installed)	
	1001197016	Ref	SkyGuard Installation Kit (New Style Platform)	
	1001206311	Ref	SkyGuard Blue Beacon Installation Kit	
	1001232643	Ref	SkyLine Add-on Kit (Dealer Installed)	
	1001217055	Ref	SkyPower Kit (Deutz TD2.9L4 Engine)	
	1001246867	Ref	SkySense (EDS) Level 1 Add-on Kit (Dealer Installed)	
	1001246860	Ref	SkySense (EDS) Level 2 Add-on Kit (Dealer Installed)	
	1001253945	Ref	SkySense (EDS) Level 1 Installation (Factory Installed)	
	1001253946	Ref	SkySense (EDS) Level 1 Installation (Factory Installed)	
	1001231235	Ref	SkyWelder Locking Bracket Installation	
		Ref	Tools for Service	
	1001249695	1	Analyzer and Cable Kit	
	1001249941	1	Analyzer and Cable Kit (Battery Powered)	
	1001137005	1	Software Cable Kit	
	7002840	1	Anti-Rotation Pin Removal Tool	
	8896941	1	Wire Stripper	
	7002821	1	Wire Crimper (To install wire ends to wires)	
	7002823	1	Pin/Socket Extractor - Universal (To Remove Pins/Sockets from Connectors)	
	4460467	1	Extractor - 16-18 Gauge (For Removal of Pin/Sockets from Deutsch Connectors)	
	4460510	1	Extractor - 12-14 Gauge (For Removal of Pin/Sockets from Deutsch Connectors)	
	7002822	1	Screwdriver, Potentiometer (To Adjust Drive Controllers)	
	7016654	1	Screwdriver, Magnetic	
	7004275	1	Seal Installation Tool - 1in	
	7004276	1	Seal Installation Tool - 1-1/2in	
	7002826	1	Seal Installation Tool - 2in	
	7016655	1	Wire Rope Sheave Gauge	
	7016652	1	Huck Bolt Faster (For Small Huck Bolts Only)	
	2915096	Ref	Turntable Bearing Kit	
	1001238898	Ref	Wear Pad Kit	
	1001238907	Ref	Wire Rope Kit	





# SECTION 11 - SPECIAL OPTIONS/ACCESSORIES/KITS

## PART NUMBER INDEX

# SECTION 11 - SPECIAL OPTIONS/ACCESSORIES/KITS

0100009.....543	0140011 .....543	0641424.....731, 733, 735, 737, 739, 741	0700816 .....349
0100011.....17, 19, 21, 23, 25, 27, 29, 57, 63, 65, 67, 71, 73, 75, 93, 97, 99, 101, 103, 105, 107, 111, 113, 115, 117, 119, 121, 154, 155, 157, 159, 162, 166, 169, 171, 174, 175, 183, 185, 187, 190, 193, 197, 201, 204, 211, 213, 215, 218, 225, 229, 233, 236, 245, 249, 253, 256, 261, 265, 269, 272, 281, 285, 289, 292, 295, 299, 303, 306, 317, 321, 325, 328, 333, 337, 341, 344, 349, 371, 373, 375, 377, 379, 381, 383, 385, 387, 389, 391, 401, 403, 407, 409, 411, 415, 419, 423, 427, 429, 433, 437, 441, 445, 449, 454, 458, 462, 466, 470, 474, 477, 483, 485, 487, 489, 491, 497, 499, 501, 505, 509, 513, 517, 521, 523, 527, 531, 533, 559, 561, 569, 571, 573, 583, 585, 587, 589, 695, 697, 699, 701, 703, 705, 707, 709, 711, 713, 715, 717, 719, 721, 723, 725, 727, 729, 731, 733, 735, 737, 739, 741	0140043 .... 115, 117, 119, 121 0181949 .....63 0200048 .... 583, 585, 587, 589 0257195 .....885 0257728 .....577 0270528 .....67 0272254 .....571 0272418 .... 563, 565, 567 0272427 .....587 0272435 .... 435, 439, 443, 446 0272448 .....871 0272521 .....569 0272588 .....869 0272589 .....450 0272725 .....886 0272733 .....886 0273145 .....886 0273146 .....886 0273147 .....886 0273149 .....886 0273706 .....589 0273824 .....583 0275216 .....665, 807 0275217 .....669, 809 0275452 .....673, 811 0275453 .....677, 813 0275454 .....681, 815 0362910 .....67 0400075 .....111, 113 0440162 .... 183, 185, 193, 197, 211, 213, 225, 229, 245, 249, 261, 265, 281, 285, 295, 299, 317, 321, 333, 337, 477 0440233 .....89 0440237 .....477 0480100 .....577, 579 0480124 .....401, 409 0561508 .....470, 474 0630462 .... 583, 585, 587, 589 0630518 .... 131, 555, 569, 571, 573 0630534 .....617 0630568 .....543 0630613 97, 99, 101, 103, 105, 107, 154, 162, 166, 174 0641404 .....543, 561 0641405 .....561 0641406 .... 151, 225, 229, 537 0641408 .....157, 159 0641409 .....169, 171 0641414 .... 543, 559, 583, 585, 587, 589 0641416 .... 667, 671, 675, 679, 683, 685 0641418 .... 505, 509, 517, 521, 523, 527, 531, 533 0641420 .....513	0641504.....154, 174 0641506.....697, 701, 705, 709, 713, 717 0641507.....403, 411 0641508.....401, 407, 409 0641511.....67 0641514.....577, 579 0641606.....569, 571, 573 0641607.....101, 105, 404 0641608 97, 99, 101, 103, 105, 107 0641611.....256, 272 0641616.....419, 429, 433, 441 0641618.....415, 423, 427, 437, 449 0641772.....411 0641814.....187, 201, 215, 233, 253, 269, 289, 303, 325, 341 0642010.....67 0642012.....563, 565, 567, 581 0642212.....563, 565, 567, 581 0681605.....236 0681608.....258, 274, 501 0681620.....591, 593, 595, 597, 599 0681710.....29 0681810.....27 0681814.....519, 529 0681822.....519, 529 0682016.....27 0682019.....57 0682023.....89 0682036.....27 0682040.....27 0682424.....591, 593, 595, 597, 599 0700408.....665, 667, 669, 671, 673, 675, 677, 679, 681, 683, 685 0700412.....763, 765 0700608.....115, 117, 121 0700610.....111, 113, 401, 409, 539, 541, 845, 847, 849, 851, 853, 855, 857, 859, 861, 863 0700612.....539, 541 0700614.....183, 185, 193, 197, 211, 213, 225, 229, 245, 249, 261, 265, 281, 285, 295, 299 0700615.....169 0700616.....171, 638 0700618.....665, 669, 673, 677, 681 0700619.....115, 117, 119, 121, 157, 159, 317, 321, 333, 337 0700624.....719, 721, 723, 725, 727, 729 0700812.....379	0700818 .... 349, 695, 697, 699, 701, 703, 705, 707, 709, 711, 713, 715, 717, 719, 721, 723, 725, 727, 729, 731, 733, 735, 737, 739, 741 0700819 .... 415, 419, 429, 433, 437, 441, 445, 449, 721, 723, 725, 727, 729, 741, 763, 769 0700822 .... 695, 697, 699, 701, 703, 705, 707, 709, 711, 713, 715, 717, 719, 721, 723, 725, 727, 729, 731, 733, 735, 737, 739, 741 0701012 .... 19, 21, 23, 25, 154, 162, 166, 174, 183, 185, 193, 197, 211, 213, 225, 229, 245, 249, 261, 265, 281, 285, 295, 299, 317, 321, 333, 337 0701013 .....470, 474 0701014 .....349, 541 0701015 97, 99, 101, 103, 105, 107, 245, 249, 261, 265, 281, 285, 295, 299, 539 0701016 .... 154, 162, 166, 174, 365 0701017 .....237 0701019 .... 454, 458, 462, 466 0701020 .....477 0701022 .... 183, 185, 193, 197, 211, 213, 281, 285, 295, 299 0701026 .....387 0701028 .....470, 474 0701029 .....470, 474 0701032 .... 483, 485, 487 0701216 .... 154, 155, 162, 166, 174, 175 0701217 .... 17, 93, 97, 99, 101, 103, 105, 107 0701220 .... 154, 155, 162, 166, 174, 175, 226, 229, 695, 697, 699, 701, 703, 705, 707, 709, 711, 713, 715, 717, 719, 721, 723, 725, 727, 729, 731, 733, 735, 737, 739, 741 0701221 97, 99, 101, 103, 105, 107 0701222 .....391 0701617 .....21, 25 0701619 .....27 0701620 .....29 0701639 .....57 0710827 .....349 0711014 .....328, 344 0711015 .....375

## SECTION 11 - SPECIAL OPTIONS/ACCESSORIES/KITS

0711018 .... 183, 185, 193, 197, 211, 213, 225, 229, 245, 249, 261, 265, 281, 285, 295, 299, 317, 321, 333, 337	727, 729, 731, 733, 735, 737, 739, 741, 743	0762418..... 462, 466	1001080707.....101, 103
0711020 ..... 328, 344, 375	0760814 ..... 63, 236, 256, 272, 292, 306, 317, 321, 328, 333, 337, 344, 383, 385, 401, 403, 409, 412, 429, 433, 483, 485, 487, 489, 695, 697, 699, 701, 703, 705, 707, 709, 711, 713, 715, 717	0770814..... 377	1001091102. 63, 691, 693
0711214 ..... 256, 272	0760815 .... 190, 204, 218, 256, 272, 328, 344	0771212.....225, 229, 245, 249, 261, 265	1001095704.....833, 880
0711216 .....349	0760816 ..... 63, 190, 204, 218, 293, 307	0771414.....190, 204, 218, 236, 256, 272, 292, 306, 371, 373, 379, 381, 383, 385	1001096070.....423, 427, 747
0711223 ..... 328, 344	0760817 ..... 349	0771415.....375, 377, 415, 423, 437, 449	1001096456.... 19, 21, 23, 25
0711224 .... 190, 204, 218, 236, 256, 272, 292, 306, 371, 373, 375, 377, 379, 381, 383, 385	0760822 .... 483, 699, 701, 703, 705, 707, 709	0771416.....190, 204, 218, 292, 306	1001097051 ..... 821
0711627 .... 190, 204, 218, 292, 306	0760824 .... 483, 485, 487	0771620..... 83	1001097150.....745, 747, 749
0711629 ..... 21, 25	0761009 ..71, 73, 75, 177, 470, 474, 483, 485, 487, 489, 491, 695, 697, 699, 701, 703, 705, 707, 709, 711, 713, 715, 717, 719, 721, 723, 725, 727, 729, 731, 733, 735, 737, 739, 741	0772018.....83, 183, 185, 193, 197, 211, 213, 225, 229, 245, 249, 261, 265, 281, 285, 295, 299, 317, 321, 333, 337	1001097244..... 535
0711635 ..... 454, 458	0761010 .....470, 474	0860038.....415, 419, 429, 433, 437, 441, 445, 663	1001098122.....553, 799
0721004 .....67	0761011 .... 454, 458, 470, 474	0861538.....433, 437, 441, 445	1001098764.....293, 307
0721005 ..... 587, 589	0761012 .... 401, 409, 470, 474, 477, 767, 769	0861572..... 449	1001098828..... 501
0731005 97, 99, 101, 103, 105, 107, 583, 585, 767, 769	0761014 .... 101, 103, 169, 171, 225, 229, 317, 321, 329, 333, 337, 345, 411, 471, 474, 501, 763, 765	0861731.....675, 679, 683, 685, 811, 813, 815	1001099366.....563, 565, 567, 581
0741605 ..... 292, 306	0761015 .... 154, 174, 190, 204, 218, 225, 229, 236, 256, 272, 292, 306, 328, 344, 363, 365, 371, 373, 375, 377, 379, 381, 411, 477, 483, 485, 487	0861781 ....667, 671, 807, 809	1001099869..... 409
0741606 ..... 256, 272	0761016 .... 147, 149, 236, 256, 272, 292, 306, 328, 344, 361, 363, 407, 471, 474	0861880.....745, 747	1001100234..... 409
0741607 .....67, 415, 419, 423, 427, 429, 433, 441, 445	0761017 ..... 293, 307, 471	0902888.....415, 419, 429, 433, 437, 441, 445, 449	1001100321 ..... 409
0760408 .....63	0761019 ..... 445	0940092.....583, 585, 587, 589	1001100341 ..... 807
0760512 .... 225, 229, 245, 249, 261, 265, 281, 285, 295, 299, 365	0761210 .... 183, 185, 193, 197, 211, 213, 245, 249, 256, 261, 265, 272, 281, 285, 293, 296, 299, 306	0940094.....583, 585, 587, 589	1001100342..... 809
0760605 .....349	0761212 .... 236, 256, 272, 415, 419, 423, 427, 429, 433, 437, 441, 449, 462, 466	0940102.....563, 565, 567, 581	1001100345..... 811
0760606 .... 401, 403, 409, 415, 419, 423, 429, 433, 437, 441, 445, 449	0761214 .... 236, 403, 411	0940103..... 587	1001100346..... 815
0760607 ..... 236, 256, 272	0761215 ..... 93	0940133..... 589	1001100347..... 813
0760608 .... 119, 151, 171, 407, 411, 415, 419, 423, 427, 429, 433, 437, 441, 445, 449, 763, 765, 767, 769	0761216 .....407, 501	0940134..... 583	1001100825.....325, 341
0760610 .... 157, 159, 190, 204, 218, 233, 236, 253, 256, 269, 272, 292, 306, 328, 344, 349, 423, 427, 454, 458, 462, 466, 663, 691, 693	0761615 ..... 17	0940177..... 585	1001101422..... 887
0760612 .... 115, 117, 119, 121, 187, 201, 215, 289, 303, 325, 341, 397, 399	0762016 .... 155, 162, 166, 174, 175, 454, 458, 462, 466	0961845.....505, 509, 513, 517, 521, 523, 527, 531, 533	1001102830.....719, 721, 723, 725, 727, 729
0760614 .... 147, 149, 393, 395, 470, 474		0961893..... 617	1001102978 99, 103, 107, 389, 391
0760615 ..... 349, 763		0961947.....477, 481, 605	1001103012..... 834
0760619 ..... 292, 306		0961950..... 17	1001104029.....415, 419, 429, 433, 438, 441, 445, 450
0760807 ..... 349, 491		0961951.....190, 204, 218, 236, 256, 272, 292, 306, 328, 344, 470, 474, 479	1001106736.....763, 765, 767, 769
0760808 ..... 256, 272, 767		0962033..... 470, 474	1001107854 ..... 834
0760810 .... 154, 166, 236, 256, 272, 293, 306, 317, 321, 328, 333, 337, 344, 501, 767		0962051..... 389, 391	1001108256..... 585
0760812 .... 157, 159, 236, 256, 272, 328, 344, 411, 429, 433, 489, 719, 721, 723, 725,		0962155..... 477	1001108718..... 885
		0962181..... 21, 25	1001109259..... 885
		0962270..... 519, 529	1001109692..... 885
		0962336..... 617	1001110133..... 885
		0962348..... 21, 25	1001110872.....687, 689
		0962423.....454, 458, 462, 466, 470, 474, 609	1001110873.....415, 419, 429, 433, 438, 441, 445, 663
		0962449..... 409	1001110974 ..... 886
		0962520.....415, 419, 423, 427, 429, 433, 437, 441, 445, 449	1001112551 ..... 847
		1001026127 ..... 183, 185, 193, 197, 211, 213, 281, 285, 295, 299	1001112612.....827, 833
			1001112796..... 827
			1001113047..... 171
			1001113680..... 849
			1001113790..... 659
			1001113818..... 659
			1001113961 ..... 833
			1001113984.....29, 39
			1001115044.....317, 321, 333, 337
			1001116208..... 866
			1001116290.....169, 171
			1001116693..... 799
			1001116694..... 837
			1001116695..... 799
			1001116720..... 823
			1001116727.....773, 777

## SECTION 11 - SPECIAL OPTIONS/ACCESSORIES/KITS

1001116728 .....773, 777	1001120467 .....886	1001136398 .....483, 485, 487	1001140564 .....237, 257, 273, 293, 307
1001116732 .....771, 787	1001120471 .....535	1001136400 .....483, 485, 487	1001141300 .....866
1001116734 .....771, 787	1001120477 .....535	1001136402 .....483, 485, 487	1001141302 .....866
1001116748 .....751, 803, 805, 839	1001120484 .....535	1001136461 .....483	1001141304 .....238, 257, 273, 293, 307
1001116774 .....827	1001120851 .....787	1001136571 .....470, 474	1001141694 .....190, 204, 218, 257, 273
1001116792 .....719, 721, 723, 725, 727, 729, 731, 733, 735, 737, 739, 741	1001120989 .....866	1001136575 .....470, 474	1001141814 .....423, 449
1001116808 .....827	1001120992 .....866	1001136583 .....470, 474	1001141995 .....190, 204, 218, 328, 344
1001116812 .....773	1001121172 .....834	1001136587 .....470, 474	1001142501 .....225, 229, 245, 249, 261, 265, 281, 285, 295, 299
1001116815 .....774	1001125387 .....866	1001136590 .....471, 474	1001142504 .....886
1001116845 .....853	1001125492 .....83	1001136834 .....237, 257, 273, 292, 306	1001142505 .....886
1001116846 .....855, 865	1001125677 .....800, 834, 839	1001136975 .....183, 185, 193, 197, 211, 213, 225, 229, 245, 249, 261, 265, 281, 285, 295, 299	1001142643 .....420, 427, 430, 434, 442
1001116847 .....853	1001126009 .....825	1001137005 .....887	1001142646 .....420, 430, 434, 442
1001116848 .....853	1001126286 .....885	1001137032 .....454, 458	1001142683 .....147, 149, 881
1001116849 .....855	1001126351 .....774, 777	1001137125 .....497, 499	1001142736 .....147, 149, 827
1001116850 .....853	1001126352 .....777	1001137276 .....292, 306	1001142938 .....777
1001116851 .....855	1001126356 .....777	1001137673 .....559, 881	1001142940 .....773, 777
1001116852 .....853	1001126357 .....777	1001138173 .....190, 204, 218, 328, 344	1001142941 .....773, 778
1001116863 .....855	1001126362 .....773, 778	1001138175 .....190, 204, 218, 328, 344	1001143390 .....190, 204, 218, 257, 273
1001116862 .....855	1001126363 .....773, 778	1001138228 .....237, 257, 273, 292, 307, 881	1001143645 .....695, 697, 699, 701, 703, 705, 707, 709, 711, 713, 715, 717, 719, 721, 723, 725, 727, 729, 731, 733, 735, 737, 739, 741
1001116952 .....773, 777	1001126364 .....773, 774	1001138248 .....191, 205, 219, 237, 257, 273, 293, 307, 328, 344	1001143797 .....237, 257, 273
1001116983 .....785	1001126365 .....773, 778	1001138436 .....470, 474	1001143852 .....866
1001117025 .....771	1001126384 .....777	1001138459 .....454, 458, 462, 466	1001143907 .....238
1001117106 .....773, 833	1001126391 .....773, 778	1001138494 .....509, 513, 517, 521, 523, 527, 531, 533	1001144116 .....257, 273
1001117107 .....773, 777	1001126392 .....774	1001138514 .....509, 513, 517, 523, 527, 533	1001144433 .....559
1001117110 .....834	1001126485 .....774	1001138565 .....423	1001144629 .....507, 511, 515, 521, 525, 531
1001117172 .....553	1001126487 .....774	1001138566 .....416, 419, 423, 427, 429	1001146368 .....190, 204, 207
1001117174 .....543, 553	1001128128 .....771	1001138671 .....462, 466	1001146588 .....225, 229, 237, 695, 697, 699, 701, 703, 705, 707, 709, 711, 713, 715, 717, 719, 721, 723, 725, 727, 729, 731, 733, 735, 737, 739, 741
1001117194 .....885	1001128527 .....573	1001138772 .....887	1001147264 .....774, 777
1001117307 .....162, 166	1001128556 .....573	1001138773 .....887	1001148138 .....404, 411
1001117308 .....236, 257, 273, 292, 306	1001128901 .....328, 344	1001138795 .....617	1001148607 .....97, 99, 105, 107
1001118378 .....799, 833	1001129858 .....415	1001138827 .....237, 257, 273, 292, 307	1001148650 .....470, 474
1001118384 .....825	1001130220 .....115, 117, 119, 121, 147, 149, 151, 183, 185, 193, 197, 211, 213, 225, 229, 245, 249, 261, 265, 281, 285, 295, 299, 407, 416, 419, 423, 427, 429, 433, 438, 441, 445, 450, 454, 458, 462, 466	1001138827 .....237, 257, 273, 292, 307	1001148675 .....687, 689
1001118388 .....823, 825	1001130492 .....866	1001138907 .....483, 485, 487	1001148841 .....783
1001118666 .....474	1001131269 .....845, 857	1001139099 .....885	1001148902 .....885
1001118878 .....257, 273	1001133245 .....621	1001139357 .....416, 423	1001148903 .....885
1001118972 .....101, 103, 183, 185, 193, 197, 211, 213, 225, 229, 245, 249, 261, 265, 281, 285, 295, 299, 317, 321, 333, 337	1001133714 .....773, 778, 783	1001139384 .....157, 159, 169, 171	1001148904 .....885
1001119020 .....827	1001133715 .....773, 778, 783	1001139654 .....866	1001148905 .....885
1001119032 .....833	1001133956 .....774, 777	1001139819 .....190, 204, 218	1001148906 .....885
1001119051 .....183, 185, 193, 197, 211, 213, 225, 229, 245, 249, 261, 265, 281, 285, 295, 299, 317, 321, 333, 337	1001133957 .....774, 777	1001140312 .....273, 307	1001148971 .....886
1001119280 .....401, 403, 407, 409	1001134289 .....477, 481	1001140315 .....887	
1001119455 .....644, 650, 656	1001134488 .....237, 257, 273, 292, 306	1001140318 .....887	
1001119562 .....885	1001134543 .....83	1001140346 .....419, 429	
1001119619 .....819	1001135138 .....292, 306	1001140347 .....427	
1001119620 .....817, 821	1001135488 .....470, 474	1001140429 .....505, 509, 513, 517, 521, 523, 527, 531, 533	
1001120204 .....695, 697, 719, 731	1001135600 .....29, 33		
1001120205 .....695, 697, 719, 731	1001135650 .....773, 783		
1001120328 .....559, 561, 803, 805, 839	1001135651 .....773, 778		
1001120466 .....886	1001135679 .....257, 273, 292, 306		
	1001136104 .....445		
	1001136356 .....415, 427, 437		
	1001136358 .....657		

## SECTION 11 - SPECIAL OPTIONS/ACCESSORIES/KITS

1001149160 ..... 349, 767	1001157525 ..... 450	1001168166 ..... 191, 204, 219, 257, 273, 293, 307	1001176848.... 19, 21, 23, 25
1001149452 ..... 361, 363	1001157528 ..... 434, 438, 442, 446, 450	1001168207 ..... 383	1001176862..... 687
1001149469 ..... 361, 363	1001157592 ..... 434, 438, 442, 446	1001168402 ..... 501	1001177359..... 237, 257, 273, 293, 307
1001149639 ..... 328, 344	1001158007 ..... 434, 438, 442, 446, 450	1001169046 ..... 154, 169, 171, 174	1001177844..... 293, 307
1001150324 ..... 17	1001158008 ..... 416, 420, 430, 434, 438, 443, 446, 450	1001169054 ..... 237, 257, 273, 293, 307, 329, 345	1001178057.. 97, 99, 101, 103, 105, 107, 109
1001150326 ..... 17	1001158363 ..... 416, 420, 430	1001169085 ..... 497, 499	1001178223..... 237
1001150569 ..... 67	1001159118 ..... 687, 689	1001169138 ..... 237, 257, 273, 293, 307, 329, 345	1001178788..... 257, 273
1001150570 ..... 67	1001159119 ..... 687, 689	1001169582 ..... 91	1001178876..... 257, 273
1001150571 ..... 67	1001159120 ..... 687, 689	1001169661 ..... 634, 638	1001178951..... 886
1001150918 ..... 193, 197, 262, 265, 295, 299, 334, 337	1001159121 ..... 689	1001169967 ..... 257, 273, 293, 307, 329, 345	1001179154..... 416, 420, 430, 434, 438, 442, 446
1001151192 ..... 483	1001159186 ..... 795, 799	1001170035 ..... 257, 273, 293, 307, 329, 345	1001179836..... 411
1001151393 ..... 133, 135, 137, 139, 141, 143	1001159256 ..... 543, 880	1001170764 ..... 773	1001179837 ..... 403, 411
1001151856 ..... 778	1001159323 ..... 865	1001170847 ..... 497, 499	1001179903..... 237, 257, 273
1001152429 ..... 438, 450, 793	1001160505 ..... 162, 175	1001171131 ..... 687	1001180001..... 403, 411
1001152456 ..... 416, 420, 430	1001161709 ..... 543, 880	1001171482 ..... 123, 125, 127, 129	1001180620..... 237, 257, 273, 293, 307, 328, 344
1001152457 ..... 416, 420, 430	1001161710 ..... 317, 321, 333, 337, 881	1001171953 ..... 233, 253, 269	1001180882..... 471
1001152479 ..... 880	1001162538 ..... 71, 73, 75, 81	1001172064 ..... 777	1001181045..... 745, 747, 880
1001152482 ..... 880	1001163717 ..... 21, 25	1001172065 ..... 777, 881	1001181145..... 885
1001152483 ..... 749	1001164726 ..... 169, 171	1001172577 ..... 581	1001181243..... 404, 412
1001152486 ..... 693, 749	1001164817 ..... 603	1001172578 ..... 581	1001181770..... 19
1001152489 ..... 237, 257, 273, 293, 307	1001165035 ..... 183, 185, 193, 197, 211, 213, 225, 229, 245, 249, 261, 265, 281, 285, 295, 299, 328, 344, 365	1001172615 ..... 166	1001181772..... 21
1001152520 ..... 450	1001165388 ..... 191, 205, 219, 257, 273	1001172615 ..... 166	1001181774..... 17
1001152525 ..... 416, 420, 430, 434, 438, 442, 446, 450	1001165405 ..... 257, 273	1001172760 ..... 543	1001181778..... 884
1001152530 ..... 416, 420, 430	1001165406 ..... 257, 273	1001173535 ..... 329, 345	1001181787..... 19, 21
1001152532 ..... 416, 420, 424, 427, 430, 789	1001165721 ..... 257, 273	1001173703 ..... 866	1001181790.... 19, 21, 23, 25
1001153197 ..... 416	1001165722 ..... 257, 273	1001174040 ..... 501	1001181791.... 19, 21, 23, 25
1001153260 ..... 416, 420, 430	1001165849 ..... 237, 257, 273	1001174231 ..... 454, 458	1001181792.... 19, 21, 23, 25, 619
1001153398 ..... 470, 474	1001166538 ..... 544, 547	1001174250 ..... 454, 458	1001181793..... 19, 23
1001154405 ..... 226, 230, 245, 249, 261, 265, 281, 285, 295, 299, 365	1001166539 ..... 543, 549, 880	1001174251 ..... 454, 458	1001181795..... 45
1001154726 ..... 787	1001166563 ..... 17	1001174252 ..... 454, 458, 462, 466	1001181796..... 45
1001155041 ..... 411	1001166716 ..... 237, 293, 307	1001174253 ..... 454, 458, 462, 466	1001181797..... 45, 47
1001155043 ..... 123, 125, 127, 129	1001166718 ..... 237, 257, 273, 379, 381, 383, 385	1001174254 ..... 454, 458	1001181895..... 273, 307
1001155044 ..... 123, 125, 127, 129, 541, 543	1001166894 ..... 389, 391	1001174256 ..... 454, 458	1001181899..... 293, 307
1001155045 ..... 123, 125, 127, 129, 541, 543, 880	1001166921 ..... 257, 273	1001174486 ..... 183, 185, 193, 197, 211, 213, 317, 321, 333, 337, 361, 363	1001181923..... 695, 697, 699, 701, 703, 705, 707, 709, 711, 713, 715, 717, 719, 721, 723, 725, 727, 729, 731, 733, 735, 737, 739, 741
1001155094 ..... 183, 185, 193, 197, 211, 213, 225, 229, 245, 249, 261, 265, 281, 285, 295, 299, 317, 321, 333, 337	1001166922 ..... 385	1001174630 ..... 483	1001181923..... 695, 697, 699, 701, 703, 705, 707, 709, 711, 713, 715, 717, 719, 721, 723, 725, 727, 729, 731, 733, 735, 737, 739, 741
1001155441 ..... 497, 499	1001166924 ..... 237, 257, 273	1001174632 ..... 483, 485, 487	1001182361..... 774
1001155823 ..... 225, 229, 245, 249, 261, 265, 281, 285, 295, 299	1001167042 ..... 293, 307	1001174636 ..... 483, 485, 487	1001182365..... 774
1001156107 ..... 225, 229, 237	1001167164 ..... 393, 395, 397, 399	1001174673 ..... 154, 157, 159, 174, 483	1001182570..... 497, 499
1001157520 ..... 434, 438, 442, 446	1001167565 ..... 501	1001175073 ..... 389, 391	1001182694.... 19, 21, 23, 25
1001157521 ..... 434, 438, 442, 446, 450	1001167567 ..... 501	1001175074 ..... 391	1001182695.... 19, 21, 23, 25, 619
	1001167596 ..... 501	1001175568 ..... 245, 249, 261, 265, 281, 285, 295, 299	1001182697.... 19, 21, 23, 25
	1001167635 ..... 774	1001175998 ..... 470, 474	1001182806..... 151
	1001168018 ..... 190, 204, 218, 237, 257, 273, 293, 307, 329, 345, 371, 373, 375, 377, 379, 381, 383, 385	1001175999 ..... 470, 475	1001183407..... 886
	1001168099 ..... 257, 273	1001176212 ..... 471	1001183477..... 412
		1001176469 ..... 135, 139, 141, 143	1001183926..... 454, 458
		1001176511 ..... 237	1001184209..... 17
			1001184213..... 21, 25
			1001184327..... 166

## SECTION 11 - SPECIAL OPTIONS/ACCESSORIES/KITS

1001184618 .....845, 847, 849, 851, 853, 855, 857, 859, 861, 863	1001187082.....190, 204, 218	1001188894 .....873	1001191126.....123, 125
1001184626 .....539, 541	1001187200.....115, 117, 119, 121, 881	1001188895 .....877	1001191156.....367
1001184725 .....63	1001187308.....626, 630	1001188896 .....875	1001191202.....471, 475
1001184727 .....47	1001187311.....626	1001188972 .....193, 197, 262, 265, 295, 299, 334, 337	1001191205.....471, 475
1001184728 .....47	1001187312.....626, 630, 634, 638	1001189001 .....501	1001191271.....191, 205, 219
1001184881 .....47	1001187317.....626	1001189002 .....501	1001191273.....369
1001184913 .....471, 475	1001187318.....626, 630, 634, 638	1001189003 .....763, 765, 767, 769, 829	1001191328.....763, 839
1001184915 .....471, 475	1001187348.....454, 458, 479	1001189005 .....751, 763, 765, 767, 769	1001191384.....470, 475
1001184917 .....471, 475	1001187382.....501	1001189026 .....190, 204, 218, 293, 307	1001191385.....470, 475
1001184918 .....471, 475	1001187383.....501	1001189067 .....154, 174	1001191394.....885
1001184930 .....187, 201, 215, 233, 253, 269, 289, 303, 325, 341, 358	1001187521.....27, 29, 43	1001189119 .....97, 99, 105, 107	1001191395.....885
1001184954 .....454, 458, 605	1001187674.....557	1001189161 .....190, 204, 218	1001191557.....145
1001185030 .....17	1001187681.....819	1001189169 .....884	1001191610.....191, 205, 219, 293, 307, 329, 344, 371, 373, 375, 377
1001185281 .....543	1001187781.....329, 345	1001189171 .....749	1001191620.....237, 257, 273
1001185596 .....45	1001187807.....131, 555	1001189172 .....749	1001191856.....375
1001185597 .....47	1001187808.....111, 113	1001189227 .....371, 373	1001191956.....659
1001185598 .....63	1001187855.....83, 86	1001189228 .....105	1001192008.....377
1001185709 .....89	1001187864.....65	1001189615 .....886	1001192012.....111, 113
1001185726 .....881	1001187950.....154, 162, 166, 174	1001189764 .....101, 103	1001192027.....462, 466
1001185842 .....83	1001187951.....154, 155, 162, 166, 174, 175	1001189800 .....101, 103	1001192265.....634
1001185906 .....21, 25	1001187953.....93	1001189859 .....471, 475	1001192278.....441
1001185907 .....21, 25	1001188125.....89	1001189913 .....293, 307	1001192279.....419
1001186186 .....154	1001188166.....71, 489	1001189979 .....237, 293, 307, 329, 345	1001192280.....403
1001186333 .....519	1001188168.....75, 491	1001190143 .....187, 201, 215, 233, 253, 269, 289, 303, 325, 341	1001192284.....367
1001186334 .....529	1001188187.....155, 162, 167, 175	1001190159 .....873	1001192400.....237, 293, 307
1001186346 .....111	1001188194.....155, 162, 166, 175	1001190164 .....190, 204, 218, 293, 307	1001192401.....834
1001186375 .....509	1001188236.....190, 205, 218, 771	1001190169 .....71, 73, 75, 77	1001192442.....373
1001186377 .....513	1001188257.....97	1001190194 .....19, 21, 23, 25	1001192443.....371
1001186379 .....517	1001188302.....489, 491	1001190286 .....491, 495	1001192475.....885
1001186382 .....527	1001188334.....93, 95	1001190287 .....489, 493	1001192482.....885
1001186383 .....525	1001188337.....93	1001190335 .....101	1001192483.....437
1001186384 .....515	1001188342.....626	1001190338 .....154, 174	1001192484.....415
1001186386 .....511	1001188503.....21, 25	1001190441 .....673	1001192485.....401
1001186387 .....507	1001188533.....755, 763, 767	1001190442 .....293, 307	1001192486.....449
1001186426 .....237, 293, 307, 329, 345	1001188534.....757, 765, 769	1001190444 .....225, 229, 245, 249, 261, 265, 281, 285, 295, 300, 785	1001192487.....423
1001186431 .....559, 880	1001188535.....190, 204, 218, 293, 307	1001190484 .....677	1001192488.....409
1001186432 .....823, 825	1001188622.....501	1001190485 .....681	1001192489.....884
1001186443 .....27	1001188664.....111, 113	1001190493 .....665	1001192482.....885
1001186517 .....559	1001188666.....111, 113	1001190495 .....669	1001192483.....437
1001186541 .....471, 475	1001188667.....183, 185, 193, 197, 211, 213	1001190717 .....886	1001192484.....415
1001186806 .....281	1001188668.....226, 230, 245, 249, 262, 266, 281, 285, 296, 300	1001190756 .....166	1001192485.....401
1001186807 .....295	1001188669.....226, 230, 245, 249, 262, 266, 281, 285, 296, 300	1001190761 .....886	1001192486.....449
1001186808 .....183	1001188670.....183, 185, 193, 197, 211, 213	1001190773 .....663	1001192487.....423
1001186809 .....193	1001188763.....626, 630, 634, 638	1001190774 .....691	1001192488.....409
1001186811 .....281, 285, 289	1001188844.....501	1001190921 .....833	1001192489.....884
1001186812 .....289, 292	1001188893.....67	1001190942 .....237, 293, 307, 329, 345	1001192610.....885
1001186813 .....295, 299, 303		1001190985 .....501	1001192641.....645, 651, 657
1001186814 .....303, 306		1001191019 .....885	1001192658.....644
1001186815 .....183, 185, 187		1001191020 .....497, 499	1001192661.....645, 651, 657
1001186816 .....187, 190		1001191025 .....293, 307	1001192663.....645, 651, 657
1001186817 .....193, 197, 201		1001191048 .....471, 475	1001192684.....644, 650
1001186818 .....201, 204			1001192685.....644, 650
1001186980 .....389			1001192686.....644
1001186981 .....389			1001192687.....644
1001187022 .....91			1001192690.....183, 185, 194, 198, 211, 213, 226, 230, 246, 250, 262, 266, 282, 286, 296, 300, 644, 656
1001187077 .....834			1001192693.....644, 650
1001187078 .....834			1001192694.....644, 650
			1001192695.....645, 651, 657
			1001192696.....645, 651, 657
			1001192698.....645, 651, 657

## SECTION 11 - SPECIAL OPTIONS/ACCESSORIES/KITS

1001192699 ..... 645, 651, 657	1001195535 ..... 166	1001200731 ..... 183, 185, 193, 197, 211, 213, 281, 285, 295, 300	1001204690 ..... 695, 697, 699, 701, 703, 705, 707, 709, 711, 713, 715, 717, 719, 721, 723, 725, 727, 729, 731, 733, 735, 737, 739, 741
1001192841 ..... 154, 174	1001195763 ..... 367	1001200745 ..... 293, 307	1001204715 ..... 497, 499
1001192842 ..... 166	1001196366 ..... 699, 703, 707	1001200791 ..... 219	1001204725 ..... 501
1001192843 ..... 166	1001196367 ..... 733, 735, 737	1001200910 ..... 147	1001204902 ..... 365
1001192910 ..... 454, 458	1001196368 ..... 699, 701, 703, 705, 707, 709, 721, 723, 725, 733, 735, 737	1001201090 ..... 719, 721, 723, 725, 727, 729, 731, 733, 735, 737, 739, 741	1001204939 ..... 497, 499
1001192931 ..... 884	1001196382 ..... 379, 403, 416, 420, 424, 430, 434, 438, 442, 446, 450	1001201255 ..... 644, 650	1001205016 ..... 884
1001192991 ..... 454, 458	1001196390 ..... 19, 21, 23, 25	1001201325 ..... 97, 99	1001205017 ..... 884
1001193018 ..... 665, 667, 669, 671, 673, 675, 677, 679, 681, 683, 685	1001196398 ..... 183, 193, 211, 225, 245, 261, 281, 295, 317, 333	1001201326 ..... 105, 107	1001205020 ..... 884
1001193049 ..... 293, 307	1001196602 ..... 833	1001201342 ..... 695, 697, 699, 701, 703, 705, 707, 709, 711, 713, 715, 717, 719, 721, 723, 725, 727, 729, 731, 733, 735, 737, 739, 741	1001205021 ..... 884
1001193167 ..... 401, 404, 409	1001196604 ..... 833	1001201351 ..... 501	1001205824 ..... 644, 650, 656
1001193168 ..... 159	1001196634 ..... 261, 296, 315, 833, 880	1001201511 ..... 489, 491	1001205923 ..... 763, 765, 767, 769, 797
1001193169 ..... 157	1001196636 ..... 833	1001201843 ..... 191, 205, 219, 371	1001205957 ..... 375
1001193207 ..... 695	1001197016 ..... 887	1001201844 ..... 191, 205, 219	1001205958 ..... 675, 679, 683
1001193208 ..... 731	1001197017 ..... 583, 585, 587, 589	1001202333 ..... 169, 171	1001206082 ..... 753, 763, 765, 767, 769
1001193215 ..... 884	1001197045 ..... 626, 630, 634, 638	1001202687 ..... 501	1001206311 ..... 887
1001193521 ..... 886	1001197268 ..... 393	1001202749 ..... 885	1001206314 ..... 154, 162, 166, 174
1001193610 ..... 634	1001197269 ..... 395	1001202936 ..... 695, 697, 699, 701, 703, 705, 707, 709, 711, 713, 715, 717, 719, 721, 723, 725, 727, 729, 731, 733, 735, 737, 739, 741	1001206476 ..... 743
1001193611 ..... 634	1001197389 ..... 393	1001203424 ..... 645, 651, 657	1001207004 ..... 149
1001193760 ..... 154, 174	1001197408 ..... 866	1001203426 ..... 657	1001207969 ..... 657
1001193927 ..... 656	1001197719 ..... 773	1001203431 ..... 183, 185, 194, 198, 211, 213, 226, 230, 246, 250, 262, 266, 282, 286, 296, 300, 644, 656	1001208017 ..... 49
1001193928 ..... 656	1001197725 ..... 191, 205, 219, 293, 307	1001203432 ..... 183, 194, 211, 226, 246, 262, 282, 296, 318, 334, 644	1001208874 ..... 71, 73, 75
1001193929 ..... 656	1001198631 ..... 27, 29	1001203433 ..... 183, 194, 211, 226, 246, 262, 282, 296, 644	1001208964 ..... 659
1001193930 ..... 656	1001199035 ..... 563	1001203655 ..... 519	1001208994 ..... 501
1001194045 ..... 884	1001199654 ..... 626, 630, 634, 638	1001203656 ..... 529	1001209016 ..... 377
1001194110 ..... 884	1001199655 ..... 626	1001203719 ..... 471, 475, 763	1001209432 ..... 743
1001194114 ..... 401, 404, 407, 409, 412, 787	1001199656 ..... 626	1001203853 ..... 634, 638	1001209474 ..... 743
1001194197 ..... 675	1001199657 ..... 626, 630, 634, 638	1001203854 ..... 634, 638	1001209664 ..... 559
1001194198 ..... 679	1001199658 ..... 626, 630, 634, 638	1001203859 ..... 634	1001209948 ..... 695, 697, 699, 701, 703, 705, 707, 709, 711, 713, 715, 717, 719, 721, 723, 725, 727, 729, 731, 733, 735, 737, 739, 741
1001194200 ..... 683	1001199661 ..... 626, 630	1001203860 ..... 634	1001209949 ..... 695, 697, 699, 701, 703, 705, 707, 709, 711, 713, 715, 717, 719, 721, 723, 725, 727, 729, 731, 733, 735, 737, 739, 741
1001194203 ..... 667	1001199662 ..... 626, 630, 634, 638	1001203885 ..... 190, 204, 218, 293, 307	1001209951 ..... 695, 697, 699, 701, 703, 705, 707, 709, 711, 713, 715, 717, 719, 721, 723, 725, 727, 729, 731, 733, 735, 737, 739, 741
1001194204 ..... 671	1001199881 ..... 703, 707, 735, 737	1001204251 ..... 157	1001209953 ..... 695, 697, 699, 701, 703, 705, 707, 709, 711, 713, 715, 717, 719, 721, 723, 725, 727, 729, 731, 733, 735, 737, 739, 741
1001194205 ..... 884	1001199883 ..... 97, 101, 105	1001204303 ..... 159	1001209955 ..... 695, 697, 699, 701, 703, 705, 707, 709, 711, 713, 715, 717, 719, 721, 723, 725, 727, 729, 731, 733, 735, 737, 739, 741
1001194365 ..... 685	1001199933 ..... 97, 99, 101, 103, 105, 107	1001204325 ..... 237	1001209957 ..... 695, 697, 699, 701, 703, 705, 707, 709, 711, 713, 715, 717, 719, 721, 723, 725, 727, 729, 731, 733, 735, 737, 739, 741
1001194888 ..... 169	1001200128 ..... 885	1001204389 ..... 644, 650	1001209958 ..... 645, 651, 657
1001194956 ..... 711	1001200129 ..... 885	1001204529 ..... 489	
1001194957 ..... 739	1001200130 ..... 885	1001204645 ..... 645, 651, 657	
1001194961 ..... 715	1001200131 ..... 885		
1001194962 ..... 741	1001200132 ..... 885		
1001195039 ..... 245, 249, 261, 266	1001200133 ..... 885		
1001195224 ..... 885	1001200134 ..... 885		
1001195225 ..... 699, 701, 703, 705, 707, 709	1001200432 ..... 626, 630		
1001195226 ..... 721, 723, 725, 733, 735, 737	1001200435 ..... 190, 204, 219		
1001195227 ..... 695, 697	1001200491 ..... 501		
1001195228 ..... 719, 731	1001200494 ..... 501		
1001195229 ..... 715			
1001195235 ..... 884			
1001195237 ..... 886			
1001195304 ..... 886			
1001195354 ..... 886			
1001195355 ..... 886			
1001195357 ..... 715			
1001195454 ..... 154, 159, 174			
1001195455 ..... 154, 157, 174			
1001195490 ..... 866			
1001195491 ..... 866			
1001195525 ..... 695, 697, 719, 731			

## SECTION 11 - SPECIAL OPTIONS/ACCESSORIES/KITS

1001209957 .....719, 721, 723, 725, 727, 729, 731, 733, 735, 737, 739, 741	1001215218.....329, 345, 781	1001218565 .....329, 345	1001224050.....855
1001210448 .....349, 351	1001215219.....318, 322, 334, 338	1001218575 .....329, 345	1001224051.....853
1001210636 .....535	1001215220.....318, 322, 334, 338	1001218594 .....603	1001224052.....849
1001211049 .....693	1001215228.....543	1001218622 .....717, 729	1001224053.....859
1001211366 .....887	1001215384.....349	1001218623 .....729	1001224200.....361
1001211577 .....497, 499	1001215534.....781	1001218676 .....101, 103, 179	1001224486.....330, 346
1001211578 .....497	1001215608.....317	1001218930 .....446	1001224489.....330, 346
1001211579 .....499	1001215609.....333	1001219005 .....317, 321, 333, 338	1001224967.....361, 363, 365
1001211580 .....497, 499	1001215610.....317, 321, 325	1001219015 .....317, 321, 333, 338	1001225054.....363
1001211581 .....497, 499	1001215611.....333, 338, 341	1001219021 .....317, 321, 333, 338	1001225346.....743
1001211582 .....497, 499	1001215612.....325, 328	1001219022 .....317, 321, 333, 338	1001225430.....277, 310, 880
1001211583 .....497	1001215613.....341, 344	1001219024 .....317, 321, 333, 338	1001225431.....310, 880
1001211584 .....499	1001215615.....865	1001219040 .....17, 603	1001225442.....330, 346
1001211585 .....497, 499, 695	1001215681.....329, 345	1001219128 .....179	1001225510.....330, 346
1001211586 .....497	1001215899.....329, 345	1001219138 .....162, 166	1001225580.....559, 823
1001211587 .....499	1001215974.....329, 345	1001219601 .....115, 117, 119, 121	1001226304.....717, 729, 741
1001211588 .....497, 499	1001216015.....404	1001219630 .....407	1001226305.....717
1001211752 .....171	1001216065.....349	1001219632 .....407	1001226400.....755, 757
1001211760 .....171	1001216071.....349	1001219852 .....445	1001226531.....743
1001211761 .....171	1001216075.....329, 345	1001219853 .....407	1001226872.....505
1001211762 .....162, 166, 171	1001216086.....329, 345	1001219854 .....886	1001227075.....729, 741
1001211767 .....169	1001216092.....329, 345	1001219855 .....885	1001227367.....157, 159
1001211773 .....169	1001216144.....349	1001220266 .....225, 229	1001227404.....884
1001211774 .....162, 166, 169	1001216195.....49	1001220379 .....777	1001227507.....785
1001211794 .....349	1001216196.....49	1001220390 .....885	1001227527.....763, 765, 767, 769
1001212223 .....434, 441	1001216201.....329, 345	1001220404 .....387	1001227633.....557
1001212333 .....162, 166	1001216212.....781	1001220638 .....179	1001227634.....557
1001212415 .....880	1001216213.....781	1001220728 .....407	1001227666.....330, 346
1001213251 .....97, 99, 105, 107	1001216300.....387	1001220903 .....644, 650	1001227667.....330, 346
1001213447 .....799	1001216390.....446	1001220912 .....645, 651, 657	1001227769.....349
1001213543 .....154, 174	1001216391.....407	1001220941 .....644, 650	1001227772.....349
1001213744 .....154, 174	1001216393.....346	1001221016 .....656	1001227887.....154, 174
1001213794 .....154, 174	1001216531.....329, 345	1001221210 .....781	1001227888.....162, 166
1001213810 .....349	1001216532.....325, 341	1001221397 .....325, 341	1001227985.....557
1001213882 .....543	1001216533.....325, 341	1001221464 .....325, 341	1001227987.....557
1001214030 .....866	1001216534.....325, 341	1001221545 .....349	1001227996.....817, 821
1001214095 .....699, 701, 703, 705, 707, 709, 721, 723, 725, 733, 735, 737	1001216535.....325, 341	1001221942 .....318, 322, 334, 338	1001228177.....454, 458, 462, 466
1001214096 .....699, 701, 703, 705, 707, 709, 721, 723, 725, 733, 735, 737	1001216619.....387	1001221943 .....318, 322, 334, 338	1001228186.....711, 713
1001214408 .....644, 650, 656	1001216630.....501	1001221944 .....318, 322, 334, 338	1001228187.....727, 739
1001214478 .....887	1001216768.....349	1001222033 .....329, 345	1001228188.....711, 713, 727, 739
1001214515 .....887	1001216769.....349	1001222133 .....317, 321, 333, 338	1001228215.....505
1001214540 .....887	1001216910.....329, 345, 349	1001222522 .....656	1001228224.....557
1001214548 .....887	1001216919.....329, 345	1001222641 .....349	1001228225.....557
1001214552 .....886	1001216947.....325, 341	1001223042 .....329, 345	1001228243.....531
1001214559 .....886	1001217055.....887	1001223045 .....785	1001228375.....533
1001214560 .....886	1001217183.....329, 345	1001223055 .....845	1001228376.....521
1001214561 .....886	1001217185.....329, 345	1001223122 .....411, 430, 434	1001228377.....523
1001214562 .....886	1001217186.....329, 345	1001223453 .....845, 857	1001228406.....101, 105, 361, 363, 365
1001214570 .....743	1001217450.....329, 345	1001223459 .....774	1001228809.....695, 697, 719, 731
1001214571 .....743	1001217453.....329, 345	1001223584 .....330, 345	1001228947.....884
1001214827 .....349	1001217543.....329, 345	1001223923 .....329, 345	1001228988.....573, 869, 871
1001215016 .....781	1001217563.....325, 341	1001223971 .....857	1001229019.....579
1001215091 .....781	1001217593.....329, 345	1001224048 .....861	1001229020.....563
	1001217594.....329, 345	1001224049 .....863	1001229021.....567
	1001217595.....329, 345		1001229022.....565
	1001217647.....329, 345		1001229082.....563
	1001217648.....329, 345		1001229090.....579
	1001218471.....329, 345		1001229091.....293, 307
	1001218539.....101, 103, 179		
	1001218559.....329, 345		



## SECTION 11 - SPECIAL OPTIONS/ACCESSORIES/KITS

1001229107 .....884	1001234371 ..... 393	1001237142 ..... 462, 466	1001239371 .....866
1001229108 .....567	1001234396 .....191, 205, 219	1001237544 ..... 555	1001239448 .....133
1001229111 .....567	1001234425 ..... 845	1001237546 ..... 131	1001239449 .....135
1001229112 .....565	1001234426 ..... 845	1001237550 ..... 177	1001239450 .....133
1001229118 .....565	1001234428 ..... 859	1001237667 ..... 800, 833	1001239451 .....135
1001229341 .....557	1001234429 ..... 859	1001237668 ..... 800, 833	1001239512 .....763, 765, 767, 769
1001229572 ..... 101, 103	1001234430 ..... 861	1001237822 ..... 763, 765, 767, 769	1001239526 .....885
1001229637 ..... 695, 697, 699, 701, 703, 705, 707, 709, 711, 713, 715, 717, 719, 721, 723, 725, 727, 729, 731, 733, 735, 737, 739, 741	1001234431 ..... 863	1001237862 ..... 817, 821	1001239563 .....369
1001230635 ..... 237, 257, 273, 293, 307	1001234432 ..... 863	1001237863 .....557, 821	1001239710 .....375
1001230931 ..... 751, 803, 805, 839	1001234433 ..... 857	1001237864 ..... 557, 817	1001239715 .....375
1001230934 .....774	1001234434 ..... 857	1001237865 ..... 557, 819	1001239716 .....401, 409
1001230935 .....774	1001234435 ..... 855	1001237882 ..... 885	1001241366 .....253, 269
1001230936 .....774	1001234436 ..... 855	1001237883 ..... 885	1001241547 .....887
1001231235 .....887	1001234437 ..... 849	1001237949 ..... 462, 466	1001241548 .....887
1001231310 ..... 154, 174	1001234438 ..... 849	1001238138 ..... 497, 499	1001241588 .....115, 123
1001231422 .....847	1001234439 .....847, 851	1001238168 ..... 477	1001241729 .....177
1001231711 .....151	1001234457 .....454, 458	1001238191 ..... 759, 763, 765, 767, 769	1001241965 .....561
1001231801 .....865	1001234458 .....454, 458, 470	1001238192 ..... 761, 763, 765, 767, 769	1001242639 .....884
1001231805 ..... 293, 307	1001234459 .....471	1001238263 ..... 591, 593, 595, 597, 599	1001242908 .....763, 765, 767, 769, 831
1001231949 .....599	1001234585 .....497	1001238319 ..... 557	1001242991 .....57
1001231950 ..... 591, 593	1001234811 .....477, 481	1001238327 ..... 497, 499	1001243171 .....154, 162, 166, 174
1001231957 .....57	1001235011 ..... 561	1001238328 ..... 477	1001243183 .....884
1001232010 ..... 591, 593, 599	1001235013 ..... 561	1001238333 ..... 477	1001243184 .....884
1001232011 ..... 591, 593, 599	1001235143 .....115, 763	1001238398 ..... 477	1001243414 .....154, 162, 166, 174
1001232117 .....605	1001235387 ..... 845	1001238405 ..... 763, 765, 767, 769, 833	1001243431 .....57
1001232164 .....557	1001235388 ..... 861	1001238407 ..... 763, 765, 767, 769, 837	1001243464 .....147
1001232165 .....557	1001235401 ..... 853	1001238408 ..... 763, 765, 767, 769, 795	1001243465 .....149
1001232292 ..... 27, 29	1001235402 ..... 853	1001238409 ..... 544, 799	1001243522 .....154, 166
1001232642 .....561	1001235444 ..... 855	1001238418 ..... 561, 825	1001243654 .....154, 174
1001232643 .....887	1001235445 ..... 853	1001238421 ..... 501	1001243656 .....257, 273
1001232650 .....561	1001235446 ..... 849	1001238463 ..... 593	1001243682 .....151, 841
1001232667 .....561	1001235447 ..... 863	1001238472 ..... 561	1001243742 .....253, 256
1001232842 ..... 261, 296, 315	1001235448 ..... 857	1001238477 ..... 561	1001243743 .....245, 249, 253
1001233035 .....886	1001235449 ..... 851	1001238495 ..... 559	1001243744 .....245
1001233047 .....884	1001235450 ..... 859	1001238559 ..... 561	1001243755 .....485, 487
1001233237 .....884	1001235457 .....215, 218, 221	1001238663 ..... 113	1001243850 .....257, 274
1001233429 .....393	1001235469 .....211	1001238824 ..... 561	1001243895 .....315
1001233763 ..... 261, 266, 296, 300, 315	1001235470 .....211, 213, 215	1001238851 ..... 57	1001244019 .....383
1001233895 ..... 257, 273, 293, 777	1001235471 .....215, 218	1001238858 ..... 57	1001244023 .....391
1001233948 .....177	1001235532 .....226, 230, 245, 249, 262, 266, 281, 285, 296, 300	1001238895 ..... 885	1001244025 .....391
1001233949 .....177	1001235585 ..... 861	1001238898 ..... 887	1001244119 .....397
1001233953 .....177	1001235699 .....183, 185, 193, 197, 211, 213	1001238902 ..... 886	1001244120 .....397
1001233954 .....177	1001235884 ..... 884	1001238903 ..... 886	1001244121 .....397
1001233955 .....177	1001236087 .....555	1001238904 ..... 886	1001244122 .....397
1001233959 ..... 131, 555	1001236091 .....131	1001238906 ..... 886	1001244123 .....397, 399
1001233966 .....177	1001236121 .....389, 391	1001238907 ..... 887	1001244212 .....865
1001233967 .....177	1001236136 .....318, 322, 334, 338	1001238911 ..... 237	1001244217 .....411
1001234080 .....177	1001236303 .....113	1001238927 ..... 886	1001244375 .....433
1001234269 .....177	1001236304 .....743	1001238929 ..... 886	1001244410 .....429
1001234270 .....177	1001236499 .....191, 204	1001238954 .....97, 99, 105, 107	1001244464 .....399
1001234281 .....395	1001236504 .....743	1001238957 ..... 885	1001244468 .....399
1001234283 .....395	1001236505 .....743	1001238960 ..... 885	1001244469 .....399
1001234299 .....395	1001236552 .....561	1001238961 ..... 885	1001244470 .....399
1001234370 .....393	1001236746 .....599	1001239202 ..... 773	1001244508 .....233, 253, 269
	1001236747 .....591	1001239207 ..... 289, 303	1001244747 .....475
	1001236891 .....591, 593, 595, 597, 599	1001239290 ..... 763, 765, 767, 769	1001244762 .....475
	1001236895 .....591, 593, 595, 597, 599	1001239295 ..... 57	1001244770 .....475
		1001239296 ..... 57	1001244771 .....462, 466, 474
			1001244878 .....162, 174

## SECTION 11 - SPECIAL OPTIONS/ACCESSORIES/KITS

1001244902 ..... 174	1001248140 .....591, 593, 595, 597, 599	711, 713, 715, 717, 719, 721, 723, 725, 727, 729, 731, 733, 739, 741	1001258168 .....197
1001245076 ..... 162	1001248141 .....591, 593, 595, 597, 599	1001252946 ..... 577	1001258169 .....321
1001245145 .....462, 466	1001248608 .....237	1001252947 ..... 577	1001258170 .....337
1001245257 .....269, 272	1001248720 .....57	1001253468 ..... 57	1001258171 .....213
1001245274 .....262, 266, 269	1001248817 .....237	1001253469 ..... 57	1001258172 .....99
1001245275 ..... 261	1001248819 .....237	1001253470 ..... 57	1001258173 .....107
1001245308 ..... 499	1001249052 .....887	1001253783 ..... 886	1001258174 .....103
1001245769 ..... 141	1001249147 .....485, 487	1001253798 .....237, 773	1001258175 .....185, 197, 213, 230, 249, 266, 285, 300, 322, 338
1001245770 ..... 143	1001249437 .....886	1001253846 .....233, 236	1001258263 .....322, 338
1001245773 ..... 127, 129	1001249454 .....462, 466	1001253847 .....225, 229, 233	1001258800 .....236
1001245774 ..... 119, 127	1001249455 .....462, 466	1001253848 .....225	1001258804 .....237
1001245775 ..... 121, 129	1001249458 .....462, 466	1001253849 .....237	1001259018 .....865
1001245782 ..... 141	1001249492 .....656	1001253863 .....237	1001259019 .....650
1001245783 ..... 143	1001249493 .....656	1001253870 .....237	1001259020 .....650
1001245913 .....237, 783	1001249494 .....656	1001253873 .....773	1001260077 .....630
1001245998 ..... 865	1001249495 .....656	1001253879 .....225	1001260078 .....630
1001246000 ..... 865	1001249496 .....719, 721, 723, 725, 727, 729	1001253906 .....233	1001260286 .....630
1001246012 .....237, 241	1001249497 .....656	1001253945 .....887	1001260412 .....258, 274
1001246142 ..... 884	1001249498 .....719	1001253946 .....887	1001260420 .....257, 273
1001246502 .....462, 466	1001249695 .....887	1001254279 .....233, 253, 269	1001260432 .....236
1001246524 ..... 884	1001249774 .....462, 466	1001254362 .....884	1001260486 .....650
1001246525 ..... 884	1001249823 .....485, 487	1001254423 .....381	1001260644 .....630
1001246860 ..... 887	1001249824 .....485, 487	1001254460 .....865	1001261045 .....236
1001246867 ..... 887	1001249825 .....485, 487	1001254461 .....865	1001261085 .....236
1001247073 ..... 887	1001249941 .....887	1001254554 .....630	1001261325 .....543
1001247260 .....462, 466	1001249943 .....293, 307, 309	1001254719 .....391	1001261335 .....595
1001247358 ..... 63	1001249965 .....257, 273, 277	1001254878 .....237	1001261338 .....595
1001247359 .....317, 321, 329, 333, 338, 345	1001249985 .....29	1001254890 .....462, 613	1001261342 .....866
1001247386 ..... 151	1001250011 .....541	1001254899 .....379	1001261343 .....866
1001247453 ..... 499	1001250012 .....117, 765	1001255133 .....501	1001261344 .....866
1001247466 .....462, 466, 607	1001250106 .....23	1001255280 .....379	1001261345 .....866
1001247468 ..... 501	1001250117 .....23, 25	1001255281 .....381	1001261347 .....866
1001247865 .....645, 651, 657	1001250193 .....137	1001255340 .....638	1001261348 .....866
1001247866 .....645, 651, 657	1001250194 .....139	1001255587 .....427	1001261349 .....866
1001247868 .....645, 651, 657	1001250196 .....137	1001256311 .....638	1001261350 .....866
1001247869 .....645, 651, 657	1001250197 .....139	1001256429 .....630	1001261586 .....866
1001247871 .....645, 651, 657	1001250273 .....117, 125	1001256430 .....630	1001261587 .....866
1001247872 .....645, 651, 657	1001250362 .....25	1001256667 .....99, 103, 107	1001262102 .....865
1001247873 .....645, 651, 657	1001250382 .....454, 609	1001256879 .....230	1001262103 .....865
1001247875 .....645, 651, 657	1001250604 .....865	1001256930 .....237	1001262104 .....865
1001247876 .....645, 650, 657	1001250606 .....865	1001257048 .....638	1001262105 .....865
1001247877 .....645, 651, 657	1001250608 .....865	1001257049 .....638	1001262115 .....865
1001247878 .....645, 651, 657	1001250609 .....847	1001257050 .....638	1001262116 .....865
1001247879 .....645, 651, 657	1001250638 .....727	1001257051 .....638	1001262589 .....229
1001247881 .....645, 651, 657	1001250639 .....721, 723, 725	1001257052 .....638	1001262633 .....119, 767
1001247882 .....645, 651, 657	1001250641 .....729	1001257053 .....638	1001262634 .....121, 769
1001247883 ..... 644	1001250906 .....865	1001257271 .....595, 597	1001263800 .....617
1001247994 .....645, 651, 657	1001250952 .....539, 541, 543	1001257274 .....595, 597	1001264338 .....765, 769, 805
	1001250953 .....539	1001257275 .....597	1001264991 .....477, 617
	1001250981 .....645, 650, 657	1001257436 .....497, 499	1001265163 .....535
	1001251079 .....471, 475, 621	1001257490 .....886	1001265308 .....719, 721, 727, 729
	1001251410 .....884	1001257492 .....886	1001265342 .....535
	1001252491 .....886	1001258005 .....597	1001265701 .....73
	1001252527 .....774	1001258156 .....185, 198, 213, 230, 250, 266, 286, 300, 656	1001265756 .....697
	1001252629 .....591, 593, 595, 597, 599	1001258157 .....185, 198, 213, 230, 250, 266, 286, 300, 656	1001265757 .....713
	1001252945 .....695, 697, 699, 701, 705, 709,	1001258165 .....285	1001265758 .....701, 705, 709
		1001258166 .....299	1001265759 .....717
		1001258167 .....185	1001265771 .....650
			1001266276 .....767, 803
			1001266277 .....767
			1001266441 .....249
			1001266442 .....265

## SECTION 11 - SPECIAL OPTIONS/ACCESSORIES/KITS

1001268752 .....886	1320110 .....328, 344	1703811.....845, 847, 849, 851, 853, 855, 857, 859, 861, 863	1705375 .... 435, 439, 443, 446, 573, 871
1001269096 .....656	1320127 .....63	1703814.....845, 847, 849, 851, 853, 855, 857, 859, 861, 863	1705387 .... 415, 419, 429, 435, 439, 443, 446
1001269097 .....657	1320176 .....222, 367	1703923.....863	1705426 .....859
1001269907 .....630	1320202 .....293, 307	1703924.....857	1705427 .....861
1001269908 ..... 626, 630, 634, 638	1320218 .....63	1703925.....855	1705429 .....857
1001269909 .....626	1320302 ..... 569, 571, 573	1703926.....859	1705430 .....853
1001269910 .....634	1321283 ..... 317, 321, 333, 337	1703927.....861	1705460 .... 435, 439, 443, 446, 450
1001269912 .....638	1321384 .....157, 159	1703928.....849	1705461 .....450
1001269913 ..... 645, 651, 657	1321716 ..... 411, 429, 433	1703935.....863	1705489 .... 423, 427, 450
1001269914 ..... 645, 651, 657	1380147 .....389, 391	1703936.....857	1705515 .....866
1001269919 ..... 183, 193, 211, 226, 246, 262, 281, 296	1580012 .....537	1703937.....853	1705820 .....877
1001269920 ..... 185, 197, 213, 230, 250, 285, 300	1580013 .....887	1703938.....859	1705822 .....847, 851
1001269921 ..... 318, 334	1670603 .....685	1703939.....861	1705828 .....847, 851
1001269922 ..... 322, 338	1671092 .... 434, 438, 442, 446, 711, 713, 715, 717, 727, 739, 741	1703940.....849	1705910 .....863
1001270242 .....175	1671093 .... 571, 711, 713, 715, 727, 739, 741	1703941.....863	1705917 .....863
1001270243 .....162	1684290 .....603	1703942.....857	1705921 .....847, 851
1001271454 ..... 609, 611, 613, 615	1700818 .....865	1703943.....855	1705961 .....847, 851
1001271497 .....800	1701499 .... 845, 847, 849, 851, 853, 855, 857, 859, 861, 863	1703944.....859	1705968 .....853, 865
1001272076 ..... 458, 611	1701505 .... 183, 185, 193, 197, 211, 213, 225, 229, 245, 249, 261, 265, 281, 285, 295, 299, 865	1703945.....861	1705969 .....861, 865
1001272100 ..... 466, 615	1701509 .... 563, 565, 567, 581, 845, 847, 849, 851, 853, 855, 857, 859, 861, 863	1703946.....849	1706059 .....866
1001274114 ..... 645, 651, 657	1701518 .....847, 851	1703947.....863	1706060 .....866
1001274127 ..... 645, 651, 657	1701529 .... 845, 847, 849, 851, 853, 855, 857, 859, 861, 863	1703948.....857	1706061 .....866
1001277880 .....57	1701542 .... 317, 321, 333, 337, 865	1703949.....855	1706062 .....866
1001285877 ..... 470, 475	1701543 .... 317, 321, 333, 337, 865	1703950.....859	1706063 .....866
1001292406 .....57	1701544 ..... 317, 321, 333, 337, 865	1703951.....861	1706064 .....866
1001293465 .....57	1702565 .....543	1703952.....849	1706098 .....866
1001293730 .....57	1702566 .....543	1703953.....845	1706385 .....519, 529
1060341 ....583, 585, 587, 589	1702567 .....543	1703954.....859	1706957 .....875
1060343 ....434, 438, 442, 446	1702720 .....865	1703980.....861	1706960 .....875
1060379 ..... 577, 579	1702773 ..... 519, 529, 865	1703981.....861	2030010 .... 569, 571, 573
1060584 .....67	1702815 .....865	1703982.....855	2060025 .... 190, 204, 218
1060626 .... 193, 197, 262, 265, 295, 299, 334, 337	1702817 .....865	1703983.....863	2080040 .... 507, 511, 515, 521, 525, 531
1060903 ....583, 585, 587, 589	1702860 .....865	1703984.....857	2080044 .... 731, 733, 735, 737, 739, 741
1060908 .....745, 747, 749	1702861 .....865	1703985.....849	2110810 .... 626, 630, 634, 638
1060918 .....553	1702868 .... 573, 845, 865, 871	1704000.....857, 865	2110812 .... 626, 630, 634, 638
1060945 .....717	1702938 .... 583, 585, 587, 589	1704001.....863, 865	2111216 .... 626, 630, 634, 638
10702077 ..434, 438, 442, 446, 450	1702941 .... 193, 197, 262, 265, 295, 299, 333, 337	1704002.....849, 865	2111616 .... 644, 650, 656
10702082 ..434, 438, 442, 446, 450	1702942 .... 193, 197, 262, 265, 295, 299, 333, 337	1704260.....543	2130808 .....630
10728823 .....638	1702943 .... 193, 197, 262, 265, 295, 299, 334, 337	1704271 .....865	2130812 .....638
1120555 ....563, 565, 567, 581	1703162 .... 190, 204, 218, 236, 256, 272, 292, 306, 328, 344	1704272 .....877	2131216 .... 626, 630, 634, 638
1260017 .....91	1703470 .....865	1704277....845, 847, 849, 851, 853, 855, 857, 859, 861, 863	2131616 .... 187, 201, 215, 233, 253, 269, 289, 303, 325, 341
1320041 ....663, 691, 693, 763	1703797 .....845	1704412....845, 847, 849, 851, 853, 855, 857, 859, 861, 863	2150808 .....626, 634
1320043 .....763	1703804 .....845	1704412....845, 847, 849, 851, 853, 855, 857, 859, 861, 863	2150812 .....626, 634
1320061 .... 183, 185, 193, 197, 213, 225, 229, 245, 249, 261, 265, 281, 285, 295, 299, 334, 337, 416, 420, 424, 438, 442, 450	1703805 .....845	1704578.....873, 877	2180348 .... 183, 185, 193, 197, 211, 213, 317, 321, 333, 337
1320070 ..... 191, 205, 219		1704865.....865	2180387 .....63
		1704972.....866	2180388 .....63
		1705014.....519, 529	2180389 .....63
		1705090.....873	2180418 ..... 63, 317, 321, 329, 333, 337, 345
		1705305.....573, 869, 871	2180467 .....328, 344
		1705325.....665, 667	2180832 .... 225, 229, 245, 249, 261, 265, 281, 285, 296, 299
		1705336.....845	2220124 .....89
		1705344.....859	
		1705345.....861	
		1705347.....857	
		1705349.....849	
		1705351.....845	
		1705355.....869, 871	
		1705358....563, 565, 567, 865	
		1705374....415, 419, 429, 687, 689	

# SECTION 11 - SPECIAL OPTIONS/ACCESSORIES/KITS

2220238.....644, 650, 656	2220883 .. 31, 43, 81, 603, 605, 607, 621	2860030.....133, 135, 137, 139, 141, 143, 880	3290605 .... 111, 113, 115, 117, 119, 121, 154, 171, 174, 187, 190, 201, 204, 215, 218, 233, 236, 253, 256, 269, 272, 289, 292, 303, 306, 317, 321, 325, 328, 333, 337, 341, 344, 393, 395, 397, 399, 411, 423, 427, 539, 541, 638, 663, 665, 669, 673, 677, 681, 691, 693, 763, 765, 767, 769, 845, 847, 849, 851, 853, 855, 857, 859, 861, 863
2220261.....63, 329, 345	2220885 .....43, 621	2900792.....605, 607, 617	3290606 .... 509, 513, 517, 523, 527, 533
2220313.....183, 185, 193, 197, 211, 213, 225, 229, 245, 249, 261, 265, 281, 285, 296, 299	2220886 .....31, 43	2902065.....191, 205, 219, 236, 256, 272, 292, 306, 355	3290801 .....328, 344
2220315.....190, 204, 218	2220906 .... 644, 650, 656	2902212.....563, 565, 567, 581	3290805 ..... 63, 111, 113, 157, 159, 169, 171, 190, 204, 218, 236, 256, 272, 292, 306, 317, 321, 328, 333, 337, 344, 383, 385, 401, 403, 409, 411, 415, 419, 429, 433, 437, 441, 445, 449, 483, 485, 487, 489, 491, 497, 499, 695, 697, 699, 701, 703, 705, 707, 709, 711, 713, 715, 717, 719, 721, 723, 725, 727, 729, 731, 733, 735, 737, 739, 741, 743, 763, 769
2220366.....644, 650, 656	2220923 .....630, 638	2902217.....569, 571	3290806 .....501
2220371.....626, 630, 634, 638, 644, 650, 656	2220940 .... 187, 201, 215, 233, 253, 269, 289, 303, 325, 341	2902232.....887	3291001 97, 99, 105, 107, 256, 272, 292, 306, 328, 344, 470, 474, 501, 763, 765
2220372.....626, 630, 634, 638, 644, 650, 656, 659	2220946 .... 187, 201, 215, 233, 253, 269, 289, 303, 325, 341	2902266.....603	3291005 97, 99, 101, 103, 105, 107, 147, 149, 154, 157, 159, 162, 166, 169, 174, 183, 185, 190, 193, 197, 204, 211, 213, 218, 225, 229, 236, 245, 249, 256, 261, 265, 272, 281, 285, 293, 295, 299, 307, 317, 321, 328, 333, 337, 344, 361, 363, 365, 371, 373, 375, 377, 379, 381, 411, 454, 458, 462, 466, 477, 483, 485, 487, 501, 539, 541
2220373.....626, 630, 634, 638, 644, 650, 656	2220947 .... 187, 201, 215, 233, 253, 269, 289, 303, 325, 341, 644, 650, 656	2902443.....771, 773, 777	3291007 .... 401, 403, 407, 409
2220374.....644, 650, 657	2220998 .... 317, 321, 334, 337	2902549.....691, 745	3291201 .... 403, 411, 415, 419, 423, 427, 429, 433, 438, 441, 445, 449, 501
2220375.....644, 650, 656	2220999 .... 644, 650, 656	2915096.....887	
2220380.....644, 650, 656	2221024 .....63	2920028.....543, 583, 585, 587, 589	
2220408.....187, 201, 215, 233, 253, 269, 289, 303, 325, 341, 645, 650, 657	2221040 .....626, 634	2920029.....543, 583, 585, 587, 589	
2220415.....626, 630, 634, 638, 644, 650, 656	2221042 .....650	2920161.....145	
2220418.....63	2221048 .....656	2940045.....171	
2220451.....187, 191, 201, 205, 215, 219, 233, 253, 269, 289, 303, 325, 341, 644, 650, 656	2221053 .....659	2940074.....507, 511, 515, 521, 525, 531, 881	
2220466.....644, 650, 656	2221086 ..... 43, 609, 611, 613, 615, 644, 650, 656	2940173.....157, 159, 169, 171	
2220468.....626, 630, 634, 638, 644, 650, 656	2221176 .... 183, 185, 193, 197, 211, 213, 317, 321, 333, 337	3020037.....233, 269	
2220472.....626, 630, 634, 638, 656	2221197 ..... 63, 317, 321, 333, 337	3160350.....27, 31	
2220473.....644, 650, 656	2400060 .... 262, 296, 315, 535, 787, 793	3251102.....401, 403, 407, 409, 411, 415, 419, 423, 429	
2220479.....187, 201, 215, 233, 253, 269, 289, 303, 325, 341	2400064 .....793, 880	3251242.....671, 675, 679, 683, 685	
2220500.....626, 630, 634, 638	2410014 .....519, 529	3251243.....401, 403, 407, 411, 415, 419, 429, 435, 439, 443, 446, 845, 849, 853, 855, 857, 859, 863	
2220501.....626, 630, 634, 638	2420203 .... 401, 403, 407, 412	3252347.....845	
2220502.....626, 634, 644, 650	2460048 .....437, 449	3252507.....409, 669, 673, 677, 681	
2220582.....626, 630, 634, 638, 644, 650, 656	2460051 .....407	3252764.....427, 433, 437, 441, 445, 449	
2220596.....626, 630, 634, 638	2460055 .....401	3271601.....154, 166	
2220602.....626, 630, 634, 638, 659	2540020 .... 145, 147, 149	3271605.....591, 593, 595, 597, 599	
2220603.....644, 650, 656	2560136 .....543	3271805.....519, 529	
2220606.....644, 650, 656	2560187 .... 157, 159, 169, 171	3272001.....591, 593, 595, 597, 599	
2220609.....318, 321, 334, 337	2580024 .... 193, 197, 261, 265, 295, 299, 334, 337	3290301.....389, 391	
2220618.....644, 650, 656	2580062 .....204	3290405.....63, 317, 321, 333, 337, 535, 665, 667, 669, 671, 673, 675, 677, 679, 681, 683, 685, 691, 693, 763, 765	
2220619.....659	2600066 .....771	3290501.....225, 229, 245, 249, 261, 265, 281, 285, 295, 299	
2220628.....626, 630, 634, 638, 659	2600281 .... 507, 511, 515, 521, 525, 531	3290505.....145, 147, 149, 225, 229, 245, 249, 261, 265, 281, 285, 295, 299, 317, 321, 333, 337, 365, 409, 415, 419, 429, 433, 437, 441, 445, 449	
2220635.....659	2720015 .... 236, 256, 272, 293, 307	3290601.....157, 159, 169, 171, 328, 344, 349	
2220637.....644, 650, 656	2720058 .... 183, 185, 193, 197, 211, 213, 328, 344, 361, 363		
2220726.....644, 650, 656	2720144 .....63		
2220733.....644, 650, 656	2720340 .....236		
2220738.....644, 650, 656	2720398 .... 191, 205, 219		
2220775.....644, 650, 656	2780269 .....27, 35		
2220811.....626, 630, 634	2820019 .....791		
2220852.....644, 650, 656	2820031 .... 401, 403, 407, 409, 411, 415, 419, 423, 427, 429, 433, 437, 441, 445, 449		
2220865.....644, 650, 656	2820035 .....315		
	2820247 .....817, 821		
	2840016 .....389, 391		

## SECTION 11 - SPECIAL OPTIONS/ACCESSORIES/KITS

3291205 ..93, 97, 99, 101, 103, 105, 107, 154, 155, 162, 166, 174, 175, 226, 229, 389, 391, 501, 695, 697, 699, 701, 703, 705, 707, 709, 711, 713, 715, 717, 719, 721, 723, 725, 727, 729, 731, 733, 735, 737, 739, 741	3422532 .... 187, 201, 215, 233, 253, 269, 289, 303, 325, 341	3790152.....187, 201, 215, 233, 253, 269, 289, 303, 325, 341	4010308 .....389, 391 4010405 .....691, 693 4010510 ..... 145, 147, 149 4010618 .... 509, 513, 517, 523, 527, 533
3291601 ..... 83, 470, 474 3291605 ..... 454, 458 3292001 ..... 93, 470, 474 3292201 ..... 470, 474 3300106 ..... 27, 29 3300151 ....505, 509, 513, 517, 521, 523, 527, 531, 533, 569, 571, 573 3300353 .....543 3300396 .... 416, 420, 430, 434, 438, 442, 446, 450 3300408 .....131 3300430 .....559 3311001 ....401, 403, 411, 416, 420, 430, 434, 438, 442, 446, 450 3311005 ....407, 569, 571, 573 3311401 ....583, 585, 587, 589 3311405 .... 151, 225, 229, 237, 561, 667, 671, 675, 679, 683, 685, 743 3311501 ....583, 585, 587, 589 3311505 .....577, 579, 657 3311601 .... 154, 162, 166, 174, 256, 272, 543, 561 3311605 ....258, 274, 519, 529, 569, 571, 573 3311705 .....411 3312002 .... 591, 593, 595, 597, 599 3312005 ....563, 565, 567, 581 3312205 ....563, 565, 567, 581 3331211 .... 190, 204, 218, 236, 256, 272, 292, 306, 328, 344, 371, 373, 375, 377, 379, 381, 383, 385 3331611 .... 190, 204, 218, 292, 306 3340787 .....483, 485, 487 3340956 ....563, 565, 567, 581 3380434 ..... 539, 541 3420372 .....67 3420447 .....67 3421565 ..... 67, 91 3422351 ..... 19, 21, 23, 25 3422417 ..... 470, 474 3422424 ..... 470, 474	3422582 .....454, 458 3422661 .....577, 579 3422841 ..... 67 3422847 ..... 67 3422848 .....21, 25 3422861 ..... 477 3422867 .....477 3430616 ..... 544 3430820 .....389, 391 3460334 .... 563, 565, 567, 581 3470003 ..... 544 3520028 .... 403, 407, 412 3520034 .... 731, 733, 735, 737, 739, 741 3520054 .... 190, 204, 218, 237, 256, 272, 292, 306, 543 3520071 .... 563, 565, 567, 581 3520072 .... 505, 507, 509, 511, 513, 515, 517, 519, 521, 523, 525, 527, 529, 531, 533 3520189 ..... 450 3520192 ..... 450 3520198 .... 505, 507, 509, 511, 513, 515, 517, 521, 523, 525, 527, 531, 533 3539622 .....470, 474 3572009 ..... 67 3572010 ..... 67 3572011 ..... 67 3572012 ..... 67 3573400 .... 569, 571, 573 3573642 .... 569, 571, 573 3574091 .....587, 589 3575359 .....583, 585 3577121 .... 569, 571, 573 3580134 ..... 409 3580158 .....401, 409 3580243 .....470, 474 3580248 .....470, 474 3580249 .....470, 474 3580276 .... 401, 403, 412 3580314 .....445 3580317 .... 415, 419, 423, 427, 429, 433, 438, 441, 445, 450 3580318 .... 415, 419, 429, 433, 438, 441 3580319 .... 423, 427, 449 3580320 .... 256, 272, 292, 306, 415, 423, 438, 450 3580324 ..... 407 3641569 .....583, 585 3740067 .... 111, 113, 190, 204, 218, 880 3740080 .....787, 881 3740086 .....825, 881 3760170 .....67, 91 3790012 .... 317, 321, 333, 337, 541, 543	3820001....845, 847, 849, 851, 853, 855, 857, 859, 861, 863, 866 3820020....507, 511, 515, 521, 525, 531 3841143....19, 21, 23, 25, 183, 185, 193, 197, 211, 213, 225, 229, 245, 249, 261, 265, 281, 285, 295, 299, 317, 321, 333, 337, 454, 458, 470, 474, 477, 501 3841203.....462, 466 3841258..... 17 3841287....454, 458, 462, 466 3841340....695, 697, 699, 701, 703, 705, 707, 709, 711, 713, 715, 717 3841356.....462, 466 3900054.....519, 529 3900267....416, 420, 430 3900300.....416, 420, 430 3900349..... 543 3900357.....190, 204, 218 3900363.....169, 171 3900364....154, 174, 328, 344 3900394..... 485, 487 3910606....415, 419, 429, 433, 438, 441, 445, 687, 689 3910610..... 663 3910804....133, 135, 137, 139, 141, 143 3931408..... 559 3931432.....236 3931512....256, 272, 292, 306 3931618....187, 201, 215, 233, 253, 269, 289, 303, 325, 341 3931620....187, 201, 289, 303, 325, 341 3931628....256, 272, 292, 306 3931648.....328, 344 3932030..... 29 3932032..... 29 3932072..... 29 3960389..... 177 3960407....190, 204, 218 3960422....415, 419, 429, 433, 438, 441, 445, 663, 687, 689 3960464..... 177 3960469....187, 201, 215, 289, 303, 325, 341 3960526..... 27 3980007....193, 197, 262, 265, 295, 299, 334, 337 4010303.....497, 499	4031505 .....557 4031516 .....561 4031608 .....409 4031711 .....328, 344 4031908 .....236 4031912 .....236 4031914 .... 256, 272, 292, 306 4032014 .... 256, 272, 292, 306, 470, 474 4032015 .... 415, 423, 438, 450 4032020 .....470, 474 4060802 .... 401, 403, 407, 409, 411, 415, 419, 423, 427, 429, 433, 438, 441, 445, 450 4060805 ..... 474 4061032 .... 245, 249, 262, 265 4070895 .....470, 474 4070896 .....470, 474 4070897 .....470, 474 4070898 ..... 470 4070939 .....470, 474 4070940 .....470, 474 4092009 .....470, 474 4160149 .....470, 474 4240018 ..... 63, 626, 630, 634, 638, 687, 689, 695, 697, 699, 701, 703, 705, 707, 709, 711, 713, 715, 717, 719, 721, 723, 725, 727, 729, 731, 733, 735, 737, 739, 741 4240033 .... 497, 499, 557, 559, 561, 626, 630, 634, 638 4240099 .... 145, 183, 185, 193, 197, 211, 213, 225, 229, 236, 245, 249, 256, 261, 265, 272, 281, 285, 293, 295, 296, 299, 307, 315, 317, 321, 334, 337, 411, 569, 571, 583, 585, 587, 589, 695, 697, 699, 701, 703, 705, 707, 709, 711, 713, 715, 717, 763, 765, 767, 769 4240149 .... 563, 565, 567, 581 4240156 .....657 4280295 .97, 99, 105, 107 4280296 ..... 65 4360057 .... 583, 585, 587, 589, 881 4360070 .... 416, 420, 430, 434, 438, 442, 446, 450 4360274 .....141, 143

# SECTION 11 - SPECIAL OPTIONS/ACCESSORIES/KITS

4360336.....401, 403, 407, 409, 411, 415, 419, 423, 427, 429, 433, 438, 441, 445, 450, 881	4460346 .... 415, 419, 429, 433, 438, 441, 445, 663	4460836.....803, 805, 839	4461054 ..... 771, 774, 785
4360387.....135, 139, 141, 143, 543, 583, 585, 587, 589, 880, 881	4460384 .....685	4460837.....803, 805, 839	4461060 .....771
4360407.....543, 880	4460418 .....795, 799	4460865.....753, 755, 757	4461070 ..... 771, 777, 827
4360469.....133, 135, 137, 139, 141, 143	4460419 .....795, 799	4460866.....753, 799, 833	4461071 .....773, 777
4360475.....123, 125, 127, 129, 543, 880	4460424 .....834	4460871.....795, 799, 833, 834, 837, 841	4461073 .....771, 777
4360476 .....880	4460425 .... 416, 420, 430, 434, 438, 442, 446, 450, 583, 585, 587, 589, 687, 689	4460872.....837	4461077 .....819, 825
4360517 .....95	4460426 .... 416, 420, 430, 434, 438, 442, 446, 450	4460873.....799, 833	4461095 ..... 771, 777, 827
4360542.....401, 403, 407, 412	4460428 .....543	4460874.....799, 834	4461196 .....807
4400275 .....63	4460434 .....799	4460875.....837	4461198 .....667, 807
4420014.....563, 565, 567, 581	4460458 ..... 773, 793, 833	4460876.....795, 799	4461199 .....809
4420037 .....569, 571, 573	4460464 .... 147, 149, 535, 553, 751, 753, 759, 761, 787, 797, 799, 823, 825, 827, 829, 833, 834, 837, 841	4460877.....535, 799, 833	4461201 .....671, 809
4420038 .....97, 105	4460465 .... 145, 416, 535, 753, 755, 757, 759, 761, 763, 771, 773, 777, 781, 789, 791, 793, 797, 799, 803, 805, 823, 827, 829, 831, 833, 834, 837, 839, 841	4460879.....535, 799	4461205 .....811, 813
4420051 .....67, 845, 847, 849, 851, 853, 855, 857, 859, 861, 863	4460466 .... 535, 557, 753, 755, 757, 759, 771, 773, 774, 777, 781, 787, 799, 803, 805, 819, 823, 825, 827, 833, 834, 839	4460884.....535, 773, 823, 834, 837	4461244 .....675, 811
4420060 .....409	4460467 .....887	4460887.....535, 799, 833	4461245 .....679, 813
4420062 .....577, 579	4460470 .... 543, 763, 765, 767, 769	44608891.....145, 777, 797, 803, 805, 827, 834, 837, 839, 841	4461246 .....683, 815
4420066.....563, 565, 567, 581	4460471 .... 543, 763, 765, 767, 769	4460892.....759	4461249 .....815
4420068.....583, 585, 587, 589	4460473 ..... 753, 755, 757	4460894.....759, 763, 771, 773, 777, 781, 799, 803, 831, 833	4520256 .....49
4460019.....773, 777	4460474 ..... 543, 763, 765, 767, 769	4460897.....147, 149, 833	4520288 .....45
4460027.....401, 403, 407, 412	4460477 ..... 543, 763, 765, 767, 769	4460899.....759, 761, 819, 823, 825, 829, 834, 837	4530028 ..... 569, 571, 575
4460042.....771, 774, 778, 781, 833	4460508 .... 557, 753, 799, 833	4460905.....795, 799, 833, 834, 837	4568133 .....67
4460043.....315, 773, 777, 793	4460509 ..... 753, 755, 757	4460906.....787	4640261 .....67
4460049.....583, 585, 587, 589	4460510 .....887	4460910.....817	4640464 .....759, 761
4460071.....415, 419, 429, 433, 438, 441, 445, 553, 663	4460518 ..... 799, 805, 827	4460911.....819, 837	4640509 .....617
4460142 .....771	4460536 .... 759, 761, 799, 829, 841	4460925.....799	4640751 .....236
4460183 .....799, 833	4460539 .... 759, 761, 773, 799, 829, 837, 841	4460926.....805, 839	4640858 .....603
4460190.....401, 403, 407, 412	4460612 .....687, 689	4460928.....805, 827	4640932 .....607
4460205 .....663	4460662 .... 673, 675, 677, 679, 681, 683, 685	4460930.....771, 773, 777, 803	4640999 .....605, 607
4460224 .....427, 543	4460702 .....834	4460931.....834	4641122 .....45, 47, 49
4460225 .....789, 791, 799	4460703 ..... 773, 777, 834	4460932.....535, 751, 774, 785, 797, 834	4711000 .... 416, 420, 430, 434, 438, 442, 446, 450, 767, 769
4460226.....543, 547, 550, 553, 834	4460704 .....800	4460933.....799, 800, 827, 833, 839	4711400 .... 151, 225, 229, 237, 505, 509, 513, 517, 521, 523, 527, 531, 533, 559, 561, 667, 671, 675, 679, 683, 685
4460227.....95, 799	4460705 .....315	4460934.....785, 819	4711500 .... 236, 256, 272, 292, 306, 657
4460234.....125, 543, 583, 585, 587, 589	4460706 .....793	4460942.....557, 773, 777	4711600 97, 99, 101, 103, 105, 107, 154, 166, 256, 272, 404, 427, 544, 591, 593, 595, 597, 599
4460247 .....773, 833	4460707 .....793	4460943.....771, 777, 799, 819	4711700 .....411
4460259.....535, 795, 799, 833	4460708 .....800	4460944.....771, 773, 777, 799	4711800 .....519, 529
4460260.....535, 795, 799, 833	4460709 .....793	4460945.....774	4712000 .... 563, 565, 567, 581, 591, 593, 595, 597, 599
4460265 .....547, 550	4460710 .....833	4460946.....745, 747	4712200 .... 563, 565, 567, 581
4460267 .....799	4460711 .....799	4460947.....745, 747	4740036 .....67
4460268 .....789, 791	4460712 .....793	4460948.....689	4740155 .....21, 25
4460294 .....427	4460713 .....793	4460949.....711, 713, 715, 727, 739, 741	4740158 .....17
4460312 .....771	4460714 .....833	4460950.....711, 713, 715, 717, 727, 739, 741	4740362 .....539, 541
4460313.....771, 777, 837	4460715 .....799	4460951.....571	4740393 .....27, 29, 57
4460315 .....663	4460716 .....799	4460952.....434, 438, 442, 446	4740397 .... 123, 125, 127, 129, 317, 321, 333, 337, 541, 543
4460320 .....95	4460717 .....800	4460953.....416, 793, 834	4740446 .....23, 25
	4460718 .....315	4460954.....409, 665, 667, 669, 671	4751000 .. 67, 97, 99, 101, 103, 105, 107, 401, 403, 407, 411, 569, 571, 573
	4460719 .....793	4460955.....409, 665, 667, 669, 671	4751400 .... 157, 159, 169, 171, 537, 543, 569,
	4460720 .....833	4460956.....745, 747	
	4460721 .....799	4460957.....745, 747	
	4460722 .....800	4460958.....689	
	4460723 .....315	4460959.....711, 713, 715, 727, 739, 741	
	4460724 .....793	4460960.....711, 713, 715, 717, 727, 739, 741	
	4460725 .....833	4460961.....571	
	4460726 .....799	4460962.....434, 438, 442, 446	
	4460727 .....800	4460963.....416, 793, 834	
	4460728 .....315	4460964.....409, 665, 667, 669, 671	
	4460729 .....793	4460965.....799	
	4460730 .....833	4461005.....771	
	4460731 .....799	4461006.....771	
	4460732 .....800	4461008.....771, 774, 778	
	4460733 .....315	4461052.....771	
	4460734 .....793	4461053.....771	
	4460735 .....833		
	4460736 .....799		
	4460737 .....800		
	4460738 .....315		
	4460739 .....793		
	4460740 .....833		
	4460741 .....799		
	4460742 .....800		
	4460743 .....315		
	4460744 .....793		
	4460745 .....833		
	4460746 .....799		
	4460747 .....800		
	4460748 .....315		
	4460749 .....793		
	4460750 .....833		
	4460751 .....799		
	4460752 .....800		
	4460753 .....315		
	4460754 .....793		
	4460755 .....833		
	4460756 .....799		
	4460757 .....800		
	4460758 .....315		
	4460759 .....793		
	4460760 .....833		
	4460761 .....799		
	4460762 .....800		
	4460763 .....315		
	4460764 .....793		
	4460765 .....833		
	4460766 .....799		
	4460767 .....800		
	4460768 .....315		
	4460769 .....793		
	4460770 .....833		
	4460771 .....799		
	4460772 .....800		
	4460773 .....315		
	4460774 .....793		
	4460775 .....833		
	4460776 .....799		
	4460777 .....800		
	4460778 .....315		
	4460779 .....793		
	4460780 .....833		
	4460781 .....799		
	4460782 .....800		
	4460783 .....315		
	4460784 .....793		
	4460785 .....833		
	4460786 .....799		
	4460787 .....800		
	4460788 .....315		
	4460789 .....793		
	4460790 .....833		
	4460791 .....799		
	4460792 .....800		
	4460793 .....315		
	4460794 .....793		
	4460795 .....833		
	4460796 .....799		
	4460797 .....800		
	4460798 .....315		
	4460799 .....793		
	4460800 .....833		
	4460801 .....799		
	4460802 .....800		
	4460803 .....315		
	4460804 .....793		
	4460805 .....833		
	4460806 .....799		
	4460807 .....800		
	4460808 .....315		
	4460809 .....793		
	4460810 .....833		
	4460811 .....799		
	4460812 .....800		
	4460813 .....315		
	4460814 .....793		
	4460815 .....833		
	4460816 .....799		
	4460817 .....800		
	4460818 .....315		
	4460819 .....793		
	4460820 .....833		
	4460821 .....799		
	4460822 .....800		
	4460823 .....315		
	4460824 .....793		
	4460825 .....833		
	4460826 .....799		
	4460827 .....800		
	4460828 .....315		
	4460829 .....793		
	4460830 .....833		
	4460831 .....799		
	4460832 .....800		
	4460833 .....315		
	4460834 .....793		
	4460835 .....833		
	4460836 .....799		
	4460837 .....800		
	4460838 .....315		
	4460839 .....793		
	4460840 .....833		
	4460841 .....799		
	4460842 .....800		
	4460843 .....315		
	4460844 .....793		
	4460845 .....833		
	4460846 .....799		
	4460847 .....800		
	4460848 .....315		
	4460849 .....793		
	4460850 .....833		
	4460851 .....799		
	4460852 .....800		
	4460853 .....315		
	4460854 .....793		
	4460855 .....833		
	4460856 .....799		
	4460857 .....800		
	4460858 .....315		
	4460859 .....793		
	4460860 .....833		
	4460861 .....799		
	4460862 .....800		
	4460863 .....315		
	4460864 .....793		
	4460865 .....833		
	4460866 .....799		
	4460867 .....800		
	4460868 .....315		
	4460869 .....793		
	4460870 .....833		
	4460871 .....799		
	4460872 .....800		
	4460873 .....315		
	4460874 .....793		
	4460875 .....833		
	4460876 .....799		
	4460877 .....800		

## SECTION 11 - SPECIAL OPTIONS/ACCESSORIES/KITS

571, 573, 583, 585, 587, 589, 743	709, 711, 713, 715, 717, 719, 721, 723, 725, 727, 729, 731, 733, 735, 737, 739, 741, 743, 763, 767, 769	4846295..... 67	5251016 .....17, 501
4751500 .....67, 403, 411, 577, 579, 583, 585, 587, 589	4811902 .... 111, 113, 157, 159, 166, 237, 293, 307, 328, 344, 349, 401, 409	4846296..... 67	5260600 .... 177, 349, 767, 769
4751600 ....237, 257, 274, 539, 541, 569, 571, 573	4812000 .... 71, 73, 75, 97, 99, 101, 103, 105, 107, 154, 157, 159, 162, 166, 169, 171, 174, 177, 183, 185, 190, 193, 197, 204, 211, 213, 218, 225, 229, 236, 245, 249, 256, 261, 265, 272, 281, 285, 292, 295, 299, 306, 317, 321, 328, 333, 337, 344, 349, 361, 363, 365, 371, 373, 375, 377, 379, 381, 401, 403, 407, 409, 411, 454, 458, 462, 466, 470, 474, 489, 491, 501, 695, 697, 699, 701, 703, 705, 707, 709, 711, 713, 715, 717, 719, 721, 723, 725, 727, 729, 731, 733, 735, 737, 739, 741, 763, 765, 767, 769	4846627.....569, 571, 573	5260800 ..... 177
4751800 ....519, 529, 583, 585, 587, 589	4812002 97, 99, 101, 103, 105, 107, 154, 157, 159, 162, 166, 174, 183, 185, 193, 197, 211, 213, 225, 229, 236, 245, 249, 261, 265, 281, 285, 295, 299, 317, 321, 333, 337, 387	4846673.....587, 589	5261000 .... 115, 117, 119, 121, 767, 769
4760600 .....663	4812100 ..93, 97, 99, 101, 103, 105, 107, 154, 155, 162, 166, 167, 174, 175, 183, 185, 193, 197, 211, 213, 225, 229, 236, 245, 249, 256, 261, 265, 272, 281, 285, 296, 299, 349, 389, 391, 407, 501, 695, 697, 699, 701, 703, 705, 707, 709, 711, 713, 715, 717, 719, 721, 723, 725, 727, 729, 731, 733, 735, 737, 739, 741	4871700....401, 409, 415, 419, 423, 429, 433, 438, 441, 445, 450	5272010 .....328, 344
4761400 .....537	4812200 .... 236, 256, 272, 383, 385	4891500..... 407	5281918 .... 695, 697, 699, 701, 703, 705, 707, 709, 711, 713, 715, 717, 719, 721, 723, 725, 727, 729, 731, 733, 735, 737, 739, 741
4811400 ....389, 391, 535, 665, 667, 669, 671, 673, 675, 677, 679, 681, 683, 685, 763, 765	4812300 27, 29, 190, 204, 218, 292, 306	4891600..... 501	70000123 ..... 409
4811600 .... 145, 147, 149, 225, 229, 245, 249, 261, 265, 281, 285, 295, 299, 365, 409	4812500 .... 155, 162, 166, 167, 175	4892000..... 89	70000342 .....479, 481
4811602 ....415, 419, 429, 433, 438, 441, 445, 450	4844817 .....477	4892600001 ..... 501	70000345 ... 208, 222, 311
4811700 .... 111, 113, 115, 117, 119, 121, 147, 149, 151, 169, 171, 183, 185, 187, 190, 193, 197, 201, 204, 211, 213, 215, 218, 225, 229, 233, 245, 249, 253, 261, 265, 269, 281, 285, 289, 292, 295, 299, 303, 306, 317, 321, 325, 328, 333, 337, 341, 344, 349, 401, 403, 407, 409, 411, 415, 419, 423, 427, 429, 433, 438, 441, 445, 450, 454, 458, 462, 466, 509, 513, 517, 523, 527, 533, 638, 663, 665, 669, 673, 677, 681, 691, 693, 719, 721, 723, 725, 727, 729, 731, 733, 735, 737, 739, 741, 763, 765, 767, 769, 845, 847, 849, 851, 853, 855, 857, 859, 861, 863	4845582 .....577, 579	4922641....401, 403, 407, 409, 416, 420, 424, 438, 442, 446, 450	700004508 .....277
4811702 .... 157, 159, 187, 201, 215, 233, 236, 253, 256, 269, 272, 289, 303, 325, 341, 349, 393, 395, 397, 399, 539, 541		4922925....427, 433, 438, 442, 445, 450, 791	70000619 .. 433, 437, 441, 445, 449
4811900 .... 169, 171, 190, 204, 218, 236, 256, 272, 292, 306, 317, 321, 328, 333, 337, 344, 349, 379, 383, 385, 401, 403, 409, 411, 415, 419, 429, 433, 438, 441, 445, 450, 483, 485, 487, 489, 491, 497, 499, 501, 695, 697, 699, 701, 703, 705, 707,		4933218.....583, 587	70000699 .. 609, 611, 613, 615
		5201012..... 57	70000781 .....43
		5240800..... 63, 377	70000782 .....35
		5241000.....29, 154, 169, 171, 174, 187, 191, 201, 205, 215, 219, 233, 253, 269, 289, 293, 303, 307, 325, 328, 341, 344, 375, 415, 419, 423, 429, 433, 438, 441, 445, 450, 470, 474, 483, 485, 487	70000793 .....355
		5241200 17, 27, 187, 190, 201, 204, 215, 218, 233, 236, 253, 256, 269, 272, 289, 292, 303, 306, 325, 328, 341, 344, 371, 373, 375, 377, 379, 381, 383, 385, 403, 411, 415, 419, 423, 427, 429, 433, 438, 441, 445, 450, 501	70000794 .....31
		5241400.....190, 204, 218, 292, 306, 371, 373, 375, 377, 379, 381, 415, 423, 438, 450	70000795 .....31
		5241600.....19, 21, 23, 25, 83	70000800 .....221
		5242000..... 83	70000851 .....208, 222
		5250605..... 349	70000852 .....33
		5250608.....177, 767, 769	70000853 .....33
		5250808..... 177	70000854 .....33
		5250810.....65, 157, 159, 256, 272, 292, 306, 489, 491	70000857 .....33
		5250812.....154, 174, 497, 499	70000858 .....33
		5251008.....497, 499, 501	70000861 .....33
		5251009...71, 73, 75, 111, 113	70000862 .....33
		5251012 27, 29, 101, 103, 183, 185, 193, 197, 211, 213, 225, 229, 245, 249, 261, 265, 281, 285, 293, 295, 299, 307, 416, 420, 424, 438, 442, 450	70000863 .. 434, 437, 441, 446, 449
		5251014.....115, 117, 119, 121, 154, 162, 166, 174	70000912 .....207, 221
			70000913 .....207, 221
			70000914 .....207, 221
			70000915 .....207, 221
			70000916 .....207, 221
			70000917 .....207, 221
			70000918 .....207, 221
			70000919 .....207, 221
			70001002 .....207, 221
			70001017 .....222
			70001100 .. 434, 437, 441, 446, 449
			70001103 .....105, 107
			70001119 .....35
			70001126 .....207, 221
			70001384 .. 434, 437, 441, 446, 449
			70001423 .....207, 221
			70001435 .....207, 221
			70001498 .....208, 222
			70001655 .....310, 312
			70001696 ... 437, 445, 449
			70001697 .....479, 481
			70001847 .....207, 221
			70001850 .....207, 221
			70001866 .....208, 222
			70001868 .....208, 222
			70001870 .. 207, 221, 278, 309
			70001871 .....207, 221

## SECTION 11 - SPECIAL OPTIONS/ACCESSORIES/KITS

70001872.....208, 222	70002838.....109	70004070.....361, 363	70004657.....77
70001953...437, 446, 449	70002839.....109	70004092...415, 419, 423, 427, 430, 434, 442	70004659.....77
70001966...415, 419, 423, 427, 429, 434, 437, 442, 445, 446, 449	70002842.....603	70004094.....434, 442	70004660.....77
70001973...434, 437, 442, 446, 449	70002902.....553	70004098...416, 420, 430, 434, 442	70004661.....77
70001974...434, 437, 442, 446, 449	70002903.....553	70004099...419, 427, 430, 434, 442	70004662.....77
70002020.....39	70002904.....553	70004103.....208, 222	70004668.....77
70002026.....39	70002905.....553	70004155.....621	70004676..415, 419, 423, 427, 430
70002027.....39	70002962.....43	70004169...437, 446, 449	70004677.....423
70002054.....39	70003003.....207, 221	70004171...415, 423, 437, 446, 449	70004678..416, 420, 423, 427, 430
70002057.....39	70003019....77, 493, 495	70004186.....617, 621	70004679..416, 420, 423, 427, 430
70002059.....39	70003027....77, 493, 495	70004199.....109	70004680..416, 420, 423, 427, 430
70002063.....81	70003085.....605	70004201.....33	70004681.....423, 427
70002066.....86	70003136.....207, 221	70004202.....33	70004682..416, 420, 423, 427, 430
70002088...437, 446, 449	70003456.....207, 221	70004203.....33	70004683.....423, 427
70002112.....109	70003457.....207, 221	70004204.....33	70004684.....416
70002133.....33	70003464.....221	70004205.....33	70004685...416, 420, 430
70002134.....359	70003468.....207, 221	70004237.....607	70004686.....427
70002146.....359	70003469.....207, 221	70004268.....207, 221	70004687.....420, 430
70002147.....359	70003470.....207, 221	70004269.....207, 221	70004738.....547
70002148.....359	70003472.....207, 221	70004270.....208, 222	70004739.....547
70002149.....359	70003473.....207, 221	70004271.....208, 222	70004740.....547
70002150.....359	70003475.....207, 221	70004272.....208, 222	70004741.....547
70002151.....359	70003478.....207, 221	70004273.....208, 221	70004742.....547
70002153.....359	70003478.....207, 221	70004276.....311	70004743.....547
70002154.....359	70003478...415, 419, 423, 427, 429, 434, 437, 442, 446, 449	70004277.....242, 311	70004744.....547
70002156.....359	70003709..415, 419, 423, 427, 429, 434, 437, 442, 446, 449	70004280.....309	70004745.....547
70002157.....359	70003783..191, 205, 219, 257, 273, 880	70004281.....277	70004746.....547
7000216.....35	70003784.....543	70004282.....277, 310	70004747.....547
7000217.....86	70003926.....621	70004353.....39	70004748.....547
70002176.....33, 358	70003928.....621	70004355.....39	70004749.....547
70002201.....39	70003929.....621	70004356.....39	70004750.....547
70002209.....43	70003930.....621	70004361.....39	70004751.....547
70002234.....208, 222	70003932.....208, 222	70004363.....39	70004752.....549
7000228.....86	70003975.....43	70004365.....39	70004753.....549
7000229.....86	70003982.....621	70004367.....39	70004754.....549
70002291.....434, 442	70003998.....111, 113	70004369.....39	70004755.....549
70002297...434, 437, 442, 446, 449	70004037.....86	70004370.....39	70004756.....549
7000230.....86	70004039.....86	70004371.....39	70004757.....549
70002335.....605	70004040.....86	70004414.....97, 99	70004758.....549
70002366.....605	70004041.....86	70004447.....39	70004759.....549
70002381.....605	70004042.....86	70004501.....310	70004760.....549
70002386.....81, 880	70004043.....86	70004504.....312	70004761.....549
70002390.....43	70004044.....86	70004505.....309	70004762.....549
70002410.....607	70004045.....86	70004506.....309	70004763.....549
7000246.....86	70004047.....87	70004507.....309	70004764.....549
70002460...434, 437, 442, 445, 449	70004051.....77, 78	70004508.....241, 309	70004764.....549
7000247.....86	70004052....77, 78, 493, 495	70004509.....309	70004765.....549
7000248.....86	70004053.....493, 495	70004510.....309	70004766.....549
7000253.....86	70004055.....78	70004513.....310	70004767.....549
7000255.....86	70004056.....208, 222	70004517.....43	70004768.....549
7000257.....86	70004058.....208, 222	70004584.....77	70004769.....549
7000263.....86	70004059.....208, 222	70004594.....77	70004770.....549
70002718...207, 221, 277, 309	70004060.....208, 222	70004595.....78, 880	70004771.....549
70002745.....619	70004064.....361, 363	70004596.....78	70004772.....549
70002755.....619	70004065.....361, 363	70004597.....78	70004773.....549
70002756.....619	70004066...361, 363, 880	70004598.....78	70004774.....550
70002758.....78	70004067.....361, 363	70004602.....77	70004775.....550
70002759.....78	70004068.....361, 363	70004607.....77	70004795.....109
7000281.....36	70004069.....361, 363	70004613.....495	70004867..609, 611, 613, 615
70002814.....109		70004617.....78	70004883.....81
		70004653.....77, 78, 493, 495, 880	70004884.....81
		70004656.....77	70004888.....43



## SECTION 11 - SPECIAL OPTIONS/ACCESSORIES/KITS

70005008 ..237, 293, 307, 329, 345, 880	70005695 ..... 605	70006159..... 351	70006310 .....87
70005171 ..... 277, 309	70005696 ..... 605	70006160..... 351	70006313 .....87
70005172 ..... 278, 309	70005697 ..... 605	70006161..... 351	70006314 .....101, 103
70005173 ..... 277, 309	70005708 .....109, 880	70006162..... 351	70006356 .. 187, 201, 215, 233, 253, 269, 289, 303, 325, 341
70005176 .....310	70005710 ..... 95	70006163..... 351	
70005177 ..... 277, 310	70005711 ..... 95	70006164..... 351	70006357 ..... 78
70005178 .....310	70005712 ..... 95	70006165..... 351	70006537 ..... 95
70005179 ..... 310, 312	70005713 ..... 95	70006166..... 351	70006538 ..... 95
70005182 .....277	70005716 ..... 95	70006167..... 351	70006552 .. 416, 419, 423, 427, 429
70005183 .....277	70005839 ..... 621	70006168..... 351	70006553 .. 416, 419, 423, 427, 429
70005184 ..241, 277, 310	70005920 ..... 309	70006169..... 351	
70005191 .....312	70005921 ..... 309	70006170..... 351	
70005200 .....495	70005926 ..... 310	70006171..... 351	
70005203 .....86	70005928 ..... 310	70006172..... 351	70006596 ..... 607
70005298 .....39	70005929 ..... 310	70006173..... 351	70006649 ..... 617
70005299 .....39	70005931 .. 241, 277, 310	70006174..... 351	70006650 ..... 617
70005300 .....39	70005933 ..... 312	70006175..... 351, 880	70006652 .. 241, 277, 311
70005301 .....39	70005934 ..... 312	70006176..... 351, 881	70006653 ..... 311
70005302 .....39	70005935 ..... 312	70006177..... 351	70006731 ..... 621
70005303 .....39	70005936 ..... 312	70006178..... 351	70006734 ..... 617
70005304 .....39	70005938 ..... 309	70006179..... 351	70006735 ..... 617
70005305 .....39	70005941 .. 241, 278, 309	70006180..... 351	70006736 ..... 617
70005306 .....39	70005942 .. 241, 277, 309	70006181..... 351	7000695 .....207, 222
70005307 .....39	70005947 ..... 78	70006182..... 351	70006978 ..... 621
70005308 .....39	70005951 .....493, 495	70006183..... 351	70006979 ..... 621
70005309 .....39	70005952 .... 77, 493, 495	70006184..... 351	70006980 ..... 621
70005311 .....39	70006004 .. 609, 611, 613, 615, 880	70006185..... 351	70006981 ..... 621
70005312 .....39	70006093 .....434, 442	70006186..... 351	70006982 ..... 621
70005313 .....39	70006094 .....434, 442	70006187..... 351	70006983 ..... 621
70005314 .....39	70006095 .....434, 442	70006188..... 351	70007086 ..... 311
70005315 .....39	70006096 .....434, 442	70006189..... 351	70007087 ..... 311
70005316 .....39	70006097 .....434, 442	70006191..... 351	70007088 ..... 311
70005317 .....39	70006106 ..... 619	70006194..... 351	70007089 ..... 311
70005318 .....39	70006107 ..... 619	70006195..... 351	70007108 ..... 352
70005319 .....39	70006108 ..... 619	70006196..... 352	70007157 ..... 607
70005320 .....40	70006109 ..... 77	70006197..... 352	70007159 ..... 607
70005321 .....40	70006111 ..... 77	70006198..... 352	70007161 ..... 607
70005335 .. 489, 491, 880	70006112 ..... 77	70006199..... 352	70007168 ..... 607
70005466 .....358	70006113 ..... 77	70006200..... 352	70007169 ..... 607
70005467 .....358	70006114 ..... 77	70006202..... 352	70007251 ..... 607
70005468 .....358	70006115 ..... 77	70006203..... 352	70007276 ..... 59
70005469 .....358	70006116 .... 77, 493, 495	70006205..... 352	70007323 .. 609, 611, 613, 615, 880
70005470 .....358	70006117 ..... 77	70006206..... 352	
70005471 .....359	70006118 ..... 78	70006207..... 352	70007325 .....277, 310
70005472 .....359	70006119 ..... 78	70006208..... 352	70007326 .....278, 311
70005474 .....359	70006120 ..... 78	70006213..... 352	70007327 ..... 311
70005475 .....359	70006121 .....493, 495	70006215..... 352	70007331 ..... 312
70005476 .....359	70006122 .. 493, 495, 880	70006217..... 352	70007332 ..... 609
70005479 ..... 207, 222	70006123 .....493, 495	70006219..... 352	70007333 .....609, 613
70005527 .....312	70006124 .....493, 495	70006221..... 352	70007334 .. 609, 611, 613, 615
70005563 ..... 609, 611	70006125 .....493, 495	70006225..... 352	70007335 ..... 613
70005572 ..... 609, 611	70006126 .....493, 495	70006232..... 352	70007336 .....613, 615
70005575 ..609, 611, 613, 615	70006134 .....349	70006233..... 351	70007337 ..... 615
70005595 .....621	70006135 .....349	70006235..... 352	70007338 .....613, 615
70005627 ..... 493, 495	70006136 .....349	70006236..... 352	70007339 .....613, 615
70005647 .....311	70006137 .....349	70006260..609, 611, 613, 615	70007340 ..... 613
70005648 ..... 241, 311	70006144 .. 241, 277, 310	70006264..... 309	70007341 .. 609, 611, 613, 615
70005668 .....43	70006145 ..... 351	70006265..... 309	
70005669 .....43	70006147 ..... 351	70006266..... 309	70007342 .. 609, 611, 613, 615
70005671 .....479	70006150 ..... 351	70006294..... 311	70007343 .. 609, 611, 613, 615
70005682 ..... 489, 491	70006151 ..... 351	70006304..... 86, 87	
70005683 .. 483, 485, 487	70006152 ..... 351	70006305..... 87	70007344 .....609, 613
70005684 .. 483, 485, 487	70006153 ..... 351	70006306..... 87	70007345 .. 609, 611, 613, 615
70005693 .....605	70006154 ..... 351	70006307..... 87	
70005694 .....605	70006155 ..... 351	70006308..... 87	
	70006157 ..... 351	70006309..... 87	
	70006158 ..... 351		

## SECTION 11 - SPECIAL OPTIONS/ACCESSORIES/KITS

70007346...609, 611, 613, 615	70008316.....58	70025115.....310	70025676.....311
70007347...609, 611, 613	70008317.....58	70025120.....312	70025696.....311
70007354.....277, 311	70008318.....58	70025121.....310	70025733.....311
70007355.....312	70008319.....58	70025122.....310	70025788.....312
70007438.....33	70008320.....58	70025124.....310	70026164.....609, 611
70007507.....43	70008321.....58	70025125.....309	70026175.....613
70007603.....241, 277	70008322.....58	70025126.....312	70026179.....615
70007680.....57	70008324.....59	70025128.....312	70026210...241, 277, 312
70007681.....57	70008326.....58	70025129.....310	70026444.....43
70007682.....57	70008327.....58	70025130.....241, 310	70026973.....611
70007683.....57	70008328.....58	70025134.....311	70027337.....613
70007684.....57, 58	70008329.....58	70025135.....277, 309	70027415.....309
70007685.....57, 58	70008330.....59	70025137.....309	70027428.....311
70007686.....57, 58, 59	70008331.....59	70025139.....309	70027440.....311
70007687.....57, 58, 59	70008332.....59	70025140.....309	70027446.....311
70007688.....57, 58, 59	70008333.....59	70025142.....241, 310	70028185.....309
70007689.....57	70008334.....59	70025144.....310	70028186.....310
70007690.....57	70008335.....59	70025145.....309	7002821.....887
70007691.....57	70008336.....59	70025146.....309	7002822.....887
70007692.....57	70008337.....59	70025147.....310	7002823.....887
70007693.....57	70008338.....59, 60	70025148.....310	7002826.....887
70007694.....57	70008339.....59	70025151.....310	7002840.....887
70007695.....57	70008341.....58	70025152.....309	70028538.....310, 312
70007696.....57, 59	70010383.71, 73, 75, 880	70025153.....241	70028540.....277, 312
70007697.....57	7001909.....86	70025154.....309	70028699.....311
70007698.....57, 59	7001911.....86	70025155.....311	70029015.....311
70007699.....57	7001912.....86	70025158.....310	70029250.....312
70007700.....57	7001913.....35	70025160.....241	70029393.....310
70007701.....57	7001931.....86	70025161.....241	70029402.....311
70007702.....57	7001985.....86	70025162.....309	70029403.....311
70007838.....611	70022564.....607	70025164.....277, 311	70029404.....311
70007964.....57	70023370.....617	70025165.....311	70029415.....312
70008132.....615	70023371.....617	70025166.....312	70029433.....312
70008133.....615	70023859.....77	70025179.....311	70029451.....277, 310
70008134.....615	70023860.....77, 495	70025181.....241, 309	70029512.....241
70008159.....59	70023862.....493, 495	70025182.....310	70029517.....312
70008276.....59	70024457.....77	70025183.....310	70029557.....311
70008277.....58, 59	70024494.....278, 309	70025184.....310	70029797.....310
70008278.....58, 60	70024502.....310	70025185.....310	70030360.....277
70008279.....57	70024504.....241, 277	70025192.....312	70030381.....277
70008282.....58, 59	70024507...241, 277, 312	70025200.....277, 310	70031095.....278
70008283.....59	70024509.....311	70025205.....309	70031136.....277
70008284.....59	70024513...241, 277, 310	70025210...277, 310, 881	70031145.....277
70008285.....59	70024517.....309	70025212.....312	7004275.....887
70008286.....59	70024904.....278, 309	70025214.....312	7004276.....887
70008287.....59	70024905.....277, 309	70025215.....311	70050795.....621
70008288.....59	70024906.....277, 309	70025216.....311	7005889.....87
70008297.....58	70024912.....311	70025217.....311	7005891.....87
70008298.....58	70024915.....277, 311	70025221.....311	7007207.....358
70008299.....58	70024917.....312	70025224.....311	7007208.....358
70008300.....58	70024920.....310, 312	70025225.....311	7007412.....359
70008301.....58, 59	70024922.....241, 312	70025226.....311	7007413.....358
70008302.....58	70024924.....241, 309	70025228.....311	7007415.....358
70008303.....58	70024925.....277, 309	70025229.....311	7007417.....358
70008304.....58	70024961...241, 277, 310	70025231.....277, 311	7007418.....358
70008305.....58	70025084.....207	70025233.....311	7007419.....33, 358
70008306.....58	70025095.....311	70025235.....310	7007420.....33, 358, 359
70008307.....58, 60	70025098.....311, 312	70025239.....277, 310	7007422.....359
70008308.....58	70025099.....311	70025240.....310	7007423.....358
70008309.....58	70025101.....310	70025242.....312	7007425.....358
70008310.....58	70025104.....309	70025327.....311	7007430.....359
70008311.....58	70025106.....311	70025477.....242	7007431.....359
70008312.....58	70025108.....312	70025580.....609, 611	7007434.....359
70008313.....58	70025109.....310	70025582.....609, 611	7007435.....358
70008314.....58	70025111.....309	70025613.....613, 615	7007437.....31
70008315.....58	70025112.....310	70025614.....613, 615	7007438.....31, 358
	70025113.....312	70025660.....309	7007439.....31, 33, 358

## SECTION 11 - SPECIAL OPTIONS/ACCESSORIES/KITS

7007441 .....	359	7019680 ....	401, 403, 407, 412	7024124 .....	35	7024874 .....	358
7007442 .....	358	7020043 .97, 99, 105, 107		7024125 .....	35	7024875 .....	358
7007443 .....	358	7020108 ....	401, 403, 407, 409, 411	7024127 .....	35	7024877 .....	359
7007444 .....	359	7020109 ....	401, 403, 407, 409, 411	7024129 .....	35	7024881 .....	43
7007446 .....	31, 33, 358	7020110 ....	401, 403, 407, 409, 411	7024134 .....	36	7026188 ....	437, 446, 449
7007448 .....	358	7020111 ....	401, 403, 407, 409, 411	7024398 .....	222	7026199 ....	403, 407, 411
7007450 .....	359	7020175 ....	123, 125, 127, 129, 543	7024441 .....	109	7026597 ....	434, 437, 442, 446, 449
7007453 .....	359	7020176 ....	123, 125, 127, 129, 543	7024462 .....	575	7026626 ....	434, 437, 442, 446, 449
7007457 .....	358	7020190 ....	401, 403, 407, 409, 411	7024463 .....	575	7026631 .....	207, 221
7007459 .....	358	7020403 .....	207, 221	7024467 .....	575	7027236 .....	207, 221
7007463 .....	358	7020408 .....	207, 222	7024469 .....	575	7027276 .....	208, 222
7007464 .....	358	7020431 .....	207, 221	7024470 .....	575	7027404 .....	352
7007465 .....	358	7020460 .....	207	7024471 .....	575	7027419 .....	31
7007476 .....	359	7020465 ....	207, 221, 241, 278, 309	7024472 .....	575	7027740 .....	31, 33
7007477 .....	359	7020468 .....	207, 221	7024473 .....	575	7027773 .....	575
7007484 .....	358	7020471 .....	208, 222	7024474 .....	575	7027774 .....	575
7007485 .....	359	7020479 .....	208, 222	7024475 .....	575	7027775 .....	575
7007487 .....	359	7020487 .....	207, 221	7024477 .....	575	7027776 .....	575
7007488 .....	359	7020492 .....	310	7024478 .....	575	7027777 .....	575
7007633 .....	86	7021200 .....	358	7024485 .....	437, 445, 449	7027779 .....	575
7010116 .....	358	7021201 .....	359	7024488 .....	433, 437, 441, 445, 449	7027780 .....	575
7010117 .....	359	7021202 .....	358	7024489 .....	433, 437, 441, 445, 449	7027790 .....	208, 222
7010119 .....	359	7021203 .....	359	7024502 .....	609, 611, 613, 615	7027791 .....	208, 222
7010121 .....	358	7021206 .....	359	7024503 .....	609, 611, 613, 615	7027792 .....	208, 222
7010474 .....	86	7021207 .....	358	7024560 .....	222	7027795 ....	207, 221, 881
7010492 .....	86	7021210 .....	358	7024579 .....	207, 221, 278, 309	7027796 .....	208, 222
7010543 .....	81	7021212 .....	358	7024598 .....	389, 391	7027799 ....	434, 437, 442, 445, 449
7011112 .....	605, 607	7021214 .....	358	7024704 .....	86	7027887 ....	401, 403, 407, 409, 412
70123584 .....	241	7021219 .....	358	7024721 .....	36	7274000040 .....	416, 420, 424, 438, 442, 450
70124507 .....	241	7021220 .....	358	7024722 .....	35	7300435 ....	190, 204, 218, 292, 306
7012513 ....	401, 403, 407, 409, 411	7021221 .....	359	7024723 .....	36	77133137 ..	695, 697, 699, 701, 703, 705, 707, 709, 711, 713, 715, 717, 719, 721, 723, 725, 727, 729, 731, 733, 735, 737, 739, 741
7012514 ....	401, 403, 407, 409, 411	7021222 .....	359	7024724 .....	35	80434249 .....	77, 880
7012558 ....	401, 403, 407, 411	7021223 .....	359	7024725 .....	35	80484084 .....	773, 777
7012941 .....	81	7021232 .....	359	7024726 .....	35	80633030 ..	644, 650, 656
7012967 .....	81	7021233 .....	358	7024727 .....	35	80983191 ..	774, 777, 880
7012998 .....	43	7021249 .....	31, 33	7024728 .....	35	8220045 ....	771, 787, 834
7016319 .....	145	7021256 .....	358, 359	7024729 .....	35	8220089 .....	833
7016328 ....	207, 221, 880	7021275 .....	31, 33	7024730 .....	35	8220097 .....	833
7016331 ....	207, 221, 241, 278, 309, 880	7021625 .....	43	7024731 .....	35	8220098 .....	833
7016372 .....	145	7022162 .....	351	7024732 .....	35	8220115 .....	777
7016652 .....	887	7022301 .....	359	7024733 .....	35	8220164 .....	771, 773
7016654 .....	887	7022302 .....	31	7024734 .....	35	8229242 ....	774, 777, 833, 880
7016655 .....	887	7022311 .....	31, 33	7024735 .....	35	8229244 .....	833, 880
7017022 .....	36	7022313 .....	31	7024736 .....	35	8229245 .....	787, 880
7017023 .....	86	7022314 .....	31, 33	7024737 .....	36	8229249 .....	535
7017027 .....	35	7022321 .....	33	7024738 .....	35	8310129 ....	563, 565, 567, 581
7017070 .....	86	7022326 .....	31	7024739 .....	35	8310614 .....	21, 25
7017072 .....	35, 86	7022328 .....	31	7024740 .....	35	83304173 .....	109
7017080 .....	86	7022368 .....	31, 33	7024741 .....	35	8405006 ....	225, 229, 328, 344
7017082 .....	87	7022371 .....	31, 33	7024742 .....	35	8405007 ....	236, 256, 272, 292, 306
7017085 .....	86	7022372 .....	31	7024743 .....	35, 86		
7017093 .....	35	7022399 .....	43	7024744 .....	35, 36		
7017095 .....	35	7022524 .....	493, 495	7024763 .....	86		
7017142 .....	479, 481	7022527 .....	77	7024764 .....	36		
7017159 .....	479, 481	7023821 .....	78	7024765 .....	36		
7017162 .....	479, 481	7023910 .....	31	7024766 .....	36		
7017163 .....	479, 481	7023979 .....	358	7024784 .....	87		
7017164 .....	479, 481	7024100 .....	87	7024851 .....	359		
7017172 .....	479, 481			7024862 .....	31		
7017192 .....	479, 481			7024865 .....	31		
7017195 .....	479, 481			7024867 .....	31, 33		
7017410 .....	81			7024868 .....	33		
				7024871 .....	31		

## SECTION 11 - SPECIAL OPTIONS/ACCESSORIES/KITS

8405009.....236, 256, 272, 292, 306, 329, 345	8406003 .....497, 499	8410011.....236, 292, 306, 328, 344	88521214 .. 591, 593, 595, 597, 599
8405102.....328, 344	8406109 .... 236, 257, 273, 292, 306, 328, 344	8410013..... 236	8896941 .....887
8405104.....236, 256, 272, 292, 306, 328, 344	8406110 .... 147, 149, 211, 767	8420231.....329, 345	91203039 .....501
8405202.....190, 204, 218, 256, 272	8406201 .... 257, 273, 329, 345	85941018...317, 321, 333, 337	91401281 ..... 111
8405203.....328, 344	8410009 .....329, 345	88261024..... 657	91403230 .. 845, 847, 849, 851, 853, 855, 857, 859, 861, 863
8405204.....257, 273		88411013..... 743	





**Corporate Office  
JLG Industries, Inc.  
1 JLG Drive  
McConnellsburg, PA 17233-9533 USA  
☎ (717) 485-5161 (Corporate)  
☎ (877) 554-5438 (Customer Support)  
📠 (717) 485-6417**

**Visit our website for JLG Worldwide Locations.  
[www.jlg.com](http://www.jlg.com)**



**OSHKOSH™**