



Illustrated Parts Manual

Models **600S HC3** **660SJ HC3**

PVC
2107

P/N
31219056
July 17, 2023 - Rev D

ANSI

CE



**UK
CA**

AS/NZS



An Oshkosh Corporation Company

REVISION LOG

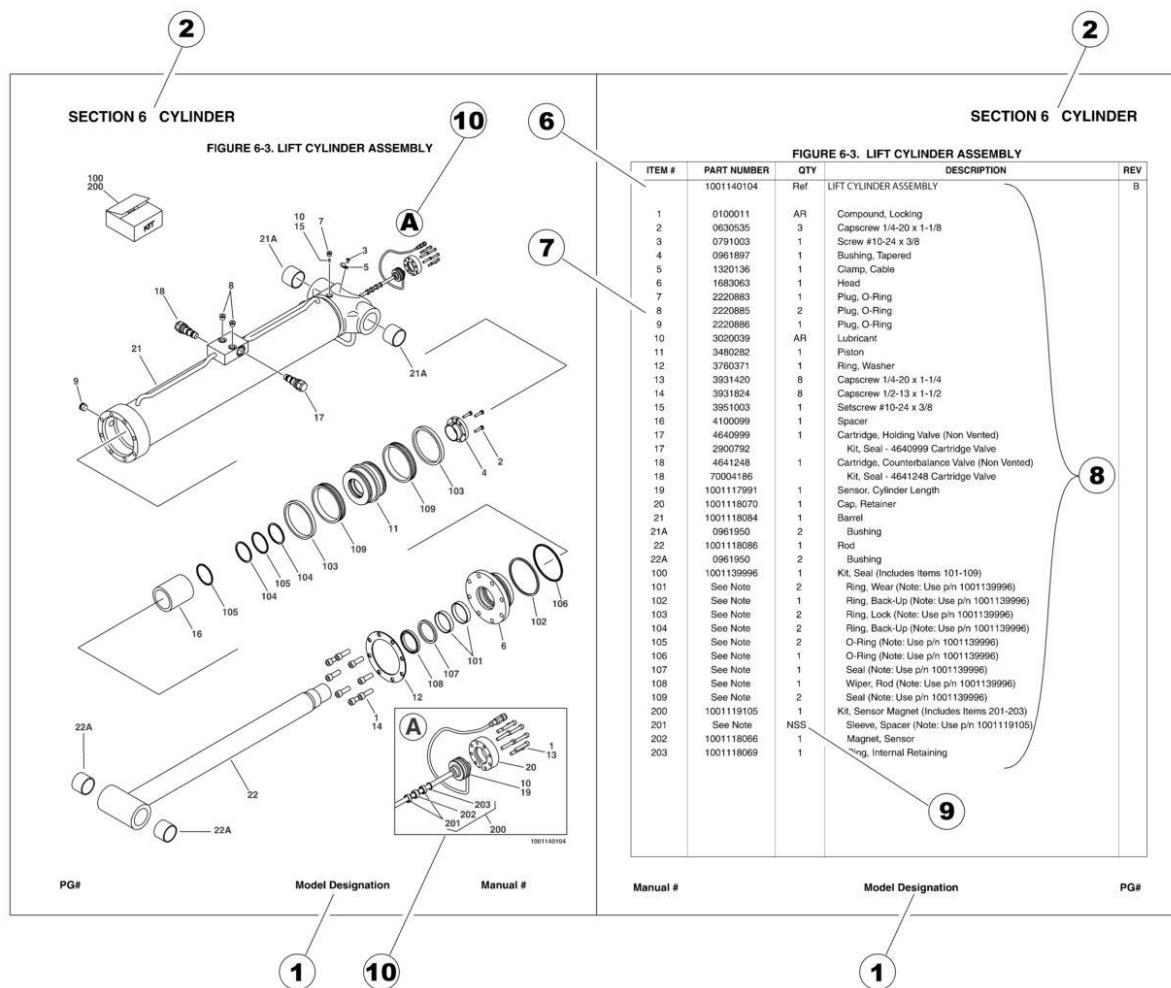
July 1, 2021 - A - Original Issue of Manual (Edited to B/M 1001246000 Revision Q)

November 15, 2021 - B - Revised Manual (Edited to B/M 1001246000 Revision Q)

July 11, 2022 - C - Revised Manual (Edited to B/M 1001246000 Revision Q)

July 17, 2023 - D - Revised Manual (Edited to B/M 1001246000 Revision Q)

GENERAL INFORMATION



1) MACHINE IDENTIFICATION

Machines are identified by model and in some cases a combination of models, serial number (SN) or regional standard (i.e ANSI, CE, CSA). Components may also be identified by SN or manufacturer. Common components that may be identified by these characteristics are engines and hydraulic components.

2) PARTS MANUAL ORGANIZATION

Product information in this manual is organized under section titles. Frame, Cylinder, Hydraulic and Electrical are a few examples. Each section is organized by figure and page number. The information within the Figure is then organized by item number, part number, description and corresponding illustration (s).

3) TABLE OF CONTENTS (NOT SHOWN)

A table of contents is found toward the beginning of the manual. Figure number, description and page number are provided for quick reference to the page containing the related information.

4) RECOMMENDED SPARE PARTS (NOT SHOWN)

The Recommended Spare Parts List, located near the end of the manual, reference most frequently used maintenance parts.

5) PART NUMBER INDEX (NOT SHOWN)

A numerical index listing all part numbers and the corresponding page number(s) appears at the back of the manual.

GENERAL INFORMATION

6) NON-SERVICED PARTS

In some instances, it is necessary to display non-serviced parts, assemblies or installations. In the case of assemblies and installations there will be a Ref in the Qty. column. In case of parts that are not available for service within assemblies or components, there will be a NSS (Not Sold Separately) or NLA (No Longer Available) listed in the Qty. column of the manual.

7) PARTS LIST ITEM NUMBERS

Numbers shown in the item# column correspond to numbers used in the associated illustration (s). Item numbers which are missing from the sequence in the parts list are not used on that page.

8) INDENTED PARTS DESCRIPTION

An indented part description is included in the item under which it is indented.

9) ABBREVIATION AND SYMBOLS

AC.....	Alternating Current	L.....	Liter
ADE.....	Advanced Design Electronics	LB(LBS).....	Pounds
AG.....	Agricultural	LCD.....	Liquid Crystal Display
ANSI.....	American National Standards Institute	LED.....	Light Emitting Diodes
AR.....	As Required	LH.....	Left Hand
ASSY.....	Assembly	LRC.....	Low Rated Countries
AUS.....	Australia	LSS.....	Load Sensing System
AUX.....	Auxiliary	M(m).....	Metric/Meter
AWG.....	American Wire Gauge	MM(mm).....	Milimeter
B/M.....	Bill of Material	mA.....	Miliamps
CAC.....	Charge Air Cooler	NLA.....	No Longer Available
CE.....	European Conformity	NPT.....	National Pipe Threads
CCW.....	Counter Clockwise	NSS.....	Not Sold Separately
CM.....	Centimeter	OD.....	Outside Diameter
CW.....	Clockwise	ORB.....	O-Ring Boss
CSA.....	Canadian Standards Association	ORFS.....	O-Ring Face Seal
CYL.....	Cylinder	OZ (oz).....	Ounces
DIA.....	Diameter	PG.....	Page
DC.....	Direct Current	PN.....	Part Number
DEF.....	Diesel Exhaust Fluid	QT(qt.).....	Quarts
EMS.....	Emergency Stop	QTY.....	Quantity
ENG.....	Engine	REF.....	Reference
FT(ft).....	Feet	REV.....	Revision Level
GA(Ga).....	Gauge	RH.....	Right Hand
HRC.....	High Rated Countries	SAE.....	Society of Automotive Engineers
HVAC.....	Heating, Ventilating, and Air Conditioning	SN.....	Serial Number
HYD.....	Hydraulic	SPEC(S).....	Specifications
Hz.....	Hertz	T/T.....	Turntable
ID.....	Inside Diameter	UGM.....	Universal Ground Module
IN.....	inches	V.....	Volts
ISO.....	International Organization for Standards	W.....	Watts
JIC.....	Joint Industry Council	#.....	Number
KG.....	Kilogram		

10) ILLUSTRATION REFERENCE LETTERS

When necessary, illustrations may contain reference letters that are intended to track information (i. e. hoses, harnesses) from one point to another or to track visual enlargement of components to show details that may be located in another area on the illustration.

Note: Due to continuous product improvements, JLG Industries, Inc. reserves the right to make specification changes without prior notification. Contact JLG Industries, Inc. for updated information.

TABLE OF CONTENTS

SECTION 1 - FRAME.....	15
FIGURE 1-1. AXLE INSTALLATION - FRONT.....	16
FIGURE 1-2. STEER INSTALLATION - WITHOUT TOW PACKAGE.....	18
FIGURE 1-3. STEER INSTALLATION - WITH TOW PACKAGE.....	20
FIGURE 1-4. WHEEL DRIVE INSTALLATION - 4WD/2WS (600S HC3).....	22
FIGURE 1-5. WHEEL DRIVE INSTALLATION - 4WD/2WS (660SJ HC3).....	24
FIGURE 1-6. DRIVE MOTOR ASSEMBLY (600S HC3).....	26
FIGURE 1-7. DRIVE MOTOR ASSEMBLY (660SJ HC3).....	28
FIGURE 1-8. DRIVE HUB ASSEMBLY (600S HC3).....	30
FIGURE 1-9. DRIVE HUB ASSEMBLY (660SJ HC3).....	34
FIGURE 1-10. TRACTION VALVE ASSEMBLY.....	38
FIGURE 1-11. TIRE & WHEEL INSTALLATION - IN355-55 D625 FOAM FILLED (AVAILABLE ON ALL SPECS).....	40
FIGURE 1-12. TIRE & WHEEL INSTALLATION - IN355-55 D625 FOAM FILLED NON-MARKING (AVAILABLE ON ALL SPECS).....	42
FIGURE 1-13. TIRE & WHEEL INSTALLATION - 41-18LL X 22.5 FOAM FILLED TURF & SAND (AVAILABLE ON ALL SPECS EXCEPT AUSTRALIAN, RUSSIA, CE & UK CA SPECS).....	44
FIGURE 1-14. MATTRACKS INSTALLATION.....	46
FIGURE 1-15. MATTRACKS INSTALLATION.....	48
FIGURE 1-16. MATTRACKS INSTALLATION.....	50
FIGURE 1-17. MATTRACKS INSTALLATION.....	52
FIGURE 1-18. LP TANKS AND BRACKETS INSTALLATION (FORD ENGINES).....	58
FIGURE 1-19. FRAME COVERS INSTALLATION - 2WS.....	60
FIGURE 1-20. TOW BAR INSTALLATION (OPTIONAL).....	62
SECTION 2 - TURNTABLE.....	65
FIGURE 2-1. VALVE INSTALLATION - 600S HC3.....	66
FIGURE 2-2. VALVE INSTALLATION - 660SJ HC3.....	68
FIGURE 2-3. MAIN VALVE ASSEMBLY - 2WS.....	70
FIGURE 2-4. AXLE VALVE ASSEMBLY.....	74
FIGURE 2-5. SWING DRIVE INSTALLATION.....	76
FIGURE 2-6. SWING MOTOR/HUB ASSEMBLY.....	78
FIGURE 2-7. TURNTABLE BEARING AND LUBE INSTALLATION.....	82
FIGURE 2-8. TURNTABLE LOCK INSTALLATION.....	84
FIGURE 2-9. ROTARY COUPLING INSTALLATION.....	86
FIGURE 2-10. ROTARY COUPLING ASSEMBLY.....	88
FIGURE 2-11. TANKS INSTALLATION - DIESEL MACHINES (POLY FUEL TANK) (HYDRAULIC TANK WITH 6 INCH BREATHER).....	90
FIGURE 2-12. TANKS INSTALLATION - DIESEL MACHINES (POLY FUEL TANK) (HYDRAULIC TANK WITH 4 INCH BREATHER).....	92
FIGURE 2-13. TANKS INSTALLATION - DIESEL MACHINES (POLY FUEL TANK) (HYDRAULIC TANK WITH 6 INCH BREATHER).....	94
FIGURE 2-14. TANKS INSTALLATION - DIESEL MACHINES (POLY FUEL TANK) (HYDRAULIC TANK WITH 4 INCH BREATHER).....	96
FIGURE 2-15. TANKS INSTALLATION - DIESEL MACHINES (STEEL FUEL TANK) (HYDRAULIC TANK WITH 6 INCH BREATHER).....	98
FIGURE 2-16. TANKS INSTALLATION - DIESEL MACHINES (STEEL FUEL TANK) (HYDRAULIC TANK WITH 4 INCH BREATHER).....	100
FIGURE 2-17. TANKS INSTALLATION - DIESEL MACHINES (STEEL FUEL TANK) (HYDRAULIC TANK WITH 6 INCH BREATHER).....	102
FIGURE 2-18. TANKS INSTALLATION - DIESEL MACHINES (STEEL FUEL TANKS) (HYDRAULIC TANK WITH 4 INCH BREATHER).....	104
FIGURE 2-19. TANKS INSTALLATION - GAS MACHINES (HYDRAULIC TANK WITH 6 INCH BREATHER).....	106
FIGURE 2-20. TANKS INSTALLATION - GAS MACHINES (HYDRAULIC TANK WITH 4 INCH BREATHER).....	108
FIGURE 2-21. TANKS INSTALLATION - GAS MACHINES (HYDRAULIC TANK WITH 6 INCH BREATHER).....	110
FIGURE 2-22. TANKS INSTALLATION - GAS MACHINES (HYDRAULIC TANK WITH 4 INCH BREATHER).....	112
FIGURE 2-23. HYDRAULIC TANK ASSEMBLY (HYDRAULIC TANK WITH 6 INCH BREATHER).....	114
FIGURE 2-24. HYDRAULIC TANK ASSEMBLY (HYDRAULIC TANK WITH 4 INCH BREATHER).....	116
FIGURE 2-25. BATTERY AND AUXILIARY PUMP INSTALLATION (MACHINES WITH SN STARTING WITH 03).....	118
FIGURE 2-26. BATTERY AND AUXILIARY PUMP INSTALLATION (MACHINES WITH SN STARTING WITH B3).....	120
FIGURE 2-27. BATTERY AND AUXILIARY PUMP WITH DISCONNECT SWITCH INSTALLATION (MACHINES WITH SN STARTING WITH 03).....	122
FIGURE 2-28. BATTERY AND AUXILIARY PUMP INSTALLATION WITH DISCONNECT SWITCH (MACHINES WITH SN STARTING WITH B3).....	124
FIGURE 2-29. AUXILIARYMOTOR/PUMP ASSEMBLY (MACHINES WITH SN STARTING WITH B3).....	126

TABLE OF CONTENTS

FIGURE 2-30. ELECTRICAL COMPONENTS INSTALLATION - 600S HC3 (MACHINES WITH SN STARTING WITH 03 SPECS EXCEPT AUSTRALIAN, CE & UK CA (ULS) SPECS).....	128
FIGURE 2-31. ELECTRICAL COMPONENTS INSTALLATION - 600S HC3 (MACHINES WITH SN STARTING WITH 03 CE & UK CA (ULS) SPECS).....	130
FIGURE 2-32. ELECTRICAL COMPONENTS INSTALLATION - 660SJ HC3 (ALL SPECS EXCEPT CE & UK CA (ULS) SPECS).....	132
FIGURE 2-33. ELECTRICAL COMPONENTS INSTALLATION - 660SJ HC3 (CE & UK CA (ULS) SPECS).....	134
FIGURE 2-34. GROUND CONTROL ASSEMBLY - 600S HC3 (MACHINES WITH SN STARTING WITH 03 SPECS EXCEPT AUSTRALIAN, CE & UK CA (ULS) SPECS).....	136
FIGURE 2-35. GROUND CONTROL ASSEMBLY - 600S HC3 (MACHINES WITH SN STARTING WITH 03 CE & UK CA (ULS) SPECS).....	138
FIGURE 2-36. GROUND CONTROL ASSEMBLY - 660SJ HC3 (ALL SPECS EXCEPT CE & UK CA (ULS) SPECS).....	140
FIGURE 2-37. GROUND CONTROL ASSEMBLY - 660SJ HC3 (CE & UK CA (ULS) SPECS).....	142
FIGURE 2-38. LIGHT PANEL INSTALLATION.....	144
FIGURE 2-39. KEYSWITCH INSTALLATION - 600S HC3 (ANSI, ANSI EXPORT, CHINA, CSA AND JAPANESE SPECS).....	146
FIGURE 2-40. KEYSWITCH INSTALLATION - 600S HC3 (RUSSIA, CE & UK CA SPECS).....	148
FIGURE 2-41. KEYSWITCH INSTALLATION - 660SJ HC3 (ANSI, ANSI EXPORT, AUSTRALIAN, CHINA, CSA AND JAPANESE SPECS).....	150
FIGURE 2-42. KEYSWITCH INSTALLATION - 660SJ HC3 (RUSSIA, CE & UK CA SPECS).....	152
FIGURE 2-43. KEYSWITCH INSTALLATION - 600SJ HC3 (WITHOUT JIB) (WITH MSSO) (CE & UK CA SPECS).....	154
FIGURE 2-44. KEYSWITCH INSTALLATION - 660SJ HC3 (WITH JIB) (WITH MSSO) (CE & UK CA SPECS).....	156
FIGURE 2-45. HOODS INSTALLATIONS - ABS - DEUTZ D2011, DEUTZ TD 2.9L4 67HP AND FORD ENGINES.....	158
FIGURE 2-46. HOODS INSTALLATIONS - ABS - DEUTZ TD 2.2L3 AND DEUTZ TD 2.9L4 49HP ENGINES.....	162
FIGURE 2-47. HOOD ASSEMBLY - ENGINE SIDE (ABS).....	166
FIGURE 2-48. HOOD ASSEMBLY - TANK SIDE (ABS).....	168
FIGURE 2-49. HOODS INSTALLATIONS - STEEL - DEUTZ D2011, DEUTZ TD 2.9L4 67HP AND FORD ENGINES.....	170
FIGURE 2-50. HOODS INSTALLATIONS - STEEL - DEUTZ TD 2.2L3 AND DEUTZ TD 2.9L4 49HP ENGINES.....	174
FIGURE 2-51. HOOD ASSEMBLY - ENGINE SIDE (STEEL).....	178
FIGURE 2-52. HOOD ASSEMBLY - TANK SIDE (STEEL).....	180
FIGURE 2-53. NOISE REDUCTION PACKAGE (600S HC3).....	182
FIGURE 2-54. NOISE REDUCTION PACKAGE (660SJ HC3).....	184
FIGURE 2-55. STROBE LIGHT INSTALLATION - AMBER (OPTIONAL).....	186
FIGURE 2-56. STROBE LIGHT INSTALLATION - BLUE (OPTIONAL).....	188
FIGURE 2-57. STROBE LIGHT INSTALLATION - RED (OPTIONAL).....	190
FIGURE 2-58. TURNTABLE COVERS INSTALLATION.....	192
FIGURE 2-59. WHITE NOISE ALARM INSTALLATION.....	194
 SECTION 3 - ENGINE.....	 197
FIGURE 3-1. DEUTZ D2011 ENGINE INSTALLATION - WITHOUT ARCTIC PACKAGE (600S HC3).....	198
FIGURE 3-2. DEUTZ D2011 ENGINE INSTALLATION - WITHOUT ARCTIC PACKAGE (660SJ HC3).....	200
FIGURE 3-3. DEUTZ D2011 ENGINE AND PUMPS SUB-ASSEMBLY - WITHOUT ARCTIC PACKAGE (600S HC3/660SJ HC3).....	202
FIGURE 3-4. DEUTZ D2011 ENGINE ASSEMBLY - WITHOUT ARCTIC PACKAGE (600S HC3/660SJ HC3).....	204
FIGURE 3-5. DEUTZ D2011 ENGINE INSTALLATION - WITH ARCTIC PACKAGE (600S HC3).....	208
FIGURE 3-6. DEUTZ D2011 ENGINE INSTALLATION - WITH ARCTIC PACKAGE (660SJ HC3).....	212
FIGURE 3-7. DEUTZ D2011 ENGINE AND PUMPS SUB-ASSEMBLY - WITH ARCTIC PACKAGE (600S HC3/660SJ HC3).....	216
FIGURE 3-8. DEUTZ D2011 ENGINE ASSEMBLY - WITH ARCTIC PACKAGE (600S HC3/660SJ HC3).....	218
FIGURE 3-9. DEUTZ D2011 ENGINE COMPONENTS (600S HC3/660SJ HC3).....	222
FIGURE 3-10. DEUTZ TD 2.2L3 (STAGE V) ENGINE INSTALLATION (600S HC3).....	226
FIGURE 3-11. DEUTZ TD 2.2L3 (STAGE V) ENGINE INSTALLATION (660SJ HC3).....	230
FIGURE 3-12. DEUTZ TD2.2L3 (STAGE V) ENGINE AND PUMPS SUB-ASSEMBLY - WITHOUT ARCTIC PACKAGE (600S HC3/660SJ HC3).....	234
FIGURE 3-13. DEUTZ TD2.2L3 (STAGE V) ENGINE ASSEMBLY - WITHOUT ARCTIC PACKAGE (600S HC3/660SJ HC3).....	236
FIGURE 3-14. DEUTZ TD2.2L3 (STAGE V) ENGINE COMPONENTS.....	242
FIGURE 3-15. DEUTZ D 2.9L4 - 49HP ENGINE INSTALLATION - WITHOUT ACTIC PACKAGE (600S HC3).....	246
FIGURE 3-16. DEUTZ D 2.9L4 - 49HP ENGINE INSTALLATION - WITHOUT ACTIC PACKAGE (660S HC3).....	250
FIGURE 3-17. DEUTZ TD2.9L4 - 49HP ENGINE AND PUMPS SUB-ASSEMBLY - WITHOUT ARCTIC PACKAGE (600S HC3/660SJ HC3).....	254
FIGURE 3-18. DEUTZ TD2.9L4 - 49HP ENGINE ASSEMBLY - WITHOUT ARCTIC PACKAGE (600S HC3/660SJ HC3).....	256
FIGURE 3-19. DEUTZ D 2.9L4 - 49HP ENGINE INSTALLATION - WITH ARCTIC PACKAGE (600S HC3).....	262
FIGURE 3-20. DEUTZ D 2.9L4 - 49HP ENGINE INSTALLATION - WITH ARCTIC PACKAGE (660S HC3).....	266
FIGURE 3-21. DEUTZ TD2.9L4 - 49HP ENGINE AND PUMPS SUB-ASSEMBLY - WITH ARCTIC PACKAGE (600S HC3/660SJ HC3).....	270
FIGURE 3-22. DEUTZ TD2.9L4 - 49HP ENGINE ASSEMBLY - WITH ARCTIC PACKAGE (600S HC3/660SJ HC3).....	272
FIGURE 3-23. DEUTZ TD2.9L4 - 49HP ENGINE COMPONENTS (600S HC3/660SJ HC3).....	278
FIGURE 3-24. DEUTZ TD2.9L4 - 67HP ENGINE INSTALLATION - WITHOUT ARCTIC PACKAGE (600S HC3).....	282

TABLE OF CONTENTS

FIGURE 3-25. DEUTZ TD2.9L4 - 67HP ENGINE INSTALLATION - WITHOUT ARCTIC PACKAGE (660SJ HC3)	286
FIGURE 3-26. DEUTZ TD2.9L4 - 67HP ENGINE AND PUMPS SUB-ASSEMBLY - WITHOUT ARCTIC PACKAGE (600S HC3/660SJ HC3)	290
FIGURE 3-27. DEUTZ TD2.9L4 - 67HP ENGINE ASSEMBLY - WITHOUT ARCTIC PACKAGE (600S HC3/660SJ HC3).....	292
FIGURE 3-28. DEUTZ TD2.9L4 - 67HP ENGINE INSTALLATION - WITH ARCTIC PACKAGE (600S HC3)	296
FIGURE 3-29. DEUTZ TD2.9L4 - 67HP ENGINE INSTALLATION - WITH ARCTIC PACKAGE (660SJ HC3).....	300
FIGURE 3-30. DEUTZ TD2.9L4 - 67HP ENGINE AND PUMPS SUB-ASSEMBLY - WITH ARCTIC PACKAGE (600S HC3/660SJ HC3)	304
FIGURE 3-31. DEUTZ TD2.9L4 - 67HP ENGINE ASSEMBLY - WITH ARCTIC PACKAGE (600S HC3/660SJ HC3)	306
FIGURE 3-32. DEUTZ TD2.9L4 - 67HP ENGINE COMPONENTS (600S HC3/660SJ HC3).....	310
FIGURE 3-33. BREATHER HEATER INSTALLATION - DEUTZ D2.9L4 - 49HP AND DEUTZ TD2.9L4 - 67HP ENGINES WITH ARCTIC PACKAGE	316
FIGURE 3-34. FORD ENGINE INSTALLATION - WITHOUT ARCTIC PACKAGE (600S HC3)	318
FIGURE 3-35. FORD ENGINE INSTALLATION - WITHOUT ARCTIC PACKAGE (660SJ HC3).....	322
FIGURE 3-36. FORD ENGINE AND PUMPS SUB-ASSEMBLY - WITHOUT ARCTIC PACKAGE (600S HC3/660SJ HC3).....	326
FIGURE 3-37. FORD ENGINE ASSEMBLY - WITHOUT ARCTIC PACKAGE (600S HC3/660SJ HC3)	328
FIGURE 3-38. FORD ENGINE INSTALLATION - WITH ARCTIC PACKAGE (600S HC3)	334
FIGURE 3-39. FORD ENGINE INSTALLATION - WITH ARCTIC PACKAGE (660SJ HC3)	338
FIGURE 3-40. FORD ENGINE AND PUMPS SUB-ASSEMBLY - WITH ARCTIC PACKAGE (600S HC3/660SJ HC3)	342
FIGURE 3-41. FORD ENGINE ASSEMBLY - WITH ARCTIC PACKAGE (600S HC3/660SJ HC3).....	344
FIGURE 3-42. FORD ENGINE PREP ASSEMBLY (600S HC3/660SJ HC3)	350
FIGURE 3-43. FORD ENGINE COMPONENTS (600S HC3/660SJ HC3)	352
FIGURE 3-44. PUMP COUPLING KIT (DEUTZ ENGINES)	356
FIGURE 3-45. PISTON PUMP ASSEMBLY	358
FIGURE 3-46. FUEL FILTER INSTALLATION (POLY FUEL TANK).....	362
FIGURE 3-47. FUEL FILTER INSTALLATION (STEEL FUEL TANK) (DEUTZ D2011 ENGINES).....	364
FIGURE 3-48. FUEL FILTER INSTALLATION (STEEL FUEL TANK) (DEUTZ DT2.9L4 ENGINES).....	366
FIGURE 3-49. MUFFLER INSTALLATION - SPARK ARRESTING (DEUTZ D2011 ENGINES).....	368
FIGURE 3-50. EXHAUST PIPE INSTALLATION - (DEUTZ D2011 ENGINES)	370
FIGURE 3-51. MOTOR MOUNT INSTALLATION - WITHOUT GENERATOR (DEUTZ D2011 ENGINES).....	372
FIGURE 3-52. MOTOR MOUNT INSTALLATION - WITHOUT GENERATOR (DEUTZ TD 2.9L4 ENGINES).....	374
FIGURE 3-53. MOTOR MOUNT INSTALLATION - WITH GENERATOR (DEUTZ D2011 ENGINES)	376
FIGURE 3-54. MOTOR MOUNT INSTALLATION - WITH GENERATOR (DEUTZ TD 2.9L4 ENGINES)	378
FIGURE 3-55. MOTOR MOUNT INSTALLATION - WITH GENERATOR (STAGE V) (DEUTZ TD 2.2L3 ENGINES)	380
FIGURE 3-56. MOTOR MOUNT INSTALLATION - WITHOUT GENERATOR (STAGE V) (DEUTZ TD 2.2L3 ENGINES).....	382
FIGURE 3-57. MOTOR MOUNT INSTALLATION - WITH GENERATOR (DEUTZ TD 2.9L4 49HP ENGINES)	384
FIGURE 3-58. MOTOR MOUNT INSTALLATION - WITHOUT GENERATOR (DEUTZ TD 2.9L4 49HP ENGINES).....	386
FIGURE 3-59. BELT WITHOUT GENERATOR INSTALLATION (FORD ENGINES).....	388
FIGURE 3-60. TRAY JACK INSTALLATION	390
FIGURE 3-61. TRAY JACK INSTALLATION (STAGE V)	392
FIGURE 3-62. ENGINE HOOD BAFFLES INSTALLATION - ABS HOODS.....	394
FIGURE 3-63. ENGINE HOOD BAFFLES INSTALLATION - STEEL HOODS.....	396
FIGURE 3-64. ENGINE HOOD BAFFLES INSTALLATION - ABS HOODS (DEUTZ TD 2.2L3 ENGINES AND TD 2.9L4 49HP ENGINES)	398
FIGURE 3-65. ENGINE HOOD BAFFLES INSTALLATION - STEEL HOODS (DEUTZ TD 2.2L3 ENGINES AND TD 2.9L4 49HP ENGINES)	400
FIGURE 3-66. 2500W GENERATOR INSTALLATION - 110V/60HZ (DEUTZ D2011 ENGINES) (OPTIONAL)	402
FIGURE 3-67. 2500W GENERATOR INSTALLATION - 110V/60HZ (DEUTZ TD2.9L4 ENGINES) (OPTIONAL).....	404
FIGURE 3-68. 2500W GENERATOR INSTALLATION - 110V/60HZ (FORD ENGINES) (OPTIONAL)	408
FIGURE 3-69. 2500W GENERATOR INSTALLATION - 220V/50HZ (DEUTZ D2011 ENGINES) (OPTIONAL)	410
FIGURE 3-70. 2500W GENERATOR INSTALLATION - 120V/60HZ (DEUTZ TD2.9L4 ENGINES) (OPTIONAL).....	412
FIGURE 3-71. 4000W GENERATOR INSTALLATION - 110V/60HZ (DEUTZ D2011 ENGINES) (OPTIONAL)	416
FIGURE 3-72. 4000W GENERATOR INSTALLATION - 110V/60HZ (DEUTZ TD2.9L4 ENGINES) (OPTIONAL).....	420
FIGURE 3-73. 4000W GENERATOR INSTALLATION - 220V/50HZ (DEUTZ D2011 ENGINES) (OPTIONAL)	424
FIGURE 3-74. 4000W GENERATOR INSTALLATION - 220V/50HZ (DEUTZ TD2.2L3 ENGINES) (SKYPOWER)(OPTIONAL)	428
FIGURE 3-75. 4000W GENERATOR INSTALLATION - 220V/60HZ (DEUTZ TD2.9L4 ENGINES) (SKYPOWER)(OPTIONAL)	430
FIGURE 3-76. 7500W GENERATOR INSTALLATION - 220V/60HZ (DEUTZ TD2.9L4 ENGINES) (SKYPOWER)(OPTIONAL)	434
FIGURE 3-77. 7500W SKYPOWER GENERATOR INSTALLATION - 110/60HZ (DEUTZ D2011 ENGINES) (OPTIONAL).....	438
FIGURE 3-78. 7500W SKYPOWER GENERATOR INSTALLATION - 110V/60HZ (DEUTZ TD2.9L4 ENGINES) (OPTIONAL)	442
FIGURE 3-79. 7500W SKYPOWER GENERATOR INSTALLATION - 110V/60HZ (FORD ENGINES) (OPTIONAL).....	446
FIGURE 3-80. 7500W SKYPOWER GENERATOR INSTALLATION - 220V/50HZ (DEUTZ D2011 ENGINES) (OPTIONAL)	450
SECTION 4 - BOOM	453
FIGURE 4-1. BOOM INSTALLATION - 600S HC3.....	454
FIGURE 4-2. BOOM INSTALLATION - 660SJ HC3	458
FIGURE 4-3. BOOM ASSEMBLY - 600S HC3	462

TABLE OF CONTENTS

FIGURE 4-4. BOOM ASSEMBLY - 660SJ HC3.....	466
FIGURE 4-5. JIB ASSEMBLY - 660SJ HC3.....	470
FIGURE 4-6. PLATFORM ROTATOR ASSEMBLY - 600S HC3.....	472
FIGURE 4-7. PLATFORM ROTATOR ASSEMBLY - 660SJ HC3.....	474
FIGURE 4-8. POWER TRACK INSTALLATION - 600S HC3.....	476
FIGURE 4-9. POWER TRACK ASSEMBLY - 660SJ HC3.....	478
FIGURE 4-10. VALVE INSTALLATION - 600S HC3.....	480
FIGURE 4-11. BOOM VALVES INSTALLATION - 660SJ HC3.....	482
FIGURE 4-12. PLATFORM VALVE ASSEMBLY - 600S HC3.....	484
FIGURE 4-13. PLATFORM VALVE ASSEMBLY - 660SJ HC3.....	486
FIGURE 4-14. BOOM SENSORS INSTALLATION - 600S HC3.....	488
FIGURE 4-15. BOOM SENSORS INSTALLATION - 660SJ HC3.....	490
FIGURE 4-16. PLATFORM SUPPORT INSTALLATION.....	492
 SECTION 5 - PLATFORM.....	 495
FIGURE 5-1. PLATFORM ASSEMBLY - 30IN X 3FT (76CM X .91M) - DROP BAR ENTRY.....	496
FIGURE 5-2. PLATFORM ASSEMBLY - 30IN X 4FT (76CM X 1.22M) WITH SWING GATE.....	498
FIGURE 5-3. PLATFORM ASSEMBLY - 30IN X 4FT (76CM X 1.22M) WITH DROP BAR.....	500
FIGURE 5-4. PLATFORM ASSEMBLY - 30IN X 5FT (76CM X 1.52M) WITH SWING GATE.....	502
FIGURE 5-5. PLATFORM ASSEMBLY - 30IN X 5FT (76CM X 1.52M) WITH DROP BAR.....	504
FIGURE 5-6. PLATFORM ASSEMBLY - 36IN X 6FT (91.5CM X 1.83M) WITH SWING GATE.....	506
FIGURE 5-7. PLATFORM ASSEMBLY - 36IN X 6FT (91.5CM X 1.83M) WITH DROP BAR.....	508
FIGURE 5-8. PLATFORM ASSEMBLY - 36IN X 6FT (91.5CM X 1.83M) WITH FALL ARREST (ANSI, ANSI EXPORT, CHINA AND CSA SPECS).....	510
FIGURE 5-9. PLATFORM ASSEMBLY - 36IN X 6FT (91.5CM X 1.83M) TRI-ENTRY WITH SWING GATE.....	512
FIGURE 5-10. PLATFORM ASSEMBLY - 36IN X 6FT (91.5CM X 1.83M) TRI-ENTRY WITH DROP BAR.....	514
FIGURE 5-11. PLATFORM ASSEMBLY - 36IN X 8FT (91.5CM X 2.44M) WITH SWING GATE.....	516
FIGURE 5-12. PLATFORM ASSEMBLY - 36IN X 8FT (91.5CM X 2.44M) WITH DROP BAR.....	518
FIGURE 5-13. PLATFORM ASSEMBLY - 36IN X 8FT (91.5CM X 2.44M) WITH FALL ARREST (ANSI, ANSI EXPORT, CHINA AND CSA SPECS).....	520
FIGURE 5-14. PLATFORM ASSEMBLY - 36IN X 8FT (91.5CM X 2.44M) TRI-ENTRY WITH SWING GATE.....	522
FIGURE 5-15. PLATFORM ASSEMBLY - 36IN X 8FT (91.5CM X 2.44M) TRI-ENTRY WITH DROP BAR.....	524
FIGURE 5-16. PLATFORM POWER USB.....	526
FIGURE 5-17. TRAY ASSEMBLY.....	528
FIGURE 5-18. PLATFORM CONSOLE AND FOOTSWITCH INSTALLATION - 600S HC3.....	530
FIGURE 5-19. PLATFORM CONSOLE AND FOOTSWITCH INSTALLATION - 660SJ HC3.....	532
FIGURE 5-20. CONSOLE BOX ASSEMBLY.....	534
FIGURE 5-21. CONTROLLER ASSEMBLY (DRIVE AND STEER).....	538
FIGURE 5-22. CONTROLLER ASSEMBLY (LIFT AND SWING).....	540
FIGURE 5-23. FOOTSWITCH ASSEMBLY.....	544
FIGURE 5-24. LIGHT PANEL INSTALLATION.....	546
FIGURE 5-25. SKYEYE INSTALLATION.....	548
FIGURE 5-26. SKYGUARD BAR INSTALLATION.....	550
FIGURE 5-27. SKYLINE INSTALLATION.....	552
FIGURE 5-28. SKYWELDER INSTALLATION (50HZ).....	554
FIGURE 5-29. SKYWELDER INSTALLATION (60HZ).....	556
FIGURE 5-30. SKYWELDER PREP PACKAGE (60HZ).....	558
FIGURE 5-31. WELDER ASSEMBLY.....	560
FIGURE 5-32. PIPE RACK INSTALLATION (ALL SPECS EXCEPT AUSTRALIAN SPECS).....	562
FIGURE 5-33. PIPE RACK INSTALLATION (AUSTRALIAN SPECS).....	564
FIGURE 5-34. SKYGLAZIER INSTALLATION (OPTIONAL) (NOT AVAILABLE ON ALL SPECS).....	566
FIGURE 5-35. SOFT TOUCH INSTALLATION - 6FT (1.83M) PLATFORM (OPTIONAL).....	568
FIGURE 5-36. SOFT TOUCH INSTALLATION - 6FT (1.83M) FALL ARREST PLATFORM (600S) (OPTIONAL).....	570
FIGURE 5-37. SOFT TOUCH INSTALLATION - 8FT (2.4M) PLATFORM (OPTIONAL).....	572
FIGURE 5-38. SOFT TOUCH INSTALLATION - 8FT (2.4M) FALL ARREST PLATFORM (600S) (OPTIONAL).....	574
FIGURE 5-39. FALL ARREST INSTALLATION (BOLT-ON EXTERNAL) (6FT/1.82M PLATFORM).....	576
FIGURE 5-40. FALL ARREST INSTALLATION (BOLT-ON EXTERNAL) (6FT/1.82M TRI-ENTRY PLATFORM).....	578
FIGURE 5-41. FALL ARREST INSTALLATION (BOLT-ON EXTERNAL) (2.5FT/1.22M PLATFORM).....	580
FIGURE 5-42. FALL ARREST INSTALLATION (BOLT-ON EXTERNAL) (2.5FT/1.52M PLATFORM).....	582
FIGURE 5-43. FALL ARREST INSTALLATION (BOLT-ON EXTERNAL) (8FT/2.4M PLATFORM).....	584
 SECTION 6 - CYLINDER.....	 587
FIGURE 6-1. AXLE LOCKOUT CYLINDER ASSEMBLY.....	588
FIGURE 6-2. LEVEL CYLINDER ASSEMBLY - PLATFORM SLAVE (600S HC3).....	590
FIGURE 6-3. LEVEL CYLINDER ASSEMBLY - PLATFORM SLAVE (660SJ HC3).....	592

TABLE OF CONTENTS

FIGURE 6-4. LIFT CYLINDER ASSEMBLY BOOM (600S HC3)	594
FIGURE 6-5. LIFT CYLINDER ASSEMBLY BOOM (660SJ HC3).....	596
FIGURE 6-6. LIFT CYLINDER ASSEMBLY - JIB (660SJ HC3)	598
FIGURE 6-7. LIFT CYLINDER ASSEMBLY - JIB (660SJ HC3)	600
FIGURE 6-8. LIFT CYLINDER ASSEMBLY - JIB (660SJ HC3)	602
FIGURE 6-9. STEER CYLINDER ASSEMBLY.....	604
FIGURE 6-10. TELESCOPE CYLINDER ASSEMBLY	606
SECTION 7 - HYDRAULIC	609
FIGURE 7-1. DRIVE HYDRAULIC DIAGRAM (2WS WITHOUT ARCTIC PACKAGE) (600S HC3).....	610
FIGURE 7-2. DRIVE HYDRAULIC DIAGRAM (2WS WITHOUT ARCTIC PACKAGE) (660SJ HC3).....	614
FIGURE 7-3. DRIVE HYDRAULIC DIAGRAM (2WS WITH ARCTIC PACKAGE) (600S HC3)	618
FIGURE 7-4. DRIVE HYDRAULIC DIAGRAM (2WS WITH ARCTIC PACKAGE) (660SJ HC3)	622
FIGURE 7-5. STANDARD HYDRAULIC DIAGRAM (600S HC3)	626
FIGURE 7-6. STANDARD HYDRAULIC DIAGRAM (660SJ HC3) (MACHINES WITH SN STARTING WITH 03).....	632
FIGURE 7-7. STANDARD HYDRAULIC DIAGRAM (660SJ HC3) (MACHINES WITH SN STARTING WITH B3).....	638
SECTION 8 - ELECTRICAL	645
FIGURE 8-1. 600S HC3 & 660SJ HC3 ELECTRICAL LAYOUT	646
FIGURE 8-2. AC BOX AT PLATFORM INSTALLATION - 110V (ALL SPECS EXCEPT AUSTRALIAN, RUSSIA, CE & UK CA SPECS)	660
FIGURE 8-3. AC BOX AT PLATFORM INSTALLATION - 110V IEC YELLOW (RUSSIA, CE & UK CA SPECS WITHOUT 4000W/50HZ GENERATOR).....	662
FIGURE 8-4. AC BOX AT PLATFORM INSTALLATION - 110V IEC YELLOW (RUSSIA, CE & UK CA SPECS WITH 4000W/50HZ GENERATOR).....	664
FIGURE 8-5. AC BOX AT PLATFORM INSTALLATION - 220V IEC BLUE (RUSSIA, CE & UK CA SPECS WITHOUT 4000W/50HZ GENERATOR).....	666
FIGURE 8-6. AC BOX AT PLATFORM INSTALLATION - 220V IEC BLUE (RUSSIA, CE & UK CA SPECS WITH 4000W/50HZ GENERATOR).....	668
FIGURE 8-7. AC BOX AT PLATFORM INSTALLATION - 220V CEE7 2IN X 4IN POST GROUND (RUSSIA, CE & UK CA SPECS WITHOUT 4000W/50HZ GENERATOR)	670
FIGURE 8-8. AC BOX AT PLATFORM INSTALLATION - 220V CEE7 2IN X 4IN POST GROUND (RUSSIA, CE & UK CA SPECS WITH 4000W/50HZ GENERATOR).....	672
FIGURE 8-9. AC BOX AT PLATFORM INSTALLATION - 220V CEE7 2IN X 4IN SIDE GROUND (RUSSIA, CE & UK CA SPECS WITHOUT 4000W/50HZ GENERATOR)	674
FIGURE 8-10. AC BOX AT PLATFORM INSTALLATION - 220V CEE7 2IN X 4IN SIDE GROUND (RUSSIA, CE & UK CA SPECS WITH 4000W/50HZ GENERATOR).....	676
FIGURE 8-11. AC BOX AT PLATFORM INSTALLATION - 220V AFSINT107 (RUSSIA, CE & UK CA SPECS WITHOUT 4000W/50HZ GENERATOR).....	678
FIGURE 8-12. AC BOX AT PLATFORM INSTALLATION - 220V AFSINT107 (RUSSIA, CE & UK CA SPECS WITH 4000W/50HZ GENERATOR).....	680
FIGURE 8-13. AC BOX AT PLATFORM INSTALLATION - 220V CUSTOMER SUPPLIED COMPONENTS (ANSI EXPORT, AUSTRALIAN, RUSSIA, CHINA, CE & UK CA SPECS)	682
FIGURE 8-14. AC BOX AT PLATFORM INSTALLATION - 240V (WITH 4000W GENERATOR)	684
FIGURE 8-15. AC BOX AT PLATFORM INSTALLATION - 240V (WITH 7500W SKYPOWER GENERATOR)	686
FIGURE 8-16. AC BREAKER BOX INSTALLATION - SINGLE DOUBLE POLE BREAKER	688
FIGURE 8-17. AC BREAKER BOX INSTALLATION - 3 BREAKERS	690
FIGURE 8-18. AC CABLES AND CLAMPS INSTALLATION - 600S HC3 WITHOUT GENERATOR (ANSI, CSA & JAPANESE SPECS)	692
FIGURE 8-19. AC CABLES AND CLAMPS INSTALLATION - 600S HC3 WITHOUT GENERATOR (ANSI EXPORT, CE, RUSSIA CIS, CHINA & UK CA SPECS).....	694
FIGURE 8-20. AC CABLES AND CLAMPS INSTALLATION - 600S HC3 WITH 2500W GENERATOR (ANSI, ANSI EXPORT, CHINA, CSA AND JAPANESE SPECS).....	696
FIGURE 8-21. AC CABLES AND CLAMPS INSTALLATION - 600S HC3 WITH 4000W/50HZ GENERATOR (ANSI EXPORT, CE, CHINA, RUSSIAN CIS & UK CA SPECS)	698
FIGURE 8-22. AC CABLES AND CLAMPS INSTALLATION - 600S HC3 WITH 4000W/60HZ GENERATOR (ANSI, ANSI EXPORT, CSA AND JAPANESE SPECS).....	700
FIGURE 8-23. AC CABLES AND CLAMPS INSTALLATION - 600S HC3 WITH 7500W GENERATOR (ANSI, ANSI EXPORT, CHINA, CSA, RUSSIAN CIS AND JAPANESE SPECS).....	702
FIGURE 8-24. AC CABLES AND CLAMPS INSTALLATION - 660SJ HC3 WITHOUT GENERATOR (ANSI, CSA AND JAPANESE SPECS).....	704
FIGURE 8-25. AC CABLES AND CLAMPS INSTALLATION - 660SJ HC3 WITHOUT GENERATOR (ANSI EXPORT, AUSTRALIAN, RUSSIA CIS, CHINA, CE & UK CA SPECS)	706
FIGURE 8-26. AC CABLES AND CLAMPS INSTALLATION - 660SJ HC3 WITH 2500W GENERATOR (ANSI, ANSI EXPORT, CHINA, CSA AND JAPANESE SPECS).....	708

TABLE OF CONTENTS

FIGURE 8-27. AC CABLES AND CLAMPS INSTALLATION - 660SJ HC3 WITH 4000W/50HZ GENERATOR (ANSI EXPORT, AUSTRALIAN, RUSSIA CIS, CHINA, CE & UK CA SPECS).....	710
FIGURE 8-28. AC CABLES AND CLAMPS INSTALLATION - 660SJ HC3 WITH 4000W/60HZ GENERATOR (ANSI, ANSI EXPORT, CSA AND JAPANESE SPECS).....	712
FIGURE 8-29. AC CABLES AND CLAMPS INSTALLATION - 660SJ HC3 WITH 7500W GENERATOR (ANSI, ANSI EXPORT, AUSTRALIAN, CHINA, CSA, RUSSIAN CIS, AND JAPANESE SPECS).....	714
FIGURE 8-30. BATTERY DISCONNECT SWITCH INSTALLATION.....	716
FIGURE 8-31. BREAKER BOX KIT - SINGLE DOUBLE POLE BREAKER (WITHOUT 4000W/50HZ GENERATOR).....	718
FIGURE 8-32. BREAKER BOX KIT - SINGLE DOUBLE POLE BREAKER (WITH 4000W/50HZ GENERATOR).....	720
FIGURE 8-33. BREAKER BOX KIT - 3 BREAKERS.....	722
FIGURE 8-34. BOOM ANGLE SENSOR HARNESS.....	724
FIGURE 8-35. BOOM CABLE - LOWER.....	726
FIGURE 8-36. BOOM CABLE - UPPER (600S HC3).....	728
FIGURE 8-37. BOOM CABLE - UPPER (660SJ HC3).....	730
FIGURE 8-38. CAPACITY PROXIMITY HARNESS (1000LBS).....	732
FIGURE 8-39. CAPACITY PROXIMITY HARNESS (750 LBS).....	734
FIGURE 8-40. ELECTRICAL COMPONENTS INSTALLATION - 600S HC3 (ALL SPECS EXCEPT AUSTRALIAN, CE & UK CA (ULS) SPECS).....	736
FIGURE 8-41. ELECTRICAL COMPONENTS INSTALLATION - 600S HC3 (CE & UK CA (ULS) SPECS).....	738
FIGURE 8-42. ELECTRICAL COMPONENTS INSTALLATION - 660SJ HC3 (ALL SPECS EXCEPT CE & UK CA (ULS) SPECS).....	740
FIGURE 8-43. ELECTRICAL COMPONENTS INSTALLATION - 660SJ HC3 (CE & UK CA (ULS) SPECS).....	742
FIGURE 8-44. ENGINE HARNESS - DEUTZ D2011 ENGINES.....	744
FIGURE 8-45. ENGINE HARNESS - DEUTZ TD2.2L3 ENGINES.....	746
FIGURE 8-46. ENGINE HARNESS - DEUTZ D2.9L4 - 49HP AND DEUTZ TD2.9L4 - 67HP ENGINES.....	750
FIGURE 8-47. ENGINE HARNESS - FORD ENGINES.....	754
FIGURE 8-48. FUEL PUMP HARNESS - DEUTZ D2.9L4 - 49HP AND DEUTZ TD2.9L4 - 67HP ENGINES.....	756
FIGURE 8-49. GENERATOR HARNESS - 2500W.....	758
FIGURE 8-50. GENERATOR HARNESS - 4000W.....	760
FIGURE 8-51. GENERATOR HARNESS - 7500W SKYPOWER.....	762
FIGURE 8-52. GENERATOR TO ENGINE HARNESS - 7500W SKYPOWER GENERATOR (DEUTZ D2011 ONLY).....	764
FIGURE 8-53. GROUND CONTROL HARNESS.....	766
FIGURE 8-54. LIFT CYLINDER HARNESS.....	768
FIGURE 8-55. PLATFORM BOX HARNESS.....	770
FIGURE 8-56. RECEPTACLE BOX KIT - 110V IEC YELLOW (RUSSIA, CE & UK CA SPECS).....	774
FIGURE 8-57. RECEPTACLE BOX KIT - 220V IEC BLUE (RUSSIA, CE & UK CA SPECS).....	776
FIGURE 8-58. RECEPTACLE BOX KIT - 220V CEE7 POST GROUND 2X4 BOX (RUSSIA, CE & UK CA SPECS).....	778
FIGURE 8-59. RECEPTACLE BOX KIT - 220V CEE7 SIDE GROUND (RUSSIA, CE & UK CA SPECS).....	780
FIGURE 8-60. RECEPTACLE BOX KIT - 220V AFSINT 107 (RUSSIA, CE & UK CA SPECS).....	782
FIGURE 8-61. SKYEYE EMITTER HARNESS.....	784
FIGURE 8-62. SKYEYE INTERMEDIATE HARNESS.....	786
FIGURE 8-63. SKYEYE RECEIVER HARNESS.....	788
FIGURE 8-64. SKYGUARD INTERFACE HARNESS.....	790
FIGURE 8-65. SKYLINE HARNESS.....	792
FIGURE 8-66. STROBE LIGHT HARNESS (RED AND BLUE BEACON LIGHTS).....	794
FIGURE 8-67. TELE PROXIMITY HARNESS.....	796
FIGURE 8-68. TRANSPORT SWITCH HARNESS (660SJ HC3).....	798
FIGURE 8-69. TURNTABLE HARNESS.....	800
FIGURE 8-70. VALVE HARNESS - MAIN VALVE.....	804
FIGURE 8-71. VALVE HARNESS - PLATFORM VALVE - 600S HC3.....	806
FIGURE 8-72. VALVE HARNESS - PLATFORM VALVE - 600S HC3 (DEUTZ 2.2L3 (STAGE V) ENGINES).....	808
FIGURE 8-73. VALVE HARNESS - PLATFORM VALVE - 660SJ HC3.....	810
FIGURE 8-74. WHITE NOISE ALARM HARNESS.....	812
 SECTION 9 - DECALS.....	 815
FIGURE 9-1. DECAL INSTALLATION (ANSI SPECS - ENGLISH LANGUAGE).....	816
FIGURE 9-2. DECAL INSTALLATION (AUSTRALIAN SPECS - ENGLISH LANGUAGE).....	818
FIGURE 9-3. DECAL INSTALLATION (BRAZIL SPECS - PORTUGUESE/SPANISH LANGUAGES).....	820
FIGURE 9-4. DECAL INSTALLATION (CE & UK CA SPECS - ENGLISH LANGUAGE).....	822
FIGURE 9-5. DECAL INSTALLATION (CHINESE SPECS - ENGLISH/SIMPLIFIED CHINESE LANGUAGES).....	824
FIGURE 9-6. DECAL INSTALLATION (CHINESE SPECS - ENGLISH/TRADITIONAL CHINESE LANGUAGES).....	826
FIGURE 9-7. DECAL INSTALLATION (CSA SPECS - ENGLISH/FRENCH LANGUAGES).....	828
FIGURE 9-8. DECAL INSTALLATION (JAPANESE SPECS - ENGLISH/JAPANESE LANGUAGES).....	830
FIGURE 9-9. DECAL INSTALLATION (KOREAN SPECS - ENGLISH/KOREAN LANGUAGES).....	832
FIGURE 9-10. DECAL INSTALLATION - LATIN AMERICAN SPECS - ENGLISH/SPANISH LANGUAGES).....	834
FIGURE 9-11. DECALS INSTALLATION - OPTIONS.....	836

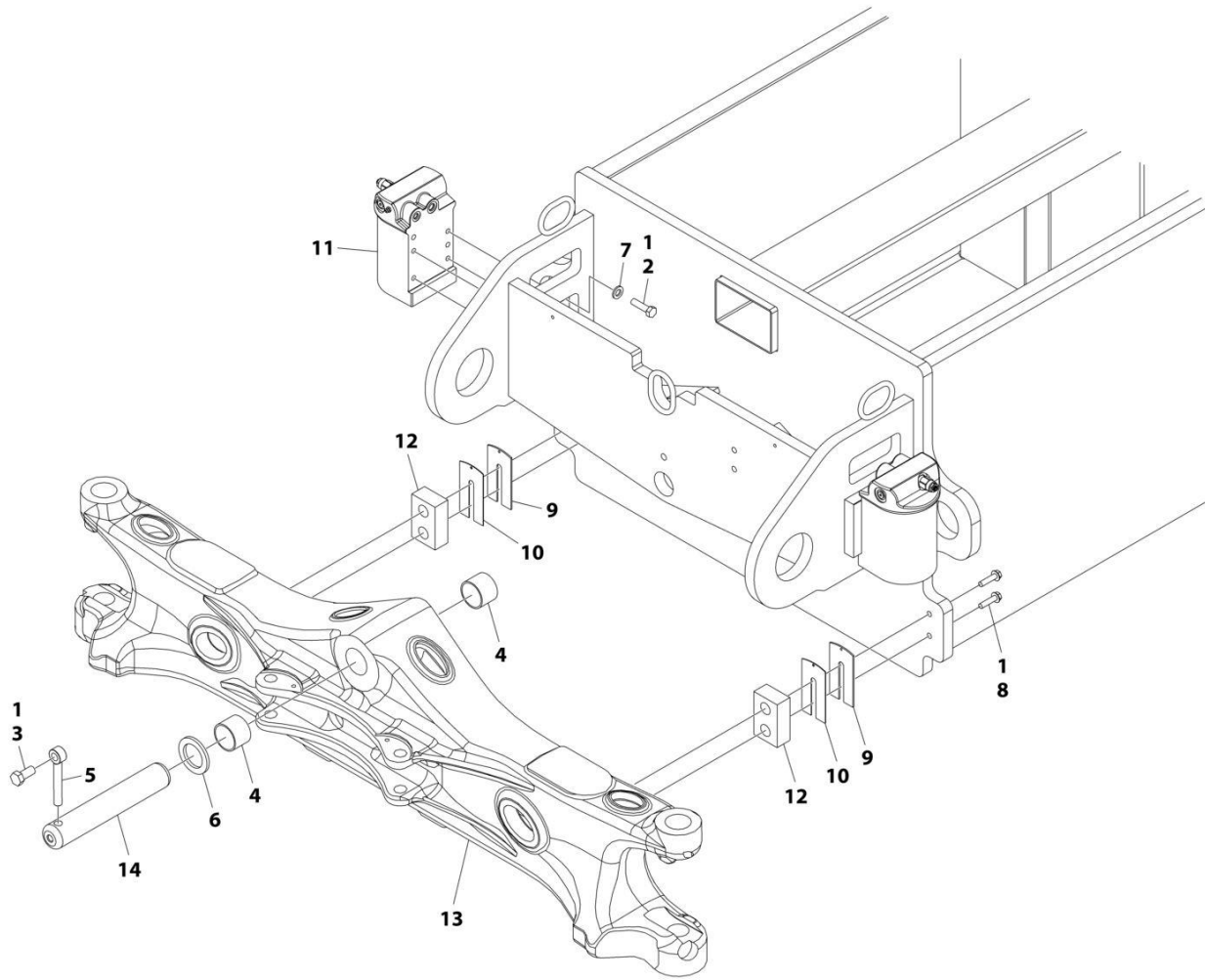
TABLE OF CONTENTS

FIGURE 9-12. DECAL INSTALLATION - SKYWELDER (50HZ).....	840
FIGURE 9-13. DECAL INSTALLATION - SKYWELDER (60HZ).....	842
FIGURE 9-14. DECAL INSTALLATION - TOW (ANSI SPECS).....	844
FIGURE 9-15. DECAL INSTALLATION - TOW (ANSI EXPORT, RUSSIA, CHINA, CE & UK CA SPECS).....	846
FIGURE 9-16. DECAL INSTALLATION - TOW (CSA SPECS).....	848
SECTION 10 - RECOMMENDED SERVICE PARTS STOCK	851
FIGURE 10-1. RECOMMENDED SERVICE PARTS STOCK	852
SECTION 11 - SPECIAL OPTIONS/ACCESSORIES/KITS	855
FIGURE 11-1. SPECIAL OPTIONS/ACCESSORIES/KITS	856
PART NUMBER INDEX	861

SECTION 1 - FRAME

SECTION 1 - FRAME

FIGURE 1-1. AXLE INSTALLATION - FRONT



ART_1001181774

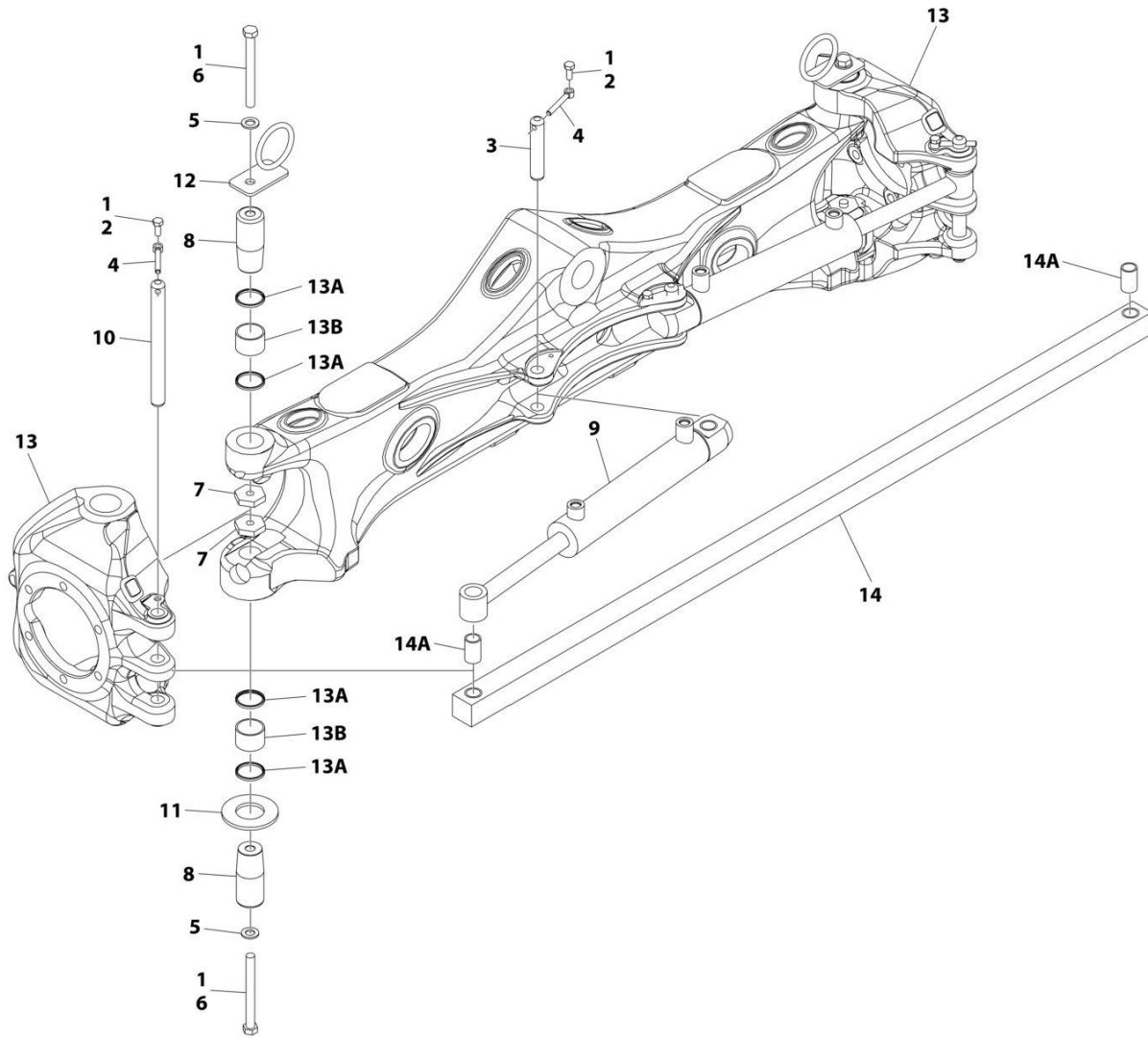
SECTION 1 - FRAME

FIGURE 1-1. AXLE INSTALLATION - FRONT

ITEM	PART NUMBER	QTY	DESCRIPTION	REV
	1001181774	Ref	AXLE INSTALLATION	B
1	0100011	AR	Compound, Locking	
2	0701217	8	Bolt M12 x 45	
3	0761615	1	Bolt M16 x 35	
4	0961950	2	Bearing	
5	3841258	1	Keeper, Pin	
6	4740158	1	Washer	
7	5241200	8	Washer M12	
8	5251016	4	Bolt M10 x 40	
9	1001150324	2	Shim (3mm)	
10	1001150326	2	Shim (1.2mm)	
11	1001219040	2	Axle Lockout Cylinder (See Separate Breakdown in CYLINDER SECTION)	
12	1001166563	2	Pad, Wear	
13	1001184209	1	Axle	
14	1001185030	1	Pin	

SECTION 1 - FRAME

FIGURE 1-2. STEER INSTALLATION - WITHOUT TOW PACKAGE



ART_1001250106_D

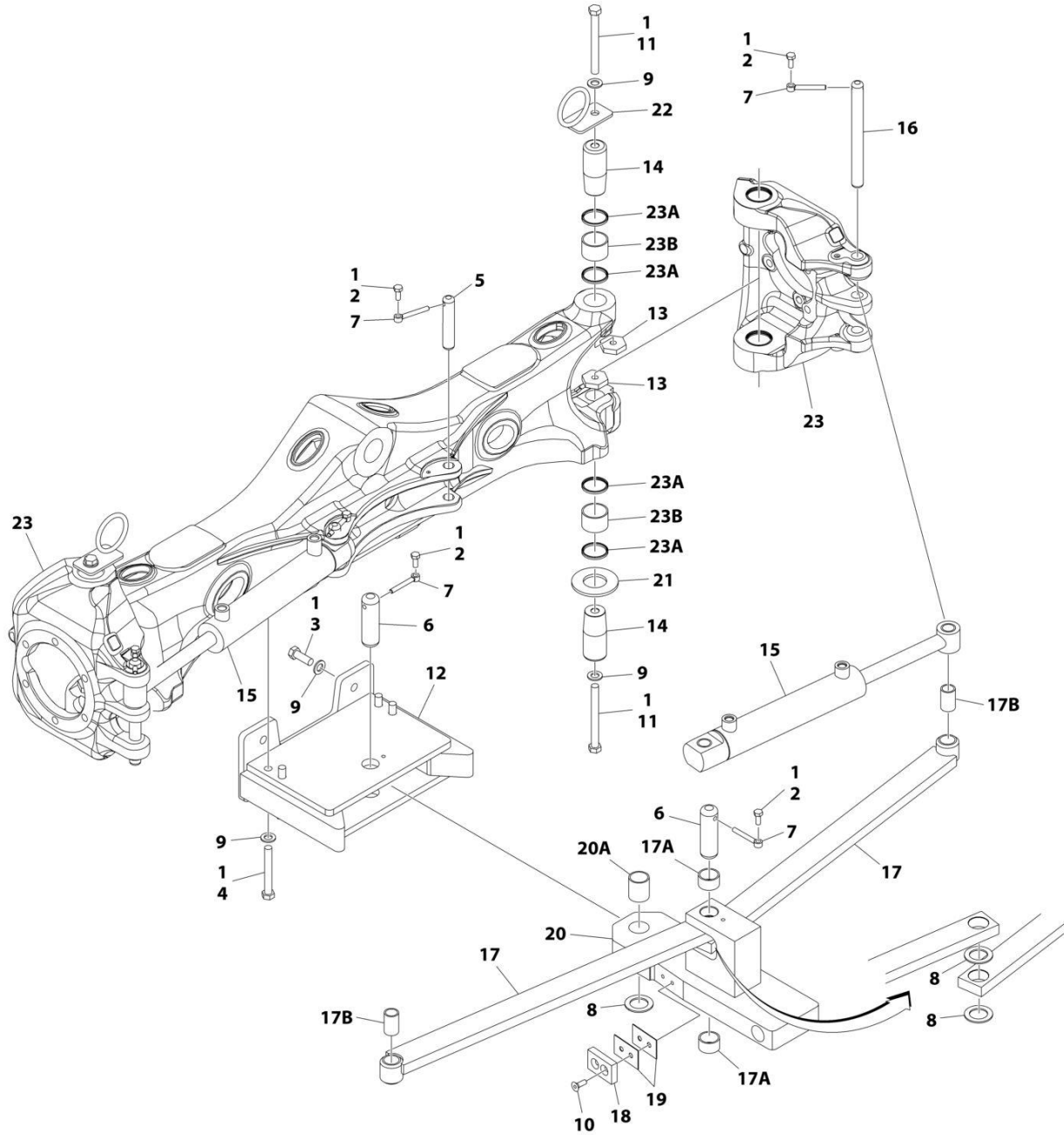
SECTION 1 - FRAME

FIGURE 1-2. STEER INSTALLATION - WITHOUT TOW PACKAGE

ITEM	PART NUMBER	QTY	DESCRIPTION	REV
	1001250106	Ref	STEER INSTALLATION	D
1	0100011	AR	Compound, Locking	
2	0701012	4	Bolt M10 x 25	
3	3422351	2	Pin	
4	3841143	4	Keeper, Pin	
5	5241600	4	Washer M16	
6	1001096456	4	Bolt M16 x 160	
7	1001176848	4	Nut M16	
8	1001181790	4	Kingpin	
9	1001181792	2	Steer Cylinder Assembly (See Separate Breakdown in CYLINDER Section)	
10	1001182697	2	Pin	
11	1001190194	2	Bearing	
12	1001196390	2	Bracket	
13	1001263271	1	Knuckle	
13A	1001181791	8	Seal (4 Per Assembly)	
13B	1001182694	4	Bearing (2 Per Assembly)	
14	1001181793	1	Tie-Rod	
14A	1001182695	2	Bearing	

SECTION 1 - FRAME

FIGURE 1-3. STEER INSTALLATION - WITH TOW PACKAGE



ART_1001250362_D

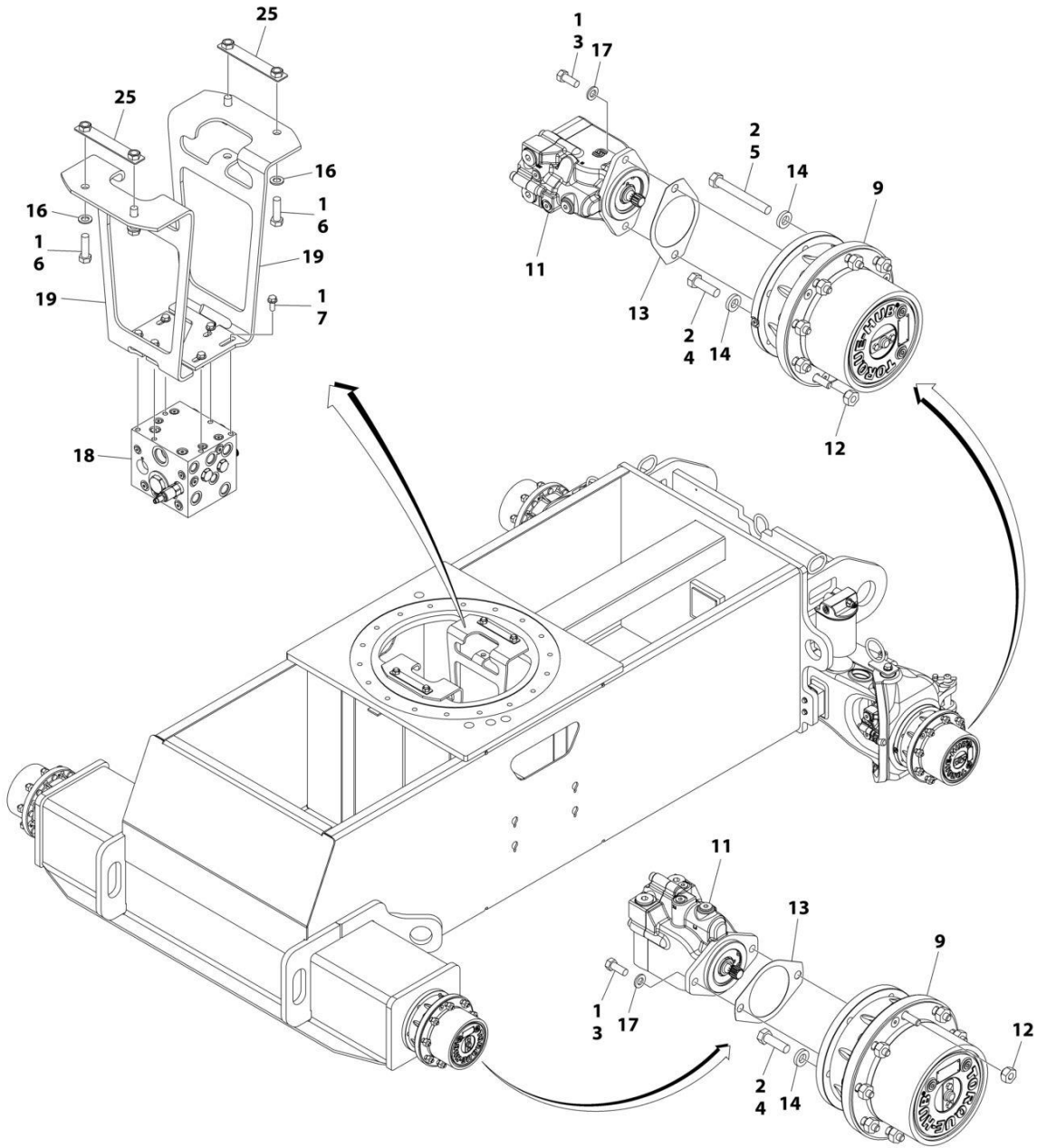
SECTION 1 - FRAME

FIGURE 1-3. STEER INSTALLATION - WITH TOW PACKAGE

ITEM	PART NUMBER	QTY	DESCRIPTION	REV
	1001250362	Ref	STEER INSTALLATION	D
1	0100011	AR	Compound, Locking	
2	0701012	6	Bolt M10 x 25	
3	0701617	2	Bolt M16 x 45	
4	0711629	4	Bolt M16 x 120	
5	3422351	2	Pin	
6	3422848	2	Pin	
7	3841143	6	Keeper, Pin	
8	4740155	3	Washer	
9	5241600	10	Washer M16	
10	8310614	4	Screw M10 x 30	
11	1001096456	4	Bolt M16 x 160	
12	1001163717	1	Bracket	
13	1001176848	4	Nut M16	
14	1001181790	4	Kingpin	
15	1001181792	2	Steer Cylinder Assembly (See Separate Breakdown in CYLINDER Section)	
16	1001182697	2	Pin	
17	1001184213	2	Link	
17A	0962181	2	Bushing 1-1/2in ID	
17B	1001182695	2	Bearing 1in ID	
18	1001185906	2	Block, Stop	
19	1001185907	4	Shim (1.5mm)	
20	1001188503	1	Link	
20A	0962348	1	Bearing	
21	1001190194	2	Bearing	
22	1001196390	2	Bracket	
23	1001263271	1	Knuckle	
23A	1001181791	8	Seal (4 Per Assembly)	
23B	1001182694	4	Bearing (2 Per Assembly)	

SECTION 1 - FRAME

FIGURE 1-4. WHEEL DRIVE INSTALLATION - 4WD/2WS (600S HC3)



ART_1001186443_J

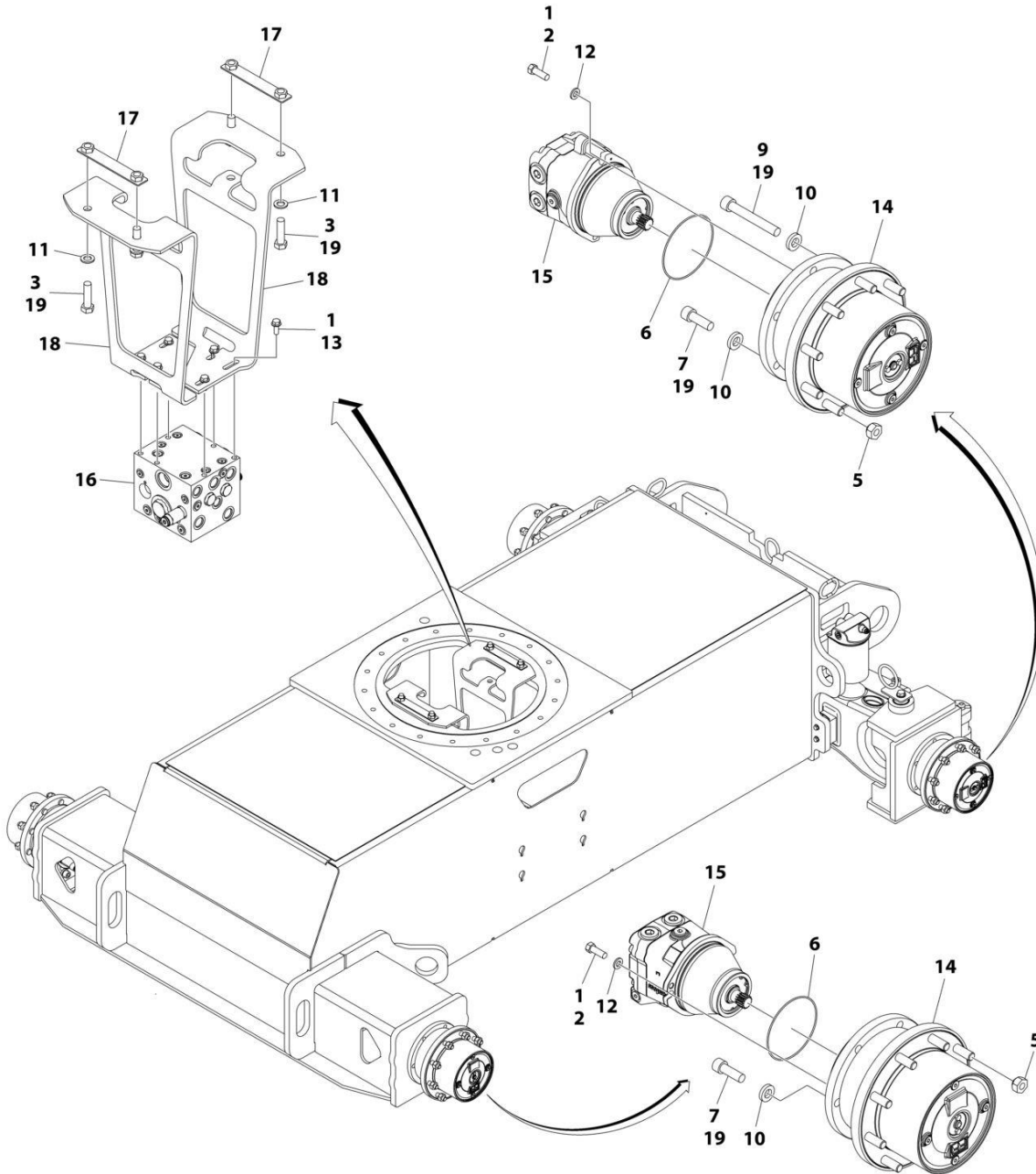
SECTION 1 - FRAME

FIGURE 1-4. WHEEL DRIVE INSTALLATION - 4WD/2WS (600S HC3)

ITEM	PART NUMBER	QTY	DESCRIPTION	REV
	1001186443	Ref	WHEEL DRIVE INSTALLATION	J
1	0100011	AR	Compound, Locking	
2	0100019	AR	Compound, Locking	
3	0681810	8	Bolt 1/2 x 1-1/4 Grade 8	
4	0682016	20	Bolt 5/8 x 2 Grade 8	
5	0682040	4	Bolt 5/8 x 5 Grade 8	
5	0682036	4	Bolt 5/8 x 4 Grade 8	
6	0701619	4	Bolt M16 x 55	
7	5251012	6	Bolt M10 x 25	
9	2780269	4	Drive Hub Assembly (See Separate Breakdown in this Section)	
11	3160350	4	Drive Motor Assembly (See Separate Breakdown in this Section)	
12	3300106	36	Lugnut	
13	3960526	4	Gasket	
14	4740393	24	Washer	
16	4812300	4	Washer M16	
17	5241200	8	Washer M12	
18	1001187521	1	Traction Valve Assembly (See Separate Breakdown in this Section)	
19	1001232292	2	Bracket	
25	1001198631	2	Bracket	

SECTION 1 - FRAME

FIGURE 1-5. WHEEL DRIVE INSTALLATION - 4WD/2WS (660SJ HC3)



ART_1001249985

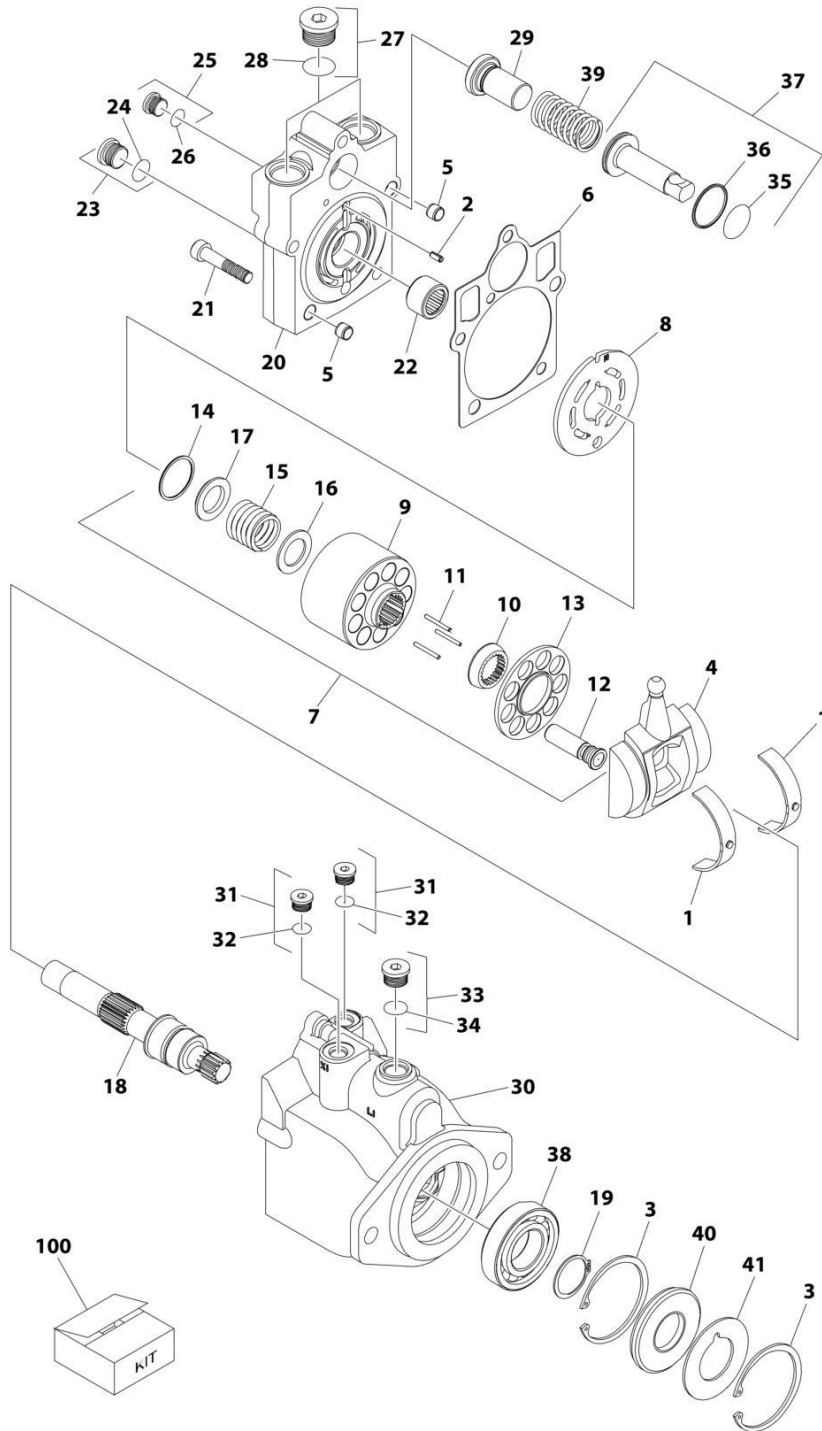
SECTION 1 - FRAME

FIGURE 1-5. WHEEL DRIVE INSTALLATION - 4WD/2WS (660SJ HC3)

ITEM	PART NUMBER	QTY	DESCRIPTION	REV
	1001249985	Ref	WHEEL DRIVE INSTALLATION	E
1	0100011	AR	Compound, Locking	
2	0681710	8	Bolt 7/16 x 1-1/4	
3	0701620	4	Bolt M16 x 60	
5	3300106	36	Lugnut	
6	3790158	4	O-Ring	
7	3932030	20	Capscrew 5/8 x 1-7/8	
8	3932032	8	Capscrew 5/8 x 2	
9	3932072	4	Capscrew 5/8 x 4-1/2	
10	4740393	24	Washer	
11	4812300	4	Washer M16	
12	5241000	8	Washer	
13	5251012	6	Bolt M10 x 25	
14	1001113984	4	Drive Hub Assembly (See Separate Breakdown in this Section)	
15	1001135600	4	Drive Motor Assembly (See Separate Breakdown in this Section)	
16	1001187521	1	Traction Valve Assembly (See Separate Breakdown in this Section)	
17	1001198631	2	Bracket	
18	1001232292	2	Bracket	
19	0100019	AR	Compound, Locking	

SECTION 1 - FRAME

FIGURE 1-6. DRIVE MOTOR ASSEMBLY (600S HC3)



ART_3160350

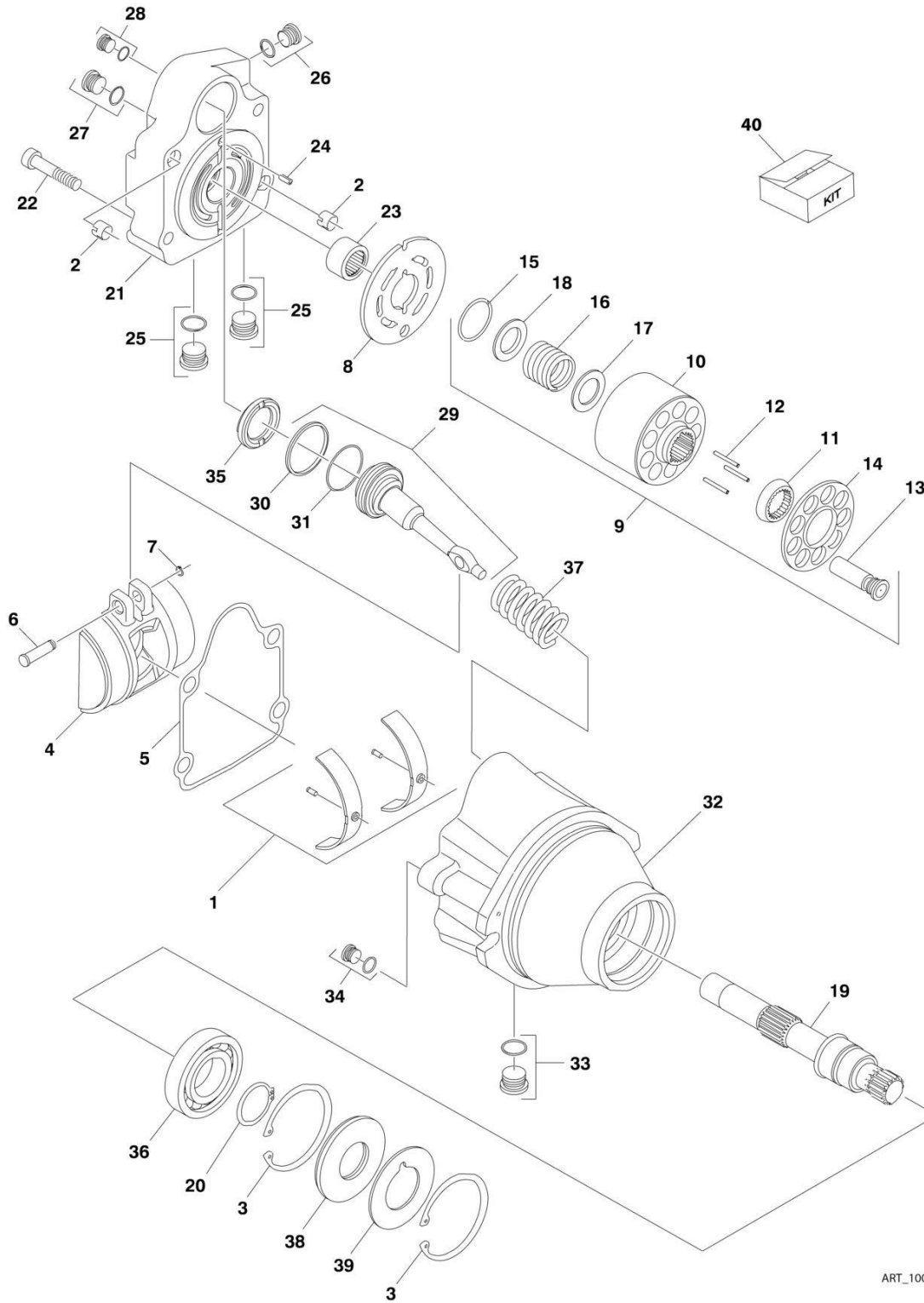
SECTION 1 - FRAME

FIGURE 1-6. DRIVE MOTOR ASSEMBLY (600S HC3)

ITEM	PART NUMBER	QTY	DESCRIPTION	REV
	3160350	Ref	DRIVE MOTOR ASSEMBLY	D
1	7022302	2	Bearing, Journal	
2	7007446	1	Pin	
3	7007438	2	Ring, Retaining	
4	70000794	1	Swash Plate	
5	See Note	NSS	Pin (Note: Not Available for Purchase)	
6	See Note	NSS	Gasket (Note: Use Item 42)	
7	7027740	1	Cylinder Block Kit (Includes Items 9-17)	
8	7024862	1	Plate, Valve	
9	See Note	NSS	Block, Cylinder	
10	See Note	NSS	Guide, Slipper Retainer	
11	7021275	3	Pin, Slipper Hold Down	
12	7024865	9	Piston Assembly	
13	See Note	NSS	Retainer, Slipper	
14	7022311	1	Ring, Retaining	
15	7024867	1	Spring	
16	7022313	1	Washer	
17	7022314	1	Retainer, Spring	
18	7023910	1	Shaft	
19	7007439	1	Ring, Retaining	
20	70000795	1	Cap, End - Axial	
21	7022368	5	Screw	
22	7021249	1	Bearing, Needle	
23	2220886	1	Plug (Includes Item 24)	
24	See Note	NSS	O-Ring (Note: Use Item 23 or 42)	
25	2220883	1	Plug (Includes Item 26)	
26	See Note	NSS	O-Ring (Note: Use Item 25 or 42)	
27	7027419	2	Plug (Includes Item 28)	
28	See Note	NSS	O-Ring (Note: Use Item 27 or 42)	
29	7022372	1	Seat, Spring	
30	See Note	NSS	Housing (Note: Not Available - Purchase Complete Assembly)	
31	2220883	2	Plug (Includes Item 32)	
32	See Note	NSS	O-Ring (Note: Use Item 31 or 42)	
33	2220886	1	Plug (Includes Item 34)	
34	See Note	NSS	O-Ring (Note: Use Item 33 or 42)	
35	See Note	NSS	O-Ring (Note: Use Item 42)	
36	See Note	NSS	Ring, Seal (Note: Use Item 42)	
37	7024871	1	Piston, Servo	
38	7007437	1	Bearing	
39	7022326	1	Spring	
40	See Note	NSS	Seal, Lip (Note: Use Item 42)	
41	7022371	1	Washer, Support	
100	7022328	1	Seal Kit (Includes Items 6, 24, 26, 28, 32, 34, 35, 36 & 40)	

SECTION 1 - FRAME

FIGURE 1-7. DRIVE MOTOR ASSEMBLY (660SJ HC3)



ART_1001135600

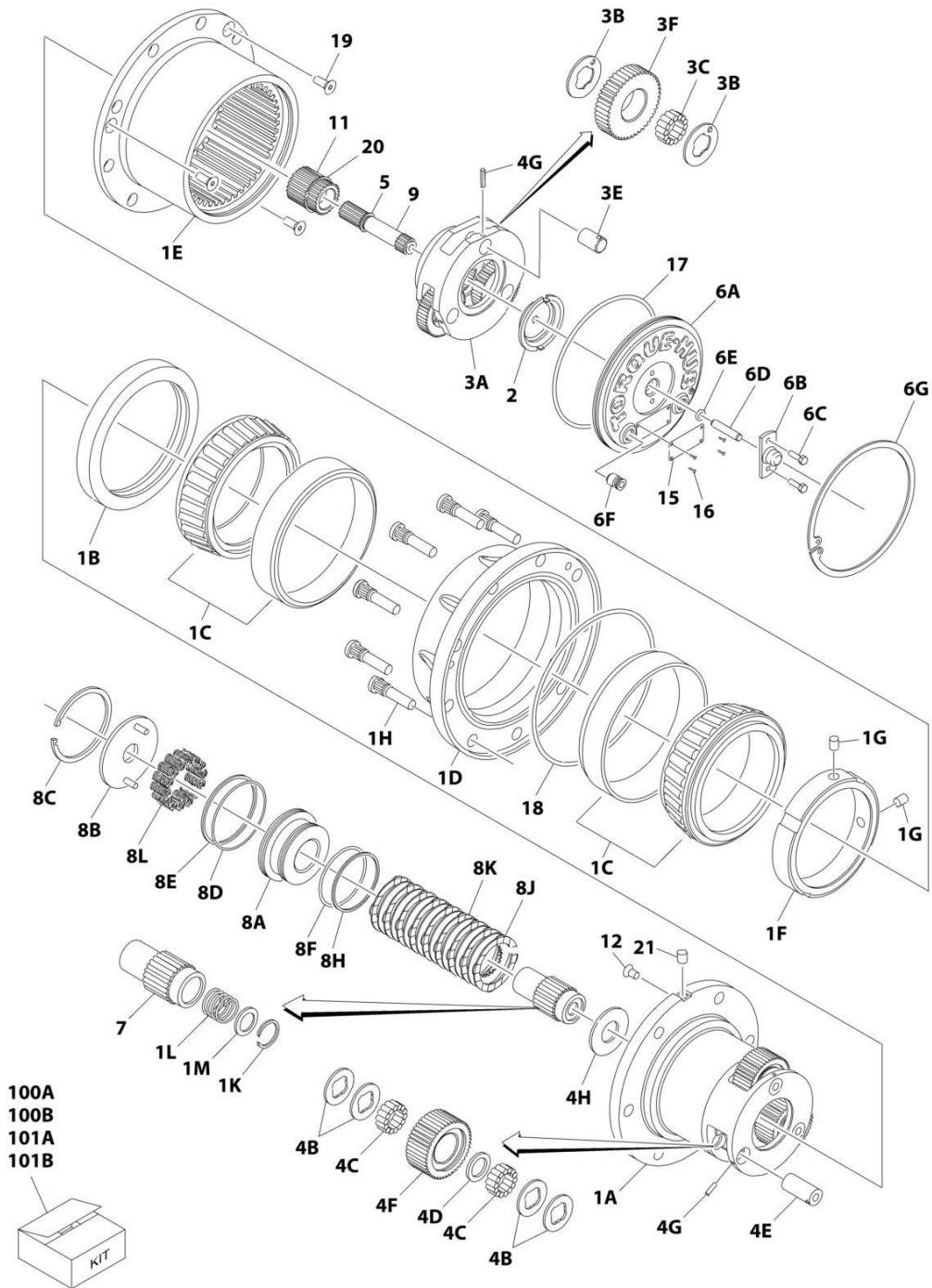
SECTION 1 - FRAME

FIGURE 1-7. DRIVE MOTOR ASSEMBLY (660SJ HC3)

ITEM	PART NUMBER	QTY	DESCRIPTION	REV
	1001135600	Ref	DRIVE MOTOR ASSEMBLY	C
1	70000852	1	Swash Plate Bearing Kit	
2	70003628	2	Pin	
3	70007438	2	Ring, Retaining	
4	70000853	1	Swash Plate	
5	See Note	NSS	Gasket (Note: Use Item 40)	
6	70004201	1	Pin	
7	70004202	1	Ring, Retaining	
8	70000854	1	Plate, Valve	
9	7027740	1	Cylinder Block Kit (Includes Items 10-18)	
10	7027740	1	Block, Cylinder	
11	70000854	1	Guide, Slipper Retainer	
12	7021275	3	Pin, Slipper Hold Down	
13	70004203	9	Piston Assembly	
14	70000857	1	Retainer, Slipper	
15	7022311	1	Ring, Retaining	
16	7024867	1	Spring	
17	7024868	1	Washer	
18	7022314	1	Retainer, Spring	
19	70000858	1	Shaft	
20	7007439	1	Ring, Retaining	
21	70004204	1	Cap, End - Axial	
22	7022368	4	Capscrew	
23	7021249	1	Bearing, Needle	
24	7007446	1	Pin	
25	7007419	2	Plug with O-Ring	
25	See Note	NSS	O-Ring (Note: Not Sold Separately - Purchase Item 25 or 40)	
26	7007420	1	Plug with O-Ring	
26	70000862	1	O-Ring (Note: Not Sold Separately - Purchase Item 26 or 40)	
27	7022321	1	Plug with O-Ring	
27	70000862	1	O-Ring (Note: Not Sold Separately - Purchase Item 27 or 40)	
28	7007420	1	Plug with O-Ring	
28	70000862	1	O-Ring (Note: Not Sold Separately - Purchase Item 28 or 40)	
29	70004205	1	Servo - 4WD	
30	See Note	NSS	Ring, Piston (Note: Not Sold Separately - Purchase Item 29 or 40)	
31	See Note	NSS	O-Ring (Note: Not Sold Separately - Purchase Item 29 or 40)	
32	See Note	NSS	Housing (Note: Not Available - Purchase Complete Motor)	
33	7022321	1	Plug with O-Ring	
33	70000862	1	O-Ring (Note: Not Sold Separately - Purchase Item 33 or 40)	
34	70002133	1	Plug with O-Ring	
34	70000862	1	O-Ring (Note: Not Sold Separately - Purchase Item 34 or 40)	
35	70004205	1	Stop (4WD Motor Only)	
36	70002176	1	Bearing	
37	70000861	1	Spring	
38	See Note	NSS	Seal, Lip (Note: Use Item 40)	
39	7022371	1	Washer, Support	
40	70000862	1	Seal Kit (Includes Items 5, 30, 31, 38 and Plug O-Rings)	

SECTION 1 - FRAME

FIGURE 1-8. DRIVE HUB ASSEMBLY (600S HC3)



ART_2780269

SECTION 1 - FRAME

FIGURE 1-8. DRIVE HUB ASSEMBLY (600S HC3)

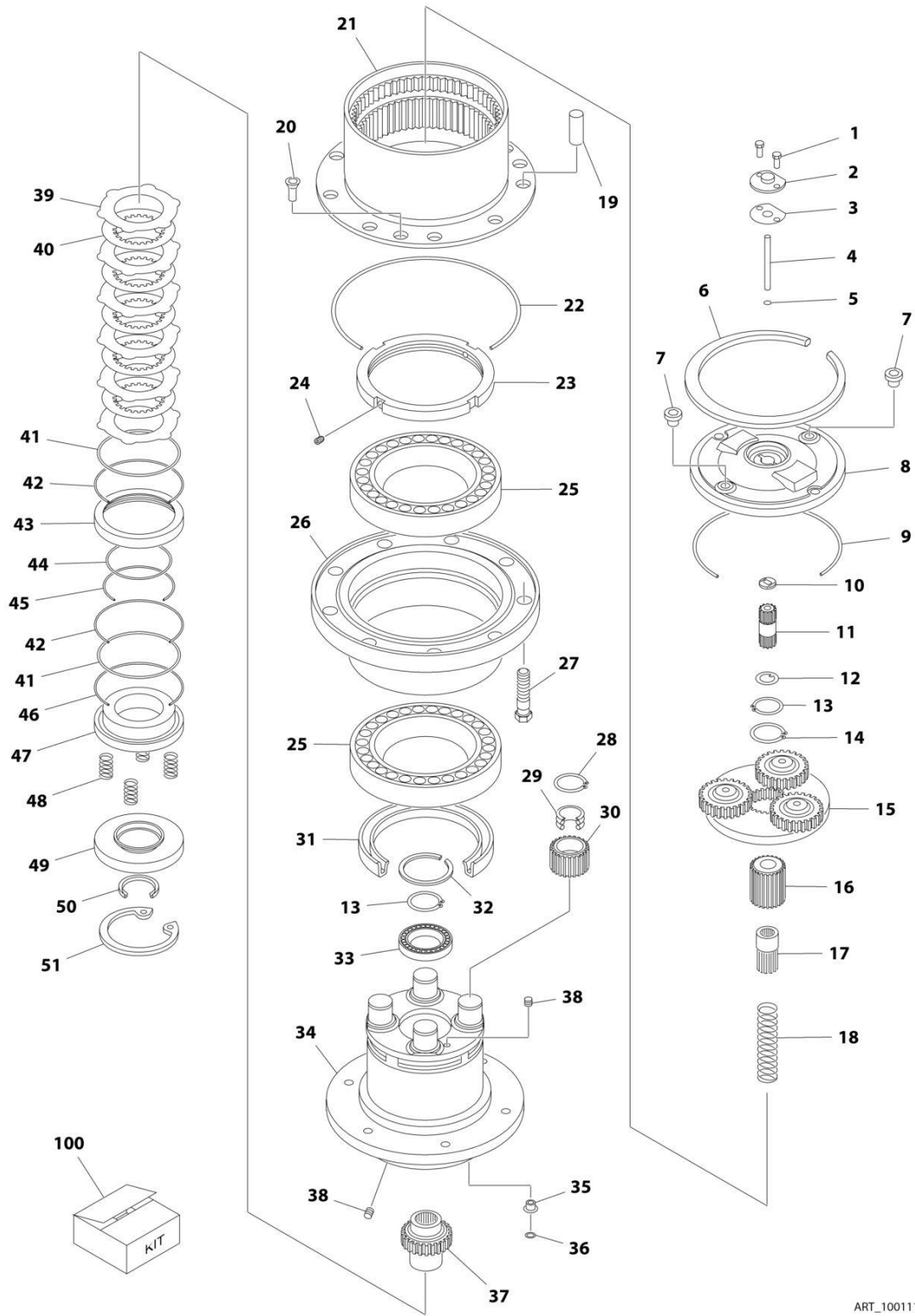
ITEM	PART NUMBER	QTY	DESCRIPTION	REV
	2780269	Ref	DRIVE HUB/BRAKE ASSEMBLY	E
1	See Note	NSS	Spindle/Housing Assembly (Note: Not Available - Purchase Individual Components)	
1A	7024729	1	Spindle	
1B	70001119	1	Seal, Lip	
1C	7024735	2	Bearing (Includes Cup and Cone)	
1D	2780269	1	Housing (Note: Not Available for Purchase)	
1E	7024730	1	Ring, Gear	
1F	7024744	1	Nut, Bearing	
1G	See Note	NSS	Setscrew 1/4 x 1/2 (Note: Use Item 26A, 26B, 27A or 27B)	
1H	7024732	9	Stud, Wheel	
1K	7024125	1	Ring, Retaining	
1L	7024124	1	Spring	
1M	7024129	1	Thrustwasher	
2	7024741	1	Thrustwasher	
3	See Note	NSS	Carrier Assembly (Note: Not Available - Purchase Individual Components)	
3A	7024725	1	Carrier	
3B	7024127	6	Thrustwasher	
3C	7024733	42	Bearing, Needle	
3E	7024724	3	Shaft, Planet	
3F	7024727	3	Gear, Planet	
4	See Note	NSS	Planet Gear Sub-Assembly (Note: Not Available - Purchase Individual Components)	
4B	7024740	12	Thrustwasher	
4C	7024734	84	Bearing, Needle	
4D	7024736	3	Spacer, Thrust	
4E	7024726	3	Shaft, Planet	
4F	7024728	3	Gear, Planet	
4G	7001913	6	Roll Pin	
4H	7024742	1	Thrustwasher	
5	7017027	1	Ring, Retaining	
6	See Note	NSS	Cover Assembly (Note: Not Available - Purchase Individual Components)	
6A	7024731	1	Plate, Cover	
6B	7017093	1	Cap, Disengage	
6C	7000216	2	Bolt 1/2in-20NC x 1/2in	
6D	7024739	1	Pin, Dowel	
6E	7017095	1	O-Ring	
6F	7017072	2	Plug, Pipe	
6G	7024738	1	Ring, Retaining	
7	7024722	1	Coupling	
8	See Note	NSS	Brake, Input (Note: Not Available - Purchase Individual Components)	
8A	70000782	1	Piston, Brake	
8B	7024743	1	Plate, Pressure	
8C	See Note	NSS	Ring, Retaining (Note: Use Item 26B, 27A or 27B)	
8D	See Note	NSS	O-Ring (Note: Use Item 26B or 27A)	
8E	See Note	NSS	Ring, Back-up (Note: Use Item 26B or 27A)	
8F	See Note	NSS	O-Ring (Note: Use Item 26B or 27A)	
8H	See Note	NSS	Ring, Back-up (Note: Use Item 26B or 27A)	

SECTION 1 - FRAME

ITEM	PART NUMBER	QTY	DESCRIPTION	REV
8J	See Note	NSS	Rotor, Brake (Note: Use Item 27A)	
8K	See Note	NSS	Stator, Brake (Note: Use Item 27A)	
8L	See Note	NSS	Spring, Brake (Note: Use Item 27B)	
9	7024721	1	Shaft, Input	
11	7024723	1	Gear, Sun	
12	See Note	NSS	Plug (Note: Not Available for Purchase)	
15	See Note	NSS	Plate, ID (Not Shown) (Note: Not Available for Purchase)	
16	7000281	4	Screw, Drive	
17	7024134	1	O-Ring	
18	See Note	NSS	O-Ring (Note: Use Item 26A)	
19	7017022	3	Screw, Countersunk 3/8in-16NC	
20	7024737	1	Ring, Retaining	
21	See Note	NSS	Plug (Note: Not Available - Purchase Locally)	
26		Ref	Seal Kit Options:	
26A	7024744	1	Hub Seal Kit (Includes Items 1B, 1F, 1G, 17, 18 & 19)	
26B	7024765	1	Brake Seal Kit (Includes Items 1G, 8C, 8D, 8E, 8F & 8H)	
27		Ref	Repair Kit Options:	
27A	7024764	1	Brake Lining Kit (Includes Items 1G, 8C, 8D, 8E, 8F, 8H, 8J & 8K)	
27B	7024766	1	Brake Spring Kit (Includes Items 1G, 8C & 8L)	

SECTION 1 - FRAME

FIGURE 1-9. DRIVE HUB ASSEMBLY (660SJ HC3)



ART_1001113984

SECTION 1 - FRAME

FIGURE 1-9. DRIVE HUB ASSEMBLY (660SJ HC3)

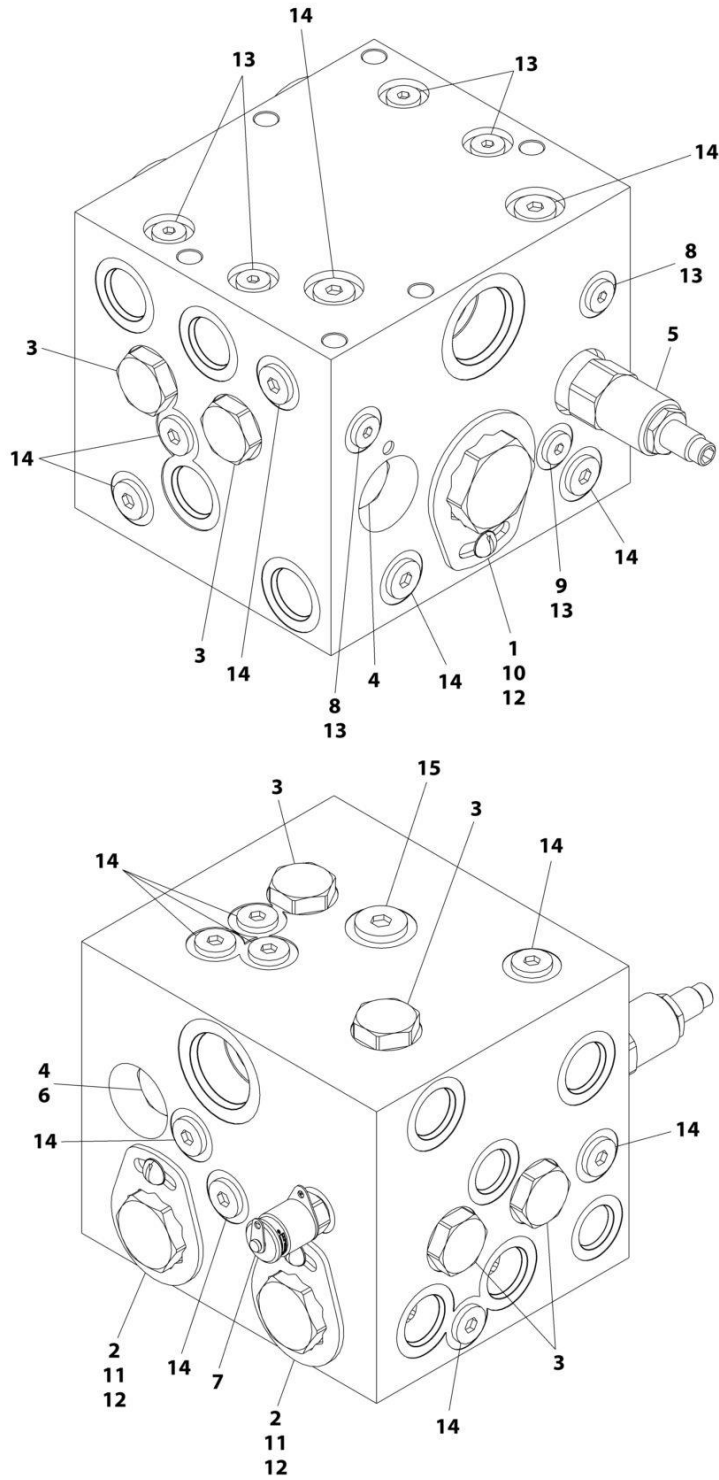
ITEM	PART NUMBER	QTY	DESCRIPTION	REV
	1001113984	Ref	DRIVE HUB ASSEMBLY	E
1	70004353	2	Screw	
2	70005298	1	Cover, Disengagement	
3	70002201	1	Gasket	
4	70002059	1	Pin, Disengagement	
5	See Note	NSS	O-Ring (Note: Use Item 100)	
6	70005299	1	Ring	
7	70002057	4	Plug	
8	70005300	1	Cover	
9	See Note	NSS	O-Ring (Note: Use Item 100)	
10	70002054	1	Shim	
11	70005301	1	Pinion	
12	70005302	1	Shim	
13	70004355	2	Ring, Outer Retention	
14	70004356	1	Ring, Inner Retention	
15	70005303	1	Reduction Gear Assembly	
16	70005304	1	Pinion	
17	70005305	1	Coupling, Disengagement Half	
18	70005306	1	Spring, Disengagement	
19	70005307	9	Plug	
20	70004361	3	Screw	
21	70005308	1	Ring, Planetary	
22	See Note	NSS	O-Ring (Note: Use Item 100)	
23	70005309	1	Nut, Ring	
24	70004363	2	Screw	
25	70005311	2	Bearing	
26	70004365	1	Support, Hub	
27	70005312	9	Column	
28	70004367	4	Ring, Outer Retention	
29	70005313	4	Bearing	
30	70004369	4	Wheel, Planet	
31	See Note	NSS	Seal, Oil (Note: Use Item 100)	
32	70004370	1	Ring	
33	70004371	1	Bearing	
34	70005314	1	Axle, Stub	
35	70005315	1	Plug	
36	See Note	NSS	O-Ring (Note: Use Item 100)	
37	70005316	1	Shaft, Input	
38	70004447	2	Plug	
39	70002027	6	Disc, Steel	
40	70002026	5	Disc, Sintered	
41	See Note	NSS	Seal (Note: Use Item 100)	
42	See Note	NSS	O-Ring (Note: Use Item 100)	
43	70005317	1	Spacer	
44	See Note	NSS	Seal (Note: Use Item 100)	
45	See Note	NSS	O-Ring (Note: Use Item 100)	
46	See Note	NSS	O-Ring (Note: Use Item 100)	
47	70005318	1	Piston	
48	70002020	6	Spring, Brake	
49	70005319	1	Spacer	

SECTION 1 - FRAME

ITEM	PART NUMBER	QTY	DESCRIPTION	REV
50	See Note	NSS	Seal, Oil (Note: Use Item 100)	
51	70005320	1	Ring, Inner Retention	
100	70005321	1	Seal Kit (Includes Items 5, 9, 22, 31, 36, 41, 42, 44, 45, 46 & 50)	

SECTION 1 - FRAME

FIGURE 1-10. TRACTION VALVE ASSEMBLY



ART_1001187521

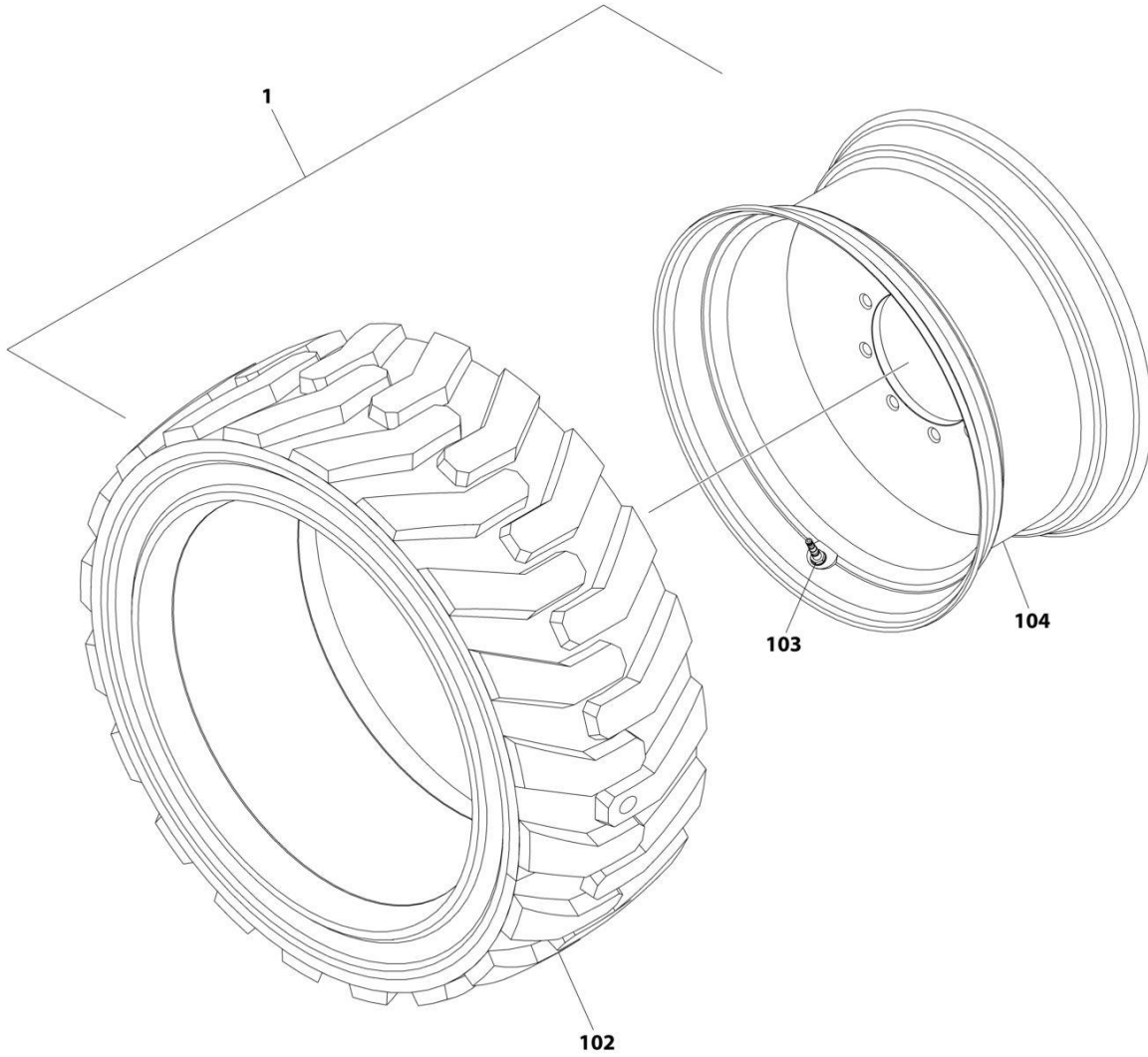
SECTION 1 - FRAME

FIGURE 1-10. TRACTION VALVE ASSEMBLY

ITEM	PART NUMBER	QTY	DESCRIPTION	REV
	1001187521	Ref	TRACTION VALVE ASSEMBLY	H
1	70005668	1	Valve, Flow Divider	
1	7021625	1	Seal Kit - 70005668 Valve	
2	70005669	2	Valve, Flow Divider	
2	70004577	2	Seal Kit - 70005669 Valve	
3	70026444	6	Valve, Check	
3	7022399	6	Seal Kit - 7022397 Valve	
4	70002390	2	Valve, Check	
4	7022399	2	Seal Kit - 70002390 Valve	
5	70007507	1	Valve, Relief	
5	7012998	1	Seal Kit - 70007507 Valve	
6	7024881	1	Piston	
7	2221086	1	Fitting, Test	
8	70003975	2	Orifice	
9	70002209	1	Orifice	
10	70000781	1	Lock Down Kit	
11	70002962	2	Lock Down Kit	
12	70004888	3	Screw	
13	2220883	7	Plug	
14	2220885	15	Plug	
15	2220886	1	Plug	

SECTION 1 - FRAME

FIGURE 1-11. TIRE & WHEEL INSTALLATION - IN355-55 D625 FOAM FILLED (AVAILABLE ON ALL SPECS)



ART_1001185596

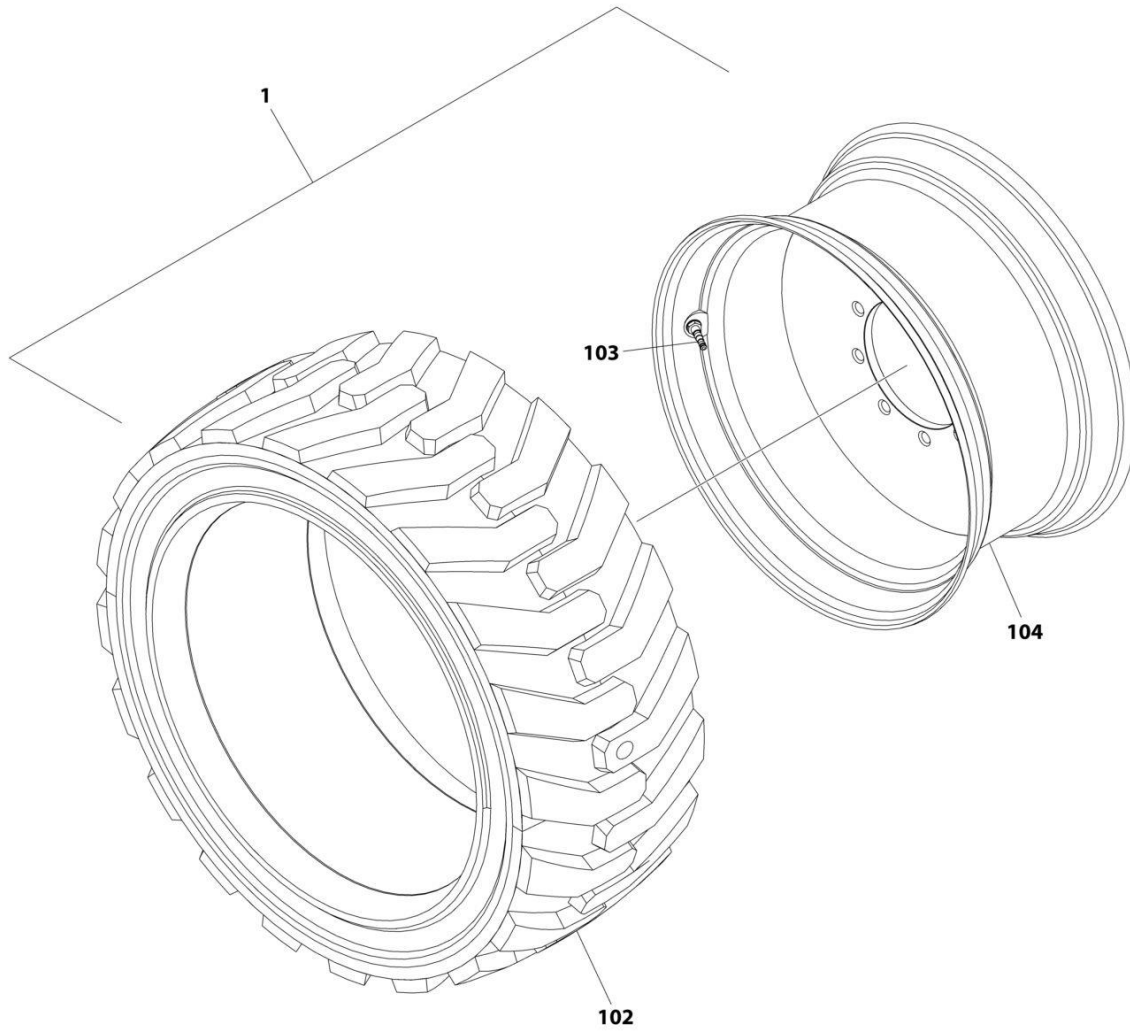
SECTION 1 - FRAME

FIGURE 1-11. TIRE & WHEEL INSTALLATION - IN355-55 D625 FOAM FILLED (AVAILABLE ON ALL SPECS)

ITEM	PART NUMBER	QTY	DESCRIPTION	REV
	1001185596	Ref	TIRE & WHEEL INSTALLATION	A
		Ref	Note: Assemblies may require ballast/foam filling to manufacturer's specifications prior to installing on a machine. Refer to Operation and Safety or Service and Maintenance Manuals.	
		Ref	Note: Purchase individual tire and/or rim only if able to foam fill tire and wheel assembly, otherwise, purchase complete assembly.	
1	1001181795	Ref	Tire and Wheel Assembly (LH Side)	D
1	1001181796	Ref	Tire and Wheel Assembly (RH Side)	D
102	4520288	4	Tire - IN355-55 D625	
103	4641122	4	Valve	
104	1001181797	4	Rim, Wheel	

SECTION 1 - FRAME

FIGURE 1-12. TIRE & WHEEL INSTALLATION - IN355-55 D625 FOAM FILLED NON-MARKING
(AVAILABLE ON ALL SPECS)



ART_1001185597

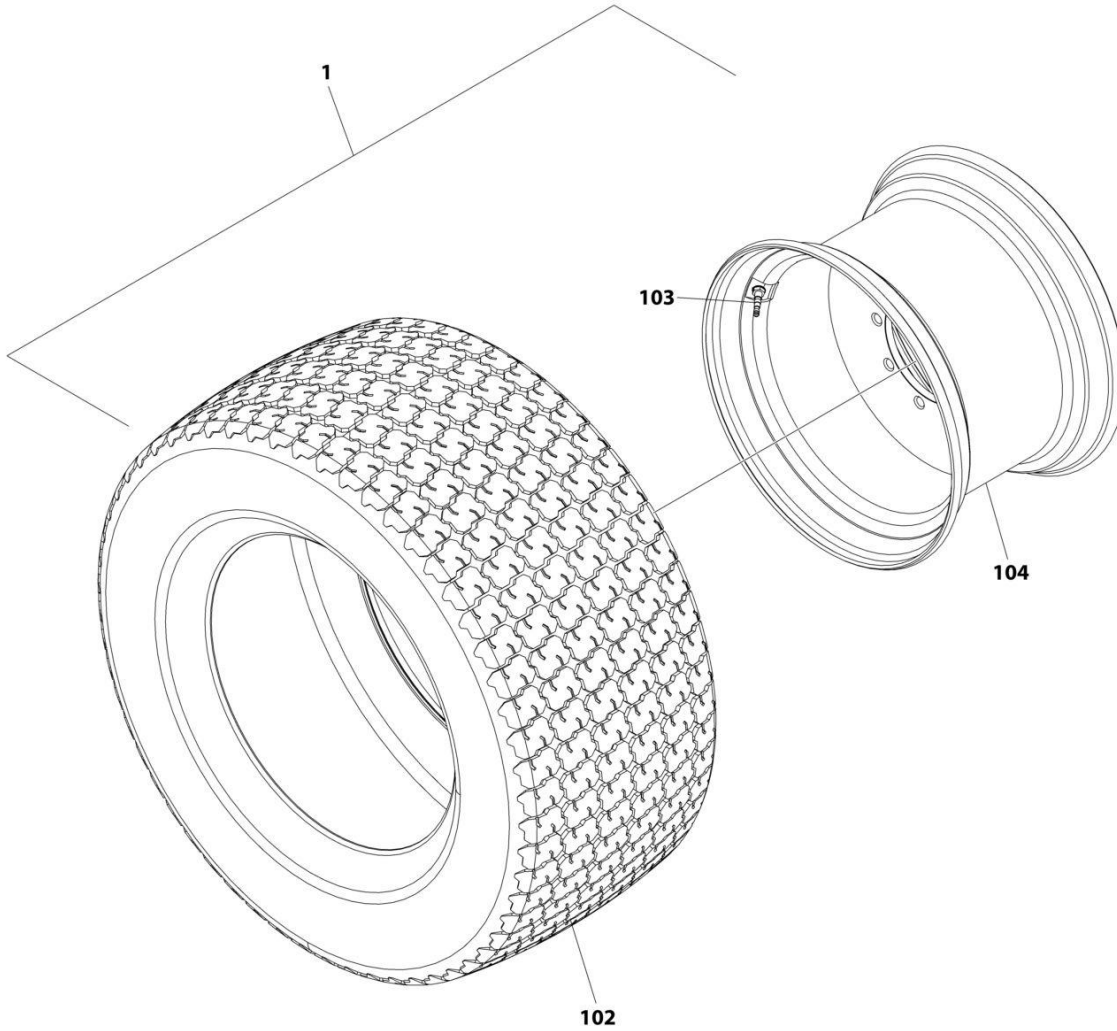
SECTION 1 - FRAME

**FIGURE 1-12. TIRE & WHEEL INSTALLATION - IN355-55 D625 FOAM FILLED NON-MARKING
(AVAILABLE ON ALL SPECS)**

ITEM	PART NUMBER	QTY	DESCRIPTION	REV
	1001185597	Ref	TIRE & WHEEL INSTALLATION	A
		Ref	Note: Assemblies may require ballast/foam filling to manufacturer's specifications prior to installing on a machine. Refer to Operation and Safety or Service and Maintenance Manuals.	
		Ref	Note: Purchase individual tire and/or rim only if able to foam fill tire and wheel assembly, otherwise, purchase complete assembly.	
1	1001184727	Ref	Tire and Wheel Assembly (RH Side)	E
1	1001184728	1	Tire and Wheel Assembly (LH Side)	E
102	1001184881	4	Tire - IN355-55 D625	
103	4641122	4	Valve	
104	1001181797	4	Rim, Wheel	

SECTION 1 - FRAME

**FIGURE 1-13. TIRE & WHEEL INSTALLATION - 41-18LL X 22.5 FOAM FILLED TURF & SAND
(AVAILABLE ON ALL SPECS EXCEPT AUSTRALIAN, RUSSIA, CE & UK CA SPECS)**



ART_1001216195

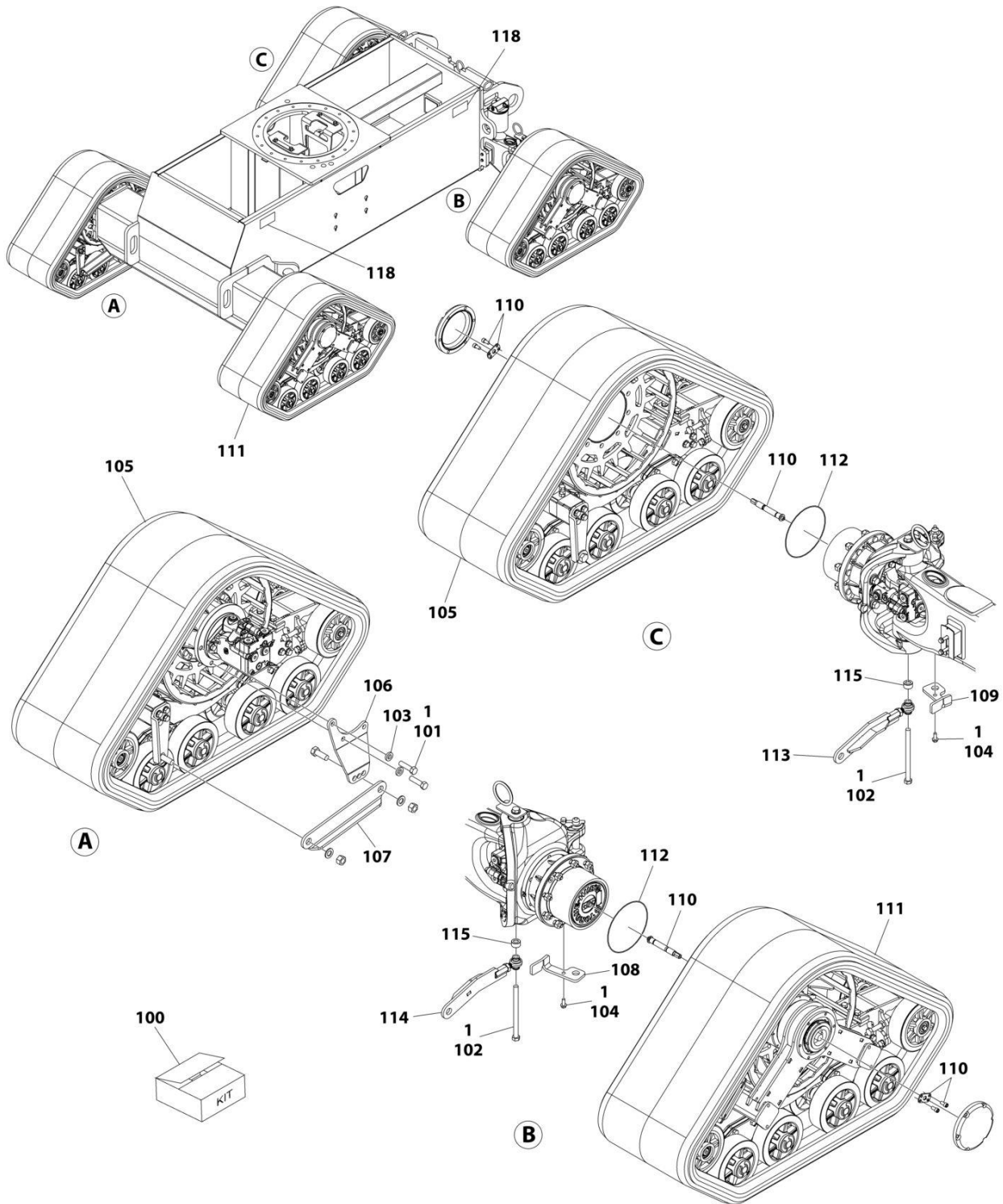
SECTION 1 - FRAME

**FIGURE 1-13. TIRE & WHEEL INSTALLATION - 41-18LL X 22.5 FOAM FILLED TURF & SAND
(AVAILABLE ON ALL SPECS EXCEPT AUSTRALIAN, RUSSIA, CE & UK CA SPECS)**

ITEM	PART NUMBER	QTY	DESCRIPTION	REV
	1001216195	Ref	TIRE & WHEEL INSTALLATION	A
		Ref	Note: Not Available on Shipyard Machines.	
		Ref	Note: Turf/Sand Tires Required Additional Chassis Counterweight. See SPECIAL OPTIONS SECTION Before Installing this Option.	
		Ref	Note: Assemblies may require ballast/foam filling to manufacturer's specifications prior to installing on a machine. Refer to Operation and Safety or Service and Maintenance Manuals.	
		Ref	Note: Purchase individual tire and/or rim only if able to foam fill tire and wheel assembly, otherwise, purchase complete assembly.	
1	1001216196	Ref	Tire and Wheel Assembly - Turf and Sand	C
102	4520256	4	Tire - 41-18LL x 22.5	
103	4641122	4	Valve	
104	1001208017	4	Rim, Wheel	

SECTION 1 - FRAME

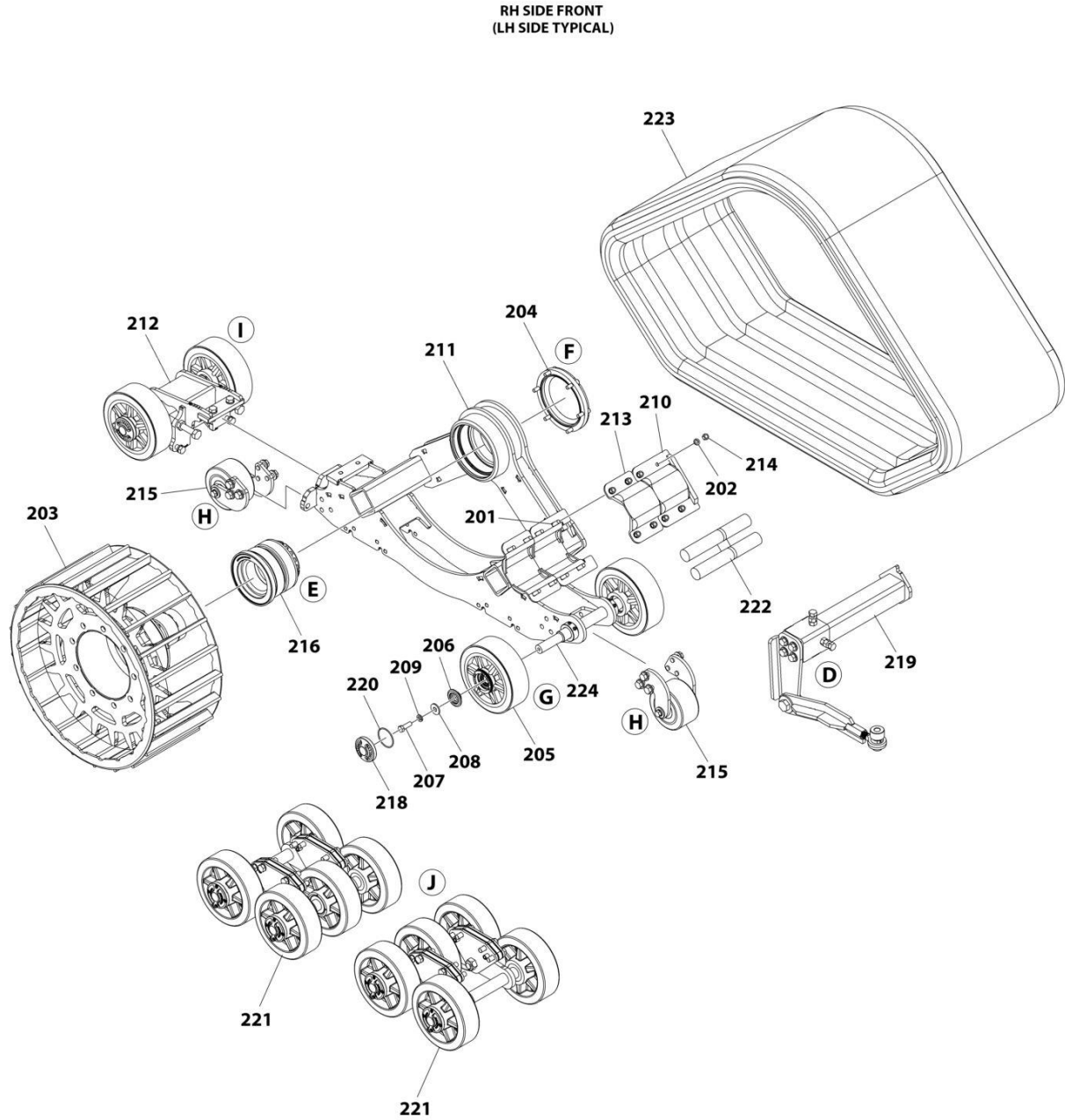
FIGURE 1-14. MATTRACKS INSTALLATION



ART_1001243431_C_10F4

SECTION 1 - FRAME

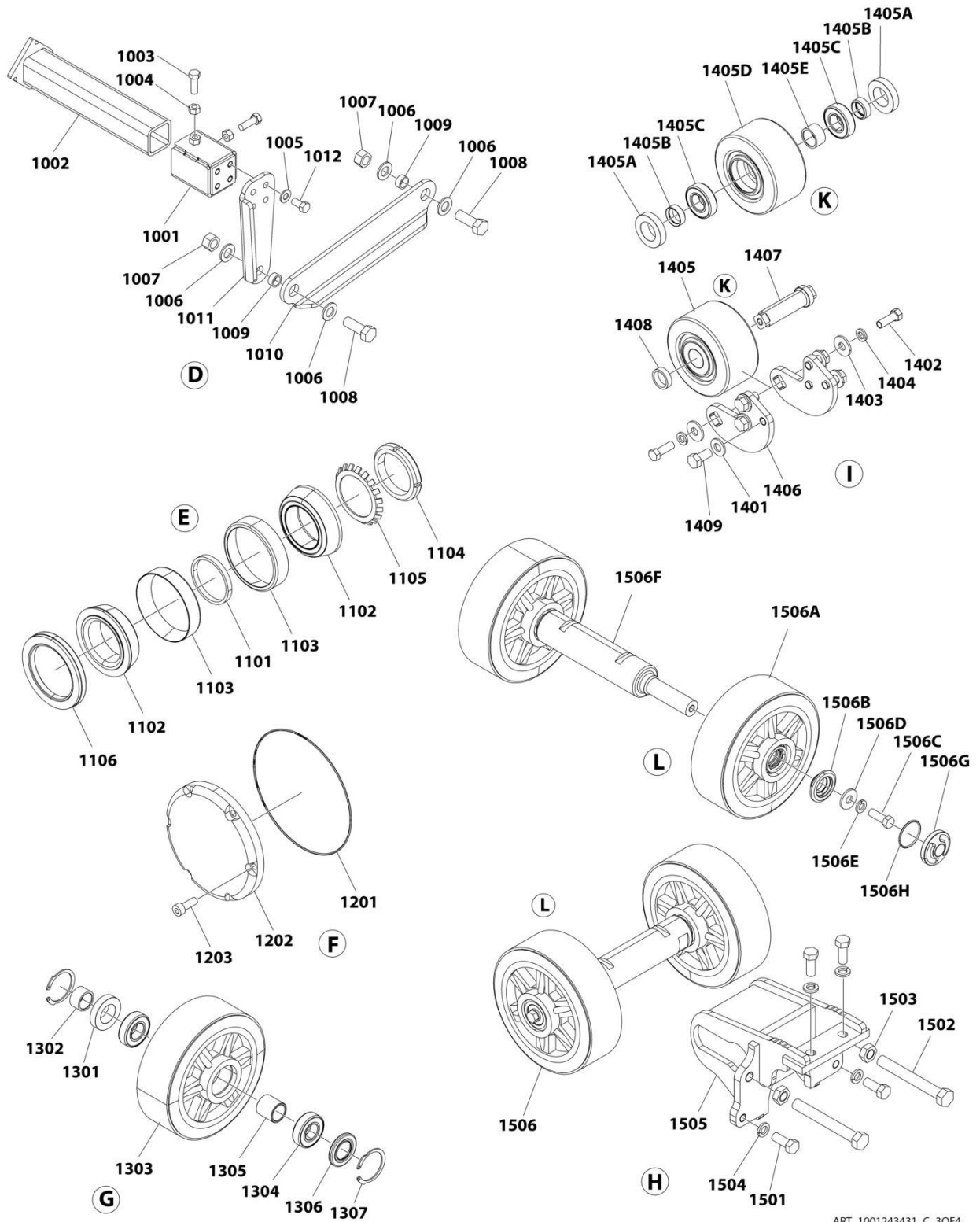
FIGURE 1-15. MATTRACKS INSTALLATION



ART_1001243431_C_20F4

SECTION 1 - FRAME

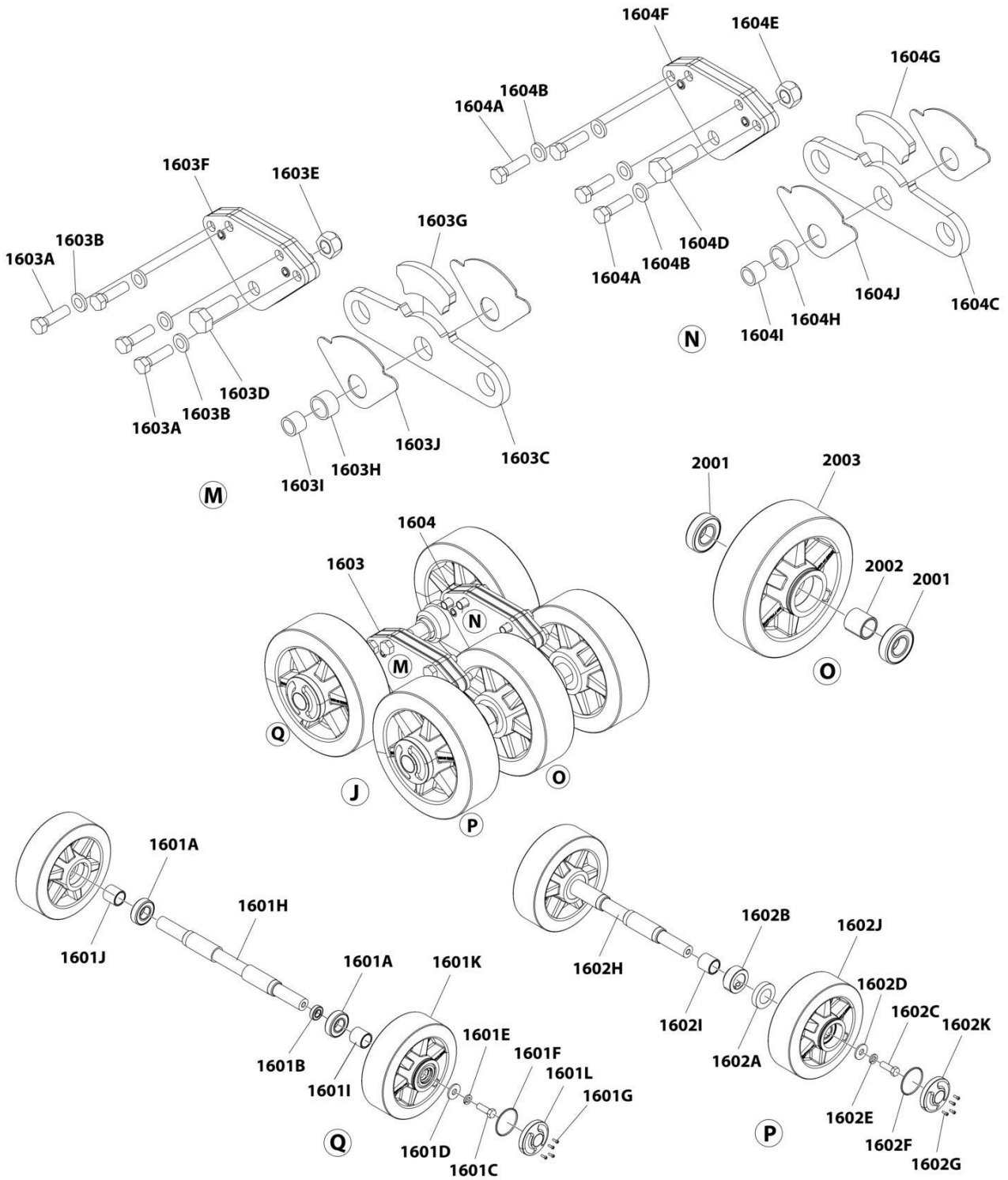
FIGURE 1-16. MATTRACKS INSTALLATION



ART_1001243431_C_30F4

SECTION 1 - FRAME

FIGURE 1-17. MATTRACKS INSTALLATION



ART_1001243431_C_40F4

SECTION 1 - FRAME

FIGURE 1-17. MATTRACKS INSTALLATION

ITEM	PART NUMBER	QTY	DESCRIPTION	REV
	1001243431	Ref	MATTRACKS INSTALLATION	C
1	0100011	AR	Compound, Locking	
100	1001277880	1	Mattracks Kit	B
101	0682019	6	Bolt 5/8 x 2-3/8	
102	0701639	2	Bolt M16 x 220	
103	4740393	6	Washer	
104	5201012	2	Bolt M10 x 25	
105	1001231957	2	Track Assembly (LH) (See Items 201-223)	
106	1001238851	2	Plate, Hub	
107	1001238858	2	Plate	
108	1001239295	1	Plate, Stopper (RH)	
109	1001239296	1	Plate, Stopper (LH)	
110	1001292406	4	Pin	
111	1001242991	2	Track Assembly (RH) (See Items 201-223)	
112	1001248720	4	O-Ring	
113	1001253468	1	Link (LH)	
114	1001253469	1	Link (RH)	
115	1001253470	2	Sleeve	
117	1001293465	1	Manual (Not Shown)	
118	1001293730	4	Decal, Max Track Load	
	1001231957	Ref	TRACK ASSEMBLY (LH)	B
	1001242991	Ref	TRACK ASSEMBLY (RH)	B
		Ref	Note: Quantity Shown is for Quantity 1 Track Assembly.	
201	70007680	8	Screw 3/8 x 1-1/4	
202	70007681	8	Washer 3/8	
203	70007682	1	Spindle/Sprocket	
204	70007683	1	Spindle/Cap Assembly (Includes Items 1201-1203)	
205	70007684	2	Wheel, 8 x 250 (Includes Items 1301-1307)	
206	70007685	2	Washer	
207	70007686	2	Bolt 7/16 x 1-1/4	
208	70007687	2	Washer 1/2	
209	70007688	2	Washer 7/16	
210	70007689	1	Clamp	
211	70007690	1	Frame (LH) (Not Shown)	
211	70007702	1	Frame (RH)	
212	70007691	1	Nose Assembly (Includes Items 1501-1506)	
213	70007692	1	Clamp	
214	70007693	8	Nut 3/8	
215	70007694	2	Guide Wheel Assembly (Includes Items 1401-1408)	
216	70007695	1	Bearing (1 Set) (Includes Items 1101-1106)	
218	70007696	2	Cap, Wheel	
219	70007964	1	Torque/Slide Tube Arm Assembly (LH) (Not Shown) (Includes Items 1001-1012)	
219	70007697	1	Torque/Slide Tube Arm Assembly (RH) (Includes Items 1001-1012)	
220	70007698	2	O-Ring	
221	70007699	2	Rocker Assembly (Includes Items 1601-1604)	
222	70007700	1	Cushions Assembly	
223	70007701	1	Track	
224	70008279	1	Shaft, Frame	

SECTION 1 - FRAME

ITEM	PART NUMBER	QTY	DESCRIPTION	REV
1001	See Note	NSS	Tube (Note: Not Available for Purchase)	
1002	See Note	NSS	Tube (Note: Not Available for Purchase)	
1003	70008297	1	Bolt 1/2 x 1-1/2 Grade 8	
1004	70008298	2	Nut 1/2	
1005	70008299	4	Washer 1/2	
1006	70008300	2	Washer 3/4	
1007	70008301	2	Nut 3/4	
1008	70008302	2	Bolt 3/4 Grade 8	
1009	70008303	2	Bushing	
1010	70008304	1	Link	
1011	70008305	1	Link	
1012	70008306	4	Bolt 1/2 x 1 Grade 8	
1101	70008308	1	Spacer	
1102	70008309	2	Bearing, Cone	
1103	70008310	2	Bearing, Cup	
1104	70008311	1	Nut	
1105	70008312	1	Nut	
1106	70008313	1	Seal	
1201	70008314	1	O-Ring	
1202	See Note	NSS	Cap, Spindle (Note: Not Available for Purchase)	
1203	70008315	6	Bolt 3/8 x 1-1/4	
1301	70008277	1	Seal	
1302	70008282	1	O-Ring	
1303	See Note	1	Wheel	
1304	70008278	2	Bearing	
1305	70008307	1	Spacer	
1306	70008316	1	Seal	
1307	70008317	2	Ring, Snap	
1401	70008341	6	Washer 1/2	
1402	70007686	2	Bolt 7/16 x 1-1/4	
1403	70007687	2	Washer 1/2	
1404	70007688	2	Washer 7/16	
1405	70008318	1	Bearing/ Wheel Guide	
1405A	70008277	2	Seal	
1405B	70008282	2	O-Ring	
1405C	70008278	2	Bearing	
1405D	See Note	1	Guide, Wheel (Note: Not Available for Purchase)	
1405E	70008319	1	Spacer	
1406	See Note	NSS	Plate (Note: Not Available for Purchase)	
1407	70008320	1	Guide, Wheel	
1408	70008321	1	Spacer	
1409	70008306	6	Bolt 1/2 x 1 Grade 8	
1501	70008326	4	Bolt 1/2 x 1-1/4 Grade 8	
1502	70008327	2	Bolt 5/8 x 5	
1503	70008328	2	Nut 5/8 Grade 8	
1504	70008299	4	Washer 1/2	
1505	70008329	1	Housing, Axle	
1506	70008322	1	Axle Wheel Assembly	
1506A	70007684	2	Wheel	
1506B	70007685	2	Washer	
1506C	70007686	2	Bolt 7/16 x 1-1/4	

SECTION 1 - FRAME

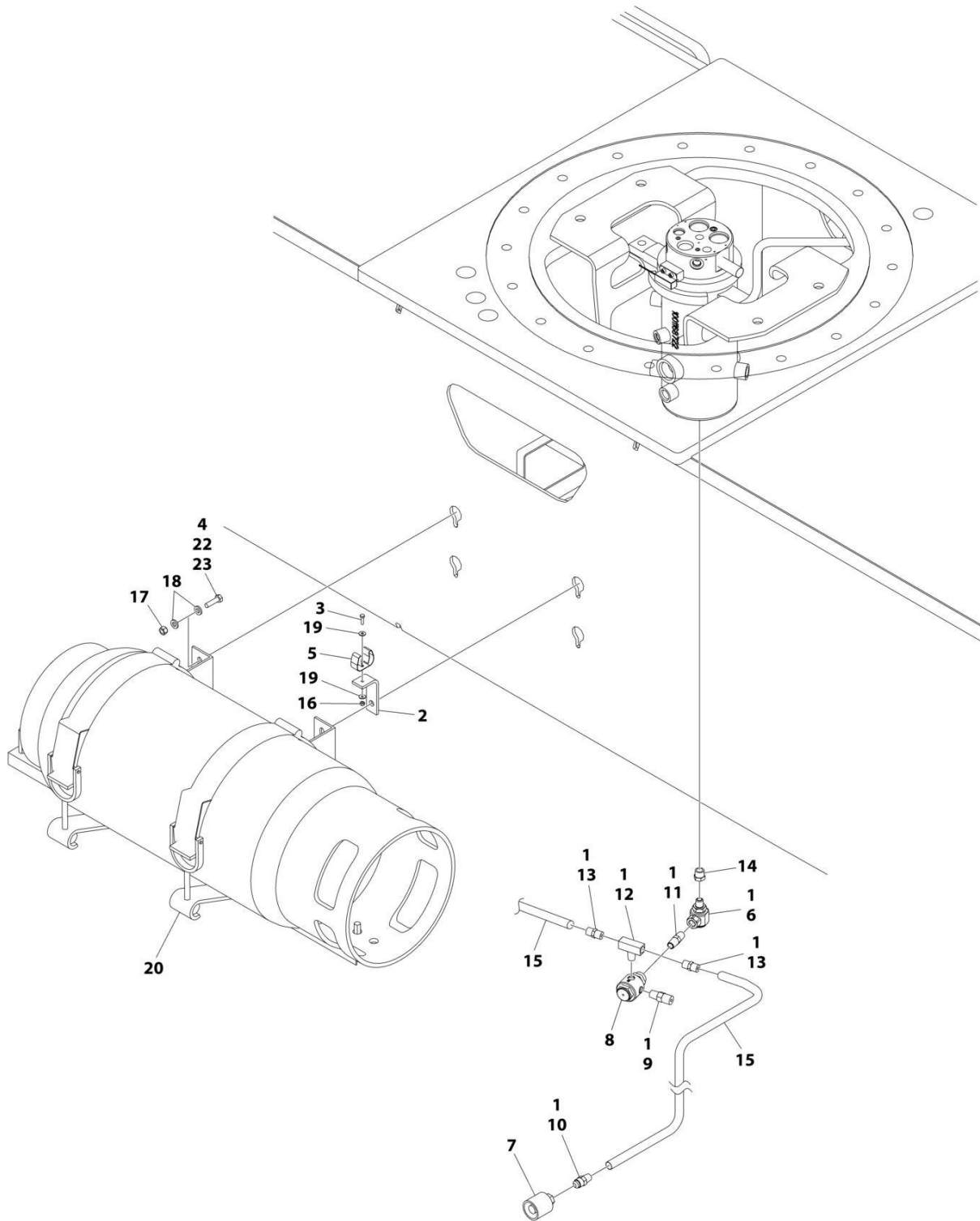
ITEM	PART NUMBER	QTY	DESCRIPTION	REV
1506D	70007687	2	Washer 1/2	
1506E	70007688	2	Washer 7/16	
1506F	70008324	1	Adjuster	
1506G	70007696	2	Cap, Wheel	
1506H	70007698	2	O-Ring	
1601	See Note	NSS	Wheel and Axle (Note: Not Available for Purchase)	
1601A	70008277	4	Seal	
1601B	70008282	4	O-Ring	
1601C	70007686	2	Bolt 7/16 x 1-1/4	
1601D	70007687	2	Washer 1/2	
1601E	70007688	2	Washer 7/16	
1601F	70008283	2	O-Ring	
1601G	70008284	8	Bolt 32 x 1/2	
1601H	70008285	1	Rocker	
1601I	70008286	2	Spacer	
1601J	70008287	1	Spacer	
1601K	70008288	3	Wheel (Includes Items 2001-2003)	
1601L	70007276	2	Cap, Wheel	
1602	70008330	1	Wheel and Axle	
1602A	70008277	2	Cap, Wheel	
1602B	70008282	2	O-Ring	
1602C	70007686	2	Bolt 7/16 x 1-1/4	
1602D	70007687	2	Washer 1/2	
1602E	70007688	2	Washer 7/16	
1602F	70008283	2	O-Ring	
1602G	70008284	8	Bolt 10 x 1/2	
1602H	70008159	1	Axle, Rocker	
1602I	70008286	2	Spacer	
1602J	70008288	2	Wheel (Includes Items 2001-2003)	
1602K	70008276	2	Cap, Wheel	
1603	70008339	1	Rocker, Cushion	
1603A	70008332	4	Bolt 1/2 x 1-3/4	
1603B	70008333	4	Washer 1/2	
1603C	See Note	NSS	Plate (Note: Not Available for Purchase)	
1603D	70008334	1	Bolt 3/4 x 2	
1603E	70008301	1	Nut 3/4	
1603F	See Note	NSS	Rocker (Note: Not Available for Purchase)	
1603G	70008335	1	Cushion, Rocker	
1603H	70008336	1	Bushing	
1603I	70008337	2	Bushing	
1603J	70008338	2	Spacer	
1604	70008331	1	Rocker, Cushion	
1604A	70008332	4	Bolt 1/2 x 1-3/4 Grade 8	
1604B	70008333	4	Washer 1/2	
1604C	See Note	NSS	Plate (Note: Not Available for Purchase)	
1604D	70008334	1	Bolt 3/4 x 2	
1604E	70008301	1	Nut 3/4	
1604F	See Note	NSS	Rocker (Note: Not Available for Purchase)	
1604G	70008335	1	Cushion	
1604H	70008336	1	Bushing	
1604I	70008337	2	Bushing	

SECTION 1 - FRAME

ITEM	PART NUMBER	QTY	DESCRIPTION	REV
1604J	70008338	2	Spacer	
2001	70008278	2	Bearing	
2002	70008307	1	Spacer	
2003	See Note	NSS	Wheel (Note: Not Available for Purchase)	

SECTION 1 - FRAME

FIGURE 1-18. LP TANKS AND BRACKETS INSTALLATION (FORD ENGINES)



ART_1001185598

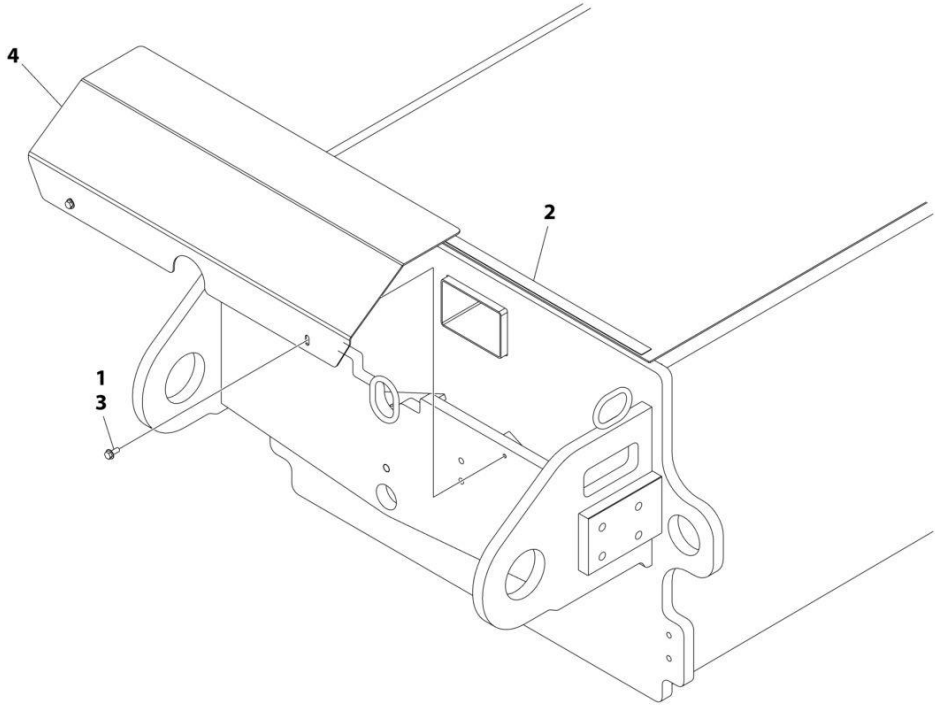
SECTION 1 - FRAME

FIGURE 1-18. LP TANKS AND BRACKETS INSTALLATION (FORD ENGINES)

ITEM	PART NUMBER	QTY	DESCRIPTION	REV
	1001185598	Ref	LP TANK AND BRACKETS INSTALLATION	D
1	0100020	AR	Sealant	
2	0181949	2	Angle	
3	0760408	2	Bolt M4 x 16	
4	0760816	8	Bolt M8 x 40	
5	1320218	2	Clamp	
6	1001247358	1	Fitting, 90	
7	2180387	2	Fitting, Tank Connector	
8	2180388	1	Fitting, Bulkhead	
9	2180389	1	Valve, Relief	
10	2180418	2	Fitting, Straight	
11	2220261	1	Fitting, Nipple	
12	2220418	1	Fitting, Tee	
13	2221024	2	Fitting, Ball Check	
14	2221197	1	Fitting, Straight	
15	2720144	2	Hose	
16	3290405	2	Nut M4	
17	3290805	8	Nut M8	
18	5240800	16	Washer M8	
19	1001091102	4	Washer M4	
20	1001184725	2	Clamp Kit	
20	1320127	2	Clamp, Toggle (1 Per Strap)	
21	4240018	2	Tie-Strap (Not Shown)	
22	0100011	AR	Compound, Locking	
23	0760814	8	Bolt M8 x 30	
100	4400275	2	Tank, LP	

SECTION 1 - FRAME

FIGURE 1-19. FRAME COVERS INSTALLATION - 2WS



ART_1001187864

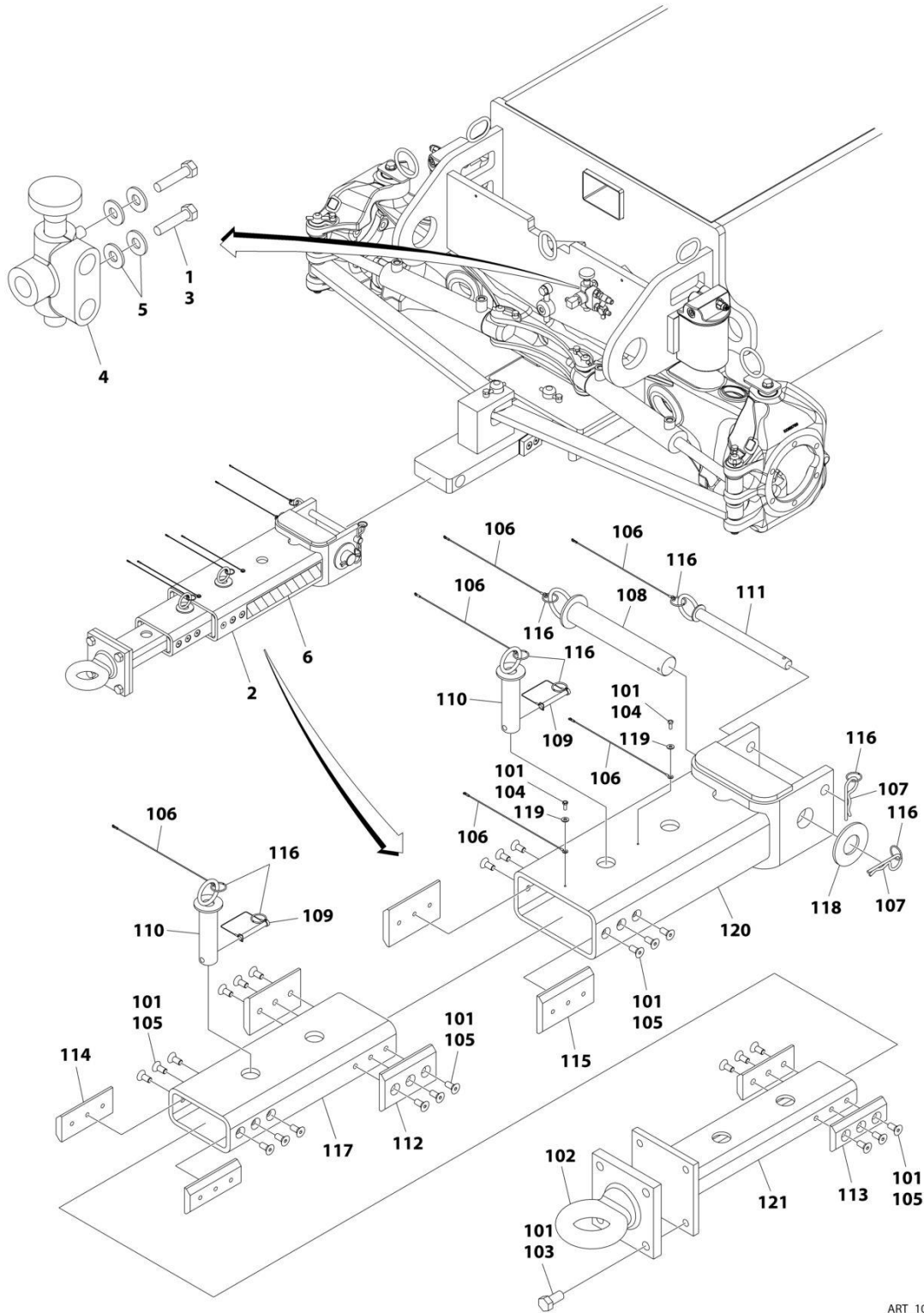
SECTION 1 - FRAME

FIGURE 1-19. FRAME COVERS INSTALLATION - 2WS

ITEM	PART NUMBER	QTY	DESCRIPTION	REV
	1001187864	Ref	FRAME COVERS INSTALLATION	B
1	0100011	AR	Compound, Locking	
2	4280296	32 in/ 80cm	Tape	
3	5250810	2	Bolt M8 x 20	
4	1001187870	1	Cover	

SECTION 1 - FRAME

FIGURE 1-20. TOW BAR INSTALLATION (OPTIONAL)



ART_1001188893

SECTION 1 - FRAME

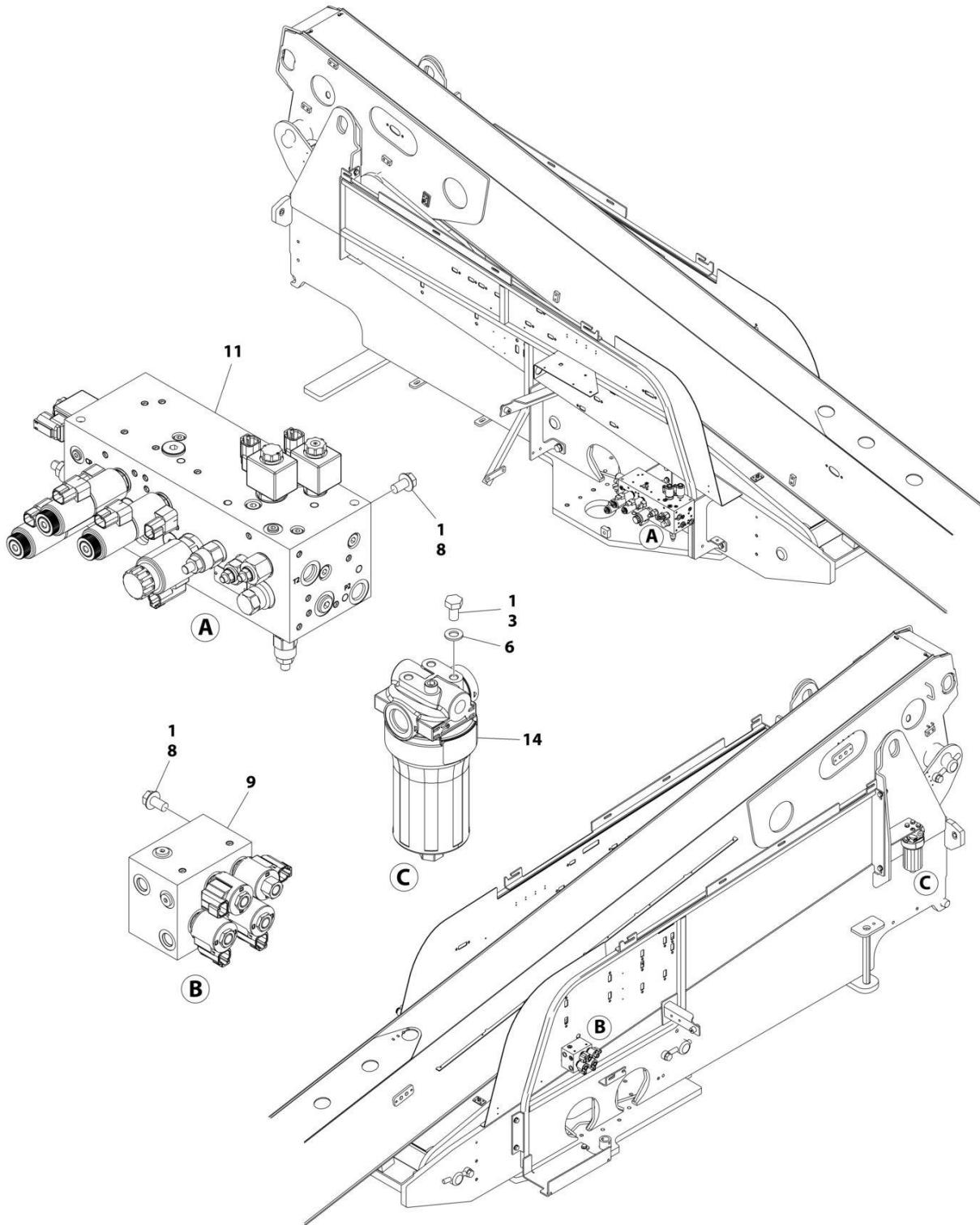
FIGURE 1-20. TOW BAR INSTALLATION (OPTIONAL)

ITEM	PART NUMBER	QTY	DESCRIPTION	REV
	1001188893	Ref	TOW BAR INSTALLATION	B
		Ref	MACHINES WITH SN STARTING WITH 03:	
	1001150571	Ref	ANSI Spec	D
	1001150570	Ref	CSA Spec	D
	1001150569	Ref	CE & UK CA Spec	A
		Ref	MACHINES WITH SN STARTING WITH B3:	
	1001150571	Ref	ANSI Export Spec	D
1	0100011	AR	Compound, Locking	
2	0270528	1	Tow Bar Assembly (See Items 101-121 for Breakdown)	
3	0641511	2	Bolt 5/6 x 1-3/8	
4	4640261	1	Valve, Select	
5	4751500	4	Washer 5/16	
6	4420051	2 ft/.61m	Tape, Safety	
	0270528	Ref	Tow Bar Assembly	B
101	0100011	AR	Compound, Locking	
102	0362910	1	Pintle, Draw Eye	
103	0642010	4	Bolt 5/8 x 1-1/4	
104	0721004	2	Screw	
105	0741607	24	Screw 3/8 x 7/8	
106	1060584	6	Lanyard	
107	3420372	2	Pin, Cotter	
108	3420447	1	Pin	
109	3421565	2	Snap - Pin	
110	3422841	2	Pin	
111	3422847	1	Pin	
112	3572009	2	Plate, Slide Stop	
113	3572010	2	Plate, Slide Stop	
114	3572011	2	Plate, Slide Stop	
115	3572012	2	Plate, Slide Stop	
116	3760170	8	Ring, Split	
117	4568133	1	Tube, Tow Bar	
118	4740036	1	Washer	
119	4751000	2	Washer #10	
120	4846295	1	Tube, Tow Bar Attach	
121	4846296	1	Tube, Pintle Attach	

SECTION 2 - TURNTABLE

SECTION 2 - TURNTABLE

FIGURE 2-1. VALVE INSTALLATION - 600S HC3



ART_1001265701_10F2

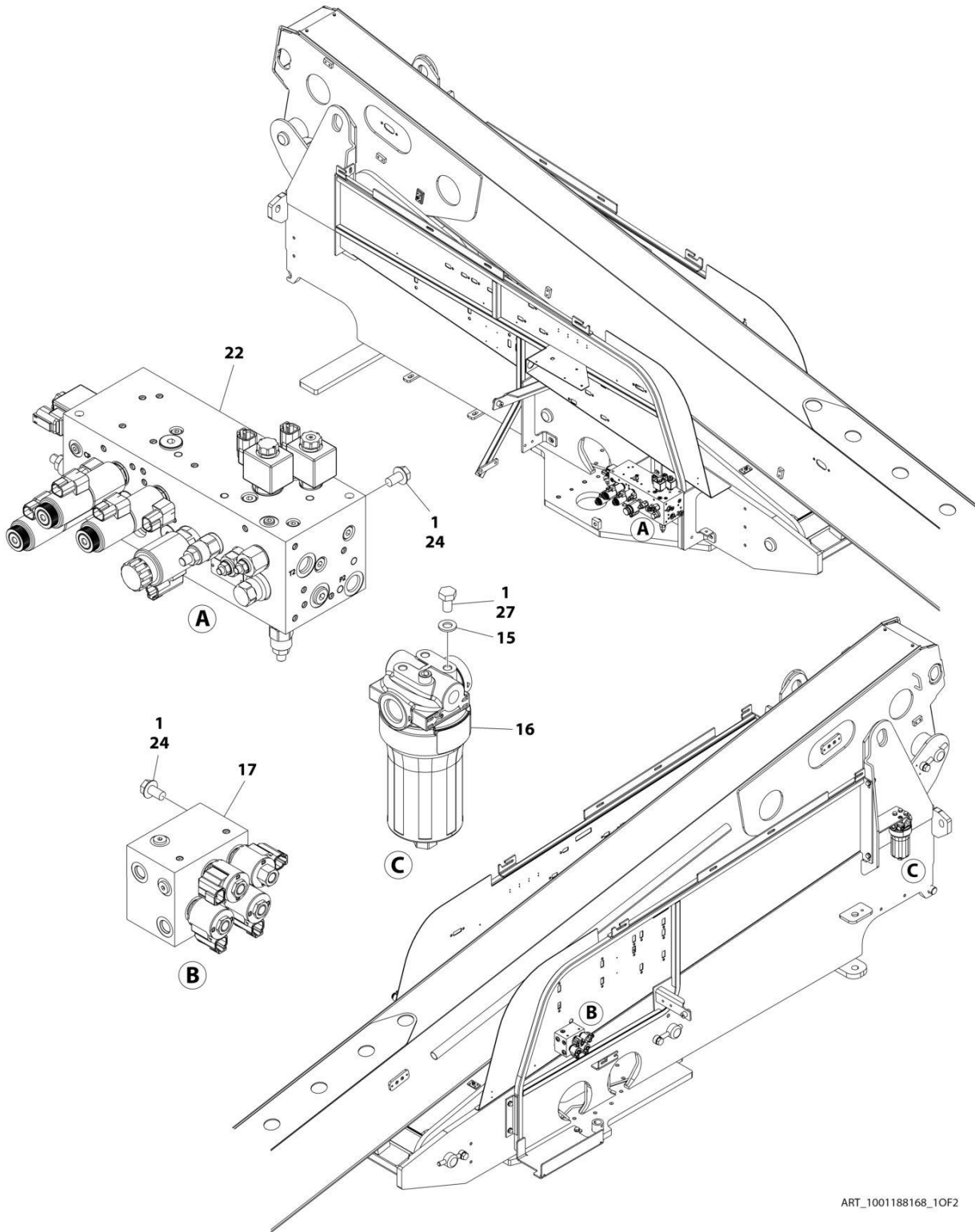
SECTION 2 - TURNTABLE

FIGURE 2-1. VALVE INSTALLATION - 600S HC3

ITEM	PART NUMBER	QTY	DESCRIPTION	REV
	1001265701	Ref	VALVE INSTALLATION	A
1	0100011	AR	Compound, Locking	
3	0761009	6	Bolt M10 x 18	
6	4812000	6	Washer M10	
8	5251009	6	Bolt M10 x 18	
9	1001162538	1	Axle Valve Assembly (See Separate Breakdown in this Section)	
11	1001190169	1	Main Valve Assembly (See Separate Breakdown in this Section)	
14	1001208874	1	Filter, Hydraulic	
14	70010383	1	Element, Filter	

SECTION 2 - TURNTABLE

FIGURE 2-2. VALVE INSTALLATION - 660SJ HC3



ART_1001188168_10F2

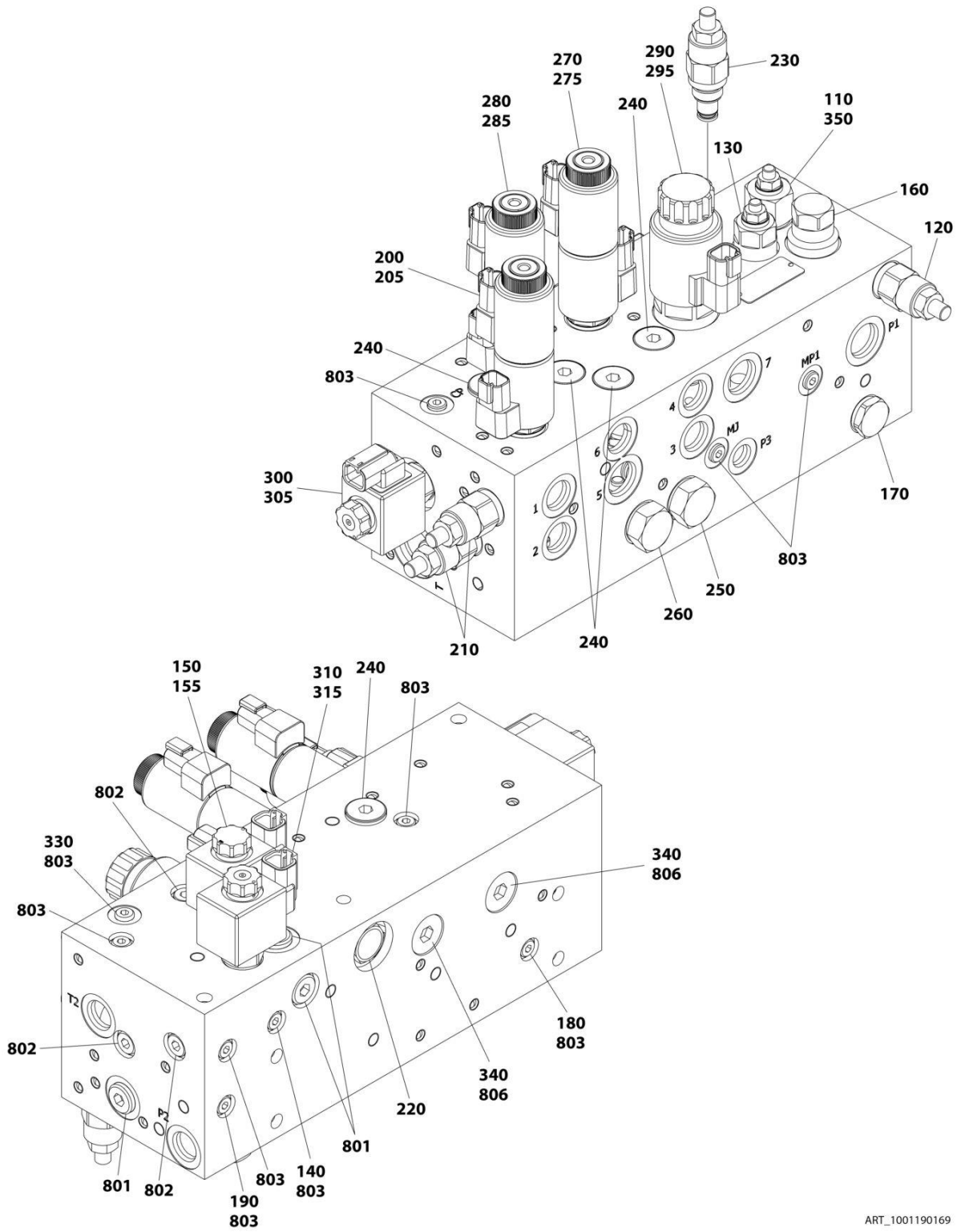
SECTION 2 - TURNTABLE

FIGURE 2-2. VALVE INSTALLATION - 660SJ HC3

ITEM	PART NUMBER	QTY	DESCRIPTION	REV
	1001188168	Ref	VALVE INSTALLATION	G
1	0100011	AR	Compound, Locking	
15	4812000	3	Washer M10	
16	1001208874	1	Filter, Hydraulic	
16	70010383	1	Element, Filter	
17	1001162538	1	Axle Valve Assembly (See Separate Breakdown in this Section)	
22	1001190169	1	Main Valve Assembly (See Separate Breakdown in this Section)	
24	5251009	6	Bolt M10 x 18	
27	0761009	3	Bolt M10 x 18	

SECTION 2 - TURNTABLE

FIGURE 2-3. MAIN VALVE ASSEMBLY - 2WS



ART_1001190169

SECTION 2 - TURNTABLE

FIGURE 2-3. MAIN VALVE ASSEMBLY - 2WS

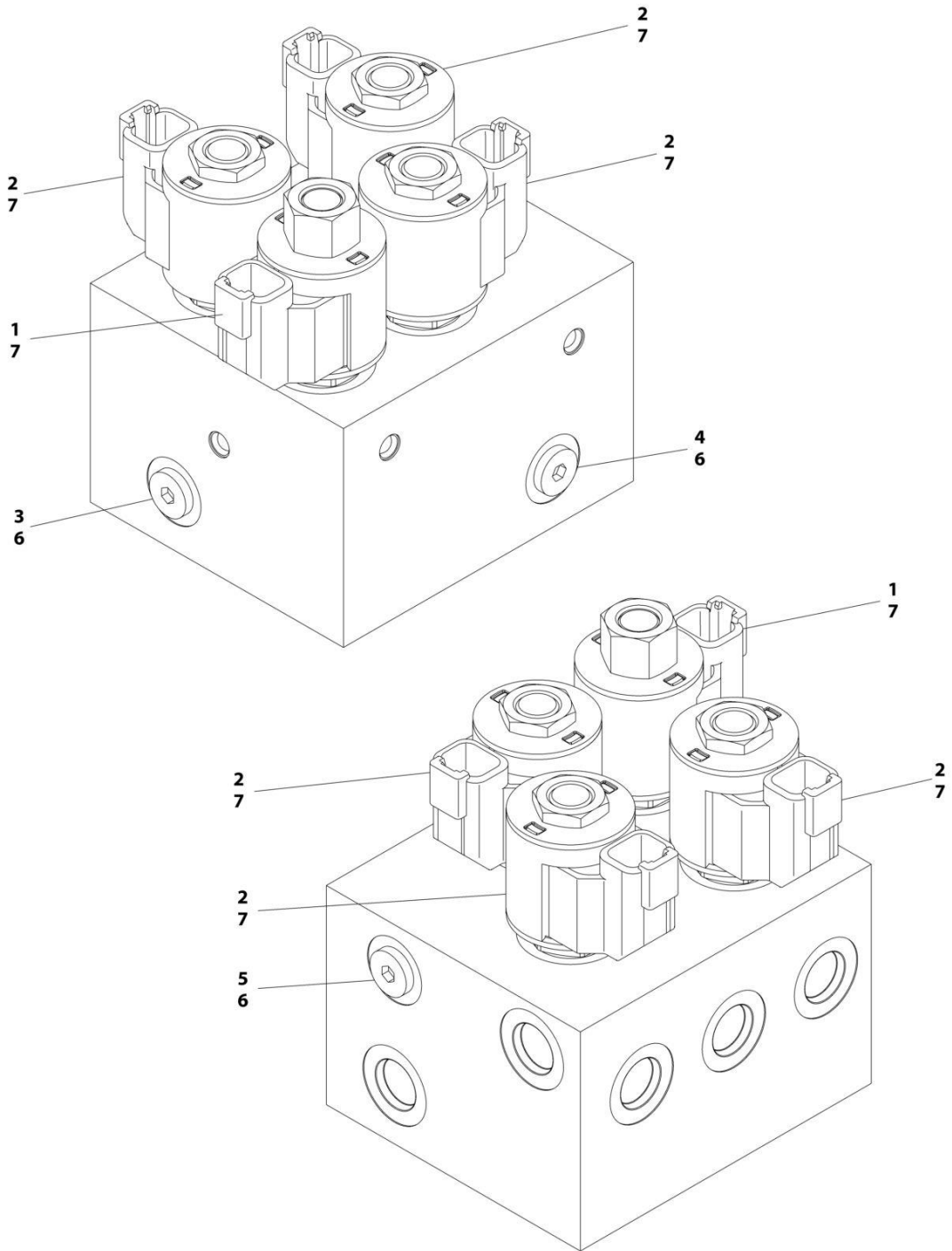
ITEM	PART NUMBER	QTY	DESCRIPTION	REV
	1001190169	Ref	MAIN VALVE ASSEMBLY	F
110	70006109	1	Valve, Flow/Pressure Control	
110	70004656	1	Seal Kit - 70006109 Valve	
120	70003019	1	Valve, Relief	
120	70004052	1	Seal Kit - 70003019 Valve	
130	70004607	1	Valve, Relief	
130	70004602	1	Seal Kit - 70004607 Valve	
140	70004668	1	Orifice	
150	70006111	1	Valve, Solenoid Without Coil	
150	70004584	1	Seal Kit - 70006111 Valve	
150	70004051	1	Coil Nut & Pole Tube O-Ring Kit	
155	70004653	1	Coil	
160	70006112	1	Valve, Load Sense	
160	70006113	1	Seal Kit - 70006112 Valve	
170	70005952	1	Valve, Check	
170	70004052	1	Seal Kit - 70005952 Valve	
180	7022527	1	Orifice 2mm	
190	7022527	1	Orifice 2mm	
200	70004659	1	Valve, Solenoid Without Coil (Steer)	
200	70004660	1	Seal Kit	
200	70004661	1	Nut, Coil	
200	70024457	1	O-Ring at Coil Nut	
200	70004662	1	O-Ring at Bottom of Pole Tube	
205	80434249	2	Coil	
210	70003019	2	Valve, Relief	
210	70004052	2	Seal Kit - 70003019 Valve	
220	70003027	1	Valve, Flow/Pressure Control	
220	70004052	1	Seal Kit - 70003027 Valve	
230	70003019	1	Valve, Relief	
230	70004052	1	Seal Kit - 70003019 Valve	
240	70023859	5	Valve, Relief	
240	70023860	5	Seal Kit - 70023859 Valve	
250	70006114	1	Valve, Pressure Compensator	
250	70004656	1	Seal Kit - 70006114 Valve	
260	70006114	1	Valve, Pressure Compensator	
260	70004656	1	Seal Kit - 70006114 Valve	
270	70006115	1	Valve, Solenoid Without Coil (Swing)	
270	70006116	1	Seal Kit - 70006115 Valve	
270	70004661	1	Nut, Coil	
270	70024457	1	O-Ring at Coil Nut	
270	70004662	1	O-Ring at Bottom of Pole Tube	
275	80434249	2	Coil	
280	70006117	1	Valve, Solenoid Without Coil (Tele)	
280	70006116	1	Seal Kit - 70006117 Valve	
280	70004661	1	Nut, Coil	
280	70024457	1	O-Ring at Coil Nut	
280	70004662	1	O-Ring at Bottom of Pole Tube	
285	80434249	2	Coil	
290	70004657	1	Valve, Solenoid (Lift)	
290	70004594	1	Seal Kit - 70004657 Valve	

SECTION 2 - TURNTABLE

ITEM	PART NUMBER	QTY	DESCRIPTION	REV
290	70004597	1	Nut, Coil	
290	70004596	1	O-Ring at Coil Nut	
295	70004595	1	Coil	
300	70004598	1	Valve, Solenoid (Lift)	
300	70004055	1	Seal Kit - 70004598 Valve	
300	70005947	1	Coil Nut & Pole Tube O-Ring Kit	
305	70004653	1	Coil	
310	70006118	1	Valve, Solenoid (Lift)	
310	70004052	1	Seal Kit - 70006118 Valve	
310	70004051	1	Coil Nut & Pole Tube O-Ring Kit	
315	70004653	1	Coil	
330	7023821	1	Orifice 0.8mm	
340	70006119	2	Valve, Check	
350	70006357	1	Orifice 4mm	
801	70002759	3	Plug	
802	70004617	3	Plug	
803	70002758	10	Plug	
806	70006120	2	Plug	

SECTION 2 - TURNTABLE

FIGURE 2-4. AXLE VALVE ASSEMBLY



ART_1001162538

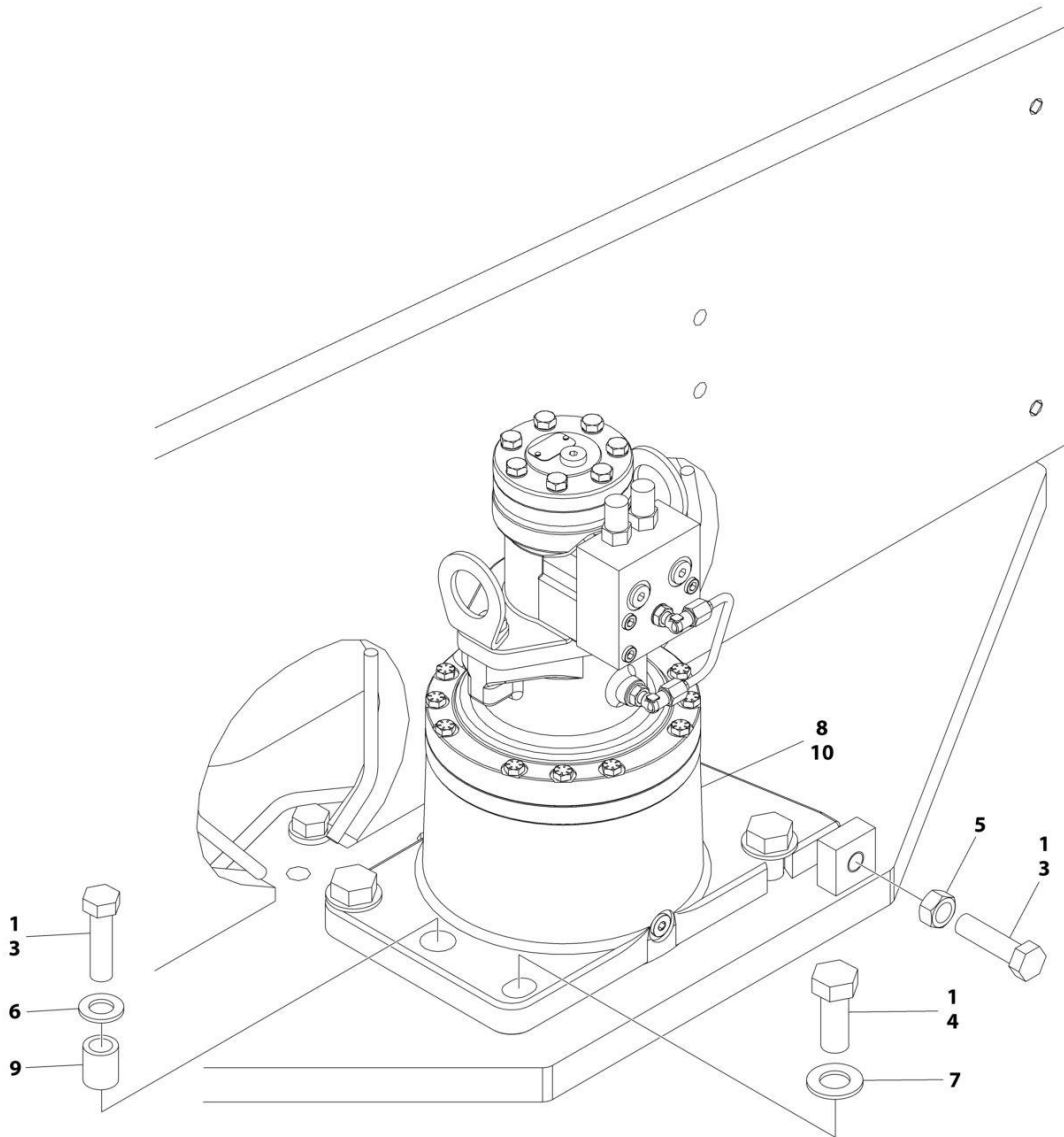
SECTION 2 - TURNTABLE

FIGURE 2-4. AXLE VALVE ASSEMBLY

ITEM	PART NUMBER	QTY	DESCRIPTION	REV
	1001162538	Ref	AXLE VALVE ASSEMBLY	D
1	7017410	1	Cartridge, Solenoid Valve Less Coil (Secondary Axle Release)	
1	7012967	1	Seal Kit - 7017410 Valve	
2	7012941	3	Cartridge, Solenoid Valve Less Coil (Brake Release, Primary Axle Release and 2 Speed)	
2	7010543	3	Seal Kit - 7012941 Valve	
3	70004883	1	Orifice	
4	70004884	1	Orifice	
5	70002063	1	Orifice	
6	2220883	3	Plug, O-Ring #4	
7	70002386	4	Coil	

SECTION 2 - TURNTABLE

FIGURE 2-5. SWING DRIVE INSTALLATION



ART_1001185842

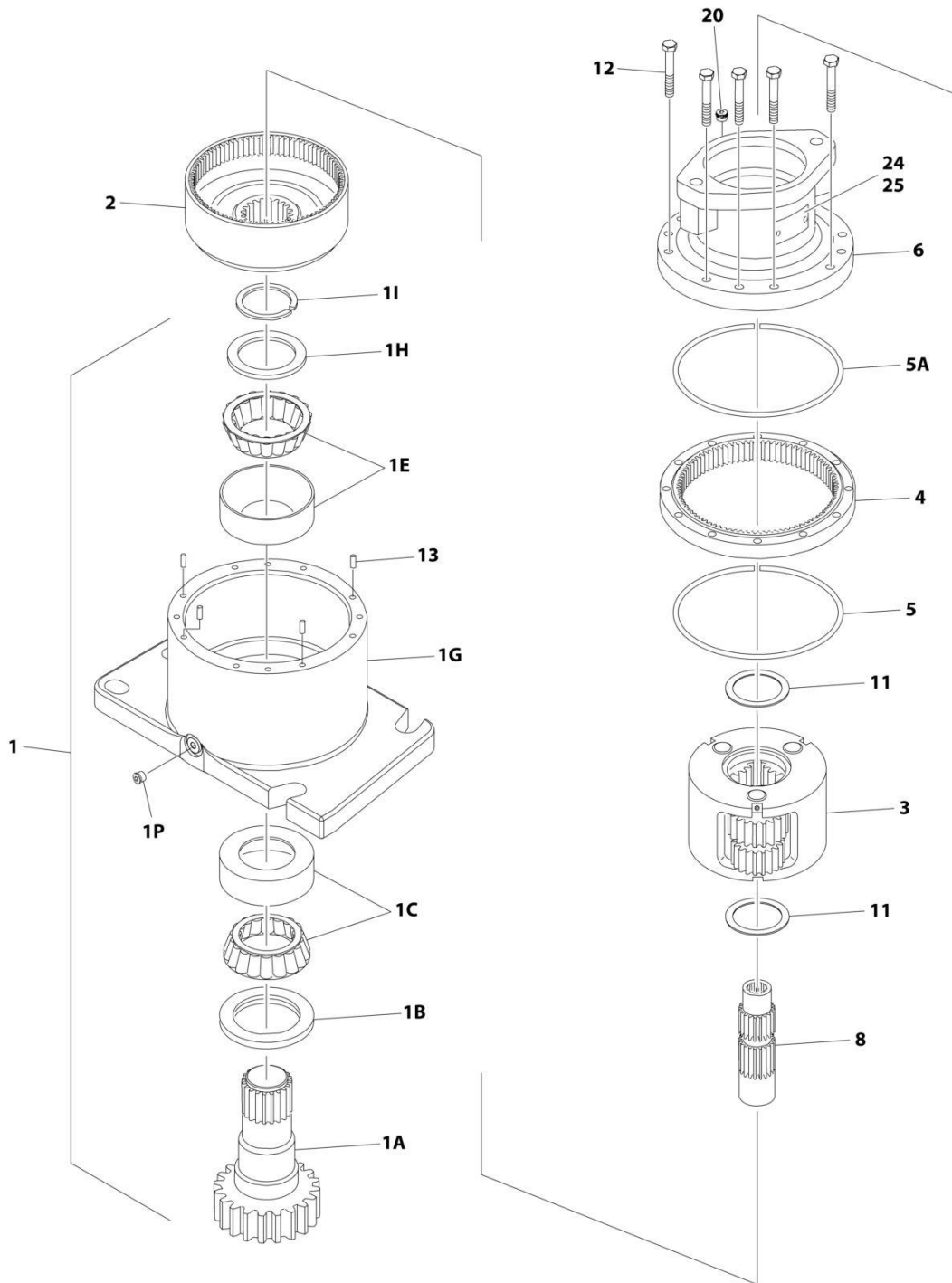
SECTION 2 - TURNTABLE

FIGURE 2-5. SWING DRIVE INSTALLATION

ITEM	PART NUMBER	QTY	DESCRIPTION	REV
	1001185842	Ref	SWING DRIVE INSTALLATION	B
1	0100019	AR	Compound, Locking	
3	0771620	2	Bolt M16 x 60	
4	0772018	4	Bolt M20 x 50	
5	3291601	1	Nut M16	
6	5241600	1	Washer M16	
7	5242000	4	Washer M20	
8	1001125492	1	Shim	
9	1001134543	1	Spacer	
10	1001187855	1	Swing Motor/Hub Assembly (See Separate Breakdown in this Section)	

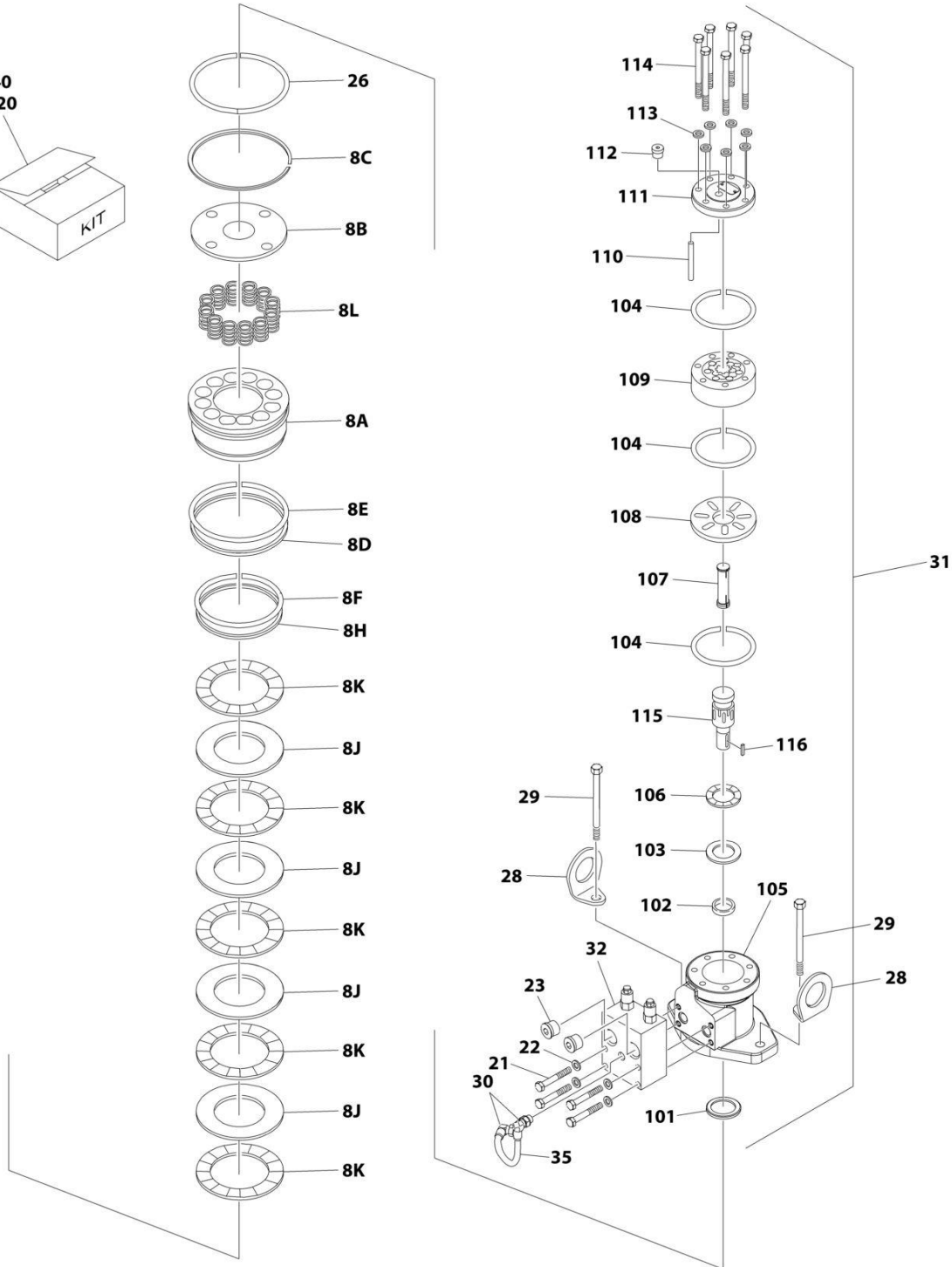
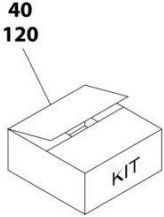
SECTION 2 - TURNTABLE

FIGURE 2-6. SWING MOTOR/HUB ASSEMBLY



ART_1001187855_1OF2

SECTION 2 - TURNTABLE



ART_1001187855_2OF2

SECTION 2 - TURNTABLE

FIGURE 2-6. SWING MOTOR/HUB ASSEMBLY

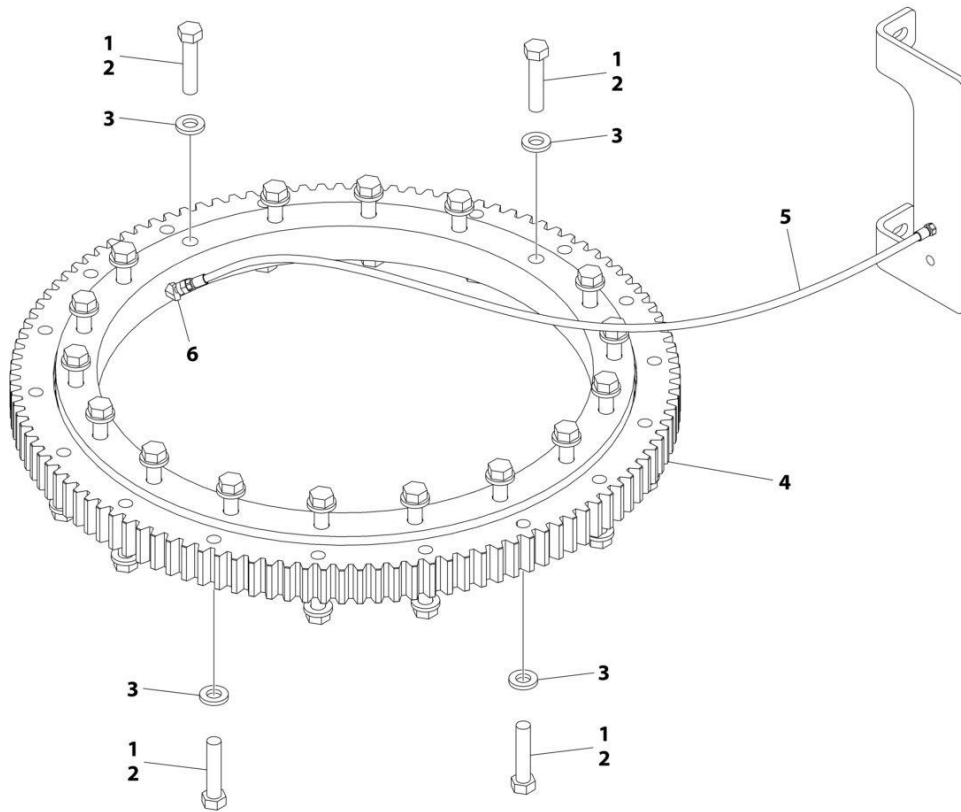
ITEM	PART NUMBER	QTY	DESCRIPTION	REV
	1001187855	Ref	SWING MOTOR/HUB ASSEMBLY	D
1	See Note	NSS	Housing/Shaft Assembly (Note: Not Available - Purchase Complete Swing Motor/Hub Assembly)	
1A	7010492	1	Shaft, Output	
1B	7000228	1	Seal, Lip	
1C	7000255	1	Bearing Kit (Includes Cup and Cone)	
1E	7000257	1	Bearing Kit (Includes Cup and Cone)	
1G	See Note	1	Housing (Note: Not Available for Purchase)	
1H	7007633	1	Thrustwasher	
1I	7000229	1	Ring, Retaining	
1P	7017072	1	Plug, Pipe	
2	7000246	1	Gear, Internal	
3	7000247	1	Carrier Assembly	
3A	7001931	1	Carrier	
3B	7001985	6	Washer, Tanged	
3C	7001909	96	Bearing, Needle	
3D	7000263	3	Thrustwasher	
3E	7001911	3	Shaft, Planet	
3F	7001912	3	Gear, Cluster	
3G	7010474	3	Roll Pin	
4	7000248	1	Gear, Ring	
5	7000230	1	O-Ring (Black)	
5A	7017070	1	O-Ring (White)	
6	See Note	NSS	Housing, Brake (Note: Not Available for Purchase)	
7	70005203	1	Gear, Sun	
8		Ref	Brake Components	
8A	70004037	1	Piston, Brake	
8B	7024743	1	Plate, Pressure	
8C	70004039	1	Ring, Retaining	
8D	70004041	1	O-Ring	
8E	70004044	1	Ring, Back-up	
8F	70004042	1	O-Ring	
8H	70004043	1	Ring, Back-up	
8J	See Note	NSS	Rotor, Brake (Note: Use p/n 70002085)	
8K	See Note	NSS	Stator, Brake (Note: Use p/n 70002085)	
8L	70002066	7	Spring, Brake	
11	7000253	2	Thrustwasher	
12	7000217	12	Bolt, 5/16 x 2-1/4 Grade 8	
13	7017080	4	Pin, Dowel	
20	7017072	1	Plug, Pipe	
21	7024704	4	Bolt 5/16 x 2 Grade 8	
22	70004045	4	Lockwasher	
23	7017023	2	Plug, Pipe	
24	See Note	NSS	Plate, ID (Note: Not Available for Purchase)	
25	See Note	NSS	Rivet	
26	7024763	1	O-Ring	
28	See Note	NSS	Lug, Lifting (Note: Not Available for Purchase)	
29	70004040	2	Bolt 1/2 x 1-1/2 Grade 8	
30	7017085	2	Elbow	
31	70006304	1	Motor Assembly (See Items 101-120 for Breakdown)	

SECTION 2 - TURNTABLE

ITEM	PART NUMBER	QTY	DESCRIPTION	REV
32	7024784	1	Valve (No Serviceable Parts)	
33	7017082	1	Plug, Pipe (Not Shown)	
35	70004047	1	Tube	
40	7024100	1	Seal Kit - Hub (Includes Items 1B, 1I, 5, 5A & 11)	
	70006304	Ref	Motor Assembly	
101	See Note	NSS	Seal, Dust (Note: Use Item 120)	
102	See Note	NSS	Seal, Shaft (Note: Use Item 120)	
103	See Note	NSS	Thrustwasher (Note: Use Item 120)	
104	See Note	NSS	Seal, Ring (Note: Use Item 120)	
105	See Note	NSS	Housing (Note: Purchase Complete Assembly)	
106	70006306	1	Bearing, Thrust	
107	7005889	1	Link, Drive	
108	70006307	1	Plate, Wear	
109	70006310	1	Rotor Set	
110	7005891	1	Pin	
111	70006308	1	Cover, End	
112	See Note	NSS	Plug (Note: Purchase Complete Assembly)	
113	70006309	1	Washer Kit (Includes 7 Washers)	
114	70006313	1	Bolt Kit (Includes 7 Bolts)	
115	See Note	NSS	Shaft (Note: Purchase Complete Assembly)	
116	See Note	NSS	Key (Note: Purchase Complete Assembly)	
120	70006305	1	Seal Kit - Motor (Includes Items 101-104)	

SECTION 2 - TURNTABLE

FIGURE 2-7. TURNTABLE BEARING AND LUBE INSTALLATION



ART_1001185709

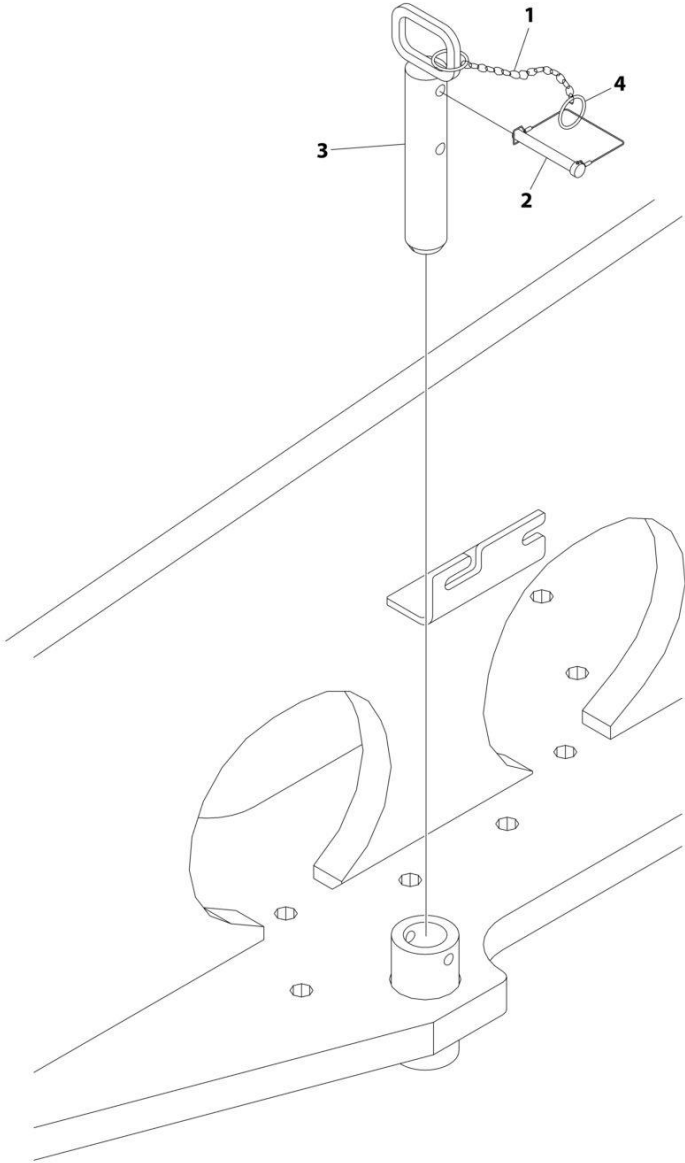
SECTION 2 - TURNTABLE

FIGURE 2-7. TURNTABLE BEARING AND LUBE INSTALLATION

ITEM	PART NUMBER	QTY	DESCRIPTION	REV
	1001185709	Ref	TURNTABLE BEARING AND LUBE INSTALLATION	D
1	0100019	AR	Compound, Locking	
2	0682023	36	Bolt 5/8 x 2-7/8	
3	4892000	36	Washer 5/8	
4	0440233	1	Bearing, Turntable	
5	1001188125	1	Hose	
6	2220124	1	Fitting, 45	

SECTION 2 - TURNTABLE

FIGURE 2-8. TURNTABLE LOCK INSTALLATION



ART_1001187022_B

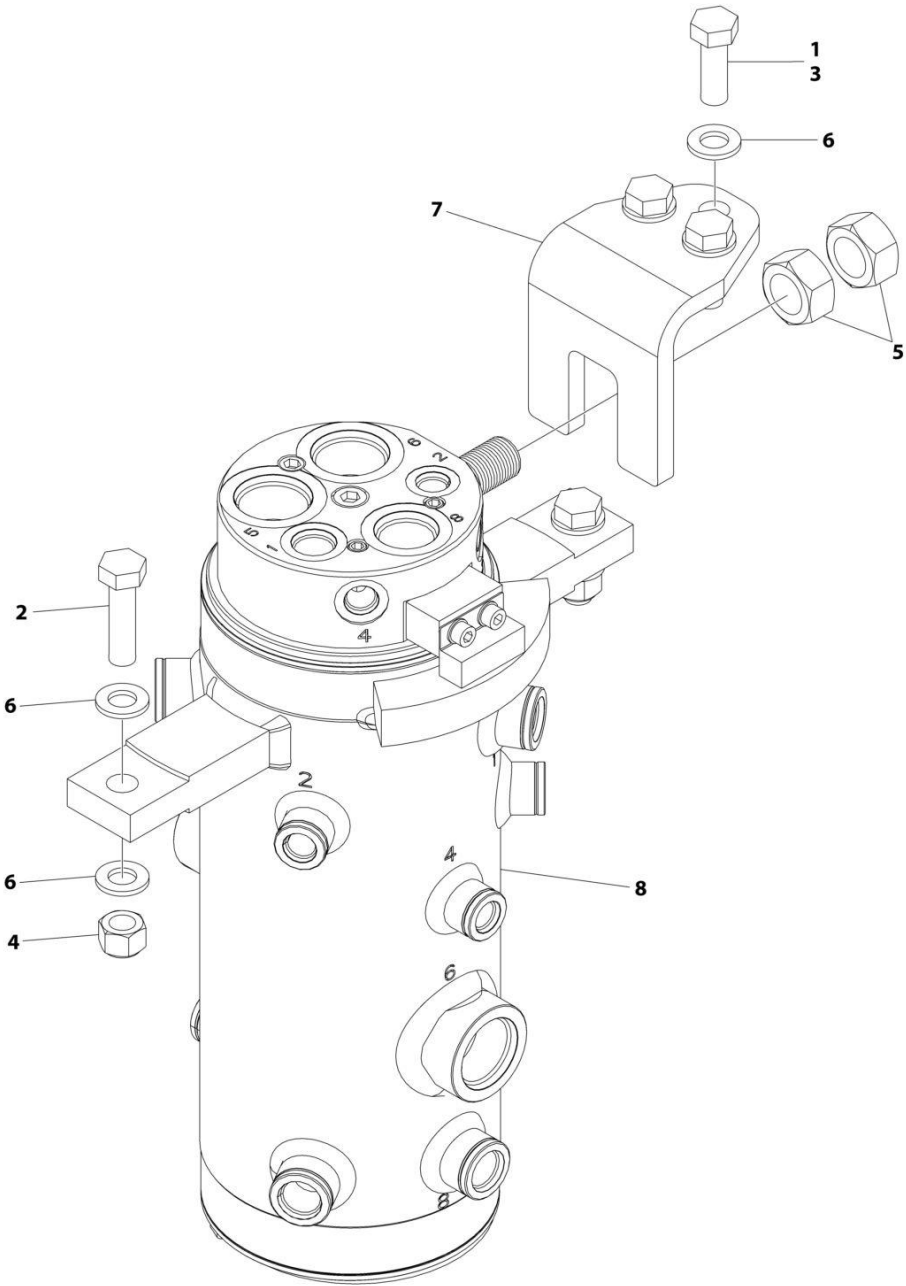
SECTION 2 - TURNTABLE

FIGURE 2-8. TURNTABLE LOCK INSTALLATION

ITEM	PART NUMBER	QTY	DESCRIPTION	REV
	1001187022	Ref	TURNTABLE LOCK INSTALLATION	B
1	1260017	9 in/23cm	Chain	
2	3421565	1	Snap-Pin	
3	1001169582	1	Pin, Lock	
4	3760170	2	Ring	

SECTION 2 - TURNTABLE

FIGURE 2-9. ROTARY COUPLING INSTALLATION



ART_1001188337

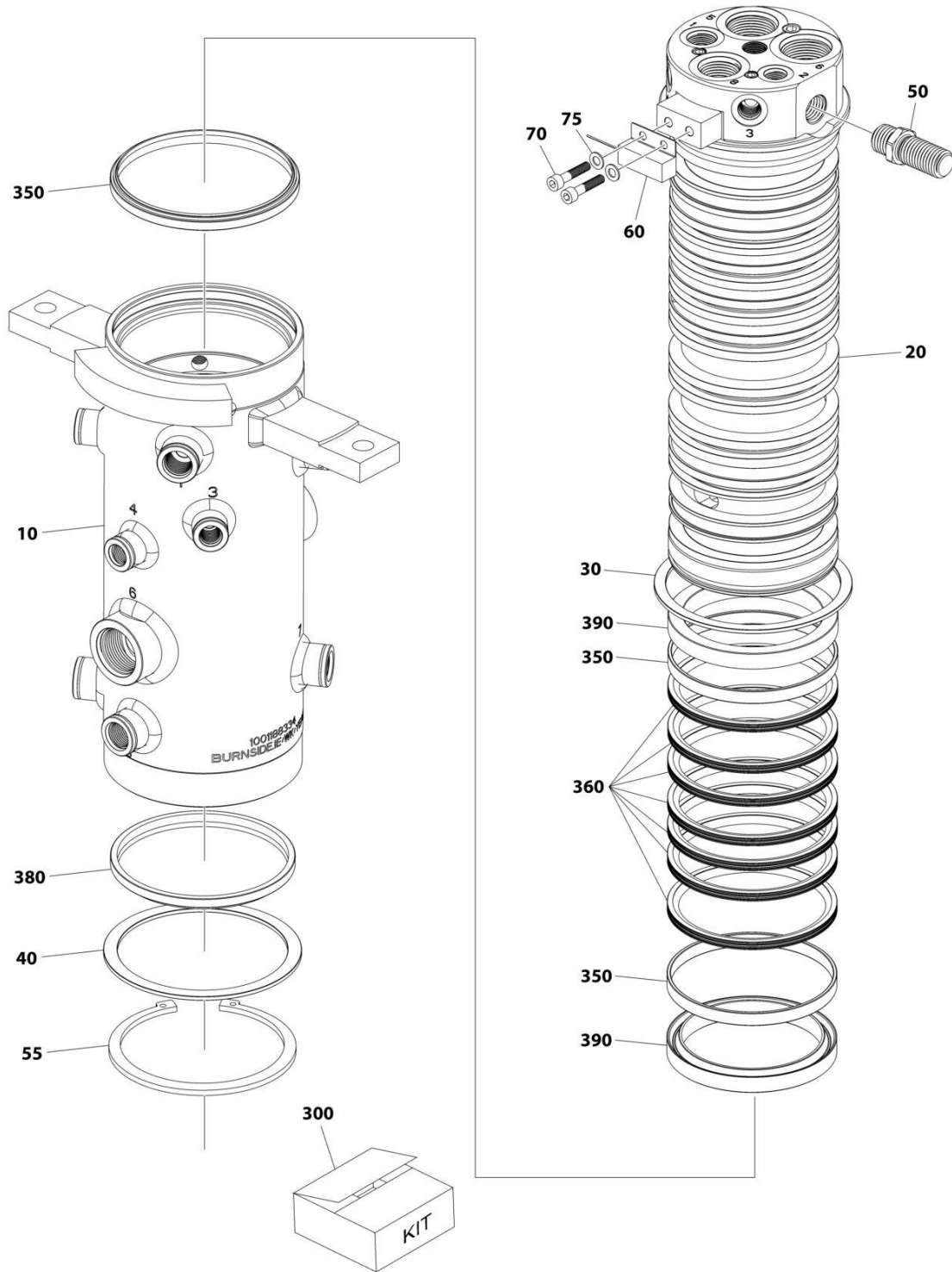
SECTION 2 - TURNTABLE

FIGURE 2-9. ROTARY COUPLING INSTALLATION

ITEM	PART NUMBER	QTY	DESCRIPTION	REV
	1001188337	Ref	ROTARY COUPLING INSTALLATION	B
1	0100011	AR	Compound, Locking	
2	0701217	2	Bolt M12 x 45	
3	0761215	3	Bolt M12 x 35	
4	3291205	2	Nut M12	
5	3292001	2	Nut M20	
6	4812100	7	Washer M12	
7	1001187953	1	Mount	
8	1001188334	1	Rotary Coupling Assembly (See Separate Breakdown in this Section)	

SECTION 2 - TURNTABLE

FIGURE 2-10. ROTARY COUPLING ASSEMBLY



ART_1001188334

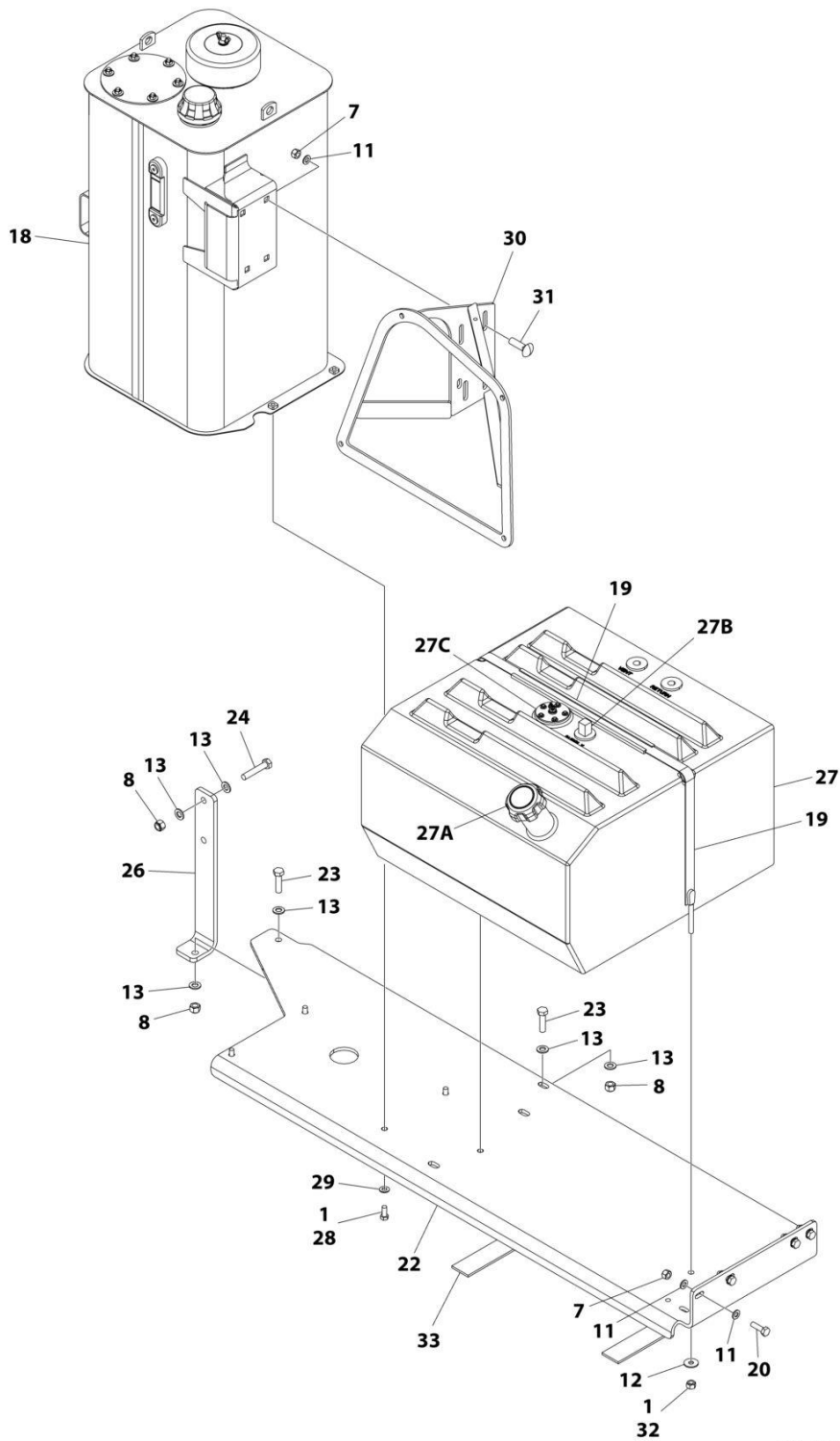
SECTION 2 - TURNTABLE

FIGURE 2-10. ROTARY COUPLING ASSEMBLY

ITEM	PART NUMBER	QTY	DESCRIPTION	REV
	1001188334	Ref	ROTARY COUPLING ASSEMBLY	G
10	See Note	NSS	Housing (Note: Purchase Complete Assembly)	
20	See Note	NSS	Shaft (Note: Purchase Complete Assembly)	
30	70005710	1	Spacer	
40	70005711	1	Spacer	
50	70005712	1	Fitting	
55	70005713	1	Circlip	
60	4360517	1	Sensor	
60	4460320	1	Plug, Male - 2 Position	
60	4460227	2	Socket, Female	
70	70006537	2	Bolt	
75	70006538	2	Washer	
300	70005716	1	Seal Kit (Includes Items 350-390)	
350	See Note	NSS	Ring, Wear (Note: Use Item 300)	
360	See Note	NSS	Seal (Note: Use Item 300)	
370	See Note	NSS	Wiper (Note: Use Item 300) (Not Shown)	
380	See Note	NSS	Wiper (Note: Use Item 300)	
390	See Note	NSS	Seal, Rod (Note: Use Item 300)	

SECTION 2 - TURNTABLE

FIGURE 2-11. TANKS INSTALLATION - DIESEL MACHINES (POLY FUEL TANK) (HYDRAULIC TANK WITH 6 INCH BREATHER)



ART_1001188257_L

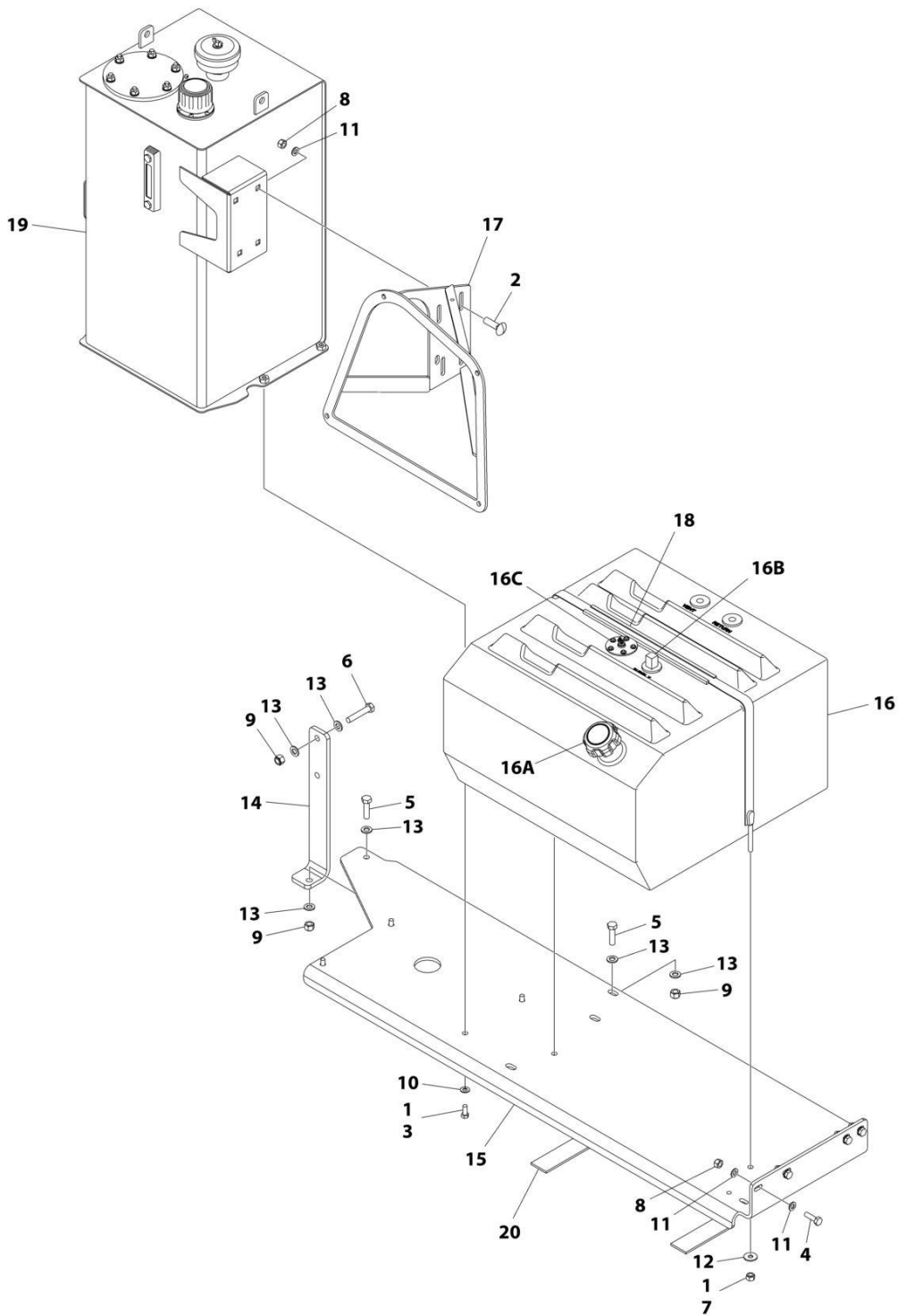
SECTION 2 - TURNTABLE

FIGURE 2-11. TANKS INSTALLATION - DIESEL MACHINES (POLY FUEL TANK) (HYDRAULIC TANK WITH 6 INCH BREATHER)

ITEM	PART NUMBER	QTY	DESCRIPTION	REV
	1001188257	Ref	TANKS INSTALLATION	L
1	0100011	AR	Compound, Locking	
7	3291005	8	Nut M10	
8	3291205	4	Nut M12	
11	4812000	12	Washer M10	
12	4812002	2	Washer M10	
13	4812100	8	Washer M12	
18	1001178057	1	Hydraulic Tank Assembly (See Separate Breakdown in this Section)	
19	1001238954	1	Strap Assembly	
19	1001189119	1	Strap	
19	4280295	48 in/ 122cm	Strip, Protector	
20	0701015	4	Bolt M10 x 35	
22	1001199933	1	Tray	
23	0701217	2	Bolt M12 x 45	
24	0701221	2	Bolt M12 x 65	
26	1001199883	1	Support	
27	1001201325	1	Tank, Fuel	
27A	70004414	1	Cap, Fill	
27B	7020043	1	Tube, Pickup	
27C	1001148607	1	Sender, Fuel Level	
27C	0731005	5	Screw #10 x 5/8	
27C	4751000	5	Washer #10	
28	0641608	4	Bolt 3/8 x 1	
29	4711600	4	Washer 3/8	
30	1001213251	1	Support, Ground Control	
31	0630613	4	Bolt M10 x 30	
32	3291001	2	Nut M10	
33	4420038	AR	Tape	

SECTION 2 - TURNTABLE

FIGURE 2-12. TANKS INSTALLATION - DIESEL MACHINES (POLY FUEL TANK) (HYDRAULIC TANK WITH 4 INCH BREATHER)



ART_1001267284

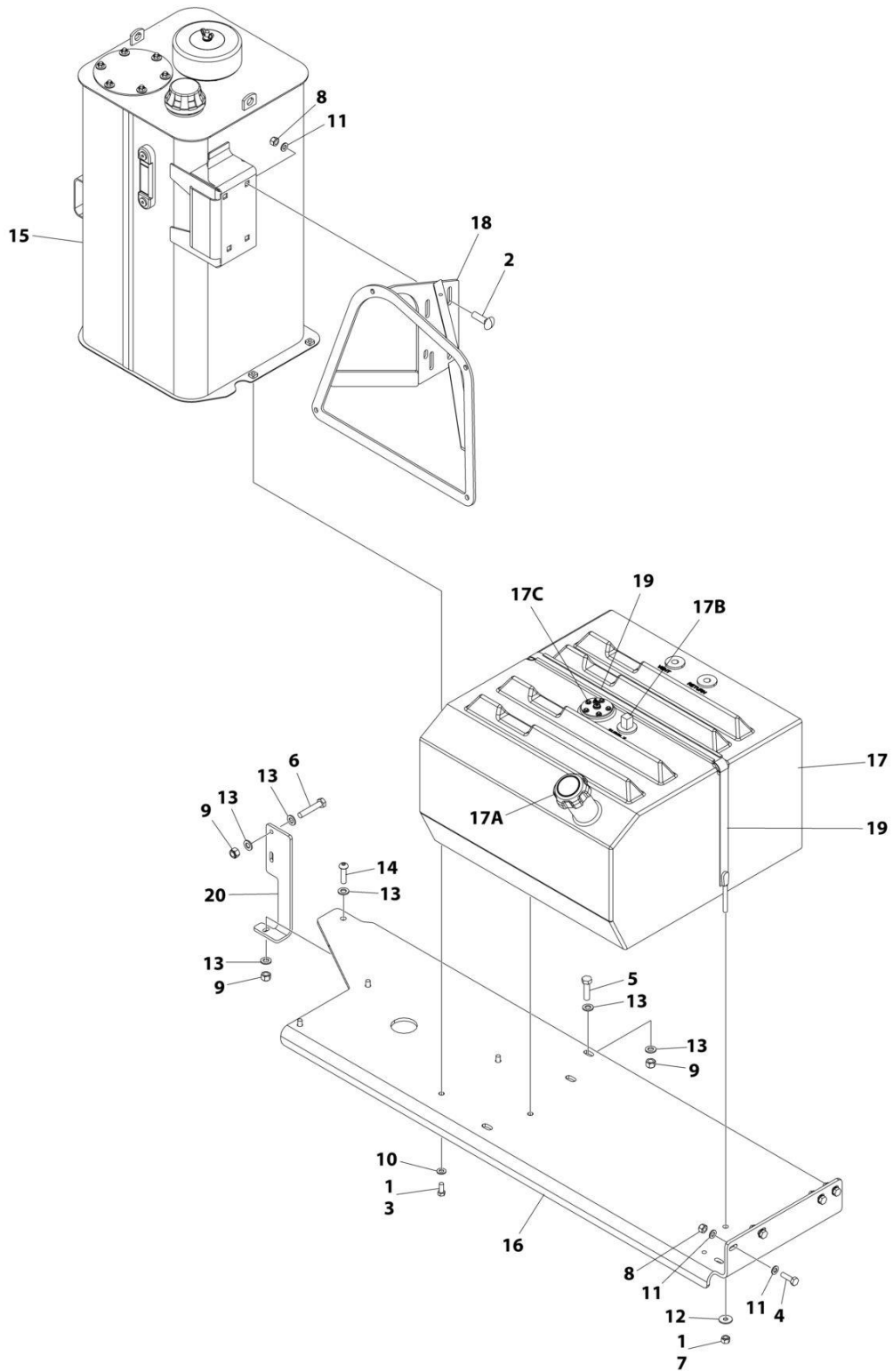
SECTION 2 - TURNTABLE

FIGURE 2-12. TANKS INSTALLATION - DIESEL MACHINES (POLY FUEL TANK) (HYDRAULIC TANK WITH 4 INCH BREATHER)

ITEM	PART NUMBER	QTY	DESCRIPTION	REV
	1001267284	Ref	TANKS INSTALLATION – DIESEL MACHINES	A
1	0100011	AR	Compound, Locking	
2	0630613	4	Bolt M10 x 30	
3	0641608	4	Bolt 3/8 x 1	
4	0701015	4	Bolt M10 x 35	
5	0701217	2	Bolt M12 x 45	
6	0701221	2	Bolt M12 x 65	
7	3291001	2	Nut M10	
8	3291005	8	Nut M10	
9	3291205	4	Nut M12	
10	4711600	4	Washer 3/8	
11	4812000	12	Washer M10	
12	4812002	2	Washer M10	
13	4812100	8	Washer M12	
14	1001199883	1	Support	
15	1001199933	1	Tray	
16	1001201325	1	Tank, Fuel	
16A	70004414	1	Cap, Fill	
16B	7020043	1	Tube, Pickup	
16C	1001148607	1	Sender, Fuel Level	
16C	0731005	5	Screw #10 x 5/8	
16C	4751000	5	Washer #10	
17	1001213251	1	Support, Ground Control	
18	1001238954	1	Strap Assembly	
18	1001189119	1	Strap	
18	4280295	48 in/ 122 cm	Strip, Protector	
19	1001267678	1	Hydraulic Tank Assembly	
20	4420038	30 in/ 76.2 cm	Tape, Rubber	

SECTION 2 - TURNTABLE

FIGURE 2-13. TANKS INSTALLATION - DIESEL MACHINES (POLY FUEL TANK) (HYDRAULIC TANK WITH 6 INCH BREATHER)



ART_1001258172

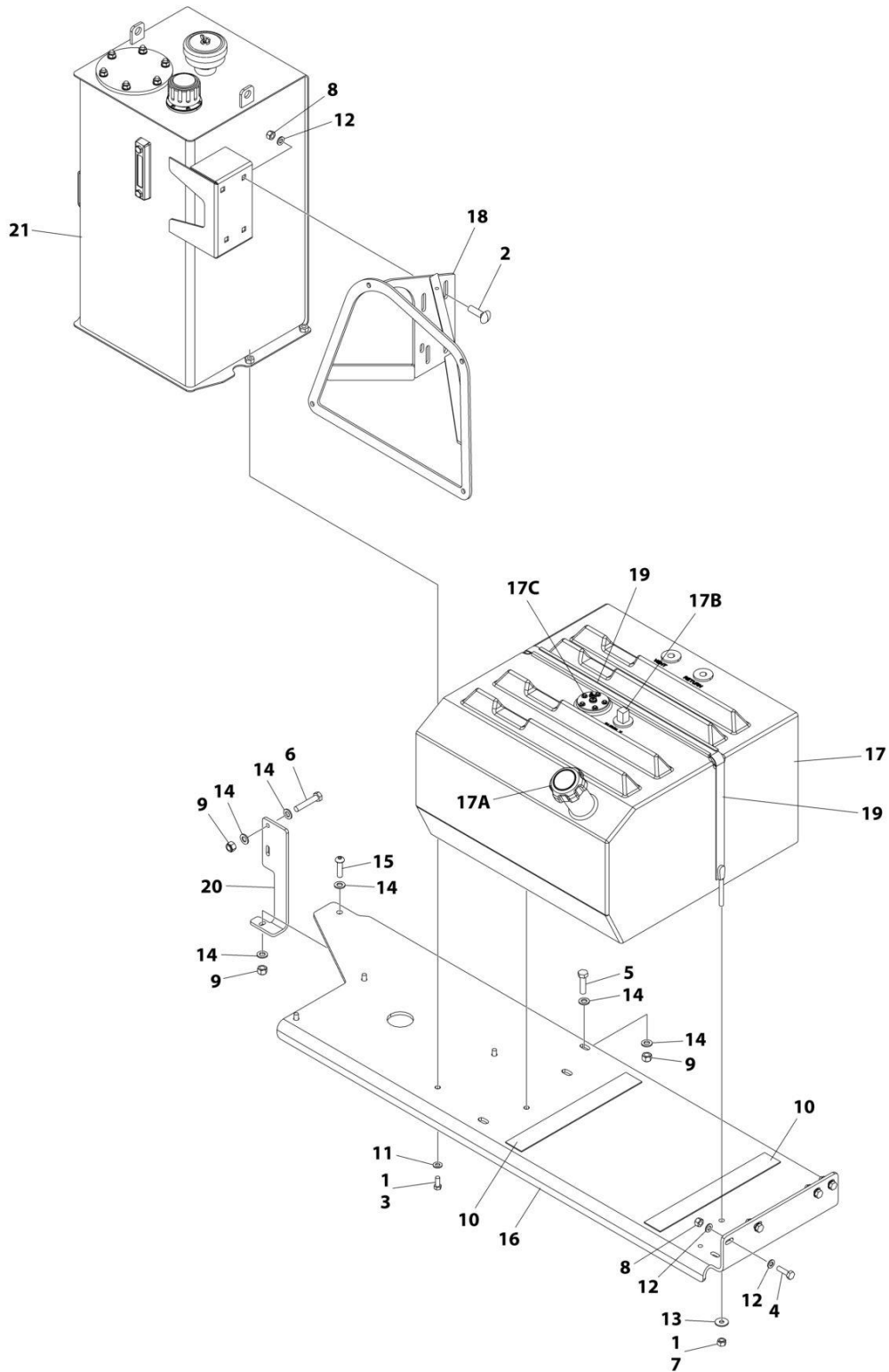
SECTION 2 - TURNTABLE

FIGURE 2-13. TANKS INSTALLATION - DIESEL MACHINES (POLY FUEL TANK) (HYDRAULIC TANK WITH 6 INCH BREATHER)

ITEM	PART NUMBER	QTY	DESCRIPTION	REV
	1001258172	Ref	TANKS INSTALLATION	A
1	0100011	AR	Compound, Locking	
2	0630613	4	Bolt M10 x 30	
3	0641608	4	Bolt 3/8 x 1	
4	0701015	4	Bolt M10 x 35	
5	0701217	1	Bolt M12 x 45	
6	0701221	2	Bolt M12 x 65	
7	3291001	2	Nut M10	
8	3291005	8	Nut, Lock M10	
9	3291205	4	Nut, Lock M12	
10	4711600	4	Washer 3/8	
11	4812000	12	Washer M10	
12	4812002	2	Washer M10	
13	4812100	8	Washer M12	
14	1001102978	1	Screw M12 X 45	
15	1001178057	1	Hydraulic Tank Assembly (See Separate Breakdown in this Section)	
16	1001199933	1	Tray	
17	1001201325	1	Tank, Fuel	
17A	70004414	1	Cap, Fill	
17B	7020043	1	Tube, Pickup	
17C	1001148607	1	Sender, Fuel Level	
17C	0731005	5	Screw #10 x 5/8	
17C	4751000	5	Washer #10	
18	1001213251	1	Support, Ground Control	
19	1001238954	1	Strap Assembly	
19	1001189119	1	Strap	
19	4280295	48 in/ 122cm	Strip, Protector	
20	1001256667	1	Support	

SECTION 2 - TURNTABLE

FIGURE 2-14. TANKS INSTALLATION - DIESEL MACHINES (POLY FUEL TANK) (HYDRAULIC TANK WITH 4 INCH BREATHER)



ART_1001284975

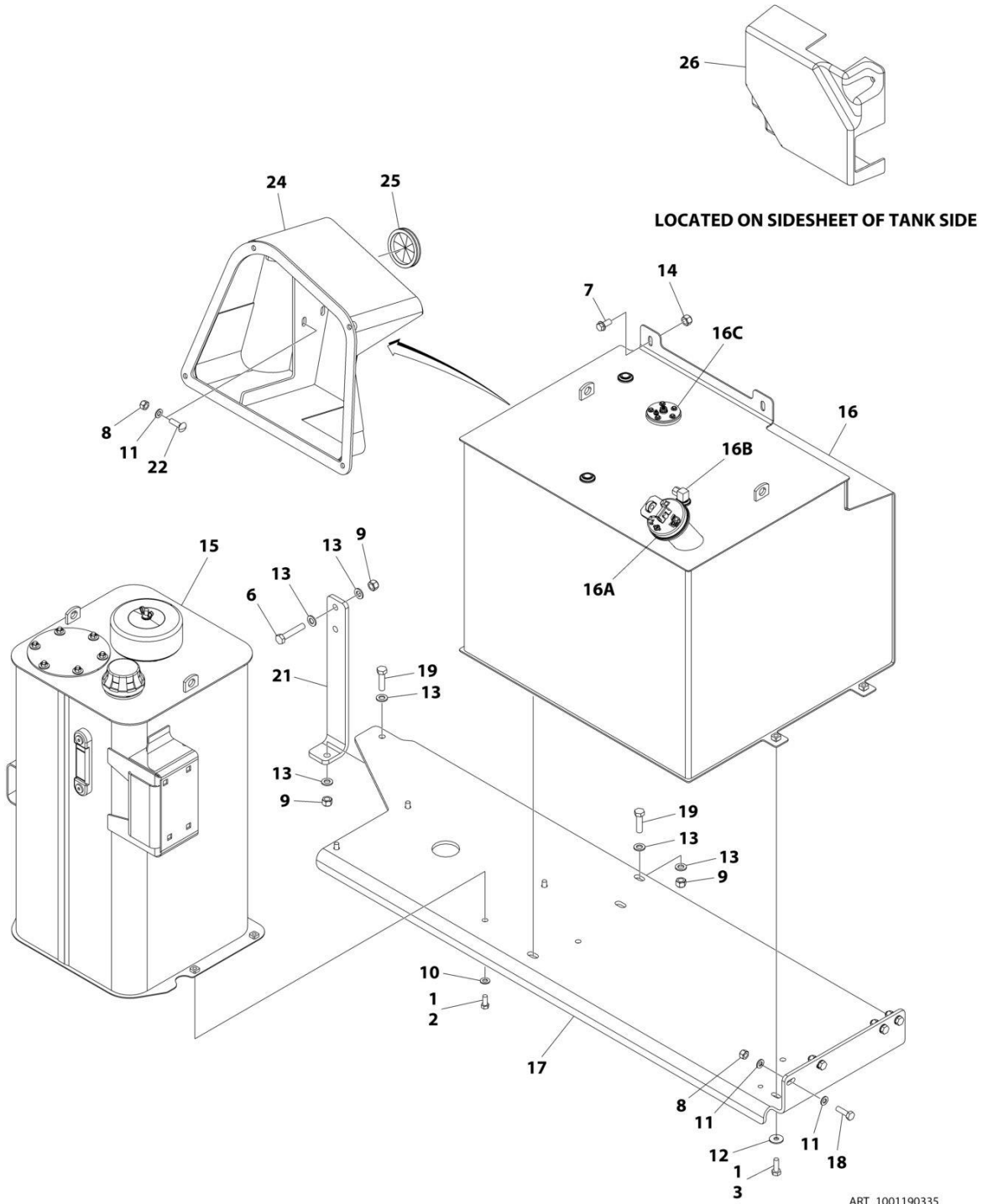
SECTION 2 - TURNTABLE

FIGURE 2-14. TANKS INSTALLATION - DIESEL MACHINES (POLY FUEL TANK) (HYDRAULIC TANK WITH 4 INCH BREATHER)

ITEM	PART NUMBER	QTY	DESCRIPTION	REV
	1001284975	Ref	TANKS INSTALLATION	A
1	0100011	AR	Compound, Locking	
2	0630613	4	Bolt M10 x 30	
3	0641608	4	Bolt 3/8 x 1	
4	0701015	4	Bolt M10 x 35	
5	0701217	1	Bolt M12 x 45	
6	0701221	2	Bolt M12 x 65	
7	3291001	2	Nut M10	
8	3291005	8	Nut, Lock M10	
9	3291205	4	Nut, Lock M12	
10	4420038	AR	Tape	
11	4711600	4	Washer 3/8	
12	4812000	12	Washer M10	
13	4812002	2	Washer M10	
14	4812100	8	Washer M12	
15	1001102978	1	Screw M12 x 45	
16	1001199933	1	Tray	
17	1001201325	1	Tank, Fuel	
17A	70004414	1	Cap, Fill	
17B	7020043	1	Tube, Pickup	
17C	1001148607	1	Sender, Fuel Level	
17C	0731005	5	Screw #10 x 5/8	
17C	4751000	5	Washer #10	
18	1001213251	1	Support, Ground Control	
19	1001238954	1	Strap Assembly	
19	1001189119	1	Strap	
19	4280295	48 in/ 122cm	Strip, Protector	
20	1001256667	1	Support	
21	1001267678	1	Hydraulic Tank Assembly (See Separate Breakdown in this Section)	

SECTION 2 - TURNTABLE

FIGURE 2-15. TANKS INSTALLATION - DIESEL MACHINES (STEEL FUEL TANK) (HYDRAULIC TANK WITH 6 INCH BREATHER)



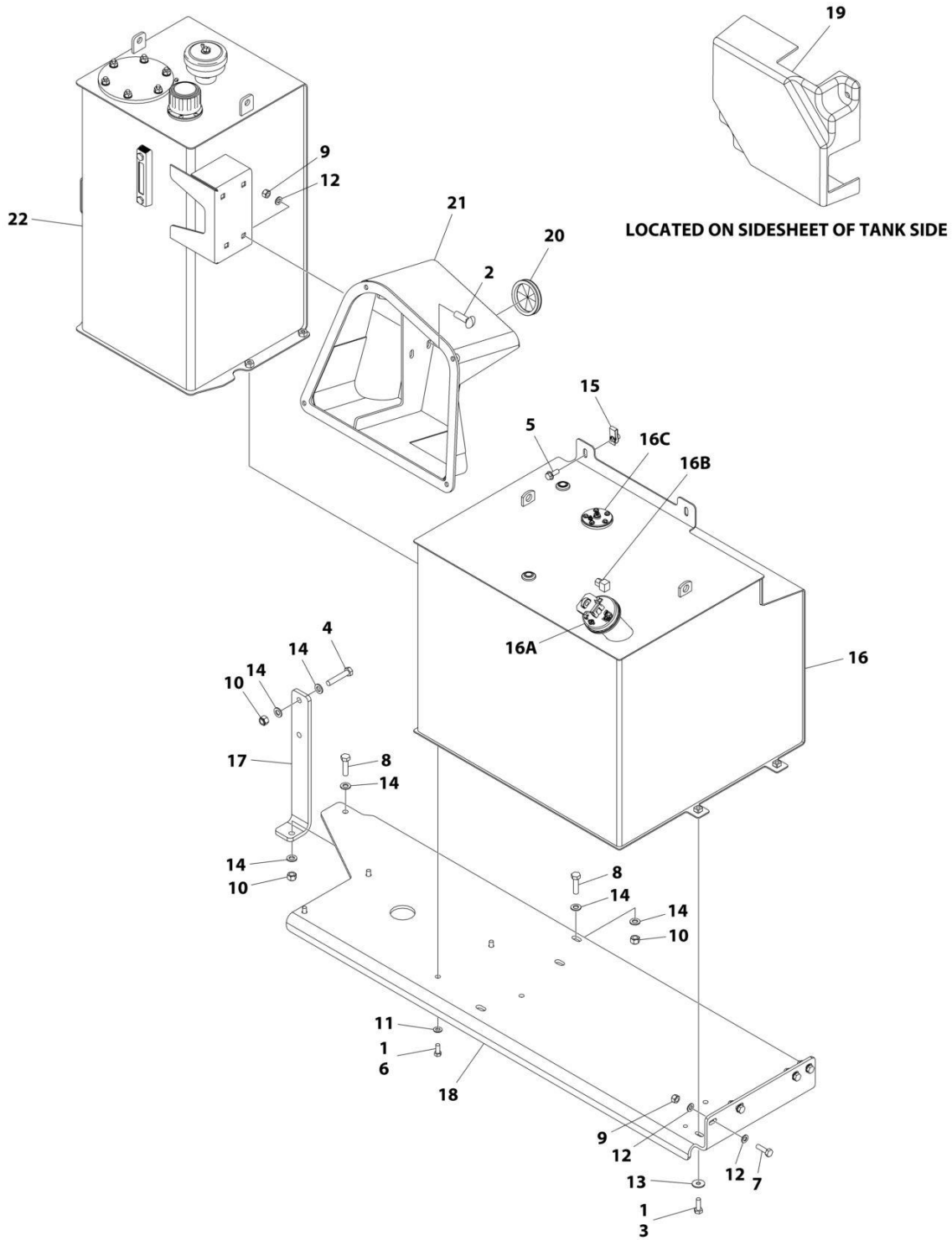
SECTION 2 - TURNTABLE

FIGURE 2-15. TANKS INSTALLATION - DIESEL MACHINES (STEEL FUEL TANK) (HYDRAULIC TANK WITH 6 INCH BREATHER)

ITEM	PART NUMBER	QTY	DESCRIPTION	REV
	1001190335	Ref	TANKS INSTALLATION	I
1	0100011	AR	Compound, Locking	
2	0641607	4	Bolt 3/8 x 7/8	
2	0641608	4	Bolt 3/8 x 1	
3	0761014	4	Bolt M10 x 30	
6	0701221	2	Bolt M12 x 65	
7	5251012	2	Bolt M10 x 25	
8	3291005	8	Nut M10	
9	3291205	4	Nut M12	
10	4711600	4	Washer 3/8	
11	4812000	12	Washer M10	
12	4812002	4	Washer M10	
13	4812100	8	Washer M12	
14	1001118972	1	Nut, Tinnerman M10	
15	1001178057	1	Hydraulic Tank Assembly (See Separate Breakdown in this Section)	
16	1001189764	1	Tank, Fuel	
16A	1001080707	1	Cap, Fill	
16B	70006314	1	Tube, Pickup	
16C	1001189800	1	Sender, Fuel Level	
16C	0731005	5	Screw #10 x 5/8	
16C	4751000	5	Washer #10	
17	1001199933	1	Tray	
18	0701015	4	Bolt M10 x 35	
19	0701217	2	Bolt M12 x 45	
21	1001199883	1	Support	
22	1001228406	4	Bolt M10 x 35	
22	0630613	4	Bolt M10 x 30	
24	1001229572	1	Mount, Ground Control	
25	1001218676	1	Grommet	
26	1001218539	1	Cover	

SECTION 2 - TURNTABLE

FIGURE 2-16. TANKS INSTALLATION - DIESEL MACHINES (STEEL FUEL TANK) (HYDRAULIC TANK WITH 4 INCH BREATHER)



ART_1001267285

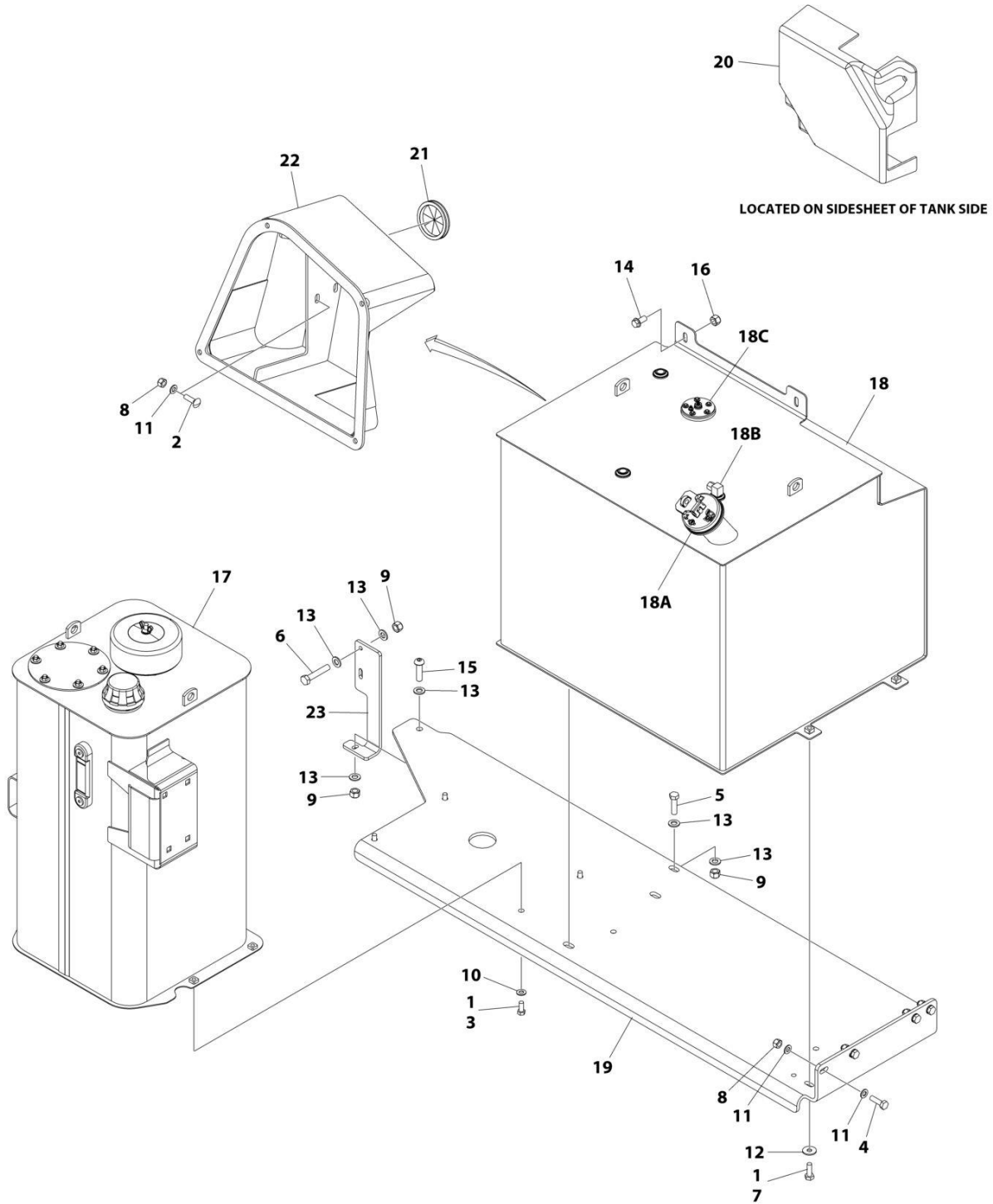
SECTION 2 - TURNTABLE

FIGURE 2-16. TANKS INSTALLATION - DIESEL MACHINES (STEEL FUEL TANK) (HYDRAULIC TANK WITH 4 INCH BREATHER)

ITEM	PART NUMBER	QTY	DESCRIPTION	REV
	1001267285	Ref	TANKS INSTALLATION – DIESEL MACHINES	A
1	0100011	AR	Compound, Locking	
2	0630613	4	Bolt M10 x 30	
3	0761014	4	Bolt M10 x 30	
4	0701221	2	Bolt M12 x 65	
5	5251012	1	Bolt M10 x 25	
6	0641608	4	Bolt 3/8 x 1	
7	0701015	4	Bolt M10 x 35	
8	0701217	2	Bolt M12 x 45	
9	3291005	8	Nut M10	
10	3291205	4	Nut M12	
11	4711600	4	Washer 3/8	
12	4812000	12	Washer M10	
13	4812002	4	Washer M10	
14	4812100	8	Washer M12	
15	1001118972	1	Nut, Tinnerman M10	
16	1001189764	1	Tank, Fuel	
16A	1001080707	1	Cap, Fill	
16B	70006314	1	Tube, Pickup	
16C	1001189800	1	Sender, Fuel Level	
16C	0731005	5	Screw #10 x 5/8	
16C	4751000	5	Washer #10	
17	1001199883	1	Support	
18	1001199933	1	Tray	
19	1001218539	1	Cover	
20	1001218676	1	Grommet	
21	1001229572	1	Mount, Ground Control	
22	1001267678	1	Hydraulic Tank Assembly	

SECTION 2 - TURNTABLE

FIGURE 2-17. TANKS INSTALLATION - DIESEL MACHINES (STEEL FUEL TANK) (HYDRAULIC TANK WITH 6 INCH BREATHER)



ART_1001258174

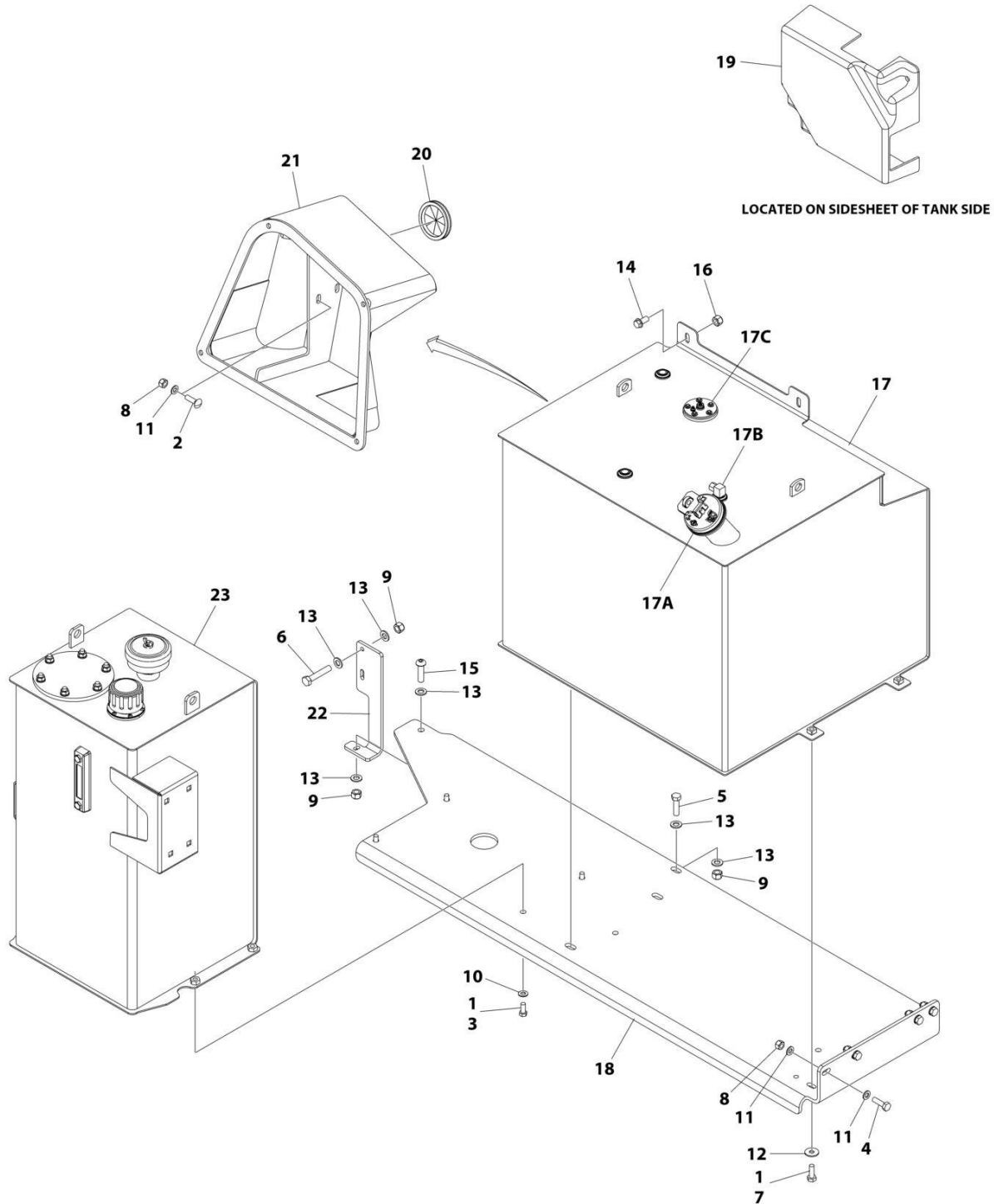
SECTION 2 - TURNTABLE

FIGURE 2-17. TANKS INSTALLATION - DIESEL MACHINES (STEEL FUEL TANK) (HYDRAULIC TANK WITH 6 INCH BREATHER)

ITEM	PART NUMBER	QTY	DESCRIPTION	REV
	1001258174	Ref	TANKS INSTALLATION	A
1	0100011	AR	Compound, Locking	
2	0630613	4	Bolt M10 x 30	
3	0641608	4	Bolt 3/8 x 1	
4	0701015	4	Bolt M10 x 35	
5	0701217	1	Bolt M12 x 45	
6	0701221	2	Bolt M12 x 65	
7	0761014	4	Bolt M10 x 30	
8	3291005	8	Nut M10	
9	3291205	4	Nut M12	
10	4711600	4	Washer 3/8	
11	4812000	12	Washer M10	
12	4812002	4	Washer M10	
13	4812100	8	Washer M12	
14	5251012	1	Bolt M10 x 25	
15	1001102978	1	Screw M12 X 45	
16	1001118972	1	Nut, Tinnerman M10	
17	1001178057	1	Hydraulic Tank Assembly (See Separate Breakdown in this Section)	
18	1001189764	1	Tank, Fuel	
18A	1001080707	1	Cap, Fill	
18B	70006314	1	Tube, Pickup	
18C	1001189800	1	Sender, Fuel Level	
18C	0731005	5	Screw #10 x 5/8	
18C	4751000	5	Washer #10	
19	1001199933	1	Tray	
20	1001218539	1	Cover	
21	1001218676	1	Grommet	
22	1001229572	1	Mount, Ground Control	
23	1001256667	1	Support	

SECTION 2 - TURNTABLE

FIGURE 2-18. TANKS INSTALLATION - DIESEL MACHINES (STEEL FUEL TANKS) (HYDRAULIC TANK WITH 4 INCH BREATHER)



ART_1001284977

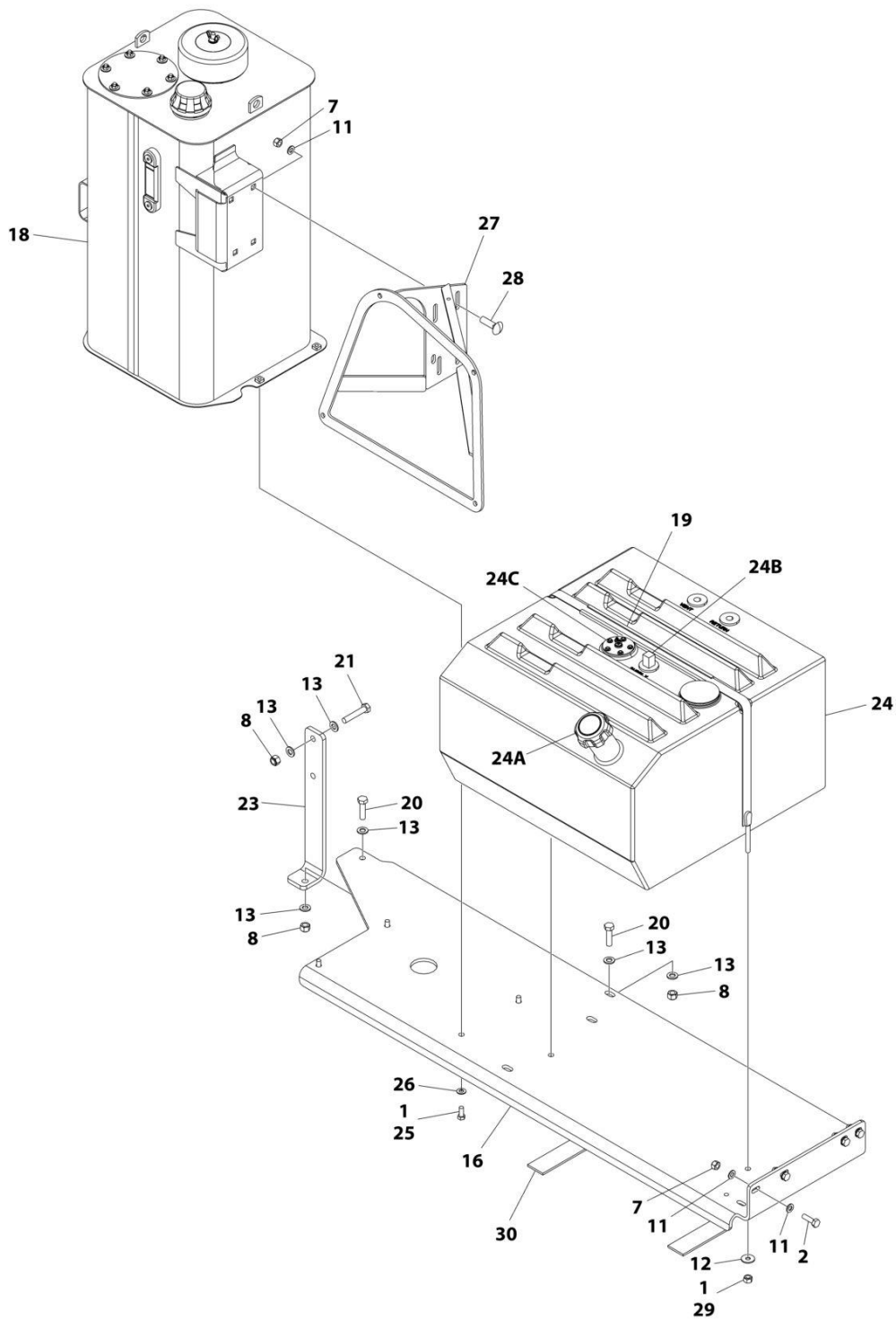
SECTION 2 - TURNTABLE

FIGURE 2-18. TANKS INSTALLATION - DIESEL MACHINES (STEEL FUEL TANKS) (HYDRAULIC TANK WITH 4 INCH BREATHER)

ITEM	PART NUMBER	QTY	DESCRIPTION	REV
	1001284977	Ref	TANKS INSTALLATION	A
1	0100011	AR	Compound, Locking	
2	0630613	4	Bolt M10 x 30	
3	0641608	4	Bolt 3/8 x 1	
4	0701015	4	Bolt M10 x 35	
5	0701217	1	Bolt M12 x 45	
6	0701221	2	Bolt M12 x 65	
7	0761014	4	Bolt M10 x 30	
8	3291005	8	Nut, Lock M10	
9	3291205	4	Nut, Lock M12	
10	4711600	4	Washer 3/8	
11	4812000	12	Washer M10	
12	4812002	4	Washer M10	
13	4812100	8	Washer M12	
14	5251012	1	Bolt M10 x 25	
15	1001102978	1	Screw M12 X 45	
16	1001118972	1	Nut, Tinnerman M10	
17	1001189764	1	Tank, Fuel	
17A	1001080707	1	Cap, Fill	
17B	70006314	1	Tube, Pickup	
17C	1001189800	1	Sender, Fuel Level	
17C	0731005	5	Screw #10 x 5/8	
17C	4751000	5	Washer #10	
18	1001199933	1	Tray	
19	1001218539	1	Cover	
20	1001218676	1	Grommet	
21	1001229572	1	Mount, Ground Control	
22	1001256667	1	Support	
23	1001267678	1	Hydraulic Tank Assembly (See Separate Breakdown in this Section)	

SECTION 2 - TURNTABLE

FIGURE 2-19. TANKS INSTALLATION - GAS MACHINES (HYDRAULIC TANK WITH 6 INCH BREATHER)



ART_1001189228

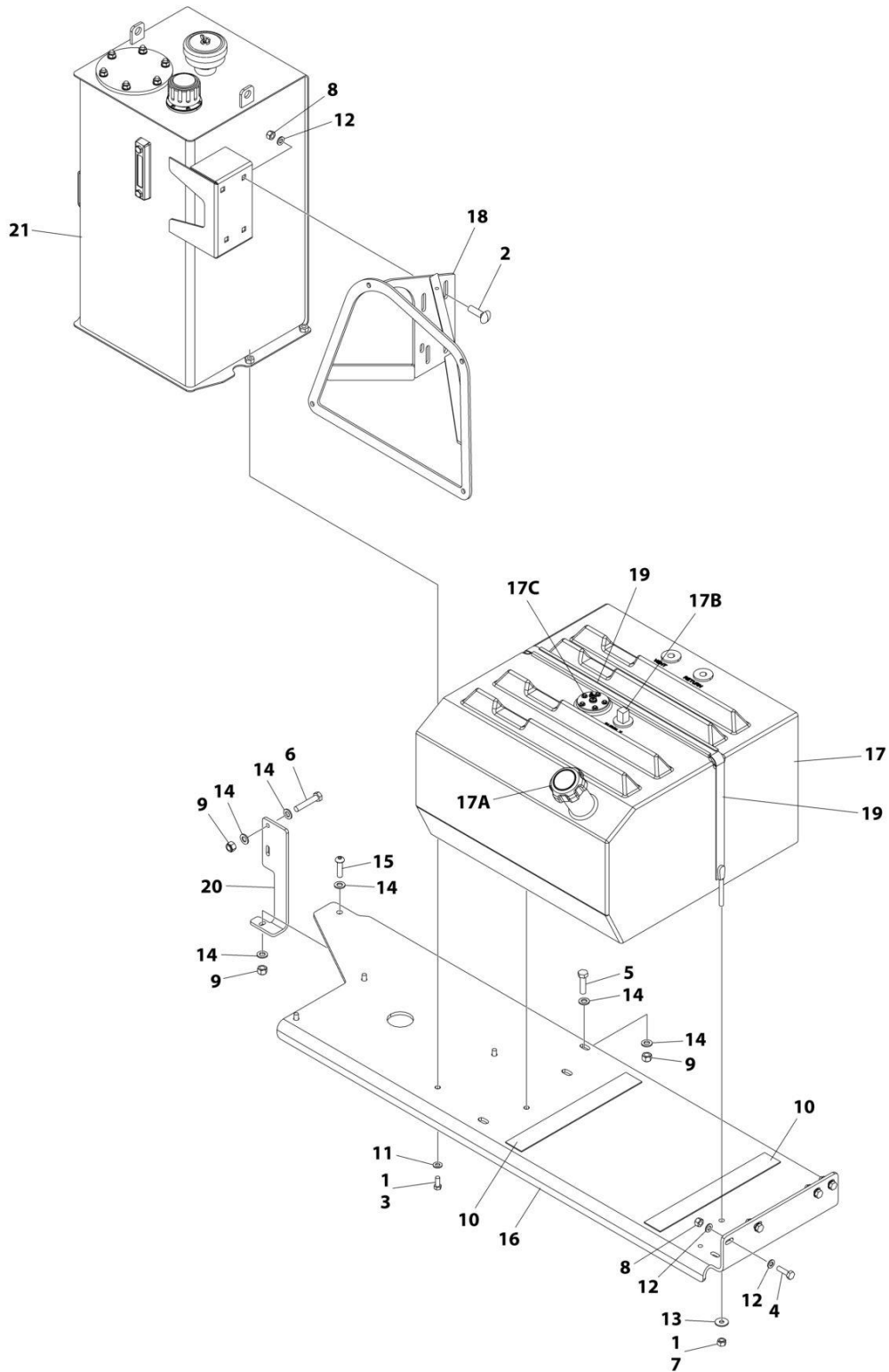
SECTION 2 - TURNTABLE

FIGURE 2-19. TANKS INSTALLATION - GAS MACHINES (HYDRAULIC TANK WITH 6 INCH BREATHER)

ITEM	PART NUMBER	QTY	DESCRIPTION	REV
	1001189228	Ref	TANKS INSTALLATION	I
1	0100011	AR	Compound, Locking	
2	0701015	4	Bolt M10 x 35	
7	3291005	8	Nut M10	
8	3291205	4	Nut M12	
11	4812000	12	Washer M10	
12	4812002	2	Washer M10	
13	4812100	8	Washer M12	
16	1001199933	1	Tray	
18	1001178057	1	Hydraulic Tank Assembly (See Separate Breakdown in this Section)	
19	1001238954	1	Strap Assembly	
19	1001189119	1	Strap, Tank	
19	4280295	48 in/ 122cm	Strip, Protector	
20	0701217	2	Bolt M12 x 45	
21	0701221	2	Bolt M12 x 65	
23	1001199883	1	Support	
24	1001201326	1	Tank, Fuel	
24A	70001103	1	Cap, Fill	
24B	7020043	1	Tube, Pickup	
24C	1001148607	1	Sender, Fuel Level	
24C	0731005	5	Screw #10 x 5/8	
24C	4751000	5	Washer #10	
25	0641607	4	Bolt 3/8 x 7/8	
25	0641608	4	Bolt 3/8 x 1	
26	4711600	4	Washer 3/8	
27	1001213251	1	Support, Ground Control	
28	1001228406	4	Bolt M10 x 35	
28	0630613	4	Bolt M10 x 30	
29	3291005	2	Nut M10	
29	3291001	2	Nut M10	
30	4420038	30 in/ 76.2 cm	Tape, Rubatex	

SECTION 2 - TURNTABLE

FIGURE 2-20. TANKS INSTALLATION - GAS MACHINES (HYDRAULIC TANK WITH 4 INCH BREATHER)



ART_1001284976

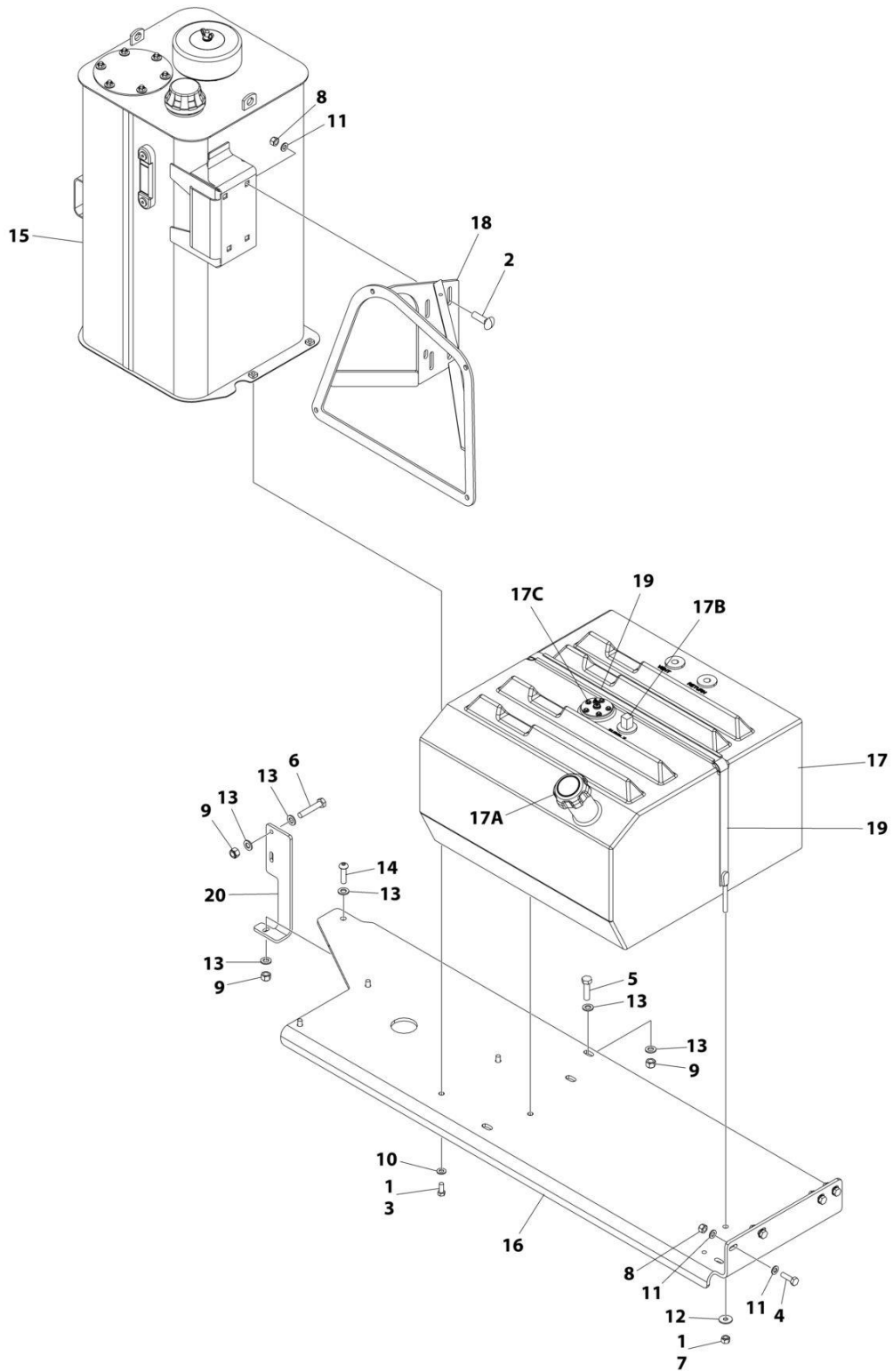
SECTION 2 - TURNTABLE

FIGURE 2-20. TANKS INSTALLATION - GAS MACHINES (HYDRAULIC TANK WITH 4 INCH BREATHER)

ITEM	PART NUMBER	QTY	DESCRIPTION	REV
	1001284976	Ref	TANKS INSTALLATION	A
1	0100011	AR	Compound, Locking	
2	0630613	4	Bolt M10 x 30	
3	0641608	4	Bolt 3/8 x 1	
4	0701015	4	Bolt M10 x 35	
5	0701217	1	Bolt M12 x 45	
6	0701221	2	Bolt M12 x 65	
7	3291001	2	Nut M10	
8	3291005	8	Nut, Lock M10	
9	3291205	4	Nut, Lock M12	
10	4420038	AR	Tape	
11	4711600	4	Washer 3/8	
12	4812000	12	Washer M10	
13	4812002	2	Washer M10	
14	4812100	8	Washer M12	
15	1001102978	1	Bolt M12 x 45 Class 10.9	
16	1001199933	1	Tray	
17	1001201326	1	Tank, Fuel	
17A	70001103	1	Cap, Fill	
17B	7020043	1	Tube, Pickup	
17C	1001148607	1	Sender, Fuel Level	
17C	0731005	5	Screw #10 x 5/8	
17C	4751000	5	Washer #10	
18	1001213251	1	Support, Ground Control	
19	1001238954	1	Strap Assembly	
19	1001189119	1	Strap	
19	4280295	48 in/ 122cm	Strip, Protector	
20	1001256667	1	Support	
21	1001267678	1	Hydraulic Tank Assembly (See Separate Breakdown in this Section)	

SECTION 2 - TURNTABLE

FIGURE 2-21. TANKS INSTALLATION - GAS MACHINES (HYDRAULIC TANK WITH 6 INCH BREATHER)



ART_1001258173

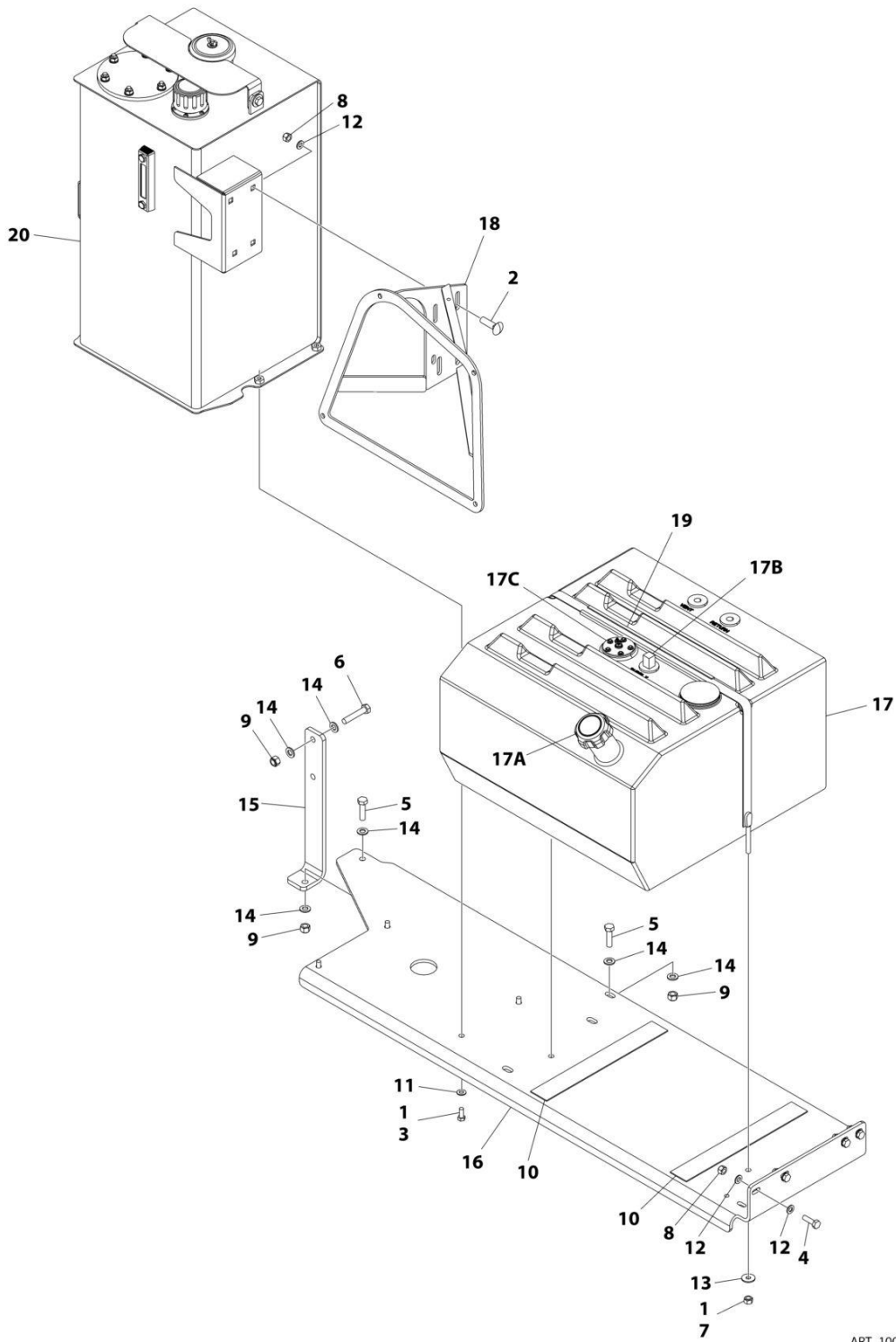
SECTION 2 - TURNTABLE

FIGURE 2-21. TANKS INSTALLATION - GAS MACHINES (HYDRAULIC TANK WITH 6 INCH BREATHER)

ITEM	PART NUMBER	QTY	DESCRIPTION	REV
	1001258173	Ref	TANKS INSTALLATION	A
1	0100011	AR	Compound, Locking	
2	0630613	4	Bolt M10 x 30	
3	0641608	4	Bolt 3/8 x 1	
4	0701015	4	Bolt M10 x 35	
5	0701217	1	Bolt M12 x 45	
6	0701221	2	Bolt M12 x 65	
7	3291001	2	Nut M10	
8	3291005	8	Nut M10	
9	3291205	4	Nut M12	
10	4711600	4	Washer 3/8	
11	4812000	12	Washer M10	
12	4812002	2	Washer M10	
13	4812100	8	Washer M12	
14	1001102978	1	Screw M12 X 45	
15	1001178057	1	Hydraulic Tank Assembly (See Separate Breakdown in this Section)	
16	1001199933	1	Tray	
17	1001201326	1	Tank, Fuel	
17A	70001103	1	Cap, Fill	
17B	7020043	1	Tube, Pickup	
17C	1001148607	1	Sender, Fuel Level	
17C	0731005	5	Screw #10 x 5/8	
17C	4751000	5	Washer #10	
18	1001213251	1	Support, Ground Control	
19	1001238954	1	Strap Assembly	
19	1001189119	1	Strap, Tank	
19	4280295	48 in/ 122cm	Strip, Protector	
20	1001256667	1	Support	

SECTION 2 - TURNTABLE

FIGURE 2-22. TANKS INSTALLATION - GAS MACHINES (HYDRAULIC TANK WITH 4 INCH BREATHER)



ART_1001284974

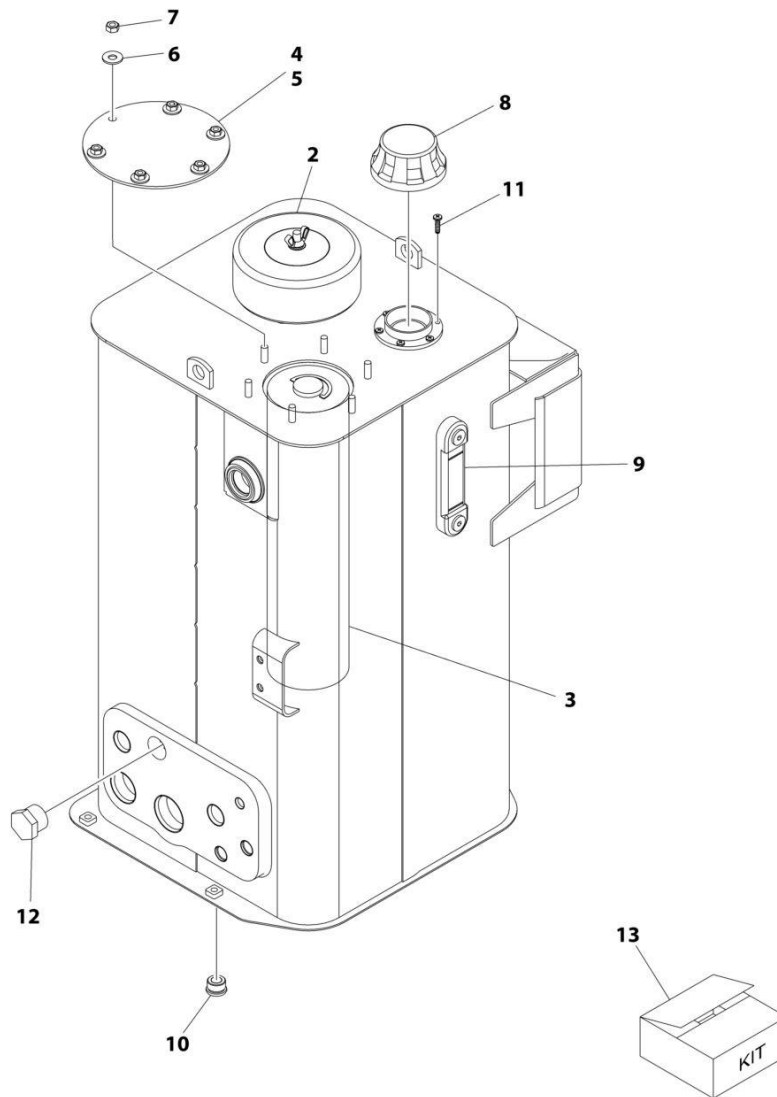
SECTION 2 - TURNTABLE

FIGURE 2-22. TANKS INSTALLATION - GAS MACHINES (HYDRAULIC TANK WITH 4 INCH BREATHER)

ITEM	PART NUMBER	QTY	DESCRIPTION	REV
	1001284974	Ref	TANKS INSTALLATION	A
1	0100011	AR	Compound, Locking	
2	0630613	4	Bolt M10 x 30	
3	0641608	4	Bolt 3/8 x 1	
4	0701015	4	Bolt M10 x 35	
5	0701217	2	Bolt M12 x 45	
6	0701221	2	Bolt M12 x 65	
7	3291001	2	Nut M10	
8	3291005	8	Nut, Lock M10	
9	3291205	4	Nut, Lock M12	
10	4420038	30 in /76.2 cm	Tape	
11	4711600	4	Washer 3/8	
12	4812000	12	Washer M10	
13	4812002	2	Washer M10	
14	4812100	8	Washer M12	
15	1001199883	1	Support	
16	1001199933	1	Tray	
17	1001201326	1	Tank, Fuel	
17A	70001103	1	Cap, Fill	
17B	7020043	1	Tube, Pickup	
17C	1001148607	1	Sender, Fuel Level	
17C	0731005	5	Screw #10 x 5/8	
17C	4751000	5	Washer #10	
18	1001213251	1	Support, Ground Control	
19	1001238954	1	Strap Assembly	
19	1001189119	1	Strap, Tank	
19	4280295	48 in /122cm	Strip, Protector	
20	1001267678	1	Hydraulic Tank Assembly (See Separate Breakdown in this Section)	

SECTION 2 - TURNTABLE

FIGURE 2-23. HYDRAULIC TANK ASSEMBLY (HYDRAULIC TANK WITH 6 INCH BREATHER)



ART_1001178057

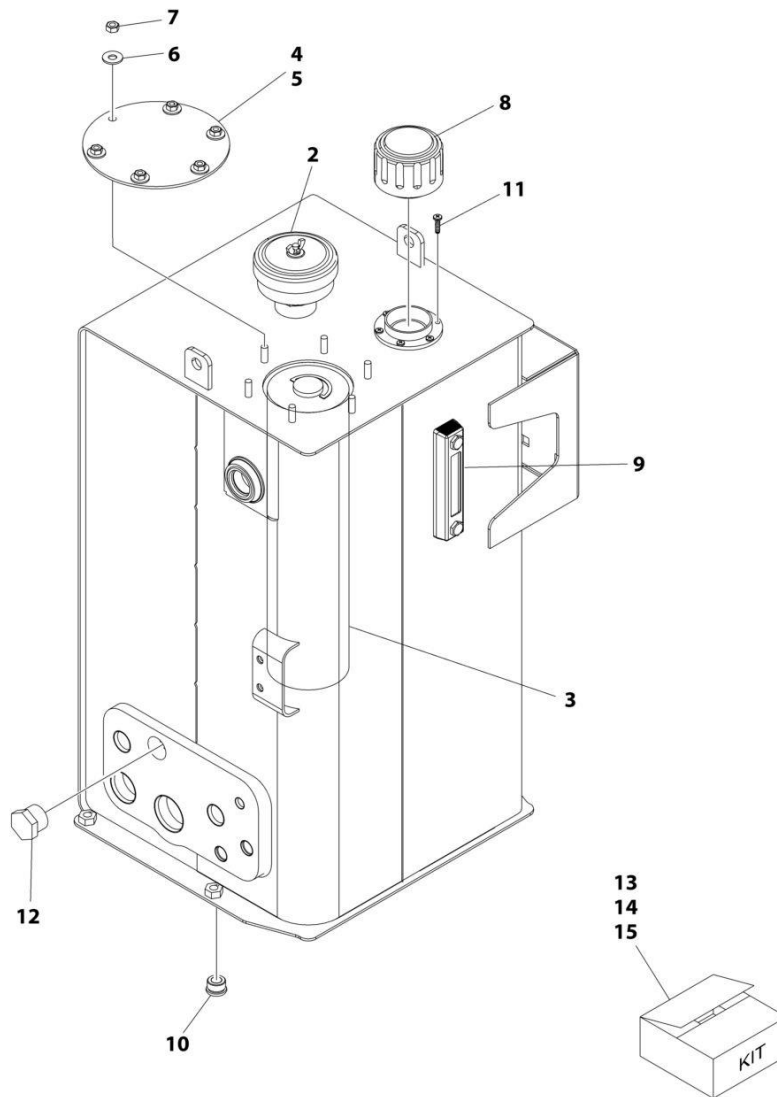
SECTION 2 - TURNTABLE

FIGURE 2-23. HYDRAULIC TANK ASSEMBLY (HYDRAULIC TANK WITH 6 INCH BREATHER)

ITEM	PART NUMBER	QTY	DESCRIPTION	REV
	1001178057	Ref	HYDRAULIC TANK ASSEMBLY	D
2	70005708	1	Breather Assembly (Includes Breather, Element and Wingnut)	
2	See Note	NSS	Element, Breather (Note: Use p/n 70005708 or Item 13)	
3	See Note	NSS	Element, Hydraulic (Note: Use Item 13)	
4	70002839	1	Gasket	
5	See Note	NSS	Cover (Note: Not Available for Purchase)	
6	83304173	6	Washer 5/16	
7	70004199	6	Nut 5/16	
8	70002838	1	Cap, Fill	
9	7024441	1	Gauge, Level	
10	70002112	1	Plug	
11	70004795	6	Screw #10 x 3/4	
12	See Note	NSS	Plug (Note: Not Available - Purchase Locally)	
13	70002814	1	Hydraulic Tank Service Kit (Includes Items 2-4)	

SECTION 2 - TURNTABLE

FIGURE 2-24. HYDRAULIC TANK ASSEMBLY (HYDRAULIC TANK WITH 4 INCH BREATHER)



ART_1001267678

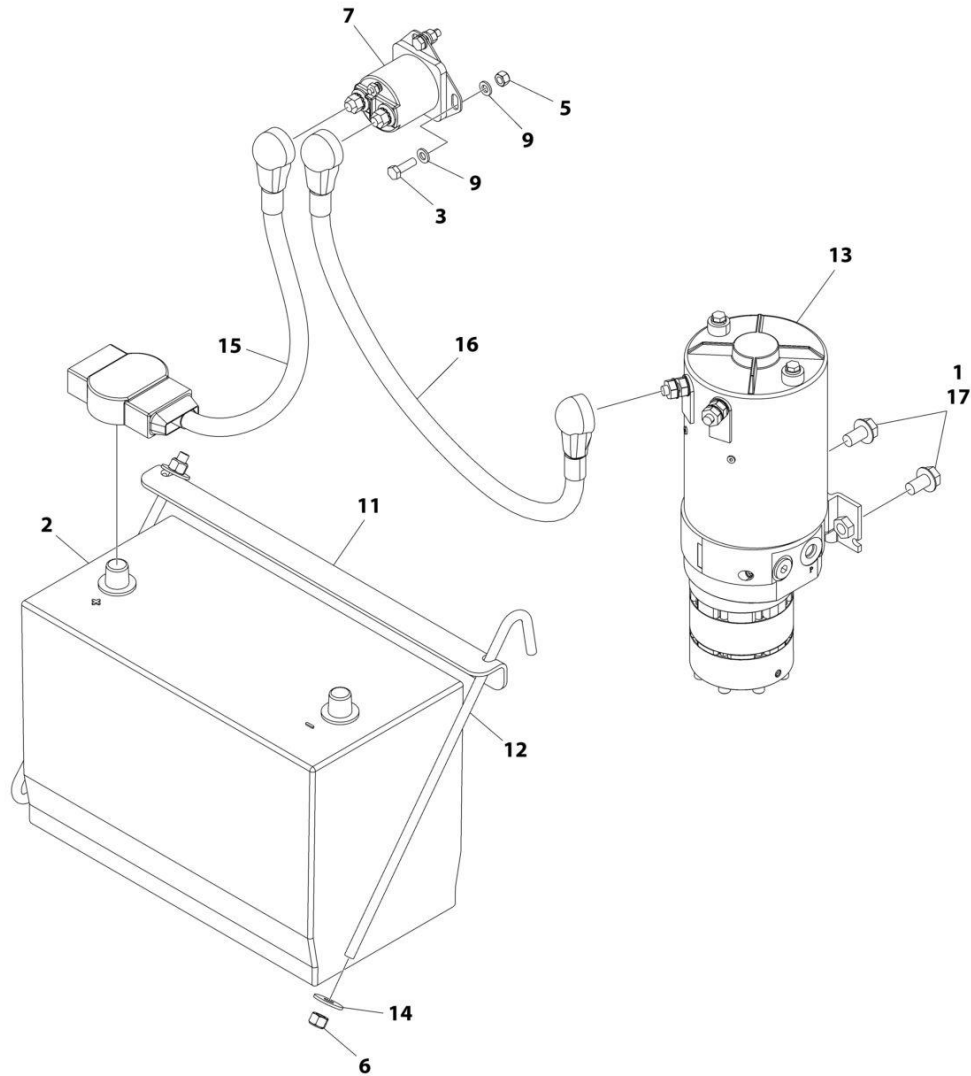
SECTION 2 - TURNTABLE

FIGURE 2-24. HYDRAULIC TANK ASSEMBLY (HYDRAULIC TANK WITH 4 INCH BREATHER)

ITEM	PART NUMBER	QTY	DESCRIPTION	REV
	1001267678	REF	HYDRAULIC TANK ASSEMBLY	A
1	See Note	NSS	Hydraulic Tank Weldment (Not Shown) (Note: Not Available for Purchase)	
2	See Note	NSS	Breather Assembly (Note: Use Item 13)	
3	See Note	NSS	Element, Filter (Note: Use Item Use Item 14)	
4	70002839	1	Gasket	
5	See Note	NSS	Cover (Note: Not Available for Purchase)	
6	83304173	6	Washer 1/4	
7	70004199	6	Nut 5/16	
8	70002838	1	Cap, Fill	
9	70024441	1	Gauge, Level	
10	70002112	1	Plug	
11	70004795	6	Screw 10 x 3/4	
12	See Note	NSS	Plug (Note: Not Available for Purchase)	
13	70007726	1	Breather Kit (Note: Includes Item 2)	
14	70007727	1	Return Filter Kit (Note: Includes Item 3)	
15	70007725	1	Level Gauge Kit	

SECTION 2 - TURNTABLE

FIGURE 2-25. BATTERY AND AUXILIARY PUMP INSTALLATION (MACHINES WITH SN STARTING WITH 03)



ART_1001186346

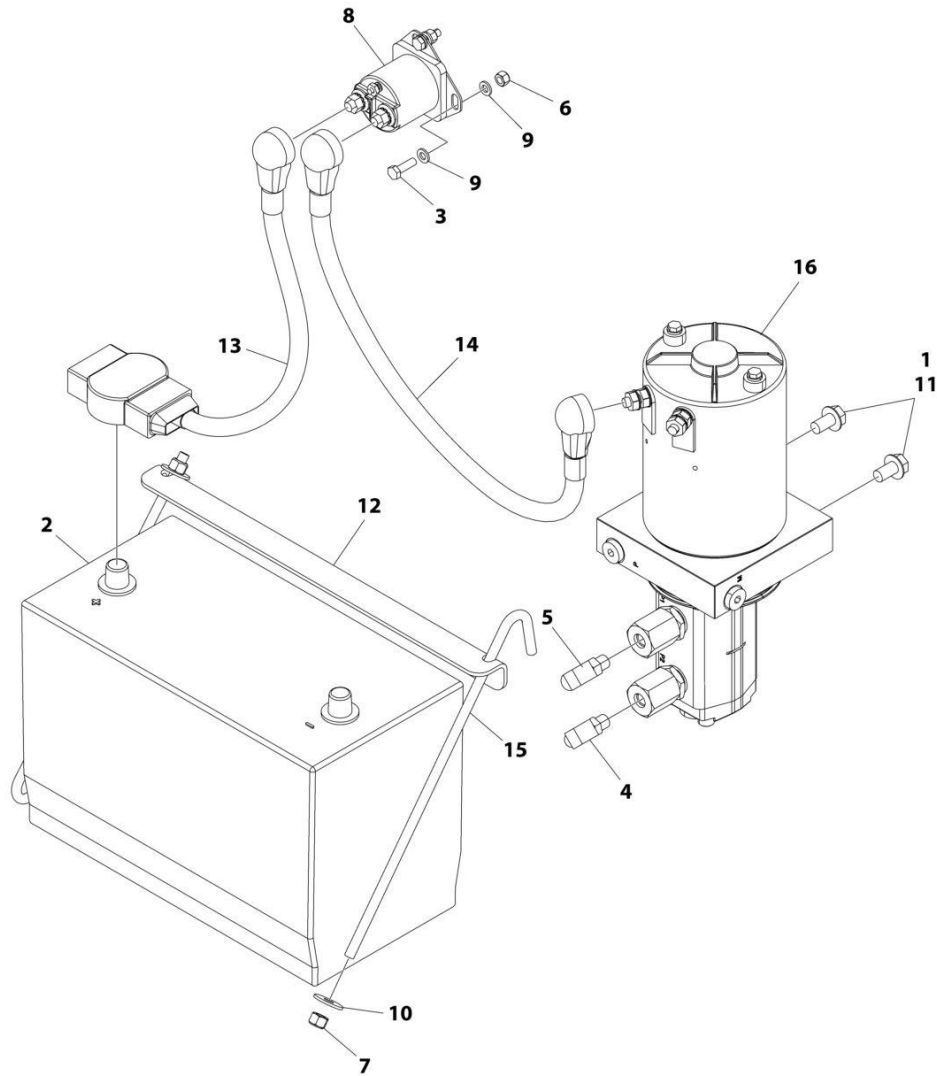
SECTION 2 - TURNTABLE

FIGURE 2-25. BATTERY AND AUXILIARY PUMP INSTALLATION (MACHINES WITH SN STARTING WITH 03)

ITEM	PART NUMBER	QTY	DESCRIPTION	REV
	1001186346	Ref	BATTERY AND AUXILIARY PUMP INSTALLATION	G
1	0100011	AR	Compound, Locking	
2	0400075	1	Battery	
3	0700610	2	Bolt M6 x 20	
5	3290605	2	Nut M6	
6	3290805	2	Nut M8	
7	3740067	1	Relay	
9	4811700	4	Washer M6	
11	91401281	1	Bracket, Hold Down	
12	1001192012	2	J-Bolt	
13	1001187808	1	Auxiliary Pump/Motor Assembly (Note: Replacement Motor is only Service Component Available. For Other Components, Replace Complete Assembly.)	
13	70003998	1	Motor, Replacement	
14	4811902	2	Washer M8	
15	1001188664	1	Cable, Battery (+)	
16	1001188666	1	Cable, Aux Relay to Aux Pump	
17	5251009	2	Bolt M10 x 18	

SECTION 2 - TURNTABLE

FIGURE 2-26. BATTERY AND AUXILIARY PUMP INSTALLATION (MACHINES WITH SN STARTING WITH B3)



ART_1001256239

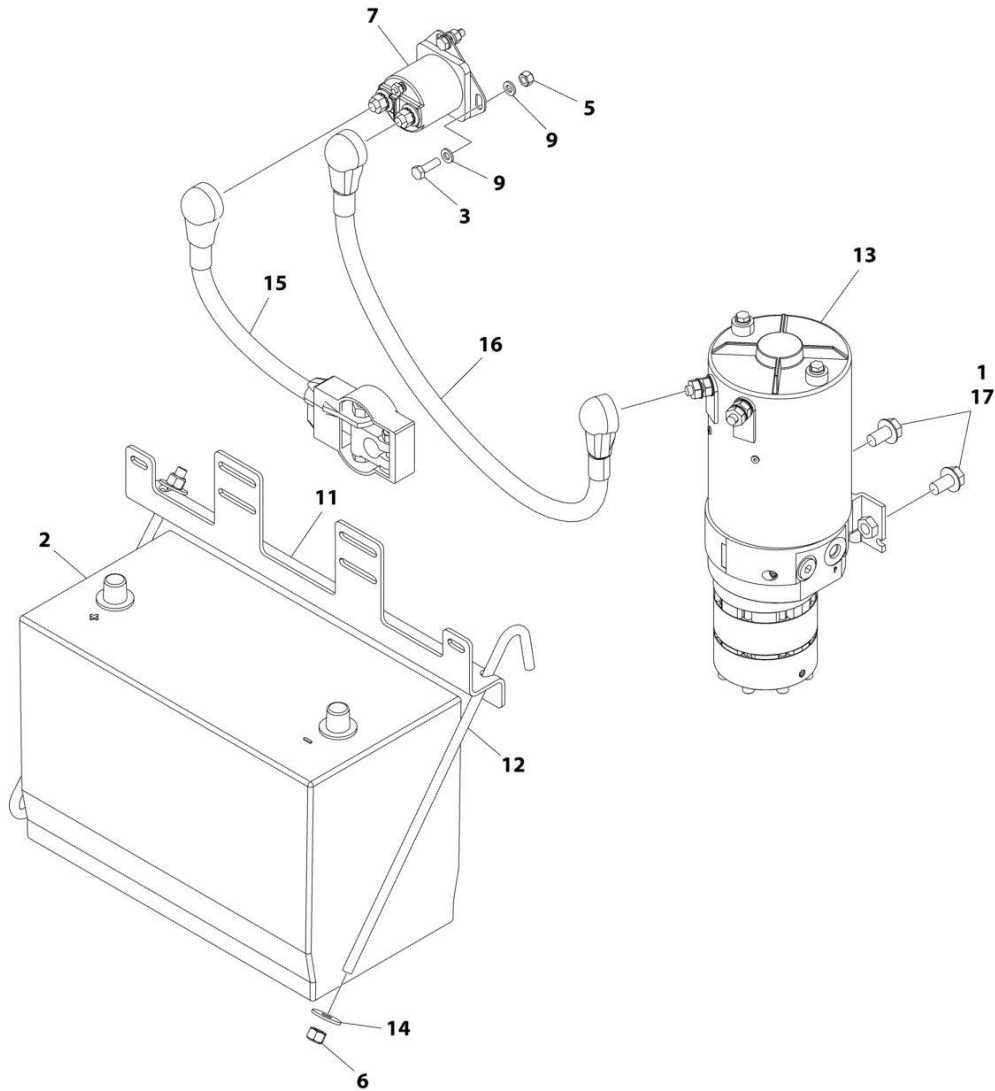
SECTION 2 - TURNTABLE

FIGURE 2-26. BATTERY AND AUXILIARY PUMP INSTALLATION (MACHINES WITH SN STARTING WITH B3)

ITEM	PART NUMBER	QTY	DESCRIPTION	REV
	1001256239	Ref	BATTERY AND AUXILIARY PUMP INSTALLATION	A
1	0100011	AR	Compound, Locking	
2	0400075	1	Battery	
3	0700610	2	Bolt M6 x 20	
4	2220466	1	Fitting, 90 JIC/ORB	
5	2220775	1	Fitting, 90 JIC/ORB	
6	3290605	2	Nut M6	
7	3290805	2	Nut M8	
8	3740067	1	Relay	
9	4811700	4	Washer M6	
10	4811902	2	Washer M8	
11	5251009	2	Bolt M10 x 18	
12	91401281	1	Bracket, Hold Down	
13	1001188664	1	Cable, Battery (+)	
14	1001188666	1	Cable, Aux Relay to Aux Pump	
15	1001192012	2	J-Bolt	
16	1001256238	1	Auxiliary Motor/Pump Assembly (See Separate Breakdown in this Section)	

SECTION 2 - TURNTABLE

FIGURE 2-27. BATTERY AND AUXILIARY PUMP WITH DISCONNECT SWITCH INSTALLATION
(MACHINES WITH SN STARTING WITH 03)



ART_1001238663

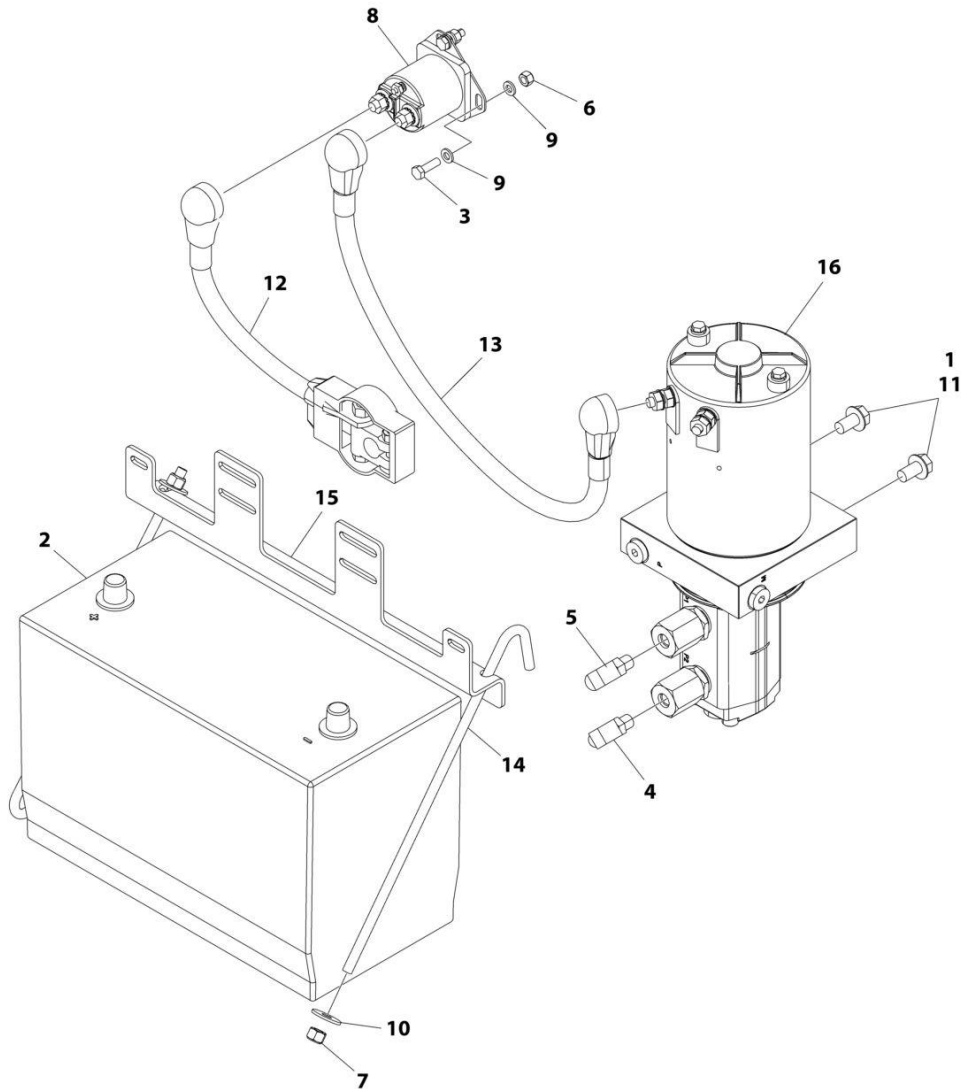
SECTION 2 - TURNTABLE

**FIGURE 2-27. BATTERY AND AUXILIARY PUMP WITH DISCONNECT SWITCH INSTALLATION
(MACHINES WITH SN STARTING WITH 03)**

ITEM	PART NUMBER	QTY	DESCRIPTION	REV
	1001238663	Ref	BATTERY AND AUXILIARY PUMP W/DISCONNECT SWITCH INSTALLATION	B
1	0100011	AR	Compound, Locking	
2	0400075	1	Battery	
3	0700610	2	Bolt M6 x 20	
5	3290605	2	Nut M6	
6	3290805	2	Nut M8	
7	3740067	1	Relay	
9	4811700	4	Washer M6	
11	1001236303	1	Bracket, Hold Down	
12	1001192012	2	J-Bolt	
13	1001187808	1	Auxiliary Pump/Motor Assembly (Note: Replacement Motor is only Service Component Available. For Other Components, Replace Complete Assembly.)	
13	70003998	1	Motor, Replacement	
14	4811902	2	Washer M8	
15	1001188664	1	Cable, Battery (+)	
16	1001188666	1	Cable, Aux Relay to Aux Pump	
17	5251009	2	Bolt M10 x 18	

SECTION 2 - TURNTABLE

FIGURE 2-28. BATTERY AND AUXILIARY PUMP INSTALLATION WITH DISCONNECT SWITCH
(MACHINES WITH SN STARTING WITH B3)



ART_1001263810

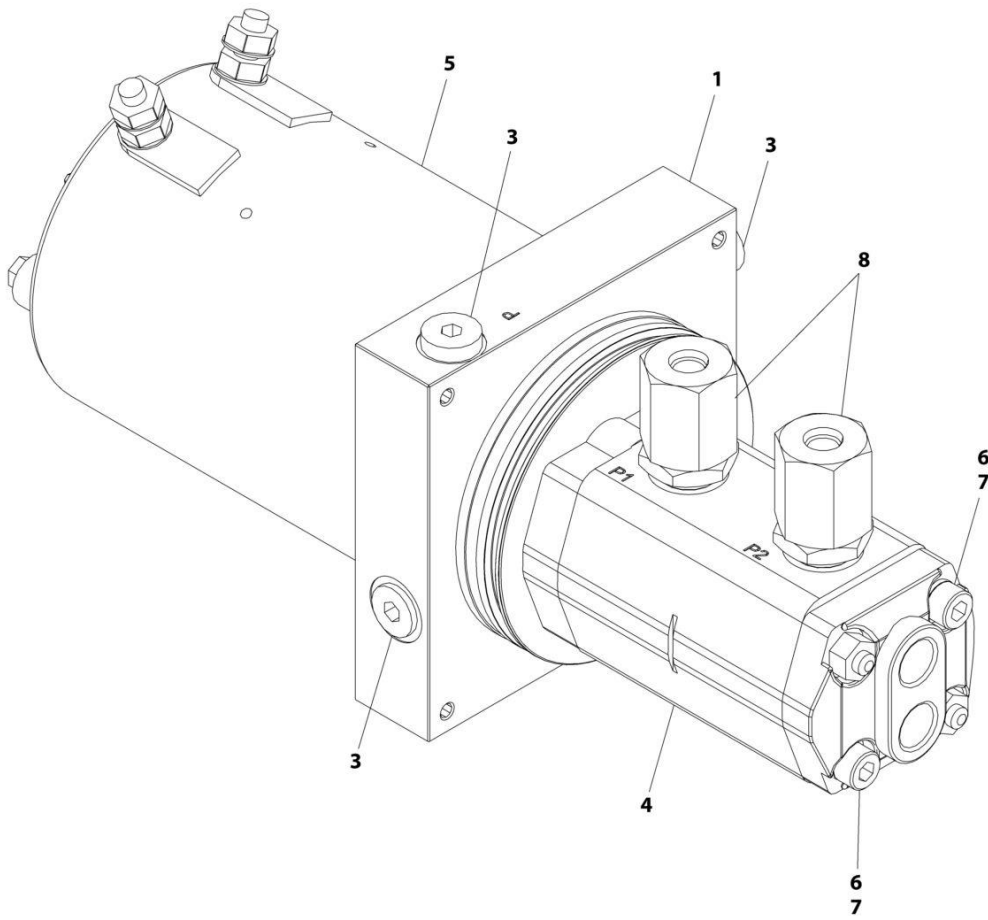
SECTION 2 - TURNTABLE

**FIGURE 2-28. BATTERY AND AUXILIARY PUMP INSTALLATION WITH DISCONNECT SWITCH
(MACHINES WITH SN STARTING WITH B3)**

ITEM	PART NUMBER	QTY	DESCRIPTION	REV
	1001263810	Ref	BATTERY AND AUXILIARY PUMP INSTALLATION	A
1	0100011	AR	Compound, Locking	
2	0400075	1	Battery	
3	0700610	2	Bolt M6 x 20	
4	2220466	1	Fitting, 90 JIC/ORB	
5	2220775	1	Fitting, 90 JIC/ORB	
6	3290605	2	Nut M6	
7	3290805	2	Nut M8	
8	3740067	1	Relay	
9	4811700	4	Washer M6	
10	4811902	2	Washer M8	
11	5251009	2	Bolt M10 x 18	
12	1001188664	1	Cable, Battery (+)	
13	1001188666	1	Cable, Aux Relay to Aux Pump	
14	1001192012	2	J-Bolt	
15	1001236303	1	Bracket, Hold Down	
16	1001256238	1	Auxiliary Motor/Pump Assembly (See Separate Breakdown in this Section)	

SECTION 2 - TURNTABLE

FIGURE 2-29. AUXILIARY MOTOR/PUMP ASSEMBLY (MACHINES WITH SN STARTING WITH B3)



ART_1001256238

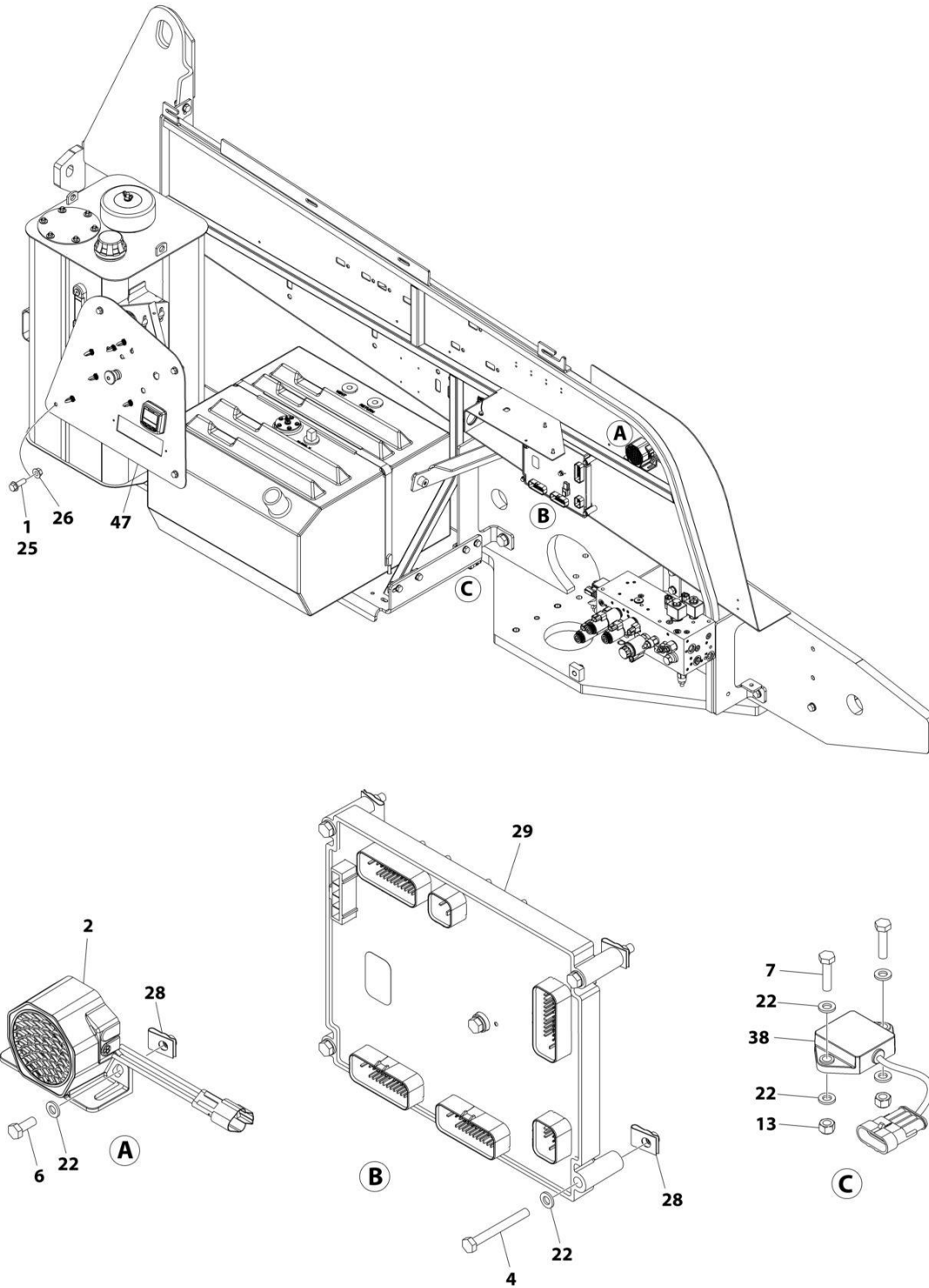
SECTION 2 - TURNTABLE

FIGURE 2-29. AUXILIARY MOTOR/PUMP ASSEMBLY (MACHINES WITH SN STARTING WITH B3)

ITEM	PART NUMBER	QTY	DESCRIPTION	REV
	1001256238	Ref	AUXILIARY MOTOR/PUMP ASSEMBLY	A
1	70008396	1	Block, Valve	
2	70008397	1	Shaft, Connecting (Not Shown)	
3	See Note	NSS	Plug (Note: Not Sold Separately)	
4	70008398	1	Pump	
5	70008399	1	Motor	
6	70008400	2	Washer M8	
7	70008401	2	Capscrew M8 x 140	
8	70008402	2	Valve, One-Way	

SECTION 2 - TURNTABLE

FIGURE 2-30. ELECTRICAL COMPONENTS INSTALLATION - 600S HC3 (MACHINES WITH SN STARTING WITH 03 SPECS EXCEPT AUSTRALIAN, CE & UK CA (ULS) SPECS)



ART_1001235143_1OF2

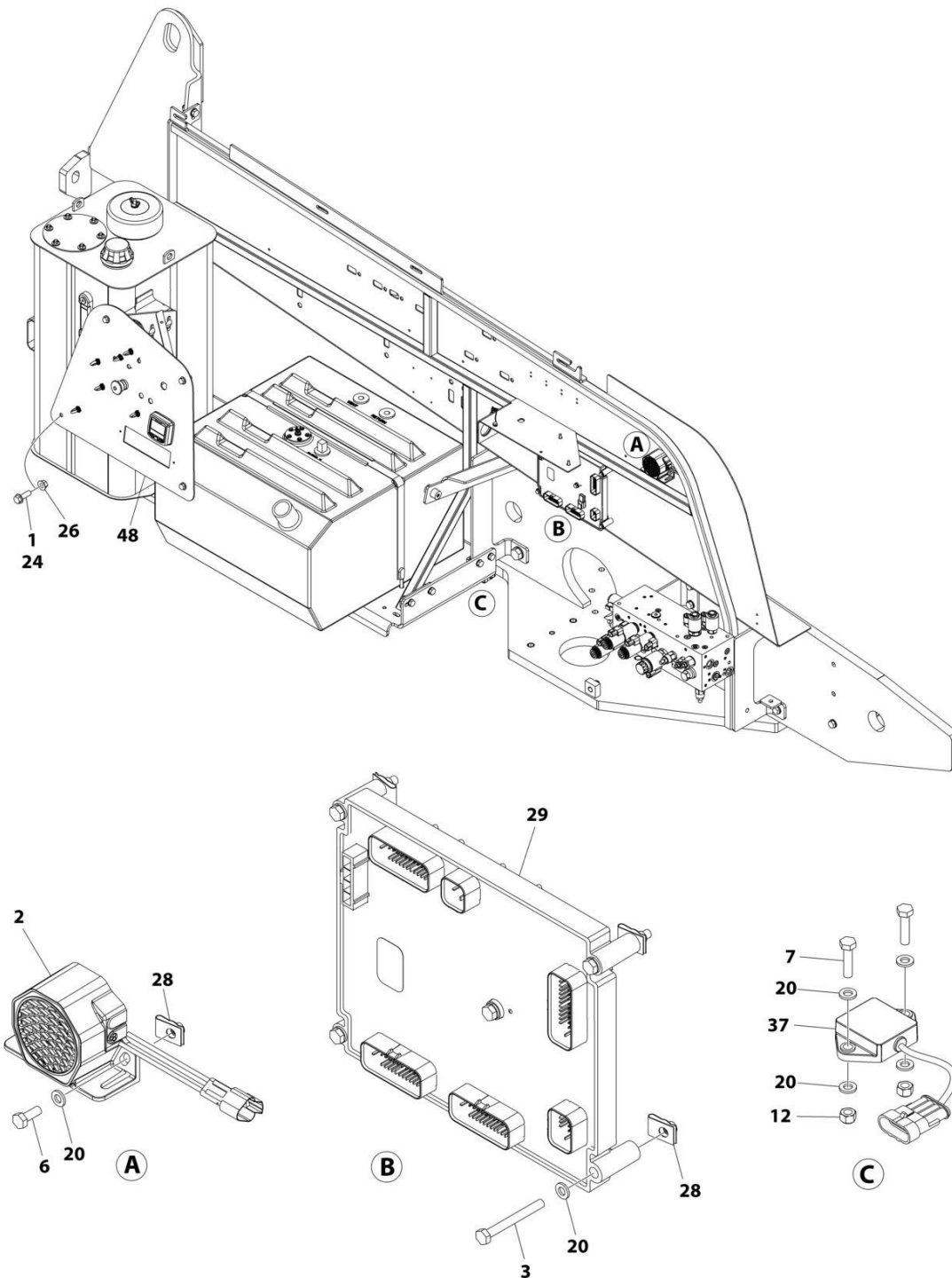
SECTION 2 - TURNTABLE

FIGURE 2-30. ELECTRICAL COMPONENTS INSTALLATION - 600S HC3 (MACHINES WITH SN STARTING WITH 03 SPECS EXCEPT AUSTRALIAN, CE & UK CA (ULS) SPECS)

ITEM	PART NUMBER	QTY	DESCRIPTION	REV
	1001235143	Ref	ELECTRICAL COMPONENTS INSTALLATION	C
1	0100011	AR	Compound, Locking	
2	0140043	1	Alarm	
4	0700619	5	Bolt M6 x 55	
6	0700608	5	Bolt M6 x 16	
7	0760612	2	Bolt M6 x 25	
13	3290605	5	Nut M6	
22	4811700	18	Washer M6	
25	5251014	4	Bolt M10 x 30	
26	5261000	4	Nut M10 Class 10	
28	1001130220	7	Nut, Tinnerman M6	
29	1001187200	1	Module, Ground Control (Note: Re-calibration Required when Replaced)	
38	1001219601	1	Sensor	
47	1001241588	1	Ground Control Panel Assembly (See Separate Breakdown in this Section)	

SECTION 2 - TURNTABLE

FIGURE 2-31. ELECTRICAL COMPONENTS INSTALLATION - 600S HC3 (MACHINES WITH SN STARTING WITH 03 CE & UK CA (ULS) SPECS)



ART_1001262633_1OF2

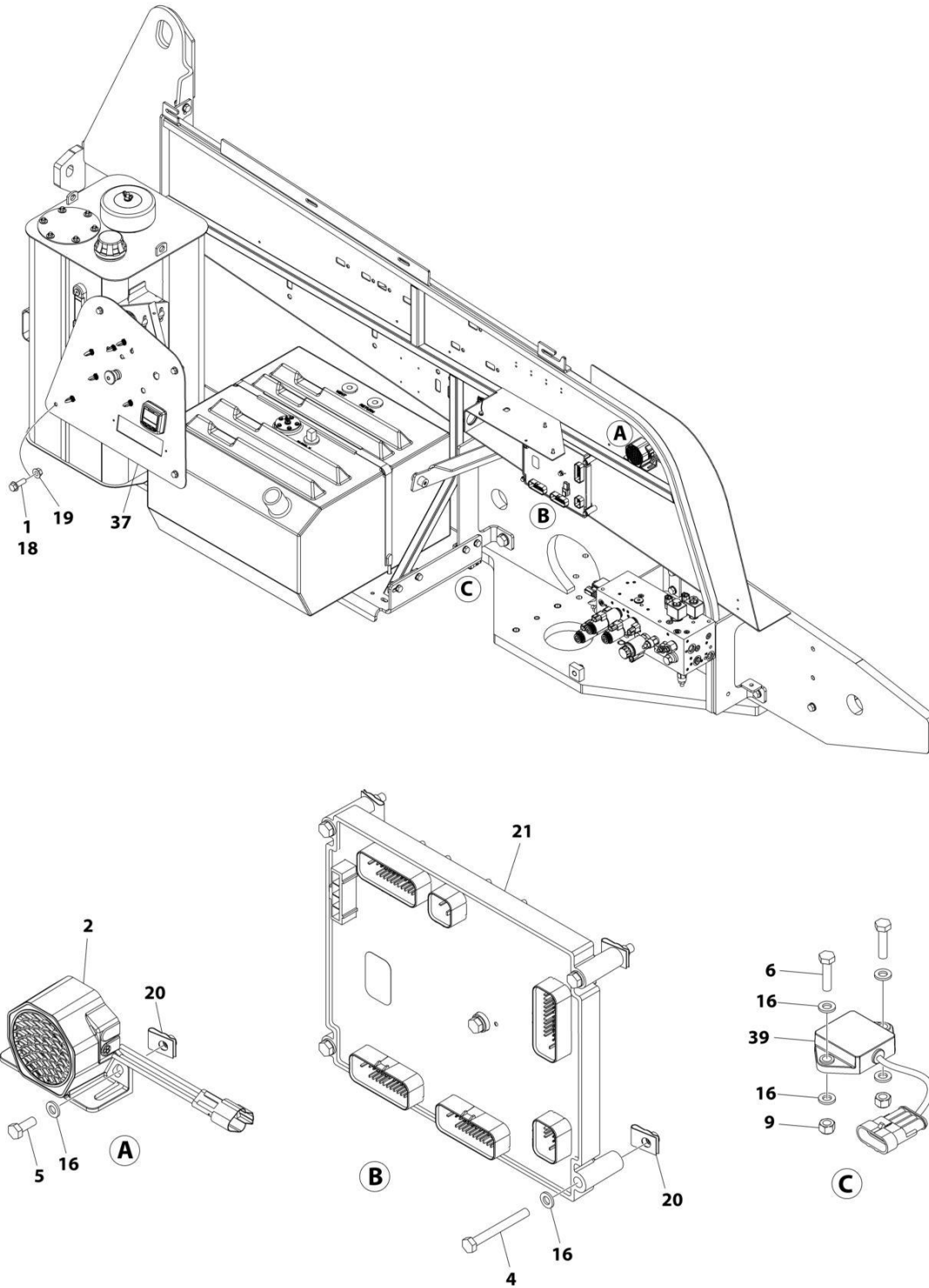
SECTION 2 - TURNTABLE

FIGURE 2-31. ELECTRICAL COMPONENTS INSTALLATION - 600S HC3 (MACHINES WITH SN STARTING WITH 03 CE & UK CA (ULS) SPECS)

ITEM	PART NUMBER	QTY	DESCRIPTION	REV
	1001262633	Ref	ELECTRICAL COMPONENTS INSTALLATION	B
1	0100011	AR	Compound, Locking	
2	0140043	1	Alarm	
3	0700619	5	Bolt M6 x 55	
6	0760608	3	Bolt M6 x 16	
7	0760612	2	Bolt M6 x 25	
12	3290605	3	Nut, Lock M6	
20	4811700	13	Washer M6	
24	5251014	4	Bolt M10 x 30	
26	5261000	5	Nut M10 Class 10	
28	1001130220	7	Nut, Tinnerman M6	
29	1001187200	1	Module, Ground Control (Note: Re-calibration Required when Replaced)	
37	1001219601	1	Sensor	
48	1001245774	1	Ground Control Panel Assembly (See Separate Breakdown in this Section)	

SECTION 2 - TURNTABLE

FIGURE 2-32. ELECTRICAL COMPONENTS INSTALLATION - 660SJ HC3 (ALL SPECS EXCEPT CE & UK CA (ULS) SPECS)



ART_1001250012_1OF2

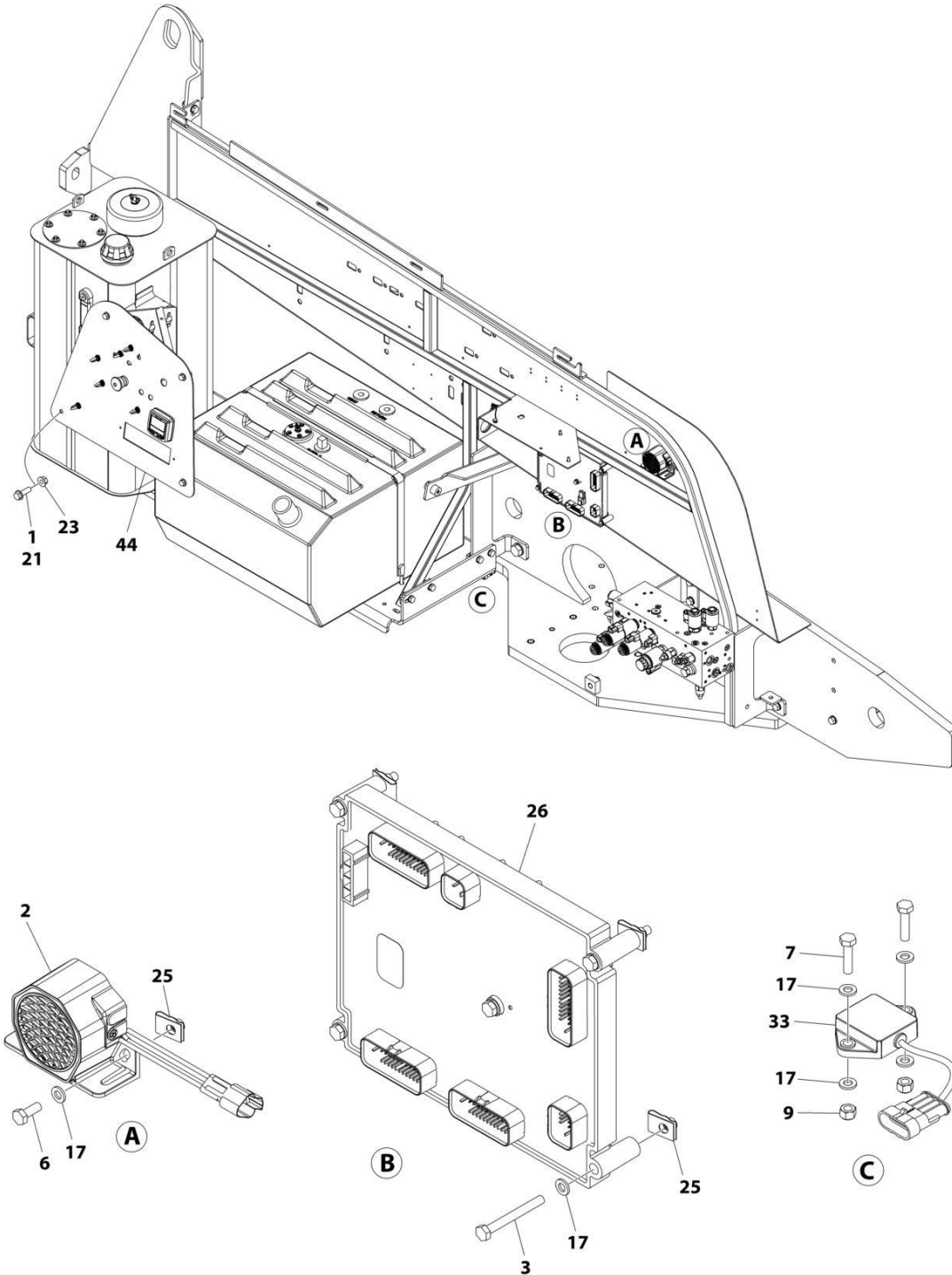
SECTION 2 - TURNTABLE

FIGURE 2-32. ELECTRICAL COMPONENTS INSTALLATION - 660SJ HC3 (ALL SPECS EXCEPT CE & UK CA (ULS) SPECS)

ITEM	PART NUMBER	QTY	DESCRIPTION	REV
	1001250012	Ref	ELECTRICAL COMPONENTS INSTALLATION	D
1	0100011	AR	Compound, Locking	
2	0140043	1	Alarm	
4	0700619	5	Bolt M6 x 55	
5	0700608	5	Bolt M6 x 16	
6	0760612	2	Bolt M6 x 25	
9	3290605	5	Nut,Lock M6	
16	4811700	17	Washer M6	
18	5251014	4	Bolt M10 x 30	
19	5261000	4	Nut M10 Class 10	
20	1001130220	7	Nut, Tinnerman M6	
21	1001187200	1	Module, Ground Control (Note: Re-calibration Required when Replaced)	
37	1001250273	1	Ground Control Panel Assembly (See Separate Breakdown in this Section)	
39	1001219601	1	Sensor	

SECTION 2 - TURNTABLE

FIGURE 2-33. ELECTRICAL COMPONENTS INSTALLATION - 660SJ HC3 (CE & UK CA (ULS) SPECS)



ART_1001262634_1OF2

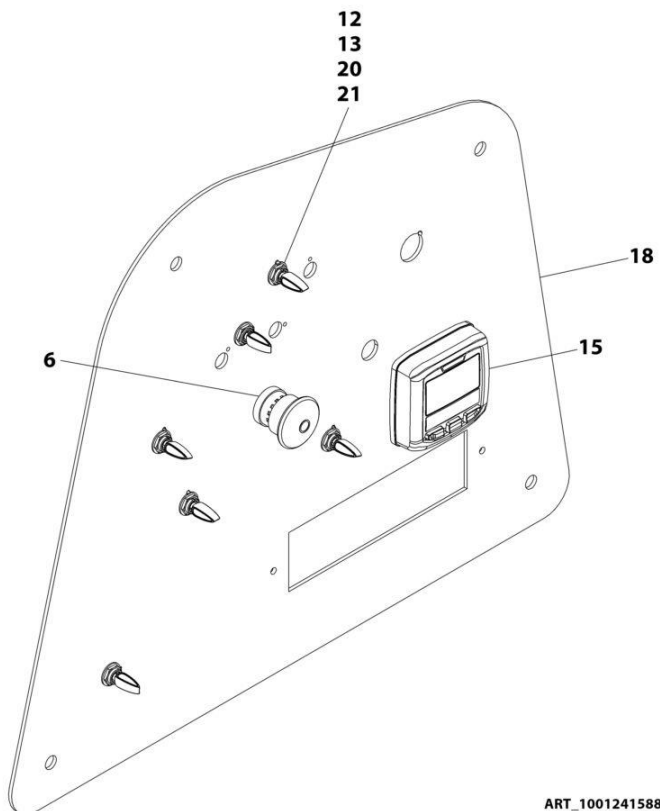
SECTION 2 - TURNTABLE

FIGURE 2-33. ELECTRICAL COMPONENTS INSTALLATION - 660SJ HC3 (CE & UK CA (ULS) SPECS)

ITEM	PART NUMBER	QTY	DESCRIPTION	REV
	1001262634	Ref	ELECTRICAL COMPONENTS INSTALLATION	B
1	0100011	AR	Compound, Locking	
2	0140043	1	Alarm	
3	0700619	5	Bolt M6 x 55	
6	0700608	3	Bolt M6 x 16	
7	0760612	2	Bolt M6 x 25	
9	3290605	3	Nut, Lock M6	
17	4811700	13	Washer M6	
21	5251014	4	Bolt M10 x 30	
23	5261000	5	Nut M10 Class 10	
25	1001130220	7	Nut, Tinnerman M6	
26	1001187200	1	Module, Ground Control (Note: Re-calibration Required when Replaced)	
33	1001219601	1	Sensor	
44	1001245775	1	Ground Control Panel Assembly (See Separate Breakdown in this Section)	

SECTION 2 - TURNTABLE

FIGURE 2-34. GROUND CONTROL ASSEMBLY - 600S HC3 (MACHINES WITH SN STARTING WITH 03 SPECS EXCEPT AUSTRALIAN, CE & UK CA (ULS) SPECS)



ART_1001241588

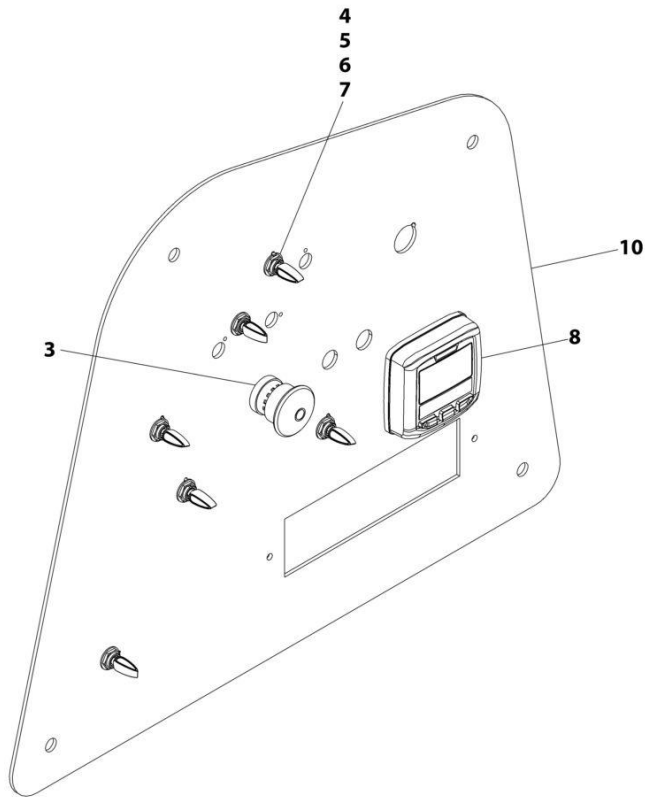
SECTION 2 - TURNTABLE

FIGURE 2-34. GROUND CONTROL ASSEMBLY - 600S HC3 (MACHINES WITH SN STARTING WITH 03 SPECS EXCEPT AUSTRALIAN, CE & UK CA (ULS) SPECS)

ITEM	PART NUMBER	QTY	DESCRIPTION	REV
	1001241588	Ref	GROUND CONTROL PANEL ASSEMBLY	B
6	4360475	1	Switch, Emergency Stop	
6	7020175	1	Cap	
6	7020176	1	Block, Contact	
12	1001155043	6	Washer	
13	1001155044	6	Nut 15/32	
15	1001171482	1	Gauge	
18	1001191126	1	Plate	
20	4740397	6	Washer	
21	1001155045	6	Switch, Toggle	

SECTION 2 - TURNTABLE

FIGURE 2-35. GROUND CONTROL ASSEMBLY - 600S HC3 (MACHINES WITH SN STARTING WITH 03 CE & UK CA (ULS) SPECS)



ART_1001245774

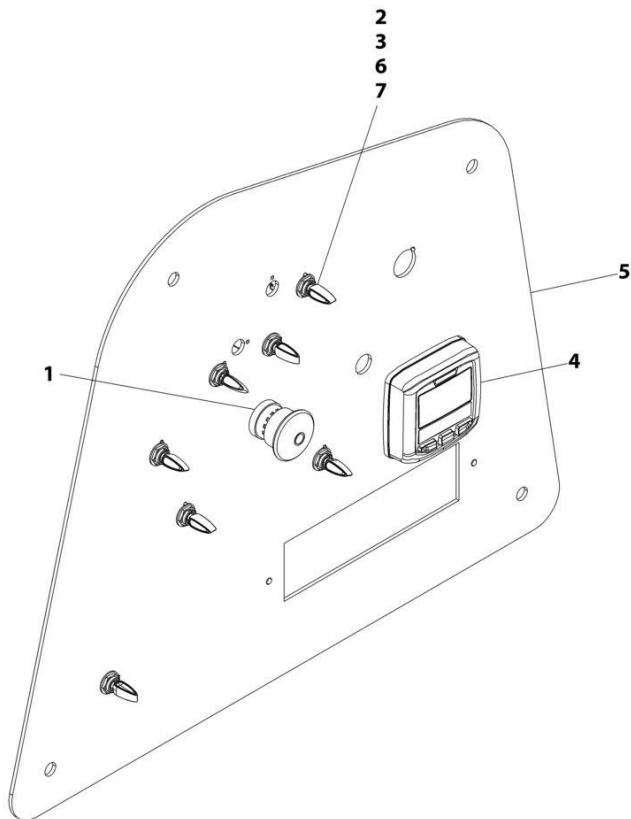
SECTION 2 - TURNTABLE

FIGURE 2-35. GROUND CONTROL ASSEMBLY - 600S HC3 (MACHINES WITH SN STARTING WITH 03 CE & UK CA (ULS) SPECS)

ITEM	PART NUMBER	QTY	DESCRIPTION	REV
	1001245774	Ref	GROUND CONTROL PANEL ASSEMBLY	B
3	4360475	1	Switch, Emergency Stop	
3	7020175	1	Cap	
3	7020176	1	Block, Contact	
4	4740397	6	Washer	
5	1001155043	6	Washer	
6	1001155044	6	Nut 15/32	
7	1001155045	6	Switch, Toggle	
8	1001171482	1	Gauge	
10	1001245773	1	Plate	

SECTION 2 - TURNTABLE

FIGURE 2-36. GROUND CONTROL ASSEMBLY - 660SJ HC3 (ALL SPECS EXCEPT CE & UK CA (ULS) SPECS)



**NOTE: FOR LIGHT PANEL COMPONENTS, SEE SEPARATE BREAKDOWN
IN ELECTRICAL INSTALLATION OR LIGHT PANEL INSTALLATION.**

ART_1001250273

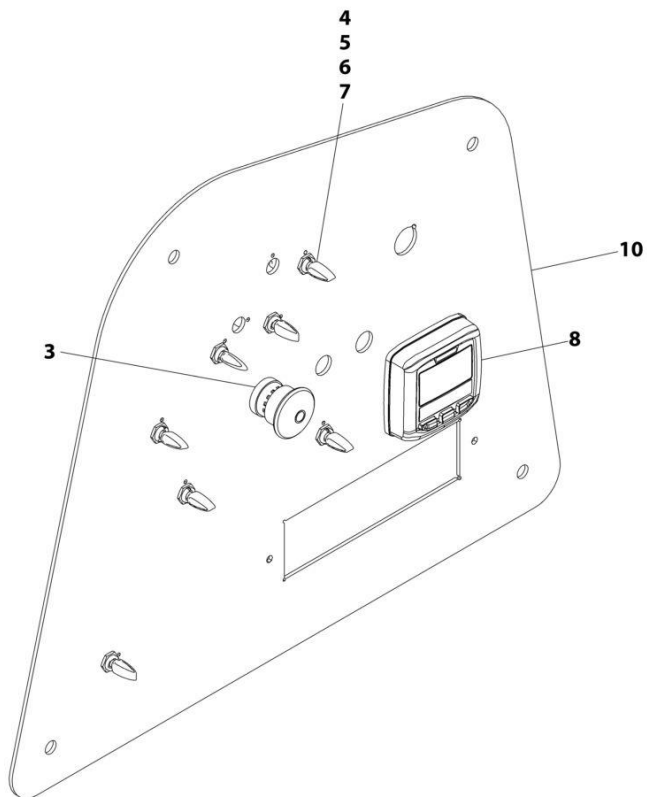
SECTION 2 - TURNTABLE

FIGURE 2-36. GROUND CONTROL ASSEMBLY - 660SJ HC3 (ALL SPECS EXCEPT CE & UK CA (ULS) SPECS)

ITEM	PART NUMBER	QTY	DESCRIPTION	REV
	1001250273	Ref	GROUND CONTROL PANEL ASSEMBLY	B
1	4360475	1	Switch, Emergency Stop	
1	7020175	1	Cap	
1	7020176	1	Block, Contact	
2	1001155043	7	Washer	
3	1001155044	7	Nut 15/32	
4	1001171482	1	Gauge	
5	1001191126	1	Plate	
6	4740397	7	Washer	
7	1001155045	7	Switch, Toggle	
8	4460234	AR	Mount, Tie Strap (Not Shown)	

SECTION 2 - TURNTABLE

FIGURE 2-37. GROUND CONTROL ASSEMBLY - 660SJ HC3 (CE & UK CA (ULS) SPECS)



ART_1001245775

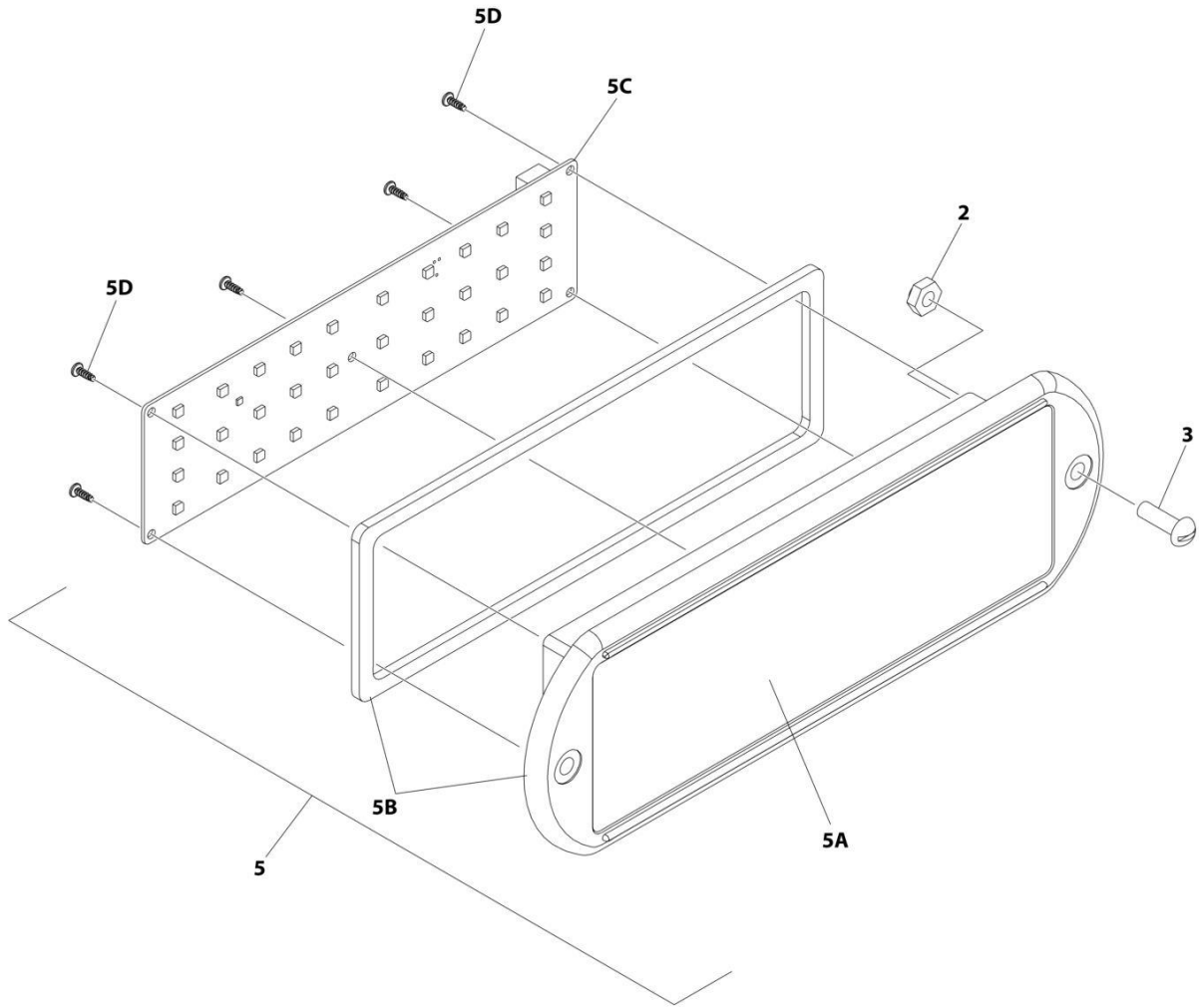
SECTION 2 - TURNTABLE

FIGURE 2-37. GROUND CONTROL ASSEMBLY - 660SJ HC3 (CE & UK CA (ULS) SPECS)

ITEM	PART NUMBER	QTY	DESCRIPTION	REV
	1001245775	Ref	GROUND CONTROL PANEL ASSEMBLY	B
3	4360475	1	Switch, Emergency Stop	
3	7020175	1	Cap	
3	7020176	1	Block, Contact	
4	4740397	7	Washer	
5	1001155043	7	Washer	
6	1001155044	7	Nut 15/32	
7	1001155045	7	Switch, Toggle	
8	1001171482	1	Gauge	
10	1001245773	1	Plate	

SECTION 2 - TURNTABLE

FIGURE 2-38. LIGHT PANEL INSTALLATION



ART_1001233959_10F2

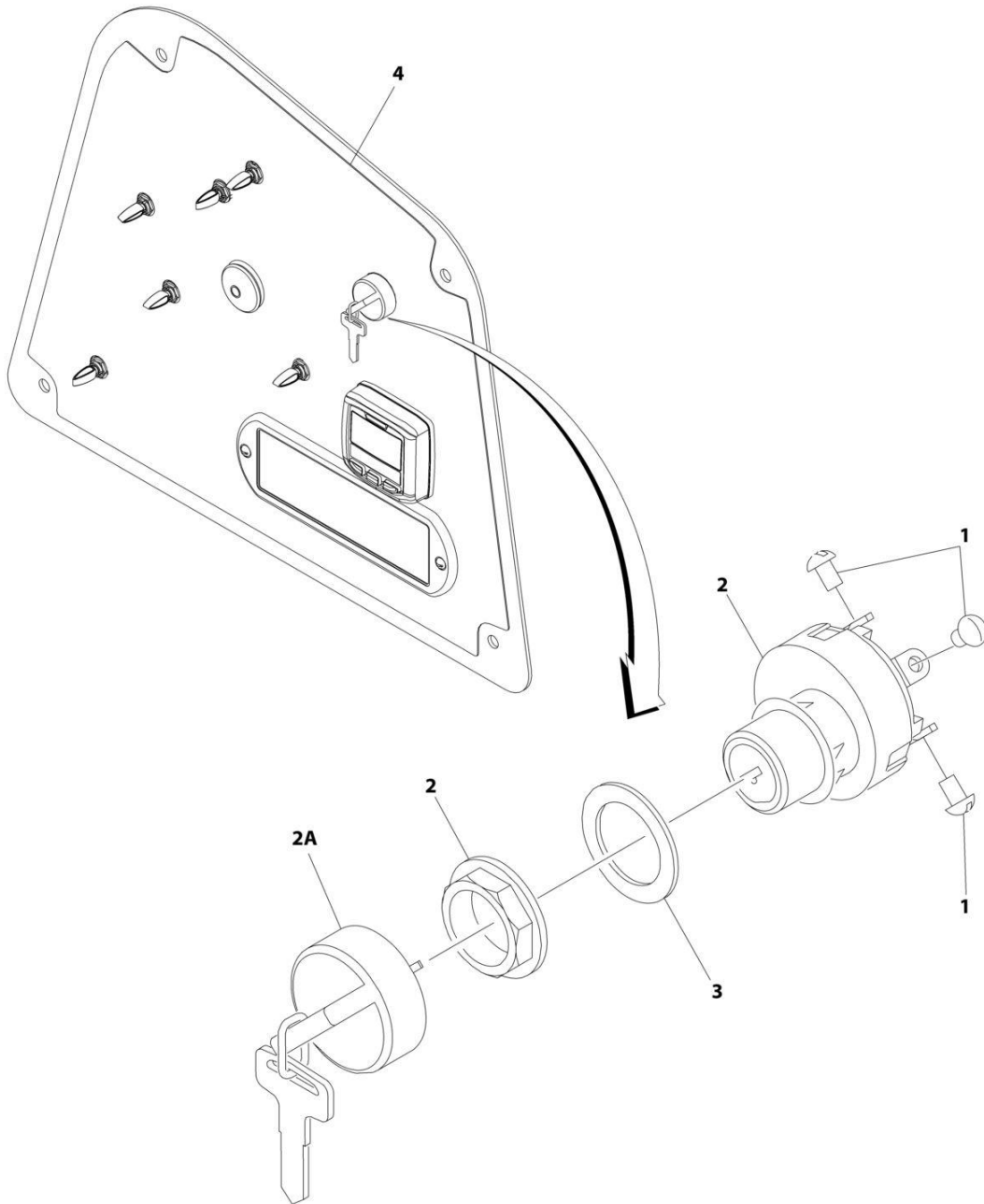
SECTION 2 - TURNTABLE

FIGURE 2-38. LIGHT PANEL INSTALLATION

ITEM	PART NUMBER	QTY	DESCRIPTION	REV
	1001233959	Ref	LIGHT PANEL INSTALLATION	C
2	3300408	2	Nut, Nylon Insert	
3	0630518	2	Screw #10 x 3/4	
5	1001237546	1	Light Panel Assembly	
5A	1001236091	1	Lens, I-Con/Bezel	
5C	1001187807	1	Panel, LED Light	
5D		Ref	Screw	

SECTION 2 - TURNTABLE

FIGURE 2-39. KEYSWITCH INSTALLATION - 600S HC3 (ANSI, ANSI EXPORT, CHINA, CSA AND JAPANESE SPECS)



ART_1001239448

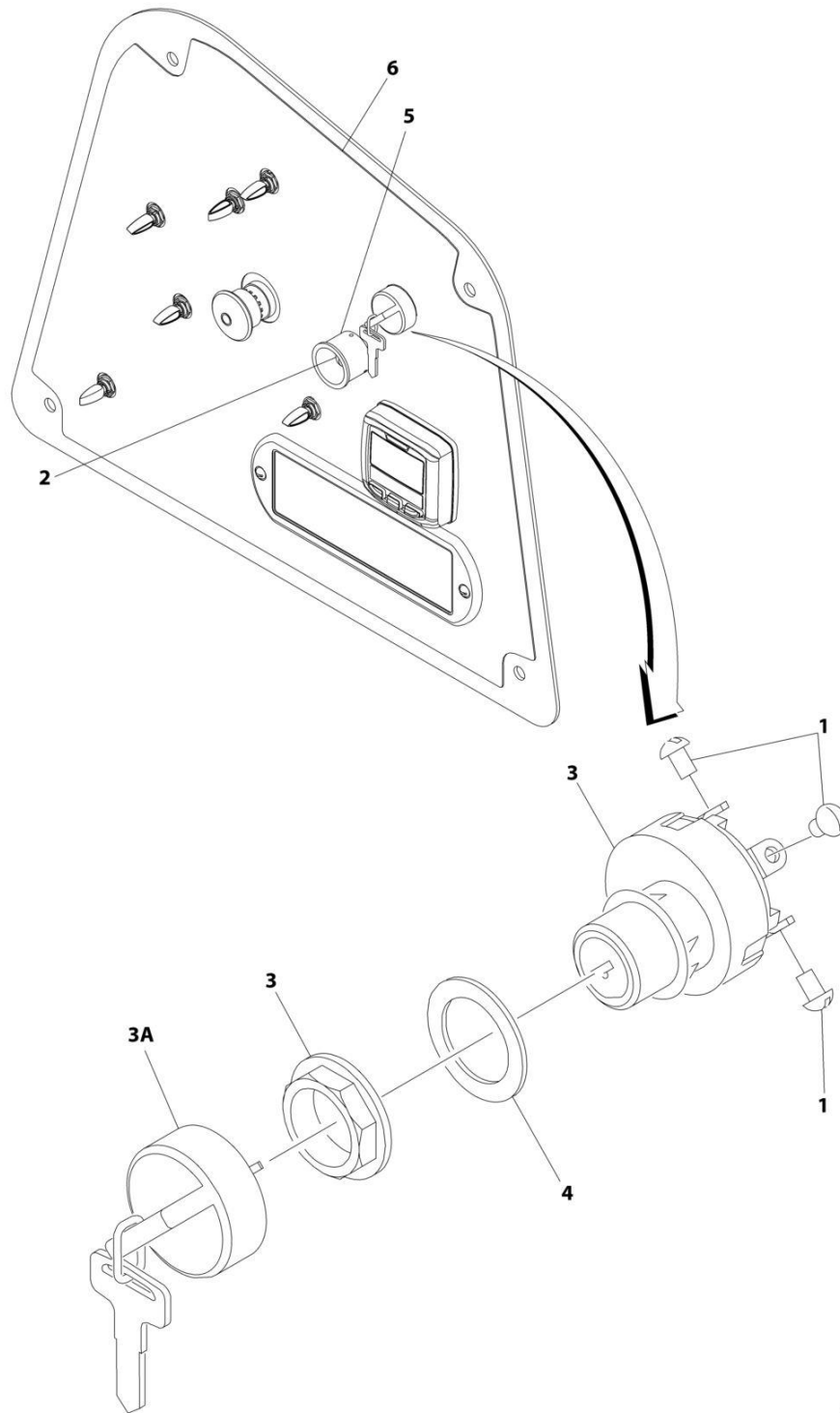
SECTION 2 - TURNTABLE

FIGURE 2-39. KEYSWITCH INSTALLATION - 600S HC3 (ANSI, ANSI EXPORT, CHINA, CSA AND JAPANESE SPECS)

ITEM	PART NUMBER	QTY	DESCRIPTION	REV
	1001239448	Ref	KEYSWITCH INSTALLATION	B
1	3910804	6	Screw #8 x 1/4	
2	4360469	1	Switch, Key	
2A	2860030	1 Set	Key, Replacement	
3	1001151393	1	Shim	
4	1001239450	1	Decal - Ground Control Panel	

SECTION 2 - TURNTABLE

FIGURE 2-40. KEYSWITCH INSTALLATION - 600S HC3 (RUSSIA, CE & UK CA SPECS)



ART_1001239449

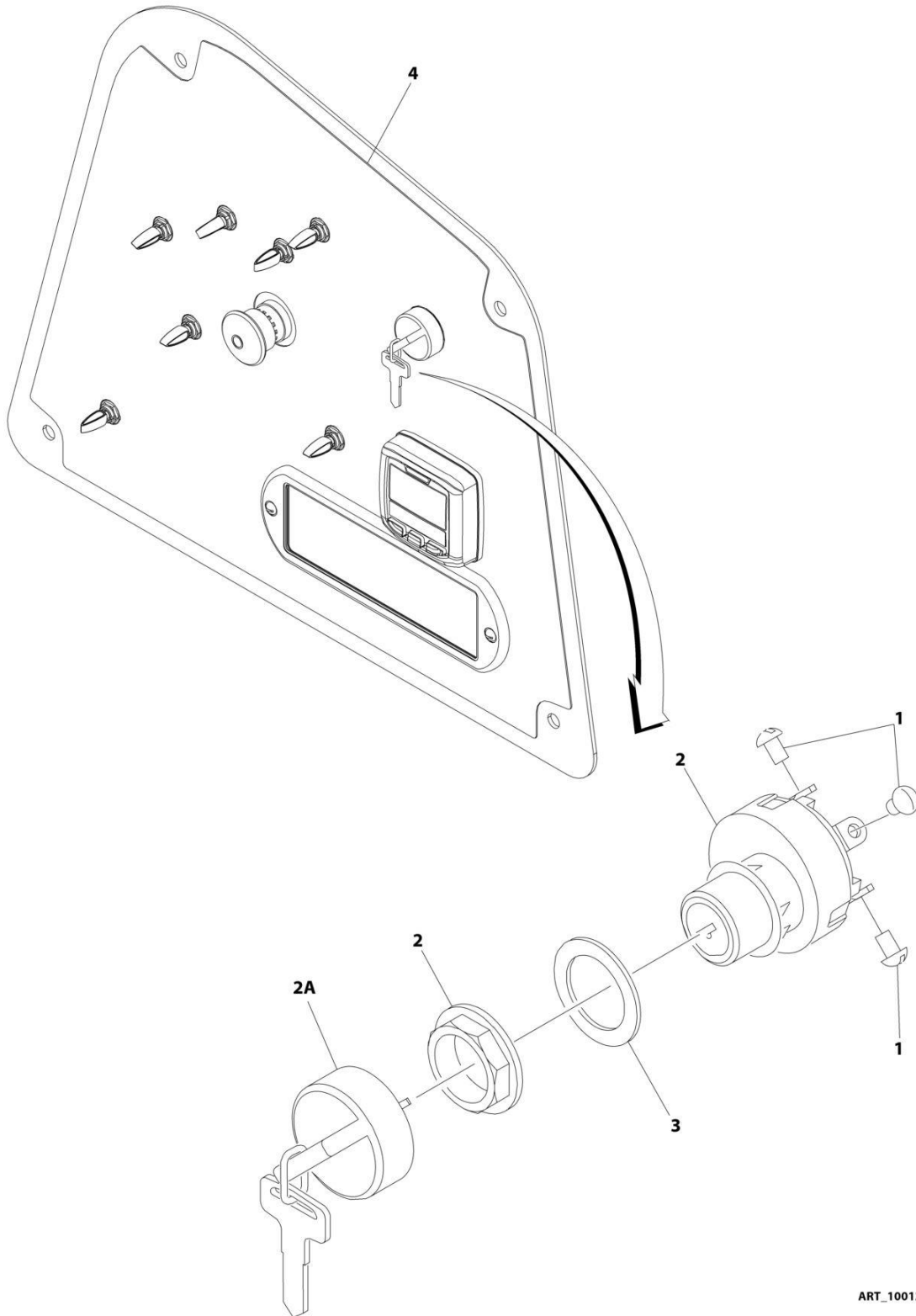
SECTION 2 - TURNTABLE

FIGURE 2-40. KEYSWITCH INSTALLATION - 600S HC3 (RUSSIA, CE & UK CA SPECS)

ITEM	PART NUMBER	QTY	DESCRIPTION	REV
	1001239449	Ref	KEYSWITCH INSTALLATION	B
1	3910804	6	Screw #8-32 x 1/4	
2	4360387	1	Switch, Push Button	
3	4360469	1	Switch, Key	
3A	2860030	1 Set	Key, Replacement	
4	1001151393	1	Shim	
5	1001176469	1	Shroud, Switch	
6	1001239451	1	Decal - Ground Control Panel	

SECTION 2 - TURNTABLE

FIGURE 2-41. KEYSWITCH INSTALLATION - 660SJ HC3 (ANSI, ANSI EXPORT, AUSTRALIAN, CHINA, CSA AND JAPANESE SPECS)



ART_1001230196

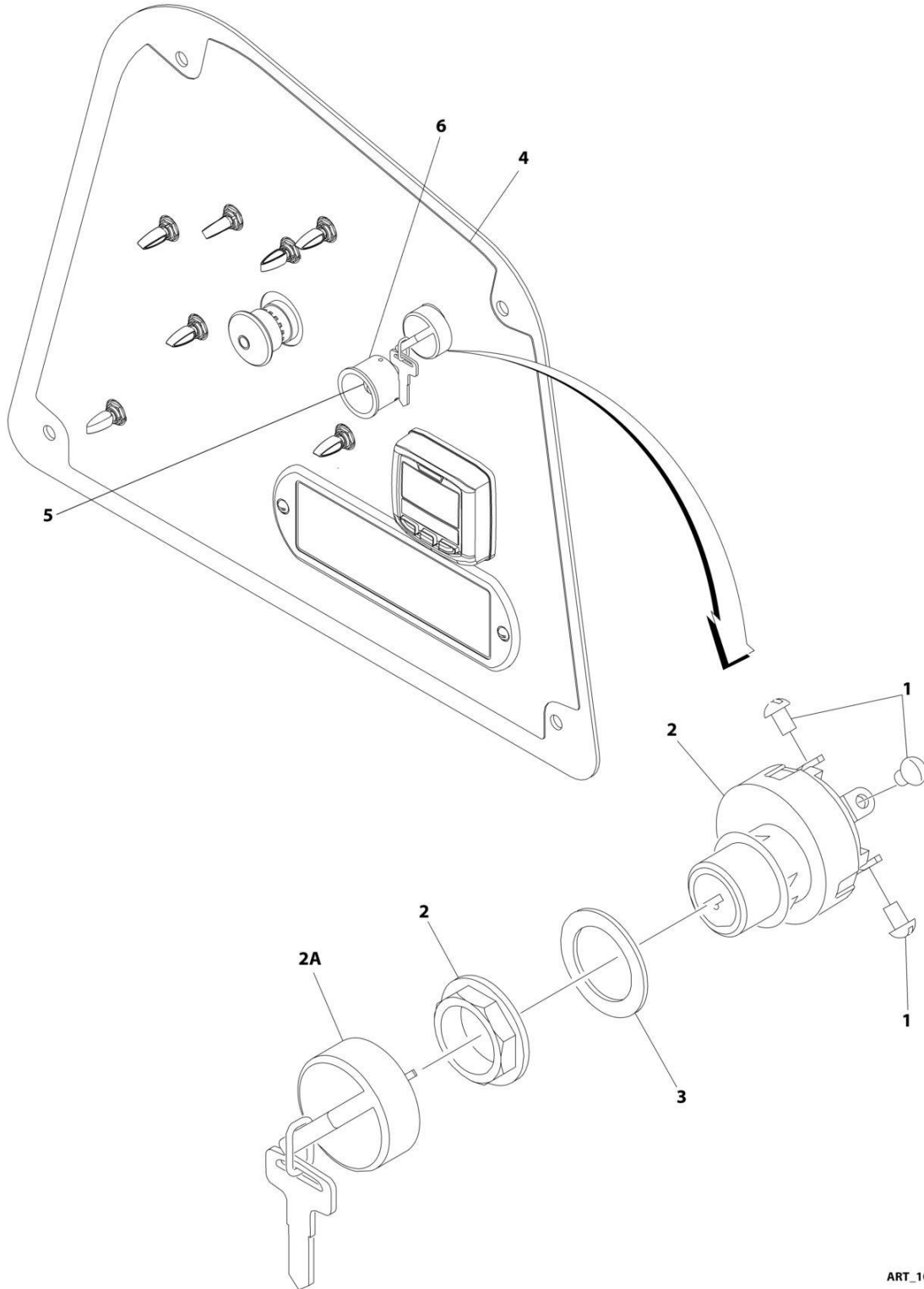
SECTION 2 - TURNTABLE

FIGURE 2-41. KEYSWITCH INSTALLATION - 660SJ HC3 (ANSI, ANSI EXPORT, AUSTRALIAN, CHINA, CSA AND JAPANESE SPECS)

ITEM	PART NUMBER	QTY	DESCRIPTION	REV
	1001250196	Ref	KEYSWITCH INSTALLATION	A
1	3910804	6	Screw #8 x 1/4	
2	4360469	1	Switch, Key	
2A	2860030	1 Set	Key, Replacement	
3	1001151393	1	Shim	
4	1001250193	1	Decal - Ground Control Panel	

SECTION 2 - TURNTABLE

FIGURE 2-42. KEYSWITCH INSTALLATION - 660SJ HC3 (RUSSIA, CE & UK CA SPECS)



ART_1001250197

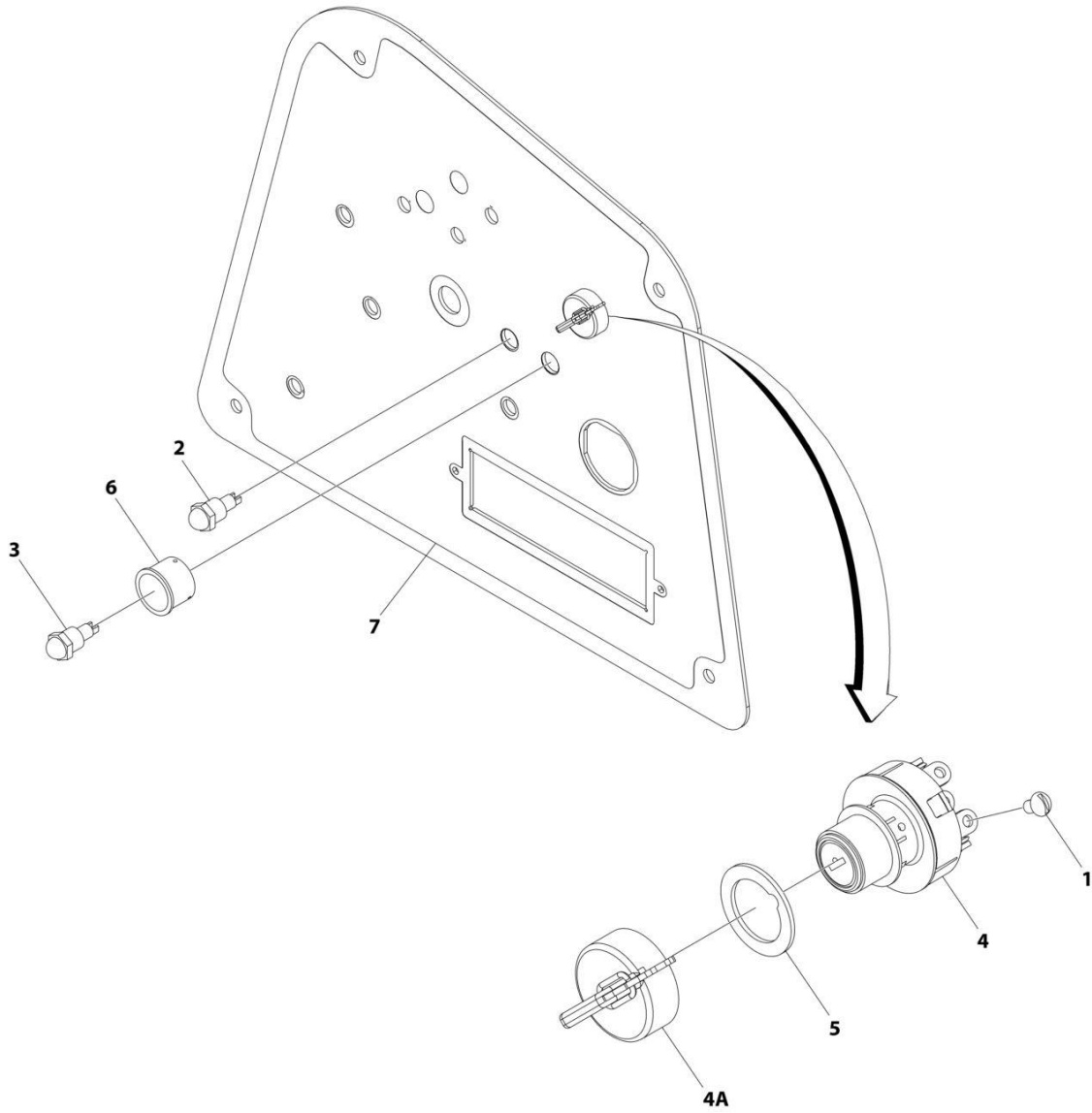
SECTION 2 - TURNTABLE

FIGURE 2-42. KEYSWITCH INSTALLATION - 660SJ HC3 (RUSSIA, CE & UK CA SPECS)

ITEM	PART NUMBER	QTY	DESCRIPTION	REV
	1001250197	Ref	KEYSWITCH INSTALLATION	A
1	3910804	6	Screw #8 x 1/4	
2	4360469	1	Switch, Key	
2A	2860030	1 Set	Key, Replacement	
3	1001151393	1	Shim	
4	1001250194	1	Decal - Ground Control Panel	
5	4360387	1	Switch, Push Button	
6	1001176469	1	Shroud, Switch	

SECTION 2 - TURNTABLE

FIGURE 2-43. KEYSWITCH INSTALLATION - 600SJ HC3 (WITHOUT JIB) (WITH MSSO) (CE & UK CA SPECS)



ART_1001245782

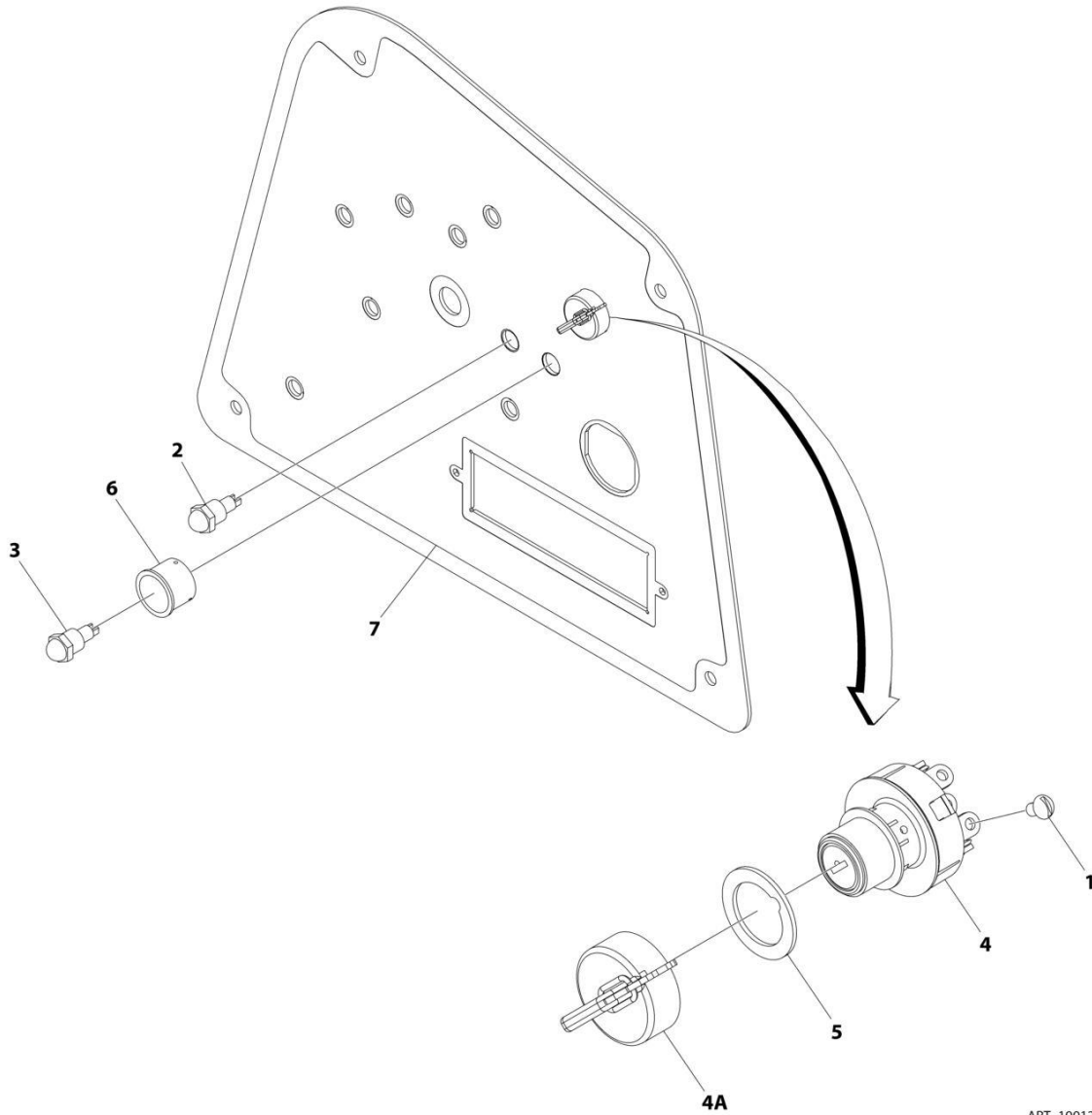
SECTION 2 - TURNTABLE

FIGURE 2-43. KEYSWITCH INSTALLATION - 600SJ HC3 (WITHOUT JIB) (WITH MSSO) (CE & UK CA SPECS)

ITEM	PART NUMBER	QTY	DESCRIPTION	REV
	1001245782	Ref	KEYSWITCH INSTALLATION	B
1	3910804	6	Screw #8 x 1/4	
2	4360274	1	Switch, Push Button	
3	4360387	1	Switch, Push Button	
4	4360469	1	Switch, Key	
4A	2860030	Set	Key, Replacement	
5	1001151393	1	Shim	
6	1001176469	1	Shroud, Switch	
7	1001245769	1	Decal - Ground Control Panel	

SECTION 2 - TURNTABLE

FIGURE 2-44. KEYSWITCH INSTALLATION - 660SJ HC3 (WITH JIB) (WITH MSSO) (CE & UK CA SPECS)



ART_1001245783

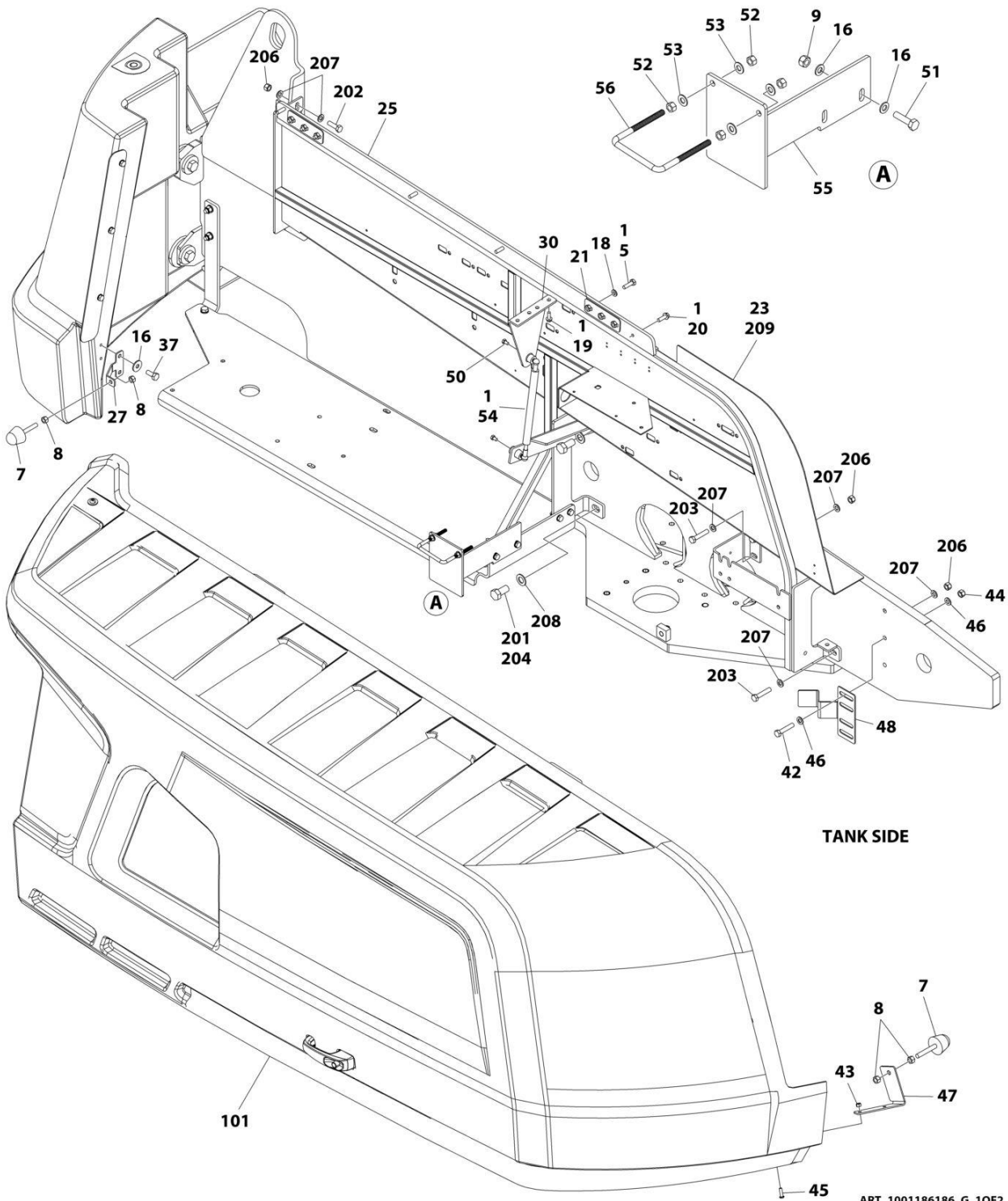
SECTION 2 - TURNTABLE

FIGURE 2-44. KEYSWITCH INSTALLATION - 660SJ HC3 (WITH JIB) (WITH MSSO) (CE & UK CA SPECS)

ITEM	PART NUMBER	QTY	DESCRIPTION	REV
	1001245783	Ref	KEYSWITCH INSTALLATION	B
1	3910804	6	Screw #8 x 1/4	
2	4360274	1	Switch, Push Button	
3	4360387	1	Switch, Push Button	
4	4360469	1	Switch, Key	
4A	2860030	1 Set	Key, Replacement	
5	1001151393	1	Shim	
6	1001176469	1	Shroud, Switch	
7	1001245770	1	Decal - Ground Control Panel	

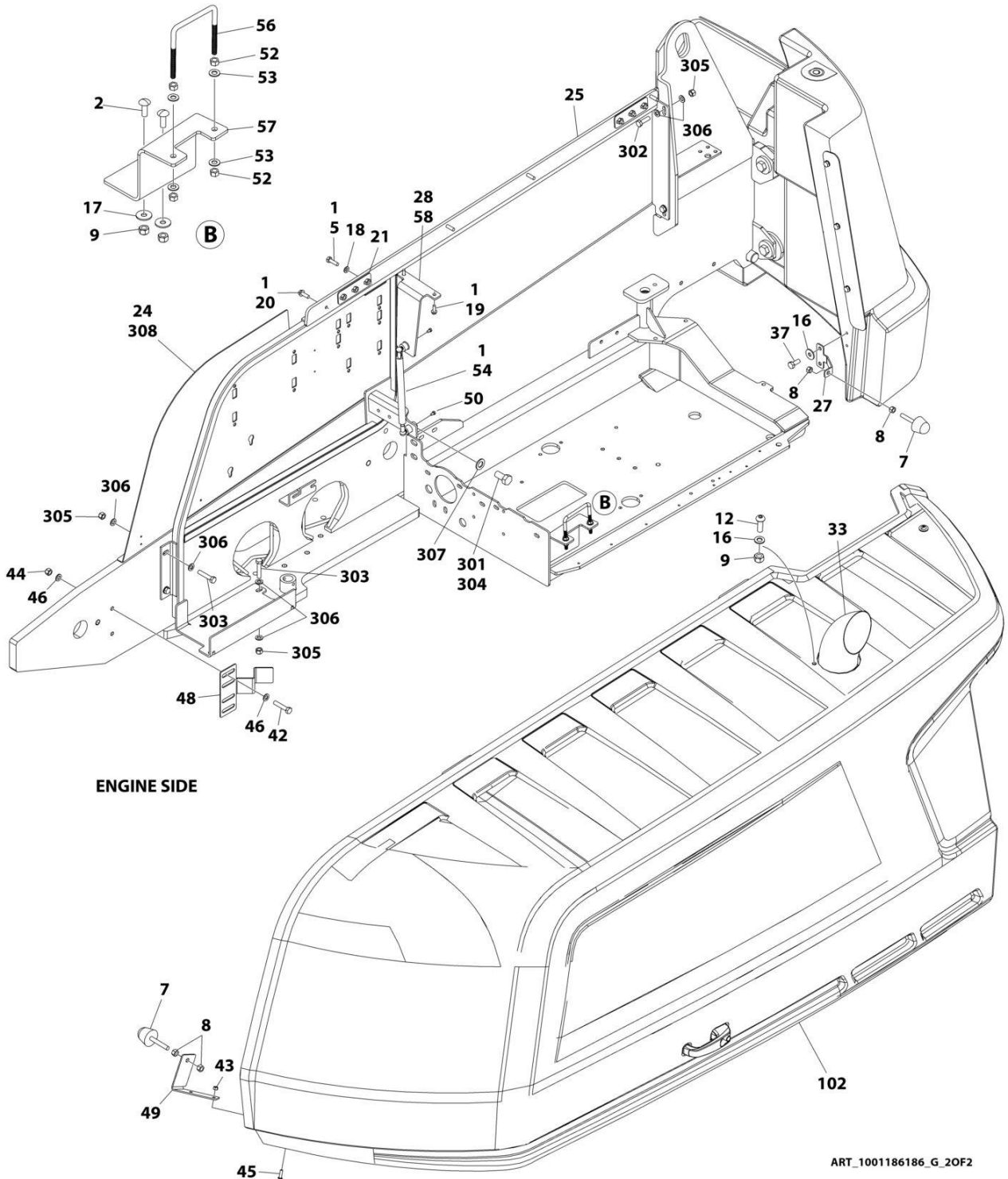
SECTION 2 - TURNTABLE

FIGURE 2-45. HOODS INSTALLATIONS - ABS - DEUTZ D2011, DEUTZ TD 2.9L4 67HP AND FORD ENGINES



ART_1001186186_G_10F2

SECTION 2 - TURNTABLE



ART_1001186186_G_20F2

SECTION 2 - TURNTABLE

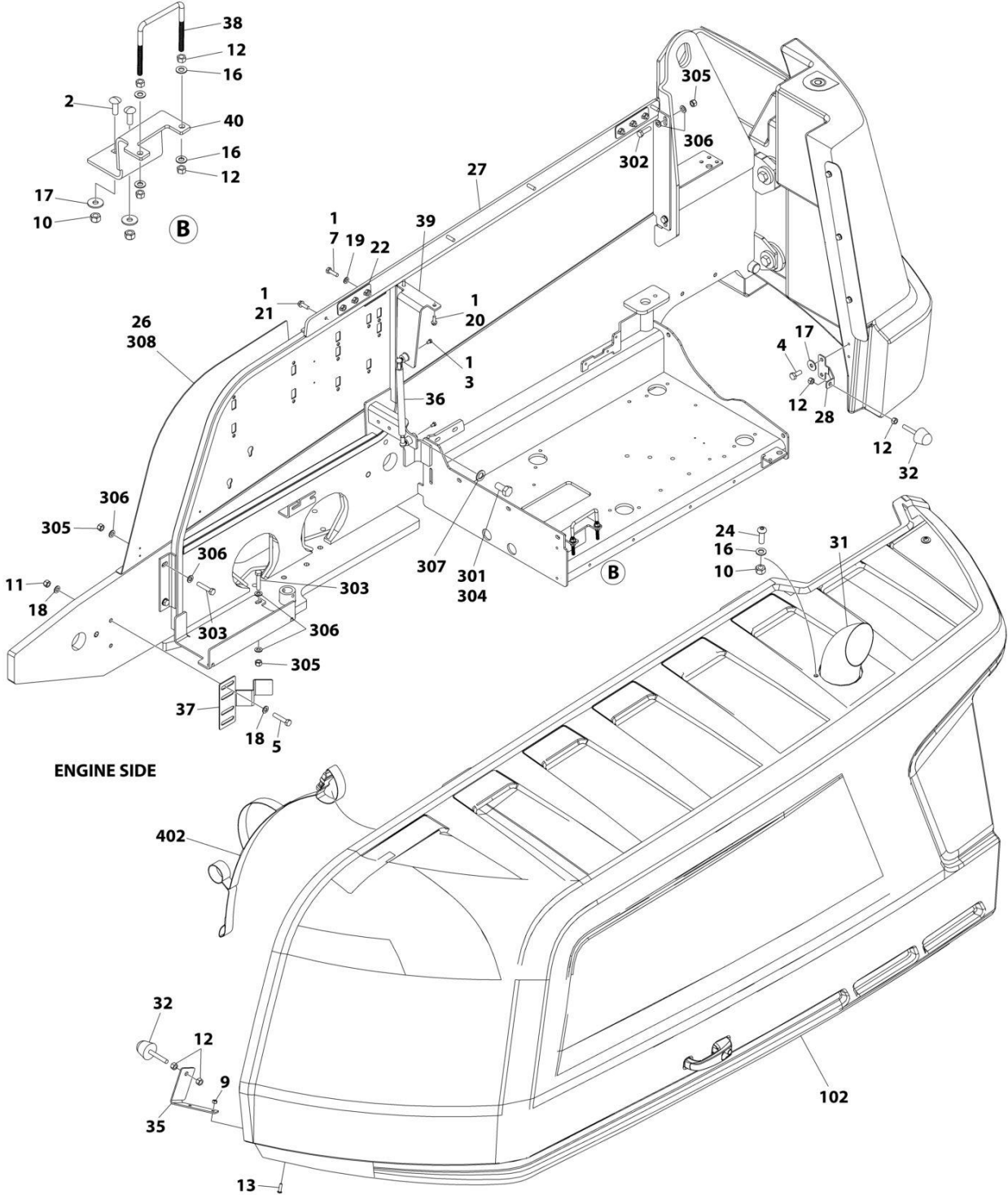
FIGURE 2-45. HOODS INSTALLATIONS - ABS - DEUTZ D2011, DEUTZ TD 2.9L4 67HP AND FORD ENGINES

ITEM	PART NUMBER	QTY	DESCRIPTION	REV
	1001186186	Ref	HOODS INSTALLATIONS	G
1	0100011	AR	Compound, Locking	
2	0630613	2	Bolt M10 x 30	
4	0760810	8	Bolt M8 x 20	
5	0761015	12	Bolt M10 x 35	
7	1001206314	4	Bumper	
8	3311601	8	Nut 3/8	
9	3291005	6	Nut M10	
12	1001174673	2	Screw M10 x 30	
16	4812000	6	Washer M10	
17	4812002	4	Washer M10	
18	5241000	12	Washer M10	
19	5250812	4	Bolt M8 x 25	
20	5251014	8	Bolt M10 x 30	
21	1001169046	4	Nut, Hinge	
23	1001187950	1	Side-Sheet Assembly - Tank Side (See Items 201-209 for Breakdown)	
24	1001187951	1	Side-Sheet Assembly - Engine Side (See Items 301-308 for Breakdown)	
25	1001189067	2	Mount	
27	1001190338	2	Bracket	
30	1001192841	1	Bracket	
33	1001193760	1	Pipe, Exhaust	
37	0701012	2	Bolt M10 x 25	
42	0701220	2	Bolt M12 x 60	
43	3290605	4	Nut M6	
44	3291205	2	Nut M12	
45	3900364	4	Screw M6 x 20	
46	4812100	4	Washer M12	
47	1001213543	1	Bracket	
48	1001231310	2	Bracket	
49	1001213744	1	Bracket	
50	0641504	4	Bolt 5/16 x 1/2	
51	0701016	2	Bolt M10 x 40	
52	3271601	8	Nut 3/8	
53	4711600	8	Washer 3/8	
54	1001213794	2	Spring, Gas	
55	1001243171	1	Support	
56	1001243414	2	U-Bolt 3/8	
57	1001243522	1	Bracket	
58	1001243654	1	Bracket	
100	1001227887	1	Hood Kit (Not Shown)	
101	1001195454	1	Hood Assembly - Tank Side (See Separate Breakdown in this Section)	
102	1001195455	1	Hood Assembly - Engine Side (See Separate Breakdown in this Section)	
	1001187950	Ref	SIDE-SHEET ASSEMBLY - TANK SIDE	C
201	0100011	AR	Compound, Locking	
202	0701216	2	Bolt M12 x 40	
203	0701220	4	Bolt M12 x 60	

SECTION 2 - TURNTABLE

ITEM	PART NUMBER	QTY	DESCRIPTION	REV
204	0762016	2	Bolt M20 x 40	
206	3291205	6	Nut M12	
207	4812100	12	Washer M12	
208	4812500	2	Washer M20	
209	1001188194	1	Side-Sheet, Tank Side	
	1001187951	Ref	SIDE-SHEET ASSEMBLY - ENGINE SIDE	B
301	0100011	AR	Compound, Locking	
302	0701216	2	Bolt M12 x 40	
303	0701220	3	Bolt M12 x 60	
304	0762016	1	Bolt M20 x 40	
305	3291205	5	Nut M12	
306	4812100	10	Washer M12	
307	4812500	1	Washer M20	
308	1001188187	1	Side-Sheet, Engine Side	

SECTION 2 - TURNTABLE



ART_1001244902_C_2OF2

SECTION 2 - TURNTABLE

FIGURE 2-46. HOODS INSTALLATIONS - ABS - DEUTZ TD 2.2L3 AND DEUTZ TD 2.9L4 49HP ENGINES

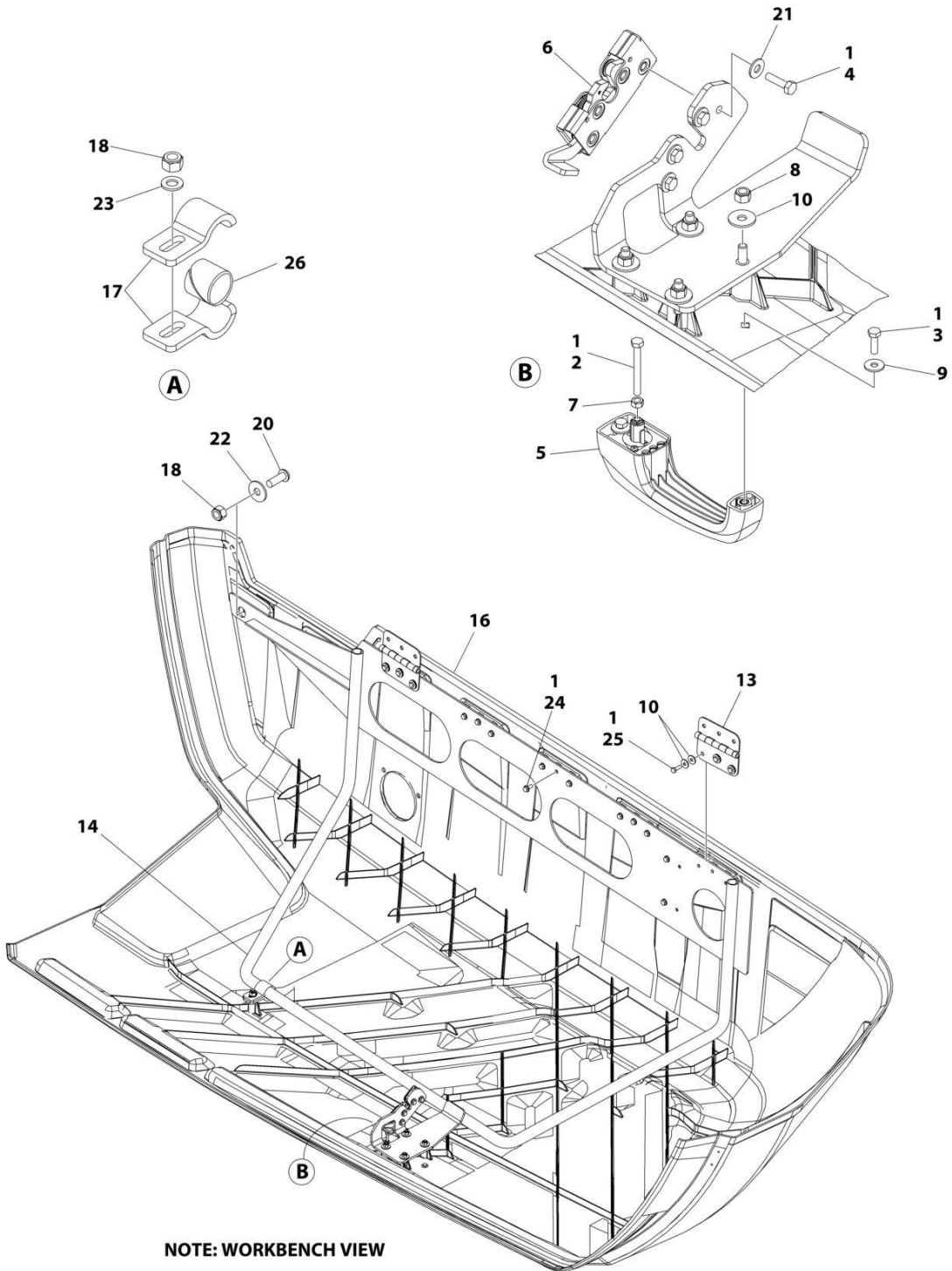
ITEM	PART NUMBER	QTY	DESCRIPTION	REV
	1001244902	Ref	HOODS INSTALLATIONS	C
1	0100011	AR	Compound, Locking	
2	0630613	2	Bolt M10 x 30	
3	0641504	4	Bolt 5/16 x 1/2	
4	0701012	2	Bolt M10 x 25	
5	0701220	2	Bolt M12 x 60	
7	0761015	12	Bolt M10 x 35	
9	3290605	4	Nut M6	
10	3291005	6	Nut M10	
11	3291205	2	Nut M12	
12	3311601	16	Nut 3/8	
13	3900364	4	Screw M6 x 20	
16	4812000	14	Washer M10	
17	4812002	4	Washer M10	
18	4812100	4	Washer M12	
19	5241000	12	Washer M10	
20	5250812	4	Bolt M8 x 25	
21	5251014	8	Bolt M10 x 30	
22	1001169046	4	Nut, Hinge	
24	1001174673	2	Screw M10 x 30	
25	1001187950	1	Side-Sheet Assembly - Tank Side (See Items 201-209 for Breakdown)	
26	1001187951	1	Side-Sheet Assembly - Engine Side (See Items 301-308 for Breakdown)	
27	1001189067	2	Mount	
28	1001190338	2	Bracket	
29	1001192841	1	Bracket	
31	1001193760	1	Pipe, Exhaust	
32	1001206314	4	Bumper	
34	1001213543	1	Bracket	
35	1001213744	1	Bracket	
36	1001213794	4	Spring, Gas	
37	1001231310	2	Bracket	
38	1001243414	2	Bolt, U-Bolt	
39	1001243654	1	Bracket	
40	1001244878	1	Bracket	
41	0701016	2	Bolt M10 x 40	
42	1001243171	1	Support	
100	1001227887	1	Hood Kit (Not Shown)	
101	1001195454	1	Hood Assembly - Tank Side (See Separate Breakdown in this Section)	
102	1001195455	1	Hood Assembly - Engine Side (See Separate Breakdown in this Section)	
	1001187950	Ref	SIDE-SHEET ASSEMBLY - TANK SIDE	C
201	0100011	AR	Compound, Locking	
202	0701216	2	Bolt M12 x 40	
203	0701220	4	Bolt M12 x 60	
204	0762016	2	Bolt M20 x 40	
206	3291205	6	Nut M12	
207	4812100	12	Washer M12	

SECTION 2 - TURNTABLE

ITEM	PART NUMBER	QTY	DESCRIPTION	REV
208	4812500	2	Washer M20	
209	1001188194	1	Side-Sheet, Tank Side	
	1001187951	Ref	SIDE-SHEET ASSEMBLY - ENGINE SIDE	B
301	0100011	AR	Compound, Locking	
302	0701216	2	Bolt M12 x 40	
303	0701220	3	Bolt M12 x 60	
304	0762016	1	Bolt M20 x 40	
305	3291205	5	Nut M12	
306	4812100	10	Washer M12	
307	4812500	1	Washer M20	
308	1001188187	1	Side-Sheet, Engine Side	
	1001270242	Ref	STRAP INSTALLATION	A
402	1001160505	2	Strap, Hand	

SECTION 2 - TURNTABLE

FIGURE 2-47. HOOD ASSEMBLY - ENGINE SIDE (ABS)



ART_1001195455

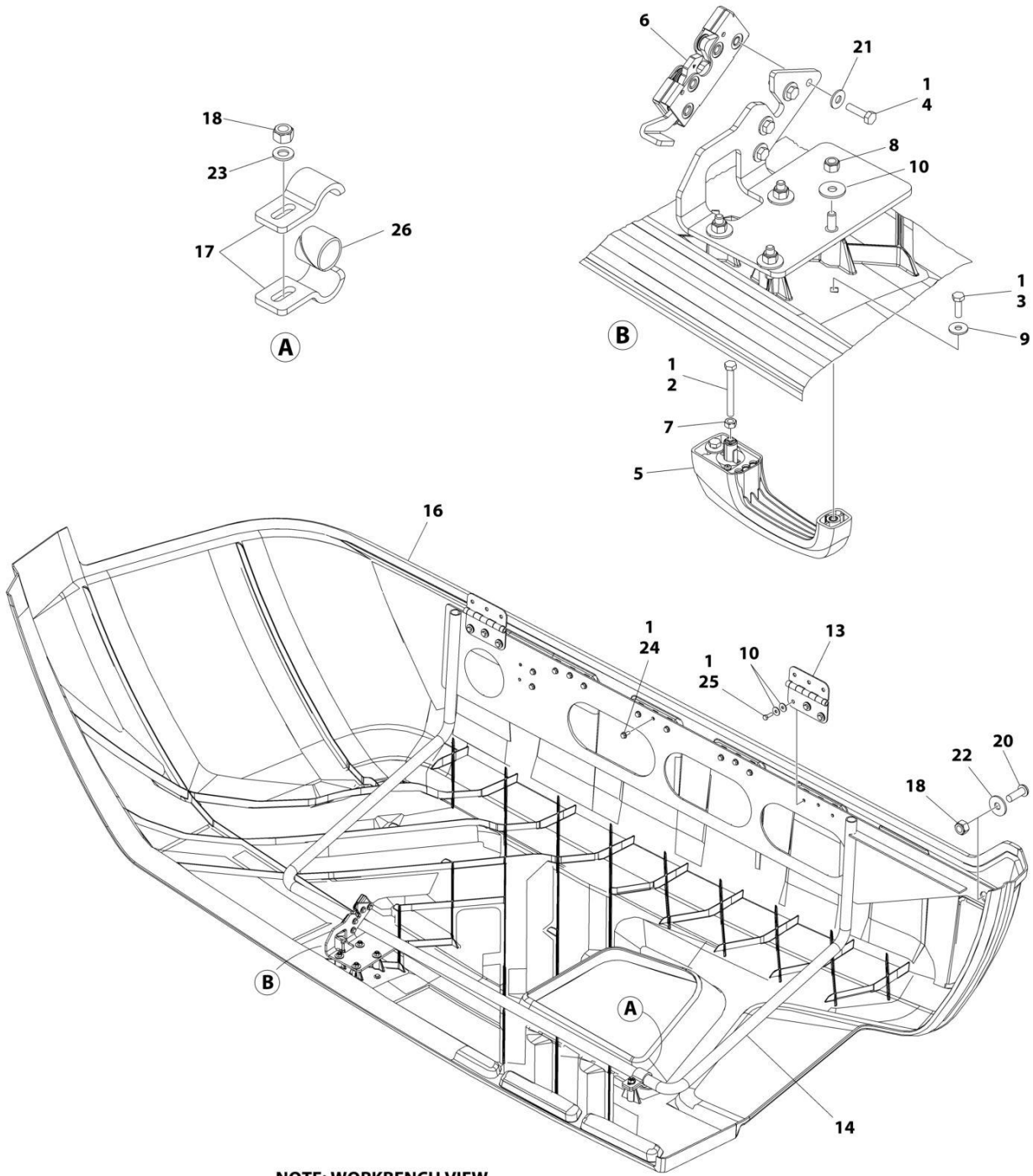
SECTION 2 - TURNTABLE

FIGURE 2-47. HOOD ASSEMBLY - ENGINE SIDE (ABS)

ITEM	PART NUMBER	QTY	DESCRIPTION	REV
	1001195455	Ref	HOOD ASSEMBLY	H
1	0100011	AR	Compound, Locking	
2	0700619	1	Bolt M6 x 55	
3	0760610	2	Bolt M6 x 20	
4	0641408	4	Bolt 1/4 x 1	
5	2560187	1	Handle, Push Button	
6	2940173	1	Latch, Rotary	
7	3290601	1	Nut M6	
8	3290805	4	Nut M8	
9	4811702	2	Washer M6	
10	4811902	16	Washer M8	
13	1001139384	2	Hinge	
14	1001204251	1	Support	
16	1001193169	1	Hood	
17	1321384	2	Clamp	
18	3291005	2	Nut M10	
20	1001174673	1	Screw M10 x 30	
21	4751400	4	Washer 1/4	
22	4812002	1	Washer M10	
23	4812000	1	Washer M10	
24	5250810	11	Bolt M8 x 20	
25	0760812	6	Bolt M8 x 25	
26	1001227367	1	Bearing	

SECTION 2 - TURNTABLE

FIGURE 2-48. HOOD ASSEMBLY - TANK SIDE (ABS)



NOTE: WORKBENCH VIEW

ART_1001195454

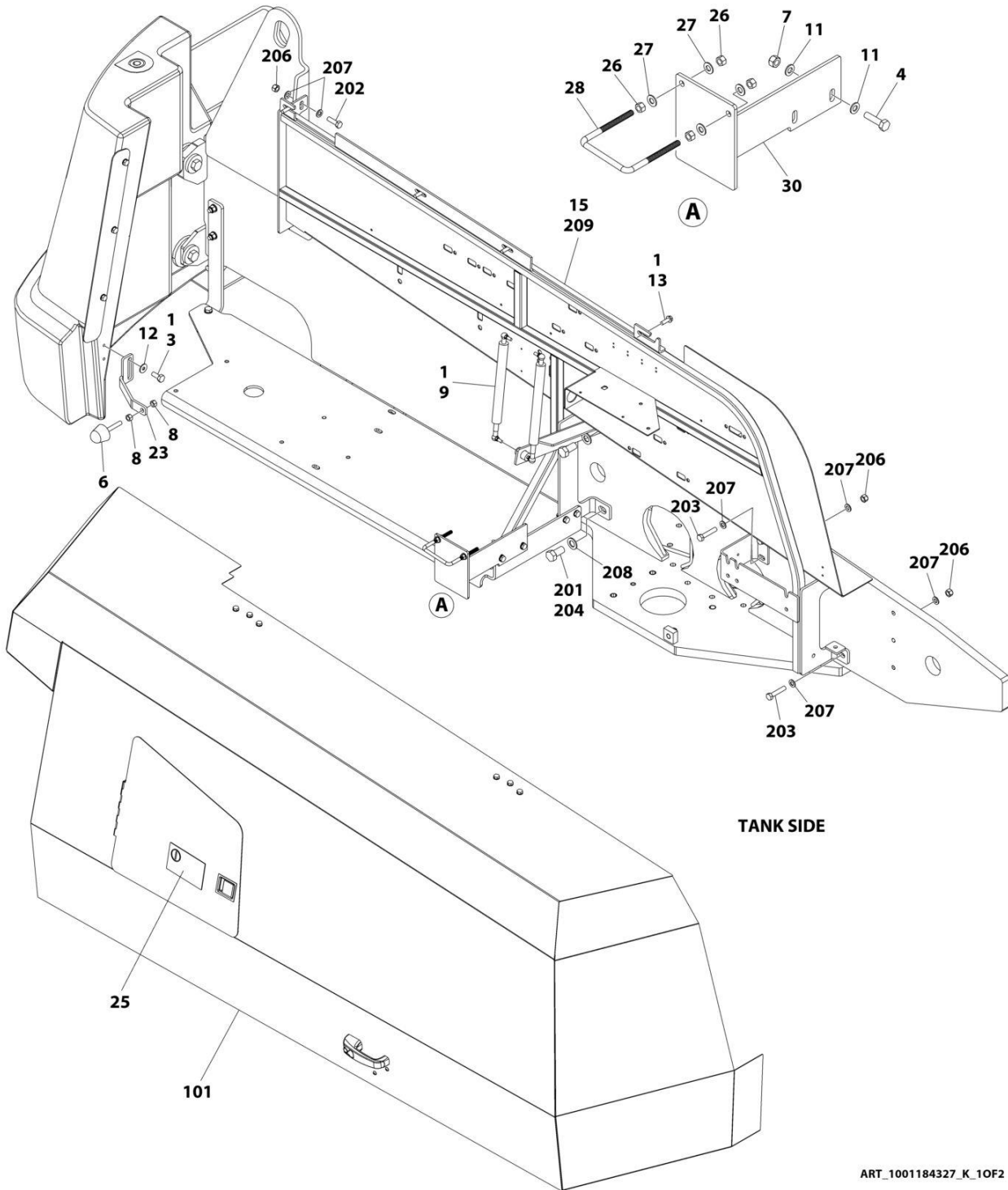
SECTION 2 - TURNTABLE

FIGURE 2-48. HOOD ASSEMBLY - TANK SIDE (ABS)

ITEM	PART NUMBER	QTY	DESCRIPTION	REV
	1001195454	Ref	HOOD ASSEMBLY	G
1	0100011	AR	Compound, Locking	
2	0700619	1	Bolt M6 x 55	
3	0760610	2	Bolt M6 x 20	
4	0641408	4	Bolt 1/4 x 1	
5	2560187	1	Handle, Push Button	
6	2940173	1	Latch, Rotary	
7	3290601	1	Nut M6	
8	3290805	4	Nut M8	
9	4811702	2	Washer M6	
10	4811902	16	Washer M8	
13	1001139384	2	Hinge	
14	1001204303	1	Support	
16	1001193168	1	Hood	
17	1321384	2	Clamp	
18	3291005	2	Nut M10	
20	1001174673	1	Screw M10 x 30	
21	4751400	4	Washer 1/4	
22	4812002	1	Washer M10	
23	4812000	1	Washer M10	
24	5250810	11	Bolt M8 x 20	
25	0760812	6	Bolt M8 x 25	
26	1001227367	1	Bearing	

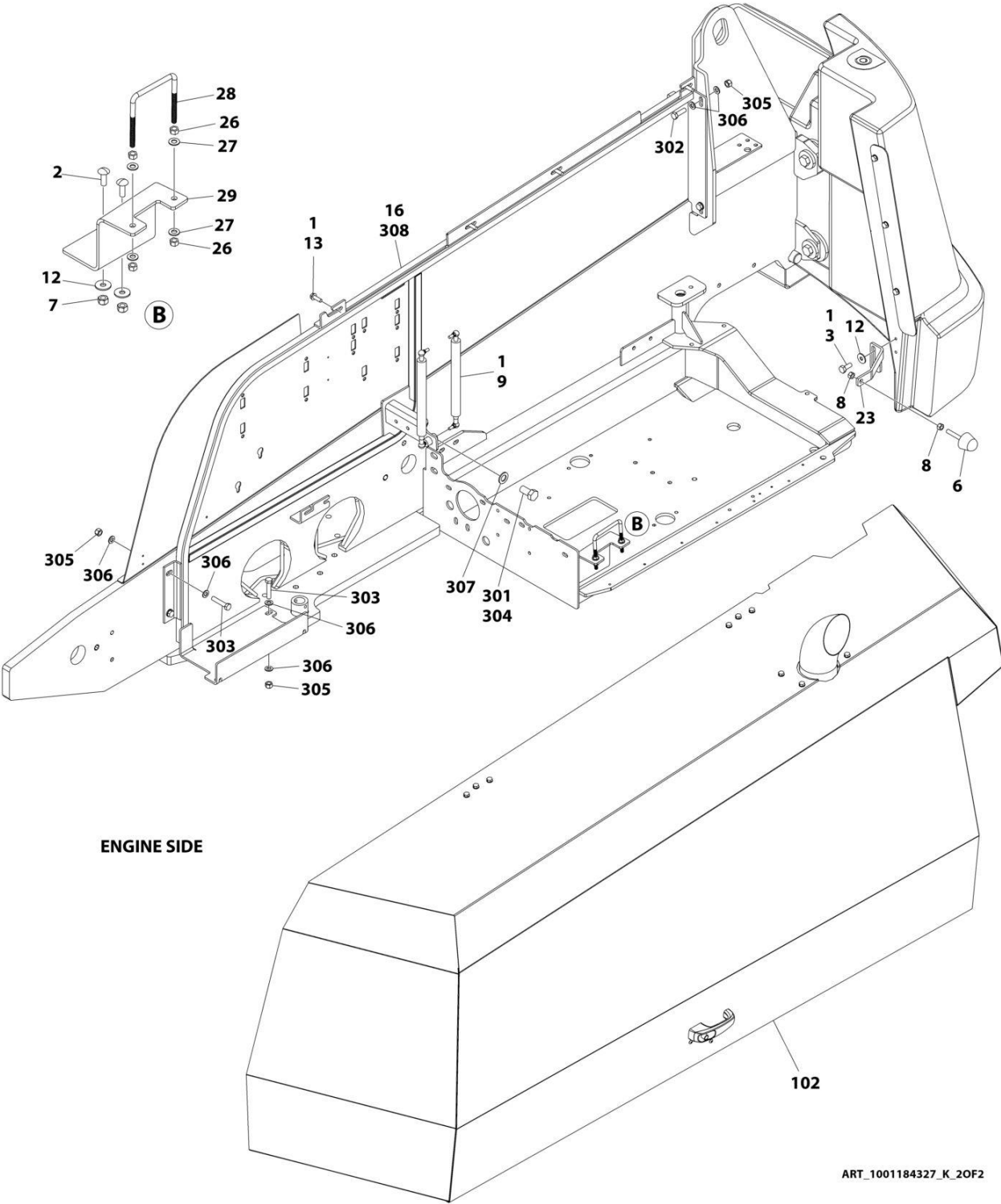
SECTION 2 - TURNTABLE

FIGURE 2-49. HOODS INSTALLATIONS - STEEL - DEUTZ D2011, DEUTZ TD 2.9L4 67HP AND FORD ENGINES



ART_1001184327_K_10F2

SECTION 2 - TURNTABLE



ENGINE SIDE

ART_1001184327_K_20F2

SECTION 2 - TURNTABLE

FIGURE 2-49. HOODS INSTALLATIONS - STEEL - DEUTZ D2011, DEUTZ TD 2.9L4 67HP AND FORD ENGINES

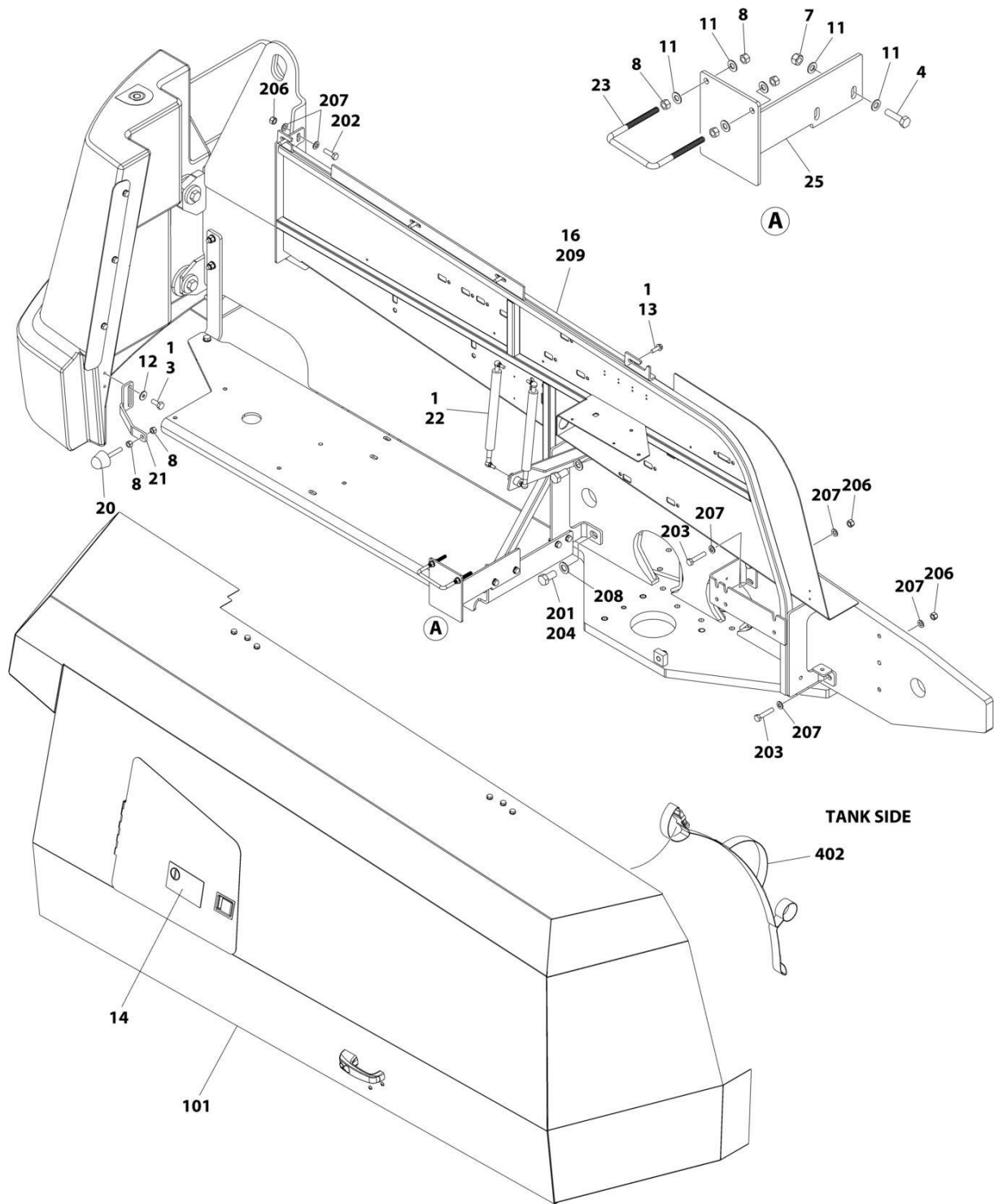
ITEM	PART NUMBER	QTY	DESCRIPTION	REV
	1001184327	Ref	HOODS INSTALLATIONS	K
1	0100011	AR	Compound, Locking	
2	0630613	AR	Bolt M10 x 30	
3	0701012	4	Bolt M10 x 25	
4	0701016	2	Bolt M10 x 40	
5	0760810	8	Bolt M8 x 20	
6	1001206314	2	Bumper	
7	3291005	AR	Nut M10	
8	3311601	4	Nut 3/8	
9	1001219138	4	Spring, Gas	
10	4811902	8	Washer M8	
11	4812000	4	Washer M10	
12	4812002	AR	Washer M10	
13	5251014	8	Bolt M10 x 30	
14	1001172615	1	Mount	
15	1001187950	1	Side-Sheet Assembly - Tank Side (See Items 201-209 for Breakdown)	
16	1001187951	1	Side-Sheet Assembly - Engine Side (See Items 301-308 for Breakdown)	
17	1001190756	1	Support	
18	1001192842	1	Mount	
19	1001192843	1	Support	
20	1001195535	1	Mount	
23	1001212333	2	Bracket	
25	1001117307	1	Decal - Emergency Stop	
26	3271601	8	Nut 3/8	
27	4711600	8	Washer 3/8	
28	1001243414	2	U-Bolt 3/8	
29	1001243522	1	Bracket	
30	1001243171	1	Support	
100	1001227888	1	Hood Kit (Not Shown)	
101	1001211762	1	Hood Assembly - Tank Side (See Separate Breakdown in this Section)	
102	1001211774	1	Hood Assembly - Engine Side (See Separate Breakdown in this Section)	
	1001187950	Ref	SIDE-SHEET ASSEMBLY - TANK SIDE	C
201	0100011	AR	Compound, Locking	
202	0701216	2	Bolt M12 x 40	
203	0701220	4	Bolt M12 x 60	
204	0762016	2	Bolt M20 x 40	
206	3291205	6	Nut M12	
207	4812100	12	Washer M12	
208	4812500	2	Washer M20	
209	1001188194	1	Side-Sheet, Tank Side	
	1001187951	Ref	SIDE-SHEET ASSEMBLY - ENGINE SIDE	B
301	0100011	AR	Compound, Locking	
302	0701216	2	Bolt M12 x 40	
303	0701220	3	Bolt M12 x 60	
304	0762016	1	Bolt M20 x 40	
305	3291205	5	Nut M12	

SECTION 2 - TURNTABLE

ITEM	PART NUMBER	QTY	DESCRIPTION	REV
306	4812100	10	Washer M12	
307	4812500	1	Washer M20	
308	1001188187	1	Side-Sheet, Engine Side	

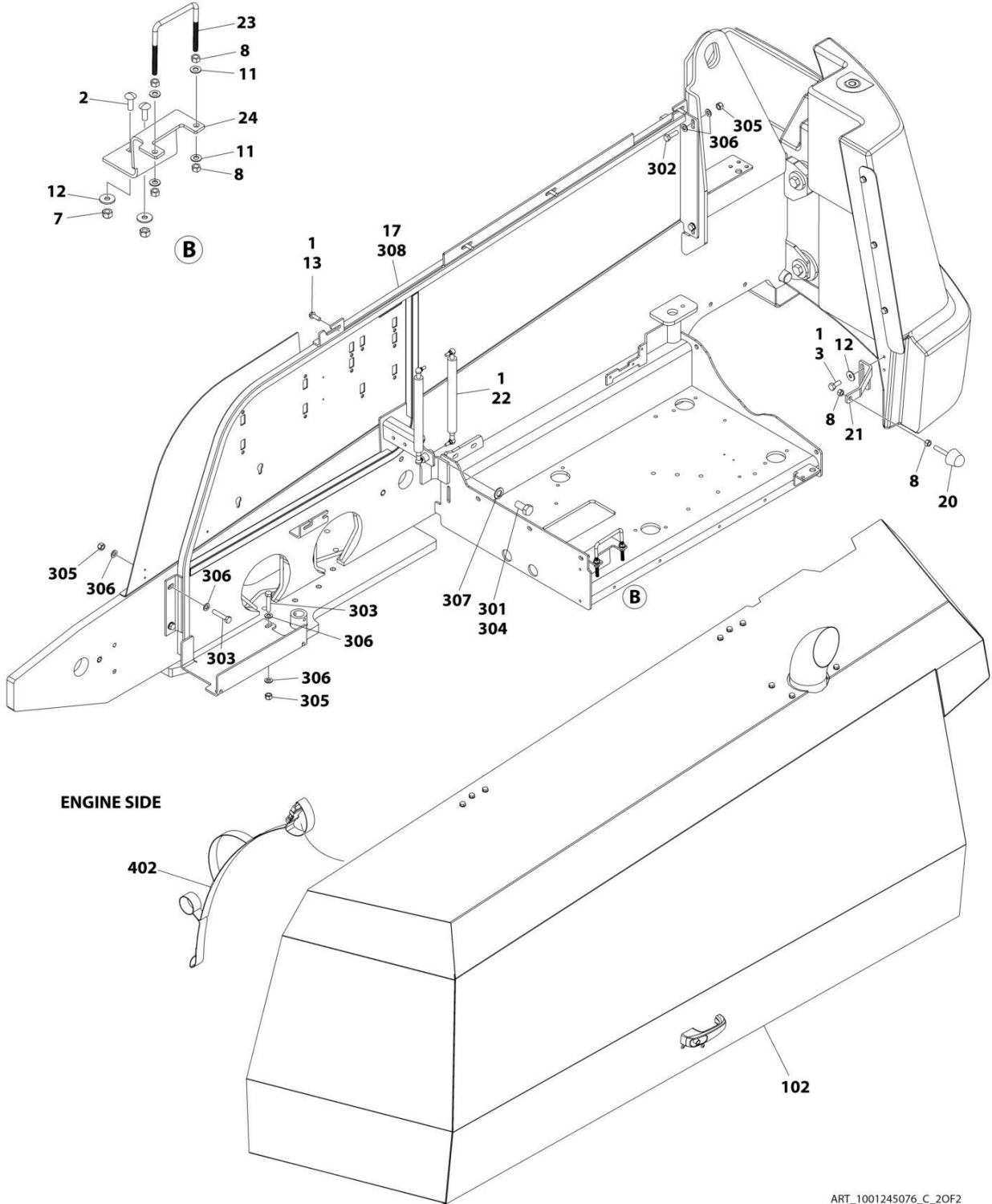
SECTION 2 - TURNTABLE

FIGURE 2-50. HOODS INSTALLATIONS - STEEL - DEUTZ TD 2.2L3 AND DEUTZ TD 2.9L4 49HP ENGINES



ART_1001245076_C_10F2

SECTION 2 - TURNTABLE



ART_1001245076_C_20F2

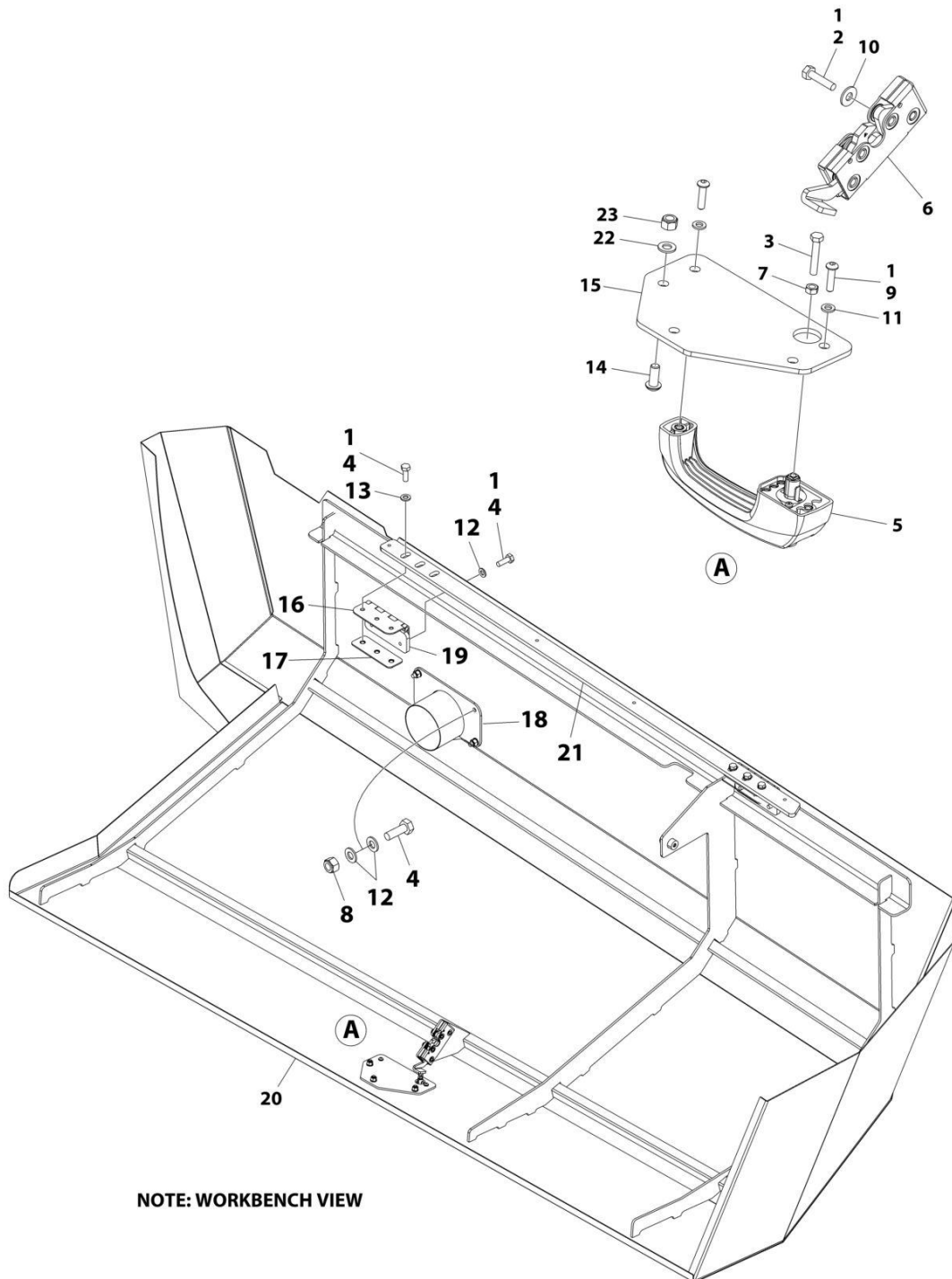
SECTION 2 - TURNTABLE

FIGURE 2-50. HOODS INSTALLATIONS - STEEL - DEUTZ TD 2.2L3 AND DEUTZ TD 2.9L4 49HP ENGINES

ITEM	PART NUMBER	QTY	DESCRIPTION	REV
	1001245076	Ref	HOODS INSTALLATIONS	C
1	0100011	AR	Compound, Locking	
2	0630613	2	Bolt M10 x 30	
3	0701012	4	Bolt M10 x 25	
4	0701016	2	Bolt M10 x 40	
7	3291005	4	Nut M10	
8	3311601	12	Nut 3/8	
11	4812000	12	Washer M10	
12	4812002	4	Washer M10	
13	5251014	8	Bolt M10 x 30	
14	1001117307	1	Decal - Emergency Stop	
16	1001187950	1	Side Sheet Assembly - Tank Side (See Items 201-209 for Breakdown)	
17	1001187951	1	Side Sheet Assembly - Engine Side (See Items 301-308 for Breakdown)	
20	1001206314	2	Bumper	
21	1001212333	2	Bracket	
22	1001219138	4	Spring, Gas	
23	1001243414	2	Bolt, U-Bolt	
24	1001244878	1	Bracket	
25	1001243171	1	Support	
100	1001227888	1	Hood Kit (Not Shown)	
101	1001211762	1	Hood Assembly - Tank Side (See Separate Breakdown in this Section)	
102	1001211774	1	Hood Assembly - Engine Side (See Separate Breakdown in this Section)	
	1001187950	Ref	SIDE-SHEET ASSEMBLY - TANK SIDE	C
201	0100011	AR	Compound, Locking	
202	0701216	2	Bolt M12 x 40	
203	0701220	4	Bolt M12 x 60	
204	0762016	2	Bolt M20 x 40	
206	3291205	6	Nut M12	
207	4812100	12	Washer M12	
208	4812500	2	Washer M20	
209	1001188194	1	Side-Sheet, Tank Side	
	1001187951	Ref	SIDE-SHEET ASSEMBLY - ENGINE SIDE	B
301	0100011	AR	Compound, Locking	
302	0701216	2	Bolt M12 x 40	
303	0701220	3	Bolt M12 x 60	
304	0762016	1	Bolt M20 x 40	
305	3291205	5	Nut M12	
306	4812100	10	Washer M12	
307	4812500	1	Washer M20	
308	1001188187	1	Side-Sheet, Engine Side	
	1001270243	Ref	STRAP INSTALLATION	B
402	1001160505	2	Strap, Hand	

SECTION 2 - TURNTABLE

FIGURE 2-51. HOOD ASSEMBLY - ENGINE SIDE (STEEL)



ART_1001211774

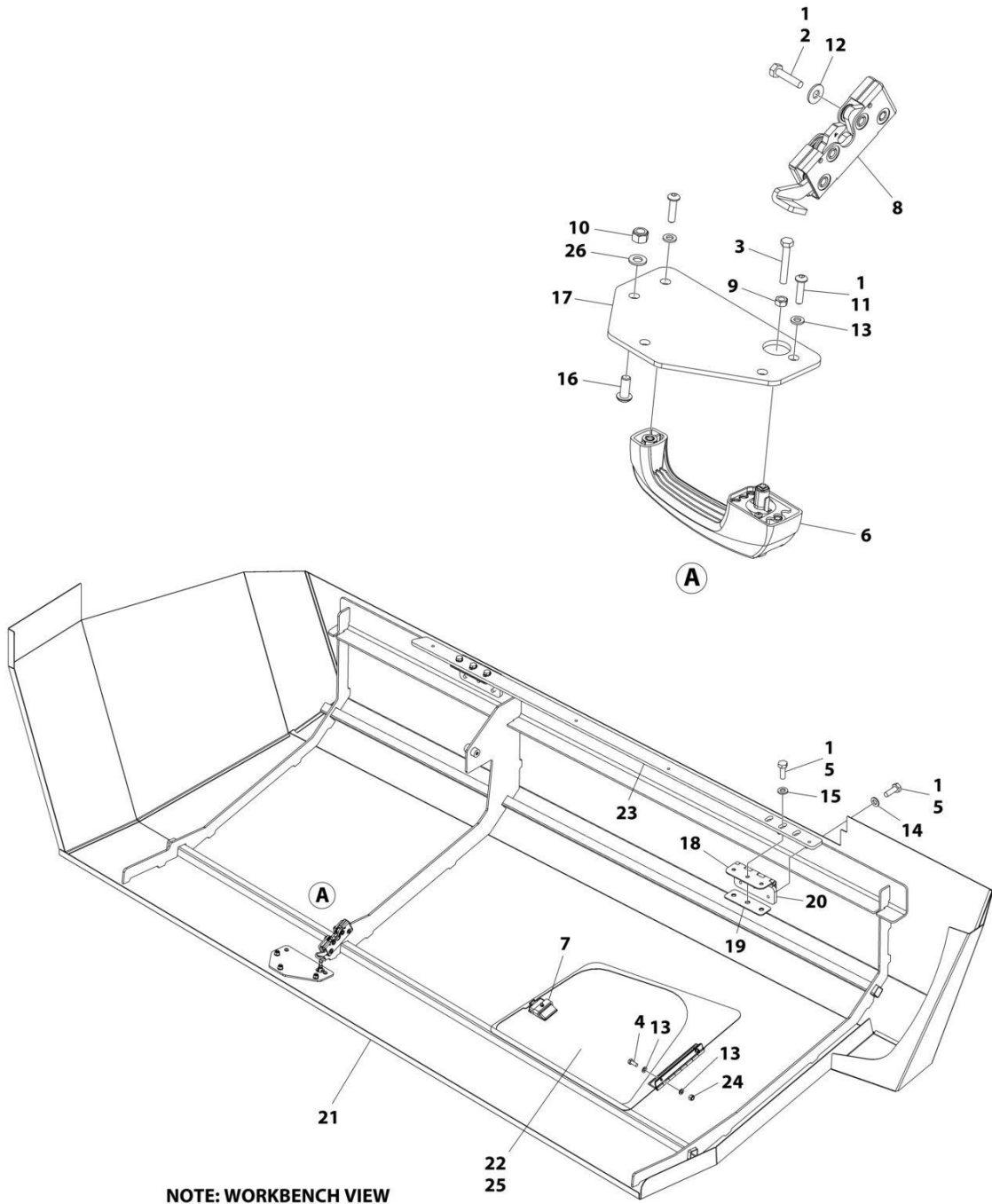
SECTION 2 - TURNTABLE

FIGURE 2-51. HOOD ASSEMBLY - ENGINE SIDE (STEEL)

ITEM	PART NUMBER	QTY	DESCRIPTION	REV
	1001211774	Ref	HOOD ASSEMBLY	J
1	0100011	AR	Compound, Locking	
2	0641409	4	Bolt 1/4 x 1-1/8	
3	0700615	1	Bolt M6 x 35	
4	0761014	16	Bolt M10 x 30	
5	2560187	1	Handle , Push Button	
6	2940173	1	Latch, Rotary	
7	3290601	1	Nut M6	
8	3291005	4	Nut M10	
9	3900363	2	Screw M6 x 25	
10	4751400	4	Washer 1/4	
11	4811700	2	Washer M6	
12	4812000	14	Washer M10	
13	5241000	6	Washer M10	
14	1001164726	3	Screw M8 x 20	
15	1001116290	1	Plate	
16	1001139384	2	Hinge	
17	1001169046	2	Nut, Hinge	
18	1001194888	1	Pipe, Exhaust	
19	1001202333	2	Plate, Nut	
20	1001211767	1	Hood	
21	1001211773	1	Plate	
22	4811900	3	Washer M8	
23	3290805	3	Nut M8	

SECTION 2 - TURNTABLE

FIGURE 2-52. HOOD ASSEMBLY - TANK SIDE (STEEL)



ART_1001211762

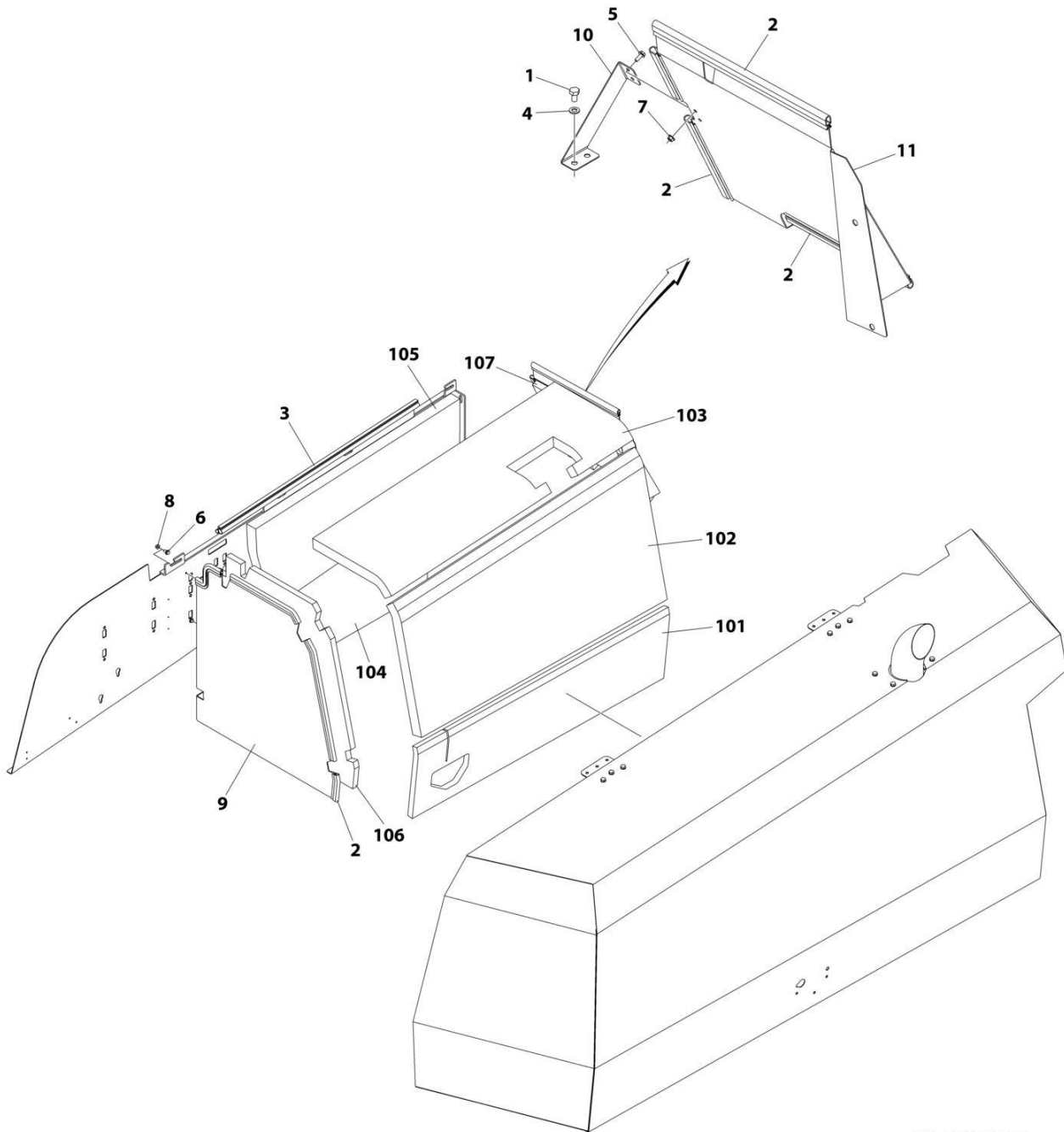
SECTION 2 - TURNTABLE

FIGURE 2-52. HOOD ASSEMBLY - TANK SIDE (STEEL)

ITEM	PART NUMBER	QTY	DESCRIPTION	REV
	1001211762	Ref	HOOD ASSEMBLY	J
1	0100011	AR	Compound, Locking	
2	0641409	4	Bolt 1/4 x 1-1/8	
3	0700616	1	Bolt M6 x 40	
4	0760608	2	Bolt M6 x 16	
5	0761014	12	Bolt M10 x 30	
6	2560187	1	Handle, Push Button	
7	2940045	1	Latch, Paddle	
8	2940173	1	Latch, Rotary	
9	3290601	1	Nut M6	
10	3290805	3	Nut M8	
11	3900363	2	Screw M6 x 25	
12	4751400	4	Washer 1/4	
13	4811700	6	Washer M6	
14	4812000	6	Washer M10	
15	5241000	6	Washer M10	
16	1001164726	3	Screw M8 x 20	
17	1001116290	1	Plate	
18	1001139384	2	Hinge	
19	1001169046	2	Nut, Hinge	
20	1001202333	2	Plate, Nut	
21	1001211752	1	Hood	
22	1001211760	1	Door	
23	1001211761	1	Plate	
24	3290605	2	Nut M6	
25	1001113047	78 in/ 2m	Seal	
26	4811900	3	Washer M8	

SECTION 2 - TURNTABLE

FIGURE 2-53. NOISE REDUCTION PACKAGE (600S HC3)



ART_1001234080_B

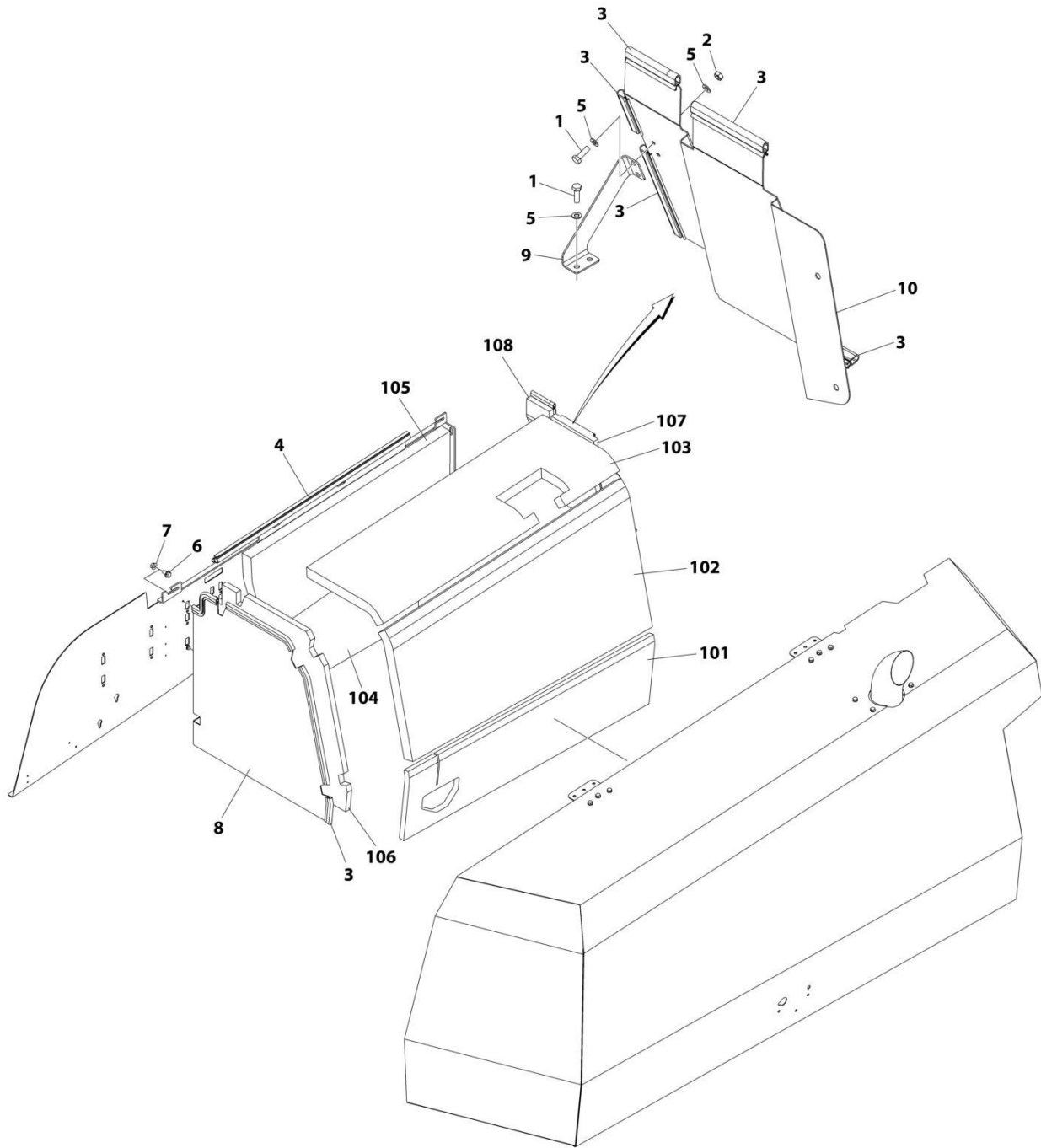
SECTION 2 - TURNTABLE

FIGURE 2-53. NOISE REDUCTION PACKAGE (600S HC3)

ITEM	PART NUMBER	QTY	DESCRIPTION	REV
	1001234080	Ref	SOUND REDUCTION PACKAGE	B
1	0761009	2	Bolt M10 x 18	
2	3960389	8.2 ft/ 2.49m	Seal	
3	3960464	3.6 ft/ 1.10m	Seal	
4	4812000	2	Washer M10	
5	5250608	2	Bolt M6 x 16	
6	5250808	2	Bolt M8 x 16	
7	5260600	2	Nut M6	
8	5260800	2	Nut M8	
9	1001241729	1	Plate	
10	1001233948	1	Bracket	
11	1001233949	1	Plate	
100	1001237550	1	Sound Foam Insulate Kit (Includes Items 101-107)	B
101	1001233953	1	Insulate	
102	1001233954	1	Insulate	
103	1001233955	1	Insulate	
104	1001233966	1	Insulate	
105	1001233967	1	Insulate	
106	1001234269	1	Insulate	
107	1001234270	1	Insulate	

SECTION 2 - TURNTABLE

FIGURE 2-54. NOISE REDUCTION PACKAGE (660SJ HC3)



ART_1001252519

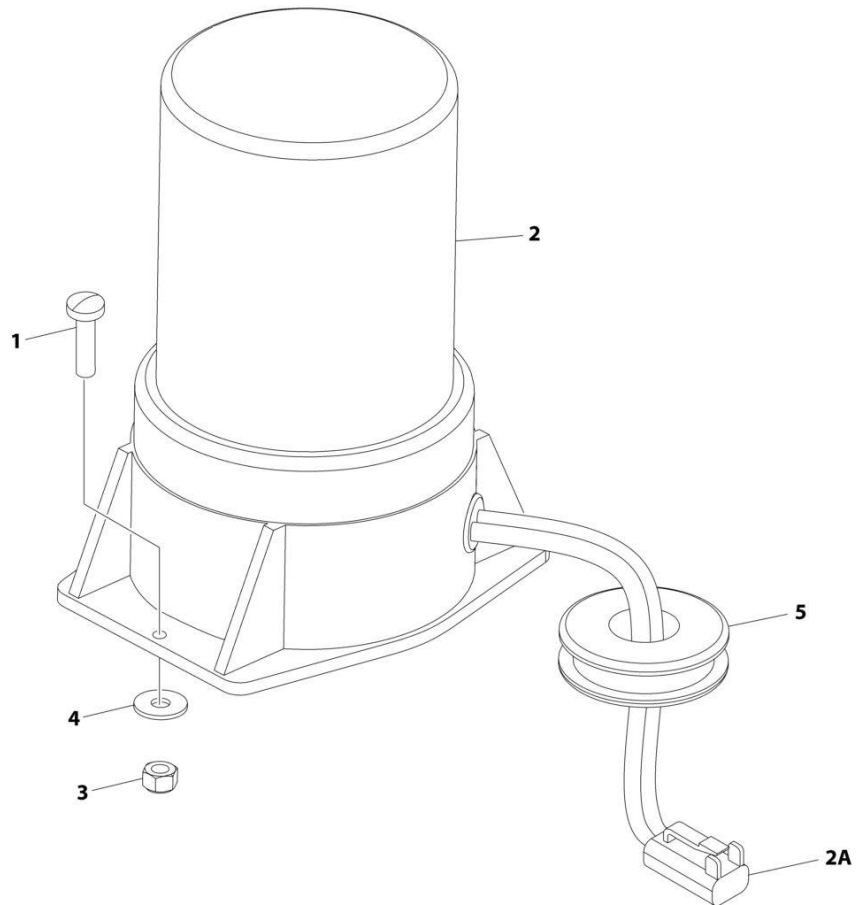
SECTION 2 - TURNTABLE

FIGURE 2-54. NOISE REDUCTION PACKAGE (660SJ HC3)

ITEM	PART NUMBER	QTY	DESCRIPTION	REV
	1001252519	Ref	SOUND REDUCTION PACKAGE	A
1	0760812	4	Bolt M8 x 25	
2	3290801	2	Nut M8	
3	3960389	8 ft /2.44m	Seal	
4	3960464	3.6 ft /1.10m	Seal	
5	4811900	6	Washer M8	
6	5250808	2	Bolt M8 x 16	
7	5260800	2	Nut M8	
8	1001241729	1	Plate	
9	1001253115	1	Bracket	
10	1001253117	1	Plate	
100	1001255619	1	Sound Foam Insulate Kit (Includes Items 101-108)	A
101	1001233953	1	Insulate	
102	1001233954	1	Insulate	
103	1001233955	1	Insulate	
104	1001233966	1	Insulate	
105	1001233967	1	Insulate	
106	1001234269	1	Insulate	
107	1001253116	1	Insulate	
108	1001253459	1	Insulate	

SECTION 2 - TURNTABLE

FIGURE 2-55. STROBE LIGHT INSTALLATION - AMBER (OPTIONAL)



ART_1001191557

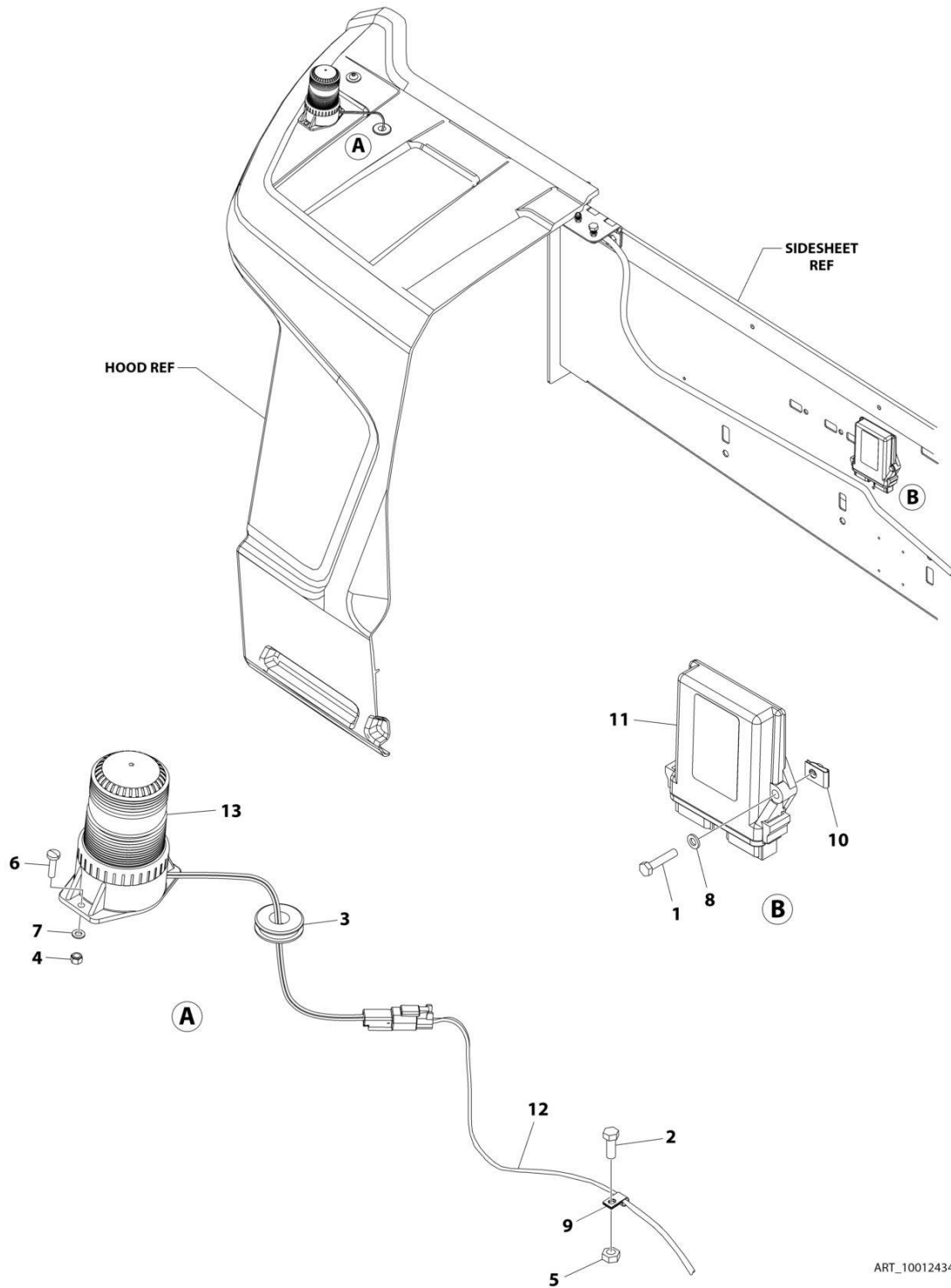
SECTION 2 - TURNTABLE

FIGURE 2-55. STROBE LIGHT INSTALLATION - AMBER (OPTIONAL)

ITEM	PART NUMBER	QTY	DESCRIPTION	REV
	1001191557	Ref	STROBE LIGHT INSTALLATION	D
1	4010510	2	Screw M5 x 20	
2	2920161	1	Light Strobe (Amber)	
2	7016319	1	Bulb	
2	7016372	1	Lens	
2A	4460891	1	Plug, Male - 2 Position	
2A	4460465	2	Socket, Female	
3	3290505	2	Nut M5	
4	4811600	2	Washer M5	
5	2540020	1	Grommet	
7	4240099	1	Tie-Strap (Not Shown)	

SECTION 2 - TURNTABLE

FIGURE 2-56. STROBE LIGHT INSTALLATION - BLUE (OPTIONAL)



ART_1001243464

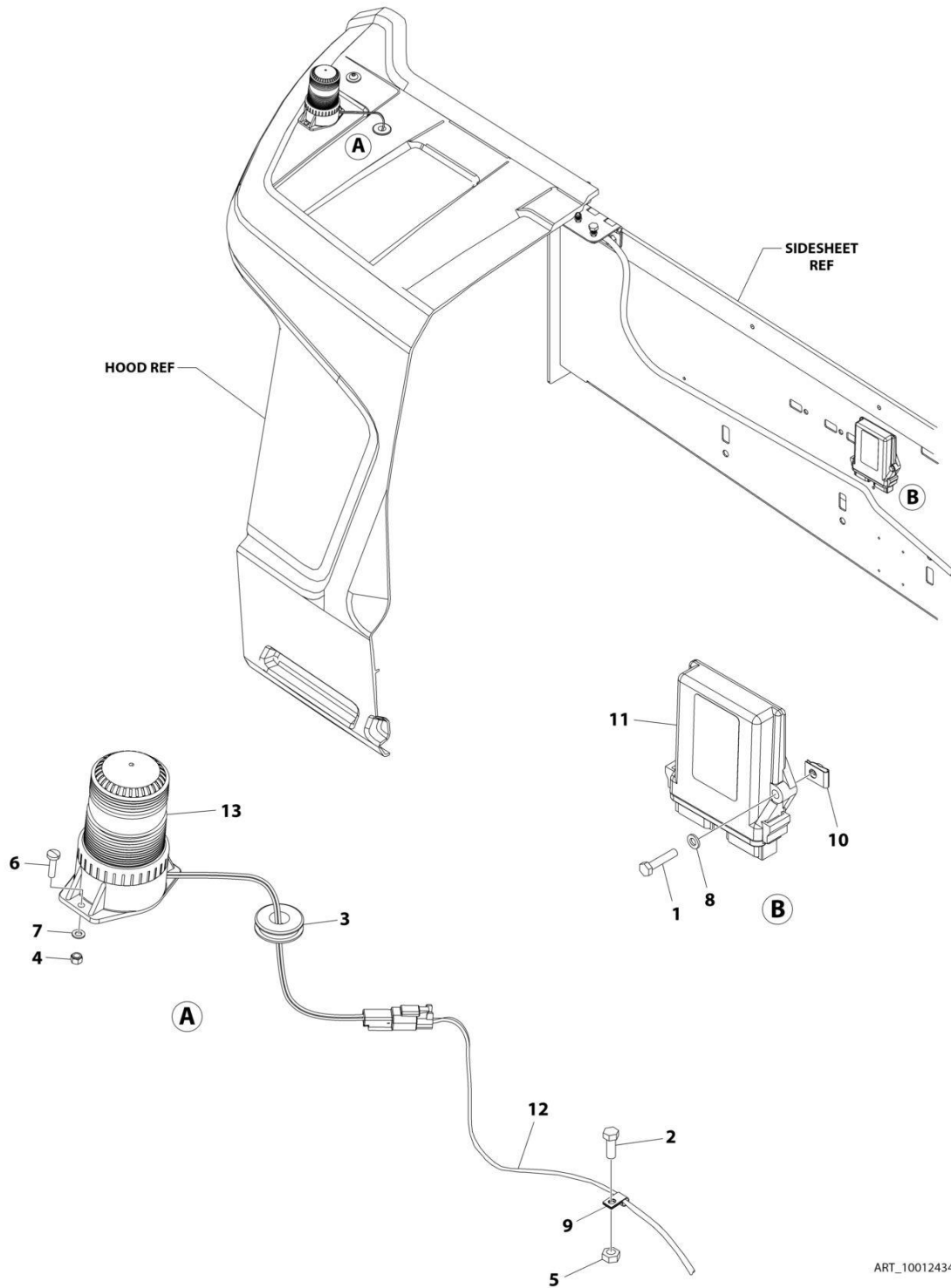
SECTION 2 - TURNTABLE

FIGURE 2-56. STROBE LIGHT INSTALLATION - BLUE (OPTIONAL)

ITEM	PART NUMBER	QTY	DESCRIPTION	REV
	1001243464	Ref	STROBE LIGHT INSTALLATION	A
1	0760614	2	Bolt M6 x 30	
2	0761016	1	Bolt M10 x 40	
3	2540020	1	Grommet	
4	3290505	2	Nut M5	
5	3291005	1	Nut M10	
6	4010510	2	Screw M5 x 20	
7	4811600	2	Washer M5	
8	4811700	2	Washer M6	
9	8406110	1	Clip	
10	1001130220	2	Nut, Tinnerman M6	
11	1001142683	1	Module, Beacon Control	
12	1001142736	1	Strobe Light Control Harness (See Separate Breakdown in ELECTRICAL SECTION)	
13	1001200910	1	Light, Strobe (Blue)	
13	4460897	2	Receptacle, Female - 2 Position	
13	4460464	4	Pin, Male	

SECTION 2 - TURNTABLE

FIGURE 2-57. STROBE LIGHT INSTALLATION - RED (OPTIONAL)



ART_1001243465

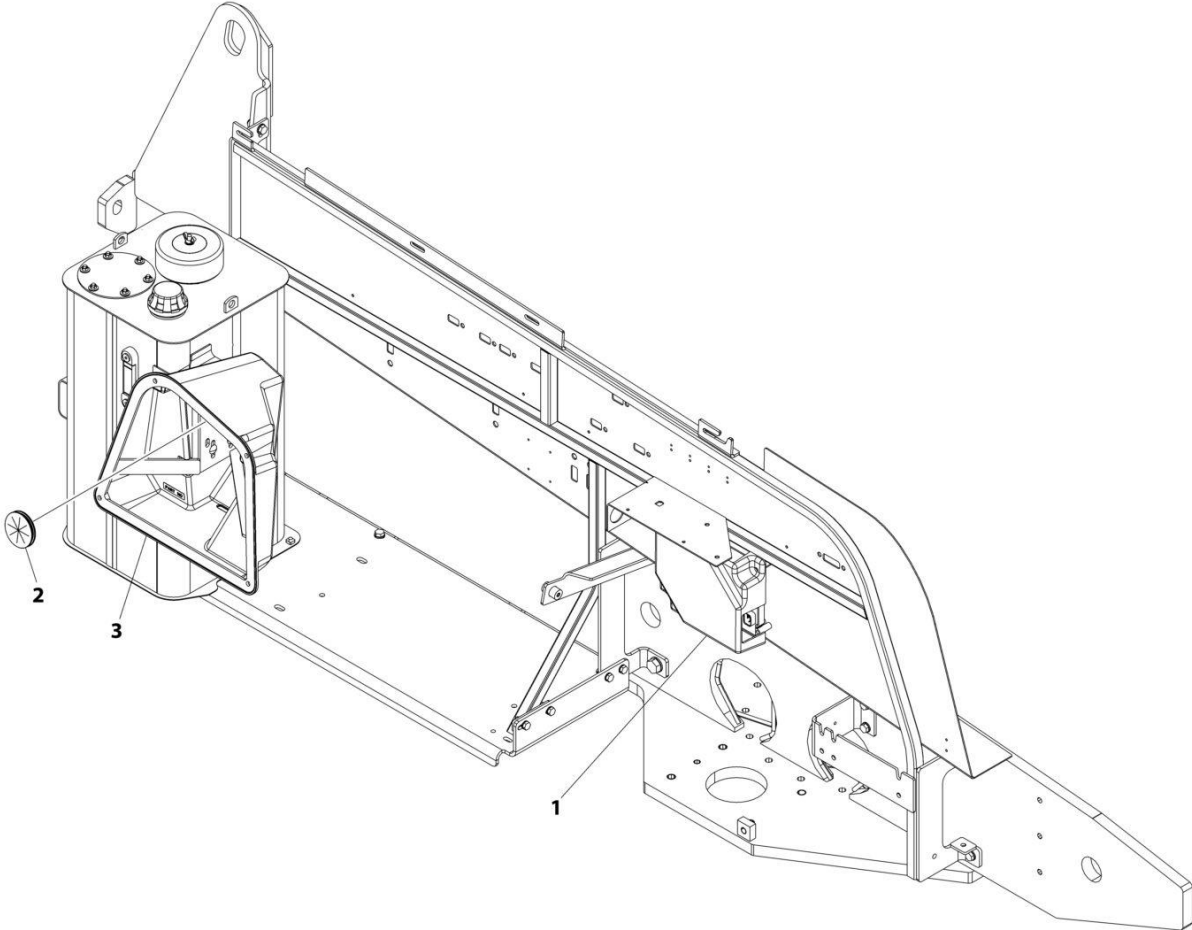
SECTION 2 - TURNTABLE

FIGURE 2-57. STROBE LIGHT INSTALLATION - RED (OPTIONAL)

ITEM	PART NUMBER	QTY	DESCRIPTION	REV
	1001243465	Ref	STROBE LIGHT INSTALLATION	A
1	0760614	2	Bolt M6 x 30	
2	0761016	1	Bolt M10 x 40	
3	2540020	1	Grommet	
4	3290505	2	Nut M5	
5	3291005	1	Nut M10	
6	4010510	2	Screw M5 x 20	
7	4811600	2	Washer M5	
8	4811700	2	Washer M6	
9	8406110	1	Clip	
10	1001130220	2	Nut, Tinnerman M6	
11	1001142683	1	Module, Beacon Control	
12	1001142736	1	Strobe Light Control Harness (See Separate Breakdown in ELECTRICAL SECTION)	
13	1001207004	1	Light, Strobe (Red)	
13	4460897	2	Receptacle, Female - 2 Position	
13	4460464	4	Pin, Male	

SECTION 2 - TURNTABLE

FIGURE 2-58. TURNTABLE COVERS INSTALLATION



ART_1001219128

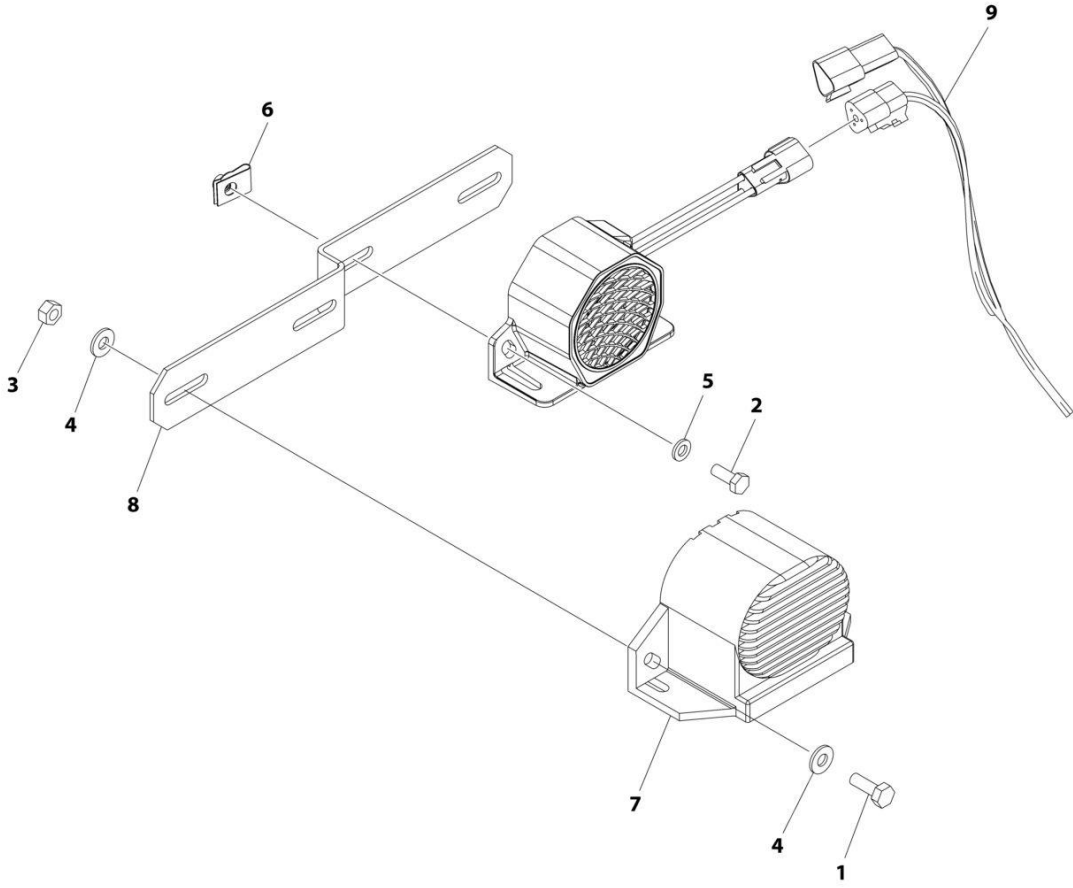
SECTION 2 - TURNTABLE

FIGURE 2-58. TURNTABLE COVERS INSTALLATION

ITEM	PART NUMBER	QTY	DESCRIPTION	REV
	1001219128	Ref	COVERS INSTALLATION	A
1	1001218539	1	Cover, Controller	
2	1001218676	1	Grommet	
3	1001220638	1	Cover, Ground Control	

SECTION 2 - TURNTABLE

FIGURE 2-59. WHITE NOISE ALARM INSTALLATION



ART_1001247386

SECTION 2 - TURNTABLE

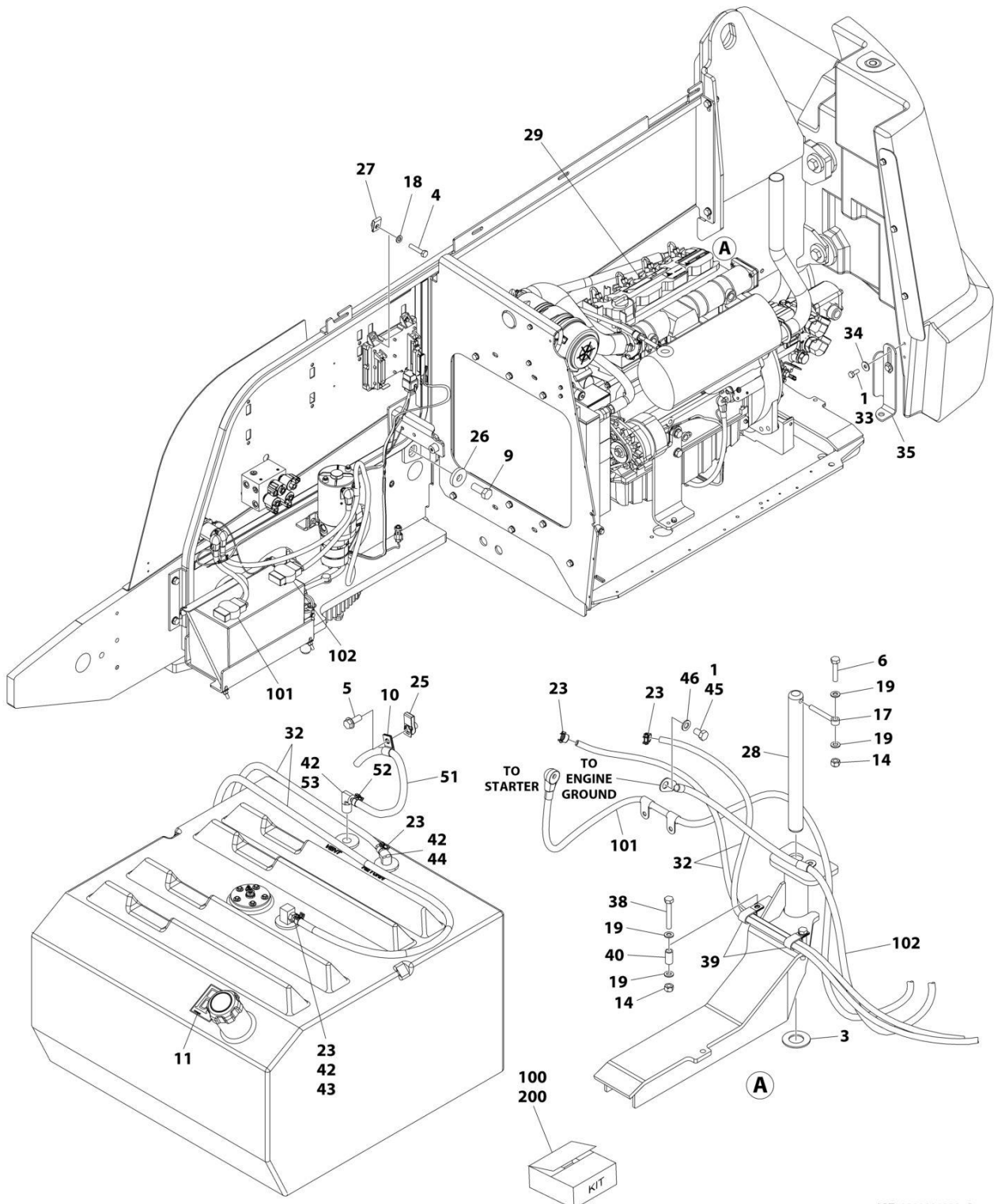
FIGURE 2-59. WHITE NOISE ALARM INSTALLATION

ITEM	PART NUMBER	QTY	DESCRIPTION	REV
	1001247386	Ref	WHITE NOISE ALARM INSTALLATION	A
1	0641406	2	Bolt 1/4 x 3/4	
2	0760608	2	Bolt M6 x 16	
3	3311405	2	Nut 1/4	
4	4711400	4	Washer 1/4	
5	4811700	2	Washer M6	
6	1001130220	2	Nut, Tinnerman M6	
7	1001182806	1	Alarm	
8	1001231711	1	Bracket	
9	1001243682	1	White Noise Alarm Harness (See Separate Breakdown in ELECTRICAL SECTION)	

SECTION 3 - ENGINE

SECTION 3 - ENGINE

FIGURE 3-1. DEUTZ D2011 ENGINE INSTALLATION - WITHOUT ARCTIC PACKAGE (600S HC3)



ART_1001186808_O

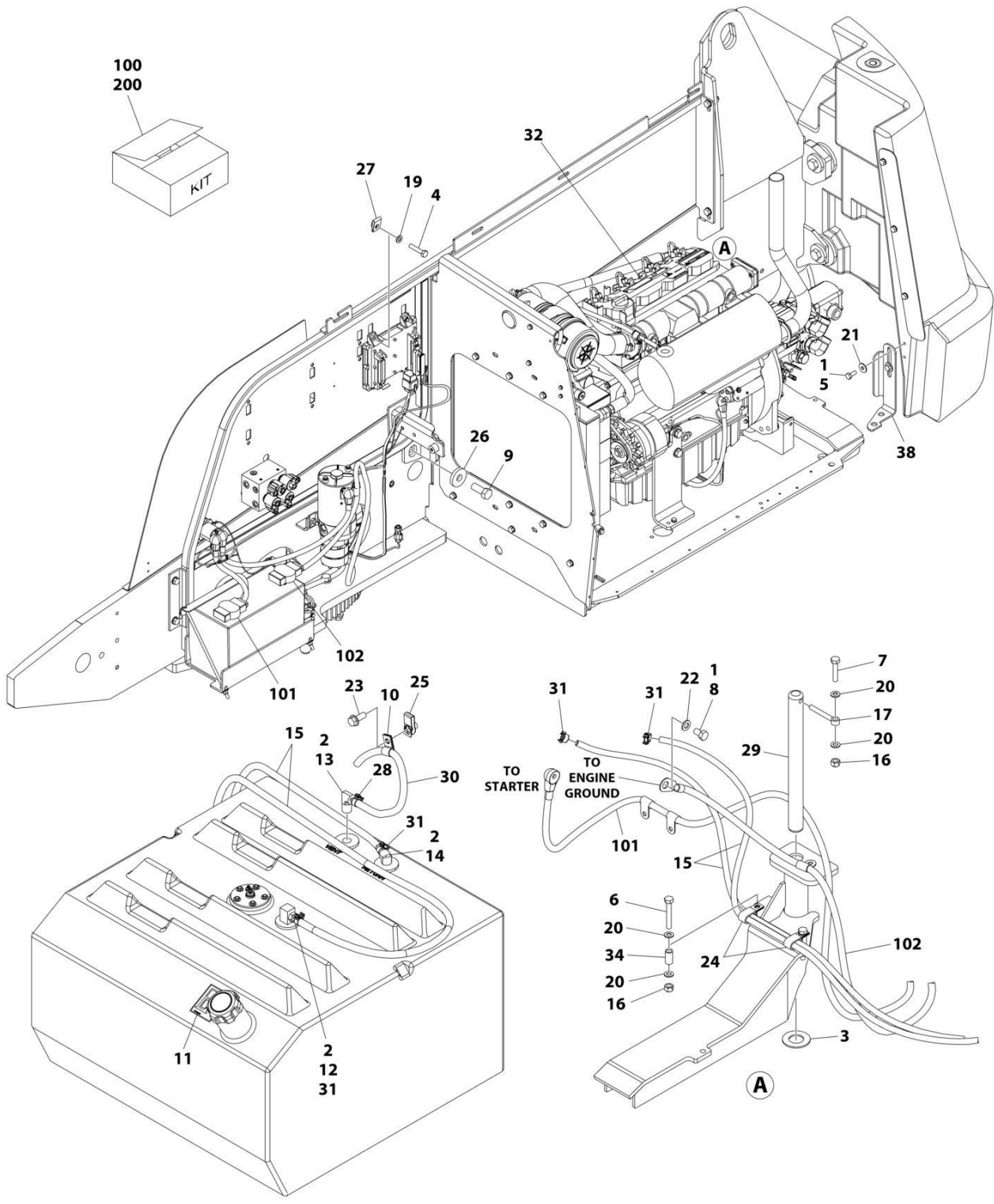
SECTION 3 - ENGINE

FIGURE 3-1. DEUTZ D2011 ENGINE INSTALLATION - WITHOUT ARCTIC PACKAGE (600S HC3)

ITEM	PART NUMBER	QTY	DESCRIPTION	REV
	1001186808	Ref	DEUTZ D2011 ENGINE INSTALLATION	0
1	0100011	AR	Compound, Locking	
3	0440162	1	Bearing	
4	0700614	4	Bolt M6 x 30	
5	5251012	1	Bolt M10 x 25	
6	0711018	1	Bolt M10 x 50	
9	0772018	1	Bolt M20 x 50	
10	1320061	1	Clamp	
11	1701505	1	Decal - Diesel Fuel	
14	3291005	3	Nut M10	
17	3841143	1	Keeper, Pin	
18	4811700	4	Washer M6	
19	4812000	6	Washer M10	
23	1001174486	4	Clamp	
25	1001118972	1	Nut, Tinnerman M10	
26	1001119051	1	Washer	
27	1001130220	4	Nut, Tinnerman M6	
28	1001155094	1	Pin	
29	1001186815	1	Deutz D2011 Engine and Pumps Sub-Assembly (See Separate Breakdown in this Section)	
32	2720058	288 in/ 7.3m	Hose, Fuel	
33	0701012	2	Bolt M10 x 70	
34	4812002	2	Washer M10	
35	1001196398	1	Bracket	
38	0701022	2	Bolt M10 x 70	
39	1001026127	2	Clamp	
40	1001200731	2	Tube	
41	4240099	5	Tie-Strap (Not Shown)	
42	0100020	AR	Sealant	
43	2180348	1	Fitting, Straight NPT x Barb	
44	2221176	1	Fitting, 90 Barbed	
45	0761210	1	Bolt M12 x 20	
46	4812100	1	Washer M12	
51	1001165035	20 in/ 0.5m	Hose	
52	1001136975	1	Clamp	
53	2220313	1	Fitting, 90 NPTF/Barb	
100	1001235699	1	Battery Cable Kit	
101	1001188667	1	Cable, Battery (+) to Aux Relay to Starter	
102	1001188670	1	Cable, Battery (-) to Aux Pump and Ground	
200	1001269919	1	Hose Assembly Kit	
201	1001192690	1	Hose (Case Drain) (Drive Pump Case Gauge Port to Tank) (Not Shown)	
202	1001203431	1	Hose (Case Drain) (Drive Pump Case Outlet Port to Tank) (Not Shown)	
203	1001203432	1	Hose (Function Suction) (Not Shown)	
204	1001203433	1	Hose (Drive Suction) (Not Shown)	

SECTION 3 - ENGINE

FIGURE 3-2. DEUTZ D2011 ENGINE INSTALLATION - WITHOUT ARCTIC PACKAGE (660SJ HC3)



ART_1001258167

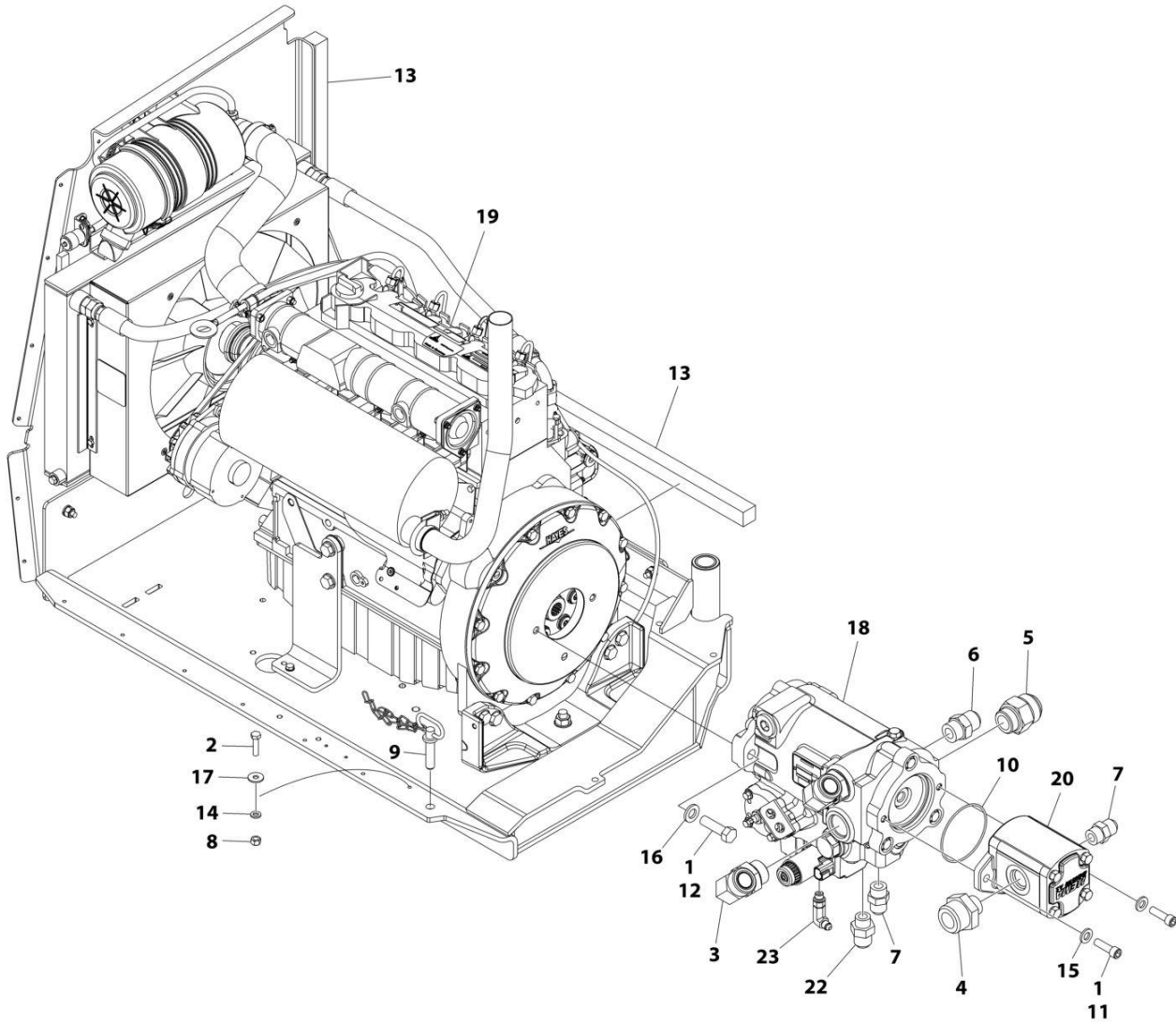
SECTION 3 - ENGINE

FIGURE 3-2. DEUTZ D2011 ENGINE INSTALLATION - WITHOUT ARCTIC PACKAGE (660SJ HC3)

ITEM	PART NUMBER	QTY	DESCRIPTION	REV
	1001258167	Ref	DEUTZ D2011 ENGINE INSTALLATION	B
1	0100011	AR	Compound, Locking	
2	0100020	AR	Sealant	
3	0440162	1	Bearing	
4	0700614	4	Bolt M6 x 30	
5	0701012	2	Bolt M10 x 70	
6	0701022	2	Bolt M10 x 70	
7	0711018	1	Bolt M10 x 50 Class 10.9	
8	0761210	1	Bolt M12 x 20	
9	0772018	1	Bolt M20 x 50	
10	1320061	1	Clamp	
11	1701505	1	Decal - Diesel Fuel	
12	2180348	1	Fitting, Straight NPT x Barb	
13	2220313	1	Fitting, 90 NPTF/Barb	
14	2221176	1	Fitting, 90 Barbed	
15	2720058	288 in/ 7.3m	Hose, Fuel	
16	3291005	3	Nut, Lock M10	
17	3841143	1	Keeper, Pin	
18	4240099	AR	Tie-Strap (Not Shown)	
19	4811700	4	Washer M6	
20	4812000	6	Washer M10	
21	4812002	2	Washer M10	
22	4812100	1	Washer M12	
23	5251012	1	Bolt M10 x 25	
24	1001026127	2	Clamp	
25	1001118972	1	Nut, Tinnerman M10	
26	1001119051	1	Washer	
27	1001130220	4	Nut, Tinnerman M6	
28	1001136975	1	Clamp	
29	1001155094	1	Pin	
30	1001165035	20 in/0.5m	Hose	
31	1001174486	4	Clamp	
32	1001186815	1	Deutz D2011 Engine and Pumps Sub-Assembly (See Separate Breakdown in this Section)	
34	1001200731	2	Tube	
38	1001258175	1	Bracket	
100	1001235699	1	Battery Cable Kit	
101	1001188667	1	Cable, Battery (+) to Aux Relay to Starter	
102	1001188670	1	Cable, Battery (-) to Aux Pump and Ground	
200	1001269920	1	Engine Hose Kit	
201	1001192690	1	Hose (Case Drain) (Drive Pump Case Gauge Port to Tank) (Not Shown)	
202	1001203431	1	Hose (Case Drain) (Drive Pump Case Outlet Port to Tank) (Not Shown)	
203	1001258156	1	Hose (Function Suction) (Not Shown)	
204	1001258157	1	Hose (Drive Suction) (Not Shown)	

SECTION 3 - ENGINE

FIGURE 3-3. DEUTZ D2011 ENGINE AND PUMPS SUB-ASSEMBLY - WITHOUT ARCTIC PACKAGE
(600S HC3/660SJ HC3)



ART_1001186815_G

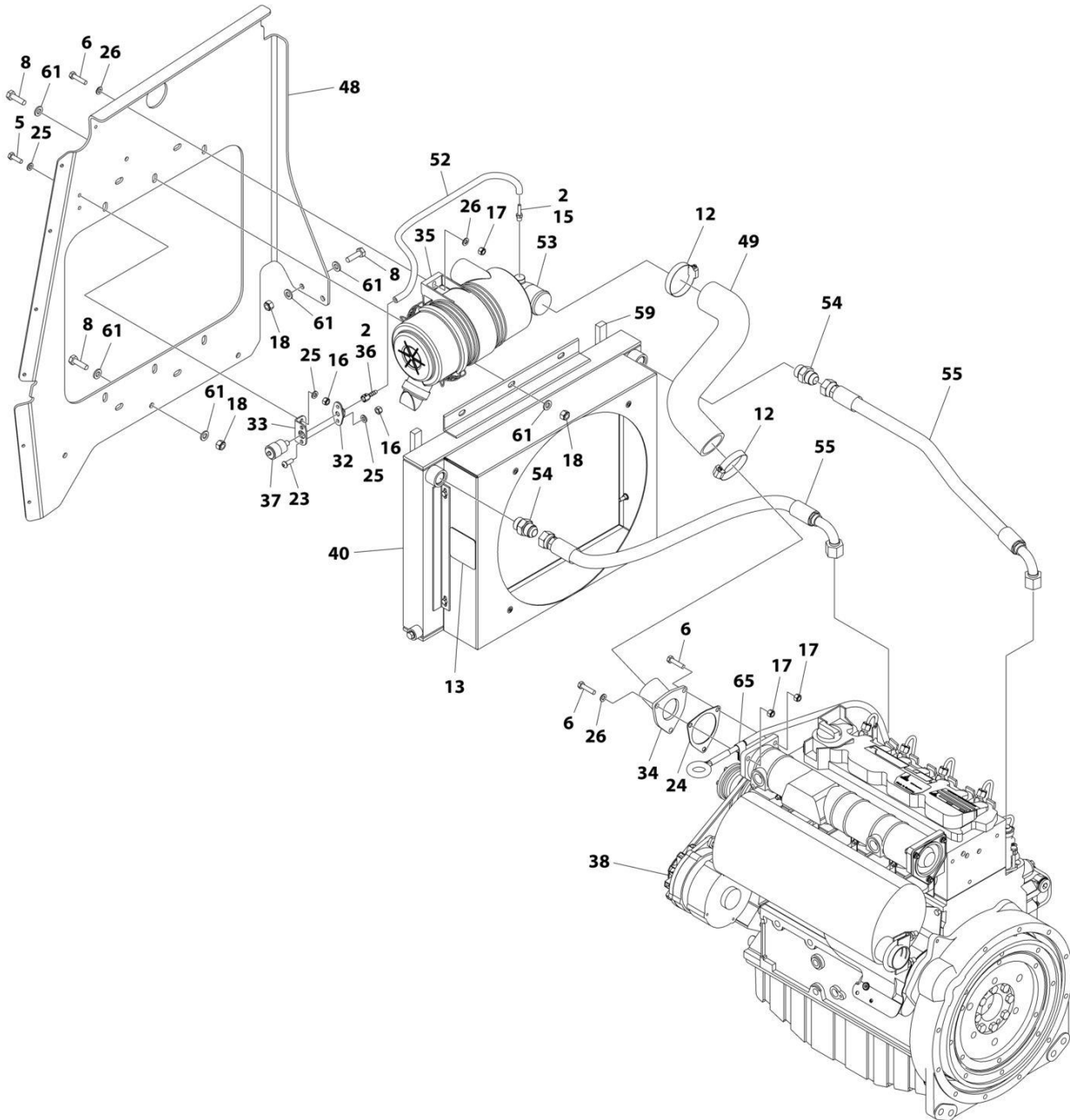
SECTION 3 - ENGINE

**FIGURE 3-3. DEUTZ D2011 ENGINE AND PUMPS SUB-ASSEMBLY - WITHOUT ARCTIC PACKAGE
(600S HC3/660SJ HC3)**

ITEM	PART NUMBER	QTY	DESCRIPTION	REV
	1001186815	Ref	DEUTZ D2011 ENGINE AND PUMPS SUB-ASSEMBLY	G
1	0100011	AR	Compound, Locking	
2	0760612	1	Bolt M6 x 25	
3	2131616	2	Fitting, 90 ORFS/ORB	
4	2220946	1	Fitting, Straight JIC/ORB	
5	2220479	1	Fitting, Straight JIC/ORB	
6	2220451	1	Fitting, Straight JIC/ORB	
7	2220947	2	Fitting, Straight JIC/ORB	
8	3290605	1	Nut M6	
9	3422532	1	Pin	
10	3790152	1	O-Ring	
11	3931620	2	Capscrew 3/8 x 1-1/4	
11	3931618	2	Capscrew 3/8 x 1-1/8	
12	0641814	2	Bolt 1/2 x 1-3/4	
13	3960469	2	Seal	
14	4811700	1	Washer M6	
15	5241000	2	Washer M10	
16	5241200	2	Washer M12	
17	4811702	1	Washer M6	
18	1001184930	1	Piston Pump Assembly (See Separate Breakdown in this Section)	
19	1001186816	1	Deutz D2011 Engine Assembly (See Separate Breakdown in this Section)	
20	1001190143	1	Gear Pump Assembly	
20	70006356	1	Seal Kit - 1001190143 Pump	
22	2220408	1	Fitting, Straight JIC/ORB	
23	2220940	1	Fitting, 90 JIC/ORB	

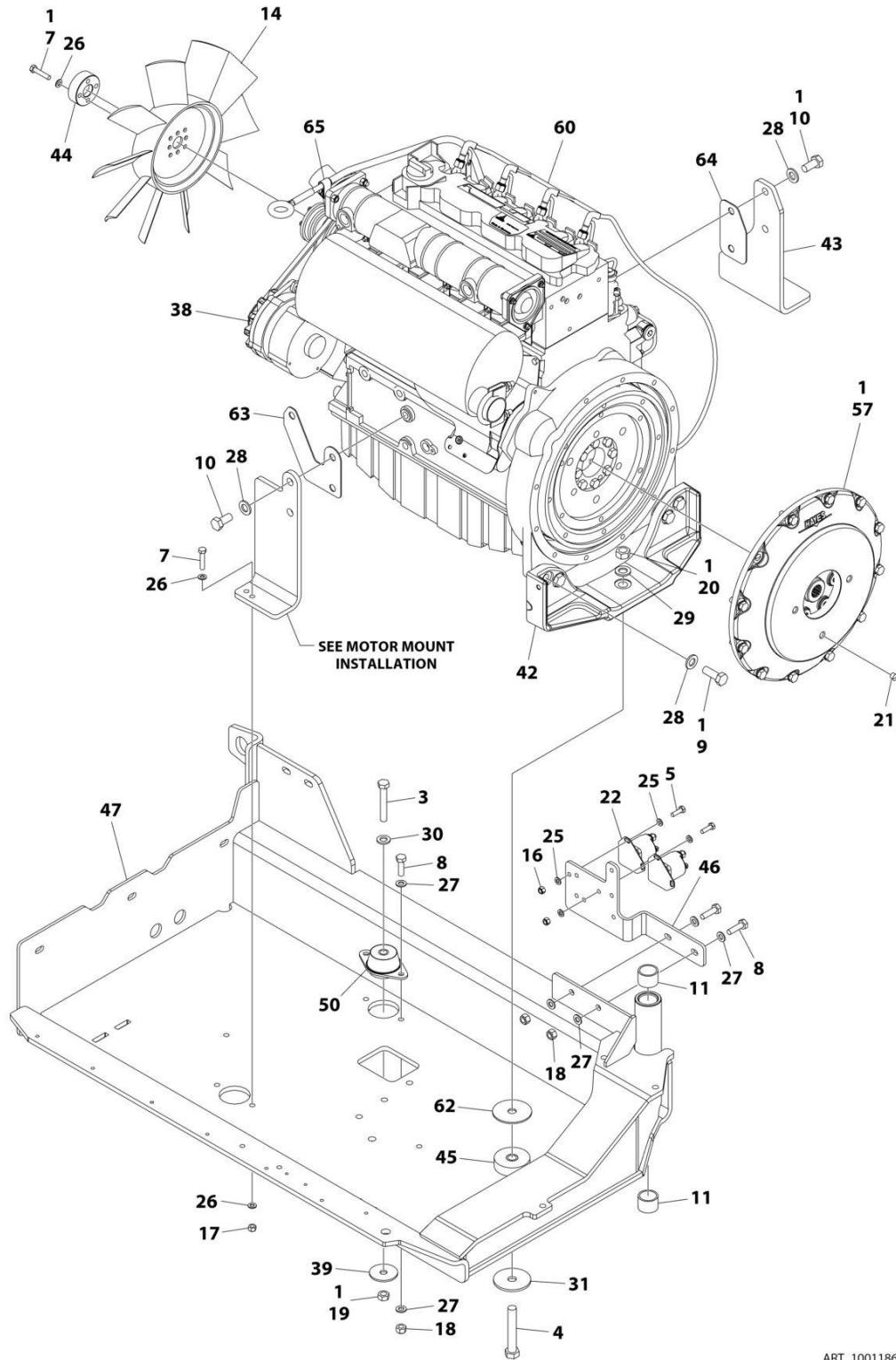
SECTION 3 - ENGINE

FIGURE 3-4. DEUTZ D2011 ENGINE ASSEMBLY - WITHOUT ARCTIC PACKAGE (600S HC3/660SJ HC3)



ART_1001186816_T_1OF2

SECTION 3 - ENGINE



ART_1001186816_T_2OF2

SECTION 3 - ENGINE

FIGURE 3-4. DEUTZ D2011 ENGINE ASSEMBLY - WITHOUT ARCTIC PACKAGE (600S HC3/660SJ HC3)

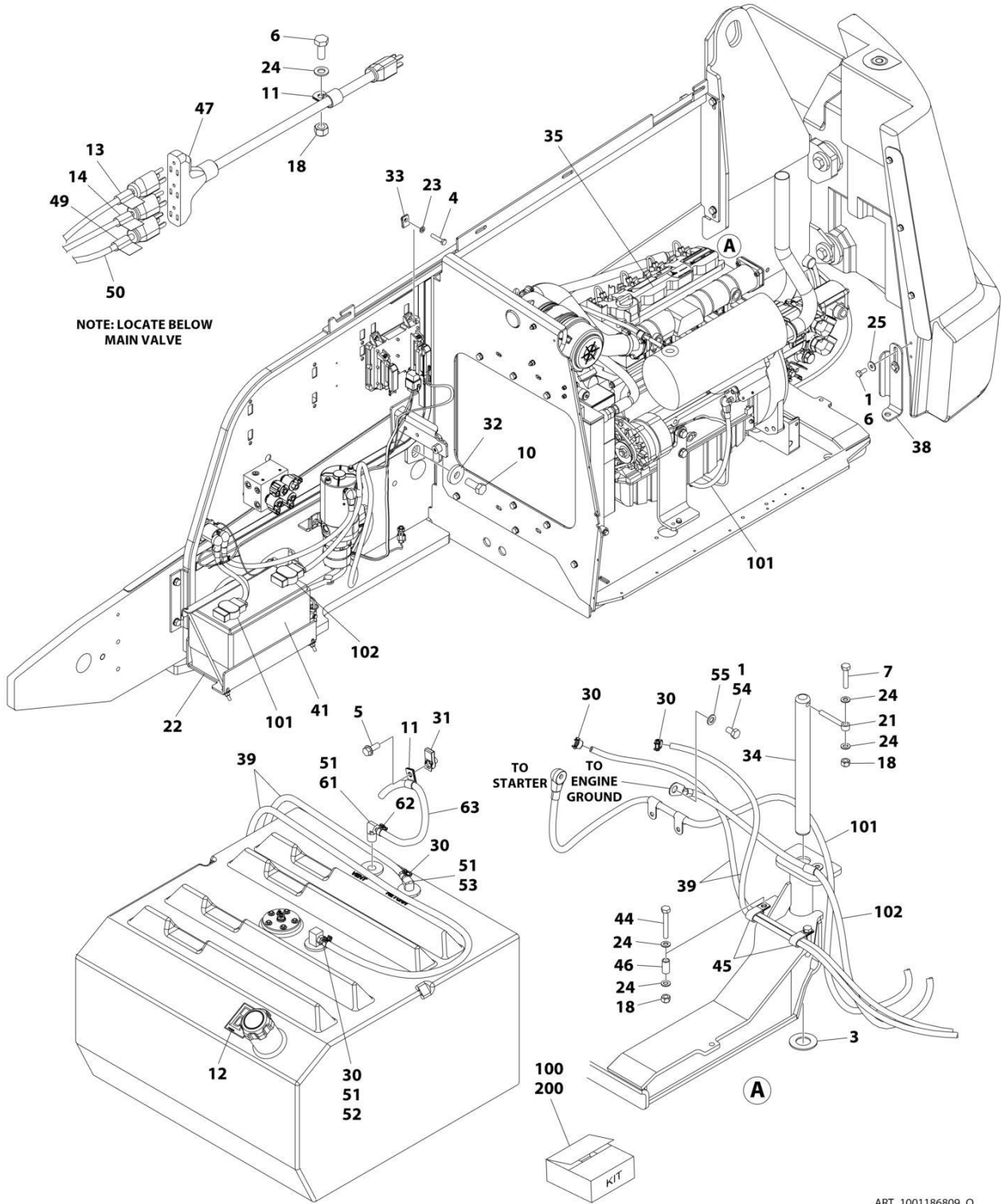
ITEM	PART NUMBER	QTY	DESCRIPTION	REV
	1001186816	Ref	DEUTZ D2011 ENGINE ASSEMBLY	T
1	0100011	AR	Compound, Locking	
2	0100020	AR	Sealant	
3	0711224	1	Bolt M12 x 80	
4	0711627	1	Bolt M16 x 100	
5	0760610	6	Bolt M6 x 20	
6	0760815	5	Bolt M8 x 35	
7	0760816	5	Bolt M8 x 40	
8	0761015	15	Bolt M10 x 35	
9	0771416	4	Bolt M14 x 40	
10	0771414	4	Bolt M14 x 30	
11	0961951	2	Bushing	
12	8405202	2	Clamp	
13	1703162	2	Decal - Fan Blade	
14	2060025	1	Fan	
15	2220315	1	Fitting, Straight Barbed	
16	3290605	8	Nut M6	
17	3290805	6	Nut M8	
18	3291005	15	Nut M10	
19	3331211	1	Nut M12	
20	3331611	1	Nut M16	
21	3520054	2	Plug	
22	3740067	2	Relay	
23	3900357	2	Screw M6 x 16	
24	3960407	1	Gasket, Air Intake Adapter	
25	4811700	14	Washer M6	
26	4811900	11	Washer M8	
27	4812000	8	Washer M10	
28	5241400	8	Washer M14	
29	4812300	1	Washer M16	
30	5241200	1	Washer M12	
31	7300435	1	Washer	
32	1001138173	1	Support	
33	1001138175	1	Bracket	
34	1001139819	1	Adapter	
35	1001141694	1	Clamp, Air Cleaner	
36	1001141995	1	Fitting, Straight NPT/Barbed	
37	1001143390	1	Indicator, Air Filter Service	
38	1001146368	1	Deutz D2011 Engine (See Separate Breakdown in this Section)	
39	1001168018	1	Washer	
40	1001187082	1	Radiator	
41	1001188236	1	Engine Harness - Deutz D2011 Engines (Not Shown) (See Separate Breakdown in ELECTRICAL SECTION)	
42	1001188535	1	Bracket, Engine - Rear	
43	1001189026	1	Bracket, Engine - Right	
44	1001189161	1	Adapter, Fan	
45	1001190164	1	Mount, Motor	
46	1001203885	1	Plate	
47	1001200435	1	Tray	

SECTION 3 - ENGINE

ITEM	PART NUMBER	QTY	DESCRIPTION	REV
48	1001236499	1	Support, Radiator	
49	1001191271	1	Hose	
50	1001191610	1	Mount, Motor	
52	1001138248	21.7 in/ 0.6m	Tube	
53	1001165388	1	Filter, Air	
53	70003783	1	Element, Filter	
54	2220451	2	Fitting, Straight ORB/JIC	
55	2720398	2	Hose	
57	2902065	1	Pump Coupling Kit (See Separate Breakdown in this Section)	
59	1001168166	2	Seal	
60	1001234396	1	Glow Plug Harness	
61	5241000	22	Washer M10	
62	1001197725	1	Spacer	
63	1001201843	1	Shim .079	
64	1001201844	1	Shim .079	
65	1320070	1	Clamp	

SECTION 3 - ENGINE

FIGURE 3-5. DEUTZ D2011 ENGINE INSTALLATION - WITH ARCTIC PACKAGE (600S HC3)



ART_1001186809_O

SECTION 3 - ENGINE

FIGURE 3-5. DEUTZ D2011 ENGINE INSTALLATION - WITH ARCTIC PACKAGE (600S HC3)

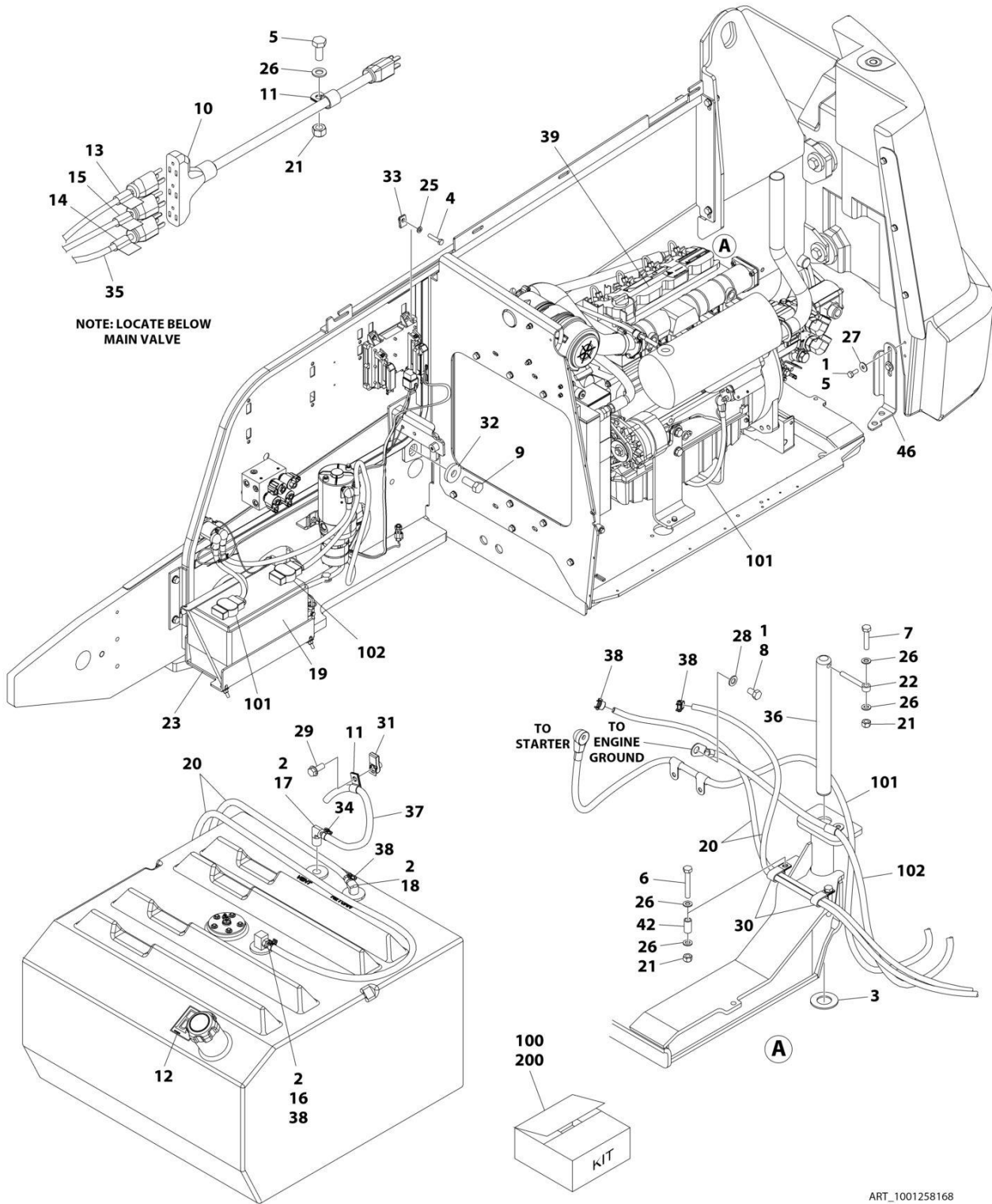
ITEM	PART NUMBER	QTY	DESCRIPTION	REV
	1001186809	Ref	DEUTZ D2011 ENGINE INSTALLATION	O
1	0100011	AR	Compound, Locking	
3	0440162	1	Bearing	
4	0700614	4	Bolt M6 x 30	
5	5251012	1	Bolt M10 x 25	
6	0701012	3	Bolt M10 x 25	
7	0711018	1	Bolt M10 x 50	
10	0772018	1	Bolt M20 x 50	
11	1320061	2	Clamp	
12	1701505	1	Decal - Diesel Fuel	
13	1702941	1	Decal - Battery Heater	
14	1702943	1	Decal - Hydraulic Tank Heater	
17	1001188972	1	Heater, Immersion (Not Shown - Located on Hydraulic Tank)	
18	3291005	4	Nut M10	
21	3841143	1	Keeper, Pin	
22	3980007	1	Seal, Battery	
23	4811700	4	Washer M6	
24	4812000	7	Washer M10	
25	4812002	2	Washer M10	
30	1001174486	4	Clamp	
31	1001118972	1	Nut, Tinnerman M10	
32	1001119051	1	Washer	
33	1001130220	4	Nut, Tinnerman M6	
34	1001155094	1	Pin	
35	1001186817	1	Deutz D2011 Engine and Pumps Sub-Assembly (See Separate Breakdown in this Section)	
38	1001196398	1	Bracket	
39	2720058	208 in/ 7.3m	Hose, Fuel	
41	2580024	1	Heater, Battery	
44	0701022	2	Bolt M10 x 70	
45	1001026127	2	Clamp	
46	1001200731	2	Tube	
47	1060626	1	Plug, 3 Way	
48	4240099	5	Tie-Strap (Not Shown)	
49	1702942	1	Decal - Engine Block Heater	
50	1001150918	1	Cable, Extension	
51	0100020	AR	Sealant	
52	2180348	1	Fitting, Straight NPT/Barbed	
53	2221176	1	Fitting, 90 Barbed	
54	0761210	1	Bolt M12 x 20	
55	4812100	1	Washer M12	
61	2220313	1	Fitting, 90 NPTF/Barb	
62	1001136975	1	Clamp	
63	1001165035	20 in/ 0.5m	Hose	
100	1001235699	1	Battery Cable Kit	
101	1001188667	1	Cable, Battery (+) to Aux Relay to Starter	
102	1001188670	1	Cable, Battery (-) to Aux Pump and Ground	
200	1001269919	1	Hose Assembly Kit	

SECTION 3 - ENGINE

ITEM	PART NUMBER	QTY	DESCRIPTION	REV
201	1001192690	1	Hose (Case Drain) (Drive Pump Case Gauge Port to Tank) (Not Shown)	
202	1001203431	1	Hose (Case Drain) (Drive Pump Case Outlet Port to Tank) (Not Shown)	
203	1001203432	1	Hose (Function Suction) (Not Shown)	
204	1001203433	1	Hose (Drive Suction) (Not Shown)	

SECTION 3 - ENGINE

FIGURE 3-6. DEUTZ D2011 ENGINE INSTALLATION - WITH ARCTIC PACKAGE (660SJ HC3)



SECTION 3 - ENGINE

FIGURE 3-6. DEUTZ D2011 ENGINE INSTALLATION - WITH ARCTIC PACKAGE (660SJ HC3)

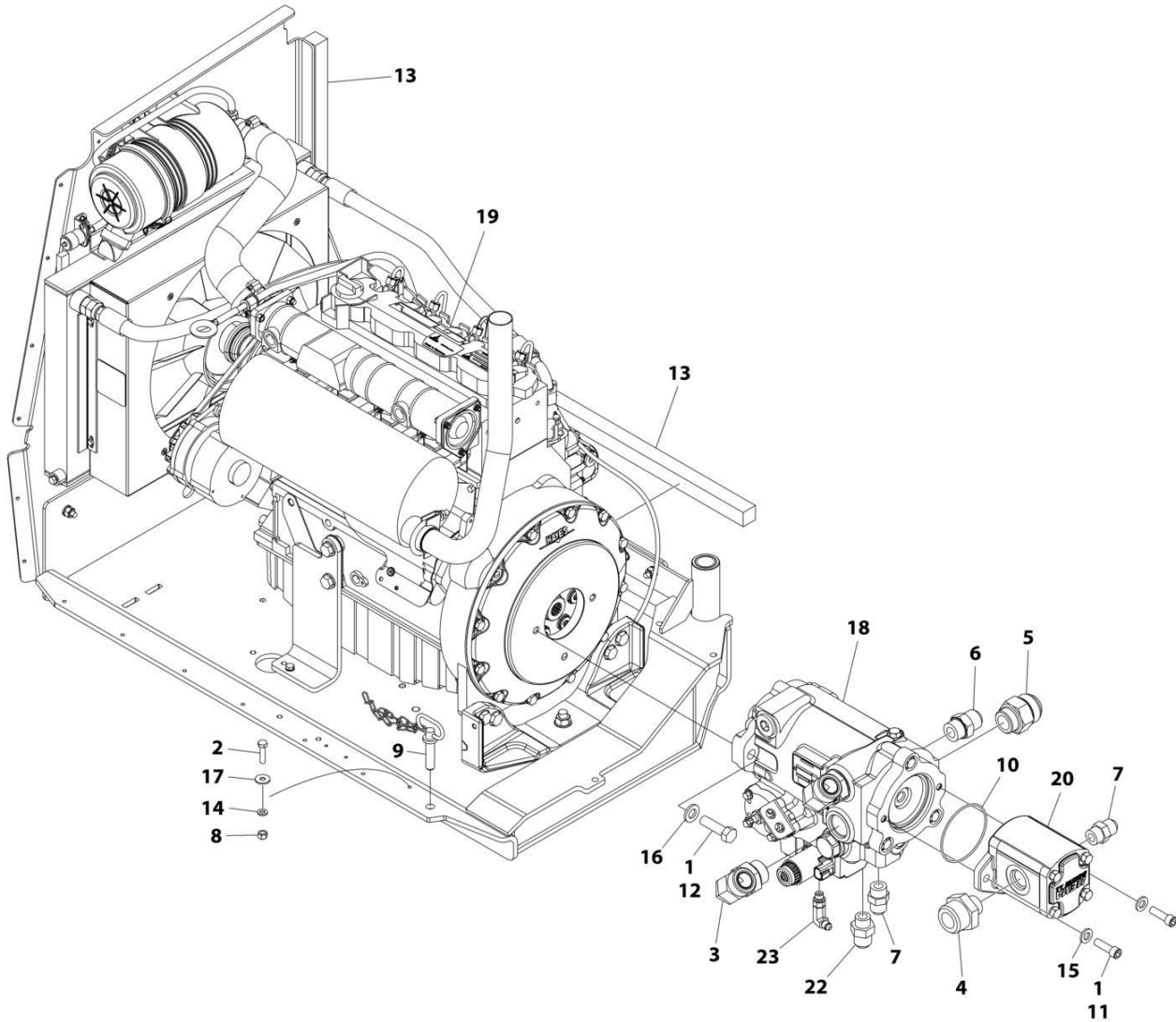
ITEM	PART NUMBER	QTY	DESCRIPTION	REV
	1001258168	Ref	DEUTZ D2011 ENGINE INSTALLATION	B
1	0100011	AR	Compound, Locking	
2	0100020	AR	Sealant	
3	0440162	1	Bearing	
4	0700614	4	Bolt M6 x 30	
5	0701012	3	Bolt M10 x 25	
6	0701022	2	Bolt M10 x 70	
7	0711018	1	Bolt M10 x 50 Class 10.9	
8	0761210	1	Bolt M12 x 20	
9	0772018	1	Bolt M20 x 50	
10	1060626	1	Plug, 3 Way	
11	1320061	2	Clamp	
12	1701505	1	Decal - Diesel Fuel	
13	1702941	1	Decal - Battery Heater	
14	1702942	1	Decal - Engine Block Heater	
15	1702943	1	Decal - Hydraulic Tank Heater	
16	2180348	1	Fitting, Straight NPT/Barbed	
17	2220313	1	Fitting, 90 NPTF/Barb	
18	2221176	1	Fitting, 90 Barbed	
19	2580024	1	Heater, Battery	
20	2720058	208 in/ 7.3m	Hose, Fuel	
21	3291005	4	Nut, Lock M10	
22	3841143	1	Keeper, Pin	
23	3980007	1	Seal, Battery	
24	4240099	AR	Tie-Strap (Not Shown)	
25	4811700	4	Washer M6	
26	4812000	7	Washer M10	
27	4812002	2	Washer M10	
28	4812100	1	Washer M12	
29	5251012	1	Bolt M10 x 25	
30	1001026127	2	Clamp	
31	1001118972	1	Nut, Tinnerman M10	
32	1001119051	1	Washer	
33	1001130220	4	Nut, Tinnerman M6	
34	1001136975	1	Clamp	
35	1001150918	1	Cable, Extension	
36	1001155094	1	Pin	
37	1001165035	20 in/ 0.5m	Hose	
38	1001174486	4	Clamp	
39	1001186817	1	Deutz D2011 Engine and Pumps Sub-Assembly (See Separate Breakdown in this Section)	
40	1001188972	1	Heater, Immersion (Not Shown - Located on Hydraulic Tank)	
42	1001200731	2	Tube	
46	1001258175	1	Bracket	
100	1001235699	1	Battery Cable Kit	
101	1001188667	1	Cable, Battery (+) to Aux Relay to Starter	
102	1001188670	1	Cable, Battery (-) to Aux Pump and Ground	
200	1001269920	1	Engine Hose Kit	

SECTION 3 - ENGINE

ITEM	PART NUMBER	QTY	DESCRIPTION	REV
201	1001192690	1	Hose (Case Drain) (Drive Pump Case Gauge Port to Tank) (Not Shown)	
202	1001203431	1	Hose (Case Drain) (Drive Pump Case Outlet Port to Tank) (Not Shown)	
203	1001258156	1	Hose (Function Suction) (Not Shown)	
204	1001258157	1	Hose (Drive Suction) (Not Shown)	

SECTION 3 - ENGINE

FIGURE 3-7. DEUTZ D2011 ENGINE AND PUMPS SUB-ASSEMBLY - WITH ARCTIC PACKAGE (600S HC3/660SJ HC3)



ART_1001186817_G

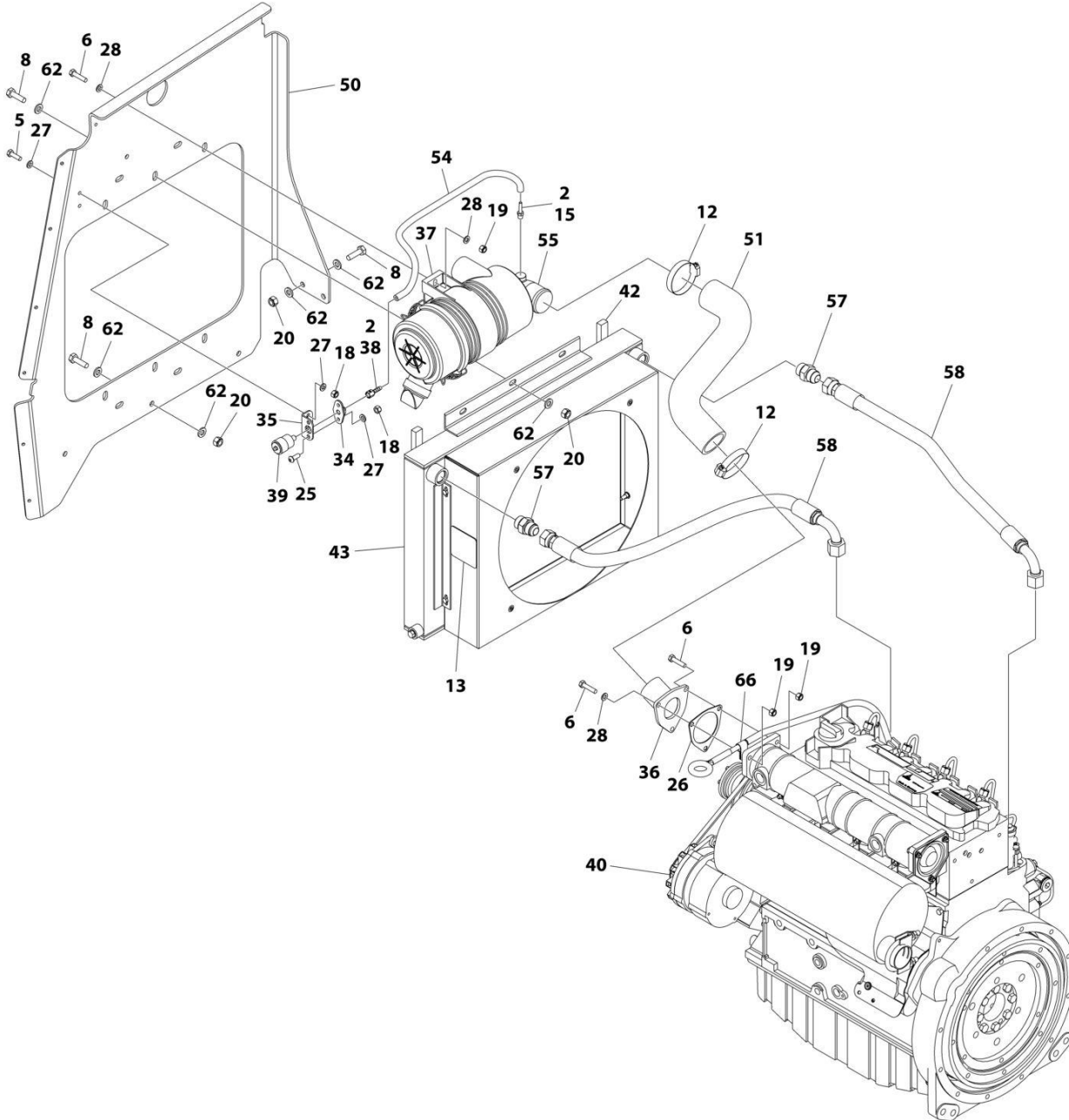
SECTION 3 - ENGINE

FIGURE 3-7. DEUTZ D2011 ENGINE AND PUMPS SUB-ASSEMBLY - WITH ARCTIC PACKAGE (600S HC3/660SJ HC3)

ITEM	PART NUMBER	QTY	DESCRIPTION	REV
	1001186817	Ref	DEUTZ D2011 ENGINE AND PUMPS SUB-ASSEMBLY	G
1	0100011	AR	Compound, Locking	
2	0760612	1	Bolt M6 x 25	
3	2131616	2	Fitting, 90 ORFS/ORB	
4	2220946	1	Fitting, Straight JIC/ORB	
5	2220479	1	Fitting, Straight JIC/ORB	
6	2220451	1	Fitting, Straight JIC/ORB	
7	2220947	2	Fitting, Straight JIC/ORB	
8	3290605	1	Nut M6	
9	3422532	1	Pin	
10	3790152	1	O-Ring	
11	3931620	2	Capscrew 3/8 x 1-1/4	
11	3931618	2	Capscrew 3/8 x 1-1/8	
12	0641814	2	Bolt 1/2 x 1-3/4	
13	3960469	2	Seal	
14	4811700	1	Washer M6	
15	5241000	2	Washer M10	
16	5241200	2	Washer M12	
17	4811702	1	Washer M6	
18	1001184930	1	Piston Pump Assembly (See Separate Breakdown in this Section)	
19	1001186818	1	Deutz D2011 Engine Assembly (See Separate Breakdown in this Section)	
20	1001190143	1	Gear Pump Assembly	
20	70006356	1	Seal Kit - 1001190143 Pump	
22	2220408	1	Fitting, Straight JIC/ORB	
23	2220940	1	Fitting, 90 JIC/ORB	

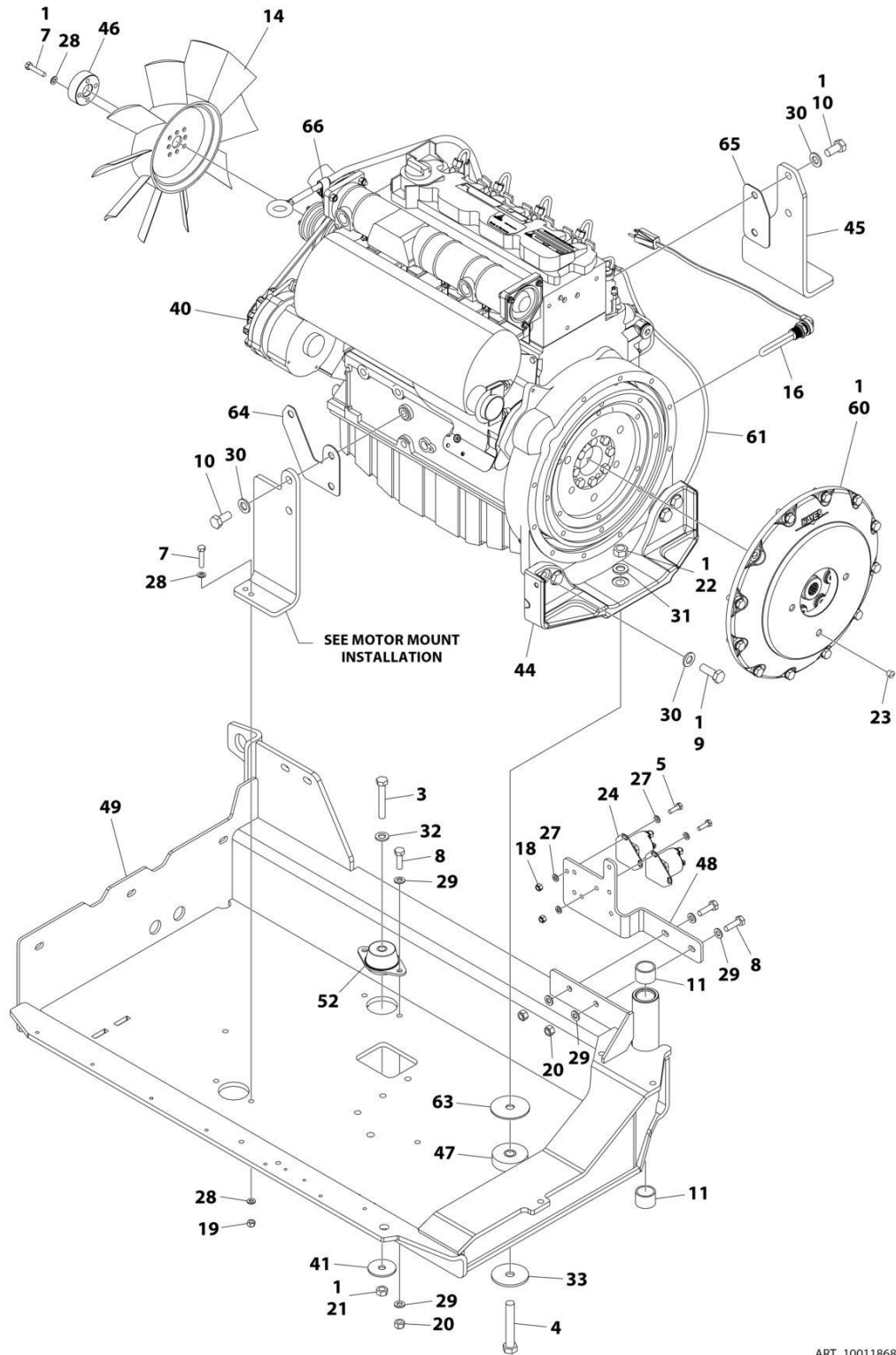
SECTION 3 - ENGINE

FIGURE 3-8. DEUTZ D2011 ENGINE ASSEMBLY - WITH ARCTIC PACKAGE (600S HC3/660SJ HC3)



ART_1001186818_W_10F2

SECTION 3 - ENGINE



ART_1001186818_W_2OF2

SECTION 3 - ENGINE

FIGURE 3-8. DEUTZ D2011 ENGINE ASSEMBLY - WITH ARCTIC PACKAGE (600S HC3/660SJ HC3)

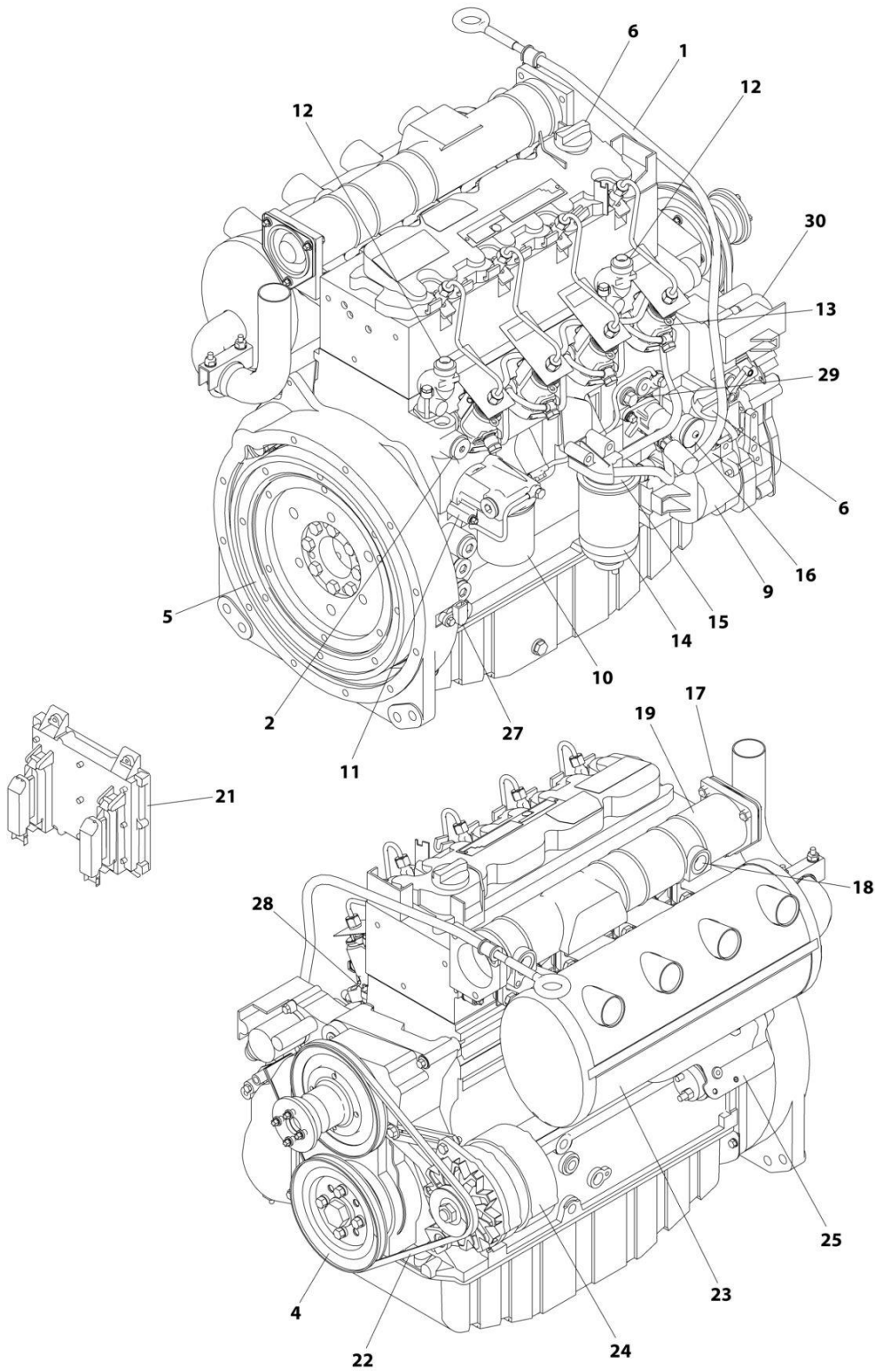
ITEM	PART NUMBER	QTY	DESCRIPTION	REV
	1001186818	Ref	DEUTZ D2011 ENGINE ASSEMBLY	W
1	0100011	AR	Compound, Locking	
2	0100020	AR	Sealant	
3	0711224	1	Bolt M12 x 80	
4	0711627	1	Bolt M16 x 100	
5	0760610	6	Bolt M6 x 20	
6	0760815	5	Bolt M8 x 35	
7	0760816	5	Bolt M8 x 40	
8	0761015	15	Bolt M10 x 35	
9	0771416	4	Bolt M14 x 40	
10	0771414	4	Bolt M14 x 30	
11	0961951	2	Bushing	
12	8405202	2	Clamp	
13	1703162	2	Decal - Fan Blade	
14	2060025	1	Fan	
15	2220315	1	Fitting, Straight Barbed	
16	2580062	1	Heater, Engine Block	
18	3290605	8	Nut M6	
19	3290805	6	Nut M8	
20	3291005	15	Nut M10	
21	3331211	1	Nut M12	
22	3331611	1	Nut M16	
23	3520054	2	Plug	
24	3740067	2	Relay	
25	3900357	2	Screw M6 x 16	
26	3960407	1	Gasket, Air Intake Adapter	
27	4811700	14	Washer M6	
28	4811900	11	Washer M8	
29	4812000	8	Washer M10	
30	5241400	8	Washer M14	
31	4812300	1	Washer M16	
32	5241200	1	Washer M12	
33	7300435	1	Washer	
34	1001138173	1	Support	
35	1001138175	1	Bracket	
36	1001139819	1	Adapter	
37	1001141694	1	Clamp, Air Cleaner	
38	1001141995	1	Fitting, Straight NPT/Barbed	
39	1001143390	1	Indicator, Air Filter Service	
40	1001146368	1	Deutz D2011 Engine (See Separate Breakdown in this Section)	
41	1001168018	1	Washer	
42	1001168166	2	Seal	
43	1001187082	1	Radiator	
44	1001188535	1	Bracket, Engine - Rear	
45	1001189026	1	Bracket, Engine - Right	
46	1001189161	1	Adapter, Fan	
47	1001190164	1	Mount, Motor	
48	1001203885	1	Plate	
49	1001200435	1	Tray	
50	1001236499	1	Support, Radiator	

SECTION 3 - ENGINE

ITEM	PART NUMBER	QTY	DESCRIPTION	REV
51	1001191271	1	Hose	
52	1001191610	1	Mount, Motor	
54	1001138248	2 ft/1 m	Tube	
55	1001165388	1	Filter, Air Cleaner	
55	70003783	1	Element, Filter	
56	1001188236	1	Engine Harness - Deutz D2011 Engines (Not Shown) (See Separate Breakdown in ELECTRICAL Section)	
57	2220451	2	Fitting, Straight ORB/JIC	
58	2720398	2	Hose	
60	2902065	1	Pump Coupling Kit (See Separate Breakdown in this Section)	
61	1001234396	1	Glow Plug Harness	
62	5241000	22	Washer M10	
63	1001197725	1	Spacer	
64	1001201843	1	Shim .079	
65	1001201844	1	Shim .079	
66	1320070	1	Clamp	

SECTION 3 - ENGINE

FIGURE 3-9. DEUTZ D2011 ENGINE COMPONENTS (600S HC3/660SJ HC3)



ART_1001146368

SECTION 3 - ENGINE

FIGURE 3-9. DEUTZ D2011 ENGINE COMPONENTS (600S HC3/660SJ HC3)

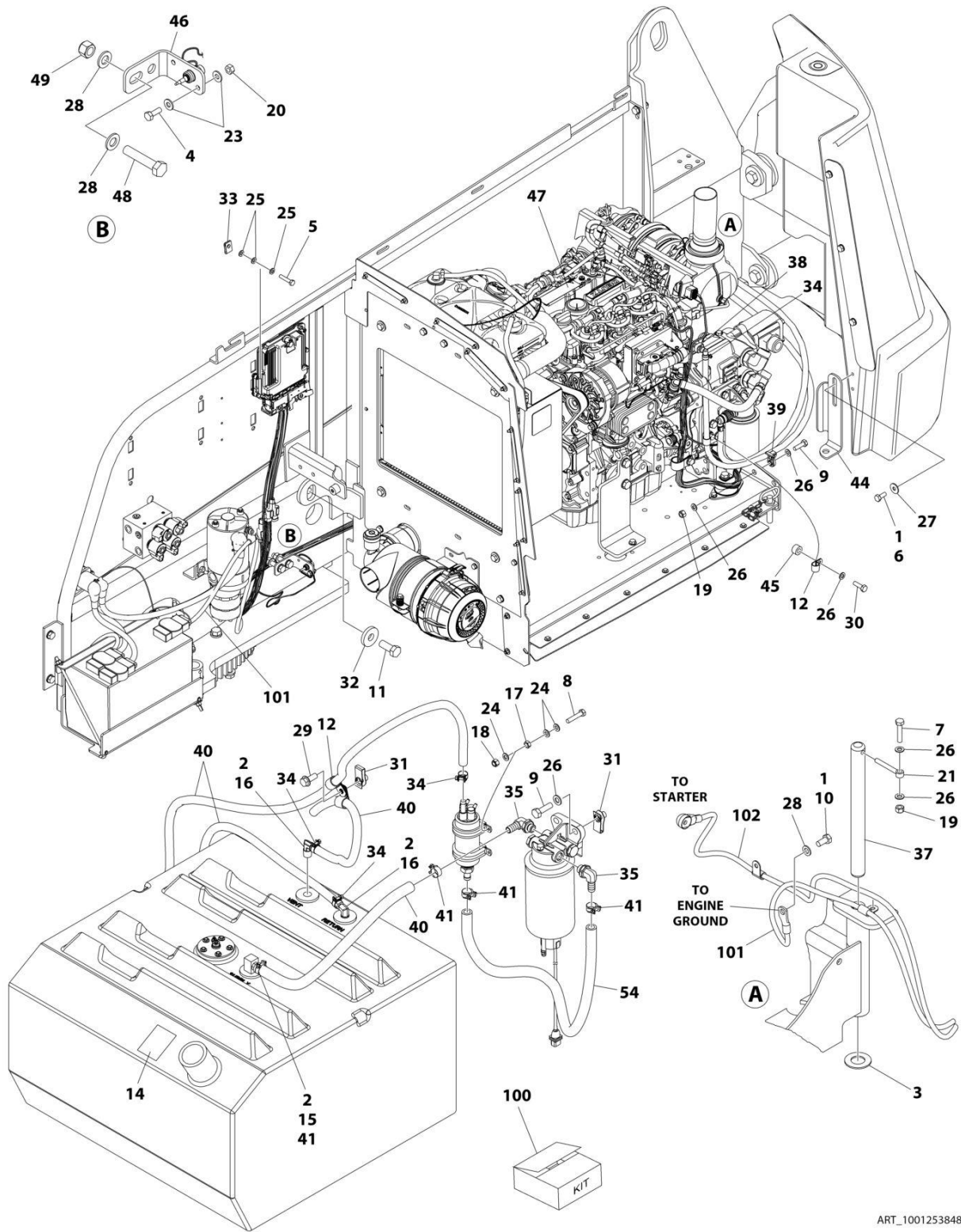
ITEM	PART NUMBER	QTY	DESCRIPTION	REV
	1001146368	Ref	DEUTZ D2011 ENGINE COMPONENTS	D
1	7026631	1	Dipstick	
1	7020487	1	O-Ring, Dipstick	
1	70001002	1	Tube, Dipstick	
1	7020403	1	Seal, Dipstick Tube	
2	70003475	1	Thermostat	
2	7020460	1	Spring, Compression	
3	70002718	1	Seal, Rear Main (Not Shown)	
4	70005479	1	Pulley	
5	70001870	1	Flywheel	
5	7024579	1	Ring Gear	
6	7020465	2	Cap, Filler	
7	70003456	1	Gasket, Head (Not Shown)	
7	70003457	1	Gasket, Head (Not Shown)	
7	70003003	1	Gasket, Head (Not Shown)	
8	7020431	1	Gasket, Valve Cover (Not Shown)	
9	70001850	1	Pump, Oil Lube	
9	7020468	1	Seal Between Oil Pump and Engine Block (Not Shown)	
10	7016331	1	Filter, Oil	
11	70003472	1	Bracket, Oil Filter (Includes Spring, Control Valve, Temperature Sensor, Seal and Plug)	
11	7027236	1	Sensor, Temperature	
11	70003473	1	Gasket, Oil Filter Bracket to Engine Block	
12	70004268	2	Fitting, Radiator Connector (Located Between Item 220 and Engine Block)	
12	70004269	2	Seal for Radiator Connector Fitting	
13	70003478	4	Injector, Fuel	
13	70003136	4	Seal	
13		Ref	Pump, Injector Options:	
13	70000912	1	Series A Injector	
13	70000913	4	Series B Injector	
13	70000914	1	Series C Injector	
13	70000915	1	Series D Injector	
14	7016328	1	Filter, Fuel	
15	70001423	1	Bracket, Fuel Filter	
16	70000916	1	Pump Fuel Supply	
16	70001435	1	Repair Kit for Pump	
16	70000919	1	Hand Pump	
16	70000918	1	Seal, Hand Pump	
16	70000917	1	O-Seal Between Fuel Pump and Engine Block (Not Shown)	
17	70003469	1	Flange	
17	70003468	1	O-Seal	
18	70025084	1	Plug	
19	70003470	1	Manifold, Intake	
19	70001871	4	Gasket, Intake Manifold to Engine Block (Not Shown)	
20	70001847	1	Breather Valve (Not Shown - Located on Front Cover)	
20	70001126	1	Seal, Breather Valve	
21	7027795	1	Module, Control	
22	7020408	1	V-Belt	
23	7000695	1	Muffler (Includes Saddle Clamp)	

SECTION 3 - ENGINE

ITEM	PART NUMBER	QTY	DESCRIPTION	REV
23	7020471	4	Gasket, Exhaust Manifold (Not Shown)	
23	70004270	8	Stud, Exhaust Manifold (Not Shown)	
24	70004056	1	Alternator	
24	70001868	1	Regulator, Voltage Options (Not Shown)	
24	70001866	1	Gasket for Voltage Regulator (Not Shown)	
24	70002234	1	Bracket, Adjusting (Not Shown)	
24	70000851	1	Bracket, Mounting (Not Shown)	
25	7020479	1	Starter	
25	70004058	1	Relay	
25	70001498	1	Shield, Starter Heat	
26	70004059	1	Plug- In Connector for Analyzer (Not Shown)	
26	7027796	1	Harness, Module to Engine Harness (Not Shown)	
26	70004060	1	Plug- In Connector on p/n 7027796 Harness (Not Shown)	
26	70001872	1	Harness, Engine (Not Shown)	
26	70004103	1	Harness, Alternator (Not Shown)	
26	70004271	1	Harness, Starter (Not Shown)	
27	70004272	1	Sensor, Speed	
27	70003932	1	Spacer	
28	7027791	1	Transmitter, Temperature	
29	7027790	1	Sensor, Oil Pressure	
30	7027792	1	Actuator, Throttle	
30	7027276	1	Spring, Actuator	
31	70000345	4	Plug, Glow (Not Shown)	
32	70004273	1	Set, Engine Gasket (Not Shown)	

SECTION 3 - ENGINE

FIGURE 3-10. DEUTZ TD 2.2L3 (STAGE V) ENGINE INSTALLATION (600S HC3)



ART_1001253848

SECTION 3 - ENGINE

FIGURE 3-10. DEUTZ TD 2.2L3 (STAGE V) ENGINE INSTALLATION (600S HC3

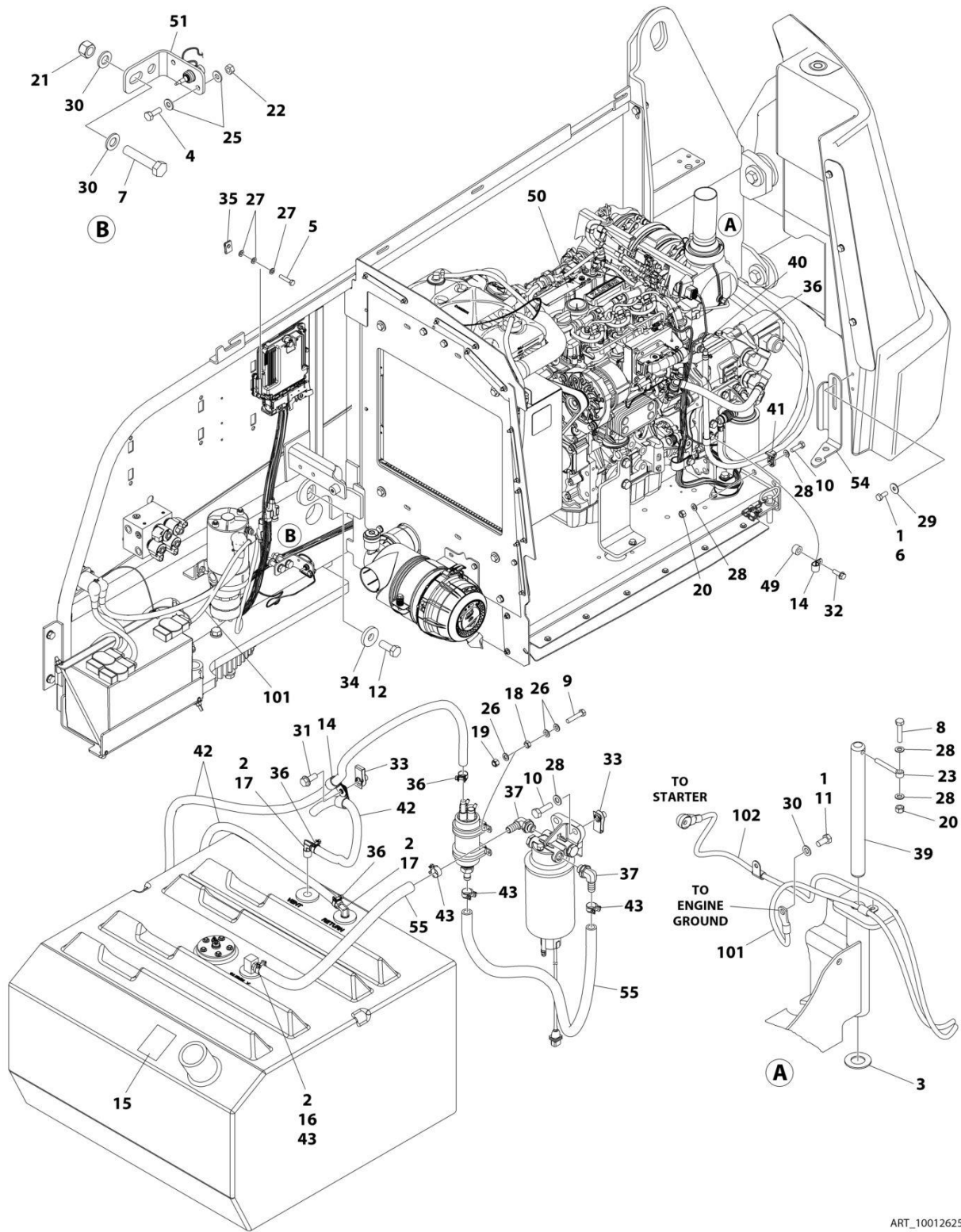
ITEM	PART NUMBER	QTY	DESCRIPTION	REV
	1001253848	Ref	DEUTZ TD2.2L3 (STAGE V) ENGINE INSTALLATION	G
1	0100011	AR	Compound, Locking	
2	0100020	AR	Sealant	
3	0440162	1	Bearing	
4	0641406	1	Bolt 1/4 x 3/4	
5	0700614	4	Bolt M6 x 30	
6	0701012	2	Bolt M10 x 25	
7	0711018	1	Bolt M10 x 50	
8	0760512	4	Bolt M5 x 25	
9	0761015	3	Bolt M10 x 35	
10	0771212	1	Bolt M12 x 25	
11	0772018	1	Bolt M20 x 50	
12	1320061	3	Clamp	
14	1701505	1	Decal - Diesel Fuel	
15	2180832	1	Fitting, Straight Barbed	
16	2220313	2	Fitting, 90 NPTF/Barb	
17	3290501	4	Nut M5	
18	3290505	4	Nut M5	
19	3291005	2	Nut M10	
20	3311405	1	Nut 1/4	
21	3841143	1	Keeper, Pin	
22	4240099	AR	Tie-Strap (Not Shown)	
23	4711400	2	Washer 1/4	
24	4811600	12	Washer M5	
25	4811700	12	Washer M6	
26	4812000	7	Washer M10	
27	4812002	2	Washer M10	
28	4812100	5	Washer M12	
29	5251012	1	Bolt M10 x 25	
30	0761014	1	Bolt M10 x 30	
31	1001118972	3	Nut, Tinnerman M10	
32	1001119051	1	Washer	
33	1001130220	4	Nut, Tinnerman M6	
34	1001136975	5	Clamp	
35	1001142501	2	Fitting, 90 Barbed	
36	1001146588	1	Tie-Strap (Not Shown)	
37	1001155094	1	Pin	
38	1001155823	1	Fitting, 90 Quick Connect	
39	1001156107	1	Holder, Cable	
40	1001165035	27 ft/ 8.3m	Hose	
41	8405006	4	Clip	
43	1001190444	1	Fuel Pump Harness - Deutz TD2.2L3 (Stage V) Engine (Not Shown) (See Separate Breakdown in ELECTRICAL Section)	
44	1001196398	1	Bracket	
45	1001220266	1	Spacer	
46	1001253879	1	Bracket	
47	1001253847	1	Deutz TD2.2L3 (Stage V) Engine and Pump Sub-Assembly (See Separate Breakdown in this Section)	
48	0701220	2	Bolt M12 x 60	

SECTION 3 - ENGINE

ITEM	PART NUMBER	QTY	DESCRIPTION	REV
49	3291205	2	Nut M12	
54	1001154405	2.8 ft/ 0.8m	Hose	
100	1001235532	1	Battery Cable Kit (Includes Items 101 & 102)	
101	1001188668	1	Cable, Battery (-) to Aux Pump and Ground	
102	1001188669	1	Cable, Battery (+) to Aux Relay to Starter	
200	1001269919	1	Hose Kit (Not Shown)	
201	1001192690	1	Hose (Case Drain) (Drive Pump Case Gauge Port to Tank) (Not Shown)	
202	1001203431	1	Hose (Case Drain) (Drive Pump Case Outlet Port to Tank) (Not Shown)	
203	1001203432	1	Hose (Function Suction) (Not Shown)	
204	1001203433	1	Hose (Drive Suction) (Not Shown)	

SECTION 3 - ENGINE

FIGURE 3-11. DEUTZ TD 2.2L3 (STAGE V) ENGINE INSTALLATION (660SJ HC3)



ART_1001262589

SECTION 3 - ENGINE

FIGURE 3-11. DEUTZ TD 2.2L3 (STAGE V) ENGINE INSTALLATION (660SJ HC3)

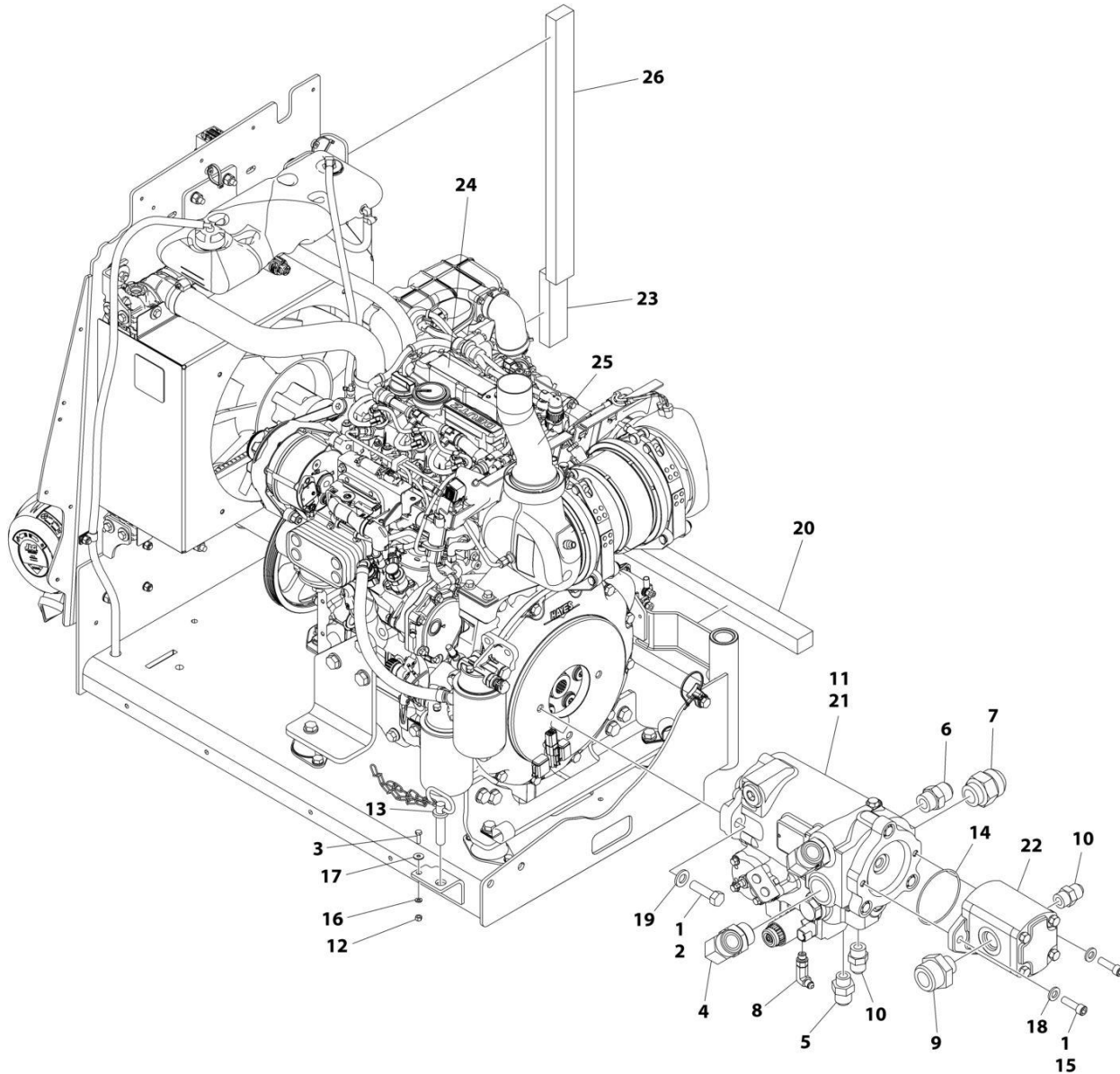
ITEM	PART NUMBER	QTY	DESCRIPTION	REV
	1001262589	Ref	DEUTZ TD2.2L3 (STAGE V) ENGINE INSTALLATION	C
1	0100011	AR	Compound, Locking	
2	0100020	AR	Sealant	
3	0440162	1	Bearing	
4	0641406	1	Bolt 1/4 x 3/4	
5	0700614	4	Bolt M6 x 30	
6	0701012	2	Bolt M10 x 25	
7	0701220	2	Bolt M12 x 60	
8	0711018	1	Bolt M10 x 50	
9	0760512	4	Bolt M5 x 25	
10	0761015	3	Bolt M10 x 35	
11	0771212	1	Bolt M12 x 25	
12	0772018	1	Bolt M20 x 50	
14	1320061	3	Clamp	
15	1701505	1	Decal - Diesel Fuel	
16	2180832	1	Fitting, Straight Barbed	
17	2220313	2	Fitting, 90 NPTF/Barb	
18	3290501	4	Nut M5	
19	3290505	4	Nut M5	
20	3291005	2	Nut M10	
21	3291205	2	Nut M12	
22	3311405	1	Nut 1/4	
23	3841143	1	Keeper, Pin	
24	4240099	AR	Tie-Strap (Not Shown)	
25	4711400	2	Washer 1/4	
26	4811600	12	Washer M5	
27	4811700	12	Washer M6	
28	4812000	7	Washer M10	
29	4812002	2	Washer M10	
30	4812100	5	Washer M12	
31	5251012	1	Bolt M10 x 25	
32	0761014	1	Bolt M10 x 30	
33	1001118972	3	Nut, Tinnerman M10	
34	1001119051	1	Washer	
35	1001130220	4	Nut, Tinnerman M6	
36	1001136975	5	Clamp	
37	1001142501	2	Fitting, 90 Barbed	
38	1001146588	1	Tie-Strap (Not Shown)	
39	1001155094	1	Pin	
40	1001155823	1	Fitting, 90 Quick Connect	
41	1001156107	1	Holder, Cable	
42	1001165035	27 ft/ 8.3m	Hose	
43	8405006	4	Clamp	
46	1001190444	1	Fuel Pump Harness - Deutz TD2.2L3 (Stage V) Engine (Not Shown) (See Separate Breakdown in ELECTRICAL Section)	
49	1001220266	1	Spacer	
50	1001253847	1	Deutz TD2.2L3 (Stage V) Engine and Pump Sub-Assembly (See Separate Breakdown in this Section)	
51	1001256879	1	Bracket	

SECTION 3 - ENGINE

ITEM	PART NUMBER	QTY	DESCRIPTION	REV
54	1001258175	2.77 ft/ 0.8m	Bracket	
55	1001154405	1	Hose	
100	1001235532	1	Battery Cable Kit (Includes Items 101 & 102) (Not Shown)	
101	1001188668	1	Cable, Battery (-) to Aux Pump and Ground	
102	1001188669	1	Cable, Battery (+) to Aux Relay to Starter	
200	1001269920	1	Hose Kit (Not Shown)	
201	1001192690	1	Hose (Case Drain) (Drive Pump Case Gauge Port to Tank) (Not Shown)	
202	1001203431	1	Hose (Case Drain) (Drive Pump Case Outlet Port to Tank) (Not Shown)	
203	1001258156	1	Hose (Function Suction) (Not Shown)	
204	1001258157	1	Hose (Drive Suction) (Not Shown)	

SECTION 3 - ENGINE

FIGURE 3-12. DEUTZ TD2.2L3 (STAGE V) ENGINE AND PUMPS SUB-ASSEMBLY - WITHOUT ARCTIC PACKAGE (600S HC3/660SJ HC3)



ART_1001253847

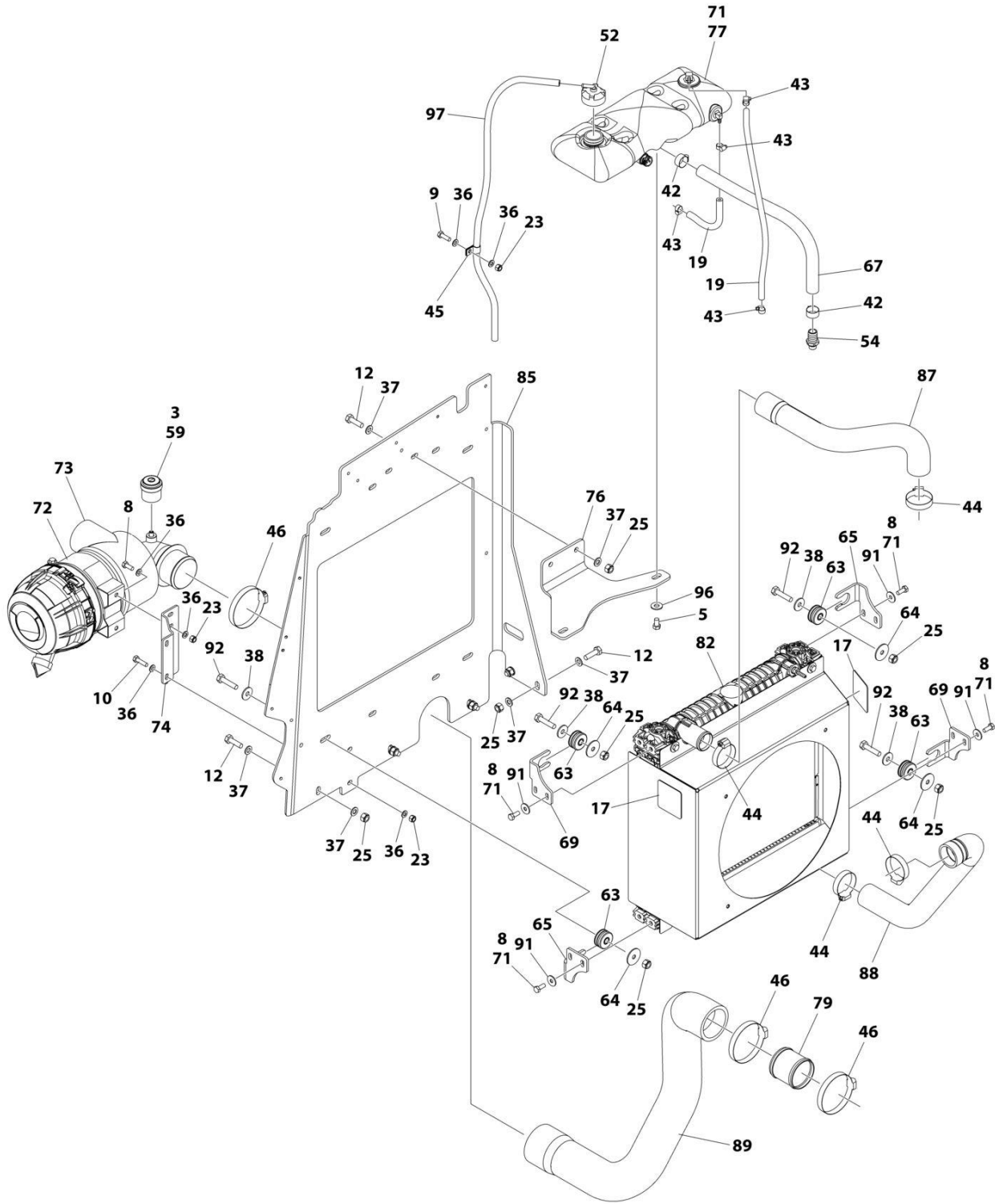
SECTION 3 - ENGINE

FIGURE 3-12. DEUTZ TD2.2L3 (STAGE V) ENGINE AND PUMPS SUB-ASSEMBLY - WITHOUT ARCTIC PACKAGE (600S HC3/660SJ HC3)

ITEM	PART NUMBER	QTY	DESCRIPTION	REV
	1001253847	Ref	DEUTZ TD2.2L3 ENGINE AND PUMPS SUB-ASSEMBLY	A
1	0100011	AR	Compound, Locking	
2	0641814	2	Bolt 1/2 x 1-3/4	
3	0760610	1	Bolt M6 x 20	
4	2131616	2	Fitting, 90 ORFS/ORB	
5	2220408	1	Fitting, Straight JIC/ORB	
6	2220451	1	Fitting, Straight JIC/ORB	
7	2220479	1	Fitting, Straight JIC/ORB	
8	2220940	1	Fitting, 90 JIC/ORB	
9	2220946	1	Fitting, Straight JIC/ORB	
10	2220947	2	Fitting, Straight JIC/ORB	
11	3020037	AR	Lube, Coupling Grease	
12	3290605	1	Nut M6	
13	3422532	1	Pin	
14	3790152	1	O-Ring	
15	3931618	2	Capscrew 3/8 x 1-1/8	
16	4811700	1	Washer M6	
17	4811702	1	Washer M6	
18	5241000	2	Washer M10	
19	5241200	2	Washer M12	
20	1001171953	1	Seal	
21	1001184930	1	Piston Pump Assembly (See Separate Breakdown in this Section)	
22	1001190143	1	Gear Pump Assembly	
22	70006356	1	Seal Kit - 1001190143 Pump	
23	1001244508	1	Seal	
24	1001253846	1	Deutz TD2.2L3 Engine Assembly (See Separate Breakdown in this Section)	
25	1001253906	1	Pipe, Exhaust	
26	1001254279	1	Seal	

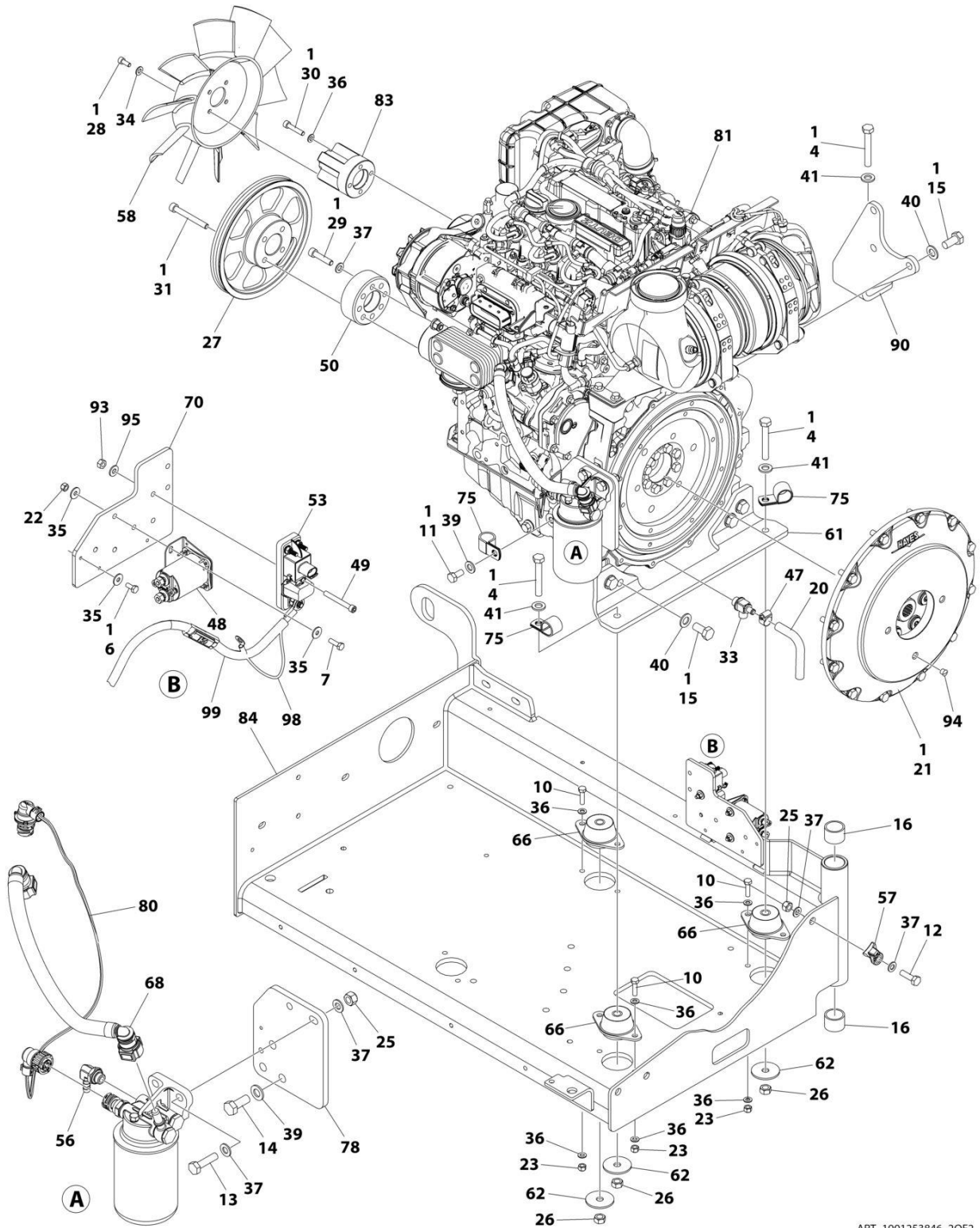
SECTION 3 - ENGINE

FIGURE 3-13. DEUTZ TD2.2L3 (STAGE V) ENGINE ASSEMBLY - WITHOUT ARCTIC PACKAGE (600S HC3/660SJ HC3)



ART_1001253846_10F2

SECTION 3 - ENGINE



ART_1001253846_20F2

SECTION 3 - ENGINE

FIGURE 3-13. DEUTZ TD2.2L3 (STAGE V) ENGINE ASSEMBLY - WITHOUT ARCTIC PACKAGE (600S HC3/660SJ HC3)

ITEM	PART NUMBER	QTY	DESCRIPTION	REV
	1001253846	Ref	DEUTZ TD2.2L3 (STAGE V) ENGINE ASSEMBLY	J
1	0100011	AR	Compound, Locking	
3	0100020	AR	Sealant	
4	0711224	3	Bolt M12 x 80	
5	0681605	2	Bolt 3/8 x 5/8	
6	0760607	3	Bolt M6 x 14	
7	0760610	2	Bolt M6 x 20	
8	0760810	10	Bolt M8 x 20	
9	0760812	1	Bolt M8 x 25	
10	0760814	8	Bolt M8 x 30	
11	0761212	1	Bolt M12 x 25	
12	0761015	8	Bolt M10 x 35	
13	0761016	2	Bolt M10 x 40	
14	0761214	3	Bolt M12 x 30	
15	0771414	7	Bolt M14 x 30	
16	0961951	2	Bushing	
17	1703162	2	Decal - Fan Blade	
19	2720015	6 ft/1.83m	Hose	
20	2720340	6 in/ 1.52cm	Hose	
21	2902065	1	Pump Coupling Kit (See Separate Breakdown in this Section)	
22	3290605	2	Nut M6	
23	3290805	11	Nut M8	
25	3291005	14	Nut M10	
26	3331211	3	Nut M12	
27	1001260432	1	Pulley	
28	4031908	4	Bolt M8 x 20	
29	1001261045	4	Capscrew M10 x 45	
30	4031912	4	Bolt M8 x 40	
31	1001261085	4	Capscrew M10 x 85	
32	4240099	AR	Tie-Strap (Not Shown)	
33	4640751	1	Valve, Oil Drain	
34	4711500	4	Washer 5/16	
35	4811702	7	Washer M6	
36	4811900	26	Washer M8	
37	4812000	24	Washer M10	
38	4812002	4	Washer M10	
39	4812100	4	Washer M12	
40	4812200	7	Washer M14	
41	5241200	3	Washer M12	
42	8405007	2	Clamp	
43	8405009	4	Clamp	
44	8405104	4	Clamp	
45	8406109	1	Clip	
46	8410011	3	Clamp	
47	8410013	1	Clamp	
48	1001117308	1	Contactactor	
49	3931432	1	Bolt 1/4 x 20	
50	1001258800	1	Adapter	

SECTION 3 - ENGINE

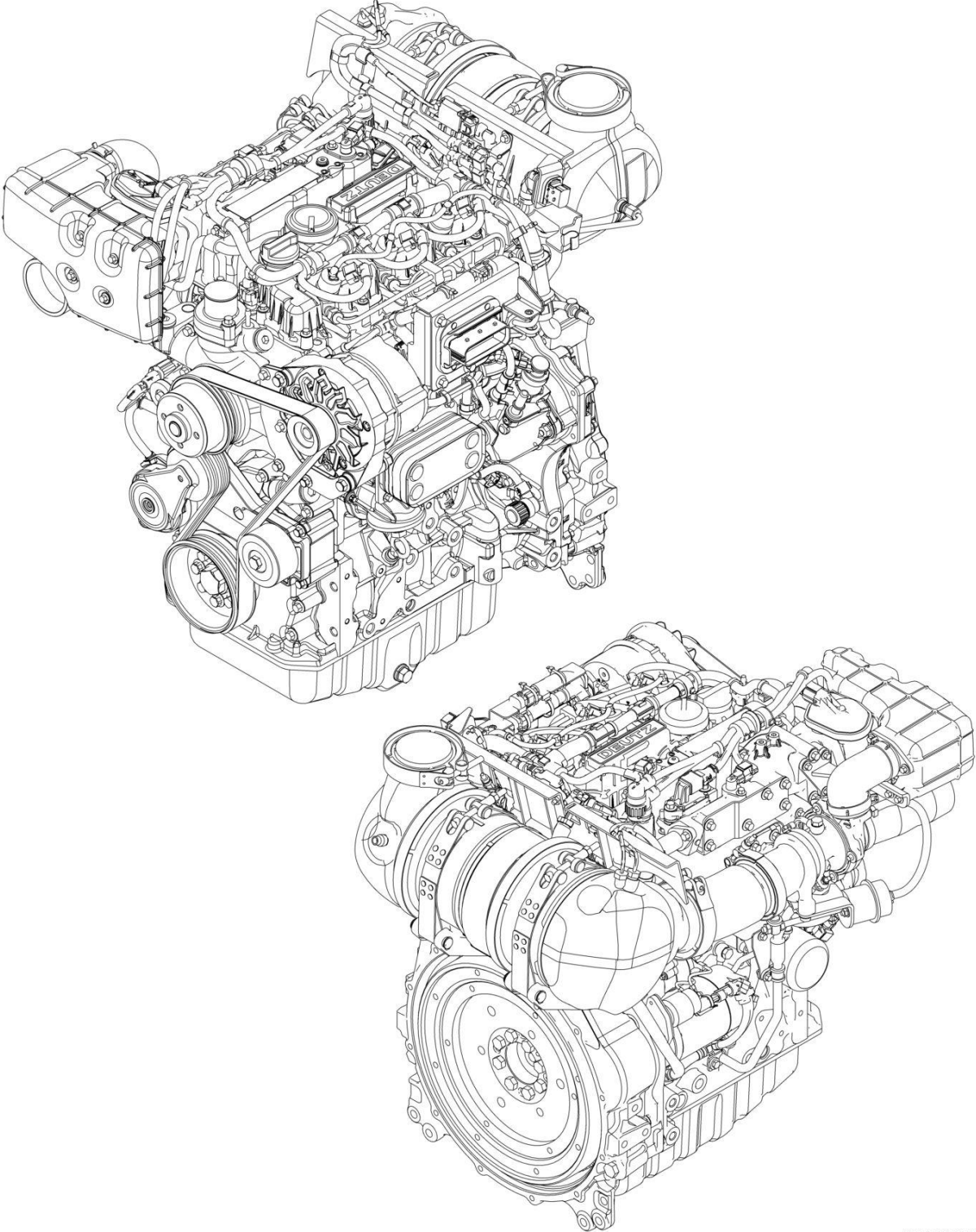
ITEM	PART NUMBER	QTY	DESCRIPTION	REV
52	1001136834	1	Cap, Tank	
53	1001138228	1	Relay	
54	1001143797	1	Fitting, Straight Barbed	
55	1001146588	5	Tie-Strap (Not Shown)	
56	1001152489	1	Fitting, 90 Barbed	
57	1001156107	1	Holder, Cable	
58	1001165849	1	Fan	
59	1001166716	1	Restriction, Indicator	
61	1001166924	1	Bracket, Engine - Rear	
62	1001168018	3	Washer	
63	1001169054	4	Isolator	
64	1001169138	4	Pad, Snubbing	
65	1001204325	2	Bracket	
66	1001166718	3	Isolator	
67	1001176511	1	Hose	
68	1001177359	1	Hose	
69	1001178223	2	Bracket	
70	1001179903	1	Bracket	
71	1001180620	AR	Adhesive	
72	1001186426	1	Clamp	
73	1001189979	1	Filter, Air Cleaner	
73	70005008	1	Element, Filter	
74	1001190942	1	Support	
75	1001191620	3	Clamp	
76	1001192400	1	Bracket	
77	1001230635	1	Tank, Surge	
77	1001134488	1	Fitting, 90 Barbed	
77	1001138827	1	Sensor, Coolant Level	
77	1001140564	1	Fitting, 90 Barbed	
78	1001258804	1	Mount, Fuel Filter	
79	1001238911	1	Pipe	
80	1001245913	1	Harness, Fuel Filter (Deutz TD2.2L3 (Stage V) Engine) (See Separate Breakdown in ELECTRICAL Section)	
81	1001246012	1	Deutz TD2.2L3 (Stage V) Engine (See Separate Breakdown in this Section)	
82	1001256930	1	Radiator	
83	1001248608	1	Adapter	
84	1001248817	1	Support, Engine Tray	
85	1001248819	1	Plate	
86	1001253798	1	Engine Harness - Deutz TD2.2L3 (Stage V) Engine (Not Shown) (See Separate Breakdown in ELECTRICAL Section)	
87	1001253849	1	Hose, Radiator (Top)	
88	1001253863	1	Hose, Radiator (Bottom)	
89	1001253870	1	Hose	
90	1001254878	1	Bracket, Engine - Right	
91	4811902	8	Washer	
92	0701017	4	Bolt M10 x 25	
93	3311405	1	Nut 1/4	
94	3520054	1	Plug	
95	4711400	1	Washer 1/4	
96	4751600	2	Washer 3/8	
97	1001138248	3.6	Tube Nylon	

SECTION 3 - ENGINE

ITEM	PART NUMBER	QTY	DESCRIPTION	REV
98	1001141304	1	Wire, Glow Plug Fuse	
99	1001143907	1	Cable	

SECTION 3 - ENGINE

FIGURE 3-14. DEUTZ TD2.2L3 (STAGE V) ENGINE COMPONENTS



ART_1001246012

SECTION 3 - ENGINE

FIGURE 3-14. DEUTZ TD2.2L3 (STAGE V) ENGINE COMPONENTS

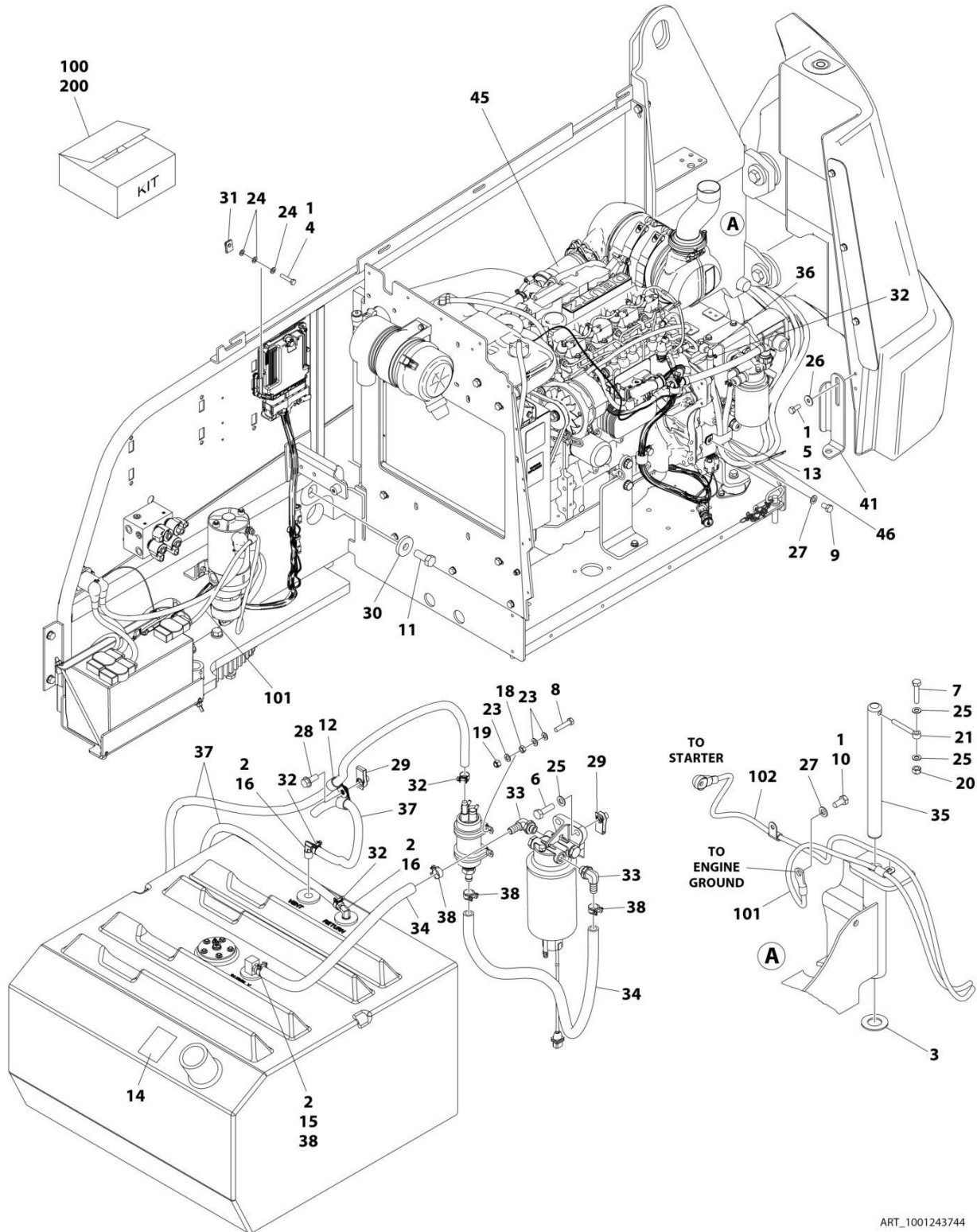
ITEM	PART NUMBER	QTY	DESCRIPTION	REV
	1001246012	Ref	DEUTZ ENGINE COMPONENTS	C
		Ref	Note: For complete list of parts, contact JLG Parts Department	
		Ref	Air Intake System Components	
		Ref	Turbocharger	
		Ref	Cooling System Components	
		Ref	Pump, Coolant (Includes Gasket & Seals)	
	70007603	1	Thermostat	
	70005184	1	O-Ring	
	70005931	1	Gasket	
	70025142	1	Cover	
		Ref	Electrical System Components	
	70029512	1	Module, ECU/ECM	
	70006652	1	Generator (Includes Controller, Fan & Hardware)	
	70124507	1	Starter (Includes Solenoid & Relay)	
	70005648	1	Relay, Starter	
	70026210	1	Sender, Tacho-Generator (Speed) (On Rear of Block & Cover) (Includes Seal)	
	70024922	1	Sender, Temperature (Includes Seal) (On Air Intake Manifold)	
	70024507	1	Sensor, Pressure (Includes Seal) (On Air Intake Manifold)	
	70024504	1	Sensor, Pressure (Includes Seal) (On Fuel Filter & Side of Block)	
		Ref	Sensor, Pressure (Includes Seal) (On Exhaust Manifold)	
		Ref	Sensor, Temperature (Includes Seal) (On Exhaust Manifold)	
		Ref	Plug, Glow	
		Ref	Exhaust System Components	
		Ref	Valve, EGR	
	70025130	8	Bolt, Exhaust Manifold	
		Ref	Gasket, Exhaust Manifold	
		Ref	Outlet, Muffler	
		Ref	Muffler	
		Ref	Bracket, Muffler Mounting	
		Ref	Compensator, Exhaust	
		Ref	Fuel System Components	
	70024924	1	Pump, High Pressure	
	70025181	4	Injector (Includes Sealing washer, Clamp & O-Ring)	
	70006144	1	Pump, Fuel Supply (Includes Clamps)	
	70024961	1	Filter, Fuel (Pre-Filter Assembly) (Includes Head, Spin on filter, Sensor Cable & Seal)	
	70025153	1	Filter, Fuel Spin On	
	70024513	1	Sensor Cable (Includes Seal)	
	70025160	1	Filter, Fuel (Assembly) (Includes Head & Spin on Filter)	
	70025161	1	Filter, Fuel Spin On	
	70004508	1	Vol. Control Valve (Includes O-Ring & Gasket)	
		Ref	Lubricating System Components	
	7020465	2	Cap, Oil Fill	
	70005941	2	Plug, Oil Drain	
	70005942	2	Seal, Oil Drain Plug	
		Ref	Pump, Oil (Includes Seal & Gasket)	
	7016331	1	Filter, Oil	
	70123584	1	Cooler, Oil	
		Ref	Dipstick (Includes Seal)	

SECTION 3 - ENGINE

ITEM	PART NUMBER	QTY	DESCRIPTION	REV
		Ref	Mechanical Components	
		Ref	Flywheel (includes Gear)	
	70004277	1	V-Belt	
	70025477	1	Belt Tensioner	

SECTION 3 - ENGINE

FIGURE 3-15. DEUTZ D 2.9L4 - 49HP ENGINE INSTALLATION - WITHOUT ACTIC PACKAGE (600S HC3)



ART_1001243744

SECTION 3 - ENGINE

FIGURE 3-15. DEUTZ D 2.9L4 - 49HP ENGINE INSTALLATION - WITHOUT ACTIC PACKAGE (600S HC3)

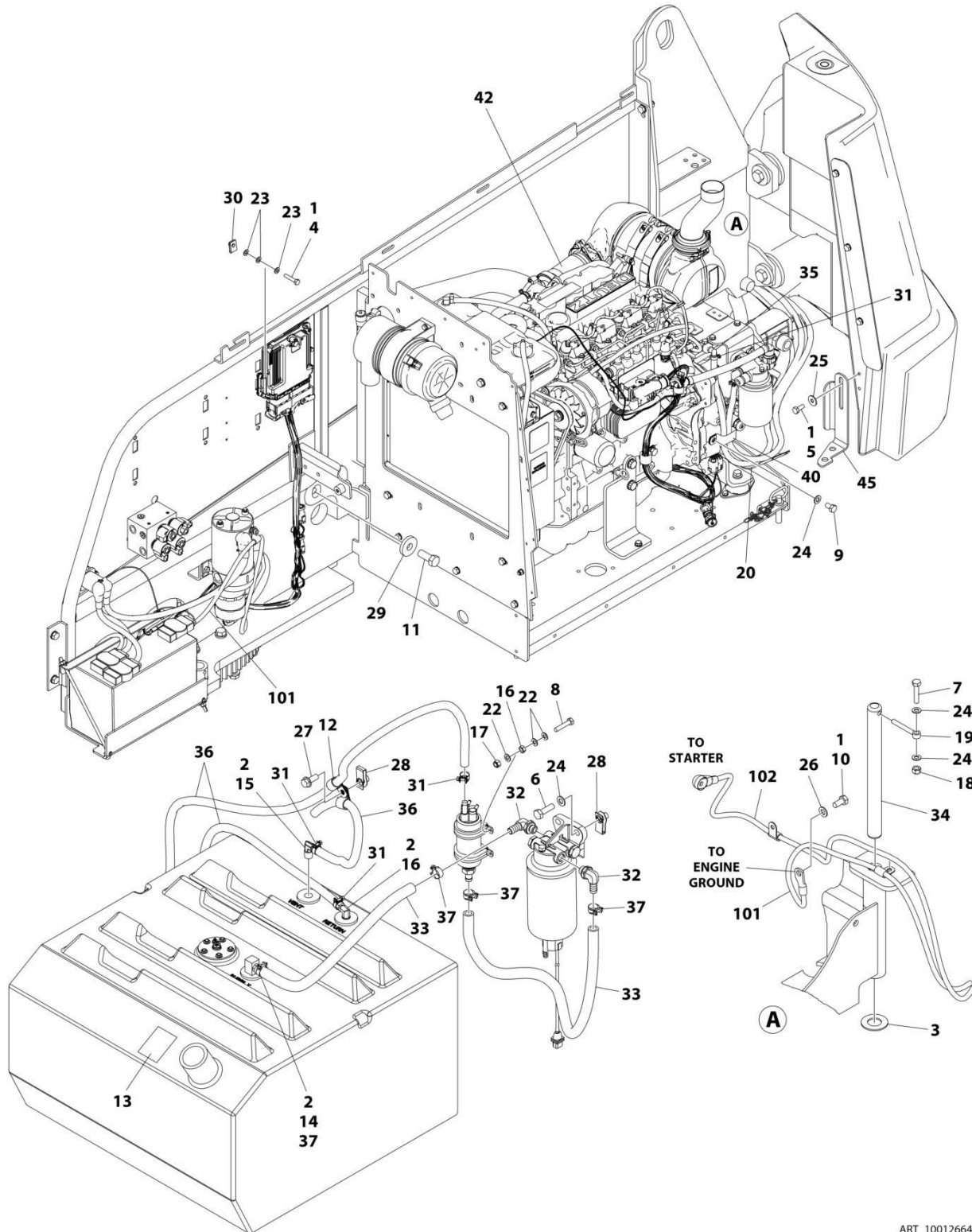
ITEM	PART NUMBER	QTY	DESCRIPTION	REV
	1001243744	Ref	DEUTZ D2.9L4 - 49HP ENGINE INSTALLATION	C
1	0100011	AR	Compound, Locking	
2	0100020	AR	Sealant	
3	0440162	1	Bearing	
4	0700614	4	Bolt M6 x 30	
5	0701012	2	Bolt M10 x 25	
6	0701015	2	Bolt M10 x 35	
7	0711018	1	Bolt M10 x 50	
8	0760512	4	Bolt M5 x 25	
9	0761210	1	Bolt M12 x 20	
10	0771212	1	Bolt M12 x 25	
11	0772018	1	Bolt M20 x 50	
12	1320061	2	Clamp	
13	1001195039	1	Clamp	
14	1701505	1	Decal - Diesel Fuel	
15	2180832	1	Fitting, Straight Barbed	
16	2220313	2	Fitting, 90 NPTF/Barb	
18	3290501	4	Nut M5	
19	3290505	4	Nut M5	
20	3291005	1	Nut M10	
21	3841143	1	Keeper, Pin	
22	4240099	7	Tie-Strap (Not Shown)	
23	4811600	12	Washer M5	
24	4811700	12	Washer M6	
25	4812000	4	Washer M10	
26	4812002	2	Washer M10	
27	4812100	2	Washer M12	
28	5251012	1	Bolt M10 x 25	
29	1001118972	3	Nut, Tinnerman M10	
30	1001119051	1	Washer	
31	1001130220	4	Nut, Tinnerman M6	
32	1001136975	5	Clamp	
33	1001142501	2	Fitting, 90 Barbed	
34	1001154405	34 in/ 86.4cm	Hose	
35	1001155094	1	Pin	
36	1001155823	1	Fitting, 90 Quick Connect	
37	1001165035	27 ft/ 8.3m	Hose	
38	1001175568	4	Clip	
39	1001190444	1	Fuel Pump Harness - Deutz D2.9L4 - 49HP and Deutz TD2.9L4 - 67HP Engines (Not Shown) (See Separate Breakdown in ELECTRICAL Section)	
41	1001196398	1	Bracket	
45	1001243743	1	Deutz D2.9L4 - 49HP Engine and Pump Sub-Assembly (See Separate Breakdown in this Section)	
46	4061032	1	Shield	
100	1001235532	1	Battery Cable Kit	
101	1001188668	1	Cable, Battery (-) to Aux Pump and Ground	
102	1001188669	1	Cable, Battery (+) to Aux Relay to Starter	

SECTION 3 - ENGINE

ITEM	PART NUMBER	QTY	DESCRIPTION	REV
200	1001269919	1	Hose Assembly Kit	
201	1001192690	1	Hose (Case Drain) (Drive Pump Case Gauge Port to Tank) (Not Shown)	
202	1001203431	1	Hose (Case Drain) (Drive Pump Case Outlet Port to Tank) (Not Shown)	
203	1001203432	1	Hose (Function Suction) (Not Shown)	
204	1001203433	1	Hose (Drive Suction) (Not Shown)	

SECTION 3 - ENGINE

FIGURE 3-16. DEUTZ D 2.9L4 - 49HP ENGINE INSTALLATION - WITHOUT ACTIC PACKAGE (660S HC3)



ART_1001266441

SECTION 3 - ENGINE

FIGURE 3-16. DEUTZ D 2.9L4 - 49HP ENGINE INSTALLATION - WITHOUT ACTIC PACKAGE (660S HC3)

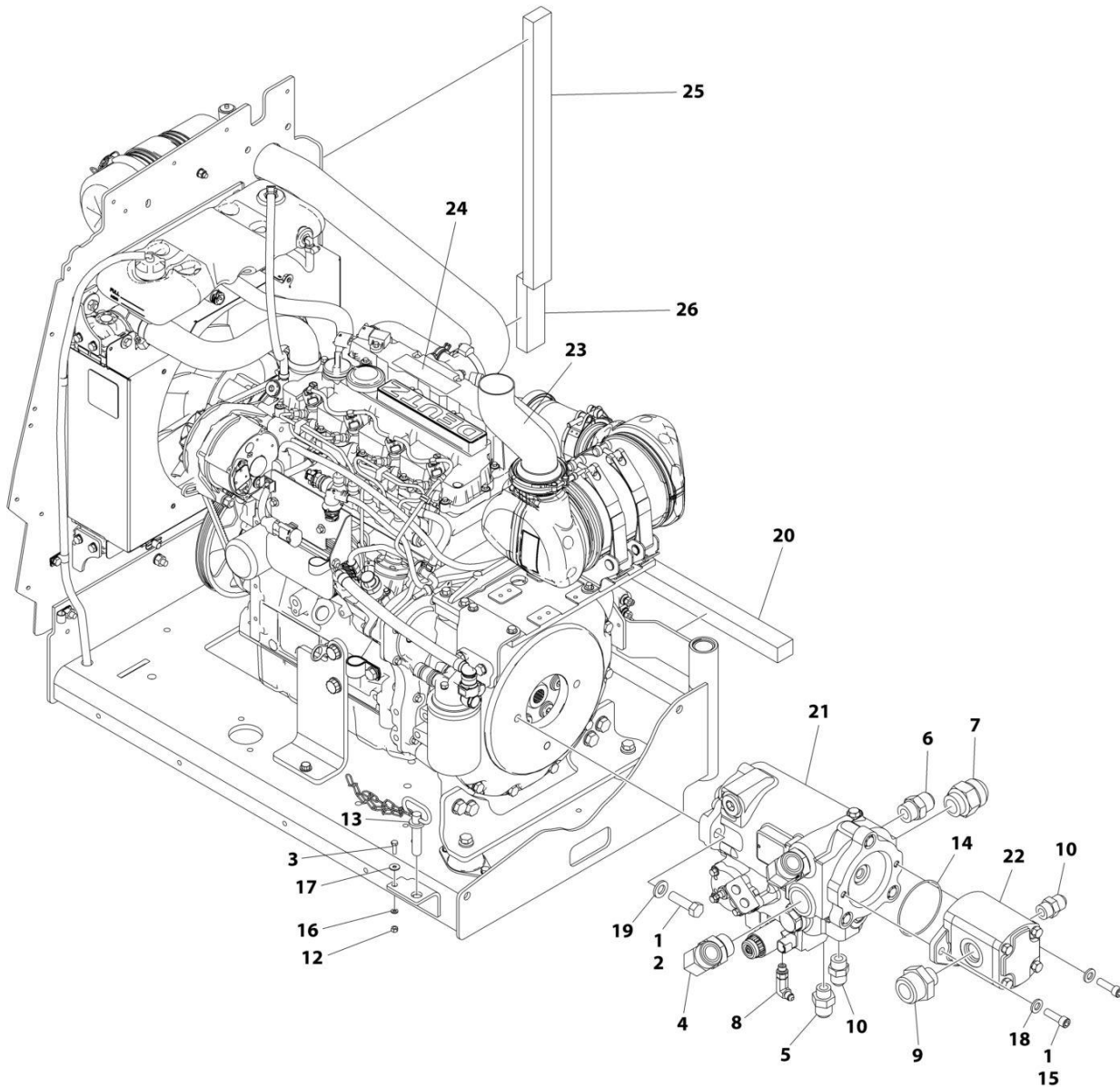
ITEM	PART NUMBER	QTY	DESCRIPTION	REV
	1001266441	Ref	DEUTZ D2.9L4 - 49HP ENGINE INSTALLATION	B
1	0100011	AR	Compound, Locking	
2	0100020	AR	Sealant	
3	0440162	1	Bearing	
4	0700614	4	Bolt M6 x 30	
5	0701012	2	Bolt M10 x 25	
6	0701015	2	Bolt M10 x 35	
7	0711018	1	Bolt M10 x 50	
8	0760512	4	Bolt M5 x 25	
9	0761210	1	Bolt M12 x 20	
10	0771212	1	Bolt M12 x 25	
11	0772018	1	Bolt M20 x 50	
12	1320061	2	Clamp	
13	1701505	1	Decal - Diesel Fuel	
14	2180832	1	Fitting, Straight Barbed	
15	2220313	2	Fitting, 90 NPTF/Barb	
16	3290501	4	Nut M5	
17	3290505	4	Nut M5	
18	3291005	1	Nut M10	
19	3841143	1	Keeper, Pin	
20	4061032	1	Shield	
21	4240099	7	Tie-Strap (Not Shown)	
22	4811600	12	Washer M5	
23	4811700	12	Washer M6	
24	4812000	4	Washer M10	
25	4812002	2	Washer M10	
26	4812100	2	Washer M12	
27	5251012	1	Bolt M10 x 25	
28	1001118972	3	Nut, Tinnerman M10	
29	1001119051	1	Washer	
30	1001130220	4	Nut, Tinnerman M6	
31	1001136975	5	Clamp	
32	1001142501	2	Fitting, 90 Barbed	
33	1001154405	34 in/ 86.4cm	Hose	
34	1001155094	1	Pin	
35	1001155823	1	Fitting, 90 Quick Connect	
36	1001165035	27 ft/ 8.3m	Hose	
37	1001175568	4	Clip	
38	1001190444	1	Fuel Pump Harness - Deutz D2.9L4 - 49HP and Deutz TD2.9L4 - 67HP Engines (Not Shown) (See Separate Breakdown in ELECTRICAL Section)	
40	1001195039	1	Clamp	
42	1001243743	1	Deutz D2.9L4 - 49HP Engine and Pump Sub-Assembly (See Separate Breakdown in this Section)	
45	1001258175	1	Bracket	
100	1001235532	1	Battery Cable Kit (Includes Items 101 & 102) (Not Shown)	
101	1001188668	1	Cable, Battery (-) to Aux Pump and Ground	
102	1001188669	1	Cable, Battery (+) to Aux Relay to Starter	

SECTION 3 - ENGINE

ITEM	PART NUMBER	QTY	DESCRIPTION	REV
200	1001269920	1	Hose Kit (Not Shown)	
201	1001192690	1	Hose (Case Drain) (Drive Pump Case Gauge Port to Tank) (Not Shown)	
202	1001203431	1	Hose (Case Drain) (Drive Pump Case Outlet Port to Tank) (Not Shown)	
203	1001258156	1	Hose (Function Suction) (Not Shown)	
204	1001258157	1	Hose (Drive Suction) (Not Shown)	

SECTION 3 - ENGINE

FIGURE 3-17. DEUTZ TD2.9L4 - 49HP ENGINE AND PUMPS SUB-ASSEMBLY - WITHOUT ARCTIC PACKAGE (600S HC3/660SJ HC3)



ART_1001243743_D

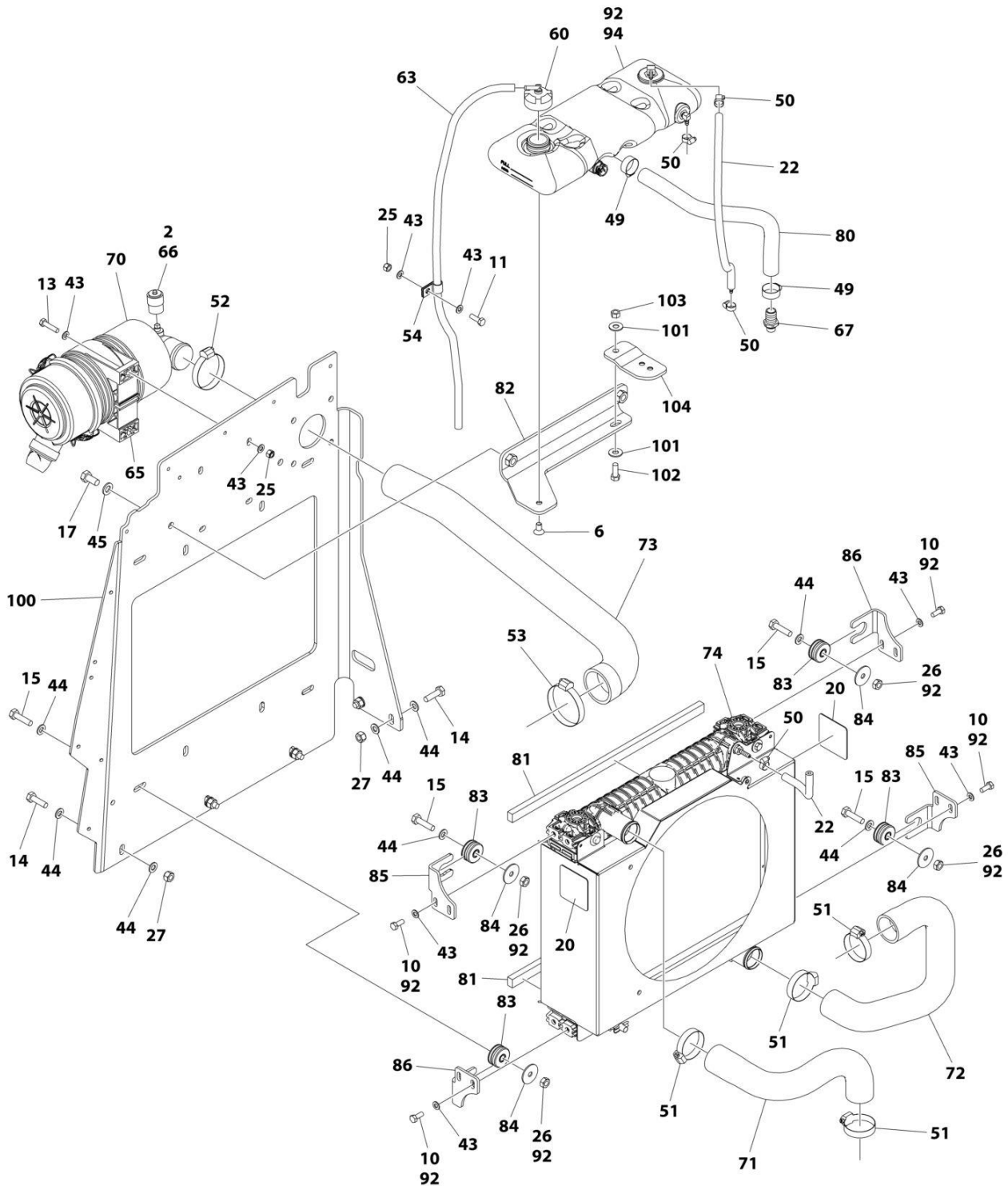
SECTION 3 - ENGINE

FIGURE 3-17. DEUTZ TD2.9L4 - 49HP ENGINE AND PUMPS SUB-ASSEMBLY - WITHOUT ARCTIC PACKAGE (600S HC3/660SJ HC3)

ITEM	PART NUMBER	QTY	DESCRIPTION	REV
	1001243743	Ref	DEUTZ D2.9L4 – 49HP ENGINE AND PUMPS SUB-ASSEMBLY	D
1	0100011	AR	Compound, Locking	
2	0641814	2	Bolt 1/2 x 1-3/4	
3	0760610	1	Bolt M6 x 20	
4	2131616	2	Fitting, 90 ORFS/ORB	
5	2220408	1	Fitting, Straight JIC/ORB	
6	2220451	1	Fitting, Straight JIC/ORB	
7	2220479	1	Fitting, Straight JIC/ORB	
8	2220940	1	Fitting, 90 JIC/ORB	
9	2220946	1	Fitting, Straight JIC/ORB	
10	2220947	2	Fitting, Straight JIC/ORB	
12	3290605	1	Nut M6	
13	3422532	1	Pin	
14	3790152	1	O-Ring	
15	3931618	2	Capscrew 3/8 x 1-1/8	
16	4811700	1	Washer M6	
17	4811702	1	Washer M6	
18	5241000	2	Washer M10	
19	5241200	2	Washer M12	
20	1001171953	1	Seal	
21	1001184930	1	Piston Pump Assembly (See Separate Breakdown in this Section)	
22	1001190143	1	Gear Pump Assembly	
22	70006356	1	Seal Kit - 1001190143 Pump	
23	1001241366	1	Pipe, Exhaust	
24	1001243742	1	Deutz D2.9L4 – 49HP Engine Assembly (See Separate Breakdown in this Section)	
25	1001254279	1	Seal	
26	1001244508	1	Seal	

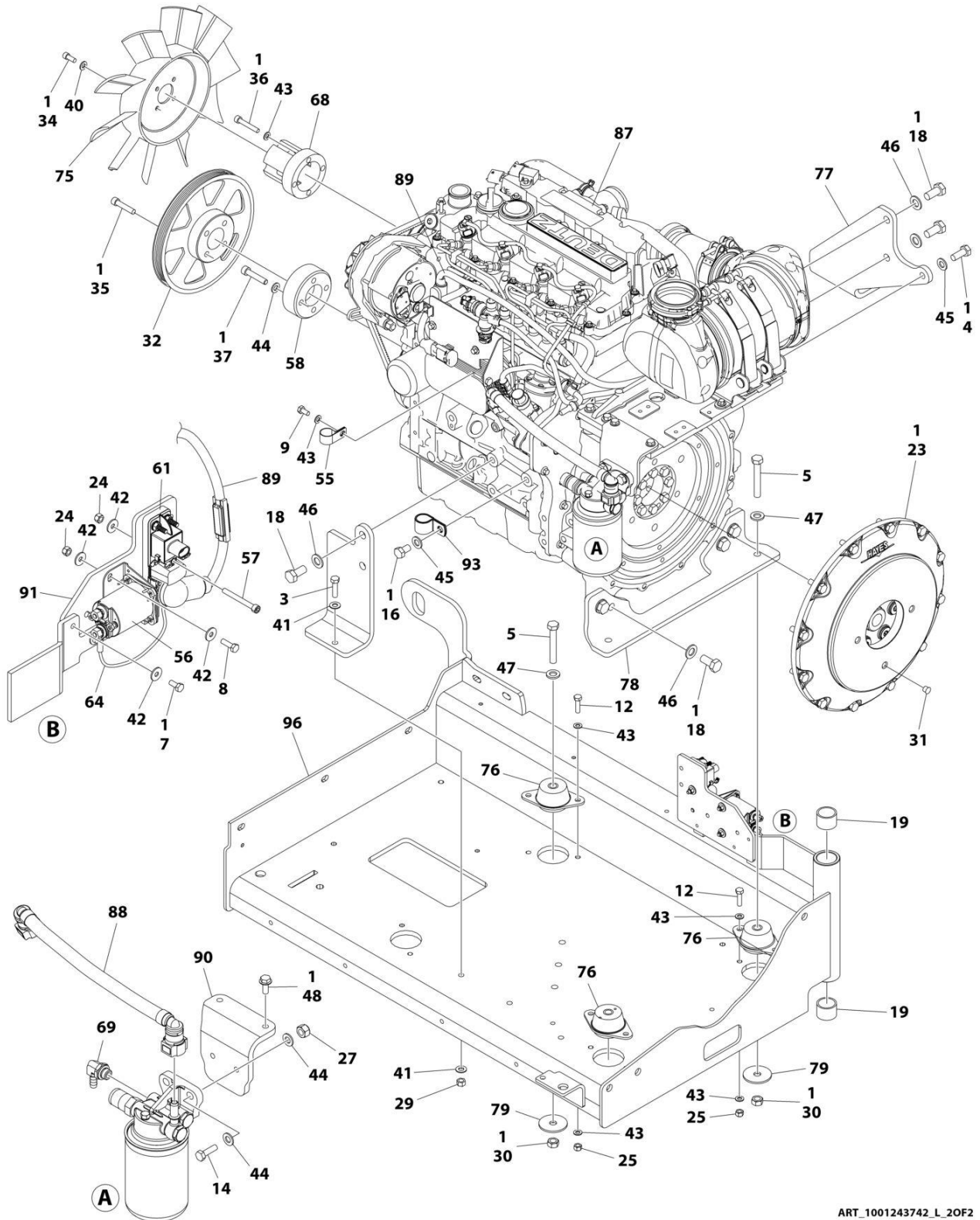
SECTION 3 - ENGINE

FIGURE 3-18. DEUTZ TD2.9L4 - 49HP ENGINE ASSEMBLY - WITHOUT ARCTIC PACKAGE (600S HC3/660SJ HC3)



ART_1001243742_L_10F2

SECTION 3 - ENGINE



ART_1001243742_L_20F2

SECTION 3 - ENGINE

FIGURE 3-18. DEUTZ TD2.9L4 - 49HP ENGINE ASSEMBLY - WITHOUT ARCTIC PACKAGE (600S HC3/660SJ HC3)

ITEM	PART NUMBER	QTY	DESCRIPTION	REV
	1001243742	Ref	DEUTZ D2.9L4 - 49HP ENGINE ASSEMBLY	L
1	0100011	AR	Compound, Locking	
2	0100020	AR	Sealant	
3	0641611	1	Bolt 3/8 x 1-3/8	
4	0711214	1	Bolt M12 x 30	
5	0711224	3	Bolt M12 x 80	
6	0741606	2	Screw 3/8 x 7/8	
7	0760607	3	Bolt M6 x 14	
8	0760610	2	Bolt M6 x 20	
9	0760808	1	Bolt M8 x 16	
10	0760810	8	Bolt M8 x 20	
11	0760812	1	Bolt M8 x 25	
12	0760814	AR	Bolt M8 x 30	
13	0760815	2	Bolt M8 x 35	
14	0761015	7	Bolt M10 x 35	
15	0761016	4	Bolt M10 x 40	
16	0761210	1	Bolt M12 x 20	
17	0761212	2	Bolt M12 x 25	
18	0771414	8	Bolt M14 x 30	
19	0961951	2	Bushing	
20	1703162	2	Decal - Fan Blade	
22	2720015	AR	Hose	
23	2902065	1	Pump Coupling Kit (See Separate Breakdown in this Section)	
24	3290605	3	Nut M6	
25	3290805	9	Nut M8	
26	3291001	4	Nut M10	
27	3291005	7	Nut M10	
29	3311601	1	Nut 3/8	
30	3331211	1	Nut M12	
31	3520054	1	Plug	
32	3580320	1	Pulley	
34	3931512	4	Capscrew 5/16 x 3/4	
35	3931628	4	Capscrew 3/8 x 1-3/4	
36	4031914	4	Capscrew M8 x 50	
37	4032014	4	Capscrew M10 x 50	
38	4240099	AR	Tie-Strap (Not Shown)	
40	4711500	4	Washer 5/16	
41	4711600	2	Washer 3/8	
42	4811702	8	Washer M6	
43	4811900	31	Washer M8	
44	4812000	22	Washer M10	
45	4812100	4	Washer M12	
46	4812200	8	Washer M14	
47	5241200	3	Washer M12	
48	5250810	2	Bolt M8 x 20	
49	8405007	2	Clamp	
50	8405009	4	Clamp	
51	8405104	4	Clamp	
52	8405202	1	Clamp	

SECTION 3 - ENGINE

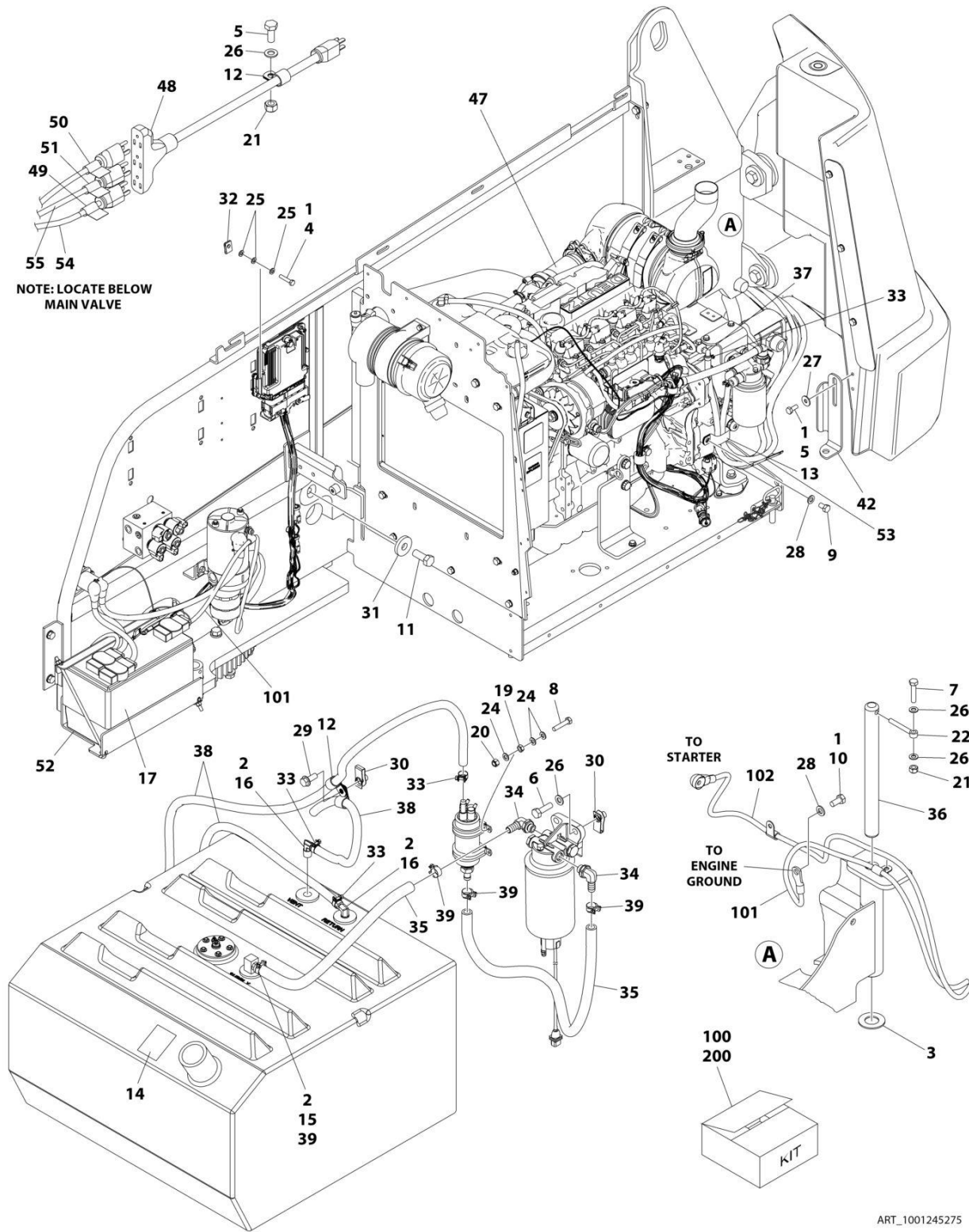
ITEM	PART NUMBER	QTY	DESCRIPTION	REV
53	8405204	1	Clamp	
54	8406109	1	Clip	
55	8406201	1	Clip	
56	1001117308	1	Contactora	
57	1001118878	1	Bolt M6 x 55	
58	1001135679	1	Adapter	
60	1001136834	1	Cap, Tank	
61	1001138228	1	Relay	
63	1001138248	3.5 ft/ 1.067m	Tube	
64	1001141304	1	Harness, Glow Fuse	
65	1001141694	1	Clamp	
66	1001143390	1	Indicator, Air Filter Service	
67	1001143797	1	Fitting, Straight Barbed	
68	1001144116	1	Adapter	
69	1001152489	1	Fitting, 90 Barbed	
70	1001165388	1	Filter, Air Cleaner	
70	70003783	1	Element, Filter	
71	1001165405	1	Hose, Radiator (Top)	
72	1001165406	1	Hose, Radiator (Bottom)	
73	1001165721	1	Hose	
74	1001165722	1	Radiator	
75	1001165849	1	Fan	
76	1001166718	3	Isolator	
77	1001166921	1	Bracket, Engine - Right	
78	1001166924	1	Bracket, Engine - Rear	
79	1001168018	3	Washer	
80	1001168099	1	Hose	
81	1001168166	2	Seal	
82	1001260420	1	Bracket	
83	1001169054	4	Isolator	
84	1001169138	4	Pad, Snubbing	
85	1001169967	2	Bracket	
86	1001170035	2	Bracket	
87	1001249965	1	Deutz D2.9L4-49HP Engine (See Separate Breakdown in this Section)	
88	1001177359	1	Hose	
89	1001178788	1	Cable, Alternator Power	
90	1001178876	1	Mount, Fuel Filter	
91	1001179903	1	Bracket	
92	1001180620	AR	Adhesive	
93	1001191620	1	Clamp	
94	1001230635	1	Tank, Surge	
94	1001134488	1	Fitting, 90 Barbed	
94	1001138827	1	Sensor, Coolant Level	
94	1001140564	1	Fitting, 90 Barbed	
95	1001233895	1	Engine Harness - Deutz D2.9L4 - 49HP and Deutz TD2.9L4 - 67HP Engines (Not Shown) (See Separate Breakdown in ELECTRICAL Section)	
96	1001243656	1	Support, Engine Tray	
100	1001243850	1	Support, Radiator	
101	4751600	2	Washer 3/8	

SECTION 3 - ENGINE

ITEM	PART NUMBER	QTY	DESCRIPTION	REV
102	0681608	1	Bolt 3/8 x 1	
103	3311605	1	Nut 3/8	
104	1001260412	1	Bracket	

SECTION 3 - ENGINE

FIGURE 3-19. DEUTZ D 2.9L4 - 49HP ENGINE INSTALLATION - WITH ARCTIC PACKAGE (600S HC3)



SECTION 3 - ENGINE

FIGURE 3-19. DEUTZ D 2.9L4 - 49HP ENGINE INSTALLATION - WITH ARCTIC PACKAGE (600S HC3)

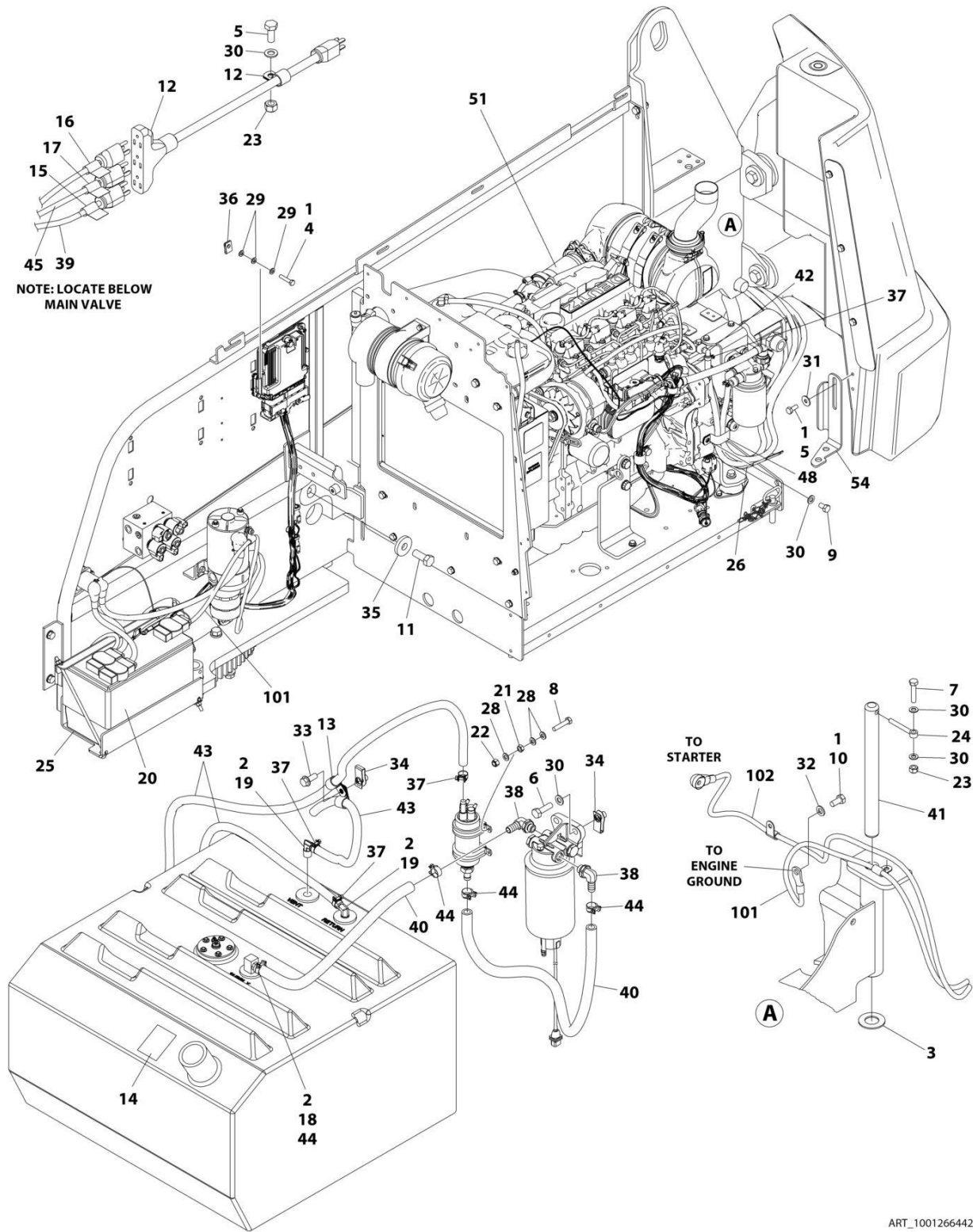
ITEM	PART NUMBER	QTY	DESCRIPTION	REV
	1001245275	Ref	DEUTZ D2.9L4 - 49HP ENGINE INSTALLATION	C
1	0100011	AR	Compound, Locking	
2	0100020	AR	Sealant	
3	0440162	1	Bearing	
4	0700614	4	Bolt M6 x 30	
5	0701012	3	Bolt M10 x 25	
6	0701015	2	Bolt M10 x 35	
7	0711018	1	Bolt M10 x 50	
8	0760512	4	Bolt M5 x 25	
9	0761210	1	Bolt M12 x 20	
10	0771212	1	Bolt M12 x 25	
11	0772018	1	Bolt M20 x 50	
12	1320061	3	Clamp	
13	1001195039	1	Clamp	
14	1701505	1	Decal - Diesel Fuel	
15	2180832	1	Fitting, Straight Barbed	
16	2220313	2	Fitting, 90 NPTF/Barb	
17	2580024	1	Heater, Battery	
19	3290501	4	Nut M5	
20	3290505	4	Nut M5	
21	3291005	2	Nut M10	
22	3841143	1	Keeper, Pin	
23	4240099	7	Tie-Strap (Not Shown)	
24	4811600	12	Washer M5	
25	4811700	12	Washer M6	
26	4812000	5	Washer M10	
27	4812002	2	Washer M10	
28	4812100	2	Washer M12	
29	5251012	1	Bolt M10 x 25	
30	1001118972	3	Nut, Tinnerman M10	
31	1001119051	1	Washer	
32	1001130220	4	Nut, Tinnerman M6	
33	1001136975	5	Clamp	
34	1001142501	2	Fitting, 90 Barbed	
35	1001154405	34 in/ 86.36cm	Hose	
36	1001155094	1	Pin	
37	1001155823	1	Fitting, 90 Quick Connect	
38	1001165035	27 ft/ 8.23m	Hose	
39	1001175568	4	Clip	
40	1001190444	1	Fuel Pump Harness - Deutz D2.9L4 – 49HP and Deutz TD2.9L4 – 67HP Engines (Not Shown) (See Separate Breakdown in ELECTRICAL Section)	
42	1001196398	1	Bracket	
46	1001233763	1	Deutz Breather Heater Installation (Not Shown) (See Separate Breakdown in this Section)	
46	4240099	AR	Tie-Strap	
46	1001196634	1	Fuse 2amp	
46	1001232842	1	Heater, Deutz Breather Kit	
46	2400060	1	Fuse, Holder	

SECTION 3 - ENGINE

ITEM	PART NUMBER	QTY	DESCRIPTION	REV
47	1001245274	1	Deutz D2.9L4 – 49HP Engine and Pump Sub-Assembly (See Separate Breakdown in this Section)	
48	1060626	1	Plug, 3 Way	
49	1702941	1	Decal - Battery Heater	
50	1702942	1	Decal - Engine Block Heater	
51	1702943	1	Decal - Hydraulic Tank Heater	
52	3980007	1	Seat, Battery	
53	4061032	1	Shield	
54	1001150918	1	Cable, Extension	
55	1001188972	1	Heater, Immersion	
100	1001235532	1	Battery Cable Kit	
101	1001188668	1	Cable, Battery (-) to Aux Pump and Ground	
102	1001188669	1	Cable, Battery (+) to Aux Relay to Starter	
200	1001269919	1	Hose Assembly Kit	
201	1001192690	1	Hose (Case Drain) (Drive Pump Case Gauge Port to Tank) (Not Shown)	
202	1001203431	1	Hose (Case Drain) (Drive Pump Case Outlet Port to Tank) (Not Shown)	
203	1001203432	1	Hose (Function Suction) (Not Shown)	
204	1001203433	1	Hose (Drive Suction) (Not Shown)	

SECTION 3 - ENGINE

FIGURE 3-20. DEUTZ D 2.9L4 - 49HP ENGINE INSTALLATION - WITH ARCTIC PACKAGE (660S HC3)



ART_1001266442

SECTION 3 - ENGINE

FIGURE 3-20. DEUTZ D 2.9L4 - 49HP ENGINE INSTALLATION - WITH ARCTIC PACKAGE (660S HC3)

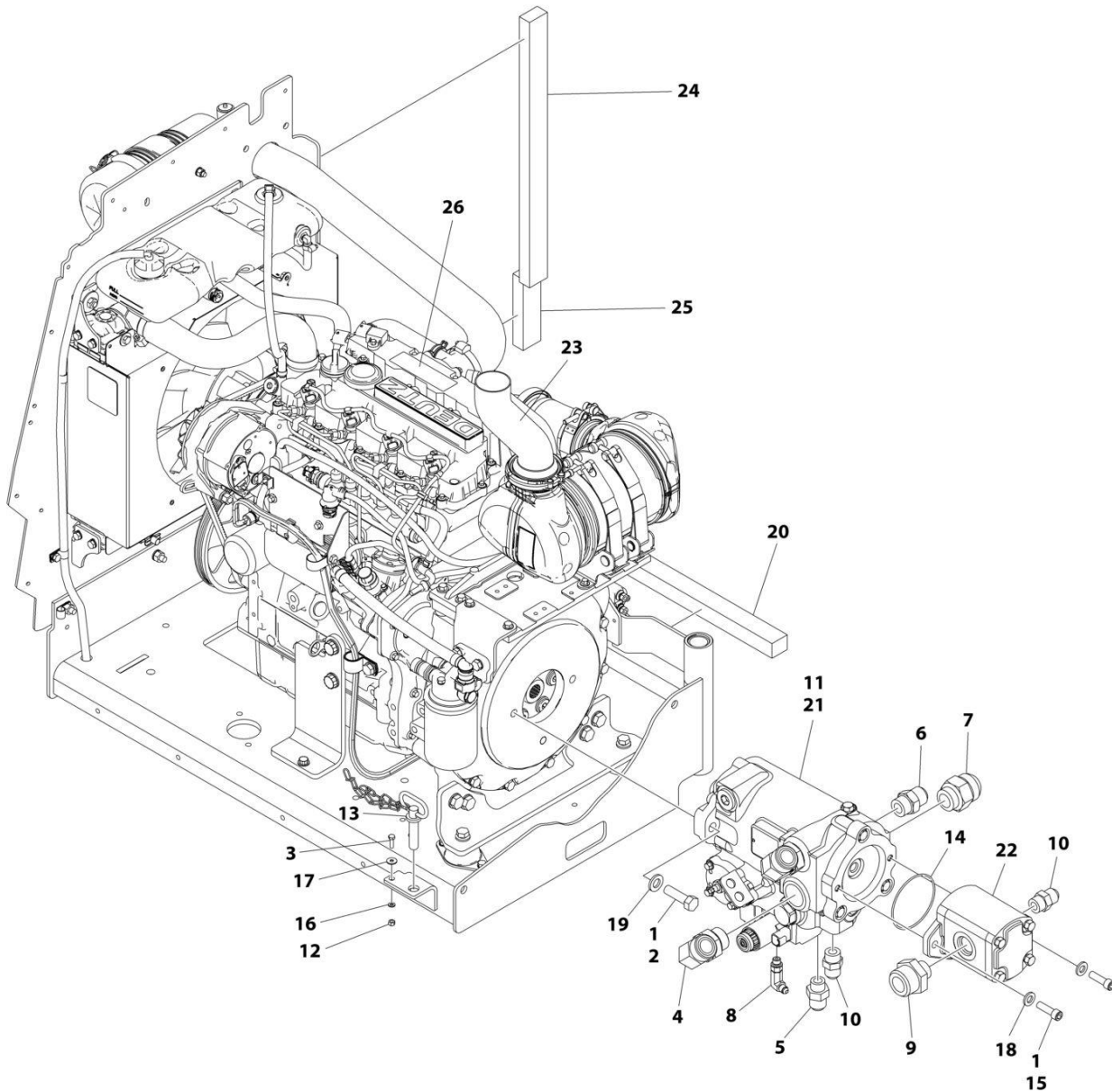
ITEM	PART NUMBER	QTY	DESCRIPTION	REV
	1001266442	Ref	DEUTZ D2.9L4 – 49HP ENGINE INSTALLATION	A
1	0100011	AR	Compound, Locking	
2	0100020	AR	Sealant	
3	0440162	1	Bearing	
4	0700614	4	Bolt M6 x 30	
5	0701012	3	Bolt M10 x 25	
6	0701015	2	Bolt M10 x 35	
7	0711018	1	Bolt M10 x 50	
8	0760512	4	Bolt M5 x 25	
9	0761210	1	Bolt M12 x 20	
10	0771212	1	Bolt M12 x 25	
11	0772018	1	Bolt M20 x 50	
12	1060626	1	Plug, 3 Way	
13	1320061	3	Clamp	
14	1701505	1	Decal - Diesel Fuel	
15	1702941	1	Decal - Battery Heater	
16	1702942	1	Decal - Engine Block Heater	
17	1702943	1	Decal - Hydraulic Tank Heater	
18	2180832	1	Fitting, Straight Barbed	
19	2220313	2	Fitting, 90 NPTF/Barb	
20	2580024	1	Heater, Battery	
21	3290501	4	Nut M5	
22	3290505	4	Nut M5	
23	3291005	2	Nut M10	
24	3841143	1	Keeper, Pin	
25	3980007	1	Seat, Battery	
26	4061032	1	Shield	
27	4240099	6	Tie-Strap (Not Shown)	
28	4811600	12	Washer M5	
29	4811700	12	Washer M6	
30	4812000	5	Washer M10	
31	4812002	2	Washer M10	
32	4812100	2	Washer M12	
33	5251012	1	Bolt M10 x 25	
34	1001118972	3	Nut, Tinnerman M10	
35	1001119051	1	Washer	
36	1001130220	4	Nut, Tinnerman M6	
37	1001136975	5	Clamp	
38	1001142501	2	Fitting, 90 Barbed	
39	1001150918	1	Cable, Extension	
40	1001154405	34 in/ 86.36cm	Hose	
41	1001155094	1	Pin	
42	1001155823	1	Fitting, 90 Quick Connect	
43	1001165035	27 ft/ 8.23m	Hose	
44	1001175568	4	Clip	
45	1001188972	1	Heater, Immersion	
46	1001190444	1	Fuel Pump Harness - Deutz D2.9L4 – 49HP and Deutz TD2.9L4 – 67HP Engines (Not Shown) (See Separate Breakdown in	

SECTION 3 - ENGINE

ITEM	PART NUMBER	QTY	DESCRIPTION	REV
			ELECTRICAL Section)	
47	1001192690	1	Hose (Case Drain) (Drive Pump Case Gauge Port to Tank) (Not Shown)	
48	1001195039	1	Clamp	
49	1001203431	1	Hose (Case Drain) (Drive Pump Case Outlet Port to Tank) (Not Shown)	
50	1001233763	1	Deutz Breather Heater Installation (Not Shown) (See Separate Breakdown in this Section)	
51	1001245274	1	Deutz D2.9L4 - 49HP Engine and Pump Sub-Assembly (See Separate Breakdown in this Section)	
52	1001258156	1	Hose (Function Suction) (Not Shown)	
53	1001258157	1	Hose (Drive Suction) (Not Shown)	
54	1001258175	1	Bracket	
100	1001235532	1	Battery Cable Kit (Includes Items 101 & 102) (Not Shown)	
101	1001188668	1	Cable, Battery (-) to Aux Pump and Ground	
102	1001188669	1	Cable, Battery (+) to Aux Relay to Starter	

SECTION 3 - ENGINE

FIGURE 3-21. DEUTZ TD2.9L4 - 49HP ENGINE AND PUMPS SUB-ASSEMBLY - WITH ARCTIC PACKAGE (600S HC3/660SJ HC3)



ART_1001245274_C

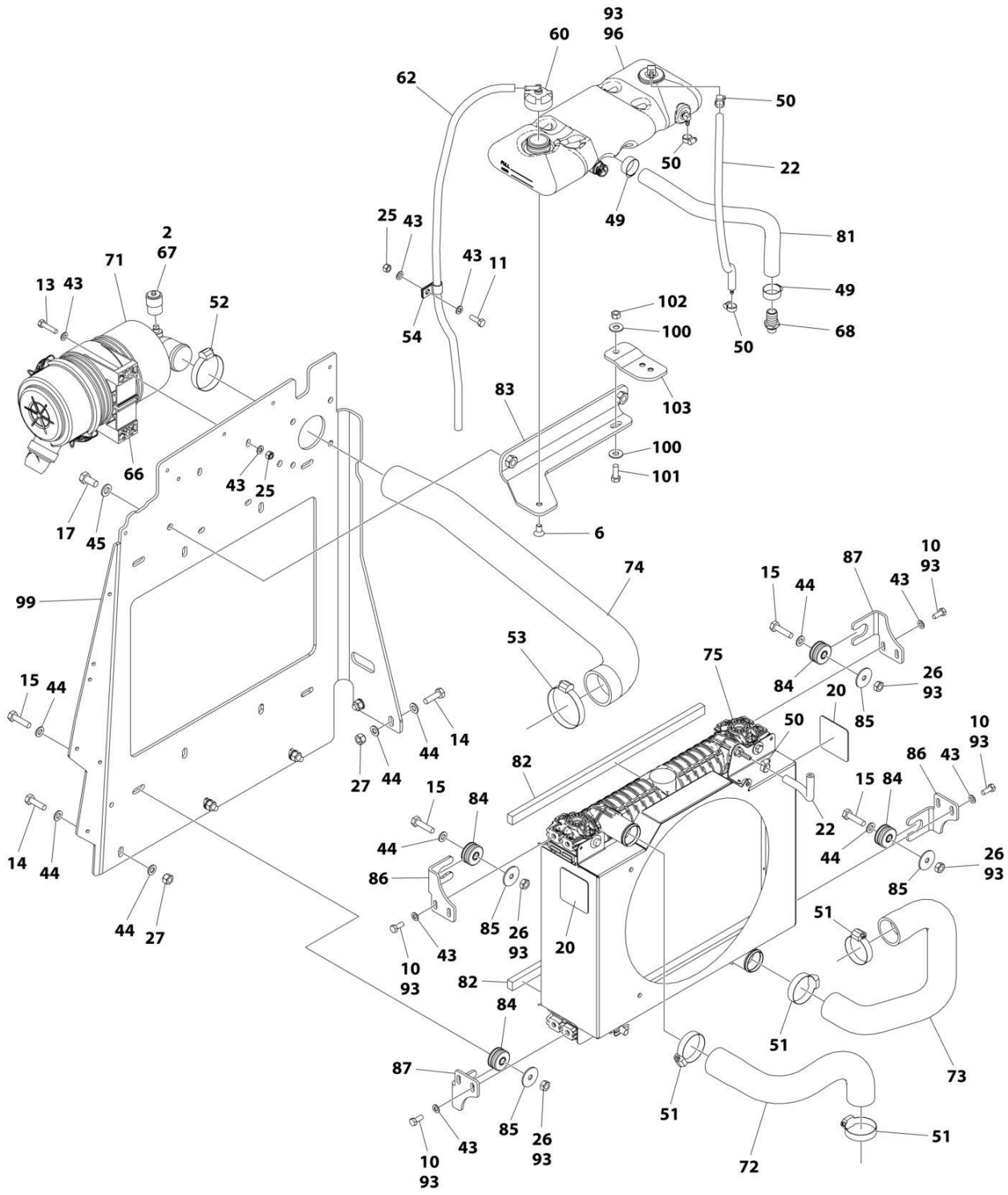
SECTION 3 - ENGINE

FIGURE 3-21. DEUTZ TD2.9L4 - 49HP ENGINE AND PUMPS SUB-ASSEMBLY - WITH ARCTIC PACKAGE (600S HC3/660SJ HC3)

ITEM	PART NUMBER	QTY	DESCRIPTION	REV
	1001245274	Ref	DEUTZ D2.9L4 – 49HP ENGINE AND PUMPS SUB-ASSEMBLY	C
1	0100011	AR	Compound, Locking	
2	0641814	2	Bolt 1/2 x 1-3/4	
3	0760610	1	Bolt M6 x 20	
4	2131616	2	Fitting, 90 ORFS/ORB	
5	2220408	1	Fitting, Straight JIC/ORB	
6	2220451	1	Fitting, Straight JIC/ORB	
7	2220479	1	Fitting, Straight JIC/ORB	
8	2220940	1	Fitting, 90 JIC/ORB	
9	2220946	1	Fitting, Straight JIC/ORB	
10	2220947	2	Fitting, Straight JIC/ORB	
11	3020037	AR	Lube, Coupling Grease	
12	3290605	1	Nut M6	
13	3422532	1	Pin	
14	3790152	1	O-Ring	
15	3931618	2	Capscrew 3/8 x 1-1/8	
16	4811700	1	Washer M6	
17	4811702	1	Washer M6	
18	5241000	2	Washer M10	
19	5241200	2	Washer M12	
20	1001171953	1	Seal	
21	1001184930	1	Piston Pump Assembly (See Separate Breakdown in this Section)	
22	1001190143	1	Gear Pump Assembly	
22	70006356	1	Seal Kit - 1001190143 Pump	
23	1001241366	1	Pipe, Exhaust	
24	1001254279	1	Seal	
25	1001244508	1	Seal	
26	1001245257	1	Deutz D2.9L4 – 49HP Engine Assembly (See Separate Breakdown in this Section)	

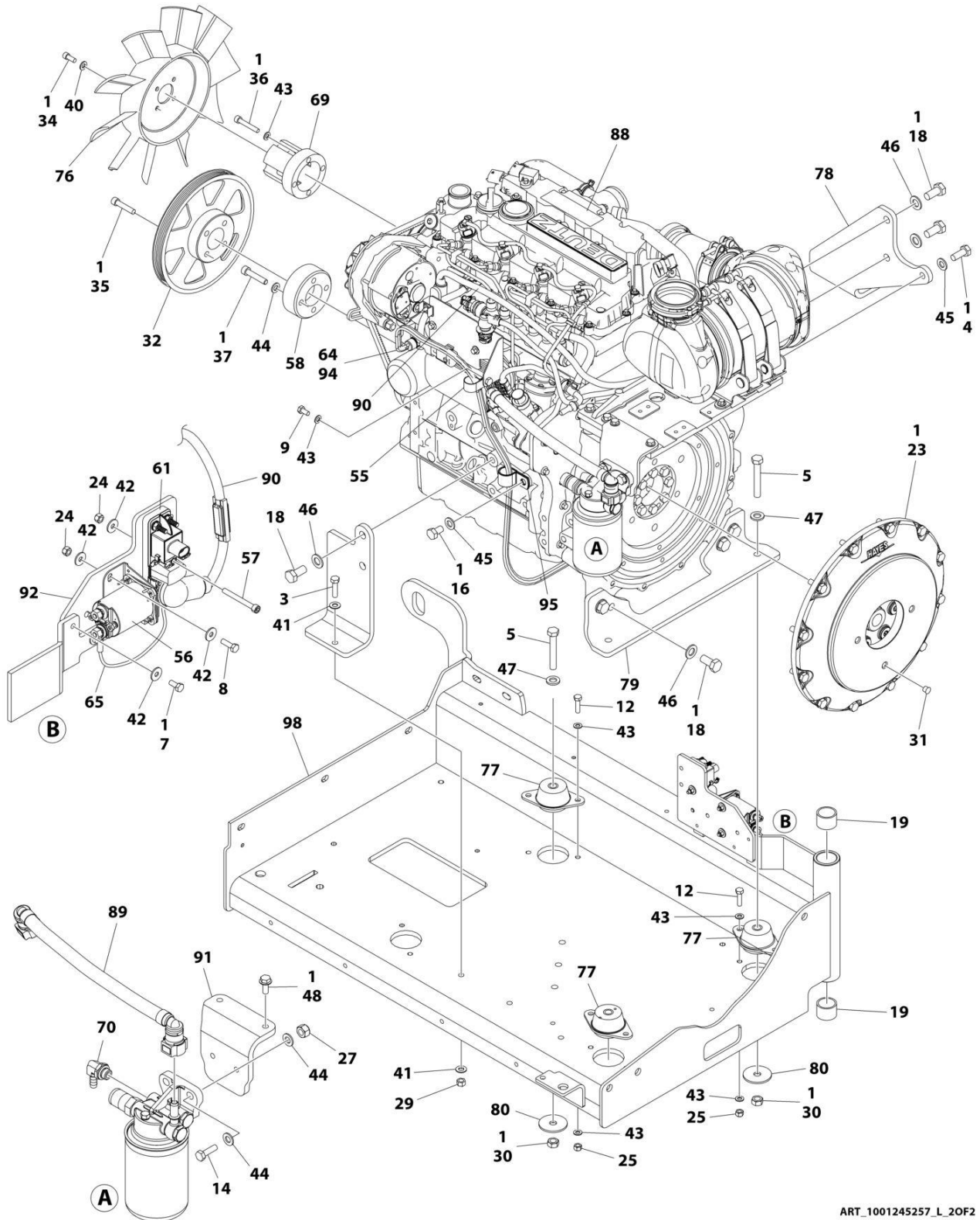
SECTION 3 - ENGINE

FIGURE 3-22. DEUTZ TD2.9L4 - 49HP ENGINE ASSEMBLY - WITH ARCTIC PACKAGE (600S HC3/660SJ HC3)



ART_1001245257_L_10F2

SECTION 3 - ENGINE



ART_1001245257_L_20F2

SECTION 3 - ENGINE

FIGURE 3-22. DEUTZ TD2.9L4 - 49HP ENGINE ASSEMBLY - WITH ARCTIC PACKAGE (600S HC3/660SJ HC3)

ITEM	PART NUMBER	QTY	DESCRIPTION	REV
	100124527	Ref	DEUTZ D2.9L4 - 49HP ENGINE ASSEMBLY	L
1	0100011	AR	Compound, Locking	
2	0100020	AR	Sealant	
3	0641611	1	Bolt 3/8 x 1-3/8	
4	0711214	1	Bolt M12 x 30	
5	0711224	3	Bolt M12 x 80	
6	0741606	2	Screw 3/8 x 7/8	
7	0760607	3	Bolt M6 x 14	
8	0760610	2	Bolt M6 x 20	
9	0760808	1	Bolt M8 x 16	
10	0760810	8	Bolt M8 x 20	
11	0760812	1	Bolt M8 x 25	
12	0760814	AR	Bolt M8 x 30	
13	0760815	2	Bolt M8 x 35	
14	0761015	7	Bolt M10 x 35	
15	0761016	4	Bolt M10 x 40	
16	0761210	1	Bolt M12 x 20	
17	0761212	2	Bolt M12 x 25	
18	0771414	8	Bolt M14 x 30	
19	0961951	2	Bushing	
20	1703162	2	Decal - Fan Blade	
22	2720015	AR	Hose	
23	2902065	1	Pump Coupling Kit (See Separate Breakdown in this Section)	
24	3290605	3	Nut M6	
25	3290805	9	Nut M8	
26	3291001	4	Nut M10	
27	3291005	7	Nut M10	
29	3311601	1	Nut 3/8	
30	3331211	1	Nut M12	
31	3520054	1	Plug	
32	3580320	1	Pulley	
34	3931512	4	Capscrew 5/16 x 3/4	
35	3931628	4	Capscrew 3/8 x 1-3/4	
36	4031914	4	Capscrew M8 x 50	
37	4032014	4	Capscrew M10 x 50	
38	4240099	AR	Tie-Strap (Not Shown)	
40	4711500	4	Washer 5/16	
41	4711600	2	Washer 3/8	
42	4811702	8	Washer M6	
43	4811900	31	Washer M8	
44	4812000	22	Washer M10	
45	4812100	4	Washer M12	
46	4812200	8	Washer M14	
47	5241200	3	Washer M12	
48	5250810	2	Bolt M8 x 20	
49	8405007	2	Clamp	
50	8405009	4	Clamp	
51	8405104	4	Clamp	
52	8405202	1	Clamp	

SECTION 3 - ENGINE

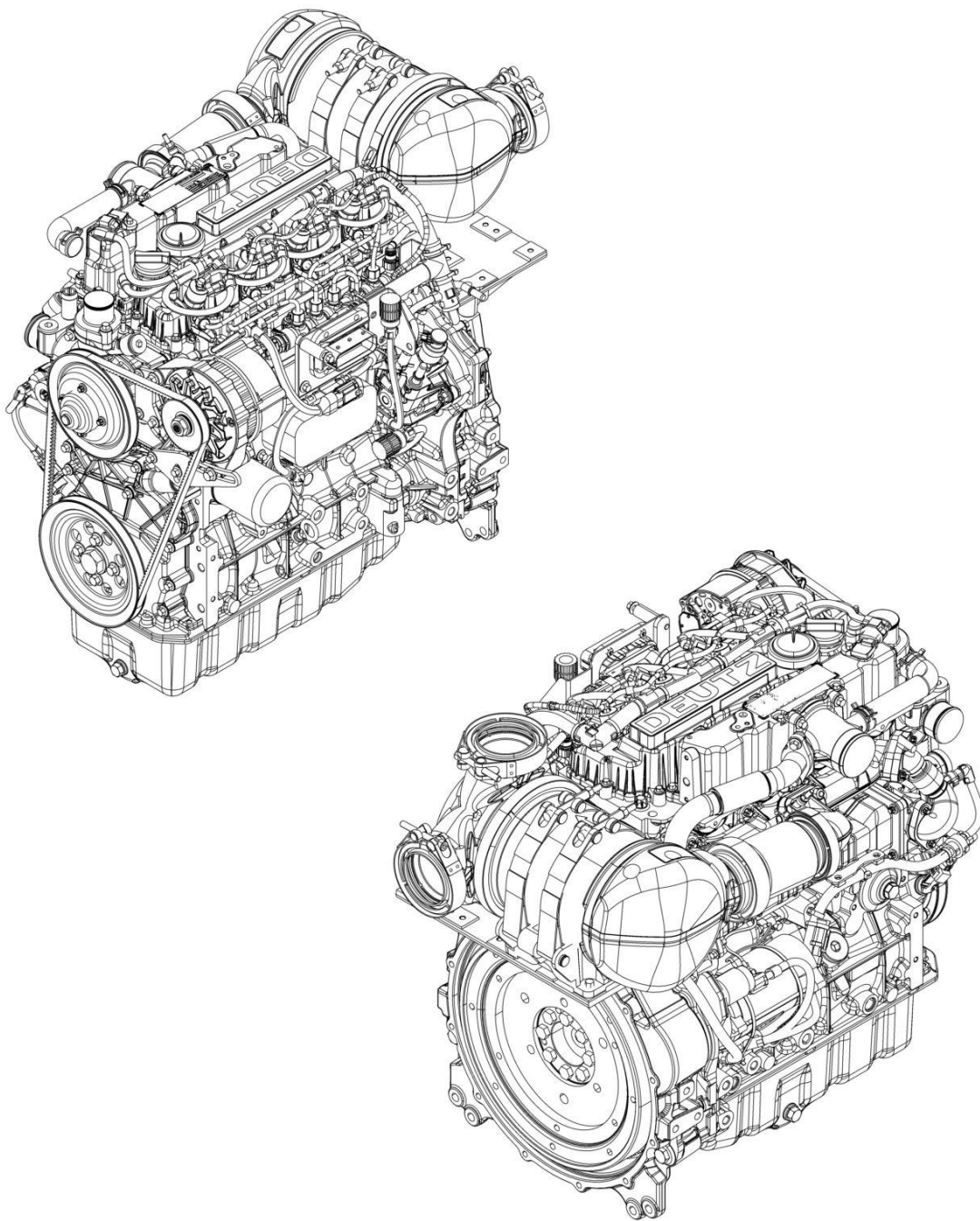
ITEM	PART NUMBER	QTY	DESCRIPTION	REV
53	8405204	1	Clamp	
54	8406109	1	Clip	
55	8406201	1	Clip	
56	1001117308	1	Contactora	
57	1001118878	1	Bolt M6 x 55	
58	1001135679	1	Adapter	
60	1001136834	1	Cap, Tank	
61	1001138228	1	Relay	
62	1001138248	3.5 ft/ 1.067m	Tube	
64	1001140312	1	Heater, Engine Block	
65	1001141304	1	Harness, Glow Fuse	
66	1001141694	1	Clamp	
67	1001143390	1	Indicator, Air Filter Service	
68	1001143797	1	Fitting, Straight Barbed	
69	1001144116	1	Adapter	
70	1001152489	1	Fitting, 90 Barbed	
71	1001165388	1	Filter, Air Cleaner	
71	70003783	1	Element, Filter	
72	1001165405	1	Hose, Radiator (Top)	
73	1001165406	1	Hose, Radiator (Bottom)	
74	1001165721	1	Hose	
75	1001165722	1	Radiator	
76	1001165849	1	Fan	
77	1001166718	3	Isolator	
78	1001166921	1	Bracket, Engine - Right	
79	1001166924	1	Bracket, Engine - Rear	
80	1001168018	3	Washer	
81	1001168099	1	Hose	
82	1001168166	2	Seal	
83	1001260420	1	Bracket	
84	1001169054	4	Isolator	
85	1001169138	4	Pad, Snubbing	
86	1001169967	2	Bracket	
87	1001170035	2	Bracket	
88	1001249965	1	Deutz D2.9L4 - 49HP Engine (See Separate Breakdown in this Section)	
89	1001177359	1	Hose	
90	1001178788	1	Cable, Alternator Power	
91	1001178876	1	Mount, Fuel Filter	
92	1001179903	1	Bracket	
93	1001180620	AR	Adhesive	
94	1001181895	AR	Adhesive	
95	1001191620	1	Clamp	
96	1001230635	1	Tank, Surge	
96	1001134488	1	Fitting, 90 Barbed (Part of Item 58)	
96	1001138827	1	Sensor, Coolant Level (Part of Item 58)	
96	1001140564	1	Fitting, 90 Barbed	
97	1001233895	1	Engine Harness - Deutz D2.9L4 - 49HP and Deutz TD2.9L4 - 67HP Engines (Not Shown) (See Separate Breakdown in ELECTRICAL Section)	
98	1001243656	1	Support, Engine Tray	

SECTION 3 - ENGINE

ITEM	PART NUMBER	QTY	DESCRIPTION	REV
99	1001243850	1	Support, Radiator	
100	4751600	2	Washer 3/8	
101	0681608	1	Bolt 3/8 x 1	
102	3311605	1	Nut 3/8	
103	1001260412	1	Bracket	

SECTION 3 - ENGINE

FIGURE 3-23. DEUTZ TD2.9L4 - 49HP ENGINE COMPONENTS (600S HC3/660SJ HC3)



ART_1001249965

SECTION 3 - ENGINE

FIGURE 3-23. DEUTZ TD2.9L4 - 49HP ENGINE COMPONENTS (600S HC3/660SJ HC3)

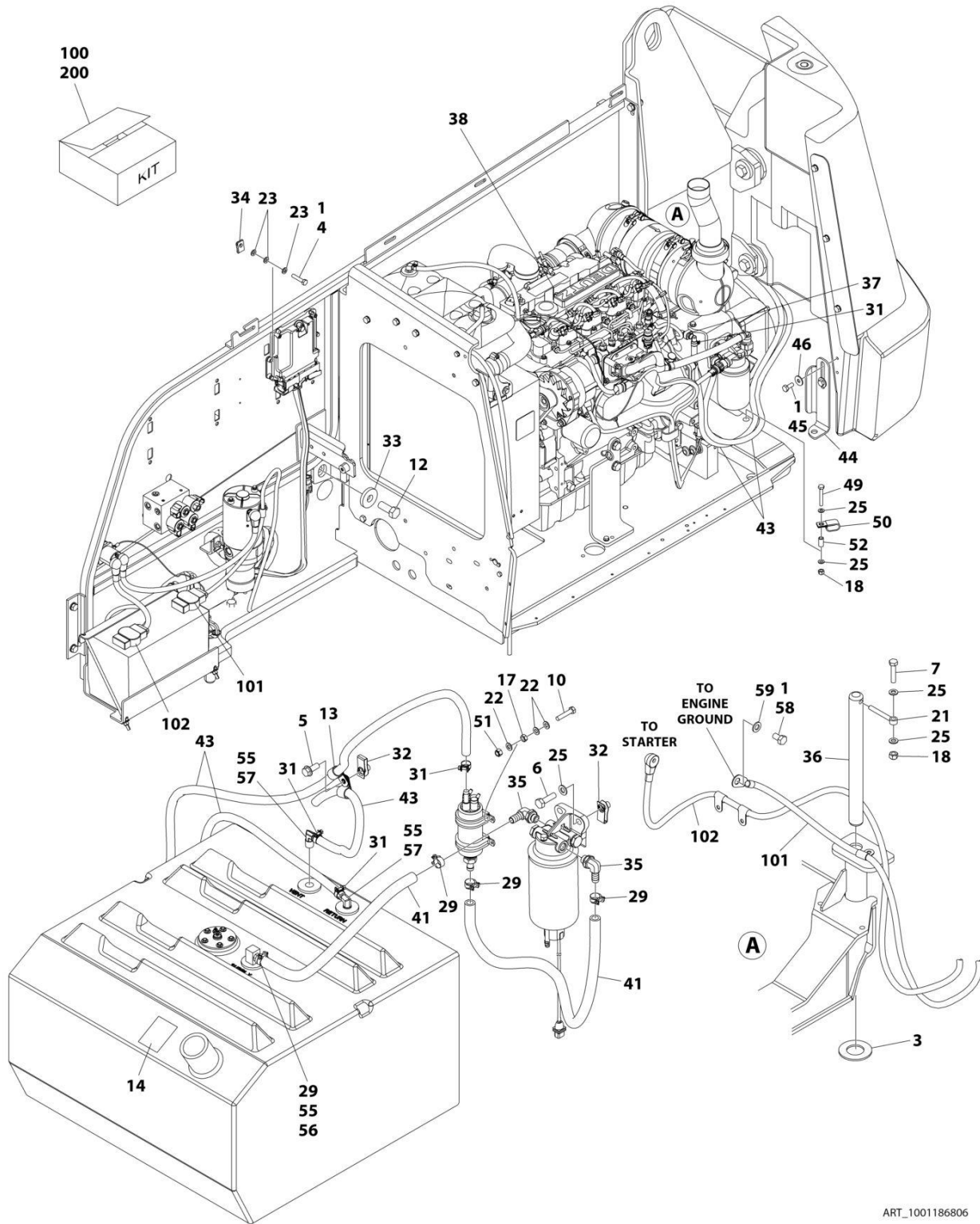
ITEM	PART NUMBER	QTY	DESCRIPTION	REV
	1001249965	Ref	DEUTZ D2.9L4 - 49HP ENGINE COMPONENTS	B
	See Note	Ref	Note: Contact JLG Customer Service for Availability of Additional Components.	
		Ref	Air Intake System	
	70005182	1	Charge Air Elbow	
	70005183	1	Breather Line	
		Ref	Cooling System Components	
	70030360	1	Pump, Coolant	
	70007603	1	Thermostat	
		Ref	Electrical Components	
	70025210	1	Module, Engine Control (ECM/ECU)	
	70024513	1	Harness, Fuel Filter Sensor	
	70024504	1	Sensor, Fuel Pressure	
	70006652	1	Generator	
	70024915	1	Starter	
	70025231	1	Harness, Glow Plug	
	70028540	1	Sensor, Temperature	
	70026210	1	Sensor, Speed	
	70024507	1	Sensor, Pressure (Air Intake)	
	70031145	4	Plug, Glow	
		Ref	Exhaust Components	
	70031136	1	Pipe, Exhaust	
	70004282	1	Exhaust Manifold	
		Ref	Fuel System Components	
	70030381	1	Pump, High Pressure	
	700004508	1	Valve, Volume Control	
	70004281	1	Injector, Fuel	
	70006144	1	Pump, Fuel Supply (Includes Qty 2 Mounting Clamps)	
	1001225430	1	Filter, Fuel (Pre-Filter) Assembly	
	70024961	1	Filter, Fuel	
	70025239	1	Seal	
	70024513	1	Cable, Sensor	
	70029451	1	Filter, Fuel	
		Ref	Gasket & Seal Components	
	70024905	1	Seal, Dipstick	
	70005942	2	Seal, Oil Plug	
	70024906	1	Gasket, Head	
	70005171	1	Gasket, Valve Cover	
	70002718	1	Seal, Rear Main	
	70025135	1	O-Ring, Oil Lube Pump	
	70005173	1	Gasket, Oil Lube Pump	
	70024925	1	Seal, Oil Cooler	
	70005177	1	Gasket, Charge Air Housing	
	70025200	1	O-Ring, Coolant Pump	
	70007325	1	Seal, Coolant Pump	
	70005184	1	O-Ring, Thermostat	
	70005931	1	Seal, Thermostat	
	70025164	1	Gasket, Exhaust Manifold to Head	
	70007354	1	Gasket, Short Exhaust Pipe to JLG supplied Exhaust	
	70007326	1	Gasket EGR Valve	

SECTION 3 - ENGINE

ITEM	PART NUMBER	QTY	DESCRIPTION	REV
	70031095	1	Gasket, Exhaust Return Pipe (to Air Intake Housing)	
		Ref	Other Components	
	70001870	1	Flywheel	
	7024579	1	Gear, Ring	
		Ref	Oil Lube System	
	7020465	1	Cap, Oil Fill	
	70024904	1	Dipstick	
	70005941	2	Plug, Oil (Includes Seal)	
	70005172	1	Pump, Oil Lube (Includes O-Ring & Gasket)	
	70024494	1	Oil Cooler	
	7016331	1	Filter, Oil	

SECTION 3 - ENGINE

FIGURE 3-24. DEUTZ TD2.9L4 - 67HP ENGINE INSTALLATION - WITHOUT ARCTIC PACKAGE (600S HC3)



ART_1001186806

SECTION 3 - ENGINE

FIGURE 3-24. DEUTZ TD2.9L4 - 67HP ENGINE INSTALLATION - WITHOUT ARCTIC PACKAGE (600S HC3)

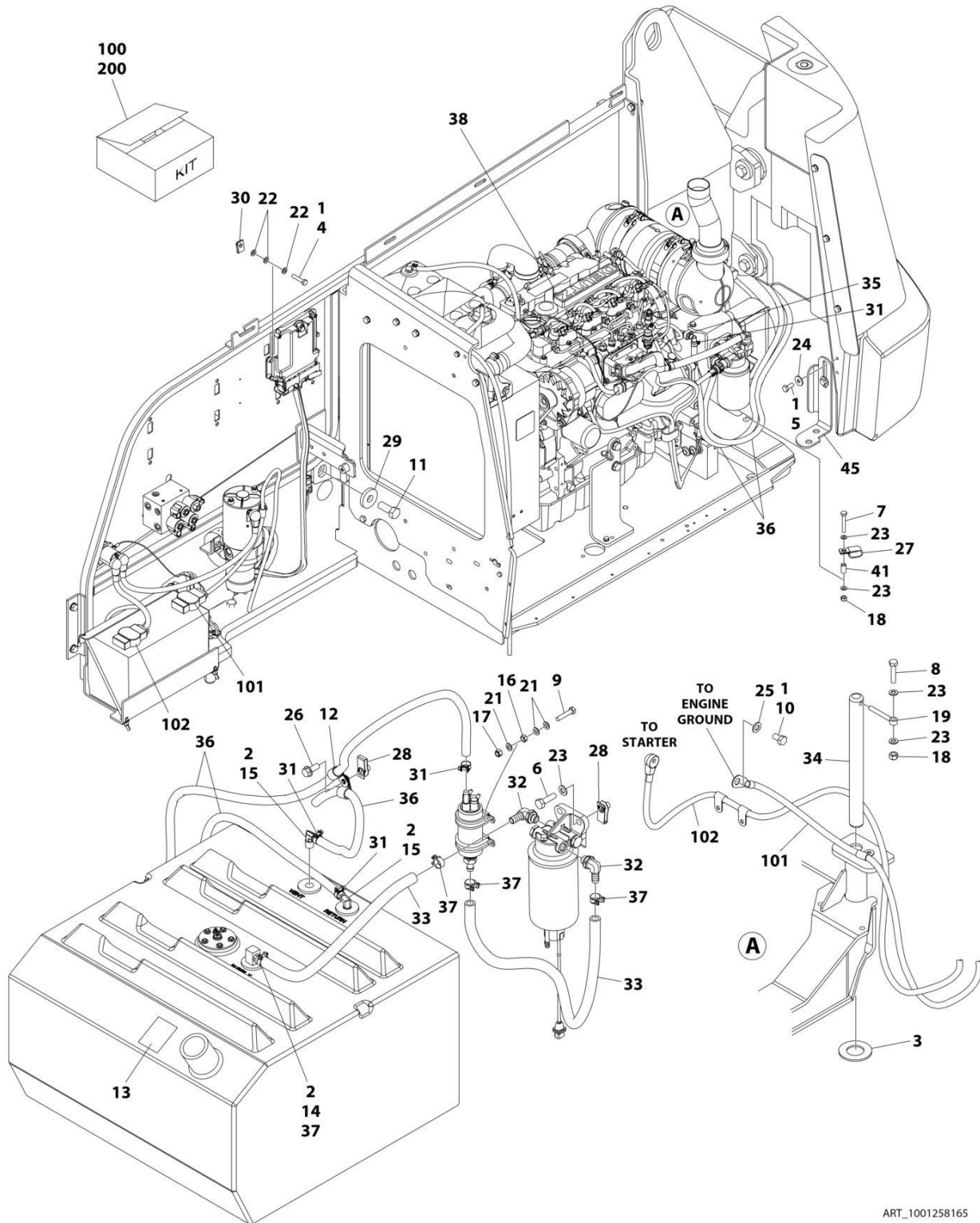
ITEM	PART NUMBER	QTY	DESCRIPTION	REV
	1001186806	Ref	DEUTZ TD2.9L4 - 67HP ENGINE INSTALLATION	O
1	0100011	AR	Compound, Locking	
3	0440162	1	Bearing	
4	0700614	4	Bolt M6 x 30	
5	5251012	1	Bolt M10 x 25	
6	0701015	2	Bolt M10 x 35	
7	0711018	1	Bolt M10 x 50	
10	0760512	4	Bolt M5 x 25	
12	0772018	1	Bolt M20 x 50	
13	1320061	2	Clamp	
14	1701505	1	Decal - Diesel Fuel	
17	3290501	4	Nut M5	
18	3291005	2	Nut M10	
21	3841143	1	Keeper, Pin	
22	4811600	12	Washer M5	
23	4811700	12	Washer M6	
25	4812000	6	Washer M10	
29	1001175568	4	Clip	
31	1001136975	5	Clamp	
32	1001118972	3	Nut, Tinnerman M10	
33	1001119051	1	Washer	
34	1001130220	4	Nut, Tinnerman M6	
35	1001142501	2	Fitting, 90 Barbed	
36	1001155094	1	Pin	
37	1001155823	1	Fitting, 90 Quick Connect	
38	1001186811	1	Deutz TD2.9L4 - 67HP Engine and Pump Sub-Assembly (See Separate Breakdown in this Section)	
41	1001154405	33 in/ 0.8cm	Hose	
43	1001165035	27 ft/ 8.2m	Hose	
44	1001196398	1	Bracket	
45	0701012	2	Bolt M10 x 25	
46	4812002	2	Washer M10	
49	0701022	1	Bolt M10 x 70	
50	1001026127	1	Clamp	
51	3290505	4	Nut M5	
52	1001200731	1	Tube	
53	4240099	7	Tie-Strap (Not Shown)	
54	1001190444	1	Fuel Pump Harness - Deutz TD2.9L4 - 67HP Engine (Not Shown) (See Separate Breakdown in ELECTRICAL SECTION)	
55	0100020	AR	Sealant	
56	2180832	1	Fitting, Straight Barbed	
57	2220313	2	Fitting, 90 NPTF/Barb	
58	0761210	1	Bolt M12 x 20	
59	4812100	1	Washer M12	
100	1001235532	1	Battery Cable Kit	
101	1001188668	1	Cable, Battery (-) to Aux Pump and Ground	
102	1001188669	1	Cable, Battery (+) to Aux Relay to Starter	
200	1001269919	1	Hose Assembly Kit	

SECTION 3 - ENGINE

ITEM	PART NUMBER	QTY	DESCRIPTION	REV
201	1001192690	1	Hose (Case Drain) (Drive Pump Case Gauge Port to Tank) (Not Shown)	
202	1001203431	1	Hose (Case Drain) (Drive Pump Case Outlet Port to Tank) (Not Shown)	
203	1001203432	1	Hose (Function Suction) (Not Shown)	
204	1001203433	1	Hose (Drive Suction) (Not Shown)	

SECTION 3 - ENGINE

FIGURE 3-25. DEUTZ TD2.9L4 - 67HP ENGINE INSTALLATION - WITHOUT ARCTIC PACKAGE (660SJ HC3)



ART_1001258165

SECTION 3 - ENGINE

FIGURE 3-25. DEUTZ TD2.9L4 - 67HP ENGINE INSTALLATION - WITHOUT ARCTIC PACKAGE (660SJ HC3)

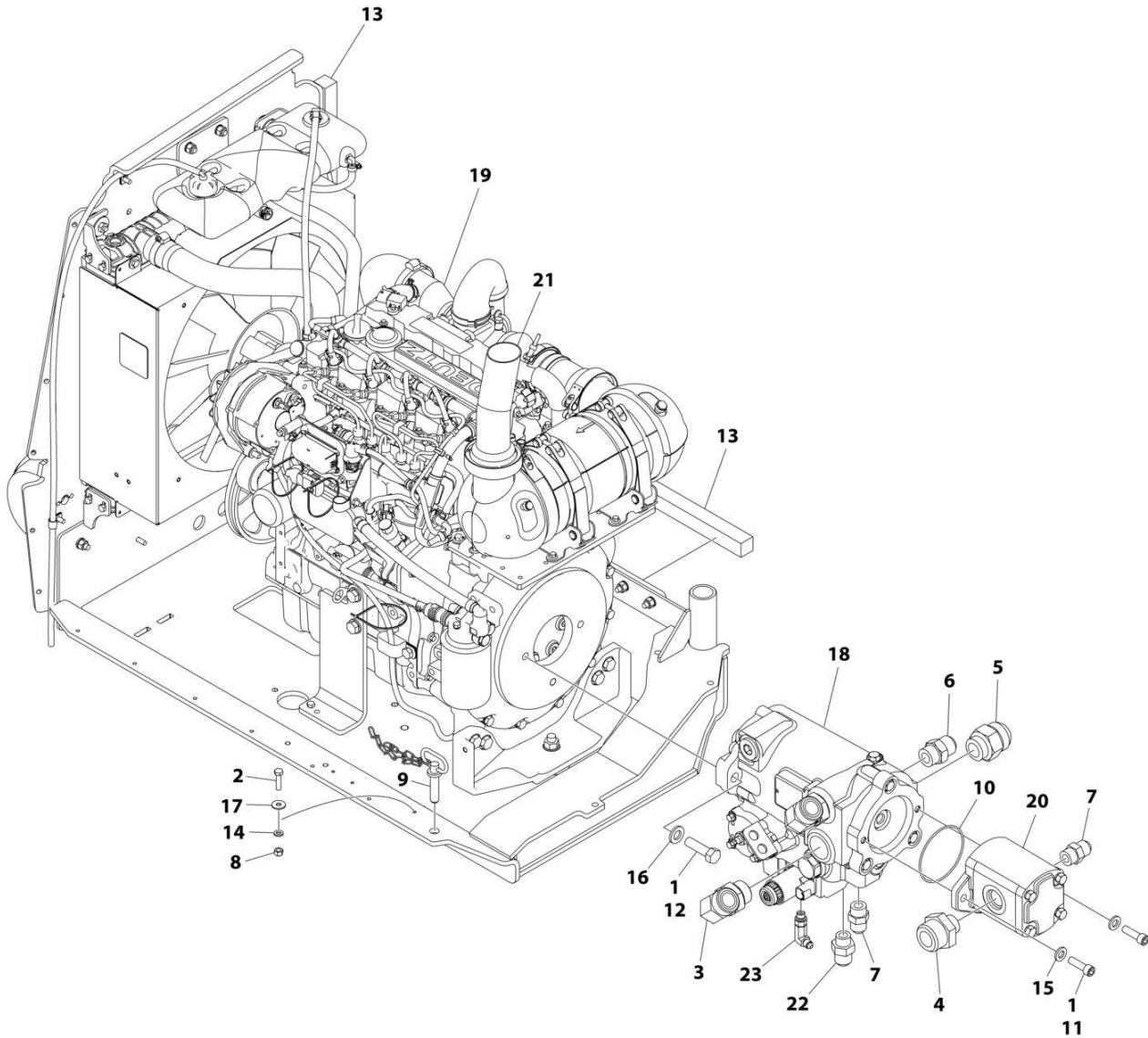
ITEM	PART NUMBER	QTY	DESCRIPTION	REV
	1001258165	Ref	DEUTZ TD2.9L4 - 67HP ENGINE INSTALLATION	B
1	0100011	AR	Compound, Locking	
2	0100020	AR	Sealant	
3	0440162	1	Bearing	
4	0700614	4	Bolt M6 x 30	
5	0701012	2	Bolt M10 x 25	
6	0701015	2	Bolt M10 x 35	
7	0701022	1	Bolt M10 x 70	
8	0711018	1	Bolt M10 x 50	
9	0760512	4	Bolt M5 x 25	
10	0761210	1	Bolt M12 x 20	
11	0772018	1	Bolt M20 x 50	
12	1320061	2	Clamp	
13	1701505	1	Decal - Diesel Fuel	
14	2180832	1	Fitting, Straight Barbed	
15	2220313	2	Fitting, 90 NPTF/Barb	
16	3290501	4	Nut M5	
17	3290505	4	Nut M5	
18	3291005	2	Nut M10	
19	3841143	1	Keeper, Pin	
20	4240099	7	Tie-Strap (Not Shown)	
21	4811600	12	Washer M5	
22	4811700	12	Washer M6	
23	4812000	6	Washer M10	
24	4812002	2	Washer M10	
25	4812100	1	Washer M12	
26	5251012	1	Bolt M10 x 25	
27	1001026127	1	Clamp	
28	1001118972	3	Nut, Tinnerman M10	
29	1001119051	1	Washer	
30	1001130220	4	Nut, Tinnerman M6	
31	1001136975	5	Clamp	
32	1001142501	2	Fitting, 90 Barbed	
33	1001154405	33 in/ 0.8cm	Hose	
34	1001155094	1	Pin	
35	1001155823	1	Fitting, 90 Quick Connect	
36	1001165035	27 ft/ 8.2m	Hose	
37	1001175568	4	Clip	
38	1001186811	1	Deutz TD2.9L4 - 67HP Engine and Pump Sub-Assembly (See Separate Breakdown in this Section)	
39	1001190444	1	Fuel Pump Harness - Deutz TD2.9L4 - 67HP Engine (Not Shown) (See Separate Breakdown in ELECTRICAL SECTION)	
41	1001200731	1	Tube	
45	1001258175	1	Bracket	
100	1001235532	1	Battery Cable Kit	
101	1001188668	1	Cable, Battery (-) to Aux Pump and Ground	
102	1001188669	1	Cable, Battery (+) to Aux Relay to Starter	
200	1001269920	1	Engine Hose Kit	

SECTION 3 - ENGINE

ITEM	PART NUMBER	QTY	DESCRIPTION	REV
201	1001192690	1	Hose (Case Drain) (Drive Pump Case Gauge Port to Tank) (Not Shown)	
202	1001203431	1	Hose (Case Drain) (Drive Pump Case Outlet Port to Tank) (Not Shown)	
203	1001258156	1	Hose (Function Suction) (Not Shown)	
204	1001258157	1	Hose (Drive Suction) (Not Shown)	

SECTION 3 - ENGINE

FIGURE 3-26. DEUTZ TD2.9L4 - 67HP ENGINE AND PUMPS SUB-ASSEMBLY - WITHOUT ARCTIC PACKAGE (600S HC3/660SJ HC3)



ART_1001186811_I

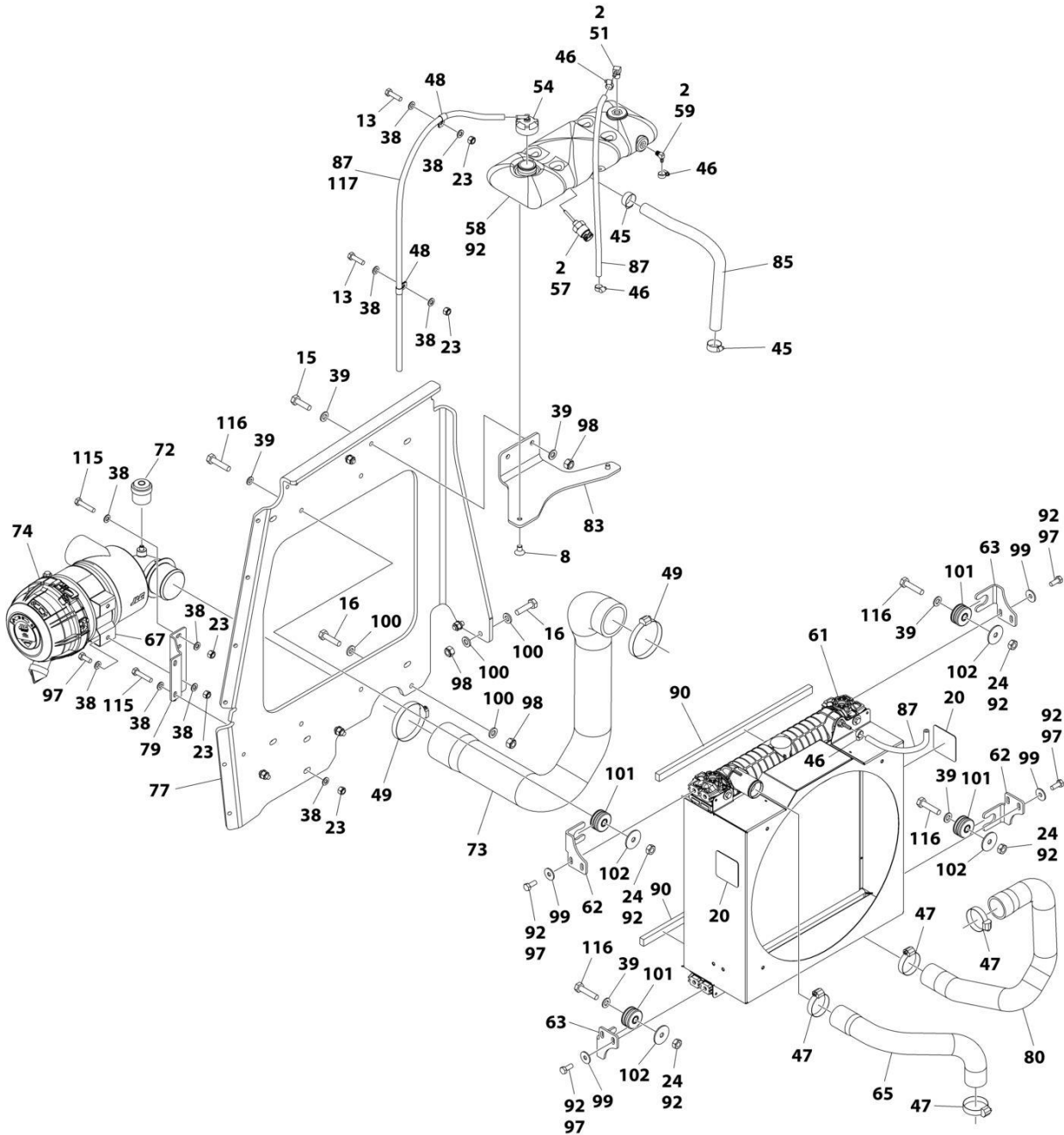
SECTION 3 - ENGINE

FIGURE 3-26. DEUTZ TD2.9L4 - 67HP ENGINE AND PUMPS SUB-ASSEMBLY - WITHOUT ARCTIC PACKAGE (600S HC3/660SJ HC3)

ITEM	PART NUMBER	QTY	DESCRIPTION	REV
	1001186811	Ref	DEUTZ TD2.9L4 - 67HP ENGINE AND PUMPS SUB-ASSEMBLY	I
1	0100011	AR	Compound, Locking	
2	0760612	1	Bolt M6 x 25	
3	2131616	2	Fitting, 90 ORFS/ORB	
4	2220946	1	Fitting, Straight JIC/ORB	
5	2220479	1	Fitting, Straight JIC/ORB	
6	2220451	1	Fitting, Straight JIC/ORB	
7	2220947	2	Fitting, Straight JIC/ORB	
8	3290605	1	Nut M6	
9	3422532	1	Pin	
10	3790152	1	O-Ring	
11	3931620	2	Capscrew 3/8 x 1-1/4	
11	3931618	2	Capscrew 3/8 x 1-1/8	
12	0641814	2	Bolt 1/2 x 1-3/4	
13	3960469	1	Seal	
14	4811700	1	Washer M6	
15	5241000	2	Washer M10	
16	5241200	2	Washer M12	
17	4811702	1	Washer M6	
18	1001184930	1	Piston Pump Assembly (See Separate Breakdown in this Section)	
19	1001186812	1	Deutz TD2.9L4 - 67HP Engine Assembly (See Separate Breakdown in this Section)	
20	1001190143	1	Gear Pump Assembly	
20	70006356	1	Seal Kit - 1001190143 Pump	
21	1001239207	1	Pipe, Exhaust	
22	2220408	1	Fitting, Straight JIC/ORB	
23	2220940	1	Fitting, 90 JIC/ORB	

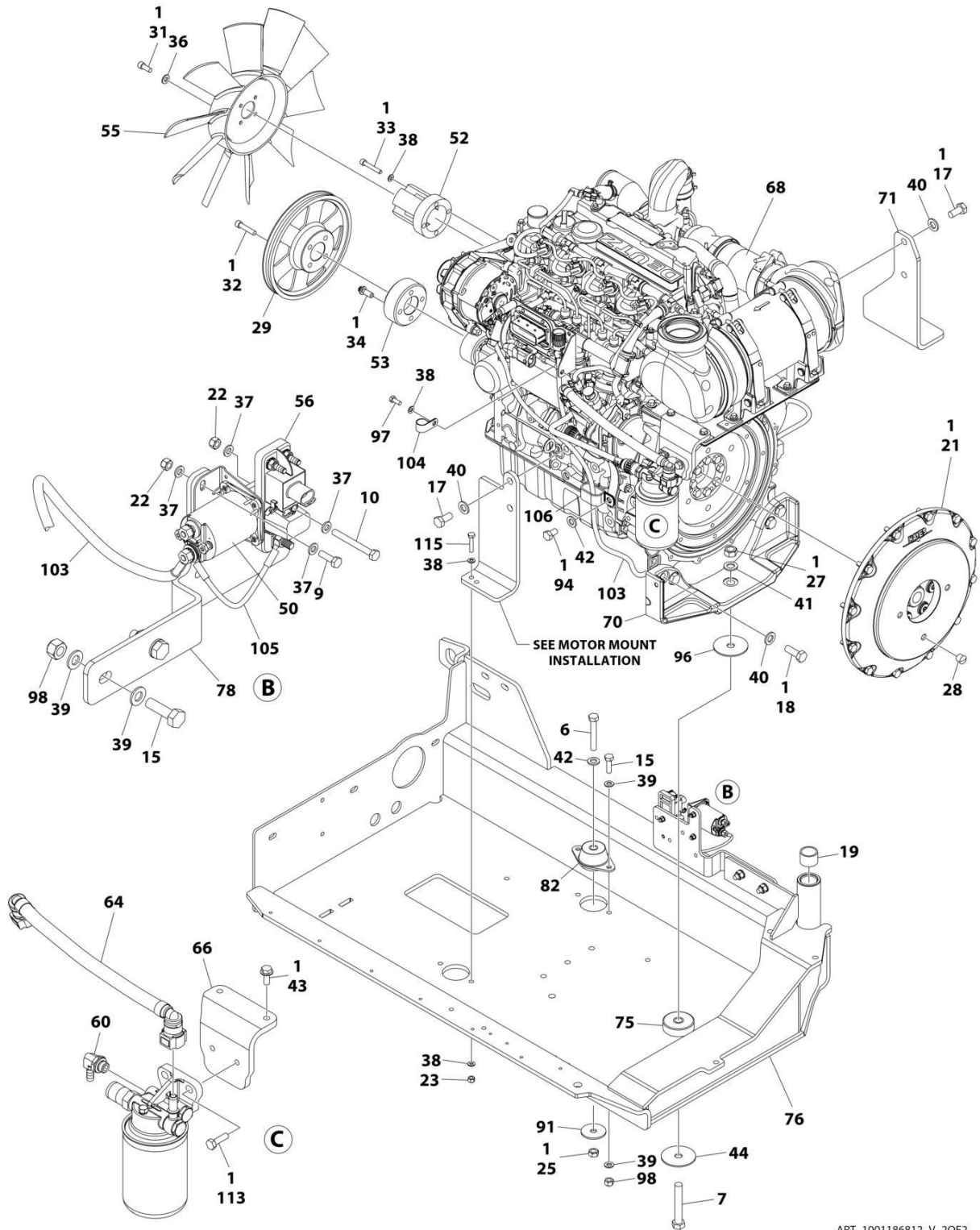
SECTION 3 - ENGINE

FIGURE 3-27. DEUTZ TD2.9L4 - 67HP ENGINE ASSEMBLY - WITHOUT ARCTIC PACKAGE (600S HC3/660SJ HC3)



ART_1001186812_V_10F2

SECTION 3 - ENGINE



ART_1001186812_V_20F2

SECTION 3 - ENGINE

FIGURE 3-27. DEUTZ TD2.9L4 - 67HP ENGINE ASSEMBLY - WITHOUT ARCTIC PACKAGE (600S HC3/660SJ HC3)

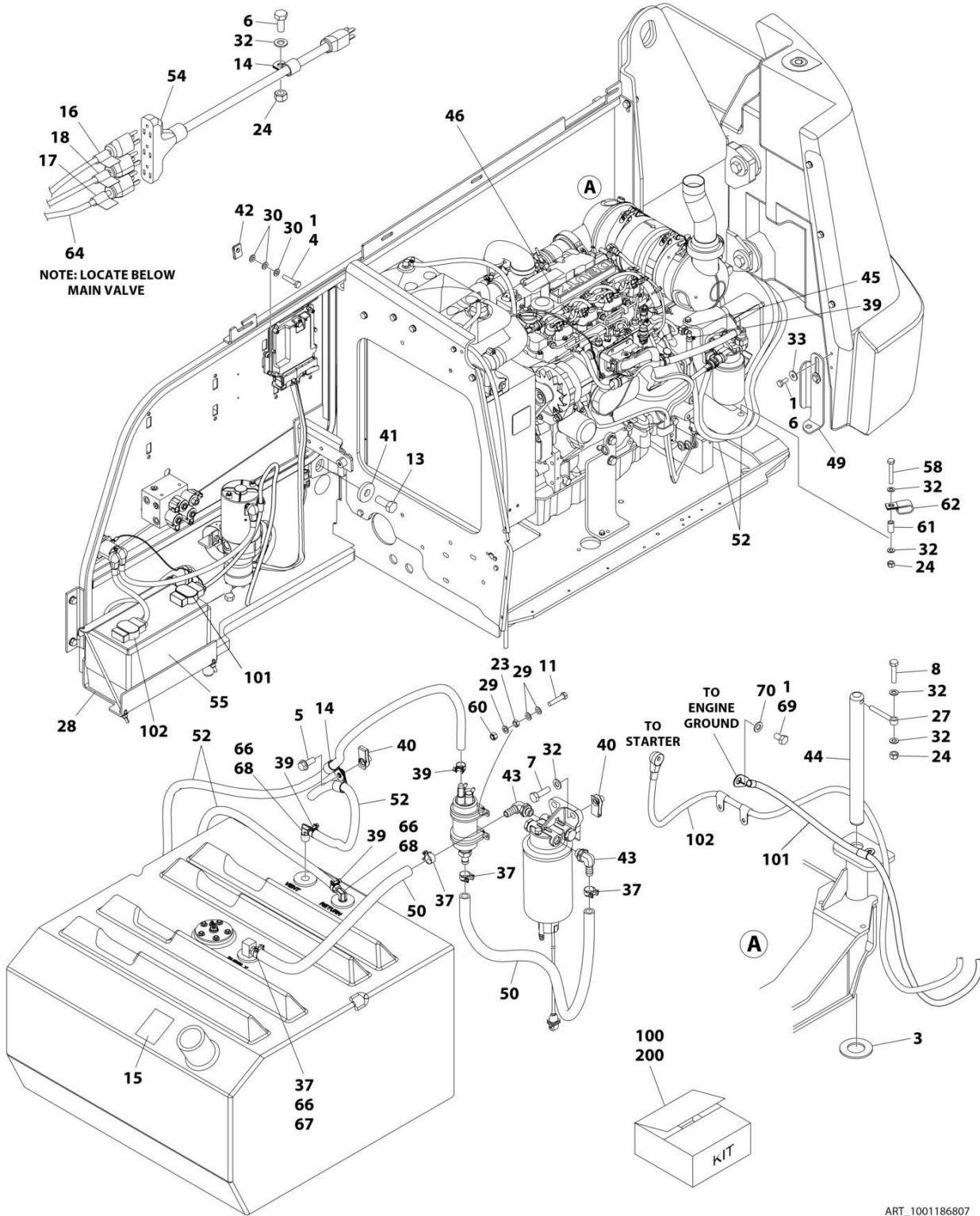
ITEM	PART NUMBER	QTY	DESCRIPTION	REV
	1001186812	Ref	DEUTZ TD2.9L4 - 67HP ENGINE ASSEMBLY	V
1	0100011	AR	Compound, Locking	
2	0100020	AR	Sealant	
6	0711224	1	Bolt M12 x 80	
7	0711627	1	Bolt M16 x 100	
8	0741605	2	Screw 3/8 x 5/8	
9	0760610	2	Bolt M6 x 20	
10	0760619	1	Bolt M6 x 55	
13	0760814	AR	Bolt M8 x 30	
15	0761015	6	Bolt M10 x 35	
16	0761016	5	Bolt M10 x 40	
17	0771414	4	Bolt M14 x 30	
18	0771416	4	Bolt M14 x 40	
19	0961951	2	Bushing	
20	1703162	2	Decal - Fan Blade	
21	2902065	1	Pump Coupling Kit (See Separate Breakdown in this Section)	
22	3290605	AR	Nut M6	
23	3290805	AR	Nut M8	
24	3291001	4	Nut M10	
25	3331211	1	Nut M12	
27	3331611	1	Nut M16	
28	3520054	1	Plug	
29	3580320	1	Pulley	
31	3931512	4	Capscrew 5/16 x 3/4	
32	3931628	4	Capscrew 3/8 x 1-3/4	
33	4031914	4	Capscrew M8 x 50	
34	4032014	4	Capscrew M10 x 50	
36	4711500	4	Washer 5/16	
37	4811700	AR	Washer M6	
38	4811900	AR	Washer M8	
39	4812000	20	Washer M10	
40	5241400	8	Washer M14	
41	4812300	1	Washer M16	
42	5241200	2	Washer M12	
43	5250810	2	Bolt M8 x 20	
44	7300435	1	Washer	
45	8405007	2	Clamp	
46	8405009	4	Clamp	
47	8405104	4	Clamp	
48	8406109	AR	Clip	
49	8410011	2	Clamp	
50	1001117308	1	Contactora	
51	1001134488	1	Fitting, 90 Barbed (Part of Item 58)	
52	1001135138	1	Adapter, Fan	
53	1001135679	1	Adapter	
54	1001136834	1	Cap, Tank	
55	1001137276	1	Fan	
56	1001138228	1	Relay	
57	1001138827	1	Sensor, Coolant Level (Part of Item 58)	

SECTION 3 - ENGINE

ITEM	PART NUMBER	QTY	DESCRIPTION	REV
58	1001230635	1	Tank, Surge (Include Items 51, 57 & 59)	
59	1001140564	1	Fitting, 90 Barbed (Part of Item 58)	
60	1001152489	1	Fitting, 90 Barbed	
61	1001167042	1	Radiator	
62	1001169967	2	Bracket	
63	1001170035	2	Bracket	
64	1001177359	1	Hose	
65	1001177844	1	Hose, Radiator (Top)	
66	1001231805	1	Mount	
67	1001186426	1	Clamp, Air Cleaner	
68	1001249943	1	Deutz TD2.9L4 - 67HP Engine (See Separate Breakdown in this Section)	
69	1001233895	1	Engine Harness - Deutz TD2.9L4 - 67HP Engines (Not Shown) (See Separate Breakdown in ELECTRICAL Section)	
70	1001188535	1	Bracket, Engine - Rear	
71	1001189026	1	Bracket, Engine - Right	
72	1001166716	1	Restriction, Indicator	
73	1001189913	1	Hose	
74	1001189979	1	Filter, Air	
74	70005008	1	Element, Filter	
75	1001190164	1	Mount, Motor	
76	1001200745	1	Tray	
77	1001229091	1	Support, Radiator	
78	1001203885	1	Plate	
79	1001190942	1	Support	
80	1001191025	1	Hose, Radiator (Bottom)	
82	1001191610	1	Mount, Motor	
83	1001192400	1	Bracket	
85	1001193049	1	Hose	
87	2720015	AR	Hose	
90	1001168166	2	Seal	
91	1001168018	1	Washer	
92	1001180620	AR	Adhesive	
94	0761210	1	Bolt M12 x 20	
96	1001197725	1	Spacer	
97	0760810	11	Bolt M8 x 20	
98	3291005	11	Nut M10	
99	4811902	8	Washer M8	
100	5241000	10	Washer M10	
101	1001169054	4	Isolator	
102	1001169138	4	Pad, Snubbing	
103	1001190442	1	Harness, Alternator Power	
103	1001098764	1	Boot - Red	
104	1320202	1	Clamp	
105	1001141304	1	Harness, Glow Fuse	
106	1001181899	1	Clamp	
108	4240099	1	Tie-Strap (Not Shown)	
113	5251012	2	Bolt M10 x 25	
115	0760816	3	Bolt M8 x 40	
116	0761017	4	Bolt M10 x 45	
117	1001138248	4 ft/1.25m	Tube	

SECTION 3 - ENGINE

FIGURE 3-28. DEUTZ TD2.9L4 - 67HP ENGINE INSTALLATION - WITH ARCTIC PACKAGE (600S HC3)



SECTION 3 - ENGINE

FIGURE 3-28. DEUTZ TD2.9L4 - 67HP ENGINE INSTALLATION - WITH ARCTIC PACKAGE (600S HC3)

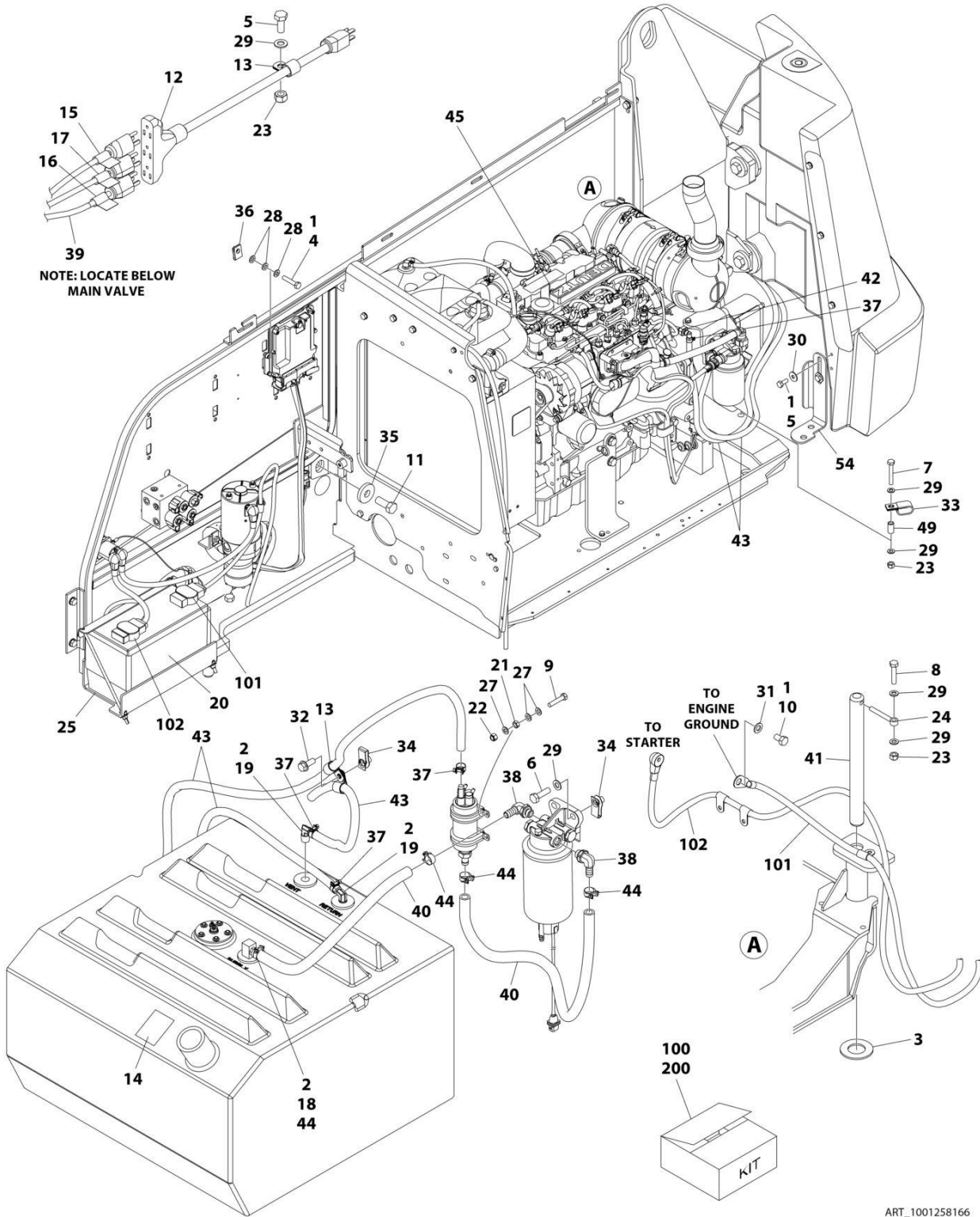
ITEM	PART NUMBER	QTY	DESCRIPTION	REV
	1001186807	Ref	DEUTZ TD2.9L4 - 67HP ENGINE INSTALLATION	0
1	0100011	AR	Compound, Locking	
3	0440162	1	Bearing	
4	0700614	4	Bolt M6 x 30	
5	5251012	1	Bolt M10 x 25	
6	0701012	3	Bolt M10 x 25	
7	0701015	2	Bolt M10 x 35	
8	0711018	1	Bolt M10 x 50	
11	0760512	4	Bolt M5 x 25	
13	0772018	1	Bolt M20 x 50	
14	1320061	3	Clamp	
15	1701505	1	Decal - Diesel Fuel	
16	1702941	1	Decal - Battery Heater	
17	1702942	1	Decal - Engine Block Heater	
18	1702943	1	Decal - Hydraulic Tank Heater	
22	1001188972	1	Heater, Immersion (Not Shown - Located on Hydraulic Tank)	
23	3290501	4	Nut M5	
24	3291005	3	Nut M10	
27	3841143	1	Keeper, Pin	
28	3980007	1	Seat, Battery	
29	4811600	12	Washer M5	
30	4811700	12	Washer M6	
32	4812000	7	Washer M10	
33	4812002	2	Washer M10	
37	1001175568	4	Clip	
39	1001136975	5	Clamp	
40	1001118972	3	Nut, Tinnerman M10	
41	1001119051	1	Washer	
42	1001130220	4	Nut, Tinnerman M6	
43	1001142501	2	Fitting, 90 Barbed	
44	1001155094	1	Pin	
45	1001155823	1	Fitting, 90 Quick Connect	
46	1001186813	1	Deutz TD2.9L4 - 67HP Engine and Pumps Sub-Assembly (See Separate Breakdown in this Section)	
49	1001196398	1	Bracket	
50	1001154405	33 in/ 0.8cm	Hose	
52	1001165035	27 ft/ 8.2m	Hose	
54	1060626	1	Plug, 3 Way	
55	2580024	1	Heater, Battery	
58	0701022	1	Bolt M10 x 70	
60	3290505	4	Nut M5	
61	1001200731	1	Tube	
62	1001026127	1	Clamp	
63	4240099	7	Tie-Strap (Not Shown)	
64	1001150918	1	Cable, Extension	
65	1001190444	1	Engine Harness - Deutz TD2.9L4 - 67HP Engines (Not Shown) (See Separate Breakdown in ELECTRICAL Section)	
66	0100020	AR	Sealant	

SECTION 3 - ENGINE

ITEM	PART NUMBER	QTY	DESCRIPTION	REV
67	2180832	1	Fitting, Straight Barbed	
68	2220313	2	Fitting, 90 NPTF/Barb	
69	0761210	1	Bolt M12 x 20	
70	4812100	1	Washer M12	
75	1001233763	1	Deutz Breather Heater Installation (Not Shown) (See Separate Breakdown in this Section)	
75	4240099	AR	Tie-Strap	
75	1001196634	1	Fuse 2amp	
75	1001232842	1	Heater, Deutz Breather Kit	
75	2400060	1	Fuse, Holder	
100	1001235532	1	Battery Cable Kit	
101	1001188668	1	Cable, Battery (-) to Aux Pump and Ground	
102	1001188669	1	Cable, Battery (+) to Aux Relay to Starter	
200	1001269919	1	Hose Assembly Kit	
201	1001192690	1	Hose (Case Drain) (Drive Pump Case Gauge Port to Tank) (Not Shown)	
202	1001203431	1	Hose (Case Drain) (Drive Pump Case Outlet Port to Tank) (Not Shown)	
203	1001203432	1	Hose (Function Suction) (Not Shown)	
204	1001203433	1	Hose (Drive Suction) (Not Shown)	

SECTION 3 - ENGINE

FIGURE 3-29. DEUTZ TD2.9L4 - 67HP ENGINE INSTALLATION - WITH ARCTIC PACKAGE (660SJ HC3)



SECTION 3 - ENGINE

FIGURE 3-29. DEUTZ TD2.9L4 - 67HP ENGINE INSTALLATION - WITH ARCTIC PACKAGE (660SJ HC3)

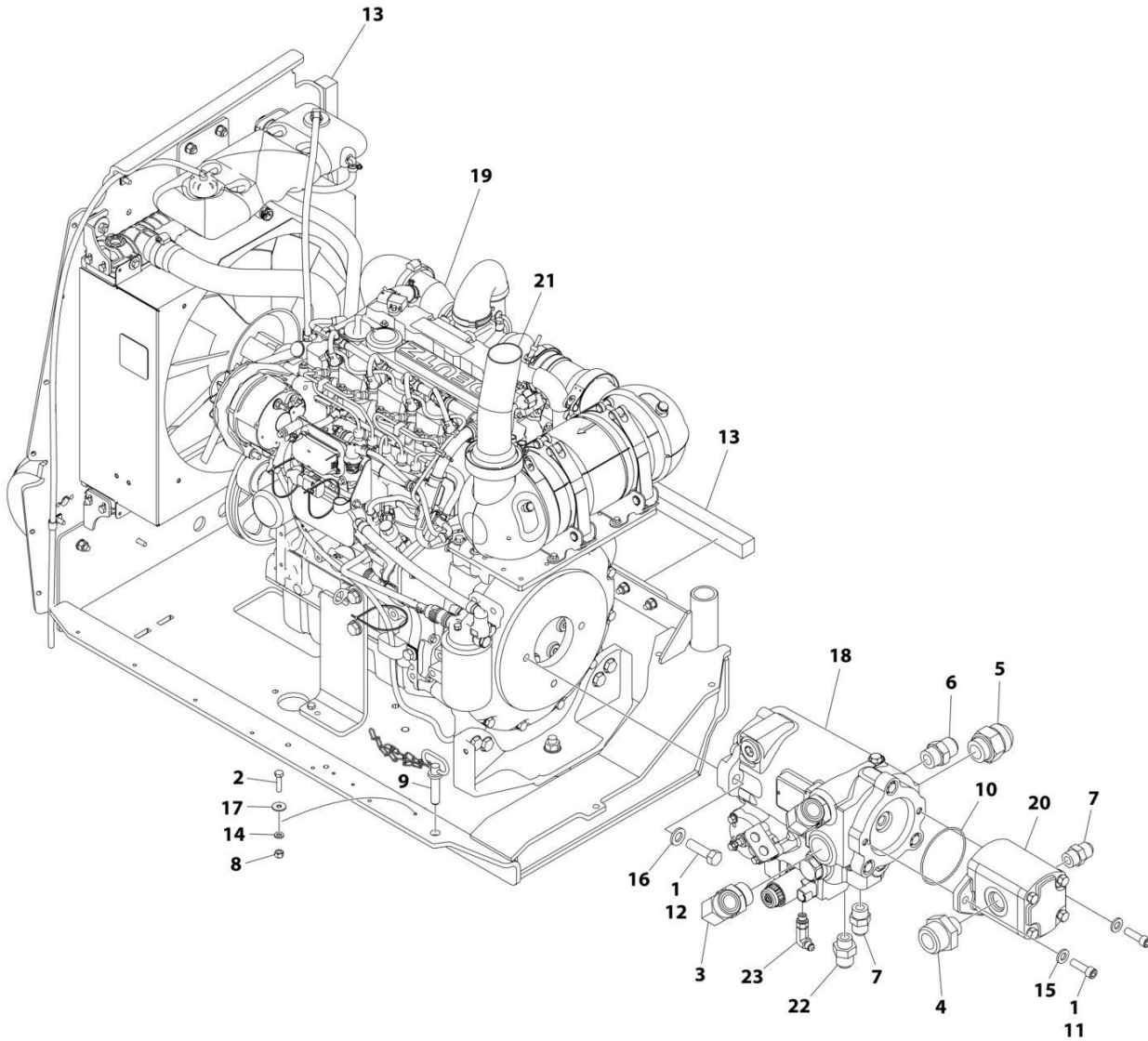
ITEM	PART NUMBER	QTY	DESCRIPTION	REV
	1001258166	Ref	DEUTZ TD2.9L4 - 67HP ENGINE INSTALLATION	B
1	0100011	AR	Compound, Locking	
2	0100020	AR	Sealant	
3	0440162	1	Bearing	
4	0700614	4	Bolt M6 x 30	
5	0701012	3	Bolt M10 x 25	
6	0701015	2	Bolt M10 x 35	
7	0701022	1	Bolt M10 x 70	
8	0711018	1	Bolt M10 x 50	
9	0760512	4	Bolt M5 x 25	
10	0761210	1	Bolt M12 x 20	
11	0772018	1	Bolt M20 x 50	
12	1060626	1	Plug, 3 Way	
13	1320061	3	Clamp	
14	1701505	1	Decal - Diesel Fuel	
15	1702941	1	Decal - Battery Heater	
16	1702942	1	Decal - Engine Block Heater	
17	1702943	1	Decal - Hydraulic Tank Heater	
18	2180832	1	Fitting, Straight Barbed	
19	2220313	2	Fitting, 90 NPTF/Barb	
20	2580024	1	Heater, Battery	
21	3290501	4	Nut M5	
22	3290505	4	Nut M5	
23	3291005	3	Nut M10	
24	3841143	1	Keeper, Pin	
25	3980007	1	Seat, Battery	
26	4240099	1	Tie-Strap (Not Shown)	
27	4811600	12	Washer M5	
28	4811700	12	Washer M6	
29	4812000	7	Washer M10	
30	4812002	2	Washer M10	
31	4812100	1	Washer M12	
32	5251012	1	Bolt M10 x 25	
33	1001026127	1	Clamp	
34	1001118972	3	Nut, Tinnerman M10	
35	1001119051	1	Washer	
36	1001130220	4	Nut, Tinnerman M6	
37	1001136975	5	Clamp	
38	1001142501	2	Fitting, 90 Barbed	
39	1001150918	1	Cable, Extension	
40	1001154405	33 in/ 0.8cm	Hose	
41	1001155094	1	Pin	
42	1001155823	1	Fitting, 90 Quick Connect	
43	1001165035	27 ft/ 8.2m	Hose	
44	1001175568	4	Clip	
45	1001186813	1	Deutz TD2.9L4 - 67HP Engine and Pumps Sub-Assembly (See Separate Breakdown in this Section)	

SECTION 3 - ENGINE

ITEM	PART NUMBER	QTY	DESCRIPTION	REV
46	1001188972	1	Heater, Immersion (Not Shown - Located on Hydraulic Tank)	
47	1001190444	1	Engine Harness - Deutz TD2.9L4 - 67HP Engines (Not Shown) (See Separate Breakdown in ELECTRICAL SECTION)	
49	1001200731	1	Tube	
51	1001233763	1	Deutz Breather Heater Installation (Not Shown) (See Separate Breakdown in this Section)	
54	1001258175	1	Bracket	
100	1001235532	1	Battery Cable Kit	
101	1001188668	1	Cable, Battery (-) to Aux Pump and Ground	
102	1001188669	1	Cable, Battery (+) to Aux Relay to Starter	
200	1001269920	1	Hose Assembly Kit	
201	1001192690	1	Hose (Case Drain) (Drive Pump Case Gauge Port to Tank) (Not Shown)	
202	1001203431	1	Hose (Case Drain) (Drive Pump Case Outlet Port to Tank) (Not Shown)	
203	1001258156	1	Hose (Function Suction) (Not Shown)	
204	1001258157	1	Hose (Drive Suction) (Not Shown)	

SECTION 3 - ENGINE

FIGURE 3-30. DEUTZ TD2.9L4 - 67HP ENGINE AND PUMPS SUB-ASSEMBLY - WITH ARCTIC PACKAGE (600S HC3/660SJ HC3)



ART_1001186813_I

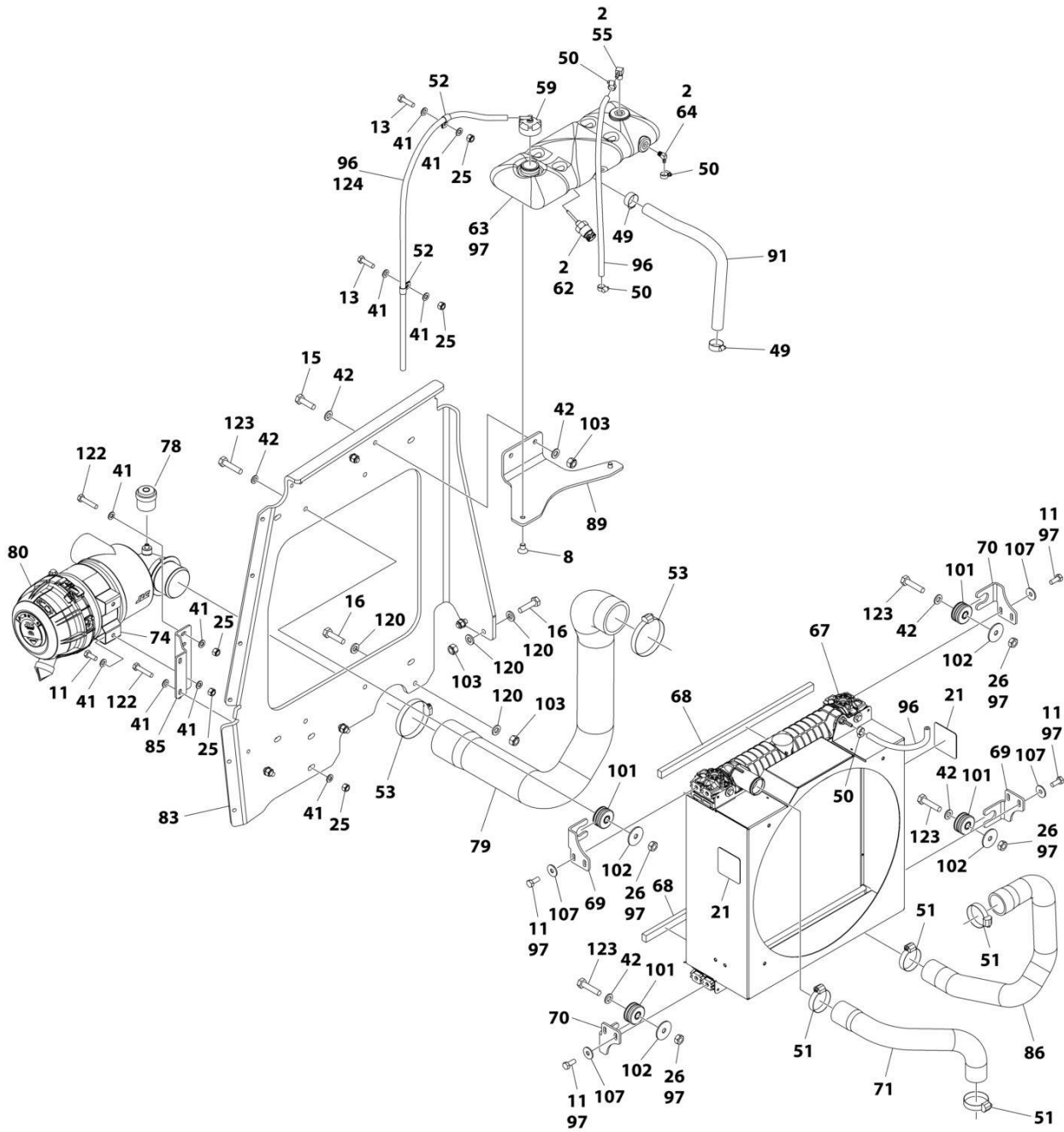
SECTION 3 - ENGINE

FIGURE 3-30. DEUTZ TD2.9L4 - 67HP ENGINE AND PUMPS SUB-ASSEMBLY - WITH ARCTIC PACKAGE (600S HC3/660SJ HC3)

ITEM	PART NUMBER	QTY	DESCRIPTION	REV
	1001186813	Ref	DEUTZ TD2.9L4 - 67HP ENGINE AND PUMPS SUB-ASSEMBLY	I
1	0100011	AR	Compound, Locking	
2	0760612	1	Bolt M6 x 25	
3	2131616	2	Fitting, 90 ORFS/ORB	
4	2220946	1	Fitting, Straight JIC/ORB	
5	2220479	1	Fitting, Straight JIC/ORB	
6	2220451	1	Fitting, Straight JIC/ORB	
7	2220947	2	Fitting, Straight JIC/ORB	
8	3290605	1	Nut M6	
9	3422532	1	Pin	
10	3790152	1	O-Ring	
11	3931620	2	Capscrew 3/8 x 1-1/4	
11	3931618	2	Capscrew 3/8 x 1-1/8	
12	0641814	2	Bolt 1/2 x 1-3/4	
13	3960469	2	Seal	
14	4811700	1	Washer M6	
15	5241000	2	Washer M10	
16	5241200	2	Washer M12	
17	4811702	1	Washer M6	
18	1001184930	1	Piston Pump Assembly (See Separate Breakdown in this Section)	
19	1001186814	1	Deutz TD2.9L4 - 67HP Engine Assembly (See Separate Breakdown in this Section)	
20	1001190143	1	Gear Pump Assembly	
20	70006356	1	Seal Kit - 1001190143 Pump	
21	1001239207	1	Pipe, Exhaust	
22	2220408	1	Fitting, Straight JIC/ORB	
23	2220940	1	Fitting, 90 JIC/ORB	

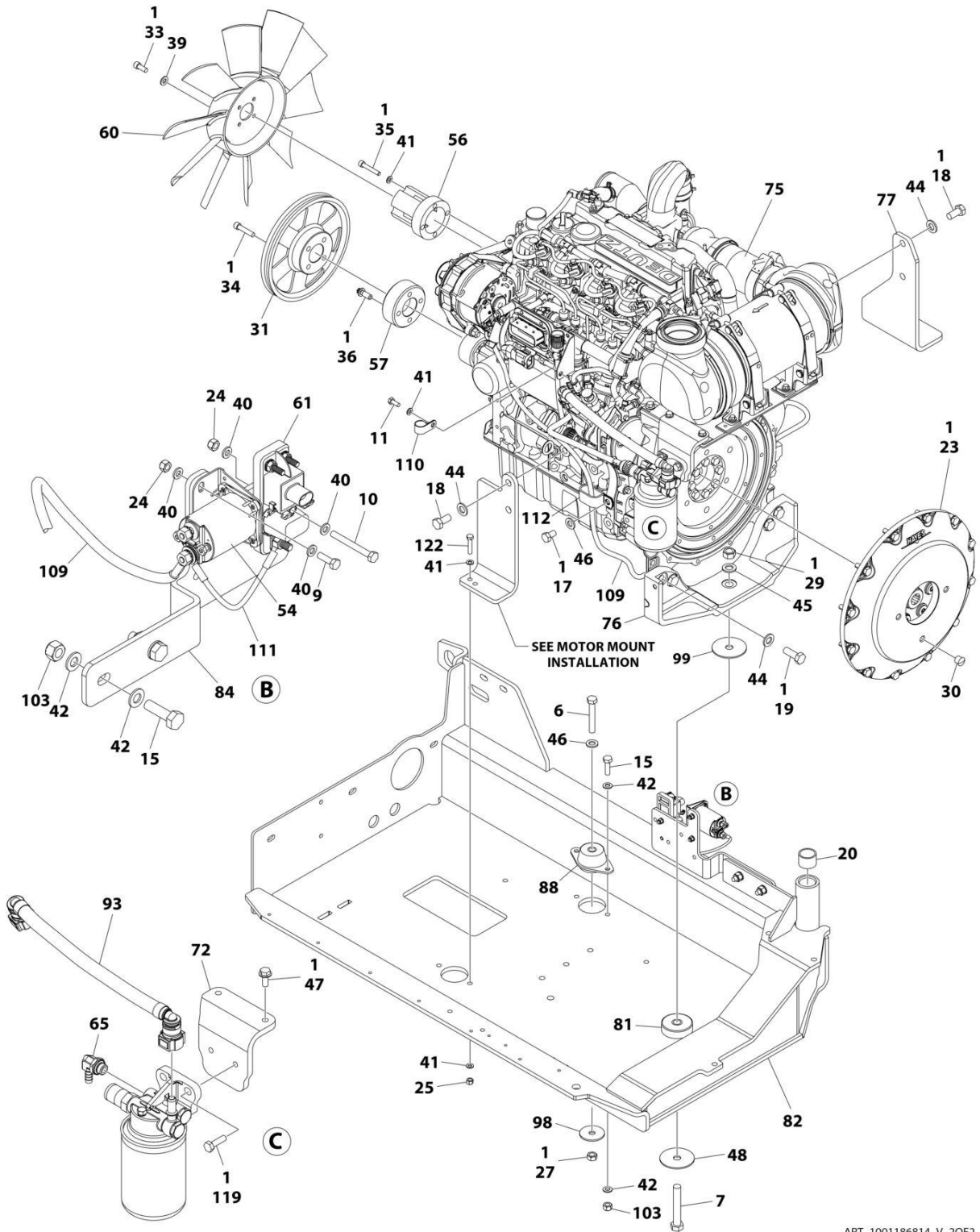
SECTION 3 - ENGINE

FIGURE 3-31. DEUTZ TD2.9L4 - 67HP ENGINE ASSEMBLY - WITH ARCTIC PACKAGE (600S HC3/660SJ HC3)



ART_1001186814_V_10F2

SECTION 3 - ENGINE



ART_1001186814_V_20F2

SECTION 3 - ENGINE

FIGURE 3-31. DEUTZ TD2.9L4 - 67HP ENGINE ASSEMBLY - WITH ARCTIC PACKAGE (600S HC3/660SJ HC3)

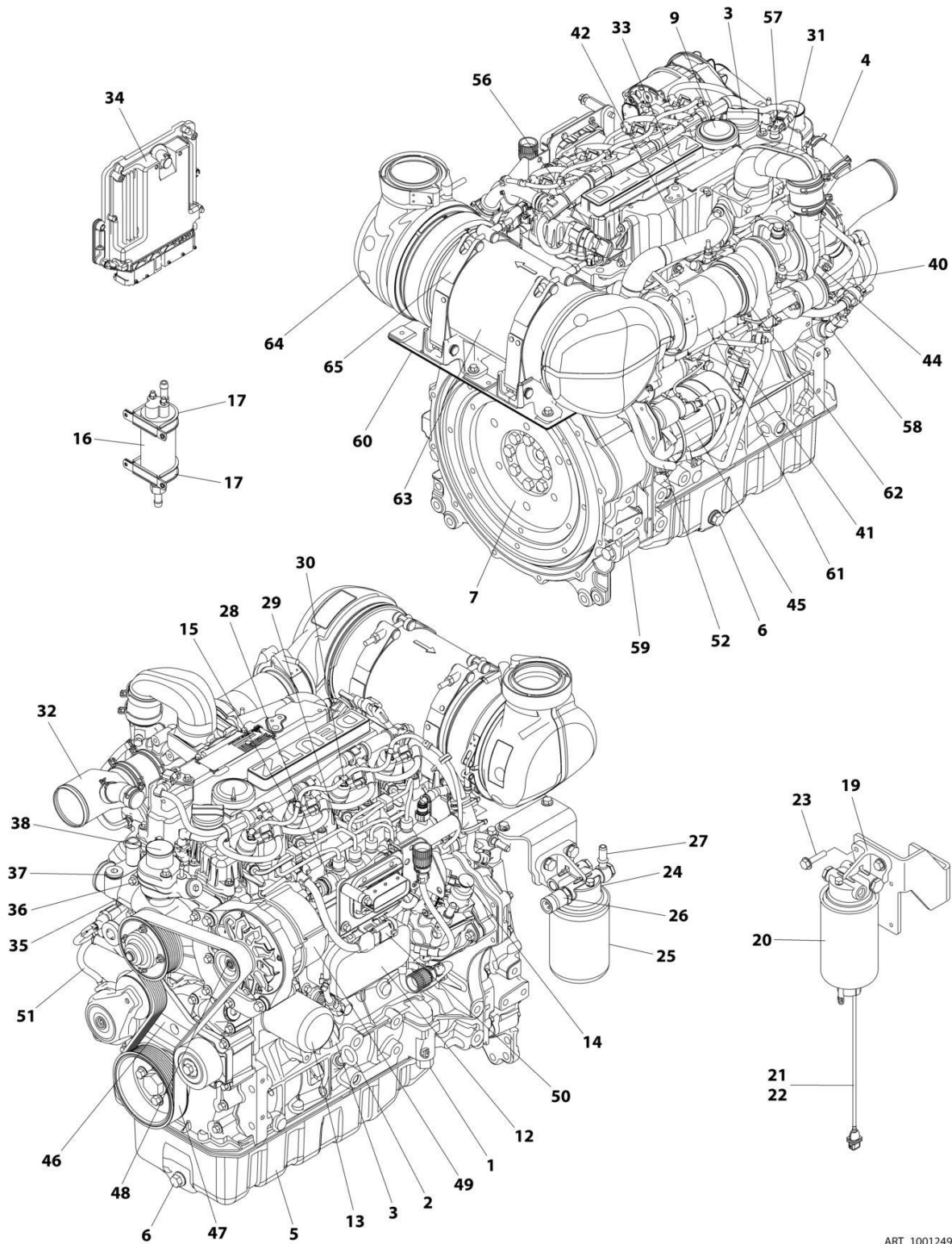
ITEM	PART NUMBER	QTY	DESCRIPTION	REV
	1001186814	Ref	DEUTZ TD2.9L4 - 67HP ENGINE ASSEMBLY	V
1	0100011	AR	Compound, Locking	
2	0100020	AR	Sealant	
6	0711224	1	Bolt M12 x 80	
7	0711627	1	Bolt M16 x 100	
8	0741605	2	Screw 3/8 x 5/8	
9	0760610	2	Bolt M6 x 20	
10	0760619	1	Bolt M6 x 55	
11	0760810	11	Bolt M8 x 20	
13	0760814	AR	Bolt M8 x 30	
15	0761015	6	Bolt M10 x 35	
16	0761016	5	Bolt M10 x 40	
17	0761210	1	Bolt M12 x 20	
18	0771414	4	Bolt M14 x 30	
19	0771416	4	Bolt M14 x 40	
20	0961951	2	Bushing	
21	1703162	2	Decal - Fan Blade	
23	2902065	1	Pump Coupling Kit (See Separate Breakdown in this Section)	
24	3290605	AR	Nut M6	
25	3290805	AR	Nut M8	
26	3291001	4	Nut M10	
27	3331211	1	Nut M12	
29	3331611	1	Nut M16	
30	3520054	1	Plug	
31	3580320	1	Pulley	
33	3931512	4	Capscrew 5/16 x 3/4	
34	3931628	4	Capscrew 3/8 x 1-3/4	
35	4031914	4	Capscrew M8 x 50	
36	4032014	4	Capscrew M10 x 50	
39	4711500	4	Washer 5/16	
40	4811700	AR	Washer M6	
41	4811900	AR	Washer M8	
42	4812000	20	Washer M10	
44	5241400	8	Washer M14	
45	4812300	1	Washer M16	
46	5241200	2	Washer M12	
47	5250810	2	Bolt M8 x 20	
48	7300435	1	Washer	
49	8405007	2	Clamp	
50	8405009	4	Clamp	
51	8405104	4	Clamp	
52	8406109	AR	Clip	
53	8410011	2	Clamp	
54	1001117308	1	Contactora	
55	1001134488	1	Fitting, 90 Barbed (Part of Item 63)	
56	1001135138	1	Adapter	
57	1001135679	1	Adapter	
59	1001136834	1	Cap, Tank	
60	1001137276	1	Fan	

SECTION 3 - ENGINE

ITEM	PART NUMBER	QTY	DESCRIPTION	REV
61	1001138228	1	Relay	
62	1001138827	1	Sensor, Coolant Level (Part of Item 63)	
63	1001230635	1	Tank, Surge (Includes Items 55, 62 & 64)	
64	1001140564	1	Fitting, 90 Barbed (Part of Item 63)	
65	1001152489	1	Fitting, 90 Pipe/Barbed	
67	1001167042	1	Radiator	
68	1001168166	2	Seal	
69	1001169967	2	Bracket	
70	1001170035	2	Bracket	
71	1001177844	1	Hose, Radiator (Top)	
72	1001231805	1	Mount	
74	1001186426	1	Clamp, Air Cleaner	
75	1001249943	1	Deutz TD2.9L4 - 67HP Engine (See Separate Breakdown in this Section)	
76	1001188535	1	Bracket, Engine - Rear	
77	1001189026	1	Bracket, Engine - Right	
78	1001166716	1	Restriction, Indicator	
79	1001189913	1	Hose	
80	1001189979	1	Filter, Air	
80	70005008	1	Element, Filter	
81	1001190164	1	Mount, Motor	
82	1001200745	1	Tray	
83	1001229091	1	Support, Radiator	
84	1001203885	1	Plate	
85	1001190942	1	Support	
86	1001191025	1	Hose, Radiator (Bottom)	
88	1001191610	1	Mount, Motor	
89	1001192400	1	Bracket	
91	1001193049	1	Hose	
92	1001140312	1	Heater, Engine Block	
93	1001177359	1	Hose	
96	2720015	AR	Hose	
97	1001180620	AR	Adhesive	
98	1001168018	1	Washer	
99	1001197725	1	Spacer	
101	1001169054	4	Isolator	
102	1001169138	4	Pad, Snubbing	
103	3291005	11	Nut M10	
107	4811902	8	Washer M8	
108	1001181895	AR	Adhesive	
109	1001190442	1	Harness, Alternator Power	
109	1001098764	1	Boot - Red	
110	1320202	1	Clamp	
111	1001141304	1	Harness, Glow Fuse	
112	1001181899	1	Clamp	
114	4240099	1	Tie-Strap (Not Shown)	
119	5251012	2	Bolt M10 x 25	
120	5241000	10	Washer M10	
122	0760816	3	Bolt M8 x 40	
123	0761017	4	Bolt M10 x 45	
124	1001138248	4 ft/1.25m	Tube	

SECTION 3 - ENGINE

FIGURE 3-32. DEUTZ TD2.9L4 - 67HP ENGINE COMPONENTS (600S HC3/660SJ HC3)



ART_1001249943

SECTION 3 - ENGINE

FIGURE 3-32. DEUTZ TD2.9L4 - 67HP ENGINE COMPONENTS (600S HC3/660SJ HC3)

ITEM	PART NUMBER	QTY	DESCRIPTION	REV
	1001249943	Ref	ENGINE ASSEMBLY	A
1	70006265	1	Spring	
1	70006266	1	Seal	
1	70025660	1	Plug	
1	70006264	1	Valve, Plunger	
2	70024904	1	Dipstick	
2	70024905	2	Seal	
3	7020465	1	Cap, Fill	
4	70005920	1	Line, Breather	
4	70025111	2	Clamp	
5	70025162	1	Oil Pan	
6	70005942	1	Seal	
6	70005941	1	Plug	
7	70001870	1	Flywheel	
7	7024579	1	Ring Gear	
7	70025139	8	Bolt	
8	70024906	1	Gasket, Cylinder Head (Not Shown)	
9	70005921	1	Valve Cover	
9	70025205	1	Gasket	
10		Ref	Gasket & Seal Options (Not Shown)	
10	70005938	1	Gasket Kit	
10	70005171	1	Gasket	
10	70002718	1	Seal, Rear Main	
10	70028185	1	Gasket, Front Cover	
10	70004280	1	Seal, Front Main	
11	70005172	1	Pump, Lube (Not Shown - Located RH Rear)	
11	70025125	4	Bolt	
11	70025135	1	O-Seal	
11	70005173	1	Gasket	
12	70024494	1	Cooler, Oil	
12	70024925	1	Gasket, Oil Filter	
12	70025125	6	Bolt	
13	70025137	1	Bushing, Oil Filter	
13	7016331	1	Filter, Oil	
14	70024924	1	Pump, High Pressure	
14	70024517	1	Gasket (Spacer to Block)	
14	70025104	3	Nut	
14	70025152	1	Gasket (Spacer to Pump)	
14	70004505	1	Valve, Overflow	
14	70004506	1	Gasket, Overflow	
14	70004507	1	Gasket, Overflow	
14	70004508	1	Valve, Volume Control	
14	70004509	1	Seal, Ring	
14	70004510	1	Gasket	
14	70027415	2	Bolt	
15	70025181	4	Injector	
15	70025140	4	Washer, Sealing	
15	70025146	4	Clamp	
15	70025145	4	O-Seal	
15	70025154	4	Shoe/Pad, Clamping	

SECTION 3 - ENGINE

ITEM	PART NUMBER	QTY	DESCRIPTION	REV
15	70025147	4	Bolt	
16	70006144	1	Pump, Fuel Supply	
17	70025144	2	Clip, Clamp	
18	70029393	2	Receptacle Plug (Not Shown)	
19	70024961	1	Fuel Filter Assembly	
20	1001225430	1	Element, Filter	
21	70024513	1	Cable, Sensor	
22	70025239	1	Seal, Ring	
23	70025121	4	Bolt	
24	70029451	1	Fuel Filter Assembly	
25	1001225431	1	Element, Filter	
26	70028538	1	Cable, Sensor	
26	70024920	1	O-Seal	
27	70004513	2	Seal (at Hollow Bolt)	
28	70025151	1	Rail, Fuel	
28	70028186	2	Bolt	
28	70025235	1	Repair Kit - Fuel Rail	
28	70025240	1	O-Ring	
29	70025182	1	Tube, Fuel - Cylinders 1 & 2	
29	70025183	1	Tube, Fuel - Cylinders 3 & 4	
29	70025184	1	Tube, Fuel	
30	70024502	1	Pipe, Fuel Leakage	
30	70025185	1	Hose, Fuel	
30	70025158	1	Manifold	
30	70025109	2	Clamp, Spring	
30	70025115	1	Clamp	
30	70001655	1	Bolt	
30	70025101	2	Clamp	
30	70025148	1	Connector, Plug-in	
31	70005928	1	Elbow, Air Charge	
31	70025122	2	Bolt	
32	70004501	1	Sleeve, Rubber	
32	70025112	2	Clamp	
32	70005926	1	Elbow	
33	70005176	1	O-Ring	
33	70005177	1	Gasket, Charger Air Manifold	
33	70005178	2	Bolt	
33	70005179	9	Bolt	
34	70025210	1	Module, ECU	
35	70029797	1	Pump, Coolant	
35	70025200	1	Ring, Sealing (Pump to Block)	
35	70007325	1	Gasket, Coolant Pump	
36	70025129	4	Bolt	
37	7020492	2	Ring, Sealing	
38	70005929	1	Thermostat	
38	70005184	1	O-Seal (Thermostat to Housing)	
38	70025142	1	Cover, Thermostat	
38	70025124	2	Bolt	
38	70005931	1	O-Seal (Thermostat to Pump)	
39	70004282	1	Manifold, Exhaust (Not Shown)	
39	70025130	8	Bolt, Manifold (Not Shown)	

SECTION 3 - ENGINE

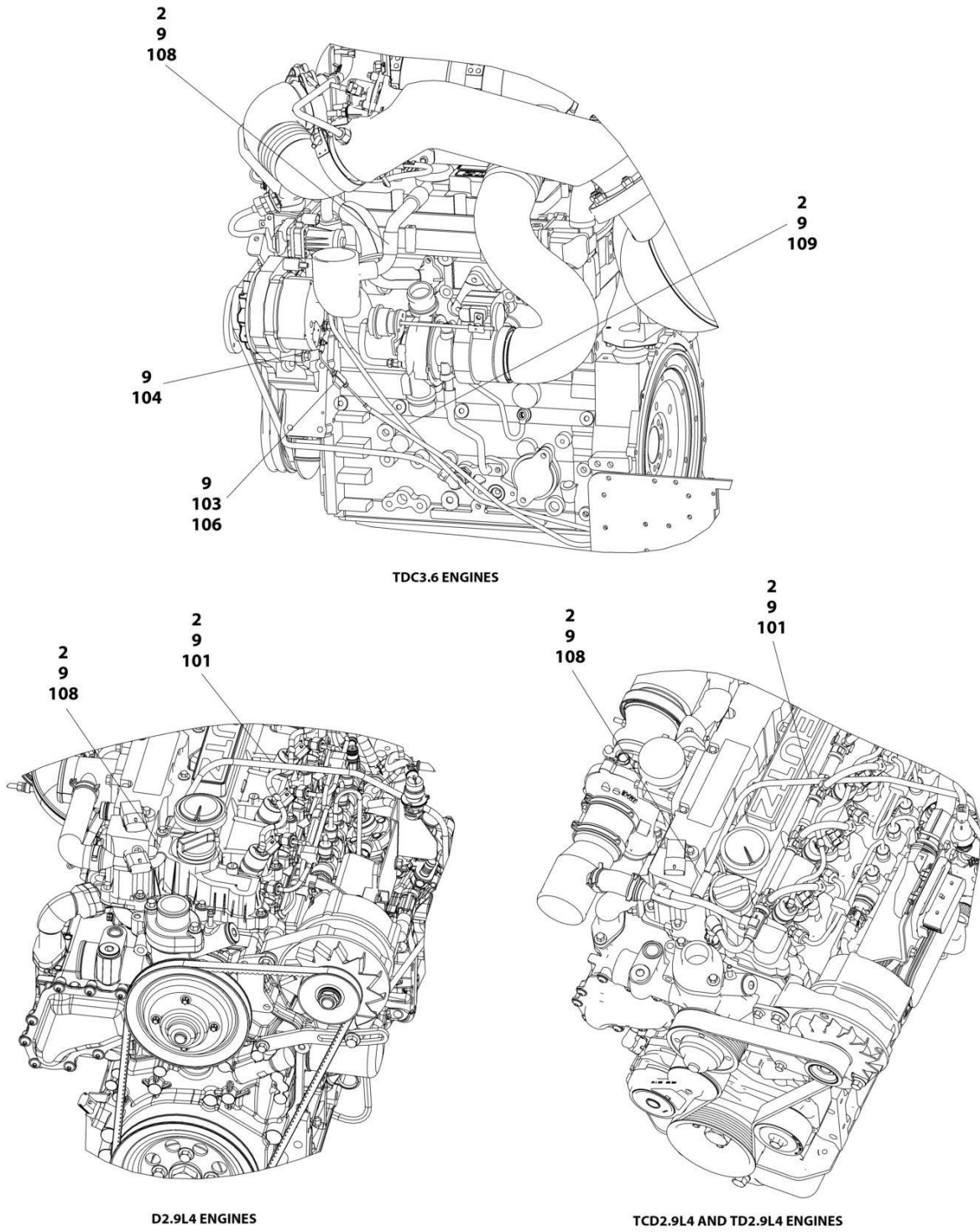
ITEM	PART NUMBER	QTY	DESCRIPTION	REV
39	70025164	1	Gasket, Manifold to Head (Not Shown)	
40	70025179	1	Gasket, Manifold to Elbow	
40	70007354	1	Gasket, Elbow End	
41	70007326	1	Gasket, EGR	
41	70007327	1	Valve, EGR Control	
41	70027428	4	Bolt	
41	70025106	4	Bolt, EGR Module	
41	70025155	2	Plug, EGR	
41	70025696	2	Bolt, EGR Valve Housing	
42	70029557	2	Gasket, Exhaust Pipe	
42	70025098	4	Bolt, Exhaust Pipe	
43	70024912	1	Gasket, Exhaust Manifold (Not Shown)	
43	70025676	4	Bolt, Exhaust Manifold (Not Shown)	
44	70004276	1	Turbocharger	
44	70024509	1	Gasket (Turbocharger to Oil Return Tube Housing)	
44	70025095	2	Bolt, Turbocharger	
44	70006294	1	O-Seal	
45	70024915	1	Starter	
45	70005647	1	Switch, Solenoid	
45	70005648	1	Relay	
45	70025099	2	Starter Bolt	
46	70028699	1	Belt Tensioner	
47	70004277	1	Belt	
48	70025733	1	Pulley, Alternator	
49	70006652	1	Generator	
49	70006653	1	Voltage, Regulator	
49	70029015	1	Fan	
49	70029402	1	Nut, Pulley	
49	70029403	1	Nut	
49	70029404	1	Washer	
50	70025231	1	Harness, Glow Plug	
50	70025233	1	Connector, Plug-in	
50	70000345	4	Glow Plug (Not Shown)	
51	70025226	1	Plug-In Connector	
51	70007086	4	Plug-In Connector	
51	70007087	5	Plug-In Connector	
51	70007088	1	Plug-In Connector	
51	70007089	1	Plug-In Connector	
51	70027440	1	Plug-In Connector	
51	70025221	2	Plug-In Connector	
51	70025327	1	Plug-In Connector	
51	70025216	1	Adapter	
51	70025215	1	Fixing, Bracket	
51	70025134	4	Screw	
51	70025165	1	Retaining Plate	
51	70025228	2	Bracket	
51	70025229	1	Wire Fastener	
51	70025217	4	Clamping Band	
51	70025224	3	Clamping Band	
51	70025225	2	Support, Cable	
51	70027446	1	Clamp, Support	

SECTION 3 - ENGINE

ITEM	PART NUMBER	QTY	DESCRIPTION	REV
51	70025214	1	Cover, Cap	
52	70025166	1	Angle, Support	
52	70001655	1	Bolt	
52	70025126	6	Bolt	
53	70028540	1	Sender, Temperature (Not Shown)	
54	70028538	1	Sensor, Pressure (Not Shown)	
54	70024920	1	O-Seal	
55	70026210	1	Tacho-Generator (Not Shown)	
55	70005191	1	Ring, Seal	
56	70005179	2	Bolt	
56	70005933	1	Adapter	
56	70005934	1	O-Seal	
56	70024507	1	Sensor, Pressure	
56	70025120	1	O-Seal	
56	70001655	2	Bolt	
57	70024922	1	Sender, Temperature	
57	70025212	1	O-Seal	
58	70025128	1	Bolt	
58	70026210	1	Sensor, Speed	
58	70024917	1	O-Seal	
59	70025192	1	Housing	
59	70025113	2	Straight, Pin	
59	70025108	4	Bolt	
60	70005935	1	Bracket	
60	70005936	4	Bolt	
61	70004504	1	Compensator	
61	70025242	1	Gasket	
62	70005527	1	Clip	
62	70029433	1	Clip	
62	70025788	1	Nut, Clip	
63	70007355	1	Inlet, Muffler	
63	70029517	1	Clip	
63	70029250	1	Gasket, Inlet	
64	70007331	1	Outlet, Muffler	
64	70029517	1	Clip	
64	70029250	1	Gasket, Outlet	
65	70029415	2	Bracket, Muffler	
65	70025098	8	Bolt	

SECTION 3 - ENGINE

FIGURE 3-33. BREATHER HEATER INSTALLATION - DEUTZ D2.9L4 - 49HP AND DEUTZ TD2.9L4 - 67HP ENGINES WITH ARCTIC PACKAGE



ART_1001233763

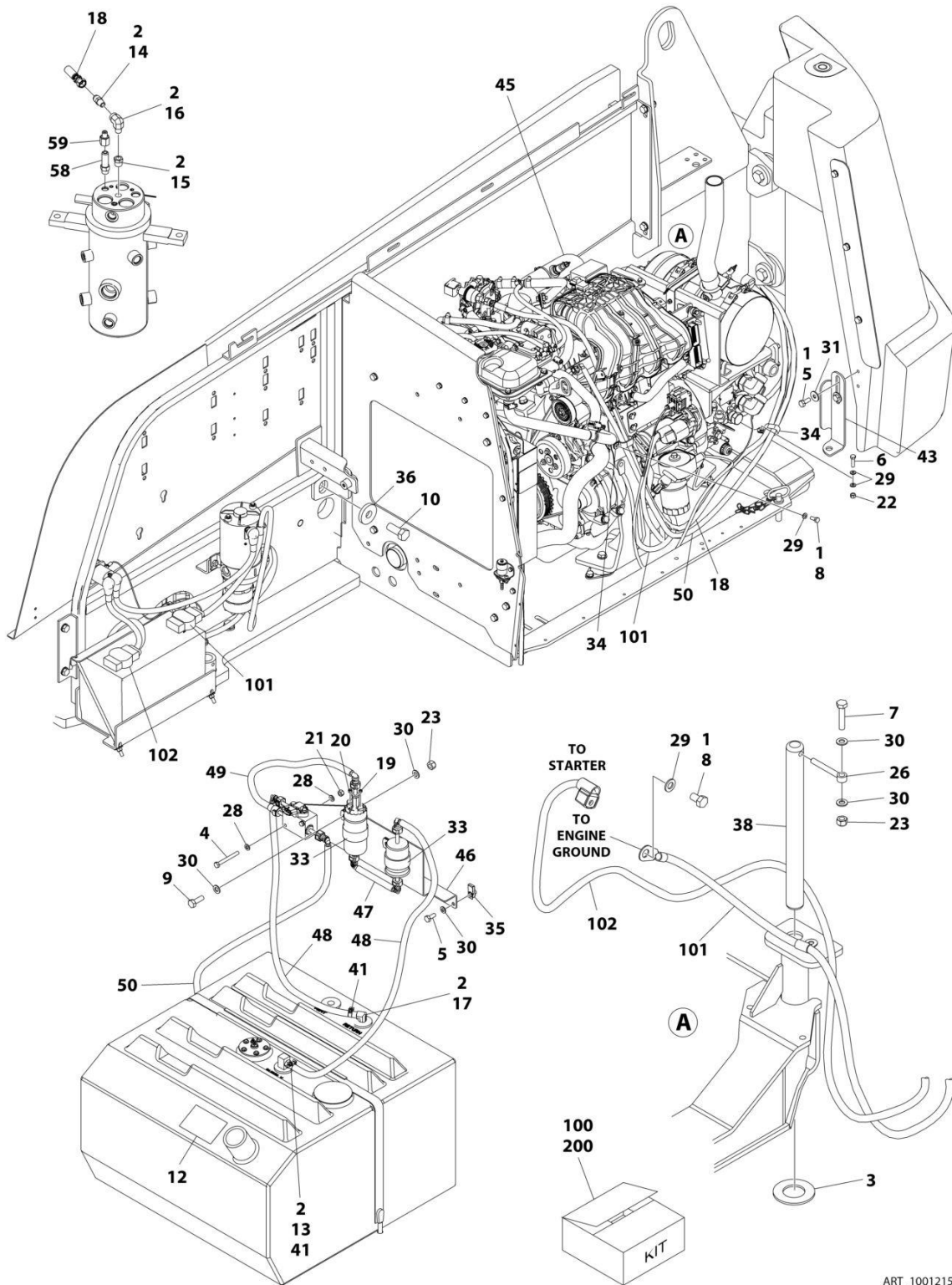
SECTION 3 - ENGINE

FIGURE 3-33. BREATHER HEATER INSTALLATION - DEUTZ D2.9L4 - 49HP AND DEUTZ TD2.9L4 - 67HP ENGINES WITH ARCTIC PACKAGE

ITEM	PART NUMBER	QTY	DESCRIPTION	REV
	1001233763	Ref	BREATHER HEATER INSTALLATION - DEUTZ ENGINES	D
2	4240099	AR	Tie-Strap	
9	1001243895	1	Breather Heater Harness	C
101	2820035	AR	Insulation	
103	2400060	1	Fuseholder with Cover	
104	4460043	1	Terminal, Ring	
105	4460722	1	Terminal, Ring (Not Shown)	
106	1001196634	1	Fuse - 2 Amp	
108	1001232842	1	Breather Heater Kit	

SECTION 3 - ENGINE

FIGURE 3-34. FORD ENGINE INSTALLATION - WITHOUT ARCTIC PACKAGE (600S HC3)



ART_1001215608_J

SECTION 3 - ENGINE

FIGURE 3-34. FORD ENGINE INSTALLATION - WITHOUT ARCTIC PACKAGE (600S HC3)

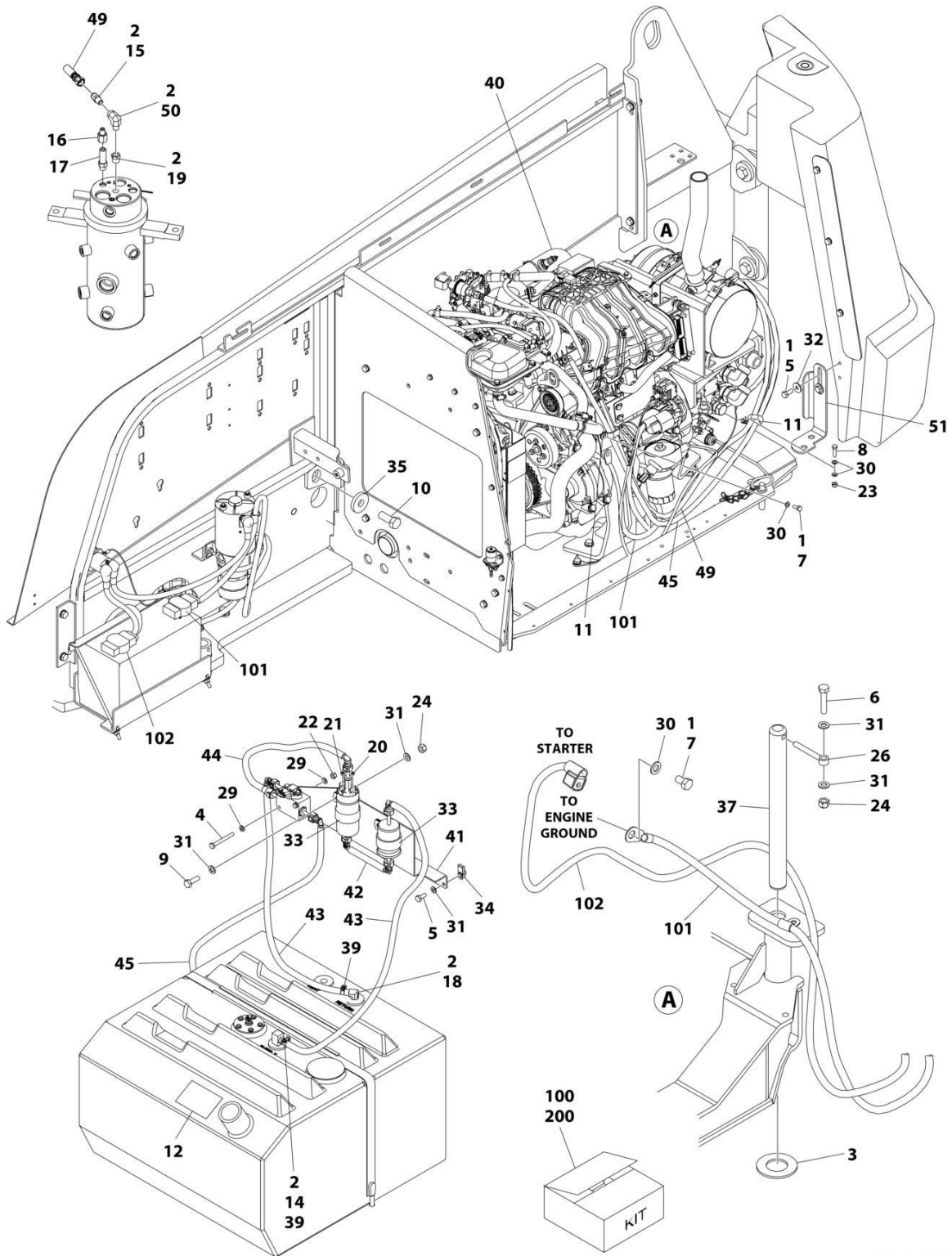
ITEM	PART NUMBER	QTY	DESCRIPTION	REV
	1001215608	Ref	FORD ENGINE INSTALLATION	J
1	0100011	AR	Compound, Locking	
2	0100020	AR	Sealant	
3	0440162	1	Bearing	
4	0700619	2	Bolt M6 x 55	
5	0701012	4	Bolt M10 x 25	
6	0760814	1	Bolt M8 x 30	
7	0711018	1	Bolt M10 x 50	
8	0760810	2	Bolt M8 x 20	
9	0761014	2	Bolt M10 x 30	
10	0772018	1	Bolt M20 x 50	
12	1701542	1	Decal - Gas	
13	2180348	1	Fitting, Straight NPT/BARB	
14	2180418	1	Fitting, Straight	
15	2221197	1	Fitting, Straight NPT	
16	1001247359	1	Fitting, 90	
17	2221176	1	Fitting, 90	
18	1001222133	1	Hose	
19	3290405	1	Nut M4	
20	3290505	1	Nut M5	
21	3290605	2	Nut M6	
22	3290805	1	Nut M8	
23	3291005	3	Nut M10	
25	3790012	1	O-Ring (Not Shown - Located on Platform Console)	
26	3841143	1	Keeper, Pin	
27	4740397	1	Spacer (Not Shown - Located on Platform Console)	
28	4811700	4	Washer M6	
29	4811900	4	Washer M8	
30	4812000	8	Washer M10	
31	4812002	2	Washer M10	
33	85941018	2	Clamp	
34	1321283	2	Clamp	
35	1001118972	2	Nut, Tinnerman	
36	1001119051	1	Washer	
37	1001115044	1	Nut 15/32 (Not Shown - Located on Platform Console)	
38	1001155094	1	Pin	
39	1001161710	1	Switch, Toggle (Not Shown - Located on Platform Console)	
41	1001174486	2	Clamp	
43	1001196398	1	Bracket	
45	1001215610	1	Ford Engine and Pumps Sub-Assembly (See Separate Breakdown in this Section)	
46	1001219005	1	Bracket	
47	1001219015	1	Hose	
48	1001219021	2	Hose	
49	1001219022	1	Hose	
50	1001219024	1	Hose	
56	1701543	2	Decal - LPG (Not Shown - See DECALS INSTALLATION - OPTIONS for Locations)	
57	4240099	1	Tie-Strap (Not Shown)	
58	2220998	1	Fitting, Straight JIC/ORB	

SECTION 3 - ENGINE

ITEM	PART NUMBER	QTY	DESCRIPTION	REV
59	2220609	1	Fitting, Straight JIC/FSJIC	
100	1001236136	1	Battery Cable Kit	
101	1001215220	1	Cable, Battery (-) to Aux Pump to Ground	
102	1001215219	1	Cable, Battery (+) to Aux Ready to Starter	
200	1001269921	1	Engine Hose Kit	
201	1001203432	1	Hose (Drive Suction) (Not Shown)	
202	1001221942	1	Hose (Function Suction) (Not Shown)	
203	1001221943	1	Hose (Case Drain) (Drive Pump Case Outlet Port to Tank) (Not Shown)	
204	1001221944	1	Hose (Case Drain) (Drive Pump Case Gauge Port to Tank) (Not Shown)	

SECTION 3 - ENGINE

FIGURE 3-35. FORD ENGINE INSTALLATION - WITHOUT ARCTIC PACKAGE (660SJ HC3)



ART_1001258169

SECTION 3 - ENGINE

FIGURE 3-35. FORD ENGINE INSTALLATION - WITHOUT ARCTIC PACKAGE (660SJ HC3)

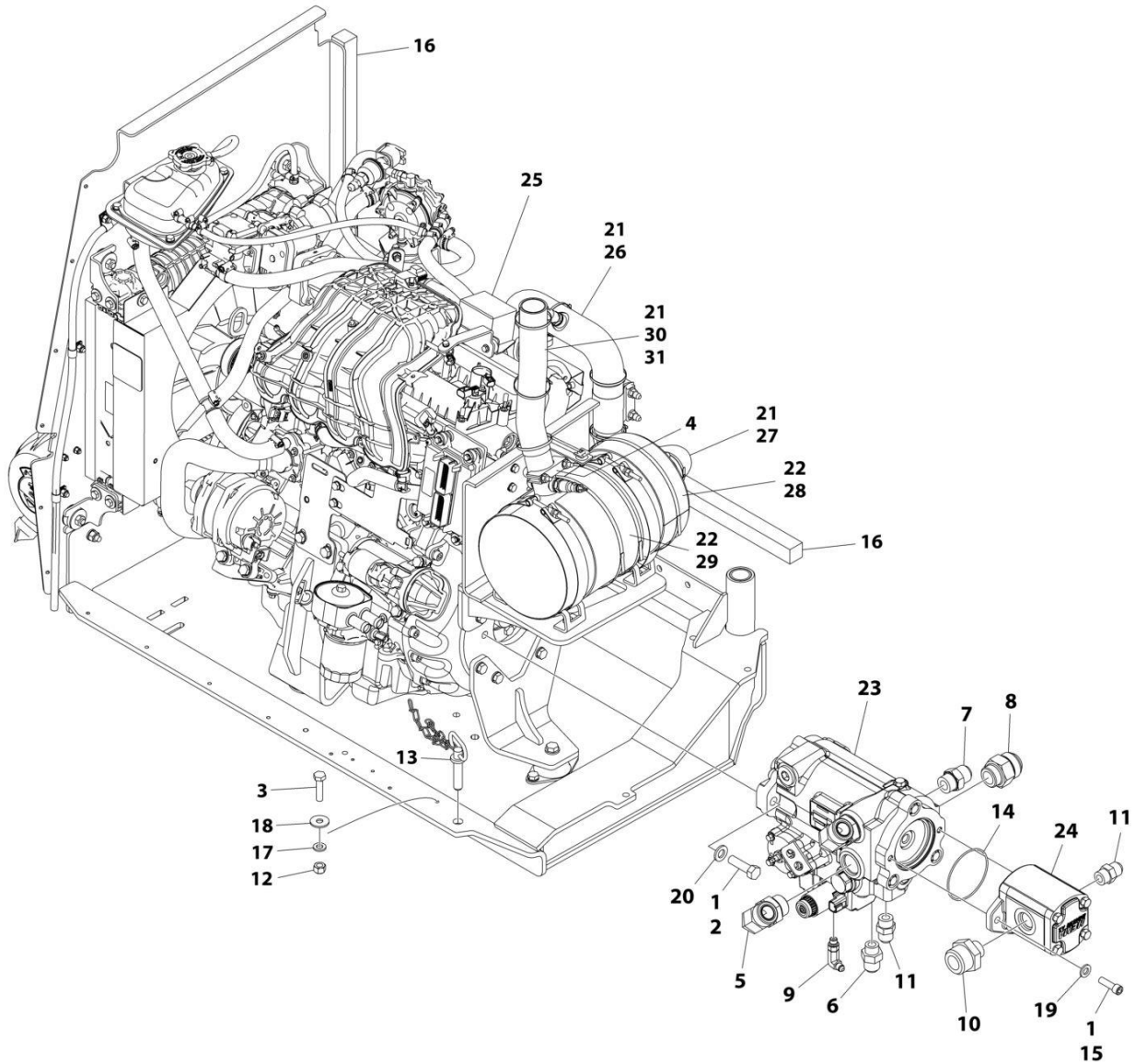
ITEM	PART NUMBER	QTY	DESCRIPTION	REV
	1001258169	Ref	FORD ENGINE INSTALLATION	B
1	0100011	AR	Compound, Locking	
2	0100020	AR	Sealant	
3	0440162	1	Bearing	
4	0700619	2	Bolt M6 x 55	
5	0701012	4	Bolt M10 x 25	
6	0711018	1	Bolt M10 x 50	
7	0760810	2	Bolt M8 x 20	
8	0760814	1	Bolt M8 x 30	
9	0761014	2	Bolt M10 x 30	
10	0772018	1	Bolt M20 x 50	
11	1321283	2	Clamp	
12	1701542	1	Decal - Gas	
13	1701543	2	Decal - LPG (Not Shown - See DECALS INSTALLATION - OPTIONS for Locations)	
14	2180348	1	Fitting, Straight NPT/BARB	
15	2180418	1	Fitting, Straight	
16	2220609	1	Fitting, Straight JIC/FSJIC	
17	2220998	1	Fitting, Straight JIC/ORB	
18	2221176	1	Fitting, 90	
19	2221197	1	Fitting, Straight NPT	
20	3290405	1	Nut M4	
21	3290505	1	Nut M5	
22	3290605	2	Nut M6	
23	3290805	1	Nut M8	
24	3291005	3	Nut M10	
25	3790012	1	O-Ring (Not Shown - Located on Platform Console)	
26	3841143	1	Keeper, Pin	
27	4240099	1	Tie-Strap (Not Shown)	
28	4740397	1	Spacer (Not Shown - Located on Platform Console)	
29	4811700	4	Washer M6	
30	4811900	4	Washer M8	
31	4812000	8	Washer M10	
32	4812002	2	Washer M10	
33	85941018	2	Clamp	
34	1001118972	2	Nut, Tinnerman	
35	1001119051	1	Washer	
36	1001115044	1	Nut 15/32 (Not Shown - Located on Platform Console)	
37	1001155094	1	Pin	
38	1001161710	1	Switch, Toggle (Not Shown - Located on Platform Console)	
39	1001174486	2	Clamp	
40	1001215610	1	Ford Engine and Pumps Sub-Assembly (See Separate Breakdown in this Section)	
41	1001219005	1	Bracket	
42	1001219015	1	Hose	
43	1001219021	2	Hose	
44	1001219022	1	Hose	
45	1001219024	1	Hose	
49	1001222133	1	Hose	
50	1001247359	1	Fitting, 90	

SECTION 3 - ENGINE

ITEM	PART NUMBER	QTY	DESCRIPTION	REV
51	1001258175	1	Bracket	
100	1001236136	1	Battery Cable Kit	
101	1001215220	1	Cable, Battery (-) to Aux Pump to Ground	
102	1001215219	1	Cable, Battery (+) to Aux Ready to Starter	
200	1001269922	1	Engine Hose Kit	
201	1001221942	1	Hose (Function Suction) (Not Shown)	
202	1001221943	1	Hose (Case Drain) (Drive Pump Case Outlet Port to Tank) (Not Shown)	
203	1001221944	1	Hose (Case Drain) (Drive Pump Case Gauge Port to Tank) (Not Shown)	
204	1001258263	1	Hose (Function Suction) (Not Shown)	

SECTION 3 - ENGINE

FIGURE 3-36. FORD ENGINE AND PUMPS SUB-ASSEMBLY - WITHOUT ARCTIC PACKAGE (600S HC3/660SJ HC3)



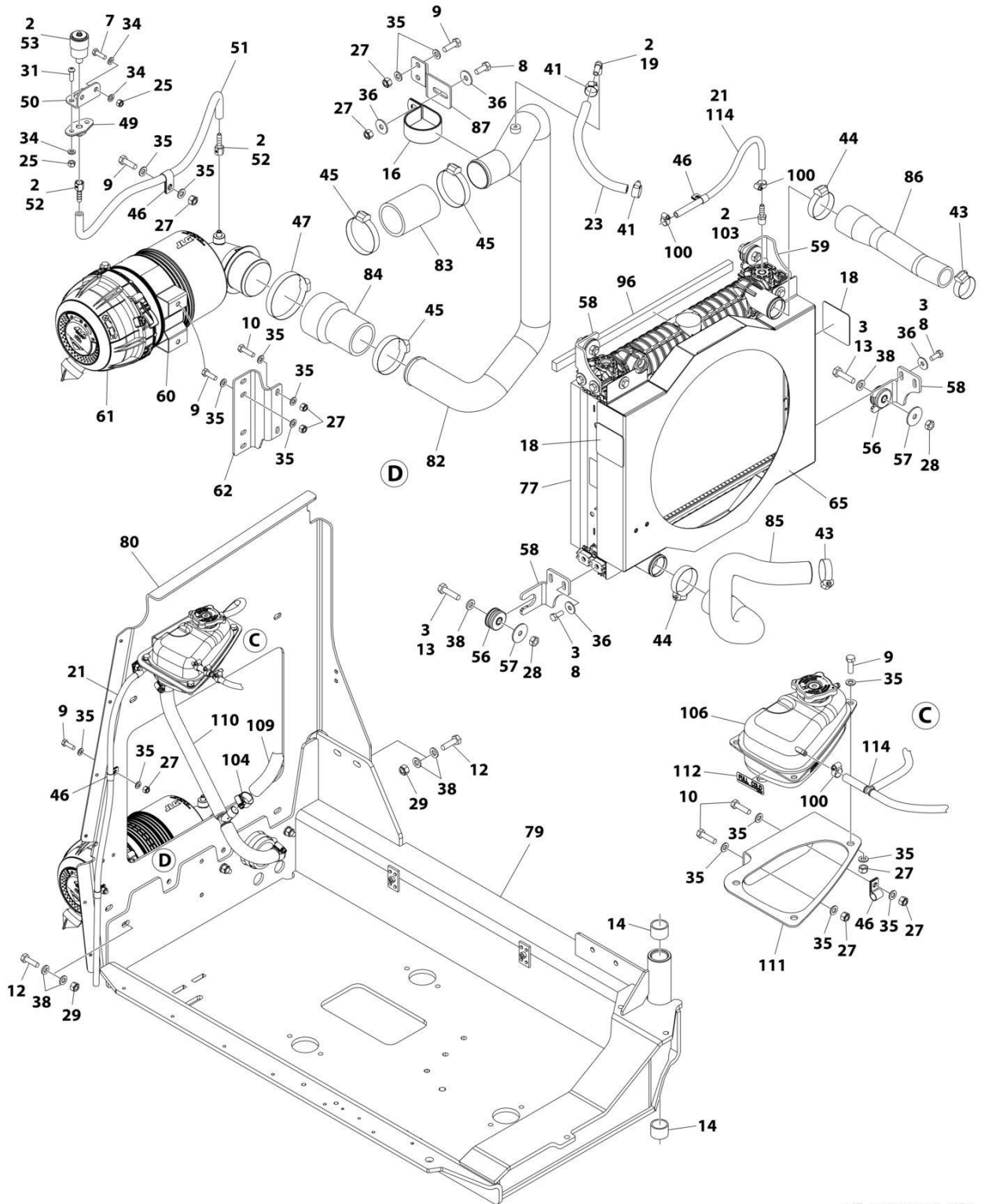
ART_1001215610

SECTION 3 - ENGINE

FIGURE 3-36. FORD ENGINE AND PUMPS SUB-ASSEMBLY - WITHOUT ARCTIC PACKAGE (600S HC3/660SJ HC3)

ITEM	PART NUMBER	QTY	DESCRIPTION	REV
	1001215610	Ref	FORD ENGINE AND PUMPS SUB-ASSEMBLY	F
1	0100011	AR	Compound, Locking	
2	0641814	2	Bolt 1/2 x 1-3/4	
3	0760612	1	Bolt M6 x 25	
4	1001221397	1	Clamp	
5	2131616	2	Fitting, 90 ORFS/ORB	
6	2220408	1	Fitting, Straight JIC/ORB	
7	2220451	1	Fitting, Straight ORB/JIC	
8	2220479	1	Fitting, Straight JIC/ORB	
9	2220940	1	Fitting, 90 JIC/ORB	
10	2220946	1	Fitting, Straight JIC/ORB	
11	2220947	2	Fitting, Straight JIC/ORB	
12	3290605	1	Nut M6	
13	3422532	1	Pin	
14	3790152	1	O-Ring	
15	3931620	2	Capscrew 3/8 x 1-1/4	
15	3931618	2	Capscrew 3/8 x 1-1/8	
16	3960469	2	Seal	
17	4811700	1	Washer M6	
18	4811702	1	Washer M6	
19	5241000	2	Washer M10	
20	5241200	2	Washer M12	
21	1001100825	9	Strap	
22	1001221464	3	Strap	
23	1001184930	1	Piston Pump Assembly (See Separate Breakdown in this Section)	
24	1001190143	1	Gear Pump Assembly	
24	70006356	1	Seal Kit - 1001190143 Pump	
25	1001215612	1	Ford Engine Assembly (See Separate Breakdown in this Section)	
26	1001216532	1	Insulate, Exhaust	
27	1001216533	1	Insulate, Exhaust	
28	1001216534	1	Insulate, Muffler	
29	1001216535	1	Insulate, Muffler	
30	1001216947	1	Pipe, Exhaust	
31	1001217563	1	Insulate, Exhaust	

SECTION 3 - ENGINE



ART_1001215612_K_20F2

SECTION 3 - ENGINE

FIGURE 3-37. FORD ENGINE ASSEMBLY - WITHOUT ARCTIC PACKAGE (600S HC3/660SJ HC3)

ITEM	PART NUMBER	QTY	DESCRIPTION	REV
	1001215612	Ref	FORD ENGINE ASSEMBLY	K
1	0100011	AR	Compound, Locking	
2	0100020	AR	Sealant	
3	1001180620	AR	Adhesive	
4	0711014	10	Bolt M10 x 30	
5	0711020	3	Bolt M10 x 60	
6	0711223	3	Bolt M12 x 75	
7	0760610	4	Bolt M6 x 20	
8	0760810	11	Bolt M8 x 20	
9	0760812	18	Bolt M8 x 25	
10	0760814	11	Bolt M8 x 30	
11	0760815	2	Bolt M8 x 35	
12	0761015	11	Bolt M10 x 35	
13	0761016	4	Bolt M10 x 40	
14	0961951	2	Bushing	
16	1320110	1	Clamp	
18	1703162	2	Decal - Fan Blade	
19	2180467	1	Fitting, Straight NPT/Barb	
21	2720058	AR	Hose, Fuel	
23	1001165035	11 in/ 28cm	Hose	
24	3290601	2	Nut M6	
25	3290605	4	Nut M6	
26	3290801	5	Nut M8	
27	3290805	17	Nut M8	
28	3291001	4	Nut M10	
29	3291005	11	Nut M10	
30	3331211	3	Nut M12	
31	3900364	2	Capscrew M6 x 20	
32	3931648	1	Capscrew 3/8 x 3	
33	4031711	1	Capscrew M6 x 35	
34	4811700	14	Washer M6	
35	4811900	54	Washer M8	
36	4811902	10	Washer M8	
37	4812000	14	Washer M10	
38	5241000	30	Washer M10	
39	5241200	3	Washer M12	
40	5272010	1	Capscrew M10 x 30	
41	8405006	2	Clamp	
43	8405102	2	Clamp	
44	8405104	2	Clamp	
45	8405203	3	Clamp	
46	8406109	AR	Clip	
47	8410011	1	Clamp	
48	1001128901	2	Strap	
49	1001138173	1	Support	
50	1001138175	1	Bracket	
51	1001138248	23 in/.6m	Hose	
52	1001141995	2	Fitting, Straight NPT/Barbed	
53	1001149639	1	Indicator, Restriction	

SECTION 3 - ENGINE

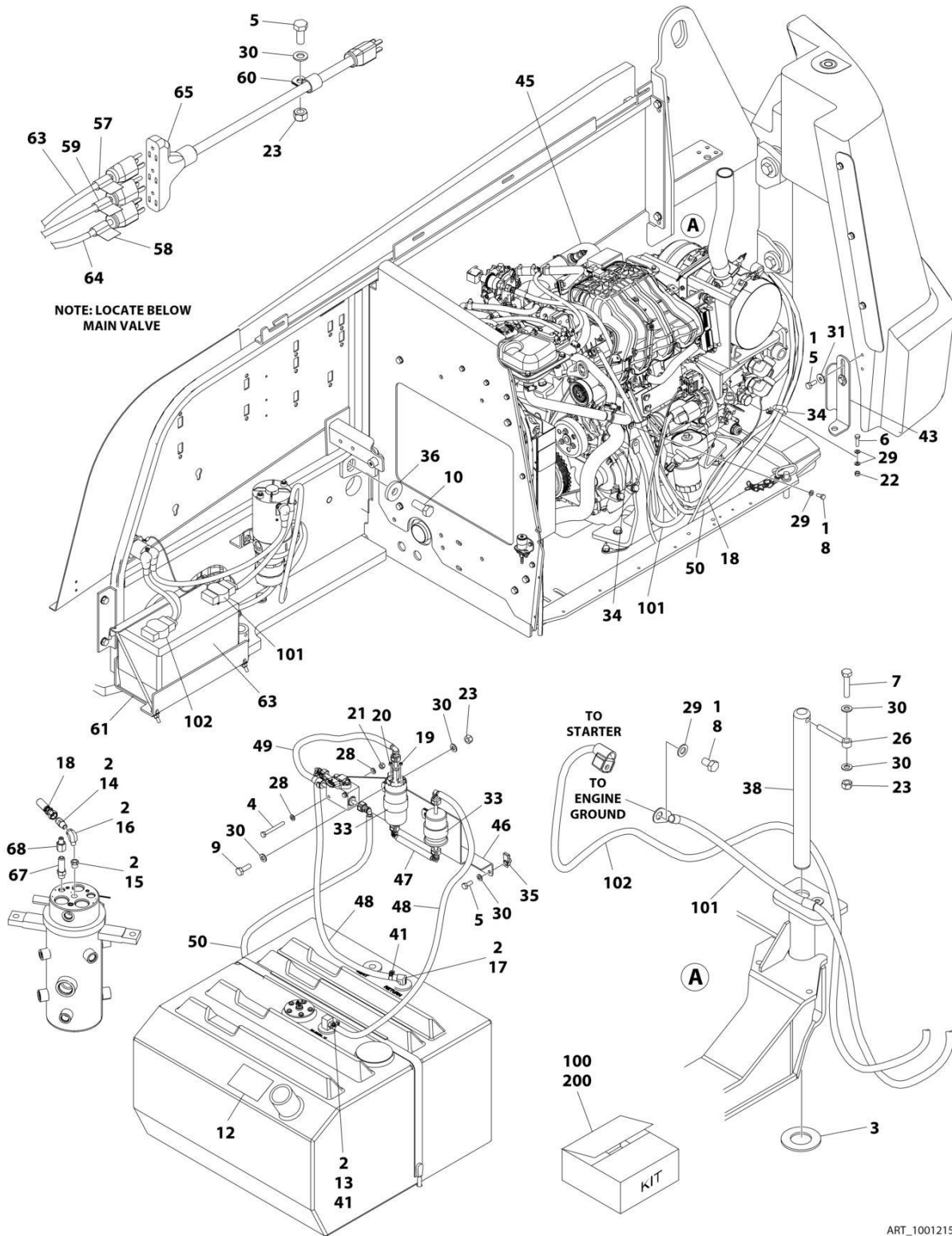
ITEM	PART NUMBER	QTY	DESCRIPTION	REV
54	1001191610	3	Mount, Motor	
55	1001168018	3	Washer	
56	1001169054	4	Isolator	
57	1001169138	4	Pad, Snubbing	
58	1001169967	3	Bracket	
59	1001170035	1	Bracket	
60	1001186426	1	Clamp	
61	1001189979	1	Filter, Air	
61	70005008	1	Element, Filter	
62	1001190942	1	Support	
63	1001223042	1	Fan	
64	1001215218	1	Engine Harness - Ford Engines (Not Shown) (See Separate Breakdown in ELECTRICAL SECTION)	
65	1001223923	1	Radiator	
66	1001215681	1	Clamp	
67	1001215899	1	Pipe, Exhaust	
68	1001215974	1	Clamp	
69	1001216075	1	Pipe, Exhaust	
70	1001216086	1	Bracket	
71	1001216092	1	Shield, Heat	
72	1001216201	1	Adapter	
73	1001216910	1	Ford Engine Prep Assembly (See Separate Breakdown in this Section)	
74	1001216919	2	Sleeve	
76	1001222033	1	Plate	
77	1001217185	2	Seal	
78	1001217186	1	Support	
79	1001217450	1	Tray	
80	1001217453	1	Support, Radiator	
81	1001217543	2	Mount	
82	1001217593	1	Pipe, Air Intake	
83	1001217594	1	Pipe, Air Intake	
84	1001217595	1	Pipe, Air Intake	
85	1001217647	1	Hose, Radiator (Lower)	
86	1001217648	1	Hose, Radiator (Upper)	
87	1001218471	1	Bracket	
88	1001218559	1	Mount, Engine (RH Front)	
89	1001218565	1	Mount, Engine (LH Front)	
90	1001218575	1	Mount, Engine (Rear)	
91	0761014	4	Bolt M10 x 30	
92	1001187781	1	Tie-Strap (Not Shown)	
93	2180418	1	Fitting	
94	1001247359	1	Fitting, 90	
95	2220261	1	Fitting	
96	1001217183	2	Seal	
100	8405009	AR	Gear	
101	8406201	1	Clip	
102	8410009	AR	Clamp	
103	8420231	1	Fitting, Barb	
104	1001173535	6	Clamp	
105	1001216531	25 in/ 63cm	Hose	

SECTION 3 - ENGINE

ITEM	PART NUMBER	QTY	DESCRIPTION	REV
106	1001223584	1	Tank, Surge	
109	1001224486	1	Hose	
110	1001224489	1	Hose	
111	1001225442	1	Bracket	
112	1001225510	1	Decal - Full Cold, Surge Tank	
113	1001227666	1	Hose	
114	1001227667	1	Hose	

SECTION 3 - ENGINE

FIGURE 3-38. FORD ENGINE INSTALLATION - WITH ARCTIC PACKAGE (600S HC3)



SECTION 3 - ENGINE

FIGURE 3-38. FORD ENGINE INSTALLATION - WITH ARCTIC PACKAGE (600S HC3)

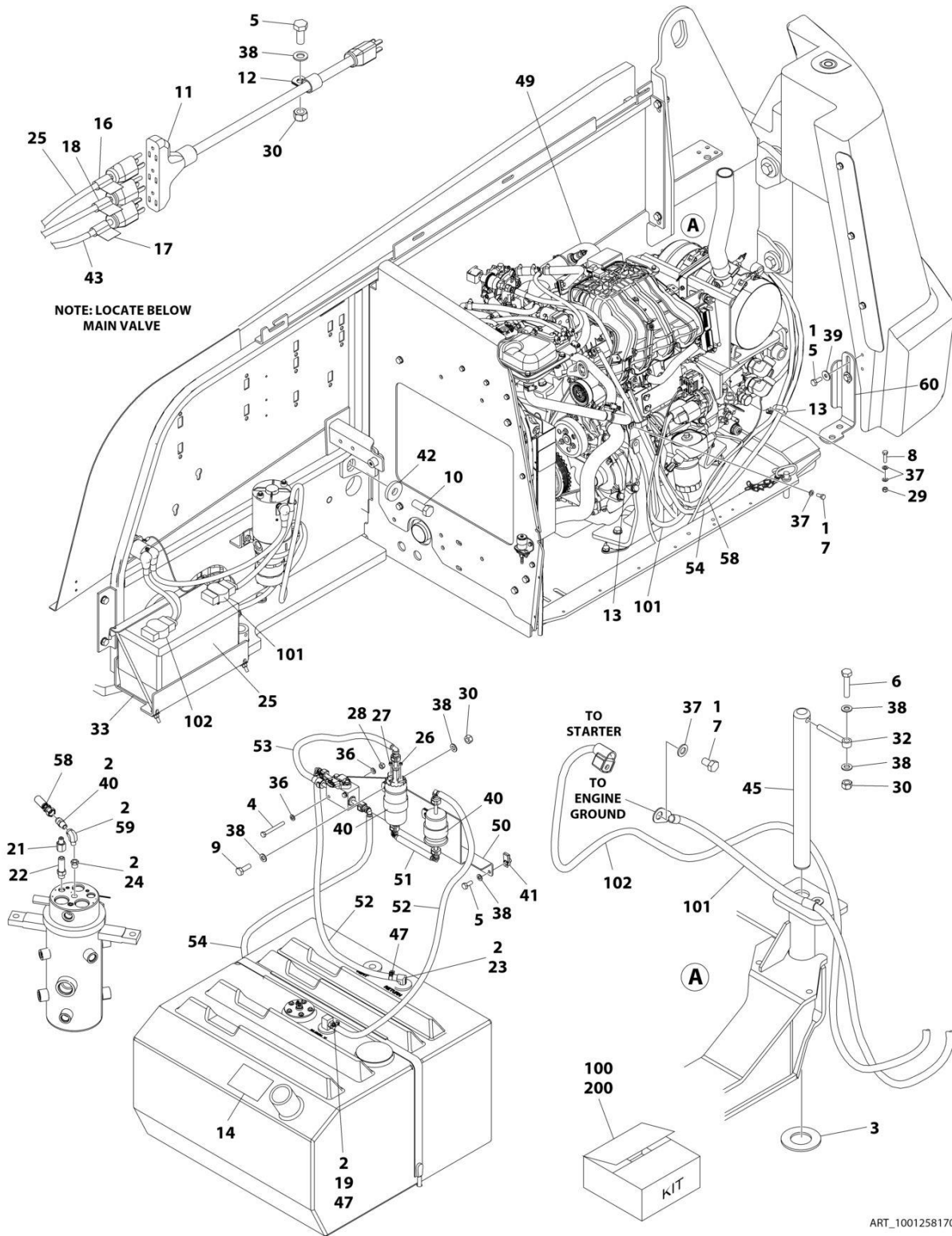
ITEM	PART NUMBER	QTY	DESCRIPTION	REV
	1001215609	Ref	FORD ENGINE INSTALLATION	H
1	0100011	AR	Compound, Locking	
2	0100020	AR	Sealant	
3	0440162	1	Bearing	
4	0700619	2	Bolt M6 x 55	
5	0701012	5	Bolt M10 x 25	
6	0760814	1	Bolt M8 x 30	
7	0711018	1	Bolt M10 x 50	
8	0760810	2	Bolt M8 x 20	
9	0761014	2	Bolt M10 x 30	
10	0772018	1	Bolt M20 x 50	
12	1701542	1	Decal - Gas	
13	2180348	1	Fitting, Straight NPT/BARB	
14	2180418	1	Fitting, Straight	
15	2221197	1	Fitting, Straight NPT	
16	1001247359	1	Fitting, 90	
17	2221176	1	Fitting, 90	
18	1001222133	1	Hose	
19	3290405	1	Nut M4	
20	3290505	1	Nut M5	
21	3290605	2	Nut M6	
22	3290805	1	Nut M8	
23	3291005	4	Nut M10	
25	3790012	1	O-Ring (Not Shown - Located on Platform Console)	
26	3841143	1	Keeper, Pin	
27	4740397	1	Spacer (Not Shown - Located on Platform Console)	
28	4811700	4	Washer M6	
29	4811900	4	Washer M8	
30	4812000	9	Washer M10	
31	4812002	2	Washer M10	
33	85941018	2	Clamp	
34	1321283	2	Clamp	
35	1001118972	2	Nut, Tinnerman	
36	1001119051	1	Washer	
37	1001115044	1	Nut 15/32 (Not Shown - Located on Platform Console)	
38	1001155094	1	Pin	
39	1001161710	1	Switch, Toggle (Not Shown - Located on Platform Console)	
41	1001174486	2	Clamp	
43	1001196398	1	Bracket	
45	1001215611	1	Ford Engine and Pumps Sub-Assembly (See Separate Breakdown in this Section)	
46	1001219005	1	Bracket	
47	1001219015	1	Hose	
48	1001219021	2	Hose	
49	1001219022	1	Hose	
50	1001219024	1	Hose	
56	1701543	2	Decal - LPG (Not Shown - See DECALS INSTALLATION - OPTIONS for Locations)	
57	1702941	1	Decal - Battery Heater	
58	1702942	1	Decal - Engine Block Heater	

SECTION 3 - ENGINE

ITEM	PART NUMBER	QTY	DESCRIPTION	REV
59	1702943	1	Decal - Hydraulic Tank Heater	
60	1320061	1	Clamp	
61	3980007	1	Seat, Battery	
62	1001188972	1	Heater, Immersion (Not Shown - Located on Hydraulic Tank)	
63	2580024	1	Heater, Battery	
64	1001150918	1	Cable, Extension Cord	
65	1060626	1	Plug, 3 Way	
66	4240099	2	Tie-Strap (Not Shown)	
67	2220998	1	Fitting, Straight JIC/ORB	
68	2220609	1	Fitting, Straight JIC/FSJIC	
100	1001236136	1	Battery Cable Kit	
101	1001215220	1	Cable, Battery (-) to Aux Pump to Ground	
102	1001215219	1	Cable, Battery (+) to Aux Ready to Starter	
200	1001269921	1	Engine Hose Kit	
201	1001203432	1	Hose (Drive Suction) (Not Shown)	
202	1001221942	1	Hose (Function Suction) (Not Shown)	
203	1001221943	1	Hose (Case Drain) (Drive Pump Case Outlet Port to Tank) (Not Shown)	
204	1001221944	1	Hose (Case Drain) (Drive Pump Case Gauge Port to Tank) (Not Shown)	

SECTION 3 - ENGINE

FIGURE 3-39. FORD ENGINE INSTALLATION - WITH ARCTIC PACKAGE (660SJ HC3)



SECTION 3 - ENGINE

FIGURE 3-39. FORD ENGINE INSTALLATION - WITH ARCTIC PACKAGE (660SJ HC3)

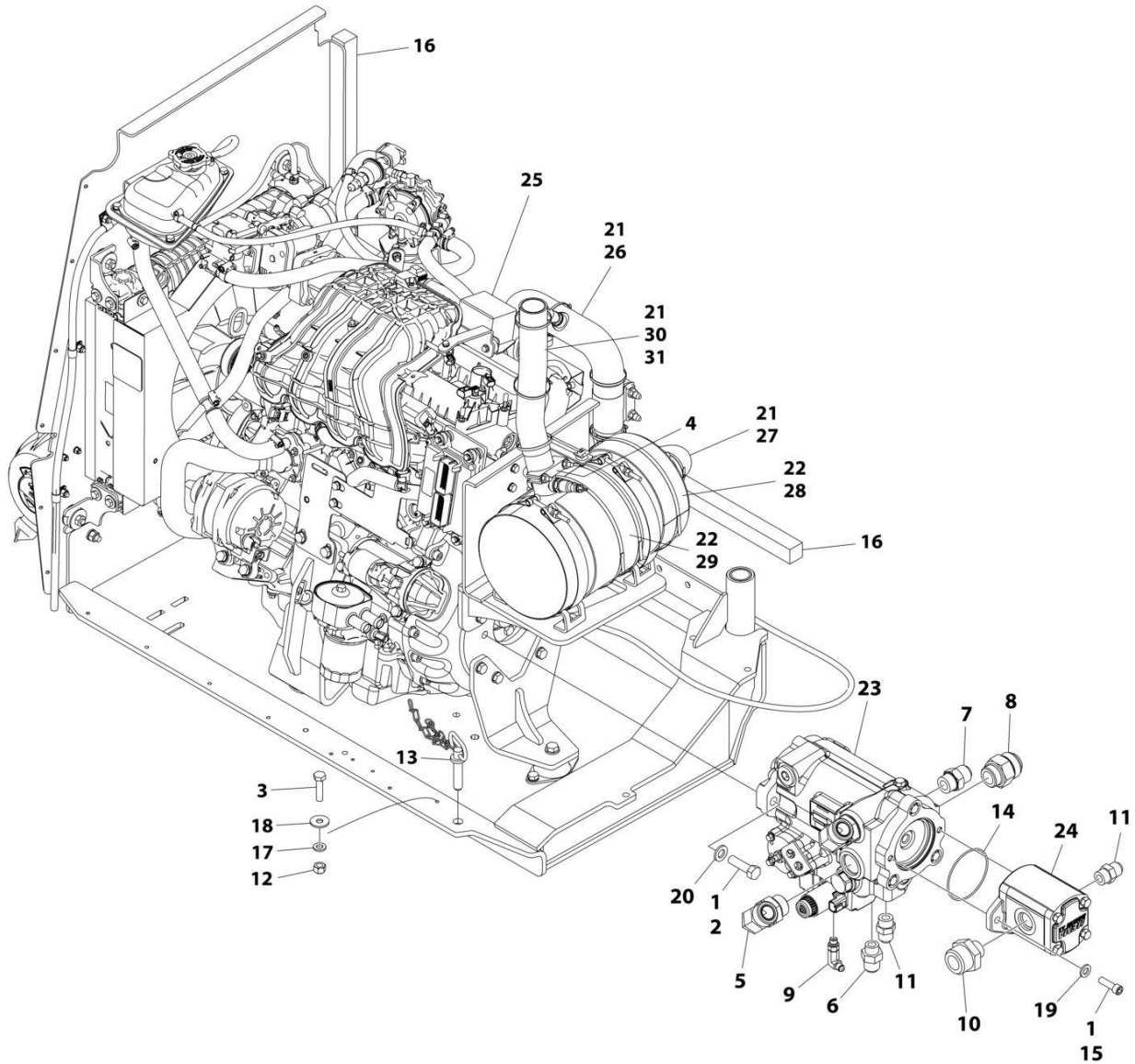
ITEM	PART NUMBER	QTY	DESCRIPTION	REV
	1001258170	Ref	FORD ENGINE INSTALLATION	B
1	0100011	AR	Compound, Locking	
2	0100020	AR	Sealant	
3	0440162	1	Bearing	
4	0700619	2	Bolt M6 x 55	
5	0701012	5	Bolt M10 x 25	
7	0711018	1	Bolt M10 x 50	
8	0760810	2	Bolt M8 x 20	
6	0760814	1	Bolt M8 x 30	
9	0761014	2	Bolt M10 x 30	
10	0772018	1	Bolt M20 x 50	
11	1060626	1	Plug, 3 Way	
12	1320061	1	Clamp	
13	1321283	2	Clamp	
14	1701542	1	Decal - Gas	
15	1701543	2	Decal - LPG (Not Shown - See DECALS INSTALLATION - OPTIONS for Locations)	
16	1702941	1	Decal - Battery Heater	
17	1702942	1	Decal - Engine Block Heater	
18	1702943	1	Decal - Hydraulic Tank Heater	
19	2180348	1	Fitting, Straight NPT/BARB	
20	2180418	1	Fitting, Straight	
21	2220609	1	Fitting, Straight JIC/FSJIC	
22	2220998	1	Fitting, Straight JIC/ORB	
23	2221176	1	Fitting, 90	
24	2221197	1	Fitting, Straight NPT	
25	2580024	1	Heater, Battery	
26	3290405	1	Nut M4	
27	3290505	1	Nut M5	
28	3290605	2	Nut M6	
29	3290805	1	Nut M8	
30	3291005	4	Nut M10	
31	3790012	1	O-Ring (Not Shown - Located on Platform Console)	
32	3841143	1	Keeper, Pin	
33	3980007	1	Seat, Battery	
34	4240099	2	Tie-Strap (Not Shown)	
35	4740397	1	Spacer (Not Shown - Located on Platform Console)	
36	4811700	4	Washer M6	
37	4811900	4	Washer M8	
38	4812000	9	Washer M10	
39	4812002	2	Washer M10	
40	85941018	2	Clamp	
41	1001118972	2	Nut, Tinnerman	
42	1001119051	1	Washer	
43	1001150918	1	Cable, Extension Cord	
44	1001115044	1	Nut 15/32 (Not Shown - Located on Platform Console)	
45	1001155094	1	Pin	
46	1001161710	1	Switch, Toggle (Not Shown - Located on Platform Console)	
47	1001174486	2	Clamp	
48	1001188972	1	Heater, Immersion (Not Shown - Located on Hydraulic Tank)	

SECTION 3 - ENGINE

ITEM	PART NUMBER	QTY	DESCRIPTION	REV
49	1001215611	1	Ford Engine and Pumps Sub-Assembly (See Separate Breakdown in this Section)	
50	1001219005	1	Bracket	
51	1001219015	1	Hose	
52	1001219021	2	Hose	
53	1001219022	1	Hose	
54	1001219024	1	Hose	
58	1001222133	1	Hose	
59	1001247359	1	Fitting, 90	
60	1001258175	1	Bracket	
100	1001236136	1	Battery Cable Kit	
101	1001215220	1	Cable, Battery (-) to Aux Pump to Ground	
102	1001215219	1	Cable, Battery (+) to Aux Ready to Starter	
200	1001269922	1	Engine Hose Kit	
201	1001221942	1	Hose (Function Suction) (Not Shown)	
202	1001221943	1	Hose (Case Drain) (Drive Pump Case Outlet Port to Tank) (Not Shown)	
203	1001221944	1	Hose (Case Drain) (Drive Pump Case Gauge Port to Tank) (Not Shown)	
204	1001258263	1	Hose (Function Suction) (Not Shown)	

SECTION 3 - ENGINE

FIGURE 3-40. FORD ENGINE AND PUMPS SUB-ASSEMBLY - WITH ARCTIC PACKAGE (600S HC3/660SJ HC3)



ART_1001215611

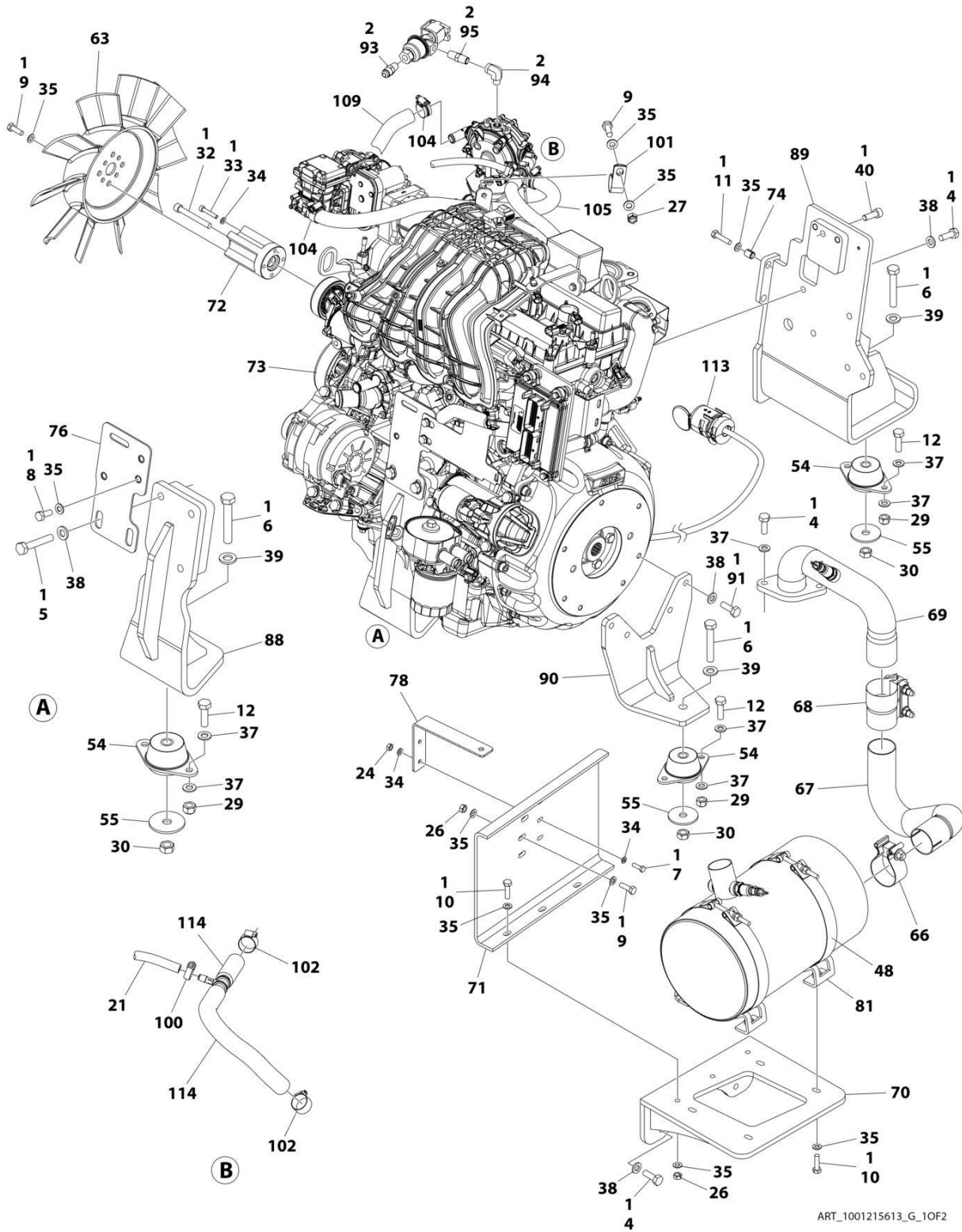
SECTION 3 - ENGINE

FIGURE 3-40. FORD ENGINE AND PUMPS SUB-ASSEMBLY - WITH ARCTIC PACKAGE (600S HC3/660SJ HC3)

ITEM	PART NUMBER	QTY	DESCRIPTION	REV
	1001215611	Ref	FORD ENGINE AND PUMPS SUB-ASSEMBLY	C
1	0100011	AR	Compound, Locking	
2	0641814	2	Bolt 1/2 x 1-3/4	
3	0760612	1	Bolt M6 x 25	
4	1001221397	1	Clamp	
5	2131616	2	Fitting, 90 ORFS/ORB	
6	2220408	1	Fitting, Straight JIC/ORB	
7	2220451	1	Fitting, Straight ORB/JIC	
8	2220479	1	Fitting, Straight JIC/ORB	
9	2220940	1	Fitting, 90 JIC/ORB	
10	2220946	1	Fitting, Straight JIC/ORB	
11	2220947	2	Fitting, Straight JIC/ORB	
12	3290605	1	Nut M6	
13	3422532	1	Pin	
14	3790152	1	O-Ring	
15	3931620	2	Capscrew 3/8 x 1-1/4	
15	3931618	2	Capscrew 3/8 x 1-1/8	
16	3960469	2	Seal	
17	4811700	1	Washer M6	
18	4811702	1	Washer M6	
19	5241000	2	Washer M10	
20	5241200	2	Washer M12	
21	1001100825	9	Strap	
22	1001221464	3	Strap	
23	1001184930	1	Piston Pump Assembly (See Separate Breakdown in this Section)	
24	1001190143	1	Gear Pump Assembly	
24	70006356	1	Seal Kit - 1001190143 Pump	
25	1001215613	1	Ford Engine Assembly (See Separate Breakdown in this Section)	
26	1001216532	1	Insulate, Exhaust	
27	1001216533	1	Insulate, Exhaust	
28	1001216534	1	Insulate, Muffler	
29	1001216535	1	Insulate, Muffler	
30	1001216947	1	Pipe, Exhaust	
31	1001217563	1	Insulate, Exhaust	

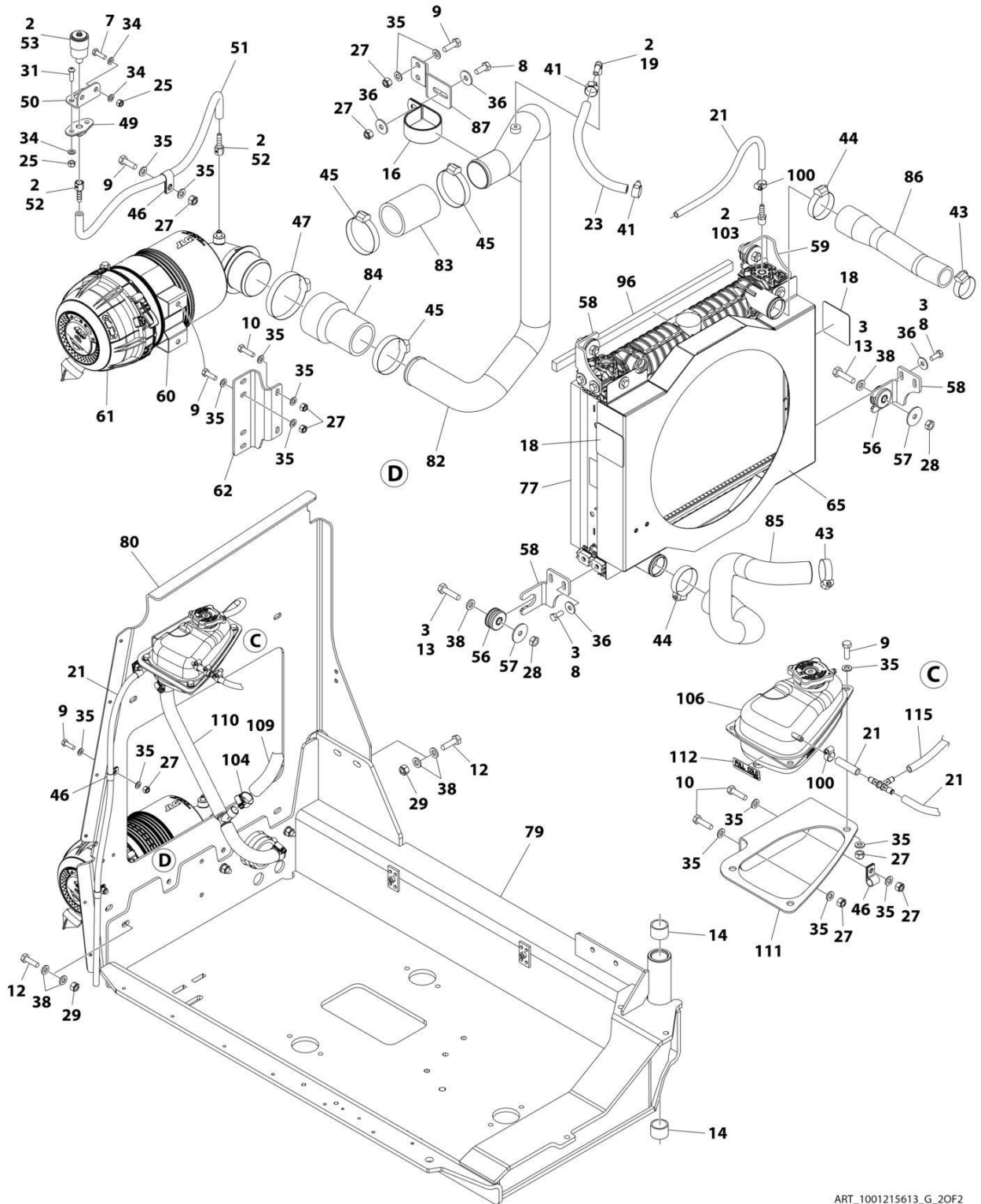
SECTION 3 - ENGINE

FIGURE 3-41. FORD ENGINE ASSEMBLY - WITH ARCTIC PACKAGE (600S HC3/660SJ HC3)



ART_1001215613_G_10F2

SECTION 3 - ENGINE



ART_1001215613_G_20F2

SECTION 3 - ENGINE

FIGURE 3-41. FORD ENGINE ASSEMBLY - WITH ARCTIC PACKAGE (600S HC3/660SJ HC3)

ITEM	PART NUMBER	QTY	DESCRIPTION	REV
	1001215613	Ref	FORD ENGINE ASSEMBLY	G
1	0100011	AR	Compound, Locking	
2	0100020	AR	Sealant	
3	1001180620	AR	Adhesive	
4	0711014	10	Bolt M10 x 30	
5	0711020	3	Bolt M10 x 60	
6	0711223	3	Bolt M12 x 75	
7	0760610	4	Bolt M6 x 20	
8	0760810	11	Bolt M8 x 20	
9	0760812	18	Bolt M8 x 25	
10	0760814	11	Bolt M8 x 30	
11	0760815	2	Bolt M8 x 35	
12	0761015	11	Bolt M10 x 35	
13	0761016	4	Bolt M10 x 40	
14	0961951	2	Bushing	
16	1320110	1	Clamp	
18	1703162	2	Decal - Fan Blade	
19	2180467	1	Fitting, Straight NPT/Barb	
21	2720058	95 in/2.5m	Hose, Fuel	
23	1001165035	1	Hose	
24	3290601	2	Nut M6	
25	3290605	4	Nut M6	
26	3290801	5	Nut M8	
27	3290805	17	Nut M8	
28	3291001	4	Nut M10	
29	3291005	11	Nut M10	
30	3331211	3	Nut M12	
31	3900364	2	Capscrew M6 x 20	
32	3931648	1	Capscrew 3/8 x 3	
33	4031711	4	Capscrew M6 x 35	
34	4811700	14	Washer M6	
35	4811900	54	Washer M8	
36	4811902	10	Washer M8	
37	4812000	14	Washer M10	
38	5241000	30	Washer M10	
39	5241200	3	Washer M12	
40	5272010	1	Capscrew M10 x 30	
41	8405006	2	Clamp	
43	8405102	2	Clamp	
44	8405104	2	Clamp	
45	8405203	3	8405203	
46	8406109	6	Clip	
47	8410011	1	Clamp	
48	1001128901	2	Strap	
49	1001138173	1	Support	
50	1001138175	1	Bracket	
51	1001138248	23 in/.6m	Hose	
52	1001141995	2	Fitting, Straight NPT/Barbed	
53	1001149639	1	Indicator, Restriction	
54	1001191610	3	Mount, Motor	

SECTION 3 - ENGINE

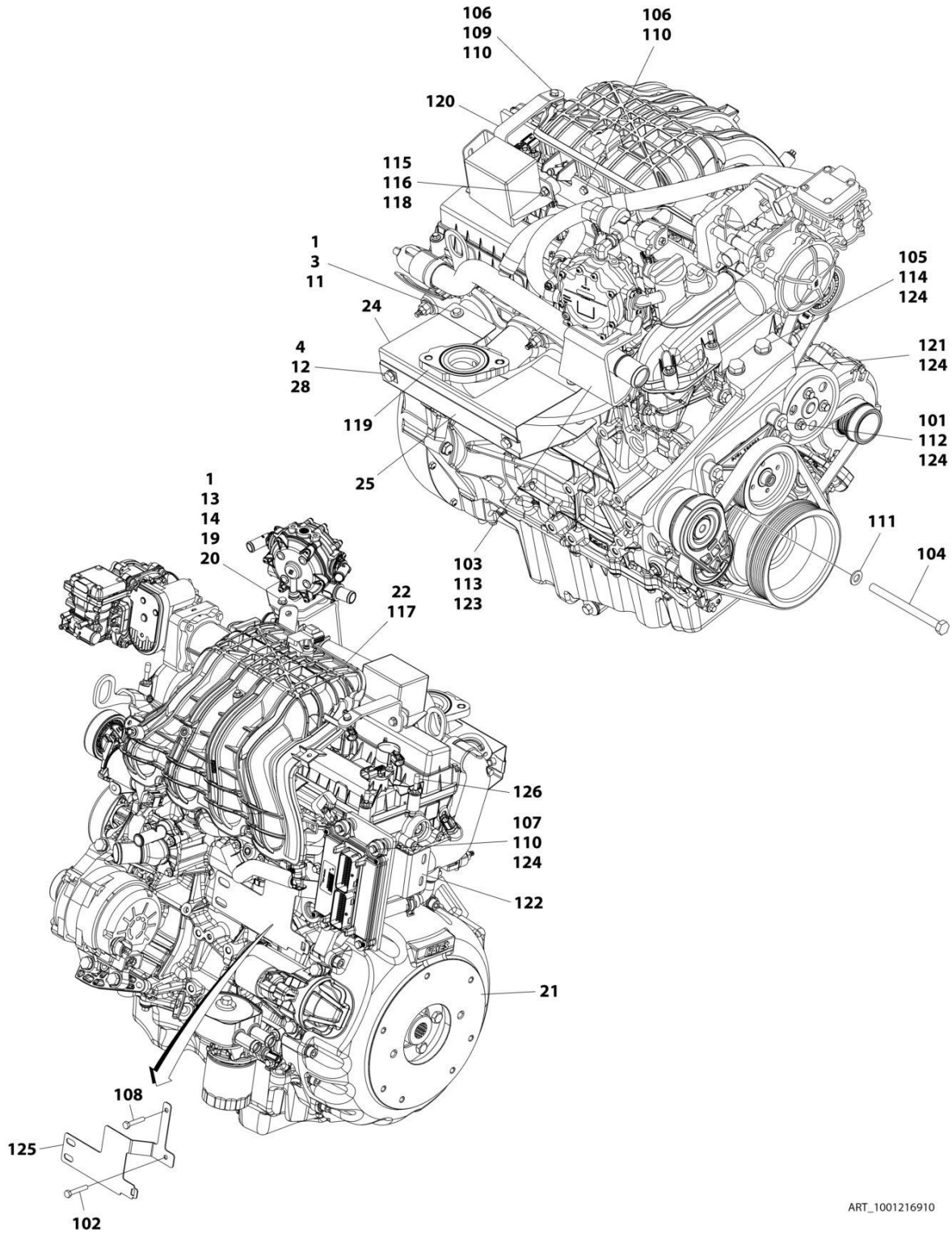
ITEM	PART NUMBER	QTY	DESCRIPTION	REV
55	1001168018	3	Washer	
56	1001169054	4	Isolator	
57	1001169138	4	Pad, Snubbing	
58	1001169967	3	Bracket	
59	1001170035	1	Bracket	
60	1001186426	1	Clamp	
61	1001189979	1	Filter, Air	
61	70005008	1	Element, Filter	
62	1001190942	1	Support	
63	1001223042	1	Fan	
64	1001215218	1	Engine Harness - Ford Engines (Not Shown) (See Separate Breakdown in ELECTRICAL SECTION)	
65	1001223923	1	Radiator	
66	1001215681	1	Clamp	
67	1001215899	1	Pipe, Exhaust	
68	1001215974	1	Clamp	
69	1001216075	1	Pipe, Exhaust	
70	1001216086	1	Bracket	
71	1001216092	1	Shield, Heat	
72	1001216201	1	Adapter	
73	1001216910	1	Ford Engine Prep Assembly (See Separate Breakdown in this Section)	
74	1001216919	2	Sleeve	
76	1001222033	1	Plate	
77	1001217185	2	Seal	
78	1001217186	1	Support	
79	1001217450	1	Tray	
80	1001217453	1	Support, Radiator	
81	1001217543	2	Mount	
82	1001217593	1	Pipe, Air Intake	
83	1001217594	1	Pipe, Air Intake	
84	1001217595	1	Pipe, Air Intake	
85	1001217647	1	Hose, Radiator (Lower)	
86	1001217648	1	Hose, Radiator (Upper)	
87	1001218471	1	Bracket	
88	1001218559	1	Mount, Engine (RH Front)	
89	1001218565	1	Mount, Engine (LH Front)	
90	1001218575	1	Mount, Engine (Rear)	
91	0761014	4	Bolt M10 x 30	
92	1001187781	1	Tie-Strap (Not Shown)	
93	2180418	1	Fitting	
94	1001247359	1	Fitting, 90	
95	2220261	1	Fitting	
96	1001217183	2	Seal	
100	8405009	3	Gear	
101	8406201	1	Clip	
102	8410009	2	Clamp	
103	8420231	1	Fitting, Barb	
104	1001173535	6	Clamp	
105	1001216531	25 in/ 63cm	Hose	
106	1001223584	1	Tank, Surge	

SECTION 3 - ENGINE

ITEM	PART NUMBER	QTY	DESCRIPTION	REV
109	1001224486	1	Hose	
110	1001224489	1	Hose	
111	1001225442	1	Bracket	
112	1001225510	1	Decal - Full Cold, Surge Tank	
113	1001216393	1	Heater, Block	
114	1001227666	1	Hose	
115	1001227667	1	Hose	

SECTION 3 - ENGINE

FIGURE 3-42. FORD ENGINE PREP ASSEMBLY (600S HC3/660SJ HC3)



ART_1001216910

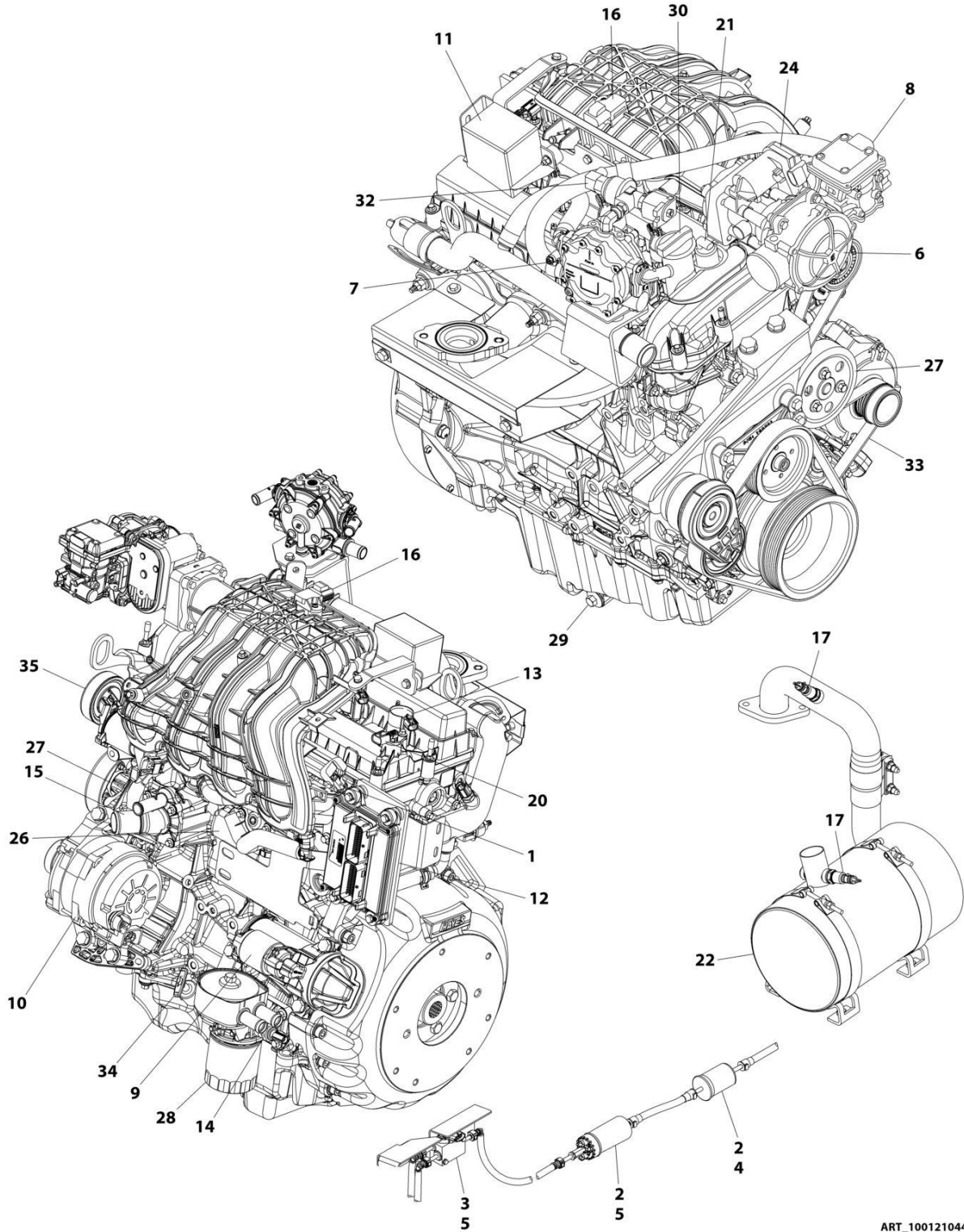
SECTION 3 - ENGINE

FIGURE 3-42. FORD ENGINE PREP ASSEMBLY (600S HC3/660SJ HC3)

ITEM	PART NUMBER	QTY	DESCRIPTION	REV
	1001216910	Ref	FORD ENGINE PREP ASSEMBLY	F
1	0100011	AR	Compound, Locking	
3	0760605	4	Bolt M6 x 10	
4	0760807	2	Bolt M8 x 14	
11	4811702	4	Washer M6	
12	4811900	2	Washer M8	
13	5250605	3	Bolt M6 x 10	
14	5260600	1	Nut M6 Class 10	
19	1001211794	3	Mount, Isolator	
20	1001227769	1	Plate	
21	1001213810	1	Pump Coupling Kit	
21	70006134	1	Coupling	
21	70006135	1	Housing	
21	70006136	1	Hardware Kit	
22	1001216065	1	Ford Engine Assembly (See Items 101-126 for Breakdown)	
24	1001216768	1	Bracket	
25	1001216769	1	Bracket	
28	1001149160	2	Nut, Tinnerman M8	
	1001216065	Ref	FORD ENGINE PREP ASSEMBLY - BRACKETS/EXHAUST MANIFOLD	M
101	0700816	4	Bolt M8 x 40	
102	0700818	1	Bolt M8 x 50	
103	0701014	2	Bolt M10 x 30	
104	0710827	1	Bolt M8 x 100 Grade 10.9	
105	0711216	2	Bolt M12 x 40	
106	0760610	3	Bolt M6 x 20	
107	0760615	4	Bolt M6 x 35	
108	0760817	1	Bolt M8 x 45	
109	3290601	1	Nut M6	
110	4811700	8	Washer M6	
111	4811900	1	Washer M8	
112	4811902	4	Washer M8	
113	4812000	1	Washer M10	
114	4812100	2	Washer M12	
115	5250605	2	Bolt M6 x 10	
116	5260600	2	Nut M6 Class 10	
117	1001210448	1	Engine, Ford 2.5L (See Separate Breakdown in this Section)	
118	1001211794	2	Mount	
119	1001214827	1	Manifold, Exhaust	
120	1001215384	1	Bracket	
121	1001216071	1	Bracket	
122	1001216144	1	Support, Muffler	
123	1001227772	1	Mount, Vaporizer	
124	0100011	AR	Compound, Locking	
125	1001221545	1	Plate	
126	1001222641	6	Cap	

SECTION 3 - ENGINE

FIGURE 3-43. FORD ENGINE COMPONENTS (600S HC3/660SJ HC3)



ART_1001210448

SECTION 3 - ENGINE

FIGURE 3-43. FORD ENGINE COMPONENTS (600S HC3/660SJ HC3)

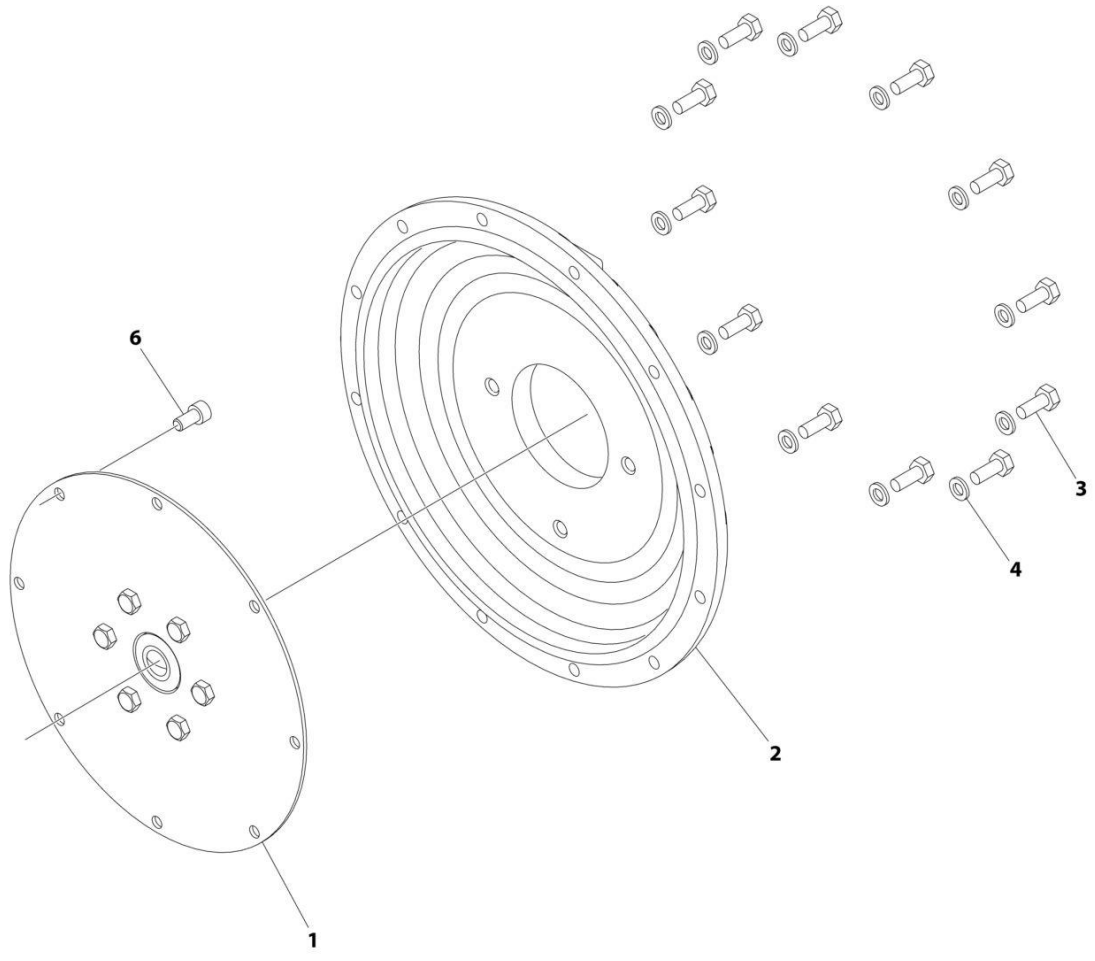
ITEM	PART NUMBER	QTY	DESCRIPTION	REV
	1001210448	Ref	FORD ENGINE COMPONENTS	H
1	70006145	4	Injector, Fuel	
1	70006147	1	Rail, Fuel	
2	70006150	1	Pump, Fuel	
2	70006154	1	Fitting M10	
3	70006151	1	Block, Fuel	
3	70006152	2	Fitting SAE6	
3	70006153	1	Fitting SAE3	
3	70006189	1	Harness, Fuel Block	
4	70006155	1	Filter, Fuel	
5	7022162	8	Clamp	
5	70006157	8	Clip, Fuel Quick Disconnect	
6	70006158	1	Mixer, LP	
6	70006168	1	Mixer Diaphragm Replacement Kit	
6	70006159	1	Adapter, Mixer to Governor	
6	70006160	1	O-Ring, Mixer to Adapter	
6	70006161	1	Seal, Mixer to Adapter	
7	70006162	1	Regulator, LP Vapor	
7	70006166	2	Fitting	
7	70006167	1	Fitting, Straight	
7	70006165	2	Isolator, Rubber	
8	70006163	1	Regulator, Direct Electronic Pressure	
8	70006164	1	Adapter, Fitting 90	
9	70006169	1	Starter	
9	70006233	1	Harness, Alternator/Starter	
10	70006170	1	Alternator	
11	70006173	1	Cover, Relay Box	
11	70006171	2	Relay (Fuel Pump & Power)	
11	70006172	1	Relay (Starter)	
11	70006175	1	Fuse - 20Amp (Starter)	
11	70006174	1	Decal - Relay Box Cover	
11	70006188	1	Harness, Engine	
11	70006165	2	Isolator, Rubber	
12	70006176	1	Module - Engine Control Unit (ECU/GCP)	
12	70006191	1	Software & Diagnostic Cable	
13	70006177	4	Coil and Boot Assembly	
13	70006178	4	Plug, Spark	
14	70006179	1	Switch, Oil Pressure	
15	70006180	1	Sensor, Knock	
16	70006181	1	Sensor, TMAP	
17	70006182	2	Sensor, O2	
18	70006183	1	Sensor, Coolant Temperature (Not Shown - Located Rear of Engine Block)	
19	70006184	1	Sensor, Crank Position (Not Shown - Located at Front RH Side of Block)	
20	70006185	1	Sensor, Cam Position	
21	70006186	1	Solenoid, Timing	
21	70006187	1	Grommet, Rubber	
22	70006194	1	Muffler	
22	70006195	1	Plug (Located at Muffler Outlet)	

SECTION 3 - ENGINE

ITEM	PART NUMBER	QTY	DESCRIPTION	REV
23		Ref	Gasket Options (Not Shown)	
23	70006196	1	Gasket, Exhaust Manifold to Head	
23	70006197	1	Gasket, Exhaust Manifold Outlet	
23	70006200	1	Gasket, Intake Manifold to Head	
23	70006219	1	Gasket Set - Camshaft Cover	
23	70006225	1	Gasket, Cylinder Head	
24	70006198	1	Governor	
24	7027404	1	Gasket, Governor Actuator	
24	70006199	1	Gasket, Governor to Intake Manifold Adapter	
25	70006203	1	Flywheel (Not Shown)	
26	70006205	1	Thermostat (Includes Housing)	
26	70006206	1	Gasket, Water Inlet	
27	70006207	1	Pump, Water	
27	70006208	1	O-Ring, Water Pump	
27	See Note	NSS	Pulley, Water Pump (Note: Not Available for Purchase at This Time)	
28	70006213	1	Filter, Oil	
29	70006215	1	Plug, Oil Drain	
29	70006217	1	Gasket, Oil Drain Plug	
30	70006221	1	Cap, Oil Fill	
31	70006232	1	Sensor, Crank (Not Shown)	
32	70006235	1	Valve, Lock-Off (Includes Filter)	
33	70006202	1	Belt	
34	70006236	1	Dipstick	
35	70007108	1	Belt Tensioner	

SECTION 3 - ENGINE

FIGURE 3-44. PUMP COUPLING KIT (DEUTZ ENGINES)



ART_2902065

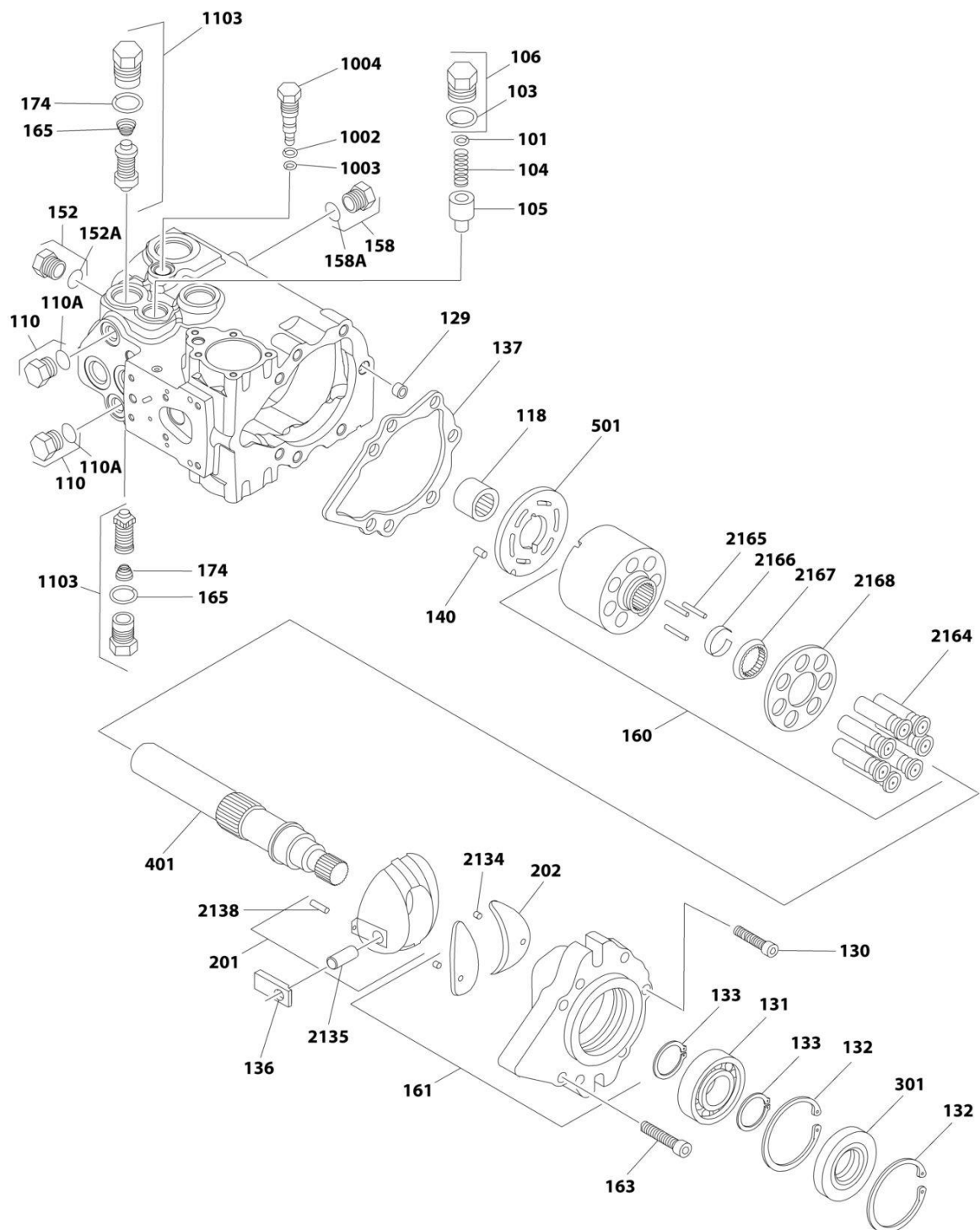
SECTION 3 - ENGINE

FIGURE 3-44. PUMP COUPLING KIT (DEUTZ ENGINES)

ITEM	PART NUMBER	QTY	DESCRIPTION	REV
	2902065	Ref	PUMP COUPLING KIT	L
1	70000793	1	Coupling, Hayes	
2	See Note	NSS	Plate, Pump Adapter (Note: Use p/n 2902065)	
3	See Note	NSS	Bolt M10 x 30 Grade 10.9 (Note: Use p/n 2902065)	
4	See Note	NSS	Washer M10 (Note: Use p/n 2902065)	
6	See Note	NSS	Bolt M10 x 20 Grade 10.9 (Note: Use p/n 2902065)	

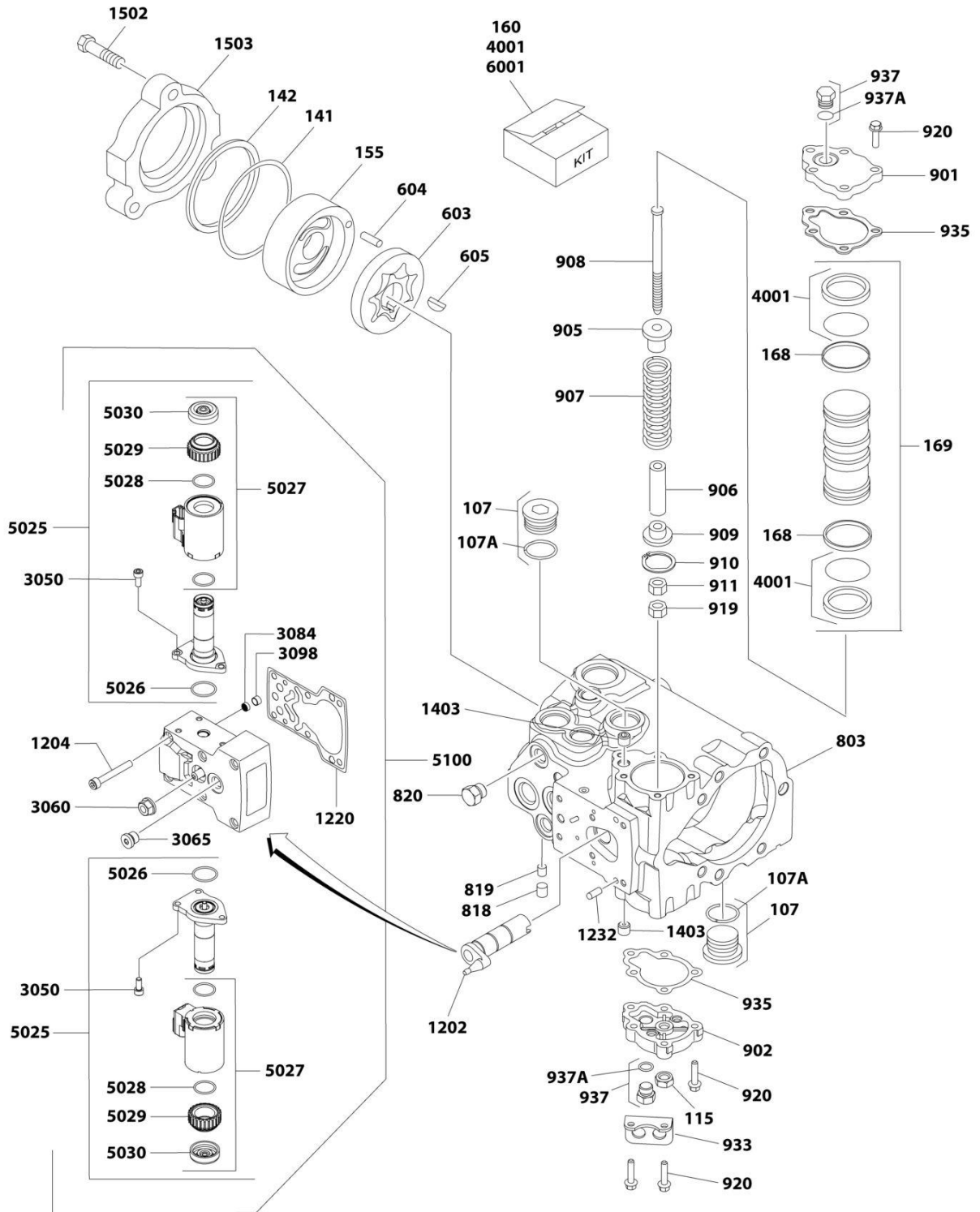
SECTION 3 - ENGINE

FIGURE 3-45. PISTON PUMP ASSEMBLY



ART_1001184930_10F2

SECTION 3 - ENGINE



ART_1001184930_20F2

SECTION 3 - ENGINE

FIGURE 3-45. PISTON PUMP ASSEMBLY

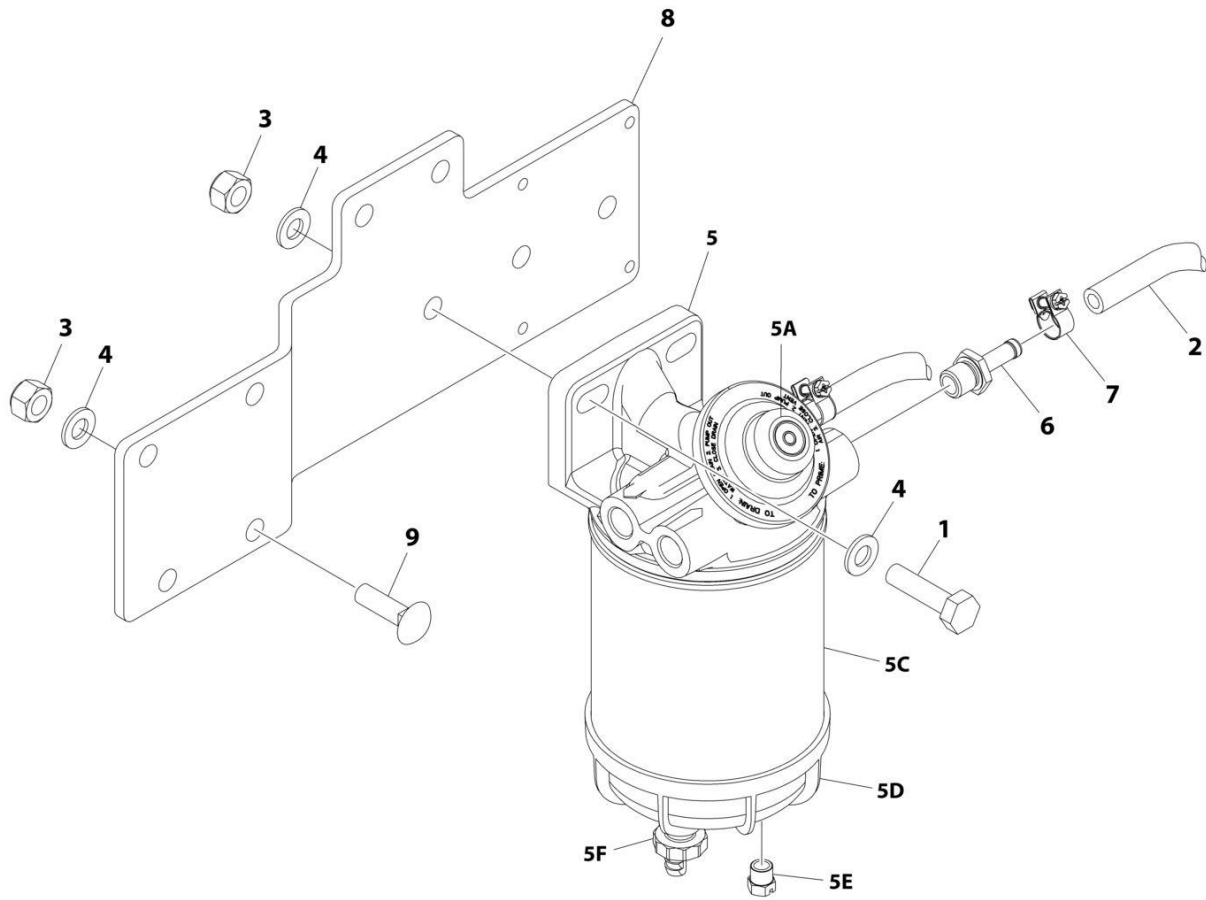
ITEM	PART NUMBER	QTY	DESCRIPTION	REV
	1001184930	Ref	PISTON PUMP ASSEMBLY	C
101	7007413	1	Shim Kit	
103	7007415	1	O-Ring (Part of Item 106)	
104	7021200	1	Spring, Relief Valve	
105	7007417	1	Valve, Relief	
106	7024874	2	Plug (Includes Item 103)	
107	7007419	2	Plug	
107A	7007418	2	O-Ring	
110	7007420	2	Plug	
110A	7021256	2	O-Ring	
115	7007423	1	Nut, Special	
118	7007425	1	Bearing, Needle	
129	7007435	1	Pin, Spring	
130	7021202	1	Screw	
131	70002176	1	Bearing, Ball	
132	7007438	2	Ring, Retainer	
133	7007439	2	Ring	
136	7007442	1	Sleeve, Bearing	
137	7007443	1	Gasket, Front Cover	
140	7007446	1	Pin	
141	7021233	1	O-Ring	
142	7007448	1	Ring, Load Temper	
152	7007420	1	Plug, Assembly	
152A	7021256	1	O-Ring	
155	70005466	1	Cover, Gerotor	
158	7007208	1	Plug	
158A	7007207	1	O-Ring	
160	7010116	1	Cylinder Block Kit (Includes Items 2164-2168)	
161	7024875	1	Cover Assembly - Front (Includes Items 202 & 2134)	
163	7021207	6	Screw	
165	70005467	2	Spring	
168	7021210	2	Bearing	
169	70005468	1	Servo Piston Assembly (Includes Items 168 & QB)	
174	7007418	2	O-Ring	
201	7007457	1	Swash Plate Assembly (Includes Items 2135 & 2138)	
202	7021212	1	Journal, Bearing	
301	7007459	1	Seal, Lip	
401	7010121	1	Shaft, Main Pump	
501	7021214	1	Plate, Valve	
603	7007463	1	Gerotor Assembly	
604	7007464	1	Pin	
605	7007465	1	Key, Woodruff	
803	See Note	NSS	Housing, Pump (Note: Use p/n 1001184930)	
818	70005469	1	Plug	
819	70005470	1	Plug	
820	70005469	1	Plug	
901	7021219	1	Cover, Servo (With Adjuster)	
902	7021220	1	Cover, Servo (Without Adjuster)	
905	7023979	1	Guide, Spring	
906	7007484	1	Stop, Servo	

SECTION 3 - ENGINE

ITEM	PART NUMBER	QTY	DESCRIPTION	REV
907	7007485	1	Spring	
908	7021221	1	Screw	
909	7007487	1	Guide, Spring	
910	7007488	1	Ring, Retaining	
911	7021222	1	Locknut	
919	7021206	1	Nut	
920	7021223	10	Screw	
933	7021201	1	Bracket, Lifting	
935	7007422	2	Gasket, Servo Cover	
937	7007420	2	Plug	
937A	7021256	2	O-Ring	
1002	7007450	1	Ring, Back-up	
1003	70005471	1	O-Ring	
1004	7024877	1	Valve, Bypass	
1103	7024851	2	Valve, Pressure Relief (Includes Items 165 & 174)	
1202	70005472	1	Sleeve	
1204	70002156	6	Screw	
1220	70002154	1	Gasket	
1232	70002157	2	Pin	
1403	7007477	2	Plug, Orifice	
1502	7007453	3	Bolt, Hex	
1503	7007476	1	Adapter, Auxiliary Pump	
2134	7021203	2	Pin, Spring	
2135	7007441	1	Handle, Pin	
2138	7007444	1	Pin	
2164	7010117	7	Piston Assembly	
2165	7007431	3	Pin, Slipper Holddown	
2166	7007430	1	Retainer	
2167	7007434	1	Guide, Retainer	
2168	7010119	1	Retainer, Slipper	
3050	70002150	6	Screw	
3060	7022301	1	Nut, Seal	
3065	70002151	1	Plug	
3084	70002134	1	Screen	
3098	70002153	1	Ring	
4001	7007412	1	Seal Kit - Servo Piston	
5025	70002147	2	Solenoid Assembly (Includes Items 5026-5030)	
5026	70002148	2	O-Ring	
5027	70002149	2	Coil Assembly (Includes Items 5028-5030)	
5028	70005474	2	O-Ring	
5029	70005475	2	Screw	
5030	70005476	2	Cap	
5100	70002146	1	EDC Assembly (Includes Items 1204, 1220, 3050-3098 & 5025-5030)	
6001	7021232	1	Seal Kit - Complete (Includes Items 103, 137, 141, 142, 168, 174, 301, 935, 1002, 1003, 4001 and Plug O-Ring)	

SECTION 3 - ENGINE

FIGURE 3-46. FUEL FILTER INSTALLATION (POLY FUEL TANK)



ART_1001224200

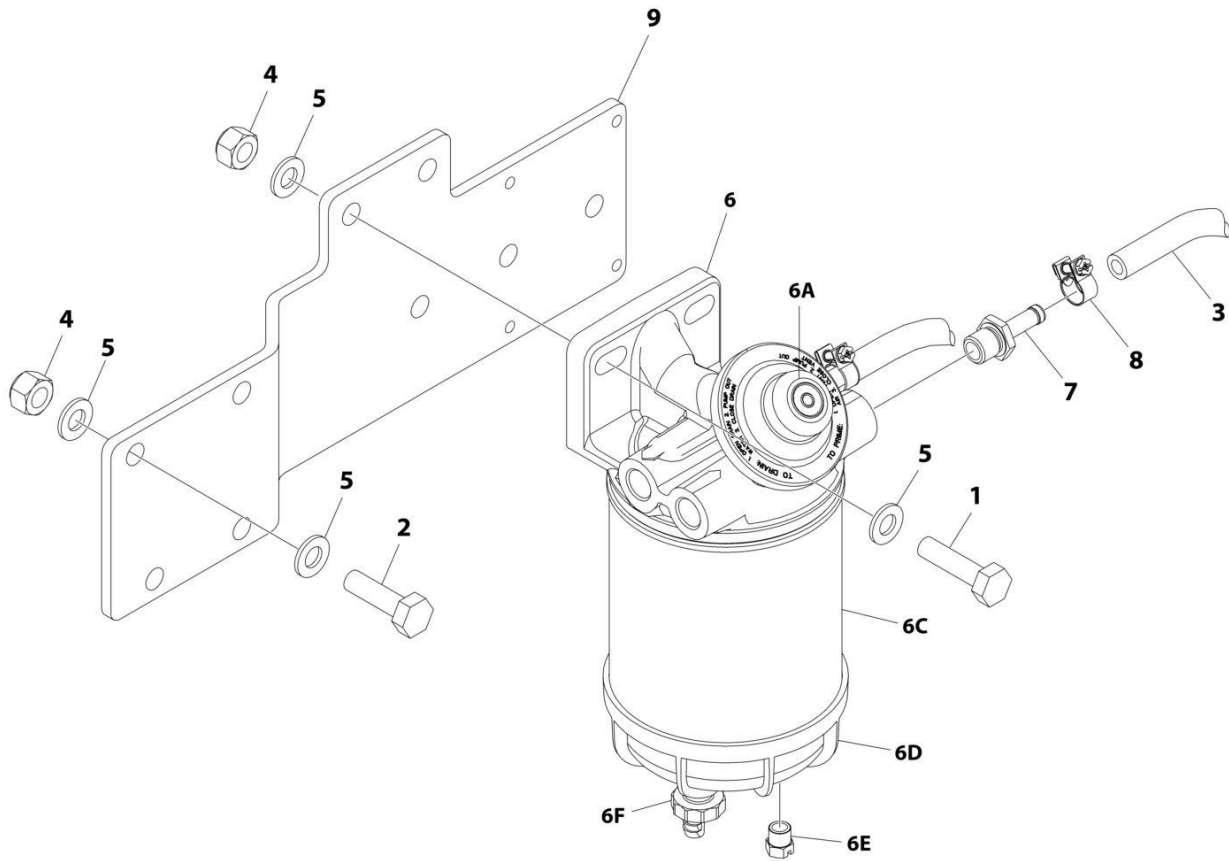
SECTION 3 - ENGINE

FIGURE 3-46. FUEL FILTER INSTALLATION (POLY FUEL TANK)

ITEM	PART NUMBER	QTY	DESCRIPTION	REV
	1001224200	Ref	FUEL FILTER INSTALLATION	B
1	0761016	2	Bolt M10 x 40	
2	2720058	46 in/1.2m	Hose, Fuel Line	
3	3291005	4	Nut M10	
4	4812000	6	Washer M10	
5	1001149452	1	Fuel Filter/Water Separator Assembly	
5A	See Note	NSS	Indicator, Restriction (Note: Use p/n 1001149452)	
5B	70004064	1	Bypass Valve Kit (Not Shown)	
5C	70004065	1	Gasket, Head to Element	
5C	70004066	1	Element, Filter	
5D	70004067	1	Gasket Element to Bowl	
5D	70004068	1	Bowl Kit (Includes Bowl, Element and Plug)	
5E	70004069	1	Plug	
5F	70004070	1	Drain	
6	1001149469	2	Fitting, Straight Barbed	
7	1001174486	2	Clamp	
8	1001224967	1	Bracket	
9	1001228406	2	Bolt M10 x 35	

SECTION 3 - ENGINE

FIGURE 3-47. FUEL FILTER INSTALLATION (STEEL FUEL TANK) (DEUTZ D2011 ENGINES)



ART_1001225054

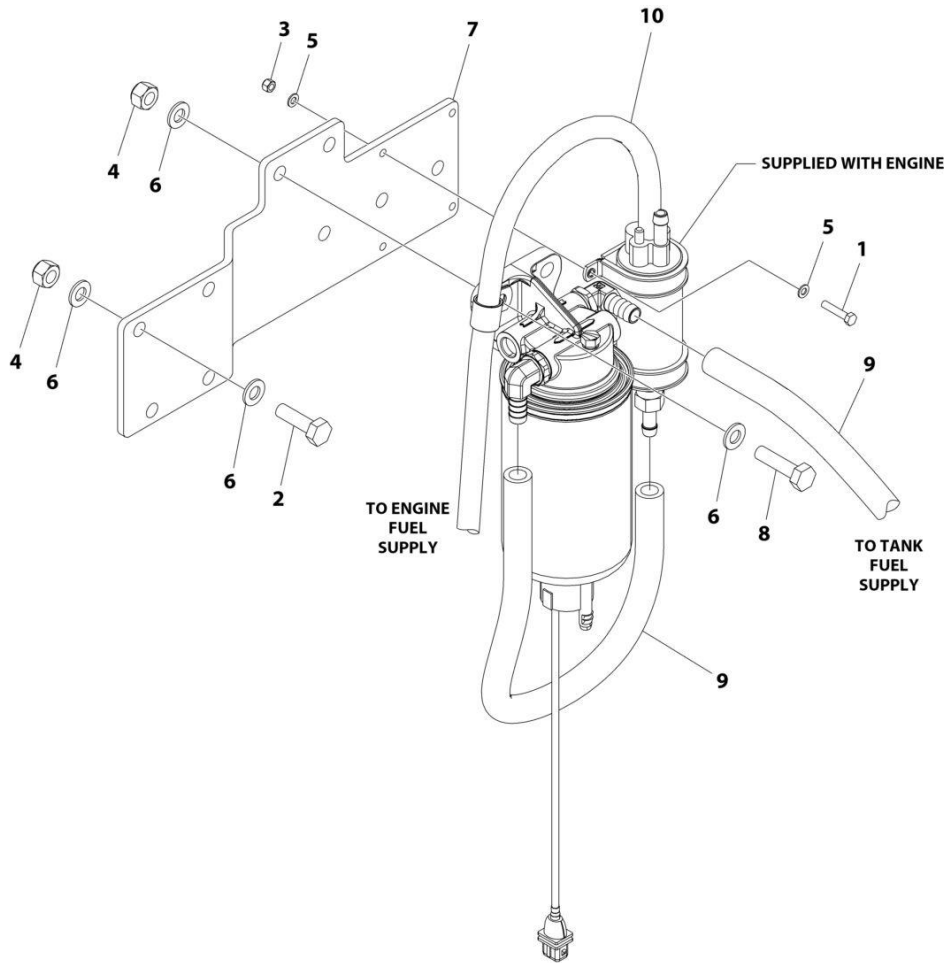
SECTION 3 - ENGINE

FIGURE 3-47. FUEL FILTER INSTALLATION (STEEL FUEL TANK) (DEUTZ D2011 ENGINES)

ITEM	PART NUMBER	QTY	DESCRIPTION	REV
	1001225054	Ref	FUEL FILTER INSTALLATION	B
1	0761016	2	Bolt M10 x 40	
2	0761015	2	Bolt M10 x 35	
2	1001228406	2	Bolt M10 x 35	
3	2720058	32 in/ 80cm	Hose, Fuel Line	
4	3291005	4	Nut M10	
5	4812000	AR	Washer M10	
6	1001149452	1	Fuel Filter/Water Separator Assembly	
6A	See Note	NSS	Indicator, Restriction (Note: Use p/n 1001149452)	
6B	70004064	1	Bypass Valve Kit (Not Shown)	
6C	70004065	1	Gasket, Head to Element	
6C	70004066	1	Element, Filter	
6D	70004067	1	Gasket, Element to Bowl	
6D	70004068	1	Bowl Kit (Includes Bowl, Element and Plug)	
6E	70004069	1	Plug	
6F	70004070	1	Drain	
7	1001149469	2	Fitting, Straight Barbed	
8	1001174486	2	Clamp	
9	1001224967	1	Bracket	

SECTION 3 - ENGINE

FIGURE 3-48. FUEL FILTER INSTALLATION (STEEL FUEL TANK) (DEUTZ DT2.9L4 ENGINES)



ART_1001204902

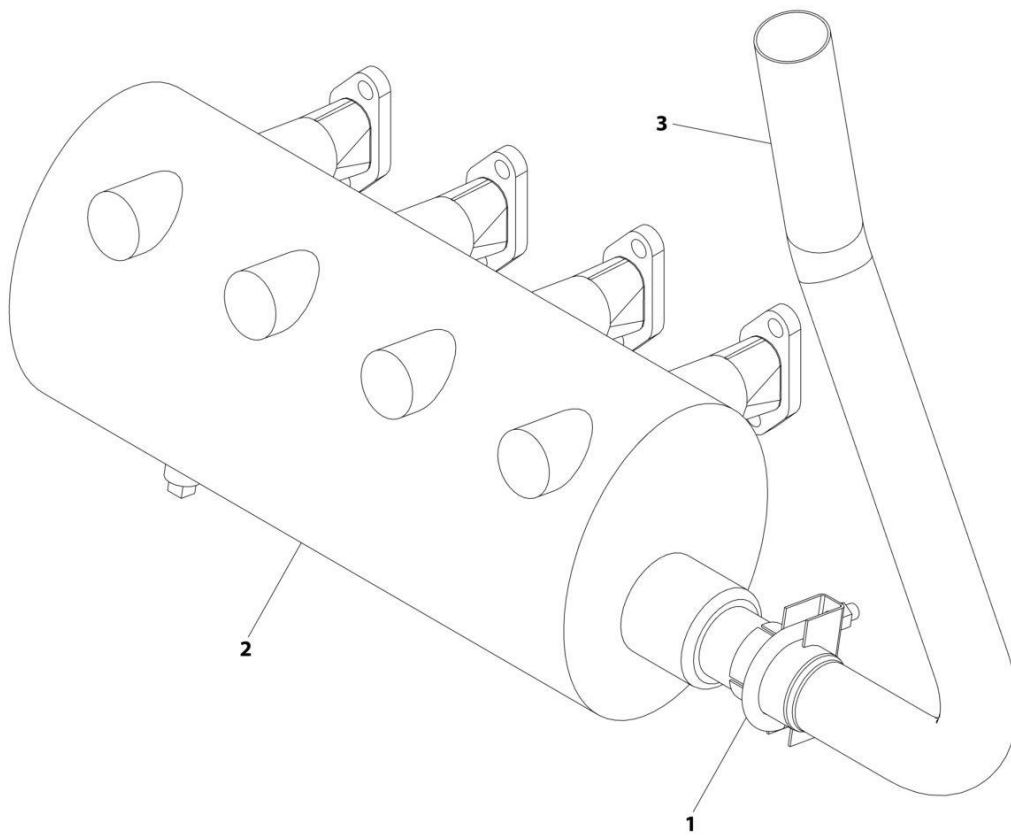
SECTION 3 - ENGINE

FIGURE 3-48. FUEL FILTER INSTALLATION (STEEL FUEL TANK) (DEUTZ DT2.9L4 ENGINES)

ITEM	PART NUMBER	QTY	DESCRIPTION	REV
	1001204902	Ref	FUEL PUMP AND FILTER INSTALLATION	D
1	0760512	4	Bolt M5 x 25	
2	0761015	2	Bolt M10 x 35	
2	1001228406	2	Bolt M10 x 35	
3	3290505	4	Nut M5	
4	3291005	4	Nut M10	
5	4811600	8	Washer M5	
6	4812000	AR	Washer M10	
7	1001224967	1	Bracket	
8	0701016	2	Bolt M10 x 40	
9	1001154405	2.3 ft/ 70cm	Hose	
10	1001165035	2.5 ft/ 75cm	Hose	

SECTION 3 - ENGINE

FIGURE 3-49. MUFFLER INSTALLATION - SPARK ARRESTING (DEUTZ D2011 ENGINES)



ART_1001192284

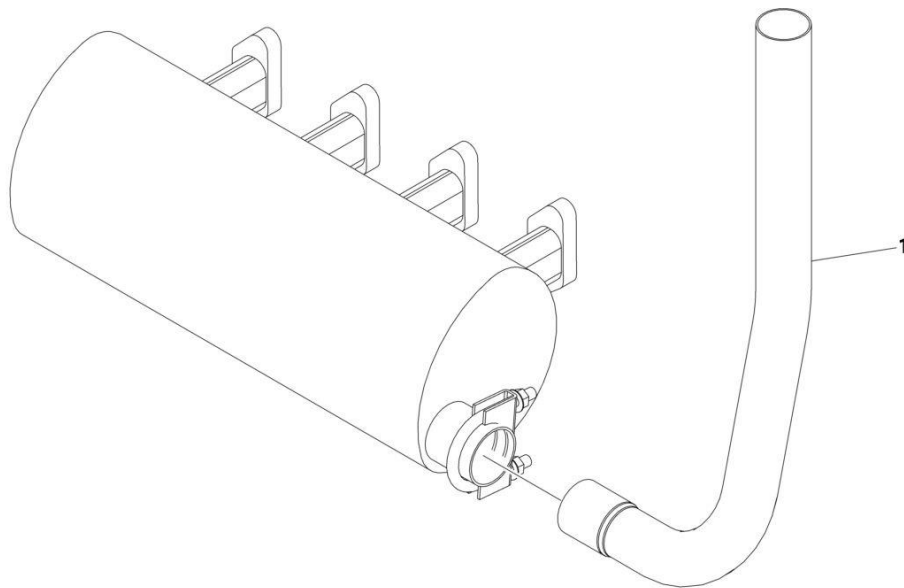
SECTION 3 - ENGINE

FIGURE 3-49. MUFFLER INSTALLATION - SPARK ARRESTING (DEUTZ D2011 ENGINES)

ITEM	PART NUMBER	QTY	DESCRIPTION	REV
	1001192284	Ref	MUFFLER INSTALLATION	B
1	1320176	1	Clamp	
2	1001191156	1	Muffler, Spark Arresting	
3	1001195763	1	Pipe, Exhaust	

SECTION 3 - ENGINE

FIGURE 3-50. EXHAUST PIPE INSTALLATION - (DEUTZ D2011 ENGINES)



ART_1001239563

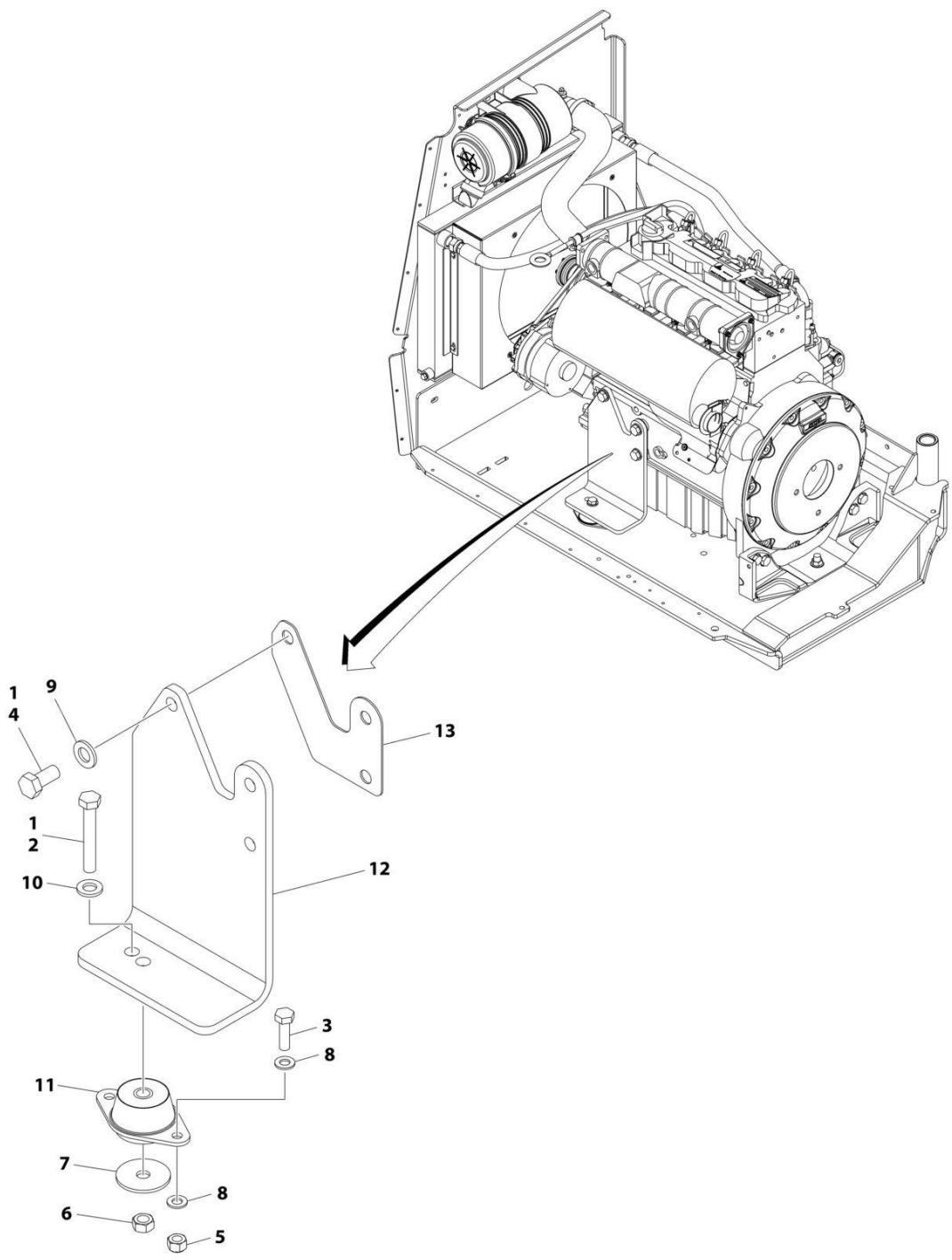
SECTION 3 - ENGINE

FIGURE 3-50. EXHAUST PIPE INSTALLATION - (DEUTZ D2011 ENGINES)

ITEM	PART NUMBER	QTY	DESCRIPTION	REV
1	1001239563 1001191273	Ref 1	MUFFLER INSTALLATION Pipe, Exhaust	A

SECTION 3 - ENGINE

FIGURE 3-51. MOTOR MOUNT INSTALLATION - WITHOUT GENERATOR (DEUTZ D2011 ENGINES)



ART_1001192443

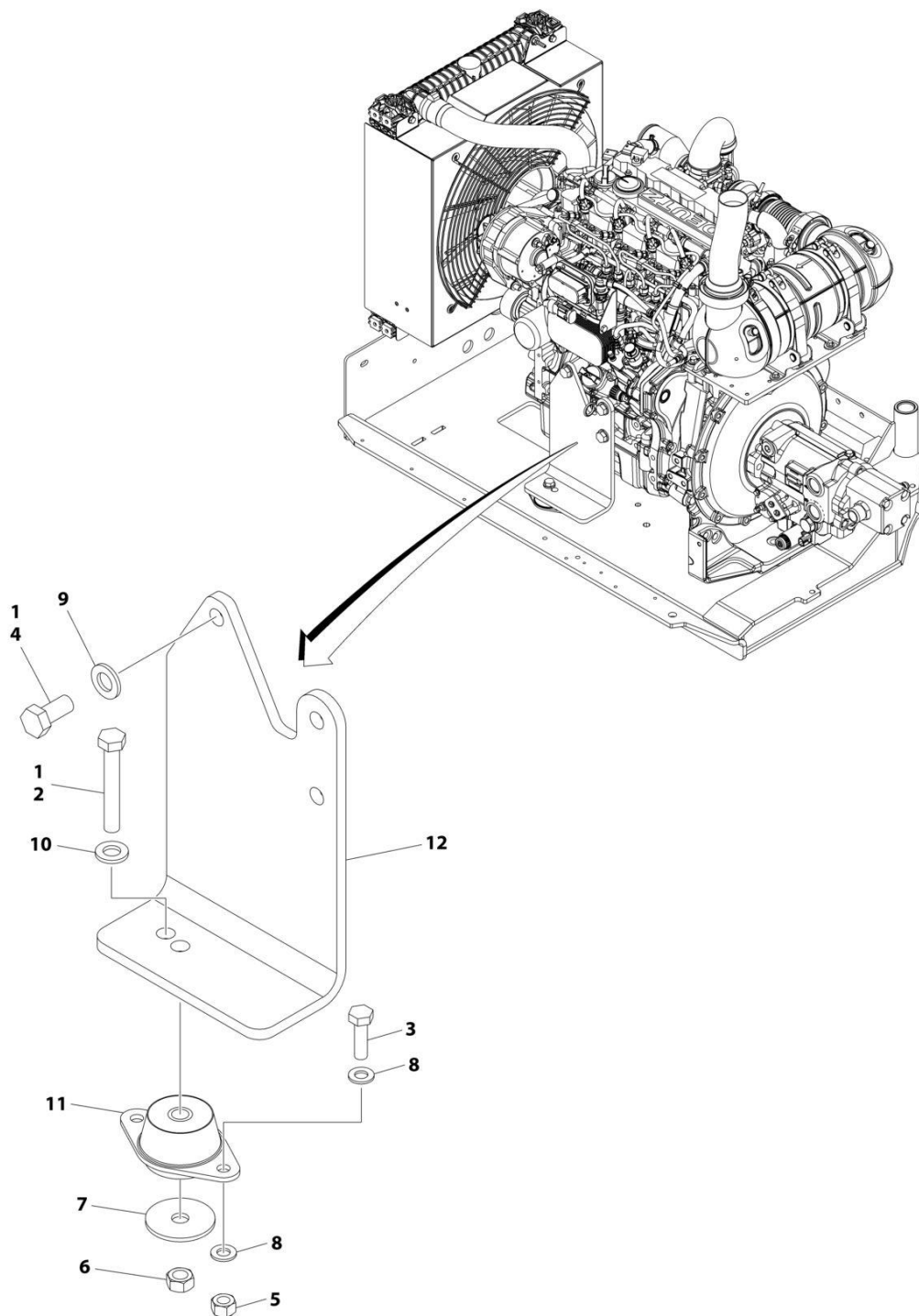
SECTION 3 - ENGINE

FIGURE 3-51. MOTOR MOUNT INSTALLATION - WITHOUT GENERATOR (DEUTZ D2011 ENGINES)

ITEM	PART NUMBER	QTY	DESCRIPTION	REV
	1001192443	Ref	MOTOR MOUNT INSTALLATION	D
1	0100011	AR	Compound, Locking	
2	0711224	1	Bolt M12 x 80	
3	0761015	2	Bolt M10 x 35	
4	0771414	3	Bolt M14 x 30	
5	3291005	2	Nut M10	
6	3331211	1	Nut M12	
7	1001168018	1	Washer	
8	4812000	4	Washer M10	
9	5241400	3	Washer M14	
10	5241200	1	Washer M12	
11	1001191610	1	Mount, Motor	
12	1001189227	1	Mount	
13	1001201843	1	Shim	

SECTION 3 - ENGINE

FIGURE 3-52. MOTOR MOUNT INSTALLATION - WITHOUT GENERATOR (DEUTZ TD 2.9L4 ENGINES)



ART_1001192442

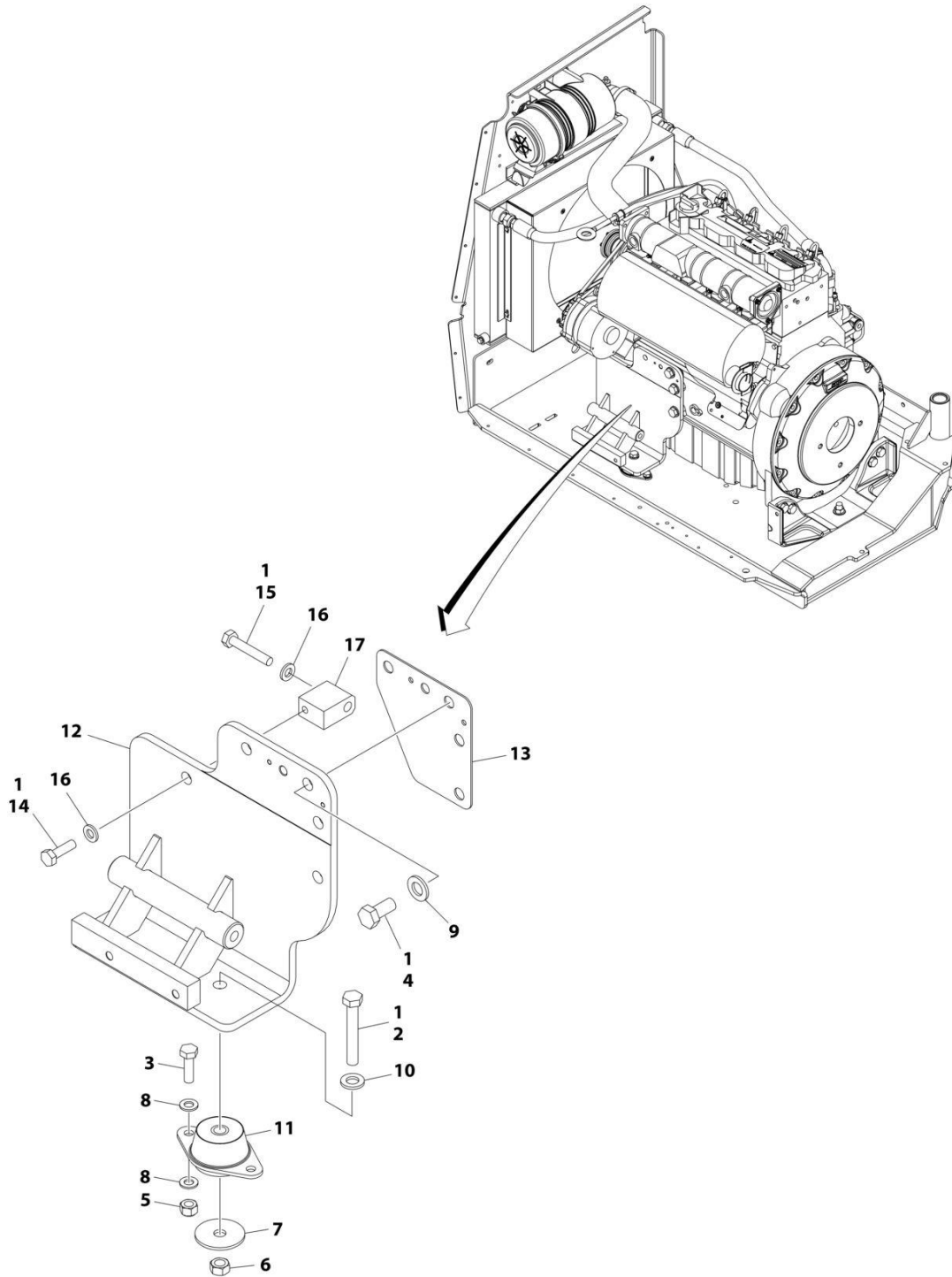
SECTION 3 - ENGINE

FIGURE 3-52. MOTOR MOUNT INSTALLATION - WITHOUT GENERATOR (DEUTZ TD 2.9L4 ENGINES)

ITEM	PART NUMBER	QTY	DESCRIPTION	REV
	1001192442	Ref	MOTOR MOUNT INSTALLATION	D
1	0100011	AR	Compound, Locking	
2	0711224	1	Bolt M12 x 80	
3	0761015	2	Bolt M10 x 35	
4	0771414	3	Bolt M14 x 30	
5	3291005	2	Nut M10	
6	3331211	1	Nut M12	
7	1001168018	1	Washer	
8	4812000	4	Washer M10	
9	5241400	3	Washer M14	
10	5241200	1	Washer M12	
11	1001191610	1	Mount, Motor	
12	1001189227	1	Mount	

SECTION 3 - ENGINE

FIGURE 3-53. MOTOR MOUNT INSTALLATION - WITH GENERATOR (DEUTZ D2011 ENGINES)



ART_1001191856

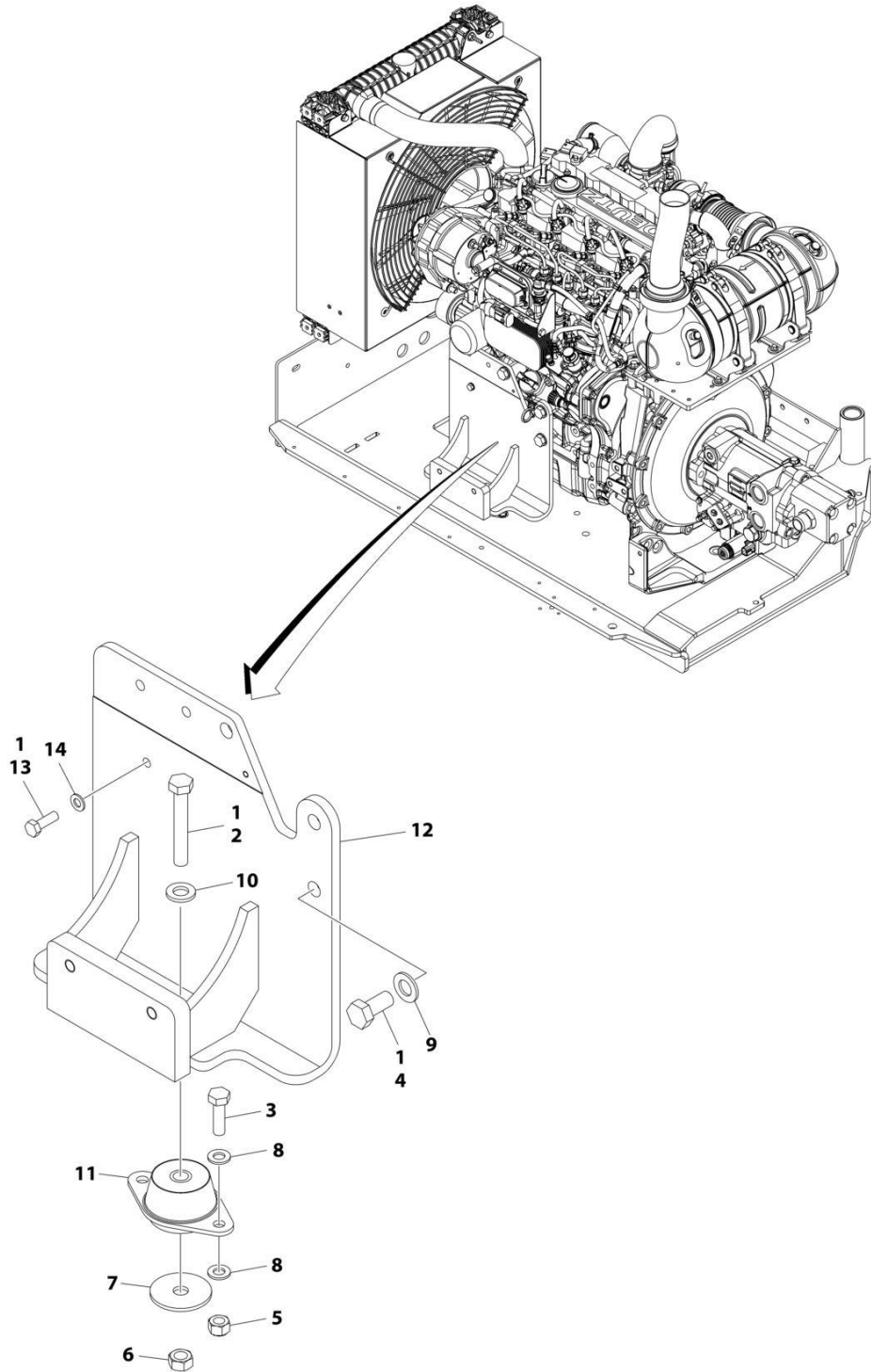
SECTION 3 - ENGINE

FIGURE 3-53. MOTOR MOUNT INSTALLATION - WITH GENERATOR (DEUTZ D2011 ENGINES)

ITEM	PART NUMBER	QTY	DESCRIPTION	REV
	1001191856	Ref	MOTOR MOUNT INSTALLATION	F
1	0100011	AR	Compound, Locking	
2	0711224	1	Bolt M12 x 80	
3	0761015	2	Bolt M10 x 35	
4	0771415	3	Bolt M14 x 35	
5	3291005	2	Nut M10	
6	3331211	1	Nut M12	
7	1001168018	1	Washer	
8	4812000	4	Washer M10	
9	5241400	3	Washer M14	
10	5241200	1	Washer M12	
11	1001191610	1	Mount, Engine	
12	1001239710	1	Bracket	
13	1001205957	1	Shim	
14	0711015	1	Bolt M10 x 35	
15	0711020	1	Bolt M10 x 60	
16	5241000	2	Washer M10	
17	1001239715	1	Block	

SECTION 3 - ENGINE

FIGURE 3-54. MOTOR MOUNT INSTALLATION - WITH GENERATOR (DEUTZ TD 2.9L4 ENGINES)



ART_1001192008

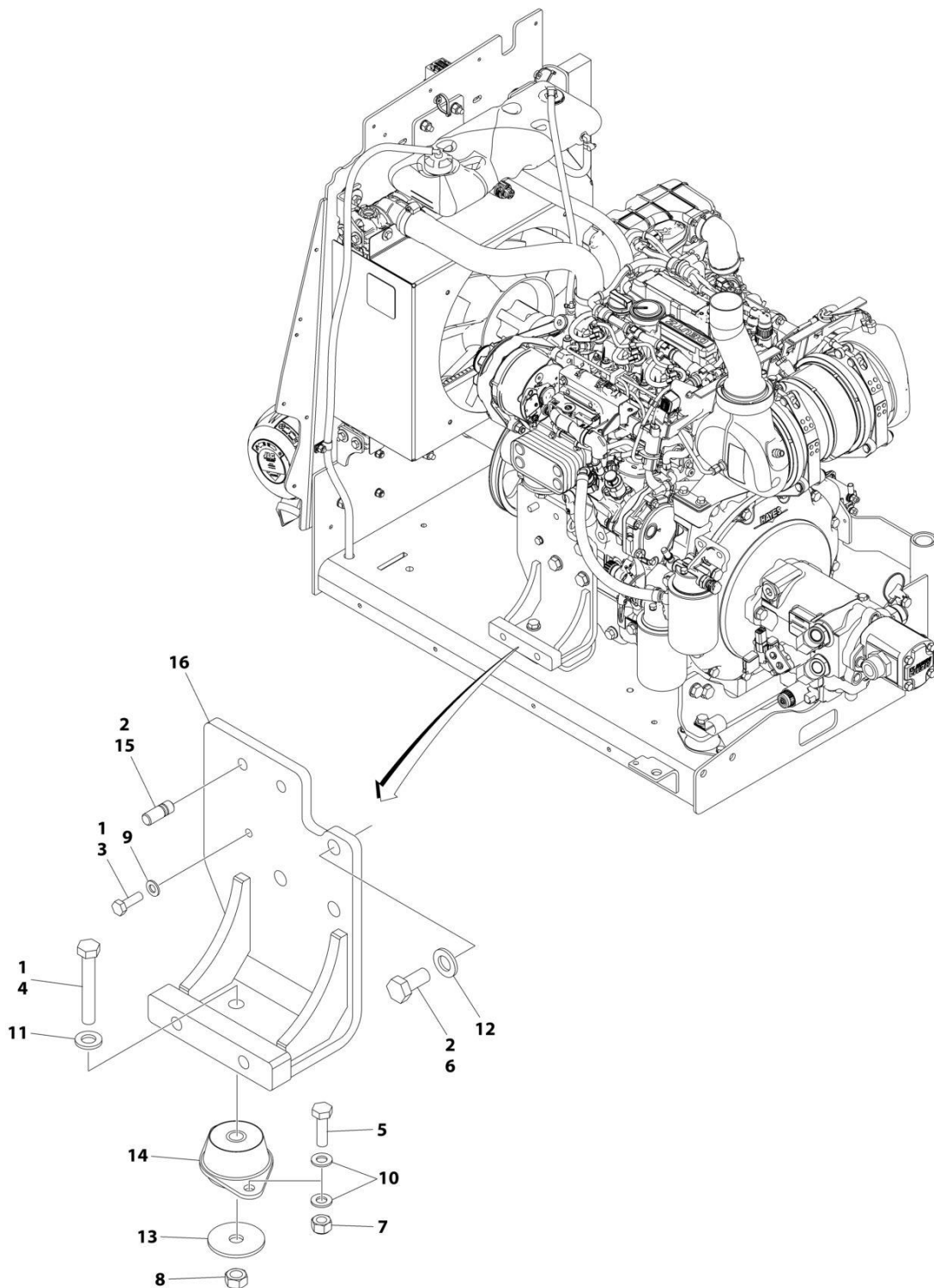
SECTION 3 - ENGINE

FIGURE 3-54. MOTOR MOUNT INSTALLATION - WITH GENERATOR (DEUTZ TD 2.9L4 ENGINES)

ITEM	PART NUMBER	QTY	DESCRIPTION	REV
	1001192008	Ref	MOTOR MOUNT INSTALLATION	F
1	0100011	AR	Compound, Locking	
2	0711224	1	Bolt M12 x 80	
3	0761015	2	Bolt M10 x 35	
4	0771415	3	Bolt M14 x 35	
5	3291005	2	Nut M10	
6	3331211	1	Nut M12	
7	1001168018	1	Washer	
8	4812000	4	Washer M10	
9	5241400	3	Washer M14	
10	5241200	1	Washer M12	
11	1001191610	1	Mount, Motor	
12	1001209016	1	Mount	
13	0770814	1	Bolt M8 x 30	
14	5240800	1	Washer M8	

SECTION 3 - ENGINE

FIGURE 3-55. MOTOR MOUNT INSTALLATION - WITH GENERATOR (STAGE V) (DEUTZ TD 2.2L3 ENGINES)



ART_1001255280

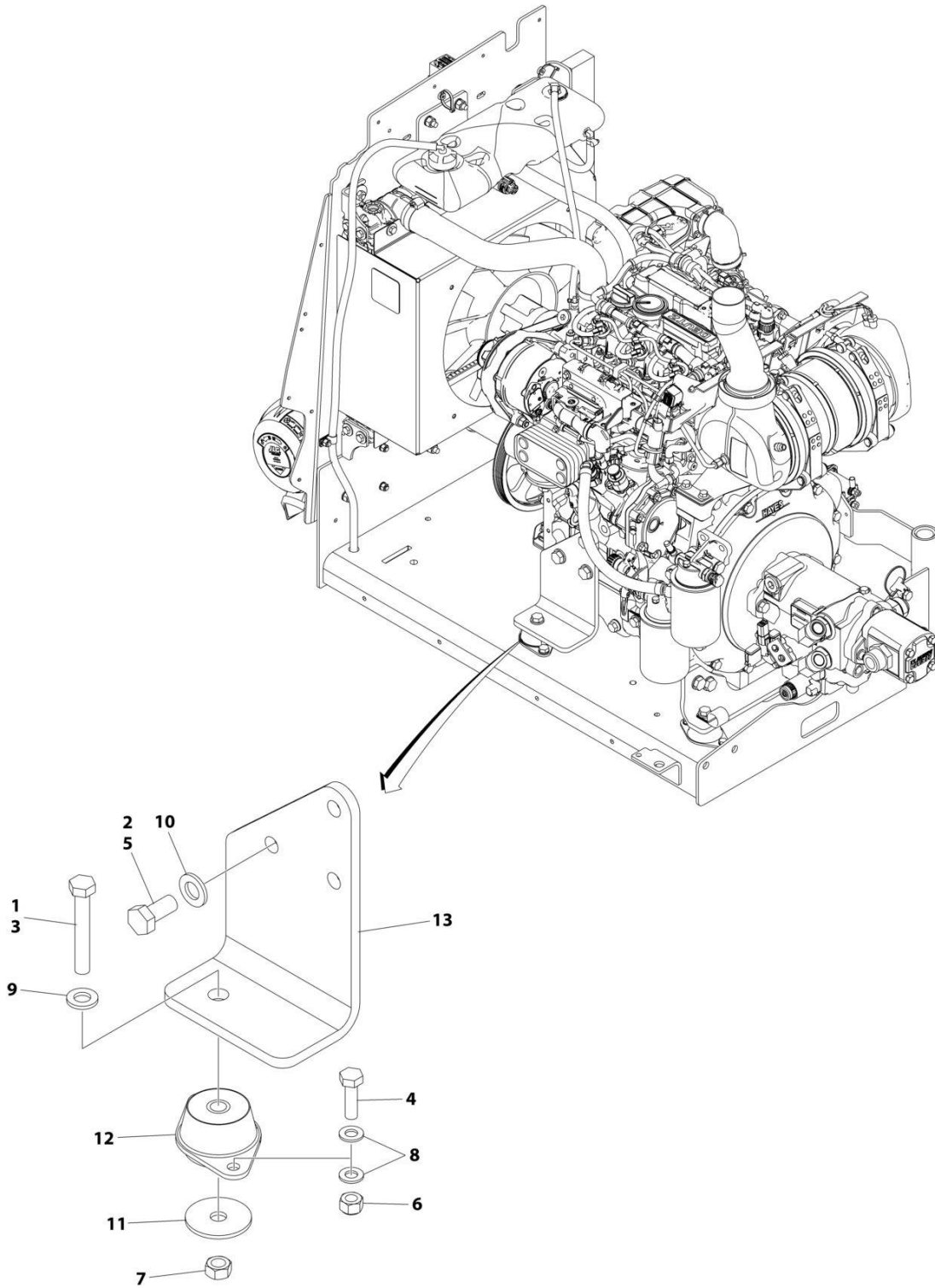
SECTION 3 - ENGINE

FIGURE 3-55. MOTOR MOUNT INSTALLATION - WITH GENERATOR (STAGE V) (DEUTZ TD 2.2L3 ENGINES)

ITEM	PART NUMBER	QTY	DESCRIPTION	REV
	1001255280	Ref	MOTOR MOUNT INSTALLATION	C
1	0100011	AR	Compound, Locking	
2	0100019	AR	Compound, Locking	
3	0700812	1	Bolt M8 x 25	
4	0711224	1	Bolt M12 x 80	
5	0761015	2	Bolt M10 x 35	
6	0771414	3	Bolt M14 x 30	
7	3291005	2	Nut M10	
8	3331211	1	Nut M12	
9	4811900	1	Washer M8	
10	4812000	4	Washer M10	
11	5241200	1	Washer M12	
12	5241400	1	Washer M14	
13	1001168018	1	Washer	
14	1001166718	1	Mount, Motor	
15	1001196382	1	Stud	
16	1001254899	1	Mount	

SECTION 3 - ENGINE

FIGURE 3-56. MOTOR MOUNT INSTALLATION - WITHOUT GENERATOR (STAGE V) (DEUTZ TD 2.2L3 ENGINES)



ART_1001255281

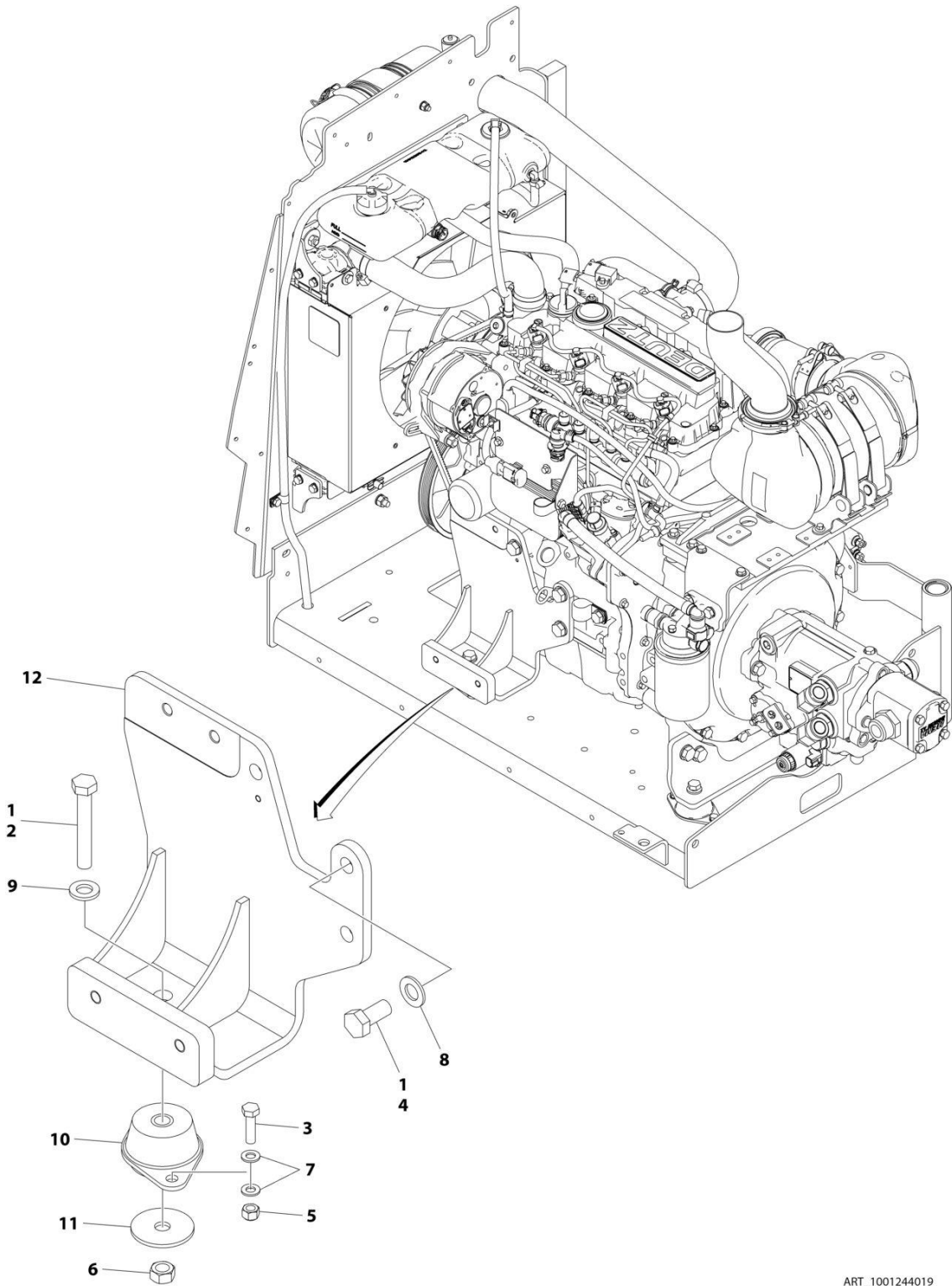
SECTION 3 - ENGINE

FIGURE 3-56. MOTOR MOUNT INSTALLATION - WITHOUT GENERATOR (STAGE V) (DEUTZ TD 2.2L3 ENGINES)

ITEM	PART NUMBER	QTY	DESCRIPTION	REV
	1001255281	Ref	MOTOR MOUNT INSTALLATION	C
1	0100011	AR	Compound, Locking	
2	0100019	AR	Compound, Locking	
3	0711224	1	Bolt M12 x 80	
4	0761015	2	Bolt M10 x 35	
5	0771414	3	Bolt M14 x 30	
6	3291005	2	Nut M10	
7	3331211	1	Nut M12	
8	4812000	4	Washer M10	
9	5241200	1	Washer M12	
10	5241400	3	Washer M14	
11	1001168018	1	Washer	
12	1001166718	1	Mount, Motor	
13	1001254423	1	Mount	

SECTION 3 - ENGINE

FIGURE 3-57. MOTOR MOUNT INSTALLATION - WITH GENERATOR (DEUTZ TD 2.9L4 49HP ENGINES)



ART_1001244019

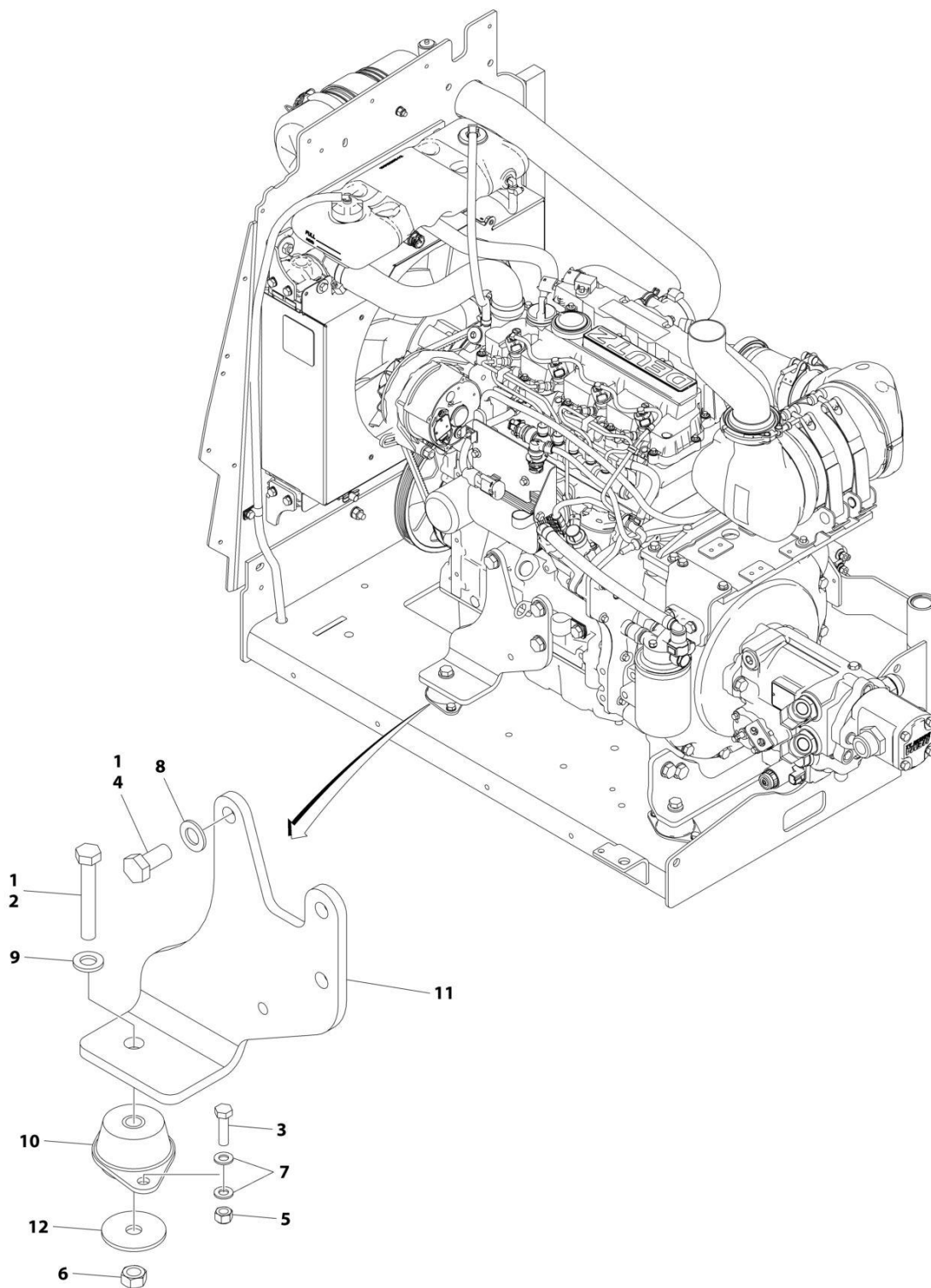
SECTION 3 - ENGINE

FIGURE 3-57. MOTOR MOUNT INSTALLATION - WITH GENERATOR (DEUTZ TD 2.9L4 49HP ENGINES)

ITEM	PART NUMBER	QTY	DESCRIPTION	REV
	1001244019	Ref	MOTOR MOUNT INSTALLATION	A
1	0100011	AR	Compound, Locking	
2	0711224	1	Bolt M12 x 80	
3	0760814	2	Bolt M8 x 30	
4	0771414	3	Bolt M14 x 30	
5	3290805	2	Nut M8	
6	3331211	1	Nut M12	
7	4811900	4	Washer M8	
8	4812200	3	Washer M14	
9	5241200	1	Washer M12	
10	1001166718	1	Mount, Motor	
11	1001168018	1	Washer	
12	1001168207	1	Mount	

SECTION 3 - ENGINE

FIGURE 3-58. MOTOR MOUNT INSTALLATION - WITHOUT GENERATOR (DEUTZ TD 2.9L4 49HP ENGINES)



ART_1001244024

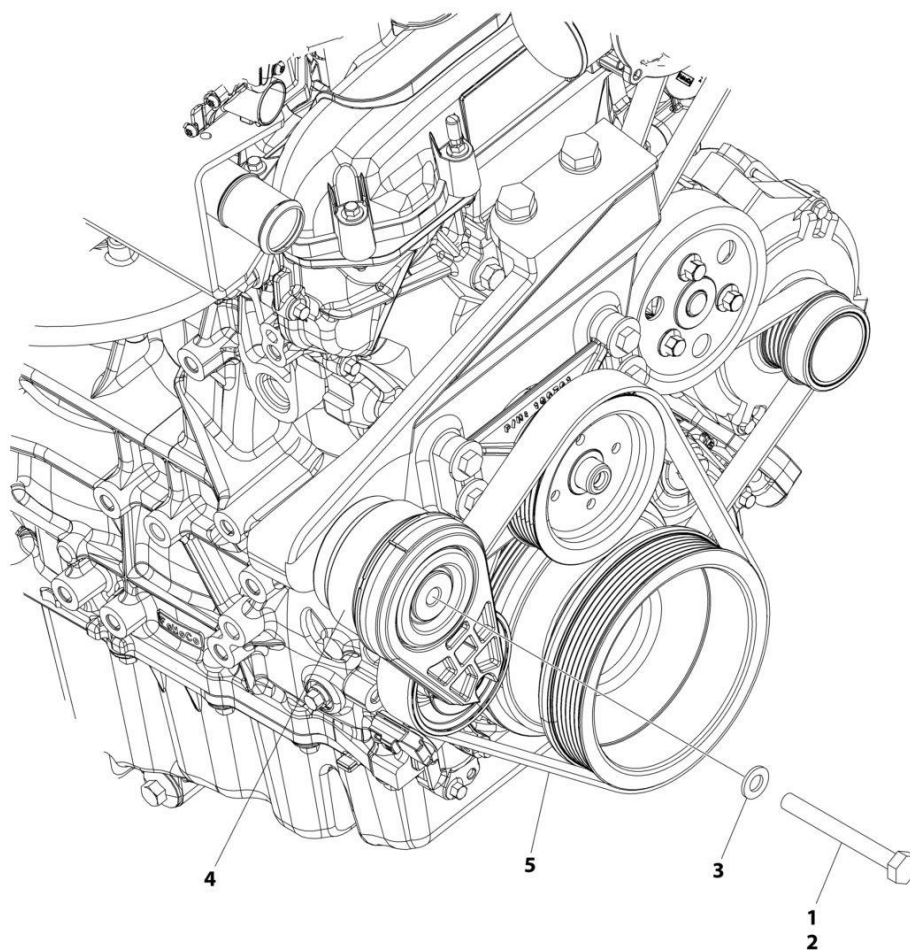
SECTION 3 - ENGINE

FIGURE 3-58. MOTOR MOUNT INSTALLATION - WITHOUT GENERATOR (DEUTZ TD 2.9L4 49HP ENGINES)

ITEM	PART NUMBER	QTY	DESCRIPTION	REV
	1001244024	Ref	MOTOR MOUNT INSTALLATION	A
1	0100011	AR	Compound, Locking	
2	0711224	1	Bolt M12 x 80	
3	0760814	2	Bolt M8 x 30	
4	0771414	3	Bolt M14 x 30	
5	3290805	2	Nut M8	
6	3331211	1	Nut M12	
7	4811900	4	Washer M8	
8	4812200	3	Washer M14	
9	5241200	1	Washer M12	
10	1001166718	1	Mount, Motor	
11	1001166922	1	Mount	
12	1001168018	1	Washer	

SECTION 3 - ENGINE

FIGURE 3-59. BELT WITHOUT GENERATOR INSTALLATION (FORD ENGINES)



ART_1001220404

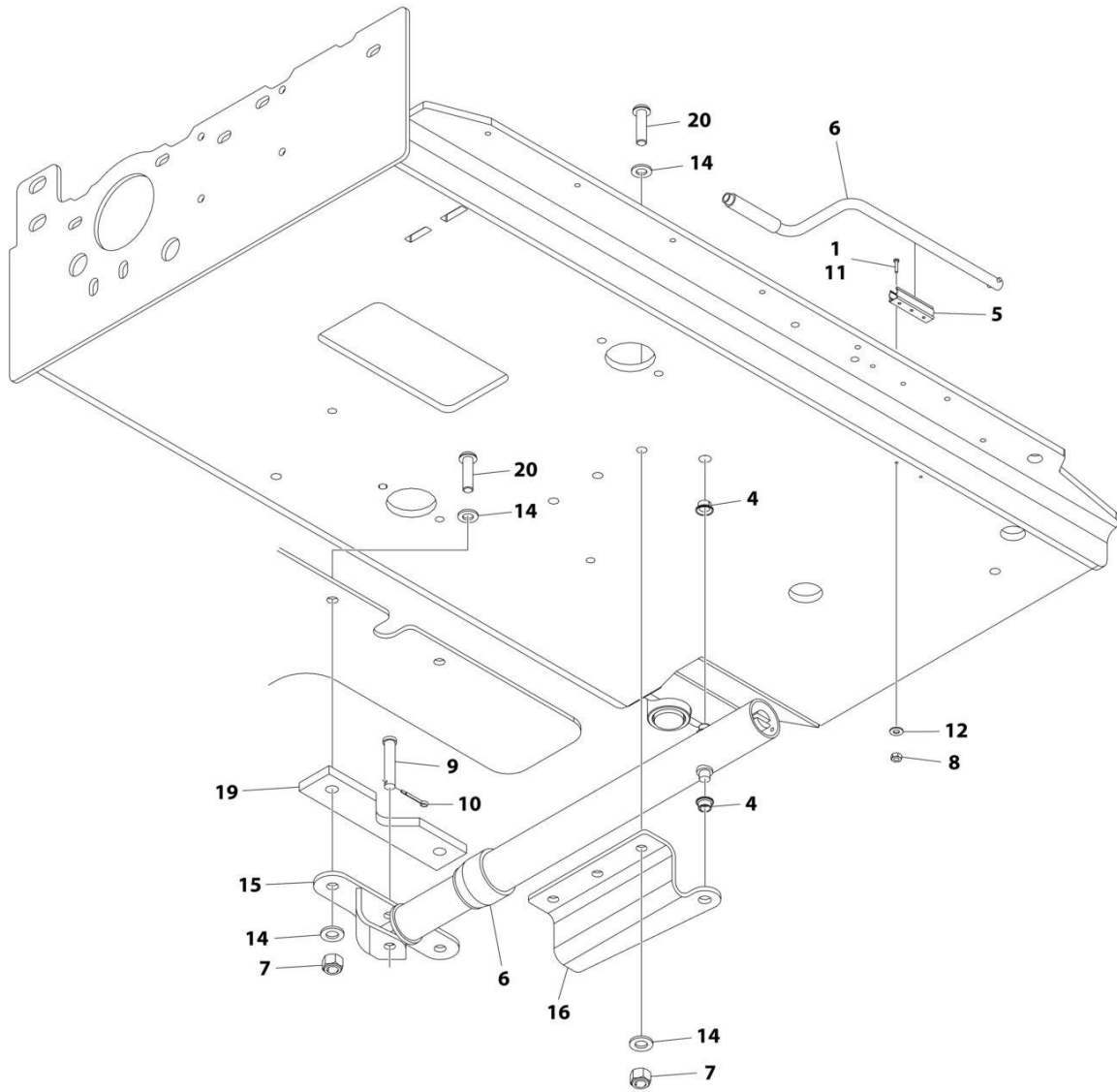
SECTION 3 - ENGINE

FIGURE 3-59. BELT WITHOUT GENERATOR INSTALLATION (FORD ENGINES)

ITEM	PART NUMBER	QTY	DESCRIPTION	REV
	1001220404	Ref	DRIVE BELT INSTALLATION	C
1	0100011	AR	Compound, Locking	
2	0701026	1	Bolt M10 x 90	
3	4812002	1	Washer M10	
4	1001216300	1	Pulley	
5	1001216619	1	V-Belt	

SECTION 3 - ENGINE

FIGURE 3-60. TRAY JACK INSTALLATION



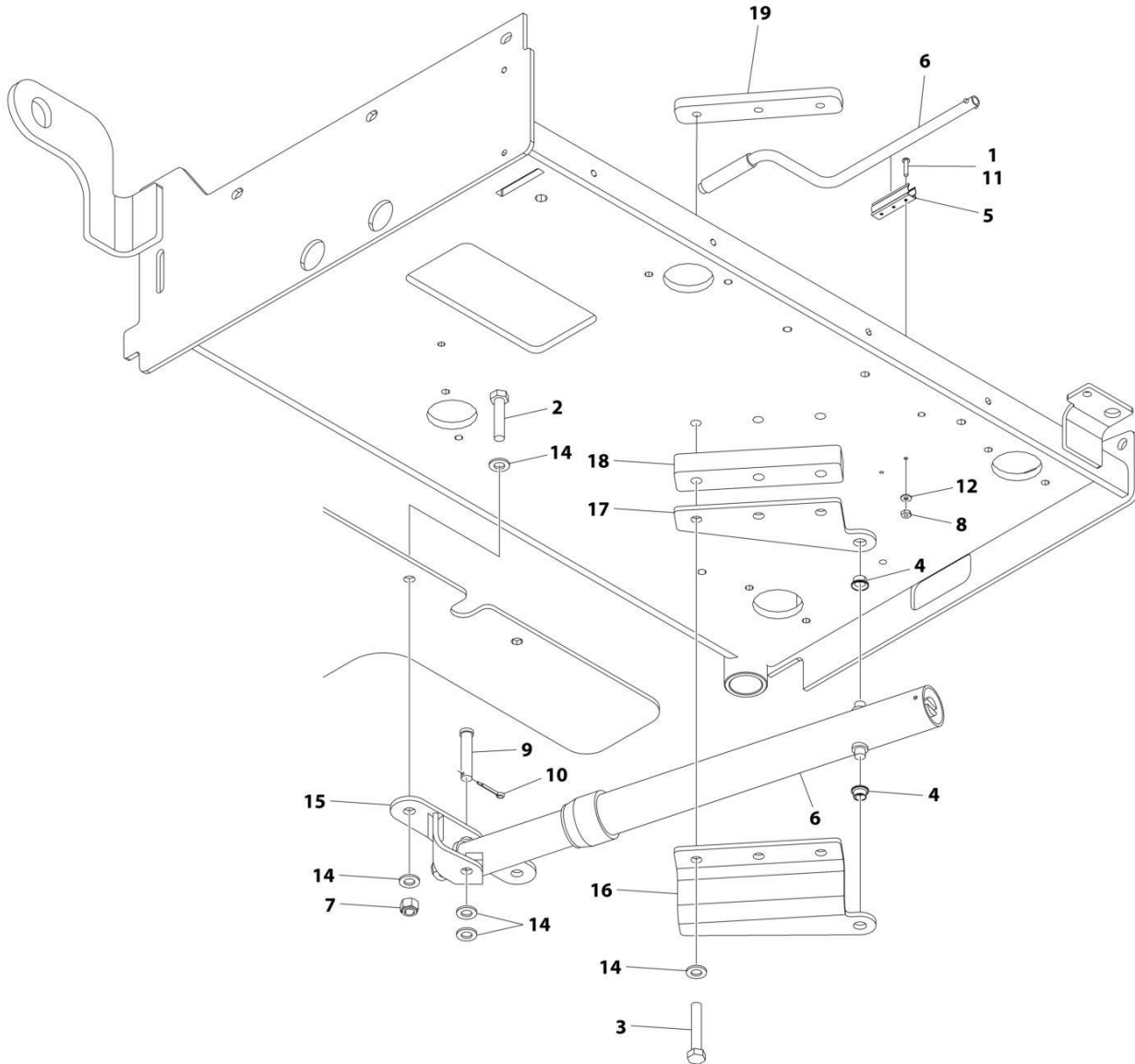
ART_1001186980_E

FIGURE 3-60. TRAY JACK INSTALLATION

ITEM	PART NUMBER	QTY	DESCRIPTION	REV
	1001186980	Ref	TRAY JACK INSTALLATION	E
1	0100011	AR	Compound, Locking	
4	0962051	2	Bearing	
5	1380147	1	Clip	
6	2840016	1	Jack and Handle Assembly	
6	7024598	1	Handle	
7	3291205	5	Nut M12	
8	3290301	2	Nut M3	
9	3430820	1	Pin	
10	1001236121	1	Pin	
11	4010308	2	Screw M3 x 16	
12	4811400	2	Washer M4	
14	4812100	10	Washer M12	
15	1001166894	1	Support	
16	1001175073	1	Support	
19	1001186981	1	Plate	
20	1001102978	5	Screw M12 x 45 Grade 10.9	

SECTION 3 - ENGINE

FIGURE 3-61. TRAY JACK INSTALLATION (STAGE V)



ART_1001244023_C

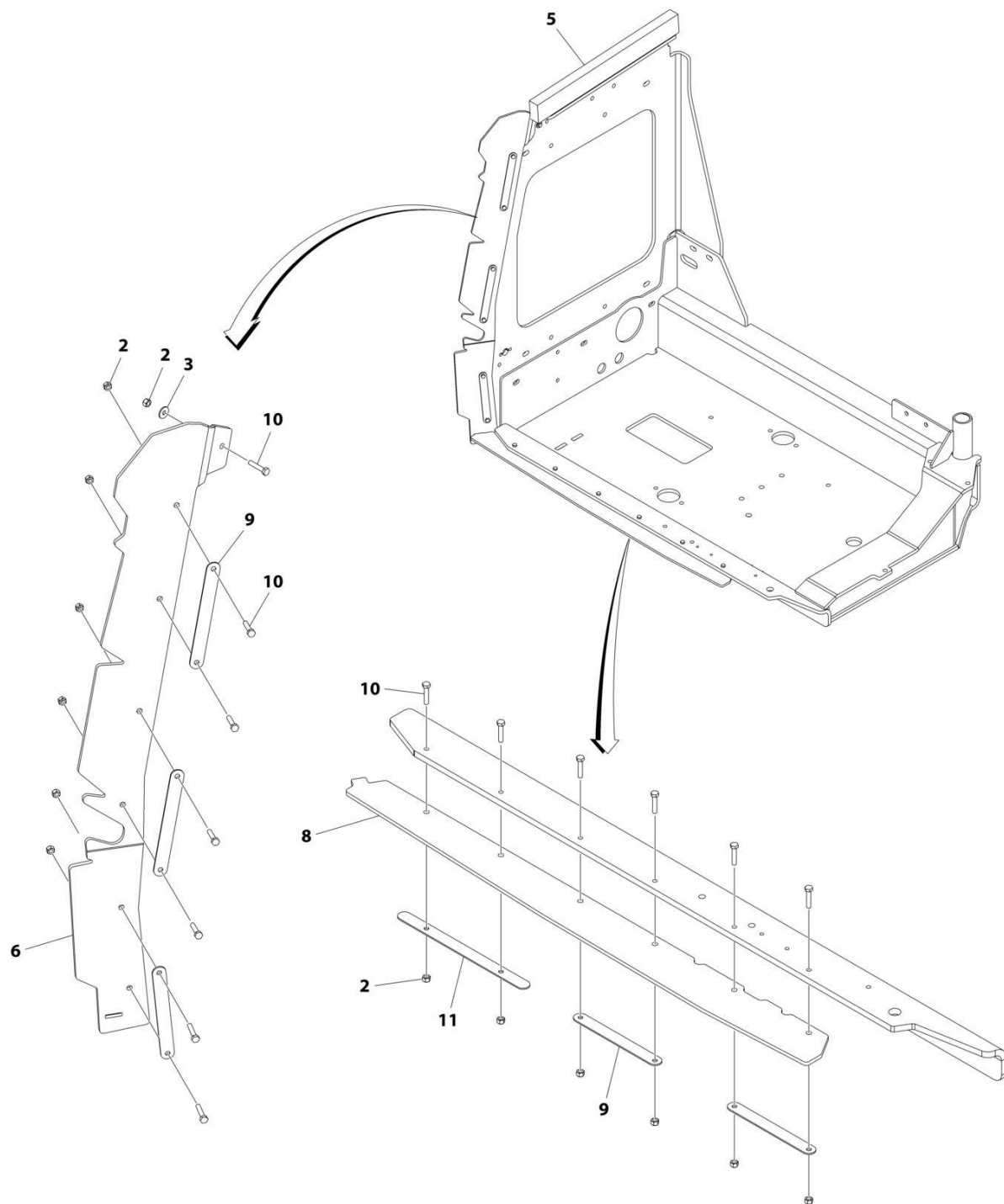
SECTION 3 - ENGINE

FIGURE 3-61. TRAY JACK INSTALLATION (STAGE V)

ITEM	PART NUMBER	QTY	DESCRIPTION	REV
	1001244023	Ref	TRAY JACK INSTALLATION	C
1	0100011	AR	Compound, Locking	
2	1001102978	2	Bolt M12 x 45	
3	0701222	3	Bolt M12 x 70	
4	0962051	2	Bearing	
5	1380147	1	Clip	
6	2840016	1	Jack and Handle Assembly	
6	7024598	1	Handle	
7	3291205	2	Nut M12	
8	3290301	2	Nut M3	
9	3430820	1	Pin	
10	1001236121	1	Pin	
11	4010308	2	Screw M3 x 16	
12	4811400	1	Washer M4	
14	4812100	9	Washer M12	
15	1001166894	1	Support	
16	1001175073	1	Support	
17	1001175074	1	Support	
18	1001244025	1	Shim	
19	1001254719	1	Plate, Nut	

SECTION 3 - ENGINE

FIGURE 3-62. ENGINE HOOD Baffles INSTALLATION - ABS HOODS



ART_1001197268_G

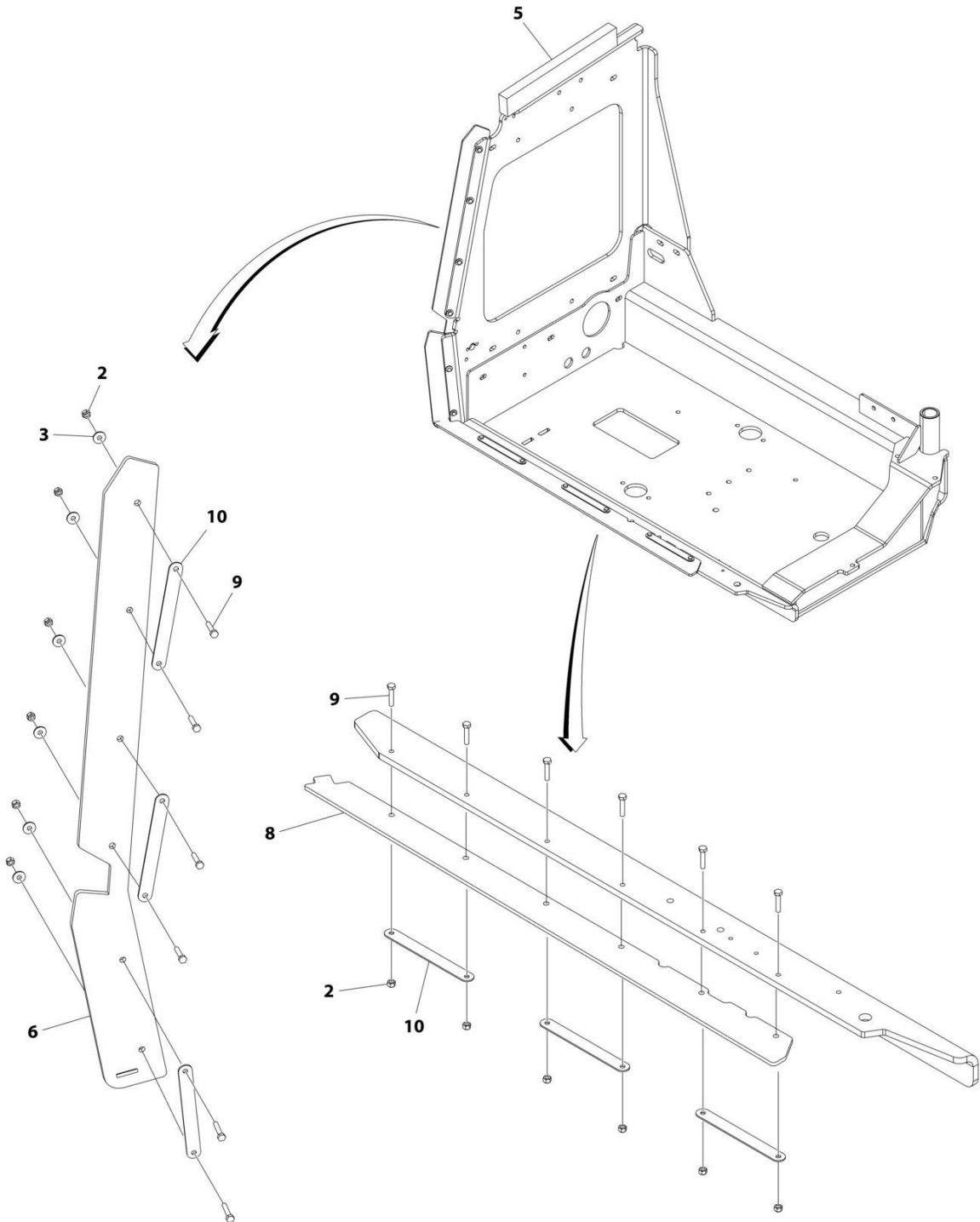
SECTION 3 - ENGINE

FIGURE 3-62. ENGINE HOOD BAFFLES INSTALLATION - ABS HOODS

ITEM	PART NUMBER	QTY	DESCRIPTION	REV
	1001197268	Ref	ENGINE HOOD BAFFLES INSTALLATION	G
2	3290605	13	Nut M6	
3	4811702	8	Washer M6	
5	1001197389	1	Seal	
6	1001234370	1	Seal	
8	1001234371	1	Seal	
9	1001167164	5	Support	
10	0760614	13	Bolt M6 x 30	
11	1001233429	1	Support	

SECTION 3 - ENGINE

FIGURE 3-63. ENGINE HOOD Baffles INSTALLATION - STEEL HOODS



ART_1001197269_F

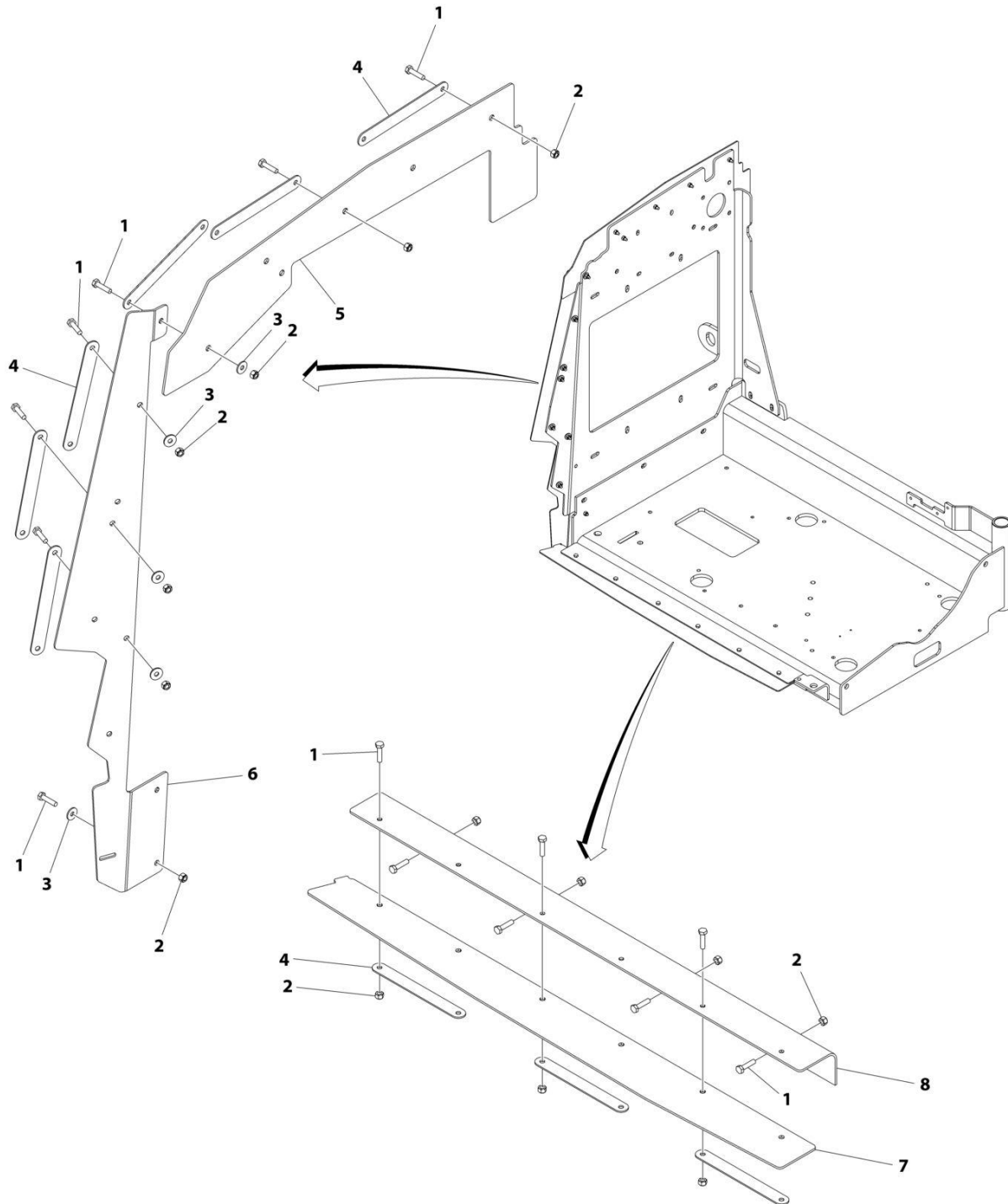
SECTION 3 - ENGINE

FIGURE 3-63. ENGINE HOOD BAFFLES INSTALLATION - STEEL HOODS

ITEM	PART NUMBER	QTY	DESCRIPTION	REV
	1001197269	Ref	ENGINE HOOD BAFFLES INSTALLATION	F
2	3290605	AR	Nut M6	
3	4811702	AR	Washer M6	
5	1001234281	1	Seal	
6	1001234299	1	Seal	
8	1001234283	1	Seal	
9	0760614	AR	Bolt M6 x 30	
10	1001167164	6	Support	

SECTION 3 - ENGINE

FIGURE 3-64. ENGINE HOOD Baffles INSTALLATION - ABS HOODS (DEUTZ TD 2.2L3 ENGINES AND TD 2.9L4 49HP ENGINES)



ART_1001244119

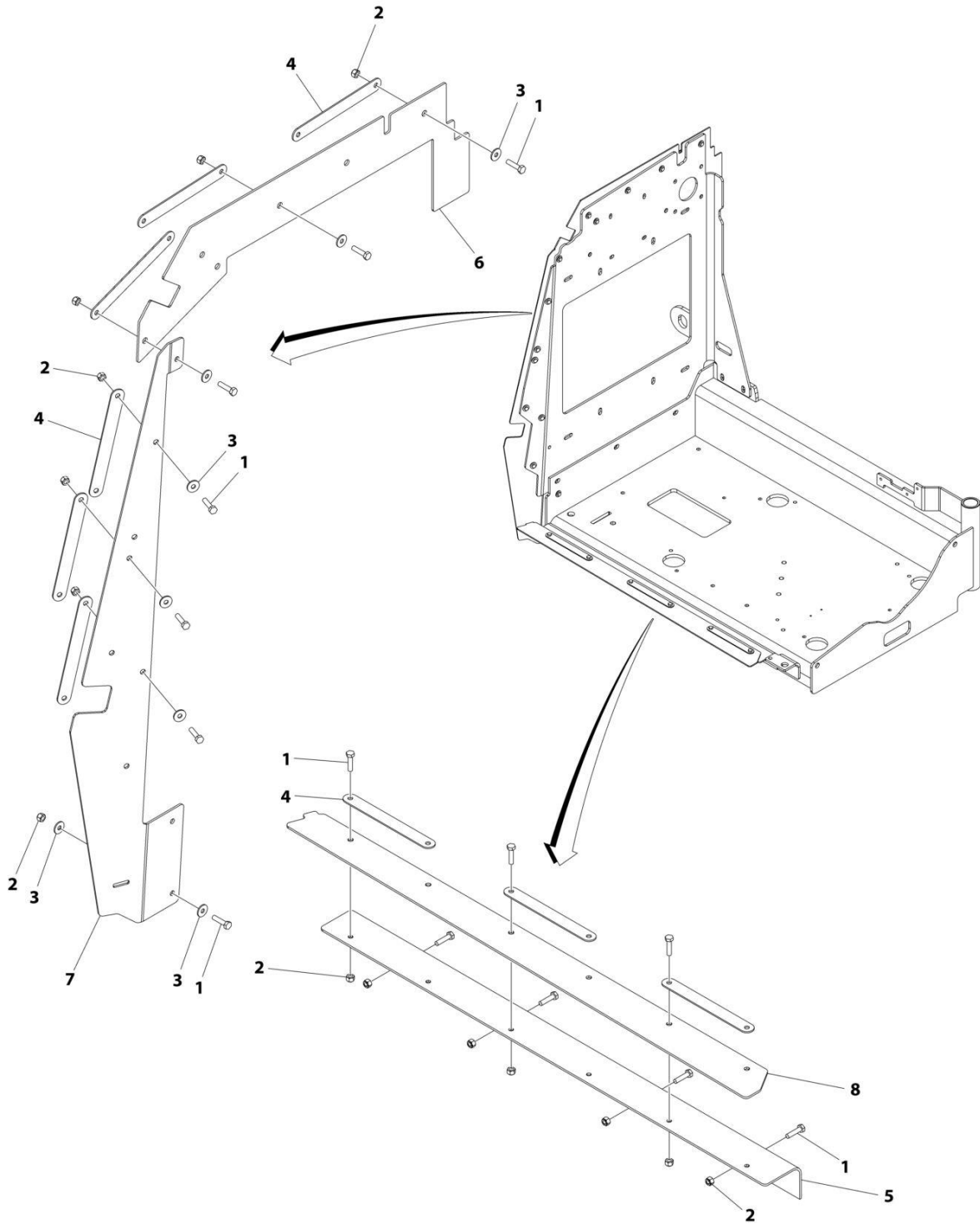
SECTION 3 - ENGINE

FIGURE 3-64. ENGINE HOOD BAFFLES INSTALLATION - ABS HOODS (DEUTZ TD 2.2L3 ENGINES AND TD 2.9L4 49HP ENGINES)

ITEM	PART NUMBER	QTY	DESCRIPTION	REV
	1001244119	Ref	ENGINE HOOD BAFFLES INSTALLATION	B
1	0760612	24	Bolt M6 x 25	
2	3290605	24	Nut M6	
3	4811702	30	Washer M6	
4	1001167164	9	Support	
5	1001244120	1	Seal	
6	1001244121	1	Seal	
7	1001244122	1	Seal	
8	1001244123	1	Plate	

SECTION 3 - ENGINE

FIGURE 3-65. ENGINE HOOD Baffles INSTALLATION - STEEL HOODS (DEUTZ TD 2.2L3 ENGINES AND TD 2.9L4 49HP ENGINES)



ART_1001244464

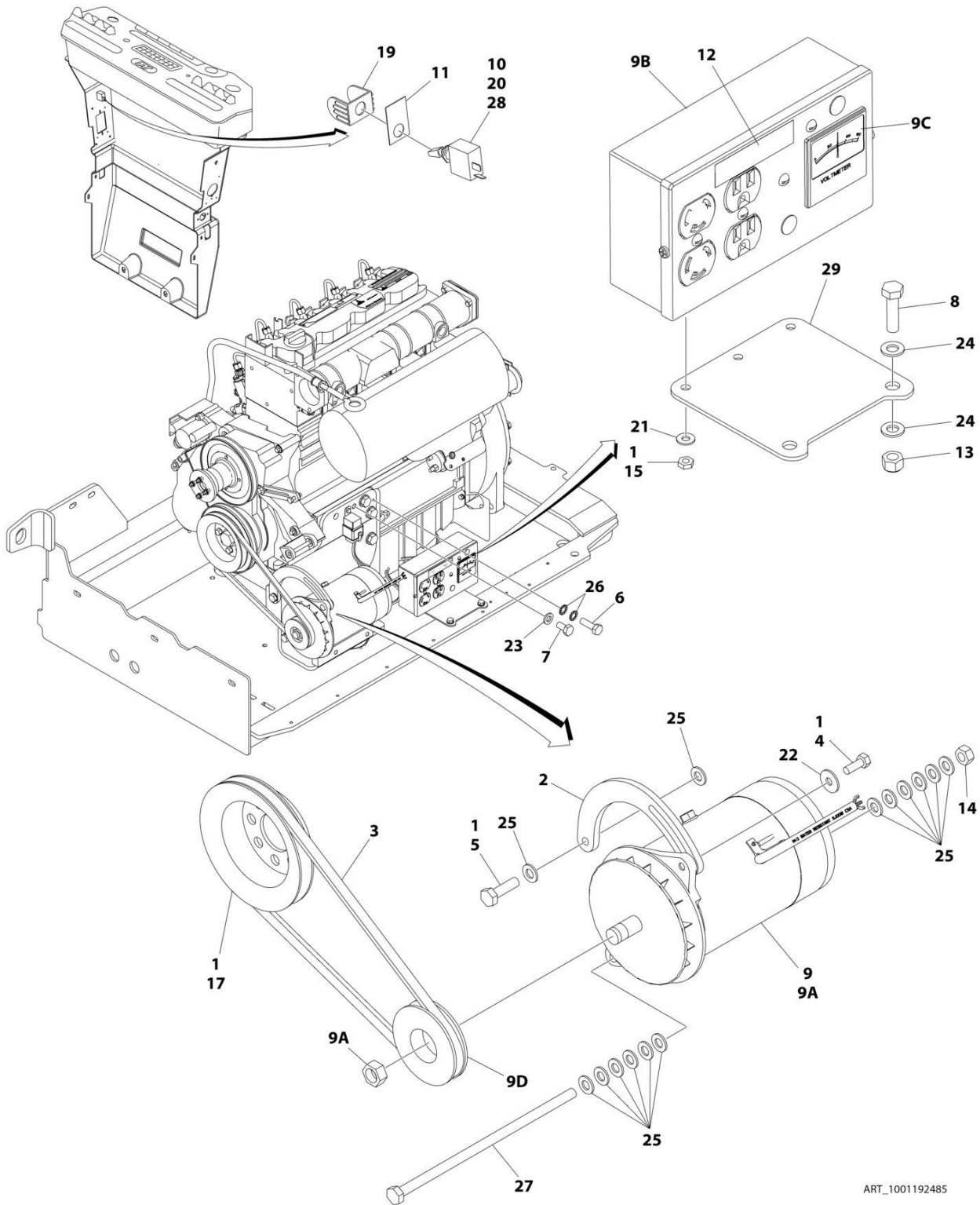
SECTION 3 - ENGINE

FIGURE 3-65. ENGINE HOOD BAFFLES INSTALLATION - STEEL HOODS (DEUTZ TD 2.2L3 ENGINES AND TD 2.9L4 49HP ENGINES)

ITEM	PART NUMBER	QTY	DESCRIPTION	REV
	1001244464	Ref	ENGINE HOOD BAFFLES INSTALLATION	B
1	0760612	24	Bolt M6 x 25	
2	3290605	24	Nut M6	
3	4811702	30	Washer M6	
4	1001167164	9	Support	
5	1001244123	1	Plate	
6	1001244468	1	Seal	
7	1001244469	1	Seal	
8	1001244470	1	Seal	

SECTION 3 - ENGINE

FIGURE 3-66. 2500W GENERATOR INSTALLATION - 110V/60HZ (DEUTZ D2011 ENGINES) (OPTIONAL)



ART_1001192485

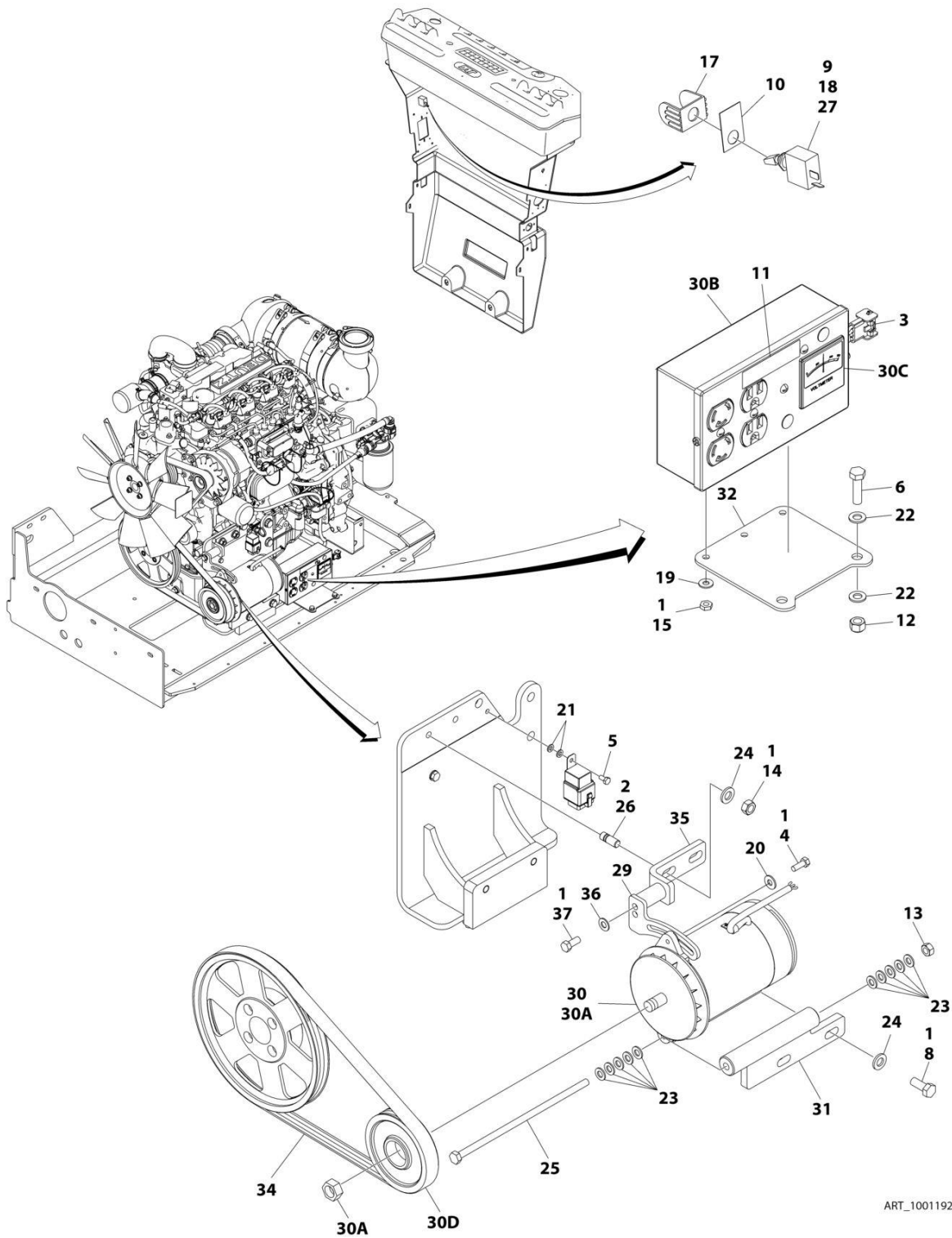
SECTION 3 - ENGINE

**FIGURE 3-66. 2500W GENERATOR INSTALLATION - 110V/60HZ (DEUTZ D2011 ENGINES)
(OPTIONAL)**

ITEM	PART NUMBER	QTY	DESCRIPTION	REV
	1001192485	Ref	2500W GENERATOR INSTALLATION	F
1	0100011	AR	Compound, Locking	
2	1001239716	1	Arm, Adjusting	
3	0480124	1	Belt	
4	0641508	1	Bolt 5/16 x 1	
5	0761012	1	Bolt M10 x 25	
6	0700610	1	Bolt M6 x 20	
7	0760606	1	Bolt M6 x 12	
8	0760814	2	Bolt M8 x 30	
9	2460055	1	Generator and Control Box Assembly	
9A	7012558	1	Generator, Replacement	
9A		Ref	Note: Replacement Generators come standard with p/n 3580134 pulley. This pulley may not be correct for all applications. Refer to pulley options below.	
9A	7012513	4	Cap, Brush Holder	
9A	7020108	4	Brush	
9A	7020109	4	Holder, Brush	
9A	7012514	1	Fan	
9A	7020190	2	Bearing	
9A	7020110	1	Bell, Front	
9A	7020111	1	Bell, Rear	
9B	7019680	1	Box, Control	
9B	4360542	1	Breaker, Circuit	
9B	4460190	AR	Receptacle, Standard	
9B	4460027	AR	Receptacle, Twistlock	
9C	2420203	1	Voltmeter	
9D	3580276	1	Pulley	
9D	7027887	1	Key, Woodruff	
10	2820031	AR	Heat Shrink	
11	3251102	1	Nameplate - Generator On/Off	
12	3251243	1	Decal - 120V-60Hz	
13	3290805	2	Nut M8	
14	3291007	1	Nut M10	
15	3311001	2	Nut #10	
17	3580158	1	Pulley	
19	4060802	1	Guard, Switch	
20	4360336	1	Switch, Toggle	
21	4751000	1	Washer #10	
22	4811902	1	Washer M8	
23	4811700	1	Washer M6	
24	4811900	4	Washer M8	
25	4812000	14	Washer M10	
26	4871700	2	Washer M6	
27	1001119280	1	Bolt M10 x 260	
28	4922641	1	Generator Switch Harness	
29	1001193167	1	Plate, Mounting	
30	1001194114	1	Generator Harness - 2500W (Not Shown) (See Separate Breakdown in ELECTRICAL SECTION)	

SECTION 3 - ENGINE

FIGURE 3-67. 2500W GENERATOR INSTALLATION - 110V/60HZ (DEUTZ TD2.9L4 ENGINES) (OPTIONAL)



ART_1001192280

SECTION 3 - ENGINE

**FIGURE 3-67. 2500W GENERATOR INSTALLATION - 110V/60HZ (DEUTZ TD2.9L4 ENGINES)
(OPTIONAL)**

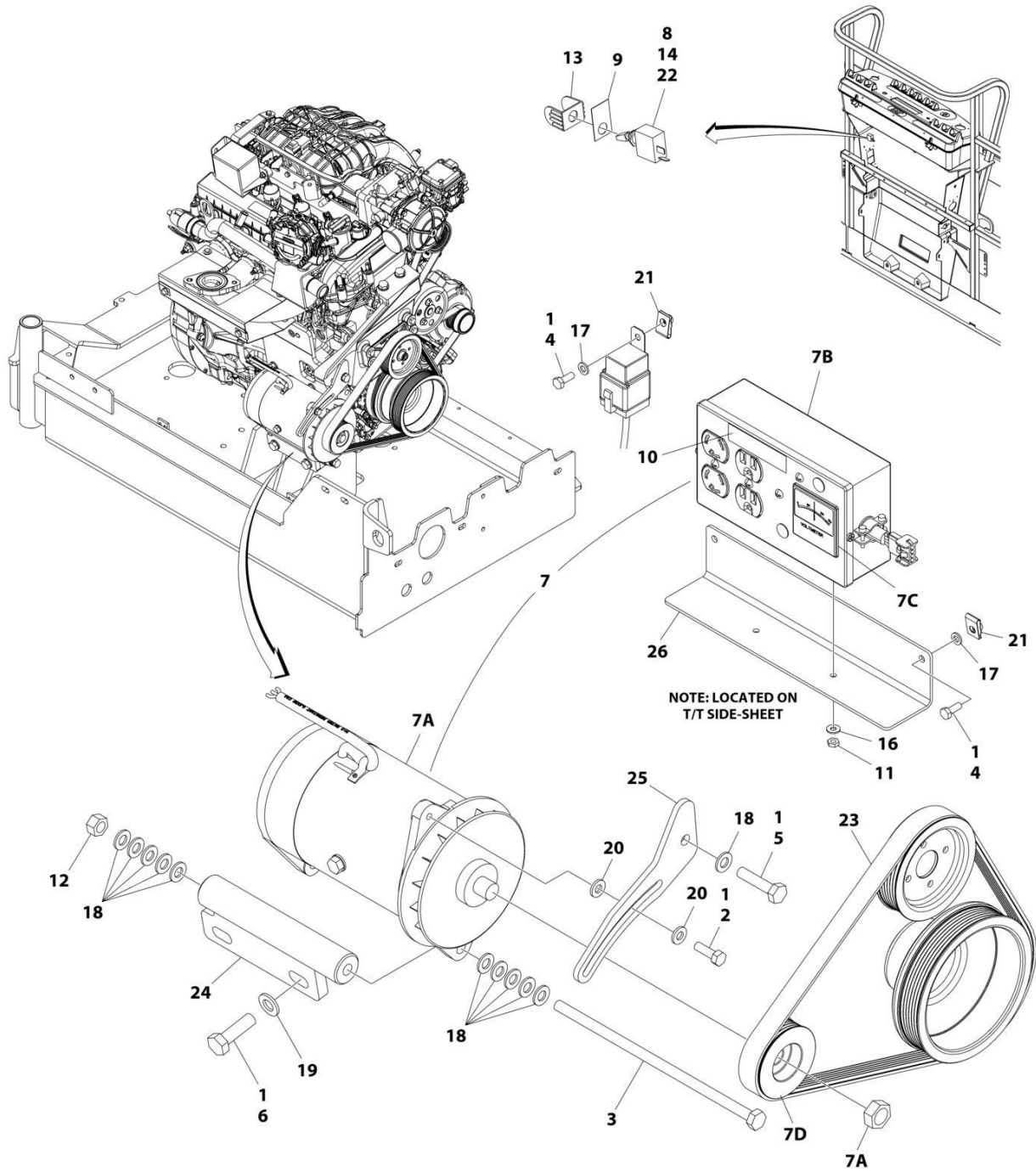
ITEM	PART NUMBER	QTY	DESCRIPTION	REV
	1001192280	Ref	2500W GENERATOR INSTALLATION	F
1	0100011	AR	Compound, Locking	
2	0100019	AR	Compound, Locking	
3	0100048	AR	Silicone	
4	0641507	1	Bolt 5/16 x 7/8	
5	0760606	1	Bolt M6 x 12	
6	0760814	2	Bolt M8 x 30	
8	0761214	2	Bolt M12 x 30	
9	2820031	AR	Heat Shrink	
10	3251102	1	Nameplate - Generator On/Off	
11	3251243	1	Decal - 120V-60Hz	
12	3290805	2	Nut M8	
13	3291007	1	Nut M10	
14	3291201	2	Nut M12	
15	3311001	2	Nut #10	
17	4060802	1	Guard, Switch	
18	4360336	1	Switch, Toggle	
19	4751000	2	Washer #10	
20	4751500	1	Washer 5/16	
21	4811700	2	Washer M6	
22	4811900	4	Washer M8	
23	4812000	10	Washer M10	
24	5241200	4	Washer M12	
25	1001119280	1	Bolt M10 x 260	
26	1001196382	2	Stud	
27	4922641	1	Generator Switch Harness	
29	1001179837	1	Arm, Adjusting	
30	1001180001	1	Generator and Control Box Assembly	
30A	7012558	1	Generator, Replacement	
30A		Ref	Note: Replacement Generators come standard with p/n 3580134 pulley. This Pulley may not be correct for all applications. Refer to Pulley options below.	
30A	7026199	1	Armature with Slip Rings	
30A	7012513	4	Cap, Brush Holder	
30A	7020108	4	Brush	
30A	7020109	4	Holder, Brush	
30A	7012514	1	Fan	
30A	7020110	1	Bell, Front	
30A	7020111	1	Bell, Rear	
30A	7020190	2	Bearing	
30B	7019680	1	Box, Control	
30B		Ref	Receptacle Options:	
30B	4460190	1	Receptacle, Standard	
30B	4460027	1	Receptacle, Twistlock	
30B	4360542	1	Breaker, Circuit	
30B	3520028	1	Plug, Hole	
30C	2420203	1	Voltmeter	
30D	3580276	1	Pulley	
30D	7027887	1	Key, Woodruff	

SECTION 3 - ENGINE

ITEM	PART NUMBER	QTY	DESCRIPTION	REV
31	1001181243	1	Mount (Lower)	
32	1001193167	1	Plate	
33	1001194114	1	Generator Harness - 2500W (Not Shown) (See Separate Breakdown in ELECTRICAL SECTION)	
34	1001148138	1	Belt	
35	1001216015	1	Mount (Upper)	
36	4711600	1	Washer 3/8	
37	0641607	1	Bolt 3/8 x 7/8	

SECTION 3 - ENGINE

FIGURE 3-68. 2500W GENERATOR INSTALLATION - 110V/60HZ (FORD ENGINES) (OPTIONAL)



ART_1001219853

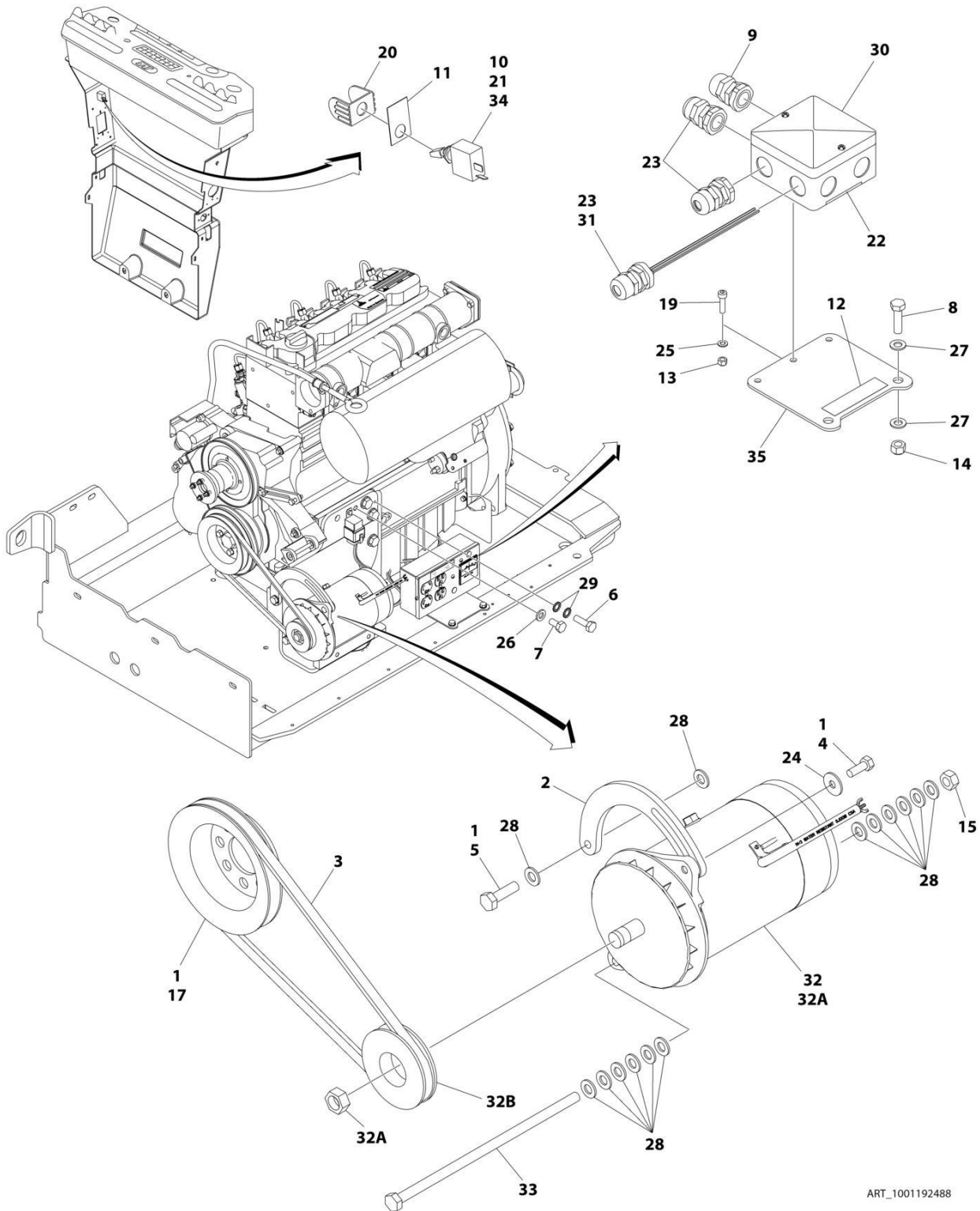
SECTION 3 - ENGINE

FIGURE 3-68. 2500W GENERATOR INSTALLATION - 110V/60HZ (FORD ENGINES) (OPTIONAL)

ITEM	PART NUMBER	QTY	DESCRIPTION	REV
	1001219853	Ref	2500W GENERATOR INSTALLATION	D
1	0100011	AR	Compound, Locking	
2	0641508	1	Bolt 5/16 x 1	
3	1001119280	1	Bolt M10 x 260	
4	0760608	3	Bolt M6 x 16	
5	0761016	1	Bolt M10 x 40	
6	0761216	2	Bolt M12 x 40	
7	2460051	1	Generator and Control Box Assembly	
7A	7012558	1	Generator, Replacement	
		Ref	Note: Replacement Generators come standard with p/n 3580134 pulley. This pulley may not be correct for all applications. Refer to pulley options below.	
7A	7026199	1	Armature with Slip Rings	
7A	7012513	4	Cap, Brush Holder	
7A	7020108	4	Brush	
7A	7020109	4	Holder, Brush	
7A	7012514	1	Fan	
7A	7020110	1	Bell, Front	
7A	7020111	1	Bell, Rear	
7A	7020190	2	Bearing	
7B	7019680	1	Box, Control	
7B		Ref	Receptacle Options:	
7B	4460190	1	Receptacle, Standard	
7B	4460027	1	Receptacle, Twistlock	
7B	4360542	1	Breaker, Circuit	
7B	3520028	1	Plug, Hole	
7C	2420203	1	Voltmeter	
7D	3580324	1	Pulley	
7D	7027887	1	Key, Woodruff	
8	2820031	AR	Heat Shrink	
9	3251102	1	Nameplate - Generator On/Off	
10	3251243	1	Decal - 120V-60Hz	
11	3311005	2	Nut #10	
12	3291007	1	Nut M10	
13	4060802	1	Guard, Switch	
14	4360336	1	Switch, Toggle	
16	4751000	2	Washer #10	
17	4811700	3	Washer M6	
18	4812000	11	Washer M10	
19	4812100	2	Washer M12	
20	4891500	2	Washer 5/16	
21	1001130220	3	Nut, Tinnerman M6	
22	4922641	1	Generator Switch Harness	
23	1001216391	1	Belt	
24	1001219630	1	Mount (Lower)	
25	1001219632	1	Arm, Adjusting	
26	1001220728	1	Bracket	
27	1001194114	1	Generator Harness - 2500W (Not Shown) (See Separate Breakdown in ELECTRICAL SECTION)	

SECTION 3 - ENGINE

FIGURE 3-69. 2500W GENERATOR INSTALLATION - 220V/50HZ (DEUTZ D2011 ENGINES) (OPTIONAL)



ART_1001192488

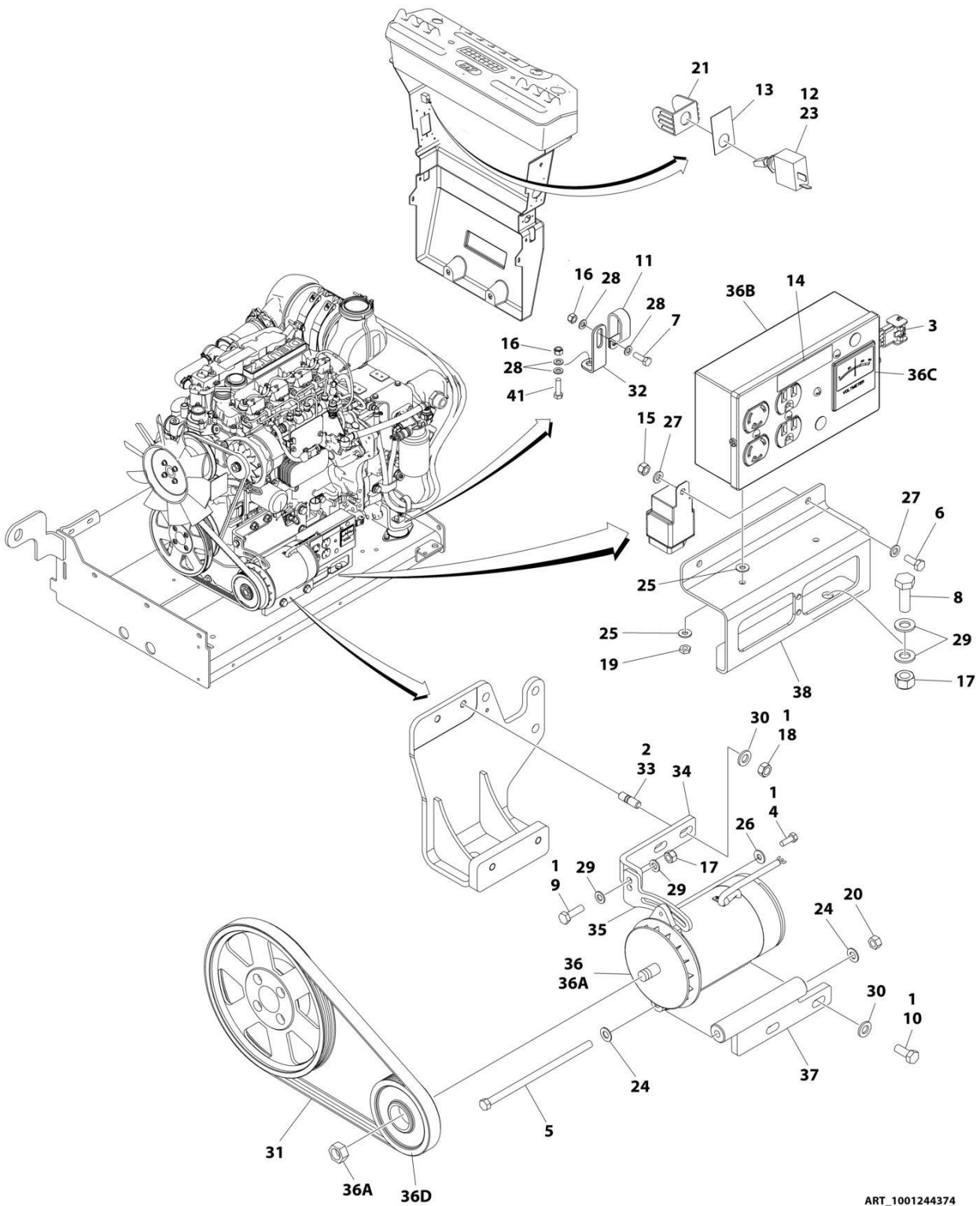
SECTION 3 - ENGINE

**FIGURE 3-69. 2500W GENERATOR INSTALLATION - 220V/50HZ (DEUTZ D2011 ENGINES)
(OPTIONAL)**

ITEM	PART NUMBER	QTY	DESCRIPTION	REV
	1001192488	Ref	2500W GENERATOR INSTALLATION	F
1	0100011	AR	Compound, Locking	
2	1001239716	1	Arm, Adjusting	
3	0480124	1	Belt, Generator	
4	0641508	1	Bolt 5/16 x 1	
5	0761012	1	Bolt M10 x 25	
6	0700610	1	Bolt M6 x 20	
7	0760606	1	Bolt M6 x 12	
8	0760814	2	Bolt M8 x 30	
9	0962449	1	Bushing	
10	2820031	AR	Heat Shrink	
11	3251102	1	Nameplate - Generator On/Off	
12	3252507	1	Decal - 220 Volt	
13	3290505	1	Nut M5	
14	3290805	2	Nut M8	
15	3291007	1	Nut M10	
17	3580158	1	Pulley	
19	4031608	1	Capscrew M5 x 20	
20	4060802	1	Guard, Switch	
21	4360336	1	Switch, Toggle	
22	4420060	1	Tape	
23	4460968	3	Connector, Strain Relief	
24	4811902	1	Washer M8	
25	4811600	1	Washer M5	
26	4811700	1	Washer M6	
27	4811900	4	Washer M8	
28	4812000	14	Washer M10	
29	4871700	2	Washer M6	
30	1001099869	1	Box, Junction	
31	1001100234	1	Lamp, Red	
32	1001100321	1	Generator Assembly	
32A		Ref	Note: Replacement Generators come standard with p/n 3580134 pulley. This pulley may not be correct for all applications. Refer to pulley options below.	
32A	70000123	1	Armature with Slip Rings	
32A	7012513	4	Cap, Brush Holder	
32A	7020108	4	Brush	
32A	7020109	4	Holder, Brush	
32A	7012514	1	Fan	
32A	7020110	1	Bell, Front	
32A	7020111	1	Bell, Rear	
32A	7020190	2	Bearing	
32B	3580134	1	Pulley	
32B	7027887	1	Key, Woodruff	
33	1001119280	1	Bolt M10 x 260	
34	4922641	1	Generator Switch Harness	
35	1001193167	1	Plate	
36	1001194114	1	Generator Harness - 2500W (Not Shown) (See Separate Breakdown in ELECTRICAL SECTION)	

SECTION 3 - ENGINE

FIGURE 3-70. 2500W GENERATOR INSTALLATION - 120V/60HZ (DEUTZ TD2.9L4 ENGINES) (OPTIONAL)



ART_1001244374

SECTION 3 - ENGINE

**FIGURE 3-70. 2500W GENERATOR INSTALLATION - 120V/60HZ (DEUTZ TD2.9L4 ENGINES)
(OPTIONAL)**

ITEM	PART NUMBER	QTY	DESCRIPTION	REV
	1001244374	Ref	2500W GENERATOR INSTALLATION	B
1	0100011	AR	Compound, Locking	
2	0100019	AR	Compound, Locking	
3	0100048	AR	Silicone	
4	0641507	1	Bolt 5/16 x 7/8	
5	0641772	1	Bolt 7/16 x 9	
6	0760608	1	Bolt M6 x 16	
7	0760812	1	Bolt M8 x 25	
8	0761014	2	Bolt M10 x 30	
9	0761015	1	Bolt M10 x 35	
10	0761214	2	Bolt M12 x 30	
11	1321716	1	Clamp	
12	2820031	AR	Heat Shrink	
13	3251102	1	Nameplate - Generator On/Off	
14	3251243	1	Decal - 120V-60Hz	
15	3290605	1	Nut M6	
16	3290805	2	Nut M8	
17	3291005	3	Nut M10	
18	3291201	2	Nut M12	
19	3311001	2	Nut #10	
20	3311705	1	Nut 7/16	
21	4060802	1	Guard, Switch	
22	4240099	AR	Tie-Strap (Not Shown)	
23	4360336	1	Switch, Toggle	
24	4711700	2	Washer 7/16	
25	4751000	4	Washer #10	
26	4751500	1	Washer 5/16	
27	4811700	2	Washer M6	
28	4811900	4	Washer M8	
29	4812000	6	Washer M10	
30	5241200	4	Washer M12	
31	1001148138	1	Belt	
32	1001223122	1	Bracket	
33	1001155041	2	Stud	
34	1001179836	1	Mount (Upper)	
35	1001179837	1	Arm, Adjusting	
36	1001180001	1	Generator and Control Box Assembly	
36A	7012558	1	Generator, Replacement	
36A		Ref	Note: Replacement Generators come standard with p/n 3580134 pulley. This Pulley may not be correct for all applications. Refer to Pulley options below.	
36A	7026199	1	Armature with Slip Rings	
36A	7012513	4	Cap, Brush Holder	
36A	7020108	4	Brush	
36A	7020109	4	Holder, Brush	
36A	7012514	1	Fan	
36A	7020110	1	Bell, Front	
36A	7020111	1	Bell, Rear	
36A	7020190	2	Bearing	

SECTION 3 - ENGINE

ITEM	PART NUMBER	QTY	DESCRIPTION	REV
36B	7019680	1	Box, Control	
36B		Ref	Receptacle Options:	
36B	4460190	1	Receptacle, Standard	
36B	4460027	1	Receptacle, Twistlock	
36B	4360542	1	Breaker, Circuit	
36B	3520028	1	Plug, Hole	
36C	2420203	1	Voltmeter	
36D	3580276	1	Pulley	
36D	7027887	1	Key, Woodruff	
37	1001181243	1	Mount (Lower)	
38	1001183477	1	Support	
40	1001194114	1	Generator Harness - 2500W (Not Shown) (See Separate Breakdown in ELECTRICAL SECTION)	
41	0760814	1	Bolt M8 x 30	

SECTION 3 - ENGINE

**FIGURE 3-71. 4000W GENERATOR INSTALLATION - 110V/60HZ (DEUTZ D2011 ENGINES)
(OPTIONAL)**

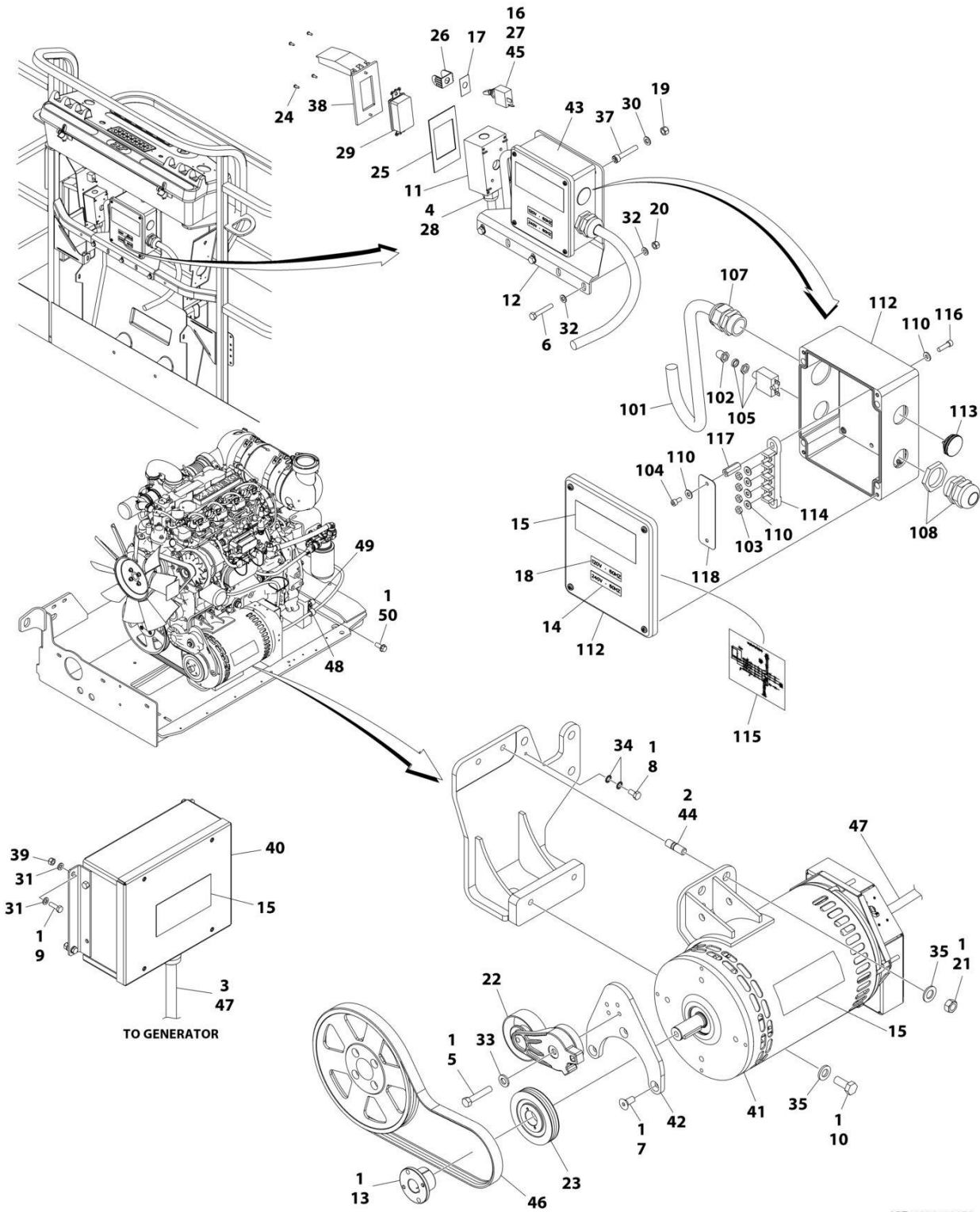
ITEM	PART NUMBER	QTY	DESCRIPTION	REV
	1001192484	Ref	4000W GENERATOR INSTALLATION	H
1	0100011	AR	Compound, Locking	
2	0100019	AR	Compound, Locking	
3	0100079	AR	Sealant	
4	1001136356	1	Belt	
5	0641618	1	Bolt 3/8 x 2-1/4	
6	0760606	1	Bolt M6 x 12	
7	0700819	1	Bolt M8 x 55	
8	0741607	3	Screw 3/8 x 7/8	
9	0760608	4	Bolt M6 x 16	
10	0761212	2	Bolt M12 x 25	
11	0771415	1	Bolt M14 x 35	
12	0860038	1	Box, Receptacle	
13	0902888	1	Bracket	
14	0962520	1	Bushing, Split	
15	1705374	1	Decal - 240V-60Hz	
16	1705387	3	Decal - Hazardous Voltage	
17	2820031	AR	Heat Shrink	
18	3251102	1	Nameplate - Generator On/Off	
19	3251243	1	Decal - 120V-60Hz	
20	3290505	4	Nut M5	
21	3290805	2	Nut M8	
22	3291201	1	Nut M12	
23	3580318	1	Pulley	
24	3580320	1	Pulley	
25	3580317	1	Tensioner, Belt	
26	3910606	4	Screw #6 x 3/8	
27	3960422	1	Gasket	
28	4032015	4	Capscrew M10 x 55	
29	4060802	1	Guard, Switch	
30	4360336	1	Switch, Toggle	
31	4460071	1	Connector, Strain Relief	
32	4460346	1	Receptacle	
33	4811602	4	Washer M5	
34	4811700	4	Washer M6	
35	4811900	4	Washer M8	
36	5241000	1	Washer M10	
38	5241400	1	Washer M14	
39	4871700	2	Washer M6	
40	5241200	3	Washer M12	
41	1001104029	4	Capscrew M5 x 30 Grade 12.9	
42	1001110873	1	Cover, Receptacle	
43	1001129858	1	Generator Assembly (60Hz)	
43	70003709	1	Ring, Retaining (External)	
43	70003708	1	Ring, Retaining (Internal)	
43	70001966	1	Bearing	
43	70004092	1	Endbell (Shaft End)	
43	70004171	1	Key	
43	70004676	1	Rotor	

SECTION 3 - ENGINE

ITEM	PART NUMBER	QTY	DESCRIPTION	REV
43	70004684	1	Stator	
43	70004678	1	Endbell (Rear)	
43	70004679	1	Cover, Endbell (Rear)	
43	70004680	1	Enclosure, Wiring	
43	70004685	1	Cover, Enclosure	
43	70004682	1	Switch, Reset (Located on Enclosure Cover)	
43	70004098	1	Connector, Strain Relief (Located on Enclosure Cover)	
44	1001130220	4	Nut, Tinnerman M6	
45A	4922641	1	Generator Switch Harness	
45B	1001153197	1	Generator to Engine Harness	
45B	4460967	1	Connector - 3 Position	
45B	4460465	2	Socket, Female	
46	1001138566	1	Box, Control	
46	70006552	1	Capacitor	
46	70006553	1	Relay	
47	1001139357	1	Mount	
48	1001152457	1	Junction Box Assembly (See Items 101-118 for Breakdown)	
49	1001196382	1	Stud	
50	1001152532	1	Generator Harness (See Separate Breakdown in ELECTRICAL SECTION)	
51	7274000040	1	Clamp	
52	1320061	1	Clamp	
53	5251012	1	Bolt M10 x 25	
	1001152457	Ref	JUNCTION BOX ASSEMBLY	
101	1001179154	2.5 ft/ 0.8m	Cable, Electrical - 12/3	
102	3300396	1	Cover, Breaker	
103	3311001	4	Nut #10	
104	3900300	2	Screw	
105	4360070	1	Breaker, Circuit - 15Amp	
107	4460425	1	Connector, Strain Relief (LH Side)	
108	4460426	1	Connector, Strain Relief (RH Side)	
110	4711000	8	Washer #10	
112	1001152456	1	Box, Junction	
113	1001152525	1	Plug	
114	1001152530	1	Terminal, Block	
115	1001153260	1	Decal - Wiring Diagram	
116	3900267	2	Screw	
117	1001158008	2	Stand-Off	
118	1001158363	1	Cover, Terminal Block	

SECTION 3 - ENGINE

FIGURE 3-72. 4000W GENERATOR INSTALLATION - 110V/60HZ (DEUTZ TD2.9L4 ENGINES) (OPTIONAL)



SECTION 3 - ENGINE

**FIGURE 3-72. 4000W GENERATOR INSTALLATION - 110V/60HZ (DEUTZ TD2.9L4 ENGINES)
(OPTIONAL)**

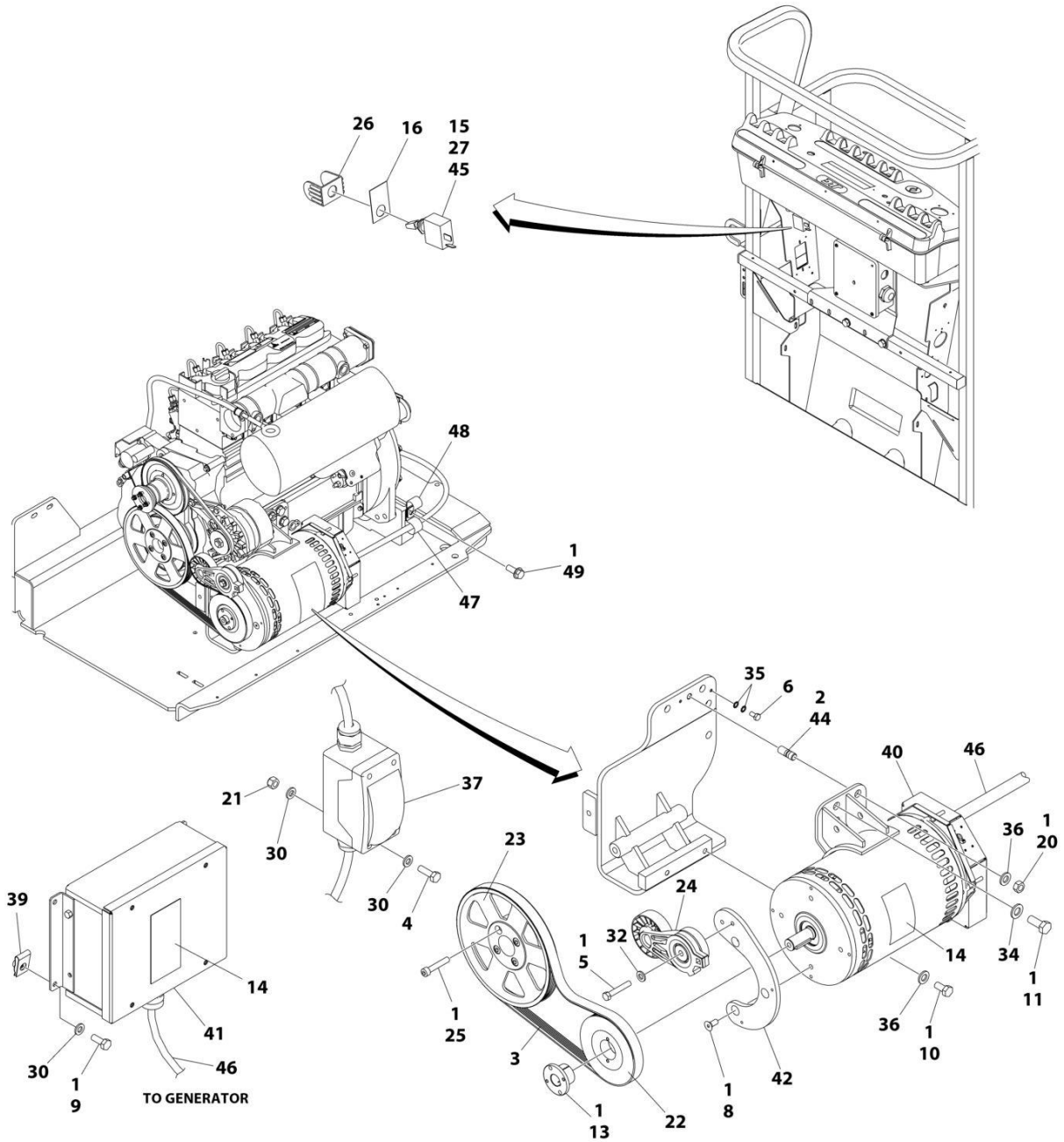
ITEM	PART NUMBER	QTY	DESCRIPTION	REV
	1001192279	Ref	4000W GENERATOR INSTALLATION	F
1	0100011	AR	Compound, Locking	
2	0100019	AR	Compound, Locking	
3	0100048	AR	Compound, Locking	
4	0100079	AR	Sealant	
5	0641616	1	Bolt 3/8 x 2	
6	0700819	2	Bolt M8 x 55	
7	0741607	3	Screw 3/8 x 7/8	
8	0760606	1	Bolt M6 x 12	
9	0760608	4	Bolt M6 x 16	
10	0761212	2	Bolt M12 x 25	
11	0860038	1	Box, Receptacle	
12	0902888	1	Bracket	
13	0962520	1	Bushing, Split	
14	1705374	1	Decal - 240V-60Hz	
15	1705387	3	Decal - Hazardous Voltage	
16	2820031	AR	Heat Shrink	
17	3251102	1	Nameplate - Generator On/Off	
18	3251243	1	Decal - 120V-60Hz	
19	3290505	4	Nut M5	
20	3290805	2	Nut M8	
21	3291201	2	Nut M12	
22	3580317	1	Tensioner, Belt	
23	3580318	1	Pulley	
24	3910606	4	Screw #6 x 3/8	
25	3960422	1	Gasket	
26	4060802	1	Guard, Switch	
27	4360336	1	Switch, Toggle	
28	4460071	1	Connector, Strain Relief	
29	4460346	1	Receptacle	
30	4811602	4	Washer M5	
31	4811700	4	Washer M6	
32	4811900	4	Washer M8	
33	5241000	1	Washer M10	
34	4871700	2	Washer M6	
35	5241200	4	Washer M12	
37	1001104029	4	Capscrew M5 x 30 Grade 12.9	
38	1001110873	1	Cover	
39	1001130220	4	Nut, Tinnerman M6	
40	1001138566	1	Box, Control	
40	70006552	1	Capacitor	
40	70006553	1	Relay	
41	1001140346	1	Generator Assembly (60Hz)	
41	70003709	1	Ring, Retaining (External)	
41	70003708	1	Ring, Retaining (Internal)	
41	70001966	1	Bearing	
41	70004092	1	Endbell (Shaft End)	
41	70004099	1	Key	
41	70004676	1	Rotor	

SECTION 3 - ENGINE

ITEM	PART NUMBER	QTY	DESCRIPTION	REV
41	70004687	1	Stator	
41	70004678	1	Endbell (Rear)	
41	70004679	1	Cover, Endbell (Rear)	
41	70004680	1	Enclosure, Wiring	
41	70004685	1	Cover, Enclosure	
41	70004682	1	Switch, Reset (Located on Enclosure Cover)	
41	70004098	1	Connector, Strain Relief (Located on Enclosure Cover)	
42	1001142643	1	Support	
43	1001152457	1	Junction Box Assembly (See Items 101-118 for Breakdown)	
44	1001196382	2	Stud	
45	4922641	1	Generator Switch Harness	
46	1001142646	1	Belt	
47	1001152532	1	Generator Harness (See Separate Breakdown in ELECTRICAL SECTION)	
48	7274000040	1	Clamp	
49	1320061	1	Clamp	
50	5251012	1	Bolt M10 x 25	
	1001152457	Ref	JUNCTION BOX ASSEMBLY	
101	1001179154	2.5 ft/ 0.8m	Cable, Electrical - 12/3	
102	3300396	1	Cover, Breaker	
103	3311001	4	Nut #10	
104	3900300	2	Screw	
105	4360070	1	Breaker, Circuit - 15Amp	
107	4460425	1	Connector, Strain Relief (LH Side)	
108	4460426	1	Connector, Strain Relief (RH Side)	
110	4711000	8	Washer #10	
112	1001152456	1	Box, Junction	
113	1001152525	1	Plug	
114	1001152530	1	Terminal, Block	
115	1001153260	1	Decal - Wiring Diagram	
116	3900267	2	Screw	
117	1001158008	2	Stand-Off	
118	1001158363	1	Cover, Terminal Block	

SECTION 3 - ENGINE

FIGURE 3-73. 4000W GENERATOR INSTALLATION - 220V/50HZ (DEUTZ D2011 ENGINES) (OPTIONAL)



ART_1001192487

SECTION 3 - ENGINE

**FIGURE 3-73. 4000W GENERATOR INSTALLATION - 220V/50HZ (DEUTZ D2011 ENGINES)
(OPTIONAL)**

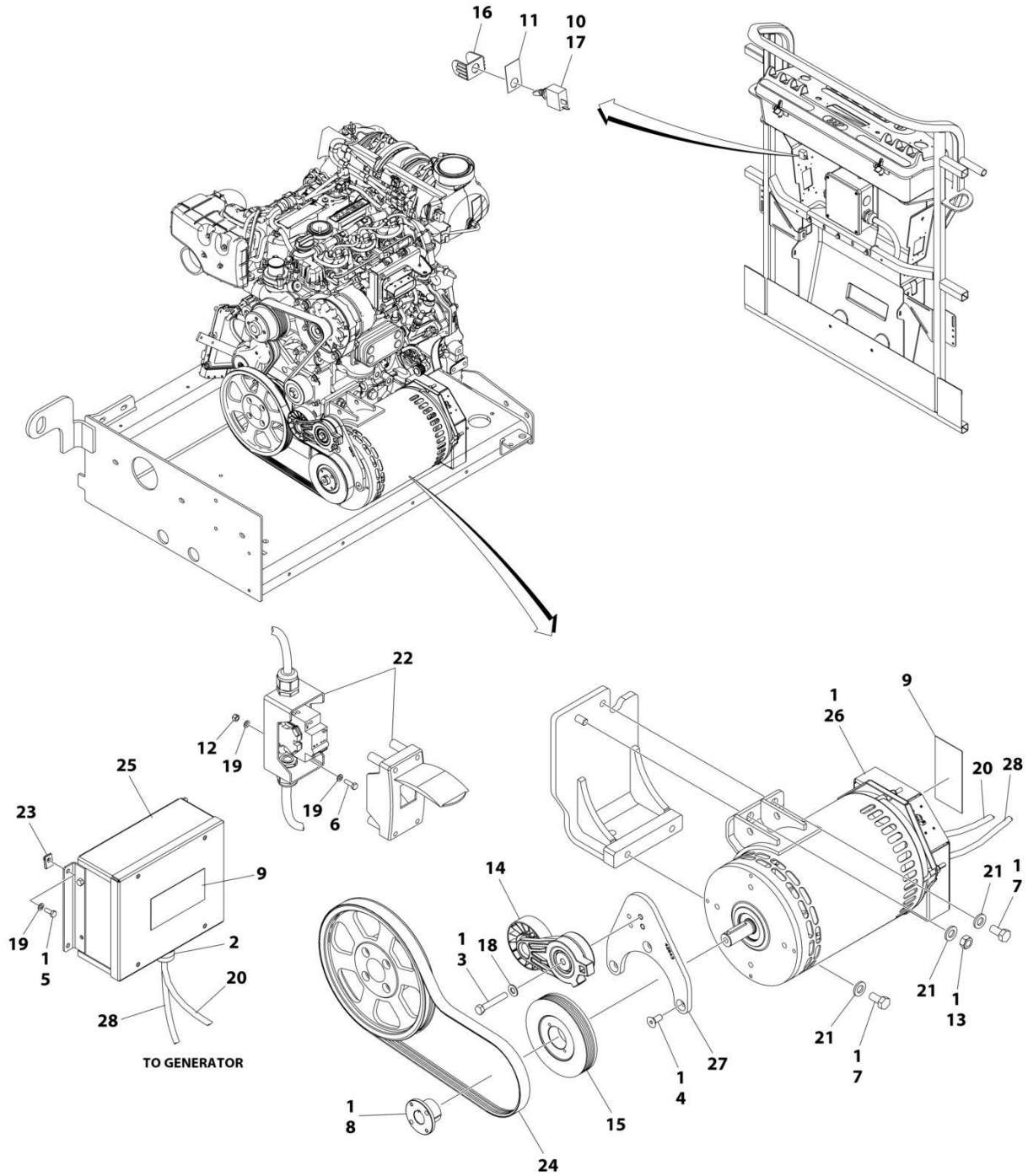
ITEM	PART NUMBER	QTY	DESCRIPTION	REV
	1001192487	Ref	4000W GENERATOR INSTALLATION	H
1	0100011	AR	Compound, Locking	
2	0100019	AR	Compound, Locking	
3	1001141814	1	Belt	
4	0760610	2	Bolt M6 x 20	
5	0641618	1	Bolt 3/8 x 2-1/4	
6	0760606	1	Bolt M6 x 12	
8	0741607	3	Screw 3/8 x 7/8	
9	0760608	4	Bolt M6 x 16	
10	0761212	2	Bolt M12 x 25	
11	0771415	1	Bolt 14 x 35	
13	0962520	1	Bushing, Split	
14	1705489	2	Decal - Hazardous Voltage	
15	2820031	AR	Heat Shrink	
16	3251102	1	Nameplate - Generator On/Off	
20	3291201	1	Nut M12	
21	3290605	2	Nut M6	
22	3580319	1	Pulley	
23	3580320	1	Pulley	
24	3580317	1	Tensioner, Belt	
25	4032015	4	Capscrew M10 x 55	
26	4060802	1	Guard, Switch	
27	4360336	1	Switch, Toggle	
30	4811700	8	Washer M6	
32	5241000	1	Washer M10	
34	5241400	1	Washer M14	
35	4871700	2	Washer M6	
36	5241200	3	Washer M12	
37	1001096070	1	Breaker Box Kit (See Separate Breakdown in ELECTRICAL SECTION)	
39	1001130220	4	Nut, Tinnerman M6	
40	1001138565	1	Generator Assembly (50Hz)	
40	70003709	1	Ring, Retaining (External)	
40	70003708	1	Ring, Retaining (Internal)	
40	70001966	1	Bearing	
40	70004092	1	Endbell (Shaft End)	
40	70004171	1	Key	
40	70004676	1	Rotor	
40	70004677	1	Stator	
40	70004678	1	Endbell (Rear)	
40	70004679	1	Cover, Endbell (Rear)	
40	70004680	1	Enclosure, Wiring	
40	70004681	1	Cover, Enclosure	
40	70004682	1	Switch, Reset (Located on Enclosure Cover)	
40	70004683	1	Connector, Strain Relief (Located on Enclosure Cover)	
41	1001138566	1	Box, Control	
41	70006552	1	Capacitor	
41	70006553	1	Relay	
42	1001139357	1	Mount	

SECTION 3 - ENGINE

ITEM	PART NUMBER	QTY	DESCRIPTION	REV
44	1001196382	1	Stud	
45	4922641	1	Generator Switch Harness	
46	1001152532	1	Generator Harness (See Separate Breakdown in ELECTRICAL SECTION)	
47	7274000040	1	Clamp	
48	1320061	1	Clamp	
49	5251012	1	Bolt M10 x 25	

SECTION 3 - ENGINE

FIGURE 3-74. 4000W GENERATOR INSTALLATION - 220V/50HZ (DEUTZ TD2.2L3 ENGINES) (SKYPOWER)(OPTIONAL)



ART_1001255871

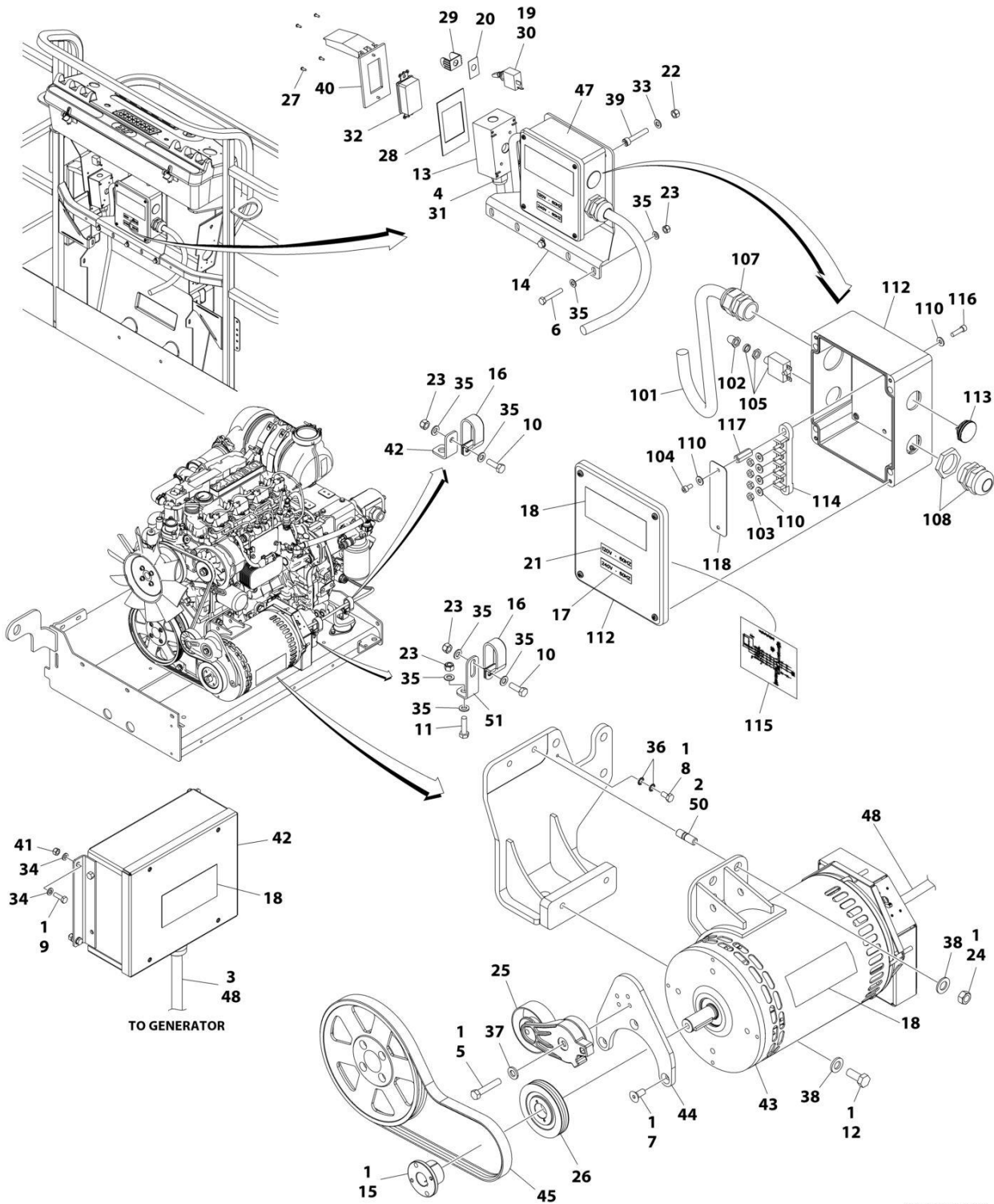
SECTION 3 - ENGINE

**FIGURE 3-74. 4000W GENERATOR INSTALLATION - 220V/50HZ (DEUTZ TD2.2L3 ENGINES)
(SKYPOWER)(OPTIONAL)**

ITEM	PART NUMBER	QTY	DESCRIPTION	REV
	1001255871	Ref	4000W GENERATOR INSTALLATION	B
1	0100011	AR	Compound, Locking	
2	0100048	AR	Grease, Terminal	
3	0641618	1	Bolt 3/8 x 2-1/4	
4	0741607	3	Screw 3/8 x 7/8	
5	0760608	4	Bolt M6 x 16	
6	0760610	2	Bolt M6 x 20	
7	0761212	3	Bolt M12 x 25	
8	0962520	1	Bushing, Split	
9	1705489	2	Decal - Hazardous Voltage	
10	2820031	AR	Heatshrink	
11	3252764	1	Nameplate - AC & Weld	
12	3290605	2	Nut M6	
13	3291201	1	Nut M12	
14	3580317	1	Tensioner, Belt	
15	3580319	1	Pulley	
16	4060802	1	Guard, Switch	
17	4360336	1	Switch, Toggle	
18	4711600	1	Washer 3/8	
19	4811700	8	Washer M6	
20	4922925	1	Generator Harness (See Separate Breakdown in ELECTRICAL SECTION)	
21	5241200	4	Washer M12	
22	1001096070	1	Box & Breaker Kit (See Separate Breakdown in ELECTRICAL SECTION)	
23	1001130220	4	Nut, Tinnerman M6	
24	1001136356	1	Belt	
25	1001138566	1	Box, Control	
25	70006552	1	Capacitor	
25	70006553	1	Relay	
26	1001140347	1	Generator Assembly - 50Hz	
26	70003709	1	Ring, Retaining (External)	
26	70003708	1	Ring, Retaining (Internal)	
26	70001966	1	Bearing	
26	70004092	1	Endbell (Shaft End)	
26	70004099	1	Key	
26	70004676	1	Rotor	
26	70004686	1	Stator	
26	70004678	1	Endbell (Rear)	
26	70004679	1	Cover, Endbell (Rear)	
26	70004680	1	Enclosure, Wiring	
26	70004681	1	Cover, Enclosure	
26	70004682	1	Switch, Reset (Located on Enclosure Cover)	
26	70004683	1	Connector, Strain Relief (Located on Enclosure Cover)	
26	4460224	1	Connector - 6 Position (Located on Enclosure Cover)	
26	4460294	1	Pin, Male (Located on Enclosure Cover)	
27	1001142643	1	Support	
28	1001152532	1	Generator Harness (See Separate Breakdown in ELECTRICAL SECTION)	

SECTION 3 - ENGINE

FIGURE 3-75. 4000W GENERATOR INSTALLATION - 220V/60HZ (DEUTZ TD2.9L4 ENGINES) (SKYPOWER)(OPTIONAL)



ART_1001244410

SECTION 3 - ENGINE

**FIGURE 3-75. 4000W GENERATOR INSTALLATION - 220V/60HZ (DEUTZ TD2.9L4 ENGINES)
(SKYPOWER)(OPTIONAL)**

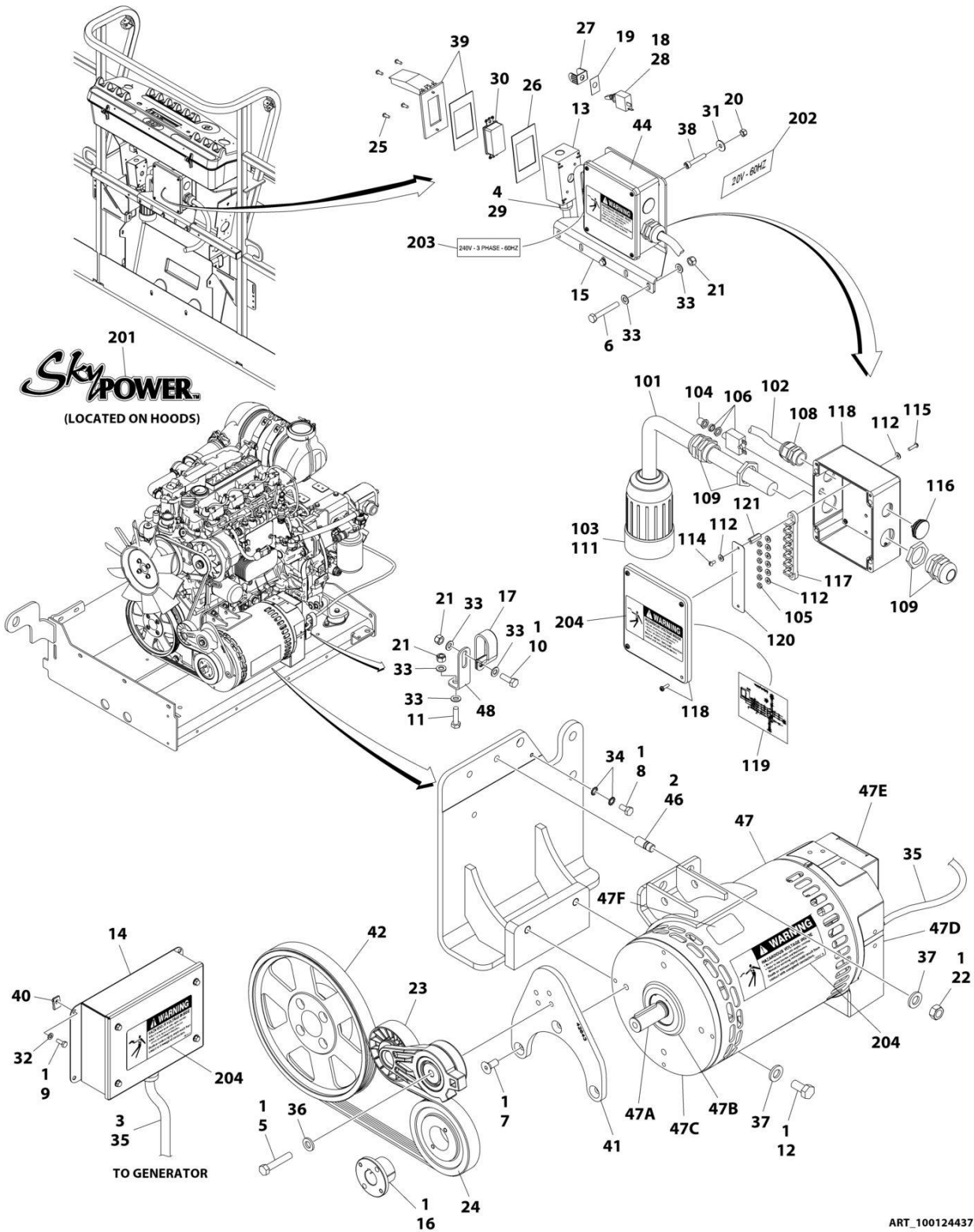
ITEM	PART NUMBER	QTY	DESCRIPTION	REV
	1001244410	Ref	4000W GENERATOR INSTALLATION	B
1	0100011	AR	Compound, Locking	
2	0100019	AR	Compound, Locking	
3	0100048	AR	Compound, Locking	
4	0100079	AR	Sealant	
5	0641616	1	Bolt 3/8 x 2	
6	0700819	2	Bolt M8 x 55	
7	0741607	3	Screw 3/8 x 7/8	
8	0760606	1	Bolt M6 x 12	
9	0760608	4	Bolt M6 x 16	
10	0760812	1	Bolt M8 x 25	
11	0760814	1	Bolt M8 x 30	
12	0761212	2	Bolt M12 x 25	
13	0860038	1	Box, Receptacle	
14	0902888	1	Bracket	
15	0962520	1	Bushing, Split	
16	1321716	1	Clamp	
17	1705374	1	Decal - 240V-60Hz	
18	1705387	3	Decal - Hazardous Voltage	
19	2820031	AR	Heat Shrink	
20	3251102	1	Nameplate - Generator On/Off	
21	3251243	1	Decal - 120V-60Hz	
22	3290505	4	Nut M5	
23	3290805	4	Nut M8	
24	3291201	2	Nut M12	
25	3580317	1	Tensioner, Belt	
26	3580318	1	Pulley	
27	3910606	4	Screw #6 x 3/8	
28	3960422	1	Gasket	
29	4060802	1	Guard, Switch	
30	4360336	1	Switch, Toggle	
31	4460071	1	Connector, Strain Relief	
32	4460346	1	Receptacle	
33	4811602	4	Washer M5	
34	4811700	4	Washer M6	
35	4811900	8	Washer M8	
36	4871700	2	Washer M6	
37	5241000	1	Washer M10	
38	5241200	4	Washer M12	
39	1001104029	4	Capscrew M5 x 30 Grade 12.9	
40	1001110873	1	Cover	
41	1001130220	4	Nut, Tinnerman M6	
42	1001138566	1	Box, Control	
42	70006552	1	Capacitor	
42	70006553	1	Relay	
43	1001140346	1	Generator Assembly (60Hz)	
43	70003709	1	Ring, Retaining (External)	
43	70003708	1	Ring, Retaining (Internal)	
43	70001966	1	Bearing	

SECTION 3 - ENGINE

ITEM	PART NUMBER	QTY	DESCRIPTION	REV
43	70004092	1	Endbell (Shaft End)	
43	70004099	1	Key	
43	70004676	1	Rotor	
43	70004687	1	Stator	
43	70004678	1	Endbell (Rear)	
43	70004679	1	Cover, Endbell (Rear)	
43	70004680	1	Enclosure, Wiring	
43	70004685	1	Cover, Enclosure	
43	70004682	1	Switch, Reset (Located on Enclosure Cover)	
43	70004098	1	Connector, Strain Relief (Located on Enclosure Cover)	
44	1001142643	1	Support	
45	1001142646	1	Belt	
47	1001152457	1	Junction Box Assembly (See Items 101-118 for Breakdown)	
48	1001152532	1	Generator Harness (See Separate Breakdown in ELECTRICAL SECTION)	
50	1001196382	2	Stud	
51	1001223122	1	Support	
	1001152457	Ref	JUNCTION BOX ASSEMBLY	
101	1001179154	2.5 ft/ 0.8m	Cable, Electrical - 12/3	
102	3300396	1	Cover, Breaker	
103	3311001	4	Nut #10	
104	3900300	2	Screw	
105	4360070	1	Breaker, Circuit - 15Amp	
107	4460425	1	Connector, Strain Relief (LH Side)	
108	4460426	1	Connector, Strain Relief (RH Side)	
110	4711000	8	Washer #10	
112	1001152456	1	Box, Junction	
113	1001152525	1	Plug	
114	1001152530	1	Terminal, Block	
115	1001153260	1	Decal - Wiring Diagram	
116	3900267	2	Screw	
117	1001158008	2	Stand-Off	
118	1001158363	1	Cover, Terminal Block	

SECTION 3 - ENGINE

**FIGURE 3-76. 7500W GENERATOR INSTALLATION - 220V/60HZ (DEUTZ TD2.9L4 ENGINES)
(SKYPOWER)(OPTIONAL)**



SECTION 3 - ENGINE

**FIGURE 3-76. 7500W GENERATOR INSTALLATION - 220V/60HZ (DEUTZ TD2.9L4 ENGINES)
(SKYPOWER)(OPTIONAL)**

ITEM	PART NUMBER	QTY	DESCRIPTION	REV
	1001244375	Ref	7500W SKYPOWER GENERATOR INSTALLATION	B
1	0100011	AR	Compound, Locking	
2	0100019	AR	Compound, Locking	
3	0100048	AR	Compound Terminal	
4	0100079	AR	Sealant	
5	0641616	1	Bolt 3/8 x 2	
6	0700819	2	Bolt M8 x 55	
7	0741607	3	Screw 3/8 x 7/8	
8	0760606	1	Bolt M6 x 12	
9	0760608	4	Bolt M6 x 16	
10	0760812	1	Bolt M8 x 25	
11	0760814	1	Bolt M8 x 30	
12	0761212	2	Bolt M12 x 25	
13	0860038	1	Box, Receptacle	
14	0861538	1	Control Box Assembly	
14	7024488	1	Card, Circuit - Generator Power	
14	See Note	NSS	Fuse (Note: Not Available - Purchase Locally)	
14	7024489	1	Card, Circuit - Control	
14	70000619	1	Harness, Control Box (Internal)	
		Ref	Note: Same Circuit Card (P/N 7024489) is used for both 60Hz and 50Hz. When replacing card, rocker switch on card must be set for required application.	
15	0902888	1	Bracket	
16	0962520	1	Bushing, Split	
17	1321716	1	Clamp	
18	2820031	AR	Heat Shrink	
19	3252764	1	Nameplate - AC & Weld	
20	3290505	4	Nut M5	
21	3290805	4	Nut M8	
22	3291201	2	Nut M12	
23	3580317	1	Tensioner, Belt	
24	3580318	1	Pulley	
25	3910606	4	Screw #6 x 3/8	
26	3960422	1	Gasket	
27	4060802	1	Guard, Switch	
28	4360336	1	Switch, Toggle	
29	4460071	1	Connector, Strain Relief	
30	4460346	1	Receptacle	
31	4811602	4	Washer M5	
32	4811700	4	Washer M6	
33	4811900	8	Washer M8	
34	4871700	2	Washer M6	
35	4922925	1	Generator Harness (See Separate Breakdown in ELECTRICAL SECTION)	
36	5241000	1	Washer M10	
37	5241200	4	Washer M12	
38	1001104029	4	Capscrew M5 x 30 Grade 12.9	
39	1001110873	1	Cover	
40	1001130220	4	Nut, Tinnerman M6	

SECTION 3 - ENGINE

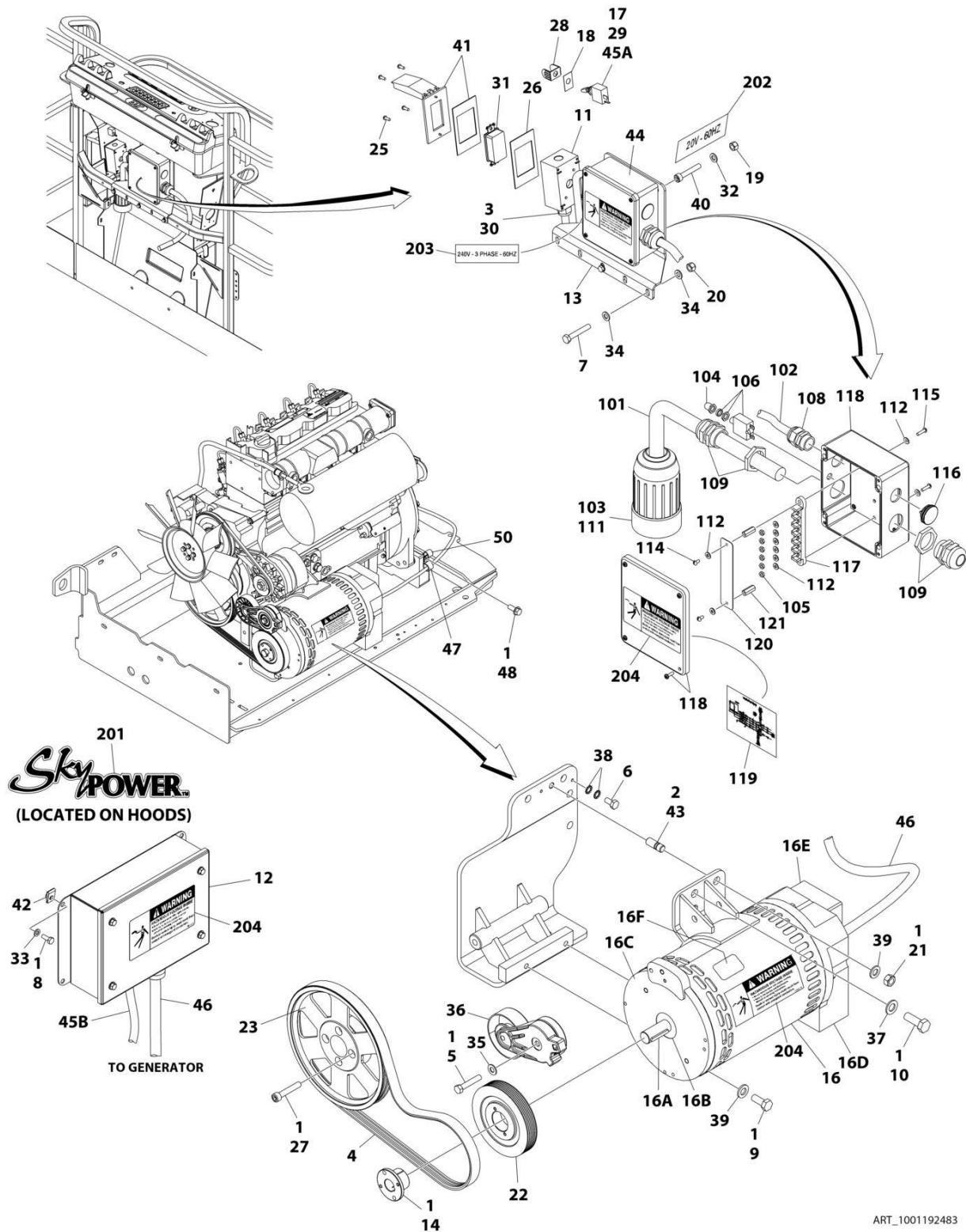
ITEM	PART NUMBER	QTY	DESCRIPTION	REV
41	1001142643	1	Support	
42	1001142646	1	Belt	
44	1001157592	1	Junction Box Assembly (See Items 101-121 for Breakdown)	
46	1001196382	2	Stud	
47	1001212223	1	Generator Assembly	
47	70001100	1	Rotor (Includes p/n 70001384 & 70000863) (Not Shown)	
47	70001384	1	Bearing, Ball Radial (Not Shown)	
47	70000863	1	Fan (Not Shown)	
47	70006093	1	Stator (Not Shown)	
47	70002297	1	Stud	
47	70003631	1	Brushholder Assembly (Not Shown) (was p/n 7024484)	
47A	70004099	1	Key	
47B	70001966	1	Bearing, Ball Radial (Located in Belt Tensioner Endbell)	
47B	70003708	1	Ring, Internal Retaining (Located in Belt Tensioner Endbell)	
47B	70003709	1	Ring, External Retaining (Located in Belt Tensioner Endbell)	
47C	70004092	1	Endbell, Belt Tensioner	
47D	70004094	1	Endbell, Brush Block	
47E	70006094	1	Shroud	
47E	70002291	1	Insulator, Endbell	
47E	7027799	1	Block, Connector - 6 Position (Not Shown)	
47E	70002460	1	Nut, Brass (Attaches p/n 7027799 to Cover) (Not Shown)	
47E	70006095	1	Breaker, Circuit 30Amp (Not Shown)	
47E	70006096	1	Boot, Breaker (Not Shown)	
47E	7026626	1	Connector, 6 Position (Includes Seal) (Not Shown - Plugs into Item 45)	
47E	7026597	1	Connector with Leads (Not Shown)	
47E	70004098	1	Clamp, Cable (Not Shown)	
47E	70006097	1	Plate, End Panel	
47E	70001974	1	Decal - Terminal Connections	
47F	70001973	1	Decal - Warning Moving Parts	
48	1001223122	1	Support	
	1001157592	Ref	JUNCTION BOX ASSEMBLY	C
101	1060343	1.5 ft/ 0.5m	Cable, Electrical 10/4	
102	1001179154	2.5 ft/ 76cm	Cable, Electrical 12/3	
103	1671092	1	Cover, Connector	
104	3300396	1	Cover, Fuse	
105	3311001	6	Nut #10	
106	4360070	1	Circuit Breaker - 15Amp	
108	4460425	1	Connector, Strain Relief	
109	4460426	2	Connector, Strain Relief	
111	4460963	1	Connector	
112	4711000	4	Washer #10	
114	10702077	2	Screw #10 x 3/8	
115	10702082	2	Screw #10 x 3/4	
116	1001152525	1	Plug	
117	1001157520	1	Block, Terminal	
118	1001157521	1	Box, Junction	
119	1001157528	1	Decal - Wiring Schematic	
120	1001158007	1	Cover, PVC	
121	1001158008	1	Stand-Off	

SECTION 3 - ENGINE

ITEM	PART NUMBER	QTY	DESCRIPTION	REV
	0272435	Ref	DECAL INSTALLATION	D
201	1705460	2	Decal - SkyPower	
202	3251243	1	Decal - 120V-60Hz	
203	1705375	1	Decal - 240V - 3 Phase - 60Hz	
204	1705387	3	Decal - Hazardous Voltage	

SECTION 3 - ENGINE

FIGURE 3-77. 7500W SKYPOWER GENERATOR INSTALLATION - 110/60HZ (DEUTZ D2011 ENGINES) (OPTIONAL)



ART_1001192483

SECTION 3 - ENGINE

**FIGURE 3-77. 7500W SKYPOWER GENERATOR INSTALLATION - 110/60HZ (DEUTZ D2011 ENGINES)
(OPTIONAL)**

ITEM	PART NUMBER	QTY	DESCRIPTION	REV
	1001192483	Ref	7500W SKYPOWER GENERATOR INSTALLATION	I
1	0100011	AR	Compound, Locking	
2	0100019	AR	Compound, Locking	
3	0100079	AR	Sealant	
4	1001136356	1	Belt	
5	0641618	1	Bolt 3/8 x 2-1/4	
6	0760606	1	Bolt M6 x 12	
7	0700819	2	Bolt M8 x 55	
8	0760608	4	Bolt M6 x 16	
9	0761212	2	Bolt M12 x 25	
10	0771415	1	Bolt M14 x 35	
11	0860038	1	Box, Receptacle	
12	0861538	1	Control Box Assembly	
12	7024488	1	Card, Circuit - Generator Power	
12	See Note	NSS	Fuse (Note: Not Available - Purchase Locally)	
12	7024489	1	Card, Circuit - Control	
12	70000619	1	Harness, Control Box (Internal)	
13	0902888	1	Bracket	
14	0962520	1	Bushing, Split	
16	2460048	1	Generator Assembly	
16	70001100	1	Rotor (Includes p/n 70001384 & 70000863) (Not Shown)	
16	70001384	1	Bearing, Ball Radial (Not Shown)	
16	70000863	1	Fan (Not Shown)	
16	70002088	1	Stator (Not Shown)	
16	70002297	1	Stud	
16	70003631	1	Brushholder Assembly (Not Shown)	
16A	70004171	1	Key	
16B	70001966	1	Bearing, Ball Radial (Located in Belt Tensioner Endbell)	
16B	70003708	1	Ring, Internal Retaining (Located in Belt Tensioner Endbell)	
16B	70003709	1	Ring, External Retaining (Located in Belt Tensioner Endbell)	
16C	70001953	1	Endbell, Belt Tensioner	
16D	70004169	1	Endbell, Brush Block	
16E	70004169	1	Shroud	
16E	See Note	NSS	Insulator, Endbell (Note: Not Available for Purchase)	
16E	7027799	1	Block, Connector - 6 Position (Not Shown)	
16E	70002460	1	Nut, Brass (Attaches p/n 7027799 to Cover) (Not Shown)	
16E	7024485	1	Breaker, Circuit 30Amp (Not Shown)	
16E	70001696	1	Boot, Breaker (Not Shown)	
16E	7026626	1	Connector, 6 Position (Includes Seal) (Not Shown - Plugs into Item 39)	
16E	7026597	1	Connector, with Leads (Not Shown)	
16E	7026188	1	Clamp, Cable Options (Not Shown)	
16E	70004169	1	Plate, End Panel	
16E	70001974	1	Decal - Terminal Connections	
16F	70001973	1	Decal - Warning Moving Parts	
17	2820031	AR	Heat Shrink	
18	3252764	1	Nameplate - AC & Weld	
19	3290505	4	Nut M5	
20	3290805	2	Nut M8	

SECTION 3 - ENGINE

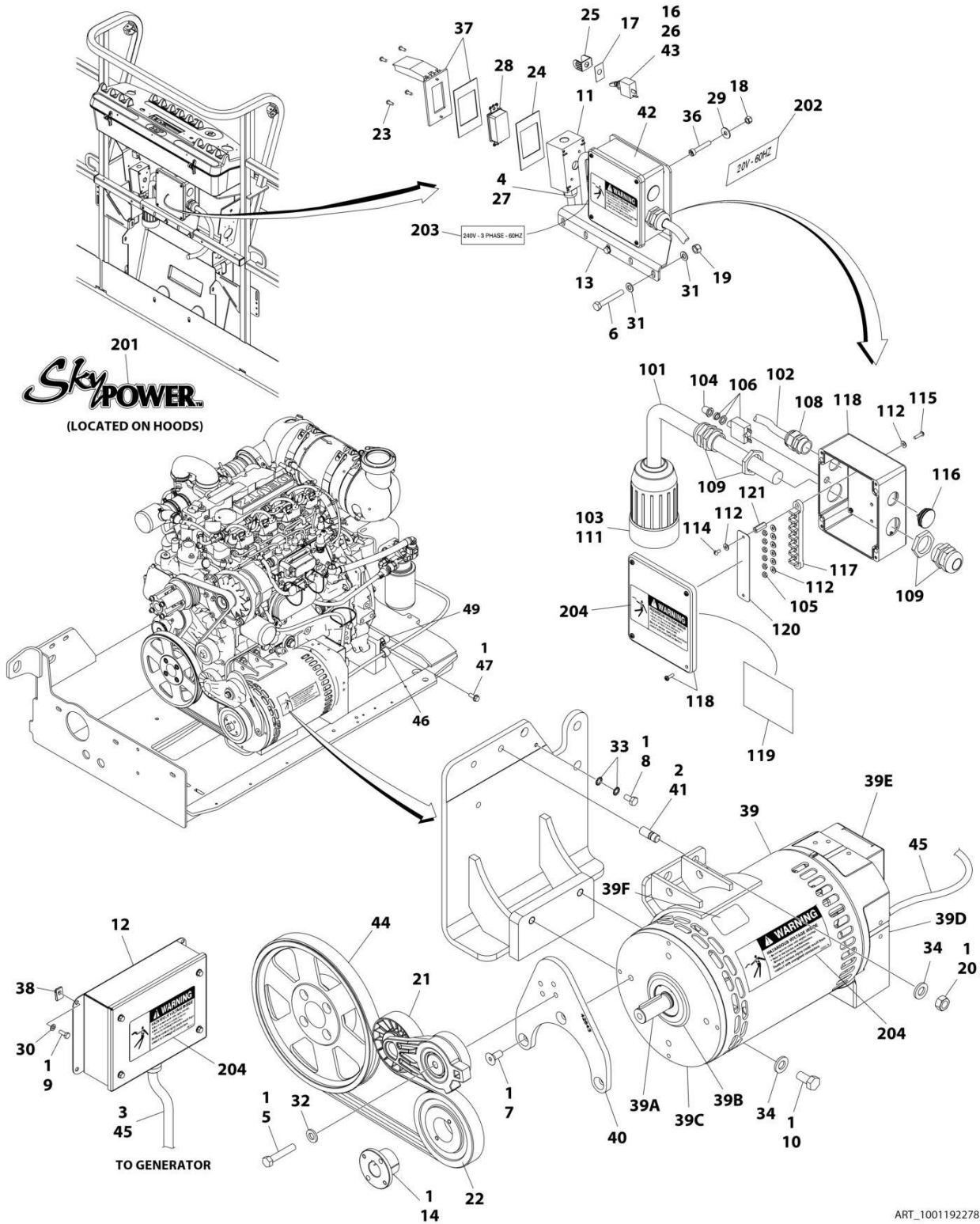
ITEM	PART NUMBER	QTY	DESCRIPTION	REV
21	3291201	1	Nut M12	
22	3580318	1	Pulley	
23	3580320	1	Pulley	
25	3910606	4	Screw #6 x 3/8	
26	3960422	1	Gasket	
27	4032015	4	Capscrew M10 x 55	
28	4060802	1	Guard, Switch	
29	4360336	1	Switch, Toggle	
30	4460071	1	Connector, Strain Relief	
31	4460346	1	Receptacle	
32	4811602	4	Washer M5	
33	4811700	4	Washer M6	
34	4811900	4	Washer M8	
35	5241000	1	Washer M10	
36	3580317	1	Tensioner, Belt	
37	5241400	1	Washer M14	
38	4871700	2	Washer M6	
39	5241200	3	Washer M12	
40	1001104029	4	Capscrew M5 x 30 Grade 12.9	
41	1001110873	1	Cover	
42	1001130220	4	Nut, Tinnerman M6	
43	1001196382	1	Stud	
44	1001157592	1	Junction Box Assembly (See Items 101-121 for Breakdown)	
45A	4922641	1	Generator Switch Harness	
45B	1001152429	1	Generator to Engine Harness (See Separate Breakdown in ELECTRICAL SECTION)	
46	4922925	1	Generator Harness (See Separate Breakdown in ELECTRICAL SECTION)	
47	7274000040	1	Clamp	
48	5251012	1	Bolt M10 x 25	
50	1320061	1	Clamp	
	1001157592	Ref	JUNCTION BOX ASSEMBLY	C
101	1060343	1.5 ft/ 0.5m	Cable, Electrical 10/4	
102	1001179154	2.5 ft/ 0.8m	Cable, Electrical 12/3	
103	1671092	1	Cover	
104	3300396	1	Cover, Fuse	
105	3311001	6	Nut #10	
106	4360070	1	Circuit Breaker - 15Amp	
108	4460425	1	Connector, Strain Relief	
109	4460426	2	Connector, Strain Relief	
111	4460963	1	Connector	
112	4711000	10	Washer #10	
114	10702077	2	Screw #10 x 3/8	
115	10702082	2	Screw #10 x 3/4	
116	1001152525	1	Plug	
117	1001157520	1	Block, Terminal	
118	1001157521	1	Box, Junction	
119	1001157528	1	Decal - Wiring Schematic	
120	1001158007	1	Cover, PVC	
121	1001158008	2	Stand-Off	

SECTION 3 - ENGINE

ITEM	PART NUMBER	QTY	DESCRIPTION	REV
	0272435	Ref	DECAL INSTALLATION	D
201	1705460	2	Decal - SkyPower	
202	3251243	1	Decal - 120V-60Hz	
203	1705375	1	Decal - 240V - 3 Phase - 60Hz	
204	1705387	3	Decal - Hazardous Voltage	

SECTION 3 - ENGINE

FIGURE 3-78. 7500W SKYPOWER GENERATOR INSTALLATION - 110V/60HZ (DEUTZ TD2.9L4 ENGINES) (OPTIONAL)



SECTION 3 - ENGINE

FIGURE 3-78. 7500W SKYPOWER GENERATOR INSTALLATION - 110V/60HZ (DEUTZ TD2.9L4 ENGINES) (OPTIONAL)

ITEM	PART NUMBER	QTY	DESCRIPTION	REV
	1001192278	Ref	7500W SKYPOWER GENERATOR INSTALLATION	G
1	0100011	AR	Compound, Locking	
2	0100019	AR	Compound, Locking	
3	0100048	AR	Compound Terminal	
4	0100079	AR	Sealant	
5	0641616	1	Bolt 3/8 x 2	
6	0700819	2	Bolt M8 x 55	
7	0741607	3	Screw 3/8 x 7/8	
8	0760606	1	Bolt M6 x 12	
9	0760608	4	Bolt M6 x 16	
10	0761212	2	Bolt M12 x 25	
11	0860038	1	Box, Receptacle	
12	0861538	1	Control Box Assembly	
12	7024488	1	Card, Circuit - Generator Power	
12	See Note	NSS	Fuse (Note: Not Available - Purchase Locally)	
12	7024489	1	Card, Circuit - Control	
12	70000619	1	Harness, Control Box (Internal)	
		Ref	Note: Same Circuit Card (P/N 7024489) is used for both 60Hz and 50Hz. When replacing card, rocker switch on card must be set for required application.	
13	0902888	1	Bracket	
14	0962520	1	Bushing, Split	
16	2820031	AR	Heat Shrink	
17	3252764	1	Nameplate - AC & Weld	
18	3290505	4	Nut M5	
19	3290805	2	Nut M8	
20	3291201	2	Nut M12	
21	3580317	1	Tensioner, Belt	
22	3580318	1	Pulley	
23	3910606	4	Screw #6 x 3/8	
24	3960422	1	Gasket	
25	4060802	1	Guard, Switch	
26	4360336	1	Switch, Toggle	
27	4460071	1	Connector, Strain Relief	
28	4460346	1	Receptacle	
29	4811602	4	Washer M5	
30	4811700	4	Washer M6	
31	4811900	4	Washer M8	
32	5241000	1	Washer M10	
33	4871700	2	Washer M6	
34	5241200	4	Washer M12	
36	1001104029	1	Capscrew M5 x 30 Grade 12.9	
37	1001110873	1	Cover	
38	1001130220	4	Nut, Tinnerman M6	
39	1001212223	1	Generator Assembly	
39	70001100	1	Rotor (Includes p/n 70001384 & 70000863) (Not Shown)	
39	70001384	1	Bearing, Ball Radial (Not Shown)	
39	70000863	1	Fan (Not Shown)	

SECTION 3 - ENGINE

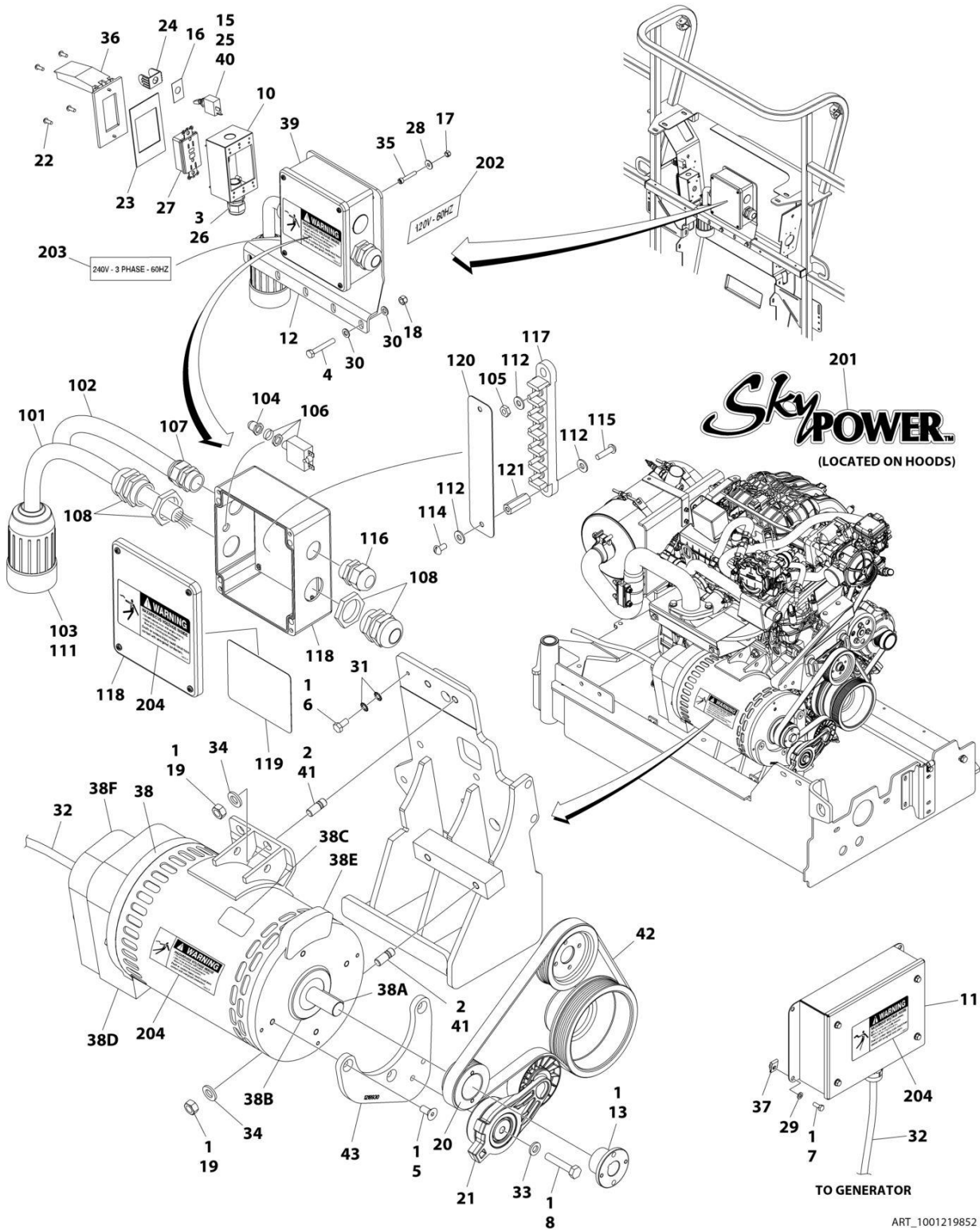
ITEM	PART NUMBER	QTY	DESCRIPTION	REV
39	70006093	1	Stator (Not Shown)	
39	70002297	1	Stud	
39	70003631	1	Brushholder Assembly (Not Shown) (was p/n 7024484)	
39A	70004099	1	Key	
39B	70001966	1	Bearing, Ball Radial (Located in Belt Tensioner Endbell)	
39B	70003708	1	Ring, Internal Retaining (Located in Belt Tensioner Endbell)	
39B	70003709	1	Ring, External Retaining (Located in Belt Tensioner Endbell)	
39C	70004092	1	Endbell, Belt Tensioner	
39D	70004094	1	Endbell, Brush Block	
39E	70006094	1	Shroud	
39E	70002291	1	Insulator, Endbell	
39E	7027799	1	Block, Connector - 6 Position (Not Shown)	
39E	70002460	1	Nut, Brass (Attaches p/n 7027799 to Cover) (Not Shown)	
39E	70006095	1	Breaker, Circuit 30Amp (Not Shown)	
39E	70006096	1	Boot, Breaker (Not Shown)	
39E	7026626	1	Connector, 6 Position (Includes Seal) (Not Shown - Plugs into Item 45)	
39E	7026597	1	Connector with Leads (Not Shown)	
39E	70004098	1	Clamp, Cable (Not Shown)	
39E	70006097	1	Plate, End Panel	
39E	70001974	1	Decal - Terminal Connections	
39F	70001973	1	Decal - Warning Moving Parts	
40	1001142643	1	Support	
41	1001196382	2	Stud	
42	1001157592	1	Junction Box Assembly (See Items 101-121 for Breakdown)	
43	4922641	1	Generator Switch Harness	
44	1001142646	1	Belt	
45	4922925	1	Generator Harness (See Separate Breakdown in ELECTRICAL SECTION)	
46	7274000040	1	Clamp	
47	5251012	1	Bolt M10 x 25	
49	1320061	1	Clamp	
	1001157592	Ref	JUNCTION BOX ASSEMBLY	C
101	1060343	1.5 ft/ 0.5m	Cable, Electrical 10/4	
102	1001179154	2.5 ft/ 76cm	Cable, Electrical 12/3	
103	1671092	1	Cover, Connector	
104	3300396	1	Cover, Fuse	
105	3311001	6	Nut #10	
106	4360070	1	Circuit Breaker - 15Amp	
108	4460425	1	Connector, Strain Relief	
109	4460426	2	Connector, Strain Relief	
111	4460963	1	Connector	
112	4711000	4	Washer #10	
114	10702077	2	Screw #10 x 3/8	
115	10702082	2	Screw #10 x 3/4	
116	1001152525	1	Plug	
117	1001157520	1	Block, Terminal	
118	1001157521	1	Box, Junction	
119	1001157528	1	Decal - Wiring Schematic	
120	1001158007	1	Cover, PVC	

SECTION 3 - ENGINE

ITEM	PART NUMBER	QTY	DESCRIPTION	REV
121	1001158008	1	Stand-Off	D
	0272435	Ref	DECAL INSTALLATION	
201	1705460	2	Decal - SkyPower	
202	3251243	1	Decal - 120V-60Hz	
203	1705375	1	Decal - 240V - 3 Phase - 60Hz	
204	1705387	3	Decal - Hazardous Voltage	

SECTION 3 - ENGINE

FIGURE 3-79. 7500W SKYPOWER GENERATOR INSTALLATION - 110V/60HZ (FORD ENGINES) (OPTIONAL)



SECTION 3 - ENGINE

**FIGURE 3-79. 7500W SKYPOWER GENERATOR INSTALLATION - 110V/60HZ (FORD ENGINES)
(OPTIONAL)**

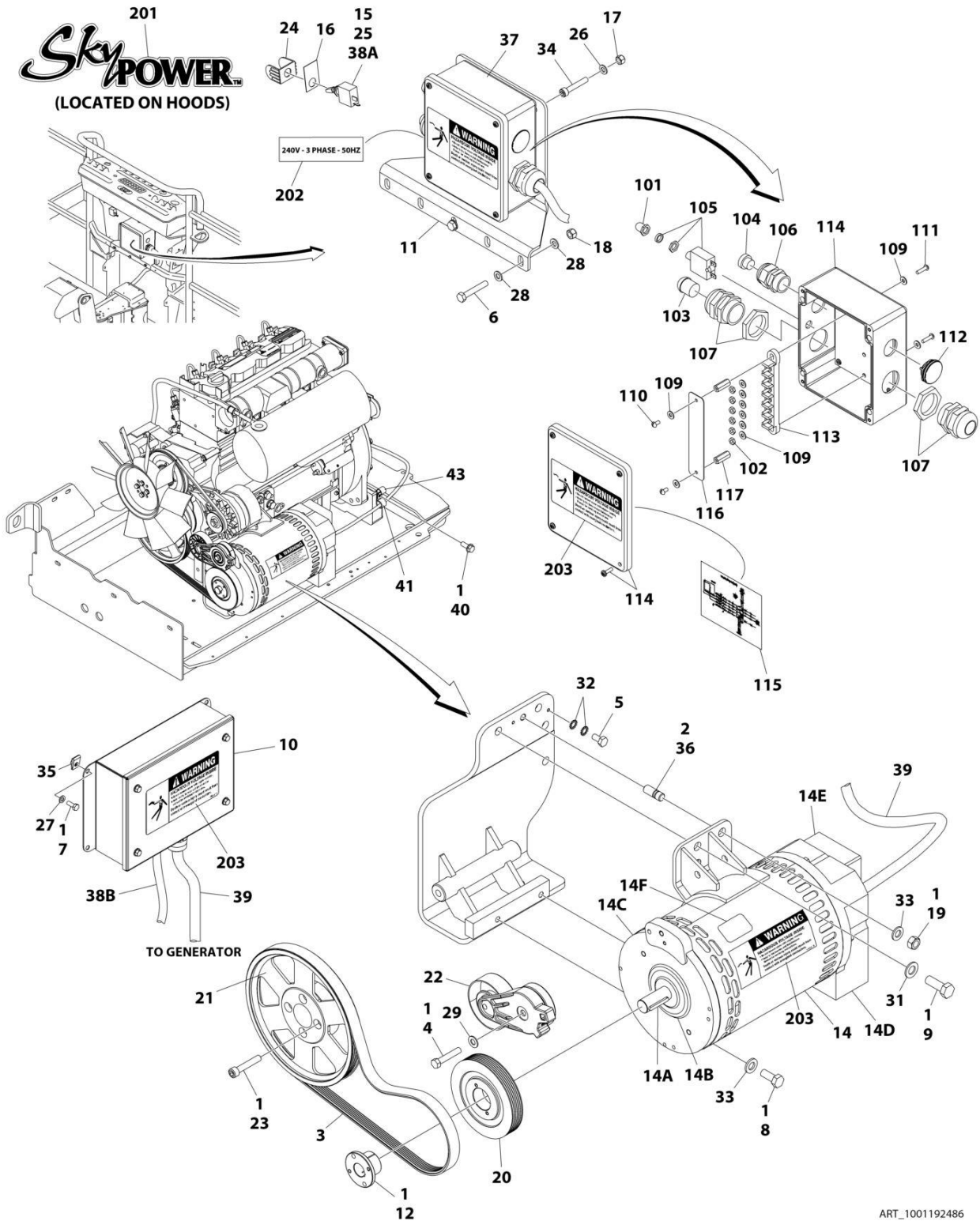
ITEM	PART NUMBER	QTY	DESCRIPTION	REV
	1001219852	Ref	7500W SKYPOWER GENERATOR INSTALLATION	C
1	0100011	AR	Compound, Locking	
2	0100019	AR	Compound, Locking	
3	0100079	AR	Sealant	
4	0700819	2	Bolt M8 x 55	
5	0741607	3	Screw 3/8 x 7/8	
6	0760606	1	Bolt M6 x 12	
7	0760608	4	Bolt M6 x 16	
8	0761019	1	Bolt M10 x 55	
10	0860038	1	Box, Receptacle	
11	0861538	1	Control Box Assembly	
11	7024488	1	Card, Circuit - Generator Power	
11	See Note	NSS	Fuse (Note: Not Available - Purchase Locally)	
11	7024489	1	Card, Circuit - Control	
11	70000619	1	Harness, Control Box (Internal)	
12	0902888	1	Bracket	
13	0962520	1	Bushing, Split	
15	2820031	AR	Heat Shrink	
16	3252764	1	Nameplate - AC & Weld	
17	3290505	4	Nut M5	
18	3290805	2	Nut M8	
19	3291201	4	Nut M12	
20	3580314	1	Pulley	
21	3580317	1	Tensioner, Belt	
22	3910606	4	Screw #6 x 3/8	
23	3960422	1	Gasket	
24	4060802	1	Guard, Switch	
25	4360336	1	Switch, Toggle	
26	4460071	1	Connector, Strain Relief	
27	4460346	1	Receptacle	
28	4811602	4	Washer M5	
29	4811700	4	Washer M6	
30	4811900	4	Washer M8	
31	4871700	2	Washer M6	
32	4922925	1	Generator Harness (See Separate Breakdown in ELECTRICAL SECTION)	
33	5241000	1	Washer M10	
34	5241200	4	Washer M12	
35	1001104029	4	Capscrew M5 x 30 Grade 12.9	
36	1001110873	1	Cover	
37	1001130220	4	Nut, Tinnerman M6	
38	1001136104	1	Generator Assembly	
38	70003631	1	Brushholder Assembly (Not Shown) (was p/n 7024484)	
38	7024485	1	Breaker, Circuit 30Amp (Not Shown)	
38	70001696	1	Boot, Breaker (was p/n 7024486 - Not Shown)	
38	70001966	1	Bearing, Ball Radial (Located in Belt Tensioner Endbell - Not Shown)	
38	7027799	1	Block, Connector - 6 Position (Not Shown)	
38	70002460	6	Nut, Brass (Attaches p/n 7027799 to Cover) (Not Shown)	

SECTION 3 - ENGINE

ITEM	PART NUMBER	QTY	DESCRIPTION	REV
38	7026188	1	Clamp, Cable (Not Shown)	
38	7026597	1	Connector, with Leads (Not Shown)	
38	7026626	1	Connector - 6 Position with Seal (Not Shown)	
38	70002088	1	Stator (Not Shown)	
38	70004169	1	Panel, End (Not Shown) (was p/n 70002255)	
38	70001974	1	Decal - Terminal Connections (Not Shown)	
38	70000863	1	Fan (Not Shown)	
38	70002297	4	Stud (Not Shown)	
38A	70004171	1	Key (was p/n 7024561)	
38A	70001100	1	Armature, Generator (Includes Radial Ball Bearing on End with Brushes and Fan)	
38A	70001384	1	Bearing, Ball Radial	
38B	70001966	1	Bearing, Radial Ball	
38B	70003708	1	Ring, Internal Retaining (Located in Belt Tensioner Endbell)	
38B	70003709	1	Ring, External Retaining (Located in Belt Tensioner Endbell)	
38C	70001973	1	Decal - Warning Moving Parts	
38D	70004169	1	Endbell, Brush Block (was p/n 70001385)	
38E	70001953	1	Endbell, Belt Tensioner	
38F	70004169	1	Endbell, Shroud Assembly (was p/n 70002290)	
39	1001157592	1	Junction Box Assembly (See Items 101-121 for Breakdown)	
40	4922641	1	Generator Switch Harness	
41	1001196382	4	Stud	
42	1001216390	1	Belt	
43	1001218930	1	Mount	
	1001157592	Ref	JUNCTION BOX ASSEMBLY	C
101	1060343	1.5 ft/ 0.5m	Cable, Electrical - 10/4	
102	1001179154	2.5 ft/ 0.8m	Cable, Electrical - 12/3	
103	1671092	1	Cover, Connector	
104	3300396	1	Cover, Fuse	
105	3311001	6	Nut #10	
106	4360070	1	Breaker, Circuit 15Amp	
107	4460425	1	Connector, Strain Relief	
108	4460426	2	Connector, Strain Relief	
111	4460963	1	Receptacle	
112	4711000	10	Washer #10	
114	10702077	2	Screw #10 x 3/8	
115	10702082	2	Screw #10 x 3/4	
116	1001152525	1	Plug, Hole	
117	1001157520	1	Block, Terminal Pole	
118	1001157521	1	Box, Junction	
119	1001157528	1	Decal - Box Junction	
120	1001158007	1	Cover	
121	1001158008	2	Stand-Off	
	0272435	Ref	DECAL INSTALLATION	D
201	1705460	2	Decal - SkyPower	
202	3251243	1	Decal - 120V/60Hz (Located on Opposite Side)	
203	1705375	1	Decal - 240V - 3 Phase	
204	1705387	3	Decal - Hazardous Voltage	

SECTION 3 - ENGINE

FIGURE 3-80. 7500W SKYPOWER GENERATOR INSTALLATION - 220V/50HZ (DEUTZ D2011 ENGINES) (OPTIONAL)



SECTION 3 - ENGINE

FIGURE 3-80. 7500W SKYPOWER GENERATOR INSTALLATION - 220V/50HZ (DEUTZ D2011 ENGINES) (OPTIONAL)

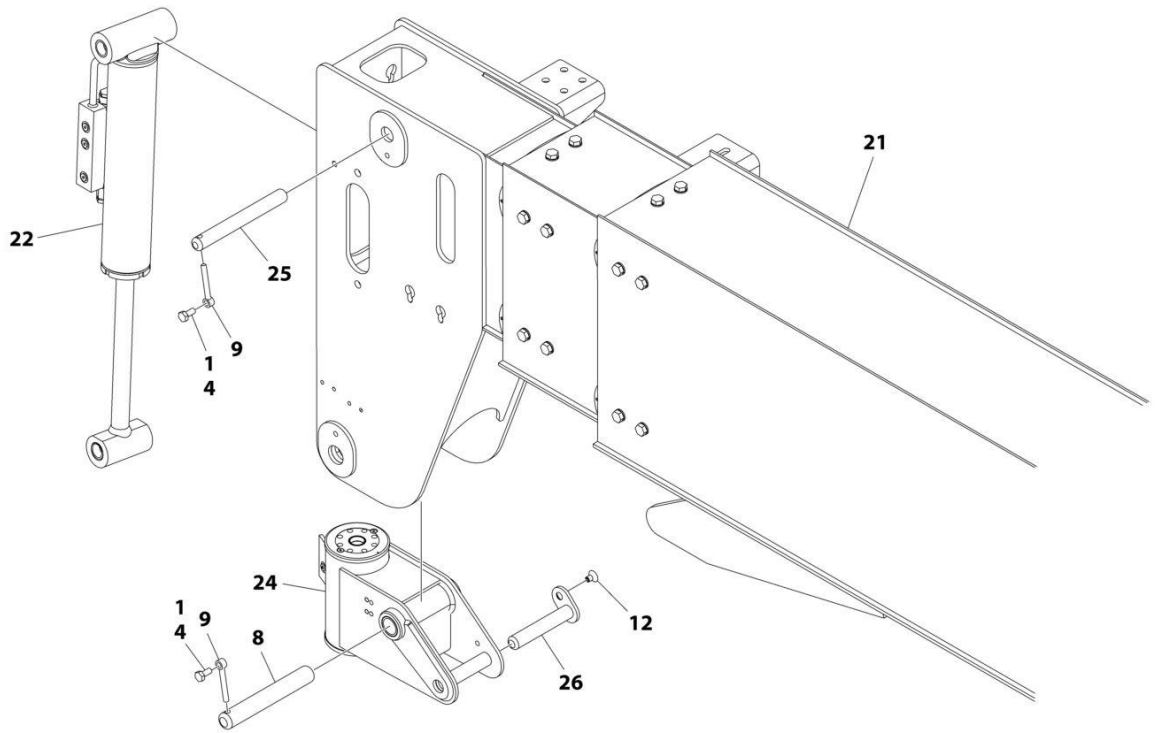
ITEM	PART NUMBER	QTY	DESCRIPTION	REV
	1001192486	Ref	7500W SKYPOWER GENERATOR INSTALLATION	I
1	0100011	AR	Compound, Locking	
2	0100019	AR	Compound, Locking	
3	1001141814	1	Belt	
4	0641618	1	Bolt 3/8 x 2-1/4	
5	0760606	1	Bolt M6 x 12	
6	0700819	2	Bolt M8 x 55	
7	0760608	4	Bolt M6 x 16	
8	0761212	2	Bolt M12 x 25	
9	0771415	1	Bolt M14 x 35	
10	0861572	1	Control Box Assembly	
10	7024488	1	Card, Circuit - Generator Power	
10	See Note	NSS	Fuse (Note: Not Available - Purchase Locally)	
10	7024489	1	Card, Circuit - Control	
10	70000619	1	Harness, Control Box (Internal)	
11	0902888	1	Bracket	
12	0962520	1	Bushing, Split	
14	2460048	1	Generator Assembly	
14	70001100	1	Rotor (Includes p/n 70001384 & 70000863) (Not Shown)	
14	70001384	1	Bearing, Ball Radial (Not Shown)	
14	70000863	1	Fan (Not Shown)	
14	70002088	1	Stator (Not Shown)	
14	70002297	1	Stud	
14	70003631	1	Brushholder Assembly (Not Shown)	
14A	70004171	1	Key	
14B	70001966	1	Bearing, Ball Radial (Located in Belt Tensioner Endbell)	
14B	70003708	1	Ring, Internal Retaining (Located in Belt Tensioner Endbell)	
14B	70003709	1	Ring, External Retaining (Located in Belt Tensioner Endbell)	
14C	70001953	1	Endbell, Belt Tensioner	
14D	70004169	1	Endbell, Brush Block	
14E	70004169	1	Shroud	
14E	See Note	NSS	Insulator, Endbell (Note: Not Available for Purchase)	
14E	7027799	1	Block, Connector 6 Position (Not Shown)	
14E	70002460	1	Nut, Brass (Attaches p/n 7027799 to Cover) (Not Shown)	
14E	7024485	1	Breaker, Circuit 30Amp (Not Shown)	
14E	70001696	1	Boot, Breaker (Not Shown)	
14E	7026626	1	Connector, 6 Position (Includes Seal) (Not Shown - Plugs into Item 39)	
14E	7026597	1	Connector, with Leads (Not Shown)	
14E	7026188	1	Clamp, Cable Options (Not Shown)	
14E	70004169	1	Plate, End Panel	
14E	70001974	1	Decal - Terminal Connections	
14F	70001973	1	Decal - Warning Moving Parts	
15	2820031	AR	Heat Shrink	
16	3252764	1	Nameplate - AC & Weld	
17	3290505	4	Nut M5	
18	3290805	2	Nut M8	
19	3291201	1	Nut M12	
20	3580319	1	Pulley	

SECTION 3 - ENGINE

ITEM	PART NUMBER	QTY	DESCRIPTION	REV
21	3580320	1	Pulley	
22	3580317	1	Tensioner, Belt	
23	4032015	4	Capscrew M10 x 55	
24	4060802	1	Guard, Switch	
25	4360336	1	Switch, Toggle	
26	4811602	4	Washer M5	
27	4811700	4	Washer M6	
28	4811900	4	Washer M8	
29	5241000	1	Washer M10	
31	5241400	1	Washer M14	
32	4871700	2	Washer M6	
33	5241200	3	Washer M12	
34	1001104029	4	Capscrew M5 x 30 Grade 12.9	
35	1001130220	4	Nut, Tinnerman M6	
36	1001196382	1	Stud	
37	1001157525	1	Junction Box Assembly (See Items 101-117 for Breakdown)	
38A	4922641	1	Generator Switch Harness	
38B	1001152429	1	Generator to Engine Harness (See Separate Breakdown in ELECTRICAL SECTION)	
39	4922925	1	Generator Harness (See Separate Breakdown in ELECTRICAL SECTION)	
40	5251012	1	Bolt M10 x 25	
41	7274000040	1	Clamp	
43	1320061	1	Clamp	
	1001157525	Ref	JUNCTION BOX ASSEMBLY	B
101	3300396	1	Cover, Fuse	
102	3311001	6	Nut #10	
103	3520189	1	Plug	
104	3520192	1	Plug	
105	4360070	1	Circuit Breaker - 15Amp	
106	4460425	1	Connector, Strain Relief	
107	4460426	2	Connector, Strain Relief	
109	4711000	10	Washer #10	
110	10702077	2	Screw #10 x 3/8	
111	10702082	2	Screw #10 x 3/4	
112	1001152525	1	Plug	
113	1001152520	1	Block, Terminal	
114	1001157521	1	Box, Junction	
115	1001157528	1	Decal - Wiring Schematic	
116	1001158007	1	Cover, PVC	
117	1001158008	2	Stand-Off	
	0272589	Ref	DECAL INSTALLATION	A
201	1705460	2	Decal - SkyPower	
202	1705461	1	Decal - 240V - 3 Phase - 50Hz	
203	1705489	3	Decal - Hazardous Voltage	

SECTION 4 - BOOM

SECTION 4 - BOOM



ART_1001234457_20F2_D

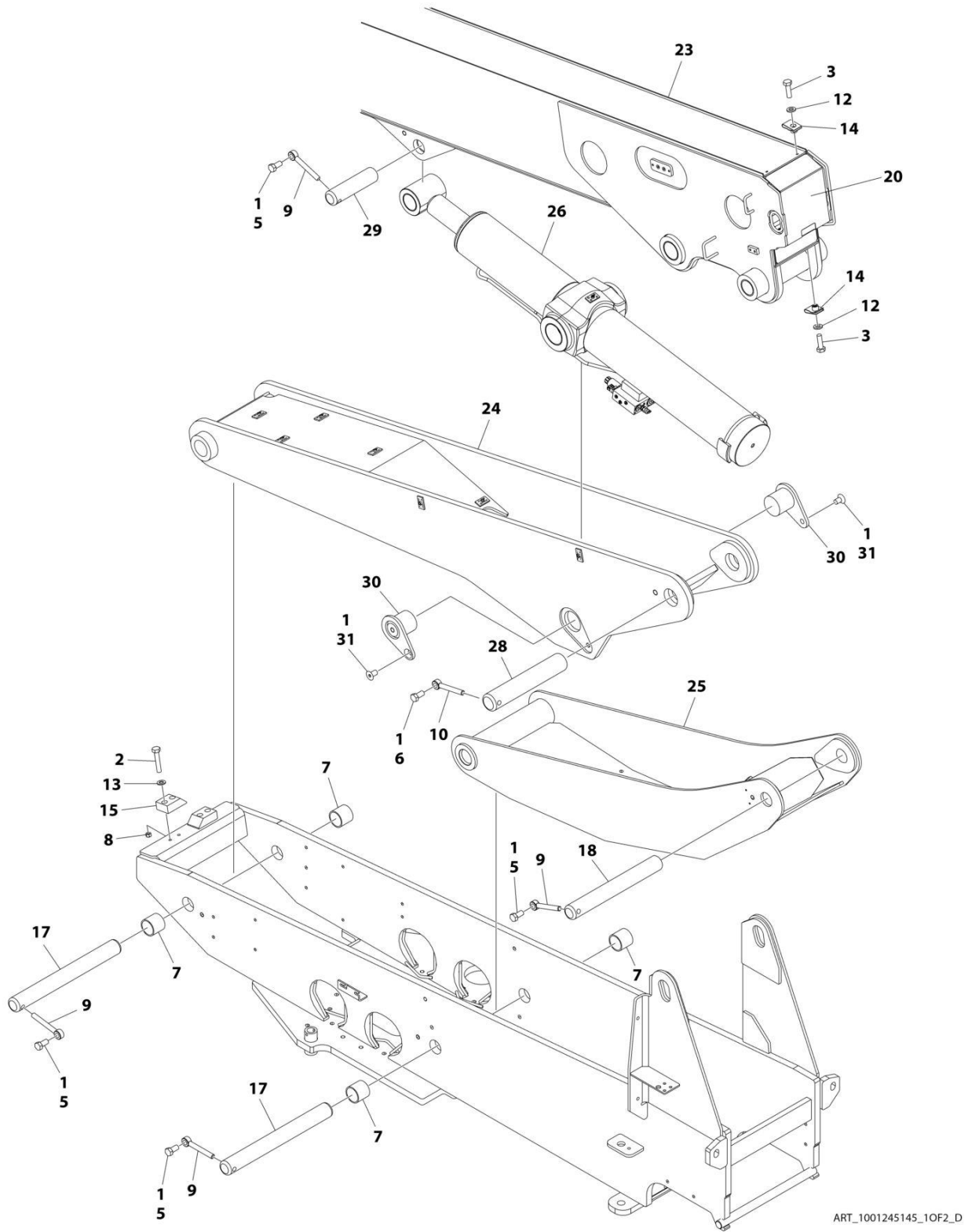
SECTION 4 - BOOM

FIGURE 4-1. BOOM INSTALLATION - 600S HC3

ITEM	PART NUMBER	QTY	DESCRIPTION	REV
	1001234457	Ref	BOOM INSTALLATION	D
1	0100011	AR	Compound, Locking	
2	0701019	4	Bolt M10 x 55	
3	0711635	2	Bolt M16 x 180	
4	0761011	2	Bolt M10 x 22	
5	0762016	5	Bolt M20 x 40	
6	3291005	4	Nut M10	
7	3291605	2	Nut M16	
8	3422582	1	Pin	
9	3841143	2	Keeper, Pin	
10	3841287	5	Keeper, Pin	
11	4812000	4	Washer M10	
12	1001137032	1	Screw M10 x 16	
13	1001138459	2	Pad	
14	1001174231	1	Link	
15	1001174250	1	Pin	
16	1001174252	2	Pin	
17	1001174253	1	Pin	
18	1001174254	1	Pin	
19	1001174256	1	Link	
20	1001272076	1	Lift Cylinder Assembly (See Separate Breakdown in CYLINDER Section)	
21	1001234458	1	Boom Assembly (See Separate Breakdown in this Section)	
22	1001184954	1	Level Cylinder Assembly - Platform Slave (See Separate Breakdown in CYLINDER Section)	
23	1001183926	2	Pin	
24	1001187348	1	Platform Rotator Assembly (See Separate Breakdown in this Section)	
25	1001192910	1	Pin	
26	1001192991	1	Pin	
27	0962423	4	Bearing	
28	1001174251	2	Bearing	
29	0760610	4	Bolt M6 x 20	
30	4811700	4	Washer M6	
31	1001130220	4	Nut, Tinnerman M6	
32	1001228177	1	Cover	

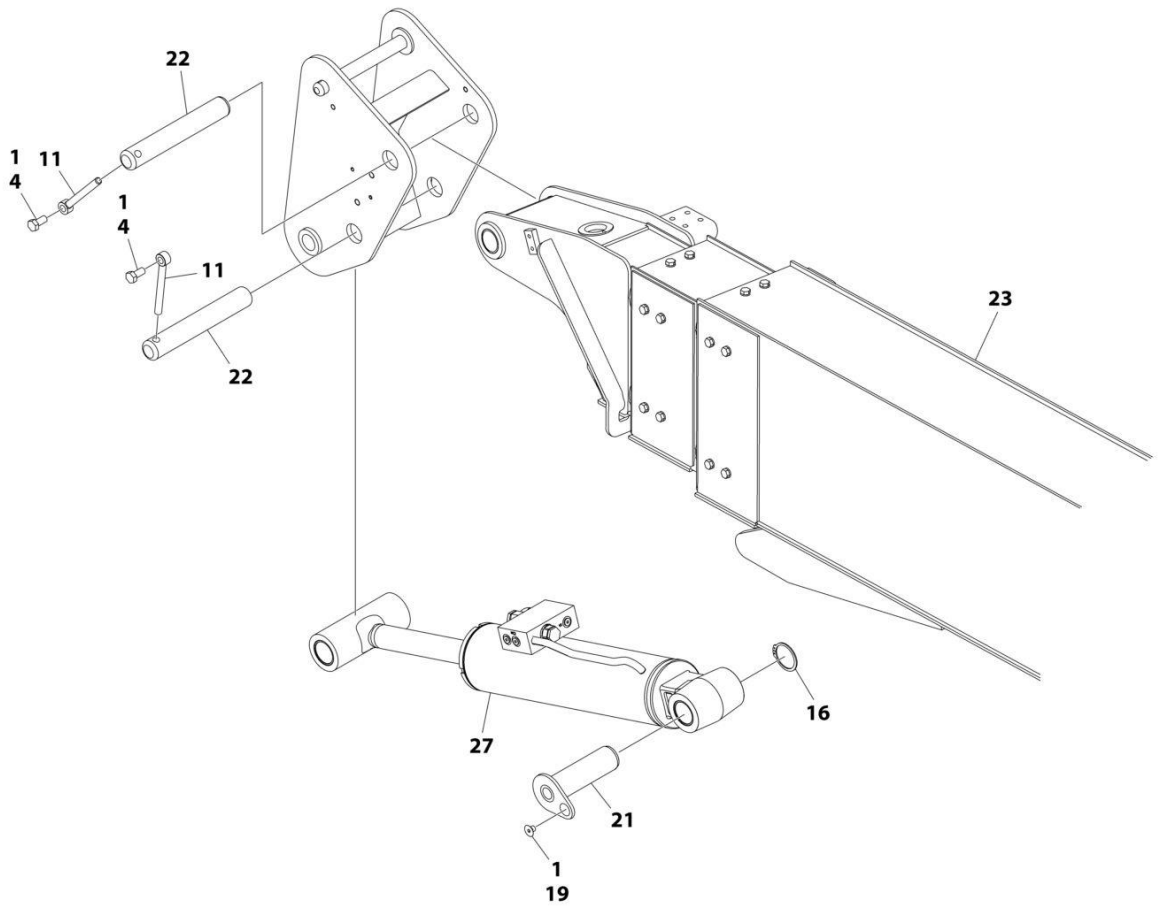
SECTION 4 - BOOM

FIGURE 4-2. BOOM INSTALLATION - 660SJ HC3



ART_1001245145_10F2_D

SECTION 4 - BOOM



ART_1001245145_20F2_D

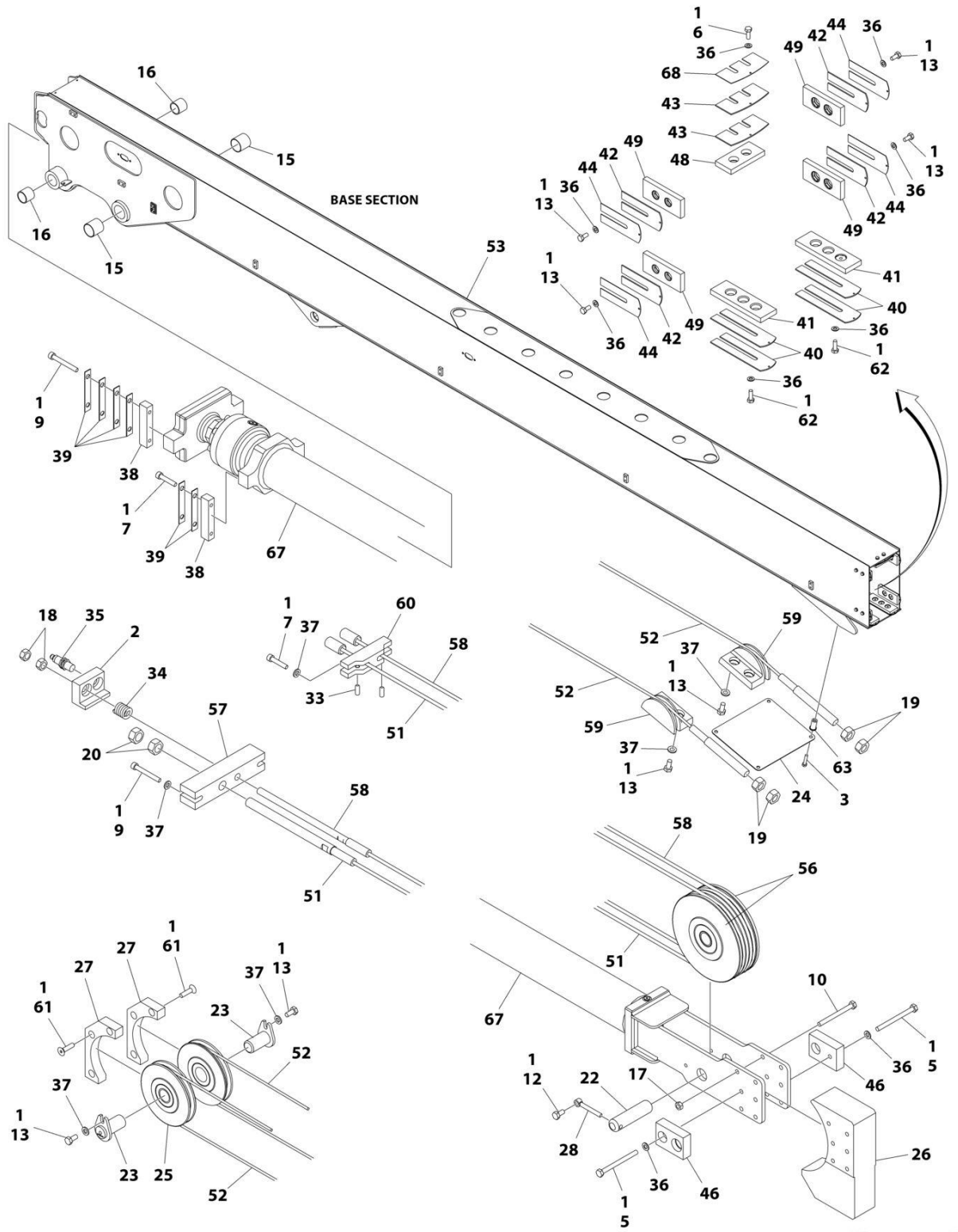
SECTION 4 - BOOM

FIGURE 4-2. BOOM INSTALLATION - 660SJ HC3

ITEM	PART NUMBER	QTY	DESCRIPTION	REV
	1001245145	Ref	BOOM INSTALLATION	D
1	0100011	AR	Compound, Locking	
2	0701019	4	Bolt M10 x 55	
3	0760610	4	Bolt M6 x 20	
4	0761212	2	Bolt M12 x 25	
5	0762016	4	Bolt M20 x 40	
6	0762418	1	Bolt M24 x 50	
7	0962423	4	Bearing	
8	3291005	4	Nut M10	
9	3841287	4	Keeper, Pin	
10	3841356	1	Keeper, Pin	
11	3841203	2	Keeper, Pin	
12	4811700	4	Washer M6	
13	4812000	4	Washer M10	
14	1001130220	4	Nut - Tinnerman M6	
15	1001138459	2	Pad	
16	1001138671	1	Ring, Retaining	
17	1001174252	2	Pin	
18	1001174253	1	Pin	
19	1001192027	1	Screw M10 x 12	
20	1001228177	1	Cover	
21	1001237142	1	Pin	
22	1001237949	2	Pin	
23	1001244771	1	Boom assembly (See separate Breakdown in this Section)	
24	1001246502	1	Link	
25	1001247260	1	Link	
26	1001272100	1	Lift Cylinder Assembly (See Separate Breakdown in CYLINDER Section)	
27	1001247466	1	Level Cylinder Assembly Platform Slave (See Separate Breakdown in CYLINDER Section)	
28	1001249454	1	Pin	
29	1001249455	1	Pin	
30	1001249458	2	Pin	
31	1001249774	2	Bolt M20 x 35	

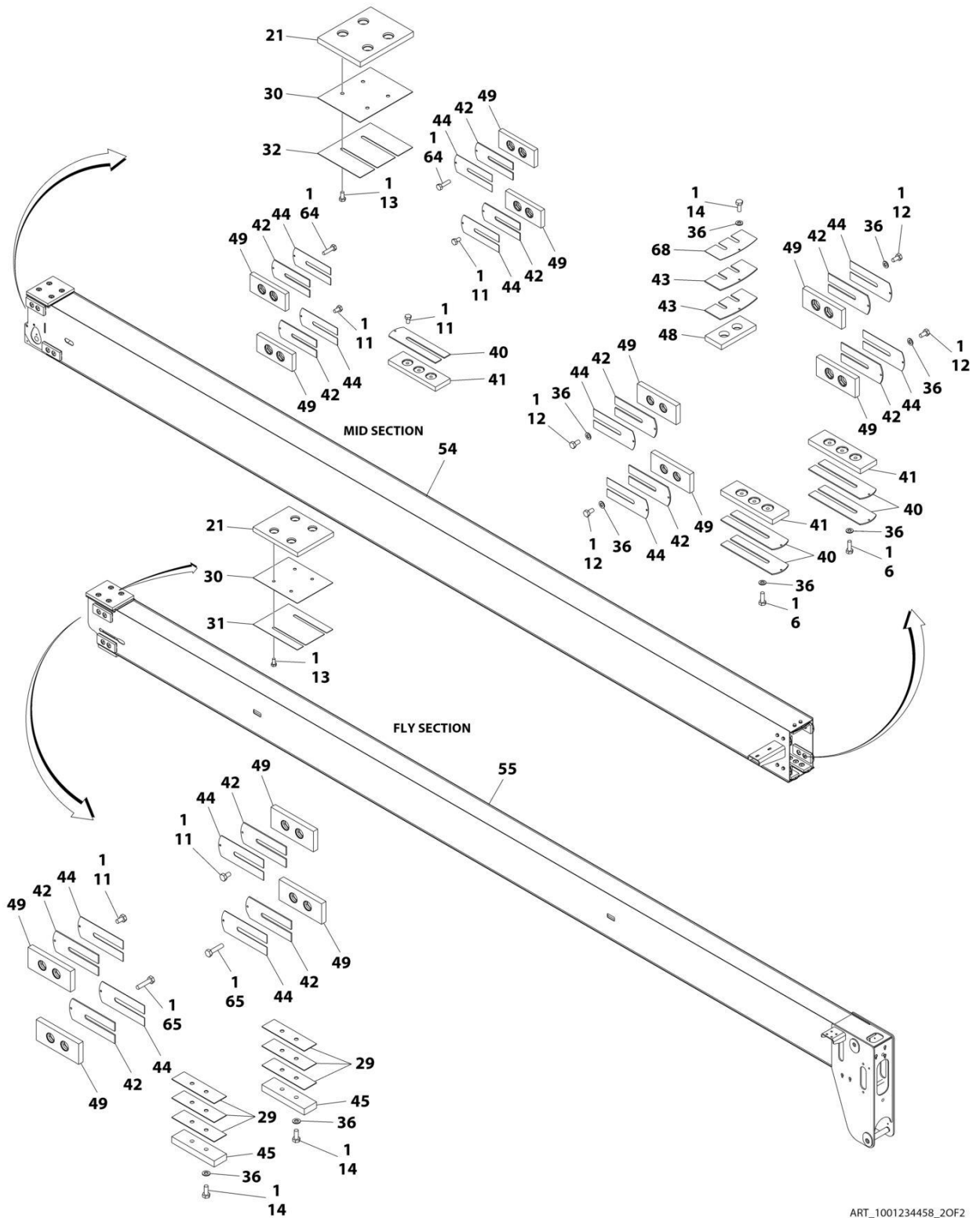
SECTION 4 - BOOM

FIGURE 4-3. BOOM ASSEMBLY - 600S HC3



ART_1001234458_10F2

SECTION 4 - BOOM



ART_1001234458_2OF2

SECTION 4 - BOOM

FIGURE 4-3. BOOM ASSEMBLY - 600S HC3

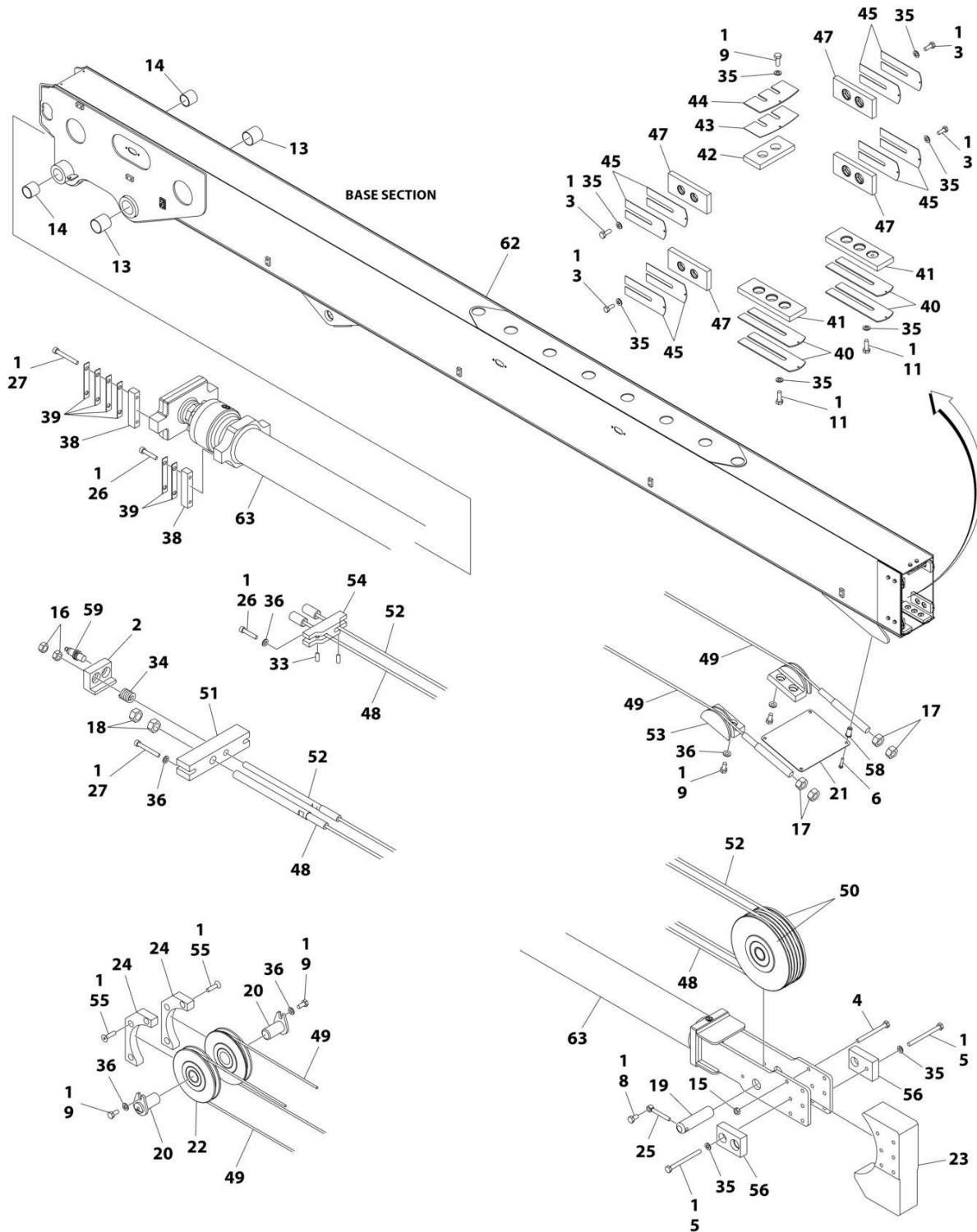
ITEM	PART NUMBER	QTY	DESCRIPTION	REV
	1001234458	Ref	BOOM ASSEMBLY	F
1	0100011	AR	Compound, Locking	
2	0561508	1	Block	
3	0760614	4	Bolt M6 x 30	
5	0701029	2	Bolt M10 x 120	
6	0701013	8	Bolt M10 x 28	
7	4032014	6	Capscrew M10 x 50	
9	4032020	6	Capscrew M10 x 80	
10	0701028	4	Bolt M10 x 110	
11	0761009	10	Bolt M10 x 18	
12	0761010	9	Bolt M10 x 20	
13	0761011	22	Bolt M10 x 22	
14	0761012	6	Bolt M10 x 25	
15	0962033	2	Bushing	
16	0962423	2	Bearing	
17	3291001	4	Nut M10	
18	3291601	2	Nut M16	
19	3292001	4	Nut M20	
20	3292201	2	Nut M22	
21	1001191385	2	Pad, Wear	
22	3422417	1	Pin	
23	3422424	2	Pin	
24	3539622	1	Cover	
25	3580243	2	Sheave, Retract	
25	0961951	2	Bushing (1 Per Sheave)	
26	3580248	1	Guard, Sheave (Extend)	
27	3580249	2	Guard, Sheave (Retract)	
28	3841143	1	Keeper, Pin	
29	4070895	6	Shim 16Ga	
30	4070896	2	Shim .06	
31	4070939	1	Shim 16Ga	
32	4070940	1	Shim 16Ga	
33	4092009	2	Setscrew M10 x 25	
34	4160149	1	Spring	
35	1001285877	1	Switch, Proximity	
36	4812000	38	Washer M10	
37	5241000	10	Washer M10	
38	1001135488	4	Block	
39	1001136571	12	Shim 16Ga	
40	1001136575	9	Shim 11Ga	
41	1001136583	5	Pad, Wear	
42	4070898	16	Shim 11Ga	
43	1001138436	4	Shim 11Ga	
44	4070897	16	Shim 18Ga	
45	1001148650	2	Pad, Wear	
46	1001191384	2	Pad, Wear	
48	1001136587	2	Pad, Wear	
49	1001153398	16	Pad, Wear	
51	1001175998	1	Rope, Wire (Extend)	
52	1001175999	2	Rope, Wire (Retract)	

SECTION 4 - BOOM

ITEM	PART NUMBER	QTY	DESCRIPTION	REV
53	1001234459	1	Base Boom	
54	1001176212	1	Mid, Boom	
55	1001180882	1	Fly, Boom	
56	1001184913	2	Sheave, Extend	
56	1001184918	2	Bushing (1 Per Sheave)	
56	1001184917	2	Sleeve, Bronze (1 Per Sheave)	
56	1001184915	2	Ring, Retaining (1 Per Sheave)	
57	1001186541	1	Block	
58	1001189859	1	Rope, Wire (Extend)	
59	1001191048	2	Sheave, Block	
60	1001191202	1	Block	
61	1001191205	6	Screw M10 x 40	
62	0761014	6	Bolt M10 x 30	
63	1001203719	4	Wellnut M6	
64	0761016	4	Bolt M10 x 40	
65	0761017	4	Bolt M10 x 45	
67	1001251079	1	Telescope Cylinder Assembly (See Separate Breakdown in CYLINDER SECTION)	
68	1001136590	2	Shim	

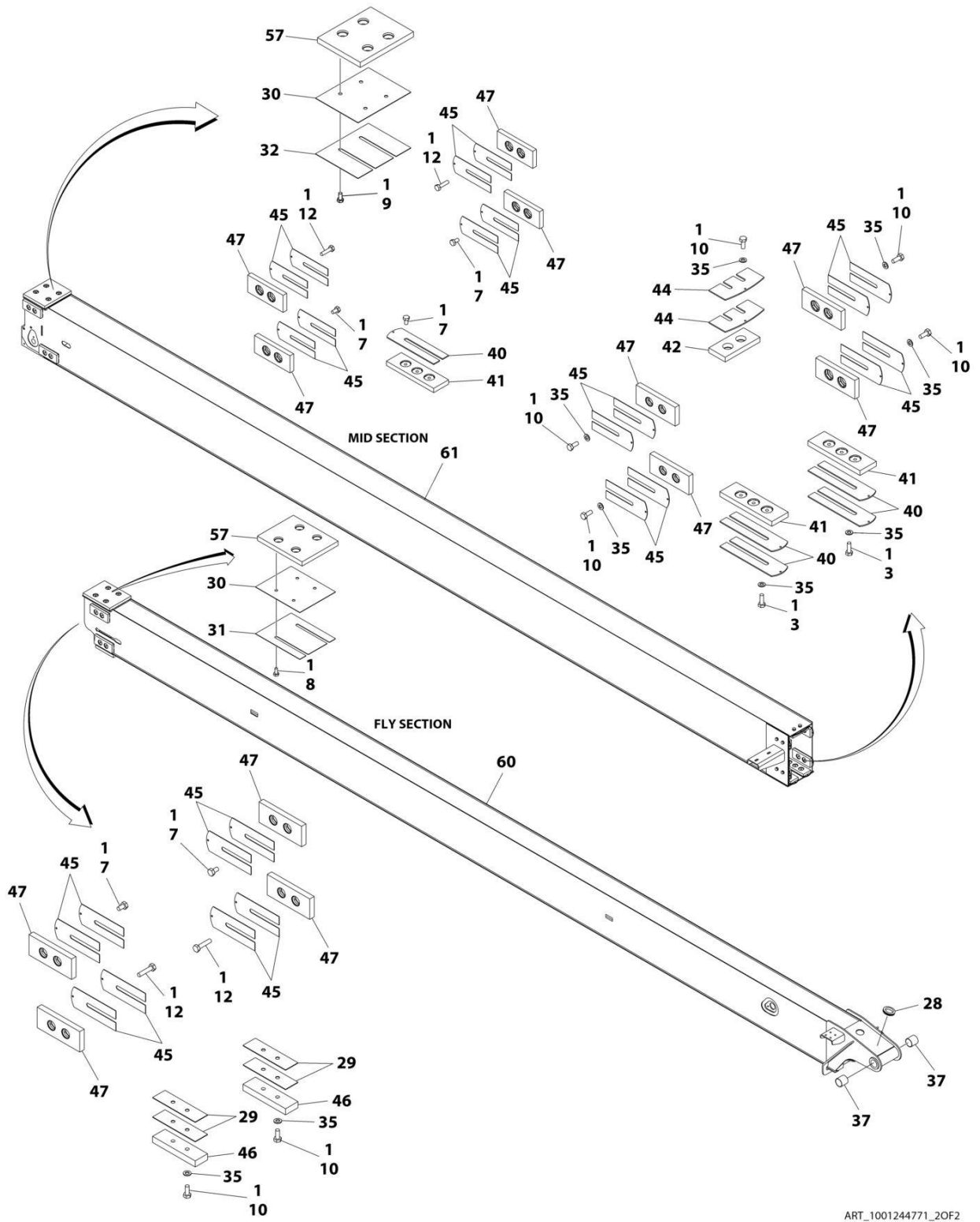
SECTION 4 - BOOM

FIGURE 4-4. BOOM ASSEMBLY - 660SJ HC3



ART_1001244771_1OF2

SECTION 4 - BOOM



ART_1001244771_20F2

SECTION 4 - BOOM

FIGURE 4-4. BOOM ASSEMBLY - 660SJ HC3

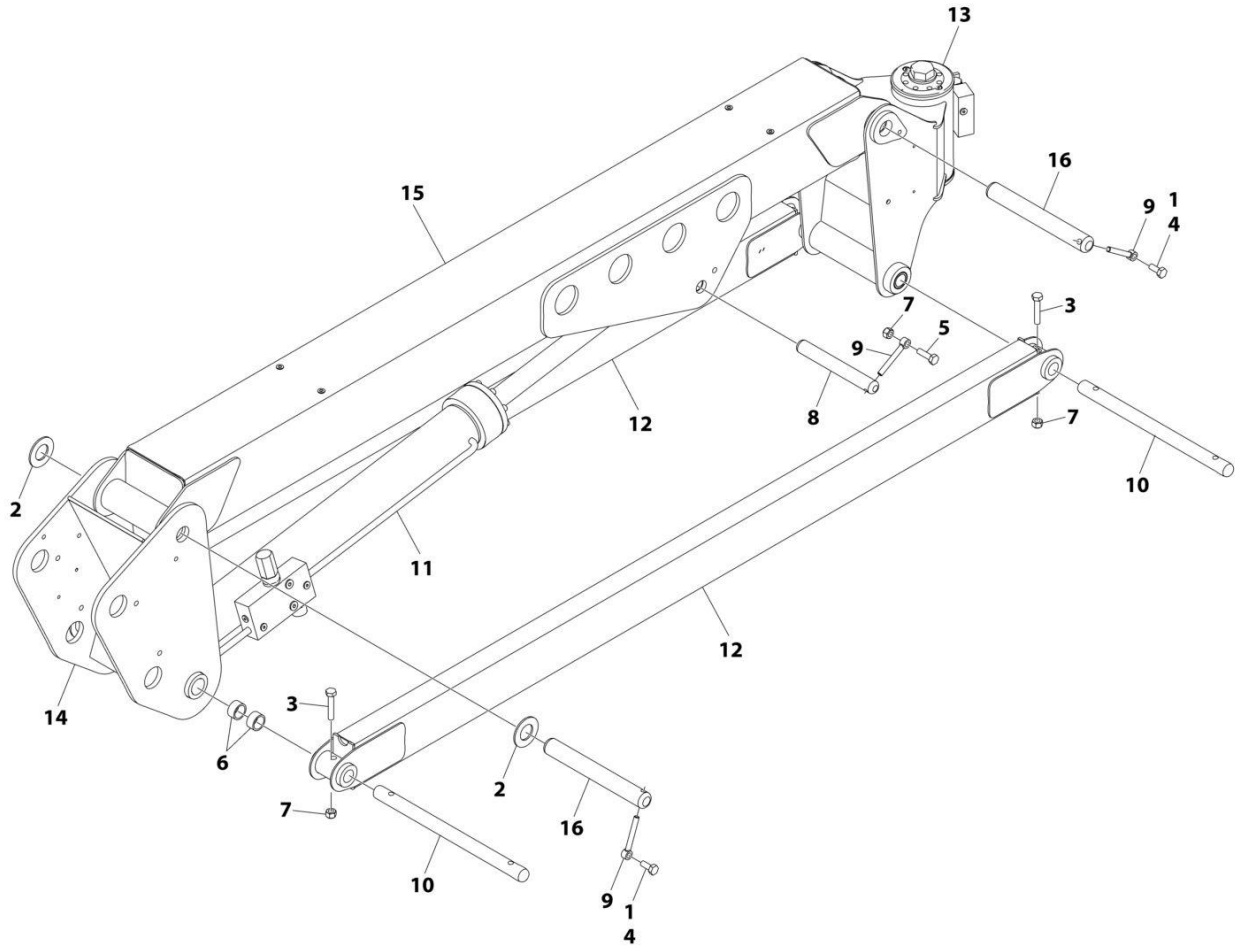
ITEM	PART NUMBER	QTY	DESCRIPTION	REV
	1001244771	Ref	BOOM ASSEMBLY	D
1	0100011	AR	Compound, Locking	
2	0561508	1	Block	
3	0701013	14	Bolt M10 x 28	
4	0701028	4	Bolt M10 x 110	
5	0701029	2	Bolt M10 x 120	
6	0760614	4	Bolt M6 x 30	
7	0761009	10	Bolt M10 x 18	
8	0761010	5	Bolt M10 x 20	
9	0761011	12	Bolt M10 x 22	
10	0761012	14	Bolt M10 x 25	
11	0761014	6	Bolt M10 x 30	
12	0761016	8	Bolt M10 x 40	
13	0962033	2	Bushing	
14	0962423	2	Bearing	
15	3291001	4	Nut M10	
16	3291601	2	Nut M16	
17	3292001	4	Nut M20	
18	3292201	2	Nut M22	
19	3422417	1	Pin	
20	3422424	2	Pin	
21	3539622	1	Cover	
22	3580243	2	Sheave, Retract	
22	0961951	2	Bushing (1 Per Sheave)	
23	3580248	1	Guard, Sheave (Extend)	
24	3580249	2	Guard, Sheave (Retract)	
25	3841143	1	Keeper, Pin	
26	4032014	6	Capscrew M10 x 50	
27	4032020	6	Capscrew M10 x 80	
28	4060805	6 in/ 16cm	Flex - Trim	
29	4070895	4	Shim 16Ga	
30	4070896	2	Shim .06	
31	4070939	1	Shim 16Ga	
32	4070940	1	Shim 16Ga	
33	4092009	2	Setscrew M10 x 25	
34	4160149	1	Spring	
35	4812000	38	Washer M10	
36	5241000	10	Washer M10	
37	1001118666	2	Bushing	
38	1001135488	4	Block	
39	1001136571	12	Shim 16Ga	
40	1001136575	9	Shim 11Ga	
41	1001136583	5	Pad, Wear	
42	1001136587	2	Pad, Wear	
43	1001136590	1	Shim	
44	1001138436	3	Shim 11Ga	
45	4070897	32	Shim 18Ga	
46	1001148650	2	Pad, Wear	
47	1001153398	16	Pad, Wear	
48	1001175998	1	Rope, Wire (Extend)	

SECTION 4 - BOOM

ITEM	PART NUMBER	QTY	DESCRIPTION	REV
49	1001175999	2	Rope, Wire (Retract)	
50	1001184913	2	Sheave, Extend	
50	1001184918	2	Bushing (1 per Sheave)	
50	1001184915	2	Ring, Retaining (1 per Sheave)	
50	1001184917	2	Sleeve, Bronze (1 per Sheave)	
51	1001186541	1	Block	
52	1001189859	1	Rope, Wire (Extend)	
53	1001191048	2	Sheave, Block	
54	1001191202	1	Block	
55	1001191205	6	Screw M10 x 40	
56	1001191384	2	Pad, Wear	
57	1001191385	2	Pad, Wear	
58	1001203719	4	Wellnut M6	
59	1001285877	1	Switch, Proximity	
60	1001244747	1	Fly, Boom	
61	1001244762	1	Mid, Boom	
62	1001244770	1	Base, Boom	
63	1001251079	1	Telescope Cylinder Assembly (See Separate Breakdown in CYLINDER SECTION)	

SECTION 4 - BOOM

FIGURE 4-5. JIB ASSEMBLY - 660SJ HC3



ART_1001238328_F

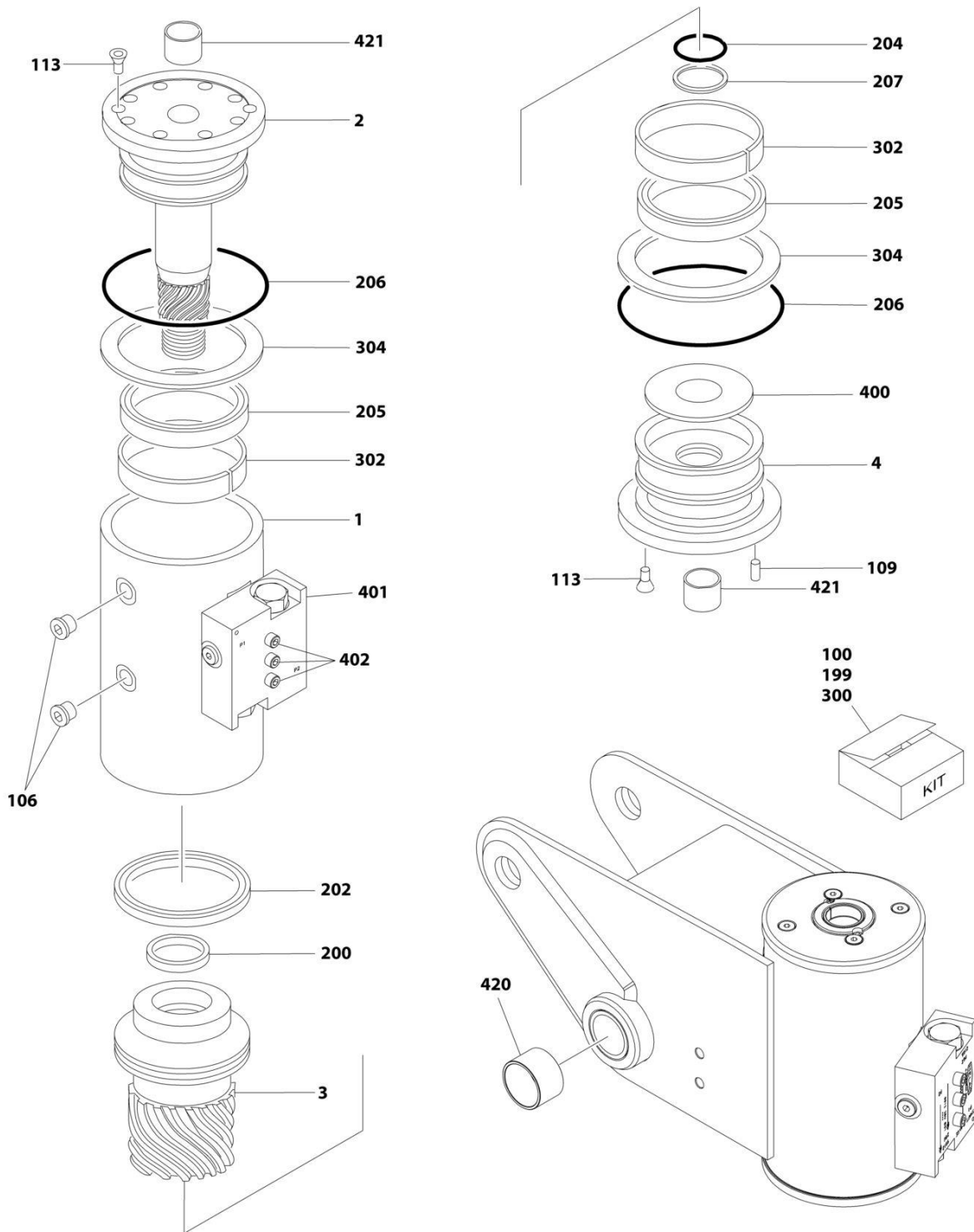
SECTION 4 - BOOM

FIGURE 4-5. JIB ASSEMBLY - 660SJ HC3

ITEM	PART NUMBER	QTY	DESCRIPTION	REV
	1001238328	Ref	JIB BOOM ASSEMBLY	F
1	0100011	AR	Compound, Locking	
2	0440162	2	Thrustwasher 0.188IN Thick	
2	0440237	1	Thrustwasher 0.125IN Thick	
3	0701020	1	Bolt M10 x 60	
4	0761012	2	Bolt M10 x 25	
5	0761015	1	Bolt M10 x 35	
6	0961947	4	Bearing 1IN ID x 1.25IN OD x 5/8IN L	
6	1001134289	4	Bearing 1IN ID x 1.5IN OD x 1IN L	
7	3291005	5	Nut M10	
8	3422867	1	Pin	
9	3841143	3	Keeper, Pin	
10	3422861	1	Pin	
11	1001264991	1	Lift Cylinder Assembly - Jib (See Separate Breakdown in CYLINDER SECTION)	
12	4844817	1	Link	
13	1001234811	1	Rotator Assembly (See Separate Breakdown in this Section)	
14	1001238168	1	Pivot	
15	1001238333	1	Tube (Upper)	
15	0962155	1	Bushing	
16	1001238398	2	Pin	

SECTION 4 - BOOM

FIGURE 4-6. PLATFORM ROTATOR ASSEMBLY - 600S HC3



ART_1001187348

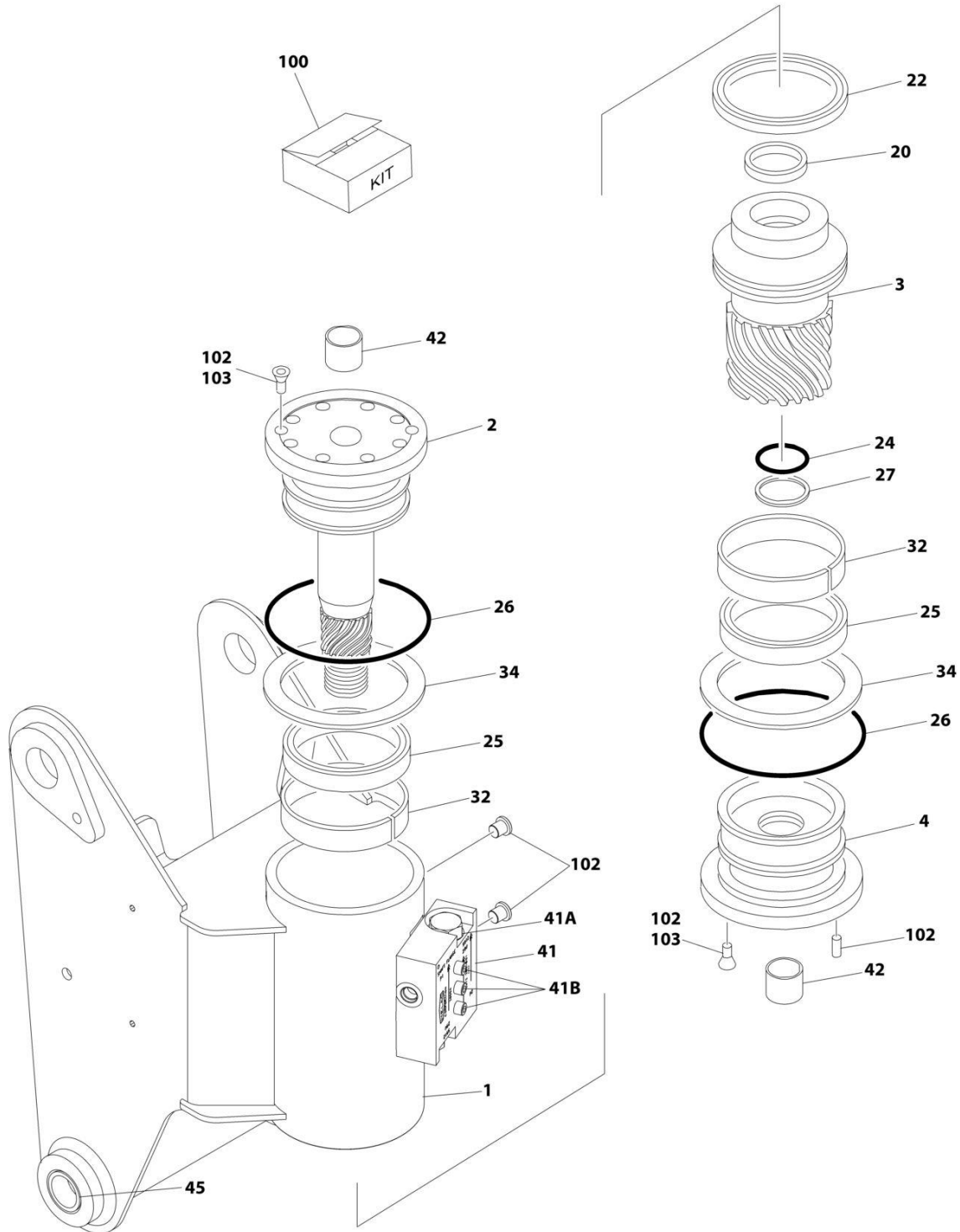
SECTION 4 - BOOM

FIGURE 4-6. PLATFORM ROTATOR ASSEMBLY - 600S HC3

ITEM	PART NUMBER	QTY	DESCRIPTION	REV
	1001187348	Ref	PLATFORM ROTATOR ASSEMBLY	E
1	See Note	NSS	Housing/Ring Gear (Note: Purchase Complete Assembly)	
2	7017162	1	Shaft	
3	7017163	1	Piston	
4	7017164	1	Cap	
100	7017142	1	Hardware Kit (Includes Items 106-109)	
106	See Note	NSS	Plug (Note: Use Item 100)	
109	See Note	NSS	Pin, Dowel (Note: Use Item 100)	
113	70001697	6	Screw 1/4 x 3/8	
199	70000342	1	Seal Kit - Low Temperature (Includes Items 200-207)	
200	See Note	NSS	T-Seal (Note: Use Item 199)	
202	See Note	NSS	T-Seal (Note: Use Item 199)	
204	See Note	NSS	O-Ring (Note: Use Item 199)	
205	See Note	NSS	Seal (Note: Use Item 199)	
206	See Note	NSS	O-Ring (Note: Use Item 199)	
207	See Note	NSS	Ring, Back-up (Note: Use Item 199)	
300	7017159	1	Bearing Kit (Includes Items 302-304)	
302	See Note	NSS	Bearing (Note: Use Item 300)	
304	See Note	NSS	Washer, Thrust (Note: Use Item 300)	
400	70005671	1	Stop	
401	7017172	1	Valve, Control (Note: Sold as Assembly Only)	
401	7017192	2	Cartridge, Valve - Counterbalance (Seal Kit Not Available)	
401	See Note	1	Cartridge, Valve - Check (Seal Kit Not Available) (Note: Use p/n 7017172)	
402	See Note	1	Bolt 1/4 x 1-1/2 Grade 8 (Note: Purchase Locally)	
420	0961951	2	Bushing	
421	7017195	2	Bushing	

SECTION 4 - BOOM

FIGURE 4-7. PLATFORM ROTATOR ASSEMBLY - 660SJ HC3



ART_1001234811

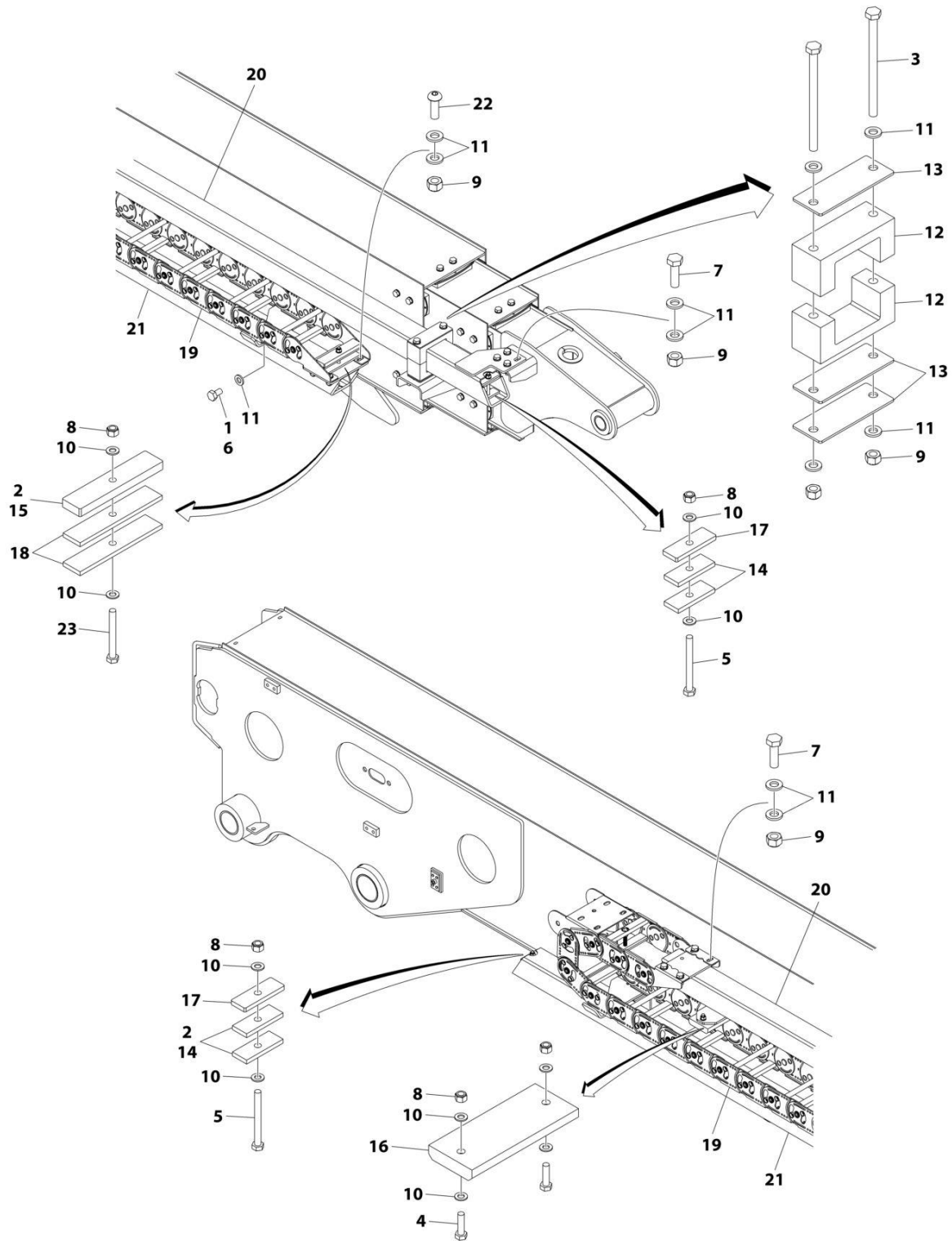
SECTION 4 - BOOM

FIGURE 4-7. PLATFORM ROTATOR ASSEMBLY - 660SJ HC3

ITEM	PART NUMBER	QTY	DESCRIPTION	REV
	1001234811	Ref	ROTATOR ASSEMBLY	B
1	See Note	NSS	Housing/Ring Gear Assembly (Note: Not Available - Purchase Complete Rotator Assembly)	
2	7017162	1	Shaft Weldment	
3	7017163	1	Piston/Sleeve Assembly	
4	7017164	1	Cap, End	
20	See Note	NSS	T-Seal (Note: Use Item 100)	
22	See Note	NSS	T-Seal (Note: Use Item 100)	
24	See Note	NSS	O-Ring (Note: Use Item 100)	
25	See Note	NSS	Seal (Note: Use Item 100)	
26	See Note	NSS	O-Ring (Note: Use Item 100)	
27	See Note	NSS	Ring, Back-up (Note: Use Item 100)	
32	See Note	NSS	Ring, Wear (Note: Use Item 101)	
34	See Note	NSS	Washer, Thrust (Note: Use Item 101)	
41	7017172	AR	Valve Assembly	
41A	7017192	2	Cartridge, Valve	
41A	See Note	NSS	Seal Kit - 7017192 Valve (Note: Not Available for Purchase)	
41B	See Note	3	Bolt 1/4-20NC x 1-1/2 Grade 8 (Note: Not Available - Purchase Locally)	
42	7017195	2	Bushing	
45	0961947	2	Bushing 1IN ID x 1.25IN OD x 5/8IN L	
45	1001134289	2	Bushing 1IN ID x 1.5IN OD x 1IN L	
100	70000342	1	Seal Kit (Includes Items 20, 22, 24, 25, 27 & 33)	
101	7017159	1	Bearing Kit (Includes Items 32 & 34)	
102	7017142	1	Hardware Kit	
103	70001697	4	Screw, Countersunk 1/4 x 3/8 Grade 8	

SECTION 4 - BOOM

FIGURE 4-8. POWER TRACK INSTALLATION - 600S HC3



ART_1001174630_F

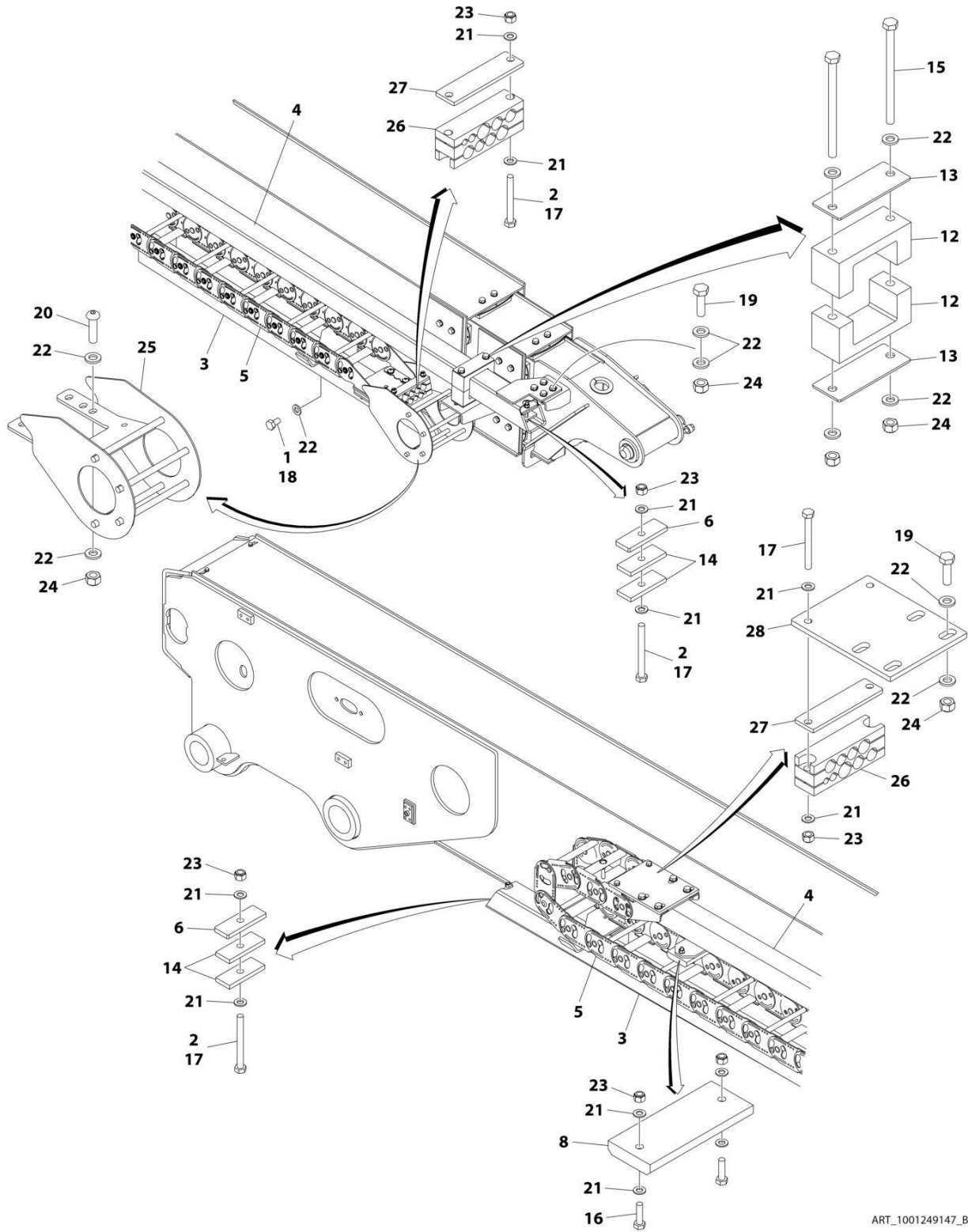
SECTION 4 - BOOM

FIGURE 4-8. POWER TRACK INSTALLATION - 600S HC3

ITEM	PART NUMBER	QTY	DESCRIPTION	REV
	1001174630	Ref	POWER TRACK INSTALLATION	F
1	0100011	AR	Compound, Locking	
2	0100081	AR	Adhesive	
3	0701032	2	Bolt M10 x 150	
4	0760814	2	Bolt M8 x 30	
5	0760824	2	Bolt M8 x 80	
6	0761009	8	Bolt M10 x 18	
7	0761015	8	Bolt M10 x 35	
8	3290805	5	Nut M8	
9	3291005	14	Nut M10	
10	4811900	10	Washer M8	
11	5241000	36	Washer M10	
12	1001136398	2	Pad	
13	1001136400	AR	Plate	
14	1001136402	4	Pad	
15	1001136461	1	Plate	
16	3340787	1	Pad, Wear	
17	1001139078	2	Plate	
18	1001151192	2	Pad	
19	1001174631	1	Powertrack Assembly	
19	70005683	AR	Repair Section - Power Track	
19	70005684	1	Mounting Kit - Power Track (Includes Mounting Feet and Hardware)	
20	1001174632	1	Tube, Push	
21	1001174636	1	Support	
22	1001174673	4	Screw M10 x 30	
23	0760822	1	Bolt M8 x 70	

SECTION 4 - BOOM

FIGURE 4-9. POWER TRACK ASSEMBLY - 660SJ HC3



ART_1001249147_B

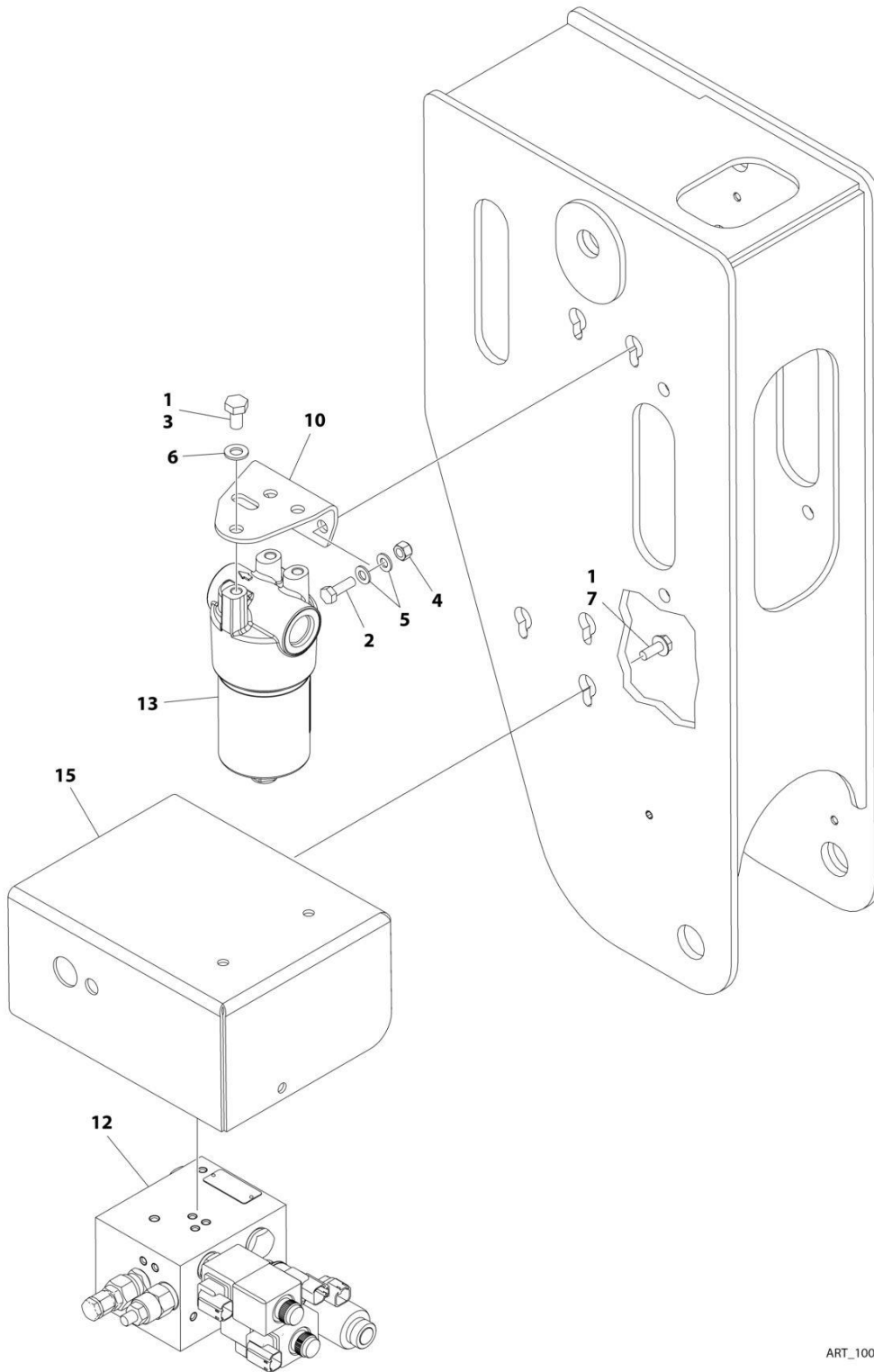
SECTION 4 - BOOM

FIGURE 4-9. POWER TRACK ASSEMBLY - 660SJ HC3

ITEM	PART NUMBER	QTY	DESCRIPTION	REV
	1001249147	Ref	POWER TRACK INSTALLATION	B
1	0100011	AR	Compound, Locking	
2	0100081	AR	Adhesive	
3	1001174636	1	Support	
4	1001174632	1	Tube, Push	
5	1001174631	1	Powertrack Assembly	
5	70005683	AR	Repair Section - Power Track	
5	70005684	1	Mounting Kit - Power Track (Includes Mounting Feet and Hardware)	
6	1001139078	2	Plate	
8	3340787	1	Pad, Wear	
12	1001136398	2	Pad	
13	1001136400	2	Plate	
14	1001136402	4	Pad	
15	0701032	2	Bolt M10 x 150	
16	0760814	2	Bolt M8 x 30	
17	0760824	6	Bolt M8 x 80	
18	0761009	8	Bolt M10 x 18	
19	0761015	8	Bolt M10 x 35	
20	3900394	4	Bolt M10 x 40	
21	4811900	18	Washer M8	
22	5241000	36	Washer M10	
23	3290805	10	Nut M8	
24	3291005	14	Nut M10	
25	1001243755	1	Mount	
26	1001249823	2	Clamp	
27	1001249824	2	Plate, Clamp Block	
28	1001249825	1	Plate	

SECTION 4 - BOOM

FIGURE 4-10. VALVE INSTALLATION - 600S HC3



ART_1001265701_20F2

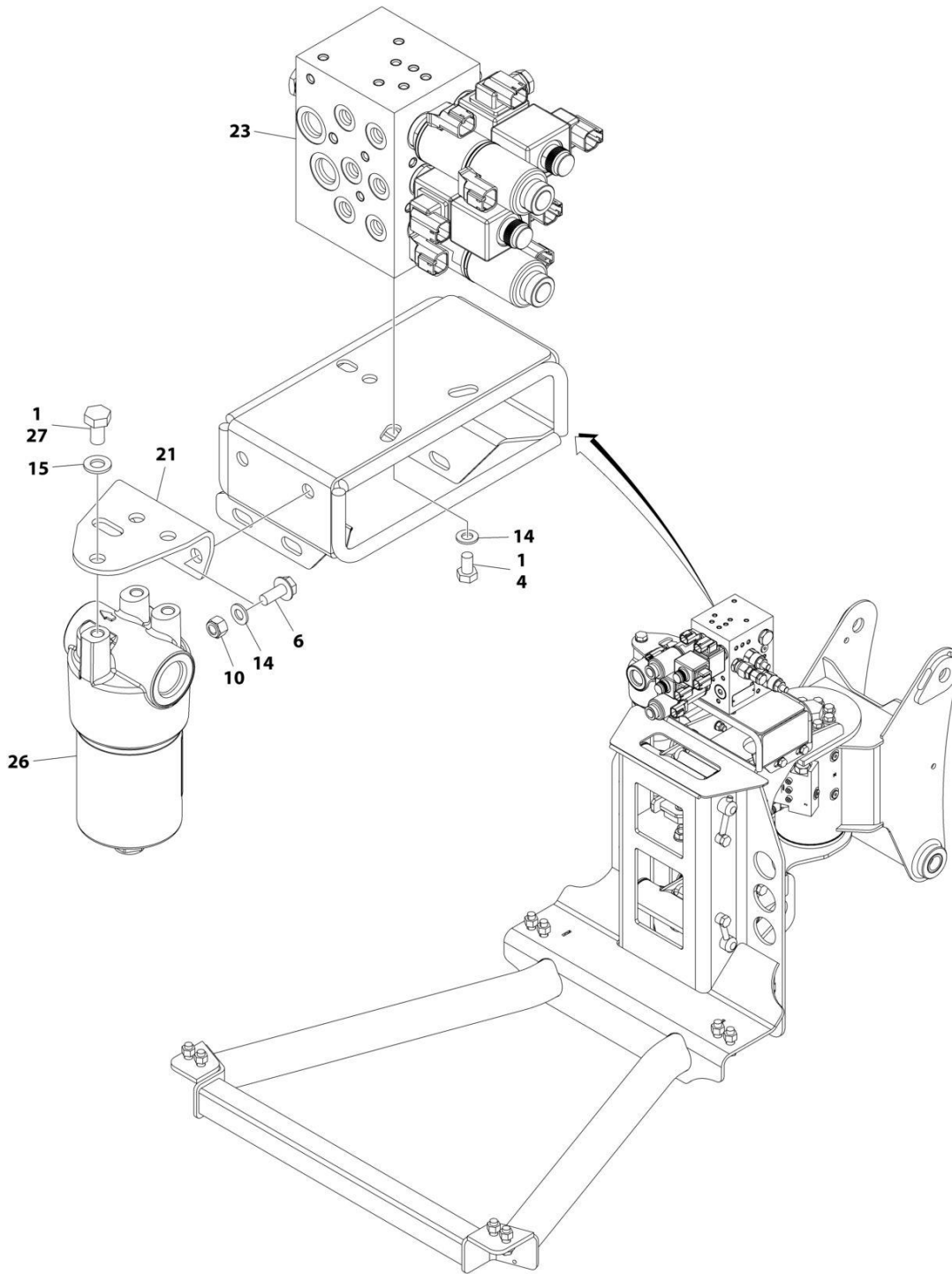
SECTION 4 - BOOM

FIGURE 4-10. VALVE INSTALLATION - 600S HC3

ITEM	PART NUMBER	QTY	DESCRIPTION	REV
	1001265701	Ref	BOOM VALVES INSTALLATION	A
1	0100011	AR	Compound, Locking	
2	0760814	2	Bolt M8 x 30	
3	0761009	6	Bolt M10 x 18	
4	3290805	2	Nut M8	
5	4811900	4	Washer M8	
6	4812000	6	Washer M10	
7	5250810	3	Bolt M8 x 20	
10	1001188302	1	Plate	
12	1001190287	1	Platform Valve Assembly (See Separate Breakdown in this Section)	
13	1001201511	1	Filter, High Pressure	
13	70005335	1	Element, Filter	
13	70005682	1	Repair Kit (Includes Element O-Ring, Bowl O-Ring & Back-up Ring)	
15	1001260460	1	Cover, Valve Weldment	

SECTION 4 - BOOM

FIGURE 4-11. BOOM VALVES INSTALLATION - 660SJ HC3



ART_1001188168_2OF2

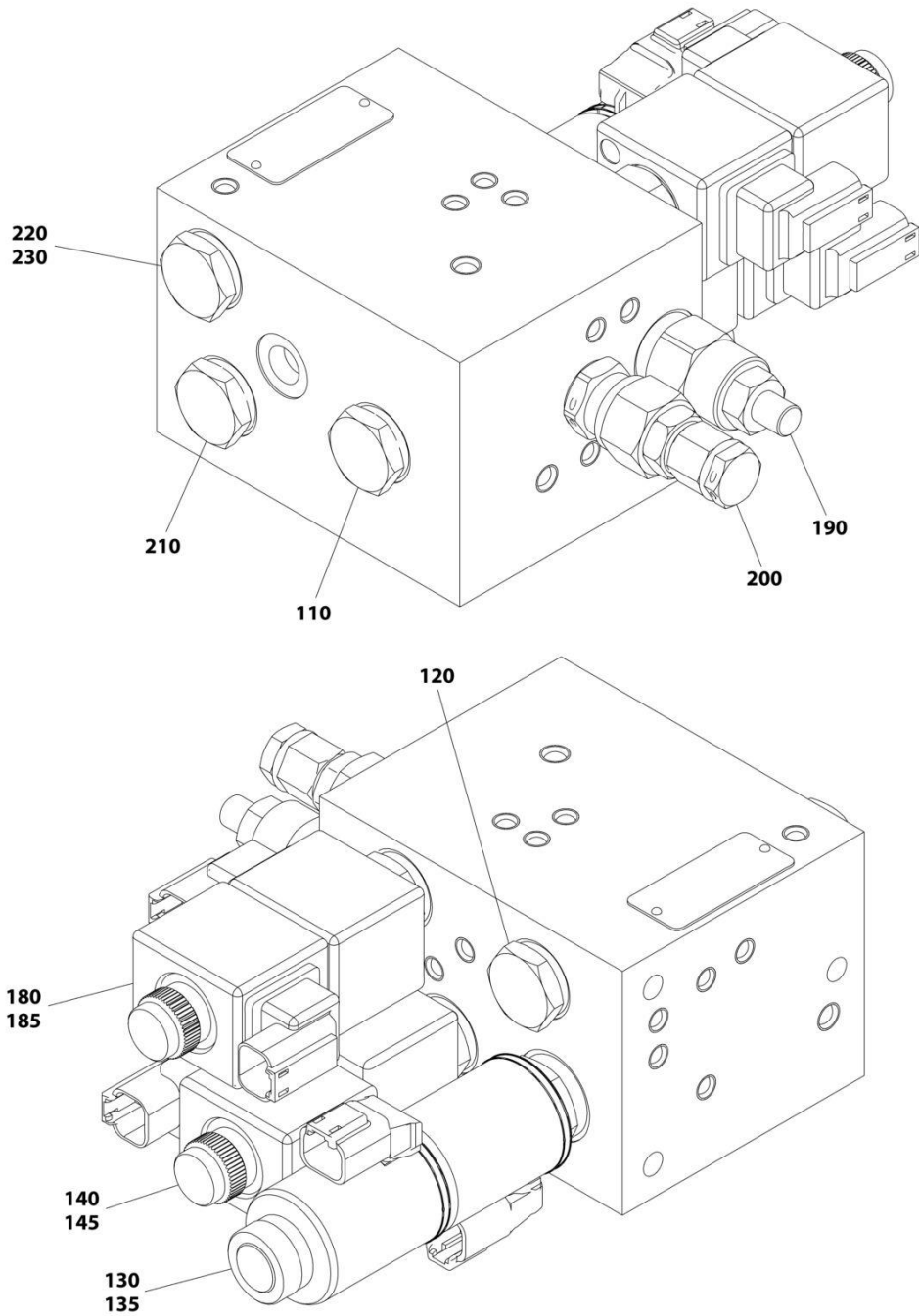
SECTION 4 - BOOM

FIGURE 4-11. BOOM VALVES INSTALLATION - 660SJ HC3

ITEM	PART NUMBER	QTY	DESCRIPTION	REV
	1001188168	Ref	BOOM VALVES INSTALLATION	G
1	0100011	AR	Compound, Locking	
4	0760807	3	Bolt M8 x 14	
6	5250810	2	Bolt M8 x 20	
10	3290805	2	Nut M8	
14	4811900	5	Washer M8	
15	4812000	3	Washer M10	
21	1001188302	1	Plate	
23	1001190286	1	Platform Valve Assembly (See Separate Breakdown in this Section)	
26	1001201511	1	Filter, High Pressure	
26	70005335	1	Element, Filter	
26	70005682	1	Repair Kit (Includes Element O-Ring, Bowl O-Ring & Back-up Ring)	
27	0761009	3	Bolt M10 x 18	

SECTION 4 - BOOM

FIGURE 4-12. PLATFORM VALVE ASSEMBLY - 600S HC3



ART_1001190287

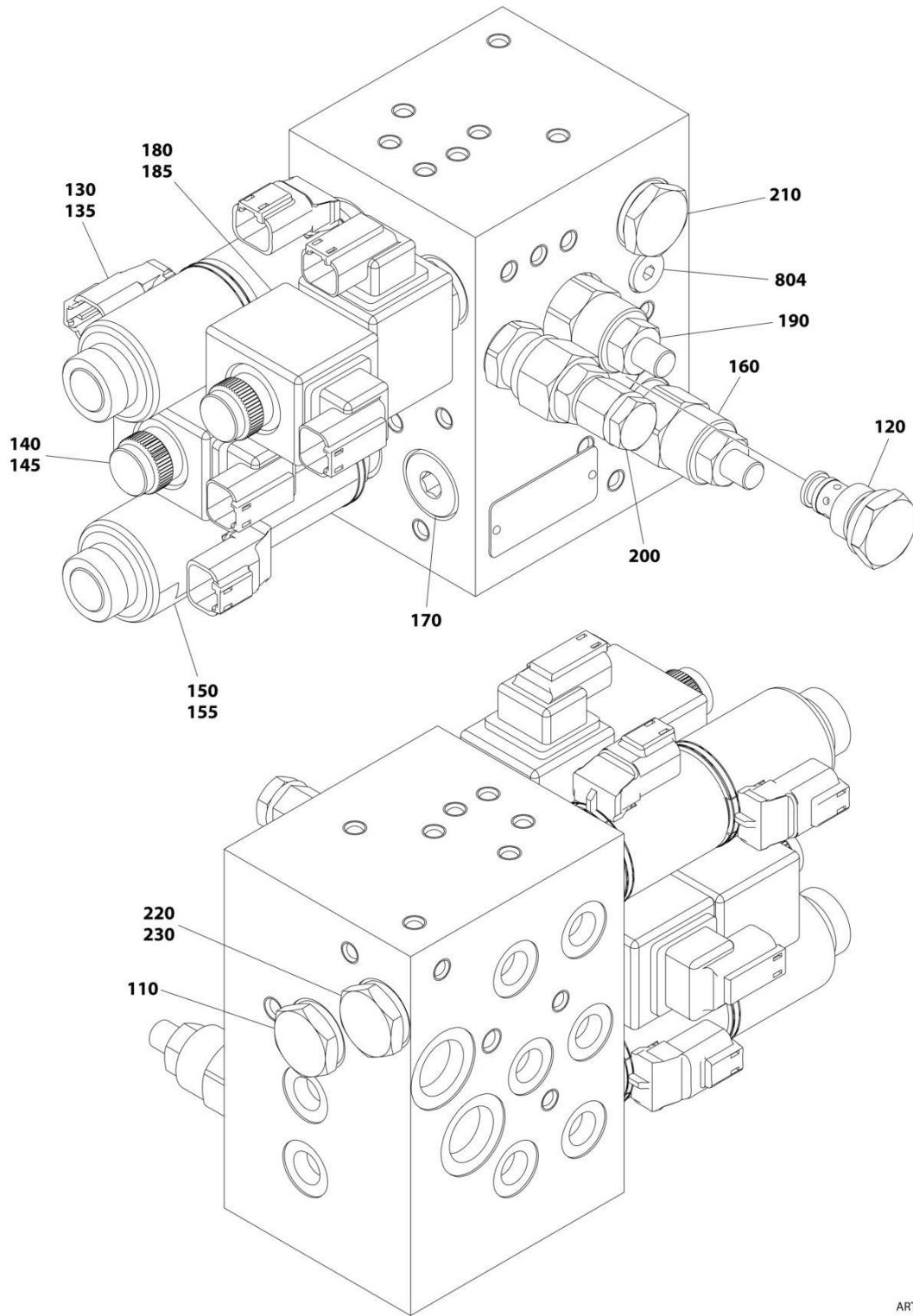
SECTION 4 - BOOM

FIGURE 4-12. PLATFORM VALVE ASSEMBLY - 600S HC3

ITEM	PART NUMBER	QTY	DESCRIPTION	REV
	1001190287	Ref	PLATFORM VALVE ASSEMBLY	E
110	70005951	1	Valve, Check	
110	70004052	1	Seal Kit - 70005951 Valve	
120	70003027	1	Valve, Flow/Pressure Control	
120	70004052	1	Seal Kit - 70003027 Valve	
130	70006121	1	Valve, Solenoid (Platform Level)	
130	70006116	1	Seal Kit - 70006121 Valve	
135	70006122	2	Coil	
140	70005627	1	Valve, Solenoid (Platform Swing)	
140	70004053	1	Seal Kit - 70005627 Valve	
140	70006123	1	Coil Nut & Pole Tube O-Ring Kit	
145	70004653	2	Coil	
180	70006124	1	Valve, Solenoid	
180	70023862	1	Seal Kit - 70006124 Valve	
180	70006123	1	Coil Nut & Pole Tube O-Ring Kit	
185	70004653	2	Coil	
190	70003019	1	Valve, Relief	
190	70004052	1	Seal Kit - 70003019 Valve	
200	70006125	1	Valve, Relief	
200	70006126	1	Seal Kit - 70006125 Valve	
210	70005952	1	Valve, Check	
210	70004052	1	Seal Kit - 70005952 Valve	
220	7022524	1	Orifice 0.5mm	
230	70005952	1	Valve, Check	
230	70004052	1	Seal Kit - 70005952 Valve	

SECTION 4 - BOOM

FIGURE 4-13. PLATFORM VALVE ASSEMBLY - 660SJ HC3



ART_1001190286

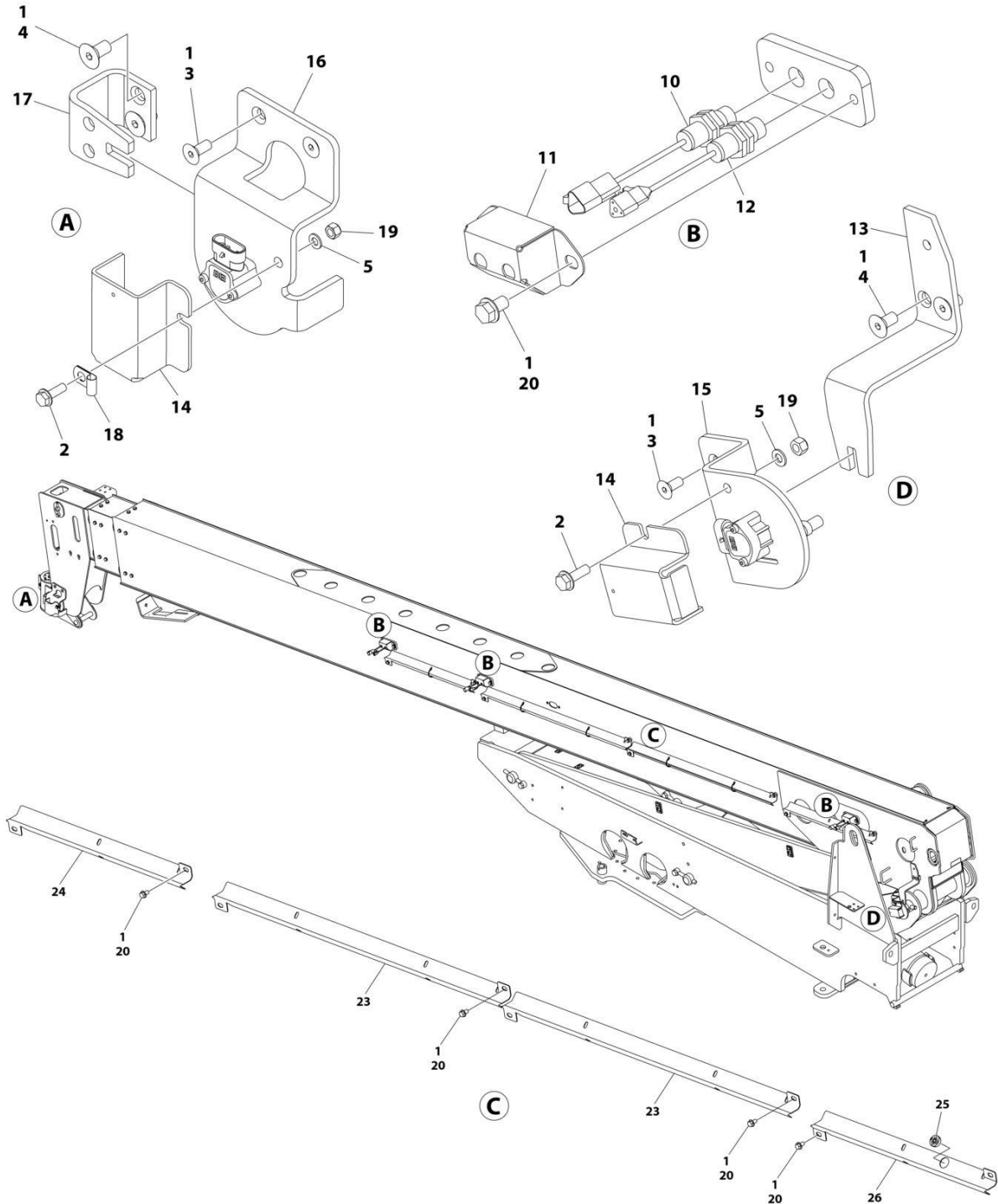
SECTION 4 - BOOM

FIGURE 4-13. PLATFORM VALVE ASSEMBLY - 660SJ HC3

ITEM	PART NUMBER	QTY	DESCRIPTION	REV
	1001190286	Ref	PLATFORM VALVE ASSEMBLY	D
110	70005951	1	Valve, Check	
110	70004052	1	Seal Kit - 70005951 Valve	
120	70003027	1	Valve, Flow/Pressure Control	
120	70004052	1	Seal Kit - 70003027 Valve	
130	70006121	1	Valve, Solenoid (Platform Level)	
130	70006116	1	Seal Kit - 70006121 Valve	
135	70006122	2	Coil	
140	70005627	1	Valve, Solenoid (Platform Swing)	
140	70004053	1	Seal Kit - 70005627 Valve	
140	70006123	1	Coil Nut & Pole Tube O-Ring Kit	
145	70004653	2	Coil	
150	70006121	1	Valve, Solenoid (JIB Up/Down)	
150	70006116	1	Seal Kit - 70006121 Valve	
155	70006122	2	Coil	
160	70003019	1	Valve, Relief	
160	70004052	1	Seal Kit - 70003019 Valve	
170	70004613	1	Valve, Relief	
170	70023860	1	Seal Kit - 70004613 Valve	
180	70006124	1	Valve, Solenoid	
180	70023862	1	Seal Kit - 70006124 Valve	
180	70006123	1	Coil Nut & Pole Tube O-Ring Kit	
185	70004653	2	Coil	
190	70003019	1	Valve, Relief	
190	70004052	1	Seal Kit - 70003019 Valve	
200	70006125	1	Valve, Relief	
200	70006126	1	Seal Kit - 70006125 Valve	
210	70005952	1	Valve, Check	
210	70004052	1	Seal Kit - 70003019 Valve	
220	7022524	1	Orifice 0.5mm	
230	70005952	1	Valve, Check	
230	70004052	1	Seal Kit - 70005952 Valve	
804	70005200	1	Plug	

SECTION 4 - BOOM

FIGURE 4-14. BOOM SENSORS INSTALLATION - 600S HC3



ART_1001234585_E

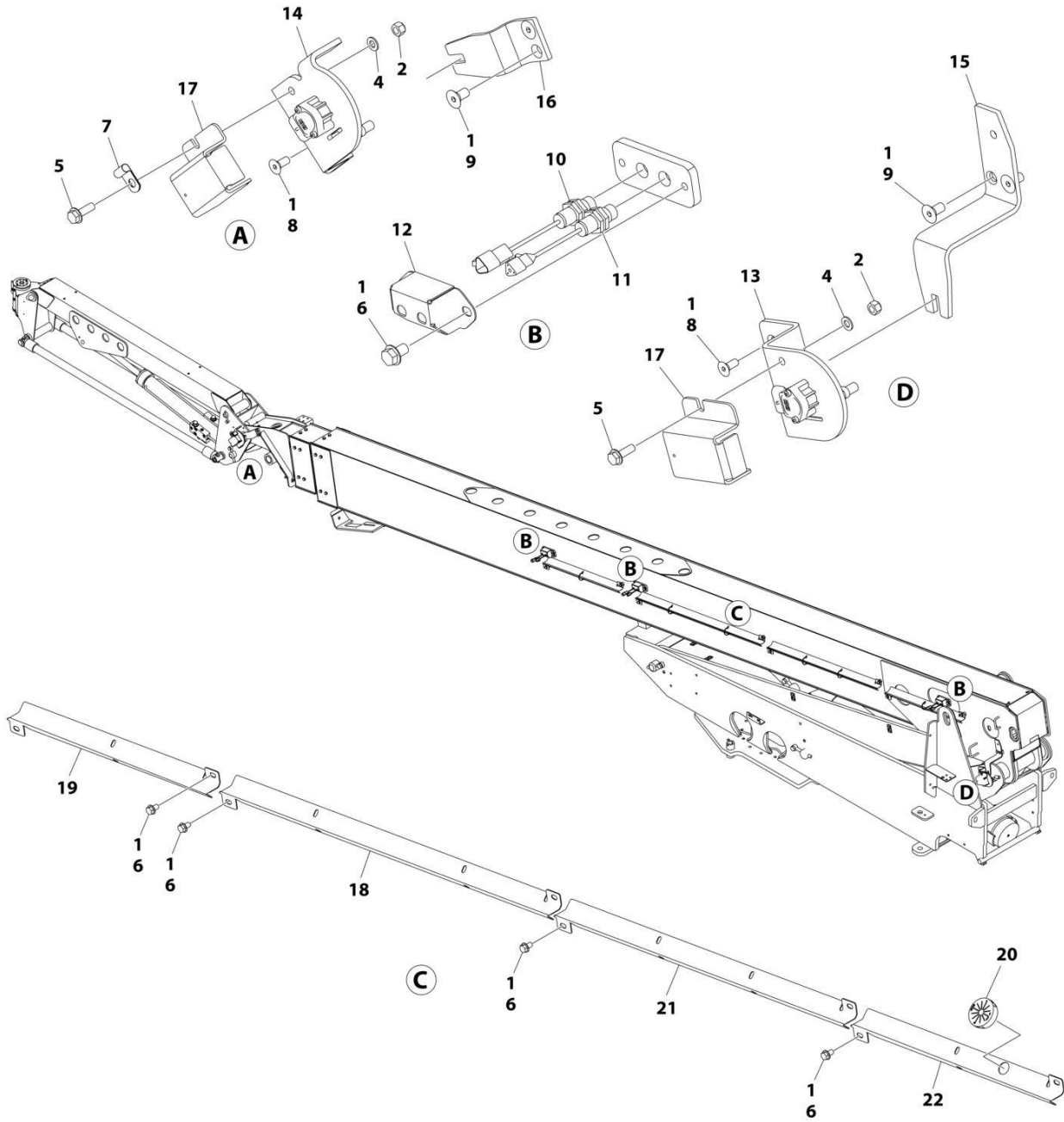
SECTION 4 - BOOM

FIGURE 4-14. BOOM SENSORS INSTALLATION - 600S HC3

ITEM	PART NUMBER	QTY	DESCRIPTION	REV
	1001234585	Ref	BOOM SENSORS INSTALLATION	E
1	0100011	AR	Compound, Locking	
2	5250812	2	Bolt M8 x 25	
3	1001137125	4	Screw M8 x 20	
4	1001155441	4	Screw M10 x 20 Grade 10.9	
5	4811900	2	Washer M8	
10	1001170847	3	Sensor, Proximity	
11	1001204715	3	Bracket	
12	1001182570	3	Sensor, Proximity	
13	1001211585	1	Plate	
14	1001211588	2	Shield	
15	1001211577	1	Sensor (Lower)	
15	4010303	1	Screw Posi-drive M3 x 6	
15	1001204939	1	Sensor, Angle	
15	1001211580	1	Bracket	
15	1001211582	1	Link, Angle Sensor Arm	
16	1001211578	1	Sensor (Upper)	
16	4010303	1	Screw Posi-drive M3 x 6	
16	1001191020	1	Sensor, Angle	
16	1001211581	1	Bracket	
16	1001211583	1	Link, Angle Sensor Arm	
17	1001211586	1	Plate	
18	8406003	1	Clip	
19	3290805	2	Nut M8	
20	5251008	14	Bolt M10 x 16	
21	4240033	7	Tie-Strap (Not Shown)	
23	1001238138	2	Angle	
24	1001238327	1	Angle	
25	1001169085	1	Grommet	
26	1001257436	1	Shield, Sensor Cable	

SECTION 4 - BOOM

FIGURE 4-15. BOOM SENSORS INSTALLATION - 660SJ HC3



ART_1001245308

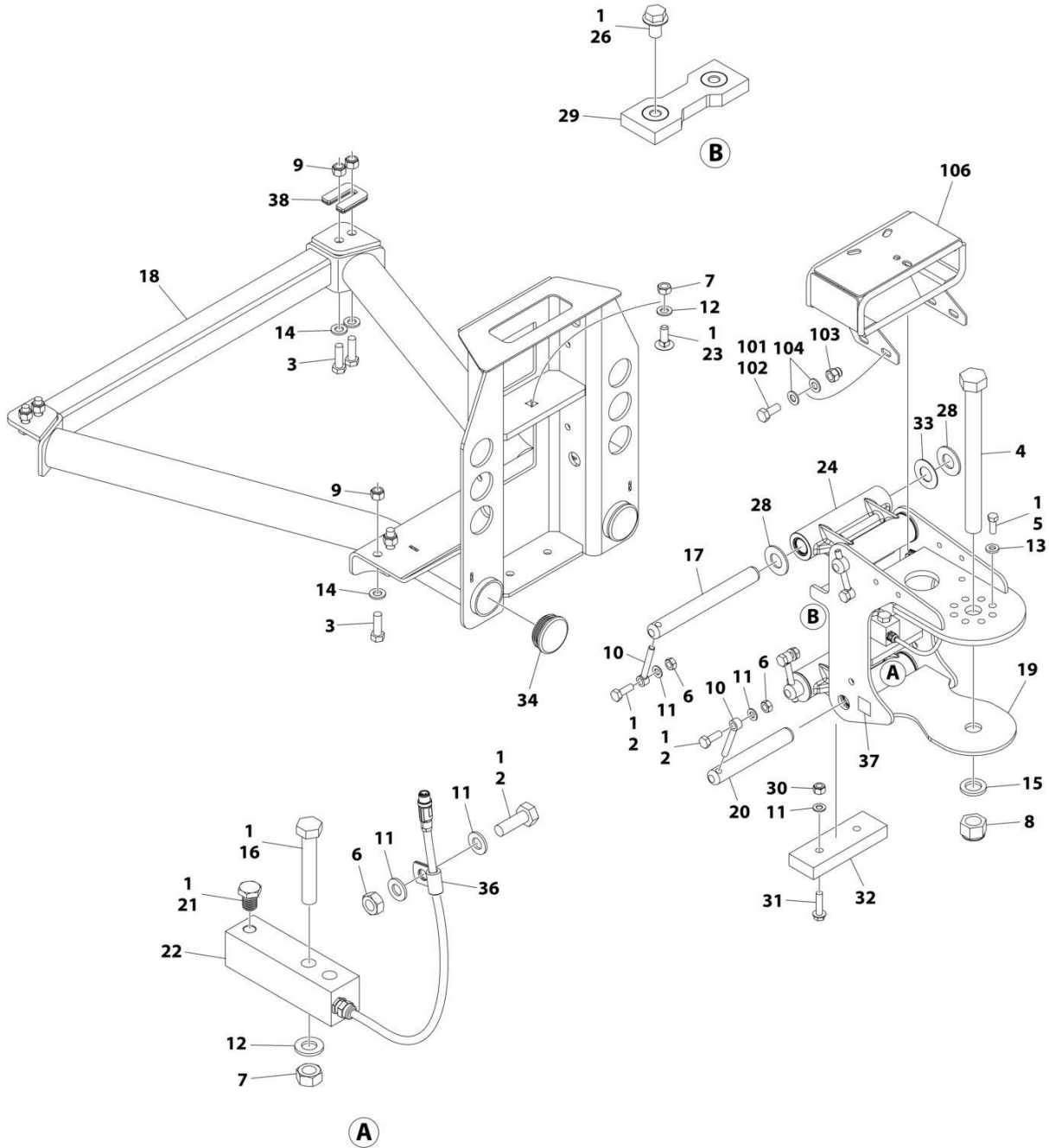
SECTION 4 - BOOM

FIGURE 4-15. BOOM SENSORS INSTALLATION - 660SJ HC3

ITEM	PART NUMBER	QTY	DESCRIPTION	REV
	1001245308	Ref	BOOM SENSORS INSTALLATION	C
1	0100011	AR	Compound, Locking	
2	3290805	2	Nut M8	
3	4240033	7	Tie-Strap (Not Shown)	
4	4811900	2	Washer M8	
5	5250812	2	Bolt M8 x 25	
6	5251008	14	Bolt M10 x 16	
8	1001137125	4	Screw M8 x 20	
7	8406003	1	Clip	
9	1001155441	4	Screw M10 x 20 Grade 10.9	
10	1001170847	3	Sensor, Proximity	
11	1001182570	3	Sensor, Proximity	
12	1001204715	3	Bracket	
13	1001211577	1	Sensor (Lower)	
13	4010303	1	Screw Posi-drive M3 x 6	
13	1001204939	1	Sensor angle	
13	1001211580	1	Bracket	
13	1001211582	1	Link, Angle Sensor Arm	
14	1001211579	1	Sensor (Upper)	
14	4010303	1	Screw Posi-drive M3 x 6	
14	1001191020	1	Sensor angle	
14	1001211581	1	Bracket	
14	1001211584	1	Link, Angle Sensor Arm	
15	1001211585	1	Plate	
16	1001211587	1	Plate	
17	1001211588	2	Shield	
18	1001238138	1	Angle	
19	1001238327	1	Angle	
20	1001169085	1	Grommet	
21	1001247453	1	Angle	
22	1001257436	1	Shield	

SECTION 4 - BOOM

FIGURE 4-16. PLATFORM SUPPORT INSTALLATION



ART_1001167596_N

SECTION 4 - BOOM

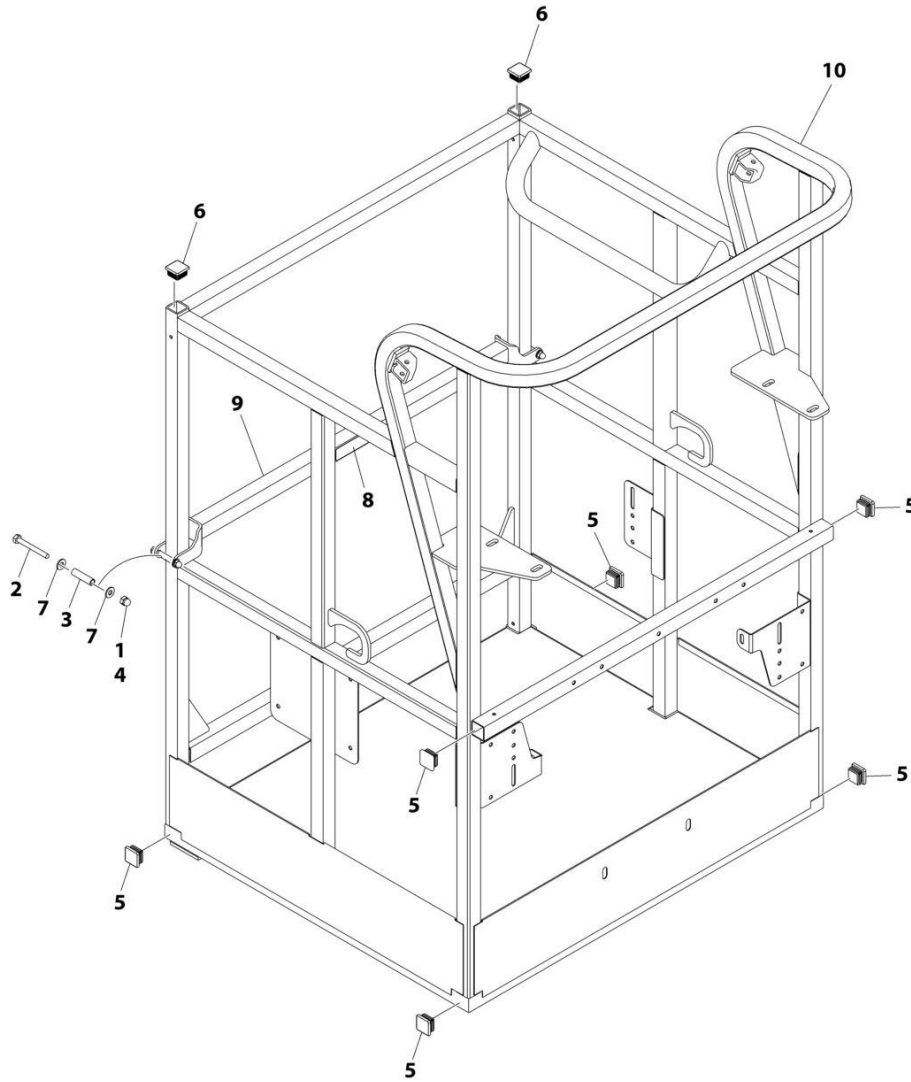
FIGURE 4-16. PLATFORM SUPPORT INSTALLATION

ITEM	PART NUMBER	QTY	DESCRIPTION	REV
	1001167596	Ref	PLATFORM SUPPORT INSTALLATION	N
1	0100011	AR	Compound, Locking	
2	0761014	5	Bolt M10 x 30	
3	0761216	8	Bolt M12 x 40	
4	1001255133	1	Bolt 1 x 11	
5	0681608	8	Bolt 3/8 x 1	
6	3291001	5	Nut M10	
7	3291201	3	Nut M12	
8	1001174040	1	Nut 1	
9	3291205	8	Nut M12	
10	3841143	4	Keeper, Pin	
11	4812000	8	Washer M10	
12	4812100	3	Washer M12	
13	4891600	8	Washer 3/8	
14	5241200	8	Washer M12	
15	4892600001	1	Washer 1	
16	1001098828	2	Bolt M12 x 70 Grade 10.9	
17	1001167565	2	Pin	
18	1001200494	1	Support, Platform	
19	1001167567	1	Support, Rotator	
20	1001168402	2	Pin	
21	1001188622	1	Screw	
22	1001247468	1	Loadcell	
23	1001188844	1	Bolt M12 x 35	
24	1001201351	2	Link	
24	1001187382	4	Bearing	
24	1001187383	4	Seal	
26	5251008	2	Bolt M10 x 16	
28	1001189002	8	Bearing	
29	1001190985	1	Pad, Wear	
30	3291005	2	Nut M10	
31	5251016	2	Bolt M10 x 40	
32	1001200491	1	Pad, Wear	
33	1001189001	4	Bearing	
34	1001204725	2	Plug	
36	91203039	1	Clamp	
37	1001216630	2	Decal - Tie Down/No Lift	
38	1001238421	Ref	Kit, Platform Leveling (Not Shown)	
	1001202687	Ref	VALVE MOUNT INSTALLATION	B
101	0100011	AR	Compound, Locking	
102	0760810	4	Bolt M8 x 20	
103	3290806	4	Nut M8	
104	4811900	8	Washer M8	
106	1001208994	1	Mount, Valve	

SECTION 5 - PLATFORM

SECTION 5 - PLATFORM

FIGURE 5-1. PLATFORM ASSEMBLY - 30IN X 3FT (76CM X .91M) - DROP BAR ENTRY



ART_1001228215

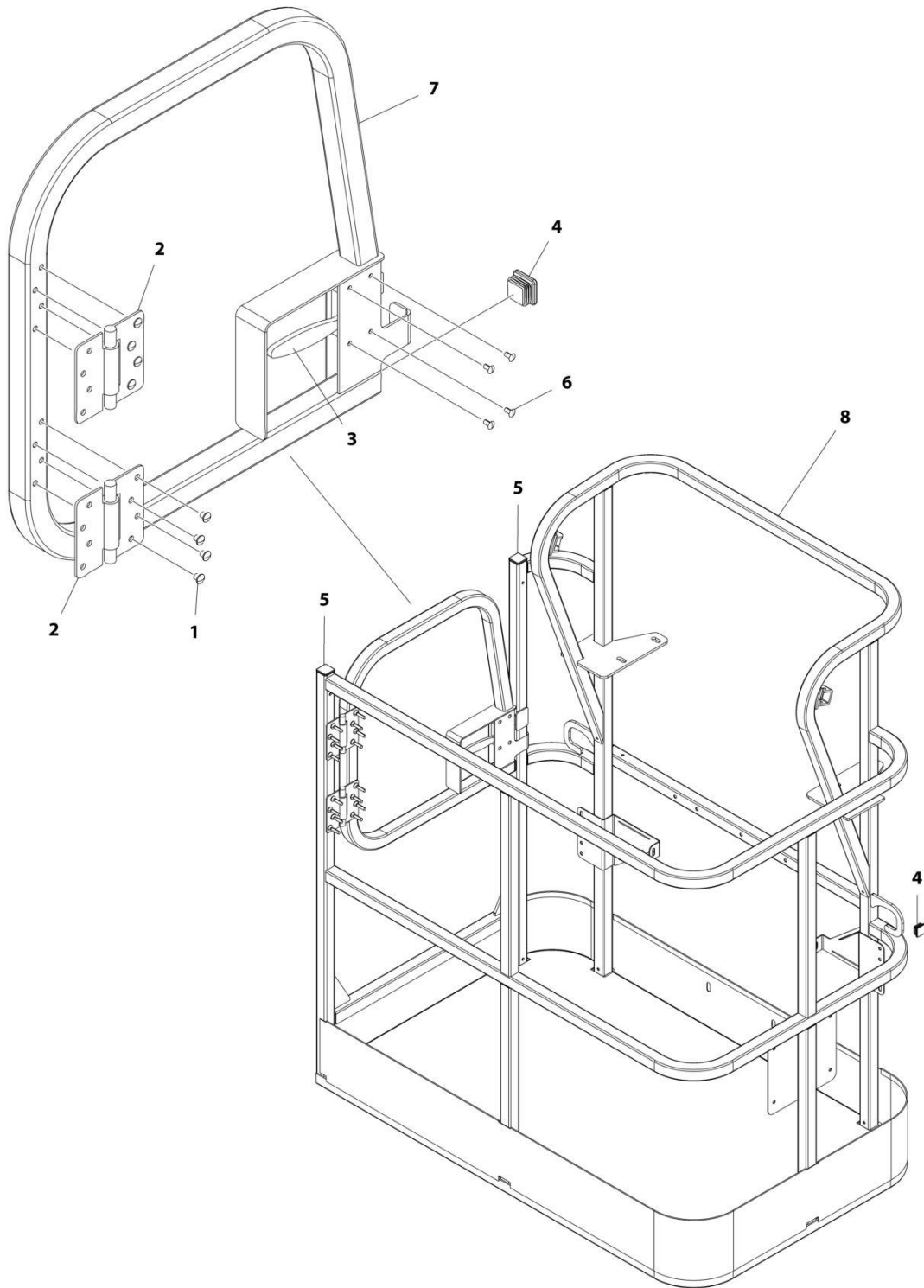
SECTION 5 - PLATFORM

FIGURE 5-1. PLATFORM ASSEMBLY - 30IN X 3FT (76CM X .91M) - DROP BAR ENTRY

ITEM	PART NUMBER	QTY	DESCRIPTION	REV
	1001228215	Ref	PLATFORM ASSEMBLY	A
	See Note	Ref	Note: Platform and Mesh must be ordered separately for Platforms with Mesh. See SPECIAL OPTIONS SECTION for Mesh Installations.	
	See Note	Ref	Note: Replacement Decals Must be Ordered Separately - See DECAL SECTION.	
1	0100011	AR	Compound, Locking	
2	0641418	2	Bolt 1/4 x 2-1/4	
3	0961845	2	Bushing	
4	3300151	2	Nut 1/4	
5	3520072	6	Cap, Plug	
6	3520198	2	Cap, Plug	
7	4711400	4	Washer 1/4	
8	1001140429	1	Decal - Drop Bar	
9	1001226872	1	Bar, Drop	
10	See Note	NSS	Platform (Note: Not Available - Purchase Platform Assembly)	

SECTION 5 - PLATFORM

FIGURE 5-2. PLATFORM ASSEMBLY - 30IN X 4FT (76CM X 1.22M) WITH SWING GATE



ART_1001186387

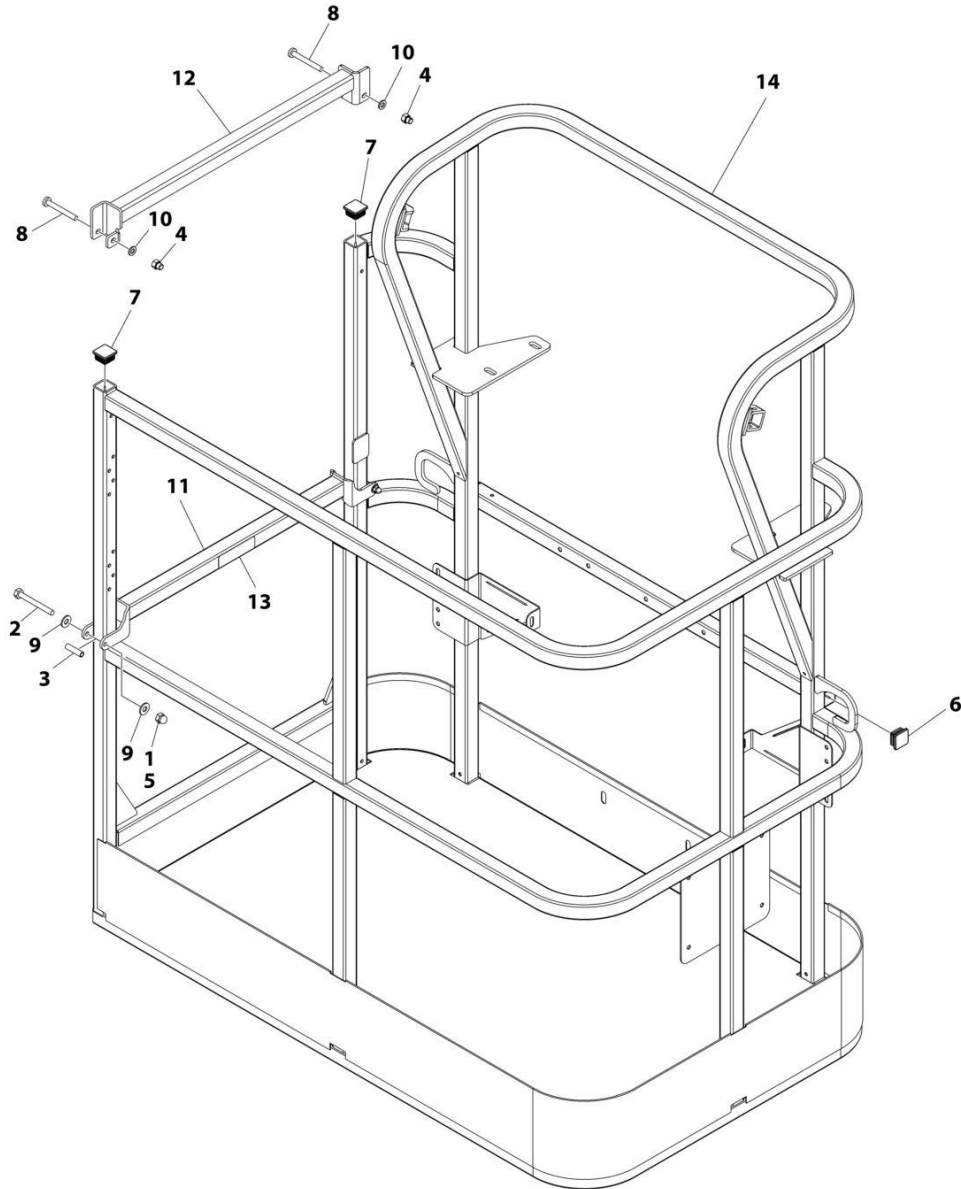
SECTION 5 - PLATFORM

FIGURE 5-2. PLATFORM ASSEMBLY - 30IN X 4FT (76CM X 1.22M) WITH SWING GATE

ITEM	PART NUMBER	QTY	DESCRIPTION	REV
	1001186387	Ref	PLATFORM ASSEMBLY	C
		Ref	Note: Platform and Mesh must be ordered separately for Platforms with Mesh. See SPECIAL OPTIONS SECTION for Mesh Installations.	
		Ref	Note: Replacement Decals Must be Ordered Separately - See DECALS SECTION.	
1	2080040	16	Fastener, Huck	
2	2600281	2	Hinge, Self-Closing	
3	2940074	1	Latch	
4	3520072	3	Plug	
5	3520198	2	Plug	
6	3820020	4	Rivet	
7	1001144629	1	Gate	
8	See Note	1	Platform (Note: Not Available - Purchase Platform Assembly)	

SECTION 5 - PLATFORM

FIGURE 5-3. PLATFORM ASSEMBLY - 30IN X 4FT (76CM X 1.22M) WITH DROP BAR



ART_1001186375

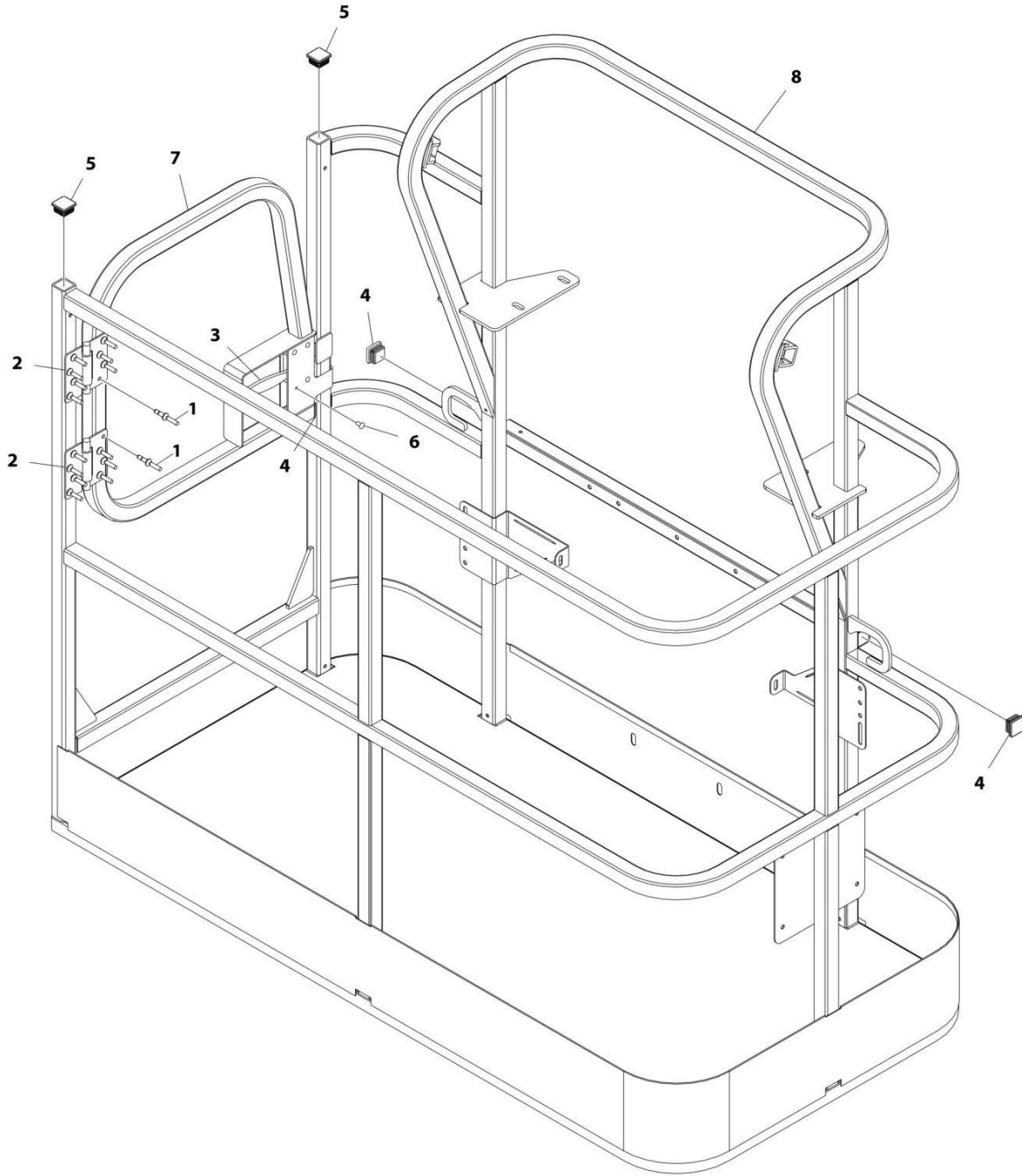
SECTION 5 - PLATFORM

FIGURE 5-3. PLATFORM ASSEMBLY - 30IN X 4FT (76CM X 1.22M) WITH DROP BAR

ITEM	PART NUMBER	QTY	DESCRIPTION	REV
	1001186375	Ref	PLATFORM ASSEMBLY	B
		Ref	Note: Platform and Mesh must be ordered separately for Platforms with Mesh. See SPECIAL OPTIONS SECTION for Mesh Installations.	
		Ref	Note: Replacement Decals Must be Ordered Separately - See DECALS SECTION.	
1	0100011	AR	Compound, Locking	
2	0641418	2	Bolt 1/4 x 2-1/4	
3	0961845	2	Bushing	
4	3290606	2	Nut M6	
5	3300151	2	Nut 1/4	
6	3520072	2	Plug	
7	3520198	2	Plug	
8	4010618	2	Screw M6 x 50	
9	4711400	4	Washer 1/4	
10	4811700	2	Washer M6	
11	1001138494	1	Bar, Drop	
12	1001138514	1	Rail - Top	
13	1001140429	1	Decal - Drop Bar	
14	See Note	1	Platform (Note: Not Available - Purchase Platform Assembly)	

SECTION 5 - PLATFORM

FIGURE 5-4. PLATFORM ASSEMBLY - 30IN X 5FT (76CM X 1.52M) WITH SWING GATE



ART_1001186386

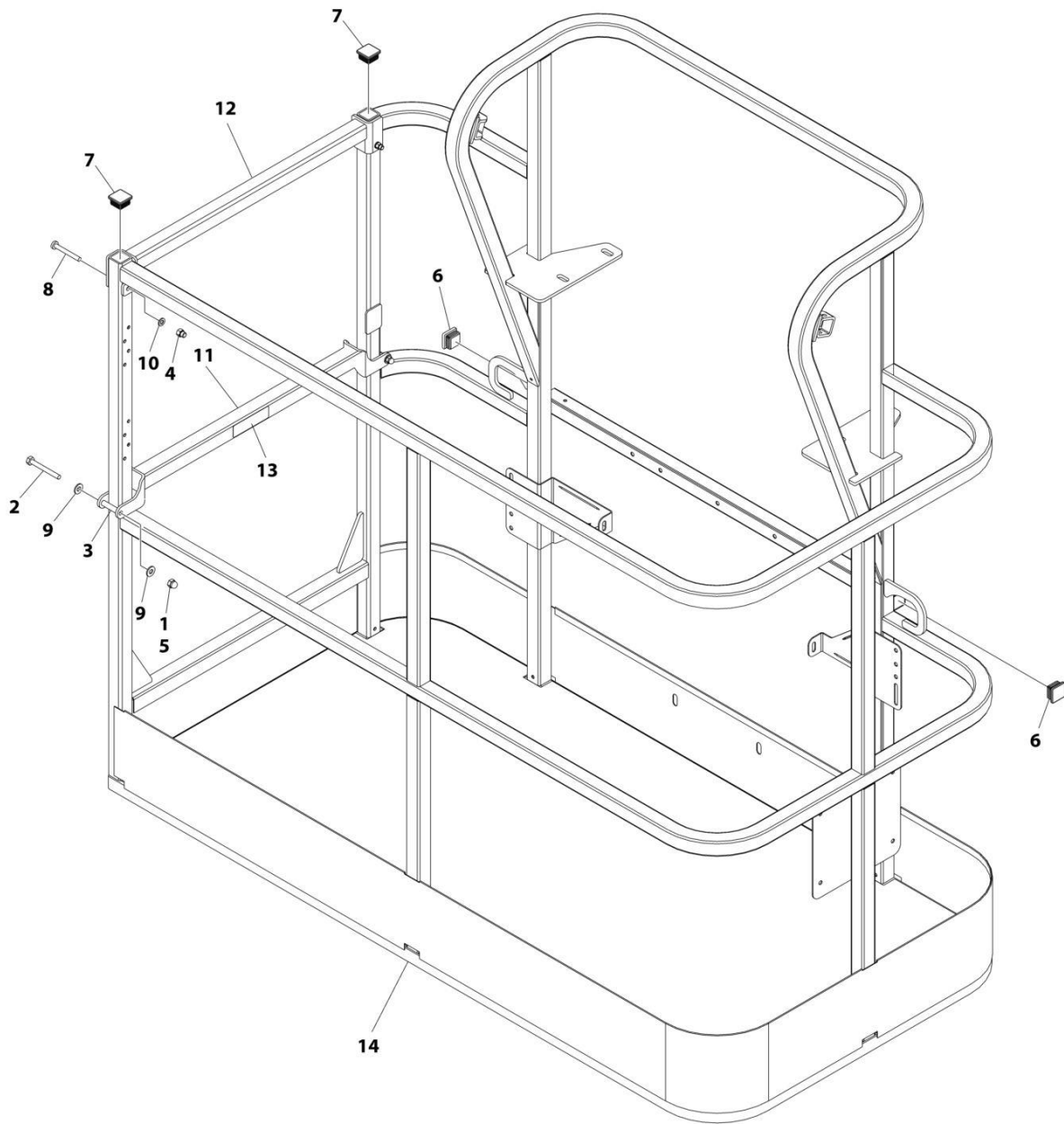
SECTION 5 - PLATFORM

FIGURE 5-4. PLATFORM ASSEMBLY - 30IN X 5FT (76CM X 1.52M) WITH SWING GATE

ITEM	PART NUMBER	QTY	DESCRIPTION	REV
	1001186386	Ref	PLATFORM ASSEMBLY	C
		Ref	Note: Platform and Mesh must be ordered separately for Platforms with Mesh. See SPECIAL OPTIONS SECTION for Mesh Installations.	
		Ref	Note: Replacement Decals Must be Ordered Separately - See DECALS SECTION.	
1	2080040	16	Fastener, Huck	
2	2600281	2	Hinge, Self-Closing	
3	2940074	1	Latch	
4	3520072	3	Plug	
5	3520198	2	Plug	
6	3820020	4	Rivet	
7	1001144629	1	Gate	
8	See Note	NSS	Platform (Note: Not Available - Purchase Platform Assembly)	

SECTION 5 - PLATFORM

FIGURE 5-5. PLATFORM ASSEMBLY - 30IN X 5FT (76CM X 1.52M) WITH DROP BAR



ART_1001186377

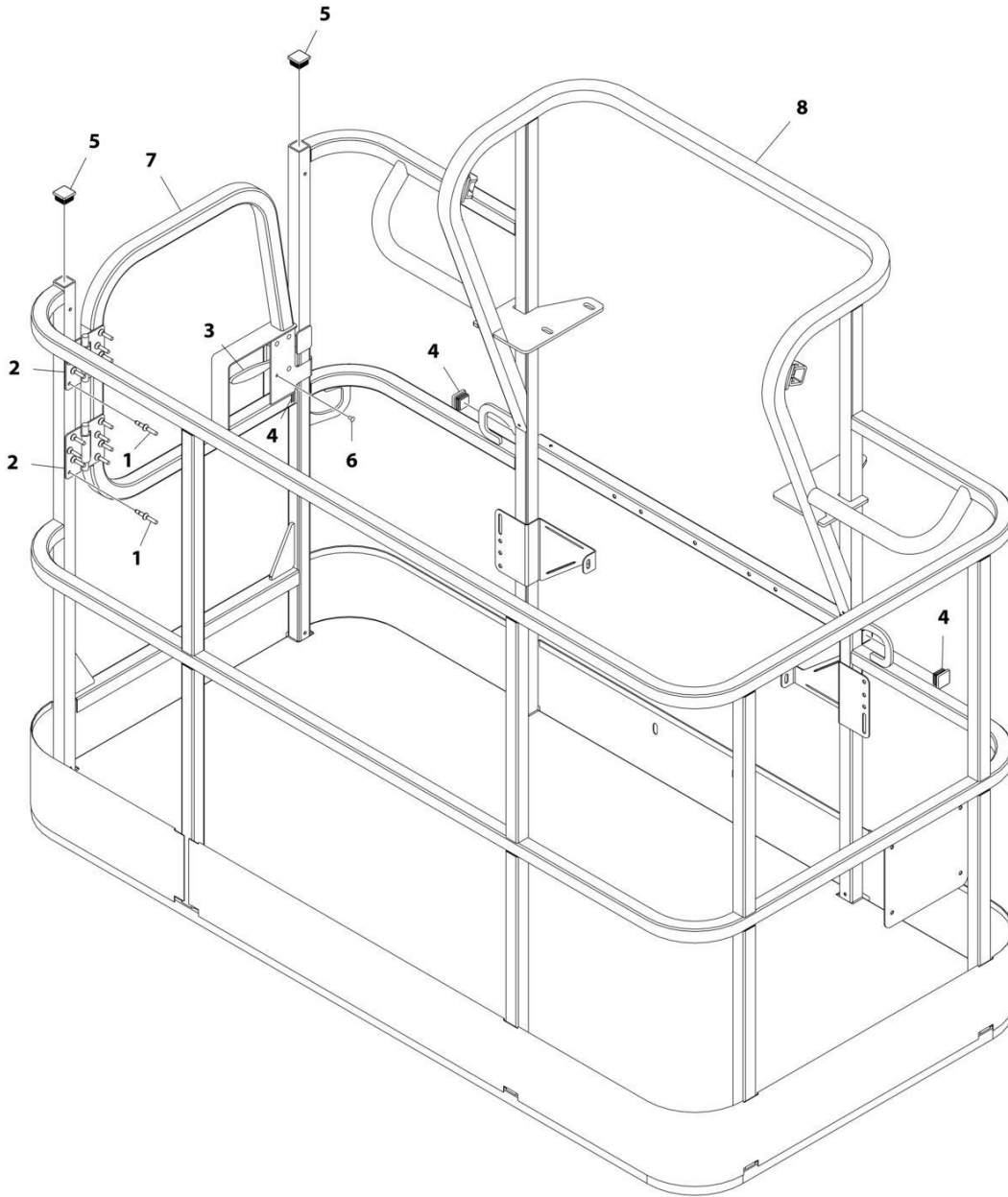
SECTION 5 - PLATFORM

FIGURE 5-5. PLATFORM ASSEMBLY - 30IN X 5FT (76CM X 1.52M) WITH DROP BAR

ITEM	PART NUMBER	QTY	DESCRIPTION	REV
	1001186377	Ref	PLATFORM ASSEMBLY	C
		Ref	Note: Platform and Mesh must be ordered separately for Platforms with Mesh. See SPECIAL OPTIONS SECTION for Mesh Installations.	
		Ref	Note: Replacement Decals Must be Ordered Separately - See DECALS SECTION.	
1	0100011	AR	Compound, Locking	
2	0641420	2	Bolt 1/4 x 2-1/2	
3	0961845	2	Bushing	
4	3290606	2	Nut M6	
5	3300151	2	Nut 1/4	
6	3520072	2	Plug	
7	3520198	2	Plug	
8	4010618	2	Screw M6 x 50	
9	4711400	4	Washer 1/4	
10	4811700	2	Washer M6	
11	1001138494	1	Bar, Drop	
12	1001138514	1	Rail (Top)	
13	1001140429	1	Decal - Drop Bar	
14	See Note	NSS	Platform (Note: Not Available - Purchase Platform Assembly)	

SECTION 5 - PLATFORM

FIGURE 5-6. PLATFORM ASSEMBLY - 36IN X 6FT (91.5CM X 1.83M) WITH SWING GATE



ART_1001186384

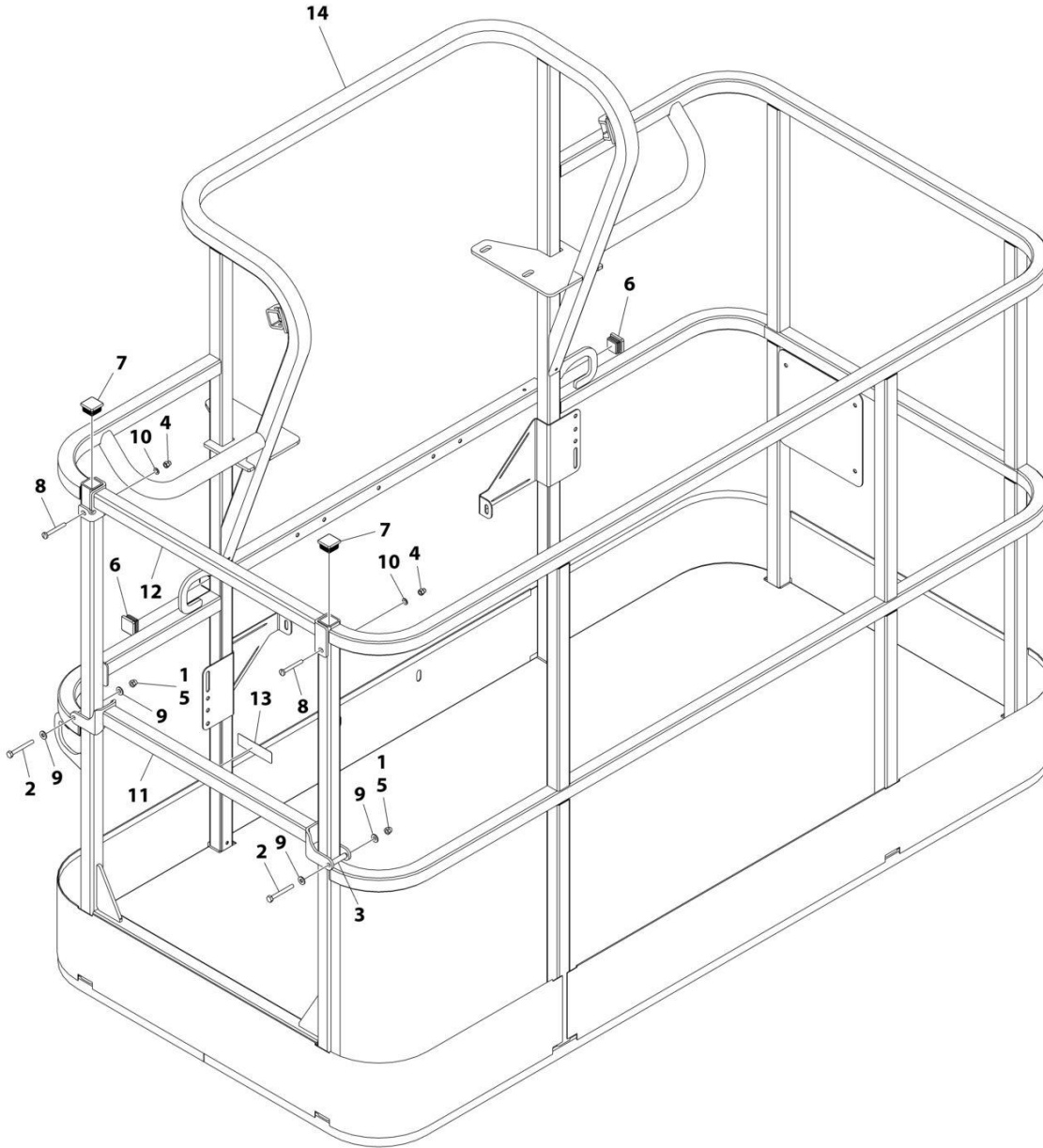
SECTION 5 - PLATFORM

FIGURE 5-6. PLATFORM ASSEMBLY - 36IN X 6FT (91.5CM X 1.83M) WITH SWING GATE

ITEM	PART NUMBER	QTY	DESCRIPTION	REV
	1001186384	Ref	PLATFORM ASSEMBLY - 36IN X 6FT (91.5CM X 1.83M) WITH SWING GATE	C
	See Note	Ref	Note: Platform and Mesh must be ordered separately for Platforms with Mesh. See SPECIAL OPTIONS SECTION for Mesh Installations.	
	See Note	Ref	Note: Replacement Decals Must be Ordered Separately - See DECALS SECTION.	
1	2080040	16	Fastener, Huck	
2	2600281	2	Hinge	
3	2940074	1	Latch	
4	3520072	3	Plug	
5	3520198	2	Plug	
6	3820020	4	Rivet	
7	1001144629	1	Gate	
8	See Note	NSS	Platform (Note: Not Available - Purchase Platform Assembly)	

SECTION 5 - PLATFORM

FIGURE 5-7. PLATFORM ASSEMBLY - 36IN X 6FT (91.5CM X 1.83M) WITH DROP BAR



ART_1001186379

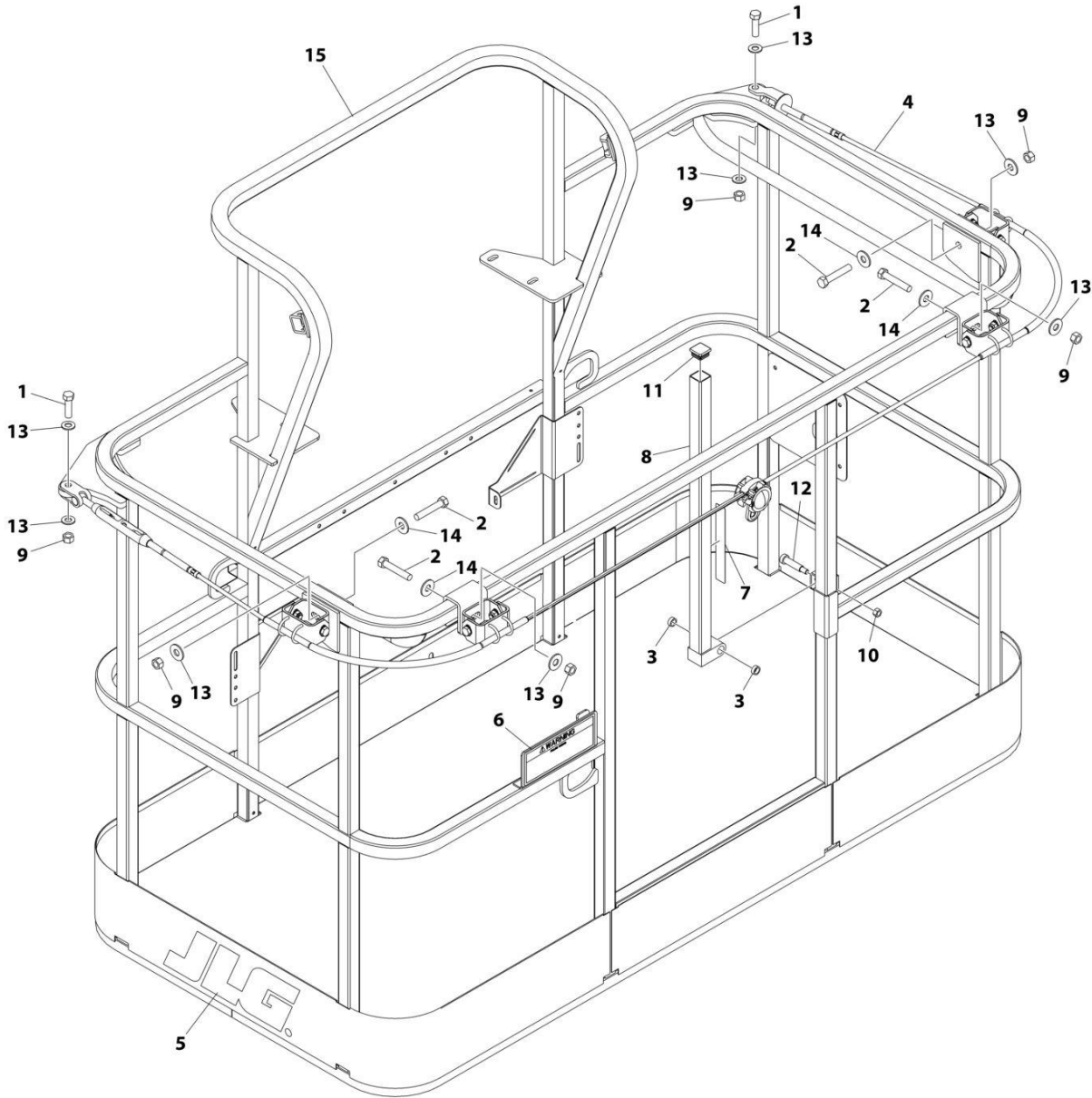
SECTION 5 - PLATFORM

FIGURE 5-7. PLATFORM ASSEMBLY - 36IN X 6FT (91.5CM X 1.83M) WITH DROP BAR

ITEM	PART NUMBER	QTY	DESCRIPTION	REV
	1001186379	Ref	PLATFORM ASSEMBLY - 36IN X 6FT (91.5CM X 1.83M) WITH DROP BAR	B
		Ref	Note: Platform and Mesh must be ordered separately for Platforms with Mesh. See SPECIAL OPTIONS SECTION for Mesh Installations.	
		Ref	Note: Replacement Decals Must be Ordered Separately - See DECALS SECTION.	
1	0100011	AR	Compound, Locking	
2	0641418	2	Bolt 1/4 x 2-1/4	
3	0961845	2	Bushing	
4	3290606	2	Nut M6	
5	3300151	2	Nut 1/4	
6	3520072	2	Plug	
7	3520198	2	Plug	
8	4010618	2	Screw M6 x 50	
9	4711400	4	Washer 1/4	
10	4811700	2	Washer M6	
11	1001138494	1	Bar, Drop	
12	1001138514	1	Rail (Top)	
13	1001140429	1	Decal - Drop Bar	
14	See Note	NSS	Platform (Note: Not Available - Purchase Platform Assembly)	

SECTION 5 - PLATFORM

FIGURE 5-8. PLATFORM ASSEMBLY - 36IN X 6FT (91.5CM X 1.83M) WITH FALL ARREST (ANSI, ANSI EXPORT, CHINA AND CSA SPECS)



ART_1001186333

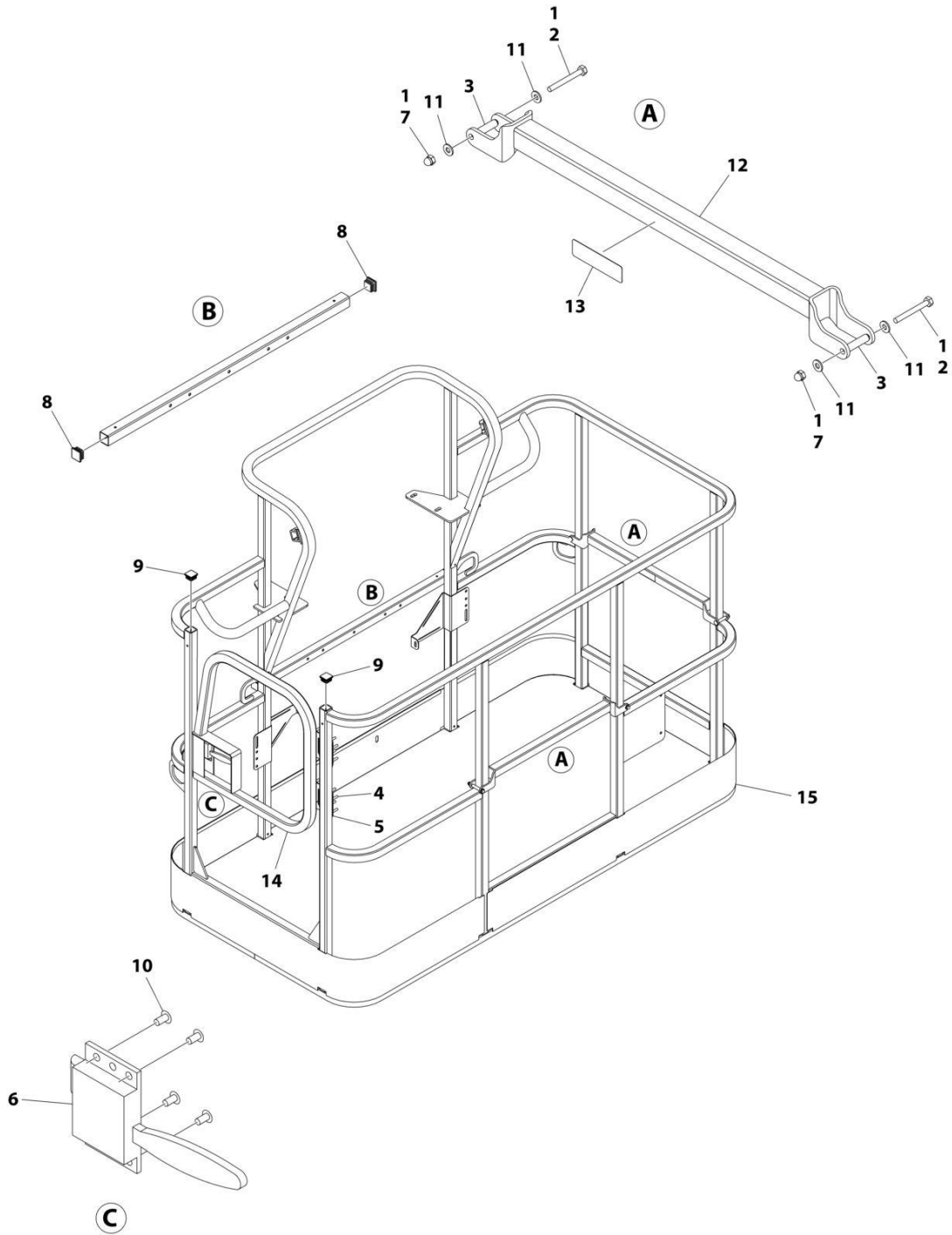
SECTION 5 - PLATFORM

FIGURE 5-8. PLATFORM ASSEMBLY - 36IN X 6FT (91.5CM X 1.83M) WITH FALL ARREST (ANSI, ANSI EXPORT, CHINA AND CSA SPECS)

ITEM	PART NUMBER	QTY	DESCRIPTION	REV
	1001186333	Ref	PLATFORM ASSEMBLY	C
		Ref	Note: Replacement Decals Must be Ordered Separately - See DECALS SECTION.	
1	0681814	2	Bolt 1/2 x 1-3/4 Grade 8	
2	0681822	4	Bolt 1/2 x 2-3/4 Grade 8	
3	0962270	2	Bearing	
4	1001203655	1	Cable	
5	1702773	1	Decal - JLG	
6	1705014	1	Decal - Safety	
7	1706385	1	Decal - Drop Bar	
8	2410014	1	Bar, Drop	
9	3271805	6	Nut 1/2 Grade 8	
10	3311605	1	Nut 3/8	
11	3520072	1	Plug	
12	3900054	1	Bolt 1/2 x 1-3/4	
13	4711800	8	Washer 1/2	
14	4751800	4	Washer 1/2	
15	See Note	NSS	Platform (Note: Not Available - Purchase Platform Assembly)	

SECTION 5 - PLATFORM

FIGURE 5-9. PLATFORM ASSEMBLY - 36IN X 6FT (91.5CM X 1.83M) TRI-ENTRY WITH SWING GATE



ART_1001228376

SECTION 5 - PLATFORM

FIGURE 5-9. PLATFORM ASSEMBLY - 36IN X 6FT (91.5CM X 1.83M) TRI-ENTRY WITH SWING GATE

ITEM	PART NUMBER	QTY	DESCRIPTION	REV
	1001228376	Ref	PLATFORM ASSEMBLY - 36IN x 6FT (91.5CM x 1.83M)	B
		Ref	Note: Platform and Mesh must be ordered separately for Platforms with Mesh. See SPECIAL OPTIONS SECTION for Mesh Installations.	
		Ref	Note: Replacement Decals Must be Ordered Separately - See DECAL SECTION.	
1	0100011	AR	Compound, Locking	
2	0641418	4	Bolt 1/4 x 2-1/4	
3	0961845	4	Bushing	
4	2080040	16	Fastener	
5	2600281	2	Hinge	
6	2940074	1	Latch	
7	3300151	4	Nut 1/4	
8	3520072	3	Plug	
9	3520198	2	Plug	
10	3820020	4	Rivet	
11	4711400	8	Washer 1/4	
12	1001138494	2	Bar, Drop	
13	1001140429	2	Decal - Drop Bar	
14	1001144629	1	Gate	
15	See Note	NSS	Platform (Note: Not Available - Purchase Platform Assembly)	

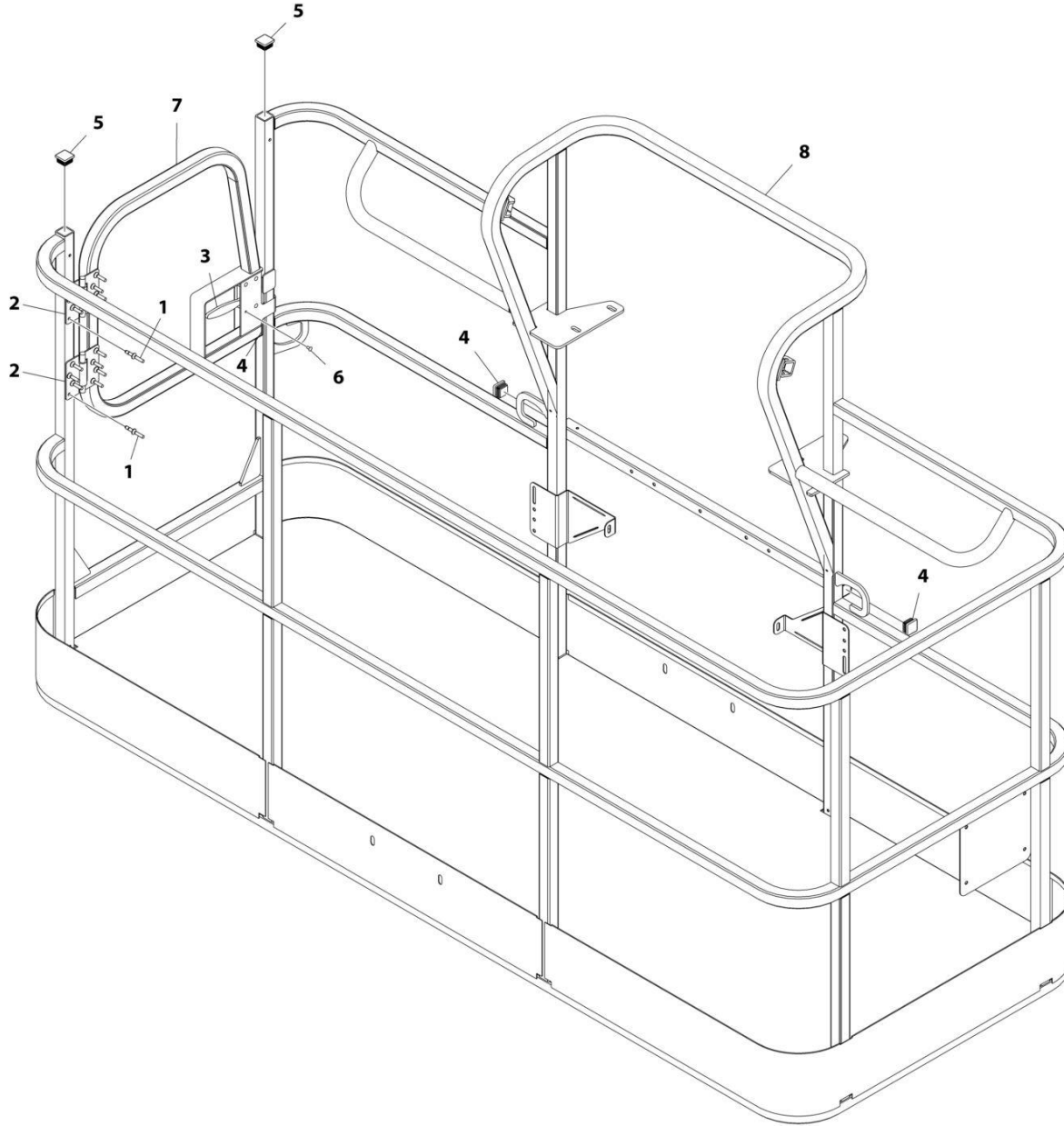
SECTION 5 - PLATFORM

FIGURE 5-10. PLATFORM ASSEMBLY - 36IN X 6FT (91.5CM X 1.83M) TRI-ENTRY WITH DROP BAR

ITEM	PART NUMBER	QTY	DESCRIPTION	REV
	1001228377	Ref	PLATFORM ASSEMBLY - 36IN x 6FT (91.5CM x 1.83M)	B
		Ref	Note: Platform and Mesh must be ordered separately for Platforms with Mesh. See SPECIAL OPTIONS SECTION for Mesh Installations.	
		Ref	Note: Replacement Decals Must be Ordered Separately - See DECAL SECTION.	
1	0100011	1	Compound, Locking	
2	0641418	6	Bolt 1/4 x 2-1/4	
3	0961845	6	Bushing	
4	3290606	2	Nut M6	
5	3300151	6	Nut 1/4	
6	3520072	2	Plug	
7	3520198	2	Plug	
8	4010618	2	Screw M6 x 50	
9	4711400	12	Washer 1/4	
10	4811700	2	Washer M6	
11	1001138494	3	Bar, Drop	
12	1001138514	1	Rail (Top)	
13	1001140429	3	Decal - Drop Bar	
14	See Note	NSS	Platform, Weldment (Note: Not Available - Purchase Platform Assembly)	

SECTION 5 - PLATFORM

FIGURE 5-11. PLATFORM ASSEMBLY - 36IN X 8FT (91.5CM X 2.44M) WITH SWING GATE



ART_1001186383

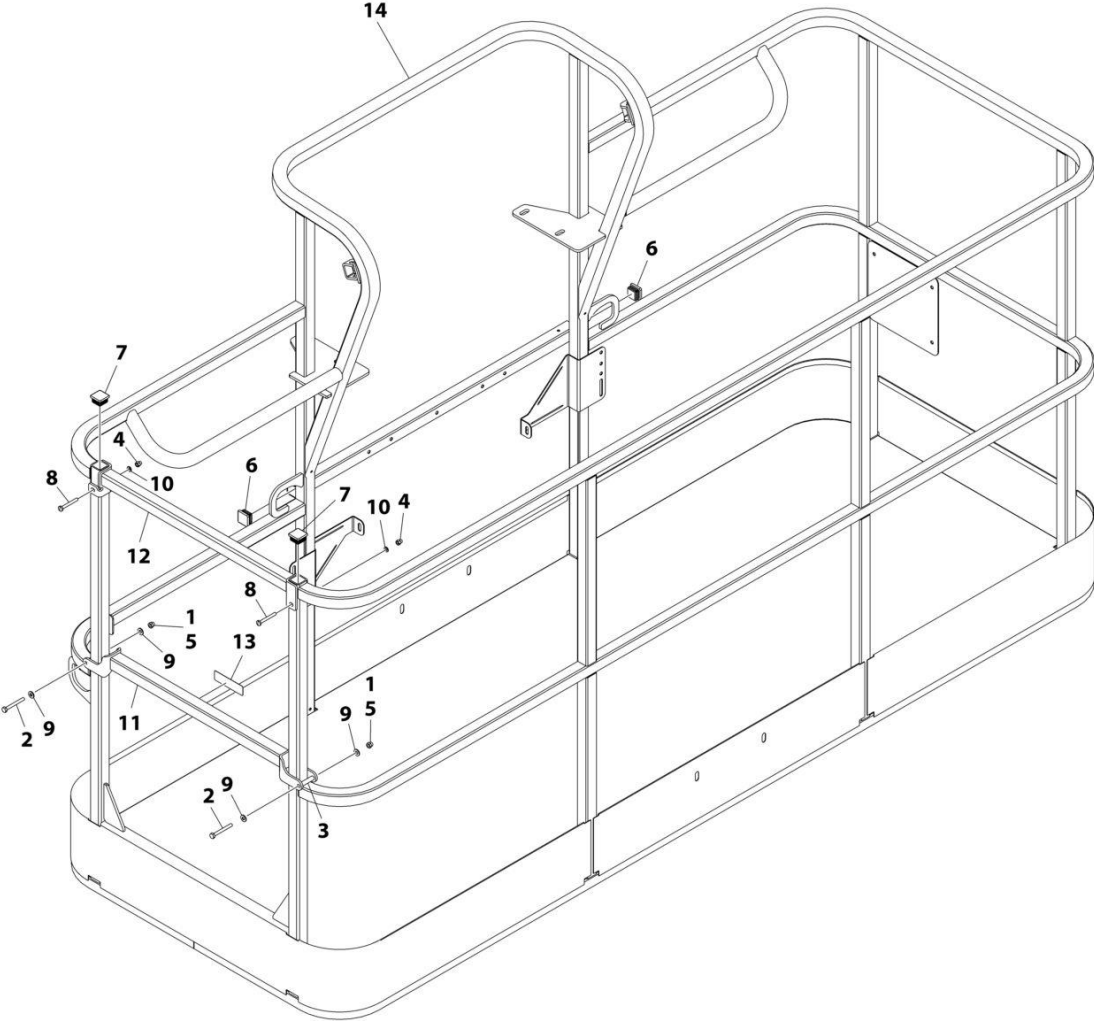
SECTION 5 - PLATFORM

FIGURE 5-11. PLATFORM ASSEMBLY - 36IN X 8FT (91.5CM X 2.44M) WITH SWING GATE

ITEM	PART NUMBER	QTY	DESCRIPTION	REV
	1001186383	Ref	PLATFORM ASSEMBLY - 36IN X 8FT (91.5CM X 2.44M) WITH SWING GATE	D
		Ref	Note: Platform and Mesh must be ordered separately for Platforms with Mesh. See SPECIAL OPTIONS SECTION for Mesh Installations.	
		Ref	Note: Replacement Decals Must be Ordered Separately - See DECALS SECTION.	
1	2080040	16	Fastener, Huck	
2	2600281	2	Hinge	
3	2940074	1	Latch	
4	3520072	3	Plug	
5	3520198	2	Plug	
6	3820020	4	Rivet	
7	1001144629	1	Gate	
8	See Note	NSS	Platform (Note: Not Available - Purchase Platform Assembly)	

SECTION 5 - PLATFORM

FIGURE 5-12. PLATFORM ASSEMBLY - 36IN X 8FT (91.5CM X 2.44M) WITH DROP BAR



ART_1001186382

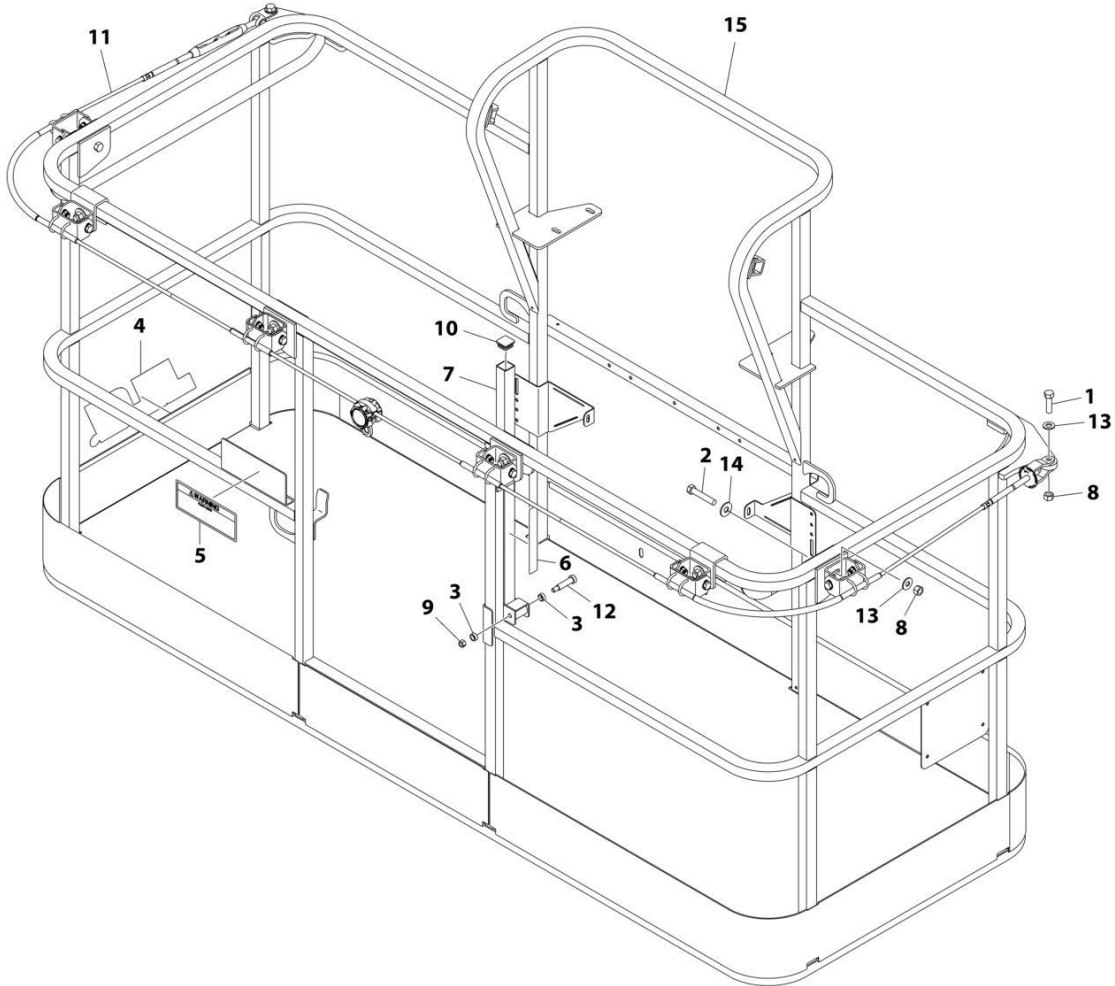
SECTION 5 - PLATFORM

FIGURE 5-12. PLATFORM ASSEMBLY - 36IN X 8FT (91.5CM X 2.44M) WITH DROP BAR

ITEM	PART NUMBER	QTY	DESCRIPTION	REV
	1001186382	Ref	PLATFORM ASSEMBLY - 36IN X 8FT (91.5CM X 2.44M) WITH DROP BAR	C
		Ref	Note: Platform and Mesh must be ordered separately for Platforms with Mesh. See SPECIAL OPTIONS SECTION for Mesh Installations.	
		Ref	Note: Replacement Decals Must be Ordered Separately - See DECALS SECTION.	
1	0100011	AR	Compound, Locking	
2	0641418	2	Bolt 1/4 x 2-1/4	
3	0961845	2	Bushing	
4	3290606	2	Nut M6	
5	3300151	2	Nut 1/4	
6	3520072	2	Plug	
7	3520198	2	Plug	
8	4010618	2	Screw M6 x 50	
9	4711400	4	Washer 1/4	
10	4811700	2	Washer M6	
11	1001138494	1	Bar, Drop	
12	1001138514	1	Rail (Top)	
13	1001140429	1	Decal - Drop Bar	
14	See Note	NSS	Platform (Note: Not Available - Purchase Platform Assembly)	

SECTION 5 - PLATFORM

FIGURE 5-13. PLATFORM ASSEMBLY - 36IN X 8FT (91.5CM X 2.44M) WITH FALL ARREST (ANSI, ANSI EXPORT, CHINA AND CSA SPECS)



ART_1001186334

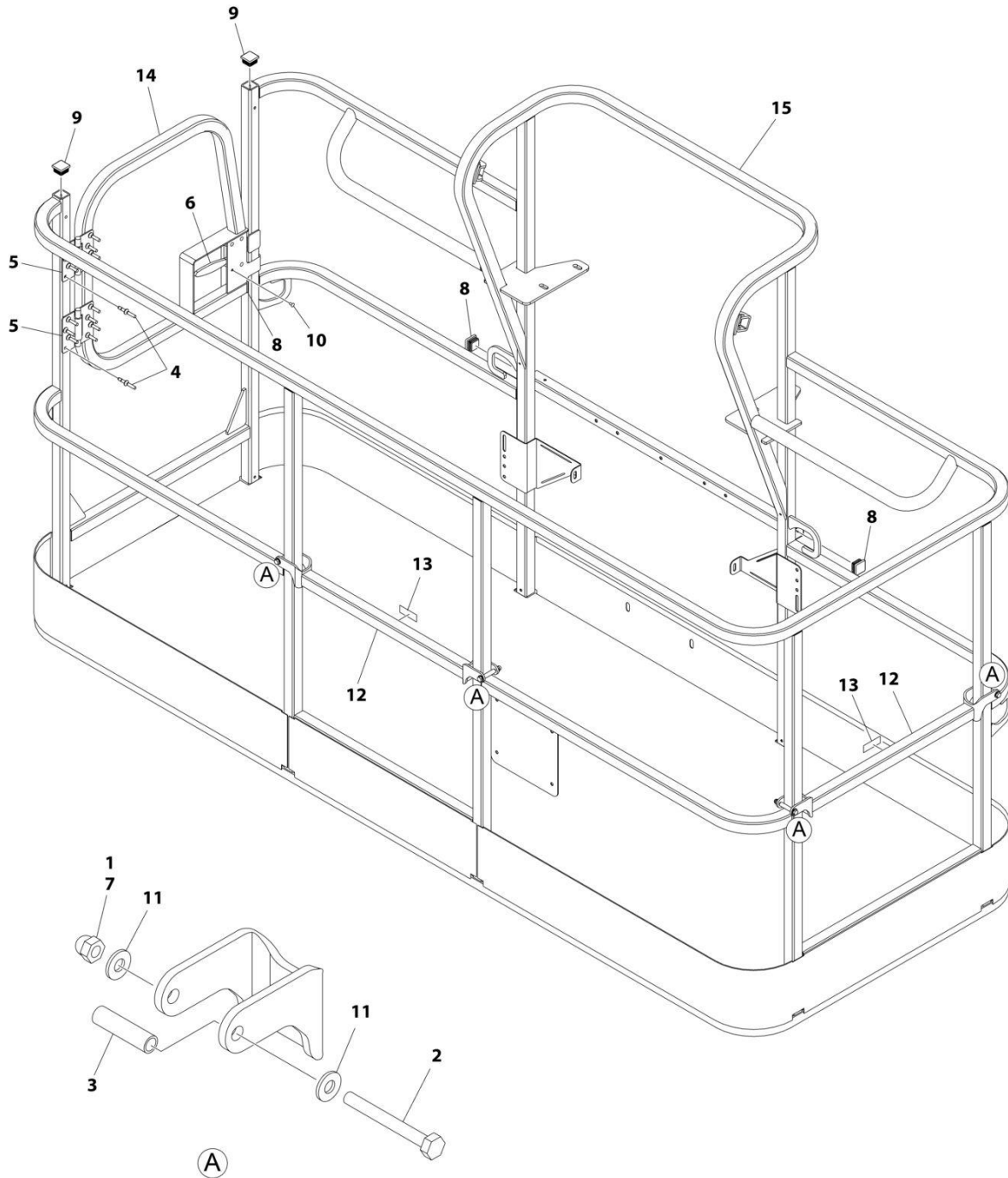
SECTION 5 - PLATFORM

FIGURE 5-13. PLATFORM ASSEMBLY - 36IN X 8FT (91.5CM X 2.44M) WITH FALL ARREST (ANSI, ANSI EXPORT, CHINA AND CSA SPECS)

ITEM	PART NUMBER	QTY	DESCRIPTION	REV
	1001186334	Ref	PLATFORM ASSEMBLY	D
		Ref	Note: Replacement Decals Must be Ordered Separately - See DECALS SECTION.	
1	0681814	2	Bolt 1/2 x 1-3/4 Grade 8	
2	0681822	6	Bolt 1/2 x 2-3/4 Grade 8	
3	0962270	2	Bearing	
4	1702773	1	Decal - JLG	
5	1705014	1	Decal - Safety	
6	1706385	1	Decal - Drop Bar	
7	2410014	1	Bar, Drop	
8	3271805	8	Nut 1/2 Grade 8	
9	3311605	1	Nut 3/8	
10	3520072	1	Plug	
11	1001203656	1	Cable	
12	3900054	1	Bolt 1/2 x 1-3/4	
13	4711800	2	Washer 1/2	
14	4751800	6	Washer 1/2	
15	See Note	NSS	Platform (Note: Purchase Platform Assembly)	

SECTION 5 - PLATFORM

FIGURE 5-14. PLATFORM ASSEMBLY - 36IN X 8FT (91.5CM X 2.44M) TRI-ENTRY WITH SWING GATE



ART_1001228243

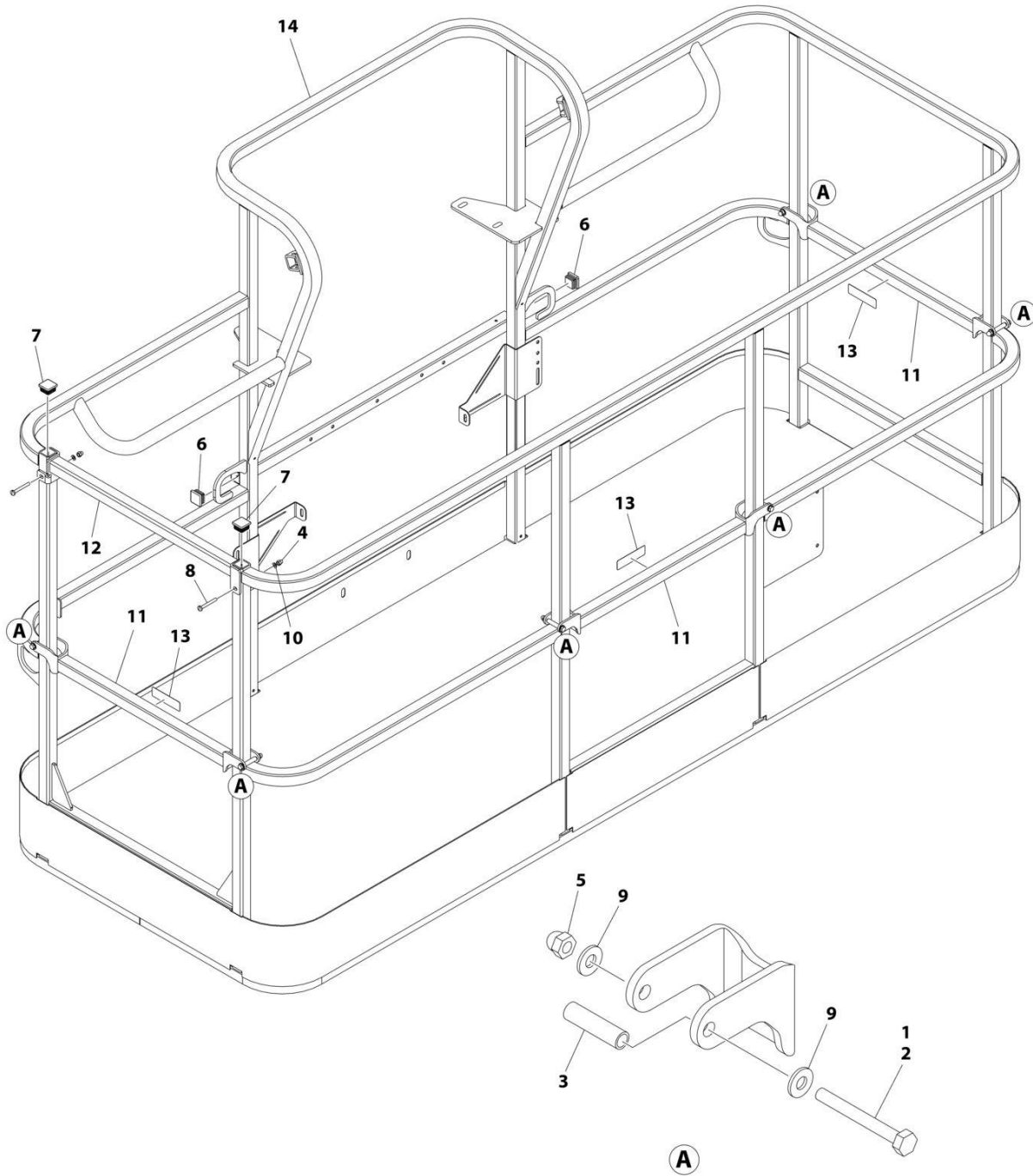
SECTION 5 - PLATFORM

FIGURE 5-14. PLATFORM ASSEMBLY - 36IN X 8FT (91.5CM X 2.44M) TRI-ENTRY WITH SWING GATE

ITEM	PART NUMBER	QTY	DESCRIPTION	REV
	1001228243	Ref	PLATFORM ASSEMBLY - 36IN X 8FT (91.5CM X 2.44M) WITH TRI-ENTRY	A
		Ref	Note: Platform and Mesh must be ordered separately for Platforms with Mesh. See SPECIAL OPTIONS SECTION for Mesh Installations.	
1	0100011	AR	Compound, Locking	
2	0641418	4	Bolt 1/4 x 2-1/4	
3	0961845	4	Bushing	
4	2080040	16	Fastener, Huck	
5	2600281	2	Hinge, Self-Closing	
6	2940074	1	Latch	
7	3300151	4	Nut 1/4	
8	3520072	3	Cap, Plug	
9	3520198	2	Cap, Plug	
10	3820020	4	Rivet	
11	4711400	8	Washer 1/4	
12	1001138494	2	Bar, Drop	
13	1001140429	2	Decal - Drop Bar	
14	1001144629	1	Gate, Weldment	
15	See Note	1	Platform (Note: Not Available - Purchase Platform Assembly)	

SECTION 5 - PLATFORM

FIGURE 5-15. PLATFORM ASSEMBLY - 36IN X 8FT (91.5CM X 2.44M) TRI-ENTRY WITH DROP BAR



ART_1001228375

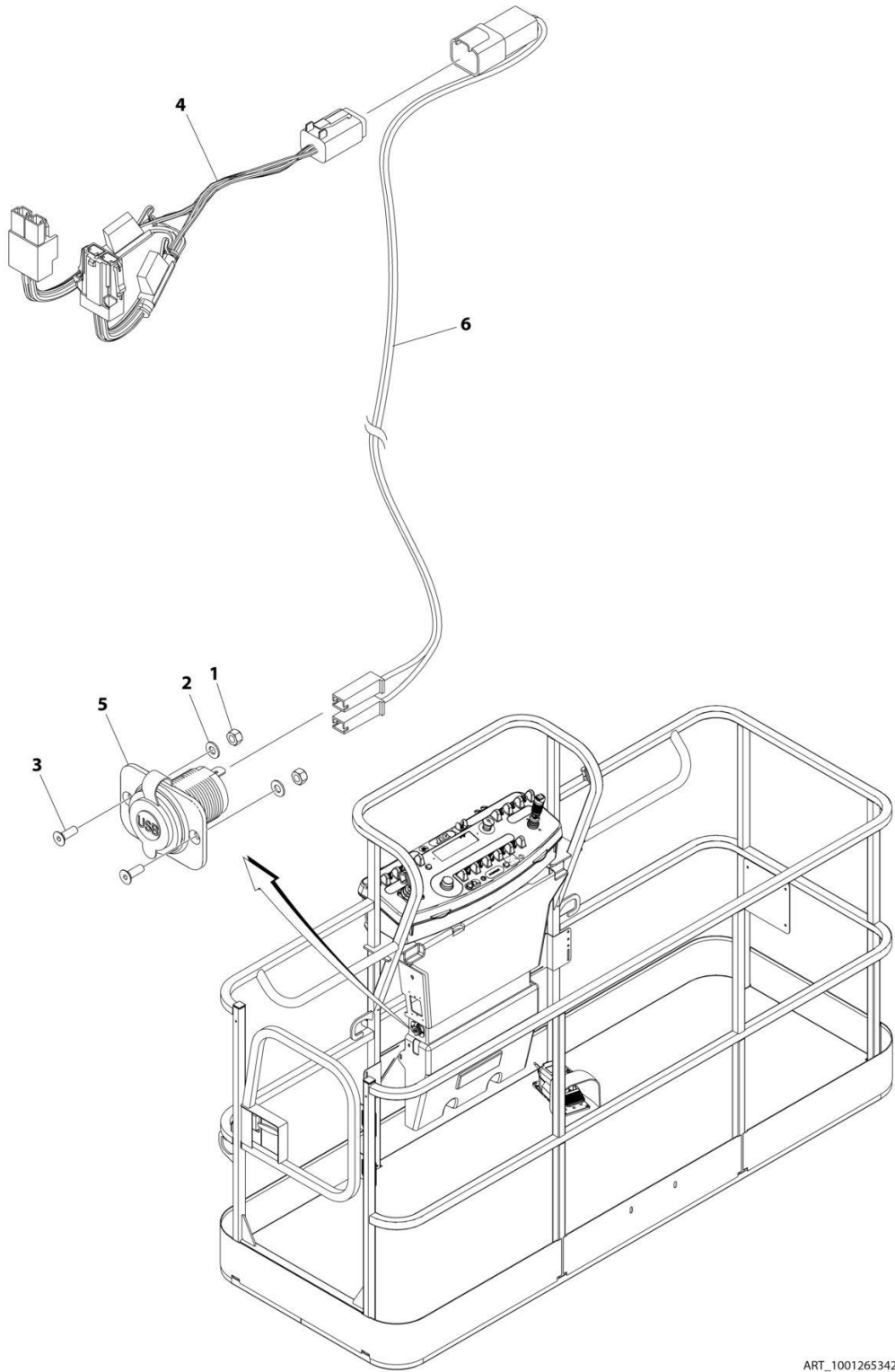
SECTION 5 - PLATFORM

FIGURE 5-15. PLATFORM ASSEMBLY - 36IN X 8FT (91.5CM X 2.44M) TRI-ENTRY WITH DROP BAR

ITEM	PART NUMBER	QTY	DESCRIPTION	REV
	1001228375	Ref	PLATFORM ASSEMBLY - 36IN X 8FT (91.5CM X 2.44M) WITH TRI-ENTRY	A
		Ref	Note: Platform and Mesh must be ordered separately for Platforms with Mesh. See SPECIAL OPTIONS SECTION for Mesh Installations.	
		Ref	Note: Replacement Decals Must be Ordered Separately - See DECAL SECTION.	
1	0100011	AR	Compound, Locking	
2	0641418	6	Bolt 1/4 x 2-1/4	
3	0961845	6	Bushing	
4	3290606	2	Nut M6 x 1	
5	3300151	6	Nut 1/4	
6	3520072	2	Cap, Plug	
7	3520198	2	Cap, Plug	
8	4010618	2	Screw M6 x 50	
9	4711400	12	Washer 1/4	
10	4811700	2	Washer M6	
11	1001138494	3	Bar, Drop	
12	1001138514	1	Rail (Top)	
13	1001140429	3	Decal - Drop Bar	
14	See Note	1	Platform (Note: Not Available - Purchase Platform Assembly)	

SECTION 5 - PLATFORM

FIGURE 5-16. PLATFORM POWER USB



ART_1001265342

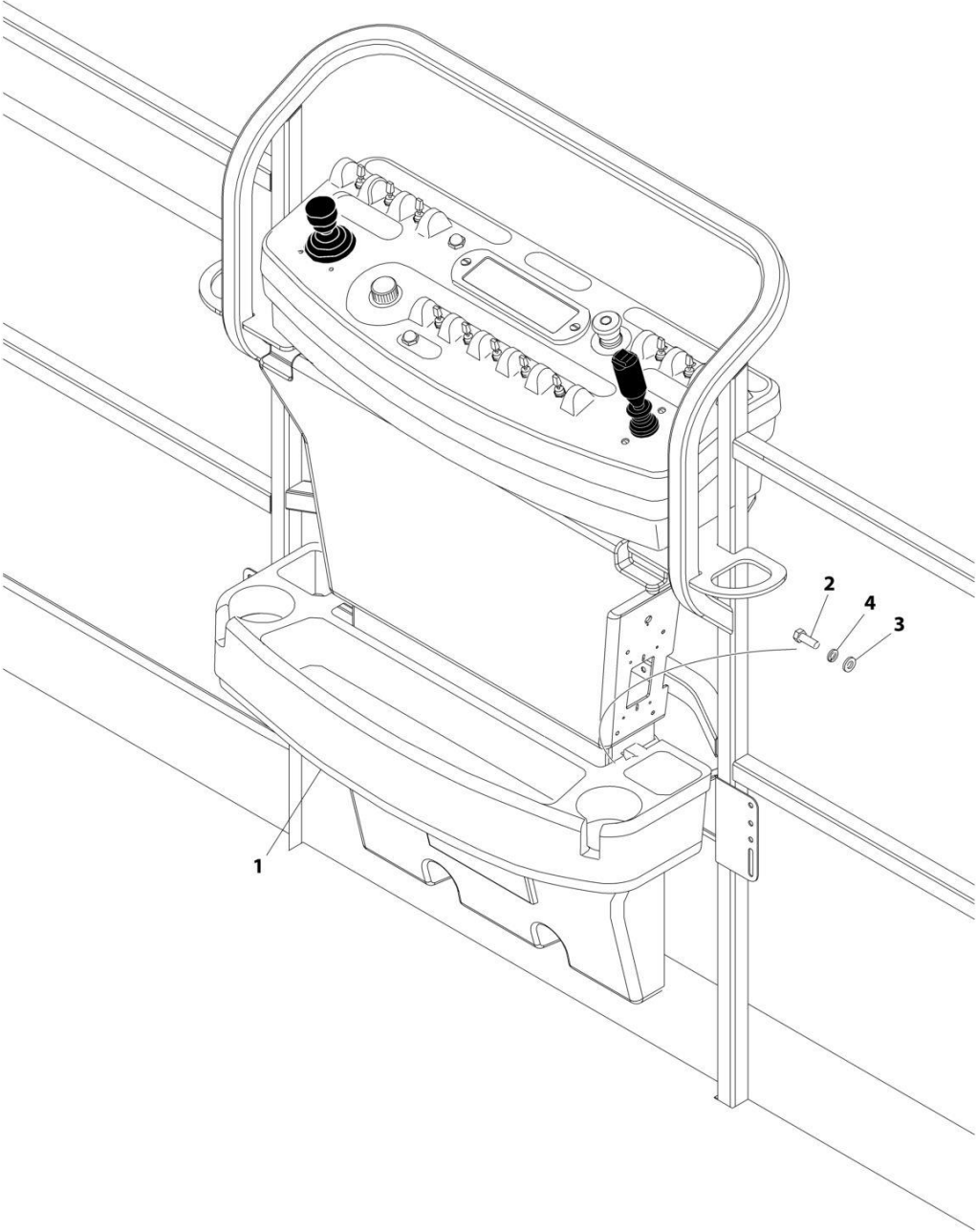
SECTION 5 - PLATFORM

FIGURE 5-16. PLATFORM POWER USB

ITEM	PART NUMBER	QTY	DESCRIPTION	REV
	1001265342	Ref	USB CHARGER INSTALLATION	A
1	3290405	2	Nut M4	
2	4811400	2	Washer M4	
3	1001097244	2	Screw M4 x 12	
4	1001120484	1	Harness, Work Lights	
4	4460879	1	Plug, Male - 2 Position	
4	4460887	2	Terminal	
4	2400060	2	Fuseholder Includes Cover	
4	8229249	2	Fuse, 3 Amp	
4	4460884	1	Connector - 4 Position	
4	4460465	4	Socket, Female	
4	1001120471	1	Connector - 2 Position	
4	1001120477	2	Terminal	
5	1001210636	1	Receptacle, USB	
6	1001265163	1	Harness, USB	A
6	4460260	2	Cover, Terminal	
6	4460259	2	Terminal	
6	4460932	1	Receptacle, Bussbar - 4 Position	
6	4460464	2	Pin, Male	
6	4460466	2	Plug, Terminal	

SECTION 5 - PLATFORM

FIGURE 5-17. TRAY ASSEMBLY



ART_1580012

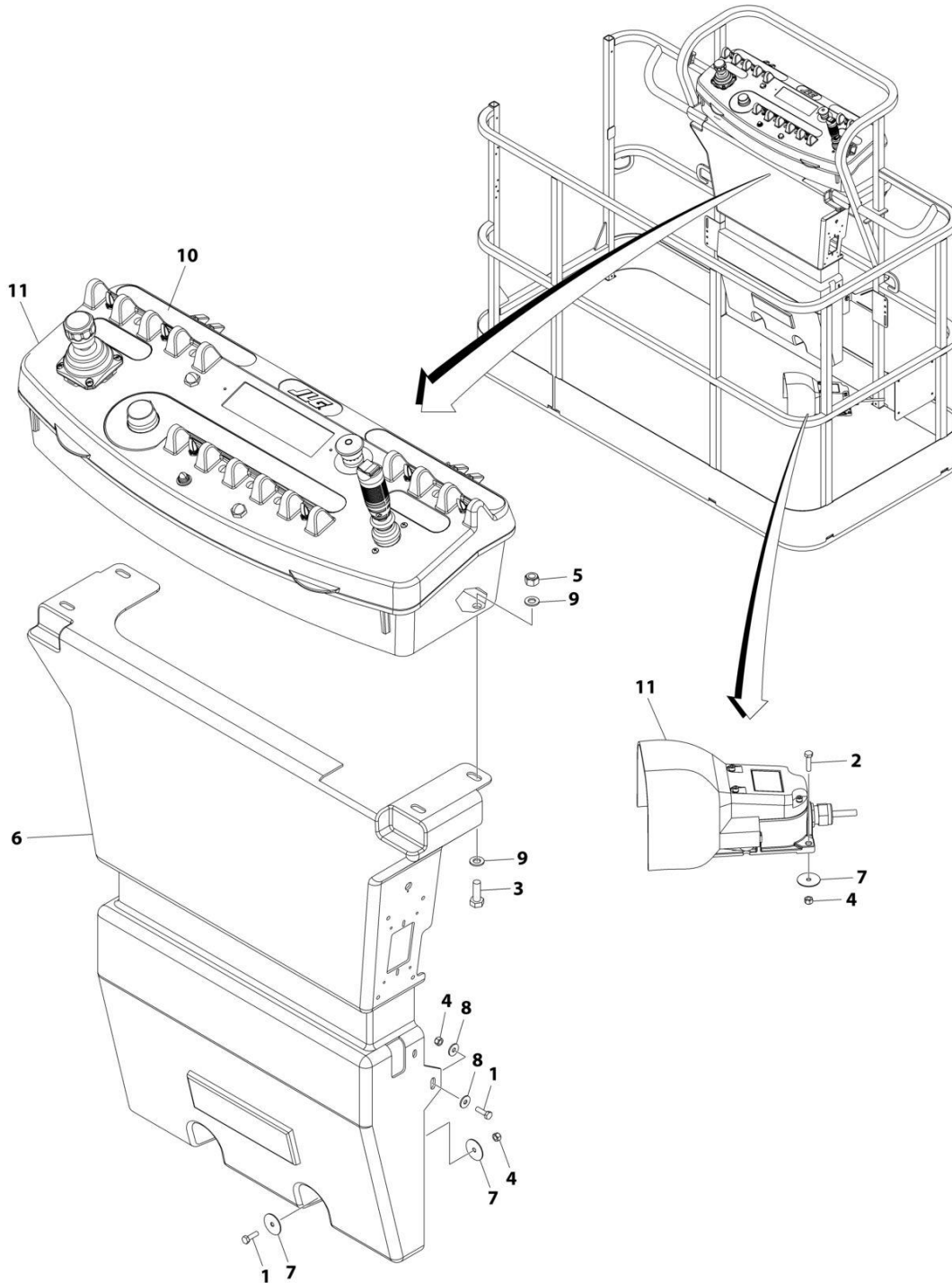
SECTION 5 - PLATFORM

FIGURE 5-17. TRAY ASSEMBLY

ITEM	PART NUMBER	QTY	DESCRIPTION	REV
	1580012	Ref	TRAY ASSEMBLY	C
1	See Note	NSS	Tray, Storage (Center) (Note: Purchase p/n 1580012)	
2	0641406	2	Bolt 1/4 x 3/4	
3	4751400	2	Washer 1/4	
4	4761400	2	Washer 1/4	

SECTION 5 - PLATFORM

FIGURE 5-18. PLATFORM CONSOLE AND FOOTSWITCH INSTALLATION - 600S HC3



ART_1001250953

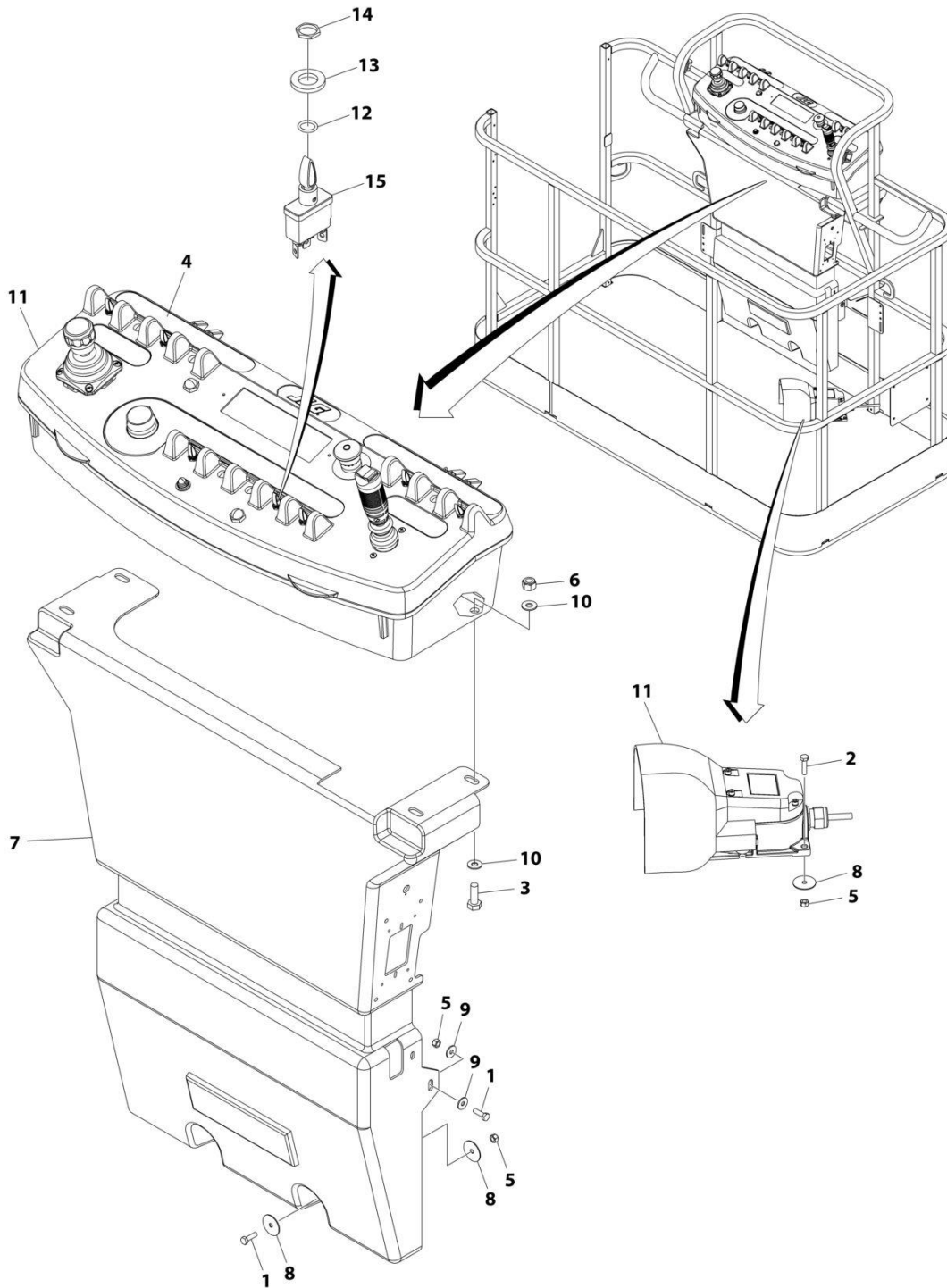
SECTION 5 - PLATFORM

FIGURE 5-18. PLATFORM CONSOLE AND FOOTSWITCH INSTALLATION - 600S HC3

ITEM	PART NUMBER	QTY	DESCRIPTION	REV
	1001250953	Ref	PLATFORM CONSOLE AND FOOTSWITCH INSTALLATION	B
1	0700610	4	Bolt M6 x 20	
2	0700612	3	Bolt M6 x 25	
3	0701015	4	Bolt M10 x 35	
4	3290605	7	Nut M6	
5	3291005	4	Nut M10	
6	3380434	1	Panel	
7	4740362	7	Washer	
8	4811702	4	Washer M6	
9	4751600	8	Washer 3/8	
10	1001184626	1	Decal - Horn	
11	1001250952	1	Platform Console Assembly (See Separate Breakdown in this Section)	

SECTION 5 - PLATFORM

FIGURE 5-19. PLATFORM CONSOLE AND FOOTSWITCH INSTALLATION - 660SJ HC3



ART_1001250011

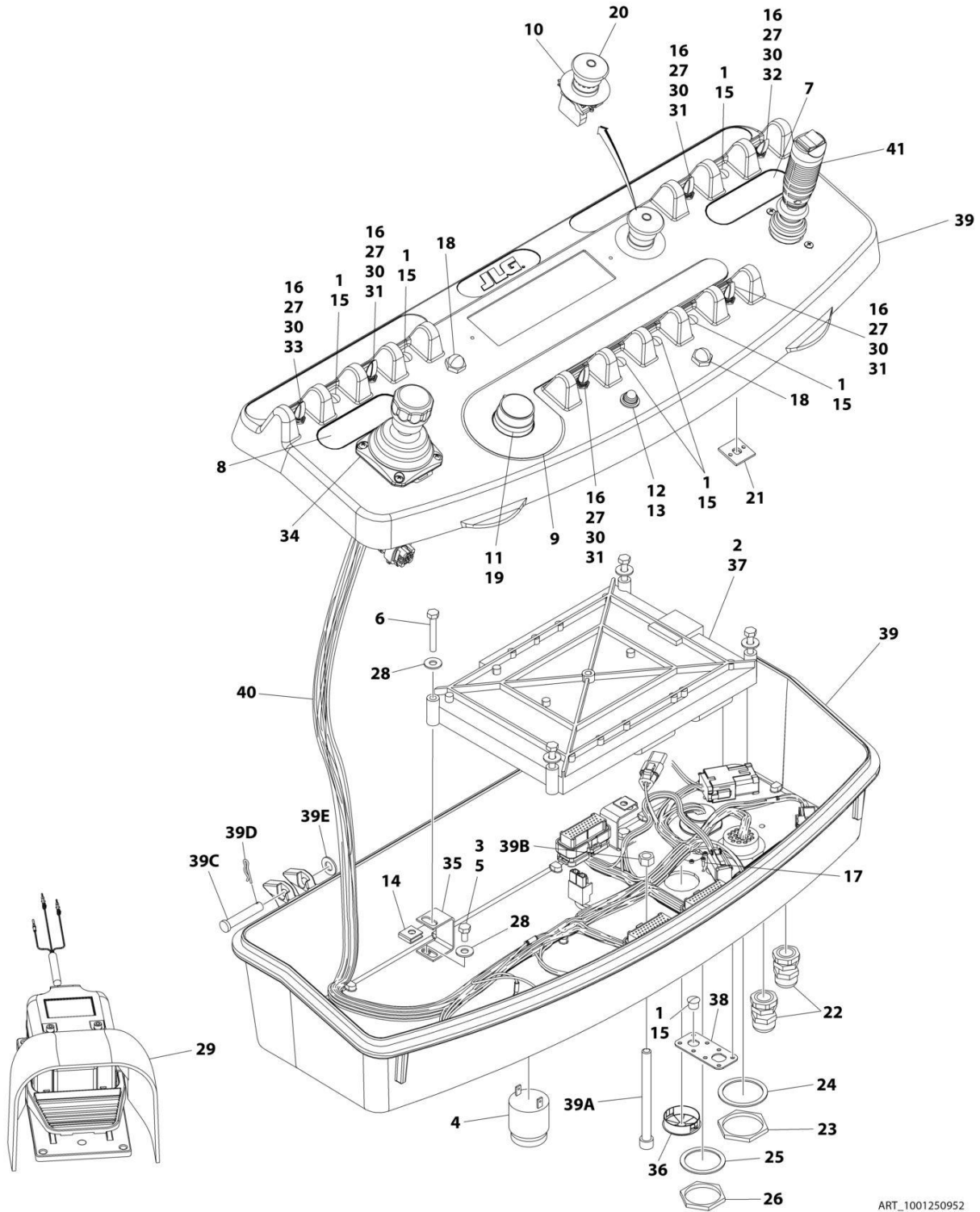
SECTION 5 - PLATFORM

FIGURE 5-19. PLATFORM CONSOLE AND FOOTSWITCH INSTALLATION - 660SJ HC3

ITEM	PART NUMBER	QTY	DESCRIPTION	REV
	1001250011	Ref	PLATFORM CONSOLE AND FOOTSWITCH INSTALLATION	C
1	0700610	4	Bolt M6 x 20	
2	0700612	3	Bolt M6 x 25	
3	0701014	4	Bolt M10 x 30	
4	1001184626	1	Decal - Horn	
5	3290605	7	Nut M6	
6	3291005	4	Nut M10	
7	3380434	1	Panel	
8	4740362	7	Washer	
9	4811702	4	Washer M6	
10	4751600	8	Washer 3/8	
11	1001250952	1	Platform Console Assembly (See Separate Breakdown in this Section)	
12	3790012	1	O-Ring	
13	4740397	1	Washer	
14	1001155044	1	Nut	
15	1001155045	1	Switch, Toggle	

SECTION 5 - PLATFORM

FIGURE 5-20. CONSOLE BOX ASSEMBLY



ART_1001250952

SECTION 5 - PLATFORM

FIGURE 5-20. CONSOLE BOX ASSEMBLY

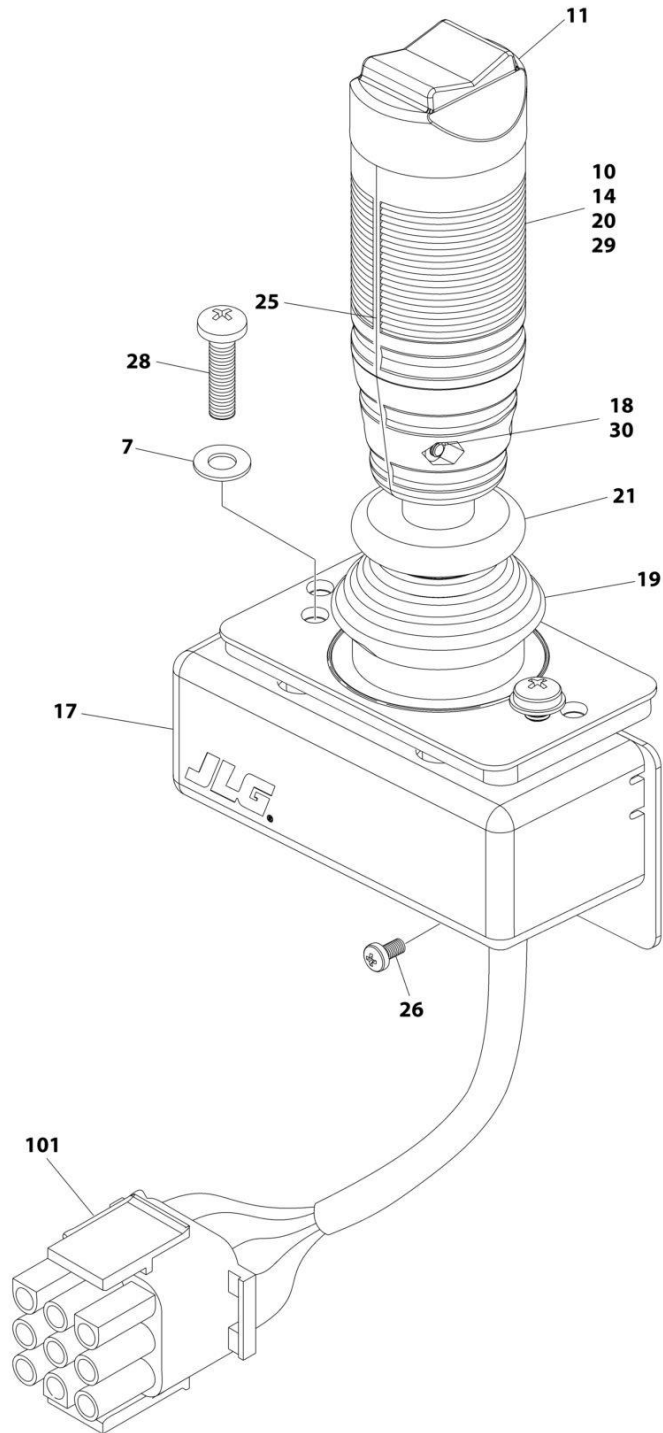
ITEM	PART NUMBER	QTY	DESCRIPTION	REV
	1001250952	Ref	CONSOLE BOX ASSEMBLY	C
1	0100009	AR	Sealant	
2	0100048	AR	Grease, Dielectric	
3	0100035	AR	Compound, Locking	
4	0140011	1	Alarm	
5	0641404	4	Bolt 1/4 x 1/2	
6	0641414	4	Bolt 1/4 x 1-3/4	
7	1702565	1	Decal - Drive and Steer	
8	1702566	1	Decal - Lift and Swing	
9	1702567	1	Decal - Function Speed	
10	1704260	1	Decal - Emergency Stop	
11	2560136	1	Handle, Knob	
12	2920028	1	Light, Indicator	
13	2920029	1	Bulb, Light	
14	3300353	4	Nut, Tinnerman	
15	3520054	7	Plug	
16	3790012	6	O-Ring	
17	3900349	8	Capscrew M2.5 x 8	
18	4360387	2	Switch, Push Button	
19	4360407	1	Controller, Speed	
19	4460224	1	Receptacle, Female - 6 Position	
19	4460226	6	Socket, Female	
19	See Note	1	Gasket "Top Hat" (Included with Switch) (Note: Not Available - Purchase Complete Controller)	
19	70003784	1	Seal	
20	4360475	1	Switch, Emergency Stop	
20	7020175	1	Cap, Red	
20	7020176	1	Block, Contact	
21	4460234	3	Mount, Tie-Strap	
22	4460428	2	Connector, Strain Relief	
23	4460470	1	Nut, Terminal	
24	4460471	1	Washer, Terminal	
25	4460496	1	Washer, Terminal	
26	4460497	1	Nut, Terminal	
27	4740397	6	Washer	
28	4751400	8	Washer 1/4	
29	1001117174	1	Footswitch Assembly (See Separate Breakdown in this Section)	
30	1001155044	6	Nut 15/32	
31	1001155045	4	Switch, Toggle	
32	1001159256	1	Switch, Toggle	
33	1001161709	1	Switch, Toggle	
34	1001166539	NLA	Controller Assembly (Lift and Swing) (Use p/n 1001129555) (See Separate Breakdown in this Section)	
35	1001172760	4	Bracket	
36	1001185281	1	Plug	
37	1001261325	1	Module, Platform (Note: Re-calibration Required when Replaced)	
38	1001213882	1	Mount, Connector	
39	1001215228	1	Console Box Assembly	
39A	0630568	1	Capscrew 3/8 x 4-1/2	
39B	3311601	1	Nut 3/8	

SECTION 5 - PLATFORM

ITEM	PART NUMBER	QTY	DESCRIPTION	REV
39C	3430616	2	Pin	
39D	3470003	2	Hairpin	
39E	4711600	2	Washer 3/8	
40	1001238409	1	Platform Console Harness (See Separate Breakdown in ELECTRICAL SECTION)	
41	1001166538	NLA	Controller Assembly (Drive and Steer) (Use p/n 1001212415) (See Separate Breakdown in this Section)	

SECTION 5 - PLATFORM

FIGURE 5-21. CONTROLLER ASSEMBLY (DRIVE AND STEER)



ART_1001166538

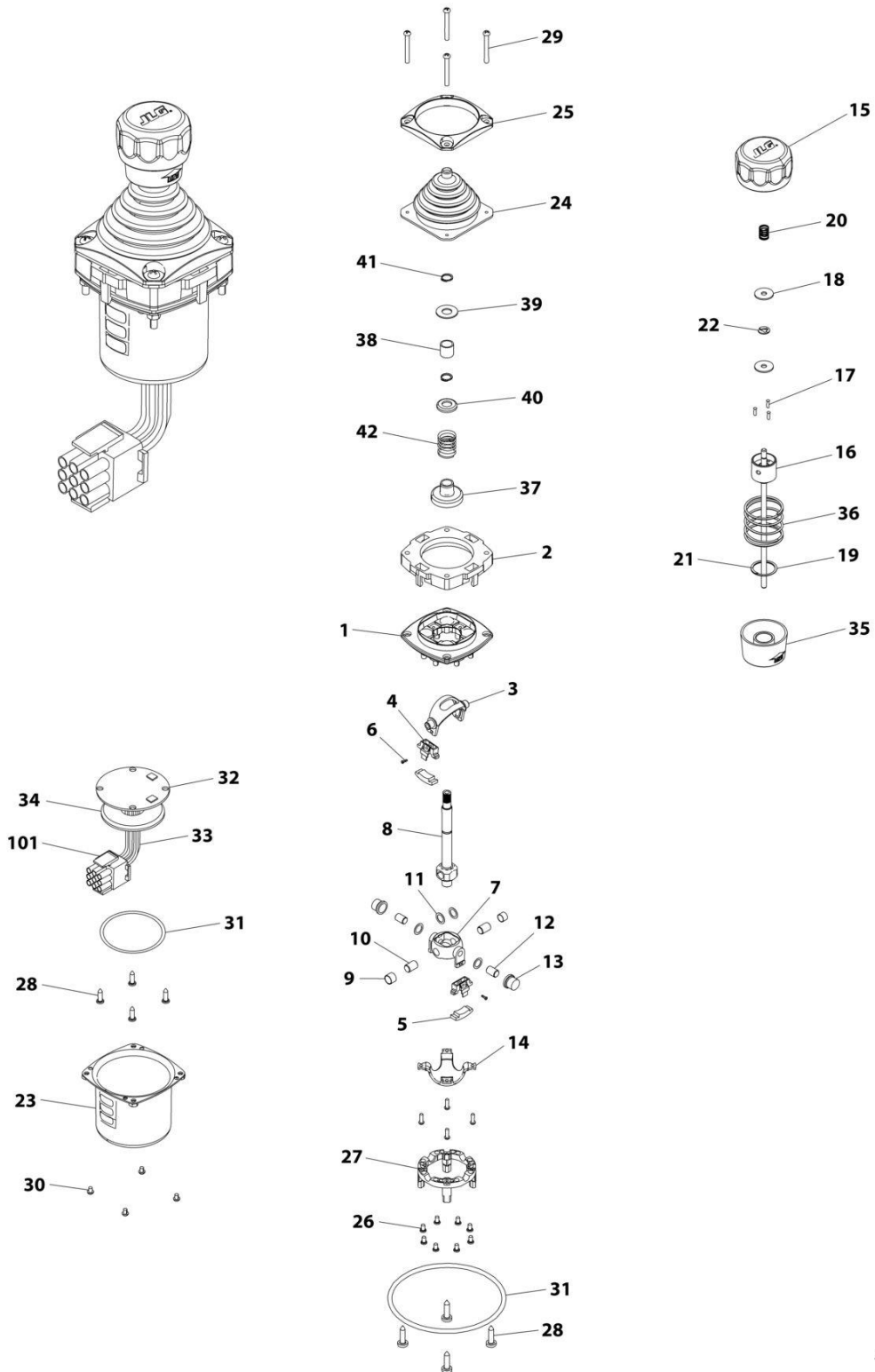
SECTION 5 - PLATFORM

FIGURE 5-21. CONTROLLER ASSEMBLY (DRIVE AND STEER)

ITEM	PART NUMBER	QTY	DESCRIPTION	REV
	1001166538	Ref	CONTROLLER ASSEMBLY - DRIVE AND STEER	G
		Ref	Note: For Replacement, Use p/n 1001212415.	
7	70004738	2	Washer	
10	70004739	1	Roller	
11	70004740	1	Boot, Switch	
14	70004741	2	Half, Handle	
17	70004742	1	Enclosure	
18	70004743	4	Nut	
19	70004744	NLA	Boot, Controller (Use p/n 70005230 Boot/Base Assembly)	
20	70004745	NLA	Tube, Locking (Use p/n 70005230 Boot/Base Assembly)	
21	70004746	NLA	Disc, Locking (Use p/n 70005230 Boot/Base Assembly)	
25	70004747	2	Seal, Rope	
26	70004748	1	Screw M3 x 6	
28	70004749	2	Screw M5 x 20	
29	70004750	1	Pin, Dowel	
30	70004751	4	Screw M3 x 16	
101	4460265	1	Connector - 9 Position	
101	4460226	7	Socket, Female	

SECTION 5 - PLATFORM

FIGURE 5-22. CONTROLLER ASSEMBLY (LIFT AND SWING)



ART_1001166539

SECTION 5 - PLATFORM

FIGURE 5-22. CONTROLLER ASSEMBLY (LIFT AND SWING)

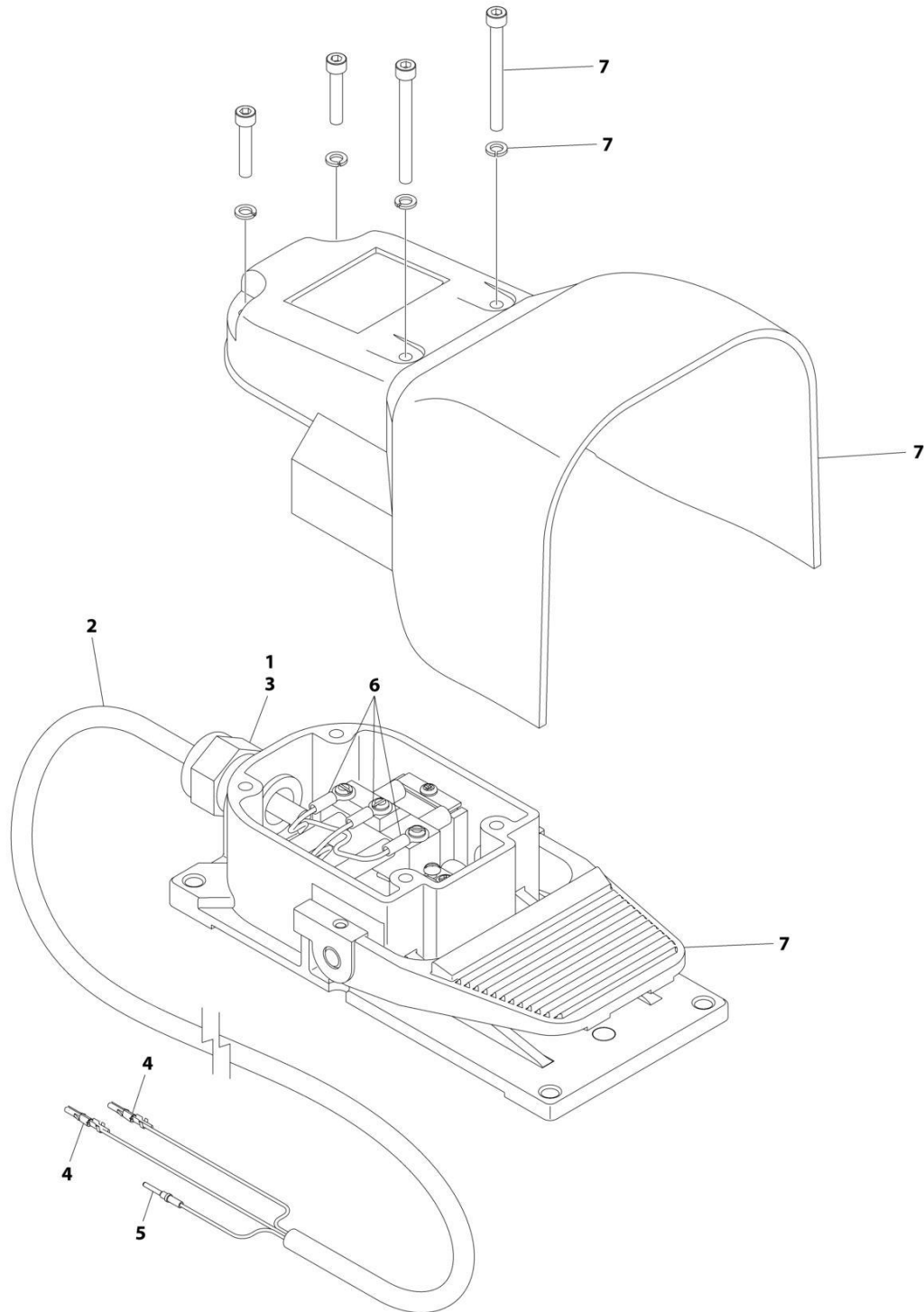
ITEM	PART NUMBER	QTY	DESCRIPTION	REV
	1001166539	Ref	CONTROLLER ASSEMBLY	E
		Ref	Note: Original Equipment Controller May Have Been Replaced with Service Replacement Controller. Visually Identify Controller Before Ordering Parts.	
		Ref	Note: For Replacement, Use p/n 1001129555	
1	See Note	NSS	Main Cast Body (Note: Not Available - Purchase Complete Assembly)	
2	70004752	1	Adapter	
3	See Note	NSS	Pivot Arm, Plastic (Note: Not Available - Purchase Complete Assembly)	
4	See Note	NSS	Holder, Magnet (Note: Not Available - Purchase Complete Assembly)	
5	See Note	NSS	Arc, Magnet (Note: Not Available - Purchase Complete Assembly)	
6	See Note	NSS	Screw (Note: Not Available for Purchase)	
7	See Note	NSS	Pivot Arm, Cast (Note: Not Available - Purchase Complete Assembly)	
8	See Note	NSS	Shaft, Main (Note: Not Available - Purchase Complete Assembly)	
9	See Note	NSS	Bearing (Note: Not Available - Purchase Complete Assembly)	
10	See Note	NSS	Pin (Note: Not Available - Purchase Complete Assembly)	
11	See Note	NSS	Shim (Note: Not Available - Purchase Complete Assembly)	
12	See Note	NSS	Pin (Note: Not Available - Purchase Complete Assembly)	
13	See Note	NSS	Bearing (Note: Not Available - Purchase Complete Assembly)	
14	See Note	NSS	Dome, Centering (Note: Not Available - Purchase Complete Assembly)	
15	70004753	1	Cap	
16	70004754	1	Insert, Cap	
17	70004755	3	Pin	
18	70004756	2	Washer	
19	70004757	1	Pin, Centering	
20	70004758	1	Spring	
21	70004759	1	Ring, Retaining	
22	70004760	1	E-Ring	
23	70004761	1	Can, Enclosure	
24	70004762	1	Boot	
25	70004763	1	Bezel	
26	See Note	NSS	Screw (Note: Not Available for Purchase)	
27	See Note	NSS	Base Mounting (Note: Not Available - Purchase Complete Assembly)	
28	See Note	NSS	Screw (Note: Not Available for Purchase)	
29	70004764	4	Screw	
30	70004765	4	Screw	
31	70004766	1	O-Ring	
32	See Note	NSS	Plate (Note: Not Available - Purchase Complete Assembly)	
33	See Note	NSS	Harness (Note: Not Available - Purchase Complete Assembly)	
34	70004767	1	Grommet, Rubber	
35	70004768	1	Housing	
36	70004769	1	Spring	
37	70004770	1	Stopper	
38	70004771	1	Spacer	
39	70004772	1	Washer	
40	70004773	1	Disc	

SECTION 5 - PLATFORM

ITEM	PART NUMBER	QTY	DESCRIPTION	REV
41	70004774	2	Ring, Retaining	
42	70004775	1	Spring	
101	4460265	1	Connector - 9 Position	
101	4460226	6	Socket, Female	

SECTION 5 - PLATFORM

FIGURE 5-23. FOOTSWITCH ASSEMBLY



ART_1001117174

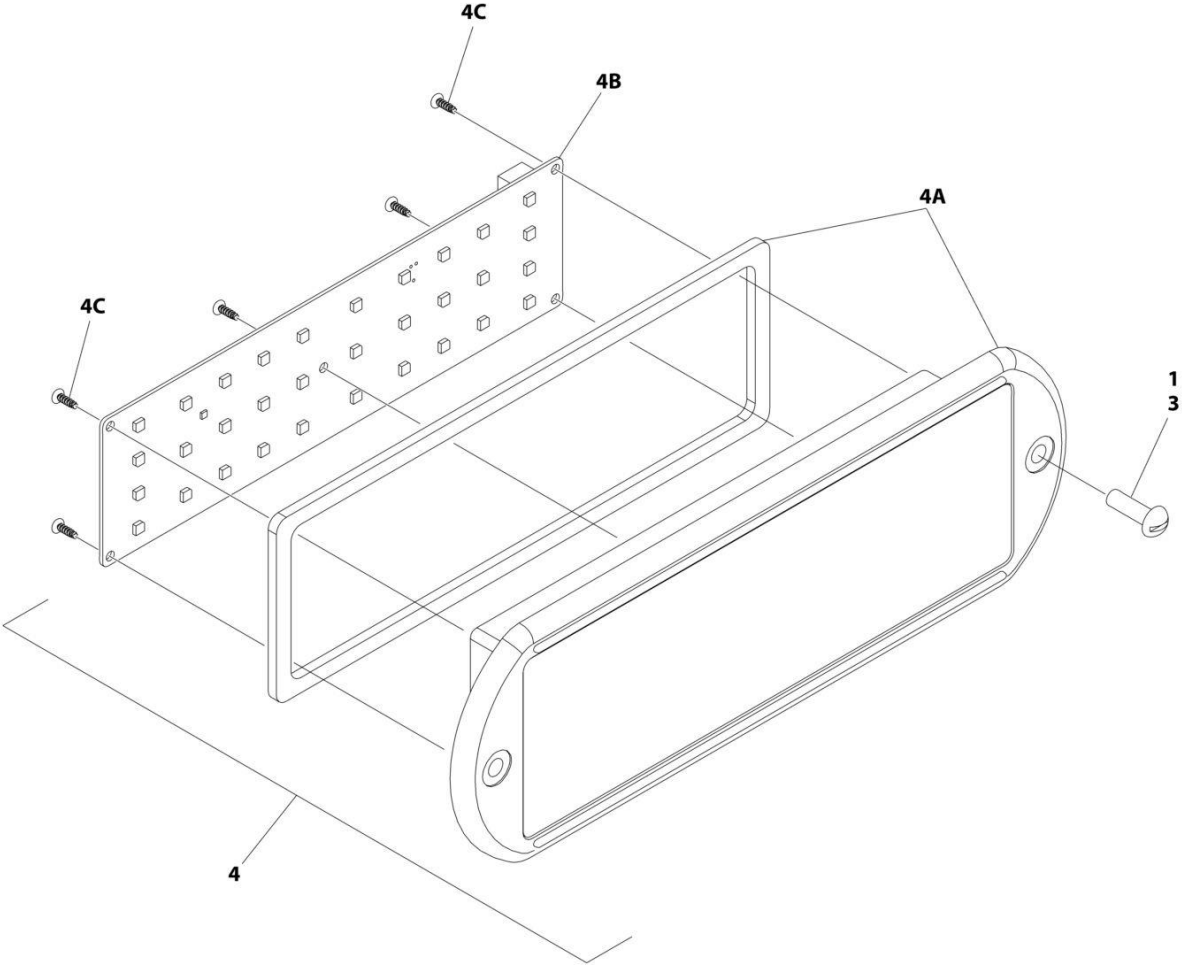
SECTION 5 - PLATFORM

FIGURE 5-23. FOOTSWITCH ASSEMBLY

ITEM	PART NUMBER	QTY	DESCRIPTION	REV
	1001117174	Ref	FOOTSWITCH ASSEMBLY	C
1	0100020	AR	Sealant	
2	1060918	7.5 ft/ 2.3m	Cable, Electrical - 18/3	
3	4460071	1	Connector, Strain Relief	
4	4460226	2	Socket, Female	
5	4460464	1	Pin, Male	
6	1001098122	3	Terminal	
7	1001117172	1	Footswitch	
7	70002902	1	Switch, 20Amp	
7	70002903	1	Gasket	
7	70002905	1	Cover	
7	70002904	1	Kit, Replacement Bolt	

SECTION 5 - PLATFORM

FIGURE 5-24. LIGHT PANEL INSTALLATION



ART_1001233959_20F2

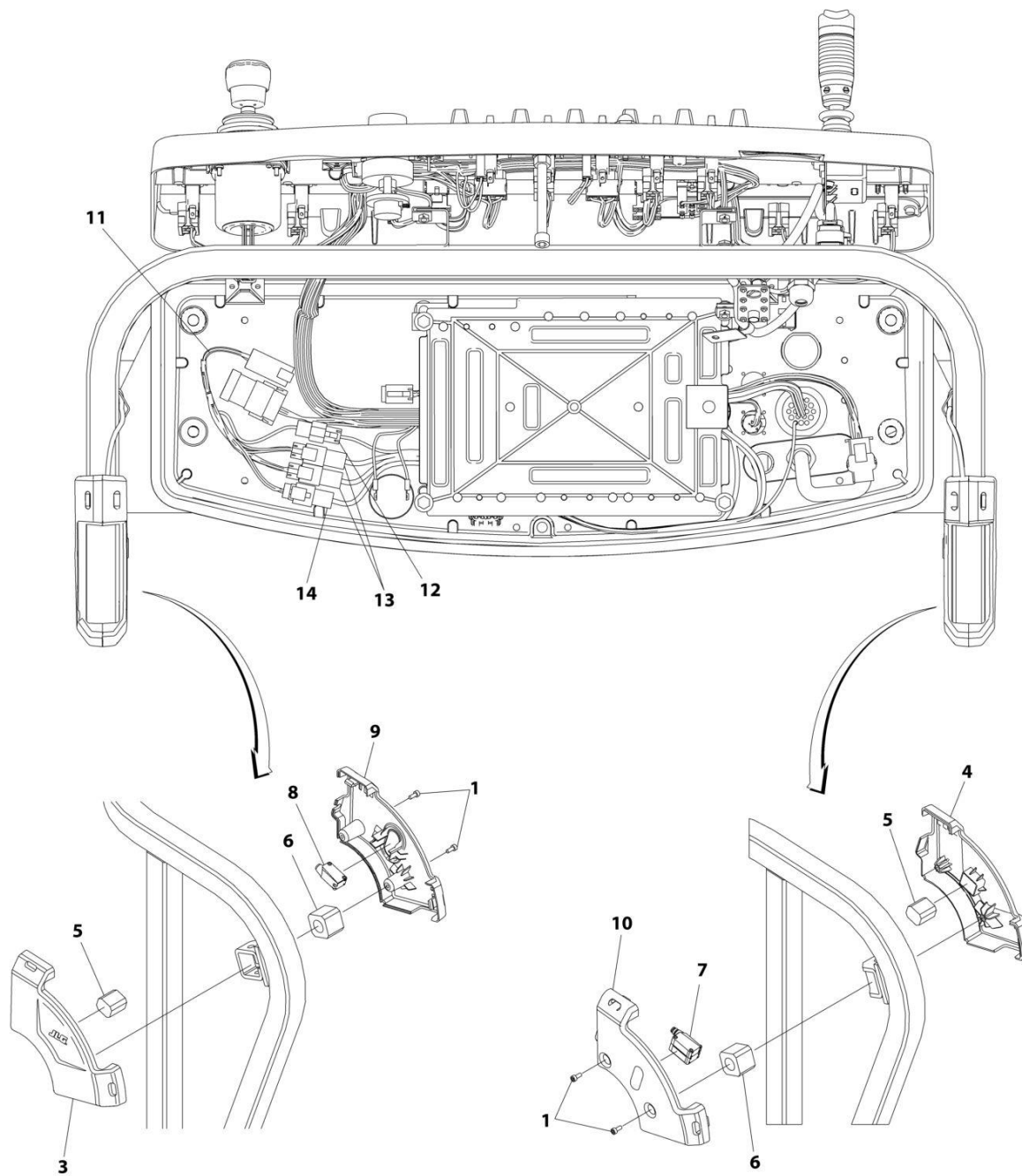
SECTION 5 - PLATFORM

FIGURE 5-24. LIGHT PANEL INSTALLATION

ITEM	PART NUMBER	QTY	DESCRIPTION	REV
	1001233959	Ref	LIGHT PANEL INSTALLATION - PLATFORM CONSOLE	C
1	0100035	AR	Compound, Locking	
3	0630518	2	Screw #10 x 3/4	
4	1001237544	1	Light Panel Assembly	
4A	1001236087	1	Lens, I-Con (Includes Gasket)	
4B	1001187807	1	Panel, LED Light	
4C		Ref	Screw	

SECTION 5 - PLATFORM

FIGURE 5-25. SKYEYE INSTALLATION



ART_1001229341

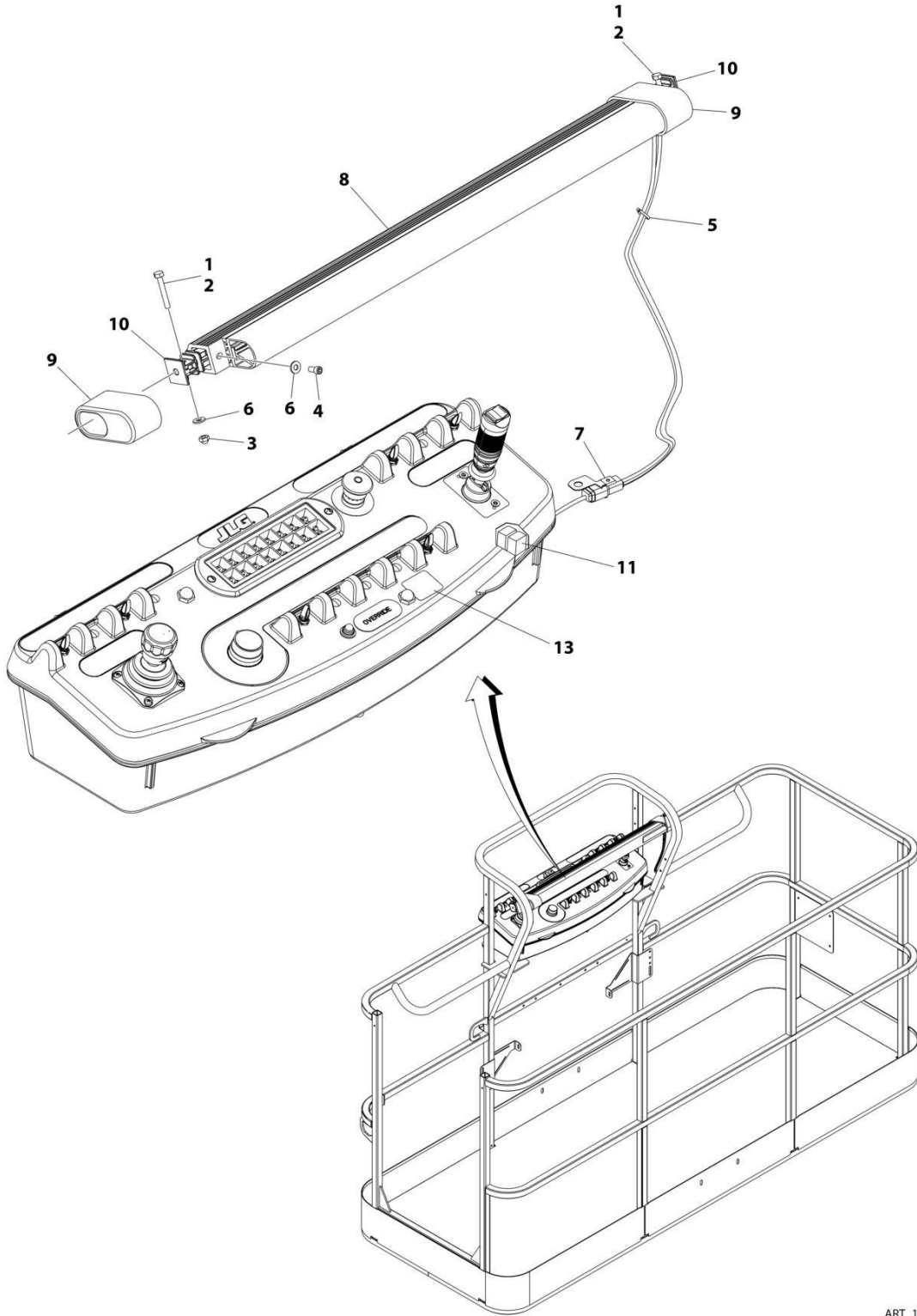
SECTION 5 - PLATFORM

FIGURE 5-25. SKYEYE INSTALLATION

ITEM	PART NUMBER	QTY	DESCRIPTION	REV
	1001229341	Ref	SKYEYE INSTALLATION	B
1	4031505	4	Bolt M4 x 10	
2	4240033	AR	Tie-Strap (Not Shown)	
3	1001227633	1	Housing, LH Outer	
4	1001227634	1	Housing, RH Outer	
5	1001227985	2	Shim	
6	1001227987	2	Shim	
7	1001228224	2	Sensor, Receiver	
8	1001228225	1	Sensor, Emitter	
9	1001232164	1	Housing, LH Inner	
10	1001232165	1	Housing, RH Inner	
11	1001237865	1	Harness, Skyeeye Intermediate (See Separate Breakdown in ELECTRICAL Section)	
12	1001238319	NLA	Harness, Skyeeye Drain Jumper	
12	1001187674	1	Plug, Male - 2 Position	
12	4460942	1	Terminal	
12	4460466	1	Plug, Terminal	
12	4460508	1	Pin, Male	
13	1001237863	2	Harness, Skyeeye Receiver (See Separate Breakdown in ELECTRICAL Section)	
14	1001237864	1	Harness, Skyeeye Emitter (See Separate Breakdown in ELECTRICAL Section)	

SECTION 5 - PLATFORM

FIGURE 5-26. SKYGUARD BAR INSTALLATION



ART_1001238495

SECTION 5 - PLATFORM

FIGURE 5-26. SKYGUARD BAR INSTALLATION

ITEM	PART NUMBER	QTY	DESCRIPTION	REV
	1001238495	Ref	SKYGUARD BAR INSTALLATION	A
1	0100011	AR	Compound, Locking	
2	0641414	2	Bolt 1/4 x 1-3/4	
3	3300430	2	Nut 1/4	
4	3931408	2	Capscrew 1/4 x 1/2	
5	4240033	8	Tie-Strap	
6	4711400	6	Washer 1/4	
7	1001120328	1	Mount	
8	1001137673	1	SkyGuard Switch Assembly	
9	1001186517	2	Cover, Platform Sensor	
10	1001209664	2	Support, Block	
11	1001186431	2	Relay	
12	1001225580	1	Interface Harness Assembly (Not Shown - Located Inside Console Box) (See Separate Breakdown in ELECTRICAL Section)	
13	1001144433	1	Decal - No Weight SkyGuard	

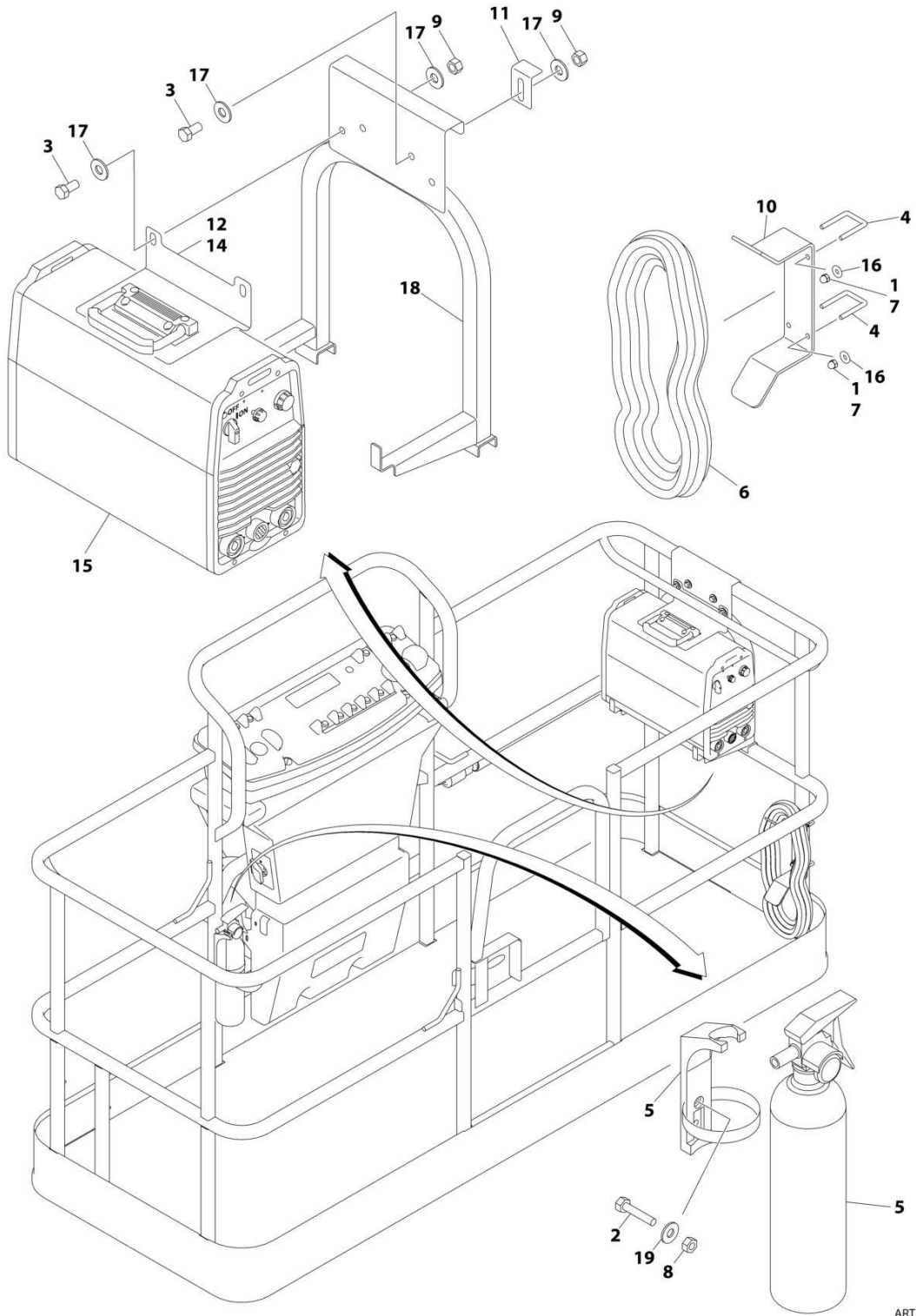
SECTION 5 - PLATFORM

FIGURE 5-27. SKYLINE INSTALLATION

ITEM	PART NUMBER	QTY	DESCRIPTION	REV
	1001238559	Ref	SKYLINE INSTALLATION	B
1	0641404	2	Bolt 1/4 x 1/2	
2	0641405	2	Bolt 1/4 x 5/8	
3	3311405	2	Nut 1/4	
4	3311601	2	Nut 3/8	
5	4031516	2	Capscrew M4 x 60	
6	4240033	AR	Tie-Strap (Not Shown)	
7	4711400	4	Washer 1/4	
8	1001120328	1	Mount	
9	1001232642	1	Bracket	
10	1001232650	1	Magnet	
11	1001232667	1	Sensor, Proximity	
12	1001235011	1	Nut	
13	1001235013	1	Washer	
14	1001236552	1	Block	
15	1001238418	1	Harness, Skyline (See Separate Breakdown in ELECTRICAL Section)	
16	1001238472	1	Mount	
17	1001238477	1	Housing, LH	
18	1001241965	1	Housing, RH	
19	1001238824	1	Rope	
20	0100011	AR	Compound, Locking	

SECTION 5 - PLATFORM

FIGURE 5-28. SKYWELDER INSTALLATION (50HZ)



ART_0272521_F

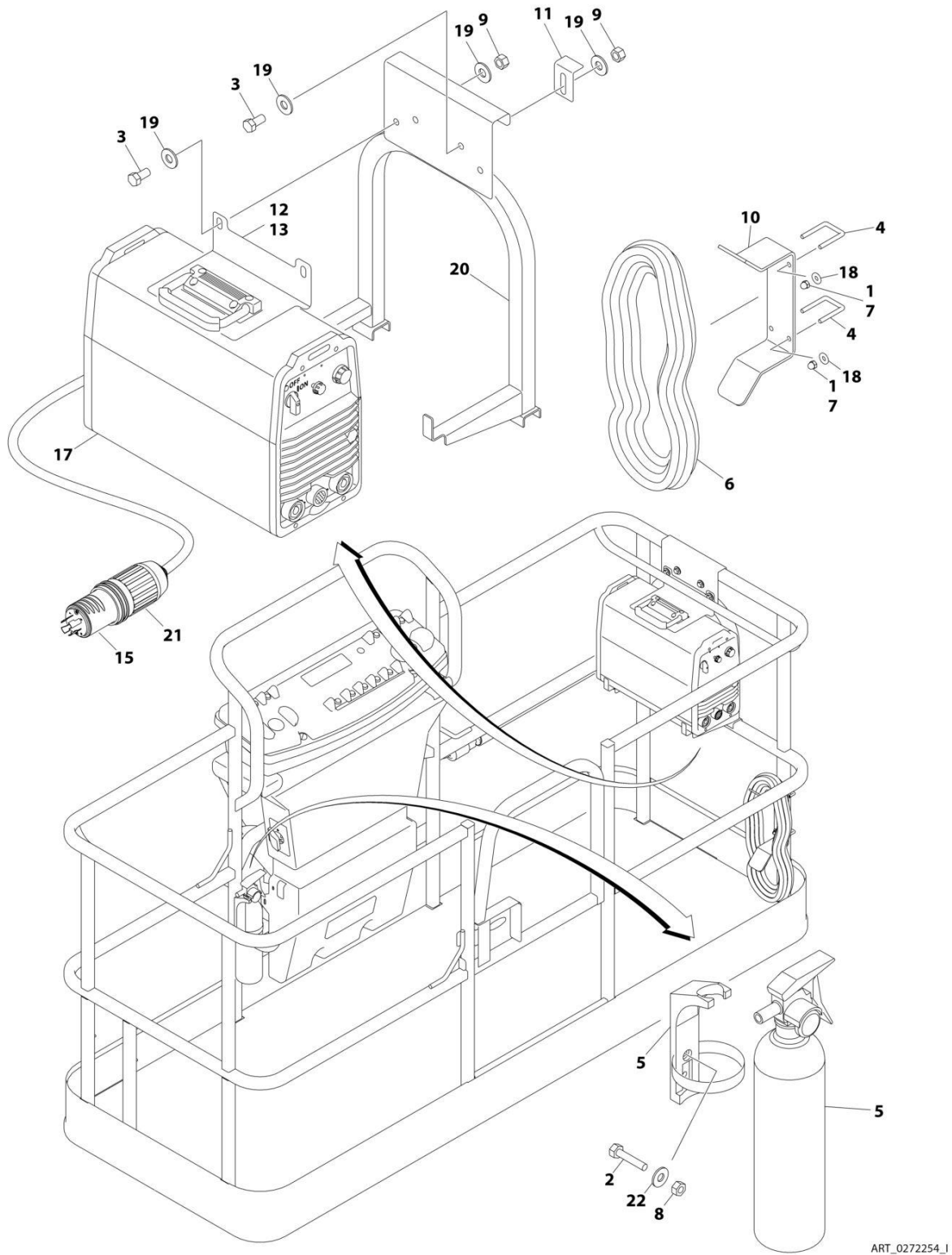
SECTION 5 - PLATFORM

FIGURE 5-28. SKYWELDER INSTALLATION (50HZ)

ITEM	PART NUMBER	QTY	DESCRIPTION	REV
	0272521	Ref	SKYWELDER INSTALLATION	F
1	0100011	AR	Compound, Locking	
2	0630518	2	Screw #10 x 3/4	
3	0641606	4	Bolt 3/8 x 3/4	
4	1320302	2	U-Clamp	
5	2030010	1	Extinguisher, Fire	
6	2902217	1	Weld Leads Kit	
7	3300151	4	Nut 1/4	
8	3311005	2	Nut #10	
9	3311605	4	Nut 3/8	
10	3573400	1	Bracket	
11	3577121	2	Angle	
12	3573642	1	Plate	
13	4240099	AR	Tie-Strap (Not Shown)	
14	4420037	AR	Tape	
15	4530028	1	Welder Assembly (See Separate Breakdown in this Section)	
16	4751400	4	Washer 1/4	
17	4751600	8	Washer 3/8	
18	4846627	1	Support	
19	4751000	2	Washer #10	

SECTION 5 - PLATFORM

FIGURE 5-29. SKYWELDER INSTALLATION (60HZ)



ART_0272254_I

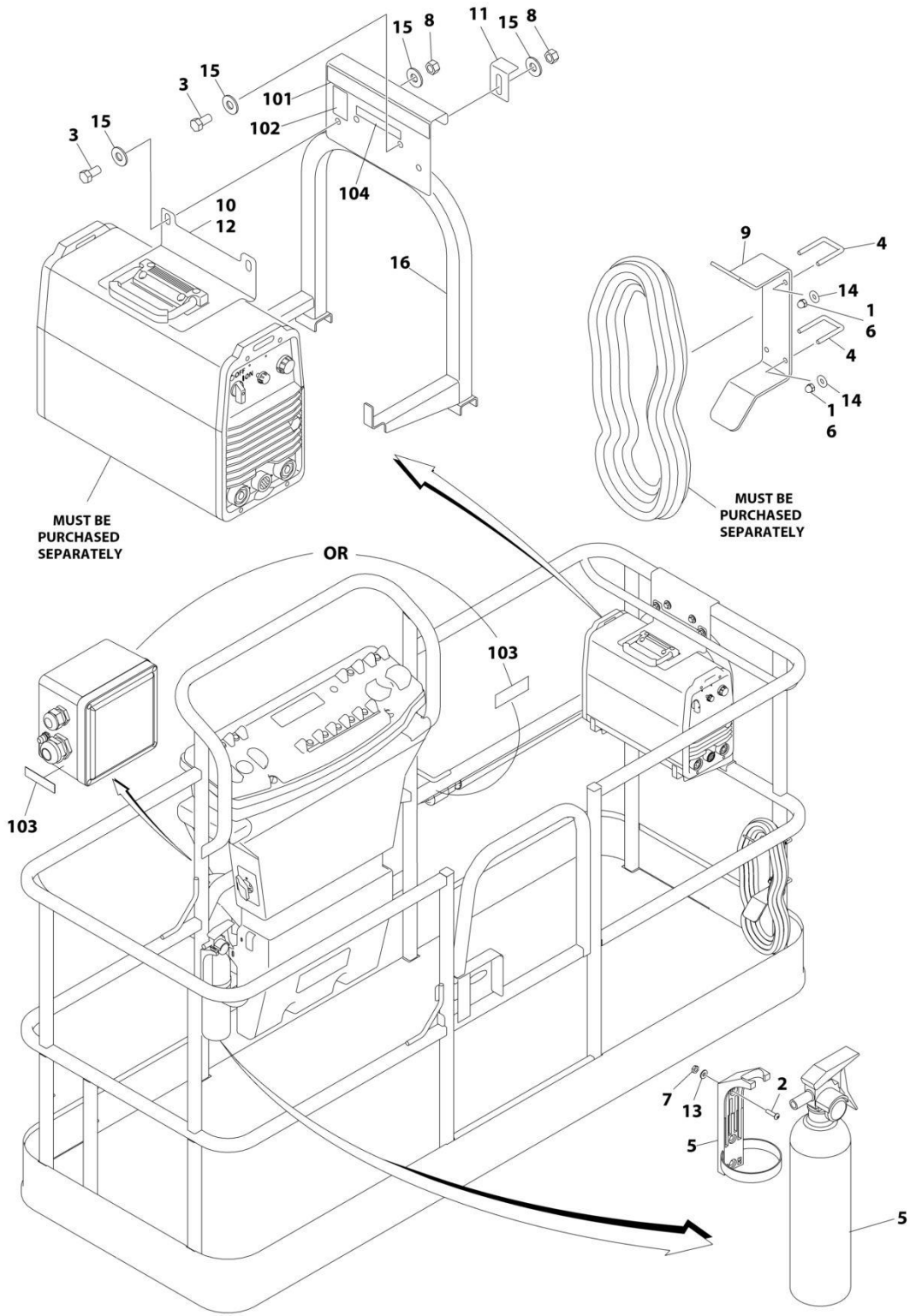
SECTION 5 - PLATFORM

FIGURE 5-29. SKYWELDER INSTALLATION (60HZ)

ITEM	PART NUMBER	QTY	DESCRIPTION	REV
	0272254	Ref	SKYWELDER INSTALLATION	1
1	0100011	AR	Compound, Locking	
2	0630518	2	Screw #10 x 3/4	
3	0641606	4	Bolt 3/8 x 3/4	
4	1320302	2	U-Clamp	
5	2030010	1	Extinguisher, Fire	
6	2902217	1	Weld Leads Kit	
7	3300151	4	Nut 1/4	
8	3311005	2	Nut #10	
9	3311605	4	Nut 3/8	
10	3573400	1	Bracket	
11	3577121	2	Angle	
12	3573642	1	Plate	
13	4420037	AR	Tape	
14	4240099	AR	Tie-Strap (Not Shown)	
15	4460962	1	Plug, Male Twistlock	
17	4530028	1	Welder Assembly (See Separate Breakdown in this Section)	
18	4751400	4	Washer 1/4	
19	4751600	8	Washer 3/8	
20	4846627	1	Support	
21	1671093	1	Cover, Plug	
22	4751000	2	Washer #10	

SECTION 5 - PLATFORM

FIGURE 5-30. SKYWELDER PREP PACKAGE (60HZ)



ART_1001128527_B

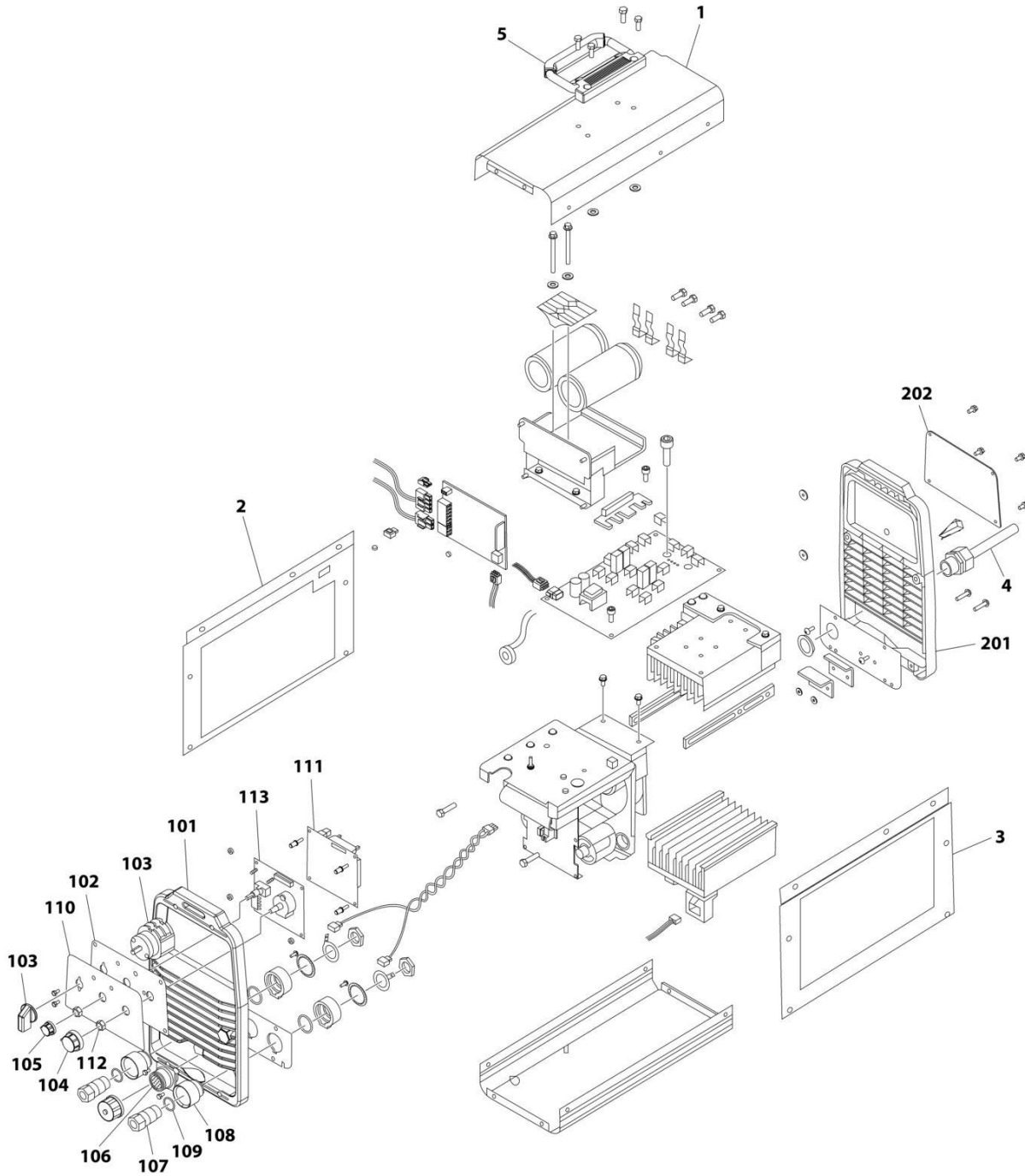
SECTION 5 - PLATFORM

FIGURE 5-30. SKYWELDER PREP PACKAGE (60HZ)

ITEM	PART NUMBER	QTY	DESCRIPTION	REV
	1001128527	Ref	SKYWELDER PREP PACKAGE	B
1	0100011	AR	Compound, Locking	
2	0630518	2	Screw #10 x 3/4	
3	0641606	4	Bolt 3/8 x 3/4	
4	1320302	2	U-Clamp	
5	2030010	1	Extinguisher, Fire	
6	3300151	4	Nut 1/4	
7	3311005	2	Nut #10	
8	3311605	4	Nut 3/8	
9	3573400	1	Bracket	
10	3573642	1	Plate	
11	3577121	2	Angle	
12	4420037	AR	Tape	
13	4751000	2	Washer #10	
14	4751400	4	Washer 1/4	
15	4751600	8	Washer 3/8	
16	4846627	1	Support	
	1001128556	Ref	SKYWELDER DECAL INSTALLATION	C
101	1702868	1	Decal - No Hands	
102	1705305	1	Decal - Weld Lead	
103	1705375	1	Decal - 240V - 3 Phase - 60Hz	
104	1001228988	1	Decal - Weight	

SECTION 5 - PLATFORM

FIGURE 5-31. WELDER ASSEMBLY



ART_4530028

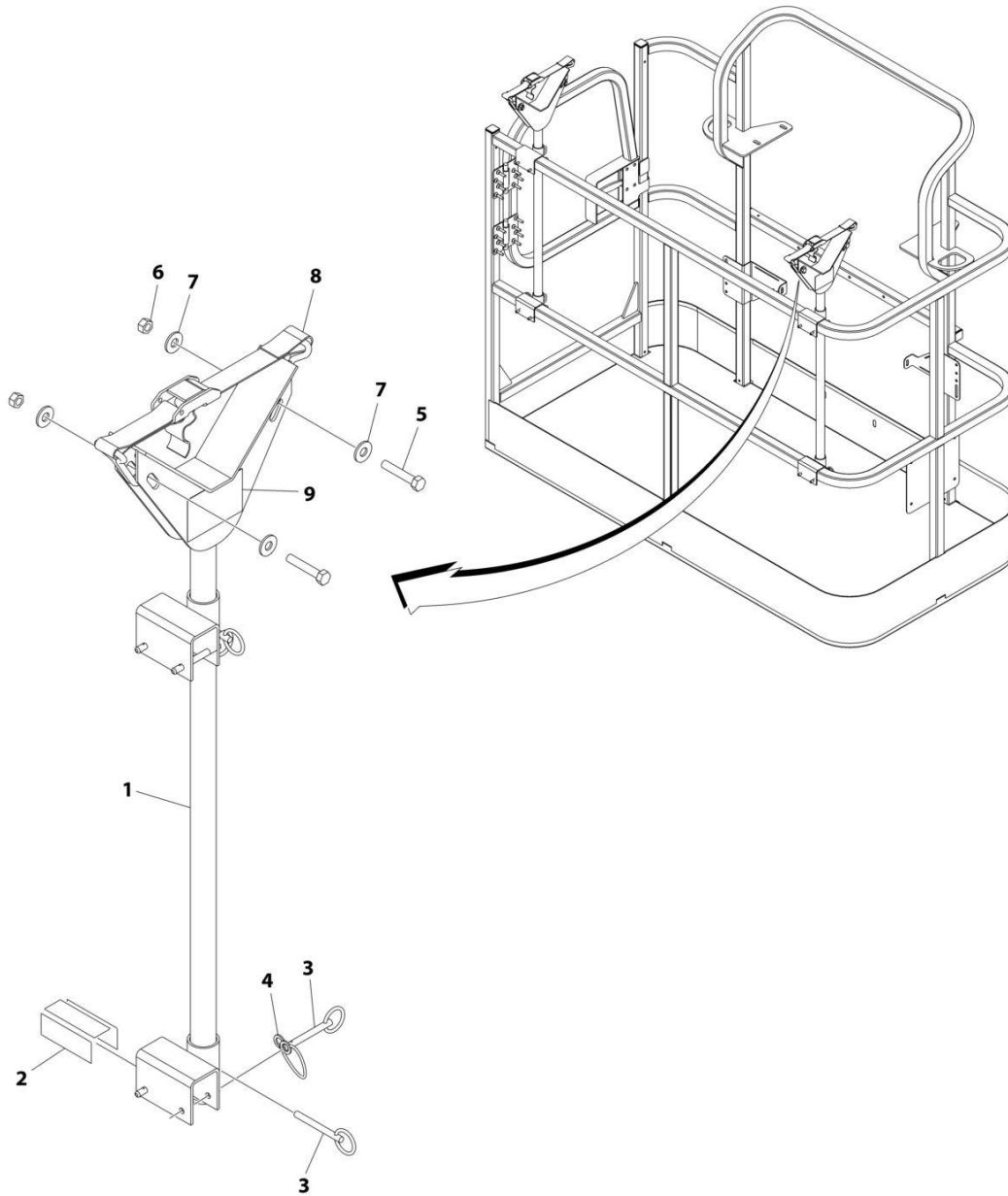
SECTION 5 - PLATFORM

FIGURE 5-31. WELDER ASSEMBLY

ITEM	PART NUMBER	QTY	DESCRIPTION	REV
	4530028	Ref	WELDER ASSEMBLY	B
		Ref	Note: For Other Components, contact your Miller Welder Dealer.	
1	7027773	1	Cover, Top	
1	7027774	1	Decal - Static Precautionary Warning	
2	See Note	NSS	Panel, LH Side (Note: Part of Item 1. Purchase Item 1)	
3	See Note	NSS	Panel, RH Side (Note: Part of Item 1. Purchase Item 1)	
4	7024467	1	Cable, Power	
4	7027775	1	Decal - Electrical Shock Warning (Not Shown)	
5	7027776	1	Handle, Carrying	
101	7024462	1	Panel, Front	
102	7024463	1	Panel, Console	
103	7024469	1	Switch with Lead	
104	7024470	1	Knob	
105	7024471	1	Knob	
106	7024472	1	Receptacle with Leads and Plugs	
107	7024473	2	Receptacle, Twistlock Female	
108	7024474	2	Insulator	
109	7024475	2	O-Ring	
110	7027777	1	Nameplate	
111	7027779	1	Circuit Card Assembly (Process Control)	
112	7024478	2	Nut	
113	7027778	1	Circuit Card Assembly (Operator Interface)	
201	7024462	1	Panel, Rear	
202	7027780	1	Panel, Cover	

SECTION 5 - PLATFORM

FIGURE 5-32. PIPE RACK INSTALLATION (ALL SPECS EXCEPT AUSTRALIAN SPECS)



ART_0257728

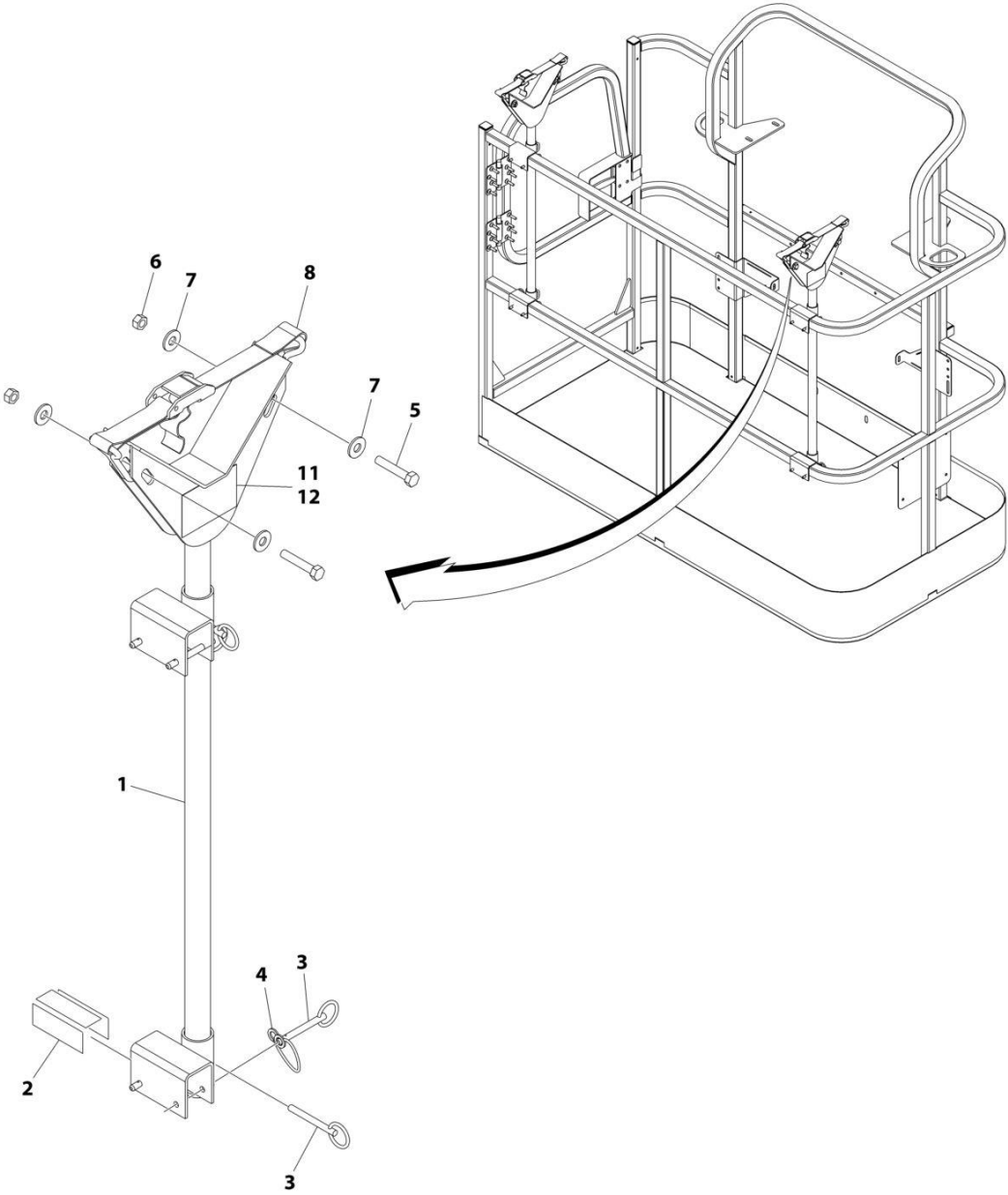
SECTION 5 - PLATFORM

FIGURE 5-32. PIPE RACK INSTALLATION (ALL SPECS EXCEPT AUSTRALIAN SPECS)

ITEM	PART NUMBER	QTY	DESCRIPTION	REV
	0257728	Ref	PIPE RACK INSTALLATION	3/E
1	4845582	2	Rack, Pipe	
2	4420062	AR	Tape	
3	3422661	10	Pin	
4	1060379	4	Lanyard	
5	0641514	4	Bolt 5/16 x 1-3/4	
6	3311505	4	Nut 5/16	
7	4751500	8	Washer 5/16	
8	0480100	2	Tie-Down	
11	1001252946	2	Decal - Tube Rack Cap (1)	
12	1001252947	2	Decal - Tube Rack Cap (2)	

SECTION 5 - PLATFORM

FIGURE 5-33. PIPE RACK INSTALLATION (AUSTRALIAN SPECS)



ART_0274661_C

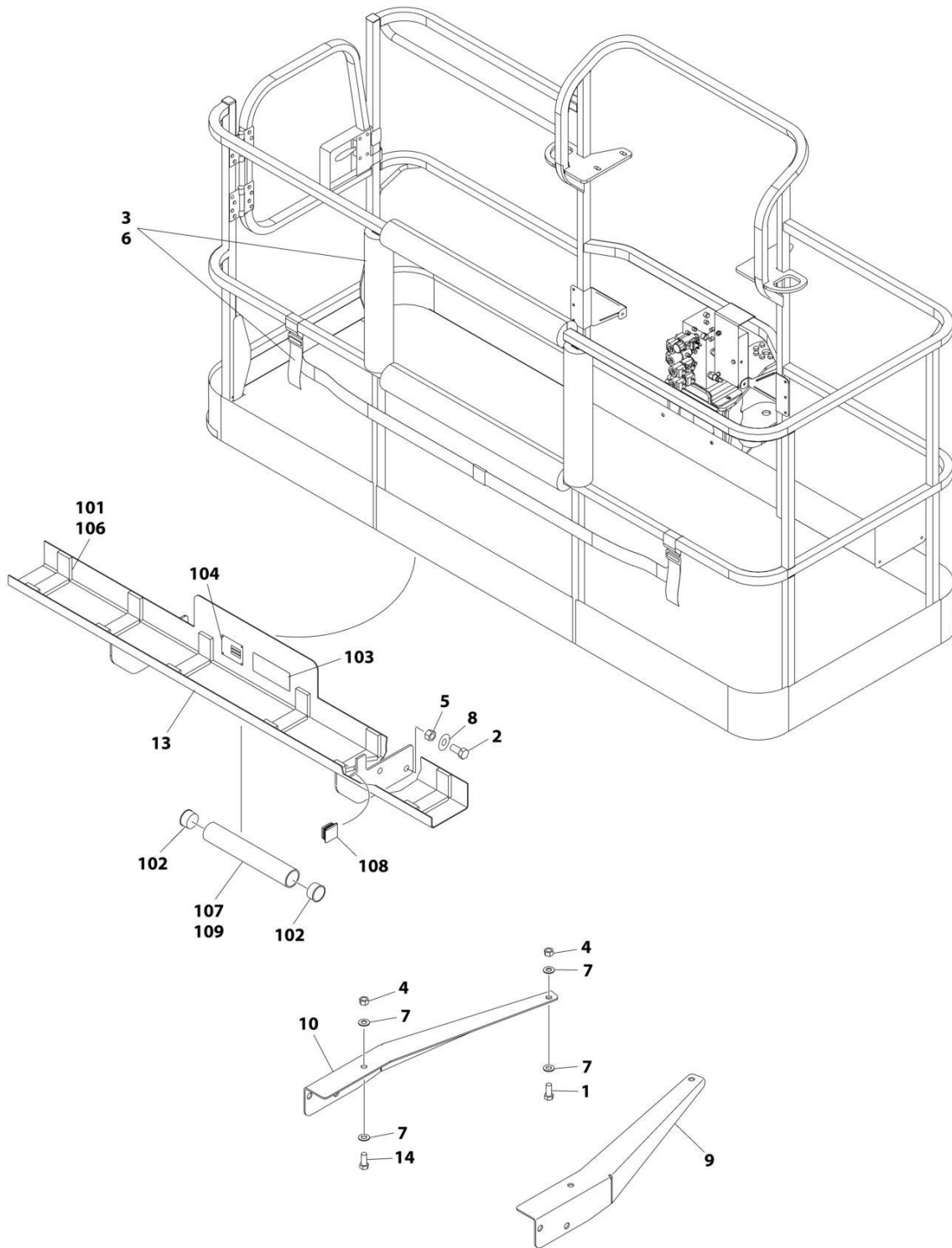
SECTION 5 - PLATFORM

FIGURE 5-33. PIPE RACK INSTALLATION (AUSTRALIAN SPECS)

ITEM	PART NUMBER	QTY	DESCRIPTION	REV
	0274661	Ref	PIPE RACK INSTALLATION	C
1	4845582	2	Rack, Pipe	
2	4420062	AR	Tape	
3	3422661	10	Pin	
4	1060379	4	Lanyard	
5	0641514	4	Bolt 5/16 x 1-3/4	
6	3311505	4	Nut 5/16	
7	4751500	8	Washer 5/16	
8	0480100	2	Tie-Down	
12	1001252947	2	Decal - Capacity (2) (660-1000LBSS/299-454KG Zones)	

SECTION 5 - PLATFORM

FIGURE 5-34. SKYGLAZIER INSTALLATION (OPTIONAL) (NOT AVAILABLE ON ALL SPECS)



ART_1001172578

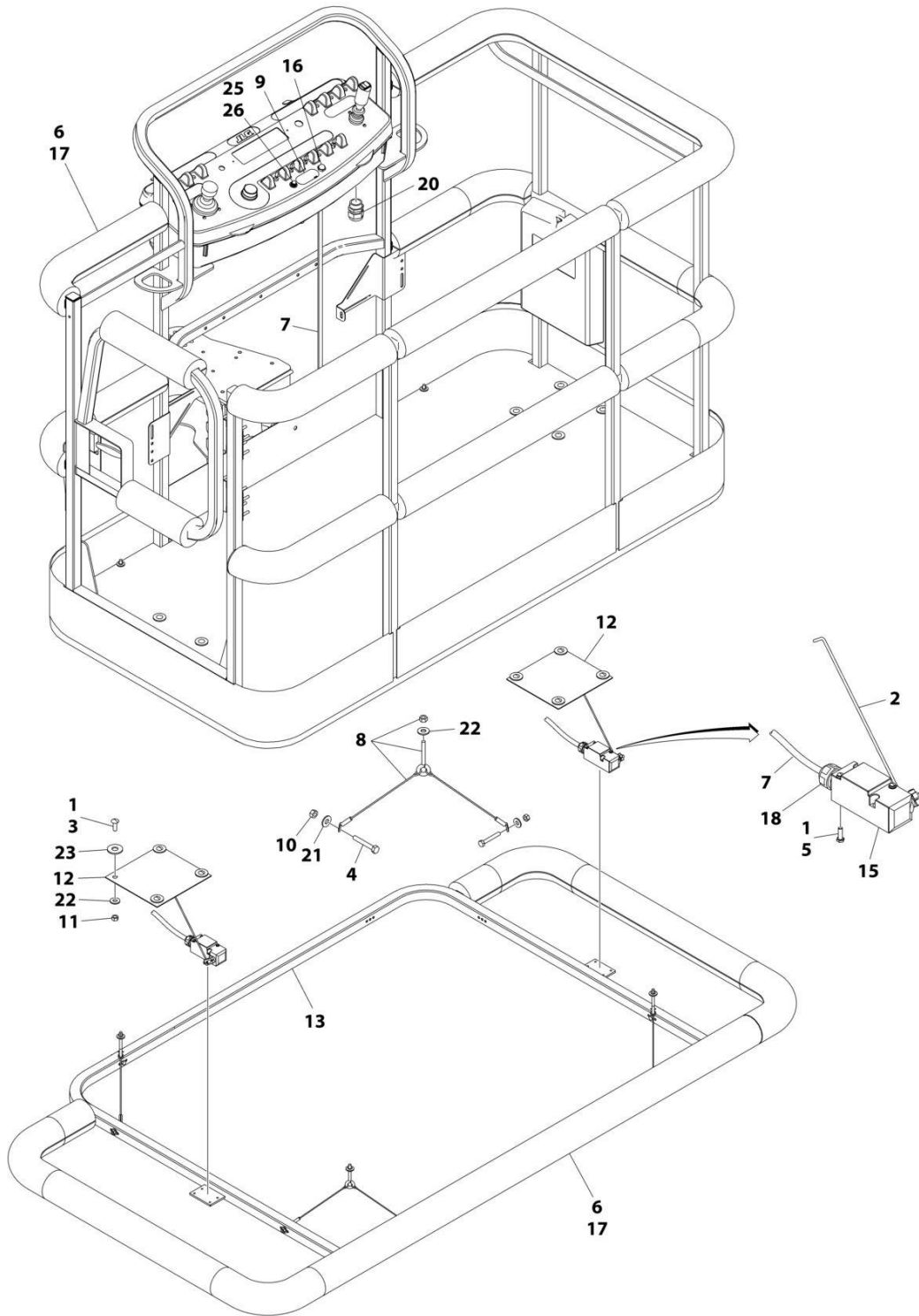
SECTION 5 - PLATFORM

FIGURE 5-34. SKYGLAZIER INSTALLATION (OPTIONAL) (NOT AVAILABLE ON ALL SPECS)

ITEM	PART NUMBER	QTY	DESCRIPTION	REV
	1001172578	Ref	SKYGLAZIER INSTALLATION	C
1	0642012	2	Bolt 5/8 x 1-1/2	
2	0642212	4	Bolt 3/4 x 1-1/2	
3	2902212	1	Bumpers and Strap Kit	
3	0940102	1	Bumper Only	
3	4240149	1	Strap Only	
4	3312005	1	Nut 5/8	
5	3312205	4	Nut 3/4	
6	4420014	AR	Tape	
7	4712000	6	Washer 5/8	
8	4712200	8	Washer 3/4	
9	1001099366	1	Support	
10	1001099367	1	Support	
13	1001172577	1	Tray Assembly (See Items 101-111 for Breakdown)	
14	8310129	2	Bolt 3/4 x 2-1/2	
	1001172577	Ref	TRAY ASSEMBLY	C
101	0100081	AR	Adhesive	
102	1120555	2	Cap, Tube	
103	1701509	1	Decal - Manual	
104	See Note	NSS	Nameplate - Serial Number (Note: Not Available for Purchase)	
106	3340956	1	Pad Kit	
107	3460334	1	Tube	
108	3520071	2	Plug	
109	4420066	AR	Tape, Double Sided	

SECTION 5 - PLATFORM

FIGURE 5-35. SOFT TOUCH INSTALLATION - 6FT (1.83M) PLATFORM (OPTIONAL)



ART_0273824

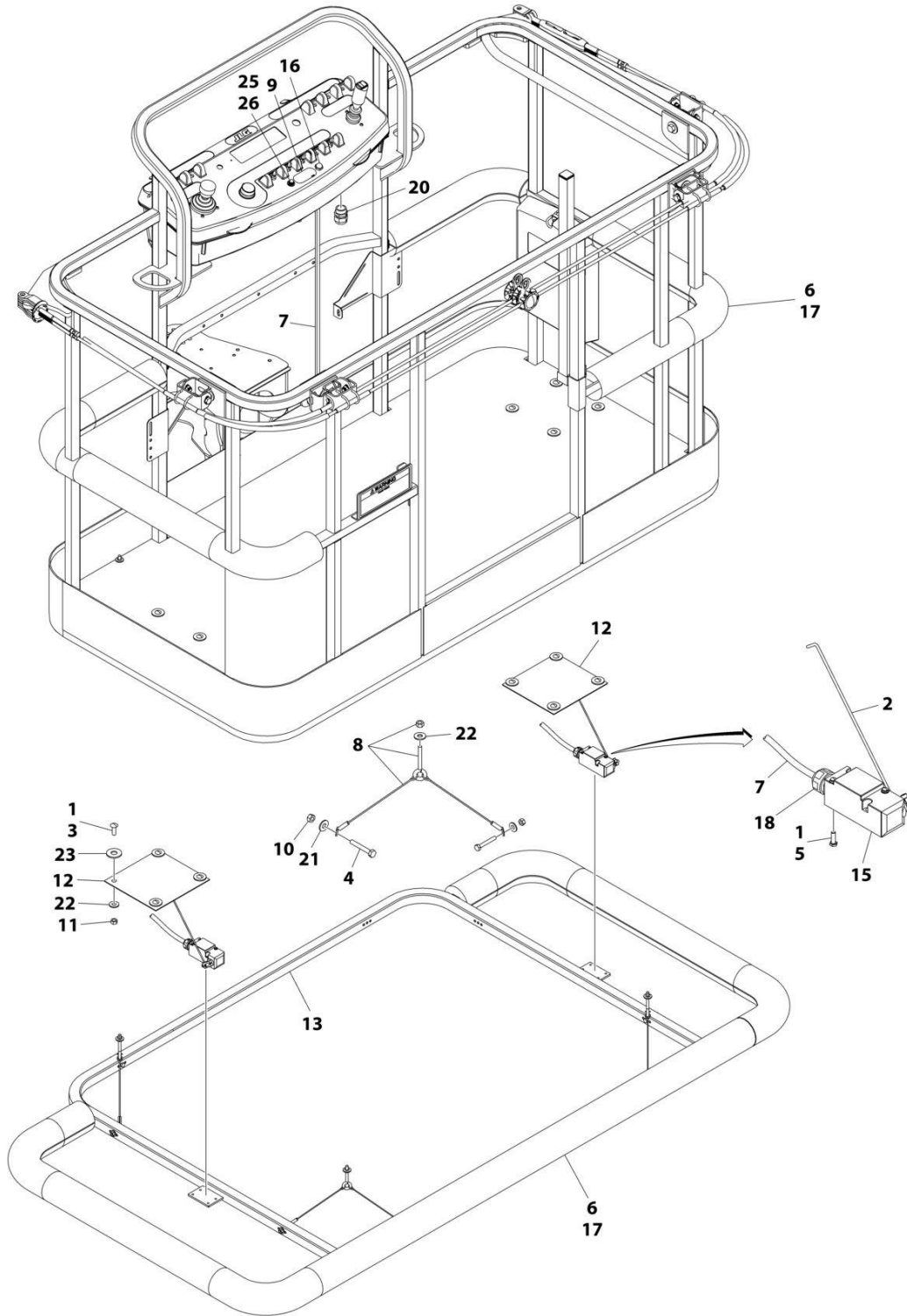
SECTION 5 - PLATFORM

FIGURE 5-35. SOFT TOUCH INSTALLATION - 6FT (1.83M) PLATFORM (OPTIONAL)

ITEM	PART NUMBER	QTY	DESCRIPTION	REV
	0273824	Ref	SOFT TOUCH SYSTEM INSTALLATION	D
1	0100011	AR	Compound, Locking	
2	0200048	2	Arm, Switch	
3	0630462	8	Bolt	
4	0641414	8	Bolt 1/4 x 1-3/4	
5	0731005	4	Bolt #10 x 5/8	
6	0940134	1	Bumper Kit (Includes Corners and Enough Straight Material for One Platform)	
6	0940092	AR	Bumper (Corner)	
6	0940094	AR	Bumper (12ft Length)	
7	1060341	23 ft/7m	Cable, Soft Touch - 16/2	
8	1060903	4	Wire Rope and Eyebolt Assembly	
9	1702938	1	Decal - Soft Touch Override	
10	3311401	8	Nut 1/4	
11	3311501	8	Nut 5/16	
12	3575359	2	Plate, Switch Strike	
13	3641569	1	Rail, Soft Touch	
14	4240099	7	Tie-Strap (Not Shown)	
15	4360057	2	Switch, Limit	
16	4360387	1	Switch, Push Button	
17	4420068	AR	Tape, Adhesive	
17	1001197017	AR	Tie-Strap	
18	4460049	2	Connector, Strain Relief	
19	4460234	7	Tie-Strap (Not Shown)	
20	4460425	1	Connector, Strain Relief	
21	4751400	8	Washer 1/4	
22	4751500	12	Washer 5/16	
23	4751800	8	Washer 1/2	
24	4933218	1	Wiring Diagram (Not Shown - Reference Only)	
25	2920028	1	Light, Indicator	
26	2920029	1	Bulb, Light	

SECTION 5 - PLATFORM

FIGURE 5-36. SOFT TOUCH INSTALLATION - 6FT (1.83M) FALL ARREST PLATFORM (600S) (OPTIONAL)



ART_1001108256

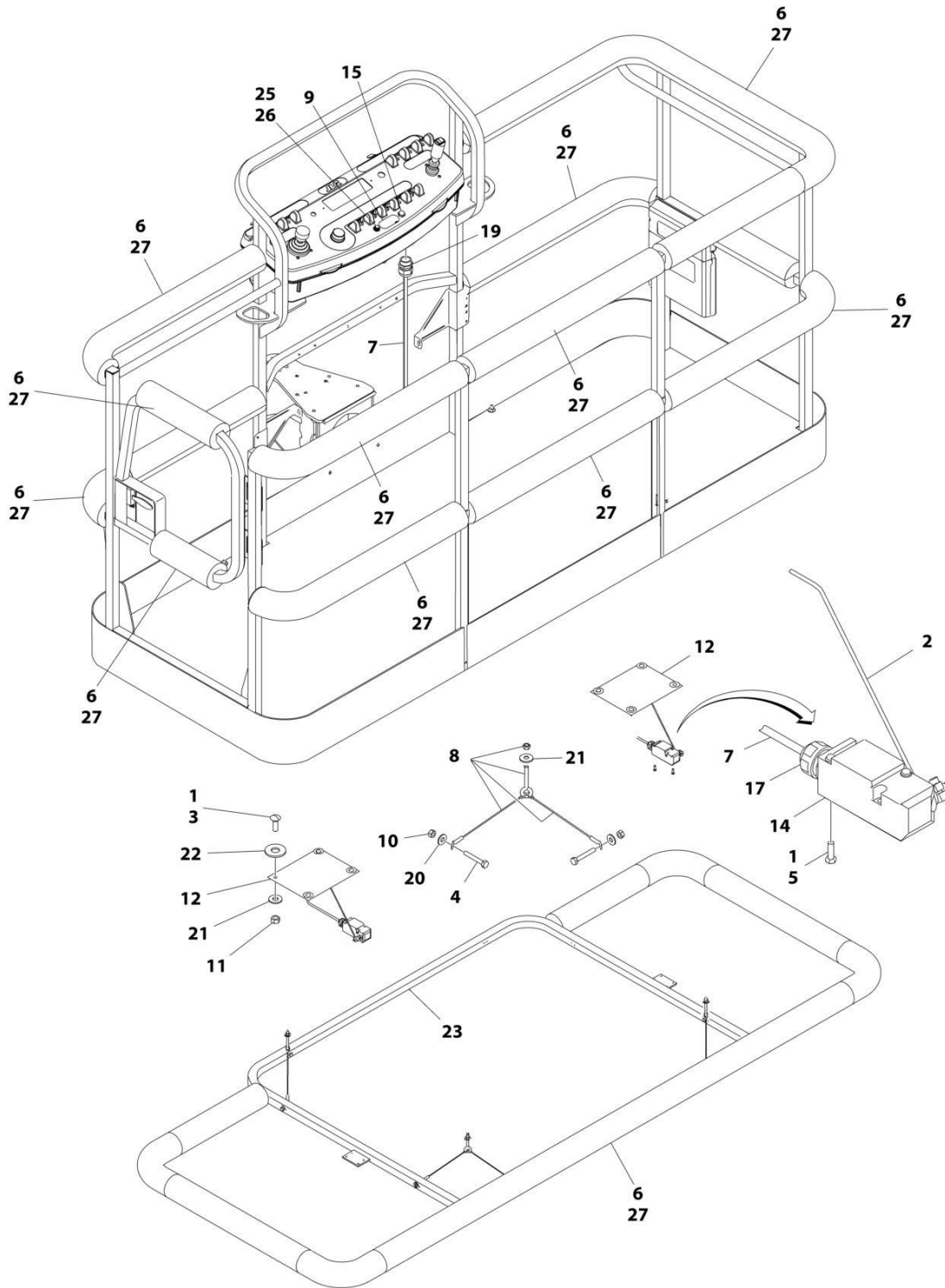
SECTION 5 - PLATFORM

**FIGURE 5-36. SOFT TOUCH INSTALLATION - 6FT (1.83M) FALL ARREST PLATFORM (600S)
(OPTIONAL)**

ITEM	PART NUMBER	QTY	DESCRIPTION	REV
	1001108256	Ref	SOFT TOUCH INSTALLATION	C
1	0100011	AR	Compound, Locking	
2	0200048	2	Arm, Switch	
3	0630462	8	Bolt	
4	0641414	8	Bolt 1/4 x 1-3/4	
5	0731005	4	Bolt #10 x 5/8	
6	0940177	1	Bumper Kit (Includes Corners and Enough Straight Material for One Platform)	
6	0940092	8	Bumper (Corner)	
6	0940094	AR	Bumper (12ft Length)	
7	1060341	23 ft/7m	Cable, Soft Touch - 16/2	
8	1060903	4	Wire Rope and Eyebolt Assembly	
9	1702938	1	Decal - Soft Touch Override	
10	3311401	8	Nut 1/4	
11	3311501	8	Nut 5/16	
12	3575359	2	Plate, Switch Strike	
13	3641569	1	Rail, Soft Touch	
14	4240099	7	Tie-Strap (Not Shown)	
15	4360057	2	Switch, Limit	
16	4360387	1	Switch, Push Button	
17	4420068	AR	Tape, Adhesive	
17	1001197017	AR	Tie-Strap	
18	4460049	2	Connector, Strain Relief	
19	4460234	7	Tie-Strap (Not Shown)	
20	4460425	1	Connector, Strain Relief	
21	4751400	8	Washer 1/4	
22	4751500	9	Washer 5/16	
23	4751800	8	Washer 1/2	
25	2920028	1	Light, Indicator	
26	2920029	1	Bulb, Light	

SECTION 5 - PLATFORM

FIGURE 5-37. SOFT TOUCH INSTALLATION - 8FT (2.4M) PLATFORM (OPTIONAL)



ART_0272427_G

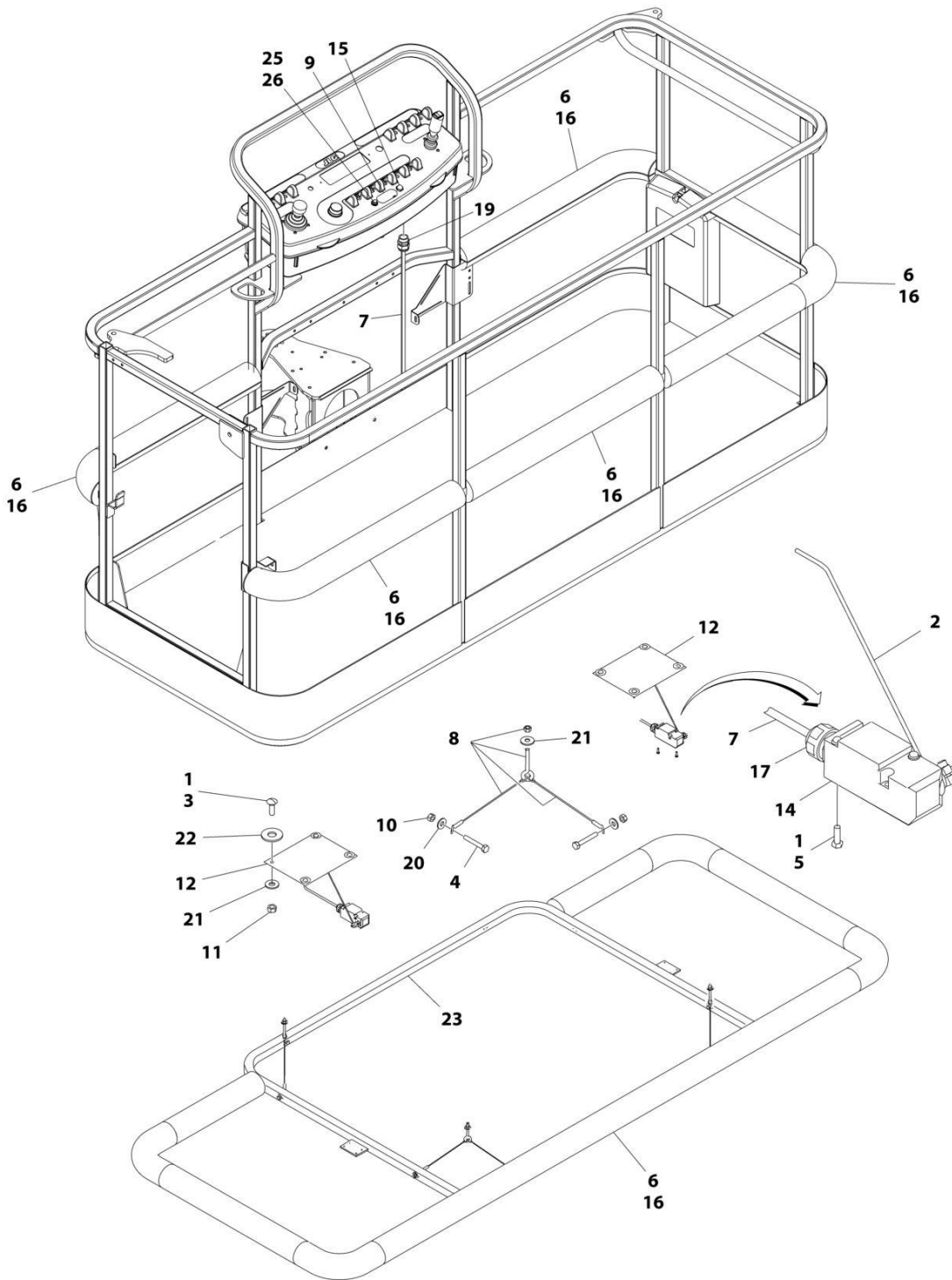
SECTION 5 - PLATFORM

FIGURE 5-37. SOFT TOUCH INSTALLATION - 8FT (2.4M) PLATFORM (OPTIONAL)

ITEM	PART NUMBER	QTY	DESCRIPTION	REV
	0272427	Ref	SOFT TOUCH INSTALLATION - 36IN X 8FT (91.5CM X 2.44M) PLATFORM (OPTIONAL)	G
1	0100011	AR	Compound, Locking	
2	0200048	2	Arm, Switch	
3	0630462	8	Bolt	
4	0641414	8	Bolt 1/4 x 1-3/4	
5	0721005	4	Bolt #10 x 5/8	
6	0940103	1	Bumper Kit (Includes Corners and Enough Straight Material for One Platform)	
6	0940092	12	Bumper (Corner)	
6	0940094	AR	Bumper (12ft Length)	
7	1060341	23 ft/7m	Cable, Soft Touch - 16/2	
8	1060903	4	Wire Rope and Eyebolt Assembly	
9	1702938	1	Decal - Soft Touch Override	
10	3311401	8	Nut 1/4	
11	3311501	8	Nut 5/16	
12	3574091	2	Plate, Switch Strike	
13	4240099	7	Tie-Strap (Not Shown)	
14	4360057	2	Switch, Limit	
15	4360387	1	Switch, Push Button	
16	4420068	AR	Tape, Adhesive	
16	1001197017	AR	Tie-Strap	
17	4460049	2	Connector, Strain Relief	
18	4460234	7	Tie-Strap (Not Shown)	
19	4460425	1	Connector, Strain Relief	
20	4751400	8	Washer 1/4	
21	4751500	12	Washer 5/16	
22	4751800	8	Washer 1/2	
23	4846673	1	Rail, Soft Touch	
24	4933218	1	Soft Touch Wiring Diagram (Not Shown - Reference Only)	
25	2920028	1	Light, Indicator	
26	2920029	1	Bulb, Light	

SECTION 5 - PLATFORM

FIGURE 5-38. SOFT TOUCH INSTALLATION - 8FT (2.4M) FALL ARREST PLATFORM (600S) (OPTIONAL)



ART_0273706

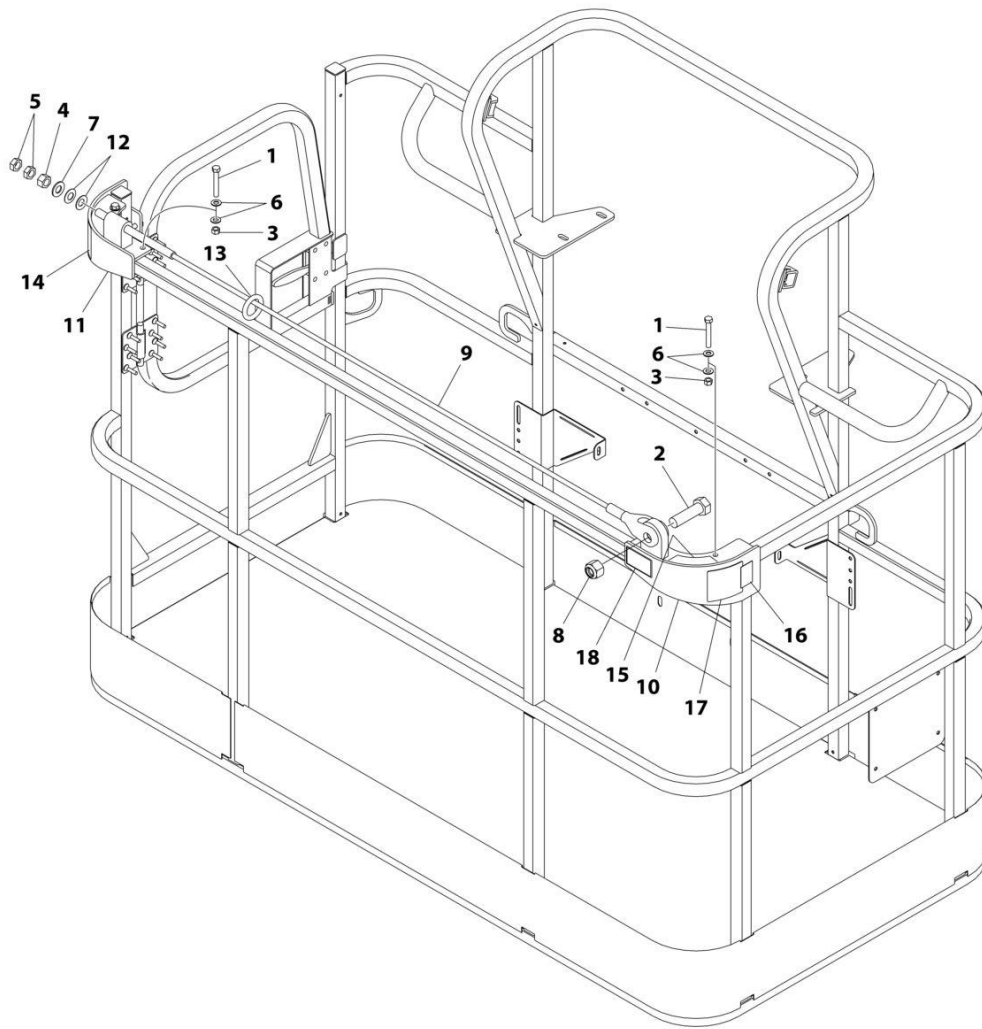
SECTION 5 - PLATFORM

**FIGURE 5-38. SOFT TOUCH INSTALLATION - 8FT (2.4M) FALL ARREST PLATFORM (600S)
(OPTIONAL)**

ITEM	PART NUMBER	QTY	DESCRIPTION	REV
	0273706	Ref	SOFT TOUCH INSTALLATION	D
1	0100011	AR	Compound, Locking	
2	0200048	2	Arm, Switch	
3	0630462	8	Bolt	
4	0641414	8	Bolt 1/4 x 1-3/4	
5	0721005	4	Bolt #10 x 5/8	
6	0940133	1	Bumper Kit (Includes Corners and Enough Straight Material for One Platform)	
6	0940092	8	Bumper (Corner)	
6	0940094	AR	Bumper (12ft Length)	
7	1060341	23 ft/7m	Cable, Soft Touch - 16/2	
8	1060903	4	Wire Rope and Eyebolt Assembly	
9	1702938	1	Decal - Soft Touch Override	
10	3311401	8	Nut 1/4	
11	3311501	8	Nut 5/16	
12	3574091	2	Plate, Switch Strike	
13	4240099	7	Tie-Strap (Not Shown)	
14	4360057	2	Switch, Limit	
15	4360387	1	Switch, Push Button	
16	4420068	AR	Tape, Adhesive	
16	1001197017	AR	Tie-Strap	
17	4460049	2	Connector, Strain Relief	
18	4460234	7	Tie-Strap (Not Shown)	
19	4460425	1	Connector, Strain Relief	
20	4751400	8	Washer 1/4	
21	4751500	12	Washer 5/16	
22	4751800	8	Washer 1/2	
23	4846673	1	Rail, Soft Touch	
25	2920028	1	Light, Indicator	
26	2920029	1	Bulb, Light	

SECTION 5 - PLATFORM

FIGURE 5-39. FALL ARREST INSTALLATION (BOLT-ON EXTERNAL) (6FT/1.82M PLATFORM)



ART_1001236747

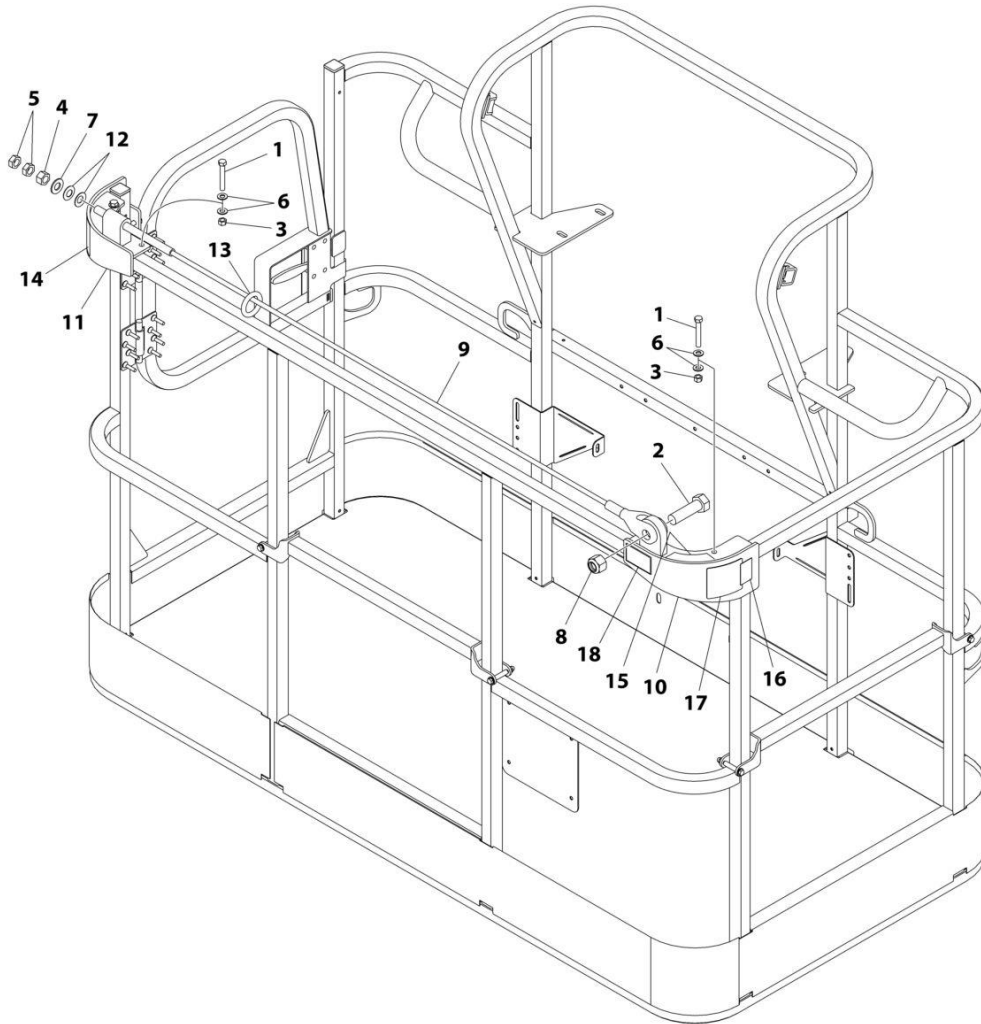
SECTION 5 - PLATFORM

FIGURE 5-39. FALL ARREST INSTALLATION (BOLT-ON EXTERNAL) (6FT/1.82M PLATFORM)

ITEM	PART NUMBER	QTY	DESCRIPTION	REV
	1001236747	Ref	FALL ARREST INSTALLATION (BOLT - ON) 6FT/1.82M PLATFORM	C
1	0681620	6	Bolt 3/8 x 2-1/2	
2	0682424	1	Bolt 7/8 x 3	
3	3271605	6	Nut 3/8	
4	3272001	1	Nut 5/8	
5	3312002	2	Nut 5/8	
6	4711600	12	Washer 3/8	
7	4712000	1	Washer 5/8	
8	88521214	1	Nut 7/8	
9	1001231950	1	Rope	
10	1001232010	1	Bracket (RH)	
11	1001232011	1	Bracket (LH)	
12	1001236891	2	Washer	
13	1001236895	1	Ring	
14	1001238263	1	Decal - Warning Falling Hazard	
15	1001252629	1	Decal - Weight	
16	1001248140	1	Decal - Bolt Fall Arrest Re-Cert	
17	1001248141	1	Decal - Inscription	

SECTION 5 - PLATFORM

FIGURE 5-40. FALL ARREST INSTALLATION (BOLT-ON EXTERNAL) (6FT/1.82M TRI-ENTRY PLATFORM)



ART_1001238463

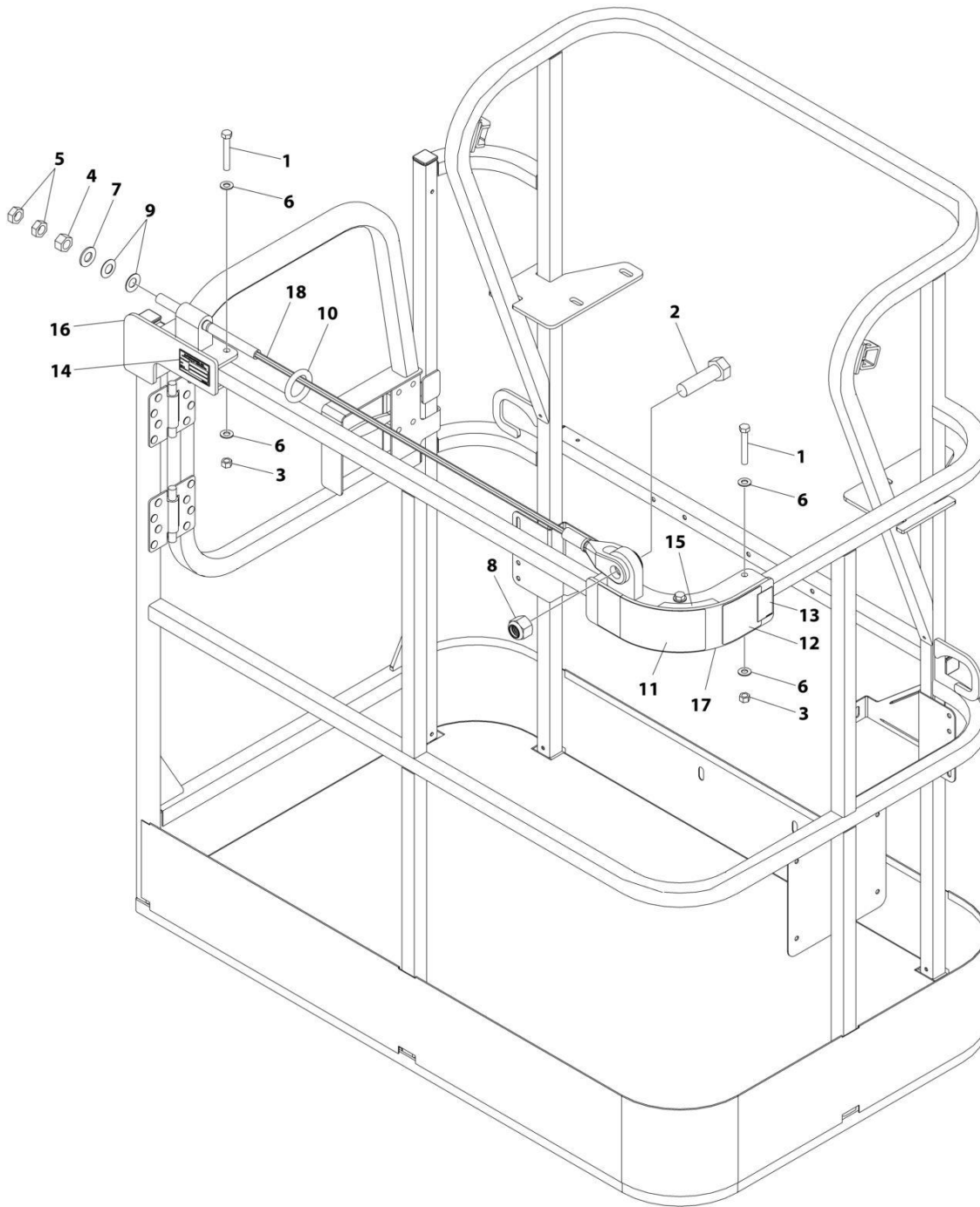
SECTION 5 - PLATFORM

FIGURE 5-40. FALL ARREST INSTALLATION (BOLT-ON EXTERNAL) (6FT/1.82M TRI-ENTRY PLATFORM)

ITEM	PART NUMBER	QTY	DESCRIPTION	REV
	1001238463	Ref	FALL ARREST INSTALLATION (BOLT - ON) 6FT/1.82M PLATFORM	C
1	0681620	6	Bolt 3/8 x 2-1/2	
2	0682424	1	Bolt 7/8 x 3	
3	3271605	6	Nut 3/8	
4	3272001	1	Nut 5/8	
5	3312002	2	Nut 5/8	
6	4711600	12	Washer 3/8	
7	4712000	1	Washer 5/8	
8	88521214	1	Nut 7/8	
9	1001231950	1	Rope	
10	1001232010	1	Bracket (RH)	
11	1001232011	1	Bracket (LH)	
12	1001236891	2	Washer	
13	1001236895	1	Ring	
14	1001238263	1	Decal - Warning Falling Hazard	
15	1001252629	1	Decal - Weight	
16	1001248140	1	Decal - Bolt Fall Arrest Re-Cert	
17	1001248141	1	Decal - Inscription	

SECTION 5 - PLATFORM

FIGURE 5-41. FALL ARREST INSTALLATION (BOLT-ON EXTERNAL) (2.5FT/1.22M PLATFORM)



ART_1001261338

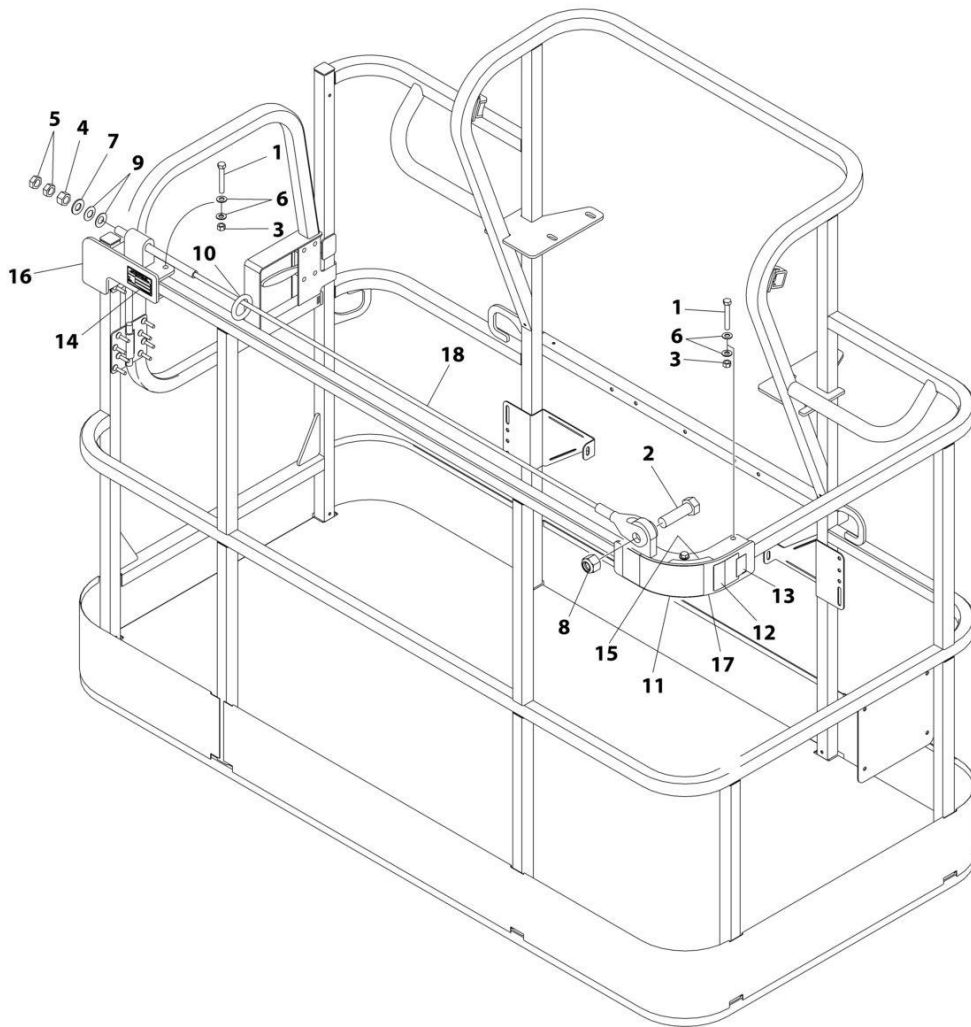
SECTION 5 - PLATFORM

FIGURE 5-41. FALL ARREST INSTALLATION (BOLT-ON EXTERNAL) (2.5FT/1.22M PLATFORM)

ITEM	PART NUMBER	QTY	DESCRIPTION	REV
	1001261338	Ref	FALL ARREST INSTALLATION	A
1	0681620	6	Bolt 3/8 x 2-1/2	
2	0682424	1	Bolt 7/8 x 3	
3	3271605	6	Nut 3/8	
4	3272001	1	Nut 5/8	
5	3312002	2	Nut 5/8	
6	4711600	12	Washer 3/8	
7	4712000	1	Washer 5/8	
8	88521214	1	Nut 7/8	
9	1001236891	2	Washer	
10	1001236895	1	Ring	
11	1001238263	1	Decal - Warning Falling Hazard	
12	1001248140	1	Decal - Bolt Fall Arrest Re-Cert	
13	1001248141	1	Decal - Incription	
14	See Note	NSS	Nameplate - Manufacturers Serial Number (Note: Not Available for Purchase)	
15	1001252629	1	Decal - Weight	
16	1001257271	1	Bracket (RH)	
17	1001257274	1	Bracket (LH)	
18	1001261335	1	Rope	

SECTION 5 - PLATFORM

FIGURE 5-42. FALL ARREST INSTALLATION (BOLT-ON EXTERNAL) (2.5FT/1.52M PLATFORM)



ART_1001257275

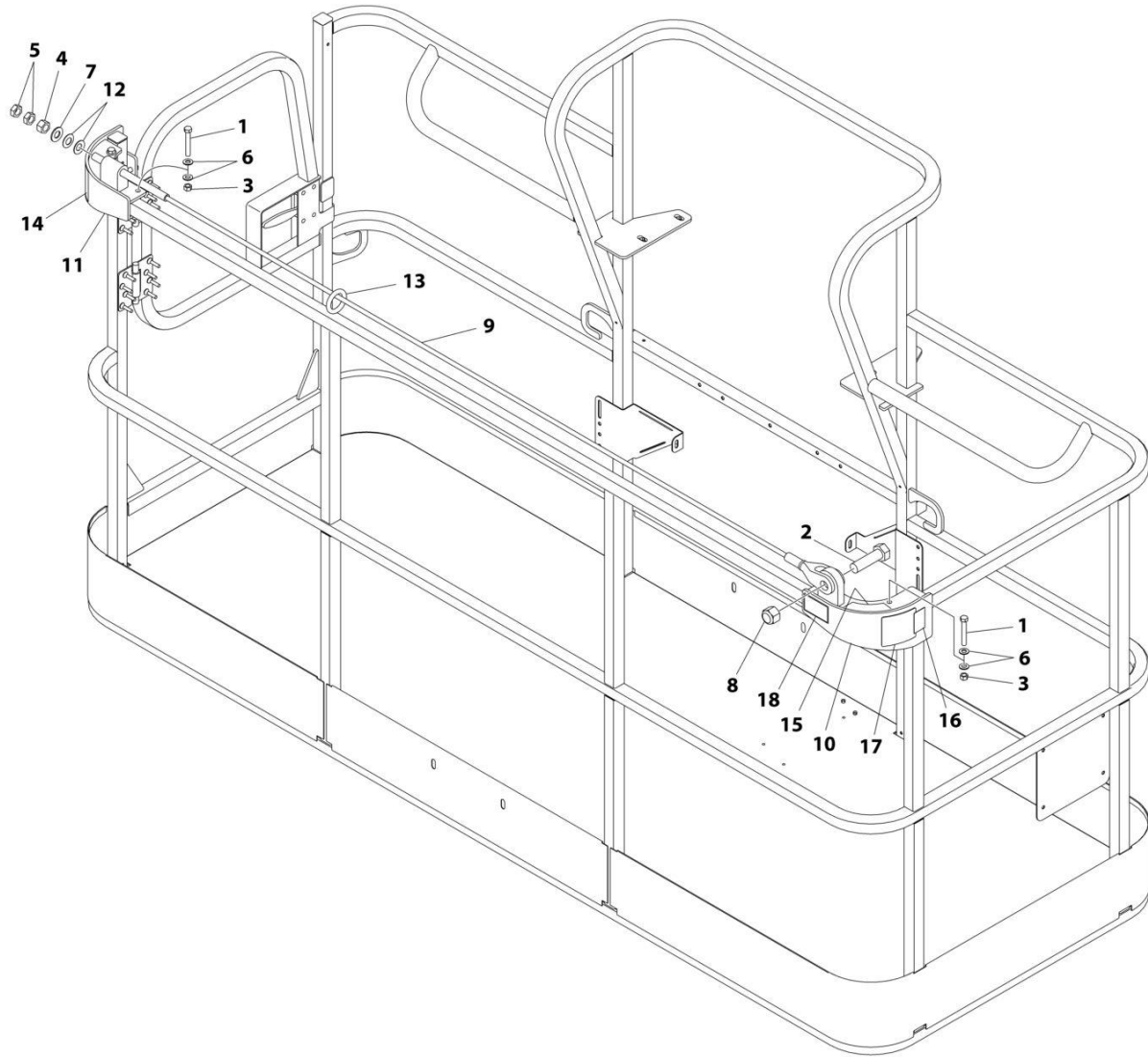
SECTION 5 - PLATFORM

FIGURE 5-42. FALL ARREST INSTALLATION (BOLT-ON EXTERNAL) (2.5FT/1.52M PLATFORM)

ITEM	PART NUMBER	QTY	DESCRIPTION	REV
	1001257275	Ref	FALL ARREST INSTALLATION (BOLT - ON) 6FT/1.82M PLATFORM	A
1	0681620	6	Bolt 3/8 x 2-1/2	
2	0682424	1	Bolt 7/8 x 3	
3	3271605	6	Nut 3/8	
4	3272001	1	Nut 5/8	
5	3312002	2	Nut 5/8	
6	4711600	12	Washer 3/8	
7	4712000	1	Washer 5/8	
8	88521214	1	Nut 7/8	
9	1001236891	2	Washer	
10	1001236895	1	Ring	
11	1001238263	1	Decal - Warning Falling Hazard	
12	1001248140	1	Decal - Bolt Fall Arrest Re-Cert	
13	1001248141	1	Decal - Incription	
14	See Note	NSS	Nameplate - Manufacturers Serial Number (Note: Not Available for Purchase)	
15	1001252629	1	Decal - Weight	
16	1001257271	1	Bracket (RH)	
17	1001257274	1	Bracket (LH)	
18	1001258005	1	Rope	

SECTION 5 - PLATFORM

FIGURE 5-43. FALL ARREST INSTALLATION (BOLT-ON EXTERNAL) (8FT/2.4M PLATFORM)



ART_1001236746

SECTION 5 - PLATFORM

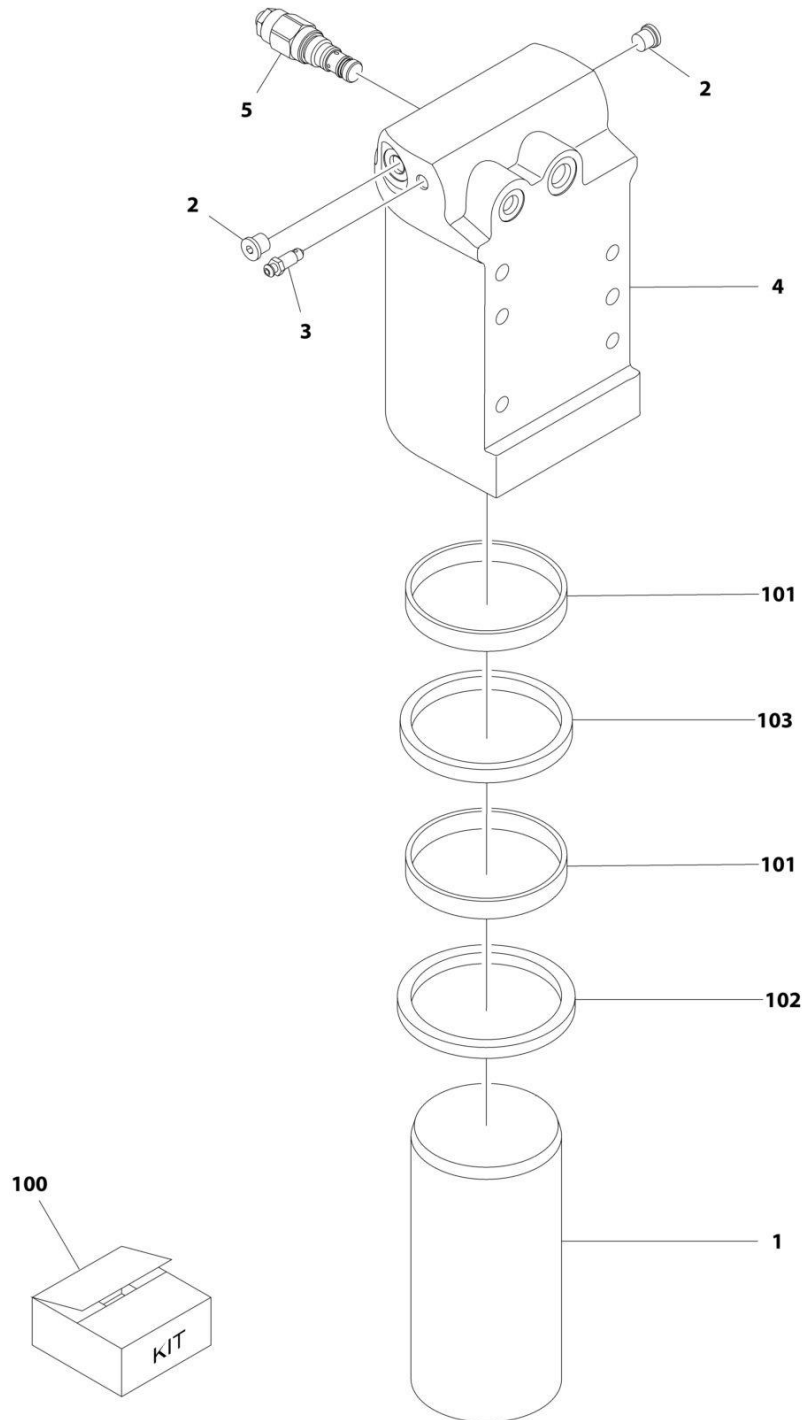
FIGURE 5-43. FALL ARREST INSTALLATION (BOLT-ON EXTERNAL) (8FT/2.4M PLATFORM)

ITEM	PART NUMBER	QTY	DESCRIPTION	REV
	1001236746	Ref	FALL ARREST INSTALLATION (BOLT - ON) 8FT/2.4M PLATFORM	C
1	0681620	6	Bolt 3/8 x 2-1/2	
2	0682424	1	Bolt 7/8 x 3	
3	3271605	6	Nut 3/8	
4	3272001	1	Nut 5/8	
5	3312002	2	Nut 5/8	
6	4711600	12	Washer 3/8	
7	4712000	1	Washer 5/8	
8	88521214	1	Nut 7/8	
9	1001231949	1	Rope	
10	1001232010	1	Bracket (RH)	
11	1001232011	1	Bracket (LH)	
12	1001236891	2	Washer	
13	1001236895	1	Ring	
14	1001238263	1	Decal - Warning Falling Hazard	
15	1001252629	1	Decal - Weight 23LBS/10.4KG	
16	1001248140	1	Decal - Bolt Fall Arrest Re-Cert	
17	1001248141	1	Decal - Inscription	

SECTION 6 - CYLINDER

SECTION 6 - CYLINDER

FIGURE 6-1. AXLE LOCKOUT CYLINDER ASSEMBLY



ART_1001219040

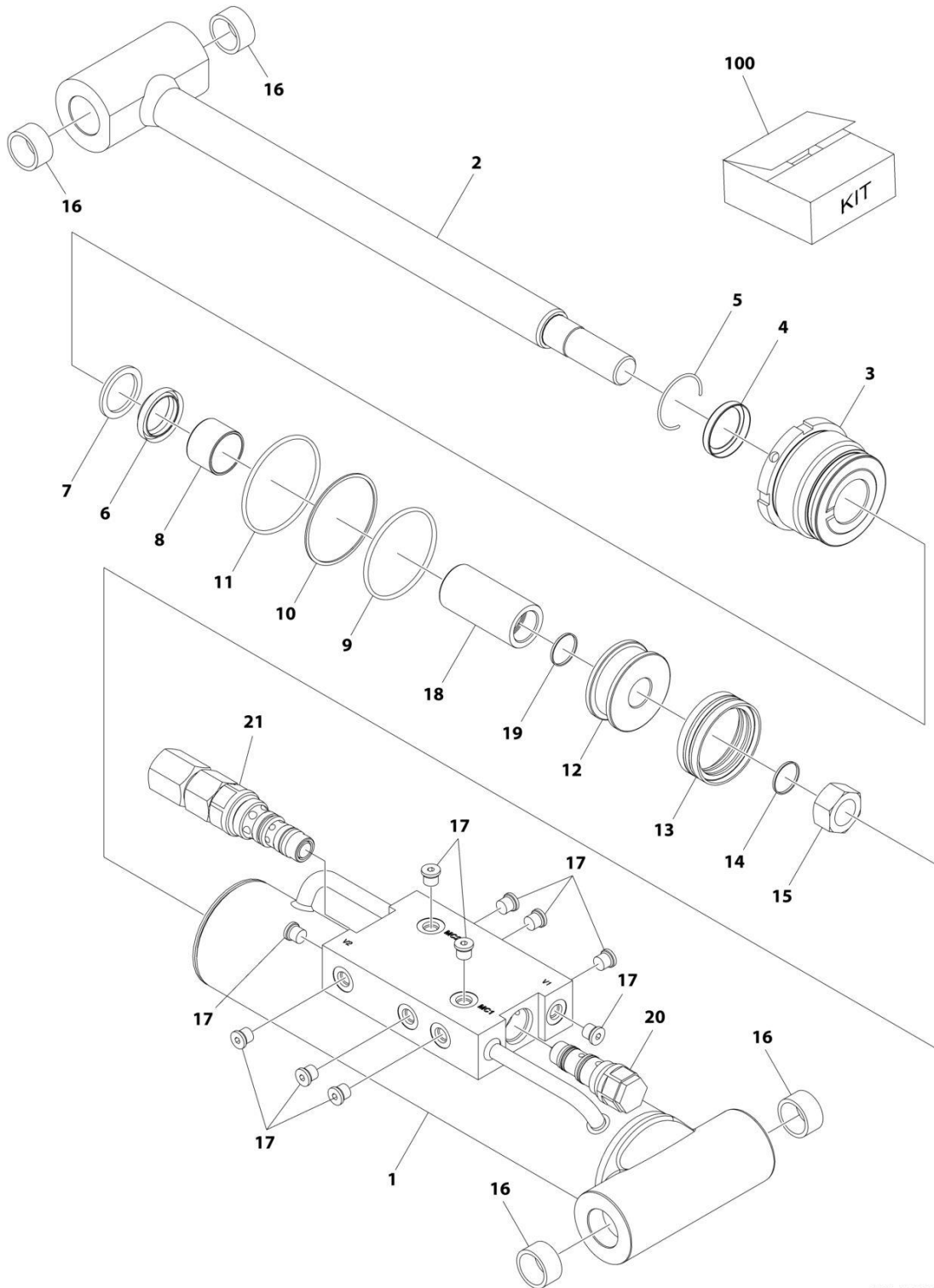
SECTION 6 - CYLINDER

FIGURE 6-1. AXLE LOCKOUT CYLINDER ASSEMBLY

ITEM	PART NUMBER	QTY	DESCRIPTION	REV
	1001219040	Ref	AXLE LOCKOUT CYLINDER ASSEMBLY	A
1	1684290	1	Rod	
2	2220883	2	Plug #4	
3	4640858	1	Valve, Bleeder	
4	1001164817	1	Barrel	
5	1001218594	1	Cartridge, Valve	
5	70002842	1	Seal Kit - 1001218594 Valve	
100	2902266	1	Seal Kit - 1001219040 Cylinder (Includes Items 101-103)	
101	See Note	NSS	Ring, Wear	
102	See Note	NSS	Seal	
103	See Note	NSS	Wiper	

SECTION 6 - CYLINDER

FIGURE 6-2. LEVEL CYLINDER ASSEMBLY - PLATFORM SLAVE (600S HC3)



ART_1001184954

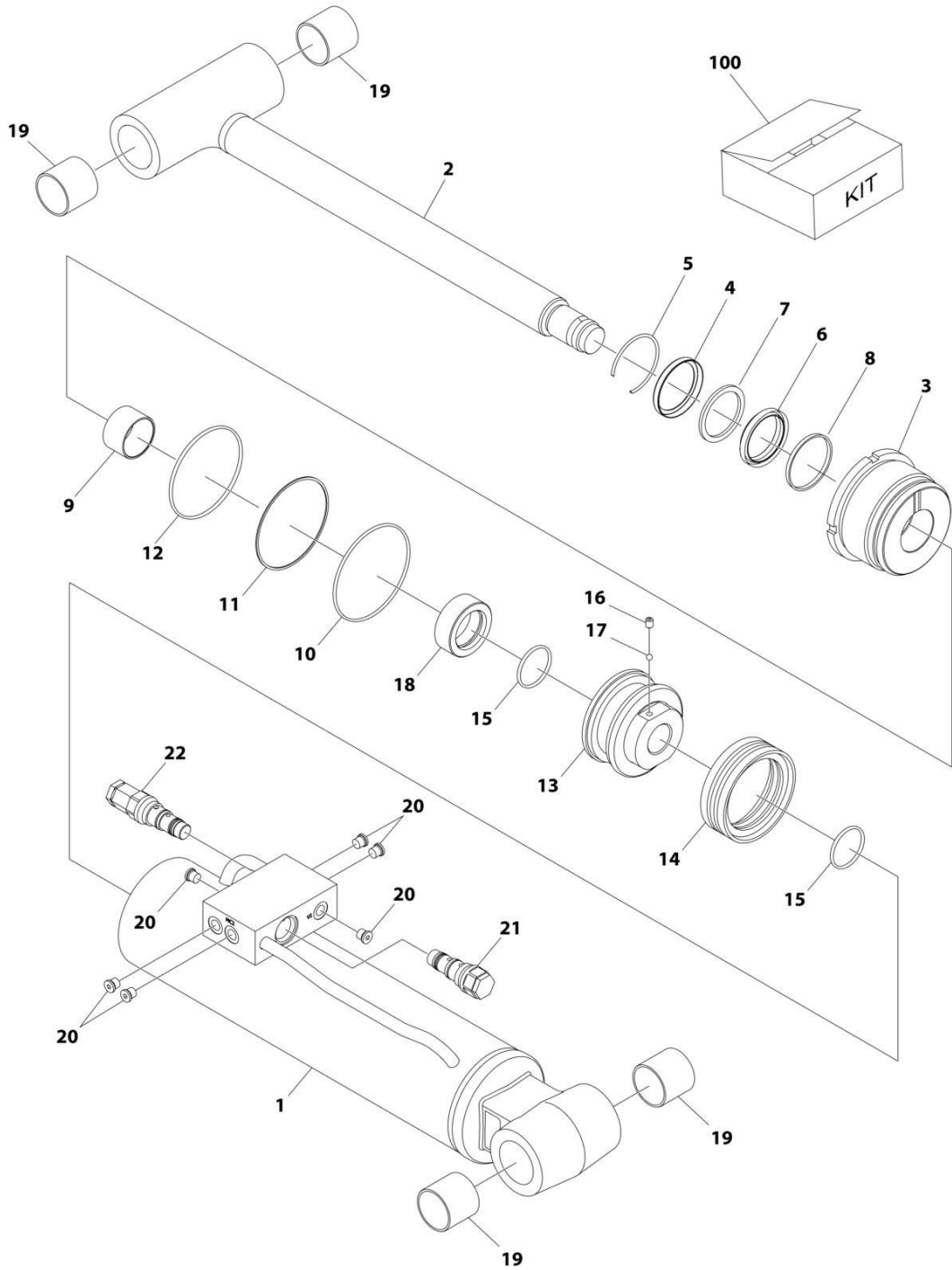
SECTION 6 - CYLINDER

FIGURE 6-2. LEVEL CYLINDER ASSEMBLY - PLATFORM SLAVE (600S HC3)

ITEM	PART NUMBER	QTY	DESCRIPTION	REV
	1001184954	Ref	LEVEL CYLINDER ASSEMBLY	E
		Ref	Note: Original Cylinder may have been replaced with Service Replacement. Identify PN Stamped on Cylinder Before Ordering Parts.	
1	70005693	1	Barrel	
2	70005694	1	Rod	
3	70003085	1	Head	
4	See Note	NSS	Wiper (Note: Use Item 100)	
5	70002366	1	Ring, Retaining	
6	See Note	NSS	Seal, Rod (Note: Use Item 100)	
7	See Note	NSS	Ring, Back-up (Note: Use Item 100)	
8	70005695	1	Bearing	
9	See Note	NSS	O-Ring (Note: Use Item 100)	
10	See Note	NSS	Ring, Back-up (Note: Use Item 100)	
11	See Note	NSS	O-Ring (Note: Use Item 100)	
12	70002381	1	Piston	
13	See Note	NSS	Seal, Piston (Note: Use Item 100)	
14	See Note	NSS	O-Ring (Note: Use Item 100)	
15	70002335	1	Nut	
16	0961947	4	Bearing	
17	2220883	10	Plug	
18	70005696	1	Spacer	
19	See Note	NSS	O-Ring (Note: Use Item 100)	
20	4640999	1	Valve, Counterbalance	
20	2900792	1	Seal Kit - 4640999 Valve	
21	1001232117	1	Valve, Counterbalance	
21	7011112	1	Seal Kit - 1001232117 Valve	
100	70005697	1	Seal Kit - 1001184954 Cylinder (Includes Items 4, 6, 7, 9, 10, 11, 13, 14 & 19)	

SECTION 6 - CYLINDER

FIGURE 6-3. LEVEL CYLINDER ASSEMBLY - PLATFORM SLAVE (660SJ HC3)



ART_1001247466

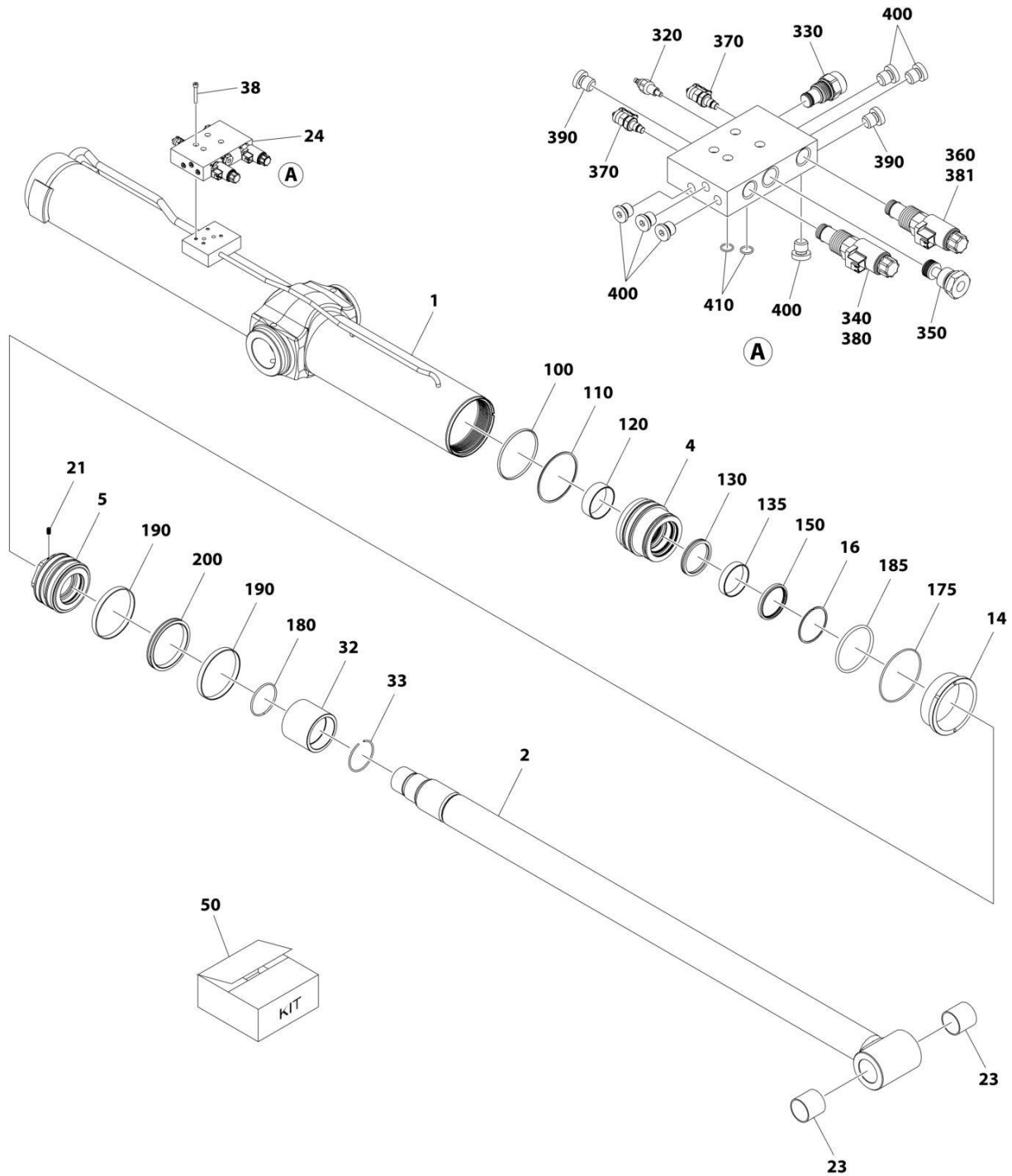
SECTION 6 - CYLINDER

FIGURE 6-3. LEVEL CYLINDER ASSEMBLY - PLATFORM SLAVE (660SJ HC3)

ITEM	PART NUMBER	QTY	DESCRIPTION	REV
	1001247466	Ref	LEVEL CYLINDER ASSEMBLY	C
		Ref	Note: Original Cylinder May Have Been Replaced with Service Replacement. Identify PN Stamped on Cylinder Before Ordering Parts.	
1	See Note	NSS	Barrel (Note: Use P/N 1001247466)	
2	70007168	1	Rod	
3	70007157	1	Head	
4	See Note	NSS	Wiper (Use Item:100)	
5	70002410	1	Ring, Retaining	
6	See Note	NSS	Seal, Rod (Use Item:100)	
7	See Note	NSS	Ring, Back Up (Use Item:100)	
8	See Note	NSS	Ring, Buffer (Use Item:100)	
9	70004237	1	Ring, Wear (Use Item:100)	
10	See Note	NSS	O-Ring (Use Item:100)	
11	See Note	NSS	Ring, Back up (Use Item:100)	
12	See Note	NSS	O-Ring (Use Item:100)	
13	70007161	1	Piston	
14	See Note	NSS	Seal, Piston (Use Item:100)	
15	See Note	NSS	O-Ring (Use Item:100)	
16	70006596	1	Setscrew	
17	70022564	1	Ball	
18	70007169	1	Spacer	
19	70007159	4	Bearing	
20	2220883	6	Plug	
21	4640999	1	Valve, Counterbalance	
21	2900792	1	Seal Kit - 4640999 Valve	
22	4640932	1	Valve, Counterbalance	
22	7011112	1	Seal Kit - 4640932 Valve	
100	70007251	1	Seal Kit, Cylinder (Include items : 4,6,7,8,10,11,12,14 & 15)	

SECTION 6 - CYLINDER

FIGURE 6-4. LIFT CYLINDER ASSEMBLY BOOM (600S HC3)



ART_1001272076

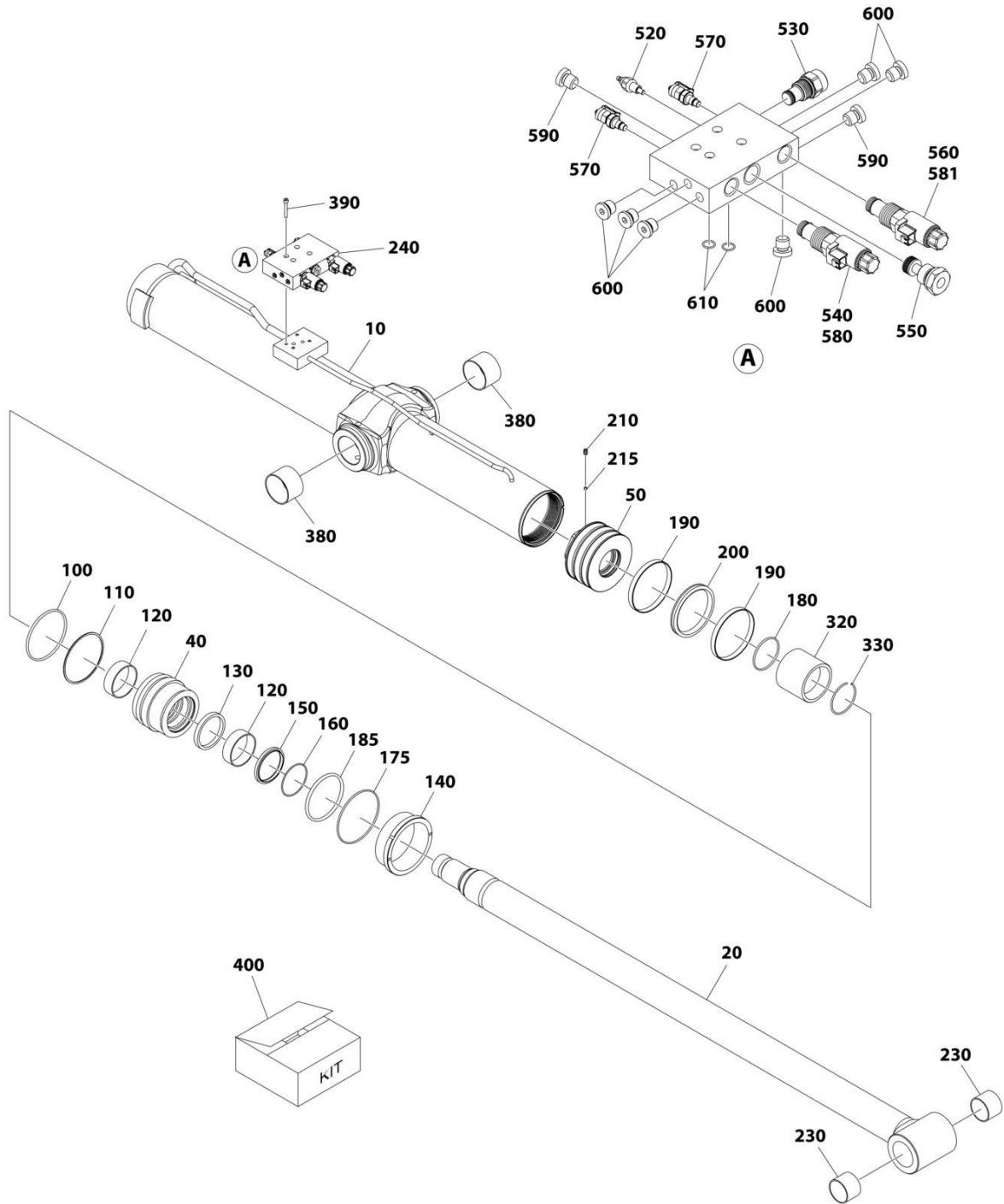
SECTION 6 - CYLINDER

FIGURE 6-4. LIFT CYLINDER ASSEMBLY BOOM (600S HC3)

ITEM	PART NUMBER	QTY	DESCRIPTION	REV
	1001272076	Ref	LIFT CYLINDER ASSEMBLY	A
		Ref	Note: Original Cylinder May Have Been Replaced with Service Replacement. Identify PN Stamped on Cylinder Before Ordering Parts.	
1	See Note	NSS	Barrel (Note: Use PN 1001272076)	
2	See Note	NSS	Rod (Note: Use PN 1001272076)	
4	70005572	1	Head	
5	70025580	1	Piston	
14	70026164	1	Lock	
16	70000699	1	Ring, Retaining	
21	70025582	1	Set Screw M10 x 20	
23	70007838	2	Bushing	
24	See Note	NSS	Valve Assembly (Note: Complete Assembly Not Available - Purchase Individual Components) (See Items 320-410)	
32	70006260	1	Spacer	
33	70005575	1	Ring, Retaining	
38	70007334	4	Capscrew M8 x 55	
50	70005563	1	Seal Kit - 1001272076 Cylinder (Includes Items 100-200)	
100	See Note	NSS	O-Ring (Note: Use Item 50)	
110	See Note	NSS	Ring, Back-Up (Note: Use Item 50)	
120	See Note	NSS	Ring, Wear (Note: Use Item 50)	
130	See Note	NSS	Seal (Note: Use Item 50)	
135	See Note	NSS	Ring, Wear (Note: Use Item 50)	
150	See Note	NSS	Wiper (Note: Use Item 50)	
175	See Note	NSS	O-Ring (Note: Use Item 50)	
180	See Note	NSS	O-Ring (Note: Use Item 50)	
185	See Note	NSS	O-Ring (Note: Use Item 50)	
190	See Note	NSS	Ring (Note: Use Item 50)	
200	See Note	NSS	Seal (Note: Use Item 50)	
320	70007341	1	Cartridge	
320	70004867	1	Seal Kit - 70007341 Valve	
330	70007342	1	Cartridge, Relief	
330	7024502	1	Seal Kit - 70007342 Valve	
340	70007343	1	Cartridge, Solenoid	
350	1001271454	1	Plug	
360	70007345	1	Cartridge, Solenoid	
360	7024503	1	Seal Kit - 70007345 Valve	
370	2221086	2	Fitting, Test	
380	70007323	1	Coil	
381	70006004	1	Coil	
390	70007346	2	Orifice	
400	70026973	6	Plug 1/8	
410	70007347	2	O-Ring	

SECTION 6 - CYLINDER

FIGURE 6-5. LIFT CYLINDER ASSEMBLY BOOM (660SJ HC3)



ART_1021072100

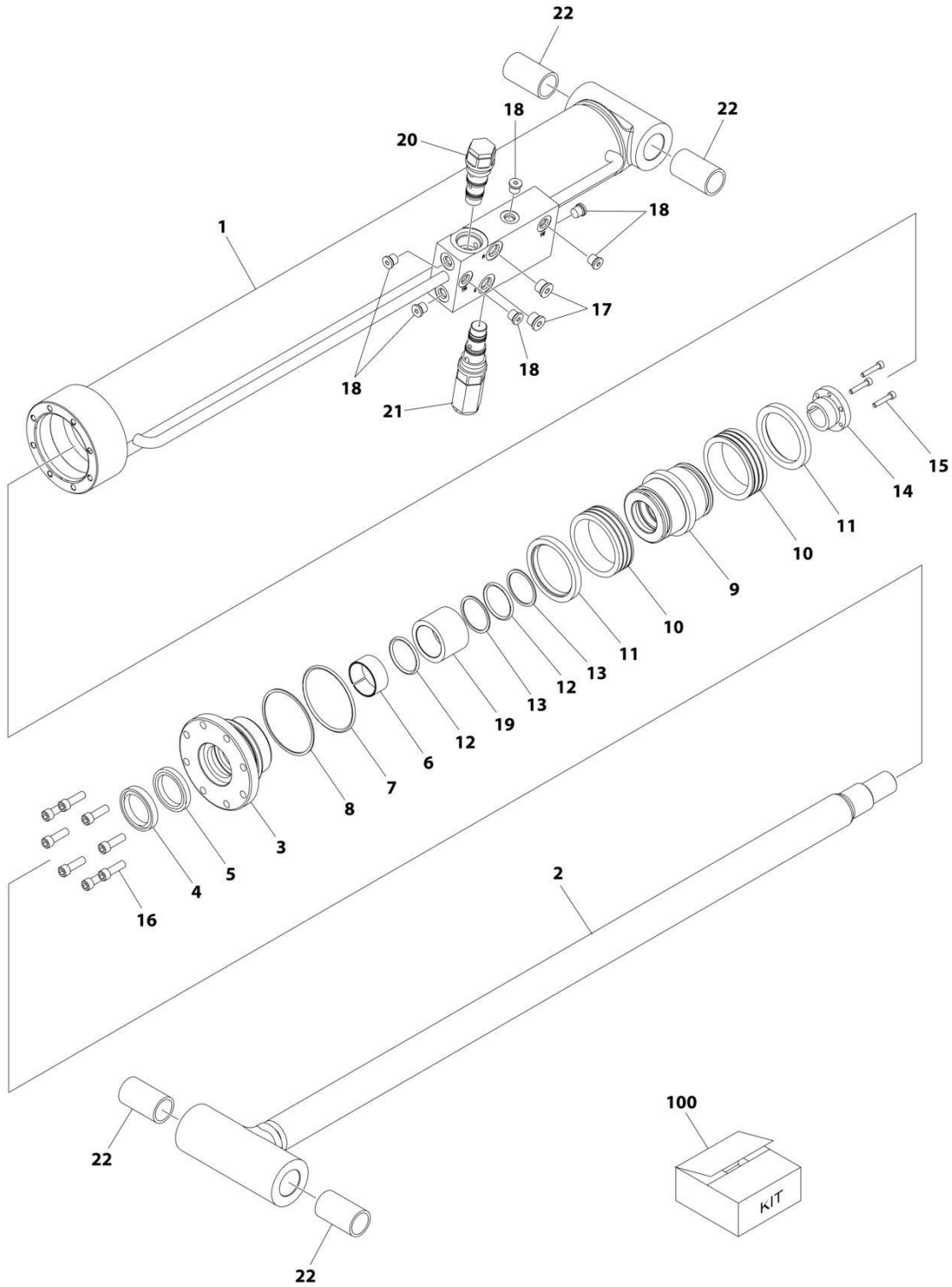
SECTION 6 - CYLINDER

FIGURE 6-5. LIFT CYLINDER ASSEMBLY BOOM (660SJ HC3)

ITEM	PART NUMBER	QTY	DESCRIPTION	REV
	1001272100	Ref	CYLINDER ASSEMBLY	B
		Ref	Note: Original Cylinder May Have Been Replaced with Service Replacement. Identify PN Stamped on Cylinder Before Ordering Parts.	
10	See Note	NSS	Barrel (Note: Use PN 1001272100)	
20	See Note	NSS	Rod (Note: Use PN 1001272100)	
40	70007336	1	Head	
50	70007337	1	Piston	
100	See Note	NSS	O-Ring	
110	See Note	NSS	Ring, Back-up (Note: Use Item 400)	
120	See Note	NSS	Ring, Wear (Note: Use Item 400)	
130	See Note	NSS	Seal, Head (Note: Use Item 400)	
140	70026179	1	Lock	
150	See Note	NSS	Wiper (Note: Use Item 400)	
160	70000699	1	Ring, Retaining	
175	See Note	NSS	O-Ring (Note: Use Item 400)	
180	See Note	NSS	O-Ring (Note: Use Item 400)	
185	See Note	NSS	O-Ring (Note: Use Item 400)	
190	See Note	NSS	Ring, Bearing (Note: Use Item 400)	
200	See Note	NSS	Seal, Piston (Note: Use Item 400)	
210	70025613	1	Screw M10 x 16	
215	70025614	1	Ball	
230	70007338	2	Bushing	
240	NPN	Ref	Valve Assembly (See Items 520-610)	
320	70006260	1	Spacer	
330	70005575	1	Ring	
380	70007339	2	Bushing	
390	70007334	4	Screw M8 x 55	
400	70008132	1	Seal Kit (Includes Items 100-130, 150 & 175-200)	
520	70007341	1	Cartridge	
520	70004867	1	Seal Kit - 70007341 Valve	
530	70007342	1	Cartridge, Relief	
530	7024502	1	Seal Kit - 70007342 Valve	
540	70007343	1	Cartridge, Solenoid	
550	1001271454	1	Plug	
560	70007345	1	Cartridge, Solenoid	
560	7024503	1	Seal Kit - 70007345 Valve	
570	2221086	2	Fitting, Test	
580	70007323	1	Coil	
581	70006004	1	Coil	
590	70007346	2	Orifice	
600	70008133	7	Plug	
610	70008134	2	O-Ring	

SECTION 6 - CYLINDER

FIGURE 6-6. LIFT CYLINDER ASSEMBLY - JIB (660SJ HC3)



ART_1001259137

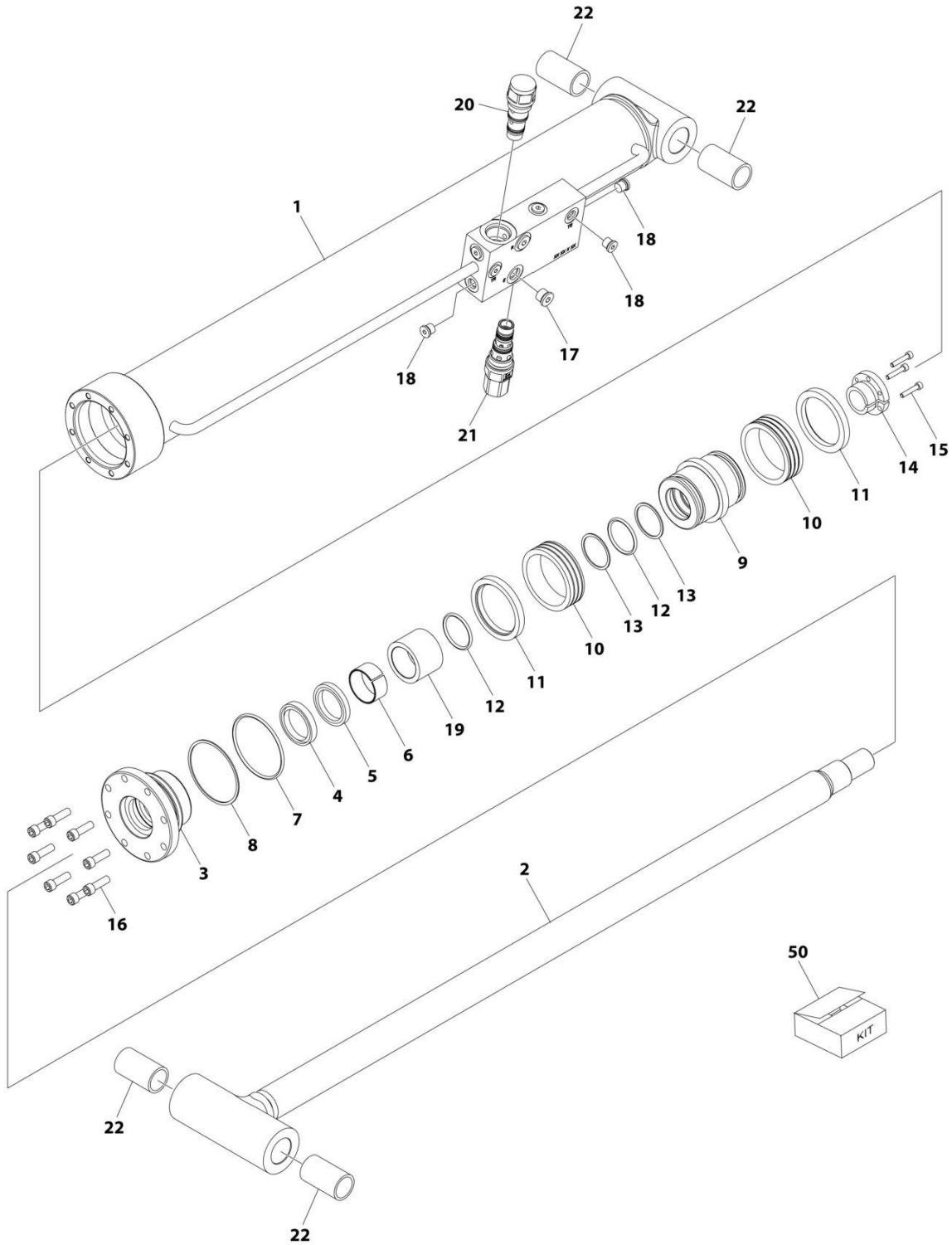
SECTION 6 - CYLINDER

FIGURE 6-6. LIFT CYLINDER ASSEMBLY - JIB (660SJ HC3)

ITEM	PART NUMBER	QTY	DESCRIPTION	REV
	1001259137	Ref	LIFT CYLINDER ASSEMBLY - JIB	B
		Ref	Note: Original Cylinder May Have Been Replaced with Service Replacement. Identify PN Stamped on Cylinder Before Ordering Parts.	
1	See Note	NSS	Barrel (Note: Not Available for Purchase)	
2	70006734	1	Rod	
3	70006649	1	Head	
4	See Note	NSS	Wiper (Note: Use Item 100)	
5	See Note	NSS	Seal, Rod (Note: Use Item 100)	
6	See Note	NSS	Ring, Wear (Note: Use Item 100)	
7	See Note	NSS	O-Ring (Note: Use Item 100)	
8	See Note	NSS	Ring, Back-up (Note: Use Item 100)	
9	70006650	1	Piston	
10	See Note	NSS	Seal (Note: Use Item 100)	
11	See Note	NSS	Ring, Lock (Note: Use Item 100)	
12	See Note	NSS	O-Ring (Note: Use Item 100)	
13	See Note	NSS	Ring, Back-up (Note: Use Item 100)	
14	0961893	1	Bushing, Tapered	
15	0630534	3	Capscrew, Socket Head #10 x 1	
16	70006735	8	Capscrew 5/16	
17	2220885	2	Plug, O-Ring	
18	2220883	6	Plug, O-Ring	
19	70006736	1	Spacer	
20	4640509	1	Cartridge, Valve	
20	2900792	1	Seal Kit - 4640509 Valve	
21	1001259138	1	Cartridge, Valve	
21	70004186	1	Seal Kit - 1001259138 Valve	
22	0962336	4	Bushing	
100	1001138795	1	Seal Kit (Includes Items 4-8 & 10-13)	

SECTION 6 - CYLINDER

FIGURE 6-7. LIFT CYLINDER ASSEMBLY - JIB (660SJ HC3)



ART_1001264302

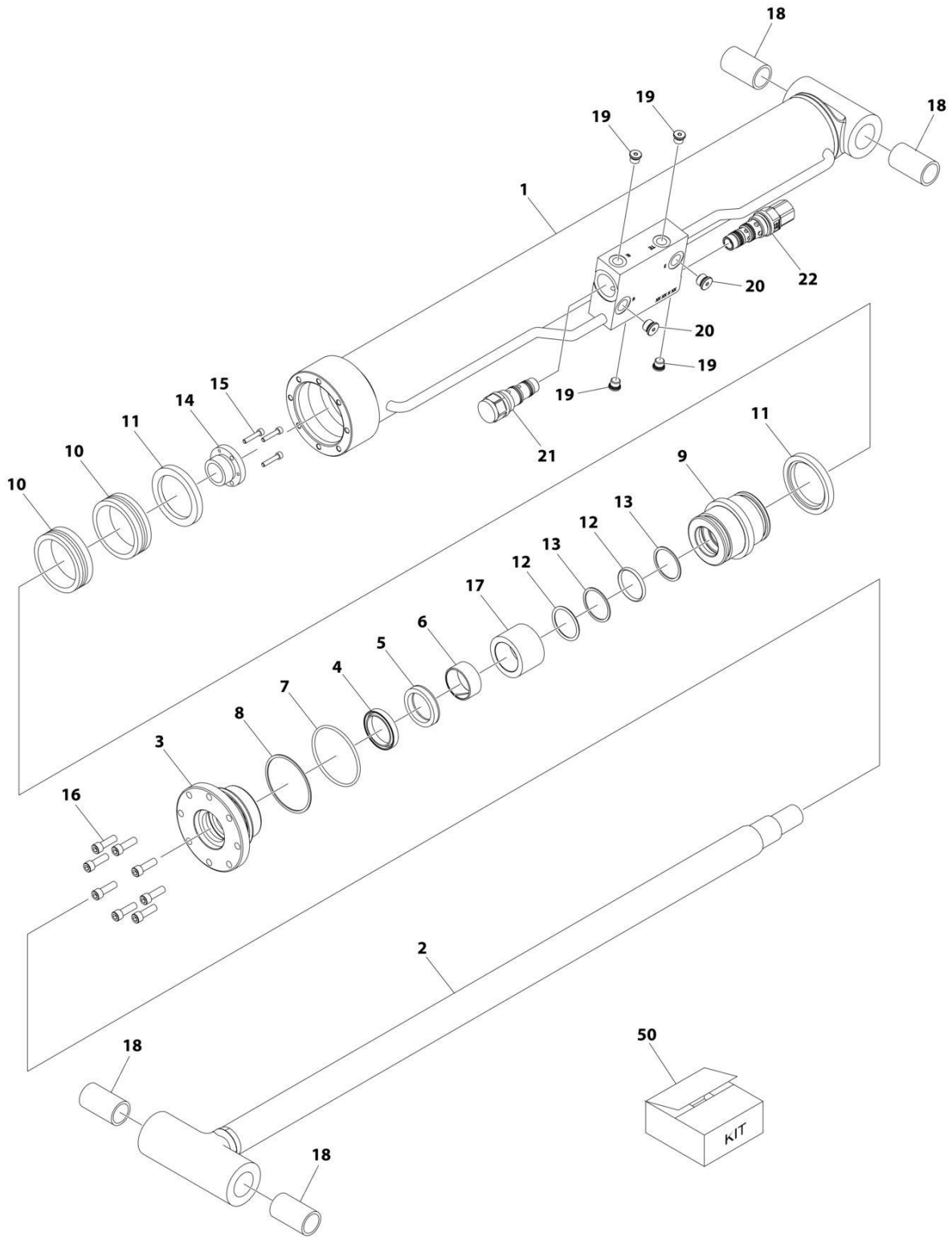
SECTION 6 - CYLINDER

FIGURE 6-7. LIFT CYLINDER ASSEMBLY - JIB (660SJ HC3)

ITEM	PART NUMBER	QTY	DESCRIPTION	REV
	1001264302	Ref	LIFT CYLINDER ASSEMBLY - JIB	B
		Ref	Note: Original Cylinder May Have Been Replaced with Service Replacement. Identify PN Stamped on Cylinder Before Ordering Parts.	
1	See Note	NSS	Barrel	
2	70006734	1	Rod	
3	70006649	1	Head	
4	See Note	NSS	Wiper (Note: Use Item 50)	
5	See Note	NSS	Seal, Rod (Note: Use Item 50)	
6	See Note	NSS	Ring, Wear (Note: Use Item 50)	
7	See Note	NSS	O-Ring (Note: Use Item 50)	
8	See Note	NSS	Ring, Back-up (Note: Use Item 50)	
9	70006650	1	Piston	
10	See Note	NSS	Seal (Note: Use Item 50)	
11	See Note	NSS	Ring, Lock (Note: Use Item 50)	
12	See Note	NSS	O-Ring (Note: Use Item 50)	
13	See Note	NSS	Ring, Back-up (Note: Use Item 50)	
14	0961893	1	Bushing, Tapered	
15	0630534	3	Capscrew	
16	70006735	8	Capscrew	
17	2220885	2	Plug	
18	2220883	6	Plug	
19	70006736	1	Spacer	
20	4640509	1	Cartridge, Counterbalance Valve	
20	2900792	1	Seal Kit - 4640509 Valve	
21	1001263800	1	Cartridge, Counterbalance Valve	
21	70004186	1	Seal Kit - 1001263800 Valve	
22	0962336	4	Bushing	
50	1001138795	1	Seal Kit (Includes Items 4-8 & 10-13)	

SECTION 6 - CYLINDER

FIGURE 6-8. LIFT CYLINDER ASSEMBLY - JIB (660SJ HC3)



ART_1001264991

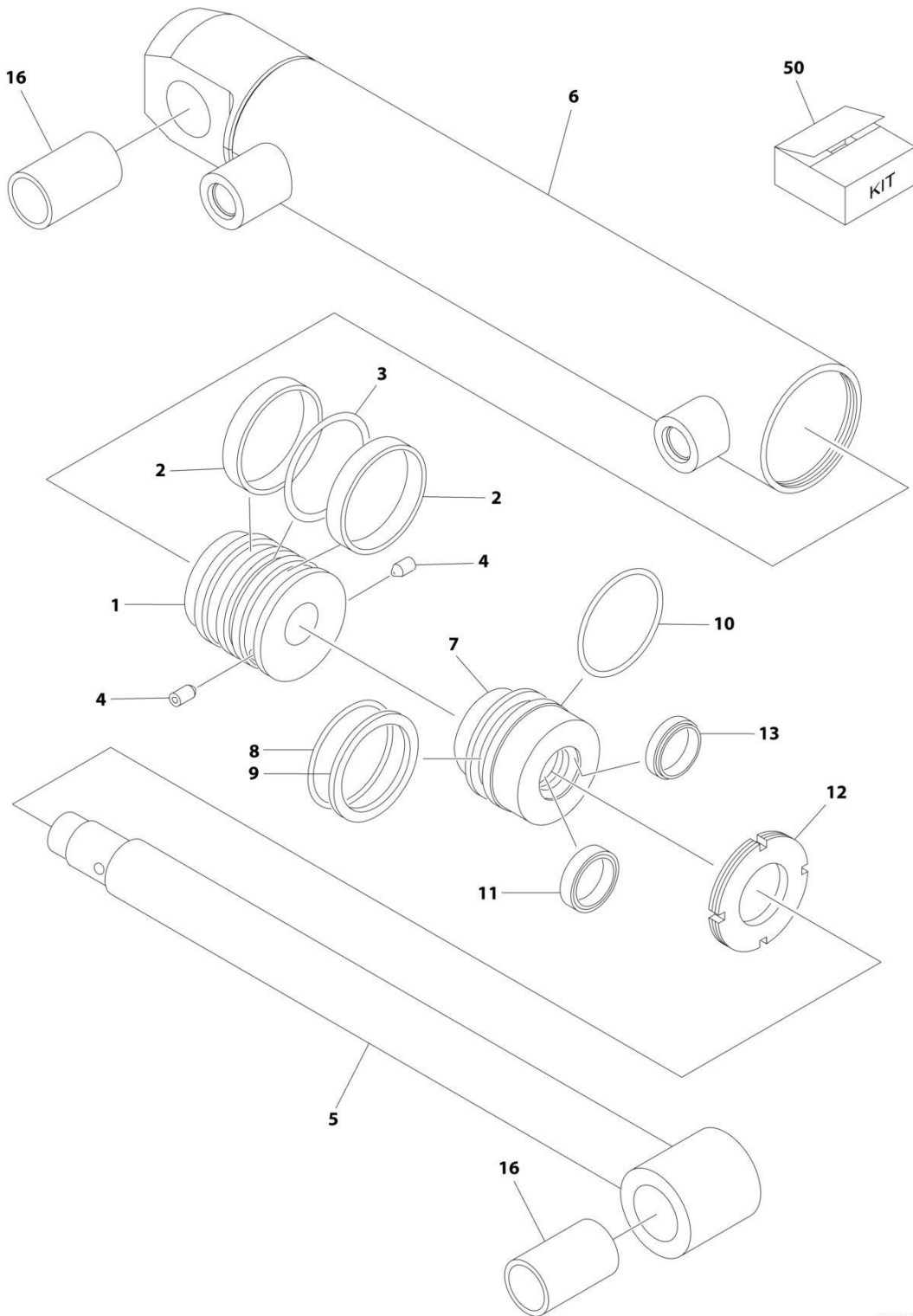
SECTION 6 - CYLINDER

FIGURE 6-8. LIFT CYLINDER ASSEMBLY - JIB (660SJ HC3)

ITEM	PART NUMBER	QTY	DESCRIPTION	REV
	1001264991	Ref	LIFT CYLINDER ASSEMBLY - JIB	B
		Ref	Note: Original Cylinder May Have Been Replaced with Service Replacement. Identify PN Stamped on Cylinder Before Ordering Parts.	
1	See Note	NSS	Barrel (Note: Use PN 1001264991)	
2	70006734	1	Rod	
3	70006649	1	Head	
4	See Note	NSS	Wiper (Note: Use Item 50)	
5	See Note	NSS	Seal, Rod (Note: Use Item 50)	
6	See Note	NSS	Ring, Wear (Note: Use Item 50)	
7	See Note	NSS	O-Ring (Note: Use Item 50)	
8	See Note	NSS	Ring, Back-up (Note: Use Item 50)	
9	70006650	1	Piston	
10	See Note	NSS	Ring, Hydro Lock (Note: Use Item 50)	
11	See Note	NSS	Ring, Guide Lock (Note: Use Item 50)	
12	See Note	NSS	O-Ring (Note: Use Item 50)	
13	See Note	NSS	Ring, Back-up (Note: Use Item 50)	
14	0961893	1	Bushing, Tapered	
15	0630534	3	Capscrew	
16	70006735	8	Capscrew	
17	70006736	1	Spacer	
18	0962336	4	Bearing	
19	70023370	4	Plug	
20	70023371	2	Plug	
21	4640509	1	Cartridge, Counterbalance Valve	
21	2900792	1	Seal Kit - 4640509 Valve	
22	1001263800	1	Cartridge, Counterbalance Valve	
22	70004186	1	Seal Kit - 1001263800 Valve	
50	1001138795	1	Seal Kit - 1001264991 Cylinder (Includes Items 4-8 & 10-13)	

SECTION 6 - CYLINDER

FIGURE 6-9. STEER CYLINDER ASSEMBLY



ART_1001181792

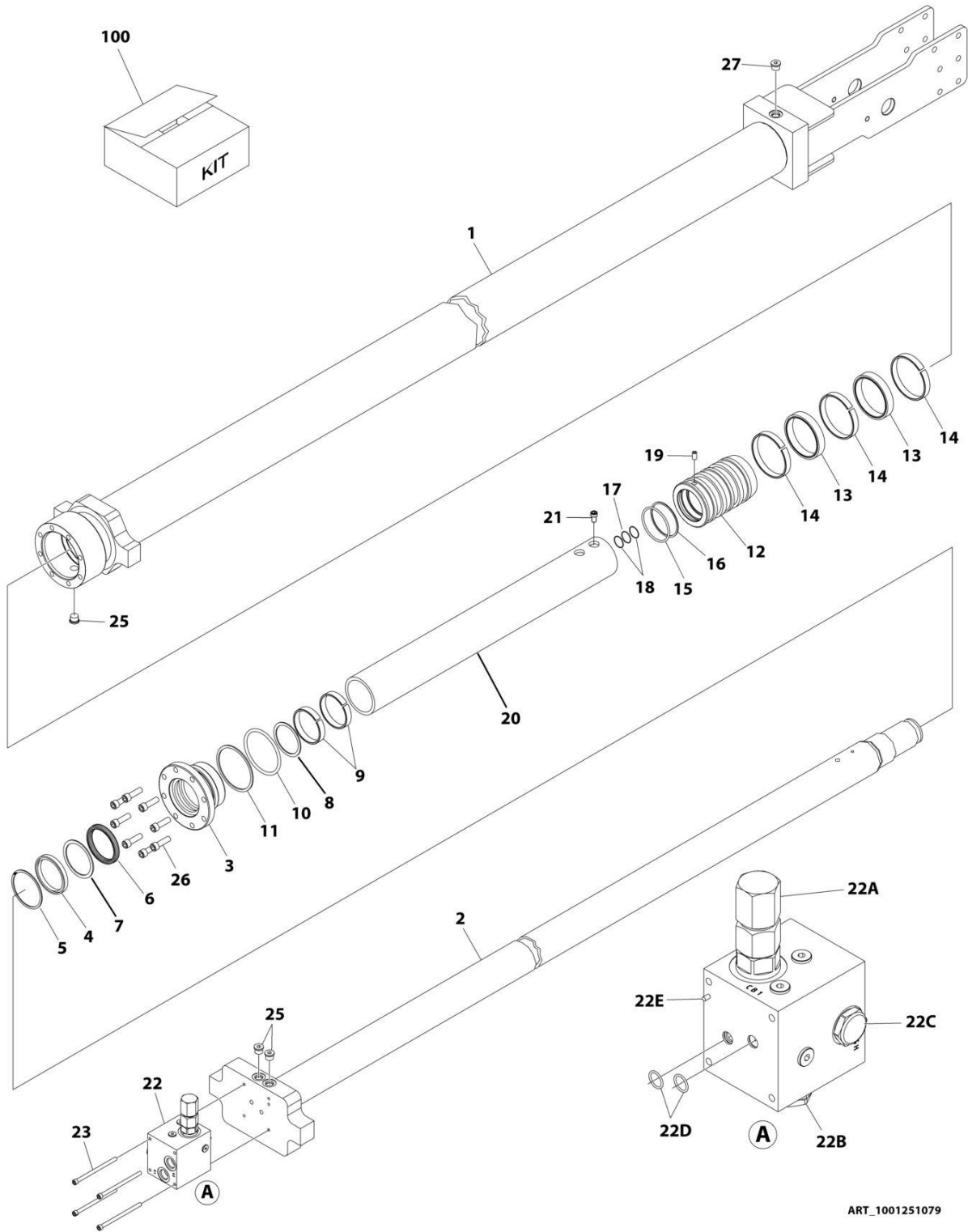
SECTION 6 - CYLINDER

FIGURE 6-9. STEER CYLINDER ASSEMBLY

ITEM	PART NUMBER	QTY	DESCRIPTION	REV
	1001181792	Ref	STEER CYLINDER ASSEMBLY	F
		Ref	Note: Original Cylinder may have been replaced with Service Replacement. Identify PN Stamped on Cylinder Before Ordering Parts.	
1	70006106	1	Piston	
2	See Note	NSS	Ring, Wear (Note: Use Item 50)	
3	See Note	NSS	Seal, Piston (Note: Use Item 50)	
4	70002745	2	Setscrew	
5	70006107	1	Rod	
6	See Note	NSS	Barrel	
7	70002755	1	Head	
8	See Note	1	O-Ring (Note: Use Item 50)	
9	See Note	NSS	Ring, Back-up (Note: Use Item 50)	
10	See Note	NSS	Ring (Note: Use Item 50)	
11	See Note	NSS	Seal, Rod (Note: Use Item 50)	
12	70002756	1	Nut, Spanner (Note: Use Item 50)	
13	See Note	NSS	Wiper (Note: Use Item 50)	
16	1001182695	2	Bearing	
50	70006108	1	Seal Kit - 1001181792 (Includes Items 2, 3, 8-11 & 13)	

SECTION 6 - CYLINDER

FIGURE 6-10. TELESCOPE CYLINDER ASSEMBLY



ART_1001251079

SECTION 6 - CYLINDER

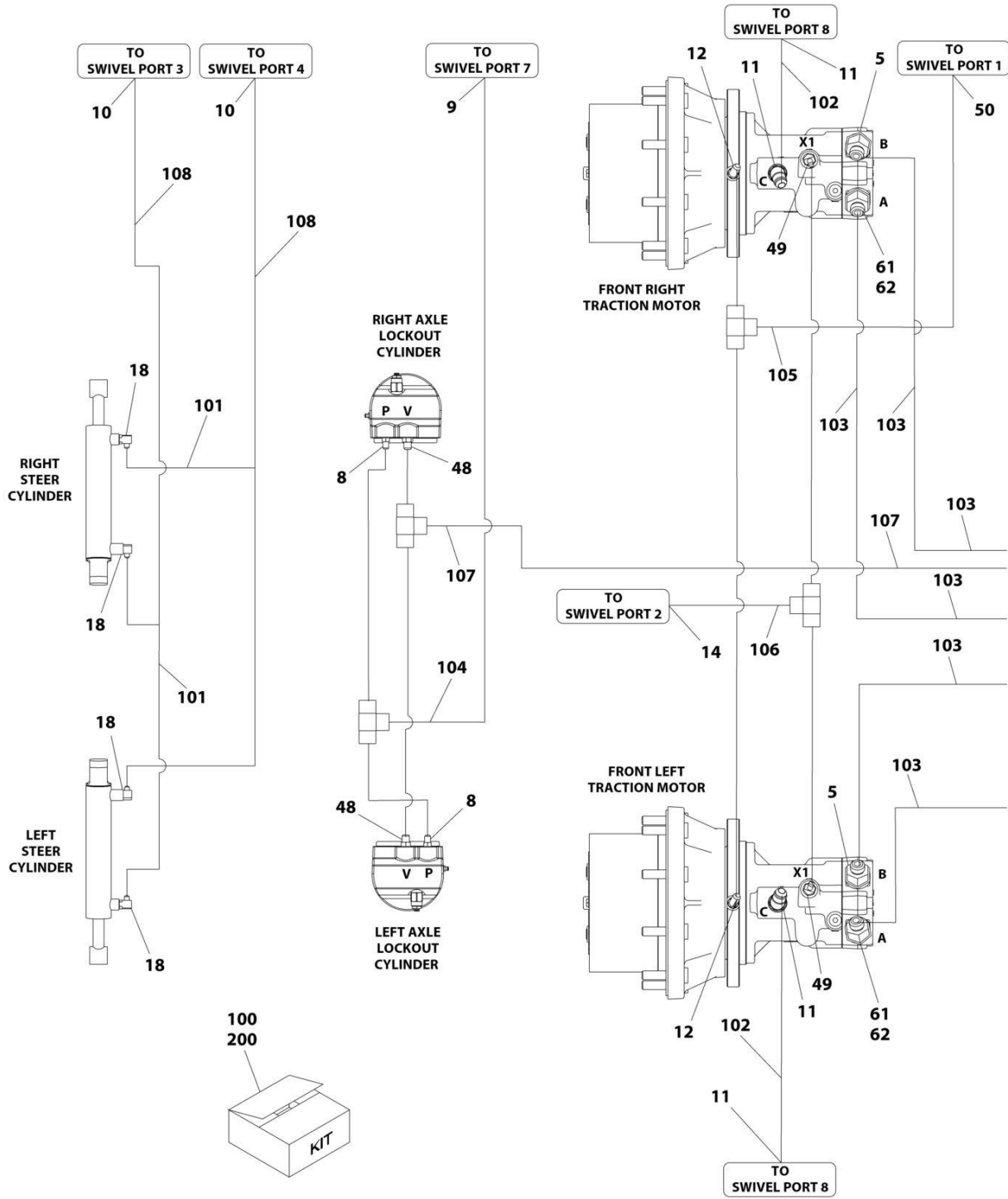
FIGURE 6-10. TELESCOPE CYLINDER ASSEMBLY

ITEM	PART NUMBER	QTY	DESCRIPTION	REV
	1001251079	Ref	TELESCOPE CYLINDER ASSEMBLY	B
	See Note	Ref	Note: Original Cylinder may have been replaced with Service Replacement. Identify PN Stamped on Cylinder Before Ordering Parts.	
1	See Note	NSS	Barrel (Note: Use PN 1001251079)	
2	70006978	1	Rod	
3	70006979	1	Head	
4	See Note	NSS	Wiper (Note: Use Item 100)	
5	70050795	1	Ring, Retaining	
6	See Note	NSS	Seal, Rod (Note: Use Item 100)	
7	See Note	NSS	Ring, Back-up (Note: Use Item 100)	
8	See Note	NSS	Ring, Buffer (Note: Use Item 100)	
9	See Note	NSS	Ring, Wear (Note: Use Item 100)	
10	See Note	NSS	O-Ring (Note: Use Item 100)	
11	See Note	NSS	Ring, Back-up (Note: Use Item 100)	
12	70006980	1	Piston	
13	See Note	NSS	Seal, Piston (Note: Use Item 100)	
14	See Note	NSS	Ring, Wear (Note: Use Item 100)	
15	See Note	NSS	O-Ring (Note: Use Item 100)	
16	See Note	NSS	Ring, Back-up (Note: Use Item 100)	
17	See Note	NSS	O-Ring (Note: Use Item 100)	
18	See Note	NSS	Ring, Back-up (Note: Use Item 100)	
19	70005839	1	Setscrew M8 x 12	
20	70006981	1	Spacer	
21	70006731	1	Bolt M8 x 12	
22	1001133245	1	Valve Assembly	
22A	70003926	1	Cartridge, Valve	
22A	70004186	1	Seal Kit - 70003926 Valve	
22B	70004155	1	Cartridge, Valve	
22B	70004186	1	Seal Kit - 70004155 Valve	
22C	70003928	1	Cartridge, Valve	
22C	70003929	1	Seal Kit - 70003928 Valve	
22D	70003982	2	Seal	
22E	70003930	1	Roll Pin	
23	70005595	4	Bolt M6 x 100	
25	2220885	3	Plug 9/16	
26	70006982	8	Bolt M10 x 45	
27	2220883	1	Plug 7/16	
100	70006983	1	Seal Kit - 1001251079 Cylinder (Includes Items 4, 6-11 & 13-18)	

SECTION 7 - HYDRAULIC

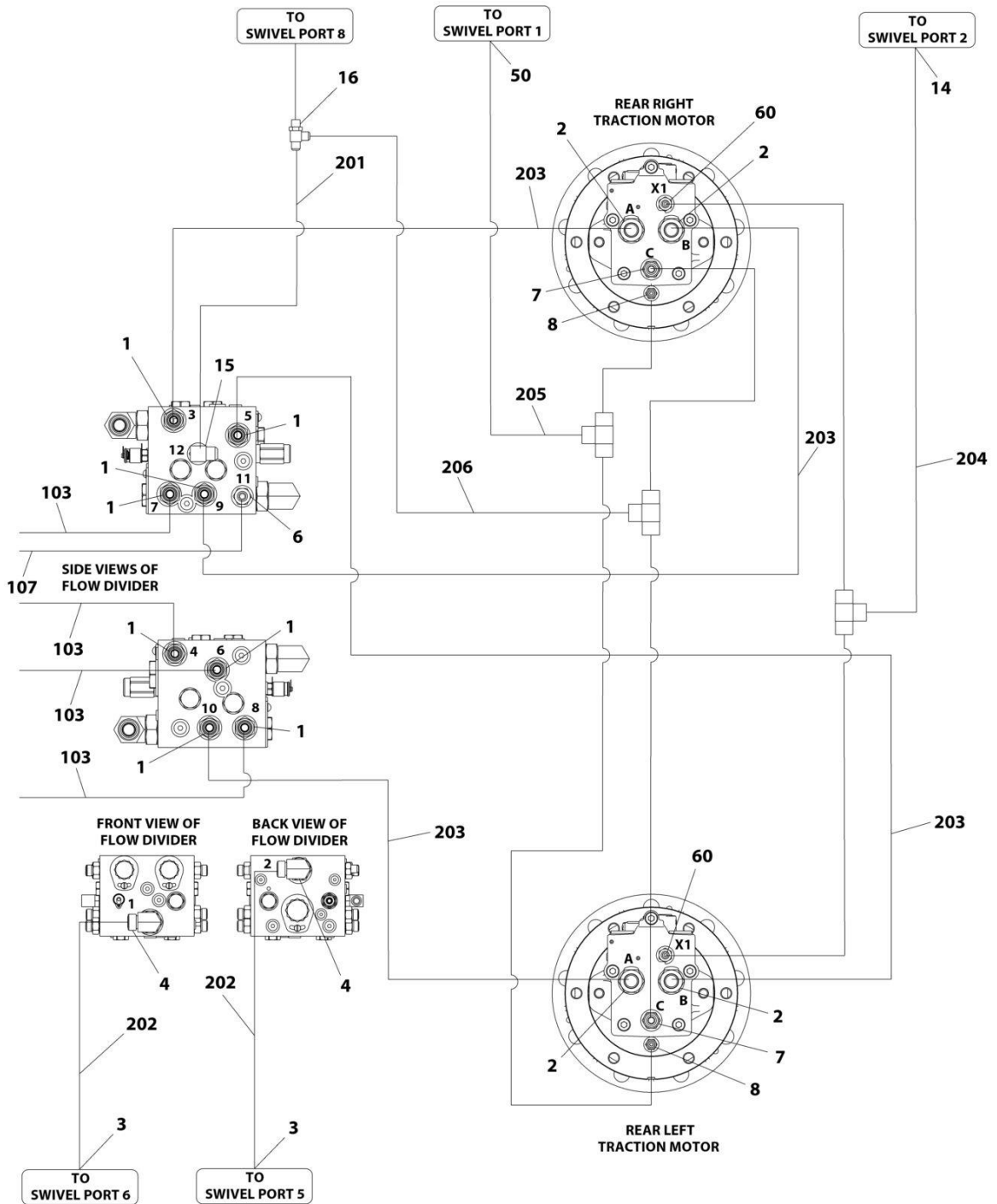
SECTION 7 - HYDRAULIC

FIGURE 7-1. DRIVE HYDRAULIC DIAGRAM (2WS WITHOUT ARCTIC PACKAGE) (600S HC3)



ART_1001188342_G_10F2

SECTION 7 - HYDRAULIC



ART_1001188342_G_2OF2

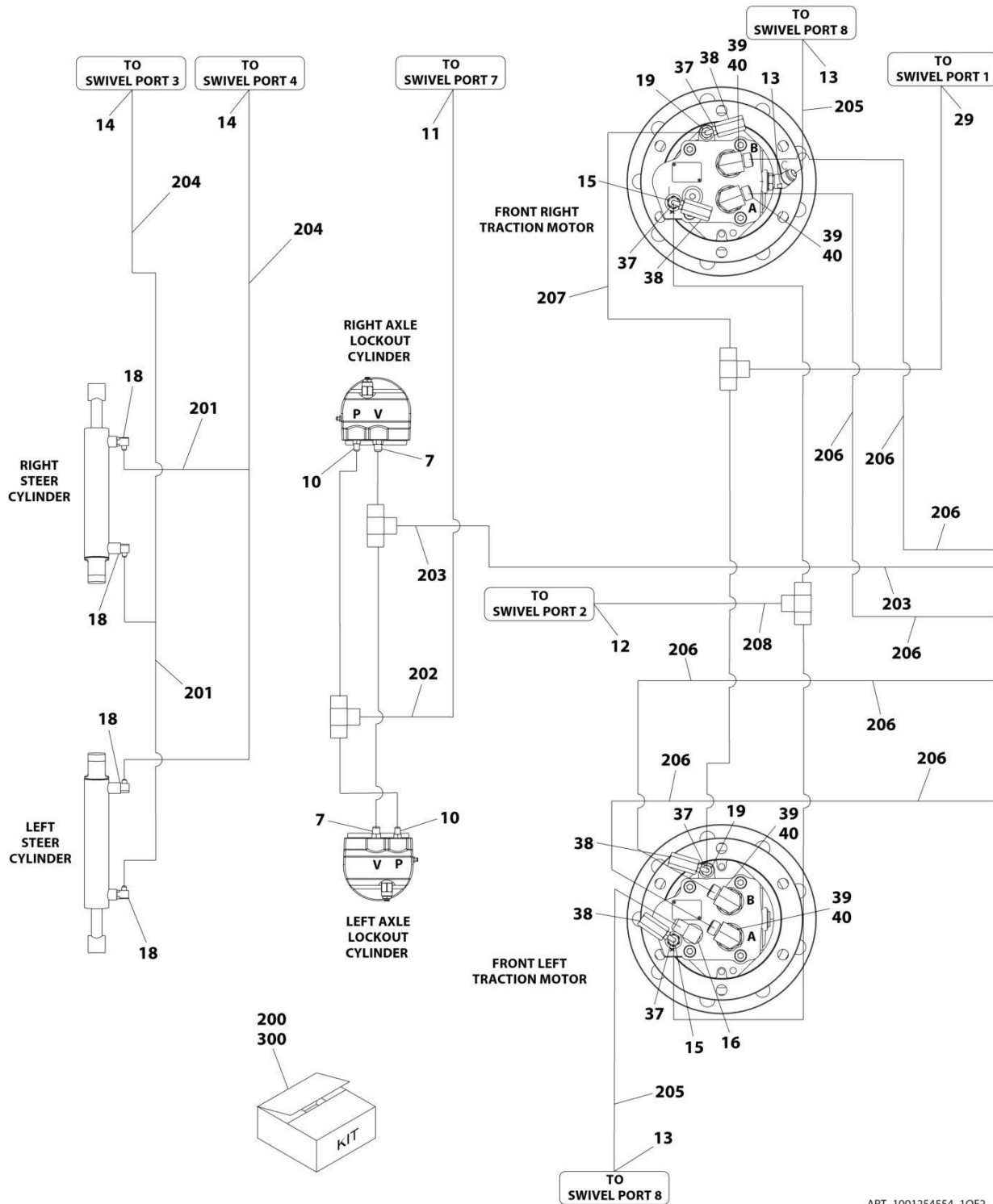
SECTION 7 - HYDRAULIC

FIGURE 7-1. DRIVE HYDRAULIC DIAGRAM (2WS WITHOUT ARCTIC PACKAGE) (600S HC3)

ITEM	PART NUMBER	QTY	DESCRIPTION	REV
	1001188342	Ref	DRIVE HYDRAULIC DIAGRAM	G
1	2110810	8	Fitting, Straight ORFS/ORB	
2	2110812	4	Fitting, Straight ORFS/ORB	
3	2111216	2	Fitting, Straight ORFS/ORB	
4	2131216	2	Fitting, 90 ORFS/ORB	
5	2150812	2	Fitting, 45 ORFS/ORB	
6	2220372	1	Fitting, Straight JIC ORB	
7	2220373	2	Fitting, Straight JIC/ORB	
8	2220415	4	Fitting, Straight JIC/ORB	
9	2220468	1	Fitting, Straight JIC/ORB	
10	2220501	2	Fitting, 45 JIC/ORB	
11	2220500	4	Fitting, 45 JIC/ORB	
12	2220502	2	Fitting, 45 JIC/ORB	
14	2220472	2	Fitting, 90 JIC/ORB	
15	2220596	1	Fitting, 90 JIC/ORB	
16	2220602	1	Fitting, Tee JIC/ORB/JIC	
18	2220628	4	Fitting, 90 JIC/ORB	
23	4240018	21	Tie-Strap (Not Shown)	
48	2220371	2	Fitting, Straight JIC/ORB	
49	2221040	2	Fitting, 45 JIC/ORB	
50	1001197045	2	Fitting, 90 JIC/ORB	
59	4240033	2	Tie-Strap (Not Shown)	
60	2220582	2	Fitting, Straight JIC/ORB	
61	2150808	2	Fitting, 45 ORFS/ORB	
62	2220811	2	Fitting, Straight FORB/ORB	
100	1001269909	1	Front Hose Kit	
101	1001187308	2	Hose	
102	1001187311	2	Hose	
103	1001187317	4	Hose	
104	1001199654	1	Hose	
105	1001199655	1	Hose	
106	1001199656	1	Hose	
107	1001199661	1	Hose	
108	1001200432	2	Hose	
200	1001269908	1	Rear Hose Kit	
201	1001187312	1	Hose	
202	1001187318	2	Hose	
203	1001188763	4	Hose	
204	1001199657	1	Hose	
205	1001199658	1	Hose	
206	1001199662	1	Hose	

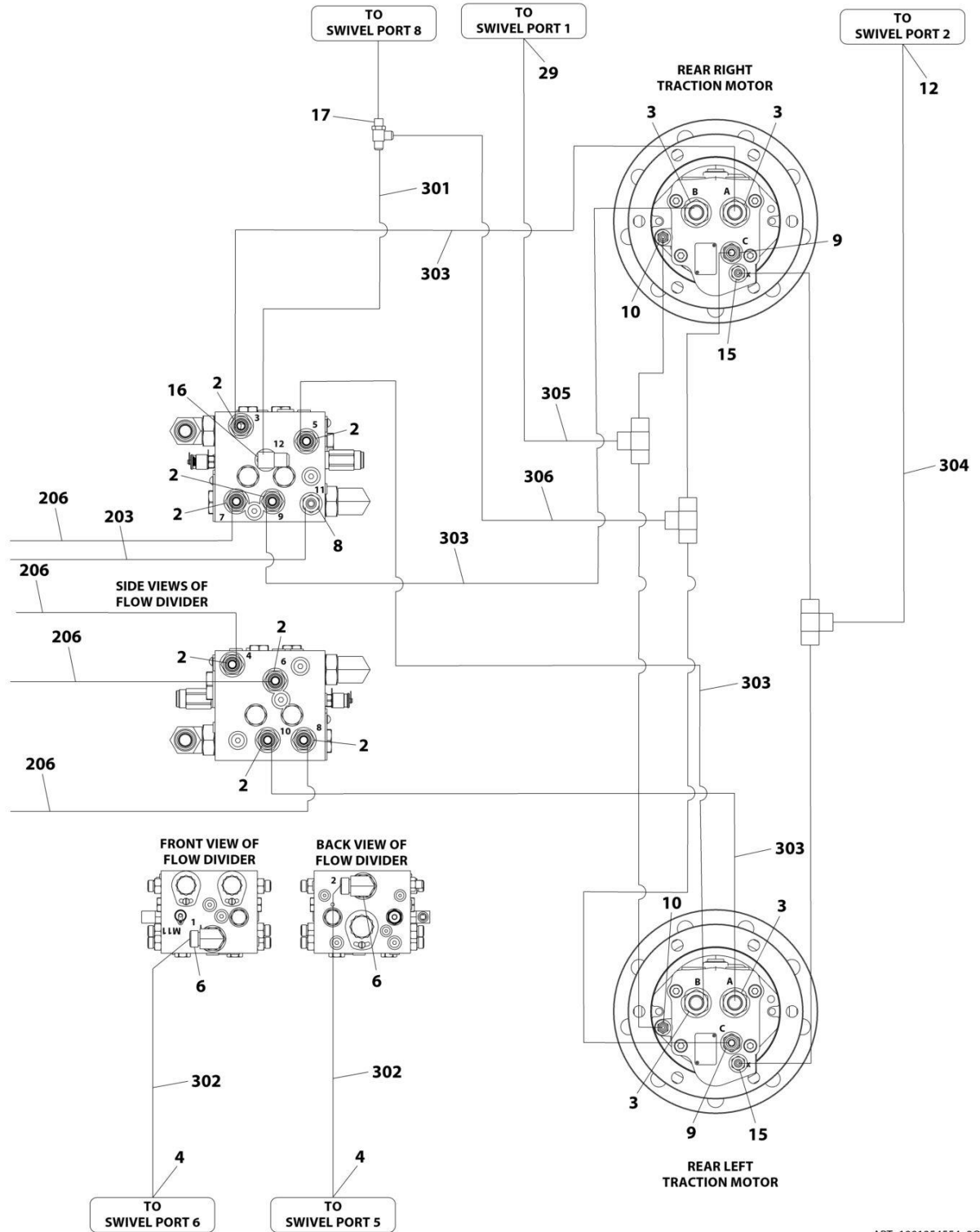
SECTION 7 - HYDRAULIC

FIGURE 7-2. DRIVE HYDRAULIC DIAGRAM (2WS WITHOUT ARCTIC PACKAGE) (660SJ HC3)



ART_1001254554_10F2

SECTION 7 - HYDRAULIC



ART_1001254554_2OF2

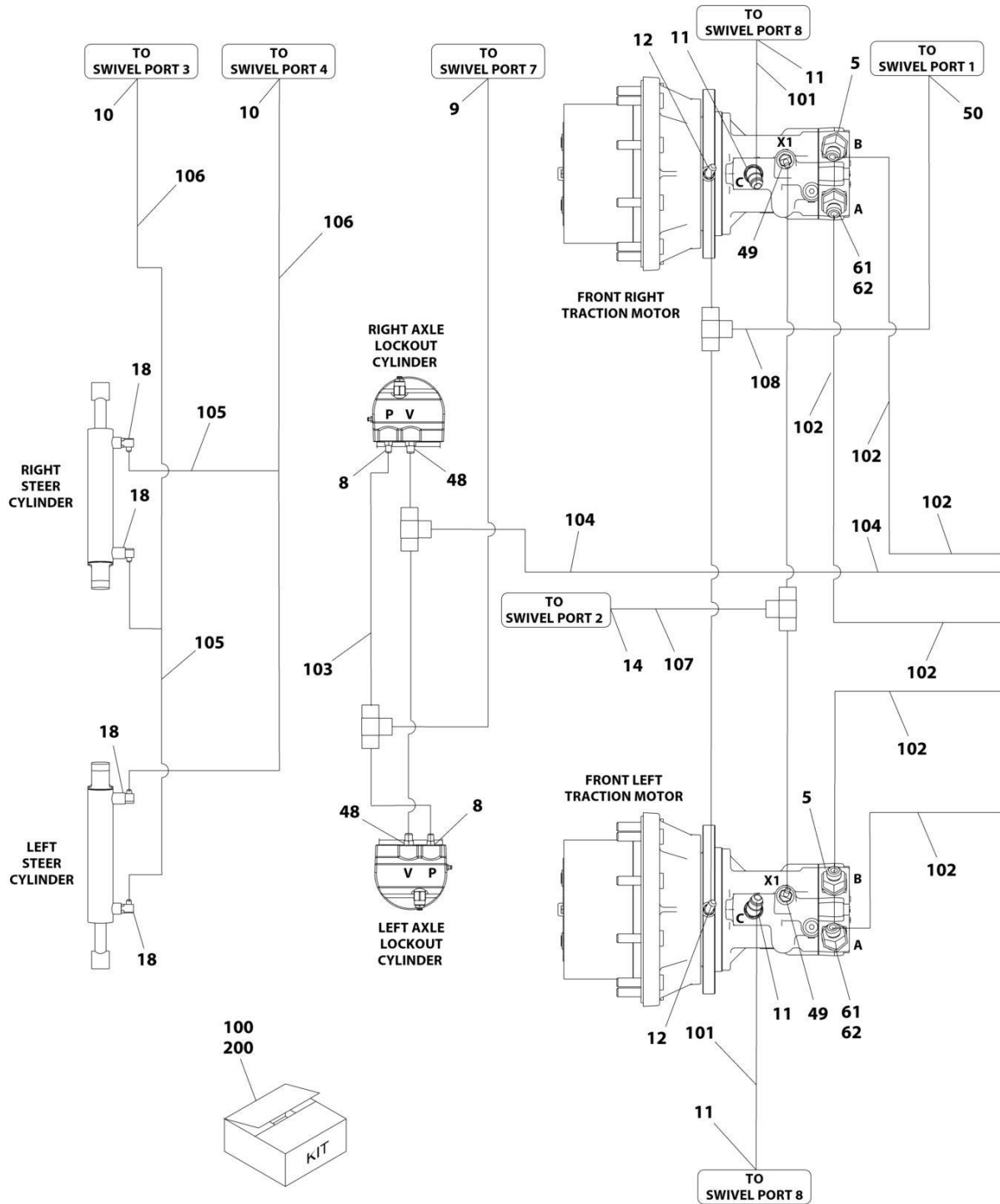
SECTION 7 - HYDRAULIC

FIGURE 7-2. DRIVE HYDRAULIC DIAGRAM (2WS WITHOUT ARCTIC PACKAGE) (660SJ HC3)

ITEM	PART NUMBER	QTY	DESCRIPTION	REV
	1001254554	Ref	DRIVE HYDRAULIC DIAGRAM	F
2	2110810	8	Fitting, Straight ORFS/ORB	
3	2110812	4	Fitting, Straight ORFS/ORB	
4	2111216	2	Fitting, Straight ORFS/ORB	
6	2131216	2	Fitting, 90 ORFS/ORB	
7	2220371	2	Fitting, Straight JIC/ORB	
8	2220372	1	Fitting, Straight JIC ORB	
9	2220373	2	Fitting, Straight JIC/ORB	
10	2220415	4	Fitting, Straight JIC/ORB	
11	2220468	1	Fitting, Straight JIC/ORB	
12	2220472	2	Fitting, 90 JIC/ORB	
13	2220500	3	Fitting, 45 JIC/ORB	
14	2220501	2	Fitting, 45 JIC/ORB	
15	2220582	4	Fitting, Straight JIC/ORB	
16	2220596	2	Fitting, 90 JIC/ORB	
17	2220602	1	Fitting, Tee JIC/ORB/JIC	
18	2220628	4	Fitting, 90 JIC/ORB	
19	2220923	2	Fitting, Straight JIC/ORB	
21	4240018	21	Tie-Strap (Not Shown)	
22	4240033	2	Tie-Strap (Not Shown)	
29	1001197045	2	Fitting, 90 JIC/ORB	
37	1001260286	4	Fitting, 90 JIC/FSJIC	
38	1001260644	4	Fitting, FQL/FJIC	
39	2220811	4	Fitting, Straight FORB/ORB	
40	2130808	4	Fitting, 90 ORFS/ORB	
200	1001269907	1	Front Hose Kit	
201	1001187308	2	Hose	
202	1001199654	1	Hose	
203	1001199661	1	Hose	
204	1001200432	2	Hose	
205	1001256429	2	Hose	
206	1001256430	4	Hose	
207	1001260077	1	Hose	
208	1001260078	1	Hose	
300	1001269908	1	Rear Hose Kit	
301	1001187312	1	Hose	
302	1001187318	2	Hose	
303	1001188763	4	Hose	
304	1001199657	1	Hose	
305	1001199658	1	Hose	
306	1001199662	1	Hose	

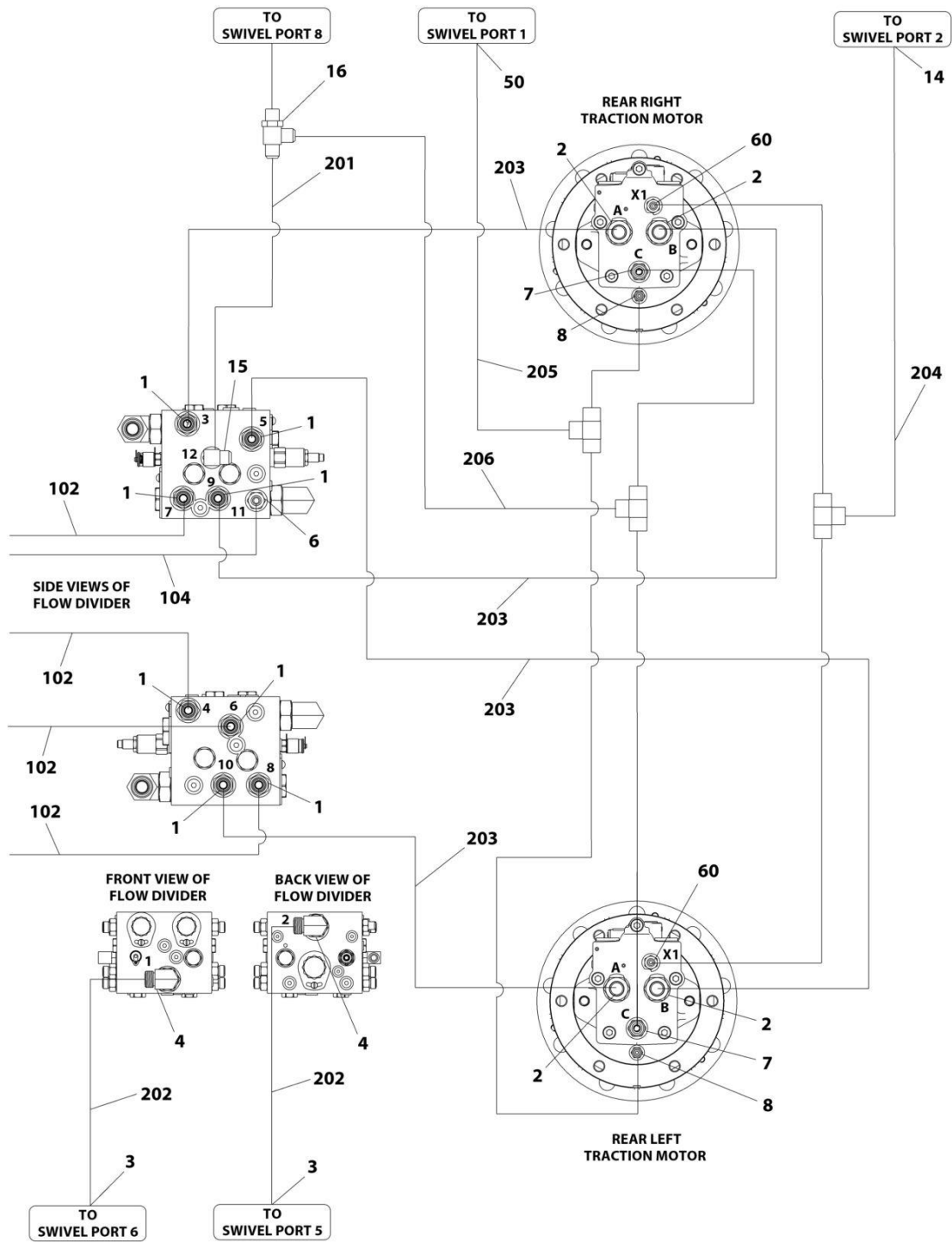
SECTION 7 - HYDRAULIC

FIGURE 7-3. DRIVE HYDRAULIC DIAGRAM (2WS WITH ARCTIC PACKAGE) (600S HC3)



ART_1001192265_F_10F2

SECTION 7 - HYDRAULIC



ART_1001192265_F_2OF2

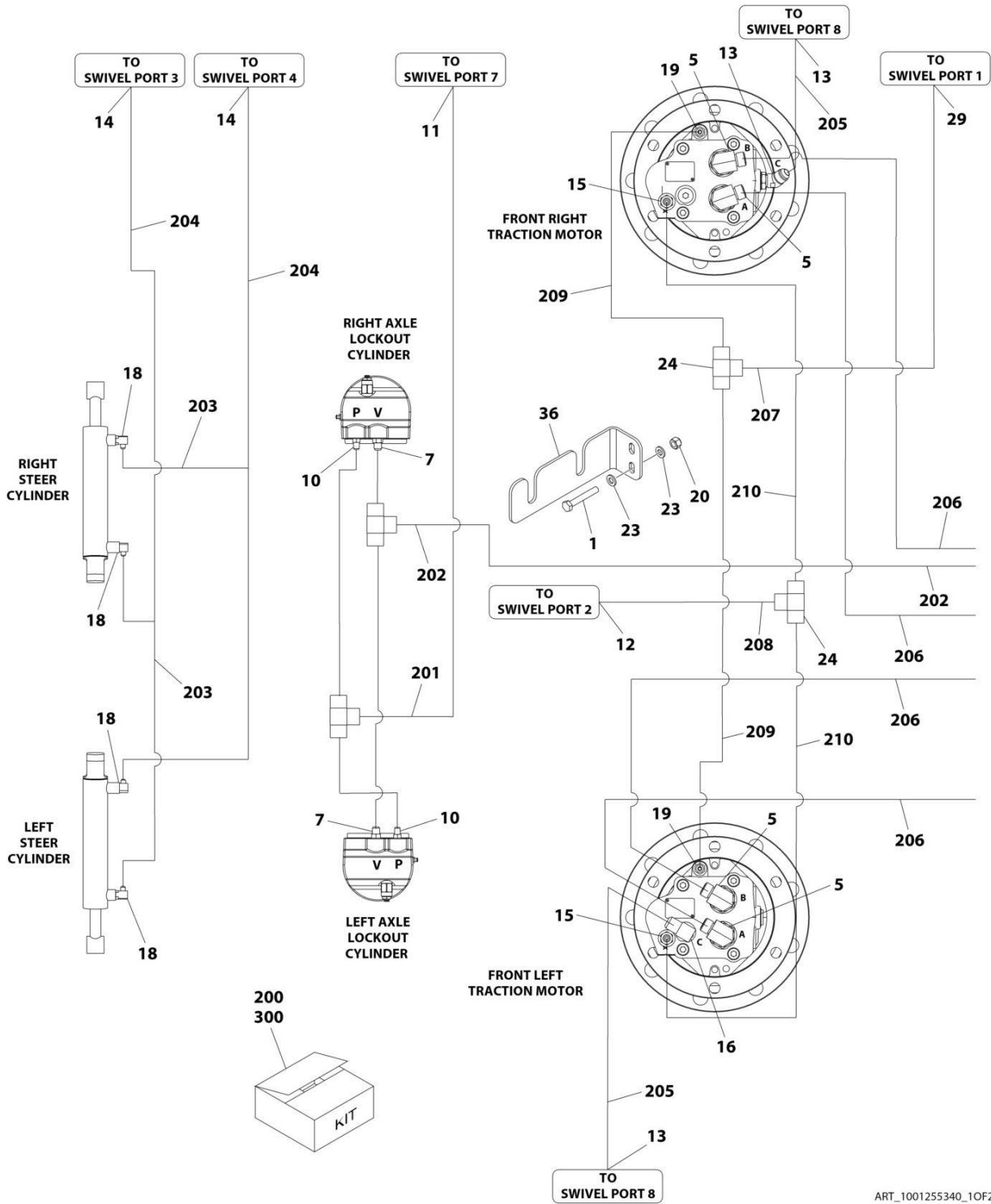
SECTION 7 - HYDRAULIC

FIGURE 7-3. DRIVE HYDRAULIC DIAGRAM (2WS WITH ARCTIC PACKAGE) (600S HC3)

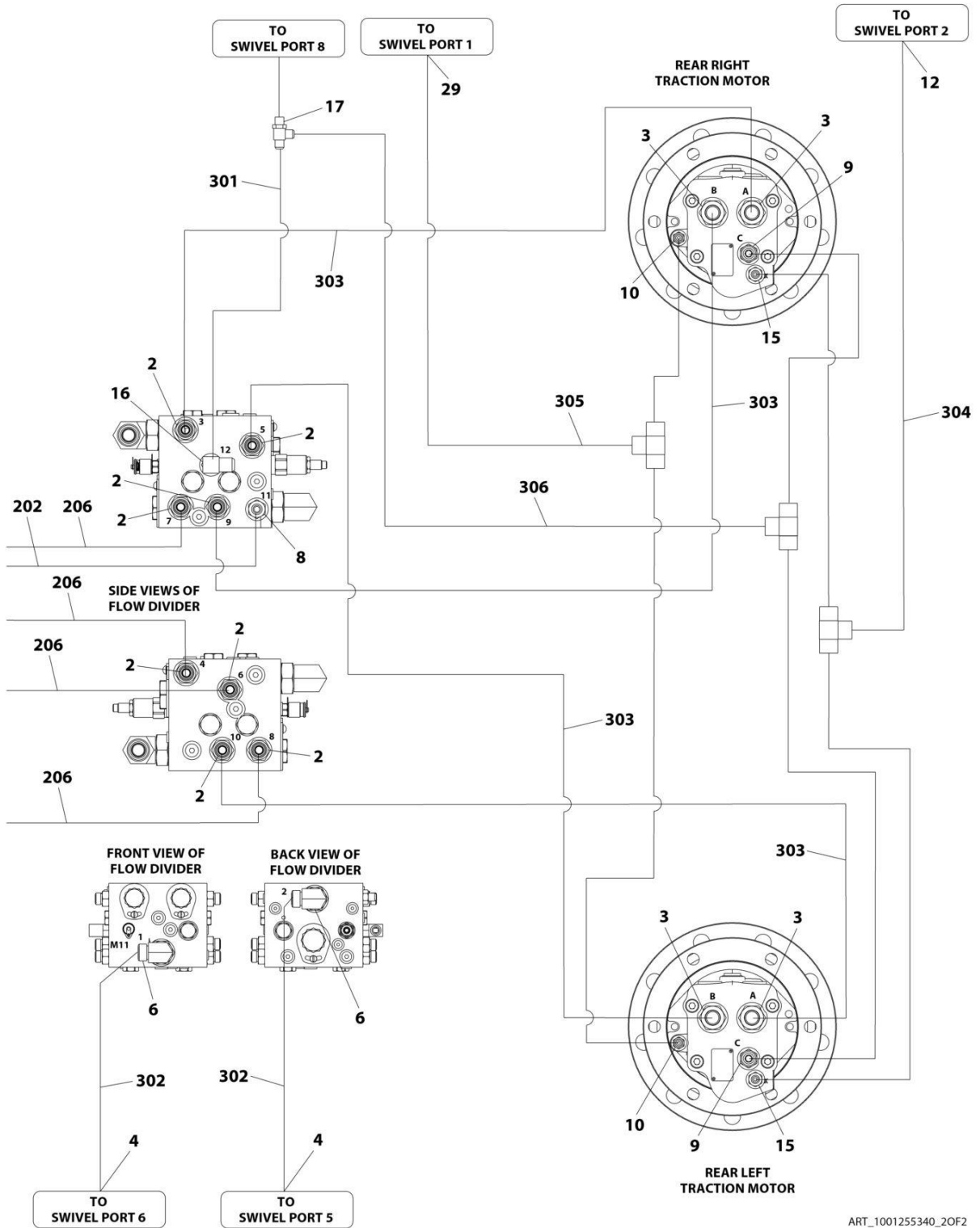
ITEM	PART NUMBER	QTY	DESCRIPTION	REV
	1001192265	Ref	DRIVE HYDRAULIC DIAGRAM	F
1	2110810	8	Fitting, Straight ORFS/ORB	
2	2110812	4	Fitting, Straight ORFS/ORB	
3	2111216	2	Fitting, Straight ORFS/ORB	
4	2131216	2	Fitting, 90 ORFS/ORB	
5	2150812	2	Fitting, 45 ORFS/ORB	
6	2220372	1	Fitting, Straight JIC/ORB	
7	2220373	2	Fitting, Straight JIC/ORB	
8	2220415	4	Fitting, Straight JIC/ORB	
9	2220468	1	Fitting, Straight JIC/ORB	
10	2220501	2	Fitting, 45 JIC/ORB	
11	2220500	4	Fitting, 45 JIC/ORB	
12	2220502	2	Fitting, 45 JIC/ORB	
14	2220472	2	Fitting, 90 JIC/ORB	
15	2220596	1	Fitting, 90 JIC/ORB	
16	2220602	1	Fitting, Tee JIC/ORB/JIC	
18	2220628	4	Fitting, 90 JIC/ORB	
23	4240018	21	Tie-Strap (Not Shown)	
48	2220371	2	Fitting, Straight JIC/ORB	
49	2221040	2	Fitting, 45 JIC/ORB	
50	1001197045	2	Fitting, 90 JIC/ORB	
59	4240033	2	Tie-Strap (Not Shown)	
60	2220582	2	Fitting, Straight JIC/ORB	
61	2150808	2	Fitting, 45 ORFS/ORB	
62	2220811	2	Fitting, Straight FORB/ORB	
100	1001269910	1	Arctic Front Hose Kit	
101	1001193610	2	Hose	
102	1001193611	4	Hose	
103	1001199654	1	Hose	
104	1001169661	1	Hose	
105	1001203853	2	Hose	
106	1001203854	2	Hose	
107	1001203859	1	Hose	
108	1001203860	1	Hose	
200	1001269908	1	Rear Hose Kit	
201	1001187312	1	Hose	
202	1001187318	2	Hose	
203	1001188763	4	Hose	
204	1001199657	1	Hose	
205	1001199658	1	Hose	
206	1001199662	1	Hose	

SECTION 7 - HYDRAULIC

FIGURE 7-4. DRIVE HYDRAULIC DIAGRAM (2WS WITH ARCTIC PACKAGE) (660SJ HC3)



SECTION 7 - HYDRAULIC



ART_1001255340_20F2

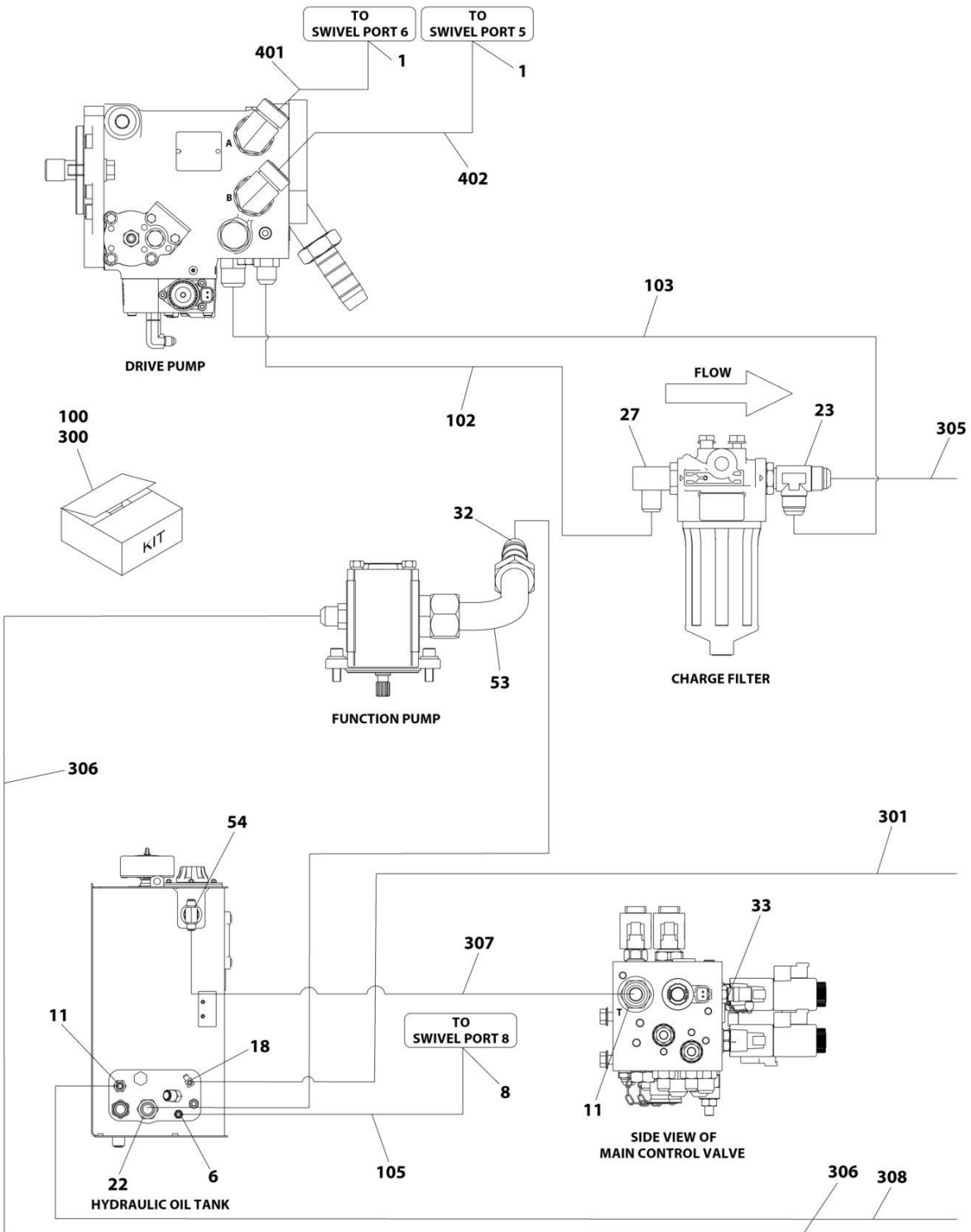
SECTION 7 - HYDRAULIC

FIGURE 7-4. DRIVE HYDRAULIC DIAGRAM (2WS WITH ARCTIC PACKAGE) (660SJ HC3)

ITEM	PART NUMBER	QTY	DESCRIPTION	REV
	1001255340	Ref	DRIVE HYDRAULIC DIAGRAM	D
1	0700616	2	Bolt M6 x 40	
2	2110810	8	Fitting, Straight ORFS/ORB	
3	2110812	4	Fitting, Straight ORFS/ORB	
4	2111216	2	Fitting, Straight ORFS/ORB	
5	2130812	4	Fitting, 90 ORFS/ORB	
6	2131216	2	Fitting, 90 ORFS/ORB	
7	2220371	2	Fitting, Straight JIC/ORB	
8	2220372	1	Fitting, Straight JIC/ORB	
9	2220373	2	Fitting, Straight JIC/ORB	
10	2220415	4	Fitting, Straight JIC/ORB	
11	2220468	1	Fitting, Straight JIC/ORB	
12	2220472	2	Fitting, 90 JIC/ORB	
13	2220500	3	Fitting, 45 JIC/ORB	
14	2220501	2	Fitting, 45 JIC/ORB	
15	2220582	4	Fitting, Straight JIC/ORB	
16	2220596	2	Fitting, 90 JIC/ORB	
17	2220602	1	Fitting, Tee JIC/ORB/JIC	
18	2220628	4	Fitting, 90 JIC/ORB	
19	2220923	2	Fitting, Straight JIC/ORB	
20	3290605	2	Nut M6	
21	4240018	21	Tie-Strap (Not Shown)	
22	4240033	2	Tie-Strap (Not Shown)	
23	4811700	4	Washer M6	
24	10728823	2	Fitting, Tee JIC/JIC/JIC	
29	1001197045	2	Fitting, 90 JIC/ORB	
36	1001256311	1	Bracket	
200	1001269912	1	Arctic Front Hose Kit	
201	1001199654	1	Hose	
202	1001169661	1	Hose	
203	1001203853	2	Hose	
204	1001203854	2	Hose	
205	1001257048	2	Hose	
206	1001257049	4	Hose	
207	1001257050	1	Hose	
208	1001257051	1	Hose	
209	1001257052	2	Hose	
210	1001257053	2	Hose	
300	1001269908	1	Rear Hose Kit	
301	1001187312	1	Hose	
302	1001187318	2	Hose	
303	1001188763	4	Hose	
304	1001199657	1	Hose	
305	1001199658	1	Hose	
306	1001199662	1	Hose	

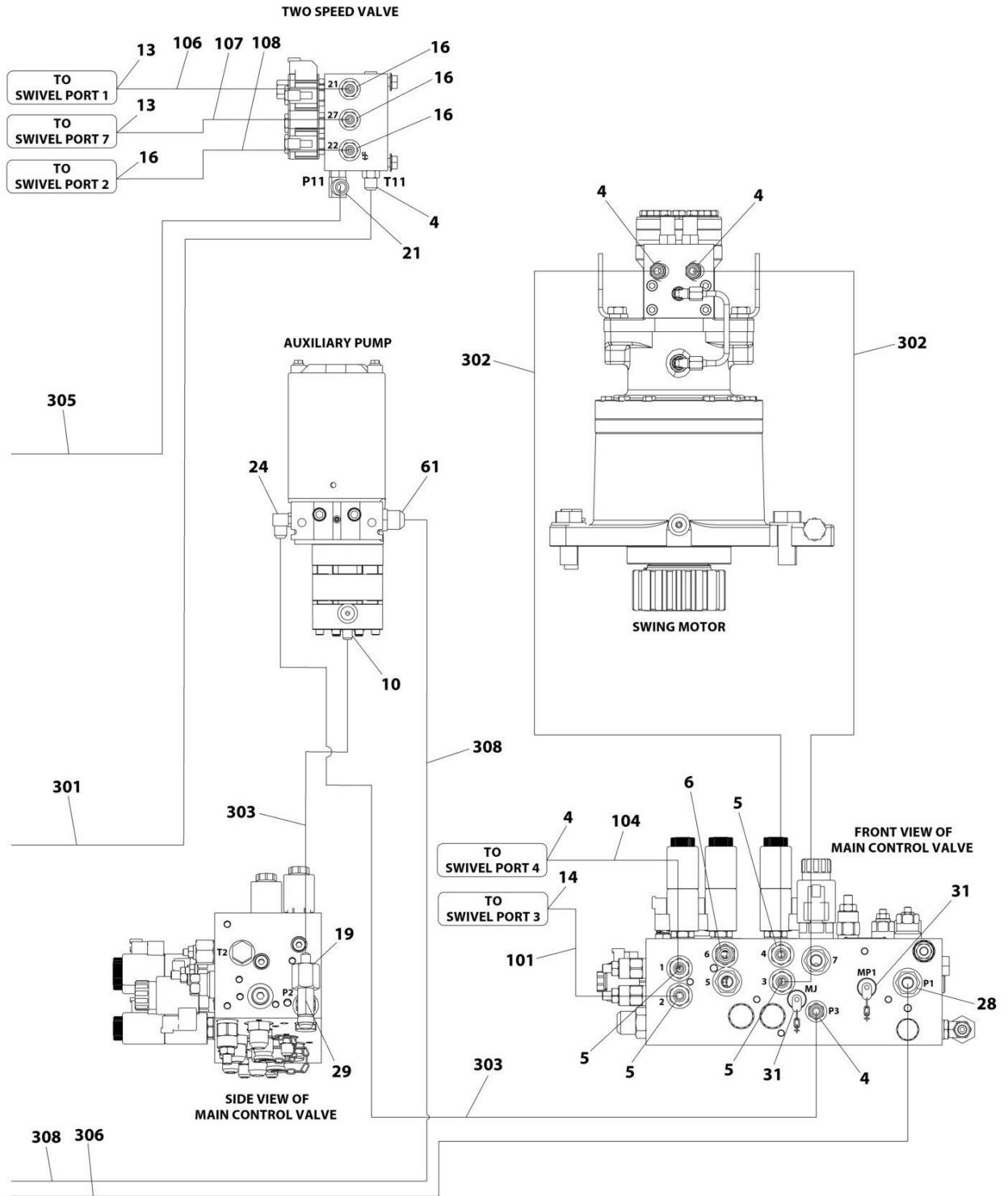
SECTION 7 - HYDRAULIC

FIGURE 7-5. STANDARD HYDRAULIC DIAGRAM (600S HC3)



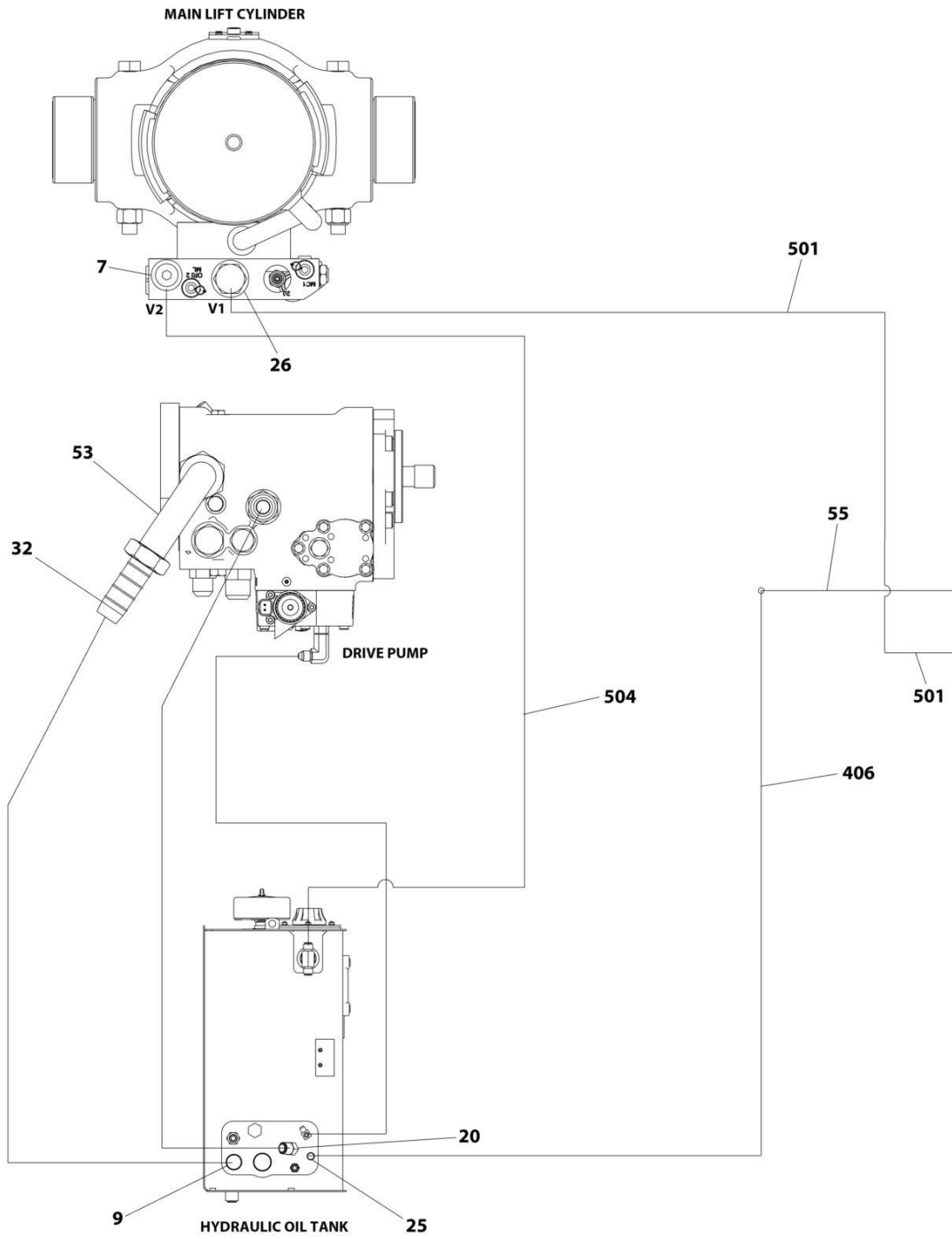
ART_1001265771_1OF4

SECTION 7 - HYDRAULIC



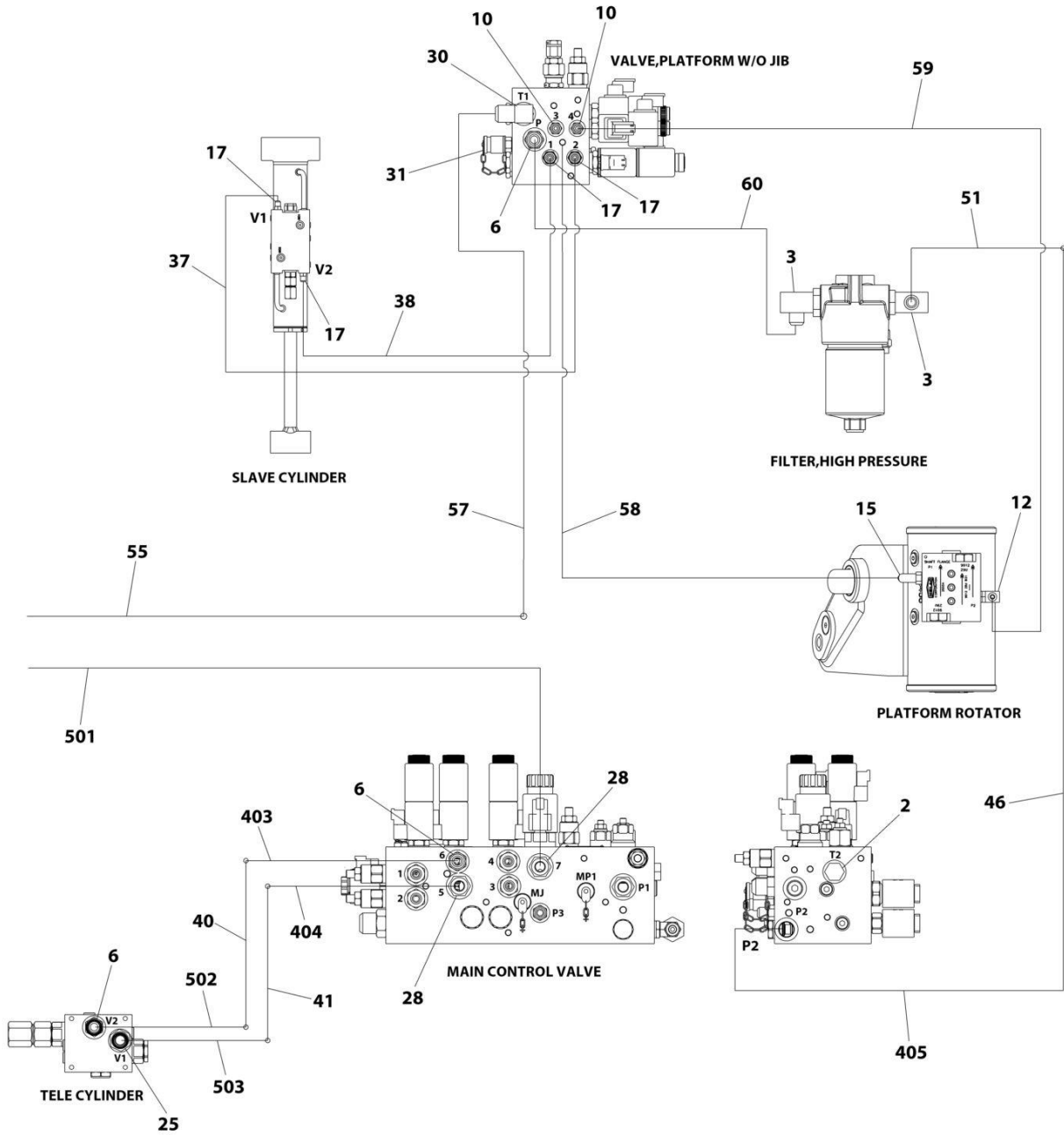
ART_1001265771_20F4

SECTION 7 - HYDRAULIC



ART_1001265771_3OF4

SECTION 7 - HYDRAULIC



ART_1001265771_40F4

SECTION 7 - HYDRAULIC

FIGURE 7-5. STANDARD HYDRAULIC DIAGRAM (600S HC3)

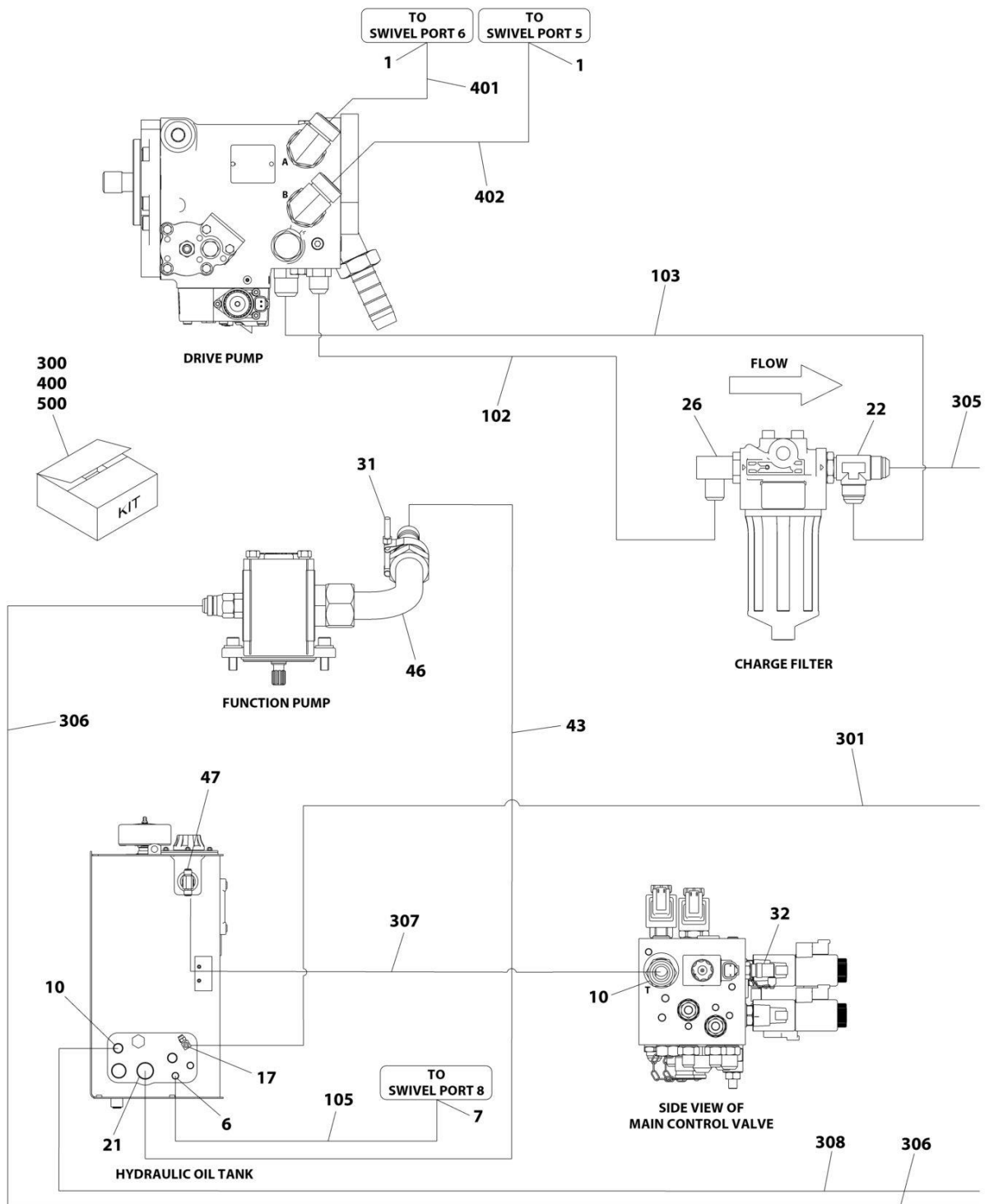
ITEM	PART NUMBER	QTY	DESCRIPTION	REV
	1001265771	Ref	STANDARD HYDRAULIC DIAGRAM	C
1	2111616	2	Fitting, Straight ORFS/ORB	
2	2220238	1	Plug	
3	2220366	2	Fitting, 90 JIC/ORB	
4	2220371	5	Fitting, Straight JIC/ORB	
5	2220372	4	Fitting, Straight JIC/ORB	
6	2220373	4	Fitting, Straight JIC/ORB	
7	2220374	1	Fitting, Straight JIC/ORB	
8	2220375	1	Fitting, Straight JIC/ORB	
9	2220380	1	Fitting, Straight JIC/ORB	
10	2220415	3	Fitting, Straight JIC/ORB	
11	2220451	2	Fitting, Straight JIC/ORB	
12	2220466	1	Fitting, 90 JIC/ORB	
13	2220468	2	Fitting, Straight JIC/ORB	
14	2220473	1	Fitting, 90 JIC/ORB	
15	2220502	1	Fitting, 45 JIC/ORB	
16	2220582	4	Fitting, Straight JIC/ORB	
17	2220603	4	Fitting, Straight JIC/ORB	
18	2220606	1	Fitting, Tee JIC/ORB/JIC	
19	2220618	1	Fitting, Straight JIC/FSJIC	
20	2220637	1	Fitting, 45 JIC/ORB	
21	2220726	1	Fitting, 90 JIC/ORB	
22	2220733	1	Fitting, Straight JIC/ORB	
23	2220738	1	Fitting, Tee JIC/ORB/JIC	
24	2220775	1	Fitting, 90 JIC/ORB	
25	2220852	2	Fitting, Straight JIC/ORB	
26	2220865	1	Fitting, Straight JIC/ORB	
27	2220906	1	Fitting, 90 JIC/ORB	
28	2220947	3	Fitting, Straight JIC/ORB	
29	2220999	1	Fitting, Tee JIC/ORB/JIC	
30	2221042	1	Fitting, 90 JIC/ORB	
31	2221086	3	Fitting, Test	
32	80633030	2	Clamp	
33	1001119455	1	Valve, Oil Sampling	
37	1001192684	1	Hose	
38	1001192685	1	Hose	
40	1001192693	1	Pipe	
41	1001192694	1	Pipe	
46	1001201255	1	Pipe	
51	1001204389	1	Hose	
53	1001205824	2	Fitting, 90 Barb	
54	1001214408	1	Fitting, Tee JIC/ORB/JIC	
55	1001220903	1	Pipe	
57	1001220941	1	Hose	
58	1001259019	1	Hose	
59	1001259020	1	Hose	
60	1001260486	1	Hose	
61	2220408	1	Fitting, Straight JIC/ORB	
100	1001250981	1	Engine Side Hose Kit	
101	1001247876	1	Hose	

SECTION 7 - HYDRAULIC

ITEM	PART NUMBER	QTY	DESCRIPTION	REV
102	1001247871	1	Hose	
103	1001247872	1	Hose	
104	1001247877	1	Hose	
105	1001247881	1	Hose	
106	1001247878	1	Hose	
107	1001247879	1	Hose	
108	1001247994	1	Hose	
300	1001274127	1	Tank Side Hose Kit	
301	1001247865	1	Hose	
302	1001247866	2	Hose	
303	1001247868	1	Hose	
304	1001247869	1	Hose	
305	1001247873	1	Hose	
306	1001247875	1	Hose	
307	1001247882	1	Hose	
308	1001274114	1	Hose	
400	1001269913	1	Hose Kit - Turntable (Not Shown)	
401	1001192661	1	Hose	
402	1001192663	1	Hose	
403	1001192695	1	Hose	
404	1001192698	1	Hose	
405	1001203424	1	Hose	
406	1001220912	1	Hose	
500	1001269914	1	Hose Kit - Boom (Not Shown)	
501	1001192641	1	Hose	
502	1001192696	1	Hose	
503	1001192699	1	Hose	
504	1001204645	1	Hose	

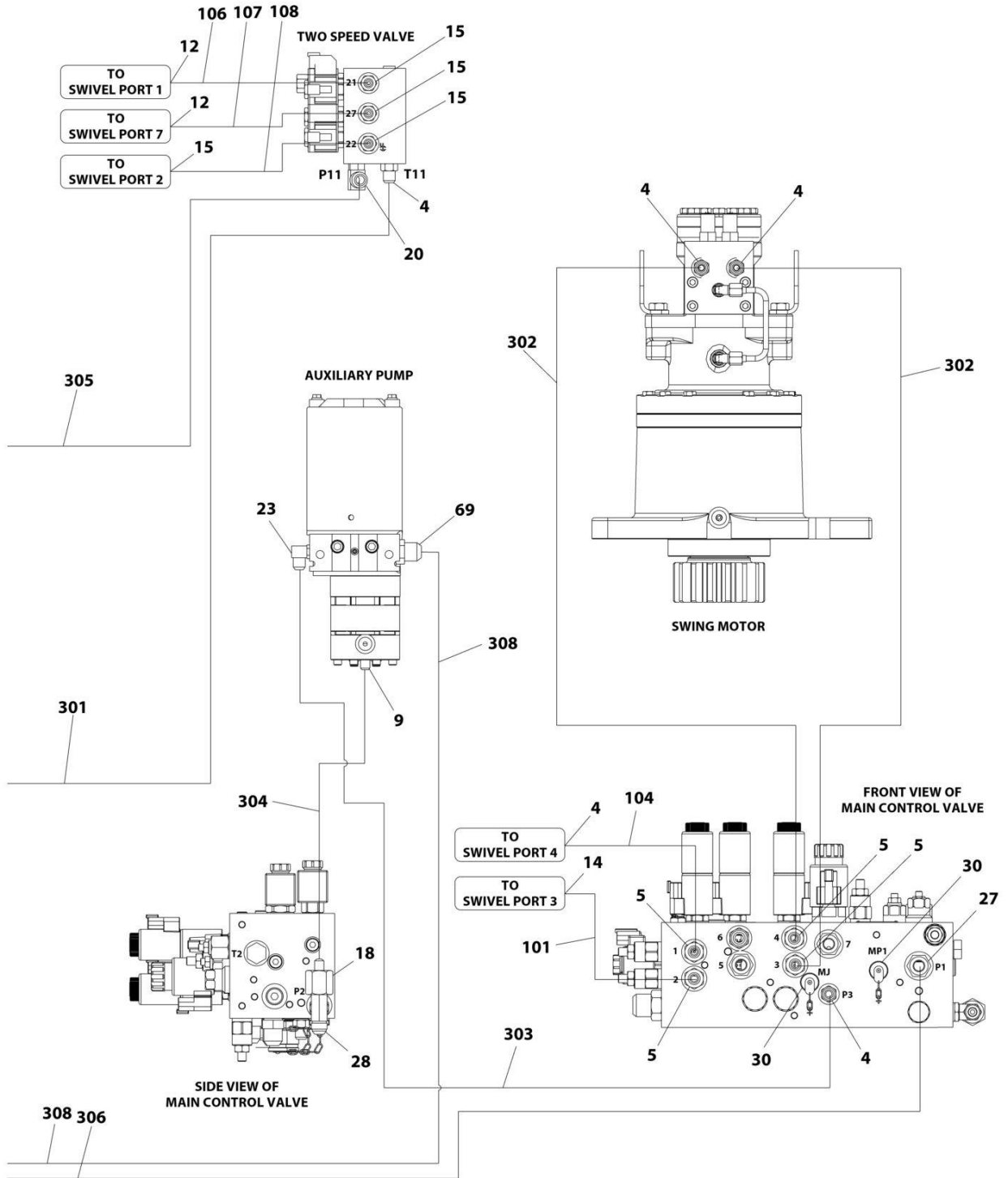
SECTION 7 - HYDRAULIC

FIGURE 7-6. STANDARD HYDRAULIC DIAGRAM (660SJ HC3) (MACHINES WITH SN STARTING WITH 03)



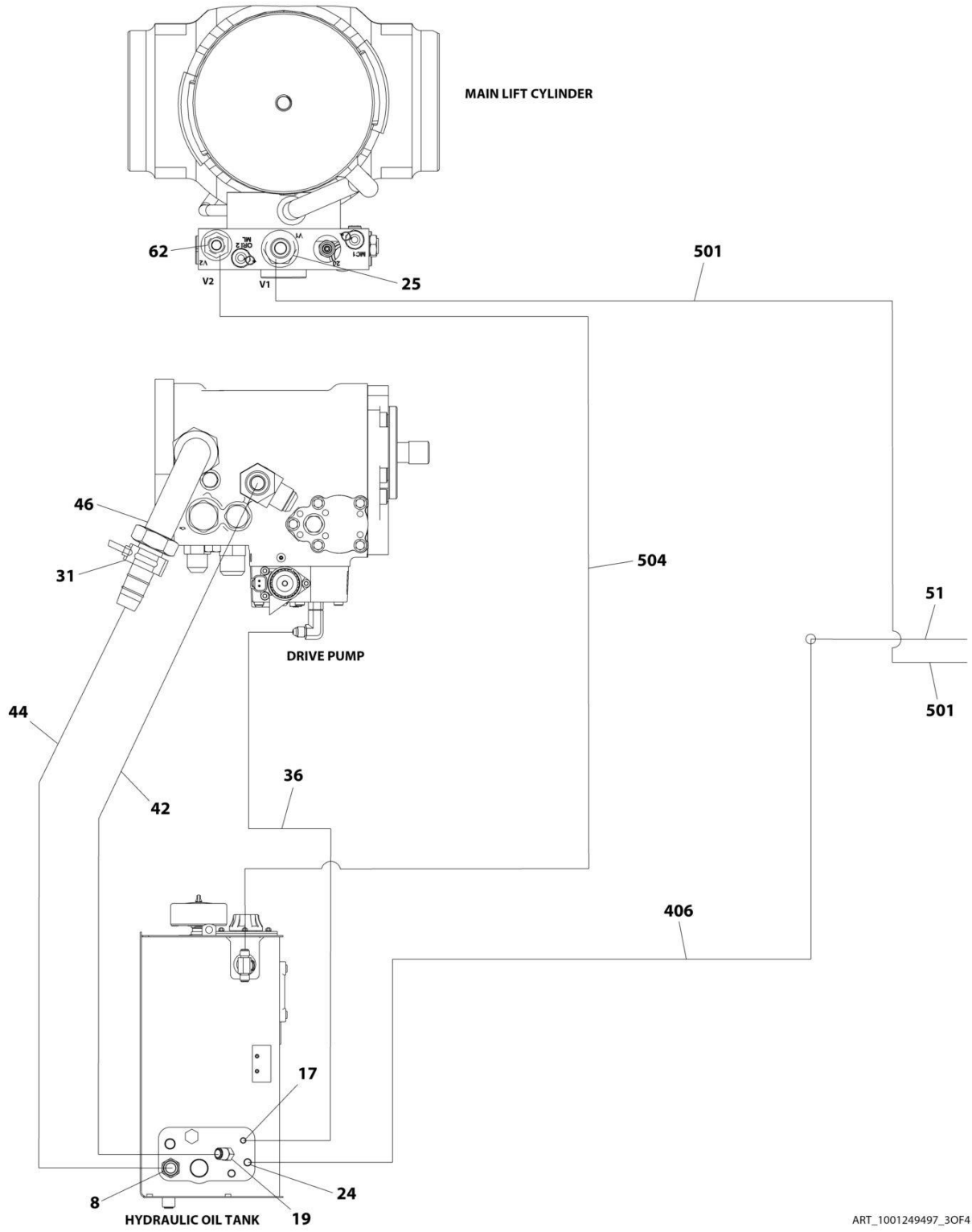
ART_1001249497_10F4

SECTION 7 - HYDRAULIC



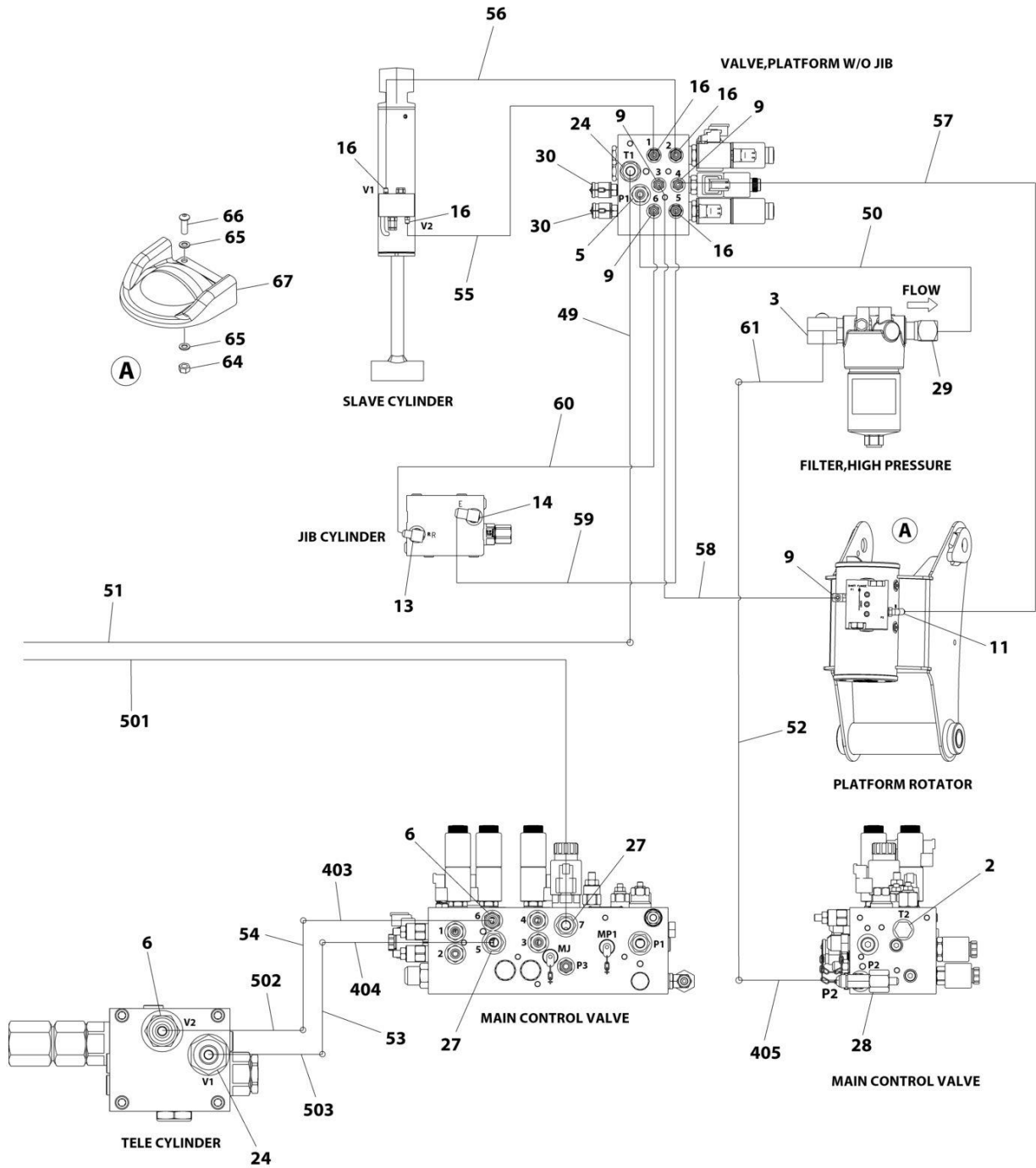
ART_1001249497_20F4

SECTION 7 - HYDRAULIC



ART_1001249497_30F4

SECTION 7 - HYDRAULIC



ART_1001249497_40F4

SECTION 7 - HYDRAULIC

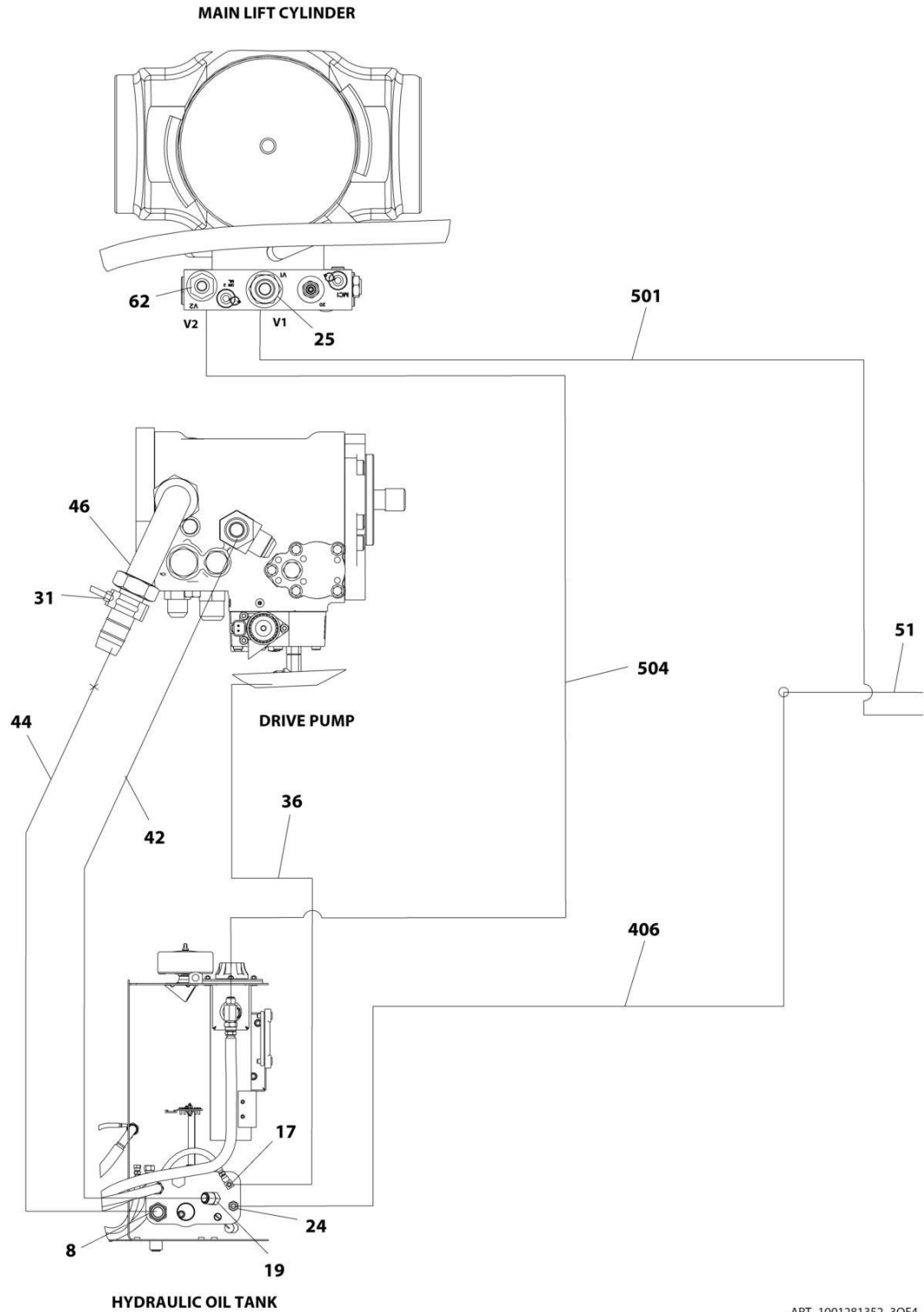
FIGURE 7-6. STANDARD HYDRAULIC DIAGRAM (660SJ HC3 (MACHINES WITH SN STARTING WITH 03))

ITEM	PART NUMBER	QTY	DESCRIPTION	REV
	1001249497	Ref	STANDARD HYDRAULIC DIAGRAM	G
1	2111616	2	Fitting, Straight ORFS/ORB	
2	2220238	1	Plug	
3	2220366	1	Fitting, 90 JIC/ORB	
4	2220371	5	Fitting, Straight JIC/ORB	
5	2220372	5	Fitting, Straight JIC/ORB	
6	2220373	3	Fitting, Straight JIC/ORB	
7	2220375	1	Fitting, Straight JIC/ORB	
8	2220380	1	Fitting, Straight JIC/ORB	
9	2220415	5	Fitting, Straight JIC/ORB	
10	2220451	2	Fitting, Straight JIC/ORB	
11	2220466	1	Fitting, 90 JIC/ORB	
12	2220468	2	Fitting, Straight JIC/ORB	
13	2220472	1	Fitting, 90 JIC/ORB	
14	2220473	2	Fitting, 90 JIC/ORB	
15	2220582	4	Fitting, Straight JIC/ORB	
16	2220603	5	Fitting, Straight JIC/ORB	
17	2220606	1	Fitting, Tee JIC/ORB/JIC	
18	2220618	1	Fitting, Straight JIC/FSJIC	
19	2220637	1	Fitting, 45 JIC/ORB	
20	2220726	1	Fitting, 90 JIC/ORB	
21	2220733	1	Fitting, Straight JIC/ORB	
22	2220738	1	Fitting, Tee JIC/ORB/JIC	
23	2220775	1	Fitting, 90 JIC/ORB	
24	2220852	3	Fitting, Straight JIC/ORB	
25	2220865	1	Fitting, Straight JIC/ORB	
26	2220906	1	Fitting, 90 JIC/ORB	
27	2220947	3	Fitting, Straight JIC/ORB	
28	2220999	1	Fitting, Tee JIC/ORB/JIC	
29	2221048	1	Fitting, 90 JIC/ORB	
30	2221086	4	Fitting, Test	
31	80633030	2	Clamp	
32	1001119455	1	Valve, Oil Sampling	
36	1001192690	1	Hose	
42	1001203431	1	Hose	
43	1001258157	1	Hose	
44	1001258156	1	Hose	
46	1001205824	2	Fitting, 90 Barb	
47	1001214408	1	Fitting, Tee JIC/ORB/JIC	
49	1001221016	1	Hose	
50	1001222522	1	Hose	
51	1001249492	1	Pipe	
52	1001249493	1	Pipe	
53	1001249494	1	Pipe	
54	1001249495	1	Pipe	
55	1001193927	1	Hose	
56	1001193928	1	Hose	
57	1001193929	1	Hose	
58	1001193930	1	Hose	

SECTION 7 - HYDRAULIC

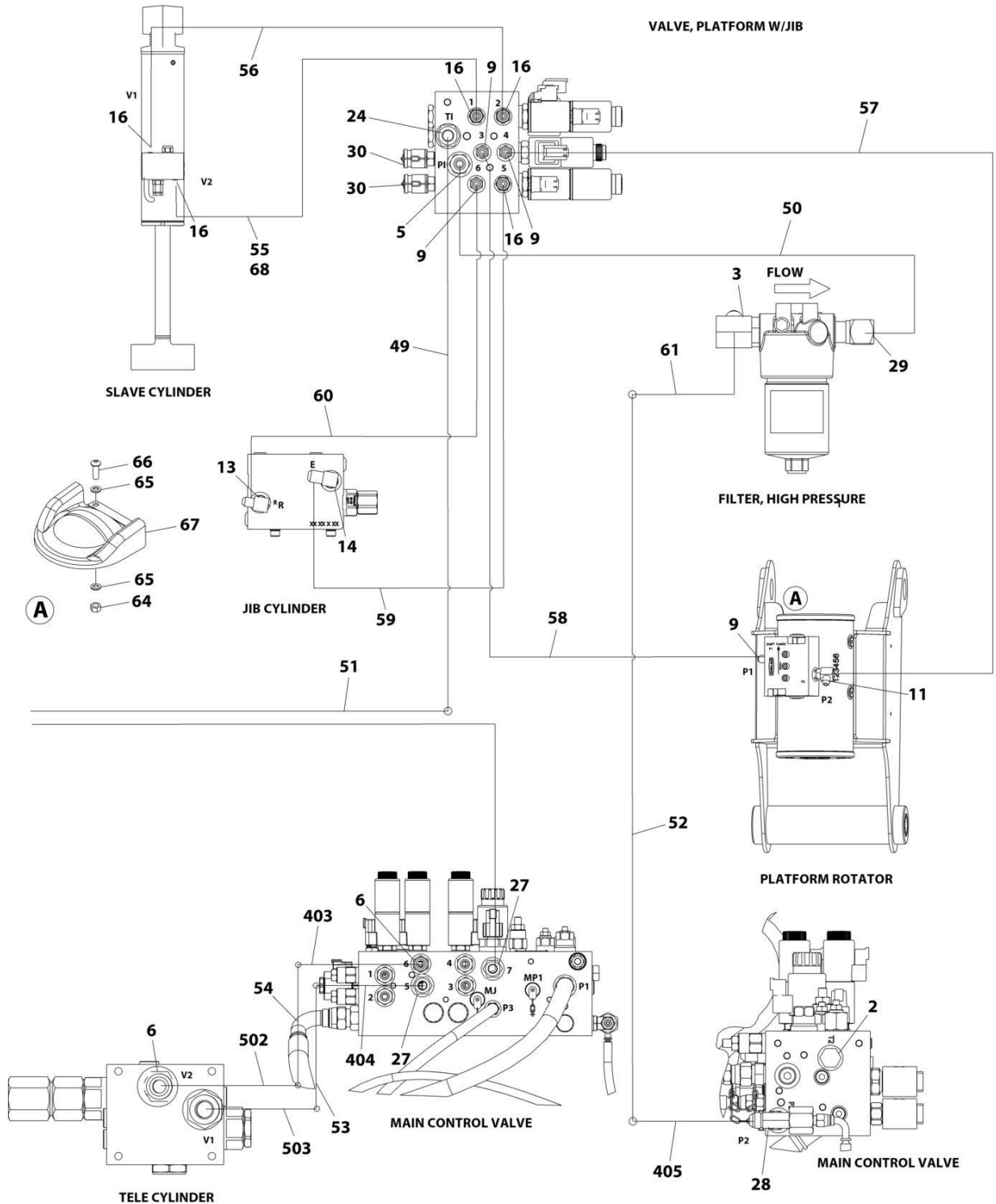
ITEM	PART NUMBER	QTY	DESCRIPTION	REV
59	1001269096	1	Hose	
60	1001269097	1	Hose	
61	1001203426	1	Hose	
62	2220374	1	Fitting, Straight JIC/ORB	
63	4240156	2	Strap (Not Shown)	
64	3311505	2	Nut 5/16	
65	4711500	4	Washer 5/16	
66	88261024	2	Bolt 5/16 x 1	
67	1001207969	1	Cover	
68	1001136358	1	Sleeve (Not Shown)	
69	2220408	1	Fitting, Straight JIC/ORB	
100	1001250981	1	Engine Side Hose Kit	
101	1001247876	1	Hose	
102	1001247871	1	Hose	
103	1001247872	1	Hose	
104	1001247877	1	Hose	
105	1001247881	1	Hose	
106	1001247878	1	Hose	
107	1001247879	1	Hose	
108	1001247994	1	Hose	
300	1001274127	1	Tank Side Hose Kit	
301	1001247865	1	Hose	
302	1001247866	2	Hose	
303	1001247868	1	Hose	
304	1001247869	1	Hose	
305	1001247873	1	Hose	
306	1001247875	1	Hose	
307	1001247882	1	Hose	
308	1001274114	1	Hose	
400	1001269913	1	Turntable Hose Kit	
401	1001192661	1	Hose	
402	1001192663	1	Hose	
403	1001192695	1	Hose	
404	1001192698	1	Hose	
405	1001203424	1	Hose	
406	1001220912	1	Hose	
500	1001269914	1	Boom Hose Kit	
501	1001192641	1	Hose	
502	1001192696	1	Hose	
503	1001192699	1	Hose	
504	1001204645	1	Hose	

SECTION 7 - HYDRAULIC



ART_1001281352_30F4

SECTION 7 - HYDRAULIC



ART_1001281352_40F4

SECTION 7 - HYDRAULIC

FIGURE 7-7. STANDARD HYDRAULIC DIAGRAM (660SJ HC3) (MACHINES WITH SN STARTING WITH B3)

ITEM	PART NUMBER	QTY	DESCRIPTION	REV
	1001281352	Ref	STANDARD HYDRAULIC DIAGRAM	B
1	2111616	2	Fitting, Straight ORFS/ORB	
2	2220238	1	Plug	
3	2220366	1	Fitting, 90 JIC/ORB	
4	2220371	5	Fitting, Straight JIC/ORB	
5	2220372	5	Fitting, Straight JIC/ORB	
6	2220373	3	Fitting, Straight JIC/ORB	
7	2220375	1	Fitting, Straight JIC/ORB	
8	2220380	1	Fitting, Straight JIC/ORB	
9	2220415	4	Fitting, Straight JIC/ORB	
10	2220451	1	Fitting, Straight JIC/ORB	
11	2220466	1	Fitting, 90 JIC/ORB	
12	2220468	2	Fitting, Straight JIC/ORB	
13	2220472	1	Fitting, 90 JIC/ORB	
14	2220473	2	Fitting, 90 JIC/ORB	
15	2220582	4	Fitting, Straight JIC/ORB	
16	2220603	5	Fitting, Straight JIC/ORB	
17	2220606	1	Fitting, Tee JIC/ORB/JIC	
18	2220618	1	Fitting, Straight JIC/FSJIC	
19	2220637	1	Fitting, 45 JIC/ORB	
20	2220726	1	Fitting, 90 JIC/ORB	
21	2220733	1	Fitting, Straight JIC/ORB	
22	2220738	1	Fitting, Tee JIC/ORB/JIC	
24	2220852	3	Fitting, Straight JIC/ORB	
25	2220865	2	Fitting, Straight JIC/ORB	
26	2220906	1	Fitting, 90 JIC/ORB	
27	2220947	4	Fitting, Straight JIC/ORB	
28	2220999	1	Fitting, Tee JIC/ORB/JIC	
29	2221048	1	Fitting, 90 JIC/ORB	
30	2221086	4	Fitting, Test	
31	80633030	2	Clamp	
32	1001119455	1	Valve, Oil Sampling	
36	1001192690	1	Hose	
42	1001203431	1	Hose	
43	1001258157	1	Hose	
44	1001258156	1	Hose	
46	1001205824	2	Fitting, 90 Barb	
47	1001214408	1	Fitting, Tee JIC/ORB/JIC	
49	1001221016	1	Hose	
50	1001222522	1	Hose	
51	1001249492	1	Pipe	
52	1001249493	1	Pipe	
53	1001249494	1	Pipe	
54	1001249495	1	Pipe	
55	1001193927	1	Hose	
56	1001193928	1	Hose	
57	1001193929	1	Hose	
58	1001193930	1	Hose	
59	1001269096	1	Hose	

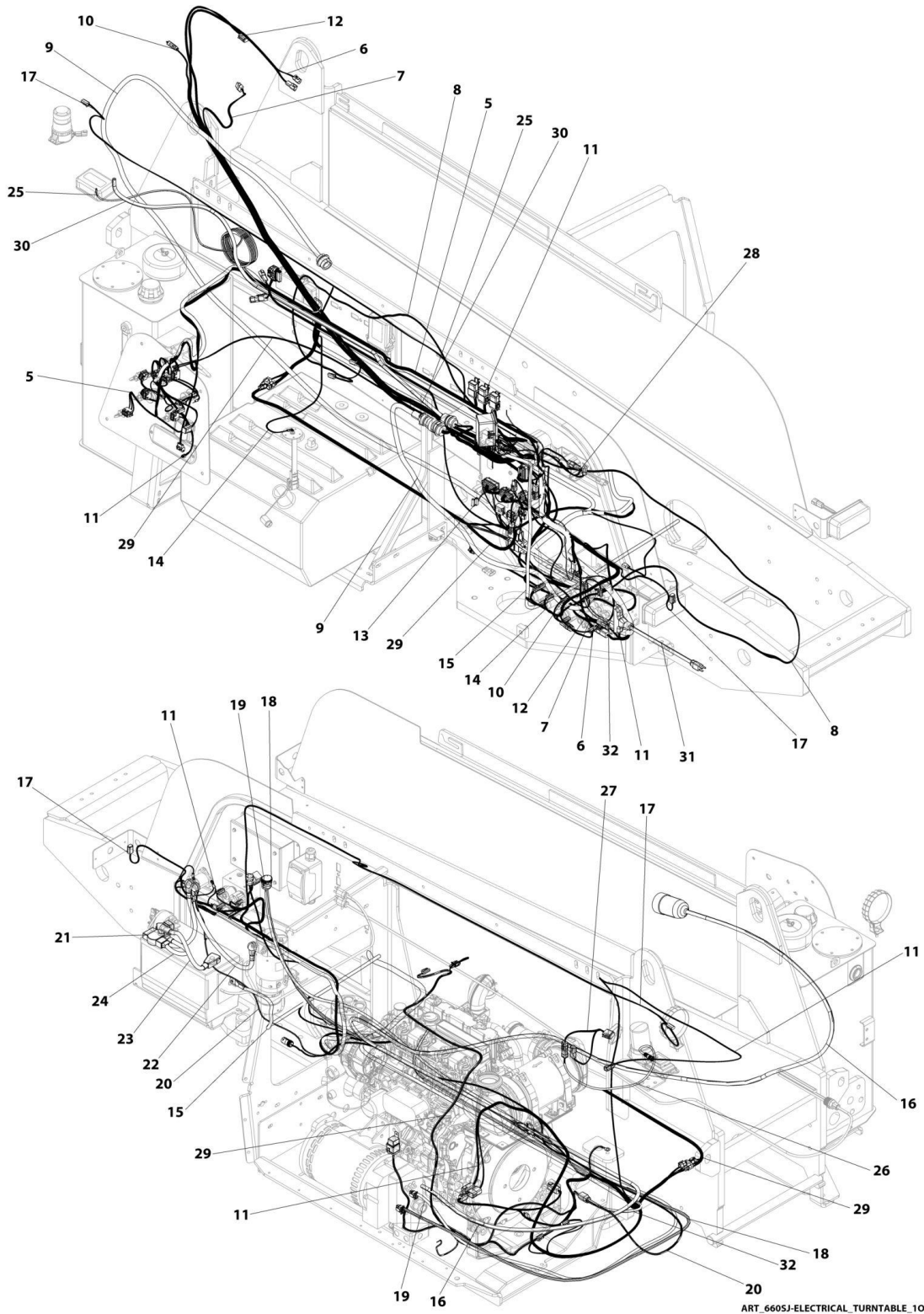
SECTION 7 - HYDRAULIC

ITEM	PART NUMBER	QTY	DESCRIPTION	REV
60	1001269097	1	Hose	
61	1001203426	1	Hose	
62	2220374	1	Fitting, Straight JIC/ORB	
63	4240156	2	Strap (Not Shown)	
64	3311505	2	Nut 5/16	
65	4711500	4	Washer 5/16	
66	88261024	2	Bolt 5/16 x 1	
67	1001207969	1	Cover	
68	1001136358	1	Sleeve (Not Shown)	
100	1001250981	1	Engine Side Hose Kit	
101	1001247876	1	Hose	
102	1001247871	1	Hose	
103	1001247872	1	Hose	
104	1001247877	1	Hose	
105	1001247881	1	Hose	
106	1001247878	1	Hose	
107	1001247879	1	Hose	
108	1001247994	1	Hose	
300	1001250982	1	Tank Side Hose Kit	
301	1001247865	1	Hose	
302	1001247866	2	Hose	
303	1001247868	1	Hose	
304	1001247869	1	Hose	
305	1001247873	1	Hose	
306	1001247875	1	Hose	
307	1001247882	1	Hose	
308	1001247867	1	Hose	
400	1001269913	1	Turntable Hose Kit	
401	1001192661	1	Hose	
402	1001192663	1	Hose	
403	1001192695	1	Hose	
404	1001192698	1	Hose	
405	1001203424	1	Hose	
406	1001220912	1	Hose	
500	1001269914	1	Boom Hose Kit	
501	1001192641	1	Hose	
502	1001192696	1	Hose	
503	1001192699	1	Hose	
504	1001204645	1	Hose	

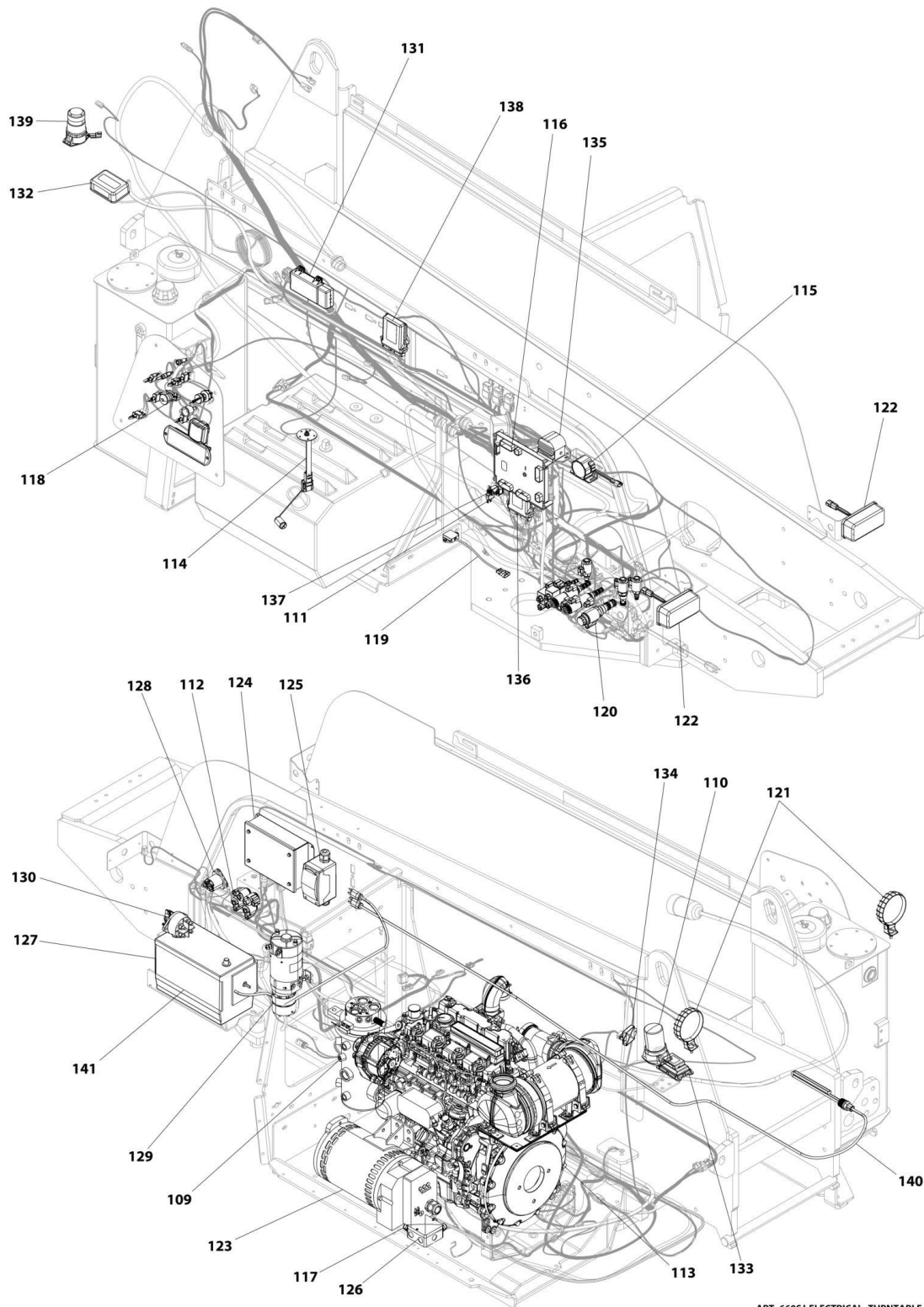
SECTION 8 - ELECTRICAL

SECTION 8 - ELECTRICAL

FIGURE 8-1. 600S HC3 & 660SJ HC3 ELECTRICAL LAYOUT

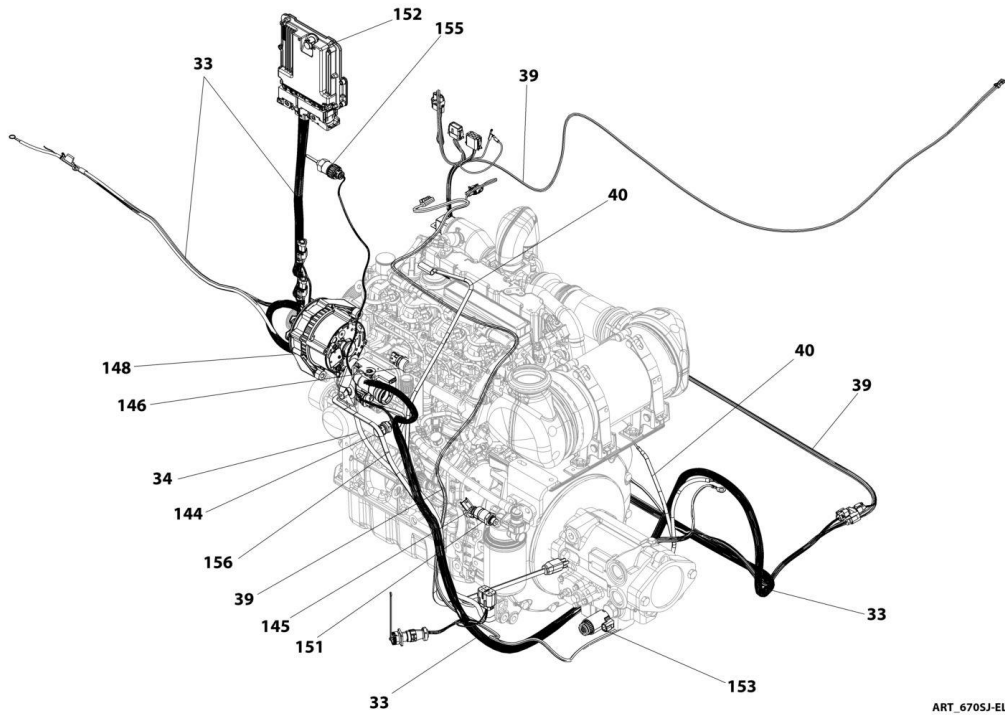
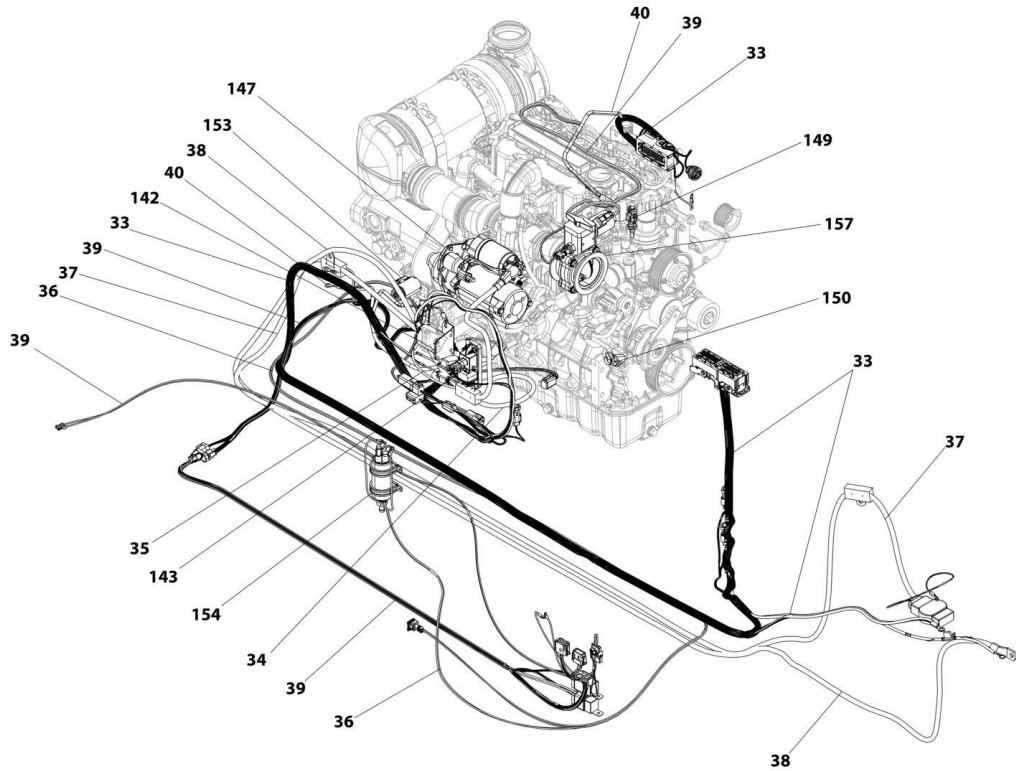


SECTION 8 - ELECTRICAL



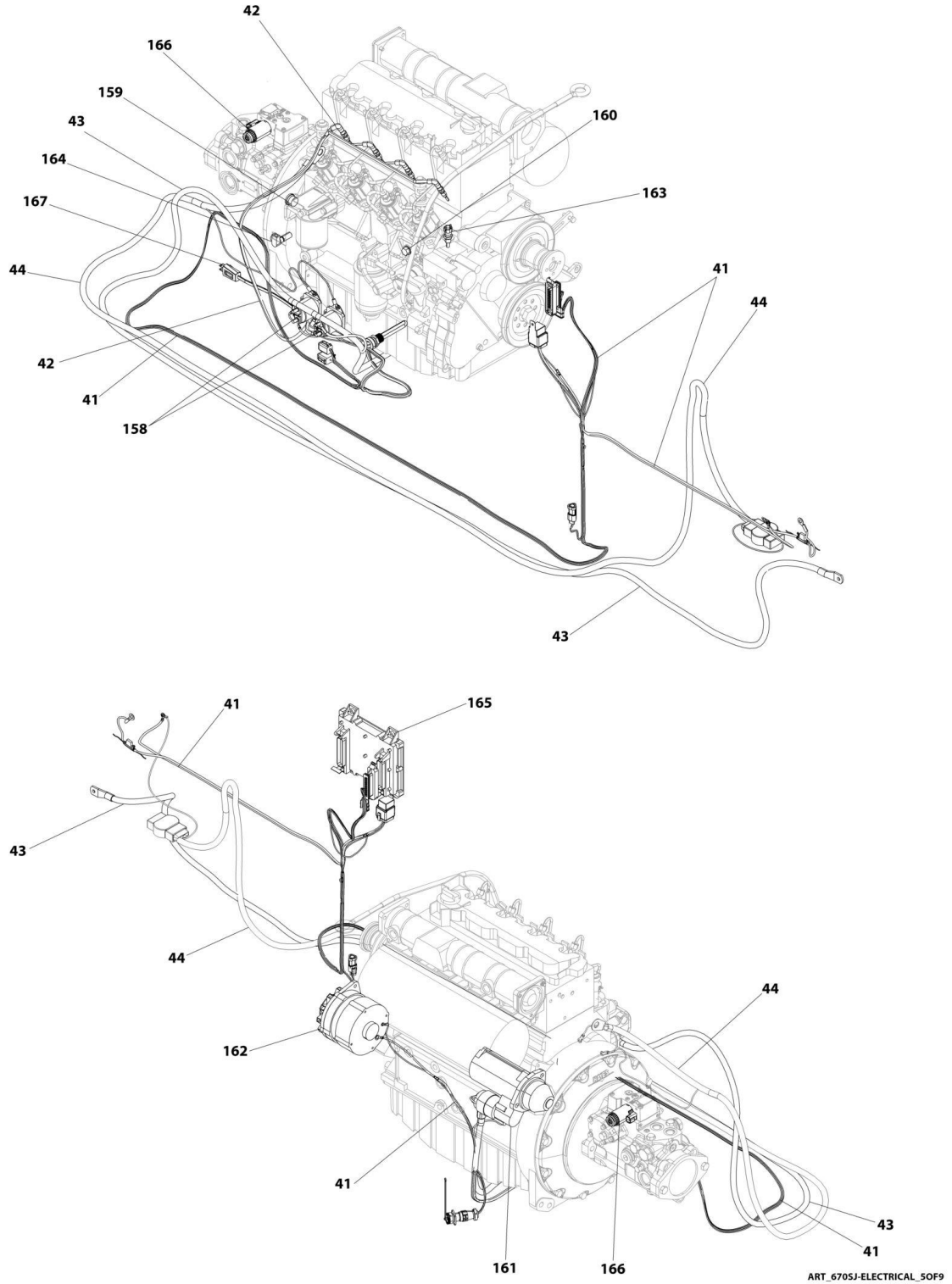
ART_660SJ-ELECTRICAL_TURNTABLE_20F2

SECTION 8 - ELECTRICAL

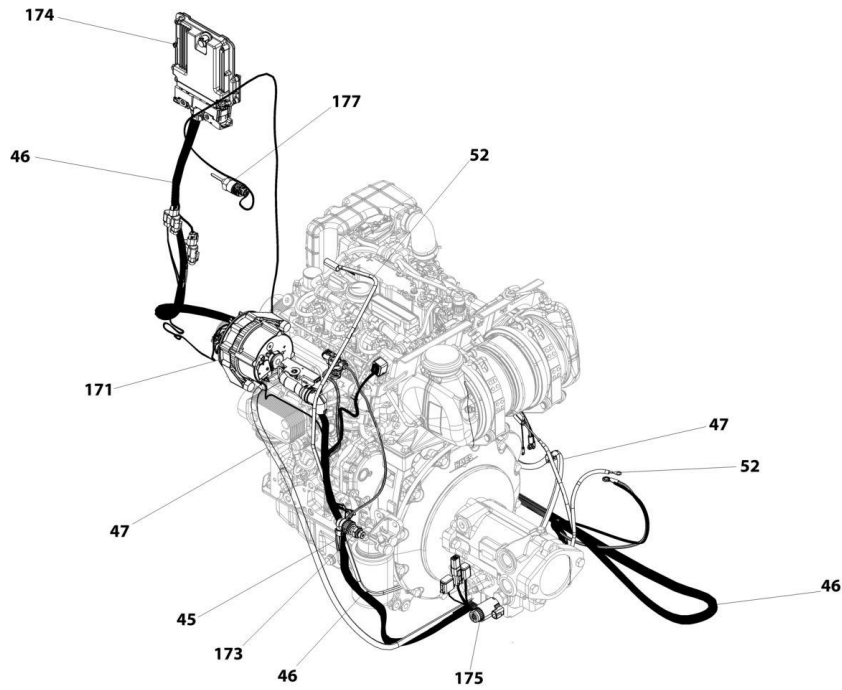
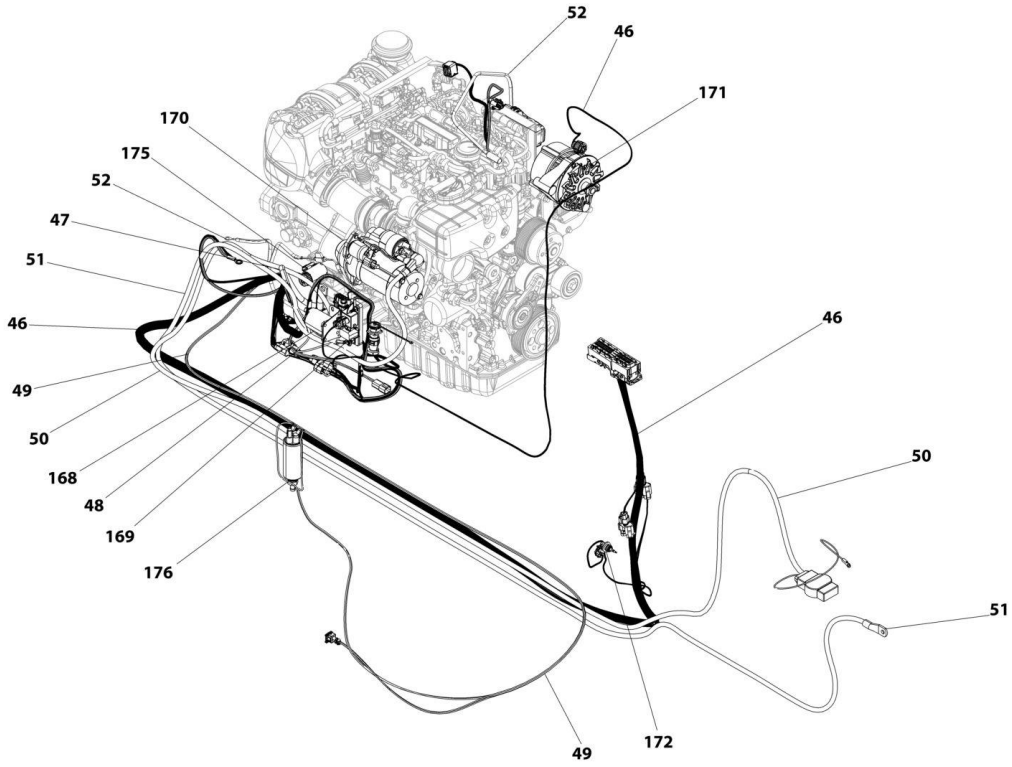


ART_670SJ-ELECTRICAL_40F9

SECTION 8 - ELECTRICAL

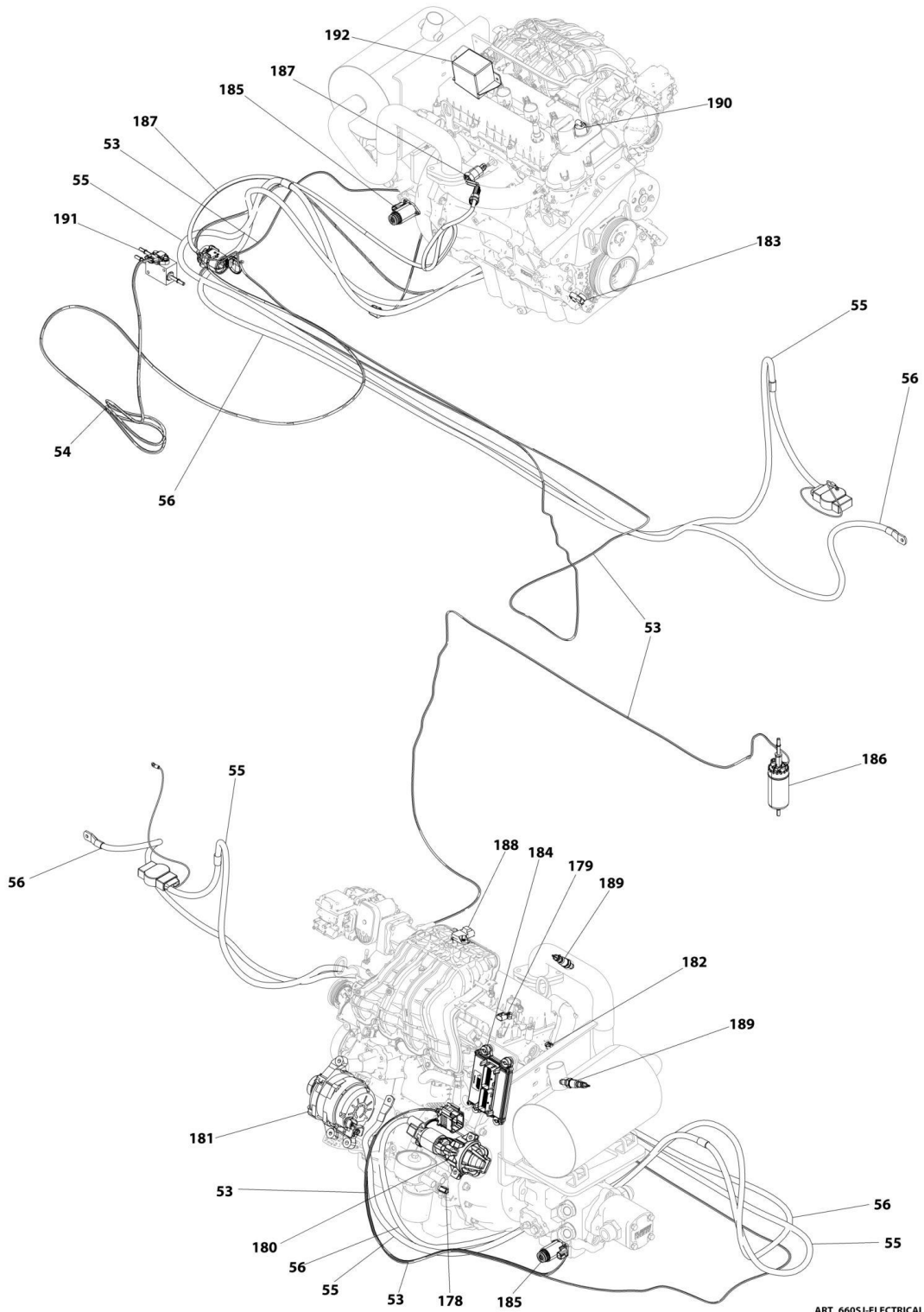


SECTION 8 - ELECTRICAL



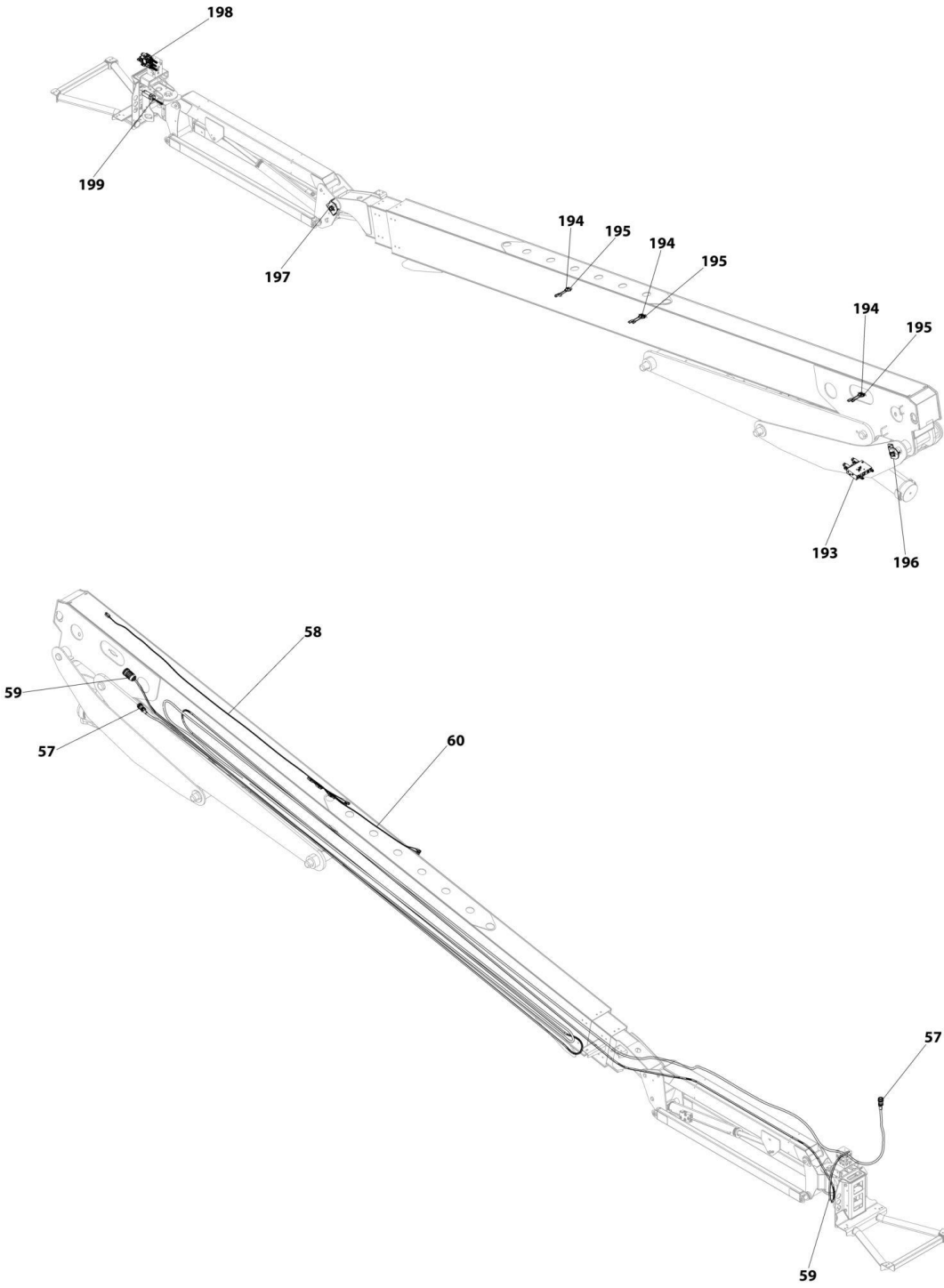
ART_670SJ-ELECTRICAL_60F9

SECTION 8 - ELECTRICAL



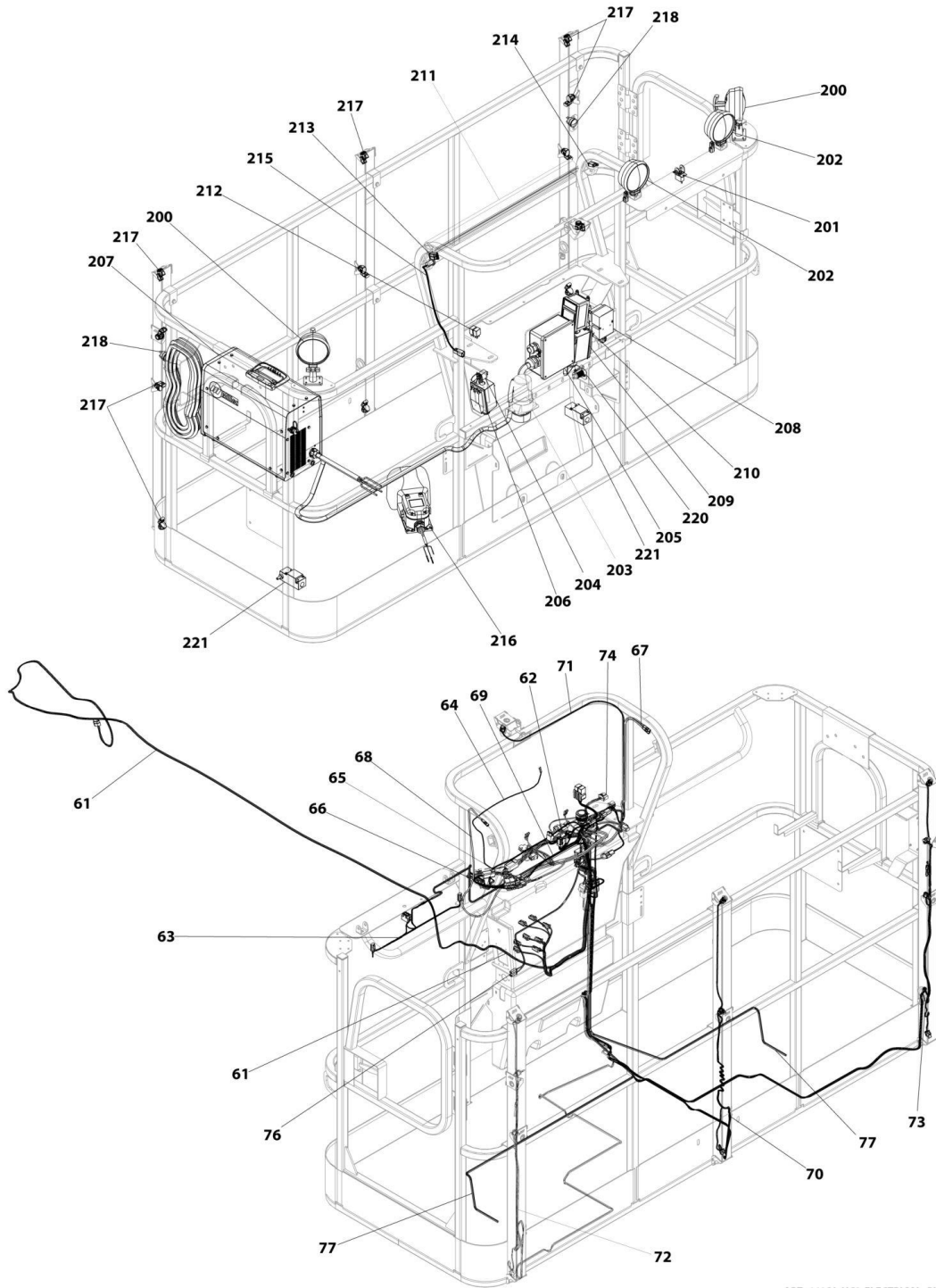
ART_660SJ-ELECTRICAL_FORD_DF

SECTION 8 - ELECTRICAL



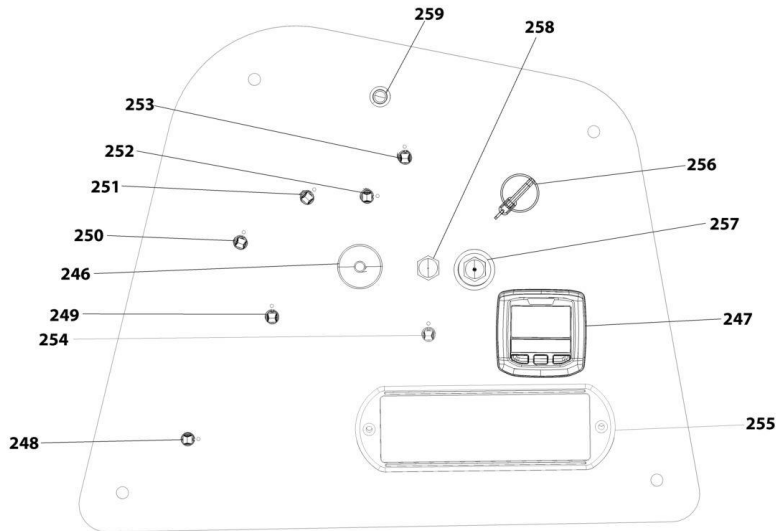
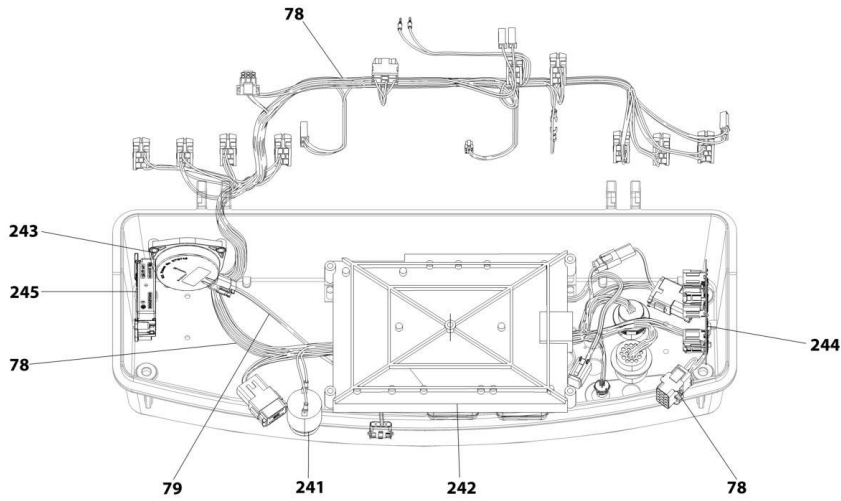
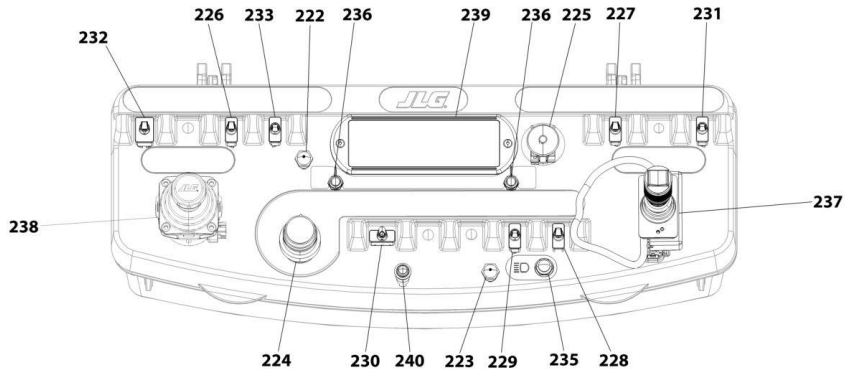
ART_660SJ_HC3-ELECTRICAL_BOOM

SECTION 8 - ELECTRICAL



ART_660SJ_HC3-ELECTRICAL_PLATFORM

SECTION 8 - ELECTRICAL



ART_660SJ_HC3-ELECTRICAL_CONTROLS

SECTION 8 - ELECTRICAL

FIGURE 8-1. 600S HC3 & 660SJ HC3 ELECTRICAL LAYOUT

ITEM	PART NUMBER	QTY	DESCRIPTION	REV
		Ref	HARNESS LIST	
		Ref	Note: This figure is for part identification only.	
5		Ref	Harness, Ground Control	
6		Ref	Harness, Tele Retract	
7		Ref	Harness, Boom Angle Sensor	
8		Ref	Harness, Lift Cylinder	
9		Ref	Cable, Boom (Lower)	
10		Ref	Harness, Boom Cable Service	
11		Ref	Harness, Turntable	
12		Ref	Harness, Capacity (Lower)	
13		Ref	Harness, Cribbing	
14		Ref	Harness, Main Valve	
15		Ref	Harness, Ground Module	
16		Ref	Cable, AC Ground to Platform	
17		Ref	Harness, Head and Tail Light	
18		Ref	Harness, 7500W Generator	
19		Ref	Harness, 4000W Generator	
20		Ref	Harness, 2500W Generator	
21		Ref	Cable, Battery (+) to Aux Relay	
22		Ref	Cable, Aux Relay to Aux Pump	
23		Ref	Cable, Battery (+) to Disconnect	
24		Ref	Cable, Battery (-) to Disconnect	
25		Ref	Harness, Clearsky	
26		Ref	Harness, Telematics	
27		Ref	Harness, Xirgo Jumper	
28		Ref	Harness, White Noise Alarm	
29		Ref	Harness, ASOV	
30		Ref	Harness, Strobe Light Control	
31		Ref	3-Way Plug	
32		Ref	Cable, Extension	
33		Ref	Harness, Engine	
34		Ref	Harness, Alternator Power	
35		Ref	Harness, Glow Plug Fuse	
36		Ref	Harness, Fuel Pump	
37		Ref	Cable, Battery (-) to Aux Pump to Ground	
38		Ref	Cable, Battery (+) to Relay to Starter	
39		Ref	Harness, ASOV	
40		Ref	Breather Tube Heater	
41		Ref	Harness, Engine	
42		Ref	Harness, Glow Plug Fuse	
43		Ref	Cable, Battery (+) to Relay to Starter	
44		Ref	Cable, Battery (-) to Aux Pump to Ground	
45		Ref	Harness, Fuel Filter	
46		Ref	Harness, Engine	
47		Ref	Harness, Alternator Power	
48		Ref	Harness, Glow Plug Fuse	
49		Ref	Harness, Fuel Pump	
50		Ref	Cable, Battery (-) to Aux Pump to Ground	
51		Ref	Cable, Battery (+) to Relay to Starter	
52		Ref	Breather Tube Heater	

SECTION 8 - ELECTRICAL

ITEM	PART NUMBER	QTY	DESCRIPTION	REV
53		Ref	Harness, Engine	
54		Ref	Harness, Fuel Pump	
55		Ref	Cable, Battery (-) to Aux Pump to Ground	
56		Ref	Cable, Battery (+) to Relay to Starter	
57		Ref	Cable, Boom (Upper)	
58		Ref	Harness, Capacity (Upper)	
59		Ref	Cable, AC Ground to Platform	
60	1001238192	Ref	Harness, Capacity Proximity (Upper)	
61		Ref	Harness, Platform Valve	
62		Ref	Harness, Platform Work Light	
63		Ref	Harness, Platform Flood Light	
64		Ref	Harness, Platform Strobe Light	
65		Ref	Harness, SkyGuard	
66		Ref	Harness, SkyEye Intermediate	
67		Ref	Harness, SkyEye Receiver	
68		Ref	Harness, SkyEye Emitter	
69		Ref	Harness, SkyLine	
70		Ref	Harness, SkySense Mid Tube	
71		Ref	Harness SkySense Overhead Sensor	
72		Ref	Harness, SkySense Left Tube	
73		Ref	Harness, SkySense Right Tube	
74		Ref	Harness, SkySense Main	
76		Ref	Harness, USB	
77		Ref	Cable, Soft Touch	
78		Ref	Harness, Platform Console	
79		Ref	Harness, Tilt Sensor	
		Ref	COMPONENT LIST	
109		Ref	Rotary Coupling	
110		Ref	Light, Strobe (Amber)	
111		Ref	Switch, Cribbing	
112		Ref	Solenoids, Axle Valve	
113		Ref	Engine	
114		Ref	Sensor, Fuel Level	
115		Ref	Alarm	
116		Ref	Module, Ground Control	
117		Ref	Light, Generator	
118		Ref	Ground Control Panel	
119		Ref	Sensor, Tilt	
120		Ref	Solenoids, Main Control Valve	
121		Ref	Headlight	
122		Ref	Taillight	
123		Ref	Generator	
124		Ref	Box, Generator Control	
125		Ref	AC Breaker Box	
126		Ref	Generator Junction Box	
127		Ref	Battery	
128		Ref	Relay	
129		Ref	Auxiliary Pump/Motor	
130		Ref	Switch, Battery Disconnect	
131		Ref	Module, ClearSky Telematics CANBUS	
132		Ref	Antenna, ClearSky Telematics	

SECTION 8 - ELECTRICAL

ITEM	PART NUMBER	QTY	DESCRIPTION	REV
133		Ref	Module, ClearSky Telematics 3-Wire	
134		Ref	Voltage Regulator, ClearSky Telematics	
135		Ref	Alarm, White Noise	
136		Ref	Module, ASOV Control	
137		Ref	Switch, ASOV	
138		Ref	Module, Strobe Control	
139		Ref	Light, Strobe	
140		Ref	Heater, Immersion	
141		Ref	Heater, Battery	
142		Ref	Contactactor	
143		Ref	Relay	
144		Ref	Sensor, Oil Pressure	
145		Ref	Sensor, Speed	
146		Ref	Sensor, Fuel Rail Pressure	
147		Ref	Starter	
148		Ref	Alternator	
149		Ref	Engine Coolant Temperature Sensor	
150		Ref	Sensor, Speed	
151		Ref	Sensor, Fuel Pressure	
152		Ref	Module, Engine Control	
153		Ref	Solenoids, Piston Pump	
154		Ref	Fuel Pump	
155		Ref	Sensor, Coolant Level	
156		Ref	Heater, Engine Block	
157		Ref	Air Shut Off Valve (ASOV)	
158		Ref	Relay	
159		Ref	Sensor, Temperature	
160		Ref	Sensor, Oil Pressure	
161		Ref	Starter	
162		Ref	Alternator	
163		Ref	Engine Coolant Temperature Sensor	
164		Ref	Sensor, Speed	
165		Ref	Module, Engine Control	
166		Ref	Solenoids, Gear Pump	
167		Ref	Heater, Engine Block	
168		Ref	Contactactor	
169		Ref	Relay	
170		Ref	Starter	
171		Ref	Alternator	
172		Ref	Sensor, Ambient Air Temperature	
173		Ref	Sensor, Fuel Pressure	
174		Ref	Module, Engine Control	
175		Ref	Solenoids, Variable Pump	
176		Ref	Fuel Pump	
177		Ref	Sensor, Coolant Level	
178		Ref	Sensor, Oil Pressure	
179		Ref	Sensor, Speed	
180		Ref	Starter	
181		Ref	Alternator	
182		Ref	Engine Coolant Temperature Sensor	
183		Ref	Sensor, Speed	

SECTION 8 - ELECTRICAL

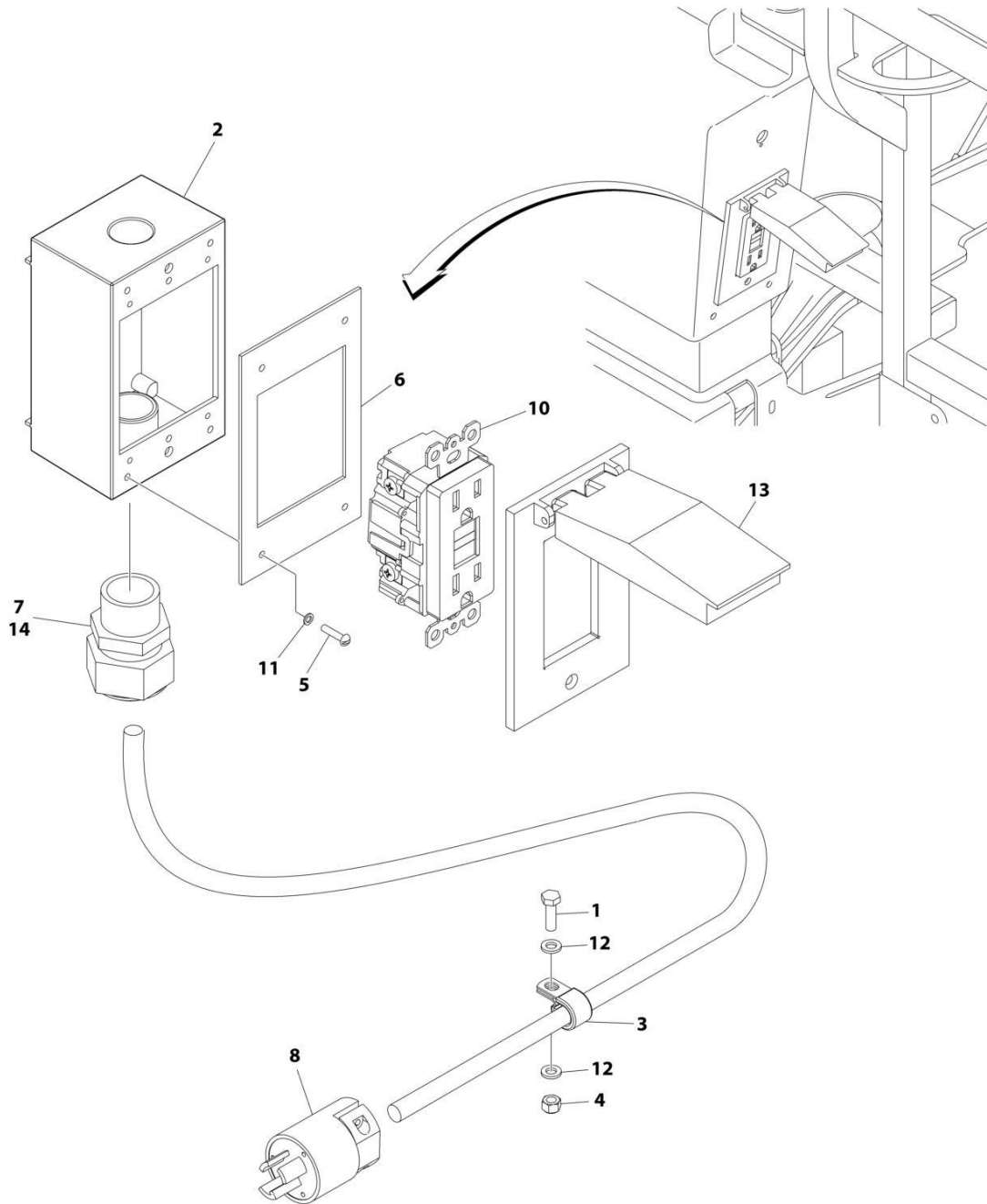
ITEM	PART NUMBER	QTY	DESCRIPTION	REV
184		Ref	Module, Engine Control	
185		Ref	Solenoids, Piston Pump	
186		Ref	Fuel Pump	
187		Ref	Heater, Engine Block	
188		Ref	Sensor, TMAP	
189		Ref	Sensor, O2	
190		Ref	Solenoid, Timing	
191		Ref	Fuel Block	
192		Ref	Fuse Box	
193		Ref	Solenoid, Lift Cylinder	
194		Ref	Sensor, Proximity	
195		Ref	Sensor, Proximity	
196		Ref	Sensor, Lower Angle	
197		Ref	Sensor, Upper Angle	
198		Ref	Solenoids, Platform Valve	
199		Ref	Cell, Load Sensing	
200		Ref	Platform Work Light	
201		Ref	Switch, Platform Flood Light	
202		Ref	Platform Flood Light	
203		Ref	Light, Platform Strobe	
204		Ref	Switch, Generator	
205		Ref	Junction Box	
206		Ref	AC Receptacle	
207		Ref	Welding Machine	
208		Ref	AC Receptacle	
209		Ref	AC Receptacle	
210		Ref	AC Receptacle/Breaker Box	
211		Ref	Switch, SkyGuard	
212		Ref	Relay	
213		Ref	Sensor, SkyEye Receiver	
214		Ref	Sensor, SkyEye Emitter	
215		Ref	Sensor, SkyLine Proximity	
216		Ref	Footswitch	
217		Ref	Sensor, SkySense	
218		Ref	Alarm	
220		Ref	USB Receptacle	
221		Ref	Switch, Soft Touch Limit	
222		Ref	Switch, Horn	
223		Ref	Switch, Soft Touch/SkyGuard/SkySense Override	
224		Ref	Switch, Function Speed Control	
225		Ref	Switch, Power/Emergency Stop	
226		Ref	Switch, Platform Leveling Override	
227		Ref	Switch, Start/Auxilliary Power	
228		Ref	Switch, Boom Telescope	
229		Ref	Switch, Jib Up/Down	
230		Ref	Switch, Platform Rotate	
231		Ref	Switch, Drive Orientation Override	
232		Ref	Switch, Drive Speed/ Torque Select	
233		Ref	Switch, Fuel Select	
235		Ref	Switch, Lights	
236		Ref	Light, SkySense Indicator	

SECTION 8 - ELECTRICAL

ITEM	PART NUMBER	QTY	DESCRIPTION	REV
237		Ref	Controller, Drive/Steer	
238		Ref	Controller, Main Lift/Swing	
239		Ref	Display, Platform	
240		Ref	Light, Soft Touch/SkyGuard/SkySense Indicator	
241		Ref	Alarm	
242		Ref	Module, Platform	
243		Ref	Sensor, Tilt	
244		Ref	Module, SkySense Control	
245		Ref	Module, SkySense Sensor	
246		Ref	Switch, Emergency Stop	
247		Ref	Display, Ground	
248		Ref	Switch, Turntable Swing	
249		Ref	Switch, Boom Lift	
250		Ref	Switch, Boom Telescope	
251		Ref	Switch, Jib Up/Down	
252		Ref	Switch, Platform Rotate	
253		Ref	Switch, Platform Leveling Override	
254		Ref	Switch, Engine Start/ Auxiliary Power	
255		Ref	Indicator Panel	
256		Ref	Switch, Key	
257		Ref	Switch, Machine Safety System Override (MSSO)	
258		Ref	Switch, Diesel Particulate Filter (DPF)	
259		Ref	Light, ASOV	

SECTION 8 - ELECTRICAL

FIGURE 8-2. AC BOX AT PLATFORM INSTALLATION - 110V (ALL SPECS EXCEPT AUSTRALIAN, RUSSIA, CE & UK CA SPECS)



ART_1001190773

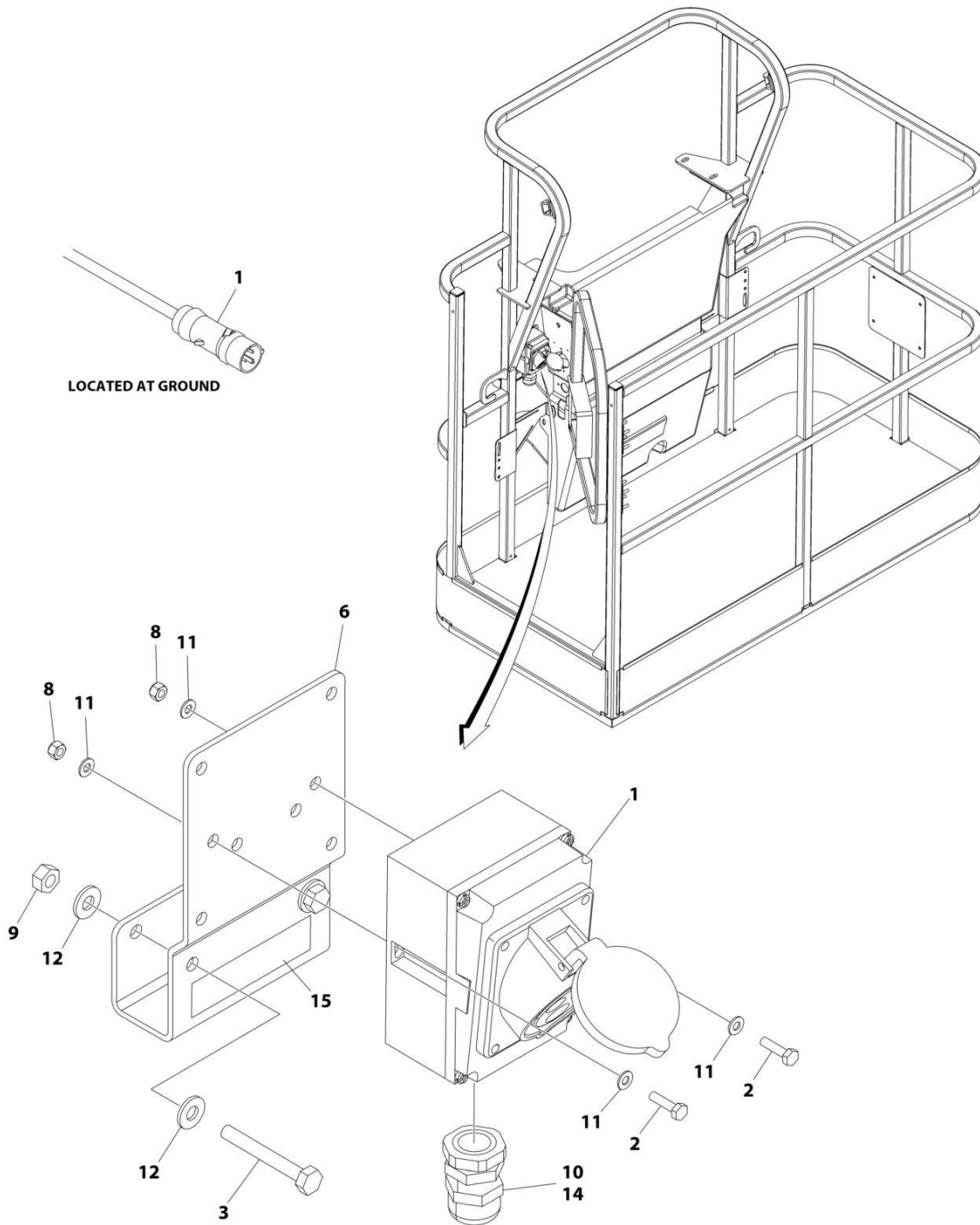
SECTION 8 - ELECTRICAL

FIGURE 8-2. AC BOX AT PLATFORM INSTALLATION - 110V (ALL SPECS EXCEPT AUSTRALIAN, RUSSIA, CE & UK CA SPECS)

ITEM	PART NUMBER	QTY	DESCRIPTION	REV
	1001190773	Ref	AC BOX AT PLATFORM INSTALLATION	C
1	0760610	1	Bolt M6 x 20	
2	0860038	1	Box, Switch	
3	1320041	1	Clamp	
4	3290605	1	Nut M6	
5	3910610	4	Screw #6 x 5/8	
6	3960422	1	Gasket	
7	4460071	1	Connector, Strain Relief	
8	4460205	1	Plug, Male	
9	4460315	1	Terminal, Spade (Not Shown)	
10	4460346	1	Receptacle	
11	4760600	4	Washer #6	
12	4811700	2	Washer M6	
13	1001110873	1	Shield, Cover	
14	0100079	AR	Sealant	

SECTION 8 - ELECTRICAL

FIGURE 8-3. AC BOX AT PLATFORM INSTALLATION - 110V IEC YELLOW (RUSSIA, CE & UK CA SPECS WITHOUT 4000W/50HZ GENERATOR)



ART_1001190493

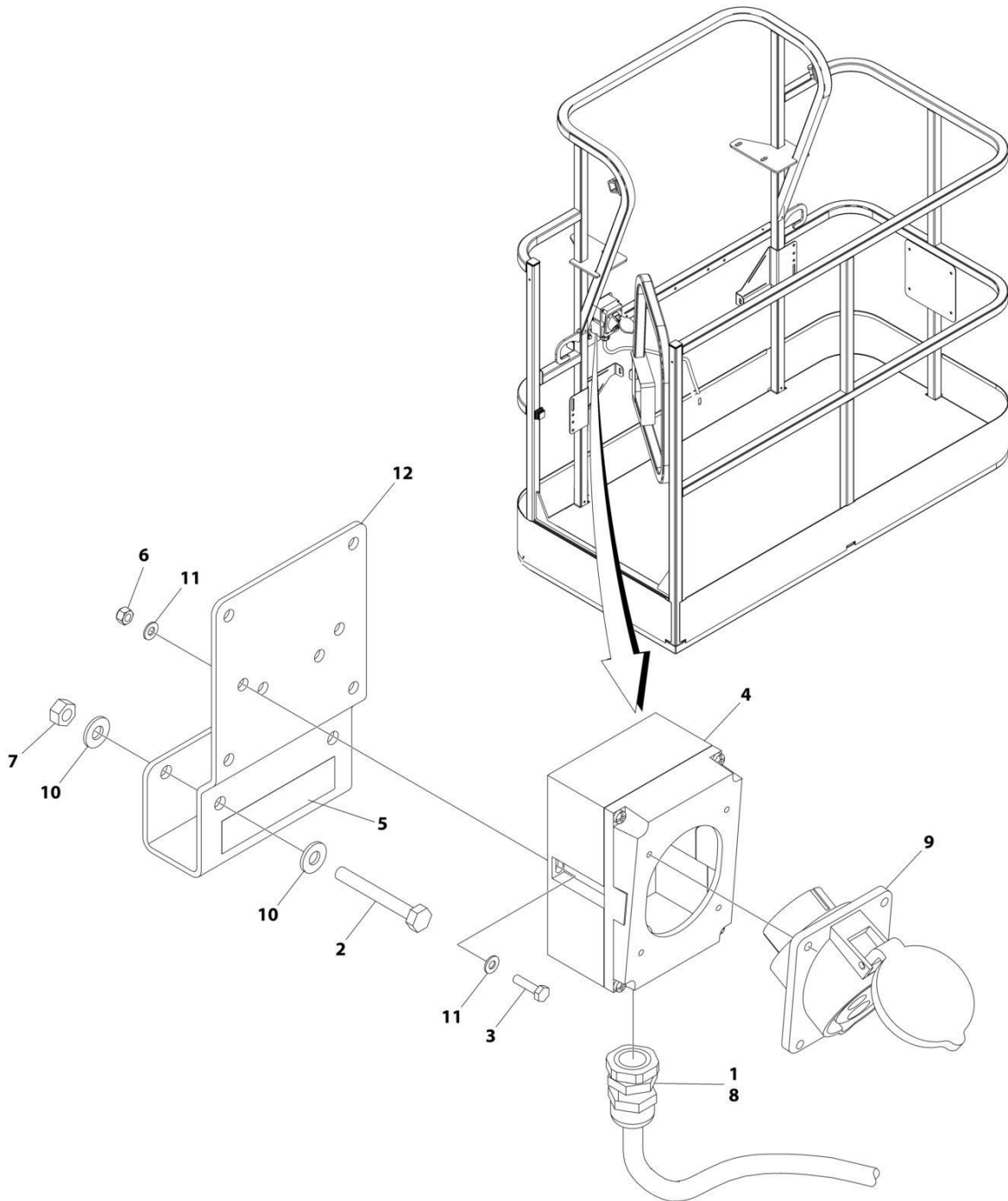
SECTION 8 - ELECTRICAL

FIGURE 8-3. AC BOX AT PLATFORM INSTALLATION - 110V IEC YELLOW (RUSSIA, CE & UK CA SPECS WITHOUT 4000W/50HZ GENERATOR)

ITEM	PART NUMBER	QTY	DESCRIPTION	REV
	1001190493	Ref	AC BOX AT PLATFORM INSTALLATION	C
1	0275216	1	Receptacle Box Kit - 110V IEC Yellow (See Separate Breakdown in this Section)	
2	0700408	2	Bolt M4 x 16	
3	0700618	2	Bolt M6 x 50	
6	1001193018	1	Bracket	
8	3290405	2	Nut M4	
9	3290605	2	Nut M6	
10	4460968	1	Connector, Strain Relief	
11	4811400	4	Washer M4	
12	4811700	4	Washer M6	
14	0100079	AR	Sealant	
15	1705325	1	Decal - 110V	

SECTION 8 - ELECTRICAL

FIGURE 8-4. AC BOX AT PLATFORM INSTALLATION - 110V IEC YELLOW (RUSSIA, CE & UK CA SPECS WITH 4000W/50HZ GENERATOR)



ART_1001194203

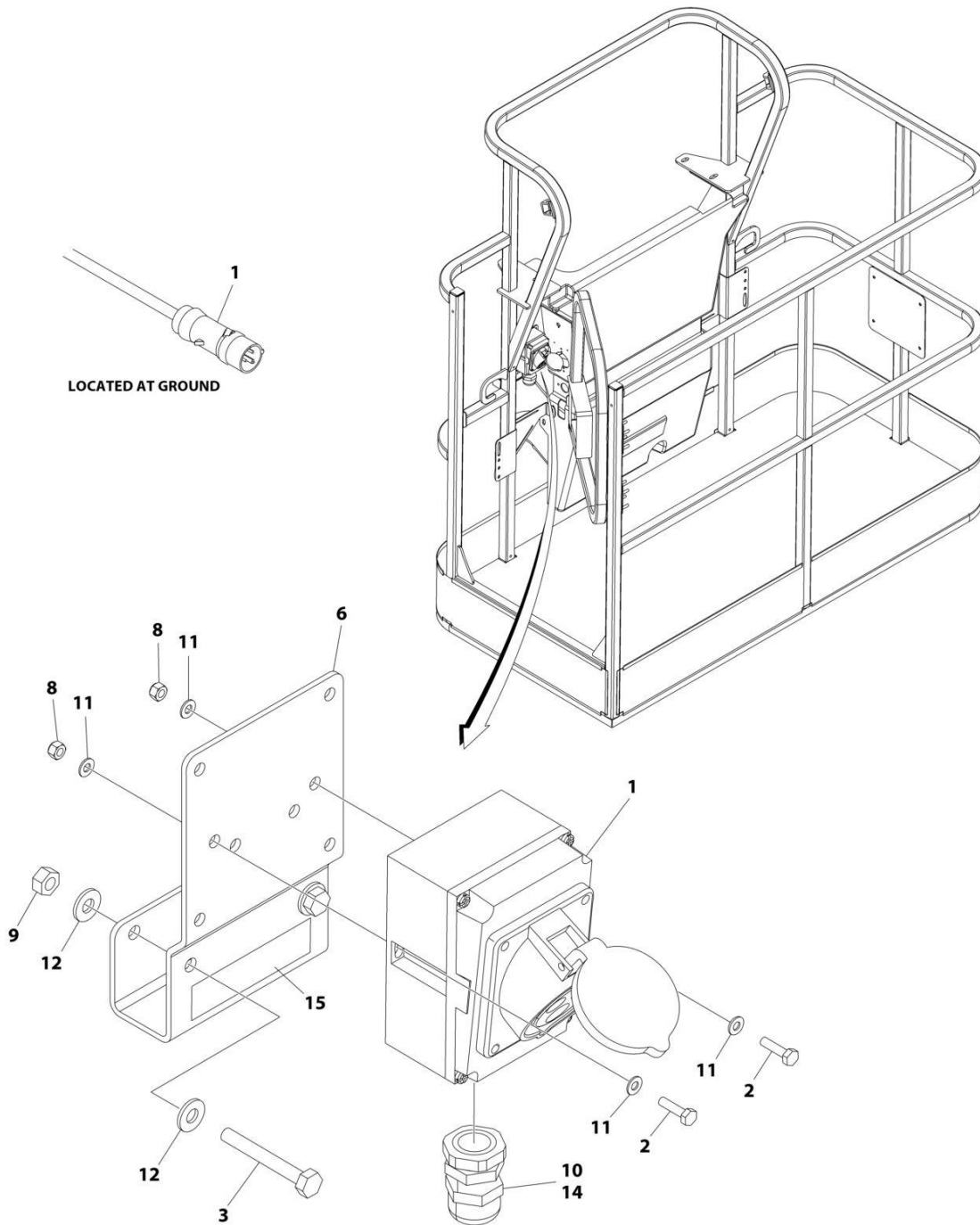
SECTION 8 - ELECTRICAL

FIGURE 8-4. AC BOX AT PLATFORM INSTALLATION - 110V IEC YELLOW (RUSSIA, CE & UK CA SPECS WITH 4000W/50HZ GENERATOR)

ITEM	PART NUMBER	QTY	DESCRIPTION	REV
	1001194203	Ref	AC BOX AT PLATFORM INSTALLATION	B
1	0100020	AR	Sealant, Pipe	
2	0641416	2	Bolt 1/4 x 2	
3	0700408	2	Bolt M4 x 16	
4	0861781	1	Box, Switch	
5	1705325	1	Decal - 110V	
6	3290405	2	Nut M4	
7	3311405	2	Nut 1/4	
8	4460968	1	Connector, Strain Relief	
9	4461198	1	Receptacle	
10	4711400	4	Washer 1/4	
11	4811400	4	Washer M4	
12	1001193018	1	Bracket, AC Receptacle	

SECTION 8 - ELECTRICAL

FIGURE 8-5. AC BOX AT PLATFORM INSTALLATION - 220V IEC BLUE (RUSSIA, CE & UK CA SPECS WITHOUT 4000W/50HZ GENERATOR)



ART_1001190495

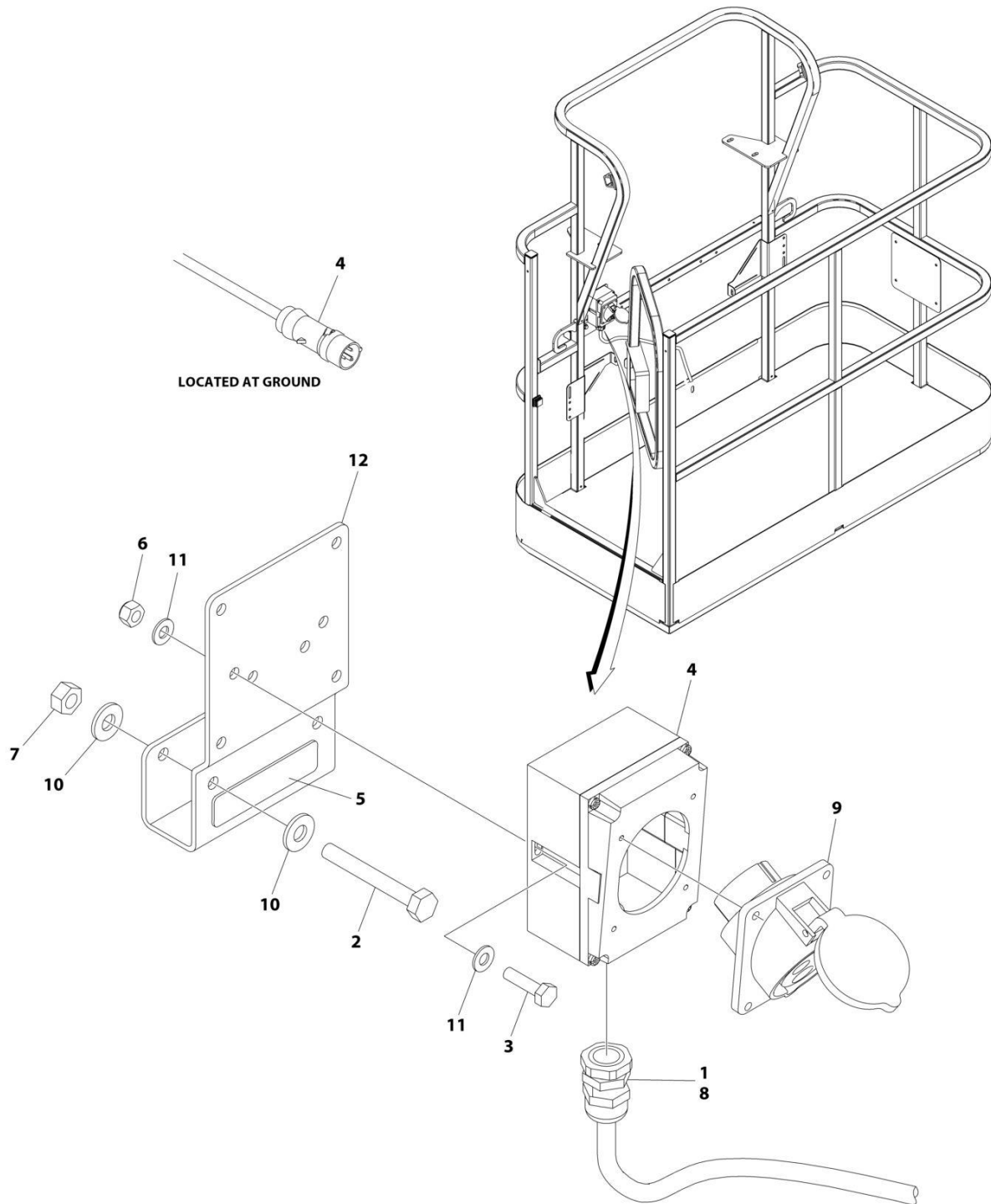
SECTION 8 - ELECTRICAL

FIGURE 8-5. AC BOX AT PLATFORM INSTALLATION - 220V IEC BLUE (RUSSIA, CE & UK CA SPECS WITHOUT 4000W/50HZ GENERATOR)

ITEM	PART NUMBER	QTY	DESCRIPTION	REV
	1001190495	Ref	AC BOX AT PLATFORM INSTALLATION	C
1	0275217	1	Receptacle Box Kit - 220V IEC Blue (See Separate Breakdown in this Section)	
2	0700408	2	Bolt M4 x 16	
3	0700618	2	Bolt M6 x 50	
6	1001193018	1	Bracket	
8	3290405	2	Nut M4	
9	3290605	2	Nut M6	
10	4460968	1	Connector, Strain Relief	
11	4811400	4	Washer M4	
12	4811700	4	Washer M6	
14	0100079	AR	Sealant	
15	3252507	1	Decal - 220 Volt	

SECTION 8 - ELECTRICAL

FIGURE 8-6. AC BOX AT PLATFORM INSTALLATION - 220V IEC BLUE (RUSSIA, CE & UK CA SPECS WITH 4000W/50HZ GENERATOR)



ART_1001194204

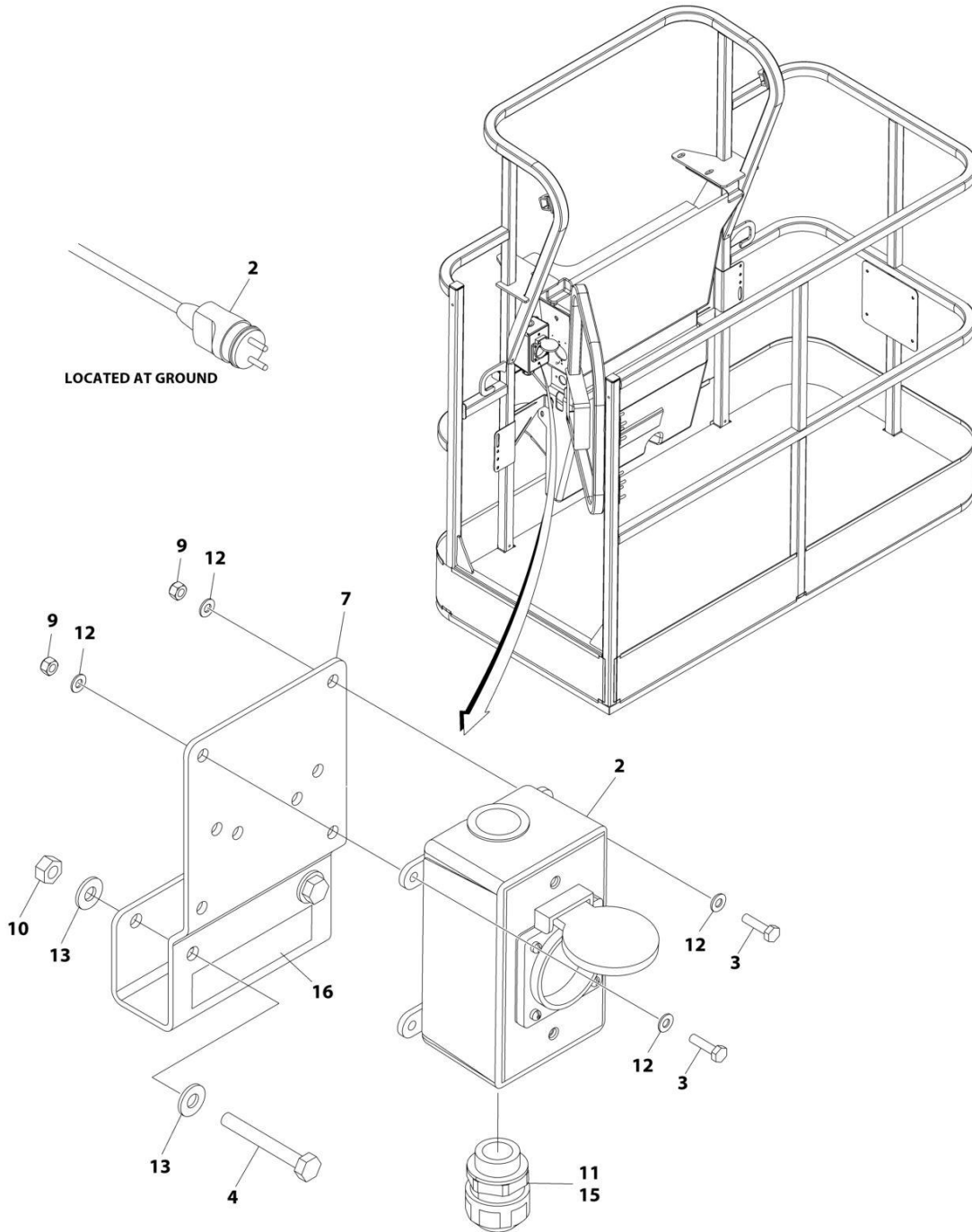
SECTION 8 - ELECTRICAL

FIGURE 8-6. AC BOX AT PLATFORM INSTALLATION - 220V IEC BLUE (RUSSIA, CE & UK CA SPECS WITH 4000W/50HZ GENERATOR)

ITEM	PART NUMBER	QTY	DESCRIPTION	REV
	1001194204	Ref	AC BOX AT PLATFORM INSTALLATION	B
1	0100020	AR	Sealant, Pipe	
2	0641416	2	Bolt 1/4 x 2	
3	0700408	2	Bolt M4 x 16	
4	0861781	1	Box, Switch	
5	3251242	1	Decal - 240V/50Hz	
6	3290405	2	Nut M4	
7	3311405	2	Nut 1/4	
8	4460968	1	Connector, Strain Relief	
9	4461201	1	Receptacle	
10	4711400	4	Washer 1/4	
11	4811400	4	Washer M4	
12	1001193018	1	Bracket, AC Receptacle	

SECTION 8 - ELECTRICAL

**FIGURE 8-7. AC BOX AT PLATFORM INSTALLATION - 220V CEE7 2IN X 4IN POST GROUND
(RUSSIA, CE & UK CA SPECS WITHOUT 4000W/50HZ GENERATOR)**



ART_1001190441

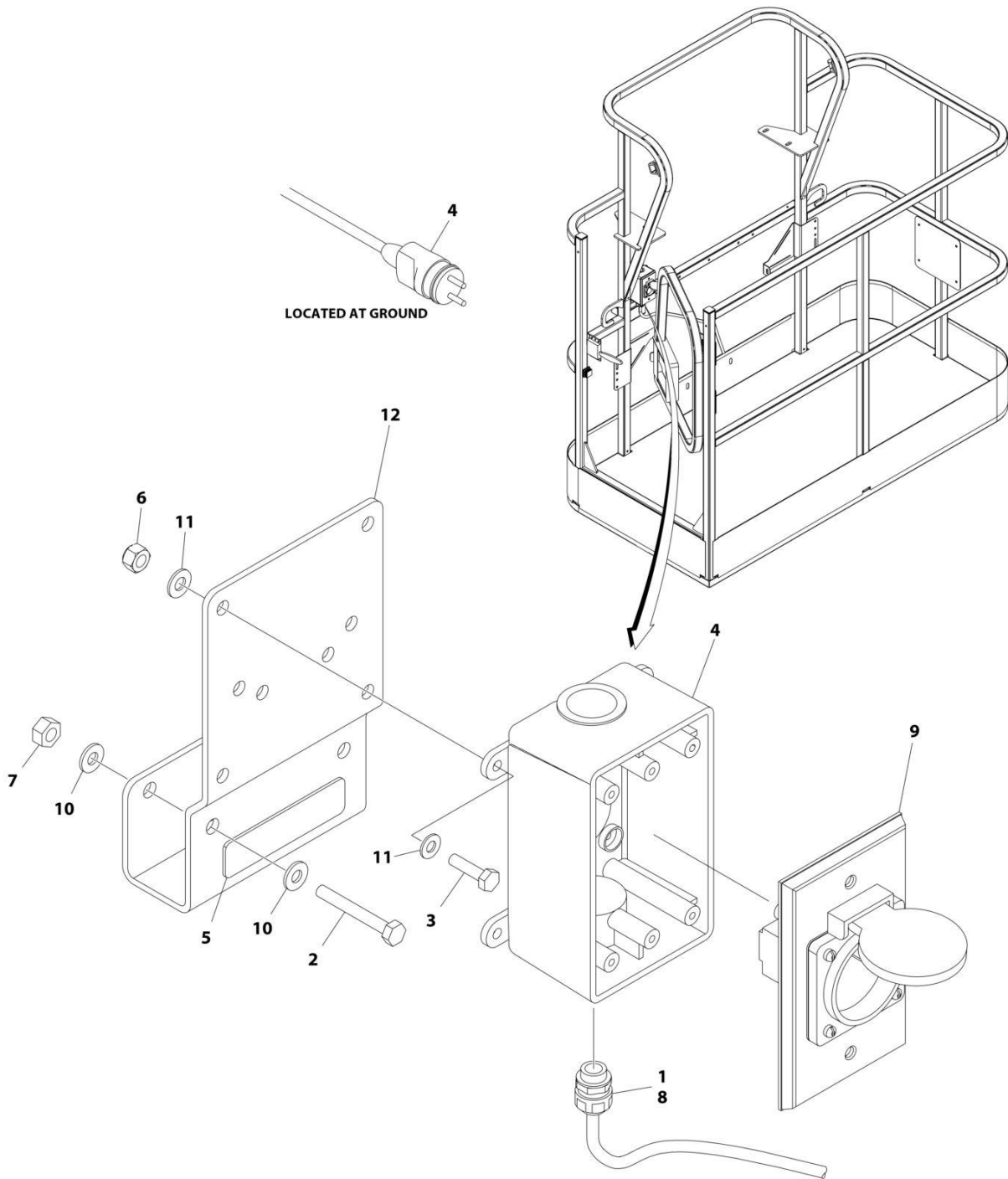
SECTION 8 - ELECTRICAL

**FIGURE 8-7. AC BOX AT PLATFORM INSTALLATION - 220V CEE7 2IN X 4IN POST GROUND
(RUSSIA, CE & UK CA SPECS WITHOUT 4000W/50HZ GENERATOR)**

ITEM	PART NUMBER	QTY	DESCRIPTION	REV
	1001190441	Ref	AC BOX AT PLATFORM INSTALLATION	D
2	0275452	1	Receptacle Box Kit - 220V CEE7 Post Ground 2in x 4in (See Separate Breakdown in this Section)	
3	0700408	4	Bolt M4 x 16	
4	0700618	2	Bolt M6 x 50	
7	1001193018	1	Bracket	
9	3290405	4	Nut M4	
10	3290605	2	Nut M6	
11	4460662	1	Connector, Strain Relief	
12	4811400	8	Washer M4	
13	4811700	4	Washer M6	
15	0100079	AR	Sealant	
16	3252507	1	Decal - 220 Volt	

SECTION 8 - ELECTRICAL

**FIGURE 8-8. AC BOX AT PLATFORM INSTALLATION - 220V CEE7 2IN X 4IN POST GROUND
(RUSSIA, CE & UK CA SPECS WITH 4000W/50HZ GENERATOR)**



ART_1001194197

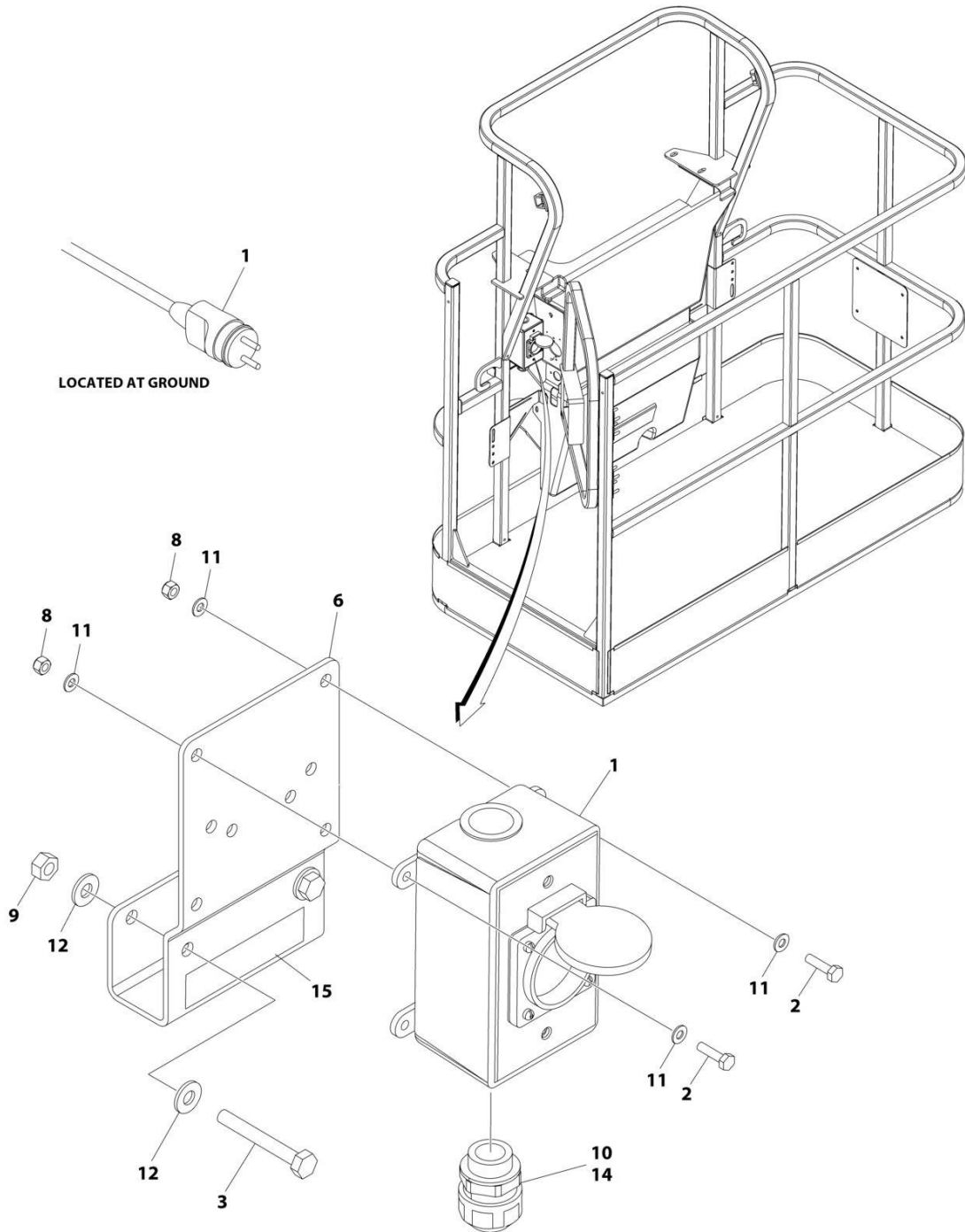
SECTION 8 - ELECTRICAL

**FIGURE 8-8. AC BOX AT PLATFORM INSTALLATION - 220V CEE7 2IN X 4IN POST GROUND
(RUSSIA, CE & UK CA SPECS WITH 4000W/50HZ GENERATOR)**

ITEM	PART NUMBER	QTY	DESCRIPTION	REV
	1001194197	Ref	AC BOX AT PLATFORM INSTALLATION	B
1	0100020	AR	Sealant, Pipe	
2	0641416	2	Bolt 1/4 x 2	
3	0700408	4	Bolt M4 x 16	
4	0861731	1	Box, Switch	
5	3251242	1	Decal - 240V/50Hz	
6	3290405	4	Nut M4	
7	3311405	2	Nut 1/4	
8	4460662	1	Connector, Strain Relief	
9	4461244	1	Receptacle	
10	4711400	4	Washer 1/4	
11	4811400	8	Washer M4	
12	1001193018	1	Bracket, AC Receptacle	
13	4460806	2	Terminal, Fork (Not Shown)	
14	1001205958	1	Terminal (Not Shown)	

SECTION 8 - ELECTRICAL

FIGURE 8-9. AC BOX AT PLATFORM INSTALLATION - 220V CEE7 2IN X 4IN SIDE GROUND (RUSSIA, CE & UK CA SPECS WITHOUT 4000W/50HZ GENERATOR)



ART_1001190484

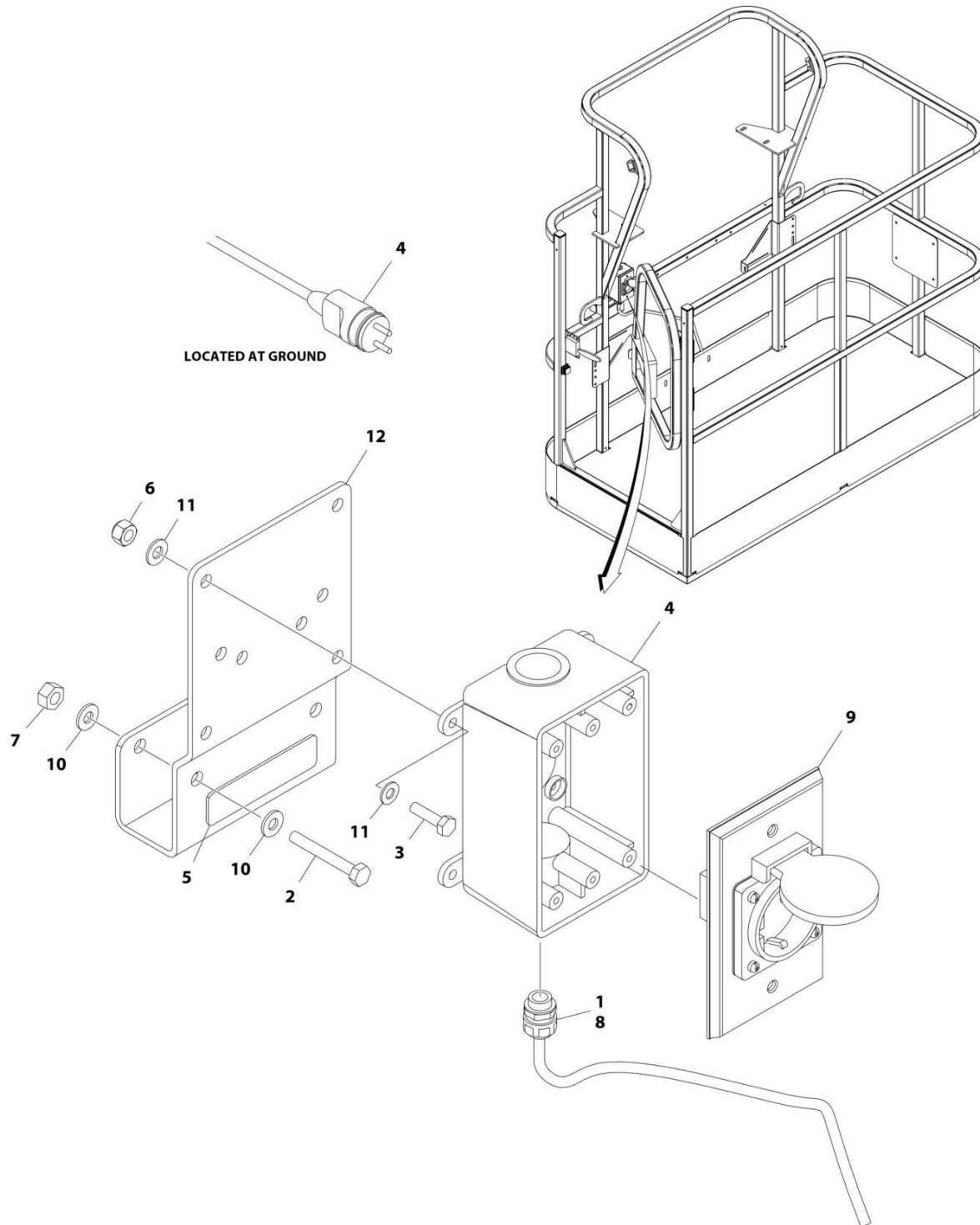
SECTION 8 - ELECTRICAL

FIGURE 8-9. AC BOX AT PLATFORM INSTALLATION - 220V CEE7 2IN X 4IN SIDE GROUND (RUSSIA, CE & UK CA SPECS WITHOUT 4000W/50HZ GENERATOR)

ITEM	PART NUMBER	QTY	DESCRIPTION	REV
	1001190484	Ref	AC BOX AT PLATFORM INSTALLATION	D
1	0275453	1	Receptacle Box Kit - 220V CEE7 Side Ground 2in x 4in (See Separate Breakdown in this Section)	
2	0700408	4	Bolt M4 x 16	
3	0700618	2	Bolt M6 x 50	
6	1001193018	1	Bracket	
8	3290405	4	Nut M4	
9	3290605	2	Nut M6	
10	4460662	1	Connector, Strain Relief	
11	4811400	8	Washer M4	
12	4811700	4	Washer M6	
14	0100079	AR	Sealant	
15	3252507	1	Decal - 220 Volt	

SECTION 8 - ELECTRICAL

FIGURE 8-10. AC BOX AT PLATFORM INSTALLATION - 220V CEE7 2IN X 4IN SIDE GROUND
(RUSSIA, CE & UK CA SPECS WITH 4000W/50HZ GENERATOR)



ART_1001194198

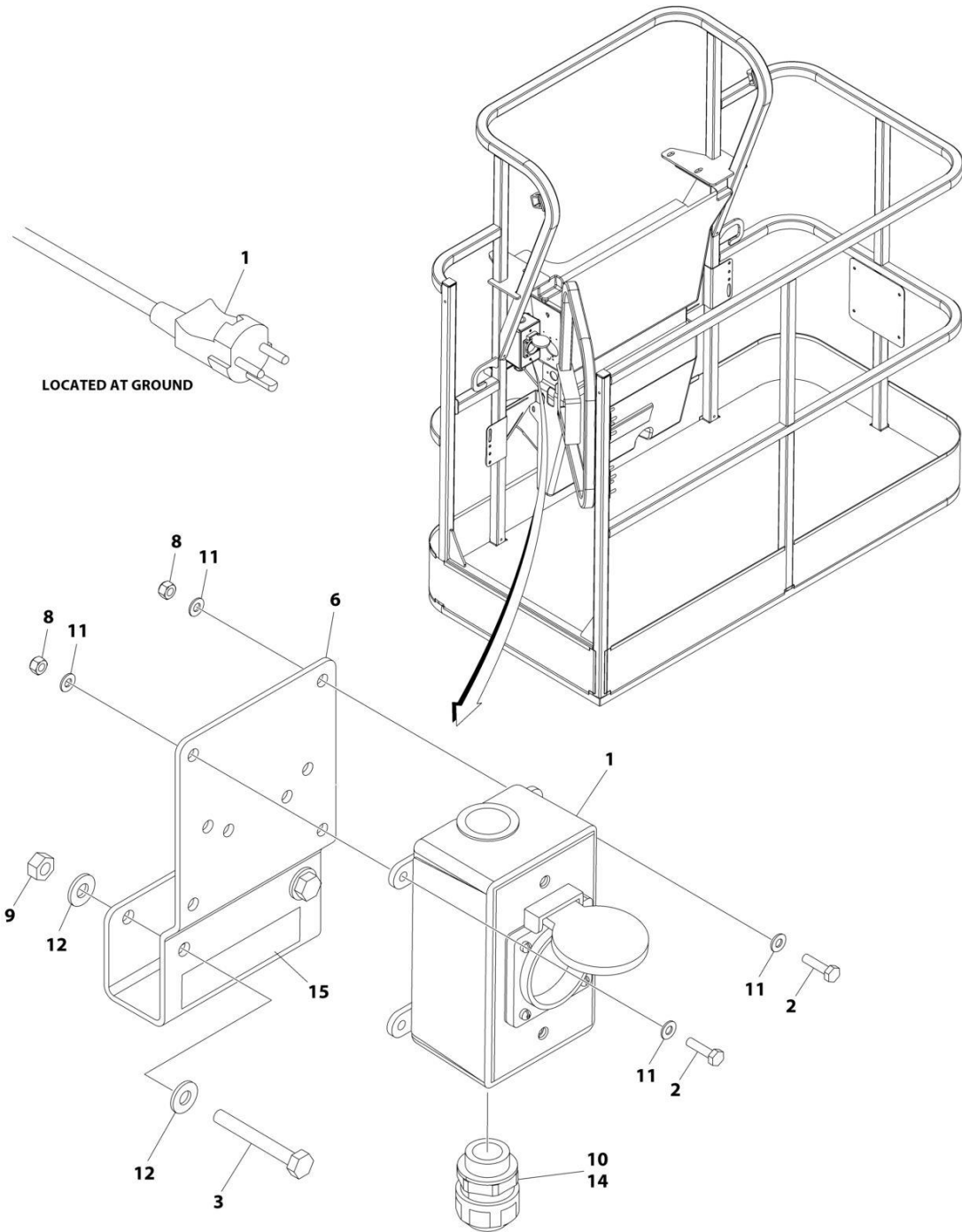
SECTION 8 - ELECTRICAL

**FIGURE 8-10. AC BOX AT PLATFORM INSTALLATION - 220V CEE7 2IN X 4IN SIDE GROUND
(RUSSIA, CE & UK CA SPECS WITH 4000W/50HZ GENERATOR)**

ITEM	PART NUMBER	QTY	DESCRIPTION	REV
	1001194198	Ref	AC BOX AT PLATFORM INSTALLATION	B
1	0100020	AR	Sealant, Pipe	
2	0641416	2	Bolt 1/4 x 2	
3	0700408	4	Bolt M4 x 16	
4	0861731	1	Box, Switch	
5	3251242	1	Decal - 240V/50Hz	
6	3290405	4	Nut M4	
7	3311405	2	Nut 1/4	
8	4460662	1	Connector, Strain Relief	
9	4461245	1	Receptacle	
10	4711400	4	Washer 1/4	
11	4811400	8	Washer M4	
12	1001193018	1	Bracket, AC Receptacle	
13	4460806	2	Terminal, Fork (Not Shown)	
14	1001205958	1	Terminal (Not Shown)	

SECTION 8 - ELECTRICAL

FIGURE 8-11. AC BOX AT PLATFORM INSTALLATION - 220V AFSINT107 (RUSSIA, CE & UK CA SPECS WITHOUT 4000W/50HZ GENERATOR)



ART_1001190485

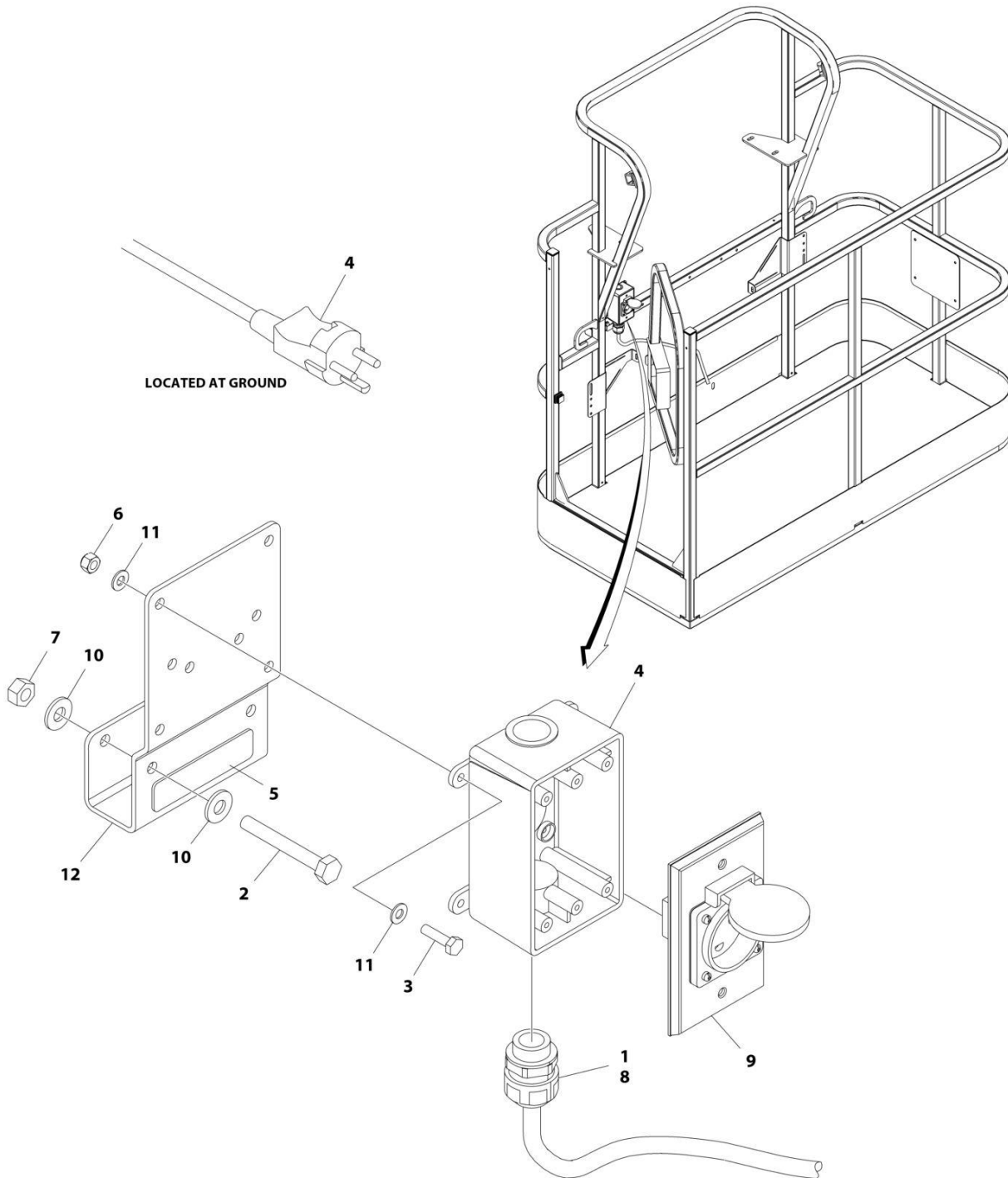
SECTION 8 - ELECTRICAL

FIGURE 8-11. AC BOX AT PLATFORM INSTALLATION - 220V AFSINT107 (RUSSIA, CE & UK CA SPECS WITHOUT 4000W/50HZ GENERATOR)

ITEM	PART NUMBER	QTY	DESCRIPTION	REV
	1001190485	Ref	AC BOX AT PLATFORM INSTALLATION	C
1	0275454	1	Receptacle Box Kit - 220V AFSINT107 (See Separate Breakdown in this Section)	
2	0700408	4	Bolt M4 x 16	
3	0700618	2	Bolt M6 x 50	
6	1001193018	1	Bracket	
8	3290405	4	Nut M4	
9	3290605	2	Nut M6	
10	4460662	1	Connector, Strain Relief	
11	4811400	8	Washer M4	
12	4811700	4	Washer M6	
14	0100079	AR	Sealant	
15	3252507	1	Decal - 220 Volt	

SECTION 8 - ELECTRICAL

FIGURE 8-12. AC BOX AT PLATFORM INSTALLATION - 220V AFSINT107 (RUSSIA, CE & UK CA SPECS WITH 4000W/50HZ GENERATOR)



ART_1001194200

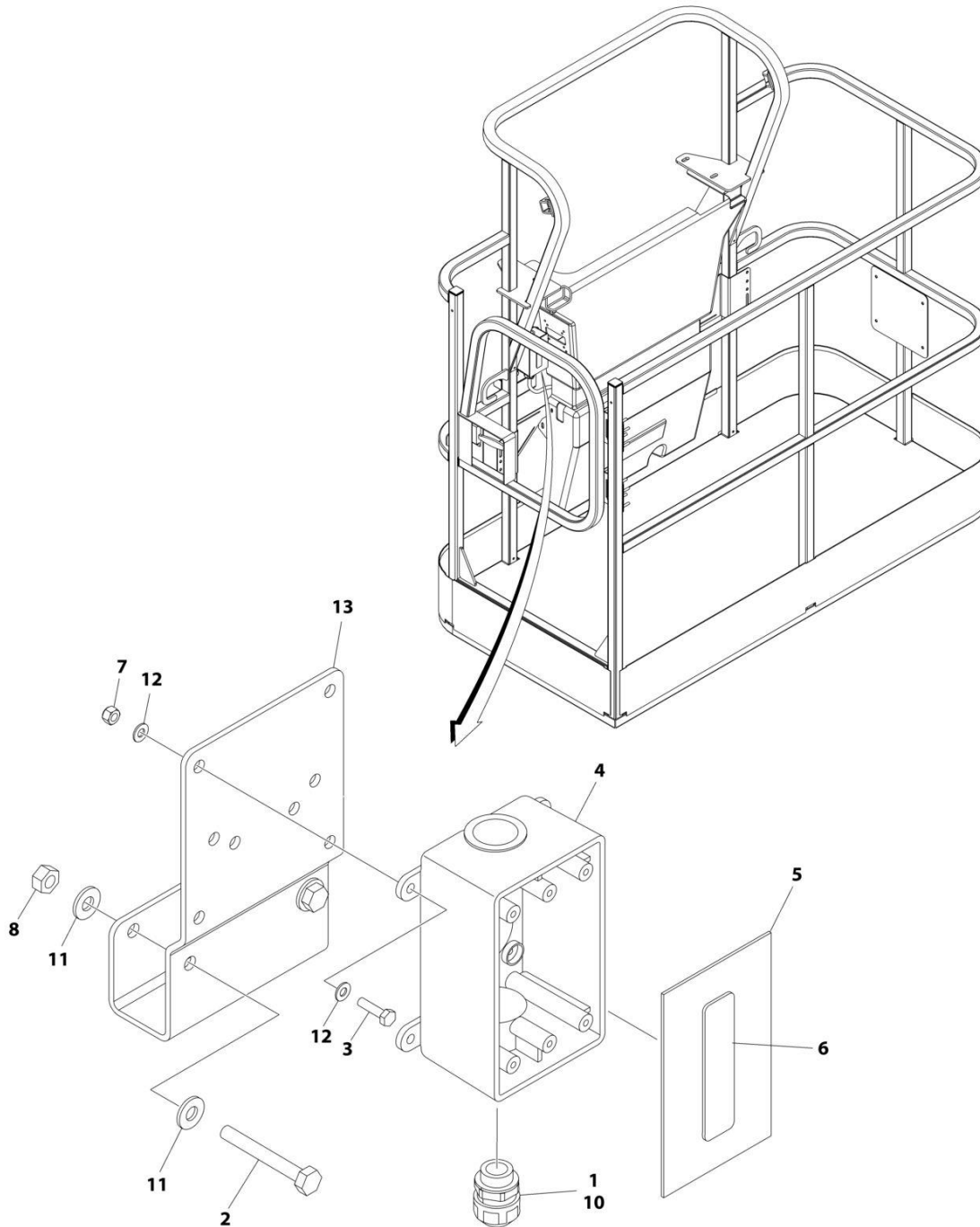
SECTION 8 - ELECTRICAL

FIGURE 8-12. AC BOX AT PLATFORM INSTALLATION - 220V AFSINT107 (RUSSIA, CE & UK CA SPECS WITH 4000W/50HZ GENERATOR)

ITEM	PART NUMBER	QTY	DESCRIPTION	REV
	1001194200	Ref	AC BOX AT PLATFORM INSTALLATION	B
1	0100020	AR	Sealant, Pipe	
2	0641416	2	Bolt 1/4 x 2	
3	0700408	4	Bolt M4 x 16	
4	0861731	1	Box, Switch	
5	3251242	1	Decal - 240V/50Hz	
6	3290405	4	Nut M4	
7	3311405	2	Nut 1/4	
8	4460662	1	Connector, Strain Relief	
9	4461246	1	Receptacle	
10	4711400	4	Washer 1/4	
11	4811400	8	Washer M4	
12	1001193018	1	Bracket, AC Receptacle	
13	1001205958	1	Terminal (Not Shown)	

SECTION 8 - ELECTRICAL

FIGURE 8-13. AC BOX AT PLATFORM INSTALLATION - 220V CUSTOMER SUPPLIED COMPONENTS
(ANSI EXPORT, AUSTRALIAN, RUSSIA, CHINA, CE & UK CA SPECS)



ART_1001194365

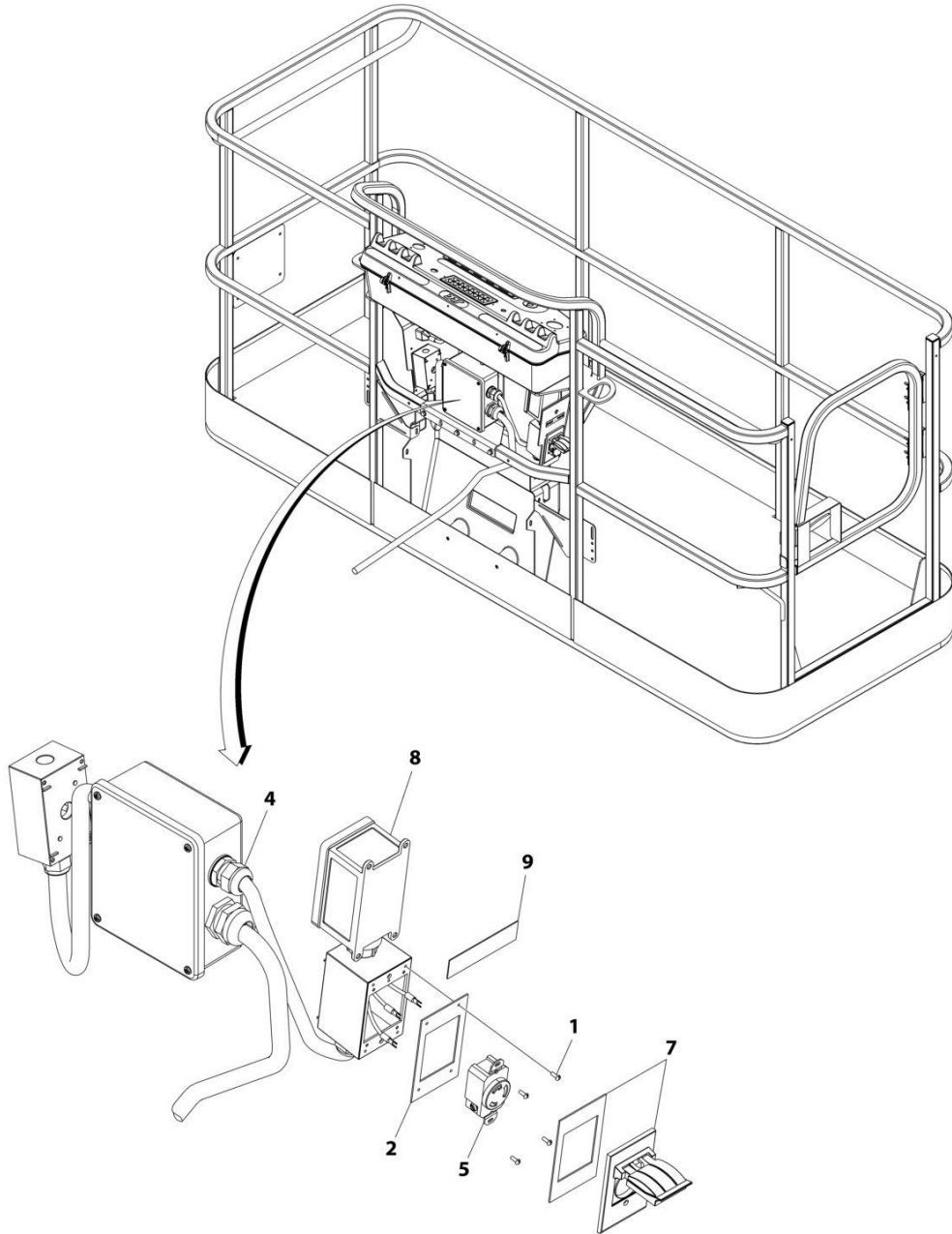
SECTION 8 - ELECTRICAL

**FIGURE 8-13. AC BOX AT PLATFORM INSTALLATION - 220V CUSTOMER SUPPLIED COMPONENTS
(ANSI EXPORT, AUSTRALIAN, RUSSIA, CHINA, CE & UK CA SPECS)**

ITEM	PART NUMBER	QTY	DESCRIPTION	REV
	1001194365	Ref	AC BOX AT PLATFORM INSTALLATION - BOX WITH COVER (2X4 BOX)	A
1	0100020	AR	Sealant	
2	0641416	2	Bolt 1/4 x 2	
3	0700408	4	Bolt M4 x 16	
4	0861731	1	Box, Switch	
5	1670603	1	Cover	
6	3251242	1	Decal - 240V/50Hz	
7	3290405	4	Nut M4	
8	3311405	2	Nut 1/4	
9	4460384	3	Terminal (Not Shown)	
10	4460662	1	Connector, Strain Relief	
11	4711400	4	Washer 1/4	
12	4811400	8	Washer M4	
13	1001193018	1	Bracket, AC Receptacle	

SECTION 8 - ELECTRICAL

FIGURE 8-14. AC BOX AT PLATFORM INSTALLATION - 240V (WITH 4000W GENERATOR)



ART_1001171131

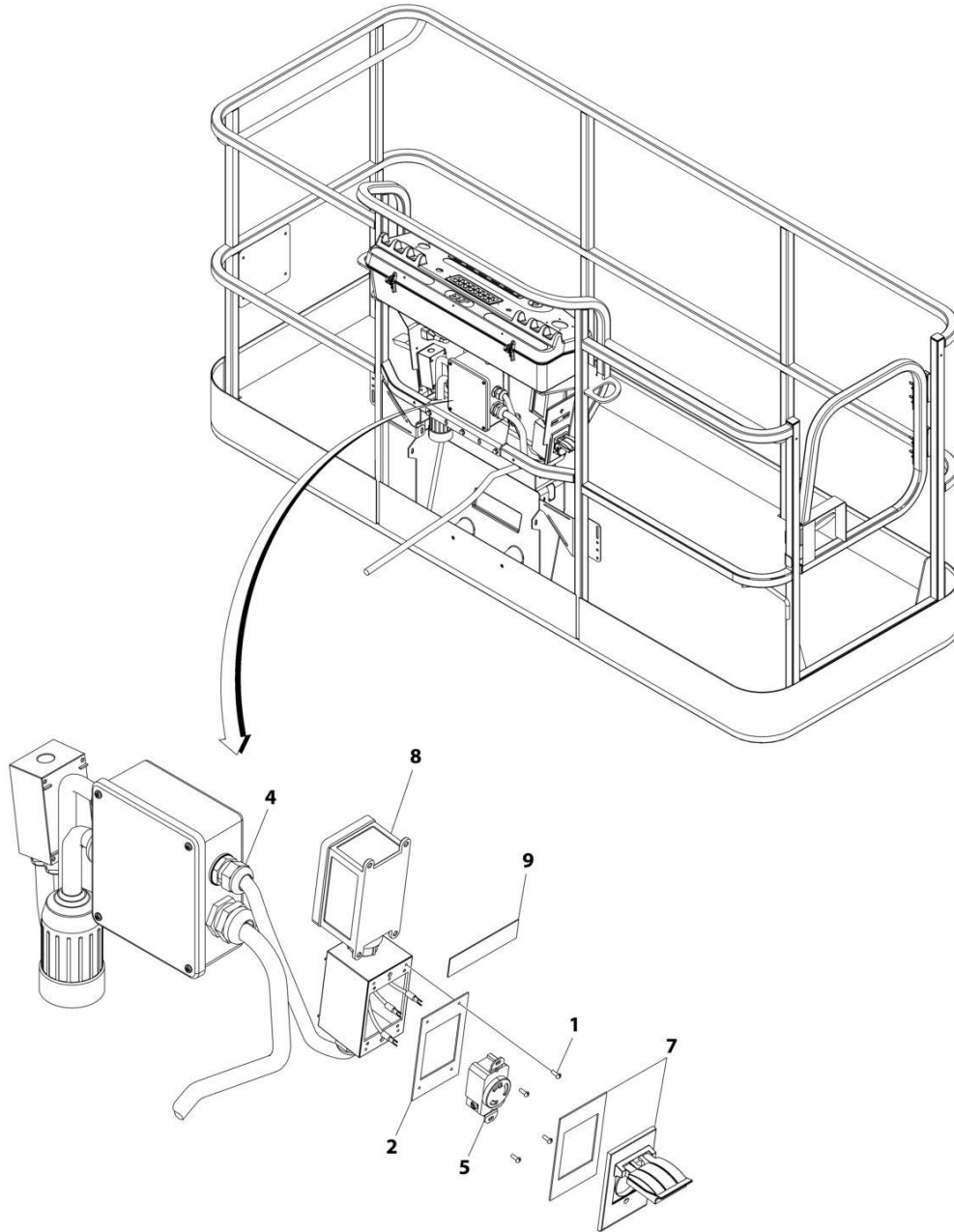
SECTION 8 - ELECTRICAL

FIGURE 8-14. AC BOX AT PLATFORM INSTALLATION - 240V (WITH 4000W GENERATOR)

ITEM	PART NUMBER	QTY	DESCRIPTION	REV
	1001171131	Ref	AC BOX AT PLATFORM INSTALLATION - 240V RECEPTACLE	B
1	3910606	4	Screw 6 x 3/8	
2	3960422	1	Gasket	
3	4240018	AR	Tie-Strap (Not Shown)	
4	4460425	1	Connector, Strain Relief	
5	1001176862	1	Receptacle	
7	1001110872	1	Cover, Receptacle	
8	1001159120	1	Receptacle/Breaker Box Assembly	
8	1001148675	1	Box, Receptacle	
8	1001159118	1	Breaker GFCI 30Amp 240VAC	
8	4460612	1	Connector, Strain Relief	
8	1001159119	1	Connector (Between Boxes)	
9	1705374	1	Decal - 240V/60Hz	

SECTION 8 - ELECTRICAL

FIGURE 8-15. AC BOX AT PLATFORM INSTALLATION - 240V (WITH 7500W SKYPOWER GENERATOR)



ART_1001159121

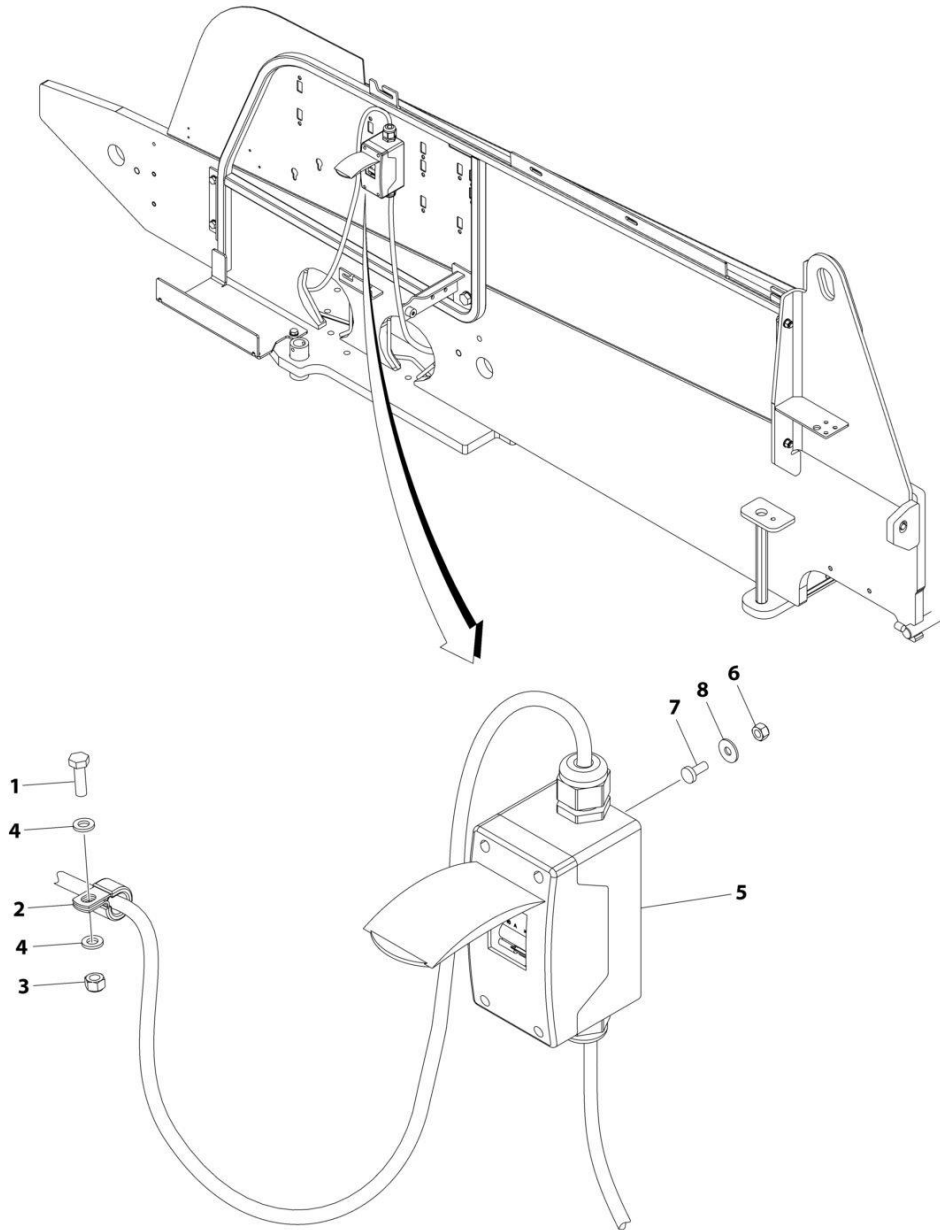
SECTION 8 - ELECTRICAL

FIGURE 8-15. AC BOX AT PLATFORM INSTALLATION - 240V (WITH 7500W SKYPOWER GENERATOR)

ITEM	PART NUMBER	QTY	DESCRIPTION	REV
	1001159121	Ref	AC BOX AT PLATFORM INSTALLATION - 240V RECEPTACLE	B
1	3910606	4	Screw 6 x 3/8	
2	3960422	1	Gasket	
3	4240018	AR	Tie-Strap (Not Shown)	
4	4460425	1	Connector, Strain Relief	
5	4460958	1	Receptacle	
7	1001110872	1	Cover, Receptacle	
8	1001159120	1	Receptacle/Breaker Box Assembly	
8	1001148675	1	Box, Receptacle	
8	1001159118	1	Breaker Box Assembly	
8	4460612	1	Connector, Strain Relief	
8	1001159119	1	Connector (Between Boxes)	
9	1705374	1	Decal - 240V/60Hz	

SECTION 8 - ELECTRICAL

FIGURE 8-16. AC BREAKER BOX INSTALLATION - SINGLE DOUBLE POLE BREAKER



ART_1001190774

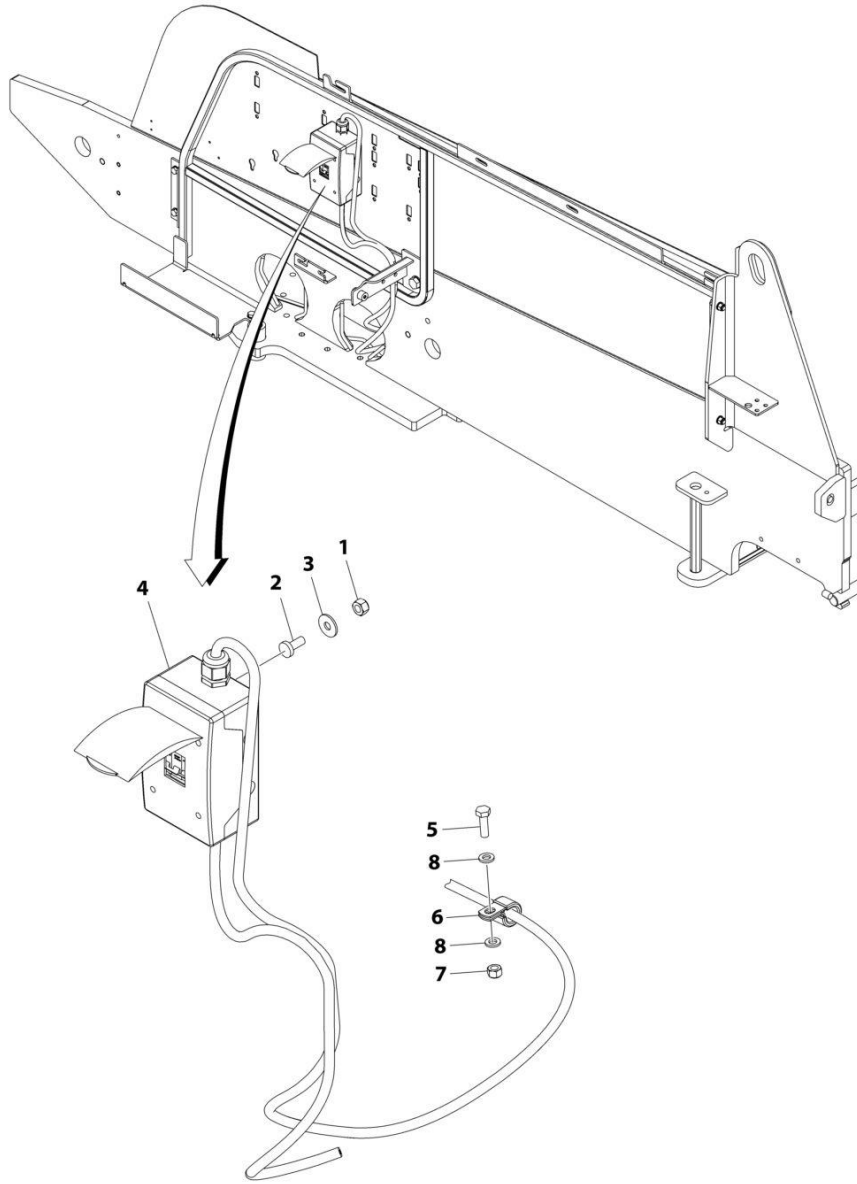
SECTION 8 - ELECTRICAL

FIGURE 8-16. AC BREAKER BOX INSTALLATION - SINGLE DOUBLE POLE BREAKER

ITEM	PART NUMBER	QTY	DESCRIPTION	REV
	1001190774	Ref	AC BREAKER BOX INSTALLATION	C
1	0760610	1	Bolt M6 x 20	
2	1320041	1	Clamp	
3	3290605	1	Nut M6	
4	4811700	2	Washer M6	
5	2902549	1	Breaker Box Kit - Single Double Pole Breaker (See Separate Breakdown in this Section)	
6	3290405	2	Nut M4	
7	4010405	2	Screw M4 x 10	
8	1001091102	2	Washer M4	

SECTION 8 - ELECTRICAL

FIGURE 8-17. AC BREAKER BOX INSTALLATION - 3 BREAKERS



ART_1001211049_C

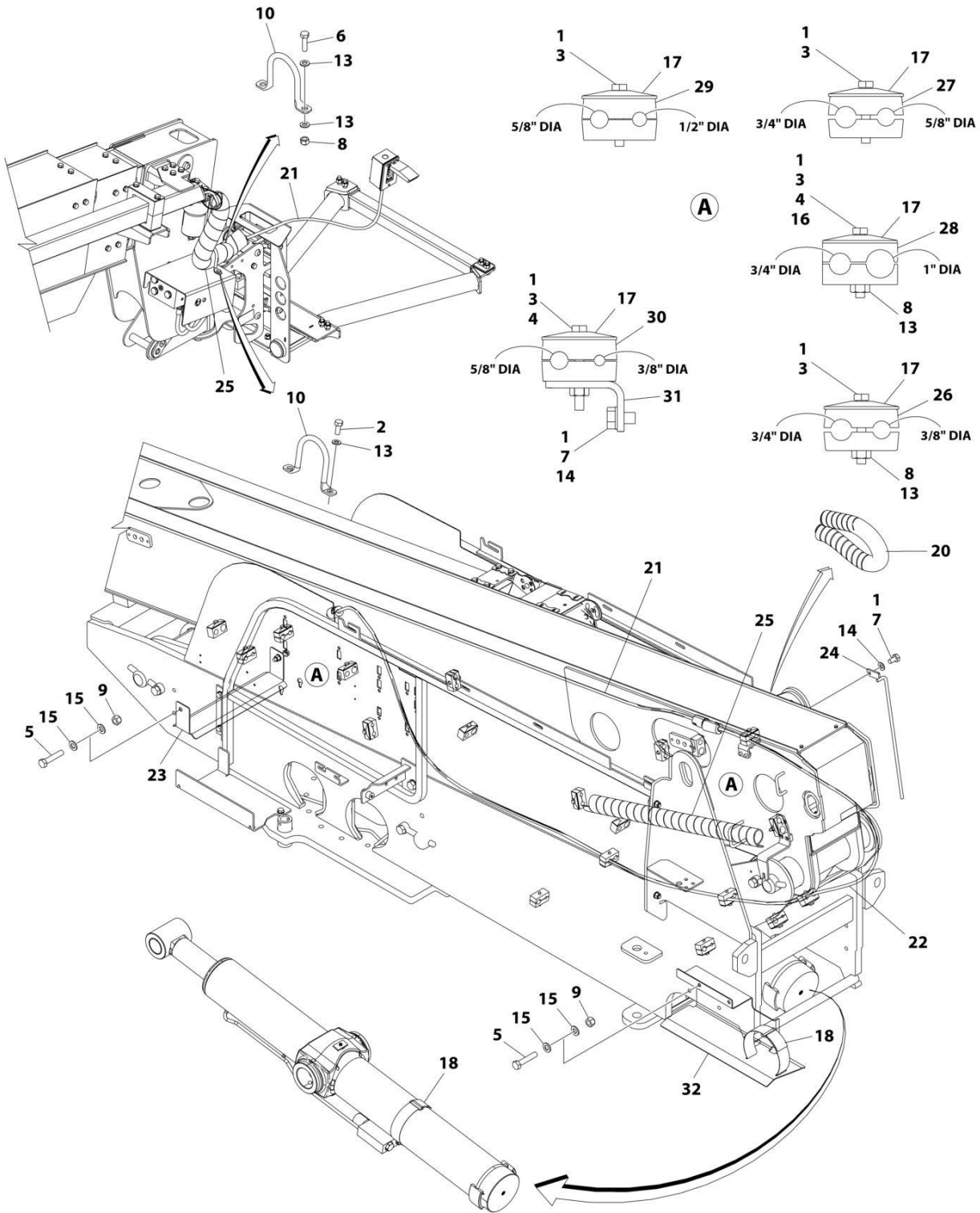
SECTION 8 - ELECTRICAL

FIGURE 8-17. AC BREAKER BOX INSTALLATION - 3 BREAKERS

ITEM	PART NUMBER	QTY	DESCRIPTION	REV
	1001211049	Ref	AC BREAKER BOX INSTALLATION	C
1	3290405	2	Nut M4	
2	4010405	2	Screw M4 x 10	
3	1001091102	2	Washer M4	
4	1001152486	1	Breaker Box Kit - 3 Breakers (See Separate Breakdown in this Section)	
5	0760610	1	Bolt M6 x 20	
6	1320041	1	Clamp	
7	3290605	1	Nut M6	
8	4811700	2	Washer M6	

SECTION 8 - ELECTRICAL

FIGURE 8-18. AC CABLES AND CLAMPS INSTALLATION - 600S HC3 WITHOUT GENERATOR (ANSI, CSA & JAPANESE SPECS)



ART_1001265756

SECTION 8 - ELECTRICAL

FIGURE 8-18. AC CABLES AND CLAMPS INSTALLATION - 600S HC3 WITHOUT GENERATOR (ANSI, CSA & JAPANESE SPECS)

ITEM	PART NUMBER	QTY	DESCRIPTION	REV
	1001265756	Ref	AC CABLES AND CLAMPS INSTALLATION	A
1	0100011	AR	Compound, Locking	
2	0641506	2	Bolt 5/16 x 3/4	
3	0700818	16	Bolt M8 x 50	
4	0700822	2	Bolt M8 x 70	
5	0701220	4	Bolt M12 x 60	
6	0760814	2	Bolt M8 x 30	
7	0761009	3	Bolt M10 x 18	
8	3290805	4	Nut M8	
9	3291205	4	Nut M12	
10	3841340	2	Loop, Hose	
11	4240018	3	Tie-Strap (Not Shown)	
12	4240099	3	Tie-Strap (Not Shown)	
13	4811900	7	Washer M8	
14	4812000	3	Washer M10	
15	4812100	8	Washer M12	
16	5281918	1	Capscrew M8 x 70	
17	77133137	19	Cover, Clamp	
18	1001143645	2	Strap, Cinch	
19	1001146588	4	Tie-Strap (Not Shown)	
20	1001181923	1	Shield, Tube	
21	1001195227	1	AC Ground to Platform Cable (Upper)	
21	1001120204	1	Plug, Male	
22	1001195525	1	AC Ground to Platform Cable (Lower)	
22	1001120205	1	Receptacle, Female	
23	1001201342	1	Support	
24	1001202936	1	Guide	
25	1001204690	2	Shield, Tube	
26	1001209948	3	Clamp	
27	1001209949	3	Clamp	
28	1001209951	6	Clamp	
29	1001209953	3	Clamp	
30	1001228809	4	Clamp	
31	1001229637	1	Bracket	
32	1001252945	1	Support	

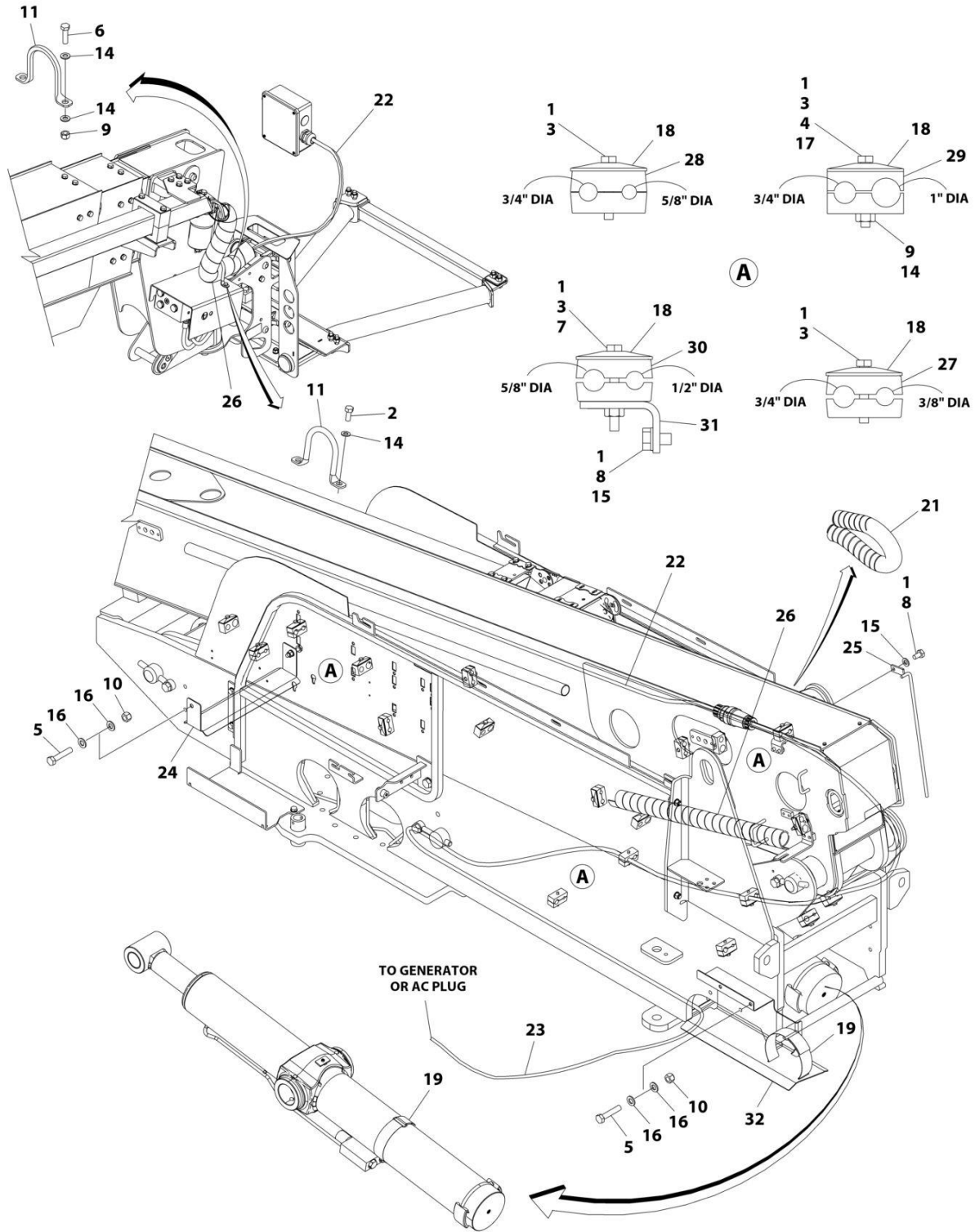
SECTION 8 - ELECTRICAL

FIGURE 8-19. AC CABLES AND CLAMPS INSTALLATION - 600S HC3 WITHOUT GENERATOR (ANSI EXPORT,CE, RUSSIA CIS, CHINA & UK CA SPECS)

ITEM	PART NUMBER	QTY	DESCRIPTION	REV
	1001265758	Ref	AC CABLES AND CLAMPS INSTALLATION	A
1	0100011	AR	Compound, Locking	
2	0641506	2	Bolt 5/16 x 3/4	
3	0700818	16	Bolt M8 x 50	
4	0700822	1	Bolt M8 x 70	
5	0701220	4	Bolt M12 x 60	
6	0760814	2	Bolt M8 x 30	
7	0760822	1	Bolt M8 x 70	
8	0761009	3	Bolt M10 x 18	
9	3290805	4	Nut M8	
10	3291205	4	Nut M12	
11	3841340	2	Loop, Hose	
12	4240018	3	Tie-Strap (Not Shown)	
13	4240099	3	Tie-Strap (Not Shown)	
14	4811900	7	Washer M8	
15	4812000	3	Washer M10	
16	4812100	8	Washer M12	
17	5281918	1	Capscrew M8 x 70	
18	77133137	19	Cover, Clamp	
19	1001143645	2	Strap, Cinch	
20	1001146588	4	Tie-Strap (Not Shown)	
21	1001181923	1	Shield, Tube	
22	1001195225	1	AC Ground to Platform Cable (Upper)	
22	1001214095	1	Plug, Male	
23	1001196368	1	AC Ground to Platform Cable (Lower)	
23	1001214096	1	Receptacle, Female	
24	1001201342	1	Support	
25	1001202936	1	Guide	
26	1001204690	2	Shield, Tube	
27	1001209948	3	Clamp	
28	1001209949	3	Clamp	
29	1001209951	6	Clamp	
30	1001209953	7	Clamp	
31	1001229637	1	Bracket	
32	1001252945	1	Support	

SECTION 8 - ELECTRICAL

FIGURE 8-20. AC CABLES AND CLAMPS INSTALLATION - 600S HC3 WITH 2500W GENERATOR (ANSI, ANSI EXPORT, CHINA, CSA AND JAPANESE SPECS)



ART_1001265758

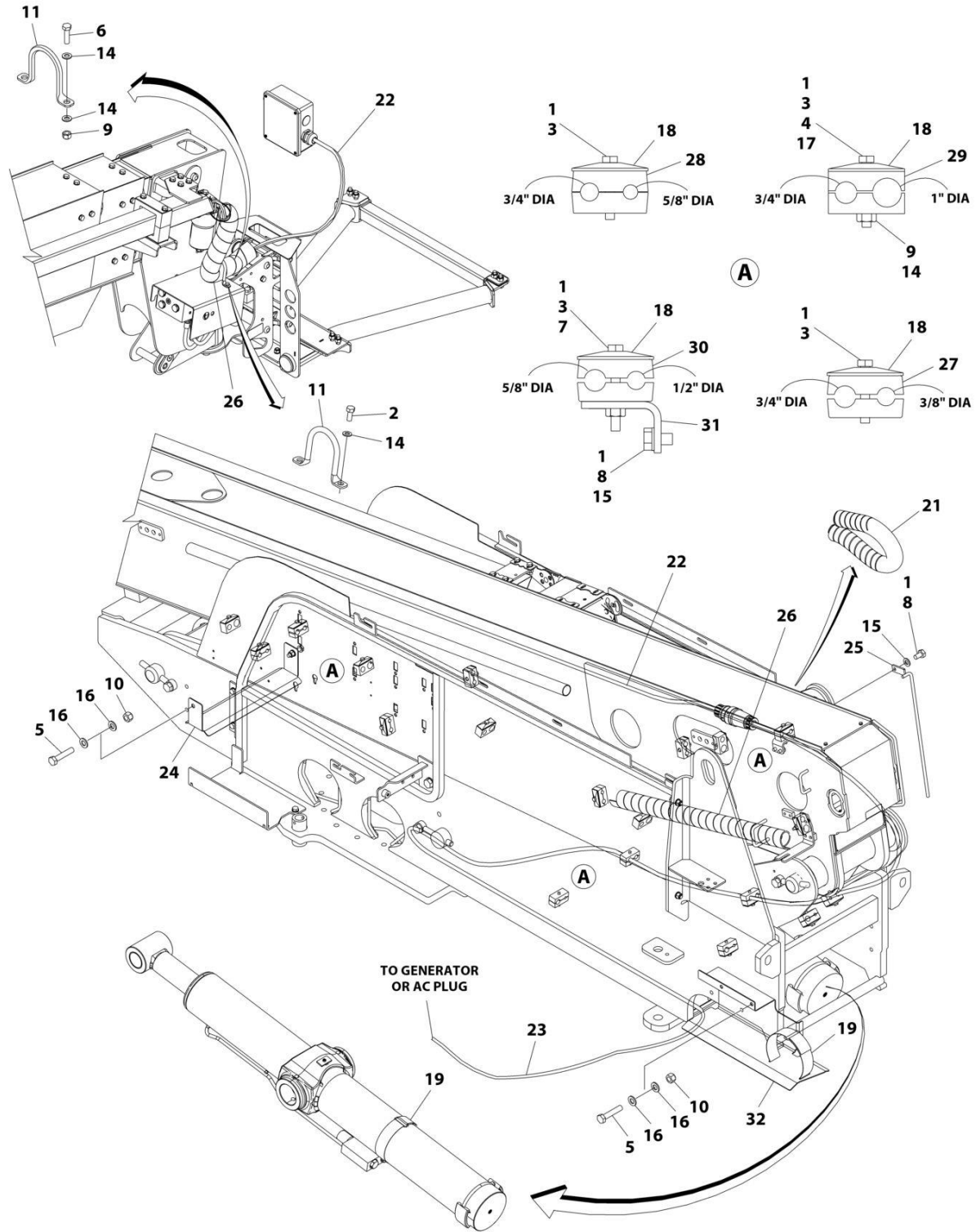
SECTION 8 - ELECTRICAL

**FIGURE 8-20. AC CABLES AND CLAMPS INSTALLATION - 600S HC3 WITH 2500W GENERATOR
(ANSI, ANSI EXPORT, CHINA, CSA AND JAPANESE SPECS)**

ITEM	PART NUMBER	QTY	DESCRIPTION	REV
	1001265758	Ref	AC CABLES AND CLAMPS INSTALLATION	A
1	0100011	AR	Compound, Locking	
2	0641506	2	Bolt 5/16 x 3/4	
3	0700818	16	Bolt M8 x 50	
4	0700822	1	Bolt M8 x 70	
5	0701220	4	Bolt M12 x 60	
6	0760814	2	Bolt M8 x 30	
7	0760822	1	Bolt M8 x 70	
8	0761009	3	Bolt M10 x 18	
9	3290805	4	Nut M8	
10	3291205	4	Nut M12	
11	3841340	2	Loop, Hose	
12	4240018	3	Tie-Strap (Not Shown)	
13	4240099	3	Tie-Strap (Not Shown)	
14	4811900	7	Washer M8	
15	4812000	3	Washer M10	
16	4812100	8	Washer M12	
17	5281918	1	Capscrew M8 x 70	
18	77133137	19	Cover, Clamp	
19	1001143645	2	Strap, Cinch	
20	1001146588	4	Tie-Strap (Not Shown)	
21	1001181923	1	Shield, Tube	
22	1001195225	1	AC Ground to Platform Cable (Upper)	
22	1001214095	1	Plug, Male	
23	1001196368	1	AC Ground to Platform Cable (Lower)	
23	1001214096	1	Receptacle, Female	
24	1001201342	1	Support	
25	1001202936	1	Guide	
26	1001204690	2	Shield, Tube	
27	1001209948	3	Clamp	
28	1001209949	3	Clamp	
29	1001209951	6	Clamp	
30	1001209953	7	Clamp	
31	1001229637	1	Bracket	
32	1001252945	1	Support	

SECTION 8 - ELECTRICAL

FIGURE 8-21. AC CABLES AND CLAMPS INSTALLATION - 600S HC3 WITH 4000W/50HZ GENERATOR (ANSI EXPORT, CE, CHINA, RUSSIAN CIS & UK CA SPECS)



ART_1001265758

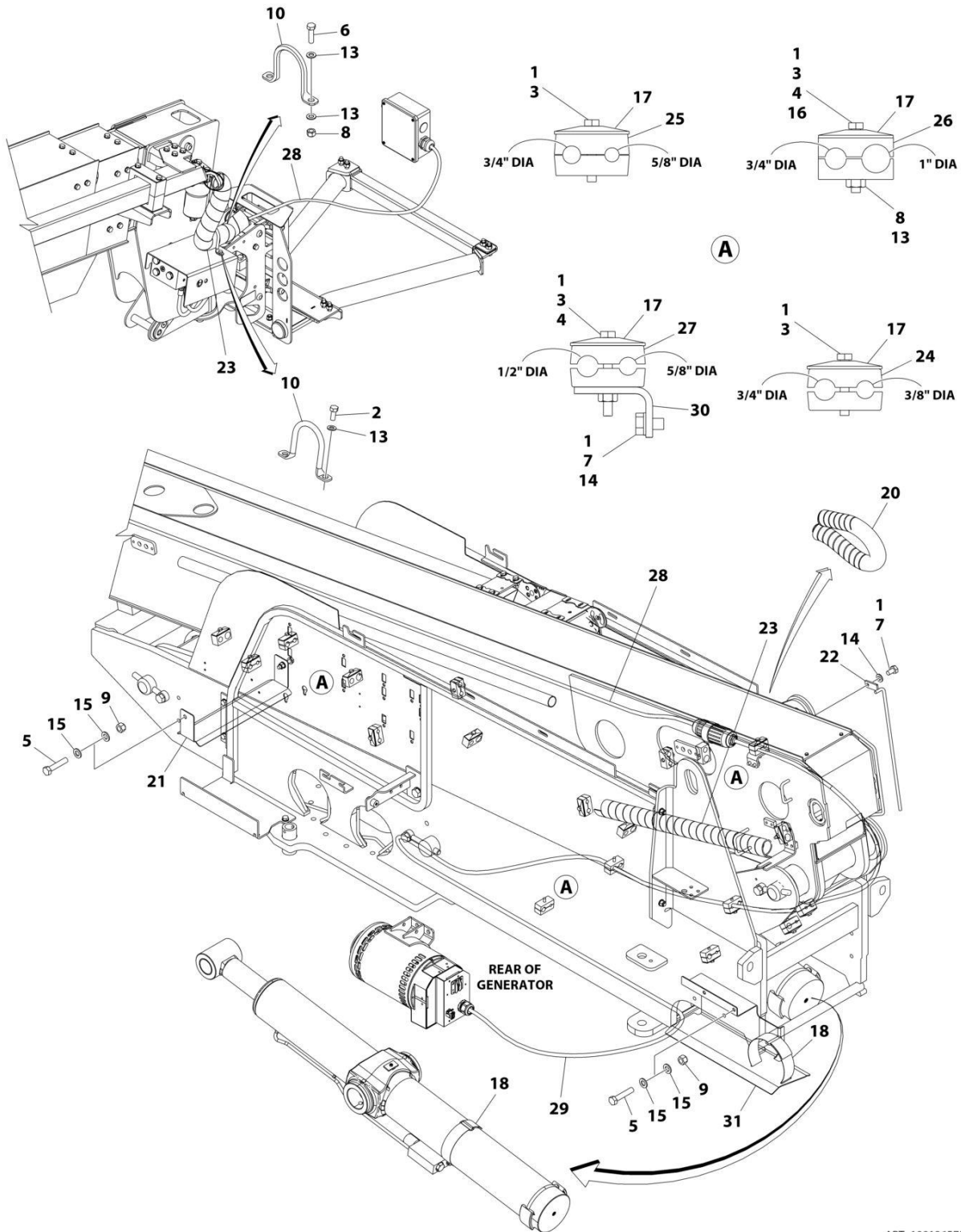
SECTION 8 - ELECTRICAL

FIGURE 8-21. AC CABLES AND CLAMPS INSTALLATION - 600S HC3 WITH 4000W/50HZ GENERATOR (ANSI EXPORT, CE, CHINA, RUSSIAN CIS & UK CA SPECS)

ITEM	PART NUMBER	QTY	DESCRIPTION	REV
	1001265758	Ref	AC CABLES AND CLAMPS INSTALLATION	A
1	0100011	AR	Compound, Locking	
2	0641506	2	Bolt 5/16 x 3/4	
3	0700818	16	Bolt M8 x 50	
4	0700822	1	Bolt M8 x 70	
5	0701220	4	Bolt M12 x 60	
6	0760814	2	Bolt M8 x 30	
7	0760822	1	Bolt M8 x 70	
8	0761009	3	Bolt M10 x 18	
9	3290805	4	Nut M8	
10	3291205	4	Nut M12	
11	3841340	2	Loop, Hose	
12	4240018	3	Tie-Strap (Not Shown)	
13	4240099	3	Tie-Strap (Not Shown)	
14	4811900	7	Washer M8	
15	4812000	3	Washer M10	
16	4812100	8	Washer M12	
17	5281918	1	Capscrew M8 x 70	
18	77133137	19	Cover, Clamp	
19	1001143645	2	Strap, Cinch	
20	1001146588	4	Tie-Strap (Not Shown)	
21	1001181923	1	Shield, Tube	
22	1001195225	1	AC Ground to Platform Cable (Upper)	
22	1001214095	1	Plug, Male	
23	1001196368	1	AC Ground to Platform Cable (Lower)	
23	1001214096	1	Receptacle, Female	
24	1001201342	1	Support	
25	1001202936	1	Guide	
26	1001204690	2	Shield, Tube	
27	1001209948	3	Clamp	
28	1001209949	3	Clamp	
29	1001209951	6	Clamp	
30	1001209953	7	Clamp	
31	1001229637	1	Bracket	
32	1001252945	1	Support	

SECTION 8 - ELECTRICAL

FIGURE 8-22. AC CABLES AND CLAMPS INSTALLATION - 600S HC3 WITH 4000W/60HZ GENERATOR (ANSI, ANSI EXPORT, CSA AND JAPANESE SPECS)



ART_1001265757

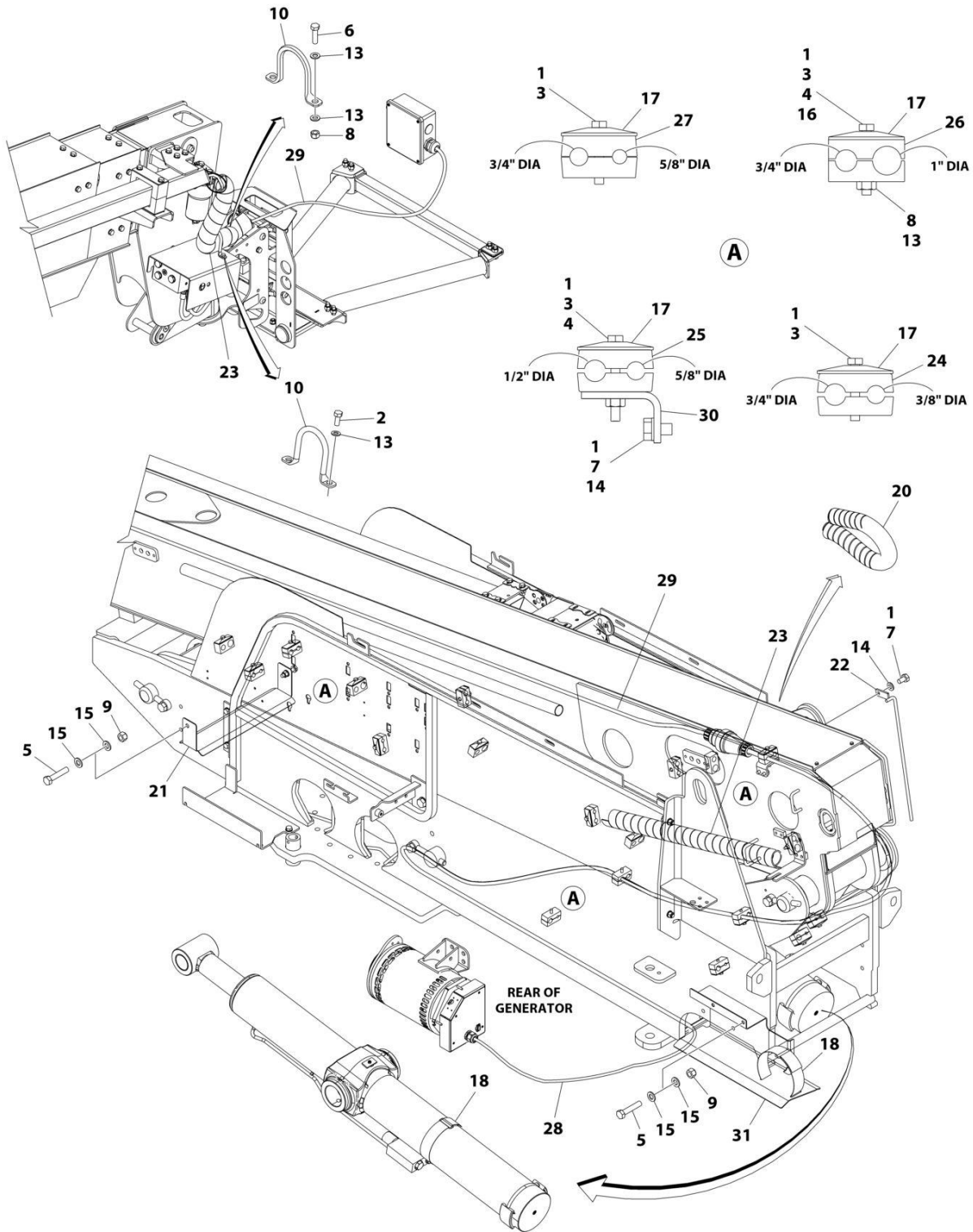
SECTION 8 - ELECTRICAL

FIGURE 8-22. AC CABLES AND CLAMPS INSTALLATION - 600S HC3 WITH 4000W/60HZ GENERATOR (ANSI, ANSI EXPORT, CSA AND JAPANESE SPECS)

ITEM	PART NUMBER	QTY	DESCRIPTION	REV
	1001265757	Ref	AC CABLES AND CLAMPS INSTALLATION	A
1	0100011	AR	Compound, Locking	
2	0641506	2	Bolt 5/16 x 3/4	
3	0700818	16	Bolt M8 x 50	
4	0700822	2	Bolt M8 x 70	
5	0701220	4	Bolt M12 x 60	
6	0760814	2	Bolt M8 x 30	
7	0761009	3	Bolt M10 x 18	
8	3290805	4	Nut M8	
9	3291205	4	Nut M12	
10	3841340	2	Loop, Hose	
11	4240018	3	Tie-Strap (Not Shown)	
12	4240099	3	Tie-Strap (Not Shown)	
13	4811900	7	Washer M8	
14	4812000	3	Washer M10	
15	4812100	8	Washer M12	
16	5281918	1	Capscrew M8 x 70	
17	77133137	19	Cover, Clamp	
18	1001143645	2	Strap, Cinch	
19	1001146588	4	Tie-Strap (Not Shown)	
20	1001181923	1	Shield, Tube	
21	1001201342	1	Support	
22	1001202936	1	Guide	
23	1001204690	2	Shield, Tube	
24	1001209948	3	Clamp	
25	1001209949	3	Clamp	
26	1001209951	6	Clamp	
27	1001209953	7	Clamp	
28	1001228186	1	AC Ground to Platform Cable (Upper)	
28	4460959	1	Plug, Male	
28	1671093	1	Cover, Plug	
29	1001228188	1	AC Ground to Platform Cable (Lower)	
29	4460960	1	Receptacle, Female	
29	1671092	1	Cover, Receptacle	
30	1001229637	1	Bracket	
31	1001252945	1	Support	

SECTION 8 - ELECTRICAL

FIGURE 8-23. AC CABLES AND CLAMPS INSTALLATION - 600S HC3 WITH 7500W GENERATOR (ANSI, ANSI EXPORT, CHINA, CSA, RUSSIAN CIS AND JAPANESE SPECS)



ART_1001265759

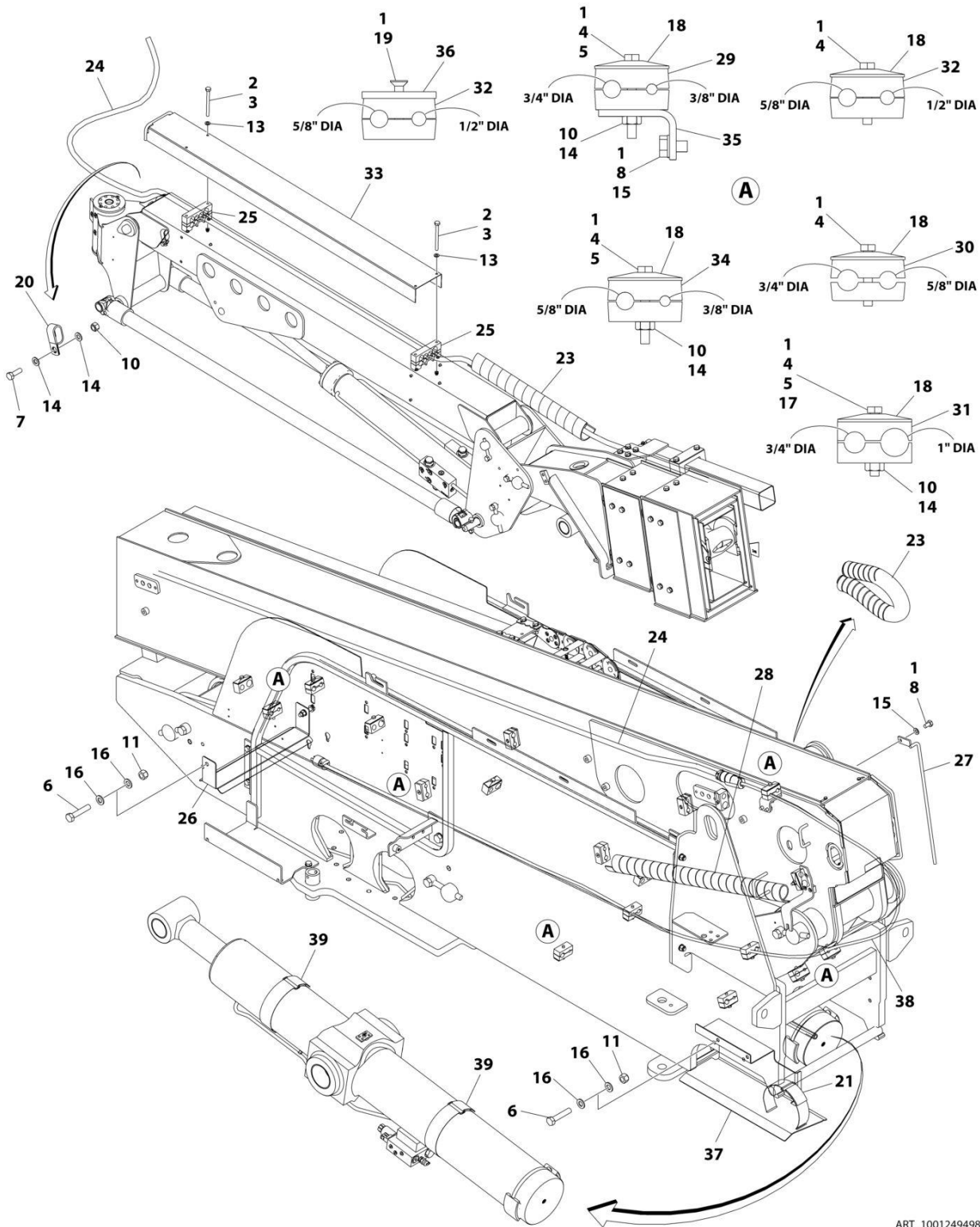
SECTION 8 - ELECTRICAL

**FIGURE 8-23. AC CABLES AND CLAMPS INSTALLATION - 600S HC3 WITH 7500W GENERATOR
(ANSI, ANSI EXPORT, CHINA, CSA, RUSSIAN CIS AND JAPANESE SPECS)**

ITEM	PART NUMBER	QTY	DESCRIPTION	REV
	1001265759	Ref	AC CABLES AND CLAMPS INSTALLATION	A
1	0100011	AR	Compound, Locking	
2	0641506	2	Bolt 5/16 x 3/4	
3	0700818	16	Bolt M8 x 50	
4	0700822	2	Bolt M8 x 70	
5	0701220	4	Bolt M12 x 60	
6	0760814	2	Bolt M8 x 30	
7	0761009	3	Bolt M10 x 18	
8	3290805	4	Nut M8	
9	3291205	4	Nut M12	
10	3841340	2	Loop, Hose	
11	4240018	3	Tie-Strap (Not Shown)	
12	4240099	3	Tie-Strap (Not Shown)	
13	4811900	7	Washer M8	
14	4812000	3	Washer M10	
15	4812100	8	Washer M12	
16	5281918	1	Capscrew M8 x 70	
17	77133137	19	Cover, Clamp	
18	1001143645	2	Strap, Cinch	
19	1001146588	4	Tie-Strap (Not Shown)	
20	1001181923	1	Shield, Tube	
21	1001201342	1	Support	
22	1001202936	1	Guide	
23	1001204690	2	Shield, Tube	
24	1001209948	3	Clamp	
25	1001209949	7	Clamp	
26	1001209951	6	Clamp	
27	1001209953	3	Clamp	
28	1001226304	1	AC Ground to Platform Cable (Lower)	
28	4460960	1	Receptacle, Female	
28	1671092	1	Cover, Receptacle	
29	1001226305	1	AC Ground to Platform Cable (Upper)	
29	1060945	1	Cable	
29	1001218622	1	Plug	
30	1001229637	1	Bracket	
31	1001252945	1	Support	

SECTION 8 - ELECTRICAL

FIGURE 8-24. AC CABLES AND CLAMPS INSTALLATION - 660SJ HC3 WITHOUT GENERATOR (ANSI, CSA AND JAPANESE SPECS)



ART_1001249498

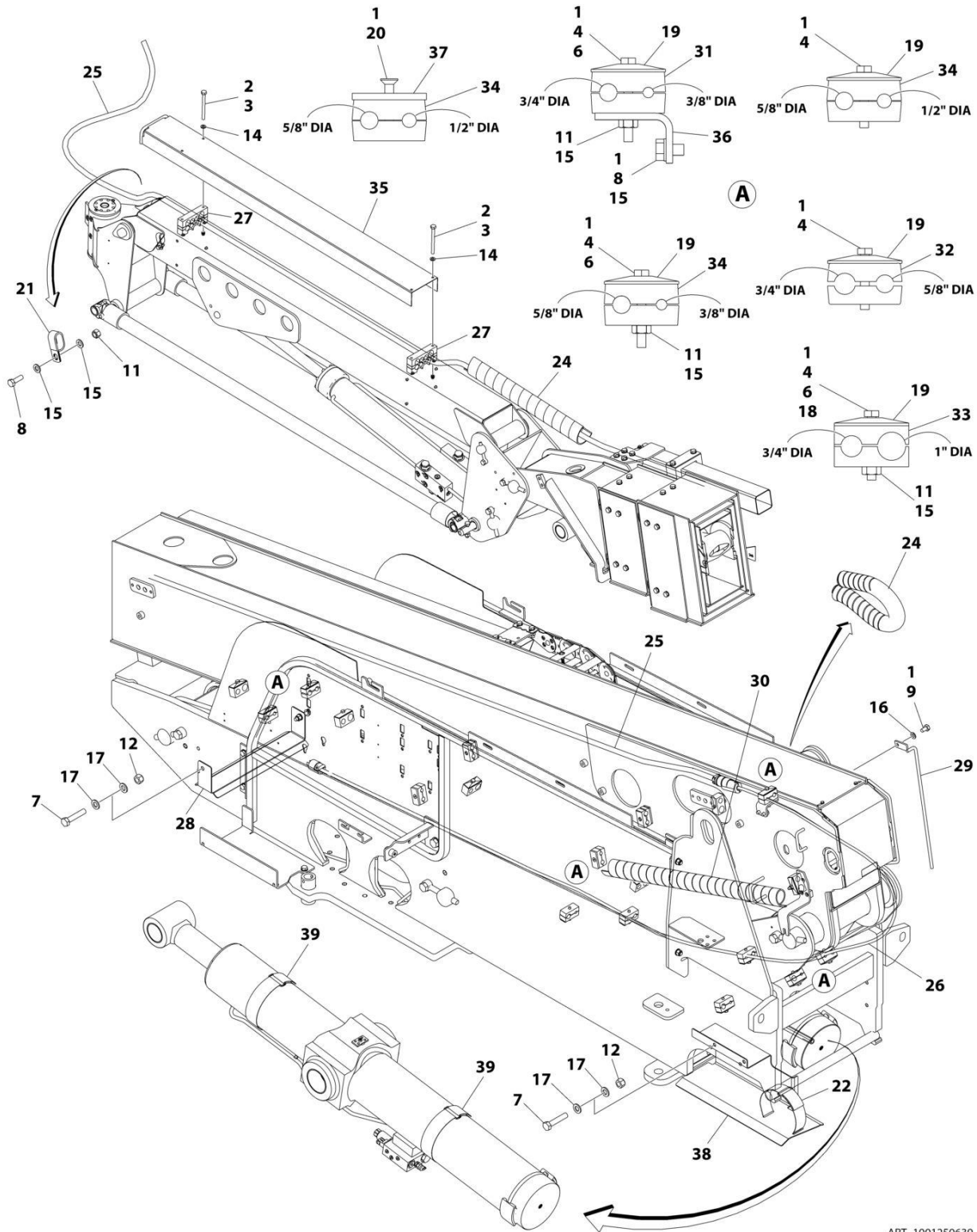
SECTION 8 - ELECTRICAL

**FIGURE 8-24. AC CABLES AND CLAMPS INSTALLATION - 660SJ HC3 WITHOUT GENERATOR
(ANSI, CSA AND JAPANESE SPECS)**

ITEM	PART NUMBER	QTY	DESCRIPTION	REV
	1001249498	Ref	AC CABLES & CLAMPS INSTALLATION	E
1	0100011	AR	Compound, Locking	
2	0100035	AR	Compound, Locking	
3	0700624	4	Bolt M6 x 80	
4	0700818	12	Bolt M8 x 50	
5	0700822	2	Bolt M8 x 70	
6	0701220	4	Bolt M12 x 60	
7	0760812	1	Bolt M8 x 25	
8	0761009	3	Bolt M10 x 18	
10	3290805	3	Nut M8	
11	3291205	4	Nut M12	
12	4240018	4	Tie-Strap (Not Shown)	
13	4811700	4	Washer M6	
14	4811900	3	Washer M8	
15	4812000	3	Washer M10	
16	4812100	8	Washer M12	
17	5281918	1	Capscrew M8 x 70	
18	77133137	15	Cover, Clamp	
19	1001102830	4	Screw M8 x 45	
20	1001116792	1	Clamp	
21	1001143645	1	Strap, Cinch	
22	1001146588	4	Tie-Strap (Not Shown)	
23	1001181923	2	Shield, Tube	
24	1001195228	1	AC Ground to Platform Cable (Upper)	
24	1001120204	1	Plug, Male	
25	1001201090	2	Block, Clamp	
26	1001201342	1	Support	
27	1001202936	1	Guide	
28	1001204690	1	Shield, Tube	
29	1001209948	3	Clamp	
30	1001209949	3	Clamp	
31	1001209951	6	Clamp	
32	1001209953	3	Clamp	
33	1001209957	1	Cover	
34	1001228809	4	Clamp	
35	1001229637	1	Bracket	
36	1001249496	4	Plate, Clamp	
37	1001252945	1	Support	
38	1001195525	1	AC Ground to Platform Cable (Lower)	
38	1001120205	1	Receptacle, Female	
39	1001265308	2	Strap, Cinch	

SECTION 8 - ELECTRICAL

FIGURE 8-25. AC CABLES AND CLAMPS INSTALLATION - 660SJ HC3 WITHOUT GENERATOR (ANSI EXPORT, AUSTRALIAN, RUSSIA CIS, CHINA, CE & UK CA SPECS)



ART_1001250639_E

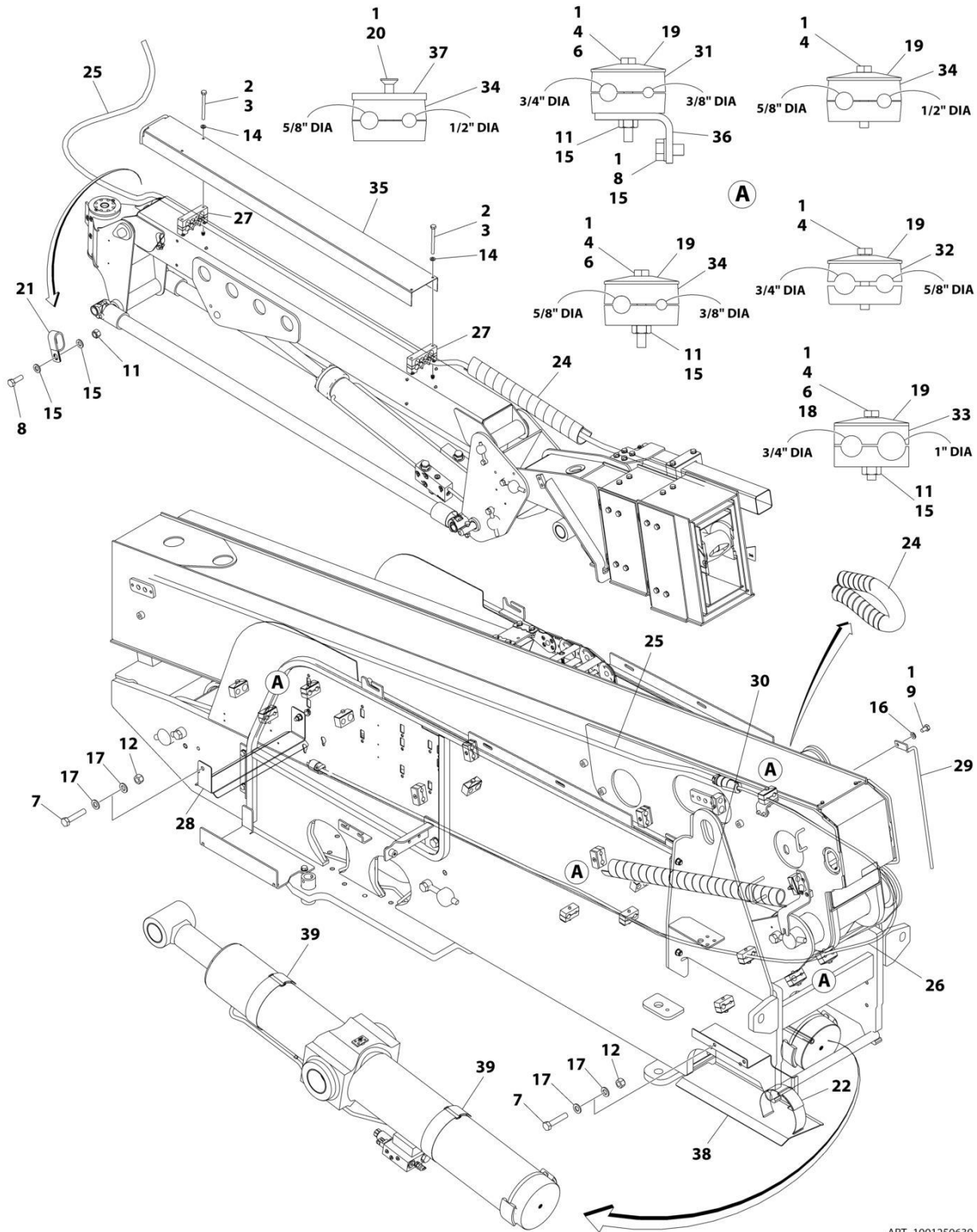
SECTION 8 - ELECTRICAL

FIGURE 8-25. AC CABLES AND CLAMPS INSTALLATION - 660SJ HC3 WITHOUT GENERATOR (ANSI EXPORT, AUSTRALIAN, RUSSIA CIS, CHINA, CE & UK CA SPECS)

ITEM	PART NUMBER	QTY	DESCRIPTION	REV
	1001250639	Ref	AC CABLES AND CLAMPS INSTALLATION	E
1	0100011	AR	Compound, Locking	
2	0100035	AR	Compound, Locking	
3	0700624	4	Bolt M6 x 80	
4	0700818	12	Bolt M8 x 50	
5	0700819	3	Bolt M8 x 55 (Not Shown)	
6	0700822	2	Bolt M8 x 70	
7	0701220	4	Bolt M12 x 60	
8	0760812	1	Bolt M8 x 25	
9	0761009	3	Bolt M10 x 18	
11	3290805	6	Nut M8	
12	3291205	4	Nut M12	
13	4240018	4	Tie-Strap (Not Shown)	
14	4811700	4	Washer M6	
15	4811900	9	Washer M8	
16	4812000	3	Washer M10	
17	4812100	8	Washer M12	
18	5281918	1	Capscrew M8 x 70	
19	77133137	15	Cover, Clamp	
20	1001102830	4	Screw M8 x 45	
21	1001116792	1	Clamp	
22	1001143645	3	Strap, Cinch	
23	1001146588	4	Tie-Strap (Not Shown)	
24	1001181923	2	Shield, Tube	
25	1001195226	1	AC Ground to Platform Cable (Upper)	
25	1001214095	1	Plug, Male	
26	1001196368	1	AC Ground to Platform Cable (Lower)	
26	1001214096	1	Receptacle, Female	
27	1001201090	2	Block, Clamp	
28	1001201342	1	Support	
29	1001202936	1	Guide	
30	1001204690	1	Shield, Tube	
31	1001209948	3	Clamp	
32	1001209949	3	Clamp	
33	1001209951	6	Clamp	
34	1001209953	7	Clamp	
35	1001209957	1	Cover	
36	1001229637	1	Bracket	
37	1001249496	4	Plate, Clamp	
38	1001252945	1	Support	
39	1001265308	2	Strap, Cinch	

SECTION 8 - ELECTRICAL

FIGURE 8-26. AC CABLES AND CLAMPS INSTALLATION - 660SJ HC3 WITH 2500W GENERATOR (ANSI, ANSI EXPORT, CHINA, CSA AND JAPANESE SPECS)



ART_1001250639_E

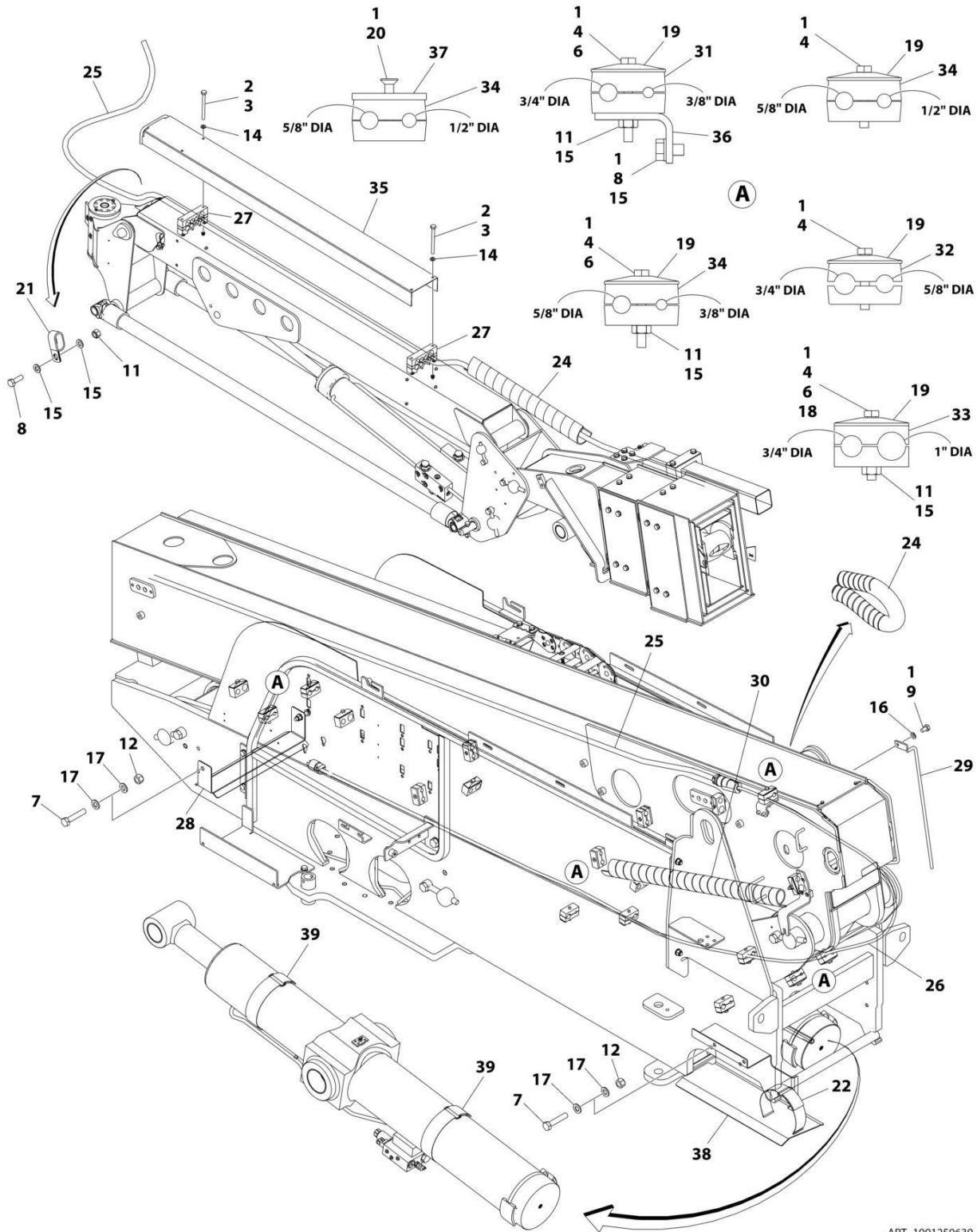
SECTION 8 - ELECTRICAL

**FIGURE 8-26. AC CABLES AND CLAMPS INSTALLATION - 660SJ HC3 WITH 2500W GENERATOR
(ANSI, ANSI EXPORT, CHINA, CSA AND JAPANESE SPECS)**

ITEM	PART NUMBER	QTY	DESCRIPTION	REV
	1001250639	Ref	AC CABLES AND CLAMPS INSTALLATION	E
1	0100011	AR	Compound, Locking	
2	0100035	AR	Compound, Locking	
3	0700624	4	Bolt M6 x 80	
4	0700818	12	Bolt M8 x 50	
5	0700819	3	Bolt M8 x 55 (Not Shown)	
6	0700822	2	Bolt M8 x 70	
7	0701220	4	Bolt M12 x 60	
8	0760812	1	Bolt M8 x 25	
9	0761009	3	Bolt M10 x 18	
11	3290805	6	Nut M8	
12	3291205	4	Nut M12	
13	4240018	4	Tie-Strap (Not Shown)	
14	4811700	4	Washer M6	
15	4811900	9	Washer M8	
16	4812000	3	Washer M10	
17	4812100	8	Washer M12	
18	5281918	1	Capscrew M8 x 70	
19	77133137	15	Cover, Clamp	
20	1001102830	4	Screw M8 x 45	
21	1001116792	1	Clamp	
22	1001143645	3	Strap, Cinch	
23	1001146588	4	Tie-Strap (Not Shown)	
24	1001181923	2	Shield, Tube	
25	1001195226	1	AC Ground to Platform Cable (Upper)	
25	1001214095	1	Plug, Male	
26	1001196368	1	AC Ground to Platform Cable (Lower)	
26	1001214096	1	Receptacle, Female	
27	1001201090	2	Block, Clamp	
28	1001201342	1	Support	
29	1001202936	1	Guide	
30	1001204690	1	Shield, Tube	
31	1001209948	3	Clamp	
32	1001209949	3	Clamp	
33	1001209951	6	Clamp	
34	1001209953	7	Clamp	
35	1001209957	1	Cover	
36	1001229637	1	Bracket	
37	1001249496	4	Plate, Clamp	
38	1001252945	1	Support	
39	1001265308	2	Strap, Cinch	

SECTION 8 - ELECTRICAL

FIGURE 8-27. AC CABLES AND CLAMPS INSTALLATION - 660SJ HC3 WITH 4000W/50HZ GENERATOR (ANSI EXPORT, AUSTRALIAN, RUSSIA CIS, CHINA, CE & UK CA SPECS)



ART_1001250639_E

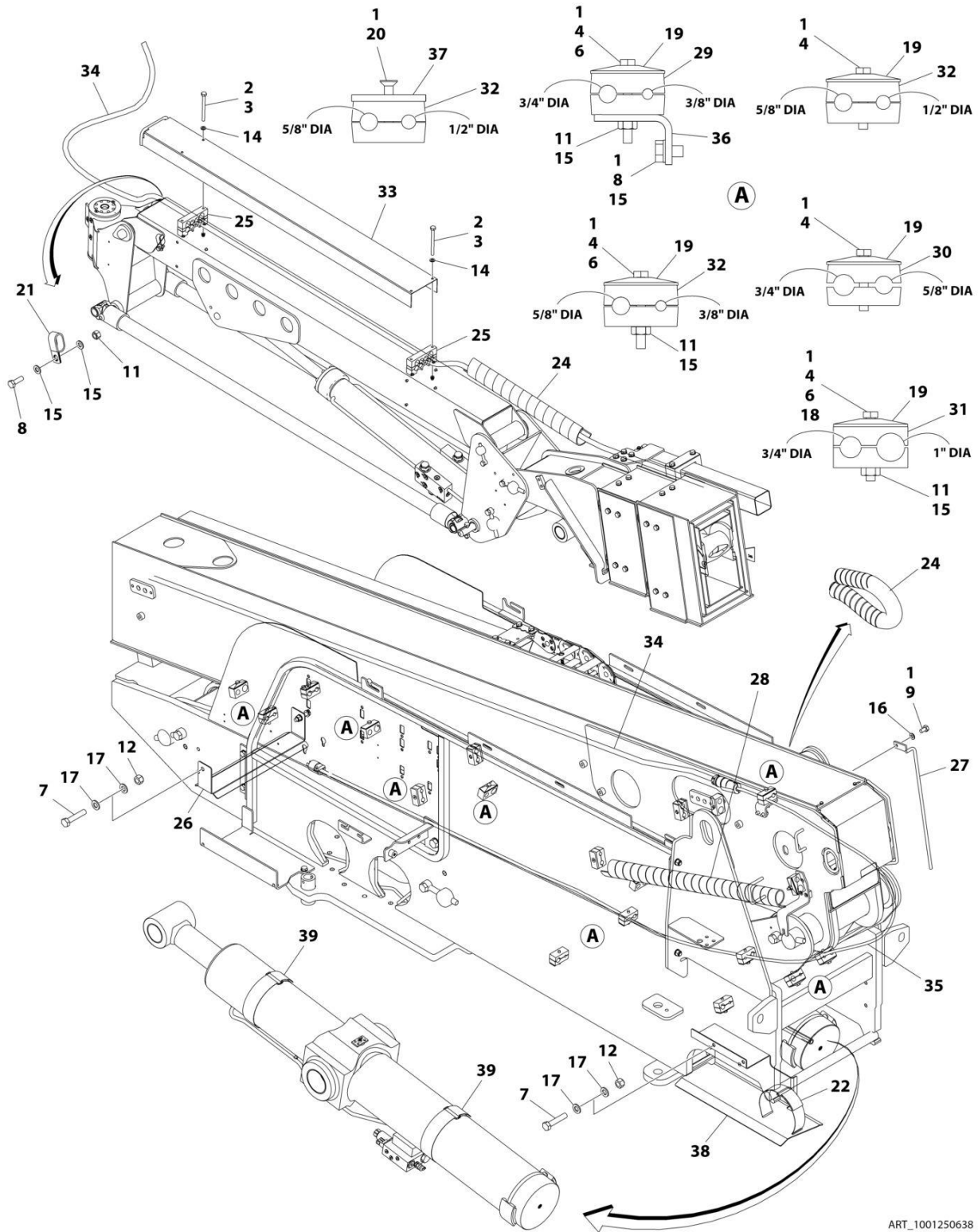
SECTION 8 - ELECTRICAL

FIGURE 8-27. AC CABLES AND CLAMPS INSTALLATION - 660SJ HC3 WITH 4000W/50HZ GENERATOR (ANSI EXPORT, AUSTRALIAN, RUSSIA CIS, CHINA, CE & UK CA SPECS)

ITEM	PART NUMBER	QTY	DESCRIPTION	REV
	1001250639	Ref	AC CABLES AND CLAMPS INSTALLATION	E
1	0100011	AR	Compound, Locking	
2	0100035	AR	Compound, Locking	
3	0700624	4	Bolt M6 x 80	
4	0700818	12	Bolt M8 x 50	
5	0700819	3	Bolt M8 x 55 (Not Shown)	
6	0700822	2	Bolt M8 x 70	
7	0701220	4	Bolt M12 x 60	
8	0760812	1	Bolt M8 x 25	
9	0761009	3	Bolt M10 x 18	
11	3290805	6	Nut M8	
12	3291205	4	Nut M12	
13	4240018	4	Tie-Strap (Not Shown)	
14	4811700	4	Washer M6	
15	4811900	9	Washer M8	
16	4812000	3	Washer M10	
17	4812100	8	Washer M12	
18	5281918	1	Capscrew M8 x 70	
19	77133137	15	Cover, Clamp	
20	1001102830	4	Screw M8 x 45	
21	1001116792	1	Clamp	
22	1001143645	3	Strap, Cinch	
23	1001146588	4	Tie-Strap (Not Shown)	
24	1001181923	2	Shield, Tube	
25	1001195226	1	AC Ground to Platform Cable (Upper)	
25	1001214095	1	Plug, Male	
26	1001196368	1	AC Ground to Platform Cable (Lower)	
26	1001214096	1	Receptacle, Female	
27	1001201090	2	Block, Clamp	
28	1001201342	1	Support	
29	1001202936	1	Guide	
30	1001204690	1	Shield, Tube	
31	1001209948	3	Clamp	
32	1001209949	3	Clamp	
33	1001209951	6	Clamp	
34	1001209953	7	Clamp	
35	1001209957	1	Cover	
36	1001229637	1	Bracket	
37	1001249496	4	Plate, Clamp	
38	1001252945	1	Support	
39	1001265308	2	Strap, Cinch	

SECTION 8 - ELECTRICAL

FIGURE 8-28. AC CABLES AND CLAMPS INSTALLATION - 660SJ HC3 WITH 4000W/60HZ GENERATOR (ANSI, ANSI EXPORT, CSA AND JAPANESE SPECS)



ART_1001250638

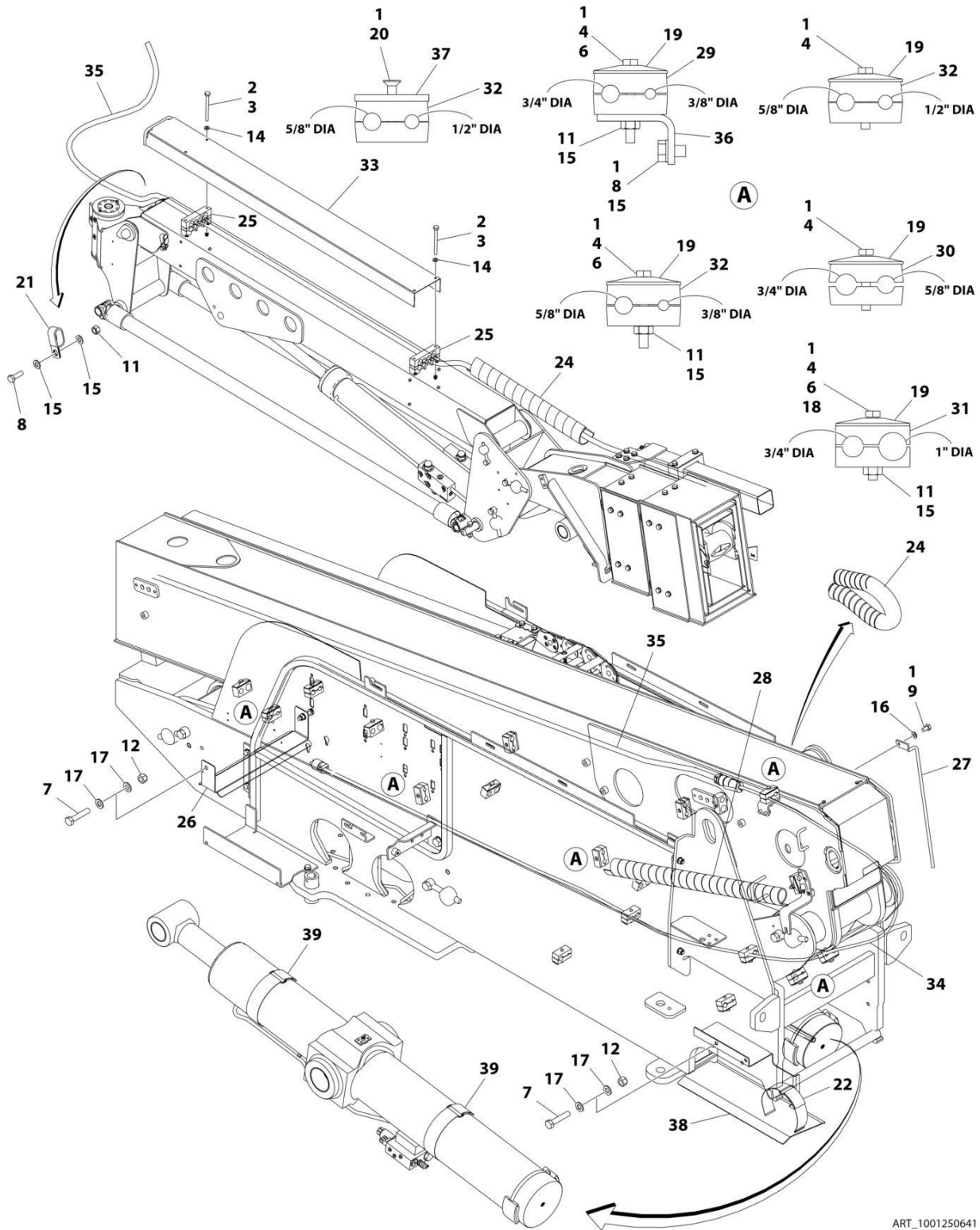
SECTION 8 - ELECTRICAL

FIGURE 8-28. AC CABLES AND CLAMPS INSTALLATION - 660SJ HC3 WITH 4000W/60HZ GENERATOR (ANSI, ANSI EXPORT, CSA AND JAPANESE SPECS)

ITEM	PART NUMBER	QTY	DESCRIPTION	REV
	1001250638	Ref	AC CABLES AND CLAMPS INSTALLATION	E
1	0100011	AR	Compound, Locking	
2	0100035	AR	Compound, Locking	
3	0700624	4	Bolt M6 x 80	
4	0700818	12	Bolt M8 x 50	
5	0700819	3	Bolt M8 x 55 (Not Shown)	
6	0700822	2	Bolt M8 x 70	
7	0701220	4	Bolt M12 x 60	
8	0760812	1	Bolt M8 x 25	
9	0761009	3	Bolt M10 x 18	
11	3290805	6	Nut M8	
12	3291205	4	Nut M12	
13	4240018	4	Tie-Strap (Not Shown)	
14	4811700	4	Washer M6	
15	4811900	9	Washer M8	
16	4812000	3	Washer M10	
17	4812100	8	Washer M12	
18	5281918	1	Capscrew M8 x 70	
19	77133137	15	Cover, Clamp	
20	1001102830	4	Screw M8 x 45	
21	1001116792	1	Clamp	
22	1001143645	1	Strap, Cinch	
23	1001146588	4	Tie-Strap (Not Shown)	
24	1001181923	2	Shield, Tube	
25	1001201090	2	Block, Clamp	
26	1001201342	1	Support	
27	1001202936	1	Guide	
28	1001204690	1	Shield, Tube	
29	1001209948	3	Clamp	
30	1001209949	3	Clamp	
31	1001209951	6	Clamp	
32	1001209953	7	Clamp	
33	1001209957	1	Cover	
34	1001228187	1	AC Ground to Platform Cable (Upper)	
34	4460959	1	Plug, Male	
34	1671093	1	Cover, Plug	
35	1001228188	1	AC Ground to Platform Cable (Lower)	
35	4460960	1	Receptacle, Female	
35	1671092	1	Cover, Receptacle	
36	1001229637	1	Bracket	
37	1001249496	4	Plate, Clamp	
38	1001252945	1	Support	
39	1001265308	2	Strap, Cinch	

SECTION 8 - ELECTRICAL

FIGURE 8-29. AC CABLES AND CLAMPS INSTALLATION - 660SJ HC3 WITH 7500W GENERATOR (ANSI, ANSI EXPORT, AUSTRALIAN, CHINA, CSA, RUSSIAN CIS, AND JAPANESE SPECS)



ART_1001250641

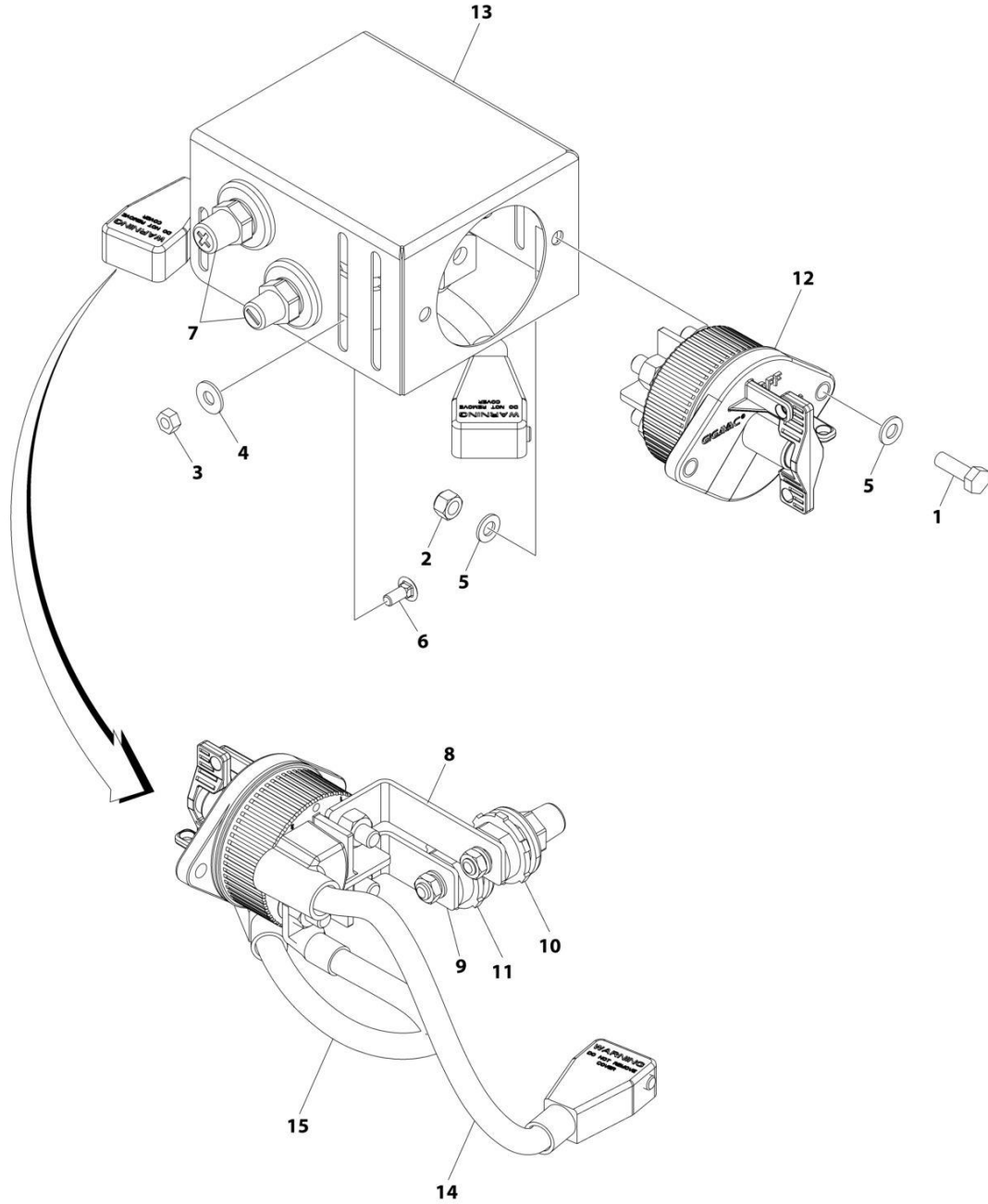
SECTION 8 - ELECTRICAL

**FIGURE 8-29. AC CABLES AND CLAMPS INSTALLATION - 660SJ HC3 WITH 7500W GENERATOR
(ANSI, ANSI EXPORT, AUSTRALIAN, CHINA, CSA, RUSSIAN CIS, AND JAPANESE SPECS)**

ITEM	PART NUMBER	QTY	DESCRIPTION	REV
	1001250641	Ref	AC CABLES & CLAMPS INSTALLATION	E
1	0100011	AR	Compound, Locking	
2	0100035	AR	Compound, Locking	
3	0700624	4	Bolt M6 x 80	
4	0700818	12	Bolt M8 x 50	
5	0700819	3	Bolt M8 x 55 (Not Shown)	
6	0700822	2	Bolt M8 x 70	
7	0701220	4	Bolt M12 x 60	
8	0760812	1	Bolt M8 x 25	
9	0761009	3	Bolt M10 x 18	
11	3290805	6	Nut M8	
12	3291205	4	Nut M12	
13	4240018	4	Tie-Strap (Not Shown)	
14	4811700	4	Washer M6	
15	4811900	9	Washer M8	
16	4812000	3	Washer M10	
17	4812100	8	Washer M12	
18	5281918	1	Capscrew M8 x 70	
19	77133137	15	Cover, Clamp	
20	1001102830	4	Screw M8 x 45	
21	1001116792	1	Clamp	
22	1001143645	3	Strap, Cinch	
23	1001146588	4	Tie-Strap (Not Shown)	
24	1001181923	2	Shield, Tube	
25	1001201090	2	Block, Clamp	
26	1001201342	1	Support	
27	1001202936	1	Guide	
28	1001204690	1	Shield, Tube	
29	1001209948	3	Clamp	
30	1001209949	3	Clamp	
31	1001209951	3	Clamp	
32	1001209953	7	Clamp	
33	1001209957	1	Cover	
34	1001226304	1	AC Ground to Platform Cable (Upper)	
34	1001218623	1	Receptacle, Female	
35	1001227075	1	AC Ground to Platform Cable (Lower)	
35	1001218622	1	Plug, Male	
36	1001229637	1	Bracket	
37	1001249496	4	Plate, Clamp	
38	1001252945	1	Support	
39	1001265308	2	Strap, Cinch	

SECTION 8 - ELECTRICAL

FIGURE 8-30. BATTERY DISCONNECT SWITCH INSTALLATION



ART_1001236304

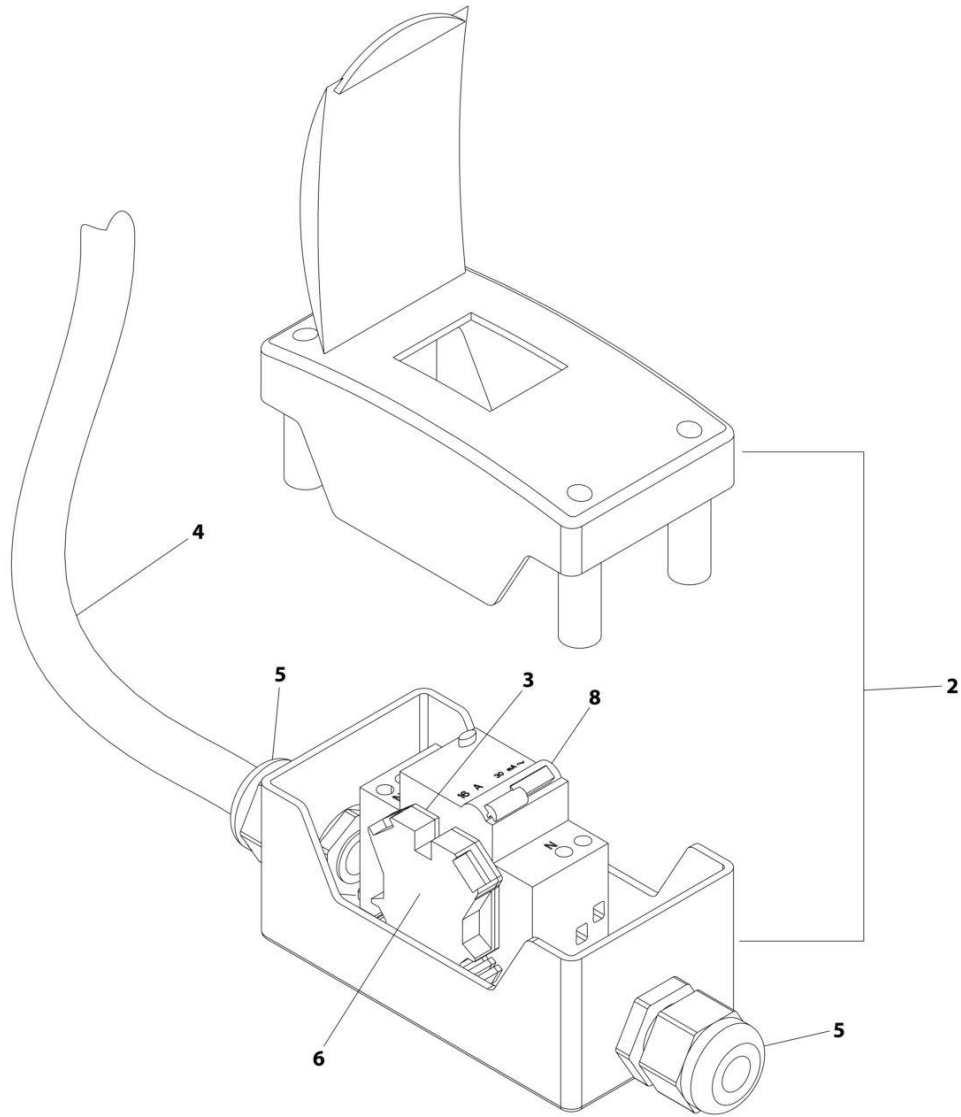
SECTION 8 - ELECTRICAL

FIGURE 8-30. BATTERY DISCONNECT SWITCH INSTALLATION

ITEM	PART NUMBER	QTY	DESCRIPTION	REV
	1001236304	Ref	BATTERY DISCONNECT SWITCH INSTALLATION	A
1	0760812	2	Bolt M8 x 25	
2	3290805	2	Nut M8	
3	3311405	3	Nut 1/4	
4	4751400	3	Washer 1/4	
5	4811900	4	Washer M8	
6	88411013	3	Bolt 1/4 x 3/4	
7	1001206476	1	Connectors, Post	
8	1001209432	1	Bussbar	
9	1001209474	1	Bussbar	
10	1001214570	1	Connector (Red)	
11	1001214571	1	Connector (Black)	
12	1001225346	1	Switch, Battery	
13	1001226531	1	Mount	
14	1001236504	1	Cable, Battery (+)	
15	1001236505	1	Cable, Battery (-)	

SECTION 8 - ELECTRICAL

FIGURE 8-31. BREAKER BOX KIT - SINGLE DOUBLE POLE BREAKER (WITHOUT 4000W/50HZ GENERATOR)



ART_2902549_F

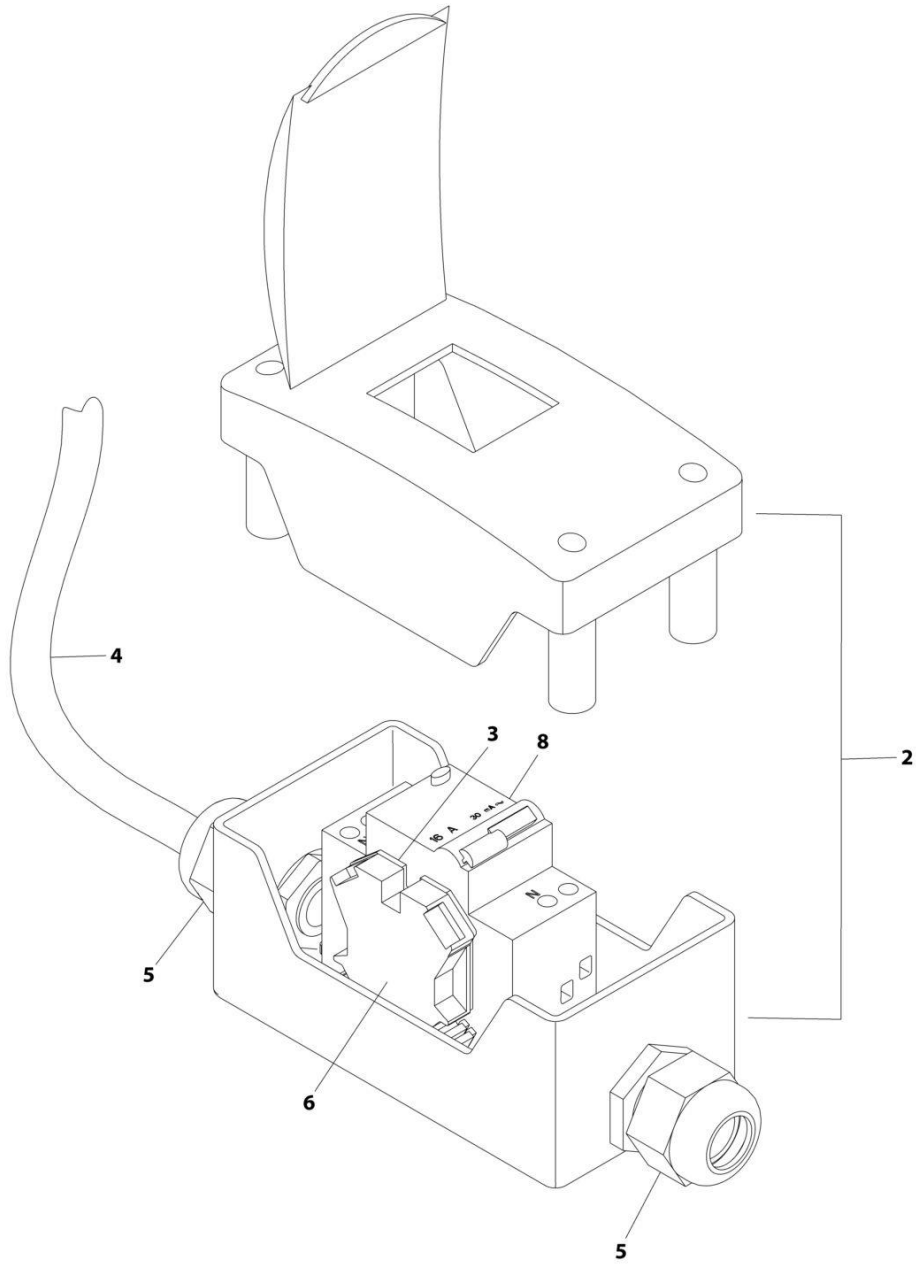
SECTION 8 - ELECTRICAL

FIGURE 8-31. BREAKER BOX KIT - SINGLE DOUBLE POLE BREAKER (WITHOUT 4000W/50HZ GENERATOR)

ITEM	PART NUMBER	QTY	DESCRIPTION	REV
	2902549	Ref	BREAKER BOX KIT	F
2	0861880	1	Box	
3	4460956	1	Barrier, Terminal	
4	1060908	6 ft/1.8m	Cable, 12/3	
5	1001097150	2	Connector, Strain Relief	
6	4460957	1	Block, Terminal	
8	1001181045	1	Breaker, 16Amp	

SECTION 8 - ELECTRICAL

FIGURE 8-32. BREAKER BOX KIT - SINGLE DOUBLE POLE BREAKER (WITH 4000W/50HZ GENERATOR)



ART_1001096070

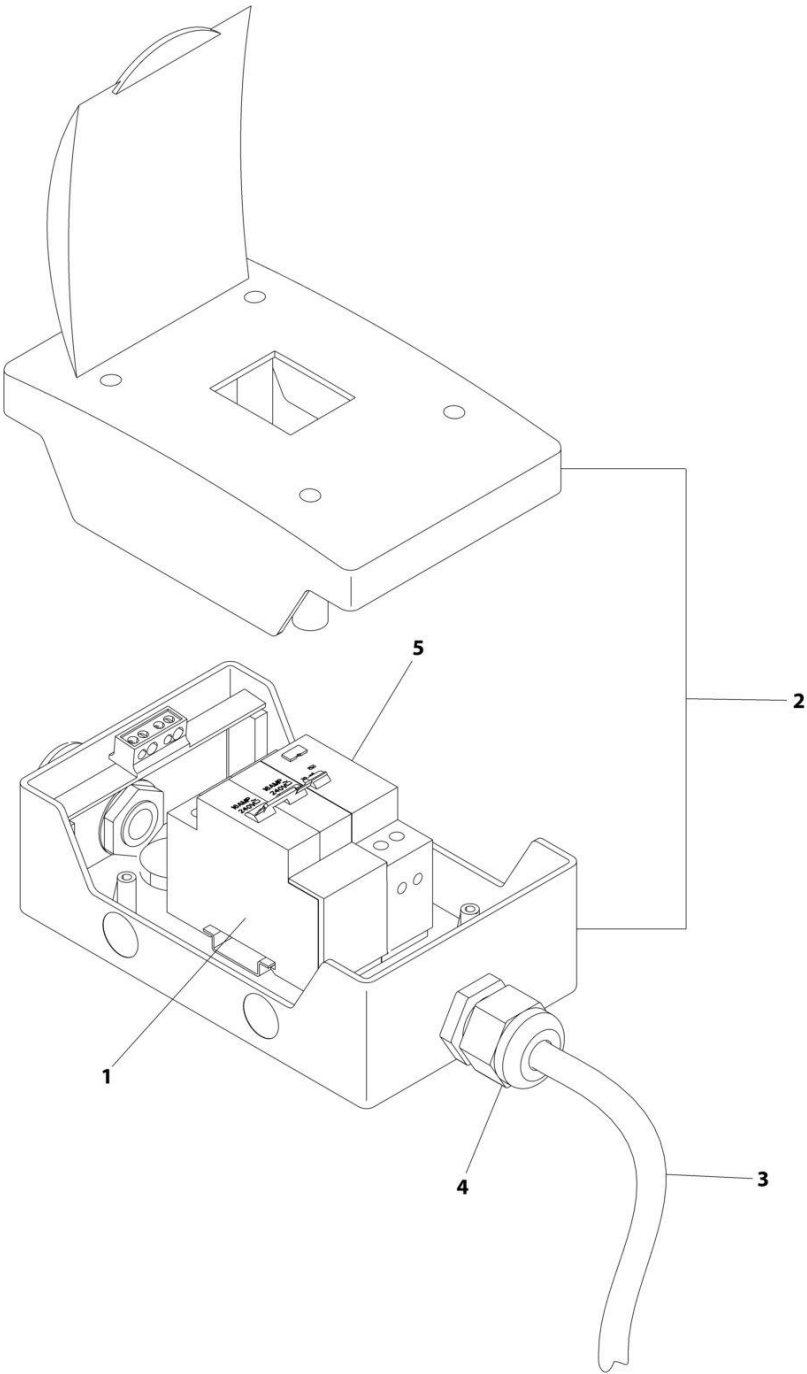
SECTION 8 - ELECTRICAL

FIGURE 8-32. BREAKER BOX KIT - SINGLE DOUBLE POLE BREAKER (WITH 4000W/50HZ GENERATOR)

ITEM	PART NUMBER	QTY	DESCRIPTION	REV
	1001096070	Ref	BREAKER BOX KIT	E
2	0861880	1	Box	
3	4460956	1	Barrier, Terminal Block End	
4	1060908	12 ft/ 3.6m	Cable, 12/3	
5	1001097150	2	Connector, Strain Relief	
6	4460957	1	Block, Terminal	
8	1001181045	1	Breaker, 16Amp	

SECTION 8 - ELECTRICAL

FIGURE 8-33. BREAKER BOX KIT - 3 BREAKERS



ART_1001152486_C

SECTION 8 - ELECTRICAL

FIGURE 8-33. BREAKER BOX KIT - 3 BREAKERS

ITEM	PART NUMBER	QTY	DESCRIPTION	REV
	1001152486	Ref	BREAKER BOX KIT	C
1	1001189172	1	Breaker, 16 Amp (Double)	
2	1001152483	1	Box	
3	1060908	12 ft/ 3.66m	Cable, 12/3	
4	1001097150	1	Connector, Strain Relief	
5	1001189171	1	Breaker, 30mA	

SECTION 8 - ELECTRICAL

FIGURE 8-34. BOOM ANGLE SENSOR HARNESS



ART_1001189005

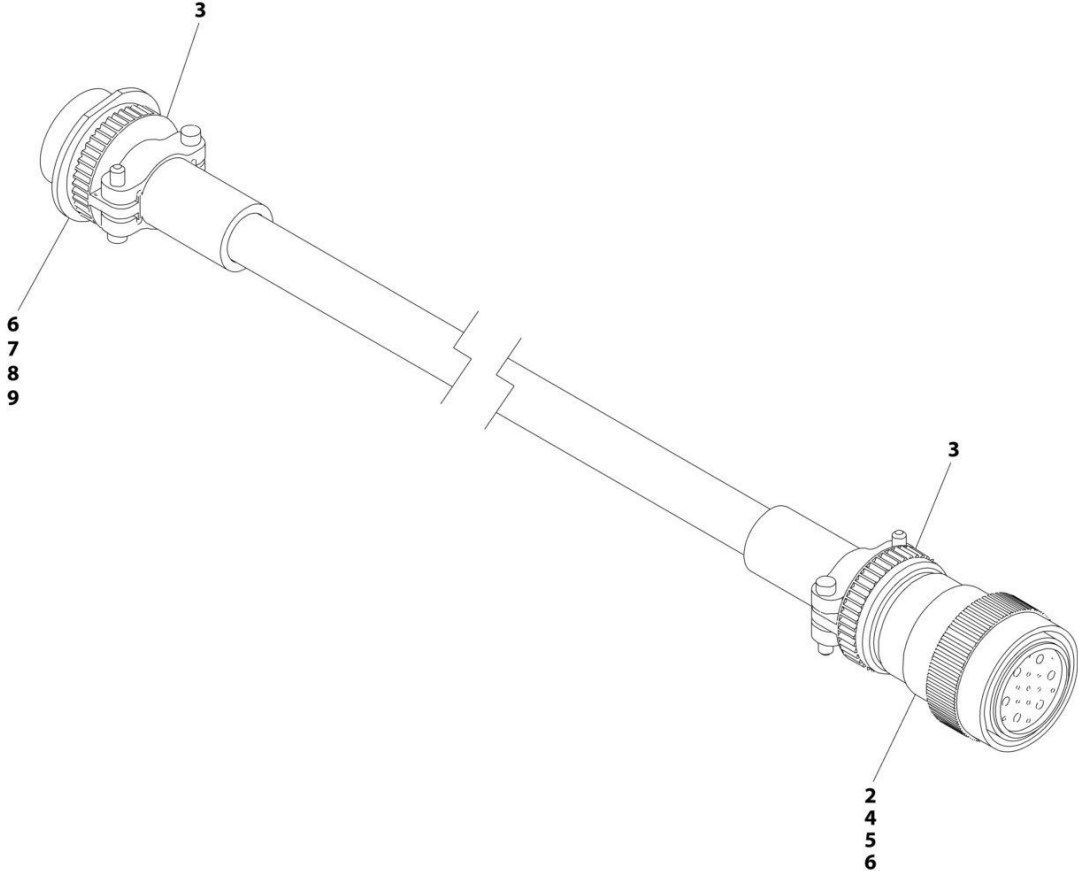
SECTION 8 - ELECTRICAL

FIGURE 8-34. BOOM ANGLE SENSOR HARNESS

ITEM	PART NUMBER	QTY	DESCRIPTION	REV
	1001189005	Ref	BOOM ANGLE SENSOR HARNESS	D
1	1001230931	1	Plug, Male - 6 Position	
1	1001116748	6	Terminal	
2	4460932	1	Receptacle, Female - 4 Position	
2	4460464	4	Pin, Male	

SECTION 8 - ELECTRICAL

FIGURE 8-35. BOOM CABLE - LOWER



ART_1001206082

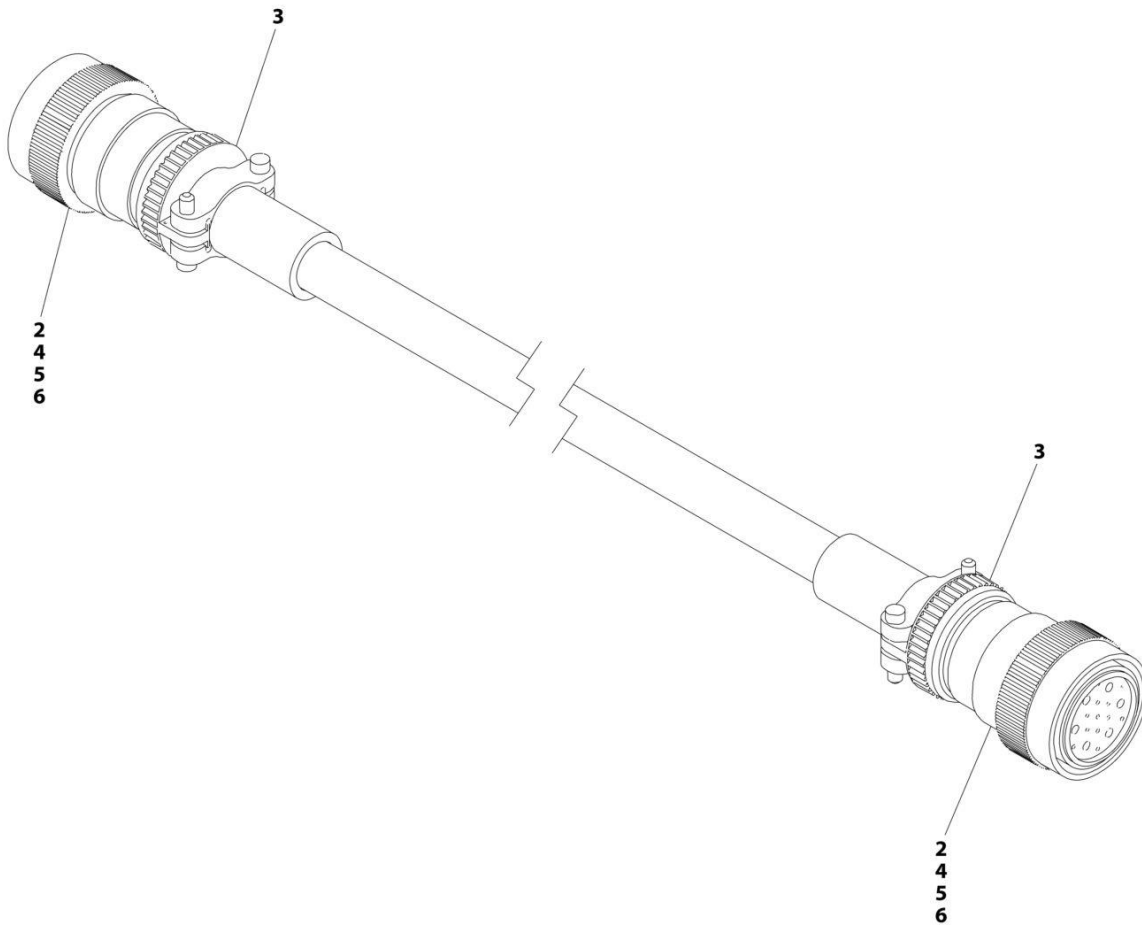
SECTION 8 - ELECTRICAL

FIGURE 8-35. BOOM CABLE - LOWER

ITEM	PART NUMBER	QTY	DESCRIPTION	REV
	1001206082	Ref	BOOM CABLE	C
2	4460865	1	Connector - 19 Position	
3	4460473	2	Clamp	
4	4460465	10	Socket, Female	
5	4460509	4	Socket, Female	
6	4460466	10	Plug, Socket	
7	4460866	1	Connector - 19 Position	
8	4460508	4	Pin, Male	
9	4460464	10	Pin, Male	

SECTION 8 - ELECTRICAL

FIGURE 8-36. BOOM CABLE - UPPER (600S HC3)



ART_1001188533

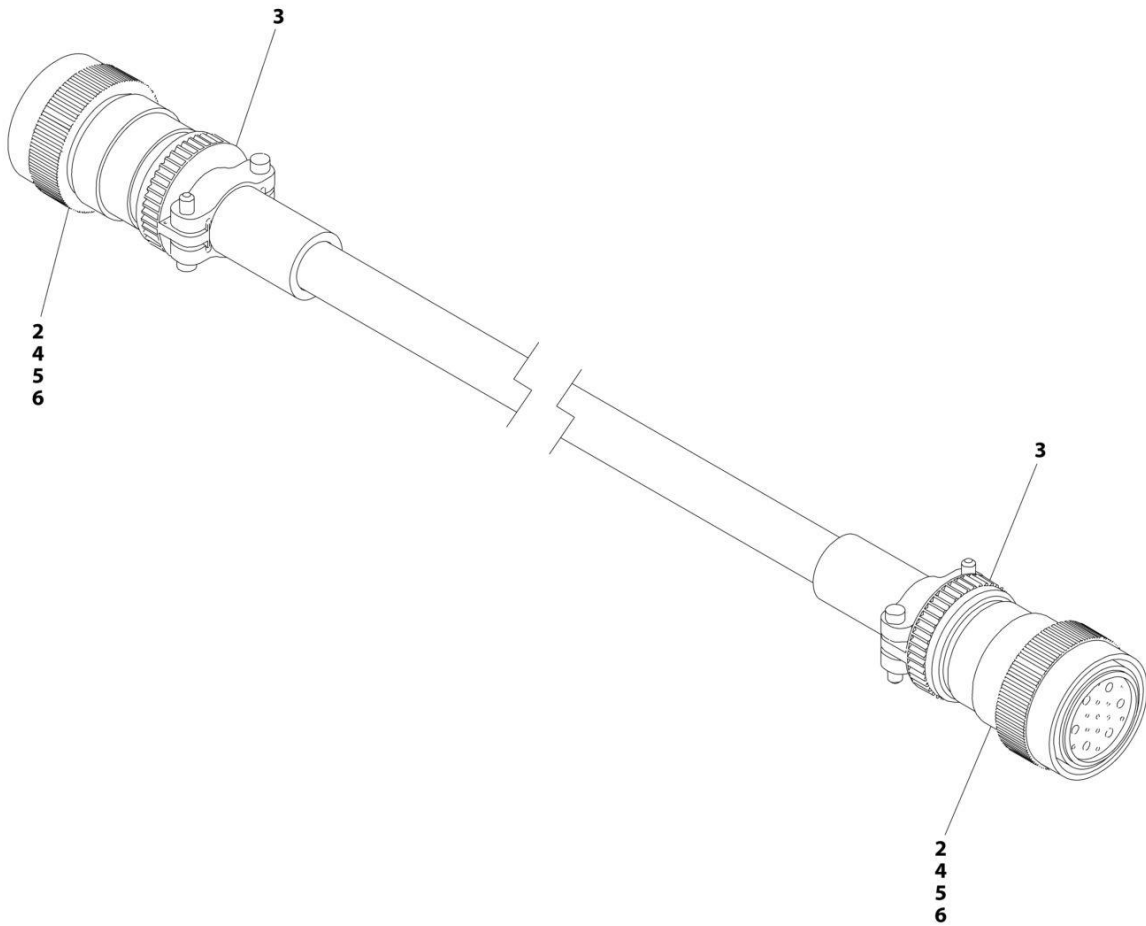
SECTION 8 - ELECTRICAL

FIGURE 8-36. BOOM CABLE - UPPER (600S HC3)

ITEM	PART NUMBER	QTY	DESCRIPTION	REV
	1001188533	Ref	BOOM CABLE	C
2	4460865	2	Connector - 19 Position	
3	4460473	2	Clamp	
4	4460465	20	Socket, Female	
5	4460509	8	Socket, Female	
6	4460466	10	Plug, Socket	
7	1001226400	2	Heat Shrink (Not Shown)	

SECTION 8 - ELECTRICAL

FIGURE 8-37. BOOM CABLE - UPPER (660SJ HC3)



ART_1001188534

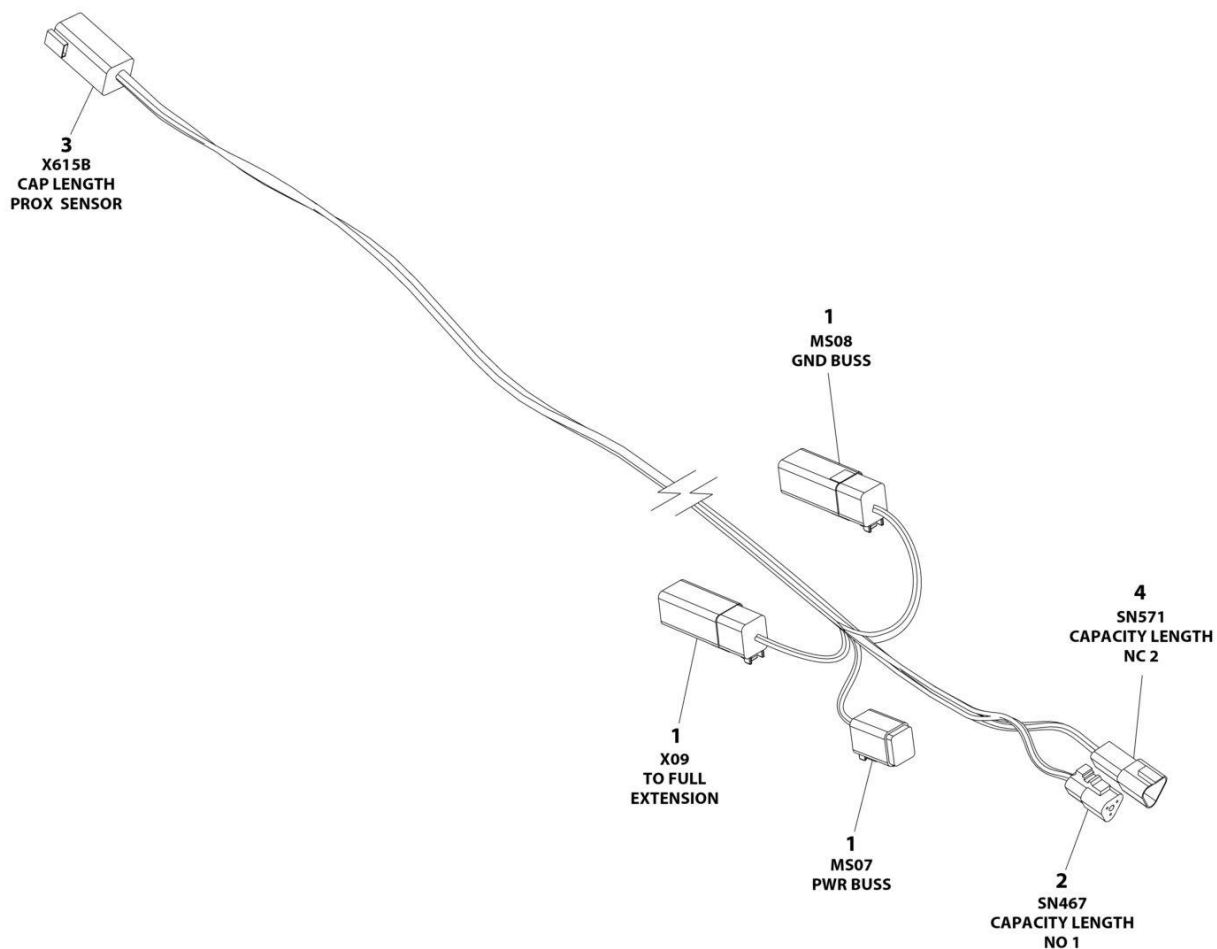
SECTION 8 - ELECTRICAL

FIGURE 8-37. BOOM CABLE - UPPER (660SJ HC3)

ITEM	PART NUMBER	QTY	DESCRIPTION	REV
	1001188534	Ref	BOOM CABLE	C
2	4460865	2	Connector - 19 Position	
3	4460473	2	Clamp	
4	4460465	20	Socket, Female	
5	4460509	8	Socket, Female	
6	4460466	10	Plug, Socket	
7	1001226400	2	Heat Shrink (Not Shown)	

SECTION 8 - ELECTRICAL

FIGURE 8-38. CAPACITY PROXIMITY HARNESS (1000LBS)



ART_1001238191

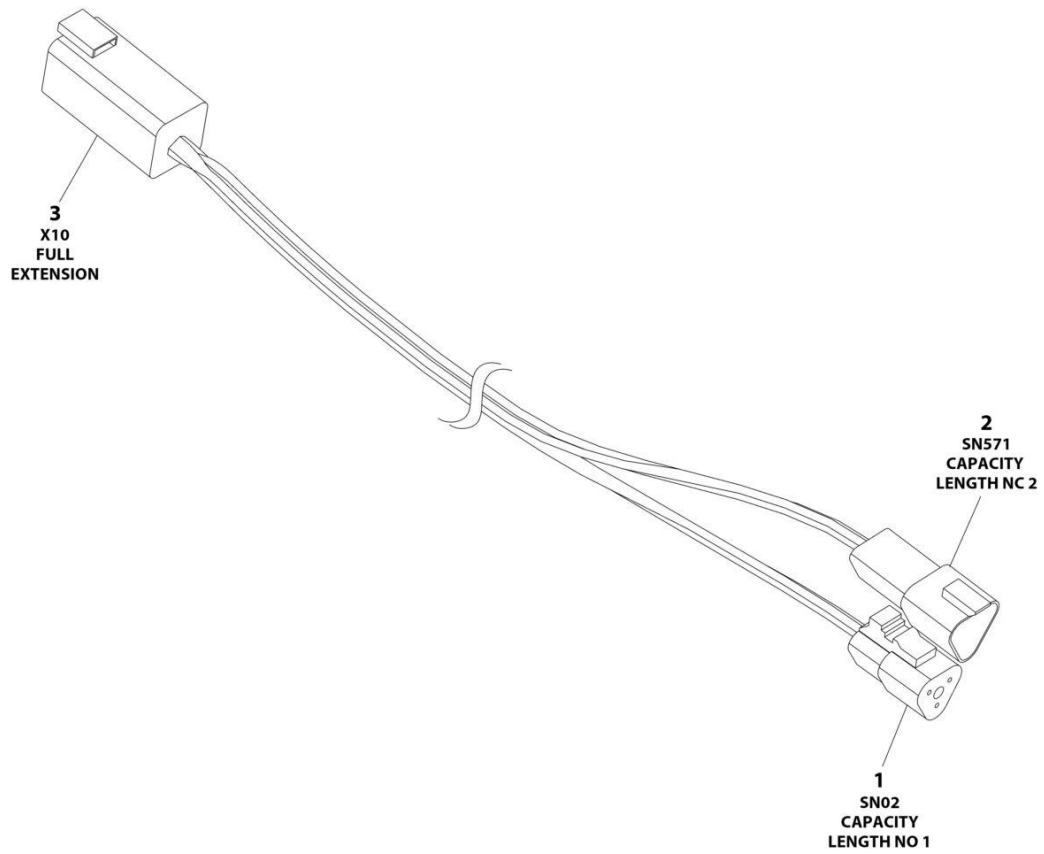
SECTION 8 - ELECTRICAL

FIGURE 8-38. CAPACITY PROXIMITY HARNESS (1000LBS)

ITEM	PART NUMBER	QTY	DESCRIPTION	REV
	1001238191	Ref	CAPACITY PROXIMITY HARNESS	D
1	4460894	3	Plug, Male - 6 Position	
1	4460465	16	Socket, Female	
1	4460466	2	Plug, Terminal	
1	4460892	2	Bussbar - 6 Position	
2	4460539	1	Plug, Male - 3 Position	
2	4460465	3	Socket, Female	
3	4460899	1	Receptacle, Female - 6 Position	
3	4460464	6	Pin, Male	
4	4460536	1	Receptacle, Female - 3 Position	
4	4640464	3	Pin, Male	

SECTION 8 - ELECTRICAL

FIGURE 8-39. CAPACITY PROXIMITY HARNESS (750 LBS)



ART_1001238192

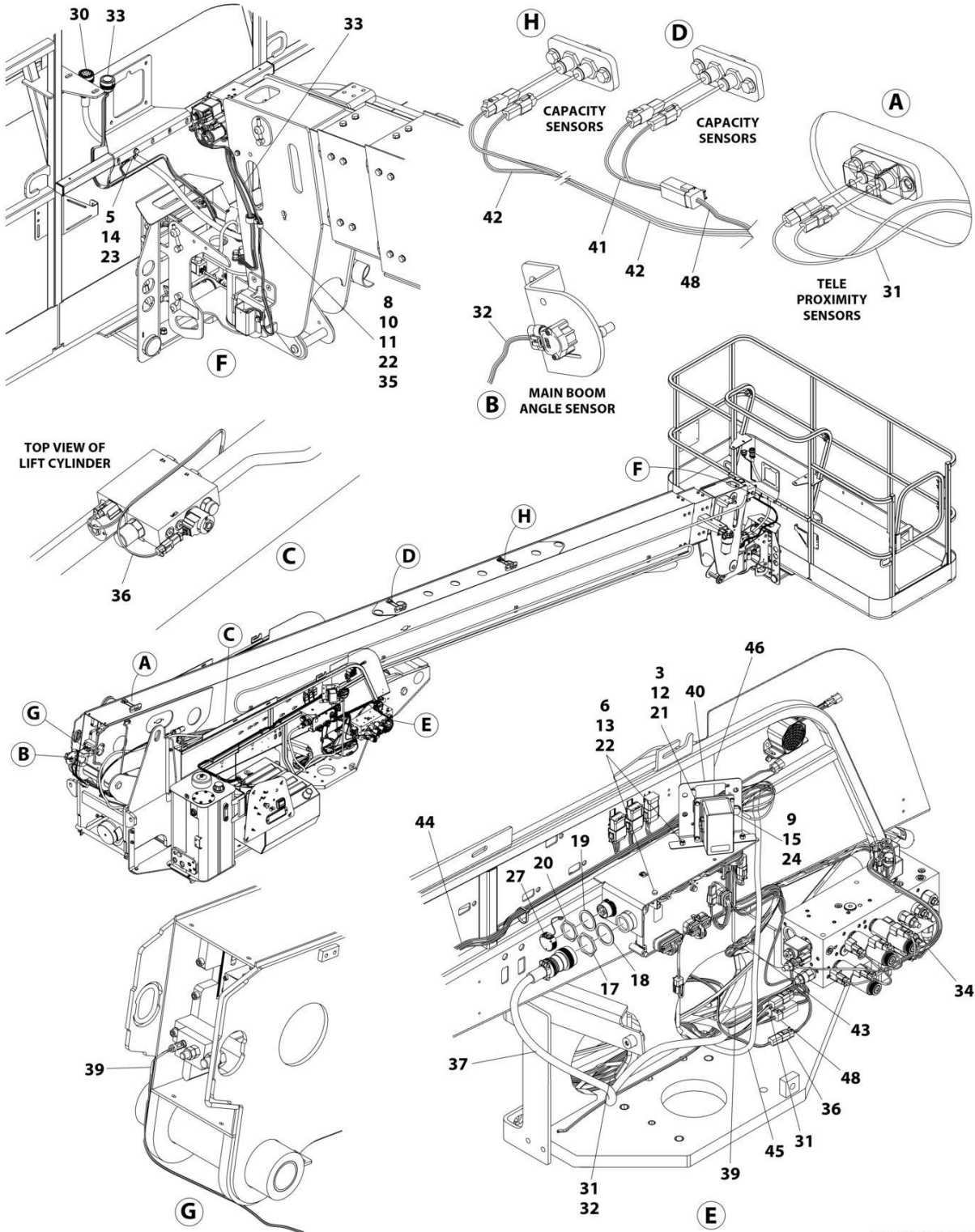
SECTION 8 - ELECTRICAL

FIGURE 8-39. CAPACITY PROXIMITY HARNESS (750 LBS)

ITEM	PART NUMBER	QTY	DESCRIPTION	REV
	1001238192	Ref	BOOM SENSOR / CAPACITY PROXIMITY HARNESS	B
1	4460539	1	Plug, Male - 3 Position	
1	4460465	3	Socket, Female	
2	4460536	1	Receptacle, Female - 3 Position	
2	4640464	3	Pin, Male	
3	4460899	1	Receptacle, Female - 6 Position	
3	4460464	6	Pin, Male	

SECTION 8 - ELECTRICAL

FIGURE 8-40. ELECTRICAL COMPONENTS INSTALLATION - 600S HC3 (ALL SPECS EXCEPT AUSTRALIAN, CE & UK CA (ULS) SPECS)



ART_1001235143_20F2

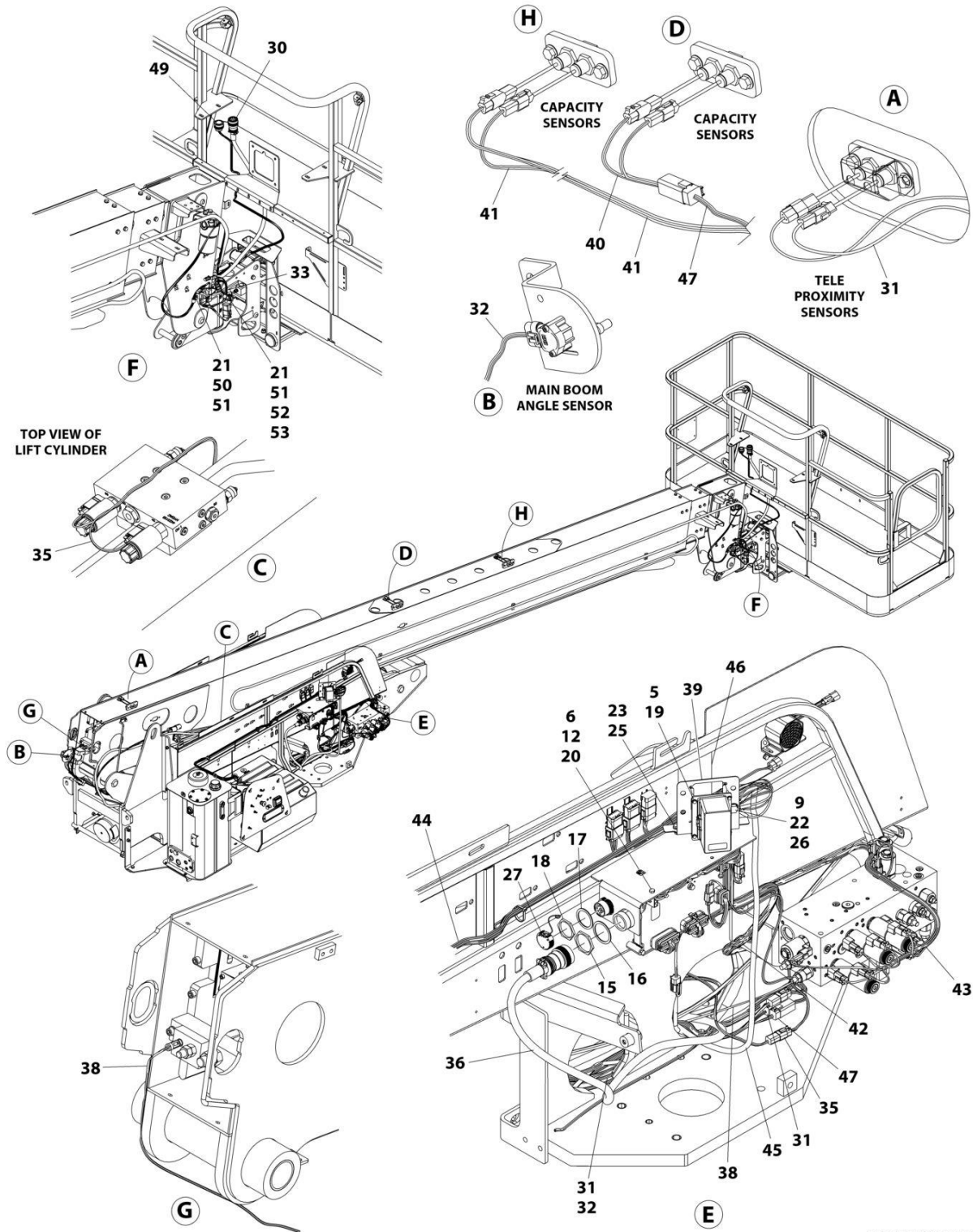
SECTION 8 - ELECTRICAL

FIGURE 8-40. ELECTRICAL COMPONENTS INSTALLATION - 600S HC3 (ALL SPECS EXCEPT AUSTRALIAN, CE & UK CA (ULS) SPECS)

ITEM	PART NUMBER	QTY	DESCRIPTION	REV
	1001235143	Ref	ELECTRICAL COMPONENTS INSTALLATION	C
3	0700412	4	Bolt M4 x 25	
5	0700819	1	Bolt M8 x 55	
6	0760608	5	Bolt M6 x 16	
8	0760615	1	Bolt M6 x 35	
9	0761014	1	Bolt M10 x 30	
10	1320041	1	Clamp	
11	1320043	1	Clamp	
12	3290405	4	Nur M4	
13	3290605	5	Nut M6	
14	3290805	1	Nut M8	
15	3291001	1	Nut M10	
16	4240099	AR	Tie-Strap (Not Shown)	
17	4460470	1	Nut, Terminal	
18	4460471	1	Washer, Terminal	
19	4460496	1	Washer, Terminal	
20	4460497	1	Nut, Terminal	
21	4811400	1	Washer M4	
22	4811700	18	Washer M6	
23	4811900	2	Washer M8	
24	4812000	2	Washer M10	
27	1001106736	1	Cap, Dust	
30	1001188533	1	Boom Cable - Upper (See Separate Breakdown in this Section)	
31	1001189003	1	Tele Proximity Harness (See Separate Breakdown in this Section)	
32	1001189005	1	Boom Angle Sensor Harness (See Separate Breakdown in this Section)	
33	1001191328	1	Valve Harness - Platform Valve (See Separate Breakdown in this Section)	
34	1001238407	1	Valve Harness - Main Valve (See Separate Breakdown in this Section)	
35	1001203719	1	Nut M6	
36	1001205923	1	Lift Cylinder Harness (See Separate Breakdown in this Section)	
37	1001206082	1	Boom Cable - Lower (See Separate Breakdown in this Section)	
39	1001227527	1	Service Cable	
40	1001237822	1	Plate, Fuse Box	
41	1001238191	1	Capacity Proximity Harness (1000LBS) (See Separate Breakdown in this Section)	
42	1001238192	1	Capacity Proximity Harness (750LBS) (See Separate Breakdown in this Section)	
43	1001238405	1	Turntable Harness (See Separate Breakdown in this Section)	
44	1001238408	1	Ground Control Harness (See Separate Breakdown in this Section)	
45	1001239290	1	UGM Ground Cable	
46	1001239512	1	Decal - Fuse Box	
48	1001242908	1	Cable, Capacity	
48	4460894	2	Plug, Male - 6 Position	
48	4460465	12	Socket, Female	

SECTION 8 - ELECTRICAL

FIGURE 8-41. ELECTRICAL COMPONENTS INSTALLATION - 600S HC3 (CE & UK CA (ULS) SPECS)



ART_1001262633_20F2

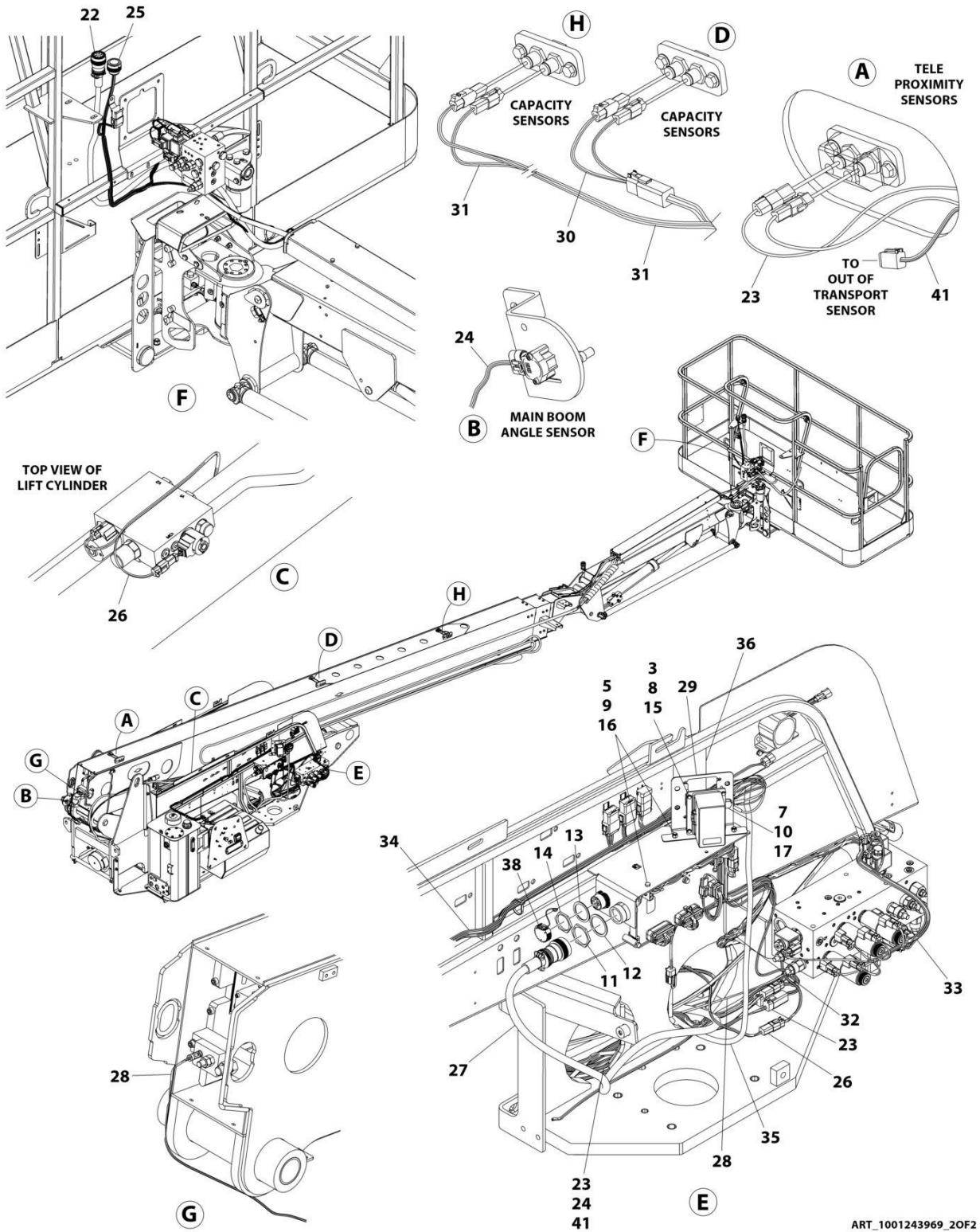
SECTION 8 - ELECTRICAL

FIGURE 8-41. ELECTRICAL COMPONENTS INSTALLATION - 600S HC3 (CE & UK CA (ULS) SPECS)

ITEM	PART NUMBER	QTY	DESCRIPTION	REV
	1001262633	Ref	ELECTRICAL COMPONENTS INSTALLATION	B
5	0731005	4	Bolt 10 x 0.625	
6	0760608	3	Bolt M6 x 16	
9	0761012	1	Bolt M10 x 25	
12	3290605	3	Nut M6	
14	4240099	AR	Tie-Strap (Not Shown)	
15	4460470	1	Nut, Terminal	
16	4460471	1	Washer, Terminal	
17	4460496	1	Washer, Terminal	
18	4460497	1	Nut, Terminal	
19	4711000	4	Washer	
20	4811700	13	Washer M6	
21	4811900	2	Washer M8	
22	4812000	1	Washer M10	
23	5250608	2	Bolt M6 x 16	
25	5260600	3	Nut M6	
26	5261000	5	Nut M10	
27	1001106736	1	Cap, Dust	
30	1001188533	1	Boom Cable - Upper (See Separate Breakdown in this Section)	
31	1001189003	1	Tele Proximity Harness (See Separate Breakdown in this Section)	
32	1001189005	1	Boom Angle Sensor Harness (See Separate Breakdown in this Section)	
33	1001266276	1	Harness, Platform Valve (See Separate Breakdown in this Section)	
35	1001205923	1	Lift Cylinder Harness (See Separate Breakdown in this Section)	
36	1001206082	1	Boom Cable - Lower (See Separate Breakdown in this Section)	
38	1001227527	1	Service Cable	
39	1001237822	1	Plate, Fuse Box	
40	1001238191	1	Capacity Proximity Harness (1000LBS) (See Separate Breakdown in this Section)	
41	1001238192	1	Capacity Proximity Harness (750LBS) (See Separate Breakdown in this Section)	
42	1001238405	1	Turntable Harness (See Separate Breakdown in this Section)	
43	1001238407	1	Valve Harness - Main Valve (See Separate Breakdown in this Section)	
44	1001238408	1	Ground Control Harness (See Separate Breakdown in this Section)	
45	1001239290	1	UGM Ground Cable	
46	1001239512	1	Decal - Fuse Box	
47	1001242908	1	Transport Switch Harness (See Separate Breakdown in this Section)	
49	1001266277	1	Platform Valve Cable (See Separate Breakdown in this Section)	
50	0760808	1	Bolt M8 x 16	
51	8406110	2	Clip	
52	1001149160	1	Nut, Tinnerman M8	
53	0760810	1	Bolt M8 x 20	

SECTION 8 - ELECTRICAL

FIGURE 8-42. ELECTRICAL COMPONENTS INSTALLATION - 660SJ HC3 (ALL SPECS EXCEPT CE & UK CA (ULS) SPECS)



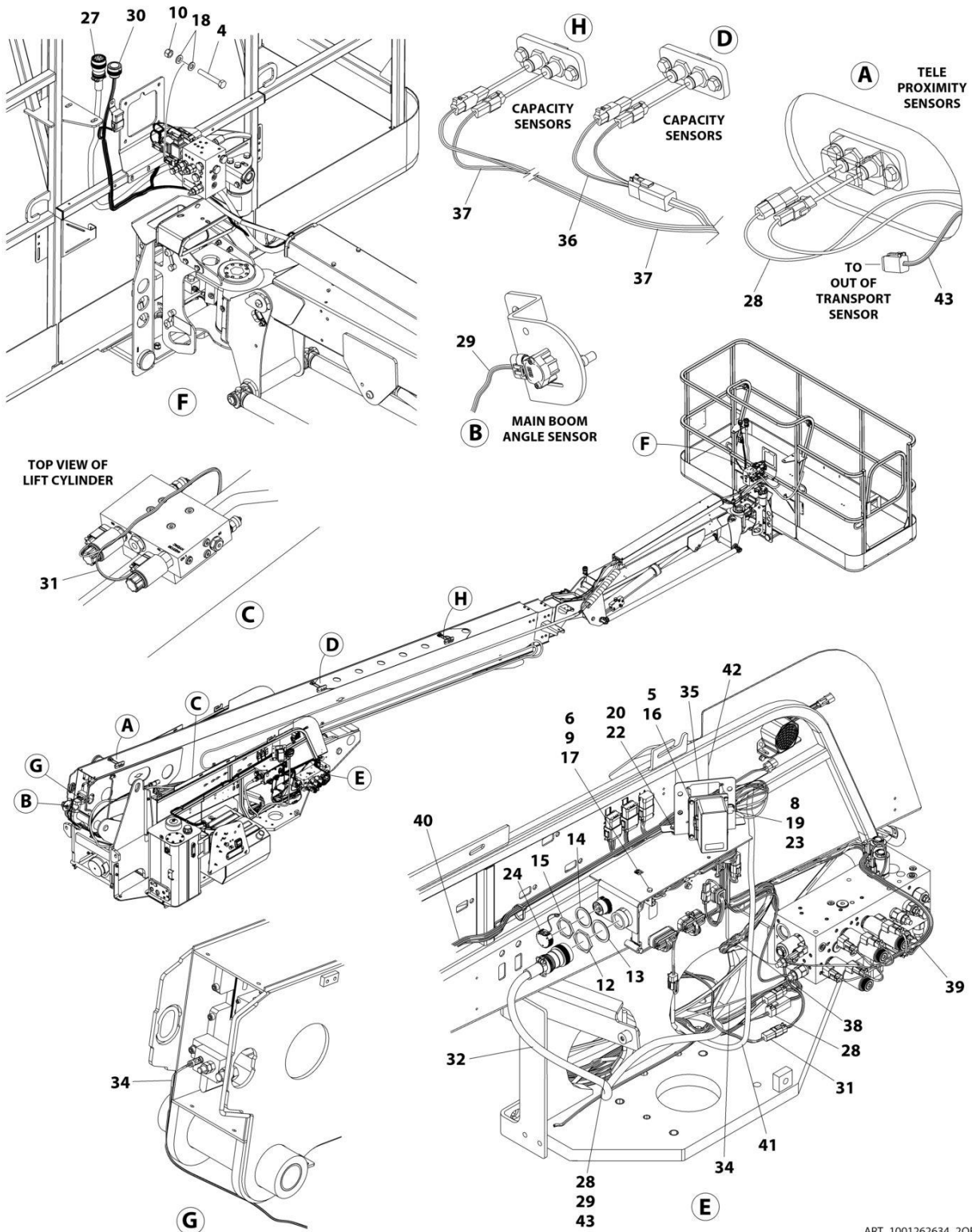
SECTION 8 - ELECTRICAL

FIGURE 8-42. ELECTRICAL COMPONENTS INSTALLATION - 660SJ HC3 (ALL SPECS EXCEPT CE & UK CA (ULS) SPECS)

ITEM	PART NUMBER	QTY	DESCRIPTION	REV
	1001250012	Ref	ELECTRICAL COMPONENTS INSTALLATION	D
3	0700412	4	Bolt M4 x 25	
5	0760608	5	Bolt M6 x 16	
7	0761014	1	Bolt M10 x 30	
8	3290405	4	Nut M4	
9	3290605	5	Nut M6	
10	3291001	1	Nut M10	
11	4460470	1	Nut, Terminal	
12	4460471	1	Washer, Terminal	
13	4460496	1	Washer, Terminal	
14	4460497	1	Nut, Terminal	
15	4811400	8	Washer M4	
16	4811700	17	Washer M6	
17	4812000	2	Washer M10	
22	1001188534	1	Boom Cable - Upper (See Separate Breakdown in this Section)	
23	1001189003	1	Tele Proximity Harness (See Separate Breakdown in this Section)	
24	1001189005	1	Boom Angle Sensor Harness (See Separate Breakdown in this Section)	
25	1001264338	1	Valve Harness - Platform Valve (See Separate Breakdown in this Section)	
26	1001205923	1	Lift Cylinder Harness (See Separate Breakdown in this Section)	
27	1001206082	1	Boom Cable - Lower (See Separate Breakdown in this Section)	
28	1001227527	1	Service Cable	
29	1001237822	1	Plate	
30	1001238191	1	Capacity Proximity Harness (1000LBS) (See Separate Breakdown in this Section))	
31	1001238192	1	Capacity Proximity Harness (750LBS) (See Separate Breakdown in this Section))	
32	1001238405	1	Turntable Harness (See Separate Breakdown in this Section)	
33	1001238407	1	Valve Harness - Main Valve (See Separate Breakdown in this Section)	
34	1001238408	1	Ground Control Harness (See Separate Breakdown in this Section)	
35	1001239290	1	UGM Ground Cable	
36	1001239512	1	Decal - Fuse Box	
38	1001106736	1	Cap, Dust	
40	4240099	AR	Tie-Strap (Not Shown)	
41	1001242908	1	Transport Switch Harness (See Separate Breakdown in this Section)	

SECTION 8 - ELECTRICAL

FIGURE 8-43. ELECTRICAL COMPONENTS INSTALLATION - 660SJ HC3 (CE & UK CA (ULS) SPECS)



ART_1001262634_20F2

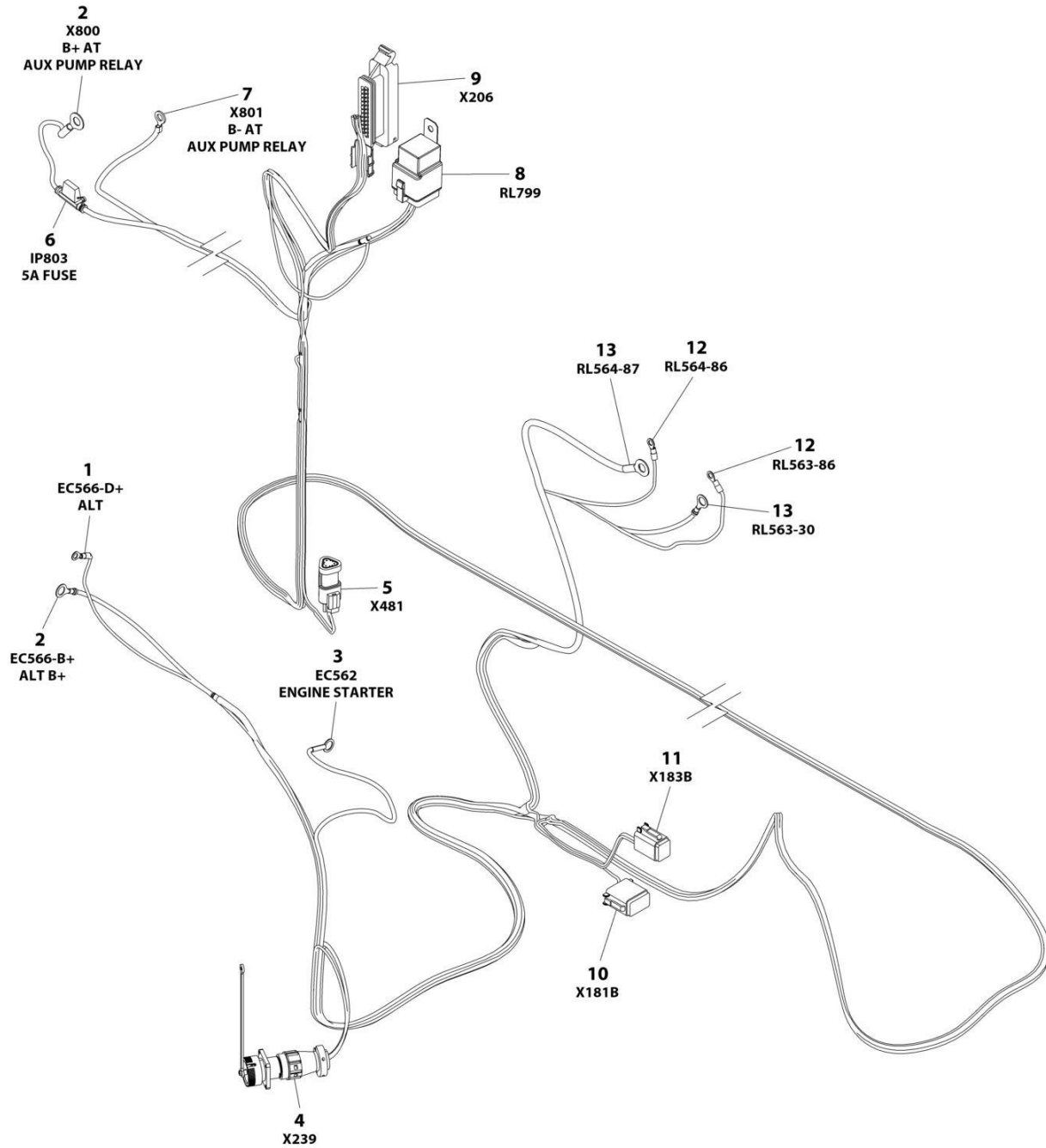
SECTION 8 - ELECTRICAL

FIGURE 8-43. ELECTRICAL COMPONENTS INSTALLATION - 660SJ HC3 (CE & UK CA (ULS) SPECS)

ITEM	PART NUMBER	QTY	DESCRIPTION	REV
	1001262634	Ref	ELECTRICAL COMPONENTS INSTALLATION	B
4	0700819	1	Bolt M8 x 55	
5	0731005	4	Bolt M10	
6	0760608	3	Bolt M6 x 16	
8	0761012	1	Bolt M10 x 25	
9	3290605	3	Nut M6	
10	3290805	1	Nut M8	
11	4240099	AR	Tie-Strap (Not Shown)	
12	4460470	1	Nut, Terminal	
13	4460471	1	Washer, Terminal	
14	4460496	1	Washer, Terminal	
15	4460497	1	Nut, Terminal	
16	4711000	4	Washer	
17	4811700	13	Washer M6	
18	4811900	2	Washer M8	
19	4812000	1	Washer M10	
20	5250608	2	Bolt M6 x 16	
22	5260600	3	Nut M6	
23	5261000	5	Nut M10	
24	1001106736	1	Cap, Dust	
27	1001188534	1	Boom Cable - Upper (See Separate Breakdown in this Section)	
28	1001189003	1	Tele Proximity Harness (See Separate Breakdown in this Section)	
29	1001189005	1	Boom Angle Sensor Harness (See Separate Breakdown in this Section)	
30	1001264338	1	Harness, Platform Valve (See Separate Breakdown in this Section)	
31	1001205923	1	Lift Cylinder Harness (See Separate Breakdown in this Section)	
32	1001206082	1	Boom Cable - Lower (See Separate Breakdown in this Section)	
34	1001227527	1	Service Cable	
35	1001237822	1	Plate	
36	1001238191	1	Capacity Proximity Harness (1000lbs) (See Separate Breakdown in this Section))	
37	1001238192	1	Capacity Proximity Harness (750lbs) (See Separate Breakdown in this Section))	
38	1001238405	1	Turntable Harness (See Separate Breakdown in this Section)	
39	1001238407	1	Valve Harness - Main Valve (See Separate Breakdown in this Section)	
40	1001238408	1	Ground Control Harness (See Separate Breakdown in this Section)	
41	1001239290	1	UGM Ground Cable	
42	1001239512	1	Decal - Fuse Box	
43	1001242908	1	Transport Switch Harness (See Separate Breakdown in this Section)	

SECTION 8 - ELECTRICAL

FIGURE 8-44. ENGINE HARNESS - DEUTZ D2011 ENGINES



ART_1001188236_F

SECTION 8 - ELECTRICAL

FIGURE 8-44. ENGINE HARNESS - DEUTZ D2011 ENGINES

ITEM	PART NUMBER	QTY	DESCRIPTION	REV
	1001188236	Ref	ENGINE HARNESS	F
1	4460042	1	Terminal, Ring	
2	8220045	2	Terminal, Ring	
3	4460142	1	Terminal, Ring	
4	2902443	1	Receptacle Kit	
4	4461073	1	Cap, Dust	
5	4461095	1	Plug, Male - 3 Position	
5	4460944	2	Socket, Female	
5	4460466	1	Plug, Terminal	
5	4461070	1	Receptacle, Female - 3 Position	
5	4460943	3	Pin, Male	
6	2600066	2	Fuseholder with 5Amp Fuse	
6	See Note	NSS	Fuse - 5Amp (Note: Purchase Locally)	
7	4460312	1	Terminal, Ring	
8	1001117025	1	Plug, Relay	
8	1001116734	1	Terminal	
8	1001116732	3	Terminal	
8	1001128128	1	Plug, Terminal	
9	4461052	1	Connector - 25 Position	
9	4461060	1	Terminal	
9	4461005	6	Terminal	
9	4461008	18	Plug, Terminal	
9	4461054	1	Seal	
9	4461006	6	Seal	
9	4461053	1	Cover	
10	4460930	1	Plug, Male - 8 Position	
10	4460465	8	Socket, Female	
10	4460466	7	Plug, Terminal	
11	4460894	1	Plug, Male - 6 Position	
11	4460465	3	Socket, Female	
11	4460944	2	Socket, Female	
11	4460466	1	Plug, Terminal	
12	4460313	2	Terminal, Ring	
13	8220164	2	Terminal, Ring	

SECTION 8 - ELECTRICAL

FIGURE 8-45. ENGINE HARNESS - DEUTZ TD2.2L3 ENGINES

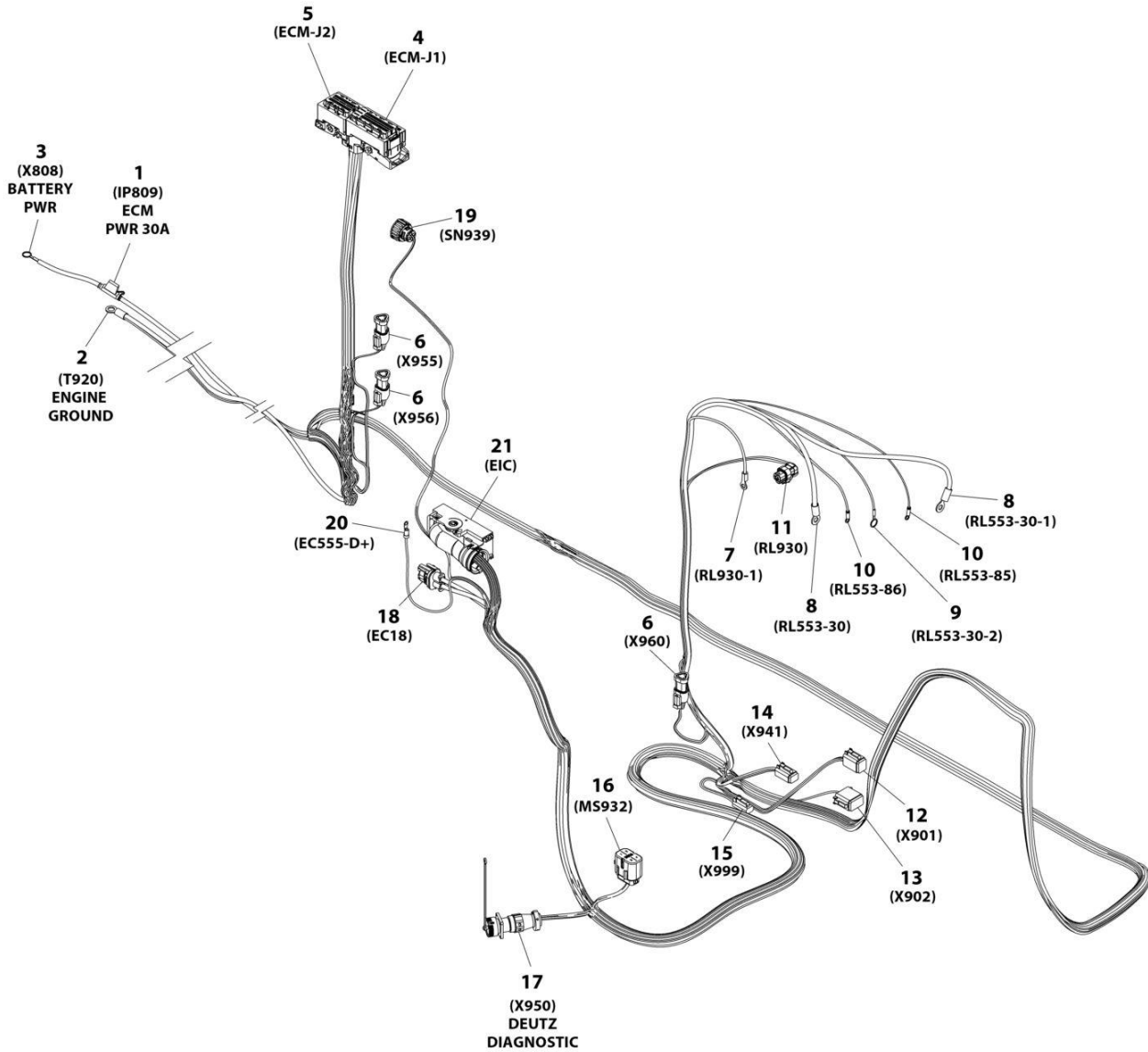
ITEM	PART NUMBER	QTY	DESCRIPTION	REV
	1001253798	Ref	ENGINE HARNESS	D
1	1001133714	1	Connector - 4 Position	
1	1001133715	3	Terminal	
1	1001135651	1	Plug, Terminal	
1	1001135650	3	Seal	
2	1001117106	1	Terminal, Ring	
3	4460703	1	Terminal, Ring	
4	4460247	1	Terminal, Ring	
5	1001117107	1	Terminal, Ring	
6	4460247	1	Terminal, Ring	
7	4460043	1	Terminal, Ring	
8	1001116952	1	Plug, Male - 2 Position	
8	4460465	2	Socket, Female	
9	1001170764	1	Holder, Fuse	
9	1001197719	1	Resistor 0.5 Watt	
10	4460894	1	Plug, Male - 6 Position	
10	4460465	2	Socket, Female	
10	4460944	2	Socket, Female	
10	4460466	2	Plug, Terminal	
11	1001116812	5	Connector, 3 Position	
11	4460944	10	Socket, Female	
11	4460466	5	Plug, Terminal	
12	4460539	4	Plug, Male - 3 Position	
12	4460944	8	Socket, Female	
12	4460466	4	Plug, Terminal	
13	2902443	1	Receptacle Kit	
13	4461071	6	Terminal	
14	80484084	1	Plug, Male - 8 Position	
14	1001116728	4	Terminal	
14	1001116727	4	Plug, Terminal	
14	4460458	4	Plug, Terminal	
15	4460884	1	Plug, Male - 4 Position	
15	4460465	3	Socket, Female	
15	4460942	1	Socket, Female	
16	4460019	1	Terminal, Ring	
17	4460930	1	Plug, Male - 8 Position	
17	4460465	1	Socket, Female	
17	4460466	7	Plug, Terminal	
18	8220164	1	Terminal, Ring	
19	1001253873	1	Connector, 1 Position	
19	1001142940	1	Terminal	
19	1001142941	1	Seal	
20	1001239202	1	Connector - 8 Position	
20	1001126363	7	Terminal	
20	1001126391	1	Seal, Terminal	
20	1001126364	7	Seal, Terminal	
21	1001126362	1	Connector - 62 Position	
21	1001126363	37	Terminal	
21	1001126365	2	Terminal	
21	1001126391	9	Plug, Terminal	

SECTION 8 - ELECTRICAL

ITEM	PART NUMBER	QTY	DESCRIPTION	REV
21	4461008	4	Plug, Terminal	
21	1001126392	10	Terminal	
21	1001126364	37	Seal, Terminal	
21	1001223459	10	Seal, Terminal	
21	4461054	2	Seal	
22	4460042	1	Terminal, Ring	
23	1001133956	1	Connector - 94 Position	
23	1001126351	3	Terminal	
23	1001182361	6	Terminal	
23	1001252527	4	Terminal	
23	1001230934	25	Terminal	
23	1001230935	55	Plug, Terminal	
23	1001230936	1	Plug, Terminal	
23	1001182365	6	Seal, Terminal	
24	1001126487	1	Connector - 2 Position	
24	1001167635	2	Terminal	
24	1001126485	2	Seal	
25	1001133957	1	Connector - 60 Position	
25	1001126351	11	Terminal	
25	1001230934	26	Terminal	
25	1001230935	10	Plug, Terminal	
25	1001230936	13	Plug, Terminal	
26	4460466	4	Plug, Terminal	
27	4460932	1	Receptacle, Bussbar - 4 Position	
28	4460945	4	Connector, 3-Way Tee	
29	8229242	1	Fuse 5Amp	
30	80983191	1	Fuse, 10Amp	
31	1001116815	3	Plug, Male - 3 Position	
32	1001147264	1	Cap	

SECTION 8 - ELECTRICAL

FIGURE 8-46. ENGINE HARNESS - DEUTZ D2.9L4 - 49HP AND DEUTZ TD2.9L4 - 67HP ENGINES



ART_1001233895 D

SECTION 8 - ELECTRICAL

FIGURE 8-46. ENGINE HARNESS - DEUTZ D2.9L4 - 49HP AND DEUTZ TD2.9L4 - 67HP ENGINES

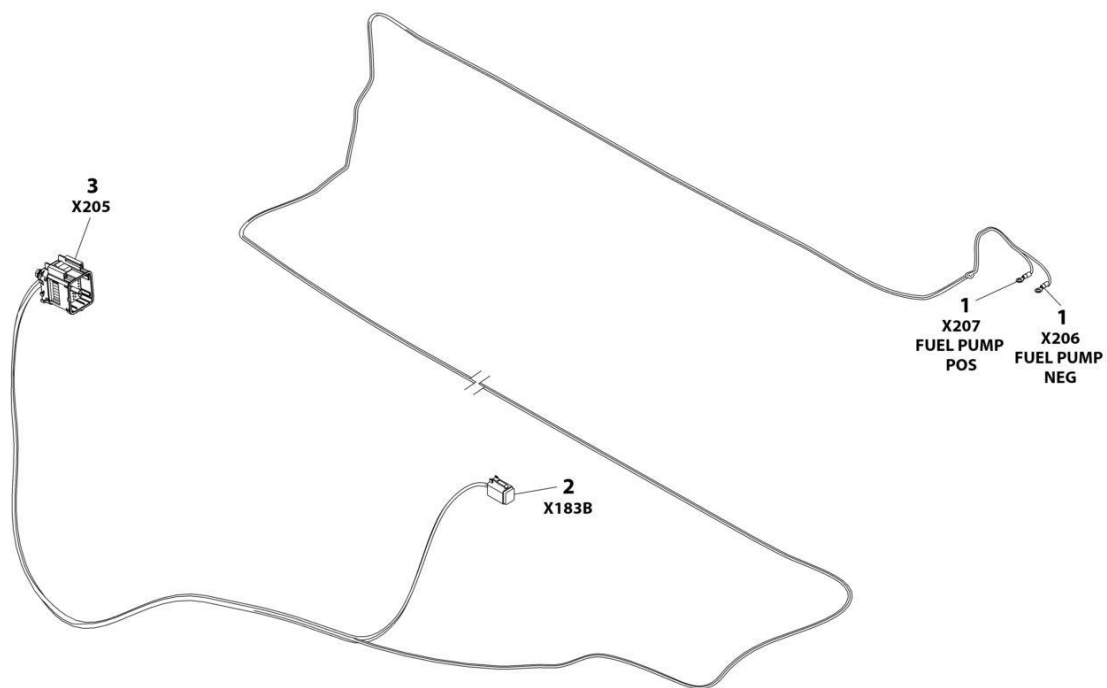
ITEM	PART NUMBER	QTY	DESCRIPTION	REV
	1001233895	Ref	ENGINE HARNESS	F
1	1001172064	1	Fuseholder with 30Amp Fuse	
1	1001172065	1	Fuse - 30A	
2	8220115	1	Terminal, Ring	
3	4460019	1	Terminal, Ring	
4	1001133956	1	Connector - 94 Position	
4	1001126351	2	Terminal	
4	1001126352	6	Terminal	
4	1001126384	21	Terminal	
4	1001126357	2	Plug, Terminal	
4	1001126356	63	Plug, Terminal	
5	1001133957	1	Connector - 60 Position	
5	1001126351	13	Terminal	
5	1001126384	17	Terminal	
5	1001126357	11	Plug, Terminal	
5	1001126356	19	Plug, Terminal	
6	4461095	3	Plug, Male - 3 Position	
6	4460944	6	Socket, Female	
6	4460466	3	Plug, Terminal	
6	4461070	3	Receptacle, Female - 3 Position	
6	4460943	9	Pin, Male	
7	4460043	1	Terminal, Ring	
8	1001117107	2	Terminal, Ring	
9	4460703	1	Terminal, Ring	
10	4460313	2	Terminal, Ring	
11	1001116952	1	Plug, Male - 2 Position	
11	4460465	2	Socket, Female	
12	4460894	1	Plug, Male - 6 Position	
12	4460465	3	Socket, Female	
12	4460944	2	Socket, Female	
12	4460466	1	Plug, Terminal	
13	4460930	1	Plug, Male - 8 Position	
13	4460465	1	Socket, Female	
13	4460466	7	Plug, Terminal	
14	1001220379	1	Plug, Male - 4 Position	
14	4460465	2	Socket, Female	
14	4460942	2	Socket, Female	
15	4460891	1	Plug, Male - 4 Position	
15	4460465	2	Socket, Female	
16	80484084	1	Plug, Male - 8 Position	
16	8229242	1	Fuse - 5Amp	
16	80983191	1	Fuse - 10Amp	
16	1001116728	4	Socket, Female	
16	1001116727	4	Plug, Terminal	
16	1001147264	1	Cap	
17	2902443	1	Receptacle Kit	
17	4461073	1	Cap, Dust	
17	4461071	6	Terminal	
18	1001142938	1	Plug, Male - 2 Position	
18	1001142940	2	Terminal	

SECTION 8 - ELECTRICAL

ITEM	PART NUMBER	QTY	DESCRIPTION	REV
18	1001142941	2	Seal	
19	1001133714	1	Connector - 4 Position	
19	1001133715	13	Terminal	
19	1001135651	11	Plug, Terminal	
20	4460042	1	Terminal, Ring	
21	1001126362	1	Connector - 62 Position	
21	1001126363	35	Terminal	
21	1001126365	2	Terminal	
21	1001126391	20	Plug, Terminal	
21	4461008	4	Plug, Terminal	
21	1001151856	1	Elbow	

SECTION 8 - ELECTRICAL

FIGURE 8-47. ENGINE HARNESS - FORD ENGINES



ART_1001215218

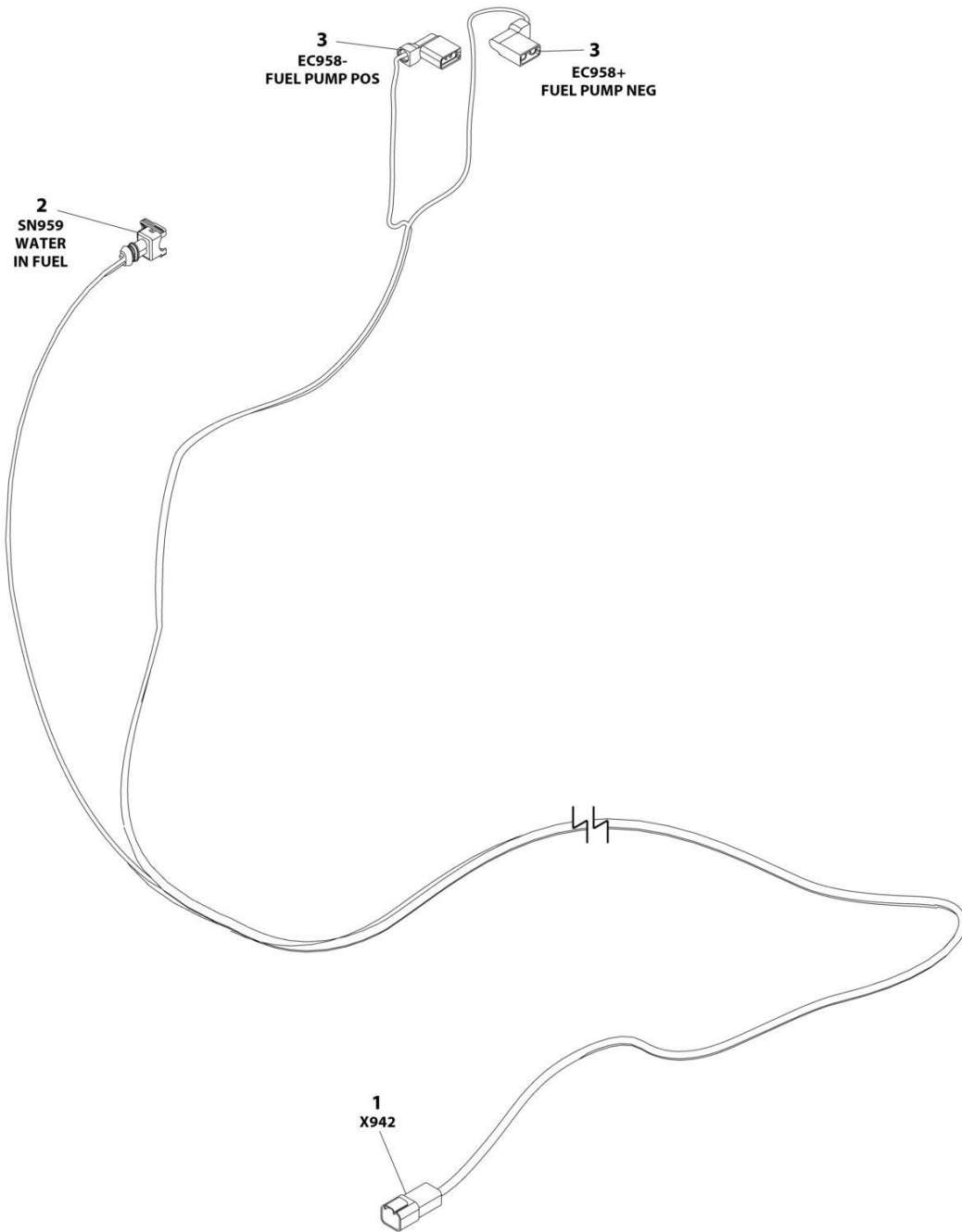
SECTION 8 - ELECTRICAL

FIGURE 8-47. ENGINE HARNESS - FORD ENGINES

ITEM	PART NUMBER	QTY	DESCRIPTION	REV
	1001215218	Ref	ENGINE HARNESS	C
1	4460042	2	Terminal, Ring	
2	4460894	1	Plug, Male - 6 Position	
2	4460465	4	Socket, Female	
2	4460466	2	Plug, Terminal	
3	1001215016	1	Connector - 42 Position	
3	1001216212	1	Terminal	
3	1001221210	2	Terminal	
3	1001215091	3	Terminal	
3	1001216213	2	Plug, Terminal	
3	1001215534	34	Plug, Terminal	

SECTION 8 - ELECTRICAL

FIGURE 8-48. FUEL PUMP HARNESS - DEUTZ D2.9L4 - 49HP AND DEUTZ TD2.9L4 - 67HP ENGINES



ART_1001190444

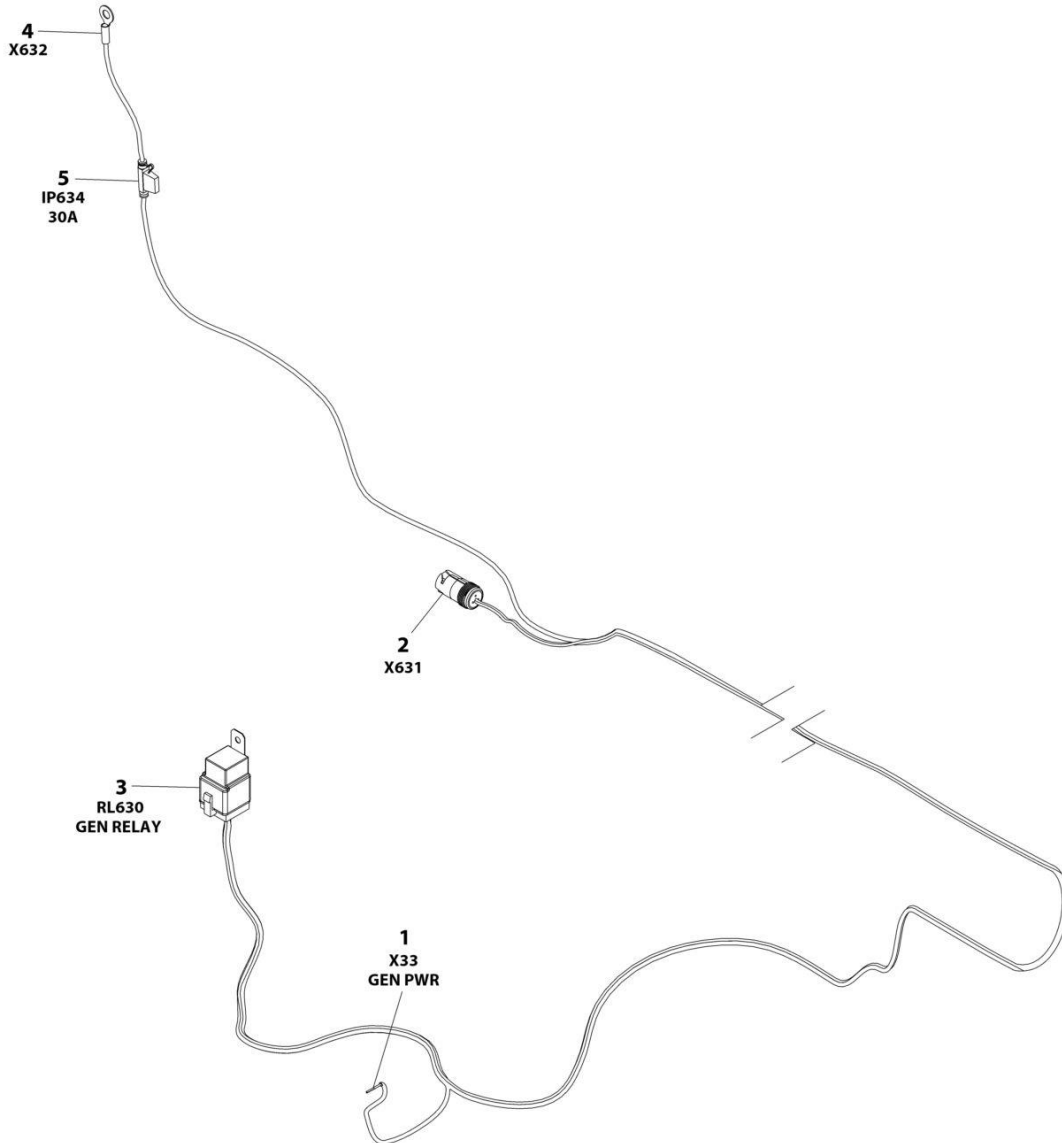
SECTION 8 - ELECTRICAL

FIGURE 8-48. FUEL PUMP HARNESS - DEUTZ D2.9L4 - 49HP AND DEUTZ TD2.9L4 - 67HP ENGINES

ITEM	PART NUMBER	QTY	DESCRIPTION	REV
	1001190444	Ref	FUEL PUMP HARNESS	D
1	4460932	1	Receptacle, Female - 4 Position	
1	4460941	4	Pin, Male	
2	1001116983	1	Plug, Male - 2 Posiiton	
2	1001227507	2	Socket, Female	
2	4461054	2	Seal	
3	1001223045	2	Connector	

SECTION 8 - ELECTRICAL

FIGURE 8-49. GENERATOR HARNESS - 2500W



ART_1001194114_B

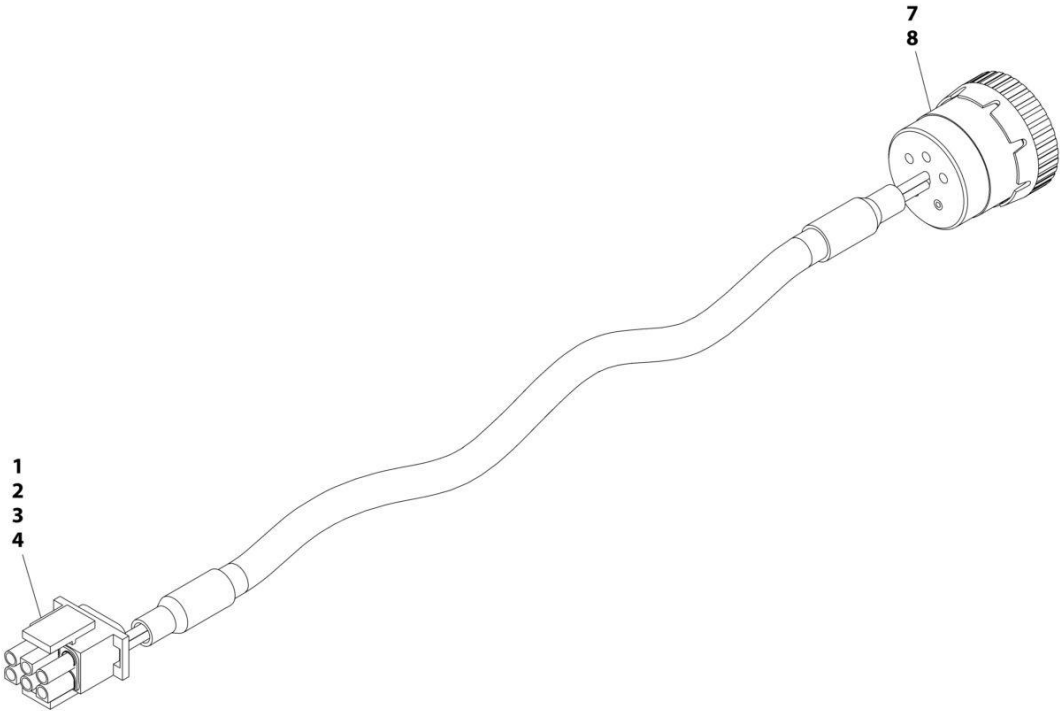
SECTION 8 - ELECTRICAL

FIGURE 8-49. GENERATOR HARNESS - 2500W

ITEM	PART NUMBER	QTY	DESCRIPTION	REV
	1001194114	Ref	GENERATOR HARNESS	B
1	4460906	1	Socket, Female	
2	1001154726	1	Receptacle, Female - 3 Position	
2	4460464	2	Pin, Male	
2	4460466	1	Plug, Terminal	
3	1001120851	1	Connector, Relay	
3	1001116734	2	Terminal	
3	1001116732	2	Terminal	
3	3740080	1	Relay	
4	8220045	1	Terminal, Ring	
5	2400060	1	Fuseholder - 30Amp (Includes Cover)	
5	8229245	1	Fuse - 30Amp	

SECTION 8 - ELECTRICAL

FIGURE 8-50. GENERATOR HARNESS - 4000W



ART_1001152532

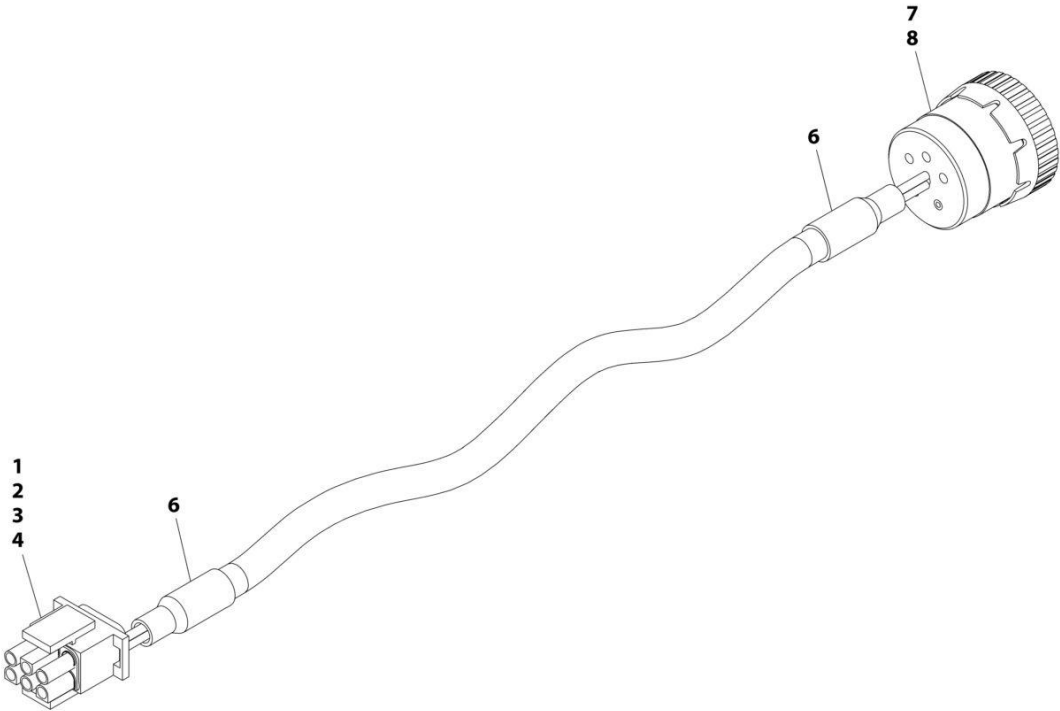
SECTION 8 - ELECTRICAL

FIGURE 8-50. GENERATOR HARNESS - 4000W

ITEM	PART NUMBER	QTY	DESCRIPTION	REV
	1001152532	Ref	GENERATOR HARNESS	A
1	4460225	1	Connector - 6 Position	
2	4460268	2	Socket, Female	
3	4460807	1	Seal	
4	4460808	1	Seal	
7	4460465	2	Socket, Female	
8	77363233	1	Connector - 6 Position	

SECTION 8 - ELECTRICAL

FIGURE 8-51. GENERATOR HARNESS - 7500W SKYPOWER



ART_4922925

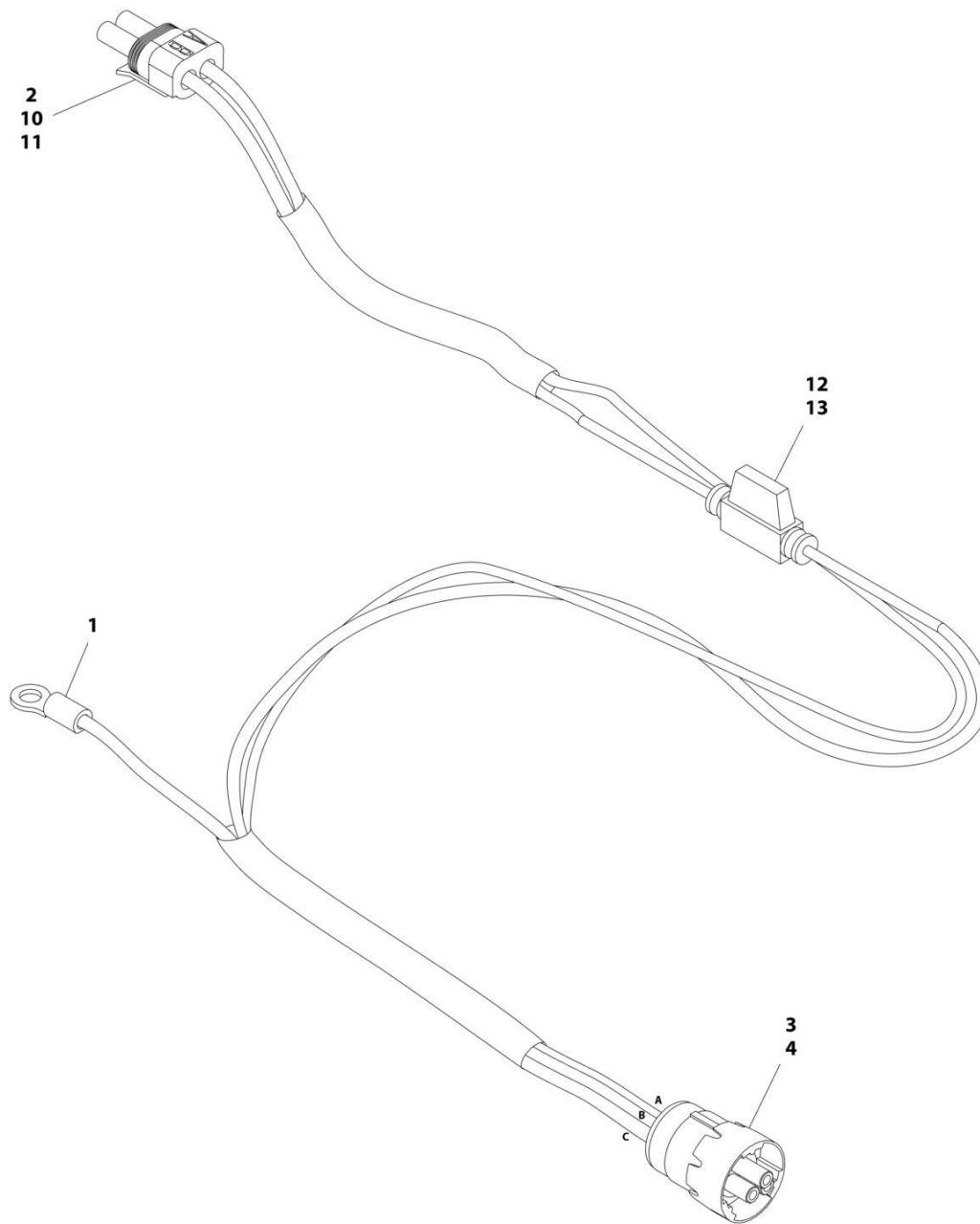
SECTION 8 - ELECTRICAL

FIGURE 8-51. GENERATOR HARNESS - 7500W SKYPOWER

ITEM	PART NUMBER	QTY	DESCRIPTION	REV
	4922925	Ref	GENERATOR TO CONTROL BOX HARNESS (7500W GENERATOR)	C
1	4460225	1	Plug, Male - 2 Position	
2	4460268	6	Socket, Female	
3	4460807	1	Seal	
4	4460808	1	Seal	
6	2820019	AR	Heat Shrink	
7	4460465	6	Socket, Female	
8	77363233	1	Connector - 6 Position	

SECTION 8 - ELECTRICAL

FIGURE 8-52. GENERATOR TO ENGINE HARNESS - 7500W SKYPOWER GENERATOR (DEUTZ D2011 ONLY)



ART_1001152429

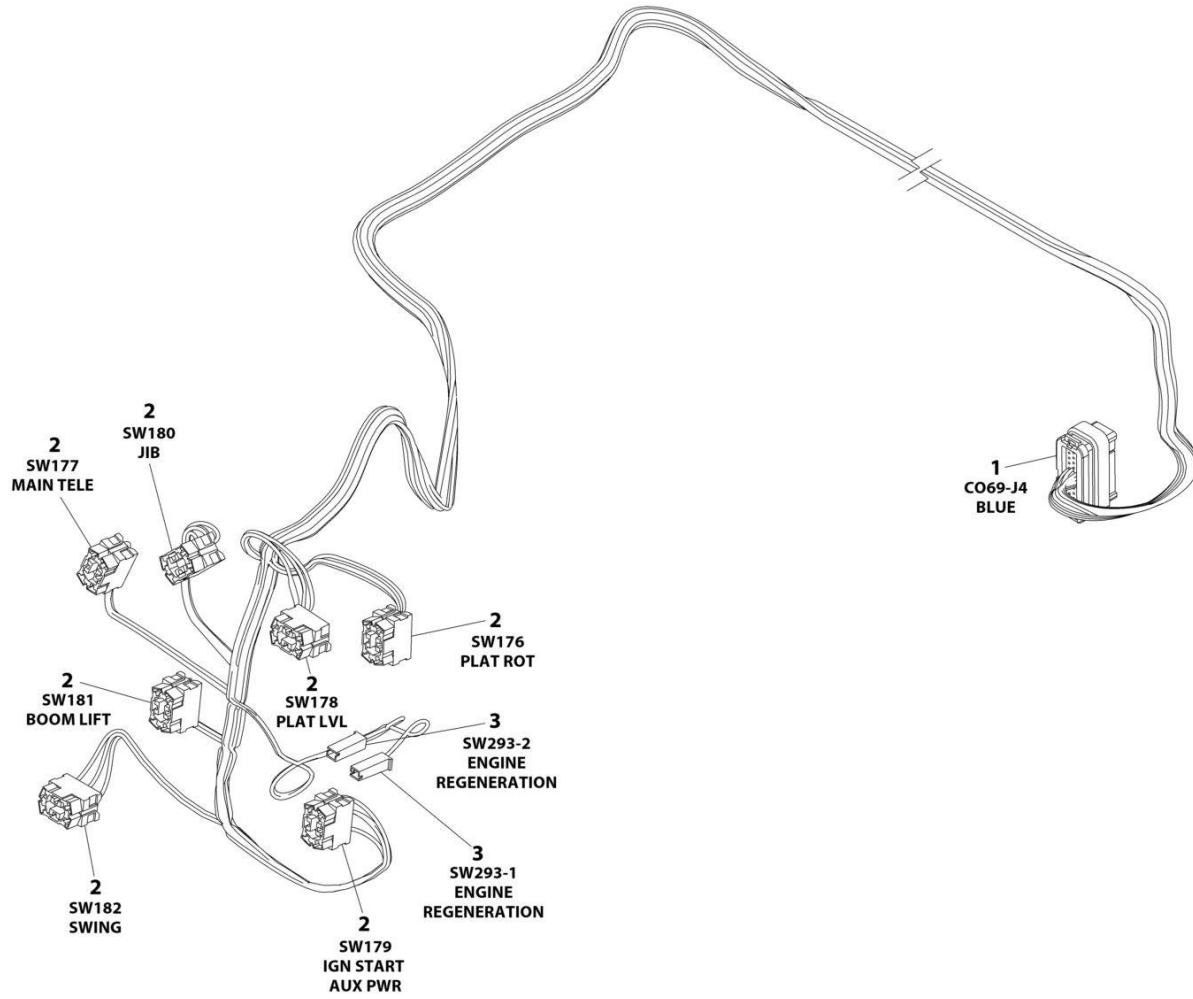
SECTION 8 - ELECTRICAL

FIGURE 8-52. GENERATOR TO ENGINE HARNESS - 7500W SKYPOWER GENERATOR (DEUTZ D2011 ONLY)

ITEM	PART NUMBER	QTY	DESCRIPTION	REV
	1001152429	Ref	GENERATOR TO ENGINE HARNESS	C
1	4460043	1	Terminal, Ring	
2	4460742	1	Plug, Male - 2 Position	
3	4460967	1	Connector - 3 Position	
4	4460465	3	Socket, Female	
10	4460743	2	Terminal, Female	
11	4460458	2	Seal	
12	2400060	1	Fuseholder (Includes Cover)	
13	2400064	1	Fuse - 5Amp	

SECTION 8 - ELECTRICAL

FIGURE 8-53. GROUND CONTROL HARNESS



ART_1001238408

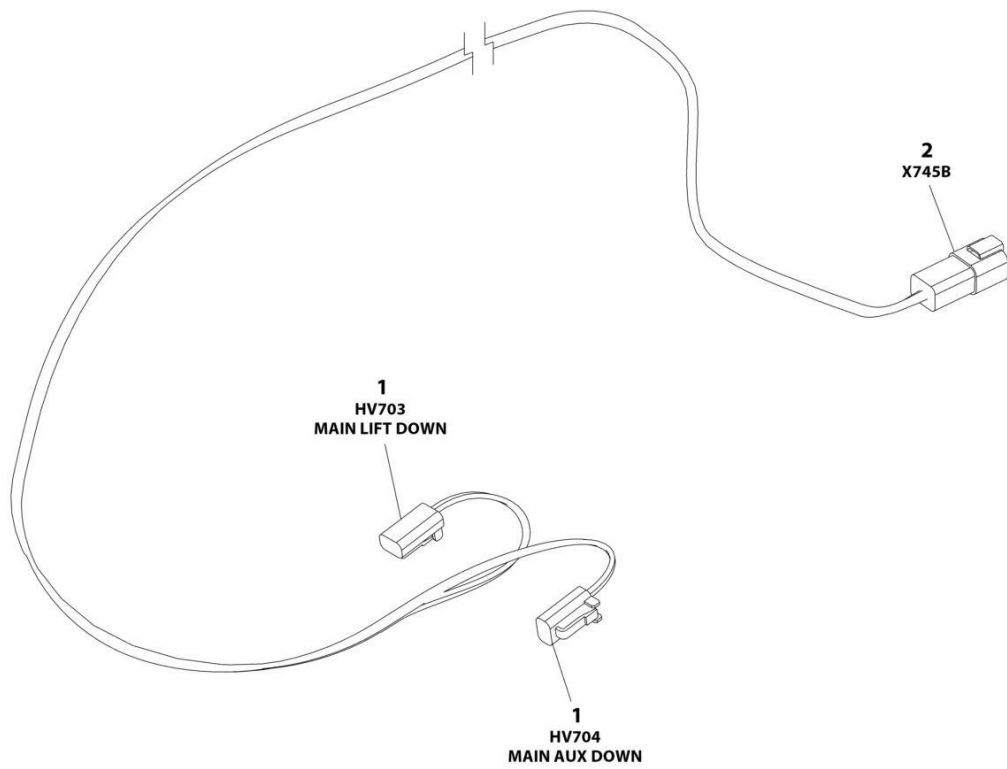
SECTION 8 - ELECTRICAL

FIGURE 8-53. GROUND CONTROL HARNESS

ITEM	PART NUMBER	QTY	DESCRIPTION	REV
	1001238408	Ref	GROUND CONTROL HARNESS	B
1	4460876	1	Connector - 35 Position	
1	4460871	16	Socket, Female	
1	4460905	19	Plug, Terminal	
2	4460418	7	Connector, Switch	
2	4460419	14	Terminal	
2	1001159186	14	Terminal	
3	4460260	2	Terminal	
3	4460259	2	Terminal	

SECTION 8 - ELECTRICAL

FIGURE 8-54. LIFT CYLINDER HARNESS



ART_1001205923

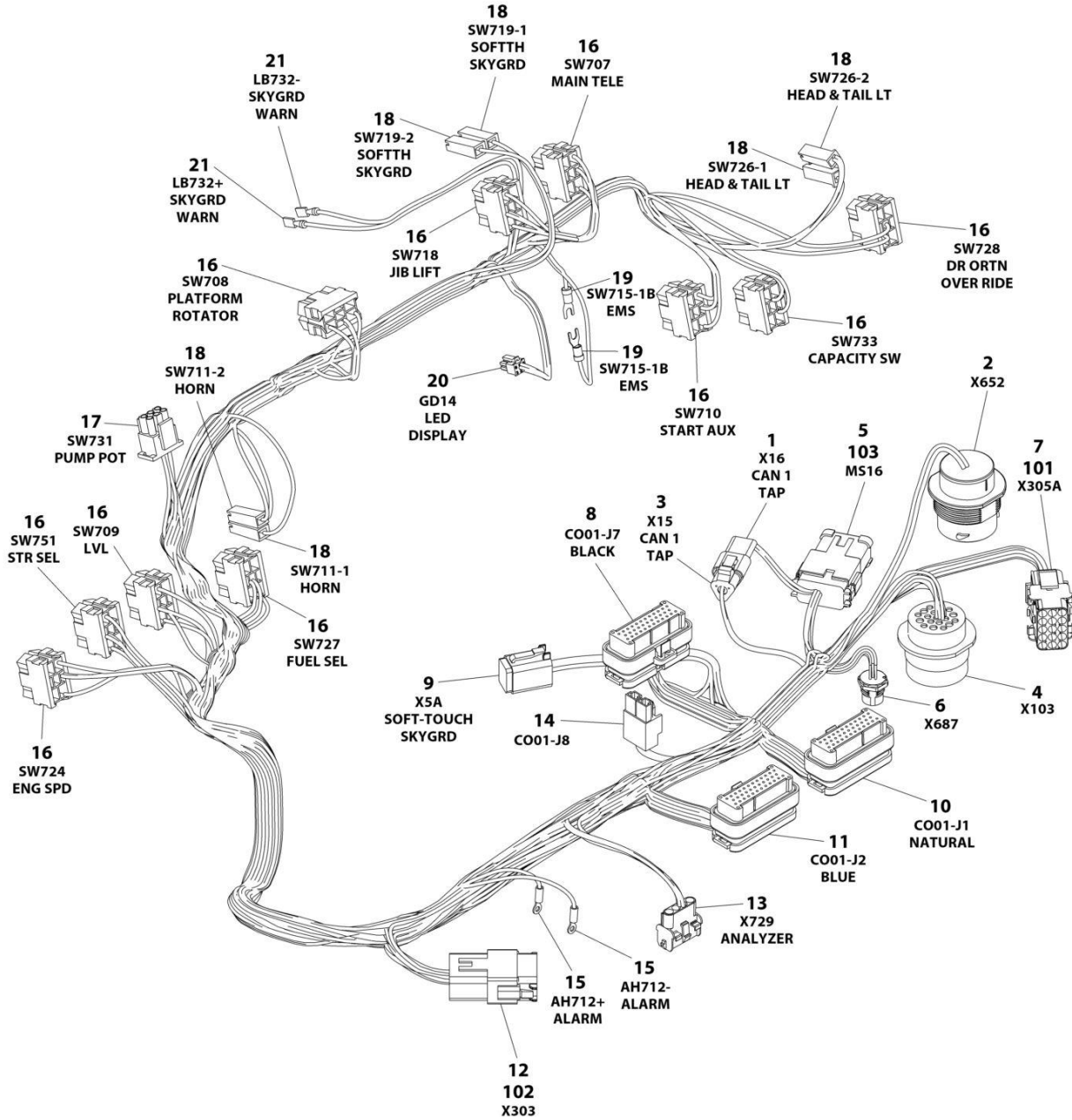
SECTION 8 - ELECTRICAL

FIGURE 8-54. LIFT CYLINDER HARNESS

ITEM	PART NUMBER	QTY	DESCRIPTION	REV
	1001205923	Ref	LIFT CYLINDER HARNESS	C
1	4460891	2	Plug, Male - 2 Position	
1	4460465	4	Socket, Female	
2	4460932	1	Receptacle, Female - 4 Position	
2	4460464	4	Pin, Male	

SECTION 8 - ELECTRICAL

FIGURE 8-55. PLATFORM BOX HARNESS



ART_1001238409

SECTION 8 - ELECTRICAL

FIGURE 8-55. PLATFORM BOX HARNESS

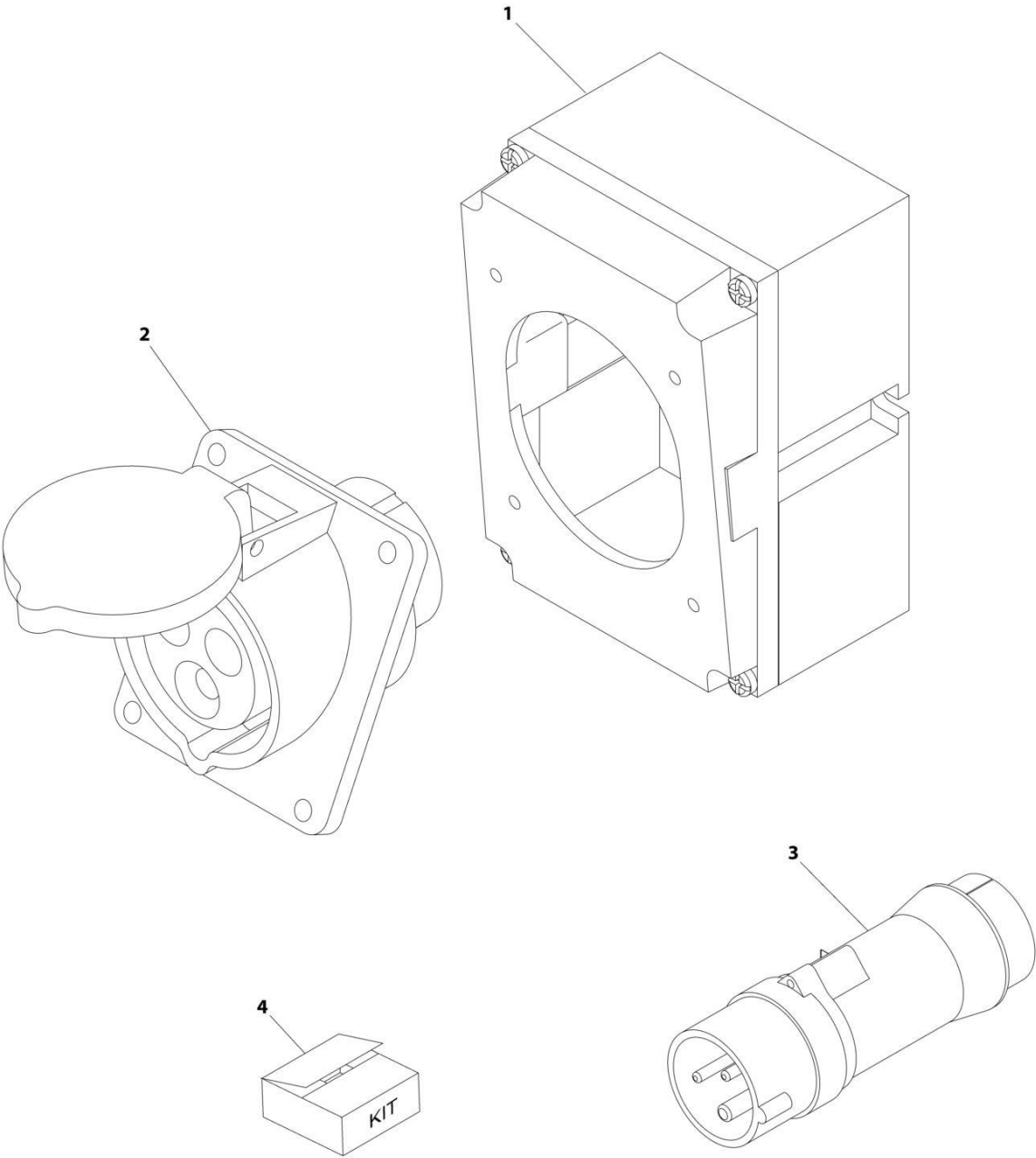
ITEM	PART NUMBER	QTY	DESCRIPTION	REV
	1001238409	Ref	PLATFORM CONSOLE HARNESS	J
1	4460536	1	Receptacle, Female - 3 Position	
1	4460943	2	Pin, Male	
1	4460466	1	Plug, Terminal	
2	4460925	1	Connector - 21 Position	
2	1001116695	15	Pin, Male	
2	4460518	6	Plug, Terminal	
3	4460539	1	Plug, Male - 3 Position	
3	4460944	2	Socket, Female	
3	4460466	1	Plug, Terminal	
4	4460866	1	Connector - 19 Position	
4	4460464	7	Pin, Male	
4	4460943	2	Pin, Male	
4	4460508	1	Pin, Male	
4	4460466	8	Plug, Terminal	
5	4460933	1	Plug, Male - 12 Position	
5	4460465	10	Socket, Female	
5	4460466	2	Plug, Terminal	
6	1001213447	1	Connector - 4 Position	
6	See Note	NSS	Terminal (Note: Purchase p/n 1001213447)	
7	4460434	1	Connector - 15 Position	
7	4460267	8	Pin, Male	
8	4460873	1	Connector - 35 Position	
8	4460871	24	Socket, Female	
8	4460905	11	Plug, Terminal	
9	4460894	1	Plug, Male - 6 Position	
9	4460465	6	Socket, Female	
10	4460874	1	Connector - 35 Position	
10	4460871	29	Socket, Female	
10	4460905	6	Plug, Terminal	
11	4460876	1	Connector - 35 Position	
11	4460871	12	Socket, Female	
11	4460905	23	Plug, Terminal	
12	4460970	1	Receptacle, Female - 12 Position	
12	1001116693	6	Pin, Male	
12	4460466	6	Plug, Terminal	
13	4460761	1	Receptacle, Female - 4 Position	
13	1001118378	4	Pin, Male	
14	4460879	1	Plug, Male - 2 Position	
14	4460887	2	Terminal	
15	1001098122	2	Terminal, Ring	
16	4460418	10	Connector - 6 Position	
16	4460419	20	Terminal	
16	1001159186	18	Terminal	
17	4460225	1	Plug, Male - 6 Position	
17	4460227	6	Pin, Male (Note: Used on Pump Potentiometer Connection Only)	
17	4460267	2	Terminal	
18	4460260	6	Housing, Terminal	
18	4460259	6	Terminal	
19	4460183	2	Terminal, Fork	

SECTION 8 - ELECTRICAL

ITEM	PART NUMBER	QTY	DESCRIPTION	REV
20	1001237667	1	Connector - 6 Position	
20	1001237668	4	Terminal	
21	1001271497	1	Terminal	
101	4460708	1	Connector - 12 Position	
102	4460933	1	Plug, Male - 12 Position	
103	1001125677	1	Connector, Bussbar	

SECTION 8 - ELECTRICAL

FIGURE 8-56. RECEPTACLE BOX KIT - 110V IEC YELLOW (RUSSIA, CE & UK CA SPECS)



ART_0275216

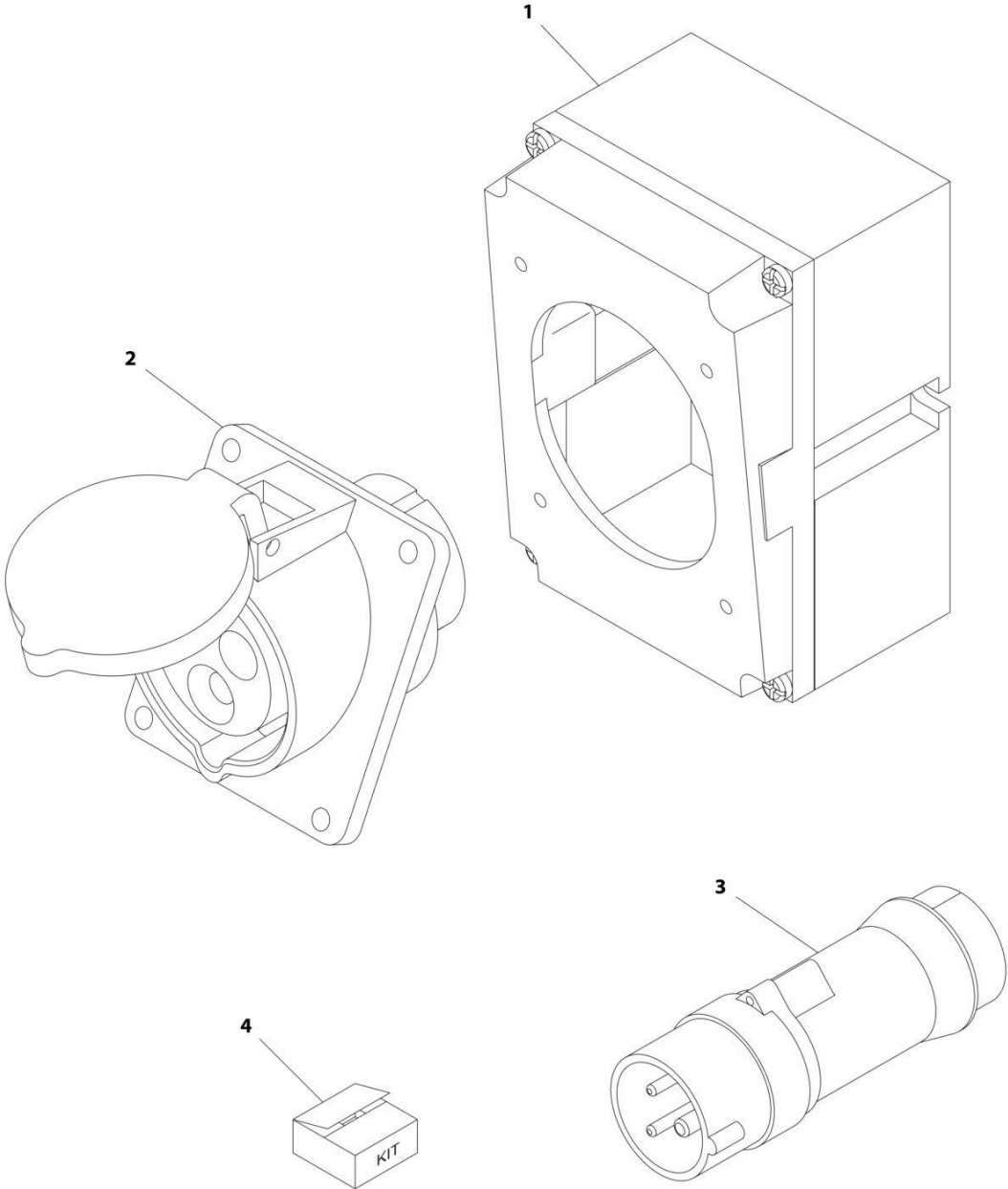
SECTION 8 - ELECTRICAL

FIGURE 8-56. RECEPTACLE BOX KIT - 110V IEC YELLOW (RUSSIA, CE & UK CA SPECS)

ITEM	PART NUMBER	QTY	DESCRIPTION	REV
	0275216	Ref	RECEPTACLE BOX KIT - 110V IEC YELLOW	B
1	0861781	1	Box, Switch	
2	4461198	1	Receptacle	
3	4461196	1	Plug, Male	
4	1001100341	1	Plug and Socket Kit (Includes Items 1-3 and Female Plug p/n 4461197)	

SECTION 8 - ELECTRICAL

FIGURE 8-57. RECEPTACLE BOX KIT - 220V IEC BLUE (RUSSIA, CE & UK CA SPECS)



ART_0275217

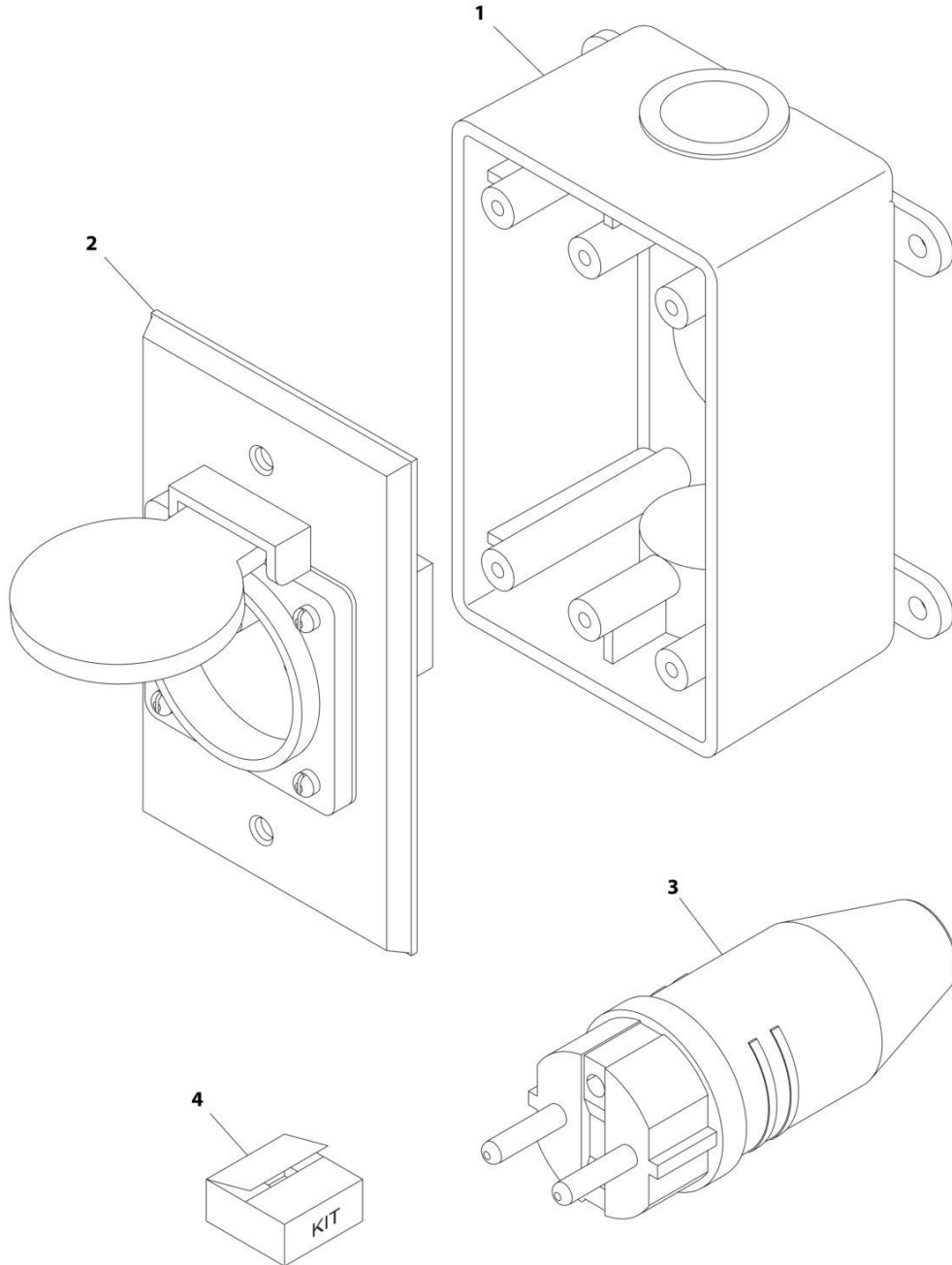
SECTION 8 - ELECTRICAL

FIGURE 8-57. RECEPTACLE BOX KIT - 220V IEC BLUE (RUSSIA, CE & UK CA SPECS)

ITEM	PART NUMBER	QTY	DESCRIPTION	REV
	0275217	Ref	RECEPTACLE BOX KIT - 220V IEC BLUE	B
1	0861781	1	Box, Switch	
2	4461201	1	Receptacle	
3	4461199	1	Plug, Male	
4	1001100342	1	Plug and Socket Kit (Includes Items 1-3 and Female Plug p/n 4461200)	

SECTION 8 - ELECTRICAL

FIGURE 8-58. RECEPTACLE BOX KIT - 220V CEE7 POST GROUND 2X4 BOX (RUSSIA, CE & UK CA SPECS)



ART_0275452-C

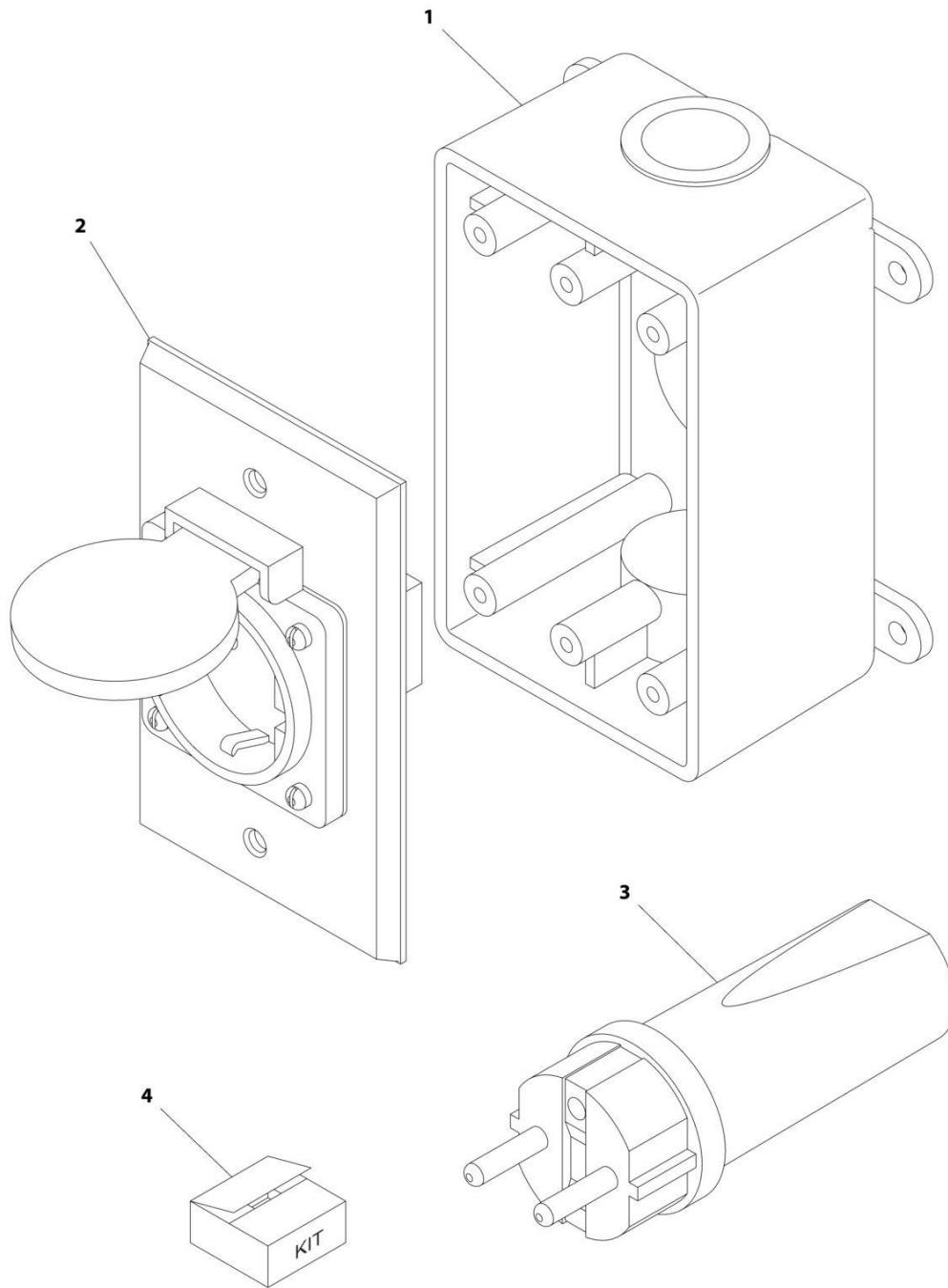
SECTION 8 - ELECTRICAL

FIGURE 8-58. RECEPTACLE BOX KIT - 220V CEE7 POST GROUND 2X4 BOX (RUSSIA, CE & UK CA SPECS)

ITEM	PART NUMBER	QTY	DESCRIPTION	REV
	0275452	Ref	RECEPTACLE BOX KIT - 220V CEE7 POST GROUND 2IN X 4IN BOX	C
1	0861731	1	Box, Switch	
2	4461244	1	Receptacle	
3	4461205	1	Plug, Male	
4	1001100345	1	Plug and Socket Kit (Includes Items 1-3 and Female Plug p/n 4461203)	

SECTION 8 - ELECTRICAL

FIGURE 8-59. RECEPTACLE BOX KIT - 220V CEE7 SIDE GROUND (RUSSIA, CE & UK CA SPECS)



ART_0275453

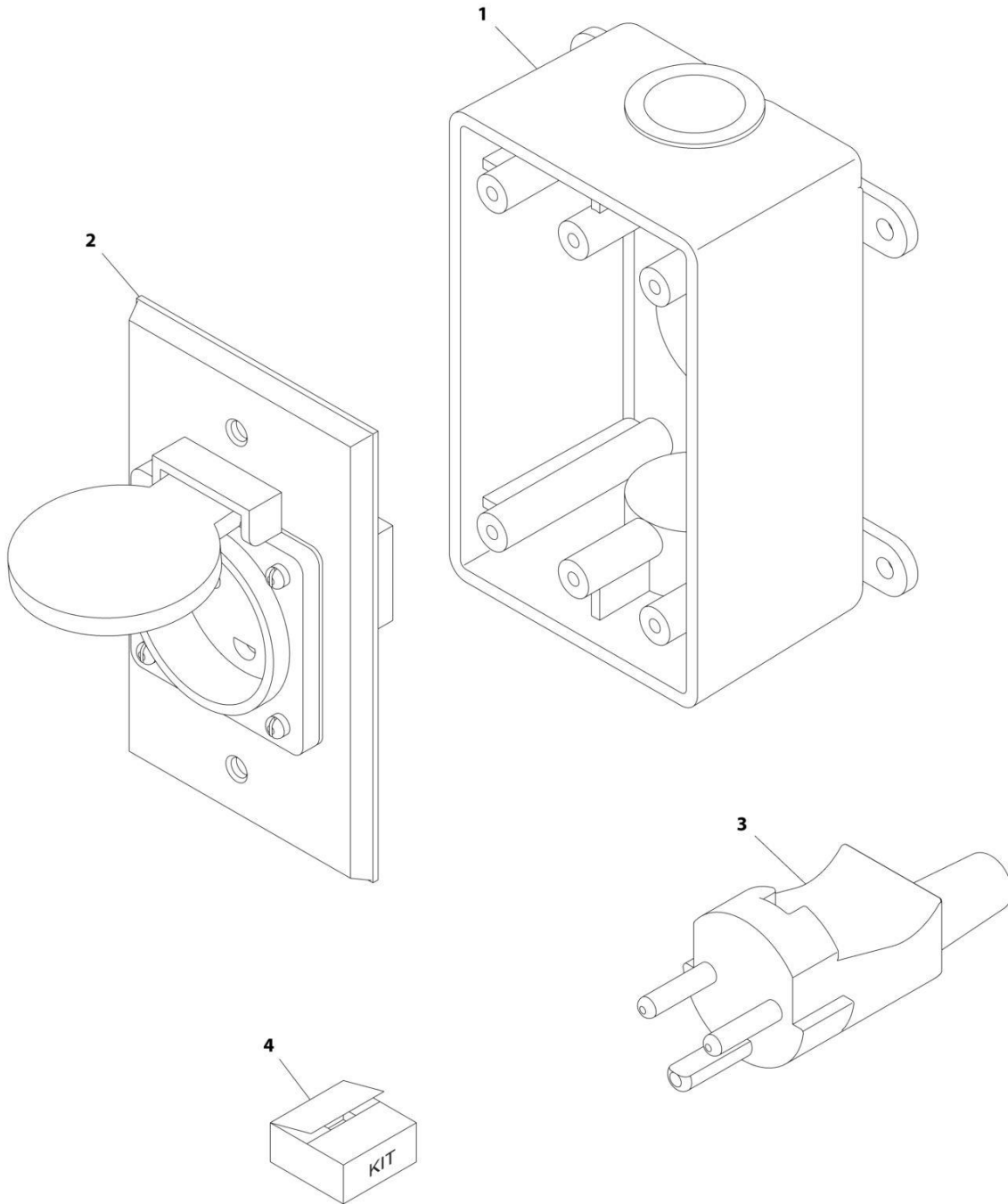
SECTION 8 - ELECTRICAL

FIGURE 8-59. RECEPTACLE BOX KIT - 220V CEE7 SIDE GROUND (RUSSIA, CE & UK CA SPECS)

ITEM	PART NUMBER	QTY	DESCRIPTION	REV
	0275453	Ref	RECEPTACLE BOX KIT - 220V CEE7 SIDE GROUND	B
1	0861731	1	Box, Switch	
2	4461245	1	Receptacle	
3	4461205	1	Plug, Male	
4	1001100347	1	Plug and Socket Kit (Includes Items 1-3 and Female Plug p/n 4461206)	

SECTION 8 - ELECTRICAL

FIGURE 8-60. RECEPTACLE BOX KIT - 220V AFSINT 107 (RUSSIA, CE & UK CA SPECS)



ART_0275454

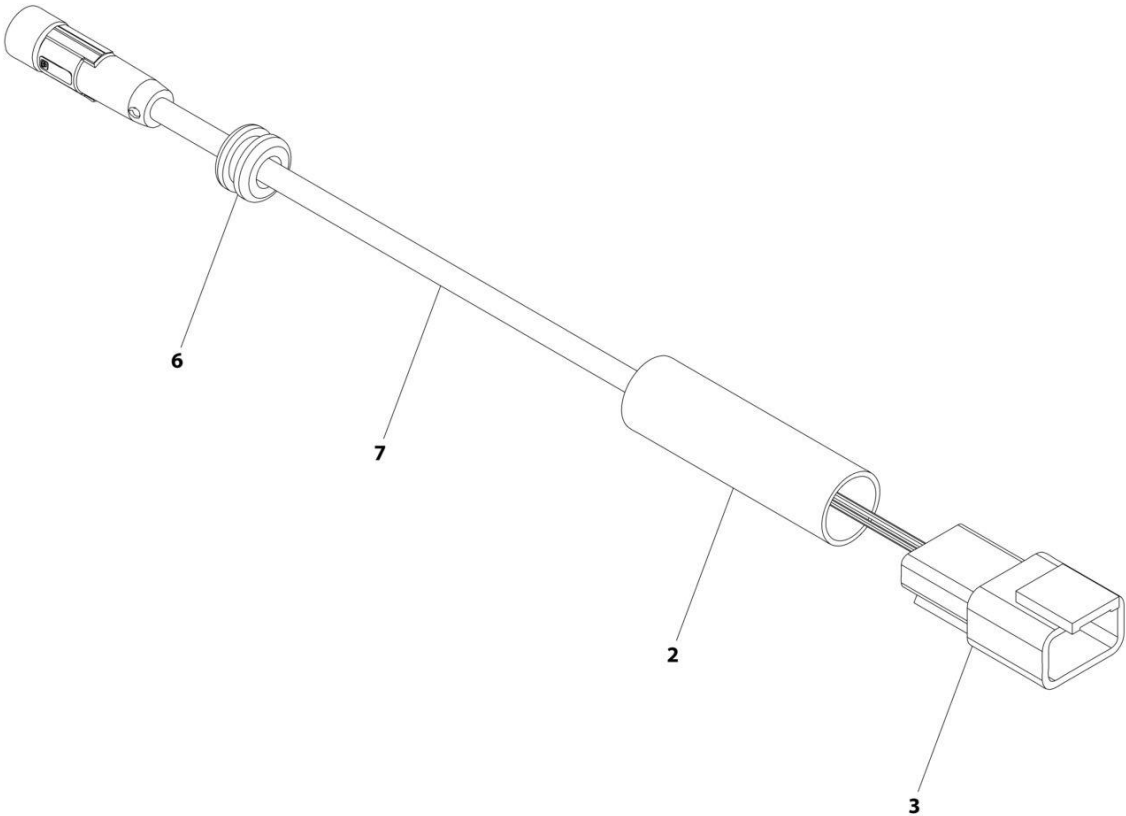
SECTION 8 - ELECTRICAL

FIGURE 8-60. RECEPTACLE BOX KIT - 220V AFSINT 107 (RUSSIA, CE & UK CA SPECS)

ITEM	PART NUMBER	QTY	DESCRIPTION	REV
	0275454	Ref	RECEPTACLE BOX KIT - 220V AFSINT 107	B
1	0861731	1	Box, Switch	
2	4461246	1	Receptacle	
3	4461249	1	Plug, Male	
4	1001100346	1	Plug and Socket Kit (Includes Items 1-3 and Female Plug p/n 4461250)	

SECTION 8 - ELECTRICAL

FIGURE 8-61. SKYEYE EMITTER HARNESS



ART_1001237864

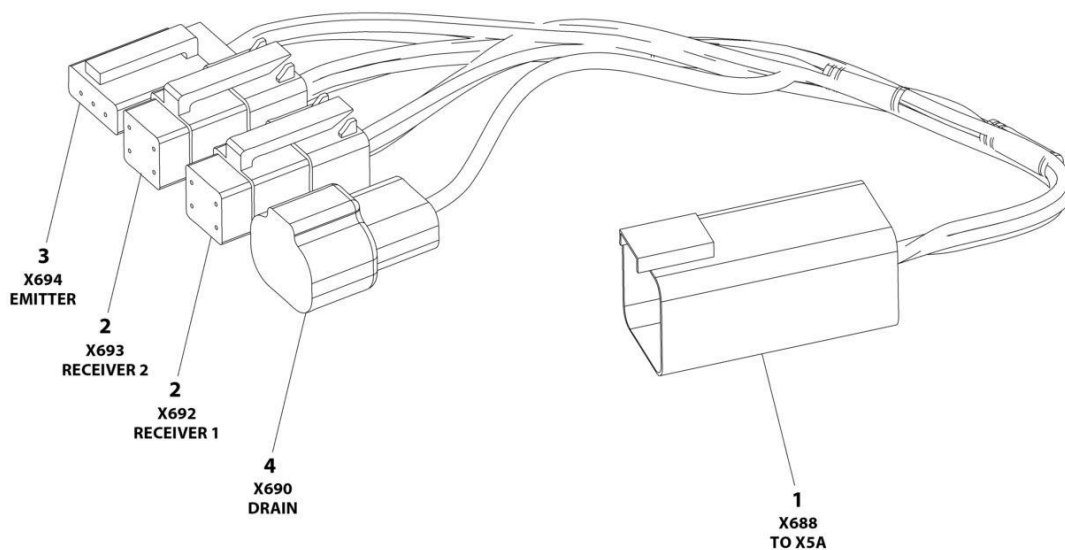
SECTION 8 - ELECTRICAL

FIGURE 8-61. SKYEYE EMITTER HARNESS

ITEM	PART NUMBER	QTY	DESCRIPTION	REV
	1001237864	Ref	SKYEYE EMITTER HARNESS	A
2	2820247	AR	Tubing, Heat Shrink	
3	4460910	1	Connector - 3 Position	
3	1001119620	3	Pin, Male	
6	1001227996	1	Grommet	
7	1001237862	1	Cable, M8 Female Cordset	

SECTION 8 - ELECTRICAL

FIGURE 8-62. SKYEYE INTERMEDIATE HARNESS



ART_1001237865

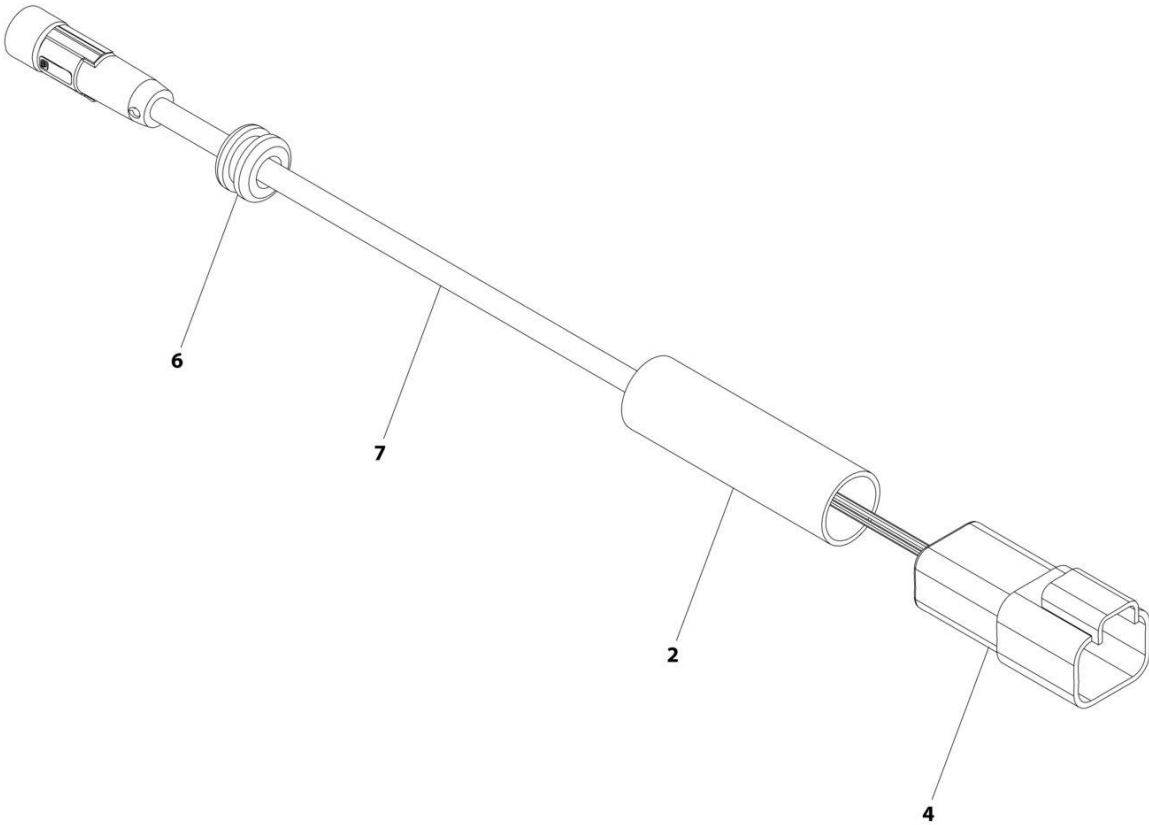
SECTION 8 - ELECTRICAL

FIGURE 8-62. SKYEYE INTERMEDIATE HARNESS

ITEM	PART NUMBER	QTY	DESCRIPTION	REV
	1001237865	Ref	SKYEYE INTERMEDIATE HARNESS	A
1	4460899	1	Connector - 6 Position	
1	4460943	4	Pin, Male	
1	4460466	2	Plug, Terminal	
2	4461077	2	Connector - 4 Position	
2	1001119619	8	Socket, Female	
3	4460911	1	Connector - 3 Position	
3	1001119619	3	Socket, Female	
4	1001187681	1	Connector - 2 Position	
4	4460941	1	Pin, Male	
4	4460466	1	Plug, Terminal	

SECTION 8 - ELECTRICAL

FIGURE 8-63. SKYEYE RECEIVER HARNESS



ART_1001237863

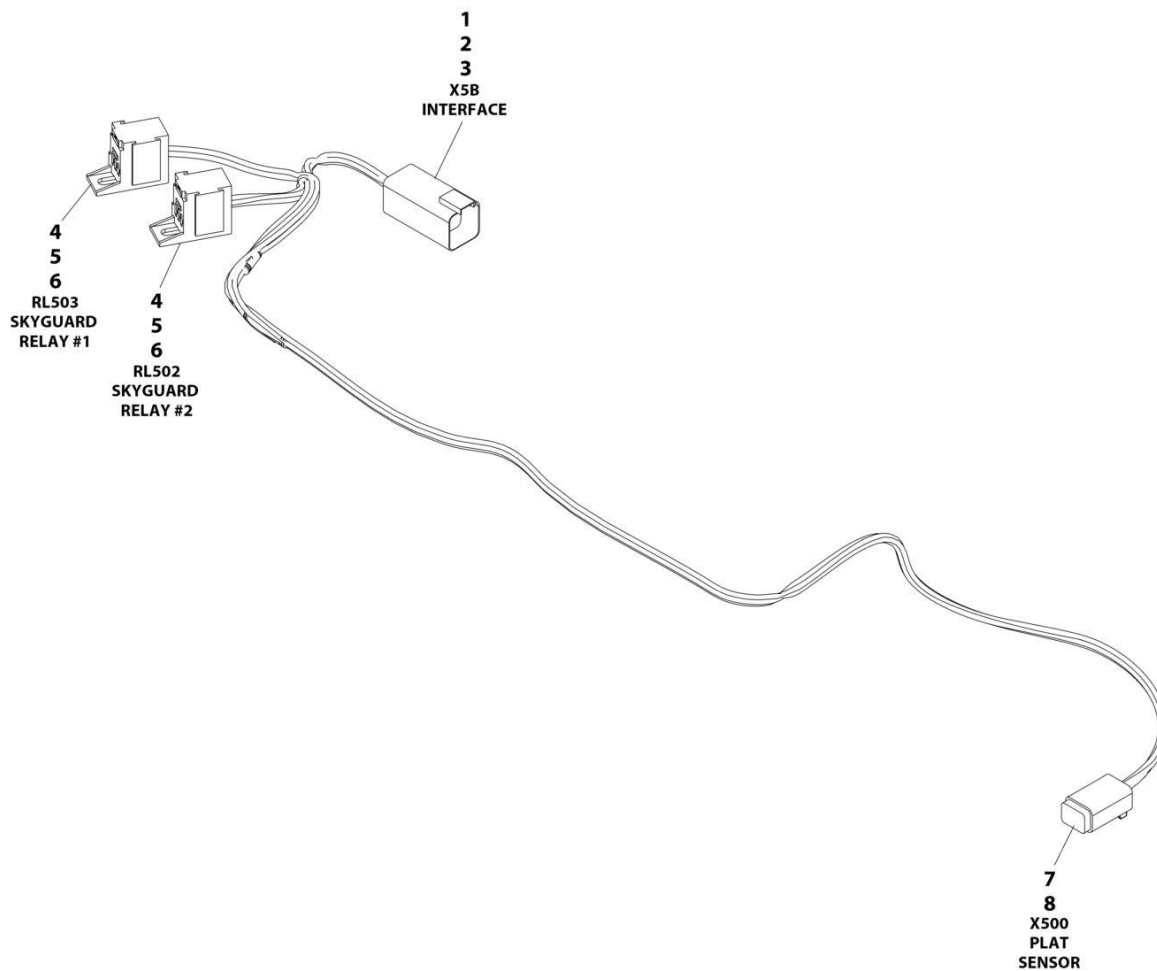
SECTION 8 - ELECTRICAL

FIGURE 8-63. SKYEYE RECEIVER HARNESS

ITEM	PART NUMBER	QTY	DESCRIPTION	REV
	1001237863	Ref	SKYEYE RECEIVER HARNESS	A
2	2820247	AR	Tubing, Heat Shrink	
4	1001097051	1	Connector - 4 Position	
4	1001119620	4	Pin, Male	
6	1001227996	1	Grommet	
7	1001237862	1	Cable, M8 Female Cordset	

SECTION 8 - ELECTRICAL

FIGURE 8-64. SKYGUARD INTERFACE HARNESS



ART_1001225580

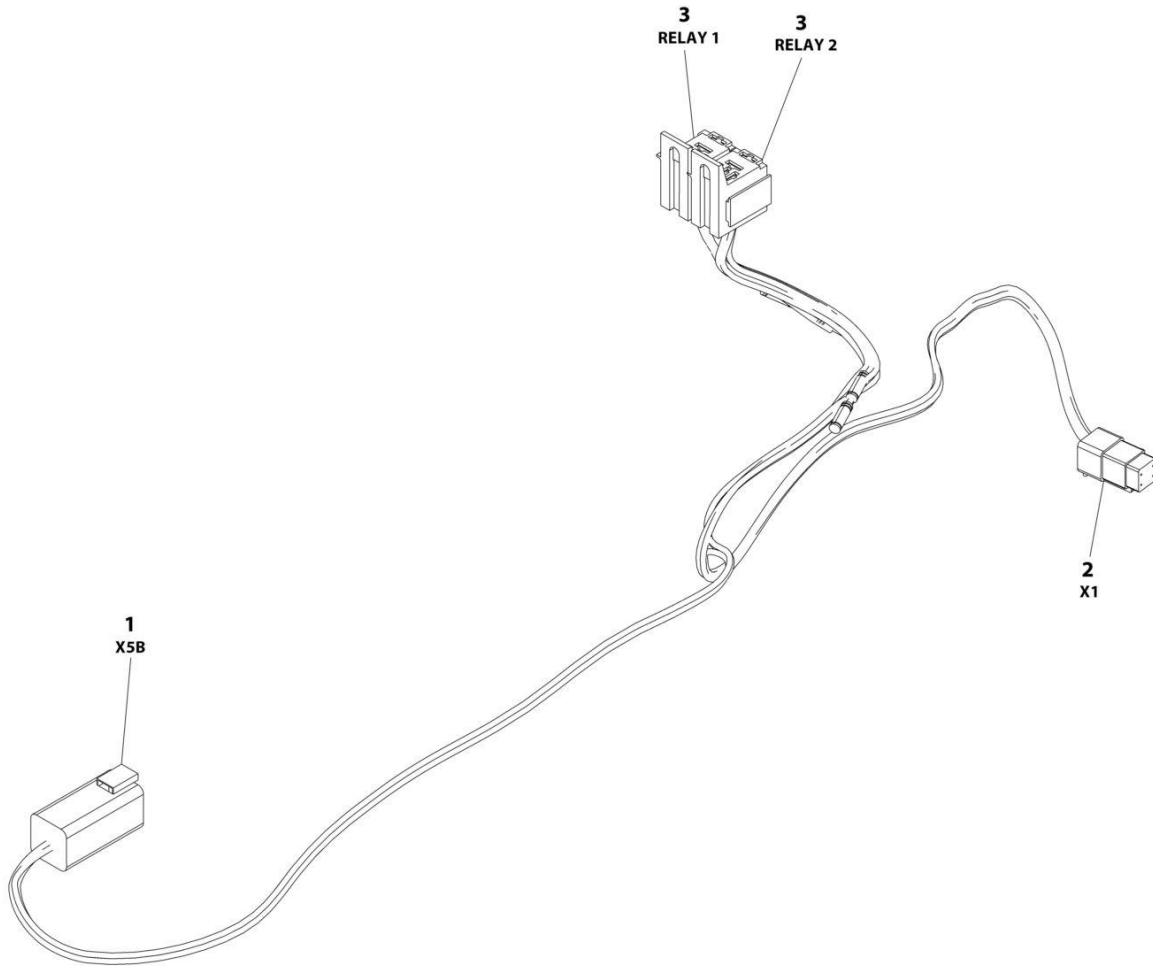
SECTION 8 - ELECTRICAL

FIGURE 8-64. SKYGUARD INTERFACE HARNESS

ITEM	PART NUMBER	QTY	DESCRIPTION	REV
	1001225580	Ref	INTERFACE HARNESS - WITH 1 CELL LSS	D
1	4460899	1	Connector	
2	4460464	4	Terminal	
3	4460466	2	Plug	
4	1001186432	2	Connector	
5	1001116720	4	Terminal	
6	1001118388	4	Terminal	
7	4460884	1	Connector	
8	4460465	4	Terminal	

SECTION 8 - ELECTRICAL

FIGURE 8-65. SKYLINE HARNESS



ART_1001238418

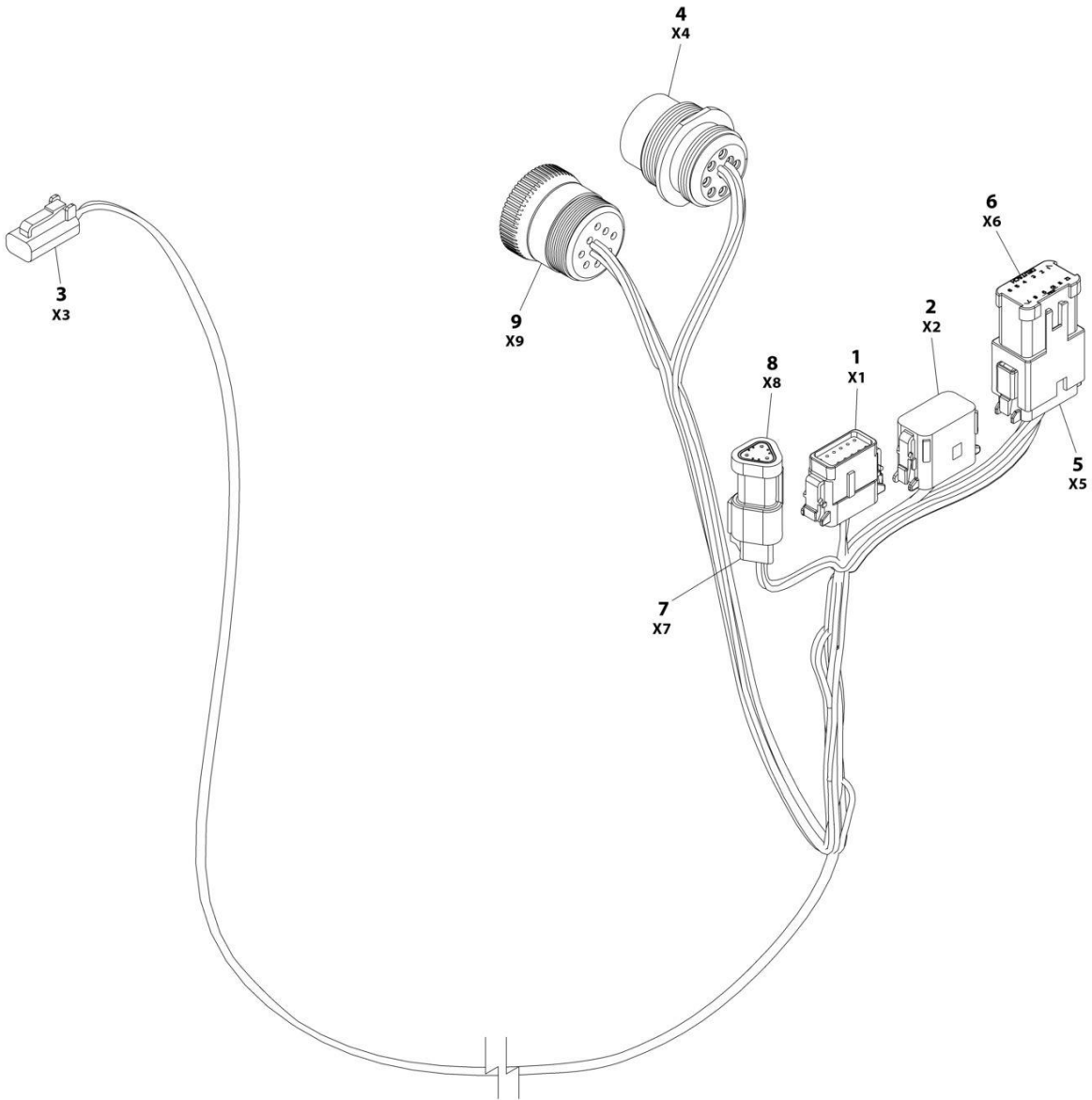
SECTION 8 - ELECTRICAL

FIGURE 8-65. SKYLINE HARNESS

ITEM	PART NUMBER	QTY	DESCRIPTION	REV
	1001238418	Ref	SKYLINE HARNESS	B
1	4460899	1	Connector - 6 Position	
1	4460464	4	Pin, Male	
1	4460466	2	Plug, Terminal	
2	4461077	1	Connector - 4 Position	
2	1001126009	4	Socket, Female	
3	1001186432	2	Plug, Relay	
3	1001118388	5	Terminal	
3	1001118384	3	Terminal	
3	3740086	2	Relay	

SECTION 8 - ELECTRICAL

FIGURE 8-66. STROBE LIGHT HARNESS (RED AND BLUE BEACON LIGHTS)



ART_1001142736

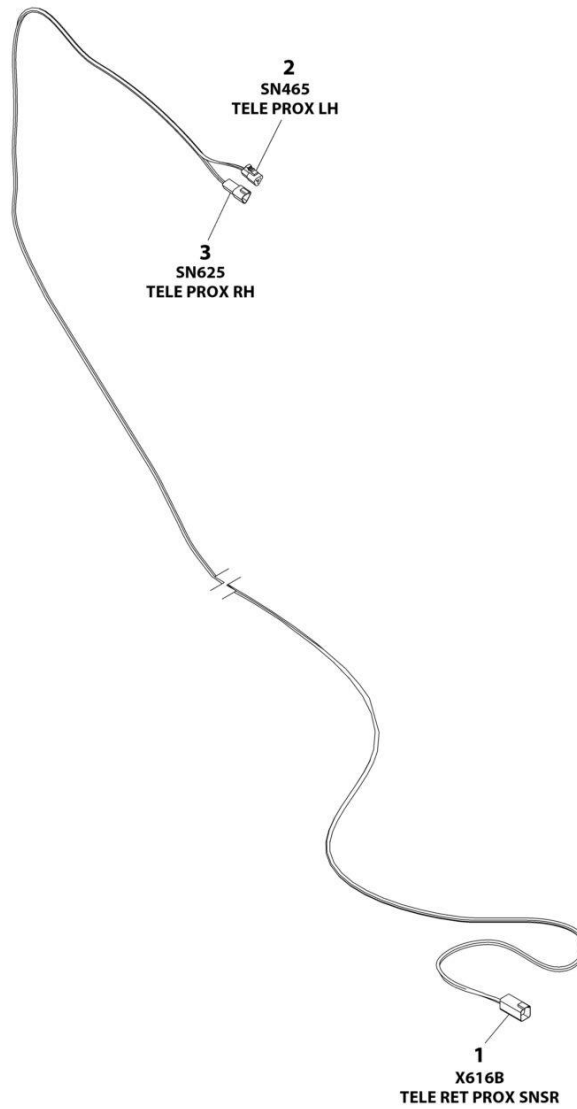
SECTION 8 - ELECTRICAL

FIGURE 8-66. STROBE LIGHT HARNESS (RED AND BLUE BEACON LIGHTS)

ITEM	PART NUMBER	QTY	DESCRIPTION	REV
	1001142736	Ref	STROBE LIGHT HARNESS	F
1	1001116808	1	Plug, Male - 12 Position	
1	4460928	3	Socket, Female	
1	4460518	9	Plug, Terminal	
2	1001116774	1	Plug, Male - 12 Position	
2	4460928	3	Socket, Female	
2	4460518	9	Plug, Terminal	
3	4460891	1	Plug, Male - 2 Position	
3	4460465	2	Socket, Female	
4	1001112612	1	Connector - 9 Position	
4	4460464	6	Pin, Male	
4	4460466	3	Plug, Terminal	
5	4460933	1	Plug, Male - 12 Position	
5	4460465	12	Socket, Female	
6	1001119020	1	Bussbar - 12 Position	
7	4461095	1	Plug, Male - 3 Position	
7	4460465	3	Socket, Female	
8	4461070	1	Bussbar - 3 Position	
9	1001112796	1	Connector - 9 Position	
9	4460465	6	Socket, Female	
9	4460466	3	Plug, Terminal	

SECTION 8 - ELECTRICAL

FIGURE 8-67. TELE PROXIMITY HARNESS



ART_1001189003

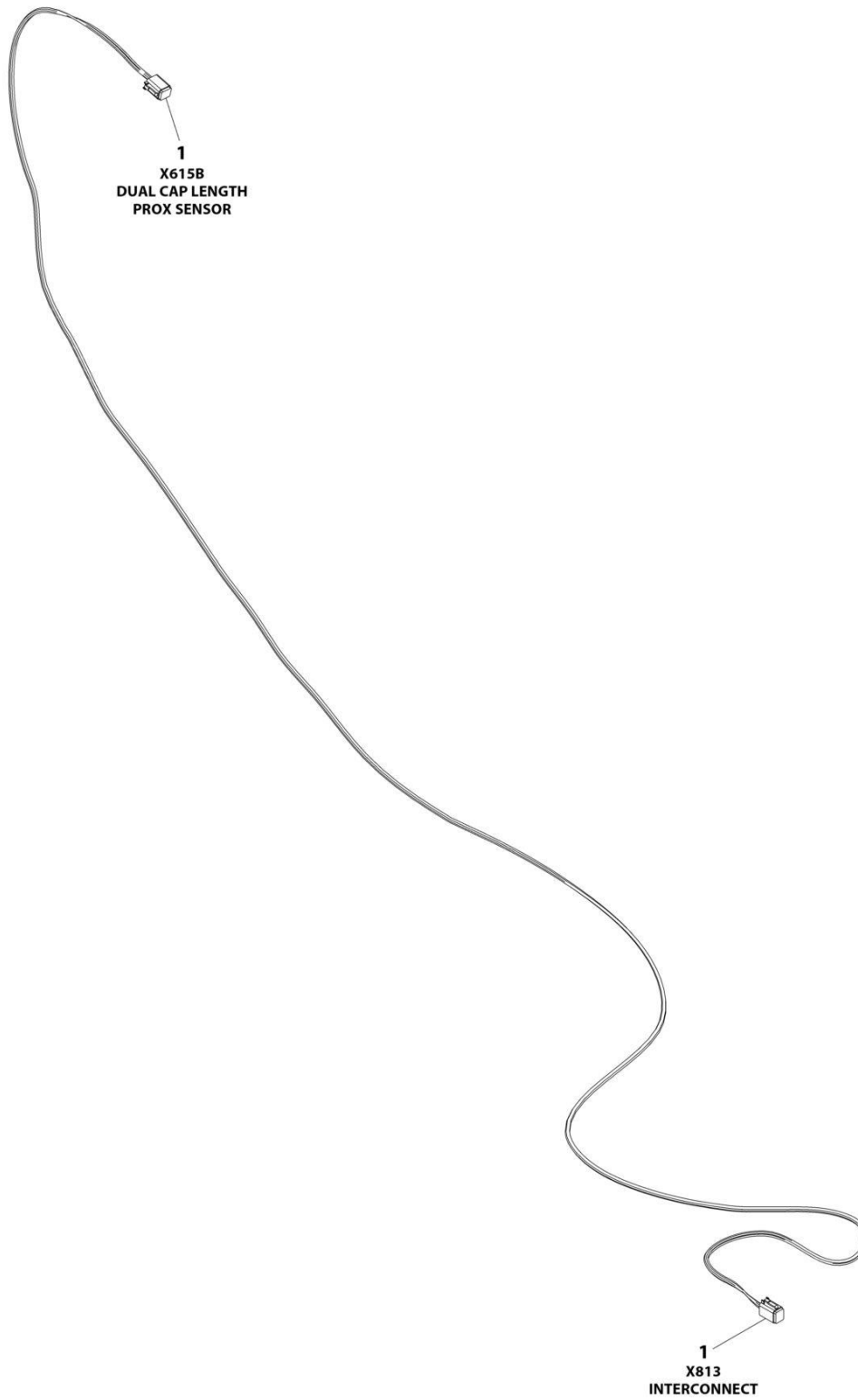
SECTION 8 - ELECTRICAL

FIGURE 8-67. TELE PROXIMITY HARNESS

ITEM	PART NUMBER	QTY	DESCRIPTION	REV
	1001189003	Ref	TELE PROXIMITY HARNESS	E
1	4460899	1	Receptacle, Female - 6 Position	
1	4460464	6	Pin, Male	
2	4460539	1	Plug, Male - 3 Position	
2	4460465	3	Socket, Female	
3	4460536	1	Receptacle, Female - 3 Position	
3	4460464	3	Pin, Male	

SECTION 8 - ELECTRICAL

FIGURE 8-68. TRANSPORT SWITCH HARNESS (660SJ HC3)



ART_1001242908

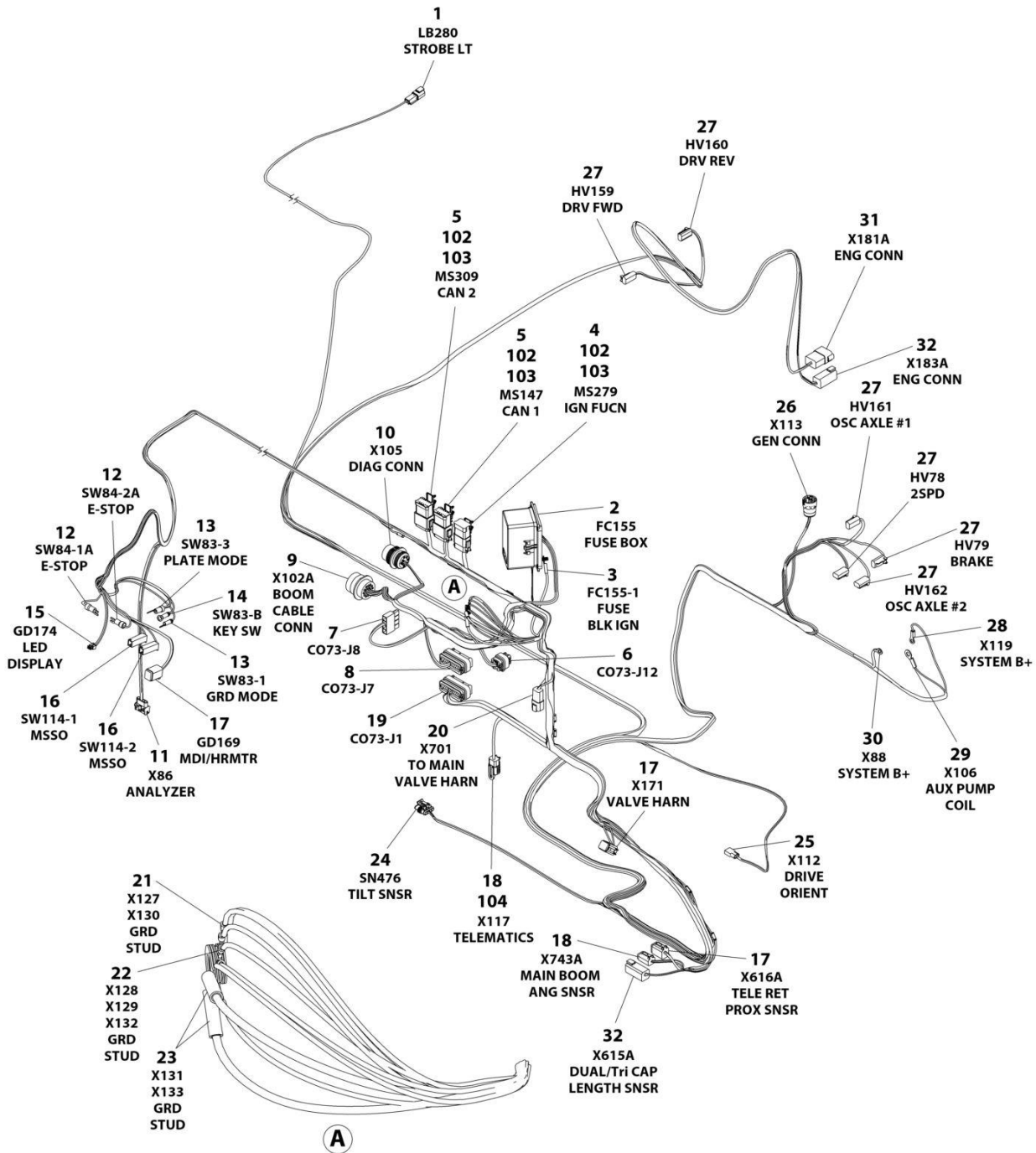
SECTION 8 - ELECTRICAL

FIGURE 8-68. TRANSPORT SWITCH HARNESS (660SJ HC3)

ITEM	PART NUMBER	QTY	DESCRIPTION	REV
	1001242908	Ref	CAPACITY PROXIMITY HARNESS	B
1	4460894	2	Plug, Male - 6 Position	
1	4460465	12	Socket, Female	

SECTION 8 - ELECTRICAL

FIGURE 8-69. TURNTABLE HARNESS



ART_1001238405

SECTION 8 - ELECTRICAL

FIGURE 8-69. TURNTABLE HARNESS

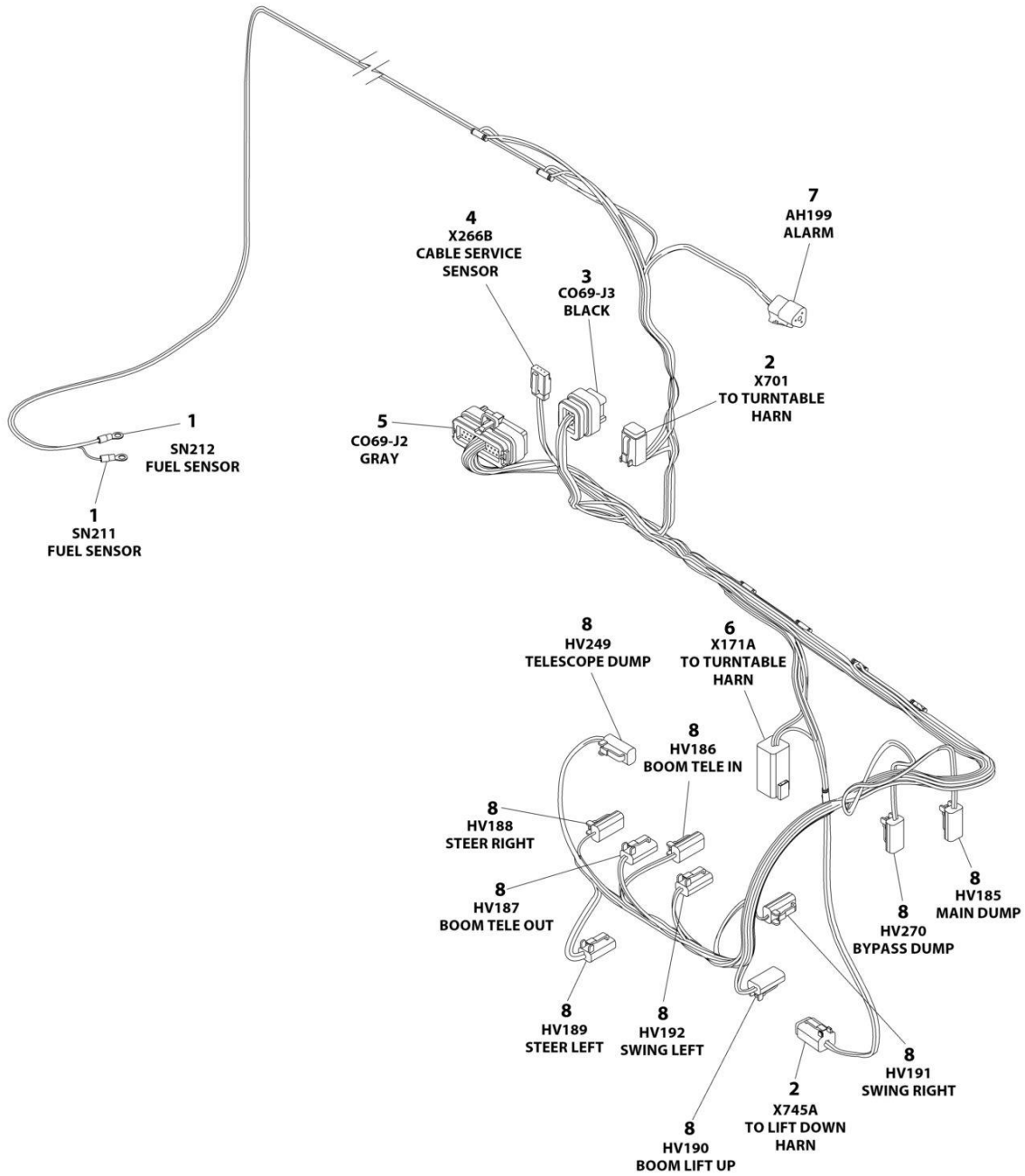
ITEM	PART NUMBER	QTY	DESCRIPTION	REV
	1001238405	Ref	TURNTABLE HARNESS	H
1	4460897	1	Receptacle, Female - 2 Position	
1	4460464	9	Pin, Male	
2	1001196602	1	Box, Fuse Less Fuses	
2	1001196604	1	Cover, Box	
2	1001190921	1	Spacer, Foam	
2	1001196634	2	Fuse 2 Amp	
2	8229242	7	Fuse 5 Amp	
2	8229244	2	Fuse 15Amp	
2	1001095704	2	Relay	
2	1001196636	2	Diode 1 Amp	
2	8220098	6	Terminal	
2	8220089	6	Seal, Terminal	
2	8220097	19	Terminal	
2	4460458	19	Seal, Terminal	
2	4460748	10	Plug, Terminal	
3	1001117106	1	Terminal, Ring	
4	4460933	1	Plug, Male - 12 Position	
4	4460465	8	Socket, Female	
4	4460466	4	Seal, Terminal	
5	4460933	2	Plug, Male - 12 Position	
5	4460465	16	Socket, Female	
5	4460466	8	Plug, Terminal	
6	1001113961	1	Connector - 8 Position	
6	4460871	5	Socket, Female	
6	4460905	3	Plug, Terminal	
7	4460878	1	Plug, Male - 4 Position	
7	4460887	2	Socket, Female	
8	4460873	1	Connector - 35 Position	
8	4460871	26	Socket, Female	
8	4460905	9	Plug, Terminal	
9	4460866	1	Connector - 19 Position	
9	4460464	10	Pin, Male	
9	4460508	2	Pin, Male	
9	4460466	7	Plug, Terminal	
10	1001112612	1	Connector - 9 Position	
10	4460464	5	Pin, Male	
10	4460466	4	Plug, Terminal	
11	1001119032	1	Receptacle, Female - 4 Position	
11	1001118378	4	Pin, Male	
12	4460183	2	Terminal, Ring	
13	4460042	2	Terminal, Ring	
14	4460247	1	Terminal, Ring	
15	1001237667	1	Plug, Male - 6 Position	
15	1001237668	5	Terminal	
16	4460260	2	Cover, Terminal	
16	4460259	2	Terminal	
17	4460894	3	Plug, Male - 6 Position	
17	4460465	13	Socket, Female	
17	4460466	5	Plug, Terminal	

SECTION 8 - ELECTRICAL

ITEM	PART NUMBER	QTY	DESCRIPTION	REV
18	4460884	2	Plug, Male - 4 Position	
18	4460465	8	Socket, Female	
19	4460874	1	Connector - 35 Position	
19	4460871	21	Socket, Female	
19	4460905	14	Plug, Terminal	
20	4460932	1	Receptacle, Female - 4 Position	
20	4460464	4	Pin, Male	
21	1001187078	2	Terminal, Ring	
22	1001187077	3	Terminal, Ring	
23	1001117110	2	Terminal, Ring	
24	1001103012	1	Plug, Male - 4 Position	
24	1001107854	4	Terminal	
25	4460424	1	Receptacle, Female - 2 Position	
25	4460226	2	Socket, Female	
26	4460967	1	Plug, Male - 3 Position	
26	4460465	3	Socket, Female	
27	4460891	6	Plug, Male - 2 Position	
27	4460465	12	Socket, Female	
28	4460703	1	Terminal, Ring	
29	4460702	1	Terminal, Ring	
30	8220045	1	Terminal, Ring	
31	4460931	1	Receptacle, Female - 8 Position	
31	4460464	5	Pin, Male	
31	4460466	3	Socket, Female	
32	4460899	2	Receptacle, Female - 6 Position	
32	4460464	11	Pin, Male	
32	4460466	1	Seal, Terminal	
102	1001125677	3	Connector, Bussbar	
103	1001121172	3	Mount, Connector	
104	1001192401	1	Cap, Dust	

SECTION 8 - ELECTRICAL

FIGURE 8-70. VALVE HARNESS - MAIN VALVE



ART_1001238407

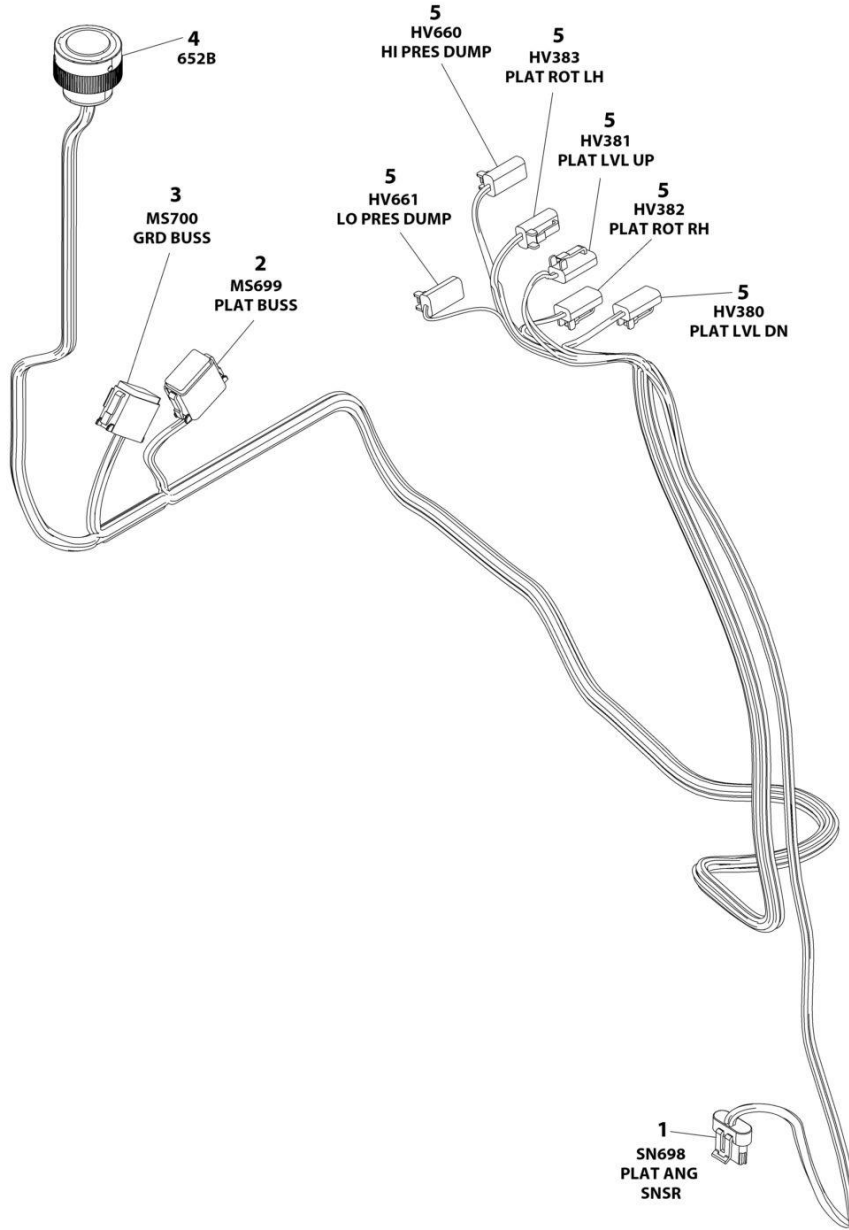
SECTION 8 - ELECTRICAL

FIGURE 8-70. VALVE HARNESS - MAIN VALVE

ITEM	PART NUMBER	QTY	DESCRIPTION	REV
	1001238407	Ref	MAIN VALVE HARNESS	B
1	4460313	2	Terminal, Ring	
2	4460884	2	Plug, Male - 4 Position	
2	4460465	8	Socket, Female	
3	4460872	1	Connector - 14 Position	
3	4460871	10	Socket, Female	
3	4460905	4	Plug, Terminal	
4	4460911	1	Plug, Male - 3 Position	
4	1001116694	3	Socket, Female	
5	4460875	1	Connector - 35 Position	
5	4460871	24	Socket, Female	
5	4460905	11	Plug, Terminal	
6	4460899	1	Receptacle, Female - 6 Position	
6	4460464	6	Pin, Male	
7	4460539	1	Plug, Male - 3 Position	
7	4460465	3	Socket, Female	
8	4460891	10	Plug, Male - 2 Position	
8	4460465	20	Socket, Female	

SECTION 8 - ELECTRICAL

FIGURE 8-71. VALVE HARNESS - PLATFORM VALVE - 600S HC3



ART_1001191328

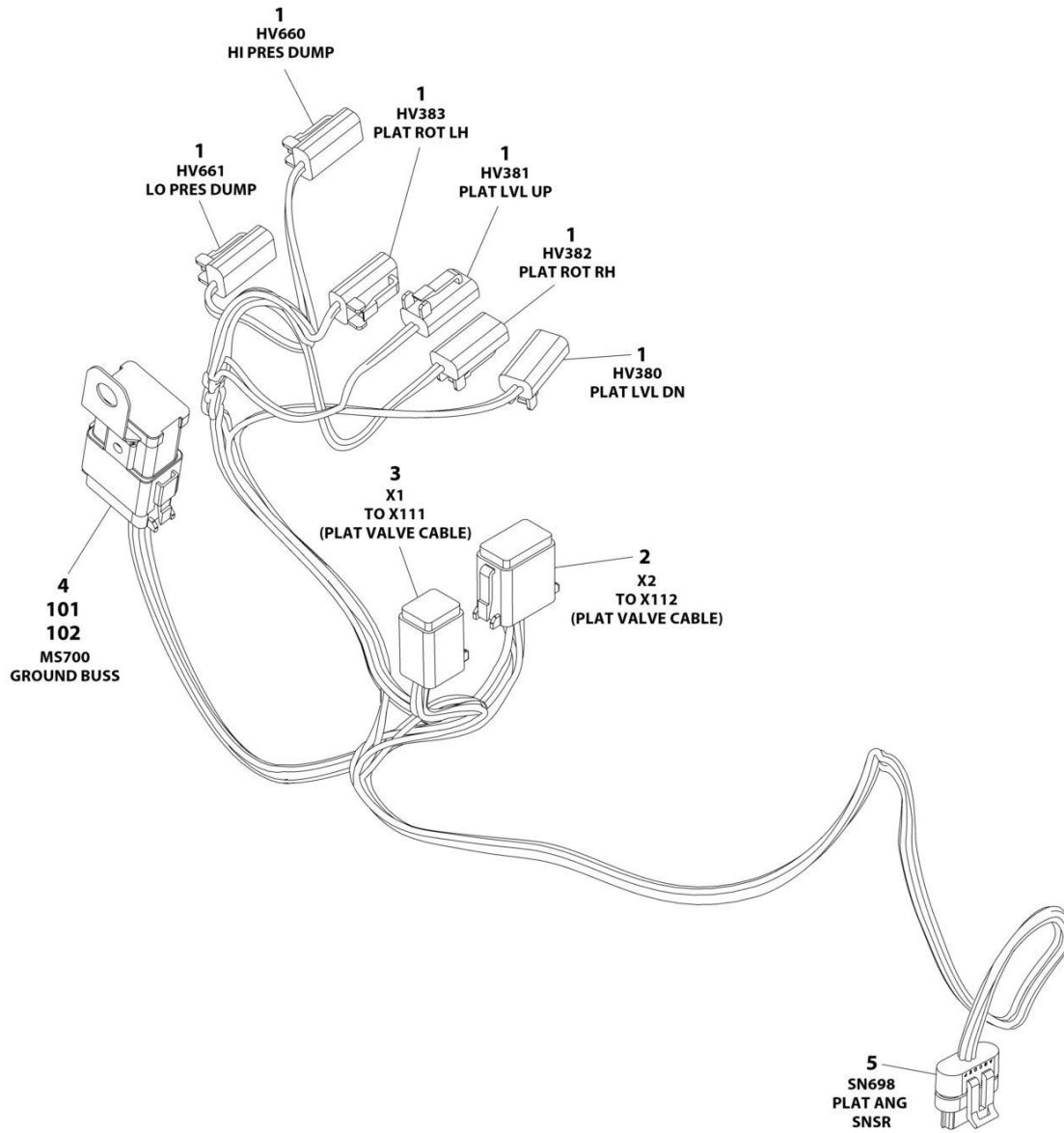
SECTION 8 - ELECTRICAL

FIGURE 8-71. VALVE HARNESS - PLATFORM VALVE - 600S HC3

ITEM	PART NUMBER	QTY	DESCRIPTION	REV
	1001191328	Ref	PLATFORM VALVE HARNESS	G
1	1001230931	1	Plug, Male - 6 Position	
1	1001116748	6	Terminal	
2	4460933	1	Plug, Male - 12 Position	
2	4460465	6	Socket, Female	
2	4460466	6	Plug, Terminal	
2	1001125677	1	Connector, Bussbar	
2	1001120328	1	Mount, Connector	
3	4460836	1	Plug, Male - 12 Posiiton	
3	4460465	7	Socket, Female	
3	4460466	5	Plug, Terminal	
3	4460837	1	Connector, Bussbar	
3	1001120328	1	Mount, Connector	
4	4460926	1	Connector - 21 Position	
4	4460465	11	Socket, Female	
4	4460466	10	Plug, Terminal	
5	4460891	6	Plug, Male - 2 Position	
5	4460465	12	Socket, Female	

SECTION 8 - ELECTRICAL

FIGURE 8-72. VALVE HARNESS - PLATFORM VALVE - 600S HC3 (DEUTZ 2.2L3 (STAGE V) ENGINES)



ART_1001266276

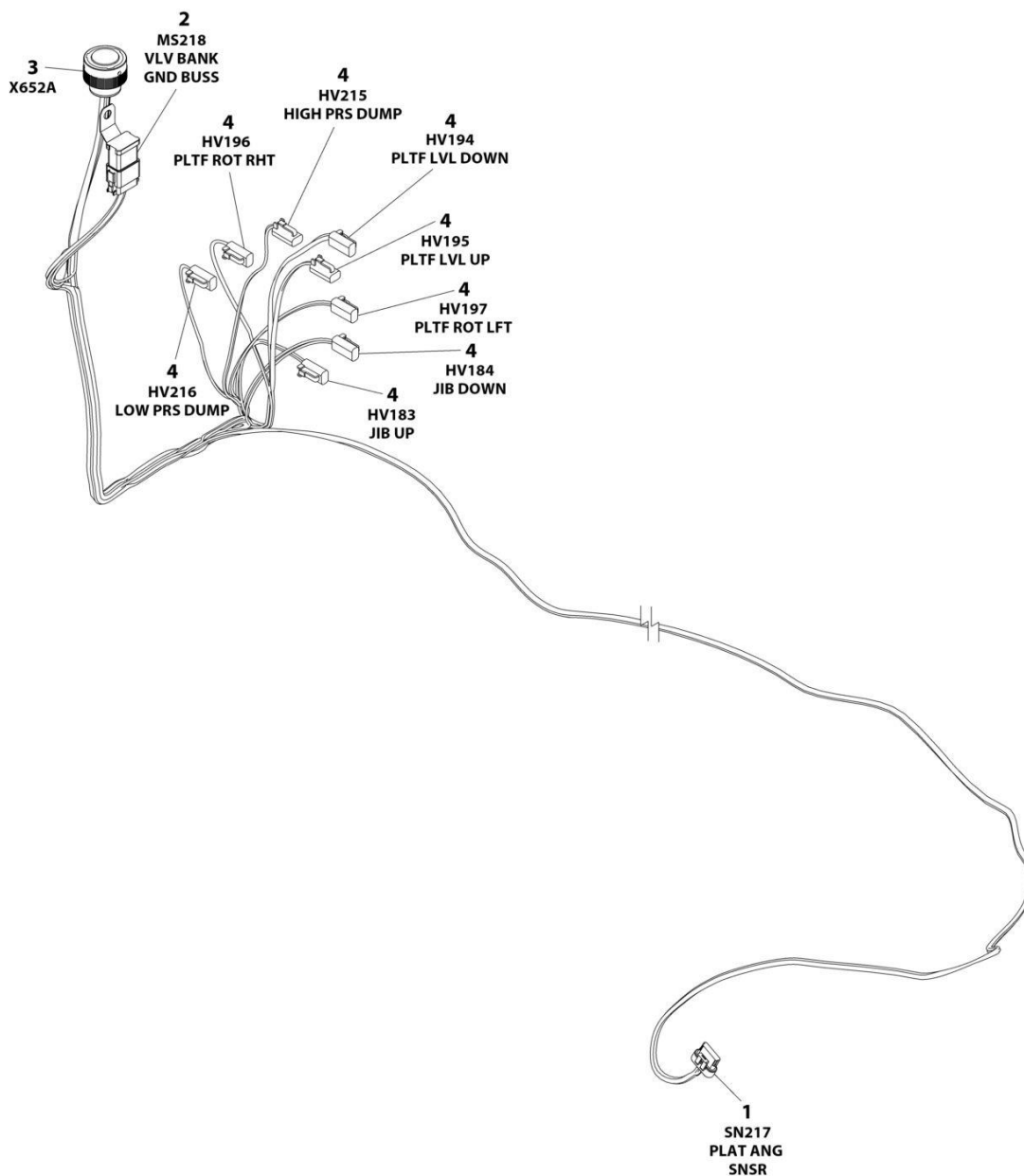
SECTION 8 - ELECTRICAL

FIGURE 8-72. VALVE HARNESS - PLATFORM VALVE - 600S HC3 (DEUTZ 2.2L3 (STAGE V) ENGINES)

ITEM	PART NUMBER	QTY	DESCRIPTION	REV
	1001266276	Ref	PLATFORM VALVE HARNESS	A
1	4460891	1	Connector	
2	4460465	2	Terminal	
3	4460891	1	Connector	
4	4460465	2	Terminal	
5	4460891	1	Connector	
6	4460465	2	Terminal	
7	4460891	1	Connector	
8	4460465	2	Terminal	
9	4460891	1	Connector	
10	4460465	2	Terminal	
11	4460891	1	Connector	
12	4460465	2	Terminal	
13	4460930	1	Connector	
14	4460465	7	Terminal	
15	4460466	1	Plug	
16	4460894	1	Connector	
17	4460465	6	Terminal	
18	4460836	1	Connector	
19	4460465	7	Terminal	
20	4460466	5	Plug	
21	1001230931	1	Connector	
22	1001116748	6	Terminal	
23	4460837	1	Connector	
24	1001120328	1	Mount	

SECTION 8 - ELECTRICAL

FIGURE 8-73. VALVE HARNESS - PLATFORM VALVE - 660SJ HC3



ART_1001264338

SECTION 8 - ELECTRICAL

FIGURE 8-73. VALVE HARNESS - PLATFORM VALVE - 660SJ HC3

ITEM	PART NUMBER	QTY	DESCRIPTION	REV
	1001264338	Ref	PLATFORM VALVE HARNESS	A
1	1001230931	1	Plug, Male - 6 Position	
1	1001116748	6	Terminal	
2	4460836	1	Plug, Male - 12 Position	
2	4460465	9	Socket, Female	
2	4460466	3	Plug, Terminal	
2	4460837	1	Connector, Bussbar	
2	1001120328	1	Clip, Mounting	
3	4460926	1	Connector - 21 Position	
3	4460928	15	Socket, Female	
3	4460518	6	Plug, Terminal	
4	4460891	8	Plug, Male - 2 Position	
4	4460465	16	Socket, Female	

SECTION 8 - ELECTRICAL

FIGURE 8-74. WHITE NOISE ALARM HARNESS



ART_1001243682

SECTION 8 - ELECTRICAL

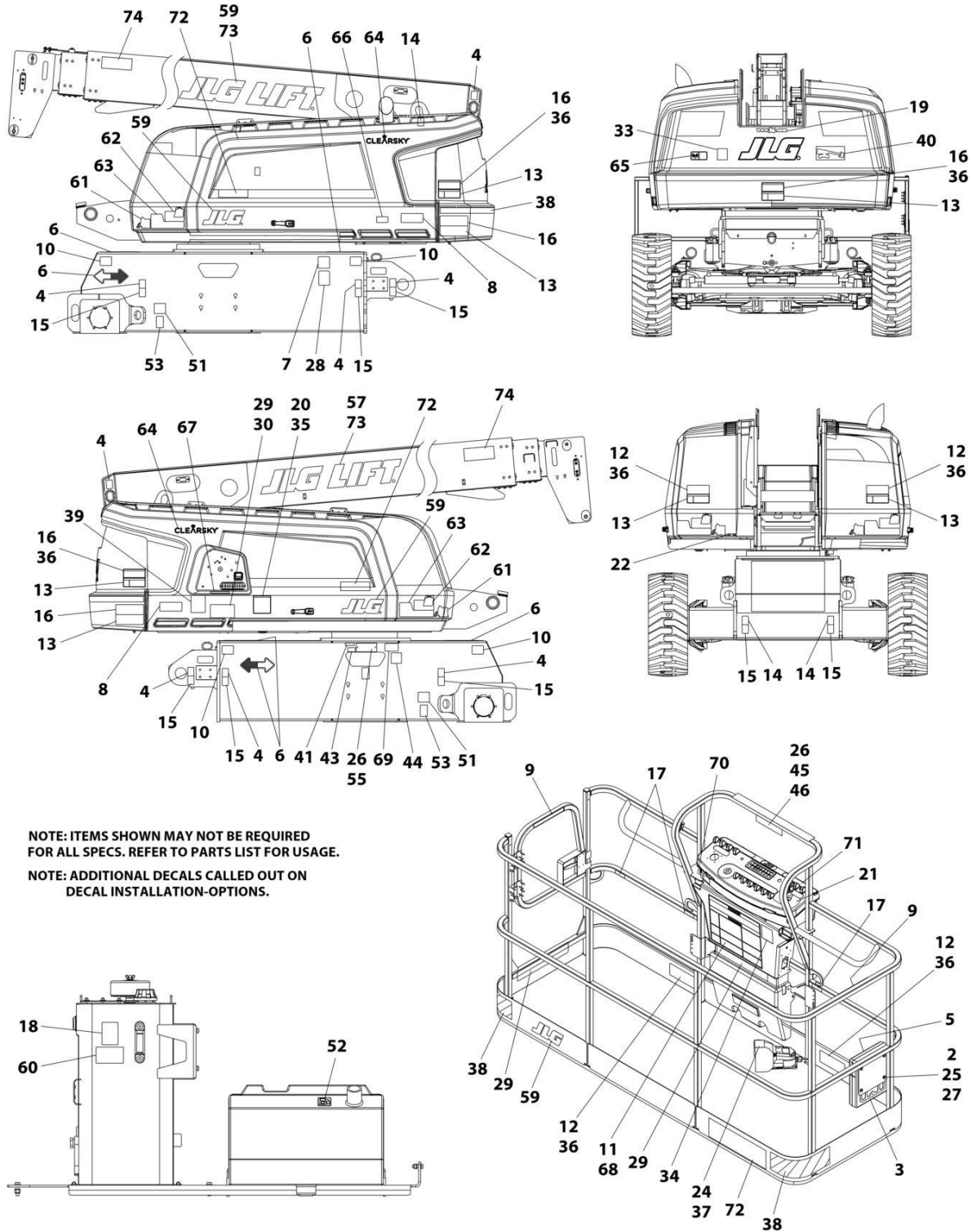
FIGURE 8-74. WHITE NOISE ALARM HARNESS

ITEM	PART NUMBER	QTY	DESCRIPTION	REV
	1001243682	Ref	WHITE NOISE ALARM HARNESS	A
1	4460891	1	Plug, Male - 2 Position	
1	4460465	2	Socket, Female	
2	4460871	1	Terminal	
3	4460539	1	Plug, Male- 3 Position	
3	4460465	3	Socket, Female	
4	4460536	1	Receptacle, Female- 3 Position	
4	4460464	3	Pin, Male	

SECTION 9 - DECALS

SECTION 9 - DECALS

FIGURE 9-1. DECAL INSTALLATION (ANSI SPECS - ENGLISH LANGUAGE)



NOTE: ITEMS SHOWN MAY NOT BE REQUIRED FOR ALL SPECS. REFER TO PARTS LIST FOR USAGE.

NOTE: ADDITIONAL DECALS CALLED OUT ON DECAL INSTALLATION-OPTIONS.

ART_1001235387

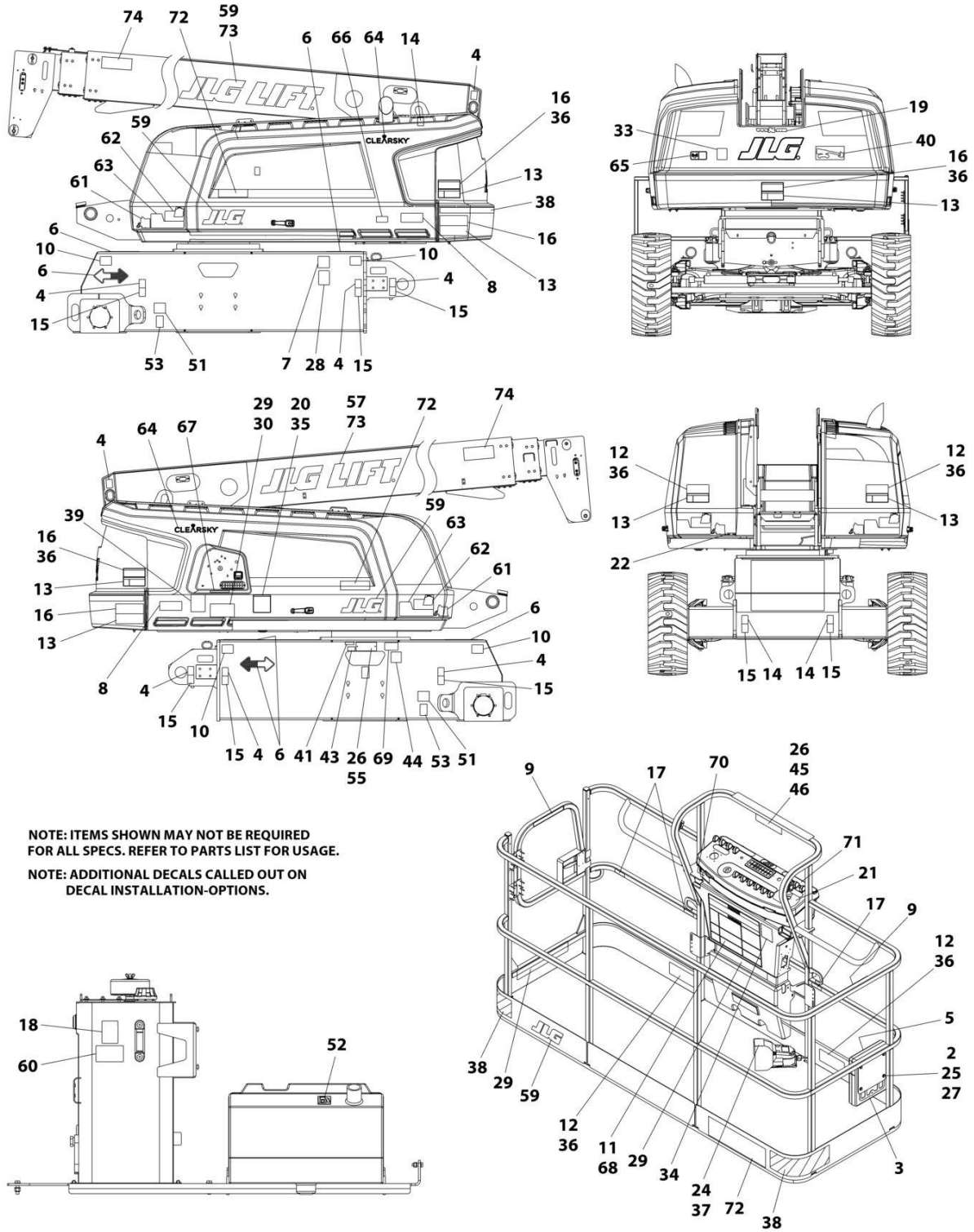
SECTION 9 - DECALS

FIGURE 9-1. DECAL INSTALLATION (ANSI SPECS - ENGLISH LANGUAGE)

ITEM	PART NUMBER	QTY	DESCRIPTION	REV
	1001235387	Ref	DECAL INSTALLATION	B
2	0700610	4	Bolt M6 x 20	
3	91403230	1	Box, Manual Storage	
4	1701499	8	Decal - No Tie Down/Lift	
5	1701509	1	Decal - Manual	
6	1701529	4	Decal - Arrow	
7	See Note	NSS	Decal - Bar Code (Note: Not Available for Purchase)	
9	1702868	2	Decal - No Hands	
11	1703797	1	Decal - Danger/Warning	
12	1703804	4	Decal - Warning/Crushing	
13	1703805	5	Decal - Electrocution	
14	1703811	4	Decal - Lifting Lug	
15	1703814	8	Decal - Tie Down	
16	1703953	3	Decal - Warning/Crushing	
17	1704277	3	Decal - Lanyard Attach	
18	1704412	1	Decal - Hydraulic Oil	
20	1705336	1	Decal - Danger/Warning	
21	1705351	1	Decal - Drive/Steer Instruction	
22	3251243	1	Decal - 120V/60Hz	
24	3252347	1	Nameplate - Footswitch	
25	3290605	4	Nut M6	
26	3820001	2	Rivet	
27	4811700	8	Washer M6	
28	1001131269	1	Decal - Patent	
29	1001234425	1	Decal - Warning/Tri-Capacity	
30	1001234426	1	Decal - Warning/Tri-Capacity	
38	4420051	208 in /5.3m	Tape, Safety	
43	1001223453	1	Decal - ICES (Canada)	
44	1001223055	1	Decal - Yearly Inspection	
71	1001184618	1	Decal - Stop Auxiliary/Power	

SECTION 9 - DECALS

FIGURE 9-2. DECAL INSTALLATION (AUSTRALIAN SPECS - ENGLISH LANGUAGE)



NOTE: ITEMS SHOWN MAY NOT BE REQUIRED FOR ALL SPECS. REFER TO PARTS LIST FOR USAGE.

NOTE: ADDITIONAL DECALS CALLED OUT ON DECAL INSTALLATION-OPTIONS.

ART_1001250609

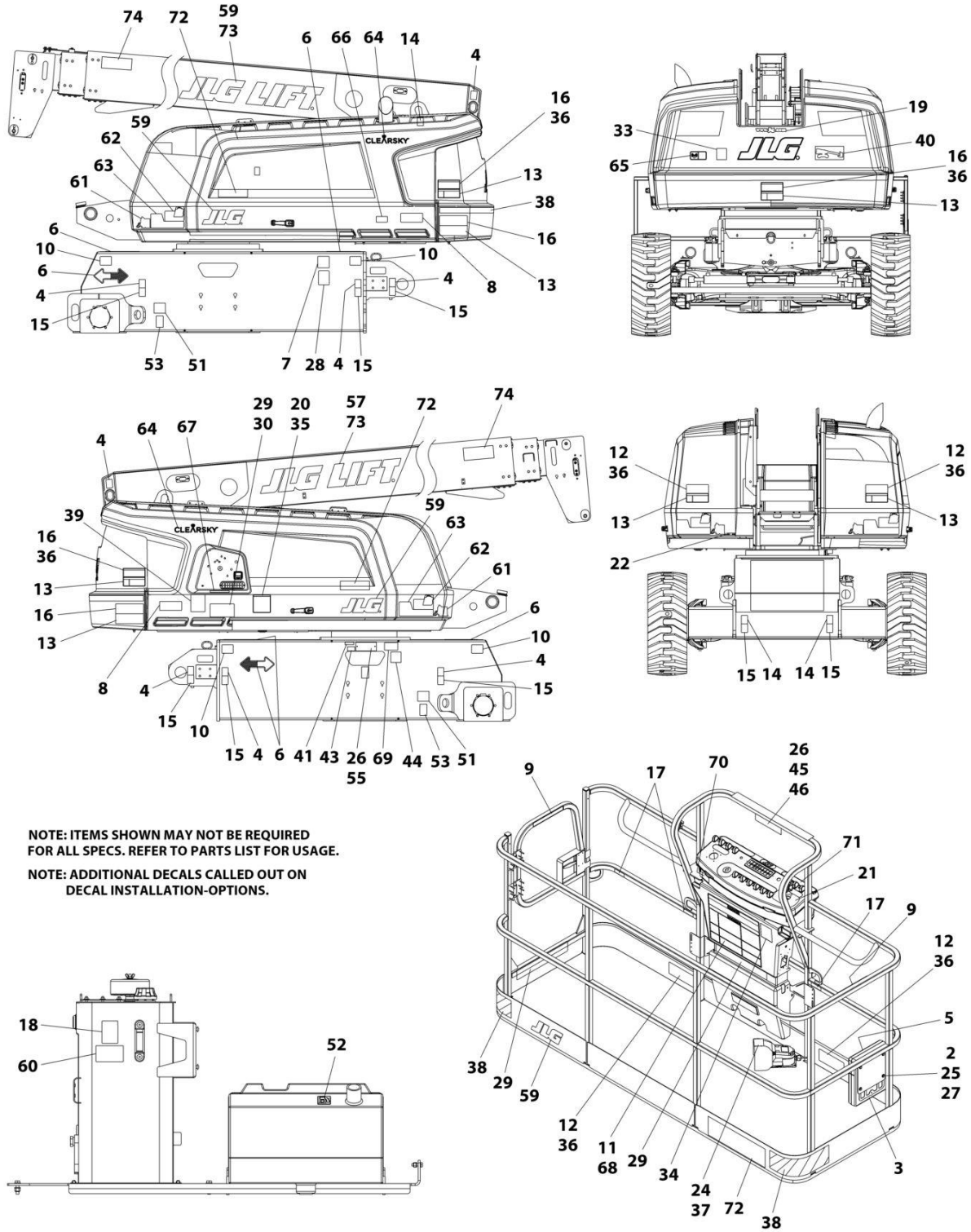
SECTION 9 - DECALS

FIGURE 9-2. DECAL INSTALLATION (AUSTRALIAN SPECS - ENGLISH LANGUAGE)

ITEM	PART NUMBER	QTY	DESCRIPTION	REV
	1001250609	Ref	DECAL INSTALLATION	C
2	0700610	4	Bolt M6 x 20	
3	91403230	1	Box, Manual Storage	
4	1701499	8	Decal - No Tie Down/Lift	
5	1701509	1	Decal - Manual	
6	1701529	4	Decal - Arrow	
7	See Note	NSS	Decal - Bar Code (Note: Not Available For Purchase)	
13	1705961	5	Decal - Electrocutation	
14	1703811	4	Decal - Lifting Lug	
15	1703814	8	Decal - Tie Down	
17	1704277	3	Decal - Lanyard Attach	
18	1704412	1	Decal - Hydraulic Oil	
25	3290605	4	Nut M6	
26	3820001	2	Rivet	
27	4811700	8	Washer M6	
29	1001234439	1	Decal - Warning/Tri - Capacity	
30	1001234439	1	Decal - Warning/Tri - Capacity	
34	1705921	1	Decal - Tipping/Electrocutation	
35	1705822	1	Decal - Electrocutation/Safety Manual	
36	1701518	7	Decal - Crushing	
37	1705828	1	Nameplate - Footswitch	
38	4420051	208 in/ 5.3m	Tape, Safety	
39	1001112551	1	Decal - Emergency Controls	
69	1001231422	1	Decal - Wheel Assembly Mass	
71	1001184618	1	Decal - Stop/Auxiliary Power	

SECTION 9 - DECALS

FIGURE 9-3. DECAL INSTALLATION (BRAZIL SPECS - PORTUGUESE/SPANISH LANGUAGES)



NOTE: ITEMS SHOWN MAY NOT BE REQUIRED FOR ALL SPECS. REFER TO PARTS LIST FOR USAGE.

NOTE: ADDITIONAL DECALS CALLED OUT ON DECAL INSTALLATION-OPTIONS.

ART_1001235446

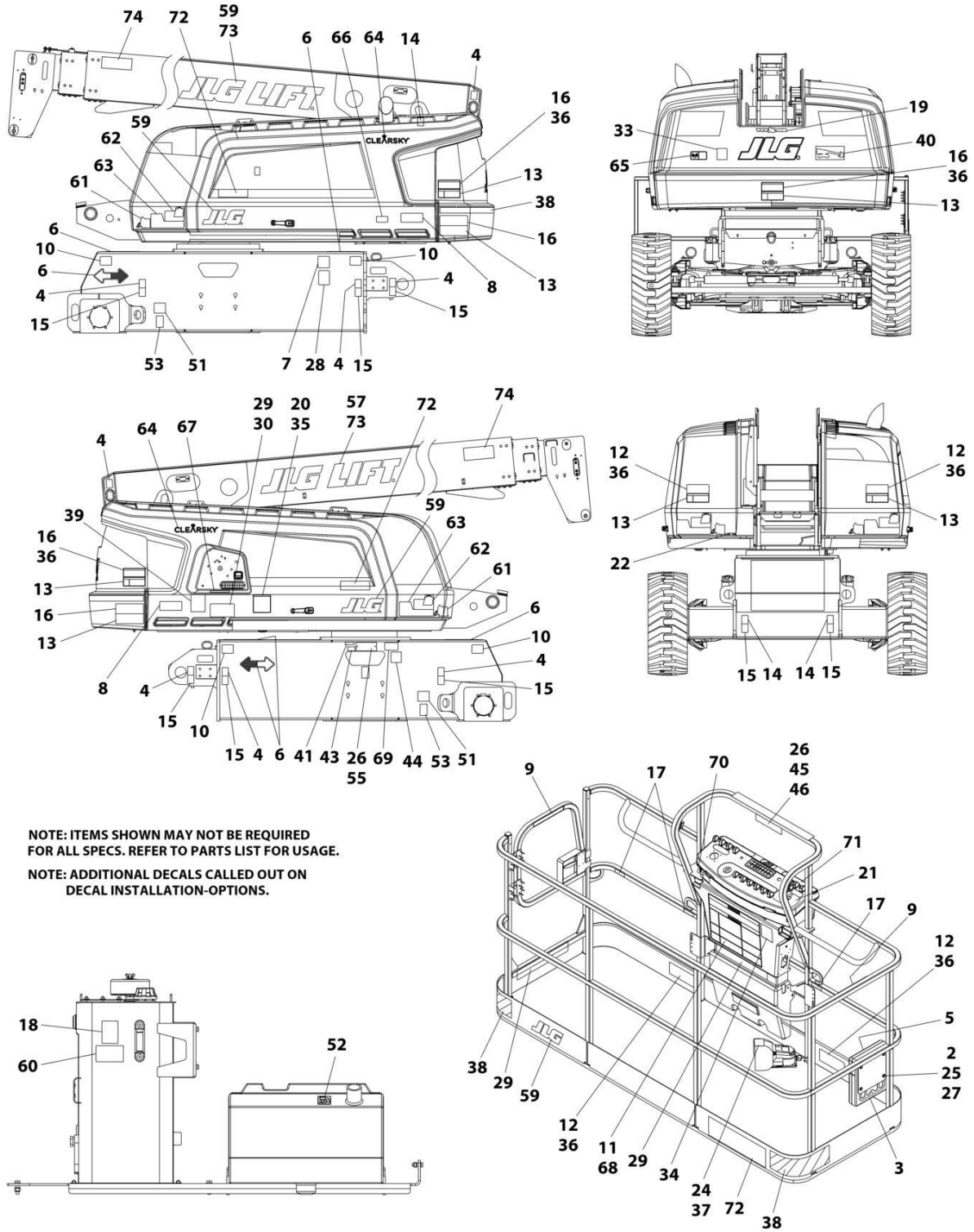
SECTION 9 - DECALS

FIGURE 9-3. DECAL INSTALLATION (BRAZIL SPECS - PORTUGUESE/SPANISH LANGUAGES)

ITEM	PART NUMBER	QTY	DESCRIPTION	REV
	1001235446	Ref	DECAL INSTALLATION	B
2	0700610	4	Bot M6 x 20	
3	91403230	1	Box, Manual Storage	
4	1701499	8	Decal - No Tie Down/Lift	
5	1701509	1	Decal - Manual	
6	1701529	4	Decal - Arrow	
7	See Note	NSS	Decal - Bar Code (Note: Not Available For Purchase)	
9	1704002	2	Decal - No Hands	
11	1703928	1	Decal - Danger/Warning	
12	1703952	4	Decal - Warning/Crushing	
13	1703940	5	Decal - Electrocutation	
14	1703811	4	Decal - Lifting Lug	
15	1703814	8	Decal - Tie Down	
16	1703946	3	Decal - Warning/Crushing	
17	1704277	3	Decal - Lanyard Attach	
18	1704412	1	Decal - Hydraulic Oil	
20	1705349	1	Decal - Warning/Inspection	
21	1001113680	1	Decal - Drive/Steer Instruction	
22	3251243	1	Decal - 120V/60Hz	
24	1703985	1	Nameplate - Footswitch	
25	3290605	4	Nut M6	
26	3820001	2	Rivet	
27	4811700	8	Washer M6	
29	1001234437	2	Decal - Warning/Tri-Capacity	
30	1001234438	1	Decal - Warning/Tri-Capacity	
38	4420051	208 in /5.3m	Tape, Safety	
44	1001224052	1	Decal - Yearly Inspection	
71	1001184618	1	Decal - Stop/Auxiliary Power	

SECTION 9 - DECALS

FIGURE 9-4. DECAL INSTALLATION (CE & UK CA SPECS - ENGLISH LANGUAGE)



NOTE: ITEMS SHOWN MAY NOT BE REQUIRED FOR ALL SPECS. REFER TO PARTS LIST FOR USAGE.
 NOTE: ADDITIONAL DECALS CALLED OUT ON DECAL INSTALLATION-OPTIONS.

ART_1001235449

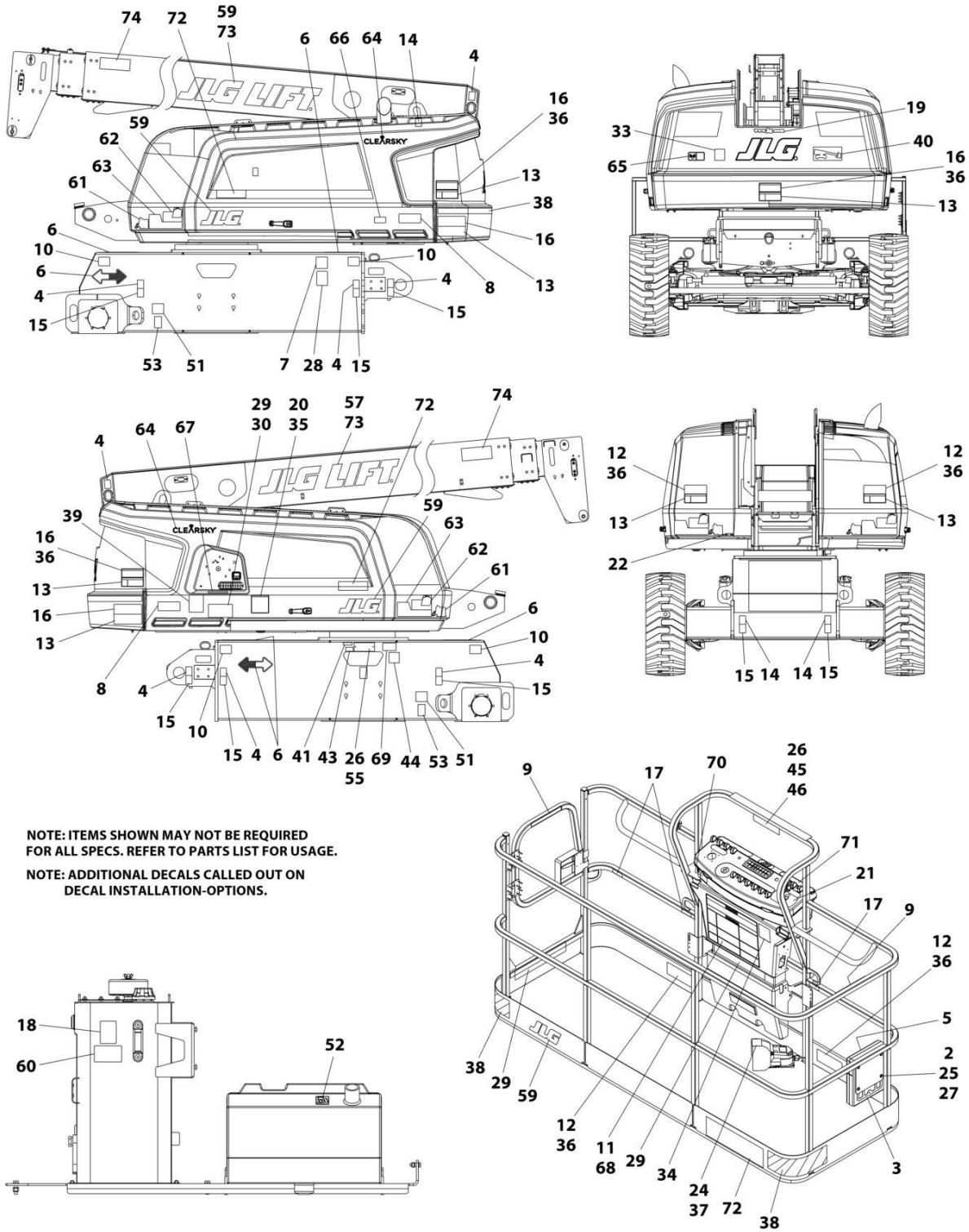
SECTION 9 - DECALS

FIGURE 9-4. DECAL INSTALLATION (CE & UK CA SPECS - ENGLISH LANGUAGE)

ITEM	PART NUMBER	QTY	DESCRIPTION	REV
	1001235449	Ref	DECAL INSTALLATION	B
2	0700610	4	Bolt M6 x 20	
3	91403230	1	Box, Manual Storage	
4	1701499	8	Decal - No Tie Down/Lift	
5	1701509	1	Decal - Manual	
6	1701529	4	Decal - Arrow	
7	See Note	NSS	Decal - Bar Code (Note: Not Available For Purchase)	
13	1705961	5	Decal - Electrocutation	
14	1703811	4	Decal - Lifting Lug	
15	1703814	8	Decal - Tie Down	
17	1704277	3	Decal - Lanyard Attach	
18	1704412	1	Decal - Hydraulic Oil	
25	3290605	4	Nut M6	
26	3820001	2	Rivet	
27	4811700	8	Washer M6	
29	1001234439	1	Decal - Warning/Tri-Capacity	
30	1001234439	1	Decal - Warning/Tri-Capacity	
34	1705921	1	Decal - Tipping/Electrocutation	
35	1705822	1	Decal - Electrocutation/Safety Manual	
36	1701518	7	Decal - Crushing	
37	1705828	1	Nameplate - Footswitch	
38	4420051	208 in/ 5.3m	Tape, Safety	
71	1001184618	1	Decal - Stop/Auxiliary Power	

SECTION 9 - DECALS

FIGURE 9-5. DECAL INSTALLATION (CHINESE SPECS - ENGLISH/SIMPLIFIED CHINESE LANGUAGES)



NOTE: ITEMS SHOWN MAY NOT BE REQUIRED FOR ALL SPECS. REFER TO PARTS LIST FOR USAGE.

NOTE: ADDITIONAL DECALS CALLED OUT ON DECAL INSTALLATION-OPTIONS.

ART_1001235445

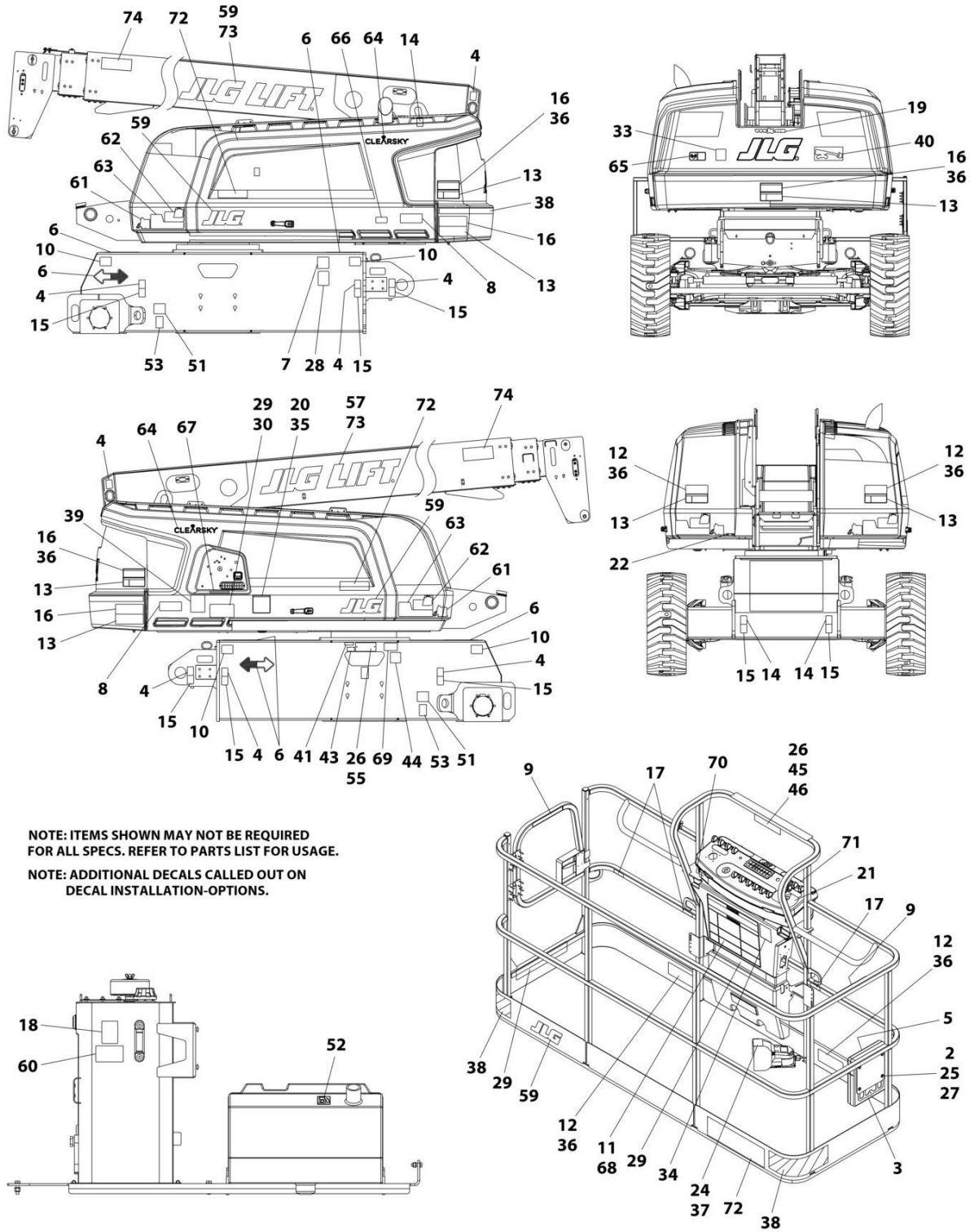
SECTION 9 - DECALS

FIGURE 9-5. DECAL INSTALLATION (CHINESE SPECS - ENGLISH/SIMPLIFIED CHINESE LANGUAGES)

ITEM	PART NUMBER	QTY	DESCRIPTION	REV
	1001235445	Ref	DECAL INSTALLATION	B
2	0700610	4	Bolt M6 x 20	
3	91403230	1	Box, Manual Storage	
4	1701499	8	Decal - No Tie Down/Lift	
5	1701509	1	Decal - Manual	
6	1701529	4	Decal - Arrow	
7	See Note	1	Decal - Bar Code (Note: Not Available for Purchase)	
9	1705968	2	Decal - No Hands	
11	1001116847	1	Decal - Warning	
12	1001116850	4	Decal - Warning/Crushing	
13	1703937	5	Decal - Electrocution	
14	1703811	4	Decal - Lifting Lug	
15	1703814	8	Decal - Tie Down	
16	1001116845	3	Decal - Warning/Crushing	
17	1704277	3	Decal - Lanyard Attach	
18	1704412	1	Decal - Hydraulic Oil	
20	1001116848	1	Decal - Warning/Inspection	
21	1705430	1	Decal - Drive Steer	
22	3251243	1	Decal - 120V/60Hz	
24	1001116852	1	Decal - Footswitch	
25	3290605	4	Nut M6	
26	3820001	2	Rivet	
27	4811700	8	Washer M6	
29	1001235401	1	Decal - Warning/Tri-Capacity	
30	1001235402	1	Decal - Warning/Tri-Capacity	
38	4420051	208 ft/ 5.3m	Tape, Safety	
44	1001224051	1	Decal - Yearly Inspection	
71	1001184618	1	Decal - Stop/Auxiliary Power	

SECTION 9 - DECALS

FIGURE 9-6. DECAL INSTALLATION (CHINESE SPECS - ENGLISH/TRADITIONAL CHINESE LANGUAGES)



NOTE: ITEMS SHOWN MAY NOT BE REQUIRED FOR ALL SPECS. REFER TO PARTS LIST FOR USAGE.

NOTE: ADDITIONAL DECALS CALLED OUT ON DECAL INSTALLATION-OPTIONS.

ART_1001235444

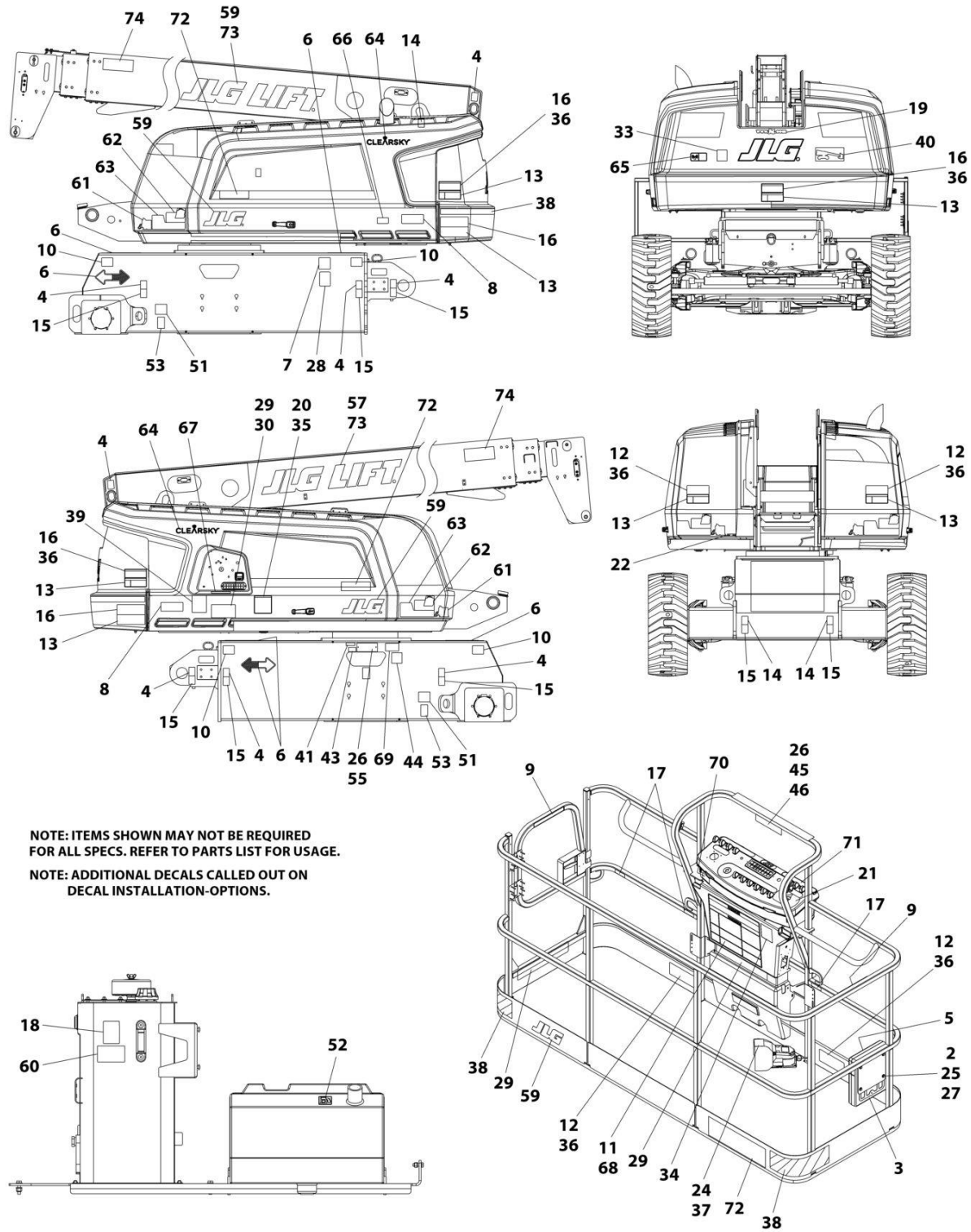
SECTION 9 - DECALS

FIGURE 9-6. DECAL INSTALLATION (CHINESE SPECS - ENGLISH/TRADITIONAL CHINESE LANGUAGES)

ITEM	PART NUMBER	QTY	DESCRIPTION	REV
	1001235444	Ref	DECAL INSTALLATION	B
2	0700610	4	Bolt M6 x 20	
3	91403230	1	Box, Manual Storage	
4	1701499	8	Decal - No Tie Down/Lift	
5	1701509	1	Decal - Manual	
6	1701529	4	Decal - Arrow	
7	See Note	1	Decal - Bar Code (Note: Not Available For Purchase)	
9	1001116846	2	Decal - No Hands	
11	1703925	1	Decal - Danger/Warning	
12	1703949	4	Decal - Crushing	
13	1001116851	5	Decal - Electrocution	
14	1703811	4	Decal - Lifting Lug	
15	1703814	8	Decal - Tie Down	
16	1703943	3	Decal - Warning/Crushing	
17	1704277	3	Decal - Lanyard Attach	
18	1704412	1	Decal - Hydraulic Oil	
20	1001116849	1	Decal - Warning/Inspection	
21	1001116863	1	Decal - Drive/Steer Instruction	
22	3251243	1	Decal - 120V/60Hz	
24	1703982	1	Nameplate - Footswitch	
25	3290605	4	Nut M6	
26	3820001	2	Rivet	
27	4811700	8	Washer M6	
29	1001234435	2	Decal - Warning/Tri-Capacity	
30	1001234436	1	Decal - Warning/Tri-Capacity	
38	4420051	208 in/ 5.3m	Tape, Safety	
44	1001224050	1	Decal - Yearly Inspection	
71	1001184618	1	Decal - Stop/Auxiliary Power	

SECTION 9 - DECALS

FIGURE 9-7. DECAL INSTALLATION (CSA SPECS - ENGLISH/FRENCH LANGUAGES)



NOTE: ITEMS SHOWN MAY NOT BE REQUIRED FOR ALL SPECS. REFER TO PARTS LIST FOR USAGE.
 NOTE: ADDITIONAL DECALS CALLED OUT ON DECAL INSTALLATION-OPTIONS.

ART_1001235448

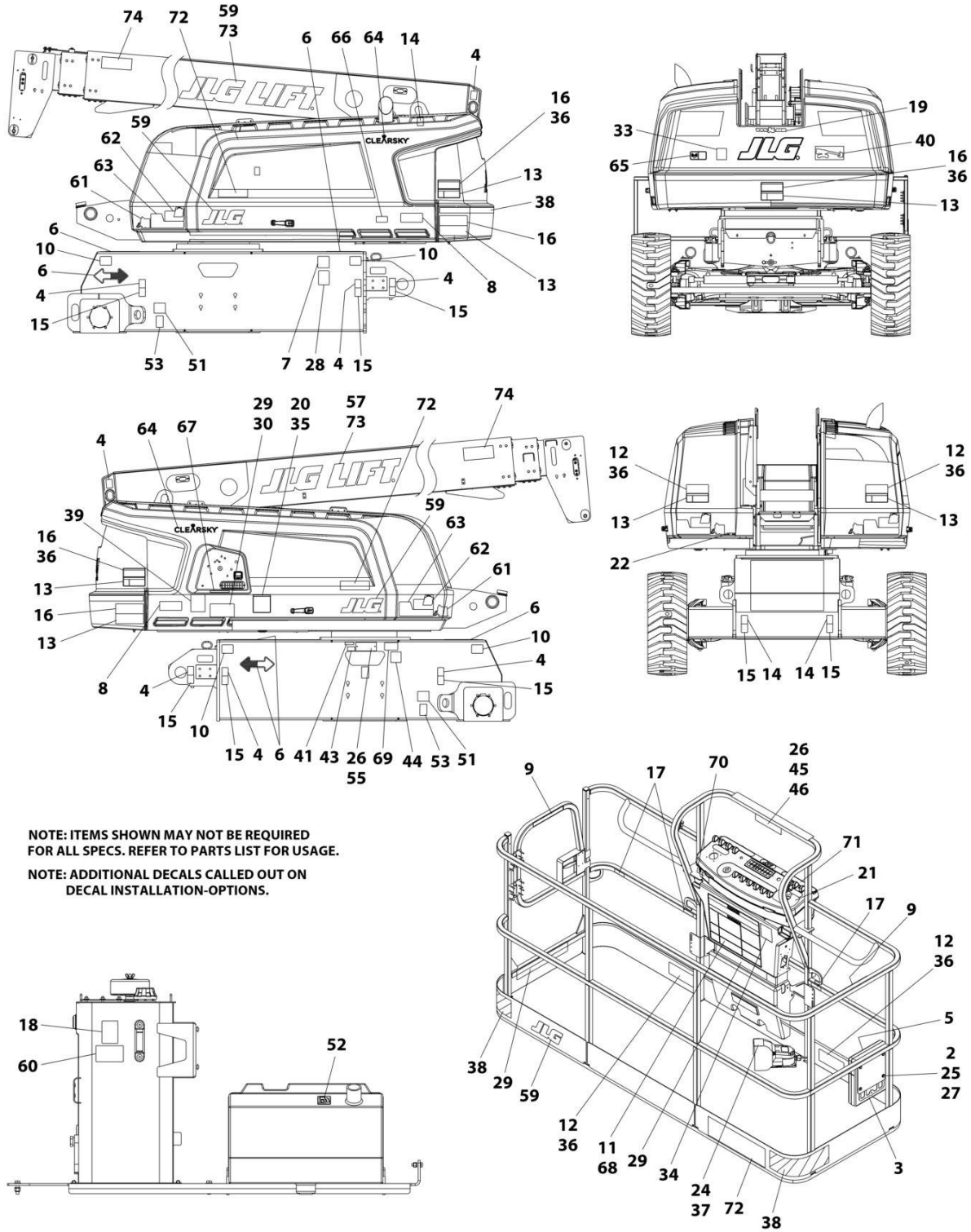
SECTION 9 - DECALS

FIGURE 9-7. DECAL INSTALLATION (CSA SPECS - ENGLISH/FRENCH LANGUAGES)

ITEM	PART NUMBER	QTY	DESCRIPTION	REV
	1001235448	Ref	DECAL INSTALLATION	B
2	0700610	4	Bolt M6 x 20	
3	91403230	1	Box, Manual Storage	
4	1701499	8	Decal - No Tie Down/Lift	
5	1701509	1	Decal - Manual	
6	1701529	4	Decal - Arrow	
7	See Note	NSS	Decal - Bar Code (Note: Not Available For Purchase)	
9	1704000	2	Decal - No Hands	
11	1703924	1	Decal - Danger/Warning	
12	1703948	4	Decal - Warning/Crushing	
13	1703936	5	Decal - Electrocuting	
14	1703811	4	Decal - Lifting Lug	
15	1703814	8	Decal - Tie Down	
16	1703942	3	Decal - Crushing	
17	1704277	3	Decal - Lanyard Attach	
18	1704412	1	Decal - Hydraulic Oil	
20	1705347	1	Decal - Warning/Inspection	
21	1705429	1	Decal - Drive/Steer Instruction	
22	3251243	1	Decal - 120V/60Hz	
24	1703984	1	Nameplate - Footswitch	
25	3290605	4	Nut M6	
26	3820001	2	Rivet	
27	4811700	8	Washer M6	
28	1001131269	1	Decal - Patent	
29	1001234433	1	Decal - Warning/Tri-Capacity	
30	1001234434	1	Decal - Warning/Tri-Capacity	
38	4420051	208 in /5.3m	Tape, Safety	
43	1001223453	1	Decal - ICES (Canada)	
44	1001223971	1	Decal - Yearly Inspection	
71	1001184618	1	Decal - Stop/Auxiliary Power	

SECTION 9 - DECALS

FIGURE 9-8. DECAL INSTALLATION (JAPANESE SPECS - ENGLISH/JAPANESE LANGUAGES)



NOTE: ITEMS SHOWN MAY NOT BE REQUIRED FOR ALL SPECS. REFER TO PARTS LIST FOR USAGE.
 NOTE: ADDITIONAL DECALS CALLED OUT ON DECAL INSTALLATION-OPTIONS.

ART_1001235450

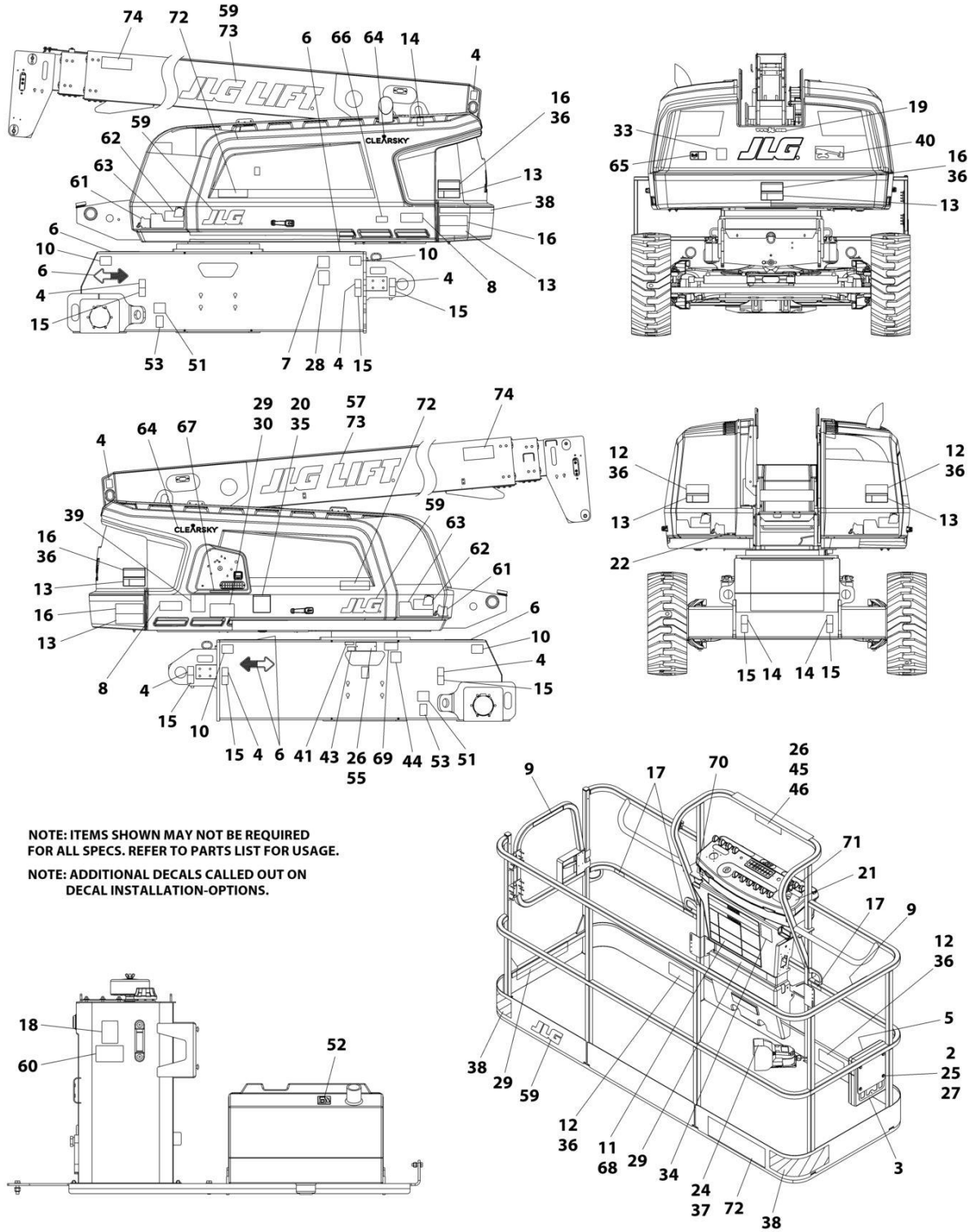
SECTION 9 - DECALS

FIGURE 9-8. DECAL INSTALLATION (JAPANESE SPECS - ENGLISH/JAPANESE LANGUAGES)

ITEM	PART NUMBER	QTY	DESCRIPTION	REV
	1001235450	Ref	DECAL INSTALLATION	B
2	0700610	4	Bolt M6 x 20	
3	91403230	1	Box, Manual Storage	
4	1701499	8	Decal - No Tie Down/Lift	
5	1701509	1	Decal - Manual	
6	1701529	4	Decal - Arrow	
7	See Note	NSS	Decal - Bar Code (Note: Not Available For Purchase)	
11	1703926	1	Decal - Danger/Warning	
12	1703950	4	Decal - Crushing	
13	1703938	5	Decal - Electrocution	
14	1703811	4	Decal - Lifting Lug	
15	1703814	8	Decal - Tie Down	
16	1703944	3	Decal - Warning/Crushing	
17	1704277	3	Decal - Lanyard Attach	
18	1704412	1	Decal - Hydraulic Oil	
20	1705344	1	Decal - Warning/Inspection	
21	1705426	1	Decal - Drive/Steer Instruction	
22	3251243	1	Decal - 120V/60Hz	
24	1703980	1	Nameplate - Footswitch	
25	3290605	4	Nut M6	
26	3820001	2	Rivet	
27	4811700	8	Washer M6	
29	1001234428	1	Decal - Warning/Tri-Capacity	
30	1001234429	1	Decal - Warning/Tri-Capacity	
38	4420051	208 in /5.3m	Tape, Safety	
44	1001224053	1	Decal - Yearly Inspection	
71	1001184618	1	Decal - Stop/Auxiliary Power	

SECTION 9 - DECALS

FIGURE 9-9. DECAL INSTALLATION (KOREAN SPECS - ENGLISH/KOREAN LANGUAGES)



NOTE: ITEMS SHOWN MAY NOT BE REQUIRED FOR ALL SPECS. REFER TO PARTS LIST FOR USAGE.

NOTE: ADDITIONAL DECALS CALLED OUT ON DECAL INSTALLATION-OPTIONS.

ART_1001235388

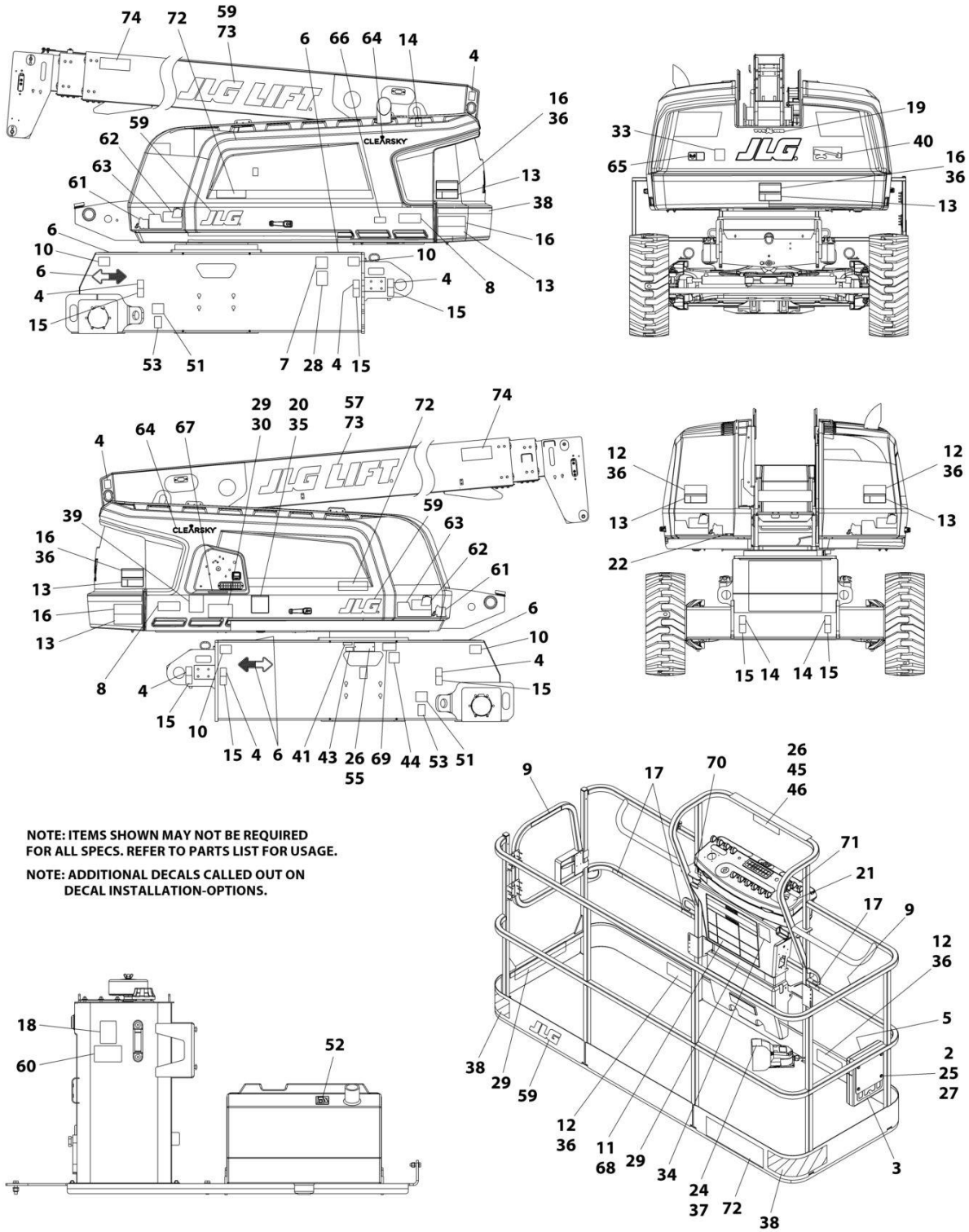
SECTION 9 - DECALS

FIGURE 9-9. DECAL INSTALLATION (KOREAN SPECS - ENGLISH/KOREAN LANGUAGES)

ITEM	PART NUMBER	QTY	DESCRIPTION	REV
	1001235388	Ref	DECAL INSTALLATION	B
2	0700610	4	Bolt M6 x 20	
3	91403230	1	Box, Manual Storage	
4	1701499	8	Decal - No Tie Down/Lift	
5	1701509	1	Decal - Manual	
6	1701529	4	Decal - Arrow	
7	See Note	NSS	Decal - Bar Code (Note: Not Available for Purchase)	
9	1705969	2	Decal - No Hands	
11	1703927	1	Decal - Warning/Danger	
12	1703951	4	Decal - Warning/Crushing	
13	1703939	5	Decal - Danger Electricution	
14	1703811	4	Decal - Lifting Lug	
15	1703814	8	Decal - Tie Down	
16	1703945	3	Decal - Warning Crushing	
17	1704277	3	Decal - Lanyard Attach Graphic	
18	1704412	1	Decal - Hydraulic Oil	
20	1705345	1	Decal - Warning/Inspection	
21	1705427	1	Decal - Drive/Steer Instruction	
24	1703981	1	Nameplate - Footswitch	
25	3290605	4	Nut M6	
26	3820001	2	Rivet	
27	4811700	8	Washer M6	
29	1001234430	1	Decal - Warning/Tri-Capacity	
30	1001235585	1	Decal - Warning/Tri-Capacity	
38	4420051	208 in /5.3m	Tape, Safety	
44	1001224048	1	Decal - Yearly Inspection	
71	1001184618	1	Decal - Stop/Auxiliary Power	

SECTION 9 - DECALS

FIGURE 9-10. DECAL INSTALLATION - LATIN AMERICAN SPECS - ENGLISH/SPANISH LANGUAGES)



NOTE: ITEMS SHOWN MAY NOT BE REQUIRED FOR ALL SPECS. REFER TO PARTS LIST FOR USAGE.

NOTE: ADDITIONAL DECALS CALLED OUT ON DECAL INSTALLATION-OPTIONS.

ART_1001235447

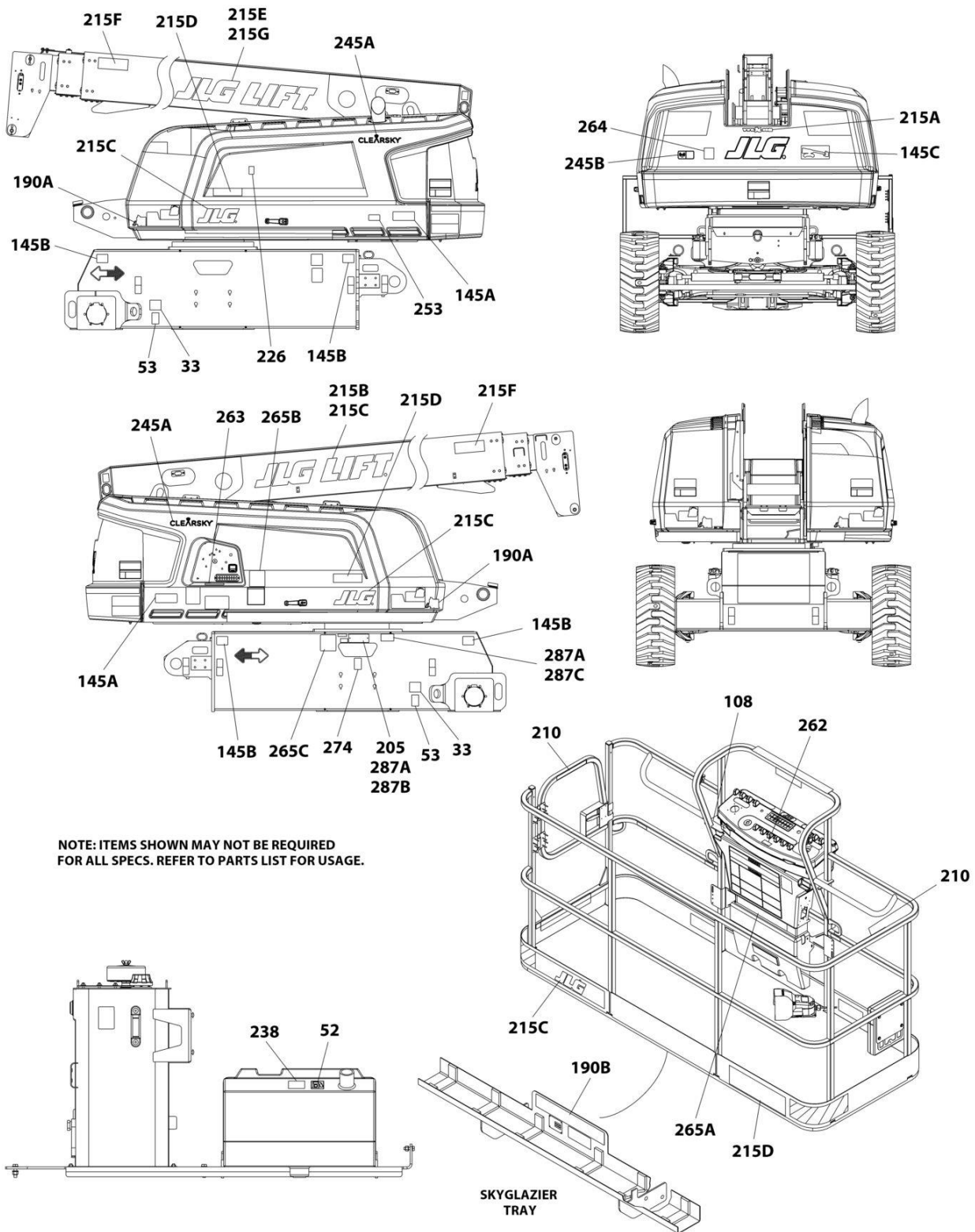
SECTION 9 - DECALS

FIGURE 9-10. DECAL INSTALLATION - LATIN AMERICAN SPECS - ENGLISH/SPANISH LANGUAGES)

ITEM	PART NUMBER	QTY	DESCRIPTION	REV
	1001235447	Ref	DECAL INSTALLATION	B
2	0700610	4	Bolt M6 x 20	
3	91403230	1	Box, Manual Storage	
4	1701499	8	Decal - No Tie Down/Lift	
5	1701509	1	Decal - Manual	
6	1701529	4	Decal - Arrow	
7	See Note	NSS	Decal - Bar Code (Note: Not Available for Purchase)	
9	1704001	2	Decal - No Hands	
11	1703923	1	Decal - Warning/Danger	
12	1703947	4	Decal - Warning/Crushing	
13	1703935	5	Decal - Electrocution	
14	1703811	4	Decal - Lifting Lug	
15	1703814	8	Decal - Tie Down	
16	1703941	3	Decal - Warning/Crushing	
17	1704277	3	Decal - Lanyard Attach	
18	1704412	1	Decal - Hydraulic Oil	
20	1705917	1	Decal - Warning/Inspection	
21	1705910	1	Decal - Drive/Steer Instruction	
22	3251243	1	Decal - 120V/60Hz	
24	1703983	1	Nameplate - Footswitch	
25	3290605	4	Nut M6	
26	3820001	2	Rivet	
27	4811700	8	Washer M6	
29	1001234431	1	Decal - Warning/Tri-Capacity	
30	1001234432	1	Decal - Warning/Tri-Capacity	
38	4420051	208 in /5.3m	Tape, Safety	
44	1001224049	1	Decal - Yearly Inspection	
71	1001184618	1	Decal - Stop/Auxiliary Power	

SECTION 9 - DECALS

FIGURE 9-11. DECALS INSTALLATION - OPTIONS



ART_DECAL_OPTIONS

SECTION 9 - DECALS

FIGURE 9-11. DECALS INSTALLATION - OPTIONS

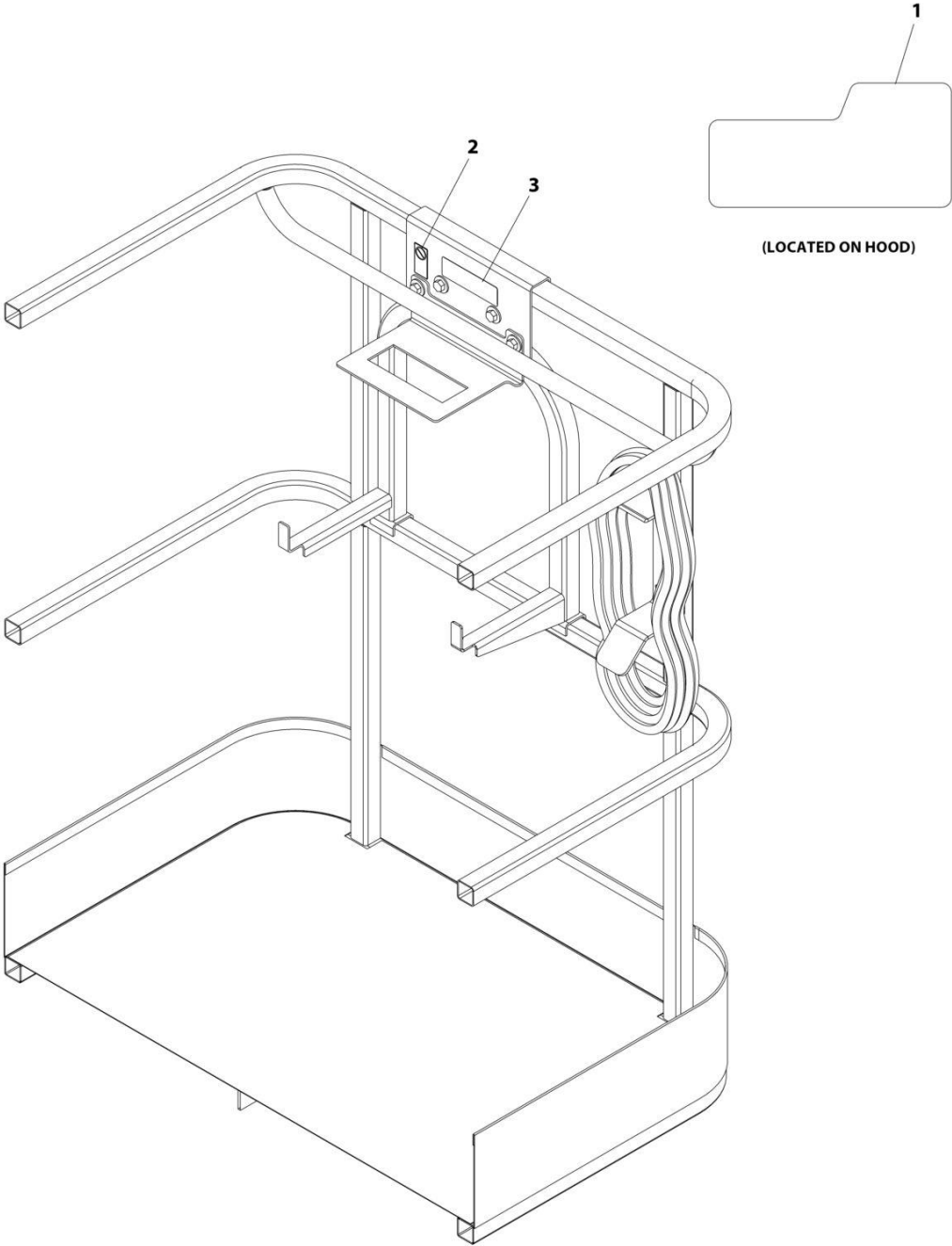
ITEM	PART NUMBER	QTY	DESCRIPTION	REV
	1001245998	Ref	DECAL INSTALLATION - REFERENCE CHART	D
	1001246000	Ref	DECAL INSTALLATION - OPTIONS	A
33	1700818	2	Decal - LP Gas Liquid Withdrawal System (ANSI & ANSI Export Specs)	
33	1704271	2	Decal - LP Gas Liquid Withdrawal System (CSA Spec)	
33	1702720	2	Decal - LP Gas Liquid Withdrawal System (ANSI Export Specs)	
52	1701542	1	Decal - Gas	
52	1701505	1	Decal - Diesel Fuel	
53	1701543	1	Decal - LPG (Gas Machines Only)	
108	1001231801	1	Decal - Proposition 65 Warning (Diesel Engines)	
145	1001250606	Ref	Model Designation Decals (600S HC3)	
145	1001250608	Ref	Model Designation Decals (660SJ HC3)	
145A	1702815	2	Decal - 600S	
145A	1702817	2	Decal - 660SJ	
145B	1703470	4	Decal - Maximum Tire Load (600S HC3)	
145B	1001250604	4	Decal - Maximum Tire Load (660SJ HC3)	
145C	1001215615	1	Decal - Lift Diagram	
190	1001262102	Ref	Decal - SkyGlazier (ANSI and CSA Specs) (English Decals)	
190	1001262104	Ref	Decal - SkyGlazier (Brazil Specs) (Portuguese Decals)	
190	1001262103	Ref	Decal - SkyGlazier (Latin American Specs) (Spanish Decals)	
190	1001262105	Ref	Decal - SkyGlazier (Australian Specs)	
190A	1705358	2	Decal - SkyGlazier	
190B	1001259018	2	Decal - SkyGlazier Capacity (ANSI and CSA Specs)	
190B	1001262116	2	Decal - SkyGlazier Capacity (Brazil Specs)	
190B	1001262115	2	Decal - SkyGlazier Capacity (Latin American Specs)	
205	See Note	NSS	Nameplate - Manufacturers Serial Number (Note: Not Available for Purchase)	
210		Ref	Decal - No Hands Options (Machines with Platform Mesh/Soft-Touch Options):	
210	1702868	2	Decal - No Hands (ANSI, ANSI Export, Australian, CE & UK CA Specs) (English Language)	
210	1704002	2	Decal - No Hands (Brazil Specs) (Portuguese & Spanish Languages)	
210	1705968	2	Decal - No Hands (China Specs) (English & Simplified Chinese Languages)	
210	1001116846	2	Decal - No Hands (China Specs) (English & Traditional Chinese Languages)	
210	1704000	2	Decal - No Hands (CSA Specs) (English & French Languages)	
210	1705969	2	Decal - No Hands (Korean Specs) (English & Korean Languages)	
210	1704001	2	Decal - No Hands (Latin American Specs) (English & Spanish Languages)	
	1001254460	Ref	Decal Installation - JLG Logo (All Specs except CE & UK CA Specs)	B
	1001254461	Ref	Decal Installation - JLG Logo (CE & UK CA Specs)	B
215A	1704865	1	Decal Website - JLG Logo (All Specs except CE & UK CA Specs)	
215B	1702861	1	Decal - JLG Lift (All Specs except CE & UK CA Specs)	
215C	1702773	AR	Decal - JLG	
215D	1001244212	3	Decal - HC3	
215E	1702860	1	Decal - JLG Lift	
215F	1001250906	2	Decal - HC3	

SECTION 9 - DECALS

ITEM	PART NUMBER	QTY	DESCRIPTION	REV
215G	1001159323	1	Decal - JLG (CE & UK CA Specs)	
226		Ref	Decal - Warning Explosion/Fire Options (Diesel Engine Machines Only):	
226	1704972	1	Decal - Warning Explosion/Fire (ANSI/ANSI Export Spec)	
226	1706098	1	Decal - Warning Explosion/Fire (Australian, CE & UK CA Specs)	
226	1706059	1	Decal - Warning Explosion/Fire (Brazil Spec - Dual Language English/Portuguese)	
226	1706060	1	Decal - Warning Explosion/Fire (Chinese Spec - Dual Language English/Chinese)	
226	1706064	1	Decal - Warning Explosion/Fire (CSA Spec - Dual Language English/French)	
226	1706062	1	Decal - Warning Explosion/Fire (Japanese Spec - Dual Language English/Japanese)	
226	1706061	1	Decal - Warning Explosion/Fire (Korean Spec - Dual Language English/Korean)	
226	1706063	1	Decal - Warning Explosion/Fire (Latin American - Dual Language English/Spanish)	
238	1001125387	1	Decal - Ultra Low Sulfur Fuel (ANSI & CSA Specs)	
238	1001139654	1	Decal - Ultra Low Sulfur Fuel (ANSI Export HRC, Japanese, CE & UK CA Specs)	
245	1001120992	Ref	Decal Installation - ClearSky	
245A	1001116208	2	Decal - ClearSky	
245B	1001120989	1	Decal - Radio Frequency	
253	1001143852	1	Decal - Emission Compliance (Machines with Diesel Engines) (ANSI Export, Australian, China, CE & UK CA Specs)	
262	1001141300	1	Decal - SkyGuard Override (Without Soft-Touch)	
262	1001141302	1	Decal - SkyGuard Override (With Soft-Touch)	
263	1001197408	1	Decal - MSSO (CE & UK CA Specs)	
264	1001130492	1	Decal - Sound Power (Deutz D2011 Engines) (Australian, CE & UK CA Specs)	
264	1705515	1	Decal - Sound Power (Deutz TD2.9L4 Engines) (Australian, CE & UK CA Specs)	
265	1001261342	Ref	Decal - Soft Touch (ANSI Specs) (600S HC3)	A
265	1001261343	Ref	Decal - Soft Touch (CE & UK CA Specs) (600S HC3)	A
265	1001261344	Ref	Decal - Soft Touch (ANSI Specs) (660SJ HC3)	A
265	1001261345	Ref	Decal - Soft Touch (CE & UK CA Specs) (660SJ HC3)	A
		Ref	600S HC3:	
265A	1001261347	1	Decal - Warning (ANSI Specs)	
265A	1001261586	1	Decal - Warning (CE & UK CA Specs)	
265B	1001261348	1	Decal - Warning (ANSI Specs)	
265C	1001195491	1	Decal - ANSI	
265C	1001195490	1	Decal - CE & UK CA	
		Ref	660SJ HC3:	
265A	1001261349	1	Decal - Warning (ANSI Specs)	
265A	1001261587	1	Decal - Warning (CE & UK CA Specs)	
265B	1001261350	1	Decal - Warning (ANSI Specs)	
265C	1001195491	1	Decal - ANSI	
265C	1001195490	1	Decal - CE & UK CA	
274	1001214030	Ref	Decal - EAC Installation (CIS and Russia Specs)	
274	1001173703	1	Decal - EAC	
	1001239371	1	ECO Label Installation	A
287A	3820001	8	Rivet	
287B	See Note	NSS	Decal - ECO Label (Note: Not Available for Purchase)	
287C	See Note	NSS	Decal - Plate Main Code (Note: Not Available for Purchase)	

SECTION 9 - DECALS

FIGURE 9-12. DECAL INSTALLATION - SKYWELDER (50HZ)



ART_0272588

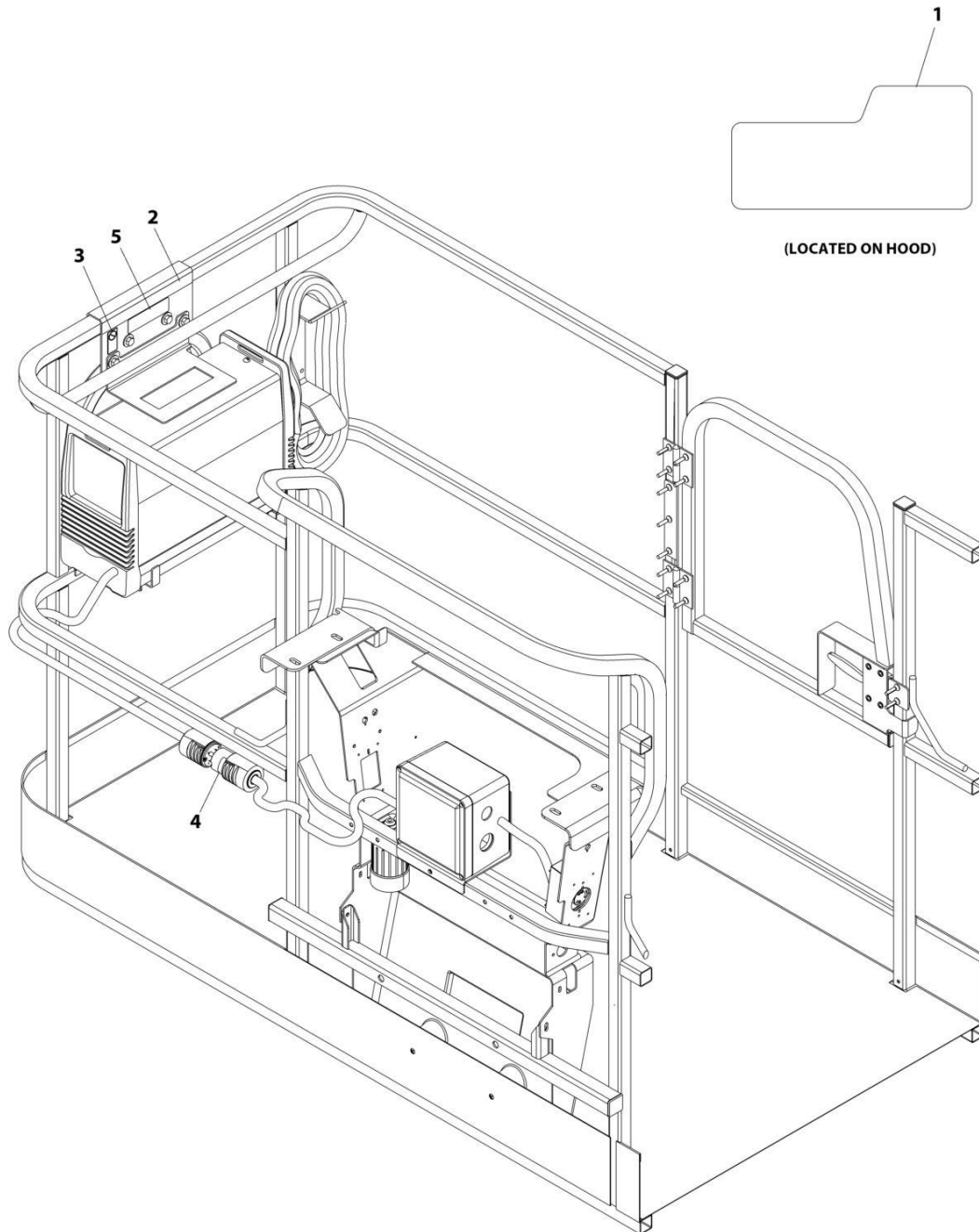
SECTION 9 - DECALS

FIGURE 9-12. DECAL INSTALLATION - SKYWELDER (50HZ)

ITEM	PART NUMBER	QTY	DESCRIPTION	REV
	0272588	Ref	SKYWELDER DECAL INSTALLATION - 50Hz	B
1	1705355	2	Decal - SkyWelder	
2	1705305	1	Decal - Weld Lead	
3	1001228988	1	Decal - Weight	

SECTION 9 - DECALS

FIGURE 9-13. DECAL INSTALLATION - SKYWELDER (60HZ)



ART_0272448

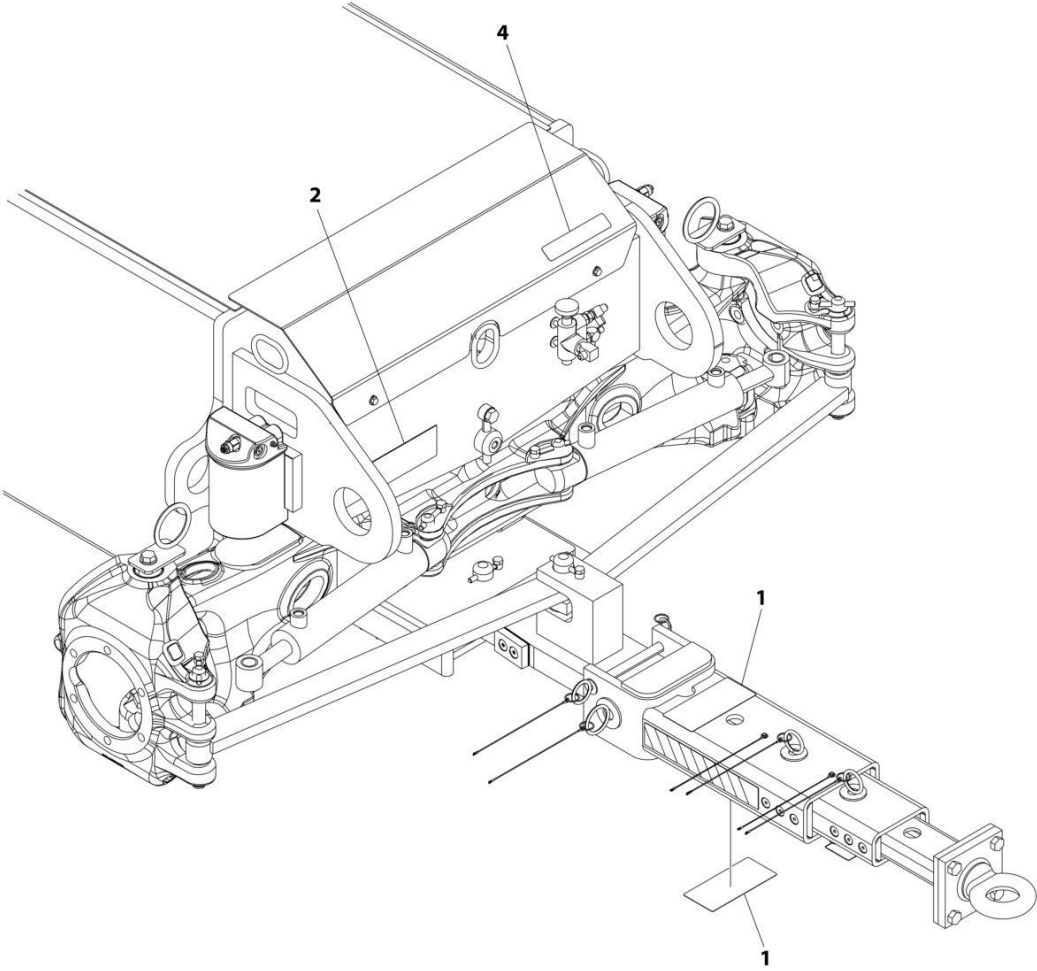
SECTION 9 - DECALS

FIGURE 9-13. DECAL INSTALLATION - SKYWELDER (60HZ)

ITEM	PART NUMBER	QTY	DESCRIPTION	REV
	0272448	Ref	SKYWELDER DECAL INSTALLATION - 60Hz	B
1	1705355	2	Decal - SkyWelder	
2	1702868	1	Decal - No Hands	
3	1705305	1	Decal - Weld Lead	
4	1705375	1	Decal - 240V - 3 Phase - 60Hz	
5	1001228988	1	Decal - Weight	

SECTION 9 - DECALS

FIGURE 9-14. DECAL INSTALLATION - TOW (ANSI SPECS)



ART_1001188894

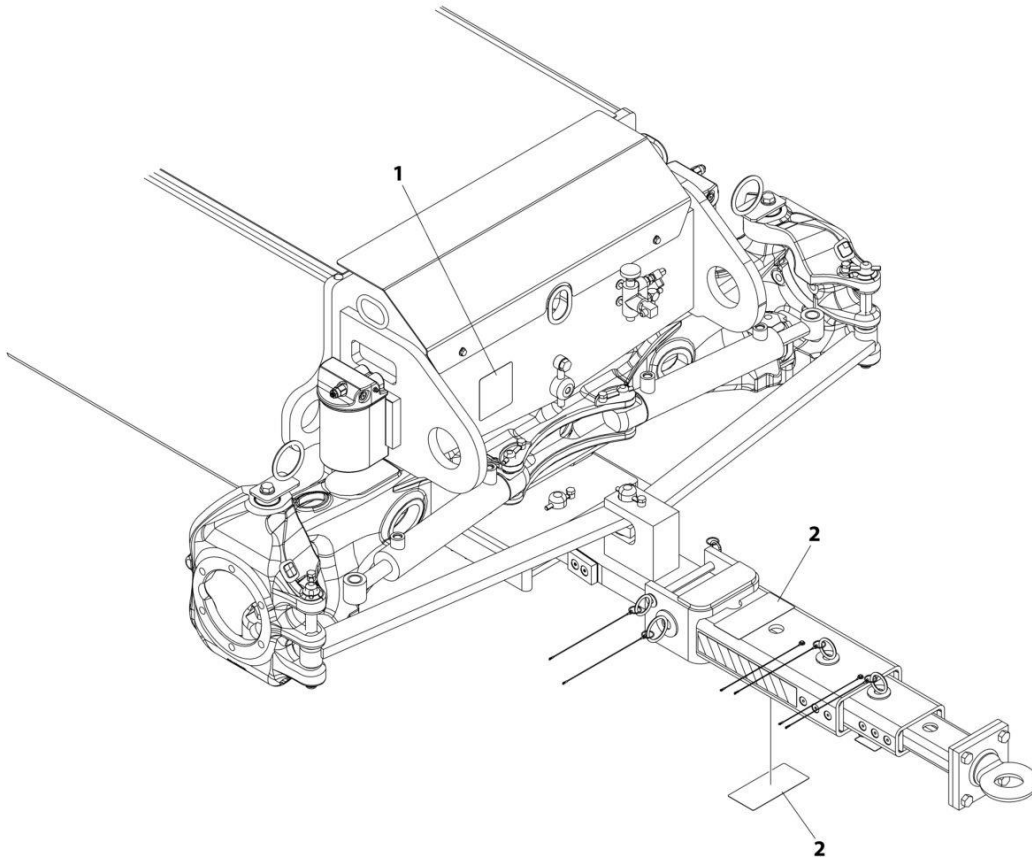
SECTION 9 - DECALS

FIGURE 9-14. DECAL INSTALLATION - TOW (ANSI SPECS)

ITEM	PART NUMBER	QTY	DESCRIPTION	REV
	1001188894	Ref	DECAL INSTALLATION	B
1	1704578	2	Decal - Crushing	
2	1705090	1	Decal - Towing Instructions	
4	1001190159	1	Decal - Steer/Tow Select Valve	

SECTION 9 - DECALS

FIGURE 9-15. DECAL INSTALLATION - TOW (ANSI EXPORT, RUSSIA, CHINA, CE & UK CA SPECS)



ART_1001188896

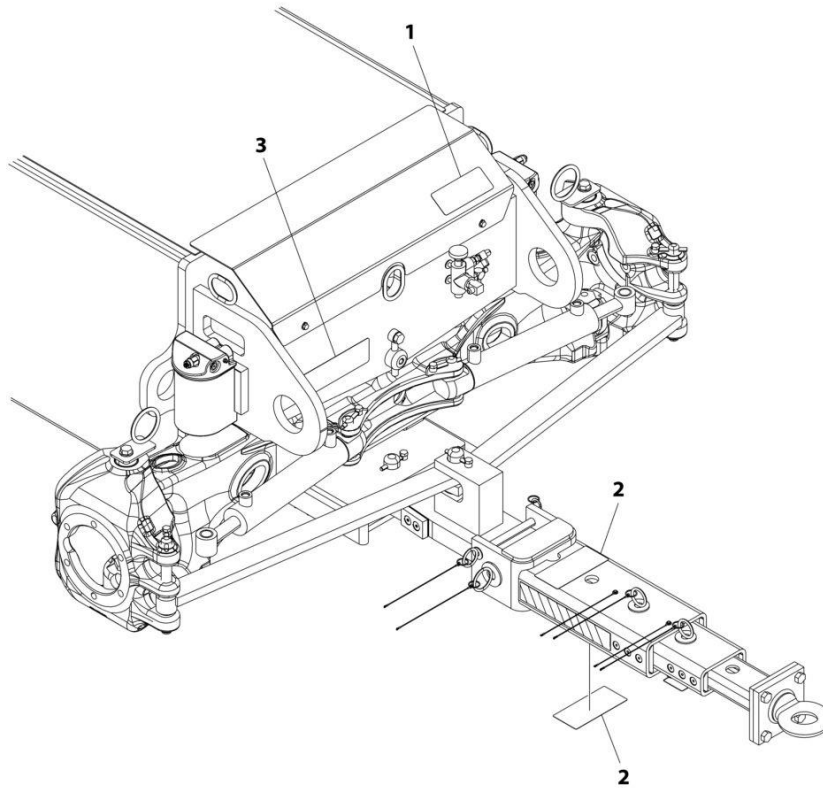
SECTION 9 - DECALS

FIGURE 9-15. DECAL INSTALLATION - TOW (ANSI EXPORT, RUSSIA, CHINA, CE & UK CA SPECS)

ITEM	PART NUMBER	QTY	DESCRIPTION	REV
	1001188896	Ref	DECAL INSTALLATION	C
1	1706957	1	Decal - Tow Bar and Steer Select	
2	1706960	2	Decal - Tow Bar Crushing	

SECTION 9 - DECALS

FIGURE 9-16. DECAL INSTALLATION - TOW (CSA SPECS)



ART_1001188895

SECTION 9 - DECALS

FIGURE 9-16. DECAL INSTALLATION - TOW (CSA SPECS)

ITEM	PART NUMBER	QTY	DESCRIPTION	REV
	1001188895	Ref	DECAL INSTALLATION	B
1	1704272	1	Decal - Steer/Tow Select Valve	
2	1704578	2	Decal - Crushing	
3	1705820	1	Decal - Towing Instructions	

SECTION 10 - RECOMMENDED SERVICE PARTS STOCK

SECTION 10 - RECOMMENDED SERVICE PARTS STOCK

SECTION 10 - RECOMMENDED SERVICE PARTS STOCK

FIGURE 10-1. RECOMMENDED SERVICE PARTS STOCK

ITEM	PART NUMBER	QTY	DESCRIPTION	REV
		Ref	Note: The following list will service one machine (built to current production per date on the front cover) with emergency repair parts which can be installed in the field. Parts from the list should be replaced when inventory is depleted to keep service parts stock supplied. For further information, contact your JLG dealer or the JLG Industries Parts Department.	
	1001152479	1	Breaker, 16 Amp	
	1001181045	1	Breaker, 30mA/16 Amp	
	1001152482	1	Breaker, 30mA	
	70004653	1	Coil	
	80434249	1	Coil	
	70004595	1	Coil	
	70002386	1	Coil	
	70006122	1	Coil	
	70007323	1	Coil	
	70006004	1	Coil	
	1001212415	1	Controller Assembly (Drive and Steer)	
	70010383	1	Element, Filter Charge Pump (Includes O-Ring)	
	70005335	1	Element, Filter High Pressure	
	70005708	1	Filter Kit (Includes Hydraulic Element, Breather Element and Gasket)	
		Ref	ENGINE COMPONENTS - DEUTZ D2011	
	7016331	12	Element, Oil Filter (Deutz D2011 Engine)	
	7016328	12	Element, Fuel Filter (Deutz D2011 Engine)	
	70003783	12	Element, Air Filter (Deutz D2011 Engine)	
		Ref	ENGINE COMPONENTS - DEUTZ D2011 (STAGE V)	
	7016331	12	Element, Oil Filter (Deutz D2011 (Stage V) Engine)	
	7016328	12	Element, Fuel Filter (Deutz D2011 (Stage V) Engine)	
	70003783	12	Element, Air Filter (Deutz D2011 (Stage V) Engine)	
		Ref	ENGINE COMPONENTS - DEUTZ D2.9L4	
	7016331	12	Element, Oil Filter (Deutz 2.9L4 Engines)	
	1001225430	12	Filter, Fuel (Deutz 2.9L4 Engines)	
	1001225431	12	Filter, Fuel (Deutz 2.9L4 Engines)	
	70005008	12	Element, Air Filter (Deutz 2.9L4 Engines)	
		Ref	ENGINE COMPONENTS - FORD COMPONENTS	
	70006155	12	Element, Fuel Filter (Ford Engine)	
	70006213	12	Element, Oil Filter (Ford Engine)	
	70005008	12	Element, Air Filter (Ford Engine)	
	70004066	12	Filter, Fuel	
	1001196634	1	Fuse - 2Amp	
	2400064	1	Fuse - 5Amp	
	8229242	1	Fuse - 5Amp	
	80983191	1	Fuse - 10Amp	
	8229244	1	Fuse - 15Amp	
	70006175	1	Fuse - 20Amp	
	8229245	1	Fuse - 30 Amp	
	1001172065	1	Fuse - 30 Amp	
	2860030	1	Key, Replacement	
	2940074	1	Latch (Machines with Gate)	
	1001187200	1	Module, Ground Control	

SECTION 10 - RECOMMENDED SERVICE PARTS STOCK

ITEM	PART NUMBER	QTY	DESCRIPTION	REV
	1001138228	1	Module, Power Relay	
	7027795	1	Module, ECU (Deutz D2011 and Deutz D2011 (Stage V) Engines)	
	70025210	1	Module, ECU (Deutz 2.9L4 Engines)	
	70006176	1	Module, ECU (Ford Engines)	
	1001142683	1	Module, Beacon Light Control	
	3740080	1	Relay (Machines with 2500W Generator)	
	3740086	1	Relay (Machines with SkyLine)	
	3740067	1	Relay	
	1001186431	1	Relay	
	1001095704	1	Relay	
	1001161710	1	Switch, Toggle (Dual Fuel Machines - Ford Engines)	
	4360336	1	Switch, Toggle (Generator Option)	
	4360057	1	Switch, Limit (Soft Touch Option)	
	4360387	1	Switch, Toggle (Soft Touch Option)	
	1001137673	1	Switch, SkyGuard Assembly	
	4360387	1	Switch, Push Button	
	4360475	1	Switch, Emergency Stop	
	4360407	1	Switch, Potentiometer	
	1001155045	1	Switch, Toggle	
	1001159256	1	Switch, Toggle	
	1001161709	1	Switch, Toggle	

SECTION 11 - SPECIAL OPTIONS/ACCESSORIES/KITS

SECTION 11 - SPECIAL OPTIONS/ACCESSORIES/KITS

SECTION 11 - SPECIAL OPTIONS/ACCESSORIES/KITS

FIGURE 11-1. SPECIAL OPTIONS/ACCESSORIES/KITS

ITEM	PART NUMBER	QTY	DESCRIPTION	REV
		Ref	Note: This list is to accommodate machines ordered with special equipment. Options may not be applicable to all models. For more specific parts information contact JLG Parts Department.	
		Ref	SPECIAL OPTIONS/ACCESSORIES/KITS	
		Ref	Airline to Platform Installation Options:	
	1001192931	Ref	Airline Installation (600S HC3)	
	1001194110	Ref	Airline Installation (600S HC3 with Arctic Package)	
	1001193215	Ref	Airline Installation (660SJ HC3)	
	1001194045	Ref	Airline Installation (660SJ HC3 with Arctic Package)	
	1001194205	Ref	Airline Installation - Dual Lines (600S HC3)	
	1001235884	Ref	Air Intake Shutoff Valve (Deutz TD2.9L4 Engines)	
	1001245144	Ref	Air Intake Shutoff Valve (Deutz TD2.9L4 49HP Engines)	
	1001205017	Ref	Arctic Package Installation Kit - With Deutz TD2.9L4 Engines and Without SkyPower (600S HC3)	
	1001205016	Ref	Arctic Package Installation Kit - With Deutz TD2.9L4 Engines and With SkyPower (600S HC3)	
	1001205021	Ref	Arctic Package Installation Kit - With Deutz TD2.9L4 Engines and Without SkyPower (660SJ HC3)	
	1001205020	Ref	Arctic Package Installation Kit - With Deutz TD2.9L4 Engines and With SkyPower (660SJ HC3)	
	1001189169	Ref	Bellows Installation - Boom (600S HC3)	
	1001251410	Ref	Bellows Installation - Boom (660SJ HC3)	
	1001181778	Ref	Bellows Installation - Chassis (2WS)	
	1001195235	Ref	Boom Wipers Installation (600S HC3) (All Specs Except Australian Specs)	
	1001254362	Ref	Boom Wipers Installation (660SJ HC3) (All Specs)	
	1001233047	Ref	Breather Heater Kit (Deutz Engines)	
	1001198884	Ref	Cable & Hose Protection Installation (Platform) (600S HC3)(All Specs Except Australian and Russia Specs)	
	1001199095	Ref	Cable & Hose Protection Installation (Platform) (660SJ HC3) (All Specs)	
	1001272836	Ref	Cable & Hose Protection Installation (Platform & Jib) (660SJ HC3) (China Spec Only)	
		Ref	ClearSky (Telematics) Installations (Dealer Installed)	
	1001265378	Ref	ClearSky (Telematics) Add-on Kit (ANSI, ANSI Export, CSA, CE & UK CA Specs)	
	1001246142	Ref	ClearSky (Telematics) Add-on Kit (Australian Specs)	
	1001243184	Ref	ClearSky (Telematics) Add-on Kit (CE & UK CA Specs)	
	1001242639	Ref	ClearSky (Telematics) Access Control Add-on Kit (ANSI, ANSI Export, CSA, CE & UK CA Specs)	
		Ref	ClearSky Telematics (Factory Installed)	
	1001227404	Ref	ClearSky Telematics Installation - Canbus Connection (All Specs Except Australian and China Specs)	
	1001246524	Ref	ClearSky Telematics Installation - Canbus Connection (Australian and Russia Specs)	
	1001228947	Ref	ClearSky Telematics Installation - Canbus Connection (ANSI Export, Russia, CE & UK CA Specs)	
	1001246525	Ref	ClearSky Telematics Installation - Canbus Connection (China Specs)	
	1001229107	Ref	ClearSky Telematics Installation - 3 Wire Connection (ANSI & CSA Specs)	
	1001233237	Ref	ClearSky Telematics Installation - 3 Wire Connection (ANSI	

SECTION 11 - SPECIAL OPTIONS/ACCESSORIES/KITS

ITEM	PART NUMBER	QTY	DESCRIPTION	REV
			Export, CE & UK CA Specs)	
		Ref	Cold Weather Package Installation Options:	
	1001192489	Ref	Cold Weather Package Installation (Deutz TD2011L04 Engine Machines)	
	1001256385	Ref	Cold Weather Package Installation (Deutz Deutz TD2.2L3 Engine Machines)	
	1001192475	Ref	Cold Weather Package Installation (Deutz Deutz TD2.9L4 Engines Machines)	
	1001219855	Ref	Cold Weather Package Installation (Ford Engine Machines)	
	1001239526	Ref	Container Transport Installation	
	1001195224	Ref	Counterweight Installation - Chassis (Required for Turf Tires)	
	1001191019	Ref	Cribbing Switch installation	
		Ref	Decal Installations Options:	
	0257195	Ref	Decal - Government Warranty	
		Ref	Decal Kits	
	1001271785	Ref	Machine Decal Kit	
	1001271786	Ref	Platform Decal Kit	
	1001271787	Ref	Platform Control Box Decal Kit	
	1001109259	Ref	Drive Orientation Kit (660SJ HC3) (ANSI Specs)	
		Ref	Electrical Connector Kits	
	1001148902	Ref	Amp/Tyco Electrical Connector Kit	
	1001148903	Ref	Deutsch DT Electrical Connector Kit	
	1001148904	Ref	Deutsch HD Electrical Connector Kit	
	1001148905	Ref	Packard Electrical Connector Kit	
	1001148906	Ref	Various Electrical Connectors Kit	
	1001220390	Ref	Engine Block Heater Installation (Ford Engine Machines)	
	1001269630	Ref	Fall Arrest (Bolt-on) Add-on Kit (4ft/1.22m Platform) (All Specs)	
	1001269629	Ref	Fall Arrest (Bolt-on) Add-on Kit (5ft/1.52m Platform) (All Specs)	
	1001269631	Ref	Fall Arrest (Bolt-on) Add-on Kit (6ft/1.82m Platform) (All Specs)	
	1001237883	Ref	Fall Arrest (Bolt-on) Add-on Kit (6ft/1.82m Platform) (ANSI, ANSI Export, China, CSA & Japanese Specs Only) (Fits Platform p/ns 1001186384 & 1001228376)	
	1001237882	Ref	Fall Arrest (Bolt-on) Add-on Kit (8ft/2.44m Platform) (ANSI, ANSI Export, China, CSA & Japanese Specs Only) (Fits Platform p/ns 1001186383)	
	1001256272	Ref	Fan & Belts Shield (Australian Spec)	
	1001192482	Ref	Fan Grille Installation (Deutz D2011 Engines)	
	1001258140	Ref	Fan Grille Installation (Deutz TD2.2L3 Engines)	
	1001192610	Ref	Fan Grille Installation (Deutz TD2.9L4 Engines)	
	1001172751	Ref	Fan Grille Installation (Deutz TD2.9L4 49HP Engines)	
		Ref	Filter Kits:	
		Ref	Combined Filter Kit (Hydraulic/Air and Fuel/Engine Oil)	
	1001238957	1	Deutz D2011 Engines	
	1001238961	1	Deutz TD2.9L4 Engines	
	1001238960	1	Ford Engines	
	1001109692	1	Hydraulic/Air Filter	
	1001110133	1	Fuel/Engine Oil Filter (Deutz Engines Only)	
	1001139099	Ref	Fire Extinguisher installation (Platform Mounted)	
	1001117294	Ref	Footswitch Shield (Note: Move Decal to Shield)	
	1001265676	Ref	Ford 42 Way Connector Kit	
	1001202749	Ref	Fuel Cap Cover Installation (Black) (Note: Lock p/n 1001102157 must be Purchased Separately)	
	1001191395	Ref	Fuel Cap Cover Installation (Green) (Diesel Machines) (Note: Lock	

SECTION 11 - SPECIAL OPTIONS/ACCESSORIES/KITS

ITEM	PART NUMBER	QTY	DESCRIPTION	REV
			p/n 1001102157 must be Purchased Separately)	
	1001191394	Ref	Fuel Cap Cover Installation (Red) (Gas Machines) (Note: Lock p/n 1001102157 must be Purchased Separately)	
	1001126286	Ref	Hood (Steel) Replacement Kit - Deutz Engine Machines	
	1001281467	Ref	Hood (Steel) Latch Kit (660SJ HC3)	
		Ref	Hose Kit Options:	
	1001266027	Ref	Hose Kit - Platform Valve (600S HC3) (ANSI Spec)	
	1001238906	Ref	Hose Kit - Platform Valve (660SJ HC3) (ANSI Spec)	
	1001270504	Ref	Hose Kit - Platform Valve (660SJ HC3) (All Specs)	
	1001238902	Ref	Hose Kit - Upper Power Track (600S HC3) (ANSI Spec)	
	1001238904	Ref	Hose Kit - Upper Power Track (660SJ HC3) (ANSI Spec)	
		Ref	Hostile Environment Installation Options:	
	1001238927	Ref	Hostile Environment Installation (600S HC3)	
	1001238929	Ref	Hostile Environment Installation (660SJ HC3)	
	1001195237	Ref	Hostile Package (Extreme) Installation (600S HC3 & 660SJ HC3)	
	1001268752	Ref	Jib Cylinder Kit (660SJ HC3)	
	1001268737	Ref	Jib Link Service Kit (660SJ HC3)	
	1001189615	Ref	Kingpin Removal Kit	
	1001148971	Ref	Lanyard (Bolt-On) Kit Installation	
	1001253783	Ref	Lift Cylinder Kit	
		Ref	Light Options:	
	1001190761	Ref	Chassis Illumination Lights Installation	
	1001190717	Ref	Headlights & Taillights Installation	
	1001120467	Ref	Platform Floodlights Installation	
	1001178951	Ref	Platform Mounted Strobe Light Installation	
	1001193521	Ref	Platform/Ground Dual Located Mounted Strobe Light Installation	
	1001120466	Ref	Platform Worklights Installation	
	1001183407	Ref	Low Temperature Cutout Installation (Required for Russian Specs)	
		Ref	Oil Cooler Options:	
	1001195355	Ref	Oil Cooler Installation (Deutz TD2011 Engine) (600S HC3)	
	1001257491	Ref	Oil Cooler Installation (Deutz TD2011 Engine) (660SJ HC3)	
	1001254943	Ref	Oil Cooler Installation (Deutz TD2.2L3 Engine) (600S HC3 & 660SJ HC3)	
	1001195354	Ref	Oil Cooler Installation (Deutz TD2.9L4 Engine) (600S HC3)	
	1001257490	Ref	Oil Cooler Installation (Deutz TD2.9L4 Engine) (660SJ HC3)	
	1001242998	Ref	Oil Cooler Installation (Deutz TD2.9L4 49HP Engine) (600S HC3 & 660SJ HC3)	
	1001219854	Ref	Oil Cooler Installation (Ford Engine) (600S HC3)	
	1001257492	Ref	Oil Cooler Installation (Ford Engine) (660SJ HC3)	
	1001233035	Ref	Pinion Shield Installation	
		Ref	Platform Console Cover Installations	
	1001195304	Ref	Platform Console Cover Installation (Clear Polycarbonate) (Factory Installed)	
	1001266290	Ref	Platform Console Cover Installation (Steel) (Factory Installed)	
	1001270482	Ref	Platform Console Cover Kit (Dealer Installed)	
		Ref	Platform Entry Kit	
	1001142504	Ref	Replace Swing Gate with Drop Bar	
	1001142505	Ref	Replace Drop Bar with Swing Gate	
		Ref	Platform Extension (Top Rail)	
	0272733	Ref	36in x 72in Platforms	
	0272725	Ref	36in x 96in Platforms	
		Ref	Platform Mesh to Top Rail Add-on Kits:	

SECTION 11 - SPECIAL OPTIONS/ACCESSORIES/KITS

ITEM	PART NUMBER	QTY	DESCRIPTION	REV
	1001214552	Ref	30in x 4ft (76cm x 1.22m) with Gate	
	1001214559	Ref	30in x 5ft (76cm x 1.52m) with Gate	
	1001214560	Ref	30in x 6ft (91.5cm x 1.83m) with Gate	
	1001214561	Ref	36in x 6ft (91.5cm x 1.83m) with Gate	
	1001214562	Ref	36in x 8ft (91.5cm x 2.44m) with Gate	
		Ref	Platform Mesh to Top Rail Installations	
	1001272182	Ref	30in x 4ft (76cm x 1.22m)	
	1001271888	Ref	30in x 5ft (76cm x 1.52m)	
	1001271642	Ref	36in x 6ft (91.5cm x 1.83m)	
	1001269187	Ref	36in x 8ft (91.5cm x 2.44m)	
		Ref	Platform Plastic Mesh to Top Rail Installations	
	1001266807	Ref	30in x 4ft (76cm x 1.22m)	
	1001266801	Ref	30in x 5ft (76cm x 1.52m)	
	1001266489	Ref	36in x 6ft (91.5cm x 1.83m)	
	1001266056	Ref	36in x 8ft (91.5cm x 2.44m)	
		Ref	Platform Mesh to Mid Rail Add-on Kits:	
	1001214478	Ref	30in x 4ft (76cm x 1.22m) with Gate	
	1001214515	Ref	30in x 5ft (76cm x 1.52m) with Gate	
	1001214540	Ref	36in x 6ft (91.5cm x 1.83m) with Gate	
	1001214548	Ref	36in x 8ft (91.5cm x 2.44m) with Gate	
		Ref	Platform Mesh to Mid Rail Installation	
	1001272274	Ref	30in x 4ft (76cm x 1.22m)	
	1001272178	Ref	30in x 5ft (76cm x 1.52m)	
	1001271760	Ref	36in x 6ft (91.5cm x 1.83m)	
	1001269389	Ref	36in x 8ft (91.5cm x 2.44m)	
		Ref	Platform Plastic Mesh to Mid Rail Installation	
	1001266969	Ref	30in x 4ft (76cm x 1.22m)	
	1001266799	Ref	30in x 5ft (76cm x 1.52m)	
	1001266284	Ref	36in x 6ft (91.5cm x 1.83m)	
	1001266098	Ref	36in x 8ft (91.5cm x 2.44m)	
	1580013	Ref	Platform Storage Tray (Corner Mounted)	
	1001247800	Ref	Quad Tracks Replacement Kit	
	1001211366	Ref	Service Kits	V
	1001247073	Ref	SkyEye Add-on Kit (Dealer Installed)	
	1001241547	Ref	SkyEye Repair Kit (LH Side)	
	1001241548	Ref	SkyEye Repair Kit (RH Side)	
	2902232	Ref	SkyGlazier Kit (Includes 36in x 8ft (91.5cm x 2.44m) Platform)	
	1001101422	Ref	SkyGlazier Kit (Platform not Included)	
	1001249052	Ref	SkyGuard Add-on Kit (Dealer Installed)	
	1001197016	Ref	SkyGuard Installation Kit (New Style Platform)	
	1001206311	Ref	SkyGuard Blue Beacon Installation Kit	
	1001262016	Ref	SkyLine Add-on Kit (Dealer Installed)	
	1001217055	Ref	SkyPower Kit (Deutz TD2.9L4 Engine)	
	1001252033	Ref	SkySense (EDS) Level 1 Add-on Kit (Dealer Installed)	
	1001252034	Ref	SkySense (EDS) Level 2 Add-on Kit (Dealer Installed)	
	1001250465	Ref	SkySense (EDS) Level 1 Installation (Factory Installed)	
	1001250466	Ref	SkySense (EDS) Level 2 Installation (Factory Installed)	
	1001253618	Ref	SkySense (EDS) Level 1 Module (Service Kit for P/N 1001246867)	
	1001253619	Ref	SkySense (EDS) Level 2 Module (Service Kit for P/N 1001246860)	
	1001231235	Ref	SkyWelder Locking Bracket Installation	
		Ref	Tools for Service	

SECTION 11 - SPECIAL OPTIONS/ACCESSORIES/KITS

ITEM	PART NUMBER	QTY	DESCRIPTION	REV
	1001249695	1	Analyzer and Cable Kit	
	1001249941	1	Analyzer and Cable Kit (Battery Powered)	
	7002840	1	Anti-Rotation Pin Removal Tool	
	4460467	1	Extractor - 16-18 Gauge (For Removal of Pin/Sockets from Deutsch Connectors)	
	4460510	1	Extractor - 12-14 Gauge (For Removal of Pin/Sockets from Deutsch Connectors)	
	7016652	1	Huck Bolt FASTER (For Small Huck Bolts Only)	
	7002823	1	Pin/Socket Extractor - Universal (To Remove Pins/Sockets from Connectors)	
	7016654	1	Screwdriver, Magnetic	
	7002822	1	Screwdriver, Potentiometer (To Adjust Drive Controllers)	
	7004275	1	Seal Installation Tool - 1in	
	7004276	1	Seal Installation Tool - 1-1/2in	
	7002826	1	Seal Installation Tool - 2in	
	1001137005	1	Software Cable Kit	
	7002821	1	Wire Crimper (To install wire ends to wires)	
	7016655	1	Wire Rope Sheave Gauge	
	8896941	1	Wire Stripper	
	2915096	Ref	Turntable Bearing Kit	
	1001238898	Ref	Wear Pad Kit	
	1001238907	Ref	Wire Rope Kit	
	1001270717	Ref	White Noise Alarm (Dealer Installed)	
	1001263173	Ref	White Noise Alarm (Factory Installed)	

SECTION 11 - SPECIAL OPTIONS/ACCESSORIES/KITS

PART NUMBER INDEX

SECTION 11 - SPECIAL OPTIONS/ACCESSORIES/KITS

0100009.....535	0257728 563	0641608 ... 91, 93, 95, 97,	0700822....693, 695, 697,
0100011....17, 19, 21, 23,	0270528 63	99, 101, 103, 105, 107,	699, 701, 703, 705,
25, 53, 59, 61, 63, 67,	0272254 557	109, 111, 113	707, 709, 711, 713, 715
69, 87, 91, 93, 95, 97,	0272427 573	0641611 258, 274	0701012 19, 21, 160, 164,
99, 101, 103, 105, 107,	0272435 ... 437, 441, 445,	0641616 ... 421, 431, 435,	172, 176, 199, 201,
109, 111, 113, 119,	448	443	209, 213, 227, 231,
121, 123, 125, 129,	0272448 843	0641618 ... 417, 425, 429,	247, 251, 263, 267,
131, 133, 135, 160,	0272521 555	439, 451	283, 287, 297, 301,
161, 164, 165, 167,	0272588 841	0641772 413	319, 323, 335, 339
169, 172, 176, 179,	0272589 452	0641814 ... 203, 217, 235,	0701013.....464, 468
181, 199, 201, 203,	0272725 858	255, 271, 291, 305,	0701014.....351, 533
206, 209, 213, 217,	0272733 858	327, 343	0701015....91, 93, 95, 97,
220, 227, 231, 235,	0273706 575	0642010 63	99, 101, 103, 105, 107,
238, 247, 251, 255,	0273824 569	0642012 567	109, 111, 113, 247,
258, 263, 267, 271,	0274661 565	0642212 567	251, 263, 267, 283,
274, 283, 287, 291,	0275216 663, 775	0681605 238	287, 297, 301, 531
294, 297, 301, 305,	0275217 667, 777	0681608 260, 276, 493	0701016....160, 164, 172,
308, 319, 323, 327,	0275452 671, 779	0681620 ... 577, 579, 581,	176, 367
330, 335, 339, 343,	0275453 675, 781	583, 585	0701017.....239
346, 351, 373, 375,	0275454 679, 783	0681710 25	0701019.....456, 460
377, 379, 381, 383,	0362910 63	0681810 23	0701020.....471
385, 387, 389, 391,	0400075 ... 119, 121, 123,	0681814 511, 521	0701022....199, 201, 209,
393, 403, 405, 409,	125	0681822 511, 521	213, 283, 287, 297, 301
411, 413, 417, 421,	0440162 ... 199, 201, 209,	0682016 23	0701026.....389
425, 429, 431, 435,	213, 227, 231, 247,	0682019 53	0701028.....464, 468
439, 443, 447, 451,	251, 263, 267, 283,	0682023 83	0701029.....464, 468
456, 460, 464, 468,	287, 297, 301, 319,	0682036 23	0701032.....477, 479
471, 477, 479, 481,	323, 335, 339, 471	0682040 23	0701216....160, 161, 164,
483, 489, 491, 493,	0440233 83	0682424 ... 577, 579, 581,	165, 172, 176
497, 501, 505, 509,	0440237 471	583, 585	0701217....17, 87, 91, 93,
513, 515, 519, 523,	0480100 563, 565	0700408 ... 663, 665, 667,	95, 97, 99, 101, 103,
525, 551, 553, 555,	0480124 403, 411	669, 671, 673, 675,	105, 107, 109, 111, 113
557, 559, 569, 571,	0561508 464, 468	677, 679, 681, 683	0701220....160, 161, 164,
573, 575, 693, 695,	0630462 ... 569, 571, 573,	0700412 737, 741	165, 172, 176, 227,
697, 699, 701, 703,	575	0700608 129, 133, 135	231, 693, 695, 697,
705, 707, 709, 711,	0630518 ... 145, 547, 555,	0700610 ... 119, 121, 123,	699, 701, 703, 705,
713, 715	557, 559	125, 403, 411, 531,	707, 709, 711, 713, 715
0100019....23, 25, 77, 83,	0630534 599, 601, 603	533, 817, 819, 821,	0701221....91, 93, 95, 97,
381, 383, 405, 413,	0630568 535	823, 825, 827, 829,	99, 101, 103, 105, 107,
417, 421, 425, 431,	0630613 ... 91, 93, 95, 97,	831, 833, 835	109, 111, 113
435, 439, 443, 447, 451	99, 101, 103, 105, 107,	0700612 531, 533	0701222.....393
0100020.....59, 199, 201,	109, 111, 113, 160,	0700614 ... 199, 201, 209,	0701617.....21
206, 209, 213, 220,	164, 172, 176	213, 227, 231, 247,	0701619.....23
227, 231, 238, 247,	0641404 535, 553	251, 263, 267, 283,	0701620.....25
251, 258, 263, 267,	0641405 553	287, 297, 301	0701639.....53
274, 283, 287, 294,	0641406 ... 195, 227, 231,	0700615 179	0710827.....351
297, 301, 308, 319,	529	0700616 181, 624	0711014.....330, 346
323, 330, 335, 339,	0641408 167, 169	0700618 ... 663, 667, 671,	0711015.....377
346, 545, 665, 669,	0641409 179, 181	675, 679	0711018....199, 201, 209,
673, 677, 681, 683	0641414 ... 535, 551, 569,	0700619 ... 129, 131, 133,	213, 227, 231, 247,
0100035....535, 547, 705,	571, 573, 575	135, 167, 169, 319,	251, 263, 267, 283,
707, 709, 711, 713, 715	0641416 ... 665, 669, 673,	323, 335, 339	287, 297, 301, 319,
0100048....405, 413, 421,	677, 681, 683	0700624 ... 705, 707, 709,	323, 335, 339
429, 431, 435, 443, 535	0641418 ... 497, 501, 509,	711, 713, 715	0711020....330, 346, 377
0100079....417, 421, 431,	513, 515, 519, 523, 525	0700812 381	0711214.....258, 274
435, 439, 443, 447,	0641420 505	0700816 351	0711216.....351
661, 663, 667, 671,	0641504 160, 164	0700818 ... 351, 693, 695,	0711223.....330, 346
675, 679	0641506 ... 693, 695, 697,	697, 699, 701, 703,	0711224....206, 220, 238,
0100081....477, 479, 567	699, 701, 703	705, 707, 709, 711,	258, 274, 294, 308,
0140011.....535	0641507 405, 413	713, 715	373, 375, 377, 379,
0140043....129, 131, 133,	0641508 403, 409, 411	0700819 ... 417, 421, 431,	381, 383, 385, 387
135	0641511 63	435, 439, 443, 447,	0711627....206, 220, 294,
0181949.....59	0641514 563, 565	451, 707, 709, 711,	308
0200048....569, 571, 573,	0641606 555, 557, 559	713, 715, 737, 743	0711629.....21
575	0641607 99, 107, 406		0711635.....456
0257195.....857			0721004.....63

SECTION 11 - SPECIAL OPTIONS/ACCESSORIES/KITS

0721005 573, 575	699, 701, 703, 705,	0902888.....417, 421, 431,	1001104029 417, 421,
0731005 ... 91, 93, 95, 97,	707, 709, 711, 713, 715	435, 439, 443, 447, 451	431, 435, 440, 443,
99, 101, 103, 105, 107,	0761010 464, 468	0940092.....569, 571, 573,	447, 452
109, 111, 113, 569,	0761011 ... 456, 464, 468	575	1001106736 737, 739,
571, 739, 743	0761012 ... 403, 411, 464,	0940094.....569, 571, 573,	741, 743
0741605 294, 308	468, 471, 739, 743	575	1001107854 802
0741606 258, 274	0761014 99, 101, 103,	0940102.....567	1001108256 571
0741607 63, 417, 421,	105, 179, 181, 227,	0940103.....573	1001109259 857
425, 429, 431, 435,	231, 319, 323, 331,	0940133.....575	1001109692 857
443, 447	335, 339, 347, 413,	0940134.....569	1001110133 857
0760408 59	465, 468, 493, 737, 741	0940177.....571	1001110872 685, 687
0760512 ... 227, 231, 247,	0761015 ... 160, 164, 206,	0961845.....497, 501, 505,	1001110873 417, 421,
251, 263, 267, 283,	220, 227, 231, 238,	509, 513, 515, 519,	431, 435, 440, 443,
287, 297, 301, 367	258, 274, 294, 308,	523, 525	447, 661
0760605 351	330, 346, 365, 367,	0961893.....599, 601, 603	1001112551 819
0760606 ... 403, 405, 411,	373, 375, 377, 379,	0961947.....471, 475, 591	1001112612 795, 801
417, 421, 425, 431,	381, 383, 413, 471,	0961950.....17	1001112796 795
435, 439, 443, 447, 451	477, 479	0961951....206, 220, 238,	1001113047 181
0760607 ... 238, 258, 274	0761016 ... 189, 191, 238,	258, 274, 294, 308,	1001113680 821
0760608 ... 131, 181, 195,	258, 274, 294, 308,	330, 346, 464, 468, 473	1001113961 801
409, 413, 417, 421,	330, 346, 363, 365,	0962033.....464, 468	1001113984 25, 35
425, 429, 431, 435,	409, 465, 468	0962051.....391, 393	1001115044 319, 323,
439, 443, 447, 451,	0761017 ... 295, 309, 465	0962155.....471	335, 339
737, 739, 741, 743	0761019 447	0962181.....21	1001116208 838
0760610 ... 167, 169, 206,	0761210 ... 199, 201, 209,	0962270.....511, 521	1001116290 179, 181
220, 235, 238, 255,	213, 247, 251, 258,	0962336.....599, 601, 603	1001116693 771
258, 271, 274, 294,	263, 267, 274, 283,	0962348.....21	1001116694 805
308, 330, 346, 351,	287, 295, 298, 301, 308	0962423....456, 460, 464,	1001116695 771
425, 429, 456, 460,	0761212 ... 238, 258, 274,	468	1001116720 791
661, 689, 691	417, 421, 425, 429,	0962449.....411	1001116727 747, 751
0760612 ... 129, 131, 133,	431, 435, 439, 443,	0962520....417, 421, 425,	1001116728 747, 751
135, 203, 217, 291,	451, 460	429, 431, 435, 439,	1001116732 745, 759
305, 327, 343, 399, 401	0761214 238, 405, 413	443, 447, 451	1001116734 745, 759
0760614 ... 189, 191, 395,	0761215 87	1001026127 199, 201,	1001116748 725, 807,
397, 464, 468	0761216 409, 493	209, 213, 283, 287,	809, 811
0760615 351, 737	0761615 17	297, 301	1001116774 795
0760619 294, 308	0762016 ... 161, 164, 165,	100108070799, 101, 103,	1001116792 705, 707,
0760807 351, 483	172, 176, 456, 460	105	709, 711, 713, 715
0760808 258, 274, 739	0762418 460	1001091102.59, 689, 691	1001116808 795
0760810 ... 160, 172, 238,	0770814 379	1001095704.....801, 853	1001116812 747
258, 274, 295, 308,	0771212 ... 227, 231, 247,	1001096070.....425, 429,	1001116815 748
319, 323, 330, 335,	251, 263, 267	721	1001116845 825
339, 346, 493, 739	0771414 ... 206, 220, 238,	1001096456.....19, 21	1001116846 827, 837
0760812 ... 167, 169, 185,	258, 274, 294, 308,	1001097051.....789	1001116847 825
238, 258, 274, 330,	373, 375, 381, 383,	1001097150.....719, 721,	1001116848 825
346, 413, 431, 435,	385, 387	723	1001116849 827
705, 707, 709, 711,	0771415 ... 377, 379, 417,	1001097244.....527	1001116850 825
713, 715, 717	425, 439, 451	1001098122.....545, 771	1001116851 827
0760814 59, 238, 258,	0771416 ... 206, 220, 294,	1001098764.....295, 309	1001116852 825
274, 294, 308, 319,	308	1001098828.....493	1001116863 827
323, 330, 335, 339,	0771620 77	1001099366.....567	1001116952 747, 751
346, 385, 387, 403,	0772018 77, 199, 201,	1001099367 567	1001116983 757
405, 411, 414, 431,	209, 213, 227, 231,	1001099869 411	1001117025 745
435, 477, 479, 481,	247, 251, 263, 267,	1001100234.....411	1001117106 747, 801
693, 695, 697, 699,	283, 287, 297, 301,	1001100321.....411	1001117107 747, 751
701, 703	319, 323, 335, 339	1001100341.....775	1001117110 802
0760815 ... 206, 220, 258,	0860038 ... 417, 421, 431,	1001100342.....777	1001117172 545
274, 330, 346	435, 439, 443, 447, 661	1001100345.....779	1001117174 535, 545
0760816 59, 206, 220,	0861538 ... 435, 439, 443,	1001100346.....783	1001117294 857
295, 309	447	1001100347 781	1001117307 172, 176
0760817 351	0861572 451	1001100825.....327, 343	1001117308 238, 259,
0760822 ... 477, 695, 697,	0861731 ... 673, 677, 681,	1001101422.....859	275, 294, 308
699	683, 779, 781, 783	1001102830.....705, 707,	1001118378 771, 801
0760824 477, 479	0861781 ... 665, 669, 775,	709, 711, 713, 715	1001118384 793
076100967, 69, 183, 464,	777	1001102978..95, 97, 103,	1001118388 791, 793
468, 477, 479, 481,	0861880 719, 721	105, 109, 111, 391, 393	1001118666 468
483, 693, 695, 697,		1001103012.....802	1001118878 259, 275

SECTION 11 - SPECIAL OPTIONS/ACCESSORIES/KITS

1001118972 99, 101, 103, 105, 199, 201, 209, 213, 227, 231, 247, 251, 263, 267, 283, 287, 297, 301, 319, 323, 335, 339	1001133245 607	1001139384 167, 169, 179, 181	1001148906 857
1001119020 795	1001133714 747, 752	1001139654 838	1001148971 858
1001119032 801	1001133715 747, 752	1001139819 206, 220	1001149160 351, 739
1001119051 199, 201, 209, 213, 227, 231, 247, 251, 263, 267, 283, 287, 297, 301, 319, 323, 335, 339	1001133956 748, 751	1001140312 275, 309	1001149452 363, 365
1001119280 403, 405, 409, 411	1001134289 471, 475	1001140346 421, 431	1001149469 363, 365
1001119455 630, 636, 642	1001134488 239, 259, 275, 294, 308	1001140347 429	1001149639 330, 346
1001119619 787	1001134543 77	1001140429 497, 501, 505, 509, 513, 515, 519, 523, 525	1001150324 17
1001119620 785, 789	1001135138 294, 308	1001140564 239, 259, 275, 295, 309	1001150326 17
1001120204 693, 705	1001135488 464, 468	1001141300 838	1001150569 63
1001120205 693, 705	1001135600 25, 29	1001141302 838	1001150570 63
1001120328 551, 553, 807, 809, 811	1001135650 747	1001141304 240, 259, 275, 295, 309	1001150571 63
1001120466 858	1001135651 747, 752	1001141694 206, 220, 259, 275	1001150918 209, 213, 264, 267, 297, 301, 336, 339
1001120467 858	1001135679 259, 275, 294, 308	1001141814 425, 451	1001151192 477
1001120471 527	1001136104 447	1001141995 206, 220, 330, 346	1001151393 147, 149, 151, 153, 155, 157
1001120477 527	1001136356 417, 429, 439	1001142501 227, 231, 247, 251, 263, 267, 283, 287, 297, 301	1001151856 752
1001120484 527	1001136358 637, 643	1001142504 858	1001152429 440, 452, 765
1001120851 759	1001136398 477, 479	1001142505 858	1001152456 418, 422, 432
1001120989 838	1001136400 477, 479	1001142643 422, 429, 432, 436, 444	1001152457 418, 422, 432
1001120992 838	1001136402 477, 479	1001142646 422, 432, 436, 444	1001152479 852
1001121172 802	1001136461 477	1001142683 189, 191, 853	1001152482 852
1001125387 838	1001136571 464, 468	1001142736 189, 191, 795	1001152483 723
1001125492 77	1001136575 464, 468	1001142938 751	1001152486 691, 723
1001125677 772, 802, 807	1001136583 464, 468	1001142940 747, 751	1001152489 239, 259, 275, 295, 309
1001126009 793	1001136587 464, 468	1001142941 747, 752	1001152520 452
1001126286 858	1001136590 465, 468	1001143390 206, 220, 259, 275	1001152525 418, 422, 432, 436, 440, 444, 448, 452
1001126351 748, 751	1001136834 239, 259, 275, 294, 308	1001143645 693, 695, 697, 699, 701, 703, 705, 707, 709, 711, 713, 715	1001152530 418, 422, 432
1001126352 751	1001136975 199, 201, 209, 213, 227, 231, 247, 251, 263, 267, 283, 287, 297, 301	1001143852 838	1001152532 418, 422, 426, 429, 432, 761
1001126356 751	1001137005 860	1001143907 240	1001153197 418
1001126357 751	1001137032 456	1001144116 259, 275	1001153260 418, 422, 432
1001126362 747, 752	1001137125 489, 491	1001144433 551	1001153398 464, 468
1001126363 747, 752	1001137276 294, 308	1001144629 499, 503, 507, 513, 517, 523	1001154405 228, 232, 247, 251, 263, 267, 283, 287, 297, 301, 367
1001126364 747, 748	1001137673 551, 853	1001146368 206, 220, 223	1001154726 759
1001126365 747, 752	1001138173 206, 220, 330, 346	1001146588 227, 231, 239, 693, 695, 697, 699, 701, 703, 705, 707, 709, 711, 713, 715	1001155041 413
1001126368 751	1001138175 206, 220, 330, 346	1001147264 748, 751	1001155043 137, 139, 141, 143
1001126384 751	1001138228 239, 259, 275, 294, 309, 853	1001148138 406, 413	1001155044 137, 139, 141, 143, 533, 535
1001126391 747, 752	1001138248 207, 221, 239, 259, 275, 295, 309, 330, 346	1001148607 91, 93, 95, 97, 107, 109, 111, 113	1001155045 137, 139, 141, 143, 533, 535, 853
1001126392 748	1001138436 464, 468	1001148650 464, 468	1001155094 199, 201, 209, 213, 227, 231, 247, 251, 263, 267, 283, 287, 297, 301, 319, 323, 335, 339
1001126485 748	1001138459 456, 460	1001148675 685, 687	1001155441 489, 491
1001126487 748	1001138494 501, 505, 509, 513, 515, 519, 523, 525	1001148902 857	1001155823 227, 231, 247, 251, 263, 267, 283, 287, 297, 301
1001128128 745	1001138514 501, 505, 509, 515, 519, 525	1001148903 857	1001156107 227, 231, 239
1001128527 559	1001138565 425	1001148904 857	1001157520 436, 440, 444, 448
1001128556 559	1001138566 418, 421, 425, 429, 431	1001148905 857	
1001128901 330, 346	1001138567 460		
1001129858 417	1001138795 599, 601, 603		
1001130220 129, 131, 133, 135, 189, 191, 195, 199, 201, 209, 213, 227, 231, 247, 251, 263, 267, 283, 287, 297, 301, 409, 418, 421, 425, 429, 431, 435, 440, 443, 447, 452, 456, 460	1001138827 239, 259, 275, 294, 309		
1001130492 838	1001139078 477, 479		
1001131269 817, 829	1001139099 857		
	1001139357 418, 425		

SECTION 11 - SPECIAL OPTIONS/ACCESSORIES/KITS

1001157521 436, 440, 444, 448, 452	1001168166.....207, 220, 259, 275, 295, 309	1001178057.....91, 95, 99, 103, 107, 111, 115	1001185598 59
1001157525 452	1001168207.....385	1001178223.....239	1001185709 83
1001157528 436, 440, 444, 448, 452	1001168402.....493	1001178788.....259, 275	1001185842 77
1001157592 436, 440, 444, 448	1001169046..... 160, 164, 179, 181	1001178876.....259, 275	1001185906 21
1001158007 436, 440, 444, 448, 452	1001169054.....239, 259, 275, 295, 309, 331, 347	1001178951.....858	1001185907 21
1001158008 418, 422, 432, 436, 440, 445, 448, 452	1001169085.....489, 491	1001179154.....418, 422, 432, 436, 440, 444, 448	1001186186 160
1001158363 418, 422, 432	1001169138.....239, 259, 275, 295, 309, 331, 347	1001179836.....413	1001186333 511
1001159118 685, 687	1001169582.....85	1001179837.....405, 413	1001186334 521
1001159119 685, 687	1001169661.....620, 624	1001179903.....239, 259, 275	1001186346 119
1001159120 685, 687	1001169967.....259, 275, 295, 309, 331, 347	1001180001.....405, 413	1001186375 501
1001159121 687	1001170035.....259, 275, 295, 309, 331, 347	1001180620.....239, 259, 275, 295, 309, 330, 346	1001186377 505
1001159186 767, 771	1001170764.....747	1001180882.....465	1001186379 509
1001159256 535, 853	1001170847.....489, 491	1001181045.....719, 721, 852	1001186382 519
1001159323 838	1001171131.....685	1001181243.....406, 414	1001186383 517
1001160505 165, 176	1001171482..... 137, 139, 141, 143	1001181774.....17	1001186384 507
1001161709 535, 853	1001171791.....235, 255, 271	1001181778.....856	1001186386 503
1001161710 319, 323, 335, 339, 853	1001171953.....235, 255, 271	1001181790.....19, 21	1001186387 499
1001162538 67, 69, 75	1001172064.....751	1001181792...19, 21, 605	1001186426 239, 295, 309, 331, 347
1001163717 21	1001172065.....751, 852	1001181793.....19	1001186431 551, 853
1001164726 179, 181	1001172577.....567	1001181795.....41	1001186432 791, 793
1001164817 589	1001172578.....567	1001181796.....41	1001186443 23
1001165035 199, 201, 209, 213, 227, 231, 247, 251, 263, 267, 283, 287, 297, 301, 330, 346, 367	1001172615.....172	1001181797.....41, 43	1001186517 551
1001165388 207, 221, 259, 275	1001172751.....857	1001181895.....275, 309	1001186541 465, 469
1001165405 259, 275	1001172760.....535	1001181899.....295, 309	1001186806 283
1001165406 259, 275	1001172760.....535	1001181923.....693, 695, 697, 699, 701, 703, 705, 707, 709, 711, 713, 715	1001186807 297
1001165721 259, 275	1001173535.....331, 347	1001182361.....748	1001186808 199
1001165722 259, 275	1001173703.....838	1001182365.....748	1001186809 209
1001165849 239, 259, 275	1001174040.....493	1001182570.....489, 491	1001186811 283, 287, 291
1001166538 536, 539	1001174231.....456	1001182694.....19, 21	1001186812 291, 294
1001166539 535, 541	1001174250.....456	1001182695...19, 21, 605	1001186813 297, 301, 305
1001166563 17	1001174251.....456	1001182697.....19, 21	1001186814 305, 308
1001166716 239, 295, 309	1001174252.....456, 460	1001182806.....195	1001186815 199, 201, 203
1001166718 239, 259, 275, 381, 383, 385, 387	1001174253.....456, 460	1001183407.....858	1001186816 203, 206
1001166894 391, 393	1001174254.....456	1001183477.....414	1001186817 209, 213, 217
1001166921 259, 275	1001174256.....456	1001183926.....456	1001186818 217, 220
1001166922 387	1001174486.....199, 201, 209, 213, 319, 323, 335, 339, 363, 365	1001184209.....17	1001186980 391
1001166924 239, 259, 275	1001174630.....477	1001184213.....21	1001186981 391
1001167042 295, 309	1001174631.....477, 479	1001184327.....172	1001187022 85
1001167164 395, 397, 399, 401	1001174632.....477, 479	1001184618.....817, 819, 821, 823, 825, 827, 829, 831, 833, 835	1001187077 802
1001167565 493	1001174636.....477, 479	1001184626.....531, 533	1001187078 802
1001167567 493	1001174673.....160, 164, 167, 169, 477	1001184725.....59	1001187082 206, 220
1001167596 493	1001175073.....391, 393	1001184727.....43	1001187200 129, 131, 133, 135, 852
1001167635 748	1001175074.....393	1001184728.....43	1001187308 612, 616
1001168018 206, 220, 239, 259, 275, 295, 309, 331, 347, 373, 375, 377, 379, 381, 383, 385, 387	1001175568.....247, 251, 263, 267, 283, 287, 297, 301	1001184881.....43	1001187312 612, 616, 620, 624
1001168099 259, 275	1001175998.....464, 468	1001184913.....465, 469	1001187317 612
	1001175999.....464, 469	1001184915.....465, 469	1001187318 612, 616, 620, 624
	1001176212.....465	1001184917.....465, 469	1001187348 456, 473
	1001176469.....149, 153, 155, 157	1001184918.....465, 469	1001187382 493
	1001176511.....239	1001184930.....203, 217, 235, 255, 271, 291, 305, 327, 343, 360	1001187383 493
	1001176848.....19, 21	1001185030.....17	1001187521 ... 23, 25, 39
	1001176862.....685	1001185281.....535	1001187674 549
	1001177359.....239, 259, 275, 295, 309	1001185596.....41	1001187681 787
	1001177844.....295, 309	1001185597.....43	1001187781 331, 347
			1001187807 145, 547
			1001187808 119, 123
			1001187855 77, 80
			1001187864 61
			1001187870 61

SECTION 11 - SPECIAL OPTIONS/ACCESSORIES/KITS

1001187950.....160, 164, 172, 176	1001189615 858	1001192279 421	1001194114.....403, 406, 409, 411, 414, 759
1001187951.....160, 161, 164, 165, 172, 176	100118976499, 101, 103, 105	1001192280 405	1001194197.....673
1001187953.....87	100118980099, 101, 103, 105	1001192284 369	1001194198.....677
1001188125.....83	1001189859 465, 469	1001192400 239, 295, 309	1001194200.....681
1001188168.....69, 483	1001189913 295, 309	1001192401 802	1001194203.....665
1001188187161, 165, 173, 176	1001189979 239, 295, 309, 331, 347	1001192442 375	1001194204.....669
1001188194.....161, 165, 172, 176	1001190143 203, 217, 235, 255, 271, 291, 305, 327, 343	1001192443 373	1001194205.....856
1001188236.....206, 221, 745	1001190159 845	1001192475 857	1001194365.....683
1001188257.....91	1001190164 206, 220, 295, 309	1001192482 857	1001194888.....179
1001188302.....481, 483	1001190169 67, 69, 71	1001192483 439	1001195039.....247, 251, 263, 268
1001188334.....87, 89	1001190194 19, 21	1001192484 417	1001195224.....857
1001188337.....87	1001190286 483, 487	1001192485 403	1001195225.....695, 697, 699
1001188342.....612	1001190287 481, 485	1001192486 451	1001195226.....707, 709, 711
1001188503.....21	1001190335 99	1001192487 425	1001195227.....693
1001188533.....729, 737, 739	1001190338 160, 164	1001192488 411	1001195228.....705
1001188534.....731, 741, 743	1001190441 671	1001192489 857	1001195235.....856
1001188535.....206, 220, 295, 309	1001190442 295, 309	1001192610 857	1001195237.....858
1001188622.....493	1001190444 227, 231, 247, 251, 263, 267, 283, 287, 297, 302, 757	1001192641 631, 637, 643	1001195238.....858
1001188664.....119, 121, 123, 125	1001190484 675	1001192661 631, 637, 643	1001195304.....858
1001188666.....119, 121, 123, 125	1001190485 679	1001192663 631, 637, 643	1001195354.....858
1001188667.....199, 201, 209, 213	1001190493 663	1001192684 630	1001195454.....160, 164, 169
1001188668.....228, 232, 247, 251, 264, 268, 283, 287, 298, 302	1001190495 667	1001192685 630	1001195455.....160, 164, 167
1001188669.....228, 232, 247, 251, 264, 268, 283, 287, 298, 302	1001190717 858	1001192690 199, 201, 210, 214, 228, 232, 248, 252, 264, 268, 284, 288, 298, 302, 636, 642	1001195490.....838
1001188670.....199, 201, 209, 213	1001190756 172	1001192693 630	1001195491.....838
1001188763.....612, 616, 620, 624	1001190761 858	1001192694 630	1001195525.....693, 705
1001188844.....493	1001190773 661	1001192695 631, 637, 643	1001195535.....172
1001188893.....63	1001190774 689	1001192696 631, 637, 643	1001195763.....369
1001188894.....845	1001190921 801	1001192698 631, 637, 643	1001196368.....695, 697, 699, 707, 709, 711
1001188895.....849	1001190942 239, 295, 309, 331, 347	1001192699 631, 637, 643	1001196382.....381, 405, 418, 422, 426, 432, 436, 440, 444, 448, 452
1001188896.....847	1001190985 493	1001192841 160, 164	1001196390.....19, 21
1001188972.....209, 213, 264, 267, 297, 302, 336, 339	1001191019 857	1001192842 172	1001196398.....199, 209, 227, 247, 263, 283, 297, 319, 335
1001189001.....493	1001191020 489, 491	1001192843 172	1001196602.....801
1001189002.....493	1001191025 295, 309	1001192844 172	1001196604.....801
1001189003.....737, 739, 741, 743, 797	1001191048 465, 469	1001192910 456	1001196634.....263, 298, 317, 801, 852
1001189005.....725, 737, 739, 741, 743	1001191126 137, 141	1001192931 856	1001196636.....801
1001189026.....206, 220, 295, 309	1001191156 369	1001192991 456	1001197016.....859
1001189067.....160, 164	1001191202 465, 469	1001193018 663, 665, 667, 669, 671, 673, 675, 677, 679, 681, 683	1001197017.....569, 571, 573, 575
1001189119.....91, 93, 95, 97, 107, 109, 111, 113	1001191205 465, 469	1001193049 295, 309	1001197045.....612, 616, 620, 624
1001189161.....206, 220	1001191271 207, 221	1001193167 403, 406, 411	1001197268.....395
1001189169.....856	1001191273 371	1001193168 169	1001197269.....397
1001189171.....723	1001191328 737, 807	1001193169 167	1001197389.....395
1001189172.....723	1001191384 464, 469	1001193215 856	1001197408.....838
1001189227.....373, 375	1001191385 464, 469	1001193521 858	1001197719.....747
1001189228.....107	1001191394 858	1001193610 620	1001197725.....207, 221, 295, 309
	1001191395 857	1001193611 620	1001198631.....23, 25
	1001191557 187	1001193760 160, 164	1001198884.....856
	1001191610 207, 221, 295, 309, 331, 346, 373, 375, 377, 379	1001193927 636, 642	1001199095.....856
	1001191620 239, 259, 275	1001193928 636, 642	1001199654.....612, 616, 620, 624
	1001191856 377	1001193929 636, 642	1001199655.....612
	1001192008 379	1001193930 636, 642	1001199656.....612
	1001192012 119, 121, 123, 125	1001194045 856	
	1001192027 460	1001194110 856	
	1001192265 620		
	1001192278 443		

SECTION 11 - SPECIAL OPTIONS/ACCESSORIES/KITS

1001199657 612, 616, 620, 624	1001204251..... 167	1001211582..... 489, 491	1001215681 331, 347
1001199658 612, 616, 620, 624	1001204303..... 169	1001211583..... 489	1001215899 331, 347
1001199661 612, 616	1001204325..... 239	1001211584..... 491	1001215974 331, 347
1001199662 612, 616, 620, 624	1001204389..... 630	1001211585..... 489, 491	1001216015 406
1001199883 ... 91, 93, 99, 101, 107, 113	1001204645..... 631, 637, 643	1001211586..... 489	1001216065 351
1001199933 ... 91, 93, 95, 97, 99, 101, 103, 105, 107, 109, 111, 113	1001204690..... 693, 695, 697, 699, 701, 703, 705, 707, 709, 711, 713, 715	1001211587..... 491	1001216071 351
1001200432 612, 616	1001204715..... 489, 491	1001211588..... 489, 491	1001216075 331, 347
1001200435 206, 220	1001204725..... 493	1001211752..... 181	1001216086 331, 347
1001200491 493	1001204902..... 367	1001211760..... 181	1001216092 331, 347
1001200494 493	1001204939..... 489, 491	1001211761..... 181	1001216144 351
1001200731 199, 201, 209, 213, 283, 287, 297, 302	1001205016..... 856	1001211762..... 172, 176, 181	1001216195 45
1001200745 295, 309	1001205020..... 856	1001211767 179	1001216196 45
1001200910 189	1001205021..... 856	1001211773..... 179	1001216201 331, 347
1001201090 705, 707, 709, 711, 713, 715	1001205824..... 630, 636, 642	1001211774..... 172, 176, 179	1001216212 755
1001201255 630	1001205923..... 737, 739, 741, 743, 769	1001211794..... 351	1001216213 755
1001201325 ... 91, 93, 95, 97	1001205957..... 377	1001212223..... 436, 443	1001216300 389
1001201326 107, 109, 111, 113	1001205958..... 673, 677, 681	1001212333..... 172, 176	1001216390 448
1001201342 693, 695, 697, 699, 701, 703, 705, 707, 709, 711, 713, 715	1001206082..... 727, 737, 739, 741, 743	1001212415 852	1001216391 409
1001201351 493	1001206311..... 859	1001212351 ... 91, 93, 95, 97, 107, 109, 111, 113	1001216393 348
1001201511 481, 483	1001206314..... 160, 164, 172, 176	1001213447 771	1001216531 331, 347
1001201843 207, 221, 373	1001206476..... 717	1001213543 160, 164	1001216532 327, 343
1001201844 207, 221	1001207004..... 191	1001213744 160, 164	1001216533 327, 343
1001202333 179, 181	1001207969..... 637, 643	1001213794 160, 164	1001216534 327, 343
1001202687 493	1001208017..... 45	1001213810 351	1001216619 389
1001202749 857	1001208874..... 67, 69	1001213882..... 535	1001216630 493
1001202936 693, 695, 697, 699, 701, 703, 705, 707, 709, 711, 713, 715	1001208994..... 493	1001214030 838	1001216768 351
1001203424 631, 637, 643	1001209016..... 379	1001214095..... 695, 697, 699, 707, 709, 711	1001216769 351
1001203426 637, 643	1001209432..... 717	1001214096..... 695, 697, 699, 707, 709, 711	1001216910 331, 347, 351
1001203431 199, 201, 210, 214, 228, 232, 248, 252, 264, 268, 284, 288, 298, 302, 636, 642	1001209474..... 717	1001214408..... 630, 636, 642	1001216919 331, 347
1001203432 199, 210, 228, 248, 264, 284, 298, 320, 336	1001209664..... 551	1001214478 859	1001216947 327, 343
1001203433 199, 210, 228, 248, 264, 284, 298	1001209948..... 693, 695, 697, 699, 701, 703, 705, 707, 709, 711, 713, 715	1001214515 859	1001217055 859
1001203655 511	1001209949..... 693, 695, 697, 699, 701, 703, 705, 707, 709, 711, 713, 715	1001214540 859	1001217183 331, 347
1001203656 521	1001209951..... 693, 695, 697, 699, 701, 703, 705, 707, 709, 711, 713, 715	1001214552 859	1001217185 331, 347
1001203719 465, 469, 737	1001209953..... 693, 695, 697, 699, 701, 703, 705, 707, 709, 711, 713, 715	1001214559 859	1001217186 331, 347
1001203853 620, 624	1001209955..... 693, 695, 697, 699, 701, 703, 705, 707, 709, 711, 713, 715	1001214560 859	1001217450 331, 347
1001203854 620, 624	1001209957..... 705, 707, 709, 711, 713, 715	1001214561 859	1001217453 331, 347
1001203859 620	1001210448..... 351, 353	1001214562 859	1001217543 331, 347
1001203860 620	1001210636..... 527	1001214570 717	1001217563 327, 343
1001203885 206, 220, 295, 309	1001211049..... 691	1001214571 717	1001217593 331, 347
	1001211366..... 859	1001214827 351	1001217594 331, 347
	1001211577..... 489, 491	1001215016 755	1001217595 331, 347
	1001211578..... 489	1001215091 755	1001217647 331, 347
	1001211579..... 491	1001215218..... 331, 347, 755	1001217648 331, 347
	1001211580..... 489, 491	1001215219..... 320, 324, 336, 340	1001218471 331, 347
	1001211581..... 489, 491	1001215220..... 320, 324, 336, 340	1001218539 99, 101, 103, 105, 193
		1001215228 535	1001218559 331, 347
		1001215384..... 351	1001218565 331, 347
		1001215534..... 755	1001218575 331, 347
		1001215608..... 319	1001218594 589
		1001215609..... 335	1001218622 703, 715
		1001215610..... 319, 323, 327	1001218623 715
		1001215611 335, 340, 343	1001218676 99, 101, 103, 105, 193
		1001215612..... 327, 330	1001218930 448
		1001215613..... 343, 346	1001219005 319, 323, 335, 340
		1001215615..... 837	1001219015 319, 323, 335, 340
			1001219021 319, 323, 335, 340
			1001219022 319, 323, 335, 340
			1001219024 319, 323, 335, 340

SECTION 11 - SPECIAL OPTIONS/ACCESSORIES/KITS

1001219040.....17, 589	1001226305.....703	1001232117.....591	1001235532.....228, 232, 247, 251, 264, 268, 283, 287, 298, 302
1001219128.....193	1001226400.....729, 731	1001232164.....549	1001235585.....833
1001219138.....172, 176	1001226531.....717	1001232165.....549	1001235699.....199, 201, 209, 213
1001219601.....129, 131, 133, 135	1001226872.....497	1001232292.....23, 25	1001235884.....856
1001219630.....409	1001227075.....715	1001232642.....553	1001236087.....547
1001219632.....409	1001227367.....167, 169	1001232650.....553	1001236091.....145
1001219852.....447	1001227404.....856	1001232667.....553	1001236121.....391, 393
1001219853.....409	1001227507.....757	1001232842.....263, 298, 317	1001236136.....320, 324, 336, 340
1001219854.....858	1001227527.....737, 739, 741, 743	1001233035.....858	1001236303.....123, 125
1001219855.....857	1001227633.....549	1001233047.....856	1001236304.....717
1001220266.....227, 231	1001227634.....549	1001233237.....856	1001236499.....207, 220
1001220379.....751	1001227666.....332, 348	1001233429.....395	1001236504.....717
1001220390.....857	1001227667.....332, 348	1001233763.....263, 268, 298, 302, 317	1001236505.....717
1001220404.....389	1001227769.....351	1001233895.....259, 275, 295, 751	1001236552.....553
1001220638.....193	1001227772.....351	1001233948.....183	1001236746.....585
1001220728.....409	1001227887.....160, 164	1001233949.....183	1001236747.....577
1001220903.....630	1001227888.....172, 176	1001233953.....183, 185	1001236891.....577, 579, 581, 583, 585
1001220912.....631, 637, 643	1001227985.....549	1001233954.....183, 185	1001236895.....577, 579, 581, 583, 585
1001220941.....630	1001227987.....549	1001233955.....183, 185	1001237142.....460
1001221016.....636, 642	1001227996.....785, 789	1001233956.....183, 185	1001237544.....547
1001221210.....755	1001228177.....456, 460	1001233959.....145, 547	1001237546.....145
1001221397.....327, 343	1001228186.....701	1001233966.....183, 185	1001237550.....183
1001221464.....327, 343	1001228187.....713	1001233967.....183, 185	1001237667.....772, 801
1001221545.....351	1001228188.....701, 713	1001234080.....183	1001237668.....772, 801
1001221942.....320, 324, 336, 340	1001228215.....497	1001234269.....183, 185	1001237822.....737, 739, 741, 743
1001221943.....320, 324, 336, 340	1001228224.....549	1001234270.....183	1001237862.....785, 789
1001221944.....320, 324, 336, 340	1001228225.....549	1001234281.....397	1001237863.....549, 789
1001222033.....331, 347	1001228243.....523	1001234283.....397	1001237864.....549, 785
1001222133.....319, 323, 335, 340	1001228375.....525	1001234299.....397	1001237865.....549, 787
1001222522.....636, 642	1001228376.....513	1001234370.....395	1001237882.....857
1001222641.....351	1001228377.....515	1001234371.....395	1001237883.....857
1001223042.....331, 347	100122840699, 107, 363, 365, 367	1001234396.....207, 221	1001237949.....460
1001223045.....757	1001228809.....693, 705	1001234425.....817	1001238138.....489, 491
1001223055.....817	1001228947.....856	1001234426.....817	1001238168.....471
1001223122.....413, 432, 436	1001228988.....559, 841, 843	1001234428.....831	1001238191.....733, 737, 739, 741, 743
1001223453.....817, 829	1001229091.....295, 309	1001234429.....831	1001238192.....656, 735, 737, 739, 741, 743
1001223459.....748	1001229107.....856	1001234430.....833	1001238263.....577, 579, 581, 583, 585
1001223584.....332, 347	1001229341.....549	1001234431.....835	1001238319.....549
1001223923.....331, 347	100122957299, 101, 103, 105	1001234432.....835	1001238327.....489, 491
1001223971.....829	1001229637.....693, 695, 697, 699, 701, 703, 705, 707, 709, 711, 713, 715	1001234433.....829	1001238328.....471
1001224048.....833	1001230635.....239, 259, 275, 295, 309	1001234434.....829	1001238333.....471
1001224049.....835	1001230931.....725, 807, 809, 811	1001234435.....827	1001238398.....471
1001224050.....827	1001230934.....748	1001234436.....827	1001238405.....737, 739, 741, 743, 801
1001224051.....825	1001230935.....748	1001234437.....821	1001238407.....737, 739, 741, 743, 805
1001224052.....821	1001230936.....748	1001234438.....821	1001238408.....737, 739, 741, 743, 767
1001224053.....831	1001231235.....859	1001234439.....819, 823	1001238409.....536, 771
1001224200.....363	1001231310.....160, 164	1001234457.....456	1001238418.....553, 793
1001224486.....332, 348	1001231422.....819	1001234458.....456, 464	1001238421.....493
1001224489.....332, 348	1001231711.....195	1001234459.....465	1001238463.....579
1001224967.....363, 365, 367	1001231801.....837	1001234585.....489	1001238472.....553
1001225054.....365	1001231805.....295, 309	1001234811.....471, 475	1001238477.....553
1001225346.....717	1001231949.....585	1001235011.....553	1001238495.....551
1001225430.....279, 312, 852	1001231950.....577, 579	1001235013.....553	1001238559.....553
1001225431.....312, 852	1001231957.....53	1001235143.....129, 737	1001238663.....123
1001225442.....332, 348	1001232010.....577, 579, 585	1001235387.....817	
1001225510.....332, 348	1001232011.....577, 579, 585	1001235388.....833	
1001225580.....551, 791		1001235401.....825	
1001226304.....703, 715		1001235402.....825	
		1001235444.....827	
		1001235445.....825	
		1001235446.....821	
		1001235447.....835	
		1001235448.....829	
		1001235449.....823	
		1001235450.....831	

SECTION 11 - SPECIAL OPTIONS/ACCESSORIES/KITS

1001238824 553	1001244025.....393	1001247872.....631, 637, 643	1001250638 713
1001238851 53	1001244119.....399	1001247873.....631, 637, 643	1001250639 707, 709, 711
1001238858 53	1001244120.....399	1001247875.....631, 637, 643	1001250641 715
1001238898 860	1001244121.....399	1001247876.....630, 637, 643	1001250906 837
1001238902 858	1001244122.....399	1001247877.....631, 637, 643	1001250952 531, 533, 535
1001238904 858	1001244123.....399, 401	1001247878.....631, 637, 643	1001250953 531
1001238906 858	1001244212.....837	1001247879.....631, 637, 643	1001250981 630, 637, 643
1001238907 860	1001244374.....413	1001248140.....577, 579, 581, 583, 585	1001250982 643
1001238911 239	1001244375.....435	1001248141.....577, 579, 581, 583, 585	1001251079 465, 469, 607
1001238927 858	1001244410.....431	1001248142.....577, 579, 581, 583, 585	1001251410 856
1001238929 858	1001244464.....401	1001248608 239	1001252033 859
1001238954 ... 91, 93, 95, 97, 107, 109, 111, 113	1001244468.....401	1001248720 53	1001252034 859
1001238957 857	1001244469.....401	1001248817 239	1001252519 185
1001238960 857	1001244470.....401	1001248819 239	1001252527 748
1001238961 857	1001244508.....235, 255, 271	1001249052 859	1001252629 577, 579, 581, 583, 585
1001239202 747	1001244747.....469	1001249147 479	1001252945 693, 695, 697, 699, 701, 703, 705, 707, 709, 711, 713, 715
1001239207 291, 305	1001244762.....469	1001249454 460	1001252946 563
1001239290 737, 739, 741, 743	1001244770.....469	1001249455 460	1001252947 563, 565
1001239295 53	1001244771.....460, 468	1001249458 460	1001253115 185
1001239296 53	1001244878.....164, 176	1001249492 636, 642	1001253116 185
1001239371 838	1001244902.....164	1001249493 636, 642	1001253117 185
1001239448 147	1001245076.....176	1001249494 636, 642	1001253459 185
1001239449 149	1001245144.....856	1001249495 636, 642	1001253468 53
1001239450 147	1001245145.....460	1001249496 705, 707, 709, 711, 713, 715	1001253469 53
1001239451 149	1001245257.....271, 274	1001249497 636	1001253470 53
1001239512 737, 739, 741, 743	1001245274.....264, 268, 271	1001249498 705	1001253618 859
1001239526 857	1001245275.....263	1001249499 860	1001253619 859
1001239563 371	1001245308.....491	1001249774 460	1001253783 858
1001239710 377	1001245769.....155	1001249823 479	1001253798 239, 747
1001239715 377	1001245770.....157	1001249825 479	1001253846 235, 238
1001239716 403, 411	1001245773.....139, 143	1001249941 860	1001253847 227, 231, 235
1001241366 255, 271	1001245774.....131, 139	1001249943 295, 309, 311	1001253848 227
1001241547 859	1001245775.....135, 143	1001249965 259, 275, 279	1001253849 239
1001241548 859	1001245782.....155	1001249985 25	1001253863 239
1001241588 129, 137	1001245783.....157	1001250011 533	1001253870 239
1001241729 183, 185	1001245913.....239	1001250012 133, 741	1001253873 747
1001241965 553	1001245998.....837	1001250106 19	1001253879 227
1001242639 856	1001246000.....837	1001250193 151	1001253906 235
1001242908 737, 739, 741, 743, 799	1001246012.....239, 243	1001250194 153	1001254279 235, 255, 271
1001242991 53	1001246142.....856	1001250196 151	1001254362 856
1001242998 858	1001246502.....460	1001250197 153	1001254423 383
1001243171 160, 164, 172, 176	1001246524.....856	1001250273 133, 141	1001254460 837
1001243184 856	1001246525.....856	1001250362 21	1001254461 837
1001243414 160, 164, 172, 176	1001247073.....859	1001250465 859	1001254554 616
1001243431 53	1001247260.....460	1001250466 859	1001254719 393
1001243464 189	1001247358.....59	1001250604 837	1001254878 239
1001243465 191	1001247359.....319, 323, 331, 335, 340, 347	1001250606 837	1001254899 381
1001243522 160, 172	1001247386.....195	1001250608 837	1001254943 858
1001243654 160, 164	1001247453.....491	1001250609 819	1001255133 493
1001243656 259, 275	1001247466.....460, 593		1001255280 381
1001243682 195, 813	1001247468.....493		1001255281 383
1001243742 255, 258	1001247800.....859		1001255340 624
1001243743 247, 251, 255	1001247865.....631, 637, 643		1001255619 185
1001243744 247	1001247866.....631, 637, 643		1001255871 429
1001243755 479	1001247867.....643		1001256238 121, 125, 127
1001243850 259, 276	1001247868.....631, 637, 643		1001256239 121
1001243895 317	1001247869.....631, 637, 643		
1001244019 385	1001247871.....631, 637, 643		
1001244023 393			
1001244024 387			

SECTION 11 - SPECIAL OPTIONS/ACCESSORIES/KITS

1001256272.....857	1001261345..... 838	1001269908 612, 616, 620, 624	1320041.... 661, 689, 691, 737
1001256311.....624	1001261347..... 838	1001269909 612	1320043.....737
1001256385.....857	1001261348..... 838	1001269910 620	1320061.... 199, 201, 209, 213, 227, 231, 247, 251, 263, 267, 283, 287, 297, 301, 336, 339, 418, 422, 426, 440, 444, 452
1001256429.....616	1001261349..... 838	1001269912 624	1320070.....207, 221
1001256430.....616	1001261350..... 838	1001269913 631, 637, 643	1320110..... 330, 346
1001256667...95, 97, 103, 105, 109, 111	1001261586..... 838	1001269914 631, 637, 643	1320127.....59
1001256879.....231	1001262016..... 859	1001269919 199, 209, 228, 248, 264, 283, 298	1320176.....369
1001256930.....239	1001262102..... 837	1001269920 201, 213, 232, 252, 287, 302	1320202.....295, 309
1001257048.....624	1001262103..... 837	1001269921 320, 336	1320218.....59
1001257049.....624	1001262104..... 837	1001269922 324, 340	1320302.....555, 557, 559
1001257050.....624	1001262105..... 837	1001270242 165	1321283....319, 323, 335, 339
1001257051.....624	1001262115..... 837	1001270243 176	1321384.....167, 169
1001257052.....624	1001262116..... 837	1001270482 858	1321716....413, 431, 435
1001257053.....624	1001262589..... 231	1001270504 858	1380147.....391, 393
1001257271.....581, 583	1001262633..... 131, 739	1001270717 860	1580012.....529
1001257274.....581, 583	1001262634..... 135, 743	1001271454 595, 597	1580013.....859
1001257275.....583	1001263173 860	1001271497 772	1670603.....683
1001257436.....489, 491	1001263271 19, 21	1001271642 859	1671092....436, 440, 444, 448, 701, 703, 713
1001257490.....858	1001263800..... 601, 603	1001271760 859	1671093....557, 701, 713
1001257491.....858	1001263810..... 125	1001271785 857	1684290.....589
1001257492.....858	1001264302..... 601	1001271786 857	1700818.....837
1001258005.....583	1001264338 741, 743, 811	1001271787 857	1701499....817, 819, 821, 823, 825, 827, 829, 831, 833, 835
1001258140.....857	1001264991 471, 603	1001271888 859	1701505....199, 201, 209, 213, 227, 231, 247, 251, 263, 267, 283, 287, 297, 301, 837
1001258156.....201, 214, 232, 252, 268, 288, 302, 636, 642	1001265163 527	1001272076 456, 595	1701509....567, 817, 819, 821, 823, 825, 827, 829, 831, 833, 835
1001258157.....201, 214, 232, 252, 268, 288, 302, 636, 642	1001265308 705, 707, 709, 711, 713, 715	1001272100 460, 597	1701518.....819, 823
1001258165.....287	1001265342 527	1001272178 859	1701529....817, 819, 821, 823, 825, 827, 829, 831, 833, 835
1001258166.....301	1001265378 856	1001272274 859	1701542....319, 323, 335, 339, 837
1001258167.....201	1001265676 857	1001272836 856	1701543....319, 323, 335, 339, 837
1001258168.....213	1001265701 67, 481	1001274114 631, 637	1702565.....535
1001258169.....323	1001265756 693	1001274127 631, 637	1702566.....535
1001258170.....339	1001265757 701	1001277880 53	1702567.....535
1001258172.....95	1001265758 695, 697, 699	1001281352 642	1702720.....837
1001258173.....111	1001265759 703	1001281467 858	1702773....511, 521, 837
1001258174.....103	1001265771 630	1001284974 113	1702815.....837
1001258175.....201, 213, 232, 251, 268, 287, 302, 324, 340	1001266027 858	1001284975 97	1702817.....837
1001258263.....324, 340	1001266056 859	1001284976 109	1702860.....837
1001258800.....238	1001266098 859	1001284977 105	1702861.....837
1001258804.....239	1001266276 739, 809	1001285877 464, 469	1702868....559, 817, 837, 843
1001259018.....837	1001266277 739	1001292406 53	1702938....569, 571, 573, 575
1001259019.....630	1001266284 859	1001293465 53	1702941....209, 213, 264, 267, 297, 301, 335, 339
1001259020.....630	1001266290 858	1001293730 53	1702942....209, 213, 264, 267, 297, 301, 335, 339
1001259137.....599	1001266441 251	1060341 ... 569, 571, 573, 575	1702943....209, 213, 264, 267, 297, 301, 336, 339
1001259138.....599	1001266442 267	1060343 ... 436, 440, 444, 448	
1001260077.....616	1001266489 859	1060379 563, 565	
1001260078.....616	1001266799 859	1060584 63	
1001260286.....616	1001266801 859	1060626 ... 209, 213, 264, 267, 297, 301, 336, 339	
1001260412.....260, 276	1001266807 859	1060903 ... 569, 571, 573, 575	
1001260420.....259, 275	1001266969 859	1060908 719, 721, 723	
1001260432.....238	1001267284 93	1060918 545	
1001260460.....481	1001267285 101	1060945 703	
1001260486.....630	1001267678 . 93, 97, 101, 105, 109, 113, 117	10702077 . 436, 440, 444, 448, 452	
1001260644.....616	1001268737 858	10702082 . 436, 440, 444, 448, 452	
1001261045.....238	1001268752 858	10728823 624	
1001261085.....238	1001269096 637, 642	1120555 567	
1001261325.....535	1001269097 637, 643	1260017 85	
1001261335.....581	1001269187 859		
1001261338.....581	1001269389 859		
1001261342.....838	1001269629 857		
1001261343.....838	1001269630 857		
1001261344.....838	1001269631 857		
	1001269907 616		

SECTION 11 - SPECIAL OPTIONS/ACCESSORIES/KITS

1703162 ... 206, 220, 238, 258, 274, 294, 308, 330, 346	1705349 821	2180832....227, 231, 247, 251, 263, 267, 283, 287, 298, 301	2220865 630, 636, 642
1703470 837	1705351 817	2220124.....83	2220883 . 27, 39, 75, 589, 591, 593, 599, 601, 607
1703797 817	1705355 841, 843	2220238.....630, 636, 642	2220885 39, 599, 601, 607
1703804 817	1705358 837	2220261.....59, 331, 347	2220886 27, 39
1703805 817	1705374 ... 417, 421, 431, 685, 687	2220313....199, 201, 209, 213, 227, 231, 247, 251, 263, 267, 283, 287, 298, 301	2220906 630, 636, 642
1703811 ... 817, 819, 821, 823, 825, 827, 829, 831, 833, 835	1705375 ... 437, 441, 445, 448, 559, 843	2220315.....206, 220	2220923 616, 624
1703814 ... 817, 819, 821, 823, 825, 827, 829, 831, 833, 835	1705387 ... 417, 421, 431, 437, 441, 445, 448	2220366.....630, 636, 642	2220940 ... 203, 217, 235, 255, 271, 291, 305, 327, 343
1703923 835	1705426 831	2220371....612, 616, 620, 624, 630, 636, 642	2220946 ... 203, 217, 235, 255, 271, 291, 305, 327, 343
1703924 829	1705427 833	2220372....612, 616, 620, 624, 630, 636, 642	2220998 ... 319, 323, 336, 339
1703925 827	1705429 829	2220373....612, 616, 620, 624, 630, 636, 642	2220999 630, 636, 642
1703926 831	1705430 825	2220374.....630, 637, 643	2221024 59
1703927 833	1705460 ... 437, 441, 445, 448, 452	2220375.....630, 636, 642	2221040 612, 620
1703928 821	1705461 452	2220380.....630, 636, 642	2221042 630
1703935 835	1705489 ... 425, 429, 452	2220408....203, 217, 235, 255, 271, 291, 305, 327, 343, 630, 637	2221048 636, 642
1703936 829	1705515 838	2220415....612, 616, 620, 624, 630, 636, 642	2221086 39, 595, 597, 630, 636, 642
1703937 825	1705820 849	2220418.....59	2221176 ... 199, 201, 209, 213, 319, 323, 335, 339
1703938 831	1705822 819, 823	2220451....203, 207, 217, 221, 235, 255, 271, 291, 305, 327, 343, 630, 636, 642	2221197 59, 319, 323, 335, 339
1703939 833	1705828 819, 823	2220466....121, 125, 630, 636, 642	2400060 ... 263, 298, 317, 527, 759, 765
1703940 821	1705910 835	2220468....612, 616, 620, 624, 630, 636, 642	2400064 765, 852
1703941 835	1705917 835	2220472....612, 616, 620, 624, 636, 642	2410014 511, 521
1703942 829	1705921 819, 823	2220473....630, 636, 642	2420203 ... 403, 405, 409, 414
1703943 827	1705961 819, 823	2220479....203, 217, 235, 255, 271, 291, 305, 327, 343	2460048 439, 451
1703944 831	1705968 825, 837	2220500....612, 616, 620, 624	2460051 409
1703945 833	1705969 833, 837	2220501....612, 616, 620, 624	2460055 403
1703946 821	1706059 838	2220502....612, 620, 630	2540020 187, 189, 191
1703947 835	1706060 838	2220582....612, 616, 620, 624, 630, 636, 642	2560136 535
1703948 829	1706061 838	2220596....612, 616, 620, 624	2560187 ... 167, 169, 179, 181
1703949 827	1706062 838	2220602....612, 616, 620, 624	2580024 ... 209, 213, 263, 267, 297, 301, 336, 339
1703950 831	1706063 838	2220603....630, 636, 642	2580062 220
1703951 833	1706064 838	2220606....630, 636, 642	2600066 745
1703952 821	1706098 838	2220609....320, 323, 336, 339	2600281 ... 499, 503, 507, 513, 517, 523
1703953 817	1706385 511, 521	2220618....630, 636, 642	2720015 ... 238, 258, 274, 295, 309
1703980 831	1706957 847	2220628....612, 616, 620, 624	2720058 ... 199, 201, 209, 213, 330, 346, 363, 365
1703981 833	1706960 847	2220726....630, 636, 642	2720144 59
1703982 827	2030010 ... 555, 557, 559	2220733....630, 636, 642	2720340 238
1703983 835	2060025 206, 220	2220738....630, 636, 642	2720398 207, 221
1703984 829	2080040 ... 499, 503, 507, 513, 517, 523	2220775....121, 125, 630, 636	2780269 23, 31
1703985 821	2110810 ... 612, 616, 620, 624	2220811....612, 616, 620	2820019 763
1704000 829, 837	2110812 ... 612, 616, 620, 624	2220852....630, 636, 642	2820031 ... 403, 405, 409, 411, 413, 417, 421, 425, 429, 431, 435, 439, 443, 447, 451
1704001 835, 837	2111216 ... 612, 616, 620, 624		2820035 317
1704002 821, 837	2111616 ... 630, 636, 642		2820247 785, 789
1704260 535	2130808 616		2840016 391, 393
1704271 837	2130812 624		2860030 ... 147, 149, 151, 153, 155, 157, 852
1704272 849	2131216 ... 612, 616, 620, 624		
1704277 ... 817, 819, 821, 823, 825, 827, 829, 831, 833, 835	2131616 ... 203, 217, 235, 255, 271, 291, 305, 327, 343		
1704412 ... 817, 819, 821, 823, 825, 827, 829, 831, 833, 835	2150808 612, 620		
1704578 845, 849	2150812 612, 620		
1704865 837	2180348 ... 199, 201, 209, 213, 319, 323, 335, 339		
1704972 838	2180387 59		
1705014 511, 521	2180388 59		
1705090 845	2180389 59		
1705305 ... 559, 841, 843	2180418 59, 319, 323, 331, 335, 339, 347		
1705325 663, 665	2180467 330, 346		
1705336 817			
1705344 831			
1705345 833			
1705347 829			

SECTION 11 - SPECIAL OPTIONS/ACCESSORIES/KITS

2900792.....591, 593, 599, 601, 603	235, 238, 255, 258, 271, 274, 291, 294,	703, 705, 707, 709, 711, 713, 715	3470003.....536
2902065.....207, 221, 238, 258, 274, 294, 308, 357	305, 308, 319, 323, 327, 330, 335, 339,	3291601 77, 464, 468	3520028.....405, 409, 414
2902212.....567	343, 346, 395, 397,	3291605 456	3520054.....206, 220, 239, 258, 274, 294, 308, 535
2902217.....555, 557	399, 401, 413, 425,	3292001 87, 464, 468	3520071.....567
2902232.....859	429, 531, 533, 624,	3292201 464, 468	3520072.....497, 499, 501, 503, 505, 507, 509, 511, 513, 515, 517, 519, 521, 523, 525
2902266.....589	661, 663, 667, 671,	3300106 23, 25	3520189.....452
2902443.....745, 747, 751	675, 679, 689, 691,	3300151 ... 497, 501, 505, 509, 513, 515, 519, 523, 525, 555, 557, 559	3520192.....452
2902549.....689, 719	737, 739, 741, 743,	3300353 535	3520198.....497, 499, 501, 503, 505, 507, 509, 513, 515, 517, 519, 523, 525
2915096.....860	817, 819, 821, 823,	3300396 ... 418, 422, 432, 436, 440, 444, 448, 452	3539622.....464, 468
2920028.....535, 569, 571, 573, 575	825, 827, 829, 831, 833, 835	3300408 145	3572009.....63
2920029.....535, 569, 571, 573, 575	3290606 ... 501, 505, 509, 515, 519, 525	3300430 551	3572010.....63
2920161.....187	3290801 185, 330, 346	3311001 ... 403, 405, 413, 418, 422, 432, 436, 440, 444, 448, 452	3572011.....63
2940045.....181	3290805 59, 119, 121, 123, 125, 167, 169, 179, 181, 206, 220, 238, 258, 274, 294, 308, 319, 323, 330, 335, 339, 346, 385, 387, 403, 405, 411, 413, 417, 421, 431, 435, 439, 443, 447, 451, 477, 479, 481, 483, 489, 491, 693, 695, 697, 699, 701, 703, 705, 707, 709, 711, 713, 715, 717, 737, 743	3311005 ... 409, 555, 557, 559	3572012.....63
2940074.....499, 503, 507, 513, 517, 523, 852	3290806 493	3311401 ... 569, 571, 573, 575	3573400.....555, 557, 559
2940173.....167, 169, 179, 181	3291001 ... 91, 93, 95, 97, 107, 109, 111, 113, 258, 274, 294, 308, 330, 346, 464, 468, 493, 737, 741	3311405 ... 195, 227, 231, 239, 553, 665, 669, 673, 677, 681, 683, 717	3573642.....555, 557, 559
3020037.....235, 271	3291005 ... 91, 93, 95, 97, 99, 101, 103, 105, 107, 109, 111, 113, 160, 164, 167, 169, 172, 176, 179, 189, 191, 199, 201, 206, 209, 213, 220, 227, 231, 238, 247, 251, 258, 263, 267, 274, 283, 287, 295, 297, 301, 309, 319, 323, 330, 335, 339, 346, 363, 365, 367, 373, 375, 377, 379, 381, 383, 413, 456, 460, 471, 477, 479, 493, 531, 533	3311501 ... 569, 571, 573, 575	3574091.....573, 575
3160350.....23, 27	3291007 ... 403, 405, 409, 411	3311505 ... 563, 565, 637, 643	3575359.....569, 571
3251102.....403, 405, 409, 411, 413, 417, 421, 425, 431	3291201 ... 405, 413, 417, 421, 425, 429, 431, 435, 440, 443, 447, 451, 493	3311601 ... 160, 164, 172, 176, 258, 274, 535, 553	3577121.....555, 557, 559
3251242.....669, 673, 677, 681, 683	3291205 ... 87, 91, 93, 95, 97, 99, 101, 103, 105, 107, 109, 111, 113, 160, 161, 164, 165, 172, 176, 228, 231, 391, 393, 493, 693, 695, 697, 699, 701,	3311605 ... 260, 276, 511, 521, 555, 557, 559	3580134.....411
3251243.....403, 405, 409, 413, 417, 421, 431, 437, 441, 445, 448, 817, 821, 825, 827, 829, 831, 835	3291207 567	3311705 413	3580158.....403, 411
3252347.....817	3312005 567	3312002 ... 577, 579, 581, 583, 585	3580243.....464, 468
3252507.....411, 667, 671, 675, 679	3312205 567	3312005 567	3580248.....464, 468
3252764.....429, 435, 439, 443, 447, 451	3331211 ... 206, 220, 238, 258, 274, 294, 308, 330, 346, 373, 375, 377, 379, 381, 383, 385, 387	3311705 413	3580276.....403, 405, 414
3271601.....160, 172	3331611 ... 206, 220, 294, 308	3312002 ... 577, 579, 581, 583, 585	3580314.....447
3271605.....577, 579, 581, 583, 585	3340787 477, 479	3312005 567	3580317.....417, 421, 425, 429, 431, 435, 440, 443, 447, 452
3271805.....511, 521	3340956 567	3312005 567	3580318.....417, 421, 431, 435, 440, 443
3272001.....577, 579, 581, 583, 585	3380434 531, 533	3312005 567	3580319.....425, 429, 451
3290301.....391, 393	3420372 63	3312005 567	3580320.....258, 274, 294, 308, 417, 425, 440, 452
3290405.....59, 319, 323, 335, 339, 527, 663, 665, 667, 669, 671, 673, 675, 677, 679, 681, 683, 689, 691, 737, 741	3420447 63	3312005 567	3580324.....409
3290501.....227, 231, 247, 251, 263, 267, 283, 287, 297, 301	3421565 63, 85	3312005 567	3641569.....569, 571
3290505.....187, 189, 191, 227, 231, 247, 251, 263, 267, 283, 287, 297, 301, 319, 323, 335, 339, 367, 411, 417, 421, 431, 435, 439, 443, 447, 451	3422351 19, 21	3312005 567	3740067.....119, 121, 123, 125, 206, 220, 853
3290601.....167, 169, 179, 181, 330, 346, 351	3422417 464, 468	3312005 567	3740080.....759, 853
3290605.....119, 121, 123, 125, 129, 131, 133, 135, 160, 164, 181, 203, 206, 217, 220,	3422424 464, 468	3312005 567	3740086.....793, 853
	3422532 ... 203, 217, 235, 255, 271, 291, 305, 327, 343	3312005 567	3760170.....63, 85
	3422582 456	3312005 567	3790012.....319, 323, 335, 339, 533, 535
	3422661 563, 565	3312005 567	3790152.....203, 217, 235, 255, 271, 291, 305, 327, 343
	3422841 63	3312005 567	3790158.....25
	3422847 63	3312005 567	3820001.....817, 819, 821, 823, 825, 827, 829, 831, 833, 835, 838
	3422848 21	3312005 567	3820020.....499, 503, 507, 513, 517, 523
	3422861 471	3312005 567	3841143 19, 21, 199, 201, 209, 213, 227, 231, 247, 251, 263, 267, 283, 287, 297, 301, 319, 323, 335, 339, 456, 464, 468, 471, 493
	3422867 471	3312005 567	3841203.....460
	3430616 536	3312005 567	3841258.....17
	3430820 391, 393	3312005 567	3841287.....456, 460
	3460334 567	3312005 567	

SECTION 11 - SPECIAL OPTIONS/ACCESSORIES/KITS

3841340 ... 693, 695, 697, 699, 701, 703	4060805 468	4420068.... 569, 571, 573, 575	4460466 ... 527, 549, 727, 729, 731, 733, 745, 747, 748, 751, 755, 759, 771, 787, 791, 793, 795, 801, 802, 807, 809, 811
3841356 460	4061032 ... 247, 251, 264, 267	4460019..... 747, 751	4460467 860
3900054 511, 521	4070895 464, 468	4460027.... 403, 405, 409, 414	4460470 ... 535, 737, 739, 741, 743
3900267 ... 418, 422, 432	4070896 464, 468	4460042.... 745, 748, 752, 755, 801	4460471 ... 535, 737, 739, 741, 743
3900300 ... 418, 422, 432	4070897 464, 468	4460043.... 317, 747, 751, 765	4460473 727, 729, 731
3900349 535	4070898 464	4460049.... 569, 571, 573, 575	4460496 ... 535, 737, 739, 741, 743
3900357 206, 220	4070939 464, 468	4460071.... 417, 421, 431, 435, 440, 443, 447, 545, 661	4460497 ... 535, 737, 739, 741, 743
3900363 179, 181	4070940 464, 468	4460142..... 745	4460508 ... 549, 727, 771, 801
3900364 ... 160, 164, 330, 346	4092009 464, 468	4460183..... 771, 801	4460509 727, 729, 731
3900394 479	4160149 464, 468	4460190.... 403, 405, 409, 414	4460510 860
3910606 ... 417, 421, 431, 435, 440, 443, 447, 685, 687	4240018 59, 612, 616, 620, 624, 685, 687, 693, 695, 697, 699, 701, 703, 705, 707, 709, 711, 713, 715	4460205..... 661	4460518 771, 795, 811
3910610 661	4240033 ... 489, 491, 549, 551, 553, 612, 616, 620, 624	4460224..... 429, 535	4460536 ... 733, 735, 771, 797, 813
3910804 ... 147, 149, 151, 153, 155, 157	4240099 ... 187, 199, 201, 209, 213, 227, 231, 238, 247, 251, 258, 263, 267, 274, 283, 287, 295, 297, 298, 301, 309, 317, 319, 323, 336, 339, 413, 555, 557, 569, 571, 573, 575, 693, 695, 697, 699, 701, 703, 737, 739, 741, 743	4460225.... 761, 763, 771	4460539 ... 733, 735, 747, 771, 797, 805, 813
3931408 551	4280295 ... 91, 93, 95, 97, 107, 109, 111, 113	4460226.... 535, 539, 542, 545, 802	4460612 685, 687
3931432 238	4280296 61	4460227..... 89, 771	4460662 ... 671, 673, 675, 677, 679, 681, 683
3931512 ... 258, 274, 294, 308	4360057 ... 569, 571, 573, 575, 853	4460234.... 141, 535, 569, 571, 573, 575	4460702 802
3931618 ... 203, 217, 235, 255, 271, 291, 305, 327, 343	4360070 ... 418, 422, 432, 436, 440, 444, 448, 452	4460247..... 747, 801	4460703 747, 751, 802
3931620 ... 203, 217, 291, 305, 327, 343	4360274 155, 157	4460259.... 527, 767, 771, 801	4460708 772
3931628 ... 258, 274, 294, 308	4360336 ... 403, 405, 409, 411, 413, 417, 421, 425, 429, 431, 435, 440, 443, 447, 452, 853	4460260.... 527, 767, 771, 801	4460722 317
3931648 330, 346	4360387 ... 149, 153, 155, 157, 535, 569, 571, 573, 575, 853	4460265..... 539, 542	4460742 765
3932030 25	4360407 535, 853	4460267..... 771	4460743 765
3932032 25	4360469 ... 147, 149, 151, 153, 155, 157	4460268..... 761, 763	4460748 801
3932072 25	4360475 ... 137, 139, 141, 143, 535, 853	4460294..... 429	4460761 771
3960389 183, 185	4360517 89	4460312..... 745	4460806 673, 677
3960407 206, 220	4360542 ... 403, 405, 409, 414	4460313.... 745, 751, 805	4460807 761, 763
3960422 ... 417, 421, 431, 435, 440, 443, 447, 661, 685, 687	4400275 59	4460320..... 89	4460808 761, 763
3960464 183, 185	4420014 567	4460346.... 417, 421, 431, 435, 440, 443, 447, 661	4460836 ... 807, 809, 811
3960469 ... 203, 217, 291, 305, 327, 343	4420037 555, 557, 559	4460384..... 683	4460837 807, 809, 811
3960526 23	4420038 . 91, 93, 97, 107, 109, 113	4460418..... 767, 771	4460865 ... 727, 729, 731
3980007 ... 209, 213, 264, 267, 297, 301, 336, 339	4420051 63, 817, 819, 821, 823, 825, 827, 829, 831, 833, 835	4460419..... 767, 771	4460866 727, 771, 801
4010303 489, 491	4420060 411	4460424..... 802	4460871 ... 767, 771, 801, 802, 805, 813
4010308 391, 393	4420062 563, 565	4460425.... 418, 422, 432, 436, 440, 444, 448, 452, 569, 571, 573, 575, 685, 687	4460872 805
4010405 689, 691	4420066 567	4460426.... 418, 422, 432, 436, 440, 444, 448, 452	4460873 771, 801
4010510 187, 189, 191		4460428..... 535	4460874 771, 802
4010618 ... 501, 505, 509, 515, 519, 525		4460434..... 771	4460875 805
4031505 549		4460458.... 747, 765, 801	4460876 767, 771
4031516 553		4460464.... 189, 191, 527, 545, 725, 727, 733, 735, 759, 769, 771, 791, 793, 795, 797, 801, 802, 805, 813	4460878 801
4031608 411		4460465.... 187, 418, 527, 727, 729, 731, 733, 735, 737, 745, 747, 751, 755, 761, 763, 765, 769, 771, 791, 795, 797, 799, 801, 802, 805, 807, 809, 811, 813	4460879 527, 771
4031711 330, 346			4460884 ... 527, 747, 791, 802, 805
4031908 238			4460887 527, 771, 801
4031912 238			4460891 ... 187, 751, 769, 795, 802, 805, 807, 809, 811, 813
4031914 ... 258, 274, 294, 308			4460892 733
4032014 ... 258, 274, 294, 308, 464, 468			4460894 ... 733, 737, 745, 747, 751, 755, 771, 799, 801, 809
4032015 ... 417, 425, 440, 452			4460897 189, 191, 801
4032020 464, 468			4460899 ... 733, 735, 787, 791, 793, 797, 802, 805
4060802 ... 403, 405, 409, 411, 413, 417, 421, 425, 429, 431, 435, 440, 443, 447, 452			4460905 ... 767, 771, 801, 802, 805

SECTION 11 - SPECIAL OPTIONS/ACCESSORIES/KITS

4460906.....759	4711000 ... 418, 422, 432,	301, 305, 308, 319,	213, 227, 231, 238,
4460910.....785	436, 440, 444, 448,	323, 327, 330, 335,	247, 251, 263, 267,
4460911.....787, 805	452, 739, 743	339, 343, 346, 351,	283, 287, 297, 301,
4460925.....771	4711400 ... 195, 227, 231,	403, 405, 409, 411,	319, 323, 335, 339, 389
4460926.....807, 811	239, 497, 501, 505,	413, 417, 421, 425,	4812100....87, 91, 93, 95,
4460928.....795, 811	509, 513, 515, 519,	429, 431, 435, 440,	97, 99, 101, 103, 105,
4460930....745, 747, 751,	523, 525, 551, 553,	443, 447, 452, 456,	107, 109, 111, 113,
809	665, 669, 673, 677,	460, 501, 505, 509,	160, 161, 164, 165,
4460931.....802	681, 683	515, 519, 525, 624,	172, 173, 176, 199,
4460932....527, 725, 748,	4711500 ... 238, 258, 274,	661, 663, 667, 671,	201, 209, 213, 227,
757, 769, 802	294, 308, 637, 643	675, 679, 689, 691,	231, 238, 247, 251,
4460933....771, 772, 795,	4711600 ... 91, 93, 95, 97,	705, 707, 709, 711,	258, 263, 267, 274,
801, 807	99, 101, 103, 105, 107,	713, 715, 737, 739,	283, 287, 298, 301,
4460941.....757, 787	109, 111, 113, 160,	741, 743, 817, 819,	351, 391, 393, 409,
4460942....549, 747, 751	172, 258, 274, 406,	821, 823, 825, 827,	493, 693, 695, 697,
4460943....745, 751, 771,	429, 536, 577, 579,	829, 831, 833, 835	699, 701, 703, 705,
787	581, 583, 585	4811702 ... 167, 169, 203,	707, 709, 711, 713, 715
4460944....745, 747, 751,	4711700 413	217, 235, 238, 255,	4812200....238, 258, 274,
771	4711800 511, 521	258, 271, 274, 291,	385, 387
4460945.....748	4712000 ... 567, 577, 579,	305, 327, 343, 351,	4812300 23, 25, 206, 220,
4460956.....719, 721	581, 583, 585	395, 397, 399, 401,	294, 308
4460957.....719, 721	4712200 567	531, 533	4812500....161, 165, 172,
4460958.....687	4740036 63	4811900 ... 179, 181, 185,	173, 176
4460959.....701, 713	4740155 21	206, 220, 238, 258,	4844817.....471
4460960....701, 703, 713	4740158 17	274, 294, 308, 319,	4845582.....563, 565
4460962.....557	4740362 531, 533	323, 330, 335, 339,	4846295.....63
4460963....436, 440, 444,	4740393 23, 25, 53	346, 351, 381, 385,	4846296.....63
448	4740397 ... 137, 139, 141,	387, 403, 405, 411,	4846627....555, 557, 559
4460967....418, 765, 802	143, 319, 323, 335,	413, 417, 421, 431,	4846673.....573, 575
4460968....411, 663, 665,	339, 533, 535	435, 440, 443, 447,	4871700....403, 411, 417,
667, 669	4751000 ... 63, 91, 93, 95,	452, 477, 479, 481,	421, 425, 431, 435,
4460970.....771	97, 99, 101, 103, 105,	483, 489, 491, 493,	440, 443, 447, 452
4461005.....745	107, 109, 111, 113,	693, 695, 697, 699,	4891500.....409
4461006.....745	403, 405, 409, 413,	701, 703, 705, 707,	4891600.....493
4461008....745, 748, 752	555, 557, 559	709, 711, 713, 715,	4892000.....83
4461052.....745	4751400 ... 167, 169, 179,	717, 737, 739, 743	4892600001.....493
4461053.....745	181, 529, 535, 555,	4811902 ... 119, 121, 123,	4922641....403, 405, 409,
4461054....745, 748, 757	557, 559, 569, 571,	125, 167, 169, 172,	411, 418, 422, 426,
4461060.....745	573, 575, 717	239, 295, 309, 330,	440, 444, 448, 452
4461070....745, 751, 795	4751500 63, 405, 413,	346, 351, 403, 411	4922925....429, 435, 440,
4461071.....747, 751	563, 565, 569, 571,	4812000 ... 67, 69, 91, 93,	444, 447, 452, 763
4461073.....745, 751	573, 575	95, 97, 99, 101, 103,	4933218.....569, 573
4461077.....787, 793	4751600 ... 239, 259, 276,	105, 107, 109, 111,	5201012.....53
4461095....745, 751, 795	531, 533, 555, 557, 559	113, 160, 164, 167,	5240800.....59, 379
4461196.....775	4751800 ... 511, 521, 569,	169, 172, 176, 179,	5241000.....25, 160, 164,
4461198.....665, 775	571, 573, 575	181, 183, 199, 201,	179, 181, 203, 207,
4461199.....777	4760600 661	206, 209, 213, 220,	217, 221, 235, 255,
4461201.....669, 777	4761400 529	227, 231, 238, 247,	271, 291, 295, 305,
4461205.....779, 781	4811400 ... 391, 393, 527,	251, 258, 263, 267,	309, 327, 330, 343,
4461244.....673, 779	663, 665, 667, 669,	274, 283, 287, 294,	346, 377, 417, 421,
4461245.....677, 781	671, 673, 675, 677,	297, 301, 308, 319,	425, 431, 435, 440,
4461246.....681, 783	679, 681, 683, 737, 741	323, 330, 335, 339,	443, 447, 452, 464,
4461249.....783	4811600 ... 187, 189, 191,	346, 351, 363, 365,	468, 477, 479
4520256.....45	227, 231, 247, 251,	367, 373, 375, 377,	5241200 17, 23, 203, 206,
4520288.....41	263, 267, 283, 287,	379, 381, 383, 403,	217, 220, 235, 238,
4530028....555, 557, 561	297, 301, 367, 411	405, 409, 411, 413,	255, 258, 271, 274,
4568133.....63	4811602 ... 417, 421, 431,	456, 460, 464, 468,	291, 294, 305, 308,
4640261.....63	435, 440, 443, 447, 452	481, 483, 493, 693,	327, 330, 343, 346,
4640464.....733, 735	4811700 ... 119, 121, 123,	695, 697, 699, 701,	373, 375, 377, 379,
4640509....599, 601, 603	125, 129, 131, 133,	703, 705, 707, 709,	381, 383, 385, 387,
4640751.....238	135, 179, 181, 189,	711, 713, 715, 737,	405, 413, 417, 421,
4640858.....589	191, 195, 199, 201,	739, 741, 743	425, 429, 431, 435,
4640932.....593	203, 206, 209, 213,	4812002 ... 91, 93, 95, 97,	440, 443, 447, 452, 493
4640999.....591, 593	217, 220, 227, 231,	99, 101, 103, 105, 107,	5241400....206, 220, 294,
4641122.....41, 43, 45	235, 247, 251, 255,	109, 111, 113, 160,	308, 373, 375, 377,
	263, 267, 271, 283,	164, 167, 169, 172,	379, 381, 383, 417,
	287, 291, 294, 297,	176, 199, 201, 209,	425, 440, 452

SECTION 11 - SPECIAL OPTIONS/ACCESSORIES/KITS

5241600 19, 21, 77	70001119 31	70002460..436, 439, 444, 447, 451	70004051 71, 72
5242000 77	70001126 223	7000247 80	70004052 71, 72, 485, 487
5250605 351	70001384 .436, 439, 443, 448, 451	7000248 80	70004053 485, 487
5250608 183, 739, 743	70001423 223	7000253 80	70004055 72
5250808 183, 185	70001435 223	7000255 80	70004056 224
5250810 61, 167, 169, 258, 274, 294, 308, 481, 483	70001498 224	7000257 80	70004058 224
5250812 ... 160, 164, 489, 491	70001655 312, 314	7000263 80	70004059 224
5251008 489, 491, 493	70001696 .. 439, 447, 451	70002718...223, 279, 311	70004060 224
525100967, 69, 119, 121, 123, 125	70001697 473, 475	70002745 605	70004064 363, 365
5251012 . 23, 25, 99, 101, 103, 105, 199, 201, 209, 213, 227, 231, 247, 251, 263, 267, 283, 287, 295, 297, 301, 309, 418, 422, 426, 440, 444, 452	70001847 223	70002755 605	70004065 363, 365
5251014 ... 129, 131, 133, 135, 160, 164, 172, 176	70001850 223	70002756 605	70004066 .. 363, 365, 852
5251016 17, 493	70001866 224	70002758 72	70004067 363, 365
5260600 ... 183, 351, 739, 743	70001868 224	70002759 72	70004068 363, 365
5260800 183, 185	70001870 .. 223, 280, 311	7000281 32	70004069 363, 365
5261000 ... 129, 131, 133, 135, 739, 743	70001871 223	70002814 115	70004070 363, 365
5272010 330, 346	70001872 224	70002838 115, 117	70004092 . 417, 421, 425, 429, 432, 436, 444
5281918 ... 693, 695, 697, 699, 701, 703, 705, 707, 709, 711, 713, 715	70001953 .. 439, 448, 451	70002839 115, 117	70004094 436, 444
70000123 411	70001966 . 417, 421, 425, 429, 431, 436, 439, 444, 447, 448, 451	70002842 589	70004098 . 418, 422, 432, 436, 444
70000342 473, 475	70001973 .436, 439, 444, 448, 451	70002902 545	70004099 . 421, 429, 432, 436, 444
70000345 224, 313	70001974 .436, 439, 444, 448, 451	70002903 545	70004103 224
700004508 279	70002020 35	70002904 545	70004155 607
70000619 .435, 439, 443, 447, 451	70002026 35	70002905 545	70004169 .. 439, 448, 451
70000699 595, 597	70002027 35	70002962 39	70004171 . 417, 425, 439, 448, 451
70000781 39	70002054 35	70003003 223	70004186 . 599, 601, 603, 607
70000782 31	70002057 35	70003019 71, 485, 487	70004199 115, 117
70000793 357	70002059 35	70003027 71, 485, 487	70004201 29
70000794 27	70002063 75	70003085 591	70004202 29
70000795 27	70002066 80	70003136 223	70004203 29
70000851 224	70002088 .. 439, 448, 451	70003456 223	70004204 29
70000852 29	70002112 115, 117	70003457 223	70004205 29
70000853 29	70002133 29	70003468 223	70004237 593
70000854 29	70002134 361	70003469 223	70004268 223
70000857 29	70002146 361	70003470 223	70004269 223
70000858 29	70002147 361	70003472 223	70004270 224
70000861 29	70002148 361	70003473 223	70004271 224
70000862 29	70002149 361	70003475 223	70004272 224
70000863 .436, 439, 443, 448, 451	70002150 361	70003478 223	70004273 224
70000912 223	70002151 361	70003628 29	70004276 313
70000913 223	70002153 361	70003631 ..436, 439, 444, 447, 451	70004277 244, 313
70000914 223	70002154 361	70003708 .417, 421, 425, 429, 431, 436, 439, 444, 448, 451	70004280 311
70000915 223	70002156 361	70003709 ..417, 421, 425, 429, 431, 436, 439, 444, 448, 451	70004281 279
70000916 223	70002157 361	70003783 ..207, 221, 259, 275, 852	70004282 279, 312
70000917 223	7000216 31	70003784 535	70004353 35
70000918 223	7000217 80	70003784 535	70004355 35
70000919 223	70002176 29, 360	70003926 607	70004356 35
70001002 223	70002201 35	70003928 607	70004361 35
70001100 .436, 439, 443, 448, 451	70002209 39	70003929 607	70004363 35
70001103 . 107, 109, 111, 113	70002234 224	70003930 607	70004365 35
	7000228 80	70003932 224	70004367 35
	7000229 80	70003975 39	70004369 35
	70002291 436, 444	70003982 607	70004370 35
	70002297 .436, 439, 444, 448, 451	70003998 119, 123	70004371 35
	7000230 80	70004037 80	70004414 .. 91, 93, 95, 97
	7000230 80	70004039 80	70004447 35
	70002335 591	70004040 80	70004501 312
	70002366 591	70004041 80	70004504 314
	70002381 591	70004042 80	70004505 311
	70002386 75, 852	70004043 80	70004506 311
	70002390 39	70004044 80	70004507 311
	70002410 593	70004045 80	70004508 243, 311
	7000246 80	70004047 81	70004509 311

SECTION 11 - SPECIAL OPTIONS/ACCESSORIES/KITS

70004510.....	311	70004766.....	541	70005572.....	595	70006135.....	351
70004513.....	312	70004767.....	541	70005575.....	595, 597	70006136.....	351
70004577.....	39	70004768.....	541	70005595.....	607	70006144... 243, 279, 312	
70004584.....	71	70004769.....	541	70005627.....	485, 487	70006145.....	353
70004594.....	71	70004770.....	541	70005647.....	313	70006147.....	353
70004595.....	72, 852	70004771.....	541	70005648.....	243, 313	70006150.....	353
70004596.....	72	70004772.....	541	70005668.....	39	70006151.....	353
70004597.....	72	70004773.....	541	70005669.....	39	70006152.....	353
70004598.....	72	70004774.....	542	70005671.....	473	70006153.....	353
70004602.....	71	70004775.....	542	70005682.....	481, 483	70006154.....	353
70004607.....	71	70004795.....	115, 117	70005683.....	477, 479	70006155.....	353, 852
70004613.....	487	70004867.....	595, 597	70005684.....	477, 479	70006157.....	353
70004617.....	72	70004883.....	75	70005693.....	591	70006158.....	353
70004653.....	71, 72, 485, 487, 852	70004884.....	75	70005694.....	591	70006159.....	353
70004656.....	71	70004888.....	39	70005695.....	591	70006160.....	353
70004657.....	71	70005008 ..	239, 295, 309, 331, 347, 852	70005696.....	591	70006161.....	353
70004659.....	71	70005171.....	279, 311	70005697.....	591	70006162.....	353
70004660.....	71	70005172.....	280, 311	70005708.....	115, 852	70006163.....	353
70004661.....	71	70005173.....	279, 311	70005710.....	89	70006164.....	353
70004662.....	71	70005176.....	312	70005711.....	89	70006165.....	353
70004668.....	71	70005177.....	279, 312	70005712.....	89	70006166.....	353
70004676..	417, 421, 425, 429, 432	70005178.....	312	70005713.....	89	70006167.....	353
70004677.....	425	70005179.....	312, 314	70005716.....	89	70006168.....	353
70004678..	418, 422, 425, 429, 432	70005182.....	279	70005839.....	607	70006169.....	353
70004679..	418, 422, 425, 429, 432	70005183.....	279	70005920.....	311	70006170.....	353
70004680..	418, 422, 425, 429, 432	70005184 ..	243, 279, 312	70005921.....	311	70006171.....	353
70004681.....	425, 429	70005184 ..	243, 279, 312	70005926.....	312	70006172.....	353
70004682..	418, 422, 425, 429, 432	70005191.....	314	70005928.....	312	70006173.....	353
70004683.....	425, 429	70005200.....	487	70005929.....	312	70006174.....	353
70004684.....	418	70005203.....	80	70005931 ..	243, 279, 312	70006175.....	353, 852
70004685..	418, 422, 432	70005298.....	35	70005933.....	314	70006176.....	353, 853
70004686.....	429	70005299.....	35	70005934.....	314	70006177.....	353
70004687.....	422, 432	70005300.....	35	70005935.....	314	70006178.....	353
70004738.....	539	70005301.....	35	70005936.....	314	70006179.....	353
70004739.....	539	70005302.....	35	70005938.....	311	70006180.....	353
70004740.....	539	70005303.....	35	70005941 ..	243, 280, 311	70006181.....	353
70004741.....	539	70005304.....	35	70005942 ..	243, 279, 311	70006182.....	353
70004742.....	539	70005305.....	35	70005947.....	72	70006183.....	353
70004743.....	539	70005306.....	35	70005951.....	485, 487	70006184.....	353
70004744.....	539	70005307.....	35	70005952 ...	71, 485, 487	70006185.....	353
70004745.....	539	70005308.....	35	70006004 ..	595, 597, 852	70006186.....	353
70004746.....	539	70005309.....	35	70006093.....	436, 444	70006187.....	353
70004747.....	539	70005311.....	35	70006094.....	436, 444	70006188.....	353
70004748.....	539	70005312.....	35	70006095.....	436, 444	70006189.....	353
70004749.....	539	70005313.....	35	70006096.....	436, 444	70006191.....	353
70004750.....	539	70005314.....	35	70006097.....	436, 444	70006194.....	353
70004751.....	539	70005315.....	35	70006106.....	605	70006195.....	353
70004752.....	541	70005316.....	35	70006107.....	605	70006196.....	354
70004753.....	541	70005317.....	35	70006108.....	605	70006197.....	354
70004754.....	541	70005318.....	35	70006109.....	71	70006198.....	354
70004755.....	541	70005319.....	35	70006111.....	71	70006199.....	354
70004756.....	541	70005320.....	36	70006112.....	71	70006200.....	354
70004757.....	541	70005321.....	36	70006113.....	71	70006202.....	354
70004758.....	541	70005335 ..	481, 483, 852	70006114.....	71	70006203.....	354
70004759.....	541	70005466.....	360	70006115.....	71	70006205.....	354
70004760.....	541	70005467.....	360	70006116 ...	71, 485, 487	70006206.....	354
70004761.....	541	70005468.....	360	70006117.....	71	70006207.....	354
70004762.....	541	70005469.....	360	70006118.....	72	70006208.....	354
70004763.....	541	70005470.....	360	70006119.....	72	70006213.....	354, 852
70004764.....	541	70005471.....	361	70006120.....	72	70006215.....	354
70004765.....	541	70005472.....	361	70006121.....	485, 487	70006217.....	354
		70005474.....	361	70006122 ..	485, 487, 852	70006219.....	354
		70005475.....	361	70006123.....	485, 487	70006221.....	354
		70005476.....	361	70006124.....	485, 487	70006225.....	354
		70005479.....	223	70006125.....	485, 487	70006232.....	354
		70005527.....	314	70006126.....	485, 487	70006233.....	353
		70005563.....	595	70006134.....	351	70006235.....	354

SECTION 11 - SPECIAL OPTIONS/ACCESSORIES/KITS

70006236	354	70007345	595, 597	70008313.....	54	70025095.....	313
70006260	595, 597	70007346	595, 597	70008314.....	54	70025098.....	313, 314
70006264	311	70007347	595	70008315.....	54	70025099.....	313
70006265	311	70007354	279, 313	70008316.....	54	70025101.....	312
70006266	311	70007355	314	70008317.....	54	70025104.....	311
70006294	313	70007438	29	70008318.....	54	70025106.....	313
70006304	80, 81	70007507	39	70008319.....	54	70025108.....	314
70006305	81	70007603	243, 279	70008320.....	54	70025109.....	312
70006306	81	70007680	53	70008321.....	54	70025111.....	311
70006307	81	70007681	53	70008322.....	54	70025112.....	312
70006308	81	70007682	53	70008324.....	55	70025113.....	314
70006309	81	70007683	53	70008326.....	54	70025115.....	312
70006310	81	70007684	53, 54	70008327.....	54	70025120.....	314
70006313	81	70007685	53, 54	70008328.....	54	70025121.....	312
70006314 ...	99, 101, 103, 105	70007686	53, 54, 55	70008329.....	54	70025122.....	312
70006356 ..	203, 217, 235, 255, 271, 291, 305, 327, 343	70007687	53, 54, 55	70008330.....	55	70025124.....	312
70006357	72	70007688	53, 54, 55	70008331.....	55	70025125.....	311
70006537	89	70007689	53	70008332.....	55	70025126.....	314
70006538	89	70007690	53	70008333.....	55	70025128.....	314
70006552 ..	418, 421, 425, 429, 431	70007691	53	70008334.....	55	70025129.....	312
70006553 ..	418, 421, 425, 429, 431	70007692	53	70008335.....	55	70025130.....	243, 312
70006596	593	70007693	53	70008336.....	55	70025134.....	313
70006649 ..	599, 601, 603	70007694	53	70008337.....	55	70025135.....	279, 311
70006650 ..	599, 601, 603	70007695	53	70008338.....	55, 56	70025137.....	311
70006652 ..	243, 279, 313	70007696	53, 55	70008339.....	55	70025139.....	311
70006653	313	70007697	53	70008341.....	54	70025140.....	311
70006731	607	70007698	53, 55	70008396.....	127	70025142.....	243, 312
70006734 ..	599, 601, 603	70007699	53	70008397.....	127	70025144.....	312
70006735 ..	599, 601, 603	70007700	53	70008398.....	127	70025145.....	311
70006736 ..	599, 601, 603	70007701	53	70008399.....	127	70025146.....	311
7000695	223	70007702	53	70008400.....	127	70025147.....	312
70006978	607	70007725	117	70008401.....	127	70025148.....	312
70006979	607	70007726	117	70008402.....	127	70025151.....	312
70006980	607	70007727	117	70010383.....	67, 69, 852	70025152.....	311
70006981	607	70007838	595	7001909.....	80	70025153.....	243
70006982	607	70007964	53	7001911.....	80	70025154.....	311
70006983	607	70008132	597	7001912.....	80	70025155.....	313
70007086	313	70008133	597	7001913.....	31	70025158.....	312
70007087	313	70008134	597	7001931.....	80	70025160.....	243
70007088	313	70008159	55	7001985.....	80	70025161.....	243
70007089	313	70008276	55	70022564.....	593	70025162.....	311
70007108	354	70008277	54, 55	70023370.....	603	70025164.....	279, 313
70007157	593	70008278	54, 56	70023371.....	603	70025165.....	313
70007159	593	70008279	53	70023859.....	71	70025166.....	314
70007161	593	70008282	54, 55	70023860.....	71, 487	70025179.....	313
70007168	593	70008283	55	70023862.....	485, 487	70025181.....	243, 311
70007169	593	70008284	55	70024441.....	117	70025182.....	312
70007251	593	70008285	55	70024457.....	71	70025183.....	312
70007276	55	70008286	55	70024494.....	280, 311	70025184.....	312
70007323 ..	595, 597, 852	70008287	55	70024502.....	312	70025185.....	312
70007325	279, 312	70008288	55	70024504.....	243, 279	70025192.....	314
70007326	279, 313	70008297	54	70024507...243, 279, 314		70025200.....	279, 312
70007327	313	70008298	54	70024509.....	313	70025205.....	311
70007331	314	70008299	54	70024513...243, 279, 312		70025210..	279, 312, 853
70007334	595, 597	70008300	54	70024517.....	311	70025212.....	314
70007336	597	70008301	54, 55	70024904.....	280, 311	70025214.....	314
70007337	597	70008302	54	70024905.....	279, 311	70025215.....	313
70007338	597	70008303	54	70024906.....	279, 311	70025216.....	313
70007339	597	70008304	54	70024912.....	313	70025217.....	313
70007341	595, 597	70008305	54	70024915.....	279, 313	70025221.....	313
70007342	595, 597	70008306	54	70024917.....	314	70025224.....	313
70007343	595, 597	70008307	54, 56	70024920.....	312, 314	70025225.....	313
		70008308	54	70024922.....	243, 314	70025226.....	313
		70008309	54	70024924.....	243, 311	70025228.....	313
		70008310	54	70024925.....	279, 311	70025229.....	313
		70008311	54	70024961...243, 279, 312		70025231.....	279, 313
		70008312	54	70025084.....	223	70025233.....	313

SECTION 11 - SPECIAL OPTIONS/ACCESSORIES/KITS

70025235.....	312	7007423	360	7017159	473, 475	7022371.....	27, 29
70025239.....	279, 312	7007425	360	7017162	473, 475	7022372.....	27
70025240.....	312	7007430	361	7017163	473, 475	7022399.....	39
70025242.....	314	7007431	361	7017164	473, 475	7022524.....	485, 487
70025327.....	313	7007434	361	7017172	473, 475	7022527.....	71
70025477.....	244	7007435	360	7017192	473, 475	7023821.....	72
70025580.....	595	7007437	27	7017195	473, 475	7023910.....	27
70025582.....	595	7007438	27, 360	7017410	75	7023979.....	360
70025613.....	597	7007439	27, 29, 360	7019680 ...	403, 405, 409, 414	7024100.....	81
70025614.....	597	7007441	361	7020043 ...	91, 93, 95, 97, 107, 109, 111, 113	7024124.....	31
70025660.....	311	7007442	360	7020108 ...	403, 405, 409, 411, 413	7024125.....	31
70025676.....	313	7007443	360	7020109 ...	403, 405, 409, 411, 413	7024127.....	31
70025696.....	313	7007444	361	7020110 ...	403, 405, 409, 411, 413	7024129.....	31
70025733.....	313	7007446	27, 29, 360	7020111 ...	403, 405, 409, 411, 413	7024134.....	32
70025788.....	314	7007448	360	7020175 ...	137, 139, 141, 143, 535	7024441.....	115
70026164.....	595	7007448	361	7020176 ...	137, 139, 141, 143, 535	7024462.....	561
70026179.....	597	7007450	361	7020190 ...	403, 405, 409, 411, 413	7024463.....	561
70026210...243, 279, 314		7007453	361	7020403	223	7024467.....	561
70026444.....	39	7007455	360	7020408	223	7024469.....	561
70026973.....	595	7007457	360	7020431	223	7024470.....	561
70027415.....	311	7007459	360	7020460	223	7024471.....	561
70027428.....	313	7007463	360	7020465 ...	223, 243, 280, 311	7024472.....	561
70027440.....	313	7007464	360	7020468	223	7024473.....	561
70027446.....	313	7007465	360	7020471	224	7024474.....	561
70028185.....	311	7007476	361	7020479	224	7024475.....	561
70028186.....	312	7007477	361	7020487	223	7024478.....	561
7002821.....	860	7007484	360	7020492	312	7024485.....	439, 447, 451
7002822.....	860	7007485	361	7021200	360	7024488....	435, 439, 443, 447, 451
7002823.....	860	7007487	361	7021201	361	7024502.....	595, 597
7002826.....	860	7007488	361	7021202	360	7024503.....	595, 597
7002840.....	860	7007633	80	7021203	361	7024579....	223, 280, 311
70028538.....	312, 314	7010116	360	7021206	361	7024598.....	391, 393
70028540.....	279, 314	7010117	361	7021207	360	7024704.....	80
70028699.....	313	7010119	361	7021210	360	7024721.....	32
70029015.....	313	7010121	360	7021212	360	7024722.....	31
70029250.....	314	7010474	80	7021214	360	7024723.....	32
70029393.....	312	7010492	80	7021219	360	7024724.....	31
70029402.....	313	7010543	75	7021220	360	7024725.....	31
70029403.....	313	7011112	591, 593	7021221	361	7024726.....	31
70029404.....	313	70123584	243	7021222	361	7024727.....	31
70029415.....	314	70124507	243	7021223	361	7024728.....	31
70029433.....	314	7012513 ...	403, 405, 409, 411, 413	7021232	361	7024729.....	31
70029451.....	279, 312	7012514 ...	403, 405, 409, 411, 413	7021233	360	7024730.....	31
70029512.....	243	7012558 ...	403, 405, 409, 413	7021249	27, 29	7024731.....	31
70029517.....	314	7012941	75	7021256	360, 361	7024732.....	31
70029557.....	313	7012967	75	7021275	27, 29	7024733.....	31
70029797.....	312	7012998	39	7021625	39	7024734.....	31
70030360.....	279	7016319	187	7022162	353	7024735.....	31
70030381.....	279	7016328	223, 852	7022301	361	7024737.....	32
70031095.....	280	7016331 ...	223, 243, 280, 311, 852	7022302	27	7024738.....	31
70031136.....	279	7016372	187	7022311	27, 29	7024739.....	31
70031145.....	279	7016652	860	7022313	27	7024740.....	31
7004275.....	860	7016654	860	7022314	27, 29	7024741.....	31
7004276.....	860	7016655	860	7022321	29	7024742.....	31
70050795.....	607	7017022	32	7022326	27	7024743.....	31, 80
7005889.....	81	7017023	80	7022328	27	7024744.....	31, 32
7005891.....	81	7017027	31	7022368	27, 29	7024763.....	80
7007207.....	360	7017027	31			7024764.....	32
7007208.....	360	7017070	80			7024765.....	32
7007412.....	361	7017072	31, 80			7024766.....	32
7007413.....	360	7017080	80			7024784.....	81
7007415.....	360	7017082	81			7024851.....	361
7007417.....	360	7017085	80			7024862.....	27
7007418.....	360	7017093	31				
7007419.....	29, 360	7017095	31				
7007420.....	29, 360, 361	7017142	473, 475				
7007422.....	361						

SECTION 11 - SPECIAL OPTIONS/ACCESSORIES/KITS

7024865	27	7027778	561	8220089.....	801	8405204	259, 275
7024867	27, 29	7027779	561	8220097.....	801	8406003	489, 491
7024868	29	7027780	561	8220098.....	801	8406109 ...	238, 259, 275,
7024871	27	7027790	224	8220115.....	751	294, 308, 330, 346	
7024874	360	7027791	224	8220164.....	745, 747	8406110	189, 191, 739
7024875	360	7027792	224	8229242.....	748, 751, 801,	8406201 ...	259, 275, 331,
7024877	361	7027795	223, 853	852		347	
7024881	39	7027796	224	8229244.....	801, 852	8410009	331, 347
7026188 ...	439, 448, 451	7027799 ...	436, 439, 444,	8229245.....	759, 852	8410011 ...	238, 294, 308,
7026199 ...	405, 409, 413	447, 451		8229249.....	527	330, 346	
7026597 ...	436, 439, 444,	7027887 ...	403, 405, 409,	8310129.....	567	8410013	238
448, 451		411, 414		8310614.....	21	8420231	331, 347
7026626 ...	436, 439, 444,	7274000040.....	418, 422,	83304173.....	115, 117	85941018.	319, 323, 335,
448, 451		426, 440, 444, 452		8405006.....	227, 231, 330,	339	
7026631	223	7300435 ...	206, 220, 294,	346		88261024.....	637, 643
7027236	223	308		8405007.....	238, 258, 274,	88411013	717
7027276	224	77133137 .	693, 695, 697,	294, 308		88521214.	577, 579, 581,
7027404	354	699, 701, 703, 705,		8405009.....	238, 258, 274,	583, 585	
7027419	27	707, 709, 711, 713, 715		294, 308, 331, 347		8896941	860
7027740	27, 29	77363233	761, 763	8405102.....	330, 346	91203039	493
7027773	561	80434249	71, 852	8405104 ...	238, 258, 274,	91401281	119, 121
7027774	561	80484084	747, 751	294, 308, 330, 346		91403230.	817, 819, 821,
7027775	561	80633030 ..	630, 636, 642	8405202.....	206, 220, 258,	823, 825, 827, 829,	
7027776	561	80983191 ..	748, 751, 852	274		831, 833, 835	
7027777	561	8220045	745, 759, 802	8405203.....	330, 346		



**Corporate Office
JLG Industries, Inc.
1 JLG Drive
McConnellsburg, PA 17233-9533 USA
☎ (717) 485-5161 (Corporate)
☎ (877) 554-5438 (Customer Support)
📠 (717) 485-6417**

**Visit our website for JLG Worldwide Locations.
www.jlg.com**



OSHKOSH™